

Link-Belt
EXCAVATORS • FORESTRY
DEMOLITION • MATERIAL HANDLING

80X₃

SPECIFICATIONS

SAE Net Horsepower: 54 HP (40 kW)

Operating Weight: 18,900 lbs. (8 590 kg)

Digging Depth: 13 ft. 9 in. (4.18 m)



Cab

The Link-Belt X3 cab is the strongest and roomiest LBX has ever offered. The X3 cab is ROPS and FOPS Level 1 certified and is designed to be strong and safe without sacrificing operator comfort. These improvements leave plenty of room to rest work boots on the two foot rests on either side of the travel pedals.

Roomy

- 8% larger than X2 series cab
- 6% more floor space

Strong

- ROPS and FOPS Level 1 certified

Comfortable

- Fully-adjustable KAB seat in the 145 X3 and 235 X3, forward/backward, up/down
- Seat slides independently of console
- Adjustable arm rest angles, lumbar support, suspension

Optimum Visibility

- Sunroof with sunshade rated FOPS level 1
- Additional mirrors
- Standard rearview camera
- Wiper blade stores off front glass

Ergonomic Joysticks

- Low-effort
- Pre-wired for auxiliary hydraulics
- Function buttons for wiper swipe, horn, radio mute and one-touch idle
- Large, easy-to-push triggers

Quiet

- Pressurized cab
- 8% stronger climate control system with 8 vents
- Auxiliary sound jack to enjoy music or podcasts

Organized

- Logically located switches and controls
- Accessible 12V outlet for cell phone charging
- Cup holder
- Handy phone storage areas
- Removable ashtray; empty space can be used as an additional cup holder



High-Definition 7" LED Monitor

The Link-Belt X3's from LBX are equipped with an all new High-Definition LED monitor. The full-color 7-inch monitor is one of the largest in the industry and rivals the resolution and quality found in luxury automobiles.

The X3's user-friendly monitor panel includes an engine-idle shutdown option that safely shuts off the engine after 3 minutes of idling, conserving fuel. Another idle feature accessible from the monitor panel is the auto-idle feature that, when selected, takes the engine speed down to an idle level, conserving fuel while waiting for that next truck to show up.



145 X3 and 235 X3 Models

The 145 X3 and 235 X3 models use a "passive" regeneration process and the monitor clearly lets the operator know what is going on and if they need to do anything with the machine. The on-screen DPD gauge shows the level of particulate matter that the DPF is capturing and will clean it out every 8 hours by way of an Auto Regeneration. During the Auto Regeneration process, the operator does NOT have to do anything with the machine other than keep working. During a parked, or Manual Regeneration, the monitor will give the operator the appropriate instructions on what to do with the machine, making it as simple as possible.

In-Cab Control

- Select and set up attachments
- Track or monitor up to 13 service interval reminders
- Engine idle shutdown, which, when selected, safely shuts off the engine after 3 minutes of idling to conserve fuel
- Adjust hydraulic flow
- 18 languages available

Monitor

- Fuel consumption gauge
- Full color display of standard rear view camera AND optional side-view camera on the same screen
- Monitor engine coolant and hydraulic oil temperatures
- Displays fuel level, travel mode, work mode and attachment mode
- System/Machine warning messages
- Work tool settings

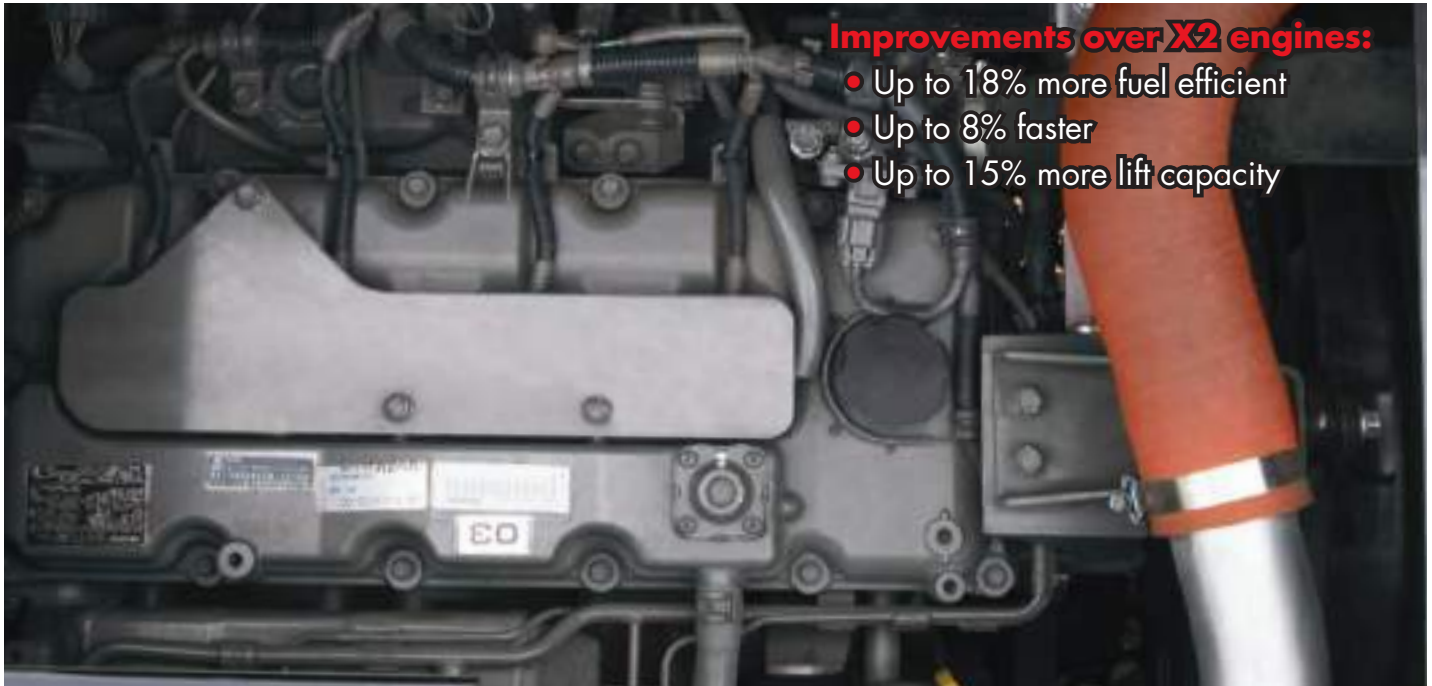


A standard rear-view camera displays a panoramic view of the worksite from the rear of the machine, an optional side-view camera is available.



From the Computer Menu, you can change the monitor language, program service reminders and change auxiliary settings for flow to name a few.

Engine



Improvements over X2 engines:

- Up to 18% more fuel efficient
- Up to 8% faster
- Up to 15% more lift capacity

The fuel-efficient, powerful, productive, quiet and long-lasting Isuzu engine LBX uses in the Link-Belt X3 series meets the EPA's Interim Tier 4 (Tier 4a) requirements by way of cooled exhaust gas recirculation (EGR) technology and a diesel particulate diffuser system (DPD) in the 145 X3 and 235 X3. The DPD consists of a diesel oxidation catalyst (DOC) and a diesel particulate filter (DPF) for "passive regeneration" of exhaust emissions. The 75 X3 and 80 X3 are Final Tier 4-certified and are not equipped with a DPF; therefore, they do not require any regeneration.

A new variable geometry turbocharger (VGT), available on the 145 X3 and 235 X3, helps optimize the combustion process and ensures consistent boost pressure during low engine rpm's. This maintains efficient machine performance and helps eliminate harmful nitrous oxides (NOx) from forming.

The X3 has three engine work modes to give the operator full control of the machine for the job at hand:



- **Speed Priority (SP mode)** is the fastest and most productive mode giving the operator peak machine performance to get the job done quickly.
- **Heavy (H mode)** is a perfect combination of fuel efficiency and productivity. It really is the best of both worlds!
- **Applied Power (A mode)** gives the operator 13 different engine rpm settings to choose from to easily fine tune the machine to the specific job at hand. This mode is perfect for heavy lifting, fine grading or leveling work, and pipeline contractors use it to safely set pipe down into the trench.



Intelligent Design

- Quiet
- Long-lasting
- One-touch idle and auto idle functions conserve fuel
- Idle start protects a cold engine from over-revving
- Auto engine warm up feature gradually increases engine speed until normal operating temperature is achieved

Hydraulics

The Link-Belt X3's from LBX are equipped with two Kawasaki variable-displacement axial-piston pumps and one Kawasaki gear pump installed in-line with the engine. This is the most efficient hydraulic pump layout – keeping engine rpm's low while producing plenty of hydraulic muscle.

The X3 uses an open center hydraulic system which refers to the open passage in the control valve that allows the hydraulic oil to return to tank when the control valve is centered. This design gives the machine a much smoother feeling when operating and also eliminates excess pressure throughout the system, which, in turn, helps to conserve fuel.

Powerful & Productive

- Available on the 145 X3 and 235 X3, Auto Power Boost gives 9% more hydraulic pressure (power) for 8 seconds
- More speed through larger hydraulic lines
- Improved oil regeneration circuits

Safe

- Boom and arm holding valves
- Standard hydraulic control pattern change valve to move between ISO and SAE
- Optional "Free Swing" auto-centers the machine over the load and takes out the pendulum effect of large, long loads

Long-lasting

- Continuous filtration of 5000-hour hydraulic oil through a 6 micron, full-flow return filter
- Less wear due to reduced back pressure



Serviceability

Easy to maintain

- Ground level access to:
 - ✓ Batteries
 - ✓ Dual fuel filters with water separators
 - ✓ Engine oil filter
 - ✓ Dual element air filter
 - ✓ Cab fresh air filter
- Green drain plug and hose
- Easy-open engine hood
- Easy-access in-cab fuse box accessible while seated in cab seat
- Side-by-side oil cooler/radiator design is easy to clean
- Quick and easy access to grease all attachment pivot points
- Grease cylinder track adjusters make adjusting track tension a breeze

Maintenance reminders

- In-cab monitor will track 13 different serviceable items:
 - ✓ 5 reminders for engine items
 - ✓ 5 for hydraulic items
 - ✓ 3 other reminders

Simple

- Flexible and heat-resistant color-coded wiring harnesses
- External fuel site gauge can be viewed from ground-level to see fuel levels
- Lube and maintenance charts posted inside toolbox for readability and protection from the elements

Performance

Improvements and Optimizations

- 15% increased lift capacity over previous series
- 18% better fuel efficiency than previous series
- 8% faster cycle times
- Time will be saved in switching out the attachment tools via the in-cab monitor



Innovation at Work



Durability

LBX built the Link-Belt X3 series to last, and they come with one of the best standard warranties in the industry. We back our machines with a 1-year / 1,800 hour full machine warranty, a 2-year / 3,000 hour engine warranty, and a 3-year / 10,000 hour XtraStructure warranty that even covers the turntable bearing and tub.



EMS (Extended Maintenance System) chrome pins and grease impregnated brass bushings with graphite inserts reduce wear-and-tear and can be found throughout the attachment. This design makes it possible to extend lube intervals to 6 months or 1,000 hours at all pivot points excluding the bucket which is monthly or 250 hours, whichever comes first.

Strong

- All booms and arms are ultrasound tested at the factory
- X-Pattern carbody made with high tensile strength steel
- Turntable bearing tub extends through the carbody and is welded on top and bottom
- Factory standard belly pan guard
- D-channel sideframes provide excellent impact resistance
- Cab is FOPS level 1 and ROPS certified
- Thicker steel plating on the attachment
- Standard HD linkage on 350 X3 and 470 X3 and on all Link-Belt X3 excavators ordered with factory hydraulic packages



X-Pattern carbody



Turntable bearing tub

Options

- Pre-existing mounting bosses make adding additional guarding easy
- Rubber bumper guarding
- Catwalks



D-channel sideframes



Specifications

Engine

Isuzu AP-4LE2X Final Tier 4 turbocharged diesel engine with electronic control (ECM) and high pressure common-rail fuel injection, 4-cylinder, Water-cooled, Cooled Exhaust Gas Recirculation (CEGR), Turbocharger, Intercooler, Diesel Oxidation Catalyst (DOC), Electronic fuel pump and priming, Fuel cooler, Auto-idle start, Auto warm-up, EPF engine protection, Dual-stage fuel filtration, In-cab fuel filter restriction indicator, Remote oil filter, Green plug oil drain, Double element air filter, Spark arrest muffler, Battery disconnect switch.

SAE net horsepower..... 54 hp (40 kW) @ 2,000 rpm
 Displacement..... 133 cu in (2.2 L)
 Maximum Torque.. 142 lbf-ft (193 Nm) @ 1,800 rpm
 Starter 24V-3.2 kW
 Alternator..... 50 amp
 Battery..... (2) 12-volt 64 amp hours

Cab and Controls

ROPS certified cab with climate control A/C and heat with defroster, Control panel with LED Hi-Definition color monitor, Rearview camera display, Fuel-efficiency gauge, Low-effort joysticks pre-wired for auxiliary hydraulics, Control pattern changer, Safety glass windows, Sunroof with sunshade, Shockless cab suspension with four fluid mountings, SCM reclining suspension seat, AM/FM sound system with MP3 auxiliary input jack, Digital clock, Dome light, Seat belt, Coat hook, Cup holder, Storage compartments, Floor mat, Footrests, Ashtray, 24-volt cigarette lighter, 12-volt outlet, Travel alarm, Handrails, Mirrors, Cab light, Side-entry cab filter, Spare parts kit.

Three selectable working modes, Anti-theft password protection system, On-board self-diagnostic system with memory and service interval reminders, Auto-idling system, One-touch decelerator, Auto-idle engine shutdown, Neutral safety start, Gate-lock safety shutoff.

A/C Rating 20,080 BTU/h
 Heater Rating 21,030 BTU/h
 Sound Level - Cab Interior..... 70.0 dB(A)
 Sound Level - Exterior..... 100.0 dB(A)

Swing

Planetary reduction powered by axial-piston motor, Internal ring gear with grease cavity for swing pinion, Swing bearing is single-row, shear type ball bearing, Mechanical disc swing brake, Auto-power swing.

Swing Speed..... 10.4 rpm
 Tail Swing 5' 6" (1.68 m)
 Swing Torque 12,500 lbf-ft (17.0 kNm)

Hydraulic System

Open-center system, Two variable-displacement axial-piston pumps and one gear pump for pilot controls, Main control valve with one 4-spool section and one 5-spool section with auxiliary spool, One-spool valve for blade, Auxiliary Control System, Oil cooler, Boom holding valve, 6 micron return filter, Firewall.

Hydraulic Pumps

Pump Output 2 x 19.6 gpm (74 L/min)
 Pilot Pump Max. Flow 4.8 gpm (18 L/min)
 Blade Pump Max. Flow ... 9.4 gpm (35.4 L/min)

Relief Valve Settings

Boom/Arm/Bucket..... 4,260 psi (29.4 MPa)
 Swing Circuit..... 3,280 psi (22.6 MPa)
 Pilot Pump Working
 Circuit Pressure..... 570 psi (3.9 MPa)
 Blade Pump Working
 Circuit Pressure..... 3,410 psi (23.5 MPa)
 Travel Circuit 4,260 psi (29.4 MPa)

Hydraulic Cylinders

number of cylinders - bore x rod x stroke
 Boom 1 - 4.5" x 2.9" x 33.5"
 (115 mm x 75 mm x 850 mm)
 Arm..... 1 - 3.9" x 2.5" x 29.7"
 (100 mm x 65 mm x 755 mm)
 Boom Swing..... 1 - 3.7" x 2.2" x 26.6"
 (95 mm x 55 mm x 675 mm)
 Bucket 1 - 3.3" x 2.2" x 26.2"
 (85 mm x 55 mm x 665 mm)
 Blade 1 - 4.3" x 2.8" x 7.1"
 (110 mm x 70 mm x 180 mm)

Undercarriage

X Pattern carbody with dozer blade, 6' 2" (1.87 m) track gauge, Sealed and strutted track chain with track guide, Sealed rollers and idlers, Two-speed independent hydrostatic travel with compact planetary final drive, Disc type brakes, Adjustable track tension, Carbody belly pan.

Carrier Rollers 1 per Side
 Track Rollers 5 per Side
 Track Link Pitch 6.06" (154 mm)
 Shoes 39 per Side
 Shoe Width..... 17.7" (450 mm)
 Ground Pressure 5.51 psi (0.38 Bar)

Travel System

Two-speed independent hydrostatic travel with compact axial-piston motors, Hydraulic motor powered output shaft coupled to a planetary reduction drive and track sprocket, All hydraulic components mounted within the width of side frame, Automatic downshift for high torque to overcome obstacles, Spring-applied hydraulic release parking brake built into each motor, Travel motors equipped with counterbalance valve to prevent over-speeding down an incline.
 Travel Speeds... 2.0 - 3.2 mph (3.2 - 5.1 km/h)
 Drawbar Pull 13,400 lbf (59.5 kN)
 Gradeability..... 70% (35°)

Attachment

Boom 11' 6" (3.50 m)
Available Arms (Excavator) Digging Force
 • 5' 7" (1.69 m) 8,880 lbf (39.5 kN)
 • 7' 2" (2.19 m) 7,600 lbf (33.8 kN)
 Bucket Digging Force.... 12,800 lbf (56.9 kN)

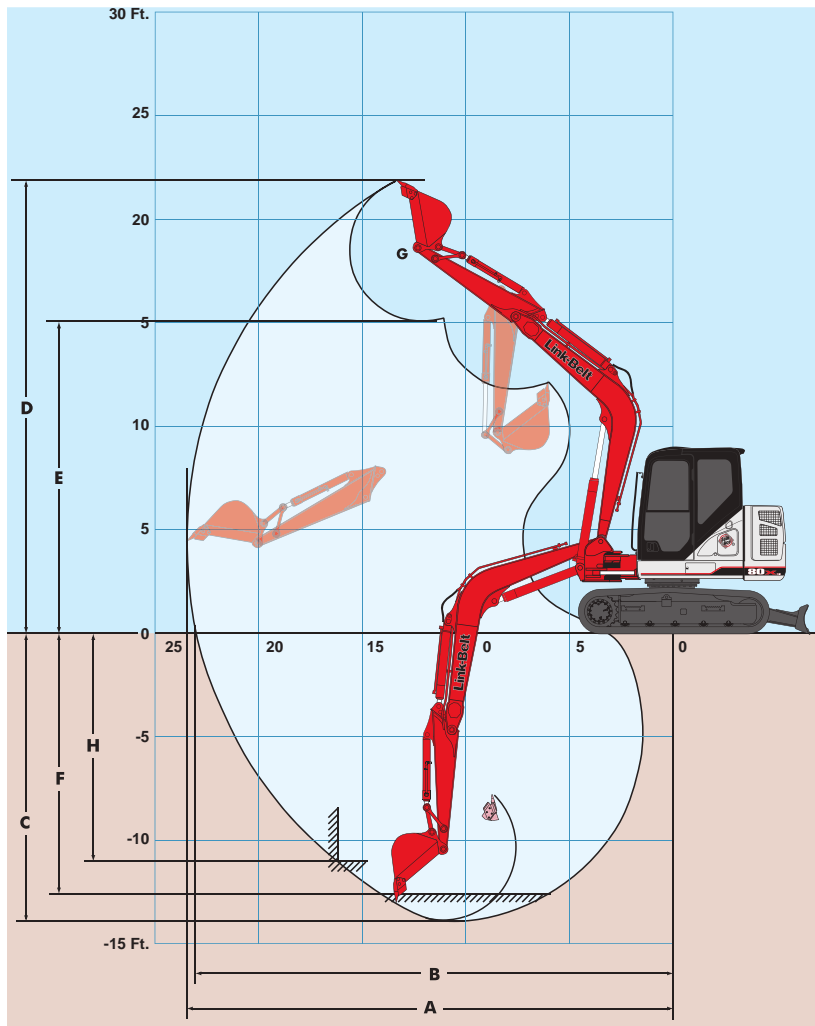
Lubricant and Coolant Capacity

Fuel Tank..... 31.7 Gallons (120.0 Liters)
 Hydraulic System ... 25.4 Gallons (96.3 Liters)
 Hydraulic Tank..... 13.5 Gallons (51.0 Liters)
 Final Drive (per side)... 0.3 Gallons (1.1 Liters)
 Engine Oil..... 3.0 Gallons (11.5 Liters)
 Coolant System..... 3.2 Gallons (12.2 Liters)

Operating Weight

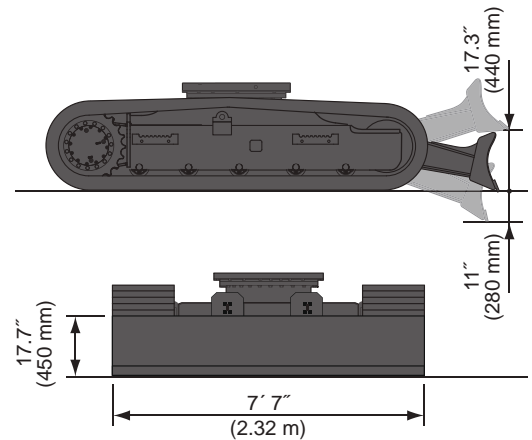
Swing Boom Excavator - Working weight with blade, 17.7" (450 mm) shoes, 11' 6" (3.50 m) boom, 5' 7" (1.69 m) arm, 460 lb. (210 kg) bucket, 2,430 lbs (1 100 kg) counterweight
 18,900 lbs. (8 590 kg)

Working Ranges

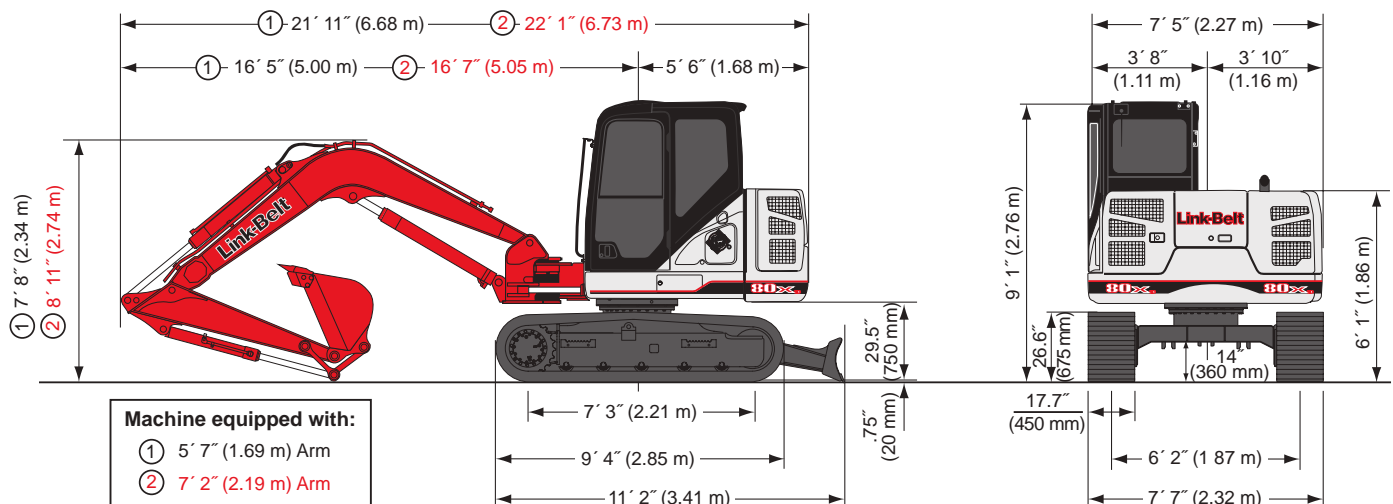


Machine Equipped with 11' 6" (3.50 m) Boom	Arm 5' 7" (1.69 m)	Arm 7' 2" (2.19 m)
A. Maximum reach	23' 3" (7.09 m)	24' 10" (7.56 m)
B. Maximum reach @ ground level	22' 9" (6.94 m)	24' 4" (7.42 m)
C. Maximum dig depth	13' 9" (4.18 m)	15' 4" (4.67 m)
D. Maximum dig height	21' 7" (6.57 m)	22' 7" (6.89 m)
E. Maximum dump height	14' 10" (4.53 m)	15' 11" (4.85 m)
F. Digging depth 8' (2.44 m) level bottom	12' 6" (3.81 m)	14' 4" (4.36 m)
G. Bucket rotation	177°	177°
H. Maximum vertical wall depth	10' 11" (3.35 m)	12' 10" (3.92 m)

Blade Dimensions



Travel Dimensions



Lifting Capacities - ISO Ratings

Radius of Load - Swing Boom with Blade Down 5' 7" (1.69 m) Arm with 11' 6" (3.50 m) Boom and 450 b. (210 kg) Bucket with Power-Boost Applied												
	5' 0" (1.5 m)		10' 0" (3.0 m)		15' 0" (4.5 m)		20' 0" (6.0 m)		Cap at Max. Reach			
	End	Side	End	Side	End	Side	End	Side	End	Side		
+15' 0" lbs (4.5 m) kg					3,700*	3,700*			2,450*	2,450*		
+10' 0" lbs (3.0 m) kg					4,400*	4,000	3,800*	2,500	2,400*	2,150		
+5' 0" lbs (1.5 m) kg			10,050*	6,950	6,050*	3,750	4,400*	2,400	2,550*	1,950		
Ground lbs			8,700*	6,500	6,900*	3,550	4,650*	2,300	2,950*	2,050		
Line kg			3,770*	3,020	3,190*	1,650	2,150*	1,070	1,350*	930		
-5' 0" lbs (1.5 m) kg	7,350*	7,350*	11,700*	6,600	6,700*	3,500			4,050*	2,450		
	3,300*	3,300*	5,440*	3,070	3,120*	1,630			1,820*	1,110		
-10' 0" lbs (3.0 m) kg			8,450*	6,750					4,650*	3,800		
			3,980*	3,150					2,110*	1,690		

Radius of Load - Swing Boom with Blade Up 5' 7" (1.69 m) Arm with 11' 6" (3.50 m) Boom and 450 lb. (210 kg) Bucket with Power-Boost Applied												
	5' 0" (1.5 m)		10' 0" (3.0 m)		15' 0" (4.5 m)		20' 0" (6.0 m)		Cap at Max. Reach			
	End	Side	End	Side	End	Side	End	Side	End	Side		
+15' 0" lbs (4.5 m) kg					3,700*	3,700*			2,450*	2,450*		
+10' 0" lbs (3.0 m) kg					4,200	3,850	2,600	2,400	2,250	2,050		
+5' 0" lbs (1.5 m) kg			7,500	6,650	3,950	3,600	2,500	2,300	2,050*	1,900		
Ground lbs			7,000	6,200	3,750	3,400	2,450	2,200	2,150	1,950		
Line kg			3,250	2,880	1,750	1,580	1,130	1,030	980	890		
-5' 0" lbs (1.5 m) kg	7,350*	7,350*	7,100	6,300	3,700	3,350			2,600	2,350		
	3,300*	3,300*	3,310	2,920	1,730	1,560			1,170	1,070		
-10' 0" lbs (3.0 m) kg			7,250	6,500					4,050	3,650		
			3,380	3,010					1,790	1,620		

Radius of Load - Swing Boom with Blade Down 7' 2" (2.19 m) Arm with 11' 6" (3.50 m) Boom and 400 lb. (190 kg) Bucket with Power-Boost Applied												
	5' 0" (1.5 m)		10' 0" (3.0 m)		15' 0" (4.5 m)		20' 0" (6.0 m)		Cap at Max. Reach			
	End	Side	End	Side	End	Side	End	Side	End	Side		
+20' 0" lbs (6.0 m) kg									2,450*	2,450*		
+15' 0" lbs (4.5 m) kg							3,000*	2,600	2,100*	2,100*		
+10' 0" lbs (3.0 m) kg					3,700*	3,700*	3,550*	2,550	2,050*	1,900		
+5' 0" lbs (1.5 m) kg			8,450*	7,200	5,550*	3,850	4,100*	2,400	2,200*	1,800		
Ground lbs			9,350*	6,600	6,700*	3,600	4,600*	2,300	2,500*	1,850		
Line kg			4,020*	3,060	3,120*	1,670	2,130*	1,080	1,130*	840		
-5' 0" lbs (1.5 m) kg	6,050*	6,050*	11,750*	6,500	6,850*	3,500	4,500*	2,300	3,250*	2,150		
	2,720*	2,720*	5,120*	3,040	3,170*	1,620	2,100*	1,070	1,460*	970		
-10' 0" lbs (3.0 m) kg	10,900*	10,900*	9,950*	6,700	5,650*	3,600			4,400*	3,000		
	4,820*	4,820*	4,670*	3,120	2,670*	1,680			2,000*	1,330		

Radius of Load - Swing Boom with Blade Up 7' 2" (2.19 m) Arm with 11' 6" (3.50 m) Boom and 400 lb. (190 kg) Bucket with Power-Boost Applied												
	5' 0" (1.5 m)		10' 0" (3.0 m)		15' 0" (4.5 m)		20' 0" (6.0 m)		Cap at Max. Reach			
	End	Side	End	Side	End	Side	End	Side	End	Side		
+20' 0" lbs (6.0 m) kg									2,450*	2,450*		
+15' 0" lbs (4.5 m) kg									2,700	2,500	2,100*	
+10' 0" lbs (3.0 m) kg					3,700*	3,700*	2,650	2,450	2,000	1,850		
+5' 0" lbs (1.5 m) kg			7,750	6,900	4,050	3,650	2,550	2,300	1,850	1,700		
Ground lbs			3,600	3,200	1,880	1,710	1,180	1,080	850	770		
Line kg			3,300	2,910	1,760	1,590	1,130	1,030	880	800		
-5' 0" lbs (1.5 m) kg	6,050*	6,050*	7,050	6,200	3,700	3,350	2,400	2,200	2,250	2,050		
	2,720*	2,720*	3,270	2,890	1,720	1,550	1,120	1,020	1,020	930		
-10' 0" lbs (3.0 m) kg	10,900*	10,900*	7,200	6,400	3,850	3,450			3,150	2,850		
	4,820*	4,820*	3,360*	2,970	1,770	1,600			1,410	1,280		

Notes: Excavator lifting capacities

- Lifting capacities shown should not be exceeded. Weight of all lifting accessories must be deducted from the above lifting capacities.
- Lifting capacities are based on machine standing on firm, uniform supporting surface. User must make allowances for job conditions such as soft or uneven ground.
- Lifting capacities shown do not exceed 75% of minimum tipping loads or 87% of hydraulic capacities. Capacities marked with an asterisk (*) are limited by hydraulic capacities.
- Least stable position is over the side.
- Operator should be fully acquainted with the Operator's Manual & Operating Safety Booklet, furnished by LBX before operating the machine.
- Capacities apply only to the machine as originally manufactured and normally equipped by LBX Company, LLC.
- Lift capacity ratings are based on ISO 10567, "Earthmoving Machinery - Hydraulic Excavators - Lift Capacity."

Standard and Optional Equipment

CAB	Battery Disconnect Switch	✓	UNDERCARRIAGE	450 mm (17.7" in) Rubber pads (bolts directly to rail) ...	●
12V Power Outlet	✓	CEGR (Cooled Exhaust Gas Recirculation)	✓	450 mm (17.7" in) Rubber pads (bolts to	●
AM/FM Sound System	✓	Cooling Fan	✓	450 mm grousers)	●
Anti-Theft Device	✓	Diesel Oxidation Catalyst (DOC)	✓	450 mm (17.7" in) 3-Bar Steel Grousers.....	●
Auxiliary Switches on Control Lever	✓	Drain for Fuel Tank	✓	600 mm (23.5" in) 3-Bar Steel Grousers.....	●
Cab Exterior Light Harness	✓	Dual Remote Fuel Filters with Water Separators	✓	4 Lashing Points (Tie-Downs).....	✓
Cab Filter - External	✓	EGR Cooler	✓	7' 7" (2.32 m) Hydraulically Controlled Dozer Blade...	✓
Cab Handrails	✓	Emergency Engine Stop	✓	Carbody Belly Pan (Swivel Guarding)	✓
Cab Interior Light	✓	Engine Idle System	✓	Sealed Link Chain	✓
Cab Iso-Mounts	✓	Engine Protection Feature	✓	Steps	✓
Cab Light (1)	✓	Fan Housing	✓	Strutted Track Chain	✓
Cab Light (Additional)	●	Fuel Cooler	✓	Track Roller Guide (Single).....	✓
Clear Roof Window	✓	Fuel Filter Restriction Indicator.....	✓	X-Pattern Carbody.....	✓
Climate Control A/C and Heater	✓	Fuel Management System	✓	UPPERSTRUCTURE	
Cup Holder	✓	Fuel Shut-Off Valve	✓	Belly Pans	✓
Defroster	✓	Fuel Usage Monitor	✓	Center Cover (Over Main CV)	✓
Digital Clock	✓	Glow Plug Pre-Heat	✓	Fuel Tank Belly Pan.....	✓
ECO Gauge	✓	Idle-Start	✓	Lockable Fuel Cap and Service Doors	✓
Emergency Exit and Hammer	✓	Intercooler	✓	Lockable Tool Box	✓
Face Vent	✓	Neutral Start	✓	Turntable Tub.....	✓
Floor Mat	✓	One-Touch Idle	✓	Work Lights (Boom and Cab).....	✓
FOPS Level 1 Certified	✓	Radiator / Oil Cooler Protective Screen	✓	ATTACHMENT	
FOPS Head Guard (Level 2)	●	Remote Engine Oil Drain	✓	Auxiliary Pipe Brackets	✓
Front Guard (Mesh)	●	Remote Oil Filter	✓	Boom Work Light	✓
Front Guard (OPG 1,2)	●	Spark Arrestor Muffler	✓	Bucket Anti-Clatter Device	✓
Front Window One-Touch Lock	✓	Turbocharger with Heat Shield	✓	Chrome Pins	✓
Gate Lock Hydraulic Activation	✓	HYDRAULICS		Easy Maintenance System (EMS)	✓
Horn	✓	Arm Regeneration	✓	HD Bucket Linkage	●
Hour Meter (Digital)	✓	Arm Speed Assistance (2 Pump Flow).....	✓	Quick Couplers	●
LED Color Monitor	✓	Attachment Cushion Valve.....	✓	Remote Lube Bank	✓
Magazine Storage Rack	✓	Auto Swing Priority	✓	Teardrop Pin Retention Keepers	✓
Maintenance Interval Reminders	✓	Auxiliary Flow Control	✓	Thumbs	●
MP3 Auxiliary Input Jack	✓	Auxiliary Tool Settings (Memory).....	✓	ATTACHMENT OPTIONS - SWING BOOM	
On-Board Diagnostic System	✓	Auxiliary Valve	✓	5' 7" (1.69 m) Arm	●
One-Piece Right Window	✓	Boom Regeneration	✓	7' 2" (2.19 m) Arm	●
Radio Mute Switch	✓	Boom Speed Assistance (2 Pump Flow).....	✓	11' 6" (3.50 m) Main Boom Section	✓
Rear View Camera	✓	Bucket Curl Assist	✓	PARTS KIT	
Rear View Mirrors	✓	Control Levers Pre-Wired for Auxiliary Hyd	✓	Bucket Anti-Clatter Device	✓
Roof Sun Shade	✓	Control Pattern Changer (2 way)	✓	Engine Manual	✓
ROPS Certified	✓	Fire Wall	✓	Engine Oil Filter	✓
Safety Glass Windows	✓	Holding Valve (Boom)	✓	Filter Wrench	✓
SCM Suspension Seat	✓	Hose Burst Check Valve	✓	Fuel Filters	✓
Seat Recline	✓	Hydraulic Filter Restriction Indicator.....	✓	Grease Gun	✓
Selectable Monitor Languages	✓	Long Life Hydraulic Oil (5,000 Hour)	✓	Green Plug Drain Hose for Engine Oil Drain	✓
Small Storage	✓	Neutral Pump De-Stroke	✓	Hydraulic Return Filter	✓
Travel Alarm with Cancel Switch	✓	Oil Cooler	✓	Ignition Keys	✓
Trip Meter (Digital)	✓	Pump Stand-By Pressure	✓	Pilot Circuit Hydraulic Filter	✓
Wiper & Washer	✓	AUXILIARY HYDRAULIC OPTIONS - SWING BOOM			
Wiper Switch on RH Joystick	✓	Single-Acting Auxiliary with Pedal Activation.....	●		
ENGINE		Single-Acting Auxiliary with Proportional Joysticks	●		
Air Filter (Double Element)	✓	Multi-Function Auxiliary with Proportional Joysticks	●		
Air Filter Restriction Indicator	✓	Thumb Auxiliary with Proportional Joysticks	●		
Auto Warm-Up System	✓	Secondary Auxiliary with Proportional Joysticks.....	●		
Auto-Idle	✓	Combination Auxiliary with Proportional Joysticks... ●			
Auto-Idle Engine Shutdown.....	✓				

Equipment Key
 Standard ✓ Optional ●

Bucket Sizes

Bucket Type	SAE Heaped Capacity		Width Outside Lip		Bucket Weight		Number of Teeth	Mono Boom Arm Length	
	(yd ³)	(m ³)	(in)	(mm)	(lbs)	(kg)		5' 7" 1.69 m	7' 2" 2.19 m
STDP Standard duty plate	.24	.18	18	457	403	183	3	H	H
	.35	.27	24	610	473	215	4	H	H
	.45	.34	30	762	542	246	5	H	M
POWER	.24	.18	18	457	644	292	3	H	H
	.34	.26	24	610	728	330	4	H	H
	.45	.34	30	762	812	368	4	M	L
	.55	.42	36	914	897	407	5	L	L
	.65	.50	42	1 067	981	445	6	N/A	N/A
DITCH	.61	.47	42	1 067	596	270	0	L	L
	.71	.54	48	1 219	645	293	0	L	N/A

STDP - Standard duty plate
 HDP - Heavy duty plate
 XDP - Extreme duty plate
 POWER - HDP for use with ESCO multi-pin grabber only

Approval Code For Arm/Bucket Combinations
 H..... Heavy material (up to 3,370 lbs./yd³)
 M..... Medium material (up to 2,700 lbs./yd³)
 L..... Light material (up to 2,020 lbs./yd³)
 N/A..... Not applicable