

The background of the top half of the page is a solid orange color. Overlaid on this is a white line-art illustration of a wheel loader, shown from a side profile. The loader's bucket is raised and tilted. The illustration includes details of the hydraulic system, the operator's cab, the engine compartment, and the large rear wheels. The overall style is technical and industrial.

SL30W系列轮式装载机 零部件图册

SHANTUI

山推工程机械股份有限公司

SHANTUI CONSTRUCTION MACHINERY CO.,LTD

前 言

SL30W 型装载机零部件图册，是为了便于用户在使用、维修和保养等工作中的方便而编绘的，以便在使用过程中查阅及参考，也可帮助用户了解本机的结构和装配关系。发动机、变速箱等已有随机零部件图册，本书故未编出。

图册按各总成及结构布局绘制出了各零部件的图形及相互关系。凡不可拆卸的部件（焊接件、铆合件），一般只标出部件代号，不另列其组成零件。明细表采用中英文对照编译了名称、代号及数量。

随着技术更新和生产的不断发展，产品将不断改进提高，用户在订购零部件时，请指出整机的出厂日期和编号。

山推工程机械股份有限公司
二〇一〇年三月编制
二〇一〇年十二月第一次印刷

FOREWORD

This part list of Model SL30W wheel loader is intended as a consultation reference for the customer to use the machine, and to help them repair and to help them repair and maintain the loaders. It can also help the users to be familiar with the construction and assembly relations of the machine. The engine and the Transmission case has its own part list with it, so this book does not contain this part list.

The part list contains the drawings of different assemblies, showing the shape of the components as well as the assembling relation. The components which can not be taken a part (is the weldment or riveted assemblies) are indicated only by their component numbers without the consisting part number.

Structures and specifications of the machine are subject to change for improvement, when ordering spare parts, users are kindly requested to inform us the manufacturing date and batch number of the wheel loader.

SHANTUI CONSTRUCTION MACHINERY CO.,LTD
WEAVED IN MARCH 2010
PUBLISHED FOR THE FIRST TIME IN DECEMBER 2010

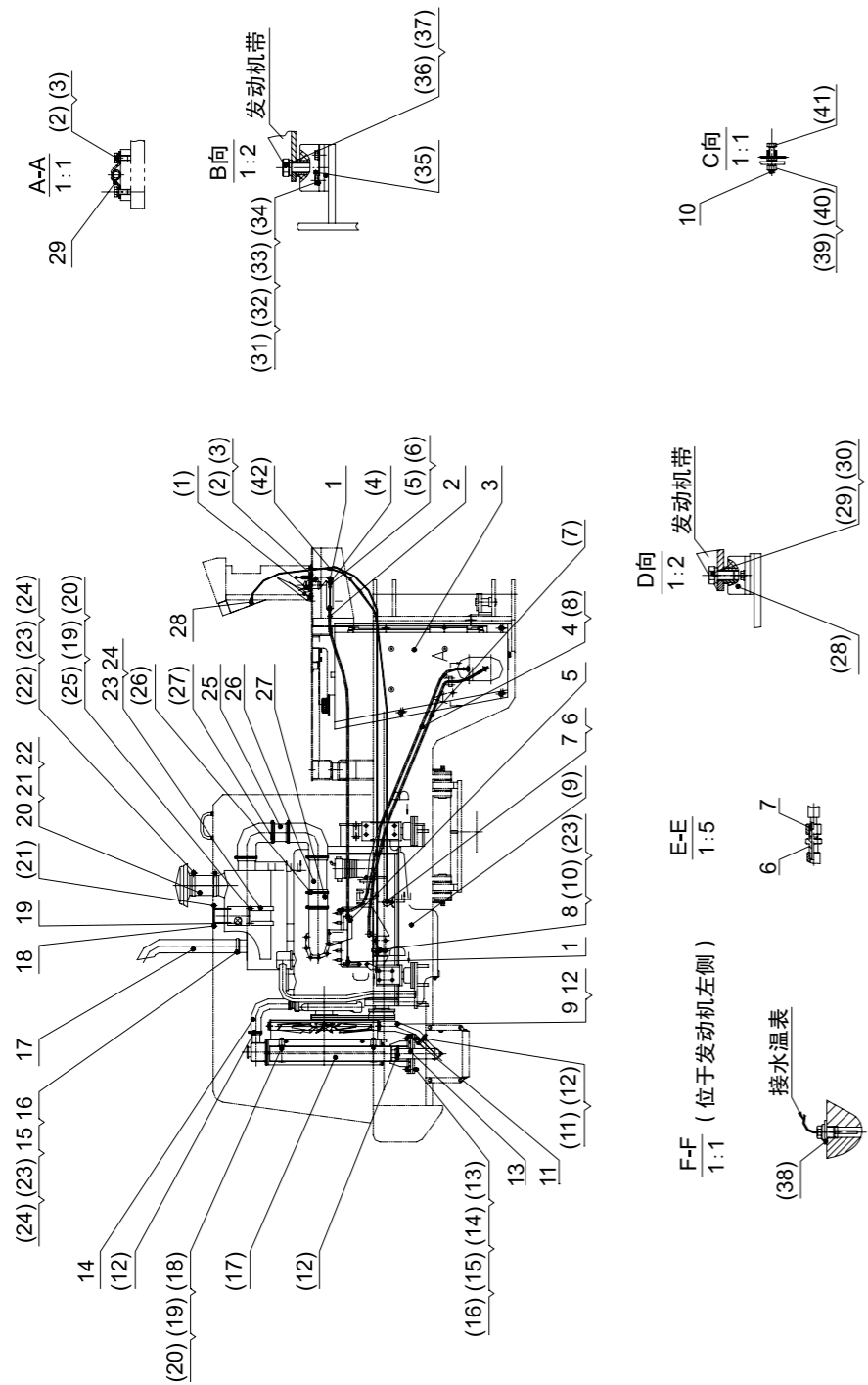
目 录

图1 SL30W发动机装置 (-01000).....	2
Fig1 Engine mount	2
图2 SL30W (配锡柴6DF1D-12G-DG1A增压发动机)	8
发动机装置 (-01000)	8
Fig2 engine device (match WUXI pressurize engine).....	8
图3 SL30W (康) 发动机装置 (-01000)	12
Fig3 SL30W (kang) Engine mount	12
图4 SL30W 燃油箱总成(-01200).....	16
Fig4 Fuel tank assembly	16
图5 SL30W (配锡柴CA6110-125G5-DG1B发动机)变矩器联接 (-02000)	18
Fig5 Torque converter connect (match WUXI engine).....	18
图6 SL30W (配道依茨WP6G125E22发动机)变矩器联接 (-02000)	20
Fig6 Torque converter connect (match DETUZ engine)	20
图7 SL30W 变矩器联接(6BT5.9-C130发动机)(-02000).....	22
Fig7 Torque corverter connect	22
图8 YJ315LD液力变矩器	28
Fig8 Torque converter.....	28
图9 SL30W 变速操纵系统 (-03100)	30
Fig9 Transmission control system.....	30
图10 SL30W高低速操纵系统(-03200).....	32
Fig10 H/L speed control system.....	32
图11 BYD4208 变速箱	34
Fig11 Transmisson	34
图11 BYD4208 变速箱	36
Fig11 Transmisson	36
图12 SL30W传动轴、驱动桥(-04000).....	38
Fig12 Driving shaft and driving axle	38
图13 主减速器总成(XC).....	40

Fig13 Carrier assembly(XC).....	40
图14 轮边总成(XC).....	44
Fig14 Wheel end assembly(XC).....	44
图15 主传动轴.....	48
Fig15 Main drive shaft.....	48
图16 后传动轴.....	50
Fig16 Rear drive shaft.....	50
图17 SL30W 中间轴承座(-04300).....	52
Fig17 Intermediate bearing case	52
图18 SL30W转向液压系统(-05000).....	54
Fig18 Steering hydraulic system	54
图19 SL30W工作液压系统 (-06000)	56
Fig19 Work hydraulic system	56
图20 SL30W 工作液压操纵系统 (-06100).....	60
Fig20 work hydraulic control system	60
图21 SL30W液压油箱总成 (-06200).....	62
Fig21 Hydraulic tank assembly	62
图22 分配阀.....	64
Fig22 Distributor valve	64
图23 SL30W行车制动系统(-07000).....	68
Fig23 Travelling crane brake system	68
图24 气制动阀.....	72
Fig24 Air brake valve	72
图25 SL30W手制动系统 (-08000).....	74
Fig25 Hand brake system	74
图26 SL30W前车架总成 (-09000).....	76
Fig26 Front frame assembly	76
图27 SL30W 后车架总成	78
(配CA6110-125G5-DG1B及WP6G125E22发动机) (-10000).....	78
Fig27 Rear frame assembly	78
图28 SL30W 后车架总成 (配6BT5.9-C130发动机) (-10000)	80
Fig28 Rear frame assembly	80

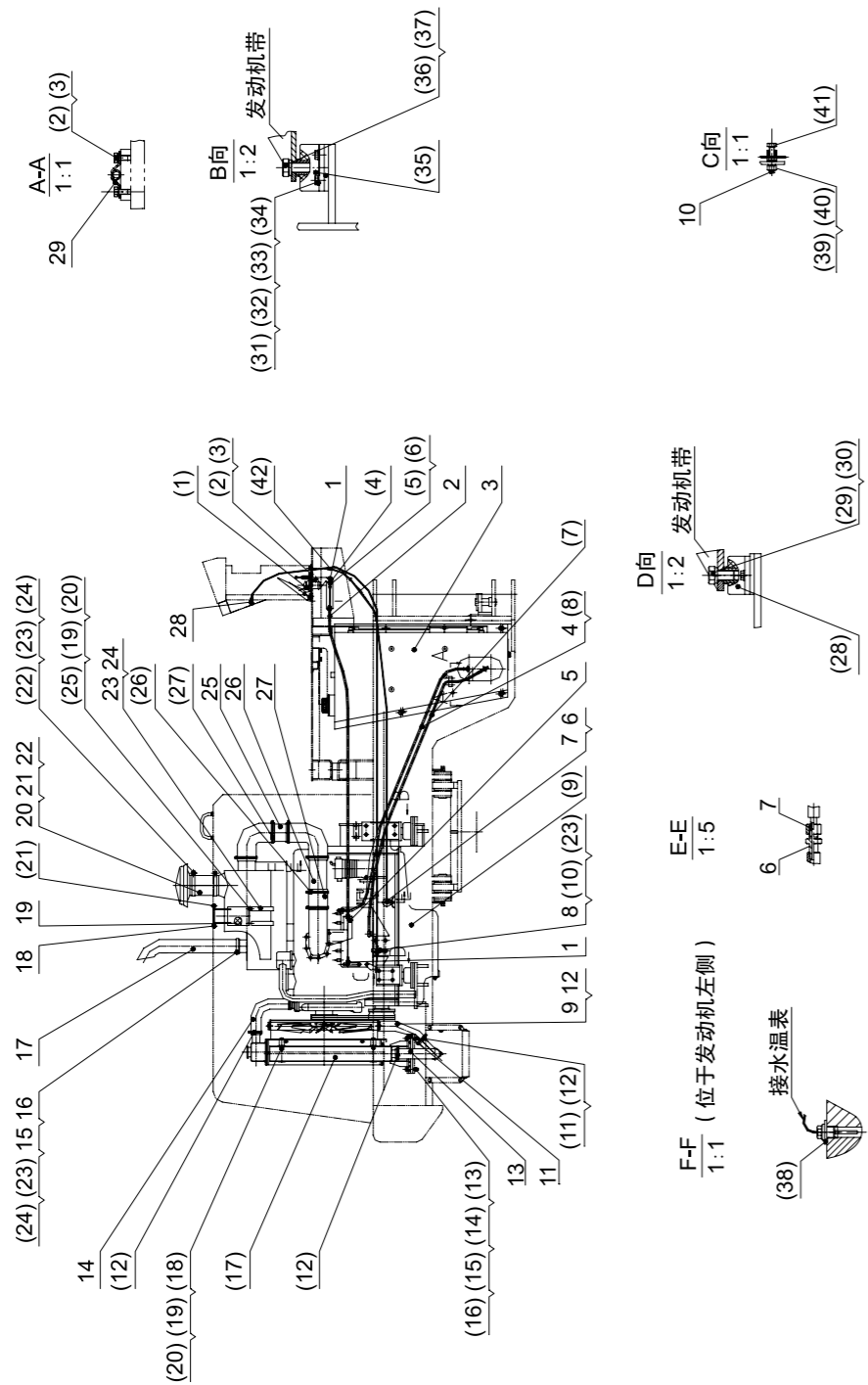
图29 SL30W工作装置总成(-11000)	82
Fig29 Work implement assembly	82
图30 SL30W行车液压系统 (-12000)	84
Fig30 Transmission hydraulic system	84
图31 SL30W 车体布置 (-13000)	88
Fig31 Bodywork collocation	88
图32 SL30W 发动机罩 (配锡柴CA6110-125G5-DG1B发动机) (-13400).....	90
Fig32 Engine hood (match WUXI engine)	90
图33 SL30W 发动机罩(配道依茨WP6G125E22发动机) (-13400).....	92
Fig33 Engine hood (match DEUTZ engine).....	92
图34 SL30W 发动机罩(配康明斯6BT5.9-C130发动机) (-13400)	94
Fig34 Engine hood (match CUMMUNIS engine).....	94
图35 SL30W驾驶室(-14000).....	96
Fig35 Driver's cap	96
图36 SL30W (配锡柴CA6110-125G5-DG1B发动机) 电器系统 (-15000).....	98
Fig36 Electric system (match WUXI engine)	98
图37 SL30W (配道依茨WP6G125E22发动机)电器系统 (-15000).....	102
Fig37 Electric system (match DEUTZ engine).....	102
图38 SL30W (配康明斯6BT5.9-C130发动机)电器系统 (-15000)	106
Fig38 Electric system (match CUMMUNIS engine).....	106
图39 SL30W仪表台(XZ)	112
Fig39 Instrument Desk(XZ)	112
图40 SL30W仪表台(TX)	114
Fig40 Instrument Desk(TX)	114
图41 SL30W空调系统(6110/125G5-10B)(-17000)	116
Fig41 Air Conditioner System(6110/125G5-10B)	116
图42 SL30W 空调系统(TD226B-6G)(-17000)	120
Fig42 Air Conditioner System(TD226B-6G)	120
图43 SL30W空调系统(6BT5.9-C130)(-17000)	124
Fig43 SL30W Air Conditioner System(6BT5.9-C130).....	124

图1 SL30W发动机装置 (-01000)
Fig1 Engine mount



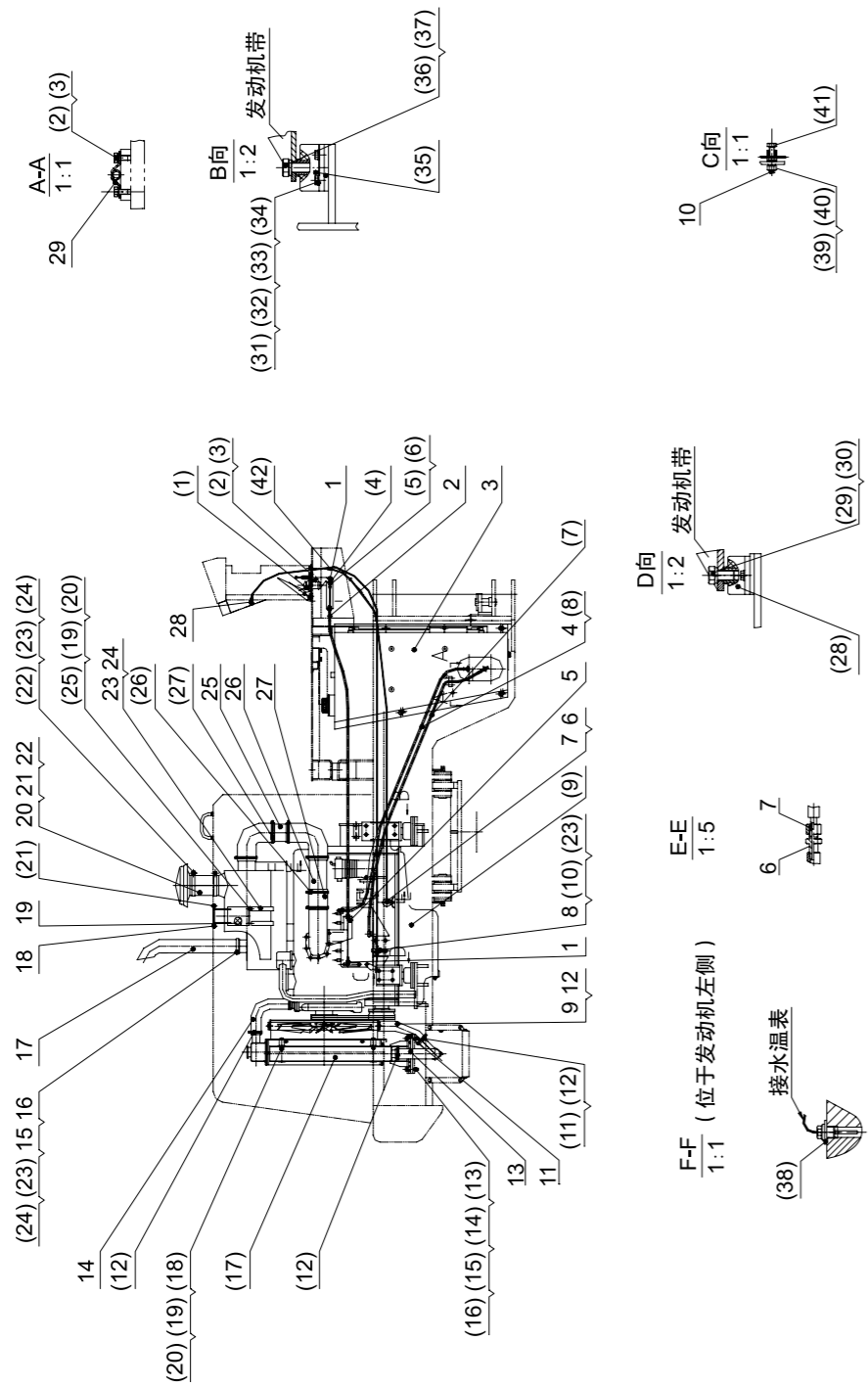
序号 POS. NO.	零件号 PARTS NO.	名称 DESCRIPTION	数量 QTY
1	DG930A-01001	联接叉 Clevis	2
2	DG930A-01002	油门软轴 Throttle flexible shaft	1
3	ZL30G II -01200	燃油箱 Fuel tank	1
4	DG930A-01004	燃油回油管 Return fuel tube	1
5	DG930A-01005	油门支架 Accelerator bracket	1
6	DG930A-12019(6110/125G5-10B) ZL30G II (D)-01008(TD226B-6G)	锥堵接头 Fitting	1
7	DG930A-01007	油管 Oil pipe	1
8	DG930A-01008	熄火线支架 Set plate for extinguishing cable	1
9	DG930A-01009A(6110/125G5-10B) ZL30G6-01014A(TD226B-6G)	胶管 Hose	1
10	DG930A-01010	联接轴 Pin	1
11	DG930A-01011	胶垫 Damping space	2
12	DG930A-01032	胶管 Hose	1
13	ZL30G6-01018(TD226B-6G) ZL30E-01018B(6110/125G5-10B)	胶管 Hose(DG938、SL30W)	1
14	DG930A-01014(6110/125G5-10B) ZL30G6-01021(TD226B-6G)	胶管 Hose	1
15	DG930A-01015	方座 Block	1
16	DG930A-01016	U形螺栓 "U" Bolt	1
17	DG930A-01017	排气管 Exhaust pipe	1
18	DG930A-01018	空滤器支架 Bracket of air filter	1
19	DG930A-01019	胶垫 Damping space	1
20	DG930A-01020	联接管 Join tube	1
21	DG930A-01021	胶垫 Damping space	1
22	DG930A-01022	卡箍 Clamp	1
23	DG930A-01023	卡箍 Clamp	2
24	DG930A-01024	胶垫 Damping space	2
25	DG930A-01025	联接管 Join tube	1
26	DG930A-01026	联接管 Join tube	1
27	DG930A-01027	联接胶管 Join tube	1
28	DG930A-01028	熄火软轴 Extinguishing cable	1
29	DG930A-01029	管卡 Clamp for tube	1

图1 SL30W发动机装置 (-01000)
Fig1 Engine mount



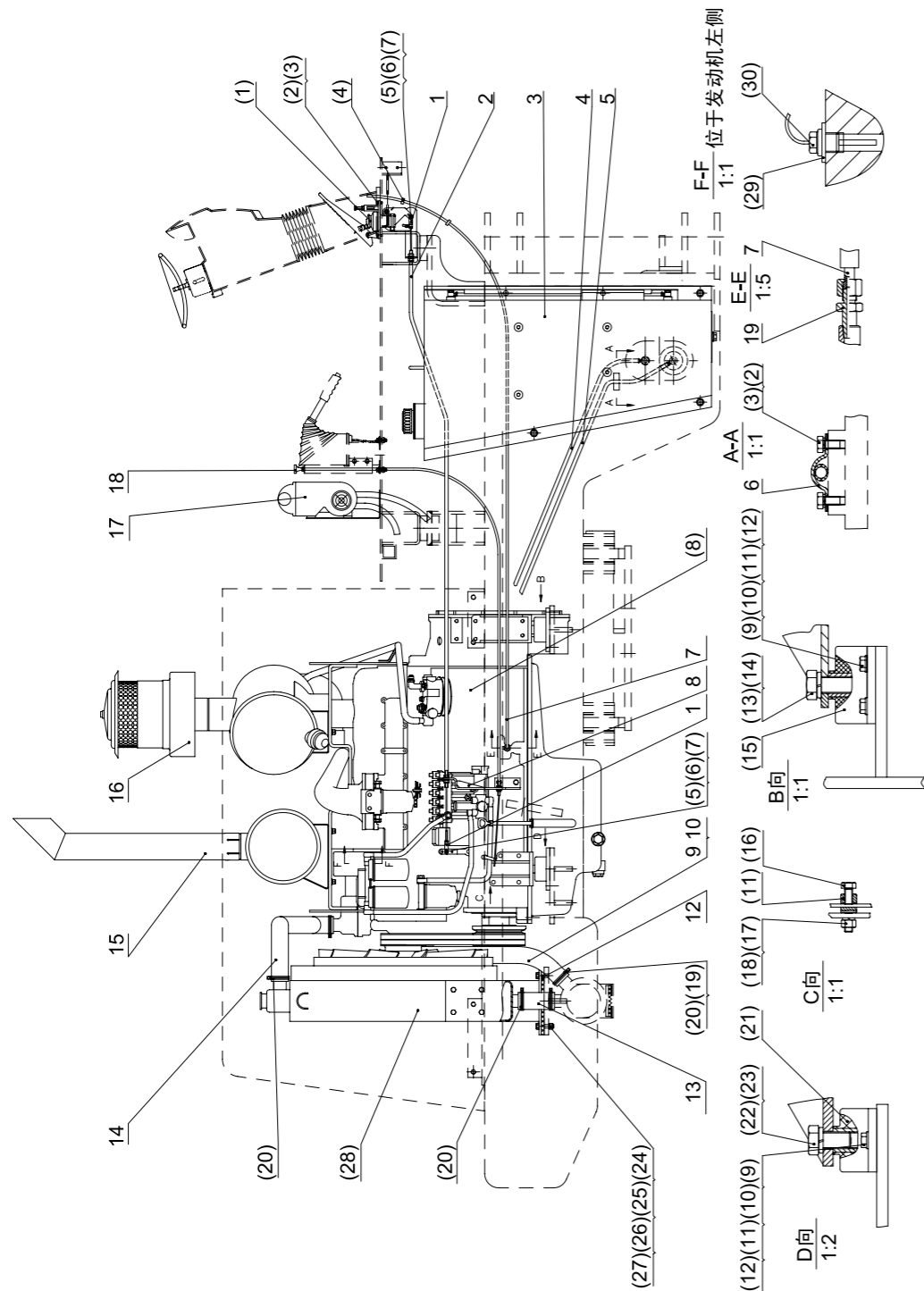
序号 POS. NO.	零件号 PARTS NO.	名称 DESCRIPTION	数量 QTY
(1)	XZ(QZ)1129001	油门操作阀 Accelerator control valve	1
(2)	GB5781-86, M6 × 16	螺栓 Bolt	5
(3)	GB93-87, 6	垫圈 Washer	5
(4)	GB882-86, 6 × 20	销轴 Pin	2
(5)	GB91-86, 2 × 20	开口销 Splint pin	2
(6)	GB95-85, 6	垫圈 Washer	2
(7)	GB3452-83	燃油吸油管 Suction fuel tube	1
(8)	JB3616.1-84, 13-19	双钢丝卡箍 Clamp	1
(9)	6110/125 G5-10B (TD226B-6G)	柴油机 Diesel engine	1
(10)	GB5781-86, M8 × 16	螺栓 Bolt	1
(11)	JB3616.1-84, 65-70	双钢丝卡箍 Clamp	2
(12)	JB3616.1-84, 57-62	双钢丝卡箍 Clamp	6
(13)	GB5781-86, M12 × 65	螺栓 Bolt	4
(14)	GB93-87, 12	垫圈 Washer	4
(15)	GB6170-86, M12	螺母 Nut	4
(16)	GB95-85, 12	垫圈 Washer	4
(17)	ZL30-01-SX	水箱 Radiator	1
(18)	GB5781-86, M10 × 70	螺栓 Bolt	4
(19)	GB93-87, 10	垫圈 Washer	12
(20)	GB6170-86, M10	螺母 Nut	12
(21)	GB5781-86, M10 × 30	螺栓 Bolt	4
(22)	GB5781-86, M8 × 40	螺栓 Bolt	2
(23)	GB93-87, 8	垫圈 Washer	3
(24)	GB6170-86, M8	螺母 Nut	3
(25)	GB5781-86, M10 × 40	螺栓 Bolt	4
(26)	JB3616.1-84, 111-117	双钢丝卡箍 Clamp	2
(27)	JB3616.1-84, 111-117	双钢丝卡箍 Clamp	4
(28)	EA-220	减振器 Damping pad	2
(29)	GB5783-86, M22 × 55	螺栓 Bolt	2
(30)	GB93-87, 22	垫圈 Washer	2
(31)	GB6170-86, M14	螺母 Nut	12
(32)	GB93-87, 14	垫圈 Washer	12
(33)	GB95-85, 14	垫圈 Washer	12
(34)	GB5781-86, M14 × 50	螺栓 Bolt	12
(35)	EA-300	减振器 Damping pad	2
(36)	GB5783-86, M24 × 55	螺栓 Bolt	2
(37)	GB93-87, 24	垫圈 Washer	2
(38)	JB982-77, 14	组合垫圈 Washer	1

图1 SL30W发动机装置 (-01000)
Fig1 Engine mount



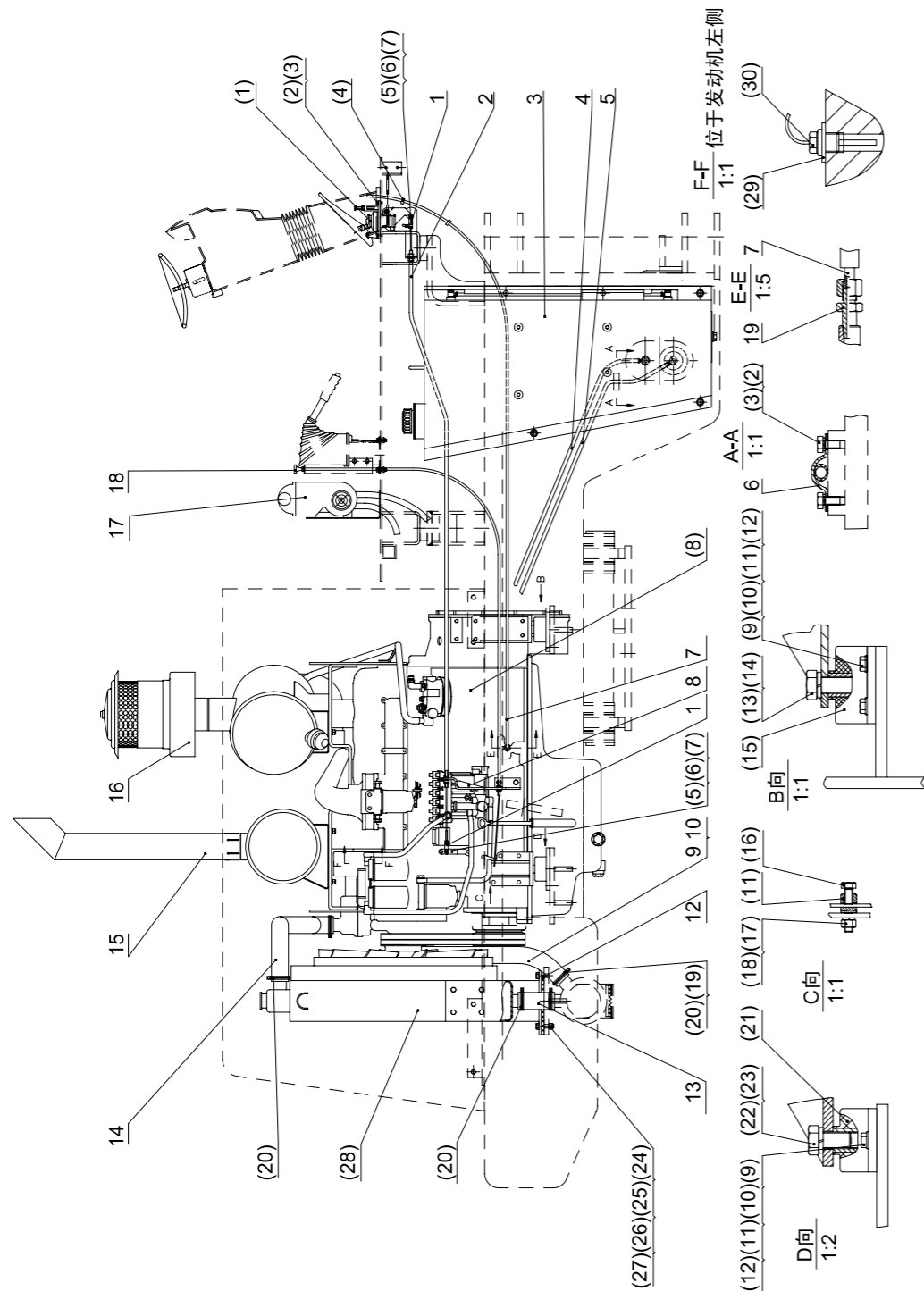
序号 POS. NO.	零件号 PARTS NO.	名称 DESCRIPTION	数量 QTY
(39)	GB6170-86, M5	螺母 Nut	1
(40)	GB93-87, 5	垫圈 Washer	1
(41)	GB5781-86, M5 × 10	螺栓 Bolt	1
(42)	ZD200 × 8	扎带 Clip	2

图2 SL30W (配锡柴6DF1D-12G-DG1A增压发动机)
 发动机装置 (-01000)
 Fig2 engine device (match WUXI pressurize engine)



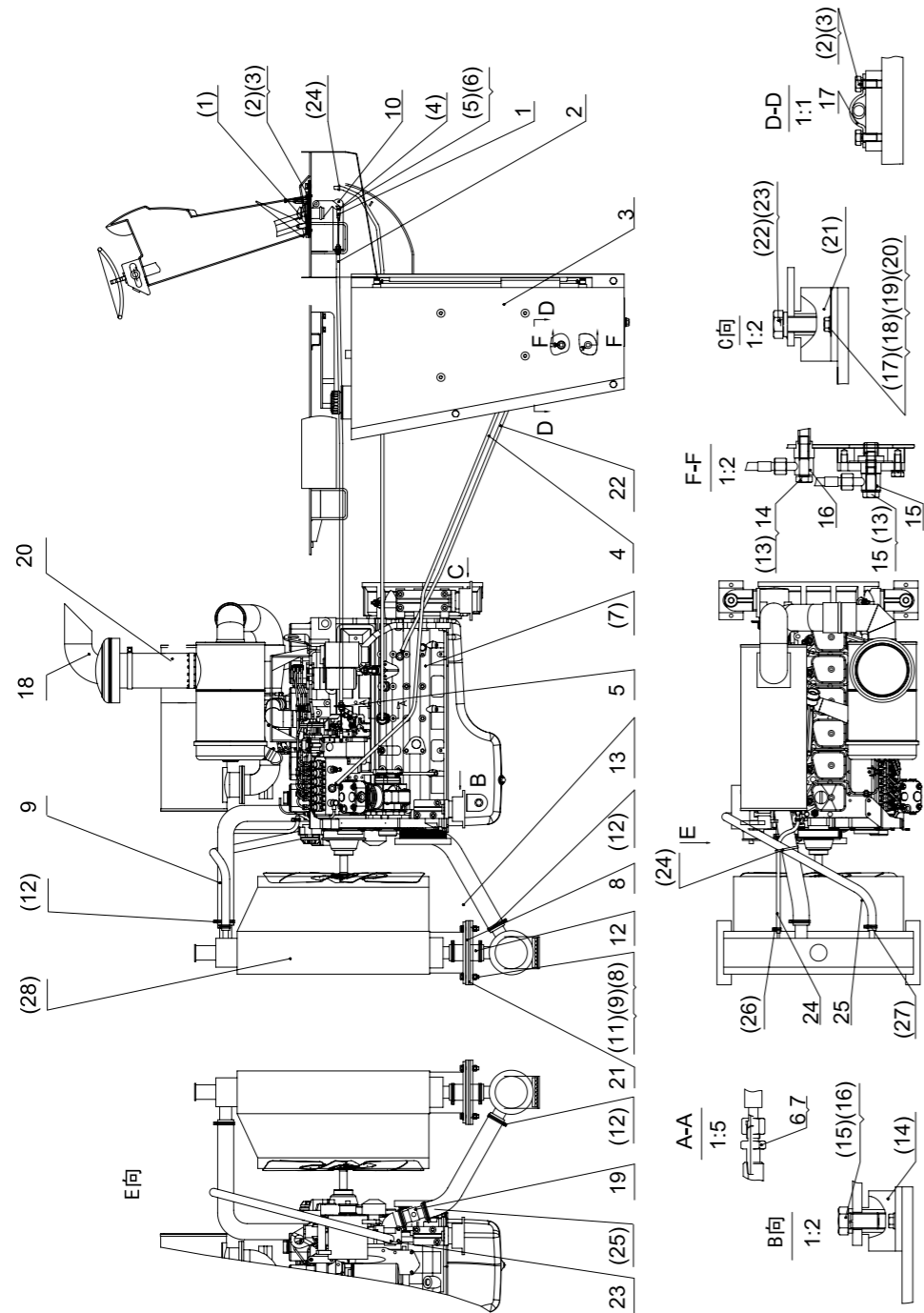
序号 POS. NO.	零件号 PARTS NO.	名称 DESCRIPTION	数量 QTY
1	DG930A-01001	连接叉 yoke	2
2	DG930A-01002	油门软轴 throttling flexible shaft	1
3	ZL30G II -01200	燃油箱 fuel tank	1
4	DG938-01004	燃油回油管 fuel return pipe	1
5	DG938-01005	燃油吸油管 fuel suction pipe	1
6	DG930A-01029	管卡 pipe clip	1
7	DG938-01007	机油压力表管 manometer pipe	1
8	DG938-01008	油门及熄火线支架 bracket	1
9	DG930A-01009A	水管 water pipe	1
10	DG930A-01032	水管 water pipe	1
11	DG930A-01010	连接轴 connect shaft	1
12	ZL30E-01019	水箱垫 water pipe pad	2
13	ZL30E-01018B	水管 water pipe	1
14	DG930A-01014	水管 water pipe	1
15	DG938-01015	排气管总成 blast pipe assembly	1
16	DG938-01016	空气滤清器总成 air filter assembly	1
17	ZL30G II -01400A	暖风系统 warm wind system	1
18	DG938-01018	熄火线 flameout wire	1
19	DG938-01019	接头体 joint	1

图2 SL30W (配锡柴6DF1D-12G-DG1A增压发动机)
 发动机装置 (-01000)
 Fig2 engine device (match WUXI pressurize engine)



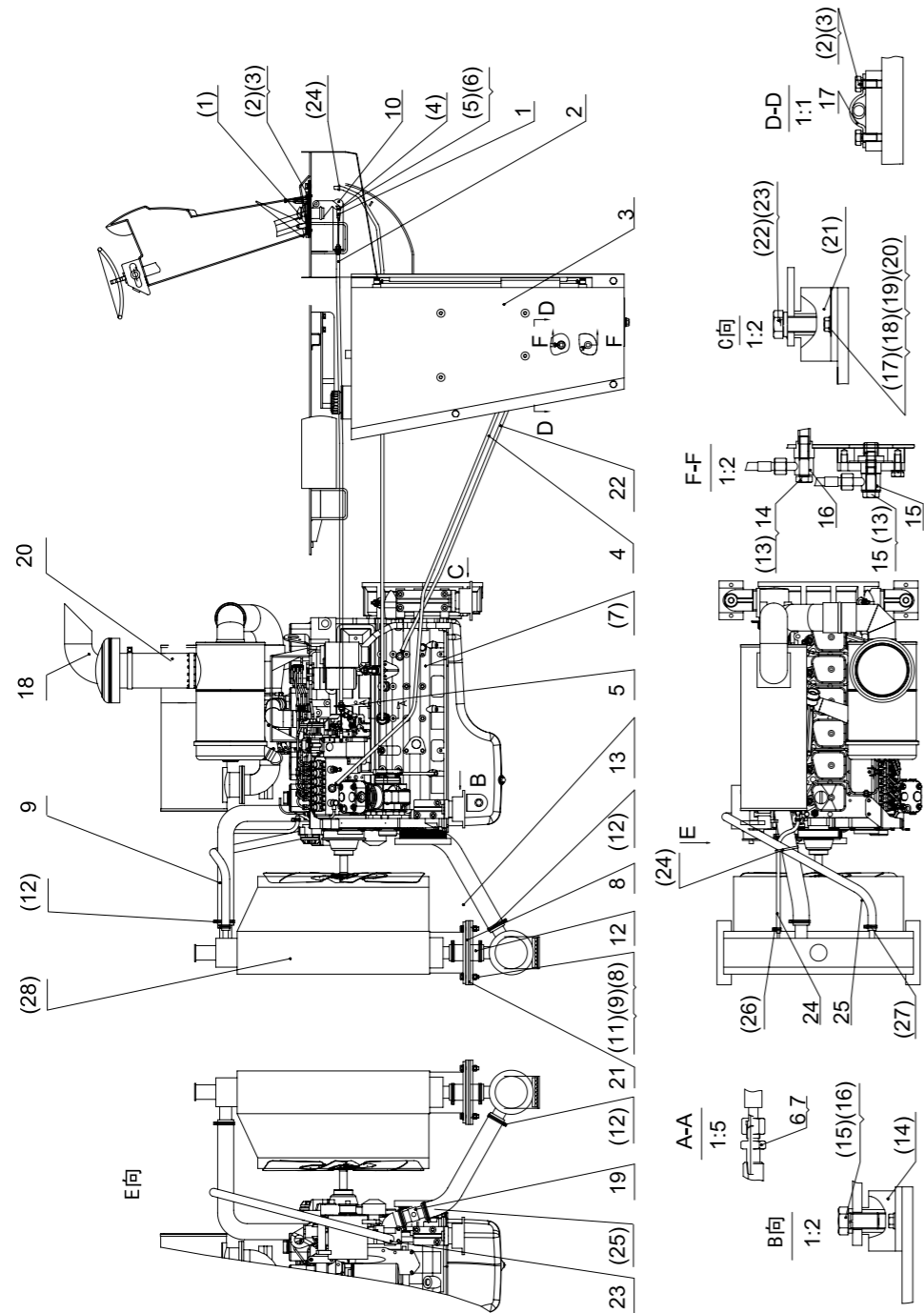
序号 POS. NO.	零件号 PARTS NO.	名称 DESCRIPTION	数量 QTY
(1)	XZ(QZ)1129001	油门操纵阀 throttling control valve	1
(2)	GB5781-86, M6*16	螺栓 bolt	5
(3)	GB93-87, 6	垫圈 washer	5
(4)	ZD200*8	可松开式扎带 clip	2
(5)	GB882-86, 6*20	销轴 pin	2
(6)	GB95-85, 6	垫圈 washer	2
(7)	GB91-86, 2*20	开口销 forelock	2
(8)	6DF1D-12G-DG1A	柴油机 diesel	1
(9)	GB6170-86, M14	螺母 nut	12
(10)	GB93-87, 14	垫圈 washer	12
(11)	GB95-85, 14	垫圈 washer	12
(12)	GB5781-86, M14*50	螺栓 bolt	12
(13)	GB5783-86, M24*55	螺栓 bolt	2
(14)	GB93-87, 24	垫圈 washer	2
(15)	EA300	减震器 reducer	2
(16)	GB5781-86, M5*10	螺栓 bolt	1
(17)	GB6170-86, M5	螺母 nut	1
(18)	GB93-87, 5	垫圈 washer	1
(19)	JB3618.1-84,(65~70)	双钢丝式环固 clamp	2
(20)	JB3618.1-84,(57~62)	双钢丝式环箍 clamp	6
(21)	EA220	减震器 reducer	2
(22)	GB5783-86, M22*55	螺栓 bolt	2
(23)	GB93-87,22	垫圈 washer	2
(24)	GB5781-86, M12*55	螺栓 bolt	4
(25)	GB95-85, 12	垫圈 washer	4
(26)	GB93-87, 12	垫圈 washer	4
(27)	GB6170-86, M12	螺母 nut	4
(28)	DGZL30	水箱(带导风罩) water tank (with air deflector hood)	1
(29)	JB982-77, 14	组合垫圈 combined washer	1
(30)	WG-1	水温感应塞 water temperature sensor	1

图3 SL30W (康) 发动机装置 (-01000)
Fig3 SL30W (kang) Engine mount



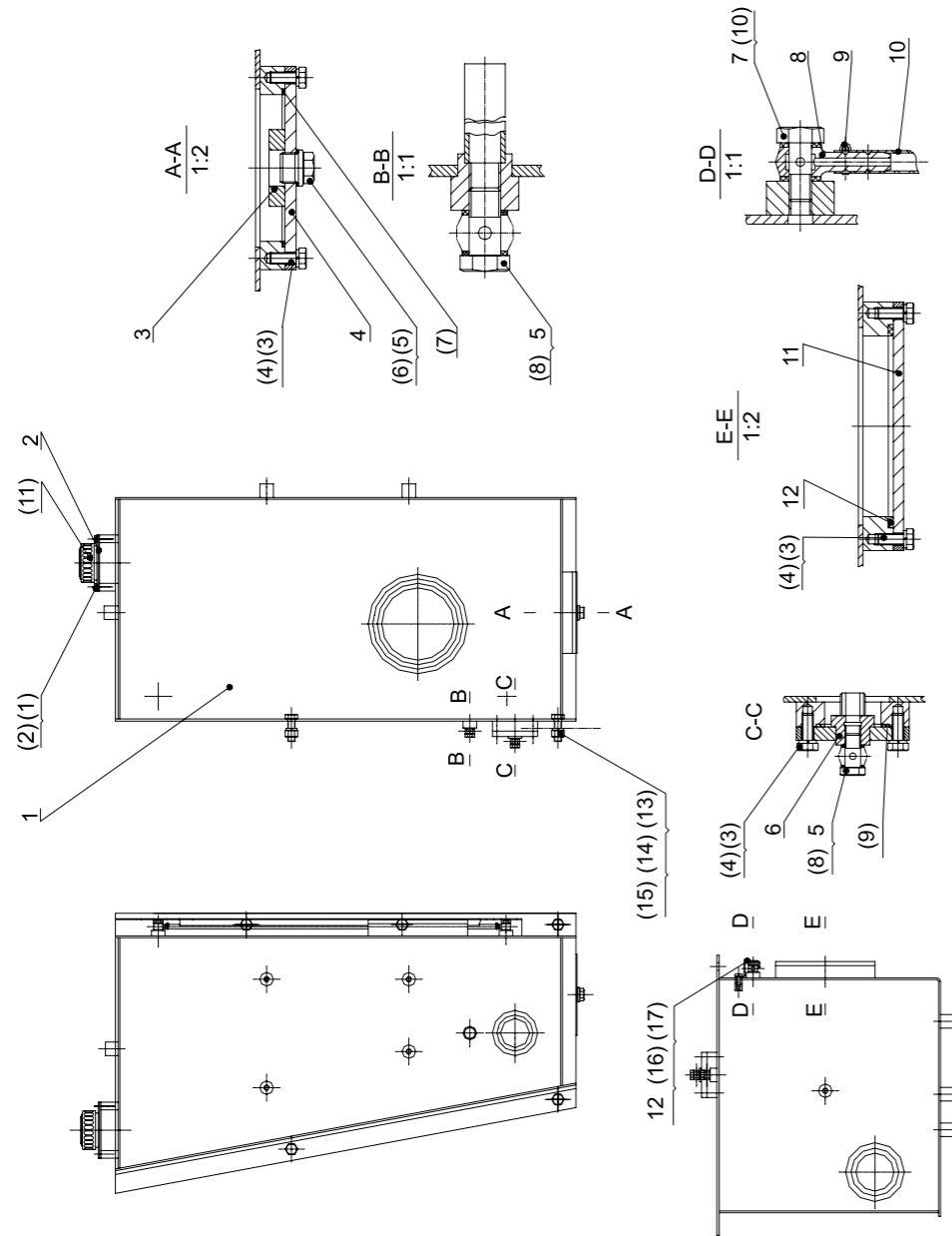
序号 POS. NO.	零件号 PARTS NO.	名称 DESCRIPTION	数量 QTY
1	DG938(康)-01001	联接叉 yoke	2
2	DG938(康)-01002	油门软轴 throttle flexible shaft	1
3	DG938(康)-01200	燃油箱 fuel tank	1
4	DG938(康)-01004	燃油回油管 fuel oil return pipe	1
5	DG938(康)-01005	油门支架 throttle bracket	1
6	DG938(康)-01006	锥堵接头 joint	1
7	DG938(康)-01007	油管 oil pipe	1
8	DG938(康)-01008	胶垫 cushion	2
9	DG938(康)-01009	胶管 hose	1
10	DG938(康)-01010A	油门软轴支架 throttle flexible shaft	1
11	DG938(康)-01011	水管 water pipe	1
12	DG938(康)-01012	胶管 hose	1
13	DG938(康)-01013	胶管 hose	1
14	DG938(康)-01014	铰接螺栓 joint bolt	2
15	DG938(康)-01015	接头体 joint	1
16	DG938(康)-01016	接头体 joint	1
17	DG938(康)-01017	管卡 pipe clip	1
18	DG938(康)-01018	排气管 blast pipe	1
19	DG938(康)-01019	三通接头 tee fitting	1
20	DG938(康)-01020	接管 connector	1
21	DG938(康)-01021	垫板 backing plate	2
22	DG938(康)-01022	燃油吸油管 fuel oil suction pipe	1
23	DG938(康)-01023	补偿水接头 joint	1
24	DG938(康)-01024	除气接管 connector	1
25	DG938(康)-01025	补偿水管 water pipe	1

图3 SL30W (康) 发动机装置 (-01000)
Fig3 SL30W (kang) Engine mount



序号 POS. NO.	零件号 PARTS NO.	名称 DESCRIPTION	数量 QTY
(1)	XZ(QZ)1129001	油门操作阀 throttle control valve	1
(2)	GB5781-86, M6 × 16	螺栓 bolt	5
(3)	GB93-87, 6	垫圈 washer	5
(4)	GB882-86, 6 × 20	销轴 pin	2
(5)	GB91-86, 2 × 20	开口销 forelock	2
(6)	GB95-85, 6	垫圈 washer	2
(7)	6BT5.9-C130	东风康明斯发动机 Dongfeng Cummins engine	1
(8)	GB5781-86, M12 × 55	螺栓 bolt	4
(9)	GB93-87, 12	垫圈 washer	4
(10)	GB6170-86, 12	螺母 nut	4
(11)	GB95-85, 12	垫圈 washer	4
(12)	JB3616.1-84, (57 ~ 62)	双钢丝卡箍 clamp	6
(13)	JB982-77, 14	组合垫圈 combined washer	4
(14)	BE-120	减震器 reducer	2
(15)	GB5783-86, M16 × 55	螺栓 bolt	2
(16)	GB93-87, 16	垫圈 washer	2
(17)	GB6170-86, M12	螺母 nut	8
(18)	GB93-87, 12	垫圈 washer	8
(19)	GB95-85, 12	垫圈 washer	8
(20)	GB5781-86, M12 × 50	螺栓 bolt	8
(21)	BE-160	减震器 reducer	2
(22)	GB5783-86, M18 × 55	螺栓 bolt	2
(23)	GB93-87, 18	垫圈 washer	2
(24)	ZD200 × 8	可松开式扎带 clip	4
(25)	JB3616.1-84, (57 ~ 62)	双钢丝卡箍 clamp	1
(26)	JB3616.1-84	双钢丝卡箍 (13-19) clamp	2
(27)	JB3616.1-84	双钢丝卡箍 (26-30) clamp	2
(28)	KMS-ZL938	水箱 water tank	1

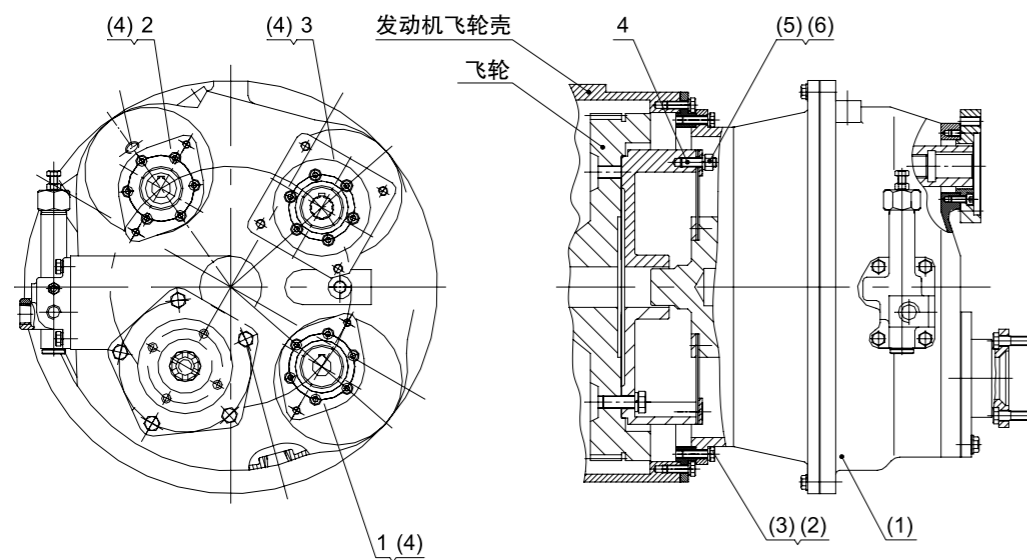
图4 SL30W 燃油箱总成(-01200)
Fig4 Fuel tank assembly



序号 POS. NO.	零件号 PARTS NO.	名称 DESCRIPTION	数量 QTY
1	ZL30G II -01201	燃油箱体 Fuel tank	1
2	ZL30G II -01202	垫 Spacer	1
3	ZL30G II -01203	磁铁 magnet	1
4	ZL30G II -01204	法兰盘 Flange plate	1
5	ZL30G II -01205	铰接螺栓 Joint bolt	2
6	ZL30G II -01206	吸油管法兰 Suction pipe flange	1
7	ZL30G II -01207	铰接螺栓 Joint bolt	2
8	ZL30G II -01208	铰接接头体 Fitting	2
9	ZL30G II -01209	卡箍 Clamp	2
10	ZL30G II -01210	透明塑料胶管 Plastic hose	1
11	ZL30G II -01211	盖 Cover	1
12	ZL30G II -01219	弯板 Plate	1
(1)	GB5781-86, M8 × 16	螺栓 Bolt	4
(2)	GB93-87, 8	垫圈 Washer	4
(3)	GB5781-86, M10 × 25	螺栓 Bolt	24
(4)	GB93-87, 10	垫圈 Washer	24
(5)	JB1000-77, M27 × 2	螺塞 Screw plug	1
(6)	JB982-77, 27	组合垫圈 Combined washer	1
(7)	GB1235-76, φ 140 × 3.1	O形圈 O-ring	1
(8)	JB982-77, 14	组合垫圈 Combined washer	4
(9)	GB1235-76, φ 65 × 3.1	O形圈 O-ring	1
(10)	JB982-77, 10	组合垫圈 Combined washer	4
(11)	ZL30-01-JYLQQ,11A-180um	加油滤清器 Oil-filling strainer	1
(12)	GB1235-76, φ 180 × 5.7	O形圈 O-ring	1
(13)	GB5783-86, M16 × 45	螺栓 Bolt	5
(14)	GB93-87, 16	垫圈 Washer	5
(15)	GB6170-86, M16	螺母 Nut	5
(16)	GB67-85, M18 × 20	螺钉 Screw	4
(17)	GB93-87, 8	垫圈 Washer	4

图5 SL30W (配锡柴CA6110-125G5-DG1B发动机)
变矩器联接 (-02000)

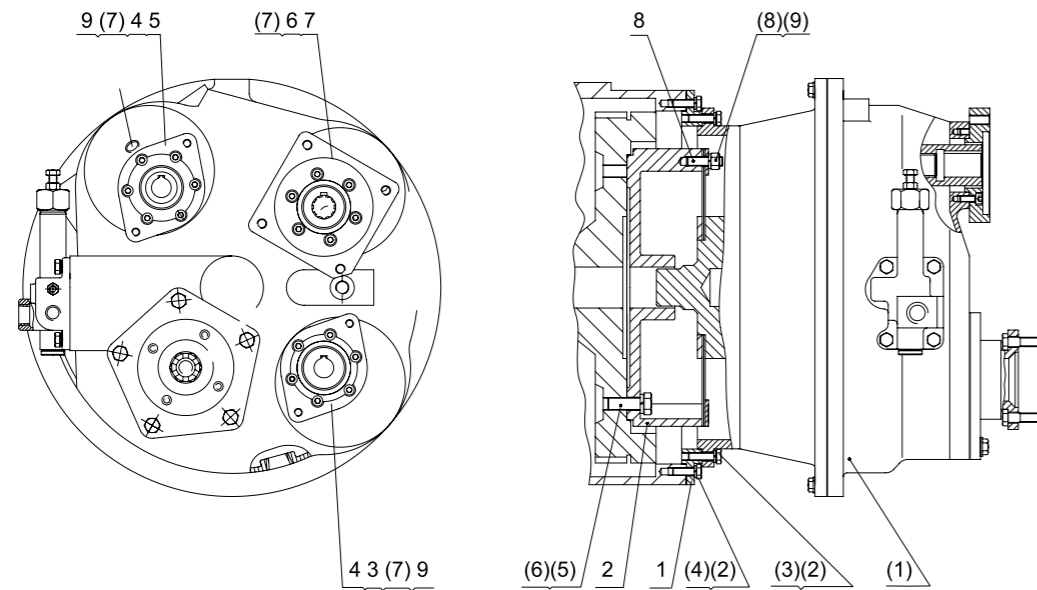
Fig5 Torque converter connect (match WUXI engine)



序号 POS. NO.	零件号 PARTS NO.	名称 DESCRIPTION	数量 QTY
1	SL30W-02001	过渡盘 transition plate (发动机带 engine with)	1
2	SL30W-02002	飞轮联接盘 connect plate (发动机带 engine with)	1
3	SL30W-02003	转向泵联接盘 connect plate (变矩器带 torque converter with)	1
4	SL30W-02004	泵套 pump sleeve (变矩器带 torque converter with)	2
5	SL30W-02005	行车泵联接盘 connect plate (变矩器带 torque converter with)	1
6	SL30W-02006	泵套 pump sleeve (变矩器带 torque converter with)	1
7	SL30W-02007	工作泵联接盘 connect plate (变矩器带 torque converter with)	1
8	SL30W-02008	双头螺柱 double-screw bolt	8
9	SL30W-02009	软钢板纸垫 paper washer	2
(1)	YJ315LD	液力变矩器 torque converter	1
(2)	GB93-87, 10	垫圈 washer	24
(3)	GB5783-86, M10x35	螺栓 bolt	12
(4)	GB5783-86, M10x30	螺栓 bolt	12
(5)	GB5783-86, M16*1.5*45	螺栓 bolt	8
(6)	GB93-87, 16	垫圈 washer	8
(7)	GB70-85, M8*20	内六角螺钉 screw	18
(8)	GB6171-86, M12*1.25	螺母 nut	8
(9)	GB93-87, 12	垫圈 washer	8

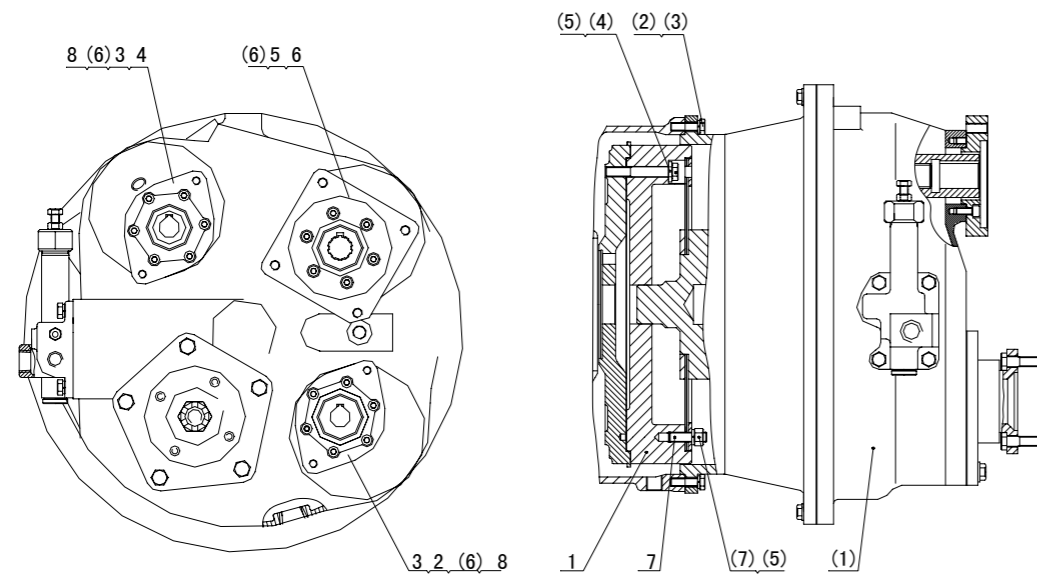
图6 SL30W (配道依茨WP6G125E22发动机)
变矩器联接 (-02000)

Fig6 Torque converter connect (match DETUZ engine)



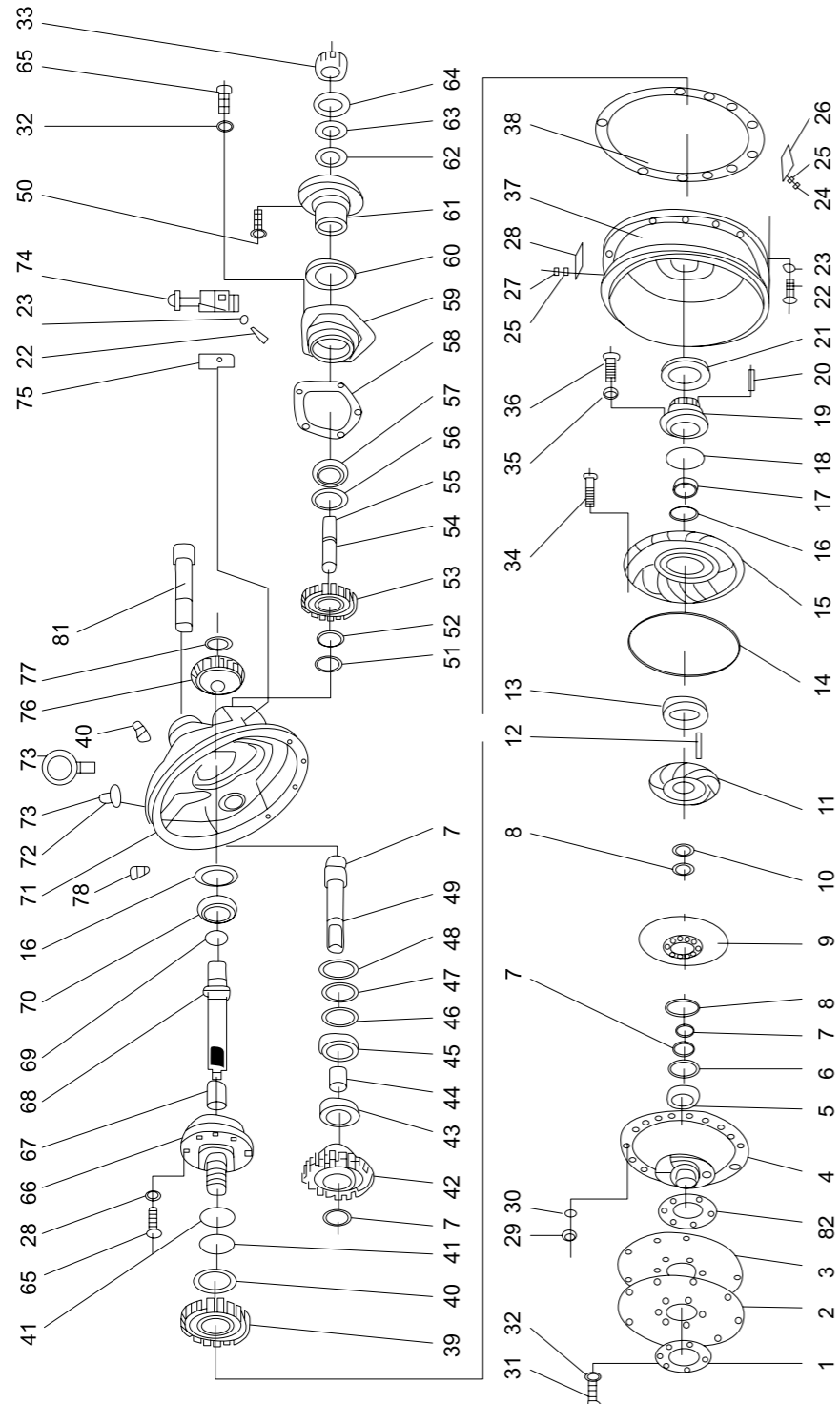
序号 POS. NO.	零件号 PARTS NO.	名称 DESCRIPTION	数量 QTY
1	SL30W-02001	过渡盘 transition plate	1
2	SL30W-02002	飞轮联接盘 connect plate	1
3	SL30W-02003	转向泵联接盘 connect plate	1
4	SL30W-02004	泵套 pump sleeve	2
5	SL30W-02005	行车泵联接盘 connect plate	1
6	SL30W-02006	泵套 pump sleeve	1
7	SL30W-02007	工作泵联接盘 connect plate	1
8	SL30W-02008	双头螺柱 double-screw bolt	8
9	SL30W-02009	软钢板纸垫 paper washer	2
(1)	YJ315LD	液力变矩器 torque converter	1
(2)	GB93-87, 10	垫圈 washer	24
(3)	GB5783-86, M10x35	螺栓 bolt	12
(4)	GB5783-86, M10x30	螺栓 bolt	12
(5)	GB5783-86, M16*1.5*45	螺栓 bolt	8
(6)	GB93-87, 16	垫圈 washer	8
(7)	GB70-85, M8*20	内六角螺钉 screw	18
(8)	GB6171-86, M12*1.25	螺母 nut	8
(9)	GB93-87, 12	垫圈 washer	8

图7 SL30W 变矩器联接(6BT5.9-C130发动机)(-02000)
Fig7 Torque corverter connect



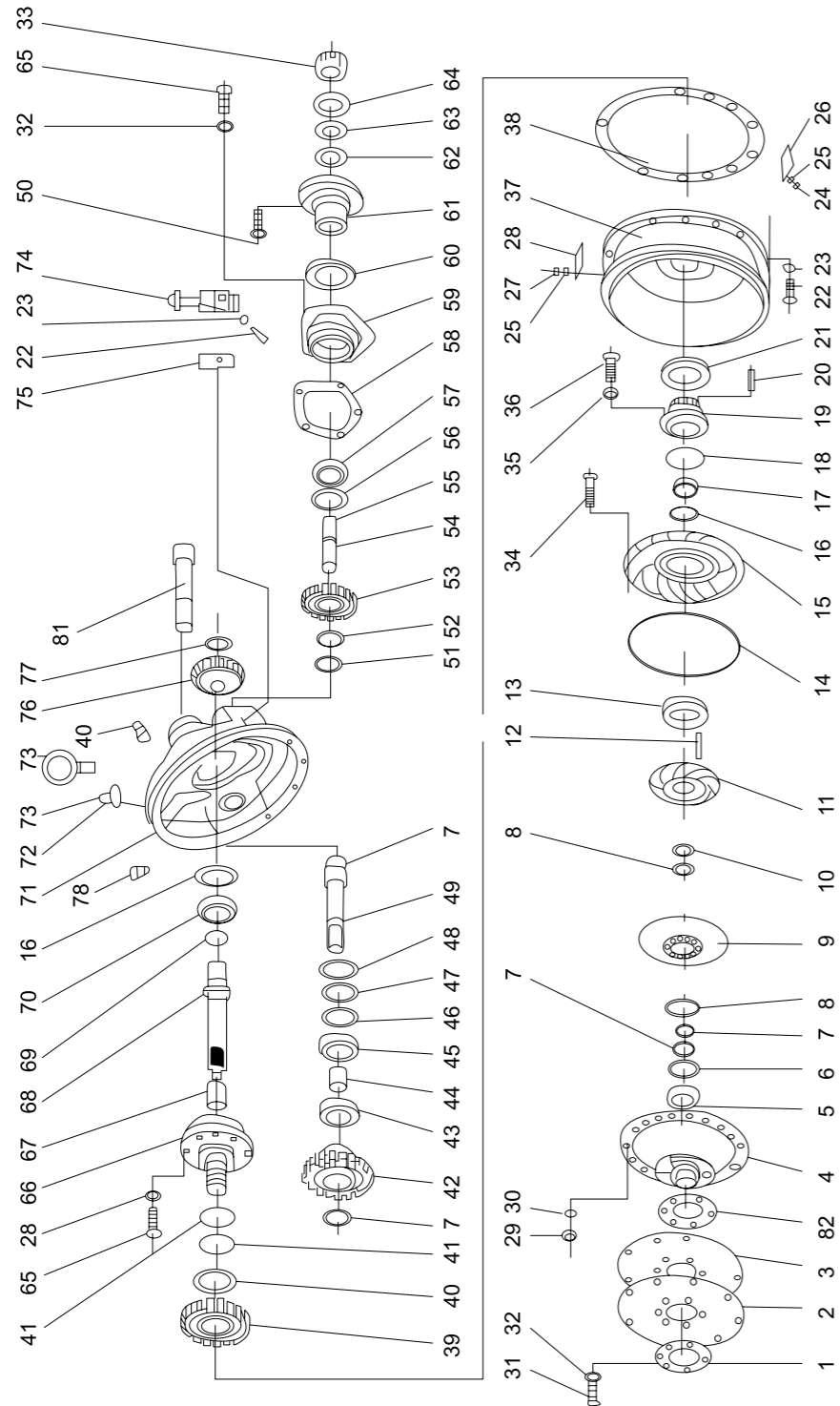
序号 POS. NO.	零件号 PARTS NO.	名称 DESCRIPTION	数量 QTY
1	DG938(康)-02001	飞轮联接盘 flywheel connect pan	1
2	DG938(康)-02002	转向泵联接盘 steering pump connect pan	1
3	DG938(康)-02003	泵套 pump sleeve	2
4	DG938(康)-02004	行车泵联接盘 traveling crane pump connect pan	1
5	DG938(康)-02005	泵套 pump sleeve	1
6	DG938(康)-02006	工作泵联接盘 work pump connect pan	1
7	DG938(康)-02007	双头螺柱 double-screw bolt	8
8	DG938(康)-02008	纸垫 paper washer	2
(1)	YJ315LD/YJ320D	液力变矩器 hydraulic torque convert	1
(2)	GB93-87, 10	垫圈 washer	12
(3)	GB5783-86, M10 × 35	螺栓 bolt	12
(4)	GB5783-86, M12 × 80	螺栓 bolt	8
(5)	GB93-87, 12	垫圈 washer	16
(6)	GB70-85, M8 × 20	内六角螺钉 screw	18
(7)	GB6171-86, M12	螺母 nut	8

图8 YJ315LD液力变矩器
Fig8 Torque converter



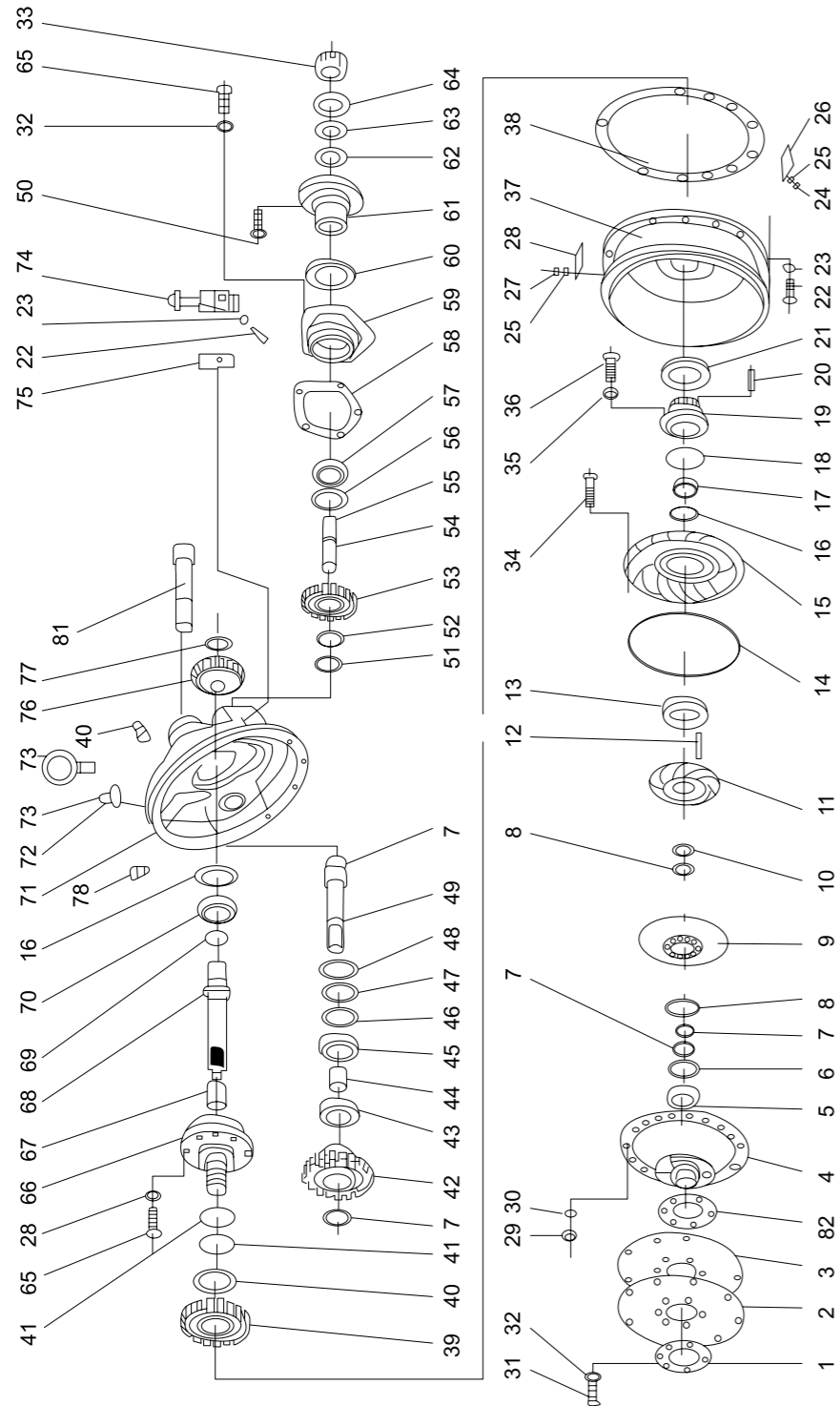
序号 POS. NO.	零件号 PARTS NO.	名称 DESCRIPTION	数量 QTY
1	YJ315Y-00018	圆垫板 Circle backing plate	1
2	YJ315Y-00002	弹性板 Elastane plate	1
3	YJ315Y-30000	弹性板总成 Elastane plate assembly	1
4	YJ315X-00002	罩轮 Cover wheel	1
5	GB289-64,4074106	滚针轴承4074106 4074106 roller bearing	1
6	04065-05520	挡圈55 55 snap ring	1
7	04064-03015	挡圈30 30 snap ring	4
8	04064-03818	挡圈38 38 snap ring	2
9	YJ315X-10000	涡轮组件 Runner unit	1
10	04064-06020	挡圈60 60 snap ring	1
11	ZL30D-11-27	导轮 Stator	1
12	04025-00620	销 φ 6 X 20 Pin	1
13	ZL30D-11-24	隔环 Caulking ring	1
14	GB/3452.1-92, φ 338 X 3.55	O型圈 φ 338 X 3.55 "O" ring	1
15	YJ315X-00003	泵轮 Impeller	1
16	GB893.1-86, 110	孔用挡圈110 Circlip for hole	2
17	GB/T276-94, 6212	轴承6212 Bearing	1
18	GB1235-76, φ 130 X 3.1	O型圈 φ 130 X 3.1 "O" ring	1
19	ZL30D-11-21	泵轮座 Impeller seat	1
20	ZL30D-11-22	定位销 Place pin	4
21	ZL30D-11-54	骨架油封 Oil seal	1
22	01010-51030	螺栓M10 X 30 Bolt	16
23	01602-21030	垫圈10 Washer	16
24	GB21-76, M6X16	小六角头螺栓 M6X16 bolt	4
25	01642-20608	垫圈6 Washer	8
26	YJ315X-00005	盖板 Cover plate	1
27	GB21-76, M6X10	小六角头螺栓M6X10 Bolt	4
28	YJ315X-00004	盖板 Cover plate	1
29	01580-10806	螺母M8 Nut	24
30	01602-20825	垫圈8 Washer	24
31	01010-51225	螺栓M12 X 25 Bolt	8
32	01602-21236	垫圈12 Washer	19
33	ZL30D-11-14	六角槽形螺母M24X1.5 Nut	1
34	01010-50835	螺栓M8 X 35 Bolt	24
35	01602-20825	垫圈8 Washer	8
36	01010-50822	螺栓M8 X 22 Bolt	8
37	YJ315X-00001	飞轮壳中节 Middle node	1
38	ZL30D-11-38	垫片 Backup plate	1
39	YJ315L-00005A	驱动油泵主动齿轮 Drive oil pump initiative gear	1

图8 YJ315LD液力变矩器
Fig8 Torque converter



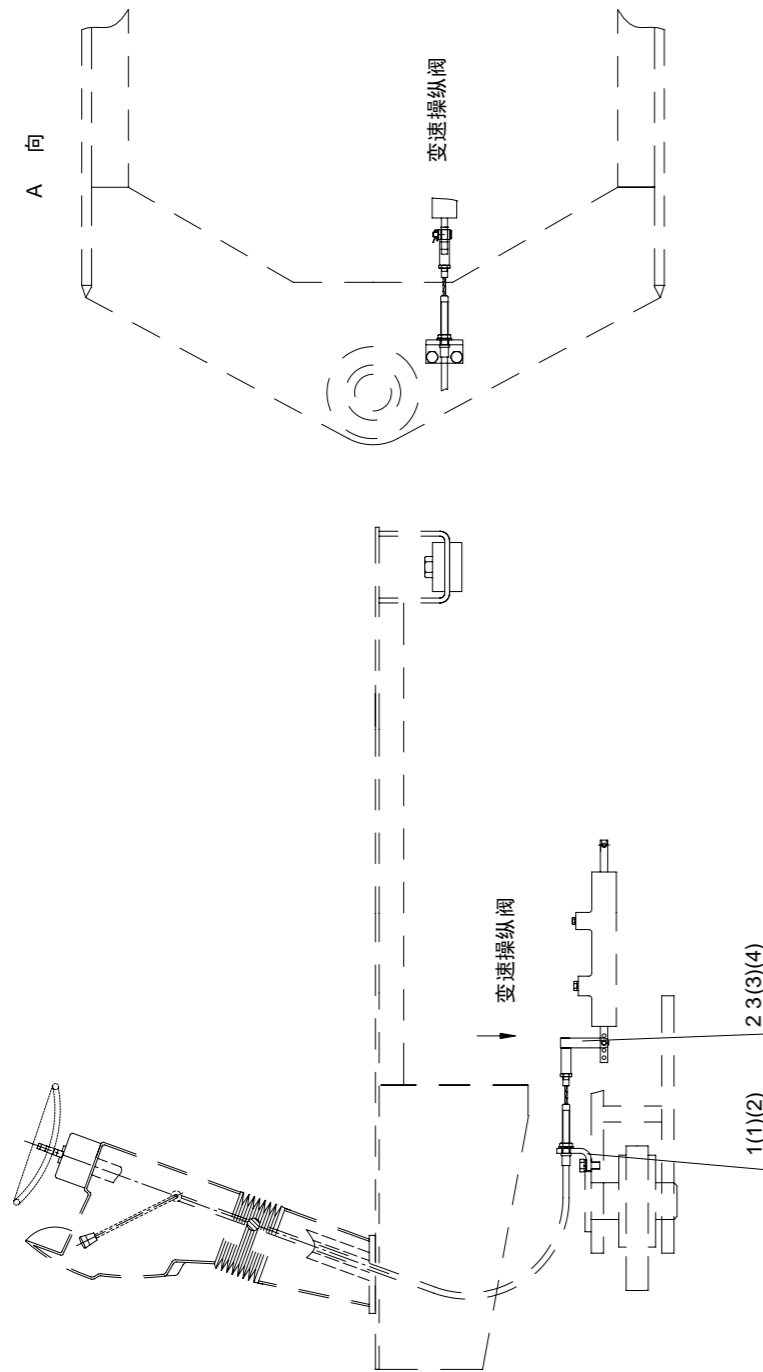
序号 POS. NO.	零件号 PARTS NO.	名称 DESCRIPTION	数量 QTY
40	04064-01030	挡圈100 Snap ring	1
41	ZL30D-11-19	密封环80 Seal ring	2
42	YJ315L-00006A	驱动油泵被动齿轮 Drive oil pump passivity gear	3
43	GB/T276-94, 6206	轴承6206 6206 bearing	2
44	ZL30D-11-40	套 Sleeve	3
45	GB277-89, 50206	轴承50206 50206 bearing	2
46	ZL30D-11-04	止动环 Closing ring	3
47	ZL30D-11-03	垫圈 Washer	2
48	04065-06825	挡圈68 68 snap ring	2
49	YJ315LD-00002	驱动油泵轴 Drive oil pump shaft	1
50	01010-51240	螺栓 Bolt	4
51	04064-03515	挡圈35 Snap ring	1
52	GB/T276-94, 6307	轴承6307 Bearing	1
53	ZL30D-11-18	被动齿轮 Passivity gear	1
54	ZL30D-11-15	输出轴 Export shaft	1
55	GB/T91-2000, 5X45	开口销5X45 Cotter pin	1
56	04065-09030	挡圈90 Snap ring	1
57	GB/T276-94, 6308	轴承6308 Bearing	1
58	ZL30D-11-07	密封垫 Sealing plate	1
59	ZL30D-11-11	油封法兰 Oil seal flange	1
60	07012-20055	油封557812 Oil seal	2
61	ZL30D-11-1	输出法兰 Export flange	1
62	ZL30D-11-13	垫圈 Washer	1
63	ZL30D-11-17	密封垫 Sealing plate	1
64	ZL30D-11-16	垫圈 Washer	1
65	01010-51230	螺栓M12 X 30 Bolt	11
66	ZL30D-11-05	导轮座 Stator seat	1
67	ZL30D-11-10	套 Sleeve	1
68	ZL30D-11-09	主动轴 Initiative shaft	1
69	ZL30D-11-08	密封环60 Seal ring	1
70	GB/T276-94, 6310	轴承6310 Bearing	1
71	ZL30D-11-01	变矩器壳体 Torque convert shell	1
72	04418-03060	铆钉36 Rivet	4
73	YJ315LD-BP01	标牌 Rating plate	1
74	YJ320-01000Z	减压阀 Reducing valve	1
75	YJ315X-00009Z	密封垫 Seal plate	1
76	ZL30D-11-06	主动齿轮 Initiative gear	1
77	GB894.1-86, 48	挡圈48 Snap ring	1
78	GB/T14626, NPT3/8	方头管塞NPT3/8 Square pipe plug	1

图8 YJ315LD液力变矩器
Fig8 Torque converter



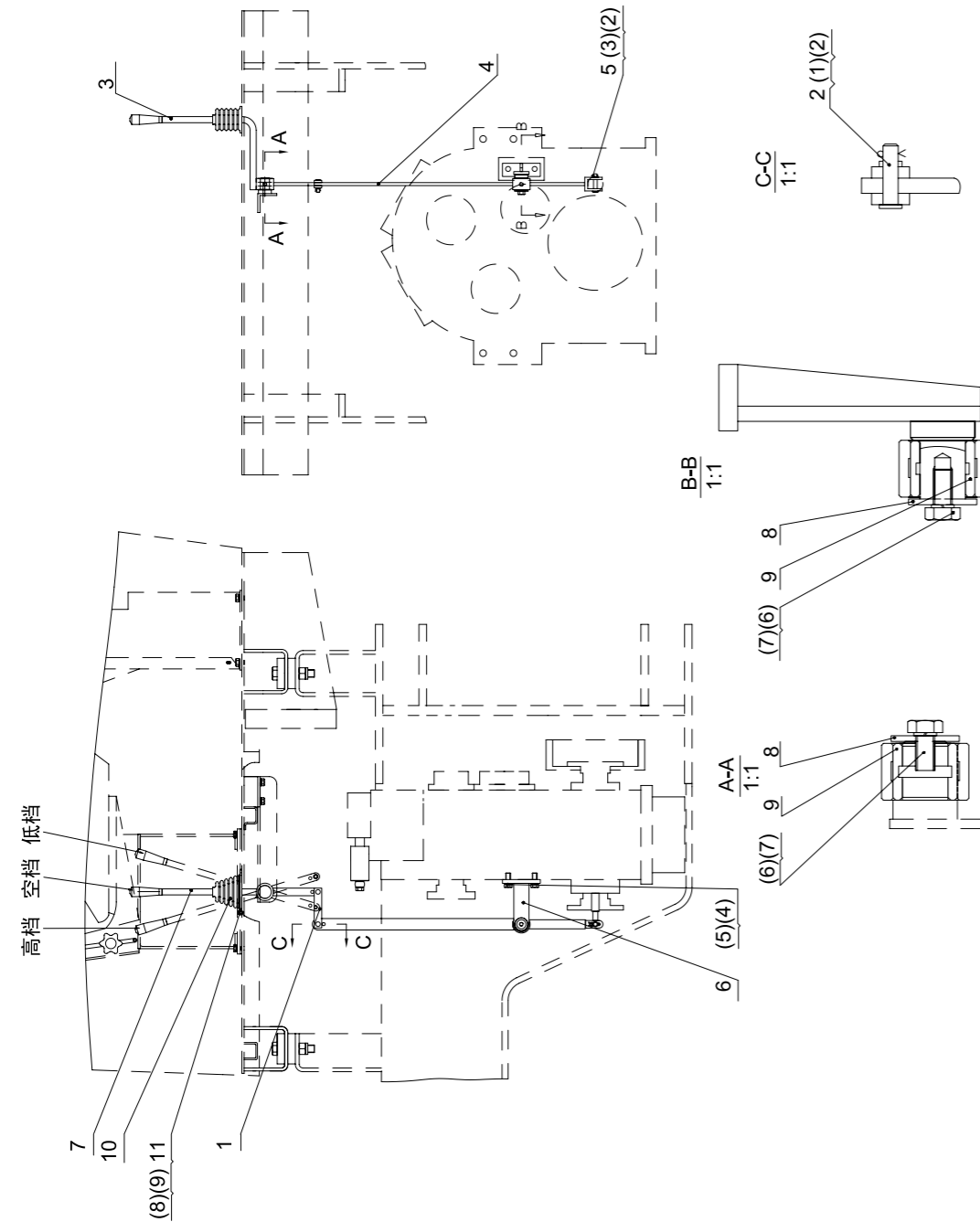
序号 POS. NO.	零件号 PARTS NO.	名称 DESCRIPTION	数量 QTY
79	GB/T825-1998, M16	吊环螺钉 Eye bolt	1
80	YJ315S-00007	透气孔接头 Riser vent joint	1
81	YJ315LD-00001	驱动油泵轴 Drive oil pump shaft	2
82	YJ315S-00011-1/2/3/4	调整垫 Adjust gasket	1

图9 SL30W 变速操纵系统 (-03100)
Fig9 Transmission control system



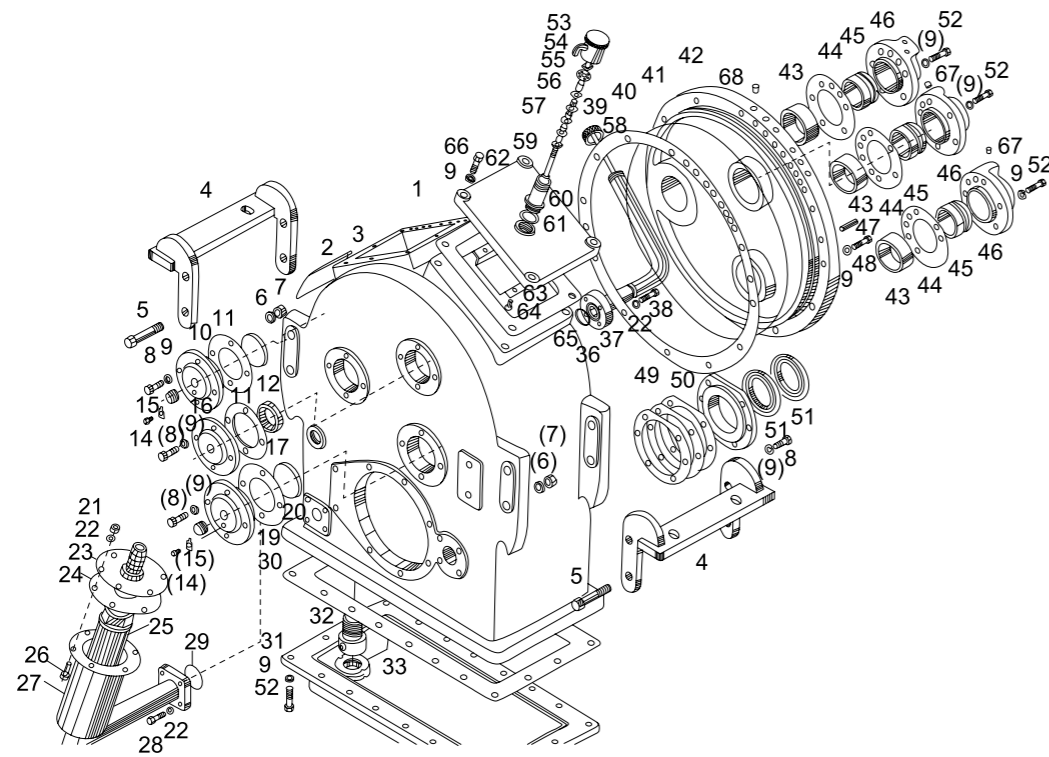
序号 POS. NO.	零件号 PARTS NO.	名称 DESCRIPTION	数量 QTY
1	DG930B-03101	固定板 Fixed plate	1
2	DG930B-03102	联接叉 rod clevis	1
3	DG930B-03103	销轴 pin	1
(1)	GB5781-86, M12 × 25	螺栓M12 × 25 bolt	2
(2)	GB93-87, 12	垫圈12 washer	2
(3)	GB95-85, 8	垫圈 8 washer	1
(4)	GB91-86	开口销 2*14 forelock	1

图10 SL30W高低速操纵系统(-03200)
Fig10 H/L speed control system



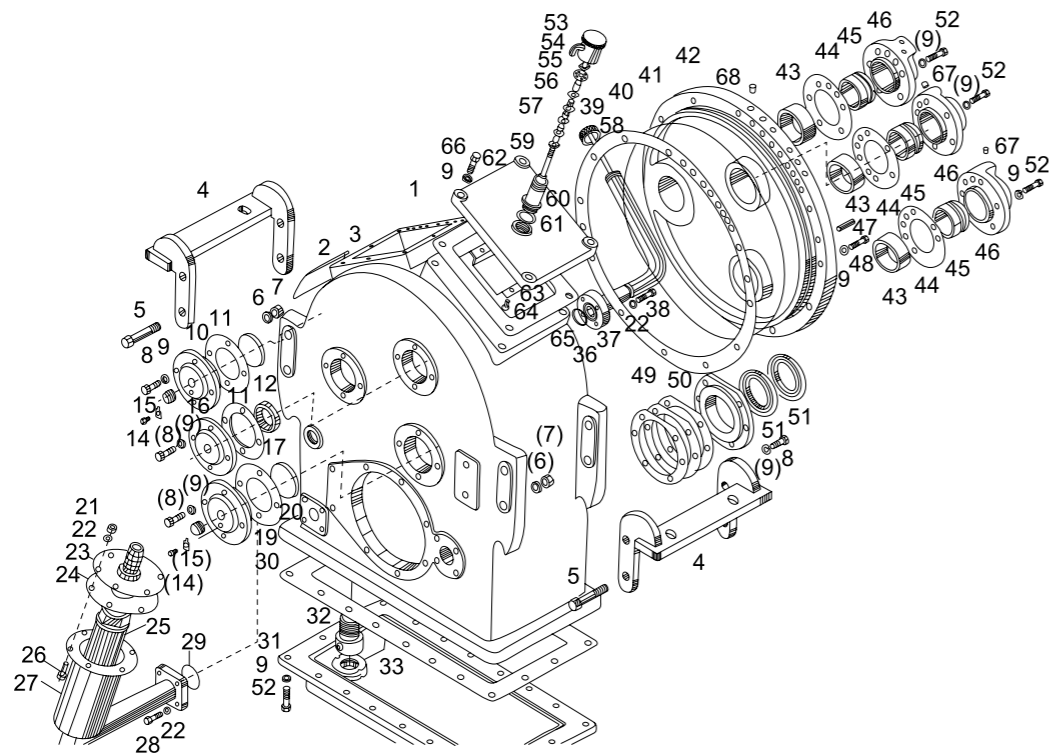
序号 POS. NO.	零件号 PARTS NO.	名称 DESCRIPTION	数量 QTY
1	ZL30G II -03201	联接板 Connect plate	2
2	ZL30G II -03202	销轴 Pin	2
3	ZL30G II -03203	操纵杆 Control lever	1
4	ZL30G II -03204	摇臂 Rocker arm	1
5	ZL30G II -03205	销轴 Pin	1
6	ZL30G II -03206	支架 Set plate	1
7	ZL30G II -03207	手柄套 Rein sleeve	1
8	ZL30G II -03208	挡板 Baffle	2
9	ZL30G II -03209	衬套 Bush	2
10	ZL30G II -03210	防尘套 Dirt-proof boot	1
11	ZL30G II -03211	压板 Press plate	1
(1)	GB95-85, 8	垫圈 Washer	2
(2)	GB91-86, 2 × 25	开口销 Pin	3
(3)	GB95-85, 10	垫圈 Washer	1
(4)	GB5781-86, M12 × 25	螺栓 Bolt	2
(5)	GB93-87, 12	垫圈 Washer	2
(6)	GB5781-86, M10 × 20	螺栓 Bolt	2
(7)	GB93-87, 10	垫圈 Washer	2
(8)	GB93-87, 5	垫圈 Washer	4
(9)	GB818-85, M5 × 20	螺栓 Bolt	4

图11 BYD4208 变速箱
Fig11 Transmisson



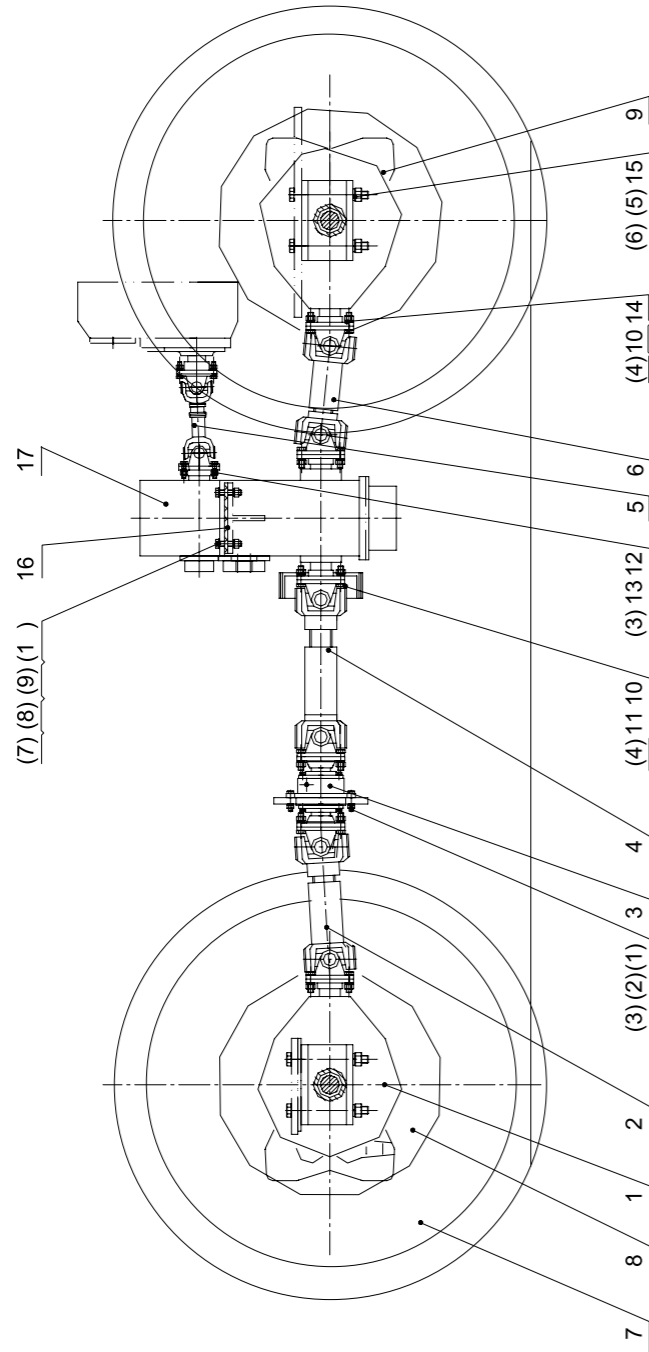
序号 POS. NO.	零件号 PARTS NO.	名称 DESCRIPTION	数量 QTY
1	BD08-00001	箱体 Casing	1
2	BD08-00000L	铭牌 Name plate	1
3	GB827-86, 2x6	标牌铆钉2x6 Trademark rivet	4
4	BD08-03000	支架 Bracket	2
5	GB5783-86, M16x75	六角螺栓M16x75 Bolt	6
6	01602-11648	弹簧垫圈 16 Washer	8
7	GB6170-86, M16	六角螺母M16 Nut	8
8	GB5783-86, M10x25	六角螺栓 M10x25 M10x25 Bolt	18
9	01602-11030	垫圈10 Washer	57
10	BD08-00002	端盖 End cover	1
11	BD08-00006	纸垫 Paper gasket	2
12	BD08-00004	调整环 Adjust ring	1
13	BD08-00005	调整螺丝 Adjust bolt	2
14	GB5783-86, M16x6	六角头螺栓M16x6 Bolt	2
15	BD08-00003	止动片 Lock plate	2
16	BD08-00007	输入轴端盖 Import shaft end cover	1
17	BIU-19822	油封45x62x12 Oil seal	1
18	BD08-00008	中间轴端盖 Middle shaft end cover	1
19	BD08-00010	纸垫 Paper gasket	1
20	BD08-00009	挡油盖调整环 Ward oil cover adjust ring	1
21	GB6170-86, M8	螺母M8 Nut	6
22	GB93-87, 8	垫圈8 Washer	14
23	BD08D-07001	接头 Joint	1
24	BD08D-07002	垫片 Gasket	1
25	WL-100X100-J	滤芯 Oil filter	1
26	GB5783-86, M8x25	螺栓M8x25 Bolt	6
27	BD08D-07003	法兰接头 Flange joint	1
28	GB5783-86, M8x30	六角螺栓M8x30 Bolt	4
29	07000-03045	O形圈45X51X3.5 O-ring	1
30	BD08-00020	垫密片 δ 1 Gasket	1
31	BD08-00022	油底壳 Oil pan	1
32	BD08-00037	吸油管 Oil-suction tube	1
33	BD08-00038	永久磁铁 Magnet	1
34	07002-02434	O形圈 O-ring	1
35	07044-12412	螺塞 Plug	1
36	07000-03035	O形圈35X41X3.5 O-ring	1
37	BD08D-15000	油管总成 Vitta assembly	1
38	GB5783-86, M18X25	六角螺栓 M18X25 Bolt	4

图11 BYD4208 变速箱
Fig11 Transmisson



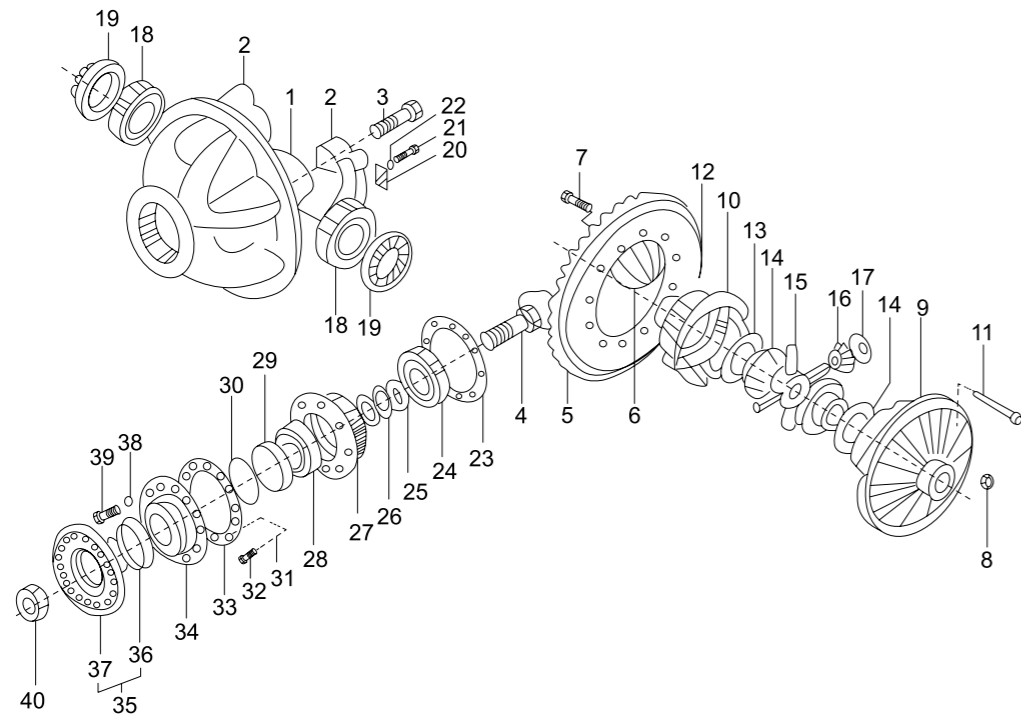
序号 POS. NO.	零件号 PARTS NO.	名称 DESCRIPTION	数量 QTY
39	BD08D-14000	油管盖总成(含油尺) Vitta cover assembly(contain oil dipstick)	1
40	BD08-00036	垫 Gasket	1
41	BD08-00036A	O形橡胶圈 O-ring	1
42	BD08-00031	大端盖 Big end-cover	1
43	BD08-00032	轴套 Shaft sleeve	3
44	BD08-00033	垫片 Gasket	3
45	BD08-10002	外封轴套 Outside shaft sleeve	3
46	BD08-10001	进油端盖 Enter-oil end cover	3
47	GB119-86, A10X40	定位销 A10X40 Place pin	1
48	GB70-85, M10X30	圆柱内六角螺钉 Bolt	13
49	BD08-00029	前输出轴调整垫片 Front export shaft adjust gasket	1组
50	BD08-00030	前输出轴封油盖 Front export shaft cover	1
51	BAU5SLX2	油封 65X90X10 Oil seal	2
52	GB5783-86, M10X30	六角头螺栓 M10X30 M10X30Bolt	35
53	BD08-05100	通风器盖 Aerator cover	1
54	GB39-88, M6	方螺母M6 Square nut	1
55	BD08-05001	通风片 Aeration piece	1
56	BD08-05002	铜套 Sleeve	1
57	BD08-05003	迷宫片 Maze piece	5
58	BD08-05004	铜隔套 Washer	4
59	BD08-05005	长螺丝 Long bolt	1
60	BD08-05006	壳体 Shell	1
61	BD08-00024	纸垫 Paper gasket	1
62	BD08-04001	盖板 Casing cover	1
63	BD08-04002	挡油盖 Ward oil cover	1
64	GB867-86, 4X18	半圆头铆钉4X18 Rivet	4
65	BD08-00025	纸垫0.5 Paper gasket	1
66	GB5783-86, M10X35	六角头螺栓 M10X35 M10X35 Bolt	4
67	07043-00108	螺塞Rc1/8 Plug	6
68	07043-00108	螺塞 Plug Rc1/8 Plug	6
69	GB5783-86, M16x90	六角螺栓M16x90 Bolt	2
70	ZL30F-08018A	软轴支架 Bracket	1
71	ZL30F-08015A	接头 Joint	1
72	ZL30F-08015B	销 Pin	1
73	GB/T91-1986, 3.2X36	开口销3.2X36 Cotter pin	1

图12 SL30W传动轴、驱动桥(-04000)
Fig12 Driving shaft and driving axle



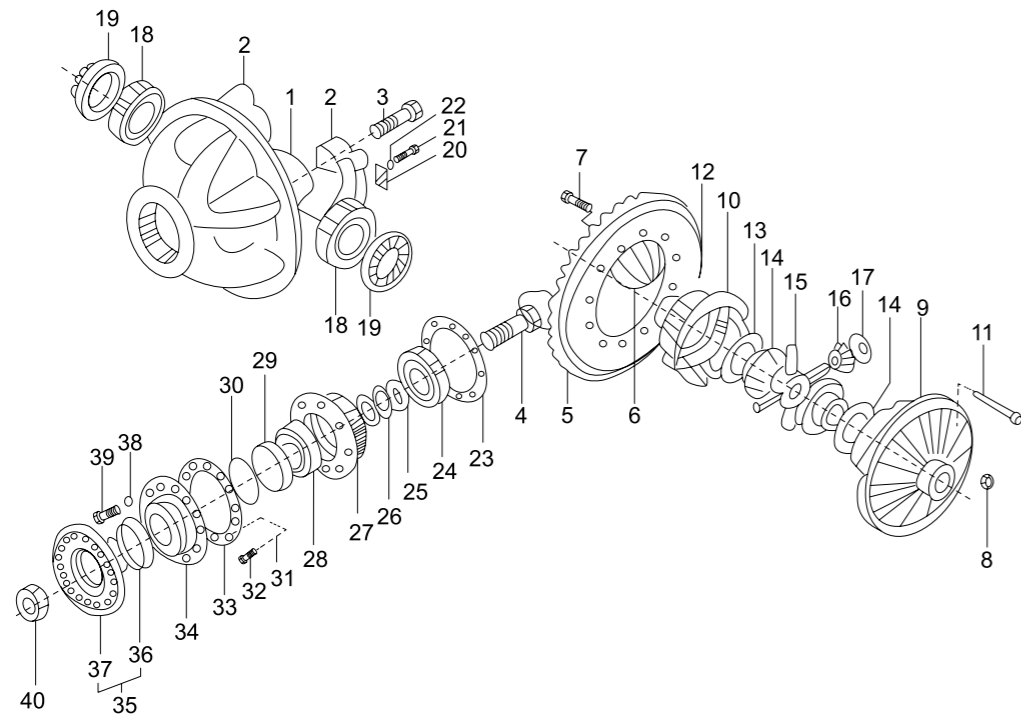
序号 POS. NO.	零件号 PARTS NO.	名称 DESCRIPTION	数量 QTY
1	ZL30G II -04100	前驱动桥总成 Front driving axle assembly	1
2	ZL30G II -04200	前传动轴总成 Front driving shaft assembly	1
3	ZL30G II -04300	中间轴承座总成 Intermediate bearing case assembly	1
4	ZL30G II -04400	中间传动轴总成 Middle driving shaft assembly	1
5	ZL30G II -04500	主传动轴总成 Main driving shaft assembly	1
6	ZL30G II -04600	后传动轴总成 Rear driving shaft assembly	1
7	ZL30G II -04700	轮胎 Tyre	4
8	ZL30G II -04800	轮辋 Rim	4
9	ZL30G II -04900	后驱动桥总成 Rear driving axle assembly	1
10	ZL30G II -04001	螺母 Nut	24
11	ZL30G II -04002	螺栓 Bolt	4
12	ZL30G II -04003	螺母 Nut	8
13	ZL30G II -04004	螺栓 Bolt	8
14	ZL30G II -04005	螺栓 Bolt	20
15	ZL30G II -04006	螺栓 Bolt	8
16	ZL30G II -04007	胶垫 Damping space	2
17	BYD4208(BS428)	变速箱 Transmission	1
(1)	GB5782-86, M12 × 55	螺栓 Bolt	6
(2)	GB6170-86, M12	螺母 Nut	6
(3)	GB93-87, 12	垫圈 Washer	14
(4)	GB93-87, 14	垫圈 Washer	24
(5)	GB93-87, 24	垫圈 Washer	8
(6)	GB6182-86, M24 × 1.5	自锁螺母 Nut	8
(7)	GB95-85, 16	垫圈 Washer	4
(8)	GB93-87, 16	垫圈 Washer	4
(9)	GB6182-86, M16	自锁螺母 Nut	4
(10)	GB5782-86, M16 × 70	螺栓 Bolt	4

图13 主减速器总成(XC)
Fig13 Carrier assembly(XC)



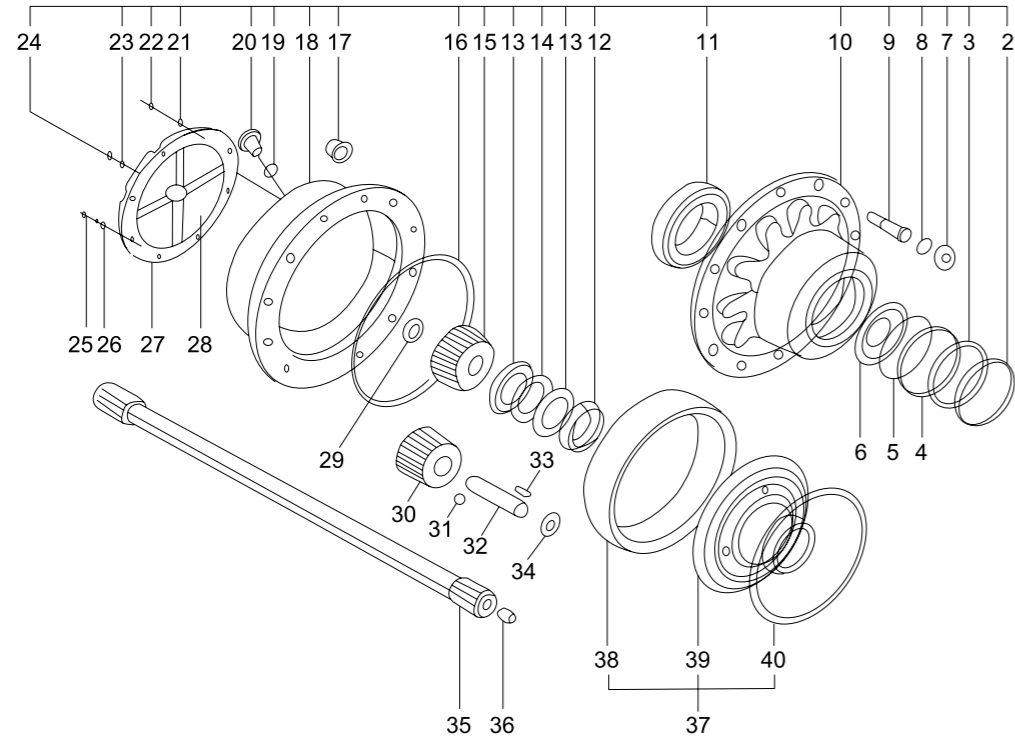
序号 POS. NO.	零件号 PARTS NO.	名称 DESCRIPTION	数量 QTY
1	ZL30-Q.3-3	主减速器壳 Carrier shell	1
2	75200033	轴承盖 Bearing cover	2
3	75502600	螺栓 M22 × 90 Bolt	4
4	ZL30-QA.3-2	主动螺旋伞齿轮(前桥) Pinion gear(front axle)	1
4	ZL60-HA.2-2	主动螺旋伞齿轮(后桥) Pinion gear(rear axle)	1
5	75201829D	大螺伞(前桥) Ring gear(front axle)	1
5	75201829C	大螺伞(后桥) Ring gear(rear axle)	1
6	75600311	轴承 Bearing	1
7	75500003	螺栓 Bolt	12
8	GB/T6187-2000, M14 × 1.5	螺母 M14 × 1.5 Nut	8
9	CZQ320.1.1-4	差速器大半壳 Case half	1
10	CZQ320.1.1-3	差速器小半壳 Case half	1
11	75501980	凸缘螺栓 Bolt	8
12	GB/T6187-2000, M14 × 1.5	螺母 M14 × 1.5 Nut	8
13	CZQ320.1.1-2	半轴齿轮垫片 Thrust washer	2
14	CZQ320.1.1-1	半轴齿轮 Side gear	2
15	75200059	十字轴 Spider	1
16	75201255	行星齿轮 Planet gear	4
17	75201607	行星齿轮垫片 Thrust washer	4
18	GB/T297-1994, 30215	轴承 30215 Bearing	2
19	ZL30-Q.3-4	差速器螺母 Diff. nut	2
20	75200053A	锁紧片 Lock plate	2
21	GB/T32.1-1998, M10 × 20	螺栓 M10 × 20 Bolt	2
22	GB/T93-1987, 10	垫圈 10 Washer	2
23	404325	调整垫片 Adjust spacer	1组
24	GB/T297-1994, 30311	轴承 30311 Bearing	1
25	ZL30-Q.3-1	轴承隔套 Bearing sleeve	1
26	75200036	垫片 Washer	1组
27	ZL30-Q.3-2	轴承座 Bearing seat	1
28	GB/T297-1994, 30310	轴承 30310 30310 Bearing	1
29	ZL30G-05101	接线盖 Operating cover	1
30	GB/T9877.1-1997, FB80 × 100 × 10F	油封 FB80 × 100 × 10F Oil seal	1
31	GB/T9877.1-1997, FB80 × 100 × 10F	油封 FB80 × 100 × 10F Oil seal	1
32	GB/T93-1987, 12	垫圈 12 Washer	1
33	75500006	螺栓 Bolt	1
34	75200040	衬垫 Washer	1
35	82050401	法兰总成 Flange assembly	1

图13 主减速器总成(XC)
Fig13 Carrier assembly(XC)



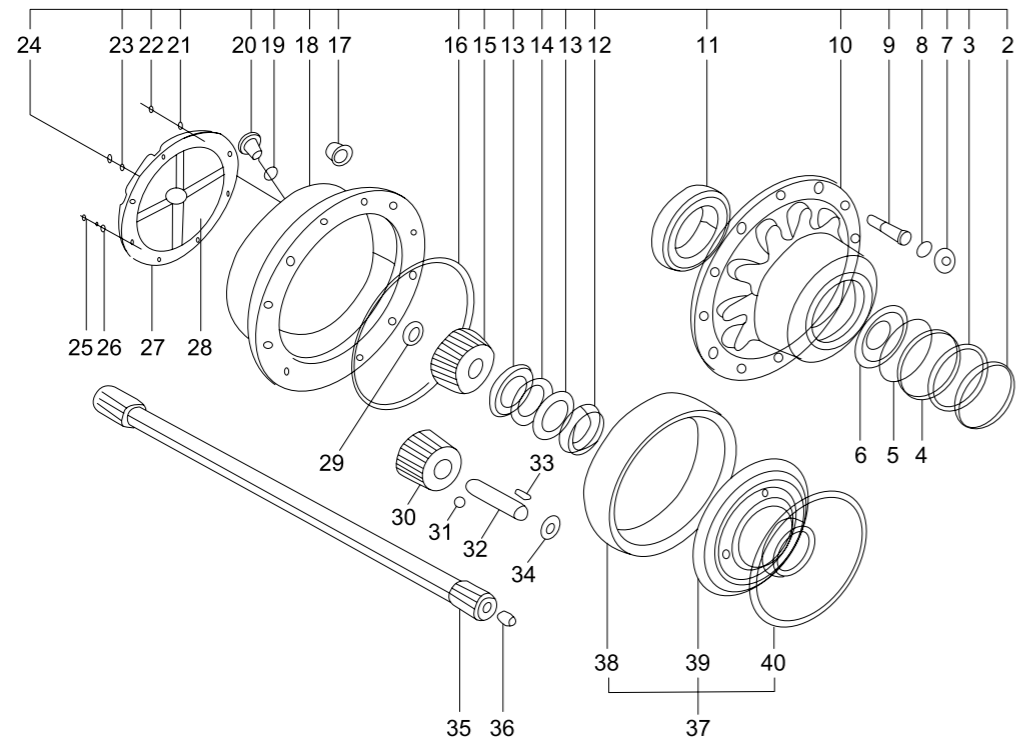
序号 POS. NO.	零件号 PARTS NO.	名称 DESCRIPTION	数量 QTY
36	75200046	防尘罩 Dust cover	1
37	82050402	法兰 Flange	1
38	GB/T93-1997, 14	垫圈 14 Washer	7
39	75500005	螺栓 Bolt	7
40	GB/T889.2-2000, M30 × 1.5	螺母 M30 × 1.5 Nut	1

图14 轮边总成(XC)
Fig14 Wheel end assembly(XC)



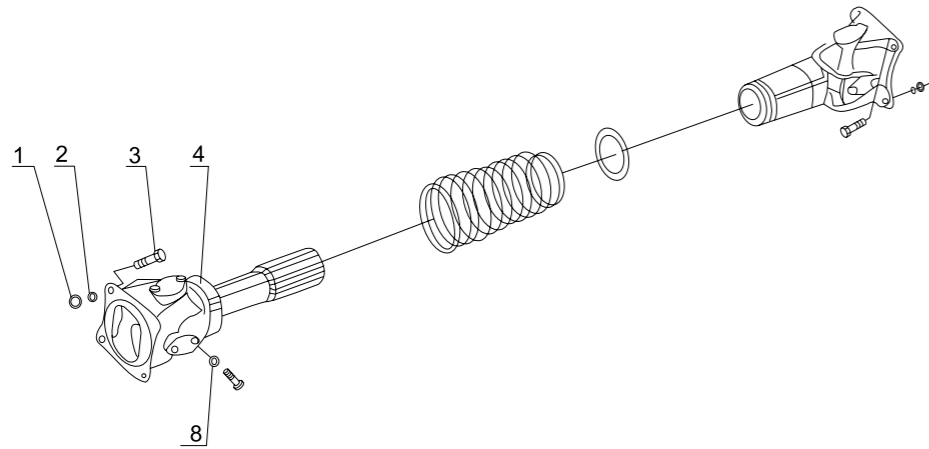
序号 POS. NO.	零件号 PARTS NO.	名称 DESCRIPTION	数量 QTY
1	CZQ320.3	轮边总成 Wheel end assembly	2
2	79500813A	油封座 Oil seal seat	1
3	GB/T9877.1-1997, FB150 × 180 × 15-D	油封 FB150 × 180 × 15-D Oil seal	1
4	GB/T9877.1-1997, FB150 × 180 × 15-D	油封 FB150 × 180 × 15-D Oil seal	1
5	79500823	挡油板 Plate	1
6	GB/T297-1994, 32024	轴承 32024 Bearing	1
7	GB/T6171-2000, M20 × 1.5	螺母 M20 × 1.5 Nut	12
8	GB/T93-1987, 20	垫圈 20 Washer	12
9	75502317A	轮辋螺栓 Rim bolt	12
10	83020502	轮辋 Hub	1
11	GB/T297-1994, 32026	轴承 32026 Bearing	1
12	76101041	锥套 Sleeve	1
13	75501646	螺母 M85 × 2 Nut	2
14	GB/T858-1998, 85	止动垫圈 85 Washer	1
15	CZQ320.3-1	太阳轮 Sun gear	1
16	75501707C	密封圈 Seal ring	1
17	ZL30E3-3	轮辋螺母 Rim nut	12
18	CZQ320.3-3	行星轮架 Spider	1
19	JB/T972-1977, 24	组合垫圈 24 Washer	1
20	75500195A	螺塞 M24 × 1.5 Screw plug	1
21	GB/T93-1987, 10	垫圈 10 Washer	1
22	GB/T5786-2000, M10 × 1.25 × 25	螺栓 M10 × 1.25 × 25 Bolt	1
23	JB/T972-1977, 12	组合垫圈 12 Washer	1
24	75500842	螺塞 M12 × 1.25 Screw plug	1
25	GB/T5786-2000, M12 × 1.25 × 25	螺栓 M12 × 1.25 × 25 Bolt	5
26	GB/T93-1987, 12	垫圈 12 Washer	5
27	79001544B	盖 Cover	1
28	73520042	限位块 Block	1
29	GB/T894-1-1986, 42	挡圈 42 Collar	1
30	CZQ320.3-2	行星轮 Planet gear	3
31	GB/T308-2002	钢球 3/8" Steel ball	3
32	CZQ320.3-4	行星轮轴 Planet pin	3
33	GB/T309-2000, Φ6 × 50	滚针 Φ6 × 50 Roll bearing	63
34	75600456B	挡板 Plate	6
35	CZQ320-2	半轴 Half shaft	1

图14 轮边总成(XC)
Fig14 Wheel end assembly(XC)



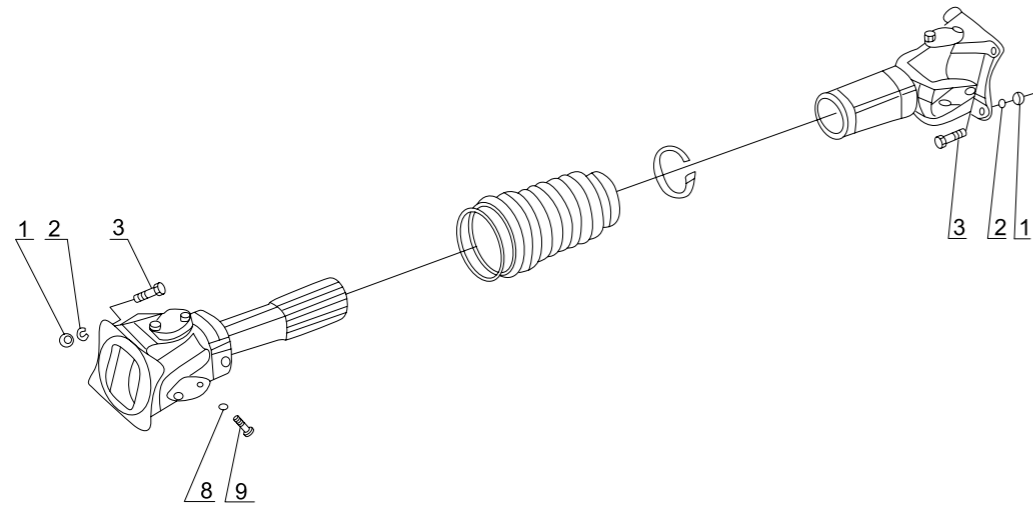
序号 POS. NO.	零件号 PARTS NO.	名称 DESCRIPTION	数量 QTY
36	77000044	调整支柱 Adjust pin	1
37	CZQ320.3.1	齿圈支承总成 Ring gear carrier assembly	1
38	CZQ320.3-1	齿圈 Ring gear	1
39	CZQ320.3-2	齿圈支承 Ring gear carrier	1
40	76101033A	卡环 Thrust ring	1

图15 主传动轴
Fig15 Main drive shaft



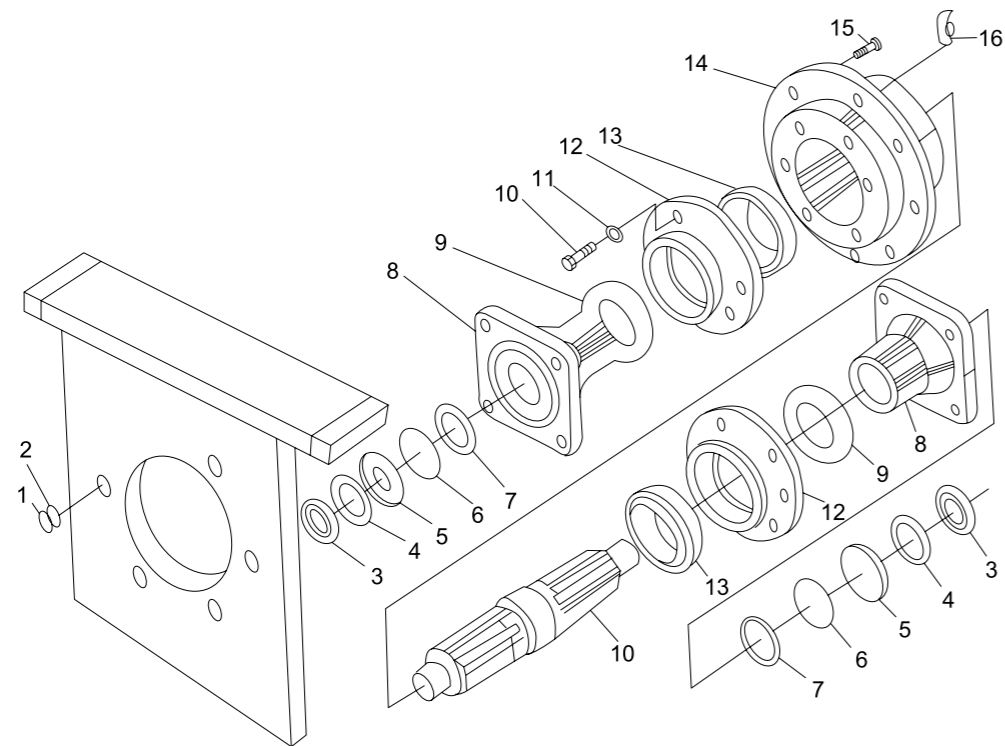
序号 POS. NO.	零件号 PARTS NO.	名称 DESCRIPTION	数量 QTY
1	ZL30G II -04003	螺母 Nut	8
2	GB93-87, 12	垫圈 12 Washer	8
3	ZL30 II -04004	螺栓 Bolt	8
4	30-2203072	平衡片 Balance plate	1
8	GB93-87, 8	垫圈 8 Washer	16

图16 后传动轴
Fig16 Rear drive shaft



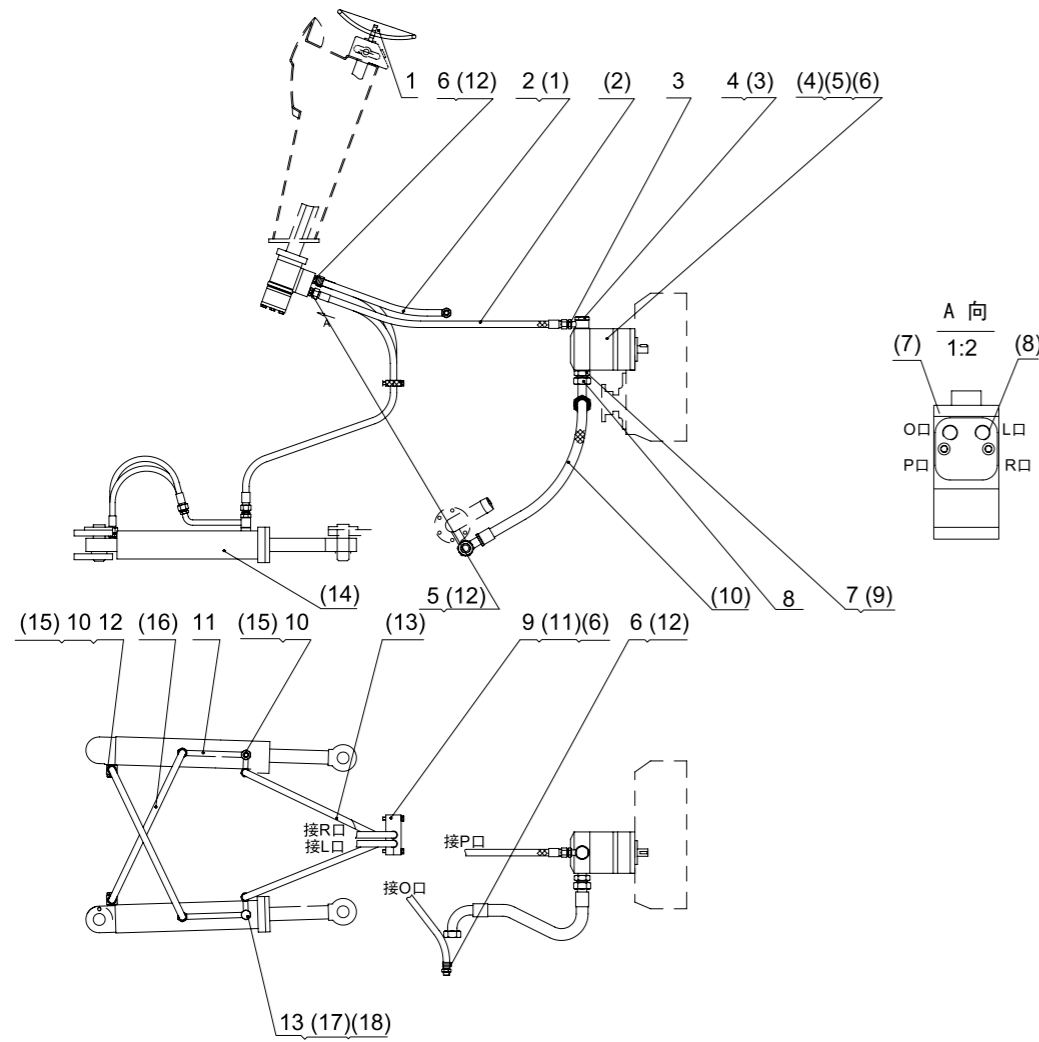
序号 POS. NO.	零件号 PARTS NO.	名称 DESCRIPTION	数量 QTY
1	ZL30 II -04001	螺母 Nut	8
2	GB93-87, 12	垫圈 12 Washer	8
3	ZL30C II -04005	螺栓 Bolt	8
8	GB93-87, 8	垫圈 8 Washer	16
9	GB5783-86, M8 × 10	螺栓 M8 × 10 Bolt	16

图17 SL30W 中间轴承座(-04300)
Fig17 Intermediate bearing case



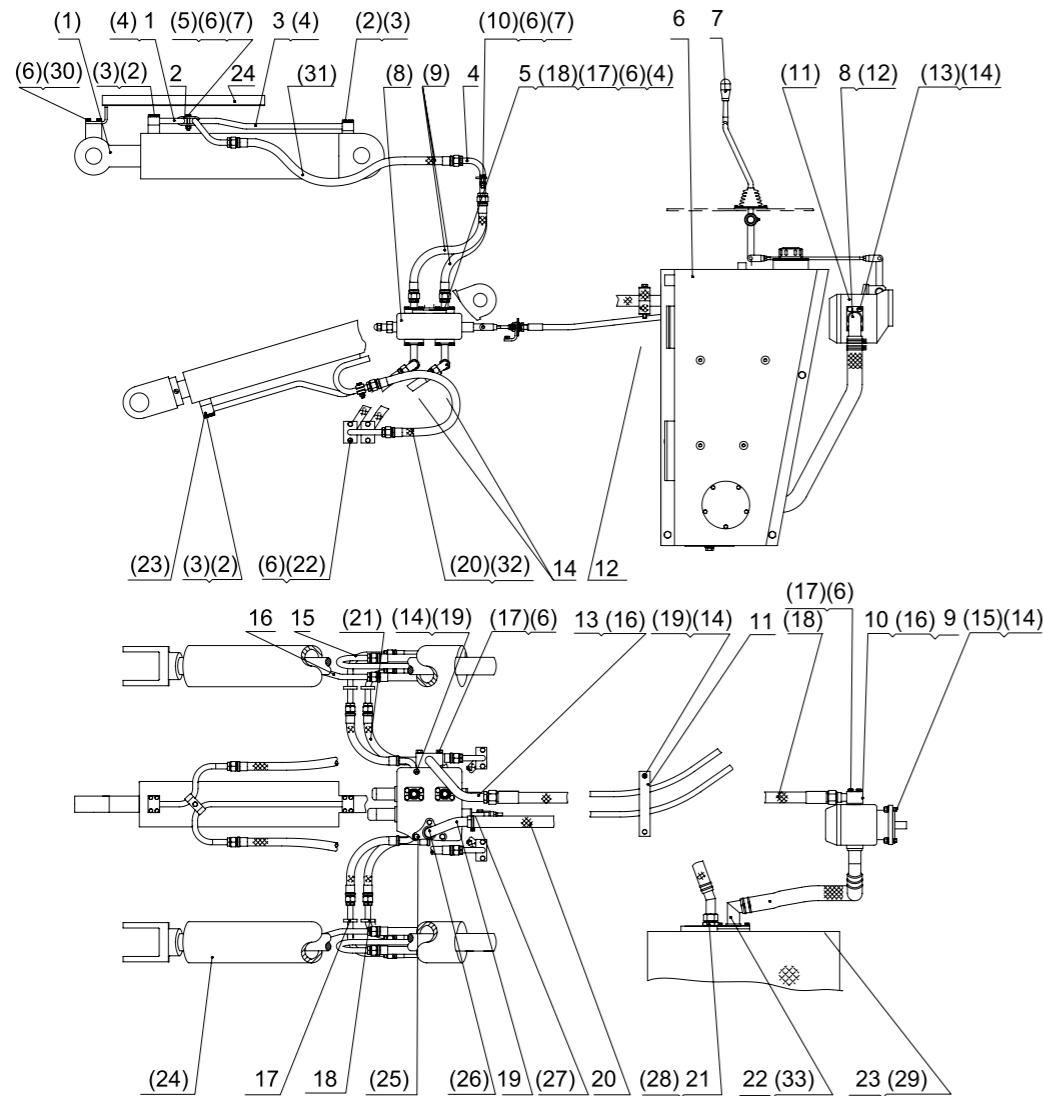
序号 POS. NO.	零件号 PARTS NO.	名称 DESCRIPTION	数量 QTY
1	GB6170-86, M12	螺母 Nut	6
2	GB93-87, 12	垫圈 Washer	6
3	GB812-67, M27 × 1.5	圆螺母 Round nut	2
4	GB858-88, 27	垫圈 Lock washer	2
5	ZL30 II -04301	垫圈 Washer	2
6	ZL30 II -04307	O型密封圈 O-ring	2
7	ZL30 II -04308	纸垫 Paper gasket	2
8	ZL30 II -04305	凸缘 Flange	2
9	HG4-692-67, SG60 × 80 × 12	油封 Oil seal	2
10	GB5783-86, M10 × 35	螺栓 Bolt	12
11	GB93-87, 10	垫圈 Washer	12
12	ZL30 II -04303	轴承端盖 Bearing cover	2
13	GB/T272-94, 7210C/P6	轴承 Bearing	2
14	ZL30 II -04304	轴承座 Bearing seat	1
15	GB5783-86, M12 × 55	螺栓 Bolt	6
16	GB1153-79, M10 × 1	油杯 Oil cup	1
17	ZL30 II -04302	轴 Shaft	1

图18 SL30W转向液压系统(-05000)
Fig18 Steering hydraulic system



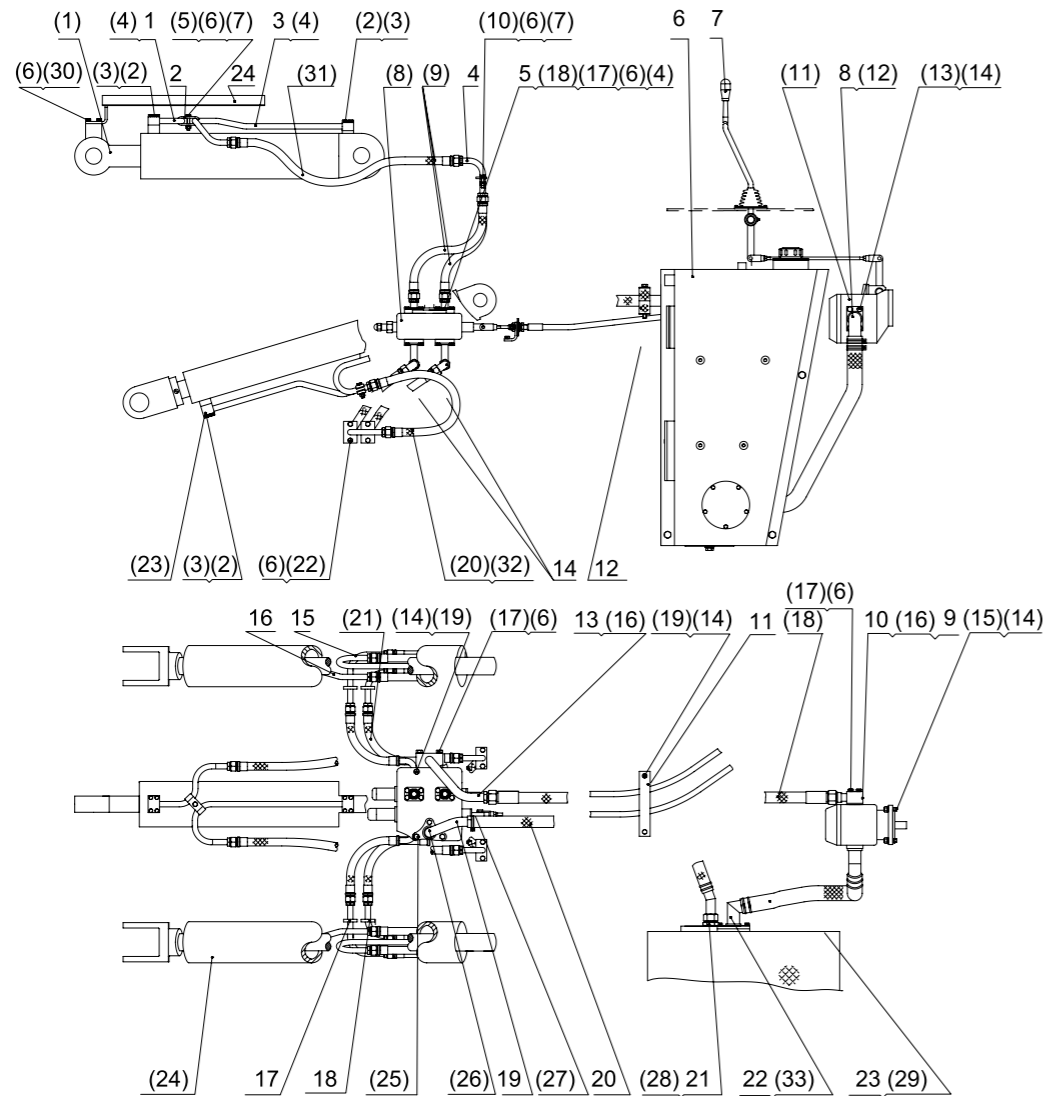
序号 POS. NO.	零件号 PARTS NO.	名称 DESCRIPTION	数量 QTY
1	DG930B-05100	方向机总成 Steering gear assembly	1
2	DG930B-05001	回油胶管 Oil return hose	1
3	DG930A-05002	接头总成 Fitting assembly	1
4	DG930A-05003	铰接螺栓 Articulation bolt	1
5	DG930B-05004	接头体 Fitting	3
6	DG930B-05005	接头体 Fitting	2
7	DG930A-05006	接头体 Fitting	1
8	SL30W-05007	接头总成 Fitting assembly	1
9	DG930A-05009	管卡 Clamp for tube	2
10	DG930A-05010	铰接螺栓 Articulation bolt	3
11	DG930A-05011	钢管总成 Steel tube assembly	2
12	DG930A-05012	接头总成 Fitting assembly	2
13	DG930A-05013	铰接螺栓 Articulation bolt	1
(1)	JB3616.1-84,26-30	双钢丝卡箍 Clamp	4
(2)	JF100-81,13-970	高压胶管 High-pressure hose	1
(3)	JB982-77,27	组合垫圈 Combined washer	2
(4)	CB-FE40FL	齿轮泵 Gear pump	1
(5)	GB5783-86, M10×30	螺栓 Bolt	2
(6)	GB93-87, 10	垫圈 Washer	4
(7)	BZZ-400,	转向器 Deflector	1
(8)	FK-10/16,	组合阀块 Combination valve block	1
(9)	JB982-77, 33	组合垫圈 Combined washer	1
(10)	JF100-81, 25-750	高压胶管 High-pressure hose	1
(11)	GB 5780-86, M10×65	螺栓 Bolt	2
(12)	JB982-77, 20	组合垫圈 Combined washer	5
(13)	JF100-81,13-1300	高压胶管 High-pressure hose	2
(14)	HSGF※80/45BE-EG	液压缸 Steering cylinder	2
(15)	JB982-77, 18	组合垫圈 Combined washer	8
(16)	JF100-81,13-900	高压胶管 High-pressure hose	2
(17)	JB982-77, 14	组合垫圈 Combined washer	1
(18)	JB1000-77, M14×1.5	螺塞 Screw plug	1

图19 SL30W工作液压系统 (-06000)
Fig19 Work hydraulic system



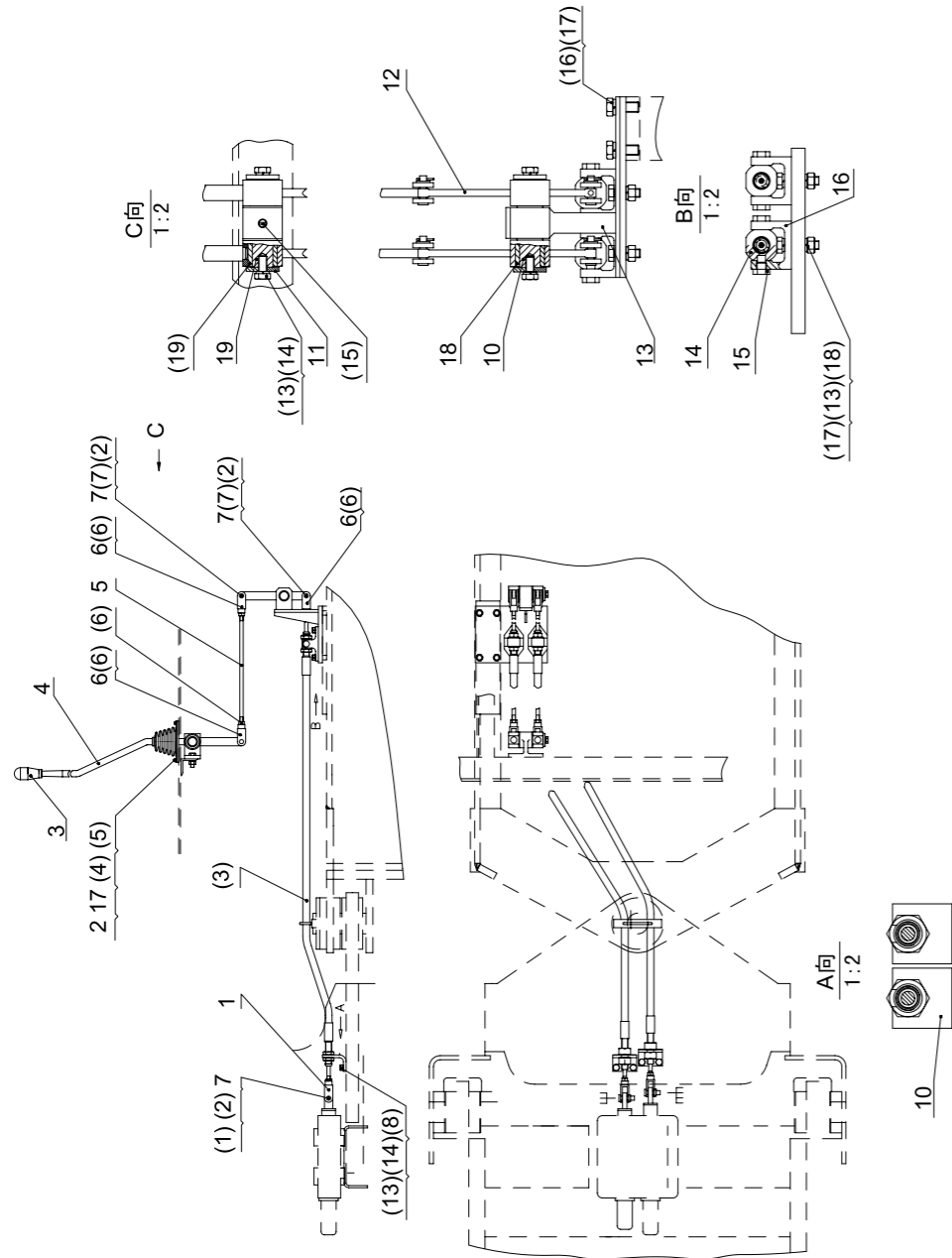
序号 POS. NO.	零件号 PARTS NO.	名称 DESCRIPTION	数量 QTY
1	DG930A-06001	钢管总成 Steel tube assembly	1
2	DG930A-06002	管卡 Clamp for tube	6
3	DG930A-06003	钢管总成 Steel tube assembly	1
4	DG930A-06004	钢管总成 Steel tube assembly	2
5	DG930A-06005	接头总成 Fitting assembly	2
6	DG930A-06200	液压油箱 Hydraulic tank	1
7	ZL30G II -06100	工作液压操纵系统 Work hydraulic control system	1
8	SL30W-06006	接头总成 Fitting assembly	1
9	DG930A-06009	双头螺柱 Double-screw bolt	4
10	DG930A-06010	接头总成 Fitting assembly	1
11	DG930A-06011	管卡 clamp for tube	1
12	DG930A-06012	管卡 clamp for tube	1
13	DG930A-06013	钢管总成 Steel tube assembly	1
14	DG930A-06014	接头总成 Fitting assembly	2
15	DG930A-06015	钢管总成 Steel tube assembly	2
16	DG930A-06016	钢管总成 Steel tube assembly	2
17	DG930A-06017	钢管总成 Steel tube assembly	2
18	DG930A-06018	钢管总成 Steel tube assembly	2
19	DG930A-06019A	钢管总成 Steel tube assembly	1
20	DG930A-06020B	高压胶管 High-pressure hose	1
21	DG930A-06022	接头体 Fitting	1
22	DG930A-06023	钢管总成 Steel tube assembly	1
23	DG930A-06024	吸油胶管 Oil inlet hose	1
24	DG930A-06025	缸杆保护装置 Cylinder rod protect device	1

图19 SL30W工作液压系统 (-06000)
Fig19 Work hydraulic system



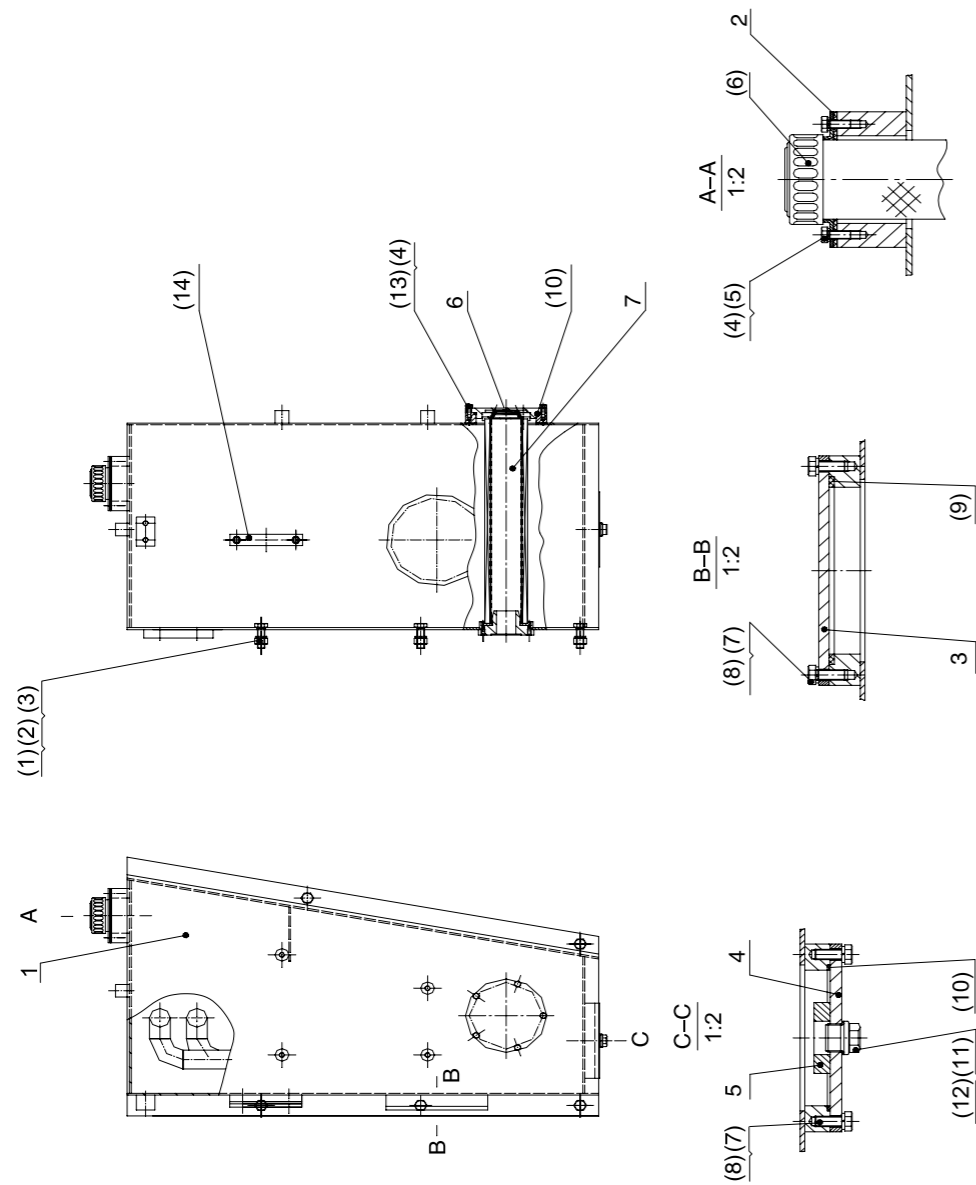
序号 POS. NO.	零件号 PARTS NO.	名称 DESCRIPTION	数量 QTY
(1)	HSGF※140/80B-E-EG	翻斗油缸 Tilting bucket cylinder	1
(2)	GB5783-86, M8×45	螺栓 M8×45 Bolt	24
(3)	GB93-87, 8	垫圈8 washer 8	24
(4)	GB3452.1-1992, φ28×3.55	O形圈 φ28×3.55 O-ring	6
(5)	GB5781-86, M10×55	螺栓 M10×55 Bolt	3
(6)	GB93-87, 10	垫圈 10 washer	48
(7)	GB6170-86, M10	螺母 M10 Nut	7
(8)	DF25-2C	多路阀 Distribution valve	1
(9)	JF100-81,19-880	高压胶管19 High-pressure hose	4
(10)	GB5783-86, M10×30	螺栓M10×30 Bolt	20
(11)	CBGj2100、CBGq2100	齿轮泵 gear pump	1
(12)	GB3452.1-1992, φ42.5×3.55	O形圈 φ42.5×3.55 O-ring	1
(13)	GB5781-86, M12×35	螺栓M12×35 Bolt	4
(14)	GB93-87, 12	垫圈12 washer	14
(15)	GB6170-86, M12	螺母 M12 Nut	8
(16)	GB3452.1-1992, φ37.5×3.55	O形圈 φ37.5×3.55 O-ring	2
(17)	GB5783-86, M10×60	螺栓 M10×60 Bolt	8
(18)	JF100-81,25-1300	高压胶管25 High-pressure hose	1
(19)	GB5780-86, M12×120	螺栓M12×120 Bolt	2
(20)	JF100-81,19-950	高压胶管 19-950 High-pressure hose	4
(21)	JF100-81,19-510	高压胶管 19-510 High-pressure hose	4
(22)	GB5781-86, M10×25	螺栓M10×25 Bolt	15
(23)	GB3452.1-1992, φ22.4×3.55	O形圈 φ22.4×3.55 O-ring	4
(24)	HSGF※110/63A-E-EG	举升油缸Lifting cylinder	2
(25)	GB5780-86, M12×140	螺栓M12×140 Bolt	2
(26)	GB1235-76, φ50×3.1	O形圈 φ50×3.1 O-ring	1
(27)	GB5780-86, M12×110	螺栓M12×110 Bolt	2
(28)	GB982-77, 42	组合垫 42 Combined washer	1
(29)	JB3616.1-84, 57-62	双钢丝卡箍(57-62) Clamp	2
(30)	GB5781-86, M10×16	螺栓M10×16 Bolt	2
(31)	φ30*715	塑胶防护套 φ30*715	2
(32)	φ30*800	塑胶防护套 φ30*800	4
(33)	GB3452.1-1992	"O"型圈 56*3.55	1

图20 SL30W 工作液压操纵系统 (-06100)
Fig20 work hydraulic control system



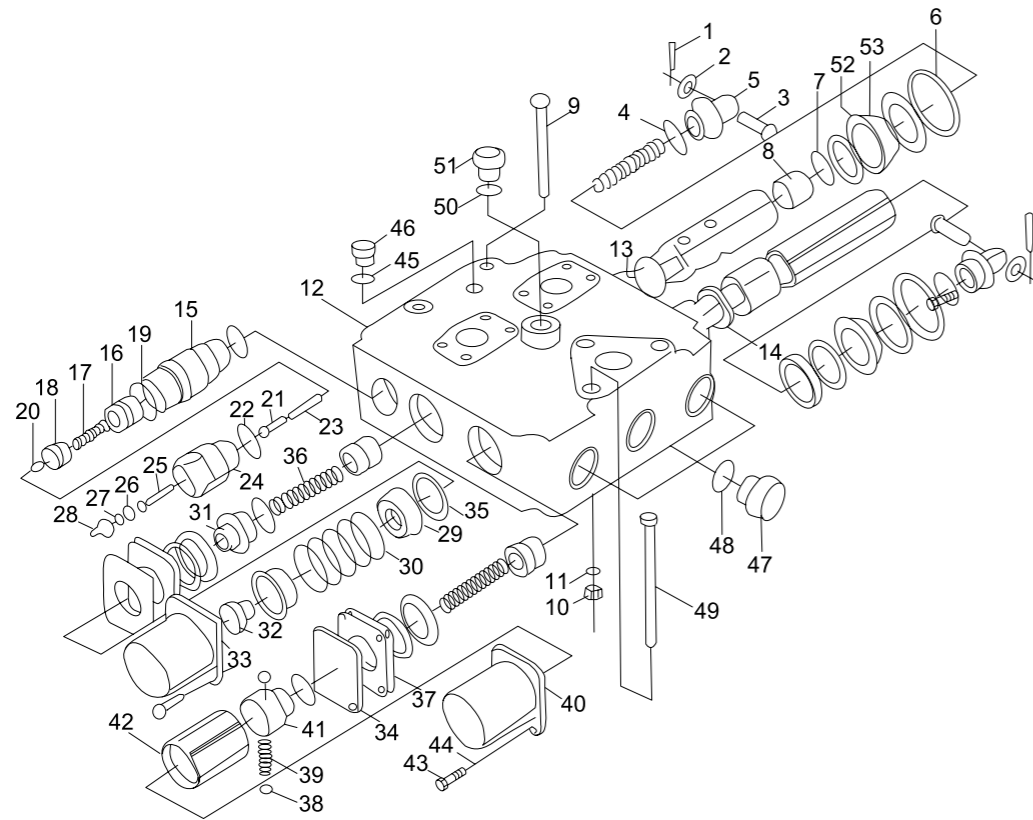
序号 POS. NO.	零件号 PARTS NO.	名称 DESCRIPTION	数量 QTY
1	ZL30G II -06101	连接叉 yoke	2
2	ZL30G II -06102	压板 press plate	2
3	ZL30G II -06103	手柄套 rein sleeve	2
4	ZL30G II -06104	操纵杆 control rod	2
5	ZL30G II -06105	连接杆 connect rod	2
6	ZL30G II -06106	连接叉 yoke	6
7	ZL30G II -06107	销轴 pin	8
9	ZL30G II -06109A	支架 bracket	2
10	ZL30G II -06110	轴 shaft	1
11	ZL30G II -06111	垫 gasket	4
12	ZL30G II -06112	摇臂 rocker arm	2
13	ZL30G II -06113	支架 bracket	1
14	ZL30G II -06114	铰轴套 joint sleeve	2
15	ZL30G II -06115	栓销 pin	4
16	ZL30G II -06116	支座 bracket	2
17	ZL30G II -06117	防尘套 dirt-proof boot	2
18	ZL30G II -06118	衬套 bush	2
19	ZL30G II -06119	轴 shaft	1
(1)	GB95-85, 12	平垫 washer	2
(2)	GB91-86, 2*30	开口销 forelock	6
(3)	Φ6*1500	推拉软轴 push-pull flexible shaft	2
(4)	GB93-87, 5	垫圈 washer	8
(5)	GB818-85, M5x14	螺钉 screw	8
(6)	GB6171-86, M10*1	螺母 nut	4
(7)	GB95-85, 8	平垫 washer	6
(8)	GB95-85, 10	垫圈 washer	4
(13)	GB93-87, 10	垫圈 washer	12
(14)	GB5781-86, M10x25	螺栓 bolt	8
(15)	GB71-85, M10*10	顶丝 silk	2
(16)	GB5783-86, M12*40	螺栓 bolt	4
(17)	GB93-87, 12	垫圈 washer	8
(18)	GB6170-86, M10	螺母 nut	4
(19)	GB/T5801-94, NKI22/16	滚针轴承(轻系列) bearing (thin)	4

图21 SL30W液压油箱总成 (-06200)
Fig21 Hydraulic tank assembly



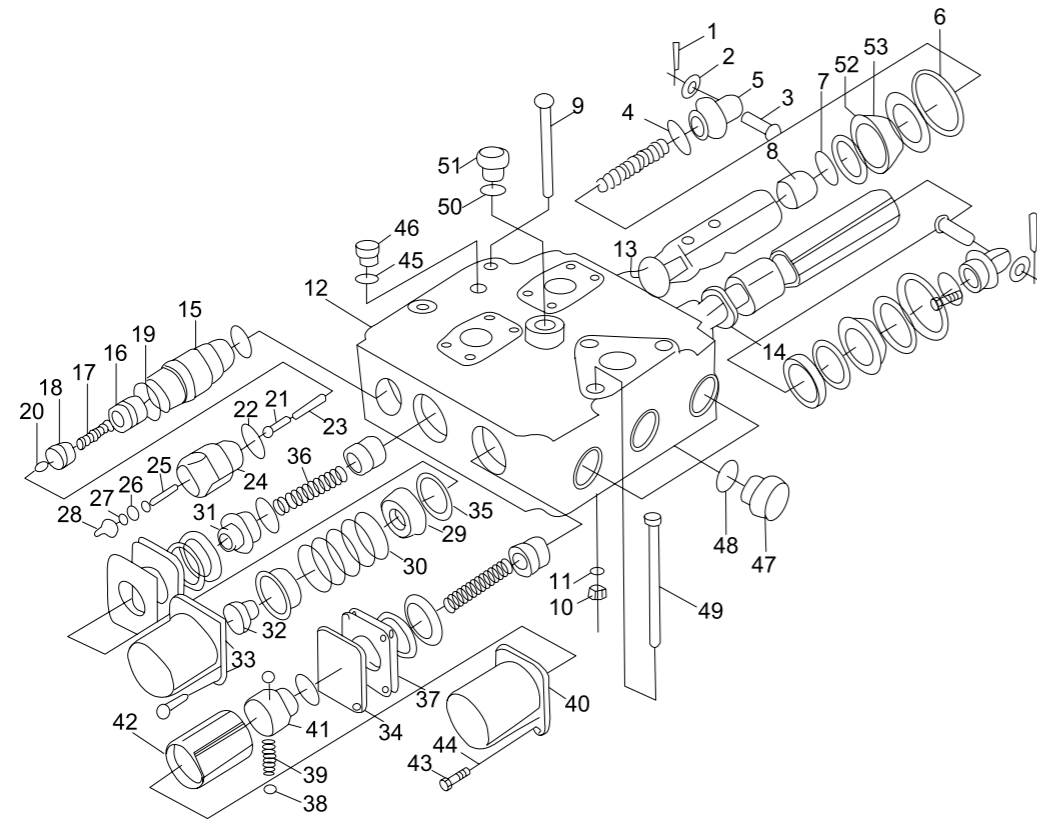
序号 POS. NO.	零件号 PARTS NO.	名称 DESCRIPTION	数量 QTY
1	DG930A-06201	液压油箱体 Hydraulic oil tank	1
2	DG930A-06202	垫 Washer	1
3	DG930A-06205	盖 Cover	1
4	DG930A-06206	盘 Disk	1
5	DG930A-06207	磁铁 Magnet	1
6	DG930A-06208	盖 Cover	1
7	DG930A-06209	滤清器 Filter	1
(1)	GB6170-86, M16	螺母 Nut	5
(2)	GB93-87, 16	垫圈 Washer	5
(3)	GB5783-86, M16 × 45	螺栓 Bolt	5
(4)	GB93-87, 8	垫圈 Washer	9
(5)	GB5781-86, M8 × 16	螺栓 Bolt	4
(6)	ZL30-01-JYLQO, 11A-180um	加油滤清器 Oil-filling strainer	1
(7)	GB5781-86, M10 × 25	螺栓 Bolt	18
(8)	GB93-87, 10	垫圈 Washer	18
(9)	GB1235-76, φ 180 × 5.7	O形圈 O-ring	1
(10)	GB1235-76, φ 140 × 3.1	O形圈 O-ring	2
(11)	JB1000-77, M27 × 2	螺塞 Plug screw	1
(12)	JB982-77, 27	组合垫圈 Combined washer	1
(13)	GB5781-86, M8 × 25	螺栓 Bolt	5
(14)	YWZ-127	液位计 Level gauge	1

图22 分配阀
Fig22 Distributor valve



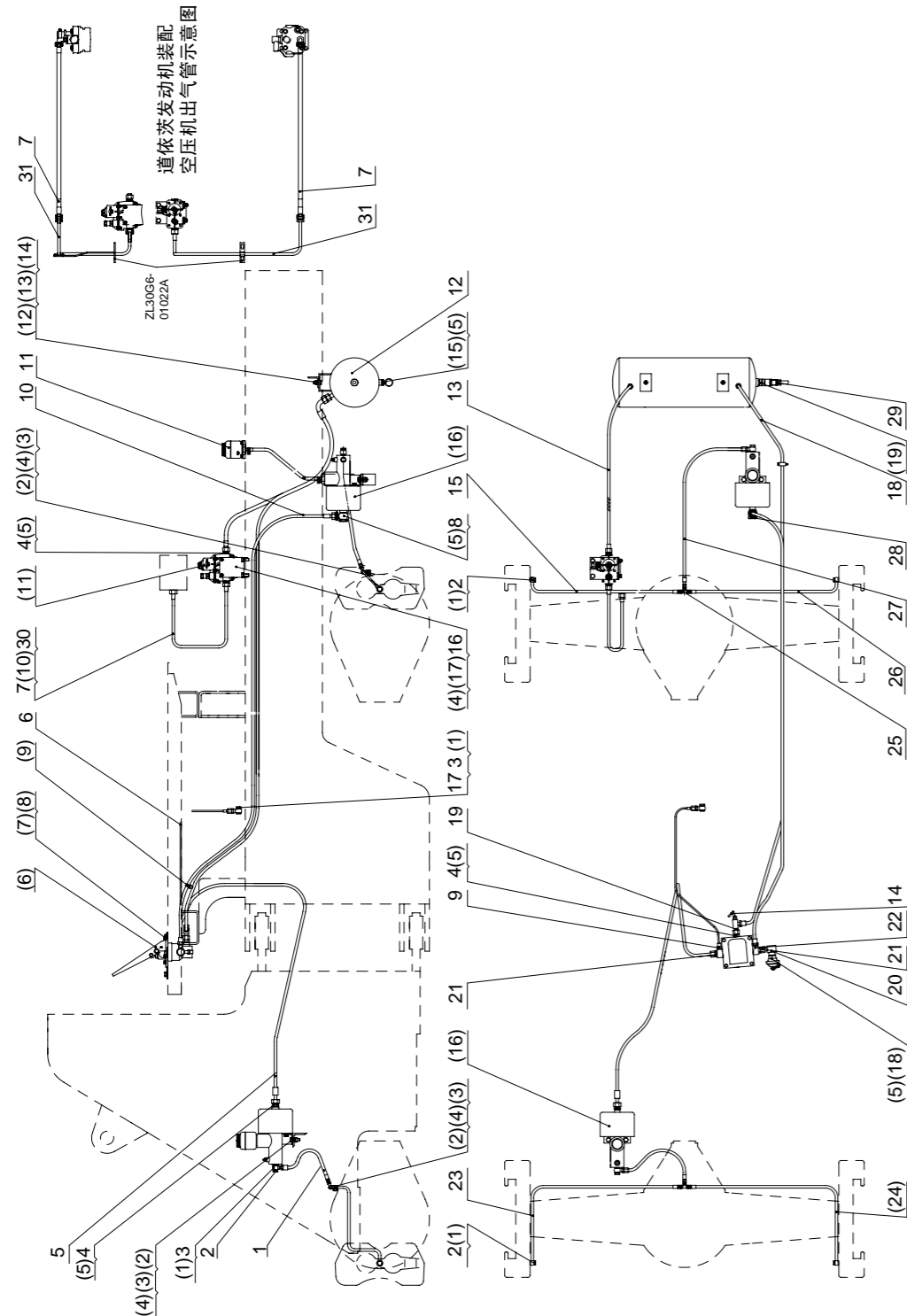
序号 POS. NO.	零件号 PARTS NO.	名称 DESCRIPTION		数量 QTY
1	GB91-86, 4×20	销 4×20	Pin	2
2	GB97.1-86, 12	垫圈 12	Washer	2
3	FPF32-1	销	Pin	2
4	GB1235-76, φ 3.5×3.1	O型密封圈 φ 3.5×3.1	O-ring	4
5	FPF32-2	弹簧座	Spring seat	2
6	GB893.1-86, 65	挡圈 65	Snap ring	2
7	GB3452.1-82, φ 40×3.55	O型密封圈 φ 40×3.55	O-ring	4
8	FPF32-4	单向阀	Check valve	3
9	GB5782-86, M12×120	螺栓 M12×120	Bolt	2
10	GB6170-86, M12	螺母M12	Nut	4
11	GB93-87, 12	垫圈 12	Washer	4
12	FPF32-5	阀体	Valve body	1
13	FPF32-6	转斗滑阀	Tilt spool	1
14	FPF32-7	动臂滑阀	Lift spool	1
15	FPF32.1-11	主阀套	Sleeve	1
16	FPF32.1-10	主阀芯	Main spool	1
17	FPF32.1-9	主阀弹簧	Main spool spring	1
18	FPF32.1-8	阀座	Valve seat	1
19	GB3452.1-82, φ 37.5×3.55	O型密封圈 φ 37.5×3.55	O-ring	1
20	FPF32.1-7	导阀	Relief poppet	1
21	FPF32.1-6	弹簧座	Spring seat	1
22	GB3452.1-82, φ 30×2.65	O型密封圈 φ 30×2.65	O-ring	2
23	FPF32.1-5	弹簧	Spring	1
24	FPF32.1-4	导阀体	Relief poppet body	1
25	FPF32.1-3	调压丝杆	Adjusting screw	1
26	GB6173-86, M10×1	螺母 M10×1	M10×1 Nut	1
27	FPF32.1-2	垫片	Gasket	2
28	FPF32.1-1	锁紧螺母	Lock nut	1
29	FPF32-8	弹簧压座	Spring retainer	2
30	FPF32-9	复位弹簧	Back spring	1
31	FPF32-10	弹簧座	Spring seat	1
32	FPF32-11	座	Seat	1
33	FPF32-12	转斗回位套	Tilt return sleeve	1
34	FPF32-15	挡板	Pad	2
35	FPF32-14	垫圈	Washer	1
36	FPF32-13	单向阀弹簧	Check valve spring	3
37	ZL30-06-DIAN	垫	Washer	4
38	GB308-77, φ 11	钢球	φ 11 Steel ball	2
39	FPF32-16	弹簧	Spring	1

图22 分配阀
Fig22 Distributor valve



序号 POS. NO.	零件号 PARTS NO.	名称 DESCRIPTION	数量 QTY
40	FPF32-17	弹簧回位套 Spring return sleeve	1
41	FPF32-18	弹簧座 Spring seat	1
42	FPF32-19	定位套 Sleeve	1
43	GB5782-86, M8×25	螺栓 M8×25 Bolt	8
44	GB93-87, 8	垫圈 8 Washer	8
45	GB1235-76, Φ32×3.1	O型密封圈 Φ32×3.1 O-ring	3
46	FPF32-20	螺塞 Plug screw	1
47	FPF32-21	螺塞 Plug screw	3
48	GB1235-76, Φ32×3.1	O型密封圈 Φ32×3.1 O-ring	3
49	FPF32-23, M12×140	螺栓 M12×140 Bolt	2
50	GB1235-76, Φ22×2.4	O型密封圈 Φ22×2.4 O-ring	1
51	FPF32-22	螺塞 Plug screw	1
52	FPF32-3	套 Sleeve	2
53	Q/ZB336-77, 40	防尘圈 40 Dust ring	2

图23 SL30W行车制动系统(-07000)
Fig23 Travelling crane brake system

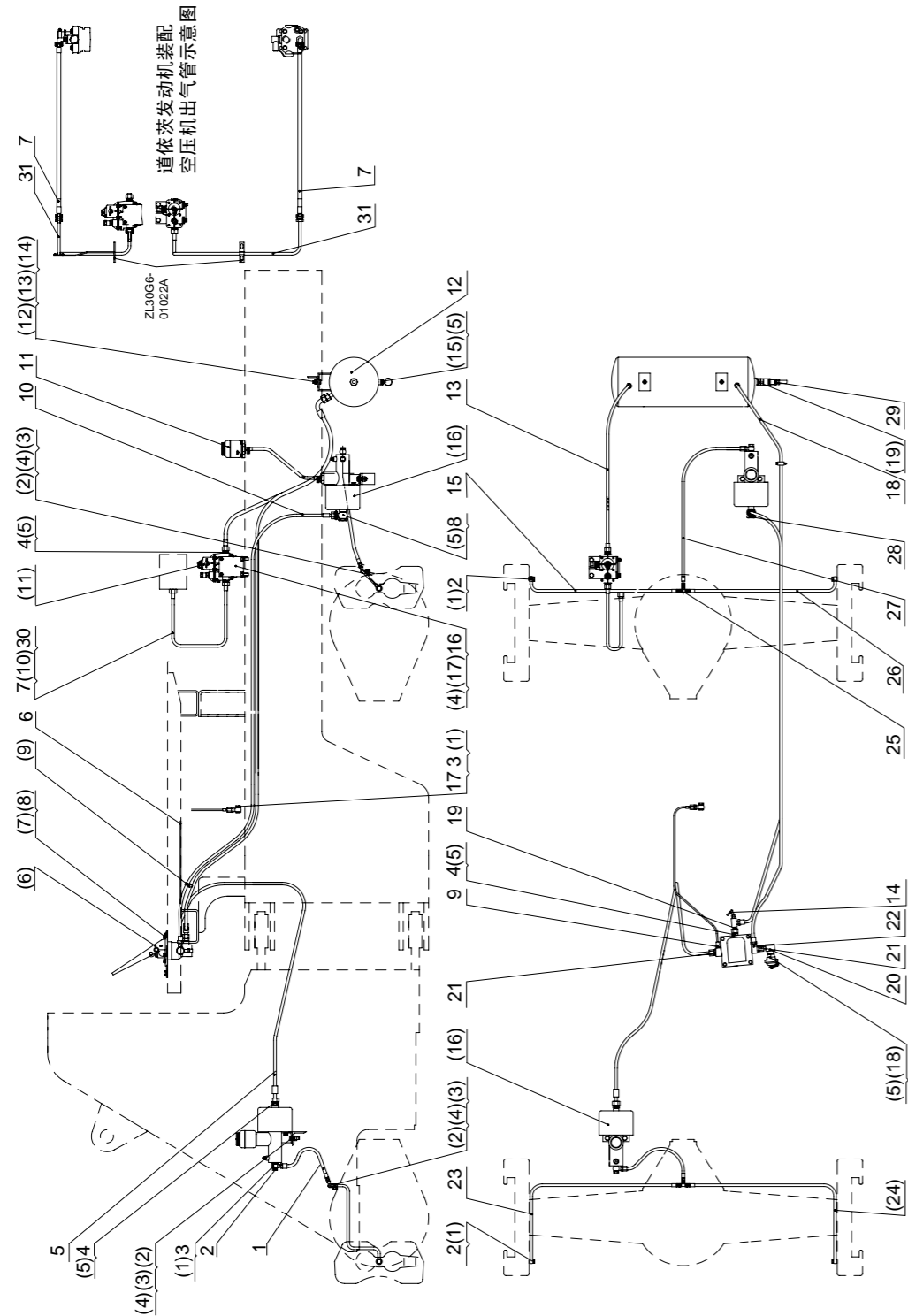


序号 POS. NO.	零件号 PARTS NO.	名称 DESCRIPTION	数量 QTY
1	DG938-07001	前桥制动软管 Pipe, front axle brake	1
2	DG938-07002	铰接螺栓M12×1.25 Articulation bolt	6
3	DG938-07003	铰接接头体 Fitting	3
4	DG938-07004	接头体 Fitting	3
5	DG938-07005A	前加力泵进气管 Air inlet hose	1
6	DG938-07006	切断阀气管 Air hose	1
7	DG938-07007	空压机出气管 Air outlet pipe	1
8	DG938-07008	铰接接头 Fitting	1
9	DG938-07028	接头体 Fitting	1
10	DG938-07010	后加力泵进气管 Air inlet hose	1
11	DG938-07011	加油杯总成 Oil-nipple assembly	1
12	DG938-07012A	储气筒总成 Air reservoir assembly	1
13	DG938-07013	储气筒进气管 Air inlet hose	1
14	DG938-07034	气压表进气管 Air inlet hose	1
15	DG938-07015	后桥右刹车管 Oil pipe, rear axle right brake	1
16	DG938-07016	支架 Fixing bracket	1
17	DG938-07017	铰接螺栓M12×1.25 Articulation bolt	1
18	DG938-07018A	储气筒至脚制动阀进气管 Air inlet pipe	1
19	DG938-07019	三通接头 "T" connector	1
20	ZL50G2-07016A	接头 Fitting	1
21	ZL50G2-07043	接头体 Fitting	2
22	ZL50G2-07044	接头体 Fitting	1
23	DG938-07023	前桥右刹车管 Oil pipe, front axle right brake	1
24	DG938-07024	前桥左刹车管 Oil pipe, front axle left brake	1
25	DG938-07029	三通接头 "T" connector	2
26	DG938-07030	后桥左刹车管 Oil pipe, rear axle brake	1
27	DG938-07031	后桥进油管 Oil pipe, rear axle inlet	1
28	DG938-07032	铰接螺栓 Articulation bolt	1
29	DG938-07033	打气装置 Air inflating device	1
30	DG938 (康) -07007	空压机出气管 Air outlet pipe (康明斯发动机用cummunis engine use)	1
31	ZL30G II (D)-07012A	输气管总成 Air hose assembly (道依茨发动机用DETZ engine use)	1



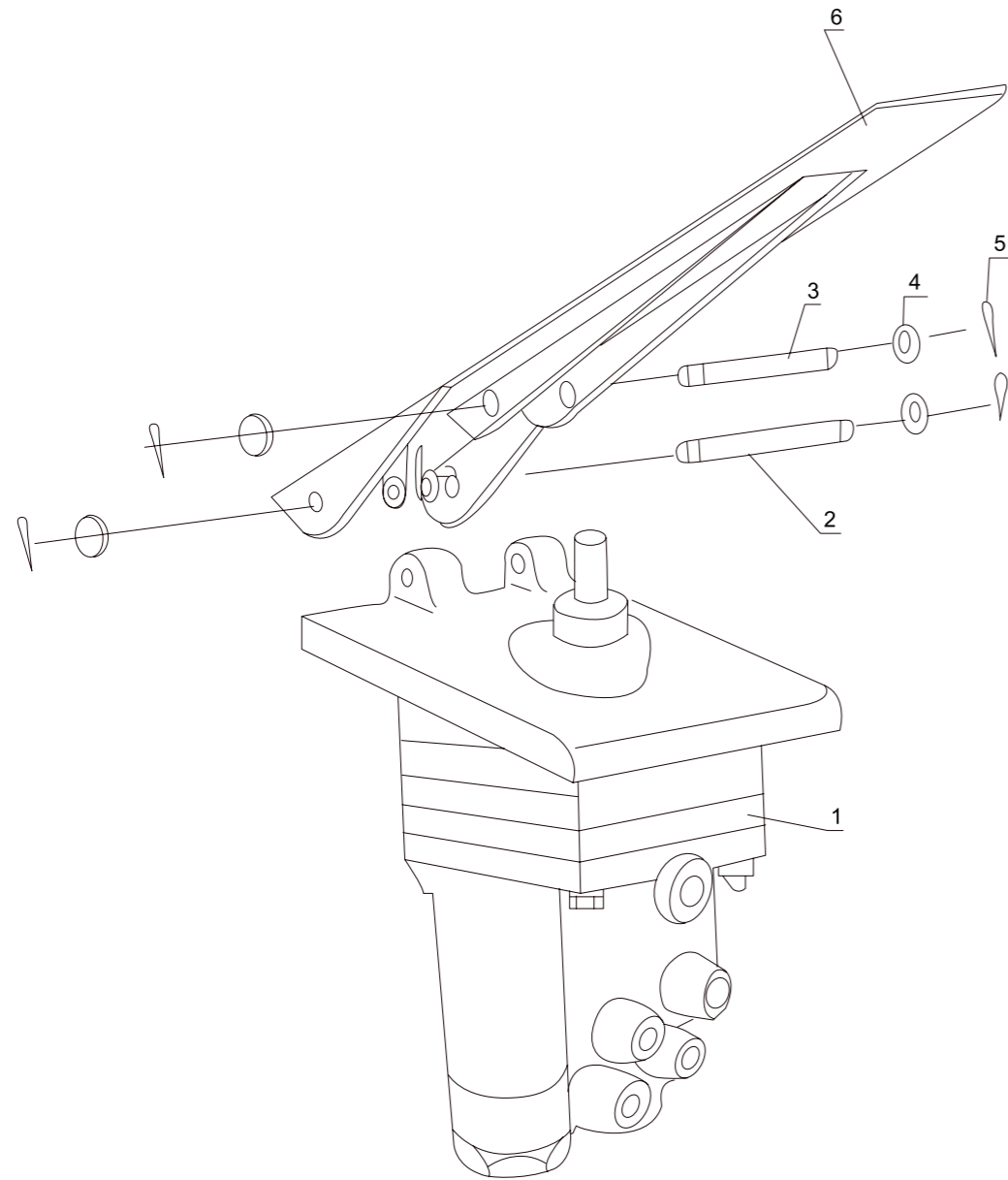
1. 装康明斯发动机时用件30, 不用件7。
2. 装道依茨发动机时增加件31。

图23 SL30W行车制动系统(-07000)
Fig23 Travelling crane brake system



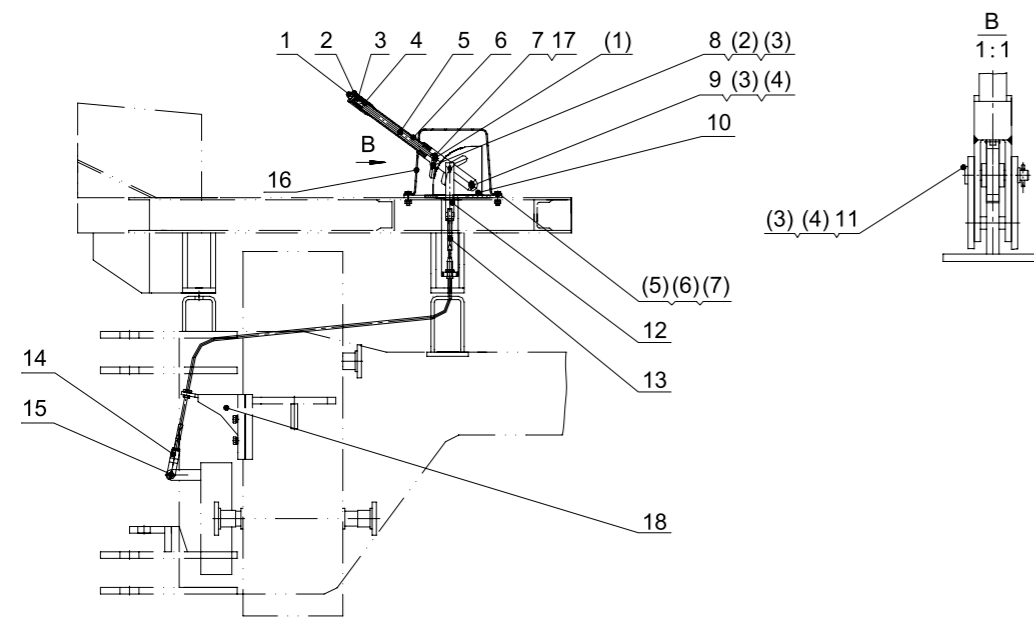
序号 POS. NO.	零件号 PARTS NO.	名称 DESCRIPTION	数量 QTY
(1)	JB982-77, 12	组合垫圈 12 Combined washer	14
(2)	GB5781-86, M12 × 30	螺栓 M12 × 30 Bolt	6
(3)	GB6170-86, M12	螺母 M12 Nut	6
(4)	GB93-87, 12	垫圈 12 washer	8
(5)	JB982-77, 22	组合垫圈 22 Combined washer	9
(6)	XM60C-3514002	气制动阀 Air brake valve	1
(7)	GB5781-86, M8 × 20	螺栓 M8 × 20 Bolt	4
(8)	GB93-87, 8	垫圈 8 washer	4
(9)	ZD200 × 8	扎带 Clip	1
(10)	JB982-77, 14	组合垫圈 14 Combined washer	1
(11)	SH380A-3511002	油水分离器组合阀 Combined valve of water	1
(12)	GB 6170-86, M10	螺母 M10 Nut	2
(13)	GB 93-87, 10	垫圈 10 washer	2
(14)	GB 5781-86, M10 × 25	螺栓 M10 × 25 Bolt	2
(15)	STR-3533002	手动放水阀 Manually controlled drain valve	1
(16)	ZL20A	空气加力泵 Air boosting pump	2
(17)	GB5781-86, M12 × 20	螺栓 M12 × 20 Bolt	2
(18)	JN150-3720001	制动灯开关 Brake lamp switch	1
(19)	SH-40-TSK-L.1/2"	气动快速接头pneumatic fast joint	1

图24 气制动阀
Fig24 Air brake valve



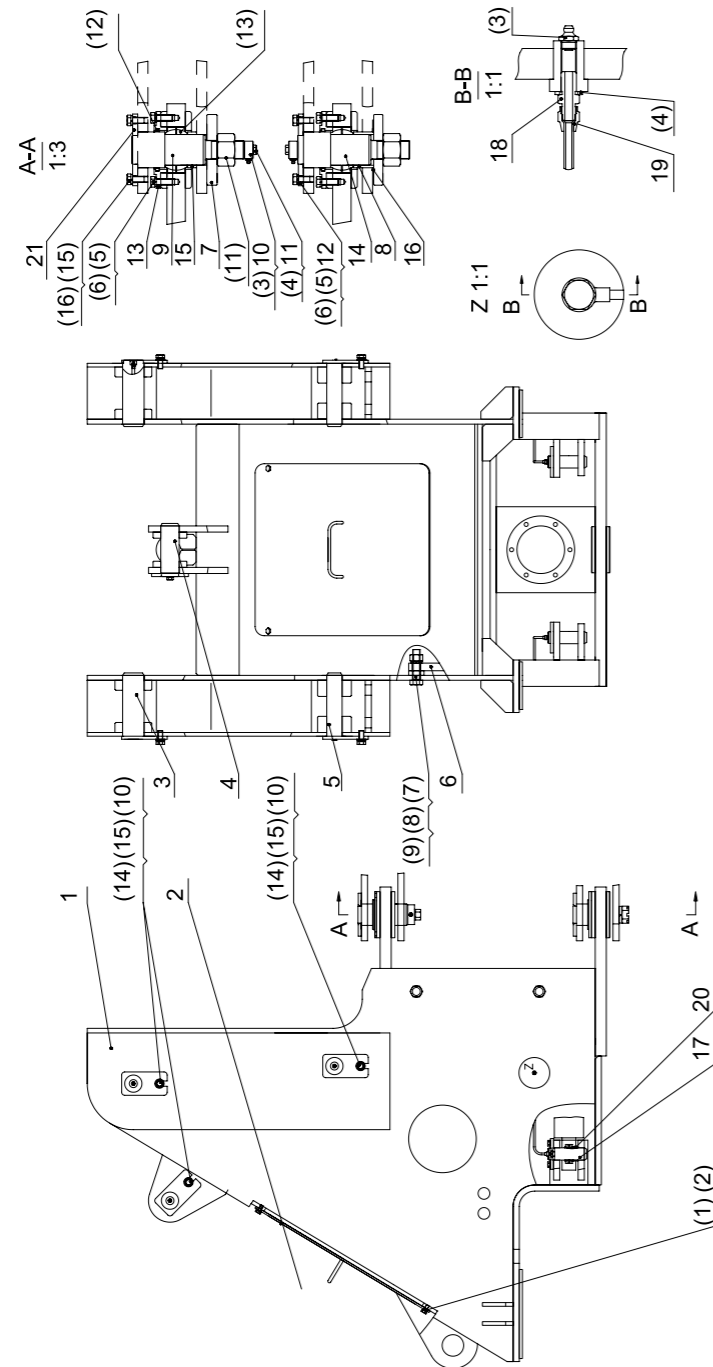
序号 POS. NO.	零件号 PARTS NO.	名称 DESCRIPTION	数量 QTY
1	N161BK-3514001	双腔气制动阀 Tow-circuit air brake valve	1
2	ZI30-07-qzdf-01	销轴 Pin	1
3	ZI30-07-qzdf-02	销轴 Pin	1
4	GB95-85,10	垫圈 Washer	4
5	GB91-86, Φ2 × 20	开口销 Cotter pin Φ2 × 20	4
6	ZI30-07-qzdf-03	制动踏板 Brake pedal	1

图25 SL30W手制动系统 (-08000)
Fig25 Hand brake system



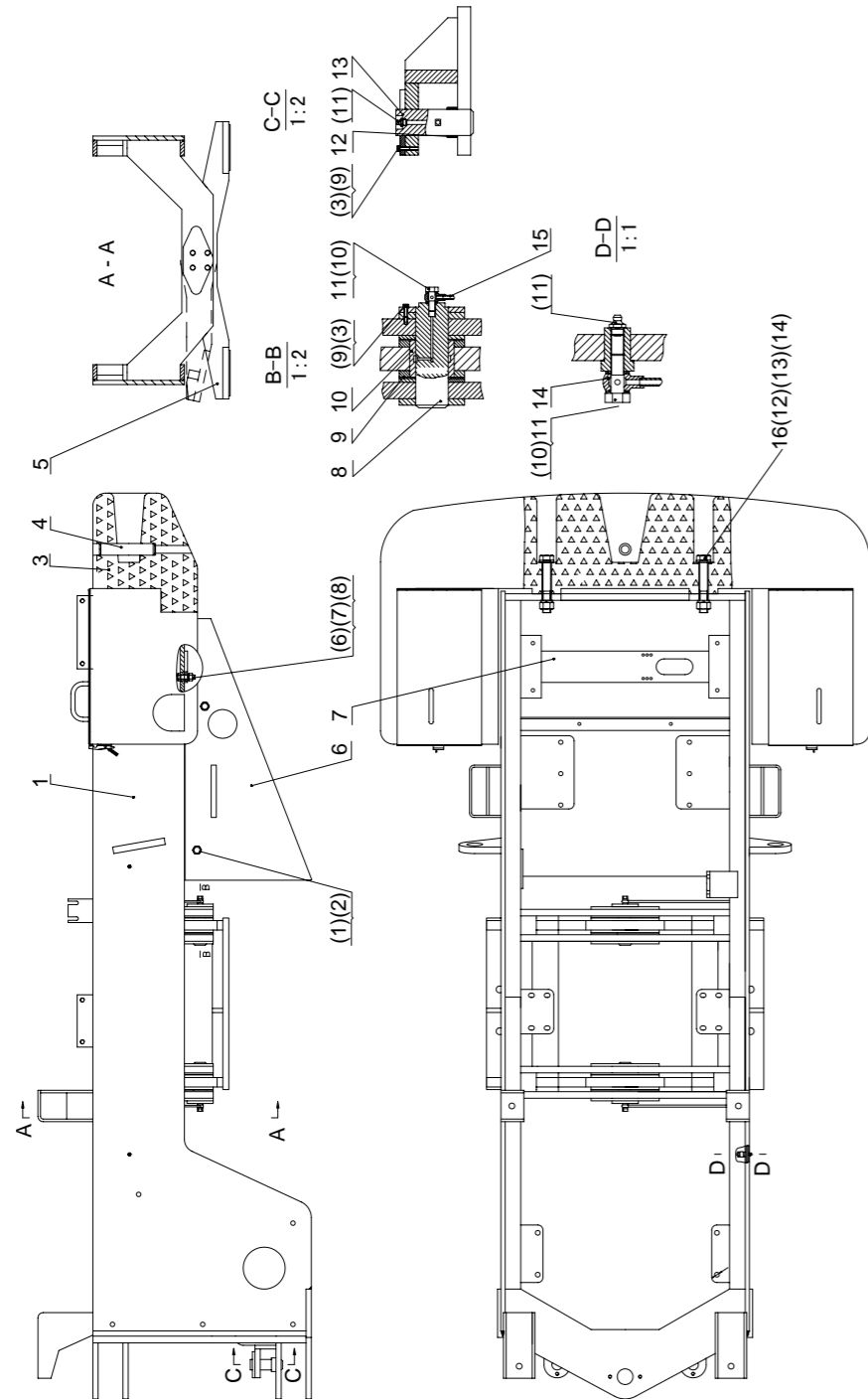
序号 POS. NO.	零件号 PARTS NO.	名称 DESCRIPTION	数量 QTY
1	ZL30F-08001	螺母 Nut	1
2	ZL30F-08002	螺帽 Screw cap	1
3	ZL30F-08003	弹簧 Spring	1
4	ZL30F-08004	弹簧座 Spring seat	1
5	ZL30F-08005	杆 Shank	1
6	ZL30F-08006	操纵杆 Control arm	1
7	ZL30F-08007	止动爪 Lock pawl	1
8	ZL30F-08008	销轴 Pin	1
9	ZL30F-08009	销轴 Pin	1
10	ZL30F-08010	支架 Bracket	1
11	ZL30F-08011	销轴 Pin	1
12	ZL30F-08012	联接叉 Clevis	1
13	ZL30F-08013	软轴总成 Cable assembly	1
14	ZL30F-08015	联接叉 Clevis	1
15	ZL30F-08016	销轴 Pin	1
16	ZL30F-08100	罩 Cover	1
17	ZL30F-08017	套 Sleeve	2
18	ZL30F-08018	支架 Bracket	1
(1)	GB863.1-86, 4 × 12	铆钉 Rivet	1
(2)	GB95-85, 6	垫圈 Washer	1
(3)	GB91-86, 2.5 × 25	开口销 Forelock	3
(4)	GB95-85, 10	垫圈 Washer	2
(5)	GB 6170-86, M8	螺母 Nut	4
(6)	GB5781-86, M8 × 30	螺栓 Bolt	4
(7)	GB93-87, 8	垫圈 Washer	4

图26 SL30W前车架总成 (-09000)
Fig26 Front frame assembly



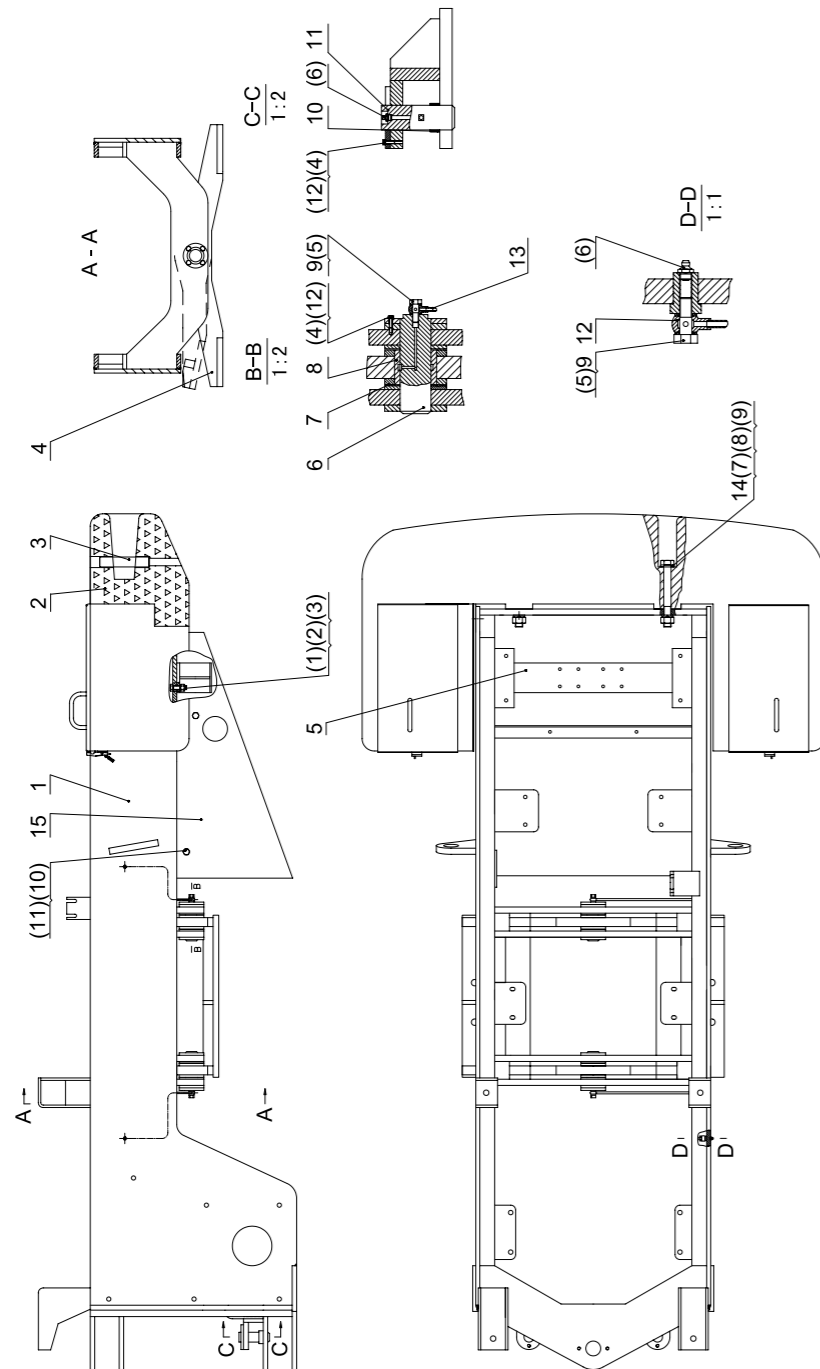
序号 POS. NO.	零件号 PARTS NO.	名称 DESCRIPTION	数量 QTY
1	DG930A-09100	前车架 Front frame	1
2	DG930A-09200	前盖板 Front cover	1
3	DG930A-09300	轴 Shaft	2
4	DG930A-09400	轴 Shaft	1
5	DG930A-09500	轴 Shaft	2
6	DG930A-09001	锁止板 Lock plate	1
7	DG930A-09002A	盘 Pan	2
8	DG930A-09003A	套 Sleeve	1
9	DG930A-09004A	轴 Shaft	1
10	DG930A-09005	丝座 Screw seat	2
11	DG930A-09006	铰接螺栓 Joint bolt	2
12	DG930A-09007	压板 Press plate	1
13	DG930A-09008	压板 Press plate	2
14	DG930A-09009A	轴 Shaft	1
15	DG930A-09010A	套 Sleeve	1
16	DG930A-09011A	垫 Backing	2
17	DG930A-09700	轴 Shaft	2
18	DG930A-09012B	接头 Joint	4
19	DG930A-09013B	油管 Oil pipe	2
20	DG930A-09014	垫圈 Washer	2
21	DG930A-09015	压板 Press plate	1
(1)	GB5783-86, M10 × 20	螺栓 Bolt	4
(2)	GB93-87, 10	垫圈 Washer	8
(3)	GB1152-79, M10 × 1	油杯 Oil cup	9
(4)	JB982-77, 10	组合垫圈 Combined washer	8
(5)	GB5783-86, M12 × 25	螺栓 Bolt	18
(6)	GB93-87, 12	垫圈 Washer	18
(7)	GB5783-86, M24 × 60	螺栓 Bolt	2
(8)	GB93-87, 24	垫圈 Washer	2
(9)	GB 6170-86, M24	螺母 Nut	2
(10)	GB95-85, 16	垫圈 Washer	5
(11)	GB 6182-86 M36 × 2	螺母 Nut	2
(12)	SJM03-1, 70	防尘圈 Scraper seal	2
(13)	GB304.5-76, GE60ES	关节轴承 Joint bearing	2
(14)	GB5783-86, M16 × 35	螺栓 Bolt	5
(15)	GB93-87, 16	垫圈 Washer	7
(16)	GB5783-86, M16 × 30	螺栓 Bolt	2

图27 SL30W 后车架总成
(配CA6110-125G5-DG1B及WP6G125E22发动机) (-10000)
Fig27 Rear frame assembly



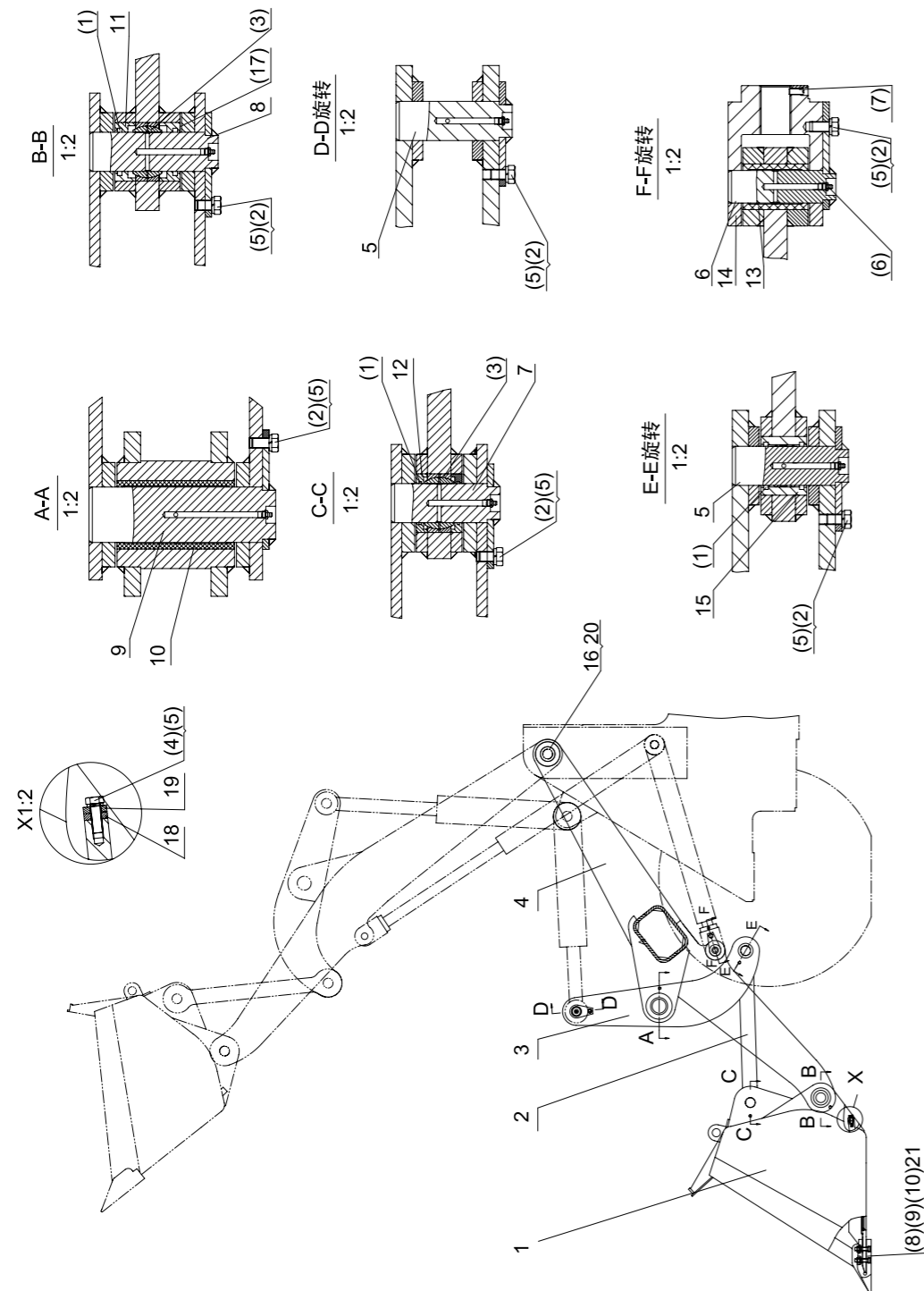
序号 POS. NO.	零件号 PARTS NO.	名称 DESCRIPTION	数量 QTY
1	SL30W-10100	车架体 frame	1
3	SL30W-10001	配重铁 counter weight	1
4	SL30W-10002	牵引轴 draft shaft	1
5	SL30W-10300	副车架 auxiliary frame	1
6	SL30W-10400	防护罩 hood	1
7	SL30W-10500	固定板 mounted plate	1
8	SL30W-10600	副车架轴 auxiliary frame shaft	2
9	SL30W-10003	垫片 gasket	2
10	SL30W-10004	套 sleeve	2
11	SL30W-10005	铰接螺栓 joint bolt	4
12	SL30W-10006	垫圈 washer	2
13	SL30W-10700	转向缸轴 steering cylinder shaft	2
14	SL30W-10007	油管 oil pipe	1
15	SL30W-10008	油管 oil pipe	1
16	SL30W-10009	平垫 washer	4
(1)	GB93-87, 20	垫圈 washer	4
(2)	GB5783-86, M20x40	螺栓 bolt	4
(3)	GB93-87, 12	垫圈 washer	12
(6)	GB5781-86, M16x55	螺栓 bolt	4
(7)	GB93-87, 16	垫圈 washer	4
(8)	GB6170-86, M16	螺母 nut	4
(9)	GB5781-86, M12*25	螺栓 bolt	12
(10)	JB982-77, 10	组合垫 combined washer	8
(11)	GB1152-79, M10*1	油杯 oil cup	4
(12)	GB5780-86, M30x200	螺栓 bolt	4
(13)	GB6170-86, M30	螺母 nut	4
(14)	GB93-87, 30	弹簧垫圈 washer	4

图28 SL30W 后车架总成 (配6BT5.9-C130发动机) (-10000)
Fig28 Rear frame assembly



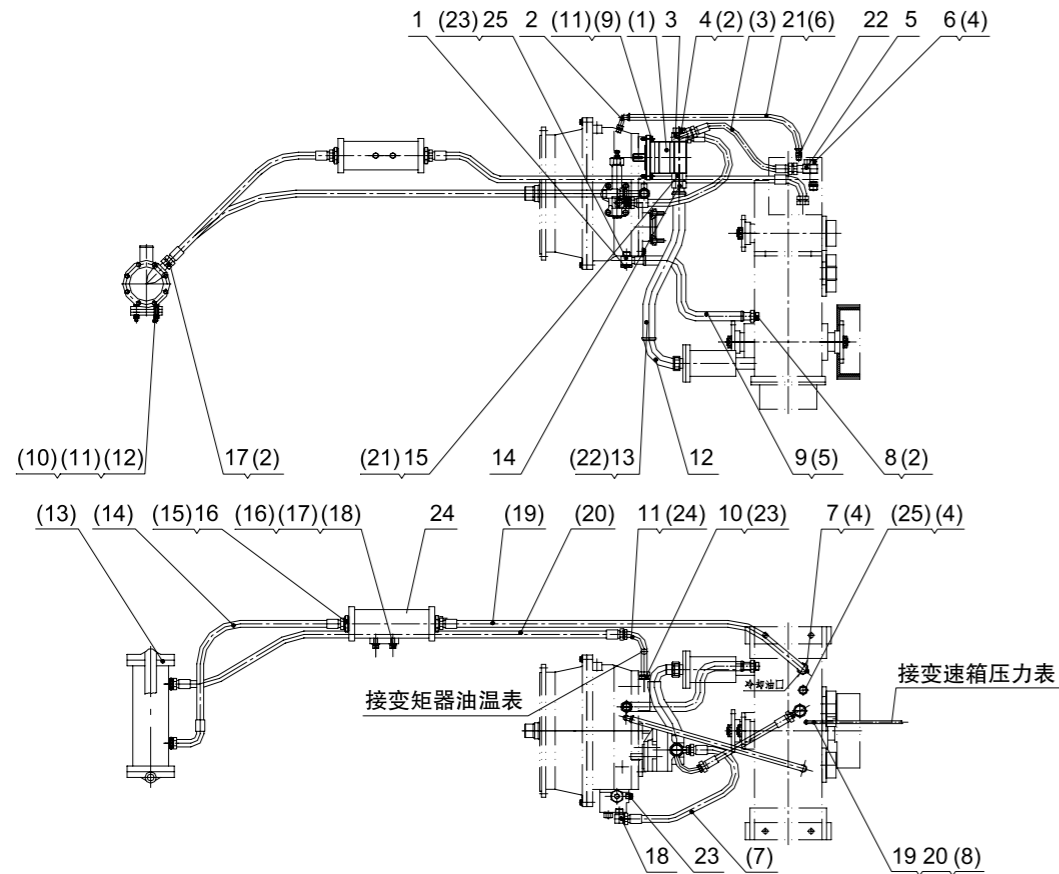
序号 POS. NO.	零件号 PARTS NO.	名称 DESCRIPTION	数量 QTY
1	DG938(康)-10100	车架体 frame	1
2	DG938(康)-10001	配重铁 counter weight	1
3	DG938(康)-10002	牵引轴 draft shaft	1
4	DG938(康)-10300	副车架 auxiliary frame	1
5	DG938(康)-10500	油冷器座 oil cooler seat	1
6	DG938(康)-10600	副车架轴 auxiliary frame shaft	2
7	DG938(康)-10003	垫片 gasket	2
8	DG938(康)-10004	套 sleeve	2
9	DG938(康)-10005	铰接螺栓 joint bolt	4
10	DG938(康)-10006	垫圈 washer	2
11	DG938(康)-10700	转向缸轴 steering cylinder shaft	2
12	DG938(康)-10007	油管 oil pipe	1
13	DG938(康)-10008	油管 oil pipe	1
14	DG938(康)-10009	平垫 washer	4
15	DG938(康)-10400	防护罩 hood	1
(1)	GB5781-86, M16x55	螺栓 bolt	4
(2)	GB93-87, 16	垫圈 washer	4
(3)	GB6170-86, M16	螺母 nut	4
(4)	GB5781-86, M12*25	螺栓 bolt	12
(5)	JB982-77, 10	组合垫 combined washer	8
(6)	GB1152-79, M10*1	油杯 oil cup	4
(7)	GB5780-86, M30x200	螺栓 bolt	4
(8)	GB6170-86, M30	螺母 nut	4
(9)	GB93-87, 30	弹簧垫圈 washer	4
(10)	GB5783-86, M20*40	螺栓 bolt	4
(11)	GB93-87, 20	垫圈 washer	4
(12)	GB93-87, 12	垫圈 washer	12

图29 SL30W工作装置总成(-11000)
Fig29 Work implement assembly



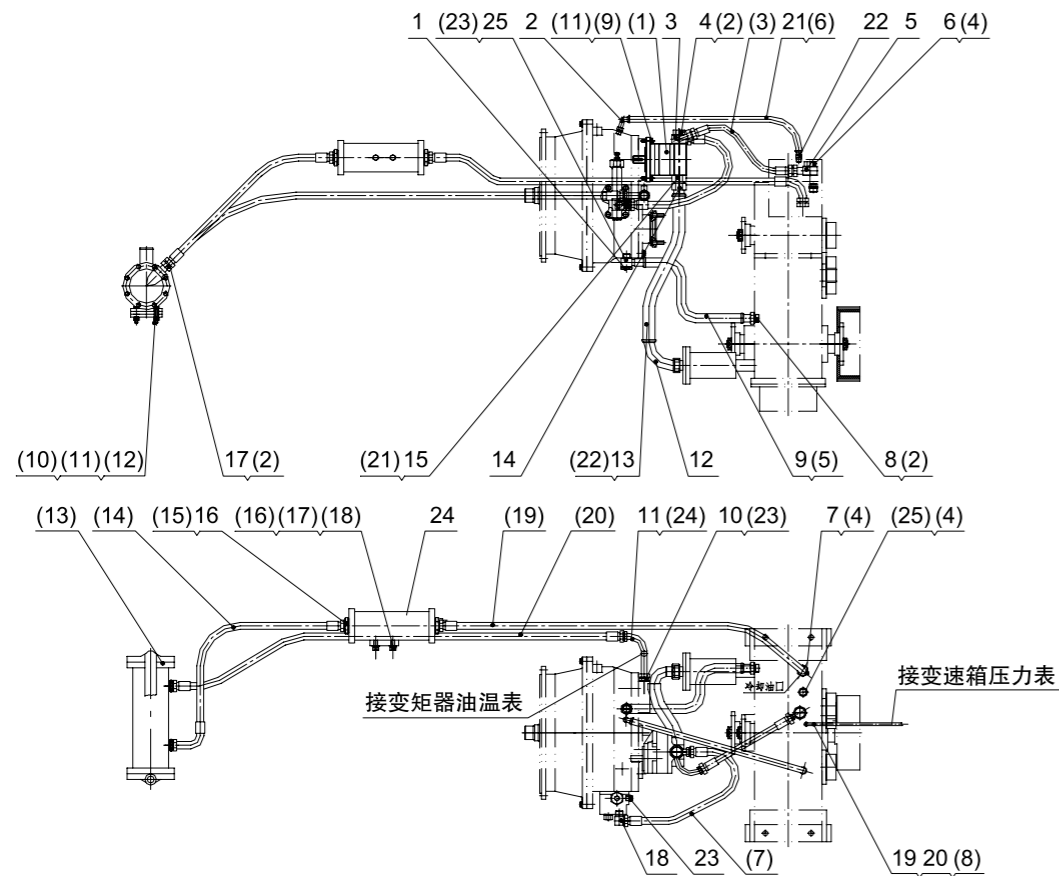
序号 POS. NO.	零件号 PARTS NO.	名称 DESCRIPTION	数量 QTY
1	ZL30G II -11100	铲斗 Bucket	1
2	ZL30G II -11200	连杆 Link rod	1
3	ZL30G II -11300	摇臂 Rocker arm	1
	ZL30JG-11300	摇臂 Rocker arm	1
4	DG930A-11400A	加长动臂 Extended movable arm	1
	DG930A-11400B	长臂金刚 Long arm giant	1
5	ZL30G II -11500	轴 Shaft	2
6	ZL30G II -11600	轴 Shaft	2
7	ZL30G II -11700	轴 Shaft	1
8	ZL30G II -11800	轴 Shaft	2
9	ZL30G II -11900	轴 Shaft	1
10	ZL30G II -11001A	轴套 Bush ring	1
11	ZL30G II -11002	挡盖 Stop cover	4
12	ZL30G II -11003	挡盖 Stop cover	2
13	ZL30G II -11004	轴套 Bush ring	2
14	ZL30G II -11005	连接叉 Clevis	2
15	ZL30G II -11006	轴套 Bush ring	1
16	ZL30G II -11007	轴套 Bush ring	2
17	ZL30G II -11008	调整垫 Adjusting pad	10
18	ZL30G II -11009	调整垫 Adjusting pad	1组
19	ZL30G II -11010	压板 Pressure plate	6
20	ZL30G II -11012	调整垫 Adjusting pad	8
21	ZL30GB-11100-1	斗齿 Bucket teeth	6
	ZL30GB-11100-2	角斗齿 Corner bucket teeth	2
(1)	SJM03-1, 60	防尘圈 60 Scraper seal	8
(2)	GB5783-86, M16×30	螺栓 Bolt	8
(3)	GB304.5-81, GE60ES	关节轴承 Knuckle bearing	3
(4)	GB5783-86, M16×45	螺栓 Bolt	8
(5)	GB93-87, 16	垫圈 Washer	16
(6)	GB1152-79, M10×1	油杯 Oil cup	8
(7)	GB71-86, M10×35	螺钉 Screw	2
(8)	GB8-88, M20×65	螺栓 Bolt	14
(9)	GB93-87, 20	垫圈 Washer	14
(10)	GB56-86, M20	螺母 Nut	14

图30 SL30W行车液压系统 (-12000)
Fig30 Transmission hydraulic system



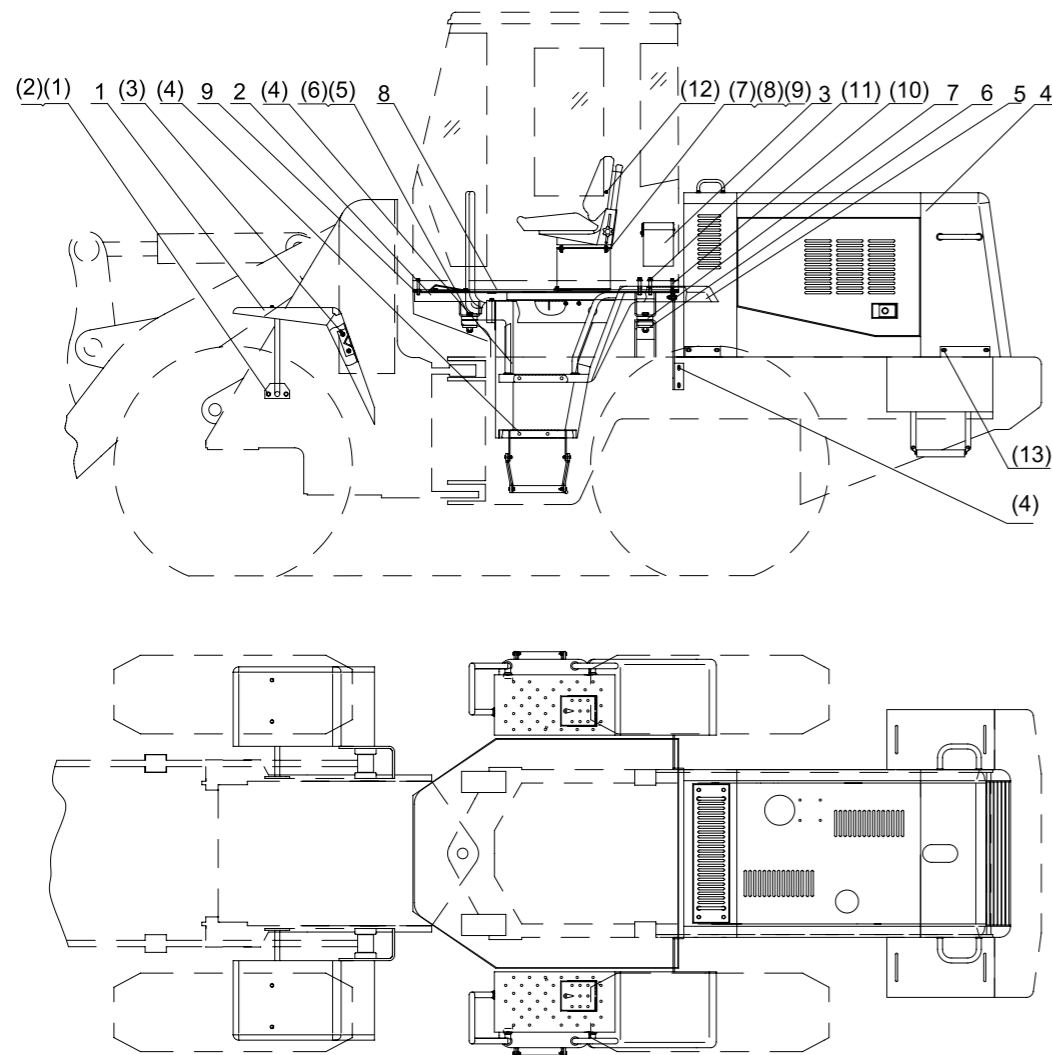
序号 POS. NO.	零件号 PARTS NO.	名称 DESCRIPTION	数量 QTY
1	SL30W-12001A	铰接螺栓 Joint bolt	1
2	SL30W-12002	接头体 Fitting	1
3	DG930A-12003	铰接接头总成 Joint assembly	1
4	DG930A-12004	铰接螺栓 Joint bolt	1
5	DG930A-12005	铰接接头总成 Joint assembly	1
6	DG930A-12006	铰接螺栓 Joint bolt	1
7	DG930A-12010	接头体 Fitting	1
8	DG930A-12008	回油接头 Oil return joint	1
9	DG930A-12007	回油管 Oil return hose	1
10	SL30W-12010	接头体 Fitting	1
11	SL30W-12011A	钢管总成 Steel tube assembly	1
12	DG930A-12022	接头总成 Fitting assembly	1
13	DG930A-12018	吸油胶管 Inlet oil hose	1
14	DG930A-12017	钢管总成 Steel tube assembly	1
15	DG930A-12016	接头体 Fitting	1
16	DG930A-12014	接头体 Fitting	2
17	DG930A-12013	接头体 Fitting	2
18	SL30W-12018	接头体 Fitting	1
19	DG930A-12015	聚氨酯管总成 Polyurethane hose assembly	1
20	DG930A-12025	接头体 Fitting	1
21	SL30W-12021	回油管 Oil return hose	1
22	DG930A-12027	接头体 Fitting	1
23	SL30W-12023	螺塞ZG3/8" Plug screw	1
24	DG930A-12026	回油滤清器 Return oil filter	1
25	SL30W-12025	铰接接头总成 Joint assembly	1

图30 SL30W行车液压系统 (-12000)
Fig30 Transmission hydraulic system



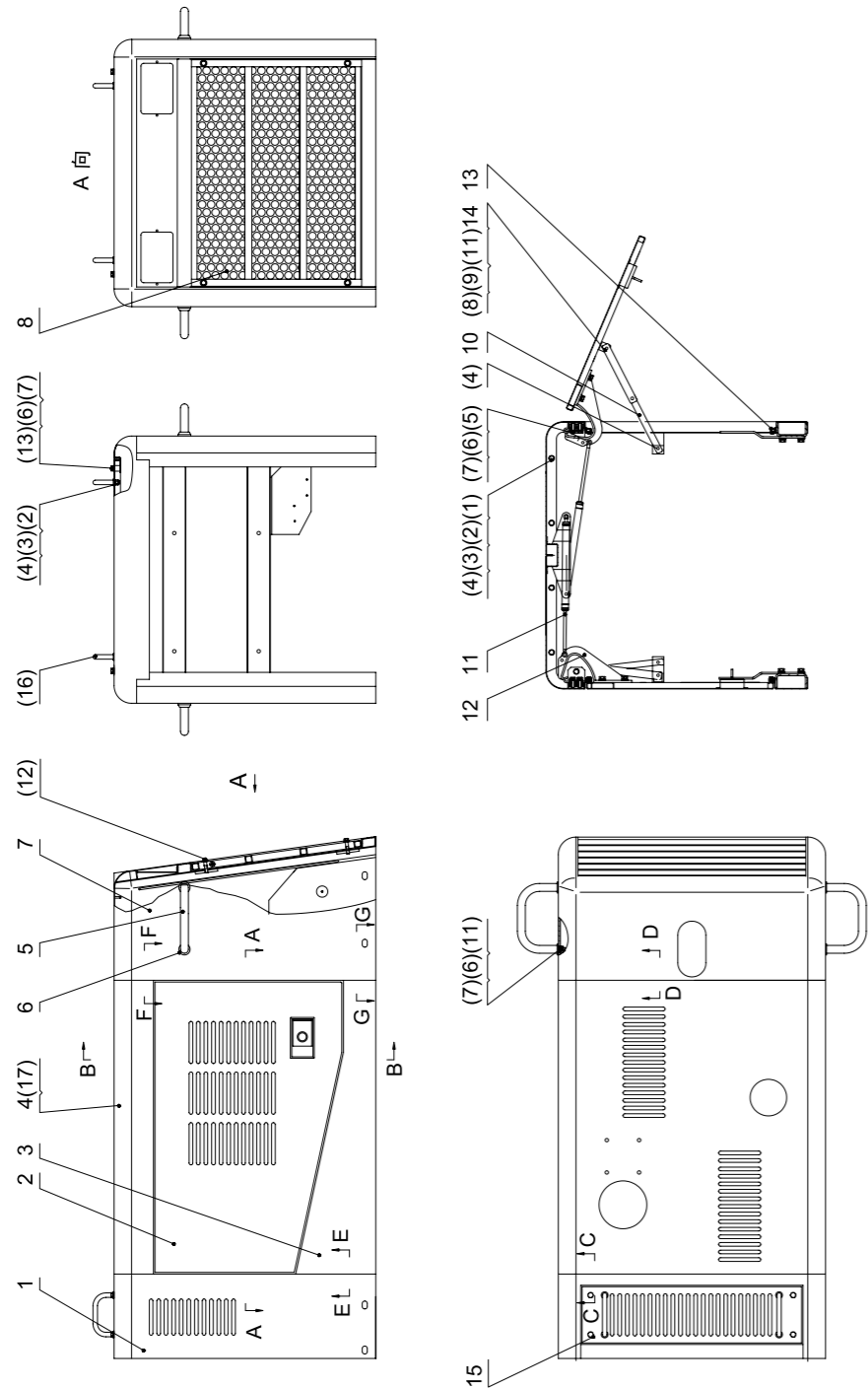
序号 POS. NO.	零件号 PARTS NO.	名称 DESCRIPTION	数量 QTY
(1)	CBFE-31.5	齿轮泵 Gear pump	1
(2)	JB982-77, 27	组合垫圈 Combined washer	5
(3)	JF100-81,10-420	胶管接头 Hose joint	1
(4)	JB982-77, 22	组合垫圈 Combined washer	4
(5)	JB3616.1-84,34-38	卡箍 Clamp	2
(6)	JB3616.1-84,20-24	卡箍 Clamp	2
(7)	JF100-81,16-800	胶管接头 Hose joint	1
(8)	YJ315LD-1	密封垫圈 Seal washer	1
(9)	GB5783-86, M10 × 30	螺栓 Bolt	2
(10)	GB 6170-86, M10	螺母 Nut	8
(11)	GB93-87, 10	垫圈 Washer	10
(12)	GB5781-86, M10 × 40	螺栓 Bolt	8
(13)	ZL30G-12- JYLQQ	机油冷却器 Oil cooler	1
(14)	JF100-81,19-1000	胶管接头 Hose joint	1
(15)	JB982-77, 42	组合垫圈 Combined washer	2
(16)	GB5783-86, M12 × 30	螺栓 Bolt	2
(17)	GB93-87, 12	垫圈 Washer	2
(18)	GB95-85, 12	垫圈 Washer	2
(19)	JF100-81, 19-1400	胶管接头 Hose joint	1
(20)	JF100-81, 19-1700	胶管接头 Hose joint	1
(21)	JB982-77, 33	组合垫圈 Combined washer	1
(22)	JB3616.1-84,40-45	卡箍 Clamp	2
(23)	JB982-77, 24	组合垫圈 Combined washer	3
(24)	JB982-77, 14	组合垫圈 Combined washer	1
(25)	JB1000-77, M22 × 1.5	螺塞 Plug screw	1

图31 SL30W 车体布置 (-13000)
Fig31 Bodywork collocation



序号 POS. NO.	零件号 PARTS NO.	名称 DESCRIPTION		数量 QTY
1	SL30W-13100	前挡泥板	front dashboard	1
2	SL30W-13200	台架	bench	1
3	SL30W-13300	工具箱	tool box	1
	SL30W-13400	发动机罩	hood (配CA6110-125G5-DG1B发动机)	1
4	SL30W(D)-13400	发动机罩	hood (配WP6G125E22发动机)	1
	DG938(康)-13400	发动机罩	hood (配6BT5.9-C130发动机)	1
5	SL30W-13500	左右地板总成	left-right floor assembly	2
6	SL30W-13001	垫	pad	8
8	SL30W-13003	地板	floor	1
9	SL30W-13004	减震垫	shock pad	1
(1)	GB5787-86, M12x45	六角法兰面螺栓	bolt	6
(2)	GB6177-86, M12	六角法兰面螺母	nut	6
(3)	GB5787-86, M12x30	六角法兰面螺栓	bolt	8
(4)	GB5787-86, M12x25	六角法兰面螺栓	bolt	12
(5)	GB5782-86, M20x110	螺栓	bolt	4
(6)	GB889-86, M20	螺母	nut	4
(7)	GB889-86, M10	螺母	nut	4
(8)	GB5783-86, M10x25	螺栓	bolt	4
(9)	GB95-85, 10	垫圈	washer	4
(10)	GB5787-86, M12x80	六角法兰面螺栓	bolt	4
(11)	GB5787-86, M16x80	六角法兰面螺栓	bolt	6
(12)	DS44/1 HB	座椅	seat	1
(13)	GB5787-86, M16x35	六角法兰面螺栓	bolt	8
(14)	SE9030-16-48	减震垫	shock pad	4

图32 SL30W 发动机罩
(配锡柴CA6110-125G5-DG1B发动机) (-13400)
Fig32 Engine hood (match WUXI engine)



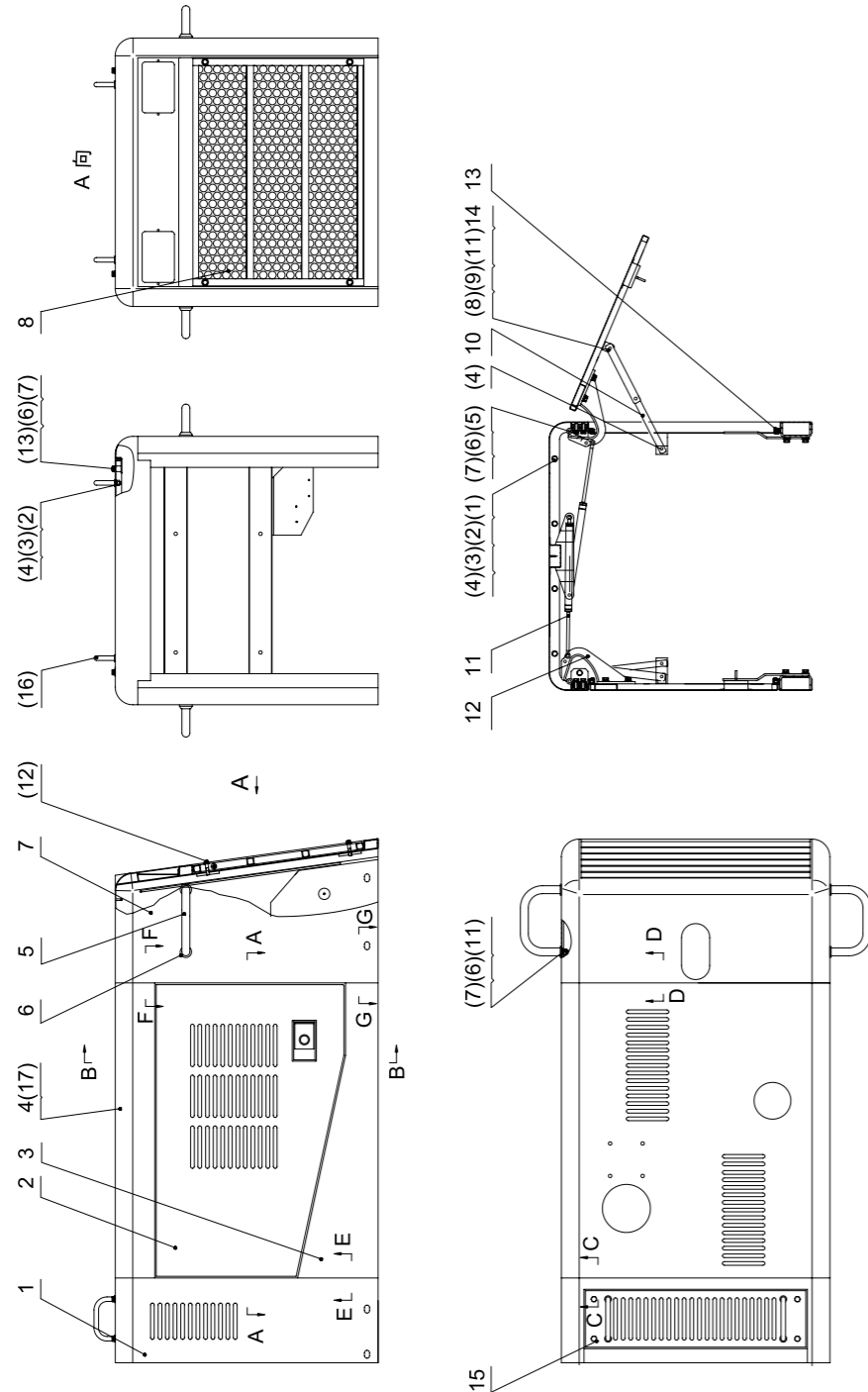
序号 POS. NO.	零件号 PARTS NO.	名称 DESCRIPTION	数量 QTY
1	SL30W-13401	前罩 front hoop	1
2	SL30W-13402	侧门 side door	2
3	SL30W-13403	侧下门 side lower door	2
4	SL30W-13404	上盖 upper cover	1
5	SL30W-13405	扶手 hand rest	2
6	SL30W-13406	扶手座 hand rest seat	4
7	SL30W-13407	后罩 rear hoop	1
8	SL30W-13408	后护罩 rear hoop	1
10	SL30W-13410	支架 bracket	2
11	SL30W-13411	气弹簧 air spring	2
12	SL30W-13412	铰链 hinge	4
13	SL30W-13413	门密封条 door seal strip	7.63 m
14	SL30W-13414	螺柱 double-screw bolt	6
15	SL30W-13415	前盖 front cover	1
16	SL30W-13416	扶手 hand rest	2
17	SL30W-13404B	上盖 upper cover (装锡柴增压发动机用) mounted WUXI pressurize engine use	1
(1)	GB5783-86, M10*30	螺栓 bolt	24
(2)	GB6170-86, M10	螺母 nut	26
(3)	GB93-87, 10	弹垫圈 washer	26
(4)	GB95-85, 10	平垫 washer	50
(5)	GB5783-86, M12*25	螺栓 bolt	32
(6)	GB93-87, 12	弹垫圈 washer	40
(7)	GB95-85, 12	平垫 washer	40
(8)	GB6170-86, M8	螺母 nut	10
(9)	GB95-85, 8	平垫 washer	6
(10)	GB93-87, 8	弹垫圈 washer	10
(11)	GB6170-86, M12	螺母 nut	4
(12)	GB5787-86, M0*45	六角法兰面螺栓 bolt	4
(13)	GB5783-86, M12*20	螺栓 bolt	4



装锡柴增压发动机用件17, 不用件4。

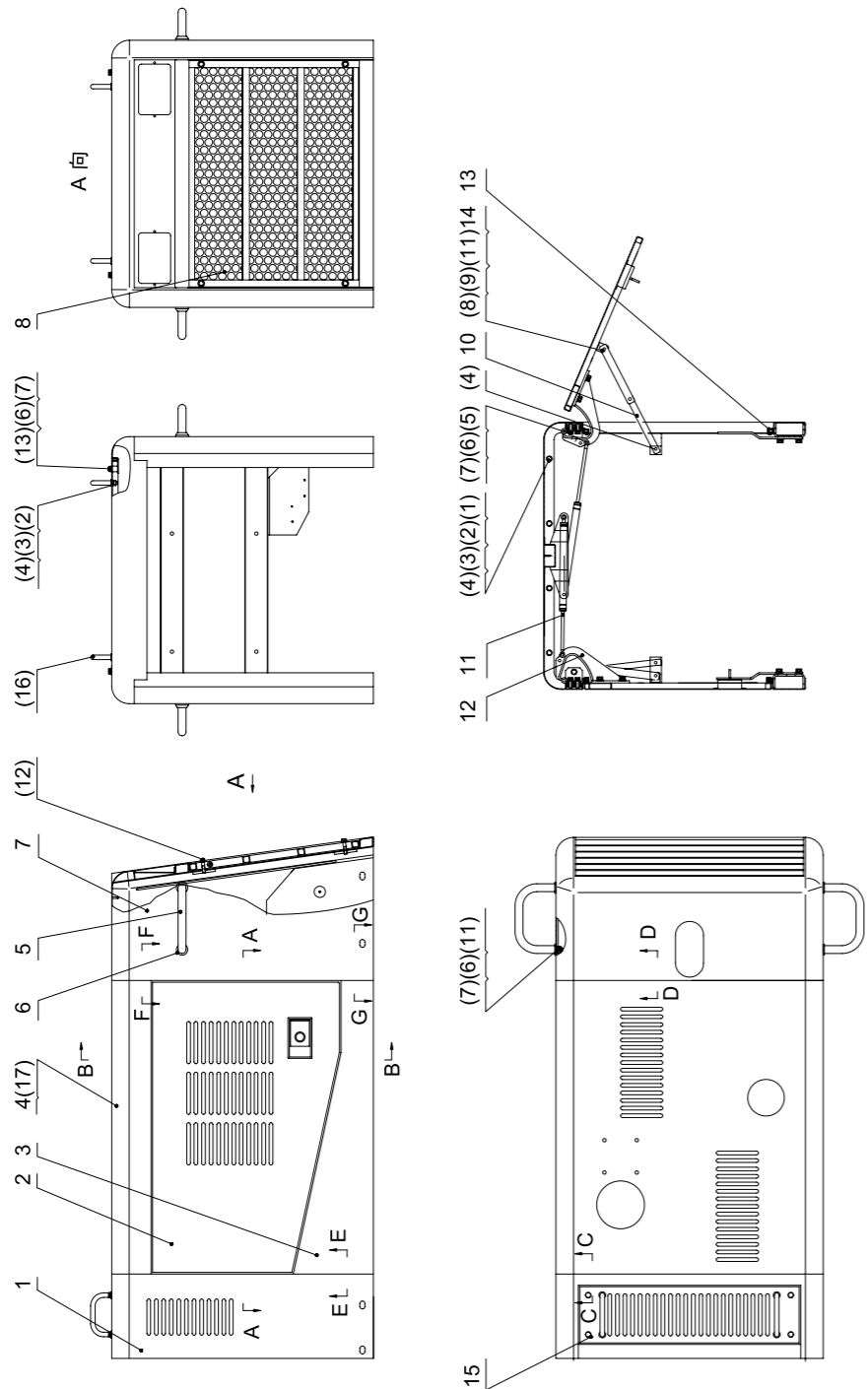
mounted WUXI pressurize engine use part 17, no use part 4.

图33 SL30W 发动机罩
(配道依茨WP6G125E22发动机) (-13400)
Fig33 Engine hood (match DEUTZ engine)



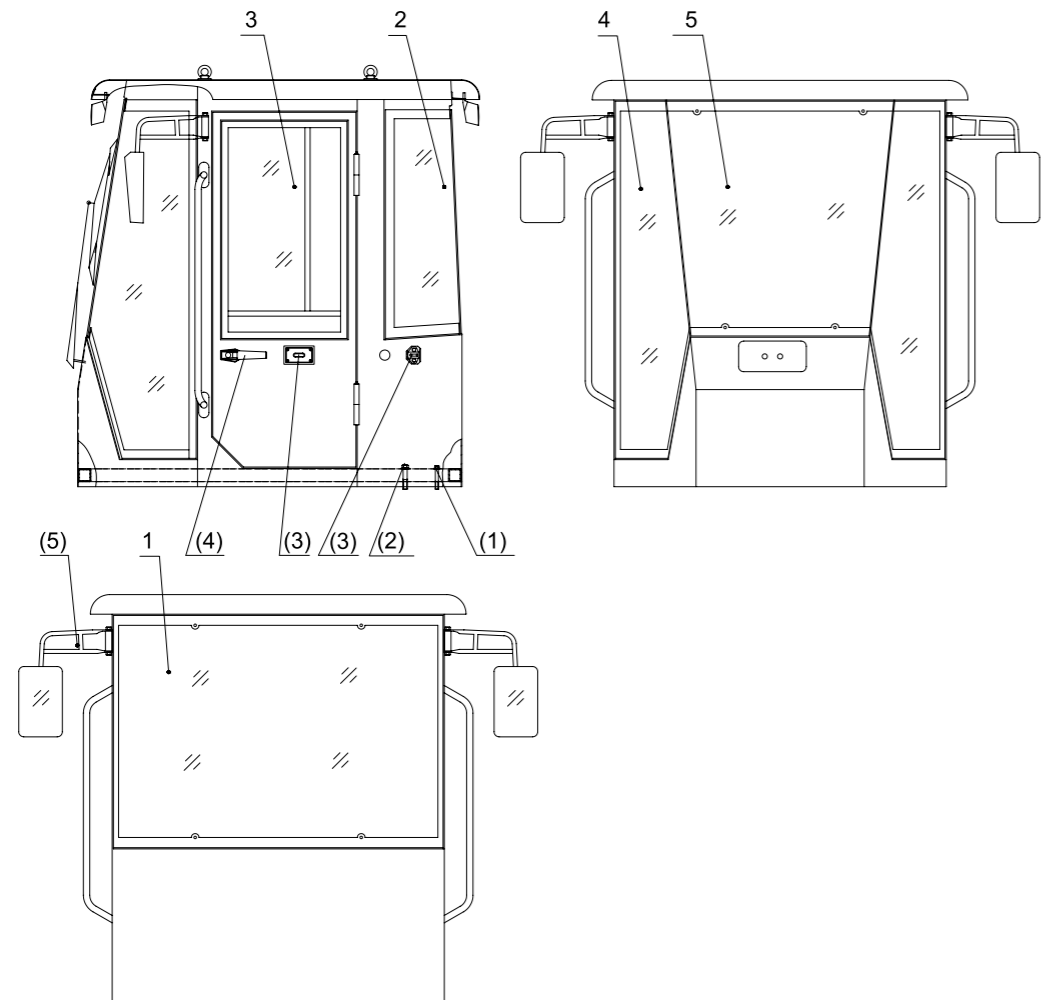
序号 POS. NO.	零件号 PARTS NO.	名称 DESCRIPTION	数量 QTY
1	SL30W(D)-13401	前罩 front hoop	1
2	SL30W(D)-13402	侧门 side door	2
3	SL30W(D)-13403	侧下门 side lower door	2
4	SL30W(D)-13404	上盖 upper cover	1
5	SL30W(D)-13405	扶手 hand rest	2
6	SL30W(D)-13406	扶手座 hand rest seat	4
7	SL30W(D)-13407	后罩 rear hoop	1
8	SL30W(D)-13408	后护罩 rear hoop	1
10	SL30W(D)-13410	支架 bracket	2
11	SL30W(D)-13411	气弹簧 air spring	2
12	SL30W(D)-13412	铰链 hinge	4
13	SL30W(D)-13413	门密封条 door seal strip	7.63 m
14	SL30W(D)-13414	螺柱 double-screw bolt	6
15	SL30W(D)-13415	前盖 front cover	1
16	SL30W(D)-13416	扶手 hand rest	2
(1)	GB5783-86, M10*30	螺栓 bolt	24
(2)	GB6170-86, M10	螺母 nut	26
(3)	GB93-87, 10	弹垫圈 washer	26
(4)	GB95-85, 10	平垫 washer	50
(5)	GB5783-86, M12*25	螺栓 bolt	32
(6)	GB93-87, 12	弹垫圈 washer	40
(7)	GB95-85, 12	平垫 washer	40
(8)	GB6170-86, M8	螺母 nut	10
(9)	GB95-85, 8	平垫 washer	6
(10)	GB93-87, 8	弹垫圈 washer	10
(11)	GB6170-86, M12	螺母 nut	4
(12)	GB5787-86, M0*45	六角法兰面螺栓 bolt	4
(13)	GB5783-86, M12*20	螺栓 bolt	4

图34 SL30W 发动机罩
(配康明斯6BT5.9-C130发动机) (-13400)
Fig34 Engine hood (match CUMMUNIS engine)



序号 POS. NO.	零件号 PARTS NO.	名称 DESCRIPTION	数量 QTY
1	DG938(康)-13401	前罩 front hoop	1
2	DG938(康)-13402	侧门 back entrance	2
3	DG938(康)-13403	侧下门 side lower entrance	2
4	DG938(康)-13404	上盖 upper cover	1
5	DG938(康)-13405	扶手 hand rest	2
6	DG938(康)-13406	扶手座 hand rest seat	4
7	DG938(康)-13407	后罩 rear hoop	1
8	DG938(康)-13408	后护罩 rear hoop	1
9	DG938(康)-13409	标牌 index tag	1
10	DG938(康)-13410	支架 bracket	2
11	DG938(康)-13411	气弹簧 air spring	2
12	DG938(康)-13412	铰链 hinge	4
13	DG938(康)-13413	门密封条 door seal strip	7.63 m
14	DG938(康)-13414	螺柱 double screw bolt	6
15	DG938(康)-13415	前盖 front cover	1
16	DG938(康)-13416	扶手 hand rest	2
(1)	GB5783-86, M10*30	螺栓 bolt	24
(2)	GB6170-86, M10	螺母 nut	26
(3)	GB93-87, 10	弹簧垫圈 washer	26
(4)	GB95-85, 10	平垫 washer	50
(5)	GB5783-86, M12×25	螺栓 bolt	32
(6)	GB93-87, 12	弹簧垫圈 washer	40
(7)	GB95-85, 12	平垫 washer	40
(8)	GB6170-86, M8	螺母 nut	10
(9)	GB95-85, 8	平垫 washer	6
(10)	GB93-87, 8	弹垫圈 washer	10
(11)	GB6170-86, M12	螺母 nut	4
(12)	GB12618-90, Φ4×10	开口形扁圆头抽心铆钉 rivet	6
(13)	GB5783-86, M12*20	螺栓 bolt	4
(14)	GB5787-86, M10*45	六角法兰面螺栓 bolt	4

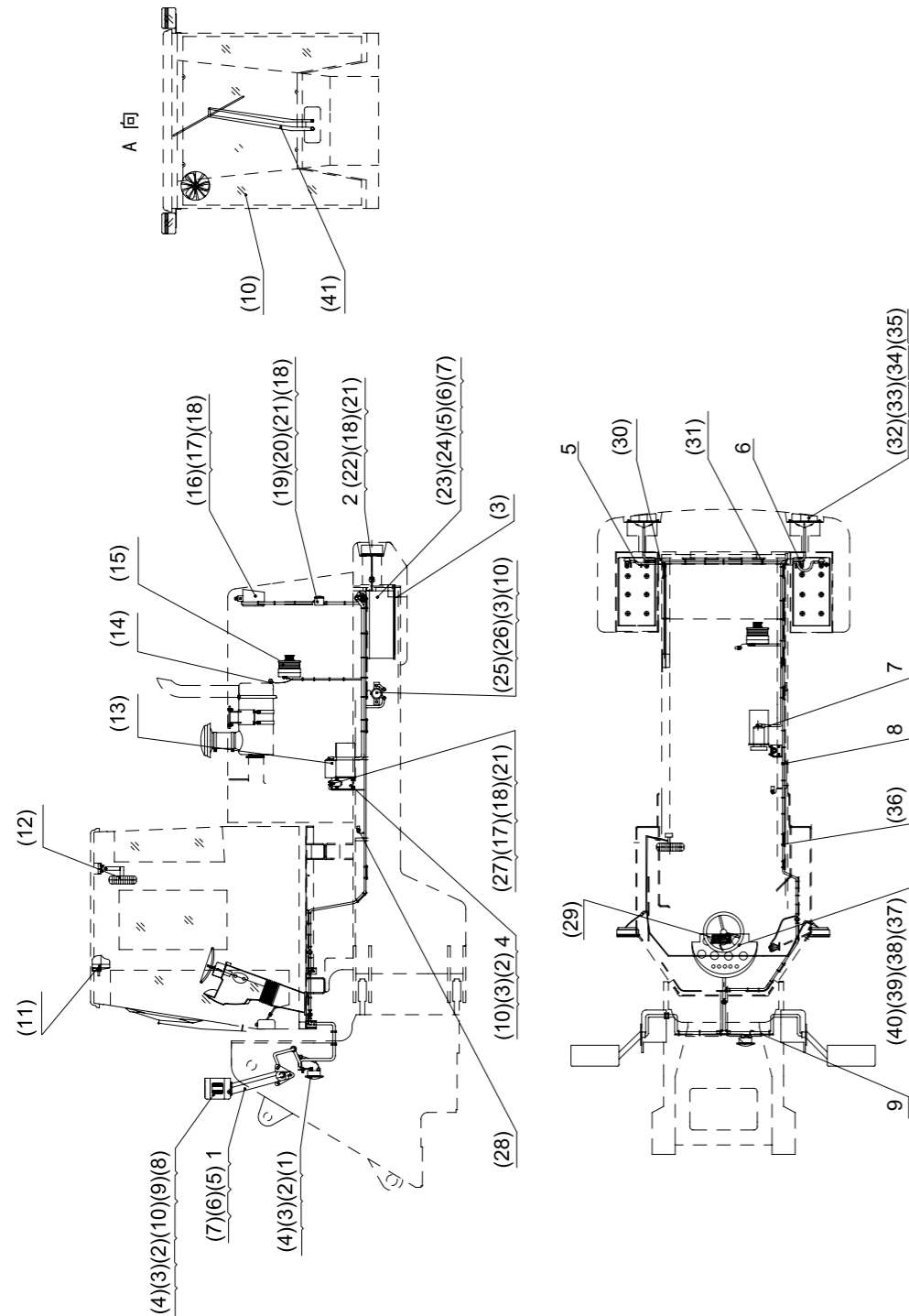
图35 SL30W驾驶室(-14000)
Fig35 Driver's cap



序号 POS. NO.	零件号 PARTS NO.	名称 DESCRIPTION	数量 QTY
1	DG953-BL-01 (左)	后挡玻璃 glass	1
2	DG953-BL-02 (左)	后侧玻璃 (左) glass	1
	DG953-BL-02 (右)	后侧玻璃 (右) glass	1
3	DG953-BL-03 (左)	门挡玻璃 (左) glass	1
	DG953-MGH-7 (右)	门挡玻璃 (右) glass	1
4	DG953-MGH-8 (左)	前侧玻璃 (左) glass	1
	DG953-MGH-8 (右)	前侧玻璃 (右) glass	1
5	DG953-BL-05	前挡玻璃 glass	1
(1)	GB5787-86, M12×80	螺栓 bolt	4
(2)	GB5787-86, M16×80	螺栓 bolt	6
(3)	NBS510	碰锁 latch	2
(4)	NBS502	门锁 gate lock	2
(5)	EQ-142	后视镜 back mirror	2

图36 SL30W (配锡柴CA6110-125G5-DG1B发动机)
电器系统 (-15000)

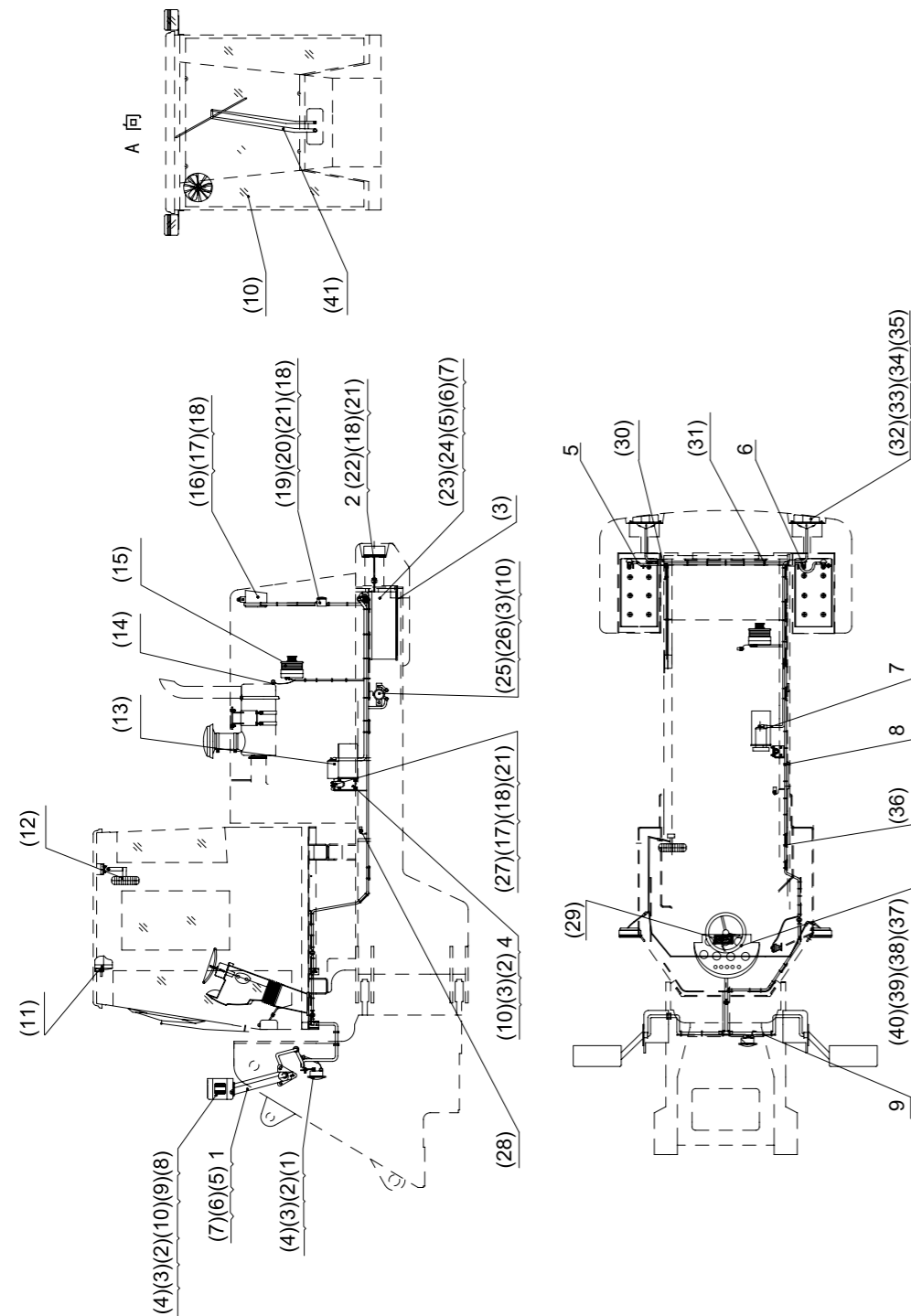
Fig36 Electric system (match WUXI engine)



序号 POS. NO.	零件号 PARTS NO.	名称 DESCRIPTION	数量 QTY
1	ZL30G II -15001	前组合灯架 lamp bracket	2
2	ZL30G II -15002	尾灯安装板 mounted plate	2
3	ZL50G2-15001	橡胶板500*280(无图) rubber plate	2
4	ZL30GII-15012	安装板 mounted plate	1
5	ZL30G II -15004	搭铁线 ground wire	1
6	ZL30G II -15005	电瓶连接线 battery connect wire	1
7	ZL30G II -15006	起动机电源线 starting generator power cord	1
8	ZL30G II -15007防	后线束 rear wire batch	1
9	ZL30G II -15008防	前线束 front wire batch	1
10	DG957-15018	驾驶室内电气安装图 driver's cap electrical fitting drawing	1
(1)	DL51A	电喇叭总成 electric horn assembly	1
(2)	GB5781-86, M8*20	螺栓 bolt	5
(3)	GB93-87, 8	垫圈 washer	13
(4)	GB6170-86, M8	螺母 nut	7
(5)	GB5781-86, M10*25	螺栓 bolt	10
(6)	GB95-85, 10	垫圈 washer	10
(7)	GB93-87, 10	垫圈 washer	10
(8)	HG, 24V	前组合大灯 front big lamp	2件对称
(9)	GB5781-86, M8*30	螺栓 bolt	6
(10)	GB95-85, 8	垫圈 washer	12
(11)	DG957-15-GZD	临工型工作灯 LINGONG type work lamp	2
(12)	DG957-15-FS,6" 24V	电风扇(直柄) fan (stright shank)	1
(13)	DG938-15-QDJ	起动机总成 starter assembly	1
(14)	WG-I-Z3/8	水温传感器 water temperature sensor	1
(15)	DG938-15-FDJ	发电机总成 generator assembly	1
(16)	175*110	方形后大灯 square rear big lamp	2
(17)	GB818-85, M6*20	半圆头螺钉 screw	6
(18)	GB93-87, 6	垫圈 washer	11
(19)	DJ221B	倒车报警器 reverse warnner	1
(20)	GB818-85, M6*10	半圆头螺钉 screw	1
(21)	GB95-85, 6	垫圈 washer	7
(22)	GB818-85, M6*16	半圆头螺钉 screw	4
(23)	N200S	蓄电池总成 accumulator assembly	2
(24)	GB6170-86, M10	螺母 nut	4
(25)	DK2312	电磁式电源总开关 electromagnetic power switch	1

图36 SL30W (配锡柴CA6110-125G5-DG1B发动机)
电器系统 (-15000)

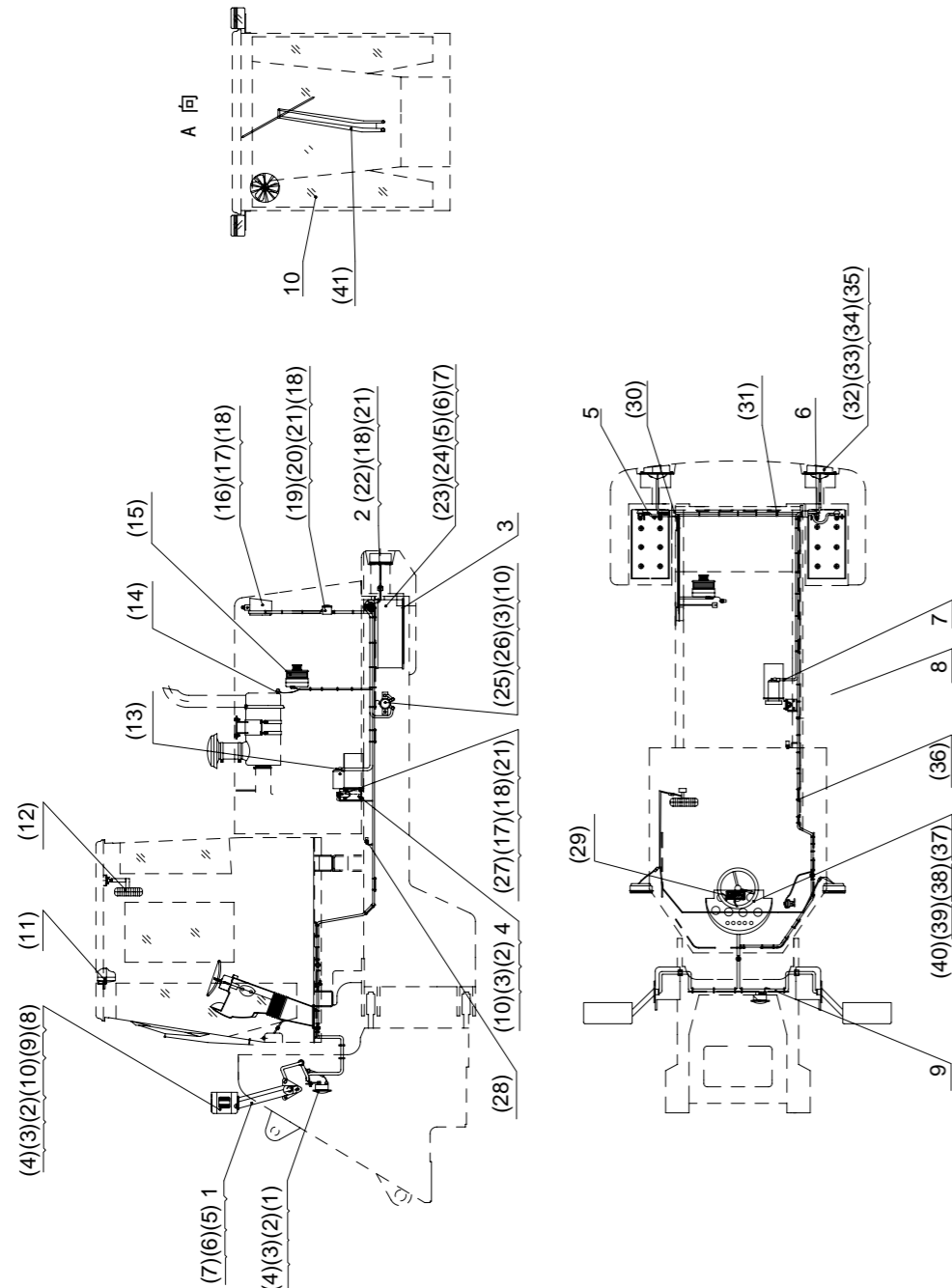
Fig36 Electric system (match WUXI engine)



序号 POS. NO.	零件号 PARTS NO.	名称 DESCRIPTION	数量 QTY
(26)	GB5781-86, M8*12	螺栓 bolt	2
(27)	JD26C	预热继电器 preheating relay	1
(28)	WG-I-M14*1.5	变矩器油温传感器 torque converter oil temperature sensor	1
(29)	Z-216	长型顶灯 long overhead light	1
(30)	φ 32*260	橡胶保护套 rubber protective sleeve	2
(31)	ZD200*8	可松开式锁式扎带 clip	25
(32)	Z216	三色后尾灯 three-color back lamp	2
(33)	GB818-85, M5*20	半圆头螺钉 screw	8
(34)	GB6170-86, M5	螺母 nut	8
(35)	GB93-87, 5	弹簧垫圈 wasger	8
(36)	ZD150*8	可松开式锁式扎带 clip	36
(37)	YBT-DG936-1	仪表台总成 instrument desk assembly	1
(38)	GB5783-86, M12*30	螺栓 bolt	4
(39)	GB95-85, 12	垫圈 washer	4
(40)	GB93-87, 12	垫圈 washer	4
(41)	ZD2530 24V	刮水器总成 wiper assembly	1

图37 SL30W (配道依茨WP6G125E22发动机)
电器系统 (-15000)

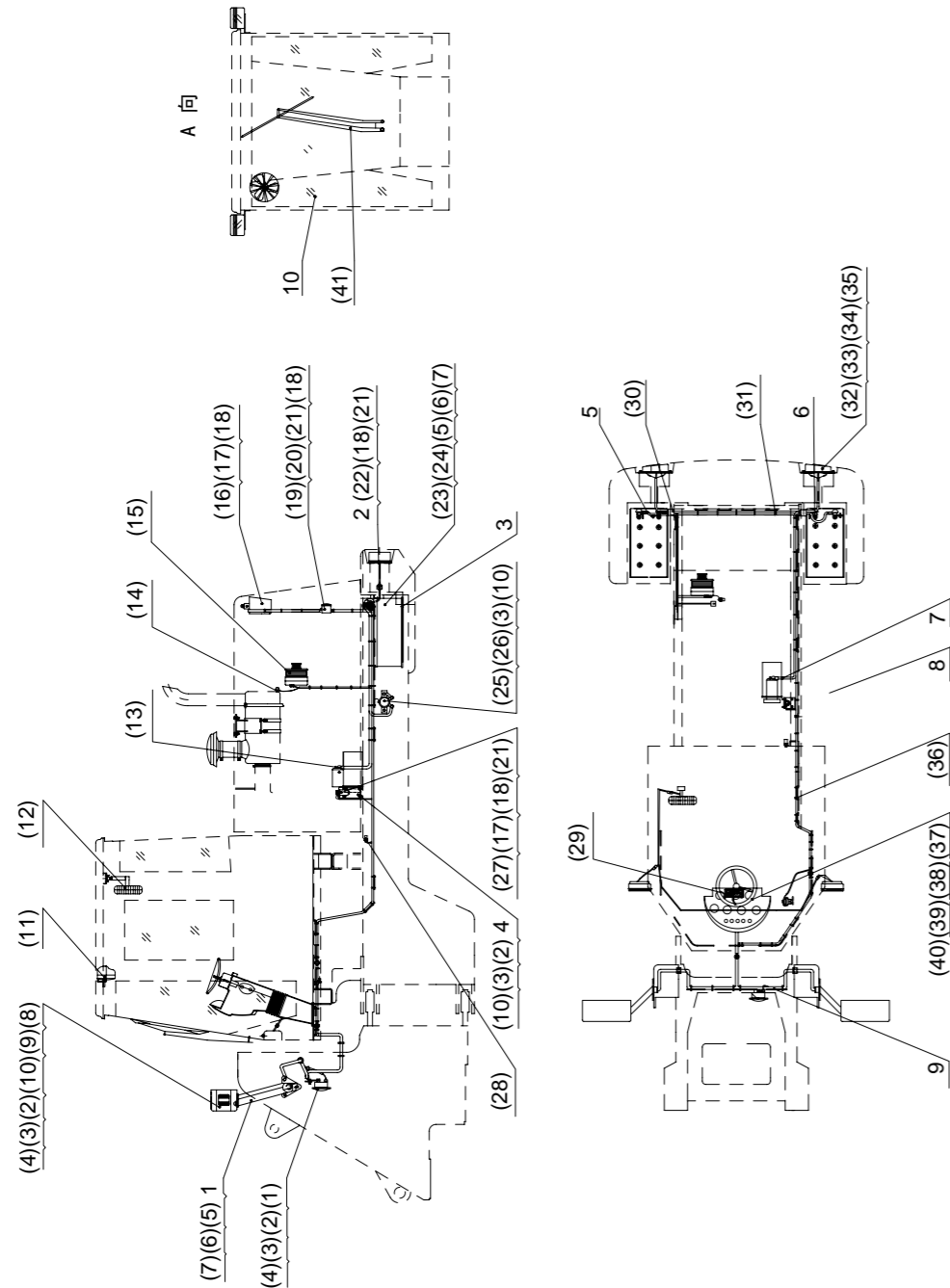
Fig37 Electric system (match DEUTZ engine)



序号 POS. NO.	零件号 PARTS NO.	名称 DESCRIPTION	数量 QTY
1	ZL30G II -15001	前组合灯架 lamp bracket	2
2	ZL30G II -15002	尾灯安装板 mounted plate	2
3	ZL50G2-15001	橡胶板500*280(无图) rubber plate	2
4	ZL30GII-15012	安装板 mounted plate	1
5	ZL30G II -15004	搭铁线 ground wire	1
6	ZL30G II -15005	电瓶连接线 battery connect wire	1
7	ZL30G II -15006	起动机电源线 starting generator power cord	1
8	ZL30G II (D)-15007防	后线束 rear wire batch	1
9	ZL30G II -15008防	前线束 front wire batch	1
10	DG957-15018	驾驶室内电气安装图 driver's cap electrical fitting drawing	1
(1)	DL51A	电喇叭总成 electric horn assembly	1
(2)	GB5781-86, M8*20	螺栓 bolt	5
(3)	GB93-87, 8	垫圈 washer	13
(4)	GB6170-86, M8	螺母 nut	7
(5)	GB5781-86, M10*25	螺栓 bolt	10
(6)	GB95-85, 10	垫圈 washer	10
(7)	GB93-87, 10	垫圈 washer	10
(8)	HG, 24V	前组合大灯 front big lamp	2件对称
(9)	GB5781-86, M8*30	螺栓 bolt	6
(10)	GB95-85, 8	垫圈 washer	12
(11)	DG957-15-GZD	临工型工作灯 LINGONG type work lamp	2
(12)	DG957-15-FS,6" 24V	电风扇(直柄) fan (stright shank)	1
(13)	DG938-15-QDJ	起动机总成 starter assembly	1
(14)	WG-I-Z3/8	水温传感器 water temperature sensor	1
(15)	DG938-15-FDJ	发电机总成 generator assembly	1
(16)	175*110	方形后大灯 square rear big lamp	2
(17)	GB818-85, M6*20	半圆头螺钉 screw	6
(18)	GB93-87, 6	垫圈 washer	11
(19)	DJ221B	倒车报警器 reverse warner	1
(20)	GB818-85, M6*10	半圆头螺钉 screw	1
(21)	GB95-85, 6	垫圈 washer	7
(22)	GB818-85, M6*16	半圆头螺钉 screw	4
(23)	N200S	蓄电池总成 accumulator assembly	2
(24)	GB6170-86, M10	螺母 nut	4
(25)	DK2312	电磁式电源总开关 electromagnetic power switch	1

图37 SL30W (配道依茨WP6G125E22发动机)
电器系统 (-15000)

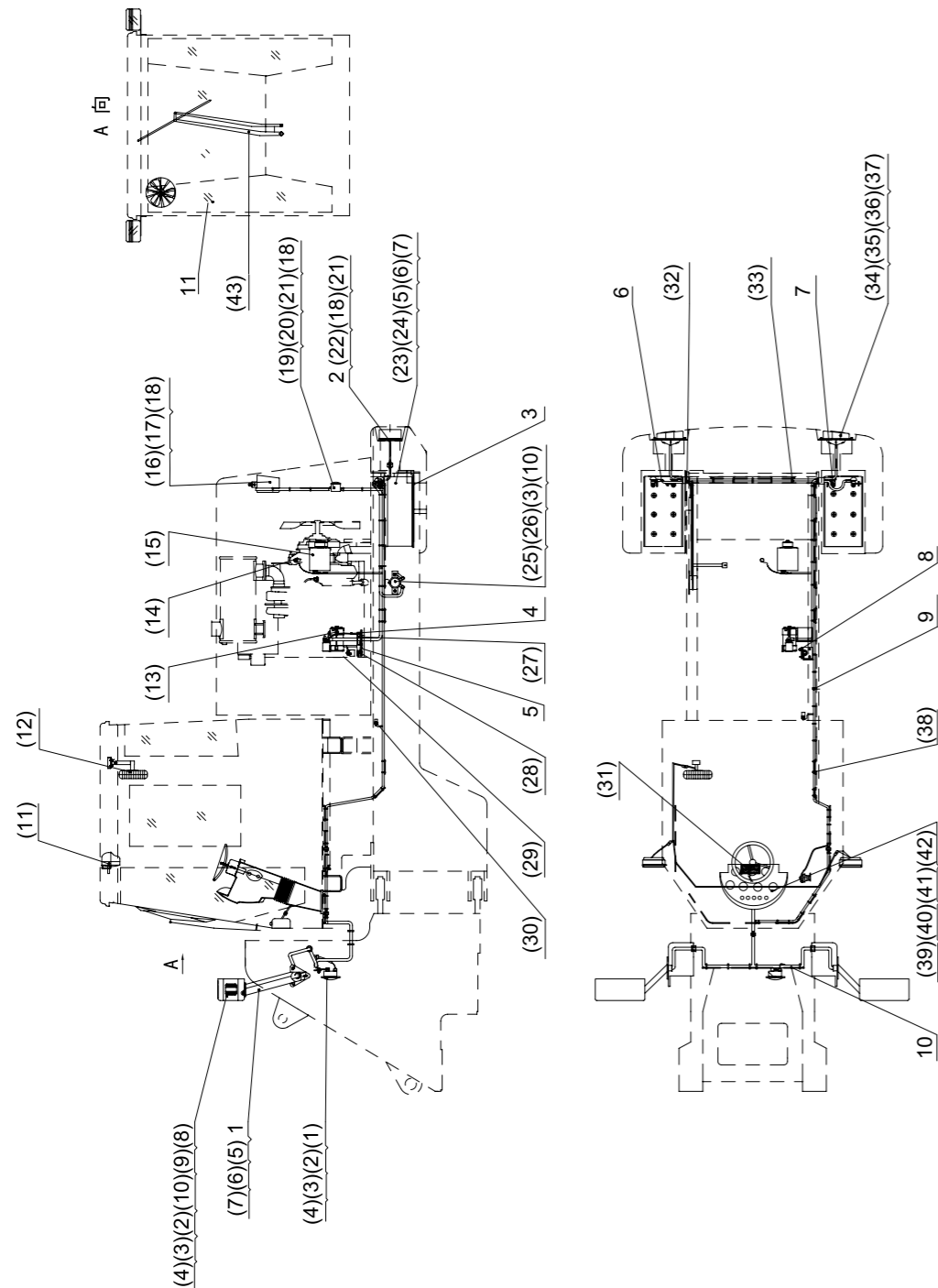
Fig37 Electric system (match DEUTZ engine)



序号 POS. NO.	零件号 PARTS NO.	名称 DESCRIPTION	数量 QTY
(26)	GB5781-86, M8*12	螺栓 bolt	2
(27)	JD26C	预热继电器 preheating relay	1
(28)	WG-I-M14*1.5	变矩器油温传感器 torque converter oil temperature sensor	1
(29)	Z-216	长型顶灯 long overhead light	1
(30)	φ32*260	橡胶保护套 rubber protective sleeve	2
(31)	ZD200*8	可松开式锁式扎带 clip	25
(32)	Z216	三色后尾灯 three-color back lamp	2
(33)	GB818-85, M5*20	半圆头螺钉 screw	8
(34)	GB6170-86, M5	螺母 nut	8
(35)	GB93-87, 5	弹簧垫圈 wasger	8
(36)	ZD150*8	可松开式锁式扎带 clip	36
(37)	YBT-DG936-1	仪表台总成 instrument desk assembly	1
(38)	GB5783-86, M12*30	螺栓 bolt	4
(39)	GB95-85, 12	垫圈 washer	4
(40)	GB93-87, 12	垫圈 washer	4
(41)	ZD2530 24V	刮水器总成 wiper assembly	1

图38 SL30W (配康明斯6BT5.9-C130发动机)
电器系统 (-15000)

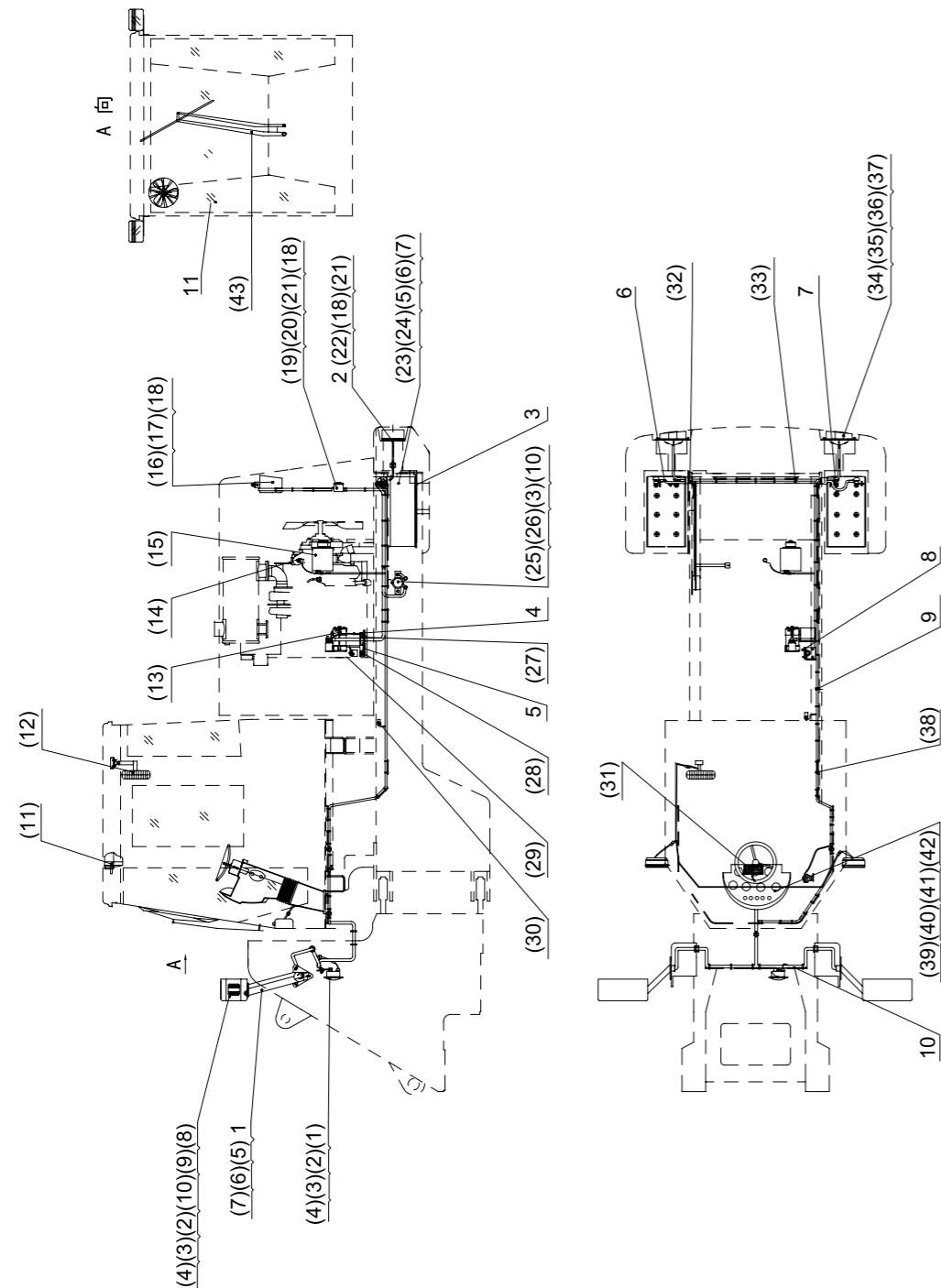
Fig38 Electric system (match CUMMUNIS engine)



序号 POS. NO.	零件号 PARTS NO.	名称 DESCRIPTION	数量 QTY
1	ZL30G II -15001	前组合灯架 lamp bracket	2
2	ZL30G II -15002	尾灯安装板 mounted plate	2
3	ZL50G2-15001	橡胶板500*280(无图) rubber plate	2
4	DG956WIV-15020	预热线束1 preheating wire batch	1
5	DG956WIV-15021	预热线束2 preheating wire batch	1
6	ZL30G II -15004	搭铁线 ground wire	1
7	ZL30G II -15005	电瓶连接线 battery connect wire	1
8	ZL30G II -15006	起动机电源线 starting generator power cord	1
9	DG938(康)-15007防	后线束 rear wire batch	1
10	ZL30G II -15008防	前线束 front wire batch	1
11	DG957-15018	驾驶室内电气安装图 driver's cap electrical fitting drawing	1

图38 SL30W (配康明斯6BT5.9-C130发动机)
电器系统 (-15000)

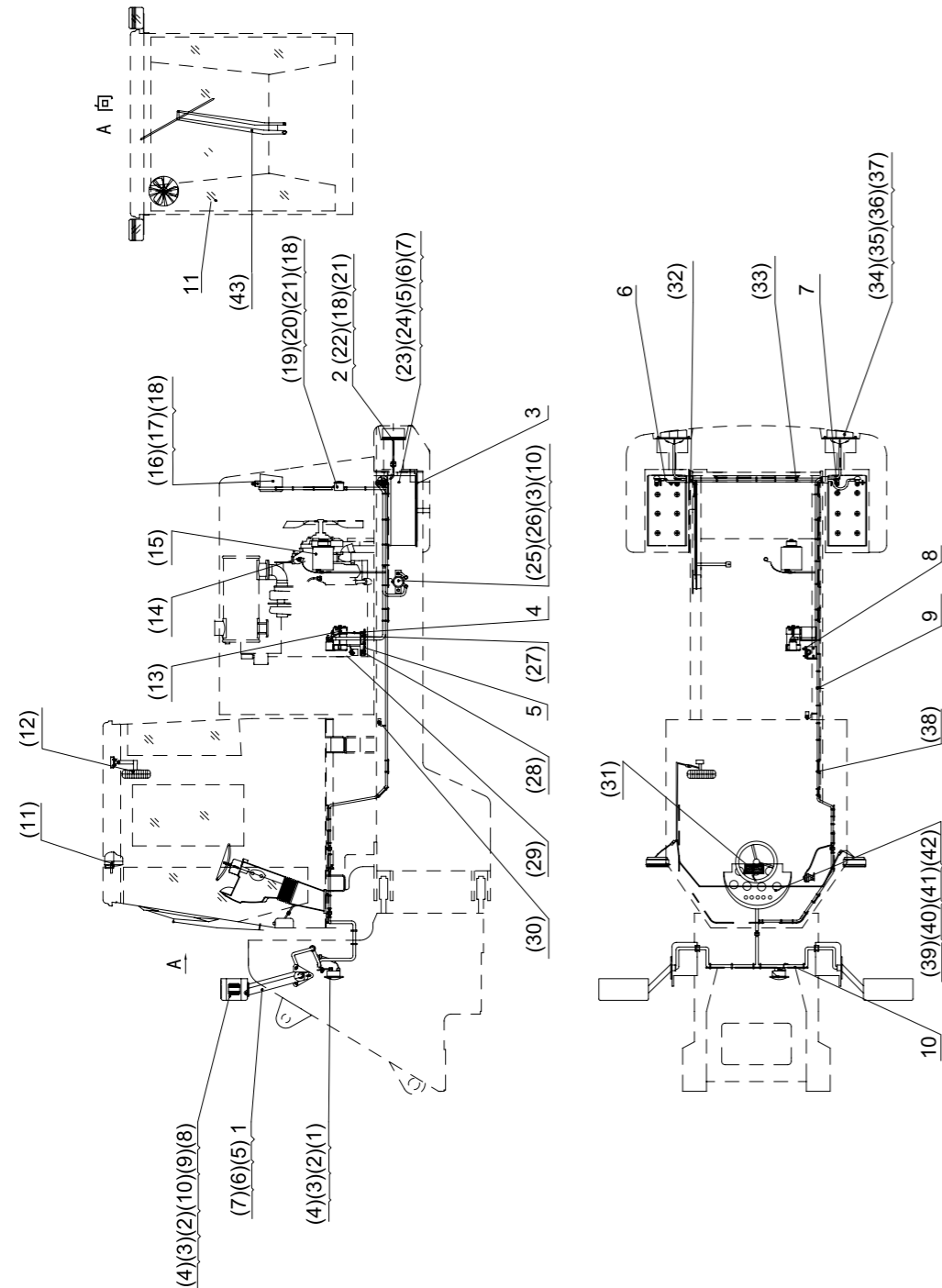
Fig38 Electric system (match CUMMUNIS engine)



序号 POS. NO.	零件号 PARTS NO.	名称 DESCRIPTION	数量 QTY
(1)	DL51A	电喇叭总成 electric horn assembly	1
(2)	GB5781-86, M8*20	螺栓 bolt	3
(3)	GB93-87, 8	垫圈 washer	11
(4)	GB6170-86, M8	螺母 nut	7
(5)	GB5781-86, M10*25	螺栓 bolt	10
(6)	GB95-85, 10	垫圈 washer	10
(7)	GB93-87, 10	垫圈 washer	10
(8)	HG, 24V	前组合大灯 front big lamp	2件对称
(9)	GB5781-86, M8*30	螺栓 bolt	6
(10)	GB95-85, 8	垫圈 washer	10
(11)	DG957-15-GZD	临工型工作灯 LINGONG type work lamp	2
(12)	DG957-15-FS, 6" 24V	电风扇 (直柄) fan (stright shank)	1
(13)	DG938(康)-15-QDJ	启动机总成 starter assembly	1
(14)	WG-I-NPT1/2	水温传感器 water temperature sensor	1
(15)	DG938(康)-15-FDJ	发电机总成 generator assembly	1
(16)	175*110	方形后大灯 square rear big lamp	2
(17)	GB818-85, M6*20	半圆头螺钉 screw	4
(18)	GB93-87, 6	垫圈 washer	9
(19)	DJ221B	倒车报警器 reverse warner	1
(20)	GB818-85, M6*10	半圆头螺钉 screw	1
(21)	GB95-85, 6	垫圈 washer	5
(22)	GB818-85, M6*16	半圆头螺钉 screw	4
(23)	N200S	蓄电池总成 accumulator assembly	2
(24)	GB6170-86, M10	螺母 nut	4
(25)	DK2312	电磁式电源总开关 electromagnetic power switch	1
(26)	GB5781-86, M8*12	螺栓 bolt	2
(27)	ZEEMAN-150	吉门150保险 insurance	1
(28)	DG9389(康)-15-YRJDQ	预热继电器 preheating relay	1
(29)	DG938(康)-15-QDJDQ	启动继电器 starting relay	1
(30)	WG-I-M14*1.5	变矩器油温传感器 torque converter oil temperature sensor	1
(31)	Z-216	长型顶灯 long overhead light	1
(32)	φ 32*260	橡胶保护套 rubber protective sleeve	2

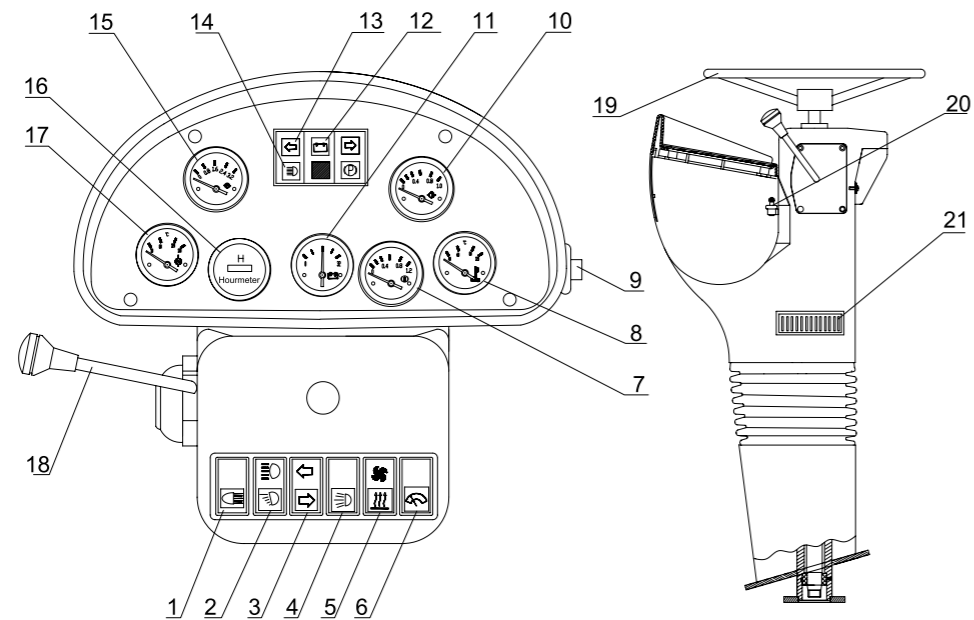
图38 SL30W (配康明斯6BT5.9-C130发动机)
电器系统 (-15000)

Fig38 Electric system (match CUMMUNIS engine)



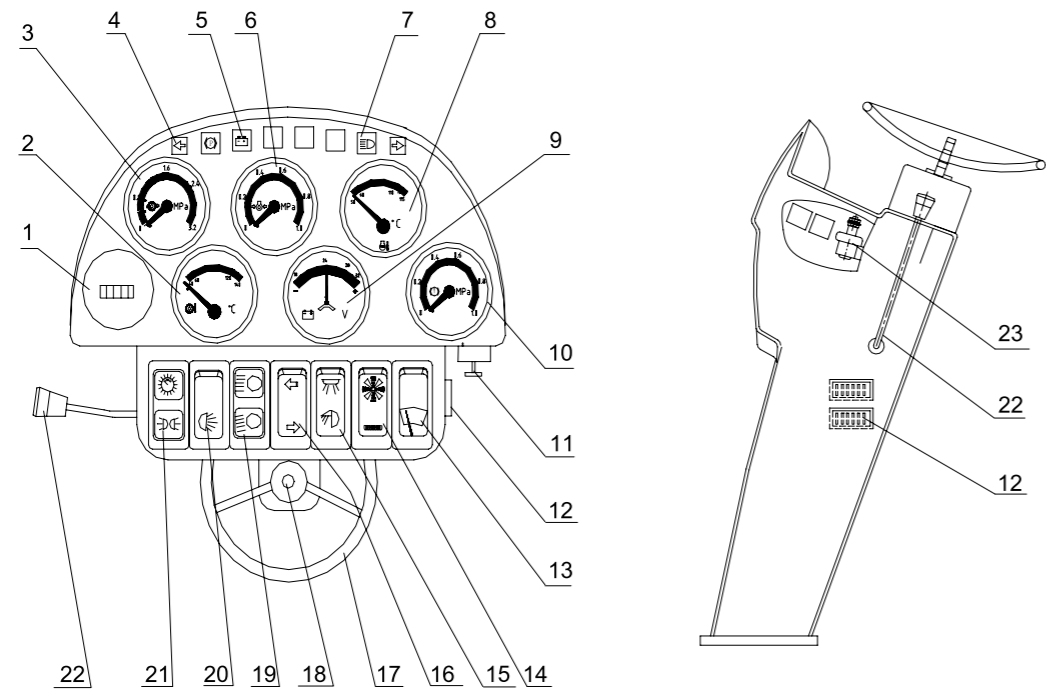
序号 POS. NO.	零件号 PARTS NO.	名称 DESCRIPTION	数量 QTY
(33)	ZD200*8	可松开式锁式扎带 clip	25
(34)	Z216	三色后尾灯 three-color back lamp	2
(35)	GB818-85, M5*20	半圆头螺钉 screw	8
(36)	GB6170-86, M5	螺母 nut	8
(37)	GB93-87, 5	弹簧垫圈 washer	8
(38)	ZD150*8	可松开式锁式扎带 clip	36
(39)	YBT-DG936-1	仪表台总成 instrument desk assembly	1
(40)	GB5781-86, M12*30	螺栓 bolt	4
(41)	GB95-85, 12	垫圈 washer	4
(42)	GB93-87, 12	垫圈 washer	4
(43)	ZD2530 24V	刮水器总成 wiper assembly	1

图39 SL30W仪表台(XZ)
Fig39 Instrument Desk(XZ)



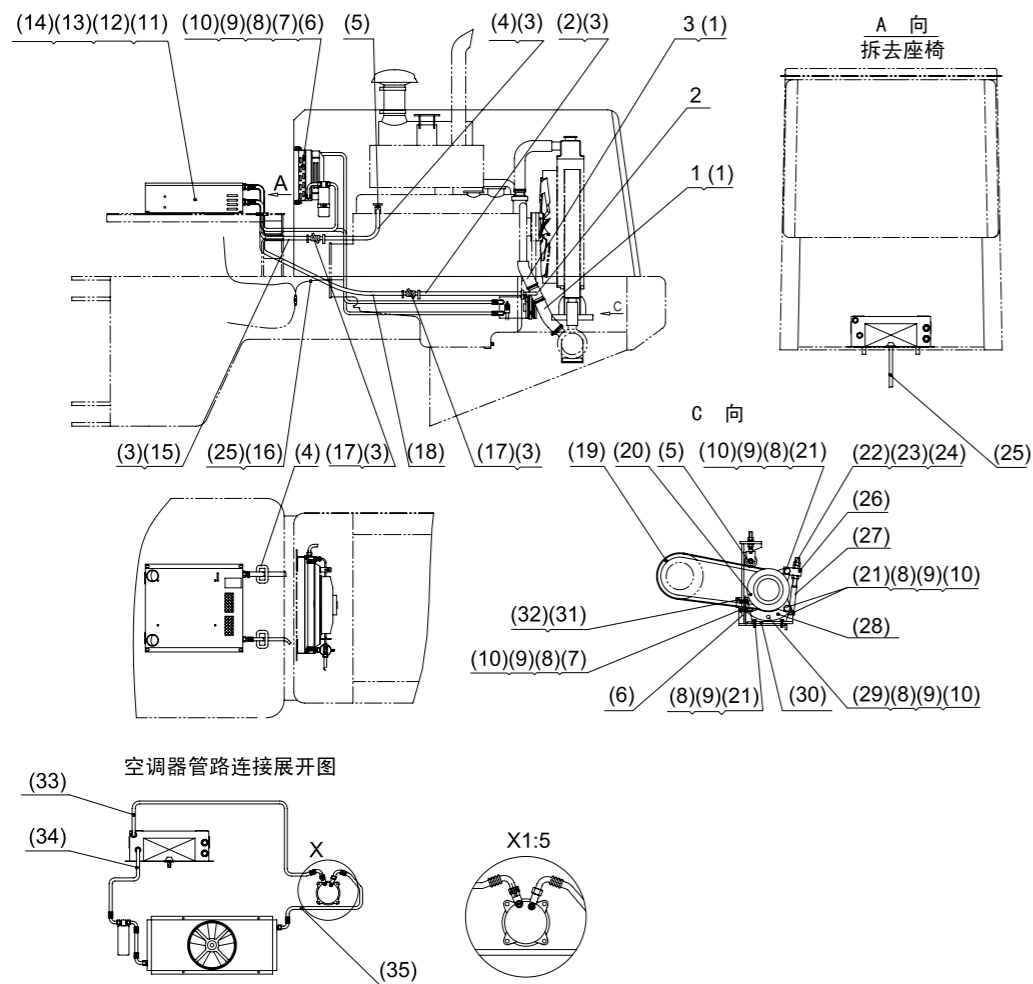
序号 POS. NO.	零件号 PARTS NO.	名称 DESCRIPTION	数量 QTY
1	JK932-002	后灯开关 rear lamp switch	1
2	JK932-148	大灯远近光 big lamp long/short distance beam	1
3	JK932-148	转向开关 steering switch	1
4	JK932-002	工作灯开关 work lamp switch	1
5	JK932-148	风扇、暖风开关 fan/warm wind switch	1
6	JK932-047	雨刮器开关 wiper switch	1
7	YT-202Z	气压表 barometer	1
8	DW2ZA	发动机水温表 engine water temperature gauge	1
9	LD62Z-050	危机按钮开关 critical button switch	1
10	YT-202Z	发动机油压表 engine oil pressure gauge	1
11	DV-2	电压表 voltmeter	1
12	8SQS.359	充电指示灯 charge indicator	1
13	8SQS.359	转向指示灯 steering indicator	2
14	8SQS.359	远光指示灯 far beam indicator	1
15	YT-202Z	变速箱油压表 gearbox oil pressure gauge	1
16	DJ-2	工时表 man-hour table	1
17	DW-2ZB	变矩器油温表 torque converter oil temperature gauge	1
18	DG936-BSCZ -DG930B-1300	操纵软轴 control flexible shaft	1
19	ZL30-15-FXP	方向盘 (steering wheel 9with horn button)	1
20	JD23B (道依茨用)	熄火继电器 flameout relay	1
21	ZL30-15-20档 (插片式)	保险丝盒 fuse box	1

图40 SL30W仪表台(TX)
Fig40 Instrument Desk(TX)



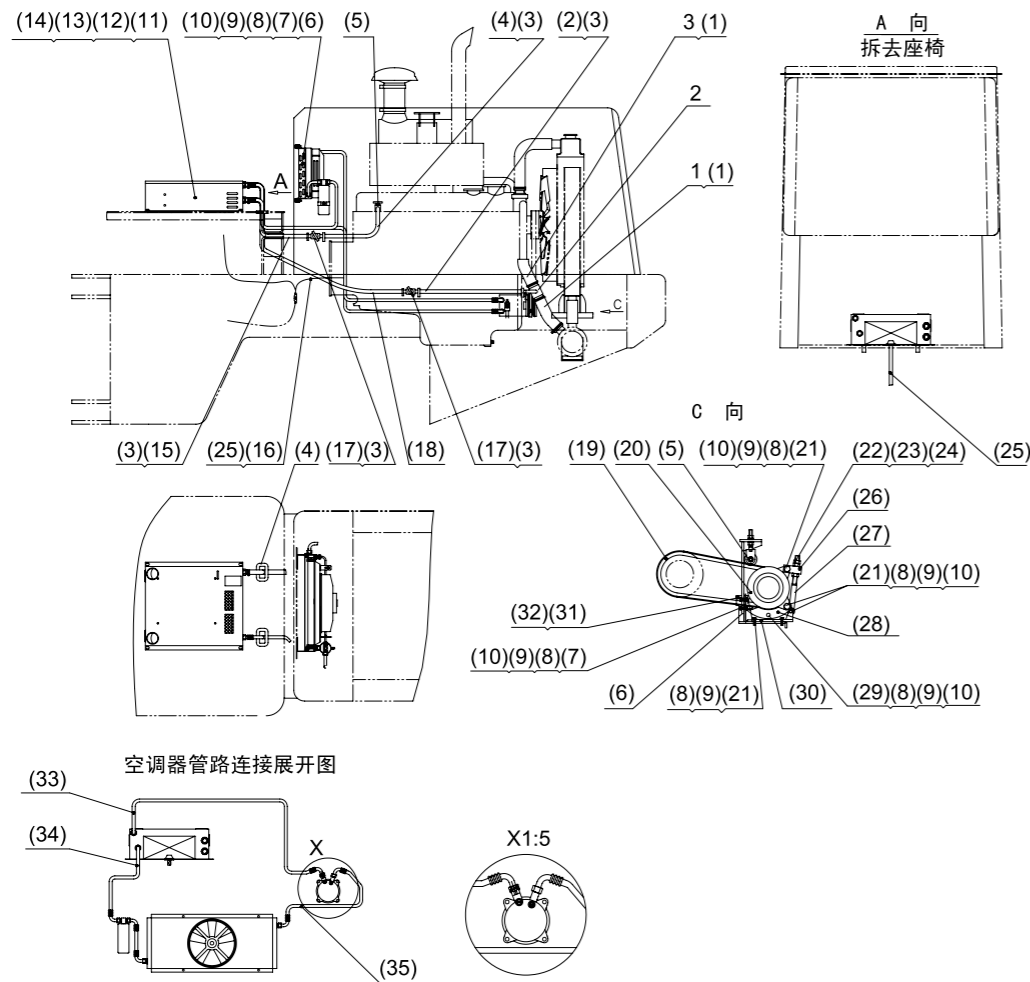
序号 POS. NO.	零件号 PARTS NO.	名称 DESCRIPTION	数量 QTY
1	DJ-2	工时表 Man-hour table	1
2	DW-2ZB	变矩器油温表 Torque-converter oil temperature	1
3	YT-202Z	变速箱油压表 Gear-box oil pressure gauge	1
4	8SQS.359	转向指示灯 Steering indicator	2
5	8SQS.359	充电指示灯 Charge indicator	1
6	YT-202Z	发动机油压表 Engine oil pressure gauge	1
7	8SQS.359	远光指示灯 Far beam indicator	1
8	DW2ZA	发动机水温表 Engine water thermometer	1
9	DV-2	电压表 Voltmeter	1
10	YT-202Z	气压表 Barometer	1
11	JK406C-2	点火开关 Ignition switch	1
12	ZL30-15-6档(插片式)	保险丝盒 Fuse box	1
13	JK932-047	雨刮器开关 Wiper switch	1
14	JK932-148	风扇、暖风开关 Warm wind / fan switch	1
15	JK932-148	顶灯、工作灯开关 Ceiling light/Work light switch	1
16	JK932-148	转向灯开关 Steering switch	1
17	ZL30-15-FXP	方向盘 Steering wheel	1
18	LBAN-30	喇叭按钮(方向盘带) Horn button (steering wheel with)	1
19	JK932-148	大灯远近光 Big lamp long/short distance beam	1
20	JK932-002	后灯开关 Rear lamp switch	1
21	JK932-002	小灯/仪表灯开关 Instrument light / Small light switch	1
22	DG936-WJ-104C-1150	操纵软轴 Control flexible shaft	1
23	JD23B(道依茨用)	熄火继电器 Flameout relay	1

图41 SL30W空调系统(6110/125G5-10B)(-17000)
Fig41 Air Conditioner System(6110/125G5-10B)



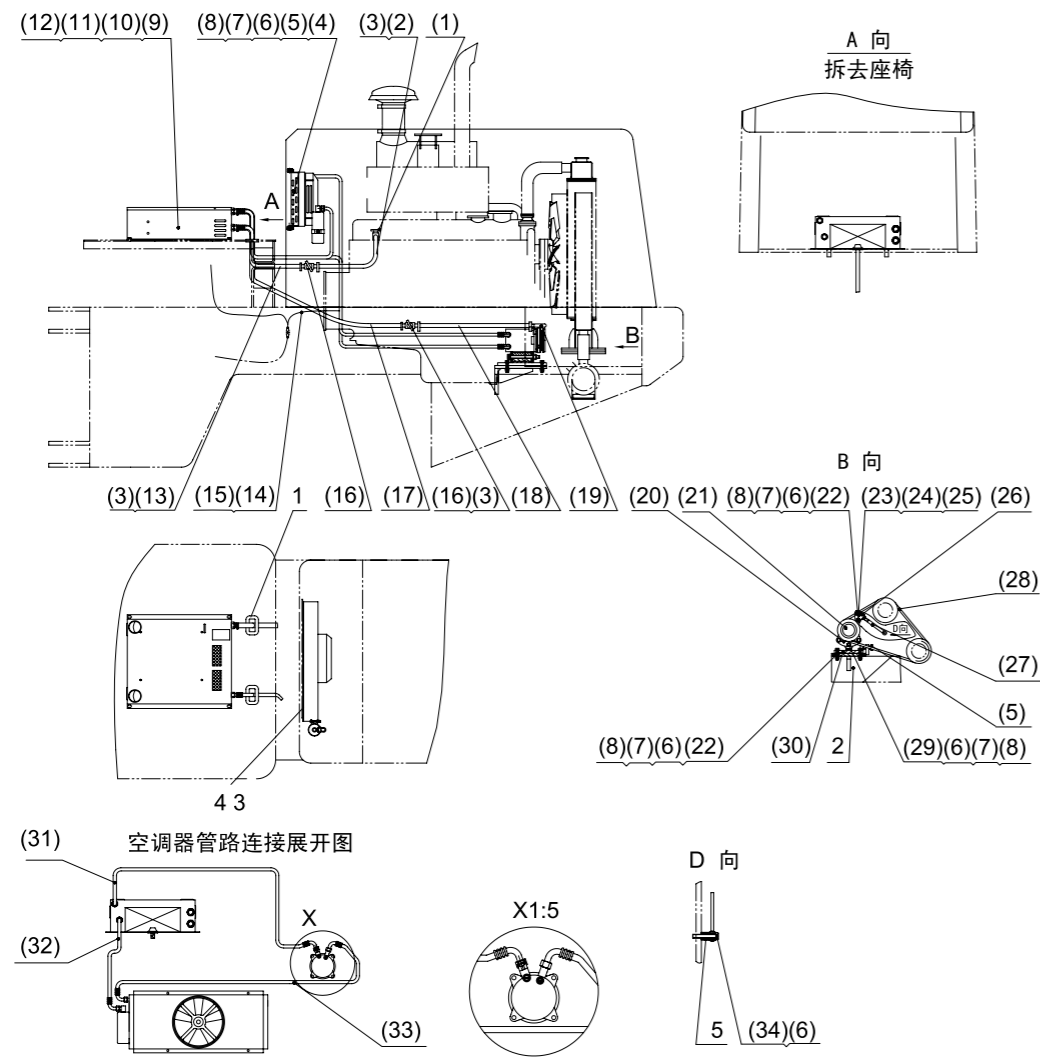
序号 POS. NO.	零件号 PARTS NO.	名称 DESCRIPTION	数量 QTY
1	ZL30G II -01009-1	吸水管 suction water pipe	1
2	ZL30G II -01408A	水管三通 water pipe "T" connector	1
3	ZL30G II -01009-2	吸水管 suction water pipe	1
4	DG930A-17014	密封条 seal strip	2
5	DG930A-17022	压紧轮装置 contact roller device	1
6	DG930A-17021	发动机支架 engine bracket	1

图41 SL30W空调系统(6110/125G5-10B)(-17000)
Fig41 Air Conditioner System(6110/125G5-10B)



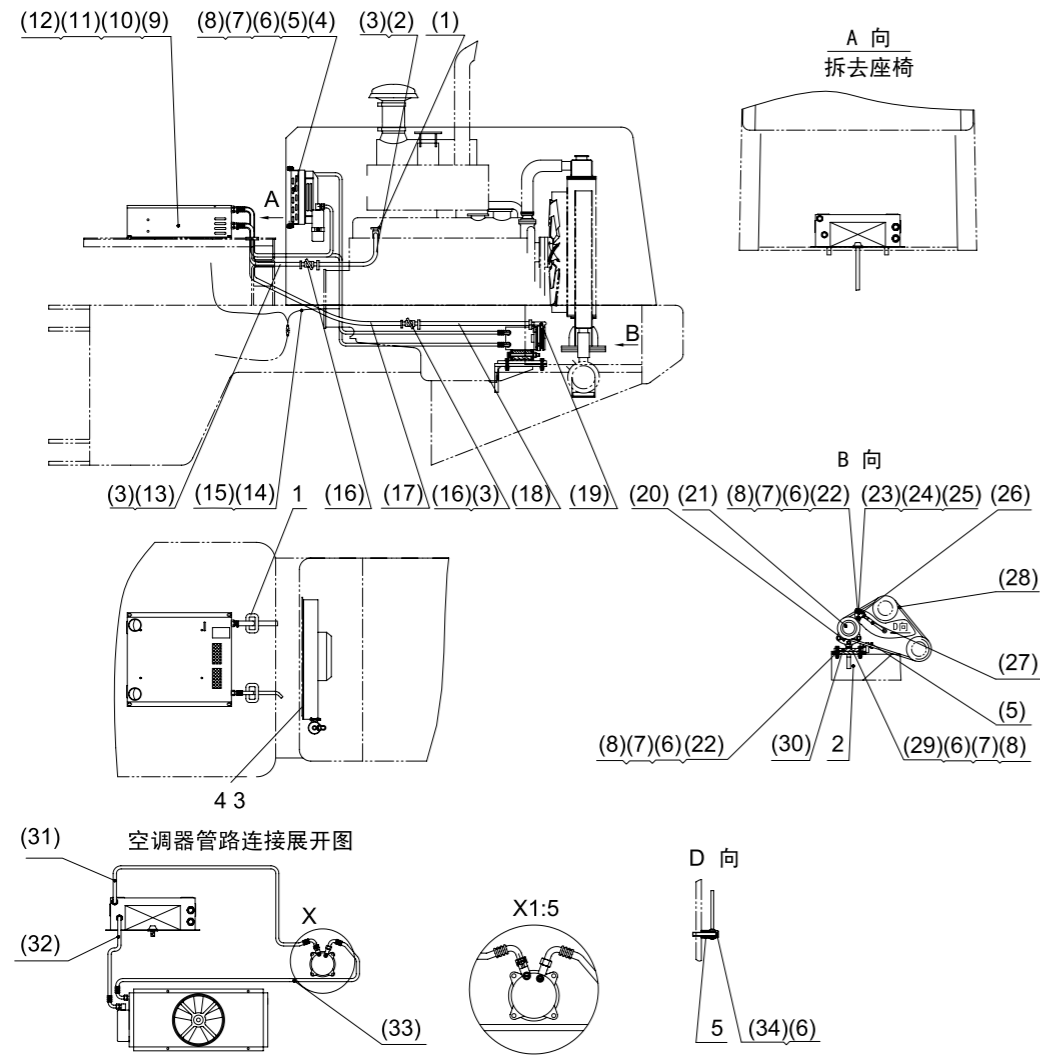
序号 POS. NO.	零件号 PARTS NO.	名称 DESCRIPTION	数量 QTY
(1)	JB3618.1-84, (51-70)	双钢丝卡箍 clip	4
(2)	Φ16*1200	回水管 return water pipe	1
(3)	JB3618.1-84, (16-25)	双钢丝卡箍 clip	8
(4)	Φ16*1440	进水管 inlet pipe	1
(5)	DYZN05.DG01-0300000, Z3/8"	进水阀门 inlet valve	1
(6)	TSL05.DG07	冷凝器总成 condenser	1
(7)	GB5783-86, M10*35	螺栓 bolt	6
(8)	GB95-85, 10	垫圈 washer	37
(9)	GB93-87, 10	垫圈 washer	20
(10)	GB6170-86, M10	螺母 nut	20
(11)	TSZW05.DG02	空调蒸发器 air condition evaporator	1
(12)	GB5783-86, M8*20	螺栓 bolt	4
(13)	GB95-85, 8	垫圈 washer	4
(14)	GB93-87, 8	垫圈 washer	4
(15)	Φ16*1000	进水管 1	1
(16)	ZD5*250	尼龙扎带 nylon clamp	10
(17)	TSZN05.DG01-0200000, ZG1/4"	放水开关 water release switch	2
(18)	Φ16*1230	回水管 return water pipe	1
(19)	V13*1100	皮带 belt	1
(20)	DY5H14	空调压缩机 air condition compressor	1
(21)	GB5783-86, M10*45	螺栓 bolt	13
(22)	GB6170-86, M14	螺母 nut	3
(23)	GB95-85, 14	垫圈 washer	2
(24)	GB93-87, 14	垫圈 washer	1
(25)	TSGX05010X	空调线束 air condition wire batch	1
(26)	TSPZ.SYb-0002	调节板 adjusting plate	1
(27)	TSPZ.SZa-0001	张紧螺栓 tension bolt	1
(28)	TSPZ.SYb-0001	过渡板 transition plate	2
(29)	GB5783-86, M10*100	螺栓 bolt	1
(30)	TSPZ.SYc-0100	底板组件 base	1
(31)	GB70-85, M12x25	螺钉 screw	1
(32)	GB95-85, 12	垫圈 washer	1
(33)	TSGX05008D	蒸发器至压缩机低压胶管 hose	1
(34)	TSGX05007G2	干燥储液器至蒸发器 高压胶管	1
(35)	TSGX05008G1	压缩机至冷凝器高压胶管	1

图42 SL30W 空调系统(TD226B-6G)(-17000)
Fig42 Air Conditioner System(TD226B-6G)



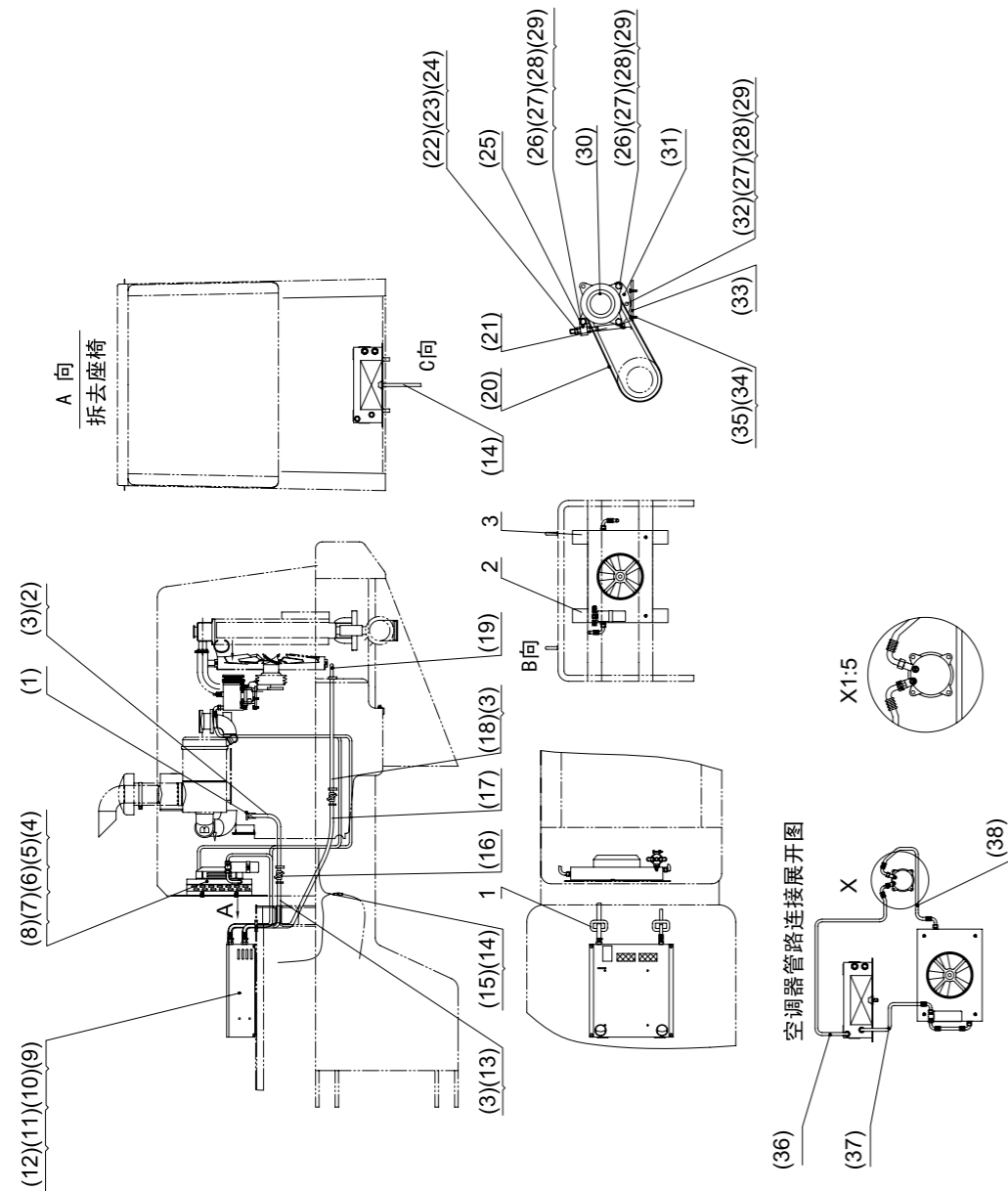
序号 POS. NO.	零件号 PARTS NO.	名称 DESCRIPTION	数量 QTY
1	ZL30G-17014	密封条 seal strip	2
2	ZL30G-17009B	压缩机支架 bracket	1
3	ZL30G-17023	冷凝器左支架 left bracket	1
4	ZL30G-17024	冷凝器右支架 right bracket	1
5	ZL30G-17022	隔套 distance sleeve	1

图42 SL30W 空调系统(TD226B-6G)(-17000)
Fig42 Air Conditioner System(TD226B-6G)



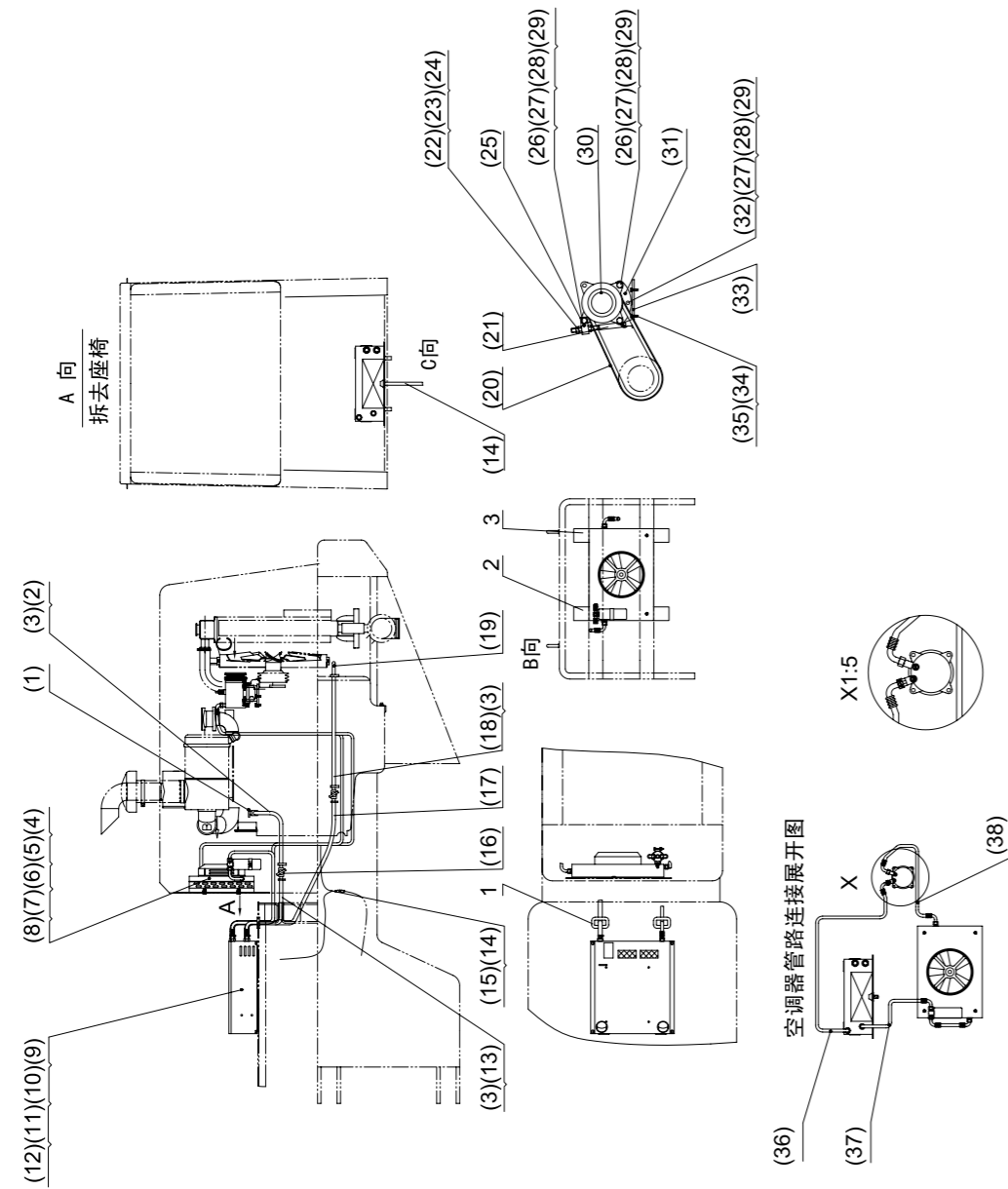
序号 POS. NO.	零件号 PARTS NO.	名称 DESCRIPTION	数量 QTY
(1)	DYZN05.DG01-0300000	进水阀门 inlet valve	1
(2)	Φ16*1440	进水管 inlet pipe	1
(3)	JB3618.1-84, (16-25)	双钢丝卡箍 clip	8
(4)	TSL05.DG08	冷凝器总成 condenser	1
(5)	GB5783-86, M10*25	螺栓 bolt	4
(6)	GB95-85, 10	垫圈 washer	32
(7)	GB93-87, 10	垫圈 washer	16
(8)	GB6170-86, M10	螺母 nut	16
(9)	TSZW05.DG02	空调蒸发器 air condition evaporator	1
(10)	GB5783-86, M8*25	螺栓 bolt	4
(11)	GB95-85, 8	垫圈 washer	4
(12)	GB93-87, 8	垫圈 washer	4
(13)	Φ16*1000	进水管 inlet pipe	1
(14)	ZD5*250	尼龙扎带 nylon clamp	10
(15)	TSGX05010X	空调线束 air condition wire batch	1
(16)	TSZN05.DG01-0200000	放水开关 water release switch	2
(17)	Φ16*1230	回水管 return water pipe	1
(18)	Φ16*1200	回水管 return water pipe	1
(19)	DYZN05.DG01-0000002	回水接头 return water joint	1
(20)	TSPZ.SYb-0001	过渡板 transition plate	2
(21)	DY5H14	空调压缩机 air condition compressor	1
(22)	GB5783-86, M10*45	螺栓 bolt	12
(23)	GB 6170-86, M14	螺母 nut	3
(24)	GB95-85, 14	垫圈 washer	2
(25)	GB93-87, 14	垫圈 washer	1
(26)	TSPZ.SYb-0002	调节板 adjusting plate	1
(27)	TSPZ.SZa-0001	张紧螺栓 tension bolt	1
(28)	V13-1380	皮带 belt	1
(29)	GB5783-86, M10*100	螺栓 bolt	1
(30)	TSPZ.SZc-0100	底板组件 base plate unit	1
(31)	TSGX05011D	蒸发器至压缩机低压胶管 hose	1
(32)	TSGX05007G2	干燥储液器至蒸发器 高压胶管 hose	1
(33)	TSGX05011G1	压缩机至冷凝器高压胶管 hose	1
(34)	GB5783-86, M10*55	螺栓 bolt	1

图43 SL30W空调系统(6BT5.9-C130)(-17000)
Fig43 SL30W Air Conditioner System(6BT5.9-C130)



序号 POS. NO.	零件号 PARTS NO.	名称 DESCRIPTION	数量 QTY
1	ZL30G-17014	密封条 seal strip	2
2	ZL30G-17023	冷凝器左支架 left bracket	1
3	ZL30G-17024	冷凝器右支架 right bracket	1
(1)	DYZN05.DG01-0300000	进水阀门 inlet valve	1
(2)	Φ 16*1440	进水管i inlet pipe	1
(3)	JB3618.1-84, (16-25)	双钢丝卡箍 clip	8
(4)	TSL05.DG07	冷凝器总成 condenser	1
(5)	GB5783-86, M8x20	螺栓 bolt	4
(6)	GB95-85, 8	垫圈 washer	4
(7)	GB93-87, 8	垫圈 washer	4
(8)	GB6170-86, M8	螺母 nut	4
(9)	TSZW05.DG02	空调蒸发器 air condition evaporator	1
(10)	GB5781-86, M8x25	螺栓 bolt	4
(11)	GB95-85, 8	垫圈 washer	4
(12)	GB93-87, 8	垫圈 washer	4
(13)	Φ 16*1000	进水管 inlet pipe	1
(14)	TSGX05010X	空调线束 air condition wire batch	1
(15)	ZD5*250	尼龙扎带 nylon clamp	10
(16)	TSZN05.DG01-0200000, Z3/8"	放水开关 water release switch	2
(17)	Φ 16*1230	回水管 return water pipe	1
(18)	Φ 16*1200	回水管 return water pipe	1
(19)	DYZN05.DG01-000002, Z3/8"	回水接头 return water joint	1
(20)	V13*1115	V型带 type belt	1
(21)	TSPZ.SZa-0001	张紧螺栓 tension bolt	1
(22)	GB 6170-86, M14	螺母 nut	3
(23)	GB 95-85, 14	垫圈 washer	2
(24)	GB 93-87, 14	垫圈 washer	1
(25)	TSPZ.SYb-0002	调节板 adjusting plate	1
(26)	GB 5783-86, M10*45	螺栓 bolt	7
(27)	GB 6170-86, M10	螺母 nut	8
(28)	GB 95-85, 10	垫圈 washer	16
(29)	GB 93-87, 10	垫圈 washer	8
(30)	DY5H14	空调压缩机 air condition compressor	1

图43 SL30W空调系统(6BT5.9-C130)(-17000)
Fig43 SL30W Air Conditioner System(6BT5.9-C130)



序号 POS. NO.	零件号 PARTS NO.	名称 DESCRIPTION	数量 QTY
(31)	YSPZ.SYb-0001	过渡板 transition plate	2
(32)	GB 5783-86, M10*100	螺栓 bolt	1
(33)	TSPZ.SYk-0100	底板组件 base plate unit	1
(34)	GB 5783-86, M10*35	螺栓 bolt	3
(35)	GB 93-87, 10	垫圈 washer	3
(36)	TSGX05008D	蒸发器至压缩机低压胶管 hose	1
(37)	TSGX05007G2	干燥储液器至蒸发器高压胶管 hose	1
(38)	TSGX05008G1	压缩机至冷凝器高压胶管 hose	1

SHANTUI

山推工程机械股份有限公司

SHANTUI CONSTRUCTION MACHINERY CO.,LTD

地址:山东省济宁市327国道58号(山推国际事业园)

全国统一服务热线:400-6663666

邮编: 272073

网址:www.shantui.com

2010年06月