

ÇUKUROVA
Makina İmalat ve Ticaret A.Ş.

“Reaching Further...”

Backhoe Loaders
883-885



Tough Jobs Need Strong Partner



Features

Powerful Engine

Powering it with PERKINS 1104C- 44T Tier II or PERKINS 1104D-44T Tier III turbocharged diesel engine which offers world-class performance and complies with all relevant environmental regulations.

Optimum Weight Distribution

The new generation Cukurova Backhoe Loaders are designed to have Optimum Weight Distribution giving safe, stable steering on the highway and provides a solid digging platform.

Improved Performance

CUKUROVA Backhoe Loaders are the ideal combination of concentrated power, safety and extreme user-friendliness. Ergonomically located, control levers are within easy reach of the operator, provides operating comfort and increase productivity. Cukurova was one of the pioneers in using new generation control system for backhoe loaders. This system of hydraulic operated joystick controls, is used in 885 mode for both backhoe and loader attachments enable operators to spend less effort with much greater precision of movement during working. This system provides better controllability, maintains motion under any flow or load, takes the strain from the operator; increases oil life and reduces oil reservoir temperature.

Excavator Style Comfort (885)

For backhoe, CUKUROVA 885 offers an extra operating comfort by assembling the hydraulic joysticks on separately adjustable backhoe joystick columns placed at the right-left side of the cab. This innovation exceeds the operator demands in so far that they can arrange the columns to their working position by gaining extra space for their free body movement. In this way they feel like they are in an excavator, all the controls are within their easy reach and thus are comfortable while working.

Automatic return to dig system (885)

The 885 provides you with automatic return to dig system as standard to get max efficiency with reduced cycle times by leveling the loader bucket back to dig position with a pull of loader joystick





Roomy ROPS/FOPS Cab

Specially designed ROPS/FOPS cab provides perfect operating comfort, excellent visibility with tinted safety glass.

A well designed dash within reach

Siting in the driver's seat is a lot like sitting in a automobile. The tilttable front dash provides all switches and controls to be closer to the driver. There's no stretching, so there's less fatigue.

On right side dash, a large, easy-to-read, standard operator display features a maintenance indicator, hour meter, fuel level guage, engine oil temperature guage, engine rpm to name a few.

Steering Column

The steering column can be adjusted to an infinite amount of positions for maximum comfort, increased belly room and improved visibility of all indicators by simply pressing the quick-release foot pedal.

Dash Finishes

The dash comes nicely appointed in two finishes.

Easy Cab Entry

Sculpted, self-cleaning steps and a full-size grab bar provide an extra measure of safety getting in and out of the cab. Partial opening of cab doors.



CE marked - All safety measurements are taken through the Machinery Directives 2006/42/EC



Serviceability

Three-pieces engine hood

Aerodynamic hood design provides operator to access all the necessary maintenance points easily and quickly thus spending less time and effort.

Bolt type cylinder heads

For maintenance and repair Cukurova 883-885 model Backhoe Loaders supply a lot of noteworthy benefits for the operator. Bolt type cylinder head assembly for cylinders provides quick replacement of cylinder seal kit during the overhaul of the machine keeping the spare parts cost at minimum.

Sealed pins and bushing

Sealed pins and bushings extend the life time of the linkages of the attachments by preventing the entry of dust or blockages and increases the time between service periods.



Engine

- Heavy duty desing, high torque capability,powerful PERKINS engine.
- Impressive low speed torque to deliver improved machine response.
- ECC filtration system provides high quality construction with a re-usable canister, a disposable inner element and a simpler service process.
- Low fuel consumption and low maintenance cost.
- Environmental
- Dry type air cleaner with primary and safety elements.

Make	Perkins	
	TIER II	TIER III
Model	1104C-44T	1104D-44TA
Type	4 stroke diesel, turbo charged	
Rated power	100 hp / 74,5 kW	100 hp / 74,5 kW
Rated Speed	2200rpm	
Displacement	4,4 L.	
Bore and Stroke	105 x 127 mm	
No of cylinders	4	
Max. Torque	408 Nm	410 Nm
Cooling	Water cooled engine oil radiator	
Electrical system		
Battery	12 / 120 V /Ah	
Starter	3kW	

Drive Train

Transmission:

Make	ZF
Type	Powershift
Transmission disconnect	With push button and brake system

Travel Speeds

1st (forward/reverse)	6,50 / 7,00 km/h
2nd (forward/reverse)	11,00 /12,00 km/h
3rd (forward/reverse)	26,00 / 30,00 km/h
4th (forward/reverse)	40,00 km/h



Axles:

ZF Front Axle

- Ease of operation with hydrostatic steering system even under high load conditions.
- Limited slip differential.
- 20° total oscillation on front axle
- 52 degrees steering angle for perfect maneuverability.

ZF Rear Axle

- High input torque with outboard planetary desing
- Electro-hydraulic operated differential %100 locking acts on rear axle.
- Self adjusting high torque internal wet multi disc service brake.

TECHNICAL SPECIFICATIONS



Hydraulic System

- Hydraulic speed control system.
- Bolt type cylinder desing with all sealed pins and bushings for easy maintenance and long life.
- Cushioned Swing and Boom provides maximum operator comfort for fast and smooth trenching.

System type	O-center
Hydraulic pump	Tandem gear
Max. Flow	90 + 64 l/min
Max. Press.	220 bar
Hydraulic oil filter	Full flow filter in return line with integrated fine filter area
Hydraulic cooler	Hydraulic and transmission oil cooler

Hydraulic Controls	883	885
Backhoe controls	Mechanical control levers	Hydraulic joystick controls
Loader control	Mechanical control lever	Hydraulic joystick control

Brakes:

- Hydraulically foot operated service brake two pedals acted on four wheels.

Service type	Hydraulic wet multi-disc
Parking type	Mechanical control on rear axle

Steering

SteeringType	2 Wheel
Power Steering	Hydrostatic

Turning Circile (without brakes)	883	885
Outer Front Tire Clearance	9500 mm	12170 mm
Outer Loader Bucket Clearance	12320 mm	14600 mm

Backhoe Attachment

Max. Bucket Tearout Retract	59,1 kN
Dipper Tearout Retracted	
Retracted	31,8 kN
Extended	22,4 kN

Loader Attachment

	883	885
Bucket Capacity	1.1 m ³	1.1 m ³
Breakout Force Lift	60,5 kN	56,1 kN
Breakout Force Shovel Max	81,5 kN	81,6 kN
Shovel Widht	2280 mm	2280 kg
Lift to full height	3500 kg	3440 kg

Tyres

	883	885
Front 4WD	12,5/80-18	14,5 /20
Rear 4WD	16,9-28	16,9-28

Weights

883-Operating Weight	7800 - 8750 kg
885-Operating Weight	8000 - 8950 kg

Cab

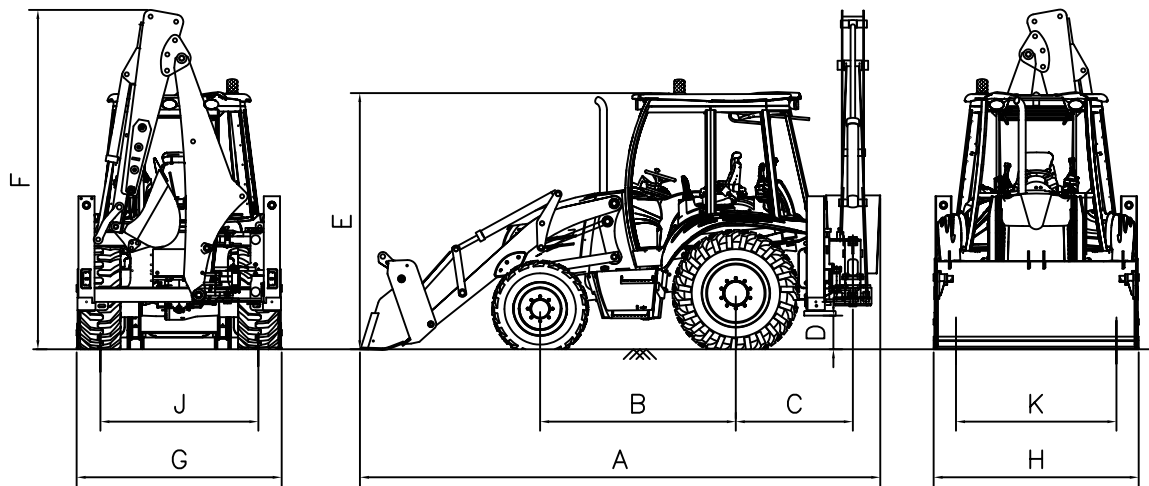
- Specially designed ROPS/FOPS cab provides perfect operating comfort, excellent visibility, and reliability.
- Full-opening of rear side windows, partial and full-opening of the doors provide superior fresh air circulation in the cab, tinted safety glass improves visibilitiy and sun visor protects operator against strong sunlight and ensures clear vision.

Capacities

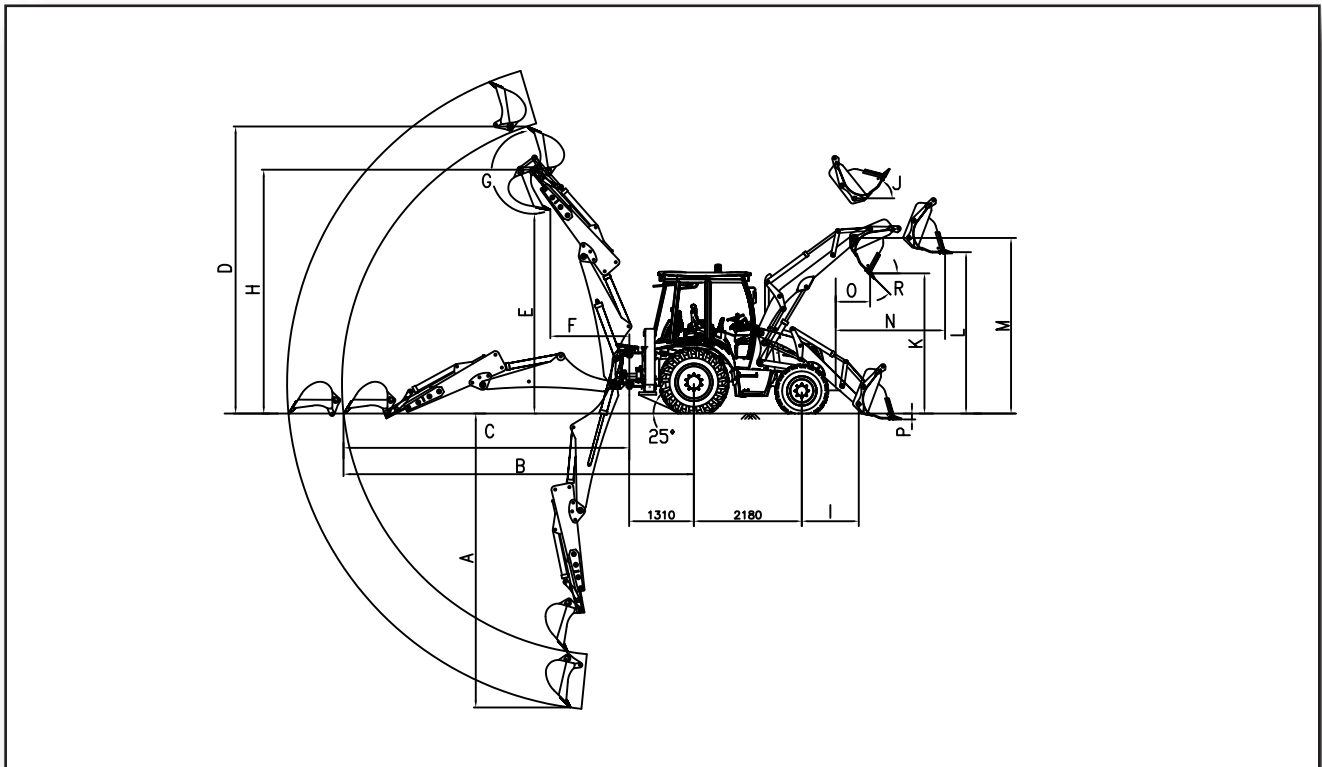
	Liters
Engine Oil	8,4
Cooling System	25
Fuel Tank	140
Hydraulic Tank	75
Hydraulic System	130
Front Axle	7,8
Rear Axle	16
Breake Oil	0,4



TECHNICAL SPECIFICATIONS



	883	885		883	885
A- Overall Machine Length	6130 mm	6100 mm	F - Machine Maximum Height	3900 mm	3900 mm
B- Wheelbase	2180 mm	2180 mm	G- Machine Maximum Width	2280 mm	2280 mm
C- Backhoe Swing Centre Distance	1310 mm	1300 mm	H- Overall Width - with Bucket	2280 mm	2280 mm
D- Minimum Machine Height	380 mm	400mm	J - Rear Wheel Track	1770 mm	1770 mm
E- Cab Height	2900 mm	2900 mm	K - Front Wheel Track	1895 mm	1820 mm



Backhoe Dimensions

	Standard	Extended
A - Max. Digging Depth:	4600 mm	5800 mm
B - Max. Reach From Rear Axle Center	7000 mm	8100 mm
C - Max. Reach From Swing Center	5700 mm	6800 mm
D - Max. Digging Height	5600 mm	6450 mm
E - Max. Dumping Height	3850 mm	4700 mm
F - Loading Reach	1800 mm	2650 mm
G - Bucket Rotation Angle	200.4°	200.4°
H - Max. Bucket Hinge pin Height	4750 mm	5550 mm

Loader Dimensions

	883	885
I - Distance Between Hinge Pin and Front Axle Center	1220 mm	1460 mm
J - Max. Rolback angle, fully raised	59.2°	59.2°
K - Dump Height	2810 mm	2950 mm
L - Loadover Height	3280 mm	3370 mm
M - Height to Hinge Pin	3520 mm	3670 mm
N - Max. Reach at Full Height	1070 mm	1125 mm
O - Dumping Reach	620 mm	685 mm
P - Digging Depth	110 mm	113 mm
R - Dump Angle	45°	45°

- Illustrations and data may differ from standard equipment.
- Specifications are subject to change without notice.
- See your ÇUKUROVA dealer for available options.

Standard Equipment

Engine System

- Air cleaner, dry type andradial seal
- Air filter condition indicator lamp
- Starting system thermal aid
- Turbocharged

Electrical System

- Alarm, backup
- Battery, 12 V, 120 Ah
- Front headlights
- Master switch
- Visual and audible warning systems on main functions
- Warning horn

Drive Train

- Electro-hydraulic differential lock
- Front axle, 4WD pendulum mount
- Front axle, limited slip differential
- Transmission neutralizer switch (885)
- 40 kph gearbox (full powershift)

ROPS/FOPS Cab

- Adjustable seat with seat belt and armrest
- Adjustable steering column
- Cab recirculating fan
- Cigarette lighter
- Coat hook
- Defroster
- Front windshield washer and wiper

- Fully equipped instrument panel
- Front mudguards (885)
- Heater
- Left-right side doors with locks
- Mirrors, exterior (2), interior (1)
- Rear windshield wipers
- Rotating beacon (detachable)
- Steering wheel spinner knob
- Sunvisor
- Storage compartment
- Tinted glass
- Tool box, external
- Ventilation openers
- Working lights, 2 front and 4 rear



Optional Equipment

Attachments, Front Loader

- Automatic return to dig (885)
- Float position (885)
- General purpose bucket
- Hydraulic operated joystick control (885)
- Loader arm safety strut

Attachments, Backhoe

- Adjustable backhoe joystick columns (885)
- Electro-hydraulic side shifting lock
- Hydraulic operated joystick controls (885)
- ISO pattern controls
- Swing and Boom transport lock with mechanical control from the cab
- Standard-duty bucket (600mm)
- Stabilizer safety check valves

Attachments, Front Loader

- Bolton segment
- (EHSS) Electro Hydraulic Suspensions System
- Fork attachment
- Loader Quick Coupler
- Multipurpose bucket
- Safety check valves
- Snow Plough

Attachments, Backhoe

- Auger (Earth Drill)
- Backhoe quick coupler
- Compactor
- Different size of backhoe buckets
- Grading bucket
- Grapple
- Hydraulic hammer piping

- Hydraulic hammer
- Safety check valves
- Trapezoidal Bucket
- Telescopic boom

Others

- Air condition
- Air pre-cleaner
- Battery 150 Ah
- Engine, Tier III
- Front mudguards (883)
- Fuel Pre-Heater
- Variable displacement axial piston pump with load sensig closed center hydraulic system
- 3rd Fuel filter
- 4WD Shaft guard



Comercializado por Especialistas en:



Calle Uno - Mza. "A" - Lote 11 - Urb. Santo Tomás de Garagay
San Martín de Porres - Lima - Perú

Teléf.: (51-1) 535-7393 / (51-1) 556-2512

Celular: (51) 983 515 428 / Entel: 41*351*5428

RPM: #999 158 686 / RPC: 989 806 750

E-mail: lacasadelbobcat@bobcatsservice.com

Web: www.bobcatsservice.com

BobCat's Service & Parts s.A.C.

Ventas - Repuestos - Servicio Técnico Especializado - Alquileres