

TABLE OF CONTENTS

| | |
|--|-----|
| RUNNING STORES | |
| 0-0_RUNNING STORES..... | 1 |
| LOWER MACHINE | |
| 1-1_LOWER MACHINE ASS'Y..... | 5 |
| 1-2_CRAWLER SHOE ASS'Y..... | 7 |
| 1-3_CRAWLER SHOE ADJ. DEVICE..... | 9 |
| 1-4_FRONT IDLER ASS'Y..... | 11 |
| 1-5_LOWER ROLLER ASS'Y..... | 13 |
| 1-6_UPPER ROLLER ASS'Y..... | 15 |
| 1-7_LOWER TRAVEL PIPING ASS'Y..... | 17 |
| TURNTABLE | |
| 2-1_TURNTABLE & SWING BEARING ASS'Y..... | 19 |
| SWING DRIVE DEVICE | |
| 3-1_SWING DRIVE DEVICE..... | 21 |
| HYDRAULIC PIPING | |
| 4-1_RETURN & SUCTION PIPING ASS'Y..... | 23 |
| 4-2_SWING & TRAVEL PIPING ASS'Y..... | 27 |
| 4-3_PUMP DISCHARGE & BOOM SWING PIPING ASS'Y..... | 29 |
| 4-4_CONTROL PIPING ASS'Y..... | 31 |
| 4-4[A]_CONTROL PIPING ASS'Y (FOR A-D, A.B.G CHANGE)..... | 35 |
| 4-4[B]_CONTROL PIPING ASS'Y (FOR A, F CHANGE)..... | 39 |
| HYDRAULIC INSTRUMENT | |
| 5-1_TRAVEL MOTOR ASS'Y..... | 43 |
| 5-2_SWING MOTOR ASS'Y..... | 47 |
| 5-3_ROTARY JOINT ASS'Y..... | 49 |
| 5-4_CONTROL VALVE ASS'Y | |
| 5-4_CONTROL VALVE ASS'Y(1/2)..... | 51 |
| 5-4_CONTROL VALVE ASS'Y(2/2)..... | 52 |
| 5-5_REMOTE CONTROL VALVE ASS'Y..... | 57 |
| 5-6_HYDRAULIC OIL TANK ASS'Y..... | 59 |
| 5-7_OIL PUMP ASS'Y..... | 61 |
| 5-8_BOOM CYLINDER ASS'Y..... | 63 |
| 5-9_ARM CYLINDER ASS'Y..... | 65 |
| 5-10_BUCKET CYLINDER ASS'Y..... | 67 |
| 5-11_BOOM SWING CYLINDER ASS'Y..... | 69 |
| 5-12_BLADE CYLINDER ASS'Y..... | 71 |
| 5-13_PILOT VALVE ASS'Y (TRAVEL)..... | 73 |
| 5-14_PILOT VALVE ASS'Y..... | 75 |
| 5-15_MULTIPLE VALVE ASS'Y (FOR A-D CHANGE)..... | 77 |
| 5-15[B]_MULTIPLE VALVE ASS'Y (FOR A, F CHANGE)..... | 79 |
| OPERATING CONTROLS | |
| 6-1_TRAVEL LEVER ASS'Y..... | 81 |
| 6-2_CONTROL LEVER ASS'Y..... | 83 |
| 6-3_BLADE & BOOM SWING CONTROL ASS'Y..... | 87 |
| 6-4_ENGINE THROTTLE ASS'Y..... | 89 |
| POWER UNIT | |
| 7-1_ENGINE & ACCESSORIES..... | 91 |
| 7-2_AIR CLEANER & MUFFLER ASS'Y..... | 95 |
| 7-3_OIL PUMP DRIVE DEVICE..... | 97 |
| 7-4_FUEL TANK & PIPING ASS'Y..... | 99 |
| CAB & RELATED PARTS | |
| 8-1_COVER ASS'Y (1)..... | 103 |
| 8-2_COVER ASS'Y (2)..... | 105 |
| 8-3_NOISE ABSORBENT ASS'Y..... | 109 |
| 8-4_CANOPY ASS'Y (FOR TOPS/ROPS)..... | 113 |

TABLE OF CONTENTS

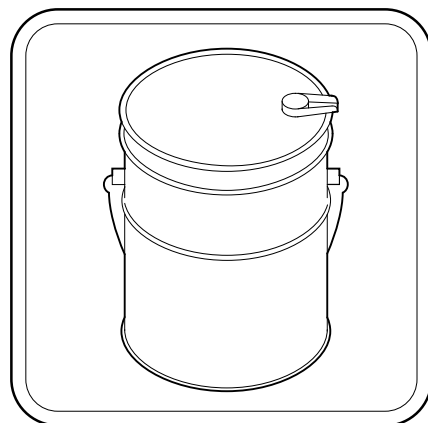
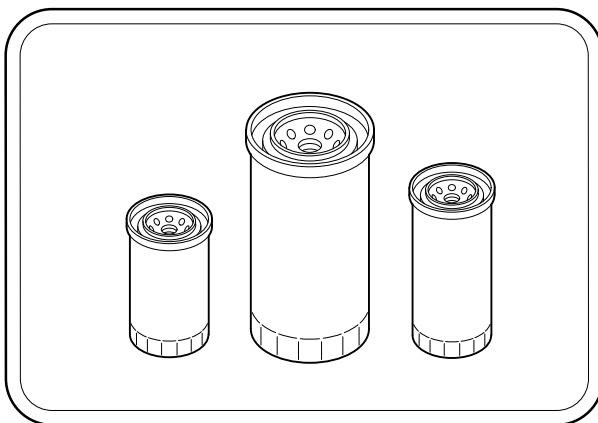
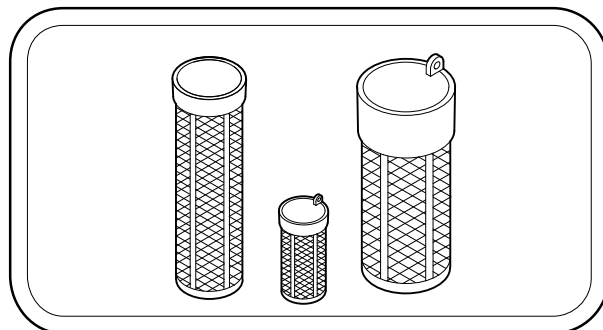
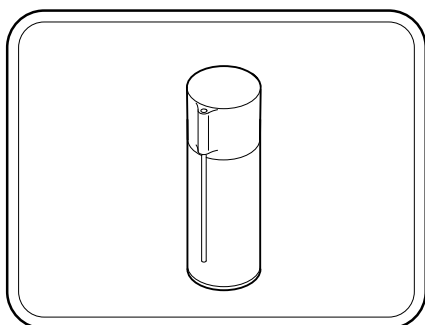
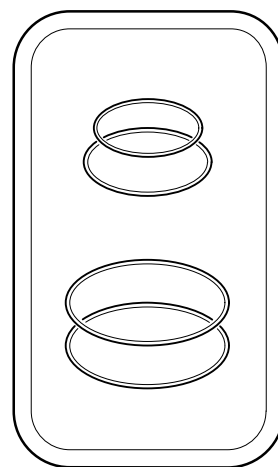
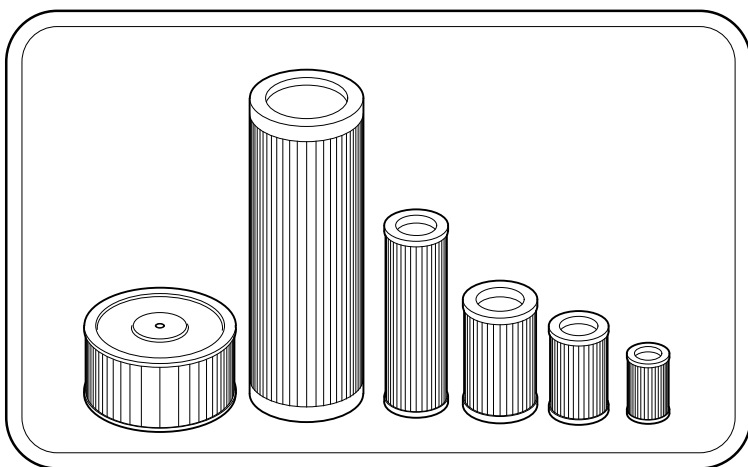
| | |
|--|-----|
| 8-4[A]_CANOPY ASS'Y..... | 115 |
| 8-5_OPERATOR SEAT & MAT ASS'Y..... | 117 |
| 8-6_COUNTER WEIGHT ASS'Y..... | 119 |
| 8-7_NAME PLATE ASS'Y (FOR JAPANESE)..... | 121 |
| 8-7[A]_NAME PLATE ASS'Y (FOR ENGLISH)..... | 123 |
| 8-7[B]_NAME PLATE ASS'Y (FOR DUTCH)..... | 125 |
| 8-7[C]_NAME PLATE ASS'Y (FOR FRENCH)..... | 127 |
| 8-7[D]_NAME PLATE ASS'Y(FOR ITALIAN)..... | 129 |
| 8-7[E]_NAME PLATE ASS'Y(FOR GERMAN)..... | 131 |
| 8-7[F]_NAME PLATE ASS'Y(FOR DANISH)..... | 133 |
| 8-7[G]_NAME PLATE ASS'Y (FOR SPANISH)..... | 135 |
| ELECTRIC SYSTEM | |
| 9-1_ELECTRIC SYSTEM..... | 137 |
| 9-2_INSTRUMENT PANEL ASS'Y..... | 141 |
| TOOLS & ACCESSORIES | |
| 10-1_TOOLS & ACCESSORIES..... | 145 |
| HOE ATTACHMENT | |
| 11-1_HOE ATTACHMENT ASS'Y..... | 147 |
| 11-2_BOOM SWING ASS'Y..... | 151 |
| 11-3_HOE BUCKET ASS'Y..... | 153 |
| 11-4_HOE ATTACHMENT PIPING ASS'Y..... | 155 |
| BLADE ATTACHMENT | |
| 12-1_BLADE ATTACHMENT ASS'Y..... | 159 |
| 12-2_BLADE PIPING ASS'Y..... | 161 |
| OPTION SPECIFICATION | |
| 15-1_FIRST SPARE PIPING ASS'Y..... | 163 |
| 15-2_SECOND SPARE PIPING ASS'Y..... | 167 |
| 15-3_THIRD SPARE PIPING ASS'Y..... | 169 |
| 15-4_ACCUMULATOR ASS'Y..... | 173 |
| 15-5_OPERATOR ROOM ASS'Y (1)..... | 175 |
| 15-6_OPERATOR ROOM ASS'Y (2)..... | 177 |
| 15-7_OPERATOR ROOM ASS'Y (3)..... | 181 |
| 15-8_OPERATOR ROOM ASS'Y (4)..... | 185 |
| 15-9_CAR HEATER ASS'Y..... | 189 |
| OPTION SPECIFICATION | |
| 15-10_NAME PLATE ASS'Y (FOR JAPANESE)..... | 191 |
| OPTION SPECIFICATION | |
| 15-10[A]_NAME PLATE ASS'Y(FOR ENGLISH)..... | 193 |
| 15-10[B]_NAME PLATE ASS'Y (FOR DUTCH)..... | 195 |
| 15-10[C]_NAME PLATE ASS'Y (FOR FRENCH)..... | 197 |
| 15-10[D]_NAME PLATE ASS'Y (FOR ITALIAN)..... | 199 |
| 15-10[E]_NAME PLATE ASS'Y (FOR GERMAN)..... | 201 |
| 15-10[F]_NAME PLATE ASS'Y (FOR DANISH)..... | 203 |
| 15-10[G]_NAME PLATE ASS'Y (FOR SPANISH)..... | 205 |
| 15-11_MIRROR ASS'Y..... | 207 |
| 15-12_TRAVEL ALARM DEVICE..... | 209 |
| 15-13_IMMOBILIZER ASS'Y..... | 211 |
| 15-14_LIGHT ASS'Y..... | 213 |
| 15-15_AIR CONDITIONER ASS'Y (1)..... | 215 |
| 15-16_AIR CONDITIONER ASS'Y (2)..... | 217 |
| 15-17_AIR CONDITIONER PIPING ASS'Y..... | 219 |
| CRANE SPECIFICATION | |
| 16-1_HYDRAULIC PIPING ASS'Y..... | 221 |
| 16-2_HOLDING VALVE ASS'Y..... | 223 |
| 16-3_HOLDING VALVE..... | 225 |
| 16-4_HOOK BLOCK ASS'Y..... | 227 |

TABLE OF CONTENTS

| | |
|----------------------------|-----|
| 16-5_ANGLE DETECTOR..... | 229 |
| 16-6_ELECTRIC SYSTEM..... | 231 |
| 16-7_CONTROLLER ASS'Y..... | 233 |
| 16-8_NAME PLATE ASS'Y..... | 235 |

LIST OF CONSUMABLES

消耗品リスト

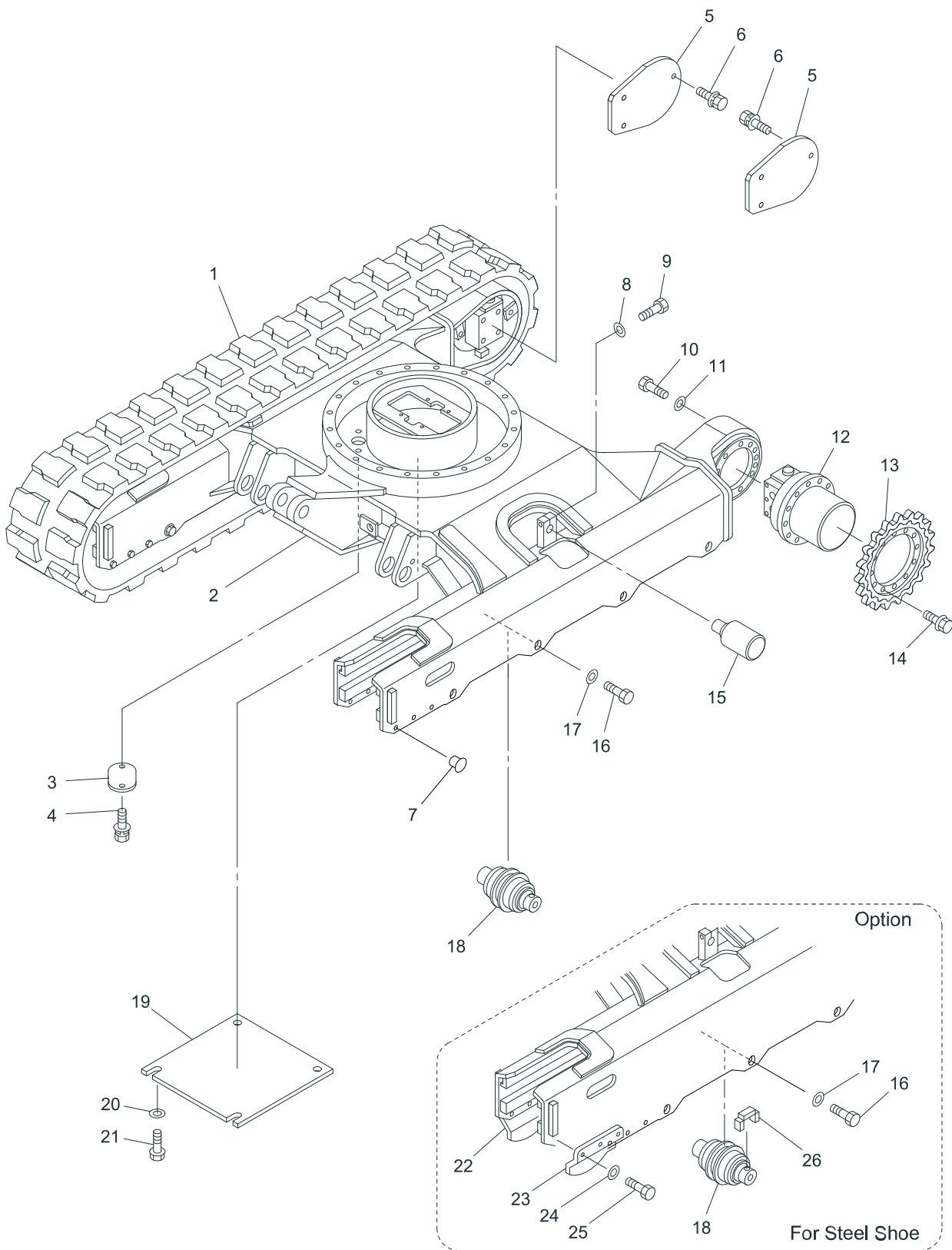


SHALL-000000-1

| KEY No. | SU P. | PART No. | DESCRIPTION | Q'TY | CHAN | SERIAL No. | REMARKS |
|---------|-------|------------------|------------------------------------|------|------|------------|-----------------------------|
| | | ***** | RUNNING STORES LIST | | | | |
| 1 | | 0753 265 UA | Vaive, Check (Grease Up) | 1 | | WZ010001- | Sh. No. 1-3 |
| 2 | | 0759 106 UA | Strainer, Suction | 1 | | WZ010001- | Sh. No. 5-6 |
| 3 | | 0755 142 03 | Cartridge, Return Filter | 1 | | WZ010001- | Sh. No. 5-6 |
| 4 | | 0775 551 93 | Hose, Radiator | 1 | | WZ010001- | Sh. No. 7-1 |
| 5 | | 0775 551 95 | Hose, Radiator | 1 | | WZ010001- | Sh. No. 7-1 |
| 6 | | 0745 265 08 | Element, Air Cleaner | 1 | | WZ010001- | Sh. No. 7-2 |
| 7 | | 0745 265 09 | Element, Air Cleaner(Inner) | 1 | | WZ010001- | Sh. No. 7-2 |
| 8 | | 0857 914 11 | Element, Water Sedimenter | 1 | | WZ010001- | Sh. No. 7-4 |
| 9 | | 0729 910 73 | Cap, Fuel | 1 | | WZ010001- | Sh. No. 7-4 |
| 10 | | 0820 215 10 | Relay, Flip Flop | 1 | | WZ010001- | Sh. No. 9-1 |
| 11 | | 0820 215 11 | Relay, Glow | 1 | | WZ010001- | Sh. No. 9-1 |
| 12 | | 0858 306 03 | Switch Ass'y, Starter | 1 | | WZ010001- | Sh. No. 9-2 |
| 13 | | 0820 215 07 | Relay | 4 | | WZ010001- | Sh. No. 9-2 |
| 14 | | D013 408 00 | Pin, Bucket | 2 | | WZ010001- | Sh. No. 11-1 |
| 15 | | 4511 501 01 | Ring, O (For Bucket) | 4 | | WZ010001- | Sh. No. 11-1 |
| 16 | | 0650 002 04 | Tooth, Bucket | AR | | WZ010001- | 18S, Sh. No. 11-3 |
| 17 | | 0650 003 03 | Pin, Lock | AR | | WZ010001- | 18-20M- PN, Sh. No. 11-3 |
| 18 | | 0650 004 02 | Pin, Rubber | AR | | WZ010001- | 18-20M- LK, Sh. No. 11-3 |
| 19 | | 4123 040 00 | Coutter, Side (R.H.) | 1 | | WZ010001- | Sh. No. 11-3 |
| 20 | | 4123 041 00 | Coutter, Side (L.H.) | 1 | | WZ010001- | Sh. No. 11-3 |
| 21 | | 0555 140 40 | Bolt, Treatment | 6 | | WZ010001- | Sh. No. 11-3 |
| 22 | | 0585 140 00 | Nut, Treatment | 6 | | WZ010001- | Sh. No. 11-3 |
| 23 | | D006 051 00 | Washer, Treatment | 6 | | WZ010001- | Sh. No. 11-3 |
| 23 | | ***** | SEAL KIT | | | | |
| 24 | | 0713 431 91 | Rotary Joint | 1 | | WZ010001- | Sh. No. 5-3 |
| 25 | | 0782 441 93 | Boom Cylinder (Head Side) | 1 | | WZ010001- | Sh. No. 5-8 |
| 26 | | 0782 439 93 | Arm Cylinder (Head Side) | 1 | | WZ010001- | Sh. No. 5-9 |
| 27 | | 0782 435 93 | Bucket Cylinder (Head Side) | 1 | | WZ010001- | Sh. No. 5-10 |
| 28 | | 0782 380 91 | Boom Swing Cylinder (Head Side) | 1 | | WZ010001- | Sh. No. 5-11 |
| 29 | | 0782 608 91 | Blade Cylinder (Head Side) | 1 | | WZ010001- | Sh. No. 5-12 |
| 29 | | ***** | ENGINE PARTS(V2403-M-DI-E3B-BHIH1) | | | | |
| 30 | | K15221 4317 0 | Cartridge, Fuel Filter | 1 | | WZ010001- | Sh. No. 7-4 |
| 31 | | KHH164 3243 0 | Filter, Oil | 1 | | WZ010001- | Engine P/C |
| 32 | | KR1401 5135 2 | Pump, Fuel | 1 | | WZ010001- | Sh. No. 7-4 |
| 33 | | K1K574 6022 0 | Relay | 1 | | WZ010001- | Engine P/C |
| 34 | | K1K533 6566 0 | Controller | 1 | | WZ010001- | Engine P/C |

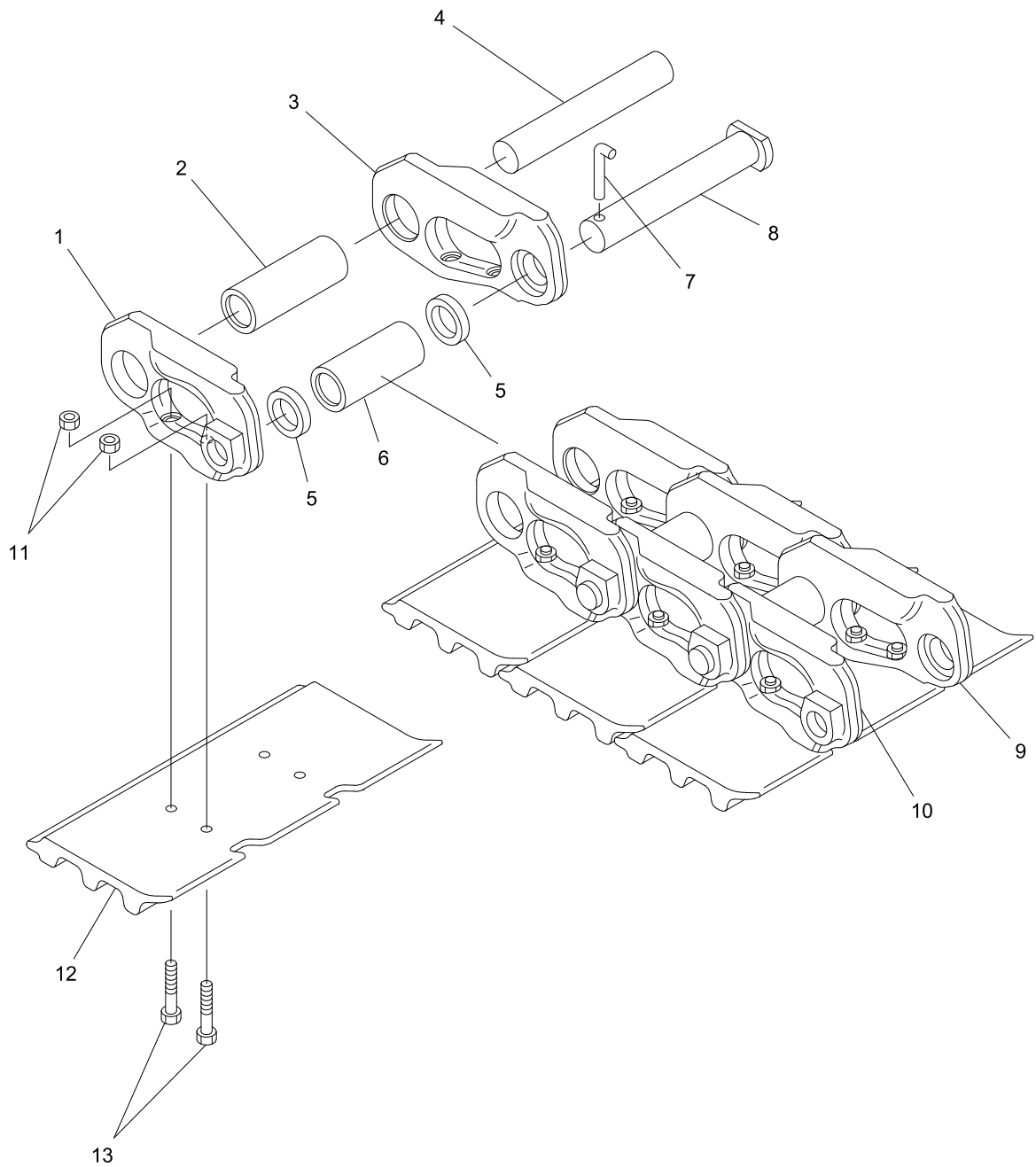
| KEY No. | SU P. | PART No. | DESCRIPTION | Q'TY | CHAN | SERIAL No. | REMARKS |
|---------|-------|------------------|----------------------|------|------|------------|------------------|
| 35 | | K1G382 9701 0 | Belt, V | 1 | | WZ010001- | Engine P/C |
| 36 | | K1G924 7301 0 | Thermostat | 1 | | WZ010001- | Engine P/C |
| 37 | | K1A021 6001 7 | Solenoid, Stop | 1 | | WZ010001- | Engine P/C |
| 38 | | K15841 3901 0 | Switch, Oil Pressure | 1 | | WZ010001- | Engine P/C |
| 39 | | K1J002 8304 0 | Sensor, Thermo | 1 | | WZ010001- | Engine P/C |
| 39 | | * * * * * | * * * * * | | | | |
| 40 | | 5988 009 00 | * * * * * | 1 | | WZ010001- | 400g × 20 |
| 41 | | 5988 004 06 | * * * * * | 1 | | WZ010001- | スプレー |
| 41-1 | | 5988 004 09 | * * * * * | 1 | | WZ010001- | 4k 缶 |
| 42 | | 5988 004 32 | * * * * * | 1 | | WZ010001- | スプレー |
| 42-1 | | 5988 004 33 | * * * * * | 1 | | WZ010001- | 4k 缶 |
| 43 | | ZG10100 | * * * * * | 1 | | WZ010001- | 38種-890ヶ |
| 44 | | 5988 022 01 | * * * * * | 1 | | WZ010001- | 18S= 1セット 20ヶ |
| 45 | | ZG00451 | * * * * * | 1 | | WZ010001- | 1セット10枚 |
| 45-1 | | ZG00452 | * * * * * | 1 | | WZ010001- | 1セット10枚 |
| 45-2 | | ZG00453 | * * * * * | 1 | | WZ010001- | 1セット10枚 |
| 46 | | ZG00501 | * * * * * | 1 | | WZ010001- | 1セット10枚 |
| 46-1 | | ZG00502 | * * * * * | 1 | | WZ010001- | 1セット10枚 |
| 46-2 | | ZG00503 | * * * * * | 1 | | WZ010001- | 1セット10枚 |

[Memo]



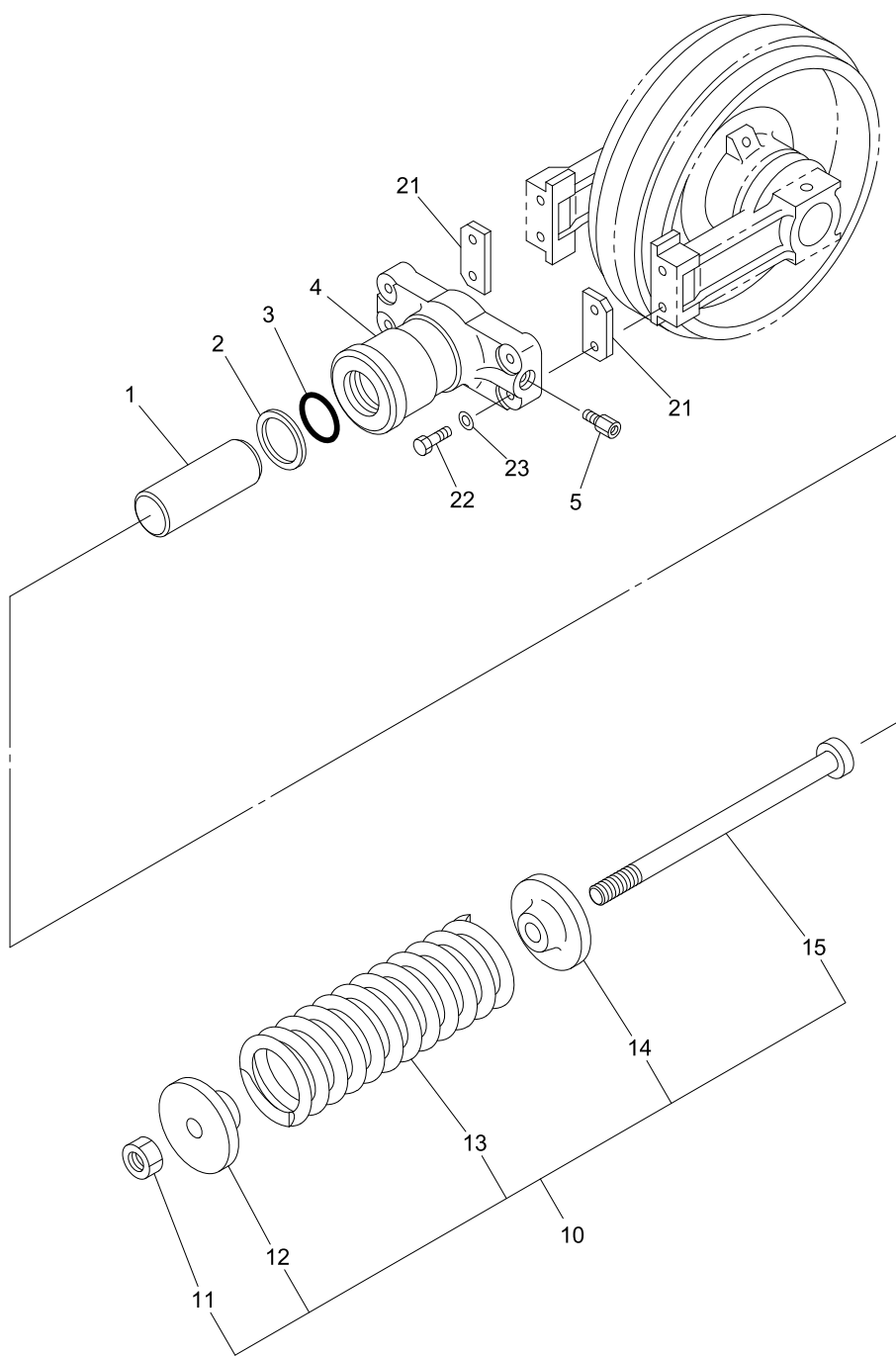
40V4-010100-1

| KEY No. | SU P. | PART No. | DESCRIPTION | Q'TY | CHAN | SERIAL No. | REMARKS |
|---------|-------|-------------|-------------------------------|------|------|------------|------------------|
| 0 | × | **** ** * | Lower Machine Ass'y | 1 | | WZ010001- | |
| 1 | | 0653 981 UA | *Shoe, Rubber Crawler | 2 | | WZ010001- | |
| 1-1 | # | 0653 974 UA | *Shoe Ass'y, Crawler (Steel) | 2 | | WZ010001- | Sh. No. 1-2 |
| 2 | × | **** ** * | *Frame, Lower | 1 | | WZ010001- | |
| 3 | | 4460 756 00 | *Cover | 1 | | WZ010001- | |
| 4 | | 0517 080 12 | *Bolt, Treatment (W/L.W, F.W) | 2 | | WZ010001- | M8X12 |
| 5 | | D458 184 00 | *Cover | 2 | | WZ010001- | |
| 6 | | 0518 100 20 | *Bolt, Treatment (W/L.W, F.W) | 6 | | WZ010001- | M10X20 P=1.25 |
| 7 | | 0690 201 09 | *Plug | 12 | | WZ010001- | |
| 8 | | 0595 160 00 | *Washer, Treatment | 2 | | WZ010001- | M16 |
| 9 | | 0555 160 65 | *Bolt, Treatment | 2 | | WZ010001- | M16X65 |
| 10 | | 0555 140 35 | *Bolt, Treatment | 24 | | WZ010001- | M14X35 |
| 11 | | 0595 140 00 | *Washer, Treatment | 24 | | WZ010001- | M14 |
| 12 | # | 0781 372 UA | *Motor Ass'y, Travel | 2 | | WZ010001- | Sh. No. 5-1 |
| 13 | | D234 037 00 | *Sprocket, Drive | 2 | | WZ010001- | |
| 14 | | 0457 140 35 | *Bolt, Treatment (W/Flange) | 24 | | WZ010001- | M14X35 |
| 15 | # | 0651 911 UA | *Roller Ass'y, Upper | 2 | | WZ010001- | Sh. No. 1-6 |
| 16 | | 0555 200 30 | *Bolt, Treatment | 16 | | WZ010001- | M20X30 |
| 17 | | 0595 200 00 | *Washer, Treatment | 16 | | WZ010001- | M20 |
| 18 | # | 0653 984 UA | *Roller Ass'y, Lower | 8 | | WZ010001- | Sh. No. 1-5 |
| 19 | | 4461 932 00 | *Cover, Under | 1 | | WZ010001- | |
| 20 | | 0593 100 00 | *Washer, Flat | 4 | | WZ010001- | M10 |
| 21 | | 0480 100 20 | *Bolt, Treatment (W/Flange) | 4 | | WZ010001- | M10X20 P=1.25 |
| 22 | | 4475 591 00 | *Guide, Shoe (R.H.) | 2 | | WZ010001- | |
| 23 | | 4475 590 00 | *Guide, Shoe (L.H.) | 2 | | WZ010001- | |
| 24 | | 0595 120 00 | *Washer, Treatment | 12 | | WZ010001- | M12 |
| 25 | | 0555 120 35 | *Bolt, Treatment | 12 | | WZ010001- | M12X35 |
| 26 | | D007 060 00 | *Shim | 16 | | WZ010001- | t=9.0 |



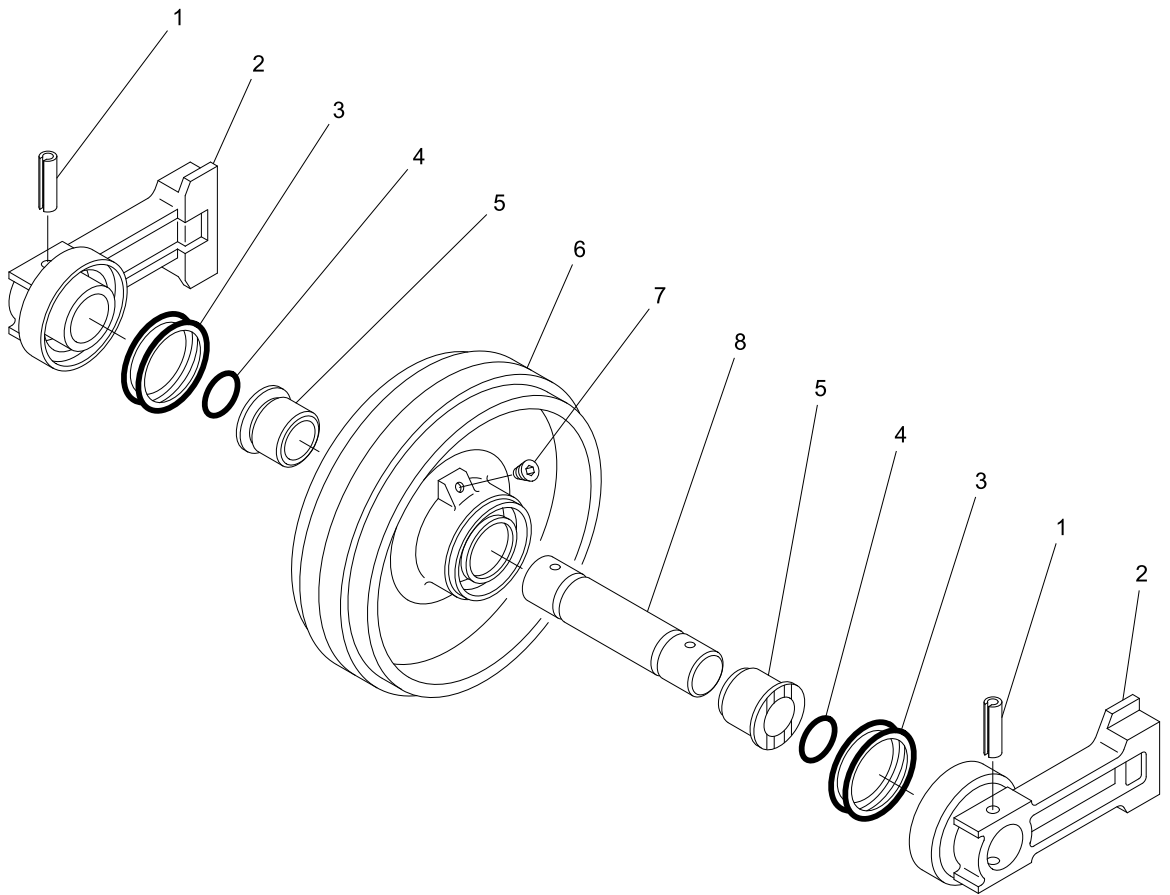
45VX-010200-1

| KEY No. | SU P. | PART No. | DESCRIPTION | Q'TY | CHAN . | SERIAL No. | REMARKS |
|---------|-------|-------------|-----------------------|------|--------|------------|---------|
| 0 | | 0653 974 UA | Shoe Ass'y, Crawler | 2 | | WZ010001- | L=400 |
| 0-1 | | 0653 974 99 | *Link, Ass'y | 1 | | WZ010001- | |
| 1 | | 0653 973 04 | **Link, Master (L.H.) | 1 | | WZ010001- | |
| 2 | | 0653 973 05 | **Bushing, Track | 38 | | WZ010001- | |
| 3 | | 0653 973 03 | **Link, Master (R.H.) | 1 | | WZ010001- | |
| 4 | | 0653 973 06 | **Pin, Track | 38 | | WZ010001- | |
| 5 | | 0651 588 07 | **Collar, Master | 2 | | WZ010001- | |
| 6 | | 0653 973 07 | **Bushing, Master | 1 | | WZ010001- | |
| 7 | | 0653 924 10 | **Pin, Lock | 1 | | WZ010001- | |
| 8 | | 0653 973 08 | **Pin, Master | 1 | | WZ010001- | |
| 9 | | 0653 973 01 | **Link, Track (R.H.) | 38 | | WZ010001- | |
| 10 | | 0653 973 02 | **Link, Track (L.H.) | 38 | | WZ010001- | |
| 11 | | 0653 010 10 | *Nut, Shoe | 156 | | WZ010001- | |
| 12 | | 0653 779 01 | *Plate, Shoe | 39 | | WZ010001- | L=400 |
| 13 | | 0653 010 09 | *Bolt, Shoe | 156 | | WZ010001- | |



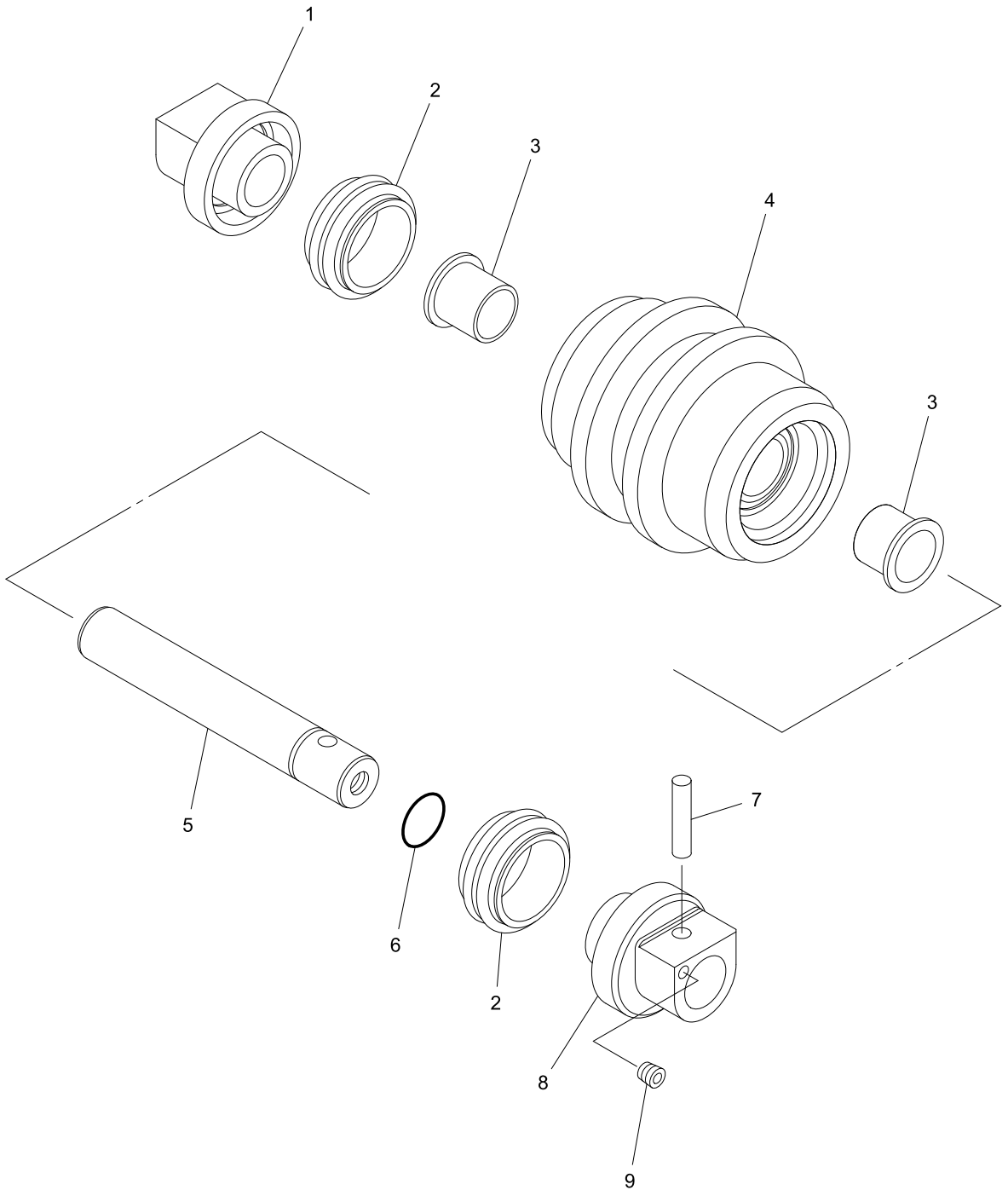
65VX-010300-1

| KEY No. | SU P. | PART No. | DESCRIPTION | Q'TY | CHAN | SERIAL No. | REMARKS |
|---------|-------|-------------|---------------------------------------|------|------|------------|------------------|
| 0 | × | 5301 231 00 | Adj. Device, Crawler Shoe | 2 | | WZ010001- | |
| 0-1 | | 5301 232 02 | *Cylinder Ass'y, Grease | 1 | | WZ010001- | |
| 1 | | 4515 506 00 | **Piston | 1 | | WZ010001- | |
| 2 | | 0762 120 50 | **Ring, Back-up | 1 | | WZ010001- | P50-T2 |
| 3 | | 0760 710 50 | **Ring, O | 1 | | WZ010001- | P50-90B |
| 4 | | 4514 549 00 | **Cylinder, Grease | 1 | | WZ010001- | |
| 5 | | 0753 265 UA | **Valve, Check | 1 | | WZ010001- | |
| 10 | | 5300 759 99 | *Unit Ass'y, Spring (For Rubber Shoe) | 1 | | WZ010001- | |
| 11 | | 0580 200 00 | **Nut, Hex. | 1 | | WZ010001- | M20 |
| 12 | | 4485 508 00 | **Retainer, Spring | 1 | | WZ010001- | |
| 13 | | 4170 126 00 | **Spring | 1 | | WZ010001- | |
| 14 | | 4485 509 00 | **Retainer, Spring | 1 | | WZ010001- | |
| 15 | | 4004 128 00 | **Bolt, Adjust | 1 | | WZ010001- | |
| 21 | | 4401 631 00 | *Plate | 2 | | WZ010001- | |
| 22 | | 0514 120 60 | *Bolt, Treatment | 4 | | WZ010001- | M12X60 P=1.25 |
| 23 | | 0595 120 00 | *Washer, Treatment | 4 | | WZ010001- | M12 |



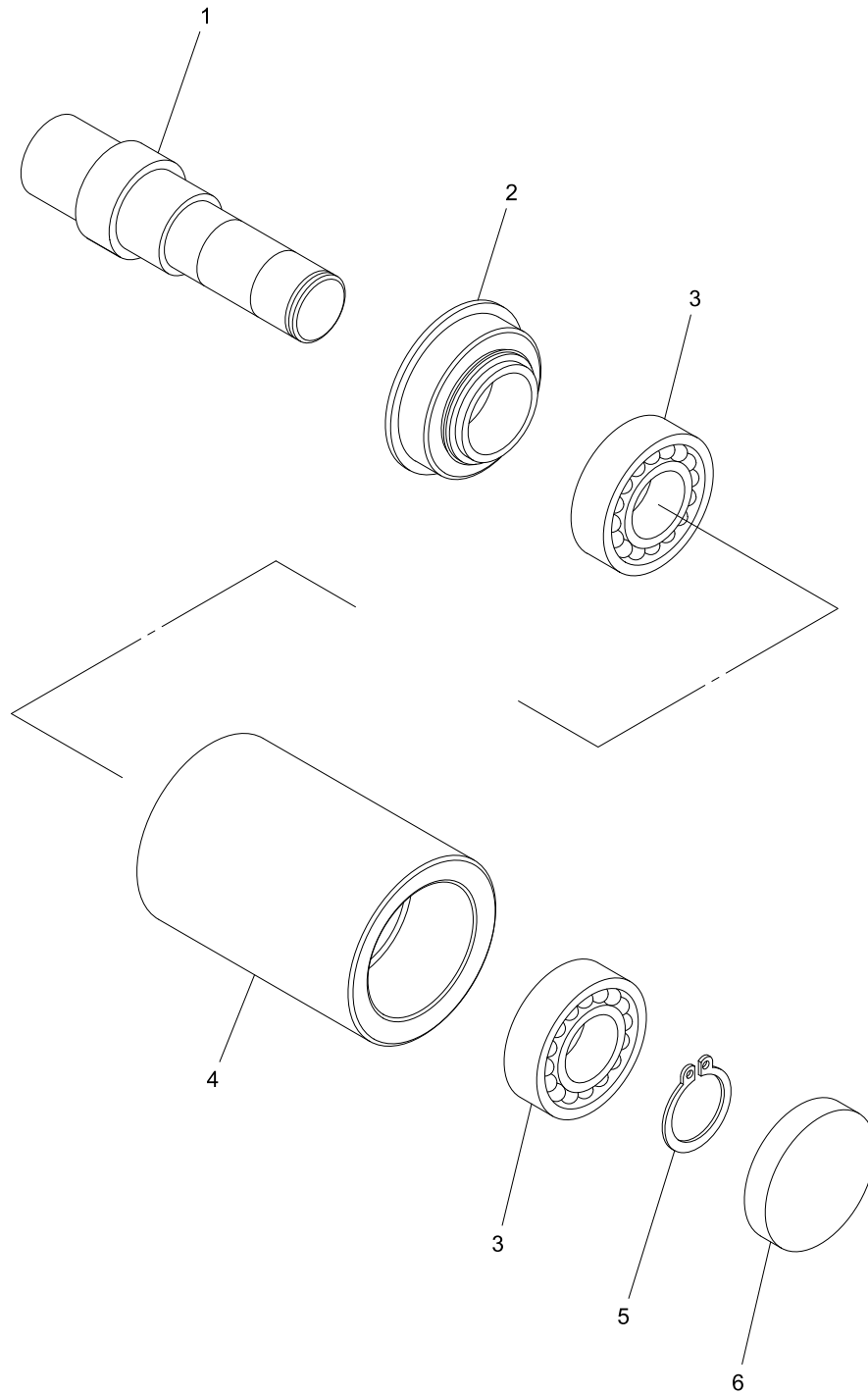
45VX-010400-1

| KEY No. | SU P. | PART No. | DESCRIPTION | Q'TY | CHAN . | SERIAL No. | REMARKS |
|---------|-------|-------------|--------------------|------|--------|------------|---------|
| 0 | | F300 686 00 | Idler Ass'y, Front | 2 | | WZ010001- | |
| 1 | | 0494 651 75 | *Pin, Spring | 2 | | WZ010001- | d=10X75 |
| 2 | | 4420 525 00 | *Block, Bearing | 2 | | WZ010001- | |
| 3 | | 0763 014 67 | *Seal, Floating | 2 | | WZ010001- | |
| 4 | | 0760 715 45 | *Ring, O | 2 | | WZ010001- | G45-90B |
| 5 | | 4047 035 02 | *Bushing | 2 | | WZ010001- | |
| 6 | | D236 021 00 | *Idler, Front | 1 | | WZ010001- | |
| 7 | | 0710 201 01 | *Plug | 1 | | WZ010001- | PT1/8 |
| 8 | | 4012 220 00 | *Shaft | 1 | | WZ010001- | |



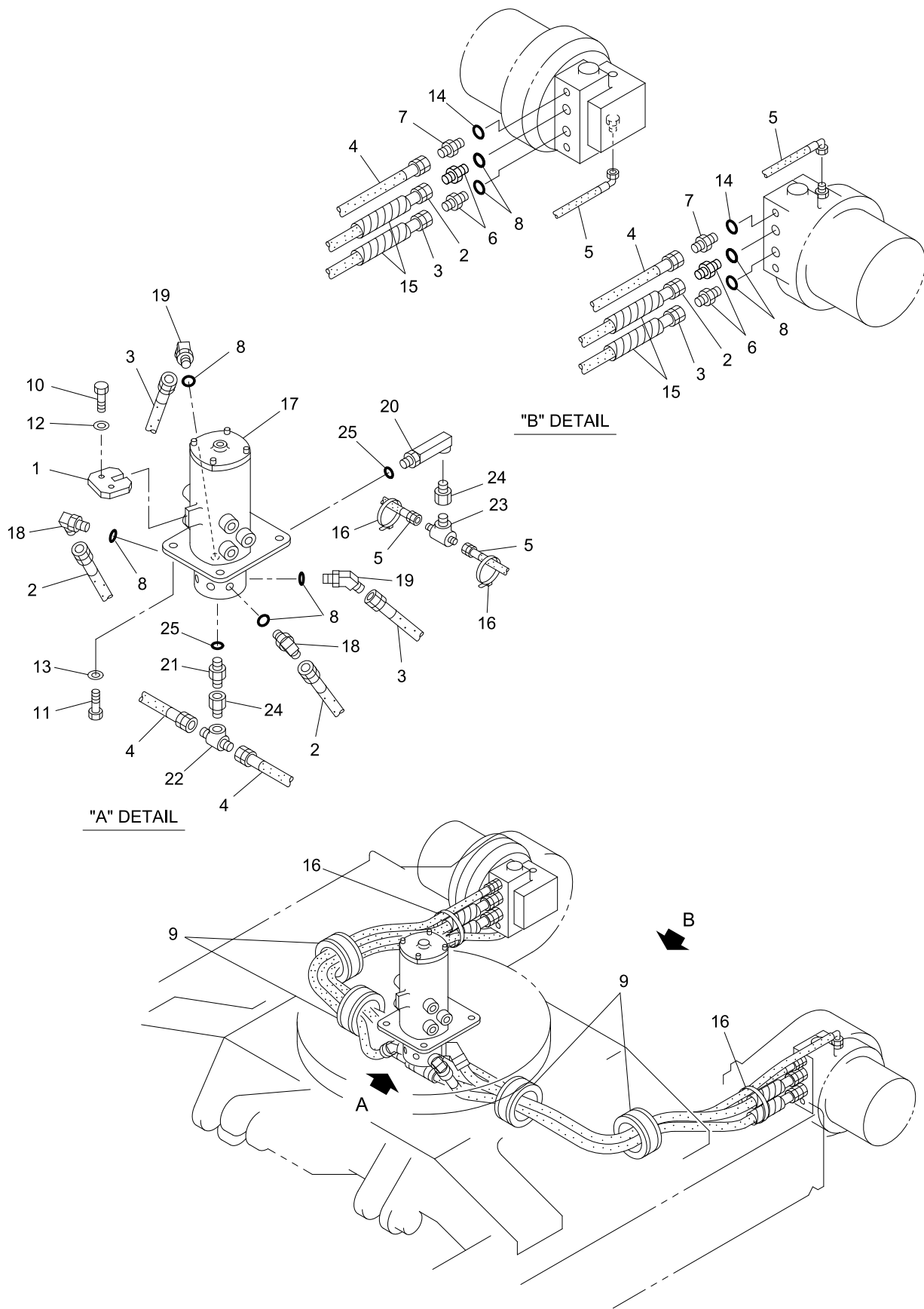
0653984UA-1

| KEY No. | SU P. | PART No. | DESCRIPTION | Q'TY | CHAN . | SERIAL No. | REMARKS |
|---------|-------|-------------|---------------------|------|--------|------------|---------|
| 0 | | 0653 984 UA | Roller Ass'y, Lower | 8 | | WZ010001- | |
| 1 | | 0653 984 04 | *Collar Roller | 1 | | WZ010001- | |
| 2 | | 0763 014 60 | *Seal, Floating | 2 | | WZ010001- | |
| 3 | | 0653 984 05 | *Bushing | 2 | | WZ010001- | |
| 4 | | 0653 984 01 | *Roller | 1 | | WZ010001- | |
| 5 | | 0653 984 02 | *Shaft | 1 | | WZ010001- | |
| 6 | | 0760 715 35 | *Ring, 0 | 1 | | WZ010001- | G35-90B |
| 7 | | 0653 984 06 | *Pin | 1 | | WZ010001- | |
| 8 | | 0653 984 03 | *Collar, Roller | 1 | | WZ010001- | |
| 9 | | 0710 201 01 | *Plug | 1 | | WZ010001- | |



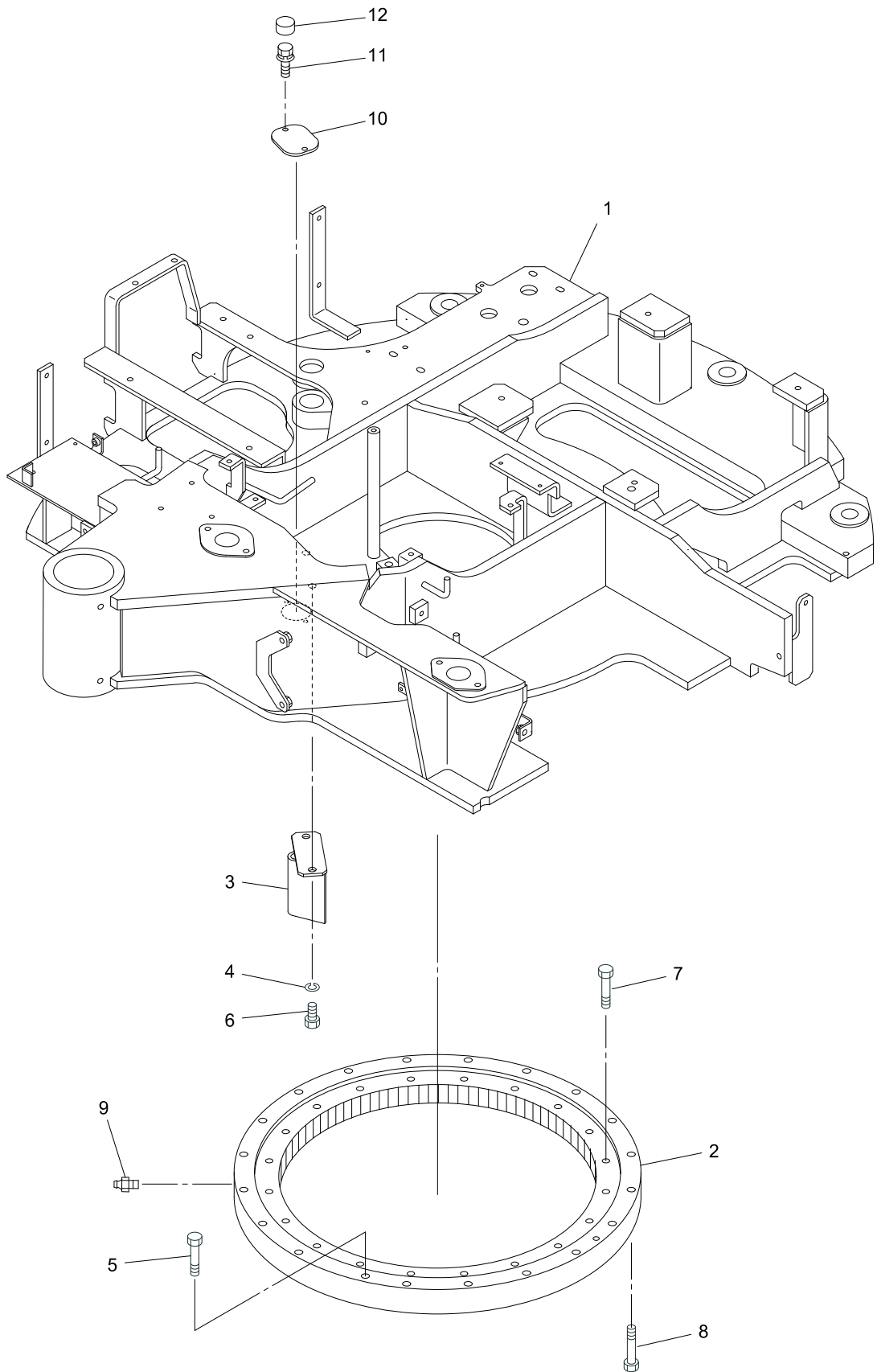
0651911UA-1

| KEY No. | SU P. | PART No. | DESCRIPTION | Q'TY | CHAN . | SERIAL No. | REMARKS |
|---------|-------|-------------|---------------------|------|--------|------------|---------|
| 0 | | 0651 911 UA | Roller Ass'y, Upper | 2 | | WZ010001- | |
| 1 | | 0651 911 03 | *Seal | 1 | | WZ010001- | |
| 2 | | 0630 620 50 | *Bearing | 2 | | WZ010001- | #6205 |
| 3 | | 0651 911 02 | *Shaft, Roller | 1 | | WZ010001- | |
| 4 | | 0493 510 25 | *Ring, Snap | 1 | | WZ010001- | d=25 |
| 5 | | 0651 911 04 | *Cap | 1 | | WZ010001- | |
| 6 | | 0651 911 01 | *Roller | 1 | | WZ010001- | |



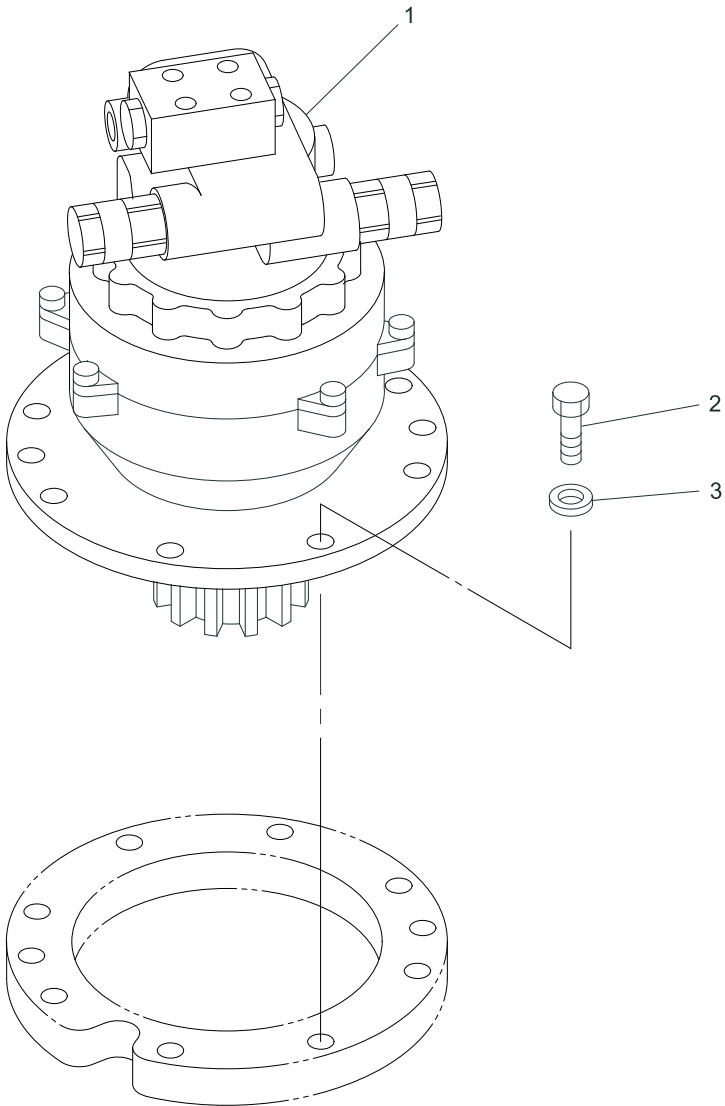
40V4-010700-1

| KEY No. | SU P. | PART No. | DESCRIPTION | Q'TY | CHAN | SERIAL No. | REMARKS |
|---------|-------|-------------|----------------------------|------|------|------------|------------------|
| 0 | × | F342 647 00 | Piping Ass'y, Lower Travel | 1 | | WZ010001- | |
| 1 | | D260 516 00 | *Stay | 1 | | WZ010001- | |
| 2 | | D070 350 05 | *Hose Ass'y | 2 | | WZ010001- | L=1400 |
| 3 | | D070 350 06 | *Hose Ass'y | 2 | | WZ010001- | L=1350 |
| 4 | | 4070 015 26 | *Hose Ass'y | 2 | | WZ010001- | L=1350 |
| 5 | | 4070 551 18 | *Hose Ass'y | 2 | | WZ010001- | L=1460 |
| 6 | | 0713 700 04 | *Adapter | 4 | | WZ010001- | |
| 7 | | 0713 700 03 | *Adapter | 2 | | WZ010001- | |
| 8 | | 0760 710 19 | *Ring, 0 | 8 | | WZ010001- | P18-90B |
| 9 | | 4580 730 00 | *Pad | 4 | | WZ010001- | |
| 10 | | 0555 160 40 | *Bolt, Treatment | 2 | | WZ010001- | M16X40 |
| 11 | | 0514 100 30 | *Bolt, Treatment | 4 | | WZ010001- | M10X30 P=1.25 |
| 12 | | 0595 160 00 | *Washer, Treatment | 2 | | WZ010001- | M16 |
| 13 | | 0595 100 00 | *Washer, Treatment | 4 | | WZ010001- | M10 |
| 14 | | 0760 710 16 | *Ring, 0 | 2 | | WZ010001- | P14-90B |
| 15 | | 0790 000 02 | *Tube, Spiral | M | | WZ010001- | L=200X4 |
| 16 | | 0820 067 05 | *Band, Cable | 4 | | WZ010001- | |
| 17 | # | 0713 439 UA | *Joint Ass'y, Rotary | 1 | | WZ010001- | Sh. No. 5-3 |
| 18 | | 0710 113 44 | *Elbow | 2 | | WZ010001- | |
| 19 | | 0710 114 44 | *Elbow, 45 | 2 | | WZ010001- | |
| 20 | | 0719 805 UA | *Elbow | 1 | | WZ010001- | |
| 21 | | 0713 704 02 | *Adapter | 1 | | WZ010001- | |
| 22 | | 0710 707 04 | *Tee | 1 | | WZ010001- | |
| 23 | | 0710 707 02 | *Tee | 1 | | WZ010001- | Option |
| 24 | | 0710 503 02 | *Socket | 2 | | WZ010001- | |
| 25 | | 0760 710 12 | *Ring, 0 | 2 | | WZ010001- | P11-90B |



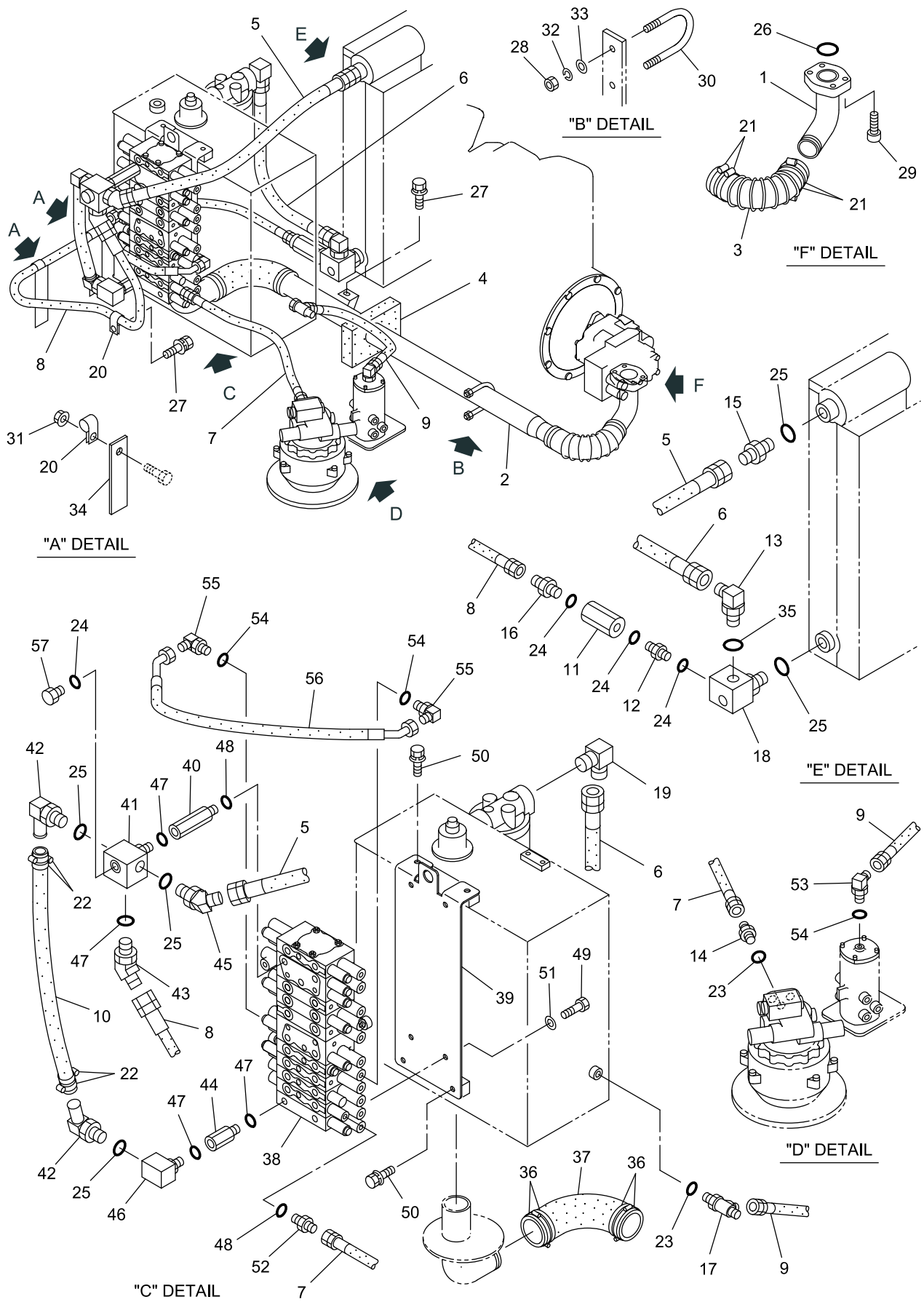
40V4-020100-1

| KEY No. | SU P. | PART No. | DESCRIPTION | Q'TY | CHAN | SERIAL No. | REMARKS |
|---------|-------|-------------|-------------------------------|------|------|------------|---------|
| 0 | × | F311 358 00 | Frame Ass'y, Swing | 1 | | WZ010001- | |
| 0-1 | × | F320 258 00 | Bearing Ass'y, Swing | 1 | | WZ010001- | |
| 1 | △ | D204 356 00 | *Frame, Swing | 1 | | WZ010001- | |
| 2 | | 0605 416 UA | *Bearing, Swing | 1 | | WZ010001- | |
| 3 | | D416 789 00 | *Bracket | 1 | | WZ010001- | |
| 4 | | 0590 160 00 | *Washer, Lock | 2 | | WZ010001- | M16 |
| 5 | | D002 015 00 | *Bolt, Reamer | 1 | | WZ010001- | |
| 6 | | 0555 160 35 | *Bolt, Treatment | 2 | | WZ010001- | M16X35 |
| 7 | | 0555 160 70 | *Bolt, Treatment | 20 | | WZ010001- | M16X70 |
| 8 | | 0555 160 80 | *Bolt, Treatment | 19 | | WZ010001- | M16X80 |
| 9 | | 0728 111 15 | *Nipple, Grease | 1 | | WZ010001- | PT1/8 |
| 10 | | 4460 756 00 | *Cover | 1 | | WZ010001- | |
| 11 | | 0517 080 20 | *Bolt, Treatment (W/L.W, F.W) | 2 | | WZ010001- | M8X20 |
| 12 | | 0690 202 56 | *Cap | 2 | | WZ010001- | |



40V4-030100-1

| KEY No. | SU P. | PART No. | DESCRIPTION | Q'TY | CHAN | SERIAL No. | REMARKS |
|---------|-------|-------------|---------------------|------|------|------------|-------------|
| 0 | × | F320 251 00 | Swing Drive Device | 1 | | WZ010001- | |
| 1 | # | 0781 373 UA | *Motor Ass'y, Swing | 1 | | WZ010001- | Sh. No. 5-2 |
| 2 | | 0555 160 40 | *Bolt, Treatment | 10 | | WZ010001- | M16X40 |
| 3 | | 0595 160 00 | *Washer, Treatment | 10 | | WZ010001- | M16 |

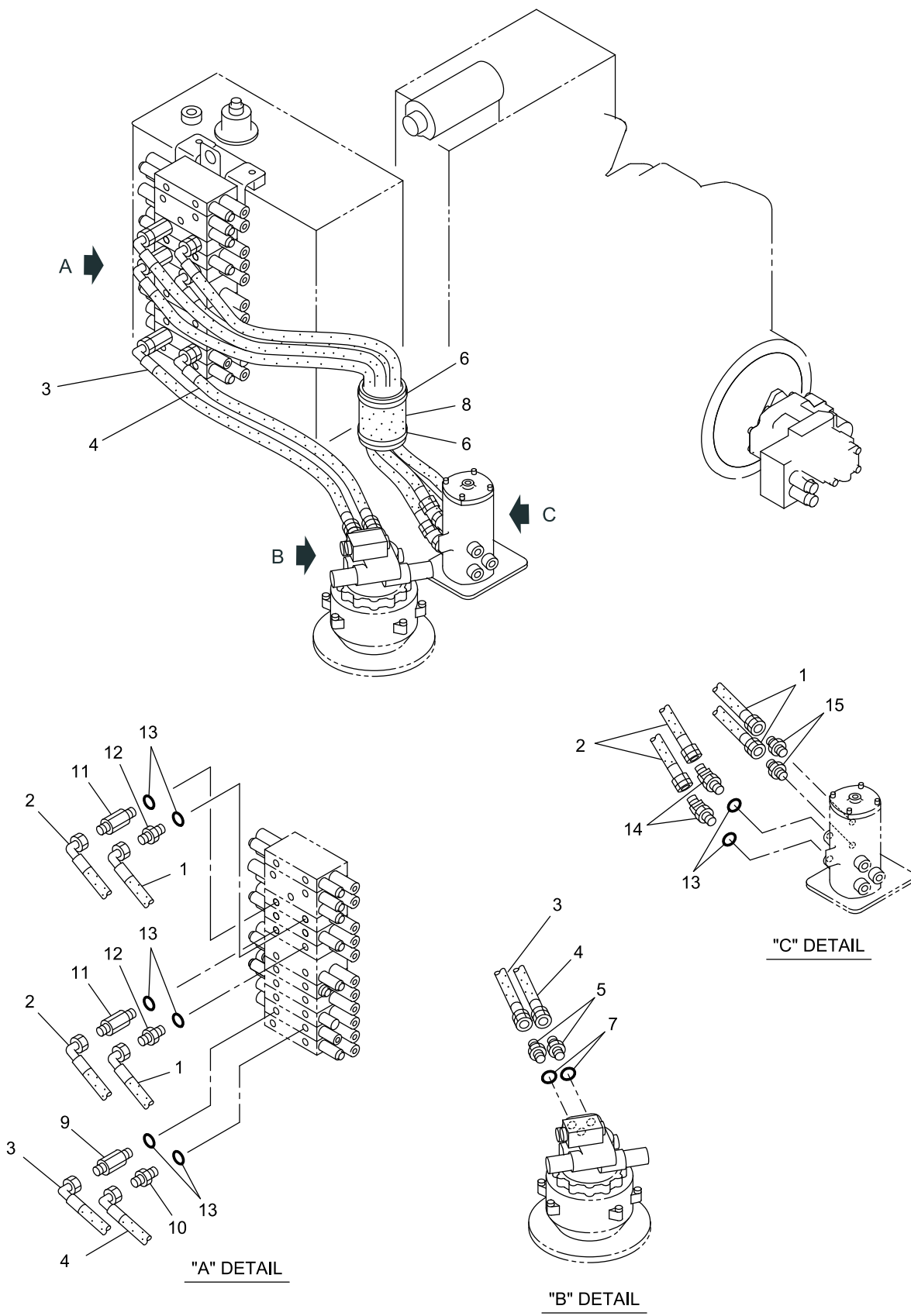


40V4-040100-1

| KEY No. | SU P. | PART No. | DESCRIPTION | Q'TY | CHAN | SERIAL No. | REMARKS |
|---------|-------|-------------|--------------------------------|------|------|------------|------------------|
| 0 | × | F342 651 00 | Piping Ass'y, Return & Suction | 1 | | WZ010001- | |
| 1 | | D286 277 00 | *Tube | 1 | | WZ010001- | |
| 2 | | D286 347 00 | *Tube | 1 | | WZ010001- | |
| 3 | | 0776 600 08 | *Hose | 1 | | WZ010001- | |
| 4 | | D493 668 00 | *Panel, Sponge | 1 | | WZ010001- | |
| 5 | | D070 119 01 | *Hose Ass'y | 1 | | WZ010001- | L=680 |
| 6 | | 4070 026 44 | *Hose Ass'y | 1 | | WZ010001- | L=700 |
| 7 | | 4070 013 07 | *Hose Ass'y | 1 | | WZ010001- | L=650 |
| 8 | | 4070 754 14 | *Hose Ass'y | 1 | | WZ010001- | L=1700 |
| 9 | | 4070 015 14 | *Hose Ass'y | 1 | | WZ010001- | L=400 |
| 10 | | D070 572 01 | *Hose | 1 | | WZ010001- | L=320 |
| 11 | | 0785 947 UA | *Valve, Check | 1 | | WZ010001- | |
| 12 | | D060 514 00 | *Connector | 1 | | WZ010001- | |
| 13 | | 0710 113 11 | *Elbow | 1 | | WZ010001- | |
| 14 | | 0713 700 94 | *Adapter, Reducer | 1 | | WZ010001- | PF3/8XPF1/2 |
| 15 | | 0713 700 74 | *Adapter | 1 | | WZ010001- | |
| 16 | | 0713 700 73 | *Adapter | 1 | | WZ010001- | |
| 17 | | 0710 713 10 | *Tee, Special | 1 | | WZ010001- | |
| 18 | | D060 531 00 | *Connector | 1 | | WZ010001- | |
| 19 | | 0712 310 55 | *Elbow | 1 | | WZ010001- | |
| 20 | | 4080 000 06 | *Clamp, Hose | 3 | | WZ010001- | |
| 21 | | 0690 078 12 | *Clamp, Hose | 4 | | WZ010001- | |
| 22 | | 0690 083 08 | *Clamp, Hose | 4 | | WZ010001- | |
| 23 | | 0760 710 16 | *Ring, O | 2 | | WZ010001- | P14-90B |
| 24 | | 0760 710 24 | *Ring, O | 4 | | WZ010001- | P22.4-90B |
| 25 | | 0760 710 30 | *Ring, O | 5 | | WZ010001- | P29-90B |
| 26 | | 0760 312 25 | *Ring, O | 1 | | WZ010001- | P225-90B |
| 27 | | 0518 100 20 | *Bolt, Treatment (W/L.W, F.W) | 2 | | WZ010001- | M10X20 P=1.25 |
| 28 | | 0580 120 00 | *Nut, Hex. | 2 | | WZ010001- | M12 |
| 29 | | 0562 120 35 | *Bolt, Socket Head | 4 | | WZ010001- | M12X35 |
| 30 | | 4003 003 00 | *Bolt, U | 1 | | WZ010001- | |
| 31 | | 0524 100 00 | *Nut, Hex. (W/F.W) | 2 | | WZ010001- | M10 P=1.25 |
| 32 | | 0590 120 00 | *Washer, Lock | 2 | | WZ010001- | M12 |
| 33 | | 0595 120 00 | *Washer, Treatment | 2 | | WZ010001- | M12 |
| 34 | | D401 498 00 | *Plate | 2 | | WZ010001- | |
| 35 | | 0760 710 40 | *Ring, O | 1 | | WZ010001- | P38-90B |
| 36 | | 0690 083 13 | *Clamp, Hose | 4 | | WZ010001- | |
| 37 | | 0776 600 11 | *Hose | 1 | | WZ010001- | |
| 38 | # | 0784 016 UA | *Valve Ass'y, Control | 1 | | WZ010001- | Sh. No. 5-4 |
| 39 | | D419 060 00 | *Bracket | 1 | | WZ010001- | |
| 40 | | D060 532 00 | *Connector | 1 | | WZ010001- | |
| 41 | | D060 530 00 | *Connector | 1 | | WZ010001- | |
| 42 | | 0710 127 06 | *Elbow | 2 | | WZ010001- | |
| 43 | | 0710 114 66 | *Elbow, 45 | 1 | | WZ010001- | |

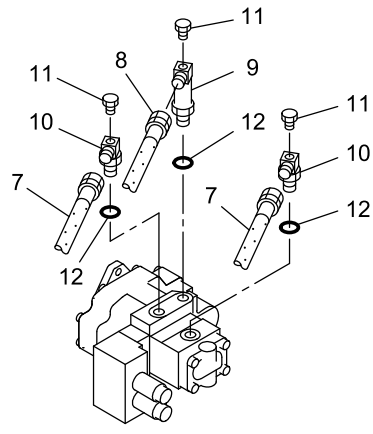
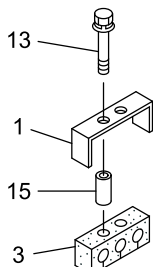
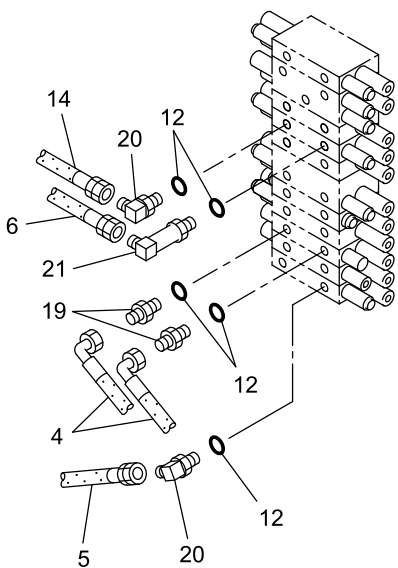
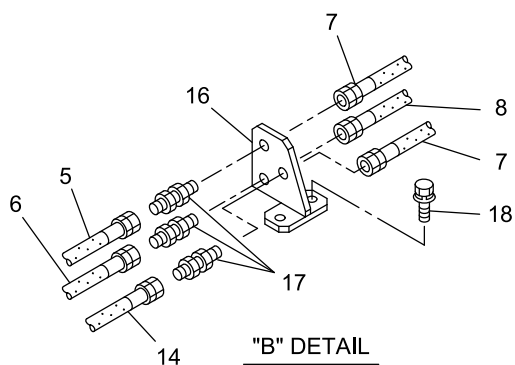
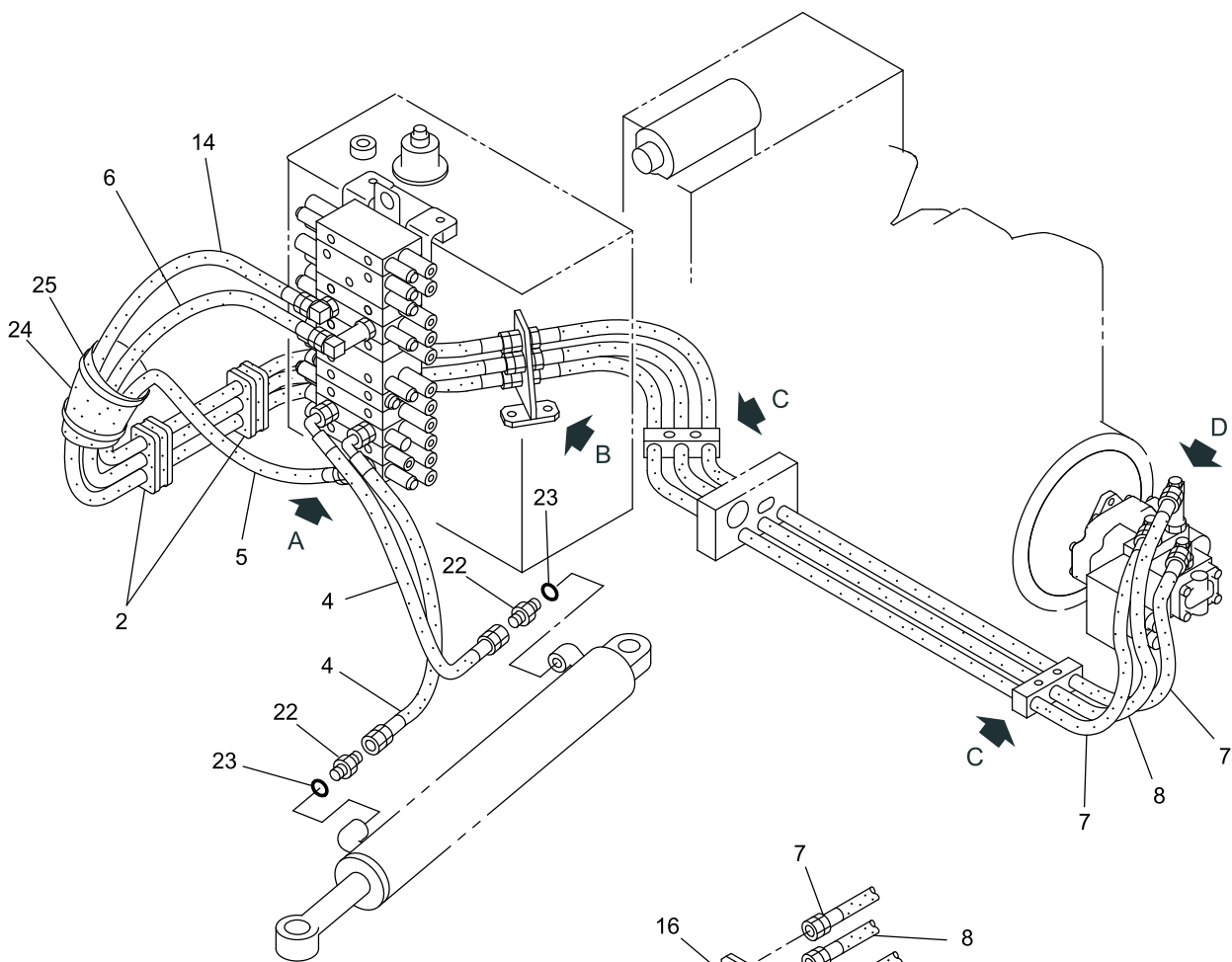
| KEY No. | SU P. | PART No. | DESCRIPTION | Q'TY | CHAN | SERIAL No. | REMARKS |
|---------|-------|-------------|-------------------------------|------|------|------------|------------------|
| 44 | | D060 533 00 | *Connector | 1 | | WZ010001- | |
| 45 | | 0710 114 88 | *Elbow, 45 | 1 | | WZ010001- | PF1XPT1 |
| 46 | | D060 534 00 | *Elbow | 1 | | WZ010001- | |
| 47 | | 0760 710 25 | *Ring, 0 | 4 | | WZ010001- | P24-90B |
| 48 | | 0760 710 19 | *Ring, 0 | 2 | | WZ010001- | P18-90B |
| 49 | | 0513 100 16 | *Bolt, Treatment | 4 | | WZ010001- | M10X16 |
| 50 | | 0518 100 25 | *Bolt, Treatment (W/L.W, F.W) | 4 | | WZ010001- | M10X25 P=1.25 |
| 51 | | 0595 100 00 | *Washer, Treatment | 4 | | WZ010001- | M10 |
| 52 | | D060 526 00 | *Adapter | 1 | | WZ010001- | |
| 53 | | 0710 113 23 | *Elbow, Reducer | 1 | | WZ010001- | PF1/4XPF3/8 |
| 54 | | 0760 710 12 | *Ring, 0 | 3 | | WZ010001- | P11-90B |
| 55 | | 0710 122 09 | *Elbow | 2 | | WZ010001- | |
| 56 | | D070 605 00 | *Hose Ass'y | 1 | | WZ010001- | |
| 57 | | 0710 212 12 | *Plug | 1 | | WZ010001- | |

[Memo]



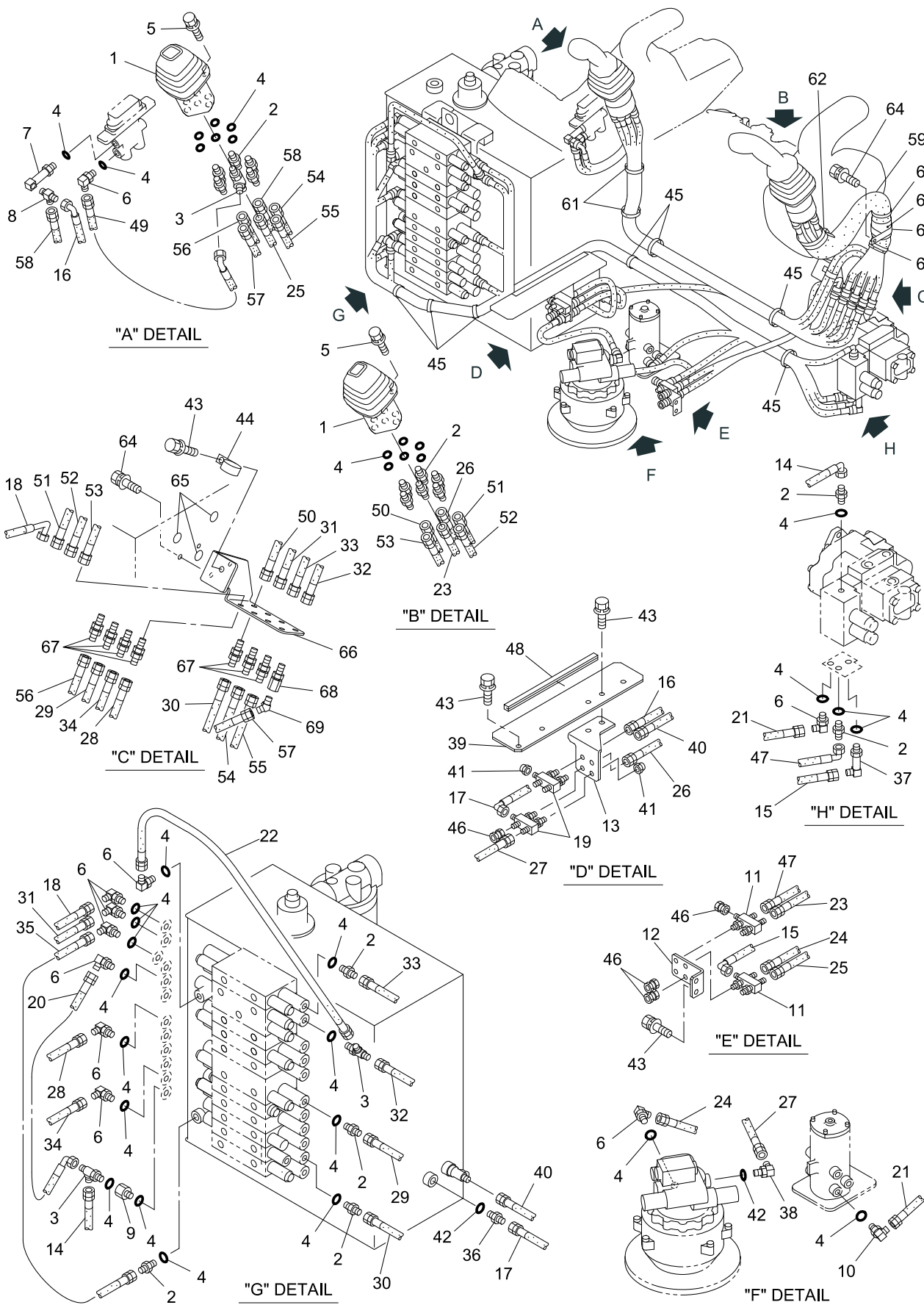
40V4-040200-1

| KEY No. | SU P. | PART No. | DESCRIPTION | Q'TY | CHAN | SERIAL No. | REMARKS |
|---------|-------|-------------|------------------------------|------|------|------------|-------------|
| 0 | × | F342 651 00 | Piping Ass'y, Swing & Travel | 1 | | WZ010001- | |
| 1 | | D070 363 19 | *Hose Ass'y | 2 | | WZ010001- | L=1100 |
| 2 | | D070 363 04 | *Hose Ass'y | 2 | | WZ010001- | L=950 |
| 3 | | D070 362 14 | *Hose Ass'y | 1 | | WZ010001- | L=770 |
| 4 | | D070 362 12 | *Hose Ass'y | 1 | | WZ010001- | L=730 |
| 5 | | 0713 700 03 | *Adapter | 2 | | WZ010001- | |
| 6 | | 0820 067 10 | *Band, Cable | 2 | | WZ010001- | |
| 7 | | 0760 710 16 | *Ring, 0 | 2 | | WZ010001- | P14-90B |
| 8 | | 4070 351 03 | *Cover, Hose | 1 | | WZ010001- | |
| 9 | | D060 071 00 | *Bush, Reducer | 1 | | WZ010001- | PF1/2XPF3/8 |
| 10 | | 0713 700 78 | *Adapter, Reducer | 1 | | WZ010001- | PF1/2XPF3/8 |
| 11 | | 4072 971 00 | *Connector | 2 | | WZ010001- | PF1/2XPF3/8 |
| 12 | | 0713 700 04 | *Adapter | 2 | | WZ010001- | |
| 13 | | 0760 710 19 | *Ring, 0 | 8 | | WZ010001- | P18-90B |
| 14 | | 0710 114 44 | *Elbow, 45 | 2 | | WZ010001- | |
| 15 | | 0713 700 04 | *Adapter | 2 | | WZ010001- | |



40V4-040300-1

| KEY No. | SU P. | PART No. | DESCRIPTION | Q'TY | CHAN | SERIAL No. | REMARKS |
|---------|-------|-------------|---|------|------|------------|------------------|
| 0 | × | F342 651 00 | Piping Ass'y, Pump Discharge & Boom Swing | 1 | | WZ010001- | |
| 0-1 | × | F388 388 00 | Piping Ass'y, Pump Discharge & Boom Swing | 1 | | WZ010001- | |
| 1 | | D083 154 00 | *Clamp | 2 | | WZ010001- | |
| 2 | | D580 170 00 | *Pad | 2 | | WZ010001- | |
| 3 | | D580 184 00 | *Pad | 2 | | WZ010001- | |
| 4 | | D070 360 02 | *Hose Ass'y | 2 | | WZ010001- | L=710 |
| 5 | | D070 350 11 | *Hose Ass'y | 1 | | WZ010001- | L=910 |
| 6 | | D070 350 06 | *Hose Ass'y | 1 | | WZ010001- | L=1350 |
| 7 | | D070 578 01 | *Hose Ass'y | 2 | | WZ010001- | L=2090 |
| 8 | | D070 578 02 | *Hose Ass'y | 1 | | WZ010001- | L=2170 |
| 9 | | D060 535 00 | *Elbow, Long | 1 | | WZ010001- | |
| 10 | | D060 408 00 | *Elbow | 2 | | WZ010001- | |
| 11 | | 0710 202 02 | *Plug | 3 | | WZ010001- | |
| 12 | | 0760 710 19 | *Ring, 0 | 8 | | WZ010001- | P18-90B |
| 13 | | 0517 080 50 | *Bolt, Treatment (W/L.W, F.W) | 4 | | WZ010001- | M8X50 |
| 14 | | D070 350 10 | *Hose Ass'y | 1 | | WZ010001- | L=1290 |
| 15 | | D040 249 07 | *Spacer | 4 | | WZ010001- | |
| 16 | | D419 490 00 | *Bracket | 1 | | WZ010001- | |
| 17 | | D060 540 00 | *Connector | 3 | | WZ010001- | |
| 18 | | 0518 100 30 | *Bolt, Treatment (W/L.W, F.W) | 2 | | WZ010001- | M10X30 P=1.25 |
| 19 | | D060 503 00 | *Adapter, Reducer | 2 | | WZ010001- | PF1/2XPF1/4 |
| 20 | | 0710 113 44 | *Elbow | 2 | | WZ010001- | |
| 21 | | 4072 769 00 | *Elbow, Long | 1 | | WZ010001- | |
| 22 | | 0713 700 77 | *Adapter, Reducer | 2 | | WZ010001- | PF3/8XPF1/4 |
| 23 | | 0760 710 16 | *Ring, 0 | 2 | | WZ010001- | P14-90B |
| 24 | | 4070 390 03 | *Cover, Hose | 1 | | WZ010001- | |
| 25 | | 0820 067 10 | *Band, Cable | 2 | | WZ010001- | |

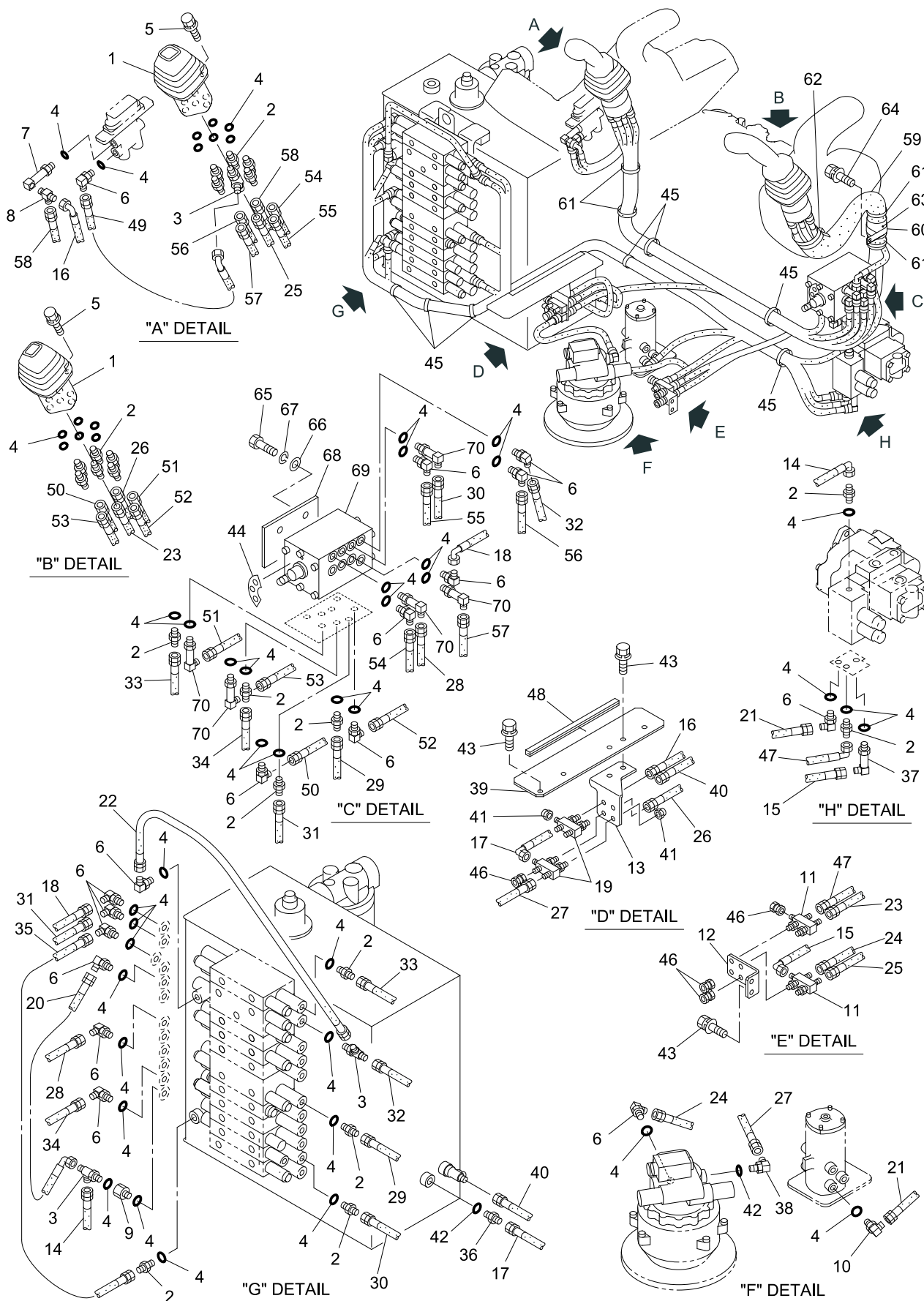


40V4-040400-1

| KEY No. | SU P. | PART No. | DESCRIPTION | Q'TY | CHAN | SERIAL No. | REMARKS |
|---------|-------|-------------|-------------------------------|------|------|------------|-------------|
| 0 | × | F342 640 00 | Piping Ass'y, Control | 1 | | WZ010001- | |
| 1 | # | 0783 964 UA | *Valve Assy Remote Control | 2 | | WZ010001- | Sh. No. 5-5 |
| 2 | | 0713 700 70 | *Connector | 17 | | WZ010001- | |
| 3 | | 0710 713 09 | *Tee | 3 | | WZ010001- | |
| 4 | | 0760 710 12 | *Ring, O | 34 | | WZ010001- | P11-90B |
| 5 | | 0517 060 25 | *Bolt, Treatment (W/L.W, F.W) | 6 | | WZ010001- | M6X25 |
| 6 | | 0710 122 09 | *Elbow | 10 | | WZ010001- | |
| 7 | | 0719 805 UA | *Elbow | 1 | | WZ010001- | |
| 8 | | 0710 709 02 | *Tee | 1 | | WZ010001- | |
| 9 | | D060 525 00 | *Connector | 1 | | WZ010001- | |
| 10 | | 0710 117 02 | *Elbow | 1 | | WZ010001- | |
| 11 | | D065 093 00 | *Manifold | 2 | | WZ010001- | |
| 12 | | D418 943 00 | *Bracket | 1 | | WZ010001- | |
| 13 | | D418 944 00 | *Bracket | 1 | | WZ010001- | |
| 14 | | 4070 551 34 | *Hose Ass'y | 1 | | WZ010001- | L=1900 |
| 15 | | 4070 551 01 | *Hose Ass'y | 1 | | WZ010001- | L=1150 |
| 16 | | 4070 551 22 | *Hose Ass'y | 1 | | WZ010001- | L=1000 |
| 16-1 | ☆ | D407 818 04 | *Decal (BT) | 2 | | WZ010001- | D407 818 00 |
| 17 | | 4070 124 09 | *Hose Ass'y | 1 | | WZ010001- | L=470 |
| 18 | | 4070 551 43 | *Hose Ass'y | 1 | | WZ010001- | L=2450 |
| 18-1 | ☆ | 4405 308 01 | *Decal (C1) | 2 | | WZ010001- | 4405 308 00 |
| 19 | | D065 094 00 | *Manifold | 2 | | WZ010001- | |
| 20 | | 4070 551 19 | *Hose Ass'y | 1 | | WZ010001- | L=600 |
| 21 | | 4070 548 68 | *Hose Ass'y | 1 | | WZ010001- | L=1070 |
| 22 | | 4070 548 57 | *Hose Ass'y | 1 | | WZ010001- | L=450 |
| 23 | | 4070 548 40 | *Hose Ass'y | 1 | | WZ010001- | L=1650 |
| 23-1 | ☆ | 4405 311 02 | *Decal (LP) | 2 | | WZ010001- | 4405 311 00 |
| 24 | | 4070 548 82 | *Hose Ass'y | 1 | | WZ010001- | L=420 |
| 25 | | 4070 548 69 | *Hose Ass'y | 1 | | WZ010001- | L=840 |
| 25-1 | ☆ | 4405 311 01 | *Decal (RP) | 2 | | WZ010001- | 4405 311 00 |
| 26 | | 4070 548 42 | *Hose Ass'y | 1 | | WZ010001- | L=1670 |
| 26-1 | ☆ | 4405 312 02 | *Decal (LT) | 2 | | WZ010001- | 4405 312 00 |
| 27 | | 4070 548 88 | *Hose Ass'y | 1 | | WZ010001- | L=780 |
| 28 | | 4070 548 89 | *Hose Ass'y | 1 | | WZ010001- | L=2250 |
| 28-1 | ☆ | 4405 309 02 | *Decal (A2) | 2 | | WZ010001- | 4405 309 00 |
| 29 | | 4070 548 61 | *Hose Ass'y | 1 | | WZ010001- | L=1700 |
| 29-1 | ☆ | 4405 309 01 | *Decal (A1) | 2 | | WZ010001- | 4405 309 00 |
| 30 | | 4070 548 41 | *Hose Ass'y | 1 | | WZ010001- | L=1850 |
| 30-1 | ☆ | 4405 310 02 | *Decal (S2) | 2 | | WZ010001- | 4405 310 00 |
| 31 | | 4070 548 35 | *Hose Ass'y | 1 | | WZ010001- | L=2400 |
| 31-1 | ☆ | 4405 307 02 | *Decal (B2) | 2 | | WZ010001- | 4405 307 00 |
| 32 | | 4070 548 39 | *Hose Ass'y | 1 | | WZ010001- | L=2000 |
| 32-1 | ☆ | 4405 307 01 | *Decal (B1) | 2 | | WZ010001- | 4405 307 00 |
| 33 | | 4070 548 65 | *Hose Ass'y | 1 | | WZ010001- | L=1950 |
| 33-1 | ☆ | 4405 308 02 | *Decal (C2) | 2 | | WZ010001- | 4405 308 00 |

| KEY No. | SU P. | PART No. | DESCRIPTION | Q'TY | CHAN | SERIAL No. | REMARKS |
|---------|-------|-------------|-------------------------------|------|------|------------|------------------|
| 34 | | 4070 548 21 | *Hose Ass'y | 1 | | WZ010001- | L=2100 |
| 34-1 | ☆ | 4405 310 01 | *Decal (S1) | 2 | | WZ010001- | 4405 310 00 |
| 35 | | 4070 548 70 | *Hose Ass'y | 1 | | WZ010001- | L=680 |
| 36 | | 0713 700 71 | *Adapter | 1 | | WZ010001- | |
| 37 | | 0710 117 02 | *Elbow, Long | 1 | | WZ010001- | |
| 38 | | 0710 113 32 | *Elbow, Reducer | 1 | | WZ010001- | PF3/8XPF1/4 |
| 39 | | D418 948 00 | *Bracket | 1 | | WZ010001- | |
| 40 | | 4070 782 06 | *Hose Ass'y | 1 | | WZ010001- | L=500 |
| 41 | | 0710 303 03 | *Plug, Swivel | 2 | | WZ010001- | |
| 42 | | 0760 710 16 | *Ring, O | 2 | | WZ010001- | P14-90B |
| 43 | | 0518 100 20 | *Bolt, Treatment (W/L.W, F.W) | 7 | | WZ010001- | M10X20 P=1.25 |
| 44 | | 4080 000 25 | *Clamp, Hose | 1 | | WZ010001- | |
| 45 | | 0820 067 05 | *Band, Cable | 7 | | WZ010001- | |
| 46 | | 0710 303 02 | *Plug, Swivel | 4 | | WZ010001- | PF1/4 |
| 47 | | 4070 551 45 | *Hose Ass'y | 1 | | WZ010001- | L=950 |
| 48 | | D550 019 00 | *Seal | 1 | | WZ010001- | L=300 |
| 49 | | 4070 551 15 | *Hose Ass'y | 1 | | WZ010001- | L=350 |
| 49-1 | ☆ | D407 818 03 | *Decal (BP) | 2 | | WZ010001- | D407 818 00 |
| 50 | | 4070 548 25 | *Hose Ass'y | 1 | | WZ010001- | L=700 |
| 50-1 | ☆ | 4405 309 03 | *Decal (L1) | 2 | | WZ010001- | 4405 309 00 |
| 51 | | 4070 548 25 | *Hose Ass'y | 1 | | WZ010001- | L=700 |
| 51-1 | ☆ | 4405 310 03 | *Decal (L2) | 2 | | WZ010001- | 4405 310 00 |
| 52 | | 4070 548 25 | *Hose Ass'y | 1 | | WZ010001- | L=700 |
| 52-1 | ☆ | 4405 309 04 | *Decal (L3) | 2 | | WZ010001- | 4405 309 00 |
| 53 | | 4070 548 25 | *Hose Ass'y | 1 | | WZ010001- | L=700 |
| 53-1 | ☆ | 4405 310 04 | *Decal (L4) | 2 | | WZ010001- | 4405 310 00 |
| 54 | | 4070 548 06 | *Hose Ass'y | 1 | | WZ010001- | L=1200 |
| 54-1 | ☆ | 4405 308 03 | *Decal (R2) | 2 | | WZ010001- | 4405 308 00 |
| 55 | | 4070 548 06 | *Hose Ass'y | 1 | | WZ010001- | L=1200 |
| 55-1 | ☆ | 4405 307 04 | *Decal (R3) | 2 | | WZ010001- | 4405 307 00 |
| 56 | | 4070 548 19 | *Hose Ass'y | 1 | | WZ010001- | L=1250 |
| 56-1 | ☆ | 4405 307 03 | *Decal (R1) | 2 | | WZ010001- | 4405 307 00 |
| 57 | | 4070 548 19 | *Hose Ass'y | 1 | | WZ010001- | L=1250 |
| 57-1 | ☆ | 4405 308 04 | *Decal (R4) | 2 | | WZ010001- | 4405 308 00 |
| 58 | | 4070 548 08 | *Hose Ass'y | 1 | | WZ010001- | L=300 |
| 58-1 | ☆ | 4405 312 01 | *Decal (RT) | 2 | | WZ010001- | 4405 312 00 |
| 59 | | D070 577 01 | *Hose | 1 | | WZ010001- | |
| 60 | | 4080 000 09 | *Clamp, Hose | 1 | | WZ010001- | |
| 61 | | 0820 067 09 | *Band, Cable | 4 | | WZ010001- | |
| 62 | | 0820 067 10 | *Band, Cable | 1 | | WZ010001- | |
| 63 | | 4580 016 00 | *Pad, Rubber | 1 | | WZ010001- | |
| 64 | | 0518 100 25 | *Bolt, Treatment (W/L.W, F.W) | 3 | | WZ010001- | M10X25 P=1.25 |
| 65 | | D405 272 00 | *Seal | 3 | | WZ010001- | |

| KEY No. | SU P. | PART No. | DESCRIPTION | Q'TY | CHAN | SERIAL No. | REMARKS |
|---------|-------|-------------|-------------|------|------|------------|---------|
| 66 | | D419 122 00 | *Bracket | 1 | | WZ010001- | |
| 67 | | D060 137 00 | *Adapter | 7 | | WZ010001- | |
| 68 | | 0712 325 02 | *Adapter | 1 | | WZ010001- | |
| 69 | | 0712 310 40 | *Elbow, 45 | 1 | | WZ010001- | |

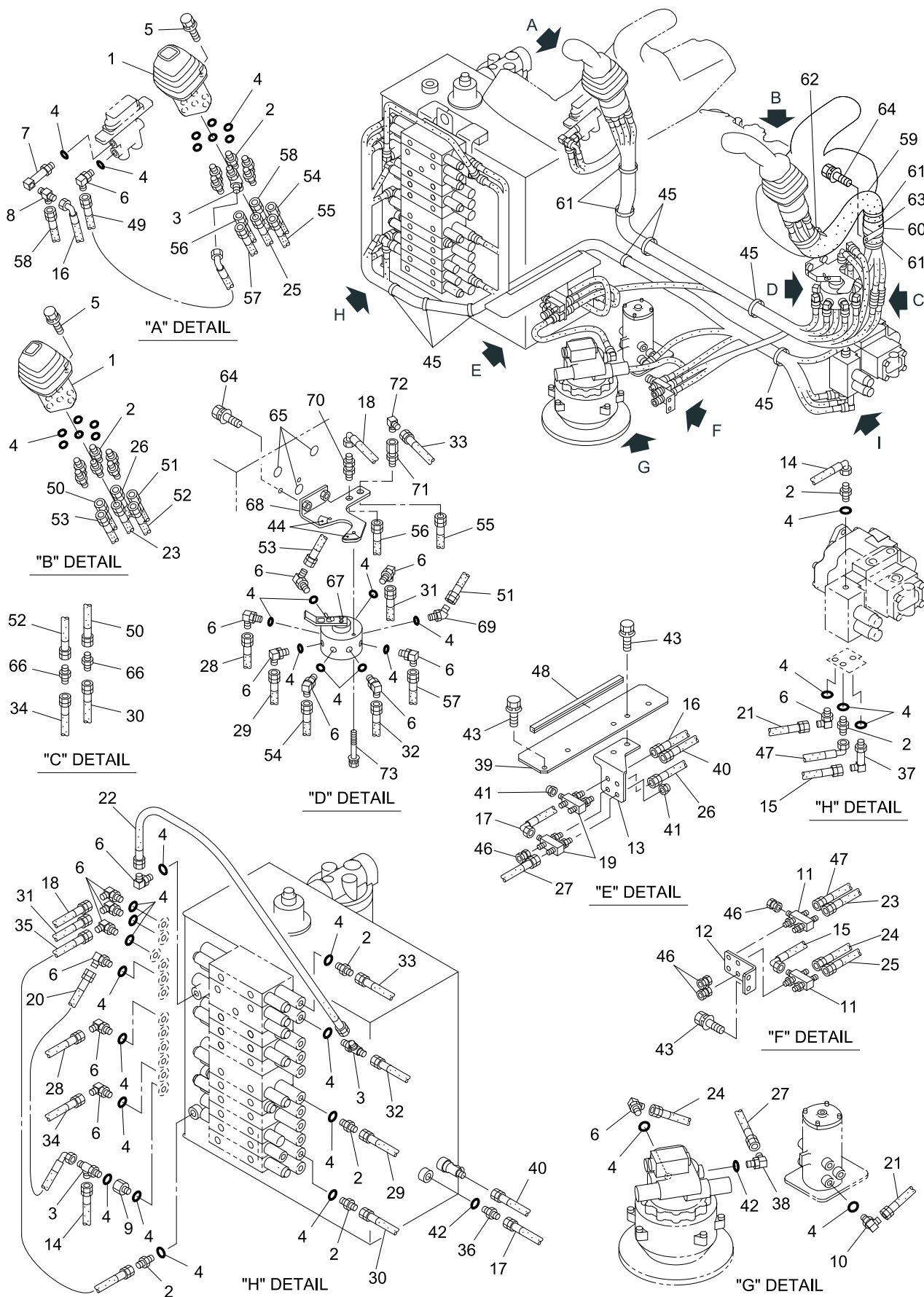


40V4-04040A-1

| KEY No. | SU P. | PART No. | DESCRIPTION | Q'TY | CHAN | SERIAL No. | REMARKS |
|---------|-------|-------------|-------------------------------|------|------|------------|-------------|
| 0 | × | F342 640 00 | Piping Ass'y, Control | 1 | | WZ010001- | |
| 1 | # | 0783 964 UA | *Valve Assy Remote Control | 2 | | WZ010001- | Sh. No. 5-5 |
| 2 | | 0713 700 70 | *Connector | 21 | | WZ010001- | |
| 3 | | 0710 713 09 | *Tee | 3 | | WZ010001- | |
| 4 | | 0760 710 12 | *Ring, O | 50 | | WZ010001- | P11-90B |
| 5 | | 0517 060 25 | *Bolt, Treatment (W/L.W, F.W) | 6 | | WZ010001- | M6X25 |
| 6 | | 0710 122 09 | *Elbow | 17 | | WZ010001- | |
| 7 | | 0719 805 UA | *Elbow | 1 | | WZ010001- | |
| 8 | | 0710 709 02 | *Tee | 1 | | WZ010001- | |
| 9 | | D060 525 00 | *Connector | 1 | | WZ010001- | |
| 10 | | 0710 117 02 | *Elbow | 1 | | WZ010001- | |
| 11 | | D065 093 00 | *Manifold | 2 | | WZ010001- | |
| 12 | | D418 943 00 | *Bracket | 1 | | WZ010001- | |
| 13 | | D418 944 00 | *Bracket | 1 | | WZ010001- | |
| 14 | | 4070 551 34 | *Hose Ass'y | 1 | | WZ010001- | L=1900 |
| 15 | | 4070 551 01 | *Hose Ass'y | 1 | | WZ010001- | L=1150 |
| 16 | | 4070 551 22 | *Hose Ass'y | 1 | | WZ010001- | L=1000 |
| 16-1 | ☆ | D407 818 04 | *Decal (BT) | 2 | | WZ010001- | D407 818 00 |
| 17 | | 4070 124 09 | *Hose Ass'y | 1 | | WZ010001- | L=470 |
| 18 | | 4070 551 43 | *Hose Ass'y | 1 | | WZ010001- | L=2450 |
| 18-1 | ☆ | 4405 308 01 | *Decal (C1) | 2 | | WZ010001- | 4405 308 00 |
| 19 | | D065 094 00 | *Manifold | 2 | | WZ010001- | |
| 20 | | 4070 551 19 | *Hose Ass'y | 1 | | WZ010001- | L=600 |
| 21 | | 4070 548 68 | *Hose Ass'y | 1 | | WZ010001- | L=1070 |
| 22 | | 4070 548 57 | *Hose Ass'y | 1 | | WZ010001- | L=450 |
| 23 | | 4070 548 40 | *Hose Ass'y | 1 | | WZ010001- | L=1650 |
| 23-1 | ☆ | 4405 311 02 | *Decal (LP) | 2 | | WZ010001- | 4405 311 00 |
| 24 | | 4070 548 82 | *Hose Ass'y | 1 | | WZ010001- | L=420 |
| 25 | | 4070 548 69 | *Hose Ass'y | 1 | | WZ010001- | L=840 |
| 25-1 | ☆ | 4405 311 01 | *Decal (RP) | 2 | | WZ010001- | 4405 311 00 |
| 26 | | 4070 548 42 | *Hose Ass'y | 1 | | WZ010001- | L=1670 |
| 26-1 | ☆ | 4405 312 02 | *Decal (LT) | 2 | | WZ010001- | 4405 312 00 |
| 27 | | 4070 548 88 | *Hose Ass'y | 1 | | WZ010001- | L=780 |
| 28 | | 4070 548 89 | *Hose Ass'y | 1 | | WZ010001- | L=2250 |
| 28-1 | ☆ | 4405 309 02 | *Decal (A2) | 2 | | WZ010001- | 4405 309 00 |
| 29 | | 4070 548 61 | *Hose Ass'y | 1 | | WZ010001- | L=1700 |
| 29-1 | ☆ | 4405 309 01 | *Decal (A1) | 2 | | WZ010001- | 4405 309 00 |
| 30 | | 4070 548 41 | *Hose Ass'y | 1 | | WZ010001- | L=1850 |
| 30-1 | ☆ | 4405 310 02 | *Decal (S2) | 2 | | WZ010001- | 4405 310 00 |
| 31 | | 4070 548 35 | *Hose Ass'y | 1 | | WZ010001- | L=2400 |
| 31-1 | ☆ | 4405 307 02 | *Decal (B2) | 2 | | WZ010001- | 4405 307 00 |
| 32 | | 4070 548 39 | *Hose Ass'y | 1 | | WZ010001- | L=2000 |
| 32-1 | ☆ | 4405 307 01 | *Decal (B1) | 2 | | WZ010001- | 4405 307 00 |
| 33 | | 4070 548 65 | *Hose Ass'y | 1 | | WZ010001- | L=1950 |
| 33-1 | ☆ | 4405 308 02 | *Decal (C2) | 2 | | WZ010001- | 4405 308 00 |

| KEY No. | SU P. | PART No. | DESCRIPTION | Q'TY | CHAN | SERIAL No. | REMARKS |
|---------|-------|-------------|-------------------------------|------|------|------------|------------------|
| 34 | | 4070 548 21 | *Hose Ass'y | 1 | | WZ010001- | L=2100 |
| 34-1 | ☆ | 4405 310 01 | *Decal (S1) | 2 | | WZ010001- | 4405 310 00 |
| 35 | | 4070 548 70 | *Hose Ass'y | 1 | | WZ010001- | L=680 |
| 36 | | 0713 700 71 | *Adapter | 1 | | WZ010001- | |
| 37 | | 0710 117 02 | *Elbow, Long | 1 | | WZ010001- | |
| 38 | | 0710 113 32 | *Elbow, Reducer | 1 | | WZ010001- | PF3/8XPF1/4 |
| 39 | | D418 948 00 | *Bracket | 1 | | WZ010001- | |
| 40 | | 4070 782 06 | *Hose Ass'y | 1 | | WZ010001- | L=500 |
| 41 | | 0710 303 03 | *Plug, Swivel | 2 | | WZ010001- | |
| 42 | | 0760 710 16 | *Ring, O | 2 | | WZ010001- | P14-90B |
| 43 | | 0518 100 20 | *Bolt, Treatment (W/L.W, F.W) | 5 | | WZ010001- | M10X20 P=1.25 |
| 44 | | D405 447 00 | *Decal (For A-D) | 1 | | WZ010001- | |
| 44-1 | | D405 518 00 | *Decal (For A, B, G) | 1 | | WZ010001- | |
| 45 | | 0820 067 05 | *Band, Cable | 7 | | WZ010001- | |
| 46 | | 0710 303 02 | *Plug, Swivel | 4 | | WZ010001- | PF1/4 |
| 47 | | 4070 551 45 | *Hose Ass'y | 1 | | WZ010001- | L=950 |
| 48 | | D550 019 00 | *Seal | 1 | | WZ010001- | L=300 |
| 49 | | 4070 551 15 | *Hose Ass'y | 1 | | WZ010001- | L=350 |
| 49-1 | ☆ | D407 818 03 | *Decal (BP) | 2 | | WZ010001- | D407 818 00 |
| 50 | | 4070 548 25 | *Hose Ass'y | 1 | | WZ010001- | L=700 |
| 50-1 | ☆ | 4405 309 03 | *Decal (L1) | 2 | | WZ010001- | 4405 309 00 |
| 51 | | 4070 548 25 | *Hose Ass'y | 1 | | WZ010001- | L=700 |
| 51-1 | ☆ | 4405 310 03 | *Decal (L2) | 2 | | WZ010001- | 4405 310 00 |
| 52 | | 4070 548 25 | *Hose Ass'y | 1 | | WZ010001- | L=700 |
| 52-1 | ☆ | 4405 309 04 | *Decal (L3) | 2 | | WZ010001- | 4405 309 00 |
| 53 | | 4070 548 25 | *Hose Ass'y | 1 | | WZ010001- | L=700 |
| 53-1 | ☆ | 4405 310 04 | *Decal (L4) | 2 | | WZ010001- | 4405 310 00 |
| 54 | | 4070 548 06 | *Hose Ass'y | 1 | | WZ010001- | L=1200 |
| 54-1 | ☆ | 4405 308 03 | *Decal (R2) | 2 | | WZ010001- | 4405 308 00 |
| 55 | | 4070 548 06 | *Hose Ass'y | 1 | | WZ010001- | L=1200 |
| 55-1 | ☆ | 4405 307 04 | *Decal (R3) | 2 | | WZ010001- | 4405 307 00 |
| 56 | | 4070 548 19 | *Hose Ass'y | 1 | | WZ010001- | L=1250 |
| 56-1 | ☆ | 4405 307 03 | *Decal (R1) | 2 | | WZ010001- | 4405 307 00 |
| 57 | | 4070 548 19 | *Hose Ass'y | 1 | | WZ010001- | L=1250 |
| 57-1 | ☆ | 4405 308 04 | *Decal (R4) | 2 | | WZ010001- | 4405 308 00 |
| 58 | | 4070 548 08 | *Hose Ass'y | 1 | | WZ010001- | L=300 |
| 58-1 | ☆ | 4405 312 01 | *Decal (RT) | 2 | | WZ010001- | 4405 312 00 |
| 59 | | D070 577 01 | *Hose | 1 | | WZ010001- | |
| 60 | | 4080 000 09 | *Clamp, Hose | 1 | | WZ010001- | |
| 61 | | 0820 067 09 | *Band, Cable | 4 | | WZ010001- | |
| 62 | | 0820 067 10 | *Band, Cable | 1 | | WZ010001- | |
| 63 | | 4580 016 00 | *Pad, Rubber | 1 | | WZ010001- | |
| 64 | | 0518 100 25 | *Bolt, Treatment (W/L.W, F.W) | 1 | | WZ010001- | M10X25 P=1.25 |

| KEY No. | SU P. | PART No. | DESCRIPTION | Q'TY | CHAN | SERIAL No. | REMARKS |
|---------|-------|-------------|--------------------------------------|------|------|------------|--------------|
| 65 | | 0550 120 25 | *Bolt, Hex. | 3 | | WZ010001- | M12X25 |
| 66 | | 0593 120 00 | *Washer, Flat | 3 | | WZ010001- | M12 |
| 67 | | 0590 120 00 | *Washer, Lock | 3 | | WZ010001- | M12 |
| 68 | | D040 345 00 | *Spacer | 1 | | WZ010001- | |
| 69 | # | 0784 112 UA | *Valve Ass'y, Multiple (For A-D) | 1 | | WZ010001- | Sh. No. 5-15 |
| 69-1 | | 0784 113 UA | *Valve Ass'y, Multiple (For A, B, G) | 1 | | WZ010001- | |
| 70 | | D060 028 00 | *Elbow | 5 | | WZ010001- | |

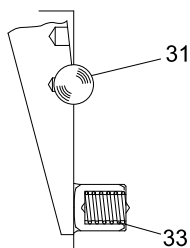
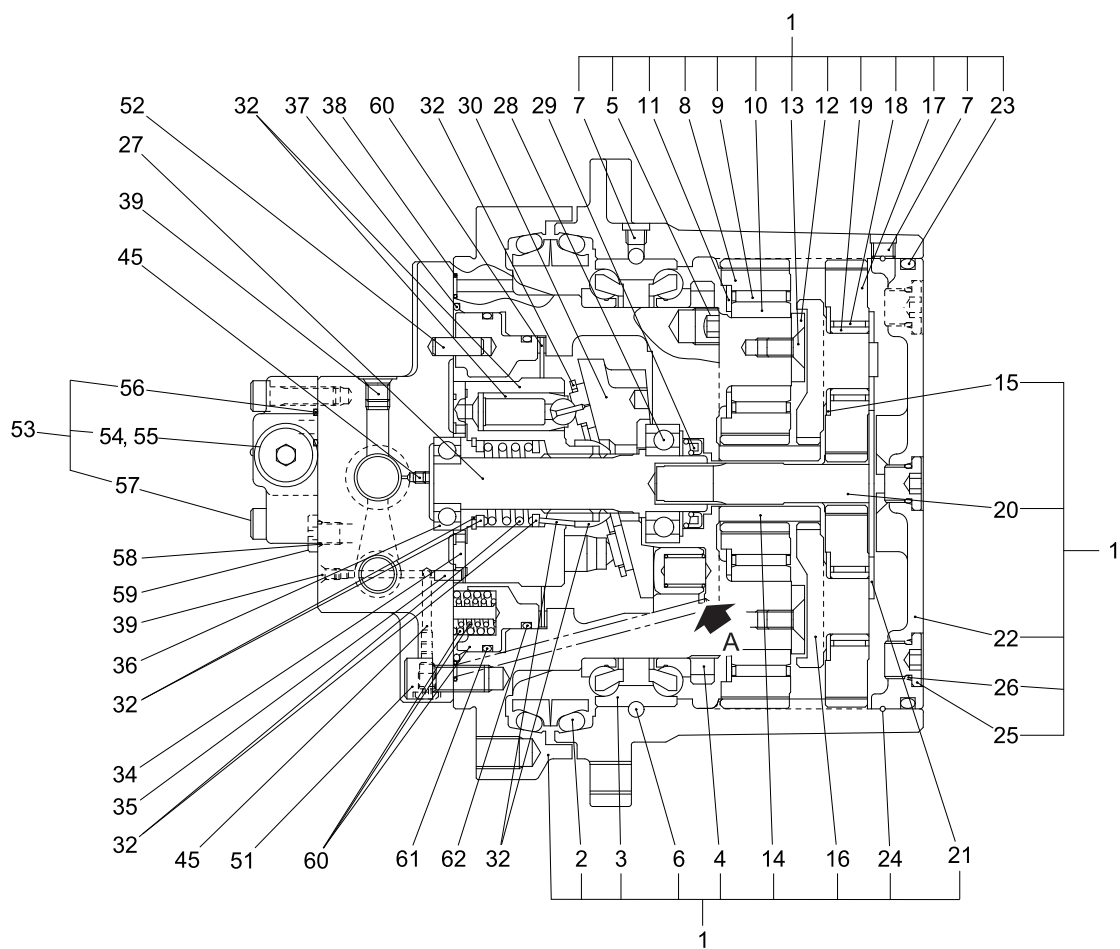


40V4-04040B-1

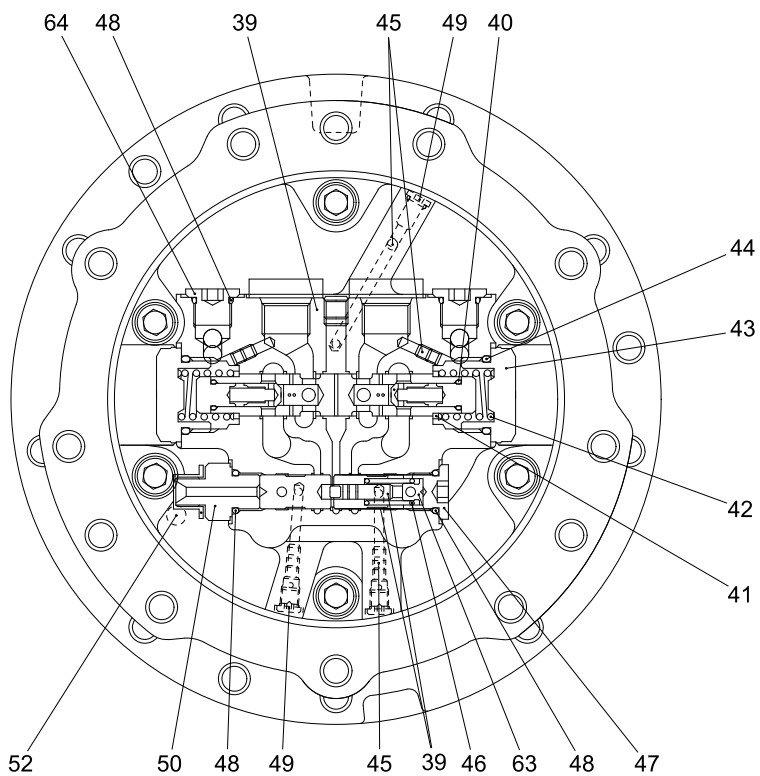
| KEY No. | SU P. | PART No. | DESCRIPTION | Q'TY | CHAN | SERIAL No. | REMARKS |
|---------|-------|-------------|-------------------------------|------|------|------------|-------------|
| 0 | × | F342 640 00 | Piping Ass'y, Control | 1 | | WZ010001- | |
| 1 | # | 0783 964 UA | *Valve Assy Remote Control | 2 | | WZ010001- | Sh. No. 5-5 |
| 2 | | 0713 700 70 | *Connector | 17 | | WZ010001- | |
| 3 | | 0710 713 09 | *Tee | 3 | | WZ010001- | |
| 4 | | 0760 710 12 | *Ring, 0 | 42 | | WZ010001- | P11-90B |
| 5 | | 0517 060 25 | *Bolt, Treatment (W/L.W, F.W) | 6 | | WZ010001- | M6X25 |
| 6 | | 0710 122 09 | *Elbow | 17 | | WZ010001- | |
| 7 | | 0719 805 UA | *Elbow | 1 | | WZ010001- | |
| 8 | | 0710 709 02 | *Tee | 1 | | WZ010001- | |
| 9 | | D060 525 00 | *Connector | 1 | | WZ010001- | |
| 10 | | 0710 117 02 | *Elbow | 1 | | WZ010001- | |
| 11 | | D065 093 00 | *Manifold | 2 | | WZ010001- | |
| 12 | | D418 943 00 | *Bracket | 1 | | WZ010001- | |
| 13 | | D418 944 00 | *Bracket | 1 | | WZ010001- | |
| 14 | | 4070 551 34 | *Hose Ass'y | 1 | | WZ010001- | L=1900 |
| 15 | | 4070 551 01 | *Hose Ass'y | 1 | | WZ010001- | L=1150 |
| 16 | | 4070 551 22 | *Hose Ass'y | 1 | | WZ010001- | L=1000 |
| 16-1 | ☆ | D407 818 04 | *Decal (BT) | 2 | | WZ010001- | D407 818 00 |
| 17 | | 4070 124 09 | *Hose Ass'y | 1 | | WZ010001- | L=470 |
| 18 | | 4070 551 43 | *Hose Ass'y | 1 | | WZ010001- | L=2450 |
| 18-1 | ☆ | 4405 308 01 | *Decal (C1) | 2 | | WZ010001- | 4405 308 00 |
| 19 | | D065 094 00 | *Manifold | 2 | | WZ010001- | |
| 20 | | 4070 551 19 | *Hose Ass'y | 1 | | WZ010001- | L=600 |
| 21 | | 4070 548 68 | *Hose Ass'y | 1 | | WZ010001- | L=1070 |
| 22 | | 4070 548 57 | *Hose Ass'y | 1 | | WZ010001- | L=450 |
| 23 | | 4070 548 40 | *Hose Ass'y | 1 | | WZ010001- | L=1650 |
| 23-1 | ☆ | 4405 311 02 | *Decal (LP) | 2 | | WZ010001- | 4405 311 00 |
| 24 | | 4070 548 82 | *Hose Ass'y | 1 | | WZ010001- | L=420 |
| 25 | | 4070 548 69 | *Hose Ass'y | 1 | | WZ010001- | L=840 |
| 25-1 | ☆ | 4405 311 01 | *Decal (RP) | 2 | | WZ010001- | 4405 311 00 |
| 26 | | 4070 548 42 | *Hose Ass'y | 1 | | WZ010001- | L=1670 |
| 26-1 | ☆ | 4405 312 02 | *Decal (LT) | 2 | | WZ010001- | 4405 312 00 |
| 27 | | 4070 548 88 | *Hose Ass'y | 1 | | WZ010001- | L=780 |
| 28 | | 4070 548 89 | *Hose Ass'y | 1 | | WZ010001- | L=2250 |
| 28-1 | ☆ | 4405 309 02 | *Decal (A2) | 2 | | WZ010001- | 4405 309 00 |
| 29 | | 4070 548 61 | *Hose Ass'y | 1 | | WZ010001- | L=1700 |
| 29-1 | ☆ | 4405 309 01 | *Decal (A1) | 2 | | WZ010001- | 4405 309 00 |
| 30 | | 4070 548 41 | *Hose Ass'y | 1 | | WZ010001- | L=1850 |
| 30-1 | ☆ | 4405 310 02 | *Decal (S2) | 2 | | WZ010001- | 4405 310 00 |
| 31 | | 4070 548 35 | *Hose Ass'y | 1 | | WZ010001- | L=2400 |
| 31-1 | ☆ | 4405 307 02 | *Decal (B2) | 2 | | WZ010001- | 4405 307 00 |
| 32 | | 4070 548 39 | *Hose Ass'y | 1 | | WZ010001- | L=2000 |
| 32-1 | ☆ | 4405 307 01 | *Decal (B1) | 2 | | WZ010001- | 4405 307 00 |
| 33 | | 4070 548 65 | *Hose Ass'y | 1 | | WZ010001- | L=1950 |
| 33-1 | ☆ | 4405 308 02 | *Decal (C2) | 2 | | WZ010001- | 4405 308 00 |

| KEY No. | SU P. | PART No. | DESCRIPTION | Q'TY | CHAN | SERIAL No. | REMARKS |
|---------|-------|-------------|-------------------------------|------|------|------------|------------------|
| 34 | | 4070 548 21 | *Hose Ass'y | 1 | | WZ010001- | L=2100 |
| 34-1 | ☆ | 4405 310 01 | *Decal (S1) | 2 | | WZ010001- | 4405 310 00 |
| 35 | | 4070 548 70 | *Hose Ass'y | 1 | | WZ010001- | L=680 |
| 36 | | 0713 700 71 | *Adapter | 1 | | WZ010001- | |
| 37 | | 0710 117 02 | *Elbow, Long | 1 | | WZ010001- | |
| 38 | | 0710 113 32 | *Elbow, Reducer | 1 | | WZ010001- | PF3/8XPF1/4 |
| 39 | | D418 948 00 | *Bracket | 1 | | WZ010001- | |
| 40 | | 4070 782 06 | *Hose Ass'y | 1 | | WZ010001- | L=500 |
| 41 | | 0710 303 03 | *Plug, Swivel | 2 | | WZ010001- | |
| 42 | | 0760 710 16 | *Ring, O | 2 | | WZ010001- | P14-90B |
| 43 | | 0518 100 20 | *Bolt, Treatment (W/L.W, F.W) | 5 | | WZ010001- | M10X20 P=1.25 |
| 44 | | 4448 987 00 | *Decal (For A, F) | 1 | | WZ010001- | |
| 45 | | 0820 067 05 | *Band, Cable | 7 | | WZ010001- | |
| 46 | | 0710 303 02 | *Plug, Swivel | 4 | | WZ010001- | PF1/4 |
| 47 | | 4070 551 45 | *Hose Ass'y | 1 | | WZ010001- | L=950 |
| 48 | | D550 019 00 | *Seal | 1 | | WZ010001- | L=300 |
| 49 | | 4070 551 15 | *Hose Ass'y | 1 | | WZ010001- | L=350 |
| 49-1 | ☆ | D407 818 03 | *Decal (BP) | 2 | | WZ010001- | D407 818 00 |
| 50 | | 4070 548 25 | *Hose Ass'y | 1 | | WZ010001- | L=700 |
| 50-1 | ☆ | 4405 309 03 | *Decal (L1) | 2 | | WZ010001- | 4405 309 00 |
| 51 | | 4070 548 25 | *Hose Ass'y | 1 | | WZ010001- | L=700 |
| 51-1 | ☆ | 4405 310 03 | *Decal (L2) | 2 | | WZ010001- | 4405 310 00 |
| 52 | | 4070 548 25 | *Hose Ass'y | 1 | | WZ010001- | L=700 |
| 52-1 | ☆ | 4405 309 04 | *Decal (L3) | 2 | | WZ010001- | 4405 309 00 |
| 53 | | 4070 548 25 | *Hose Ass'y | 1 | | WZ010001- | L=700 |
| 53-1 | ☆ | 4405 310 04 | *Decal (L4) | 2 | | WZ010001- | 4405 310 00 |
| 54 | | 4070 548 06 | *Hose Ass'y | 1 | | WZ010001- | L=1200 |
| 54-1 | ☆ | 4405 308 03 | *Decal (R2) | 2 | | WZ010001- | 4405 308 00 |
| 55 | | 4070 548 06 | *Hose Ass'y | 1 | | WZ010001- | L=1200 |
| 55-1 | ☆ | 4405 307 04 | *Decal (R3) | 2 | | WZ010001- | 4405 307 00 |
| 56 | | 4070 548 19 | *Hose Ass'y | 1 | | WZ010001- | L=1250 |
| 56-1 | ☆ | 4405 307 03 | *Decal (R1) | 2 | | WZ010001- | 4405 307 00 |
| 57 | | 4070 548 19 | *Hose Ass'y | 1 | | WZ010001- | L=1250 |
| 57-1 | ☆ | 4405 308 04 | *Decal (R4) | 2 | | WZ010001- | 4405 308 00 |
| 58 | | 4070 548 08 | *Hose Ass'y | 1 | | WZ010001- | L=300 |
| 58-1 | ☆ | 4405 312 01 | *Decal (RT) | 2 | | WZ010001- | 4405 312 00 |
| 59 | | D070 577 01 | *Hose | 1 | | WZ010001- | |
| 60 | | 4080 000 09 | *Clamp, Hose | 1 | | WZ010001- | |
| 61 | | 0820 067 09 | *Band, Cable | 4 | | WZ010001- | |
| 62 | | 0820 067 10 | *Band, Cable | 1 | | WZ010001- | |
| 63 | | 4580 016 00 | *Pad, Rubber | 1 | | WZ010001- | |
| 64 | | 0518 100 25 | *Bolt, Treatment (W/L.W, F.W) | 3 | | WZ010001- | M10X25 P=1.25 |
| 65 | | D405 272 00 | *Seal | 3 | | WZ010001- | |

| KEY No. | SU P. | PART No. | DESCRIPTION | Q'TY | CHAN | SERIAL No. | REMARKS |
|---------|-------|-------------|-------------------------------|------|------|------------|-----------------|
| 66 | | 0712 326 01 | *Adapter | 2 | | WZ010001- | |
| 67 | # | 0756 094 UA | *Valve Ass'y, Selector | 1 | | WZ010001- | Sh. No. 5-15[B] |
| 68 | | D418 583 00 | *Bracket | 1 | | WZ010001- | |
| 69 | | 0710 121 00 | *Elbow, 45 | 1 | | WZ010001- | |
| 70 | | D060 137 00 | *Adapter | 1 | | WZ010001- | |
| 71 | | 0712 325 02 | *Adapter | 1 | | WZ010001- | |
| 72 | | 0712 310 50 | *Elbow | 1 | | WZ010001- | |
| 73 | | 0517 060 60 | *Bolt, Treatment (W/L.W, F.W) | 2 | | WZ010001- | MGX60 |



"A" DETAIL

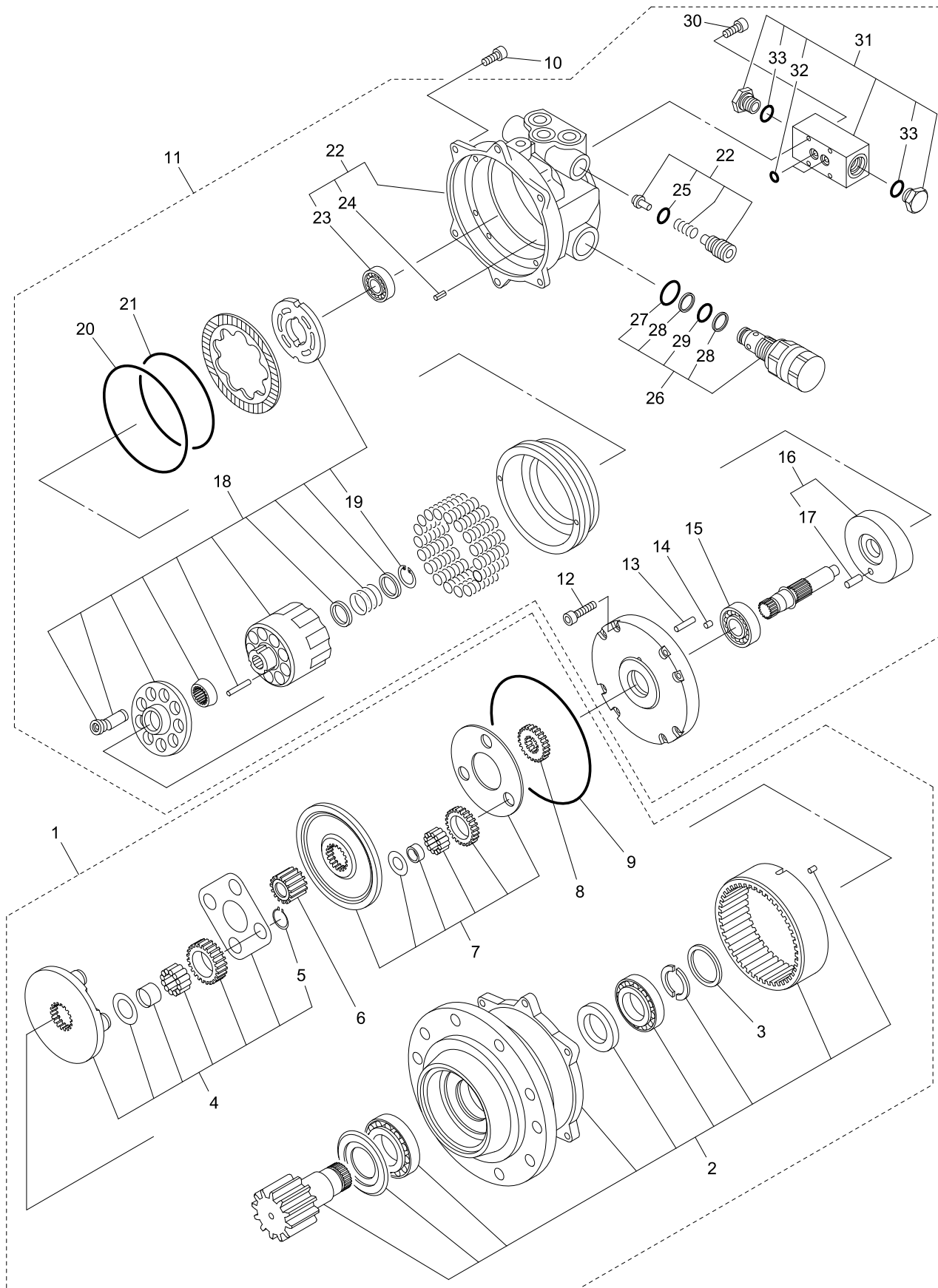


0781372UA-1

| KEY No. | SU P. | PART No. | DESCRIPTION | Q'TY | CHAN | SERIAL No. | REMARKS |
|---------|-------|-------------|------------------------|------|------|------------|----------|
| 0 | | 0781 372 UA | Motor Ass'y, Traction | 2 | | WZ010001- | |
| 1 | | 0781 372 91 | *Reduction Gear Ass'y | 1 | | WZ010001- | |
| 2 | | 0753 713 05 | **Seal, Floating | 2 | | WZ010001- | |
| 3 | | 0757 606 04 | **Bearing | 1 | | WZ010001- | |
| 4 | | 0781 372 01 | **Nut, Ring | 1 | | WZ010001- | |
| 5 | | 0781 133 02 | **Plug | 2 | | WZ010001- | |
| 6 | | 0609 016 10 | **Ball, Steel | 99 | | WZ010001- | d=1/4 |
| 7 | | 0710 201 01 | **Plug | 2 | | WZ010001- | PT1/8 |
| 8 | | 0781 372 02 | **Gear, Planetary (B) | 4 | | WZ010001- | |
| 9 | | 0781 372 03 | **Bearing | 4 | | WZ010001- | |
| 10 | | 0781 372 04 | **Race, Inner | 4 | | WZ010001- | |
| 11 | | 0781 133 07 | **Washer, Thrust | 4 | | WZ010001- | |
| 12 | | 0781 372 05 | **Plate, Thrust | 1 | | WZ010001- | |
| 13 | | 0781 238 20 | **Screw, Flat Head | 4 | | WZ010001- | |
| 14 | | 0781 372 06 | **Gear, Sun | 1 | | WZ010001- | |
| 15 | | 0781 372 07 | **Washer, Thrust | 3 | | WZ010001- | |
| 16 | | 0781 372 08 | **Holder | 1 | | WZ010001- | |
| 17 | | 0781 372 09 | **Gear, Planetary (A) | 3 | | WZ010001- | |
| 18 | | 0757 606 20 | **Bearing | 3 | | WZ010001- | |
| 19 | | 0781 133 11 | **Race, Inner | 3 | | WZ010001- | |
| 20 | | 0781 372 10 | **Gear, Drive | 1 | | WZ010001- | |
| 21 | | 0781 372 93 | **Plate, Thrust | AR | | WZ010001- | |
| 22 | | 0781 372 11 | **Cover | 1 | | WZ010001- | |
| 23 | | 0760 716 90 | **Ring, 0 | 1 | | WZ010001- | G190-90B |
| 24 | | 0757 606 29 | **Wire | 1 | | WZ010001- | |
| 25 | | 0753 764 49 | **Plug | 3 | | WZ010001- | |
| 26 | | 0760 710 16 | **Ring, 0 | 3 | | WZ010001- | P14-90B |
| 27 | | 0781 372 12 | *Shaft | 1 | | WZ010001- | |
| 28 | | 0753 638 11 | *Bearing | 1 | | WZ010001- | |
| 29 | | 0781 372 13 | *Seal, Oil | 1 | | WZ010001- | |
| 30 | | 0781 372 14 | *Plate, Swash | 1 | | WZ010001- | |
| 31 | | 0781 133 17 | *Ball, Steel | 2 | | WZ010001- | |
| 32 | | 0781 372 94 | *Block Ass'y, Cylinder | 1 | | WZ010001- | |
| 33 | | 0781 372 15 | *Spring | 1 | | WZ010001- | |
| 34 | | 0753 764 40 | *Plate, Valve | 1 | | WZ010001- | |
| 35 | | 0753 795 11 | *Pin | 1 | | WZ010001- | |
| 36 | | 0753 764 41 | *Bearing | 1 | | WZ010001- | |
| 37 | | 0760 212 58 | *Ring, 0 | 1 | | WZ010001- | 258-70B |
| 38 | | 0760 710 07 | *Ring, 0 | 4 | | WZ010001- | P7-90B |
| 39 | | 0782 372 95 | *Plate Ass'y, Base | 1 | | WZ010001- | |
| 40 | | 0760 710 10 | **Ring, 0 | 2 | | WZ010001- | P10-90B |
| 41 | | 0751 960 03 | *Seat, Spring | 2 | | WZ010001- | |
| 42 | | 0753 563 63 | *Spring | 1 | | WZ010001- | |
| 43 | | 0781 173 08 | *Cap | 2 | | WZ010001- | |
| 44 | | 0760 710 30 | *Ring, 0 | 2 | | WZ010001- | P29-90B |

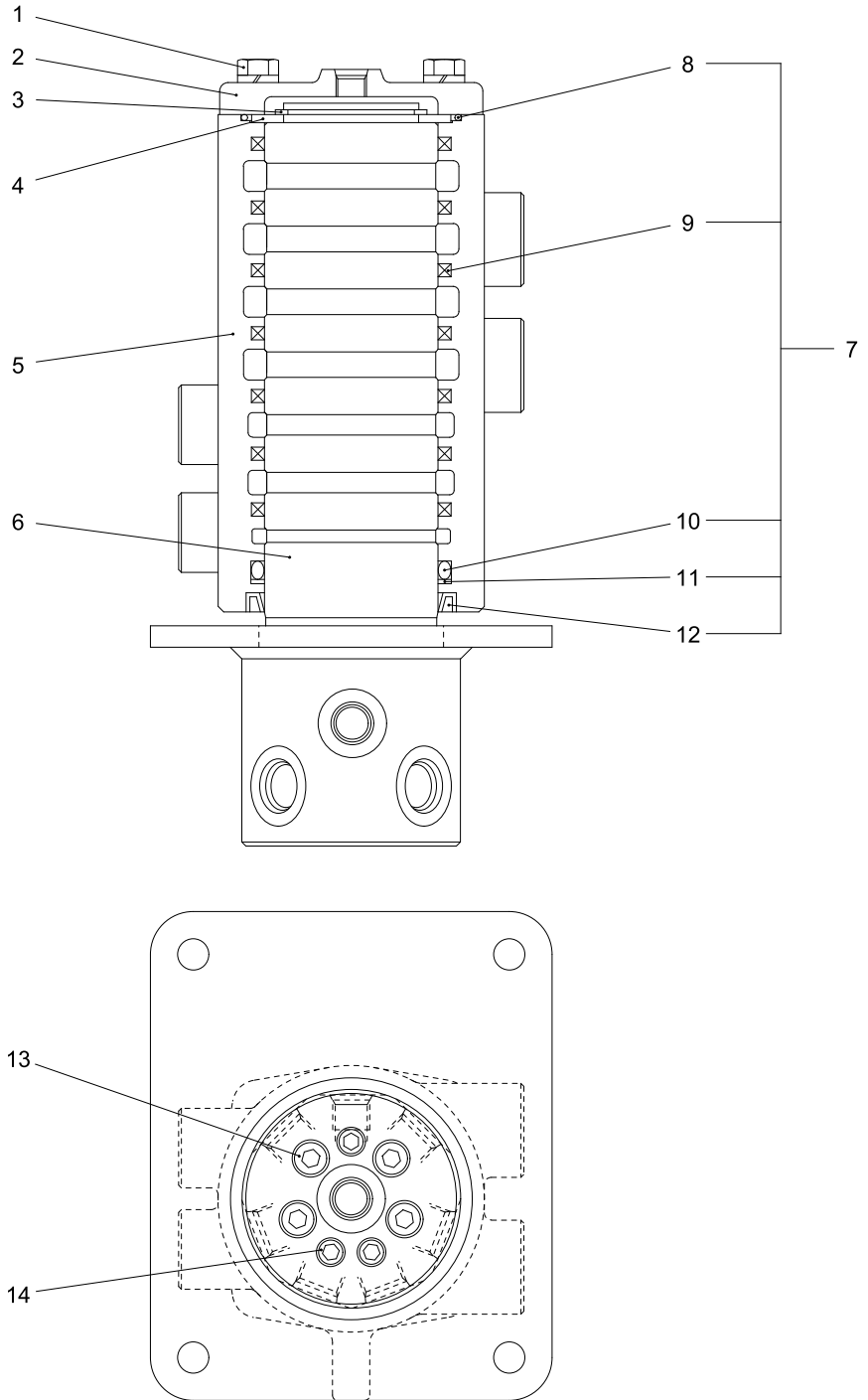
| KEY No. | SU P. | PART No. | DESCRIPTION | Q'TY | CHAN | SERIAL No. | REMARKS |
|---------|-------|-------------|---------------------|------|------|------------|---------|
| 45 | | 0753 764 51 | *Orifice | 10 | | WZ010001- | |
| 46 | | 0781 372 16 | *Spring | 1 | | WZ010001- | |
| 47 | | 0781 372 17 | *Plug | 1 | | WZ010001- | PF3/8 |
| 48 | | 0760 710 16 | *Ring, 0 | 4 | | WZ010001- | P14-90B |
| 49 | | 0781 375 22 | *Plug | 3 | | WZ010001- | |
| 50 | | 0781 173 10 | *Plug | 1 | | WZ010001- | |
| 51 | | 0562 120 25 | *Bolt, Socket Head | 6 | | WZ010001- | M12X25 |
| 52 | | 0753 563 53 | *Pin | 4 | | WZ010001- | |
| 53 | | 0781 372 92 | *Valve Ass'y | 1 | | WZ010001- | |
| 54 | | 0753 764 49 | **Plug | 2 | | WZ010001- | PT3/8 |
| 55 | | 0760 710 16 | **Ring, 0 | 2 | | WZ010001- | P14-90B |
| 56 | | 0760 710 14 | **Ring, 0 | 3 | | WZ010001- | P12-90B |
| 57 | | 0562 080 30 | **Bolt, Socket Head | 3 | | WZ010001- | M8X30 |
| 58 | | 0760 710 08 | *Ring, 0 | 2 | | WZ010001- | P8-90B |
| 59 | | 0757 785 06 | *Plug | 1 | | WZ010001- | |
| 60 | | 0781 372 96 | *Piston, Brake | 1 | | WZ010001- | |
| 61 | | 0781 372 18 | *Ring, 0 | 1 | | WZ010001- | |
| 62 | | 0781 372 19 | *Ring, 0 | 1 | | WZ010001- | |
| 63 | | 0781 372 20 | *Seat, Spring | 1 | | WZ010001- | |
| 64 | | 0753 764 49 | *Plug | 2 | | WZ010001- | |

[Memo]



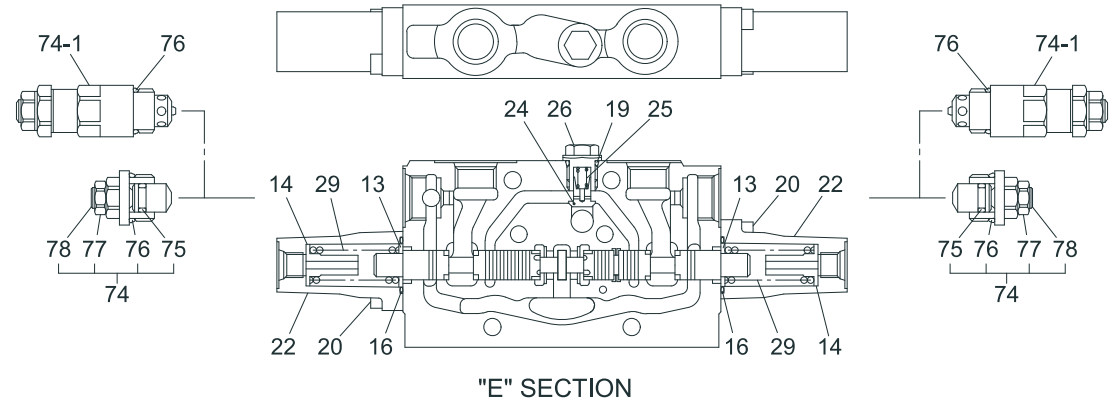
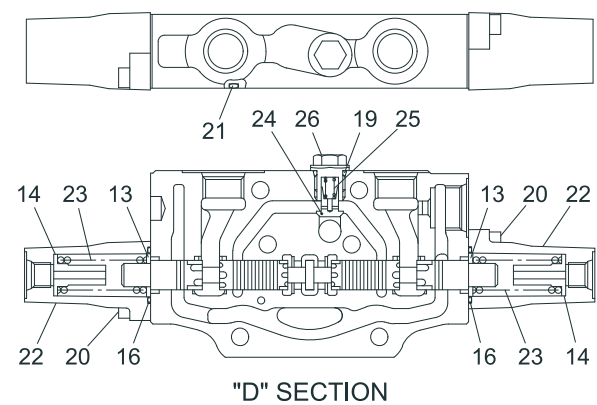
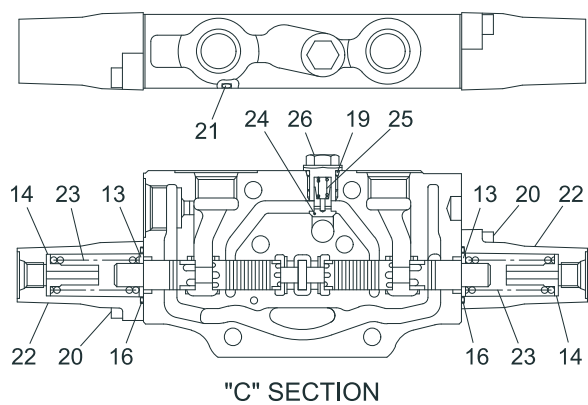
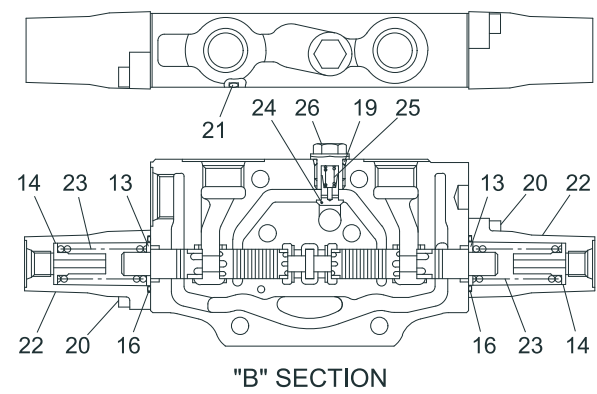
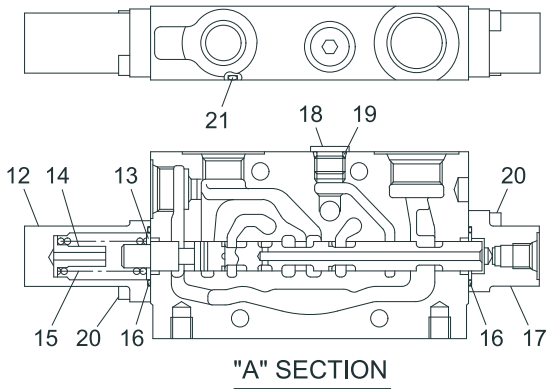
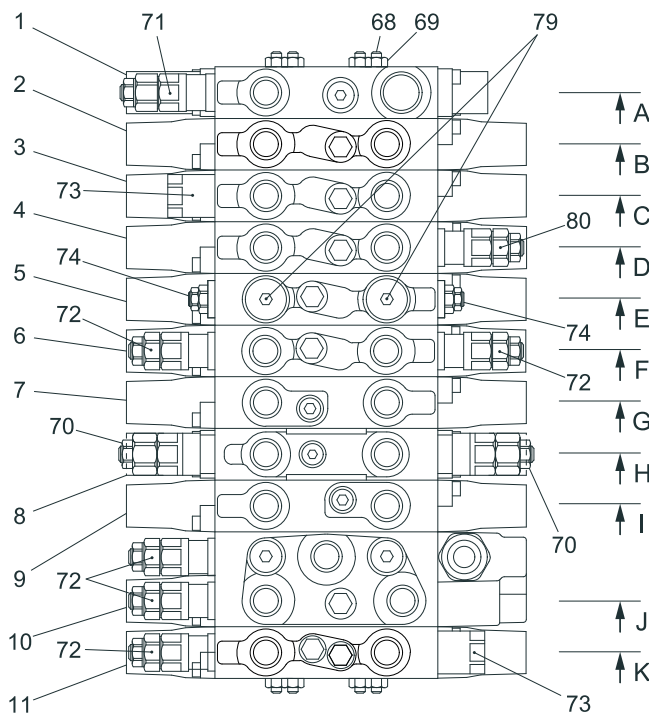
0781373UA-1

| KEY No. | SU P. | PART No. | DESCRIPTION | Q'TY | CHAN | SERIAL No. | REMARKS |
|---------|-------|-------------|-------------------------|------|------|------------|----------|
| 0 | | 0781 373 UA | Swing Motor Ass'y | 1 | | WZ010001- | |
| 1 | | 0781 261 92 | *Gear Ass'y, Reduction | 1 | | WZ010001- | |
| 2 | | 0781 261 94 | **Pinion Ass'y | 1 | | WZ010001- | |
| 3 | | 0781 261 03 | **Ring | 1 | | WZ010001- | |
| 4 | | 0781 261 95 | **Carrier Ass'y | 1 | | WZ010001- | |
| 5 | | 0493 510 22 | ***Ring, Snap | 4 | | WZ010001- | d=22 |
| 6 | | 0781 261 01 | **Gear | 1 | | WZ010001- | |
| 7 | | 0781 250 96 | **Carrier Ass'y | 1 | | WZ010001- | |
| 8 | | 0781 250 02 | **Gear | 1 | | WZ010001- | |
| 9 | | 0760 311 66 | **Ring, O | 1 | | WZ010001- | 166-90B |
| 10 | | 0562 080 25 | **Bolt, Socket Head | 6 | | WZ010001- | M8X25 |
| 11 | | 0781 373 91 | *Motor Ass'y | 1 | | WZ010001- | |
| 12 | | 0562 100 25 | **Bolt, Socket Head | 8 | | WZ010001- | M10X25 |
| 13 | | 0753 636 19 | **Pin | 3 | | WZ010001- | |
| 14 | | 0757 618 20 | **Filter | 1 | | WZ010001- | |
| 15 | | 0630 600 44 | **Bearing | 1 | | WZ010001- | #6004Z |
| 16 | | 0781 313 92 | **Plate Ass'y, Swash | 1 | | WZ010001- | |
| 17 | | 0494 808 15 | ***Pin | 1 | | WZ010001- | d=8X15 |
| 18 | | 0781 261 97 | **Barel Ass'y, Cylinder | 1 | | WZ010001- | |
| 19 | | 0493 500 28 | ***Ring, Snap | 1 | | WZ010001- | d=28 |
| 20 | | 0760 716 25 | **Ring, O | 1 | | WZ010001- | G125-90B |
| 21 | | 0760 716 10 | **Ring, O | 1 | | WZ010001- | G110-90B |
| 22 | | 0781 261 96 | **Body Ass'y | 1 | | WZ010001- | |
| 23 | | 0630 620 10 | ***Bearing | 1 | | WZ010001- | #6201 |
| 24 | | 0494 608 12 | ***Pin, Spring | 1 | | WZ010001- | d=5X12 |
| 25 | | 0760 710 12 | ***Ring, O | 1 | | WZ010001- | P11-90B |
| 26 | | 0781 373 92 | **Valve Ass'y, Relief | 2 | | WZ010001- | |
| 27 | | 0760 710 22 | ***Ring, O | 1 | | WZ010001- | P22-90B |
| 28 | | 0762 120 16 | ***Ring, Back-up | 2 | | WZ010001- | P14-T2 |
| 29 | | 0760 710 16 | ***Ring, O | 1 | | WZ010001- | P14-90B |
| 30 | | 0562 060 20 | **Bolt, Socket Head | 4 | | WZ010001- | M6X20 |
| 31 | | 0757 641 92 | **Valve Ass'y, By-pass | 1 | | WZ010001- | |
| 32 | | 0760 710 09 | ***Ring, O | 2 | | WZ010001- | P9-90B |
| 33 | | 0760 710 19 | ***Ring, O | 2 | | WZ010001- | P18-90B |

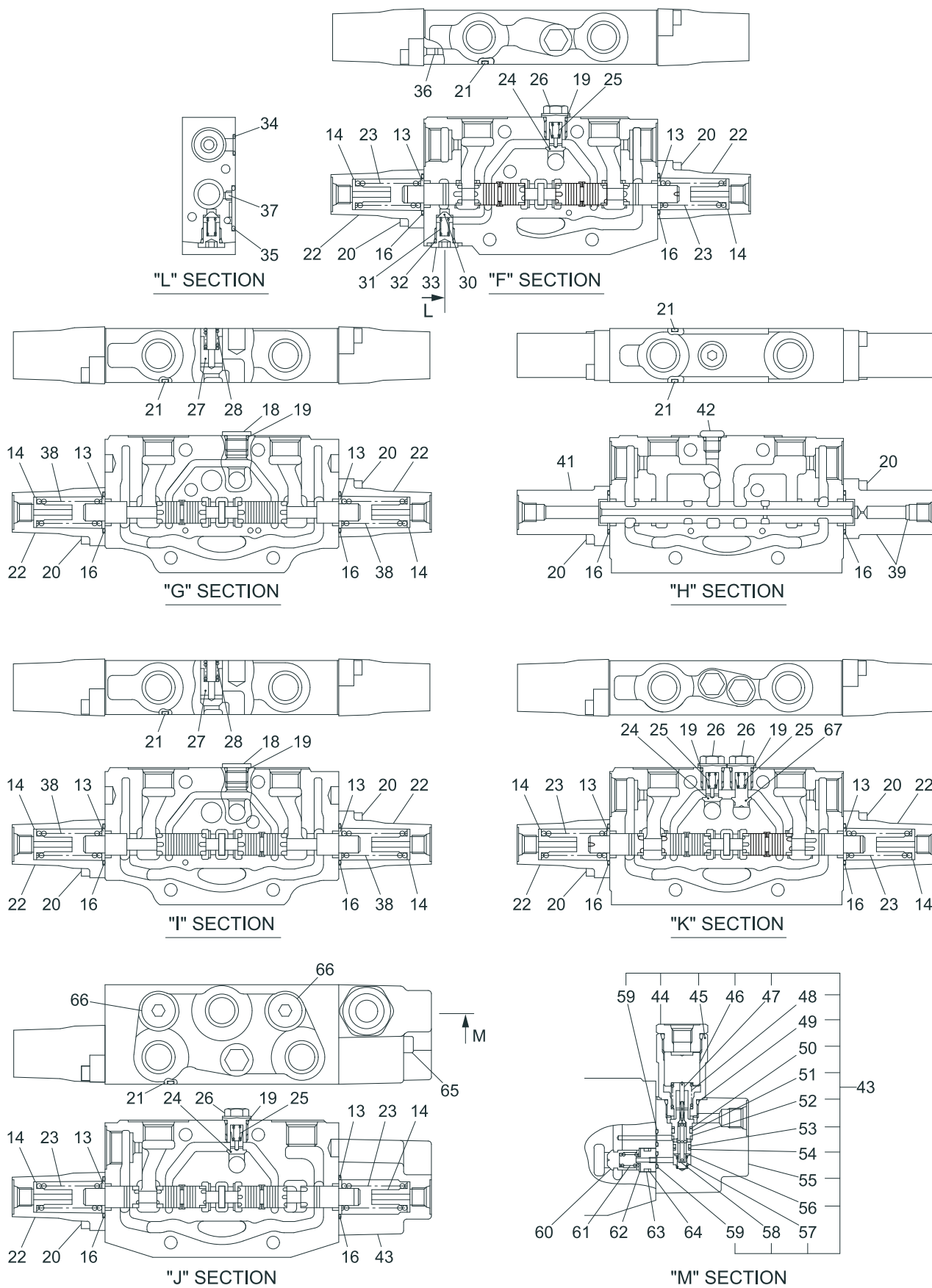


0713439UA-1

| KEY No. | SU P. | PART No. | DESCRIPTION | Q'TY | CHAN | SERIAL No. | REMARKS |
|---------|-------|-------------|--------------------------|------|------|------------|---------|
| 0 | | 0713 439 UA | Joint Ass'y, Rotary | 1 | | WZ010001- | |
| 1 | | 0519 080 25 | *Bolt, Treatment (W/L.W) | 4 | | WZ010001- | M8X25 |
| 2 | △ | 0713 439 10 | *Cover | 1 | | WZ010001- | |
| 3 | | 0493 510 55 | *Ring, Snap | 1 | | WZ010001- | d=55 |
| 4 | | 0713 439 07 | *Ring | 1 | | WZ010001- | |
| 5 | △ | 0713 439 02 | *Hub | 1 | | WZ010001- | |
| 6 | △ | 0713 439 01 | *Shaft | 1 | | WZ010001- | |
| 7 | | 0713 431 91 | *Kit, Seal | 1 | | WZ010001- | |
| 8 | × | 0760 615 85 | **Ring, O | 1 | | WZ010001- | G85-70B |
| 9 | × | 0713 431 02 | **Seal, Oil | 7 | | WZ010001- | |
| 10 | × | 0760 710 70 | **Ring, O | 1 | | WZ010001- | P70-90B |
| 11 | × | 0762 120 70 | **Ring, Back-up | 1 | | WZ010001- | P70-T2 |
| 12 | × | 0755 861 26 | **Seal, Dust | 1 | | WZ010001- | |
| 13 | | 0710 200 10 | *Plug | 4 | | WZ010001- | PT3/8 |
| 14 | | 0710 200 14 | *Plug | 3 | | WZ010001- | PT1/4 |



0784016UA-1



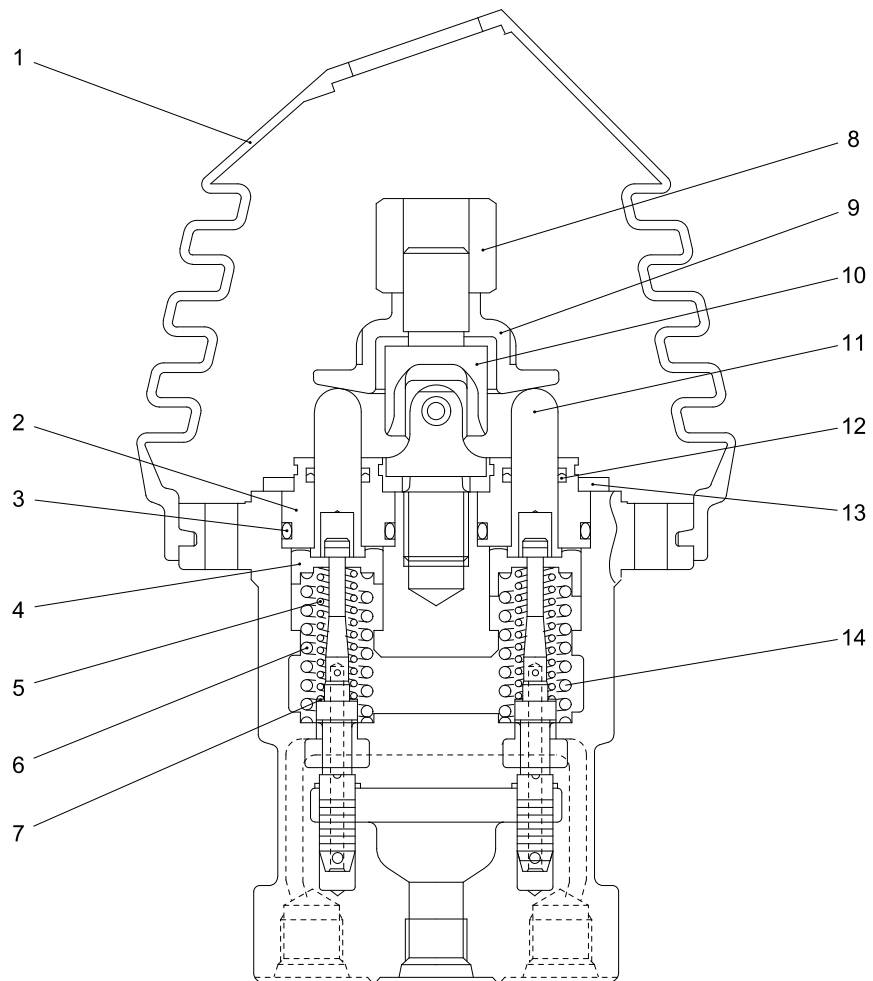
0784016UA-2

| KEY No. | SU P. | PART No. | DESCRIPTION | Q'TY | CHAN | SERIAL No. | REMARKS |
|---------|-------|-------------|-----------------------------|------|------|------------|---------|
| 0 | | 0784 016 UA | Valve Ass'y, Control | 1 | | WZ010001- | |
| 1 | | 0784 015 90 | *Block Ass'y | 1 | | WZ010001- | |
| 2 | | 0784 015 91 | *Block Ass'y, Swing | 1 | | WZ010001- | |
| 3 | | 0784 015 92 | *Block Ass'y, Boom Swing | 1 | | WZ010001- | |
| 4 | | 0784 015 93 | *Block Ass'y, Blade | 1 | | WZ010001- | |
| 5 | | 0784 015 94 | *Block Ass'y, Spare | 1 | | WZ010001- | |
| 6 | | 0784 016 92 | *Block Ass'y, Arm | 1 | | WZ010001- | |
| 7 | | 0784 015 96 | *Block Ass'y, Travel (L.H.) | 1 | | WZ010001- | |
| 8 | | 0783 974 95 | *Block Ass'y, Inlet | 1 | | WZ010001- | |
| 9 | | 0784 015 97 | *Block Ass'y, Travel (R.H.) | 1 | | WZ010001- | |
| 10 | | 0784 015 98 | *Block Ass'y, Boom | 1 | | WZ010001- | |
| 11 | | 0784 016 91 | *Block Ass'y, Bucket | 1 | | WZ010001- | |
| 12 | | 0783 677 02 | **Cap | 1 | | WZ010001- | |
| 13 | | 0756 339 05 | **Seat, Spring | 19 | | WZ010001- | |
| 14 | | 0783 677 03 | **Seat, Spring | 19 | | WZ010001- | |
| 15 | | 0783 677 04 | **Spring | 1 | | WZ010001- | |
| 16 | | 0756 339 08 | **Ring, O | 22 | | WZ010001- | S24-70B |
| 17 | | 0783 974 03 | **Cap | 1 | | WZ010001- | |
| 18 | | 0783 842 02 | **Plug | 3 | | WZ010001- | |
| 19 | | 0783 677 06 | **Ring, O | 11 | | WZ010001- | |
| 20 | | 0562 060 18 | **Bolt, Socket Head | 42 | | WZ010001- | M6X18 |
| 21 | | 0760 615 70 | **Ring, O | 10 | | WZ010001- | G70-70B |
| 22 | | 0783 677 07 | **Cap | 17 | | WZ010001- | |
| 23 | | 0783 970 01 | **Spring | 12 | | WZ010001- | |
| 24 | | 0783 677 09 | **Poppet | 7 | | WZ010001- | |
| 25 | | 0783 677 10 | **Spring | 8 | | WZ010001- | |
| 26 | | 0783 677 05 | **Plug | 8 | | WZ010001- | |
| 27 | | 0756 339 20 | **Poppet | 2 | | WZ010001- | |
| 28 | | 0753 904 11 | **Spring | 2 | | WZ010001- | |
| 29 | | 0783 970 01 | **Spring | 2 | | WZ010001- | |
| 30 | | 0783 677 13 | **Poppet | 1 | | WZ010001- | |
| 31 | | 0756 339 17 | **Spring | 1 | | WZ010001- | |
| 32 | | 0760 710 12 | **Ring, O | 1 | | WZ010001- | P11-90B |
| 33 | | 0783 677 14 | **Plug | 1 | | WZ010001- | |
| 34 | | 0760 710 10 | **Ring, O | 1 | | WZ010001- | P10-90B |
| 35 | | 0760 710 20 | **Ring, O | 1 | | WZ010001- | P20-90B |
| 36 | | 0783 677 15 | **Plug | 1 | | WZ010001- | |
| 37 | | 0783 677 16 | **Plug, Orifice | 1 | | WZ010001- | |
| 38 | | 0783 970 01 | **Spring | 4 | | WZ010001- | |
| 39 | | 0783 974 04 | **Cap Ass'y | 1 | | WZ010001- | |
| 41 | | 0783 677 18 | **Cap | 1 | | WZ010001- | |
| 42 | | 0783 677 83 | **Plug Ass'y | 1 | | WZ010001- | |
| 42-1 | | 0760 710 08 | **Ring, O | 1 | | WZ010001- | P8-90B |
| 43 | | 0783 846 83 | **Valve Ass'y, Anti drift | 1 | | WZ010001- | |
| 44 | | 0756 339 80 | **Plug Ass'y | 1 | | WZ010001- | |

| KEY No. | SU P. | PART No. | DESCRIPTION | Q'TY | CHAN | SERIAL No. | REMARKS |
|---------|-------|-------------|--------------------------------|------|------|------------|------------------------|
| 45 | | 0783 677 24 | ***Plug | 1 | | WZ010001- | |
| 46 | | 0783 749 02 | ***Piston | 1 | | WZ010001- | |
| 47 | | 0783 677 26 | ***Spool | 1 | | WZ010001- | |
| 48 | | 0783 677 28 | ***Spring | 1 | | WZ010001- | |
| 49 | | 0753 101 09 | ***Ring, O | 1 | | WZ010001- | |
| 50 | | 0762 120 11 | ***Ring, Back-up | 1 | | WZ010001- | P10A-T2 |
| 51 | ☆ | 0760 610 11 | ***Ring, O (P10A-70B) | 1 | | WZ010001- | 0760 710 11 |
| 52 | | 0783 677 27 | ***Sleeve | 1 | | WZ010001- | |
| 53 | ☆ | 0760 610 09 | ***Ring, O (P9-70B) | 1 | | WZ010001- | 0760 710 09 |
| 54 | | 0762 120 09 | ***Ring, Back-up | 1 | | WZ010001- | P9-T2 |
| 55 | | 0783 749 01 | ***Body | 1 | | WZ010001- | |
| 56 | | 0783 677 30 | ***Seat, Spring | 1 | | WZ010001- | |
| 57 | | 0783 677 29 | ***Spring | 1 | | WZ010001- | |
| 58 | | 0783 677 23 | ***Poppet | 1 | | WZ010001- | |
| 59 | | 0760 710 07 | ***Ring, O | 2 | | WZ010001- | P7-90B |
| 60 | | 0783 677 21 | **Poppet | 1 | | WZ010001- | |
| 61 | | 0756 339 25 | **Spring | 1 | | WZ010001- | |
| 62 | | 0783 677 22 | **Spacer | 1 | | WZ010001- | |
| 63 | | 0760 610 15 | **Ring, O | 1 | | WZ010001- | P12.5-70B |
| 64 | | 0762 120 15 | **Ring, Back-up | 1 | | WZ010001- | P12.5-T2 |
| 65 | | 0562 060 50 | **Bolt, Socket Head | 5 | | WZ010001- | M6X50 |
| 66 | | 0783 646 83 | **Plug Ass'y | 2 | | WZ010001- | |
| 66-1 | | 0760 710 16 | **Ring, O | 1 | | WZ010001- | P14-90B |
| 67 | | 0783 677 31 | **Poppet | 1 | | WZ010001- | |
| 68 | | 0783 677 01 | *Rod, Tie | 4 | | WZ010001- | |
| 69 | | 0580 080 00 | *Nut, Hex. | 8 | | WZ010001- | M8 |
| 70 | | 0784 015 88 | *Valve Ass'y, Main Relief | 2 | | WZ010001- | 24.5MPa-60L |
| 70-1 | | 0760 319 10 | **Ring, O | 1 | | WZ010001- | 910-90B |
| 71 | | 0784 015 87 | *Valve Ass'y, Relief | 1 | | WZ010001- | 20.6MPa-44L |
| 71-1 | | 0760 319 10 | **Ring, O | 1 | | WZ010001- | 910-90B |
| 72 | | 0784 015 86 | *Valve Ass'y, Relief | 5 | | WZ010001- | 27.4MPa-10L |
| 72-1 | | 0760 319 10 | **Ring, O | 1 | | WZ010001- | 910-90B |
| 73 | | 0783 846 88 | *Valve Ass'y, Anti Void | 2 | | WZ010001- | |
| 73-1 | | 0760 319 10 | **Ring, O | 1 | | WZ010001- | 910-90B |
| 74 | | 0783 646 85 | *Valve Ass'y, Shut-off | 2 | | WZ010001- | |
| 74-1 | | 0785 606 UA | *Valve Ass'y, Over Load Relief | 2 | | WZ010001- | Option 13.7MPa-100L |
| 74-2 | | 0785 607 UA | *Valve Ass'y, Over Load Relief | 2 | | WZ010001- | Option 17.2MPa-100L |
| 75 | ☆ | 0760 610 11 | **Ring, O (P10A-70B) | 1 | | WZ010001- | 0760 710 11 |
| 76 | | 0760 319 10 | **Ring, O | 1 | | WZ010001- | 910-90B |
| 77 | | 0544 100 00 | **Nut, Hex. | 1 | | WZ010001- | M10 |
| 78 | | 0561 100 20 | **Screw, Set | 1 | | WZ010001- | M10X20 |
| 79 | | 0783 646 84 | *Plug Ass'y | 2 | | WZ010001- | |
| 79-1 | | 0760 710 19 | **Ring, O | 1 | | WZ010001- | P18-90B |

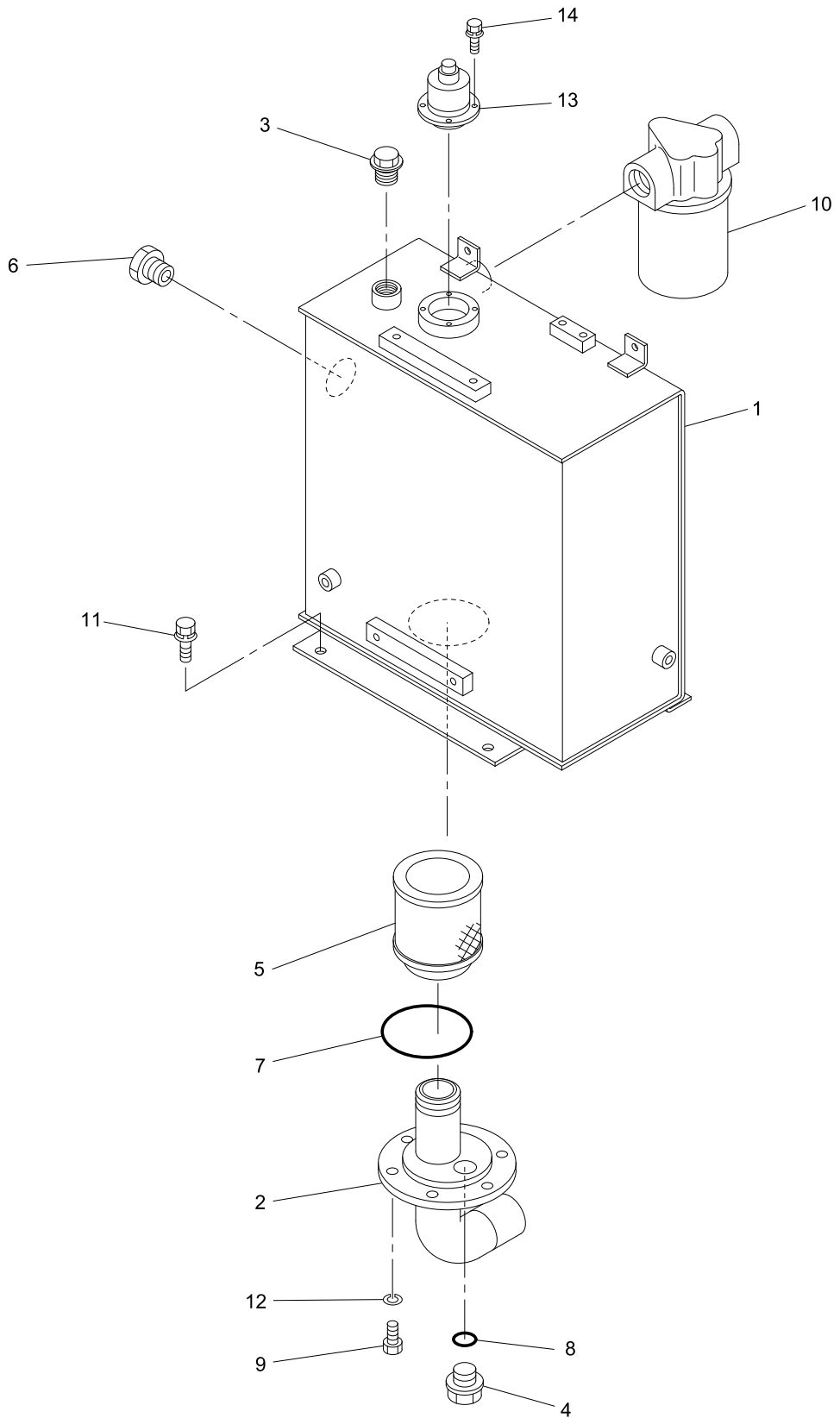
| KEY No. | SU P. | PART No. | DESCRIPTION | Q'TY | CHAN | SERIAL No. | REMARKS |
|---------|-------|-------------|----------------------|------|------|------------|-------------|
| 80 | | 0784 015 85 | *Valve Ass'y, Relief | 1 | | WZ010001- | 24.5MPa-10L |
| 80-1 | | 0760 319 10 | **Ring, O | 1 | | WZ010001- | 910-90B |

[Memo]



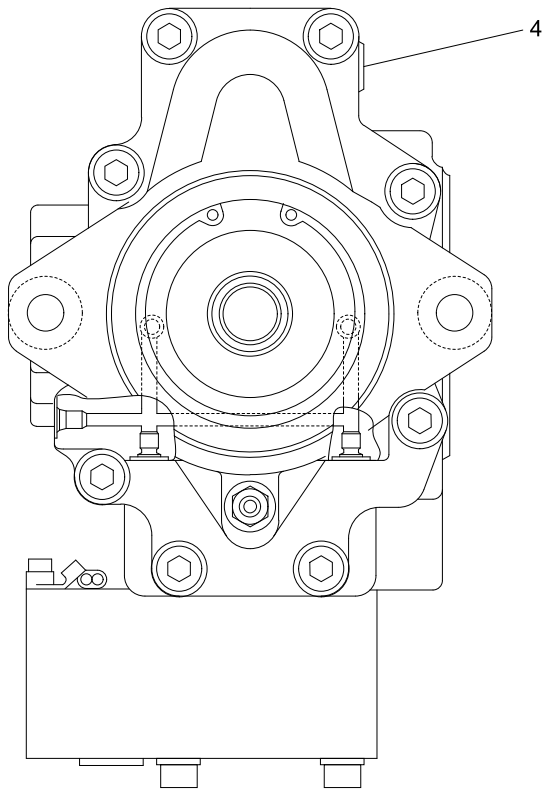
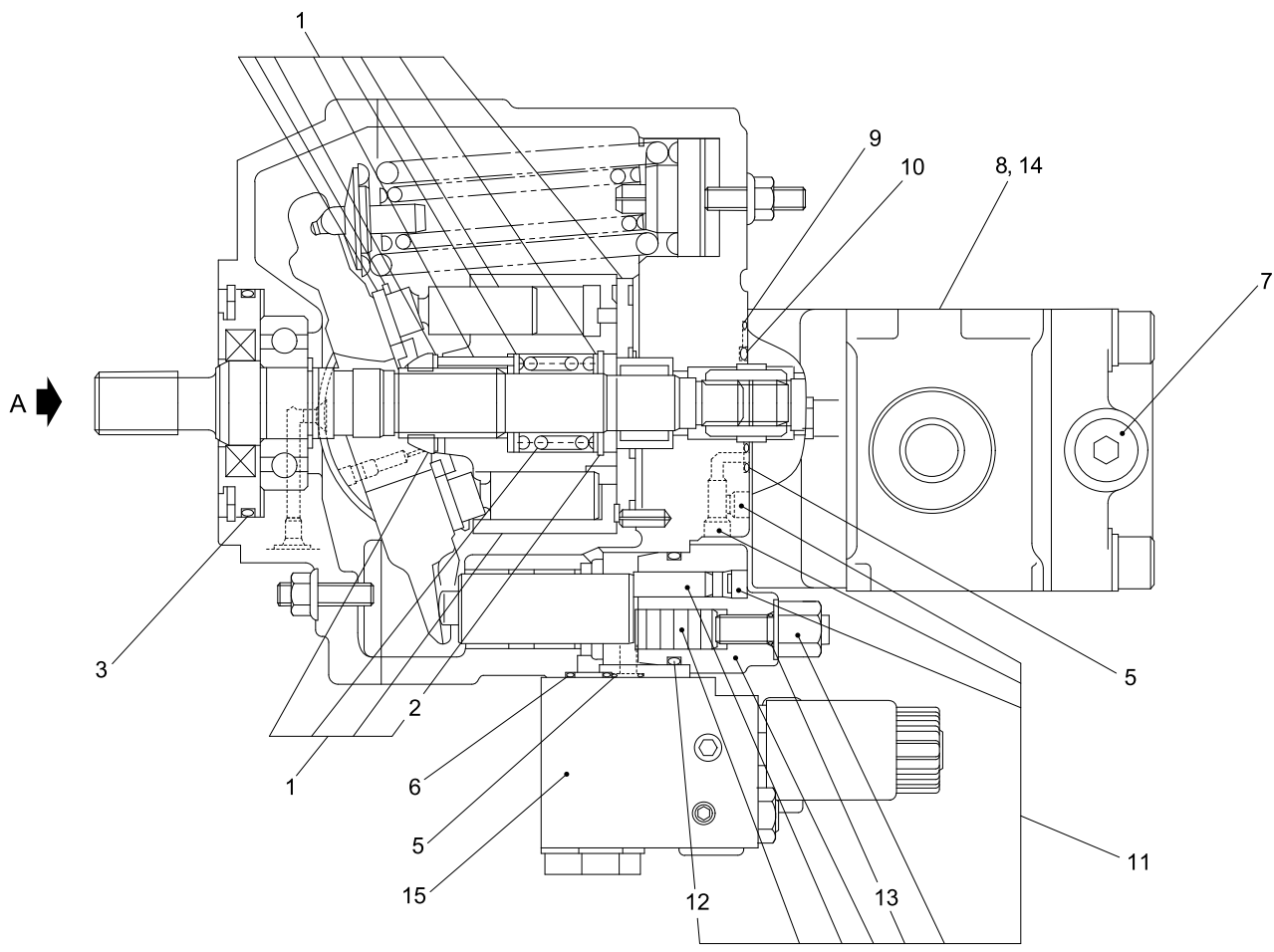
0783964UA-1
0783941UA-1

| KEY No. | SU P. | PART No. | DESCRIPTION | Q'TY | CHAN | SERIAL No. | REMARKS |
|---------|-------|-------------|-----------------------------|------|------|------------|---------|
| 0 | | 0783 964 UA | Valve Ass'y, Remote Control | 2 | | WZ010001- | |
| 1 | | 0783 771 07 | *Boot | 1 | | WZ010001- | |
| 2 | | 0756 735 09 | *Plug | 4 | | WZ010001- | |
| 3 | | 0760 710 20 | *Ring, O | 4 | | WZ010001- | P20-90B |
| 4 | | 0783 700 08 | *Seat, Spring | 4 | | WZ010001- | |
| 5 | | 0783 964 01 | *Spring | 4 | | WZ010001- | |
| 6 | | 0783 700 09 | *Spring (No.2, 4, Ports) | 2 | | WZ010001- | |
| 7 | | 0756 735 15 | *Washer | 4 | | WZ010001- | |
| 8 | | 0783 771 03 | *Nut, Adjusting | 1 | | WZ010001- | |
| 9 | | 0783 700 12 | *Plate | 1 | | WZ010001- | |
| 10 | | 0756 303 07 | *Joint | 1 | | WZ010001- | |
| 11 | | 0756 744 11 | *Rod, Push | 4 | | WZ010001- | |
| 12 | | 0756 611 13 | *Seal | 4 | | WZ010001- | |
| 13 | | 0783 756 01 | *Plate | 1 | | WZ010001- | |
| 14 | | 0783 700 10 | *Spring (No.1, 3, Ports) | 2 | | WZ010001- | |



40V4-050600-1

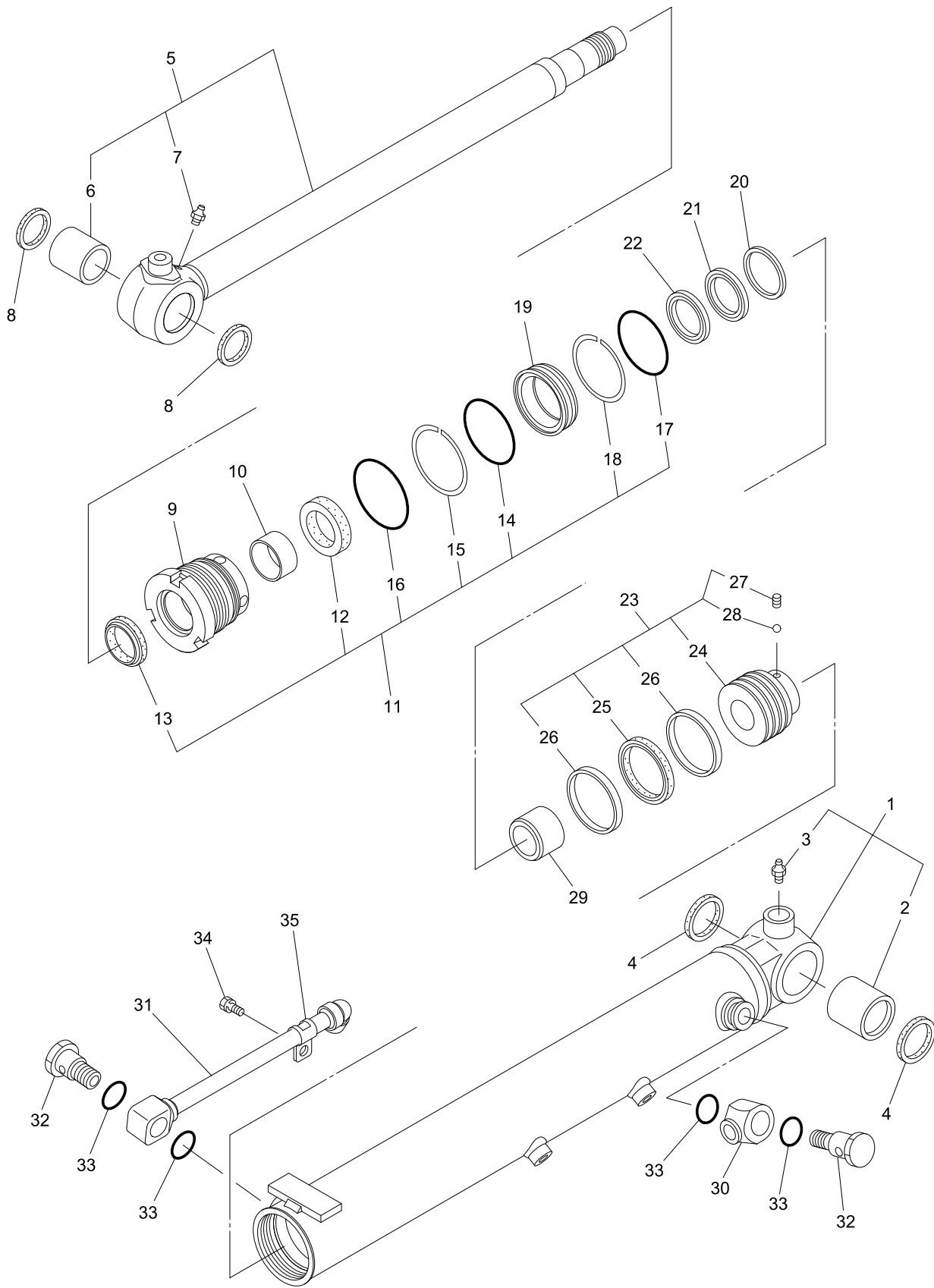
| KEY No. | SU P. | PART No. | DESCRIPTION | Q'TY | CHAN | SERIAL No. | REMARKS |
|---------|-------|-------------|-------------------------------|------|------|------------|------------------|
| 0 | × | F342 639 00 | Tank Ass'y, Hydraulic Oil | 1 | | WZ010001- | |
| 1 | △ | D284 241 00 | *Tank, Hydraulic Oil | 1 | | WZ010001- | |
| 2 | | D286 344 00 | *Tube | 1 | | WZ010001- | |
| 3 | | 4072 887 00 | *Plug | 1 | | WZ010001- | |
| 4 | | 4077 036 00 | *Plug, Drain | 1 | | WZ010001- | |
| 5 | | 0759 106 UA | *Strainer, Suction | 1 | | WZ010001- | |
| 6 | | 4079 027 00 | *Gauge, Level | 1 | | WZ010001- | |
| 7 | | 0760 711 30 | *Ring, O | 1 | | WZ010001- | P130-90B |
| 8 | | 0760 312 11 | *Ring, O | 1 | | WZ010001- | 211-90B |
| 9 | | 0555 100 20 | *Bolt, Treatment | 6 | | WZ010001- | M10X20 |
| 10 | | 0759 115 UA | *Filter Ass'y, Return | 1 | | WZ010001- | |
| 10-1 | | 0755 142 03 | **Cartridge Ass'y | 1 | | WZ010001- | |
| 10-2 | | 0759 114 UA | **Valve Ass'y | 1 | | WZ010001- | |
| 11 | | 0518 120 25 | *Bolt, Treatment (W/L.W, F.W) | 4 | | WZ010001- | M12X25 P=1.25 |
| 12 | | 0590 100 00 | *Washer, Lock | 6 | | WZ010001- | M10 |
| 13 | | 0787 305 UA | *Breather, Air | 1 | | WZ010001- | |
| 14 | | 0517 060 16 | *Bolt, Treatment (W/L.W, F.W) | 4 | | WZ010001- | M6X16 |



0780162UA-1

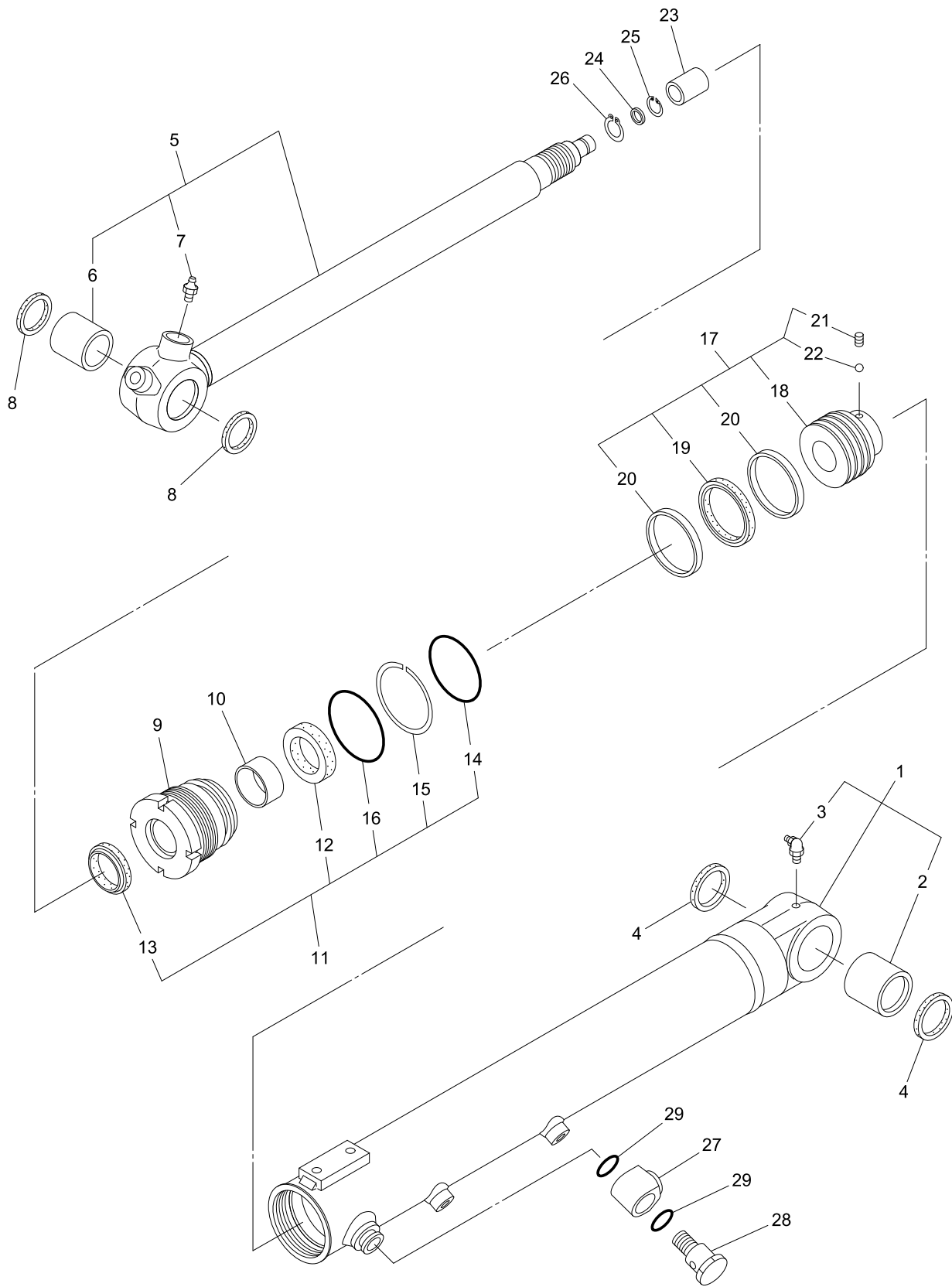
"A" VIEW

| KEY No. | SU P. | PART No. | DESCRIPTION | Q'TY | CHAN | SERIAL No. | REMARKS |
|---------|-------|-------------|-------------------|------|------|------------|---------|
| 0 | | 0780 162 UA | Pump Ass'y, Oil | 1 | | WZ010001- | |
| 1 | | 0780 162 91 | *Cylinder Ass'y | 1 | | WZ010001- | |
| 2 | | 0493 500 35 | **Ring, Snap | 1 | | WZ010001- | d=35 |
| 3 | | 0760 715 75 | *Ring, 0 | 1 | | WZ010001- | G75-90B |
| 4 | | 0760 710 12 | *Ring, 0 | 1 | | WZ010001- | P11-90B |
| 5 | | 0760 710 08 | *Ring, 0 | 2 | | WZ010001- | P8-90B |
| 6 | | 0760 710 14 | *Ring, 0 | 1 | | WZ010001- | P12-90B |
| 7 | | 0760 710 16 | *Ring, 0 | 1 | | WZ010001- | P14-90B |
| 8 | | 0760 710 30 | *Ring, 0 | 1 | | WZ010001- | P29-90B |
| 9 | | 0760 710 07 | *Ring, 0 | 1 | | WZ010001- | P7-90B |
| 10 | | 0760 715 55 | *Ring, 0 | 1 | | WZ010001- | G55-90B |
| 11 | | 0780 162 92 | *Sleeve Ass'y | 1 | | WZ010001- | |
| 12 | | 0760 715 35 | **Ring, 0 | 1 | | WZ010001- | G35-90B |
| 13 | | 0760 710 08 | **Ring, 0 | 1 | | WZ010001- | P8-90B |
| 14 | | 0780 162 93 | *Pump Ass'y, Gear | 1 | | WZ010001- | |
| 15 | | 0780 162 94 | *Valve Ass'y | 1 | | WZ010001- | |



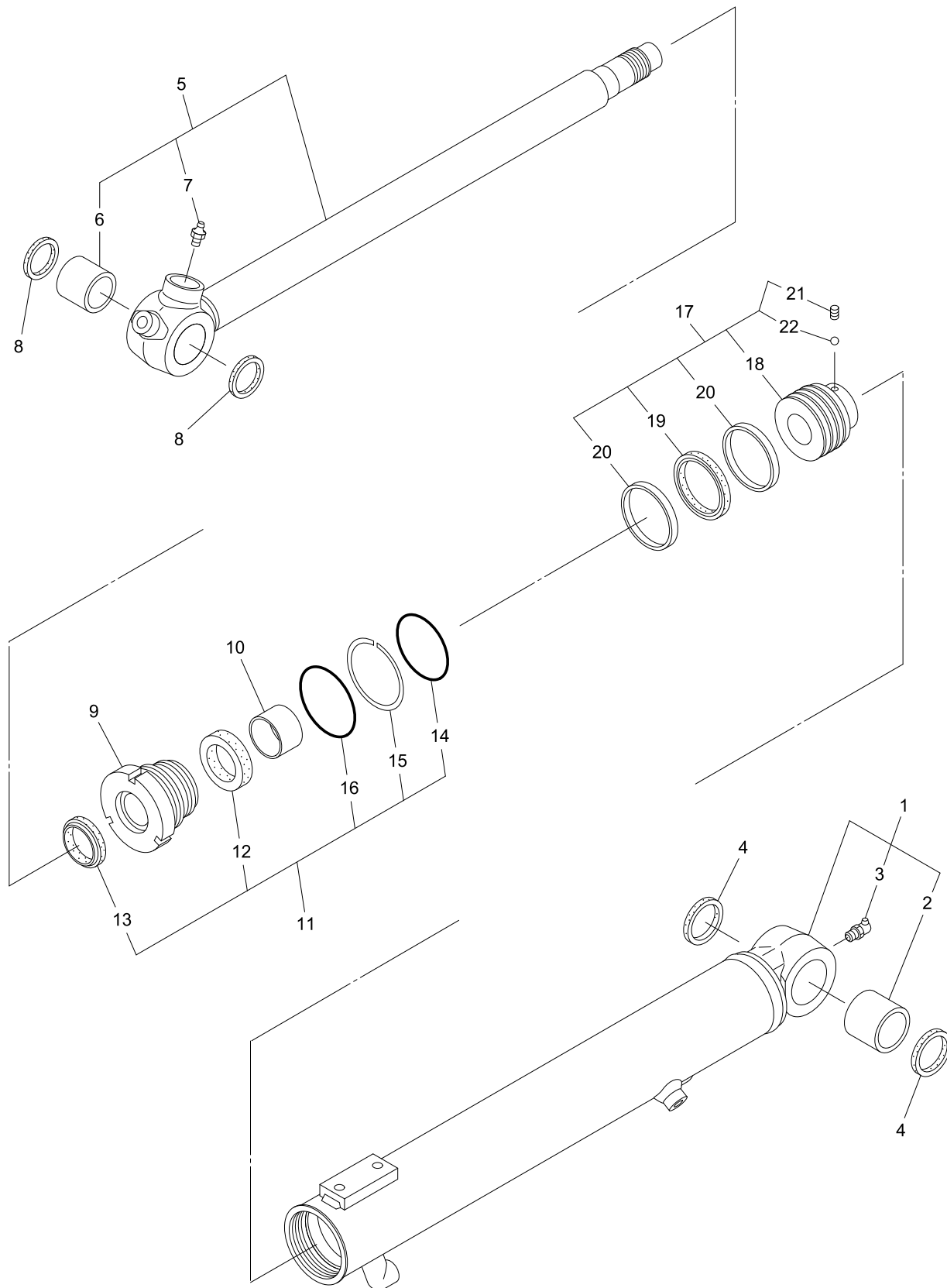
0782605UA-1
0782604UA-1

| KEY No. | SU P. | PART No. | DESCRIPTION | Q'TY | CHAN | SERIAL No. | REMARKS |
|---------|-------|-------------|-----------------------|------|------|------------|----------|
| 0 | | 0782 605 UA | Cylinder Ass'y, Boom | 1 | | WZ010001- | |
| 1 | × | *** ** * | *Tube Ass'y, Cylinder | 1 | | WZ010001- | |
| 2 | | 0782 605 09 | **Bushing | 1 | | WZ010001- | |
| 3 | | 0728 111 15 | **Nipple, Grease | 1 | | WZ010001- | PT1/8 |
| 4 | | 0765 033 28 | *Seal, Dust | 2 | | WZ010001- | |
| 5 | | 0782 605 02 | *Rod Ass'y, Piston | 1 | | WZ010001- | |
| 6 | | 0782 605 09 | **Bushing | 1 | | WZ010001- | |
| 7 | | 0728 111 15 | **Nipple, Grease | 1 | | WZ010001- | PT1/8 |
| 8 | | 0765 033 28 | *Seal, Dust | 2 | | WZ010001- | |
| 9 | | 0782 605 03 | *Head, Cylinder | 1 | | WZ010001- | |
| 10 | | 0782 492 04 | *Bushing | 1 | | WZ010001- | |
| 11 | | 0782 441 93 | *Kit, Seal | 1 | | WZ010001- | |
| 12 | × | 0752 935 04 | **Ring, U | 1 | | WZ010001- | |
| 13 | × | 0758 850 06 | **Ring, Wiper | 1 | | WZ010001- | |
| 14 | × | 0760 715 95 | **Ring, O | 1 | | WZ010001- | G95-90B |
| 15 | × | 0782 397 04 | **Ring, Back-up | 1 | | WZ010001- | |
| 16 | × | 0760 716 00 | **Ring, O | 1 | | WZ010001- | G100-90B |
| 17 | × | 0760 715 95 | **Ring, O | 1 | | WZ010001- | G95-90B |
| 18 | × | 0782 185 11 | **Ring, Back-up | 1 | | WZ010001- | |
| 19 | | 0782 441 10 | *Holder | 1 | | WZ010001- | |
| 20 | | 0782 605 04 | *Spacer | 1 | | WZ010001- | |
| 21 | | 0782 441 11 | *Seal, Cushion | 1 | | WZ010001- | |
| 22 | | 0782 605 05 | *Collar | 1 | | WZ010001- | |
| 23 | | 0782 605 93 | *Piston Ass'y | 1 | | WZ010001- | |
| 24 | × | *** ** * | **Piston | 1 | | WZ010001- | |
| 25 | | 0752 184 24 | **Ring Ass'y, Seal | 1 | | WZ010001- | |
| 26 | | 0782 397 06 | **Ring, Slide | 2 | | WZ010001- | |
| 27 | | 0561 100 10 | **Screw, Set | 1 | | WZ010001- | M10X10 |
| 28 | | 0609 016 10 | **Ball, Steel | 1 | | WZ010001- | d=1/4 |
| 29 | | 0782 605 07 | *Bearing, Cushion | 1 | | WZ010001- | |
| 30 | | 0782 619 06 | *Joint | 1 | | WZ010001- | |
| 31 | | 0782 605 08 | *Pipe | 1 | | WZ010001- | |
| 32 | | 0782 491 09 | *Plug | 2 | | WZ010001- | |
| 33 | | 0760 710 28 | *Ring, O | 4 | | WZ010001- | P26-90B |
| 34 | | 0782 446 06 | *Bolt | 1 | | WZ010001- | |
| 35 | | 0782 440 27 | *Holder, Pipe | 1 | | WZ010001- | |



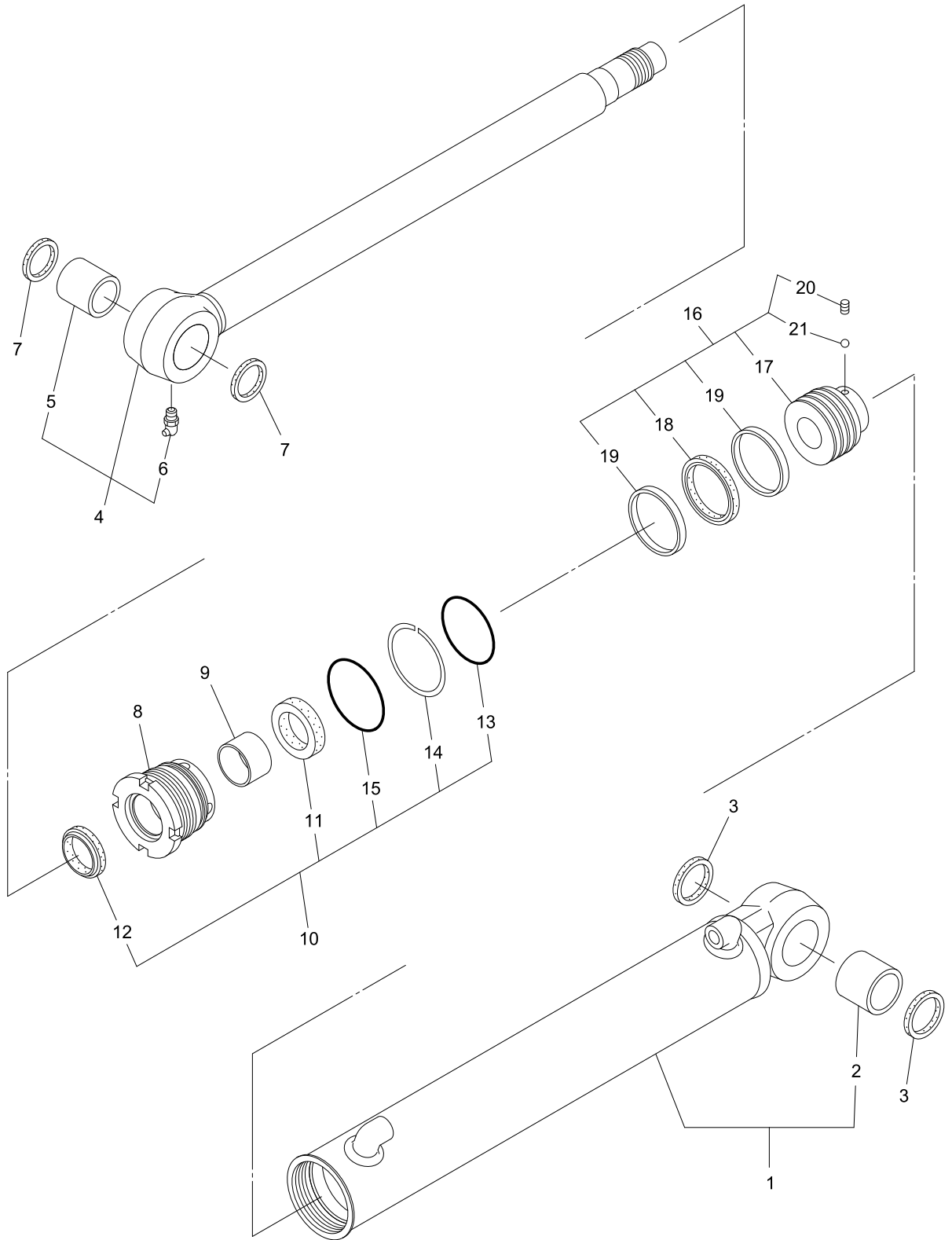
0782607UA-1
0782606UA-1

| KEY No. | SU P. | PART No. | DESCRIPTION | Q'TY | CHAN | SERIAL No. | REMARKS |
|---------|-------|-------------|-----------------------|------|------|------------|----------|
| 0 | | 0782 607 UA | Cylinder Ass'y, Arm | 1 | | WZ010001- | |
| 1 | × | *** ** * | *Tube Ass'y, Cylinder | 1 | | WZ010001- | |
| 2 | | 0752 289 20 | **Bushing | 1 | | WZ010001- | |
| 3 | | 0728 111 65 | **Nipple, Grease | 1 | | WZ010001- | PT1/8X90 |
| 4 | | 0751 796 24 | *Seal, Dust | 2 | | WZ010001- | |
| 5 | | 0782 607 02 | *Rod Ass'y, Piston | 1 | | WZ010001- | |
| 6 | | 0752 289 20 | **Bushing | 1 | | WZ010001- | |
| 7 | | 0728 111 15 | **Nipple, Grease | 1 | | WZ010001- | PT1/8 |
| 8 | | 0751 796 24 | *Seal, Dust | 2 | | WZ010001- | |
| 9 | | 0782 494 03 | *Head, Cylinder | 1 | | WZ010001- | |
| 10 | | 0782 446 03 | *Bushing | 1 | | WZ010001- | |
| 11 | | 0782 439 93 | *Kit, Seal | 1 | | WZ010001- | |
| 12 | × | 0752 756 05 | **Ring, U | 1 | | WZ010001- | |
| 13 | × | 0758 698 09 | **Ring, Wiper | 1 | | WZ010001- | |
| 14 | × | 0760 715 80 | **Ring, O | 1 | | WZ010001- | G80-90B |
| 15 | × | 0782 407 04 | **Ring, Back-up | 1 | | WZ010001- | |
| 16 | × | 0760 715 85 | **Ring, O | 1 | | WZ010001- | G85-90B |
| 17 | | 0782 607 93 | *Piston Ass'y | 1 | | WZ010001- | |
| 18 | × | *** ** * | *Piston | 1 | | WZ010001- | |
| 19 | | 0752 873 06 | **Ring Ass'y, Seal | 1 | | WZ010001- | |
| 20 | | 0782 494 05 | **Ring, Slide | 2 | | WZ010001- | |
| 21 | | 0561 100 10 | **Screw, Set | 1 | | WZ010001- | M10X10 |
| 22 | | 0609 016 10 | **Ball, Steel | 1 | | WZ010001- | d=1/4 |
| 23 | | 0782 492 08 | *Bearing, Cushion | 1 | | WZ010001- | |
| 24 | | 0782 185 23 | *Seal, Cushion | 1 | | WZ010001- | |
| 25 | | 0758 696 25 | *Stopper | 2 | | WZ010001- | |
| 26 | | 0782 401 06 | *Ring, Snap | 1 | | WZ010001- | |
| 27 | | 0782 619 06 | *Joint | 1 | | WZ010001- | |
| 28 | | 0782 491 09 | *Plug | 1 | | WZ010001- | |
| 29 | | 0760 710 28 | *Ring, O | 2 | | WZ010001- | P26-90B |



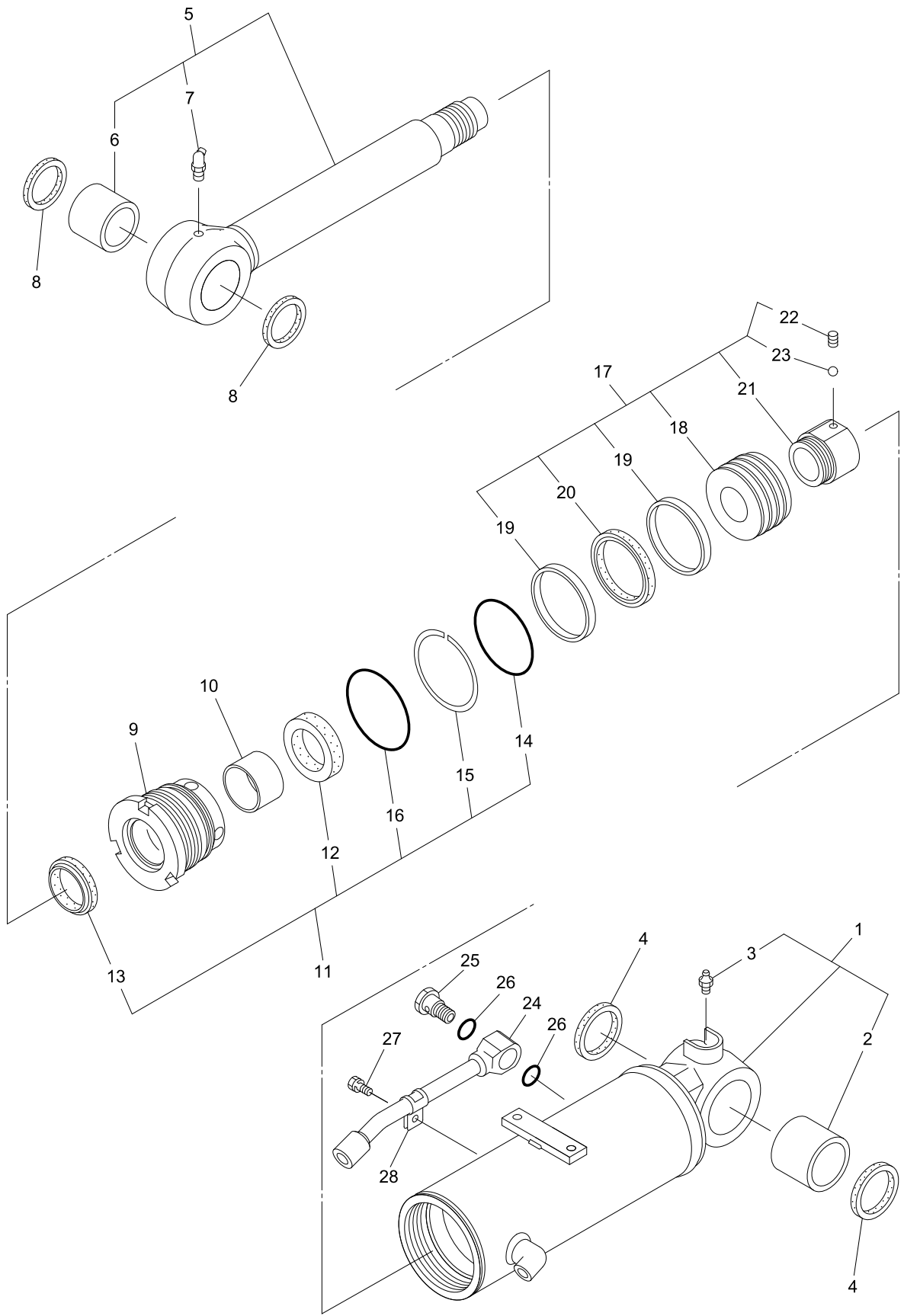
0782601UA-1

| KEY No. | SU P. | PART No. | DESCRIPTION | Q'TY | CHAN | SERIAL No. | REMARKS |
|---------|-------|-------------|------------------------|------|------|------------|----------|
| 0 | | 0782 601 UA | Cylinder Ass'y, Bucket | 1 | | WZ010001- | |
| 1 | × | *** ** * | *Tube Ass'y, Cylinder | 1 | | WZ010001- | |
| 2 | | 0752 289 20 | **Bushing | 1 | | WZ010001- | |
| 3 | | 0728 111 65 | **Nipple, Grease | 1 | | WZ010001- | PT1/8X90 |
| 4 | | 0751 796 24 | *Seal, Dust | 2 | | WZ010001- | |
| 5 | | 0782 601 02 | *Rod Ass'y, Piston | 1 | | WZ010001- | |
| 6 | | 0752 289 20 | **Bushing | 1 | | WZ010001- | |
| 7 | | 0728 111 15 | **Nipple, Grease | 1 | | WZ010001- | PT1/8 |
| 8 | | 0751 796 24 | *Seal, Dust | 2 | | WZ010001- | |
| 9 | | 0782 476 03 | *Head, Cylinder | 1 | | WZ010001- | |
| 10 | | 0782 396 13 | *Bushing | 1 | | WZ010001- | |
| 11 | | 0782 435 93 | *Kit, Seal | 1 | | WZ010001- | |
| 12 | × | 0752 737 05 | **Ring, U | 1 | | WZ010001- | |
| 13 | × | 0758 697 06 | **Ring, Wiper | 1 | | WZ010001- | |
| 14 | × | 0760 715 75 | **Ring, O | 1 | | WZ010001- | G75-90B |
| 15 | × | 0782 399 05 | **Ring, Back-up | 1 | | WZ010001- | |
| 16 | × | 0760 715 80 | **Ring, O | 1 | | WZ010001- | G80-90B |
| 17 | | 0782 401 93 | *Piston Ass'y | 1 | | WZ010001- | |
| 18 | × | *** ** * | **Piston | 1 | | WZ010001- | |
| 19 | | 0752 941 06 | **Ring Ass'y, Seal | 1 | | WZ010001- | |
| 20 | | 0782 399 12 | **Ring, Slide | 2 | | WZ010001- | |
| 21 | | 0561 080 08 | **Screw, Set | 1 | | WZ010001- | M8X8 |
| 22 | | 0751 901 25 | **Ball, Steel | 1 | | WZ010001- | d=7/32 |



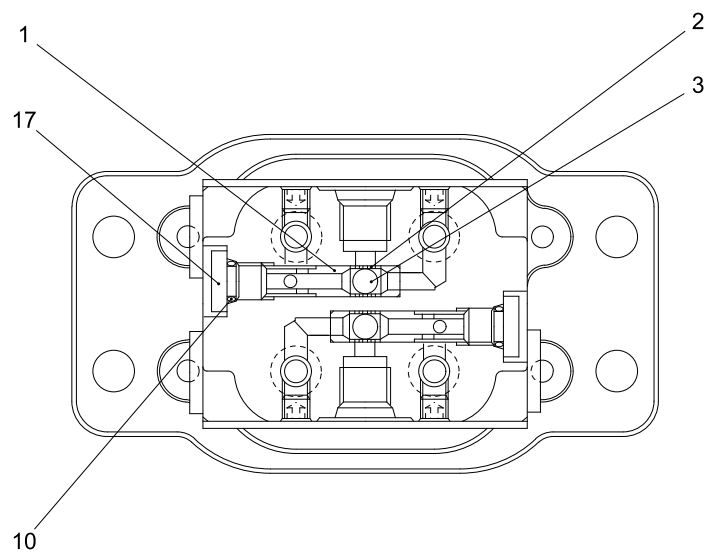
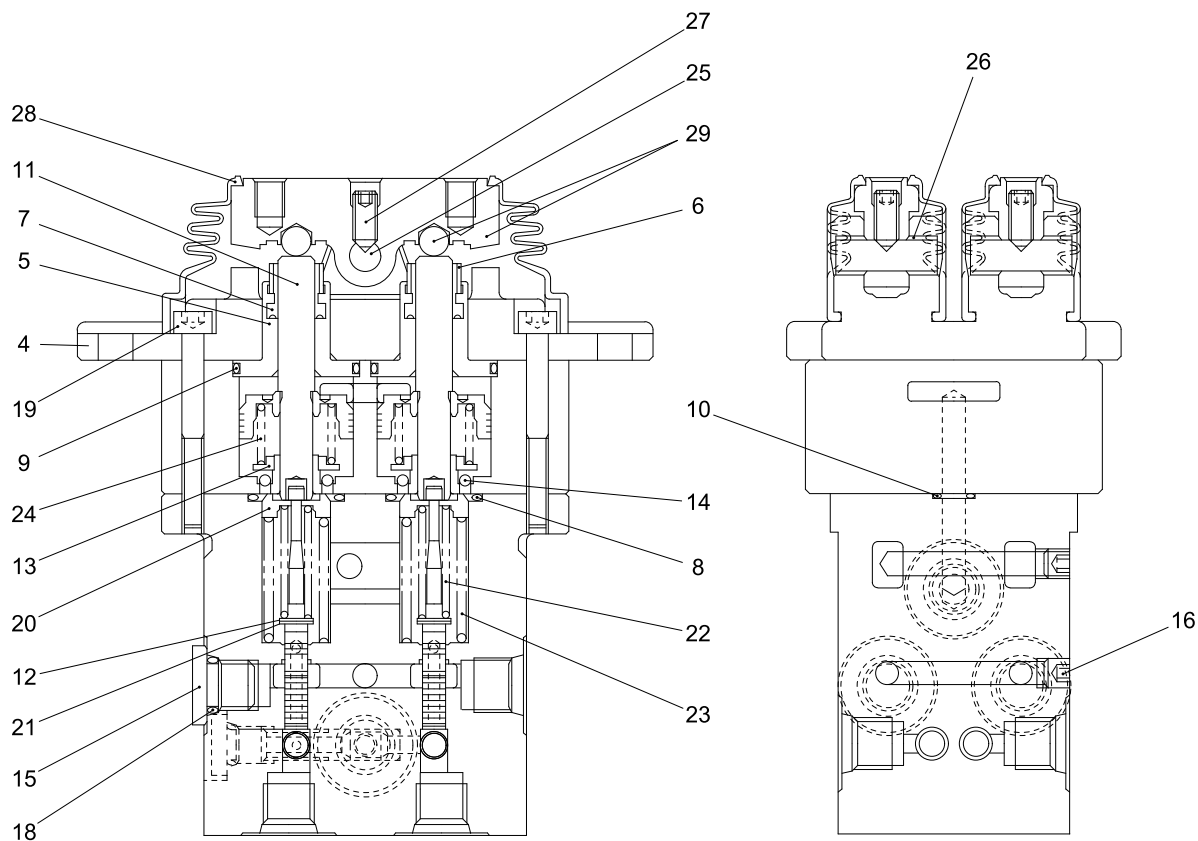
0782603UA-1

| KEY No. | SU P. | PART No. | DESCRIPTION | Q'TY | CHAN . | SERIAL No. | REMARKS |
|---------|-------|-------------|----------------------------|------|--------|------------|----------|
| 0 | | 0782 603 UA | Cylinder Ass'y, Boom Swing | 1 | | WZ010001- | |
| 1 | × | **** ** * | *Tube Ass'y, Cylinder | 1 | | WZ010001- | |
| 2 | | 0752 159 21 | **Bushing | 1 | | WZ010001- | |
| 3 | | 0765 033 28 | *Seal, Dust | 2 | | WZ010001- | |
| 4 | | 0782 603 02 | *Rod Ass'y, Piston | 1 | | WZ010001- | |
| 5 | | 0752 159 21 | **Bushing | 1 | | WZ010001- | |
| 6 | | 0728 111 65 | **Nipple, Grease | 1 | | WZ010001- | PT1/8X90 |
| 7 | | 0765 033 28 | *Seal, Dust | 2 | | WZ010001- | |
| 8 | | 0782 380 03 | *Head, Cylinder | 1 | | WZ010001- | |
| 9 | | 0782 446 03 | *Bushing | 1 | | WZ010001- | |
| 10 | | 0782 380 91 | *Kit, Seal | 1 | | WZ010001- | |
| 11 | × | 0752 756 05 | **Ring, U | 1 | | WZ010001- | |
| 12 | × | 0758 698 09 | **Ring, Wiper | 1 | | WZ010001- | |
| 13 | × | 0760 715 85 | **Ring, O | 1 | | WZ010001- | G85-90B |
| 14 | × | 0782 380 05 | **Ring, Back-up | 1 | | WZ010001- | |
| 15 | × | 0760 715 90 | **Ring, O | 1 | | WZ010001- | G90-90B |
| 16 | | 0782 380 93 | *Piston Ass'y | 1 | | WZ010001- | |
| 17 | × | **** ** * | **Piston | 1 | | WZ010001- | |
| 18 | | 0752 164 20 | **Ring Ass'y, Seal | 1 | | WZ010001- | |
| 19 | | 0782 380 07 | **Ring, Slide | 2 | | WZ010001- | |
| 20 | | 0561 080 08 | **Screw, Set | 1 | | WZ010001- | M8X8 |
| 21 | | 0751 901 25 | **Ball, Steel | 1 | | WZ010001- | d=7/32 |



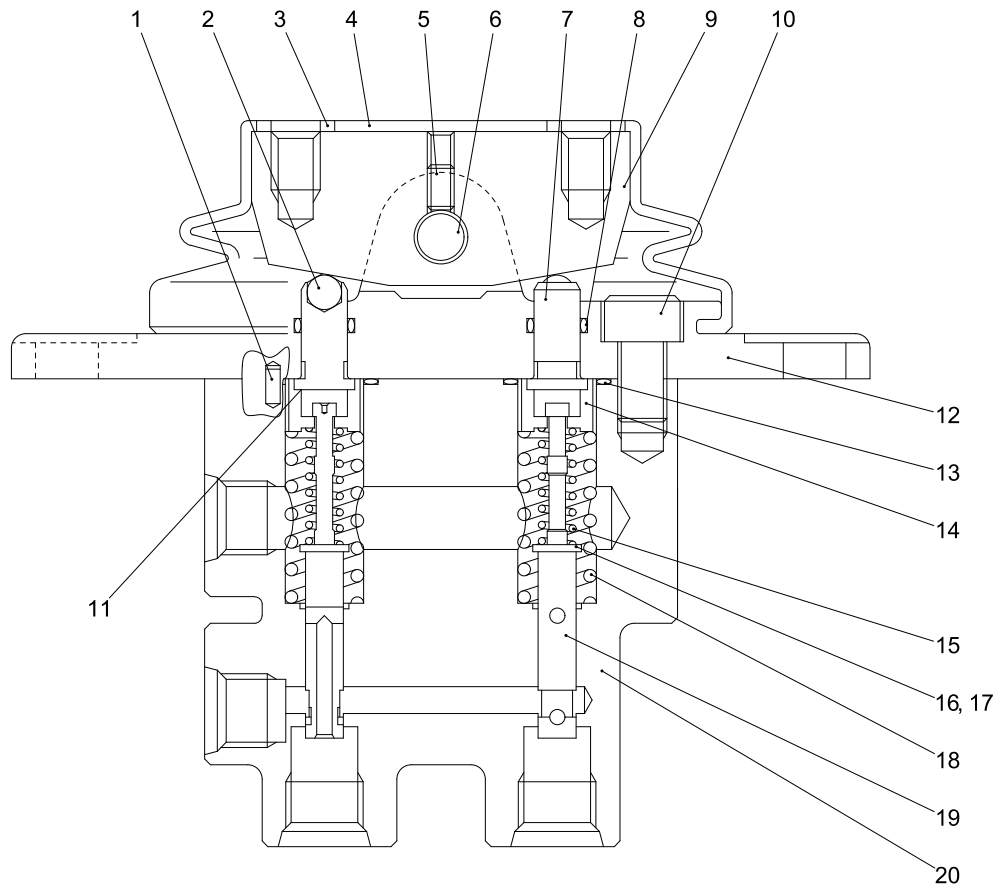
0782608UA-1

| KEY No. | SU P. | PART No. | DESCRIPTION | Q'TY | CHAN | SERIAL No. | REMARKS |
|---------|-------|-------------|-----------------------|------|------|------------|------------|
| 0 | | 0782 608 UA | Cylinder Ass'y, Blade | 1 | | WZ010001- | |
| 1 | × | *** ** * | *Tube Ass'y, Cylinder | 1 | | WZ010001- | |
| 2 | | 0782 608 08 | **Bushing | 1 | | WZ010001- | |
| 3 | | 0728 111 15 | **Nipple, Grease | 1 | | WZ010001- | PT1/8 |
| 4 | | 0758 850 12 | *Seal, Dust | 2 | | WZ010001- | |
| 5 | | 0782 608 02 | *Rod Ass'y, Piston | 1 | | WZ010001- | |
| 6 | | 0782 608 08 | **Bushing | 1 | | WZ010001- | |
| 7 | | 0728 111 55 | **Nipple, Grease | 1 | | WZ010001- | PT1/8X67.5 |
| 8 | | 0758 850 12 | *Seal, Dust | 2 | | WZ010001- | |
| 9 | | 0782 608 03 | *Head, Cylinder | 1 | | WZ010001- | |
| 10 | | 0782 492 04 | *Bushing | 1 | | WZ010001- | |
| 11 | | 0782 608 91 | *Kit, Seal | 1 | | WZ010001- | |
| 12 | × | 0752 935 04 | **Ring, U | 1 | | WZ010001- | |
| 13 | × | 0758 850 06 | **Ring, Wiper | 1 | | WZ010001- | |
| 14 | × | 0760 716 00 | **Ring, O | 1 | | WZ010001- | G100-90B |
| 15 | × | 0782 608 04 | **Ring, Back-up | 1 | | WZ010001- | |
| 16 | × | 0760 716 05 | **Ring, O | 1 | | WZ010001- | G105-90B |
| 17 | | 0782 608 93 | *Piston Ass'y | 1 | | WZ010001- | |
| 18 | × | *** ** * | *Piston | 1 | | WZ010001- | |
| 19 | | 0782 608 06 | **Ring, Slide | 2 | | WZ010001- | |
| 20 | | 0752 922 11 | **Ring Ass'y, Seal | 1 | | WZ010001- | |
| 21 | | 0782 498 13 | **Nut | 1 | | WZ010001- | |
| 22 | | 0561 100 10 | **Screw, Set | 1 | | WZ010001- | M10X10 |
| 23 | | 0609 016 10 | **Ball, Steel | 1 | | WZ010001- | d=1/4 |
| 24 | | 0782 608 07 | *Pipe | 1 | | WZ010001- | |
| 25 | | 0782 446 05 | *Plug | 1 | | WZ010001- | |
| 26 | | 0760 710 23 | *Ring, O | 2 | | WZ010001- | P22A-90B |
| 27 | | 0782 446 06 | *Bolt | 1 | | WZ010001- | |
| 28 | | 0782 431 21 | *Holder, Pipe | 1 | | WZ010001- | |



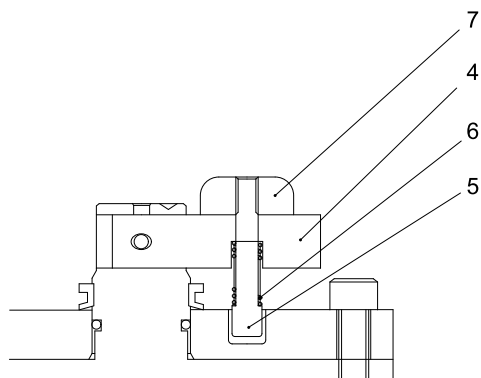
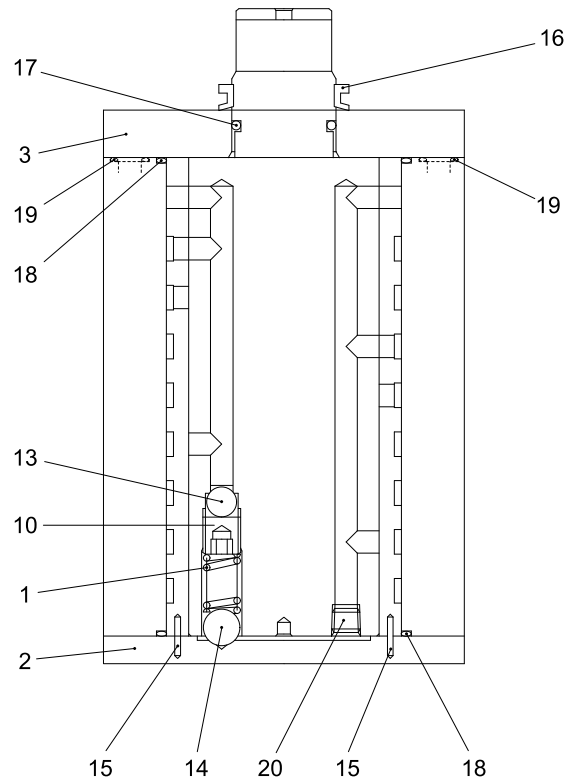
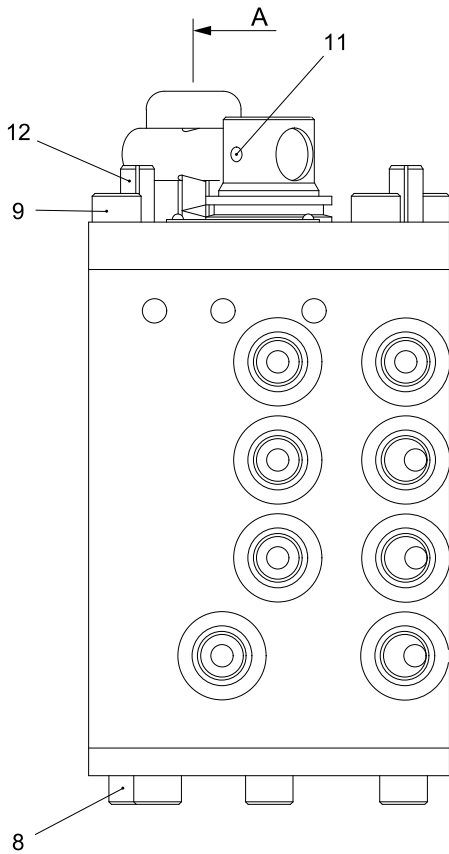
0783995UA-1
0783936UA-1

| KEY No. | SU P. | PART No. | DESCRIPTION | Q'TY | CHAN | SERIAL No. | REMARKS |
|---------|-------|-------------|--------------------|------|------|------------|---------|
| 0 | | 0783 995 UA | Valve Ass'y, Pilot | 1 | | WZ010001- | |
| 1 | | 0783 951 01 | *Seat | 2 | | WZ010001- | |
| 2 | | 0783 951 02 | *Bushing | 2 | | WZ010001- | |
| 3 | | 0609 016 10 | *Ball, Steel | 2 | | WZ010001- | d=1/4 |
| 4 | | 0783 951 03 | *Cover | 2 | | WZ010001- | |
| 5 | | 0783 951 04 | *Plug | 4 | | WZ010001- | |
| 6 | | 0783 951 05 | *Cap, Grease | 4 | | WZ010001- | |
| 7 | | 0783 951 06 | *Packing | 4 | | WZ010001- | |
| 8 | | 0760 310 20 | *Ring, O | 4 | | WZ010001- | 020-90B |
| 9 | | 0760 310 25 | *Ring, O | 4 | | WZ010001- | 025-90B |
| 10 | | 0760 710 08 | *Ring, O | 4 | | WZ010001- | P8-90B |
| 11 | | 0783 936 01 | *Rod, Push | 4 | | WZ010001- | |
| 12 | | 0783 951 08 | *Shim | 4 | | WZ010001- | |
| 13 | | 0783 951 09 | *Seat, Spring | 4 | | WZ010001- | |
| 14 | | 0751 948 06 | *Ball, Steel | 12 | | WZ010001- | |
| 15 | | 0756 357 03 | *Plug | 3 | | WZ010001- | |
| 16 | | 0750 198 15 | *Plug | 6 | | WZ010001- | |
| 17 | | 0783 920 06 | *Plug | 2 | | WZ010001- | |
| 18 | | 0760 710 12 | *Ring, O | 3 | | WZ010001- | P11-90B |
| 19 | | 0562 060 50 | *Bolt, Socket Head | 4 | | WZ010001- | M6X50 |
| 20 | | 0783 951 10 | *Seat, Spring | 4 | | WZ010001- | |
| 21 | | 0783 951 11 | *Washer | 4 | | WZ010001- | |
| 22 | | 0783 995 01 | *Spring | 4 | | WZ010001- | |
| 23 | | 0783 951 13 | *Spring | 4 | | WZ010001- | |
| 24 | | 0783 951 14 | *Spring | 4 | | WZ010001- | |
| 25 | | 0783 951 15 | *Shaft Cam | 2 | | WZ010001- | |
| 26 | | 0783 951 16 | *Bushing | 4 | | WZ010001- | |
| 27 | | 0783 951 17 | *Screw, Set | 2 | | WZ010001- | |
| 28 | | 0783 951 18 | *Boot | 2 | | WZ010001- | |
| 29 | | 0783 951 91 | *Cam Ass'y | 2 | | WZ010001- | |



0783965UA-1
0783724UA-1

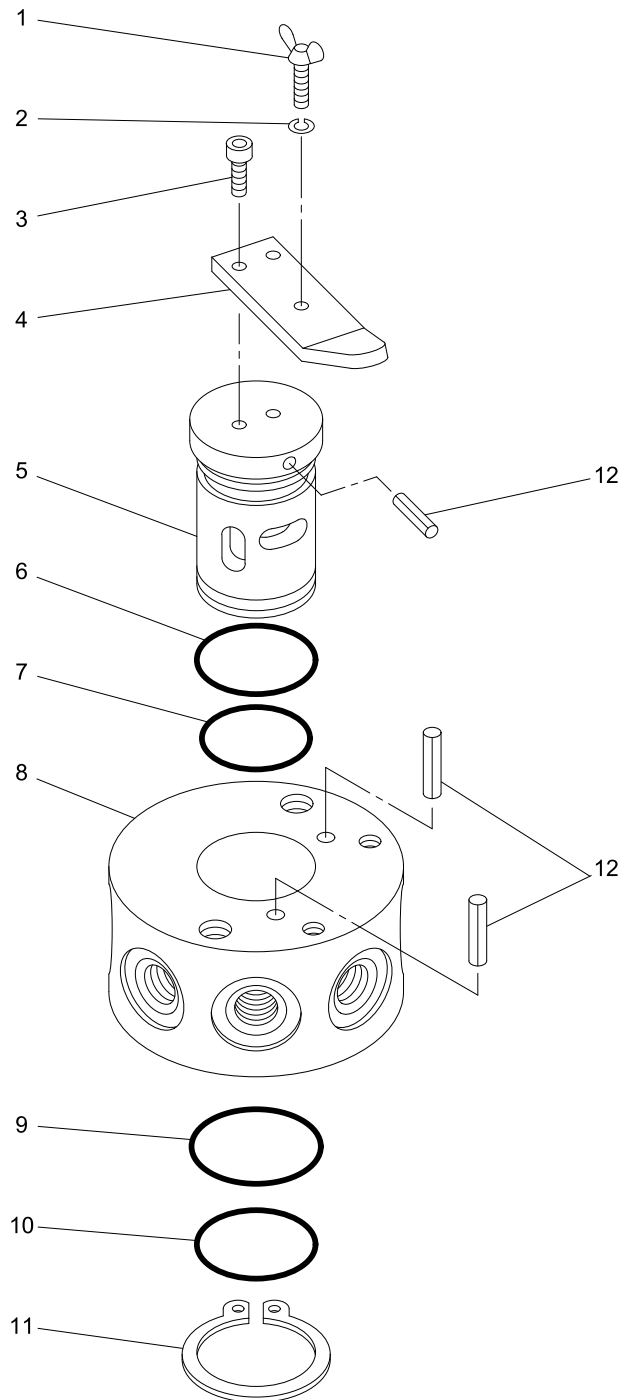
| KEY No. | SU P. | PART No. | DESCRIPTION | Q'TY | CHAN . | SERIAL No. | REMARKS |
|---------|-------|-------------|--------------------|------|--------|------------|---------|
| 0 | | 0783 965 UA | Valve Ass'y, Pilot | 1 | | WZ010001- | |
| 1 | | 0756 326 22 | *Pin, Spring | 2 | | WZ010001- | d=3X6 |
| 2 | | 0756 326 23 | *Ball, Steel | 2 | | WZ010001- | d=6 |
| 3 | | 0756 326 20 | *Washer, Flat | 2 | | WZ010001- | M8 |
| 4 | | 0756 326 10 | *Boot | 1 | | WZ010001- | |
| 5 | | 0567 040 08 | *Screw, Set | 1 | | WZ010001- | M4X8 |
| 6 | | 0756 326 08 | *Pin | 1 | | WZ010001- | |
| 7 | | 0756 326 04 | *Pusher | 2 | | WZ010001- | |
| 8 | | 0760 610 08 | *Ring, O | 2 | | WZ010001- | P8-70B |
| 9 | | 0756 326 07 | *Cam | 1 | | WZ010001- | |
| 10 | | 0562 080 16 | *Bolt, Socket Head | 2 | | WZ010001- | M8X16 |
| 11 | | 0783 965 02 | *Shim | AR | | WZ010001- | t=0.1 |
| 11-1 | | 0783 965 03 | *Shim | AR | | WZ010001- | t=0.2 |
| 12 | | *** ** * | *Cover | 1 | | WZ010001- | |
| 13 | | 0756 326 25 | *Ring, O | 2 | | WZ010001- | S16-90B |
| 14 | | 0756 065 13 | *Holder, Spring | 2 | | WZ010001- | |
| 15 | | 0783 965 11 | *Spring | 2 | | WZ010001- | |
| 16 | | 0756 326 19 | *Washer, Flat | 2 | | WZ010001- | M4 |
| 17 | | 0756 326 06 | *Shim | AR | | WZ010001- | t=0.1 |
| 17-1 | | 0756 065 11 | *Shim | AR | | WZ010001- | |
| 18 | | 0756 326 09 | *Spring | 2 | | WZ010001- | |
| 19 | | 0783 965 04 | *Spool | 2 | | WZ010001- | |
| 20 | | *** ** * | *Body | 1 | | WZ010001- | |



"A" SECTION

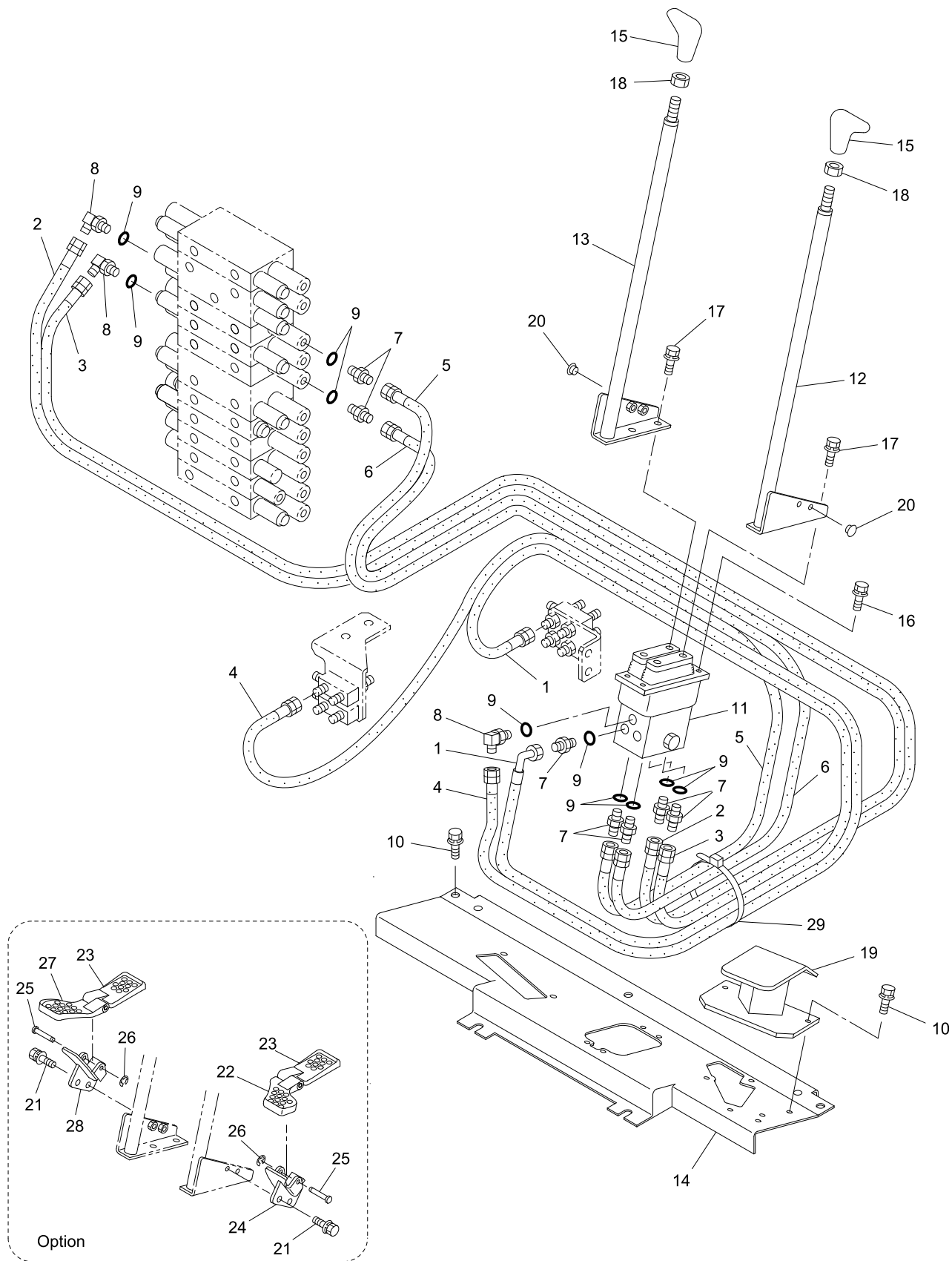
0784112UA-1

| KEY No. | SU P. | PART No. | DESCRIPTION | Q'TY | CHAN | SERIAL No. | REMARKS |
|---------|-------|-------------|------------------------------------|------|------|------------|---------|
| 0 | | 0784 112 UA | Valve Ass'y, Multiple (A-D Change) | 1 | | WZ010001- | |
| 1 | | 0784 112 04 | *Spring | 1 | | WZ010001- | |
| 2 | | 0784 112 06 | *Cover | 1 | | WZ010001- | |
| 3 | | 0784 112 07 | *Cover | 1 | | WZ010001- | |
| 4 | | 0784 112 08 | *Lever | 1 | | WZ010001- | |
| 5 | | 0784 112 09 | *Pin | 1 | | WZ010001- | |
| 6 | | 0784 112 10 | *Spring | 1 | | WZ010001- | |
| 7 | | 0784 112 11 | *Grip | 1 | | WZ010001- | |
| 8 | | 0562 080 16 | *Bolt, Socket Head | 6 | | WZ010001- | M8X16 |
| 9 | | 0562 080 25 | *Bolt, Socket Head | 6 | | WZ010001- | M8X25 |
| 10 | | 0561 100 10 | *Screw, Set | 1 | | WZ010001- | M10X10 |
| 11 | | 0494 606 25 | *Pin, Spring | 1 | | WZ010001- | d=4X25 |
| 12 | | 0494 610 24 | *Pin, Spring | 2 | | WZ010001- | d=8X24 |
| 13 | | 0756 781 14 | *Ball, Steel | 1 | | WZ010001- | d=8 |
| 14 | | 0784 112 20 | *Ball, Steel | 1 | | WZ010001- | d=10 |
| 15 | | 0783 637 16 | *Roller, Needle | 4 | | WZ010001- | d=2X9.8 |
| 16 | | 0756 863 09 | *Seal, Oil | 1 | | WZ010001- | |
| 17 | | 0760 211 18 | *Ring, O | 1 | | WZ010001- | 118-70B |
| 18 | | 0783 637 19 | *Ring, O | 2 | | WZ010001- | S65-70B |
| 19 | | 0783 637 20 | *Ring, O | 8 | | WZ010001- | S8-70B |
| 20 | | 0754 124 13 | *Plug | 7 | | WZ010001- | |



0756094UA-1

| KEY No. | SU P. | PART No. | DESCRIPTION | Q'TY | CHAN . | SERIAL No. | REMARKS |
|---------|-------|-------------|-----------------------|------|--------|------------|---------|
| 0 | | 0756 094 UA | Valve Ass'y, Selector | 1 | | WZ010001- | |
| 1 | | 0756 094 04 | *Bolt, Wing | 1 | | WZ010001- | |
| 2 | | 0590 050 00 | *Washer, Lock | 1 | | WZ010001- | M5 |
| 3 | | 0562 050 14 | *Bolt, Socket Head | 2 | | WZ010001- | M5X14 |
| 4 | | 0756 094 03 | *Lever | 1 | | WZ010001- | |
| 5 | | 0756 094 02 | *Rotor | 1 | | WZ010001- | |
| 6 | | 0756 094 08 | *Ring, O | 1 | | WZ010001- | |
| 7 | | 0756 094 07 | *Ring, O | 1 | | WZ010001- | |
| 8 | | 0756 094 01 | *Body | 1 | | WZ010001- | |
| 9 | | 0756 094 06 | *Ring, O | 1 | | WZ010001- | |
| 10 | | 0756 094 05 | *Ring, O | 1 | | WZ010001- | |
| 11 | | 0493 510 30 | *Ring, Snap | 1 | | WZ010001- | d=30 |
| 12 | | 0494 606 12 | *Pin, Spring | 3 | | WZ010001- | d=4X12 |



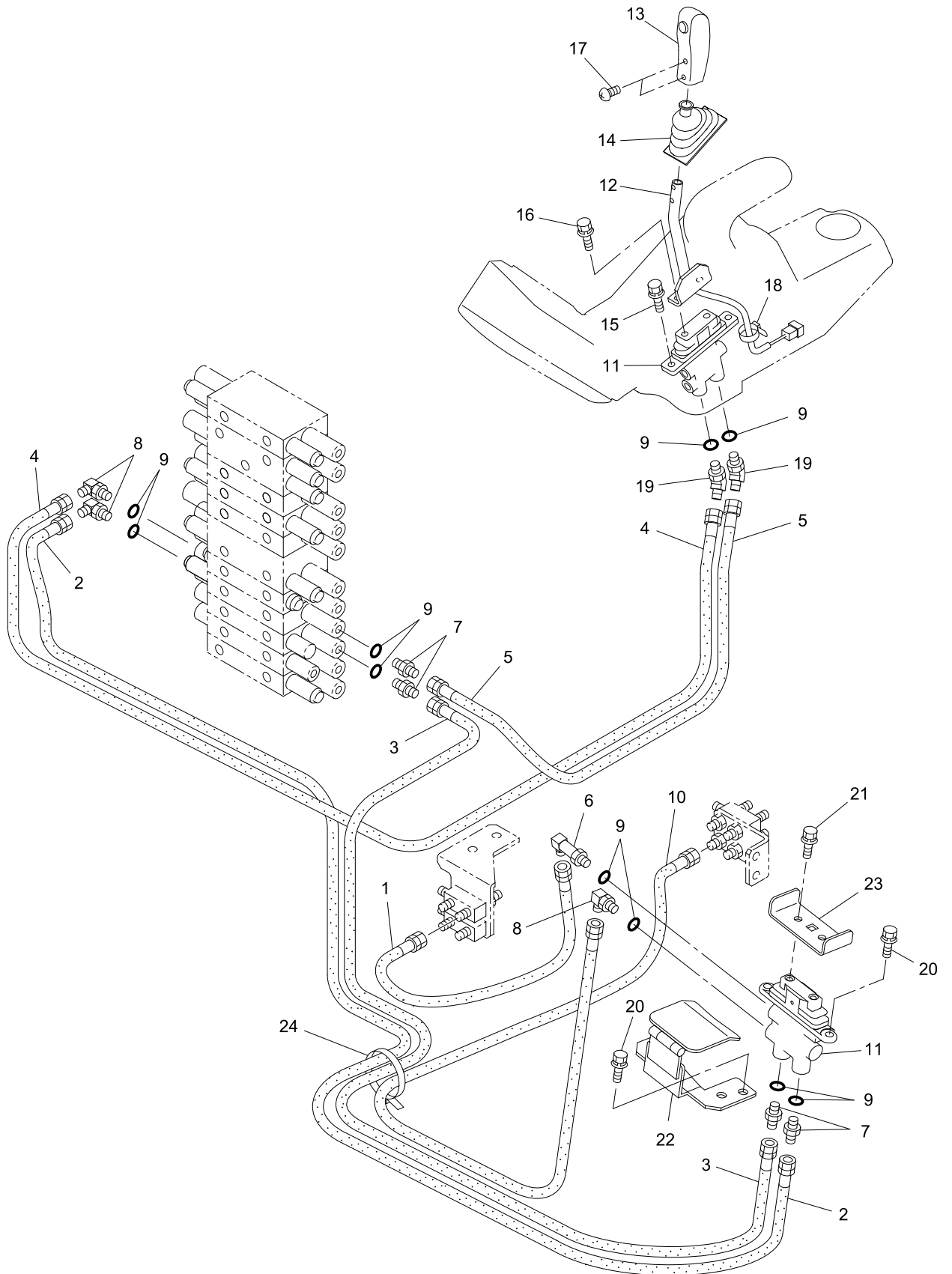
40V4-060100-1

| KEY No. | SU P. | PART No. | DESCRIPTION | Q'TY | CHAN | SERIAL No. | REMARKS |
|---------|-------|-------------|-------------------------------|------|------|------------|------------------|
| 0 | × | F342 640 00 | Lever Ass'y, Travel | 1 | | WZ010001- | |
| 0-1 | × | F361 722 00 | Lever Ass'y, Travel | 1 | | WZ010001- | |
| 1 | | 4070 551 22 | *Hose Ass'y | 1 | | WZ010001- | L=1000 |
| 2 | | 4070 548 89 | *Hose Ass'y | 1 | | WZ010001- | L=2250 |
| 2-1 | ☆ | D406 499 01 | *Decal (T1) | 2 | | WZ010001- | D406 499 00 |
| 3 | | 4070 548 21 | *Hose Ass'y | 1 | | WZ010001- | L=2100 |
| 3-1 | ☆ | D406 499 03 | *Decal (T3) | 2 | | WZ010001- | D406 499 00 |
| 4 | | 4070 548 06 | *Hose Ass'y | 1 | | WZ010001- | L=1200 |
| 5 | | 4070 548 04 | *Hose Ass'y | 1 | | WZ010001- | L=1800 |
| 5-1 | ☆ | D406 499 02 | *Decal (T2) | 2 | | WZ010001- | D406 499 00 |
| 6 | | 4070 548 04 | *Hose Ass'y | 1 | | WZ010001- | L=1800 |
| 6-1 | ☆ | D406 499 04 | *Decal (T4) | 2 | | WZ010001- | D406 499 00 |
| 7 | | 0713 700 70 | *Connector | 7 | | WZ010001- | |
| 8 | | 0710 122 09 | *Elbow | 3 | | WZ010001- | |
| 9 | | 0760 710 12 | *Ring, 0 | 10 | | WZ010001- | P11-90B |
| 10 | | 0518 100 25 | *Bolt, Treatment (W/L.W, F.W) | 7 | | WZ010001- | M10X25 P=1.25 |
| 11 | # | 0783 995 UA | *Valve Ass'y, Pilot | 1 | | WZ010001- | Sh. No. 5-13 |
| 12 | | D495 838 00 | *Lever (L.H.) | 1 | | WZ010001- | |
| 13 | | D495 839 00 | *Lever (R.H.) | 1 | | WZ010001- | |
| 14 | | D419 360 00 | *Bracket | 1 | | WZ010001- | |
| 15 | | 0690 283 72 | *Grip | 2 | | WZ010001- | |
| 16 | | 0517 080 25 | *Bolt, Treatment (W/L.W, F.W) | 4 | | WZ010001- | M8X25 |
| 17 | | 0517 080 16 | *Bolt, Treatment (W/L.W, F.W) | 4 | | WZ010001- | M8X16 |
| 18 | | 0549 140 00 | *Nut, Half | 2 | | WZ010001- | M14 P=1.5 |
| 19 | | D419 551 00 | *Bracket | 1 | | WZ010001- | |
| 20 | | 0690 201 05 | *Plug, Hole | 4 | | WZ010001- | |
| 21 | | 0517 080 25 | *Bolt, Treatment (W/L.W, F.W) | 4 | | WZ010001- | M8X25 |
| 22 | | D501 057 00 | *Pedal | 1 | | WZ010001- | Option |
| 23 | | D501 076 00 | *Pedal | 2 | | WZ010001- | Option |
| 24 | | D419 342 00 | *Bracket | 1 | | WZ010001- | Option |
| 25 | | D013 384 00 | *Pin, Head | 2 | | WZ010001- | Option |
| 26 | | 0493 510 08 | *Ring, Snap | 2 | | WZ010001- | Option |
| 27 | | D501 058 00 | *Pedal | 1 | | WZ010001- | Option |
| 28 | | D419 343 00 | *Bracket | 1 | | WZ010001- | Option |
| 29 | | 0820 067 05 | *Band, Cable | 1 | | WZ010001- | |

| KEY No. | SU P. | PART No. | DESCRIPTION | Q'TY | CHAN | SERIAL No. | REMARKS |
|---------|-------|-------------|-------------------------------|------|------|------------|------------------|
| 0 | × | F361 722 00 | Lever Ass'y, Control | 1 | | WZ010001- | |
| 1 | | 0518 100 25 | *Bolt, Treatment (W/L.W, F.W) | 3 | | WZ010001- | M10X25 P=1.25 |
| 2 | | 0690 283 86 | *Grip | 1 | | WZ010001- | |
| 3 | | D465 318 00 | *Panel | 1 | | WZ010001- | |
| 4 | | D465 319 00 | *Panel | 1 | | WZ010001- | |
| 5 | | 4004 364 01 | *Bolt, Button Head | 3 | | WZ010001- | M6X18 |
| 6 | | 0565 060 25 | *Screw, Pan Head | 2 | | WZ010001- | M6X25 |
| 7 | | 0594 060 00 | *Washer, Flat | 3 | | WZ010001- | M6 |
| 8 | | 0596 060 00 | *Washer, Lock | 3 | | WZ010001- | M6 |
| 9 | | 0593 060 00 | *Washer, Flat | 2 | | WZ010001- | M6 |
| 10 | | 0590 060 00 | *Washer, Lock | 2 | | WZ010001- | M6 |
| 11 | | D419 308 00 | *Bracket | 1 | | WZ010001- | |
| 12 | | D418 302 00 | *Bracket | 1 | | WZ010001- | |
| 13 | | D495 774 00 | *Lever | 1 | | WZ010001- | |
| 14 | | D418 190 00 | *Bracket | 1 | | WZ010001- | |
| 15 | | D017 225 00 | *Pin | 1 | | WZ010001- | |
| 16 | | 4040 867 00 | *Spacer | 2 | | WZ010001- | |
| 17 | | 0618 120 20 | *Bushing | 2 | | WZ010001- | |
| 18 | | 0618 116 15 | *Bushing | 2 | | WZ010001- | |
| 19 | | D170 052 00 | *Spring | 1 | | WZ010001- | |
| 20 | | 0652 253 UA | *Stay, Dumper | 1 | | WZ010001- | |
| 21 | | 0858 314 15 | *Switch, Limit | 1 | | WZ010001- | |
| 22 | | 0493 560 09 | *Ring "E" | 2 | | WZ010001- | |
| 23 | | 4016 030 04 | *Pin, Snap | 4 | | WZ010001- | |
| 24 | | 0493 510 16 | *Ring, Snap | 1 | | WZ010001- | d=16 |
| 25 | | 0517 080 20 | *Bolt, Treatment (W/L.W, F.W) | 1 | | WZ010001- | M8X20 |
| 26 | | 0517 060 16 | *Bolt, Treatment (W/L.W, F.W) | 2 | | WZ010001- | M6X16 |
| 27 | | 0517 060 12 | *Bolt, Treatment (W/L.W, F.W) | 2 | | WZ010001- | M6X12 |
| 28 | | 0593 080 00 | *Washer, Flat | 2 | | WZ010001- | M8 |
| 29 | | 0690 202 50 | *Pad, Rubber | 1 | | WZ010001- | |
| 30 | | 0548 120 00 | *Nut, Half | 1 | | WZ010001- | M12 |
| 31 | | 0690 082 08 | *Band, Cable | 1 | | WZ010001- | |
| 32 | | D495 577 00 | *Lever | 2 | | WZ010001- | |
| 33 | | D042 040 00 | *Collar | 2 | | WZ010001- | |
| 34 | | 0690 283 40 | *Grip (W/Switch) | 1 | | WZ010001- | |
| 35 | | D040 178 00 | *Spacer | 2 | | WZ010001- | |
| 36 | | 0580 140 00 | *Nut, Hex. | 2 | | WZ010001- | M14 |
| 37 | | 0565 040 12 | *Screw, Pan Head | 4 | | WZ010001- | M4X12 |
| 38 | | 0820 067 07 | *Band, Cable | 1 | | WZ010001- | |
| 39 | | D592 290 00 | *Harness | 1 | | WZ010001- | |
| 40 | | 0690 082 08 | *Clamp, Hose | 2 | | WZ010001- | |
| 41 | | 0690 283 41 | *Grip | 1 | | WZ010001- | |
| 42 | | D408 281 00 | *Seal | 2 | | WZ010001- | |
| 43 | | D480 009 00 | *Rest, Arm | 2 | | WZ010001- | |

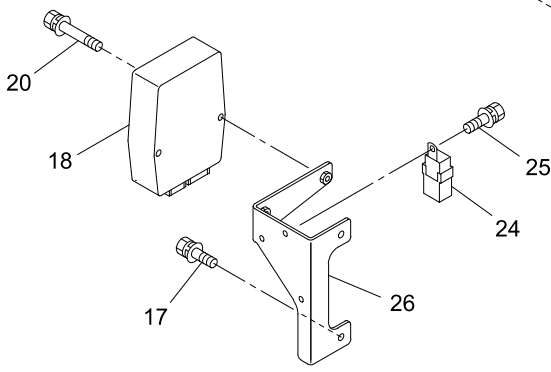
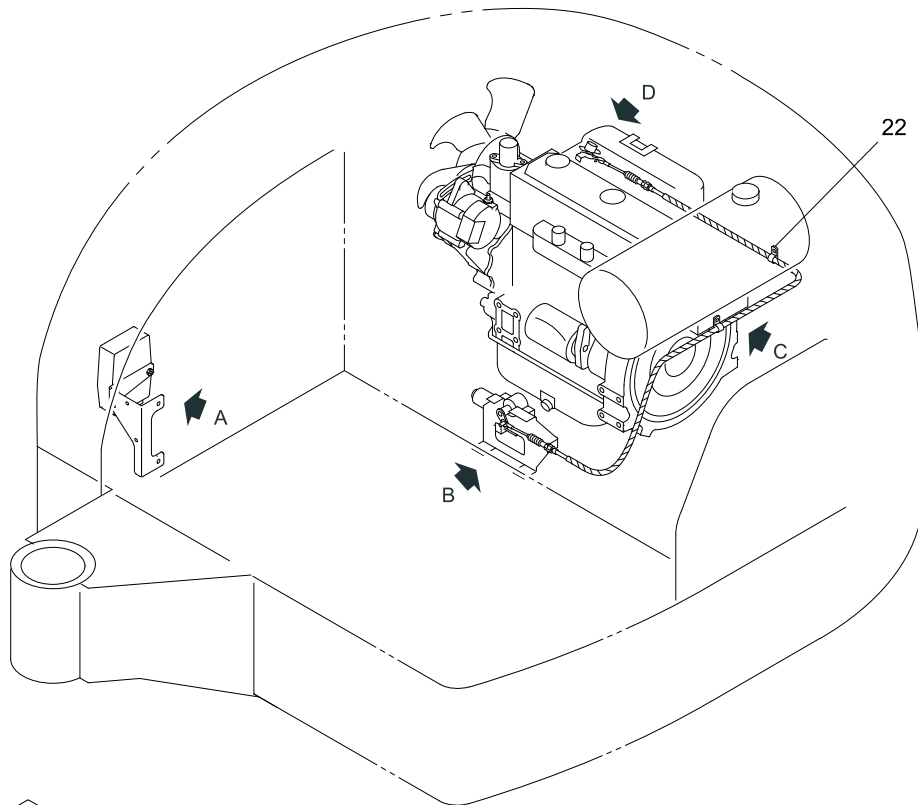
| KEY No. | SU P. | PART No. | DESCRIPTION | Q'TY | CHAN | SERIAL No. | REMARKS |
|---------|-------|-------------|--------------------------|------|------|------------|---------|
| 44 | | D418 139 00 | *Bracket | 2 | | WZ010001- | |
| 45 | | 0519 080 20 | *Bolt, Treatment (W/L.W) | 4 | | WZ010001- | M8X20 |
| 46 | | D004 049 02 | *Bolt, Button Head | 4 | | WZ010001- | M8X30 |
| 47 | | 0521 080 00 | *Nut, Hex..(W/F.W) | 4 | | WZ010001- | M8 |
| 48 | | 0690 283 85 | *Grip | 1 | | WZ010001- | |
| 49 | | D495 843 00 | *Lever | 2 | | WZ010001- | |
| 50 | | 0494 608 40 | *Pin, Spring | 2 | | WZ010001- | d=5X40 |
| 51 | | 0820 514 UA | *Connector | 1 | | WZ010001- | |
| 52 | | 0820 067 03 | *Band, Cable | 1 | | WZ010001- | |
| 53 | | 0690 283 82 | *Grip (W/Switch) | 1 | | WZ010001- | |
| 54 | | 0820 513 UA | *Connector | 1 | | WZ010001- | |
| 55 | | 0690 082 08 | *Clamp, Hose | 2 | | WZ010001- | |

[Memo]

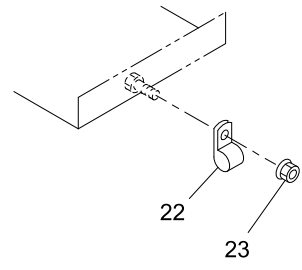


40V4-060300-1

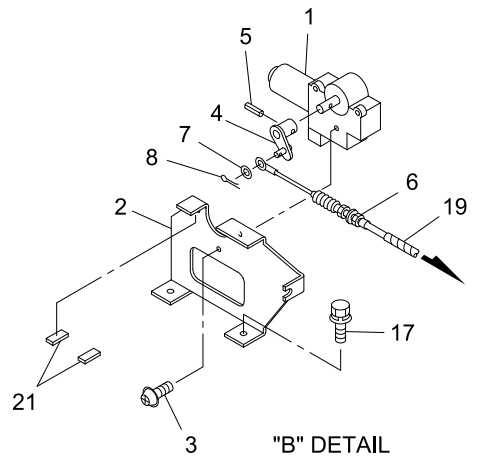
| KEY No. | SU P. | PART No. | DESCRIPTION | Q'TY | CHAN | SERIAL No. | REMARKS |
|---------|-------|-------------|-----------------------------------|------|------|------------|------------------|
| 0 | × | F342 640 00 | Control Ass'y, Blade & Boom Swing | 1 | | WZ010001- | |
| 1 | | 4070 548 57 | *Hose Ass'y | 1 | | WZ010001- | L=450 |
| 2 | | 4070 548 39 | *Hose Ass'y | 1 | | WZ010001- | L=2000 |
| 3 | | 4070 548 19 | *Hose Ass'y | 1 | | WZ010001- | L=1250 |
| 4 | | 4070 548 01 | *Hose Ass'y | 1 | | WZ010001- | L=1900 |
| 4-1 | ☆ | D407 818 01 | *Decal (BA) | 2 | | WZ010001- | D407 818 00 |
| 5 | | 4070 548 06 | *Hose Ass'y | 1 | | WZ010001- | L=1200 |
| 5-1 | ☆ | D407 818 02 | *Decal (BB) | 2 | | WZ010001- | D407 818 00 |
| 6 | | 0710 117 02 | *Elbow, Long | 1 | | WZ010001- | |
| 7 | | 0713 700 70 | *Connector | 4 | | WZ010001- | |
| 8 | | 0710 122 09 | *Elbow | 3 | | WZ010001- | |
| 9 | | 0760 710 12 | *Ring, 0 | 10 | | WZ010001- | P11-90B |
| 10 | | 4070 548 36 | *Hose Ass'y | 1 | | WZ010001- | L=550 |
| 11 | # | 0783 965 UA | *Valve Ass'y, Pilot | 2 | | WZ010001- | Sh. No. 5-14 |
| 12 | | D495 808 00 | *Lever | 1 | | WZ010001- | |
| 13 | | 0690 283 81 | *Grip (W/Switch) | 1 | | WZ010001- | |
| 14 | | D181 002 00 | *Boots | 1 | | WZ010001- | |
| 15 | | 0517 080 20 | *Bolt, Treatment (W/L.W, F.W) | 2 | | WZ010001- | M8X20 |
| 16 | | 0517 080 16 | *Bolt, Treatment (W/L.W, F.W) | 2 | | WZ010001- | M8X16 |
| 17 | | 0565 040 08 | *Screw, Pan Head | 2 | | WZ010001- | M4X8 |
| 18 | | 0820 067 03 | *Band, Cable | 1 | | WZ010001- | |
| 19 | | 0710 121 00 | *Elbow, 45 | 2 | | WZ010001- | |
| 20 | | 0518 100 25 | *Bolt, Treatment (W/L.W, F.W) | 4 | | WZ010001- | M10X25 P=1.25 |
| 21 | | 0517 080 16 | *Bolt, Treatment (W/L.W, F.W) | 2 | | WZ010001- | M8X16 |
| 22 | | D419 286 00 | *Bracket | 1 | | WZ010001- | |
| 23 | | D501 075 00 | *Pedal | 1 | | WZ010001- | |
| 24 | | 0820 067 05 | *Band, Cable | 1 | | WZ010001- | |



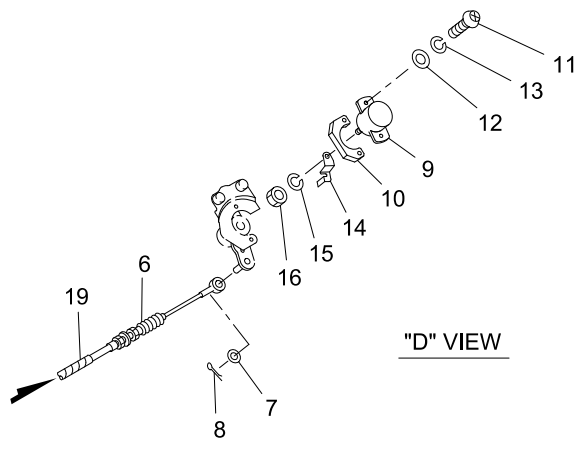
"A" DETAIL



"C" DETAIL



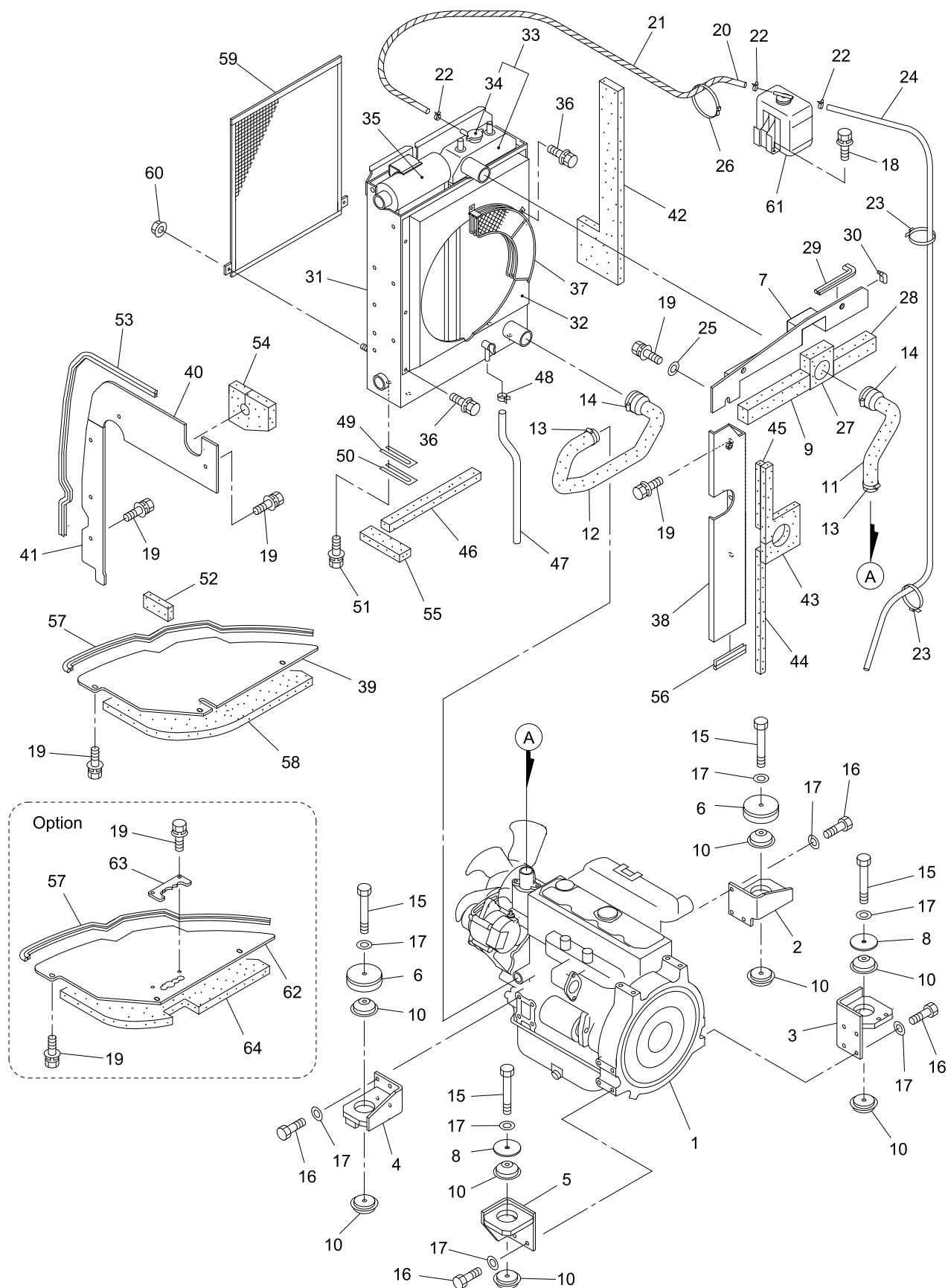
"B" DETAIL



"D" VIEW

40V4-060400-1

| KEY No. | SU P. | PART No. | DESCRIPTION | Q'TY | CHAN | SERIAL No. | REMARKS |
|---------|-------|-------------|-------------------------------|------|------|------------|------------|
| 0 | × | F361 697 00 | Control Ass'y, Engine | 1 | | WZ010001- | |
| 1 | | 0891 802 UA | *Motor | 1 | | WZ010001- | |
| 2 | | D419 273 00 | *Bracket | 1 | | WZ010001- | |
| 3 | | 0528 050 16 | *Screw, Tapping | 3 | | WZ010001- | M5X16 |
| 4 | | D495 830 00 | *Lever | 1 | | WZ010001- | |
| 5 | | 0494 606 16 | *Pin, Spring | 1 | | WZ010001- | d=4X16 |
| 6 | | 0690 511 47 | *Cable, Control | 1 | | WZ010001- | |
| 7 | | 0593 060 00 | *Washer, Flat | 2 | | WZ010001- | M6 |
| 8 | | 0599 010 15 | *Pin, Cotter | 2 | | WZ010001- | d=1.6X15 |
| 9 | | 0858 614 12 | *Meter, Potention | 1 | | WZ010001- | |
| 10 | | D040 346 00 | *Spacer | 1 | | WZ010001- | |
| 11 | | 0565 040 20 | *Screw, Pan Head | 2 | | WZ010001- | M4X20 |
| 12 | | 0593 040 00 | *Washer, Flat | 2 | | WZ010001- | M4 |
| 13 | | 0590 040 00 | *Washer, Lock | 2 | | WZ010001- | M4 |
| 14 | | D495 810 00 | *Lever | 1 | | WZ010001- | |
| 15 | | 0590 060 00 | *Washer, Lock | 1 | | WZ010001- | M6 |
| 16 | | 0580 060 00 | *Nut, Hex. | 1 | | WZ010001- | M6 |
| 17 | | 0517 080 20 | *Bolt, Treatment (W/L.W, F.W) | 4 | | WZ010001- | M8X20 |
| 18 | | 0891 922 UA | *Controller, Throttle | 1 | | WZ010001- | |
| 19 | | 0820 803 01 | *Tube, Corrugate | M | | WZ010001- | L=1550 |
| 20 | | 0517 060 60 | *Bolt, Treatment (W/L.W, F.W) | 2 | | WZ010001- | M6X60 |
| 21 | | D433 503 00 | *Plate, Rubber | 2 | | WZ010001- | |
| 22 | | 4080 000 03 | *Clamp, Hose | 2 | | WZ010001- | |
| 23 | | 0524 100 00 | *Nut, Hex. (W/F.W) | 1 | | WZ010001- | M10 P=1.25 |
| 24 | | 0820 215 07 | *Relay | 1 | | WZ010001- | |
| 25 | | 0517 060 12 | *Bolt, Treatment (W/L.W, F.W) | 1 | | WZ010001- | M6X12 |
| 26 | | D419 347 00 | *Bracket | 1 | | WZ010001- | |

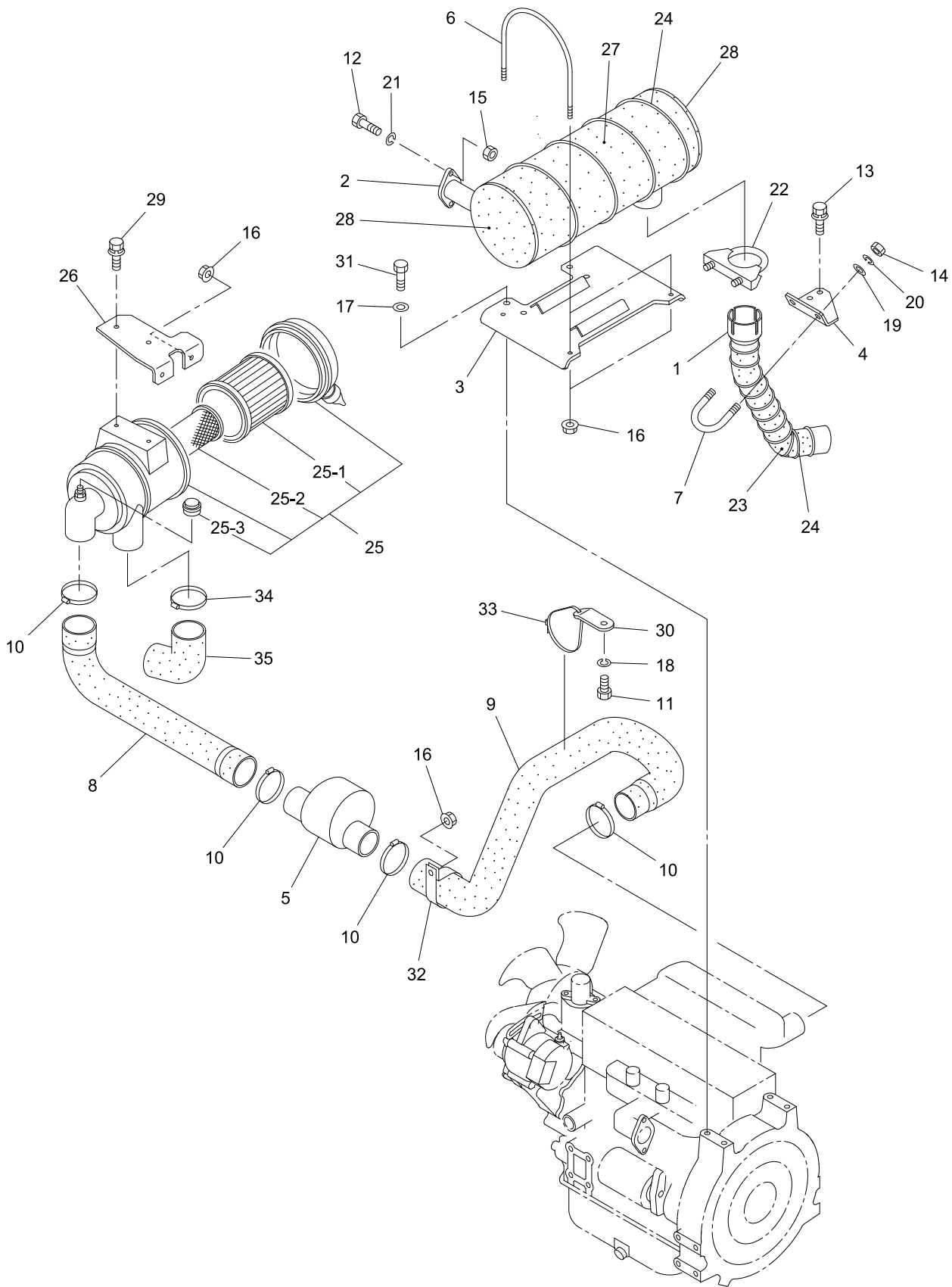


40V4-070100-1

| KEY No. | SU P. | PART No. | DESCRIPTION | Q'TY | CHAN | SERIAL No. | REMARKS |
|---------|-------|-------------|-------------------------------|------|------|------------|----------------------|
| 0 | × | F330 676 00 | Engine & Accessories | 1 | | WZ010001- | |
| 0-1 | × | F330 678 00 | Engine & Accessories | 1 | | WZ010001- | |
| 1 | | 0676 253 UA | *Engine Ass'y | 1 | | WZ010001- | V2403-M-DI-E3B-BHIH1 |
| 2 | | D419 258 00 | *Bracket | 1 | | WZ010001- | |
| 3 | | D419 256 00 | *Bracket | 1 | | WZ010001- | |
| 4 | | D419 259 00 | *Bracket | 1 | | WZ010001- | |
| 5 | | D419 257 00 | *Bracket | 1 | | WZ010001- | |
| 6 | | D481 022 00 | *Holder | 2 | | WZ010001- | |
| 7 | | D458 445 00 | *Cover | 1 | | WZ010001- | |
| 8 | | D006 144 00 | *Washer | 2 | | WZ010001- | |
| 9 | | D493 657 00 | *Panel, Sponge | 1 | | WZ010001- | |
| 10 | | 0910 931 10 | *Rubber, Cushion | 8 | | WZ010001- | |
| 11 | | 0775 551 93 | *Hose, Radiator | 1 | | WZ010001- | |
| 12 | | 0775 551 95 | *Hose, Radiator | 1 | | WZ010001- | |
| 13 | | 0690 083 09 | *Clamp, Hose | 2 | | WZ010001- | |
| 14 | | 0690 083 12 | *Clamp, Hose | 2 | | WZ010001- | |
| 15 | | 0513 121 00 | *Bolt, Treatment | 4 | | WZ010001- | M12X100 |
| 16 | | 0558 120 30 | *Bolt, Treatment | 14 | | WZ010001- | M12X30 P=1.25 |
| 17 | | 0595 120 00 | *Washer, Treatment | 18 | | WZ010001- | M12 |
| 18 | | 0517 080 25 | *Bolt, Treatment (W/L.W, F.W) | 2 | | WZ010001- | M8X25 |
| 19 | | 0517 080 20 | *Bolt, Treatment (W/L.W, F.W) | 14 | | WZ010001- | M8X20 |
| 20 | | 0779 002 97 | *Hose | M | | WZ010001- | L=1050 |
| 21 | | 0820 803 03 | *Tube, Corrugate | M | | WZ010001- | L=1000 |
| 22 | | 0690 074 12 | *Clamp, Hose | 3 | | WZ010001- | |
| 23 | | 0820 067 04 | *Band, Cable | 2 | | WZ010001- | |
| 24 | | 0779 002 97 | *Hose | M | | WZ010001- | L=750 |
| 25 | | 4006 119 01 | *Washer | 3 | | WZ010001- | M8 |
| 26 | | 0820 067 05 | *Band, Cable | 1 | | WZ010001- | |
| 27 | | D493 658 00 | *Panel, Sponge | 1 | | WZ010001- | |
| 28 | | D493 659 00 | *Panel, Sponge | 1 | | WZ010001- | |
| 29 | | 0910 870 05 | *Seal | M | | WZ010001- | L=178 |
| 30 | | 0910 870 05 | *Seal | M | | WZ010001- | L=100 |
| 31 | | 0668 246 UA | *Radiator Ass'y | 1 | | WZ010001- | |
| 32 | | 0668 246 02 | **Guide, Fan | 1 | | WZ010001- | |
| 33 | | 0668 246 91 | **Radiator | 1 | | WZ010001- | |
| 34 | | 0668 088 02 | ***Radiator, Cap | 1 | | WZ010001- | |
| 35 | | 0668 246 06 | **Cooler Ass'y, Oil | 1 | | WZ010001- | |
| 36 | | 0457 080 16 | **Bolt, Treatment (W/Flange) | 9 | | WZ010001- | M8X16 |
| 37 | | 0668 246 15 | **Guard, Fan | 1 | | WZ010001- | |
| 38 | | D458 411 00 | *Cover | 1 | | WZ010001- | |
| 39 | | D458 432 00 | *Cover | 1 | | WZ010001- | |
| 40 | | D458 274 00 | *Cover | 1 | | WZ010001- | |
| 41 | | D458 464 00 | *Cover | 1 | | WZ010001- | |

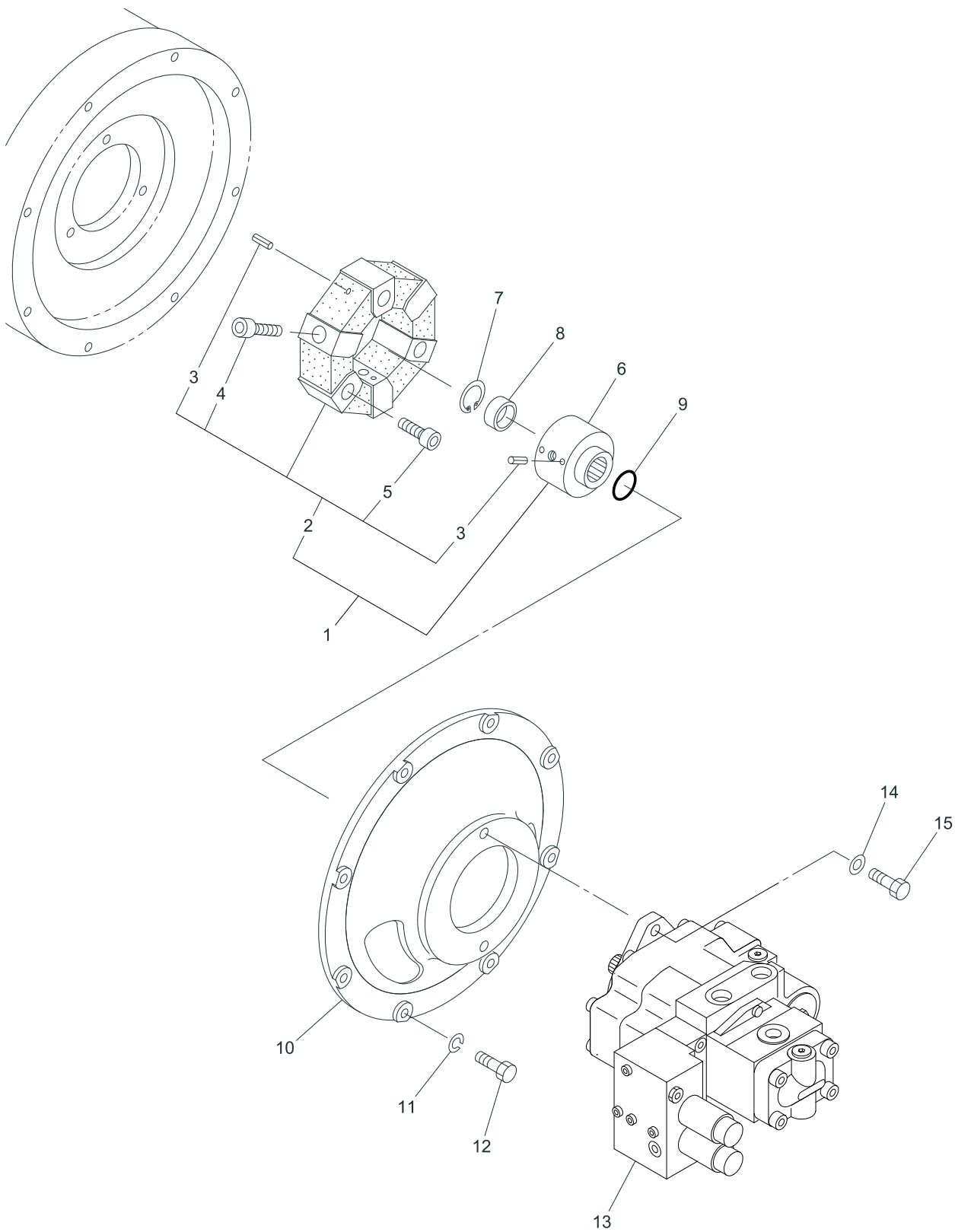
| KEY No. | SU P. | PART No. | DESCRIPTION | Q'TY | CHAN . | SERIAL No. | REMARKS |
|---------|-------|--------------|-------------------------------|------|--------|------------|------------------|
| 42 | | D493 662 00 | *Panel, Sponge | 1 | | WZ010001- | |
| 43 | | D493 660 00 | *Panel, Sponge | 1 | | WZ010001- | |
| 44 | | D493 507 00 | *Panel, Sponge | 1 | | WZ010001- | |
| 45 | | D493 624 00 | *Panel, Sponge | 1 | | WZ010001- | |
| 46 | | D493 625 00 | *Panel, Sponge | 1 | | WZ010001- | |
| 47 | | D070 553 00 | *Hose | 1 | | WZ010001- | L=230 |
| 48 | | 0690 081 90 | *Clamp, Hose | 1 | | WZ010001- | |
| 49 | | D007 240 01 | *Shim | AR | | WZ010001- | t=6 |
| 50 | | D007 240 02 | *Shim | AR | | WZ010001- | t=3.2 |
| 51 | | 0518 100 40 | *Bolt, Treatment (W/L.W, F.W) | 4 | | WZ010001- | M10X40 P=1.25 |
| 52 | | D493 663 00 | *Panel, Sponge | 1 | | WZ010001- | |
| 53 | | 4550 718 00 | *Seal | M | | WZ010001- | L=1100 |
| 54 | | D493 661 00 | *Panel, Sponge | 1 | | WZ010001- | |
| 55 | | D493 614 00 | *Panel, Sponge | 1 | | WZ010001- | |
| 56 | | 4550 718 00 | *Seal | M | | WZ010001- | L=100 |
| 57 | | 4550 718 00 | *Seal | M | | WZ010001- | L=1000 |
| 58 | | D493 665 00 | *Panel, Sponge | 1 | | WZ010001- | |
| 59 | | 0668 400 31 | *Net | 1 | | WZ010001- | |
| 60 | | 0521 080 00 | *Nut, Hex. (W/F.W) | 2 | | WZ010001- | M8 |
| 61 | | K1G642 72401 | *Tank, Surge | 1 | | WZ010001- | |
| 62 | | D458 503 00 | *Cover (For A/C) | 1 | | WZ010001- | |
| 63 | | D458 504 00 | *Cover (For A/C) | 1 | | WZ010001- | |
| 64 | | D493 700 00 | *Panel, Sponge (For A/C) | 1 | | WZ010001- | |

[Memo]



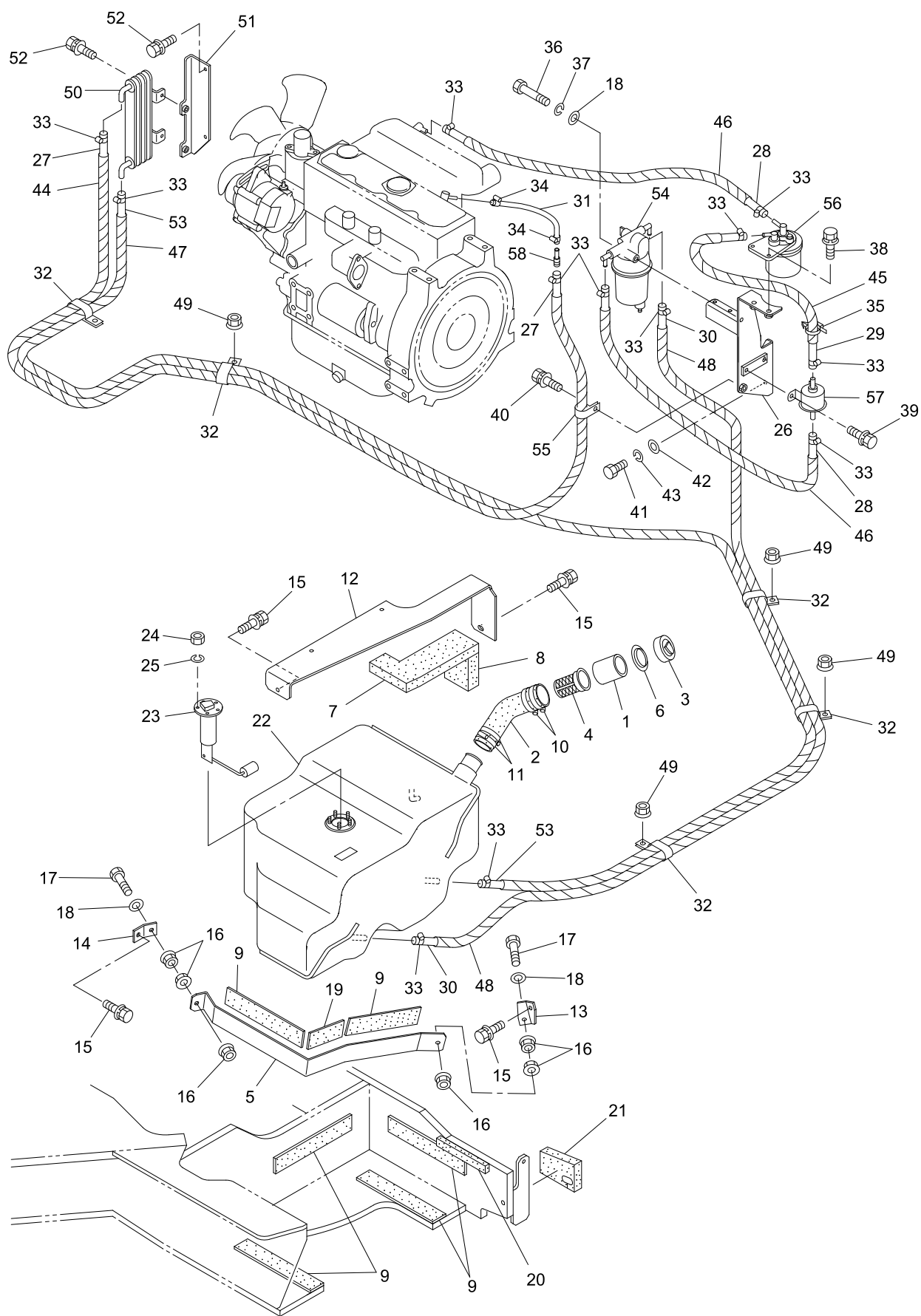
40V4-070200-1

| KEY No. | SU P. | PART No. | DESCRIPTION | Q'TY | CHAN | SERIAL No. | REMARKS |
|---------|-------|-------------|-------------------------------|------|------|------------|------------------|
| 0 | × | F330 676 00 | Air Cleaner & Muffler Ass'y | 1 | | WZ010001- | |
| 1 | | D584 141 00 | *Pipe, Tail | 1 | | WZ010001- | |
| 2 | | 0662 136 UA | *Muffler Ass'y | 1 | | WZ010001- | |
| 3 | | D419 294 00 | *Bracket | 1 | | WZ010001- | |
| 4 | | D418 868 00 | *Bracket | 1 | | WZ010001- | |
| 5 | | 0661 800 29 | *Resonator | 1 | | WZ010001- | |
| 6 | | D003 073 00 | *Bolt, U | 2 | | WZ010001- | |
| 7 | | 4003 021 01 | *Bolt, U | 1 | | WZ010001- | |
| 8 | | 0779 005 38 | *Hose, Air Cleaner | 1 | | WZ010001- | |
| 9 | | 0779 005 37 | *Hose, Air Cleaner | 1 | | WZ010001- | |
| 10 | | 0690 083 13 | *Clamp, Hose | 4 | | WZ010001- | |
| 11 | | 0555 160 30 | *Bolt, Treatment | 1 | | WZ010001- | M16X30 |
| 12 | | 0514 100 30 | *Bolt, Treatment | 2 | | WZ010001- | M10X30 P=1.25 |
| 13 | | 0518 100 20 | *Bolt, Treatment (W/L.W, F.W) | 2 | | WZ010001- | M10X20 P=1.25 |
| 14 | | 0580 120 00 | *Nut, Hex. | 2 | | WZ010001- | M12 |
| 15 | | 0535 100 00 | *Nut, Treatment | 2 | | WZ010001- | M10 P=1.25 |
| 16 | | 0521 080 00 | *Nut, Hex. (W/F.W) | 7 | | WZ010001- | M8 |
| 17 | | 0595 120 00 | *Washer, Treatment | 4 | | WZ010001- | M12 |
| 18 | | 0590 160 00 | *Washer, Lock | 1 | | WZ010001- | M16 |
| 19 | | 0593 120 00 | *Washer, Flat | 2 | | WZ010001- | M12 |
| 20 | | 0590 120 00 | *Washer, Lock | 2 | | WZ010001- | M12 |
| 21 | | 0590 100 00 | *Washer, Lock | 2 | | WZ010001- | M10 |
| 22 | | 0690 089 36 | *Clamp | 1 | | WZ010001- | |
| 23 | | 4459 598 00 | *Tape, Insulating | 1 | | WZ010001- | |
| 24 | | 0322 108 99 | *Wire | M | | WZ010001- | L=1000X4 |
| 25 | | 0745 265 UA | *Cleaner, Air | 1 | | WZ010001- | |
| 25-1 | | 0745 265 08 | **Element Ass'y | 1 | | WZ010001- | |
| 25-2 | | 0745 265 09 | **Element Ass'y (Inner) | 1 | | WZ010001- | |
| 25-3 | | D525 004 00 | **Indicator | 1 | | WZ010001- | |
| 26 | | D419 289 00 | *Bracket | 1 | | WZ010001- | |
| 27 | | D493 503 00 | *Panel, Sponge | 1 | | WZ010001- | |
| 28 | | D493 504 00 | *Panel, Sponge | 2 | | WZ010001- | |
| 29 | | 0517 080 25 | *Bolt, Treatment (W/L.W, F.W) | 2 | | WZ010001- | M8X25 |
| 30 | | D419 496 00 | *Bracket | 1 | | WZ010001- | |
| 31 | | 0558 120 25 | *Bolt, Treatment | 4 | | WZ010001- | M12X25 P=1.25 |
| 32 | | D080 100 00 | *Clamp, Hose | 1 | | WZ010001- | |
| 33 | | 0820 067 10 | *Band, Cable | 1 | | WZ010001- | |
| 34 | | 0690 083 14 | *Clamp, Hose | 1 | | WZ010001- | |
| 35 | | 0779 003 59 | *Hose | 1 | | WZ010001- | |



40V4-070300-1

| KEY No. | SU P. | PART No. | DESCRIPTION | Q'TY | CHAN | SERIAL No. | REMARKS |
|---------|-------|-------------|------------------------|------|------|------------|-------------|
| 0 | × | F330 677 00 | Drive Device, Oil Pump | 1 | | WZ010001- | |
| 1 | | 0651 482 UA | *Cupling Ass'y | 1 | | WZ010001- | |
| 2 | | 0651 421 UA | **Coupling Ass'y | 1 | | WZ010001- | |
| 3 | | 0494 608 10 | ***Pin, Spring | 9 | | WZ010001- | d=5X10 |
| 4 | | 0562 140 45 | ***Bolt, Socket Head | 3 | | WZ010001- | M14X45 |
| 5 | | 0562 140 40 | ***Bolt, Socket Head | 3 | | WZ010001- | M14X40 |
| 6 | | 0651 482 02 | **Hub, Coupling | 1 | | WZ010001- | |
| 7 | | 0493 500 30 | *Ring, Snap | 1 | | WZ010001- | d=30 |
| 8 | | 0761 721 20 | *Cap | 1 | | WZ010001- | |
| 9 | | 0760 710 19 | *Ring, O | 1 | | WZ010001- | P18-90B |
| 10 | | D230 059 00 | *Flange, Pump | 1 | | WZ010001- | |
| 11 | | 0590 100 00 | *Washer, Lock | 8 | | WZ010001- | M10 |
| 12 | | 0513 100 30 | *Bolt, Treatment | 8 | | WZ010001- | M10X30 |
| 13 | # | 0780 162 UA | **Pump Ass'y, Oil | 1 | | WZ010001- | Sh. No. 5-7 |
| 14 | | 0595 120 00 | *Bolt, Treatment | 2 | | WZ010001- | M12 |
| 15 | | 0513 120 35 | *Bolt, Treatment | 2 | | WZ010001- | M12X35 |

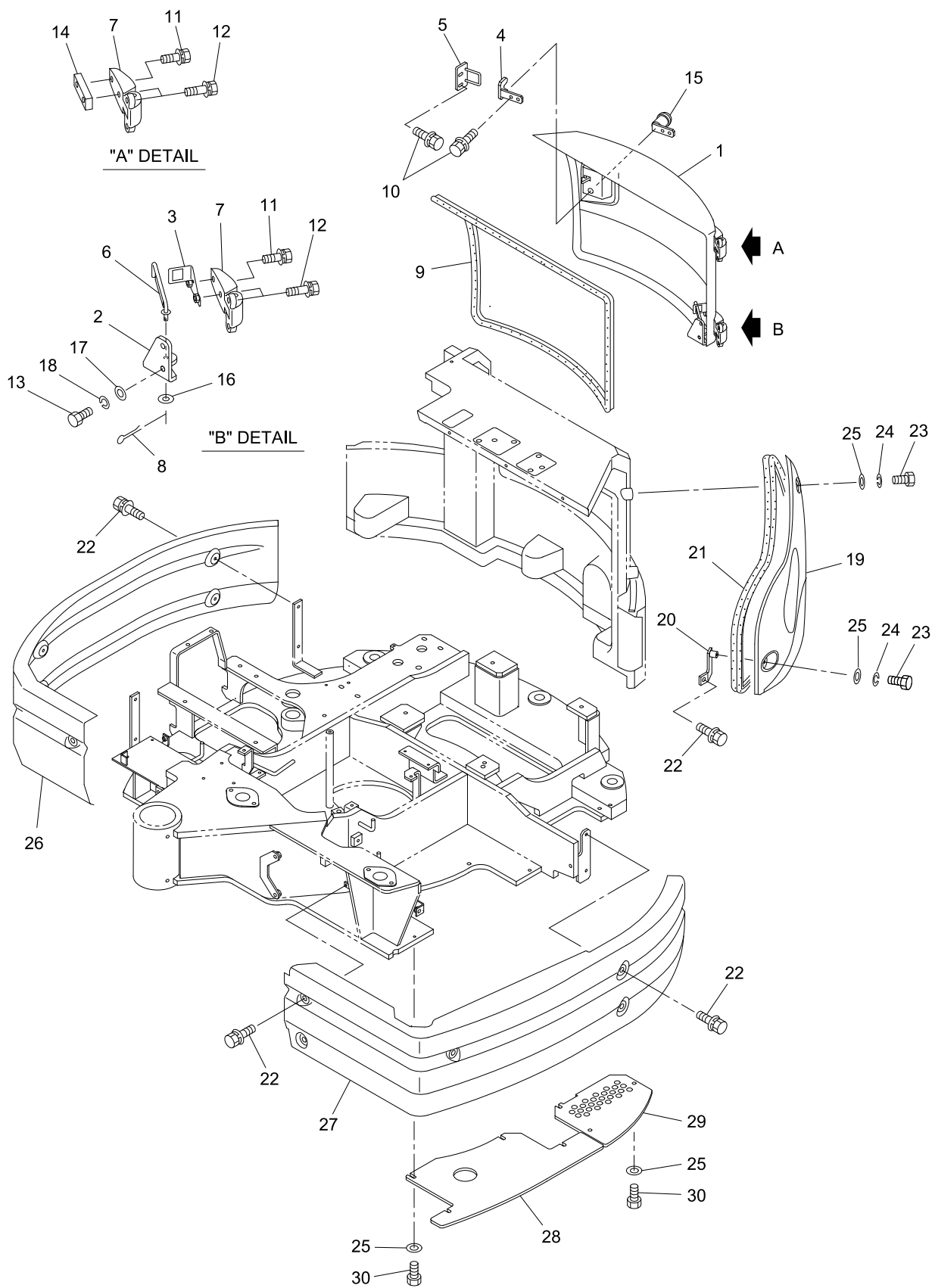


40V4-070400-1

| KEY No. | SU P. | PART No. | DESCRIPTION | Q'TY | CHAN | SERIAL No. | REMARKS |
|---------|-------|-------------|-------------------------------|------|------|------------|------------------|
| 0 | × | F337 318 00 | Tank Ass'y, Fuel | 1 | | WZ010001- | |
| 0-1 | × | F337 321 00 | Piping Ass'y, Fuel | 1 | | WZ010001- | |
| 1 | | 0729 910 80 | *Filter | 1 | | WZ010001- | |
| 2 | | D070 574 00 | *Hose | 1 | | WZ010001- | |
| 3 | | 0729 910 73 | *Cap | 1 | | WZ010001- | |
| 4 | | 0729 910 60 | *Strainer | 1 | | WZ010001- | |
| 5 | | D083 152 00 | *Clamp | 1 | | WZ010001- | |
| 6 | | D550 063 00 | *Seal | 1 | | WZ010001- | |
| 7 | | D493 636 00 | *Panel, Sponge | 1 | | WZ010001- | |
| 8 | | D493 644 00 | *Panel, Sponge | 1 | | WZ010001- | |
| 9 | | D433 496 00 | *Plate, Rubber | 6 | | WZ010001- | |
| 10 | | 0690 083 14 | *Clamp, Hose | 2 | | WZ010001- | |
| 11 | | 0690 083 12 | *Clamp, Hose | 2 | | WZ010001- | |
| 12 | | D206 825 00 | *Frame | 1 | | WZ010001- | |
| 13 | | D418 836 00 | *Bracket | 1 | | WZ010001- | |
| 14 | | D419 219 00 | *Bracket | 1 | | WZ010001- | |
| 15 | | 0518 100 20 | *Bolt, Treatment (W/L.W, F.W) | 4 | | WZ010001- | M10X20 P=1.25 |
| 16 | | 0521 080 00 | *Nut, Hex. (W/F.W) | 6 | | WZ010001- | M8 |
| 17 | | 0551 080 60 | *Bolt, Hex. (Full-Thread) | 2 | | WZ010001- | M8X60 |
| 18 | | 0593 080 00 | *Washer, Flat | 3 | | WZ010001- | M8 |
| 19 | | D433 504 00 | *Plate, Rubber | 1 | | WZ010001- | |
| 20 | | D493 645 00 | *Panel, Sponge | 1 | | WZ010001- | |
| 21 | | D493 650 00 | *Panel, Sponge | 1 | | WZ010001- | |
| 22 | | D284 229 00 | *Tank, Fuel | 1 | | WZ010001- | |
| 23 | | 0857 909 UA | *Gauge, Fuel | 1 | | WZ010001- | |
| 24 | | 0580 050 00 | *Nut, Hex. | 5 | | WZ010001- | M5 |
| 25 | | 0590 050 00 | *Washer, Lock | 5 | | WZ010001- | M5 |
| 26 | | D419 265 00 | *Bracket | 1 | | WZ010001- | |
| 27 | | 4070 572 51 | *Hose, Fuel | M | | WZ010001- | L=2300 |
| 28 | | 4070 245 39 | *Hose, Fuel | M | | WZ010001- | L=450X2 |
| 29 | | 4070 245 67 | *Hose, Fuel | M | | WZ010001- | L=330 |
| 30 | | 4070 245 32 | *Hose, Fuel | M | | WZ010001- | L=1800 |
| 31 | | 4070 899 04 | *Hose, Fuel | M | | WZ010001- | L=150 |
| 32 | | 4080 000 29 | *Clamp, Hose | 5 | | WZ010001- | |
| 33 | | 0690 083 03 | *Clamp, Hose | 12 | | WZ010001- | |
| 34 | | 0690 081 90 | *Clamp, Hose | 2 | | WZ010001- | |
| 35 | | 0690 082 08 | *Clamp, Hose | 1 | | WZ010001- | |
| 36 | | 0550 080 70 | *Bolt, Hex. | 1 | | WZ010001- | M8X70 |
| 37 | | 0590 080 00 | *Washer, Lock | 1 | | WZ010001- | M8 |
| 38 | | 0517 080 25 | *Bolt, Treatment (W/L.W, F.W) | 2 | | WZ010001- | M8X25 |
| 39 | | 0517 060 20 | *Bolt, Treatment (W/L.W, F.W) | 2 | | WZ010001- | M6X20 |
| 40 | | 0518 100 20 | *Bolt, Treatment (W/L.W, F.W) | 1 | | WZ010001- | M10X20 P=1.25 |
| 41 | | 0513 100 20 | *Bolt, Teratment | 2 | | WZ010001- | M10X20 |

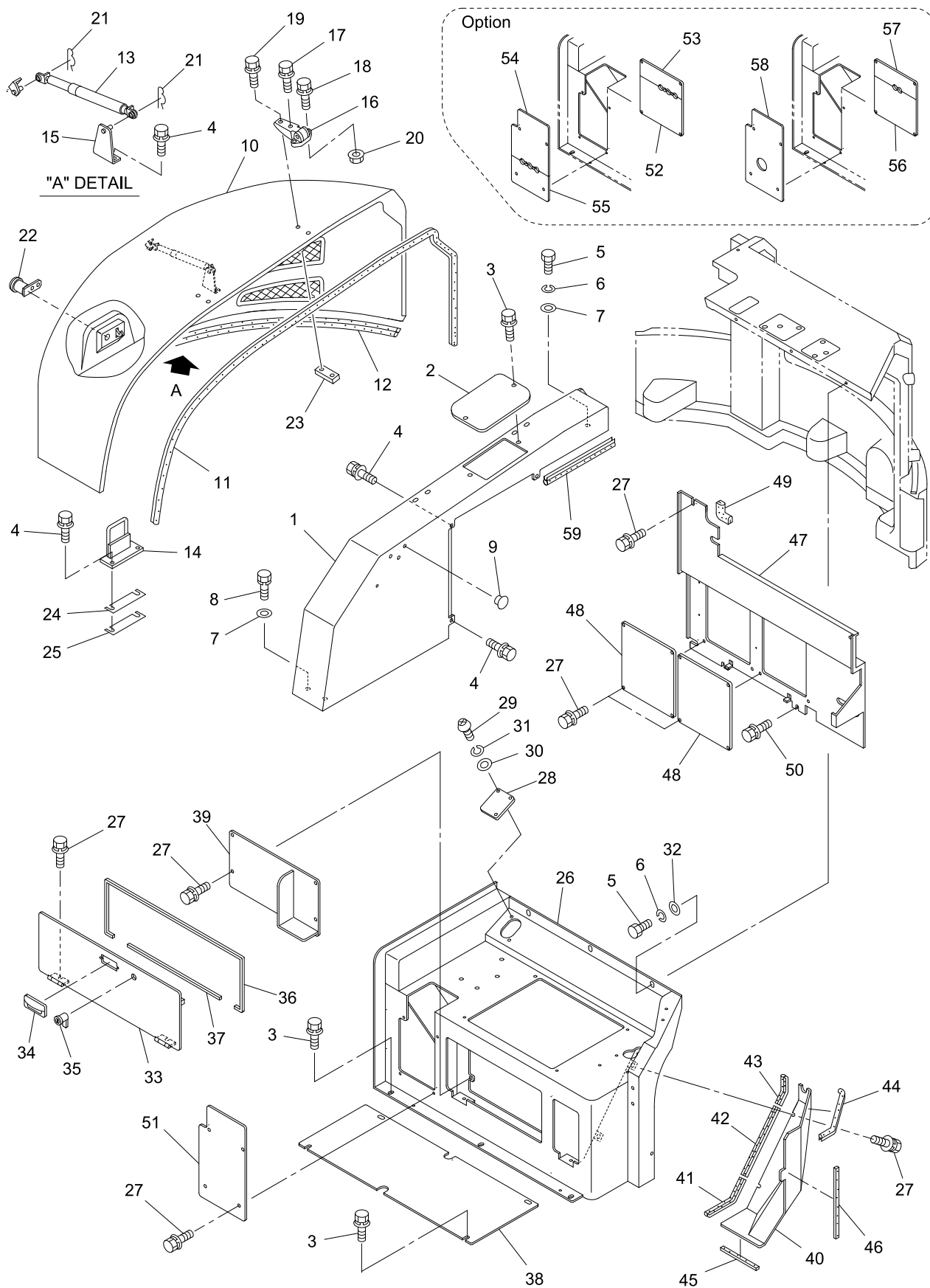
| KEY No. | SU P. | PART No. | DESCRIPTION | Q'TY | CHAN | SERIAL No. | REMARKS |
|---------|-------|------------------|-------------------------------|------|------|------------|------------|
| 42 | | 0593 100 00 | *Washer, Flat | 2 | | WZ010001- | M10 |
| 43 | | 0590 100 00 | *Washer, Lock | 2 | | WZ010001- | M10 |
| 44 | | 0820 803 04 | *Tube, Corrugate | M | | WZ010001- | L=2200 |
| 45 | | 0820 803 04 | *Tube, Corrugate | M | | WZ010001- | L=230 |
| 46 | | 0820 803 04 | *Tube, Corrugate | M | | WZ010001- | L=350X2 |
| 47 | | 0820 803 04 | *Tube, Corrugate | M | | WZ010001- | L=2550 |
| 48 | | 0820 803 04 | *Tube, Corrugate | M | | WZ010001- | L=1700 |
| 49 | | 0524 100 00 | *Nut, Hex. (W/F.W) | 4 | | WZ010001- | M10 P=1.25 |
| 50 | | 0668 247 UA | *Cooler, Fuel | 1 | | WZ010001- | |
| 51 | | D419 195 00 | *Bracket | 1 | | WZ010001- | |
| 51-1 | | D419 544 00 | *Bracket | 1 | | WZ010001- | For A/C |
| 52 | | 0517 080 20 | *Bolt, Treatment (W/L.W, F.W) | 4 | | WZ010001- | M8X20 |
| 53 | | 4070 572 52 | *Hose, Fuel | M | | WZ010001- | L=2650 |
| 54 | | 0857 914 UA | *Sedimenter, Water | 1 | | WZ010001- | |
| 54-1 | | 0857 914 11 | **Element Ass'y | 1 | | WZ010001- | |
| 55 | | 4080 000 05 | *Clamp, Hose | 1 | | WZ010001- | |
| 56 | | K15221 4317 0 | *Cartridge, Fuel Filter | 1 | | WZ010001- | |
| 57 | | KR1401 5135 2 | *Pump, Fuel | 1 | | WZ010001- | |
| 58 | | K17490 42360 | *Joint, Pipe | 1 | | WZ010001- | |

[Memo]



40V4-080100-1

| KEY No. | SU P. | PART No. | DESCRIPTION | Q'TY | CHAN | SERIAL No. | REMARKS |
|---------|-------|-------------|-------------------------------|------|------|------------|------------------|
| 0 | × | F355 190 00 | Cover Ass'y | 1 | | WZ010001- | |
| 0-1 | × | F361 722 00 | Cover Ass'y | 1 | | WZ010001- | |
| 1 | | D458 259 00 | *Cover | 1 | | WZ010001- | |
| 2 | | D419 542 00 | *Bracket | 1 | | WZ010001- | |
| 3 | | D418 908 00 | *Bracket | 1 | | WZ010001- | |
| 4 | | D418 909 00 | *Bracket | 1 | | WZ010001- | |
| 5 | | D419 323 00 | *Bracket | 1 | | WZ010001- | |
| 6 | | D260 552 00 | *Stay | 1 | | WZ010001- | |
| 7 | | 0690 016 19 | *Hinge | 2 | | WZ010001- | |
| 8 | | 0599 010 15 | *Pin, Cotter | 1 | | WZ010001- | d=1.6X15 |
| 9 | | 0910 870 05 | *Seal | M | | WZ010001- | L=2500 |
| 10 | | 0517 080 16 | *Bolt, Treatment (W/L.W, F.W) | 4 | | WZ010001- | M8X16 |
| 11 | | 0517 080 30 | *Bolt, Treatment (W/L.W, F.W) | 2 | | WZ010001- | M8X30 |
| 12 | | 0517 080 35 | *Bolt, Treatment (W/L.W, F.W) | 6 | | WZ010001- | M8X35 |
| 13 | | 0513 080 20 | *Bolt, Treatment | 2 | | WZ010001- | M8X20 |
| 14 | | D400 273 00 | *Plate | 1 | | WZ010001- | |
| 15 | | 0690 220 91 | *Lock Ass'y | 1 | | WZ010001- | |
| 16 | | 0593 060 00 | *Washer, Flat | 1 | | WZ010001- | M6 |
| 17 | | 0593 080 00 | *Washer, Flat | 2 | | WZ010001- | M8 |
| 18 | | 0590 080 00 | *Washer, Lock | 2 | | WZ010001- | M8 |
| 19 | | D458 257 00 | *Cover | 1 | | WZ010001- | |
| 20 | | D418 945 00 | *Bracket | 1 | | WZ010001- | |
| 21 | | 0910 870 05 | *Seal | M | | WZ010001- | L=2300 |
| 22 | | 0518 100 25 | *Bolt, Treatment (W/L.W, F.W) | 11 | | WZ010001- | M10X25 P=1.25 |
| 23 | | 0550 100 20 | *Bolt, Hex. | 3 | | WZ010001- | M10X20 |
| 24 | | 0590 100 00 | *Washer, Lock | 3 | | WZ010001- | M10 |
| 25 | | 0593 100 00 | *Washer, Flat | 10 | | WZ010001- | M10 |
| 26 | | D458 059 00 | *Cover | 1 | | WZ010001- | |
| 27 | | D458 060 00 | *Cover | 1 | | WZ010001- | |
| 28 | | D458 288 00 | *Cover | 1 | | WZ010001- | |
| 29 | | D458 468 00 | *Cover | 1 | | WZ010001- | |
| 30 | | 0480 100 20 | *Bolt, Treatment (W/Flange) | 7 | | WZ010001- | M10X20 P=1.25 |

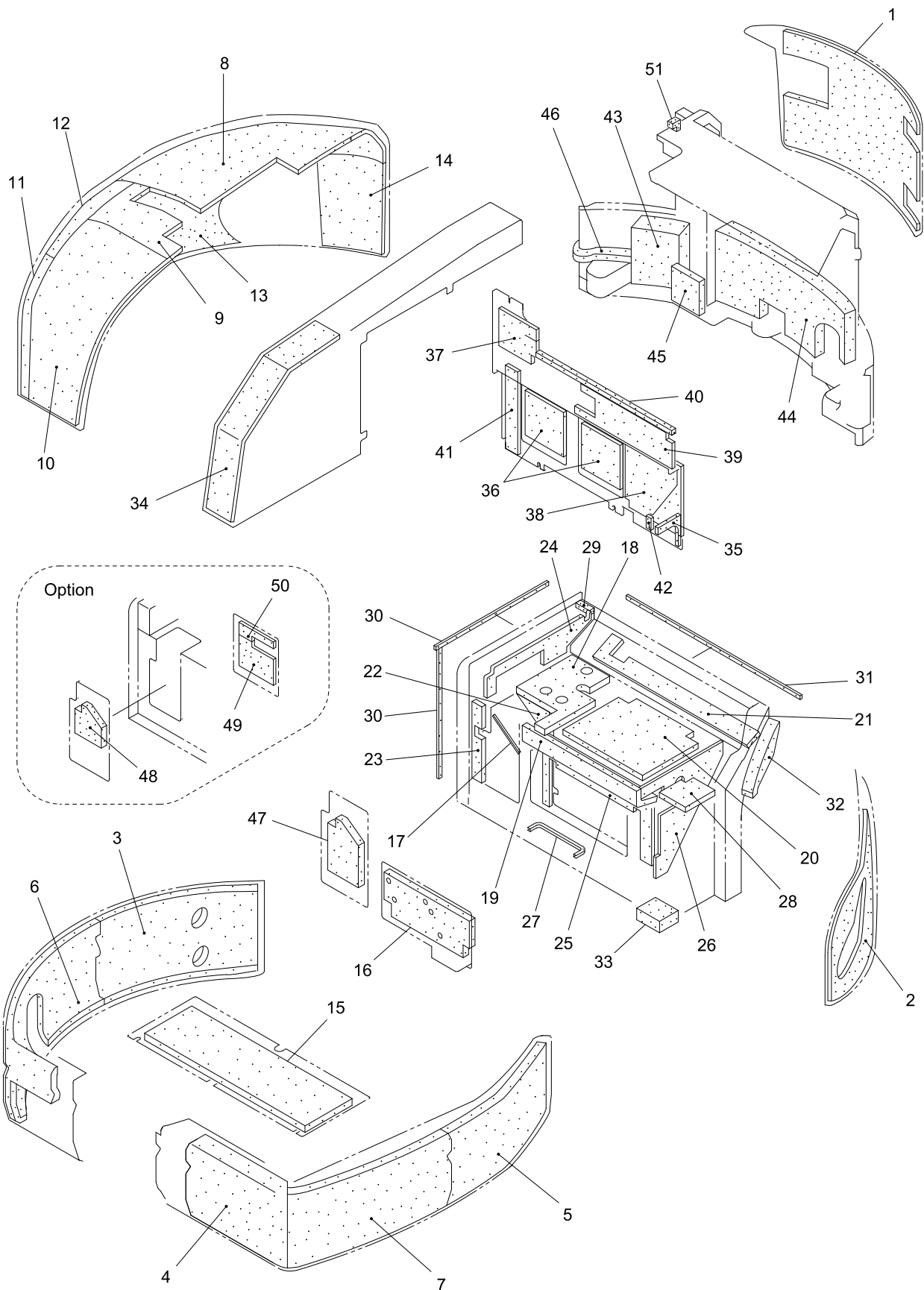


40V4-080200-1

| KEY No. | SU P. | PART No. | DESCRIPTION | Q'TY | CHAN | SERIAL No. | REMARKS |
|---------|-------|-------------|-------------------------------|------|------|------------|------------------|
| 0 | × | F355 190 00 | Cover Ass'y | 1 | | WZ010001- | |
| 0-1 | × | F361 722 00 | Cover Ass'y | 1 | | WZ010001- | |
| 1 | | D458 634 00 | *Cover | 1 | | WZ010001- | |
| 2 | | D458 279 00 | *Cover | 1 | | WZ010001- | |
| 3 | | 0518 100 25 | *Bolt, Treatment (W/L.W, F.W) | 9 | | WZ010001- | M10X25 P=1.25 |
| 4 | | 0518 100 20 | *Bolt, Treatment (W/L.W, F.W) | 7 | | WZ010001- | M10X20 P=1.25 |
| 5 | | 0550 100 20 | *Bolt, Hex. | 4 | | WZ010001- | M10X20 |
| 6 | | 0590 100 00 | *Washer, Lock | 4 | | WZ010001- | M10 |
| 7 | | D006 136 00 | *Washer | 3 | | WZ010001- | |
| 8 | | 0520 100 20 | *Bolt, Treatment (W/L.W) | 2 | | WZ010001- | M10X20 P=1.25 |
| 9 | | 0690 201 04 | *Plug, Hole | 3 | | WZ010001- | |
| 10 | | D458 072 00 | *Cover | 1 | | WZ010001- | |
| 11 | | 4550 726 00 | *Seal | M | | WZ010001- | L=2300 |
| 12 | | 4550 873 00 | *Seal | M | | WZ010001- | L=2150 |
| 13 | | 0652 274 UA | *Stay, Dumper | 1 | | WZ010001- | |
| 14 | | D419 450 00 | *Bracket | 1 | | WZ010001- | |
| 15 | | D419 276 00 | *Bracket | 1 | | WZ010001- | |
| 16 | | 0690 016 19 | *Hinge | 2 | | WZ010001- | |
| 17 | | 0517 080 50 | *Bolt, Treatment (W/L.W, F.W) | 2 | | WZ010001- | M8X50 |
| 18 | | 0517 080 35 | *Bolt, Treatment (W/L.W, F.W) | 4 | | WZ010001- | M8X35 |
| 19 | | 0517 080 40 | *Bolt, Treatment (W/L.W, F.W) | 2 | | WZ010001- | M8X40 |
| 20 | | 0521 080 00 | *Nut, Hex. (W/F.W) | 4 | | WZ010001- | M8 |
| 21 | | 4016 030 04 | *Pin, Snap | 2 | | WZ010001- | |
| 22 | | 0690 220 91 | *Lock Ass'y | 1 | | WZ010001- | |
| 23 | | D400 273 00 | *Plate | 4 | | WZ010001- | |
| 24 | | D007 023 00 | *Shim | AR | | WZ010001- | t=2.3 |
| 25 | | D007 034 02 | *Shim | AR | | WZ010001- | t=1.6 |
| 26 | | D206 906 00 | *Frame | 1 | | WZ010001- | |
| 27 | | 0517 080 20 | *Bolt, Treatment (W/L.W, F.W) | 18 | | WZ010001- | M8X20 |
| 28 | | D418 970 00 | *Bracket | 1 | | WZ010001- | |
| 29 | | 4004 364 01 | *Bolt, Button Head | 2 | | WZ010001- | M6X18 |
| 30 | | 0594 060 00 | *Washer, Flat | 2 | | WZ010001- | M6 |
| 31 | | 0596 060 00 | *Washer, Lock | 2 | | WZ010001- | M6 |
| 32 | | 0593 100 00 | *Washer, Flat | 3 | | WZ010001- | M10 |
| 33 | | D458 236 00 | *Cover | 1 | | WZ010001- | |
| 34 | | 0690 211 08 | *Handle | 1 | | WZ010001- | |
| 35 | | 0690 220 92 | *Lock Ass'y | 1 | | WZ010001- | |
| 36 | | D551 006 01 | *Seal | 1 | | WZ010001- | L=1000 |
| 37 | | D551 006 02 | *Seal | 1 | | WZ010001- | L=410 |
| 38 | | D418 564 00 | *Bracket | 1 | | WZ010001- | |
| 39 | | D458 436 00 | *Cover | 1 | | WZ010001- | |
| 40 | | D458 461 00 | *Cover | 1 | | WZ010001- | |
| 41 | | 0910 870 05 | *Seal | M | | WZ010001- | L=160 |

| KEY No. | SU P. | PART No. | DESCRIPTION | Q'TY | CHAN | SERIAL No. | REMARKS |
|---------|-------|-------------|-------------------------------|------|------|------------|-------------------|
| 42 | | 0910 870 05 | *Seal | M | | WZ010001- | L=225 |
| 43 | | 0910 870 05 | *Seal | M | | WZ010001- | L=110 |
| 44 | | 0910 870 05 | *Seal | M | | WZ010001- | L=270 |
| 45 | | D551 009 04 | *Seal | 1 | | WZ010001- | L=160 |
| 46 | | D551 009 05 | *Seal | 1 | | WZ010001- | L=270 |
| 47 | | D458 417 00 | *Cover | 1 | | WZ010001- | |
| 48 | | D458 291 00 | *Cover | 2 | | WZ010001- | |
| 49 | | 0910 870 05 | *Seal | M | | WZ010001- | L=100 |
| 50 | | 0518 100 30 | *Bolt, Treatment (W/L.W, F.W) | 2 | | WZ010001- | M10X30 P=1.25 |
| 51 | | D458 514 00 | *Cover | 1 | | WZ010001- | |
| 52 | | D458 501 00 | *Cover | 1 | | WZ010001- | For A/C |
| 53 | | D458 502 00 | *Cover | 1 | | WZ010001- | For A/C |
| 54 | | D458 568 00 | *Cover | 1 | | WZ010001- | For A/C |
| 55 | | D458 516 00 | *Cover | 1 | | WZ010001- | For A/C |
| 56 | | D458 580 00 | *Cover | 1 | | WZ010001- | For Car Heater |
| 57 | | D458 581 00 | *Cover | 1 | | WZ010001- | For Car Heater |
| 58 | | D458 515 00 | *Cover | 1 | | WZ010001- | For Car Heater |
| 59 | | 0910 870 05 | *Seal | M | | WZ010001- | L=274 |

[Memo]

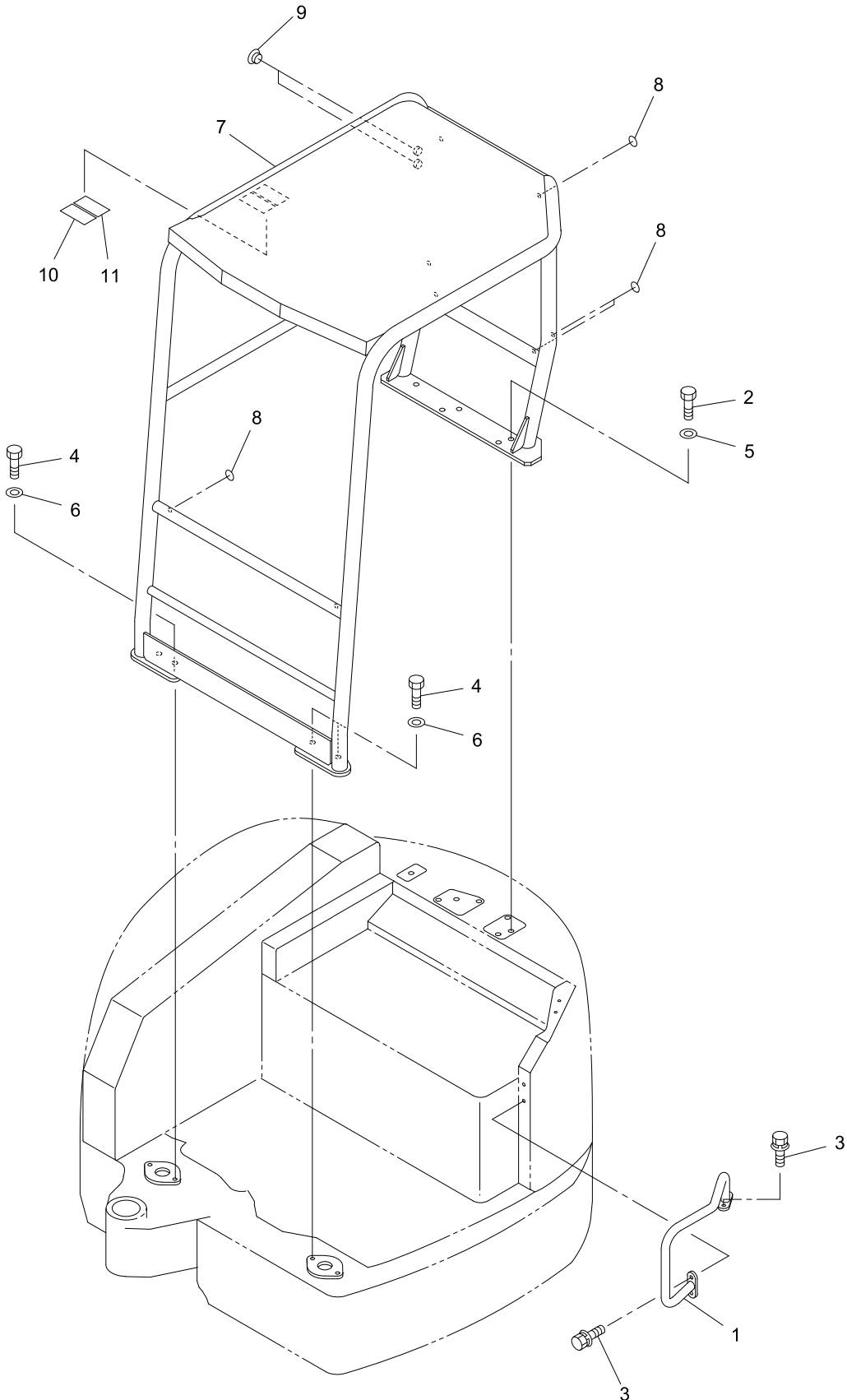


40V4-080300-1

| KEY No. | SU P. | PART No. | DESCRIPTION | Q'TY | CHAN | SERIAL No. | REMARKS |
|---------|-------|-------------|------------------------|------|------|------------|---------|
| 0 | × | F355 190 00 | Absorbent Ass'y, Noise | 1 | | WZ010001- | |
| 0-1 | × | F361 722 00 | Absorbent Ass'y, Noise | 1 | | WZ010001- | |
| 1 | | D493 685 00 | *Panel, Sponge | 1 | | WZ010001- | |
| 2 | | D493 638 00 | *Panel, Sponge | 1 | | WZ010001- | |
| 3 | | D493 622 00 | *Panel, Sponge | 1 | | WZ010001- | |
| 4 | | D493 535 00 | *Panel, Sponge | 1 | | WZ010001- | |
| 5 | | D493 601 00 | *Panel, Sponge | 1 | | WZ010001- | |
| 6 | | D493 599 00 | *Panel, Sponge | 1 | | WZ010001- | |
| 7 | | D493 600 00 | *Panel, Sponge | 1 | | WZ010001- | |
| 8 | | D493 528 00 | *Panel, Sponge | 1 | | WZ010001- | |
| 9 | | D493 529 00 | *Panel, Sponge | 1 | | WZ010001- | |
| 10 | | D493 530 00 | *Panel, Sponge | 1 | | WZ010001- | |
| 11 | | D493 641 00 | *Panel, Sponge | 1 | | WZ010001- | |
| 12 | | D493 686 00 | *Panel, Sponge | 1 | | WZ010001- | |
| 13 | | D493 642 00 | *Panel, Sponge | 1 | | WZ010001- | |
| 14 | | D493 643 00 | *Panel, Sponge | 1 | | WZ010001- | |
| 15 | | D493 434 00 | *Panel, Sponge | 1 | | WZ010001- | |
| 16 | | D493 640 00 | *Panel, Sponge | 1 | | WZ010001- | |
| 17 | | D551 007 01 | *Seal | 1 | | WZ010001- | L=155 |
| 18 | | D493 462 00 | *Panel, Sponge | 1 | | WZ010001- | |
| 19 | | D493 463 00 | *Panel, Sponge | 1 | | WZ010001- | |
| 20 | | D493 478 00 | *Panel, Sponge | 1 | | WZ010001- | |
| 21 | | D493 654 00 | *Panel, Sponge | 1 | | WZ010001- | |
| 22 | | D493 480 00 | *Panel, Sponge | 1 | | WZ010001- | |
| 23 | | D493 481 00 | *Panel, Sponge | 1 | | WZ010001- | |
| 24 | | D493 482 00 | *Panel, Sponge | 1 | | WZ010001- | |
| 25 | | D493 483 00 | *Panel, Sponge | 1 | | WZ010001- | |
| 26 | | D493 484 00 | *Panel, Sponge | 1 | | WZ010001- | |
| 27 | | 4550 519 00 | *Seal | M | | WZ010001- | L=250 |
| 28 | | D493 679 00 | *Panel, Sponge | 1 | | WZ010001- | |
| 29 | | D493 680 00 | *Panel, Sponge | 1 | | WZ010001- | |
| 30 | | D551 009 06 | *Panel, Sponge | 2 | | WZ010001- | |
| 31 | | D551 009 07 | *Panel, Sponge | 1 | | WZ010001- | |
| 32 | | D493 687 00 | *Panel, Sponge | 1 | | WZ010001- | |
| 33 | | D493 689 00 | *Panel, Sponge | 1 | | WZ010001- | |
| 34 | | D493 637 00 | *Panel, Sponge | 1 | | WZ010001- | |
| 35 | | D493 655 00 | *Panel, Sponge | 1 | | WZ010001- | |
| 36 | | D493 541 00 | *Panel, Sponge | 2 | | WZ010001- | |
| 37 | | D493 692 00 | *Panel, Sponge | 1 | | WZ010001- | |
| 38 | | D493 667 00 | *Panel, Sponge | 1 | | WZ010001- | |
| 39 | | D493 693 00 | *Panel, Sponge | 1 | | WZ010001- | |
| 40 | | D551 008 01 | *Panel, Sponge | 1 | | WZ010001- | |
| 41 | | D493 684 00 | *Panel, Sponge | 1 | | WZ010001- | |
| 42 | | D493 656 00 | *Panel, Sponge | 1 | | WZ010001- | |
| 43 | | D493 681 00 | *Panel, Sponge | 1 | | WZ010001- | |

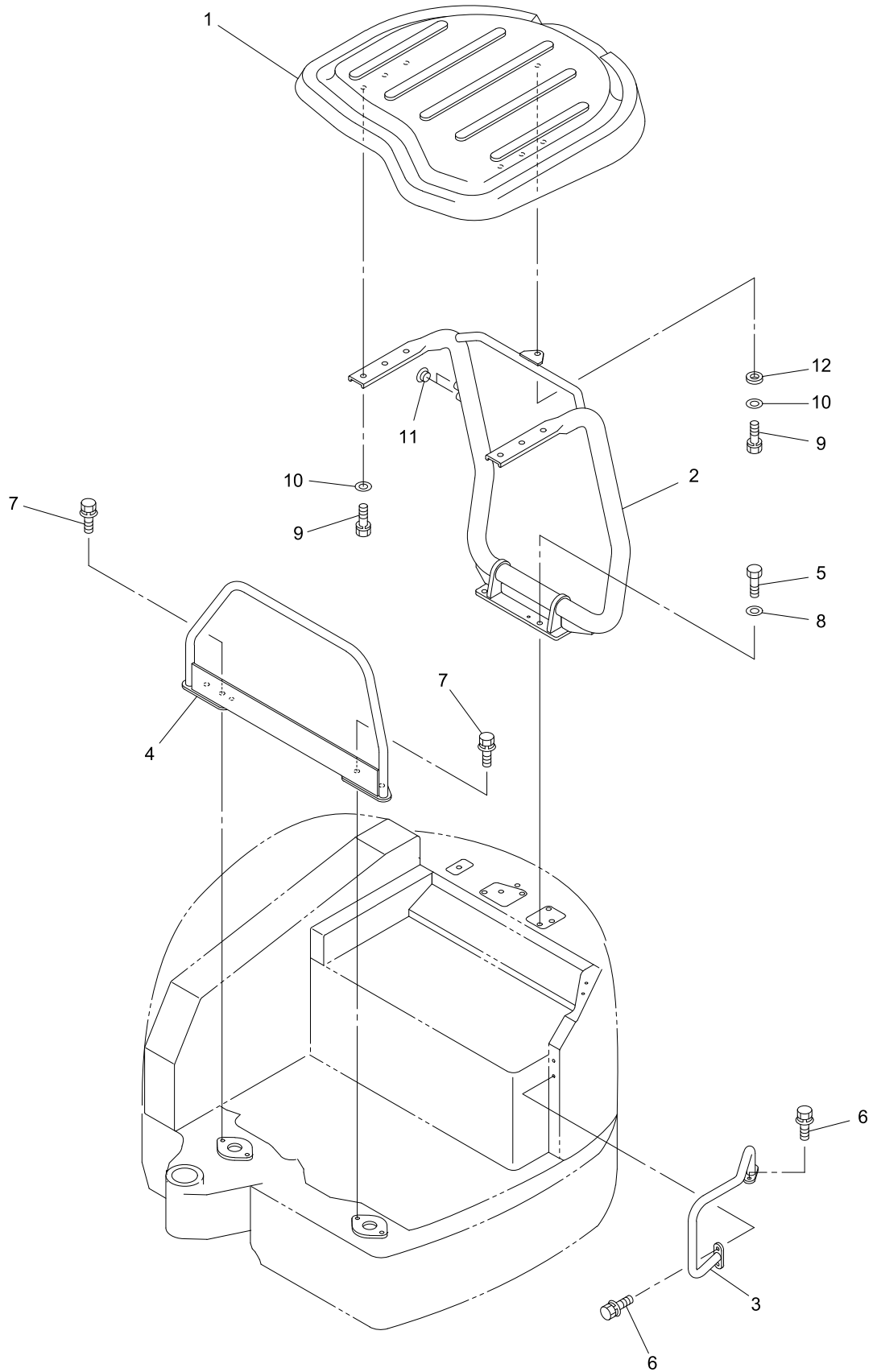
| KEY No. | SU P. | PART No. | DESCRIPTION | Q'TY | CHAN . | SERIAL No. | REMARKS |
|---------|-------|-------------|----------------|------|--------|------------|---------|
| 44 | | D493 516 00 | *Panel, Sponge | 1 | | WZ010001- | |
| 45 | | D493 519 00 | *Panel, Sponge | 1 | | WZ010001- | |
| 46 | | D493 682 00 | *Panel, Sponge | 1 | | WZ010001- | |
| 47 | | D493 721 00 | *Panel, Sponge | 1 | | WZ010001- | |
| 48 | | D493 696 00 | *Panel, Sponge | 1 | | WZ010001- | For A/C |
| 49 | | D493 698 00 | *Panel, Sponge | 1 | | WZ010001- | For A/C |
| 50 | | D493 699 00 | *Panel, Sponge | 1 | | WZ010001- | For A/C |
| 51 | | D493 733 00 | *Panel, Sponge | 1 | | WZ010001- | |

[Memo]



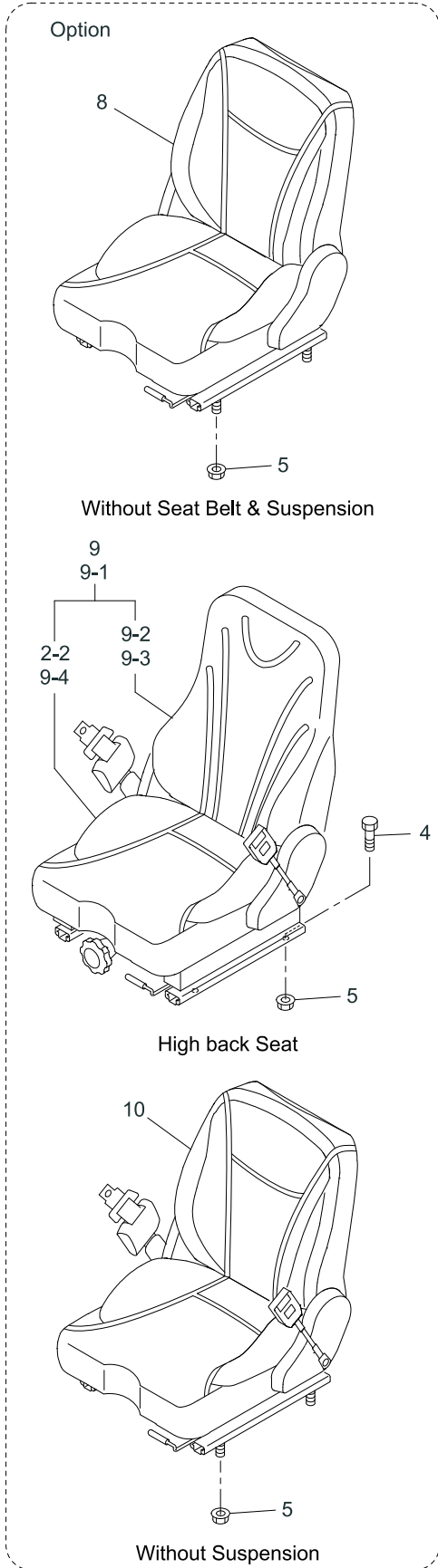
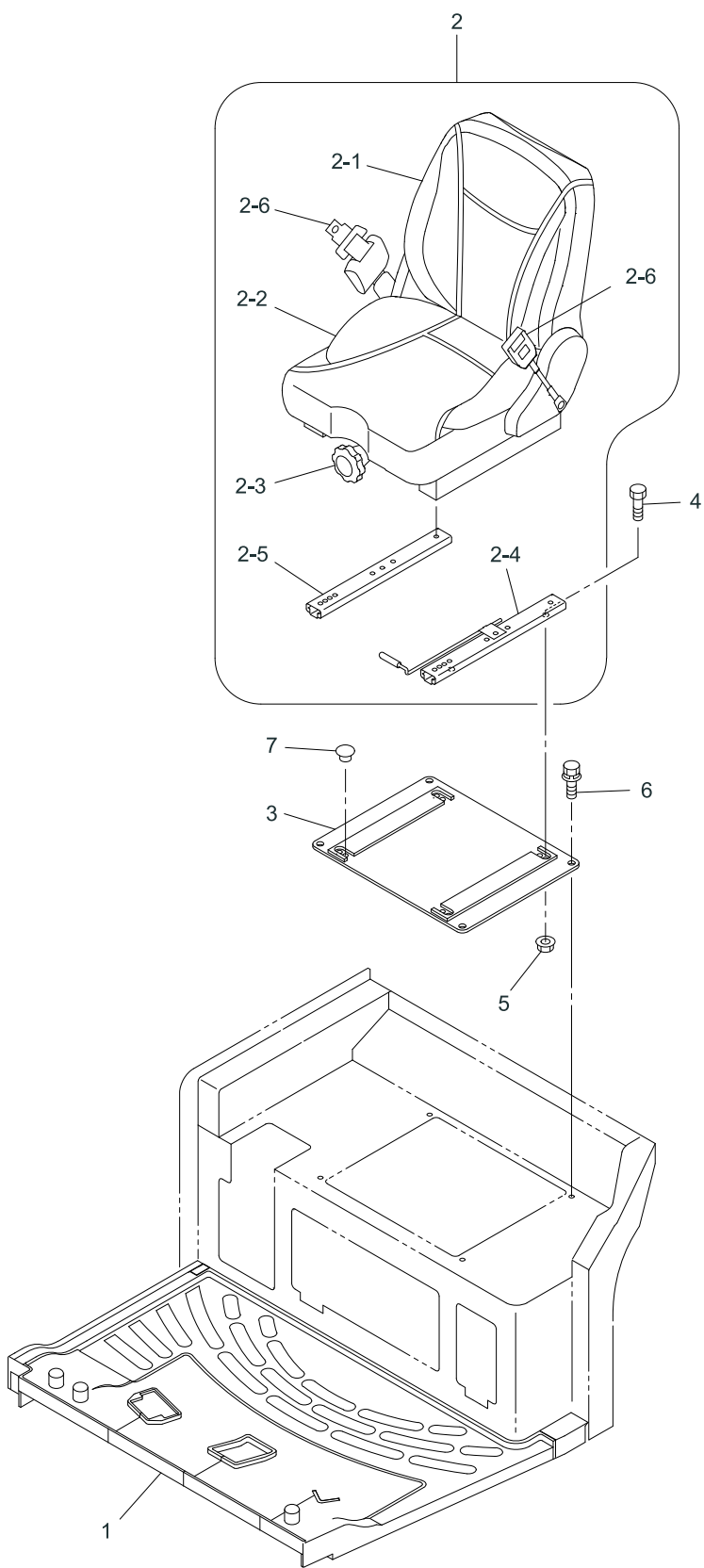
40V4-080400-1

| KEY No. | SU P. | PART No. | DESCRIPTION | Q'TY | CHAN | SERIAL No. | REMARKS |
|---------|-------|-------------|-------------------------------|------|------|------------|------------------|
| 0 | × | F355 211 00 | Canopy Ass'y (For Rops) | 1 | | WZ010001- | |
| 0-1 | × | F355 221 00 | Canopy Ass'y (For Tops/Rops) | 1 | | WZ010001- | |
| 1 | | D470 805 00 | *Guard | 1 | | WZ010001- | |
| 2 | | 0555 160 50 | *Bolt, Treatment | 5 | | WZ010001- | M16X50 |
| 3 | | 0439 100 25 | *Bolt, Treatment (W/L.W, F.W) | 4 | | WZ010001- | M10X25 P=1.25 |
| 4 | | 0555 120 40 | *Bolt, Treatment | 4 | | WZ010001- | M12X40 |
| 5 | | 0595 160 00 | *Washer, Treatment | 5 | | WZ010001- | M16 |
| 6 | | 0595 120 00 | *Washer, Treatment | 4 | | WZ010001- | M12 |
| 7 | | D206 875 00 | *Frame | 1 | | WZ010001- | |
| 8 | | D405 272 00 | *Seal | 8 | | WZ010001- | |
| 9 | | 0690 201 08 | *Plug, Hole | 2 | | WZ010001- | M10 |
| 10 | | D408 376 00 | *Decal (For Tops) | 1 | | WZ010001- | |
| 11 | | D408 375 00 | *Decal (For Rops) | 1 | | WZ010001- | |



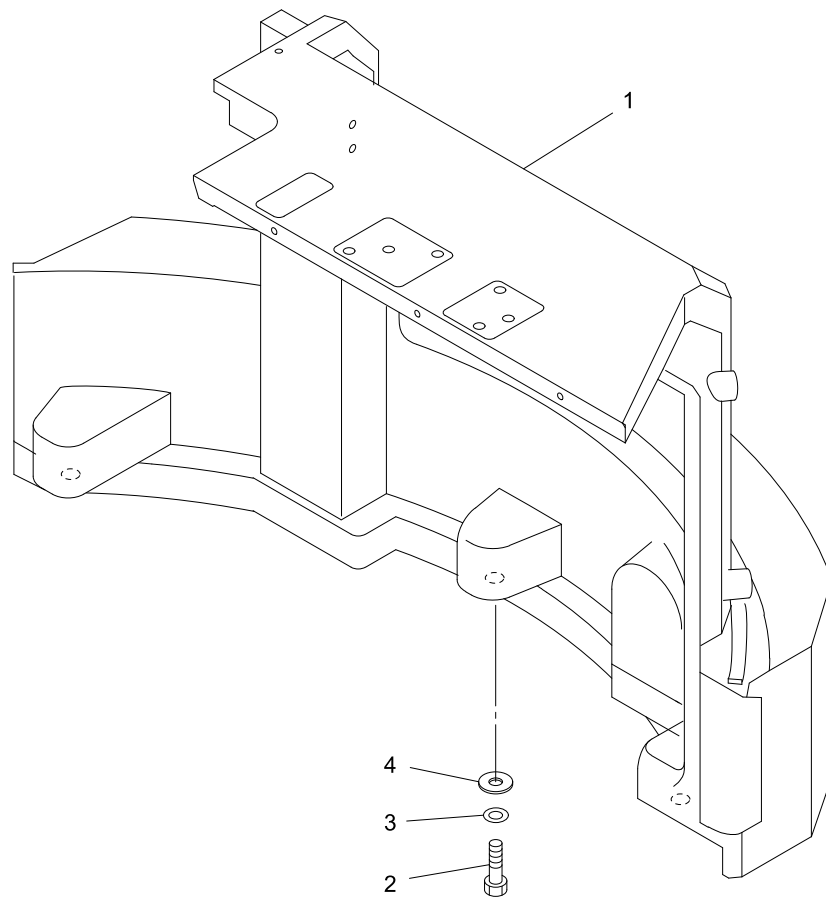
V4ALL-08040A-1

| KEY No. | SU P. | PART No. | DESCRIPTION | Q'TY | CHAN | SERIAL No. | REMARKS |
|---------|-------|-------------|-------------------------------|------|------|------------|------------------|
| 0 | × | F355 197 00 | Canopy Ass'y | 1 | | WZ010001- | |
| 1 | | D448 005 00 | *Canopy | 1 | | WZ010001- | |
| 2 | | D206 873 00 | *Frame | 1 | | WZ010001- | |
| 3 | | D470 805 00 | *Guard | 1 | | WZ010001- | |
| 4 | | D470 700 00 | *Guard | 1 | | WZ010001- | |
| 5 | | 0555 160 50 | *Bolt, Treatment | 4 | | WZ010001- | M16X50 |
| 6 | | 0439 100 25 | *Bolt, Treatment (W/L.W, F.W) | 4 | | WZ010001- | M10X25 P=1.25 |
| 7 | | 0518 120 40 | *Bolt, Treatment (W/L.W, F.W) | 4 | | WZ010001- | M12X40 P=1.25 |
| 8 | | 0595 160 00 | *Washer, Treatment | 4 | | WZ010001- | M16 |
| 9 | | 0519 080 25 | *Bolt, Treatment (W/L.W) | 7 | | WZ010001- | M8X25 |
| 10 | | 4006 119 01 | *Washer | 7 | | WZ010001- | M8 |
| 11 | | 0690 201 08 | *Plug | 2 | | WZ010001- | M10 |
| 12 | | 4006 386 00 | *Washer, Rubber | 1 | | WZ010001- | |



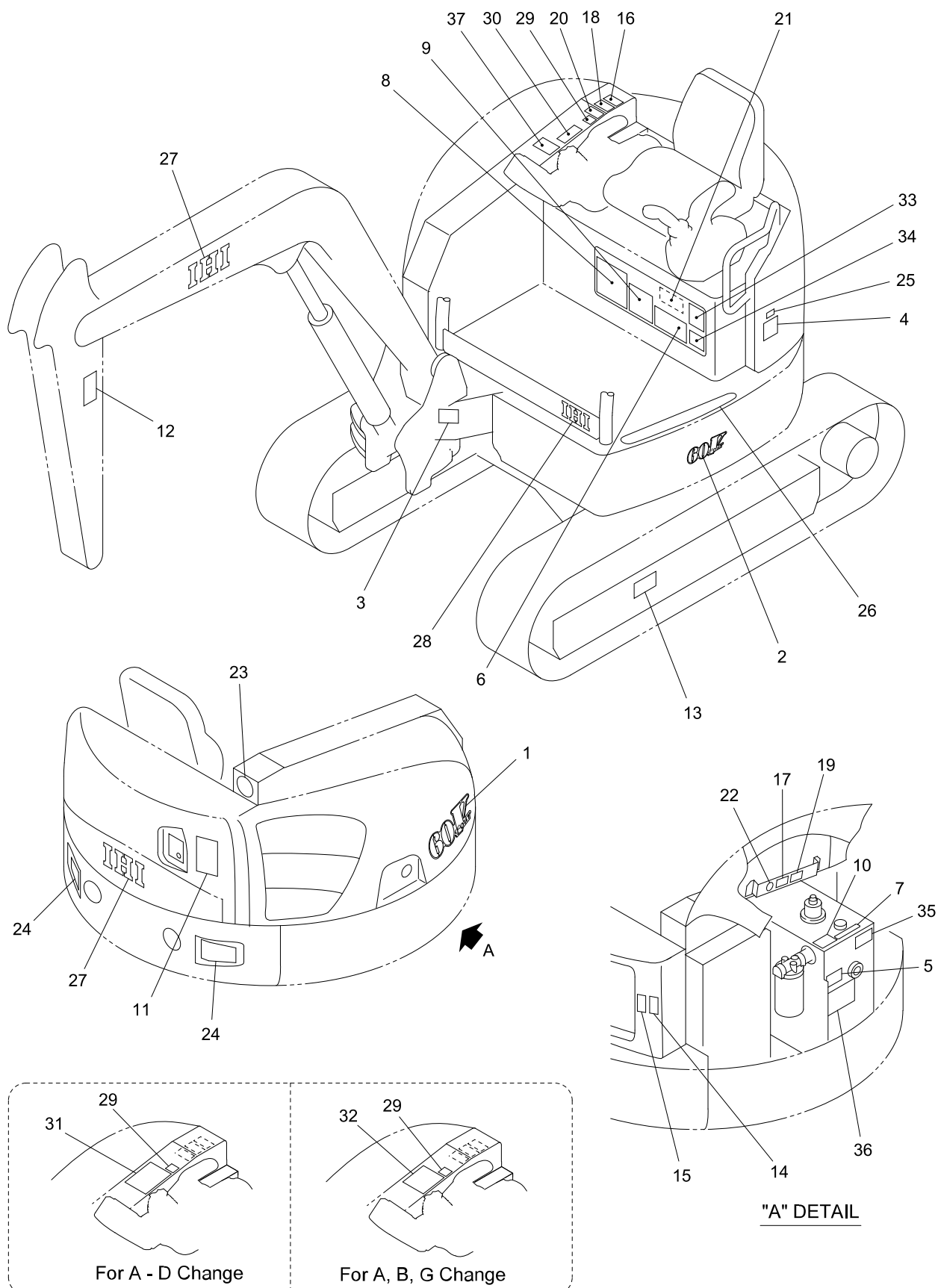
V4ALL-080500-1

| KEY No. | SU P. | PART No. | DESCRIPTION | Q'TY | CHAN | SERIAL No. | REMARKS |
|---------|-------|-------------|-------------------------------------|------|------|------------|-------------------|
| 0 | × | F355 184 00 | Seat Ass'y, Operator (W/Suspension) | 1 | | WZ010001- | |
| 0-1 | × | F355 183 00 | Seat Ass'y, Operator | 1 | | WZ010001- | |
| 0-2 | × | F355 185 00 | Seat Ass'y, Operator | 1 | | WZ010001- | |
| 0-3 | × | F355 196 00 | Seat Ass'y, Operator | 1 | | WZ010001- | |
| 0-3 | × | F353 206 00 | Mat Ass'y | 1 | | WZ010001- | |
| 1 | | D581 191 00 | *Mat (For Canopy) | 1 | | WZ010001- | STD |
| 1-1 | | D581 203 00 | *Mat (For Canopy, Pedal) | 1 | | WZ010001- | |
| 1-2 | | D581 204 00 | *Mat (For Cabin) | 1 | | WZ010001- | |
| 1-3 | | D581 205 00 | *Mat (For Cabin, Pedal) | 1 | | WZ010001- | |
| 2 | | 0655 563 UA | *Seat, Operator (W/Suspension) | 1 | | WZ010001- | W/Seat Belt |
| 2-1 | | 0655 563 01 | **Seat Ass'y, Back | 1 | | WZ010001- | |
| 2-2 | | 0655 563 02 | **Seat Ass'y, Cushion | 1 | | WZ010001- | |
| 2-3 | | 0655 563 03 | **Suspension Ass'y | 1 | | WZ010001- | |
| 2-4 | | 0655 563 04 | **Rail Ass'y, Slid (L.H) | 1 | | WZ010001- | |
| 2-5 | | 0655 563 05 | **Rail Ass'y, Slid (R.H) | 1 | | WZ010001- | |
| 2-6 | | 0655 563 10 | **Belt Ass'y, Seat | 1 | | WZ010001- | |
| 3 | | D419 344 00 | *BRACKET | 1 | | WZ010001- | |
| 4 | | 0550 080 20 | *Bolt, Hex. | 4 | | WZ010001- | M8X20 |
| 5 | | 0521 080 00 | *Nut, Hex. (W/F.W) | 4 | | WZ010001- | M8 |
| 6 | | 0439 100 20 | *Bolt, Treatment (W/L.W, F.W) | 4 | | WZ010001- | M10X20 P=1.25 |
| 7 | | 0690 201 09 | *Plug | 4 | | WZ010001- | |
| 8 | | 0655 567 UA | *Seat, Operator (W/O Seat Belt) | 1 | | WZ010001- | |
| 9 | | 0655 568 UA | *Seat, Operator (High Back Seat) | 1 | | WZ010001- | Leather |
| 9-1 | | 0655 569 UA | *Seat, Operator (High Back Seat) | 1 | | WZ010001- | Fabric |
| 9-2 | | 0655 568 01 | **Seat Ass'y, Back | 1 | | WZ010001- | Leather |
| 9-3 | | 0655 569 01 | **Seat Ass'y, Back | 1 | | WZ010001- | Fabric |
| 9-4 | | 0655 569 02 | **Seat Ass'y, Cushion | 1 | | WZ010001- | Fabric |
| 10 | | 0655 564 UA | *Seat, Operator (Leather) | 1 | | WZ010001- | W/O Suspension |



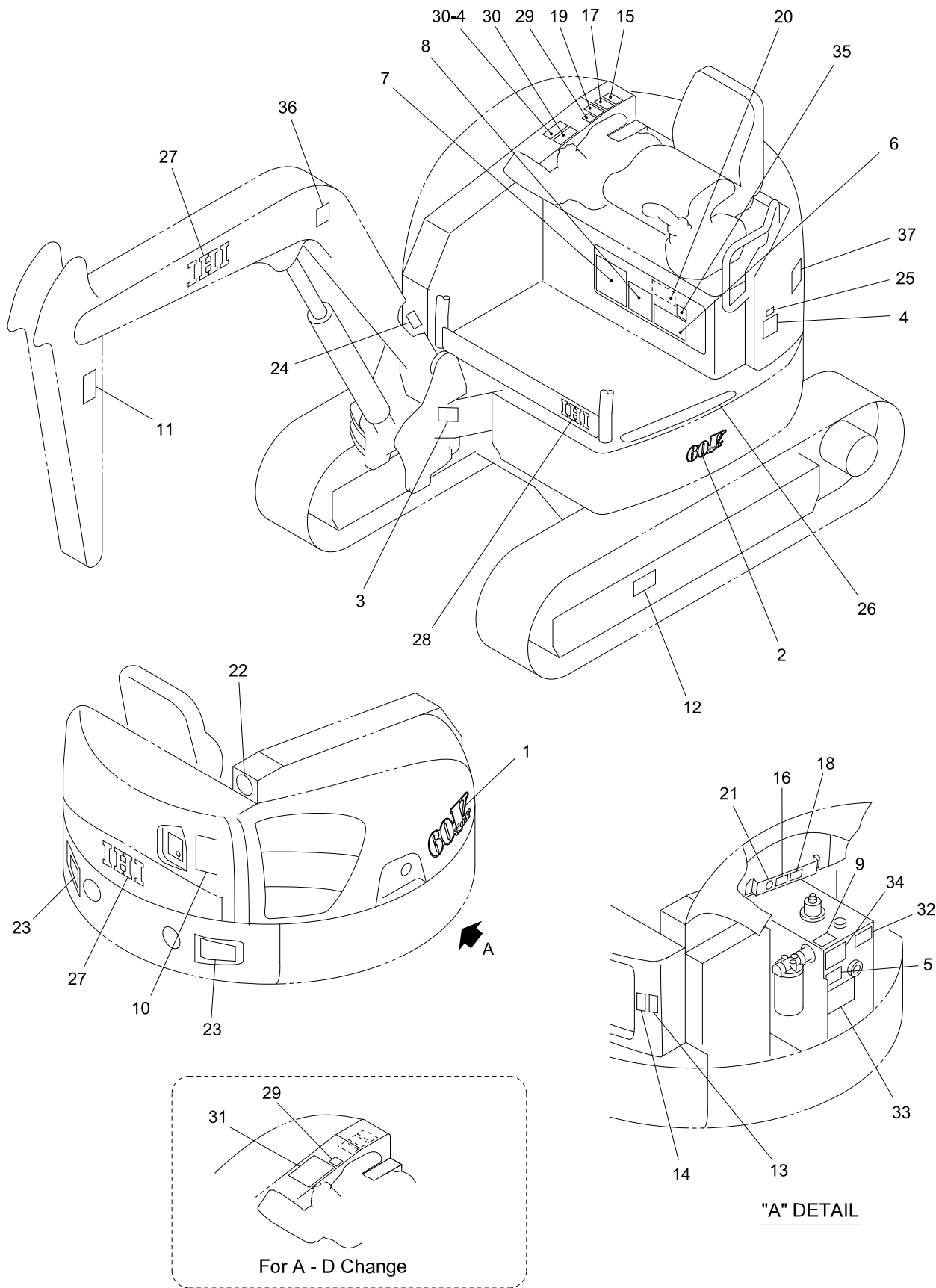
60V4-080600-1

| KEY No. | SU P. | PART No. | DESCRIPTION | Q'TY | CHAN | SERIAL No. | REMARKS |
|---------|-------|-------------|-----------------------|------|------|------------|---------|
| 0 | × | F373 220 00 | Weight Ass'y, Counter | 1 | | WZ010001- | |
| 1 | | D206 837 00 | *Weight, Counter | 1 | | WZ010001- | |
| 2 | | 0555 241 00 | *Bolt, Treatment | 3 | | WZ010001- | M24X100 |
| 3 | | 0595 240 00 | *Washer, Treatment | 3 | | WZ010001- | M24 |
| 4 | | D006 032 00 | *Washer | 3 | | WZ010001- | M24 |



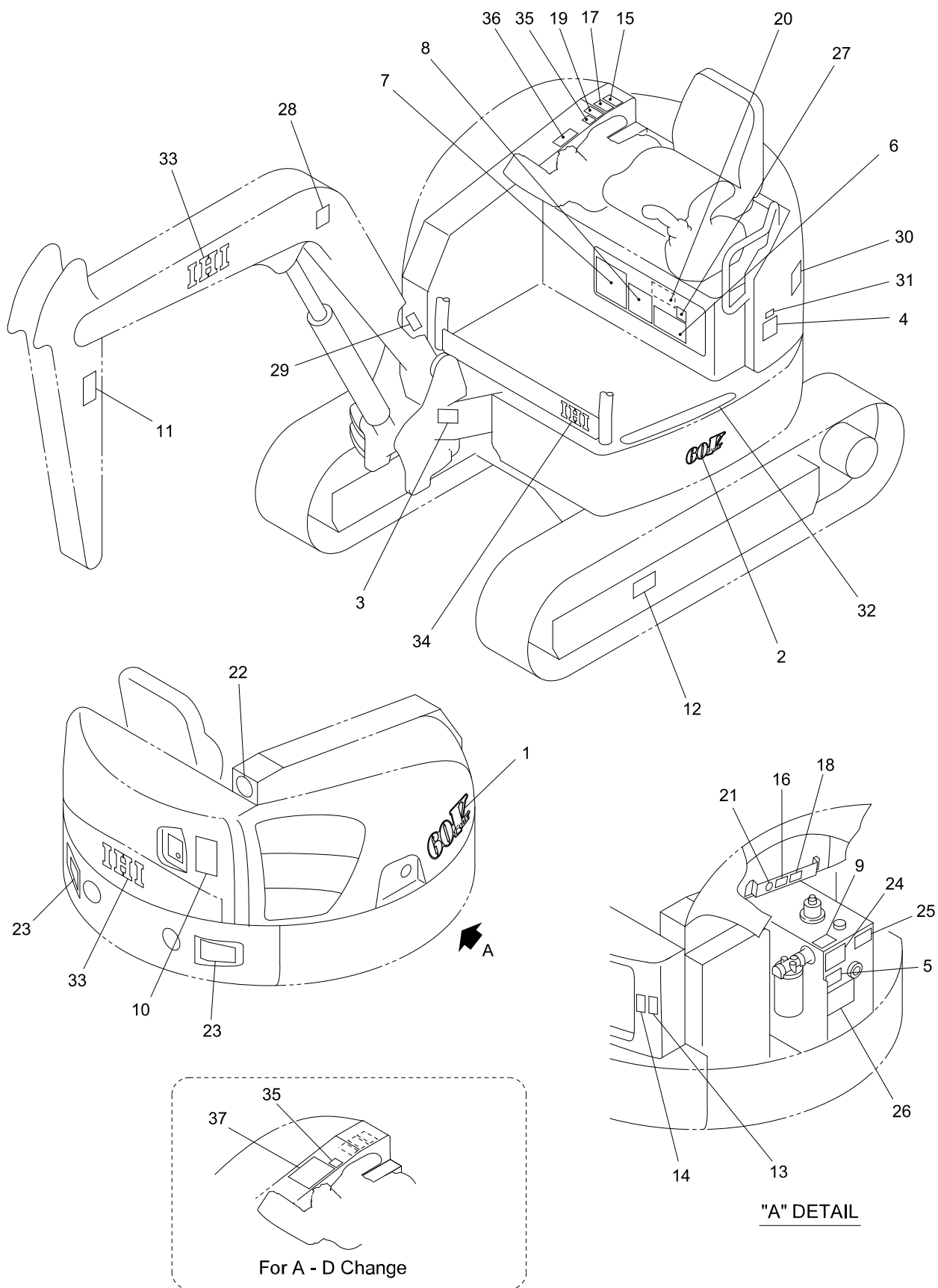
60V4-080700-1

| KEY No. | SU P. | PART No. | DESCRIPTION | Q'TY | CHAN | SERIAL No. | REMARKS |
|---------|-------|-------------|---------------------------------|------|------|------------|---------|
| 0 | × | F377 851 00 | Decal Ass'y | 1 | | WZ010001- | |
| 0-1 | × | F377 854 00 | Decal Ass'y | 1 | | WZ010001- | |
| 0-2 | × | F377 856 00 | Decal Ass'y | 1 | | WZ010001- | |
| 1 | | D408 409 00 | *Decal (Model) | 1 | | WZ010001- | |
| 2 | | D408 418 00 | *Decal (Model) | 1 | | WZ010001- | |
| 3 | × | D405 094 00 | *Decal (Serial No.) | 1 | | WZ010001- | |
| 3-1 | | 0497 035 00 | *Screw, Drive | 4 | | WZ010001- | d=3 |
| 4 | | D408 324 00 | *Decal (Oil) | 1 | | WZ010001- | |
| 5 | | D406 490 00 | *Decal (Oil Check) | 1 | | WZ010001- | |
| 6 | | D408 313 00 | *Decal (Lub. Chart) | 1 | | WZ010001- | |
| 7 | | 4447 479 00 | *Decal (Oil) | 1 | | WZ010001- | |
| 8 | | D408 325 00 | *Decal (Engine Daily Check) | 1 | | WZ010001- | |
| 9 | | D406 597 00 | *Decal (Safety Works) | 1 | | WZ010001- | |
| 10 | | D408 328 00 | *Decal (Tank Decompression) | 1 | | WZ010001- | |
| 11 | | D405 450 00 | *Decal (Safety Swing) | 1 | | WZ010001- | |
| 12 | | D405 454 00 | *Decal (Caution) | 2 | | WZ010001- | |
| 13 | | D405 455 00 | *Decal (Caution) | 2 | | WZ010001- | |
| 14 | | D405 424 00 | *Decal (Caution) | 1 | | WZ010001- | |
| 15 | | D405 452 00 | *Decal (Caution) | 1 | | WZ010001- | |
| 16 | | D405 332 00 | *Decal (Caution) | 1 | | WZ010001- | |
| 17 | | D405 462 00 | *Decal (Caution) | 1 | | WZ010001- | |
| 18 | | D405 451 00 | *Decal (Caution) | 1 | | WZ010001- | |
| 19 | | D405 463 00 | *Decal (Caution) | 1 | | WZ010001- | |
| 20 | | D405 449 00 | *Decal (Caution) | 1 | | WZ010001- | |
| 21 | | D405 373 00 | *Decal (Caution) | 1 | | WZ010001- | |
| 22 | | 4407 035 00 | *Decal (Anti-Freezing Solution) | 1 | | WZ010001- | |
| 23 | | D406 631 00 | *Decal (Environment) | 1 | | WZ010001- | |
| 24 | | D408 371 00 | *Decal (Reflector) | 2 | | WZ010001- | |
| 25 | | D407 943 00 | *Decal (EPA Regulation) | 1 | | WZ010001- | |
| 26 | | D408 370 00 | *Plate, Nonslip | 1 | | WZ010001- | |
| 27 | | D408 402 00 | *Decal (IHI) | 3 | | WZ010001- | |
| 28 | | D408 403 00 | *Decal (IHI) | 1 | | WZ010001- | |
| 29 | | D406 602 00 | *Decal (Blade, Pedal) | 1 | | WZ010001- | |
| 30 | | D406 603 00 | *Decal (Control A) | 1 | | WZ010001- | |
| 30-1 | | D406 604 00 | *Decal (Control B) | 1 | | WZ010001- | |
| 30-2 | | D406 605 00 | *Decal (Control C) | 1 | | WZ010001- | |
| 30-3 | | D406 606 00 | *Decal (Control D) | 1 | | WZ010001- | |
| 30-4 | | D406 608 00 | *Decal (Control G) | 1 | | WZ010001- | |
| 31 | | D406 609 00 | *Decal (Control A-D) | 1 | | WZ010001- | |
| 32 | | D406 610 00 | *Decal (Control A, B, G) | 1 | | WZ010001- | |
| 33 | | D408 319 00 | *Decal (Specification) | 1 | | WZ010001- | |
| 34 | | D408 321 00 | *Decal (Bucket Specification) | 1 | | WZ010001- | |
| 35 | | 4447 874 00 | *Decal (Spare Piping Change) | 1 | | WZ010001- | |
| 36 | | 4447 653 00 | *Decal (Breaker Cation) | 1 | | WZ010001- | |
| 37 | | D408 354 00 | *Decal (Spare Pedal) | 1 | | WZ010001- | |



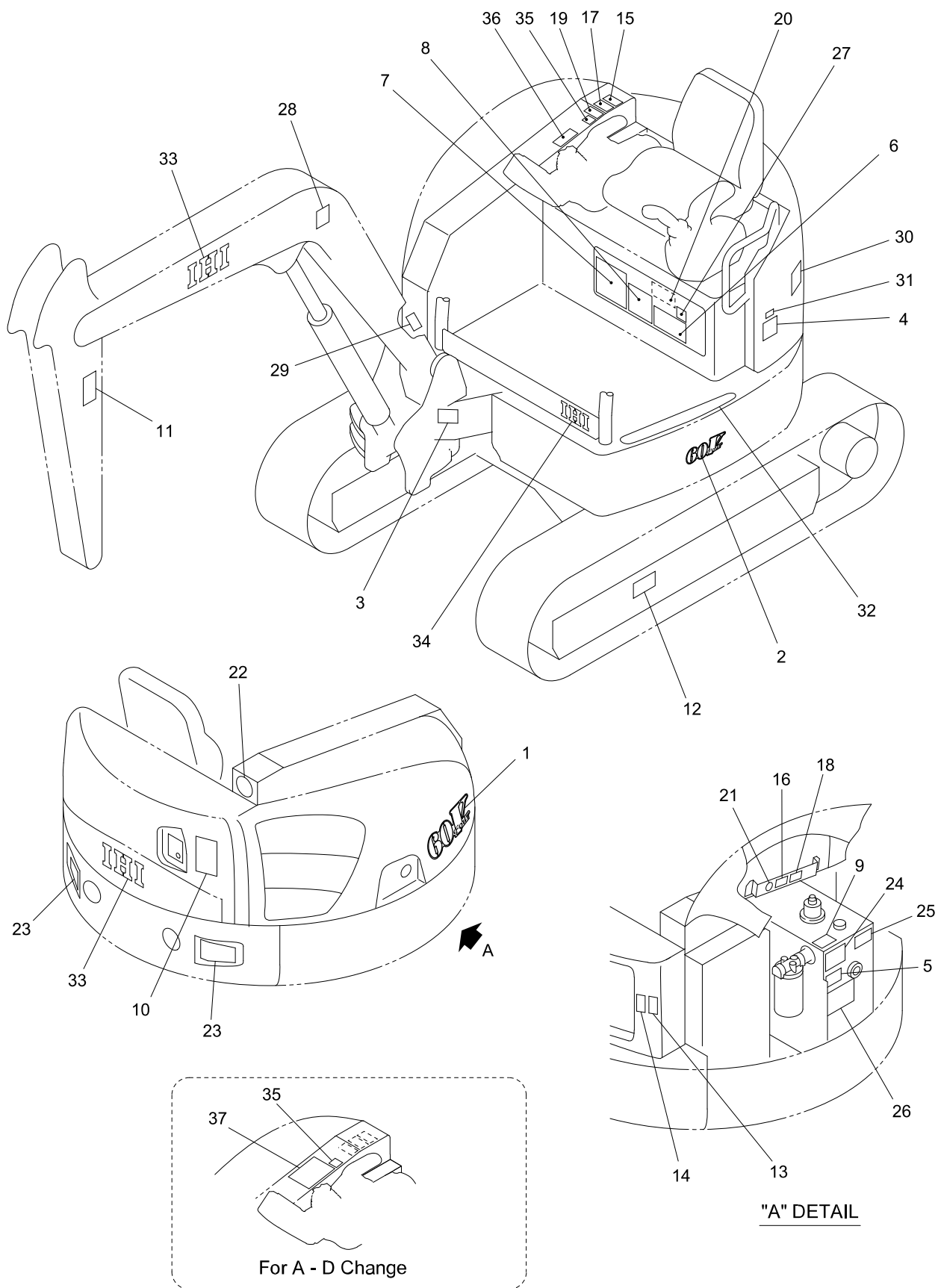
60V4-08070A-1

| KEY No. | SU P. | PART No. | DESCRIPTION | Q'TY | CHAN | SERIAL No. | REMARKS |
|---------|-------|-------------|---------------------------------|------|------|------------|---------|
| 0 | × | F377 851 00 | Decal Ass'y | 1 | | WZ010001- | |
| 0-1 | × | F377 854 00 | Decal Ass'y | 1 | | WZ010001- | |
| 1 | | D408 409 00 | *Decal (Model) | 1 | | WZ010001- | |
| 2 | | D408 418 00 | *Decal (Model) | 1 | | WZ010001- | |
| 3 | × | D405 094 00 | *Decal (Serial No.) | 1 | | WZ010001- | |
| 3-1 | × | D405 091 00 | *Decal (Serial No.) (CE) | 1 | | WZ010001- | |
| 3-2 | | 0497 035 00 | *Screw, Drive | 4 | | WZ010001- | d=3 |
| 4 | | 4407 974 00 | *Decal (Oil) | 1 | | WZ010001- | |
| 5 | | D406 504 00 | *Decal (Oil Check) | 1 | | WZ010001- | |
| 6 | | D408 355 00 | *Decal (Lub. Chart) | 1 | | WZ010001- | |
| 7 | | D408 326 00 | *Decal (Engine Daily Check) | 1 | | WZ010001- | |
| 8 | | 4406 458 00 | *Decal (Safety Works) | 1 | | WZ010001- | |
| 9 | | D408 424 00 | *Decal (Tank Decompression) | 1 | | WZ010001- | |
| 10 | | D405 507 00 | *Decal (Safety Swing) | 1 | | WZ010001- | |
| 11 | | D405 511 00 | *Decal (Caution) | 2 | | WZ010001- | |
| 12 | | D405 505 00 | *Decal (Caution) | 2 | | WZ010001- | |
| 13 | | D405 366 00 | *Decal (Caution) | 1 | | WZ010001- | |
| 14 | | D405 509 00 | *Decal (Caution) | 1 | | WZ010001- | |
| 15 | | D405 359 00 | *Decal (Caution) | 1 | | WZ010001- | |
| 16 | | D405 503 00 | *Decal (Caution) | 1 | | WZ010001- | |
| 17 | | D405 508 00 | *Decal (Caution) | 1 | | WZ010001- | |
| 18 | | D405 504 00 | *Decal (Caution) | 1 | | WZ010001- | |
| 19 | | D405 506 00 | *Decal (Caution) | 1 | | WZ010001- | |
| 20 | | D405 323 00 | *Decal (Caution) | 1 | | WZ010001- | |
| 21 | | 4407 035 00 | *Decal (Anti-Freezing Solution) | 1 | | WZ010001- | |
| 22 | | D406 783 00 | *Decal (Environment) | 1 | | WZ010001- | |
| 23 | | D408 371 00 | *Decal (Reflector) | 2 | | WZ010001- | |
| 24 | × | D405 097 00 | *Decal (New Machine) | 1 | | WZ010001- | |
| 25 | | D407 943 00 | *Decal (EPA Regulation) | 1 | | WZ010001- | |
| 26 | | D408 370 00 | *Plate, Nonslip | 1 | | WZ010001- | |
| 27 | | D408 402 00 | *Decal (IHI) | 3 | | WZ010001- | |
| 28 | | D408 403 00 | *Decal (IHI) | 1 | | WZ010001- | |
| 29 | | D406 602 00 | *Decal (Blade, Pedal) | 1 | | WZ010001- | |
| 30 | | D406 603 00 | *Decal (Control A) | 1 | | WZ010001- | |
| 30-1 | | D406 604 00 | *Decal (Control B) | 1 | | WZ010001- | |
| 30-2 | | D406 605 00 | *Decal (Control C) | 1 | | WZ010001- | |
| 30-3 | | D406 606 00 | *Decal (Control D) | 1 | | WZ010001- | |
| 30-4 | | D406 607 00 | *Decal (Control F) | 1 | | WZ010001- | |
| 31 | | D406 609 00 | *Decal (Control A-D) | 1 | | WZ010001- | |
| 32 | | 4448 651 00 | *Decal (Spare Piping Change) | 1 | | WZ010001- | |
| 33 | | 4447 857 00 | *Decal (Breaker Cation) | 1 | | WZ010001- | |
| 34 | | D408 322 00 | *Decal (Boom Lowering)(CE) | 1 | | WZ010001- | |
| 35 | | 4448 474 00 | *Decal (Transport Fix)(CE) | 1 | | WZ010001- | |
| 36 | | D408 347 00 | *Decal (Lifting Procedures)(CE) | 1 | | WZ010001- | |
| 37 | | D406 032 00 | *Decal (Noise 97)(CE) | 1 | | WZ010001- | |



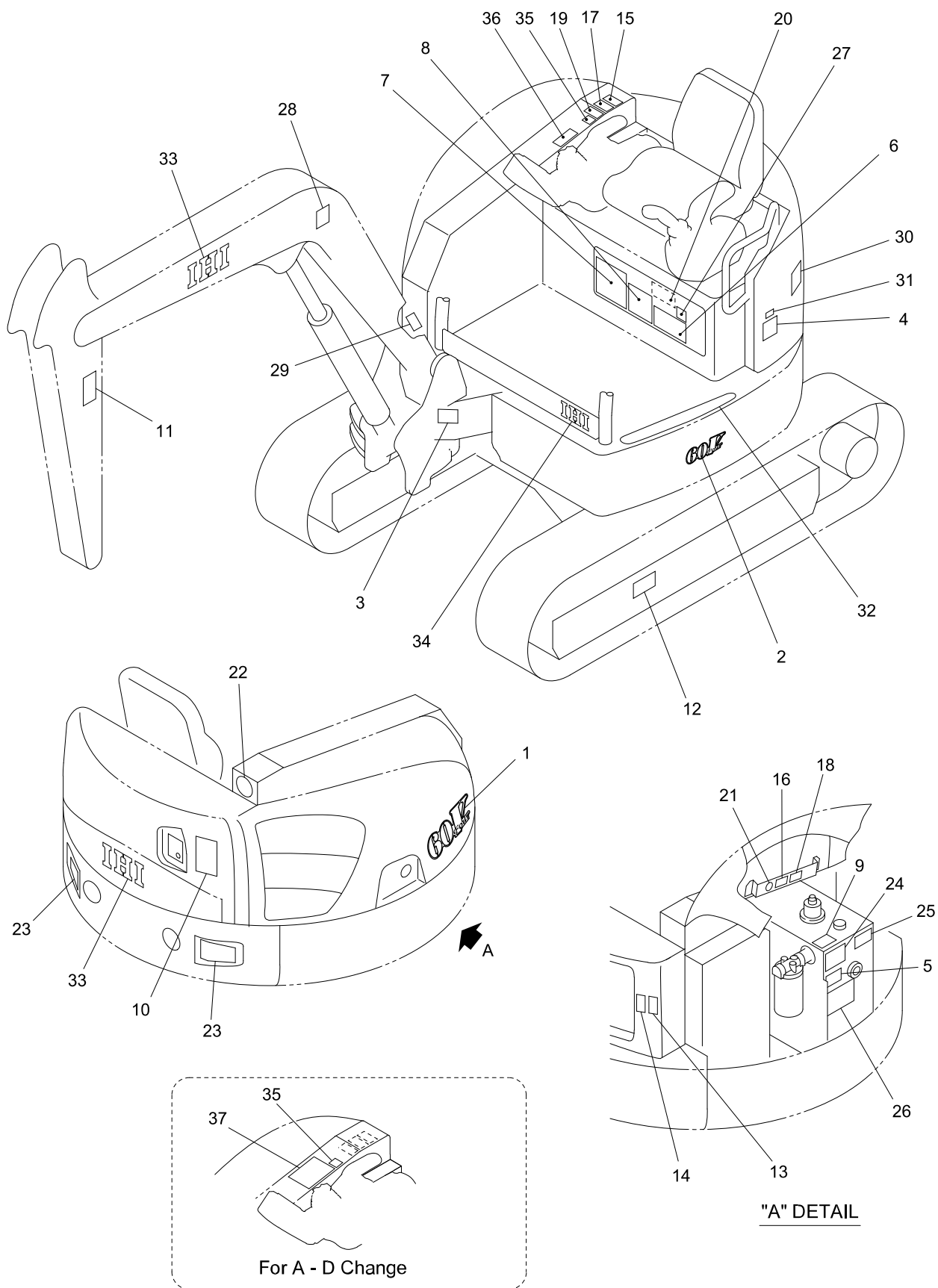
60V4-08070B-1

| KEY No. | SU P. | PART No. | DESCRIPTION | Q'TY | CHAN | SERIAL No. | REMARKS |
|---------|-------|-------------|---------------------------------|------|------|------------|---------|
| 0 | × | F377 851 00 | Decal Ass'y | 1 | | WZ010001- | |
| 0-1 | × | F377 854 00 | Decal Ass'y | 1 | | WZ010001- | |
| 1 | | D408 409 00 | *Decal (Model) | 1 | | WZ010001- | |
| 2 | | D408 418 00 | *Decal (Model) | 1 | | WZ010001- | |
| 3 | × | D405 091 00 | *Decal (Serial No.) | 1 | | WZ010001- | |
| 3-1 | | 0497 035 00 | *Screw, Drive | 4 | | WZ010001- | d=3 |
| 4 | | 4405 457 00 | *Decal (Oil) | 1 | | WZ010001- | |
| 5 | | D406 558 00 | *Decal (Oil Check) | 1 | | WZ010001- | |
| 6 | | D408 360 00 | *Decal (Lub. Chart) | 1 | | WZ010001- | |
| 7 | | D408 332 00 | *Decal (Engine Daily Check) | 1 | | WZ010001- | |
| 8 | | 4448 584 00 | *Decal (Safety Works) | 1 | | WZ010001- | |
| 9 | | D408 429 00 | *Decal (Tank Decompression) | 1 | | WZ010001- | |
| 10 | | D405 507 00 | *Decal (Safety Swing) | 1 | | WZ010001- | |
| 11 | | D405 511 00 | *Decal (Caution) | 2 | | WZ010001- | |
| 12 | | D405 505 00 | *Decal (Caution) | 2 | | WZ010001- | |
| 13 | | D405 366 00 | *Decal (Caution) | 1 | | WZ010001- | |
| 14 | | D405 509 00 | *Decal (Caution) | 1 | | WZ010001- | |
| 15 | | D405 359 00 | *Decal (Caution) | 1 | | WZ010001- | |
| 16 | | D405 503 00 | *Decal (Caution) | 1 | | WZ010001- | |
| 17 | | D405 508 00 | *Decal (Caution) | 1 | | WZ010001- | |
| 18 | | D405 504 00 | *Decal (Caution) | 1 | | WZ010001- | |
| 19 | | D405 506 00 | *Decal (Caution) | 1 | | WZ010001- | |
| 20 | | D405 559 00 | *Decal (Caution) | 1 | | WZ010001- | |
| 21 | | 4448 573 00 | *Decal (Anti-Freezing Solution) | 1 | | WZ010001- | |
| 22 | | D406 783 00 | *Decal (Environment) | 1 | | WZ010001- | |
| 23 | | D408 371 00 | *Decal (Reflector) | 2 | | WZ010001- | |
| 24 | | D408 338 00 | *Decal (Boom Lowering) | 1 | | WZ010001- | |
| 25 | | 4449 003 00 | *Decal (Spare Piping Change) | 1 | | WZ010001- | |
| 26 | | 4448 587 00 | *Decal (Breaker Cation) | 1 | | WZ010001- | |
| 27 | | 4448 562 00 | *Decal (Transport Fix) | 1 | | WZ010001- | |
| 28 | | D408 352 00 | *Decal (Lifting Procedures) | 1 | | WZ010001- | |
| 29 | × | D405 097 00 | *Decal (New Machine) | 1 | | WZ010001- | |
| 30 | | D406 032 00 | *Decal (Noise 97) | 1 | | WZ010001- | |
| 31 | | D407 943 00 | *Decal (EPA Regulation) | 1 | | WZ010001- | |
| 32 | | D408 370 00 | *Plate, Nonslip | 1 | | WZ010001- | |
| 33 | | D408 402 00 | *Decal (IHI) | 3 | | WZ010001- | |
| 34 | | D408 403 00 | *Decal (IHI) | 1 | | WZ010001- | |
| 35 | | D406 602 00 | *Decal (Blade, Pedal) | 1 | | WZ010001- | |
| 36 | | D406 603 00 | *Decal (Control A) | 1 | | WZ010001- | |
| 36-1 | | D406 604 00 | *Decal (Control B) | 1 | | WZ010001- | |
| 36-2 | | D406 605 00 | *Decal (Control C) | 1 | | WZ010001- | |
| 36-3 | | D406 606 00 | *Decal (Control D) | 1 | | WZ010001- | |
| 37 | | D406 609 00 | *Decal (Control A-D) | 1 | | WZ010001- | |



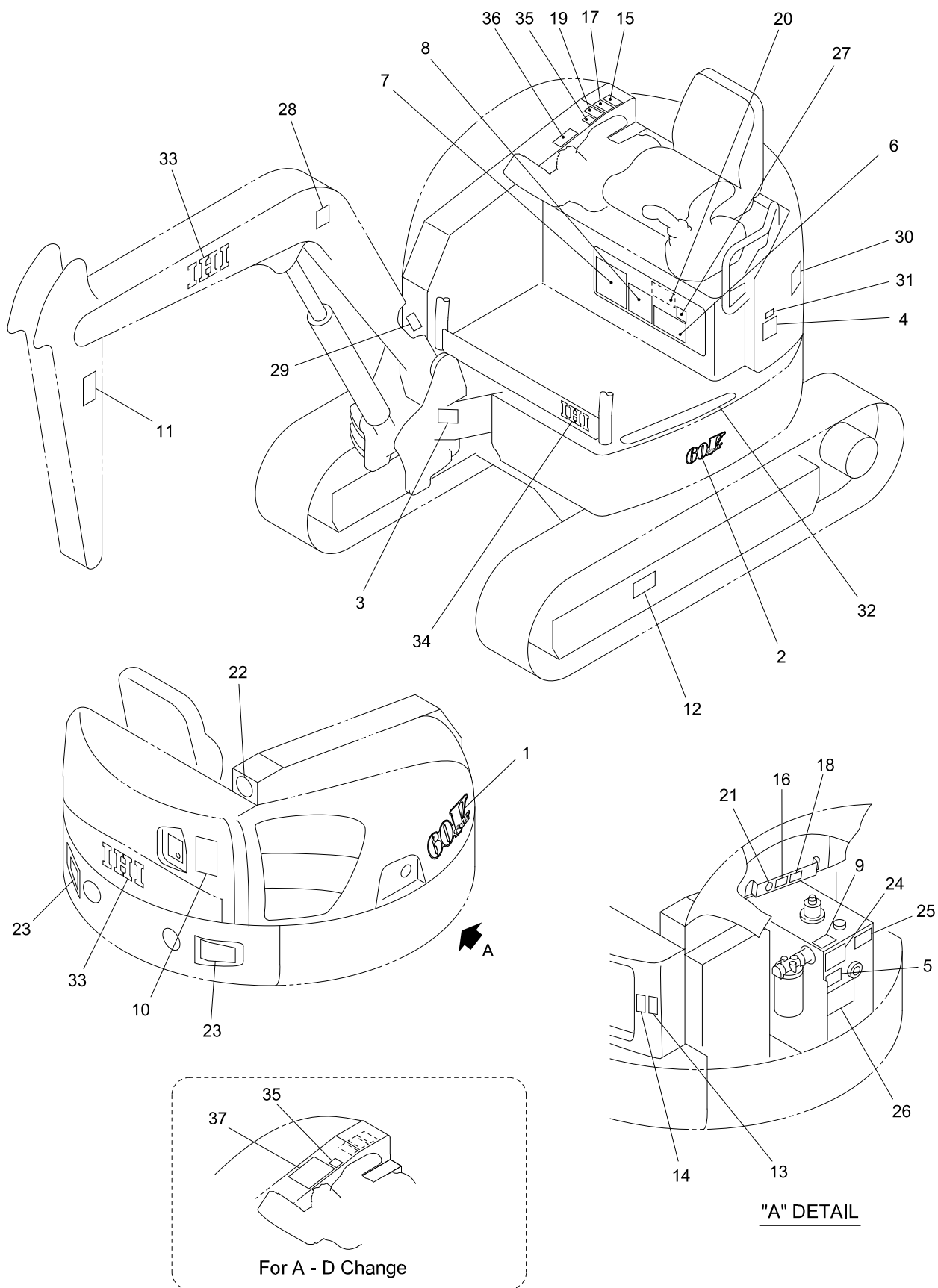
60V4-08070B-1

| KEY No. | SU P. | PART No. | DESCRIPTION | Q'TY | CHAN | SERIAL No. | REMARKS |
|---------|-------|-------------|---------------------------------|------|------|------------|---------|
| 0 | × | F377 851 00 | Decal Ass'y | 1 | | WZ010001- | |
| 0-1 | × | F377 854 00 | Decal Ass'y | 1 | | WZ010001- | |
| 1 | | D408 409 00 | *Decal (Model) | 1 | | WZ010001- | |
| 2 | | D408 418 00 | *Decal (Model) | 1 | | WZ010001- | |
| 3 | × | D405 091 00 | *Decal (Serial No.) | 1 | | WZ010001- | |
| 3-1 | | 0497 035 00 | *Screw, Drive | 4 | | WZ010001- | d=3 |
| 4 | | 4407 974 00 | *Decal (Oil) | 1 | | WZ010001- | |
| 5 | | D406 554 00 | *Decal (Oil Check) | 1 | | WZ010001- | |
| 6 | | D408 356 00 | *Decal (Lub. Chart) | 1 | | WZ010001- | |
| 7 | | D408 327 00 | *Decal (Engine Daily Check) | 1 | | WZ010001- | |
| 8 | | 4406 714 00 | *Decal (Safety Works) | 1 | | WZ010001- | |
| 9 | | D408 425 00 | *Decal (Tank Decompression) | 1 | | WZ010001- | |
| 10 | | D405 507 00 | *Decal (Safety Swing) | 1 | | WZ010001- | |
| 11 | | D405 511 00 | *Decal (Caution) | 2 | | WZ010001- | |
| 12 | | D405 505 00 | *Decal (Caution) | 2 | | WZ010001- | |
| 13 | | D405 366 00 | *Decal (Caution) | 1 | | WZ010001- | |
| 14 | | D405 509 00 | *Decal (Caution) | 1 | | WZ010001- | |
| 15 | | D405 359 00 | *Decal (Caution) | 1 | | WZ010001- | |
| 16 | | D405 503 00 | *Decal (Caution) | 1 | | WZ010001- | |
| 17 | | D405 508 00 | *Decal (Caution) | 1 | | WZ010001- | |
| 18 | | D405 504 00 | *Decal (Caution) | 1 | | WZ010001- | |
| 19 | | D405 506 00 | *Decal (Caution) | 1 | | WZ010001- | |
| 20 | | D405 575 00 | *Decal (Caution) | 1 | | WZ010001- | |
| 20-1 | | D408 437 00 | *Decal (Capacities Table) | 1 | | WZ010001- | |
| 21 | | 4406 710 00 | *Decal (Anti-Freezing Solution) | 1 | | WZ010001- | |
| 22 | | D406 783 00 | *Decal (Environment) | 1 | | WZ010001- | |
| 23 | | D408 371 00 | *Decal (Reflector) | 2 | | WZ010001- | |
| 24 | | D408 334 00 | *Decal (Boom Lowering) | 1 | | WZ010001- | |
| 25 | | 4448 687 00 | *Decal (Spare Piping Change) | 1 | | WZ010001- | |
| 26 | | 4447 996 00 | *Decal (Breaker Cation) | 1 | | WZ010001- | |
| 27 | | 4448 542 00 | *Decal (Transport Fix) | 1 | | WZ010001- | |
| 28 | | D408 348 00 | *Decal (Lifting Procedures) | 1 | | WZ010001- | |
| 29 | × | D405 097 00 | *Decal (New Machine) | 1 | | WZ010001- | |
| 30 | | D406 032 00 | *Decal (Noise 97) | 1 | | WZ010001- | |
| 31 | | D407 943 00 | *Decal (EPA Regulation) | 1 | | WZ010001- | |
| 32 | | D408 370 00 | *Plate, Nonslip | 1 | | WZ010001- | |
| 33 | | D408 402 00 | *Decal (IHI) | 3 | | WZ010001- | |
| 34 | | D408 403 00 | *Decal (IHI) | 1 | | WZ010001- | |
| 35 | | D406 602 00 | *Decal (Blade, Pedal) | 1 | | WZ010001- | |
| 36 | | D406 603 00 | *Decal (Control A) | 1 | | WZ010001- | |
| 36-1 | | D406 604 00 | *Decal (Control B) | 1 | | WZ010001- | |
| 36-2 | | D406 605 00 | *Decal (Control C) | 1 | | WZ010001- | |
| 36-3 | | D406 606 00 | *Decal (Control D) | 1 | | WZ010001- | |
| 37 | | D406 609 00 | *Decal (Control A-D) | 1 | | WZ010001- | |



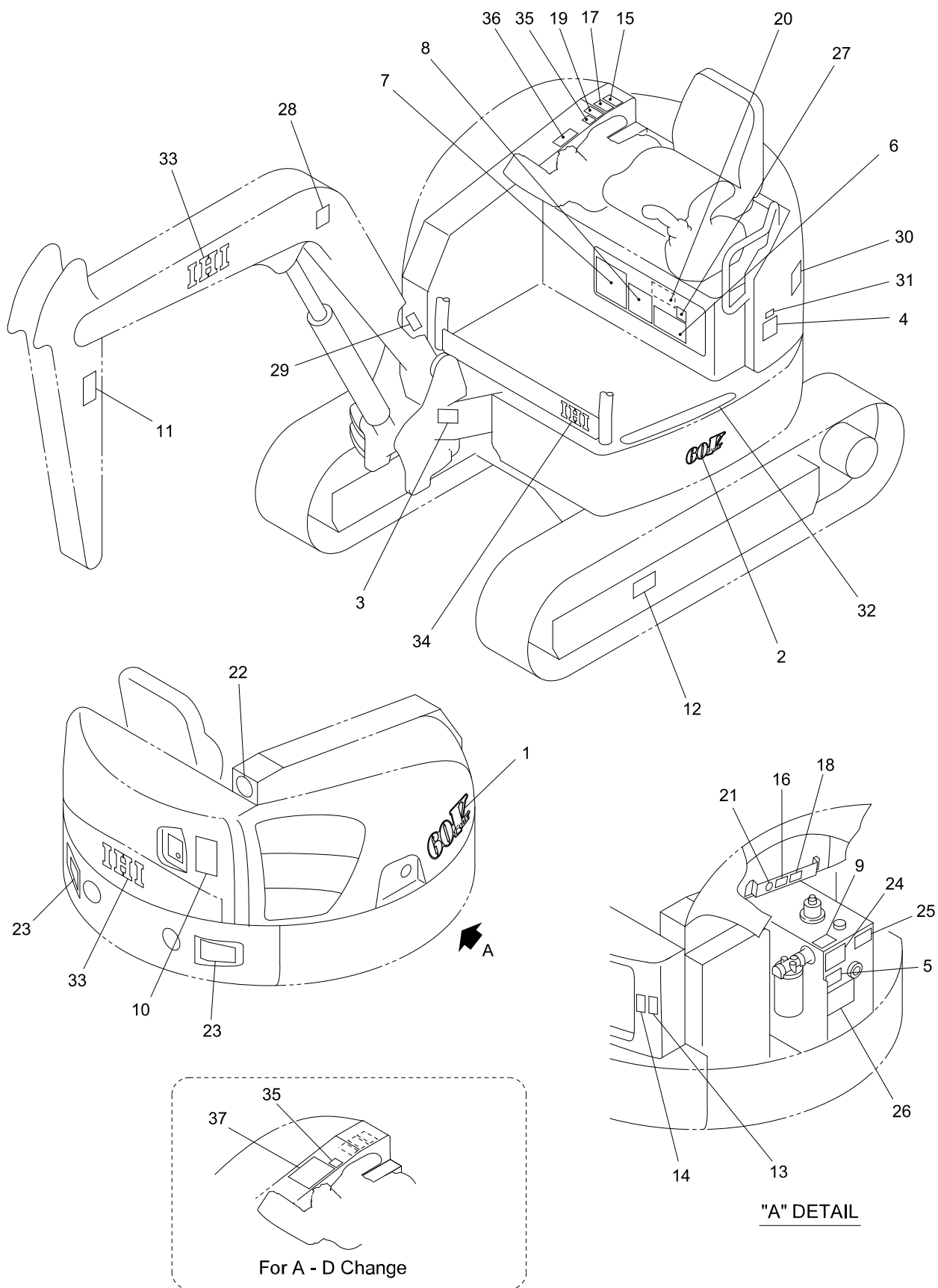
60V4-08070B-1

| KEY No. | SU P. | PART No. | DESCRIPTION | Q'TY | CHAN | SERIAL No. | REMARKS |
|---------|-------|-------------|---------------------------------|------|------|------------|---------|
| 0 | × | F377 851 00 | Decal Ass'y | 1 | | WZ010001- | |
| 0-1 | × | F377 854 00 | Decal Ass'y | 1 | | WZ010001- | |
| 1 | | D408 409 00 | *Decal (Model) | 1 | | WZ010001- | |
| 2 | | D408 418 00 | *Decal (Model) | 1 | | WZ010001- | |
| 3 | × | D405 091 00 | *Decal (Serial No.) | 1 | | WZ010001- | |
| 3-1 | | 0497 035 00 | *Screw, Drive | 4 | | WZ010001- | d=3 |
| 4 | | 4405 457 00 | *Decal (Oil) | 1 | | WZ010001- | |
| 5 | | D406 550 00 | *Decal (Oil Check) | 1 | | WZ010001- | |
| 6 | | D408 357 00 | *Decal (Lub. Chart) | 1 | | WZ010001- | |
| 7 | | D408 329 00 | *Decal (Engine Daily Check) | 1 | | WZ010001- | |
| 8 | | 4405 451 00 | *Decal (Safety Works) | 1 | | WZ010001- | |
| 9 | | D408 426 00 | *Decal (Tank Decompression) | 1 | | WZ010001- | |
| 10 | | D405 507 00 | *Decal (Safety Swing) | 1 | | WZ010001- | |
| 11 | | D405 511 00 | *Decal (Caution) | 2 | | WZ010001- | |
| 12 | | D405 505 00 | *Decal (Caution) | 2 | | WZ010001- | |
| 13 | | D405 366 00 | *Decal (Caution) | 1 | | WZ010001- | |
| 14 | | D405 509 00 | *Decal (Caution) | 1 | | WZ010001- | |
| 15 | | D405 359 00 | *Decal (Caution) | 1 | | WZ010001- | |
| 16 | | D405 503 00 | *Decal (Caution) | 1 | | WZ010001- | |
| 17 | | D405 508 00 | *Decal (Caution) | 1 | | WZ010001- | |
| 18 | | D405 504 00 | *Decal (Caution) | 1 | | WZ010001- | |
| 19 | | D405 506 00 | *Decal (Caution) | 1 | | WZ010001- | |
| 20 | | D405 571 00 | *Decal (Caution) | 1 | | WZ010001- | |
| 21 | | 4405 456 00 | *Decal (Anti-Freezing Solution) | 1 | | WZ010001- | |
| 22 | | D406 783 00 | *Decal (Environment) | 1 | | WZ010001- | |
| 23 | | D408 371 00 | *Decal (Reflector) | 2 | | WZ010001- | |
| 24 | | D408 335 00 | *Decal (Boom Lowering) | 1 | | WZ010001- | |
| 25 | | 4448 944 00 | *Decal (Spare Piping Change) | 1 | | WZ010001- | |
| 26 | | 4447 925 00 | *Decal (Breaker Cation) | 1 | | WZ010001- | |
| 27 | | 4448 511 00 | *Decal (Transport Fix) | 1 | | WZ010001- | |
| 28 | | D408 349 00 | *Decal (Lifting Procedures) | 1 | | WZ010001- | |
| 29 | × | D405 097 00 | *Decal (New Machine) | 1 | | WZ010001- | |
| 30 | | D406 032 00 | *Decal (Noise 97) | 1 | | WZ010001- | |
| 31 | | D407 943 00 | *Decal (EPA Regulation) | 1 | | WZ010001- | |
| 32 | | D408 370 00 | *Plate, Nonslip | 1 | | WZ010001- | |
| 33 | | D408 402 00 | *Decal (IHI) | 3 | | WZ010001- | |
| 34 | | D408 403 00 | *Decal (IHI) | 1 | | WZ010001- | |
| 35 | | D406 602 00 | *Decal (Blade, Pedal) | 1 | | WZ010001- | |
| 36 | | D406 603 00 | *Decal (Control A) | 1 | | WZ010001- | |
| 36-1 | | D406 604 00 | *Decal (Control B) | 1 | | WZ010001- | |
| 36-2 | | D406 605 00 | *Decal (Control C) | 1 | | WZ010001- | |
| 36-3 | | D406 606 00 | *Decal (Control D) | 1 | | WZ010001- | |
| 37 | | D406 609 00 | *Decal (Control A-D) | 1 | | WZ010001- | |



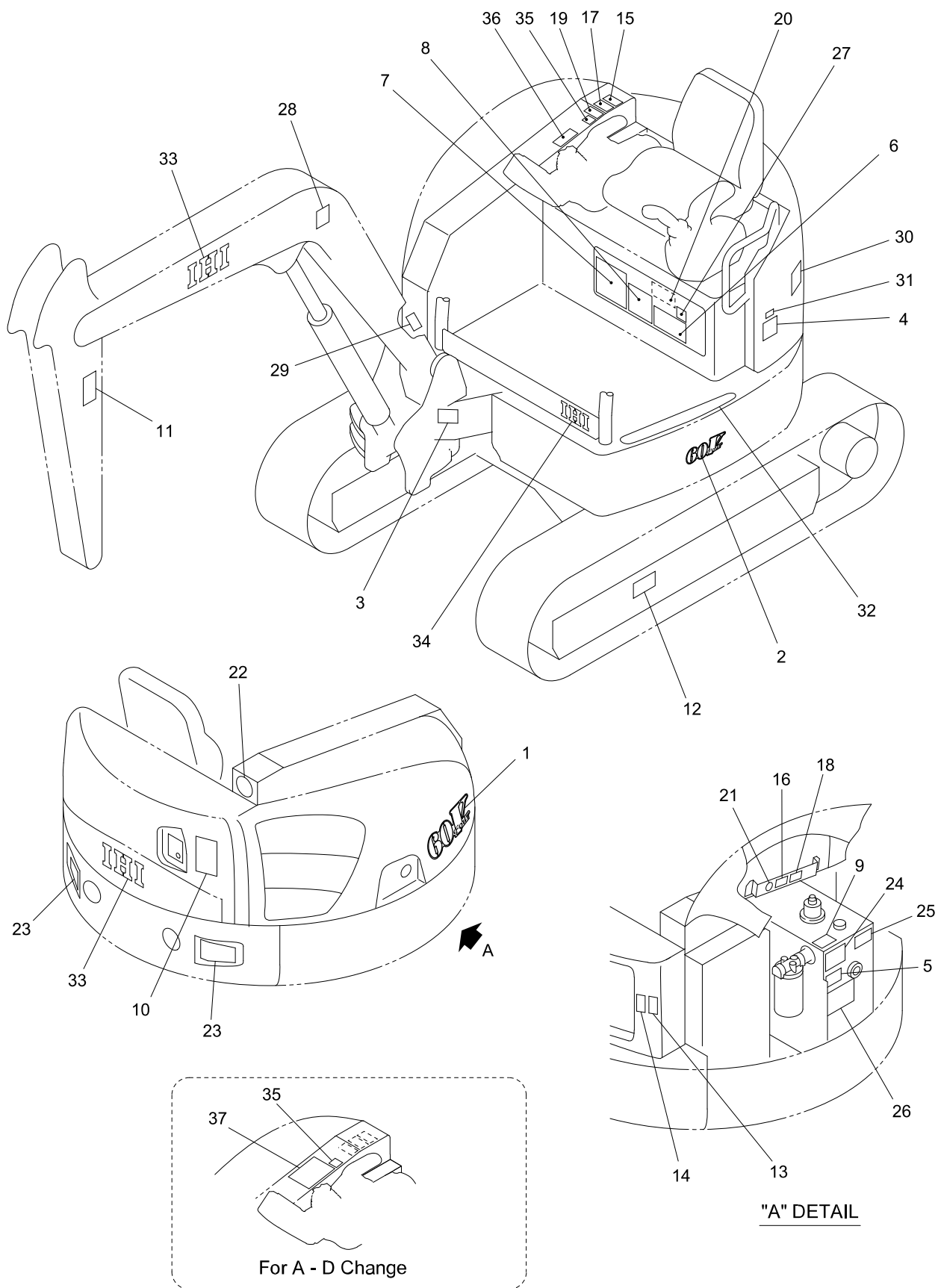
60V4-08070B-1

| KEY No. | SU P. | PART No. | DESCRIPTION | Q'TY | CHAN | SERIAL No. | REMARKS |
|---------|-------|-------------|---------------------------------|------|------|------------|---------|
| 0 | × | F377 851 00 | Decal Ass'y | 1 | | WZ010001- | |
| 0-1 | × | F377 854 00 | Decal Ass'y | 1 | | WZ010001- | |
| 1 | | D408 409 00 | *Decal (Model) | 1 | | WZ010001- | |
| 2 | | D408 418 00 | *Decal (Model) | 1 | | WZ010001- | |
| 3 | × | D405 091 00 | *Decal (Serial No.) | 1 | | WZ010001- | |
| 3-1 | | 0497 035 00 | *Screw, Drive | 4 | | WZ010001- | d=3 |
| 4 | | 4405 457 00 | *Decal (Oil) | 1 | | WZ010001- | |
| 5 | | D406 565 00 | *Decal (Oil Check) | 1 | | WZ010001- | |
| 6 | | D408 358 00 | *Decal (Lub. Chart) | 1 | | WZ010001- | |
| 7 | | D408 330 00 | *Decal (Engine Daily Check) | 1 | | WZ010001- | |
| 8 | | D407 017 00 | *Decal (Safety Works) | 1 | | WZ010001- | |
| 9 | | D408 427 00 | *Decal (Tank Decompression) | 1 | | WZ010001- | |
| 10 | | D405 507 00 | *Decal (Safety Swing) | 1 | | WZ010001- | |
| 11 | | D405 511 00 | *Decal (Caution) | 2 | | WZ010001- | |
| 12 | | D405 505 00 | *Decal (Caution) | 2 | | WZ010001- | |
| 13 | | D405 366 00 | *Decal (Caution) | 1 | | WZ010001- | |
| 14 | | D405 509 00 | *Decal (Caution) | 1 | | WZ010001- | |
| 15 | | D405 359 00 | *Decal (Caution) | 1 | | WZ010001- | |
| 16 | | D405 503 00 | *Decal (Caution) | 1 | | WZ010001- | |
| 17 | | D405 508 00 | *Decal (Caution) | 1 | | WZ010001- | |
| 18 | | D405 504 00 | *Decal (Caution) | 1 | | WZ010001- | |
| 19 | | D405 506 00 | *Decal (Caution) | 1 | | WZ010001- | |
| 20 | | D405 587 00 | *Decal (Caution) | 1 | | WZ010001- | |
| 21 | | 4447 229 00 | *Decal (Anti-Freezing Solution) | 1 | | WZ010001- | |
| 22 | | D406 783 00 | *Decal (Environment) | 1 | | WZ010001- | |
| 23 | | D408 371 00 | *Decal (Reflector) | 2 | | WZ010001- | |
| 24 | | D408 336 00 | *Decal (Boom Lowering) | 1 | | WZ010001- | |
| 25 | | D405 256 00 | *Decal (Spare Piping Change) | 1 | | WZ010001- | |
| 26 | | 4448 350 00 | *Decal (Breaker Cation) | 1 | | WZ010001- | |
| 27 | | D405 059 00 | *Decal (Transport Fix) | 1 | | WZ010001- | |
| 28 | | D408 350 00 | *Decal (Lifting Procedures) | 1 | | WZ010001- | |
| 29 | × | D405 097 00 | *Decal (New Machine) | 1 | | WZ010001- | |
| 30 | | D406 032 00 | *Decal (Noise 97) | 1 | | WZ010001- | |
| 31 | | D407 943 00 | *Decal (EPA Regulation) | 1 | | WZ010001- | |
| 32 | | D408 370 00 | *Plate, Nonslip | 1 | | WZ010001- | |
| 33 | | D408 402 00 | *Decal (IHI) | 3 | | WZ010001- | |
| 34 | | D408 403 00 | *Decal (IHI) | 1 | | WZ010001- | |
| 35 | | D406 602 00 | *Decal (Blade, Pedal) | 1 | | WZ010001- | |
| 36 | | D406 603 00 | *Decal (Control A) | 1 | | WZ010001- | |
| 36-1 | | D406 604 00 | *Decal (Control B) | 1 | | WZ010001- | |
| 36-2 | | D406 605 00 | *Decal (Control C) | 1 | | WZ010001- | |
| 36-3 | | D406 606 00 | *Decal (Control D) | 1 | | WZ010001- | |
| 37 | | D406 609 00 | *Decal (Control A-D) | 1 | | WZ010001- | |



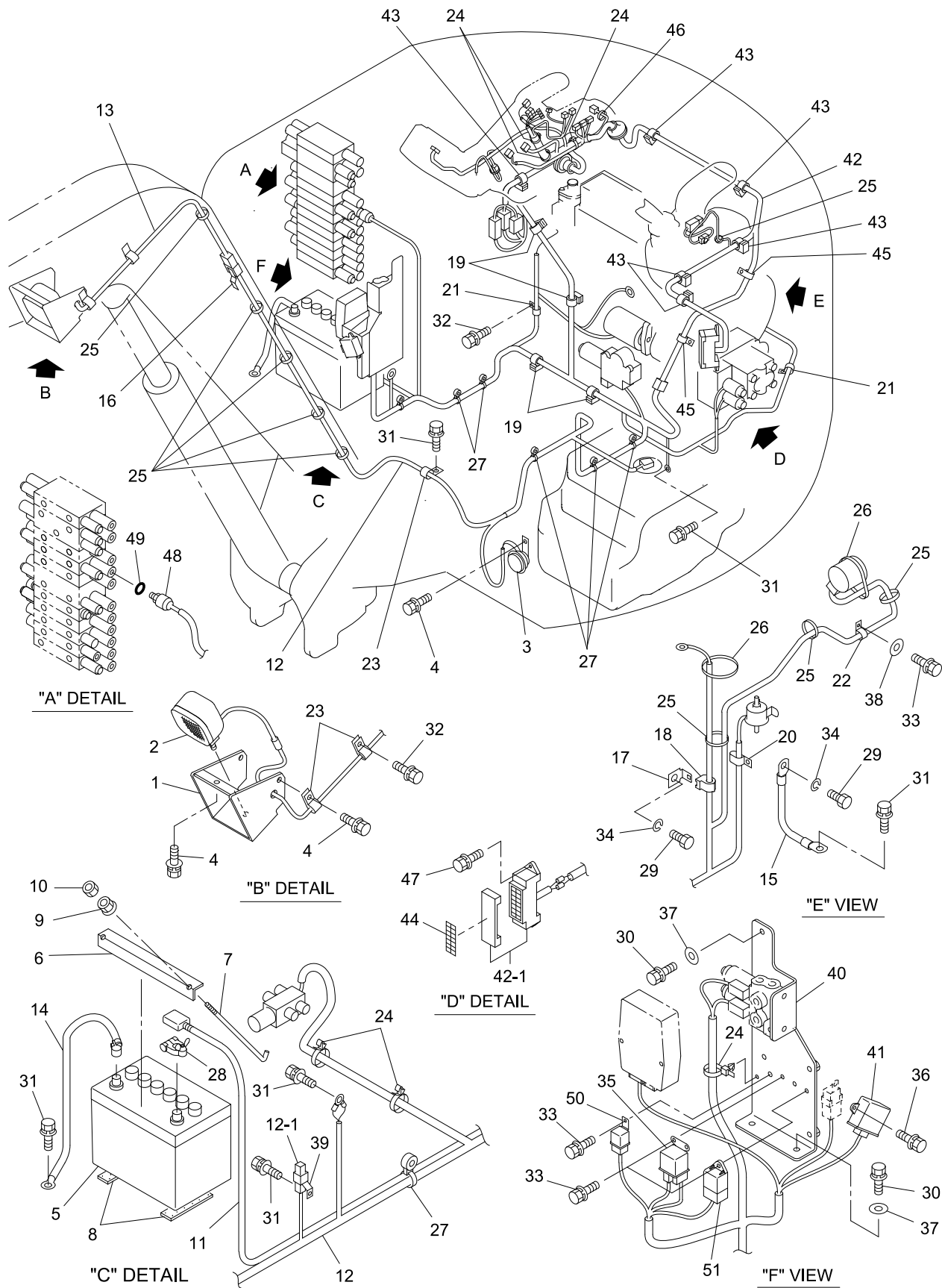
60V4-08070B-1

| KEY No. | SU P. | PART No. | DESCRIPTION | Q'TY | CHAN | SERIAL No. | REMARKS |
|---------|-------|-------------|---------------------------------|------|------|------------|---------|
| 0 | × | F377 851 00 | Decal Ass'y | 1 | | WZ010001- | |
| 0-1 | × | F377 854 00 | Decal Ass'y | 1 | | WZ010001- | |
| 1 | | D408 409 00 | *Decal (Model) | 1 | | WZ010001- | |
| 2 | | D408 418 00 | *Decal (Model) | 1 | | WZ010001- | |
| 3 | × | D405 091 00 | *Decal (Serial No.) | 1 | | WZ010001- | |
| 3-1 | | 0497 035 00 | *Screw, Drive | 4 | | WZ010001- | d=3 |
| 4 | | 4405 457 00 | *Decal (Oil) | 1 | | WZ010001- | |
| 5 | | D406 562 00 | *Decal (Oil Check) | 1 | | WZ010001- | |
| 6 | | D408 359 00 | *Decal (Lub. Chart) | 1 | | WZ010001- | |
| 7 | | D408 331 00 | *Decal (Engine Daily Check) | 1 | | WZ010001- | |
| 8 | | 4448 603 00 | *Decal (Safety Works) | 1 | | WZ010001- | |
| 9 | | D408 428 00 | *Decal (Tank Decompression) | 1 | | WZ010001- | |
| 10 | | D405 507 00 | *Decal (Safety Swing) | 1 | | WZ010001- | |
| 11 | | D405 511 00 | *Decal (Caution) | 2 | | WZ010001- | |
| 12 | | D405 505 00 | *Decal (Caution) | 2 | | WZ010001- | |
| 13 | | D405 366 00 | *Decal (Caution) | 1 | | WZ010001- | |
| 14 | | D405 509 00 | *Decal (Caution) | 1 | | WZ010001- | |
| 15 | | D405 359 00 | *Decal (Caution) | 1 | | WZ010001- | |
| 16 | | D405 503 00 | *Decal (Caution) | 1 | | WZ010001- | |
| 17 | | D405 508 00 | *Decal (Caution) | 1 | | WZ010001- | |
| 18 | | D405 504 00 | *Decal (Caution) | 1 | | WZ010001- | |
| 19 | | D405 506 00 | *Decal (Caution) | 1 | | WZ010001- | |
| 20 | | D405 594 00 | *Decal (Caution) | 1 | | WZ010001- | |
| 21 | | 4448 598 00 | *Decal (Anti-Freezing Solution) | 1 | | WZ010001- | |
| 22 | | D406 783 00 | *Decal (Environment) | 1 | | WZ010001- | |
| 23 | | D408 371 00 | *Decal (Reflector) | 2 | | WZ010001- | |
| 24 | | D408 337 00 | *Decal (Boom Lowering) | 1 | | WZ010001- | |
| 25 | | 4449 406 00 | *Decal (Spare Piping Change) | 1 | | WZ010001- | |
| 26 | | 4448 607 00 | *Decal (Breaker Cation) | 1 | | WZ010001- | |
| 27 | | 4448 619 00 | *Decal (Transport Fix) | 1 | | WZ010001- | |
| 28 | | D408 351 00 | *Decal (Lifting Procedures) | 1 | | WZ010001- | |
| 29 | × | D405 097 00 | *Decal (New Machine) | 1 | | WZ010001- | |
| 30 | | D406 032 00 | *Decal (Noise 97) | 1 | | WZ010001- | |
| 31 | | D407 943 00 | *Decal (EPA Regulation) | 1 | | WZ010001- | |
| 32 | | D408 370 00 | *Plate, Nonslip | 1 | | WZ010001- | |
| 33 | | D408 402 00 | *Decal (IHI) | 3 | | WZ010001- | |
| 34 | | D408 403 00 | *Decal (IHI) | 1 | | WZ010001- | |
| 35 | | D406 602 00 | *Decal (Blade, Pedal) | 1 | | WZ010001- | |
| 36 | | D406 603 00 | *Decal (Control A) | 1 | | WZ010001- | |
| 36-1 | | D406 604 00 | *Decal (Control B) | 1 | | WZ010001- | |
| 36-2 | | D406 605 00 | *Decal (Control C) | 1 | | WZ010001- | |
| 36-3 | | D406 606 00 | *Decal (Control D) | 1 | | WZ010001- | |
| 37 | | D406 609 00 | *Decal (Control A-D) | 1 | | WZ010001- | |



60V4-08070B-1

| KEY No. | SU P. | PART No. | DESCRIPTION | Q'TY | CHAN | SERIAL No. | REMARKS |
|---------|-------|-------------|---------------------------------|------|------|------------|---------|
| 0 | × | F377 851 00 | Decal Ass'y | 1 | | WZ010001- | |
| 0-1 | × | F377 854 00 | Decal Ass'y | 1 | | WZ010001- | |
| 1 | | D408 409 00 | *Decal (Model) | 1 | | WZ010001- | |
| 2 | | D408 418 00 | *Decal (Model) | 1 | | WZ010001- | |
| 3 | × | D405 091 00 | *Decal (Serial No.) | 1 | | WZ010001- | |
| 3-1 | | 0497 035 00 | *Screw, Drive | 4 | | WZ010001- | d=3 |
| 4 | | D406 000 00 | *Decal (Oil) | 1 | | WZ010001- | |
| 5 | | D406 811 00 | *Decal (Oil Check) | 1 | | WZ010001- | |
| 6 | | D408 361 00 | *Decal (Lub. Chart) | 1 | | WZ010001- | |
| 7 | | D408 333 00 | *Decal (Engine Daily Check) | 1 | | WZ010001- | |
| 8 | | D407 016 00 | *Decal (Safety Works) | 1 | | WZ010001- | |
| 9 | | D408 430 00 | *Decal (Tank Decompression) | 1 | | WZ010001- | |
| 10 | | D405 507 00 | *Decal (Safety Swing) | 1 | | WZ010001- | |
| 11 | | D405 511 00 | *Decal (Caution) | 2 | | WZ010001- | |
| 12 | | D405 505 00 | *Decal (Caution) | 2 | | WZ010001- | |
| 13 | | D405 366 00 | *Decal (Caution) | 1 | | WZ010001- | |
| 14 | | D405 509 00 | *Decal (Caution) | 1 | | WZ010001- | |
| 15 | | D405 359 00 | *Decal (Caution) | 1 | | WZ010001- | |
| 16 | | D405 503 00 | *Decal (Caution) | 1 | | WZ010001- | |
| 17 | | D405 508 00 | *Decal (Caution) | 1 | | WZ010001- | |
| 18 | | D405 504 00 | *Decal (Caution) | 1 | | WZ010001- | |
| 19 | | D405 506 00 | *Decal (Caution) | 1 | | WZ010001- | |
| 20 | | D406 005 00 | *Decal (Caution) | 1 | | WZ010001- | |
| 21 | | D406 012 00 | *Decal (Anti-Freezing Solution) | 1 | | WZ010001- | |
| 22 | | D406 783 00 | *Decal (Environment) | 1 | | WZ010001- | |
| 23 | | D408 371 00 | *Decal (Reflector) | 2 | | WZ010001- | |
| 24 | | D408 339 00 | *Decal (Boom Lowering) | 1 | | WZ010001- | |
| 25 | | D406 720 00 | *Decal (Spare Piping Change) | 1 | | WZ010001- | |
| 26 | | D406 002 00 | *Decal (Breaker Cation) | 1 | | WZ010001- | |
| 27 | | D406 007 00 | *Decal (Transport Fix) | 1 | | WZ010001- | |
| 28 | | D408 353 00 | *Decal (Lifting Procedures) | 1 | | WZ010001- | |
| 29 | × | D405 097 00 | *Decal (New Machine) | 1 | | WZ010001- | |
| 30 | | D406 032 00 | *Decal (Noise 97) | 1 | | WZ010001- | |
| 31 | | D407 943 00 | *Decal (EPA Regulation) | 1 | | WZ010001- | |
| 32 | | D408 370 00 | *Plate, Nonslip | 1 | | WZ010001- | |
| 33 | | D408 402 00 | *Decal (IHI) | 3 | | WZ010001- | |
| 34 | | D408 403 00 | *Decal (IHI) | 1 | | WZ010001- | |
| 35 | | D406 602 00 | *Decal (Blade, Pedal) | 1 | | WZ010001- | |
| 36 | | D406 603 00 | *Decal (Control A) | 1 | | WZ010001- | |
| 36-1 | | D406 604 00 | *Decal (Control B) | 1 | | WZ010001- | |
| 36-2 | | D406 605 00 | *Decal (Control C) | 1 | | WZ010001- | |
| 36-3 | | D406 606 00 | *Decal (Control D) | 1 | | WZ010001- | |
| 37 | | D406 609 00 | *Decal (Control A-D) | 1 | | WZ010001- | |

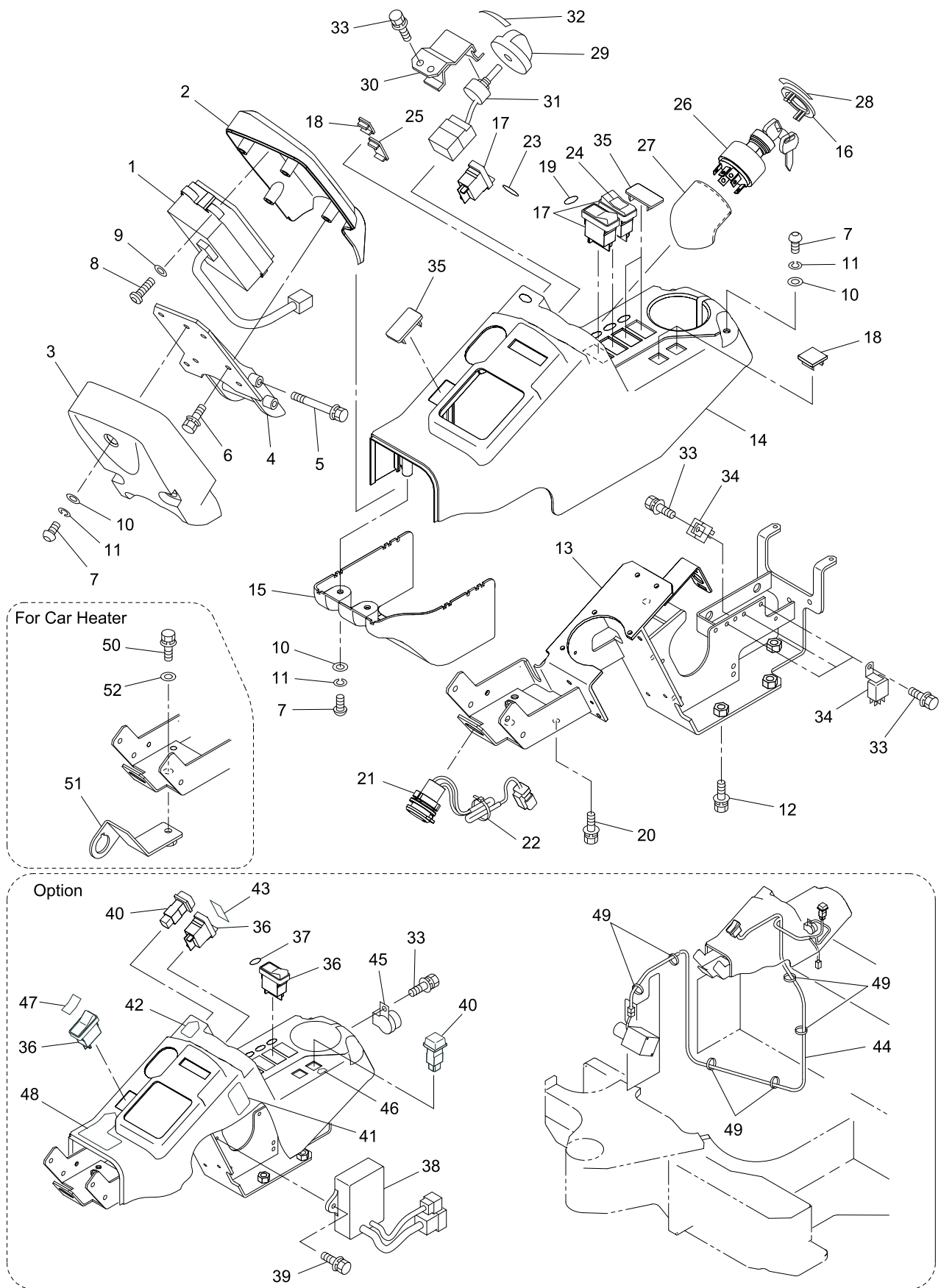


40V4-090100-1

| KEY No. | SU P. | PART No. | DESCRIPTION | Q'TY | CHAN | SERIAL No. | REMARKS |
|---------|-------|-------------|-------------------------------|------|------|------------|------------------|
| 0 | × | F366 889 00 | Electrical System | 1 | | WZ010001- | |
| 0-1 | × | F355 102 00 | Accessories Ass'y | 1 | | WZ010001- | |
| 0-2 | × | F366 821 00 | Battery Ass'y | 1 | | WZ010001- | |
| 1 | | D458 269 00 | *Cover | 1 | | WZ010001- | |
| 2 | | 0854 529 UA | *Light Ass'y | 1 | | WZ010001- | |
| 2-1 | | 0854 529 05 | **Bulb | 1 | | WZ010001- | |
| 2-2 | | 0854 529 01 | **Lens | 1 | | WZ010001- | |
| 2-3 | | 0552 080 20 | **Bolt, Hex. | 1 | | WZ010001- | M8X20 |
| 2-4 | | 0521 080 00 | **Nut, Hex. (W/F.W) | 1 | | WZ010001- | M8 |
| 3 | | 0861 001 02 | *Horn | 1 | | WZ010001- | |
| 4 | | 0517 080 16 | *Bolt, Treatment (W/L.W, F.W) | 4 | | WZ010001- | M8X16 |
| 5 | | 0851 000 01 | *Battery | 1 | | WZ010001- | |
| 5-1 | | 0851 000 02 | *Battery (For Cold District) | 1 | | WZ010001- | |
| 6 | | 4416 063 01 | *Bracket | 1 | | WZ010001- | |
| 7 | | 4004 022 04 | *Bolt, Hook | 2 | | WZ010001- | M6X280 |
| 8 | | 4409 625 11 | *Plate, Rubber | 2 | | WZ010001- | |
| 9 | | 0521 060 00 | *Nut, Hex. (W/F.W) | 2 | | WZ010001- | M6 |
| 10 | | 0544 060 00 | *Nut, Hex. | 2 | | WZ010001- | M6 |
| 11 | | 4591 982 18 | *Cable, Battery | 1 | | WZ010001- | |
| 12 | | D592 288 00 | *Harness, Main | 1 | | WZ010001- | |
| 12-1 | | 0830 291 01 | **Link, Fusible | 1 | | WZ010001- | 65A |
| 13 | | 0879 551 30 | *Harness | 1 | | WZ010001- | |
| 14 | | D592 194 02 | *Cable, Battery | 1 | | WZ010001- | |
| 15 | | D592 195 03 | *Band, Earth | 1 | | WZ010001- | |
| 16 | | 0690 081 92 | *Clamp | 1 | | WZ010001- | |
| 17 | | D417 041 00 | *Bracket | 1 | | WZ010001- | |
| 18 | | 0690 082 01 | *Clamp | 1 | | WZ010001- | |
| 19 | | 0690 082 05 | *Clamp, Hose | 4 | | WZ010001- | |
| 20 | | 4080 000 06 | *Clamp, Hose | 1 | | WZ010001- | |
| 21 | | 4080 000 04 | *Clamp, Hose | 2 | | WZ010001- | |
| 22 | | 4080 000 03 | *Clamp, Hose | 1 | | WZ010001- | |
| 23 | | 4080 000 02 | *Clamp, Hose | 3 | | WZ010001- | |
| 24 | | 0690 082 08 | *Clamp, Hose | 7 | | WZ010001- | |
| 25 | | 0820 067 03 | *Band, Cable | 9 | | WZ010001- | |
| 26 | | 0820 067 05 | *Band, Cable | 2 | | WZ010001- | |
| 27 | | 0820 067 31 | *Band, Cable | 6 | | WZ010001- | |
| 28 | | 0852 119 22 | *Terminal | 1 | | WZ010001- | |
| 29 | | 0541 120 16 | *Bolt, Hex. | 2 | | WZ010001- | M12X16 P=1.25 |
| 30 | | 0518 100 25 | *Bolt, Treatment (W/L.W, F.W) | 3 | | WZ010001- | M10X25 P=1.25 |
| 31 | | 0518 100 16 | *Bolt, Treatment (W/L.W, F.W) | 6 | | WZ010001- | M10X16 P=1.25 |
| 32 | | 0517 080 12 | *Bolt, Treatment (W/L.W, F.W) | 2 | | WZ010001- | M8X12 |
| 33 | | 0517 060 16 | *Bolt, Treatment (W/L.W, F.W) | 5 | | WZ010001- | M6X16 |
| 34 | | 0590 120 00 | *Washer, Lock | 2 | | WZ010001- | M12 |

| KEY No. | SU P. | PART No. | DESCRIPTION | Q'TY | CHAN | SERIAL No. | REMARKS |
|---------|-------|--------------|-------------------------------|------|------|------------|---------|
| 35 | | 0820 215 11 | *Relay, Glow | 1 | | WZ010001- | |
| 36 | | 0517 060 20 | *Bolt, Treatment (W/L.W, F.W) | 2 | | WZ010001- | M6X20 |
| 37 | | 4006 119 02 | *Washer, Flat | 3 | | WZ010001- | M10 |
| 38 | | 0593 080 00 | *Washer, Flat | 1 | | WZ010001- | M8 |
| 39 | | 0690 081 89 | *Clip | 1 | | WZ010001- | |
| 40 | | D419 313 00 | *Bracket | 1 | | WZ010001- | |
| 41 | | 0820 215 10 | *Relay, Flip-Flop | 1 | | WZ010001- | |
| 42 | | D592 285 00 | *Harness | 1 | | WZ010001- | |
| 42-1 | | 0858 140 01 | **Box, Fuse | 1 | | WZ010001- | |
| 42-2 | | 0830 107 11 | **Fuse | 1 | | WZ010001- | 2A |
| 42-3 | | 0830 107 12 | **Fuse | 1 | | WZ010001- | 5A |
| 42-4 | | 0830 107 06 | **Fuse | 8 | | WZ010001- | 10A |
| 42-5 | | 0830 107 07 | **Fuse | 1 | | WZ010001- | 15A |
| 42-6 | | 0830 107 08 | **Fuse | 2 | | WZ010001- | 20A |
| 42-7 | | 0830 107 09 | **Fuse | 1 | | WZ010001- | 25A |
| 42-8 | | 0830 107 10 | **Fuse | 2 | | WZ010001- | 30A |
| 43 | | 0690 082 05 | *Clamp, Hose | 6 | | WZ010001- | |
| 44 | | D408 292 00 | *Decal | 1 | | WZ010001- | |
| 45 | | 4080 000 05 | *Clamp, Hose | 2 | | WZ010001- | |
| 46 | | 0820 067 04 | *Band, Cable | 1 | | WZ010001- | |
| 47 | | 0517 060 20 | *Bolt, Treatment (W/L.W, F.W) | 2 | | WZ010001- | M6X20 |
| 48 | | 0858 501 16 | *Switch, Oil Pressure | 1 | | WZ010001- | |
| 49 | | 0760 710 12 | *Ring, O | 1 | | WZ010001- | P11-90B |
| 50 | | K1K574 60221 | *Relay, Starter | 1 | | WZ010001- | |
| 51 | | K15694 65992 | *Relay, Timer | 1 | | WZ010001- | |

[Memo]

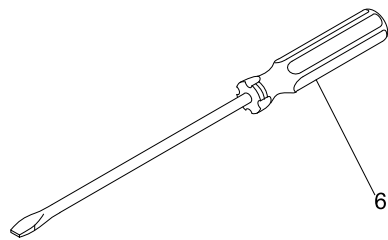
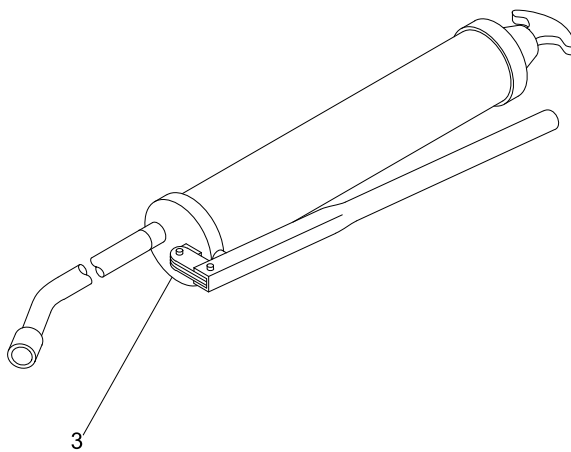
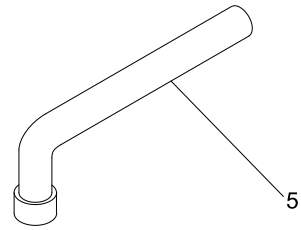
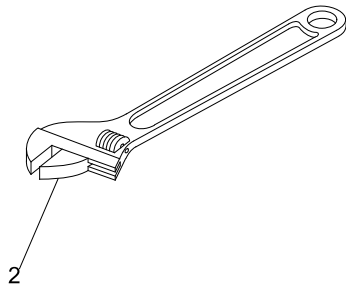
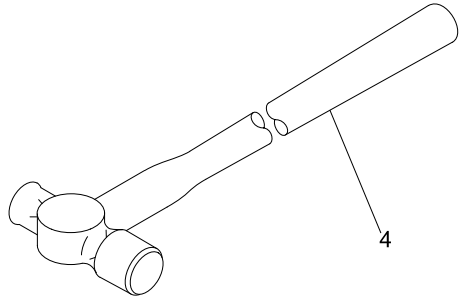
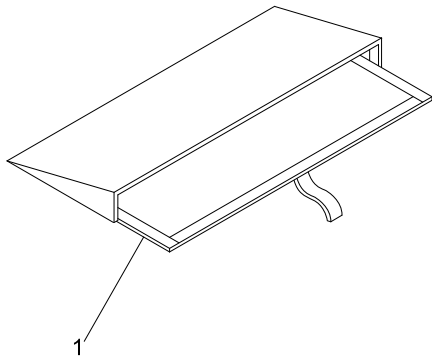


40V4-090200-1

| KEY No. | SU P. | PART No. | DESCRIPTION | Q'TY | CHAN | SERIAL No. | REMARKS |
|---------|-------|-------------|-------------------------------|------|------|------------|------------------|
| 0 | × | F361 706 00 | Panel Ass'y, Instrument | 1 | | WZ010001- | |
| 0-1 | × | F361 707 00 | Panel Ass'y, Instrument | 1 | | WZ010001- | |
| 1 | | 0881 509 UA | *Monitor, OK | 1 | | WZ010001- | |
| 2 | | D465 380 00 | *Panel | 1 | | WZ010001- | |
| 3 | | D465 381 00 | *Panel | 1 | | WZ010001- | |
| 4 | | D419 580 00 | *Bracket | 1 | | WZ010001- | |
| 5 | | 0517 081 15 | *Bolt, Treatment (W/L.W, F.W) | 2 | | WZ010001- | M8X115 |
| 6 | | 0517 060 20 | *Bolt, Treatment (W/L.W, F.W) | 4 | | WZ010001- | M6X20 |
| 7 | | 4004 364 01 | *Bolt, Button Head | 7 | | WZ010001- | M6X18 |
| 8 | | 0454 400 20 | *Screw, Tapping | 4 | | WZ010001- | M4X20 |
| 9 | | 0593 040 00 | *Washer, Flat | 4 | | WZ010001- | M4 |
| 10 | | 0594 060 00 | *Washer, Flat | 7 | | WZ010001- | M6 |
| 11 | | 0596 060 00 | *Washer, Lock | 7 | | WZ010001- | M6 |
| 12 | | 0518 100 25 | *Bolt, Treatment (W/L.W, F.W) | 4 | | WZ010001- | M10X25 P=1.25 |
| 13 | | D419 229 00 | *Bracket | 1 | | WZ010001- | |
| 14 | | D465 313 00 | *Panel | 1 | | WZ010001- | |
| 15 | | D465 314 00 | *Panel | 1 | | WZ010001- | |
| 16 | | 0690 203 44 | *Cover | 1 | | WZ010001- | |
| 17 | | 0858 314 33 | *Switch Assy | 3 | | WZ010001- | |
| 18 | | D528 006 00 | *Cap | AR | | WZ010001- | |
| 19 | | D407 819 00 | *Decal (Light) | 1 | | WZ010001- | |
| 20 | | 0517 060 16 | *Bolt, Treatment (W/L.W, F.W) | 2 | | WZ010001- | M6X16 |
| 21 | | 0830 406 02 | *Socket | 1 | | WZ010001- | |
| 22 | | 0820 067 05 | *Band, Cable | 1 | | WZ010001- | |
| 23 | | D408 280 00 | *Decal | 1 | | WZ010001- | |
| 24 | | D408 447 00 | *Decal | 1 | | WZ010001- | |
| 25 | | D528 005 00 | *Cap | 1 | | WZ010001- | |
| 26 | | 0858 306 03 | *Switch Assy Starter | 1 | | WZ010001- | |
| 26-1 | | 0858 306 04 | *Switch Assy Starter | 1 | | WZ010001- | Option 5080 |
| 26-2 | | 0690 270 29 | **Key | 2 | | WZ010001- | #5080 |
| 27 | | 4457 535 00 | *Cover (Starter Switch) | 1 | | WZ010001- | |
| 28 | | D407 823 00 | *Decal | 1 | | WZ010001- | |
| 29 | | 0690 211 05 | *Throttle, Dial | 1 | | WZ010001- | |
| 30 | | D418 304 00 | *Bracket | 1 | | WZ010001- | |
| 31 | | 0858 614 05 | *Meter, Potention | 1 | | WZ010001- | |
| 32 | | D407 829 00 | *Decal (Throttle) | 1 | | WZ010001- | |
| 33 | | 0517 060 12 | *Bolt, Treatment (W/L.W, F.W) | 7 | | WZ010001- | M6X12 |
| 34 | | 0820 215 07 | *Relay | 4 | | WZ010001- | |
| 35 | | D528 005 00 | *Cap | AR | | WZ010001- | |
| 36 | | 0858 314 33 | *Switch Assy | AR | | WZ010001- | |
| 37 | | D407 965 00 | *Decal | 1 | | WZ010001- | |
| 38 | | 0893 509 UA | *Controller Ass'y | 1 | | WZ010001- | |
| 39 | | 0517 060 20 | *Bolt, Treatment (W/L.W, F.W) | 2 | | WZ010001- | M6X20 |
| 40 | | 0858 314 35 | *Switch Assy | AR | | WZ010001- | |

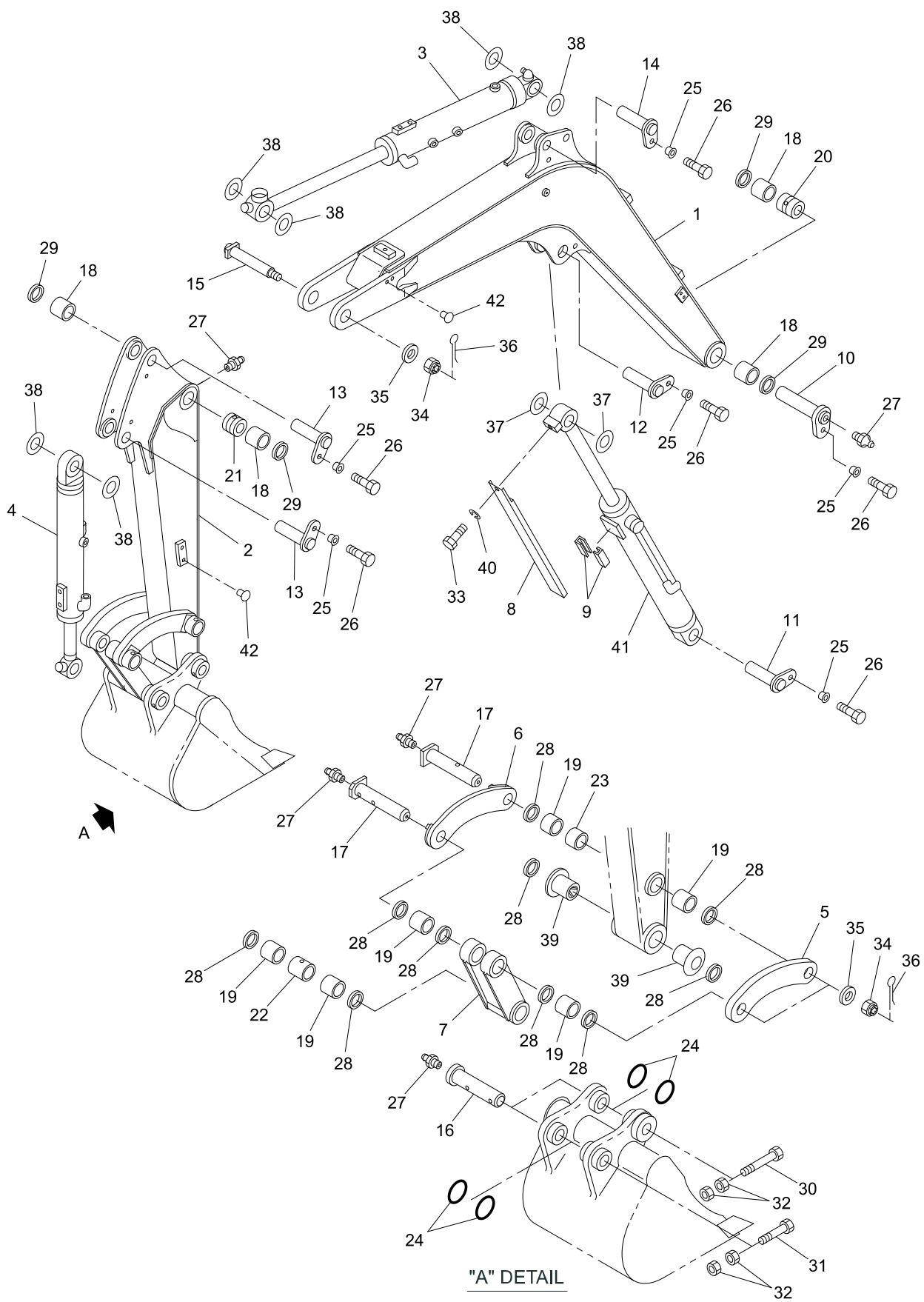
| KEY No. | SU P. | PART No. | DESCRIPTION | Q'TY | CHAN . | SERIAL No. | REMARKS |
|---------|-------|-------------|-------------------------------|------|--------|------------|------------------|
| 41 | | D408 285 00 | *Decal | 1 | | WZ010001- | |
| 42 | | D407 963 00 | *Decal | 1 | | WZ010001- | |
| 43 | | D407 964 00 | *Decal | 1 | | WZ010001- | |
| 44 | | D592 206 00 | *Harness | 1 | | WZ010001- | |
| 45 | | 0857 011 57 | *Buzzer | 1 | | WZ010001- | |
| 46 | | D407 966 00 | *Decal | 1 | | WZ010001- | |
| 47 | | D407 967 00 | *Decal | 1 | | WZ010001- | |
| 48 | | D407 968 00 | *Decal | 1 | | WZ010001- | |
| 49 | | 0820 067 09 | *Band, Cable | 6 | | WZ010001- | |
| 50 | | 0518 100 20 | *Bolt, Treatment (W/L.W, F.W) | 1 | | WZ010001- | M10X20 P=1.25 |
| 51 | | D419 477 00 | *Bracket | 1 | | WZ010001- | |
| 52 | | 4006 119 02 | *Washer | 1 | | WZ010001- | M10 |

[Memo]



SHALL-100100-1

| KEY No. | SU P. | PART No. | DESCRIPTION | Q'TY | CHAN | SERIAL No. | REMARKS |
|---------|-------|-------------|---------------------|------|------|------------|-------------|
| 0 | × | 5388 510 00 | Tools Set | 1 | | WZ010001- | |
| 1 | | 4450 505 00 | *Case, Tools | 1 | | WZ010001- | |
| 2 | △ | 0931 109 25 | *Wrench, Adjustable | 1 | | WZ010001- | 250mm |
| 3 | | 0931 370 11 | *Gun, Grease | 1 | | WZ010001- | |
| 3-1 | | 0931 370 10 | *Gun, Grease | 1 | | WZ010001- | For Export |
| 3-2 | ☆ | 0931 371 01 | **Hose, Grease | 1 | | WZ010001- | 48190-20540 |
| 4 | △ | 0931 331 10 | *Hammer | 1 | | WZ010001- | |
| 5 | △ | 0931 070 24 | *Wrench, L | 1 | | WZ010001- | 24mm |
| 6 | △ | 0931 301 04 | *Driver (-) | 1 | | WZ010001- | 100mm |

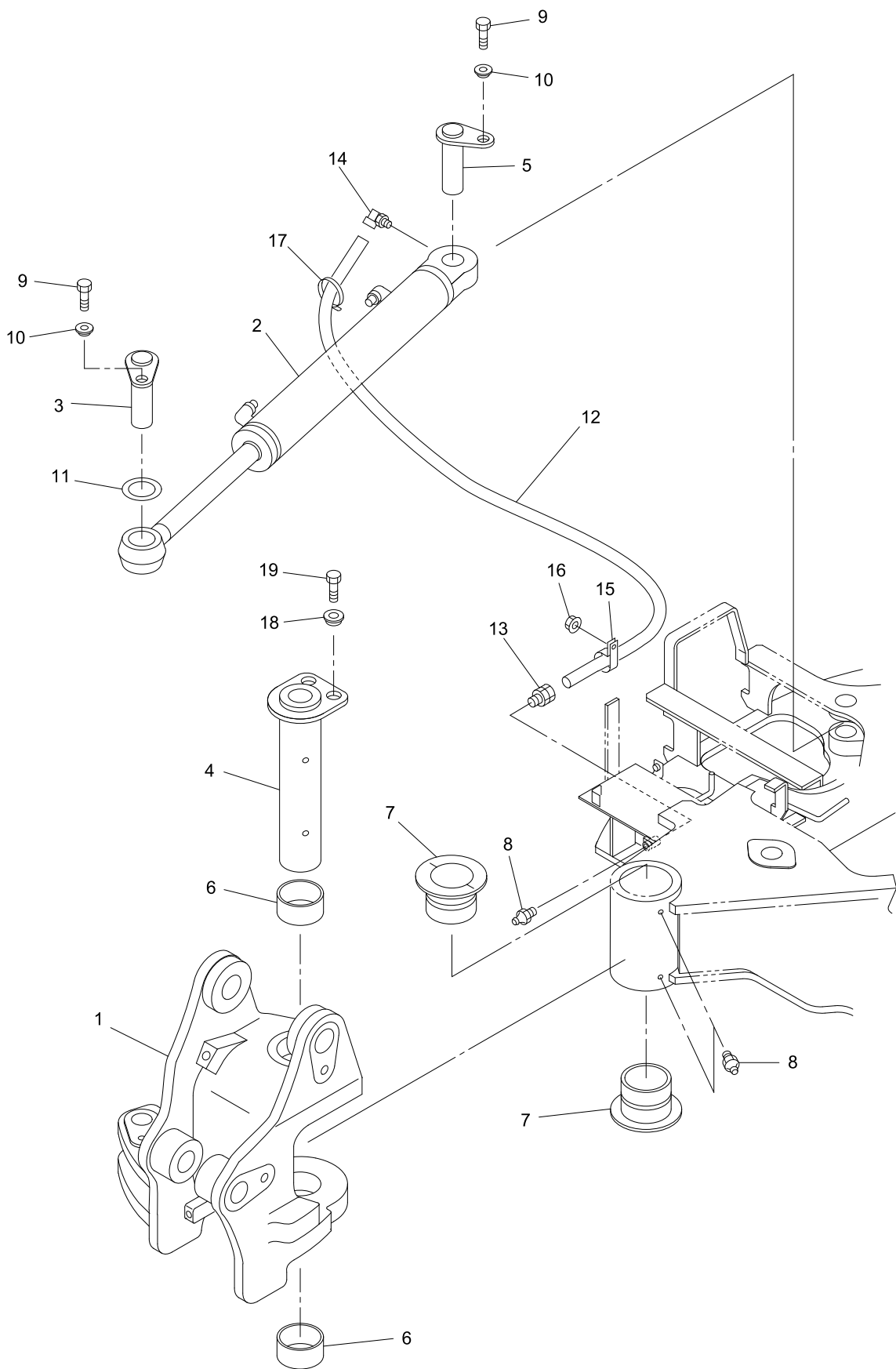


50V4-110100-1

| KEY No. | SU P. | PART No. | DESCRIPTION | Q'TY | CHAN | SERIAL No. | REMARKS |
|---------|-------|-------------|-------------------------|------|------|------------|-------------------|
| 0 | × | F388 387 00 | Attachment Ass'y, Hoe | 1 | | WZ010001- | |
| 1 | | D210 146 00 | *Boom | 1 | | WZ010001- | |
| 2 | | D215 225 00 | *Arm Ass'y | 1 | | WZ010001- | |
| 2-1 | | D215 235 00 | *Arm Ass'y, Long | 1 | | WZ010001- | |
| 3 | # | 0782 607 UA | *Cylinder Ass'y, Arm | 1 | | WZ010001- | Sh. No. 5-9 |
| 4 | # | 0782 601 UA | *Cylinder Ass'y, Bucket | 1 | | WZ010001- | Sh. No. 5-10 |
| 5 | | D490 186 00 | *Link, Arm (L.H.) | 1 | | WZ010001- | |
| 6 | | D490 374 00 | *Link, Arm (R.H.) | 1 | | WZ010001- | |
| 7 | | D490 373 00 | *Link, Bucket | 1 | | WZ010001- | |
| 8 | | D458 441 00 | *Cover | 1 | | WZ010001- | |
| 9 | | D475 052 00 | *Guide | 2 | | WZ010001- | |
| 10 | | D017 249 00 | *Pin, Head | 1 | | WZ010001- | |
| 11 | | D017 234 04 | *Pin, Head | 1 | | WZ010001- | |
| 12 | | D017 234 02 | *Pin, Head | 1 | | WZ010001- | |
| 13 | | D017 237 01 | *Pin, Head | 2 | | WZ010001- | |
| 14 | | D017 237 02 | *Pin, Head | 1 | | WZ010001- | |
| 15 | | D013 398 01 | *Pin, Head | 1 | | WZ010001- | |
| 16 | | D013 408 00 | *Pin, Head | 2 | | WZ010001- | |
| 17 | | D013 409 00 | *Pin, Head | 2 | | WZ010001- | |
| 18 | | 4043 229 07 | *Bushing | 4 | | WZ010001- | |
| 19 | | 4043 231 12 | *Bushing | 6 | | WZ010001- | |
| 20 | | 4040 468 21 | *Spacer | 1 | | WZ010001- | |
| 21 | | D040 192 04 | *Spacer | 1 | | WZ010001- | |
| 22 | | 4040 468 16 | *Spacer | 1 | | WZ010001- | |
| 23 | | 4040 468 02 | *Spacer | 1 | | WZ010001- | |
| 24 | | 4511 501 01 | *Ring, O | 4 | | WZ010001- | |
| 25 | | D047 058 00 | *Bushing | 6 | | WZ010001- | |
| 26 | | 0555 160 30 | *Bolt, Treatment | 6 | | WZ010001- | M16X30 |
| 27 | | 0728 111 15 | *Nipple, Grease | 6 | | WZ010001- | PT1/8 |
| 28 | | 0765 033 27 | *Seal, Dust | 10 | | WZ010001- | |
| 29 | | 0765 033 28 | *Seal, Dust | 4 | | WZ010001- | |
| 30 | | 0514 121 20 | *Bolt, Treatment | 1 | | WZ010001- | M12X120 P=1.25 |
| 31 | | 0514 120 90 | *Bolt, Treatment | 1 | | WZ010001- | M12X90 P=1.25 |
| 32 | | 0535 120 00 | *Nut, Treatment | 4 | | WZ010001- | M12 P=1.25 |
| 33 | | 0555 120 20 | *Bolt, Treatment | 1 | | WZ010001- | M12X20 |
| 34 | | 0587 360 00 | *Nut, Castle | 3 | | WZ010001- | M36 |
| 35 | | 4006 178 00 | *Washer, Flat | 3 | | WZ010001- | |
| 36 | | 0599 060 70 | *Pin, Cotter | 3 | | WZ010001- | d=6.0X70 |
| 37 | | 4006 540 66 | *Shim | AR | | WZ010001- | d=50, t=1.0 |
| 37-1 | | 4006 540 67 | *Shim | AR | | WZ010001- | d=50, t=2.0 |
| 38 | | 4006 540 56 | *Shim | AR | | WZ010001- | d=45, t=1.0 |
| 38-1 | | 4006 540 57 | *Shim | AR | | WZ010001- | d=45, t=2.0 |
| 39 | | D043 110 00 | *Bushing | 2 | | WZ010001- | |

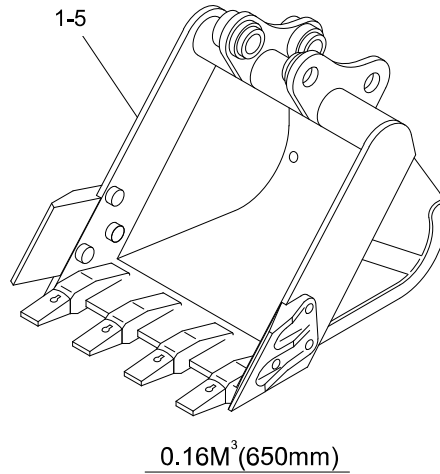
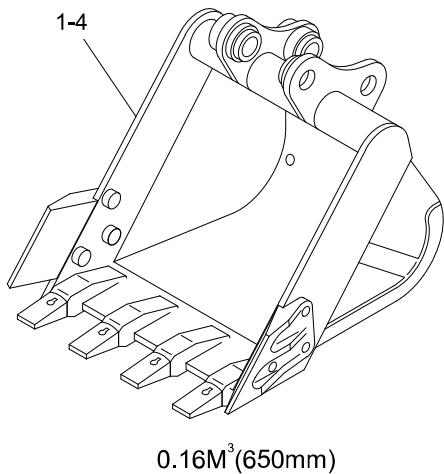
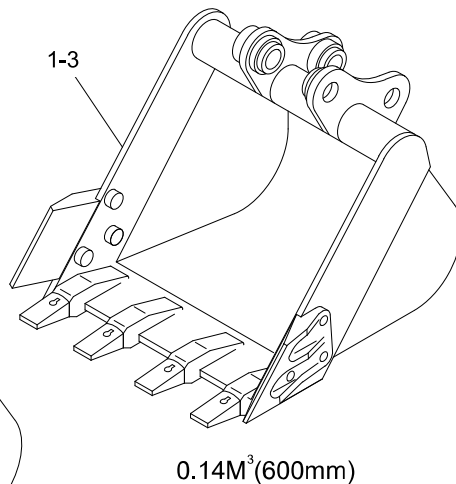
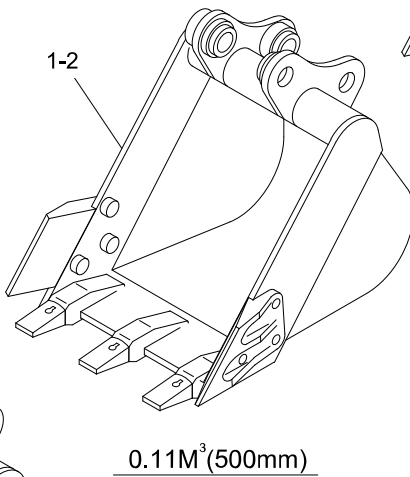
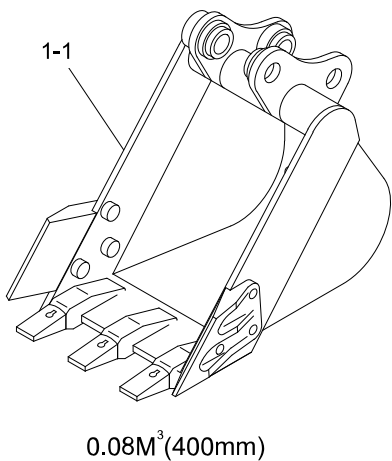
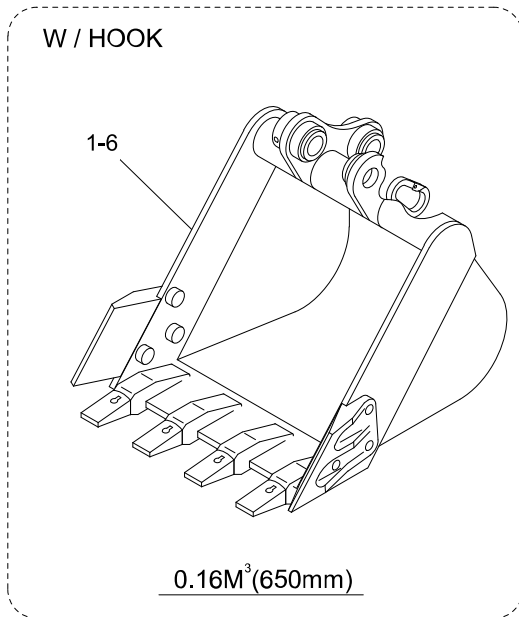
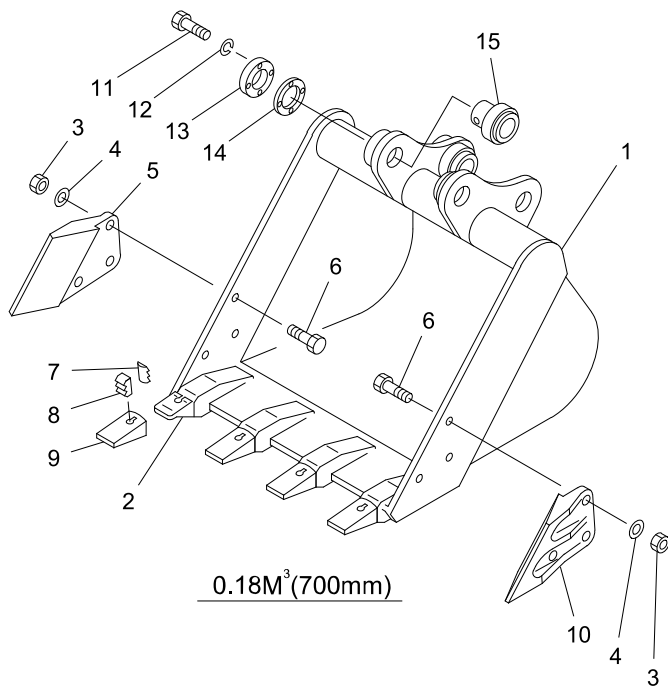
| KEY No. | SU P. | PART No. | DESCRIPTION | Q'TY | CHAN | SERIAL No. | REMARKS |
|---------|-------|-------------|-----------------------|------|------|------------|-------------|
| 40 | | 0590 120 00 | *Washer, Lock | 1 | | WZ010001- | M12 |
| 41 | # | 0782 605 UA | *Cylinder Ass'y, Boom | 1 | | WZ010001- | Sh. No. 5-8 |
| 42 | | 0910 911 00 | *Plug | 8 | | WZ010001- | |

[Memo]



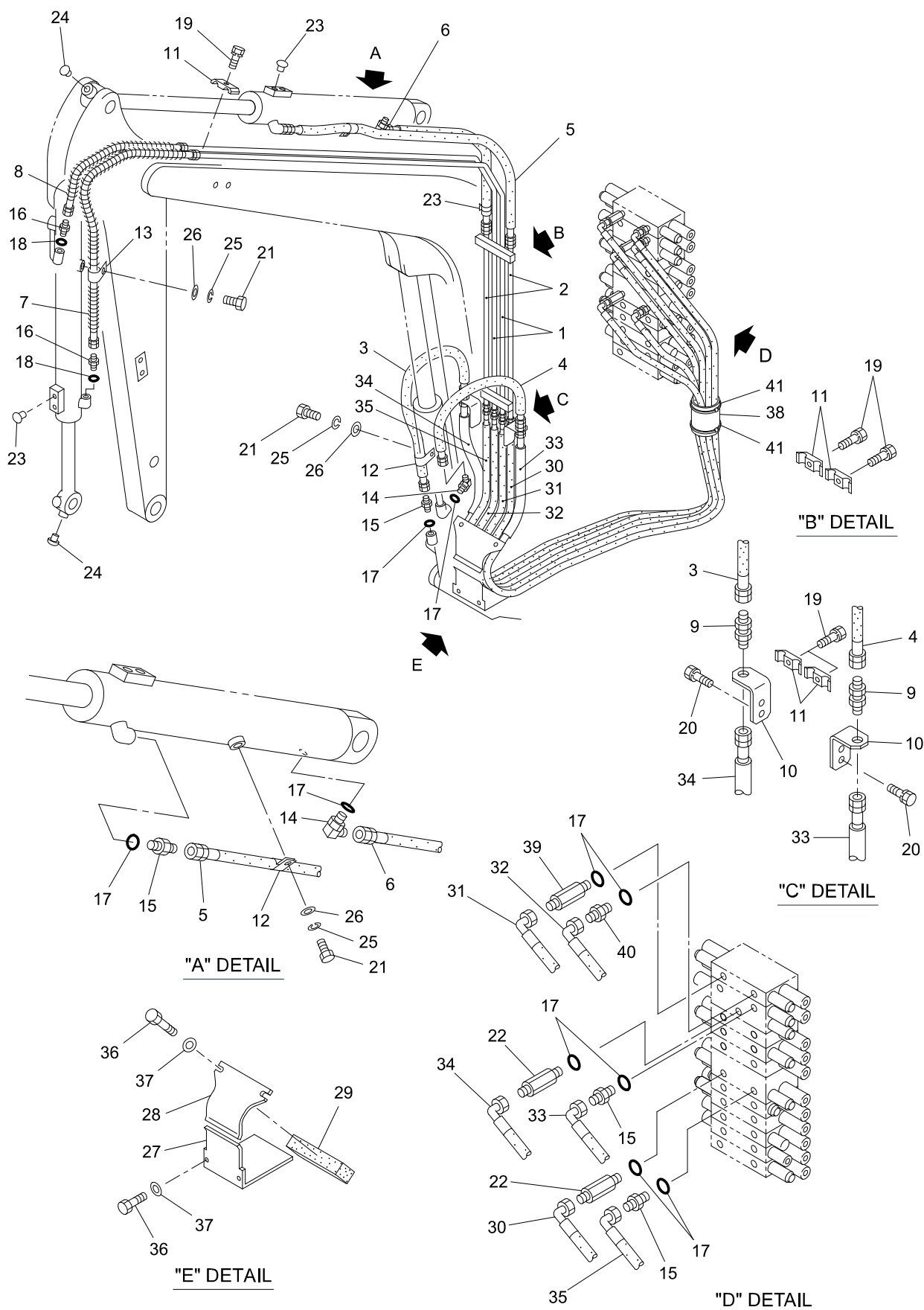
40V4-110200-1

| KEY No. | SU P. | PART No. | DESCRIPTION | Q'TY | CHAN | SERIAL No. | REMARKS |
|---------|-------|-------------|-----------------------------|------|------|------------|--------------|
| 0 | × | F388 388 00 | Swing Ass'y, Boom | 1 | | WZ010001- | |
| 1 | | D418 721 00 | *Bracket, Boom Swing | 1 | | WZ010001- | |
| 2 | # | 0782 603 UA | *Cylinder Ass'y, Boom Swing | 1 | | WZ010001- | Sh. No. 5-11 |
| 3 | | D017 234 03 | *Pin | 1 | | WZ010001- | |
| 4 | | D017 259 00 | *Pin | 1 | | WZ010001- | |
| 5 | | D017 234 05 | *Pin | 1 | | WZ010001- | |
| 6 | | D043 030 00 | *Bushing | 2 | | WZ010001- | |
| 7 | | D043 115 00 | *Bushing | 2 | | WZ010001- | |
| 8 | | 0728 111 15 | *Nipple, Grease | 3 | | WZ010001- | PT1/8 |
| 9 | | 0555 160 30 | *Bolt, Treatment | 2 | | WZ010001- | M16X30 |
| 10 | | D047 058 00 | *Bushing | 2 | | WZ010001- | |
| 11 | | 4006 540 66 | *Shim | AR | | WZ010001- | d=50, t=1.0 |
| 11-1 | | 4006 540 67 | *Shim | AR | | WZ010001- | d=50, t=2.0 |
| 12 | | 0779 000 88 | *Tube, Synflex | M | | WZ010001- | L=1000 |
| 13 | | 0710 106 27 | *Connector | 1 | | WZ010001- | |
| 13-1 | | 0713 100 02 | **Sleeve | 1 | | WZ010001- | |
| 14 | | 0710 107 27 | *Elbow | 1 | | WZ010001- | |
| 14-1 | | 0713 100 02 | **Sleeve | 1 | | WZ010001- | |
| 15 | | 4080 000 02 | *Clamp, Hose | 1 | | WZ010001- | |
| 16 | | 0524 100 00 | *Nut, Hex. (W/F.W) | 1 | | WZ010001- | M10 P=1.25 |
| 17 | | 0820 067 05 | *Band, Cable | 1 | | WZ010001- | |
| 18 | | D047 003 00 | *Bushing | 2 | | WZ010001- | |
| 19 | | 0555 160 35 | *Bolt, Treatment | 2 | | WZ010001- | M16X35 |



60V4-110300-1

| KEY No. | SU P. | PART No. | DESCRIPTION | Q'TY | CHAN | SERIAL No. | REMARKS |
|---------|-------|-------------|--|------|------|------------|-------------------|
| 0 | | F388 255 05 | Bucket Ass'y, Hoe (0.18m3) | 1 | | WZ010001- | Std. |
| 0-1 | | F388 255 02 | Bucket Ass'y, Hoe (0.08m3) | 1 | | WZ010001- | |
| 0-2 | | F388 255 03 | Bucket Ass'y, Hoe (0.11m3) | 1 | | WZ010001- | |
| 0-3 | | F388 255 01 | Bucket Ass'y, Hoe (0.14m3) | 1 | | WZ010001- | |
| 0-4 | | F388 255 04 | Bucket Ass'y, Hoe (0.16m3) | 1 | | WZ010001- | |
| 0-5 | | F388 254 02 | Bucket Ass'y, Hoe (Reinforced, 0.16m3) | 1 | | WZ010001- | |
| 0-6 | | F388 256 02 | Bucket Ass'y, Hoe (0.16m3) | 1 | | WZ010001- | W/Hook |
| 1 | × | D270 159 00 | *Bucket, Hoe (0.18m3, 700mm) | 1 | | WZ010001- | Std. |
| 1-1 | × | D270 156 00 | *Bucket, Hoe (0.08m3, 400mm) | 1 | | WZ010001- | |
| 1-2 | × | D270 157 00 | *Bucket, Hoe (0.11m3, 500mm) | 1 | | WZ010001- | |
| 1-3 | × | D270 155 00 | *Bucket, Hoe (0.14m3, 600mm) | 1 | | WZ010001- | |
| 1-4 | × | D270 158 00 | *Bucket, Hoe (0.16m3, 650mm) | 1 | | WZ010001- | |
| 1-5 | × | D270 154 00 | *Bucket, Hoe (0.16m3, 650mm) | 1 | | WZ010001- | 強化, Reinforced |
| 1-6 | × | D270 161 00 | *Bucket, Hoe (0.16m3, 650mm) | 1 | | WZ010001- | W/Hook |
| 2 | | 0650 001 07 | **Adapter, Tooth | AR | | WZ010001- | |
| 3 | | 0585 140 00 | *Nut, Treatment | 6 | | WZ010001- | M14 |
| 4 | | D006 051 00 | *Washer | 6 | | WZ010001- | |
| 5 | | 4123 041 00 | *Cutter, Side | 1 | | WZ010001- | |
| 6 | | 0555 140 40 | *Bolt, Treatment | 6 | | WZ010001- | M14X40 |
| 7 | | 0650 004 02 | *Pin, Rubber | AR | | WZ010001- | 18-20M-LK |
| 8 | | 0650 003 03 | *Pin, Lock | AR | | WZ010001- | 18-20M-PN |
| 9 | | 0650 002 04 | *Tooth | AR | | WZ010001- | 18S |
| 10 | | 4123 040 00 | *Cutter, Side | 1 | | WZ010001- | |
| 11 | | 0513 100 30 | *Bolt, Treatment | 4 | | WZ010001- | M10X30 |
| 12 | | 0590 100 00 | *Washer, Lock | 4 | | WZ010001- | M10 |
| 13 | | 4435 636 00 | *Flange | 1 | | WZ010001- | |
| 14 | | 4007 308 00 | *Shim | AR | | WZ010001- | |
| 15 | | D131 046 00 | *Boss | 1 | | WZ010001- | |

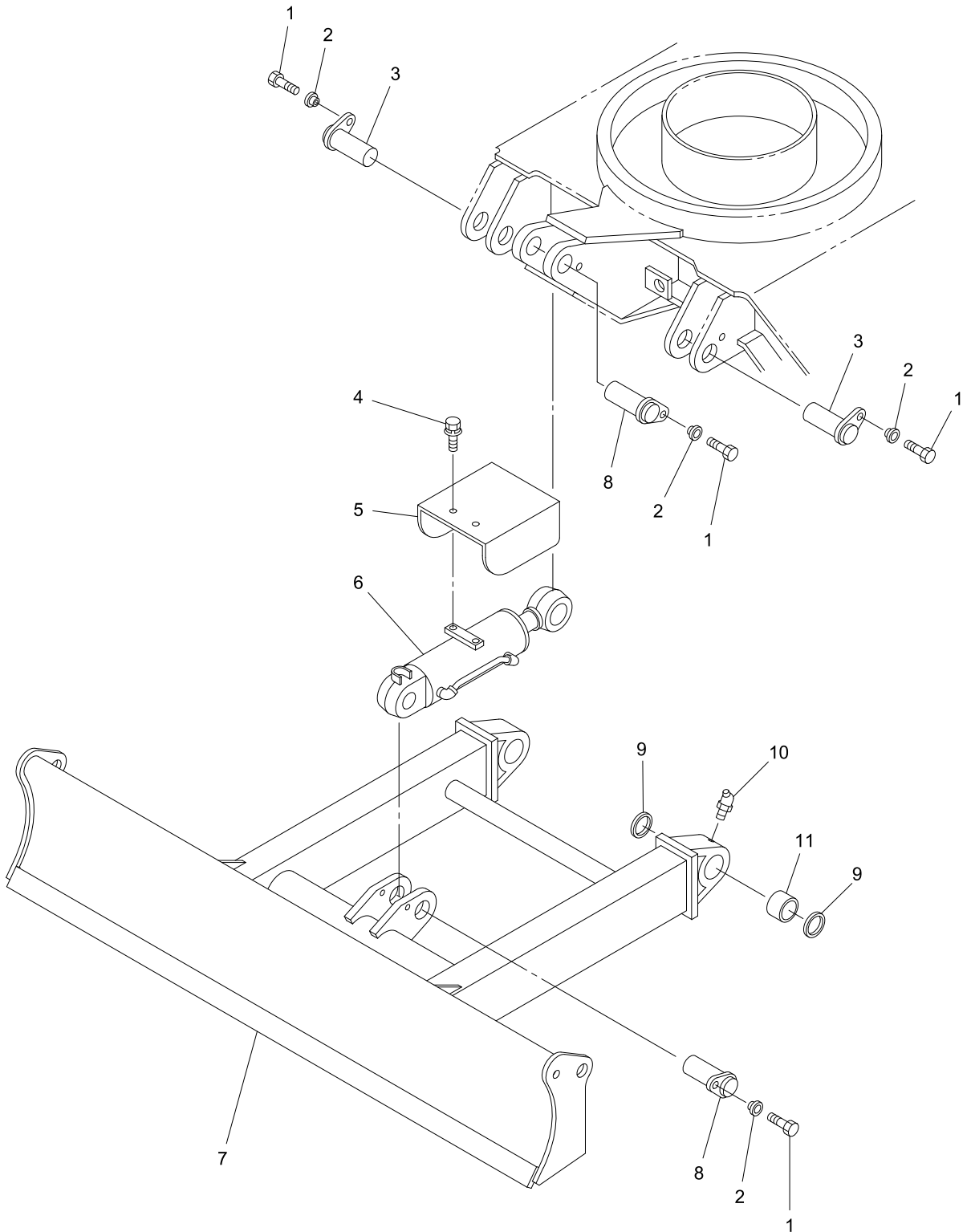


50V4-110400-1

| KEY No. | SU P. | PART No. | DESCRIPTION | Q'TY | CHAN | SERIAL No. | REMARKS |
|---------|-------|-------------|------------------------------|------|------|------------|------------------|
| 0 | × | F342 650 00 | Piping Ass'y, Hoe Attachment | 1 | | WZ010001- | |
| 0-1 | × | F342 651 00 | Piping Ass'y, Hoe Attachment | 1 | | WZ010001- | |
| 1 | | D286 346 00 | *Tube | 2 | | WZ010001- | |
| 2 | | D286 202 00 | *Tube | 2 | | WZ010001- | |
| 3 | | D070 388 09 | *Hose Ass'y | 1 | | WZ010001- | L=1300 |
| 4 | | D070 388 01 | *Hose Ass'y | 1 | | WZ010001- | L=940 |
| 5 | | D070 388 13 | *Hose Ass'y | 1 | | WZ010001- | L=1600 |
| 6 | | D070 388 19 | *Hose Ass'y | 1 | | WZ010001- | L=840 |
| 7 | | D070 351 26 | *Hose Ass'y | 1 | | WZ010001- | L=1490 |
| 7-1 | | D070 351 05 | *Hose Ass'y (For Long Arm) | 1 | | WZ010001- | L=1750 |
| 8 | | D070 351 15 | *Hose Ass'y | 1 | | WZ010001- | L=890 |
| 8-1 | | D070 351 29 | *Hose Ass'y (For Long Arm) | 1 | | WZ010001- | L=1150 |
| 9 | | D060 451 00 | *Connector | 2 | | WZ010001- | |
| 10 | | D418 756 00 | *Bracket | 2 | | WZ010001- | |
| 11 | | 4081 116 00 | *Clamp, Tube | 5 | | WZ010001- | |
| 12 | | 4080 000 06 | *Clamp, Hose | 2 | | WZ010001- | |
| 13 | | 4080 000 14 | *Clamp, Hose | 1 | | WZ010001- | |
| 14 | | 0710 113 44 | *Elbow | 2 | | WZ010001- | |
| 15 | | 0713 700 04 | *Adapter | 4 | | WZ010001- | |
| 16 | | 0713 700 03 | *Adapter | 2 | | WZ010001- | |
| 17 | | 0760 710 19 | *Ring, O | 10 | | WZ010001- | P18-90B |
| 18 | | 0760 710 16 | *Ring, O | 2 | | WZ010001- | P14-90B |
| 19 | | 0520 100 40 | *Bolt, Treatment (W/L.W) | 5 | | WZ010001- | M10X40 P=1.25 |
| 20 | | 0520 100 20 | *Bolt, Treatment (W/L.W) | 4 | | WZ010001- | M10X20 P=1.25 |
| 21 | | 0513 100 16 | *Bolt, Treatment | 3 | | WZ010001- | M10X16 |
| 22 | | 4072 971 00 | *Connector | 2 | | WZ010001- | PF1/2XPF3/8 |
| 23 | | 0690 201 08 | *Plug | 4 | | WZ010001- | |
| 24 | | 0690 201 09 | *Plug | 2 | | WZ010001- | |
| 25 | | 0590 100 00 | *Washer, Lock | 3 | | WZ010001- | M10 |
| 26 | | 0593 100 00 | *Washer, Flat | 3 | | WZ010001- | M10 |
| 27 | | D458 444 00 | *Cover | 1 | | WZ010001- | |
| 28 | | D458 434 00 | *Cover | 1 | | WZ010001- | |
| 29 | | D580 163 00 | *Pad | 1 | | WZ010001- | |
| 30 | | D070 385 09 | *Hose Ass'y | 1 | | WZ010001- | L=2830 |
| 30-1 | ☆ | 4405 320 01 | *Decal (AA) | 2 | | WZ010001- | 4405 320 00 |
| 31 | | D070 386 03 | *Hose Ass'y | 1 | | WZ010001- | L=3080 |
| 31-1 | ☆ | 4405 319 01 | *Decal (CA) | 2 | | WZ010001- | 4405 319 00 |
| 32 | | D070 386 04 | *Hose Ass'y | 1 | | WZ010001- | L=3000 |
| 32-1 | ☆ | 4405 319 02 | *Decal (CB) | 2 | | WZ010001- | 4405 319 00 |
| 33 | | D070 385 06 | *Hose Ass'y | 1 | | WZ010001- | L=3170 |
| 33-1 | ☆ | 4405 318 02 | *Decal (BB) | 2 | | WZ010001- | 4405 318 00 |
| 34 | | D070 385 07 | *Hose Ass'y | 1 | | WZ010001- | L=3100 |
| 34-1 | ☆ | 4405 318 01 | *Decal (BA) | 2 | | WZ010001- | 4405 318 00 |

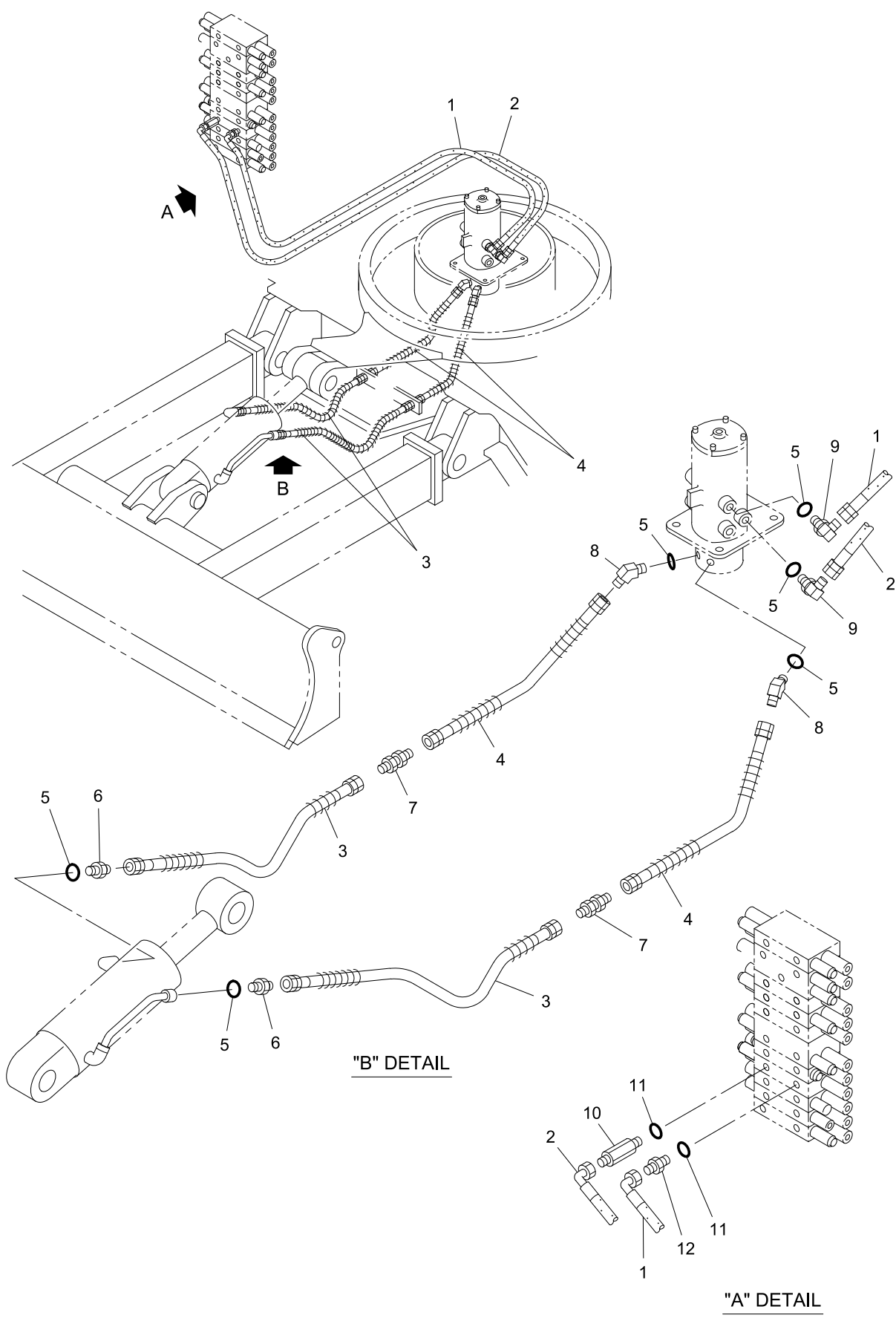
| KEY No. | SU P. | PART No. | DESCRIPTION | Q'TY | CHAN | SERIAL No. | REMARKS |
|---------|-------|-------------|--------------------|------|------|------------|-------------|
| 35 | | D070 385 08 | *Hose Ass'y | 1 | | WZ010001- | L=2770 |
| 35-1 | ☆ | 4405 320 02 | *Decal (AB) | 2 | | WZ010001- | 4405 320 00 |
| 36 | | 0550 120 20 | *Bolt, Hex. | 4 | | WZ010001- | M12X20 |
| 37 | | 0595 120 00 | *Washer, Treatment | 4 | | WZ010001- | M12 |
| 38 | | 4070 351 03 | *Cover, Hose | 1 | | WZ010001- | |
| 39 | | D060 071 00 | *Bush, Reducer | 1 | | WZ010001- | PF1/2XPF3/8 |
| 40 | | 0713 700 78 | *Adapter, Reducer | 1 | | WZ010001- | PF1/2XPF3/8 |
| 41 | | 0820 067 10 | *Band, Cable | 2 | | WZ010001- | |

[Memo]



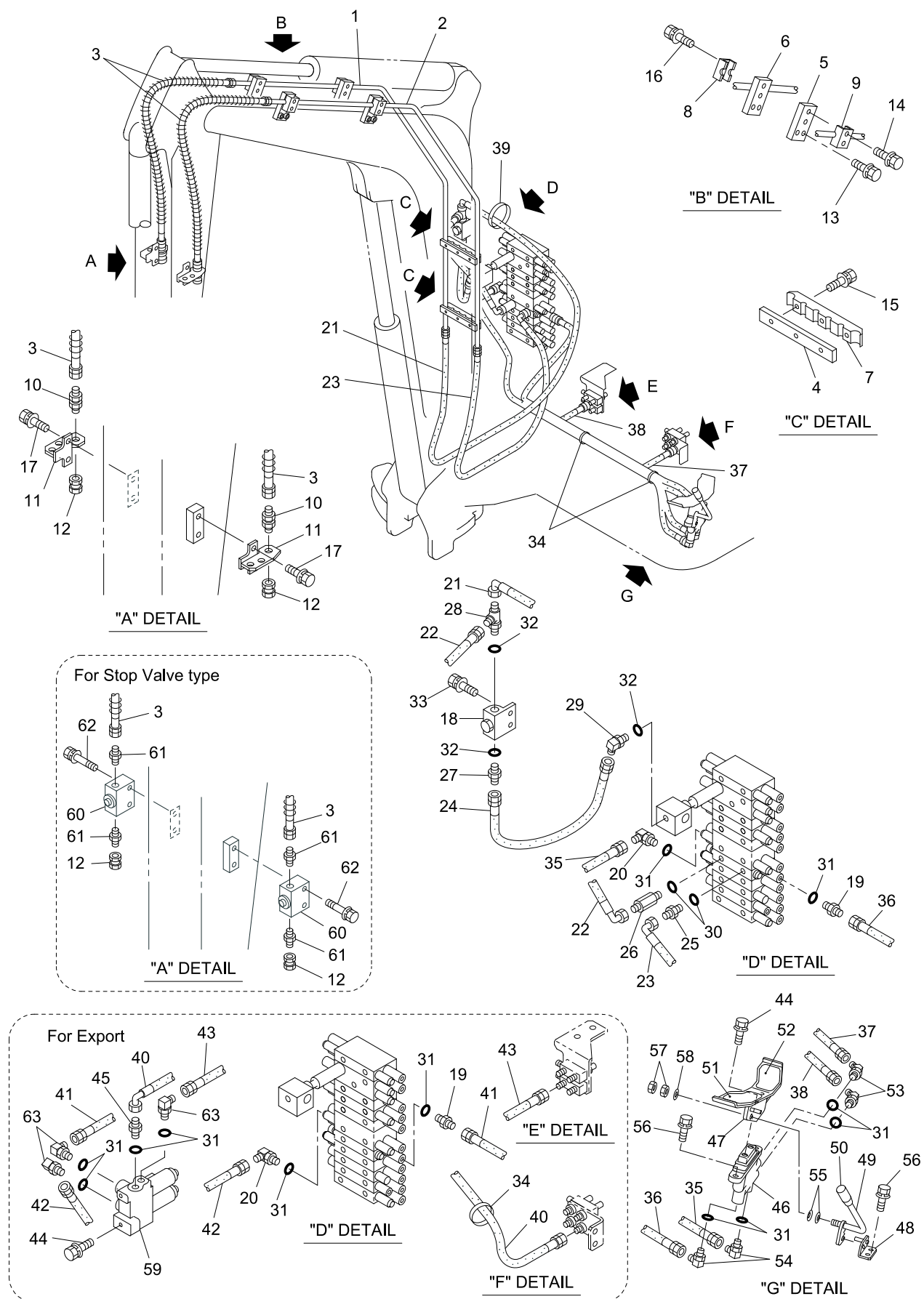
40V4-120100-1

| KEY No. | SU P. | PART No. | DESCRIPTION | Q'TY | CHAN | SERIAL No. | REMARKS |
|---------|-------|-------------|-------------------------------|------|------|------------|------------------|
| 0 | × | F301 019 00 | Attachment Ass'y, Blade | 1 | | WZ010001- | |
| 1 | | 0558 160 30 | *Bolt, Treatment | 4 | | WZ010001- | M16X30 P=1.5 |
| 2 | | D047 058 00 | *Bushing | 4 | | WZ010001- | |
| 3 | | D017 234 01 | *Pin, Wing | 2 | | WZ010001- | |
| 4 | | 0518 100 20 | *Bolt, Treatment (W/L.W, F.W) | 2 | | WZ010001- | M10X20 P=1.25 |
| 5 | | D456 908 00 | *Cover | 1 | | WZ010001- | |
| 6 | # | 0782 608 UA | *Cylinder Ass'y, Blade | 1 | | WZ010001- | Sh. No. 5-12 |
| 7 | | D257 110 00 | *Blade | 1 | | WZ010001- | |
| 8 | | D017 254 01 | *Pin, Wing | 2 | | WZ010001- | |
| 9 | | 0765 033 28 | *Seal, Dust | 4 | | WZ010001- | |
| 10 | | 0728 111 65 | *Nipple, Grease | 2 | | WZ010001- | PT1/8X90 |
| 11 | | 4043 376 01 | *Bushing | 2 | | WZ010001- | |



40V4-120200-1

| KEY No. | SU P. | PART No. | DESCRIPTION | Q'TY | CHAN | SERIAL No. | REMARKS |
|---------|-------|-------------|---------------------|------|------|------------|-------------|
| 0 | × | F342 647 00 | Piping Ass'y, Blade | 1 | | WZ010001- | |
| 0-1 | × | F342 651 00 | Piping Ass'y, Blade | 1 | | WZ010001- | |
| 1 | | D070 362 10 | *Hose Ass'y | 1 | | WZ010001- | L=1300 |
| 2 | | D070 362 11 | *Hose Ass'y | 1 | | WZ010001- | L=1390 |
| 3 | | D070 348 02 | *Hose Ass'y | 2 | | WZ010001- | L=500 |
| 4 | | D070 349 01 | *Hose Ass'y | 2 | | WZ010001- | L=370 |
| 5 | | 0760 710 16 | *Ring, 0 | 6 | | WZ010001- | P14-90B |
| 6 | | 0713 700 03 | *Adapter | 2 | | WZ010001- | |
| 7 | | D060 032 00 | *Adapter | 2 | | WZ010001- | |
| 8 | | 0710 114 33 | *Elbow, 45 | 2 | | WZ010001- | |
| 9 | | 0710 122 02 | *Elbow | 2 | | WZ010001- | |
| 10 | | D060 071 00 | *Connector, Reducer | 1 | | WZ010001- | PF1/2XPF3/8 |
| 11 | | 0760 710 19 | *Ring, 0 | 2 | | WZ010001- | P18-90B |
| 12 | | 0713 700 78 | *Connector, Reducer | 1 | | WZ010001- | PF1/2XPF3/8 |

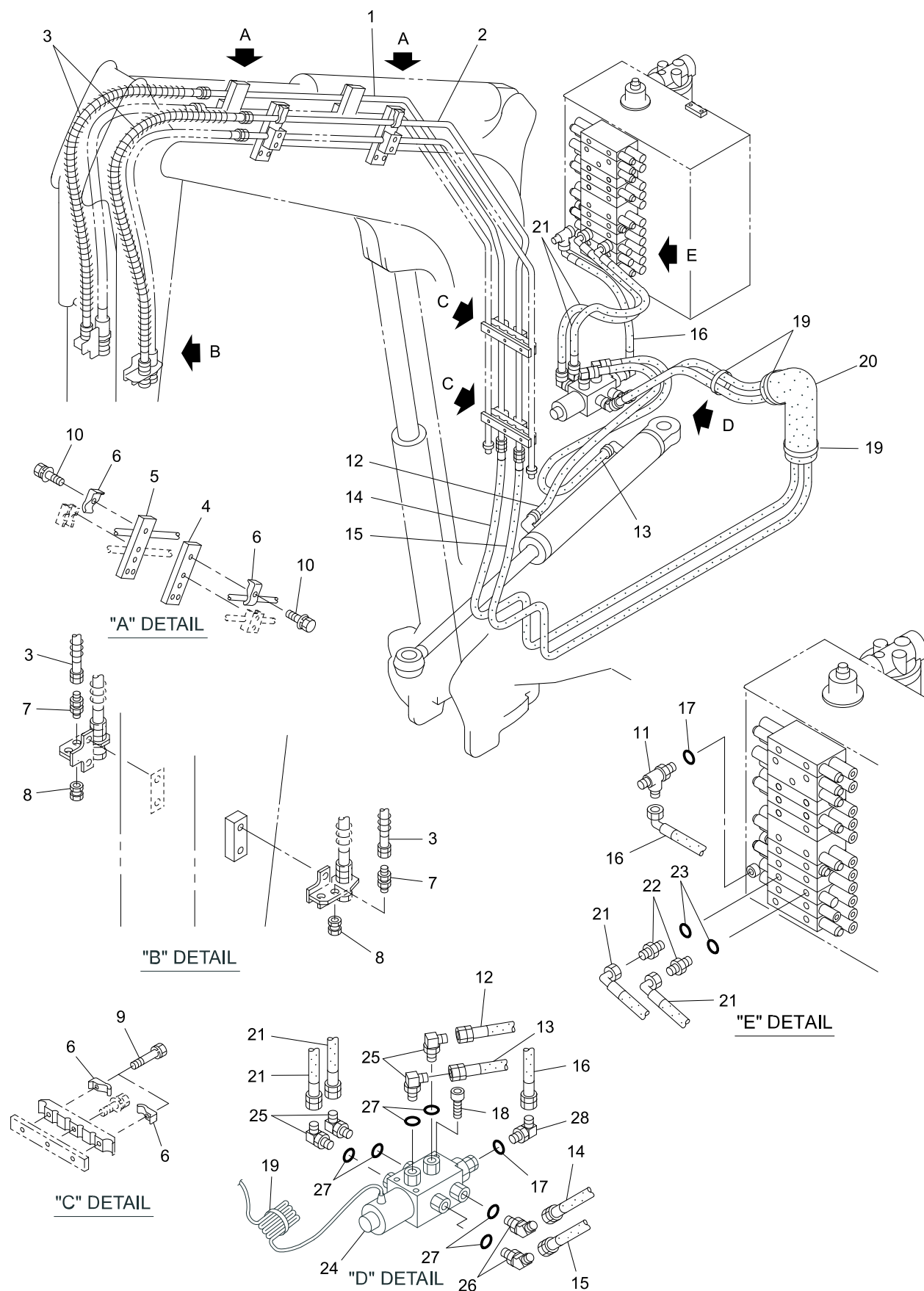


40V4-150100-1

| KEY No. | SU P. | PART No. | DESCRIPTION | Q'TY | CHAN | SERIAL No. | REMARKS |
|---------|-------|-------------|-------------------------------|------|------|------------|------------------|
| 0 | × | F342 665 00 | Piping Ass'y, First Spare | 1 | | WZ010001- | |
| 1 | | D286 246 00 | *Tube | 1 | | WZ010001- | |
| 2 | | D286 247 00 | *Tube | 1 | | WZ010001- | |
| 3 | | D070 372 01 | *Hose Ass'y | 2 | | WZ010001- | L=900 |
| 4 | | D082 034 00 | *Seat, Clamp | 2 | | WZ010001- | |
| 5 | | D082 111 00 | *Seat, Clamp | 2 | | WZ010001- | |
| 6 | | D082 110 00 | *Seat, Clamp | 2 | | WZ010001- | |
| 7 | | D081 193 00 | *Clamp, Tube | 2 | | WZ010001- | |
| 8 | | D081 195 00 | *Clamp, Tube | 2 | | WZ010001- | |
| 9 | | D081 023 00 | *Clamp, Tube | 2 | | WZ010001- | |
| 10 | | D060 500 00 | *Connector | 2 | | WZ010001- | |
| 11 | | D418 813 00 | *Bracket | 2 | | WZ010001- | |
| 12 | | 0710 303 06 | *Plug, Swivel | 2 | | WZ010001- | |
| 13 | | 0518 100 25 | *Bolt, Treatment (W/L.W, F.W) | 8 | | WZ010001- | M10X25 P=1.25 |
| 14 | | 0518 100 45 | *Bolt, Treatment (W/L.W, F.W) | 4 | | WZ010001- | M10X45 P=1.25 |
| 15 | | 0518 100 50 | *Bolt, Treatment (W/L.W, F.W) | 6 | | WZ010001- | M10X50 P=1.25 |
| 16 | | 0518 100 55 | *Bolt, Treatment (W/L.W, F.W) | 4 | | WZ010001- | M10X55 P=1.25 |
| 17 | | 0518 100 20 | *Bolt, Treatment (W/L.W, F.W) | 4 | | WZ010001- | M10X20 P=1.25 |
| 18 | | 0725 004 UA | *Valve, Stop | 1 | | WZ010001- | |
| 19 | | 0713 700 70 | *Adapter | 1 | | WZ010001- | |
| 20 | | 0710 122 09 | *Elbow | 1 | | WZ010001- | |
| 21 | | D070 387 02 | *Hose Ass'y | 1 | | WZ010001- | L=3450 |
| 22 | | D070 363 25 | *Hose Ass'y | 1 | | WZ010001- | L=420 |
| 23 | | D070 385 10 | *Hose Ass'y | 1 | | WZ010001- | L=2900 |
| 24 | | 4070 754 25 | *Hose Ass'y | 1 | | WZ010001- | L=850 |
| 25 | | 0713 700 72 | *Adapter | 1 | | WZ010001- | |
| 26 | | 4072 971 00 | *Connector | 1 | | WZ010001- | |
| 27 | | 0713 700 73 | *Adapter | 1 | | WZ010001- | |
| 28 | | D060 511 00 | *Tee | 1 | | WZ010001- | |
| 29 | | 0710 113 66 | *Elbow | 1 | | WZ010001- | |
| 30 | | 0760 710 19 | *Ring, 0 | 2 | | WZ010001- | P18-90B |
| 31 | | 0760 710 12 | *Ring, 0 | 6 | | WZ010001- | P11-90B |
| 32 | | 0760 710 24 | *Ring, 0 | 3 | | WZ010001- | P22.4-90B |
| 33 | | 0517 080 30 | *Bolt, Treatment (W/L.W, F.W) | 2 | | WZ010001- | M8X30 |
| 34 | | 0820 067 05 | *Band, Cable | 4 | | WZ010001- | |
| 35 | | 4070 548 41 | *Hose Ass'y | 1 | | WZ010001- | L=1850 |
| 35-1 | ☆ | D407 125 02 | *Decal (Y2) | 2 | | WZ010001- | D407 125 00 |
| 36 | | 4070 548 19 | *Hose Ass'y | 1 | | WZ010001- | L=1250 |
| 36-1 | ☆ | D407 125 01 | *Decal (Y1) | 2 | | WZ010001- | D407 125 00 |
| 37 | | 4070 548 27 | *Hose Ass'y | 1 | | WZ010001- | L=600 |
| 38 | | 4070 548 16 | *Hose Ass'y | 1 | | WZ010001- | L=850 |

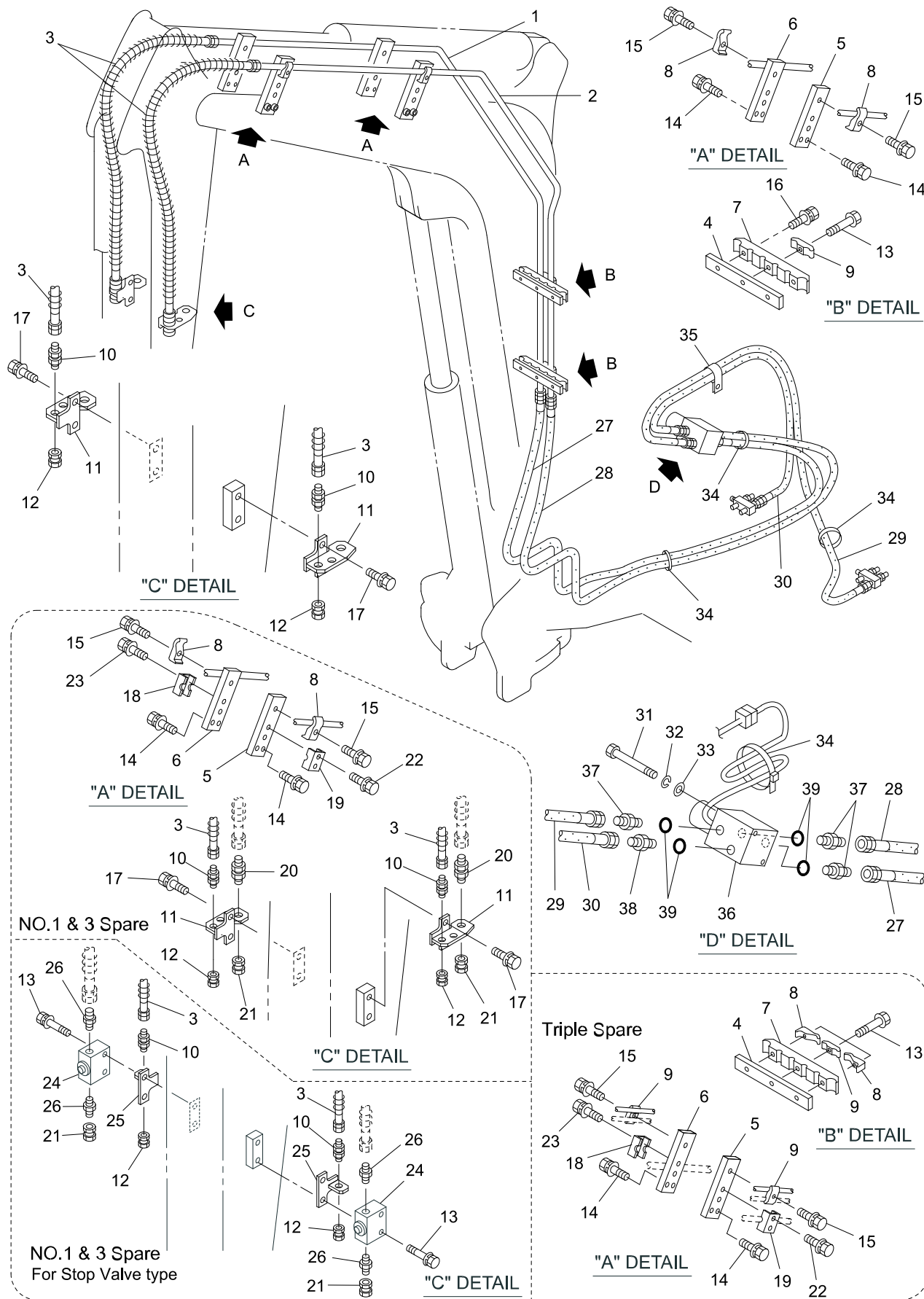
| KEY No. | SU P. | PART No. | DESCRIPTION | Q'TY | CHAN | SERIAL No. | REMARKS |
|---------|-------|-------------|-------------------------------|------|------|------------|------------------|
| 39 | | 0820 067 04 | *Band, Cable | 1 | | WZ010001- | |
| 40 | | 4070 551 18 | *Hose Ass'y | 1 | | WZ010001- | L=1460 |
| 41 | | 4070 548 50 | *Hose Ass'y | 1 | | WZ010001- | L=460 |
| 41-1 | ☆ | D407 125 01 | *Decal (Y1) | 2 | | WZ010001- | D407 125 00 |
| 42 | | 4070 548 18 | *Hose Ass'y | 1 | | WZ010001- | L=1050 |
| 42-1 | ☆ | D407 125 02 | *Decal (Y2) | 2 | | WZ010001- | D407 125 00 |
| 43 | | 4070 548 13 | *Hose Ass'y | 1 | | WZ010001- | L=1100 |
| 44 | | 0517 080 16 | *Bolt, Treatment (W/L.W, F.W) | 2 | | WZ010001- | M8X16 |
| 45 | | 0713 700 70 | *Adapter | 1 | | WZ010001- | |
| 46 | # | 0783 965 UA | *Valve Ass'y, Pilot | 1 | | WZ010001- | Sh. No. 5-14 |
| 47 | | D501 059 00 | *Pedal | 1 | | WZ010001- | |
| 48 | | D416 915 00 | *Bracket | 1 | | WZ010001- | |
| 49 | | 4497 989 00 | *Lever | 1 | | WZ010001- | |
| 50 | | 4096 033 00 | *Grip | 1 | | WZ010001- | |
| 51 | | D406 930 00 | *Pad, Rubber | 1 | | WZ010001- | |
| 52 | | D406 931 00 | *Pad, Rubber | 1 | | WZ010001- | |
| 53 | | 0710 121 00 | *Elbow, 45 | 2 | | WZ010001- | |
| 54 | | 0710 122 09 | *Elbow | 2 | | WZ010001- | |
| 55 | | 0591 080 00 | *Washer, Conical Spring | 2 | | WZ010001- | |
| 56 | | 0517 080 20 | *Bolt, Treatment (W/L.W, F.W) | 4 | | WZ010001- | M8X20 |
| 57 | | 0544 080 00 | *Nut, Hex. | 2 | | WZ010001- | M8 |
| 58 | | 0593 080 00 | *Washer, Flat | 1 | | WZ010001- | M8 |
| 59 | | 0785 169 UA | *Valve, Solenoid | 1 | | WZ010001- | |
| 60 | | 0754 805 UA | *Cock | 2 | | WZ010001- | |
| 61 | | 0712 310 33 | *Adapter | 4 | | WZ010001- | |
| 62 | | 0520 100 70 | *Bolt, Treatment (W/L.W) | 4 | | WZ010001- | M10X70 P=1.25 |
| 63 | | 0710 122 09 | *Elbow | 3 | | WZ010001- | |

[Memo]



40V4-150200-1

| KEY No. | SU P. | PART No. | DESCRIPTION | Q'TY | CHAN | SERIAL No. | REMARKS |
|---------|-------|-------------|-------------------------------|------|------|------------|------------------|
| 0 | × | F342 665 00 | Piping Ass'y, Second Spare | 1 | | WZ010001- | |
| 1 | | D286 248 00 | *TUBE | 1 | | WZ010001- | |
| 2 | | D286 249 00 | *TUBE | 1 | | WZ010001- | |
| 3 | | D070 373 04 | *Hose Ass'y | 2 | | WZ010001- | L=980 |
| 4 | | D082 109 00 | *Seat, Clamp | 2 | | WZ010001- | |
| 5 | | D082 108 00 | *Seat, Clamp | 2 | | WZ010001- | |
| 6 | | 4081 118 00 | *Clamp, Tube | 8 | | WZ010001- | |
| 7 | | D060 137 00 | *Adapter | 2 | | WZ010001- | |
| 8 | | 0710 303 02 | *Plug, Swivel | 2 | | WZ010001- | PF1/4 |
| 9 | | 0520 100 70 | *Bolt, Treatment (W/L.W) | 4 | | WZ010001- | M10X70 P=1.25 |
| 10 | | 0518 100 40 | *Bolt, Treatment (W/L.W, F.W) | 4 | | WZ010001- | M10X40 P=1.25 |
| 11 | | 0710 713 09 | *Tee | 1 | | WZ010001- | |
| 12 | | D070 361 02 | *Hose Ass'y | 1 | | WZ010001- | L=390 |
| 13 | | D070 361 03 | *Hose Ass'y | 1 | | WZ010001- | L=490 |
| 14 | | D070 410 03 | *Hose Ass'y | 1 | | WZ010001- | L=2900 |
| 14-1 | ☆ | 4405 308 03 | *Decal (R2) | 2 | | WZ010001- | 4405 308 00 |
| 15 | | D070 410 03 | *Hose Ass'y | 1 | | WZ010001- | L=2900 |
| 15-1 | ☆ | 4405 310 03 | *Decal (L2) | 2 | | WZ010001- | 4405 310 00 |
| 16 | | 4070 551 14 | *Hose Ass'y | 1 | | WZ010001- | L=260 |
| 17 | | 0760 710 12 | *Ring, O | 2 | | WZ010001- | P11-90B |
| 18 | | 0562 060 35 | *Bolt, Socket Head | 3 | | WZ010001- | M6X35 |
| 19 | | 0820 067 09 | *Band, Cable | 4 | | WZ010001- | |
| 20 | | 4070 854 11 | *Cover, Hose | 1 | | WZ010001- | L=200 |
| 21 | | D070 360 02 | *Hose Ass'y | 2 | | WZ010001- | L=710 |
| 22 | | D060 503 00 | *Connector | 2 | | WZ010001- | |
| 23 | | 0760 710 19 | *Ring, O | 2 | | WZ010001- | P18-90B |
| 24 | | 0786 988 UA | *Valve Ass'y, Solenoid | 1 | | WZ010001- | |
| 25 | | 0710 113 32 | *Elbow, Reducer | 4 | | WZ010001- | PF3/8XPF1/4 |
| 26 | | 0710 114 32 | *Elbow, 45 Reducer | 2 | | WZ010001- | PF1/4XPF3/8 |
| 27 | | 0760 710 16 | *Ring, O | 6 | | WZ010001- | P14-90B |
| 28 | | 0710 122 09 | *Elbow | 1 | | WZ010001- | |

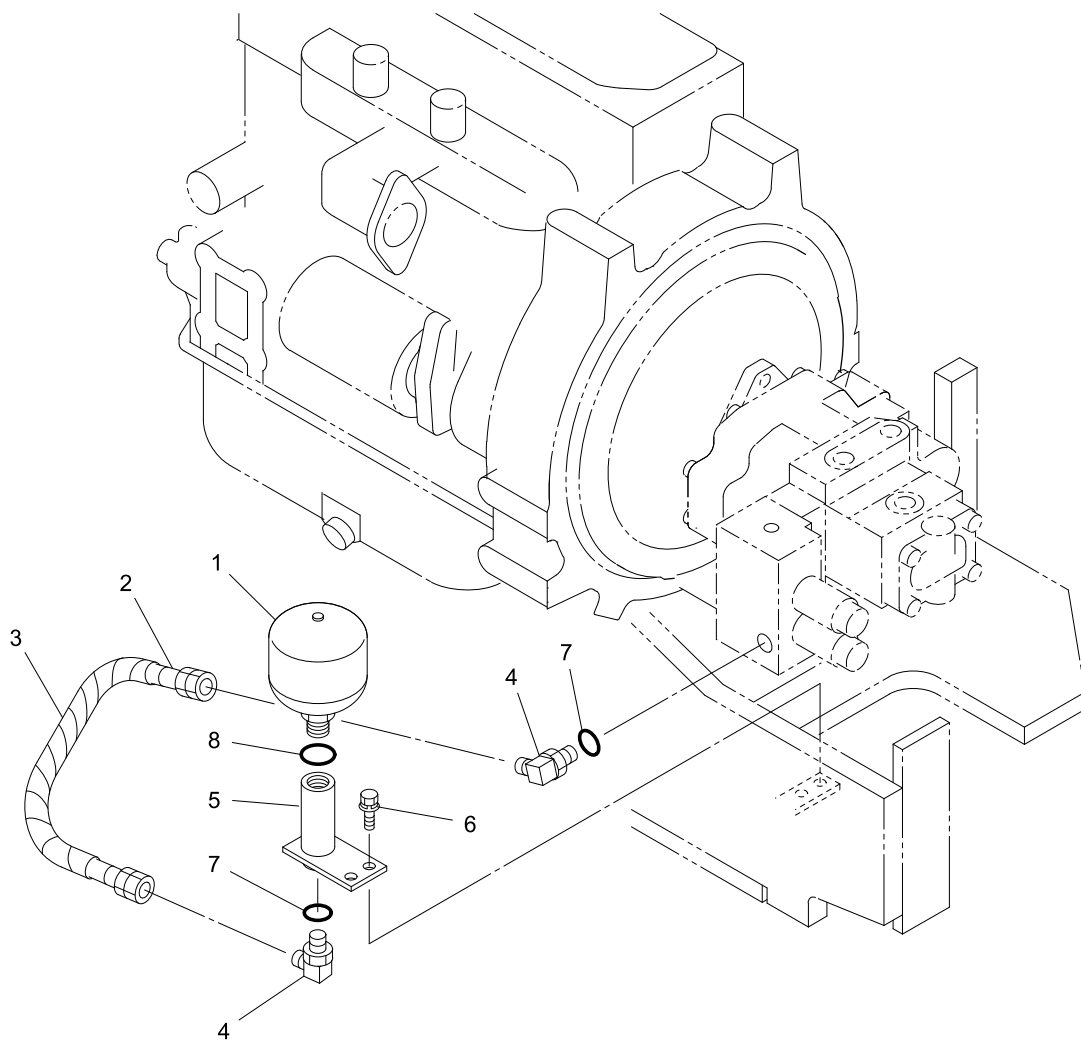


40V4-150300-1

| KEY No. | SU P. | PART No. | DESCRIPTION | Q'TY | CHAN | SERIAL No. | REMARKS |
|---------|-------|-------------|-------------------------------|------|------|------------|------------------|
| 0 | × | F342 665 00 | Piping Ass'y, Third Spare | 1 | | WZ010001- | |
| 1 | | D286 250 00 | *TUBE | 1 | | WZ010001- | |
| 2 | | D286 251 00 | *TUBE | 1 | | WZ010001- | |
| 3 | | D070 373 02 | *Hose Ass'y | 2 | | WZ010001- | L=1030 |
| 4 | | D082 034 00 | *Seat, Clamp | 2 | | WZ010001- | |
| 5 | | D082 109 00 | *Seat, Clamp | 2 | | WZ010001- | |
| 6 | | D082 108 00 | *Seat, Clamp | 2 | | WZ010001- | |
| 7 | | D081 193 00 | *Clamp, Tube | 2 | | WZ010001- | |
| 8 | | 4081 118 00 | *Clamp, Tube | 4 | | WZ010001- | |
| 9 | | 4081 189 00 | *Clamp, Tube | 2 | | WZ010001- | |
| 10 | | D060 137 00 | *Adapter | 2 | | WZ010001- | |
| 11 | | D418 813 00 | *Bracket | 2 | | WZ010001- | |
| 12 | | 0710 303 02 | *Plug, Swivel | 2 | | WZ010001- | PF1/4 |
| 13 | | 0520 100 70 | *Bolt, Treatment (W/L.W) | 3 | | WZ010001- | M10X70 P=1.25 |
| 14 | | 0518 100 25 | *Bolt, Treatment (W/L.W, F.W) | 8 | | WZ010001- | M10X25 P=1.25 |
| 15 | | 0518 100 40 | *Bolt, Treatment (W/L.W, F.W) | 4 | | WZ010001- | M10X40 P=1.25 |
| 16 | | 0518 100 50 | *Bolt, Treatment (W/L.W, F.W) | 4 | | WZ010001- | M10X50 P=1.25 |
| 17 | | 0518 100 20 | *Bolt, Treatment (W/L.W, F.W) | 4 | | WZ010001- | M10X20 P=1.25 |
| 18 | | D081 195 00 | *Clamp, Tube | 2 | | WZ010001- | |
| 19 | | D081 023 00 | *Clamp, Tube | 2 | | WZ010001- | |
| 20 | | D060 500 00 | *Connector | 2 | | WZ010001- | |
| 21 | | 0710 303 06 | *Plug Swivel | 2 | | WZ010001- | |
| 22 | | 0518 100 45 | *Bolt, Treatment (W/L.W, F.W) | 4 | | WZ010001- | M10X45 P=1.25 |
| 23 | | 0518 100 55 | *Bolt, Treatment (W/L.W, F.W) | 4 | | WZ010001- | M10X55 P=1.25 |
| 24 | | 0754 805 UA | *Cook | 2 | | WZ010001- | |
| 25 | | D418 815 00 | *Bracket | 2 | | WZ010001- | |
| 26 | | 0712 310 33 | *Adapter | 4 | | WZ010001- | |
| 27 | | D070 195 22 | *Hose Ass'y | 1 | | WZ010001- | L=2590 |
| 27-1 | ☆ | 4405 307 04 | *Decal (R3) | 2 | | WZ010001- | 4405 307 00 |
| 28 | | D070 195 22 | *Hose Ass'y | 1 | | WZ010001- | L=2590 |
| 28-1 | ☆ | 4405 309 04 | *Decal (L3) | 2 | | WZ010001- | 4405 309 00 |
| 29 | | 4070 548 61 | *Hose Ass'y | 1 | | WZ010001- | L=1700 |
| 30 | | 4070 782 22 | *Hose Ass'y | 1 | | WZ010001- | L=1250 |
| 31 | | 0513 080 90 | *Bolt, Treatment | 2 | | WZ010001- | M8X90 |
| 32 | | 0590 080 00 | *Washer, Lock | 2 | | WZ010001- | M8 |
| 33 | | 0593 080 00 | *Washer, Flat | 2 | | WZ010001- | M8 |
| 34 | | 0820 067 09 | *Band, Cable | 4 | | WZ010001- | |
| 35 | | 4080 000 29 | *Clamp, Hose | 1 | | WZ010001- | |
| 36 | | 0785 171 UA | *Valve Ass'y, Solenoid | 1 | | WZ010001- | |
| 37 | | 0713 700 70 | *Connector | 3 | | WZ010001- | |

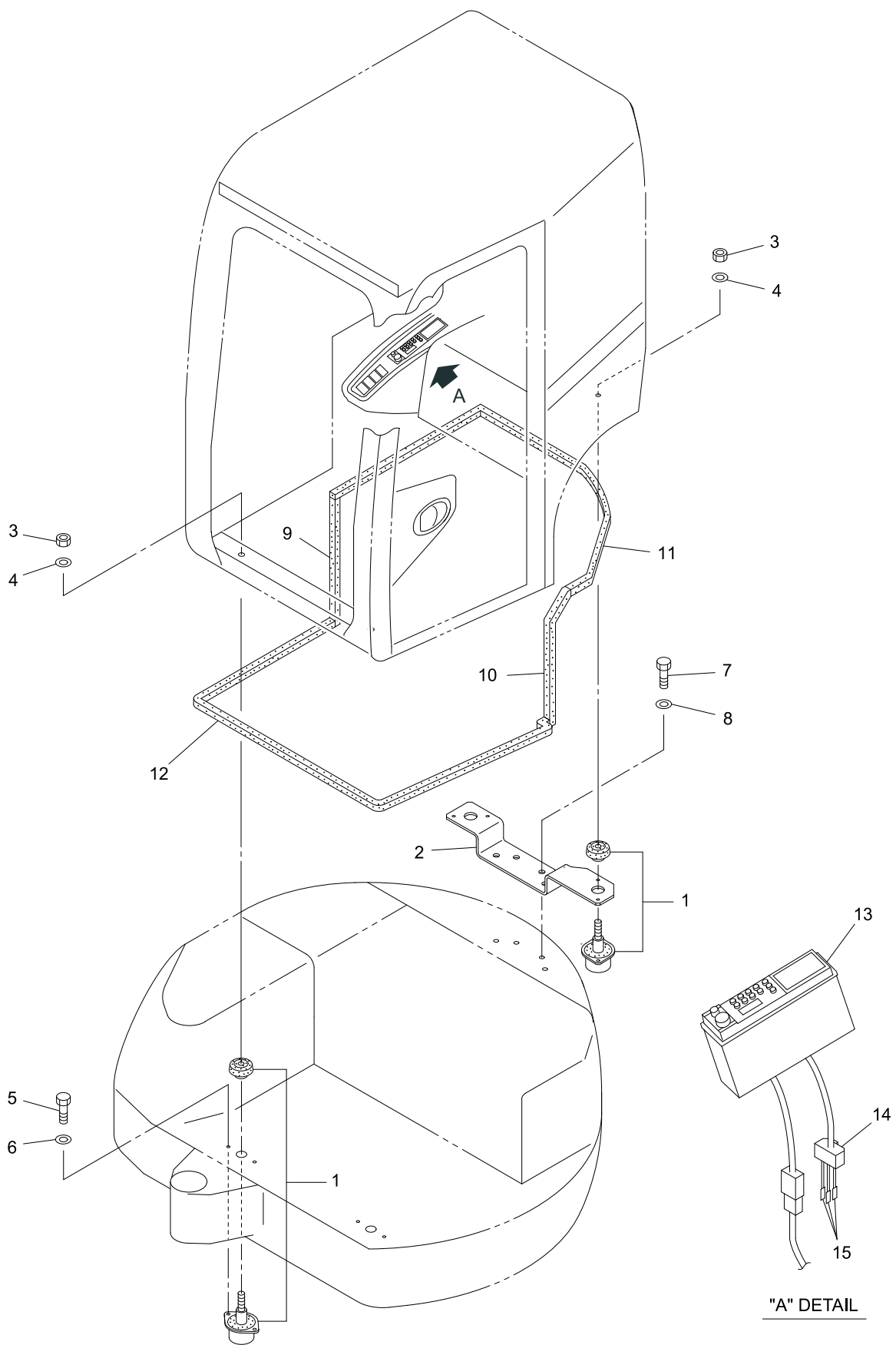
| KEY No. | SU P. | PART No. | DESCRIPTION | Q'TY | CHAN | SERIAL No. | REMARKS |
|---------|-------|-------------|-------------------|------|------|------------|-------------|
| 38 | | 0713 700 93 | *Adapter, Reducer | 1 | | WZ010001- | PF1/4XPF3/8 |
| 39 | | 0760 710 12 | *Ring, 0 | 4 | | WZ010001- | P11-90B |

[Memo]



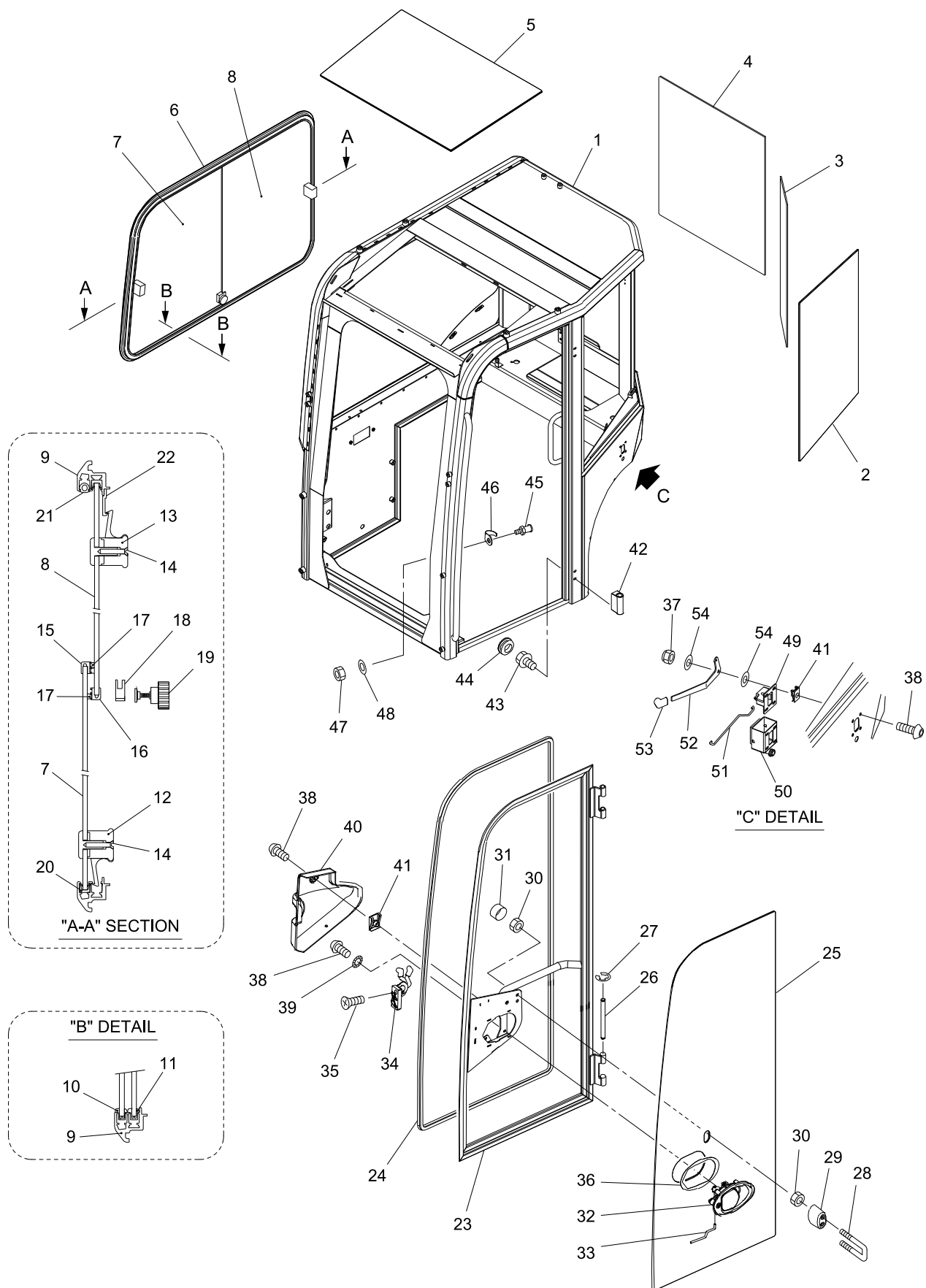
40V4-150400-1

| KEY No. | SU P. | PART No. | DESCRIPTION | Q'TY | CHAN | SERIAL No. | REMARKS |
|---------|-------|-------------|-------------------------------|------|------|------------|---------|
| 0 | × | F342 676 00 | Accumulator Ass'y | 1 | | WZ010001- | |
| 1 | | 0759 301 UA | *Accumulator | 1 | | WZ010001- | |
| 2 | | 4070 056 32 | *Hose Ass'y | 1 | | WZ010001- | L=350 |
| 3 | | 0820 803 05 | *Tube, Corrugate | M | | WZ010001- | L=350 |
| 4 | | 0710 122 10 | *Elbow | 2 | | WZ010001- | |
| 5 | | D060 512 00 | *Connector | 1 | | WZ010001- | |
| 6 | | 0517 080 20 | *Bolt, Treatment (W/L.W, F.W) | 2 | | WZ010001- | M8X20 |
| 7 | | 0760 710 16 | *Ring, O | 2 | | WZ010001- | P14-90B |
| 8 | | 0760 710 19 | *Ring, O | 1 | | WZ010001- | P18-90B |



V4ALL-150500-1

| KEY No. | SU P. | PART No. | DESCRIPTION | Q'TY | CHAN | SERIAL No. | REMARKS |
|---------|-------|-------------|----------------------|------|------|------------|-------------------|
| 0 | × | F355 182 00 | Room Ass'y, Operator | 1 | | WZ010001- | |
| 1 | | 0690 203 15 | *Mount, Cab | 4 | | WZ010001- | |
| 2 | | D418 455 00 | *Bracket | 1 | | WZ010001- | |
| 3 | | 0585 200 00 | *Nut, Treatment | 4 | | WZ010001- | M20, M20 |
| 4 | | 0595 200 00 | *Washer, Treatment | 4 | | WZ010001- | M20, M20 |
| 5 | | 0555 100 40 | *Bolt, Treatment | 8 | | WZ010001- | M10X40, M10X40 |
| 6 | | 0595 100 00 | *Washer, Treatment | 8 | | WZ010001- | M10, M10 |
| 7 | | 0555 160 50 | *Bolt, Treatment | 4 | | WZ010001- | M16X50, M16X50 |
| 8 | | 0595 160 00 | *Washer, Treatment | 4 | | WZ010001- | M16, M16 |
| 9 | | 4550 906 23 | *Seal, Sponge | 1 | | WZ010001- | L=500 |
| 10 | | 4550 906 24 | *Seal, Sponge | 1 | | WZ010001- | L=550 |
| 11 | | 4550 906 25 | *Seal, Sponge | 1 | | WZ010001- | L=1900 |
| 12 | | 4550 906 26 | *Seal, Sponge | 1 | | WZ010001- | L=2250 |
| 13 | | 0850 500 10 | *Radio | 1 | | WZ010001- | For Japanese |
| 14 | | 0830 408 00 | *Housing | 1 | | WZ010001- | |
| 15 | | 0820 657 08 | *Terminal | 3 | | WZ010001- | |

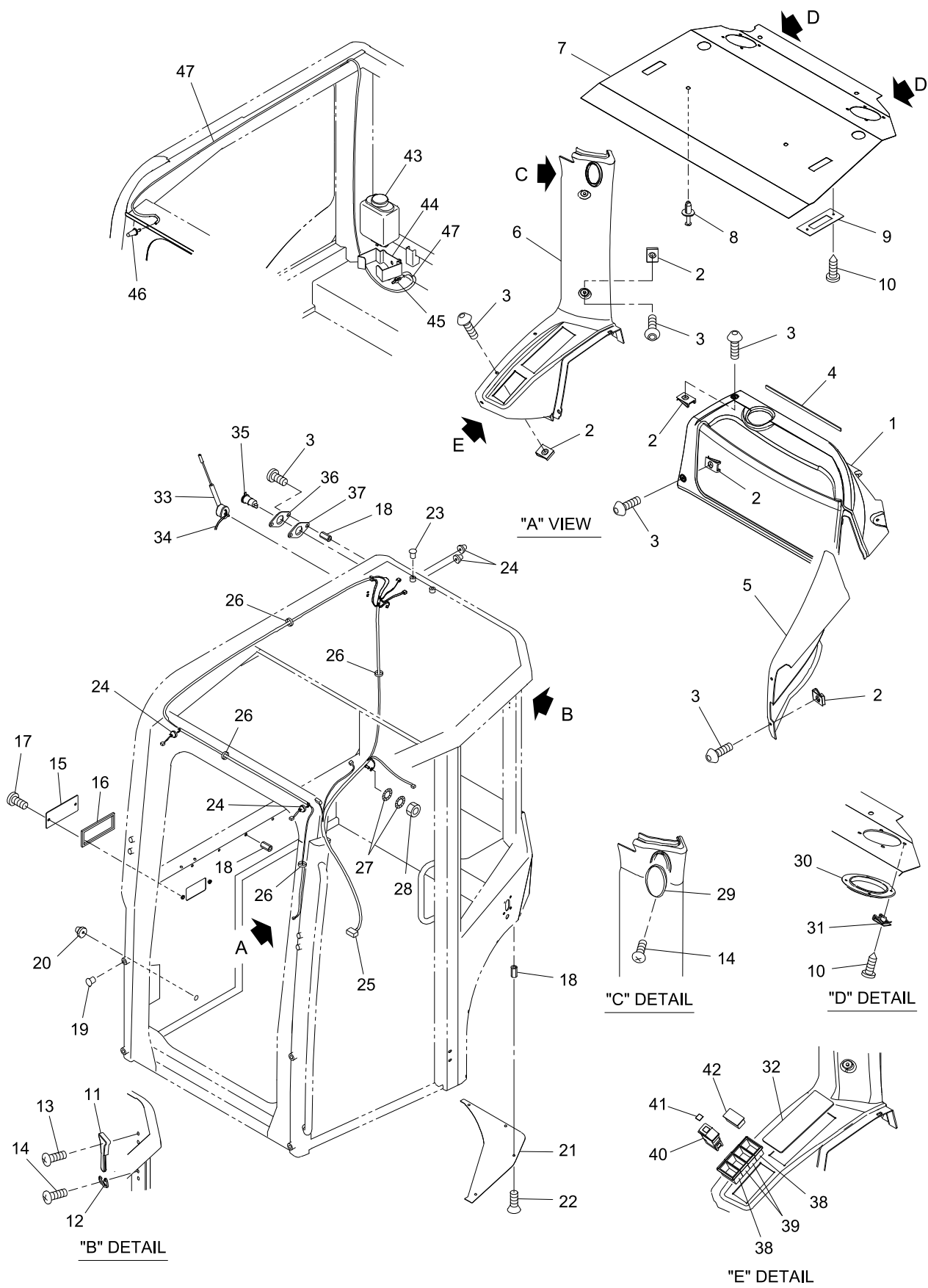


V4ALL-150600-1

| KEY No. | SU P. | PART No. | DESCRIPTION | Q'TY | CHAN | SERIAL No. | REMARKS |
|---------|-------|-------------|---------------------------|------|------|------------|---------|
| 0 | × | 3034212018 | Cabin Ass'y (Dark Grey) | 1 | | WZ010001- | |
| 0-1 | × | 3034212019 | Cabin Ass'y (Light Grey) | 1 | | WZ010001- | |
| 1 | | F354 810 00 | *Cabin (Dark Grey) | 1 | | WZ010001- | |
| 1-1 | | 5290105300 | *Cabin (Light Grey) | 1 | | WZ010001- | |
| 2 | | 4016000000 | *Glass (L.H.) | 1 | | WZ010001- | |
| 3 | | 4016000001 | *Glass (Rear Side) | 1 | | WZ010001- | |
| 4 | | 4016000002 | *Glass (Rear) | 1 | | WZ010001- | |
| 5 | | 4016000003 | *Glass (Roof) | 1 | | WZ010001- | |
| 6 | | 4016000004 | *Window Ass'y, Side | 1 | | WZ010001- | |
| 7 | | 4016000005 | **Glass (Front) | 1 | | WZ010001- | |
| 8 | | 4016000006 | **Glass (Rear) | 1 | | WZ010001- | |
| 9 | | 4016000007 | **Frame, Glass | 1 | | WZ010001- | |
| 10 | | 4016000008 | **Shoe (Front) | 1 | | WZ010001- | |
| 11 | | 4016000009 | **Shoe (Rear) | 1 | | WZ010001- | |
| 12 | | 4016000010 | **Handle, Sliding (Front) | 1 | | WZ010001- | |
| 13 | | 4016000011 | **Handle, Sliding (Rear) | 1 | | WZ010001- | |
| 14 | | 4016000012 | **Bolt | 4 | | WZ010001- | 4. 8X32 |
| 15 | | 4016000013 | **Support, Brush (Front) | 1 | | WZ010001- | |
| 16 | | 4016000014 | **Support, Brush (Rear) | 2 | | WZ010001- | |
| 17 | | 4016000015 | **Brush | 3 | | WZ010001- | |
| 18 | | 4016000016 | **Glass Blocking | 1 | | WZ010001- | |
| 19 | | 4016000017 | **Handle, Glass Blocking | 1 | | WZ010001- | |
| 20 | | 4016000018 | **Support, Sliding | 2 | | WZ010001- | |
| 21 | | 4016000019 | **Gasket | 2 | | WZ010001- | |
| 22 | | 4016000020 | **Handle, Stop | 1 | | WZ010001- | |
| 23 | | 4016000021 | *Frame, Door (Dark Grey) | 1 | | WZ010001- | |
| 23-1 | | 4016000022 | *Frame, Door (Light Grey) | 1 | | WZ010001- | |
| 24 | | 4016000023 | *Gasket | 1 | | WZ010001- | L=4050 |
| 25 | | 4016000024 | *Glass (Door) | 1 | | WZ010001- | |
| 26 | | 4015000088 | *Pin, Hinge | 2 | | WZ010001- | |
| 27 | | 4015000092 | *Ring, Elastic | 4 | | WZ010001- | d=10 |
| 28 | | 4016000025 | *Hook, Door Stop | 1 | | WZ010001- | L=94 |
| 28-1 | | 4016000026 | *Hook, Door Stop | 1 | | WZ010001- | L=120 |
| 29 | | 4016000027 | *Absorber, Shock | 1 | | WZ010001- | H=50 |
| 29-1 | | 4016000028 | *Absorber, Shock | 1 | | WZ010001- | H=77 |
| 30 | | 4016000029 | *Nut, Special | 4 | | WZ010001- | M8 |
| 31 | | 4012000206 | *Cap | 2 | | WZ010001- | M8 |
| 32 | | 4016000030 | *Handle Ass'y | 1 | | WZ010001- | |
| 33 | | 4016000031 | *Rod | 1 | | WZ010001- | |
| 34 | | 4013001426 | *Lock, Door | 1 | | WZ010001- | |
| 35 | | 3442505 | *Bolt | 1 | | WZ010001- | M8X40 |
| 36 | | 4012000390 | *Gasket | 1 | | WZ010001- | |
| 37 | | 4015000091 | *Nut | 1 | | WZ010001- | M8 |
| 38 | | 4016000033 | *Bolt | 10 | | WZ010001- | M6X16 |
| 39 | | 4012000185 | *Washer Toothed | 4 | | WZ010001- | M6 |

| KEY No. | SU P. | PART No. | DESCRIPTION | Q'TY | CHAN | SERIAL No. | REMARKS |
|---------|-------|------------|------------------|------|------|------------|---------|
| 40 | | 4016000034 | *Cover | 1 | | WZ010001- | |
| 41 | | 4016000035 | *Clip | 6 | | WZ010001- | M6 |
| 42 | | 4016000036 | *Hinge | 2 | | WZ010001- | |
| 43 | | 4016000037 | *Bolt | 4 | | WZ010001- | M8X16 |
| 44 | | 4016000038 | *Cap | 4 | | WZ010001- | d=20 |
| 45 | | 4013001417 | *Block | 1 | | WZ010001- | |
| 46 | | 4013001418 | *Block, Security | 1 | | WZ010001- | |
| 47 | | 4012000260 | *Nut | 1 | | WZ010001- | M12X1 |
| 48 | | 4015000109 | *Washer Flat | 1 | | WZ010001- | 12.5X28 |
| 49 | | 4012000138 | *Door Stop | 1 | | WZ010001- | |
| 50 | | 4012000257 | *Bracket | 1 | | WZ010001- | |
| 51 | | 4016000039 | *Rod, Tie | 1 | | WZ010001- | |
| 52 | | 4016000040 | *Lever | 1 | | WZ010001- | |
| 53 | | 4012000259 | *Handle | 1 | | WZ010001- | |
| 54 | | 4016000041 | *Washer Flat | 2 | | WZ010001- | 8.5X24 |

[Memo]

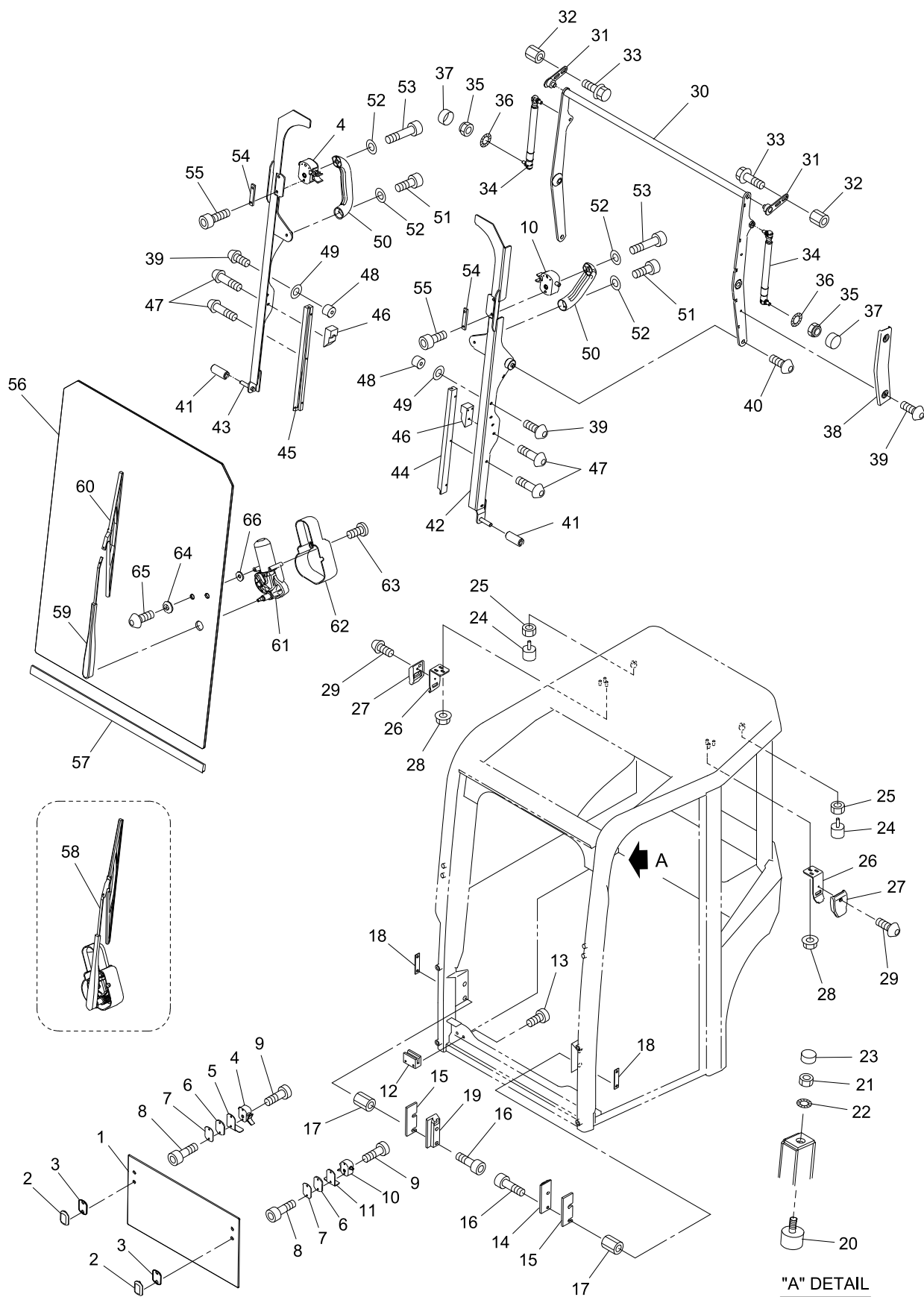


V4ALL-150700-1

| KEY No. | SU P. | PART No. | DESCRIPTION | Q'TY | CHAN | SERIAL No. | REMARKS |
|---------|-------|------------|--------------------------|------|------|------------|-----------|
| 0 | × | 3034212018 | Cabin Ass'y (Dark Grey) | 1 | | WZ010001- | |
| 0-1 | × | 3034212019 | Cabin Ass'y (Light Grey) | 1 | | WZ010001- | |
| 1 | | 4016000042 | *Cover (Rear) | 1 | | WZ010001- | |
| 2 | | 4016000035 | *Clip | 12 | | WZ010001- | M6 |
| 3 | | 4016000033 | *Bolt | 12 | | WZ010001- | M6X16 |
| 4 | | 4016000043 | *Gasket | 1 | | WZ010001- | L=325 |
| 5 | | 4016000044 | *Cover (Left) | 1 | | WZ010001- | |
| 6 | | 4016000045 | *Cover (Right Upright) | 1 | | WZ010001- | |
| 7 | | 4016000046 | *Roof Coating | 1 | | WZ010001- | |
| 8 | | 4016000047 | *Clip | 4 | | WZ010001- | d=8 |
| 9 | | 4016000048 | *Bracket | 2 | | WZ010001- | |
| 10 | | 4016000049 | *Bolt | 8 | | WZ010001- | 4. 2X22 |
| 11 | | 4016000050 | *Hammer, Emergency | 1 | | WZ010001- | |
| 12 | | 4012000239 | *Hook | 1 | | WZ010001- | |
| 13 | | 4012000291 | *Bolt | 2 | | WZ010001- | 3. 5X16 |
| 14 | | 4016000051 | *Bolt | 4 | | WZ010001- | 4. 2X13 |
| 15 | | 4016000052 | *Bracket | 1 | | WZ010001- | |
| 16 | | 4016000053 | *Gasket | 1 | | WZ010001- | L=470 |
| 17 | | 4016000054 | *Bolt | 2 | | WZ010001- | M6X12 |
| 18 | | 4012000356 | *Nut | 11 | | WZ010001- | M6 |
| 19 | | 4016000055 | *Plug | 8 | | WZ010001- | d=13X11 |
| 20 | | 4012000297 | *Plug, Rubber | 1 | | WZ010001- | |
| 21 | | 4016000056 | *Plate (Lower) | 1 | | WZ010001- | |
| 22 | | 4016000057 | *Bolt | 4 | | WZ010001- | M6X16 |
| 23 | | 4016000058 | *Plug | 8 | | WZ010001- | d=12X11.5 |
| 24 | | 4012000367 | *Plug, Rubber | 4 | | WZ010001- | |
| 25 | | 4016000059 | *Harness | 1 | | WZ010001- | |
| 26 | | 4016000060 | *Band, Cable | 6 | | WZ010001- | 4. 8X200 |
| 27 | | 4012000185 | *Washer Toothed | 2 | | WZ010001- | M6 |
| 28 | | 4012000303 | *Nut | 1 | | WZ010001- | M6 |
| 29 | | 4016000061 | *Light | 1 | | WZ010001- | |
| 30 | | 4016000062 | *Cover, Audio | 1 | | WZ010001- | |
| 31 | | 4016000063 | *Clip | 4 | | WZ010001- | |
| 32 | | 4012000274 | *Cover | 1 | | WZ010001- | |
| 33 | | 4012000314 | *Antenna | 1 | | WZ010001- | |
| 34 | | 4012000316 | *Cable, Antenna | 1 | | WZ010001- | L=2300 |
| 35 | | 4016000064 | *Plug | 1 | | WZ010001- | |
| 36 | | 4016000065 | *Bracket | 1 | | WZ010001- | |
| 37 | | 4016000066 | *Gasket | 1 | | WZ010001- | |
| 38 | | 4012000251 | *Frame, Side Switch | 2 | | WZ010001- | |
| 39 | | 4012000252 | *Frame, Central Switch | 2 | | WZ010001- | |
| 40 | | 4012000250 | *Switch, Wiper | 1 | | WZ010001- | |
| 41 | | 4012000254 | *Label | 1 | | WZ010001- | |
| 42 | | 4012000255 | *Cap | 3 | | WZ010001- | |
| 43 | | 4012000256 | *Tank | 1 | | WZ010001- | |

| KEY No. | SU P. | PART No. | DESCRIPTION | Q'TY | CHAN | SERIAL No. | REMARKS |
|---------|-------|------------|--------------------|------|------|------------|---------|
| 44 | | 4016000067 | *Bracket | 1 | | WZ010001- | |
| 45 | | 4012000216 | *Valve, Connection | 1 | | WZ010001- | |
| 46 | | 4012000245 | *Atomizer | 1 | | WZ010001- | |
| 47 | | 4016000068 | *Pipe | 1 | | WZ010001- | L=2550 |

[Memo]

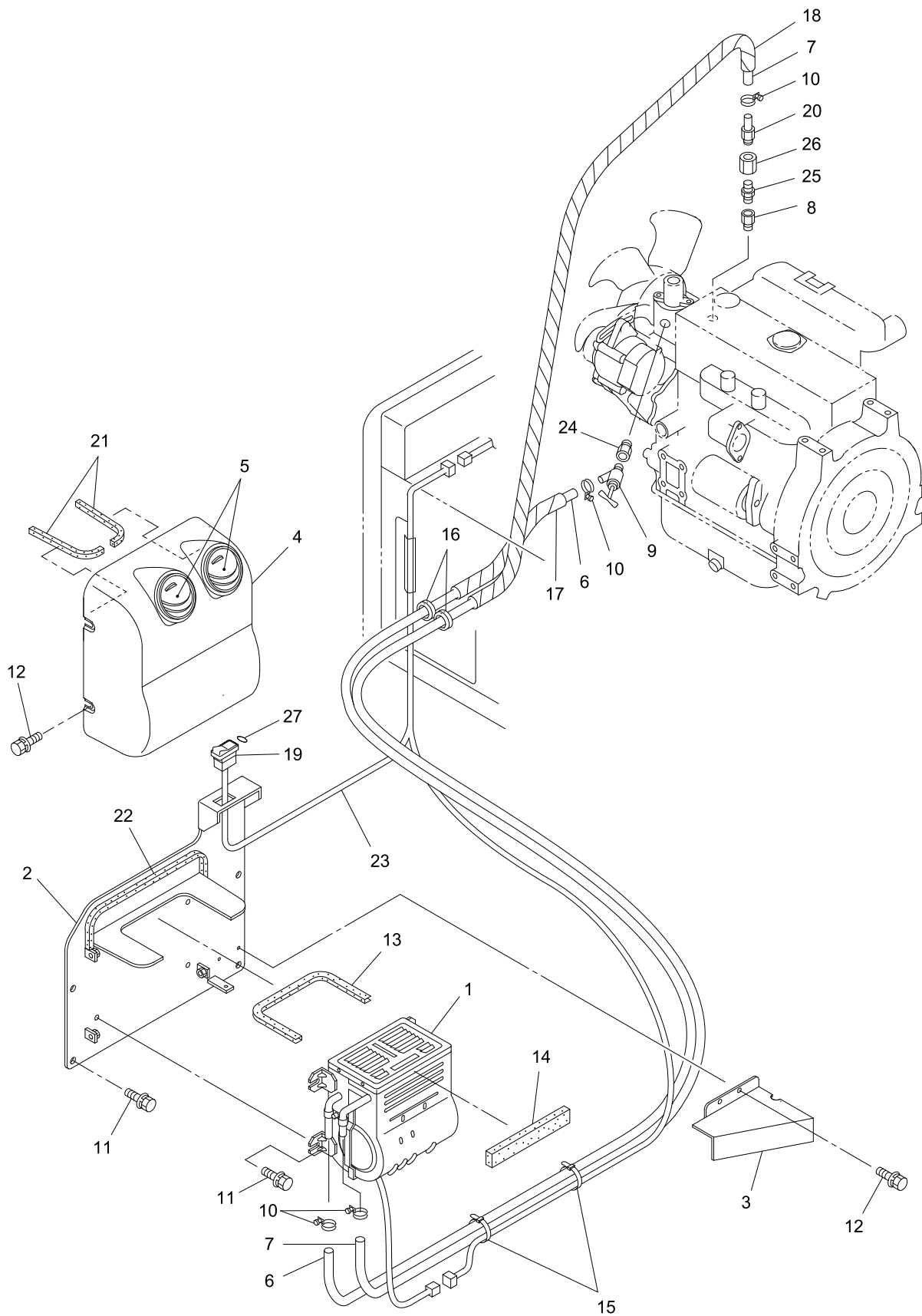


V4ALL-150800-1

| KEY No. | SU P. | PART No. | DESCRIPTION | Q'TY | CHAN | SERIAL No. | REMARKS |
|---------|-------|------------|--------------------------|------|------|------------|------------|
| 0 | × | 3034212018 | Cabin Ass'y (Dark Grey) | 1 | | WZ010001- | |
| 0-1 | × | 3034212019 | Cabin Ass'y (Light Grey) | 1 | | WZ010001- | |
| 1 | | 4016000069 | *Glass | 1 | | WZ010001- | |
| 2 | | 4016000070 | *Lock, Cover | 2 | | WZ010001- | |
| 3 | | 4016000071 | *Gasket | 2 | | WZ010001- | |
| 4 | | 4016000072 | *Lock (R.H.) | 2 | | WZ010001- | |
| 5 | | 4016000073 | *Handle (R.H.) | 1 | | WZ010001- | |
| 6 | | 4016000074 | *Spacer | 2 | | WZ010001- | |
| 7 | | 4016000075 | *Gasket | 2 | | WZ010001- | |
| 8 | | 4016000076 | *Bolt | 4 | | WZ010001- | M6X25 |
| 9 | | 4016000077 | *Bolt | 2 | | WZ010001- | M8X25 |
| 10 | | 4016000078 | *Lock (L.H.) | 2 | | WZ010001- | |
| 11 | | 4016000079 | *Handle (L.H.) | 1 | | WZ010001- | |
| 12 | | 4016000080 | *Shoe (Lower) | 2 | | WZ010001- | |
| 13 | | 4016000081 | *Bolt | 4 | | WZ010001- | M8X20 |
| 14 | | 4016000082 | *Shoe (L.H.) | 1 | | WZ010001- | |
| 15 | | 4016000083 | *Spacer | 2 | | WZ010001- | |
| 16 | | 4016000084 | *Bolt | 4 | | WZ010001- | M8X35 |
| 17 | | 4012000370 | *Nut | 4 | | WZ010001- | M8 |
| 18 | | 4016000085 | *Bracket | 2 | | WZ010001- | |
| 19 | | 4016000086 | *Shoe (R.H.) | 1 | | WZ010001- | |
| 20 | | 4016000087 | *Stopper, Rubber | 2 | | WZ010001- | M6X15 H=15 |
| 21 | | 4012000186 | *Nut | 2 | | WZ010001- | M6 |
| 22 | | 4012000185 | *Washer Toothed | 2 | | WZ010001- | M6 |
| 23 | | 4012000240 | *Cap | 2 | | WZ010001- | M6 |
| 24 | | 4016000088 | *Stopper, Rubber | 2 | | WZ010001- | M6X18 H=20 |
| 25 | | 4016000089 | *Nut, Lock | 2 | | WZ010001- | M6 |
| 26 | | 4016000090 | *Bracket | 2 | | WZ010001- | |
| 27 | | 4016000091 | *Protection, Door | 2 | | WZ010001- | |
| 28 | | 4016000029 | *Nut, Special | 6 | | WZ010001- | M8 |
| 29 | | 4016000033 | *Bolt | 2 | | WZ010001- | M6X16 |
| 30 | | 4016000092 | *Frame, Door | 1 | | WZ010001- | |
| 31 | | 4016000093 | *Bracket | 2 | | WZ010001- | |
| 32 | | 4016000094 | *Nut | 4 | | WZ010001- | M8 |
| 33 | | 4016000095 | *Bolt | 4 | | WZ010001- | M8X20 |
| 34 | | 4016000096 | *Spring, Gas | 2 | | WZ010001- | 400N-M8 |
| 35 | | 4015000091 | *Nut, Lock | 2 | | WZ010001- | M8 |
| 36 | | 4012000428 | *Washer, Special | 4 | | WZ010001- | M8 |
| 37 | | 4012000206 | *Cap | 2 | | WZ010001- | M8 |
| 38 | | 4016000097 | *Cover | 1 | | WZ010001- | |
| 39 | | 4016000054 | *Bolt | 4 | | WZ010001- | M6X12 |
| 40 | | 4016000098 | *Bolt | 2 | | WZ010001- | M8X25 |
| 41 | | 4016000099 | *Bushing | 2 | | WZ010001- | |
| 42 | | 4016000100 | *Frame (L.H.) | 1 | | WZ010001- | |
| 43 | | 4016000101 | *Frame (R.H.) | 1 | | WZ010001- | |

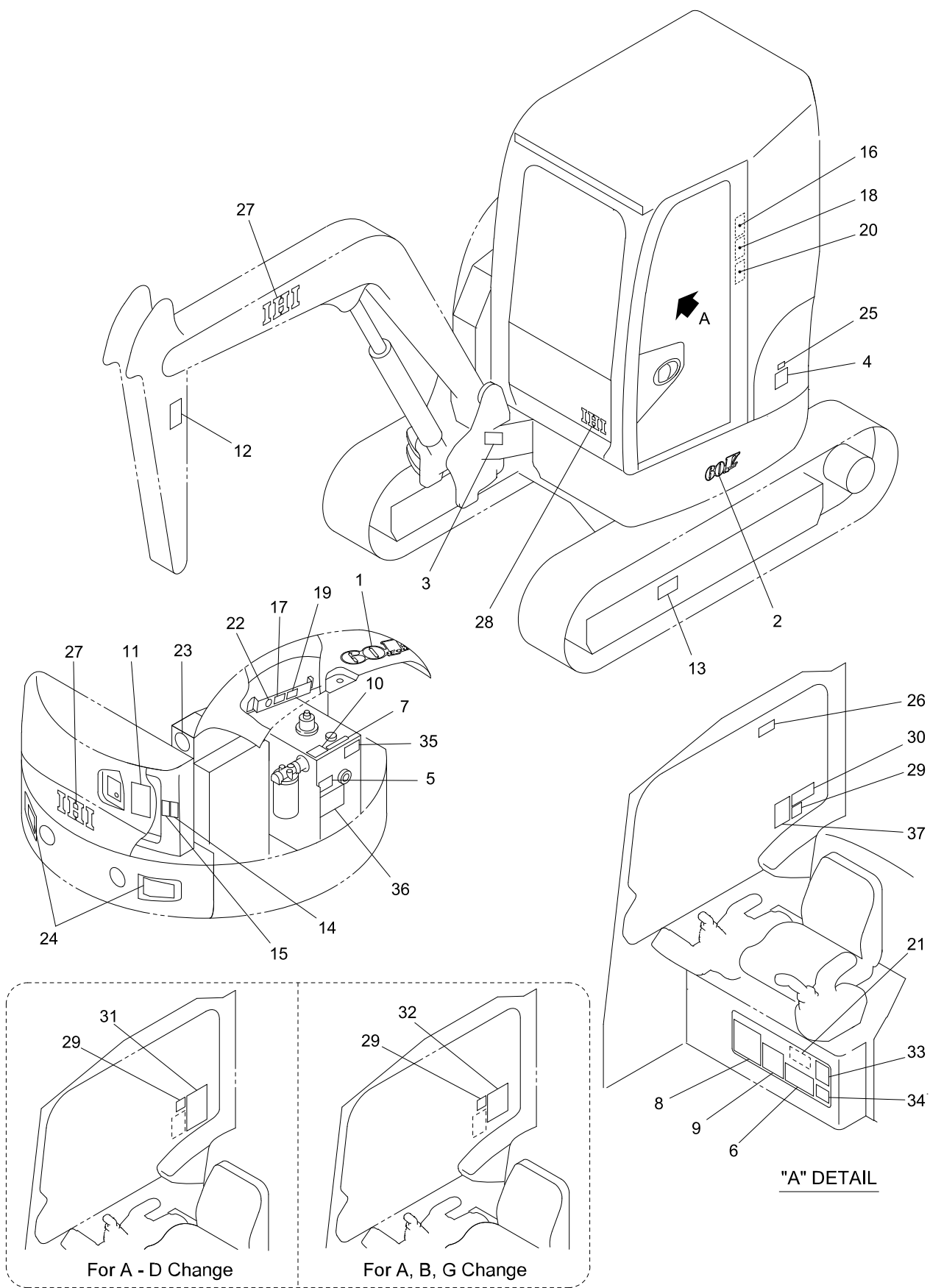
| KEY No. | SU P. | PART No. | DESCRIPTION | Q'TY | CHAN | SERIAL No. | REMARKS |
|---------|-------|------------|------------------|------|------|------------|----------|
| 44 | | 4016000102 | *Guide (L.H.) | 1 | | WZ010001- | |
| 45 | | 4016000103 | *Guide (R.H.) | 1 | | WZ010001- | |
| 46 | | 4016000104 | *Shoe | 2 | | WZ010001- | |
| 47 | | 4013001450 | *Bolt | 10 | | WZ010001- | M5X16 |
| 48 | | 4016000105 | *Stopper, Rubber | 2 | | WZ010001- | M6 H=15 |
| 49 | | 4012000215 | *Washer Flat | 2 | | WZ010001- | |
| 50 | | 4016000106 | *Handle | 2 | | WZ010001- | |
| 51 | | 4016000107 | *Bolt | 2 | | WZ010001- | M8X20 |
| 52 | | 4012000189 | *Washer Flat | 4 | | WZ010001- | M8 |
| 53 | | 4016000108 | *Bolt | 2 | | WZ010001- | M8X40 |
| 54 | | 4016000109 | *Bracket | 2 | | WZ010001- | |
| 55 | | 4016000110 | *Bolt | 4 | | WZ010001- | M6X14 |
| 56 | | 4016000111 | *Glass | 1 | | WZ010001- | |
| 57 | | 4016000112 | *Gasket | 1 | | WZ010001- | L=775 |
| 58 | | 4016000113 | *Wiper | 1 | | WZ010001- | |
| 59 | | 4013001438 | **Arm, Wiper | 1 | | WZ010001- | |
| 60 | | 4013001437 | **Blade, Wiper | 1 | | WZ010001- | L=400 |
| 61 | | 4016000114 | **Motor, Wiper | 1 | | WZ010001- | |
| 62 | | 4012000352 | **Cover, Motor | 1 | | WZ010001- | |
| 63 | | 4016000033 | *Bolt | 2 | | WZ010001- | M6X16 |
| 64 | | 4012000210 | *Washer, Nylon | 2 | | WZ010001- | d=19.5 |
| 65 | | 4016000115 | *Bolt | 2 | | WZ010001- | M6X25 |
| 66 | | 4016000116 | *Washer, Special | 2 | | WZ010001- | d=6.5X18 |

[Memo]



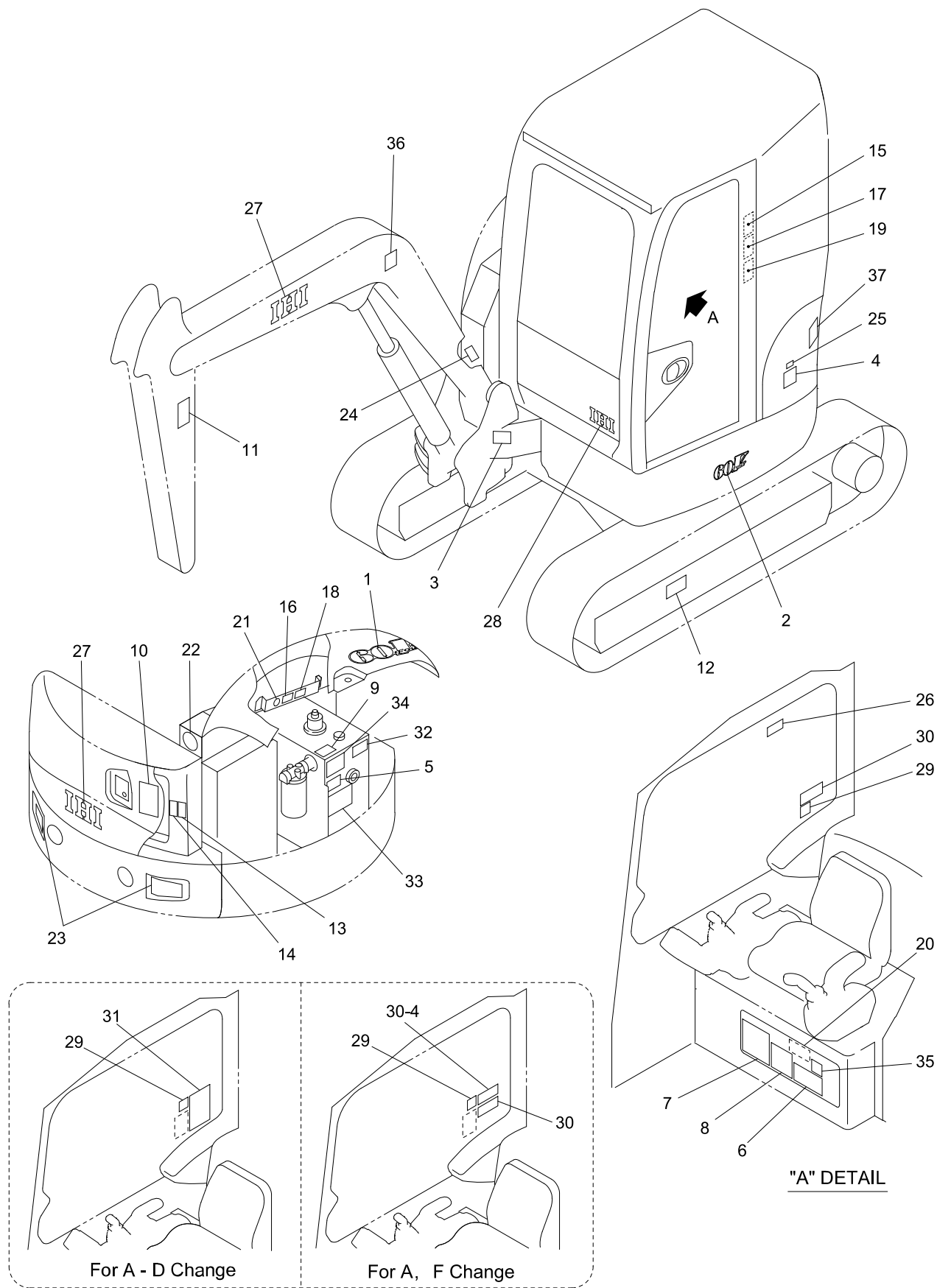
40V4-150900-1

| KEY No. | SU P. | PART No. | DESCRIPTION | Q'TY | CHAN | SERIAL No. | REMARKS |
|---------|-------|-------------|-------------------------------|------|------|------------|------------------|
| 0 | × | F355 231 00 | Heater Ass'y, Car | 1 | | WZ010001- | |
| 1 | | 0857 056 03 | *Heater, Car | 1 | | WZ010001- | |
| 2 | | D419 472 00 | *Bracket | 1 | | WZ010001- | |
| 3 | | D458 149 00 | *Cover | 1 | | WZ010001- | |
| 4 | | D465 358 00 | *Panel | 1 | | WZ010001- | |
| 5 | | 0820 023 16 | *Duct | 2 | | WZ010001- | |
| 6 | | 4070 102 40 | *Hose, Water | M | | WZ010001- | L=1030 |
| 7 | | 4070 102 41 | *Hose, Water | M | | WZ010001- | L=1400 |
| 8 | | 0710 503 02 | *Socket | 1 | | WZ010001- | |
| 9 | | 0729 910 35 | *Valve | 1 | | WZ010001- | |
| 10 | | 0690 083 05 | *Clamp, Hose | 4 | | WZ010001- | 17~25 |
| 11 | | 0518 100 20 | *Bolt, Treatment (W/L.W, F.W) | 8 | | WZ010001- | M10X20 P=1.25 |
| 12 | | 0438 060 16 | *Bolt, Treatment (W/L.W, F.W) | 6 | | WZ010001- | M6X16 |
| 13 | | 4550 726 00 | *Seal | M | | WZ010001- | L=400 |
| 14 | | D493 439 01 | *Panel, Sponge | 1 | | WZ010001- | |
| 15 | | 0820 067 05 | *Band, Cable | 2 | | WZ010001- | |
| 16 | | 0910 942 02 | *Grommet | 2 | | WZ010001- | |
| 17 | | 0820 803 06 | *Tube, Corrugate | M | | WZ010001- | L=200 |
| 18 | | 0820 803 06 | *Tube, Corrugate | M | | WZ010001- | L=600 |
| 19 | | 0858 314 34 | *Switch Ass'y, Heater | 1 | | WZ010001- | |
| 20 | | 4072 220 00 | *Nipple | 1 | | WZ010001- | |
| 21 | | D493 626 00 | *Panel, Sponge | 2 | | WZ010001- | |
| 22 | | D493 732 00 | *Panel, Sponge | 1 | | WZ010001- | |
| 23 | | D592 309 00 | *Harness | 1 | | WZ010001- | |
| 24 | | 0710 503 03 | *Socket | 1 | | WZ010001- | |
| 25 | | 0710 600 13 | *Nipple, Reducing | 1 | | WZ010001- | |
| 26 | | 0710 501 03 | *Socket | 1 | | WZ010001- | |
| 27 | | D407 820 00 | *Decal | 1 | | WZ010001- | |



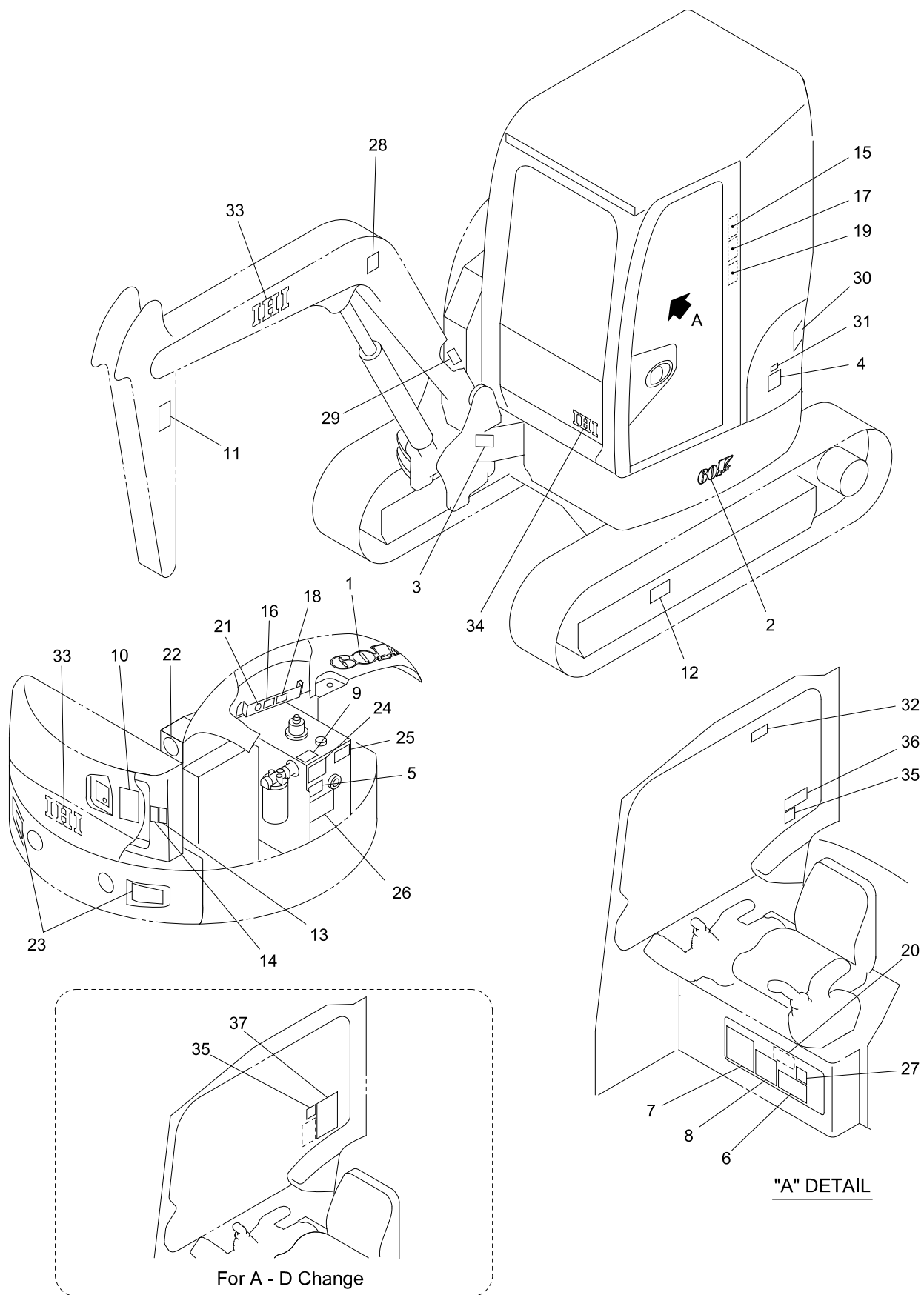
60V4-151000-1

| KEY No. | SU P. | PART No. | DESCRIPTION | Q'TY | CHAN | SERIAL No. | REMARKS |
|---------|-------|-------------|---------------------------------|------|------|------------|---------|
| 0 | × | F377 853 00 | Decal Ass'y | 1 | | WZ010001- | |
| 0-1 | × | F377 855 00 | Decal Ass'y | 1 | | WZ010001- | |
| 0-2 | × | F377 856 00 | Decal Ass'y | 1 | | WZ010001- | |
| 1 | | D408 409 00 | *Decal (Model) | 1 | | WZ010001- | |
| 2 | | D408 418 00 | *Decal (Model) | 1 | | WZ010001- | |
| 3 | × | D405 094 00 | *Decal (Serial No.) | 1 | | WZ010001- | |
| 3-1 | | 0497 035 00 | *Screw, Drive | 4 | | WZ010001- | d=3 |
| 4 | | D408 324 00 | *Decal (Oil) | 1 | | WZ010001- | |
| 5 | | D406 490 00 | *Decal (Oil Check) | 1 | | WZ010001- | |
| 6 | | D408 313 00 | *Decal (Lub. Chart) | 1 | | WZ010001- | |
| 7 | | 4447 479 00 | *Decal (Oil) | 1 | | WZ010001- | |
| 8 | | D408 325 00 | *Decal (Engine Daily Check) | 1 | | WZ010001- | |
| 9 | | D406 597 00 | *Decal (Safety Works) | 1 | | WZ010001- | |
| 10 | | D408 328 00 | *Decal (Tank Decompression) | 1 | | WZ010001- | |
| 11 | | D405 450 00 | *Decal (Safety Swing) | 1 | | WZ010001- | |
| 12 | | D405 454 00 | *Decal (Caution) | 2 | | WZ010001- | |
| 13 | | D405 455 00 | *Decal (Caution) | 2 | | WZ010001- | |
| 14 | | D405 424 00 | *Decal (Caution) | 1 | | WZ010001- | |
| 15 | | D405 452 00 | *Decal (Caution) | 1 | | WZ010001- | |
| 16 | | D405 332 00 | *Decal (Caution) | 1 | | WZ010001- | |
| 17 | | D405 462 00 | *Decal (Caution) | 1 | | WZ010001- | |
| 18 | | D405 451 00 | *Decal (Caution) | 1 | | WZ010001- | |
| 19 | | D405 463 00 | *Decal (Caution) | 1 | | WZ010001- | |
| 20 | | D405 449 00 | *Decal (Caution) | 1 | | WZ010001- | |
| 21 | | D405 373 00 | *Decal (Caution) | 1 | | WZ010001- | |
| 22 | | 4407 035 00 | *Decal (Anti-Freezing Solution) | 1 | | WZ010001- | |
| 23 | | D406 631 00 | *Decal (Environment) | 1 | | WZ010001- | |
| 24 | | D408 371 00 | *Decal (Reflector) | 2 | | WZ010001- | |
| 25 | | D407 943 00 | *Decal (EPA Regulation) | 1 | | WZ010001- | |
| 26 | | D405 453 00 | *Decal (Caution) | 1 | | WZ010001- | |
| 27 | | D408 402 00 | *Decal (IHI) | 3 | | WZ010001- | |
| 28 | | D408 403 00 | *Decal (IHI) | 1 | | WZ010001- | |
| 29 | | D406 630 00 | *Decal (Blade, Pedal) | 1 | | WZ010001- | |
| 30 | | D406 622 00 | *Decal (Control A) | 1 | | WZ010001- | |
| 30-1 | | D406 623 00 | *Decal (Control B) | 1 | | WZ010001- | |
| 30-2 | | D406 624 00 | *Decal (Control C) | 1 | | WZ010001- | |
| 30-3 | | D406 625 00 | *Decal (Control D) | 1 | | WZ010001- | |
| 30-4 | | D406 627 00 | *Decal (Control G) | 1 | | WZ010001- | |
| 31 | | D406 628 00 | *Decal (Control A-D) | 1 | | WZ010001- | |
| 32 | | D406 629 00 | *Decal (Control A, B, G) | 1 | | WZ010001- | |
| 33 | | D408 319 00 | *Decal (Specification) | 1 | | WZ010001- | |
| 34 | | D408 321 00 | *Decal (Bucket Specification) | 1 | | WZ010001- | |
| 35 | | 4447 874 00 | *Decal (Spare Piping Change) | 1 | | WZ010001- | |
| 36 | | 4447 653 00 | *Decal (Breaker Cation) | 1 | | WZ010001- | |
| 37 | | D407 056 00 | *Decal (Spare Pedal) | 1 | | WZ010001- | |



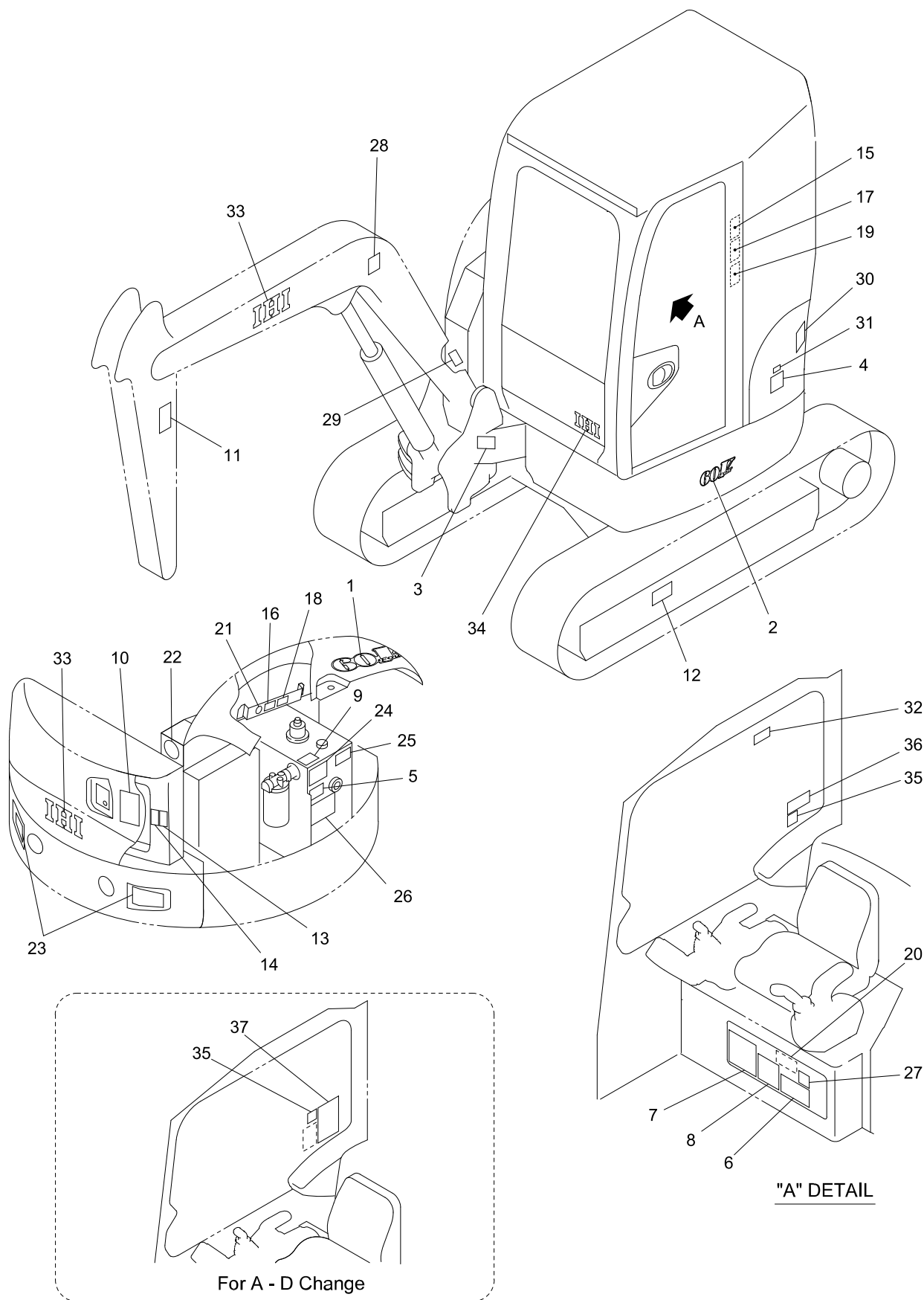
60V4-15100A-1

| KEY No. | SU P. | PART No. | DESCRIPTION | Q'TY | CHAN | SERIAL No. | REMARKS |
|---------|-------|-------------|---------------------------------|------|------|------------|---------|
| 0 | × | F377 853 00 | Decal Ass'y | 1 | | WZ010001- | |
| 0-1 | × | F377 855 00 | Decal Ass'y | 1 | | WZ010001- | |
| 1 | | D408 409 00 | *Decal (Model) | 1 | | WZ010001- | |
| 2 | | D408 418 00 | *Decal (Model) | 1 | | WZ010001- | |
| 3 | × | D405 094 00 | *Decal (Serial No.) | 1 | | WZ010001- | |
| 3-1 | × | D405 091 00 | *Decal (Serial No.) (CE) | 1 | | WZ010001- | |
| 3-2 | | 0497 035 00 | *Screw, Drive | 4 | | WZ010001- | d=3 |
| 4 | | 4407 974 00 | *Decal (Oil) | 1 | | WZ010001- | |
| 5 | | D406 504 00 | *Decal (Oil Check) | 1 | | WZ010001- | |
| 6 | | D408 355 00 | *Decal (Lub. Chart) | 1 | | WZ010001- | |
| 7 | | D408 326 00 | *Decal (Engine Daily Check) | 1 | | WZ010001- | |
| 8 | | 4406 458 00 | *Decal (Safety Works) | 1 | | WZ010001- | |
| 9 | | D408 424 00 | *Decal (Tank Decompression) | 1 | | WZ010001- | |
| 10 | | D405 507 00 | *Decal (Safety Swing) | 1 | | WZ010001- | |
| 11 | | D405 511 00 | *Decal (Caution) | 2 | | WZ010001- | |
| 12 | | D405 505 00 | *Decal (Caution) | 2 | | WZ010001- | |
| 13 | | D405 366 00 | *Decal (Caution) | 1 | | WZ010001- | |
| 14 | | D405 509 00 | *Decal (Caution) | 1 | | WZ010001- | |
| 15 | | D405 359 00 | *Decal (Caution) | 1 | | WZ010001- | |
| 16 | | D405 503 00 | *Decal (Caution) | 1 | | WZ010001- | |
| 17 | | D405 508 00 | *Decal (Caution) | 1 | | WZ010001- | |
| 18 | | D405 504 00 | *Decal (Caution) | 1 | | WZ010001- | |
| 19 | | D405 506 00 | *Decal (Caution) | 1 | | WZ010001- | |
| 20 | | D405 323 00 | *Decal (Caution) | 1 | | WZ010001- | |
| 21 | | 4407 035 00 | *Decal (Anti-Freezing Solution) | 1 | | WZ010001- | |
| 22 | | D406 783 00 | *Decal (Environment) | 1 | | WZ010001- | |
| 23 | | D408 371 00 | *Decal (Reflector) | 2 | | WZ010001- | |
| 24 | × | D405 097 00 | *Decal (New Machine) | 1 | | WZ010001- | |
| 25 | | D407 943 00 | *Decal (EPA Regulation) | 1 | | WZ010001- | |
| 26 | | D405 510 00 | *Decal (Caution) | 1 | | WZ010001- | |
| 27 | | D408 402 00 | *Decal (IHI) | 3 | | WZ010001- | |
| 28 | | D408 403 00 | *Decal (IHI) | 1 | | WZ010001- | |
| 29 | | D406 630 00 | *Decal (Blade, Pedal) | 1 | | WZ010001- | |
| 30 | | D406 622 00 | *Decal (Control A) | 1 | | WZ010001- | |
| 30-1 | | D406 623 00 | *Decal (Control B) | 1 | | WZ010001- | |
| 30-2 | | D406 624 00 | *Decal (Control C) | 1 | | WZ010001- | |
| 30-3 | | D406 625 00 | *Decal (Control D) | 1 | | WZ010001- | |
| 30-4 | | D406 626 00 | *Decal (Control F) | 1 | | WZ010001- | |
| 31 | | D406 628 00 | *Decal (Control A-D) | 1 | | WZ010001- | |
| 32 | | 4448 651 00 | *Decal (Spare Piping Change) | 1 | | WZ010001- | |
| 33 | | 4447 857 00 | *Decal (Breaker Cation) | 1 | | WZ010001- | |
| 34 | | D408 322 00 | *Decal (Boom Lowering)(CE) | 1 | | WZ010001- | |
| 35 | | 4448 474 00 | *Decal (Transport Fix)(CE) | 1 | | WZ010001- | |
| 36 | | D408 347 00 | *Decal (Lifting Procedures)(CE) | 1 | | WZ010001- | |
| 37 | | D406 032 00 | *Decal (Noise 97)(CE) | 1 | | WZ010001- | |



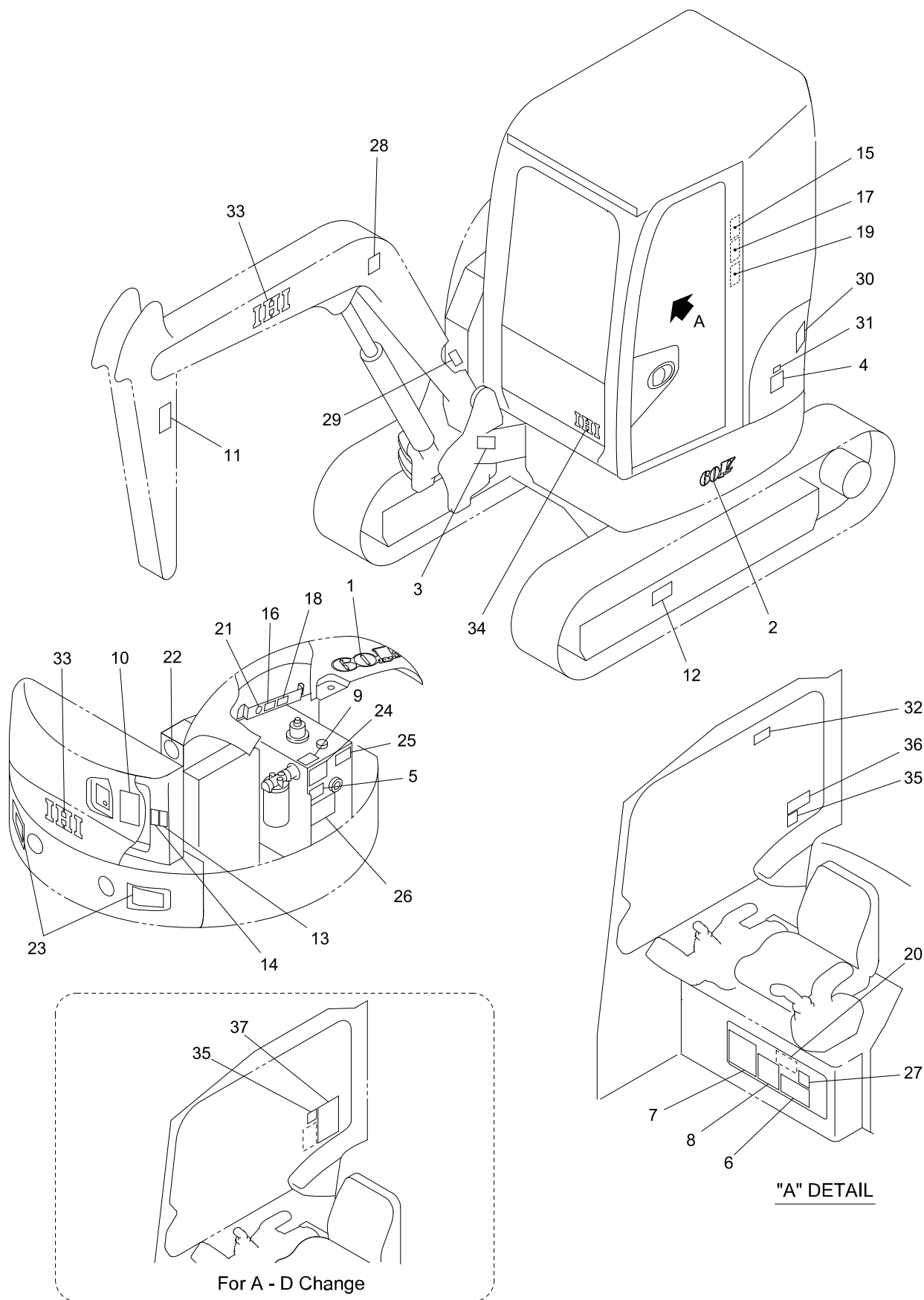
60V4-15100B-1

| KEY No. | SU P. | PART No. | DESCRIPTION | Q'TY | CHAN | SERIAL No. | REMARKS |
|---------|-------|-------------|---------------------------------|------|------|------------|---------|
| 0 | × | F377 853 00 | Decal Ass'y | 1 | | WZ010001- | |
| 0-1 | × | F377 855 00 | Decal Ass'y | 1 | | WZ010001- | |
| 1 | | D408 409 00 | *Decal (Model) | 1 | | WZ010001- | |
| 2 | | D408 418 00 | *Decal (Model) | 1 | | WZ010001- | |
| 3 | × | D405 091 00 | *Decal (Serial No.) | 1 | | WZ010001- | |
| 3-1 | | 0497 035 00 | *Screw, Drive | 4 | | WZ010001- | d=3 |
| 4 | | 4405 457 00 | *Decal (Oil) | 1 | | WZ010001- | |
| 5 | | D406 558 00 | *Decal (Oil Check) | 1 | | WZ010001- | |
| 6 | | D408 360 00 | *Decal (Lub. Chart) | 1 | | WZ010001- | |
| 7 | | D408 332 00 | *Decal (Engine Daily Check) | 1 | | WZ010001- | |
| 8 | | 4448 584 00 | *Decal (Safety Works) | 1 | | WZ010001- | |
| 9 | | D408 429 00 | *Decal (Tank Decompression) | 1 | | WZ010001- | |
| 10 | | D405 507 00 | *Decal (Safety Swing) | 1 | | WZ010001- | |
| 11 | | D405 511 00 | *Decal (Caution) | 2 | | WZ010001- | |
| 12 | | D405 505 00 | *Decal (Caution) | 2 | | WZ010001- | |
| 13 | | D405 366 00 | *Decal (Caution) | 1 | | WZ010001- | |
| 14 | | D405 509 00 | *Decal (Caution) | 1 | | WZ010001- | |
| 15 | | D405 359 00 | *Decal (Caution) | 1 | | WZ010001- | |
| 16 | | D405 503 00 | *Decal (Caution) | 1 | | WZ010001- | |
| 17 | | D405 508 00 | *Decal (Caution) | 1 | | WZ010001- | |
| 18 | | D405 504 00 | *Decal (Caution) | 1 | | WZ010001- | |
| 19 | | D405 506 00 | *Decal (Caution) | 1 | | WZ010001- | |
| 20 | | D405 559 00 | *Decal (Caution) | 1 | | WZ010001- | |
| 21 | | 4448 573 00 | *Decal (Anti-Freezing Solution) | 1 | | WZ010001- | |
| 22 | | D406 783 00 | *Decal (Environment) | 1 | | WZ010001- | |
| 23 | | D408 371 00 | *Decal (Reflector) | 2 | | WZ010001- | |
| 24 | | D408 338 00 | *Decal (Boom Lowering) | 1 | | WZ010001- | |
| 25 | | 4449 003 00 | *Decal (Spare Piping Change) | 1 | | WZ010001- | |
| 26 | | 4448 587 00 | *Decal (Breaker Cation) | 1 | | WZ010001- | |
| 27 | | 4448 562 00 | *Decal (Transport Fix) | 1 | | WZ010001- | |
| 28 | | D408 352 00 | *Decal (Lifting Procedures) | 1 | | WZ010001- | |
| 29 | × | D405 097 00 | *Decal (New Machine) | 1 | | WZ010001- | |
| 30 | | D406 032 00 | *Decal (Noise 97) | 1 | | WZ010001- | |
| 31 | | D407 943 00 | *Decal (EPA Regulation) | 1 | | WZ010001- | |
| 32 | | D405 510 00 | *Decal (Caution) | 1 | | WZ010001- | |
| 33 | | D408 402 00 | *Decal (IHI) | 3 | | WZ010001- | |
| 34 | | D408 403 00 | *Decal (IHI) | 1 | | WZ010001- | |
| 35 | | D406 630 00 | *Decal (Blade, Pedal) | 1 | | WZ010001- | |
| 36 | | D406 622 00 | *Decal (Control A) | 1 | | WZ010001- | |
| 36-1 | | D406 623 00 | *Decal (Control B) | 1 | | WZ010001- | |
| 36-2 | | D406 624 00 | *Decal (Control C) | 1 | | WZ010001- | |
| 36-3 | | D406 625 00 | *Decal (Control D) | 1 | | WZ010001- | |
| 37 | | D406 628 00 | *Decal (Control A-D) | 1 | | WZ010001- | |



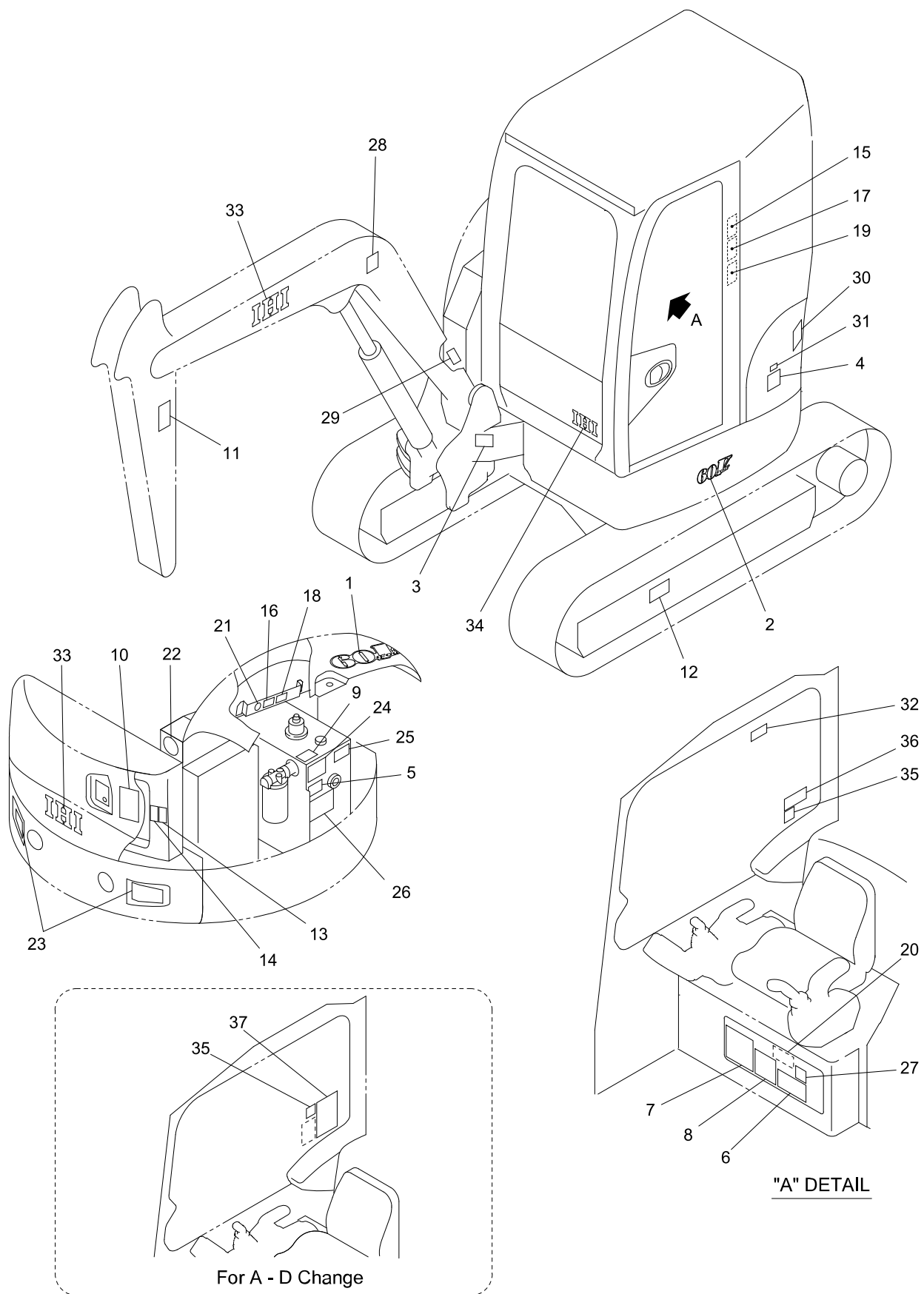
60V4-15100B-1

| KEY No. | SU P. | PART No. | DESCRIPTION | Q'TY | CHAN | SERIAL No. | REMARKS |
|---------|-------|-------------|---------------------------------|------|------|------------|---------|
| 0 | × | F377 853 00 | Decal Ass'y | 1 | | WZ010001- | |
| 0-1 | × | F377 855 00 | Decal Ass'y | 1 | | WZ010001- | |
| 1 | | D408 409 00 | *Decal (Model) | 1 | | WZ010001- | |
| 2 | | D408 418 00 | *Decal (Model) | 1 | | WZ010001- | |
| 3 | × | D405 091 00 | *Decal (Serial No.) | 1 | | WZ010001- | |
| 3-1 | | 0497 035 00 | *Screw, Drive | 4 | | WZ010001- | d=3 |
| 4 | | 4407 974 00 | *Decal (Oil) | 1 | | WZ010001- | |
| 5 | | D406 554 00 | *Decal (Oil Check) | 1 | | WZ010001- | |
| 6 | | D408 356 00 | *Decal (Lub. Chart) | 1 | | WZ010001- | |
| 7 | | D408 327 00 | *Decal (Engine Daily Check) | 1 | | WZ010001- | |
| 8 | | 4406 714 00 | *Decal (Safety Works) | 1 | | WZ010001- | |
| 9 | | D408 425 00 | *Decal (Tank Decompression) | 1 | | WZ010001- | |
| 10 | | D405 507 00 | *Decal (Safety Swing) | 1 | | WZ010001- | |
| 11 | | D405 511 00 | *Decal (Caution) | 2 | | WZ010001- | |
| 12 | | D405 505 00 | *Decal (Caution) | 2 | | WZ010001- | |
| 13 | | D405 366 00 | *Decal (Caution) | 1 | | WZ010001- | |
| 14 | | D405 509 00 | *Decal (Caution) | 1 | | WZ010001- | |
| 15 | | D405 359 00 | *Decal (Caution) | 1 | | WZ010001- | |
| 16 | | D405 503 00 | *Decal (Caution) | 1 | | WZ010001- | |
| 17 | | D405 508 00 | *Decal (Caution) | 1 | | WZ010001- | |
| 18 | | D405 504 00 | *Decal (Caution) | 1 | | WZ010001- | |
| 19 | | D405 506 00 | *Decal (Caution) | 1 | | WZ010001- | |
| 20 | | D405 575 00 | *Decal (Caution) | 1 | | WZ010001- | |
| 20-1 | | D408 437 00 | *Decal (Capacities Table) | 1 | | WZ010001- | |
| 21 | | 4406 710 00 | *Decal (Anti-Freezing Solution) | 1 | | WZ010001- | |
| 22 | | D406 783 00 | *Decal (Environment) | 1 | | WZ010001- | |
| 23 | | D408 371 00 | *Decal (Reflector) | 2 | | WZ010001- | |
| 24 | | D408 334 00 | *Decal (Boom Lowering) | 1 | | WZ010001- | |
| 25 | | 4448 687 00 | *Decal (Spare Piping Change) | 1 | | WZ010001- | |
| 26 | | 4447 996 00 | *Decal (Breaker Cation) | 1 | | WZ010001- | |
| 27 | | 4448 542 00 | *Decal (Transport Fix) | 1 | | WZ010001- | |
| 28 | | D408 348 00 | *Decal (Lifting Procedures) | 1 | | WZ010001- | |
| 29 | × | D405 097 00 | *Decal (New Machine) | 1 | | WZ010001- | |
| 30 | | D406 032 00 | *Decal (Noise 97) | 1 | | WZ010001- | |
| 31 | | D407 943 00 | *Decal (EPA Regulation) | 1 | | WZ010001- | |
| 32 | | D405 510 00 | *Decal (Caution) | 1 | | WZ010001- | |
| 33 | | D408 402 00 | *Decal (IHI) | 3 | | WZ010001- | |
| 34 | | D408 403 00 | *Decal (IHI) | 1 | | WZ010001- | |
| 35 | | D406 630 00 | *Decal (Blade, Pedal) | 1 | | WZ010001- | |
| 36 | | D406 622 00 | *Decal (Control A) | 1 | | WZ010001- | |
| 36-1 | | D406 623 00 | *Decal (Control B) | 1 | | WZ010001- | |
| 36-2 | | D406 624 00 | *Decal (Control C) | 1 | | WZ010001- | |
| 36-3 | | D406 625 00 | *Decal (Control D) | 1 | | WZ010001- | |
| 37 | | D406 628 00 | *Decal (Control A-D) | 1 | | WZ010001- | |



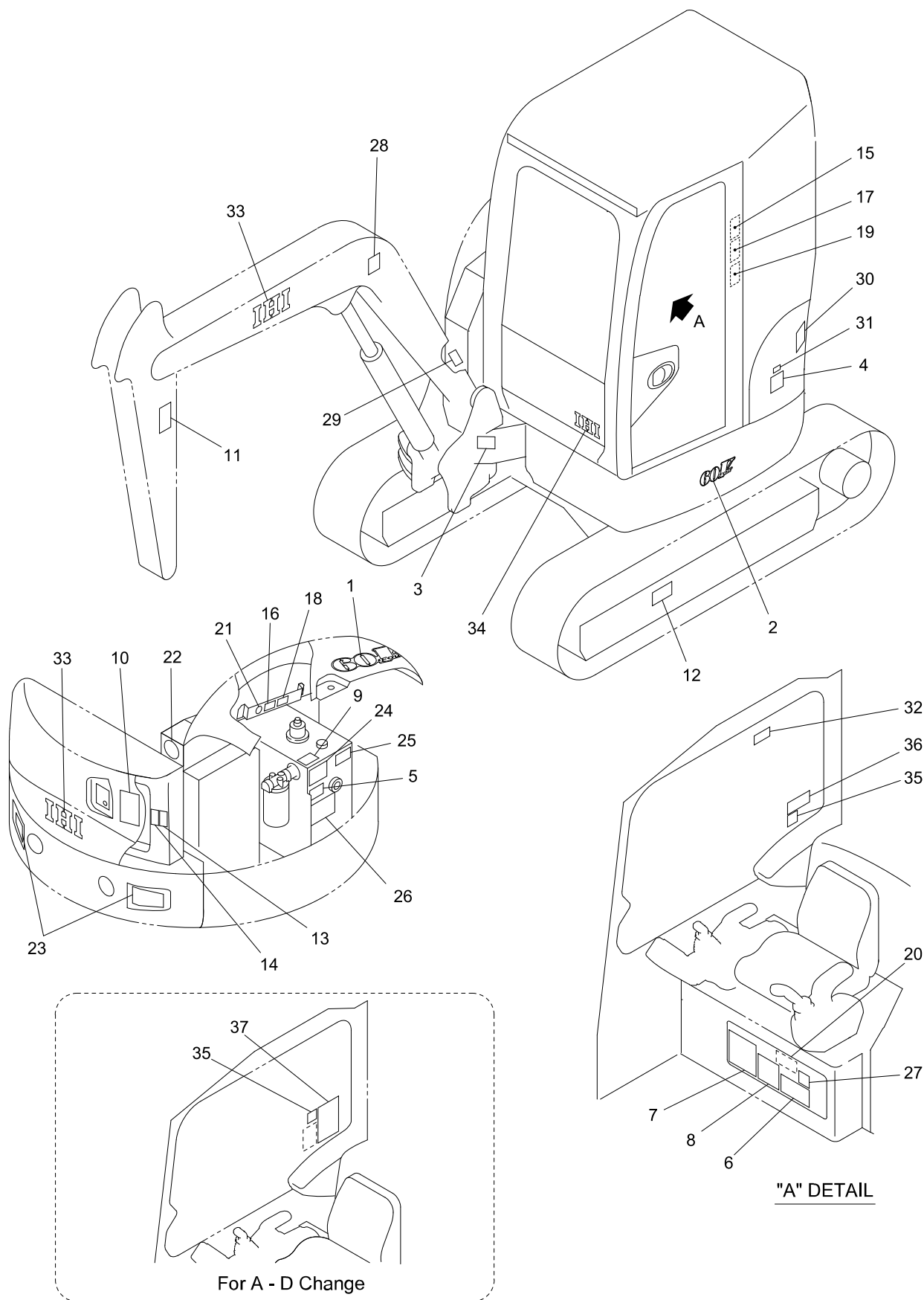
60V4-15100B-1

| KEY No. | SU P. | PART No. | DESCRIPTION | Q'TY | CHAN | SERIAL No. | REMARKS |
|---------|-------|-------------|---------------------------------|------|------|------------|---------|
| 0 | × | F377 853 00 | Decal Ass'y | 1 | | WZ010001- | |
| 0-1 | × | F377 855 00 | Decal Ass'y | 1 | | WZ010001- | |
| 1 | | D408 409 00 | *Decal (Model) | 1 | | WZ010001- | |
| 2 | | D408 418 00 | *Decal (Model) | 1 | | WZ010001- | |
| 3 | × | D405 091 00 | *Decal (Serial No.) | 1 | | WZ010001- | |
| 3-1 | | 0497 035 00 | *Screw, Drive | 4 | | WZ010001- | d=3 |
| 4 | | 4405 457 00 | *Decal (Oil) | 1 | | WZ010001- | |
| 5 | | D406 550 00 | *Decal (Oil Check) | 1 | | WZ010001- | |
| 6 | | D408 357 00 | *Decal (Lub. Chart) | 1 | | WZ010001- | |
| 7 | | D408 329 00 | *Decal (Engine Daily Check) | 1 | | WZ010001- | |
| 8 | | 4405 451 00 | *Decal (Safety Works) | 1 | | WZ010001- | |
| 9 | | D408 426 00 | *Decal (Tank Decompression) | 1 | | WZ010001- | |
| 10 | | D405 507 00 | *Decal (Safety Swing) | 1 | | WZ010001- | |
| 11 | | D405 511 00 | *Decal (Caution) | 2 | | WZ010001- | |
| 12 | | D405 505 00 | *Decal (Caution) | 2 | | WZ010001- | |
| 13 | | D405 366 00 | *Decal (Caution) | 1 | | WZ010001- | |
| 14 | | D405 509 00 | *Decal (Caution) | 1 | | WZ010001- | |
| 15 | | D405 359 00 | *Decal (Caution) | 1 | | WZ010001- | |
| 16 | | D405 503 00 | *Decal (Caution) | 1 | | WZ010001- | |
| 17 | | D405 508 00 | *Decal (Caution) | 1 | | WZ010001- | |
| 18 | | D405 504 00 | *Decal (Caution) | 1 | | WZ010001- | |
| 19 | | D405 506 00 | *Decal (Caution) | 1 | | WZ010001- | |
| 20 | | D405 571 00 | *Decal (Caution) | 1 | | WZ010001- | |
| 21 | | 4405 456 00 | *Decal (Anti-Freezing Solution) | 1 | | WZ010001- | |
| 22 | | D406 783 00 | *Decal (Environment) | 1 | | WZ010001- | |
| 23 | | D408 371 00 | *Decal (Reflector) | 2 | | WZ010001- | |
| 24 | | D408 335 00 | *Decal (Boom Lowering) | 1 | | WZ010001- | |
| 25 | | 4448 944 00 | *Decal (Spare Piping Change) | 1 | | WZ010001- | |
| 26 | | 4447 925 00 | *Decal (Breaker Cation) | 1 | | WZ010001- | |
| 27 | | 4448 511 00 | *Decal (Transport Fix) | 1 | | WZ010001- | |
| 28 | | D408 349 00 | *Decal (Lifting Procedures) | 1 | | WZ010001- | |
| 29 | × | D405 097 00 | *Decal (New Machine) | 1 | | WZ010001- | |
| 30 | | D406 032 00 | *Decal (Noise 97) | 1 | | WZ010001- | |
| 31 | | D407 943 00 | *Decal (EPA Regulation) | 1 | | WZ010001- | |
| 32 | | D405 510 00 | *Decal (Caution) | 1 | | WZ010001- | |
| 33 | | D408 402 00 | *Decal (IHI) | 3 | | WZ010001- | |
| 34 | | D408 403 00 | *Decal (IHI) | 1 | | WZ010001- | |
| 35 | | D406 630 00 | *Decal (Blade, Pedal) | 1 | | WZ010001- | |
| 36 | | D406 622 00 | *Decal (Control A) | 1 | | WZ010001- | |
| 36-1 | | D406 623 00 | *Decal (Control B) | 1 | | WZ010001- | |
| 36-2 | | D406 624 00 | *Decal (Control C) | 1 | | WZ010001- | |
| 36-3 | | D406 625 00 | *Decal (Control D) | 1 | | WZ010001- | |
| 37 | | D406 628 00 | *Decal (Control A-D) | 1 | | WZ010001- | |



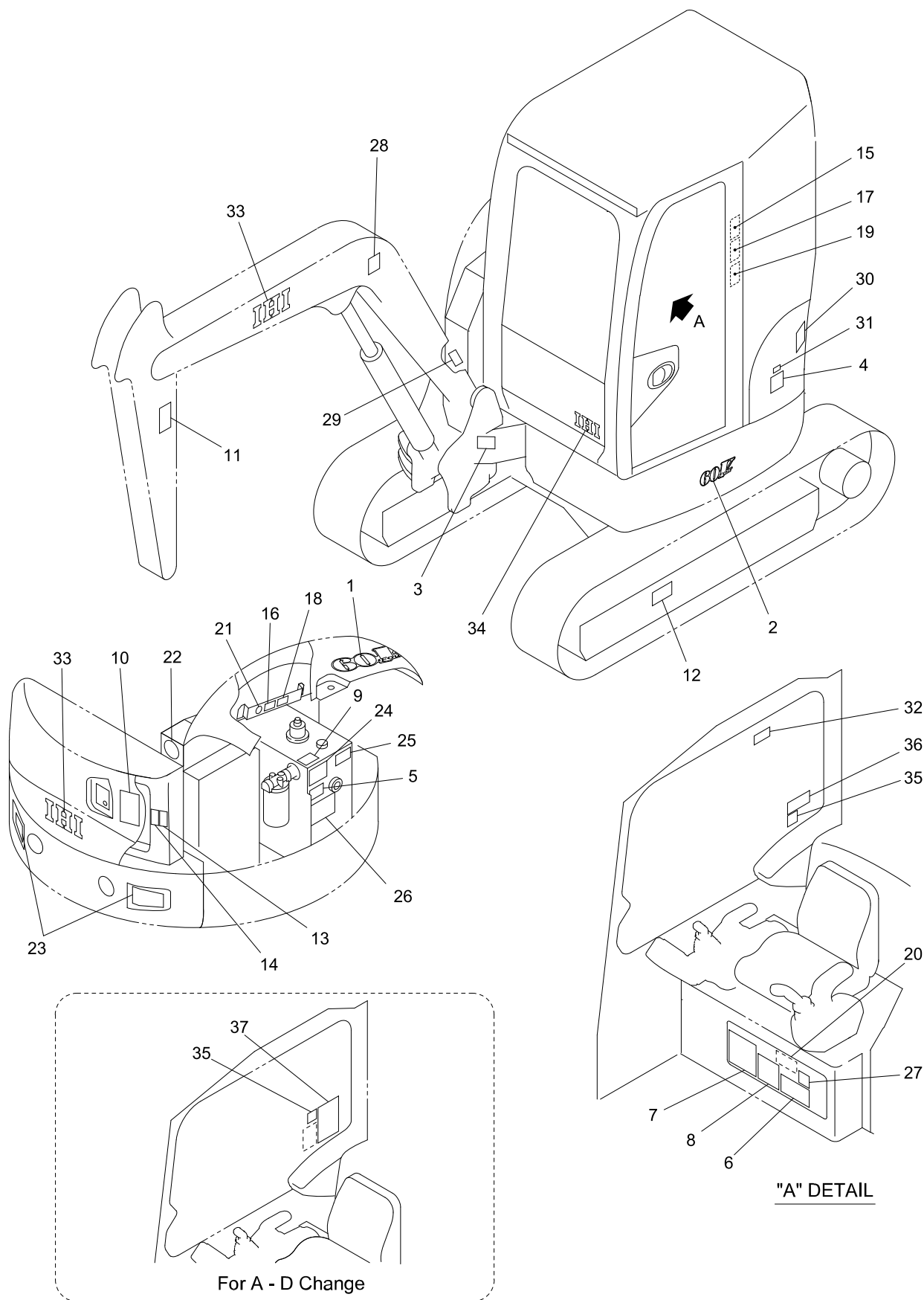
60V4-15100B-1

| KEY No. | SU P. | PART No. | DESCRIPTION | Q'TY | CHAN | SERIAL No. | REMARKS |
|---------|-------|-------------|---------------------------------|------|------|------------|---------|
| 0 | × | F377 853 00 | Decal Ass'y | 1 | | WZ010001- | |
| 0-1 | × | F377 855 00 | Decal Ass'y | 1 | | WZ010001- | |
| 1 | | D408 409 00 | *Decal (Model) | 1 | | WZ010001- | |
| 2 | | D408 418 00 | *Decal (Model) | 1 | | WZ010001- | |
| 3 | × | D405 091 00 | *Decal (Serial No.) | 1 | | WZ010001- | |
| 3-1 | | 0497 035 00 | *Screw, Drive | 4 | | WZ010001- | d=3 |
| 4 | | 4405 457 00 | *Decal (Oil) | 1 | | WZ010001- | |
| 5 | | D406 565 00 | *Decal (Oil Check) | 1 | | WZ010001- | |
| 6 | | D408 358 00 | *Decal (Lub. Chart) | 1 | | WZ010001- | |
| 7 | | D408 330 00 | *Decal (Engine Daily Check) | 1 | | WZ010001- | |
| 8 | | D407 017 00 | *Decal (Safety Works) | 1 | | WZ010001- | |
| 9 | | D408 427 00 | *Decal (Tank Decompression) | 1 | | WZ010001- | |
| 10 | | D405 507 00 | *Decal (Safety Swing) | 1 | | WZ010001- | |
| 11 | | D405 511 00 | *Decal (Caution) | 2 | | WZ010001- | |
| 12 | | D405 505 00 | *Decal (Caution) | 2 | | WZ010001- | |
| 13 | | D405 366 00 | *Decal (Caution) | 1 | | WZ010001- | |
| 14 | | D405 509 00 | *Decal (Caution) | 1 | | WZ010001- | |
| 15 | | D405 359 00 | *Decal (Caution) | 1 | | WZ010001- | |
| 16 | | D405 503 00 | *Decal (Caution) | 1 | | WZ010001- | |
| 17 | | D405 508 00 | *Decal (Caution) | 1 | | WZ010001- | |
| 18 | | D405 504 00 | *Decal (Caution) | 1 | | WZ010001- | |
| 19 | | D405 506 00 | *Decal (Caution) | 1 | | WZ010001- | |
| 20 | | D405 587 00 | *Decal (Caution) | 1 | | WZ010001- | |
| 21 | | 4447 229 00 | *Decal (Anti-Freezing Solution) | 1 | | WZ010001- | |
| 22 | | D406 783 00 | *Decal (Environment) | 1 | | WZ010001- | |
| 23 | | D408 371 00 | *Decal (Reflector) | 2 | | WZ010001- | |
| 24 | | D408 336 00 | *Decal (Boom Lowering) | 1 | | WZ010001- | |
| 25 | | D405 256 00 | *Decal (Spare Piping Change) | 1 | | WZ010001- | |
| 26 | | 4448 350 00 | *Decal (Breaker Cation) | 1 | | WZ010001- | |
| 27 | | D405 059 00 | *Decal (Transport Fix) | 1 | | WZ010001- | |
| 28 | | D408 350 00 | *Decal (Lifting Procedures) | 1 | | WZ010001- | |
| 29 | × | D405 097 00 | *Decal (New Machine) | 1 | | WZ010001- | |
| 30 | | D406 032 00 | *Decal (Noise 97) | 1 | | WZ010001- | |
| 31 | | D407 943 00 | *Decal (EPA Regulation) | 1 | | WZ010001- | |
| 32 | | D405 510 00 | *Decal (Caution) | 1 | | WZ010001- | |
| 33 | | D408 402 00 | *Decal (IHI) | 3 | | WZ010001- | |
| 34 | | D408 403 00 | *Decal (IHI) | 1 | | WZ010001- | |
| 35 | | D406 630 00 | *Decal (Blade, Pedal) | 1 | | WZ010001- | |
| 36 | | D406 622 00 | *Decal (Control A) | 1 | | WZ010001- | |
| 36-1 | | D406 623 00 | *Decal (Control B) | 1 | | WZ010001- | |
| 36-2 | | D406 624 00 | *Decal (Control C) | 1 | | WZ010001- | |
| 36-3 | | D406 625 00 | *Decal (Control D) | 1 | | WZ010001- | |
| 37 | | D406 628 00 | *Decal (Control A-D) | 1 | | WZ010001- | |



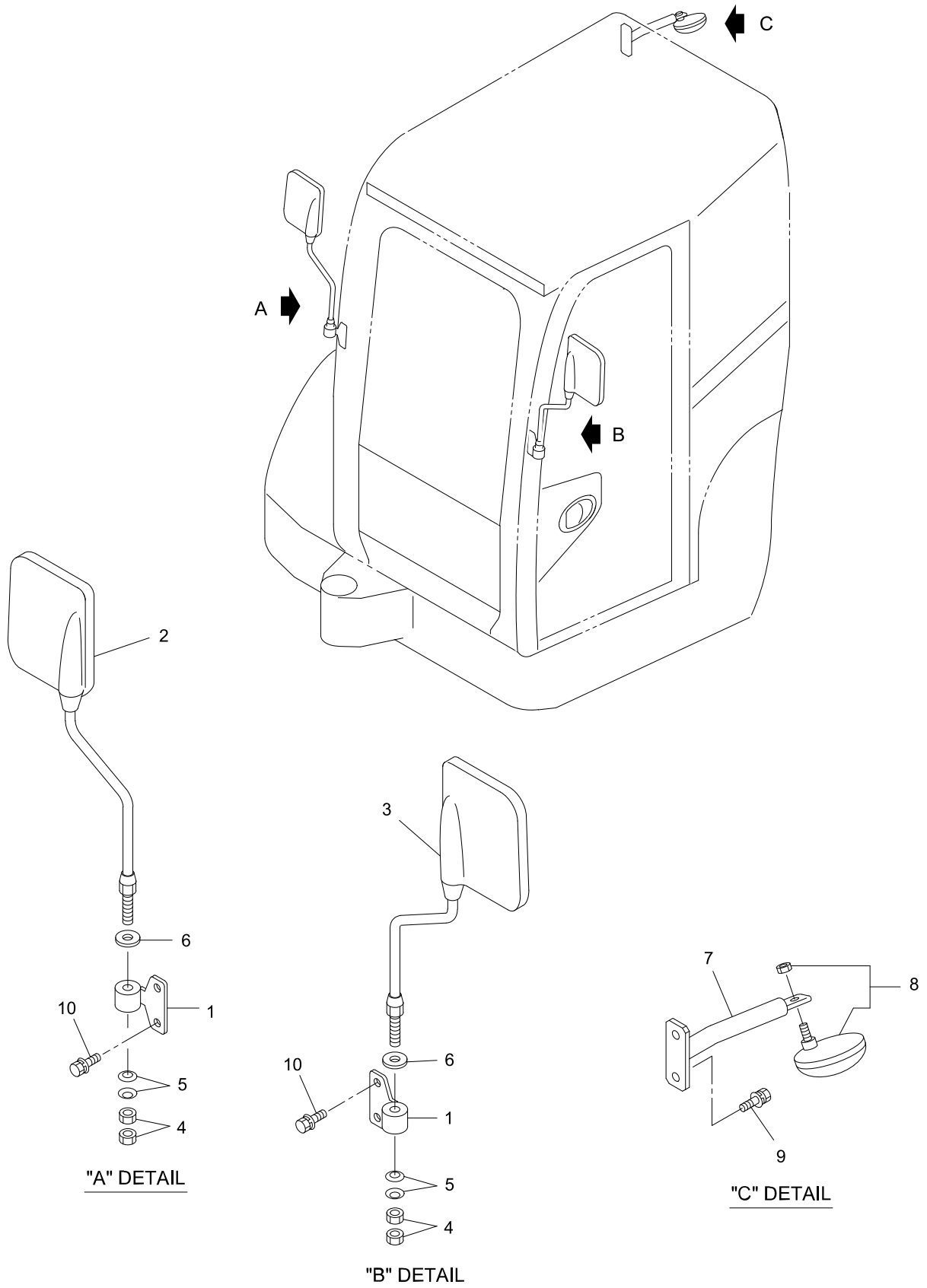
60V4-15100B-1

| KEY No. | SU P. | PART No. | DESCRIPTION | Q'TY | CHAN | SERIAL No. | REMARKS |
|---------|-------|-------------|---------------------------------|------|------|------------|---------|
| 0 | × | F377 853 00 | Decal Ass'y | 1 | | WZ010001- | |
| 0-1 | × | F377 855 00 | Decal Ass'y | 1 | | WZ010001- | |
| 1 | | D408 409 00 | *Decal (Model) | 1 | | WZ010001- | |
| 2 | | D408 418 00 | *Decal (Model) | 1 | | WZ010001- | |
| 3 | × | D405 091 00 | *Decal (Serial No.) | 1 | | WZ010001- | |
| 3-1 | | 0497 035 00 | *Screw, Drive | 4 | | WZ010001- | d=3 |
| 4 | | 4405 457 00 | *Decal (Oil) | 1 | | WZ010001- | |
| 5 | | D406 562 00 | *Decal (Oil Check) | 1 | | WZ010001- | |
| 6 | | D408 359 00 | *Decal (Lub. Chart) | 1 | | WZ010001- | |
| 7 | | D408 331 00 | *Decal (Engine Daily Check) | 1 | | WZ010001- | |
| 8 | | 4448 603 00 | *Decal (Safety Works) | 1 | | WZ010001- | |
| 9 | | D408 428 00 | *Decal (Tank Decompression) | 1 | | WZ010001- | |
| 10 | | D405 507 00 | *Decal (Safety Swing) | 1 | | WZ010001- | |
| 11 | | D405 511 00 | *Decal (Caution) | 2 | | WZ010001- | |
| 12 | | D405 505 00 | *Decal (Caution) | 2 | | WZ010001- | |
| 13 | | D405 366 00 | *Decal (Caution) | 1 | | WZ010001- | |
| 14 | | D405 509 00 | *Decal (Caution) | 1 | | WZ010001- | |
| 15 | | D405 359 00 | *Decal (Caution) | 1 | | WZ010001- | |
| 16 | | D405 503 00 | *Decal (Caution) | 1 | | WZ010001- | |
| 17 | | D405 508 00 | *Decal (Caution) | 1 | | WZ010001- | |
| 18 | | D405 504 00 | *Decal (Caution) | 1 | | WZ010001- | |
| 19 | | D405 506 00 | *Decal (Caution) | 1 | | WZ010001- | |
| 20 | | D405 594 00 | *Decal (Caution) | 1 | | WZ010001- | |
| 21 | | 4448 598 00 | *Decal (Anti-Freezing Solution) | 1 | | WZ010001- | |
| 22 | | D406 783 00 | *Decal (Environment) | 1 | | WZ010001- | |
| 23 | | D408 371 00 | *Decal (Reflector) | 2 | | WZ010001- | |
| 24 | | D408 337 00 | *Decal (Boom Lowering) | 1 | | WZ010001- | |
| 25 | | 4449 406 00 | *Decal (Spare Piping Change) | 1 | | WZ010001- | |
| 26 | | 4448 607 00 | *Decal (Breaker Cation) | 1 | | WZ010001- | |
| 27 | | 4448 619 00 | *Decal (Transport Fix) | 1 | | WZ010001- | |
| 28 | | D408 351 00 | *Decal (Lifting Procedures) | 1 | | WZ010001- | |
| 29 | × | D405 097 00 | *Decal (New Machine) | 1 | | WZ010001- | |
| 30 | | D406 032 00 | *Decal (Noise 97) | 1 | | WZ010001- | |
| 31 | | D407 943 00 | *Decal (EPA Regulation) | 1 | | WZ010001- | |
| 32 | | D405 510 00 | *Decal (Caution) | 1 | | WZ010001- | |
| 33 | | D408 402 00 | *Decal (IHI) | 3 | | WZ010001- | |
| 34 | | D408 403 00 | *Decal (IHI) | 1 | | WZ010001- | |
| 35 | | D406 630 00 | *Decal (Blade, Pedal) | 1 | | WZ010001- | |
| 36 | | D406 622 00 | *Decal (Control A) | 1 | | WZ010001- | |
| 36-1 | | D406 623 00 | *Decal (Control B) | 1 | | WZ010001- | |
| 36-2 | | D406 624 00 | *Decal (Control C) | 1 | | WZ010001- | |
| 36-3 | | D406 625 00 | *Decal (Control D) | 1 | | WZ010001- | |
| 37 | | D406 628 00 | *Decal (Control A-D) | 1 | | WZ010001- | |



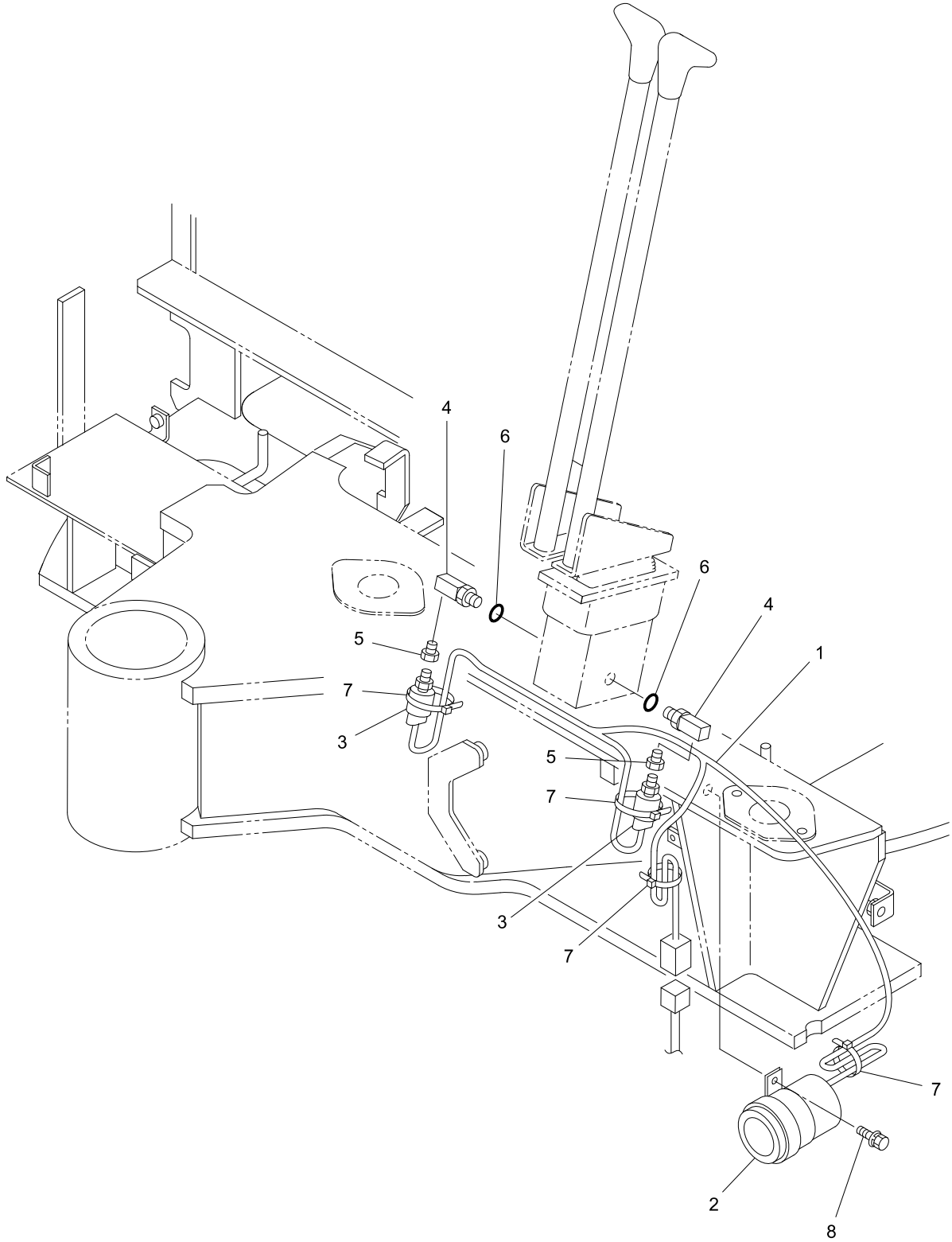
60V4-15100B-1

| KEY No. | SU P. | PART No. | DESCRIPTION | Q'TY | CHAN | SERIAL No. | REMARKS |
|---------|-------|-------------|---------------------------------|------|------|------------|---------|
| 0 | × | F377 853 00 | Decal Ass'y | 1 | | WZ010001- | |
| 0-1 | × | F377 855 00 | Decal Ass'y | 1 | | WZ010001- | |
| 1 | | D408 409 00 | *Decal (Model) | 1 | | WZ010001- | |
| 2 | | D408 418 00 | *Decal (Model) | 1 | | WZ010001- | |
| 3 | × | D405 091 00 | *Decal (Serial No.) | 1 | | WZ010001- | |
| 3-1 | | 0497 035 00 | *Screw, Drive | 4 | | WZ010001- | d=3 |
| 4 | | D406 000 00 | *Decal (Oil) | 1 | | WZ010001- | |
| 5 | | D406 811 00 | *Decal (Oil Check) | 1 | | WZ010001- | |
| 6 | | D408 361 00 | *Decal (Lub. Chart) | 1 | | WZ010001- | |
| 7 | | D408 333 00 | *Decal (Engine Daily Check) | 1 | | WZ010001- | |
| 8 | | D407 016 00 | *Decal (Safety Works) | 1 | | WZ010001- | |
| 9 | | D408 430 00 | *Decal (Tank Decompression) | 1 | | WZ010001- | |
| 10 | | D405 507 00 | *Decal (Safety Swing) | 1 | | WZ010001- | |
| 11 | | D405 511 00 | *Decal (Caution) | 2 | | WZ010001- | |
| 12 | | D405 505 00 | *Decal (Caution) | 2 | | WZ010001- | |
| 13 | | D405 366 00 | *Decal (Caution) | 1 | | WZ010001- | |
| 14 | | D405 509 00 | *Decal (Caution) | 1 | | WZ010001- | |
| 15 | | D405 359 00 | *Decal (Caution) | 1 | | WZ010001- | |
| 16 | | D405 503 00 | *Decal (Caution) | 1 | | WZ010001- | |
| 17 | | D405 508 00 | *Decal (Caution) | 1 | | WZ010001- | |
| 18 | | D405 504 00 | *Decal (Caution) | 1 | | WZ010001- | |
| 19 | | D405 506 00 | *Decal (Caution) | 1 | | WZ010001- | |
| 20 | | D406 005 00 | *Decal (Caution) | 1 | | WZ010001- | |
| 21 | | D406 012 00 | *Decal (Anti-Freezing Solution) | 1 | | WZ010001- | |
| 22 | | D406 783 00 | *Decal (Environment) | 1 | | WZ010001- | |
| 23 | | D408 371 00 | *Decal (Reflector) | 2 | | WZ010001- | |
| 24 | | D408 339 00 | *Decal (Boom Lowering) | 1 | | WZ010001- | |
| 25 | | D406 720 00 | *Decal (Spare Piping Change) | 1 | | WZ010001- | |
| 26 | | D406 002 00 | *Decal (Breaker Cation) | 1 | | WZ010001- | |
| 27 | | D406 007 00 | *Decal (Transport Fix) | 1 | | WZ010001- | |
| 28 | | D408 353 00 | *Decal (Lifting Procedures) | 1 | | WZ010001- | |
| 29 | × | D405 097 00 | *Decal (New Machine) | 1 | | WZ010001- | |
| 30 | | D406 032 00 | *Decal (Noise 97) | 1 | | WZ010001- | |
| 31 | | D407 943 00 | *Decal (EPA Regulation) | 1 | | WZ010001- | |
| 32 | | D405 510 00 | *Decal (Caution) | 1 | | WZ010001- | |
| 33 | | D408 402 00 | *Decal (IHI) | 3 | | WZ010001- | |
| 34 | | D408 403 00 | *Decal (IHI) | 1 | | WZ010001- | |
| 35 | | D406 630 00 | *Decal (Blade, Pedal) | 1 | | WZ010001- | |
| 36 | | D406 622 00 | *Decal (Control A) | 1 | | WZ010001- | |
| 36-1 | | D406 623 00 | *Decal (Control B) | 1 | | WZ010001- | |
| 36-2 | | D406 624 00 | *Decal (Control C) | 1 | | WZ010001- | |
| 36-3 | | D406 625 00 | *Decal (Control D) | 1 | | WZ010001- | |
| 37 | | D406 628 00 | *Decal (Control A-D) | 1 | | WZ010001- | |



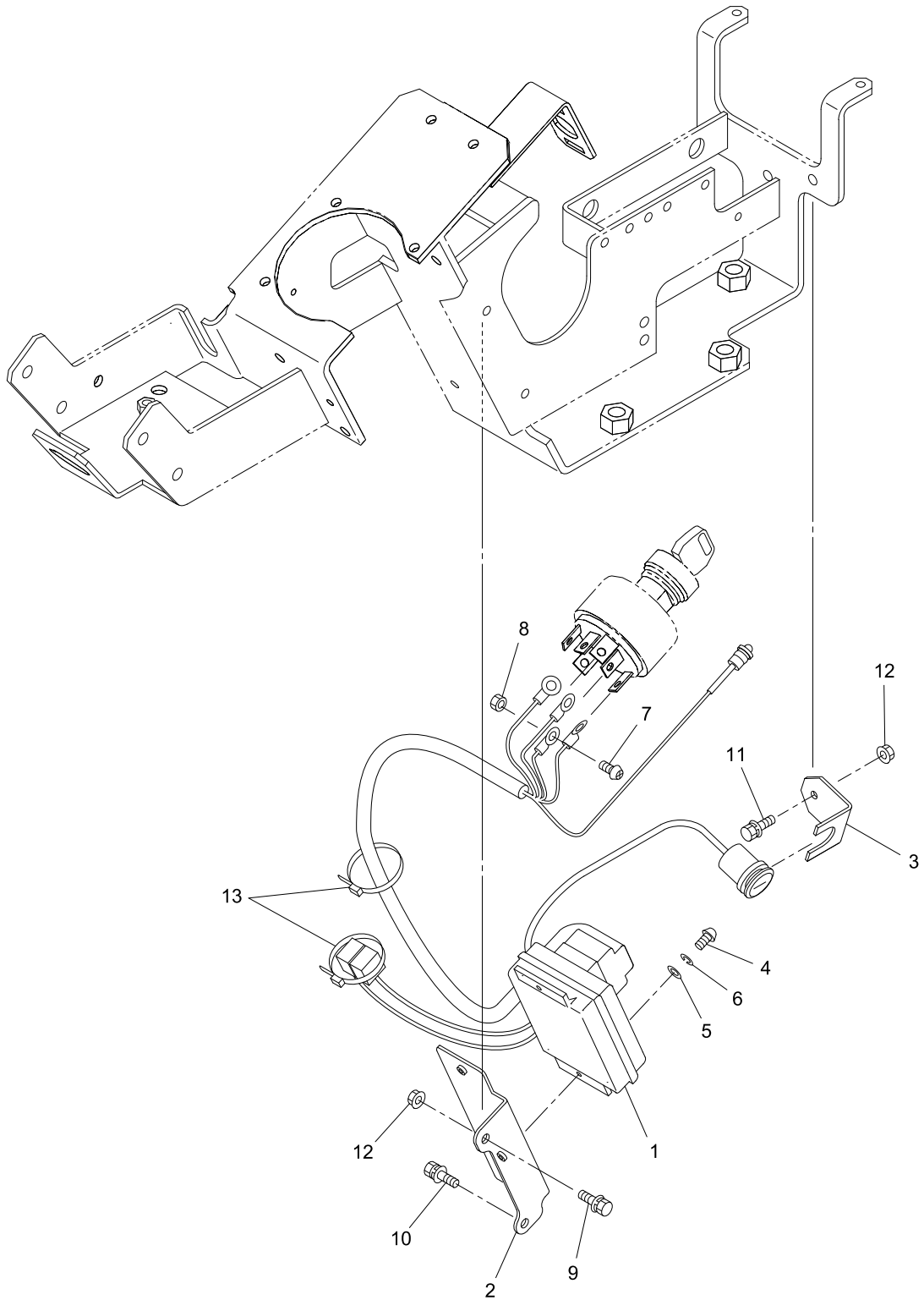
V4ALL-151100-1

| KEY No. | SU P. | PART No. | DESCRIPTION | Q'TY | CHAN | SERIAL No. | REMARKS |
|---------|-------|-------------|------------------------------|------|------|------------|------------------|
| 0 | × | F355 037 00 | Mirror Ass'y | 1 | | WZ010001- | |
| 1 | | D416 701 00 | *Bracket | 2 | | WZ010001- | |
| 2 | | 0699 901 12 | *Mirror, Back | 1 | | WZ010001- | |
| 3 | | 0699 901 13 | *Mirror, Back | 1 | | WZ010001- | |
| 4 | | 0580 120 00 | *Nut, Hex. | 4 | | WZ010001- | M12 |
| 5 | | 0491 800 12 | *Washer, Conical Spring | 4 | | WZ010001- | M12 |
| 6 | | 0593 120 00 | *Washer, Flat | 2 | | WZ010001- | M12 |
| 7 | | D260 381 00 | *Stay | 1 | | WZ010001- | |
| 8 | | 0690 203 08 | *Mirror, Under | 1 | | WZ010001- | |
| 9 | | 0439 100 25 | *Bolt, Treatment (W/L.W,F.W) | 2 | | WZ010001- | M10X25 P=1.25 |
| 10 | | 0439 100 20 | *Bolt, Treatment (W/L.W,F.W) | 4 | | WZ010001- | M10X20 P=1.25 |



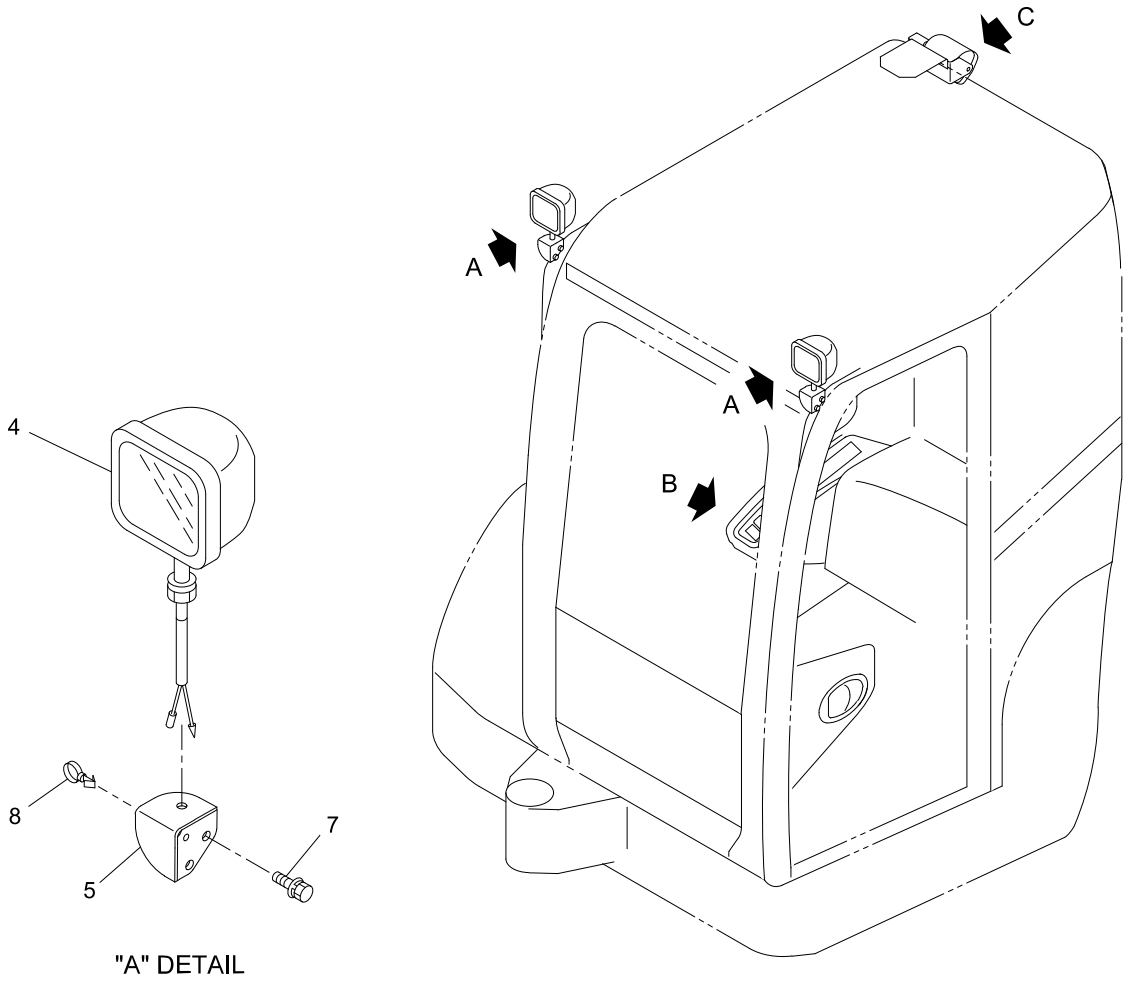
40V4-151200-1

| KEY No. | SU P. | PART No. | DESCRIPTION | Q'TY | CHAN | SERIAL No. | REMARKS |
|---------|-------|-------------|-------------------------------|------|------|------------|-------------|
| 0 | × | F432 277 00 | Alarm Device, Travvel | 1 | | WZ010001- | |
| 1 | | D592 161 00 | *Harness | 1 | | WZ010001- | |
| 2 | | 0857 011 48 | *Horn, Back | 1 | | WZ010001- | |
| 3 | | 0858 180 10 | *Switch, Pressure | 2 | | WZ010001- | |
| 4 | | 0719 804 UA | *Elbow | 2 | | WZ010001- | |
| 5 | | 0710 400 24 | *Bush, Reducer | 2 | | WZ010001- | PT1/4XPT1/8 |
| 6 | | 0760 710 12 | *Ring, O | 2 | | WZ010001- | P11-90B |
| 7 | | 0820 067 04 | *Band, Cable | 4 | | WZ010001- | |
| 8 | | 0517 080 25 | *Bolt, Treatment (W/L.W, F.W) | 1 | | WZ010001- | M8X25 |

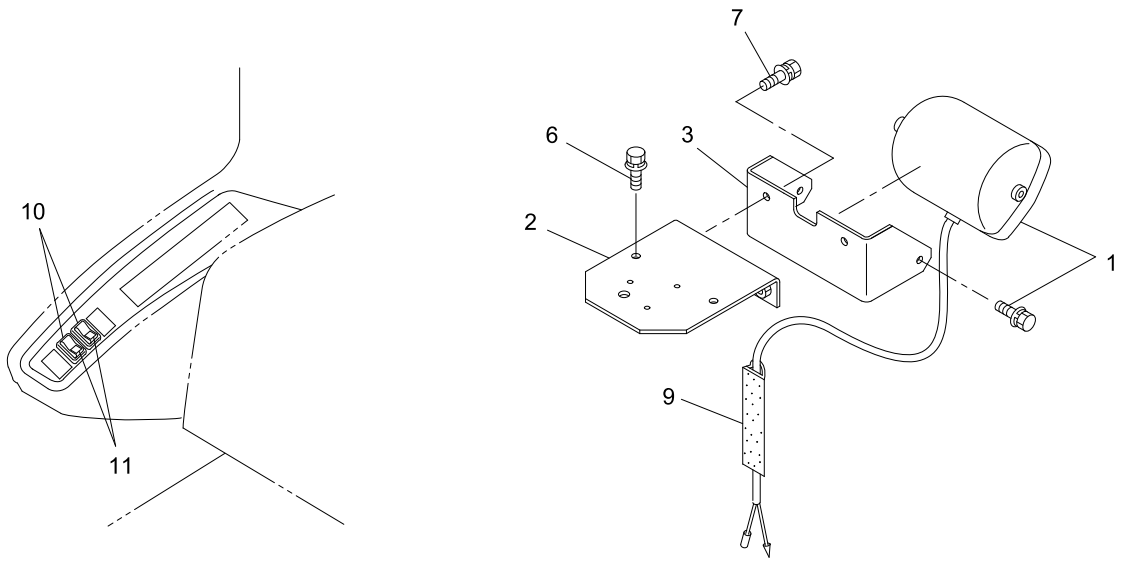


V4ALL-151300-1

| KEY No. | SU P. | PART No. | DESCRIPTION | Q'TY | CHAN | SERIAL No. | REMARKS |
|---------|-------|-------------|-------------------------------|------|------|------------|---------|
| 0 | × | F366 792 00 | Immobilizer Ass'y | 1 | | WZ010001- | |
| 1 | | 0893 508 UA | *Controller Ass'y | 1 | | WZ010001- | |
| 2 | | D418 688 00 | *Bracket | 1 | | WZ010001- | |
| 3 | | D418 689 00 | *Bracket | 1 | | WZ010001- | |
| 4 | | 0565 040 10 | *Screw, Pan Head | 2 | | WZ010001- | M4X10 |
| 5 | | 0593 040 00 | *Washer, Flat | 2 | | WZ010001- | M4 |
| 6 | | 0590 040 00 | *Washer, Lock | 2 | | WZ010001- | M4 |
| 7 | | 0565 050 10 | *Screw, Pan Head | 1 | | WZ010001- | M5X10 |
| 8 | | 0580 050 00 | *Nut, Hex. | 1 | | WZ010001- | M5 |
| 9 | | 0517 060 25 | *Bolt, Treatment (W/L.W, F.W) | 1 | | WZ010001- | M6X25 |
| 10 | | 0517 060 12 | *Bolt, Treatment (W/L.W, F.W) | 1 | | WZ010001- | M6X12 |
| 11 | | 0517 060 16 | *Bolt, Treatment (W/L.W, F.W) | 1 | | WZ010001- | M6X16 |
| 12 | | 0521 060 00 | *Nut, Hex. (W/F.W) | 2 | | WZ010001- | M6 |
| 13 | | 0820 067 03 | *Band, Cable | 2 | | WZ010001- | |



"A" DETAIL

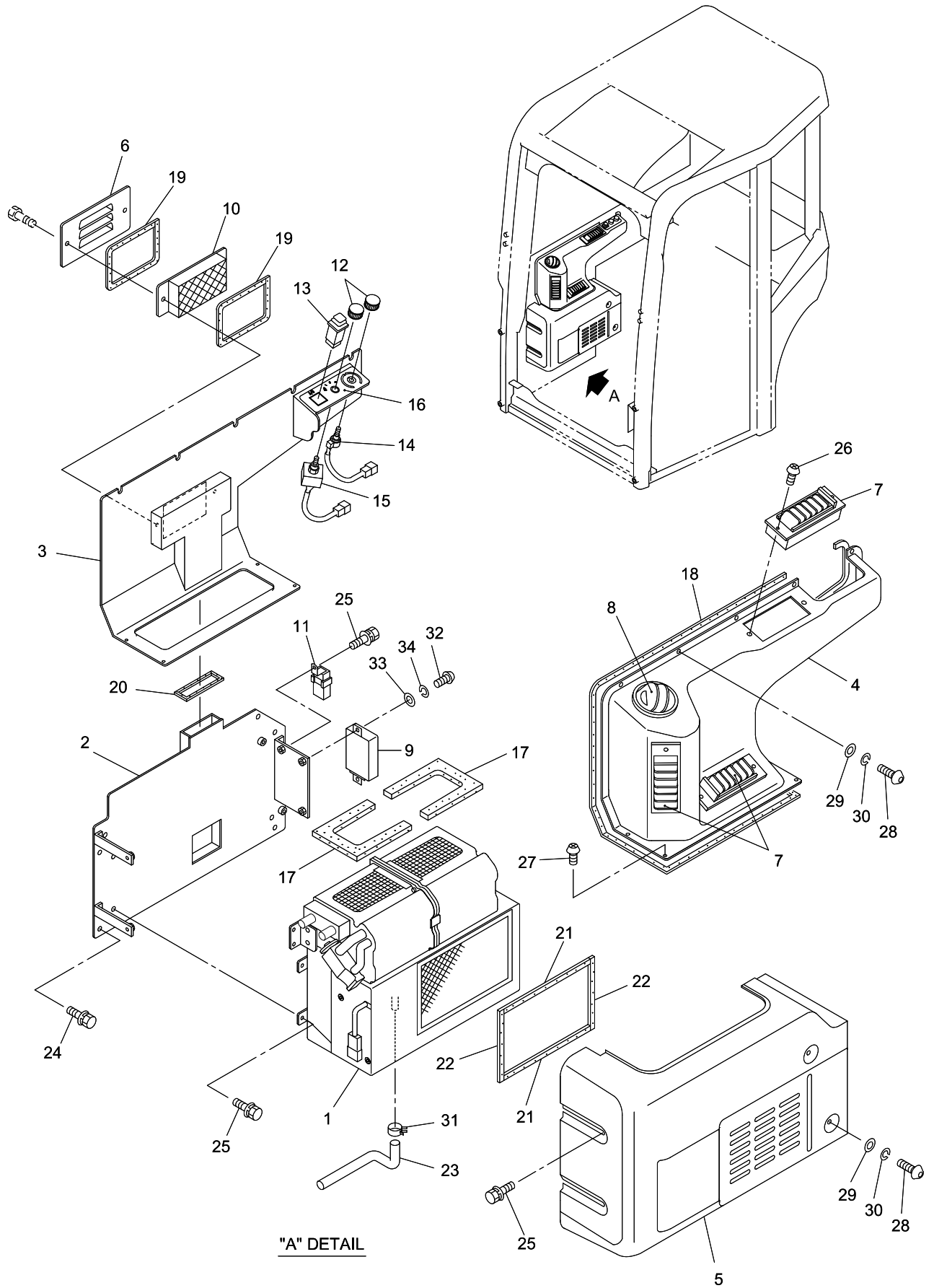


"B" DETAIL

"C" DETAIL

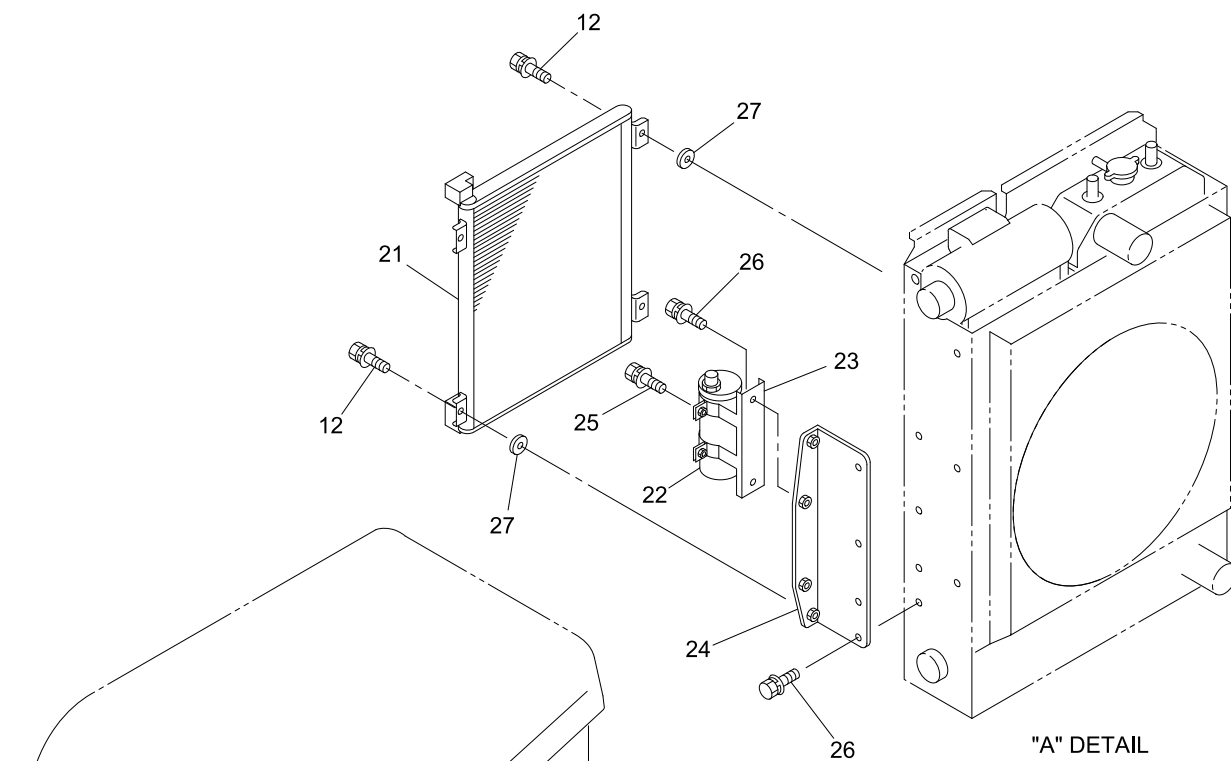
V4ALL-151400-1

| KEY No. | SU P. | PART No. | DESCRIPTION | Q'TY | CHAN | SERIAL No. | REMARKS |
|---------|-------|-------------|-------------------------------|------|------|------------|------------------|
| 0 | × | F385 402 00 | Light Ass'y | 1 | | WZ010001- | |
| 1 | | 0854 536 UA | *Lamp Ass'y | 1 | | WZ010001- | |
| 1-1 | | 0854 536 01 | **Lens | 1 | | WZ010001- | |
| 1-2 | | 0854 536 11 | **Bulb | 1 | | WZ010001- | |
| 2 | | D418 632 00 | *Bracket | 1 | | WZ010001- | |
| 3 | | D418 630 00 | *Bracket | 1 | | WZ010001- | |
| 4 | | 0854 523 UA | *Light Ass'y | 2 | | WZ010001- | |
| 4-1 | | 0854 523 01 | **Lens | 1 | | WZ010001- | |
| 4-2 | | 0854 523 06 | **Bulb | 1 | | WZ010001- | |
| 5 | | D419 161 00 | *Bracket | 2 | | WZ010001- | |
| 6 | | 0439 100 20 | *Bolt, Treatment (W/L.W, F.W) | 2 | | WZ010001- | M10X20 P=1.25 |
| 7 | | 0439 100 25 | *Bolt, Treatment (W/L.W, F.W) | 6 | | WZ010001- | M10X25 P=1.25 |
| 8 | | 0690 082 08 | *Clamp, Hose | 2 | | WZ010001- | |
| 9 | | 4522 707 01 | *Duct | 1 | | WZ010001- | |
| 10 | | 0858 314 11 | *Switch Ass'y, Light | 2 | | WZ010001- | |
| 11 | | 0858 314 12 | *Decal | 2 | | WZ010001- | |

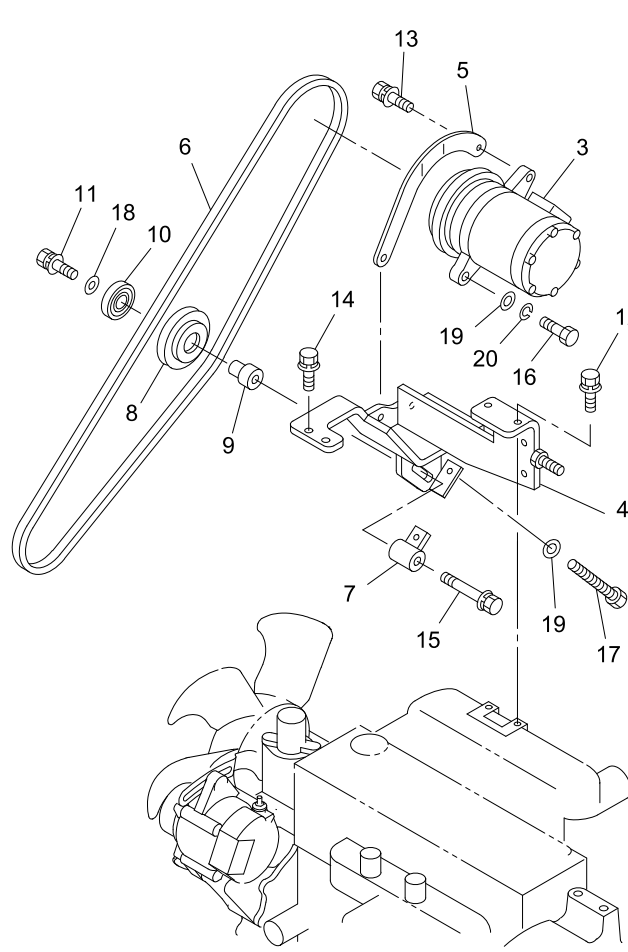
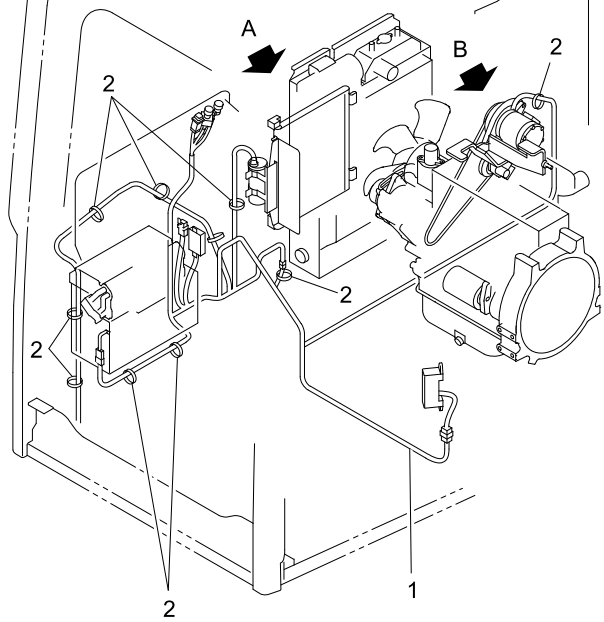


30V4-151500-1

| KEY No. | SU P. | PART No. | DESCRIPTION | Q'TY | CHAN | SERIAL No. | REMARKS |
|---------|-------|-------------|-------------------------------|------|------|------------|------------------|
| 0 | × | F385 396 00 | Air Conditioner Ass'y (1) | 1 | | WZ010001- | |
| 1 | | 0892 270 UA | *Air Conditioner Ass'y | 1 | | WZ010001- | |
| 2 | | D419 359 00 | *Bracket | 1 | | WZ010001- | |
| 3 | | D452 207 00 | *Bracket | 1 | | WZ010001- | |
| 4 | | D465 382 00 | *Duct | 1 | | WZ010001- | |
| 5 | | D465 383 00 | *Panel | 1 | | WZ010001- | |
| 6 | | D458 508 00 | *Cover | 1 | | WZ010001- | |
| 7 | | 0820 023 19 | *Louver | 3 | | WZ010001- | |
| 8 | | 0820 023 18 | *Louver | 1 | | WZ010001- | |
| 9 | | 0898 000 02 | *Amplifier | 1 | | WZ010001- | |
| 10 | | 0745 142 UA | *Filter, Air | 1 | | WZ010001- | |
| 11 | | 0820 215 07 | *Relay | 1 | | WZ010001- | |
| 12 | | 0690 210 86 | *Knob | 2 | | WZ010001- | |
| 13 | | 0898 000 05 | *Switch | 1 | | WZ010001- | |
| 14 | | 0898 000 03 | *Volume, Thermodtat | 1 | | WZ010001- | |
| 15 | | 0898 000 04 | *Switch Ass'y, Blower | 1 | | WZ010001- | |
| 16 | | D408 205 00 | *Decal | 1 | | WZ010001- | |
| 17 | | D493 694 00 | *Seal, Sponge | 2 | | WZ010001- | |
| 18 | | D551 009 01 | *Seal, Sponge | 2 | | WZ010001- | L=1000 |
| 19 | | D551 009 02 | *Seal, Sponge | 2 | | WZ010001- | L=430 |
| 20 | | D551 009 03 | *Seal, Sponge | 1 | | WZ010001- | L=230 |
| 21 | | D551 010 01 | *Seal, Sponge | 2 | | WZ010001- | L=210 |
| 22 | | D551 010 02 | *Seal, Sponge | 2 | | WZ010001- | L=150 |
| 23 | | 4070 740 01 | *Hose, Fuel | 1 | | WZ010001- | L=390 |
| 24 | | 0518 100 20 | *Bolt, Treatment (W/L.W, F.W) | 4 | | WZ010001- | M10X20 P=1.25 |
| 25 | | 0517 060 16 | *Bolt, Treatment (W/L.W, F.W) | 9 | | WZ010001- | M6X16 |
| 26 | | 0454 300 12 | *Screw, Tapping | 6 | | WZ010001- | M3X12 |
| 27 | | 0454 600 12 | *Screw, Tapping | 4 | | WZ010001- | M6X12 |
| 28 | | 4004 280 01 | *Bolt, Button Head | 7 | | WZ010001- | M6X16 |
| 29 | | 0593 060 00 | *Washer, Flat | 7 | | WZ010001- | M6 |
| 30 | | 0590 060 00 | *Washer, Lock | 7 | | WZ010001- | M6 |
| 31 | | 0690 082 07 | *Clamp | 1 | | WZ010001- | |
| 32 | | 0565 040 12 | *Screw, Pan Head | 2 | | WZ010001- | M4X12 |
| 33 | | 0593 040 00 | *Washer, Flat | 2 | | WZ010001- | M4 |
| 34 | | 0590 040 00 | *Washer, Lock | 2 | | WZ010001- | M4 |



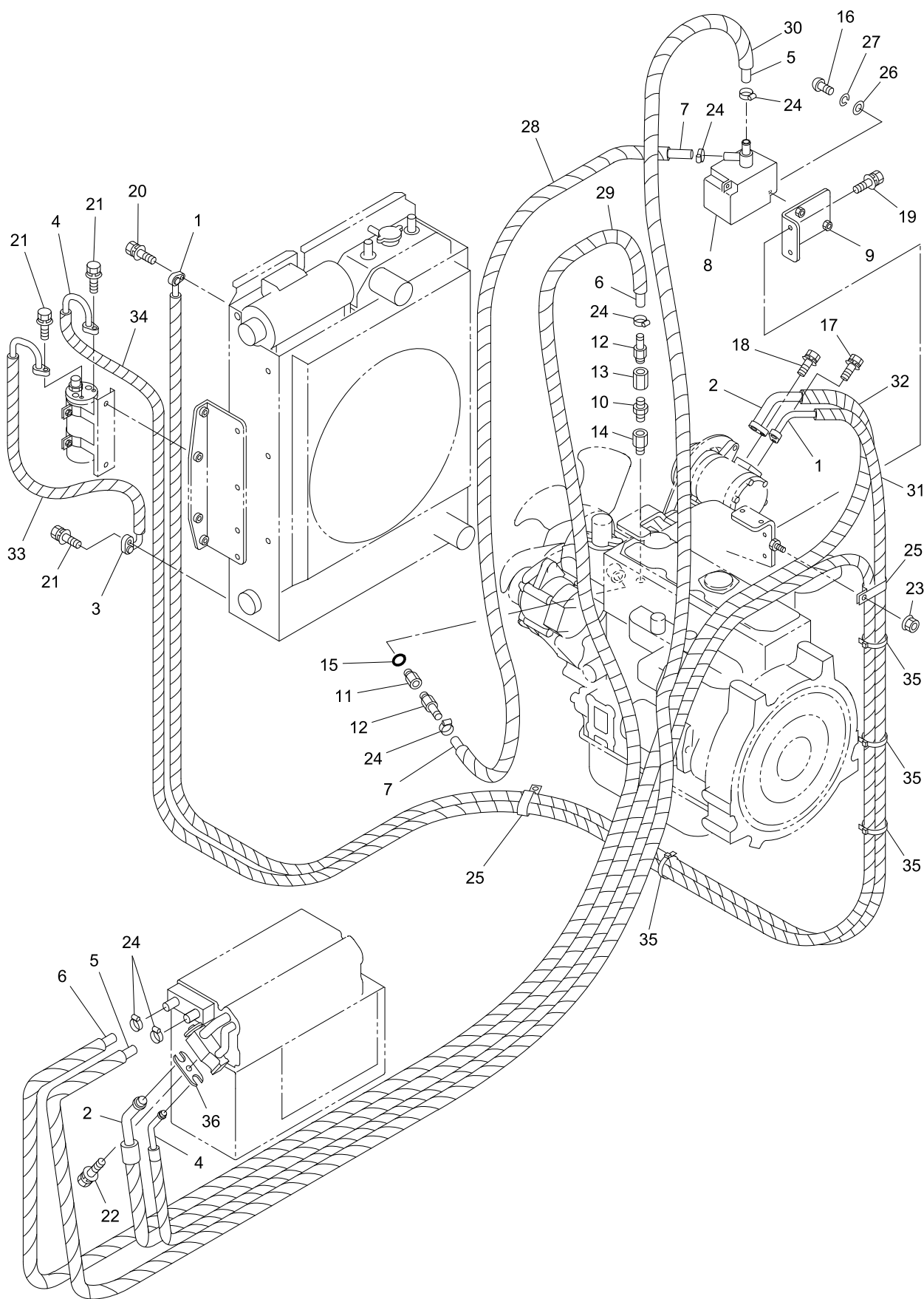
"A" DETAIL



"B" DETAIL

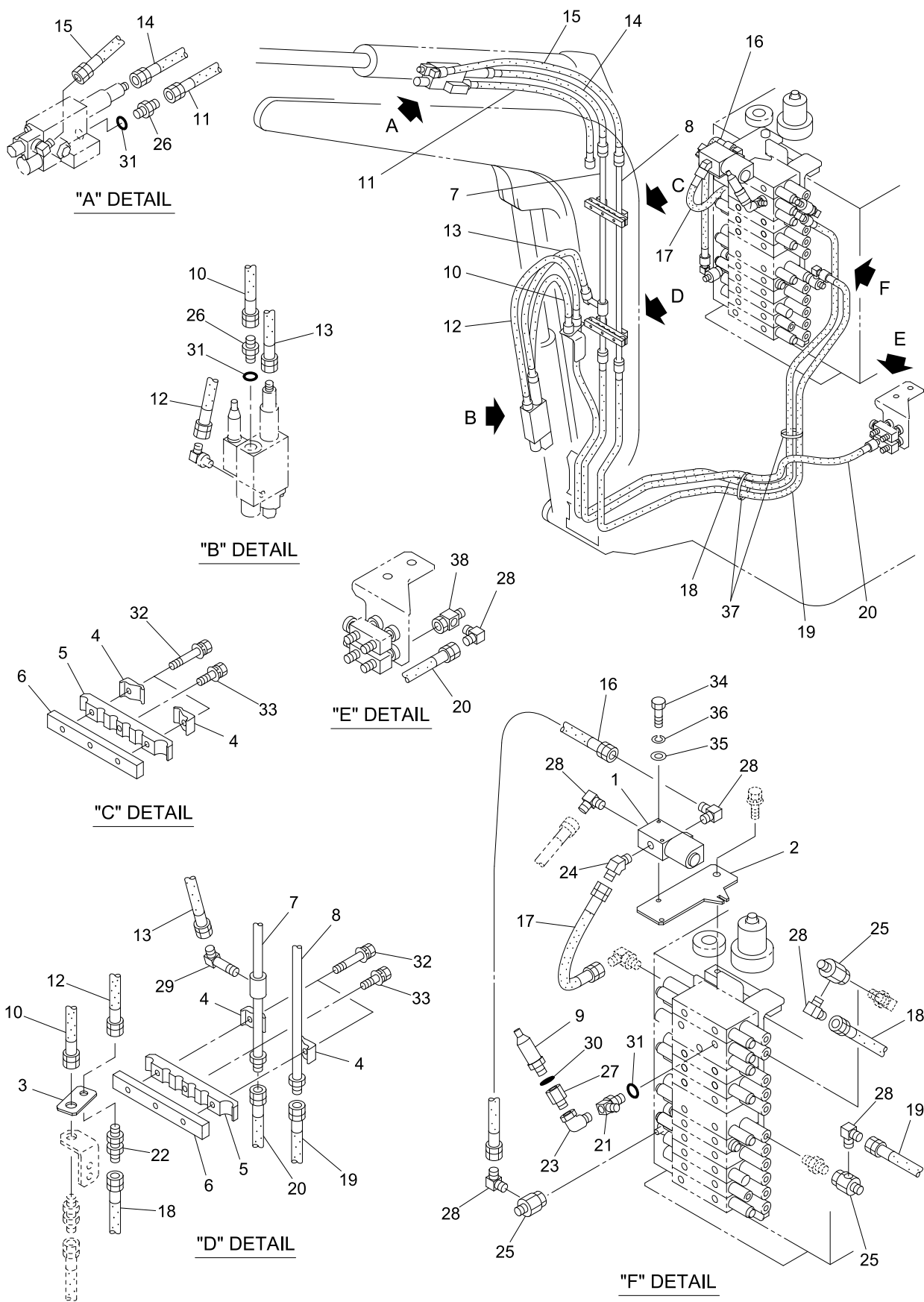
40V4-151600-1

| KEY No. | SU P. | PART No. | DESCRIPTION | Q'TY | CHAN | SERIAL No. | REMARKS |
|---------|-------|-------------|-------------------------------|------|------|------------|---------|
| 0 | × | F385 400 00 | Air Conditioner Ass'y (2) | 1 | | WZ010001- | |
| 1 | | D592 307 00 | *Harness | 1 | | WZ010001- | |
| 2 | | 0820 067 04 | *Band, Cable | 8 | | WZ010001- | |
| 3 | | 0897 018 UA | *Compressor Ass'y | 1 | | WZ010001- | |
| 4 | | D419 349 00 | *Bracket | 1 | | WZ010001- | |
| 5 | | D260 518 00 | *Stay | 1 | | WZ010001- | |
| 6 | | 0910 101 19 | *Belt | 1 | | WZ010001- | |
| 7 | | D131 100 00 | *Boss | 1 | | WZ010001- | |
| 8 | | D032 017 00 | *Pully | 1 | | WZ010001- | |
| 9 | | D040 381 00 | *Spacer | 1 | | WZ010001- | |
| 10 | | 0630 620 33 | *Bearing | 1 | | WZ010001- | 6203UU |
| 11 | | 0517 080 12 | *Bolt, Treatment (W/L.W, F.W) | 1 | | WZ010001- | M8X12 |
| 12 | | 0517 080 25 | *Bolt, Treatment (W/L.W, F.W) | 6 | | WZ010001- | M8X25 |
| 13 | | 0517 080 30 | *Bolt, Treatment (W/L.W, F.W) | 3 | | WZ010001- | M8X30 |
| 14 | | 0517 080 40 | *Bolt, Treatment (W/L.W, F.W) | 2 | | WZ010001- | M8X40 |
| 15 | | 0517 080 55 | *Bolt, Treatment (W/L.W, F.W) | 1 | | WZ010001- | M8X55 |
| 16 | | 0513 080 40 | *Bolt, Treatment | 1 | | WZ010001- | M8X40 |
| 17 | | 0551 080 60 | *Bolt, Hex. (Full-Thread) | 1 | | WZ010001- | M8X60 |
| 18 | | 4006 119 01 | *Washer | 1 | | WZ010001- | M8 |
| 19 | | 0593 080 00 | *Washer, Flat | 2 | | WZ010001- | M8 |
| 20 | | 0590 080 00 | *Washer, Lock | 1 | | WZ010001- | M8 |
| 21 | | 0897 019 UA | *Condenser | 1 | | WZ010001- | |
| 22 | | 0897 002 UA | *Dryer, Recerver | 1 | | WZ010001- | |
| 23 | | 0898 000 01 | *Bracket | 1 | | WZ010001- | |
| 24 | | D419 370 00 | *Bracket | 1 | | WZ010001- | |
| 25 | | 0517 060 20 | *Bolt, Treatment (W/L.W, F.W) | 2 | | WZ010001- | M6X20 |
| 26 | | 0517 080 20 | *Bolt, Treatment (W/L.W, F.W) | 5 | | WZ010001- | M8X20 |
| 27 | | F771 315 00 | *Washer, Rubber | 4 | | WZ010001- | |



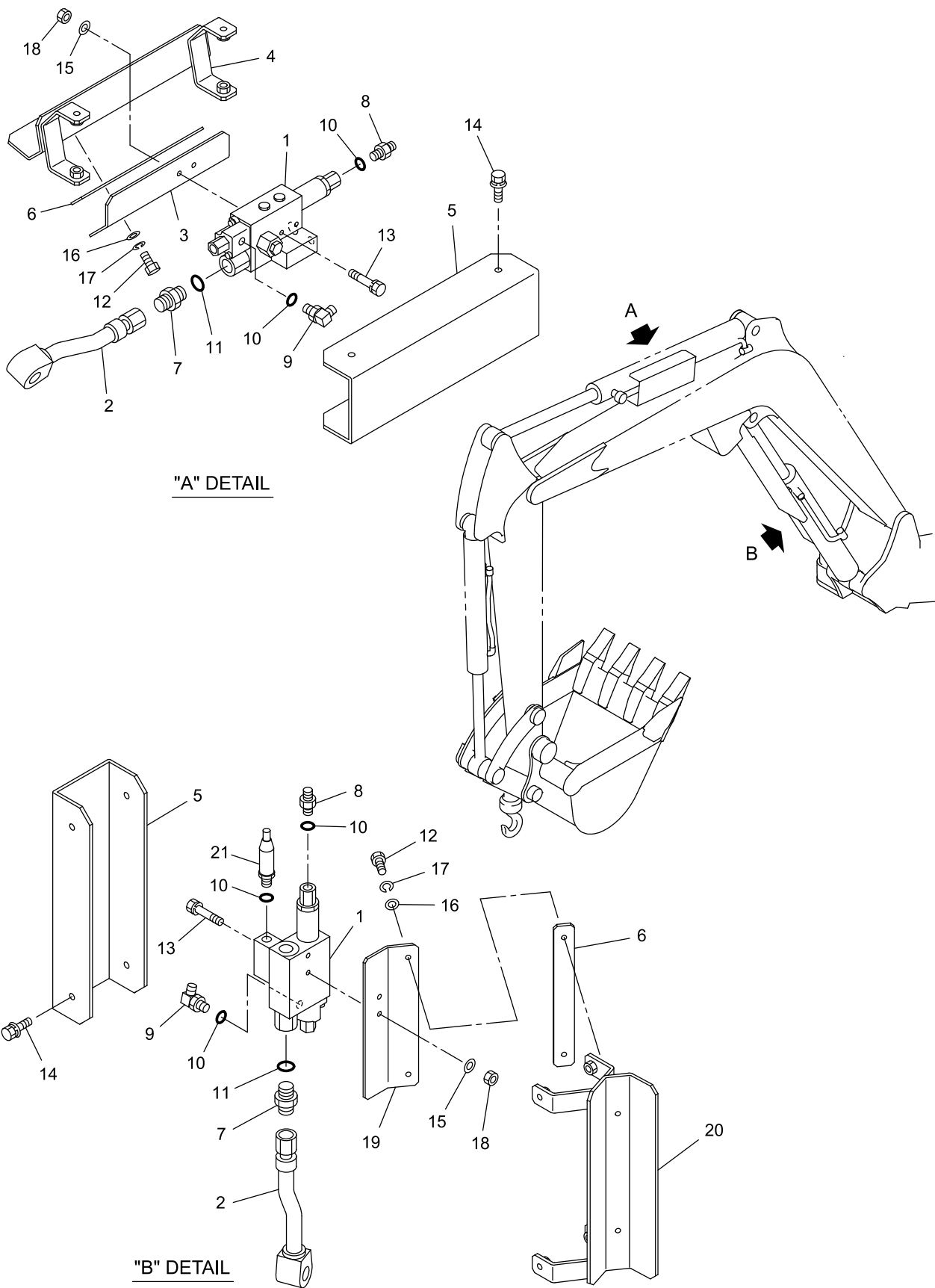
40V4-151700-1

| KEY No. | SU P. | PART No. | DESCRIPTION | Q'TY | CHAN | SERIAL No. | REMARKS |
|---------|-------|-------------|-------------------------------|------|------|------------|-------------|
| 0 | × | F385 394 00 | Piping, Ass'y Air Conditioner | 1 | | WZ010001- | |
| 1 | | 0898 000 68 | *Hose | 1 | | WZ010001- | |
| 2 | | 0898 000 69 | *Hose | 1 | | WZ010001- | |
| 3 | | 0898 000 70 | *Hose | 1 | | WZ010001- | |
| 4 | | 0898 000 71 | *Hose | 1 | | WZ010001- | |
| 5 | | 4070 102 44 | *Hose, Water | M | | WZ010001- | L=2000 |
| 6 | | 4070 102 45 | *Hose, Water | M | | WZ010001- | L=1750 |
| 7 | | 4070 102 31 | *Hose, Water | M | | WZ010001- | L=700 |
| 8 | | 0898 000 00 | *Valve, Water | 1 | | WZ010001- | |
| 9 | | D419 206 00 | *Bracket | 1 | | WZ010001- | |
| 10 | | 0710 600 13 | *Nipple | 1 | | WZ010001- | PT3/8XPT1/4 |
| 11 | | 0713 704 03 | *Connector | 1 | | WZ010001- | |
| 12 | | 4072 220 00 | *Nipple | 2 | | WZ010001- | |
| 13 | | 0710 501 03 | *Socket | 1 | | WZ010001- | |
| 14 | | 0710 503 02 | *Socket | 1 | | WZ010001- | |
| 15 | | 0760 710 16 | *Ring, O | 1 | | WZ010001- | P14-90B |
| 16 | | 0565 050 10 | *Screw, Pan Head | 2 | | WZ010001- | M5X10 |
| 17 | | 0517 080 35 | *Bolt, Treatment (W/L.W, F.W) | 1 | | WZ010001- | M8X35 |
| 18 | | 0517 080 25 | *Bolt, Treatment (W/L.W, F.W) | 1 | | WZ010001- | M8X25 |
| 19 | | 0517 080 20 | *Bolt, Treatment (W/L.W, F.W) | 2 | | WZ010001- | M8X20 |
| 20 | | 0517 060 40 | *Bolt, Treatment (W/L.W, F.W) | 1 | | WZ010001- | M6X40 |
| 21 | | 0517 060 25 | *Bolt, Treatment (W/L.W, F.W) | 3 | | WZ010001- | M6X25 |
| 22 | | 0517 060 20 | *Bolt, Treatment (W/L.W, F.W) | 1 | | WZ010001- | M6X20 |
| 23 | | 0524 100 00 | *Nut, Hex. (W/F.W) | 1 | | WZ010001- | M10 P=1.25 |
| 24 | | 0690 083 04 | *Clamp, Hose | 6 | | WZ010001- | |
| 25 | | 4080 000 26 | *Clamp, Hose | 2 | | WZ010001- | |
| 26 | | 0593 050 00 | *Washer, Flat | 2 | | WZ010001- | M5 |
| 27 | | 0590 050 00 | *Washer, Lock | 2 | | WZ010001- | M5 |
| 28 | | 0820 803 06 | *Tube, Corrugate | M | | WZ010001- | L=600 |
| 29 | | 0820 803 06 | *Tube, Corrugate | M | | WZ010001- | L=1650 |
| 30 | | 0820 803 06 | *Tube, Corrugate | M | | WZ010001- | L=1900 |
| 31 | | 0820 803 05 | *Tube, Corrugate | M | | WZ010001- | L=2100 |
| 32 | | 0820 803 06 | *Tube, Corrugate | M | | WZ010001- | L=1650 |
| 33 | | 0820 803 04 | *Tube, Corrugate | M | | WZ010001- | L=250 |
| 34 | | 0820 803 04 | *Tube, Corrugate | M | | WZ010001- | L=3300 |
| 35 | | 0820 067 04 | *Band, Cable | 4 | | WZ010001- | |
| 36 | | *** ** * | *Plate, Flange | 1 | | WZ010001- | |



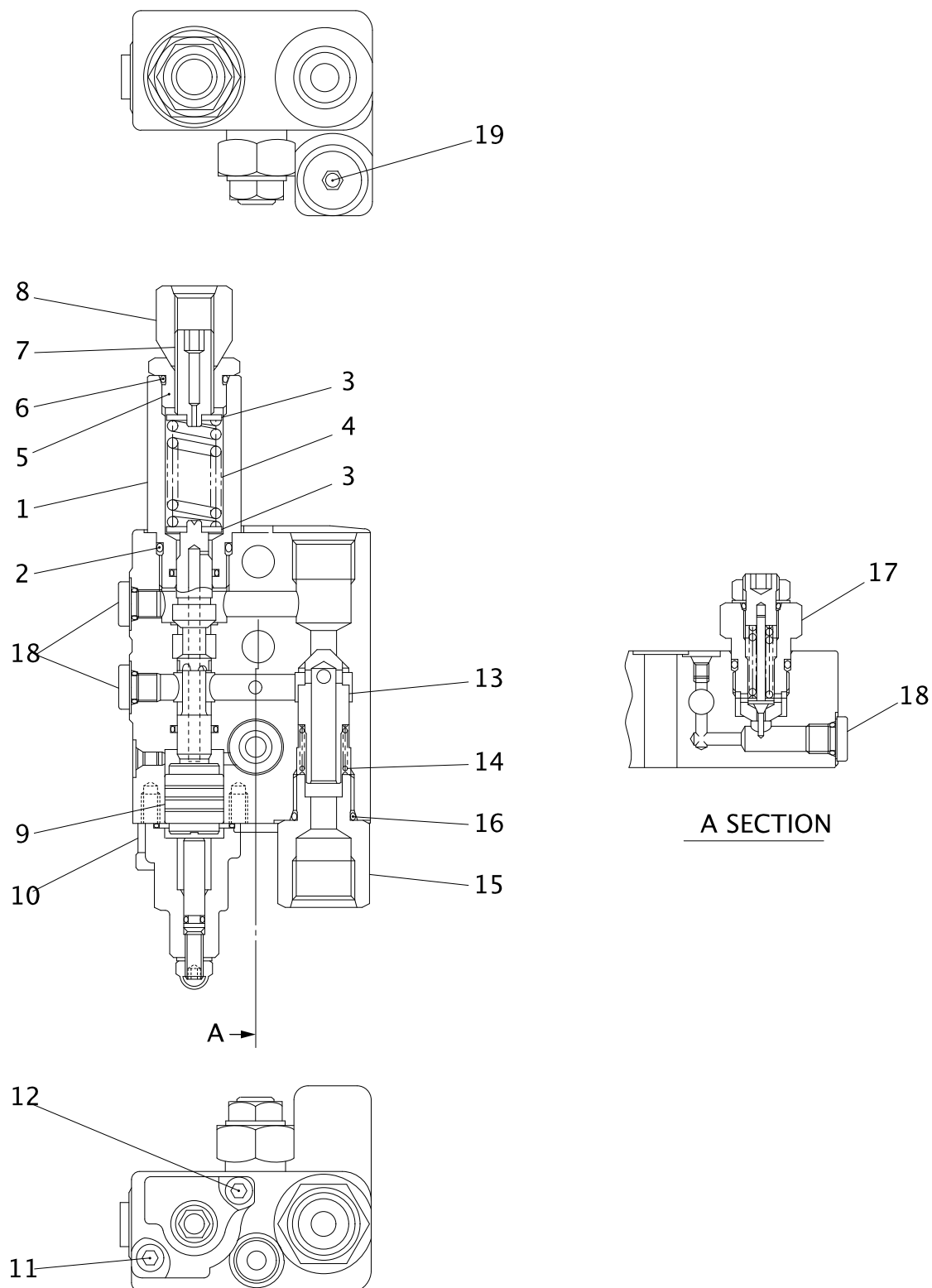
40V4-160100-1

| KEY No. | SU P. | PART No. | DESCRIPTION | Q'TY | CHAN | SERIAL No. | REMARKS |
|---------|-------|-------------|-------------------------------|------|------|------------|------------------|
| 0 | × | F342 598 00 | Piping Ass'y, Hydraulic | 1 | | WZ010001- | |
| 1 | | 0785 118 UA | *Valve, Solenoid | 1 | | WZ010001- | |
| 2 | | D419 356 00 | *Bracket | 1 | | WZ010001- | |
| 3 | | D419 193 00 | *Bracket | 1 | | WZ010001- | |
| 4 | | 4081 118 00 | *Clamp, Tube | 4 | | WZ010001- | |
| 5 | | D081 193 00 | *Clamp, Tube | 2 | | WZ010001- | |
| 6 | | D082 034 00 | *Clamp, Seat | 2 | | WZ010001- | |
| 7 | | D286 305 00 | *Tube | 1 | | WZ010001- | |
| 8 | | D286 306 00 | *Tube | 1 | | WZ010001- | |
| 9 | | 0858 601 16 | *Sensor, Pressure | 1 | | WZ010001- | |
| 10 | | D070 388 01 | *Hose Ass'y | 1 | | WZ010001- | L=940 |
| 11 | | D070 388 22 | *Hose Ass'y | 1 | | WZ010001- | L=1100 |
| 12 | | 4070 842 16 | *Hose Ass'y | 1 | | WZ010001- | L=1160 |
| 13 | | 4070 842 33 | *Hose Ass'y | 1 | | WZ010001- | L=950 |
| 14 | | 4070 842 28 | *Hose Ass'y | 1 | | WZ010001- | L=1050 |
| 15 | | 4070 842 29 | *Hose Ass'y | 1 | | WZ010001- | L=1250 |
| 16 | | 4070 548 27 | *Hose Ass'y | 1 | | WZ010001- | L=600 |
| 17 | | 4070 548 55 | *Hose Ass'y | 1 | | WZ010001- | L=350 |
| 18 | | D070 195 21 | *Hose Ass'y | 1 | | WZ010001- | L=3000 |
| 19 | | D070 195 17 | *Hose Ass'y | 1 | | WZ010001- | L=2800 |
| 20 | | D070 195 03 | *Hose Ass'y | 1 | | WZ010001- | L=2450 |
| 21 | | D060 164 00 | *Connector | 1 | | WZ010001- | |
| 22 | | D060 137 00 | *Adapter | 1 | | WZ010001- | |
| 23 | | 0710 102 02 | *Elbow | 1 | | WZ010001- | |
| 24 | | 0712 310 40 | *Elbow, 45 | 1 | | WZ010001- | |
| 25 | | 4072 930 01 | *Adapter, Union | 3 | | WZ010001- | |
| 26 | | 0713 700 04 | *Adapter | 2 | | WZ010001- | |
| 27 | | 0713 705 02 | *Socket | 1 | | WZ010001- | |
| 28 | | 0712 310 50 | *Elbow | 6 | | WZ010001- | |
| 29 | | 4072 866 02 | *Elbow, Long | 1 | | WZ010001- | |
| 30 | | 0760 710 12 | *Ring, O | 1 | | WZ010001- | P11-90B |
| 31 | | 0760 710 19 | *Ring, O | 3 | | WZ010001- | P18-90B |
| 32 | | 0520 100 70 | *Bolt, Treatment (W/L.W) | 4 | | WZ010001- | M10X70 P=1.25 |
| 33 | | 0518 100 50 | *Bolt, Treatment (W/L.W, F.W) | 2 | | WZ010001- | M10X50 P=1.25 |
| 34 | | 0550 060 50 | *Bolt, Hex. | 2 | | WZ010001- | M6X50 |
| 35 | | 0593 060 00 | *Washer, Flat | 2 | | WZ010001- | M6 |
| 36 | | 0590 060 00 | *Washer, Lock | 2 | | WZ010001- | M6 |
| 37 | | 0820 067 05 | *Band, Cable | 2 | | WZ010001- | |
| 38 | | 4072 930 02 | *Union | 1 | | WZ010001- | |



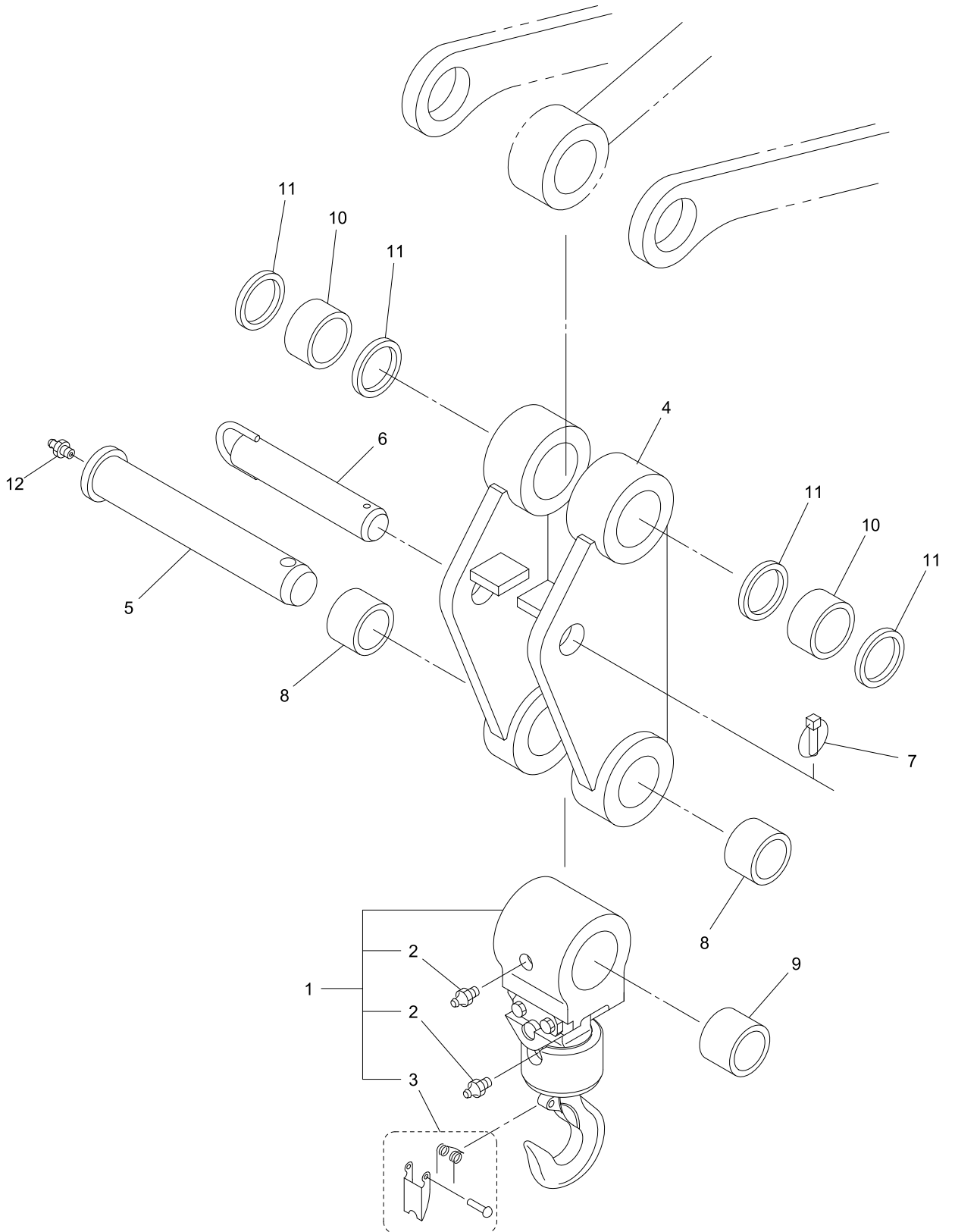
V4ALL-160200-1

| KEY No. | SU P. | PART No. | DESCRIPTION | Q'TY | CHAN | SERIAL No. | REMARKS |
|---------|-------|-------------|-------------------------------|------|------|------------|-------------|
| 0 | × | F342 625 00 | Valve Ass'y, Holding | 1 | | WZ010001- | |
| 0-1 | × | F342 624 00 | Valve Ass'y, Holding | 1 | | WZ010001- | |
| 1 | # | 0787 047 UA | *Valve, Holding | 2 | | WZ010001- | Sh.No. 16-3 |
| 2 | | D286 339 00 | *Tube | 2 | | WZ010001- | |
| 3 | | D419 204 00 | *Bracket | 1 | | WZ010001- | |
| 4 | | D419 208 00 | *Bracket | 1 | | WZ010001- | |
| 5 | | D458 413 00 | *Cover | 2 | | WZ010001- | |
| 6 | | D007 244 01 | *Shim | AR | | WZ010001- | t=1.6 |
| 6-1 | | D007 244 02 | *Shim | AR | | WZ010001- | t=4.5 |
| 6-2 | | D007 244 03 | *Shim | AR | | WZ010001- | t=6.0 |
| 7 | | 0713 700 04 | *Adapter | 2 | | WZ010001- | |
| 8 | | 0713 700 02 | *Adapter | 2 | | WZ010001- | |
| 9 | | 0710 122 09 | *Elbow | 2 | | WZ010001- | |
| 10 | | 0760 710 12 | *Ring, 0 | 5 | | WZ010001- | P11-90B |
| 11 | | 0760 710 19 | *Ring, 0 | 2 | | WZ010001- | P18-90B |
| 12 | | 0550 100 20 | *Bolt, Hex. | 4 | | WZ010001- | M10X20 |
| 13 | | 0519 080 55 | *Bolt, Treatment (W/L.W) | 4 | | WZ010001- | M8X55 |
| 14 | | 0517 080 16 | *Bolt, Treatment (W/L.W, F.W) | 8 | | WZ010001- | M8X16 |
| 15 | | 0593 080 00 | *Washer, Flat | 4 | | WZ010001- | M8 |
| 16 | | 0593 100 00 | *Washer, Flat | 4 | | WZ010001- | M10 |
| 17 | | 0590 100 00 | *Washer, Lock | 4 | | WZ010001- | M10 |
| 18 | | 0521 080 00 | *Nut, Hex. (W/F.W) | 4 | | WZ010001- | M8 |
| 19 | | D419 203 00 | *Bracket | 1 | | WZ010001- | |
| 20 | | D419 207 00 | *Bracket | 1 | | WZ010001- | |
| 21 | | 0858 601 16 | *Sensor, Pressure | 1 | | WZ010001- | |



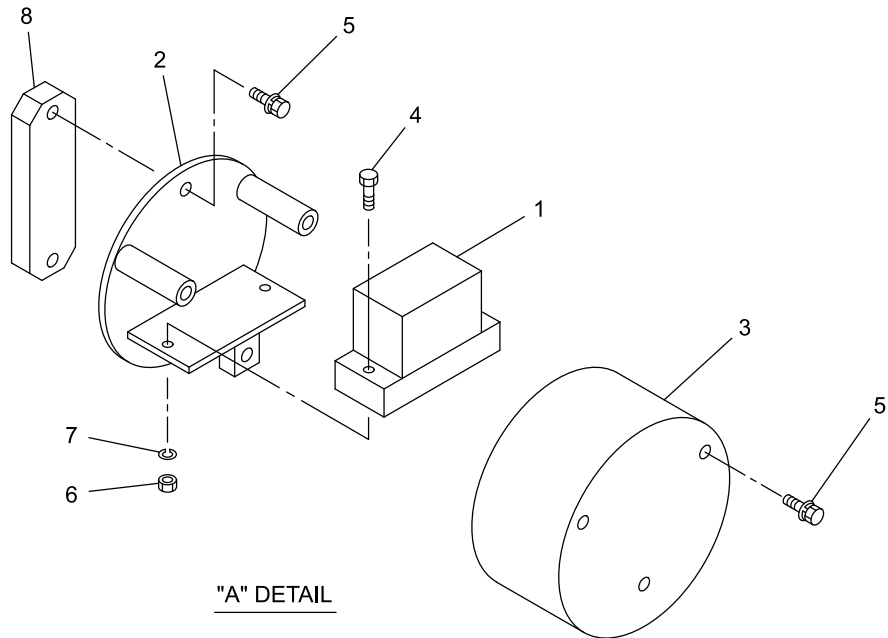
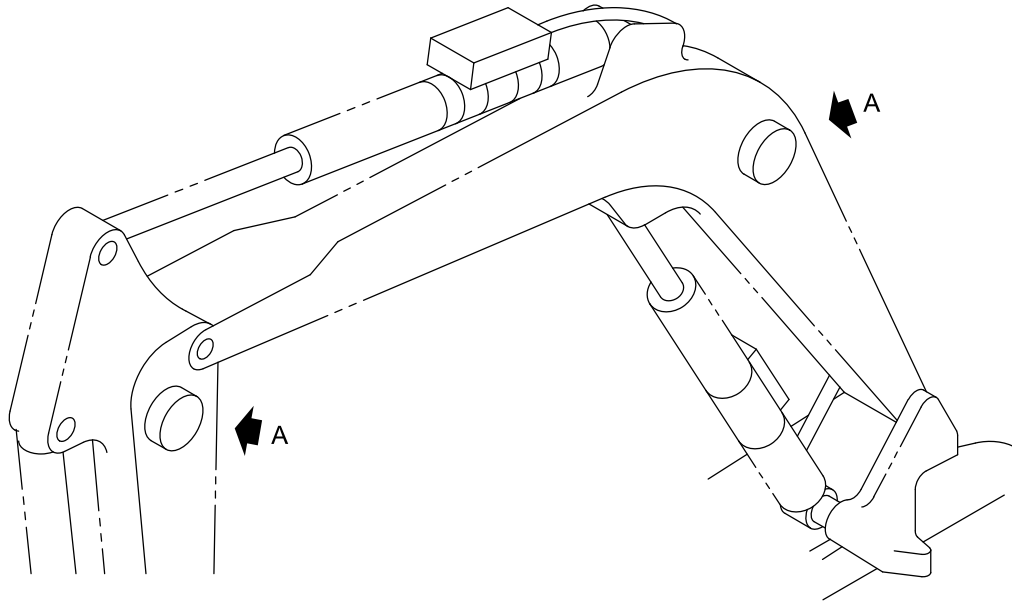
V4ALL-160300-1

| KEY No. | SU P. | PART No. | DESCRIPTION | Q'TY | CHAN | SERIAL No. | REMARKS |
|---------|-------|-------------|----------------------|------|------|------------|---------|
| 0 | | 0787 047 UA | Valve Ass'y, Holding | 1 | | WZ010001- | |
| 1 | | 0787 047 04 | *Plug | 1 | | WZ010001- | |
| 2 | | 0760 710 22 | *Ring, O | 1 | | WZ010001- | P22-90B |
| 3 | | 0784 047 06 | *Seat, Spring | 2 | | WZ010001- | |
| 4 | | 0784 047 07 | *Spring | 1 | | WZ010001- | |
| 5 | | 0787 047 08 | *Plug | 1 | | WZ010001- | |
| 6 | | 0760 710 20 | *Ring, O | 1 | | WZ010001- | P20-90B |
| 7 | | 0784 047 10 | *Adjuster | 1 | | WZ010001- | |
| 8 | | 0784 047 11 | *Nut, Hex. | 1 | | WZ010001- | |
| 9 | | 0784 047 12 | *Piston | 1 | | WZ010001- | |
| 10 | | 0784 047 13 | *Cap | 1 | | WZ010001- | |
| 11 | | 0562 060 16 | *Bolt, Socket Head | 1 | | WZ010001- | M6X16 |
| 12 | | 0562 060 35 | *Bolt, Socket Head | 1 | | WZ010001- | M6X35 |
| 13 | | 0787 047 16 | *Poppet | 1 | | WZ010001- | |
| 14 | | 0787 047 17 | *Spring | 1 | | WZ010001- | |
| 15 | | 0787 047 18 | *Plug | 1 | | WZ010001- | |
| 16 | | 0760 710 19 | *Ring, O | 1 | | WZ010001- | P18-90B |
| 17 | | 0787 047 91 | *Valve, Relief | 1 | | WZ010001- | |
| 18 | | 0783 677 83 | *Plug | 3 | | WZ010001- | |
| 19 | | 0783 846 85 | *Plug | 1 | | WZ010001- | |



40V4-160400-1

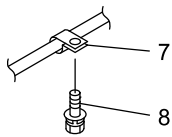
| KEY No. | SU P. | PART No. | DESCRIPTION | Q'TY | CHAN | SERIAL No. | REMARKS |
|---------|-------|-------------|-------------------|------|------|------------|---------|
| 0 | × | F418 128 00 | Block Ass'y, Hook | 1 | | WZ010001- | |
| 1 | | 0652 965 UA | *Hook | 1 | | WZ010001- | |
| 2 | | 0728 131 11 | **Nipple, Grease | 2 | | WZ010001- | |
| 3 | | 0652 923 UA | **Ratch Ass'y | 1 | | WZ010001- | |
| 4 | | D490 443 00 | *Link, Bucket | 1 | | WZ010001- | |
| 5 | | D013 444 00 | *Pin, Head | 1 | | WZ010001- | |
| 6 | | D013 094 00 | *Pin, Head | 1 | | WZ010001- | |
| 7 | | 4017 252 01 | *Pin, Ring | 1 | | WZ010001- | |
| 8 | | 4043 231 02 | *Bushing | 2 | | WZ010001- | |
| 9 | | 4043 261 03 | *Bushing | 1 | | WZ010001- | |
| 10 | | 4043 231 12 | *Bushing | 2 | | WZ010001- | |
| 11 | | 0765 033 27 | *Seal, Dust | 4 | | WZ010001- | |
| 12 | | 0728 111 15 | *Nipple, Grease | 1 | | WZ010001- | PT1/8 |



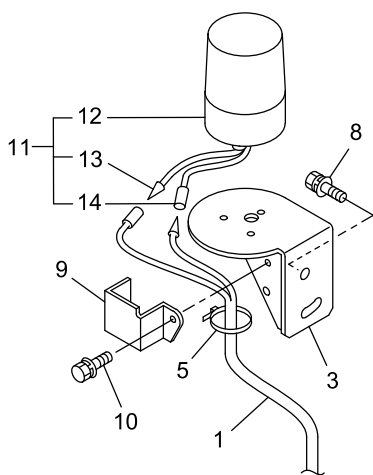
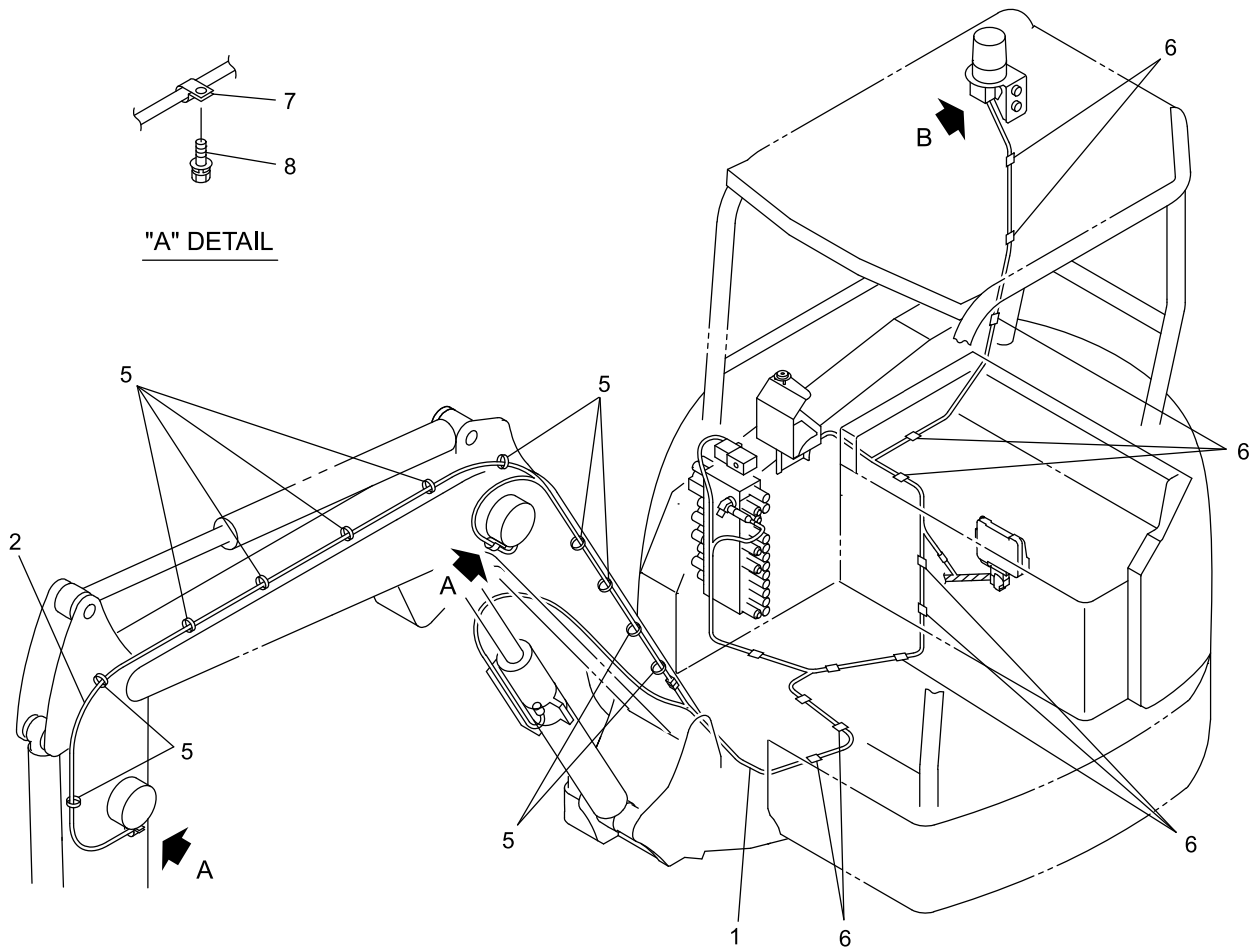
"A" DETAIL

V4ALL-160500-1

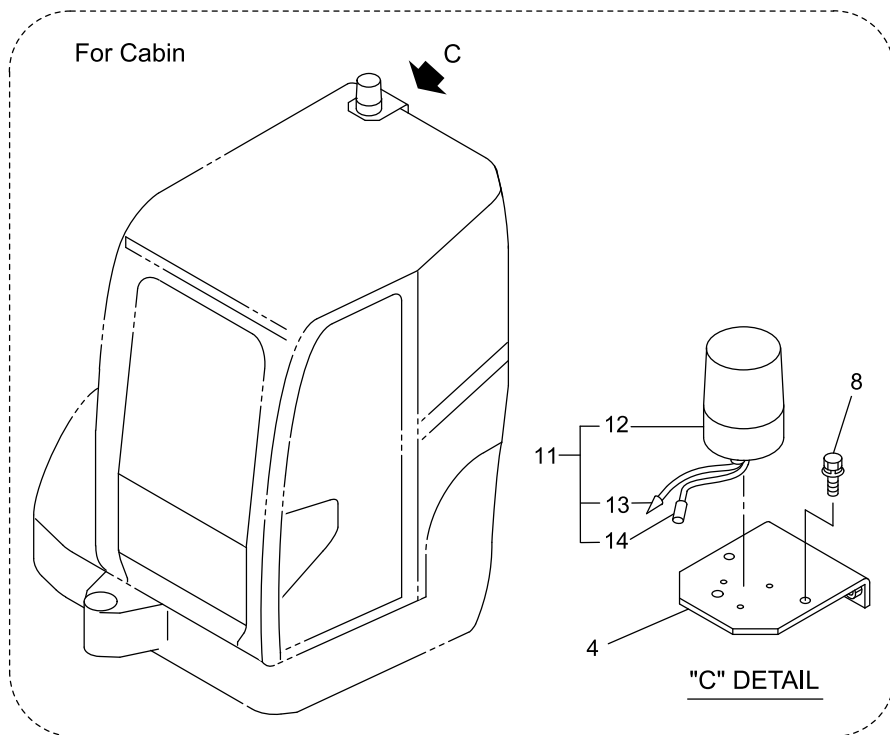
| KEY No. | SU P. | PART No. | DESCRIPTION | Q'TY | CHAN | SERIAL No. | REMARKS |
|---------|-------|-------------|-------------------------------|------|------|------------|------------------|
| 0 | × | F370 340 00 | Angle Detector | 1 | | WZ010001- | |
| 1 | | 0881 100 UA | *Detector, Angle | 2 | | WZ010001- | |
| 2 | | D414 314 00 | *Bracket | 2 | | WZ010001- | |
| 3 | | D455 737 00 | *Cover | 2 | | WZ010001- | |
| 4 | | 0550 060 30 | *Bolt, Hex. | 4 | | WZ010001- | M6X30 |
| 5 | | 0518 100 20 | *Bolt, Treatment (W/L.W, F.W) | 10 | | WZ010001- | M10X20 P=1.25 |
| 6 | | 0580 060 00 | *Nut, Hex. | 4 | | WZ010001- | M6 |
| 7 | | 0590 060 00 | *Washer, Lock | 4 | | WZ010001- | M6 |
| 8 | | D260 329 00 | *Stay | 2 | | WZ010001- | |



"A" DETAIL



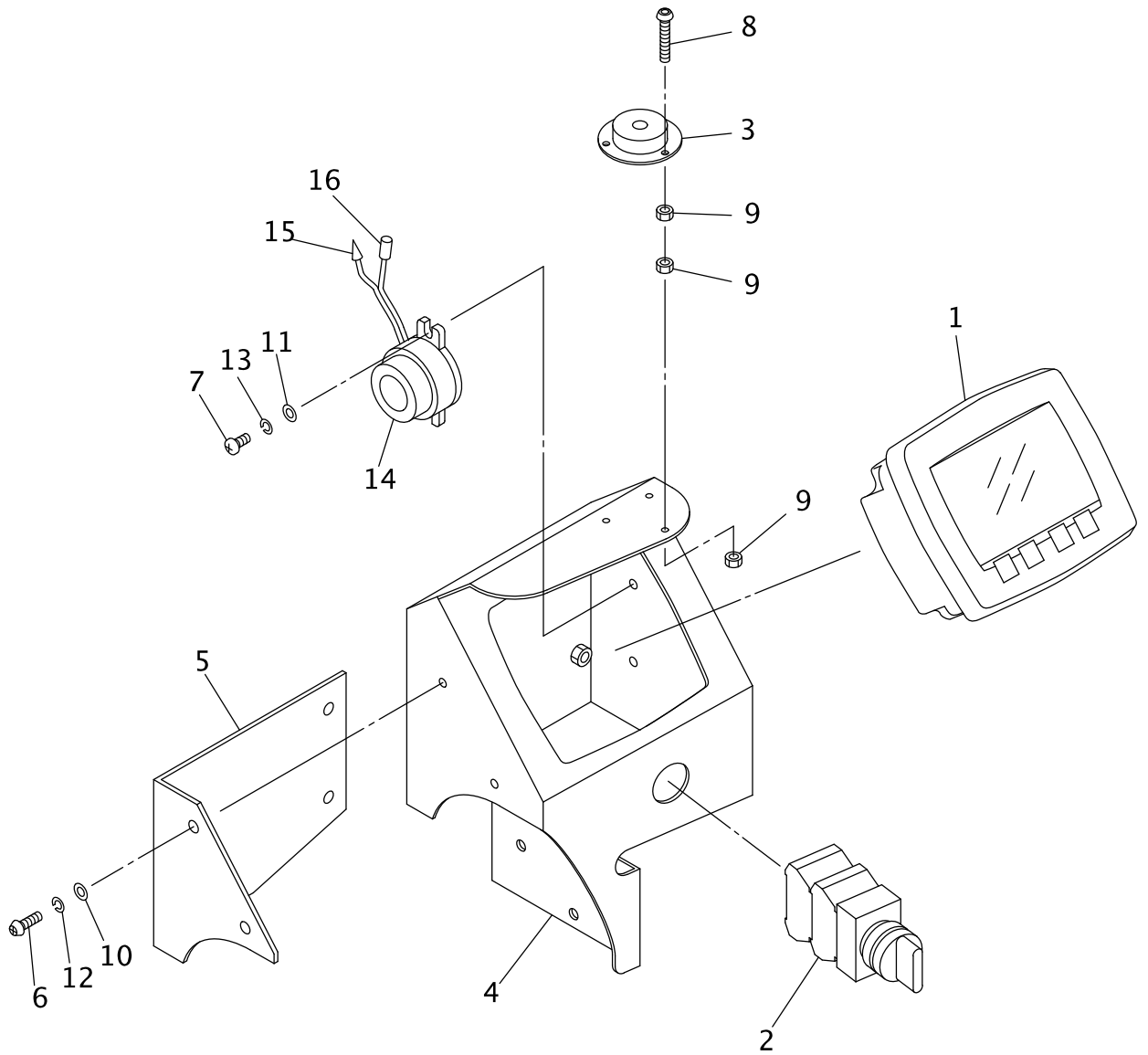
"B" DETAIL



"C" DETAIL

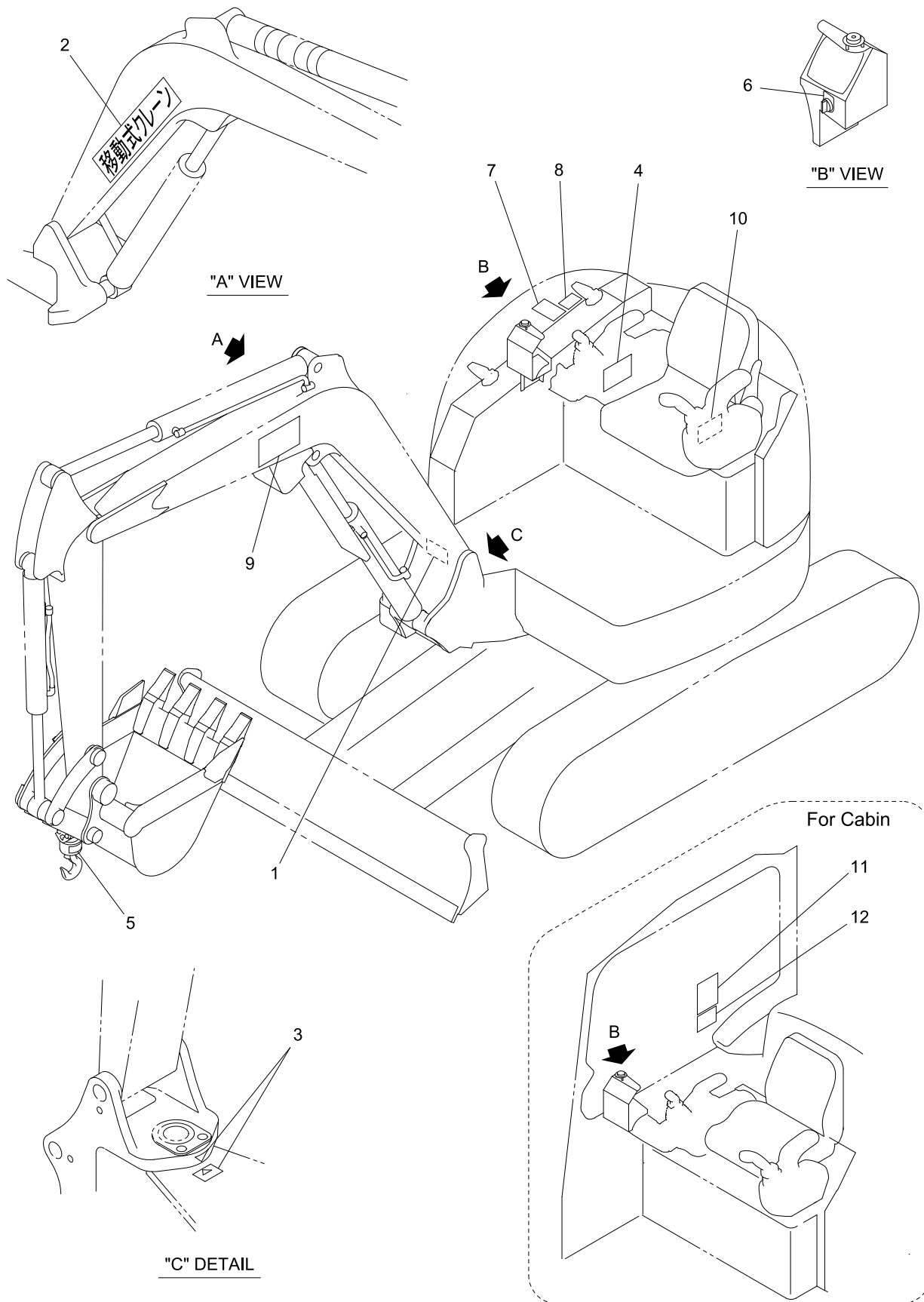
30V4-160600-1

| KEY No. | SU P. | PART No. | DESCRIPTION | Q'TY | CHAN | SERIAL No. | REMARKS |
|---------|-------|-------------|-------------------------------|------|------|------------|------------------|
| 0 | × | F366 879 00 | Electrical System | 1 | | WZ010001- | |
| 1 | | D592 304 00 | *Harness | 1 | | WZ010001- | |
| 2 | | D592 305 00 | *Harness | 1 | | WZ010001- | |
| 3 | | D418 456 00 | *Bracket | 1 | | WZ010001- | |
| 4 | | D418 632 00 | *Bracket | 1 | | WZ010001- | |
| 5 | | 0820 067 04 | *Band, Cable | AR | | WZ010001- | |
| 6 | | 0820 069 03 | *Sticker | AR | | WZ010001- | |
| 7 | | 4080 000 02 | *Clamp, Hose | 1 | | WZ010001- | |
| 8 | | 0518 100 20 | *Bolt, Treatment (W/L.W, F.W) | 4 | | WZ010001- | M10X20 P=1.25 |
| 9 | | D457 127 00 | *Cover | 1 | | WZ010001- | |
| 10 | | 0517 080 16 | *Bolt, Treatment (W/L.W, F.W) | 1 | | WZ010001- | M8X16 |
| 11 | | F366 201 00 | *Light Ass'y, Revolving | 1 | | WZ010001- | |
| 12 | | 0854 060 01 | **Light, Rotary | 1 | | WZ010001- | |
| 13 | | 0820 650 20 | **Terminal | 1 | | WZ010001- | |
| 13-1 | | 0820 651 20 | **Sleeve | 1 | | WZ010001- | |
| 14 | | 0820 650 21 | **Terminal | 1 | | WZ010001- | |
| 14-1 | | 0820 651 21 | **Sleeve | 1 | | WZ010001- | |



V4ALL-160700-1

| KEY No. | SU P. | PART No. | DESCRIPTION | Q'TY | CHAN | SERIAL No. | REMARKS |
|---------|-------|-------------|--------------------|------|------|------------|------------|
| 0 | × | F370 342 00 | Controller Ass'y | 1 | | WZ010001- | |
| 1 | | 0877 900 11 | *Display | 1 | | WZ010001- | |
| 2 | | 0858 308 23 | *Switch, Select | 1 | | WZ010001- | |
| 3 | | 0933 054 UA | *Gauge, Level | 1 | | WZ010001- | |
| 4 | | D419 357 00 | *Bracket | 1 | | WZ010001- | For Canopy |
| 4-1 | | D419 355 00 | *Bracket | 1 | | WZ010001- | For Cabin |
| 5 | | D458 497 00 | *Cover | 1 | | WZ010001- | |
| 6 | | 4004 364 01 | *Bolt, Button Head | 4 | | WZ010001- | M6X18 |
| 7 | | 0565 040 08 | *Screw, Pan Head | 2 | | WZ010001- | M4X8 |
| 8 | | 0565 030 20 | *Screw, Pan Head | 3 | | WZ010001- | M3X20 |
| 9 | | 0580 030 00 | *Nut, Hex. | 9 | | WZ010001- | M3 |
| 10 | | 0594 060 00 | *Washer, Flat | 4 | | WZ010001- | M6 |
| 11 | | 0593 040 00 | *Washer, Flat | 2 | | WZ010001- | M4 |
| 12 | | 0596 060 00 | *Washer, Lock | 4 | | WZ010001- | M6 |
| 13 | | 0590 040 00 | *Washer, Lock | 2 | | WZ010001- | M4 |
| 14 | | 0860 504 02 | *Buzzer | 1 | | WZ010001- | |
| 15 | | 0820 650 20 | *Terminal | 1 | | WZ010001- | |
| 15-1 | | 0820 651 20 | *Sleeve | 1 | | WZ010001- | |
| 16 | | 0820 650 21 | *Terminal | 1 | | WZ010001- | |
| 16-1 | | 0820 651 21 | *Sleeve | 1 | | WZ010001- | |



40V4-160800-1

| KEY No. | SU P. | PART No. | DESCRIPTION | Q'TY | CHAN | SERIAL No. | REMARKS |
|---------|-------|-------------|---------------|------|------|------------|---------|
| 0 | × | F377 860 00 | Decal Ass'y | 1 | | WZ010001- | |
| 1 | | D405 857 00 | *Decal | 1 | | WZ010001- | |
| 1-1 | | 0497 035 00 | *Screw, Drive | 4 | | WZ010001- | |
| 2 | | D405 859 00 | *Decal | 1 | | WZ010001- | |
| 3 | | D405 867 00 | *Decal | 1 | | WZ010001- | |
| 4 | | D408 396 00 | *Decal | 1 | | WZ010001- | |
| 5 | | D405 868 00 | *Decal | 1 | | WZ010001- | |
| 6 | | D408 637 00 | *Decal | 1 | | WZ010001- | |
| 7 | | D408 021 00 | *Decal | 1 | | WZ010001- | |
| 8 | | D408 020 00 | *Decal | 1 | | WZ010001- | |
| 9 | | D408 379 08 | *Decal | 1 | | WZ010001- | |
| 10 | | D408 394 00 | *Decal | 1 | | WZ010001- | Canopy |
| 10-1 | | D408 395 00 | *Decal | 1 | | WZ010001- | Cabin |
| 11 | | D408 038 00 | *Decal | 1 | | WZ010001- | Cabin |
| 12 | | D406 827 00 | *Decal | 1 | | WZ010001- | Cabin |

ALPHABETICAL INDEX

| Parts Name | P/N | Page *1 | Item |
|---------------------------------------|-----------|---------|------|
| * * * * * | ***** | 2 | 39 |
| ENGINE PARTS(V2403-M-DI-E3B-BHIH1) | ***** | 2 | 29 |
| RUNNING STORES LIST | ***** | 2 | |
| SEAL KIT | ***** | 2 | 23 |
| Body | ***** | 76 | 20 |
| Cover | ***** | 76 | 12 |
| Frame, Lower | ***** | 6 | 2 |
| Lower Machine Ass'y | ***** | 6 | 0 |
| Piston | ***** | 64 | 24 |
| Piston | ***** | 66 | 18 |
| Piston | ***** | 68 | 18 |
| Piston | ***** | 70 | 17 |
| Piston | ***** | 72 | 18 |
| Plate, Flange | ***** | 220 | 36 |
| Tube Ass'y, Cylinder | ***** | 64 | 1 |
| Tube Ass'y, Cylinder | ***** | 66 | 1 |
| Tube Ass'y, Cylinder | ***** | 68 | 1 |
| Tube Ass'y, Cylinder | ***** | 70 | 1 |
| Tube Ass'y, Cylinder | ***** | 72 | 1 |
| Wire | 032210899 | 96 | 24 |
| Bolt, Treatment (W/L.W, F.W) | 043806016 | 190 | 12 |
| Bolt, Treatment (W/L.W, F.W) | 043910020 | 118 | 6 |
| Bolt, Treatment (W/L.W, F.W) | 043910020 | 214 | 6 |
| Bolt, Treatment (W/L.W,F.W) | 043910020 | 208 | 10 |
| Bolt, Treatment (W/L.W, F.W) | 043910025 | 114 | 3 |
| Bolt, Treatment (W/L.W, F.W) | 043910025 | 116 | 6 |
| Bolt, Treatment (W/L.W, F.W) | 043910025 | 214 | 7 |
| Bolt, Treatment (W/L.W,F.W) | 043910025 | 208 | 9 |
| Screw, Tapping | 045430012 | 216 | 26 |
| Screw, Tapping | 045440020 | 142 | 8 |
| Screw, Tapping | 045460012 | 216 | 27 |
| Bolt, Treatment (W/Flange) | 045708016 | 92 | 36 |
| Bolt, Treatment (W/Flange) | 045714035 | 6 | 14 |
| Bolt, Treatment (W/Flange) | 048010020 | 6 | 21 |
| Bolt, Treatment (W/Flange) | 048010020 | 104 | 30 |
| Washer, Conical Spring | 049180012 | 208 | 5 |
| Ring, Snap | 049350028 | 48 | 19 |
| Ring, Snap | 049350030 | 98 | 7 |
| Ring, Snap | 049350035 | 62 | 2 |
| Ring, Snap | 049351008 | 82 | 26 |
| Ring, Snap | 049351016 | 84 | 24 |
| Ring, Snap | 049351022 | 48 | 5 |
| Ring, Snap | 049351025 | 16 | 4 |
| Ring, Snap | 049351030 | 80 | 11 |
| Ring, Snap | 049351055 | 50 | 3 |

*1 Note

ALPHABETICAL INDEX

| Parts Name | P/N | Page *1 | Item |
|---------------------------------|-----------|---------|------|
| Ring "E | 049356009 | 84 | 22 |
| Pin, Spring | 049460612 | 80 | 12 |
| Pin, Spring | 049460616 | 90 | 5 |
| Pin, Spring | 049460625 | 78 | 11 |
| Pin, Spring | 049460810 | 98 | 3 |
| Pin, Spring | 049460812 | 48 | 24 |
| Pin, Spring | 049460840 | 84 | 50 |
| Pin, Spring | 049461024 | 78 | 12 |
| Pin, Spring | 049465175 | 12 | 1 |
| Pin | 049480815 | 48 | 17 |
| Screw, Drive | 049703500 | 122 | 3-1 |
| Screw, Drive | 049703500 | 124 | 3-2 |
| Screw, Drive | 049703500 | 126 | 3-1 |
| Screw, Drive | 049703500 | 128 | 3-1 |
| Screw, Drive | 049703500 | 130 | 3-1 |
| Screw, Drive | 049703500 | 132 | 3-1 |
| Screw, Drive | 049703500 | 134 | 3-1 |
| Screw, Drive | 049703500 | 136 | 3-1 |
| Screw, Drive | 049703500 | 192 | 3-1 |
| Screw, Drive | 049703500 | 194 | 3-2 |
| Screw, Drive | 049703500 | 196 | 3-1 |
| Screw, Drive | 049703500 | 198 | 3-1 |
| Screw, Drive | 049703500 | 200 | 3-1 |
| Screw, Drive | 049703500 | 202 | 3-1 |
| Screw, Drive | 049703500 | 204 | 3-1 |
| Screw, Drive | 049703500 | 206 | 3-1 |
| Screw, Drive | 049703500 | 236 | 1-1 |
| Bolt, Treatment | 051308020 | 104 | 13 |
| Bolt, Treatment | 051308040 | 218 | 16 |
| Bolt, Treatment | 051308090 | 170 | 31 |
| Bolt, Treatment | 051310016 | 24 | 49 |
| Bolt, Treatment | 051310016 | 156 | 21 |
| Bolt, Teratment | 051310020 | 100 | 41 |
| Bolt, Treatment | 051310030 | 98 | 12 |
| Bolt, Treatment | 051310030 | 154 | 11 |
| Bolt, Treatment | 051312035 | 98 | 15 |
| Bolt, Treatment | 051312100 | 92 | 15 |
| Bolt, Treatment | 051410030 | 18 | 11 |
| Bolt, Treatment | 051410030 | 96 | 12 |
| Bolt, Treatment | 051412060 | 10 | 22 |
| Bolt, Treatment | 051412090 | 148 | 31 |
| Bolt, Treatment | 051412120 | 148 | 30 |
| Bolt, Treatment (W/L.W, F.W) | 051706012 | 84 | 27 |
| Bolt, Treatment (W/L.W, F.W) | 051706012 | 90 | 25 |
| Bolt, Treatment (W/L.W, F.W) | 051706012 | 142 | 33 |
| Bolt, Treatment (W/L.W, F.W) | 051706012 | 212 | 10 |
| Bolt, Treatment (W/L.W, F.W) | 051706016 | 60 | 14 |

*1 Note

ALPHABETICAL INDEX

| Parts Name | P/N | Page *1 | Item |
|------------------------------|-----------|---------|------|
| Bolt, Treatment (W/L.W, F.W) | 051706016 | 84 | 26 |
| Bolt, Treatment (W/L.W, F.W) | 051706016 | 138 | 33 |
| Bolt, Treatment (W/L.W, F.W) | 051706016 | 142 | 20 |
| Bolt, Treatment (W/L.W, F.W) | 051706016 | 212 | 11 |
| Bolt, Treatment (W/L.W, F.W) | 051706016 | 216 | 25 |
| Bolt, Treatment (W/L.W, F.W) | 051706020 | 100 | 39 |
| Bolt, Treatment (W/L.W, F.W) | 051706020 | 138 | 36 |
| Bolt, Treatment (W/L.W, F.W) | 051706020 | 138 | 47 |
| Bolt, Treatment (W/L.W, F.W) | 051706020 | 142 | 6 |
| Bolt, Treatment (W/L.W, F.W) | 051706020 | 142 | 39 |
| Bolt, Treatment (W/L.W, F.W) | 051706020 | 218 | 25 |
| Bolt, Treatment (W/L.W, F.W) | 051706020 | 220 | 22 |
| Bolt, Treatment (W/L.W, F.W) | 051706025 | 32 | 5 |
| Bolt, Treatment (W/L.W, F.W) | 051706025 | 36 | 5 |
| Bolt, Treatment (W/L.W, F.W) | 051706025 | 40 | 5 |
| Bolt, Treatment (W/L.W, F.W) | 051706025 | 212 | 9 |
| Bolt, Treatment (W/L.W, F.W) | 051706025 | 220 | 21 |
| Bolt, Treatment (W/L.W, F.W) | 051706040 | 220 | 20 |
| Bolt, Treatment (W/L.W, F.W) | 051706060 | 40 | 73 |
| Bolt, Treatment (W/L.W, F.W) | 051706060 | 90 | 20 |
| Bolt, Treatment (W/L.W, F.W) | 051708012 | 6 | 4 |
| Bolt, Treatment (W/L.W, F.W) | 051708012 | 138 | 32 |
| Bolt, Treatment (W/L.W, F.W) | 051708012 | 218 | 11 |
| Bolt, Treatment (W/L.W, F.W) | 051708016 | 82 | 17 |
| Bolt, Treatment (W/L.W, F.W) | 051708016 | 88 | 16 |
| Bolt, Treatment (W/L.W, F.W) | 051708016 | 88 | 21 |
| Bolt, Treatment (W/L.W, F.W) | 051708016 | 104 | 10 |

*1 Note

ALPHABETICAL INDEX

| Parts Name | P/N | Page *1 | Item |
|---------------------------------|-----------|---------|------|
| F.W) | | | |
| Bolt, Treatment (W/L.W, F.W) | 051708016 | 138 | 4 |
| Bolt, Treatment (W/L.W, F.W) | 051708016 | 164 | 44 |
| Bolt, Treatment (W/L.W, F.W) | 051708016 | 224 | 14 |
| Bolt, Treatment (W/L.W, F.W) | 051708016 | 232 | 10 |
| Bolt, Treatment (W/L.W, F.W) | 051708020 | 20 | 11 |
| Bolt, Treatment (W/L.W, F.W) | 051708020 | 84 | 25 |
| Bolt, Treatment (W/L.W, F.W) | 051708020 | 88 | 15 |
| Bolt, Treatment (W/L.W, F.W) | 051708020 | 90 | 17 |
| Bolt, Treatment (W/L.W, F.W) | 051708020 | 92 | 19 |
| Bolt, Treatment (W/L.W, F.W) | 051708020 | 100 | 52 |
| Bolt, Treatment (W/L.W, F.W) | 051708020 | 106 | 27 |
| Bolt, Treatment (W/L.W, F.W) | 051708020 | 164 | 56 |
| Bolt, Treatment (W/L.W, F.W) | 051708020 | 174 | 6 |
| Bolt, Treatment (W/L.W, F.W) | 051708020 | 218 | 26 |
| Bolt, Treatment (W/L.W, F.W) | 051708020 | 220 | 19 |
| Bolt, Treatment (W/L.W, F.W) | 051708025 | 82 | 16 |
| Bolt, Treatment (W/L.W, F.W) | 051708025 | 82 | 21 |
| Bolt, Treatment (W/L.W, F.W) | 051708025 | 92 | 18 |
| Bolt, Treatment (W/L.W, F.W) | 051708025 | 96 | 29 |
| Bolt, Treatment (W/L.W, F.W) | 051708025 | 100 | 38 |
| Bolt, Treatment (W/L.W, F.W) | 051708025 | 210 | 8 |
| Bolt, Treatment (W/L.W, F.W) | 051708025 | 218 | 12 |
| Bolt, Treatment (W/L.W, F.W) | 051708025 | 220 | 18 |
| Bolt, Treatment (W/L.W, F.W) | 051708030 | 104 | 11 |
| Bolt, Treatment (W/L.W, F.W) | 051708030 | 164 | 33 |
| Bolt, Treatment (W/L.W, F.W) | 051708030 | 218 | 13 |

*1 Note

ALPHABETICAL INDEX

| Parts Name | P/N | Page *1 | Item |
|------------------------------|-----------|---------|------|
| Bolt, Treatment (W/L.W, F.W) | 051708035 | 104 | 12 |
| Bolt, Treatment (W/L.W, F.W) | 051708035 | 106 | 18 |
| Bolt, Treatment (W/L.W, F.W) | 051708035 | 220 | 17 |
| Bolt, Treatment (W/L.W, F.W) | 051708040 | 106 | 19 |
| Bolt, Treatment (W/L.W, F.W) | 051708040 | 218 | 14 |
| Bolt, Treatment (W/L.W, F.W) | 051708050 | 30 | 13 |
| Bolt, Treatment (W/L.W, F.W) | 051708050 | 106 | 17 |
| Bolt, Treatment (W/L.W, F.W) | 051708055 | 218 | 15 |
| Bolt, Treatment (W/L.W, F.W) | 051708115 | 142 | 5 |
| Bolt, Treatment (W/L.W, F.W) | 051810016 | 138 | 31 |
| Bolt, Treatment (W/L.W, F.W) | 051810020 | 6 | 6 |
| Bolt, Treatment (W/L.W, F.W) | 051810020 | 24 | 27 |
| Bolt, Treatment (W/L.W, F.W) | 051810020 | 32 | 43 |
| Bolt, Treatment (W/L.W, F.W) | 051810020 | 36 | 43 |
| Bolt, Treatment (W/L.W, F.W) | 051810020 | 40 | 43 |
| Bolt, Treatment (W/L.W, F.W) | 051810020 | 96 | 13 |
| Bolt, Treatment (W/L.W, F.W) | 051810020 | 100 | 15 |
| Bolt, Treatment (W/L.W, F.W) | 051810020 | 100 | 40 |
| Bolt, Treatment (W/L.W, F.W) | 051810020 | 106 | 4 |
| Bolt, Treatment (W/L.W, F.W) | 051810020 | 142 | 50 |
| Bolt, Treatment (W/L.W, F.W) | 051810020 | 160 | 4 |
| Bolt, Treatment (W/L.W, F.W) | 051810020 | 164 | 17 |
| Bolt, Treatment (W/L.W, F.W) | 051810020 | 170 | 17 |
| Bolt, Treatment (W/L.W, F.W) | 051810020 | 190 | 11 |
| Bolt, Treatment (W/L.W, F.W) | 051810020 | 216 | 24 |
| Bolt, Treatment (W/L.W, F.W) | 051810020 | 230 | 5 |
| Bolt, Treatment (W/L.W, F.W) | 051810020 | 232 | 8 |

*1 Note

ALPHABETICAL INDEX

| Parts Name | P/N | Page *1 | Item |
|---------------------------------|-----------|---------|------|
| F.W) | | | |
| Bolt, Treatment (W/L.W, F.W) | 051810025 | 24 | 50 |
| Bolt, Treatment (W/L.W, F.W) | 051810025 | 32 | 64 |
| Bolt, Treatment (W/L.W, F.W) | 051810025 | 36 | 64 |
| Bolt, Treatment (W/L.W, F.W) | 051810025 | 40 | 64 |
| Bolt, Treatment (W/L.W, F.W) | 051810025 | 82 | 10 |
| Bolt, Treatment (W/L.W, F.W) | 051810025 | 84 | 1 |
| Bolt, Treatment (W/L.W, F.W) | 051810025 | 88 | 20 |
| Bolt, Treatment (W/L.W, F.W) | 051810025 | 104 | 22 |
| Bolt, Treatment (W/L.W, F.W) | 051810025 | 106 | 3 |
| Bolt, Treatment (W/L.W, F.W) | 051810025 | 138 | 30 |
| Bolt, Treatment (W/L.W, F.W) | 051810025 | 142 | 12 |
| Bolt, Treatment (W/L.W, F.W) | 051810025 | 164 | 13 |
| Bolt, Treatment (W/L.W, F.W) | 051810025 | 170 | 14 |
| Bolt, Treatment (W/L.W, F.W) | 051810030 | 30 | 18 |
| Bolt, Treatment (W/L.W, F.W) | 051810030 | 106 | 50 |
| Bolt, Treatment (W/L.W, F.W) | 051810040 | 92 | 51 |
| Bolt, Treatment (W/L.W, F.W) | 051810040 | 168 | 10 |
| Bolt, Treatment (W/L.W, F.W) | 051810040 | 170 | 15 |
| Bolt, Treatment (W/L.W, F.W) | 051810045 | 164 | 14 |
| Bolt, Treatment (W/L.W, F.W) | 051810045 | 170 | 22 |
| Bolt, Treatment (W/L.W, F.W) | 051810050 | 164 | 15 |
| Bolt, Treatment (W/L.W, F.W) | 051810050 | 170 | 16 |
| Bolt, Treatment (W/L.W, F.W) | 051810050 | 222 | 33 |
| Bolt, Treatment (W/L.W, F.W) | 051810055 | 164 | 16 |
| Bolt, Treatment (W/L.W, F.W) | 051810055 | 170 | 23 |
| Bolt, Treatment (W/L.W, F.W) | 051812025 | 60 | 11 |

*1 Note

ALPHABETICAL INDEX

| Parts Name | P/N | Page *1 | Item |
|------------------------------|-----------|---------|------|
| Bolt, Treatment (W/L.W, F.W) | 051812040 | 116 | 7 |
| Bolt, Treatment (W/L.W) | 051908020 | 84 | 45 |
| Bolt, Treatment (W/L.W) | 051908025 | 50 | 1 |
| Bolt, Treatment (W/L.W) | 051908025 | 116 | 9 |
| Bolt, Treatment (W/L.W) | 051908055 | 224 | 13 |
| Bolt, Treatment (W/L.W) | 052010020 | 106 | 8 |
| Bolt, Treatment (W/L.W) | 052010020 | 156 | 20 |
| Bolt, Treatment (W/L.W) | 052010040 | 156 | 19 |
| Bolt, Treatment (W/L.W) | 052010070 | 164 | 62 |
| Bolt, Treatment (W/L.W) | 052010070 | 168 | 9 |
| Bolt, Treatment (W/L.W) | 052010070 | 170 | 13 |
| Bolt, Treatment (W/L.W) | 052010070 | 222 | 32 |
| Nut, Hex. (W/F.W) | 052106000 | 138 | 9 |
| Nut, Hex. (W/F.W) | 052106000 | 212 | 12 |
| Nut, Hex. (W/F.W) | 052108000 | 92 | 60 |
| Nut, Hex. (W/F.W) | 052108000 | 96 | 16 |
| Nut, Hex. (W/F.W) | 052108000 | 100 | 16 |
| Nut, Hex. (W/F.W) | 052108000 | 106 | 20 |
| Nut, Hex. (W/F.W) | 052108000 | 118 | 5 |
| Nut, Hex. (W/F.W) | 052108000 | 224 | 18 |
| Nut, Hex. (W/F.W) | 052108000 | 138 | 2-4 |
| Nut, Hex. (W/F.W) | 052108000 | 84 | 47 |
| Nut, Hex. (W/F.W) | 052410000 | 24 | 31 |
| Nut, Hex. (W/F.W) | 052410000 | 90 | 23 |
| Nut, Hex. (W/F.W) | 052410000 | 100 | 49 |
| Nut, Hex. (W/F.W) | 052410000 | 152 | 16 |
| Nut, Hex. (W/F.W) | 052410000 | 220 | 23 |
| Screw, Tapping | 052805016 | 90 | 3 |
| Nut, Treatment | 053510000 | 96 | 15 |
| Nut, Treatment | 053512000 | 148 | 32 |
| Bolt, Hex. | 054112016 | 138 | 29 |
| Nut, Hex. | 054406000 | 138 | 10 |
| Nut, Hex. | 054408000 | 164 | 57 |
| Nut, Hex. | 054410000 | 53 | 77 |
| Nut, Half | 054812000 | 84 | 30 |
| Nut, Half | 054914000 | 82 | 18 |
| Bolt, Hex. | 055006030 | 230 | 4 |
| Bolt, Hex. | 055006050 | 222 | 34 |
| Bolt, Hex. | 055008020 | 118 | 4 |
| Bolt, Hex. | 055008070 | 100 | 36 |
| Bolt, Hex. | 055010020 | 104 | 23 |
| Bolt, Hex. | 055010020 | 106 | 5 |
| Bolt, Hex. | 055010020 | 224 | 12 |
| Bolt, Hex. | 055012020 | 156 | 36 |
| Bolt, Hex. | 055012025 | 36 | 65 |
| Bolt, Hex. (Full-Thread) | 055108060 | 100 | 17 |
| Bolt, Hex. (Full-Thread) | 055108060 | 218 | 17 |
| Bolt, Hex. | 055208020 | 138 | 2-3 |
| Bolt, Treatment | 055510020 | 60 | 9 |
| Bolt, Treatment | 055510040 | 176 | 5 |
| Bolt, Treatment | 055512020 | 148 | 33 |

*1 Note

ALPHABETICAL INDEX

| Parts Name | P/N | Page *1 | Item |
|-------------------|-----------|---------|------|
| Bolt, Treatment | 055512035 | 6 | 25 |
| Bolt, Treatment | 055512040 | 114 | 4 |
| Bolt, Treatment | 055514035 | 6 | 10 |
| Bolt, Treatment | 055514040 | 2 | 21 |
| Bolt, Treatment | 055514040 | 154 | 6 |
| Bolt, Treatment | 055516030 | 96 | 11 |
| Bolt, Treatment | 055516030 | 148 | 26 |
| Bolt, Treatment | 055516030 | 152 | 9 |
| Bolt, Treatment | 055516035 | 20 | 6 |
| Bolt, Treatment | 055516035 | 152 | 19 |
| Bolt, Treatment | 055516040 | 18 | 10 |
| Bolt, Treatment | 055516040 | 22 | 2 |
| Bolt, Treatment | 055516050 | 114 | 2 |
| Bolt, Treatment | 055516050 | 116 | 5 |
| Bolt, Treatment | 055516050 | 176 | 7 |
| Bolt, Treatment | 055516065 | 6 | 9 |
| Bolt, Treatment | 055516070 | 20 | 7 |
| Bolt, Treatment | 055516080 | 20 | 8 |
| Bolt, Treatment | 055520030 | 6 | 16 |
| Bolt, Treatment | 055524100 | 120 | 2 |
| Bolt, Treatment | 055812025 | 96 | 31 |
| Bolt, Treatment | 055812030 | 92 | 16 |
| Bolt, Treatment | 055816030 | 160 | 1 |
| Screw, Set | 056108008 | 68 | 21 |
| Screw, Set | 056108008 | 70 | 20 |
| Screw, Set | 056110010 | 64 | 27 |
| Screw, Set | 056110010 | 66 | 21 |
| Screw, Set | 056110010 | 72 | 22 |
| Screw, Set | 056110010 | 78 | 10 |
| Screw, Set | 056110020 | 53 | 78 |
| Bolt, Socket Head | 056205014 | 80 | 3 |
| Bolt, Socket Head | 056206016 | 226 | 11 |
| Bolt, Socket Head | 056206018 | 53 | 20 |
| Bolt, Socket Head | 056206020 | 48 | 30 |
| Bolt, Socket Head | 056206035 | 168 | 18 |
| Bolt, Socket Head | 056206035 | 226 | 12 |
| Bolt, Socket Head | 056206050 | 53 | 65 |
| Bolt, Socket Head | 056206050 | 74 | 19 |
| Bolt, Socket Head | 056208016 | 76 | 10 |
| Bolt, Socket Head | 056208016 | 78 | 8 |
| Bolt, Socket Head | 056208025 | 48 | 10 |
| Bolt, Socket Head | 056208025 | 78 | 9 |
| Bolt, Socket Head | 056208030 | 44 | 57 |
| Bolt, Socket Head | 056210025 | 48 | 12 |
| Bolt, Socket Head | 056212025 | 44 | 51 |
| Bolt, Socket Head | 056212035 | 24 | 29 |
| Bolt, Socket Head | 056214040 | 98 | 5 |
| Bolt, Socket Head | 056214045 | 98 | 4 |
| Screw, Pan Head | 056503020 | 234 | 8 |
| Screw, Pan Head | 056504008 | 88 | 17 |
| Screw, Pan Head | 056504008 | 234 | 7 |
| Screw, Pan Head | 056504010 | 212 | 4 |

*1 Note

ALPHABETICAL INDEX

| Parts Name | P/N | Page *1 | Item |
|-----------------|-----------|---------|------|
| Screw, Pan Head | 056504012 | 84 | 37 |
| Screw, Pan Head | 056504012 | 216 | 32 |
| Screw, Pan Head | 056504020 | 90 | 11 |
| Screw, Pan Head | 056505010 | 212 | 7 |
| Screw, Pan Head | 056505010 | 220 | 16 |
| Screw, Pan Head | 056506025 | 84 | 6 |
| Screw, Set | 056704008 | 76 | 5 |
| Nut, Hex. | 058003000 | 234 | 9 |
| Nut, Hex. | 058005000 | 100 | 24 |
| Nut, Hex. | 058005000 | 212 | 8 |
| Nut, Hex. | 058006000 | 90 | 16 |
| Nut, Hex. | 058006000 | 230 | 6 |
| Nut, Hex. | 058008000 | 53 | 69 |
| Nut, Hex. | 058012000 | 24 | 28 |
| Nut, Hex. | 058012000 | 96 | 14 |
| Nut, Hex. | 058012000 | 208 | 4 |
| Nut, Hex. | 058014000 | 84 | 36 |
| Nut, Hex. | 058020000 | 10 | 11 |
| Nut, Treatment | 058514000 | 2 | 22 |
| Nut, Treatment | 058514000 | 154 | 3 |
| Nut, Treatment | 058520000 | 176 | 3 |
| Nut, Castle | 058736000 | 148 | 34 |
| Washer, Lock | 059004000 | 90 | 13 |
| Washer, Lock | 059004000 | 212 | 6 |
| Washer, Lock | 059004000 | 216 | 34 |
| Washer, Lock | 059004000 | 234 | 13 |
| Washer, Lock | 059005000 | 80 | 2 |
| Washer, Lock | 059005000 | 100 | 25 |
| Washer, Lock | 059005000 | 220 | 27 |
| Washer, Lock | 059006000 | 84 | 10 |
| Washer, Lock | 059006000 | 90 | 15 |
| Washer, Lock | 059006000 | 216 | 30 |
| Washer, Lock | 059006000 | 222 | 36 |
| Washer, Lock | 059006000 | 230 | 7 |
| Washer, Lock | 059008000 | 100 | 37 |
| Washer, Lock | 059008000 | 104 | 18 |
| Washer, Lock | 059008000 | 170 | 32 |
| Washer, Lock | 059008000 | 218 | 20 |
| Washer, Lock | 059010000 | 60 | 12 |
| Washer, Lock | 059010000 | 96 | 21 |
| Washer, Lock | 059010000 | 98 | 11 |
| Washer, Lock | 059010000 | 100 | 43 |
| Washer, Lock | 059010000 | 104 | 24 |
| Washer, Lock | 059010000 | 106 | 6 |
| Washer, Lock | 059010000 | 154 | 12 |
| Washer, Lock | 059010000 | 156 | 25 |
| Washer, Lock | 059010000 | 224 | 17 |
| Washer, Lock | 059012000 | 24 | 32 |
| Washer, Lock | 059012000 | 36 | 67 |
| Washer, Lock | 059012000 | 96 | 20 |
| Washer, Lock | 059012000 | 138 | 34 |
| Washer, Lock | 059012000 | 148 | 40 |

*1 Note

ALPHABETICAL INDEX

| Parts Name | P/N | Page *1 | Item |
|------------------------|-----------|---------|------|
| Washer, Lock | 059016000 | 20 | 4 |
| Washer, Lock | 059016000 | 96 | 18 |
| Washer, Conical Spring | 059108000 | 164 | 55 |
| Washer, Flat | 059304000 | 90 | 12 |
| Washer, Flat | 059304000 | 142 | 9 |
| Washer, Flat | 059304000 | 212 | 5 |
| Washer, Flat | 059304000 | 216 | 33 |
| Washer, Flat | 059304000 | 234 | 11 |
| Washer, Flat | 059305000 | 220 | 26 |
| Washer, Flat | 059306000 | 84 | 9 |
| Washer, Flat | 059306000 | 90 | 7 |
| Washer, Flat | 059306000 | 104 | 16 |
| Washer, Flat | 059306000 | 216 | 29 |
| Washer, Flat | 059306000 | 222 | 35 |
| Washer, Flat | 059308000 | 84 | 28 |
| Washer, Flat | 059308000 | 100 | 18 |
| Washer, Flat | 059308000 | 104 | 17 |
| Washer, Flat | 059308000 | 138 | 38 |
| Washer, Flat | 059308000 | 164 | 58 |
| Washer, Flat | 059308000 | 170 | 33 |
| Washer, Flat | 059308000 | 218 | 19 |
| Washer, Flat | 059308000 | 224 | 15 |
| Washer, Flat | 059310000 | 6 | 20 |
| Washer, Flat | 059310000 | 100 | 42 |
| Washer, Flat | 059310000 | 104 | 25 |
| Washer, Flat | 059310000 | 106 | 32 |
| Washer, Flat | 059310000 | 156 | 26 |
| Washer, Flat | 059310000 | 224 | 16 |
| Washer, Flat | 059312000 | 36 | 66 |
| Washer, Flat | 059312000 | 96 | 19 |
| Washer, Flat | 059312000 | 208 | 6 |
| Washer, Flat | 059406000 | 84 | 7 |
| Washer, Flat | 059406000 | 106 | 30 |
| Washer, Flat | 059406000 | 142 | 10 |
| Washer, Flat | 059406000 | 234 | 10 |
| Washer, Treatment | 059510000 | 18 | 13 |
| Washer, Treatment | 059510000 | 24 | 51 |
| Washer, Treatment | 059510000 | 176 | 6 |
| Bolt, Treatment | 059512000 | 98 | 14 |
| Washer, Treatment | 059512000 | 6 | 24 |
| Washer, Treatment | 059512000 | 10 | 23 |
| Washer, Treatment | 059512000 | 24 | 33 |
| Washer, Treatment | 059512000 | 92 | 17 |
| Washer, Treatment | 059512000 | 96 | 17 |
| Washer, Treatment | 059512000 | 114 | 6 |
| Washer, Treatment | 059512000 | 156 | 37 |
| Washer, Treatment | 059514000 | 6 | 11 |
| Washer, Treatment | 059516000 | 6 | 8 |
| Washer, Treatment | 059516000 | 18 | 12 |
| Washer, Treatment | 059516000 | 22 | 3 |
| Washer, Treatment | 059516000 | 114 | 5 |
| Washer, Treatment | 059516000 | 116 | 8 |

*1 Note

ALPHABETICAL INDEX

| Parts Name | P/N | Page *1 | Item |
|---------------------|-----------|---------|------|
| Washer, Treatment | 059516000 | 176 | 8 |
| Washer, Treatment | 059520000 | 6 | 17 |
| Washer, Treatment | 059520000 | 176 | 4 |
| Washer, Treatment | 059524000 | 120 | 3 |
| Washer, Lock | 059606000 | 84 | 8 |
| Washer, Lock | 059606000 | 106 | 31 |
| Washer, Lock | 059606000 | 142 | 11 |
| Washer, Lock | 059606000 | 234 | 12 |
| Pin, Cotter | 059901015 | 90 | 8 |
| Pin, Cotter | 059901015 | 104 | 8 |
| Pin, Cotter | 059906070 | 148 | 36 |
| Bearing, Swing | 0605416UA | 20 | 2 |
| Ball, Steel | 060901610 | 44 | 6 |
| Ball, Steel | 060901610 | 64 | 28 |
| Ball, Steel | 060901610 | 66 | 22 |
| Ball, Steel | 060901610 | 72 | 23 |
| Ball, Steel | 060901610 | 74 | 3 |
| Bushing | 061811615 | 84 | 18 |
| Bushing | 061812020 | 84 | 17 |
| Bearing | 063060044 | 48 | 15 |
| Bearing | 063062010 | 48 | 23 |
| Bearing | 063062033 | 218 | 10 |
| Bearing | 063062050 | 16 | 2 |
| Adapter, Tooth | 065000107 | 154 | 2 |
| Tooth | 065000204 | 154 | 9 |
| Tooth, Bucket | 065000204 | 2 | 16 |
| Pin, Lock | 065000303 | 2 | 17 |
| Pin, Lock | 065000303 | 154 | 8 |
| Pin, Rubber | 065000402 | 2 | 18 |
| Pin, Rubber | 065000402 | 154 | 7 |
| Coupling Ass'y | 0651421UA | 98 | 2 |
| Hub, Coupling | 065148202 | 98 | 6 |
| Cupling Ass'y | 0651482UA | 98 | 1 |
| Collar, Master | 065158807 | 8 | 5 |
| Roller | 065191101 | 16 | 6 |
| Shaft, Roller | 065191102 | 16 | 3 |
| Seal | 065191103 | 16 | 1 |
| Cap | 065191104 | 16 | 5 |
| Roller Ass'y, Upper | 0651911UA | 6 | 15 |
| Roller Ass'y, Upper | 0651911UA | 16 | 0 |
| Stay, Dumper | 0652253UA | 84 | 20 |
| Stay, Dumper | 0652274UA | 106 | 13 |
| Ratch Ass'y | 0652923UA | 228 | 3 |
| Hook | 0652965UA | 228 | 1 |
| Bolt, Shoe | 065301009 | 8 | 13 |
| Nut, Shoe | 065301010 | 8 | 11 |
| Plate, Shoe | 065377901 | 8 | 12 |
| Pin, Lock | 065392410 | 8 | 7 |
| Link, Track (R.H.) | 065397301 | 8 | 9 |
| Link, Track (L.H.) | 065397302 | 8 | 10 |
| Link, Master (R.H.) | 065397303 | 8 | 3 |
| Link, Master (L.H.) | 065397304 | 8 | 1 |

*1 Note

ALPHABETICAL INDEX

| Parts Name | P/N | Page *1 | Item |
|------------------------------------|-----------|---------|------|
| Bushing, Track | 065397305 | 8 | 2 |
| Pin, Track | 065397306 | 8 | 4 |
| Bushing, Master | 065397307 | 8 | 6 |
| Pin, Master | 065397308 | 8 | 8 |
| Link, Ass'y | 065397499 | 8 | 0-1 |
| Shoe Ass'y, Crawler | 0653974UA | 8 | 0 |
| Shoe Ass'y, Crawler (Steel) | 0653974UA | 6 | 1-1 |
| Shoe, Rubber Crawler | 0653981UA | 6 | 1 |
| Roller | 065398401 | 14 | 4 |
| Shaft | 065398402 | 14 | 5 |
| Collar, Roller | 065398403 | 14 | 8 |
| Collar Roller | 065398404 | 14 | 1 |
| Bushing | 065398405 | 14 | 3 |
| Pin | 065398406 | 14 | 7 |
| Roller Ass'y, Lower | 0653984UA | 6 | 18 |
| Roller Ass'y, Lower | 0653984UA | 14 | 0 |
| Seat Ass'y, Back | 065556301 | 118 | 2-1 |
| Seat Ass'y, Cushion | 065556302 | 118 | 2-2 |
| Suspension Ass'y | 065556303 | 118 | 2-3 |
| Rail Ass'y, Slid (L.H) | 065556304 | 118 | 2-4 |
| Rail Ass'y, Slid (R.H) | 065556305 | 118 | 2-5 |
| Belt Ass'y, Seat | 065556310 | 118 | 2-6 |
| Seat, Operator (W/Suspension) | 0655563UA | 118 | 2 |
| Seat, Operator (Leather) | 0655564UA | 118 | 10 |
| Seat, Operator (W/O Seat Belt) | 0655567UA | 118 | 8 |
| Seat Ass'y, Back | 065556801 | 118 | 9-2 |
| Seat, Operator (High Back Seat) | 0655568UA | 118 | 9 |
| Seat Ass'y, Back | 065556901 | 118 | 9-3 |
| Seat Ass'y, Cushion | 065556902 | 118 | 9-4 |
| Seat, Operator (High Back Seat) | 0655569UA | 118 | 9-1 |
| Resonator | 066180029 | 96 | 5 |
| Muffler Ass'y | 0662136UA | 96 | 2 |
| Radiator, Cap | 066808802 | 92 | 34 |
| Guide, Fan | 066824602 | 92 | 32 |
| Cooler Ass'y, Oil | 066824606 | 92 | 35 |
| Guard, Fan | 066824615 | 92 | 37 |
| Radiator | 066824691 | 92 | 33 |
| Radiator Ass'y | 0668246UA | 92 | 31 |
| Cooler, Fuel | 0668247UA | 100 | 50 |
| Net | 066840031 | 92 | 59 |
| Engine Ass'y | 0676253UA | 92 | 1 |
| Hinge | 069001619 | 104 | 7 |
| Hinge | 069001619 | 106 | 16 |
| Clamp, Hose | 069007412 | 92 | 22 |
| Clamp, Hose | 069007812 | 24 | 21 |
| Clip | 069008189 | 138 | 39 |
| Clamp, Hose | 069008190 | 92 | 48 |
| Clamp, Hose | 069008190 | 100 | 34 |

*1 Note

ALPHABETICAL INDEX

| Parts Name | P/N | Page *1 | Item |
|-----------------|-----------|---------|------|
| Clamp | 069008192 | 138 | 16 |
| Clamp | 069008201 | 138 | 18 |
| Clamp, Hose | 069008205 | 138 | 19 |
| Clamp, Hose | 069008205 | 138 | 43 |
| Clamp | 069008207 | 216 | 31 |
| Band, Cable | 069008208 | 84 | 31 |
| Clamp, Hose | 069008208 | 84 | 40 |
| Clamp, Hose | 069008208 | 84 | 55 |
| Clamp, Hose | 069008208 | 100 | 35 |
| Clamp, Hose | 069008208 | 138 | 24 |
| Clamp, Hose | 069008208 | 214 | 8 |
| Clamp, Hose | 069008303 | 100 | 33 |
| Clamp, Hose | 069008304 | 220 | 24 |
| Clamp, Hose | 069008305 | 190 | 10 |
| Clamp, Hose | 069008308 | 24 | 22 |
| Clamp, Hose | 069008309 | 92 | 13 |
| Clamp, Hose | 069008312 | 92 | 14 |
| Clamp, Hose | 069008312 | 100 | 11 |
| Clamp, Hose | 069008313 | 24 | 36 |
| Clamp, Hose | 069008313 | 96 | 10 |
| Clamp, Hose | 069008314 | 96 | 34 |
| Clamp, Hose | 069008314 | 100 | 10 |
| Clamp | 069008936 | 96 | 22 |
| Plug, Hole | 069020104 | 106 | 9 |
| Plug, Hole | 069020105 | 82 | 20 |
| Plug | 069020108 | 116 | 11 |
| Plug | 069020108 | 156 | 23 |
| Plug, Hole | 069020108 | 114 | 9 |
| Plug | 069020109 | 6 | 7 |
| Plug | 069020109 | 118 | 7 |
| Plug | 069020109 | 156 | 24 |
| Pad, Rubber | 069020250 | 84 | 29 |
| Cap | 069020256 | 20 | 12 |
| Mirror, Under | 069020308 | 208 | 8 |
| Mount, Cab | 069020315 | 176 | 1 |
| Cover | 069020344 | 142 | 16 |
| Knob | 069021086 | 216 | 12 |
| Throttle, Dial | 069021105 | 142 | 29 |
| Handle | 069021108 | 106 | 34 |
| Lock Ass'y | 069022091 | 104 | 15 |
| Lock Ass'y | 069022091 | 106 | 22 |
| Lock Ass'y | 069022092 | 106 | 35 |
| Key | 069027029 | 142 | 26-2 |
| Grip (W/Switch) | 069028340 | 84 | 34 |
| Grip | 069028341 | 84 | 41 |
| Grip | 069028372 | 82 | 15 |
| Grip (W/Switch) | 069028381 | 88 | 13 |
| Grip (W/Switch) | 069028382 | 84 | 53 |
| Grip | 069028385 | 84 | 48 |
| Grip | 069028386 | 84 | 2 |
| Cable, Control | 069051147 | 90 | 6 |
| Mirror, Back | 069990112 | 208 | 2 |

*1 Note

ALPHABETICAL INDEX

| Parts Name | P/N | Page *1 | Item |
|-------------------|-----------|---------|------|
| Mirror, Back | 069990113 | 208 | 3 |
| Elbow | 071010202 | 222 | 23 |
| Connector | 071010627 | 152 | 13 |
| Elbow | 071010727 | 152 | 14 |
| Elbow | 071011311 | 24 | 13 |
| Elbow, Reducer | 071011323 | 24 | 53 |
| Elbow, Reducer | 071011332 | 32 | 38 |
| Elbow, Reducer | 071011332 | 36 | 38 |
| Elbow, Reducer | 071011332 | 40 | 38 |
| Elbow, Reducer | 071011332 | 168 | 25 |
| Elbow | 071011344 | 18 | 18 |
| Elbow | 071011344 | 30 | 20 |
| Elbow | 071011344 | 156 | 14 |
| Elbow | 071011366 | 164 | 29 |
| Elbow, 45 Reducer | 071011432 | 168 | 26 |
| Elbow, 45 | 071011433 | 162 | 8 |
| Elbow, 45 | 071011444 | 18 | 19 |
| Elbow, 45 | 071011444 | 28 | 14 |
| Elbow, 45 | 071011466 | 24 | 43 |
| Elbow, 45 | 071011488 | 24 | 45 |
| Elbow | 071011702 | 32 | 10 |
| Elbow | 071011702 | 36 | 10 |
| Elbow | 071011702 | 40 | 10 |
| Elbow, Long | 071011702 | 32 | 37 |
| Elbow, Long | 071011702 | 36 | 37 |
| Elbow, Long | 071011702 | 40 | 37 |
| Elbow, Long | 071011702 | 88 | 6 |
| Elbow, 45 | 071012100 | 40 | 69 |
| Elbow, 45 | 071012100 | 88 | 19 |
| Elbow, 45 | 071012100 | 164 | 53 |
| Elbow | 071012202 | 162 | 9 |
| Elbow | 071012209 | 24 | 55 |
| Elbow | 071012209 | 32 | 6 |
| Elbow | 071012209 | 36 | 6 |
| Elbow | 071012209 | 40 | 6 |
| Elbow | 071012209 | 82 | 8 |
| Elbow | 071012209 | 88 | 8 |
| Elbow | 071012209 | 164 | 20 |
| Elbow | 071012209 | 164 | 54 |
| Elbow | 071012209 | 164 | 63 |
| Elbow | 071012209 | 168 | 28 |
| Elbow | 071012209 | 224 | 9 |
| Elbow | 071012210 | 174 | 4 |
| Elbow | 071012706 | 24 | 42 |
| Plug | 071020010 | 50 | 13 |
| Plug | 071020014 | 50 | 14 |
| Plug | 071020101 | 12 | 7 |
| Plug | 071020101 | 14 | 9 |
| Plug | 071020101 | 44 | 7 |
| Plug | 071020202 | 30 | 11 |
| Plug | 071021212 | 24 | 57 |
| Plug, Swivel | 071030302 | 32 | 46 |

*1 Note

ALPHABETICAL INDEX

| Parts Name | P/N | Page *1 | Item |
|---------------------|-----------|---------|------|
| Plug, Swivel | 071030302 | 36 | 46 |
| Plug, Swivel | 071030302 | 40 | 46 |
| Plug, Swivel | 071030302 | 168 | 8 |
| Plug, Swivel | 071030302 | 170 | 12 |
| Plug, Swivel | 071030303 | 32 | 41 |
| Plug, Swivel | 071030303 | 36 | 41 |
| Plug, Swivel | 071030303 | 40 | 41 |
| Plug Swivel | 071030306 | 170 | 21 |
| Plug, Swivel | 071030306 | 164 | 12 |
| Bush, Reducer | 071040024 | 210 | 5 |
| Socket | 071050103 | 190 | 26 |
| Socket | 071050103 | 220 | 13 |
| Socket | 071050302 | 18 | 24 |
| Socket | 071050302 | 190 | 8 |
| Socket | 071050302 | 220 | 14 |
| Socket | 071050303 | 190 | 24 |
| Nipple | 071060013 | 220 | 10 |
| Nipple, Reducing | 071060013 | 190 | 25 |
| Tee | 071070702 | 18 | 23 |
| Tee | 071070704 | 18 | 22 |
| Tee | 071070902 | 32 | 8 |
| Tee | 071070902 | 36 | 8 |
| Tee | 071070902 | 40 | 8 |
| Tee | 071071309 | 32 | 3 |
| Tee | 071071309 | 36 | 3 |
| Tee | 071071309 | 40 | 3 |
| Tee | 071071309 | 168 | 11 |
| Tee, Special | 071071310 | 24 | 17 |
| Adapter | 071231033 | 164 | 61 |
| Adapter | 071231033 | 170 | 26 |
| Elbow, 45 | 071231040 | 32 | 69 |
| Elbow, 45 | 071231040 | 222 | 24 |
| Elbow | 071231050 | 40 | 72 |
| Elbow | 071231050 | 222 | 28 |
| Elbow | 071231055 | 24 | 19 |
| Adapter | 071232502 | 32 | 68 |
| Adapter | 071232502 | 40 | 71 |
| Adapter | 071232601 | 40 | 66 |
| Sleeve | 071310002 | 152 | 13-1 |
| Sleeve | 071310002 | 152 | 14-1 |
| Seal, Oil | 071343102 | 50 | 9 |
| Kit, Seal | 071343191 | 50 | 7 |
| Rotary Joint | 071343191 | 2 | 24 |
| Shaft | 071343901 | 50 | 6 |
| Hub | 071343902 | 50 | 5 |
| Ring | 071343907 | 50 | 4 |
| Cover | 071343910 | 50 | 2 |
| Joint Ass'y, Rotary | 0713439UA | 18 | 17 |
| Joint Ass'y, Rotary | 0713439UA | 50 | 0 |
| Adapter | 071370002 | 224 | 8 |
| Adapter | 071370003 | 18 | 7 |
| Adapter | 071370003 | 28 | 5 |

*1 Note

ALPHABETICAL INDEX

| Parts Name | P/N | Page *1 | Item |
|--------------------|-----------|---------|------|
| Adapter | 071370003 | 156 | 16 |
| Adapter | 071370003 | 162 | 6 |
| Adapter | 071370004 | 18 | 6 |
| Adapter | 071370004 | 28 | 12 |
| Adapter | 071370004 | 28 | 15 |
| Adapter | 071370004 | 156 | 15 |
| Adapter | 071370004 | 222 | 26 |
| Adapter | 071370004 | 224 | 7 |
| Adapter | 071370070 | 164 | 19 |
| Adapter | 071370070 | 164 | 45 |
| Connector | 071370070 | 32 | 2 |
| Connector | 071370070 | 36 | 2 |
| Connector | 071370070 | 40 | 2 |
| Connector | 071370070 | 82 | 7 |
| Connector | 071370070 | 88 | 7 |
| Connector | 071370070 | 170 | 37 |
| Adapter | 071370071 | 32 | 36 |
| Adapter | 071370071 | 36 | 36 |
| Adapter | 071370071 | 40 | 36 |
| Adapter | 071370072 | 164 | 25 |
| Adapter | 071370073 | 24 | 16 |
| Adapter | 071370073 | 164 | 27 |
| Adapter | 071370074 | 24 | 15 |
| Adapter, Reducer | 071370077 | 30 | 22 |
| Adapter, Reducer | 071370078 | 28 | 10 |
| Adapter, Reducer | 071370078 | 156 | 40 |
| Connector, Reducer | 071370078 | 162 | 12 |
| Adapter, Reducer | 071370093 | 170 | 38 |
| Adapter, Reducer | 071370094 | 24 | 14 |
| Adapter | 071370402 | 18 | 21 |
| Connector | 071370403 | 220 | 11 |
| Socket | 071370502 | 222 | 27 |
| Elbow | 0719804UA | 210 | 4 |
| Elbow | 0719805UA | 18 | 20 |
| Elbow | 0719805UA | 32 | 7 |
| Elbow | 0719805UA | 36 | 7 |
| Elbow | 0719805UA | 40 | 7 |
| Valve, Stop | 0725004UA | 164 | 18 |
| Nipple, Grease | 072811115 | 20 | 9 |
| Nipple, Grease | 072811115 | 64 | 3 |
| Nipple, Grease | 072811115 | 64 | 7 |
| Nipple, Grease | 072811115 | 66 | 7 |
| Nipple, Grease | 072811115 | 68 | 7 |
| Nipple, Grease | 072811115 | 72 | 3 |
| Nipple, Grease | 072811115 | 148 | 27 |
| Nipple, Grease | 072811115 | 152 | 8 |
| Nipple, Grease | 072811115 | 228 | 12 |
| Nipple, Grease | 072811155 | 72 | 7 |
| Nipple, Grease | 072811165 | 66 | 3 |
| Nipple, Grease | 072811165 | 68 | 3 |
| Nipple, Grease | 072811165 | 70 | 6 |
| Nipple, Grease | 072811165 | 160 | 10 |

*1 Note

ALPHABETICAL INDEX

| Parts Name | P/N | Page *1 | Item |
|------------------------------|-----------|---------|------|
| Nipple, Grease | 072813111 | 228 | 2 |
| Valve | 072991035 | 190 | 9 |
| Strainer | 072991060 | 100 | 4 |
| Cap | 072991073 | 100 | 3 |
| Cap, Fuel | 072991073 | 2 | 9 |
| Filter | 072991080 | 100 | 1 |
| Filter, Air | 0745142UA | 216 | 10 |
| Element Ass'y | 074526508 | 96 | 25-1 |
| Element, Air Cleaner | 074526508 | 2 | 6 |
| Element Ass'y (Inner) | 074526509 | 96 | 25-2 |
| Element, Air Cleaner (Inner) | 074526509 | 2 | 7 |
| Cleaner, Air | 0745265UA | 96 | 25 |
| Plug | 075019815 | 74 | 16 |
| Seal, Dust | 075179624 | 66 | 4 |
| Seal, Dust | 075179624 | 66 | 8 |
| Seal, Dust | 075179624 | 68 | 4 |
| Seal, Dust | 075179624 | 68 | 8 |
| Ball, Steel | 075190125 | 68 | 22 |
| Ball, Steel | 075190125 | 70 | 21 |
| Ball, Steel | 075194806 | 74 | 14 |
| Seat, Spring | 075196003 | 44 | 41 |
| Bushing | 075215921 | 70 | 2 |
| Bushing | 075215921 | 70 | 5 |
| Ring Ass'y, Seal | 075216420 | 70 | 18 |
| Ring Ass'y, Seal | 075218424 | 64 | 25 |
| Bushing | 075228920 | 66 | 2 |
| Bushing | 075228920 | 66 | 6 |
| Bushing | 075228920 | 68 | 2 |
| Bushing | 075228920 | 68 | 6 |
| Ring, U | 075273705 | 68 | 12 |
| Ring, U | 075275605 | 66 | 12 |
| Ring, U | 075275605 | 70 | 11 |
| Ring Ass'y, Seal | 075287306 | 66 | 19 |
| Ring Ass'y, Seal | 075292211 | 72 | 20 |
| Ring, U | 075293504 | 64 | 12 |
| Ring, U | 075293504 | 72 | 12 |
| Ring Ass'y, Seal | 075294106 | 68 | 19 |
| Ring, O | 075310109 | 53 | 49 |
| Valve, Check (Grease Up) | 0753265UA | 2 | 1 |
| Valve, Check | 0753265UA | 10 | 5 |
| Pin | 075356353 | 44 | 52 |
| Spring | 075356363 | 44 | 42 |
| Pin | 075363619 | 48 | 13 |
| Bearing | 075363811 | 44 | 28 |
| Seal, Floating | 075371305 | 44 | 2 |
| Plate, Valve | 075376440 | 44 | 34 |
| Bearing | 075376441 | 44 | 36 |
| Plug | 075376449 | 44 | 25 |
| Plug | 075376449 | 44 | 54 |
| Plug | 075376449 | 44 | 64 |
| Orifice | 075376451 | 44 | 45 |
| Pin | 075379511 | 44 | 35 |

*1 Note

ALPHABETICAL INDEX

| Parts Name | P/N | Page *1 | Item |
|--------------------------|-----------|---------|------|
| Spring | 075390411 | 53 | 28 |
| Plug | 075412413 | 78 | 20 |
| Cock | 0754805UA | 164 | 60 |
| Cook | 0754805UA | 170 | 24 |
| Cartridge Ass'y | 075514203 | 60 | 10-1 |
| Cartridge, Return Filter | 075514203 | 2 | 3 |
| Seal, Dust | 075586126 | 50 | 12 |
| Shim | 075606511 | 76 | 17-1 |
| Holder, Spring | 075606513 | 76 | 14 |
| Body | 075609401 | 80 | 8 |
| Rotor | 075609402 | 80 | 5 |
| Lever | 075609403 | 80 | 4 |
| Bolt, Wing | 075609404 | 80 | 1 |
| Ring, O | 075609405 | 80 | 10 |
| Ring, O | 075609406 | 80 | 9 |
| Ring, O | 075609407 | 80 | 7 |
| Ring, O | 075609408 | 80 | 6 |
| Valve Ass'y, Selector | 0756094UA | 40 | 67 |
| Valve Ass'y, Selector | 0756094UA | 80 | 0 |
| Joint | 075630307 | 58 | 10 |
| Pusher | 075632604 | 76 | 7 |
| Shim | 075632606 | 76 | 17 |
| Cam | 075632607 | 76 | 9 |
| Pin | 075632608 | 76 | 6 |
| Spring | 075632609 | 76 | 18 |
| Boot | 075632610 | 76 | 4 |
| Washer, Flat | 075632619 | 76 | 16 |
| Washer, Flat | 075632620 | 76 | 3 |
| Pin, Spring | 075632622 | 76 | 1 |
| Ball, Steel | 075632623 | 76 | 2 |
| Ring, O | 075632625 | 76 | 13 |
| Seat, Spring | 075633905 | 53 | 13 |
| Ring, O | 075633908 | 53 | 16 |
| Spring | 075633917 | 53 | 31 |
| Poppet | 075633920 | 53 | 27 |
| Spring | 075633925 | 53 | 61 |
| Plug Ass'y | 075633980 | 53 | 44 |
| Plug | 075635703 | 74 | 15 |
| Seal | 075661113 | 58 | 12 |
| Plug | 075673509 | 58 | 2 |
| Washer | 075673515 | 58 | 7 |
| Rod, Push | 075674411 | 58 | 11 |
| Ball, Steel | 075678114 | 78 | 13 |
| Seal, Oil | 075686309 | 78 | 16 |
| Bearing | 075760604 | 44 | 3 |
| Bearing | 075760620 | 44 | 18 |
| Wire | 075760629 | 44 | 24 |
| Filter | 075761820 | 48 | 14 |
| Valve Ass'y, By-pass | 075764192 | 48 | 31 |
| Plug | 075778506 | 44 | 59 |
| Stopper | 075869625 | 66 | 25 |
| Ring, Wiper | 075869706 | 68 | 13 |

*1 Note

ALPHABETICAL INDEX

| Parts Name | P/N | Page *1 | Item |
|----------------------|-----------|---------|------|
| Ring, Wiper | 075869809 | 66 | 13 |
| Ring, Wiper | 075869809 | 70 | 12 |
| Ring, Wiper | 075885006 | 64 | 13 |
| Ring, Wiper | 075885006 | 72 | 13 |
| Seal, Dust | 075885012 | 72 | 4 |
| Seal, Dust | 075885012 | 72 | 8 |
| Strainer, Suction | 0759106UA | 2 | 2 |
| Strainer, Suction | 0759106UA | 60 | 5 |
| Valve Ass'y | 0759114UA | 60 | 10-2 |
| Filter Ass'y, Return | 0759115UA | 60 | 10 |
| Accumulator | 0759301UA | 174 | 1 |
| Ring, O | 076021118 | 78 | 17 |
| Ring, O | 076021258 | 44 | 37 |
| Ring, O | 076031020 | 74 | 8 |
| Ring, O | 076031025 | 74 | 9 |
| Ring, O | 076031166 | 48 | 9 |
| Ring, O | 076031211 | 60 | 8 |
| Ring, O | 076031225 | 24 | 26 |
| Ring, O | 076031910 | 53 | 70-1 |
| Ring, O | 076031910 | 53 | 71-1 |
| Ring, O | 076031910 | 53 | 72-1 |
| Ring, O | 076031910 | 53 | 73-1 |
| Ring, O | 076031910 | 53 | 76 |
| Ring, O | 076031910 | 53 | 80-1 |
| Ring, O | 076031910 | 53 | 70-1 |
| Ring, O | 076031910 | 53 | 71-1 |
| Ring, O | 076031910 | 53 | 72-1 |
| Ring, O | 076031910 | 53 | 73-1 |
| Ring, O | 076031910 | 53 | 80-1 |
| Ring, O | 076061008 | 76 | 8 |
| Ring, O (P9-70B) | 076061009 | 53 | 53 |
| Ring, O (P10A-70B) | 076061011 | 53 | 75 |
| Ring, O (P10A-70B) | 076061011 | 53 | 51 |
| Ring, O | 076061015 | 53 | 63 |
| Ring, O | 076061570 | 53 | 21 |
| Ring, O | 076061585 | 50 | 8 |
| Ring, O | 076071007 | 44 | 38 |
| Ring, O | 076071007 | 53 | 59 |
| Ring, O | 076071007 | 62 | 9 |
| Ring, O | 076071008 | 44 | 58 |
| Ring, O | 076071008 | 53 | 42-1 |
| Ring, O | 076071008 | 62 | 5 |
| Ring, O | 076071008 | 62 | 13 |
| Ring, O | 076071008 | 74 | 10 |
| Ring, O | 076071009 | 48 | 32 |
| Ring, O | 076071010 | 44 | 40 |
| Ring, O | 076071010 | 53 | 34 |
| Ring, O | 076071012 | 18 | 25 |
| Ring, O | 076071012 | 24 | 54 |
| Ring, O | 076071012 | 32 | 4 |
| Ring, O | 076071012 | 36 | 4 |
| Ring, O | 076071012 | 40 | 4 |

*1 Note

ALPHABETICAL INDEX

| Parts Name | P/N | Page *1 | Item |
|------------|-----------|---------|------|
| Ring, 0 | 076071012 | 48 | 25 |
| Ring, 0 | 076071012 | 53 | 32 |
| Ring, 0 | 076071012 | 62 | 4 |
| Ring, 0 | 076071012 | 74 | 18 |
| Ring, 0 | 076071012 | 82 | 9 |
| Ring, 0 | 076071012 | 88 | 9 |
| Ring, 0 | 076071012 | 138 | 49 |
| Ring, 0 | 076071012 | 164 | 31 |
| Ring, 0 | 076071012 | 168 | 17 |
| Ring, 0 | 076071012 | 170 | 39 |
| Ring, 0 | 076071012 | 210 | 6 |
| Ring, 0 | 076071012 | 222 | 30 |
| Ring, 0 | 076071012 | 224 | 10 |
| Ring, 0 | 076071014 | 44 | 56 |
| Ring, 0 | 076071014 | 62 | 6 |
| Ring, 0 | 076071016 | 18 | 14 |
| Ring, 0 | 076071016 | 24 | 23 |
| Ring, 0 | 076071016 | 28 | 7 |
| Ring, 0 | 076071016 | 30 | 23 |
| Ring, 0 | 076071016 | 32 | 42 |
| Ring, 0 | 076071016 | 36 | 42 |
| Ring, 0 | 076071016 | 40 | 42 |
| Ring, 0 | 076071016 | 44 | 26 |
| Ring, 0 | 076071016 | 44 | 48 |
| Ring, 0 | 076071016 | 44 | 55 |
| Ring, 0 | 076071016 | 48 | 29 |
| Ring, 0 | 076071016 | 53 | 66-1 |
| Ring, 0 | 076071016 | 62 | 7 |
| Ring, 0 | 076071016 | 156 | 18 |
| Ring, 0 | 076071016 | 162 | 5 |
| Ring, 0 | 076071016 | 168 | 27 |
| Ring, 0 | 076071016 | 174 | 7 |
| Ring, 0 | 076071016 | 220 | 15 |
| Ring, 0 | 076071019 | 18 | 8 |
| Ring, 0 | 076071019 | 24 | 48 |
| Ring, 0 | 076071019 | 28 | 13 |
| Ring, 0 | 076071019 | 30 | 12 |
| Ring, 0 | 076071019 | 48 | 33 |
| Ring, 0 | 076071019 | 53 | 79-1 |
| Ring, 0 | 076071019 | 98 | 9 |
| Ring, 0 | 076071019 | 156 | 17 |
| Ring, 0 | 076071019 | 162 | 11 |
| Ring, 0 | 076071019 | 164 | 30 |
| Ring, 0 | 076071019 | 168 | 23 |
| Ring, 0 | 076071019 | 174 | 8 |
| Ring, 0 | 076071019 | 222 | 31 |
| Ring, 0 | 076071019 | 224 | 11 |
| Ring, 0 | 076071019 | 226 | 16 |
| Ring, 0 | 076071020 | 53 | 35 |
| Ring, 0 | 076071020 | 58 | 3 |
| Ring, 0 | 076071020 | 226 | 6 |
| Ring, 0 | 076071022 | 48 | 27 |

*1 Note

ALPHABETICAL INDEX

| Parts Name | P/N | Page *1 | Item |
|----------------|-----------|---------|------|
| Ring, 0 | 076071022 | 226 | 2 |
| Ring, 0 | 076071023 | 72 | 26 |
| Ring, 0 | 076071024 | 24 | 24 |
| Ring, 0 | 076071024 | 164 | 32 |
| Ring, 0 | 076071025 | 24 | 47 |
| Ring, 0 | 076071028 | 64 | 33 |
| Ring, 0 | 076071028 | 66 | 29 |
| Ring, 0 | 076071030 | 24 | 25 |
| Ring, 0 | 076071030 | 44 | 44 |
| Ring, 0 | 076071030 | 62 | 8 |
| Ring, 0 | 076071040 | 24 | 35 |
| Ring, 0 | 076071050 | 10 | 3 |
| Ring, 0 | 076071070 | 50 | 10 |
| Ring, 0 | 076071130 | 60 | 7 |
| Ring, 0 | 076071535 | 14 | 6 |
| Ring, 0 | 076071535 | 62 | 12 |
| Ring, 0 | 076071545 | 12 | 4 |
| Ring, 0 | 076071555 | 62 | 10 |
| Ring, 0 | 076071575 | 62 | 3 |
| Ring, 0 | 076071575 | 68 | 14 |
| Ring, 0 | 076071580 | 66 | 14 |
| Ring, 0 | 076071580 | 68 | 16 |
| Ring, 0 | 076071585 | 66 | 16 |
| Ring, 0 | 076071585 | 70 | 13 |
| Ring, 0 | 076071590 | 70 | 15 |
| Ring, 0 | 076071595 | 64 | 14 |
| Ring, 0 | 076071595 | 64 | 17 |
| Ring, 0 | 076071600 | 64 | 16 |
| Ring, 0 | 076071600 | 72 | 14 |
| Ring, 0 | 076071605 | 72 | 16 |
| Ring, 0 | 076071610 | 48 | 21 |
| Ring, 0 | 076071625 | 48 | 20 |
| Ring, 0 | 076071690 | 44 | 23 |
| Cap | 076172120 | 98 | 8 |
| Ring, Back-up | 076212009 | 53 | 54 |
| Ring, Back-up | 076212011 | 53 | 50 |
| Ring, Back-up | 076212015 | 53 | 64 |
| Ring, Back-up | 076212016 | 48 | 28 |
| Ring, Back-up | 076212050 | 10 | 2 |
| Ring, Back-up | 076212070 | 50 | 11 |
| Seal, Floating | 076301460 | 14 | 2 |
| Seal, Floating | 076301467 | 12 | 3 |
| Seal, Dust | 076503327 | 148 | 28 |
| Seal, Dust | 076503327 | 228 | 11 |
| Seal, Dust | 076503328 | 64 | 4 |
| Seal, Dust | 076503328 | 64 | 8 |
| Seal, Dust | 076503328 | 70 | 3 |
| Seal, Dust | 076503328 | 70 | 7 |
| Seal, Dust | 076503328 | 148 | 29 |
| Seal, Dust | 076503328 | 160 | 9 |
| Hose, Radiator | 077555193 | 2 | 4 |
| Hose, Radiator | 077555193 | 92 | 11 |

*1 Note

ALPHABETICAL INDEX

| Parts Name | P/N | Page *1 | Item |
|-----------------------|-----------|---------|------|
| Hose, Radiator | 077555195 | 2 | 5 |
| Hose, Radiator | 077555195 | 92 | 12 |
| Hose | 077660008 | 24 | 3 |
| Hose | 077660011 | 24 | 37 |
| Tube, Synflex | 077900088 | 152 | 12 |
| Hose | 077900297 | 92 | 20 |
| Hose | 077900297 | 92 | 24 |
| Hose | 077900359 | 96 | 35 |
| Hose, Air Cleaner | 077900537 | 96 | 9 |
| Hose, Air Cleaner | 077900538 | 96 | 8 |
| Cylinder Ass'y | 078016291 | 62 | 1 |
| Sleeve Ass'y | 078016292 | 62 | 11 |
| Pump Ass'y, Gear | 078016293 | 62 | 14 |
| Valve Ass'y | 078016294 | 62 | 15 |
| Pump Ass'y, Oil | 0780162UA | 62 | 0 |
| Pump Ass'y, Oil | 0780162UA | 98 | 13 |
| Plug | 078113302 | 44 | 5 |
| Washer, Thrust | 078113307 | 44 | 11 |
| Race, Inner | 078113311 | 44 | 19 |
| Ball, Steel | 078113317 | 44 | 31 |
| Cap | 078117308 | 44 | 43 |
| Plug | 078117310 | 44 | 50 |
| Screw, Flat Head | 078123820 | 44 | 13 |
| Gear | 078125002 | 48 | 8 |
| Carrier Ass'y | 078125096 | 48 | 7 |
| Gear | 078126101 | 48 | 6 |
| Ring | 078126103 | 48 | 3 |
| Gear Ass'y, Reduction | 078126192 | 48 | 1 |
| Pinion Ass'y | 078126194 | 48 | 2 |
| Carrier Ass'y | 078126195 | 48 | 4 |
| Body Ass'y | 078126196 | 48 | 22 |
| Barel Ass'y, Cylinder | 078126197 | 48 | 18 |
| Plate Ass'y, Swash | 078131392 | 48 | 16 |
| Nut, Ring | 078137201 | 44 | 4 |
| Gear, Planetary (B) | 078137202 | 44 | 8 |
| Bearing | 078137203 | 44 | 9 |
| Race, Inner | 078137204 | 44 | 10 |
| Plate, Thrust | 078137205 | 44 | 12 |
| Gear, Sun | 078137206 | 44 | 14 |
| Washer, Thrust | 078137207 | 44 | 15 |
| Holder | 078137208 | 44 | 16 |
| Gear, Planetary (A) | 078137209 | 44 | 17 |
| Gear, Drive | 078137210 | 44 | 20 |
| Cover | 078137211 | 44 | 22 |
| Shaft | 078137212 | 44 | 27 |
| Seal, Oil | 078137213 | 44 | 29 |
| Plate, Swash | 078137214 | 44 | 30 |
| Spring | 078137215 | 44 | 33 |
| Spring | 078137216 | 44 | 46 |
| Plug | 078137217 | 44 | 47 |
| Ring, O | 078137218 | 44 | 61 |
| Ring, O | 078137219 | 44 | 62 |

*1 Note

ALPHABETICAL INDEX

| Parts Name | P/N | Page *1 | Item |
|---------------------------------|-----------|---------|------|
| Seat, Spring | 078137220 | 44 | 63 |
| Reduction Gear Ass'y | 078137291 | 44 | 1 |
| Valve Ass'y | 078137292 | 44 | 53 |
| Plate, Thrust | 078137293 | 44 | 21 |
| Block Ass'y, Cylinder | 078137294 | 44 | 32 |
| Piston, Brake | 078137296 | 44 | 60 |
| Motor Ass'y, Traction | 0781372UA | 44 | 0 |
| Motor Ass'y, Travel | 0781372UA | 6 | 12 |
| Motor Ass'y | 078137391 | 48 | 11 |
| Valve Ass'y, Relief | 078137392 | 48 | 26 |
| Motor Ass'y, Swing | 0781373UA | 22 | 1 |
| Swing Motor Ass'y | 0781373UA | 48 | 0 |
| Plug | 078137522 | 44 | 49 |
| Ring, Back-up | 078218511 | 64 | 18 |
| Seal, Cushion | 078218523 | 66 | 24 |
| Plate Ass'y, Base | 078237295 | 44 | 39 |
| Head, Cylinder | 078238003 | 70 | 8 |
| Ring, Back-up | 078238005 | 70 | 14 |
| Ring, Slide | 078238007 | 70 | 19 |
| Boom Swing Cylinder (Head Side) | 078238091 | 2 | 28 |
| Kit, Seal | 078238091 | 70 | 10 |
| Piston Ass'y | 078238093 | 70 | 16 |
| Bushing | 078239613 | 68 | 10 |
| Ring, Back-up | 078239704 | 64 | 15 |
| Ring, Slide | 078239706 | 64 | 26 |
| Ring, Back-up | 078239905 | 68 | 15 |
| Ring, Slide | 078239912 | 68 | 20 |
| Ring, Snap | 078240106 | 66 | 26 |
| Piston Ass'y | 078240193 | 68 | 17 |
| Ring, Back-up | 078240704 | 66 | 15 |
| Holder, Pipe | 078243121 | 72 | 28 |
| Bucket Cylinder (Head Side) | 078243593 | 2 | 27 |
| Kit, Seal | 078243593 | 68 | 11 |
| Arm Cylinder (Head Side) | 078243993 | 2 | 26 |
| Kit, Seal | 078243993 | 66 | 11 |
| Holder, Pipe | 078244027 | 64 | 35 |
| Holder | 078244110 | 64 | 19 |
| Seal, Cushion | 078244111 | 64 | 21 |
| Boom Cylinder (Head Side) | 078244193 | 2 | 25 |
| Kit, Seal | 078244193 | 64 | 11 |
| Bushing | 078244603 | 66 | 10 |
| Bushing | 078244603 | 70 | 9 |
| Plug | 078244605 | 72 | 25 |
| Bolt | 078244606 | 64 | 34 |
| Bolt | 078244606 | 72 | 27 |
| Head, Cylinder | 078247603 | 68 | 9 |
| Plug | 078249109 | 64 | 32 |
| Plug | 078249109 | 66 | 28 |
| Bushing | 078249204 | 64 | 10 |
| Bushing | 078249204 | 72 | 10 |
| Bearing, Cushion | 078249208 | 66 | 23 |

*1 Note

ALPHABETICAL INDEX

| Parts Name | P/N | Page *1 | Item |
|----------------------------|-----------|---------|------|
| Head, Cylinder | 078249403 | 66 | 9 |
| Ring, Slide | 078249405 | 66 | 20 |
| Nut | 078249813 | 72 | 21 |
| Rod Ass'y, Piston | 078260102 | 68 | 5 |
| Cylinder Ass'y, Bucket | 0782601UA | 68 | 0 |
| Cylinder Ass'y, Bucket | 0782601UA | 148 | 4 |
| Rod Ass'y, Piston | 078260302 | 70 | 4 |
| Cylinder Ass'y, Boom Swing | 0782603UA | 70 | 0 |
| Cylinder Ass'y, Boom Swing | 0782603UA | 152 | 2 |
| Rod Ass'y, Piston | 078260502 | 64 | 5 |
| Head, Cylinder | 078260503 | 64 | 9 |
| Spacer | 078260504 | 64 | 20 |
| Collar | 078260505 | 64 | 22 |
| Bearing, Cushion | 078260507 | 64 | 29 |
| Pipe | 078260508 | 64 | 31 |
| Bushing | 078260509 | 64 | 2 |
| Bushing | 078260509 | 64 | 6 |
| Piston Ass'y | 078260593 | 64 | 23 |
| Cylinder Ass'y, Boom | 0782605UA | 64 | 0 |
| Cylinder Ass'y, Boom | 0782605UA | 148 | 41 |
| Rod Ass'y, Piston | 078260702 | 66 | 5 |
| Piston Ass'y | 078260793 | 66 | 17 |
| Cylinder Ass'y, Arm | 0782607UA | 66 | 0 |
| Cylinder Ass'y, Arm | 0782607UA | 148 | 3 |
| Rod Ass'y, Piston | 078260802 | 72 | 5 |
| Head, Cylinder | 078260803 | 72 | 9 |
| Ring, Back-up | 078260804 | 72 | 15 |
| Ring, Slide | 078260806 | 72 | 19 |
| Pipe | 078260807 | 72 | 24 |
| Bushing | 078260808 | 72 | 2 |
| Bushing | 078260808 | 72 | 6 |
| Blade Cylinder (Head Side) | 078260891 | 2 | 29 |
| Kit, Seal | 078260891 | 72 | 11 |
| Piston Ass'y | 078260893 | 72 | 17 |
| Cylinder Ass'y, Blade | 0782608UA | 72 | 0 |
| Cylinder Ass'y, Blade | 0782608UA | 160 | 6 |
| Joint | 078261906 | 64 | 30 |
| Joint | 078261906 | 66 | 27 |
| Roller, Needle | 078363716 | 78 | 15 |
| Ring, O | 078363719 | 78 | 18 |
| Ring, O | 078363720 | 78 | 19 |
| Plug Ass'y | 078364683 | 53 | 66 |
| Plug Ass'y | 078364684 | 53 | 79 |
| Valve Ass'y, Shut-off | 078364685 | 53 | 74 |
| Rod, Tie | 078367701 | 53 | 68 |
| Cap | 078367702 | 53 | 12 |
| Seat, Spring | 078367703 | 53 | 14 |
| Spring | 078367704 | 53 | 15 |
| Plug | 078367705 | 53 | 26 |
| Ring, O | 078367706 | 53 | 19 |
| Cap | 078367707 | 53 | 22 |
| Poppet | 078367709 | 53 | 24 |

*1 Note

ALPHABETICAL INDEX

| Parts Name | P/N | Page *1 | Item |
|-----------------------------|-----------|---------|------|
| Spring | 078367710 | 53 | 25 |
| Poppet | 078367713 | 53 | 30 |
| Plug | 078367714 | 53 | 33 |
| Plug | 078367715 | 53 | 36 |
| Plug, Orifice | 078367716 | 53 | 37 |
| Cap | 078367718 | 53 | 41 |
| Poppet | 078367721 | 53 | 60 |
| Spacer | 078367722 | 53 | 62 |
| Poppet | 078367723 | 53 | 58 |
| Plug | 078367724 | 53 | 45 |
| Spool | 078367726 | 53 | 47 |
| Sleeve | 078367727 | 53 | 52 |
| Spring | 078367728 | 53 | 48 |
| Spring | 078367729 | 53 | 57 |
| Seat, Spring | 078367730 | 53 | 56 |
| Poppet | 078367731 | 53 | 67 |
| Plug | 078367783 | 226 | 18 |
| Plug Ass'y | 078367783 | 53 | 42 |
| Seat, Spring | 078370008 | 58 | 4 |
| Spring (No.2, 4, Ports) | 078370009 | 58 | 6 |
| Spring (No.1, 3, Ports) | 078370010 | 58 | 14 |
| Plate | 078370012 | 58 | 9 |
| Body | 078374901 | 53 | 55 |
| Piston | 078374902 | 53 | 46 |
| Plate | 078375601 | 58 | 13 |
| Nut, Adjusting | 078377103 | 58 | 8 |
| Boot | 078377107 | 58 | 1 |
| Plug | 078384202 | 53 | 18 |
| Valve Ass'y, Anti drift | 078384683 | 53 | 43 |
| Plug | 078384685 | 226 | 19 |
| Valve Ass'y, Anti Void | 078384688 | 53 | 73 |
| Plug | 078392006 | 74 | 17 |
| Rod, Push | 078393601 | 74 | 11 |
| Seat | 078395101 | 74 | 1 |
| Bushing | 078395102 | 74 | 2 |
| Cover | 078395103 | 74 | 4 |
| Plug | 078395104 | 74 | 5 |
| Cap, Grease | 078395105 | 74 | 6 |
| Packing | 078395106 | 74 | 7 |
| Shim | 078395108 | 74 | 12 |
| Seat, Spring | 078395109 | 74 | 13 |
| Seat, Spring | 078395110 | 74 | 20 |
| Washer | 078395111 | 74 | 21 |
| Spring | 078395113 | 74 | 23 |
| Spring | 078395114 | 74 | 24 |
| Shaft Cam | 078395115 | 74 | 25 |
| Bushing | 078395116 | 74 | 26 |
| Screw, Set | 078395117 | 74 | 27 |
| Boot | 078395118 | 74 | 28 |
| Cam Ass'y | 078395191 | 74 | 29 |
| Spring | 078396401 | 58 | 5 |
| Valve Ass'y, Remote Control | 0783964UA | 58 | 0 |

*1 Note

ALPHABETICAL INDEX

| Parts Name | P/N | Page *1 | Item |
|------------------------------------|-----------|---------|------|
| Valve Assy Remote Control | 0783964UA | 32 | 1 |
| Valve Assy Remote Control | 0783964UA | 36 | 1 |
| Valve Assy Remote Control | 0783964UA | 40 | 1 |
| Shim | 078396502 | 76 | 11 |
| Shim | 078396503 | 76 | 11-1 |
| Spool | 078396504 | 76 | 19 |
| Spring | 078396511 | 76 | 15 |
| Valve Ass'y, Pilot | 0783965UA | 76 | 0 |
| Valve Ass'y, Pilot | 0783965UA | 88 | 11 |
| Valve Ass'y, Pilot | 0783965UA | 164 | 46 |
| Spring | 078397001 | 53 | 23 |
| Spring | 078397001 | 53 | 29 |
| Spring | 078397001 | 53 | 23 |
| Spring | 078397001 | 53 | 38 |
| Cap | 078397403 | 53 | 17 |
| Cap Ass'y | 078397404 | 53 | 39 |
| Block Ass'y, Inlet | 078397495 | 53 | 8 |
| Spring | 078399501 | 74 | 22 |
| Valve Ass'y, Pilot | 0783995UA | 74 | 0 |
| Valve Ass'y, Pilot | 0783995UA | 82 | 11 |
| Valve Ass'y, Relief | 078401585 | 53 | 80 |
| Valve Ass'y, Relief | 078401586 | 53 | 72 |
| Valve Ass'y, Relief | 078401587 | 53 | 71 |
| Valve Ass'y, Main Relief | 078401588 | 53 | 70 |
| Block Ass'y | 078401590 | 53 | 1 |
| Block Ass'y, Swing | 078401591 | 53 | 2 |
| Block Ass'y, Boom Swing | 078401592 | 53 | 3 |
| Block Ass'y, Blade | 078401593 | 53 | 4 |
| Block Ass'y, Spare | 078401594 | 53 | 5 |
| Block Ass'y, Travel (L.H.) | 078401596 | 53 | 7 |
| Block Ass'y, Travel (R.H.) | 078401597 | 53 | 9 |
| Block Ass'y, Boom | 078401598 | 53 | 10 |
| Block Ass'y, Bucket | 078401691 | 53 | 11 |
| Block Ass'y, Arm | 078401692 | 53 | 6 |
| Valve Ass'y, Control | 0784016UA | 24 | 38 |
| Valve Ass'y, Control | 0784016UA | 53 | 0 |
| Seat, Spring | 078404706 | 226 | 3 |
| Spring | 078404707 | 226 | 4 |
| Adjuster | 078404710 | 226 | 7 |
| Nut, Hex. | 078404711 | 226 | 8 |
| Piston | 078404712 | 226 | 9 |
| Cap | 078404713 | 226 | 10 |
| Spring | 078411204 | 78 | 1 |
| Cover | 078411206 | 78 | 2 |
| Cover | 078411207 | 78 | 3 |
| Lever | 078411208 | 78 | 4 |
| Pin | 078411209 | 78 | 5 |
| Spring | 078411210 | 78 | 6 |
| Grip | 078411211 | 78 | 7 |
| Ball, Steel | 078411220 | 78 | 14 |
| Valve Ass'y, Multiple (A-D Change) | 0784112UA | 78 | 0 |

*1 Note

ALPHABETICAL INDEX

| Parts Name | P/N | Page *1 | Item |
|-------------------------------------|-----------|---------|------|
| Valve Ass'y, Multiple (For A-D) | 0784112UA | 36 | 69 |
| Valve Ass'y, Multiple (For A, B, G) | 0784113UA | 36 | 69-1 |
| Valve, Solenoid | 0785118UA | 222 | 1 |
| Valve, Solenoid | 0785169UA | 164 | 59 |
| Valve Ass'y, Solenoid | 0785171UA | 170 | 36 |
| Valve Ass'y, Over Load Relief | 0785606UA | 53 | 74-1 |
| Valve Ass'y, Over Load Relief | 0785607UA | 53 | 74-2 |
| Valve, Check | 0785947UA | 24 | 11 |
| Valve Ass'y, Solenoid | 0786988UA | 168 | 24 |
| Plug | 078704704 | 226 | 1 |
| Plug | 078704708 | 226 | 5 |
| Poppet | 078704716 | 226 | 13 |
| Spring | 078704717 | 226 | 14 |
| Plug | 078704718 | 226 | 15 |
| Valve, Relief | 078704791 | 226 | 17 |
| Valve Ass'y, Holding | 0787047UA | 226 | 0 |
| Valve, Holding | 0787047UA | 224 | 1 |
| Breather, Air | 0787305UA | 60 | 13 |
| Tube, Spiral | 079000002 | 18 | 15 |
| Duct | 082002316 | 190 | 5 |
| Louver | 082002318 | 216 | 8 |
| Louver | 082002319 | 216 | 7 |
| Band, Cable | 082006703 | 84 | 52 |
| Band, Cable | 082006703 | 88 | 18 |
| Band, Cable | 082006703 | 138 | 25 |
| Band, Cable | 082006703 | 212 | 13 |
| Band, Cable | 082006704 | 92 | 23 |
| Band, Cable | 082006704 | 138 | 46 |
| Band, Cable | 082006704 | 164 | 39 |
| Band, Cable | 082006704 | 210 | 7 |
| Band, Cable | 082006704 | 218 | 2 |
| Band, Cable | 082006704 | 220 | 35 |
| Band, Cable | 082006704 | 232 | 5 |
| Band, Cable | 082006705 | 18 | 16 |
| Band, Cable | 082006705 | 32 | 45 |
| Band, Cable | 082006705 | 36 | 45 |
| Band, Cable | 082006705 | 40 | 45 |
| Band, Cable | 082006705 | 82 | 29 |
| Band, Cable | 082006705 | 88 | 24 |
| Band, Cable | 082006705 | 92 | 26 |
| Band, Cable | 082006705 | 138 | 26 |
| Band, Cable | 082006705 | 142 | 22 |
| Band, Cable | 082006705 | 152 | 17 |
| Band, Cable | 082006705 | 164 | 34 |
| Band, Cable | 082006705 | 190 | 15 |
| Band, Cable | 082006705 | 222 | 37 |
| Band, Cable | 082006707 | 84 | 38 |
| Band, Cable | 082006709 | 32 | 61 |

*1 Note

ALPHABETICAL INDEX

| Parts Name | P/N | Page *1 | Item |
|------------------|-----------|---------|------|
| Band, Cable | 082006709 | 36 | 61 |
| Band, Cable | 082006709 | 40 | 61 |
| Band, Cable | 082006709 | 142 | 49 |
| Band, Cable | 082006709 | 168 | 19 |
| Band, Cable | 082006709 | 170 | 34 |
| Band, Cable | 082006710 | 28 | 6 |
| Band, Cable | 082006710 | 30 | 25 |
| Band, Cable | 082006710 | 32 | 62 |
| Band, Cable | 082006710 | 36 | 62 |
| Band, Cable | 082006710 | 40 | 62 |
| Band, Cable | 082006710 | 96 | 33 |
| Band, Cable | 082006710 | 156 | 41 |
| Band, Cable | 082006731 | 138 | 27 |
| Sticker | 082006903 | 232 | 6 |
| Relay | 082021507 | 2 | 13 |
| Relay | 082021507 | 90 | 24 |
| Relay | 082021507 | 142 | 34 |
| Relay | 082021507 | 216 | 11 |
| Relay, Flip Flop | 082021510 | 2 | 10 |
| Relay, Flip-Flop | 082021510 | 138 | 41 |
| Relay, Glow | 082021511 | 2 | 11 |
| Relay, Glow | 082021511 | 138 | 35 |
| Connector | 0820513UA | 84 | 54 |
| Connector | 0820514UA | 84 | 51 |
| Terminal | 082065020 | 232 | 13 |
| Terminal | 082065020 | 234 | 15 |
| Terminal | 082065021 | 232 | 14 |
| Terminal | 082065021 | 234 | 16 |
| Sleeve | 082065120 | 232 | 13-1 |
| Sleeve | 082065120 | 234 | 15-1 |
| Sleeve | 082065121 | 232 | 14-1 |
| Sleeve | 082065121 | 234 | 16-1 |
| Terminal | 082065708 | 176 | 15 |
| Tube, Corrugate | 082080301 | 90 | 19 |
| Tube, Corrugate | 082080303 | 92 | 21 |
| Tube, Corrugate | 082080304 | 100 | 44 |
| Tube, Corrugate | 082080304 | 100 | 45 |
| Tube, Corrugate | 082080304 | 100 | 46 |
| Tube, Corrugate | 082080304 | 100 | 47 |
| Tube, Corrugate | 082080304 | 100 | 48 |
| Tube, Corrugate | 082080304 | 220 | 33 |
| Tube, Corrugate | 082080304 | 220 | 34 |
| Tube, Corrugate | 082080305 | 174 | 3 |
| Tube, Corrugate | 082080305 | 220 | 31 |
| Tube, Corrugate | 082080306 | 190 | 17 |
| Tube, Corrugate | 082080306 | 190 | 18 |
| Tube, Corrugate | 082080306 | 220 | 28 |
| Tube, Corrugate | 082080306 | 220 | 29 |
| Tube, Corrugate | 082080306 | 220 | 30 |
| Tube, Corrugate | 082080306 | 220 | 32 |
| Fuse | 083010706 | 138 | 42-4 |
| Fuse | 083010707 | 138 | 42-5 |

*1 Note

ALPHABETICAL INDEX

| Parts Name | P/N | Page *1 | Item |
|-----------------------------|-----------|---------|------|
| Fuse | 083010708 | 138 | 42-6 |
| Fuse | 083010709 | 138 | 42-7 |
| Fuse | 083010710 | 138 | 42-8 |
| Fuse | 083010711 | 138 | 42-2 |
| Fuse | 083010712 | 138 | 42-3 |
| Link, Fusible | 083029101 | 138 | 12-1 |
| Socket | 083040602 | 142 | 21 |
| Housing | 083040800 | 176 | 14 |
| Radio | 085050010 | 176 | 13 |
| Battery | 085100001 | 138 | 5 |
| Battery (For Cold District) | 085100002 | 138 | 5-1 |
| Terminal | 085211922 | 138 | 28 |
| Light, Rotary | 085406001 | 232 | 12 |
| Lens | 085452301 | 214 | 4-1 |
| Bulb | 085452306 | 214 | 4-2 |
| Light Ass'y | 0854523UA | 214 | 4 |
| Lens | 085452901 | 138 | 2-2 |
| Bulb | 085452905 | 138 | 2-1 |
| Light Ass'y | 0854529UA | 138 | 2 |
| Lens | 085453601 | 214 | 1-1 |
| Bulb | 085453611 | 214 | 1-2 |
| Lamp Ass'y | 0854536UA | 214 | 1 |
| Horn, Back | 085701148 | 210 | 2 |
| Buzzer | 085701157 | 142 | 45 |
| Heater, Car | 085705603 | 190 | 1 |
| Gauge, Fuel | 0857909UA | 100 | 23 |
| Element Ass'y | 085791411 | 100 | 54-1 |
| Element, Water Sedimenter | 085791411 | 2 | 8 |
| Sedimenter, Water | 0857914UA | 100 | 54 |
| Box, Fuse | 085814001 | 138 | 42-1 |
| Switch, Pressure | 085818010 | 210 | 3 |
| Switch Ass'y, Starter | 085830603 | 2 | 12 |
| Switch Assy Starter | 085830603 | 142 | 26 |
| Switch Assy Starter | 085830604 | 142 | 26-1 |
| Switch, Select | 085830823 | 234 | 2 |
| Switch Ass'y, Light | 085831411 | 214 | 10 |
| Decal | 085831412 | 214 | 11 |
| Switch, Limit | 085831415 | 84 | 21 |
| Switch Assy | 085831433 | 142 | 17 |
| Switch Assy | 085831433 | 142 | 36 |
| Switch Ass'y, Heater | 085831434 | 190 | 19 |
| Switch Assy | 085831435 | 142 | 40 |
| Switch, Oil Pressure | 085850116 | 138 | 48 |
| Sensor, Pressure | 085860116 | 222 | 9 |
| Sensor, Pressure | 085860116 | 224 | 21 |
| Meter, Potention | 085861405 | 142 | 31 |
| Meter, Potention | 085861412 | 90 | 9 |
| Buzzer | 086050402 | 234 | 14 |
| Horn | 086100102 | 138 | 3 |
| Display | 087790011 | 234 | 1 |
| Harness | 087955130 | 138 | 13 |
| Detector, Angle | 0881100UA | 230 | 1 |

*1 Note

ALPHABETICAL INDEX

| Parts Name | P/N | Page *1 | Item |
|--------------------------|------------|---------|------|
| Monitor, OK | 0881509UA | 142 | 1 |
| Motor | 0891802UA | 90 | 1 |
| Controller, Throttle | 0891922UA | 90 | 18 |
| Air Conditioner Ass'y | 0892270UA | 216 | 1 |
| Controller Ass'y | 0893508UA | 212 | 1 |
| Controller Ass'y | 0893509UA | 142 | 38 |
| Dryer, Recerver | 0897002UA | 218 | 22 |
| Compressor Ass'y | 0897018UA | 218 | 3 |
| Condenser | 0897019UA | 218 | 21 |
| Valve, Water | 089800000 | 220 | 8 |
| Bracket | 089800001 | 218 | 23 |
| Amplifier | 089800002 | 216 | 9 |
| Volume, Thermodtat | 089800003 | 216 | 14 |
| Switch Ass'y, Blower | 089800004 | 216 | 15 |
| Switch | 089800005 | 216 | 13 |
| Hose | 089800068 | 220 | 1 |
| Hose | 089800069 | 220 | 2 |
| Hose | 089800070 | 220 | 3 |
| Hose | 089800071 | 220 | 4 |
| Belt | 091010119 | 218 | 6 |
| Seal | 091087005 | 92 | 29 |
| Seal | 091087005 | 92 | 30 |
| Seal | 091087005 | 104 | 9 |
| Seal | 091087005 | 104 | 21 |
| Seal | 091087005 | 106 | 41 |
| Seal | 091087005 | 106 | 42 |
| Seal | 091087005 | 106 | 43 |
| Seal | 091087005 | 106 | 44 |
| Seal | 091087005 | 106 | 49 |
| Seal | 091087005 | 106 | 59 |
| Plug | 091091100 | 148 | 42 |
| Rubber, Cushion | 091093110 | 92 | 10 |
| Grommet | 091094202 | 190 | 16 |
| Wrench, L | 093107024 | 146 | 5 |
| Wrench, Adjustable | 093110925 | 146 | 2 |
| Driver (-) | 093130104 | 146 | 6 |
| Hammer | 093133110 | 146 | 4 |
| Gun, Grease | 093137010 | 146 | 3-1 |
| Gun, Grease | 093137011 | 146 | 3 |
| Hose, Grease | 093137101 | 146 | 3-2 |
| Gauge, Level | 0933054UA | 234 | 3 |
| Cabin Ass'y (Dark Grey) | 3034212018 | 178 | 0 |
| Cabin Ass'y (Dark Grey) | 3034212018 | 182 | 0 |
| Cabin Ass'y (Dark Grey) | 3034212018 | 186 | 0 |
| Cabin Ass'y (Light Grey) | 3034212019 | 178 | 0-1 |
| Cabin Ass'y (Light Grey) | 3034212019 | 182 | 0-1 |
| Cabin Ass'y (Light Grey) | 3034212019 | 186 | 0-1 |
| Bolt | 3442505 | 178 | 35 |
| Bolt, U | 400300300 | 24 | 30 |
| Bolt, U | 400302101 | 96 | 7 |
| Bolt, Hook | 400402204 | 138 | 7 |
| Bolt, Adjust | 400412800 | 10 | 15 |

*1 Note

ALPHABETICAL INDEX

| Parts Name | P/N | Page *1 | Item |
|-----------------------|------------|---------|------|
| Bolt, Button Head | 400428001 | 216 | 28 |
| Bolt, Button Head | 400436401 | 84 | 5 |
| Bolt, Button Head | 400436401 | 106 | 29 |
| Bolt, Button Head | 400436401 | 142 | 7 |
| Bolt, Button Head | 400436401 | 234 | 6 |
| Washer | 400611901 | 92 | 25 |
| Washer | 400611901 | 116 | 10 |
| Washer | 400611901 | 218 | 18 |
| Washer | 400611902 | 142 | 52 |
| Washer, Flat | 400611902 | 138 | 37 |
| Washer, Flat | 400617800 | 148 | 35 |
| Washer, Rubber | 400638600 | 116 | 12 |
| Shim | 400654056 | 148 | 38 |
| Shim | 400654057 | 148 | 38-1 |
| Shim | 400654066 | 148 | 37 |
| Shim | 400654066 | 152 | 11 |
| Shim | 400654067 | 148 | 37-1 |
| Shim | 400654067 | 152 | 11-1 |
| Shim | 400730800 | 154 | 14 |
| Door Stop | 4012000138 | 178 | 49 |
| Washer Toothed | 4012000185 | 178 | 39 |
| Washer Toothed | 4012000185 | 182 | 27 |
| Washer Toothed | 4012000185 | 186 | 22 |
| Nut | 4012000186 | 186 | 21 |
| Washer Flat | 4012000189 | 186 | 52 |
| Cap | 4012000206 | 178 | 31 |
| Cap | 4012000206 | 186 | 37 |
| Washer, Nylon | 4012000210 | 186 | 64 |
| Washer Flat | 4012000215 | 186 | 49 |
| Valve, Connection | 4012000216 | 182 | 45 |
| Hook | 4012000239 | 182 | 12 |
| Cap | 4012000240 | 186 | 23 |
| Atomizer | 4012000245 | 182 | 46 |
| Switch, Wiper | 4012000250 | 182 | 40 |
| Frame, Side Switch | 4012000251 | 182 | 38 |
| Frame, Central Switch | 4012000252 | 182 | 39 |
| Label | 4012000254 | 182 | 41 |
| Cap | 4012000255 | 182 | 42 |
| Tank | 4012000256 | 182 | 43 |
| Bracket | 4012000257 | 178 | 50 |
| Handle | 4012000259 | 178 | 53 |
| Nut | 4012000260 | 178 | 47 |
| Cover | 4012000274 | 182 | 32 |
| Bolt | 4012000291 | 182 | 13 |
| Plug, Rubber | 4012000297 | 182 | 20 |
| Nut | 4012000303 | 182 | 28 |
| Antenna | 4012000314 | 182 | 33 |
| Cable, Antenna | 4012000316 | 182 | 34 |
| Cover, Motor | 4012000352 | 186 | 62 |
| Nut | 4012000356 | 182 | 18 |
| Plug, Rubber | 4012000367 | 182 | 24 |
| Nut | 4012000370 | 186 | 17 |

*1 Note

ALPHABETICAL INDEX

| Parts Name | P/N | Page *1 | Item |
|--------------------------|------------|---------|------|
| Gasket | 4012000390 | 178 | 36 |
| Washer, Special | 4012000428 | 186 | 36 |
| Shaft | 401222000 | 12 | 8 |
| Block | 4013001417 | 178 | 45 |
| Block, Security | 4013001418 | 178 | 46 |
| Lock, Door | 4013001426 | 178 | 34 |
| Blade, Wiper | 4013001437 | 186 | 60 |
| Arm, Wiper | 4013001438 | 186 | 59 |
| Bolt | 4013001450 | 186 | 47 |
| Pin, Hinge | 4015000088 | 178 | 26 |
| Nut | 4015000091 | 178 | 37 |
| Nut, Lock | 4015000091 | 186 | 35 |
| Ring, Elastic | 4015000092 | 178 | 27 |
| Washer Flat | 4015000109 | 178 | 48 |
| Glass (L.H.) | 4016000000 | 178 | 2 |
| Glass (Rear Side) | 4016000001 | 178 | 3 |
| Glass (Rear) | 4016000002 | 178 | 4 |
| Glass (Roof) | 4016000003 | 178 | 5 |
| Window Ass'y, Side | 4016000004 | 178 | 6 |
| Glass (Front) | 4016000005 | 178 | 7 |
| Glass (Rear) | 4016000006 | 178 | 8 |
| Frame, Glass | 4016000007 | 178 | 9 |
| Shoe (Front) | 4016000008 | 178 | 10 |
| Shoe (Rear) | 4016000009 | 178 | 11 |
| Handle, Sliding (Front) | 4016000010 | 178 | 12 |
| Handle, Sliding (Rear) | 4016000011 | 178 | 13 |
| Bolt | 4016000012 | 178 | 14 |
| Support, Brush (Front) | 4016000013 | 178 | 15 |
| Support, Brush (Rear) | 4016000014 | 178 | 16 |
| Brush | 4016000015 | 178 | 17 |
| Glass Blocking | 4016000016 | 178 | 18 |
| Handle, Glass Blocking | 4016000017 | 178 | 19 |
| Support, Sliding | 4016000018 | 178 | 20 |
| Gasket | 4016000019 | 178 | 21 |
| Handle, Stop | 4016000020 | 178 | 22 |
| Frame, Door (Dark Grey) | 4016000021 | 178 | 23 |
| Frame, Door (Light Grey) | 4016000022 | 178 | 23-1 |
| Gasket | 4016000023 | 178 | 24 |
| Glass (Door) | 4016000024 | 178 | 25 |
| Hook, Door Stop | 4016000025 | 178 | 28 |
| Hook, Door Stop | 4016000026 | 178 | 28-1 |
| Absorber, Shock | 4016000027 | 178 | 29 |
| Absorber, Shock | 4016000028 | 178 | 29-1 |
| Nut, Special | 4016000029 | 178 | 30 |
| Nut, Special | 4016000029 | 186 | 28 |
| Handle Ass'y | 4016000030 | 178 | 32 |
| Rod | 4016000031 | 178 | 33 |
| Bolt | 4016000033 | 178 | 38 |
| Bolt | 4016000033 | 182 | 3 |
| Bolt | 4016000033 | 186 | 29 |
| Bolt | 4016000033 | 186 | 63 |
| Cover | 4016000034 | 178 | 40 |

*1 Note

ALPHABETICAL INDEX

| Parts Name | P/N | Page *1 | Item |
|-----------------------|------------|---------|------|
| Clip | 4016000035 | 178 | 41 |
| Clip | 4016000035 | 182 | 2 |
| Hinge | 4016000036 | 178 | 42 |
| Bolt | 4016000037 | 178 | 43 |
| Cap | 4016000038 | 178 | 44 |
| Rod, Tie | 4016000039 | 178 | 51 |
| Lever | 4016000040 | 178 | 52 |
| Washer Flat | 4016000041 | 178 | 54 |
| Cover (Rear) | 4016000042 | 182 | 1 |
| Gasket | 4016000043 | 182 | 4 |
| Cover (Left) | 4016000044 | 182 | 5 |
| Cover (Right Upright) | 4016000045 | 182 | 6 |
| Roof Coating | 4016000046 | 182 | 7 |
| Clip | 4016000047 | 182 | 8 |
| Bracket | 4016000048 | 182 | 9 |
| Bolt | 4016000049 | 182 | 10 |
| Hammer, Emergency | 4016000050 | 182 | 11 |
| Bolt | 4016000051 | 182 | 14 |
| Bracket | 4016000052 | 182 | 15 |
| Gasket | 4016000053 | 182 | 16 |
| Bolt | 4016000054 | 182 | 17 |
| Bolt | 4016000054 | 186 | 39 |
| Plug | 4016000055 | 182 | 19 |
| Plate (Lower) | 4016000056 | 182 | 21 |
| Bolt | 4016000057 | 182 | 22 |
| Plug | 4016000058 | 182 | 23 |
| Harness | 4016000059 | 182 | 25 |
| Band, Cable | 4016000060 | 182 | 26 |
| Light | 4016000061 | 182 | 29 |
| Cover, Audio | 4016000062 | 182 | 30 |
| Clip | 4016000063 | 182 | 31 |
| Plug | 4016000064 | 182 | 35 |
| Bracket | 4016000065 | 182 | 36 |
| Gasket | 4016000066 | 182 | 37 |
| Bracket | 4016000067 | 182 | 44 |
| Pipe | 4016000068 | 182 | 47 |
| Glass | 4016000069 | 186 | 1 |
| Lock, Cover | 4016000070 | 186 | 2 |
| Gasket | 4016000071 | 186 | 3 |
| Lock (R.H.) | 4016000072 | 186 | 4 |
| Handle (R.H.) | 4016000073 | 186 | 5 |
| Spacer | 4016000074 | 186 | 6 |
| Gasket | 4016000075 | 186 | 7 |
| Bolt | 4016000076 | 186 | 8 |
| Bolt | 4016000077 | 186 | 9 |
| Lock (L.H.) | 4016000078 | 186 | 10 |
| Handle (L.H.) | 4016000079 | 186 | 11 |
| Shoe (Lower) | 4016000080 | 186 | 12 |
| Bolt | 4016000081 | 186 | 13 |
| Shoe (L.H.) | 4016000082 | 186 | 14 |
| Spacer | 4016000083 | 186 | 15 |
| Bolt | 4016000084 | 186 | 16 |

*1 Note

ALPHABETICAL INDEX

| Parts Name | P/N | Page *1 | Item |
|------------------|------------|---------|------|
| Bracket | 4016000085 | 186 | 18 |
| Shoe (R.H.) | 4016000086 | 186 | 19 |
| Stopper, Rubber | 4016000087 | 186 | 20 |
| Stopper, Rubber | 4016000088 | 186 | 24 |
| Nut, Lock | 4016000089 | 186 | 25 |
| Bracket | 4016000090 | 186 | 26 |
| Protection, Door | 4016000091 | 186 | 27 |
| Frame, Door | 4016000092 | 186 | 30 |
| Bracket | 4016000093 | 186 | 31 |
| Nut | 4016000094 | 186 | 32 |
| Bolt | 4016000095 | 186 | 33 |
| Spring, Gas | 4016000096 | 186 | 34 |
| Cover | 4016000097 | 186 | 38 |
| Bolt | 4016000098 | 186 | 40 |
| Bushing | 4016000099 | 186 | 41 |
| Frame (L.H.) | 4016000100 | 186 | 42 |
| Frame (R.H.) | 4016000101 | 186 | 43 |
| Guide (L.H.) | 4016000102 | 186 | 44 |
| Guide (R.H.) | 4016000103 | 186 | 45 |
| Shoe | 4016000104 | 186 | 46 |
| Stopper, Rubber | 4016000105 | 186 | 48 |
| Handle | 4016000106 | 186 | 50 |
| Bolt | 4016000107 | 186 | 51 |
| Bolt | 4016000108 | 186 | 53 |
| Bracket | 4016000109 | 186 | 54 |
| Bolt | 4016000110 | 186 | 55 |
| Glass | 4016000111 | 186 | 56 |
| Gasket | 4016000112 | 186 | 57 |
| Wiper | 4016000113 | 186 | 58 |
| Motor, Wiper | 4016000114 | 186 | 61 |
| Bolt | 4016000115 | 186 | 65 |
| Washer, Special | 4016000116 | 186 | 66 |
| Pin, Snap | 401603004 | 84 | 23 |
| Pin, Snap | 401603004 | 106 | 21 |
| Pin, Ring | 401725201 | 228 | 7 |
| Spacer | 404046802 | 148 | 23 |
| Spacer | 404046816 | 148 | 22 |
| Spacer | 404046821 | 148 | 20 |
| Spacer | 404086700 | 84 | 16 |
| Bushing | 404322907 | 148 | 18 |
| Bushing | 404323102 | 228 | 8 |
| Bushing | 404323112 | 148 | 19 |
| Bushing | 404323112 | 228 | 10 |
| Bushing | 404326103 | 228 | 9 |
| Bushing | 404337601 | 160 | 11 |
| Bushing | 404703502 | 12 | 5 |
| Hose Ass'y | 407001307 | 24 | 7 |
| Hose Ass'y | 407001514 | 24 | 9 |
| Hose Ass'y | 407001526 | 18 | 4 |
| Hose Ass'y | 407002644 | 24 | 6 |
| Hose Ass'y | 407005632 | 174 | 2 |
| Hose, Water | 407010231 | 220 | 7 |

*1 Note

ALPHABETICAL INDEX

| Parts Name | P/N | Page *1 | Item |
|-------------|-----------|---------|------|
| Hose, Water | 407010240 | 190 | 6 |
| Hose, Water | 407010241 | 190 | 7 |
| Hose, Water | 407010244 | 220 | 5 |
| Hose, Water | 407010245 | 220 | 6 |
| Hose Ass'y | 407012409 | 32 | 17 |
| Hose Ass'y | 407012409 | 36 | 17 |
| Hose Ass'y | 407012409 | 40 | 17 |
| Hose, Fuel | 407024532 | 100 | 30 |
| Hose, Fuel | 407024539 | 100 | 28 |
| Hose, Fuel | 407024567 | 100 | 29 |
| Cover, Hose | 407035103 | 28 | 8 |
| Cover, Hose | 407035103 | 156 | 38 |
| Cover, Hose | 407039003 | 30 | 24 |
| Hose Ass'y | 407054801 | 88 | 4 |
| Hose Ass'y | 407054804 | 82 | 5 |
| Hose Ass'y | 407054804 | 82 | 6 |
| Hose Ass'y | 407054806 | 32 | 54 |
| Hose Ass'y | 407054806 | 32 | 55 |
| Hose Ass'y | 407054806 | 36 | 54 |
| Hose Ass'y | 407054806 | 36 | 55 |
| Hose Ass'y | 407054806 | 40 | 54 |
| Hose Ass'y | 407054806 | 40 | 55 |
| Hose Ass'y | 407054806 | 82 | 4 |
| Hose Ass'y | 407054806 | 88 | 5 |
| Hose Ass'y | 407054808 | 32 | 58 |
| Hose Ass'y | 407054808 | 36 | 58 |
| Hose Ass'y | 407054808 | 40 | 58 |
| Hose Ass'y | 407054813 | 164 | 43 |
| Hose Ass'y | 407054816 | 164 | 38 |
| Hose Ass'y | 407054818 | 164 | 42 |
| Hose Ass'y | 407054819 | 32 | 56 |
| Hose Ass'y | 407054819 | 32 | 57 |
| Hose Ass'y | 407054819 | 36 | 56 |
| Hose Ass'y | 407054819 | 36 | 57 |
| Hose Ass'y | 407054819 | 40 | 56 |
| Hose Ass'y | 407054819 | 40 | 57 |
| Hose Ass'y | 407054819 | 88 | 3 |
| Hose Ass'y | 407054819 | 164 | 36 |
| Hose Ass'y | 407054821 | 32 | 34 |
| Hose Ass'y | 407054821 | 36 | 34 |
| Hose Ass'y | 407054821 | 40 | 34 |
| Hose Ass'y | 407054821 | 82 | 3 |
| Hose Ass'y | 407054825 | 32 | 50 |
| Hose Ass'y | 407054825 | 32 | 51 |
| Hose Ass'y | 407054825 | 32 | 52 |
| Hose Ass'y | 407054825 | 32 | 53 |
| Hose Ass'y | 407054825 | 36 | 50 |
| Hose Ass'y | 407054825 | 36 | 51 |
| Hose Ass'y | 407054825 | 36 | 52 |
| Hose Ass'y | 407054825 | 36 | 53 |
| Hose Ass'y | 407054825 | 40 | 50 |
| Hose Ass'y | 407054825 | 40 | 51 |

*1 Note

ALPHABETICAL INDEX

| Parts Name | P/N | Page *1 | Item |
|------------|-----------|---------|------|
| Hose Ass'y | 407054825 | 40 | 52 |
| Hose Ass'y | 407054825 | 40 | 53 |
| Hose Ass'y | 407054827 | 164 | 37 |
| Hose Ass'y | 407054827 | 222 | 16 |
| Hose Ass'y | 407054835 | 32 | 31 |
| Hose Ass'y | 407054835 | 36 | 31 |
| Hose Ass'y | 407054835 | 40 | 31 |
| Hose Ass'y | 407054836 | 88 | 10 |
| Hose Ass'y | 407054839 | 32 | 32 |
| Hose Ass'y | 407054839 | 36 | 32 |
| Hose Ass'y | 407054839 | 40 | 32 |
| Hose Ass'y | 407054839 | 88 | 2 |
| Hose Ass'y | 407054840 | 32 | 23 |
| Hose Ass'y | 407054840 | 36 | 23 |
| Hose Ass'y | 407054840 | 40 | 23 |
| Hose Ass'y | 407054841 | 32 | 30 |
| Hose Ass'y | 407054841 | 36 | 30 |
| Hose Ass'y | 407054841 | 40 | 30 |
| Hose Ass'y | 407054841 | 164 | 35 |
| Hose Ass'y | 407054842 | 32 | 26 |
| Hose Ass'y | 407054842 | 36 | 26 |
| Hose Ass'y | 407054842 | 40 | 26 |
| Hose Ass'y | 407054850 | 164 | 41 |
| Hose Ass'y | 407054855 | 222 | 17 |
| Hose Ass'y | 407054857 | 32 | 22 |
| Hose Ass'y | 407054857 | 36 | 22 |
| Hose Ass'y | 407054857 | 40 | 22 |
| Hose Ass'y | 407054857 | 88 | 1 |
| Hose Ass'y | 407054861 | 32 | 29 |
| Hose Ass'y | 407054861 | 36 | 29 |
| Hose Ass'y | 407054861 | 40 | 29 |
| Hose Ass'y | 407054861 | 170 | 29 |
| Hose Ass'y | 407054865 | 32 | 33 |
| Hose Ass'y | 407054865 | 36 | 33 |
| Hose Ass'y | 407054865 | 40 | 33 |
| Hose Ass'y | 407054868 | 32 | 21 |
| Hose Ass'y | 407054868 | 36 | 21 |
| Hose Ass'y | 407054868 | 40 | 21 |
| Hose Ass'y | 407054869 | 32 | 25 |
| Hose Ass'y | 407054869 | 36 | 25 |
| Hose Ass'y | 407054869 | 40 | 25 |
| Hose Ass'y | 407054870 | 32 | 35 |
| Hose Ass'y | 407054870 | 36 | 35 |
| Hose Ass'y | 407054870 | 40 | 35 |
| Hose Ass'y | 407054882 | 32 | 24 |
| Hose Ass'y | 407054882 | 36 | 24 |
| Hose Ass'y | 407054882 | 40 | 24 |
| Hose Ass'y | 407054888 | 32 | 27 |
| Hose Ass'y | 407054888 | 36 | 27 |
| Hose Ass'y | 407054888 | 40 | 27 |
| Hose Ass'y | 407054889 | 32 | 28 |
| Hose Ass'y | 407054889 | 36 | 28 |

*1 Note

ALPHABETICAL INDEX

| Parts Name | P/N | Page *1 | Item |
|----------------|-----------|---------|------|
| Hose Ass'y | 407054889 | 40 | 28 |
| Hose Ass'y | 407054889 | 82 | 2 |
| Hose Ass'y | 407055101 | 32 | 15 |
| Hose Ass'y | 407055101 | 36 | 15 |
| Hose Ass'y | 407055101 | 40 | 15 |
| Hose Ass'y | 407055114 | 168 | 16 |
| Hose Ass'y | 407055115 | 32 | 49 |
| Hose Ass'y | 407055115 | 36 | 49 |
| Hose Ass'y | 407055115 | 40 | 49 |
| Hose Ass'y | 407055118 | 18 | 5 |
| Hose Ass'y | 407055118 | 164 | 40 |
| Hose Ass'y | 407055119 | 32 | 20 |
| Hose Ass'y | 407055119 | 36 | 20 |
| Hose Ass'y | 407055119 | 40 | 20 |
| Hose Ass'y | 407055122 | 32 | 16 |
| Hose Ass'y | 407055122 | 36 | 16 |
| Hose Ass'y | 407055122 | 40 | 16 |
| Hose Ass'y | 407055122 | 82 | 1 |
| Hose Ass'y | 407055134 | 32 | 14 |
| Hose Ass'y | 407055134 | 36 | 14 |
| Hose Ass'y | 407055134 | 40 | 14 |
| Hose Ass'y | 407055143 | 32 | 18 |
| Hose Ass'y | 407055143 | 36 | 18 |
| Hose Ass'y | 407055143 | 40 | 18 |
| Hose Ass'y | 407055145 | 32 | 47 |
| Hose Ass'y | 407055145 | 36 | 47 |
| Hose Ass'y | 407055145 | 40 | 47 |
| Hose, Fuel | 407057251 | 100 | 27 |
| Hose, Fuel | 407057252 | 100 | 53 |
| Hose, Fuel | 407074001 | 216 | 23 |
| Hose Ass'y | 407075414 | 24 | 8 |
| Hose Ass'y | 407075425 | 164 | 24 |
| Hose Ass'y | 407078206 | 32 | 40 |
| Hose Ass'y | 407078206 | 36 | 40 |
| Hose Ass'y | 407078206 | 40 | 40 |
| Hose Ass'y | 407078222 | 170 | 30 |
| Hose Ass'y | 407084216 | 222 | 12 |
| Hose Ass'y | 407084228 | 222 | 14 |
| Hose Ass'y | 407084229 | 222 | 15 |
| Hose Ass'y | 407084233 | 222 | 13 |
| Cover, Hose | 407085411 | 168 | 20 |
| Hose, Fuel | 407089904 | 100 | 31 |
| Nipple | 407222000 | 190 | 20 |
| Nipple | 407222000 | 220 | 12 |
| Elbow, Long | 407276900 | 30 | 21 |
| Elbow, Long | 407286602 | 222 | 29 |
| Plug | 407288700 | 60 | 3 |
| Adapter, Union | 407293001 | 222 | 25 |
| Union | 407293002 | 222 | 38 |
| Connector | 407297100 | 28 | 11 |
| Connector | 407297100 | 156 | 22 |
| Connector | 407297100 | 164 | 26 |

*1 Note

ALPHABETICAL INDEX

| Parts Name | P/N | Page *1 | Item |
|---------------------|-----------|---------|------|
| Plug, Drain | 407703600 | 60 | 4 |
| Gauge, Level | 407902700 | 60 | 6 |
| Clamp, Hose | 408000002 | 138 | 23 |
| Clamp, Hose | 408000002 | 152 | 15 |
| Clamp, Hose | 408000002 | 232 | 7 |
| Clamp, Hose | 408000003 | 90 | 22 |
| Clamp, Hose | 408000003 | 138 | 22 |
| Clamp, Hose | 408000004 | 138 | 21 |
| Clamp, Hose | 408000005 | 100 | 55 |
| Clamp, Hose | 408000005 | 138 | 45 |
| Clamp, Hose | 408000006 | 24 | 20 |
| Clamp, Hose | 408000006 | 138 | 20 |
| Clamp, Hose | 408000006 | 156 | 12 |
| Clamp, Hose | 408000009 | 32 | 60 |
| Clamp, Hose | 408000009 | 36 | 60 |
| Clamp, Hose | 408000009 | 40 | 60 |
| Clamp, Hose | 408000014 | 156 | 13 |
| Clamp, Hose | 408000025 | 32 | 44 |
| Clamp, Hose | 408000026 | 220 | 25 |
| Clamp, Hose | 408000029 | 100 | 32 |
| Clamp, Hose | 408000029 | 170 | 35 |
| Clamp, Tube | 408111600 | 156 | 11 |
| Clamp, Tube | 408111800 | 168 | 6 |
| Clamp, Tube | 408111800 | 170 | 8 |
| Clamp, Tube | 408111800 | 222 | 4 |
| Clamp, Tube | 408118900 | 170 | 9 |
| Grip | 409603300 | 164 | 50 |
| Cutter, Side (R.H.) | 412304000 | 2 | 19 |
| Cutter, Side | 412304000 | 154 | 10 |
| Cutter, Side (L.H.) | 412304100 | 2 | 20 |
| Cutter, Side | 412304100 | 154 | 5 |
| Spring | 417012600 | 10 | 13 |
| Plate | 440163100 | 10 | 21 |
| Decal (B1) | 440530701 | 32 | 32-1 |
| Decal (B1) | 440530701 | 36 | 32-1 |
| Decal (B1) | 440530701 | 40 | 32-1 |
| Decal (B2) | 440530702 | 32 | 31-1 |
| Decal (B2) | 440530702 | 36 | 31-1 |
| Decal (B2) | 440530702 | 40 | 31-1 |
| Decal (R1) | 440530703 | 32 | 56-1 |
| Decal (R1) | 440530703 | 36 | 56-1 |
| Decal (R1) | 440530703 | 40 | 56-1 |
| Decal (R3) | 440530704 | 32 | 55-1 |
| Decal (R3) | 440530704 | 36 | 55-1 |
| Decal (R3) | 440530704 | 40 | 55-1 |
| Decal (R3) | 440530704 | 170 | 27-1 |
| Decal (C1) | 440530801 | 32 | 18-1 |
| Decal (C1) | 440530801 | 36 | 18-1 |
| Decal (C1) | 440530801 | 40 | 18-1 |
| Decal (C2) | 440530802 | 32 | 33-1 |
| Decal (C2) | 440530802 | 36 | 33-1 |
| Decal (C2) | 440530802 | 40 | 33-1 |

*1 Note

ALPHABETICAL INDEX

| Parts Name | P/N | Page *1 | Item |
|----------------------|-----------|---------|------|
| Decal (R2) | 440530803 | 32 | 54-1 |
| Decal (R2) | 440530803 | 36 | 54-1 |
| Decal (R2) | 440530803 | 40 | 54-1 |
| Decal (R2) | 440530803 | 168 | 14-1 |
| Decal (R4) | 440530804 | 32 | 57-1 |
| Decal (R4) | 440530804 | 36 | 57-1 |
| Decal (R4) | 440530804 | 40 | 57-1 |
| Decal (A1) | 440530901 | 32 | 29-1 |
| Decal (A1) | 440530901 | 36 | 29-1 |
| Decal (A1) | 440530901 | 40 | 29-1 |
| Decal (A2) | 440530902 | 32 | 28-1 |
| Decal (A2) | 440530902 | 36 | 28-1 |
| Decal (A2) | 440530902 | 40 | 28-1 |
| Decal (L1) | 440530903 | 32 | 50-1 |
| Decal (L1) | 440530903 | 36 | 50-1 |
| Decal (L1) | 440530903 | 40 | 50-1 |
| Decal (L3) | 440530904 | 32 | 52-1 |
| Decal (L3) | 440530904 | 36 | 52-1 |
| Decal (L3) | 440530904 | 40 | 52-1 |
| Decal (L3) | 440530904 | 170 | 28-1 |
| Decal (S1) | 440531001 | 32 | 34-1 |
| Decal (S1) | 440531001 | 36 | 34-1 |
| Decal (S1) | 440531001 | 40 | 34-1 |
| Decal (S2) | 440531002 | 32 | 30-1 |
| Decal (S2) | 440531002 | 36 | 30-1 |
| Decal (S2) | 440531002 | 40 | 30-1 |
| Decal (L2) | 440531003 | 32 | 51-1 |
| Decal (L2) | 440531003 | 36 | 51-1 |
| Decal (L2) | 440531003 | 40 | 51-1 |
| Decal (L2) | 440531003 | 168 | 15-1 |
| Decal (L4) | 440531004 | 32 | 53-1 |
| Decal (L4) | 440531004 | 36 | 53-1 |
| Decal (L4) | 440531004 | 40 | 53-1 |
| Decal (RP) | 440531101 | 32 | 25-1 |
| Decal (RP) | 440531101 | 36 | 25-1 |
| Decal (RP) | 440531101 | 40 | 25-1 |
| Decal (LP) | 440531102 | 32 | 23-1 |
| Decal (LP) | 440531102 | 36 | 23-1 |
| Decal (LP) | 440531102 | 40 | 23-1 |
| Decal (RT) | 440531201 | 32 | 58-1 |
| Decal (RT) | 440531201 | 36 | 58-1 |
| Decal (RT) | 440531201 | 40 | 58-1 |
| Decal (LT) | 440531202 | 32 | 26-1 |
| Decal (LT) | 440531202 | 36 | 26-1 |
| Decal (LT) | 440531202 | 40 | 26-1 |
| Decal (BA) | 440531801 | 156 | 34-1 |
| Decal (BB) | 440531802 | 156 | 33-1 |
| Decal (CA) | 440531901 | 156 | 31-1 |
| Decal (CB) | 440531902 | 156 | 32-1 |
| Decal (AA) | 440532001 | 156 | 30-1 |
| Decal (AB) | 440532002 | 156 | 35-1 |
| Decal (Safety Works) | 440545100 | 130 | 8 |

*1 Note

ALPHABETICAL INDEX

| Parts Name | P/N | Page *1 | Item |
|--------------------------------|-----------|---------|------|
| Decal (Safety Works) | 440545100 | 200 | 8 |
| Decal (Anti-Freezing Solution) | 440545600 | 130 | 21 |
| Decal (Anti-Freezing Solution) | 440545600 | 200 | 21 |
| Decal (Oil) | 440545700 | 126 | 4 |
| Decal (Oil) | 440545700 | 130 | 4 |
| Decal (Oil) | 440545700 | 132 | 4 |
| Decal (Oil) | 440545700 | 134 | 4 |
| Decal (Oil) | 440545700 | 196 | 4 |
| Decal (Oil) | 440545700 | 200 | 4 |
| Decal (Oil) | 440545700 | 202 | 4 |
| Decal (Oil) | 440545700 | 204 | 4 |
| Decal (Safety Works) | 440645800 | 124 | 8 |
| Decal (Safety Works) | 440645800 | 194 | 8 |
| Decal (Anti-Freezing Solution) | 440671000 | 128 | 21 |
| Decal (Anti-Freezing Solution) | 440671000 | 198 | 21 |
| Decal (Safety Works) | 440671400 | 128 | 8 |
| Decal (Safety Works) | 440671400 | 198 | 8 |
| Decal (Anti-Freezing Solution) | 440703500 | 122 | 22 |
| Decal (Anti-Freezing Solution) | 440703500 | 124 | 21 |
| Decal (Anti-Freezing Solution) | 440703500 | 192 | 22 |
| Decal (Anti-Freezing Solution) | 440703500 | 194 | 21 |
| Decal (Oil) | 440797400 | 124 | 4 |
| Decal (Oil) | 440797400 | 128 | 4 |
| Decal (Oil) | 440797400 | 194 | 4 |
| Decal (Oil) | 440797400 | 198 | 4 |
| Plate, Rubber | 440962511 | 138 | 8 |
| Bracket | 441606301 | 138 | 6 |
| Block, Bearing | 442052500 | 12 | 2 |
| Flange | 443563600 | 154 | 13 |
| Decal (Anti-Freezing Solution) | 444722900 | 132 | 21 |
| Decal (Anti-Freezing Solution) | 444722900 | 202 | 21 |
| Decal (Oil) | 444747900 | 122 | 7 |
| Decal (Oil) | 444747900 | 192 | 7 |
| Decal (Breaker Cation) | 444765300 | 122 | 36 |
| Decal (Breaker Cation) | 444765300 | 192 | 36 |
| Decal (Breaker Cation) | 444785700 | 124 | 33 |
| Decal (Breaker Cation) | 444785700 | 194 | 33 |
| Decal (Spare Piping Change) | 444787400 | 122 | 35 |
| Decal (Spare Piping Change) | 444787400 | 192 | 35 |
| Decal (Breaker Cation) | 444792500 | 130 | 26 |
| Decal (Breaker Cation) | 444792500 | 200 | 26 |
| Decal (Breaker Cation) | 444799600 | 128 | 26 |
| Decal (Breaker Cation) | 444799600 | 198 | 26 |

*1 Note

ALPHABETICAL INDEX

| Parts Name | P/N | Page *1 | Item |
|--------------------------------|-----------|---------|------|
| Decal (Breaker Cation) | 444835000 | 132 | 26 |
| Decal (Breaker Cation) | 444835000 | 202 | 26 |
| Decal (Transport Fix)(CE) | 444847400 | 124 | 35 |
| Decal (Transport Fix)(CE) | 444847400 | 194 | 35 |
| Decal (Transport Fix) | 444851100 | 130 | 27 |
| Decal (Transport Fix) | 444851100 | 200 | 27 |
| Decal (Transport Fix) | 444854200 | 128 | 27 |
| Decal (Transport Fix) | 444854200 | 198 | 27 |
| Decal (Transport Fix) | 444856200 | 126 | 27 |
| Decal (Transport Fix) | 444856200 | 196 | 27 |
| Decal (Anti-Freezing Solution) | 444857300 | 126 | 21 |
| Decal (Anti-Freezing Solution) | 444857300 | 196 | 21 |
| Decal (Safety Works) | 444858400 | 126 | 8 |
| Decal (Safety Works) | 444858400 | 196 | 8 |
| Decal (Breaker Cation) | 444858700 | 126 | 26 |
| Decal (Breaker Cation) | 444858700 | 196 | 26 |
| Decal (Anti-Freezing Solution) | 444859800 | 134 | 21 |
| Decal (Anti-Freezing Solution) | 444859800 | 204 | 21 |
| Decal (Safety Works) | 444860300 | 134 | 8 |
| Decal (Safety Works) | 444860300 | 204 | 8 |
| Decal (Breaker Cation) | 444860700 | 134 | 26 |
| Decal (Breaker Cation) | 444860700 | 204 | 26 |
| Decal (Transport Fix) | 444861900 | 134 | 27 |
| Decal (Transport Fix) | 444861900 | 204 | 27 |
| Decal (Spare Piping Change) | 444865100 | 124 | 32 |
| Decal (Spare Piping Change) | 444865100 | 194 | 32 |
| Decal (Spare Piping Change) | 444868700 | 128 | 25 |
| Decal (Spare Piping Change) | 444868700 | 198 | 25 |
| Decal (Spare Piping Change) | 444894400 | 130 | 25 |
| Decal (Spare Piping Change) | 444894400 | 200 | 25 |
| Decal (For A, F) | 444898700 | 40 | 44 |
| Decal (Spare Piping Change) | 444900300 | 126 | 25 |
| Decal (Spare Piping Change) | 444900300 | 196 | 25 |
| Decal (Spare Piping Change) | 444940600 | 134 | 25 |
| Decal (Spare Piping Change) | 444940600 | 204 | 25 |
| Case, Tools | 445050500 | 146 | 1 |
| Cover (Starter Switch) | 445753500 | 142 | 27 |
| Tape, Insulating | 445959800 | 96 | 23 |
| Cover | 446075600 | 6 | 3 |
| Cover | 446075600 | 20 | 10 |
| Cover, Under | 446193200 | 6 | 19 |
| Guide, Shoe (L.H.) | 447559000 | 6 | 23 |
| Guide, Shoe (R.H.) | 447559100 | 6 | 22 |
| Retainer, Spring | 448550800 | 10 | 12 |
| Retainer, Spring | 448550900 | 10 | 14 |
| Lever | 449798900 | 164 | 49 |
| Ring, O | 451150101 | 148 | 24 |
| Ring, O (For Bucket) | 451150101 | 2 | 15 |

*1 Note

ALPHABETICAL INDEX

| Parts Name | P/N | Page *1 | Item |
|--------------------------------------|------------|---------|------|
| Cylinder, Grease | 451454900 | 10 | 4 |
| Piston | 451550600 | 10 | 1 |
| Duct | 452270701 | 214 | 9 |
| Seal | 455051900 | 110 | 27 |
| Seal | 455071800 | 92 | 53 |
| Seal | 455071800 | 92 | 56 |
| Seal | 455071800 | 92 | 57 |
| Seal | 455072600 | 106 | 11 |
| Seal | 455072600 | 190 | 13 |
| Seal | 455087300 | 106 | 12 |
| Seal, Sponge | 455090623 | 176 | 9 |
| Seal, Sponge | 455090624 | 176 | 10 |
| Seal, Sponge | 455090625 | 176 | 11 |
| Seal, Sponge | 455090626 | 176 | 12 |
| Pad, Rubber | 458001600 | 32 | 63 |
| Pad, Rubber | 458001600 | 36 | 63 |
| Pad, Rubber | 458001600 | 40 | 63 |
| Pad | 458073000 | 18 | 9 |
| Cable, Battery | 459198218 | 138 | 11 |
| Cabin (Light Grey) | 5290105300 | 178 | 1-1 |
| Unit Ass'y, Spring (For Rubber Shoe) | 530075999 | 10 | 10 |
| Adj. Device, Crawler Shoe | 530123100 | 10 | 0 |
| Cylinder Ass'y, Grease | 530123202 | 10 | 0-1 |
| Tools Set | 538851000 | 146 | 0 |
| * * * * * | 598800406 | 2 | 41 |
| * * * * * | 598800409 | 2 | 41-1 |
| * * * * * | 598800432 | 2 | 42 |
| * * * * * | 598800433 | 2 | 42-1 |
| * * * * * | 598800900 | 2 | 40 |
| * * * * * | 598802201 | 2 | 44 |
| Bolt, Reamer | D00201500 | 20 | 5 |
| Bolt, U | D00307300 | 96 | 6 |
| Bolt, Button Head | D00404902 | 84 | 46 |
| Washer | D00603200 | 120 | 4 |
| Washer | D00605100 | 154 | 4 |
| Washer, Treatment | D00605100 | 2 | 23 |
| Washer | D00613600 | 106 | 7 |
| Washer | D00614400 | 92 | 8 |
| Shim | D00702300 | 106 | 24 |
| Shim | D00703402 | 106 | 25 |
| Shim | D00706000 | 6 | 26 |
| Shim | D00724001 | 92 | 49 |
| Shim | D00724002 | 92 | 50 |
| Shim | D00724401 | 224 | 6 |
| Shim | D00724402 | 224 | 6-1 |
| Shim | D00724403 | 224 | 6-2 |
| Pin, Head | D01309400 | 228 | 6 |
| Pin, Head | D01338400 | 82 | 25 |
| Pin, Head | D01339801 | 148 | 15 |
| Pin, Bucket | D01340800 | 2 | 14 |
| Pin, Head | D01340800 | 148 | 16 |

*1 Note

ALPHABETICAL INDEX

| Parts Name | P/N | Page *1 | Item |
|--------------------|-----------|---------|------|
| Pin, Head | D01340900 | 148 | 17 |
| Pin, Head | D01344400 | 228 | 5 |
| Pin | D01722500 | 84 | 15 |
| Pin, Wing | D01723401 | 160 | 3 |
| Pin, Head | D01723402 | 148 | 12 |
| Pin | D01723403 | 152 | 3 |
| Pin, Head | D01723404 | 148 | 11 |
| Pin | D01723405 | 152 | 5 |
| Pin, Head | D01723701 | 148 | 13 |
| Pin, Head | D01723702 | 148 | 14 |
| Pin, Head | D01724900 | 148 | 10 |
| Pin, Wing | D01725401 | 160 | 8 |
| Pin | D01725900 | 152 | 4 |
| Pully | D03201700 | 218 | 8 |
| Spacer | D04017800 | 84 | 35 |
| Spacer | D04019204 | 148 | 21 |
| Spacer | D04024907 | 30 | 15 |
| Spacer | D04034500 | 36 | 68 |
| Spacer | D04034600 | 90 | 10 |
| Spacer | D04038100 | 218 | 9 |
| Collar | D04204000 | 84 | 33 |
| Bushing | D04303000 | 152 | 6 |
| Bushing | D04311000 | 148 | 39 |
| Bushing | D04311500 | 152 | 7 |
| Bushing | D04700300 | 152 | 18 |
| Bushing | D04705800 | 148 | 25 |
| Bushing | D04705800 | 152 | 10 |
| Bushing | D04705800 | 160 | 2 |
| Elbow | D06002800 | 36 | 70 |
| Adapter | D06003200 | 162 | 7 |
| Bush, Reducer | D06007100 | 28 | 9 |
| Bush, Reducer | D06007100 | 156 | 39 |
| Connector, Reducer | D06007100 | 162 | 10 |
| Adapter | D06013700 | 32 | 67 |
| Adapter | D06013700 | 40 | 70 |
| Adapter | D06013700 | 168 | 7 |
| Adapter | D06013700 | 170 | 10 |
| Adapter | D06013700 | 222 | 22 |
| Connector | D06016400 | 222 | 21 |
| Elbow | D06040800 | 30 | 10 |
| Connector | D06045100 | 156 | 9 |
| Connector | D06050000 | 164 | 10 |
| Connector | D06050000 | 170 | 20 |
| Adapter, Reducer | D06050300 | 30 | 19 |
| Connector | D06050300 | 168 | 22 |
| Tee | D06051100 | 164 | 28 |
| Connector | D06051200 | 174 | 5 |
| Connector | D06051400 | 24 | 12 |
| Connector | D06052500 | 32 | 9 |
| Connector | D06052500 | 36 | 9 |
| Connector | D06052500 | 40 | 9 |
| Adapter | D06052600 | 24 | 52 |

*1 Note

ALPHABETICAL INDEX

| Parts Name | P/N | Page *1 | Item |
|---------------------------|-----------|---------|------|
| Connector | D06053000 | 24 | 41 |
| Connector | D06053100 | 24 | 18 |
| Connector | D06053200 | 24 | 40 |
| Connector | D06053300 | 24 | 44 |
| Elbow | D06053400 | 24 | 46 |
| Elbow, Long | D06053500 | 30 | 9 |
| Connector | D06054000 | 30 | 17 |
| Manifold | D06509300 | 32 | 11 |
| Manifold | D06509300 | 36 | 11 |
| Manifold | D06509300 | 40 | 11 |
| Manifold | D06509400 | 32 | 19 |
| Manifold | D06509400 | 36 | 19 |
| Manifold | D06509400 | 40 | 19 |
| Hose Ass'y | D07011901 | 24 | 5 |
| Hose Ass'y | D07019503 | 222 | 20 |
| Hose Ass'y | D07019517 | 222 | 19 |
| Hose Ass'y | D07019521 | 222 | 18 |
| Hose Ass'y | D07019522 | 170 | 27 |
| Hose Ass'y | D07019522 | 170 | 28 |
| Hose Ass'y | D07034802 | 162 | 3 |
| Hose Ass'y | D07034901 | 162 | 4 |
| Hose Ass'y | D07035005 | 18 | 2 |
| Hose Ass'y | D07035006 | 18 | 3 |
| Hose Ass'y | D07035006 | 30 | 6 |
| Hose Ass'y | D07035010 | 30 | 14 |
| Hose Ass'y | D07035011 | 30 | 5 |
| Hose Ass'y (For Long Arm) | D07035105 | 156 | 7-1 |
| Hose Ass'y | D07035115 | 156 | 8 |
| Hose Ass'y | D07035126 | 156 | 7 |
| Hose Ass'y (For Long Arm) | D07035129 | 156 | 8-1 |
| Hose Ass'y | D07036002 | 30 | 4 |
| Hose Ass'y | D07036002 | 168 | 21 |
| Hose Ass'y | D07036102 | 168 | 12 |
| Hose Ass'y | D07036103 | 168 | 13 |
| Hose Ass'y | D07036210 | 162 | 1 |
| Hose Ass'y | D07036211 | 162 | 2 |
| Hose Ass'y | D07036212 | 28 | 4 |
| Hose Ass'y | D07036214 | 28 | 3 |
| Hose Ass'y | D07036304 | 28 | 2 |
| Hose Ass'y | D07036319 | 28 | 1 |
| Hose Ass'y | D07036325 | 164 | 22 |
| Hose Ass'y | D07037201 | 164 | 3 |
| Hose Ass'y | D07037302 | 170 | 3 |
| Hose Ass'y | D07037304 | 168 | 3 |
| Hose Ass'y | D07038506 | 156 | 33 |
| Hose Ass'y | D07038507 | 156 | 34 |
| Hose Ass'y | D07038508 | 156 | 35 |
| Hose Ass'y | D07038509 | 156 | 30 |
| Hose Ass'y | D07038510 | 164 | 23 |
| Hose Ass'y | D07038603 | 156 | 31 |
| Hose Ass'y | D07038604 | 156 | 32 |
| Hose Ass'y | D07038702 | 164 | 21 |

*1 Note

ALPHABETICAL INDEX

| Parts Name | P/N | Page *1 | Item |
|-----------------|-----------|---------|------|
| Hose Ass'y | D07038801 | 156 | 4 |
| Hose Ass'y | D07038801 | 222 | 10 |
| Hose Ass'y | D07038809 | 156 | 3 |
| Hose Ass'y | D07038813 | 156 | 5 |
| Hose Ass'y | D07038819 | 156 | 6 |
| Hose Ass'y | D07038822 | 222 | 11 |
| Hose Ass'y | D07041003 | 168 | 14 |
| Hose Ass'y | D07041003 | 168 | 15 |
| Hose | D07055300 | 92 | 47 |
| Hose | D07057201 | 24 | 10 |
| Hose | D07057400 | 100 | 2 |
| Hose | D07057701 | 32 | 59 |
| Hose | D07057701 | 36 | 59 |
| Hose | D07057701 | 40 | 59 |
| Hose Ass'y | D07057801 | 30 | 7 |
| Hose Ass'y | D07057802 | 30 | 8 |
| Hose Ass'y | D07060500 | 24 | 56 |
| Clamp, Hose | D08010000 | 96 | 32 |
| Clamp, Tube | D08102300 | 164 | 9 |
| Clamp, Tube | D08102300 | 170 | 19 |
| Clamp, Tube | D08119300 | 164 | 7 |
| Clamp, Tube | D08119300 | 170 | 7 |
| Clamp, Tube | D08119300 | 222 | 5 |
| Clamp, Tube | D08119500 | 164 | 8 |
| Clamp, Tube | D08119500 | 170 | 18 |
| Clamp, Seat | D08203400 | 222 | 6 |
| Seat, Clamp | D08203400 | 164 | 4 |
| Seat, Clamp | D08203400 | 170 | 4 |
| Seat, Clamp | D08210800 | 168 | 5 |
| Seat, Clamp | D08210800 | 170 | 6 |
| Seat, Clamp | D08210900 | 168 | 4 |
| Seat, Clamp | D08210900 | 170 | 5 |
| Seat, Clamp | D08211000 | 164 | 6 |
| Seat, Clamp | D08211100 | 164 | 5 |
| Clamp | D08315200 | 100 | 5 |
| Clamp | D08315400 | 30 | 1 |
| Boss | D13104600 | 154 | 15 |
| Boss | D13110000 | 218 | 7 |
| Spring | D17005200 | 84 | 19 |
| Boots | D18100200 | 88 | 14 |
| Frame, Swing | D20435600 | 20 | 1 |
| Frame | D20682500 | 100 | 12 |
| Weight, Counter | D20683700 | 120 | 1 |
| Frame | D20687300 | 116 | 2 |
| Frame | D20687500 | 114 | 7 |
| Frame | D20690600 | 106 | 26 |
| Boom | D21014600 | 148 | 1 |
| Arm Ass'y | D21522500 | 148 | 2 |
| Arm Ass'y, Long | D21523500 | 148 | 2-1 |
| Flange, Pump | D23005900 | 98 | 10 |
| Sprocket, Drive | D23403700 | 6 | 13 |
| Idler, Front | D23602100 | 12 | 6 |

*1 Note

ALPHABETICAL INDEX

| Parts Name | P/N | Page *1 | Item |
|--|-----------|---------|------|
| Blade | D25711000 | 160 | 7 |
| Stay | D26032900 | 230 | 8 |
| Stay | D26038100 | 208 | 7 |
| Stay | D26051600 | 18 | 1 |
| Stay | D26051800 | 218 | 5 |
| Stay | D26055200 | 104 | 6 |
| Bucket, Hoe (0.16m ³ , 650mm) | D27015400 | 154 | 1-5 |
| Bucket, Hoe (0.14m ³ , 600mm) | D27015500 | 154 | 1-3 |
| Bucket, Hoe (0.08m ³ , 400mm) | D27015600 | 154 | 1-1 |
| Bucket, Hoe (0.11m ³ , 500mm) | D27015700 | 154 | 1-2 |
| Bucket, Hoe (0.16m ³ , 650mm) | D27015800 | 154 | 1-4 |
| Bucket, Hoe (0.18m ³ , 700mm) | D27015900 | 154 | 1 |
| Bucket, Hoe (0.16m ³ , 650mm) | D27016100 | 154 | 1-6 |
| Tank, Fuel | D28422900 | 100 | 22 |
| Tank, Hydraulic Oil | D28424100 | 60 | 1 |
| Tube | D28620200 | 156 | 2 |
| Tube | D28624600 | 164 | 1 |
| Tube | D28624700 | 164 | 2 |
| TUBE | D28624800 | 168 | 1 |
| TUBE | D28624900 | 168 | 2 |
| TUBE | D28625000 | 170 | 1 |
| TUBE | D28625100 | 170 | 2 |
| Tube | D28627700 | 24 | 1 |
| Tube | D28630500 | 222 | 7 |
| Tube | D28630600 | 222 | 8 |
| Tube | D28633900 | 224 | 2 |
| Tube | D28634400 | 60 | 2 |
| Tube | D28634600 | 156 | 1 |
| Tube | D28634700 | 24 | 2 |
| Plate | D40027300 | 104 | 14 |
| Plate | D40027300 | 106 | 23 |
| Plate | D40149800 | 24 | 34 |
| Decal (Transport Fix) | D40505900 | 132 | 27 |
| Decal (Transport Fix) | D40505900 | 202 | 27 |
| Decal (Serial No.) | D40509100 | 126 | 3 |
| Decal (Serial No.) | D40509100 | 128 | 3 |
| Decal (Serial No.) | D40509100 | 130 | 3 |
| Decal (Serial No.) | D40509100 | 132 | 3 |
| Decal (Serial No.) | D40509100 | 134 | 3 |
| Decal (Serial No.) | D40509100 | 136 | 3 |
| Decal (Serial No.) | D40509100 | 196 | 3 |
| Decal (Serial No.) | D40509100 | 198 | 3 |
| Decal (Serial No.) | D40509100 | 200 | 3 |
| Decal (Serial No.) | D40509100 | 202 | 3 |
| Decal (Serial No.) | D40509100 | 204 | 3 |
| Decal (Serial No.) | D40509100 | 206 | 3 |
| Decal (Serial No.) (CE) | D40509100 | 124 | 3-1 |
| Decal (Serial No.) (CE) | D40509100 | 194 | 3-1 |
| Decal (Serial No.) | D40509400 | 122 | 3 |
| Decal (Serial No.) | D40509400 | 124 | 3 |
| Decal (Serial No.) | D40509400 | 192 | 3 |
| Decal (Serial No.) | D40509400 | 194 | 3 |

*1 Note

ALPHABETICAL INDEX

| Parts Name | P/N | Page *1 | Item |
|-----------------------------|-----------|---------|------|
| Decal (New Machine) | D40509700 | 124 | 24 |
| Decal (New Machine) | D40509700 | 126 | 29 |
| Decal (New Machine) | D40509700 | 128 | 29 |
| Decal (New Machine) | D40509700 | 130 | 29 |
| Decal (New Machine) | D40509700 | 132 | 29 |
| Decal (New Machine) | D40509700 | 134 | 29 |
| Decal (New Machine) | D40509700 | 136 | 29 |
| Decal (New Machine) | D40509700 | 194 | 24 |
| Decal (New Machine) | D40509700 | 196 | 29 |
| Decal (New Machine) | D40509700 | 198 | 29 |
| Decal (New Machine) | D40509700 | 200 | 29 |
| Decal (New Machine) | D40509700 | 202 | 29 |
| Decal (New Machine) | D40509700 | 204 | 29 |
| Decal (New Machine) | D40509700 | 206 | 29 |
| Decal (Spare Piping Change) | D40525600 | 132 | 25 |
| Decal (Spare Piping Change) | D40525600 | 202 | 25 |
| Seal | D40527200 | 32 | 65 |
| Seal | D40527200 | 40 | 65 |
| Seal | D40527200 | 114 | 8 |
| Decal (Caution) | D40532300 | 124 | 20 |
| Decal (Caution) | D40532300 | 194 | 20 |
| Decal (Caution) | D40533200 | 122 | 16 |
| Decal (Caution) | D40533200 | 192 | 16 |
| Decal (Caution) | D40535900 | 124 | 15 |
| Decal (Caution) | D40535900 | 126 | 15 |
| Decal (Caution) | D40535900 | 128 | 15 |
| Decal (Caution) | D40535900 | 130 | 15 |
| Decal (Caution) | D40535900 | 132 | 15 |
| Decal (Caution) | D40535900 | 134 | 15 |
| Decal (Caution) | D40535900 | 136 | 15 |
| Decal (Caution) | D40535900 | 194 | 15 |
| Decal (Caution) | D40535900 | 196 | 15 |
| Decal (Caution) | D40535900 | 198 | 15 |
| Decal (Caution) | D40535900 | 200 | 15 |
| Decal (Caution) | D40535900 | 202 | 15 |
| Decal (Caution) | D40535900 | 204 | 15 |
| Decal (Caution) | D40535900 | 206 | 15 |
| Decal (Caution) | D40536600 | 124 | 13 |
| Decal (Caution) | D40536600 | 126 | 13 |
| Decal (Caution) | D40536600 | 128 | 13 |
| Decal (Caution) | D40536600 | 130 | 13 |
| Decal (Caution) | D40536600 | 132 | 13 |
| Decal (Caution) | D40536600 | 134 | 13 |
| Decal (Caution) | D40536600 | 136 | 13 |
| Decal (Caution) | D40536600 | 194 | 13 |
| Decal (Caution) | D40536600 | 196 | 13 |
| Decal (Caution) | D40536600 | 198 | 13 |
| Decal (Caution) | D40536600 | 200 | 13 |
| Decal (Caution) | D40536600 | 202 | 13 |
| Decal (Caution) | D40536600 | 204 | 13 |
| Decal (Caution) | D40536600 | 206 | 13 |
| Decal (Caution) | D40537300 | 122 | 21 |

*1 Note

ALPHABETICAL INDEX

| Parts Name | P/N | Page *1 | Item |
|----------------------|-----------|---------|------|
| Decal (Caution) | D40537300 | 192 | 21 |
| Decal (Caution) | D40542400 | 122 | 14 |
| Decal (Caution) | D40542400 | 192 | 14 |
| Decal (For A-D) | D40544700 | 36 | 44 |
| Decal (Caution) | D40544900 | 122 | 20 |
| Decal (Caution) | D40544900 | 192 | 20 |
| Decal (Safety Swing) | D40545000 | 122 | 11 |
| Decal (Safety Swing) | D40545000 | 192 | 11 |
| Decal (Caution) | D40545100 | 122 | 18 |
| Decal (Caution) | D40545100 | 192 | 18 |
| Decal (Caution) | D40545200 | 122 | 15 |
| Decal (Caution) | D40545200 | 192 | 15 |
| Decal (Caution) | D40545300 | 192 | 26 |
| Decal (Caution) | D40545400 | 122 | 12 |
| Decal (Caution) | D40545400 | 192 | 12 |
| Decal (Caution) | D40545500 | 122 | 13 |
| Decal (Caution) | D40545500 | 192 | 13 |
| Decal (Caution) | D40546200 | 122 | 17 |
| Decal (Caution) | D40546200 | 192 | 17 |
| Decal (Caution) | D40546300 | 122 | 19 |
| Decal (Caution) | D40546300 | 192 | 19 |
| Decal (Caution) | D40550300 | 124 | 16 |
| Decal (Caution) | D40550300 | 126 | 16 |
| Decal (Caution) | D40550300 | 128 | 16 |
| Decal (Caution) | D40550300 | 130 | 16 |
| Decal (Caution) | D40550300 | 132 | 16 |
| Decal (Caution) | D40550300 | 134 | 16 |
| Decal (Caution) | D40550300 | 136 | 16 |
| Decal (Caution) | D40550300 | 194 | 16 |
| Decal (Caution) | D40550300 | 196 | 16 |
| Decal (Caution) | D40550300 | 198 | 16 |
| Decal (Caution) | D40550300 | 200 | 16 |
| Decal (Caution) | D40550300 | 202 | 16 |
| Decal (Caution) | D40550300 | 204 | 16 |
| Decal (Caution) | D40550300 | 206 | 16 |
| Decal (Caution) | D40550400 | 124 | 18 |
| Decal (Caution) | D40550400 | 126 | 18 |
| Decal (Caution) | D40550400 | 128 | 18 |
| Decal (Caution) | D40550400 | 130 | 18 |
| Decal (Caution) | D40550400 | 132 | 18 |
| Decal (Caution) | D40550400 | 134 | 18 |
| Decal (Caution) | D40550400 | 136 | 18 |
| Decal (Caution) | D40550400 | 194 | 18 |
| Decal (Caution) | D40550400 | 196 | 18 |
| Decal (Caution) | D40550400 | 198 | 18 |
| Decal (Caution) | D40550400 | 200 | 18 |
| Decal (Caution) | D40550400 | 202 | 18 |
| Decal (Caution) | D40550400 | 204 | 18 |
| Decal (Caution) | D40550400 | 206 | 18 |
| Decal (Caution) | D40550500 | 124 | 12 |
| Decal (Caution) | D40550500 | 126 | 12 |
| Decal (Caution) | D40550500 | 128 | 12 |

*1 Note

ALPHABETICAL INDEX

| Parts Name | P/N | Page *1 | Item |
|----------------------|-----------|---------|------|
| Decal (Caution) | D40550500 | 130 | 12 |
| Decal (Caution) | D40550500 | 132 | 12 |
| Decal (Caution) | D40550500 | 134 | 12 |
| Decal (Caution) | D40550500 | 136 | 12 |
| Decal (Caution) | D40550500 | 194 | 12 |
| Decal (Caution) | D40550500 | 196 | 12 |
| Decal (Caution) | D40550500 | 198 | 12 |
| Decal (Caution) | D40550500 | 200 | 12 |
| Decal (Caution) | D40550500 | 202 | 12 |
| Decal (Caution) | D40550500 | 204 | 12 |
| Decal (Caution) | D40550500 | 206 | 12 |
| Decal (Caution) | D40550600 | 124 | 19 |
| Decal (Caution) | D40550600 | 126 | 19 |
| Decal (Caution) | D40550600 | 128 | 19 |
| Decal (Caution) | D40550600 | 130 | 19 |
| Decal (Caution) | D40550600 | 132 | 19 |
| Decal (Caution) | D40550600 | 134 | 19 |
| Decal (Caution) | D40550600 | 136 | 19 |
| Decal (Caution) | D40550600 | 194 | 19 |
| Decal (Caution) | D40550600 | 196 | 19 |
| Decal (Caution) | D40550600 | 198 | 19 |
| Decal (Caution) | D40550600 | 200 | 19 |
| Decal (Caution) | D40550600 | 202 | 19 |
| Decal (Caution) | D40550600 | 204 | 19 |
| Decal (Caution) | D40550600 | 206 | 19 |
| Decal (Safety Swing) | D40550700 | 124 | 10 |
| Decal (Safety Swing) | D40550700 | 126 | 10 |
| Decal (Safety Swing) | D40550700 | 128 | 10 |
| Decal (Safety Swing) | D40550700 | 130 | 10 |
| Decal (Safety Swing) | D40550700 | 132 | 10 |
| Decal (Safety Swing) | D40550700 | 134 | 10 |
| Decal (Safety Swing) | D40550700 | 136 | 10 |
| Decal (Safety Swing) | D40550700 | 194 | 10 |
| Decal (Safety Swing) | D40550700 | 196 | 10 |
| Decal (Safety Swing) | D40550700 | 198 | 10 |
| Decal (Safety Swing) | D40550700 | 200 | 10 |
| Decal (Safety Swing) | D40550700 | 202 | 10 |
| Decal (Safety Swing) | D40550700 | 204 | 10 |
| Decal (Safety Swing) | D40550700 | 206 | 10 |
| Decal (Caution) | D40550800 | 124 | 17 |
| Decal (Caution) | D40550800 | 126 | 17 |
| Decal (Caution) | D40550800 | 128 | 17 |
| Decal (Caution) | D40550800 | 130 | 17 |
| Decal (Caution) | D40550800 | 132 | 17 |
| Decal (Caution) | D40550800 | 134 | 17 |
| Decal (Caution) | D40550800 | 136 | 17 |
| Decal (Caution) | D40550800 | 194 | 17 |
| Decal (Caution) | D40550800 | 196 | 17 |
| Decal (Caution) | D40550800 | 198 | 17 |
| Decal (Caution) | D40550800 | 200 | 17 |
| Decal (Caution) | D40550800 | 202 | 17 |
| Decal (Caution) | D40550800 | 204 | 17 |

*1 Note

ALPHABETICAL INDEX

| Parts Name | P/N | Page *1 | Item |
|---------------------|-----------|---------|------|
| Decal (Caution) | D40550800 | 206 | 17 |
| Decal (Caution) | D40550900 | 124 | 14 |
| Decal (Caution) | D40550900 | 126 | 14 |
| Decal (Caution) | D40550900 | 128 | 14 |
| Decal (Caution) | D40550900 | 130 | 14 |
| Decal (Caution) | D40550900 | 132 | 14 |
| Decal (Caution) | D40550900 | 134 | 14 |
| Decal (Caution) | D40550900 | 136 | 14 |
| Decal (Caution) | D40550900 | 194 | 14 |
| Decal (Caution) | D40550900 | 196 | 14 |
| Decal (Caution) | D40550900 | 198 | 14 |
| Decal (Caution) | D40550900 | 200 | 14 |
| Decal (Caution) | D40550900 | 202 | 14 |
| Decal (Caution) | D40550900 | 204 | 14 |
| Decal (Caution) | D40550900 | 206 | 14 |
| Decal (Caution) | D40551000 | 194 | 26 |
| Decal (Caution) | D40551000 | 196 | 32 |
| Decal (Caution) | D40551000 | 198 | 32 |
| Decal (Caution) | D40551000 | 200 | 32 |
| Decal (Caution) | D40551000 | 202 | 32 |
| Decal (Caution) | D40551000 | 204 | 32 |
| Decal (Caution) | D40551000 | 206 | 32 |
| Decal (Caution) | D40551100 | 124 | 11 |
| Decal (Caution) | D40551100 | 126 | 11 |
| Decal (Caution) | D40551100 | 128 | 11 |
| Decal (Caution) | D40551100 | 130 | 11 |
| Decal (Caution) | D40551100 | 132 | 11 |
| Decal (Caution) | D40551100 | 134 | 11 |
| Decal (Caution) | D40551100 | 136 | 11 |
| Decal (Caution) | D40551100 | 194 | 11 |
| Decal (Caution) | D40551100 | 196 | 11 |
| Decal (Caution) | D40551100 | 198 | 11 |
| Decal (Caution) | D40551100 | 200 | 11 |
| Decal (Caution) | D40551100 | 202 | 11 |
| Decal (Caution) | D40551100 | 204 | 11 |
| Decal (Caution) | D40551100 | 206 | 11 |
| Decal (For A, B, G) | D40551800 | 36 | 44-1 |
| Decal (Caution) | D40555900 | 126 | 20 |
| Decal (Caution) | D40555900 | 196 | 20 |
| Decal (Caution) | D40557100 | 130 | 20 |
| Decal (Caution) | D40557100 | 200 | 20 |
| Decal (Caution) | D40557500 | 128 | 20 |
| Decal (Caution) | D40557500 | 198 | 20 |
| Decal (Caution) | D40558700 | 132 | 20 |
| Decal (Caution) | D40558700 | 202 | 20 |
| Decal (Caution) | D40559400 | 134 | 20 |
| Decal (Caution) | D40559400 | 204 | 20 |
| Decal | D40585700 | 236 | 1 |
| Decal | D40585900 | 236 | 2 |
| Decal | D40586700 | 236 | 3 |
| Decal | D40586800 | 236 | 5 |
| Decal (Oil) | D40600000 | 136 | 4 |

*1 Note

ALPHABETICAL INDEX

| Parts Name | P/N | Page *1 | Item |
|--------------------------------|-----------|---------|------|
| Decal (Oil) | D40600000 | 206 | 4 |
| Decal (Breaker Cation) | D40600200 | 136 | 26 |
| Decal (Breaker Cation) | D40600200 | 206 | 26 |
| Decal (Caution) | D40600500 | 136 | 20 |
| Decal (Caution) | D40600500 | 206 | 20 |
| Decal (Transport Fix) | D40600700 | 136 | 27 |
| Decal (Transport Fix) | D40600700 | 206 | 27 |
| Decal (Anti-Freezing Solution) | D40601200 | 136 | 21 |
| Decal (Anti-Freezing Solution) | D40601200 | 206 | 21 |
| Decal (Noise 97) | D40603200 | 126 | 30 |
| Decal (Noise 97) | D40603200 | 128 | 30 |
| Decal (Noise 97) | D40603200 | 130 | 30 |
| Decal (Noise 97) | D40603200 | 132 | 30 |
| Decal (Noise 97) | D40603200 | 134 | 30 |
| Decal (Noise 97) | D40603200 | 136 | 30 |
| Decal (Noise 97) | D40603200 | 196 | 30 |
| Decal (Noise 97) | D40603200 | 198 | 30 |
| Decal (Noise 97) | D40603200 | 200 | 30 |
| Decal (Noise 97) | D40603200 | 202 | 30 |
| Decal (Noise 97) | D40603200 | 204 | 30 |
| Decal (Noise 97) | D40603200 | 206 | 30 |
| Decal (Noise 97)(CE) | D40603200 | 124 | 37 |
| Decal (Noise 97)(CE) | D40603200 | 194 | 37 |
| Decal (Oil Check) | D40649000 | 122 | 5 |
| Decal (Oil Check) | D40649000 | 192 | 5 |
| Decal (T1) | D40649901 | 82 | 2-1 |
| Decal (T2) | D40649902 | 82 | 5-1 |
| Decal (T3) | D40649903 | 82 | 3-1 |
| Decal (T4) | D40649904 | 82 | 6-1 |
| Decal (Oil Check) | D40650400 | 124 | 5 |
| Decal (Oil Check) | D40650400 | 194 | 5 |
| Decal (Oil Check) | D40655000 | 130 | 5 |
| Decal (Oil Check) | D40655000 | 200 | 5 |
| Decal (Oil Check) | D40655400 | 128 | 5 |
| Decal (Oil Check) | D40655400 | 198 | 5 |
| Decal (Oil Check) | D40655800 | 126 | 5 |
| Decal (Oil Check) | D40655800 | 196 | 5 |
| Decal (Oil Check) | D40656200 | 134 | 5 |
| Decal (Oil Check) | D40656200 | 204 | 5 |
| Decal (Oil Check) | D40656500 | 132 | 5 |
| Decal (Oil Check) | D40656500 | 202 | 5 |
| Decal (Safety Works) | D40659700 | 122 | 9 |
| Decal (Safety Works) | D40659700 | 192 | 9 |
| Decal (Blade, Pedal) | D40660200 | 122 | 29 |
| Decal (Blade, Pedal) | D40660200 | 124 | 29 |
| Decal (Blade, Pedal) | D40660200 | 126 | 35 |
| Decal (Blade, Pedal) | D40660200 | 128 | 35 |
| Decal (Blade, Pedal) | D40660200 | 130 | 35 |
| Decal (Blade, Pedal) | D40660200 | 132 | 35 |
| Decal (Blade, Pedal) | D40660200 | 134 | 35 |

*1 Note

ALPHABETICAL INDEX

| Parts Name | P/N | Page *1 | Item |
|-------------------------|-----------|---------|------|
| Decal (Blade, Pedal) | D40660200 | 136 | 35 |
| Decal (Control A) | D40660300 | 122 | 30 |
| Decal (Control A) | D40660300 | 124 | 30 |
| Decal (Control A) | D40660300 | 126 | 36 |
| Decal (Control A) | D40660300 | 128 | 36 |
| Decal (Control A) | D40660300 | 130 | 36 |
| Decal (Control A) | D40660300 | 132 | 36 |
| Decal (Control A) | D40660300 | 134 | 36 |
| Decal (Control A) | D40660300 | 136 | 36 |
| Decal (Control B) | D40660400 | 122 | 30-1 |
| Decal (Control B) | D40660400 | 124 | 30-1 |
| Decal (Control B) | D40660400 | 126 | 36-1 |
| Decal (Control B) | D40660400 | 128 | 36-1 |
| Decal (Control B) | D40660400 | 130 | 36-1 |
| Decal (Control B) | D40660400 | 132 | 36-1 |
| Decal (Control B) | D40660400 | 134 | 36-1 |
| Decal (Control B) | D40660400 | 136 | 36-1 |
| Decal (Control C) | D40660500 | 122 | 30-2 |
| Decal (Control C) | D40660500 | 124 | 30-2 |
| Decal (Control C) | D40660500 | 126 | 36-2 |
| Decal (Control C) | D40660500 | 128 | 36-2 |
| Decal (Control C) | D40660500 | 130 | 36-2 |
| Decal (Control C) | D40660500 | 132 | 36-2 |
| Decal (Control C) | D40660500 | 134 | 36-2 |
| Decal (Control C) | D40660500 | 136 | 36-2 |
| Decal (Control D) | D40660600 | 122 | 30-3 |
| Decal (Control D) | D40660600 | 124 | 30-3 |
| Decal (Control D) | D40660600 | 126 | 36-3 |
| Decal (Control D) | D40660600 | 128 | 36-3 |
| Decal (Control D) | D40660600 | 130 | 36-3 |
| Decal (Control D) | D40660600 | 132 | 36-3 |
| Decal (Control D) | D40660600 | 134 | 36-3 |
| Decal (Control D) | D40660600 | 136 | 36-3 |
| Decal (Control F) | D40660700 | 124 | 30-4 |
| Decal (Control G) | D40660800 | 122 | 30-4 |
| Decal (Control A-D) | D40660900 | 122 | 31 |
| Decal (Control A-D) | D40660900 | 124 | 31 |
| Decal (Control A-D) | D40660900 | 126 | 37 |
| Decal (Control A-D) | D40660900 | 128 | 37 |
| Decal (Control A-D) | D40660900 | 130 | 37 |
| Decal (Control A-D) | D40660900 | 132 | 37 |
| Decal (Control A-D) | D40660900 | 134 | 37 |
| Decal (Control A-D) | D40660900 | 136 | 37 |
| Decal (Control A, B, G) | D40661000 | 122 | 32 |
| Decal (Control A) | D40662200 | 192 | 30 |
| Decal (Control A) | D40662200 | 194 | 30 |
| Decal (Control A) | D40662200 | 196 | 36 |
| Decal (Control A) | D40662200 | 198 | 36 |
| Decal (Control A) | D40662200 | 200 | 36 |
| Decal (Control A) | D40662200 | 202 | 36 |
| Decal (Control A) | D40662200 | 204 | 36 |
| Decal (Control A) | D40662200 | 206 | 36 |

*1 Note

ALPHABETICAL INDEX

| Parts Name | P/N | Page *1 | Item |
|-----------------------------|-----------|---------|------|
| Decal (Control B) | D40662300 | 192 | 30-1 |
| Decal (Control B) | D40662300 | 194 | 30-1 |
| Decal (Control B) | D40662300 | 196 | 36-1 |
| Decal (Control B) | D40662300 | 198 | 36-1 |
| Decal (Control B) | D40662300 | 200 | 36-1 |
| Decal (Control B) | D40662300 | 202 | 36-1 |
| Decal (Control B) | D40662300 | 204 | 36-1 |
| Decal (Control B) | D40662300 | 206 | 36-1 |
| Decal (Control C) | D40662400 | 192 | 30-2 |
| Decal (Control C) | D40662400 | 194 | 30-2 |
| Decal (Control C) | D40662400 | 196 | 36-2 |
| Decal (Control C) | D40662400 | 198 | 36-2 |
| Decal (Control C) | D40662400 | 200 | 36-2 |
| Decal (Control C) | D40662400 | 202 | 36-2 |
| Decal (Control C) | D40662400 | 204 | 36-2 |
| Decal (Control C) | D40662400 | 206 | 36-2 |
| Decal (Control D) | D40662500 | 192 | 30-3 |
| Decal (Control D) | D40662500 | 194 | 30-3 |
| Decal (Control D) | D40662500 | 196 | 36-3 |
| Decal (Control D) | D40662500 | 198 | 36-3 |
| Decal (Control D) | D40662500 | 200 | 36-3 |
| Decal (Control D) | D40662500 | 202 | 36-3 |
| Decal (Control D) | D40662500 | 204 | 36-3 |
| Decal (Control D) | D40662500 | 206 | 36-3 |
| Decal (Control F) | D40662600 | 194 | 30-4 |
| Decal (Control G) | D40662700 | 192 | 30-4 |
| Decal (Control A-D) | D40662800 | 192 | 31 |
| Decal (Control A-D) | D40662800 | 194 | 31 |
| Decal (Control A-D) | D40662800 | 196 | 37 |
| Decal (Control A-D) | D40662800 | 198 | 37 |
| Decal (Control A-D) | D40662800 | 200 | 37 |
| Decal (Control A-D) | D40662800 | 202 | 37 |
| Decal (Control A-D) | D40662800 | 204 | 37 |
| Decal (Control A-D) | D40662800 | 206 | 37 |
| Decal (Control A, B, G) | D40662900 | 192 | 32 |
| Decal (Blade, Pedal) | D40663000 | 192 | 29 |
| Decal (Blade, Pedal) | D40663000 | 194 | 29 |
| Decal (Blade, Pedal) | D40663000 | 196 | 35 |
| Decal (Blade, Pedal) | D40663000 | 198 | 35 |
| Decal (Blade, Pedal) | D40663000 | 200 | 35 |
| Decal (Blade, Pedal) | D40663000 | 202 | 35 |
| Decal (Blade, Pedal) | D40663000 | 204 | 35 |
| Decal (Blade, Pedal) | D40663000 | 206 | 35 |
| Decal (Environment) | D40663100 | 122 | 23 |
| Decal (Environment) | D40663100 | 192 | 23 |
| Decal (Spare Piping Change) | D40672000 | 136 | 25 |
| Decal (Spare Piping Change) | D40672000 | 206 | 25 |
| Decal (Environment) | D40678300 | 124 | 22 |
| Decal (Environment) | D40678300 | 126 | 22 |
| Decal (Environment) | D40678300 | 128 | 22 |
| Decal (Environment) | D40678300 | 130 | 22 |
| Decal (Environment) | D40678300 | 132 | 22 |

*1 Note

ALPHABETICAL INDEX

| Parts Name | P/N | Page *1 | Item |
|------------------------|-----------|---------|------|
| Decal (Environment) | D40678300 | 134 | 22 |
| Decal (Environment) | D40678300 | 136 | 22 |
| Decal (Environment) | D40678300 | 194 | 22 |
| Decal (Environment) | D40678300 | 196 | 22 |
| Decal (Environment) | D40678300 | 198 | 22 |
| Decal (Environment) | D40678300 | 200 | 22 |
| Decal (Environment) | D40678300 | 202 | 22 |
| Decal (Environment) | D40678300 | 204 | 22 |
| Decal (Environment) | D40678300 | 206 | 22 |
| Decal (Oil Check) | D40681100 | 136 | 5 |
| Decal (Oil Check) | D40681100 | 206 | 5 |
| Decal | D40682700 | 236 | 12 |
| Pad, Rubber | D40693000 | 164 | 51 |
| Pad, Rubber | D40693100 | 164 | 52 |
| Decal (Safety Works) | D40701600 | 136 | 8 |
| Decal (Safety Works) | D40701600 | 206 | 8 |
| Decal (Safety Works) | D40701700 | 132 | 8 |
| Decal (Safety Works) | D40701700 | 202 | 8 |
| Decal (Spare Pedal) | D40705600 | 192 | 37 |
| Decal (Y1) | D40712501 | 164 | 36-1 |
| Decal (Y1) | D40712501 | 164 | 41-1 |
| Decal (Y2) | D40712502 | 164 | 35-1 |
| Decal (Y2) | D40712502 | 164 | 42-1 |
| Decal (BA) | D40781801 | 88 | 4-1 |
| Decal (BB) | D40781802 | 88 | 5-1 |
| Decal (BP) | D40781803 | 32 | 49-1 |
| Decal (BP) | D40781803 | 36 | 49-1 |
| Decal (BP) | D40781803 | 40 | 49-1 |
| Decal (BT) | D40781804 | 32 | 16-1 |
| Decal (BT) | D40781804 | 36 | 16-1 |
| Decal (BT) | D40781804 | 40 | 16-1 |
| Decal (Light) | D40781900 | 142 | 19 |
| Decal | D40782000 | 190 | 27 |
| Decal | D40782300 | 142 | 28 |
| Decal (Throttle) | D40782900 | 142 | 32 |
| Decal (EPA Regulation) | D40794300 | 122 | 25 |
| Decal (EPA Regulation) | D40794300 | 124 | 25 |
| Decal (EPA Regulation) | D40794300 | 126 | 31 |
| Decal (EPA Regulation) | D40794300 | 128 | 31 |
| Decal (EPA Regulation) | D40794300 | 130 | 31 |
| Decal (EPA Regulation) | D40794300 | 132 | 31 |
| Decal (EPA Regulation) | D40794300 | 134 | 31 |
| Decal (EPA Regulation) | D40794300 | 136 | 31 |
| Decal (EPA Regulation) | D40794300 | 192 | 25 |
| Decal (EPA Regulation) | D40794300 | 194 | 25 |
| Decal (EPA Regulation) | D40794300 | 196 | 31 |
| Decal (EPA Regulation) | D40794300 | 198 | 31 |
| Decal (EPA Regulation) | D40794300 | 200 | 31 |
| Decal (EPA Regulation) | D40794300 | 202 | 31 |
| Decal (EPA Regulation) | D40794300 | 204 | 31 |
| Decal (EPA Regulation) | D40794300 | 206 | 31 |
| Decal | D40796300 | 142 | 42 |

*1 Note

ALPHABETICAL INDEX

| Parts Name | P/N | Page *1 | Item |
|------------------------------|-----------|---------|------|
| Decal | D40796400 | 142 | 43 |
| Decal | D40796500 | 142 | 37 |
| Decal | D40796600 | 142 | 46 |
| Decal | D40796700 | 142 | 47 |
| Decal | D40796800 | 142 | 48 |
| Decal | D40802000 | 236 | 8 |
| Decal | D40802100 | 236 | 7 |
| Decal | D40803800 | 236 | 11 |
| Decal | D40820500 | 216 | 16 |
| Decal | D40828000 | 142 | 23 |
| Seal | D40828100 | 84 | 42 |
| Decal | D40828500 | 142 | 41 |
| Decal | D40829200 | 138 | 44 |
| Decal (Lub. Chart) | D40831300 | 122 | 6 |
| Decal (Lub. Chart) | D40831300 | 192 | 6 |
| Decal (Specification) | D40831900 | 122 | 33 |
| Decal (Specification) | D40831900 | 192 | 33 |
| Decal (Bucket Specification) | D40832100 | 122 | 34 |
| Decal (Bucket Specification) | D40832100 | 192 | 34 |
| Decal (Boom Lowering)(CE) | D40832200 | 124 | 34 |
| Decal (Boom Lowering)(CE) | D40832200 | 194 | 34 |
| Decal (Oil) | D40832400 | 122 | 4 |
| Decal (Oil) | D40832400 | 192 | 4 |
| Decal (Engine Daily Check) | D40832500 | 122 | 8 |
| Decal (Engine Daily Check) | D40832500 | 192 | 8 |
| Decal (Engine Daily Check) | D40832600 | 124 | 7 |
| Decal (Engine Daily Check) | D40832600 | 194 | 7 |
| Decal (Engine Daily Check) | D40832700 | 128 | 7 |
| Decal (Engine Daily Check) | D40832700 | 198 | 7 |
| Decal (Tank Decompression) | D40832800 | 122 | 10 |
| Decal (Tank Decompression) | D40832800 | 192 | 10 |
| Decal (Engine Daily Check) | D40832900 | 130 | 7 |
| Decal (Engine Daily Check) | D40832900 | 200 | 7 |
| Decal (Engine Daily Check) | D40833000 | 132 | 7 |
| Decal (Engine Daily Check) | D40833000 | 202 | 7 |
| Decal (Engine Daily Check) | D40833100 | 134 | 7 |
| Decal (Engine Daily Check) | D40833100 | 204 | 7 |
| Decal (Engine Daily Check) | D40833200 | 126 | 7 |
| Decal (Engine Daily Check) | D40833200 | 196 | 7 |
| Decal (Engine Daily Check) | D40833300 | 136 | 7 |
| Decal (Engine Daily Check) | D40833300 | 206 | 7 |
| Decal (Boom Lowering) | D40833400 | 128 | 24 |
| Decal (Boom Lowering) | D40833400 | 198 | 24 |
| Decal (Boom Lowering) | D40833500 | 130 | 24 |
| Decal (Boom Lowering) | D40833500 | 200 | 24 |
| Decal (Boom Lowering) | D40833600 | 132 | 24 |
| Decal (Boom Lowering) | D40833600 | 202 | 24 |
| Decal (Boom Lowering) | D40833700 | 134 | 24 |
| Decal (Boom Lowering) | D40833700 | 204 | 24 |
| Decal (Boom Lowering) | D40833800 | 126 | 24 |

*1 Note

ALPHABETICAL INDEX

| Parts Name | P/N | Page *1 | Item |
|--------------------------------|-----------|---------|------|
| Decal (Boom Lowering) | D40833800 | 196 | 24 |
| Decal (Boom Lowering) | D40833900 | 136 | 24 |
| Decal (Boom Lowering) | D40833900 | 206 | 24 |
| Decal (Lifting Procedures)(CE) | D40834700 | 124 | 36 |
| Decal (Lifting Procedures)(CE) | D40834700 | 194 | 36 |
| Decal (Lifting Procedures) | D40834800 | 128 | 28 |
| Decal (Lifting Procedures) | D40834800 | 198 | 28 |
| Decal (Lifting Procedures) | D40834900 | 130 | 28 |
| Decal (Lifting Procedures) | D40834900 | 200 | 28 |
| Decal (Lifting Procedures) | D40835000 | 132 | 28 |
| Decal (Lifting Procedures) | D40835000 | 202 | 28 |
| Decal (Lifting Procedures) | D40835100 | 134 | 28 |
| Decal (Lifting Procedures) | D40835100 | 204 | 28 |
| Decal (Lifting Procedures) | D40835200 | 126 | 28 |
| Decal (Lifting Procedures) | D40835200 | 196 | 28 |
| Decal (Lifting Procedures) | D40835300 | 136 | 28 |
| Decal (Lifting Procedures) | D40835300 | 206 | 28 |
| Decal (Spare Pedal) | D40835400 | 122 | 37 |
| Decal (Lub. Chart) | D40835500 | 124 | 6 |
| Decal (Lub. Chart) | D40835500 | 194 | 6 |
| Decal (Lub. Chart) | D40835600 | 128 | 6 |
| Decal (Lub. Chart) | D40835600 | 198 | 6 |
| Decal (Lub. Chart) | D40835700 | 130 | 6 |
| Decal (Lub. Chart) | D40835700 | 200 | 6 |
| Decal (Lub. Chart) | D40835800 | 132 | 6 |
| Decal (Lub. Chart) | D40835800 | 202 | 6 |
| Decal (Lub. Chart) | D40835900 | 134 | 6 |
| Decal (Lub. Chart) | D40835900 | 204 | 6 |
| Decal (Lub. Chart) | D40836000 | 126 | 6 |
| Decal (Lub. Chart) | D40836000 | 196 | 6 |
| Decal (Lub. Chart) | D40836100 | 136 | 6 |
| Decal (Lub. Chart) | D40836100 | 206 | 6 |
| Plate, Nonslip | D40837000 | 122 | 26 |
| Plate, Nonslip | D40837000 | 124 | 26 |
| Plate, Nonslip | D40837000 | 126 | 32 |
| Plate, Nonslip | D40837000 | 128 | 32 |
| Plate, Nonslip | D40837000 | 130 | 32 |
| Plate, Nonslip | D40837000 | 132 | 32 |
| Plate, Nonslip | D40837000 | 134 | 32 |
| Plate, Nonslip | D40837000 | 136 | 32 |
| Decal (Reflector) | D40837100 | 122 | 24 |
| Decal (Reflector) | D40837100 | 124 | 23 |
| Decal (Reflector) | D40837100 | 126 | 23 |
| Decal (Reflector) | D40837100 | 128 | 23 |
| Decal (Reflector) | D40837100 | 130 | 23 |
| Decal (Reflector) | D40837100 | 132 | 23 |
| Decal (Reflector) | D40837100 | 134 | 23 |
| Decal (Reflector) | D40837100 | 136 | 23 |
| Decal (Reflector) | D40837100 | 192 | 24 |
| Decal (Reflector) | D40837100 | 194 | 23 |

*1 Note

ALPHABETICAL INDEX

| Parts Name | P/N | Page *1 | Item |
|-------------------|-----------|---------|------|
| Decal (Reflector) | D40837100 | 196 | 23 |
| Decal (Reflector) | D40837100 | 198 | 23 |
| Decal (Reflector) | D40837100 | 200 | 23 |
| Decal (Reflector) | D40837100 | 202 | 23 |
| Decal (Reflector) | D40837100 | 204 | 23 |
| Decal (Reflector) | D40837100 | 206 | 23 |
| Decal (For Rops) | D40837500 | 114 | 11 |
| Decal (For Tops) | D40837600 | 114 | 10 |
| Decal | D40837908 | 236 | 9 |
| Decal | D40839400 | 236 | 10 |
| Decal | D40839500 | 236 | 10-1 |
| Decal | D40839600 | 236 | 4 |
| Decal (IHI) | D40840200 | 122 | 27 |
| Decal (IHI) | D40840200 | 124 | 27 |
| Decal (IHI) | D40840200 | 126 | 33 |
| Decal (IHI) | D40840200 | 128 | 33 |
| Decal (IHI) | D40840200 | 130 | 33 |
| Decal (IHI) | D40840200 | 132 | 33 |
| Decal (IHI) | D40840200 | 134 | 33 |
| Decal (IHI) | D40840200 | 136 | 33 |
| Decal (IHI) | D40840200 | 192 | 27 |
| Decal (IHI) | D40840200 | 194 | 27 |
| Decal (IHI) | D40840200 | 196 | 33 |
| Decal (IHI) | D40840200 | 198 | 33 |
| Decal (IHI) | D40840200 | 200 | 33 |
| Decal (IHI) | D40840200 | 202 | 33 |
| Decal (IHI) | D40840200 | 204 | 33 |
| Decal (IHI) | D40840200 | 206 | 33 |
| Decal (IHI) | D40840300 | 122 | 28 |
| Decal (IHI) | D40840300 | 124 | 28 |
| Decal (IHI) | D40840300 | 126 | 34 |
| Decal (IHI) | D40840300 | 128 | 34 |
| Decal (IHI) | D40840300 | 130 | 34 |
| Decal (IHI) | D40840300 | 132 | 34 |
| Decal (IHI) | D40840300 | 134 | 34 |
| Decal (IHI) | D40840300 | 136 | 34 |
| Decal (IHI) | D40840300 | 192 | 28 |
| Decal (IHI) | D40840300 | 194 | 28 |
| Decal (IHI) | D40840300 | 196 | 34 |
| Decal (IHI) | D40840300 | 198 | 34 |
| Decal (IHI) | D40840300 | 200 | 34 |
| Decal (IHI) | D40840300 | 202 | 34 |
| Decal (IHI) | D40840300 | 204 | 34 |
| Decal (IHI) | D40840300 | 206 | 34 |
| Decal (Model) | D40840900 | 122 | 1 |
| Decal (Model) | D40840900 | 124 | 1 |
| Decal (Model) | D40840900 | 126 | 1 |
| Decal (Model) | D40840900 | 128 | 1 |
| Decal (Model) | D40840900 | 130 | 1 |
| Decal (Model) | D40840900 | 132 | 1 |
| Decal (Model) | D40840900 | 134 | 1 |
| Decal (Model) | D40840900 | 136 | 1 |

*1 Note

ALPHABETICAL INDEX

| Parts Name | P/N | Page *1 | Item |
|----------------------------|-----------|---------|------|
| Decal (Model) | D40840900 | 192 | 1 |
| Decal (Model) | D40840900 | 194 | 1 |
| Decal (Model) | D40840900 | 196 | 1 |
| Decal (Model) | D40840900 | 198 | 1 |
| Decal (Model) | D40840900 | 200 | 1 |
| Decal (Model) | D40840900 | 202 | 1 |
| Decal (Model) | D40840900 | 204 | 1 |
| Decal (Model) | D40840900 | 206 | 1 |
| Decal (Model) | D40841800 | 122 | 2 |
| Decal (Model) | D40841800 | 124 | 2 |
| Decal (Model) | D40841800 | 126 | 2 |
| Decal (Model) | D40841800 | 128 | 2 |
| Decal (Model) | D40841800 | 130 | 2 |
| Decal (Model) | D40841800 | 132 | 2 |
| Decal (Model) | D40841800 | 134 | 2 |
| Decal (Model) | D40841800 | 136 | 2 |
| Decal (Model) | D40841800 | 192 | 2 |
| Decal (Model) | D40841800 | 194 | 2 |
| Decal (Model) | D40841800 | 196 | 2 |
| Decal (Model) | D40841800 | 198 | 2 |
| Decal (Model) | D40841800 | 200 | 2 |
| Decal (Model) | D40841800 | 202 | 2 |
| Decal (Model) | D40841800 | 204 | 2 |
| Decal (Model) | D40841800 | 206 | 2 |
| Decal (Tank Decompression) | D40842400 | 124 | 9 |
| Decal (Tank Decompression) | D40842400 | 194 | 9 |
| Decal (Tank Decompression) | D40842500 | 128 | 9 |
| Decal (Tank Decompression) | D40842500 | 198 | 9 |
| Decal (Tank Decompression) | D40842600 | 130 | 9 |
| Decal (Tank Decompression) | D40842600 | 200 | 9 |
| Decal (Tank Decompression) | D40842700 | 132 | 9 |
| Decal (Tank Decompression) | D40842700 | 202 | 9 |
| Decal (Tank Decompression) | D40842800 | 134 | 9 |
| Decal (Tank Decompression) | D40842800 | 204 | 9 |
| Decal (Tank Decompression) | D40842900 | 126 | 9 |
| Decal (Tank Decompression) | D40842900 | 196 | 9 |
| Decal (Tank Decompression) | D40843000 | 136 | 9 |
| Decal (Tank Decompression) | D40843000 | 206 | 9 |
| Decal (Capacities Table) | D40843700 | 128 | 20-1 |
| Decal (Capacities Table) | D40843700 | 198 | 20-1 |
| Decal | D40844700 | 142 | 24 |
| Decal | D40863700 | 236 | 6 |
| Bracket | D41431400 | 230 | 2 |
| Bracket | D41670100 | 208 | 1 |
| Bracket | D41678900 | 20 | 3 |
| Bracket | D41691500 | 164 | 48 |
| Bracket | D41704100 | 138 | 17 |
| Bracket | D41813900 | 84 | 44 |
| Bracket | D41819000 | 84 | 14 |
| Bracket | D41830200 | 84 | 12 |
| Bracket | D41830400 | 142 | 30 |
| Bracket | D41845500 | 176 | 2 |

*1 Note

ALPHABETICAL INDEX

| Parts Name | P/N | Page *1 | Item |
|---------------------|-----------|---------|------|
| Bracket | D41845600 | 232 | 3 |
| Bracket | D41856400 | 106 | 38 |
| Bracket | D41858300 | 40 | 68 |
| Bracket | D41863000 | 214 | 3 |
| Bracket | D41863200 | 214 | 2 |
| Bracket | D41863200 | 232 | 4 |
| Bracket | D41868800 | 212 | 2 |
| Bracket | D41868900 | 212 | 3 |
| Bracket, Boom Swing | D41872100 | 152 | 1 |
| Bracket | D41875600 | 156 | 10 |
| Bracket | D41881300 | 164 | 11 |
| Bracket | D41881300 | 170 | 11 |
| Bracket | D41881500 | 170 | 25 |
| Bracket | D41883600 | 100 | 13 |
| Bracket | D41886800 | 96 | 4 |
| Bracket | D41890800 | 104 | 3 |
| Bracket | D41890900 | 104 | 4 |
| Bracket | D41894300 | 32 | 12 |
| Bracket | D41894300 | 36 | 12 |
| Bracket | D41894300 | 40 | 12 |
| Bracket | D41894400 | 32 | 13 |
| Bracket | D41894400 | 36 | 13 |
| Bracket | D41894400 | 40 | 13 |
| Bracket | D41894500 | 104 | 20 |
| Bracket | D41894800 | 32 | 39 |
| Bracket | D41894800 | 36 | 39 |
| Bracket | D41894800 | 40 | 39 |
| Bracket | D41897000 | 106 | 28 |
| Bracket | D41906000 | 24 | 39 |
| Bracket | D41912200 | 32 | 66 |
| Bracket | D41916100 | 214 | 5 |
| Bracket | D41919300 | 222 | 3 |
| Bracket | D41919500 | 100 | 51 |
| Bracket | D41920300 | 224 | 19 |
| Bracket | D41920400 | 224 | 3 |
| Bracket | D41920600 | 220 | 9 |
| Bracket | D41920700 | 224 | 20 |
| Bracket | D41920800 | 224 | 4 |
| Bracket | D41921900 | 100 | 14 |
| Bracket | D41922900 | 142 | 13 |
| Bracket | D41925600 | 92 | 3 |
| Bracket | D41925700 | 92 | 5 |
| Bracket | D41925800 | 92 | 2 |
| Bracket | D41925900 | 92 | 4 |
| Bracket | D41926500 | 100 | 26 |
| Bracket | D41927300 | 90 | 2 |
| Bracket | D41927600 | 106 | 15 |
| Bracket | D41928600 | 88 | 22 |
| Bracket | D41928900 | 96 | 26 |
| Bracket | D41929400 | 96 | 3 |
| Bracket | D41930800 | 84 | 11 |
| Bracket | D41931300 | 138 | 40 |

*1 Note

ALPHABETICAL INDEX

| Parts Name | P/N | Page *1 | Item |
|---------------|-----------|---------|------|
| Bracket | D41932300 | 104 | 5 |
| Bracket | D41934200 | 82 | 24 |
| Bracket | D41934300 | 82 | 28 |
| BRACKET | D41934400 | 118 | 3 |
| Bracket | D41934700 | 90 | 26 |
| Bracket | D41934900 | 218 | 4 |
| Bracket | D41935500 | 234 | 4-1 |
| Bracket | D41935600 | 222 | 2 |
| Bracket | D41935700 | 234 | 4 |
| Bracket | D41935900 | 216 | 2 |
| Bracket | D41936000 | 82 | 14 |
| Bracket | D41937000 | 218 | 24 |
| Bracket | D41945000 | 106 | 14 |
| Bracket | D41947200 | 190 | 2 |
| Bracket | D41947700 | 142 | 51 |
| Bracket | D41949000 | 30 | 16 |
| Bracket | D41949600 | 96 | 30 |
| Bracket | D41954200 | 104 | 2 |
| Bracket | D41954400 | 100 | 51-1 |
| Bracket | D41955100 | 82 | 19 |
| Bracket | D41958000 | 142 | 4 |
| Plate, Rubber | D43349600 | 100 | 9 |
| Plate, Rubber | D43350300 | 90 | 21 |
| Plate, Rubber | D43350400 | 100 | 19 |
| Canopy | D44800500 | 116 | 1 |
| Bracket | D45220700 | 216 | 3 |
| Cover | D45573700 | 230 | 3 |
| Cover | D45690800 | 160 | 5 |
| Cover | D45712700 | 232 | 9 |
| Cover | D45805900 | 104 | 26 |
| Cover | D45806000 | 104 | 27 |
| Cover | D45807200 | 106 | 10 |
| Cover | D45814900 | 190 | 3 |
| Cover | D45818400 | 6 | 5 |
| Cover | D45823600 | 106 | 33 |
| Cover | D45825700 | 104 | 19 |
| Cover | D45825900 | 104 | 1 |
| Cover | D45826900 | 138 | 1 |
| Cover | D45827400 | 92 | 40 |
| Cover | D45827900 | 106 | 2 |
| Cover | D45828800 | 104 | 28 |
| Cover | D45829100 | 106 | 48 |
| Cover | D45841100 | 92 | 38 |
| Cover | D45841300 | 224 | 5 |
| Cover | D45841700 | 106 | 47 |
| Cover | D45843200 | 92 | 39 |
| Cover | D45843400 | 156 | 28 |
| Cover | D45843600 | 106 | 39 |
| Cover | D45844100 | 148 | 8 |
| Cover | D45844400 | 156 | 27 |
| Cover | D45844500 | 92 | 7 |
| Cover | D45846100 | 106 | 40 |

*1 Note

ALPHABETICAL INDEX

| Parts Name | P/N | Page *1 | Item |
|------------------|-----------|---------|------|
| Cover | D45846400 | 92 | 41 |
| Cover | D45846800 | 104 | 29 |
| Cover | D45849700 | 234 | 5 |
| Cover | D45850100 | 106 | 52 |
| Cover | D45850200 | 106 | 53 |
| Cover (For A/C) | D45850300 | 92 | 62 |
| Cover (For A/C) | D45850400 | 92 | 63 |
| Cover | D45850800 | 216 | 6 |
| Cover | D45851400 | 106 | 51 |
| Cover | D45851500 | 106 | 58 |
| Cover | D45851600 | 106 | 55 |
| Cover | D45856800 | 106 | 54 |
| Cover | D45858000 | 106 | 56 |
| Cover | D45858100 | 106 | 57 |
| Cover | D45863400 | 106 | 1 |
| Panel | D46531300 | 142 | 14 |
| Panel | D46531400 | 142 | 15 |
| Panel | D46531800 | 84 | 3 |
| Panel | D46531900 | 84 | 4 |
| Panel | D46535800 | 190 | 4 |
| Panel | D46538000 | 142 | 2 |
| Panel | D46538100 | 142 | 3 |
| Duct | D46538200 | 216 | 4 |
| Panel | D46538300 | 216 | 5 |
| Guard | D47070000 | 116 | 4 |
| Guard | D47080500 | 114 | 1 |
| Guard | D47080500 | 116 | 3 |
| Guide | D47505200 | 148 | 9 |
| Rest, Arm | D48000900 | 84 | 43 |
| Holder | D48102200 | 92 | 6 |
| Link, Arm (L.H.) | D49018600 | 148 | 5 |
| Link, Bucket | D49037300 | 148 | 7 |
| Link, Arm (R.H.) | D49037400 | 148 | 6 |
| Link, Bucket | D49044300 | 228 | 4 |
| Panel, Sponge | D49343400 | 110 | 15 |
| Panel, Sponge | D49343901 | 190 | 14 |
| Panel, Sponge | D49346200 | 110 | 18 |
| Panel, Sponge | D49346300 | 110 | 19 |
| Panel, Sponge | D49347800 | 110 | 20 |
| Panel, Sponge | D49348000 | 110 | 22 |
| Panel, Sponge | D49348100 | 110 | 23 |
| Panel, Sponge | D49348200 | 110 | 24 |
| Panel, Sponge | D49348300 | 110 | 25 |
| Panel, Sponge | D49348400 | 110 | 26 |
| Panel, Sponge | D49350300 | 96 | 27 |
| Panel, Sponge | D49350400 | 96 | 28 |
| Panel, Sponge | D49350700 | 92 | 44 |
| Panel, Sponge | D49351600 | 110 | 44 |
| Panel, Sponge | D49351900 | 110 | 45 |
| Panel, Sponge | D49352800 | 110 | 8 |
| Panel, Sponge | D49352900 | 110 | 9 |
| Panel, Sponge | D49353000 | 110 | 10 |

*1 Note

ALPHABETICAL INDEX

| Parts Name | P/N | Page *1 | Item |
|-------------------------|-----------|---------|------|
| Panel, Sponge | D49353500 | 110 | 4 |
| Panel, Sponge | D49354100 | 110 | 36 |
| Panel, Sponge | D49359900 | 110 | 6 |
| Panel, Sponge | D49360000 | 110 | 7 |
| Panel, Sponge | D49360100 | 110 | 5 |
| Panel, Sponge | D49361400 | 92 | 55 |
| Panel, Sponge | D49362200 | 110 | 3 |
| Panel, Sponge | D49362400 | 92 | 45 |
| Panel, Sponge | D49362500 | 92 | 46 |
| Panel, Sponge | D49362600 | 190 | 21 |
| Panel, Sponge | D49363600 | 100 | 7 |
| Panel, Sponge | D49363700 | 110 | 34 |
| Panel, Sponge | D49363800 | 110 | 2 |
| Panel, Sponge | D49364000 | 110 | 16 |
| Panel, Sponge | D49364100 | 110 | 11 |
| Panel, Sponge | D49364200 | 110 | 13 |
| Panel, Sponge | D49364300 | 110 | 14 |
| Panel, Sponge | D49364400 | 100 | 8 |
| Panel, Sponge | D49364500 | 100 | 20 |
| Panel, Sponge | D49365000 | 100 | 21 |
| Panel, Sponge | D49365400 | 110 | 21 |
| Panel, Sponge | D49365500 | 110 | 35 |
| Panel, Sponge | D49365600 | 110 | 42 |
| Panel, Sponge | D49365700 | 92 | 9 |
| Panel, Sponge | D49365800 | 92 | 27 |
| Panel, Sponge | D49365900 | 92 | 28 |
| Panel, Sponge | D49366000 | 92 | 43 |
| Panel, Sponge | D49366100 | 92 | 54 |
| Panel, Sponge | D49366200 | 92 | 42 |
| Panel, Sponge | D49366300 | 92 | 52 |
| Panel, Sponge | D49366500 | 92 | 58 |
| Panel, Sponge | D49366700 | 110 | 38 |
| Panel, Sponge | D49366800 | 24 | 4 |
| Panel, Sponge | D49367900 | 110 | 28 |
| Panel, Sponge | D49368000 | 110 | 29 |
| Panel, Sponge | D49368100 | 110 | 43 |
| Panel, Sponge | D49368200 | 110 | 46 |
| Panel, Sponge | D49368400 | 110 | 41 |
| Panel, Sponge | D49368500 | 110 | 1 |
| Panel, Sponge | D49368600 | 110 | 12 |
| Panel, Sponge | D49368700 | 110 | 32 |
| Panel, Sponge | D49368900 | 110 | 33 |
| Panel, Sponge | D49369200 | 110 | 37 |
| Panel, Sponge | D49369300 | 110 | 39 |
| Seal, Sponge | D49369400 | 216 | 17 |
| Panel, Sponge | D49369600 | 110 | 48 |
| Panel, Sponge | D49369800 | 110 | 49 |
| Panel, Sponge | D49369900 | 110 | 50 |
| Panel, Sponge (For A/C) | D49370000 | 92 | 64 |
| Panel, Sponge | D49372100 | 110 | 47 |
| Panel, Sponge | D49373200 | 190 | 22 |
| Panel, Sponge | D49373300 | 110 | 51 |

*1 Note

ALPHABETICAL INDEX

| Parts Name | P/N | Page *1 | Item |
|-------------------------|-----------|---------|------|
| Lever | D49557700 | 84 | 32 |
| Lever | D49577400 | 84 | 13 |
| Lever | D49580800 | 88 | 12 |
| Lever | D49581000 | 90 | 14 |
| Lever | D49583000 | 90 | 4 |
| Lever (L.H.) | D49583800 | 82 | 12 |
| Lever (R.H.) | D49583900 | 82 | 13 |
| Lever | D49584300 | 84 | 49 |
| Pedal | D50105700 | 82 | 22 |
| Pedal | D50105800 | 82 | 27 |
| Pedal | D50105900 | 164 | 47 |
| Pedal | D50107500 | 88 | 23 |
| Pedal | D50107600 | 82 | 23 |
| Indicator | D52500400 | 96 | 25-3 |
| Cap | D52800500 | 142 | 25 |
| Cap | D52800500 | 142 | 35 |
| Cap | D52800600 | 142 | 18 |
| Seal | D55001900 | 32 | 48 |
| Seal | D55001900 | 36 | 48 |
| Seal | D55001900 | 40 | 48 |
| Seal | D55006300 | 100 | 6 |
| Seal | D55100601 | 106 | 36 |
| Seal | D55100602 | 106 | 37 |
| Seal | D55100701 | 110 | 17 |
| Panel, Sponge | D55100801 | 110 | 40 |
| Seal, Sponge | D55100901 | 216 | 18 |
| Seal, Sponge | D55100902 | 216 | 19 |
| Seal, Sponge | D55100903 | 216 | 20 |
| Seal | D55100904 | 106 | 45 |
| Seal | D55100905 | 106 | 46 |
| Panel, Sponge | D55100906 | 110 | 30 |
| Panel, Sponge | D55100907 | 110 | 31 |
| Seal, Sponge | D55101001 | 216 | 21 |
| Seal, Sponge | D55101002 | 216 | 22 |
| Pad | D58016300 | 156 | 29 |
| Pad | D58017000 | 30 | 2 |
| Pad | D58018400 | 30 | 3 |
| Mat (For Canopy) | D58119100 | 118 | 1 |
| Mat (For Canopy, Pedal) | D58120300 | 118 | 1-1 |
| Mat (For Cabin) | D58120400 | 118 | 1-2 |
| Mat (For Cabin, Pedal) | D58120500 | 118 | 1-3 |
| Pipe, Tail | D58414100 | 96 | 1 |
| Harness | D59216100 | 210 | 1 |
| Cable, Battery | D59219402 | 138 | 14 |
| Band, Earth | D59219503 | 138 | 15 |
| Harness | D59220600 | 142 | 44 |
| Harness | D59228500 | 138 | 42 |
| Harness, Main | D59228800 | 138 | 12 |
| Harness | D59229000 | 84 | 39 |
| Harness | D59230400 | 232 | 1 |
| Harness | D59230500 | 232 | 2 |
| Harness | D59230700 | 218 | 1 |

*1 Note

ALPHABETICAL INDEX

| Parts Name | P/N | Page *1 | Item |
|---|-----------|---------|------|
| Harness | D59230900 | 190 | 23 |
| Idler Ass'y, Front | F30068600 | 12 | 0 |
| Attachment Ass'y, Blade | F30101900 | 160 | 0 |
| Frame Ass'y, Swing | F31135800 | 20 | 0 |
| Swing Drive Device | F32025100 | 22 | 0 |
| Bearing Ass'y, Swing | F32025800 | 20 | 0-1 |
| Air Cleaner & Muffler Ass'y | F33067600 | 96 | 0 |
| Engine & Accessories | F33067600 | 92 | 0 |
| Drive Device, Oil Pump | F33067700 | 98 | 0 |
| Engine & Accessories | F33067800 | 92 | 0-1 |
| Tank Ass'y, Fuel | F33731800 | 100 | 0 |
| Piping Ass'y, Fuel | F33732100 | 100 | 0-1 |
| Piping Ass'y, Hydraulic | F34259800 | 222 | 0 |
| Valve Ass'y, Holding | F34262400 | 224 | 0-1 |
| Valve Ass'y, Holding | F34262500 | 224 | 0 |
| Tank Ass'y, Hydraulic Oil | F34263900 | 60 | 0 |
| Control Ass'y, Blade & Boom Swing | F34264000 | 88 | 0 |
| Lever Ass'y, Travel | F34264000 | 82 | 0 |
| Piping Ass'y, Control | F34264000 | 32 | 0 |
| Piping Ass'y, Control | F34264000 | 36 | 0 |
| Piping Ass'y, Control | F34264000 | 40 | 0 |
| Piping Ass'y, Blade | F34264700 | 162 | 0 |
| Piping Ass'y, Lower Travel | F34264700 | 18 | 0 |
| Piping Ass'y, Hoe Attachment | F34265000 | 156 | 0 |
| Piping Ass'y, Blade | F34265100 | 162 | 0-1 |
| Piping Ass'y, Hoe Attachment | F34265100 | 156 | 0-1 |
| Piping Ass'y, Pump Discharge & Boom Swing | F34265100 | 30 | 0 |
| Piping Ass'y, Return & Suction | F34265100 | 24 | 0 |
| Piping Ass'y, Swing & Travel | F34265100 | 28 | 0 |
| Piping Ass'y, First Spare | F34266500 | 164 | 0 |
| Piping Ass'y, Second Spare | F34266500 | 168 | 0 |
| Piping Ass'y, Third Spare | F34266500 | 170 | 0 |
| Accumulator Ass'y | F34267600 | 174 | 0 |
| Mat Ass'y | F35320600 | 118 | 0-3 |
| Cabin (Dark Grey) | F35481000 | 178 | 1 |
| Mirror Ass'y | F35503700 | 208 | 0 |
| Accessories Ass'y | F35510200 | 138 | 0-1 |
| Room Ass'y, Operator | F35518200 | 176 | 0 |
| Seat Ass'y, Operator | F35518300 | 118 | 0-1 |
| Seat Ass'y, Operator (W/Suspension) | F35518400 | 118 | 0 |
| Seat Ass'y, Operator | F35518500 | 118 | 0-2 |
| Absorbent Ass'y, Noise | F35519000 | 110 | 0 |
| Cover Ass'y | F35519000 | 104 | 0 |
| Cover Ass'y | F35519000 | 106 | 0 |
| Seat Ass'y, Operator | F35519600 | 118 | 0-3 |

*1 Note

ALPHABETICAL INDEX

| Parts Name | P/N | Page *1 | Item |
|---------------------------------|-----------|---------|------|
| Canopy Ass'y | F35519700 | 116 | 0 |
| Canopy Ass'y (For Rops) | F35521100 | 114 | 0 |
| Canopy Ass'y (For Tops/Rops) | F35522100 | 114 | 0-1 |
| Heater Ass'y, Car | F35523100 | 190 | 0 |
| Control Ass'y, Engine | F36169700 | 90 | 0 |
| Panel Ass'y, Instrument | F36170600 | 142 | 0 |
| Panel Ass'y, Instrument | F36170700 | 142 | 0-1 |
| Absorbent Ass'y, Noise | F36172200 | 110 | 0-1 |
| Cover Ass'y | F36172200 | 104 | 0-1 |
| Cover Ass'y | F36172200 | 106 | 0-1 |
| Lever Ass'y, Control | F36172200 | 84 | 0 |
| Lever Ass'y, Travel | F36172200 | 82 | 0-1 |
| Light Ass'y, Revolving | F36620100 | 232 | 11 |
| Immobilizer Ass'y | F36679200 | 212 | 0 |
| Battery Ass'y | F36682100 | 138 | 0-2 |
| Electrical System | F36687900 | 232 | 0 |
| Electrical System | F36688900 | 138 | 0 |
| Angle Detector | F37034000 | 230 | 0 |
| Controller Ass'y | F37034200 | 234 | 0 |
| Weight Ass'y, Counter | F37322000 | 120 | 0 |
| Decal Ass'y | F37785100 | 122 | 0 |
| Decal Ass'y | F37785100 | 124 | 0 |
| Decal Ass'y | F37785100 | 126 | 0 |
| Decal Ass'y | F37785100 | 128 | 0 |
| Decal Ass'y | F37785100 | 130 | 0 |
| Decal Ass'y | F37785100 | 132 | 0 |
| Decal Ass'y | F37785100 | 134 | 0 |
| Decal Ass'y | F37785100 | 136 | 0 |
| Decal Ass'y | F37785300 | 192 | 0 |
| Decal Ass'y | F37785300 | 194 | 0 |
| Decal Ass'y | F37785300 | 196 | 0 |
| Decal Ass'y | F37785300 | 198 | 0 |
| Decal Ass'y | F37785300 | 200 | 0 |
| Decal Ass'y | F37785300 | 202 | 0 |
| Decal Ass'y | F37785300 | 204 | 0 |
| Decal Ass'y | F37785300 | 206 | 0 |
| Decal Ass'y | F37785400 | 122 | 0-1 |
| Decal Ass'y | F37785400 | 124 | 0-1 |
| Decal Ass'y | F37785400 | 126 | 0-1 |
| Decal Ass'y | F37785400 | 128 | 0-1 |
| Decal Ass'y | F37785400 | 130 | 0-1 |
| Decal Ass'y | F37785400 | 132 | 0-1 |
| Decal Ass'y | F37785400 | 134 | 0-1 |
| Decal Ass'y | F37785400 | 136 | 0-1 |
| Decal Ass'y | F37785500 | 192 | 0-1 |
| Decal Ass'y | F37785500 | 194 | 0-1 |
| Decal Ass'y | F37785500 | 196 | 0-1 |
| Decal Ass'y | F37785500 | 198 | 0-1 |
| Decal Ass'y | F37785500 | 200 | 0-1 |
| Decal Ass'y | F37785500 | 202 | 0-1 |
| Decal Ass'y | F37785500 | 204 | 0-1 |

*1 Note

ALPHABETICAL INDEX

| Parts Name | P/N | Page *1 | Item |
|--|-------------|---------|------|
| Decal Ass'y | F37785500 | 206 | 0-1 |
| Decal Ass'y | F37785600 | 122 | 0-2 |
| Decal Ass'y | F37785600 | 192 | 0-2 |
| Decal Ass'y | F37786000 | 236 | 0 |
| Piping, Ass'y Air Conditioner | F38539400 | 220 | 0 |
| Air Conditioner Ass'y (1) | F38539600 | 216 | 0 |
| Air Conditioner Ass'y (2) | F38540000 | 218 | 0 |
| Light Ass'y | F38540200 | 214 | 0 |
| Bucket Ass'y, Hoe (Reinforced, 0.16m ³) | F38825402 | 154 | 0-5 |
| Bucket Ass'y, Hoe (0.14m ³) | F38825501 | 154 | 0-3 |
| Bucket Ass'y, Hoe (0.08m ³) | F38825502 | 154 | 0-1 |
| Bucket Ass'y, Hoe (0.11m ³) | F38825503 | 154 | 0-2 |
| Bucket Ass'y, Hoe (0.16m ³) | F38825504 | 154 | 0-4 |
| Bucket Ass'y, Hoe (0.18m ³) | F38825505 | 154 | 0 |
| Bucket Ass'y, Hoe (0.16m ³) | F38825602 | 154 | 0-6 |
| Attachment Ass'y, Hoe | F38838700 | 148 | 0 |
| Piping Ass'y, Pump Discharge & Boom Swing | F38838800 | 30 | 0-1 |
| Swing Ass'y, Boom | F38838800 | 152 | 0 |
| Block Ass'y, Hook | F41812800 | 228 | 0 |
| Alarm Device, Travvel | F43227700 | 210 | 0 |
| Washer, Rubber | F77131500 | 218 | 27 |
| Cartridge, Fuel Filter | K1522143170 | 2 | 30 |
| Cartridge, Fuel Filter | K1522143170 | 100 | 56 |
| Relay, Timer | K1569465992 | 138 | 51 |
| Switch, Oil Pressure | K1584139010 | 2 | 38 |
| Joint, Pipe | K1749042360 | 100 | 58 |
| Solenoid, Stop | K1A02160017 | 2 | 37 |
| Belt, V | K1G38297010 | 2 | 35 |
| Tank, Surge | K1G64272401 | 92 | 61 |
| Thermostat | K1G92473010 | 2 | 36 |
| Sensor, Thermo | K1J00283040 | 2 | 39 |
| Controller | K1K53365660 | 2 | 34 |
| Relay | K1K57460220 | 2 | 33 |
| Relay, Starter | K1K57460221 | 138 | 50 |
| Filter, Oil | KHH16432430 | 2 | 31 |
| Pump, Fuel | KR140151352 | 2 | 32 |
| Pump, Fuel | KR140151352 | 100 | 57 |
| * * * * * | ZG00451 | 2 | 45 |
| * * * * * | ZG00452 | 2 | 45-1 |
| * * * * * | ZG00453 | 2 | 45-2 |
| * * * * * | ZG00501 | 2 | 46 |
| * * * * * | ZG00502 | 2 | 46-1 |
| * * * * * | ZG00503 | 2 | 46-2 |
| * * * * * | ZG10100 | 2 | 43 |

*1 Note

[Memo]

初版発行

不許複製

Published,

60V4

パーツカタログ
PARTS CATALOG

編集及び発行所

IHI建機株式会社 設計部 技術管理G

Editing & Publishing Office

IHI Construction Machinery Limited

Design Department

〒236-8611 神奈川県横浜市金沢区昭和町 3174

3174 Syowa-machi, Kanazawa-ku, Yokohama, Kanagawa, 236-8611, Japan
