

PARTS CATALOG

45V4

SERIAL No. WG010001 – WG029999

[Memo]

MODEL : 45V4

SERIAL NO. : WG010001 – WG029999

CONTENTS

DESCRIPTION	SHEET No.	PAGE
0 RUNNING STORES RUNNING STORES	0-0	1
1 LOWER MACHINE LOWER MACHINE ASS'Y	1-1	4
CRAWLER SHOE ASS'Y	1-2	7
CRAWLER SHOE ADJ. DEVICE	1-3	9
FRONT IDLER ASS'Y	1-4	11
LOWER ROLLER ASS'Y	1-5	13
UPPER ROLLER ASS'Y	1-6	15
LOWER TRAVEL PIPING ASS'Y	1-7	17
2 TURNTABLE TURNTABLE & SWING BEARING ASS'Y	2-1	19
3 SWING DRIVE DEVICE SWING DRIVE DEVICE	3-1	21
4 HYDRAULIC PIPING RETURN & SUCTION PIPING ASS'Y	4-1	23
SWING & TRAVEL PIPING ASS'Y	4-2	26
PUMP DISCHARGE & BOOM SWING PIPING ASS'Y	4-3	29
CONTROL PIPING ASS'Y	4-4	31
CONTROL PIPING ASS'Y	4-4A	34
CONTROL PIPING ASS'Y (A-D & A, B, G CHANGE)	4-4[A]	38
CONTROL PIPING ASS'Y (A-D & A, B, G CHANGE)	4-4A[A]	42
CONTROL PIPING ASS'Y (FOR A, F CHANGE)	4-4[B]	47
CONTROL PIPING ASS'Y (FOR A, F CHANGE)	4-4A[B]	50
5 HYDRAULIC INSTRUMENT TRAVEL MOTOR ASS'Y	5-1	55
SWING MOTOR ASS'Y	5-2	58
ROTARY JOINT ASS'Y	5-3	61
CONTROL VALVE ASS'Y	5-4	63
REMOTE CONTROL VALVE ASS'Y	5-5	67
REMOTE CONTROL VALVE ASS'Y	5-5A	69
HYDRAULIC OIL TANK ASS'Y	5-6	71

MODEL : 45V4

SERIAL NO. : WG010001 – WG029999

CONTENTS

DESCRIPTION	SHEET No.	PAGE
OIL PUMP ASS'Y	5-7	73
BOOM CYLINDER ASS'Y	5-8	75
ARM CYLINDER ASS'Y	5-9	77
BUCKET CYLINDER ASS'Y	5-10	79
BOOM SWING CYLINDER ASS'Y	5-11	81
BLADE CYLINDER ASS'Y	5-12	83
PILOT VALVE ASS'Y (TRAVEL)	5-13	85
PILOT VALVE ASS'Y (TRAVEL)	5-13A	87
PILOT VALVE ASS'Y	5-14	89
MULTIPLE VALVE ASS'Y (FOR A-D CHANGE)	5-15	91
MULTIPLE VALVE ASS'Y (FOR A, B, G CHANGE)	5-15[A]	93
MULTIPLE VALVE ASS'Y (FOR A, F CHANGE)	5-15[B]	95
SHOCKLESS VALVE ASS'Y	5-16	97
6 OPERATING CONTROLS		
TRAVEL LEVER ASS'Y	6-1	99
TRAVEL LEVER ASS'Y	6-1A	101
CONTROL LEVER ASS'Y	6-2	103
BLADE & BOOM SWING CONTROL ASS'Y	6-3	106
ENGINE THROTTLE ASS'Y	6-4	109
7 POWER UNIT		
ENGINE & ACCESSORIES	7-1	111
AIR CLEANER & MUFFLER ASS'Y	7-2	114
AIR CLEANER & MUFFLER ASS'Y	7-2[A]	117
OIL PUMP DRIVE DEVICE	7-3	119
FUEL TANK & PIPING ASS'Y	7-4	121
FUEL TANK & PIPING ASS'Y	7-4[A]	124
8 CAB & RELATED PARTS		
COVER ASS'Y (1)	8-1	128
COVER ASS'Y (2)	8-2	131
NOISE ABSORBENT ASS'Y	8-3	134
CANOPY ASS'Y (FOR TOPS/ROPS)	8-4	138
CANOPY ASS'Y	8-4[A]	141
OPERATOR SEAT & MAT ASS'Y	8-5	143
COUNTER WEIGHT ASS'Y	8-6	145
NAME PLATE ASS'Y (FOR JAPANESE)	8-7	147

MODEL : 45V4

SERIAL NO. : WG010001 – WG029999

CONTENTS

DESCRIPTION	SHEET No.	PAGE
NAME PLATE ASS'Y (FOR ENGLISH)	8-7[A]	149
NAME PLATE ASS'Y (FOR DUTCH)	8-7[B]	152
NAME PLATE ASS'Y (FOR FRENCH)	8-7[C]	155
NAME PLATE ASS'Y(FOR ITALIAN)	8-7[D]	157
NAME PLATE ASS'Y(FOR GERMAN)	8-7[E]	159
NAME PLATE ASS'Y(FOR DANISH)	8-7[F]	161
NAME PLATE ASS'Y (FOR SPANISH)	8-7[G]	163
9 ELECTRIC SYSTEM		
ELECTRIC SYSTEM	9-1	165
ELECTRIC SYSTEM	9-1[A]	168
INSTRUMENT PANEL ASS'Y	9-2	172
10 TOOLS & ACCESSORIES		
TOOLS & ACCESSORIES	10-1	176
11 HOE ATTACHMENT		
HOE ATTACHMENT ASS'Y	11-1	179
BOOM SWING ASS'Y	11-2	181
HOE BUCKET ASS'Y	11-3	183
HOE ATTACHMENT PIPING ASS'Y	11-4	185
12 BLADE ATTACHMENT		
BLADE ATTACHMENT ASS'Y	12-1	188
BLADE PIPING ASS'Y	12-2	191
15 OPTION SPECIFICATION		
FIRST SPARE PIPING ASS'Y	15-1	193
SECOND SPARE PIPING ASS'Y	15-2	196
THIRD SPARE PIPING ASS'Y	15-3	199
ACCUMULATOR ASS'Y	15-4	201
OPERATOR ROOM ASS'Y (1)	15-5	203
OPERATOR ROOM ASS'Y (2)	15-6	205
OPERATOR ROOM ASS'Y (3)	15-7	208
OPERATOR ROOM ASS'Y (4)	15-8	211
CAR HEATER ASS'Y	15-9	214
NAME PLATE ASS'Y (FOR JAPANESE)	15-10	217
NAME PLATE ASS'Y(FOR ENGLISH)	15-10[A]	219

MODEL : 45V4

SERIAL NO. : WG010001 – WG029999

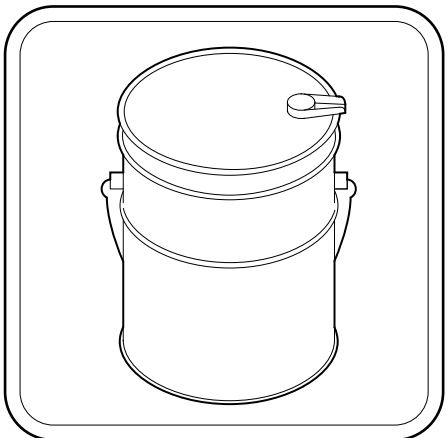
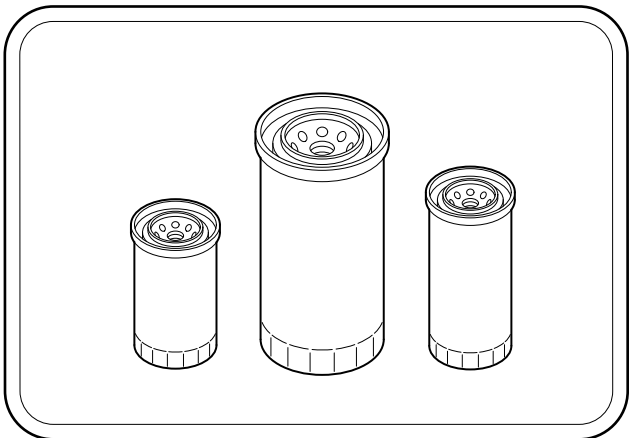
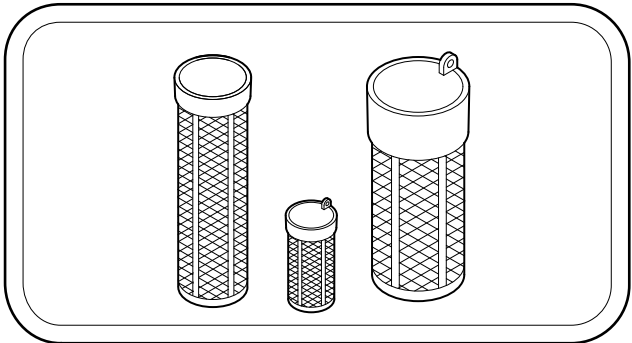
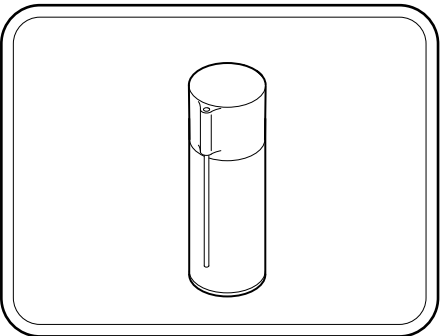
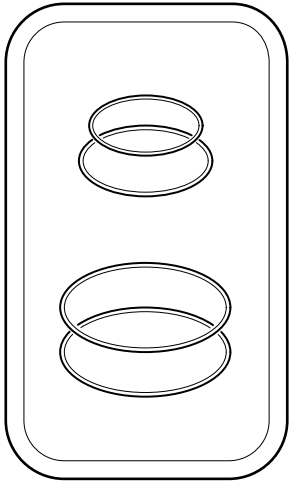
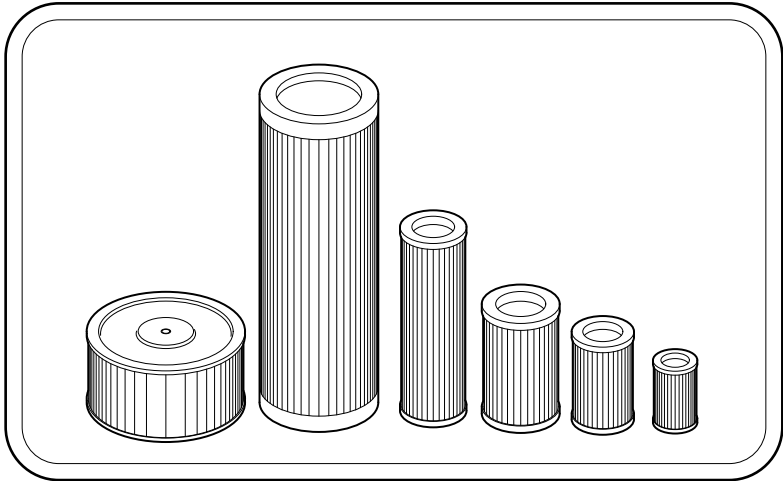
CONTENTS

DESCRIPTION	SHEET No.	PAGE
NAME PLATE ASS'Y (FOR DUTCH)	15-10[B]	222
NAME PLATE ASS'Y (FOR FRENCH)	15-10[C]	225
NAME PLATE ASS'Y (FOR ITALIAN)	15-10[D]	227
NAME PLATE ASS'Y (FOR GERMAN)	15-10[E]	229
NAME PLATE ASS'Y (FOR DANISH)	15-10[F]	231
NAME PLATE ASS'Y (FOR SPANISH)	15-10[G]	233
MIRROR ASS'Y	15-11	235
TRAVEL ALARM DEVICE	15-12	237
TRAVEL ALARM DEVICE	15-12A	239
IMMOBILIZER ASS'Y	15-13	241
LIGHT ASS'Y	15-14	243
AIR CONDITIONER ASS'Y (1)	15-15	245
AIR CONDITIONER ASS'Y (2)	15-16	247
AIR CONDITIONER ASS'Y (2)	15-16[A]	249
AIR CONDITIONER PIPING ASS'Y	15-17	251
GUARD A'SSY	15-18	253
16 CRANE SPECIFICATION		
HYDRAULIC PIPING ASS'Y	16-1	255
HOLDING VALVE ASS'Y	16-2	257
HOLDING VALVE	16-3	259
HOOK BLOCK ASS'Y	16-4	261
ANGLE DETECTOR	16-5	263
ELECTRIC SYSTEM	16-6	265
CONTROLLER ASS'Y	16-7	267
NAME PLATE ASS'Y	16-8	269

[Memo]

LIST OF CONSUMABLES

消耗品リスト



SHALL-000000-1



RUNNING STORES

MODEL 45V4

SHEET No 0-0

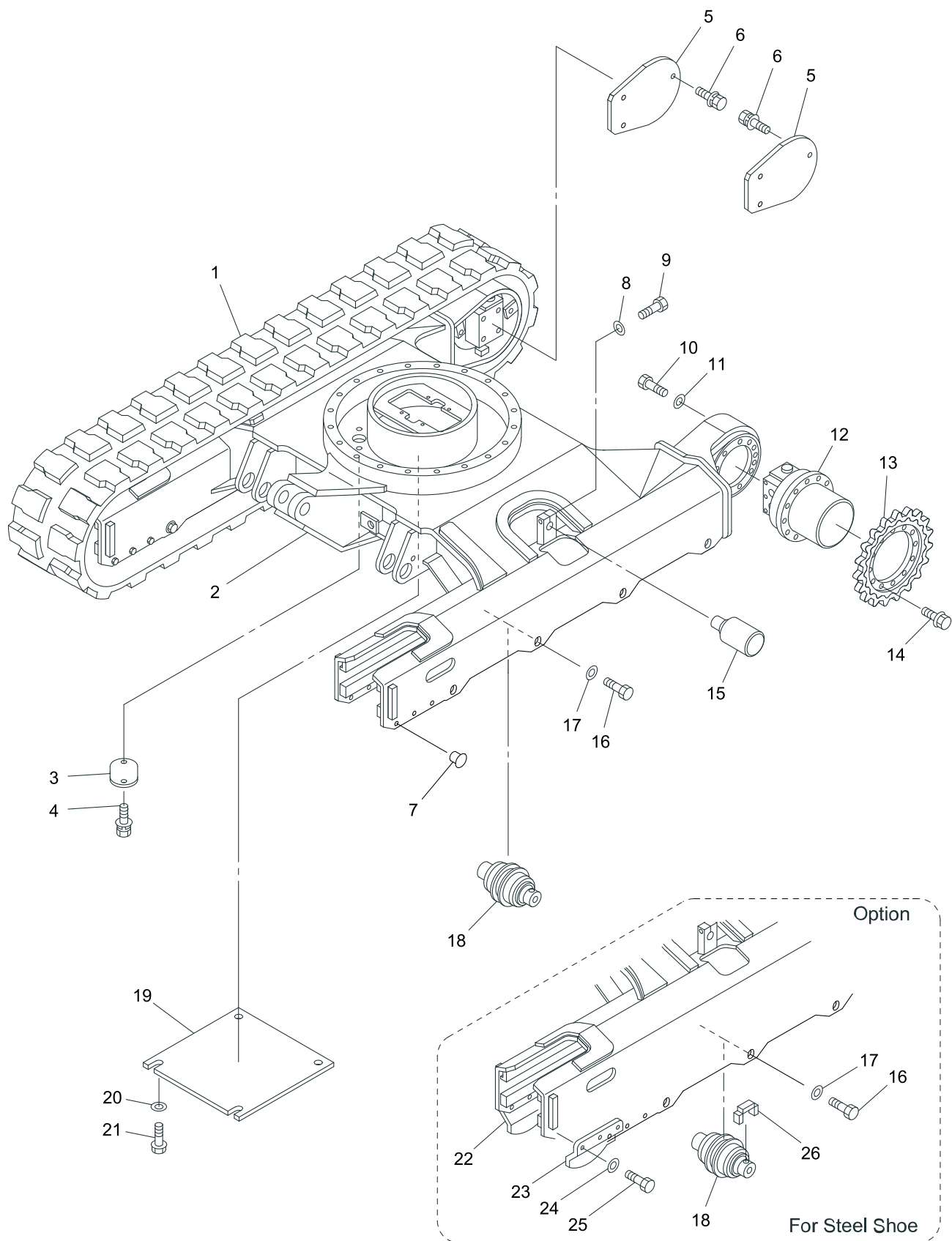
KEY No.	SUP.	PART No.	DESCRIPTION	Q'TY	CHAN.	SERIAL No.	REMARKS
			RUNNING STORES LIST				
1		0753 265 UA	Vaive, Check (Grease Up)	1		WG010001-	Sh. No. 1-3
2		0759 106 UA	Strainer, Suction	1		WG010001-	Sh. No. 5-6
3		0755 142 03	Cartridge, Return Filter	1		WG010001-	Sh. No. 5-6
4		0775 551 93	Hose, Radiator	1		WG010001-	Sh. No. 7-1
5		0775 551 95	Hose, Radiator	1		WG010001-	Sh. No. 7-1
6		0745 265 08	Element, Air Cleaner	1		WG010001-	Sh. No. 7-2
7		0745 265 09	Element, Air Cleaner(Inner)	1		WG010001-	Sh. No. 7-2
8		0857 914 11	Element, Water Sedimenter	1		WG010001-	Sh. No. 7-4
9		0729 910 73	Cap, Fuel	1		WG010001-	Sh. No. 7-4
10		0820 215 10	Relay, Flip Flop	1		WG010001-	Sh. No. 9-1
11		0820 215 11	Relay, Glow	1		WG010001-	Sh. No. 9-1
12		0858 306 03	Switch Ass'y, Starter	1		WG010001-	Sh. No. 9-2
13		0820 215 07	Relay	4		WG010001-	Sh. No. 9-2
14		D013 408 00	Pin, Bucket	2		WG010001-	Sh. No. 11-1
15		4511 501 01	Ring, O (For Bucket)	4		WG010001-	Sh. No. 11-1
16		0650 002 04	Tooth, Bucket	AR		WG010001-	18S
17		0650 003 03	Pin, Lock	AR		WG010001-	18-20M-PN
18		0650 004 02	Pin, Rubber	AR		WG010001-	18-20M-LK
19		4123 040 00	Coutter, Side (R.H.)	1		WG010001-	Sh. No. 11-3
20		4123 041 00	Coutter, Side (L.H.)	1		WG010001-	Sh. No. 11-3
21		0555 140 40	Bolt, Treatment	6		WG010001-	Sh. No. 11-3
22		0585 140 00	Nut, Treatment	6		WG010001-	Sh. No. 11-3
23		D006 051 00	Washer, Treatment	6		WG010001-	Sh. No. 11-3
			SEAL KIT				
24		0713 431 91	Rotary Joint	1		WG010001-	Sh. No. 5-3
25		0782 440 93	Boom Cylinder (Head Side)	1		WG010001-	Sh. No. 5-8
26		0782 438 93	Arm Cylinder (Head Side)	1		WG010001-	Sh. No. 5-9
27		0782 396 91	Bucket Cylinder (Head Side)	1		WG010001-	Sh. No. 5-10
28		0782 380 91	Boom Swing Cylinder (Head Side)	1		WG010001-	Sh. No. 5-11
29		0782 608 91	Blade Cylinder (Head Side)	1		WG010001-	Sh. No. 5-12
			ENGINE PARTS				
30		K15221 43170	Cartridge, Fuel Filter	1			Sh. No. 7-4
31		KHH164 32430	Filter, Oil	1		WG010001-	Engine P/C
32		KR1401 51352	Pump, Fuel	1		WG010001-	Sh. No. 7-4
33		K1K574 60220	Relay	1		WG010001-	Engine P/C
34		K1K533 65660	Controller	1		WG010001-	Engine P/C
35		K1G382 97010	Belt, V	1		WG010001-	Engine P/C
36		K1G924 73010	Thermostat	1		WG010001-	Engine P/C
37		K1A021 60017	Solenoid, Stop	1		WG010001-	Engine P/C
38		K15841 39010	Switch, Oil Pressure	1		WG010001-	Engine P/C
39		K1J002 83040	Sensor, Thermo	1		WG010001-	Engine P/C
40		5988 009 00	*****	1		WG010001-	400g × 20
41		5988 004 06	*****	1		WG010001-	スプレー
41-1		5988 004 09	*****	1		WG010001-	4k 缶
42		5988 004 32	*****	1		WG010001-	スプレー
42-1		5988 004 33	*****	1		WG010001-	4k 缶
43		ZG10100	*****	1		WG010001-	38種-890ヶ
44		5988 022 01	*****	1		WG010001-	18S= 1セット20ヶ
45		ZG00451	*****	1		WG010001-	1セット10枚
45-1		ZG00452	*****	1		WG010001-	1セット10枚

KEY No.	SUP.	PART No.	DESCRIPTION	Q'TY	CHAN.	SERIAL No.	REMARKS
45-2		ZG00453	*****	1		WG010001-	1セット10枚
46		ZG00501	*****	1		WG010001-	1セット10枚
46-1		ZG00502	*****	1		WG010001-	1セット10枚
46-2		ZG00503	*****	1		WG010001-	1セット10枚

0



[Memo]



40V4-010100-1



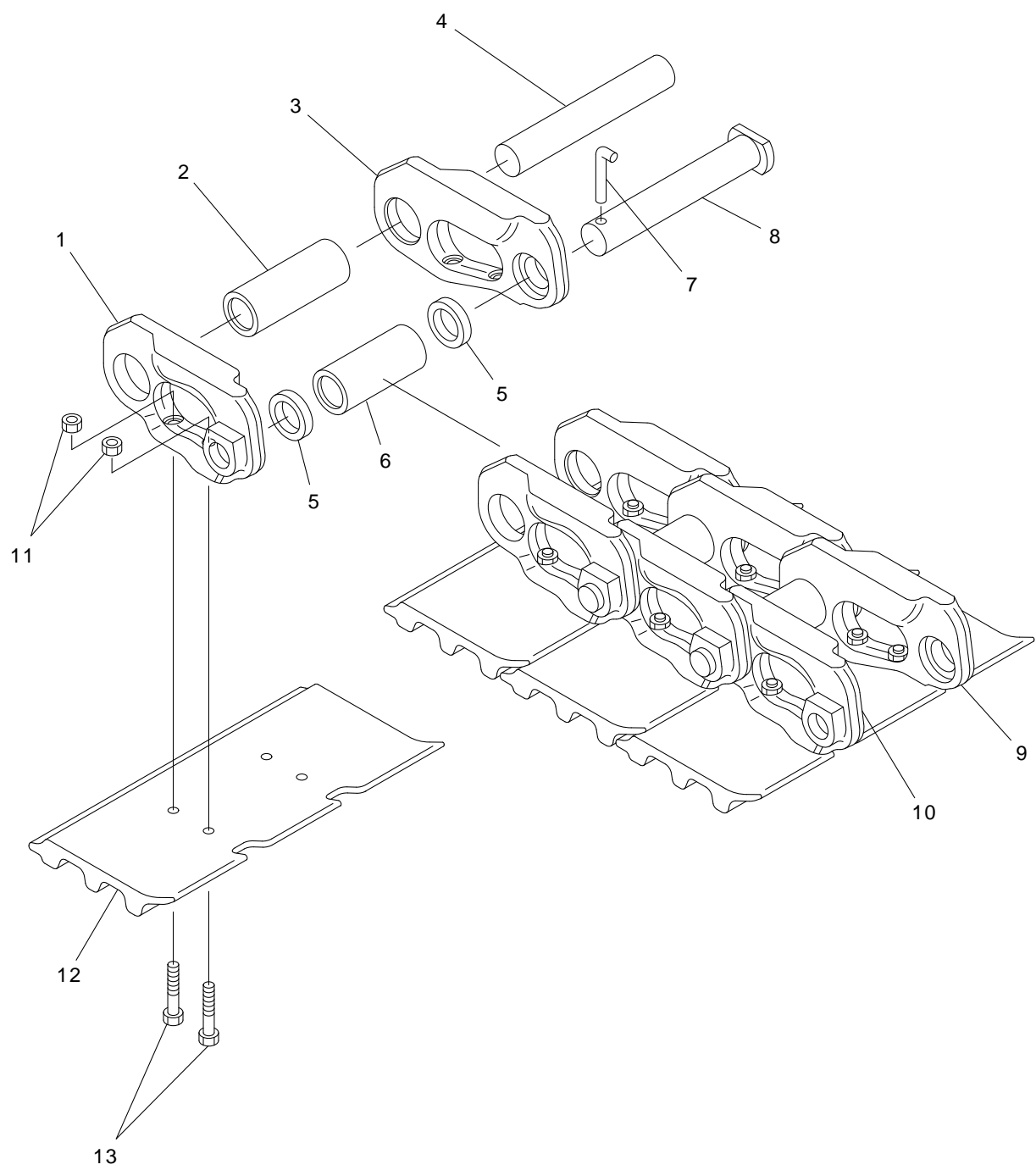
LOWER MACHINE ASS'Y

MODEL 45V4

SHEET No 1-1

KEY No.	SUP.	PART No.	DESCRIPTION	Q'TY	CHAN.	SERIAL No.	REMARKS
0	×	**** ** *	Lower Machine Ass'y	1		WG010001-	
1		0653 981 UA	* Shoe, Rubber Crawler	2		WG010001-	
1-1	#	0653 974 UA	* Shoe Ass'y, Crawler (Steel)	2		WG010001-	Sh. No. 1-2
2	×	**** ** *	* Frame, Lower	1		WG010001-	
3		4460 756 00	* Cover	1		WG010001-	
4		0517 080 12	* Bolt, Treatment (W/L.W, F.W)	2		WG010001-	M8X12
5		D458 184 00	* Cover	2		WG010001-	
6		0518 100 20	* Bolt, Treatment (W/L.W, F.W)	6		WG010001-	M10X20 P=1.25
7		0690 201 09	* Plug	12		WG010001-	
8		0595 160 00	* Washer, Treatment	2		WG010001-	M16
9		0555 160 65	* Bolt, Treatment	2		WG010001-	M16X65
10		0555 140 35	* Bolt, Treatment	24		WG010001-	M14X35
11		0595 140 00	* Washer, Treatment	24		WG010001-	M14
12	#	0781 372 UA	* Motor Ass'y, Travel	2		WG010001-	Sh. No. 5-1
13		D234 037 00	* Sprocket, Drive	2		WG010001-	
14		0457 140 35	* Bolt, Treatment (W/Flange)	24		WG010001-	M14X35
15	#	0651 911 UA	* Roller Ass'y, Upper	2		WG010001-	Sh. No. 1-6
16		0555 200 30	* Bolt, Treatment	16		WG010001-	M20X30
17		0595 200 00	* Washer, Treatment	16		WG010001-	M20
18	#	0653 984 UA	* Roller Ass'y, Lower	8		WG010001-	Sh. No. 1-5
19		4461 932 00	* Cover, Under	1		WG010001-	
20		0593 100 00	* Washer, Flat	4		WG010001-	M10
21		0480 100 20	* Bolt, Treatment (W/Flange)	4		WG010001-	M10X20 P=1.25
22		4475 591 00	* Guide, Shoe (R.H.)	2		WG010001-	
23		4475 590 00	* Guide, Shoe (L.H.)	2		WG010001-	
24		0595 120 00	* Washer, Treatment	12		WG010001-	M12
25		0555 120 35	* Bolt, Treatment	12		WG010001-	M12X35
26		D007 060 00	* Shim	16		WG010001-	t=9.0

1



45VX-010200-1



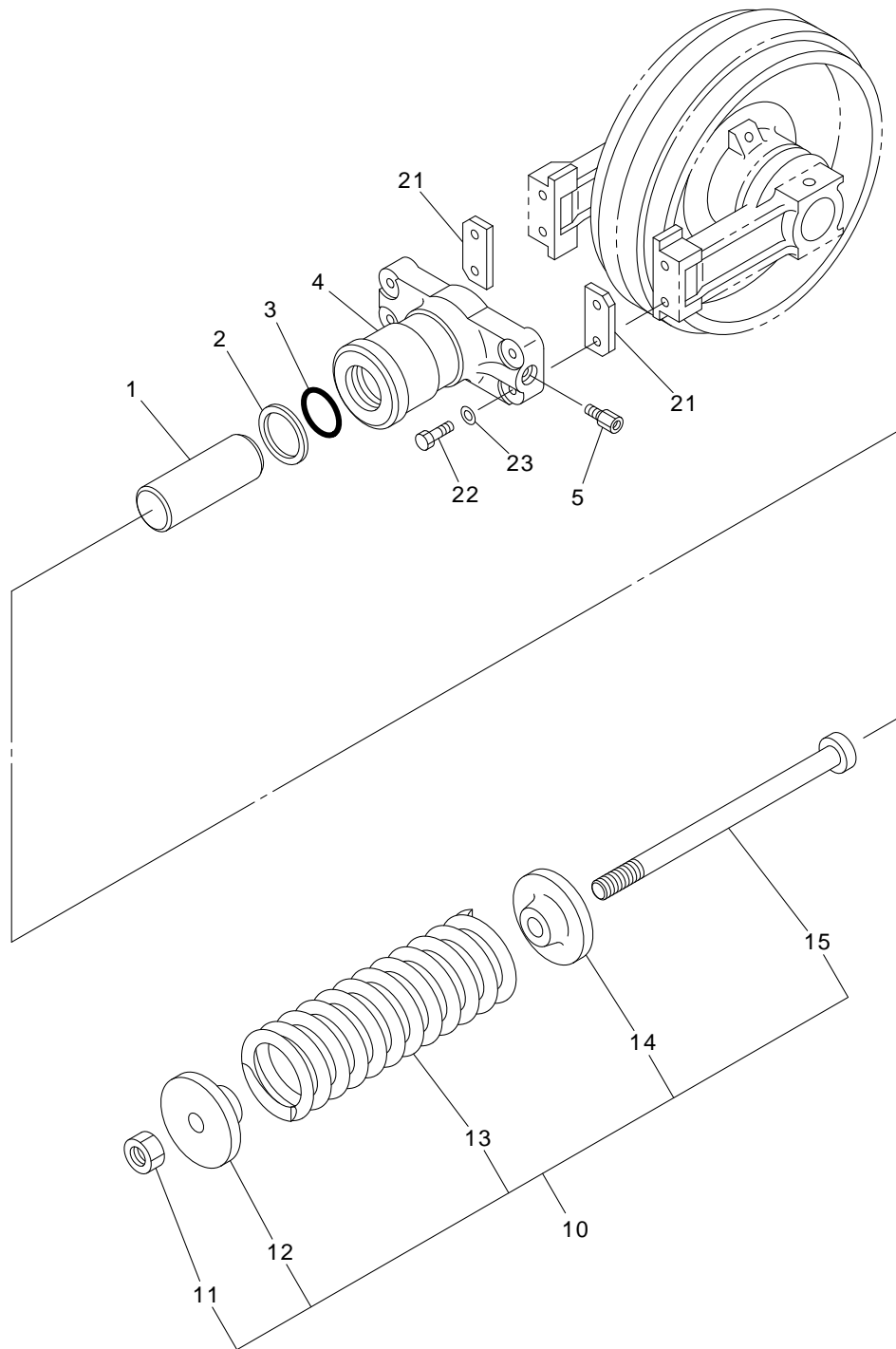
CRAWLER SHOE ASS'Y

MODEL 45V4

SHEET No 1-2

KEY No.	SUP.	PART No.	DESCRIPTION	Q'TY	CHAN.	SERIAL No.	REMARKS
0		0653 974 UA	Shoe Ass'y, Crawler	2		WG010001-	L=400
0-1		0653 974 99	* Link, Ass'y	1		WG010001-	
1		0653 973 04	** Link, Master (L.H.)	1		WG010001-	
2		0653 973 05	** Bushing, Track	38		WG010001-	
3		0653 973 03	** Link, Master (R.H.)	1		WG010001-	
4		0653 973 06	** Pin, Track	38		WG010001-	
5		0651 588 07	** Collar, Master	2		WG010001-	
6		0653 973 07	** Bushing, Master	1		WG010001-	
7		0653 924 10	** Pin, Lock	1		WG010001-	
8		0653 973 08	** Pin, Master	1		WG010001-	
9		0653 973 01	** Link, Track (R.H.)	38		WG010001-	
10		0653 973 02	** Link, Track (L.H.)	38		WG010001-	
11		0653 010 10	* Nut, Shoe	156		WG010001-	
12		0653 779 01	* Plate, Shoe	39		WG010001-	L=400
13		0653 010 09	* Bolt, Shoe	156		WG010001-	

1



65VX-010300-1



CRAWLER SHOE ADJ. DEVICE

MODEL 45V4

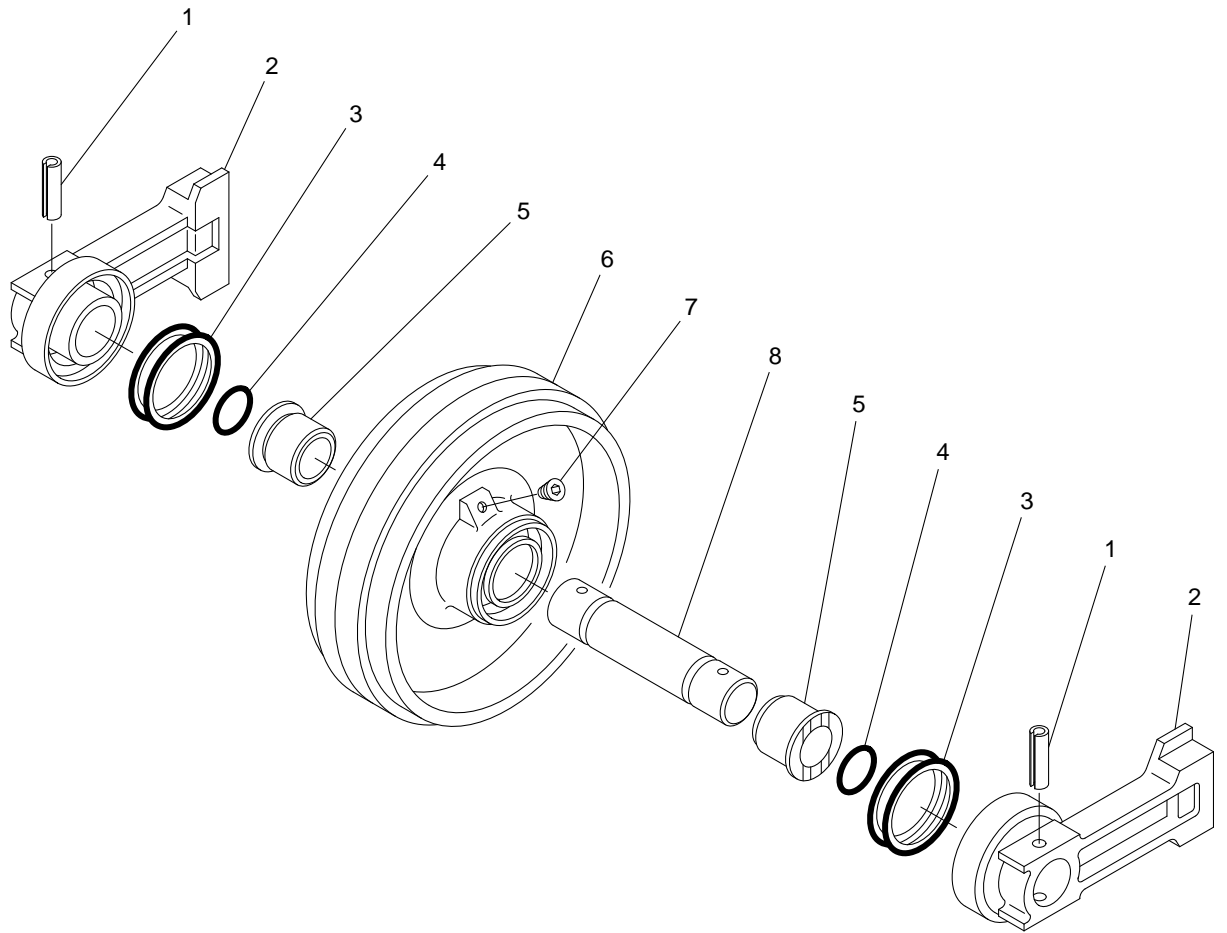
SHEET No 1-3

KEY No.	SUP.	PART No.	DESCRIPTION	Q'TY	CHAN.	SERIAL No.	REMARKS
0	×	5301 231 00	Adj. Device, Crawler Shoe	2		WG010001-	
0-1		5301 231 98	* Cylinder Ass'y, Grease	1		WG010001-	
1		4515 506 00	** Piston	1		WG010001-	
2		0762 120 50	** Ring, Back-up	1		WG010001-	P50-T2
3		0760 710 50	** Ring, O	1		WG010001-	P50-90B
4		4514 549 00	** Cylinder, Grease	1		WG010001-	
5		0753 265 UA	** Valve, Check	1		WG010001-	
10		5300 759 99	* Unit Ass'y, Spring (For Rubber Shoe)	1		WG010001-	
11		0580 200 00	** Nut, Hex.	1		WG010001-	M20
12		4485 508 00	** Retainer, Spring	1		WG010001-	
13		4170 126 00	** Spring	1		WG010001-	
14		4485 509 00	** Retainer, Spring	1		WG010001-	
15		4004 128 00	** Bolt, Adjust	1		WG010001-	
21		4401 631 00	* Plate	2		WG010001-	
22		0514 120 60	* Bolt, Treatment	4		WG010001-	M12X60 P=1.25
23		0595 120 00	* Washer, Treatment	4		WG010001-	M12

1



CRAWLER SHOE ADJ. DEVICE



45VX-010400-1



FRONT IDLER ASS'Y

MODEL 45V4

SHEET No 1-4

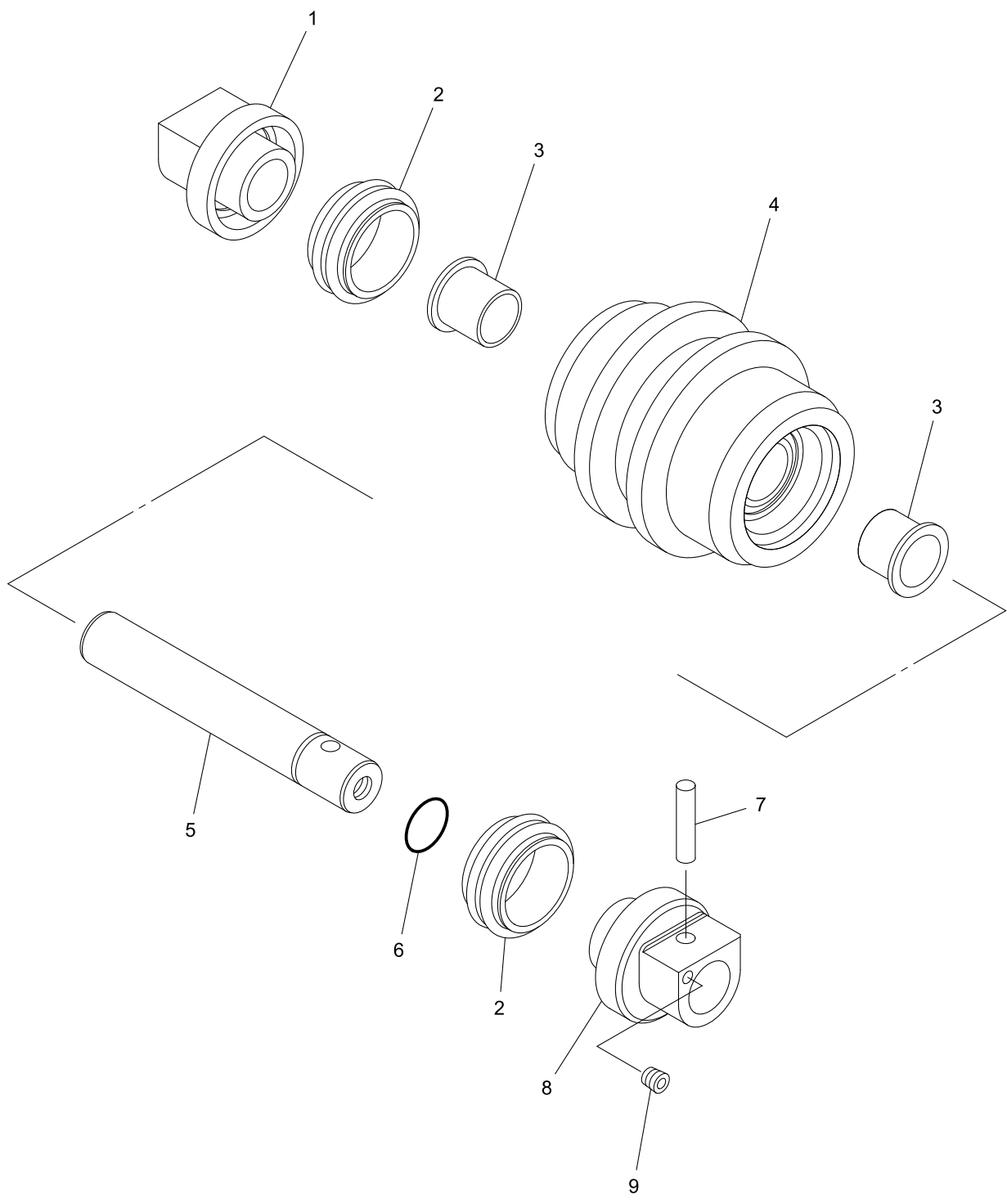
KEY No.	SUP.	PART No.	DESCRIPTION	Q'TY	CHAN.	SERIAL No.	REMARKS
0		F300 686 00	Idler Ass'y, Front	2		WG010001-	
1		0494 651 75	* Pin, Spring	2		WG010001-	d=10X75
2		4420 525 00	* Block, Bearing	2		WG010001-	
3		0763 014 67	* Seal, Floating	2		WG010001-	
4		0760 715 45	* Ring, O	2		WG010001-	G45-90B
5		4047 035 02	* Bushing	2		WG010001-	
6		D236 021 00	* Idler, Front	1		WG010001-	
7		0710 201 01	* Plug	1		WG010001-	PT1/8
8		4012 220 00	* Shaft	1		WG010001-	



FRONT IDLER ASS'Y

MODEL 45V4

SHEET No 1-4



0653984UA-1



LOWER ROLLER ASS'Y

MODEL 45V4

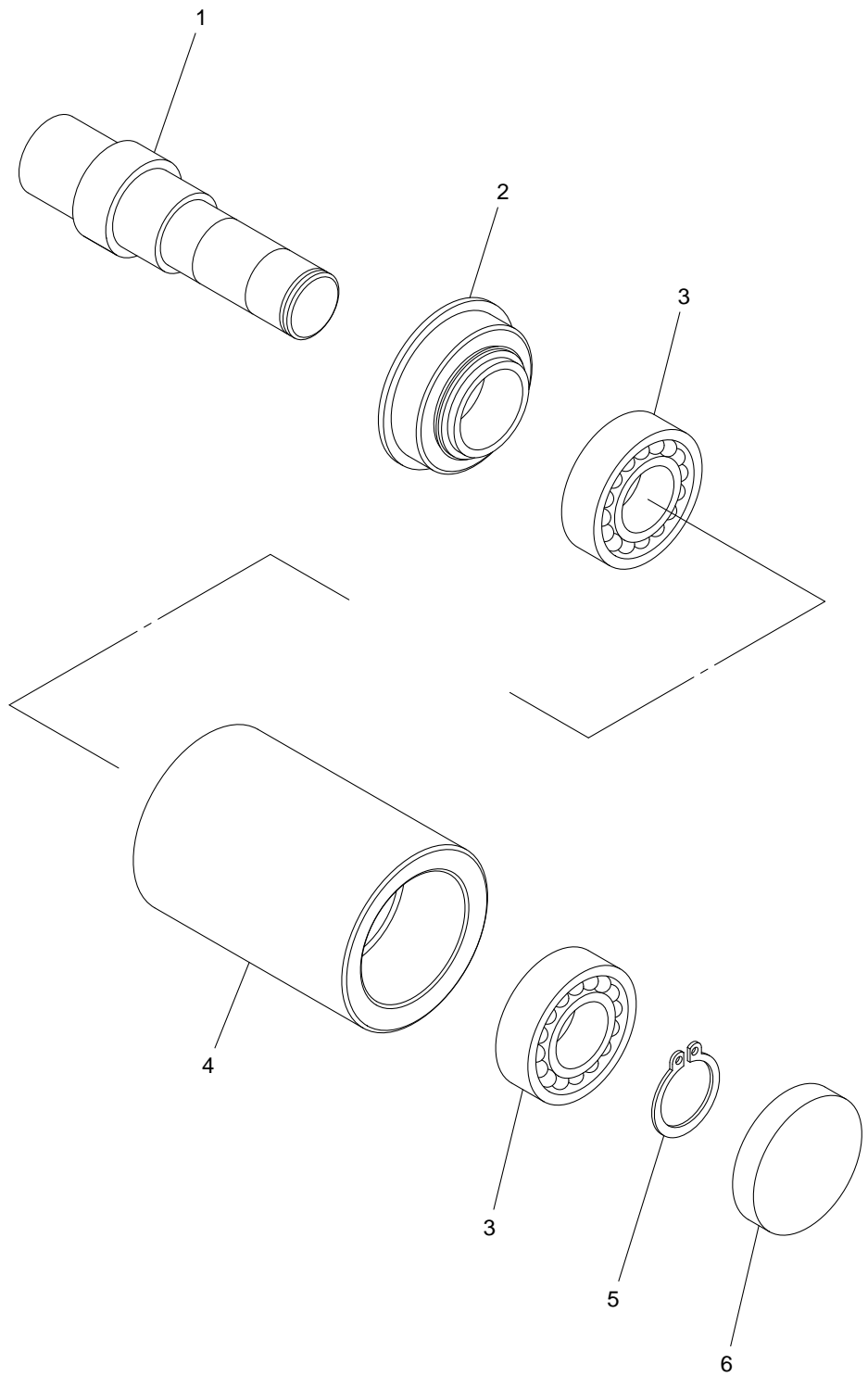
SHEET No 1-5

KEY No.	SUP.	PART No.	DESCRIPTION	Q'TY	CHAN.	SERIAL No.	REMARKS
0		0653 984 UA	Roller Ass'y, Lower	8		WG010001-	
1		0653 984 04	* Collar Roller	1		WG010001-	
2		0763 014 60	* Seal, Floating	2		WG010001-	
3		0653 984 05	* Bushing	2		WG010001-	
4		0653 984 01	* Roller	1		WG010001-	
5		0653 984 02	* Shaft	1		WG010001-	
6		0760 715 35	* Ring, O	1		WG010001-	G35-90B
7		0653 984 06	* Pin	1		WG010001-	
8		0653 984 03	* Collar, Roller	1		WG010001-	
9		0710 201 01	* Plug	1		WG010001-	

1



LOWER ROLLER ASS'Y



0651911UA-1



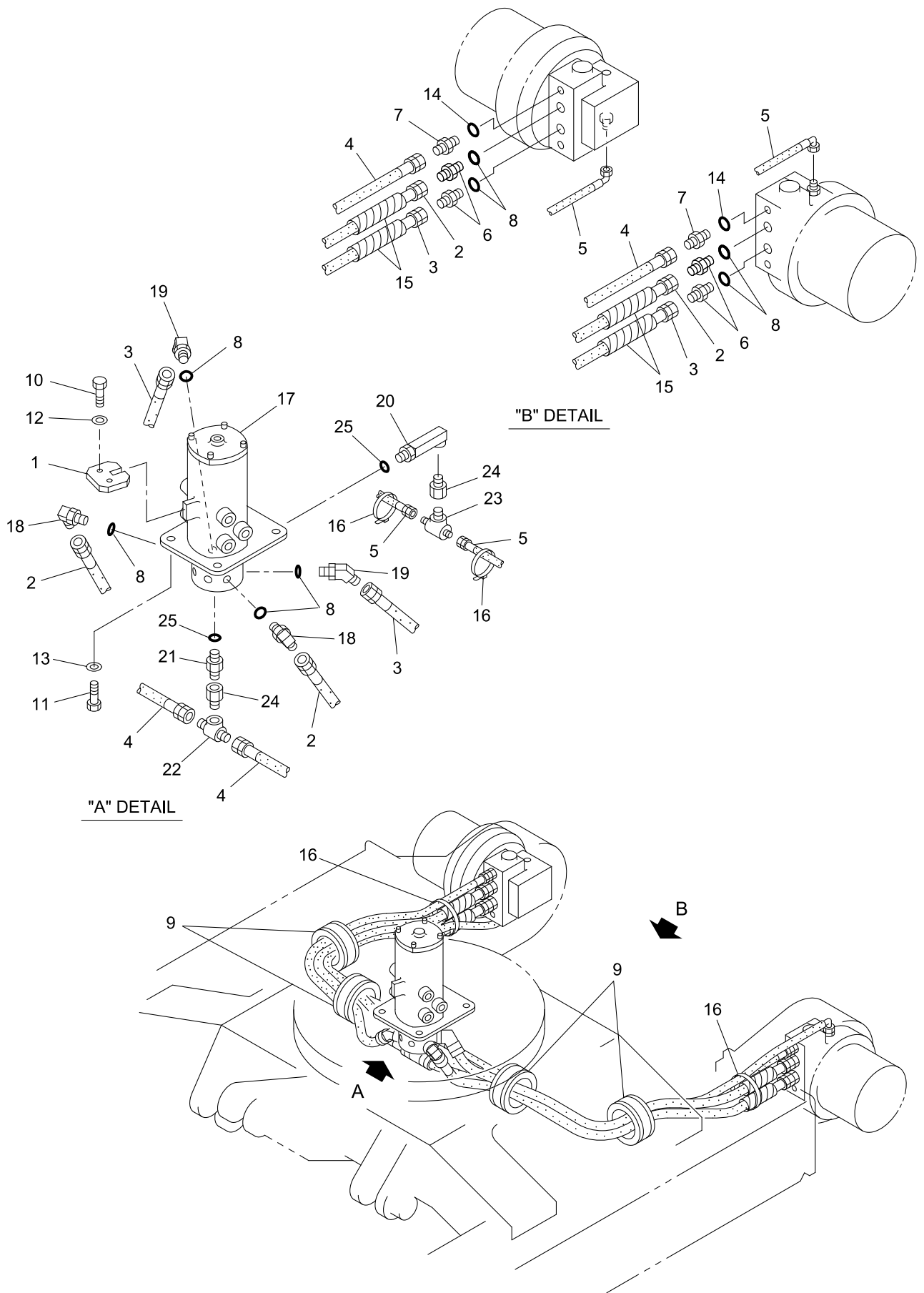
UPPER ROLLER ASS'Y

MODEL 45V4

SHEET No 1-6

KEY No.	SUP.	PART No.	DESCRIPTION	Q'TY	CHAN.	SERIAL No.	REMARKS
0		0651 911 UA	Roller Ass'y, Upper	2		WG003001-	
1		0651 911 03	* Seal	1		WG003001-	
2		0630 620 50	* Bearing	2		WG003001-	#6205
3		0651 911 02	* Shaft, Roller	1		WG003001-	
4		0493 510 25	* Ring, Snap	1		WG003001-	d=25
5		0651 911 04	* Cap	1		WG003001-	
6		0651 911 01	* Roller	1		WG003001-	





40V4-010700-1



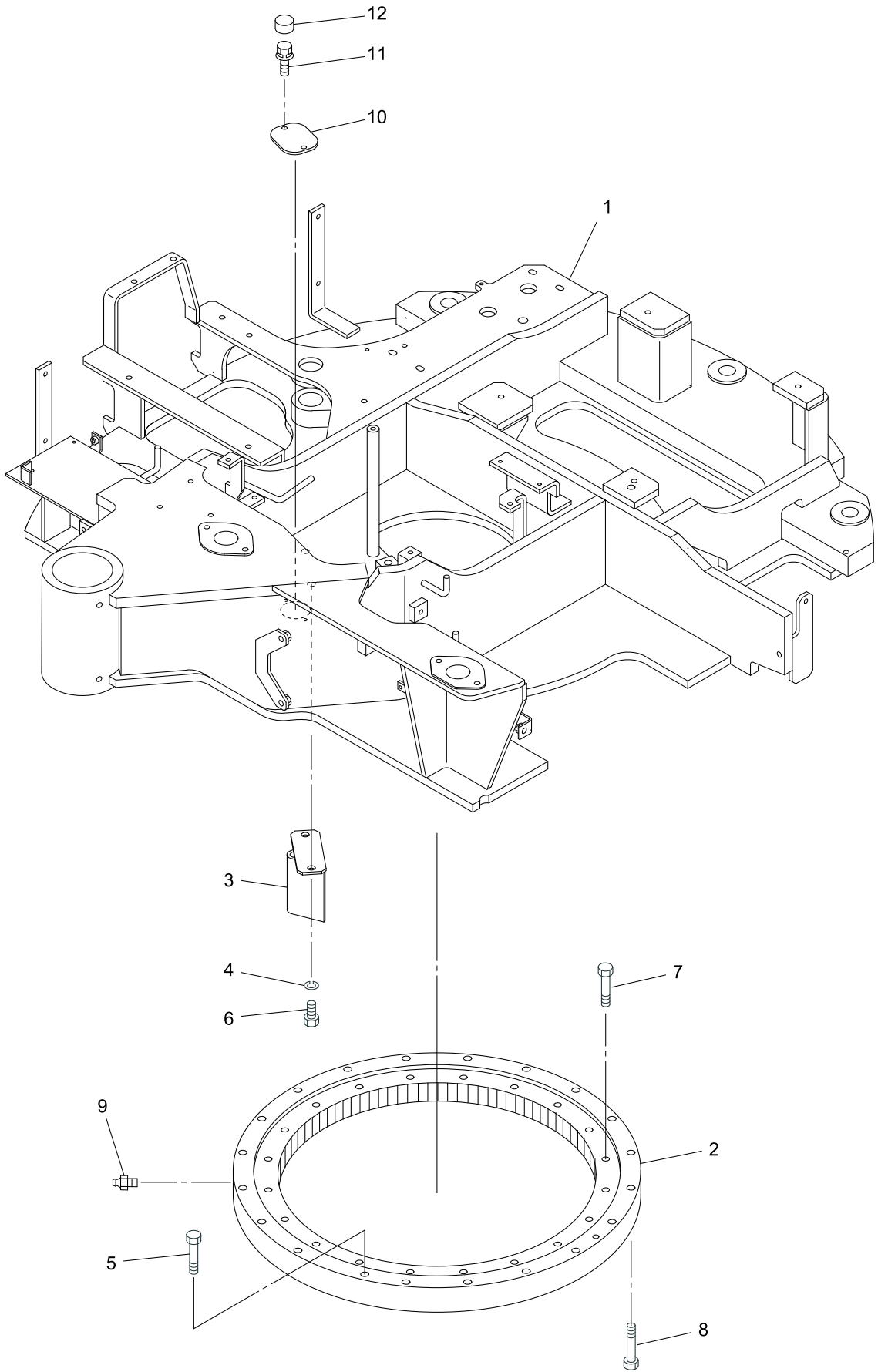
LOWER TRAVEL PIPING ASS'Y

MODEL 45V4

SHEET No 1-7

KEY No.	SUP.	PART No.	DESCRIPTION	Q'TY	CHAN.	SERIAL No.	REMARKS
0	×	F342 793 00	Piping Ass'y, Lower Travel	1		WG010001-	
1		D260 516 00	* Stay	1		WG010001-	
2		D070 350 05	* Hose Ass'y	2		WG010001-	L=1400
3		D070 350 06	* Hose Ass'y	2		WG010001-	L=1350
4		4070 015 26	* Hose Ass'y	2		WG010001-	L=1350
5		4070 551 18	* Hose Ass'y	2		WG010001-	L=1460
6		0713 700 04	* Adapter	4		WG010001-	
7		0713 700 03	* Adapter	2		WG010001-	
8		0760 710 19	* Ring, O	8		WG010001-	P18-90B
9		4580 730 00	* Pad	4		WG010001-	
10		0555 160 40	* Bolt, Treatment	2		WG010001-	M16X40
11		0514 100 30	* Bolt, Treatment	4		WG010001-	M10X30 P=1.25
12		0595 160 00	* Washer, Treatment	2		WG010001-	M16
13		0595 100 00	* Washer, Treatment	4		WG010001-	M10
14		0760 710 16	* Ring, O	2		WG010001-	P14-90B
15		0790 000 02	* Tube, Spiral	M		WG010001-	L=200X4
16		0820 067 05	* Band, Cable	4		WG010001-	
17	#	0713 439 UA	* Joint Ass'y, Rotary	1		WG010001-	Sh. No. 5-3
18		0710 113 44	* Elbow	2		WG010001-	
19		0710 114 44	* Elbow, 45	2		WG010001-	
20		0719 805 UA	* Elbow	1		WG010001-	
21		0713 704 02	* Adapter	1		WG010001-	
22		0710 707 04	* Tee	1		WG010001-	
23		0710 707 02	* Tee	1		WG010001-	Option
24		0710 503 02	* Socket	2		WG010001-	
25		0760 710 12	* Ring, O	2		WG010001-	P11-90B

1



40V4-020100-1

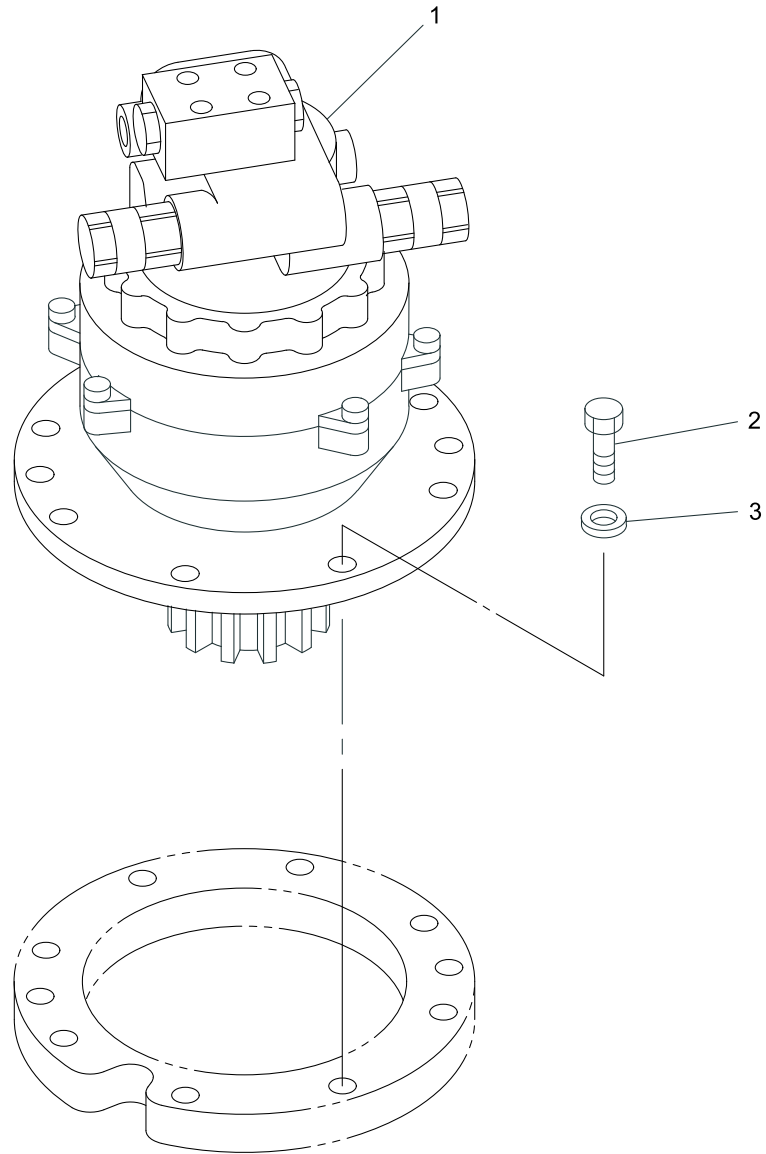


TURNTABLE & SWING BEARING ASS'Y

MODEL 45V4

SHEET No 2-1

KEY No.	SUP.	PART No.	DESCRIPTION	Q'TY	CHAN.	SERIAL No.	REMARKS
0	×	F311 390 00	Frame Ass'y, Swing	1		WG010001-	
0-1	×	F320 258 00	Bearing Ass'y, Swing	1		WG010001-	
1	△	D204 356 00	* Frame, Swing	1		WG010001-***	
1	△	D204 400 00	* Frame, Swing	1	○	***-	
2		0605 416 UA	* Bearing, Swing	1		WG010001-	
3		D416 789 00	* Bracket	1		WG010001-	
4		0590 160 00	* Washer, Lock	2		WG010001-	
5		D002 015 00	* Bolt, Reamer	1		WG010001-	
6		0555 160 35	* Bolt, Treatment	2		WG010001-	
7		0555 160 70	* Bolt, Treatment	20		WG010001-	
8		0555 160 80	* Bolt, Treatment	19		WG010001-	
9		0728 111 15	* Nipple, Grease	1		WG010001-	
10		4460 756 00	* Cover	1		WG010001-	
11		0517 080 20	* Bolt, Treatment (W/L.W, F.W)	2		WG010001-	
12		0690 202 56	* Cap	2		WG010001-	



40V4-030100-1



SWING DRIVE DEVICE

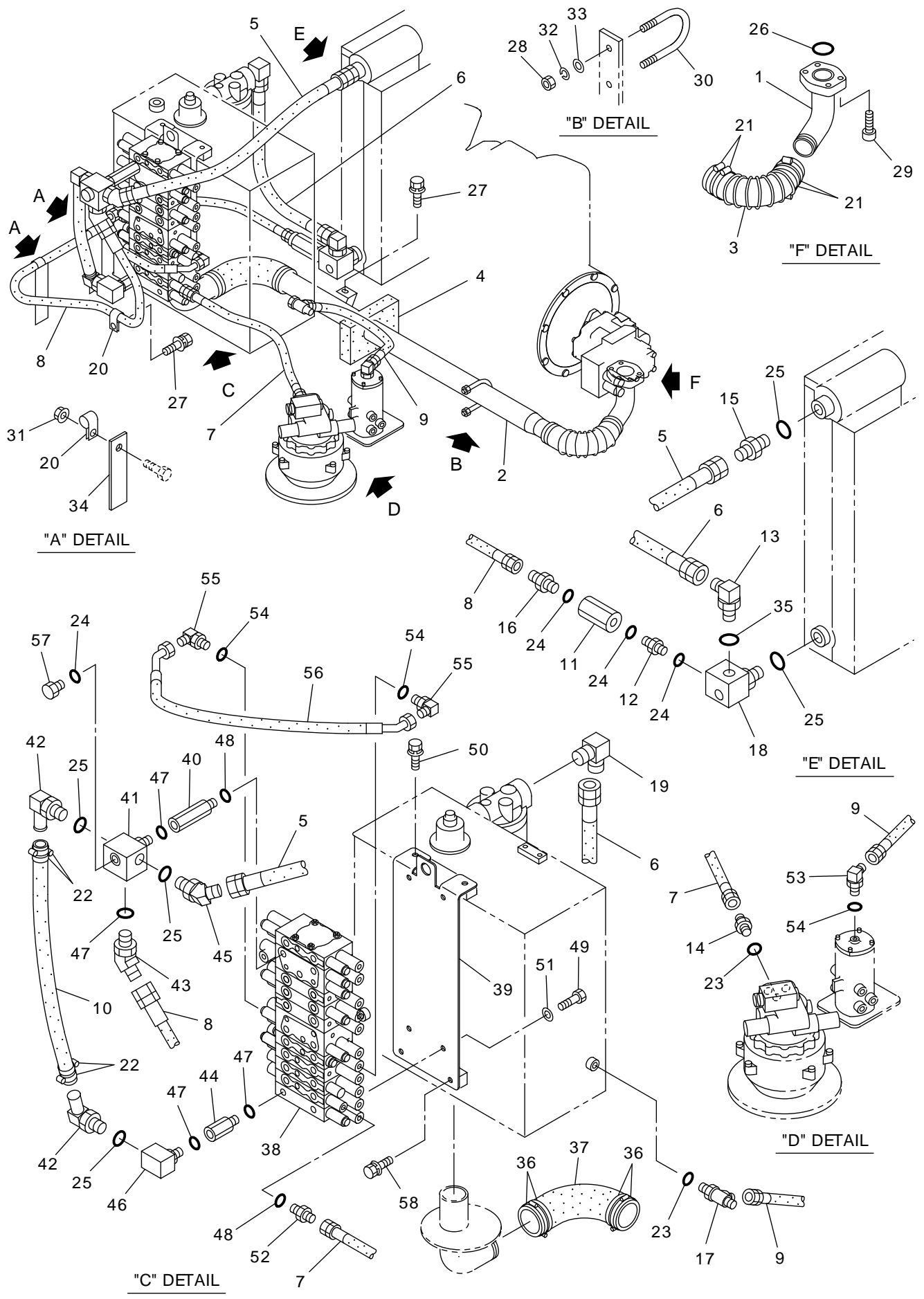
MODEL 45V4

SHEET No 3-1

KEY No.	SUP.	PART No.	DESCRIPTION	Q'TY	CHAN.	SERIAL No.	REMARKS
0	×	F320 251 00	Swing Drive Device	1		WG010001-	
1	#	0781 373 UA	* Motor Ass'y, Swing	1		WG010001-	Sh. No. 5-2
2		0555 160 40	* Bolt, Treatment	10		WG010001-	M16X40
3		0595 160 00	* Washer, Treatment	10		WG010001-	M16



SWING DRIVE DEVICE



40V4-040100-1



RETURN & SUCTION PIPING ASS'Y

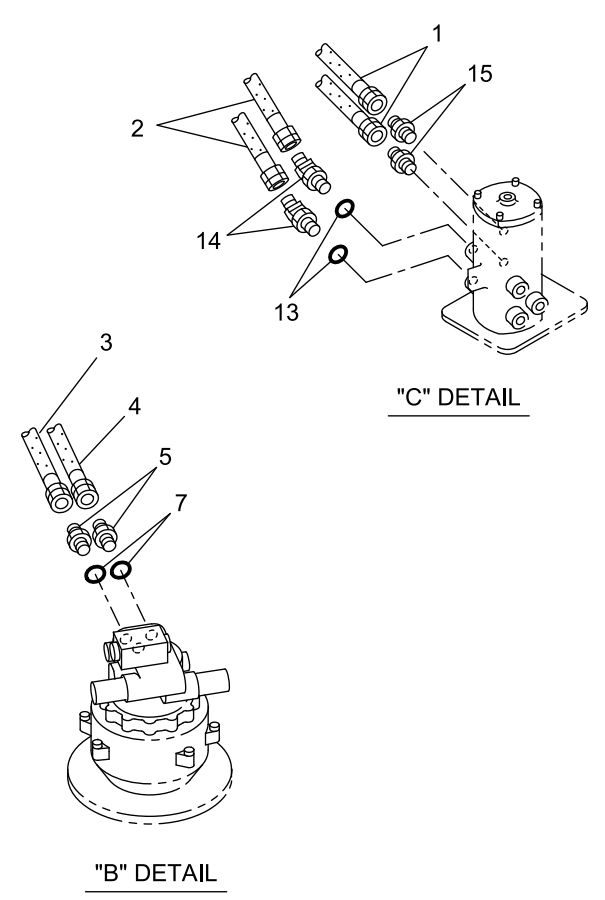
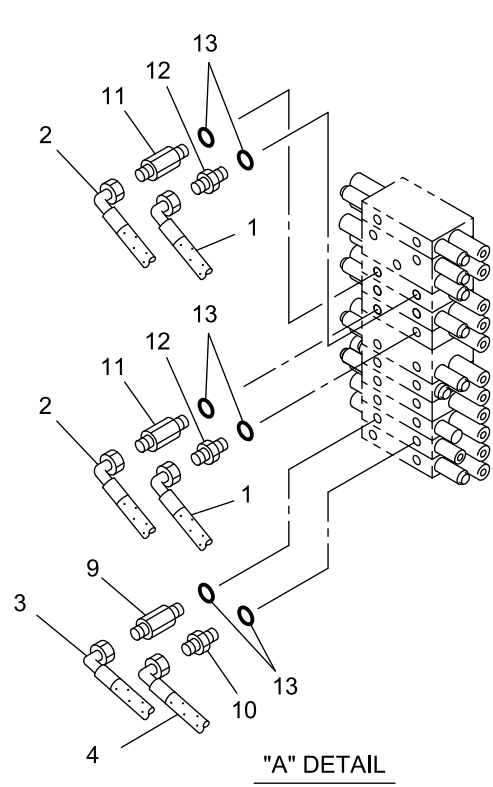
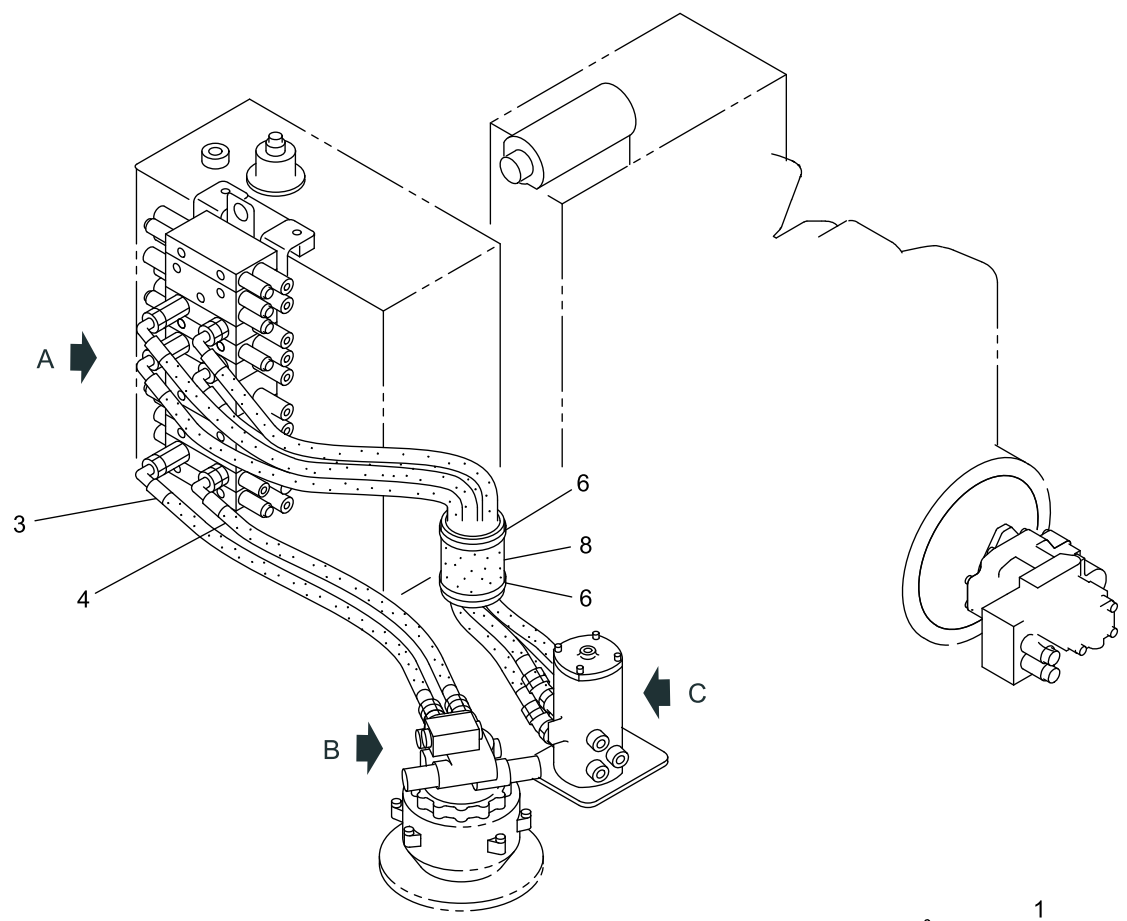
MODEL 45V4

SHEET No 4-1

KEY No.	SUP.	PART No.	DESCRIPTION	Q'TY	CHAN.	SERIAL No.	REMARKS
0	×	F342 768 00	Piping Ass'y, Return & Suction	1		WG010001-WG010152	
0	×	F342 853 00	Piping Ass'y, Return & Suction	1		WG010153-	
1		D286 277 00	* Tube	1		WG010001-***	
1		D286 417 00	* Tube	1	○	***-	
2		D286 347 00	* Tube	1		WG010001-	
3		0776 600 08	* Hose	1		WG010001-	
4		D493 668 00	* Panel, Sponge	1		WG010001-***	
4		D493 919 00	* Panel, Sponge	1		***-	
5		D070 119 01	* Hose Ass'y	1		WG010001-	L=680
6		4070 026 44	* Hose Ass'y	1		WG010001-	L=700
7		4070 013 07	* Hose Ass'y	1		WG010001-	L=650
8		4070 754 14	* Hose Ass'y	1		WG010001-	L=1700
9		4070 015 14	* Hose Ass'y	1		WG010001-	L=400
10		D070 572 01	* Hose	1		WG010001-	L=320
11		0785 947 UA	* Valve, Check	1		WG010001-	
12		D060 514 00	* Connector	1		WG010001-	
13		0710 113 11	* Elbow	1		WG010001-	
14		0713 700 94	* Adapter, Reducer	1		WG010001-	PF3/8XPF1/2
15		0713 700 74	* Adapter	1		WG010001-	
16		0713 700 73	* Adapter	1		WG010001-	
17		0710 713 10	* Tee, Special	1		WG010001-	
18		D060 531 00	* Connector	1		WG010001-	
19		0712 310 55	* Elbow	1		WG010001-	
20		4080 000 06	* Clamp, Hose	3		WG010001-	
21		0690 078 12	* Clamp, Hose	4		WG010001-	
22		0690 083 08	* Clamp, Hose	4		WG010001-	
23		0760 710 16	* Ring, O	2		WG010001-	P14-90B
24		0760 710 24	* Ring, O	4		WG010001-	P22.4-90B
25		0760 710 30	* Ring, O	5		WG010001-	P29-90B
26		0760 312 25	* Ring, O	1		WG010001-	P225-90B
27		0518 100 20	* Bolt, Treatment (W/L.W, F.W)	2		WG010001-	M10X20 P=1.25
28		0580 120 00	* Nut, Hex.	2		WG010001-	M12
29		0562 120 35	* Bolt, Socket Head	4		WG010001-***	M12X35
29		0562 120 30	* Bolt, Socket Head	4	○	***-	M12X30
30		4003 003 00	* Bolt, U	1		WG010001-	
31		0524 100 00	* Nut, Hex. (W/F.W)	2		WG010001-	M10 P=1.25
32		0590 120 00	* Washer, Lock	2		WG010001-	M12
33		0595 120 00	* Washer, Treatment	2		WG010001-	M12
34		D401 498 00	* Plate	2		WG010001-	
35		0760 710 40	* Ring, O	1		WG010001-	P38-90B
36		0690 083 13	* Clamp, Hose	4		WG010001-	
37		0776 600 11	* Hose	1		WG010001-	
38	#	0784 015 UA	* Valve Ass'y, Control	1		WG010001-	Sh. No. 5-4
39		D419 060 00	* Bracket	1		WG010001-	
40		D060 532 00	* Connector	1		WG010001-	
41		D060 530 00	* Connector	1		WG010001-	
42		0710 127 06	* Elbow	2		WG010001-	
43		0710 114 66	* Elbow, 45	1		WG010001-	
44		D060 533 00	* Connector	1		WG010001-	
45		0710 114 88	* Elbow, 45	1		WG010001-	PF1XPT1
46		D060 534 00	* Elbow	1		WG010001-	
47		0760 710 25	* Ring, O	4		WG010001-	P24-90B

KEY No.	SUP.	PART No.	DESCRIPTION	Q'TY	CHAN.	SERIAL No.	REMARKS
48		0760 710 19	* Ring, O	2		WG010001-	P18-90B
49		0513 100 16	* Bolt, Treatment	4		WG010001-	M10X16
50		0518 100 25	* Bolt, Treatment (W/L.W, F.W)	2		WG010001-	M10X25 P=1.25
51		0595 100 00	* Washer, Treatment	4		WG010001-	M10
52		D060 526 00	* Adapter	1		WG010001-	
53		0710 113 23	* Elbow, Reducer	1		WG010001-	PF1/4XPF3/8
54		0760 710 12	* Ring, O	3		WG010001-	P11-90B
55		0710 122 09	* Elbow	2		WG010001-	
56		D070 605 00	* Hose Ass'y	1		WG010001-	
57		0710 212 12	* Plug	1		WG010001-	
58		0518 100 25	* Bolt, Treatment (W/L.W, F.W)	2		WG010001-WG010152	M10X25 P=1.25
58		0518 100 30	* Bolt, Treatment (W/L.W, F.W)	2		WG010153-	M10X30 P=1.25

[Memo]



40V4-040200-1

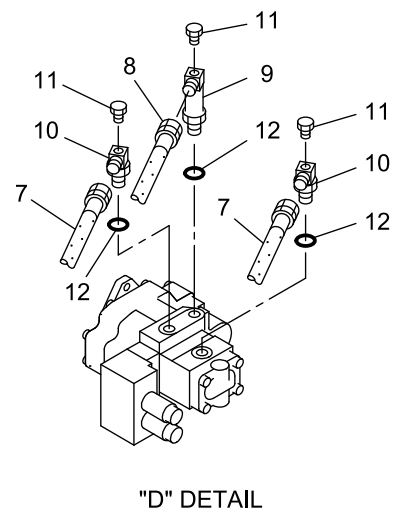
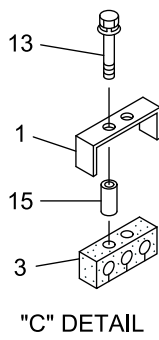
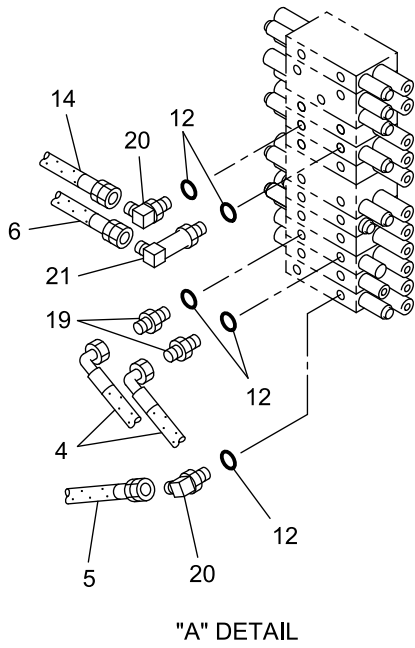
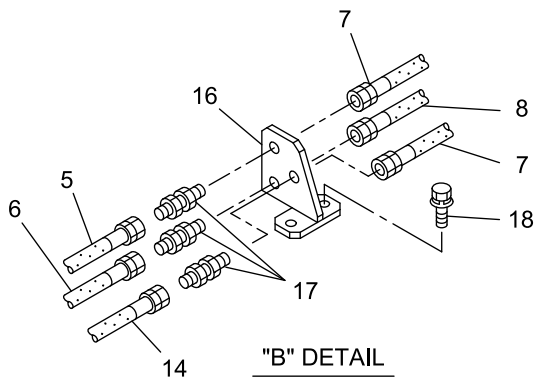
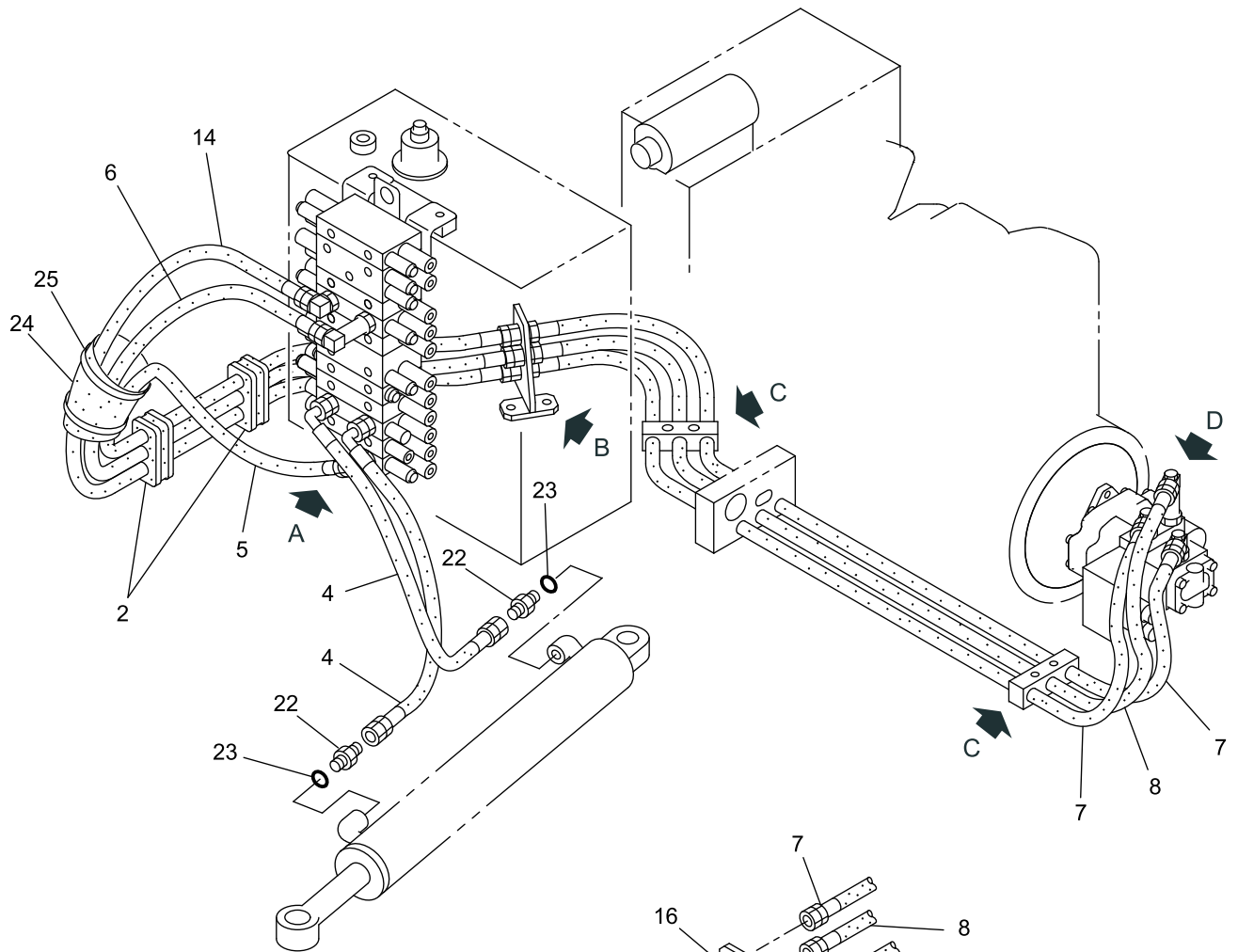


SWING & TRAVEL PIPING ASS'Y

MODEL 45V4

SHEET No 4-2

KEY No.	SUP.	PART No.	DESCRIPTION	Q'TY	CHAN.	SERIAL No.	REMARKS
● 0	×	F342 768 00	Piping Ass'y, Swing & Travel	1		WG010001-WG010152	
● 0	×	F342 853 00	Piping Ass'y, Swing & Travel	1		WG010153-	
1		D070 363 19	* Hose Ass'y	2		WG010001-	L=1100
2		D070 363 04	* Hose Ass'y	2		WG010001-	L=950
3		D070 362 14	* Hose Ass'y	1		WG010001-	L=770
4		D070 362 12	* Hose Ass'y	1		WG010001-	L=730
5		0713 700 03	* Adapter	2		WG010001-	
6		0820 067 10	* Band, Cable	2		WG010001-	
7		0760 710 16	* Ring, O	2		WG010001-	P14-90B
8		4070 351 03	* Cover, Hose	1		WG010001-	
9		D060 071 00	* Bush, Reducer	1		WG010001-	PF1/2XPF3/8
10		0713 700 78	* Adapter, Reducer	1		WG010001-	PF1/2XPF3/8
11		4072 971 00	* Connector	2		WG010001-	PF1/2XPF3/8
12		0713 700 04	* Adapter	2		WG010001-	
13		0760 710 19	* Ring, O	8		WG010001-	P18-90B
14		0710 114 44	* Elbow, 45	2		WG010001-	
15		0713 700 04	* Adapter	2		WG010001-	



40V4-040300-1

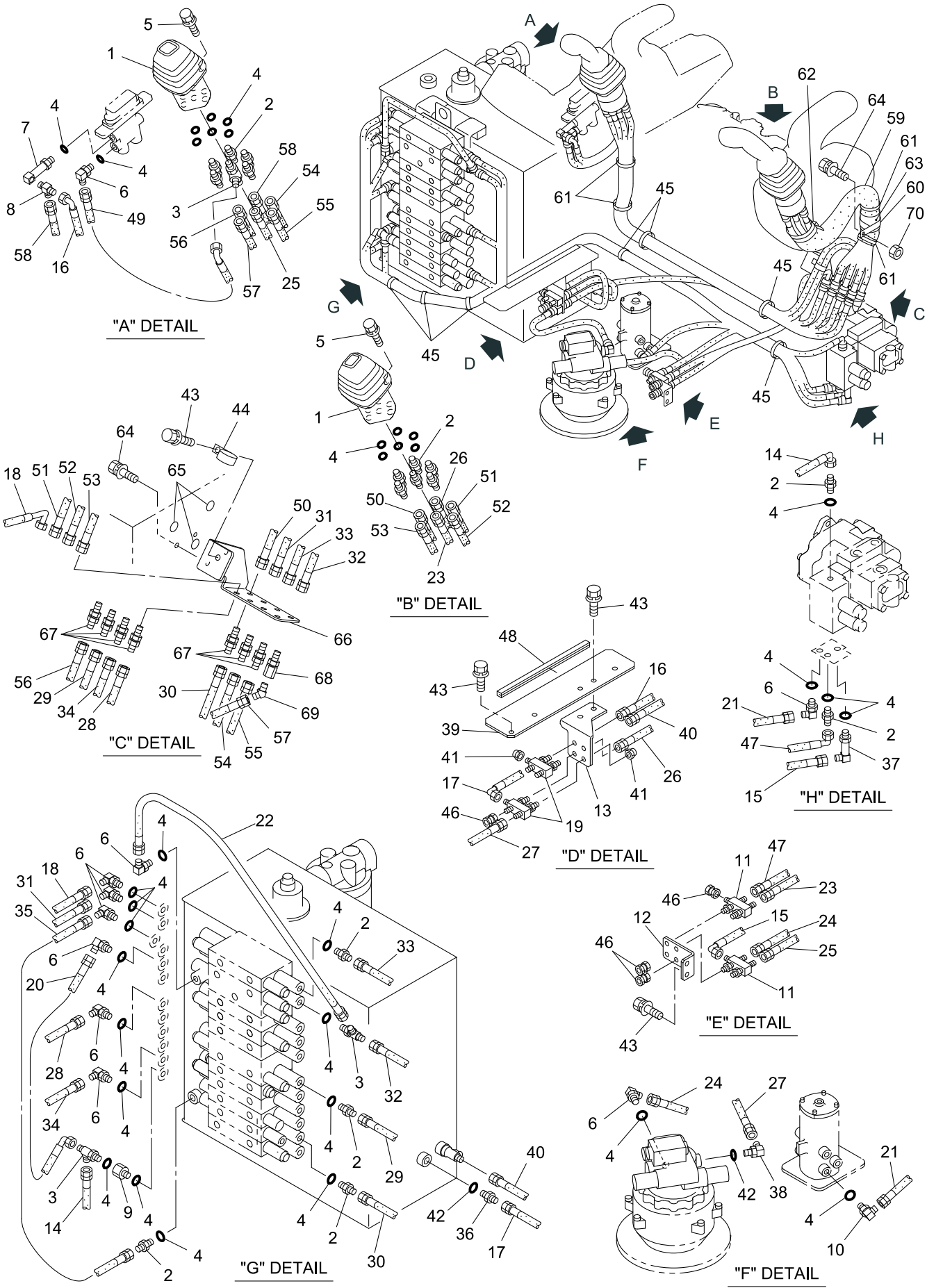


PUMP DISCHARGE & BOOM SWING PIPING ASS'Y

MODEL 45V4

SHEET No 4-3

KEY No.	SUP.	PART No.	DESCRIPTION	Q'TY	CHAN.	SERIAL No.	REMARKS
0	×	F342 768 00	Piping Ass'y, Pump Discharge & Boom Swing	1		WG010001-WG010152	
0	×	F342 853 00	Piping Ass'y, Pump Discharge & Boom Swing	1		WG010153-	
0-1	×	F388 388 00	Piping Ass'y, Pump Discharge & Boom Swing	1		WG010001-	
1		D083 154 00	* Clamp	2		WG010001-	
2		D580 170 00	* Pad	2		WG010001-	
3		D580 184 00	* Pad	2		WG010001-	
4		D070 360 02	* Hose Ass'y	2		WG010001-	L=710
5		D070 350 11	* Hose Ass'y	1		WG010001-	L=910
6		D070 350 06	* Hose Ass'y	1		WG010001-	L=1350
7		D070 578 01	* Hose Ass'y	2		WG010001-	L=2090
8		D070 578 02	* Hose Ass'y	1		WG010001-	L=2170
9		D060 535 00	* Elbow, Long	1		WG010001-	
10		D060 408 00	* Elbow	2		WG010001-	
11		0710 202 02	* Plug	3		WG010001-	
12		0760 710 19	* Ring, O	8		WG010001-	P18-90B
13		0517 080 50	* Bolt, Treatment (W/L.W, F.W)	4		WG010001-	M8X50
14		D070 350 10	* Hose Ass'y	1		WG010001-	L=1290
15		D040 249 07	* Spacer	4		WG010001-	
16		D419 490 00	* Bracket	1		WG010001-	
17		D060 540 00	* Connector	3		WG010001-	
18		0518 100 30	* Bolt, Treatment (W/L.W, F.W)	2		WG010001-	M10X30 P=1.25
19		D060 503 00	* Adapter, Reducer	2		WG010001-	PF1/2XPF1/4
20		0710 113 44	* Elbow	2		WG010001-	
21		4072 769 00	* Elbow, Long	1		WG010001-	
22		0713 700 77	* Adapter, Reducer	2		WG010001-	PF3/8XPF1/4
23		0760 710 16	* Ring, O	2		WG010001-	P14-90B
24		4070 390 03	* Cover, Hose	1		WG010001-	
25		0820 067 10	* Band, Cable	2		WG010001-	



40V4-040400-1



CONTROL PIPING ASS'Y

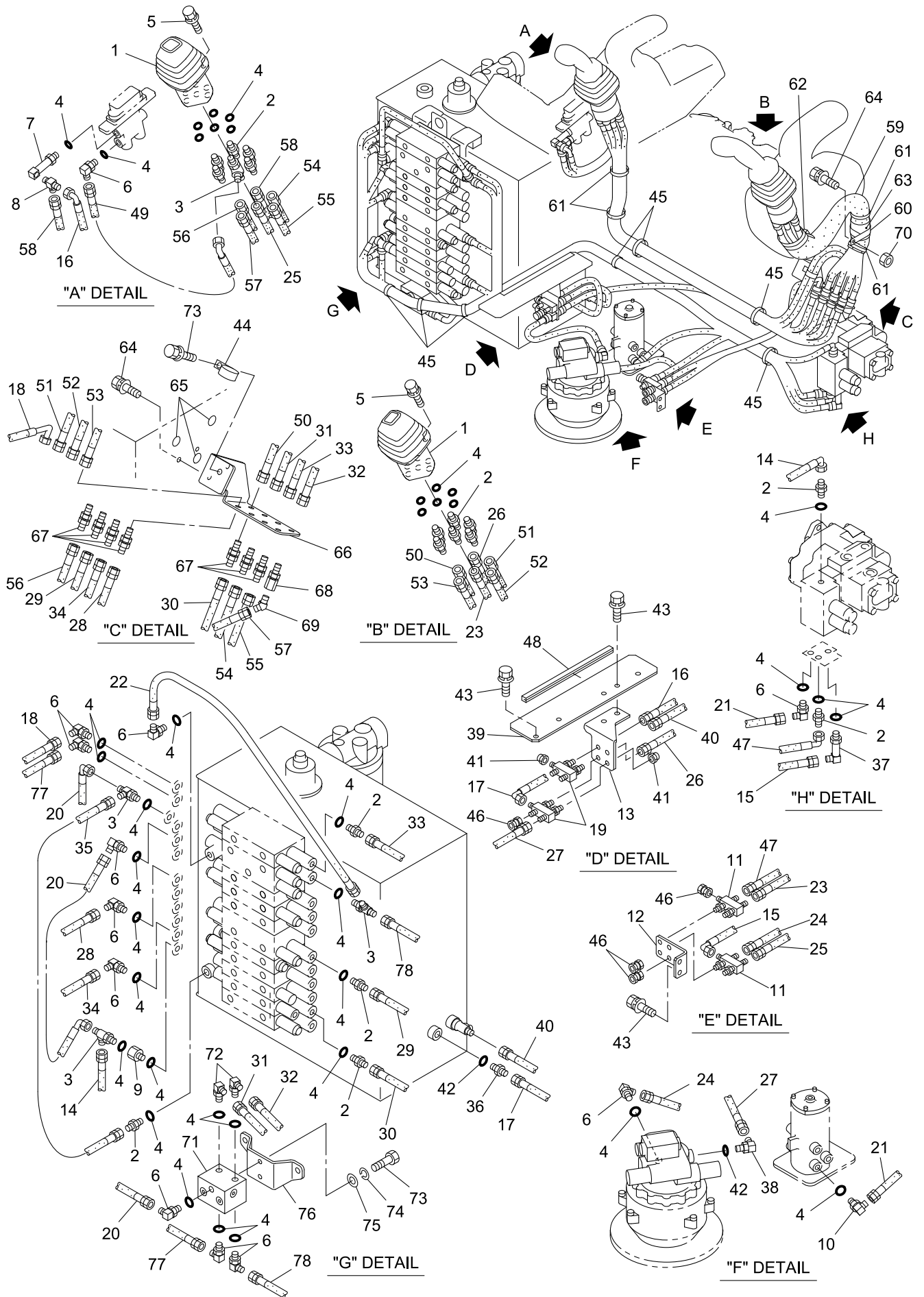
MODEL 45V4

SHEET No 4-4

KEY No.	SUP.	PART No.	DESCRIPTION	Q'TY	CHAN.	SERIAL No.	REMARKS
0	×	F342 769 00	Piping Ass'y, Control	1		WG010001-	
1	#	0783 964 UA	* Valve Assy Remote Control	2		WG010001-	Sh. No. 5-5
2		0713 700 70	* Connector	17		WG010001-	
3		0710 713 09	* Tee	3		WG010001-	
4		0760 710 12	* Ring, O	34		WG010001-	P11-90B
5		0517 060 25	* Bolt, Treatment (W/L.W, F.W)	6		WG010001-	M6X25
6		0710 122 09	* Elbow	10		WG010001-	
7		0719 805 UA	* Elbow	1		WG010001-	
8		0710 709 02	* Tee	1		WG010001-	
9		D060 525 00	* Connector	1		WG010001-	
10		0710 117 02	* Elbow	1		WG010001-	
11		D065 093 00	* Manifold	2		WG010001-	
12		D418 943 00	* Bracket	1		WG010001-	
13		D418 944 00	* Bracket	1		WG010001-	
14		4070 551 34	* Hose Ass'y	1		WG010001-	L=1900
15		4070 551 01	* Hose Ass'y	1		WG010001-	L=1150
16		4070 551 22	* Hose Ass'y	1		WG010001-	L=1000
16-1	☆	D407 818 04	* Decal (BT)	2		WG010001-	D407 818 00
17		4070 124 09	* Hose Ass'y	1		WG010001-	L=470
18		4070 551 43	* Hose Ass'y	1		WG010001-	L=2450
18-1	☆	4405 308 01	* Decal (C1)	2		WG010001-	4405 308 00
19		D065 094 00	* Manifold	2		WG010001-	
20		4070 551 19	* Hose Ass'y	1		WG010001-	L=600
21		4070 548 68	* Hose Ass'y	1		WG010001-	L=1070
22		4070 548 57	* Hose Ass'y	1		WG010001-	L=450
23		4070 548 40	* Hose Ass'y	1		WG010001-	L=1650
23-1	☆	4405 311 02	* Decal (LP)	2		WG010001-	4405 311 00
24		4070 548 82	* Hose Ass'y	1		WG010001-	L=420
25		4070 548 69	* Hose Ass'y	1		WG010001-	L=840
25-1	☆	4405 311 01	* Decal (RP)	2		WG010001-	4405 311 00
26		4070 548 42	* Hose Ass'y	1		WG010001-	L=1670
26-1	☆	4405 312 02	* Decal (LT)	2		WG010001-	4405 312 00
27		4070 548 88	* Hose Ass'y	1		WG010001-	L=780
28		4070 548 89	* Hose Ass'y	1		WG010001-	L=2250
28-1	☆	4405 309 02	* Decal (A2)	2		WG010001-	4405 309 00
29		4070 548 61	* Hose Ass'y	1		WG010001-	L=1700
29-1	☆	4405 309 01	* Decal (A1)	2		WG010001-	4405 309 00
30		4070 548 41	* Hose Ass'y	1		WG010001-	L=1850
30-1	☆	4405 310 02	* Decal (S2)	2		WG010001-	4405 310 00
31		4070 548 35	* Hose Ass'y	1		WG010001-	L=2400
31-1	☆	4405 307 02	* Decal (B2)	2		WG010001-	4405 307 00
32		4070 548 39	* Hose Ass'y	1		WG010001-	L=2000
32-1	☆	4405 307 01	* Decal (B1)	2		WG010001-	4405 307 00
33		4070 548 65	* Hose Ass'y	1		WG010001-	L=1950
33-1	☆	4405 308 02	* Decal (C2)	2		WG010001-	4405 308 00
34		4070 548 21	* Hose Ass'y	1		WG010001-	L=2100
34-1	☆	4405 310 01	* Decal (S1)	2		WG010001-	4405 310 00
35		4070 548 70	* Hose Ass'y	1		WG010001-	L=680
36		0713 700 71	* Adapter	1		WG010001-	
37		0710 117 02	* Elbow, Long	1		WG010001-	
38		0710 113 32	* Elbow, Reducer	1		WG010001-	PF3/8XPF1/4
39		D418 948 00	* Bracket	1		WG010001-	

KEY No.	SUP.	PART No.	DESCRIPTION	Q'TY	CHAN.	SERIAL No.	REMARKS
40		4070 782 06	* Hose Ass'y	1		WG010001-	L=500
41		0710 303 03	* Plug, Swivel	2		WG010001-	
42		0760 710 16	* Ring, O	2		WG010001-	P14-90B
43		0518 100 20	* Bolt, Treatment (W/L.W, F.W)	7		WG010001-	M10X20 P=1.25
44		4080 000 25	* Clamp, Hose	1		WG010001-	
45		0820 067 05	* Band, Cable	7		WG010001-	
46		0710 303 02	* Plug, Swivel	4		WG010001-	PF1/4
47		4070 551 45	* Hose Ass'y	1		WG010001-	L=950
48		D550 019 00	* Seal	1		WG010001-	L=300
49		4070 551 15	* Hose Ass'y	1		WG010001-	L=350
49-1	☆	D407 818 03	* Decal (BP)	2		WG010001-	D407 818 00
50		4070 548 25	* Hose Ass'y	1		WG010001-	L=700
50-1	☆	4405 309 03	* Decal (L1)	2		WG010001-	4405 309 00
51		4070 548 25	* Hose Ass'y	1		WG010001-	L=700
51-1	☆	4405 310 03	* Decal (L2)	2		WG010001-	4405 310 00
52		4070 548 25	* Hose Ass'y	1		WG010001-	L=700
52-1	☆	4405 309 04	* Decal (L3)	2		WG010001-	4405 309 00
53		4070 548 25	* Hose Ass'y	1		WG010001-	L=700
53-1	☆	4405 310 04	* Decal (L4)	2		WG010001-	4405 310 00
54		4070 548 06	* Hose Ass'y	1		WG010001-	L=1200
54-1	☆	4405 308 03	* Decal (R2)	2		WG010001-	4405 308 00
55		4070 548 06	* Hose Ass'y	1		WG010001-	L=1200
55-1	☆	4405 307 04	* Decal (R3)	2		WG010001-	4405 307 00
56		4070 548 19	* Hose Ass'y	1		WG010001-	L=1250
56-1	☆	4405 307 03	* Decal (R1)	2		WG010001-	4405 307 00
57		4070 548 19	* Hose Ass'y	1		WG010001-	L=1250
57-1	☆	4405 308 04	* Decal (R4)	2		WG010001-	4405 308 00
58		4070 548 08	* Hose Ass'y	1		WG010001-	L=300
58-1	☆	4405 312 01	* Decal (RT)	2		WG010001-	4405 312 00
59		D070 577 01	* Hose	1		WG010001-	
60		4080 000 09	* Clamp, Hose	1		WG010001-	
61		0820 067 09	* Band, Cable	4		WG010001-	
62		0820 067 10	* Band, Cable	1		WG010001-	
63		4580 016 00	* Pad, Rubber	1		WG010001-	
64		0518 100 25	* Bolt, Treatment (W/L.W, F.W)	3		WG010001-	M10X25 P=1.25
65		D405 272 00	* Seal	3		WG010001-	
66		D419 122 00	* Bracket	1		WG010001-	
67		D060 137 00	* Adapter	7		WG010001-	
68		0712 325 02	* Adapter	1		WG010001-	
69		0712 310 40	* Elbow, 45	1		WG010001-	
70		0545 100 00	* Nut, Treatment	1		WG010001-	M10 P=1.25

[Memo]



40V4-0404A0-1



CONTROL PIPING ASS'Y

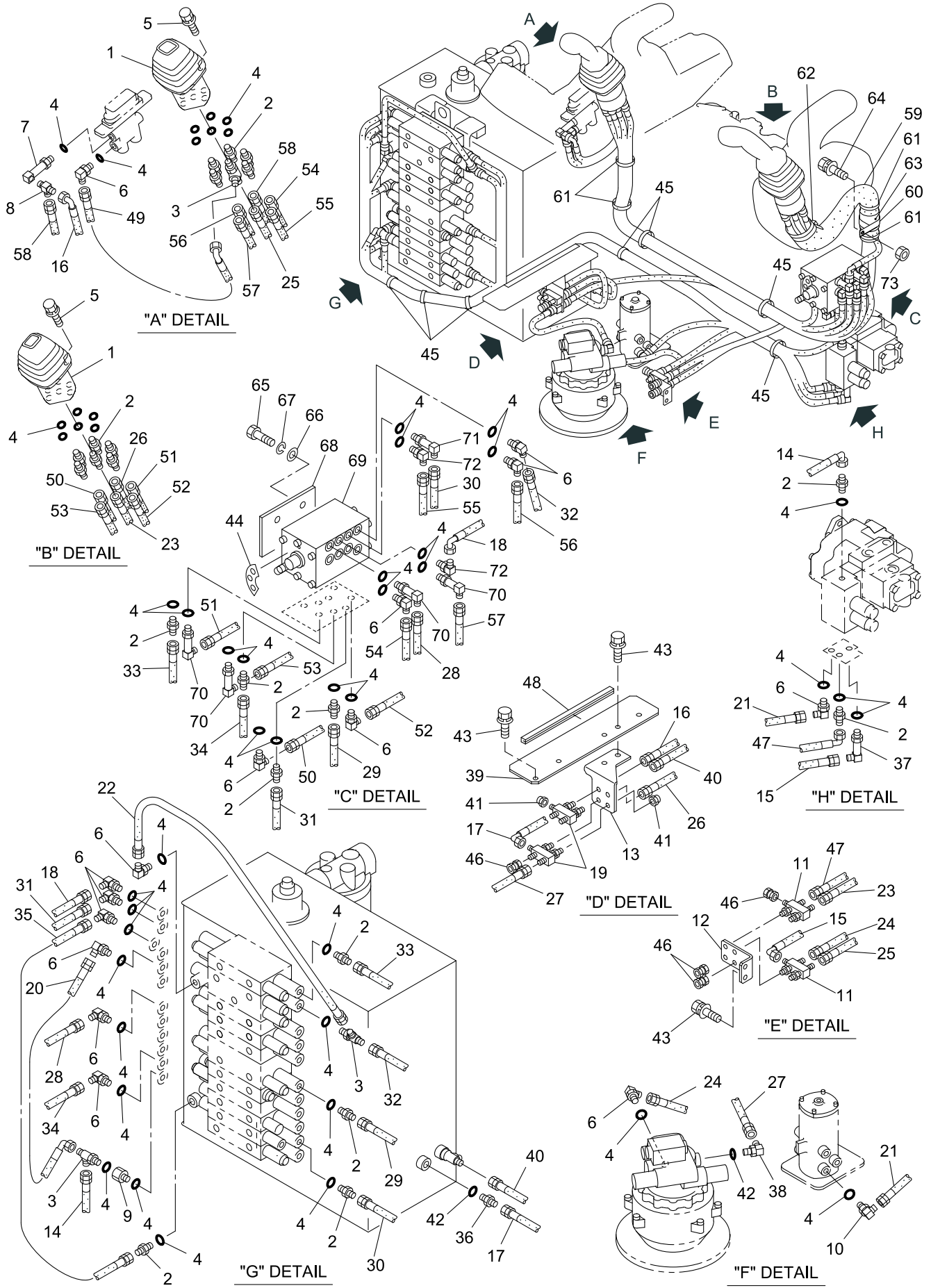
MODEL 45V4

SHEET No 4-4A

KEY No.	SUP.	PART No.	DESCRIPTION	Q'TY	CHAN.	SERIAL No.	REMARKS
0	×	F342 888 00	Piping Ass'y, Control	1		WG010153-	
1	#	0784 127 UA	* Valve Assy Remote Control	2		WG010153-	Sh. No. 5-5A
2		0713 700 70	* Connector	17		WG010153-	
3		0710 713 09	* Tee	4		WG010153-	
4		0760 710 12	* Ring, O	39		WG010153-	P11-90B
5		0517 060 25	* Bolt, Treatment (W/L.W, F.W)	6		WG010153-	M6X25
6		0710 122 09	* Elbow	12		WG010153-	
7		0719 805 UA	* Elbow	1		WG010153-	
8		0710 709 02	* Tee	1		WG010153-	
9		D060 525 00	* Connector	1		WG010153-	
10		0710 117 02	* Elbow	1		WG010153-	
11		D065 093 00	* Manifold	2		WG010153-	
12		D418 943 00	* Bracket	1		WG010153-	
13		D418 944 00	* Bracket	1		WG010153-	
14		4070 551 34	* Hose Ass'y	1		WG010153-	L=1900
15		4070 551 01	* Hose Ass'y	1		WG010153-	L=1150
16		4070 551 22	* Hose Ass'y	1		WG010153-	L=1000
16-1	☆	D407 818 04	* Decal (BT)	2		WG010153-	D407 818 00
17		4070 124 09	* Hose Ass'y	1		WG010153-	L=470
18		4070 551 43	* Hose Ass'y	1		WG010153-	L=2450
18-1	☆	4405 308 01	* Decal (C1)	2		WG010153-	4405 308 00
19		D065 094 00	* Manifold	2		WG010153-	
20		4070 551 19	* Hose Ass'y	2		WG010153-	L=600
21		4070 548 68	* Hose Ass'y	1		WG010153-	L=1070
22		4070 548 57	* Hose Ass'y	1		WG010153-	L=450
23		4070 548 40	* Hose Ass'y	1		WG010153-	L=1650
23-1	☆	4405 311 02	* Decal (LP)	2		WG010153-	4405 311 00
24		4070 548 82	* Hose Ass'y	1		WG010153-	L=420
25		4070 548 69	* Hose Ass'y	1		WG010153-	L=840
25-1	☆	4405 311 01	* Decal (RP)	2		WG010153-	4405 311 00
26		4070 548 42	* Hose Ass'y	1		WG010153-	L=1670
26-1	☆	4405 312 02	* Decal (LT)	2		WG010153-	4405 312 00
27		4070 548 88	* Hose Ass'y	1		WG010153-	L=780
28		4070 548 89	* Hose Ass'y	1		WG010153-	L=2250
28-1	☆	4405 309 02	* Decal (A2)	2		WG010153-	4405 309 00
29		4070 548 61	* Hose Ass'y	1		WG010153-	L=1700
29-1	☆	4405 309 01	* Decal (A1)	2		WG010153-	4405 309 00
30		4070 548 41	* Hose Ass'y	1		WG010153-	L=1850
30-1	☆	4405 310 02	* Decal (S2)	2		WG010153-	4405 310 00
31		4070 548 61	* Hose Ass'y	1		WG010153-	L=1700
31-1	☆	4405 307 02	* Decal (B2)	2		WG010153-	4405 307 00
32		4070 548 61	* Hose Ass'y	1		WG010153-	L=1700
32-1	☆	4405 307 01	* Decal (B1)	2		WG010153-	4405 307 00
33		4070 548 65	* Hose Ass'y	1		WG010153-	L=1950
33-1	☆	4405 308 02	* Decal (C2)	2		WG010153-	4405 308 00
34		4070 548 21	* Hose Ass'y	1		WG010153-	L=2100
34-1	☆	4405 310 01	* Decal (S1)	2		WG010153-	4405 310 00
35		4070 548 70	* Hose Ass'y	1		WG010153-	L=680
36		0713 700 71	* Adapter	1		WG010153-	
37		0710 117 02	* Elbow, Long	1		WG010153-	
38		0710 113 32	* Elbow, Reducer	1		WG010153-	PF3/8XPF1/4
39		D418 948 00	* Bracket	1		WG010153-	

KEY No.	SUP.	PART No.	DESCRIPTION	Q'TY	CHAN.	SERIAL No.	REMARKS
40		4070 782 06	* Hose Ass'y	1		WG010153-	L=500
41		0710 303 03	* Plug, Swivel	2		WG010153-	
42		0760 710 16	* Ring, O	2		WG010153-	P14-90B
43		0518 100 20	* Bolt, Treatment (W/L.W, F.W)	7		WG010153-	M10X20 P=1.25
44		4080 000 25	* Clamp, Hose	1		WG010153-	
45		0820 067 05	* Band, Cable	7		WG010153-	
46		0710 303 02	* Plug, Swivel	4		WG010153-	PF1/4
47		4070 551 45	* Hose Ass'y	1		WG010153-	L=950
48		D550 019 00	* Seal	1		WG010153-	L=300
49		4070 551 15	* Hose Ass'y	1		WG010153-	L=350
49-1	☆	D407 818 03	* Decal (BP)	2		WG010153-	D407 818 00
50		4070 548 75	* Hose Ass'y	1		WG010153-	L=720
50-1	☆	4405 309 03	* Decal (L1)	2		WG010153-	4405 309 00
51		4070 548 75	* Hose Ass'y	1		WG010153-	L=720
51-1	☆	4405 310 03	* Decal (L2)	2		WG010153-	4405 310 00
52		4070 548 75	* Hose Ass'y	1		WG010153-	L=720
52-1	☆	4405 309 04	* Decal (L3)	2		WG010153-	4405 309 00
53		4070 548 75	* Hose Ass'y	1		WG010153-	L=720
53-1	☆	4405 310 04	* Decal (L4)	2		WG010153-	4405 310 00
54		4070 548 06	* Hose Ass'y	1		WG010153-	L=1200
54-1	☆	4405 308 03	* Decal (R2)	2		WG010153-	4405 308 00
55		4070 548 06	* Hose Ass'y	1		WG010153-	L=1200
55-1	☆	4405 307 04	* Decal (R3)	2		WG010153-	4405 307 00
56		4070 548 19	* Hose Ass'y	1		WG010153-	L=1250
56-1	☆	4405 307 03	* Decal (R1)	2		WG010153-	4405 307 00
57		4070 548 19	* Hose Ass'y	1		WG010153-	L=1250
57-1	☆	4405 308 04	* Decal (R4)	2		WG010153-	4405 308 00
58		4070 548 08	* Hose Ass'y	1		WG010153-	L=300
58-1	☆	4405 312 01	* Decal (RT)	2		WG010153-	4405 312 00
59		D070 577 01	* Hose	1		WG010153-	
60		4080 000 09	* Clamp, Hose	1		WG010153-	
61		0820 067 09	* Band, Cable	4		WG010153-	
62		0820 067 10	* Band, Cable	1		WG010153-	
63		4580 016 00	* Pad, Rubber	1		WG010153-	
64		0518 100 25	* Bolt, Treatment (W/L.W, F.W)	3		WG010153-	M10X25 P=1.25
65		D405 272 00	* Seal	3		WG010153-	
66		D419 122 00	* Bracket	1		WG010153-	
67		D060 137 00	* Adapter	7		WG010153-	
68		0712 325 02	* Adapter	1		WG010153-	
69		0712 310 40	* Elbow, 45	1		WG010153-	
70		0545 100 00	* Nut, Treatment	1		WG010153-	M10 P=1.25
71	#	0783 802 UA	* Valve Ass'y, Shock-less	1		WG010153-	Sh.No. 5-16
72		0712 325 01	* Elbow	2		WG010153-	
73		0550 100 25	* Bolt, Hex.	2		WG010153-	M10X25
74		0590 100 00	* Washer, Lock	2		WG010153-	M10
75		0593 100 00	* Washer, Flat	2		WG010153-	M10
76		D419 788 00	* Bracket	1		WG010153-	
77		4070 548 88	* Hose Ass'y	1		WG010153-	L=780
77-1	☆	4405 307 02	* Decal (B2)	2		WG010153-	4405 307 00
78		4070 548 69	* Hose Ass'y	1		WG010153-	L=840
78-1	☆	4405 307 01	* Decal (B1)	2		WG010153-	4405 307 00

[Memo]



40V4-04040A-1



CONTROL PIPING ASS'Y (A-D & A, B, G CHANGE)

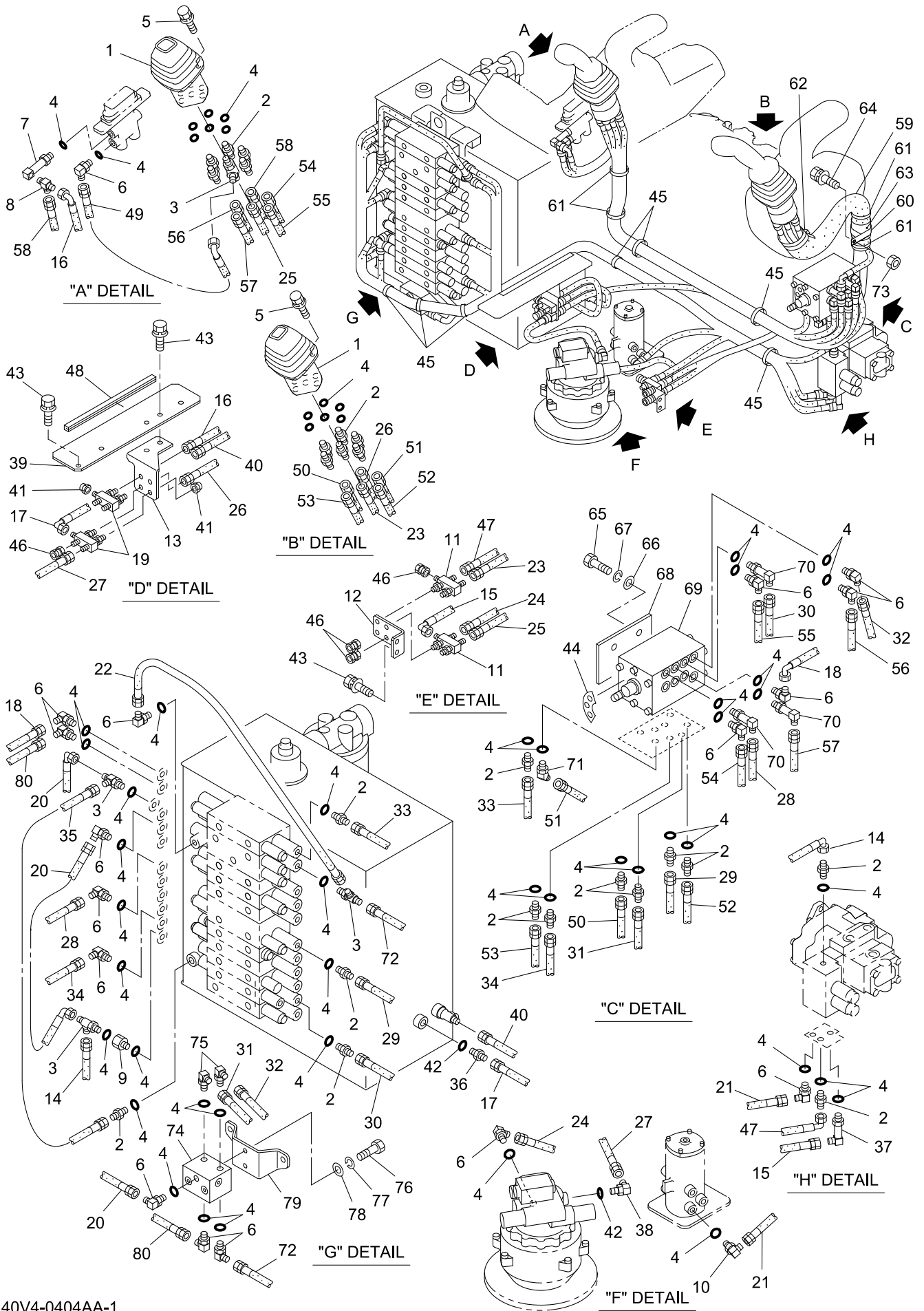
MODEL 45V4

SHEET No 4-4[A]

KEY No.	SUP.	PART No.	DESCRIPTION	Q'TY	CHAN.	SERIAL No.	REMARKS
0	×	F342 769 00	Piping Ass'y, Control	1		WG010001-	
1	#	0783 964 UA	* Valve Assy Remote Control	2		WG010001-	Sh. No. 5-5
2		0713 700 70	* Connector	21		WG010001-	
3		0710 713 09	* Tee	3		WG010001-	
4		0760 710 12	* Ring, O	50		WG010001-	P11-90B
5		0517 060 25	* Bolt, Treatment (W/L.W, F.W)	6		WG010001-	M6X25
6		0710 122 09	* Elbow	15		WG010001-	
7		0719 805 UA	* Elbow	1		WG010001-	
8		0710 709 02	* Tee	1		WG010001-	
9		D060 525 00	* Connector	1		WG010001-	
10		0710 117 02	* Elbow	1		WG010001-	
11		D065 093 00	* Manifold	2		WG010001-	
12		D418 943 00	* Bracket	1		WG010001-	
13		D418 944 00	* Bracket	1		WG010001-	
14		4070 551 34	* Hose Ass'y	1		WG010001-	L=1900
15		4070 551 01	* Hose Ass'y	1		WG010001-	L=1150
16		4070 551 22	* Hose Ass'y	1		WG010001-	L=1000
16-1	☆	D407 818 04	* Decal (BT)	2		WG010001-	D407 818 00
17		4070 124 09	* Hose Ass'y	1		WG010001-	L=470
18		4070 551 43	* Hose Ass'y	1		WG010001-	L=2450
18-1	☆	4405 308 01	* Decal (C1)	2		WG010001-	4405 308 00
19		D065 094 00	* Manifold	2		WG010001-	
20		4070 551 19	* Hose Ass'y	1		WG010001-	L=600
21		4070 548 68	* Hose Ass'y	1		WG010001-	L=1070
22		4070 548 57	* Hose Ass'y	1		WG010001-	L=450
23		4070 548 40	* Hose Ass'y	1		WG010001-	L=1650
23-1	☆	4405 311 02	* Decal (LP)	2		WG010001-	4405 311 00
24		4070 548 82	* Hose Ass'y	1		WG010001-	L=420
25		4070 548 69	* Hose Ass'y	1		WG010001-	L=840
25-1	☆	4405 311 01	* Decal (RP)	2		WG010001-	4405 311 00
26		4070 548 42	* Hose Ass'y	1		WG010001-	L=1670
26-1	☆	4405 312 02	* Decal (LT)	2		WG010001-	4405 312 00
27		4070 548 88	* Hose Ass'y	1		WG010001-	L=780
28		4070 548 89	* Hose Ass'y	1		WG010001-	L=2250
28-1	☆	4405 309 02	* Decal (A2)	2		WG010001-	4405 309 00
29		4070 548 61	* Hose Ass'y	1		WG010001-	L=1700
29-1	☆	4405 309 01	* Decal (A1)	2		WG010001-	4405 309 00
30		4070 548 41	* Hose Ass'y	1		WG010001-	L=1850
30-1	☆	4405 310 02	* Decal (S2)	2		WG010001-	4405 310 00
31		4070 548 35	* Hose Ass'y	1		WG010001-	L=2400
31-1	☆	4405 307 02	* Decal (B2)	2		WG010001-	4405 307 00
32		4070 548 39	* Hose Ass'y	1		WG010001-	L=2000
32-1	☆	4405 307 01	* Decal (B1)	2		WG010001-	4405 307 00
33		4070 548 65	* Hose Ass'y	1		WG010001-	L=1950
33-1	☆	4405 308 02	* Decal (C2)	2		WG010001-	4405 308 00
34		4070 548 21	* Hose Ass'y	1		WG010001-	L=2100
34-1	☆	4405 310 01	* Decal (S1)	2		WG010001-	4405 310 00
35		4070 548 70	* Hose Ass'y	1		WG010001-	L=680
36		0713 700 71	* Adapter	1		WG010001-	
37		0710 117 02	* Elbow, Long	1		WG010001-	
38		0710 113 32	* Elbow, Reducer	1		WG010001-	PF3/8XPF1/4
39		D418 948 00	* Bracket	1		WG010001-	

KEY No.	SUP.	PART No.	DESCRIPTION	Q'TY	CHAN.	SERIAL No.	REMARKS
40		4070 782 06	* Hose Ass'y	1		WG010001-	L=500
41		0710 303 03	* Plug, Swivel	2		WG010001-	
42		0760 710 16	* Ring, O	2		WG010001-	P14-90B
43		0518 100 20	* Bolt, Treatment (W/L.W, F.W)	5		WG010001-	M10X20 P=1.25
44		D405 447 00	* Decal (For A-D)	1		WG010001-	
44-1		D405 518 00	* Decal (For A, B, G)	1		WG010001-	
45		0820 067 05	* Band, Cable	7		WG010001-	
46		0710 303 02	* Plug, Swivel	4		WG010001-	PF1/4
47		4070 551 45	* Hose Ass'y	1		WG010001-	L=950
48		D550 019 00	* Seal	1		WG010001-	L=300
49		4070 551 15	* Hose Ass'y	1		WG010001-	L=350
49-1	☆	D407 818 03	* Decal (BP)	2		WG010001-	D407 818 00
50		4070 548 25	* Hose Ass'y	1		WG010001-	L=700
50-1	☆	4405 309 03	* Decal (L1)	2		WG010001-	4405 309 00
51		4070 548 25	* Hose Ass'y	1		WG010001-	L=700
51-1	☆	4405 310 03	* Decal (L2)	2		WG010001-	4405 310 00
52		4070 548 25	* Hose Ass'y	1		WG010001-	L=700
52-1	☆	4405 309 04	* Decal (L3)	2		WG010001-	4405 309 00
53		4070 548 25	* Hose Ass'y	1		WG010001-	L=700
53-1	☆	4405 310 04	* Decal (L4)	2		WG010001-	4405 310 00
54		4070 548 06	* Hose Ass'y	1		WG010001-	L=1200
54-1	☆	4405 308 03	* Decal (R2)	2		WG010001-	4405 308 00
55		4070 548 06	* Hose Ass'y	1		WG010001-	L=1200
55-1	☆	4405 307 04	* Decal (R3)	2		WG010001-	4405 307 00
56		4070 548 19	* Hose Ass'y	1		WG010001-	L=1250
56-1	☆	4405 307 03	* Decal (R1)	2		WG010001-	4405 307 00
57		4070 548 19	* Hose Ass'y	1		WG010001-	L=1250
57-1	☆	4405 308 04	* Decal (R4)	2		WG010001-	4405 308 00
58		4070 548 08	* Hose Ass'y	1		WG010001-	L=300
58-1	☆	4405 312 01	* Decal (RT)	2		WG010001-	4405 312 00
59		D070 577 01	* Hose	1		WG010001-	
60		4080 000 09	* Clamp, Hose	1		WG010001-	
61		0820 067 09	* Band, Cable	4		WG010001-	
62		0820 067 10	* Band, Cable	1		WG010001-	
63		4580 016 00	* Pad, Rubber	1		WG010001-	
64		0518 100 25	* Bolt, Treatment (W/L.W, F.W)	1		WG010001-	M10X25 P=1.25
65		0550 120 25	* Bolt, Hex.	3		WG010001-	M12X25
66		0593 120 00	* Washer, Flat	3		WG010001-	M12
67		0590 120 00	* Washer, Lock	3		WG010001-	M12
68		D040 345 00	* Spacer	1		WG010001-	
69	#	0784 112 UA	* Valve Ass'y, Multiple (For A-D)	1		WG010001-	Sh. No. 5-15
69-1	#	0784 113 UA	* Valve Ass'y, Multiple (For A, B, G)	1		WG010001-	Sh. No. 5-15[A]
70		D060 028 00	* Elbow	4		WG010001-	
71		D060 028 00	* Elbow	1		WG010001-***	
71		0710 121 00	* Elbow, 45	1	○	***-	
72		0710 122 09	* Elbow	2		WG010001-***	
72		0710 121 00	* Elbow, 45	2	○	***-	
73		0545 100 00	* Nut, Treatment	1		WG010001-	M10 P=1.25

[Memo]



40V4-0404AA-1



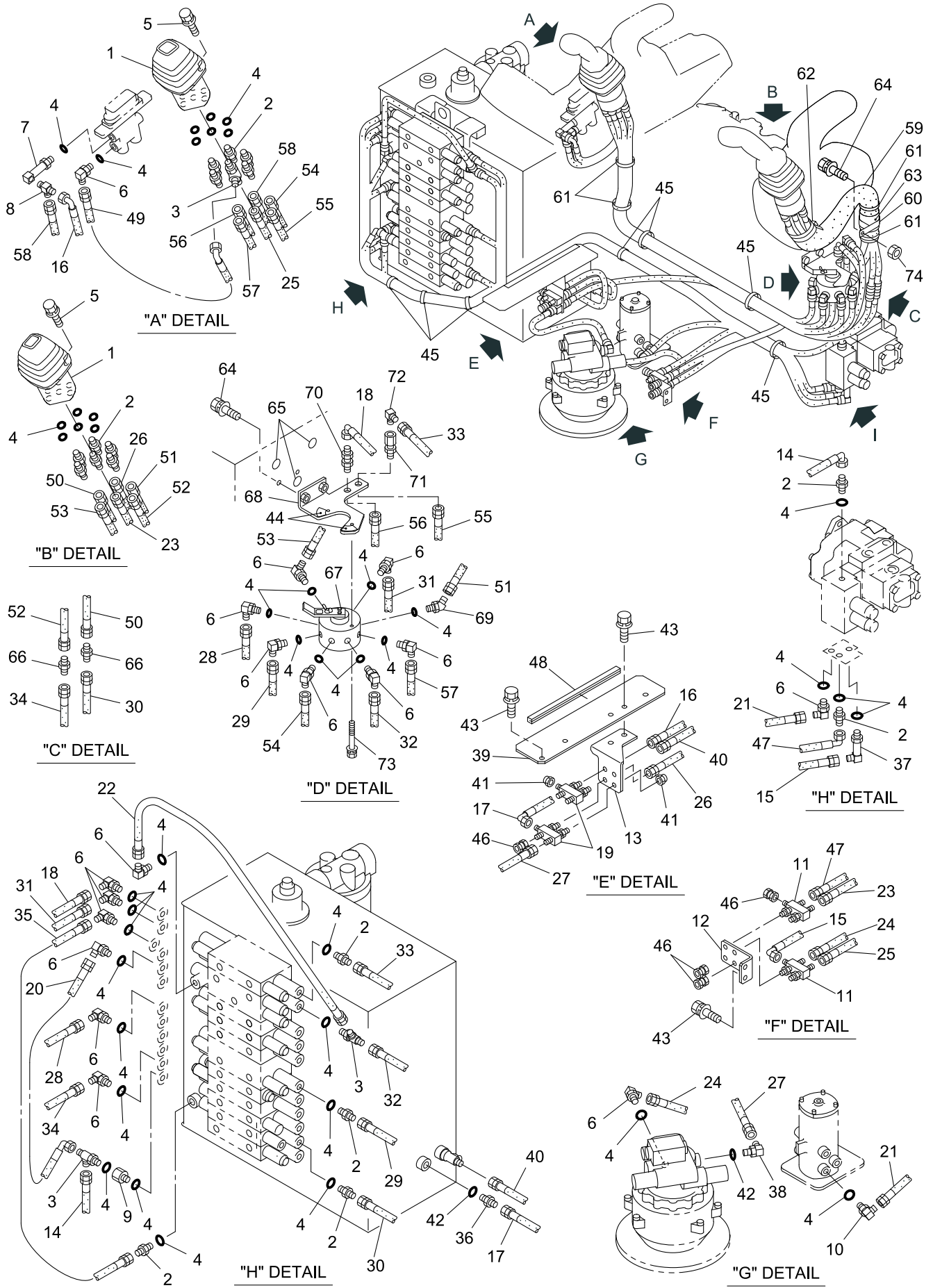
CONTROL PIPING ASS'Y (A-D & A, B, G CHANGE)

MODEL 45V4

SHEET No 4-4A[A]

KEY No.	SUP.	PART No.	DESCRIPTION	Q'TY	CHAN.	SERIAL No.	REMARKS
0	×	F342 888 00	Piping Ass'y, Control	1		WG010153-	
1	#	0784 127 UA	* Valve Assy Remote Control	2		WG010153-	Sh. No. 5-5A
2		0713 700 70	* Connector	24		WG010153-	
3		0710 713 09	* Tee	4		WG010153-	
4		0760 710 12	* Ring, O	55		WG010153-	P11-90B
5		0517 060 25	* Bolt, Treatment (W/L.W, F.W)	6		WG010153-	M6X25
6		0710 122 09	* Elbow	17		WG010153-	
7		0719 805 UA	* Elbow	1		WG010153-	
8		0710 709 02	* Tee	1		WG010153-	
9		D060 525 00	* Connector	1		WG010153-	
10		0710 117 02	* Elbow	1		WG010153-	
11		D065 093 00	* Manifold	2		WG010153-	
12		D418 943 00	* Bracket	1		WG010153-	
13		D418 944 00	* Bracket	1		WG010153-	
14		4070 551 34	* Hose Ass'y	1		WG010153-	L=1900
15		4070 551 01	* Hose Ass'y	1		WG010153-	L=1150
16		4070 551 22	* Hose Ass'y	1		WG010153-	L=1000
16-1	☆	D407 818 04	* Decal (BT)	2		WG010153-	D407 818 00
17		4070 124 09	* Hose Ass'y	1		WG010153-	L=470
18		4070 551 43	* Hose Ass'y	1		WG010153-	L=2450
18-1	☆	4405 308 01	* Decal (C1)	2		WG010153-	4405 308 00
19		D065 094 00	* Manifold	2		WG010153-	
20		4070 551 19	* Hose Ass'y	2		WG010153-	L=600
21		4070 548 68	* Hose Ass'y	1		WG010153-	L=1070
22		4070 548 57	* Hose Ass'y	1		WG010153-	L=450
23		4070 548 40	* Hose Ass'y	1		WG010153-	L=1650
23-1	☆	4405 311 02	* Decal (LP)	2		WG010153-	4405 311 00
24		4070 548 82	* Hose Ass'y	1		WG010153-	L=420
25		4070 548 69	* Hose Ass'y	1		WG010153-	L=840
25-1	☆	4405 311 01	* Decal (RP)	2		WG010153-	4405 311 00
26		4070 548 42	* Hose Ass'y	1		WG010153-	L=1670
26-1	☆	4405 312 02	* Decal (LT)	2		WG010153-	4405 312 00
27		4070 548 88	* Hose Ass'y	1		WG010153-	L=780
28		4070 548 89	* Hose Ass'y	1		WG010153-	L=2250
28-1	☆	4405 309 02	* Decal (A2)	2		WG010153-	4405 309 00
29		4070 548 61	* Hose Ass'y	1		WG010153-	L=1700
29-1	☆	4405 309 01	* Decal (A1)	2		WG010153-	4405 309 00
30		4070 548 41	* Hose Ass'y	1		WG010153-	L=1850
30-1	☆	4405 310 02	* Decal (S2)	2		WG010153-	4405 310 00
31		4070 548 61	* Hose Ass'y	1		WG010153-	L=1700
31-1	☆	4405 307 02	* Decal (B2)	2		WG010153-	4405 307 00
32		4070 548 61	* Hose Ass'y	1		WG010153-	L=1700
32-1	☆	4405 307 01	* Decal (B1)	2		WG010153-	4405 307 00
33		4070 548 65	* Hose Ass'y	1		WG010153-	L=1950
33-1	☆	4405 308 02	* Decal (C2)	2		WG010153-	4405 308 00
34		4070 548 21	* Hose Ass'y	1		WG010153-	L=2100
34-1	☆	4405 310 01	* Decal (S1)	2		WG010153-	4405 310 00
35		4070 548 70	* Hose Ass'y	1		WG010153-	L=680
36		0713 700 71	* Adapter	1		WG010153-	
37		0710 117 02	* Elbow, Long	1		WG010153-	
38		0710 113 32	* Elbow, Reducer	1		WG010153-	PF3/8XPF1/4
39		D418 948 00	* Bracket	1		WG010153-	

KEY No.	SUP.	PART No.	DESCRIPTION	Q'TY	CHAN.	SERIAL No.	REMARKS
40		4070 782 06	* Hose Ass'y	1		WG010153-	L=500
41		0710 303 03	* Plug, Swivel	2		WG010153-	
42		0760 710 16	* Ring, O	2		WG010153-	P14-90B
43		0518 100 20	* Bolt, Treatment (W/L.W, F.W)	5		WG010153-	M10X20 P=1.25
44		D405 447 00	* Decal (For A-D)	1		WG010153-	
44-1		D405 518 00	* Decal (For A, B, G)	1		WG010153-	
45		0820 067 05	* Band, Cable	7		WG010153-	
46		0710 303 02	* Plug, Swivel	4		WG010153-	PF1/4
47		4070 551 45	* Hose Ass'y	1		WG010153-	L=950
48		D550 019 00	* Seal	1		WG010153-	L=300
49		4070 551 15	* Hose Ass'y	1		WG010153-	L=350
49-1	☆	D407 818 03	* Decal (BP)	2		WG010153-	D407 818 00
50		4070 548 75	* Hose Ass'y	1		WG010153-	L=720
50-1	☆	4405 309 03	* Decal (L1)	2		WG010153-	4405 309 00
51		4070 548 75	* Hose Ass'y	1		WG010153-	L=720
51-1	☆	4405 310 03	* Decal (L2)	2		WG010153-	4405 310 00
52		4070 548 75	* Hose Ass'y	1		WG010153-	L=720
52-1	☆	4405 309 04	* Decal (L3)	2		WG010153-	4405 309 00
53		4070 548 75	* Hose Ass'y	1		WG010153-	L=720
53-1	☆	4405 310 04	* Decal (L4)	2		WG010153-	4405 310 00
54		4070 548 06	* Hose Ass'y	1		WG010153-	L=1200
54-1	☆	4405 308 03	* Decal (R2)	2		WG010153-	4405 308 00
55		4070 548 06	* Hose Ass'y	1		WG010153-	L=1200
55-1	☆	4405 307 04	* Decal (R3)	2		WG010153-	4405 307 00
56		4070 548 19	* Hose Ass'y	1		WG010153-	L=1250
56-1	☆	4405 307 03	* Decal (R1)	2		WG010153-	4405 307 00
57		4070 548 19	* Hose Ass'y	1		WG010153-	L=1250
57-1	☆	4405 308 04	* Decal (R4)	2		WG010153-	4405 308 00
58		4070 548 08	* Hose Ass'y	1		WG010153-	L=300
58-1	☆	4405 312 01	* Decal (RT)	2		WG010153-	4405 312 00
59		D070 577 01	* Hose	1		WG010153-	
60		4080 000 09	* Clamp, Hose	1		WG010153-	
61		0820 067 09	* Band, Cable	4		WG010153-	
62		0820 067 10	* Band, Cable	1		WG010153-	
63		4580 016 00	* Pad, Rubber	1		WG010153-	
64		0518 100 25	* Bolt, Treatment (W/L.W, F.W)	1		WG010153-	M10X25 P=1.25
65		0550 120 25	* Bolt, Hex.	3		WG010153-	M12X25
66		0593 120 00	* Washer, Flat	3		WG010153-	M12
67		0590 120 00	* Washer, Lock	3		WG010153-	M12
68		D040 345 00	* Spacer	1		WG010153-	
69	#	0784 112 UA	* Valve Ass'y, Multiple (For A-D)	1		WG010153-	Sh. No. 5-15
69-1	#	0784 113 UA	* Valve Ass'y, Multiple (For A, B, G)	1		WG010153-	Sh. No. 5-15[A]
70		D060 028 00	* Elbow	3		WG010153-	
71		0710 121 00	* Elbow, 45	1		WG010153-	
72		4070 548 69	* Hose Ass'y	1		WG010153-	L=840
72-1	☆	4405 307 01	* Decal (B1)	2		WG010153-	4405 307 00
73		0545 100 00	* Nut, Treatment	1		WG010153-	M10 P=1.25
74	#	0783 802 UA	* Valve Ass'y, Shock-less	1		WG010153-	Sh.No. 5-16
75		0712 325 01	* Elbow	2		WG010153-	
76		0550 100 25	* Bolt, Hex.	2		WG010153-	M10X25
77		0590 100 00	* Washer, Lock	2		WG010153-	M10
78		0593 100 00	* Washer, Flat	2		WG010153-	M10



40V4-04040B-1



CONTROL PIPING ASS'Y (FOR A, F CHANGE)

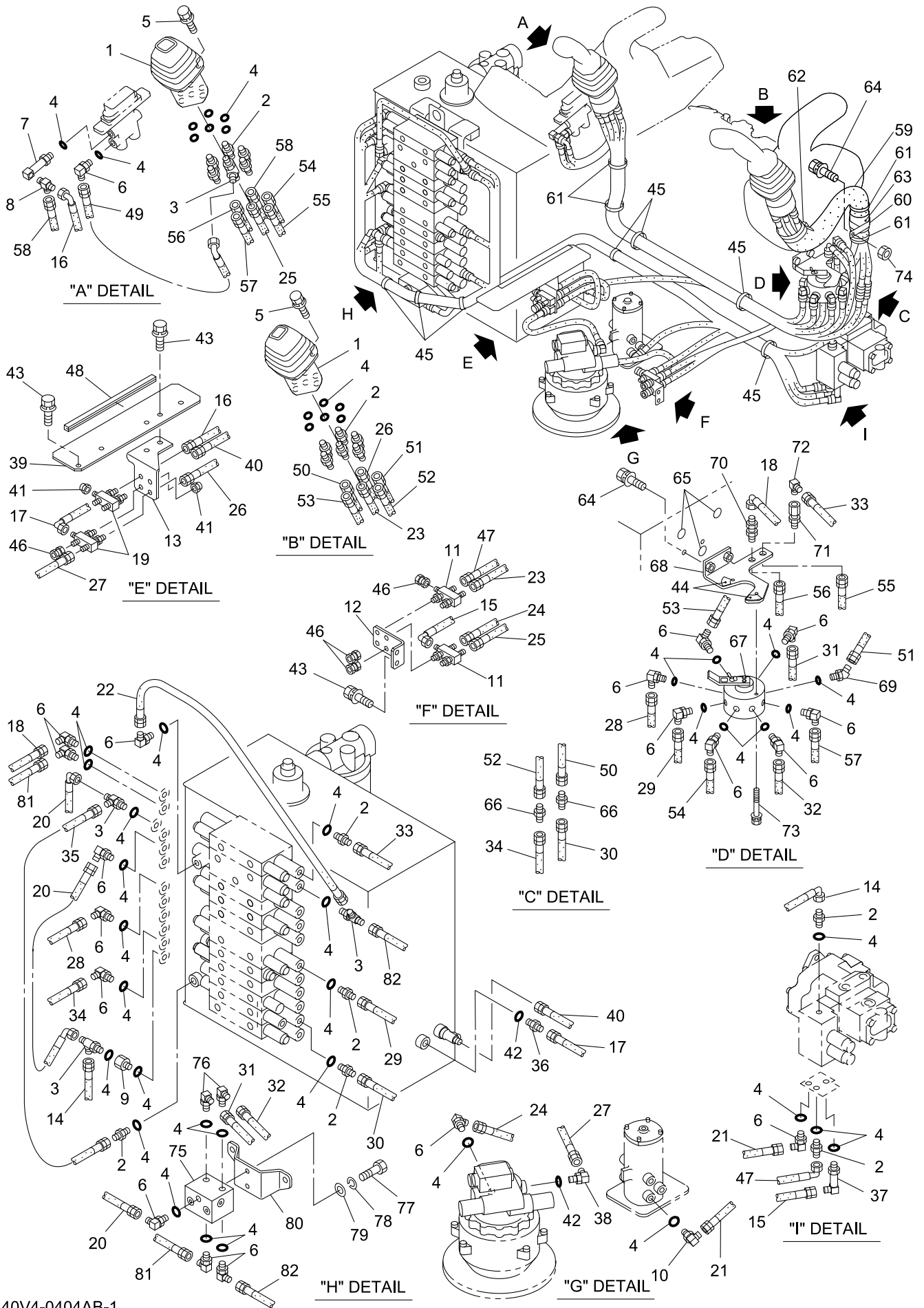
MODEL 45V4

SHEET No 4-4[B]

KEY No.	SUP.	PART No.	DESCRIPTION	Q'TY	CHAN.	SERIAL No.	REMARKS
0	×	F342 769 00	Piping Ass'y, Control	1		WG010001-	
1	#	0783 964 UA	* Valve Assy Remote Control	2		WG010001-	Sh. No. 5-5
2		0713 700 70	* Connector	17		WG010001-	
3		0710 713 09	* Tee	3		WG010001-	
4		0760 710 12	* Ring, O	42		WG010001-	P11-90B
5		0517 060 25	* Bolt, Treatment (W/L.W, F.W)	6		WG010001-	M6X25
6		0710 122 09	* Elbow	17		WG010001-	
7		0719 805 UA	* Elbow	1		WG010001-	
8		0710 709 02	* Tee	1		WG010001-	
9		D060 525 00	* Connector	1		WG010001-	
10		0710 117 02	* Elbow	1		WG010001-	
11		D065 093 00	* Manifold	2		WG010001-	
12		D418 943 00	* Bracket	1		WG010001-	
13		D418 944 00	* Bracket	1		WG010001-	
14		4070 551 34	* Hose Ass'y	1		WG010001-	L=1900
15		4070 551 01	* Hose Ass'y	1		WG010001-	L=1150
16		4070 551 22	* Hose Ass'y	1		WG010001-	L=1000
16-1	☆	D407 818 04	* Decal (BT)	2		WG010001-	D407 818 00
17		4070 124 09	* Hose Ass'y	1		WG010001-	L=470
18		4070 551 43	* Hose Ass'y	1		WG010001-	L=2450
18-1	☆	4405 308 01	* Decal (C1)	2		WG010001-	4405 308 00
19		D065 094 00	* Manifold	2		WG010001-	
20		4070 551 19	* Hose Ass'y	1		WG010001-	L=600
21		4070 548 68	* Hose Ass'y	1		WG010001-	L=1070
22		4070 548 57	* Hose Ass'y	1		WG010001-	L=450
23		4070 548 40	* Hose Ass'y	1		WG010001-	L=1650
23-1	☆	4405 311 02	* Decal (LP)	2		WG010001-	4405 311 00
24		4070 548 82	* Hose Ass'y	1		WG010001-	L=420
25		4070 548 69	* Hose Ass'y	1		WG010001-	L=840
25-1	☆	4405 311 01	* Decal (RP)	2		WG010001-	4405 311 00
26		4070 548 42	* Hose Ass'y	1		WG010001-	L=1670
26-1	☆	4405 312 02	* Decal (LT)	2		WG010001-	4405 312 00
27		4070 548 88	* Hose Ass'y	1		WG010001-	L=780
28		4070 548 89	* Hose Ass'y	1		WG010001-	L=2250
28-1	☆	4405 309 02	* Decal (A2)	2		WG010001-	4405 309 00
29		4070 548 61	* Hose Ass'y	1		WG010001-	L=1700
29-1	☆	4405 309 01	* Decal (A1)	2		WG010001-	4405 309 00
30		4070 548 41	* Hose Ass'y	1		WG010001-	L=1850
30-1	☆	4405 310 02	* Decal (S2)	2		WG010001-	4405 310 00
31		4070 548 35	* Hose Ass'y	1		WG010001-	L=2400
31-1	☆	4405 307 02	* Decal (B2)	2		WG010001-	4405 307 00
32		4070 548 39	* Hose Ass'y	1		WG010001-	L=2000
32-1	☆	4405 307 01	* Decal (B1)	2		WG010001-	4405 307 00
33		4070 548 65	* Hose Ass'y	1		WG010001-	L=1950
33-1	☆	4405 308 02	* Decal (C2)	2		WG010001-	4405 308 00
34		4070 548 21	* Hose Ass'y	1		WG010001-	L=2100
34-1	☆	4405 310 01	* Decal (S1)	2		WG010001-	4405 310 00
35		4070 548 70	* Hose Ass'y	1		WG010001-	L=680
36		0713 700 71	* Adapter	1		WG010001-	
37		0710 117 02	* Elbow, Long	1		WG010001-	
38		0710 113 32	* Elbow, Reducer	1		WG010001-	PF3/8XPF1/4
39		D418 948 00	* Bracket	1		WG010001-	

KEY No.	SUP.	PART No.	DESCRIPTION	Q'TY	CHAN.	SERIAL No.	REMARKS
40		4070 782 06	* Hose Ass'y	1		WG010001-	L=500
41		0710 303 03	* Plug, Swivel	2		WG010001-	
42		0760 710 16	* Ring, O	2		WG010001-	P14-90B
43		0518 100 20	* Bolt, Treatment (W/L.W, F.W)	5		WG010001-	M10X20 P=1.25
44		4448 987 00	* Decal (For A, F)	1		WG010001-	
45		0820 067 05	* Band, Cable	7		WG010001-	
46		0710 303 02	* Plug, Swivel	4		WG010001-	PF1/4
47		4070 551 45	* Hose Ass'y	1		WG010001-	L=950
48		D550 019 00	* Seal	1		WG010001-	L=300
49		4070 551 15	* Hose Ass'y	1		WG010001-	L=350
49-1	☆	D407 818 03	* Decal (BP)	2		WG010001-	D407 818 00
50		4070 548 25	* Hose Ass'y	1		WG010001-	L=700
50-1	☆	4405 309 03	* Decal (L1)	2		WG010001-	4405 309 00
51		4070 548 25	* Hose Ass'y	1		WG010001-	L=700
51-1	☆	4405 310 03	* Decal (L2)	2		WG010001-	4405 310 00
52		4070 548 25	* Hose Ass'y	1		WG010001-	L=700
52-1	☆	4405 309 04	* Decal (L3)	2		WG010001-	4405 309 00
53		4070 548 25	* Hose Ass'y	1		WG010001-	L=700
53-1	☆	4405 310 04	* Decal (L4)	2		WG010001-	4405 310 00
54		4070 548 06	* Hose Ass'y	1		WG010001-	L=1200
54-1	☆	4405 308 03	* Decal (R2)	2		WG010001-	4405 308 00
55		4070 548 06	* Hose Ass'y	1		WG010001-	L=1200
55-1	☆	4405 307 04	* Decal (R3)	2		WG010001-	4405 307 00
56		4070 548 19	* Hose Ass'y	1		WG010001-	L=1250
56-1	☆	4405 307 03	* Decal (R1)	2		WG010001-	4405 307 00
57		4070 548 19	* Hose Ass'y	1		WG010001-	L=1250
57-1	☆	4405 308 04	* Decal (R4)	2		WG010001-	4405 308 00
58		4070 548 08	* Hose Ass'y	1		WG010001-	L=300
58-1	☆	4405 312 01	* Decal (RT)	2		WG010001-	4405 312 00
59		D070 577 01	* Hose	1		WG010001-	
60		4080 000 09	* Clamp, Hose	1		WG010001-	
61		0820 067 09	* Band, Cable	4		WG010001-	
62		0820 067 10	* Band, Cable	1		WG010001-	
63		4580 016 00	* Pad, Rubber	1		WG010001-	
64		0518 100 25	* Bolt, Treatment (W/L.W, F.W)	3		WG010001-	M10X25 P=1.25
65		D405 272 00	* Seal	3		WG010001-	
66		0712 326 01	* Adapter	2		WG010001-	
67	#	0756 094 UA	* Valve Ass'y, Selector	1		WG010001-	Sh. No. 5-15[B]
68		D418 583 00	* Bracket	1		WG010001-***	
68		D419 656 00	* Bracket	1	○	***-	
69		0710 121 00	* Elbow, 45	1		WG010001-	
70		D060 137 00	* Adapter	1		WG010001-	
71		0712 325 02	* Adapter	1		WG010001-	
72		0712 310 50	* Elbow	1		WG010001-	
73		0517 060 60	* Bolt, Treatment (W/L.W, F.W)	2		WG010001-	M6X60
74		0545 100 00	* Nut, Treatment	1		WG010001-	M10 P=1.25

[Memo]



40V4-0404AB-1



CONTROL PIPING ASS'Y (FOR A, F CHANGE)

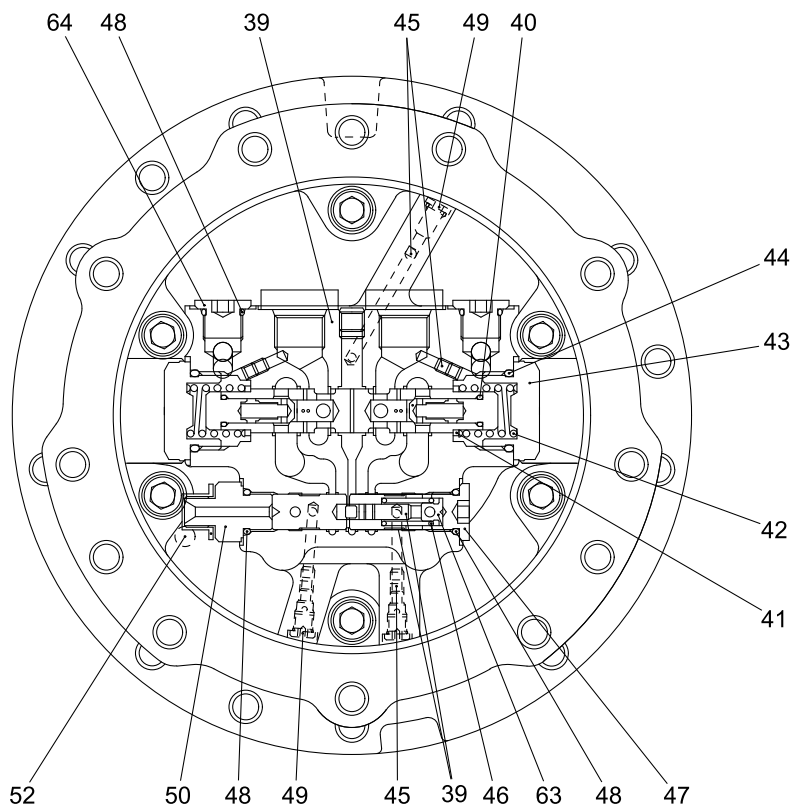
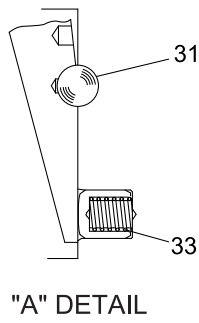
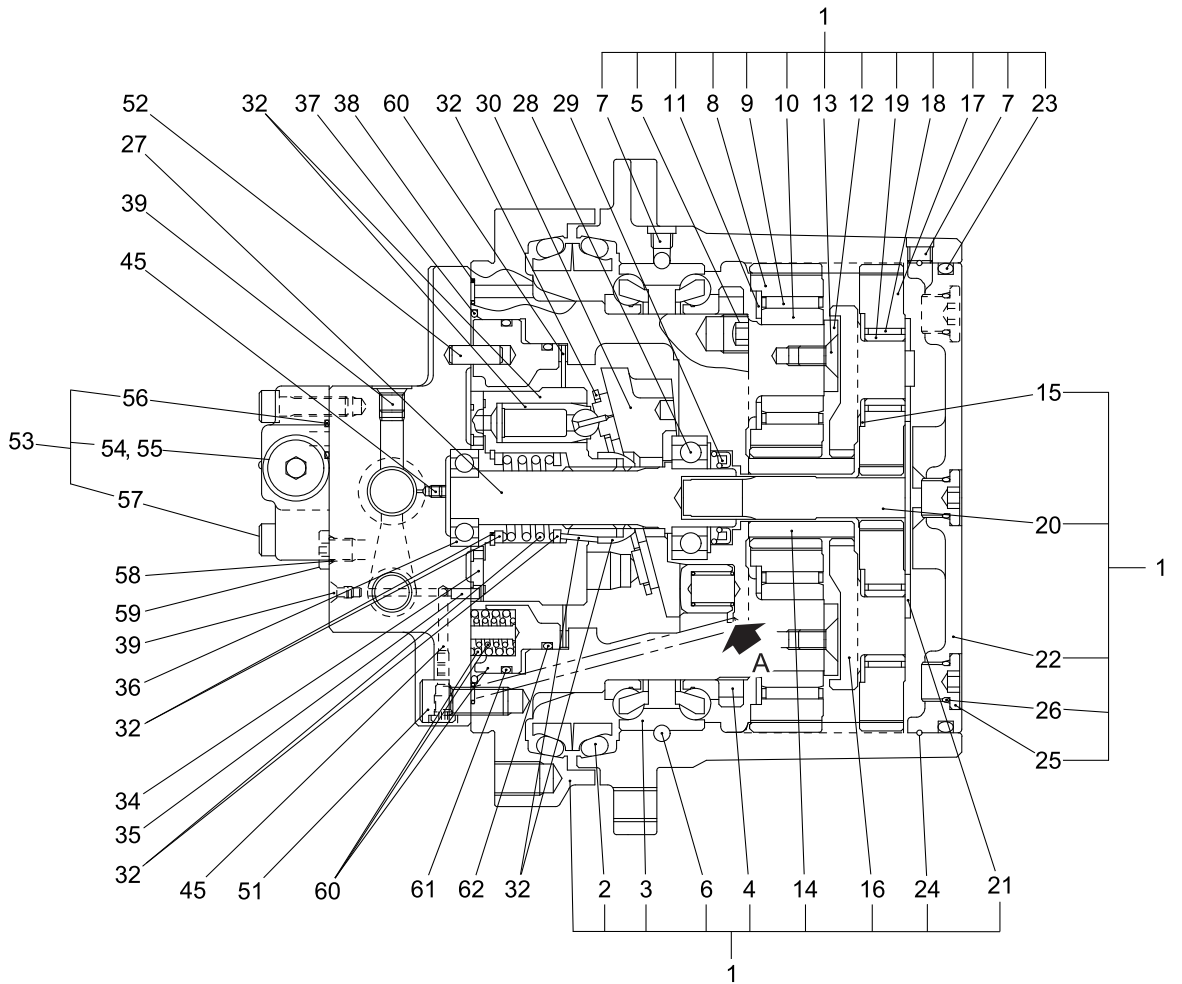
MODEL 45V4

SHEET No 4-4A[B]

KEY No.	SUP.	PART No.	DESCRIPTION	Q'TY	CHAN.	SERIAL No.	REMARKS
0	×	F342 888 00	Piping Ass'y, Control	1		WG010153-	
1	#	0784 127 UA	* Valve Assy Remote Control	2		WG010153-	Sh. No. 5-5A
2		0713 700 70	* Connector	17		WG010153-	
3		0710 713 09	* Tee	4		WG010153-	
4		0760 710 12	* Ring, O	47		WG010153-	P11-90B
5		0517 060 25	* Bolt, Treatment (W/L.W, F.W)	6		WG010153-	M6X25
6		0710 122 09	* Elbow	19		WG010153-	
7		0719 805 UA	* Elbow	1		WG010153-	
8		0710 709 02	* Tee	1		WG010153-	
9		D060 525 00	* Connector	1		WG010153-	
10		0710 117 02	* Elbow	1		WG010153-	
11		D065 093 00	* Manifold	2		WG010153-	
12		D418 943 00	* Bracket	1		WG010153-	
13		D418 944 00	* Bracket	1		WG010153-	
14		4070 551 34	* Hose Ass'y	1		WG010153-	L=1900
15		4070 551 01	* Hose Ass'y	1		WG010153-	L=1150
16		4070 551 22	* Hose Ass'y	1		WG010153-	L=1000
16-1	☆	D407 818 04	* Decal (BT)	2		WG010153-	D407 818 00
17		4070 124 09	* Hose Ass'y	1		WG010153-	L=470
18		4070 551 43	* Hose Ass'y	1		WG010153-	L=2450
18-1	☆	4405 308 01	* Decal (C1)	2		WG010153-	4405 308 00
19		D065 094 00	* Manifold	2		WG010153-	
20		4070 551 19	* Hose Ass'y	2		WG010153-	L=600
21		4070 548 68	* Hose Ass'y	1		WG010153-	L=1070
22		4070 548 57	* Hose Ass'y	1		WG010153-	L=450
23		4070 548 40	* Hose Ass'y	1		WG010153-	L=1650
23-1	☆	4405 311 02	* Decal (LP)	2		WG010153-	4405 311 00
24		4070 548 82	* Hose Ass'y	1		WG010153-	L=420
25		4070 548 69	* Hose Ass'y	1		WG010153-	L=840
25-1	☆	4405 311 01	* Decal (RP)	2		WG010153-	4405 311 00
26		4070 548 42	* Hose Ass'y	1		WG010153-	L=1670
26-1	☆	4405 312 02	* Decal (LT)	2		WG010153-	4405 312 00
27		4070 548 88	* Hose Ass'y	1		WG010153-	L=780
28		4070 548 89	* Hose Ass'y	1		WG010153-	L=2250
28-1	☆	4405 309 02	* Decal (A2)	2		WG010153-	4405 309 00
29		4070 548 61	* Hose Ass'y	1		WG010153-	L=1700
29-1	☆	4405 309 01	* Decal (A1)	2		WG010153-	4405 309 00
30		4070 548 41	* Hose Ass'y	1		WG010153-	L=1850
30-1	☆	4405 310 02	* Decal (S2)	2		WG010153-	4405 310 00
31		4070 548 61	* Hose Ass'y	1		WG010153-	L=1700
31-1	☆	4405 307 02	* Decal (B2)	2		WG010153-	4405 307 00
32		4070 548 61	* Hose Ass'y	1		WG010153-	L=1700
32-1	☆	4405 307 01	* Decal (B1)	2		WG010153-	4405 307 00
33		4070 548 65	* Hose Ass'y	1		WG010153-	L=1950
33-1	☆	4405 308 02	* Decal (C2)	2		WG010153-	4405 308 00
34		4070 548 21	* Hose Ass'y	1		WG010153-	L=2100
34-1	☆	4405 310 01	* Decal (S1)	2		WG010153-	4405 310 00
35		4070 548 70	* Hose Ass'y	1		WG010153-	L=680
36		0713 700 71	* Adapter	1		WG010153-	
37		0710 117 02	* Elbow, Long	1		WG010153-	
38		0710 113 32	* Elbow, Reducer	1		WG010153-	PF3/8XPF1/4
39		D418 948 00	* Bracket	1		WG010153-	

KEY No.	SUP.	PART No.	DESCRIPTION	Q'TY	CHAN.	SERIAL No.	REMARKS
40		4070 782 06	* Hose Ass'y	1		WG010153-	L=500
41		0710 303 03	* Plug, Swivel	2		WG010153-	
42		0760 710 16	* Ring, O	2		WG010153-	P14-90B
43		0518 100 20	* Bolt, Treatment (W/L.W, F.W)	5		WG010153-	M10X20 P=1.25
44		4448 987 00	* Decal (For A, F)	1		WG010153-	
45		0820 067 05	* Band, Cable	7		WG010153-	
46		0710 303 02	* Plug, Swivel	4		WG010153-	PF1/4
47		4070 551 45	* Hose Ass'y	1		WG010153-	L=950
48		D550 019 00	* Seal	1		WG010153-	L=300
49		4070 551 15	* Hose Ass'y	1		WG010153-	L=350
49-1	☆	D407 818 03	* Decal (BP)	2		WG010153-	D407 818 00
50		4070 548 75	* Hose Ass'y	1		WG010153-	L=720
50-1	☆	4405 309 03	* Decal (L1)	2		WG010153-	4405 309 00
51		4070 548 75	* Hose Ass'y	1		WG010153-	L=720
51-1	☆	4405 310 03	* Decal (L2)	2		WG010153-	4405 310 00
52		4070 548 75	* Hose Ass'y	1		WG010153-	L=720
52-1	☆	4405 309 04	* Decal (L3)	2		WG010153-	4405 309 00
53		4070 548 75	* Hose Ass'y	1		WG010153-	L=720
53-1	☆	4405 310 04	* Decal (L4)	2		WG010153-	4405 310 00
54		4070 548 06	* Hose Ass'y	1		WG010153-	L=1200
54-1	☆	4405 308 03	* Decal (R2)	2		WG010153-	4405 308 00
55		4070 548 06	* Hose Ass'y	1		WG010153-	L=1200
55-1	☆	4405 307 04	* Decal (R3)	2		WG010153-	4405 307 00
56		4070 548 19	* Hose Ass'y	1		WG010153-	L=1250
56-1	☆	4405 307 03	* Decal (R1)	2		WG010153-	4405 307 00
57		4070 548 19	* Hose Ass'y	1		WG010153-	L=1250
57-1	☆	4405 308 04	* Decal (R4)	2		WG010153-	4405 308 00
58		4070 548 08	* Hose Ass'y	1		WG010153-	L=300
58-1	☆	4405 312 01	* Decal (RT)	2		WG010153-	4405 312 00
59		D070 577 01	* Hose	1		WG010153-	
60		4080 000 09	* Clamp, Hose	1		WG010153-	
61		0820 067 09	* Band, Cable	4		WG010153-	
62		0820 067 10	* Band, Cable	1		WG010153-	
63		4580 016 00	* Pad, Rubber	1		WG010153-	
64		0518 100 25	* Bolt, Treatment (W/L.W, F.W)	3		WG010153-	M10X25 P=1.25
65		D405 272 00	* Seal	3		WG010153-	
66		0712 326 01	* Adapter	2		WG010153-	
67	#	0756 094 UA	* Valve Ass'y, Selector	1		WG010153-	Sh. No. 5-15[B]
68		D419 656 00	* Bracket	1		WG010153-	
69		0710 121 00	* Elbow, 45	1		WG010153-	
70		D060 137 00	* Adapter	1		WG010153-	
71		0712 325 02	* Adapter	1		WG010153-	
72		0712 310 50	* Elbow	1		WG010153-	
73		0517 060 60	* Bolt, Treatment (W/L.W, F.W)	2		WG010153-	M6X60
74		0545 100 00	* Nut, Treatment	1		WG010153-	M10 P=1.25
75	#	0783 802 UA	* Valve Ass'y, Shock-less	1		WG010153-	Sh.No. 5-16
76		0712 325 01	* Elbow	2		WG010153-	
77		0550 100 25	* Bolt, Hex.	2		WG010153-	M10X25
78		0590 100 00	* Washer, Lock	2		WG010153-	M10
79		0593 100 00	* Washer, Flat	2		WG010153-	M10
80		D419 788 00	* Bracket	1		WG010153-	
81		4070 548 88	* Hose Ass'y	1		WG010153-	L=780

KEY No.	SUP.	PART No.	DESCRIPTION	Q'TY	CHAN.	SERIAL No.	REMARKS
81-1	☆	4405 307 02	* Decal (B2)	2		WG010153-	4405 307 00
82		4070 548 69	* Hose Ass'y	1		WG010153-	L=840
82-1	☆	4405 307 01	* Decal (B1)	2		WG010153-	4405 307 00



0781372UA-1



TRAVEL MOTOR ASS'Y

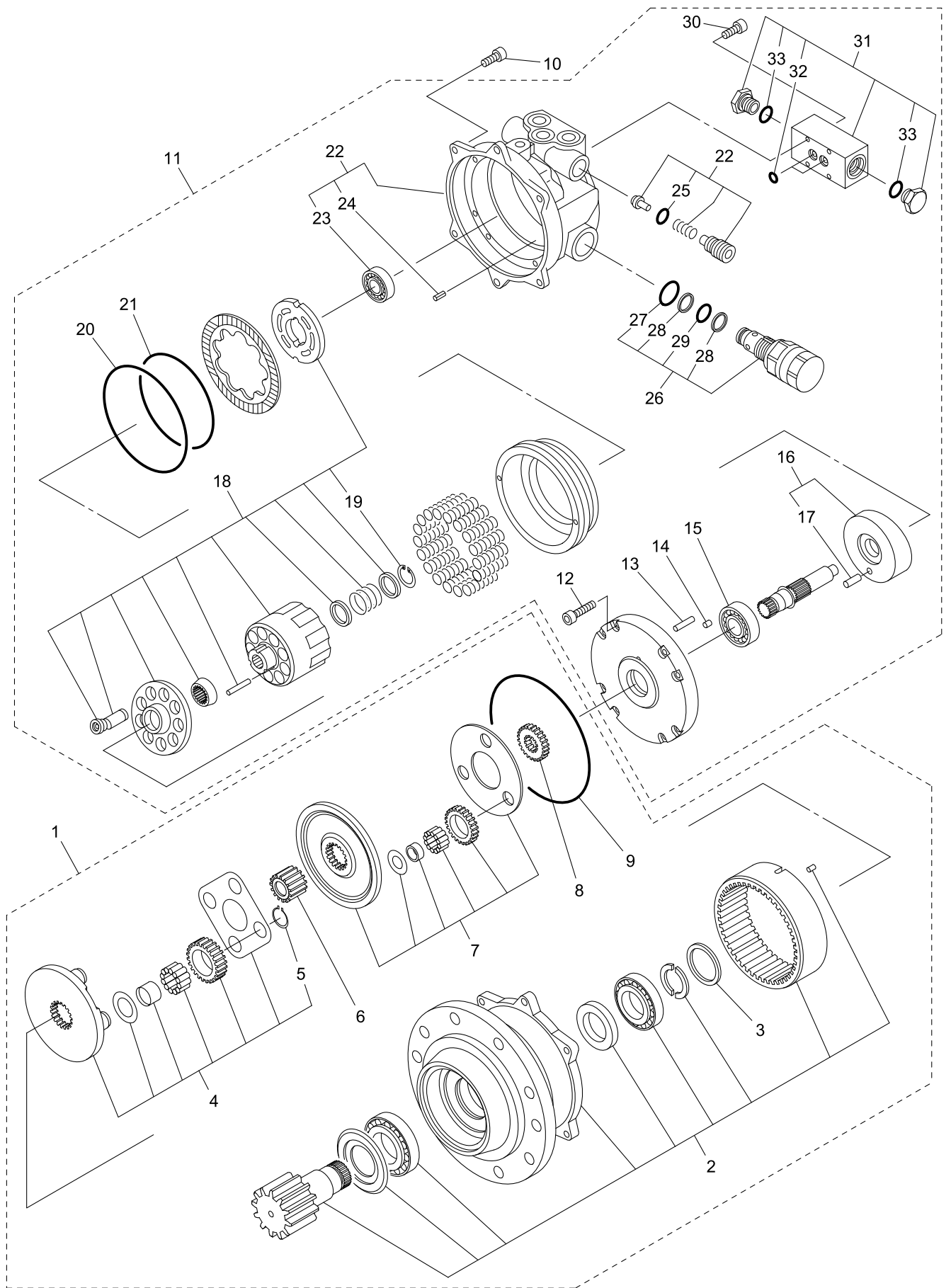
MODEL 45V4

SHEET No 5-1

KEY No.	SUP.	PART No.	DESCRIPTION	Q'TY	CHAN.	SERIAL No.	REMARKS
0		0781 372 UA	Motor Ass'y, Traction	2		WG010001-	
1		0781 372 91	* Reduction Gear Ass'y	1		WG010001-	
2		0753 713 05	** Seal, Floating	2		WG010001-	
3		0757 606 04	** Bearing	1		WG010001-	
4		0781 372 01	** Nut, Ring	1		WG010001-	
5		0781 133 02	** Plug	2		WG010001-	
6		0609 016 10	** Ball, Steel	99		WG010001-	d=1/4
7		0710 201 01	** Plug	2		WG010001-	PT1/8
8		0781 372 02	** Gear, Planetary (B)	4		WG010001-	
9		0781 372 03	** Bearing	4		WG010001-	
10		0781 372 04	** Race, Inner	4		WG010001-	
11		0781 133 07	** Washer, Thrust	4		WG010001-	
12		0781 372 05	** Plate, Thrust	1		WG010001-	
13		0781 238 20	** Screw, Flat Head	4		WG010001-	
14		0781 372 06	** Gear, Sun	1		WG010001-	
15		0781 372 07	** Washer, Thrust	3		WG010001-	
16		0781 372 08	** Holder	1		WG010001-	
17		0781 372 09	** Gear, Planetary (A)	3		WG010001-	
18		0757 606 20	** Bearing	3		WG010001-	
19		0781 133 11	** Race, Inner	3		WG010001-	
20		0781 372 10	** Gear, Drive	1		WG010001-	
21		0781 372 93	** Plate, Thrust	AR		WG010001-	
22		0781 372 11	** Cover	1		WG010001-	
23		0760 716 90	** Ring, O	1		WG010001-	G190-90B
24		0757 606 29	** Wire	1		WG010001-	
25		0753 764 49	** Plug	3		WG010001-	
26		0760 710 16	** Ring, O	3		WG010001-	P14-90B
27		0781 372 12	* Shaft	1		WG010001-	
28		0753 638 11	* Bearing	1		WG010001-	
29		0781 372 13	* Seal, Oil	1		WG010001-	
30		0781 372 14	* Plate, Swash	1		WG010001-	
31		0781 133 17	* Ball, Steel	2		WG010001-	
32		0781 372 94	* Block Ass'y, Cylinder	1		WG010001-	
33		0781 372 15	* Spring	1		WG010001-	
34		0753 764 40	* Plate, Valve	1		WG010001-	
35		0753 795 11	* Pin	1		WG010001-	
36		0753 764 41	* Bearing	1		WG010001-	
37		0760 212 58	* Ring, O	1		WG010001-	258-70B
38		0760 710 07	* Ring, O	4		WG010001-	P7-90B
39		0782 372 95	* Plate Ass'y, Base	1		WG010001-	
40		0760 710 10	** Ring, O	2		WG010001-	P10-90B
41		0751 960 03	* Seat, Spring	2		WG010001-	
42		0753 563 63	* Spring	1		WG010001-	
43		0781 173 08	* Cap	2		WG010001-	
44		0760 710 30	* Ring, O	2		WG010001-	P29-90B
45		0753 764 51	* Orifice	10		WG010001-	
46		0781 372 16	* Spring	1		WG010001-	
47		0781 372 17	* Plug	1		WG010001-	PF3/8
48		0760 710 16	* Ring, O	4		WG010001-	P14-90B
49		0781 375 22	* Plug	3		WG010001-	
50		0781 173 10	* Plug	1		WG010001-	
51		0562 120 25	* Bolt, Socket Head	6		WG010001-	M12X25

KEY No.	SUP.	PART No.	DESCRIPTION	Q'TY	CHAN.	SERIAL No.	REMARKS
52		0753 563 53	* Pin	4		WG010001-	
53		0781 372 92	* Valve Ass'y	1		WG010001-	
54		0753 764 49	** Plug	2		WG010001-	PT3/8
55		0760 710 16	** Ring, O	2		WG010001-	P14-90B
56		0760 710 14	** Ring, O	3		WG010001-	P12-90B
57		0562 080 30	** Bolt, Socket Head	3		WG010001-	M8X30
58		0760 710 08	* Ring, O	2		WG010001-	P8-90B
59		0757 785 06	* Plug	1		WG010001-	
60		0781 372 96	* Piston, Brake	1		WG010001-	
61		0781 372 18	* Ring, O	1		WG010001-	
62		0781 372 19	* Ring, O	1		WG010001-	
63		0781 372 20	* Seat, Spring	1		WG010001-	
64		0753 764 49	* Plug	2		WG010001-	

[Memo]



0781373UA-1

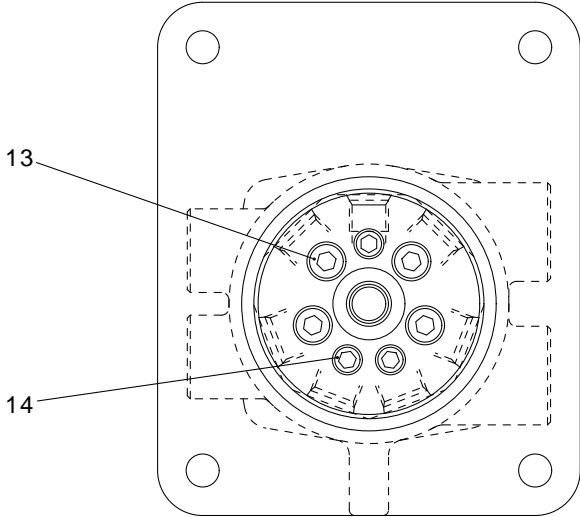
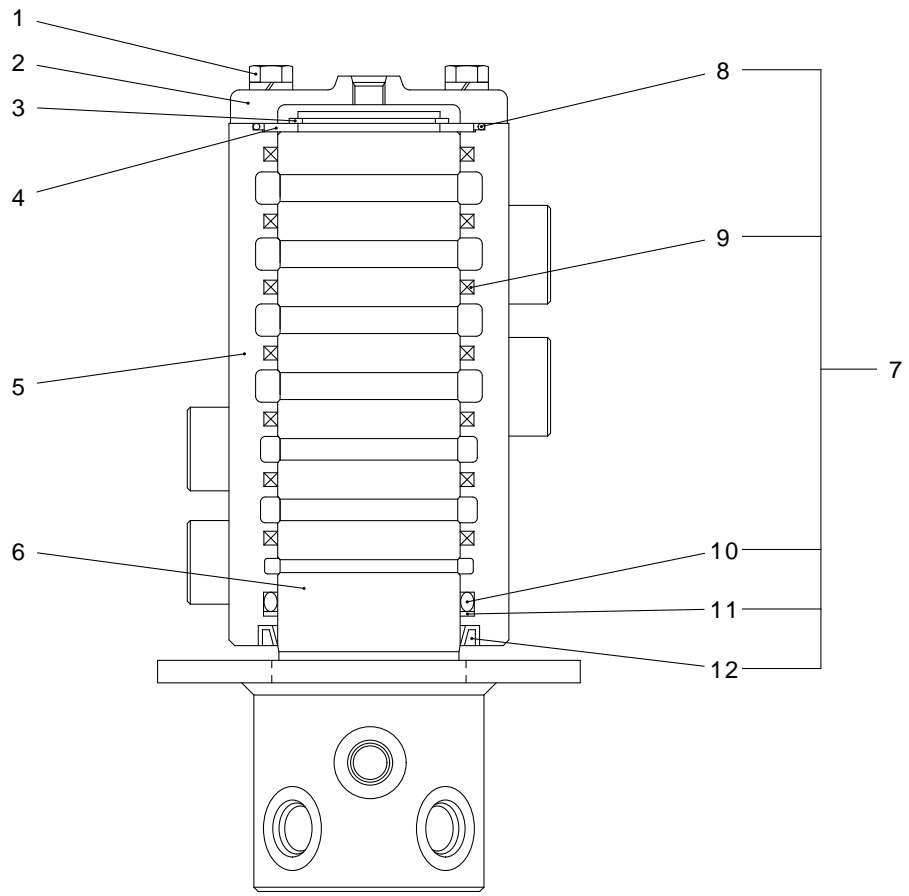


SWING MOTOR ASS'Y

MODEL 45V4

SHEET No 5-2

KEY No.	SUP.	PART No.	DESCRIPTION	Q'TY	CHAN.	SERIAL No.	REMARKS
0		0781 373 UA	Swing Motor Ass'y	1		WG010001-	
1		0781 261 92	* Gear Ass'y, Reduction	1		WG010001-	
2		0781 261 94	** Pinion Ass'y	1		WG010001-	
3		0781 261 03	** Ring	1		WG010001-	
4		0781 261 95	** Carrier Ass'y	1		WG010001-	
5		0493 510 22	*** Ring, Snap	4		WG010001-	d=22
6		0781 261 01	** Gear	1		WG010001-	
7		0781 250 96	** Carrier Ass'y	1		WG010001-	
8		0781 250 02	** Gear	1		WG010001-	
9		0760 311 66	** Ring, O	1		WG010001-	166-90B
10		0562 080 25	** Bolt, Socket Head	6		WG010001-	M8X25
11		0781 373 91	* Motor Ass'y	1		WG010001-	
12		0562 100 25	** Bolt, Socket Head	8		WG010001-	M10X25
13		0753 636 19	** Pin	3		WG010001-	
14		0757 618 20	** Filter	1		WG010001-	
15		0630 600 44	** Bearing	1		WG010001-	# 6004Z
16		0781 313 92	** Plate Ass'y, Swash	1		WG010001-	
17		0494 808 15	*** Pin	1		WG010001-	d=8X15
18		0781 261 97	** Barel Ass'y, Cylinder	1		WG010001-	
19		0493 500 28	*** Ring, Snap	1		WG010001-	d=28
20		0760 716 25	** Ring, O	1		WG010001-	G125-90B
21		0760 716 10	** Ring, O	1		WG010001-	G110-90B
22		0781 261 96	** Body Ass'y	1		WG010001-	
23		0630 620 10	*** Bearing	1		WG010001-	# 6201
24		0494 608 12	*** Pin, Spring	1		WG010001-	d=5X12
25		0760 710 12	*** Ring, O	1		WG010001-	P11-90B
26		0781 373 92	** Valve Ass'y, Relief	2		WG010001-	
27		0760 710 22	*** Ring, O	1		WG010001-	P22-90B
28		0762 120 16	*** Ring, Back-up	2		WG010001-	P14-T2
29		0760 710 16	*** Ring, O	1		WG010001-	P14-90B
30		0562 060 20	** Bolt, Socket Head	4		WG010001-	M6X20
31		0757 641 92	** Valve Ass'y, By-pass	1		WG010001-	
32		0760 710 09	*** Ring, O	2		WG010001-	P9-90B
33		0760 710 19	*** Ring, O	2		WG010001-	P18-90B



0713439UA-1



ROTARY JOINT ASS'Y

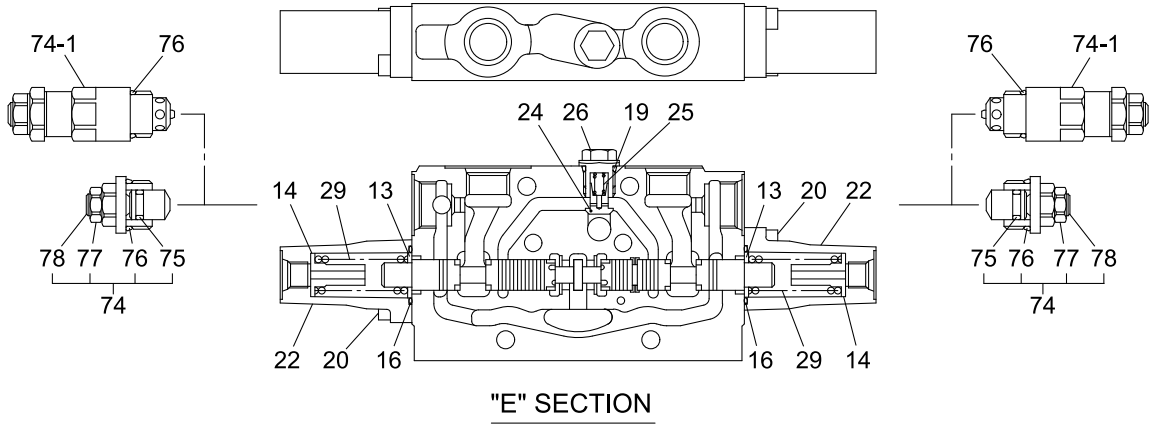
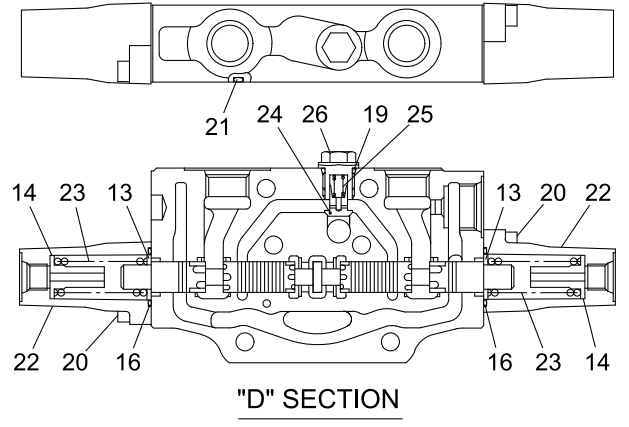
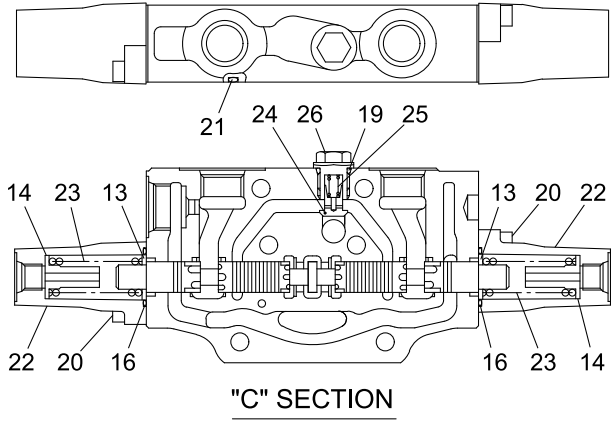
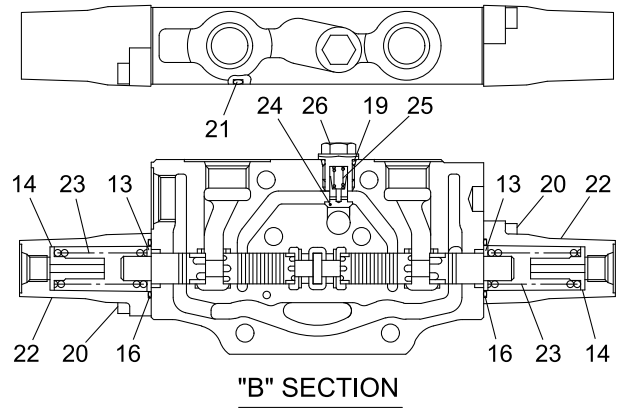
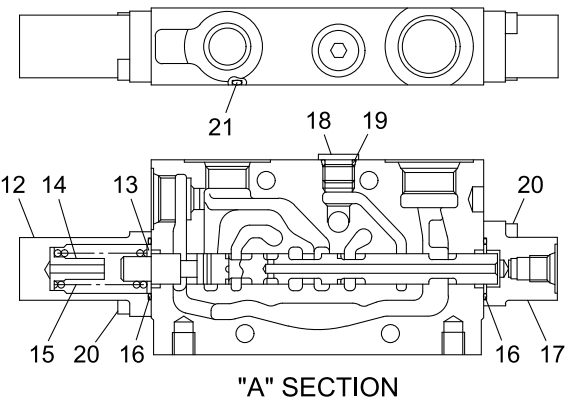
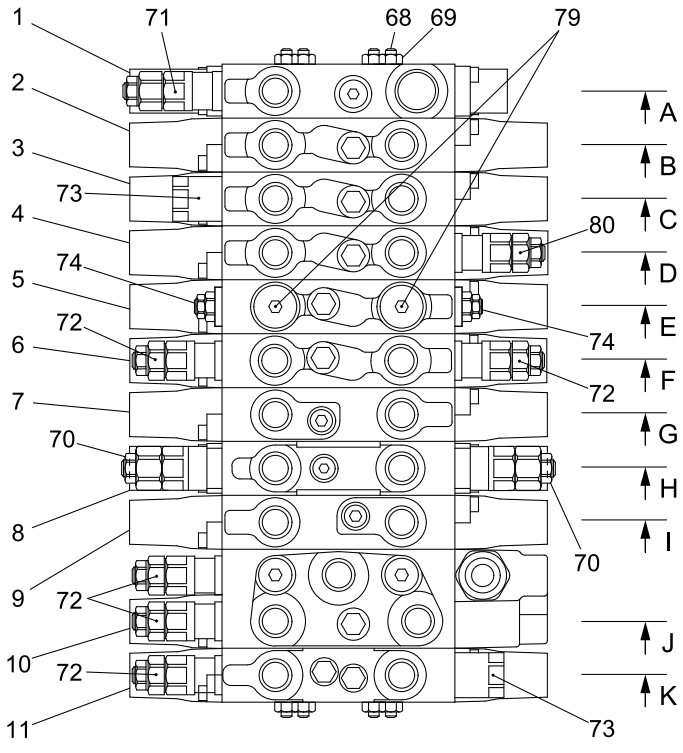
MODEL 45V4

SHEET No 5-3

KEY No.	SUP.	PART No.	DESCRIPTION	Q'TY	CHAN.	SERIAL No.	REMARKS
0		0713 439 UA	Joint Ass'y, Rotary	1		WG010001-	
1		0519 080 25	* Bolt, Treatment (W/L.W)	4		WG010001-	M8X25
2	△	0713 439 10	* Cover	1		WG010001-	
3		0493 510 55	* Ring, Snap	1		WG010001-	d=55
4		0713 439 07	* Ring	1		WG010001-	
5	×	**** ** **	* Hub	1		WG010001-	
6	×	**** ** **	* Shaft	1		WG010001-	
7		0713 431 91	* Kit, Seal	1		WG010001-	
8	×	0760 615 85	** Ring, O	1		WG010001-	G85-70B
9	×	0713 431 02	** Seal, Oil	7		WG010001-	
10	×	0760 710 70	** Ring, O	1		WG010001-	P70-90B
11	×	0762 120 70	** Ring, Back-up	1		WG010001-	P70-T2
12	×	0755 861 26	** Seal, Dust	1		WG010001-	
13		0710 200 10	* Plug	4		WG010001-	PT3/8
14		0710 200 14	* Plug	3		WG010001-	PT1/4



ROTARY JOINT ASS'Y



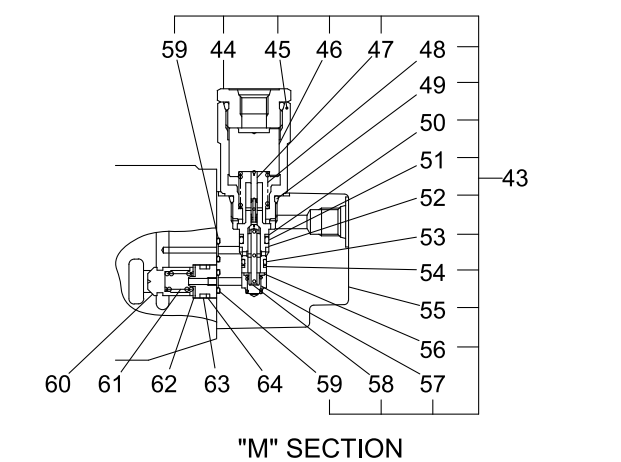
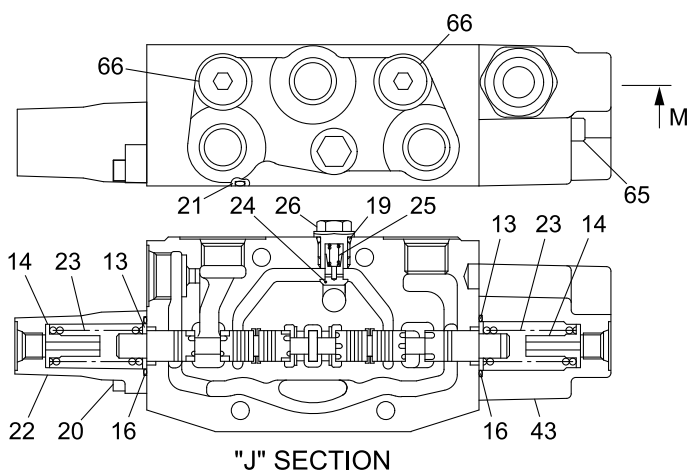
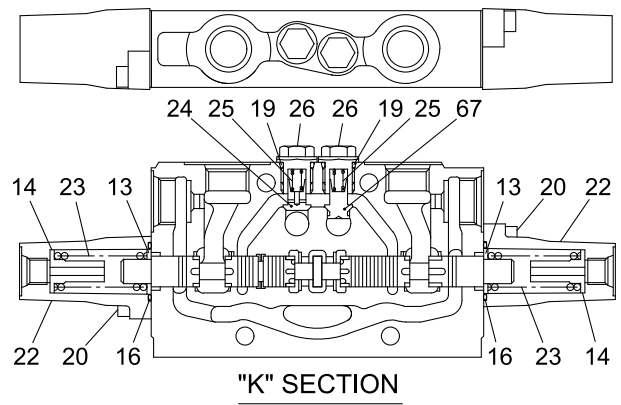
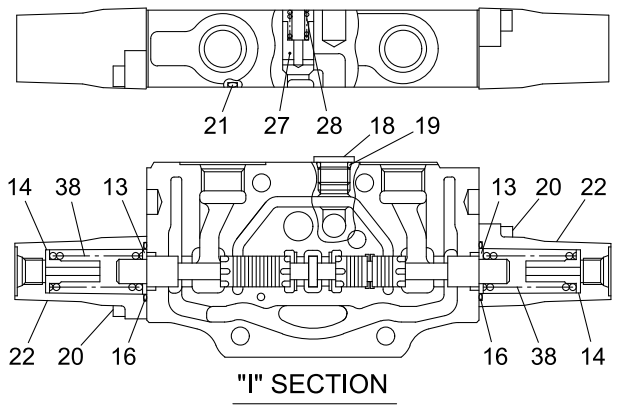
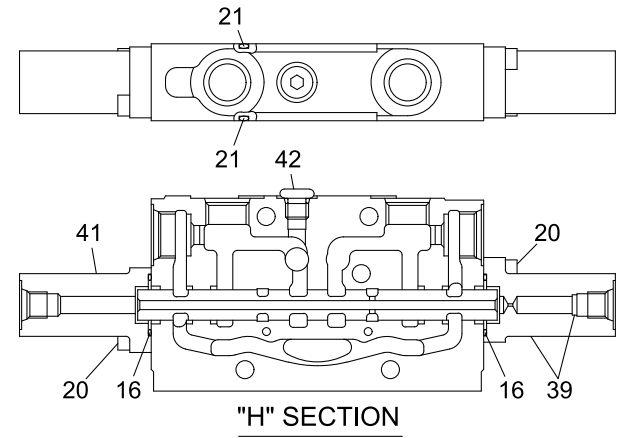
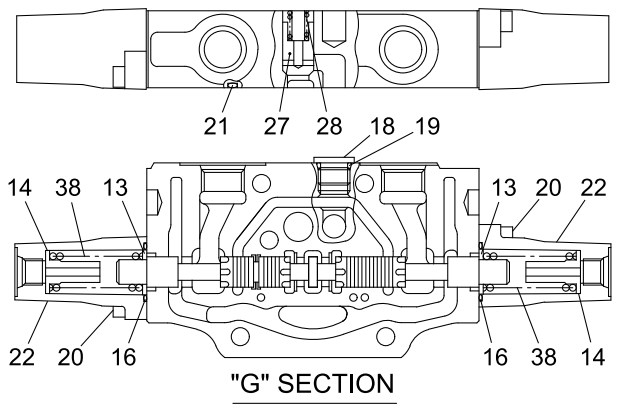
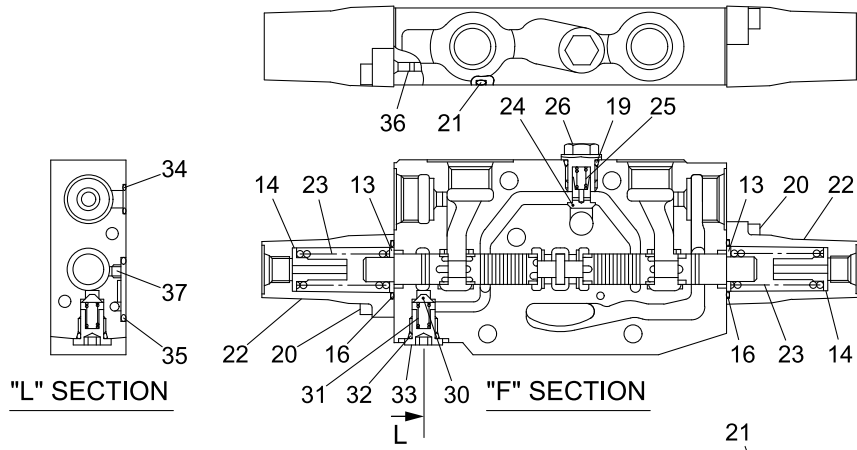
0784015UA-1



CONTROL VALVE ASS'Y(1/2)

MODEL 45V4

SHEET No 5-4



0784015UA-2



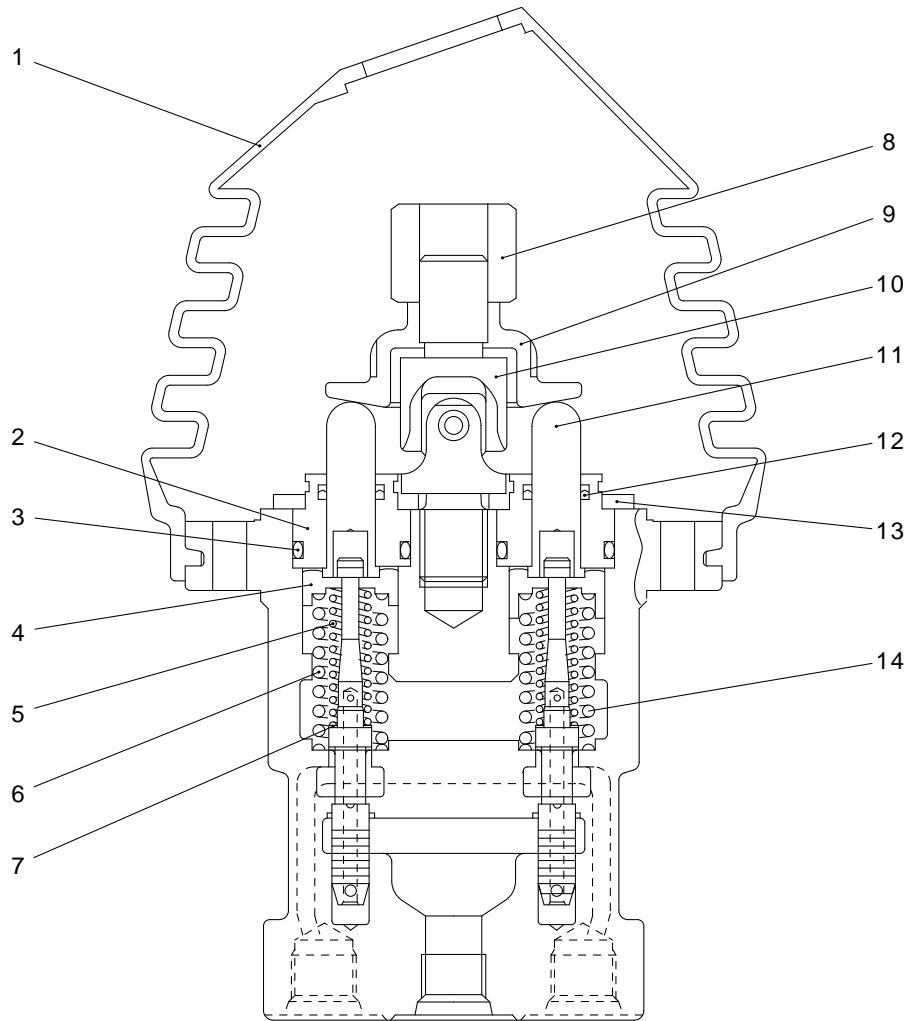
CONTROL VALVE ASS'Y(2/2)

MODEL 45V4

SHEET No 5-4

KEY No.	SUP.	PART No.	DESCRIPTION	Q'TY	CHAN.	SERIAL No.	REMARKS
0		0784 015 UA	Valve Ass'y, Control	1		WG010001-	
1		0784 015 90	* Block Ass'y	1		WG010001-	
2		0784 015 91	* Block Ass'y, Swing	1		WG010001-	
3		0784 015 92	* Block Ass'y, Boom Swing	1		WG010001-	
4		0784 015 93	* Block Ass'y, Blade	1		WG010001-	
5		0784 015 94	* Block Ass'y, Spare	1		WG010001-	
6		0784 015 95	* Block Ass'y, Arm	1		WG010001-	
7		0784 015 96	* Block Ass'y, Travel (L.H.)	1		WG010001-	
8		0783 974 95	* Block Ass'y, Inlet	1		WG010001-	
9		0784 015 97	* Block Ass'y, Travel (R.H.)	1		WG010001-	
10		0784 015 98	* Block Ass'y, Boom	1		WG010001-	
11		0784 015 99	* Block Ass'y, Bucket	1		WG010001-	
12		0783 677 02	** Cap	1		WG010001-	
13		0756 339 05	** Seat, Spring	19		WG010001-	
14		0783 677 03	** Seat, Spring	19		WG010001-	
15		0783 677 04	** Spring	1		WG010001-	
16		0756 339 08	** Ring, O	22		WG010001-	S24-70B
17		0783 974 03	** Cap	1		WG010001-	
18		0783 842 02	** Plug	3		WG010001-	
19		0783 677 06	** Ring, O	11		WG010001-	
20		0562 060 18	** Bolt, Socket Head	42		WG010001-	M6X18
21		0760 615 70	** Ring, O	10		WG010001-	G70-70B
22		0783 677 07	** Cap	17		WG010001-	
23		0783 970 01	** Spring	12		WG010001-	
24		0783 677 09	** Poppet	7		WG010001-	
25		0783 677 10	** Spring	8		WG010001-	
26		0783 677 05	** Plug	8		WG010001-	
27		0756 339 20	** Poppet	2		WG010001-	
28		0753 904 11	** Spring	2		WG010001-	
29		0783 970 01	** Spring	2		WG010001-	
30		0783 677 13	** Poppet	1		WG010001-	
31		0756 339 17	** Spring	1		WG010001-	
32		0760 710 12	** Ring, O	1		WG010001-	P11-90B
33		0783 677 14	** Plug	1		WG010001-	
34		0760 710 10	** Ring, O	1		WG010001-	P10-90B
35		0760 710 20	** Ring, O	1		WG010001-	P20-90B
36		0783 677 15	** Plug	1		WG010001-	
37		0783 677 16	** Plug, Orifice	1		WG010001-	
38		0783 970 01	** Spring	4		WG010001-	
39		0783 974 04	** Cap Ass'y	1		WG010001-	
41		0783 677 18	** Cap	1		WG010001-	
42		0783 677 83	** Plug Ass'y	1		WG010001-	
42-1		0760 710 08	*** Ring, O	1		WG010001-	P8-90B
43		0783 846 83	** Valve Ass'y, Anti drift	1		WG010001-	
44		0756 339 80	*** Plug Ass'y	1		WG010001-	
45		0783 677 24	*** Plug	1		WG010001-	
46		0783 749 02	*** Piston	1		WG010001-	
47		0783 677 26	*** Spool	1		WG010001-	
48		0783 677 28	*** Spring	1		WG010001-	
49		0753 101 09	*** Ring, O	1		WG010001-	
50		0762 120 11	*** Ring, Back-up	1		WG010001-	P10A-T2
51	☆	0760 610 11	*** Ring, O (P10A-70B)	1		WG010001-	0760 710 11

KEY No.	SUP.	PART No.	DESCRIPTION	Q'TY	CHAN.	SERIAL No.	REMARKS
52		0783 677 27	*** Sleeve	1		WG010001-	
53	☆	0760 610 09	*** Ring, O (P9-70B)	1		WG010001-	0760 710 09
54		0762 120 09	*** Ring, Back-up	1		WG010001-	P9-T2
55		0783 749 01	*** Body	1		WG010001-	
56		0783 677 30	*** Seat, Spring	1		WG010001-	
57		0783 677 29	*** Spring	1		WG010001-	
58		0783 677 23	*** Poppet	1		WG010001-	
59		0760 710 07	*** Ring, O	2		WG010001-	P7-90B
60		0783 677 21	** Poppet	1		WG010001-	
61		0756 339 25	** Spring	1		WG010001-	
62		0783 677 22	** Spacer	1		WG010001-	
63		0760 610 15	** Ring, O	1		WG010001-	P12.5-70B
64		0762 120 15	** Ring, Back-up	1		WG010001-	P12.5-T2
65		0562 060 50	** Bolt, Socket Head	5		WG010001-	M6X50
66		0783 646 83	** Plug Ass'y	2		WG010001-	
66-1		0760 710 16	*** Ring, O	1		WG010001-	P14-90B
67		0783 677 31	** Poppet	1		WG010001-	
68		0783 677 01	* Rod, Tie	4		WG010001-	
69		0580 080 00	* Nut, Hex.	8		WG010001-	M8
70		0784 015 88	* Valve Ass'y, Main Relief	2		WG010001-	24.5MPa-60L
70-1		0760 319 10	** Ring, O	1		WG010001-	910-90B
71		0784 015 87	* Valve Ass'y, Relief	1		WG010001-	20.6MPa-44L
71-1		0760 319 10	** Ring, O	1		WG010001-	910-90B
72		0784 015 86	* Valve Ass'y, Relief	5		WG010001-	27.4MPa-10L
72-1		0760 319 10	** Ring, O	1		WG010001-	910-90B
73		0783 846 88	* Valve Ass'y, Anti Void	2		WG010001-	
73-1		0760 319 10	** Ring, O	1		WG010001-	910-90B
74		0783 646 85	* Valve Ass'y, Shut-off	2		WG010001-	
74-1		0785 606 UA	* Valve Ass'y, Over Load Relief	2		WG010001-	Option 13.7MPa-100L
74-2		0785 607 UA	* Valve Ass'y, Over Load Relief	2		WG010001-	Option 17.2MPa-100L
75	☆	0760 610 11	** Ring, O (P10A-70B)	1		WG010001-	0760 710 11
76		0760 319 10	** Ring, O	1		WG010001-	910-90B
77		0544 100 00	** Nut, Hex.	1		WG010001-	M10
78		0561 100 20	** Screw, Set	1		WG010001-	M10X20
79		0783 646 84	* Plug Ass'y	2		WG010001-	
79-1		0760 710 19	** Ring, O	1		WG010001-	P18-90B
80		0784 015 85	* Valve Ass'y, Relief	1		WG010001-	24.5MPa-10L
80-1		0760 319 10	** Ring, O	1		WG010001-	910-90B



0783964UA-1
0783941UA-1



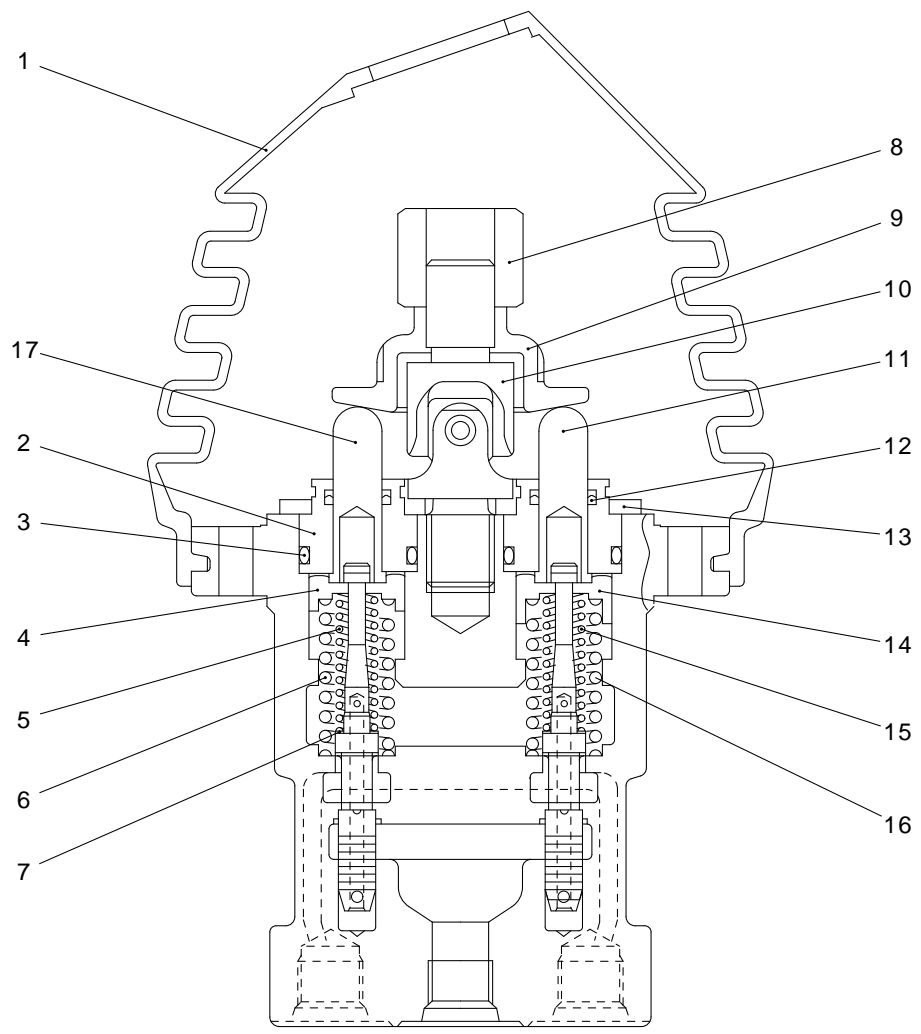
REMOTE CONTROL VALVE ASS'Y

MODEL 45V4

SHEET No 5-5

KEY No.	SUP.	PART No.	DESCRIPTION	Q'TY	CHAN.	SERIAL No.	REMARKS
0		0783 964 UA	Valve Ass'y, Remote Control	2		WG010001-	
1		0783 771 07	* Boot	1		WG010001-	
2		0756 735 09	* Plug	4		WG010001-	
3		0760 710 20	* Ring, O	4		WG010001-	P20-90B
4		0783 700 08	* Seat, Spring	4		WG010001-	
5		0783 964 01	* Spring	4		WG010001-	
6		0783 700 09	* Spring (No.2, 4, Ports)	2		WG010001-	
7		0756 735 15	* Washer	4		WG010001-	
8		0783 771 03	* Nut, Adjusting	1		WG010001-	
9		0783 700 12	* Plate	1		WG010001-	
10		0756 303 07	* Joint	1		WG010001-	
11		0756 744 11	* Rod, Push	4		WG010001-	
12		0756 611 13	* Seal	4		WG010001-	
13		0783 756 01	* Plate	1		WG010001-	
14		0783 700 10	* Spring (No.1, 3, Ports)	2		WG010001-	





0784127UA- 1



REMOTE CONTROL VALVE ASS'Y

MODEL 45V4

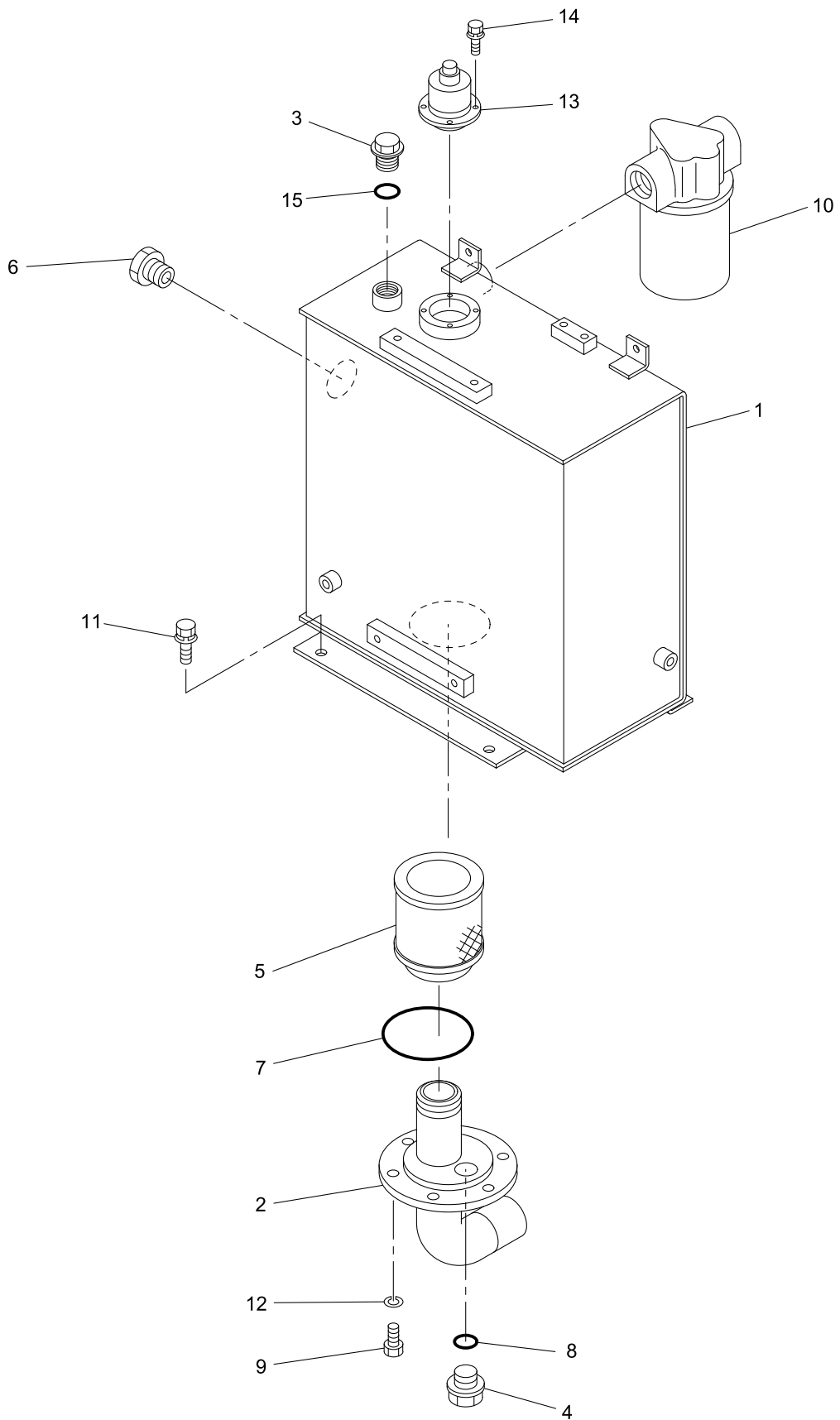
SHEET No 5-5A

KEY No.	SUP.	PART No.	DESCRIPTION	Q'TY	CHAN.	SERIAL No.	REMARKS
0		0784 127 UA	Valve Ass'y, Remote Control	1		WG010153-	
1		0783 771 07	* Boot	1		WG010153-	
2		0756 735 09	* Plug	4		WG010153-	
3		0760 710 20	* Ring, O	4		WG010153-	P20-90B
4		0784 127 02	* Seat, Spring (No.2, 4, Ports)	2		WG010153-	
5		0784 127 03	* Spring (No.2, 4, Ports)	2		WG010153-	
6		0783 700 09	* Spring (No.2, 4, Ports)	2		WG010153-	
7		0756 735 15	* Washer	4		WG010153-	
8		0783 771 03	* Nut, Adjusting	1		WG010153-	
9		0783 700 12	* Plate	1		WG010153-	
10		0756 303 07	* Joint	1		WG010153-	
11		0756 744 11	* Rod, Push (No.1, 3, Ports)	2		WG010153-	
12		0756 611 13	* Seal	4		WG010153-	
13		0783 756 01	* Plate	1		WG010153-	
14		0783 700 08	* Seat, Spring (No.1, 3, Ports)	2		WG010153-	
15		0783 964 01	* Spring (No.1, 3, Ports)	2		WG010153-	
16		0783 700 10	* Spring (No.1, 3, Ports)	2		WG010153-	
17		0784 127 01	* Rod, Push (No.2, 4, Ports)	2		WG010153-	

5



REMOTE CONTROL VALVE ASS'Y



40V4-050600-1

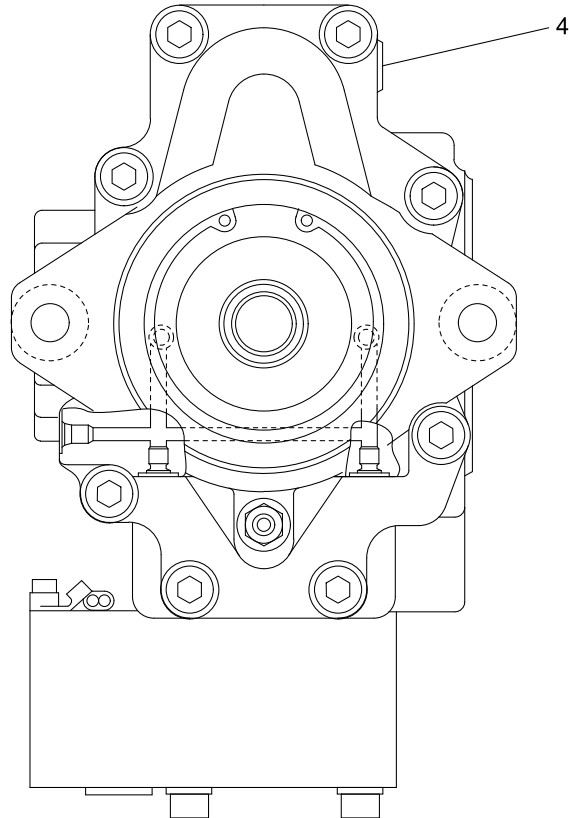
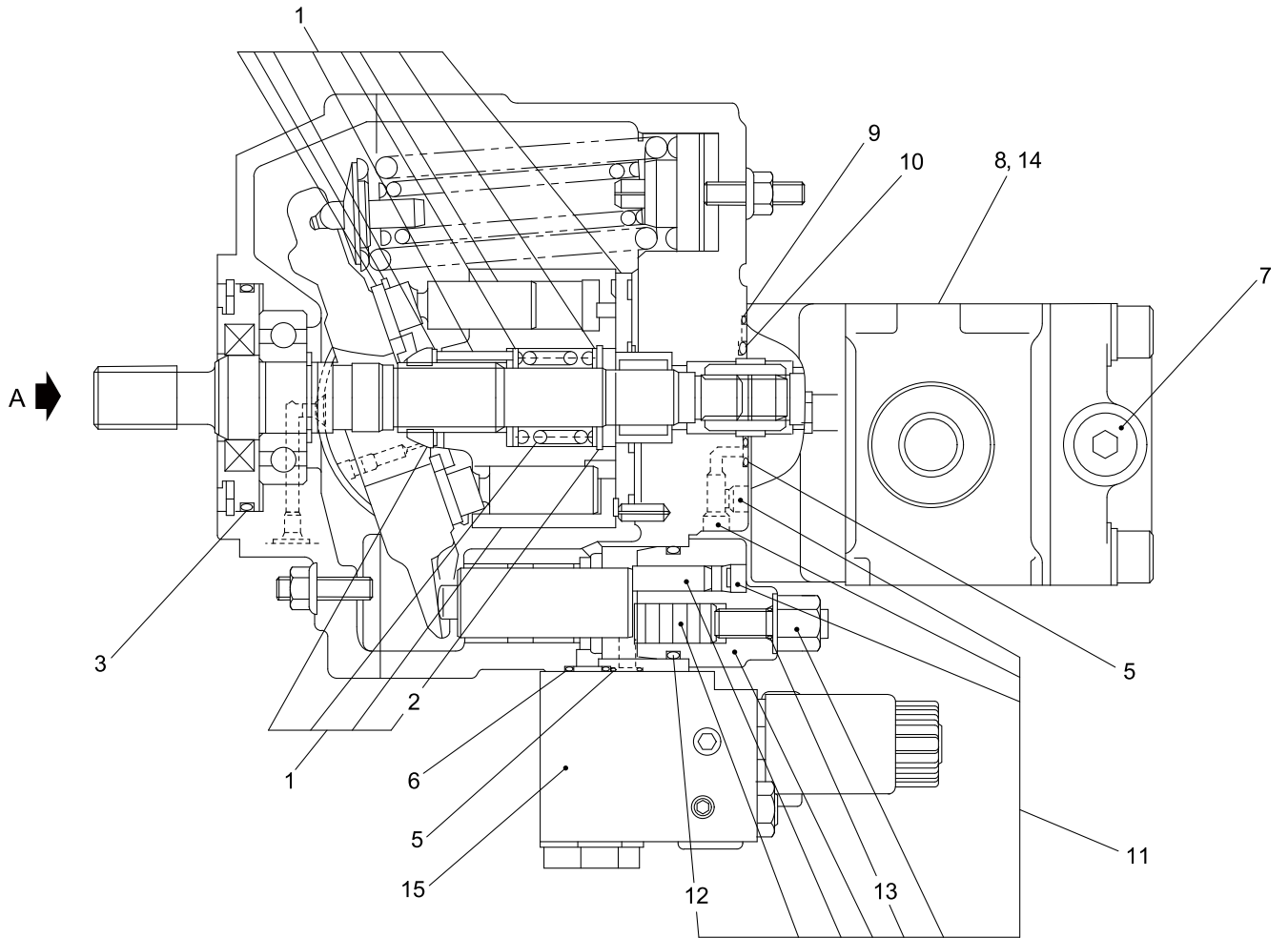


HYDRAULIC OIL TANK ASS'Y

MODEL 45V4

SHEET No 5-6

KEY No.	SUP.	PART No.	DESCRIPTION	Q'TY	CHAN.	SERIAL No.	REMARKS
0	×	F342 788 00	Tank Ass'y, Hydraulic Oil	1		WG010001-	
1	△	D284 241 00	* Tank, Hydraulic Oil	1		WG010001-***	
1	△	D284 256 00	* Tank, Hydraulic Oil	1	×	***-	
2		D286 344 00	* Tube	1		WG010001-	
3		4072 887 00	* Plug	1		WG010001-	
4		4077 036 00	* Plug, Drain	1		WG010001-	
5		0759 106 UA	* Strainer, Suction	1		WG010001-	
6		4079 027 00	* Gauge, Level	1		WG010001-	
7		0760 711 30	* Ring, O	1		WG010001-	P130-90B
8		0760 312 11	* Ring, O	1		WG010001-	211-90B
9		0555 100 20	* Bolt, Treatment	6		WG010001-	M10X20
10		0759 115 UA	* Filter Ass'y, Return	1		WG010001-	
10-1		0755 142 03	** Cartridge Ass'y	1		WG010001-	
10-2		0759 114 UA	** Valve Ass'y	1		WG010001-	
11		0518 120 25	* Bolt, Treatment (W/L.W, F.W)	4		WG010001-	M12X25 P=1.25
12		0590 100 00	* Washer, Lock	6		WG010001-	M10
13		0787 305 UA	* Breather, Air	1		WG010001-	
14		0517 060 16	* Bolt, Treatment (W/L.W, F.W)	4		WG010001-	M6X16
15		0760 710 30	* Ring, O	1		WG010001-	P29-90B



"A" VIEW

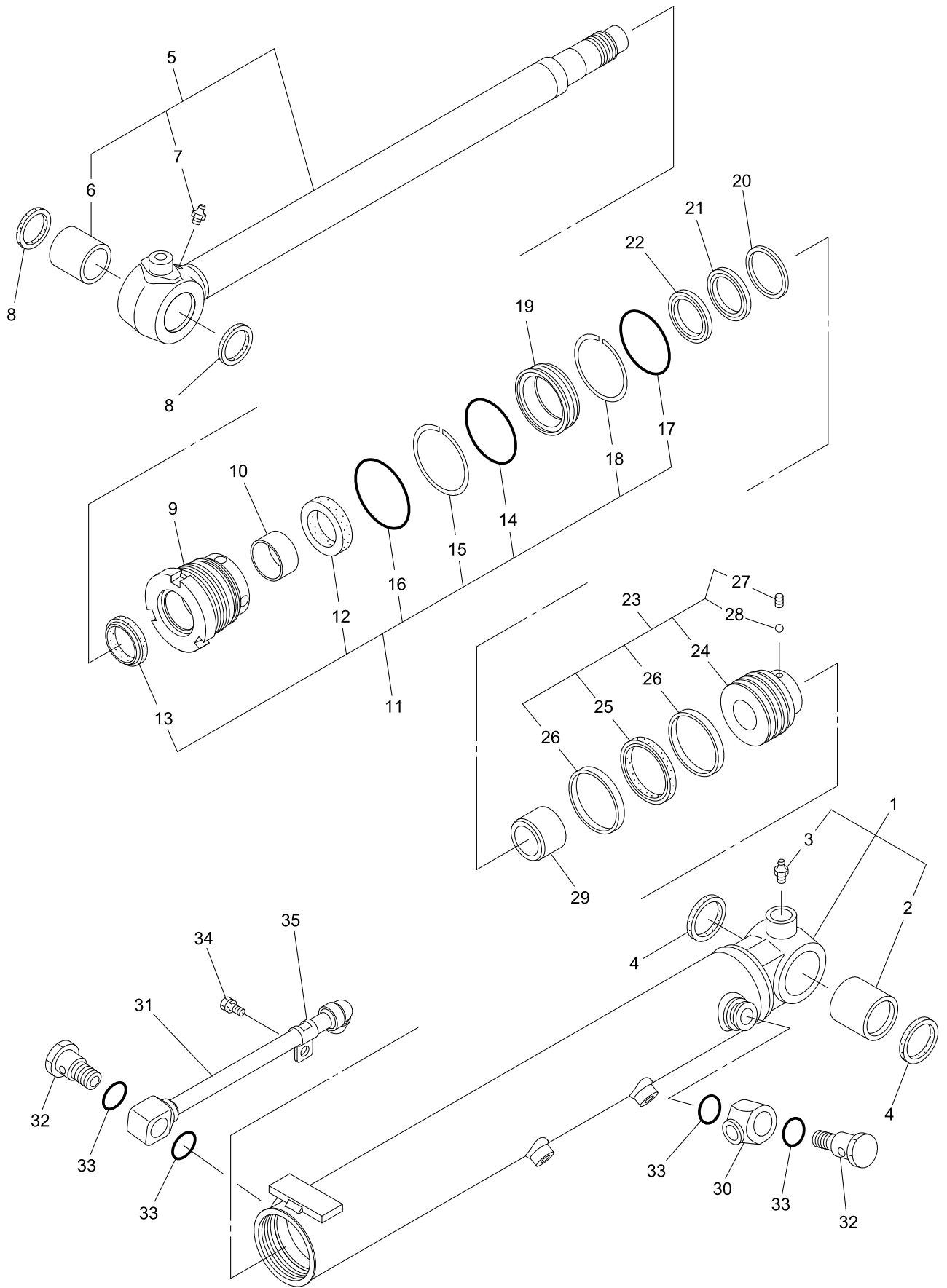
0780162UA-1

IHI

OIL PUMP ASS'Y

MODEL 45V4

SHEET No 5-7



0782605UA-1
0782604UA-1

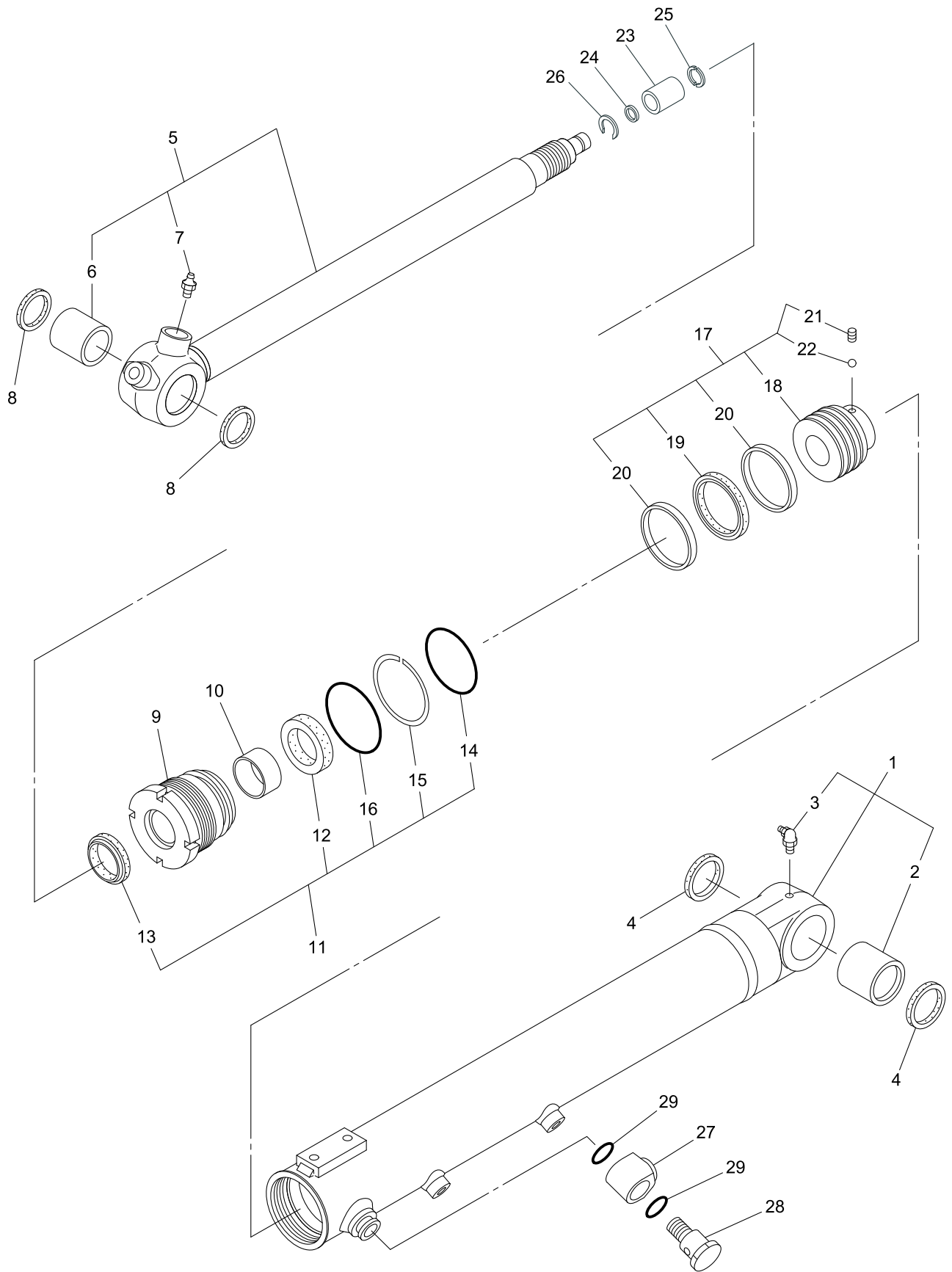


BOOM CYLINDER ASS'Y

MODEL 45V4

SHEET No 5-8

KEY No.	SUP.	PART No.	DESCRIPTION	Q'TY	CHAN.	SERIAL No.	REMARKS
0		0782 604 UA	Cylinder Ass'y, Boom	1		WG010001-	
1	×	**** **	* Tube Ass'y, Cylinder	1		WG010001-	
2		0782 605 09	** Bushing	1		WG010001-	
3		0728 111 15	** Nipple, Grease	1		WG010001-	PT1/8
4		0765 033 28	* Seal, Dust	2		WG010001-	
5		0782 604 02	* Rod Ass'y, Piston	1		WG010001-	
6		0782 605 09	** Bushing	1		WG010001-	
7		0728 111 15	** Nipple, Grease	1		WG010001-	PT1/8
8		0765 033 28	* Seal, Dust	2		WG010001-	
9		0782 604 03	* Head, Cylinder	1		WG010001-***	
9		0782 440 03	* Head, Cylinder	1	○	***-	
10		0782 492 04	* Bushing	1		WG010001-	
11		0782 440 93	* Kit, Seal	1		WG010001-	
12	×	0752 935 04	** Ring, U	1		WG010001-	
13	×	0758 850 06	** Ring, Wiper	1		WG010001-	
14	×	0760 715 90	** Ring, O	1		WG010001-	G90-90B
15	×	0782 440 08	** Ring, Back-up	1		WG010001-	
16	×	0760 715 95	** Ring, O	1		WG010001-	G95-90B
17	×	0760 715 90	** Ring, O	1		WG010001-	G90-90B
18	×	0782 440 13	** Ring, Back-up	1		WG010001-	
19		0780 440 10	* Holder	1		WG010001-	
20		0782 604 04	* Spacer	1		WG010001-	
21		0782 440 11	* Seal, Cushion	1		WG010001-	
22		0782 604 05	* Collar	1		WG010001-	
23		0782 604 93	* Piston Ass'y	1		WG010001-	
24	×	**** **	** Piston	1		WG010001-	
25		0752 921 09	** Ring Ass'y, Seal	1		WG010001-	
26		0782 440 17	** Ring, Slide	2		WG010001-	
27		0561 100 10	** Screw, Set	1		WG010001-	M10X10
28		0609 016 10	** Ball, Steel	1		WG010001-	d=1/4
29		0782 604 07	* Bearing, Cushion	1		WG010001-	
30		0782 619 06	* Joint	1		WG010001-	
31		0782 605 08	* Pipe	1		WG010001-	
32		0782 491 09	* Plug	2		WG010001-	
33		0760 710 28	* Ring, O	4		WG010001-	P26-90B
34		0782 446 06	* Bolt	1		WG010001-	
35		0782 440 27	* Holder, Pipe	1		WG010001-	



0782607UA-1
0782606UA-1

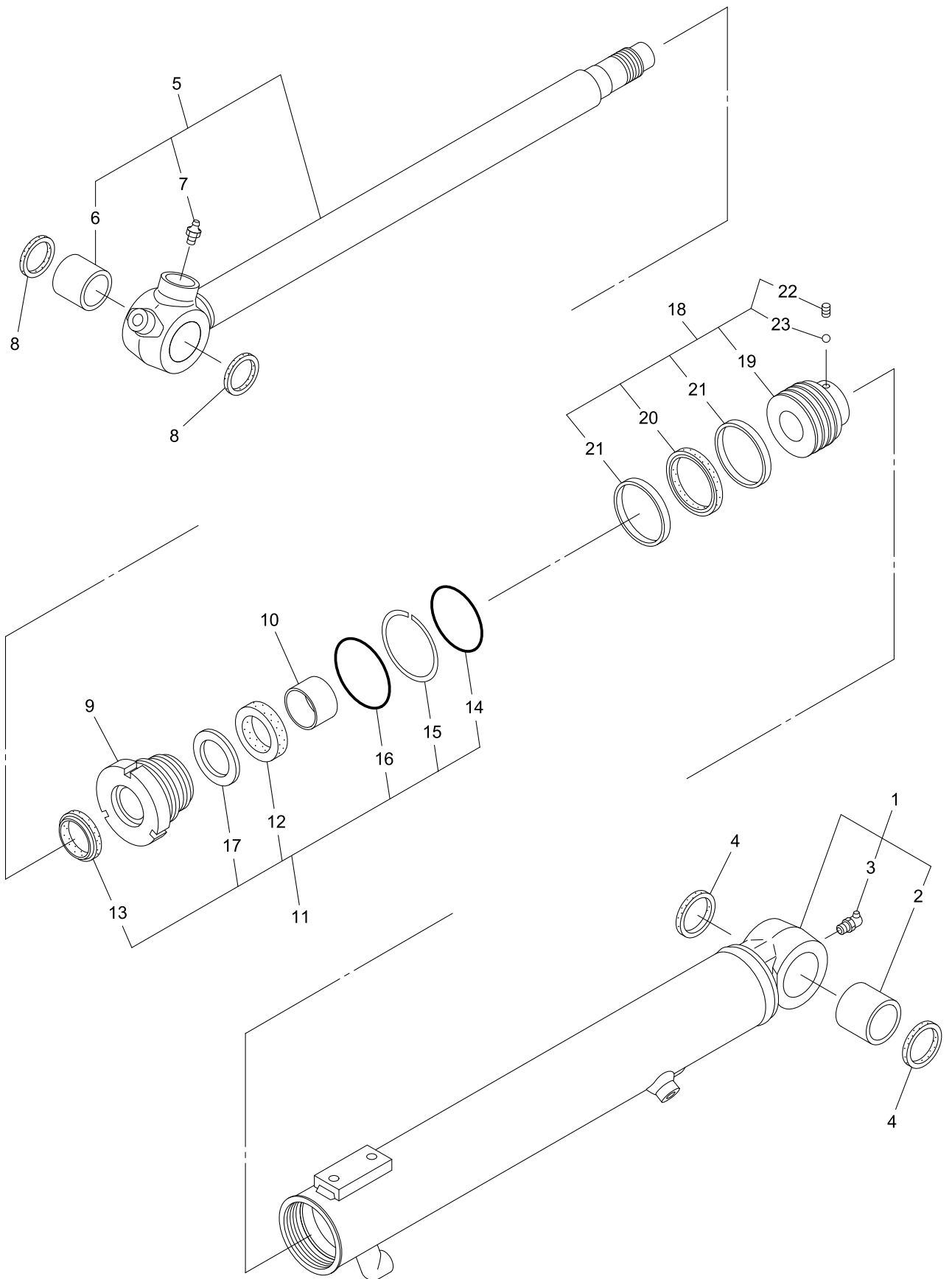


ARM CYLINDER ASS'Y

MODEL 45V4

SHEET No 5-9

KEY No.	SUP.	PART No.	DESCRIPTION	Q'TY	CHAN.	SERIAL No.	REMARKS
0		0782 606 UA	Cylinder Ass'y, Arm	1		WG010001-	
1	×	**** **	* Tube Ass'y, Cylinder	1		WG010001-	
2		0752 289 20	** Bushing	1		WG010001-	
3		0728 111 65	** Nipple, Grease	1		WG010001-	PT1/8X90
4		0751 796 24	* Seal, Dust	2		WG010001-	
5		0782 606 02	* Rod Ass'y, Piston	1		WG010001-	
6		0752 289 20	** Bushing	1		WG010001-	
7		0728 111 15	** Nipple, Grease	1		WG010001-	PT1/8
8		0751 796 24	* Seal, Dust	2		WG010001-	
9		0782 606 03	* Head, Cylinder	1		WG010001-	
10		0782 446 03	* Bushing	1		WG010001-	
11		0782 438 93	* Kit, Seal	1		WG010001-	
12	×	0752 756 05	** Ring, U	1		WG010001-	
13	×	0758 698 09	** Ring, Wiper	1		WG010001-	
14	×	0760 715 75	** Ring, O	1		WG010001-	G75-90B
15	×	0782 399 05	** Ring, Back-up	1		WG010001-	
16	×	0760 715 80	** Ring, O	1		WG010001-	G80-90B
17		0782 401 93	* Piston Ass'y	1		WG010001-	
18	×	**** **	** Piston	1		WG010001-	
19		0752 941 06	** Ring Ass'y, Seal	1		WG010001-	
20		0782 399 12	** Ring, Slide	2		WG010001-	
21		0561 080 08	** Screw, Set	1		WG010001-	M8X8
22		0751 901 25	** Ball, Steel	1		WG010001-	d=7/32
23		0782 438 15	* Bearing, Cushion	1		WG010001-	
24		0782 185 23	* Seal, Cushion	1		WG010001-	
25		0758 696 25	* Stopper	2		WG010001-	
26		0782 401 06	* Ring, Snap	1		WG010001-	
27		0782 619 06	* Joint	1		WG010001-	
28		0782 491 09	* Plug	1		WG010001-	
29		0760 710 28	* Ring, O	2		WG010001-	P26-90B



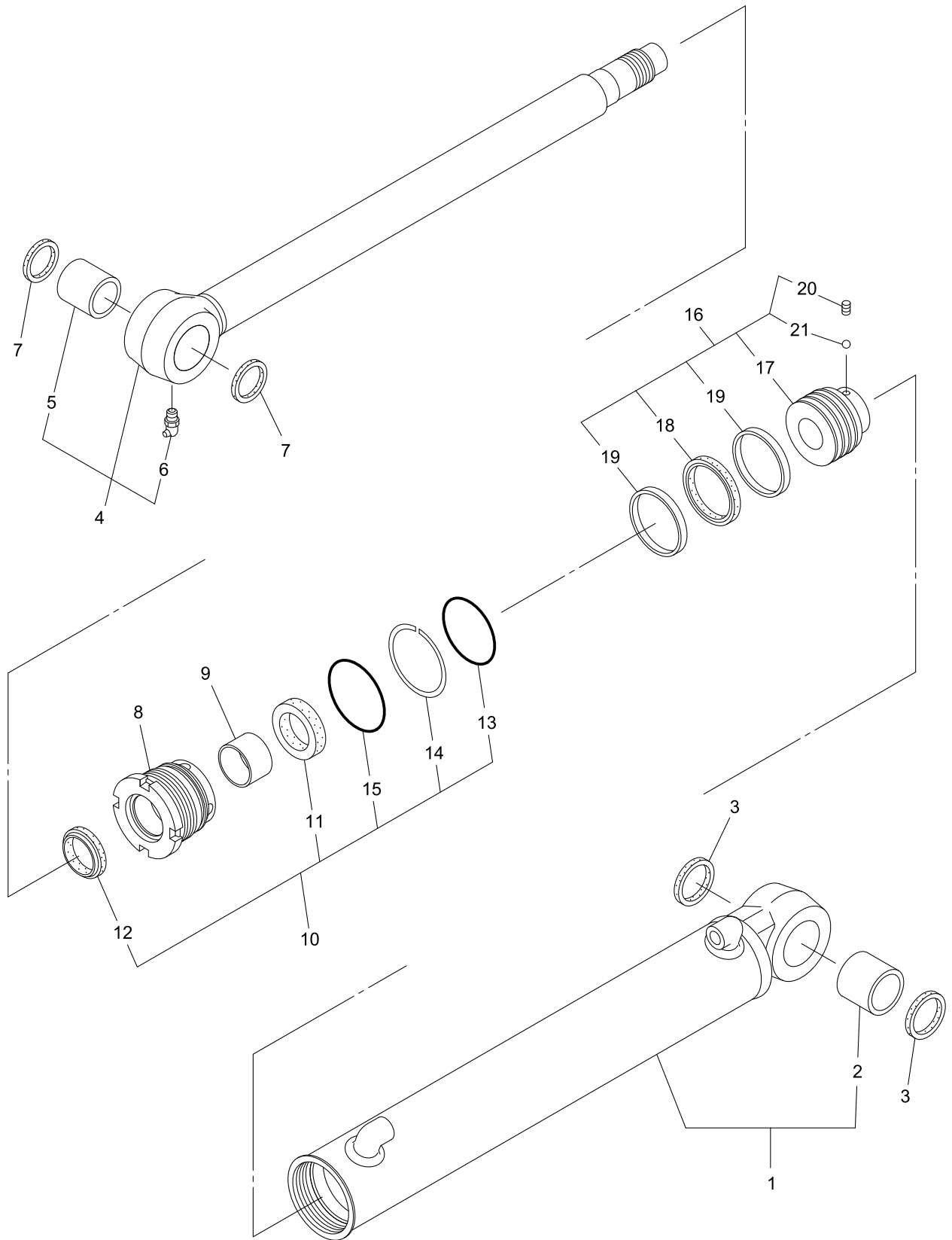
0782602UA-1



BUCKET CYLINDER ASS'Y

MODEL 45V4

SHEET No 5-10



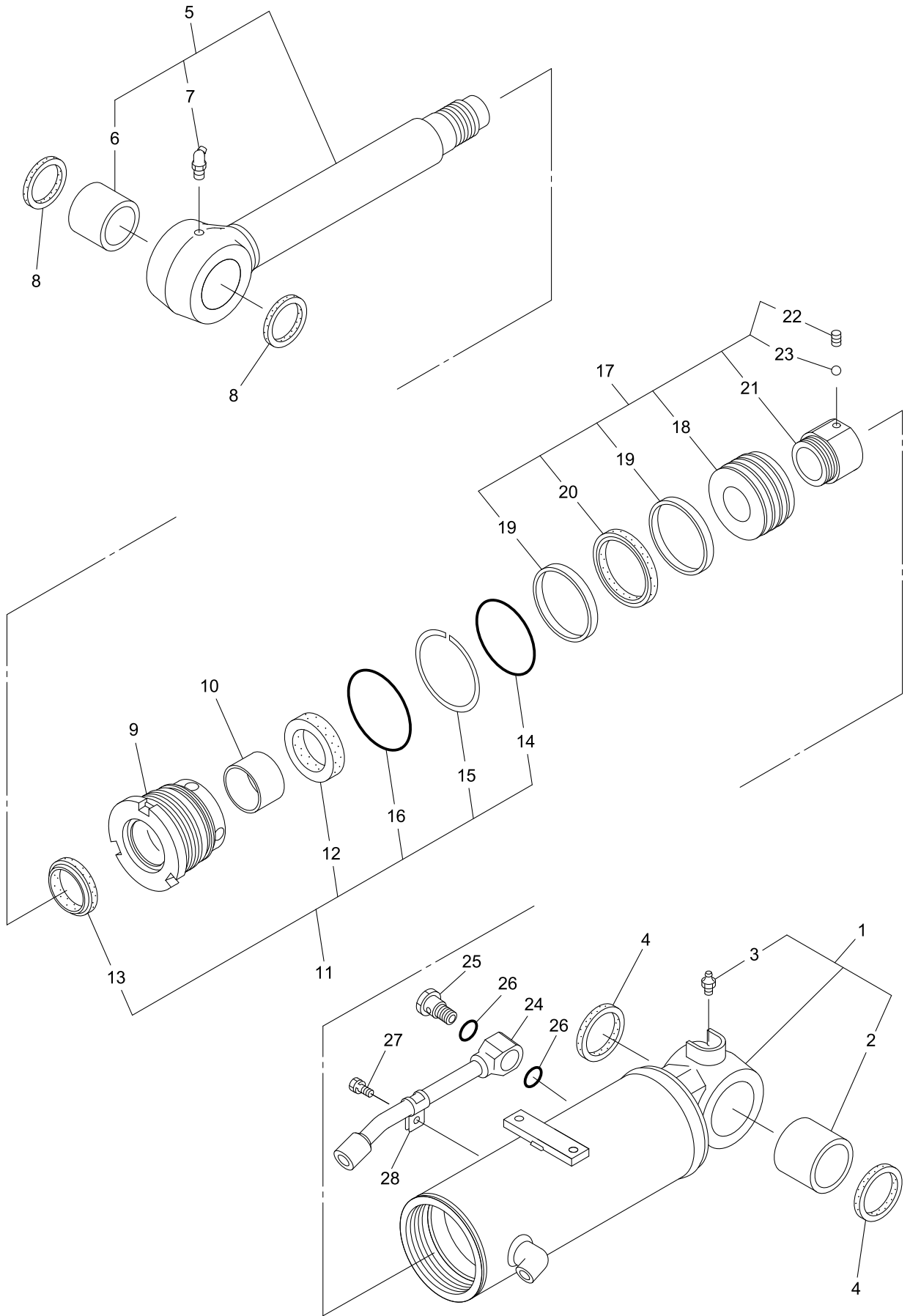
0782603UA-1



BOOM SWING CYLINDER ASS'Y

MODEL 45V4

SHEET No 5-11



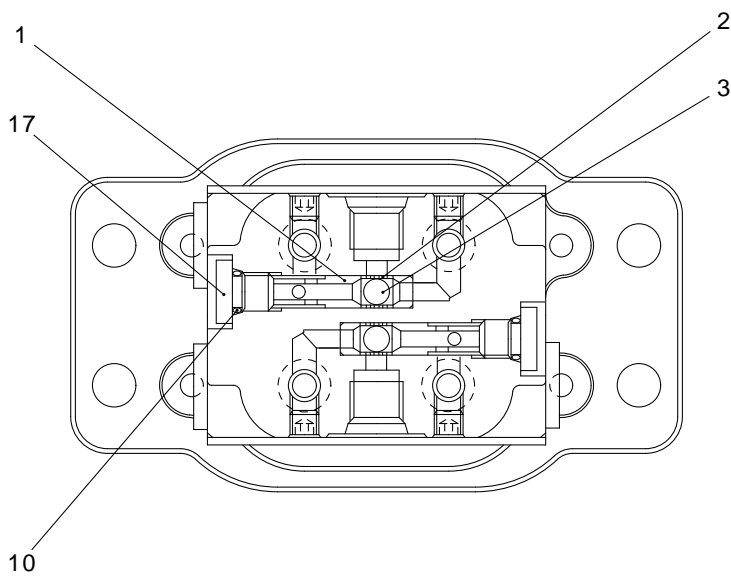
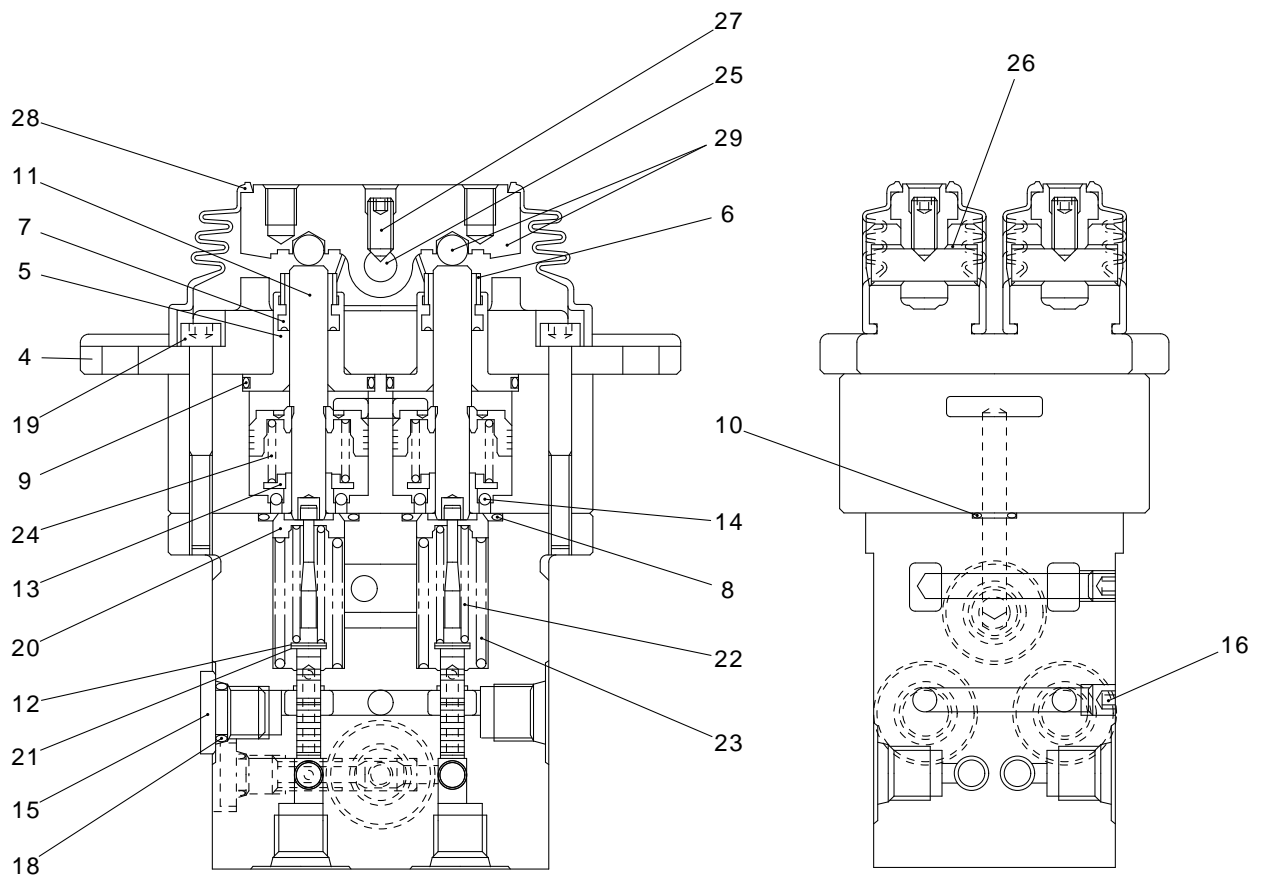
0782608UA-1



BLADE CYLINDER ASS'Y

MODEL 45V4

SHEET No 5-12



0783995UA-1
0783936UA-1

IHI

PILOT VALVE ASS'Y (TRAVEL)

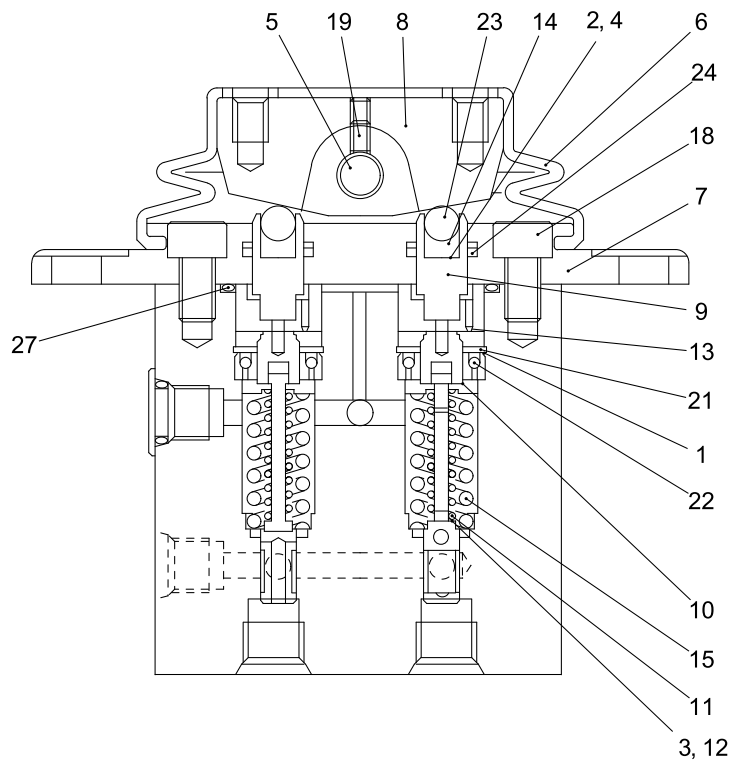
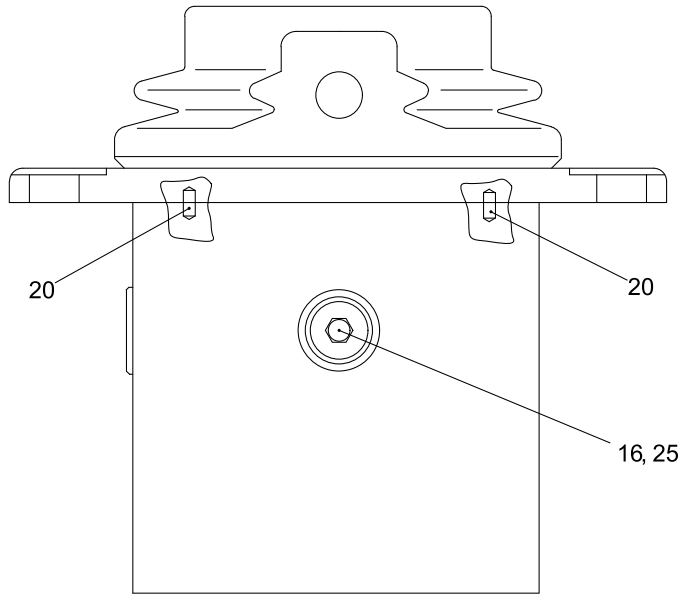
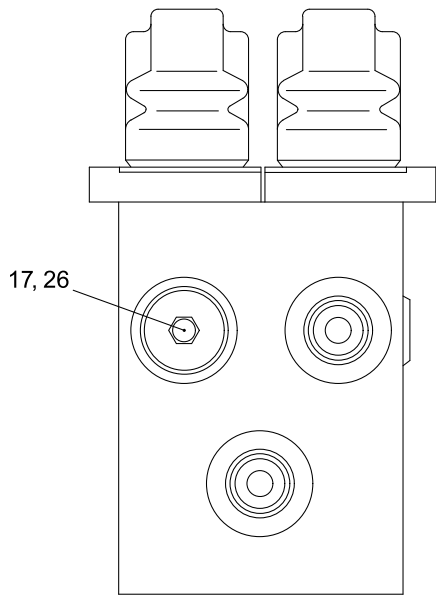
MODEL 45V4

SHEET No 5-13

KEY No.	SUP.	PART No.	DESCRIPTION	Q'TY	CHAN.	SERIAL No.	REMARKS
0		0783 995 UA	Valve Ass'y, Pilot	1		WG010001-WG010152	
0		0784 128 UA	Valve Ass'y, Pilot	1	○	WG010153-	
1		0783 951 01	* Seat	2		WG010001-	
2		0783 951 02	* Bushing	2		WG010001-	
3		0609 016 10	* Ball, Steel	2		WG010001-	d=1/4
4		0783 951 03	* Cover	2		WG010001-	
5		0783 951 04	* Plug	4		WG010001-	
6		0783 951 05	* Cap, Grease	4		WG010001-	
7		0783 951 06	* Packing	4		WG010001-	
8		0760 310 20	* Ring, O	4		WG010001-	020-90B
9		0760 310 25	* Ring, O	4		WG010001-	025-90B
10		0760 710 08	* Ring, O	4		WG010001-	P8-90B
11		0783 936 01	* Rod, Push	4		WG010001-	
12		0783 951 08	* Shim	4		WG010001-	
13		0783 951 09	* Seat, Spring	4		WG010001-	
14		0751 948 06	* Ball, Steel	12		WG010001-	
15		0756 357 03	* Plug	3		WG010001-	
16		0750 198 15	* Plug	6		WG010001-	
17		0783 920 06	* Plug	2		WG010001-	
18		0760 710 12	* Ring, O	3		WG010001-	P11-90B
19		0562 060 50	* Bolt, Socket Head	4		WG010001-	M6X50
20		0783 951 10	* Seat, Spring	4		WG010001-	
21		0783 951 11	* Washer	4		WG010001-	
22		0783 995 01	* Spring	4		WG010001-WG010152	
22		0783 936 02	* Spring	4	○	WG010153-	
23		0783 951 13	* Spring	4		WG010001-WG010152	
23		0784 128 01	* Spring	4	○	WG010153-	
24		0783 951 14	* Spring	4		WG010001-	
25		0783 951 15	* Shaft Cam	2		WG010001-	
26		0783 951 16	* Bushing	4		WG010001-	
27		0783 951 17	* Screw, Set	2		WG010001-	
28		0783 951 18	* Boot	2		WG010001-	
29		0783 951 91	* Cam Ass'y	2		WG010001-	



PILOT VALVE ASS'Y (TRAVEL)



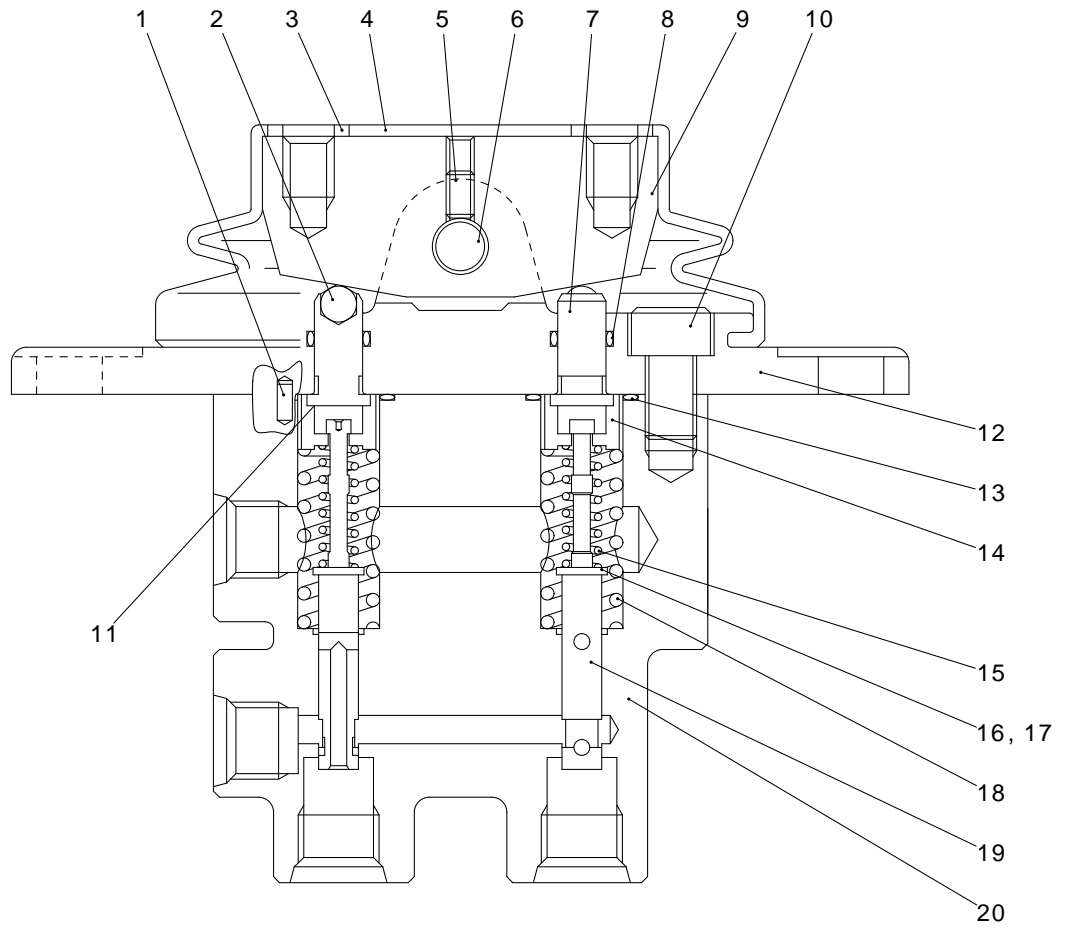
0783768UA-1



PILOT VALVE ASS'Y (TRAVEL)

MODEL 45V4

SHEET No 5-13A



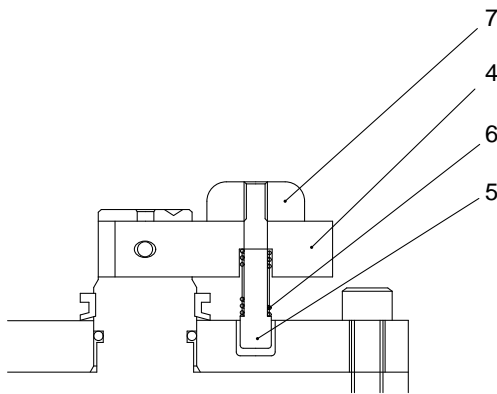
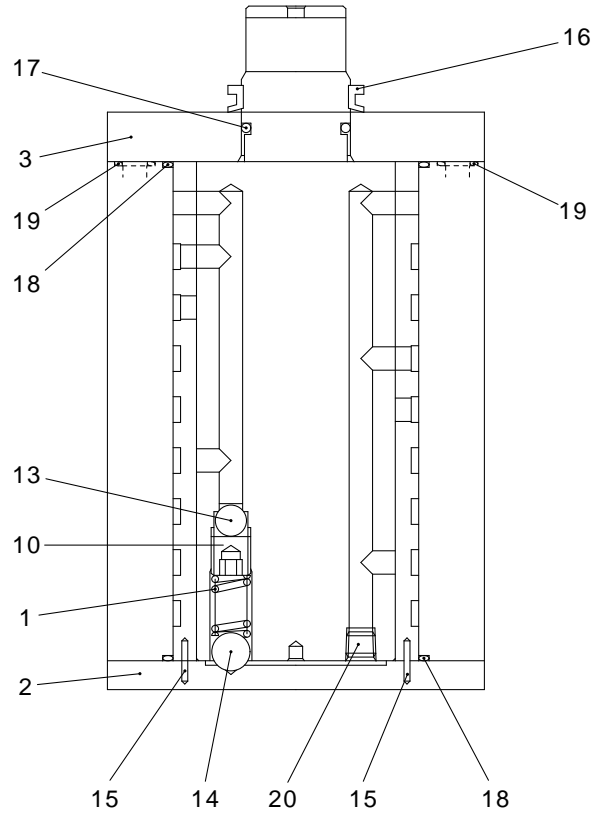
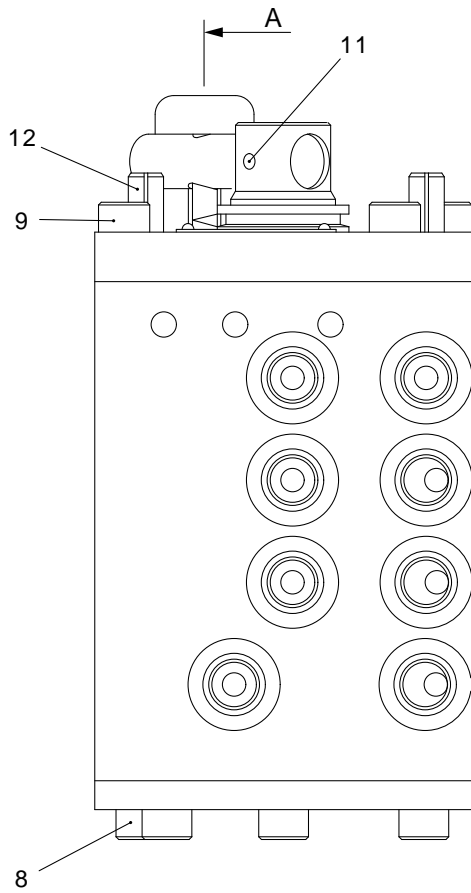
0783965UA-1
0783724UA-1



PILOT VALVE ASS'Y

MODEL 45V4

SHEET No 5-14



"A" SECTION

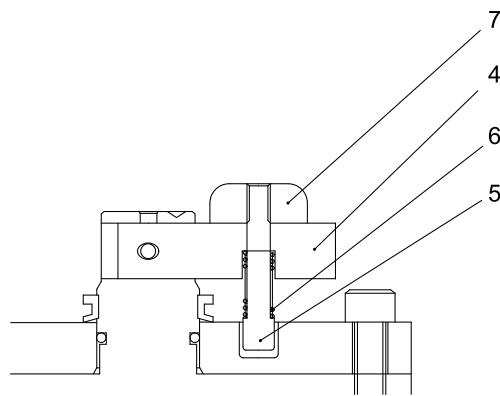
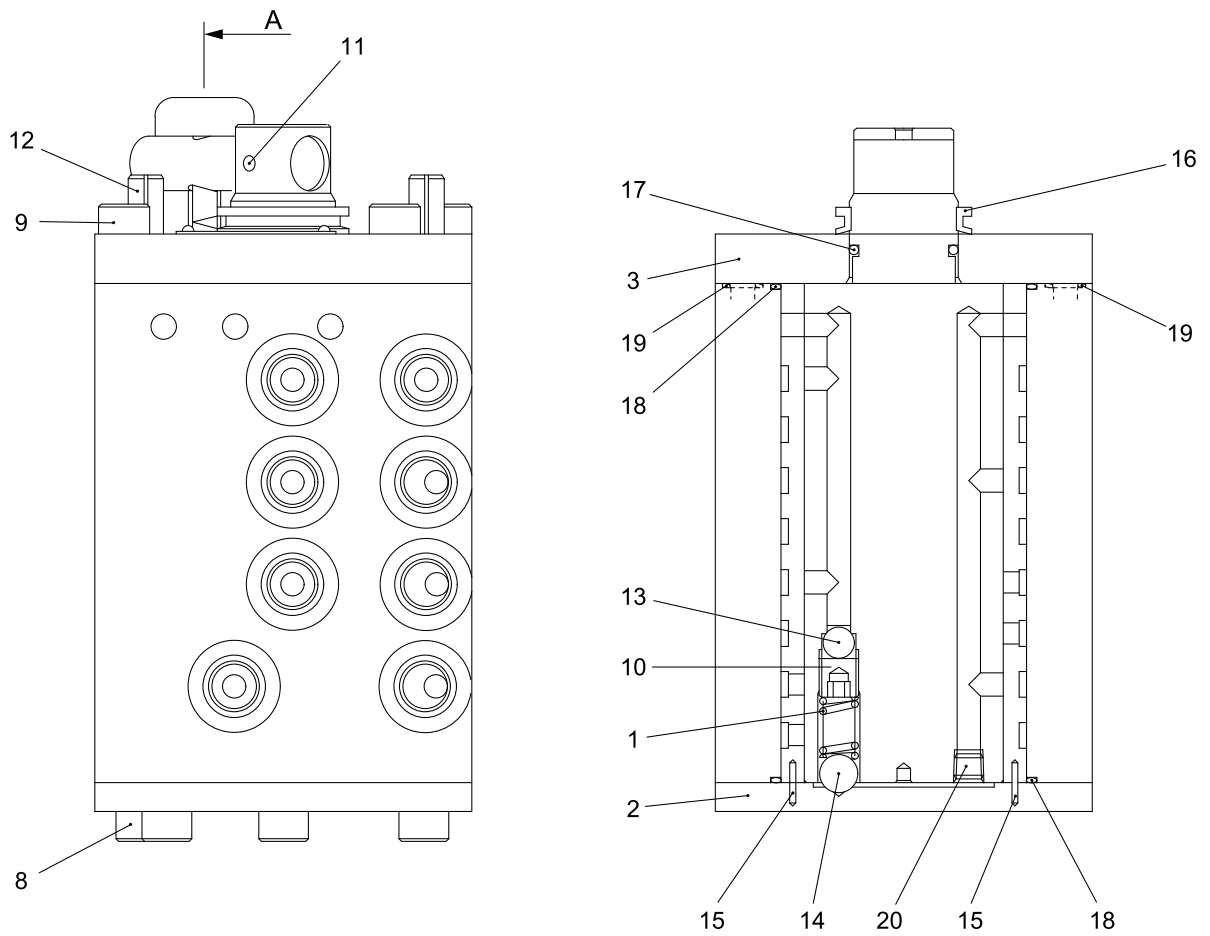
0784112UA-1



MULTIPLE VALVE ASS'Y (FOR A-D CHANGE)

MODEL 45V4

SHEET No 5-15



"A" SECTION

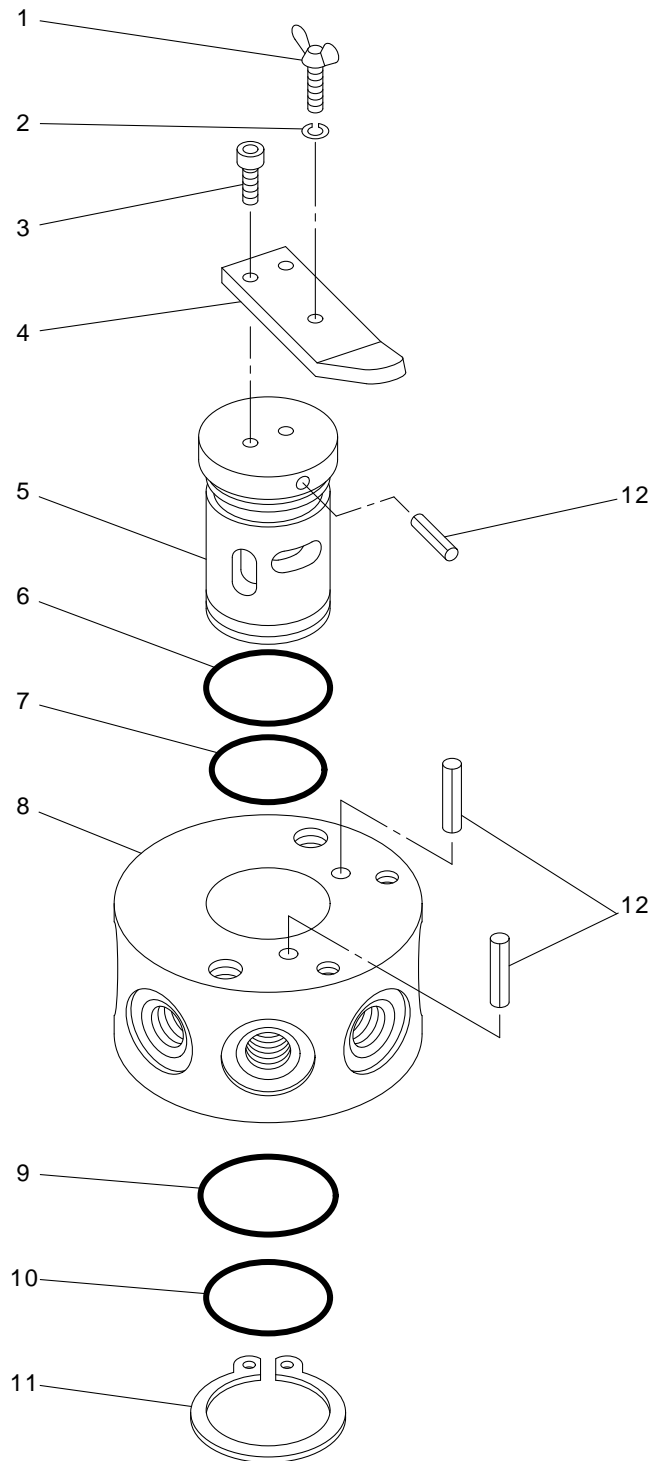
0784113UA-1



MULTIPLE VALVE ASS'Y (FOR A, B, G CHANGE)

MODEL 45V4

SHEET No 5-15[A]



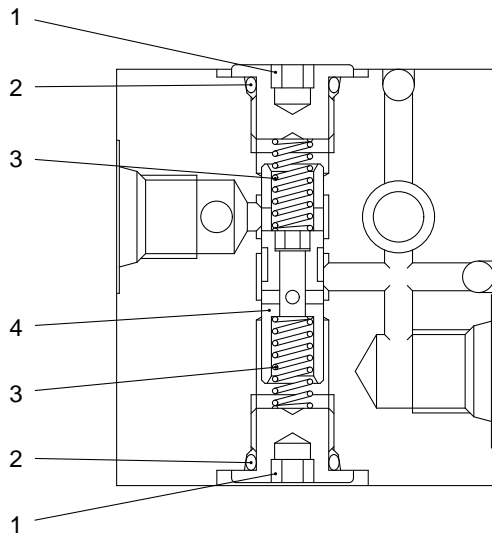
0756094UA-1



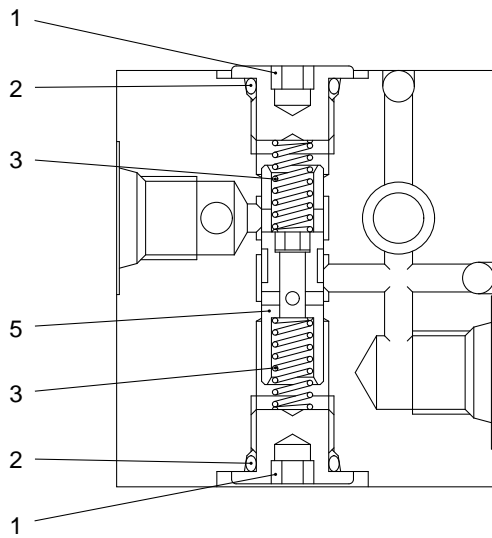
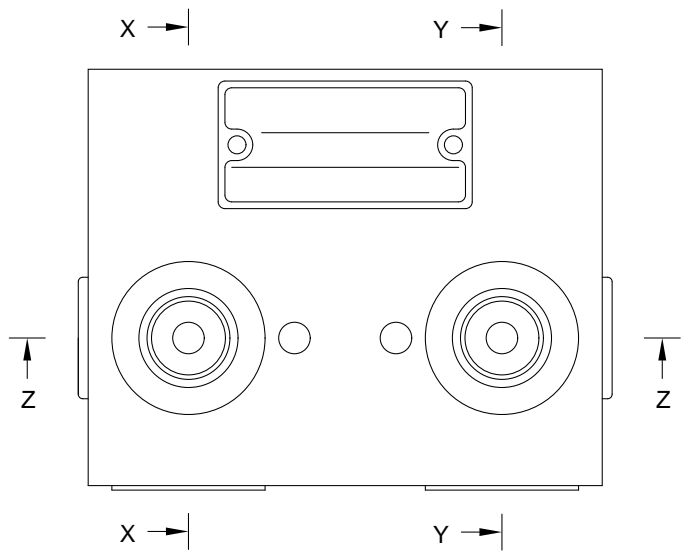
MULTIPLE VALVE ASS'Y (FOR A, F CHANGE)

MODEL 45V4

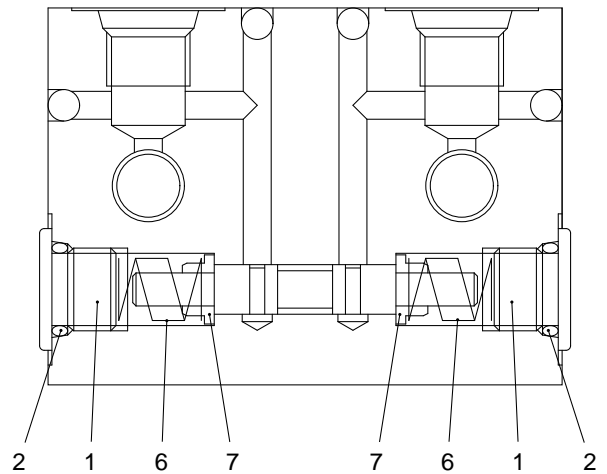
SHEET No 5-15[B]



"X- X" 断 面
SECTION



"Y- Y" 断 面
SECTION



"Z- Z" 断 面
SECTION

0783802UA- 1

IHI

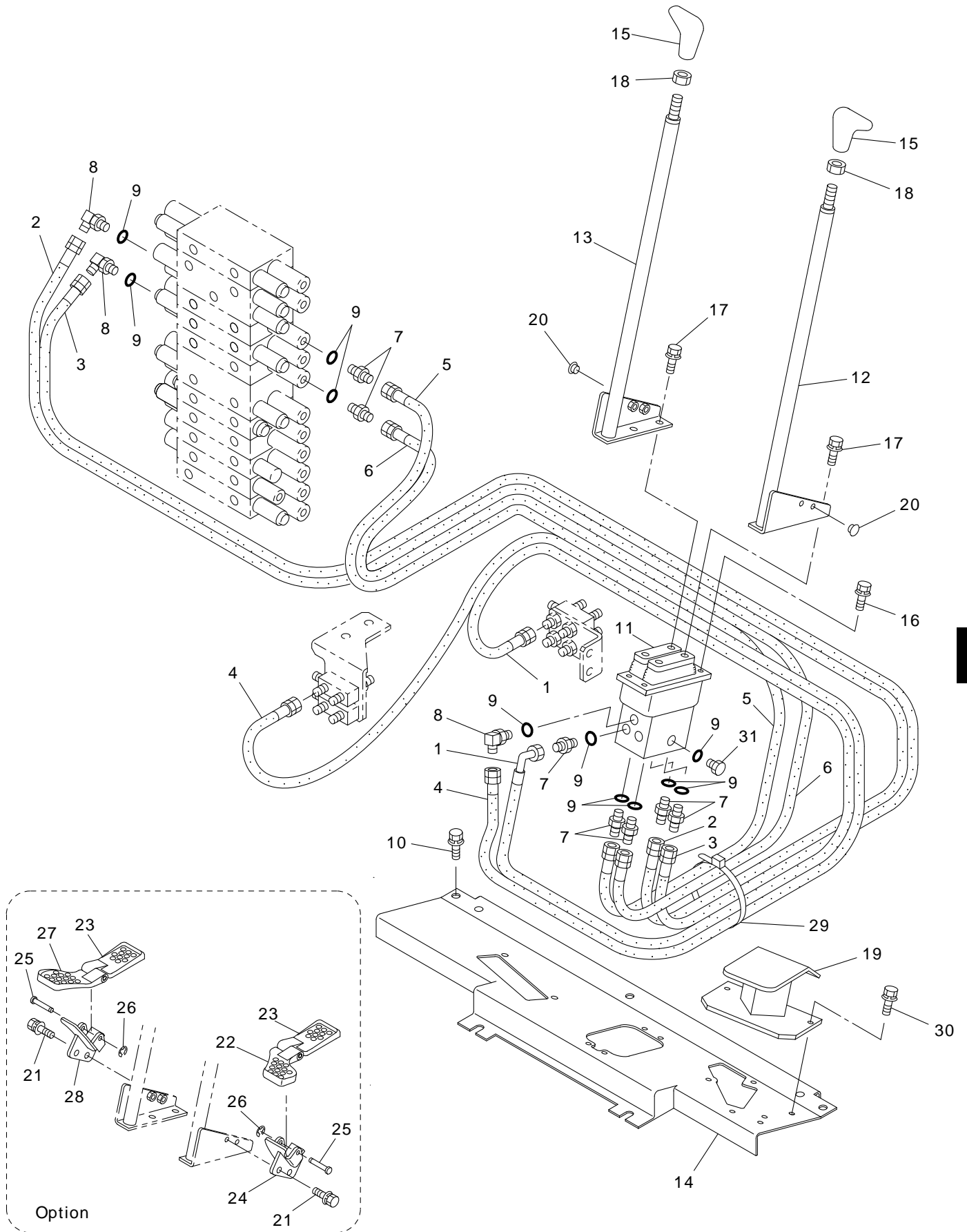
SHOCKLESS VALVE ASS'Y

MODEL 45V4

SHEET No 5-16

KEY No.	SUP.	PART No.	DESCRIPTION	Q'TY	CHAN.	SERIAL No.	REMARKS
0		0783 802 UA	Valve Ass'y, Shockless	1		WG010153-	
1		0754 309 10	* Plug	6		WG010153-	
2		0760 710 12	* Ring, O	6		WG010153-	P11-90B
3		0756 062 07	* Spring	4		WG010153-	
4		0783 665 91	* Plunger Ass'y	1		WG010153-	D=0.7
4-1		0783 787 15	* Plunger Ass'y (CR Spec.)	1		WG010153-	D=0.9
5		0783 726 91	* Plunger Ass'y	1		WG010153-	D=0.6
6		0783 664 06	* Spring	2		WG010153-	
7		0783 664 09	* Retainer	2		WG010153-	

5



40V4-060100-1

注意:1. 見出番号14,19は組にて互換性あり。
 注意:2. 見出番号12,13は組にて互換性あり。

NOTE:1. The Key No.14,19 is exchangeable in couples.
 NOTE:2. The Key No.12,13 is exchangeable in couples.

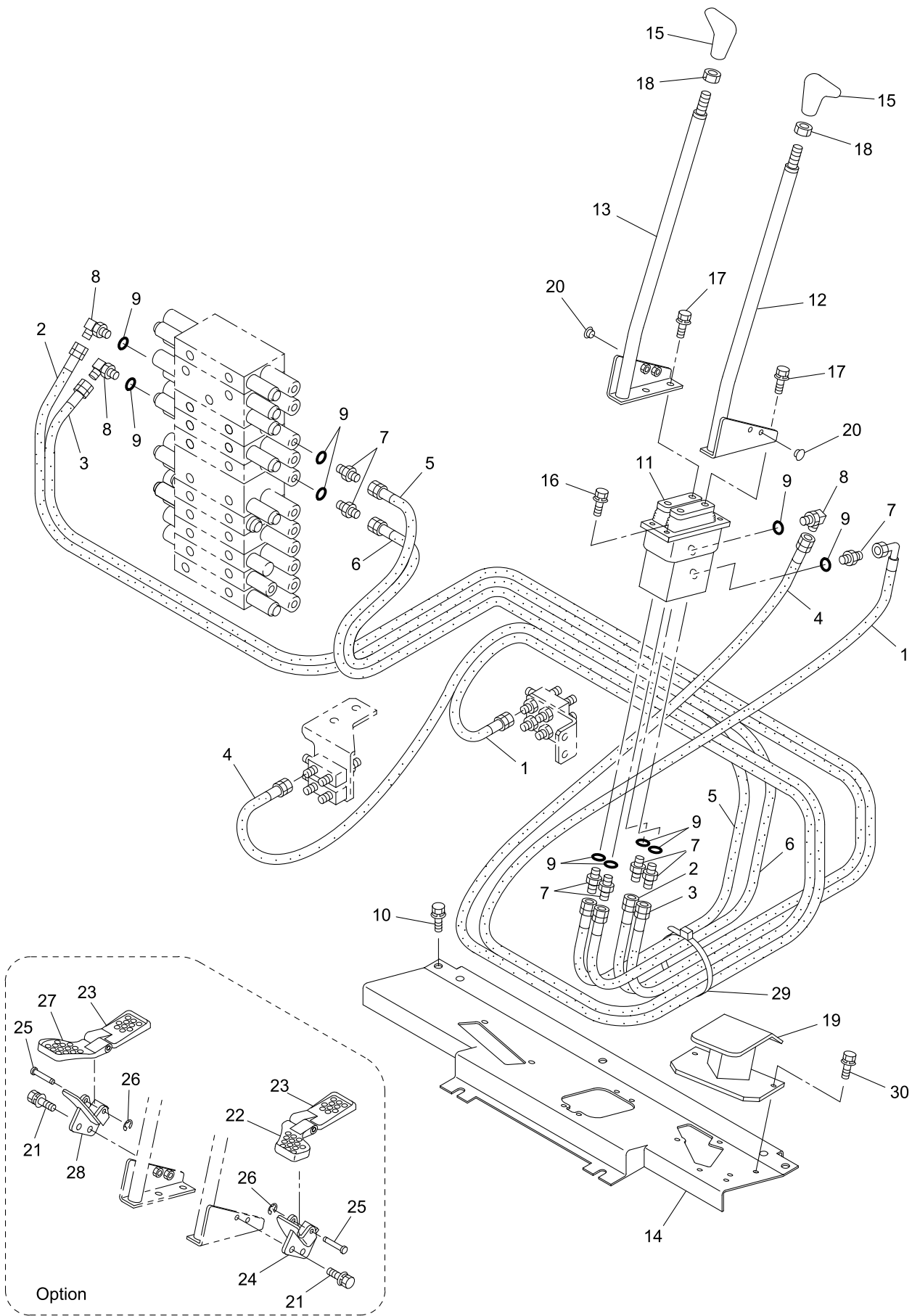


TRAVEL LEVER ASS'Y

MODEL 45V4

SHEET No 6-1

KEY No.	SUP.	PART No.	DESCRIPTION	Q'TY	CHAN.	SERIAL No.	REMARKS
0	×	F342 769 00	Lever Ass'y, Travel	1		WG010001-	
0-1	×	F361 762 00	Lever Ass'y, Travel	1		WG010001-	
1		4070 551 22	* Hose Ass'y	1		WG010001-	L=1000
2		4070 548 89	* Hose Ass'y	1		WG010001-	L=2250
2-1	☆	D406 499 01	* Decal (T1)	2		WG010001-	D406 499 00
3		4070 548 21	* Hose Ass'y	1		WG010001-	L=2100
3-1	☆	D406 499 03	* Decal (T3)	2		WG010001-	D406 499 00
4		4070 548 06	* Hose Ass'y	1		WG010001-	L=1200
5		4070 548 04	* Hose Ass'y	1		WG010001-	L=1800
5-1	☆	D406 499 02	* Decal (T2)	2		WG010001-	D406 499 00
6		4070 548 04	* Hose Ass'y	1		WG010001-	L=1800
6-1	☆	D406 499 04	* Decal (T4)	2		WG010001-	D406 499 00
7		0713 700 70	* Connector	7		WG010001-	
8		0710 122 09	* Elbow	3		WG010001-	
9		0760 710 12	* Ring, O	12		WG010001-	P11-90B
10		0518 100 25	* Bolt, Treatment (W/L.W, F.W)	5		WG010001-	M10X25 P=1.25
11	#	0783 995 UA	* Valve Ass'y, Pilot	1		WG010001-WG010152	Sh. No. 5-13
11	#	0784 128 UA	* Valve Ass'y, Pilot	1	○	WG010153-	Sh. No. 5-13
12		D495 871 00	* Lever (L.H.)	1		WG010001-WG010152	
12		D495 880 00	* Lever (L.H.)	1	△	WG010153-	
13		D495 872 00	* Lever (R.H.)	1		WG010001-WG010152	
13		D495 881 00	* Lever (R.H.)	1	△	WG010153-	
14		D419 360 00	* Bracket	1		WG010001-WG010152	
14		D419 676 00	* Bracket	1	△	WG010153-	
15		0690 283 72	* Grip	2		WG010001-	
16		0517 080 25	* Bolt, Treatment (W/L.W, F.W)	4		WG010001-	M8X25
17		0517 080 16	* Bolt, Treatment (W/L.W, F.W)	4		WG010001-	M8X16
18		0549 140 00	* Nut, Half	2		WG010001-	M14 P=1.5
19		D419 551 00	* Bracket	1		WG010001-WG010152	
19		D419 675 00	* Bracket	1	△	WG010153-	
20		0690 201 05	* Plug, Hole	4		WG010001-	
21		0517 080 25	* Bolt, Treatment (W/L.W, F.W)	4		WG010001-	M8X25
22		D501 057 00	* Pedal	1		WG010001-	Option
23		D501 076 00	* Pedal	2		WG010001-	Option
24		D419 342 00	* Bracket	1		WG010001-WG010152	Option
24		D419 697 00	* Bracket	1	○	WG010153-	Option
25		D013 384 00	* Pin,Head	2		WG010001-	Option
26		0493 510 08	* Ring, Snap	2		WG010001-	Option
27		D501 058 00	* Pedal	1		WG010001-	Option
28		D419 343 00	* Bracket	1		WG010001-WG010152	Option
28		D419 698 00	* Bracket	1	○	WG010153-	Option
29		0820 067 05	* Band, Cable	1		WG010001-	
30		0518 100 20	* Bolt, Treatment (W/L.W, F.W)	2		WG010001-	M10X20 P=1.25
31		0710 212 04	* Plug	2		WG010001-	



40V4-0601A0-1

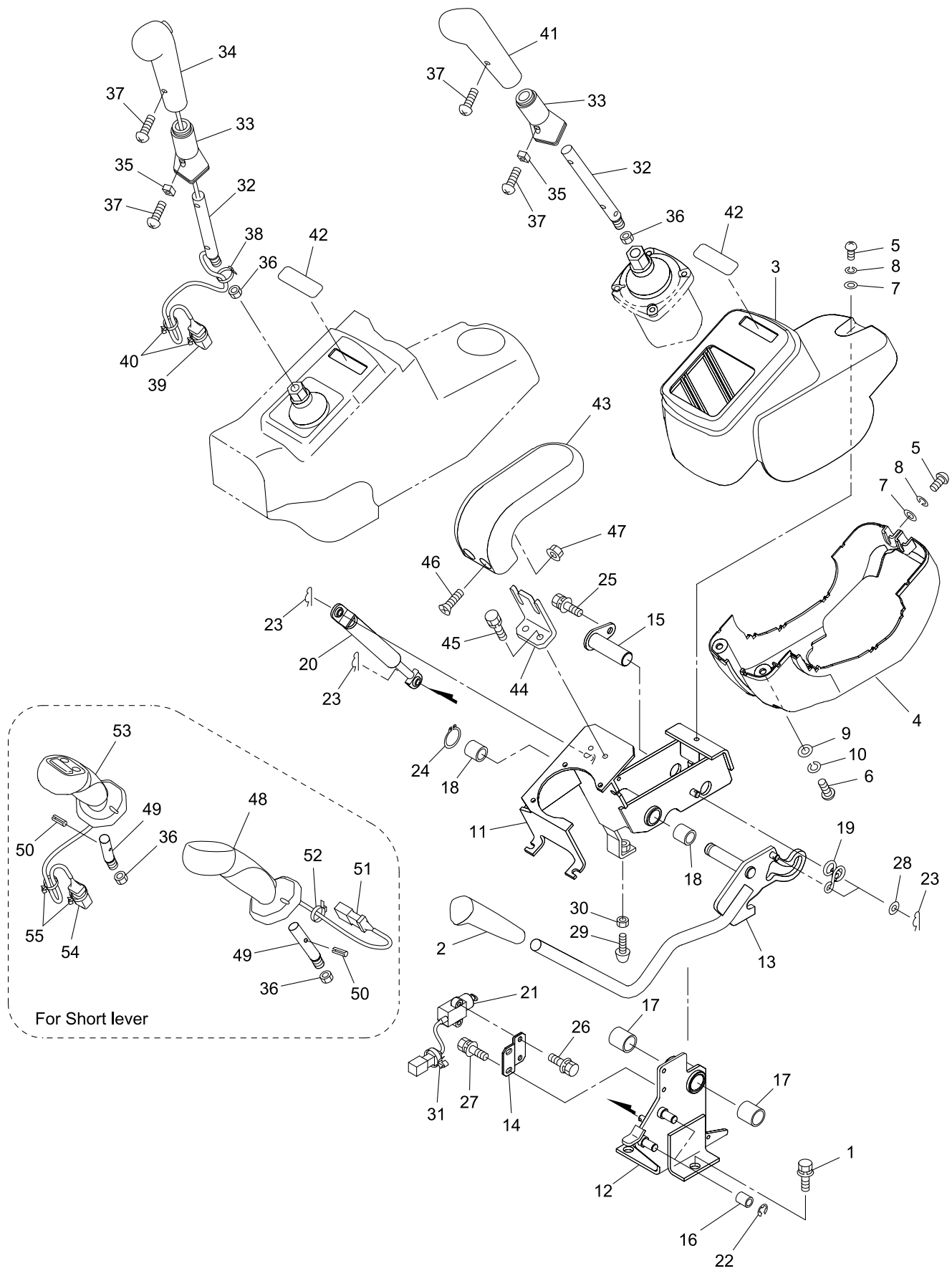


TRAVEL LEVER ASS'Y

MODEL 45V4

SHEET No 6-1A

KEY No.	SUP.	PART No.	DESCRIPTION	Q'TY	CHAN.	SERIAL No.	REMARKS
0	×	F342 888 00	Lever Ass'y, Travel	1		***-	
0-1	×	F361 810 00	Lever Ass'y, Travel	1		***-	
1		4070 551 22	* Hose Ass'y	1		***-	L=1000
2		4070 548 89	* Hose Ass'y	1		***-	L=2250
2-1	☆	D406 499 01	* Decal (T1)	2		***-	D406 499 00
3		4070 548 21	* Hose Ass'y	1		***-	L=2100
3-1	☆	D406 499 03	* Decal (T3)	2		***-	D406 499 00
4		4070 548 06	* Hose Ass'y	1		***-	L=1200
5		4070 548 04	* Hose Ass'y	1		***-	L=1800
5-1	☆	D406 499 02	* Decal (T2)	2		***-	D406 499 00
6		4070 548 04	* Hose Ass'y	1		***-	L=1800
6-1	☆	D406 499 04	* Decal (T4)	2		***-	D406 499 00
7		0713 700 70	* Connector	7		***-	
8		0710 122 09	* Elbow	3		***-	
9		0760 710 12	* Ring, O	12		***-	P11-90B
10		0518 100 25	* Bolt, Treatment (W/L.W, F.W)	5		***-	M10X25 P=1.25
11	#	0783 768 UA	* Valve Ass'y, Pilot	1		***-	Sh. No. 5-13A
12		D495 880 00	* Lever (L.H.)	1		***-	
13		D495 881 00	* Lever (R.H.)	1		***-	
14		D419 676 00	* Bracket	1		***-	
15		0690 283 72	* Grip	2		***-	
16		0517 080 25	* Bolt, Treatment (W/L.W, F.W)	4		***-	M8X25
17		0517 080 16	* Bolt, Treatment (W/L.W, F.W)	4		***-	M8X16
18		0549 140 00	* Nut, Half	2		***-	M14 P=1.5
19		D419 675 00	* Bracket	1		***-	
20		0690 201 05	* Plug, Hole	4		***-	
21		0517 080 25	* Bolt, Treatment (W/L.W, F.W)	4		***-	M8X25
22		D501 057 00	* Pedal	1		***-	Option
23		D501 076 00	* Pedal	2		***-	Option
24		D419 697 00	* Bracket	1		***-	Option
25		D013 384 00	* Pin,Head	2		***-	Option
26		0493 510 08	* Ring, Snap	2		***-	Option
27		D501 058 00	* Pedal	1		***-	Option
28		D419 698 00	* Bracket	1		***-	Option
29		0820 067 05	* Band, Cable	1		***-	
30		0518 100 20	* Bolt, Treatment (W/L.W, F.W)	2		***-	M10X20 P=1.25



V4ALL-060200-1



CONTROL LEVER ASS'Y

MODEL 45V4

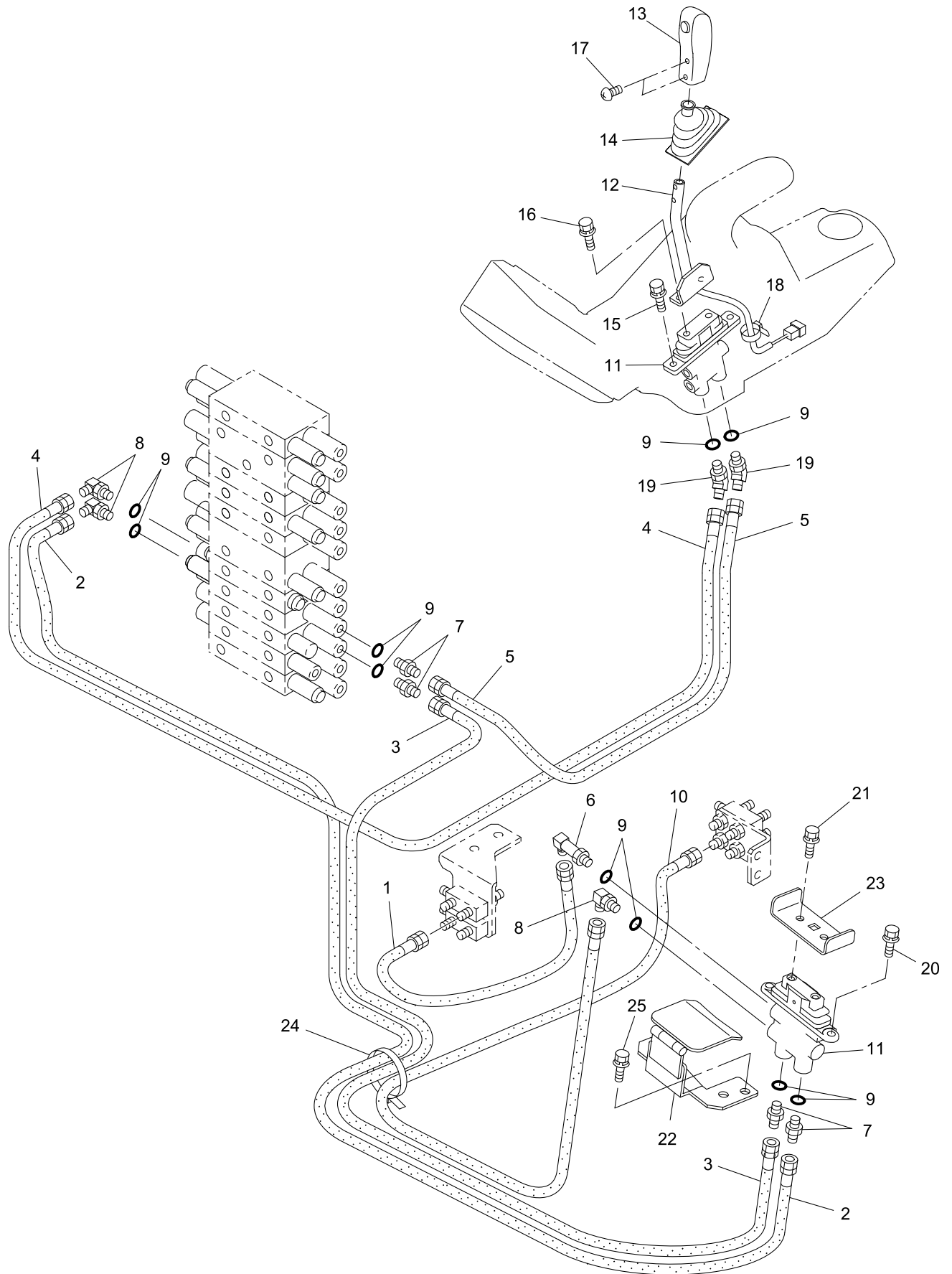
SHEET No 6-2

KEY No.	SUP.	PART No.	DESCRIPTION	Q'TY	CHAN.	SERIAL No.	REMARKS
0	×	F361 762 00	Lever Ass'y, Control	1		WG010001-	
1		0518 100 25	* Bolt, Treatment (W/L.W, F.W)	3		WG010001-	M10X25 P=1.25
2		0690 283 86	* Grip	1		WG010001-	
3		D465 318 00	* Panel	1		WG010001-	
4		D465 319 00	* Panel	1		WG010001-	
5		4004 364 01	* Bolt, Button Head	3		WG010001-	M6X18
6		0565 060 25	* Screw, Pan Head	2		WG010001-	M6X25
7		0594 060 00	* Washer, Flat	3		WG010001-	M6
8		0596 060 00	* Washer, Lock	3		WG010001-	M6
9		0593 060 00	* Washer, Flat	2		WG010001-	M6
10		0590 060 00	* Washer, Lock	2		WG010001-	M6
11		D419 308 00	* Bracket	1		WG010001-	
12		D418 302 00	* Bracket	1		WG010001-	
13		D495 774 00	* Lever	1		WG010001-	
14		D418 190 00	* Bracket	1		WG010001-	
15		D017 225 00	* Pin	1		WG010001-	
16		4040 867 00	* Spacer	2		WG010001-	
17		0618 120 20	* Bushing	2		WG010001-	
18		0618 116 15	* Bushing	2		WG010001-	
19		D170 052 00	* Spring	1		WG010001-	
20		0652 253 UA	* Stay, Dumper	1		WG010001-	
21		0858 314 15	* Switch, Limit	1		WG010001-	
22		0493 560 09	* Ring "E"	2		WG010001-	
23		4016 030 04	* Pin, Snap	4		WG010001-	
24		0493 510 16	* Ring, Snap	1		WG010001-	d=16
25		0517 080 20	* Bolt, Treatment (W/L.W, F.W)	1		WG010001-	M8X20
26		0517 060 16	* Bolt, Treatment (W/L.W, F.W)	2		WG010001-	M6X16
27		0517 060 12	* Bolt, Treatment (W/L.W, F.W)	2		WG010001-	M6X12
28		0593 080 00	* Washer, Flat	2		WG010001-	M8
29		0690 202 50	* Pad, Rubber	1		WG010001-	
30		0548 120 00	* Nut, Half	1		WG010001-	M12
31		0690 082 08	* Band, Cable	1		WG010001-	
32		D495 577 00	* Lever (L=150)	2		WG010001-	
32-1		D495 873 00	* Lever (L=100)	2		WG010001-	
33		D042 040 00	* Collar (L=75)	2		WG010001-	
33-1		D042 069 00	* Collar (L=25)	2		WG010001-	
34		0690 283 40	* Grip (W/Switch)	1		WG010001-	
35		D040 178 00	* Spacer	2		WG010001-	
36		0580 140 00	* Nut, Hex.	2		WG010001-	M14
37		0565 040 12	* Screw, Pan Head	4		WG010001-	M4X12
38		0820 067 07	* Band, Cable	1		WG010001-	
39		D592 290 00	* Harness	1		WG010001-	
40		0690 082 08	* Clamp, Hose	2		WG010001-	
41		0690 283 41	* Grip	1		WG010001-	
42		D408 281 00	* Seal	2		WG010001-***	
43		D480 009 00	* Rest, Arm	2		WG010001-	
44		D418 139 00	* Bracket	2		WG010001-	
45		0519 080 20	* Bolt, Treatment (W/L.W)	4		WG010001-	M8X20
46		D004 049 02	* Bolt, Button Head	4		WG010001-	M8X30
47		0521 080 00	* Nut, Hex..(W/F.W)	4		WG010001-	M8
48		0690 283 85	* Grip	1		WG010001-	
49		D495 843 00	* Lever	2		WG010001-	

KEY No.	SUP.	PART No.	DESCRIPTION	Q'TY	CHAN.	SERIAL No.	REMARKS
50		0494 608 40	* Pin, Spring	2		WG010001-	d=5X40
51		0820 514 UA	* Connector	1		WG010001-	
52		0820 067 03	* Band, Cable	1		WG010001-	
53		0690 283 82	* Grip (W/Switch)	1		WG010001-	
54		0820 513 UA	* Connector	1		WG010001-	
55		0690 082 08	* Clamp, Hose	2		WG010001-	



[Memo]



40V4-060300-1

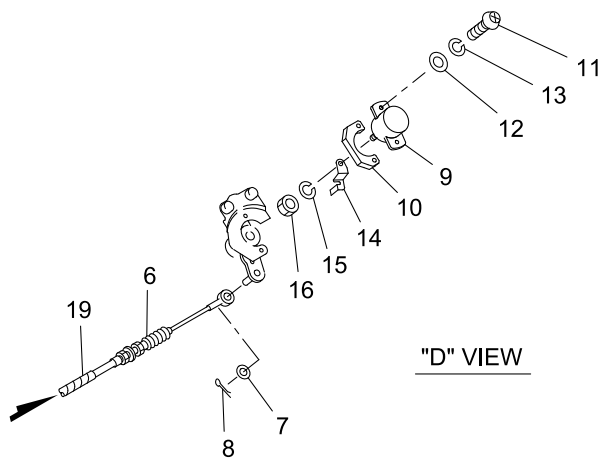
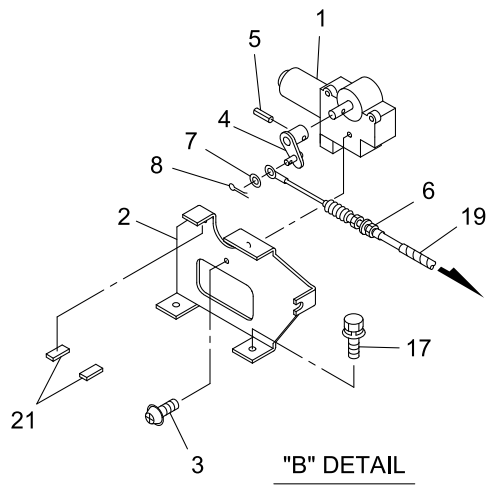
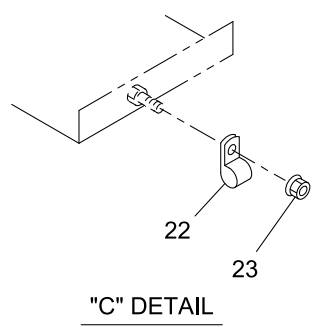
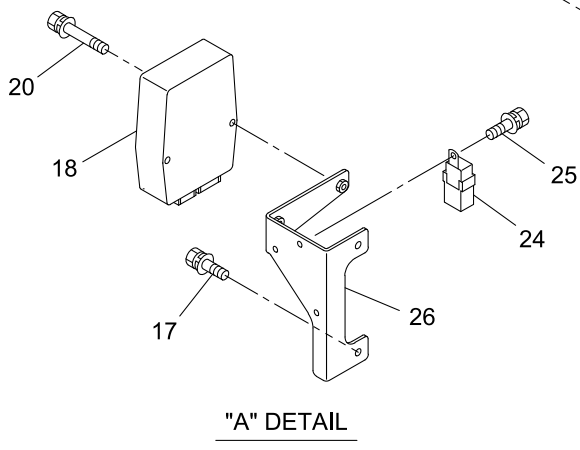
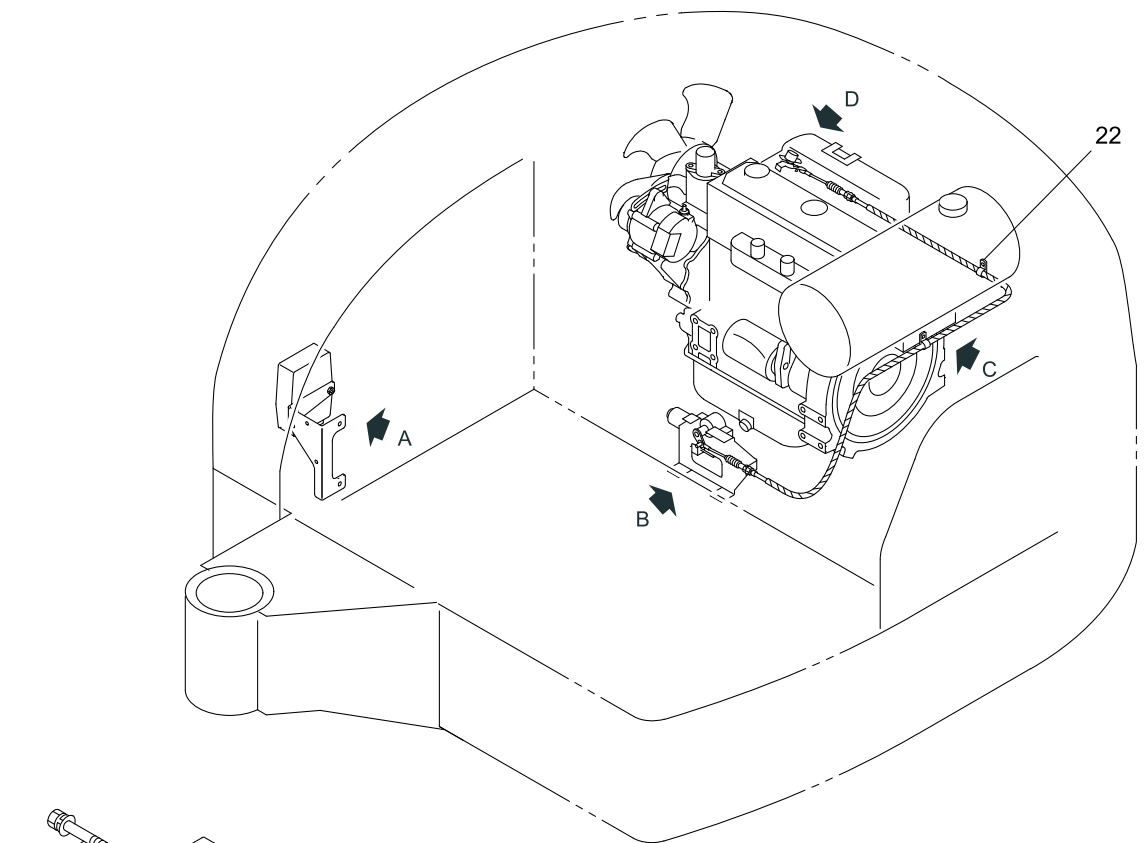


BLADE & BOOM SWING CONTROL ASS'Y

MODEL 45V4

SHEET No 6-3

KEY No.	SUP.	PART No.	DESCRIPTION	Q'TY	CHAN.	SERIAL No.	REMARKS
0	×	F342 769 00	Control Ass'y, Blade & Boom Swing	1		WG010001-	
1		4070 548 57	* Hose Ass'y	1		WG010001-	L=450
2		4070 548 39	* Hose Ass'y	1		WG010001-	L=2000
3		4070 548 19	* Hose Ass'y	1		WG010001-	L=1250
4		4070 548 01	* Hose Ass'y	1		WG010001-	L=1900
4-1	☆	D407 818 01	* Decal (BA)	2		WG010001-	D407 818 00
5		4070 548 06	* Hose Ass'y	1		WG010001-	L=1200
5-1	☆	D407 818 02	* Decal (BB)	2		WG010001-	D407 818 00
6		0710 117 02	* Elbow, Long	1		WG010001-	
7		0713 700 70	* Connector	4		WG010001-	
8		0710 122 09	* Elbow	3		WG010001-	
9		0760 710 12	* Ring, O	10		WG010001-	P11-90B
10		4070 548 36	* Hose Ass'y	1		WG010001-	L=550
11	#	0783 965 UA	* Valve Ass'y, Pilot	2		WG010001-***	Sh. No. 5-14
11	#	0784 023 UA	* Valve Ass'y, Pilot	2	○	***-	Sh. No. 5-14
12		D495 808 00	* Lever	1		WG010001-	
13		0690 283 81	* Grip (W/Switch)	1		WG010001-	
14		D181 002 00	* Boots	1		WG010001-	
15		0517 080 20	* Bolt, Treatment (W/L.W, F.W)	2		WG010001-	M8X20
16		0517 080 16	* Bolt, Treatment (W/L.W, F.W)	2		WG010001-	M8X16
17		0565 040 08	* Screw, Pan Head	2		WG010001-	M4X8
18		0820 067 03	* Band, Cable	1		WG010001-	
19		0710 121 00	* Elbow, 45	2		WG010001-	
20		0518 100 25	* Bolt, Treatment (W/L.W, F.W)	2		WG010001-	M10X25 P=1.25
21		0517 080 16	* Bolt, Treatment (W/L.W, F.W)	2		WG010001-	M8X16
22		D419 286 00	* Bracket	1		WG010001-	
23		D501 075 00	* Pedal	1		WG010001-	
24		0820 067 05	* Band, Cable	1		WG010001-	
25		0518 100 20	* Bolt, Treatment (W/L.W, F.W)	2		WG010001-	M10X20 P=1.25



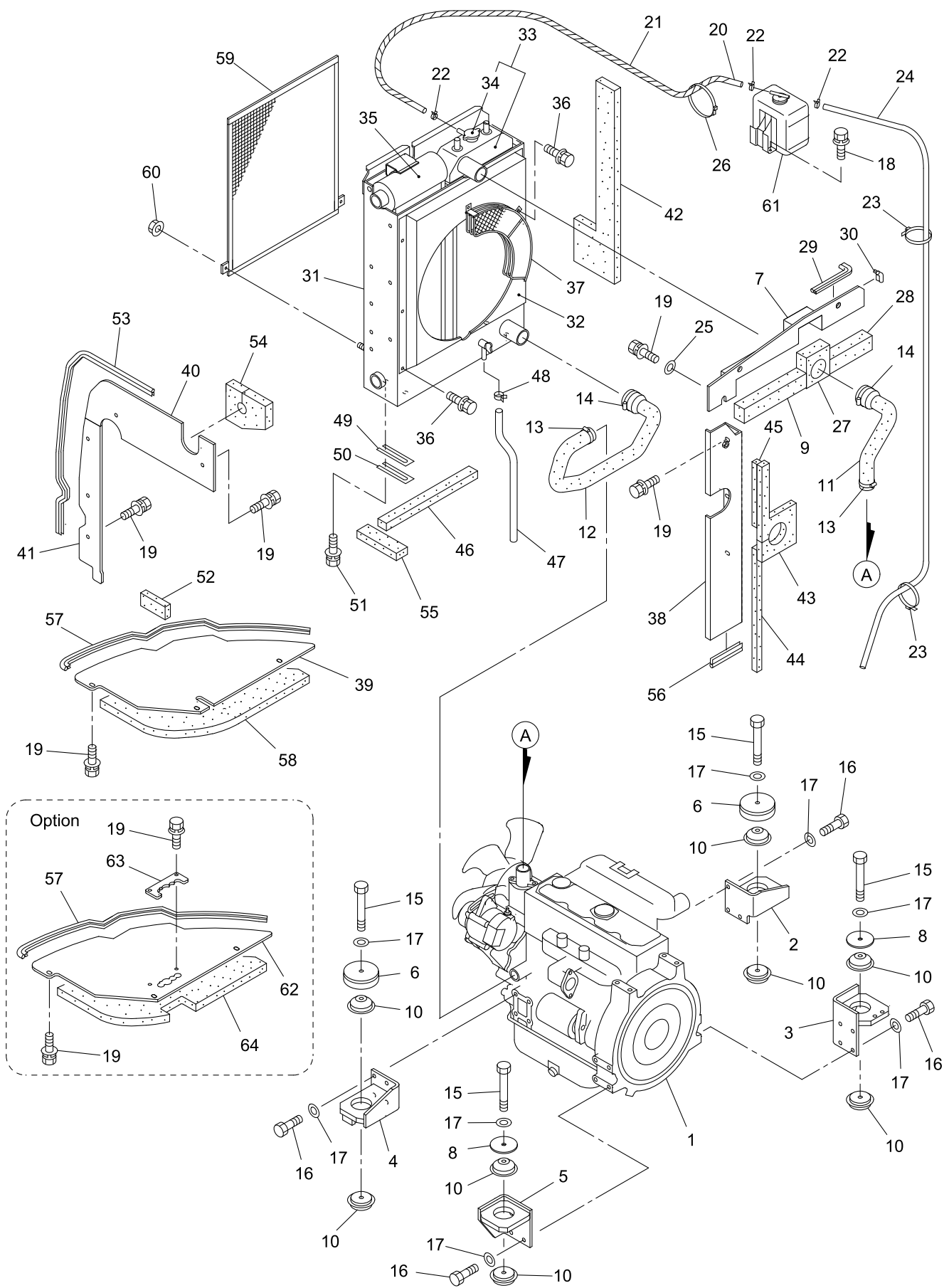
40V4-060400-1



ENGINE THROTTLE ASS'Y

MODEL 45V4

SHEET No 6-4



40V4-070100-1



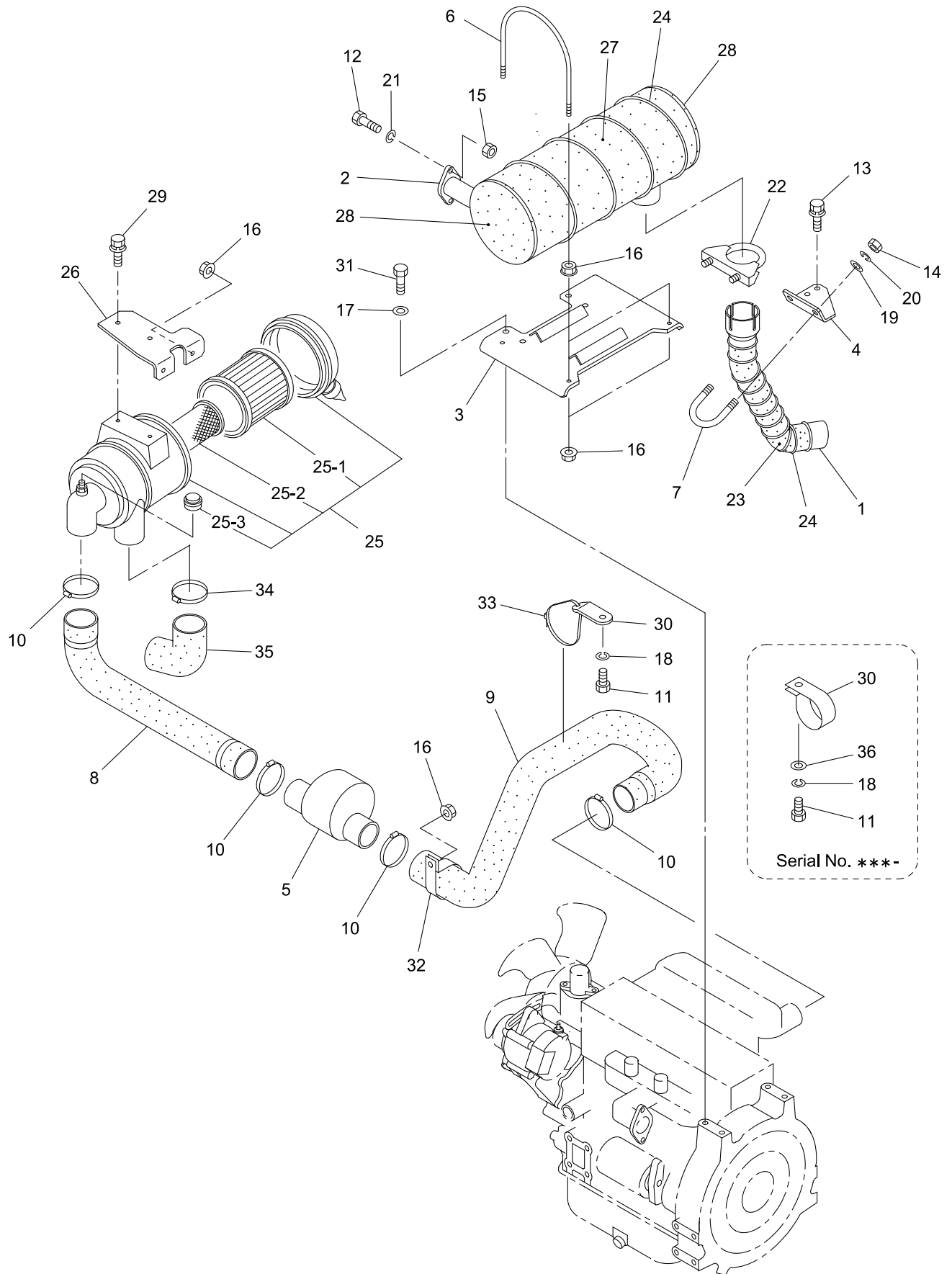
ENGINE & ACCESSORIES

MODEL 45V4

SHEET No 7-1

KEY No.	SUP.	PART No.	DESCRIPTION	Q'TY	CHAN.	SERIAL No.	REMARKS
0	×	F330 731 00	Engine & Accessories	1		WG010001-WG020000	
0	×	F330 734 00	Engine & Accessories	1		WG020001-	
1		0676 253 UA	* Engine Ass'y	1		WG010001-WG020000	V2403-M-DI-E3B-BHIH1
1		0676 268 UA	* Engine Ass'y	1		WG020001-	V2403-CR-E4B-BHIH-1
2		D419 258 00	* Bracket	1		WG010001-	
3		D419 256 00	* Bracket	1		WG010001-	
4		D419 259 00	* Bracket	1		WG010001-	
5		D419 257 00	* Bracket	1		WG010001-WG010152	
5		D419 688 00	* Bracket	1	○	WG010153-	
6		D481 022 00	* Holder	2		WG010001-WG010152	
6		D481 023 00	* Holder	2	○	WG010153-	
7		D458 445 00	* Cover	1		WG010001-	
8		D006 144 00	* Washer	2		WG010001-	
9		D493 657 00	* Panel, Sponge	1		WG010001-	
10		0910 931 10	* Rubber, Cushion	8		WG010001-	
11		0775 551 93	* Hose, Radiator	1		WG010001-	
12		0775 551 95	* Hose, Radiator	1		WG010001-	
13		0690 083 09	* Clamp, Hose	2		WG010001-	
14		0690 083 12	* Clamp, Hose	2		WG010001-	
15		0513 121 00	* Bolt, Treatment	4		WG010001-	M12X100
16		0558 120 30	* Bolt, Treatment	14		WG010001-	M12X30 P=1.25
17		0595 120 00	* Washer, Treatment	18		WG010001-	M12
18		0517 080 16	* Bolt, Treatment (W/L.W, F.W)	2		WG010001-	M8X16
19		0517 080 20	* Bolt, Treatment (W/L.W, F.W)	14		WG010001-	M8X20
20		0779 002 97	* Hose	M		WG010001-	L=1050
21		0820 803 03	* Tube, Corrugate	M		WG010001-	L=1000
22		0690 081 91	* Clamp, Hose	3		WG010001-	
23		0820 067 04	* Band, Cable	2		WG010001-	
24		0779 002 97	* Hose	M		WG010001-	L=750
25		4006 119 01	* Washer	3		WG010001-	M8
26		0820 067 05	* Band, Cable	1		WG010001-	
27		D493 658 00	* Panel, Sponge	1		WG010001-	
28		D493 659 00	* Panel, Sponge	1		WG010001-	
29		0910 870 05	* Seal	M		WG010001-***	L=178
30		0910 870 05	* Seal	M		WG010001-	L=100
31		0668 246 UA	* Radiator Ass'y	1		WG010001-	
32		0668 246 02	** Guide, Fan	1		WG010001-	
33		0668 246 91	** Radiator	1		WG010001-	
34		0668 088 02	*** Radiator, Cap	1		WG010001-	
35		0668 246 06	** Cooler Ass'y, Oil	1		WG010001-	
36		0457 080 16	** Bolt, Treatment (W/Flange)	9		WG010001-	M8X16
37		0668 246 15	** Guard, Fan	1		WG010001-	
38		D458 411 00	* Cover	1		WG010001-	
39		D458 432 00	* Cover	1		WG010001-	
40		D458 274 00	* Cover	1		WG010001-	
41		D458 464 00	* Cover	1		WG010001-	
42		D493 662 00	* Panel, Sponge	1		WG010001-	
43		D493 660 00	* Panel, Sponge	1		WG010001-	
44		D493 507 00	* Panel, Sponge	1		WG010001-	
45		D493 624 00	* Panel, Sponge	1		WG010001-	
46		D493 625 00	* Panel, Sponge	1		WG010001-	

[Memo]



40V4-070200-1



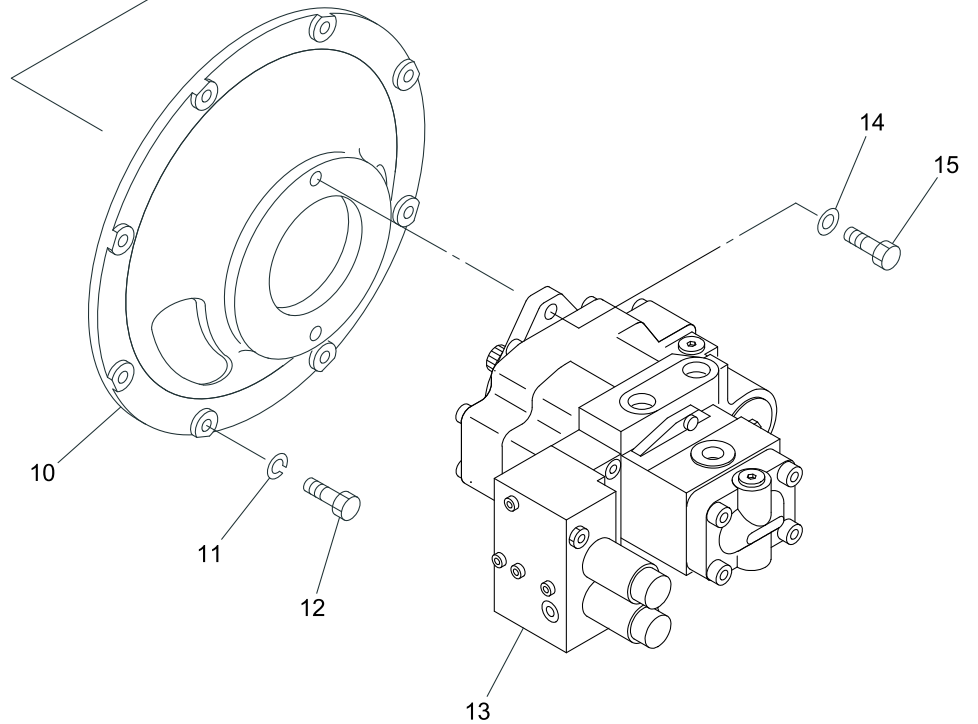
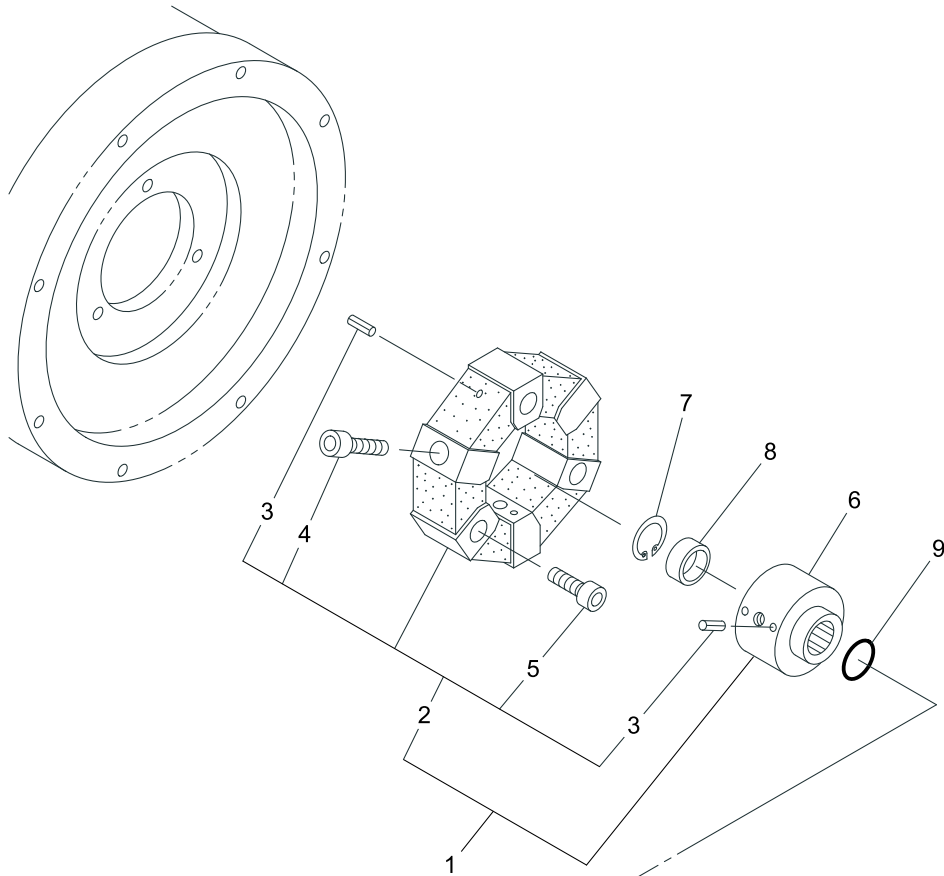
AIR CLEANER & MUFFLER ASS'Y

MODEL 45V4

SHEET No 7-2

KEY No.	SUP.	PART No.	DESCRIPTION	Q'TY	CHAN.	SERIAL No.	REMARKS
0	×	F330 731 00	Air Cleaner & Muffler Ass'y	1		WG010001-WG020000	
1		D584 130 00	* Pipe, Tail	1		WG010001-	
1-1		D584 141 00	* Pipe, Tail	1		WG010001-	For ADD Weight
2		0662 136 UA	* Muffler Ass'y	1		WG010001-	
3		D419 926 00	* Bracket	1		WG010001-	
4		D418 868 00	* Bracket	1		WG010001-	
5		0661 800 29	* Resonator	1		WG010001-	
6		D003 085 00	* Bolt, U	2		WG010001-	
7		4003 021 01	* Bolt, U	1		WG010001-	
8		0779 005 38	* Hose, Air Cleaner	1		WG010001-	
9		0779 005 37	* Hose, Air Cleaner	1		WG010001-	
10		0690 083 13	* Clamp, Hose	4		WG010001-	
11		0555 160 30	* Bolt, Treatment	1		WG010001-***	M16X30
11		0513 100 20	* Bolt, Treatment	1		***-	M10X20
12		0514 100 30	* Bolt, Treatment	2		WG010001-	M10X30 P=1.25
13		0518 100 20	* Bolt, Treatment (W/L.W, F.W)	2		WG010001-	M10X20 P=1.25
14		0580 120 00	* Nut, Hex.	2		WG010001-	M12
15		0535 100 00	* Nut, Treatment	2		WG010001-	M10 P=1.25
16		0521 080 00	* Nut, Hex. (W/F.W)	11		WG010001-	M8
17		0595 120 00	* Washer, Treatment	4		WG010001-	M12
18		0590 160 00	* Washer, Lock	1		WG010001-***	M16
18		0590 100 00	* Washer, Lock	1		***-	M10
19		0593 120 00	* Washer, Flat	2		WG010001-	M12
20		0590 120 00	* Washer, Lock	2		WG010001-	M12
21		0590 100 00	* Washer, Lock	2		WG010001-	M10
22		0690 089 36	* Clamp	1		WG010001-	
23		4459 598 00	* Tape, Insulating	1		WG010001-	
24		0322 108 99	* Wire	M		WG010001-	L=1000X4
25		0745 265 UA	* Cleaner, Air	1		WG010001-	
25-1		0745 265 08	** Element Ass'y	1		WG010001-	
25-2		0745 265 09	** Element Ass'y (Inner)	1		WG010001-	
25-3		D525 004 00	** Indicator	1		WG010001-	
26		D419 289 00	* Bracket	1		WG010001-	
27		D493 916 00	* Panel, Sponge	1		WG010001-	
28		D493 915 00	* Panel, Sponge	2		WG010001-	
29		0517 080 25	* Bolt, Treatment (W/L.W, F.W)	2		WG010001-	M8X25
30		D419 496 00	* Bracket	1		WG010001-***	
30		D080 100 00	* Clamp, Hose	1		***-	
31		0558 120 25	* Bolt, Treatment	4		WG010001-	M12X25 P=1.25
32		D080 100 00	* Clamp, Hose	1		WG010001-	
33		0820 067 10	* Band, Cable	1		WG010001-	
34		0690 083 13	* Clamp, Hose	1		WG010001-	
35		0779 003 59	* Hose	1		WG010001-	
36		0593 100 00	* Washer, Flat	1		WG010001-	M10

KEY No.	SUP.	PART No.	DESCRIPTION	Q'TY	CHAN.	SERIAL No.	REMARKS
0	×	F330 734 00	Air Cleaner & Muffler Ass'y	1		WG020001-	
1		D584 131 00	* Pipe, Tail	1		WG020001-	
1-1		D584 148 00	* Pipe, Tail	1		WG020001-	Option
2		K1J801 10691	* Sensor, Air Flow	1		WG020001-	
3		D458 662 00	* Cover	1		WG020001-	
4		D418 898 00	* Bracket	1		WG020001-	
5		0661 800 29	* Resonator	1		WG020001-	
6		0779 005 52	* Hose, Air Cleaner	1		WG020001-	
7		4003 021 01	* Bolt, U	1		WG020001-	
8		0779 005 27	* Hose, Air Cleaner	1		WG020001-	
9		0779 005 53	* Hose, Air Cleaner	1		WG020001-	
10		0690 083 13	* Clamp, Hose	6		WG020001-	
11		0550 100 20	* Bolt, Hex.	3		WG020001-	M10X20
12		0593 100 00	* Washer, Flat	3		WG020001-	M10
13		0518 100 20	* Bolt, Treatment (W/L.W, F.W)	2		WG020001-	M10X20 P=1.25
14		0580 120 00	* Nut, Hex.	2		WG020001-	M12
15		0517 080 25	* Bolt, Treatment (W/L.W, F.W)	6		WG020001-	M8X25
16		0521 080 00	* Nut, Hex. (W/F.W)	2		WG020001-	M8
17		0690 083 14	* Clamp, Hose	1		WG020001-	
18		0590 100 00	* Washer, Lock	3		WG020001-	M10
19		0593 120 00	* Washer, Flat	2		WG020001-	M12
20		0590 120 00	* Washer, Lock	2		WG020001-	M12
21		0779 003 59	* Hose	1		WG020001-	
22		K17326 12231	* Packing	1		WG020001-	
23		4459 598 00	* Tape, Insulating	1		WG020001-	
24		0322 108 99	* Steel Wire	M		WG020001-	L=1000
25		0745 265 UA	* Cleaner, Air	1		WG020001-	
25-1		0745 265 08	** Element Ass'y	1		WG020001-	
25-2		0745 265 09	** Element Ass'y (Inner)	1		WG020001-	
25-3		D525 004 00	** Indicator	1		WG020001-	
26		D419 289 00	* Bracket	1		WG020001-	
27		D080 015 00	* Clamp, Hose	1		WG020001-	



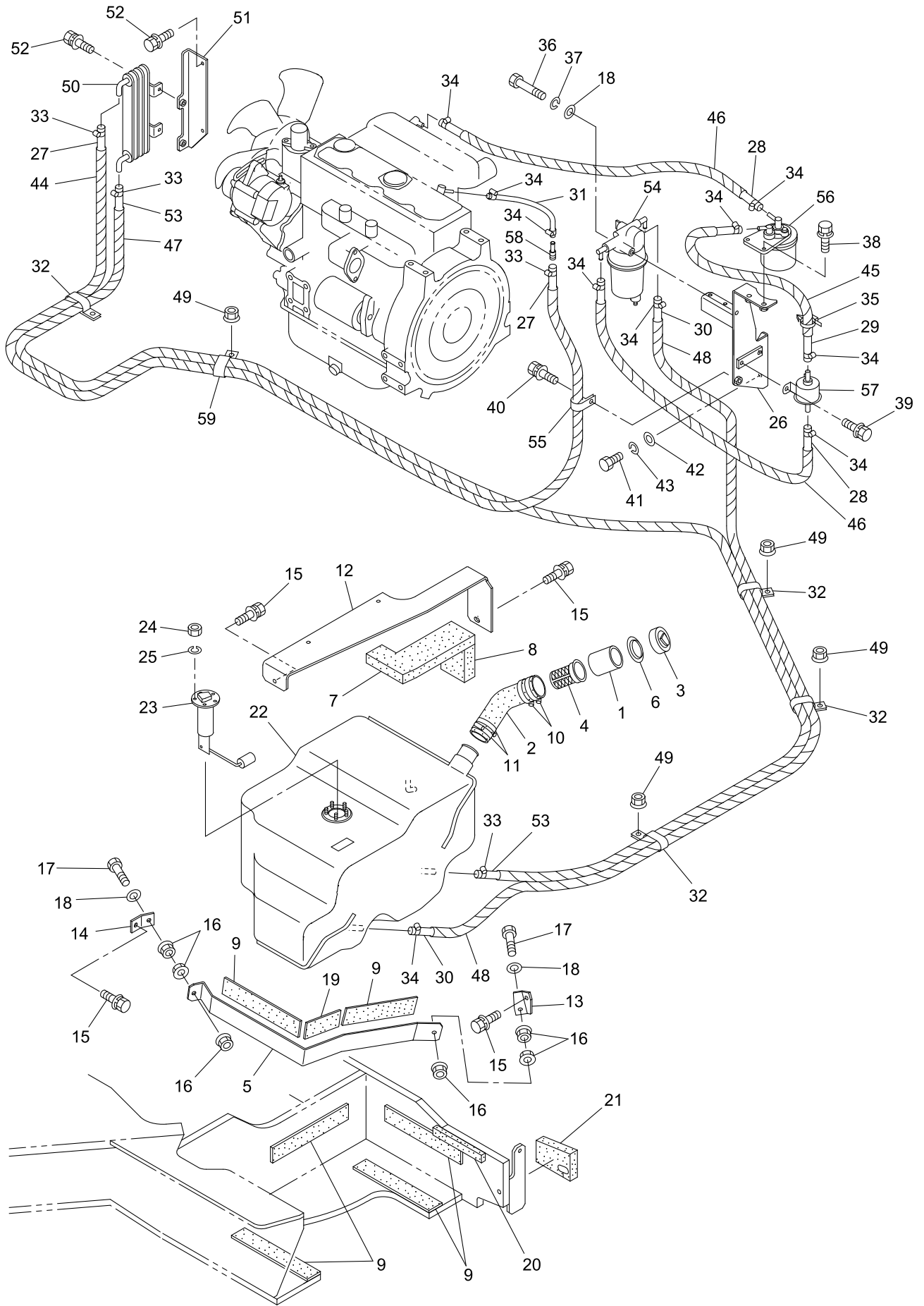
40V4-070300-1



OIL PUMP DRIVE DEVICE

MODEL 45V4

SHEET No 7-3



40V4-070400-1



FUEL TANK & PIPING ASS'Y

MODEL 45V4

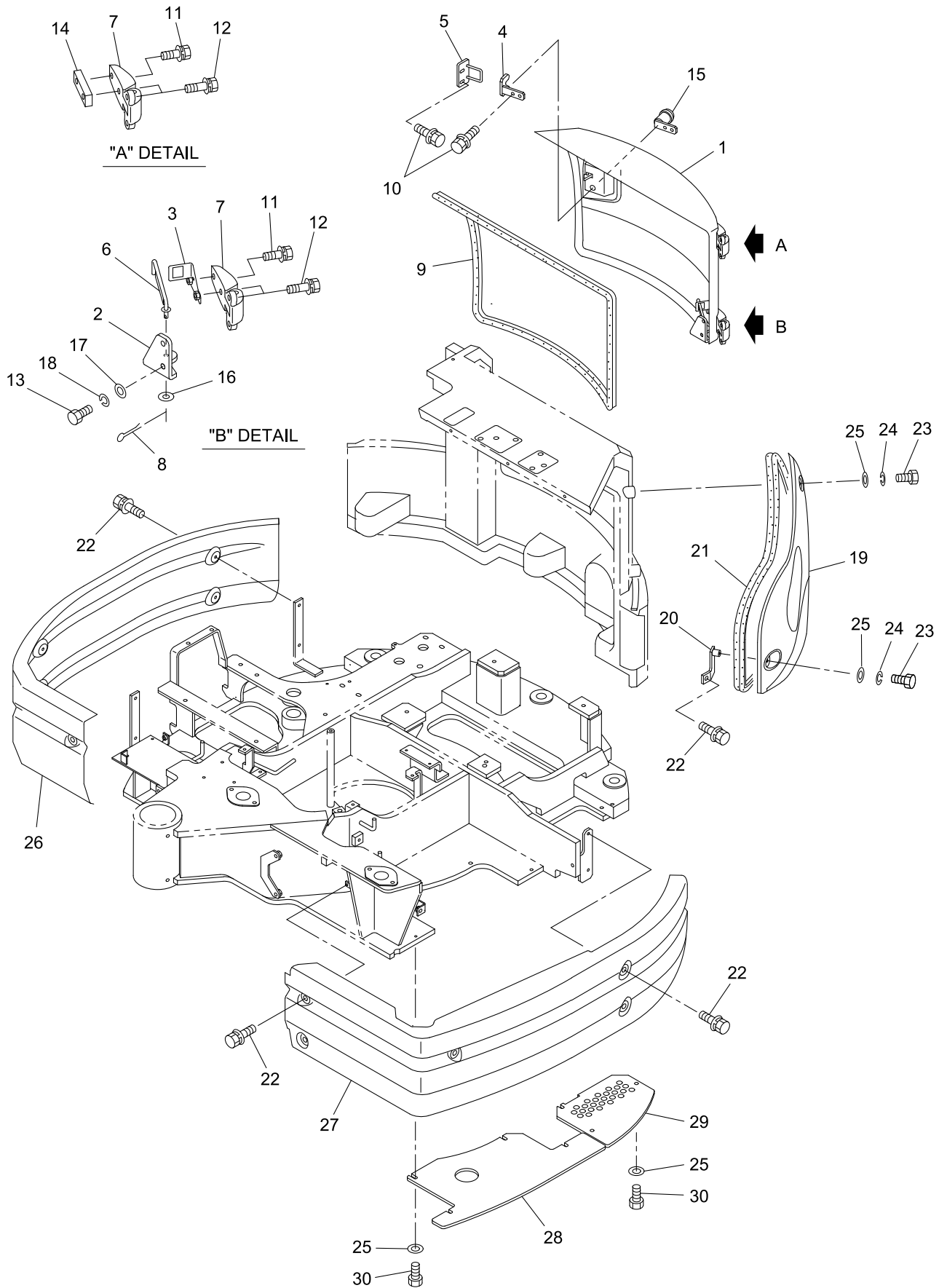
SHEET No 7-4

KEY No.	SUP.	PART No.	DESCRIPTION	Q'TY	CHAN.	SERIAL No.	REMARKS
0	×	F337 318 00	Tank Ass'y, Fuel	1		WG010001-WG020000	
0-1	×	F337 334 00	Piping Ass'y, Fuel	1		WG010001-WG020000	
1		0729 910 80	* Filter	1		WG010001-	
2		D070 574 00	* Hose	1		WG010001-	
3		0729 910 73	* Cap	1		WG010001-	
4		0729 910 60	* Strainer	1		WG010001-	
5		D083 152 00	* Clamp	1		WG010001-	
6		D550 063 00	* Seal	1		WG010001-	
7		D493 636 00	* Panel, Sponge	1		WG010001-	
8		D493 644 00	* Panel, Sponge	1		WG010001-	
9		D433 496 00	* Plate, Rubber	6		WG010001-	
10		0690 083 14	* Clamp, Hose	2		WG010001-	
11		0690 083 12	* Clamp, Hose	2		WG010001-	
12		D206 825 00	* Frame	1		WG010001-	
13		D418 836 00	* Bracket	1		WG010001-	
14		D419 219 00	* Bracket	1		WG010001-	
15		0518 100 20	* Bolt, Treatment (W/L.W, F.W)	4		WG010001-	M10X20 P=1.25
16		0521 080 00	* Nut, Hex. (W/F.W)	6		WG010001-	M8
17		0551 080 60	* Bolt, Hex.(Full-Thread)	2		WG010001-	M8X60
18		0593 080 00	* Washer, Flat	3		WG010001-	M8
19		D433 504 00	* Plate, Rubber	1		WG010001-	
20		D493 645 00	* Panel, Sponge	1		WG010001-	
21		D493 650 00	* Panel, Sponge	1		WG010001-	
22		D284 229 00	* Tank, Fuel	1		WG010001-	
23		0857 909 UA	* Gauge, Fuel	1		WG010001-	
24		0580 050 00	* Nut, Hex.	5		WG010001-	M5
25		0590 050 00	* Washer, Lock	5		WG010001-	M5
26		D419 265 00	* Bracket	1		WG010001-	
27		4070 572 51	* Hose, Fuel	M		WG010001-	L=2300
28		4070 245 39	* Hose, Fuel	M		WG010001-	L=450X2
29		4070 245 67	* Hose, Fuel	M		WG010001-	L=330
30		4070 245 32	* Hose, Fuel	M		WG010001-	L=1800
31		4070 899 04	* Hose, Fuel	M		WG010001-	L=150
32		4080 000 29	* Clamp, Hose	4		WG010001-	
33		0690 083 03	* Clamp, Hose	4		WG010001-	
34		0690 081 90	* Clamp, Hose	10		WG010001-	
35		0690 082 08	* Clamp, Hose	1		WG010001-	
36		0550 080 70	* Bolt, Hex.	1		WG010001-	M8X70
37		0590 080 00	* Washer, Lock	1		WG010001-	M8
38		0517 080 25	* Bolt, Treatment (W/L.W, F.W)	2		WG010001-	M8X25
39		0517 060 12	* Bolt, Treatment (W/L.W, F.W)	2		WG010001-	M6X12
40		0518 100 20	* Bolt, Treatment (W/L.W, F.W)	1		WG010001-	M10X20 P=1.25
41		0513 100 20	* Bolt, Teratment	2		WG010001-	M10X20
42		0593 100 00	* Washer, Flat	2		WG010001-	M10
43		0590 100 00	* Washer, Lock	2		WG010001-	M10
44		0820 803 04	* Tube, Corrugate	M		WG010001-	L=2200
45		0820 803 04	* Tube, Corrugate	M		WG010001-	L=230
46		0820 803 04	* Tube, Corrugate	M		WG010001-	L=350X2
47		0820 803 04	* Tube, Corrugate	M		WG010001-	L=2550
48		0820 803 04	* Tube, Corrugate	M		WG010001-	L=1700
49		0524 100 00	* Nut, Hex. (W/F.W)	4		WG010001-	M10 P=1.25
50		0668 247 UA	* Cooler, Fuel	1		WG010001-	

[Memo]

KEY No.	SUP.	PART No.	DESCRIPTION	Q'TY	CHAN.	SERIAL No.	REMARKS
0	×	F337 318 00	Tank Ass'y, Fuel	1		WG020001-	
0-1	×	F337 337 00	Piping Ass'y, Fuel	1		WG020001-	
1		0729 910 80	* Filter	1		WG020001-	
2		D070 574 00	* Hose	1		WG020001-	
3		0729 910 73	* Cap	1		WG020001-	
4		0729 910 60	* Strainer	1		WG020001-	
5		D083 152 00	* Clamp	1		WG020001-	
6		D550 063 00	* Seal	1		WG020001-	
7		D493 636 00	* Panel, Sponge	1		WG020001-	
8		D493 644 00	* Panel, Sponge	1		WG020001-	
9		D433 496 00	* Plate, Rubber	6		WG020001-	
10		0690 083 14	* Clamp, Hose	2		WG020001-	
11		0690 083 12	* Clamp, Hose	2		WG020001-	
12		D206 825 00	* Frame	1		WG020001-	
13		D418 836 00	* Bracket	1		WG020001-	
14		D419 219 00	* Bracket	1		WG020001-	
15		0518 100 20	* Bolt, Treatment (W/L.W, F.W)	5		WG020001-	M10X20 P=1.25
16		0521 080 00	* Nut, Hex. (W/F.W)	6		WG020001-	M8
17		0551 080 60	* Bolt, Hex.(Full-Thread)	2		WG020001-	M8X60
18		0593 080 00	* Washer, Flat	3		WG020001-	M8
19		D433 504 00	* Plate, Rubber	1		WG020001-	
20		D493 645 00	* Panel, Sponge	1		WG020001-	
21		D493 650 00	* Panel, Sponge	1		WG020001-	
22		D284 229 00	* Tank, Fuel	1		WG020001-	
23		0857 909 UA	* Gauge, Fuel	1		WG020001-	
24		0580 050 00	* Nut, Hex.	5		WG020001-	M5
25		0590 050 00	* Washer, Lock	5		WG020001-	M5
26		D419 586 00	* Bracket	1		WG020001-	
27		4070 572 51	* Hose, Fuel	M		WG020001-	L=2300
28		4070 245 21	* Hose, Fuel	M		WG020001-	L=370
29		4070 245 12	* Hose, Fuel	M		WG020001-	L=150
30		4070 245 32	* Hose, Fuel	M		WG020001-	L=1800
31		4070 899 04	* Hose, Fuel	M		WG020001-	L=150
32		4080 000 29	* Clamp, Hose	4		WG020001-	
33		0690 083 03	* Clamp, Hose	4		WG020001-	
34		0690 081 90	* Clamp, Hose	14		WG020001-	
35		0820 067 05	* Band, Cable	1		WG020001-	
36		0550 080 70	* Bolt, Hex.	1		WG020001-	M8X70
37		0590 080 00	* Washer, Lock	1		WG020001-	M8
38		0517 080 30	* Bolt, Treatment (W/L.W, F.W)	2		WG020001-	M8X30
39		0517 060 12	* Bolt, Treatment (W/L.W, F.W)	4		WG020001-	M6X12
40		0513 100 20	* Bolt, Teratment	2		WG020001-	M10X20
41		0593 100 00	* Washer, Flat	2		WG020001-	M10
42		0590 100 00	* Washer, Lock	2		WG020001-	M10
43		0820 803 04	* Tube, Corrugate	M		WG020001-	L=2200
44		0820 803 04	* Tube, Corrugate	M		WG020001-	L=50
45		0820 803 04	* Tube, Corrugate	M		WG020001-	L=270X2
46		0820 803 04	* Tube, Corrugate	M		WG020001-	L=450
47		0820 803 04	* Tube, Corrugate	M		WG020001-	L=2550
48		0820 803 04	* Tube, Corrugate	M		WG020001-	L=1700
49		0524 100 00	* Nut, Hex. (W/F.W)	4		WG020001-	M10 P=1.25
50		0668 247 UA	* Cooler, Fuel	1		WG020001-	

[Memo]



40V4-080100-1



COVER ASS'Y (1)

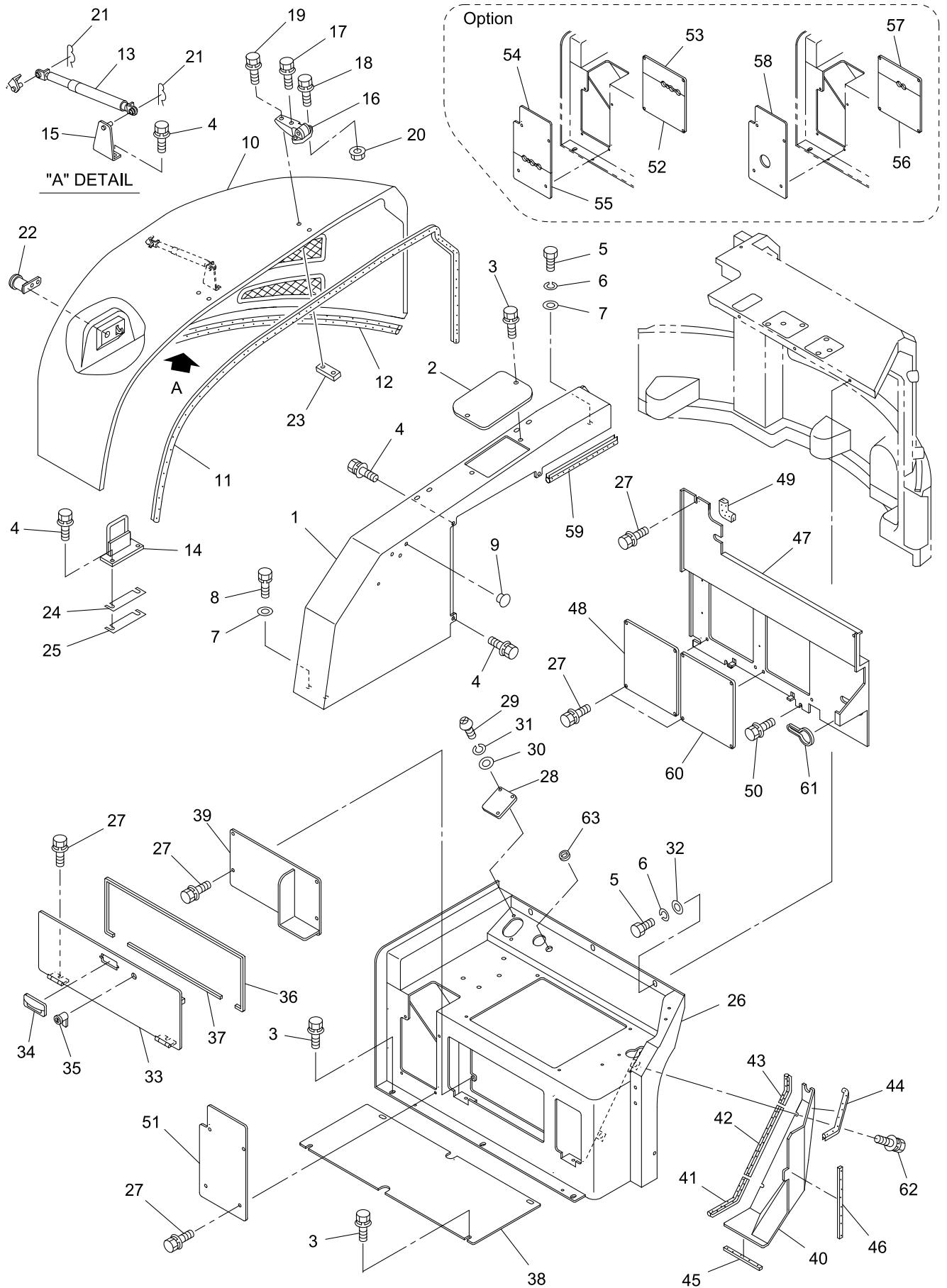
MODEL 45V4

SHEET No 8-1

KEY No.	SUP.	PART No.	DESCRIPTION	Q'TY	CHAN.	SERIAL No.	REMARKS
0	×	F355 313 00	Cover Ass'y	1		WG010001-WG020000	
0	×	F355 324 00	Cover Ass'y	1		WG020001-	
0-1	×	F361 762 00	Cover Ass'y	1		WG010001-	
1		D458 259 00	* Cover	1		WG010001-	
2		D419 542 00	* Bracket	1		WG010001-	
3		D418 908 00	* Bracket	1		WG010001-	
4		D418 909 00	* Bracket	1		WG010001-	
5		D419 323 00	* Bracket	1		WG010001-	
6		D260 552 00	* Stay	1		WG010001-	
7		0690 016 19	* Hinge	2		WG010001-	
8		0599 010 15	* Pin, Cotter	1		WG010001-	d=1.6X15
9		0910 870 05	* Seal	M		WG010001-	L=2500
10		0517 080 16	* Bolt, Treatment (W/L.W, F.W)	4		WG010001-	M8X16
11		0517 080 30	* Bolt, Treatment (W/L.W, F.W)	2		WG010001-	M8X30
12		0517 080 35	* Bolt, Treatment (W/L.W, F.W)	6		WG010001-	M8X35
13		0513 080 20	* Bolt, Treatment	2		WG010001-	M8X20
14		D400 273 00	* Plate	1		WG010001-	
15		0690 220 91	* Lock Ass'y	1		WG010001-	
16		0593 060 00	* Washer, Flat	1		WG010001-	M6
17		0593 080 00	* Washer, Flat	2		WG010001-	M8
18		0590 080 00	* Washer, Lock	2		WG010001-	M8
19		D458 257 00	* Cover	1		WG010001-	
20		D418 945 00	* Bracket	1		WG010001-	
21		0910 870 05	* Seal	M		WG010001-	L=2300
22		0518 100 25	* Bolt, Treatment (W/L.W, F.W)	11		WG010001-	M10X25 P=1.25
23		0550 100 20	* Bolt, Hex.	3		WG010001-	M10X20
24		0590 100 00	* Washer, Lock	3		WG010001-	M10
25		0593 100 00	* Washer, Flat	10		WG010001-	M10
26		D458 059 00	* Cover	1		WG010001-	
27		D458 060 00	* Cover	1		WG010001-	
28		D458 288 00	* Cover	1		WG010001-	
29		D458 468 00	* Cover	1		WG010001-	
30		0480 100 20	* Bolt, Treatment (W/Flange)	7		WG010001-	M10X20 P=1.25



COVER ASS'Y (1)



40V4-080200-1



COVER ASS'Y (2)

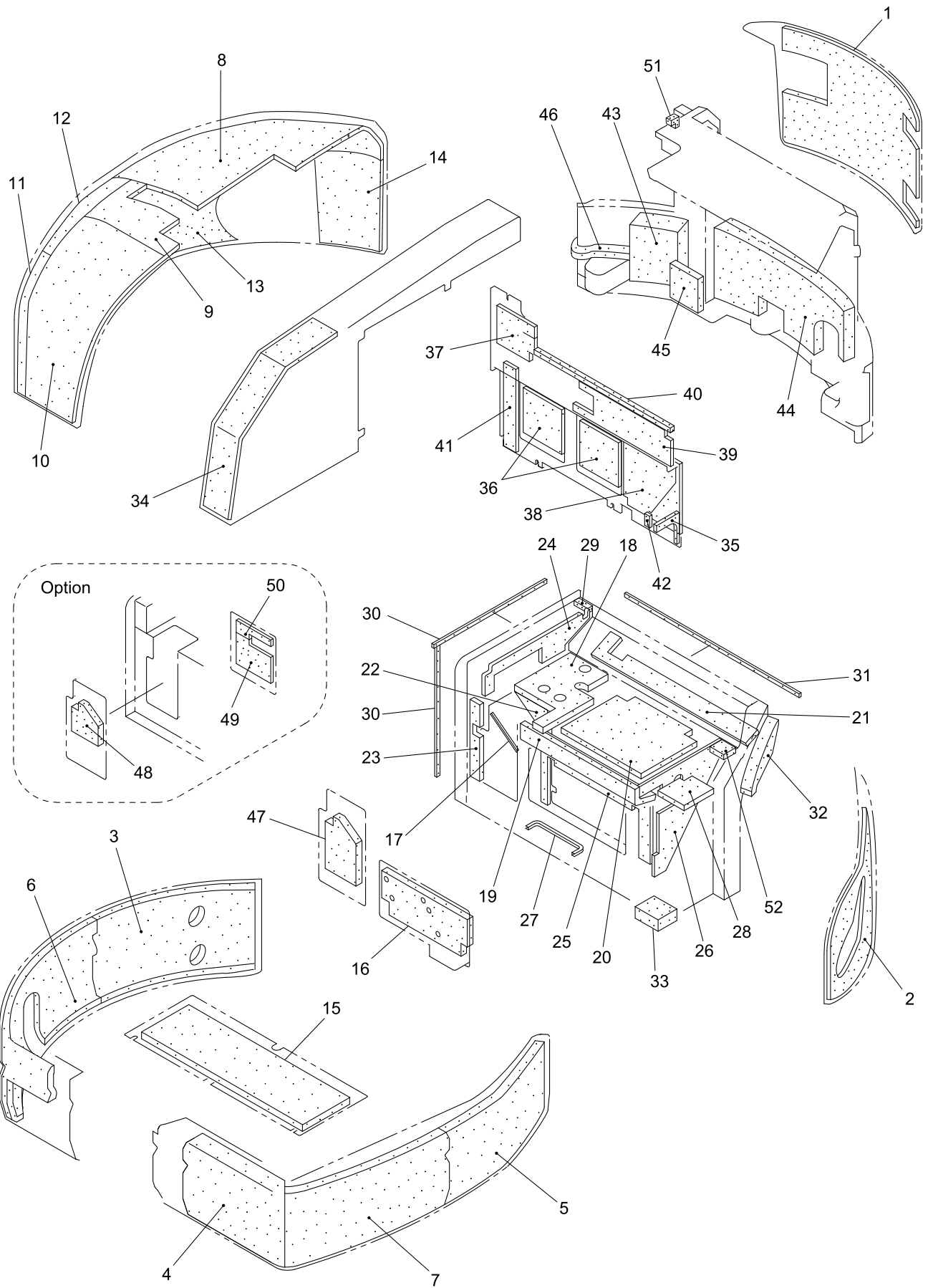
MODEL 45V4

SHEET No 8-2

KEY No.	SUP.	PART No.	DESCRIPTION	Q'TY	CHAN.	SERIAL No.	REMARKS
0	×	F355 313 00	Cover Ass'y	1		WG010001-WG020000	
0	×	F355 324 00	Cover Ass'y	1		WG020001-	
0-1	×	F361 762 00	Cover Ass'y	1		WG010001-	
1		D458 634 00	* Cover	1		WG010001-***	
1		D458 718 00	* Cover	1	○	***-	
2		D458 279 00	* Cover	1		WG010001-	
3		0518 100 25	* Bolt, Treatment (W/L.W, F.W)	9		WG010001-	M10X25 P=1.25
4		0518 100 20	* Bolt, Treatment (W/L.W, F.W)	7		WG010001-	M10X20 P=1.25
5		0550 100 20	* Bolt, Hex.	4		WG010001-	M10X20
6		0590 100 00	* Washer, Lock	4		WG010001-	M10
7		D006 136 00	* Washer	3		WG010001-***	
7		4006 119 02	* Washer	3	○	***-	M10
8		0520 100 25	* Bolt, Treatment (W/L.W)	2		WG010001-	M10X25 P=1.25
9		0690 201 04	* Plug, Hole	3		WG010001-	
10		D458 072 00	* Cover	1		WG010001-	
11		4550 726 00	* Seal	M		WG010001-	L=2300
12		4550 873 00	* Seal	M		WG010001-	L=2150
13		0652 274 UA	* Stay, Dumper	1		WG010001-	
14		D419 450 00	* Bracket	1		WG010001-***	
14		D419 689 00	* Bracket	1	○	***-	
15		D419 276 00	* Bracket	1		WG010001-	
16		0690 016 19	* Hinge	2		WG010001-	
17		0517 080 50	* Bolt, Treatment (W/L.W, F.W)	2		WG010001-	M8X50
18		0517 080 35	* Bolt, Treatment (W/L.W, F.W)	4		WG010001-	M8X35
19		0517 080 40	* Bolt, Treatment (W/L.W, F.W)	2		WG010001-	M8X40
20		0521 080 00	* Nut, Hex. (W/F.W)	4		WG010001-	M8
21		4016 030 04	* Pin, Snap	2		WG010001-	
22		0690 220 91	* Lock Ass'y	1		WG010001-	
23		D400 273 00	* Plate	4		WG010001-	
24		D007 023 00	* Shim	AR		WG010001-	t=2.3
25		D007 034 02	* Shim	AR		WG010001-	t=1.6
26		D206 906 00	* Frame	1		WG010001-***	
26		D206 935 00	* Frame	1	○	***-	
27		0517 080 20	* Bolt, Treatment (W/L.W, F.W)	16		WG010001-	M8X20
28		D418 970 00	* Bracket	1		WG010001-	
29		4004 364 01	* Bolt, Button Head	2		WG010001-	M6X18
30		0594 060 00	* Washer, Flat	2		WG010001-	M6
31		0596 060 00	* Washer, Lock	2		WG010001-	M6
32		0593 100 00	* Washer, Flat	3		WG010001-***	M10
32		4006 119 02	* Washer, Flat	3		***-	M10
33		D458 236 00	* Cover	1		WG010001-	
34		0690 211 08	* Handle	1		WG010001-	
35		0690 220 92	* Lock Ass'y	1		WG010001-	
36		D551 006 01	* Seal	1		WG010001-	L=1000
37		D551 006 02	* Seal	1		WG010001-	L=410
38		D418 564 00	* Bracket	1		WG010001-	
39		D458 436 00	* Cover	1		WG010001-	
40		D458 461 00	* Cover	1		WG010001-	
41		0910 870 05	* Seal	M		WG010001-	L=160
42		0910 870 05	* Seal	M		WG010001-	L=225
43		0910 870 05	* Seal	M		WG010001-	L=110
44		0910 870 05	* Seal	M		WG010001-	L=270

KEY No.	SUP.	PART No.	DESCRIPTION	Q'TY	CHAN.	SERIAL No.	REMARKS
45		D551 009 04	* Seal	1		WG010001-	L=160
46		D551 009 05	* Seal	1		WG010001-	L=270
47		D458 417 00	* Cover	1		WG010001-WG020000	
47		D458 663 00	* Cover	1		WG020001-	
48		D458 291 00	* Cover	1		WG010001-	
49		0910 870 05	* Seal	M		WG010001-	L=100
50		0518 100 30	* Bolt, Treatment (W/L.W, F.W)	2		WG010001-	M10X30 P=1.25
51		D458 514 00	* Cover	1		WG010001-	
52		D458 501 00	* Cover	1		WG010001-	For A/C
53		D458 502 00	* Cover	1		WG010001-	For A/C
54		D458 568 00	* Cover	1		WG010001-	For A/C
55		D458 516 00	* Cover	1		WG010001-	For A/C
56		D458 580 00	* Cover	1		WG010001-	For Car Heater
57		D458 581 00	* Cover	1		WG010001-	For Car Heater
58		D458 515 00	* Cover	1		WG010001-	For Car Heater
59		0910 870 05	* Seal	M		WG010001-	L=274
60		D458 291 00	* Cover	1		WG010001-WG020000	
60		D458 292 00	* Cover	1		WG020001-	
61		4550 519 00	* Seal	M		***-	L=280
62		0517 080 25	* Bolt, Treatment (W/L.W, F.W)	2		WG010001-	M8X25
63		0910 940 24	* Grommet	1		***-	

[Memo]



40V4-080300-1



NOISE ABSORBENT ASS'Y

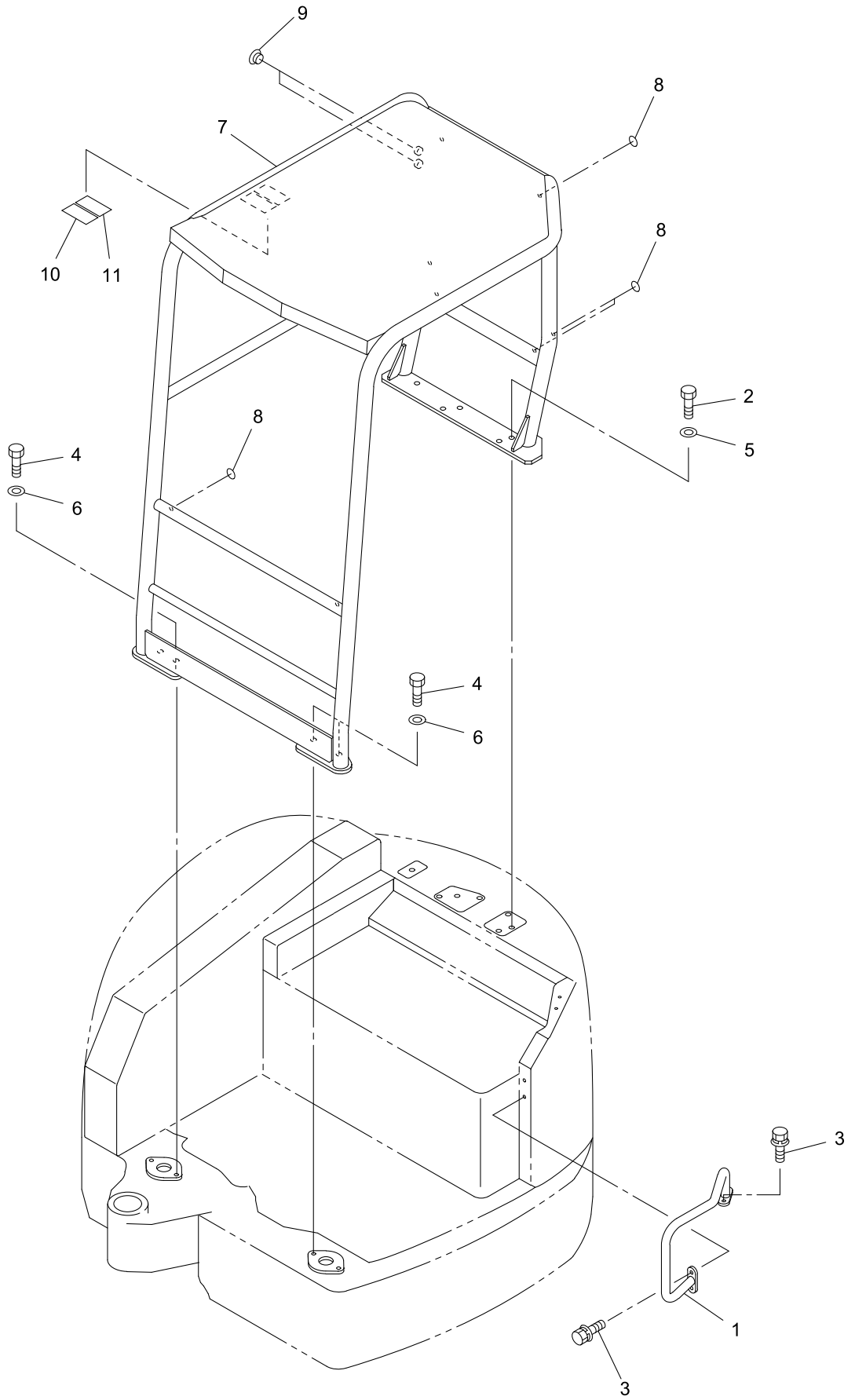
MODEL 45V4

SHEET No 8-3

KEY No.	SUP.	PART No.	DESCRIPTION	Q'TY	CHAN.	SERIAL No.	REMARKS
0	×	F355 313 00	Absorbent Ass'y, Noise	1		WG010001-WG020000	
0	×	F355 324 00	Absorbent Ass'y, Noise	1		WG020001-	
0-1	×	F361 762 00	Absorbent Ass'y, Noise	1		WG010001-	
1		D493 685 00	* Panel, Sponge	1		WG010001-	
2		D493 638 00	* Panel, Sponge	1		WG010001-	
3		D493 622 00	* Panel, Sponge	1		WG010001-	
4		D493 535 00	* Panel, Sponge	1		WG010001-	
5		D493 601 00	* Panel, Sponge	1		WG010001-	
6		D493 599 00	* Panel, Sponge	1		WG010001-	
7		D493 600 00	* Panel, Sponge	1		WG010001-	
8		D493 528 00	* Panel, Sponge	1		WG010001-	
9		D493 529 00	* Panel, Sponge	1		WG010001-	
10		D493 530 00	* Panel, Sponge	1		WG010001-	
11		D493 641 00	* Panel, Sponge	1		WG010001-	
12		D493 686 00	* Panel, Sponge	1		WG010001-	
13		D493 642 00	* Panel, Sponge	1		WG010001-	
14		D493 643 00	* Panel, Sponge	1		WG010001-	
15		D493 434 00	* Panel, Sponge	1		WG010001-	
16		D493 640 00	* Panel, Sponge	1		WG010001-	
17		D551 007 01	* Seal	1		WG010001-	L=155
18		D493 462 00	* Panel, Sponge	1		WG010001-	
19		D493 463 00	* Panel, Sponge	1		WG010001-	
20		D493 478 00	* Panel, Sponge	1		WG010001-	
21		D493 654 00	* Panel, Sponge	1		WG010001-WG010152	
21		D493 835 00	* Panel, Sponge	1	○	WG010153-	
22		D493 480 00	* Panel, Sponge	1		WG010001-	
23		D493 481 00	* Panel, Sponge	1		WG010001-	
24		D493 482 00	* Panel, Sponge	1		WG010001-	
25		D493 483 00	* Panel, Sponge	1		WG010001-	
26		D493 484 00	* Panel, Sponge	1		WG010001-	
27		4550 519 00	* Seal	M		WG010001-	L=250
28		D493 679 00	* Panel, Sponge	1		WG010001-	
29		D493 680 00	* Panel, Sponge	1		WG010001-	
30		D551 009 06	* Panel, Sponge	2		WG010001-	
31		D551 009 07	* Panel, Sponge	1		WG010001-	
32		D493 687 00	* Panel, Sponge	1		WG010001-	
33		D493 689 00	* Panel, Sponge	1		WG010001-	
34		D493 637 00	* Panel, Sponge	1		WG010001-	
35		D493 655 00	* Panel, Sponge	1		WG010001-	
36		D493 541 00	* Panel, Sponge	2		WG010001-	
37		D493 692 00	* Panel, Sponge	1		WG010001-WG020000	
37		D493 775 00	* Panel, Sponge	1		WG020001-	
38		D493 667 00	* Panel, Sponge	1		WG010001-WG010152	
38		D493 791 00	* Panel, Sponge	1	○	WG010153-	
39		D493 693 00	* Panel, Sponge	1		WG010001-	
40		D551 008 01	* Panel, Sponge	1		WG010001-	
41		D493 684 00	* Panel, Sponge	1		WG010001-	
42		D493 656 00	* Panel, Sponge	1		WG010001-	
43		D493 681 00	* Panel, Sponge	1		WG010001-	
44		D493 516 00	* Panel, Sponge	1		WG010001-	
45		D493 519 00	* Panel, Sponge	1		WG010001-	
46		D493 682 00	* Panel, Sponge	1		WG010001-	

KEY No.	SUP.	PART No.	DESCRIPTION	Q'TY	CHAN.	SERIAL No.	REMARKS
47		D493 721 00	* Panel, Sponge	1		WG010001-	
48		D493 696 00	* Panel, Sponge	1		WG010001-	For A/C
49		D493 698 00	* Panel, Sponge	1		WG010001-	For A/C
50		D493 699 00	* Panel, Sponge	1		WG010001-	For A/C
51		D493 733 00	* Panel, Sponge	1		WG010001-	
52		D493 918 00	* Panel, Sponge	1		***-	

[Memo]



40V4-080400-1



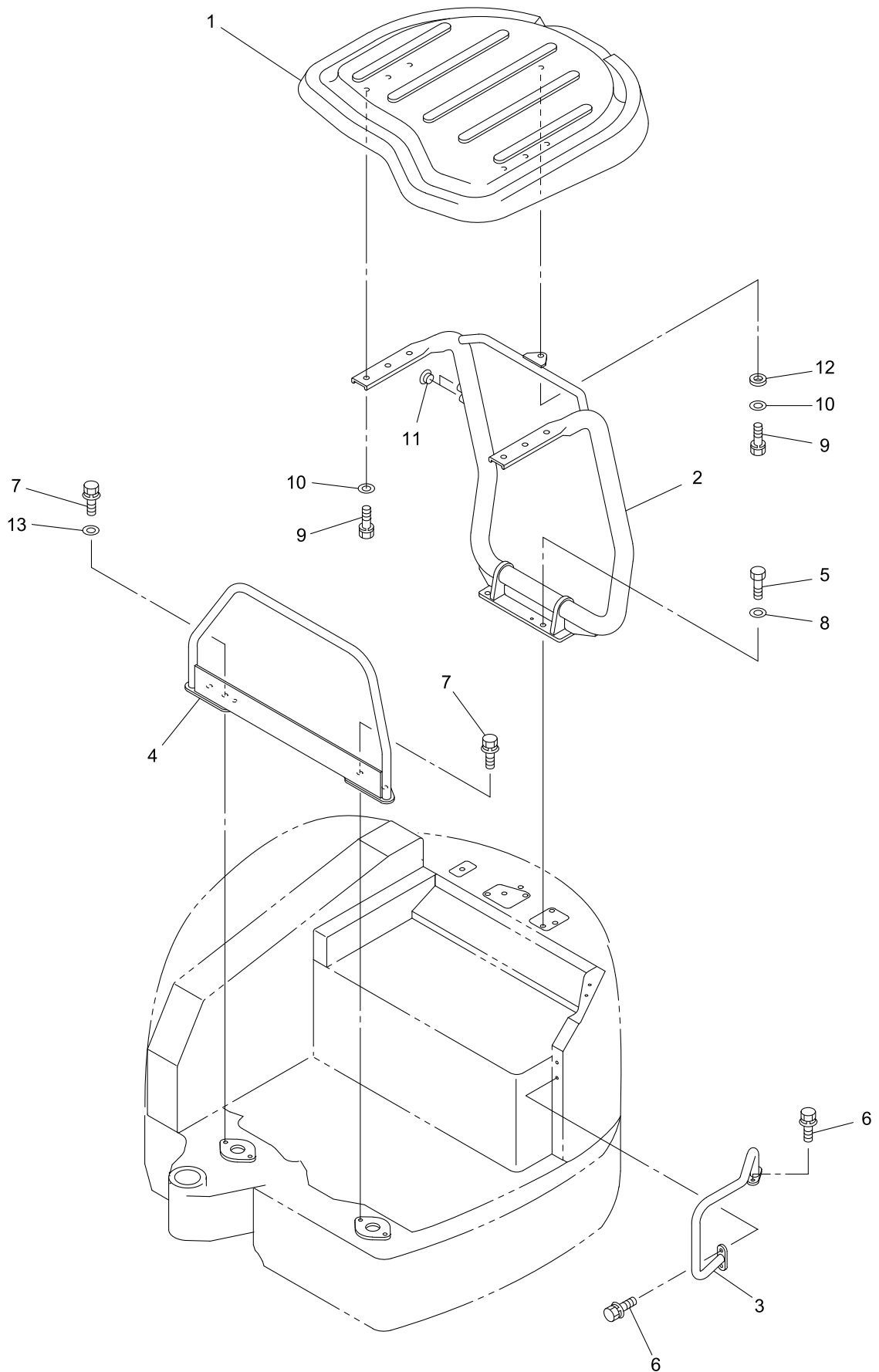
CANOPY ASS'Y (FOR TOPS/ROPS)

MODEL 45V4

SHEET No 8-4

KEY No.	SUP.	PART No.	DESCRIPTION	Q'TY	CHAN.	SERIAL No.	REMARKS
0	×	F355 211 00	Canopy Ass'y (For Rops)	1		WG010001-	
0-1	×	F355 221 00	Canopy Ass'y (For Tops/Rops)	1		WG010001-	
1		D470 805 00	* Guard	1		WG010001-	
2		0555 160 50	* Bolt, Treatment	5		WG010001-	M16X50
3		0439 100 25	* Bolt, Treatment (W/L.W, F.W)	4		WG010001-	M10X25 P=1.25
4		0555 120 40	* Bolt, Treatment	4		WG010001-	M12X40
5		0595 160 00	* Washer, Treatment	5		WG010001-	M16
6		0595 120 00	* Washer, Treatment	4		WG010001-	M12
7		D206 875 00	* Frame	1		WG010001-	
8		D405 272 00	* Seal	8		WG010001-	
9		0690 201 08	* Plug, Hole	2		WG010001-	M10
10		D408 376 00	* Decal (For Tops)	1		WG010001-	
11		D408 375 00	* Decal (For Rops)	1		WG010001-	





40V4-08040A-1

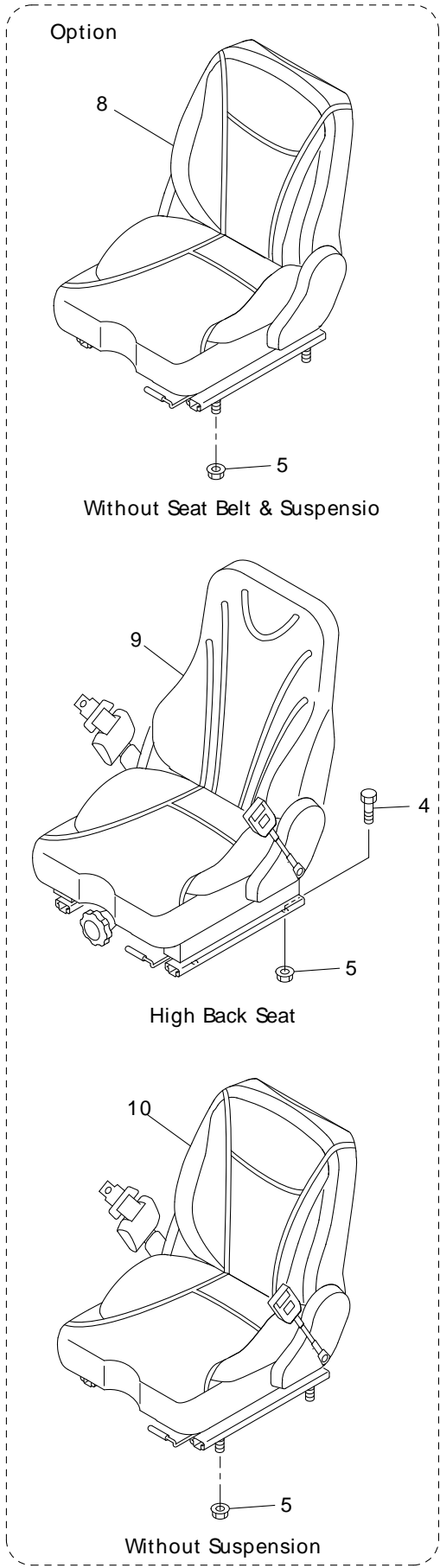
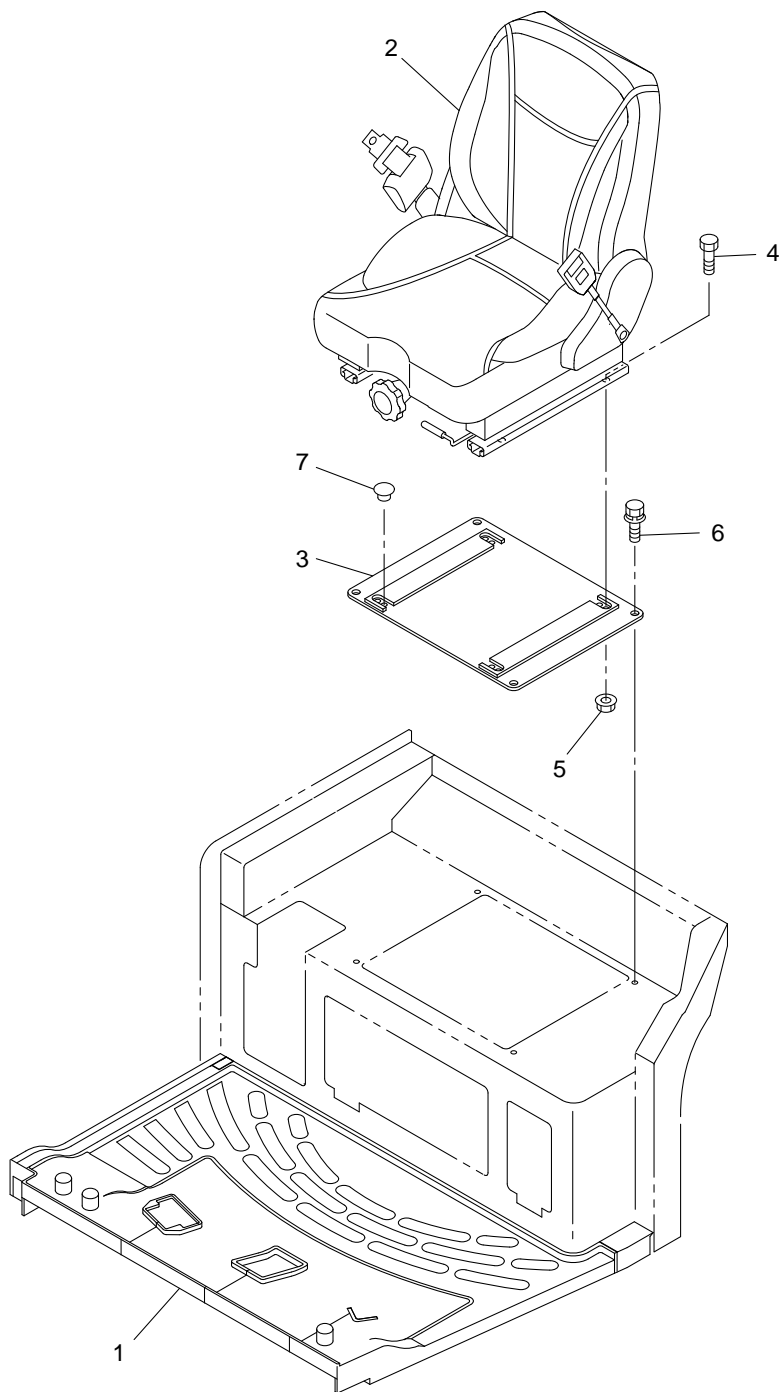


CANOPY ASS'Y

MODEL 45V4

SHEET No 8-4[A]

KEY No.	SUP.	PART No.	DESCRIPTION	Q'TY	CHAN.	SERIAL No.	REMARKS
0	×	F355 298 00	Canopy Ass'y	1		WG010001-	
1		D448 005 00	* Canopy	1		WG010001-	
2		D206 873 00	* Frame	1		WG010001-	
3		D470 805 00	* Guard	1		WG010001-	
4		D470 700 00	* Guard	1		WG010001-	
5		0555 160 50	* Bolt, Treatment	4		WG010001-	M16X50
6		0439 100 25	* Bolt, Treatment (W/L.W, F.W)	4		WG010001-	M10X25 P=1.25
7		0555 120 40	* Bolt, Treatment	4		WG010001-	M12X40
8		0595 160 00	* Washer, Treatment	4		WG010001-	M16
9		0519 080 25	* Bolt, Treatment (W/L.W)	7		WG010001-	M8X25
10		4006 119 01	* Washer	7		WG010001-	M8
11		0690 201 08	* Plug	2		WG010001-	M10
12		4006 386 00	* Washer, Rubber	1		WG010001-	
13		0595 120 00	* Washer, Treatment	4		WG010001-	M12



V4ALL-080500-1

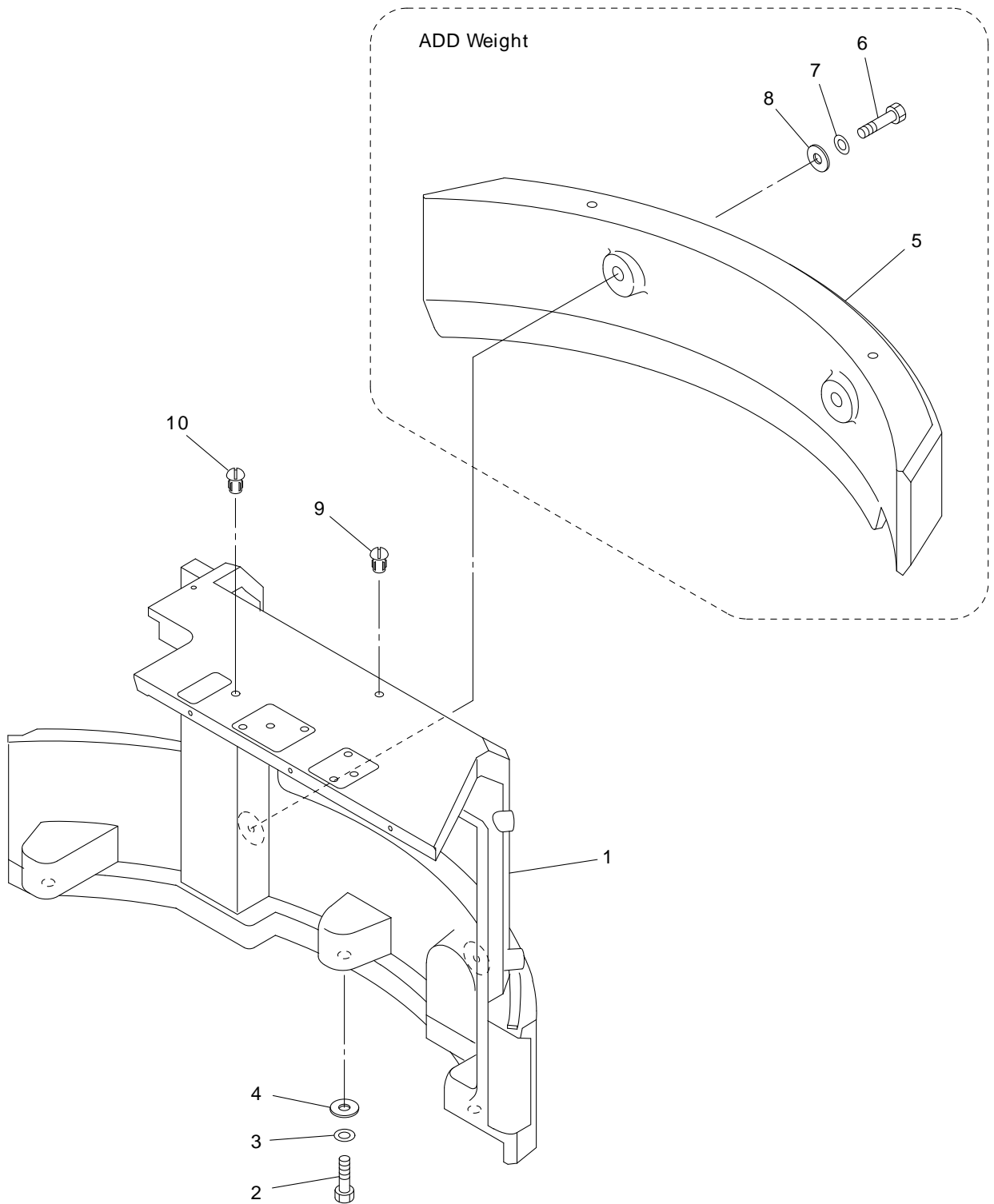


OPERATOR SEAT & MAT ASS'Y

MODEL 45V4

SHEET No 8-5

KEY No.	SUP.	PART No.	DESCRIPTION	Q'TY	CHAN.	SERIAL No.	REMARKS
0	×	F355 306 00	Seat Ass'y, Operator (W/Suspension)	1		WG010001-	
0-1	×	F355 304 00	Seat Ass'y, Operator	1		WG010001-	
0-2	×	F355 305 00	Seat Ass'y, Operator	1		WG010001-	
0-3	×	F355 303 00	Seat Ass'y, Operator	1		WG010001-	
0-4	×	F355 206 00	Mat Ass'y	1		WG010001-	
1		D581 191 00	* Mat (For Canopy)	1		WG010001-	STD
1-1		D581 203 00	* Mat (For Canopy, Pedal)	1		WG010001-	
1-2		D581 204 00	* Mat (For Cabin)	1		WG010001-	
1-3		D581 205 00	* Mat (For Cabin, Pedal)	1		WG010001-	
2		0655 563 UA	* Seat, Operator (W/Suspension)	1		WG010001-	W/Seat Belt
2-1		0655 563 01	** Seat Ass'y, Back	1		WG010001-	
2-2		0655 563 02	** Seat Ass'y, Cushion	1		WG010001-	
2-3		0655 563 03	** Suspension Ass'y	1		WG010001-	
2-4		0655 563 04	** Rail Ass'y, Slid (L.H)	1		WG010001-	
2-5		0655 563 05	** Rail Ass'y, Slid (R.H)	1		WG010001-	
2-6		0655 563 10	** Belt Ass'y, Seat	1		WG010001-	
3		D419 344 00	* BRACKET	1		WG010001-	
4		0550 080 20	* Bolt, Hex.	4		WG010001-	M8X20
5		0521 080 00	* Nut, Hex. (W/F.W)	4		WG010001-	M8
6		0439 100 20	* Bolt, Treatment (W/L.W, F.W)	4		WG010001-***	M10X20 P=1.25
6		0518 100 20	* Bolt, Treatment (W/L.W, F.W)	4	○	***-	M10X20 P=1.25
7		0690 201 09	* Plug	4		WG010001-	
8		0655 567 UA	* Seat, Operator (W/O Seat Belt)	1		WG010001-	
9		0655 568 UA	* Seat, Operator (High Back Seat)	1		WG010001-	Leather
9-1		0655 569 UA	* Seat, Operator (High Back Seat)	1		WG010001-	Fabric
9-2		0655 568 01	** Seat Ass'y, Back	1		WG010001-	Leather
9-3		0655 569 01	** Seat Ass'y, Back	1		WG010001-	Fabric
9-4		0655 569 02	** Seat Ass'y, Cushion	1		WG010001-	Fabric
10		0655 564 UA	* Seat, Operator (Leather)	1		WG010001-	W/O Suspension



40V4-080600-1

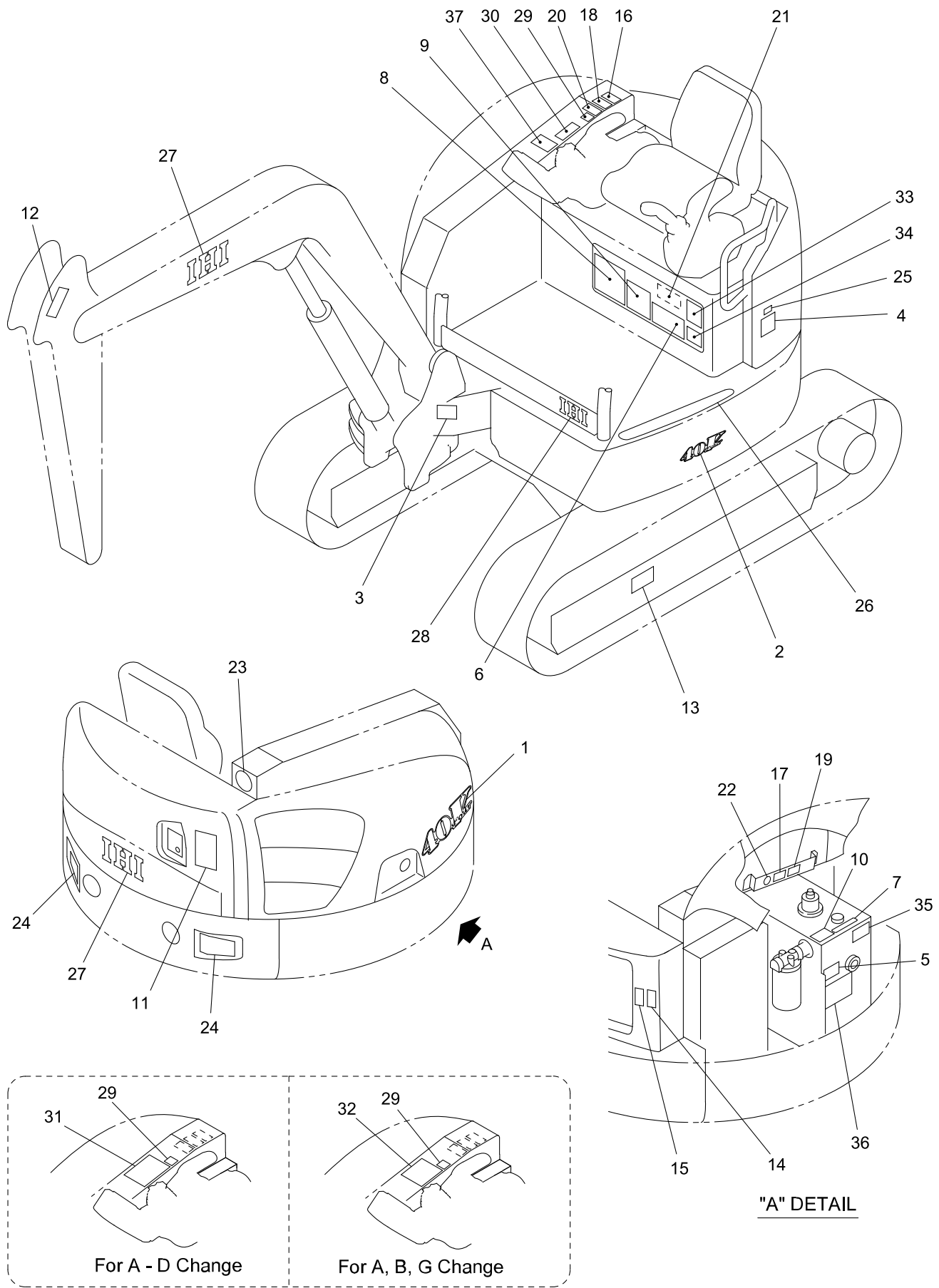


COUNTER WEIGHT ASS'Y

MODEL 45V4

SHEET No 8-6

KEY No.	SUP.	PART No.	DESCRIPTION	Q'TY	CHAN.	SERIAL No.	REMARKS
0	×	F373 235 00	Weight Ass'y, Counter	1		WG010001-	
1		D206 835 00	* Weight, Counter	1		WG010001-	
2		0555 241 00	* Bolt, Treatment	3		WG010001-	M24X100
3		0595 240 00	* Washer, Treatment	3		WG010001-	M24
4		D006 032 00	* Washer	3		WG010001-	M24
5		D206 836 00	* Weight, Counter	1		WG010001-	
6		0555 161 30	* Bolt, Treatment	2		WG010001-	M16X130
7		0595 160 00	* Washer, Treatment	2		WG010001-	M16
8		D006 038 00	* Washer	2		WG010001-	
9		D528 011 04	* Bolt, Cap	1		WG010001-	M16
10		D528 011 02	* Bolt, Cap	1		WG010153-	M10



40V4-080700-1

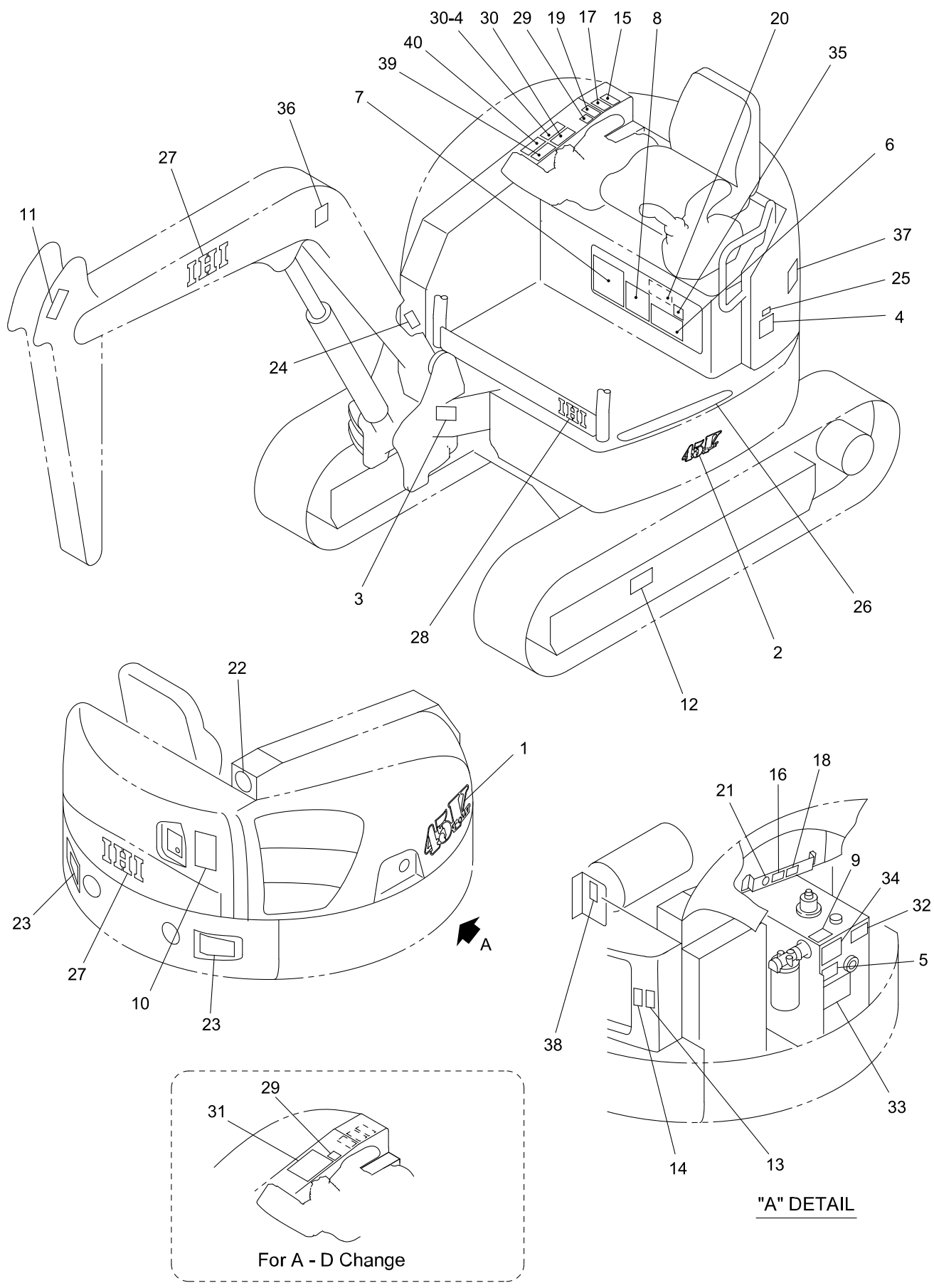


NAME PLATE ASS'Y (FOR JAPANESE)

MODEL 45V4

SHEET No 8-7

KEY No.	SUP.	PART No.	DESCRIPTION	Q'TY	CHAN.	SERIAL No.	REMARKS
0	×	F377 845 00	Decal Ass'y	1		WG010001-	
0-1	×	F377 854 00	Decal Ass'y	1		WG010001-	
0-2	×	F377 856 00	Decal Ass'y	1		WG010001-	
1		D408 407 00	* Decal (Model)	1		WG010001-	
2		D408 416 00	* Decal (Model)	1		WG010001-	
3	×	D405 094 00	* Decal (Serial No.)	1		WG010001-	
3-1		0497 035 00	* Screw, Drive	4		WG010001-	d=3
4		D408 324 00	* Decal (Oil)	1		WG010001-	
5		D406 490 00	* Decal (Oil Check)	1		WG010001-	
6		D408 313 00	* Decal (Lub. Chart)	1		WG010001-	
7		4447 479 00	* Decal (Oil)	1		WG010001-	
8		D408 325 00	* Decal (Engine Daily Check)	1		WG010001-	
9		D406 597 00	* Decal (Safety Works)	1		WG010001-	
10		D408 328 00	* Decal (Tank Decompression)	1		WG010001-	
11		D405 450 00	* Decal (Safety Swing)	1		WG010001-	
12		D405 454 00	* Decal (Caution)	2		WG010001-***	
12		D405 667 00	* Decal (Caution)	2	○	***-	
13		D405 455 00	* Decal (Caution)	2		WG010001-	
14		D405 424 00	* Decal (Caution)	1		WG010001-	
15		D405 452 00	* Decal (Caution)	1		WG010001-	
16		D405 332 00	* Decal (Caution)	1		WG010001-	
17		D405 462 00	* Decal (Caution)	1		WG010001-	
18		D405 451 00	* Decal (Caution)	1		WG010001-	
19		D405 463 00	* Decal (Caution)	1		WG010001-	
20		D405 449 00	* Decal (Caution)	1		WG010001-	
21		D405 373 00	* Decal (Caution)	1		WG010001-	
22		4407 035 00	* Decal (Anti-Freezing Solution)	1		WG010001-***	
22		D408 653 00	* Decal (Anti-Freezing Solution)	1	○	***-	
23		D406 631 00	* Decal (Environment)	1		WG010001-	
24		D408 371 00	* Decal (Reflector)	2		WG010001-	
25		D407 943 00	* Decal (EPA Regulation)	1		WG010001-	
26		D408 370 00	* Plate, Nonslip	1		WG010001-	
27		D408 402 00	* Decal (IHI)	3		WG010001-	
28		D408 403 00	* Decal (IHI)	1		WG010001-	
29		D406 602 00	* Decal (Blade, Pedal)	1		WG010001-	
30		D406 603 00	* Decal (Control A)	1		WG010001-	
30-1		D406 604 00	* Decal (Control B)	1		WG010001-	
30-2		D406 605 00	* Decal (Control C)	1		WG010001-	
30-3		D406 606 00	* Decal (Control D)	1		WG010001-	
30-4		D406 608 00	* Decal (Control G)	1		WG010001-	
31		D406 609 00	* Decal (Control A-D)	1		WG010001-	
32		D406 610 00	* Decal (Control A, B, G)	1		WG010001-	
33		D408 317 00	* Decal (Specification)	1		WG010001-	
34		D408 228 00	* Decal (Bucket Specification)	1		WG010001-	
35		4447 874 00	* Decal (Spare Piping Change)	1		WG010001-	
36		4447 653 00	* Decal (Breaker Cation)	1		WG010001-	
37		D408 354 00	* Decal (Spare Pedal)	1		WG010001-	



40V4-08070A-1



NAME PLATE ASS'Y (FOR ENGLISH)

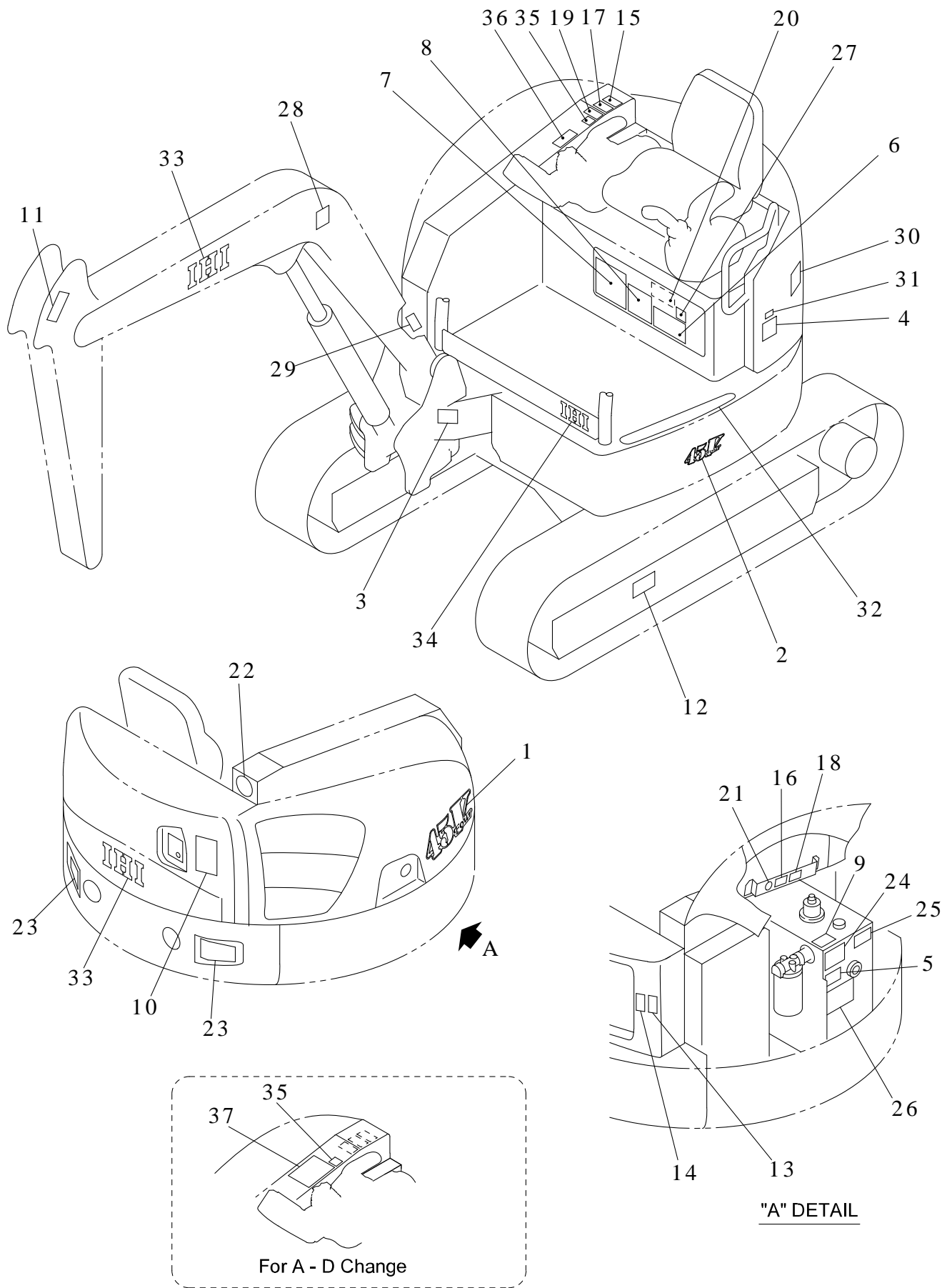
MODEL 45V4

SHEET No 8-7[A]

KEY No.	SUP.	PART No.	DESCRIPTION	Q'TY	CHAN.	SERIAL No.	REMARKS
0	×	F377 845 00	Decal Ass'y	1		WG010001-WG020000	
0	×	F377 884 00	Decal Ass'y	1		WG020001-	
0-1	×	F377 854 00	Decal Ass'y	1		WG010001-	
1		D408 411 00	* Decal (Model)	1		WG010001-	
2		D408 420 00	* Decal (Model)	1		WG010001-	
3	×	D405 094 00	* Decal (Serial No.)	1		WG010001-	
3-1	×	D405 091 00	* Decal (Serial No.) (CE)	1		WG010001-	
3-2		0497 035 00	* Screw, Drive	4		WG010001-	d=3
4		4407 974 00	* Decal (Oil)	1		WG010001-	
5		D406 504 00	* Decal (Oil Check)	1		WG010001-	
6		D408 355 00	* Decal (Lub. Chart)	1		WG010001-WG020000	
6		D408 646 00	* Decal (Lub. Chart)	1		WG020001-	
7		D408 326 00	* Decal (Engine Daily Check)	1		WG010001-WG020000	
7		D407 887 00	* Decal (Engine Daily Check)	1		WG020001-	
8		4406 458 00	* Decal (Safety Works)	1		WG010001-	
9		D408 424 00	* Decal (Tank Decompression)	1		WG010001-	
10		D405 507 00	* Decal (Safety Swing)	1		WG010001-	
11		D405 511 00	* Decal (Caution)	2		WG010001-***	
11		D405 668 00	* Decal (Caution)	2	○	***-	
12		D405 505 00	* Decal (Caution)	2		WG010001-	
13		D405 366 00	* Decal (Caution)	1		WG010001-	
14		D405 509 00	* Decal (Caution)	1		WG010001-	
15		D405 359 00	* Decal (Caution)	1		WG010001-	
16		D405 503 00	* Decal (Caution)	1		WG010001-	
17		D405 508 00	* Decal (Caution)	1		WG010001-	
18		D405 504 00	* Decal (Caution)	1		WG010001-	
19		D405 506 00	* Decal (Caution)	1		WG010001-	
20		D405 323 00	* Decal (Caution)	1		WG010001-	
21		4407 035 00	* Decal (Anti-Freezing Solution)	1		WG010001-***	
21		D408 653 00	* Decal (Anti-Freezing Solution)	1	○	***-	
22		D406 783 00	* Decal (Environment)	1		WG010001-	
23		D408 371 00	* Decal (Reflector)	2		WG010001-	
24	×	D405 097 00	* Decal (New Machine)	1		WG010001-	
25		D407 943 00	* Decal (EPA Regulation)	1		WG010001-	
26		D408 370 00	* Plate, Nonslip	1		WG010001-	
27		D408 402 00	* Decal (IHI)	3		WG010001-	
28		D408 403 00	* Decal (IHI)	1		WG010001-	
29		D406 602 00	* Decal (Blade, Pedal)	1		WG010001-	
30		D406 603 00	* Decal (Control A)	1		WG010001-	
30-1		D406 604 00	* Decal (Control B)	1		WG010001-	
30-2		D406 605 00	* Decal (Control C)	1		WG010001-	
30-3		D406 606 00	* Decal (Control D)	1		WG010001-	
30-4		D406 607 00	* Decal (Control F)	1		WG010001-	
31		D406 609 00	* Decal (Control A-D)	1		WG010001-	
32		4448 651 00	* Decal (Spare Piping Change)	1		WG010001-	
33		4447 857 00	* Decal (Breaker Cation)	1		WG010001-	
34		D408 322 00	* Decal (Boom Lowering)(CE)	1		WG010001-	
35		4448 474 00	* Decal (Transport Fix)(CE)	1		WG010001-	
36		D408 347 00	* Decal (Lifting Procedures)(CE)	1		WG010001-	
37		D406 032 00	* Decal (Noise 97)(CE)	1		WG010001-	
38		D405 361 00	* Decal (Caution)	1		WG020001-	
39		D408 651 00	* Decal (Lamp, DPF)	1		WG020001-	

KEY No.	SUP.	PART No.	DESCRIPTION	Q'TY	CHAN.	SERIAL No.	REMARKS
● 40		D408 650 00	* Decal (Caution)	1		WG020001-	
<hr/>							
<hr/>							
<hr/>							
<hr/>							
<hr/>							
<hr/>							
<hr/>							
<hr/>							
<hr/>							
<hr/>							
<hr/>							
<hr/>							
<hr/>							

[Memo]



40V4-08070B-1

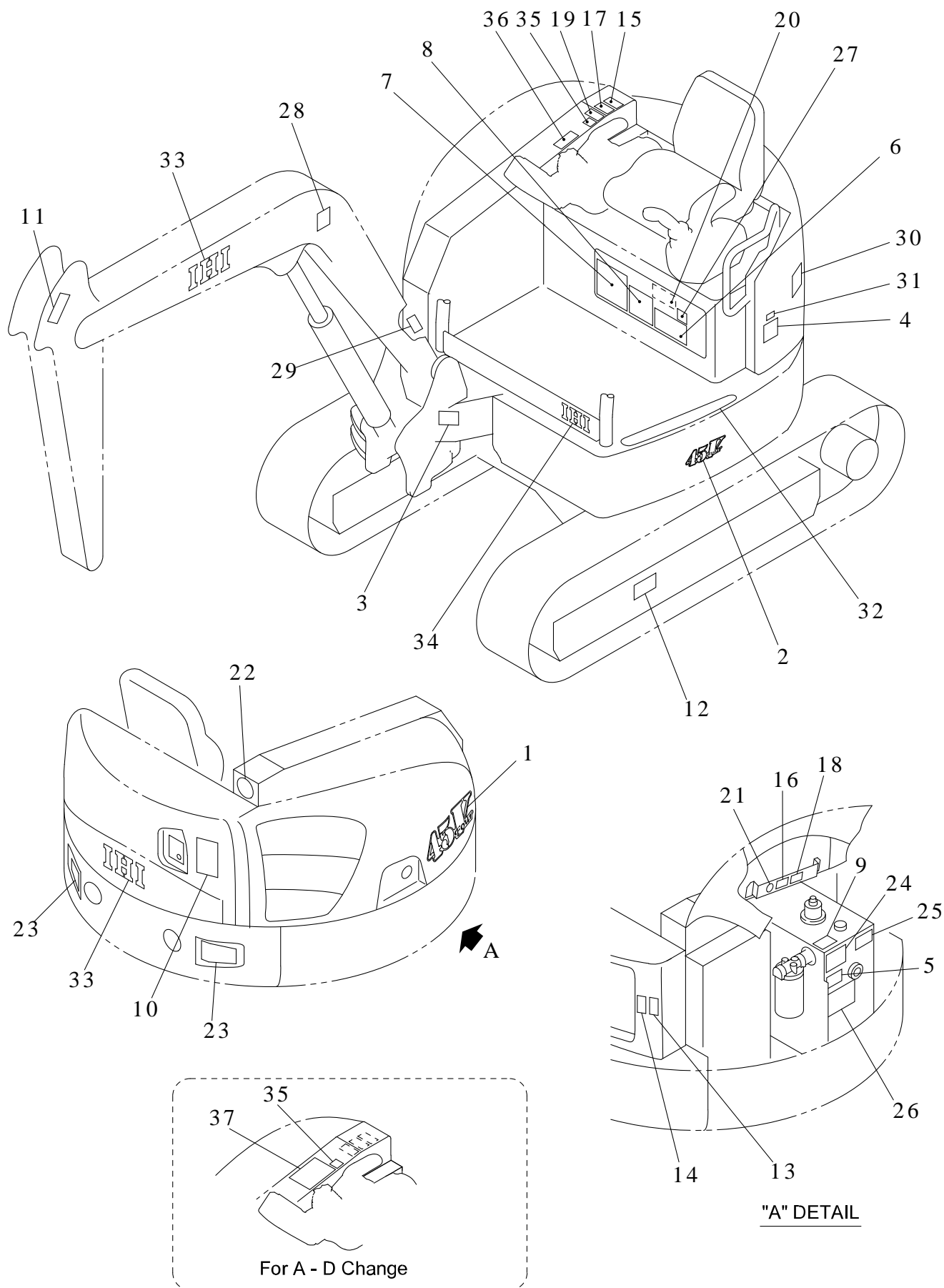


NAME PLATE ASS'Y (FOR DUTCH)

MODEL 45V4

SHEET No 8-7[B]

KEY No.	SUP.	PART No.	DESCRIPTION	Q'TY	CHAN.	SERIAL No.	REMARKS
0	×	F377 845 00	Decal Ass'y	1		WG010001-	
0-1	×	F377 854 00	Decal Ass'y	1		WG010001-	
1		D408 411 00	* Decal (Model)	1		WG010001-	
2		D408 420 00	* Decal (Model)	1		WG010001-	
3	×	D405 091 00	* Decal (Serial No.)	1		WG010001-	
3-1		0497 035 00	* Screw, Drive	4		WG010001-	d=3
4		4405 457 00	* Decal (Oil)	1		WG010001-	
5		D406 558 00	* Decal (Oil Check)	1		WG010001-	
6		D408 360 00	* Decal (Lub. Chart)	1		WG010001-	
7		D408 332 00	* Decal (Engine Daily Check)	1		WG010001-	
8		4448 584 00	* Decal (Safety Works)	1		WG010001-	
9		D408 429 00	* Decal (Tank Decompression)	1		WG010001-	
10		D405 507 00	* Decal (Safety Swing)	1		WG010001-	
11		D405 511 00	* Decal (Caution)	2		WG010001-***	
11		D405 668 00	* Decal (Caution)	2	○	***-	
12		D405 505 00	* Decal (Caution)	2		WG010001-	
13		D405 366 00	* Decal (Caution)	1		WG010001-	
14		D405 509 00	* Decal (Caution)	1		WG010001-	
15		D405 359 00	* Decal (Caution)	1		WG010001-	
16		D405 503 00	* Decal (Caution)	1		WG010001-	
17		D405 508 00	* Decal (Caution)	1		WG010001-	
18		D405 504 00	* Decal (Caution)	1		WG010001-	
19		D405 506 00	* Decal (Caution)	1		WG010001-	
20		D405 559 00	* Decal (Caution)	1		WG010001-	
21		4448 573 00	* Decal (Anti-Freezing Solution)	1		WG010001-***	
21		D408 653 00	* Decal (Anti-Freezing Solution)	1	○	***-	
22		D406 783 00	* Decal (Environment)	1		WG010001-	
23		D408 371 00	* Decal (Reflector)	2		WG010001-	
24		D408 338 00	* Decal (Boom Lowering)	1		WG010001-	
25		4449 003 00	* Decal (Spare Piping Change)	1		WG010001-	
26		4448 587 00	* Decal (Breaker Cation)	1		WG010001-	
27		4448 562 00	* Decal (Transport Fix)	1		WG010001-	
28		D408 352 00	* Decal (Lifting Procedures)	1		WG010001-	
29	×	D405 097 00	* Decal (New Machine)	1		WG010001-	
30		D406 032 00	* Decal (Noise 97)	1		WG010001-	
31		D407 943 00	* Decal (EPA Regulation)	1		WG010001-	
32		D408 370 00	* Plate, Nonslip	1		WG010001-	
33		D408 402 00	* Decal (IHI)	3		WG010001-	
34		D408 403 00	* Decal (IHI)	1		WG010001-	
35		D406 602 00	* Decal (Blade, Pedal)	1		WG010001-	
36		D406 603 00	* Decal (Control A)	1		WG010001-	
36-1		D406 604 00	* Decal (Control B)	1		WG010001-	
36-2		D406 605 00	* Decal (Control C)	1		WG010001-	
36-3		D406 606 00	* Decal (Control D)	1		WG010001-	
37		D406 609 00	* Decal (Control A-D)	1		WG010001-	



40V4-08070B-1

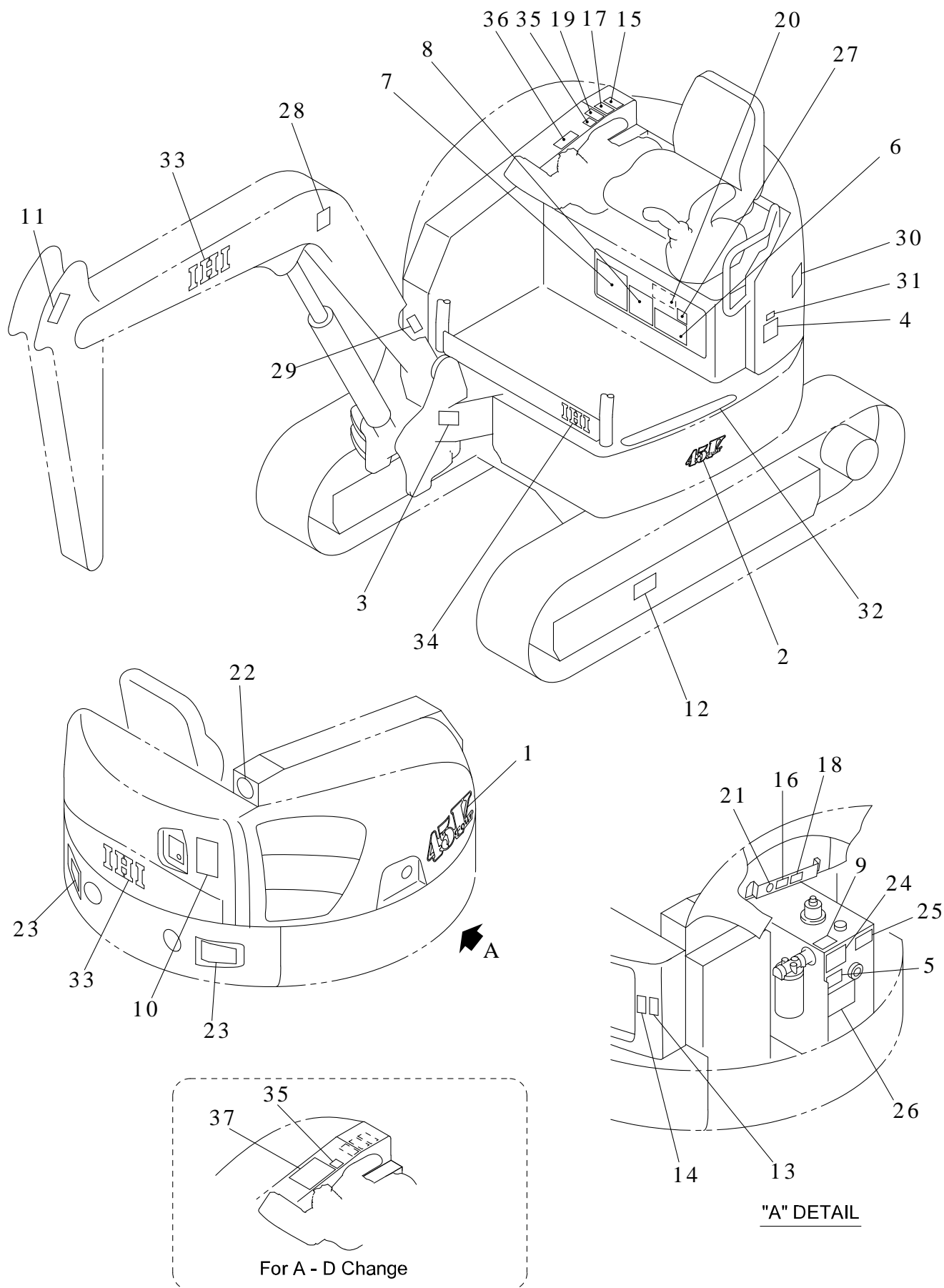


NAME PLATE ASS'Y (FOR FRENCH)

MODEL 45V4

SHEET No 8-7[C]

KEY No.	SUP.	PART No.	DESCRIPTION	Q'TY	CHAN.	SERIAL No.	REMARKS
0	×	F377 845 00	Decal Ass'y	1		WG010001-	
0-1	×	F377 854 00	Decal Ass'y	1		WG010001-	
1		D408 411 00	* Decal (Model)	1		WG010001-	
2		D408 420 00	* Decal (Model)	1		WG010001-	
3	×	D405 091 00	* Decal (Serial No.)	1		WG010001-	
3-1		0497 035 00	* Screw, Drive	4		WG010001-	d=3
4		4407 974 00	* Decal (Oil)	1		WG010001-	
5		D406 554 00	* Decal (Oil Check)	1		WG010001-	
6		D408 356 00	* Decal (Lub. Chart)	1		WG010001-	
7		D408 327 00	* Decal (Engine Daily Check)	1		WG010001-	
8		4406 714 00	* Decal (Safety Works)	1		WG010001-	
9		D408 425 00	* Decal (Tank Decompression)	1		WG010001-	
10		D405 507 00	* Decal (Safety Swing)	1		WG010001-	
11		D405 511 00	* Decal (Caution)	2		WG010001-***	
11		D405 668 00	* Decal (Caution)	2	○	***-	
12		D405 505 00	* Decal (Caution)	2		WG010001-	
13		D405 366 00	* Decal (Caution)	1		WG010001-	
14		D405 509 00	* Decal (Caution)	1		WG010001-	
15		D405 359 00	* Decal (Caution)	1		WG010001-	
16		D405 503 00	* Decal (Caution)	1		WG010001-	
17		D405 508 00	* Decal (Caution)	1		WG010001-	
18		D405 504 00	* Decal (Caution)	1		WG010001-	
19		D405 506 00	* Decal (Caution)	1		WG010001-	
20		D405 575 00	* Decal (Caution)	1		WG010001-	
20-1		D408 435 00	* Decal (Capacities Table)	1		WG010001-	
21		4406 710 00	* Decal (Anti-Freezing Solution)	1		WG010001-***	
21		D408 653 00	* Decal (Anti-Freezing Solution)	1	○	***-	
22		D406 783 00	* Decal (Environment)	1		WG010001-	
23		D408 371 00	* Decal (Reflector)	2		WG010001-	
24		D408 334 00	* Decal (Boom Lowering)	1		WG010001-	
25		4448 687 00	* Decal (Spare Piping Change)	1		WG010001-	
26		4447 996 00	* Decal (Breaker Cation)	1		WG010001-	
27		4448 542 00	* Decal (Transport Fix)	1		WG010001-	
28		D408 348 00	* Decal (Lifting Procedures)	1		WG010001-	
29	×	D405 097 00	* Decal (New Machine)	1		WG010001-	
30		D406 032 00	* Decal (Noise 97)	1		WG010001-	
31		D407 943 00	* Decal (EPA Regulation)	1		WG010001-	
32		D408 370 00	* Plate, Nonslip	1		WG010001-	
33		D408 402 00	* Decal (IHI)	3		WG010001-	
34		D408 403 00	* Decal (IHI)	1		WG010001-	
35		D406 602 00	* Decal (Blade, Pedal)	1		WG010001-	
36		D406 603 00	* Decal (Control A)	1		WG010001-	
36-1		D406 604 00	* Decal (Control B)	1		WG010001-	
36-2		D406 605 00	* Decal (Control C)	1		WG010001-	
36-3		D406 606 00	* Decal (Control D)	1		WG010001-	
37		D406 609 00	* Decal (Control A-D)	1		WG010001-	



40V4-08070B-1

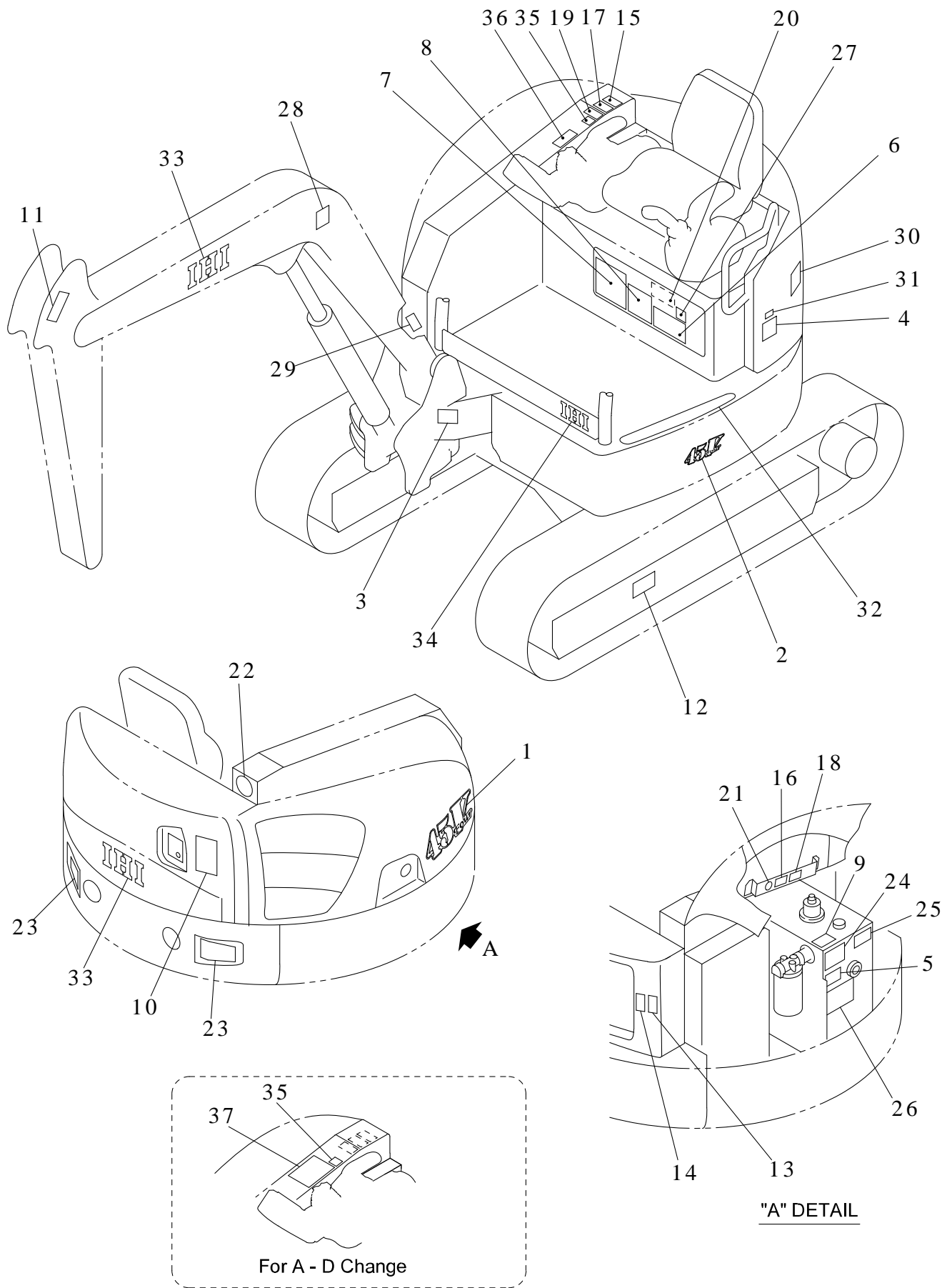


NAME PLATE ASS'Y(FOR ITALIAN)

MODEL 45V4

SHEET No 8-7[D]

KEY No.	SUP.	PART No.	DESCRIPTION	Q'TY	CHAN.	SERIAL No.	REMARKS
0	×	F377 845 00	Decal Ass'y	1		WG010001-	
0-1	×	F377 854 00	Decal Ass'y	1		WG010001-	
1		D408 411 00	* Decal (Model)	1		WG010001-	
2		D408 420 00	* Decal (Model)	1		WG010001-	
3	×	D405 091 00	* Decal (Serial No.)	1		WG010001-	
3-1		0497 035 00	* Screw, Drive	4		WG010001-	d=3
4		4405 457 00	* Decal (Oil)	1		WG010001-	
5		D406 550 00	* Decal (Oil Check)	1		WG010001-	
6		D408 357 00	* Decal (Lub. Chart)	1		WG010001-	
7		D408 329 00	* Decal (Engine Daily Check)	1		WG010001-	
8		4405 451 00	* Decal (Safety Works)	1		WG010001-	
9		D408 426 00	* Decal (Tank Decompression)	1		WG010001-	
10		D405 507 00	* Decal (Safety Swing)	1		WG010001-	
11		D405 511 00	* Decal (Caution)	2		WG010001-***	
11		D405 668 00	* Decal (Caution)	2	○	***-	
12		D405 505 00	* Decal (Caution)	2		WG010001-	
13		D405 366 00	* Decal (Caution)	1		WG010001-	
14		D405 509 00	* Decal (Caution)	1		WG010001-	
15		D405 359 00	* Decal (Caution)	1		WG010001-	
16		D405 503 00	* Decal (Caution)	1		WG010001-	
17		D405 508 00	* Decal (Caution)	1		WG010001-	
18		D405 504 00	* Decal (Caution)	1		WG010001-	
19		D405 506 00	* Decal (Caution)	1		WG010001-	
20		D405 571 00	* Decal (Caution)	1		WG010001-	
21		4405 456 00	* Decal (Anti-Freezing Solution)	1		WG010001-***	
21		D408 653 00	* Decal (Anti-Freezing Solution)	1	○	***-	
22		D406 783 00	* Decal (Environment)	1		WG010001-	
23		D408 371 00	* Decal (Reflector)	2		WG010001-	
24		D408 335 00	* Decal (Boom Lowering)	1		WG010001-	
25		4448 944 00	* Decal (Spare Piping Change)	1		WG010001-	
26		4447 925 00	* Decal (Breaker Cation)	1		WG010001-	
27		4448 511 00	* Decal (Transport Fix)	1		WG010001-	
28		D408 349 00	* Decal (Lifting Procedures)	1		WG010001-	
29	×	D405 097 00	* Decal (New Machine)	1		WG010001-	
30		D406 032 00	* Decal (Noise 97)	1		WG010001-	
31		D407 943 00	* Decal (EPA Regulation)	1		WG010001-	
32		D408 370 00	* Plate, Nonslip	1		WG010001-	
33		D408 402 00	* Decal (IHI)	3		WG010001-	
34		D408 403 00	* Decal (IHI)	1		WG010001-	
35		D406 602 00	* Decal (Blade, Pedal)	1		WG010001-	
36		D406 603 00	* Decal (Control A)	1		WG010001-	
36-1		D406 604 00	* Decal (Control B)	1		WG010001-	
36-2		D406 605 00	* Decal (Control C)	1		WG010001-	
36-3		D406 606 00	* Decal (Control D)	1		WG010001-	
37		D406 609 00	* Decal (Control A-D)	1		WG010001-	



40V4-08070B-1

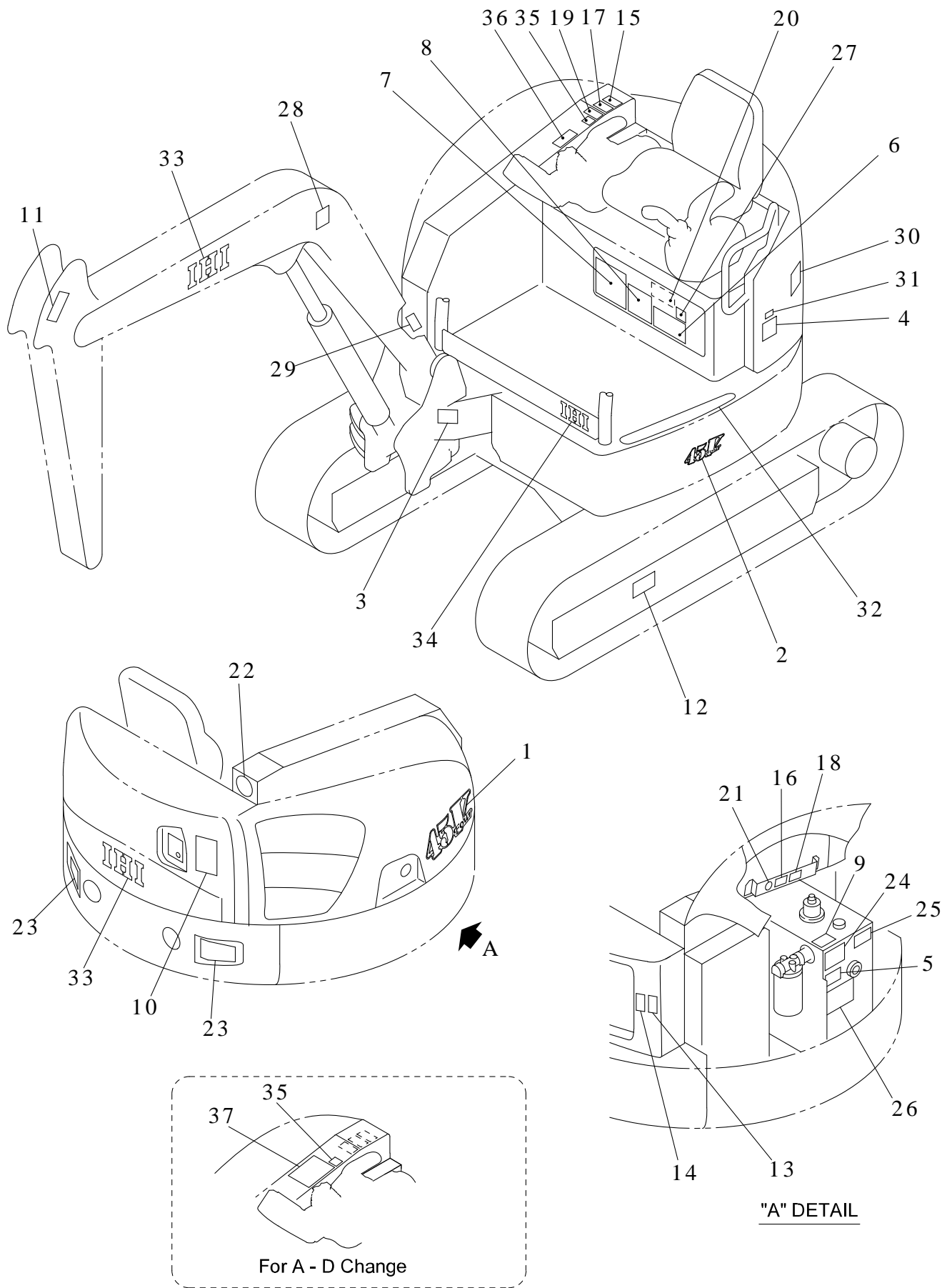


NAME PLATE ASS'Y(FOR GERMAN)

MODEL 45V4

SHEET No 8-7[E]

KEY No.	SUP.	PART No.	DESCRIPTION	Q'TY	CHAN.	SERIAL No.	REMARKS
0	×	F377 845 00	Decal Ass'y	1		WG010001-	
0-1	×	F377 854 00	Decal Ass'y	1		WG010001-	
1		D408 411 00	* Decal (Model)	1		WG010001-	
2		D408 420 00	* Decal (Model)	1		WG010001-	
3	×	D405 091 00	* Decal (Serial No.)	1		WG010001-	
3-1		0497 035 00	* Screw, Drive	4		WG010001-	d=3
4		4405 457 00	* Decal (Oil)	1		WG010001-	
5		D406 565 00	* Decal (Oil Check)	1		WG010001-	
6		D408 358 00	* Decal (Lub. Chart)	1		WG010001-	
7		D408 330 00	* Decal (Engine Daily Check)	1		WG010001-	
8		D407 017 00	* Decal (Safety Works)	1		WG010001-	
9		D408 427 00	* Decal (Tank Decompression)	1		WG010001-	
10		D405 507 00	* Decal (Safety Swing)	1		WG010001-	
11		D405 511 00	* Decal (Caution)	2		WG010001-***	
11		D405 668 00	* Decal (Caution)	2	○	***-	
12		D405 505 00	* Decal (Caution)	2		WG010001-	
13		D405 366 00	* Decal (Caution)	1		WG010001-	
14		D405 509 00	* Decal (Caution)	1		WG010001-	
15		D405 359 00	* Decal (Caution)	1		WG010001-	
16		D405 503 00	* Decal (Caution)	1		WG010001-	
17		D405 508 00	* Decal (Caution)	1		WG010001-	
18		D405 504 00	* Decal (Caution)	1		WG010001-	
19		D405 506 00	* Decal (Caution)	1		WG010001-	
20		D405 587 00	* Decal (Caution)	1		WG010001-	
21		4447 229 00	* Decal (Anti-Freezing Solution)	1		WG010001-***	
21		D408 653 00	* Decal (Anti-Freezing Solution)	1	○	***-	
22		D406 783 00	* Decal (Environment)	1		WG010001-	
23		D408 371 00	* Decal (Reflector)	2		WG010001-	
24		D408 336 00	* Decal (Boom Lowering)	1		WG010001-	
25		D405 256 00	* Decal (Spare Piping Change)	1		WG010001-	
26		4448 350 00	* Decal (Breaker Cation)	1		WG010001-	
27		D405 059 00	* Decal (Transport Fix)	1		WG010001-	
28		D408 350 00	* Decal (Lifting Procedures)	1		WG010001-	
29	×	D405 097 00	* Decal (New Machine)	1		WG010001-	
30		D406 032 00	* Decal (Noise 97)	1		WG010001-	
31		D407 943 00	* Decal (EPA Regulation)	1		WG010001-	
32		D408 370 00	* Plate, Nonslip	1		WG010001-	
33		D408 402 00	* Decal (IHI)	3		WG010001-	
34		D408 403 00	* Decal (IHI)	1		WG010001-	
35		D406 602 00	* Decal (Blade, Pedal)	1		WG010001-	
36		D406 603 00	* Decal (Control A)	1		WG010001-	
36-1		D406 604 00	* Decal (Control B)	1		WG010001-	
36-2		D406 605 00	* Decal (Control C)	1		WG010001-	
36-3		D406 606 00	* Decal (Control D)	1		WG010001-	
37		D406 609 00	* Decal (Control A-D)	1		WG010001-	



40V4-08070B-1

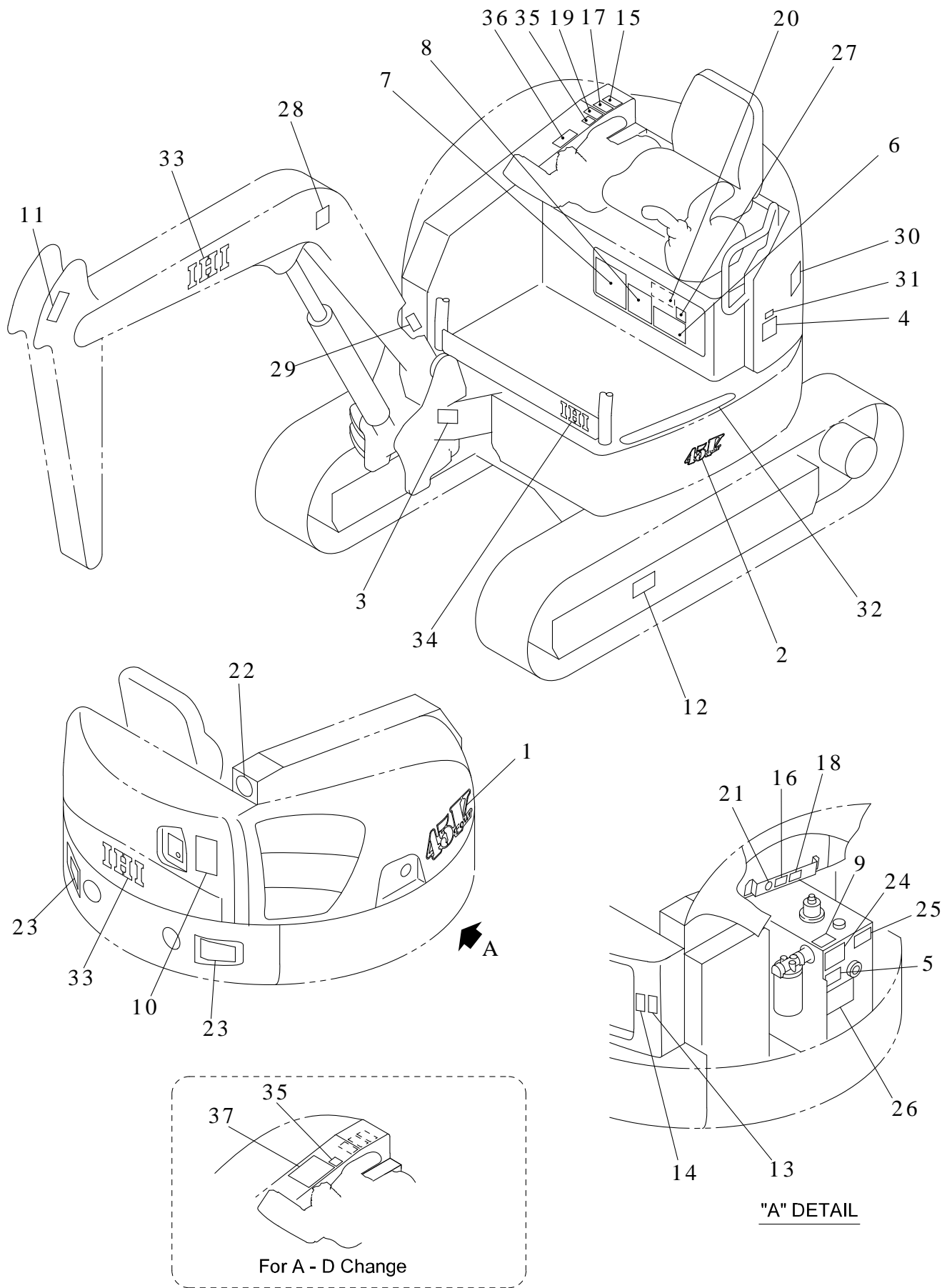


NAME PLATE ASS'Y(FOR DANISH)

MODEL 45V4

SHEET No 8-7[F]

KEY No.	SUP.	PART No.	DESCRIPTION	Q'TY	CHAN.	SERIAL No.	REMARKS
0	×	F377 845 00	Decal Ass'y	1		WG010001-	
0-1	×	F377 854 00	Decal Ass'y	1		WG010001-	
1		D408 411 00	* Decal (Model)	1		WG010001-	
2		D408 420 00	* Decal (Model)	1		WG010001-	
3	×	D405 091 00	* Decal (Serial No.)	1		WG010001-	
3-1		0497 035 00	* Screw, Drive	4		WG010001-	d=3
4		4405 457 00	* Decal (Oil)	1		WG010001-	
5		D406 562 00	* Decal (Oil Check)	1		WG010001-	
6		D408 359 00	* Decal (Lub. Chart)	1		WG010001-	
7		D408 331 00	* Decal (Engine Daily Check)	1		WG010001-	
8		4448 603 00	* Decal (Safety Works)	1		WG010001-	
9		D408 428 00	* Decal (Tank Decompression)	1		WG010001-	
10		D405 507 00	* Decal (Safety Swing)	1		WG010001-	
11		D405 511 00	* Decal (Caution)	2		WG010001-***	
11		D405 668 00	* Decal (Caution)	2	○	***-	
12		D405 505 00	* Decal (Caution)	2		WG010001-	
13		D405 366 00	* Decal (Caution)	1		WG010001-	
14		D405 509 00	* Decal (Caution)	1		WG010001-	
15		D405 359 00	* Decal (Caution)	1		WG010001-	
16		D405 503 00	* Decal (Caution)	1		WG010001-	
17		D405 508 00	* Decal (Caution)	1		WG010001-	
18		D405 504 00	* Decal (Caution)	1		WG010001-	
19		D405 506 00	* Decal (Caution)	1		WG010001-	
20		D405 594 00	* Decal (Caution)	1		WG010001-	
21		4448 598 00	* Decal (Anti-Freezing Solution)	1		WG010001-***	
21		D408 653 00	* Decal (Anti-Freezing Solution)	1	○	***-	
22		D406 783 00	* Decal (Environment)	1		WG010001-	
23		D408 371 00	* Decal (Reflector)	2		WG010001-	
24		D408 337 00	* Decal (Boom Lowering)	1		WG010001-	
25		4449 406 00	* Decal (Spare Piping Change)	1		WG010001-	
26		4448 607 00	* Decal (Breaker Cation)	1		WG010001-	
27		4448 619 00	* Decal (Transport Fix)	1		WG010001-	
28		D408 351 00	* Decal (Lifting Procedures)	1		WG010001-	
29	×	D405 097 00	* Decal (New Machine)	1		WG010001-	
30		D406 032 00	* Decal (Noise 97)	1		WG010001-	
31		D407 943 00	* Decal (EPA Regulation)	1		WG010001-	
32		D408 370 00	* Plate, Nonslip	1		WG010001-	
33		D408 402 00	* Decal (IHI)	3		WG010001-	
34		D408 403 00	* Decal (IHI)	1		WG010001-	
35		D406 602 00	* Decal (Blade, Pedal)	1		WG010001-	
36		D406 603 00	* Decal (Control A)	1		WG010001-	
36-1		D406 604 00	* Decal (Control B)	1		WG010001-	
36-2		D406 605 00	* Decal (Control C)	1		WG010001-	
36-3		D406 606 00	* Decal (Control D)	1		WG010001-	
37		D406 609 00	* Decal (Control A-D)	1		WG010001-	



40V4-08070B-1

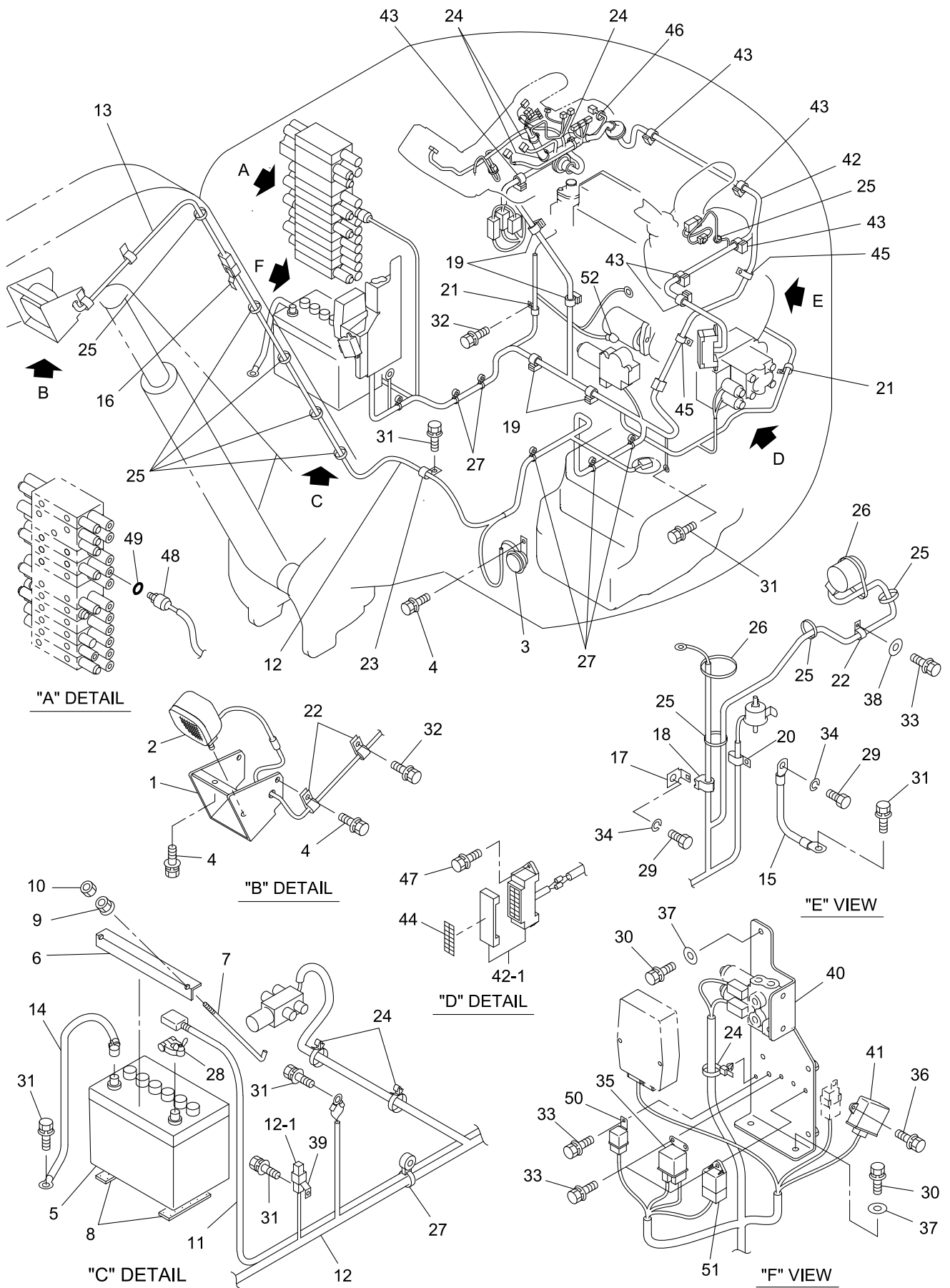


NAME PLATE ASS'Y (FOR SPANISH)

MODEL 45V4

SHEET No 8-7[G]

KEY No.	SUP.	PART No.	DESCRIPTION	Q'TY	CHAN.	SERIAL No.	REMARKS
0	×	F377 845 00	Decal Ass'y	1		WG010001-	
0-1	×	F377 854 00	Decal Ass'y	1		WG010001-	
1		D408 411 00	* Decal (Model)	1		WG010001-	
2		D408 420 00	* Decal (Model)	1		WG010001-	
3	×	D405 091 00	* Decal (Serial No.)	1		WG010001-	
3-1		0497 035 00	* Screw, Drive	4		WG010001-	d=3
4		D406 000 00	* Decal (Oil)	1		WG010001-	
5		D406 811 00	* Decal (Oil Check)	1		WG010001-	
6		D408 361 00	* Decal (Lub. Chart)	1		WG010001-	
7		D408 333 00	* Decal (Engine Daily Check)	1		WG010001-	
8		D407 016 00	* Decal (Safety Works)	1		WG010001-	
9		D408 430 00	* Decal (Tank Decompression)	1		WG010001-	
10		D405 507 00	* Decal (Safety Swing)	1		WG010001-	
11		D405 511 00	* Decal (Caution)	2		WG010001-***	
11		D405 668 00	* Decal (Caution)	2	○	***-	
12		D405 505 00	* Decal (Caution)	2		WG010001-	
13		D405 366 00	* Decal (Caution)	1		WG010001-	
14		D405 509 00	* Decal (Caution)	1		WG010001-	
15		D405 359 00	* Decal (Caution)	1		WG010001-	
16		D405 503 00	* Decal (Caution)	1		WG010001-	
17		D405 508 00	* Decal (Caution)	1		WG010001-	
18		D405 504 00	* Decal (Caution)	1		WG010001-	
19		D405 506 00	* Decal (Caution)	1		WG010001-	
20		D406 005 00	* Decal (Caution)	1		WG010001-	
21		D406 012 00	* Decal (Anti-Freezing Solution)	1		WG010001-***	
21		D408 653 00	* Decal (Anti-Freezing Solution)	1	○	***-	
22		D406 783 00	* Decal (Environment)	1		WG010001-	
23		D408 371 00	* Decal (Reflector)	2		WG010001-	
24		D408 339 00	* Decal (Boom Lowering)	1		WG010001-	
25		D406 720 00	* Decal (Spare Piping Change)	1		WG010001-	
26		D406 002 00	* Decal (Breaker Cation)	1		WG010001-	
27		D406 007 00	* Decal (Transport Fix)	1		WG010001-	
28		D408 353 00	* Decal (Lifting Procedures)	1		WG010001-	
29	×	D405 097 00	* Decal (New Machine)	1		WG010001-	
30		D406 032 00	* Decal (Noise 97)	1		WG010001-	
31		D407 943 00	* Decal (EPA Regulation)	1		WG010001-	
32		D408 370 00	* Plate, Nonslip	1		WG010001-	
33		D408 402 00	* Decal (IHI)	3		WG010001-	
34		D408 403 00	* Decal (IHI)	1		WG010001-	
35		D406 602 00	* Decal (Blade, Pedal)	1		WG010001-	
36		D406 603 00	* Decal (Control A)	1		WG010001-	
36-1		D406 604 00	* Decal (Control B)	1		WG010001-	
36-2		D406 605 00	* Decal (Control C)	1		WG010001-	
36-3		D406 606 00	* Decal (Control D)	1		WG010001-	
37		D406 609 00	* Decal (Control A-D)	1		WG010001-	



40V4-090100-1



ELECTRIC SYSTEM

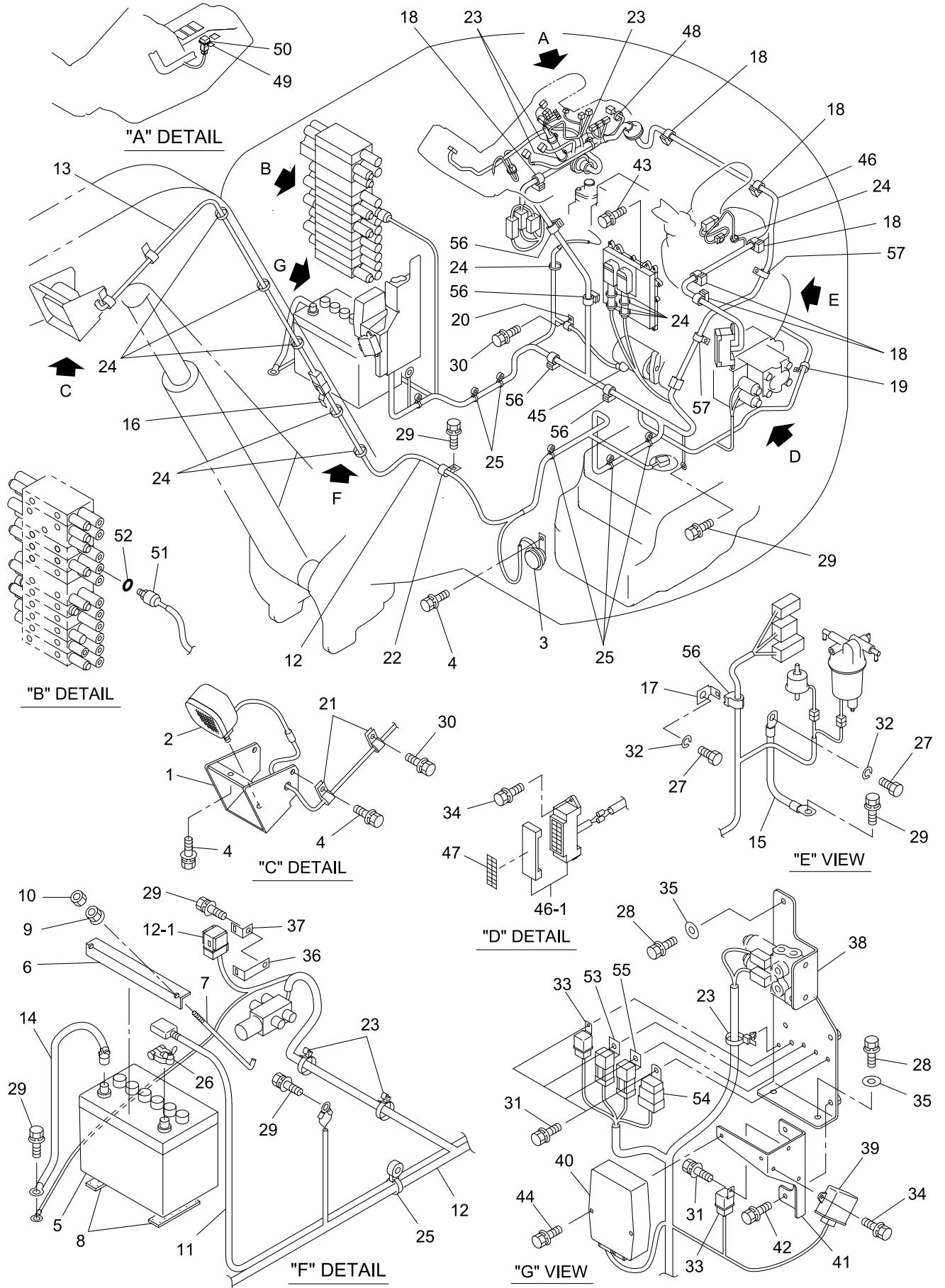
MODEL 45V4

SHEET No 9-1

KEY No.	SUP.	PART No.	DESCRIPTION	Q'TY	CHAN.	SERIAL No.	REMARKS
0	×	F366 947 00	Electrical System	1		WG010001-WG020000	
0-1	×	F355 102 00	Accessories Ass'y	1		WG010001-	
0-2	×	F366 821 00	Battery Ass'y	1		WG010001-	
1		D458 269 00	* Cover	1		WG010001-	
2		0854 529 UA	* Light Ass'y	1		WG010001-	
2-1		0854 529 05	** Bulb	1		WG010001-	
2-2		0854 529 01	** Lens	1		WG010001-	
2-3		0552 080 20	** Bolt, Hex.	1		WG010001-	M8X20
2-4		0521 080 00	** Nut, Hex.(W/F.W)	1		WG010001-	M8
3		0861 001 02	* Horn	1		WG010001-	
4		0517 080 16	* Bolt, Treatment (W/L.W, F.W)	4		WG010001-	M8X16
5		0851 000 01	* Battery	1		WG010001-	
5-1		0851 000 02	* Battery (For Cold District)	1		WG010001-	
6		4416 063 01	* Bracket	1		WG010001-	
7		4004 022 04	* Bolt, Hook	2		WG010001-	M6X280
8		4409 625 11	* Plate, Rubber	2		WG010001-	
9		0521 060 00	* Nut, Hex. (W/F.W)	2		WG010001-	M6
10		0544 060 00	* Nut, Hex.	2		WG010001-	M6
11		4591 982 18	* Cable, Battery	1		WG010001-	
12		D592 288 00	* Harness, Main	1		WG010001-	
12-1		0830 291 01	** Link, Fusible	1		WG010001-	65A
13		0879 551 30	* Harness	1		WG010001-	
14		D592 194 02	* Cable, Battery	1		WG010001-	
15		D592 195 03	* Band, Earth	1		WG010001-	
16		0690 081 92	* Clamp	1		WG010001-	
17		D417 041 00	* Bracket	1		WG010001-	
18		0690 082 01	* Clamp	1		WG010001-	
19		0690 082 05	* Clamp, Hose	4		WG010001-	
20		4080 000 06	* Clamp, Hose	1		WG010001-	
21		4080 000 04	* Clamp, Hose	2		WG010001-	
22		4080 000 03	* Clamp, Hose	3		WG010001-	
23		4080 000 08	* Clamp, Hose	1		WG010001-	
24		0690 082 08	* Clamp, Hose	7		WG010001-	
25		0820 067 03	* Band, Cable	9		WG010001-	
26		0820 067 05	* Band, Cable	2		WG010001-	
27		0820 067 31	* Band, Cable	6		WG010001-	
28		0852 119 22	* Terminal	1		WG010001-	
29		0541 120 16	* Bolt, Hex.	2		WG010001-	M12X16 P=1.25
30		0518 100 25	* Bolt, Treatment (W/L.W, F.W)	3		WG010001-	M10X25 P=1.25
31		0518 100 16	* Bolt, Treatment (W/L.W, F.W)	6		WG010001-	M10X16 P=1.25
32		0517 080 12	* Bolt, Treatment (W/L.W, F.W)	2		WG010001-	M8X12
33		0517 060 16	* Bolt, Treatment (W/L.W, F.W)	5		WG010001-	M6X16
34		0590 120 00	* Washer, Lock	2		WG010001-	M12
35		0820 215 11	* Relay, Glow	1		WG010001-	
36		0517 060 20	* Bolt, Treatment (W/L.W, F.W)	2		WG010001-	M6X20
37		4006 119 02	* Washer, Flat	3		WG010001-	M10
38		0593 080 00	* Washer, Flat	1		WG010001-	M8
39		0690 081 89	* Clip	1		WG010001-	
40		D419 313 00	* Bracket	1		WG010001-	
41		0820 215 10	* Relay, Flip-Flop	1		WG010001-	
42		D592 285 00	* Harness	1		WG010001-***	
42		D592 432 00	* Harness	1	○	***-	

KEY No.	SUP.	PART No.	DESCRIPTION	Q'TY	CHAN.	SERIAL No.	REMARKS
42-1		0858 140 01	** Box, Fuse	1		WG010001-	
42-2		0830 107 11	** Fuse	1		WG010001-	2A
42-3		0830 107 12	** Fuse	1		WG010001-	5A
42-4		0830 107 06	** Fuse	8		WG010001-	10A
42-5		0830 107 07	** Fuse	1		WG010001-	15A
42-6		0830 107 08	** Fuse	2		WG010001-	20A
42-7		0830 107 09	** Fuse	1		WG010001-	25A
42-8		0830 107 10	** Fuse	2		WG010001-	30A
43		0690 082 05	* Clamp, Hose	6		WG010001-	
44		D408 292 00	* Decal	1		WG010001-	
45		4080 000 05	* Clamp, Hose	2		WG010001-	
46		0820 067 04	* Band, Cable	1		WG010001-	
47		0517 060 20	* Bolt, Treatment (W/L.W, F.W)	2		WG010001-	M6X20
48		0858 501 16	* Switch, Oil Pressure	1		WG010001-	
49		0760 710 12	* Ring, O	1		WG010001-	P11-90B
50		K1K574 60221	* Relay, Starter	1		WG010001-	
51		K15694 65992	* Relay, Timer	1		WG010001-	
52		D528 004 00	* Cap	1		WG010001-	

[Memo]



40V4-09010A-1



ELECTRIC SYSTEM

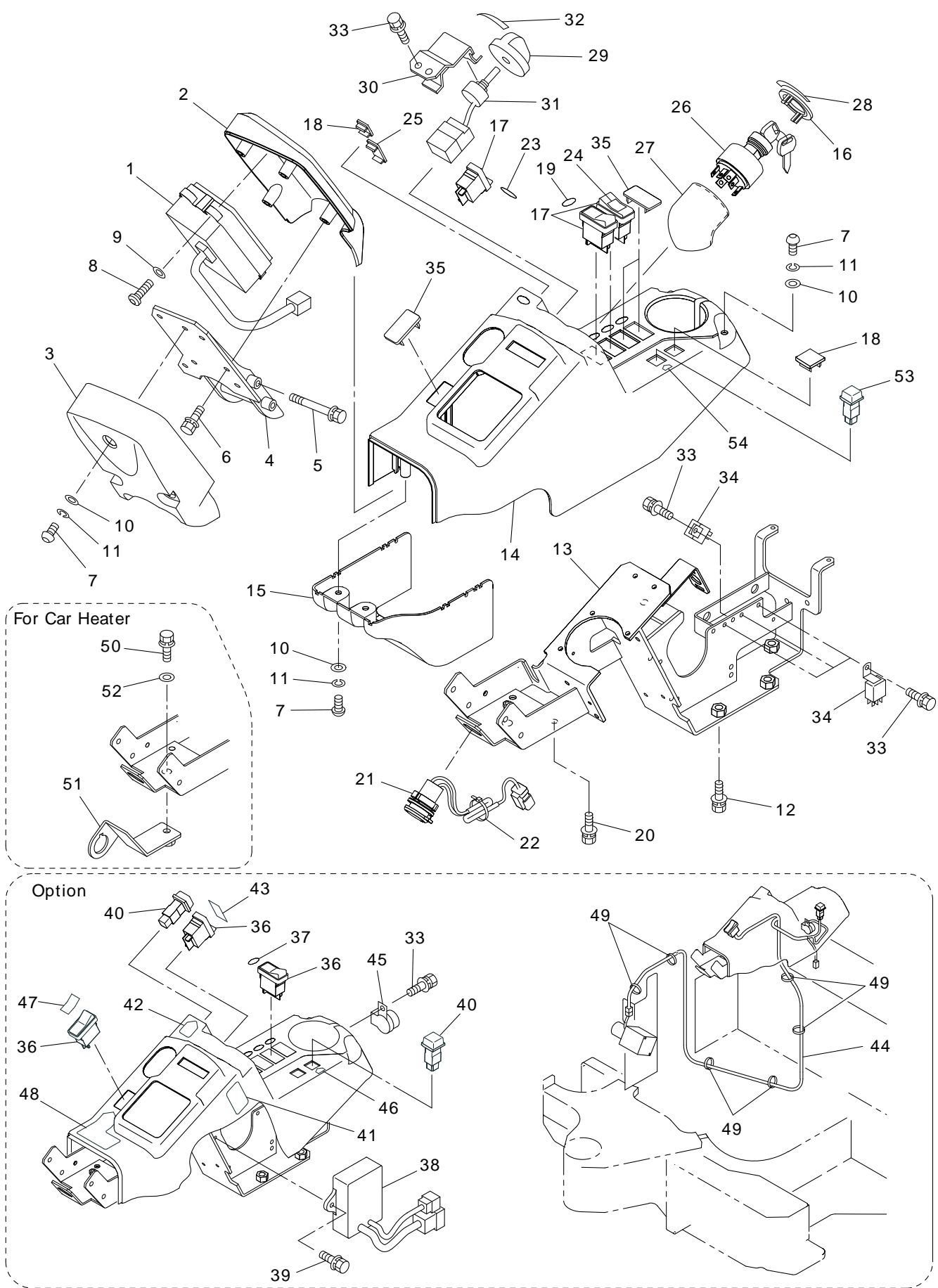
MODEL 45V4

SHEET No 9-1[A]

KEY No.	SUP.	PART No.	DESCRIPTION	Q'TY	CHAN.	SERIAL No.	REMARKS
0	×	F366 930 00	Electrical System	1		WG020001-	
0-1	×	F355 102 00	Accessories Ass'y	1		WG020001-	
0-2	×	F366 821 00	Battery Ass'y	1		WG020001-	
1		D458 269 00	* Cover	1		WG020001-	
2		0854 529 UA	* Light Ass'y	1		WG020001-	
2-1		0854 529 05	** Bulb	1		WG020001-	
2-2		0854 529 01	** Lens	1		WG020001-	
2-3		0552 080 20	** Bolt, Hex.	1		WG020001-	M8X20
2-4		0521 080 00	** Nut, Hex.(W/F.W)	1		WG020001-	M8
3		0861 001 02	* Horn	1		WG020001-	
4		0517 080 16	* Bolt, Treatment (W/L.W, F.W)	4		WG020001-	M8X16
5		0851 000 01	* Battery	1		WG020001-	
5-1		0851 000 02	* Battery (For Cold District)	1		WG020001-	
6		4416 063 01	* Bracket	1		WG020001-	
7		4004 022 04	* Bolt, Hook	2		WG020001-	M6X280
8		4409 625 11	* Plate, Rubber	2		WG020001-	
9		0521 060 00	* Nut, Hex. (W/F.W)	2		WG020001-	M6
10		0544 060 00	* Nut, Hex.	2		WG020001-	M6
11		4591 982 18	* Cable, Battery	1		WG020001-	
12		D592 398 00	* Harness, Main	1		WG020001-	
12-1		0830 106 00	** Link, Fusible	2		WG020001-	60A
13		0879 551 30	* Harness	1		WG020001-	
14		D592 194 02	* Cable, Battery	1		WG020001-	
15		D592 195 03	* Band, Earth	1		WG020001-	
16		0690 081 92	* Clamp	1		WG020001-	
17		D417 041 00	* Bracket	1		WG020001-	
18		0690 082 05	* Clamp, Hose	6		WG020001-	
19		4080 000 05	* Clamp, Hose	1		WG020001-	d=22
20		4080 000 04	* Clamp, Hose	1		WG020001-	d=15
21		4080 000 03	* Clamp, Hose	2		WG020001-	d=12.5
22		4080 000 08	* Clamp, Hose	1		WG020001-	d=10
23		0690 082 08	* Clamp, Hose	7		WG020001-	
24		0820 067 03	* Band, Cable	11		WG020001-	
25		0820 067 31	* Band, Cable	6		WG020001-	
26		0852 119 22	* Terminal	1		WG020001-	
27		0541 120 16	* Bolt, Hex.	2		WG020001-	M12X16 P=1.25
28		0518 100 25	* Bolt, Treatment (W/L.W, F.W)	3		WG020001-	M10X25 P=1.25
29		0518 100 16	* Bolt, Treatment (W/L.W, F.W)	6		WG020001-	M10X16 P=1.25
30		0517 080 12	* Bolt, Treatment (W/L.W, F.W)	2		WG020001-	M8X12
31		0517 060 16	* Bolt, Treatment (W/L.W, F.W)	5		WG020001-	M6X16
32		0590 120 00	* Washer, Lock	2		WG020001-	M12
33		0820 215 07	* Relay	2		WG020001-	
34		0517 060 20	* Bolt, Treatment (W/L.W, F.W)	4		WG020001-	M6X20
35		4006 119 02	* Washer, Flat	3		WG020001-	M10
36		D417 821 00	* Bracket	1		WG020001-	
37		D417 822 00	* Bracket	1		WG020001-	
38		D419 313 00	* Bracket	1		WG020001-	
39		0820 215 10	* Relay, Flip-Flop	1		WG020001-	
40		0891 918 UA	* Controller, Throttle	1		WG020001-	
41		D419 347 00	* Bracket	1		WG020001-	
42		0517 080 20	* Bolt, Treatment (W/L.W, F.W)	2		WG020001-	M8X20
43		0517 080 25	* Bolt, Treatment (W/L.W, F.W)	4		WG020001-	M8X25

KEY No.	SUP.	PART No.	DESCRIPTION	Q'TY	CHAN.	SERIAL No.	REMARKS
44		0517 060 60	* Bolt, Treatment (W/L.W, F.W)	2		WG020001-	M6X60
45		D528 004 00	* Cap	1		WG020001-	
46		D592 400 00	* Harness	1		WG020001-	
46-1		0858 140 01	** Box, Fuse	1		WG020001-	
46-2		0830 107 11	** Fuse	1		WG020001-	2A
46-3		0830 107 12	** Fuse	6		WG020001-	5A
46-4		0830 107 06	** Fuse	8		WG020001-	10A
46-5		0830 107 07	** Fuse	1		WG020001-	15A
46-6		0830 107 08	** Fuse	3		WG020001-	20A
46-7		0830 107 09	** Fuse	1		WG020001-	25A
46-8		0830 107 10	** Fuse	3		WG020001-	30A
47		D408 647 00	* Decal	1		WG020001-	Fuse
48		0820 067 04	* Band, Cable	1		WG020001-	
49		D408 643 00	* Decal	1		WG020001-	
50		0858 314 02	* Switch Assy	1		WG020001-	
51		0858 501 16	* Switch, Oil Pressure	1		WG020001-	
52		0760 710 12	* Ring, O	1		WG020001-	P11-90B
53		K3C081 75222	* Relay, Starter	1		WG020001-	
54		KRP421 53731	* Relay, Glow	1		WG020001-	
55		K3C081 75222	* Relay, Main	1		WG020001-	
56		0690 082 06	* Clamp, Hose	5		WG020001-	
57		4080 000 06	* Clamp, Hose	2		WG020001-	

[Memo]



40V4-090200-1



INSTRUMENT PANEL ASS'Y

MODEL 45V4

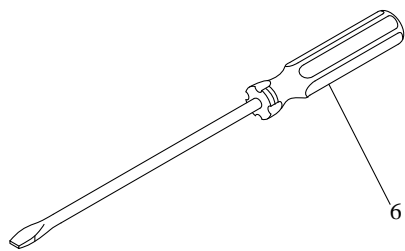
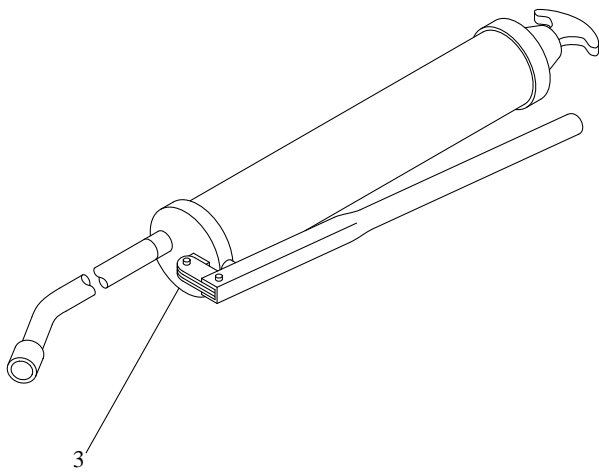
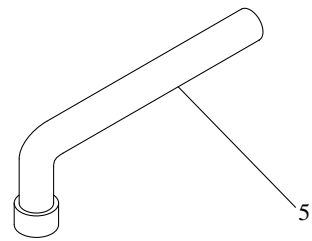
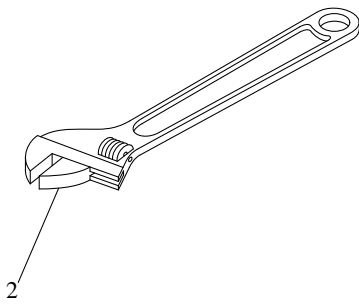
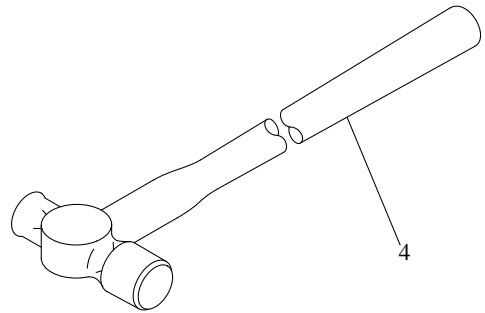
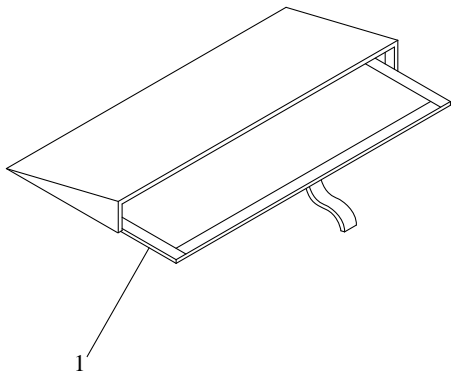
SHEET No 9-2

KEY No.	SUP.	PART No.	DESCRIPTION	Q'TY	CHAN.	SERIAL No.	REMARKS
0	×	F361 706 00	Panel Ass'y, Instrument	1		WG010001-	
0-1	×	F361 758 00	Panel Ass'y, Instrument	1		WG010001-WG010152	
0-1	×	F361 791 00	Panel Ass'y, Instrument	1		WG010153-	
1		0881 509 UA	* Monitor, OK	1		WG010001-	
2		D465 380 00	* Panel	1		WG010001-	
3		D465 381 00	* Panel	1		WG010001-	
4		D419 580 00	* Bracket	1		WG010001-	
5		0517 081 15	* Bolt, Treatment (W/L.W, F.W)	2		WG010001-	M8X115
6		0517 060 20	* Bolt, Treatment (W/L.W, F.W)	4		WG010001-	M6X20
7		4004 364 01	* Bolt, Button Head	7		WG010001-	M6X18
8		0454 400 20	* Screw, Tapping	4		WG010001-	M4X20
9		0593 040 00	* Washer, Flat	4		WG010001-	M4
10		0594 060 00	* Washer, Flat	7		WG010001-	M6
11		0596 060 00	* Washer, Lock	7		WG010001-	M6
12		0518 100 25	* Bolt, Treatment (W/L.W, F.W)	4		WG010001-	M10X25 P=1.25
13		D419 229 00	* Bracket	1		WG010001-WG010152	
13		D419 672 00	* Bracket	1	○	WG010153-	
14		D465 313 00	* Panel	1		WG010001-	
15		D465 314 00	* Panel	1		WG010001-	
16		0690 203 44	* Cover	1		WG010001-	
17		0858 314 33	* Switch Assy	3		WG010001-	
18		D528 006 00	* Cap	AR		WG010001-	
19		D407 819 00	* Decal (Light)	1		WG010001-	
20		0517 060 16	* Bolt, Treatment (W/L.W, F.W)	2		WG010001-	M6X16
21		0830 406 02	* Socket	1		WG010001-	
22		0820 067 05	* Band, Cable	1		WG010001-	
23		D408 280 00	* Decal	1		WG010001-	
24		D408 447 00	* Decal	1		WG010001-	
25		D528 005 00	* Cap	1		WG010001-	
26		0858 306 03	* Switch Assy Starter	1		WG010001-	
26-1		0858 306 04	* Switch Assy Starter	1		WG010001-	Option 5080
26-2		0690 270 29	** Key	2		WG010001-	#5080
27		4457 535 00	* Cover (Starter Switch)	1		WG010001-	
28		D407 823 00	* Decal (Manual)	1		WG010001-WG020000	
28-1		D407 824 00	* Decal (Automatic)	1		WG020001-	
29		0690 211 05	* Throttle, Dial	1		WG010001-	
30		D418 304 00	* Bracket	1		WG010001-	
31		0858 614 05	* Meter, Potention	1		WG010001-	
32		D407 829 00	* Decal (Throttle)	1		WG010001-	
33		0517 060 12	* Bolt, Treatment (W/L.W, F.W)	7		WG010001-	M6X12
34		0820 215 07	* Relay	4		WG010001-	
35		D528 005 00	* Cap	AR		WG010001-	
36		0858 314 33	* Switch Assy	AR		WG010001-	
37		D407 965 00	* Decal	1		WG010001-	
38		0893 509 UA	* Controller Ass'y	1		WG010001-	
39		0517 060 20	* Bolt, Treatment (W/L.W, F.W)	2		WG010001-	M6X20
40		0858 314 35	* Switch Assy	AR		WG010001-	
41		D408 285 00	* Decal	1		WG010001-	
42		D407 963 00	* Decal	1		WG010001-	
43		D407 964 00	* Decal	1		WG010001-	
44		D592 206 00	* Harness	1		WG010001-	
45		0857 011 57	* Buzzer	1		WG010001-	

KEY No.	SUP.	PART No.	DESCRIPTION	Q'TY	CHAN.	SERIAL No.	REMARKS
46		D407 966 00	* Decal	1		WG010001-	
47		D407 967 00	* Decal	1		WG010001-	
48		D407 968 00	* Decal	1		WG010001-	
49		0820 067 09	* Band, Cable	6		WG010001-	
50		0518 100 20	* Bolt, Treatment (W/L.W, F.W)	1		WG010001-	M10X20 P=1.25
51		D419 477 00	* Bracket	1		WG010001-	
52		4006 119 02	* Washer	1		WG010001-	M10
53		0858 314 02	* Switch Assy	1		WG020001-	
54		D408 643 00	* Decal	1		WG020001-	



[Memo]



SHALL-100100-1



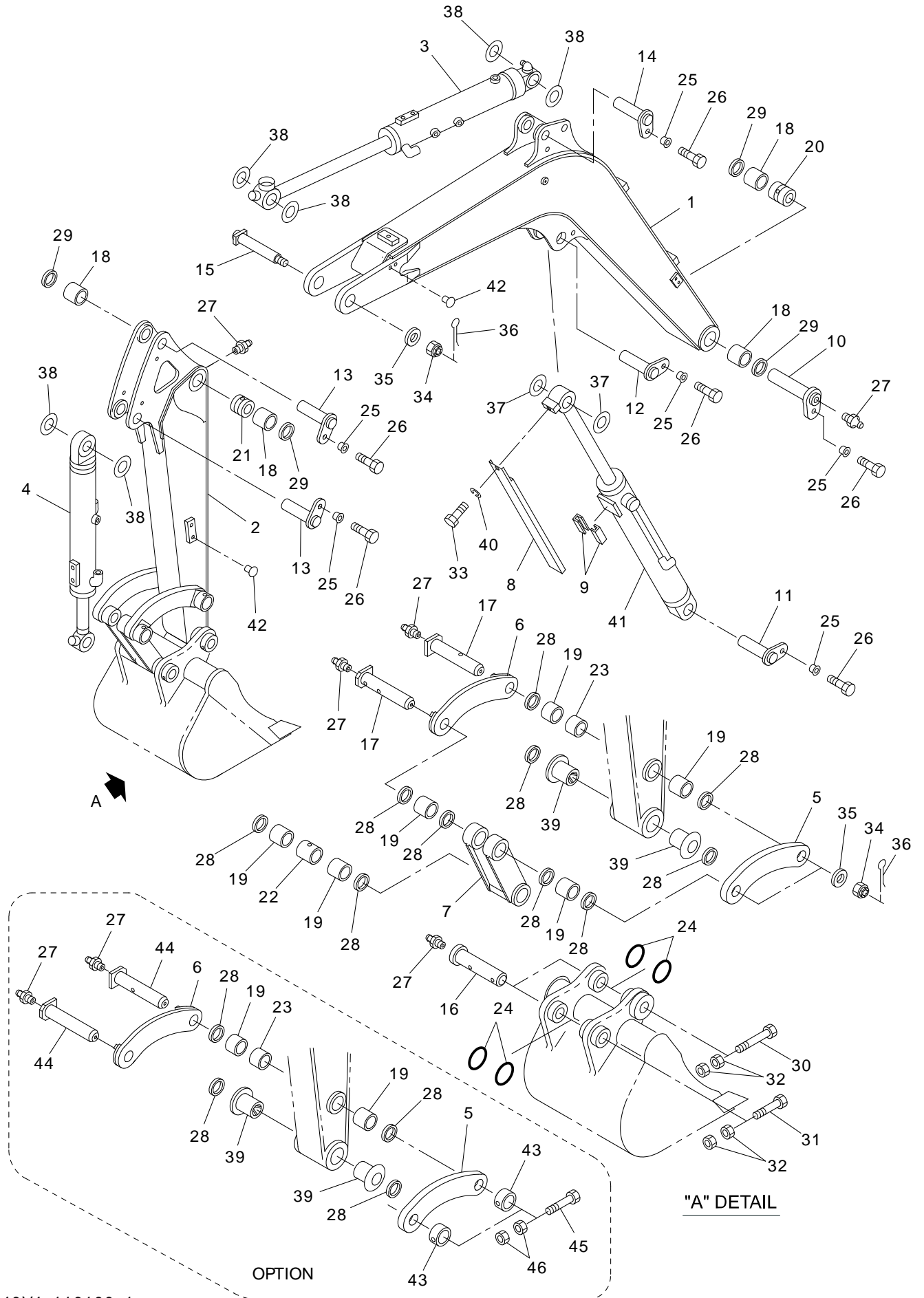
MODEL 45V4

TOOLS & ACCESSORIES

SHEET No 10-1

KEY No.	SUP.	PART No.	DESCRIPTION	Q'TY	CHAN.	SERIAL No.	REMARKS
0	×	5388 510 00	Tools Set	1		WG010001-	
1		4450 505 00	* Case, Tools	1		WG010001-	
2	△	0931 109 25	* Wrench, Adjustable	1		WG010001-	250mm
3		0931 370 11	* Gun, Grease	1		WG010001-	
3-1		0931 370 10	* Gun, Grease	1		WG010001-	For Export
3-2	☆	0931 371 01	** Hose, Grease	1		WG010001-	48190-20540
4	△	0931 331 10	* Hammer	1		WG010001-	
5	△	0931 070 24	* Wrench, L	1		WG010001-	24mm
6	△	0931 301 04	* Driver (-)	1		WG010001-	100mm





40V4-110100-1

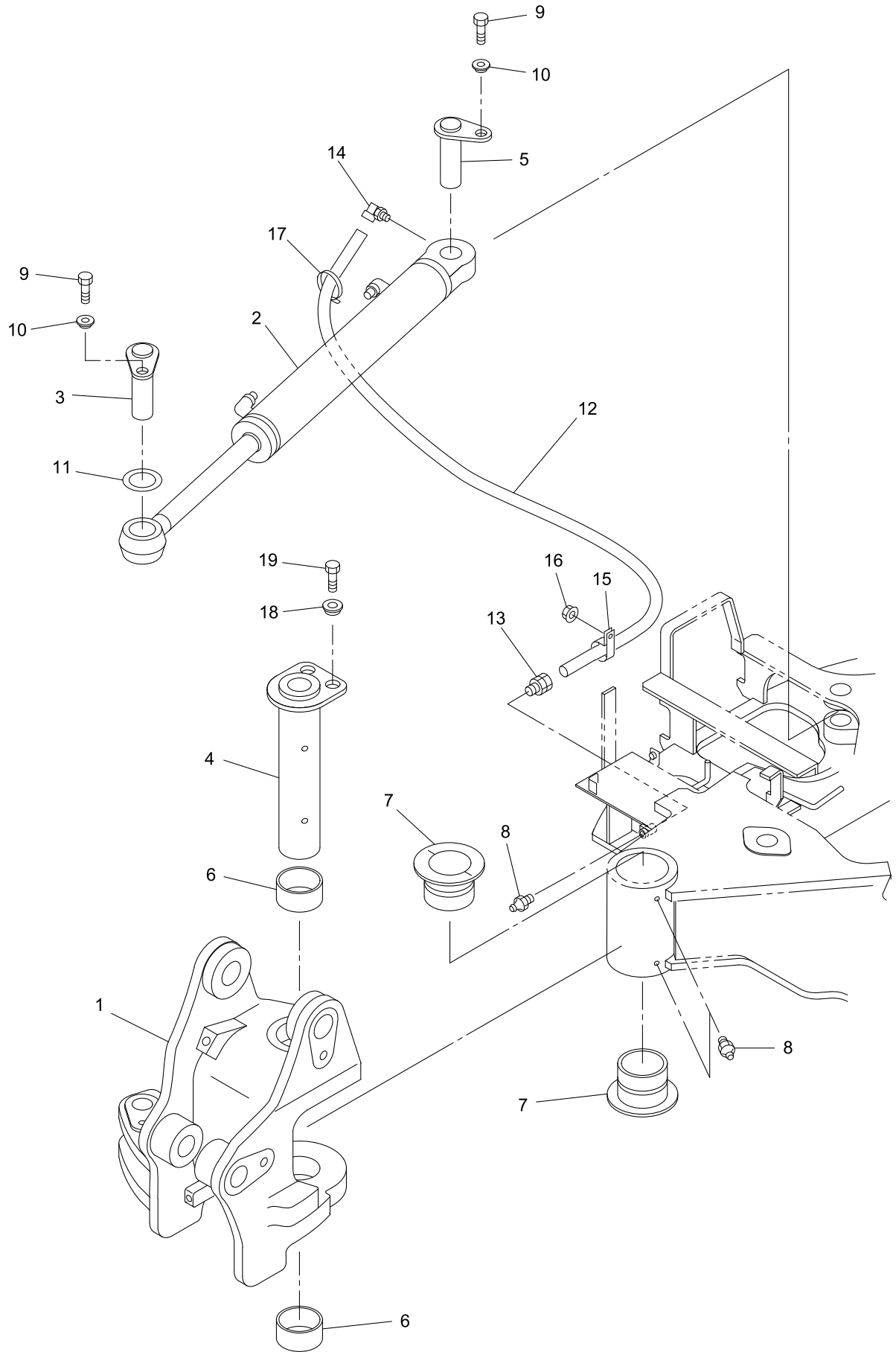


HOE ATTACHMENT ASS'Y

MODEL 45V4

SHEET No 11-1

KEY No.	SUP.	PART No.	DESCRIPTION	Q'TY	CHAN.	SERIAL No.	REMARKS
0	×	F388 386 00	Attachment Ass'y, Hoe	1		WG010001-	
1		D210 131 00	* Boom	1		WG010001-	
2		D215 218 00	* Arm Ass'y	1		WG010001-	
2-1		D215 225 00	* Arm Ass'y, Long	1		WG010001-	
3	#	0782 606 UA	* Cylinder Ass'y, Arm	1		WG010001-	Sh. No. 5-9
4	#	0782 602 UA	* Cylinder Ass'y, Bucket	1		WG010001-	Sh. No. 5-10
5		D490 186 00	* Link, Arm (L.H.)	1		WG010001-	
6		D490 374 00	* Link, Arm (R.H.)	1		WG010001-	
7		D490 373 00	* Link, Bucket	1		WG010001-	
8		D458 441 00	* Cover	1		WG010001-	
9		D475 052 00	* Guide	2		WG010001-	
10		D017 249 00	* Pin, Head	1		WG010001-	
11		D017 234 04	* Pin, Head	1		WG010001-	
12		D017 234 02	* Pin, Head	1		WG010001-	
13		D017 237 01	* Pin, Head	2		WG010001-	
14		D017 237 02	* Pin, Head	1		WG010001-	
15		D013 398 01	* Pin, Head	1		WG010001-	
16		D013 408 00	* Pin, Head	2		WG010001-	
17		D013 409 00	* Pin, Head	2		WG010001-	
18		4043 229 07	* Bushing	4		WG010001-	
19		4043 231 12	* Bushing	6		WG010001-	
20		4040 468 21	* Spacer	1		WG010001-	
21		D040 192 04	* Spacer	1		WG010001-	
22		4040 468 16	* Spacer	1		WG010001-	
23		4040 468 02	* Spacer	1		WG010001-	
24		4511 501 01	* Ring, O	4		WG010001-	
25		D047 058 00	* Bushing	6		WG010001-	
26		0555 160 30	* Bolt, Treatment	6		WG010001-	M16X30
27		0728 111 15	* Nipple, Grease	6		WG010001-	PT1/8
28		0765 033 27	* Seal, Dust	10		WG010001-	
29		0765 033 28	* Seal, Dust	4		WG010001-	
30		0514 121 20	* Bolt, Treatment	1		WG010001-	M12X120 P=1.25
31		0514 120 90	* Bolt, Treatment	1		WG010001-	M12X90 P=1.25
32		0535 120 00	* Nut, Treatment	4		WG010001-	M12 P=1.25
33		0555 120 20	* Bolt, Treatment	1		WG010001-	M12X20
34		0587 360 00	* Nut, Castle	3		WG010001-	M36
35		4006 178 00	* Washer, Flat	3		WG010001-	
36		0599 060 70	* Pin, Cotter	3		WG010001-	d=6.0X70
37		4006 540 66	* Shim	AR		WG010001-	d=50, t=1.0
37-1		4006 540 67	* Shim	AR		WG010001-	d=50, t=2.0
38		4006 540 56	* Shim	AR		WG010001-	d=45, t=1.0
38-1		4006 540 57	* Shim	AR		WG010001-	d=45, t=2.0
39		D043 110 00	* Bushing	2		WG010001-	
40		0590 120 00	* Washer, Lock	1		WG010001-	M12
41	#	0782 604 UA	* Cylinder Ass'y, Boom	1		WG010001-	Sh. No. 5-8
42		0910 911 00	* Plug	8		WG010001-	
43		D042 077 00	* Collar	2		WG010001-	
44		D013 481 00	* Pin, Head	2		WG010001-	
45		0514 120 90	* Bolt, Treatment	2		WG010001-	M12X90 P=1.25
46		0535 120 00	* Nut, Treatment	4		WG010001-	M12 P=1.25



40V4-110200-1

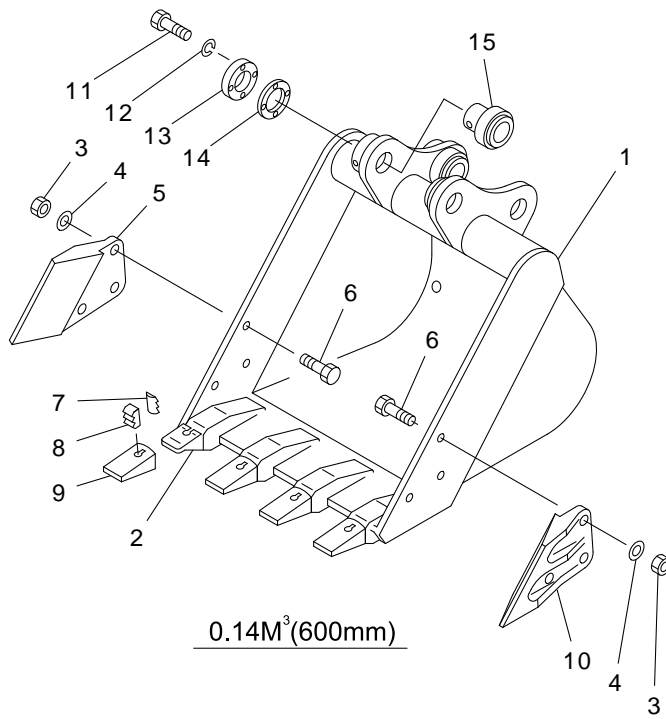


BOOM SWING ASS'Y

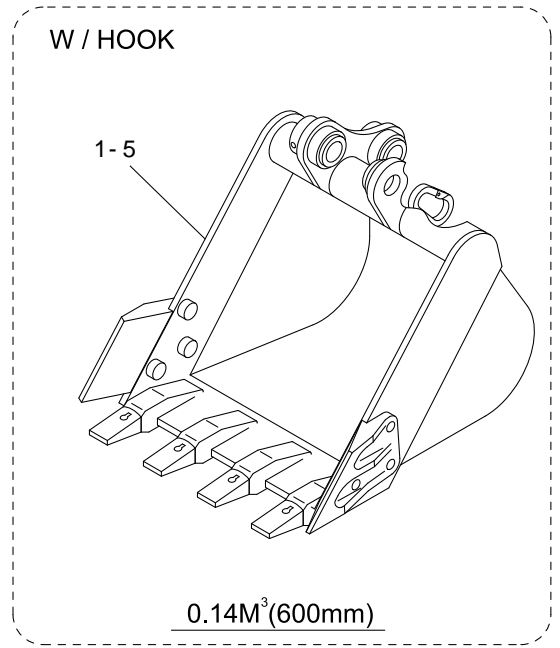
MODEL 45V4

SHEET No 11-2

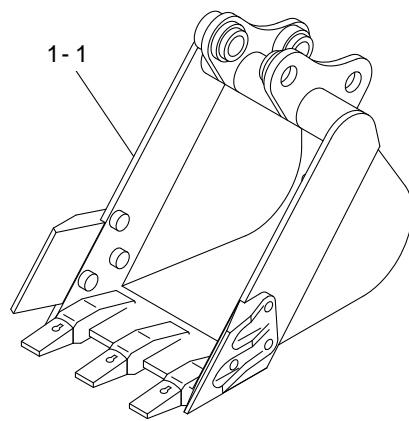
KEY No.	SUP.	PART No.	DESCRIPTION	Q'TY	CHAN.	SERIAL No.	REMARKS
0	×	F388 388 00	Swing Ass'y, Boom	1		WG010001-	
1		D418 721 00	* Bracket, Boom Swing	1		WG010001-	
2	#	0782 603 UA	* Cylinder Ass'y, Boom Swing	1		WG010001-	Sh. No. 5-11
3		D017 234 03	* Pin	1		WG010001-	
4		D017 259 00	* Pin	1		WG010001-	
5		D017 234 05	* Pin	1		WG010001-	
6		D043 030 00	* Bushing	2		WG010001-	
7		D043 115 00	* Bushing	2		WG010001-	
8		0728 111 15	* Nipple, Grease	3		WG010001-	PT1/8
9		0555 160 30	* Bolt, Treatment	2		WG010001-	M16X30
10		D047 058 00	* Bushing	2		WG010001-	
11		4006 540 66	* Shim	AR		WG010001-	d=50, t=1.0
11-1		4006 540 67	* Shim	AR		WG010001-	d=50, t=2.0
12		0779 000 88	* Tube, Synflex	M		WG010001-	L=1000
13		0710 106 27	* Connector	1		WG010001-	
13-1		0713 100 02	** Sleeve	1		WG010001-	
14		0710 107 27	* Elbow	1		WG010001-	
14-1		0713 100 02	** Sleeve	1		WG010001-	
15		4080 000 02	* Clamp, Hose	1		WG010001-	
16		0524 100 00	* Nut, Hex. (W/F.W)	1		WG010001-	M10 P=1.25
17		0820 067 05	* Band, Cable	1		WG010001-	
18		D047 003 00	* Bushing	2		WG010001-	
19		0555 160 35	* Bolt, Treatment	2		WG010001-	M16X35



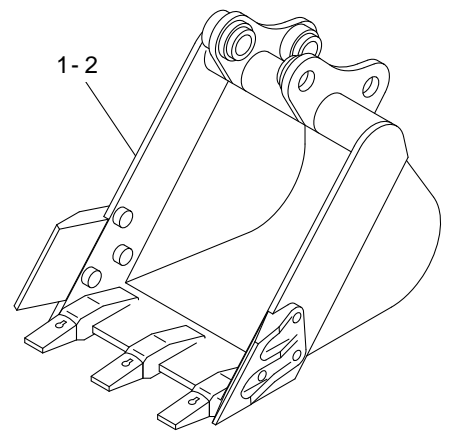
0.14M³(600mm)



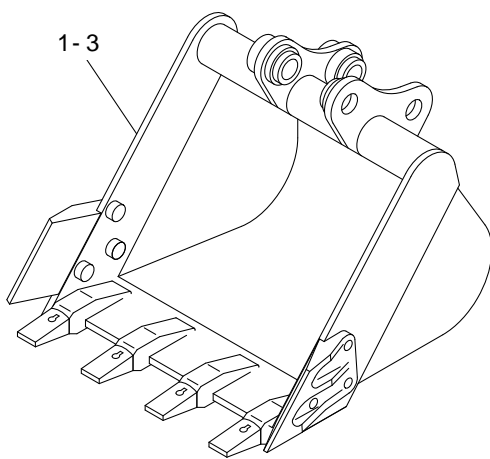
0.14M³(600mm)



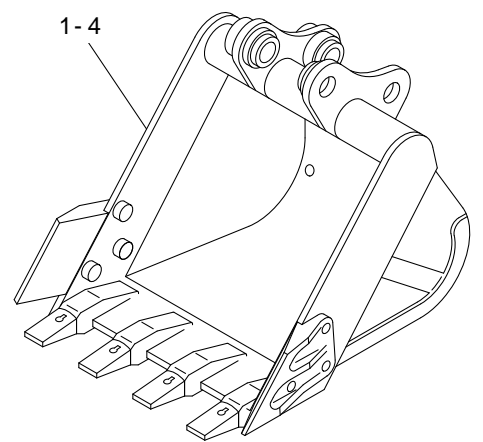
0.08M³(400mm)



0.11M³(500mm)



0.16M³(650mm)



0.14M³(600mm)

45VX- 110300- 1

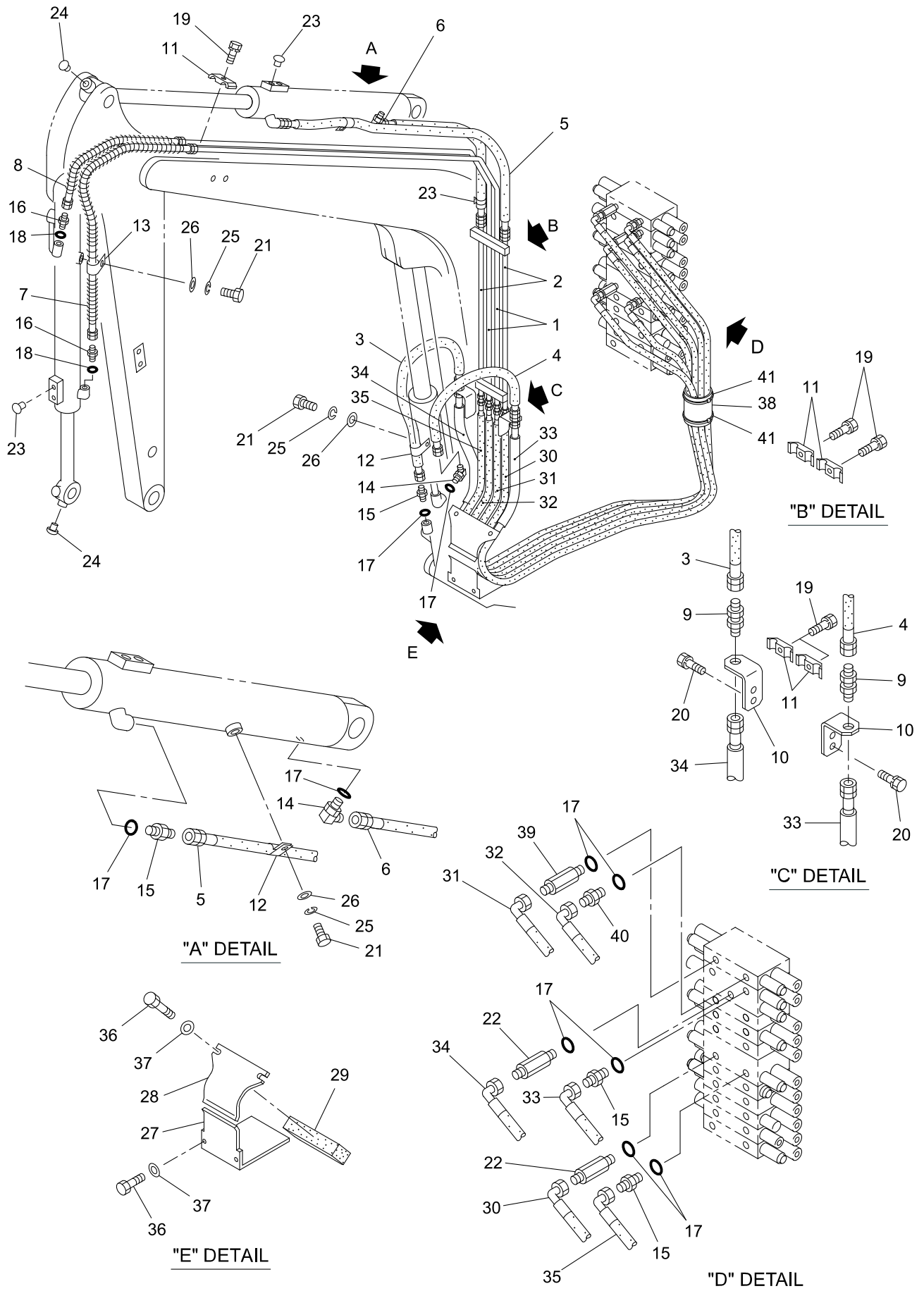


HOE BUCKET ASS'Y

MODEL 45V4

SHEET No 11-3

KEY No.	SUP.	PART No.	DESCRIPTION	Q'TY	CHAN.	SERIAL No.	REMARKS
0		F388 255 01	Bucket Ass'y, Hoe (0.14m3)	1		WG010001-	Std.
0-1		F388 255 02	Bucket Ass'y, Hoe (0.08m3)	1		WG010001-	
0-2		F388 255 03	Bucket Ass'y, Hoe (0.11m3)	1		WG010001-	
0-3		F388 255 04	Bucket Ass'y, Hoe (0.16m3)	1		WG010001-	
0-4		F388 254 01	Bucket Ass'y, Hoe (Reinforced, 0.14m3)	1		WG010001-	
0-5		F388 256 01	Bucket Ass'y, Hoe (With Hook) (0.14m3)	1		WG010001-	W/Hook
1	×	D270 155 00	* Bucket, Hoe (0.14m3, 600mm)	1		WG010001-	Std.
1-1	×	D270 156 00	* Bucket, Hoe (0.08m3, 400mm)	1		WG010001-	
1-2	×	D270 157 00	* Bucket, Hoe (0.11m3, 500mm)	1		WG010001-	
1-3	×	D270 158 00	* Bucket, Hoe (0.16m3, 650mm)	1		WG010001-	
1-4	×	D270 153 00	* Bucket, Hoe (0.14m3, 600mm)	1		WG010001-	強化, Reinforced
1-5	×	D270 160 00	* Bucket, Hoe (With Hook)(0.14m3, 600mm)	1		WG010001-	W/Hook
2		0650 001 07	** Adapter, Tooth	AR		WG010001-	
3		0585 140 00	* Nut, Treatment	6		WG010001-	M14
4		D006 051 00	* Washer	6		WG010001-	
5		4123 041 00	* Cutter, Side	1		WG010001-	
6		0555 140 40	* Bolt, Treatment	6		WG010001-	M14X40
7		0650 004 02	* Pin, Rubber	AR		WG010001-	18-20M-LK
8		0650 003 03	* Pin, Lock	AR		WG010001-	18-20M-PN
9		0650 002 04	* Tooth	AR		WG010001-	18S
10		4123 040 00	* Cutter, Side	1		WG010001-	
11		0513 100 30	* Bolt, Treatment	4		WG010001-	M10X30
12		0590 100 00	* Washer, Lock	4		WG010001-	M10
13		4435 636 00	* Flange	1		WG010001-	
14		4007 308 00	* Shim	AR		WG010001-	
15		D131 046 00	* Boss	1		WG010001-	



40V4-110400-1

注意:1. 見出番号 2及び、5,6 は組にて互換性あり。 NOTE:1. The Key No. 2, and 5,6 are exchangeable in couples.

IHI

HOE ATTACHMENT PIPING ASS'Y

MODEL 45V4

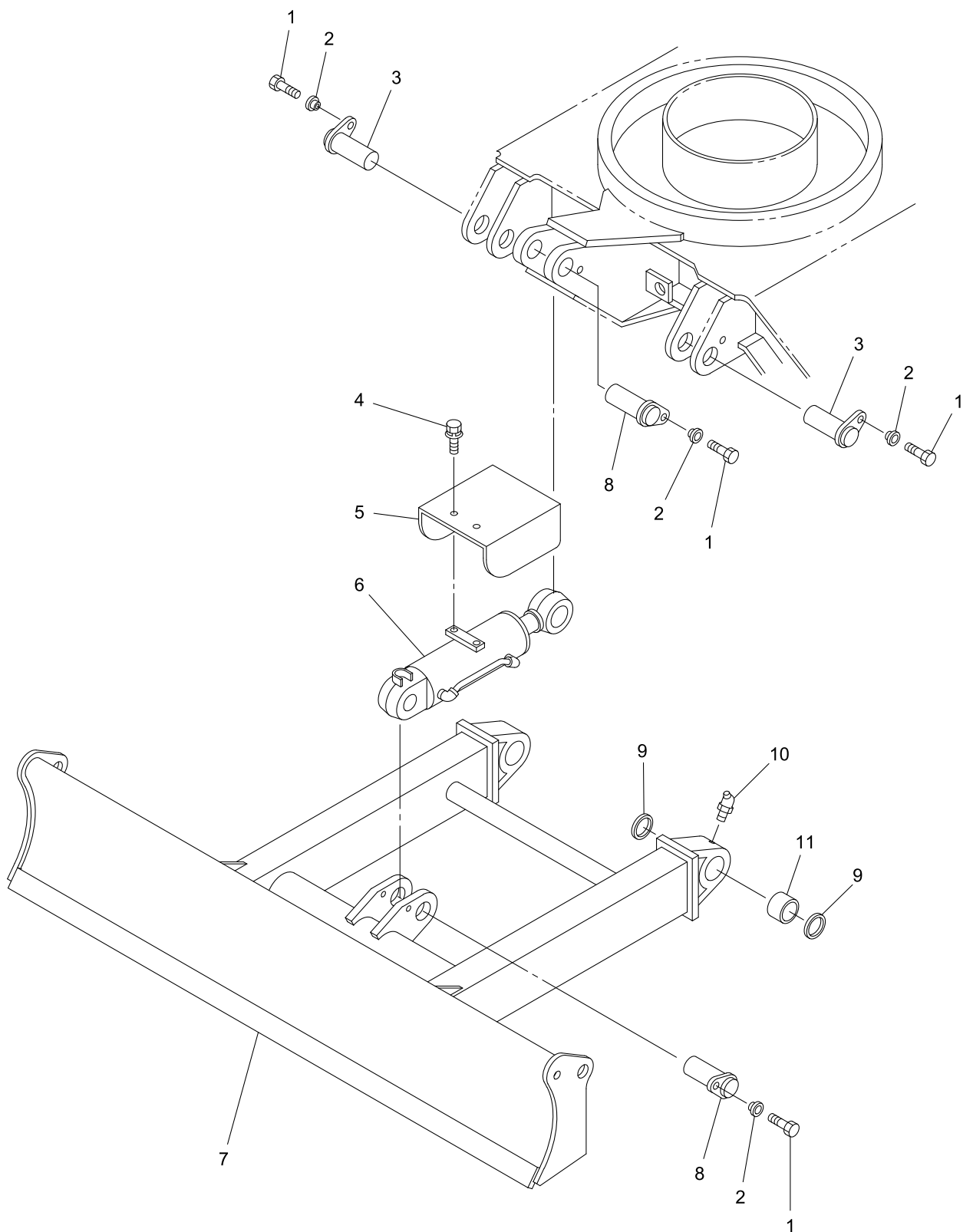
SHEET No 11-4

KEY No.	SUP.	PART No.	DESCRIPTION	Q'TY	CHAN.	SERIAL No.	REMARKS
0	×	F342 796 00	Piping Ass'y, Hoe Attachment	1		WG010001-	
0-1	×	F342 768 00	Piping Ass'y, Hoe Attachment	1		WG010001-WG010152	
0-1	×	F342 853 00	Piping Ass'y, Hoe Attachment	1		WG010153-	
1		D286 345 00	* Tube	2		WG010001-	
2		D286 202 00	* Tube	2		WG010001-WG010152	L=850
2		D286 379 00	* Tube	2	△	WG010153-	L=930
3		D070 388 09	* Hose Ass'y	1		WG010001-	L=1300
4		D070 388 01	* Hose Ass'y	1		WG010001-	L=940
5		D070 388 12	* Hose Ass'y	1		WG010001-WG010152	L=1380
5		D070 388 09	* Hose Ass'y	1	△	WG010153-	L=1300
6		D070 388 16	* Hose Ass'y	1		WG010001-WG010152	L=630
6		D070 388 23	* Hose Ass'y	1	△	WG010153-	L=550
7		D070 351 06	* Hose Ass'y	1		WG010001-	L=1300
7-1		D070 351 26	* Hose Ass'y (For Long Arm)	1		WG010001-	L=1490
8		D070 351 28	* Hose Ass'y	1		WG010001-	L=700
8-1		D070 351 15	* Hose Ass'y (For Long Arm)	1		WG010001-	L=890
9		D060 451 00	* Connector	2		WG010001-	
10		D418 756 00	* Bracket	2		WG010001-	
11		4081 116 00	* Clamp, Tube	5		WG010001-	
12		4080 000 06	* Clamp, Hose	2		WG010001-	
13		4080 000 14	* Clamp, Hose	1		WG010001-	
14		0710 113 44	* Elbow	2		WG010001-	
15		0713 700 04	* Adapter	4		WG010001-	
16		0713 700 03	* Adapter	2		WG010001-	
17		0760 710 19	* Ring, O	10		WG010001-	P18-90B
18		0760 710 16	* Ring, O	2		WG010001-	P14-90B
19		0520 100 40	* Bolt, Treatment (W/L.W)	5		WG010001-	M10X40 P=1.25
20		0520 100 20	* Bolt, Treatment (W/L.W)	4		WG010001-	M10X20 P=1.25
21		0513 100 16	* Bolt, Treatment	3		WG010001-	M10X16
22		4072 971 00	* Connector	2		WG010001-	PF1/2XPF3/8
23		0690 201 08	* Plug	4		WG010001-	
24		0690 201 09	* Plug	2		WG010001-	
25		0590 100 00	* Washer, Lock	3		WG010001-	M10
26		0593 100 00	* Washer, Flat	3		WG010001-	M10
27		D458 444 00	* Cover	1		WG010001-	
28		D458 434 00	* Cover	1		WG010001-	
29		D580 163 00	* Pad	1		WG010001-	
30		D070 385 09	* Hose Ass'y	1		WG010001-	L=2830
30-1	☆	4405 320 01	* Decal (AA)	2		WG010001-	4405 320 00
31		D070 386 03	* Hose Ass'y	1		WG010001-	L=3080
31-1	☆	4405 319 01	* Decal (CA)	2		WG010001-	4405 319 00
32		D070 386 04	* Hose Ass'y	1		WG010001-	L=3000
32-1	☆	4405 319 02	* Decal (CB)	2		WG010001-	4405 319 00
33		D070 385 06	* Hose Ass'y	1		WG010001-	L=3170
33-1	☆	4405 318 02	* Decal (BB)	2		WG010001-	4405 318 00
34		D070 385 07	* Hose Ass'y	1		WG010001-	L=3100
34-1	☆	4405 318 01	* Decal (BA)	2		WG010001-	4405 318 00
35		D070 385 08	* Hose Ass'y	1		WG010001-	L=2770
35-1	☆	4405 320 02	* Decal (AB)	2		WG010001-	4405 320 00
36		0550 120 20	* Bolt, Hex.	4		WG010001-	M12X20
37		0595 120 00	* Washer, Treatment	4		WG010001-	M12
38		4070 351 03	* Cover, Hose	1		WG010001-	

KEY No.	SUP.	PART No.	DESCRIPTION	Q'TY	CHAN.	SERIAL No.	REMARKS
39		D060 071 00	* Bush, Reducer	1		WG010001-	PF1/2XPF3/8
40		0713 700 78	* Adapter, Reducer	1		WG010001-	PF1/2XPF3/8
41		0820 067 10	* Band, Cable	2		WG010001-	

11

[Memo]



40V4-120100-1



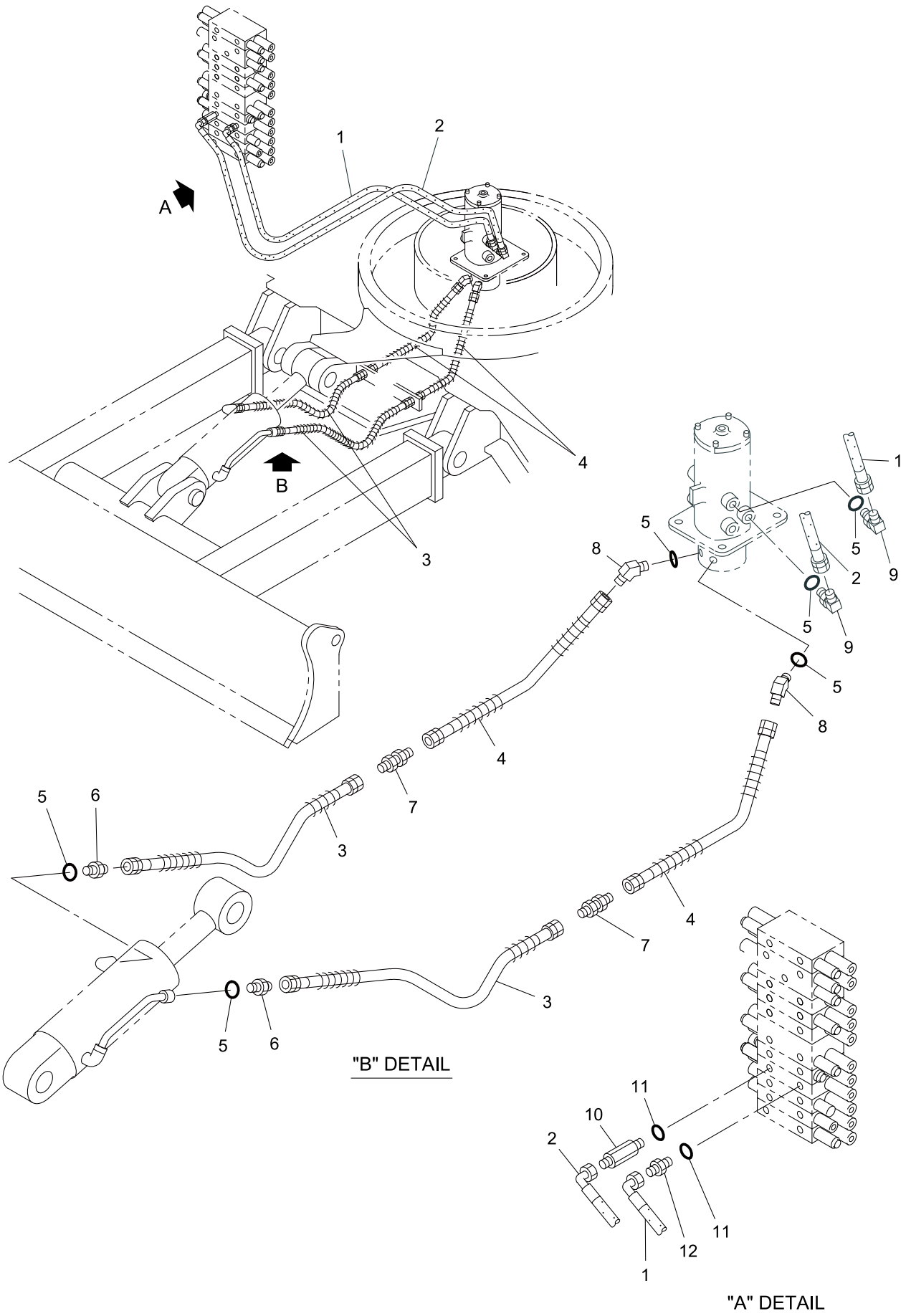
BLADE ATTACHMENT ASS'Y

MODEL 45V4

SHEET No 12-1

KEY No.	SUP.	PART No.	DESCRIPTION	Q'TY	CHAN.	SERIAL No.	REMARKS
0	×	F301 019 00	Attachment Ass'y, Blade	1		WG010001-	
1		0558 160 30	* Bolt, Treatment	4		WG010001-	M16X30 P=1.5
2		D047 058 00	* Bushing	4		WG010001-	
3		D017 234 01	* Pin, Wing	2		WG010001-	
4		0518 100 20	* Bolt, Treatment (W/L.W, F.W)	2		WG010001-	M10X20 P=1.25
5		D456 908 00	* Cover	1		WG010001-	
6	#	0782 608 UA	* Cylinder Ass'y, Blade	1		WG010001-	Sh. No. 5-12
7		D257 110 00	* Blade	1		WG010001-	
8		D017 254 01	* Pin, Wing	2		WG010001-	
9		0765 033 28	* Seal, Dust	4		WG010001-	
10		0728 111 65	* Nipple, Grease	2		WG010001-	PT1/8X90
11		4043 376 01	* Bushing	2		WG010001-	





40V4-120200-1



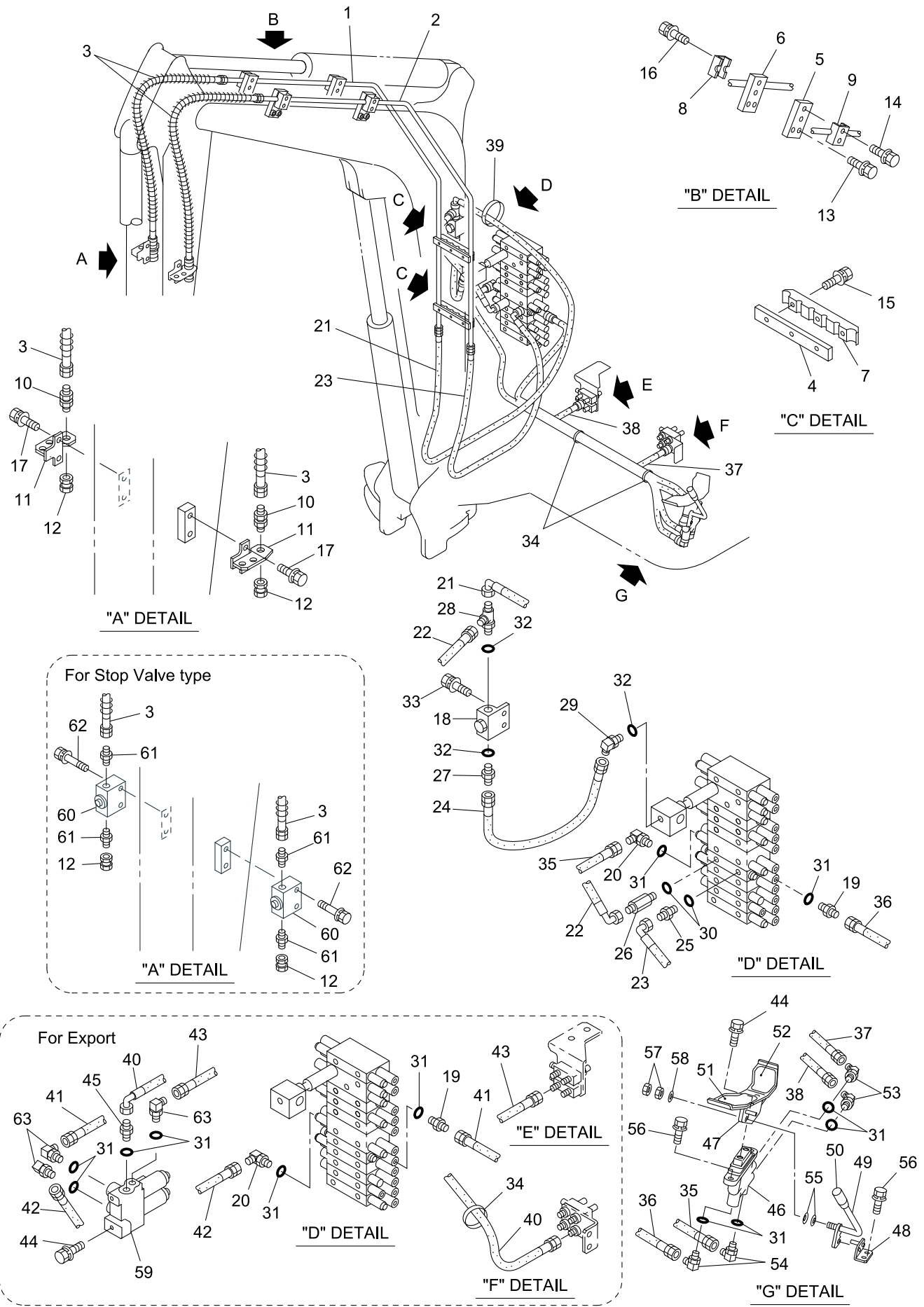
BLADE PIPING ASS'Y

MODEL 45V4

SHEET No 12-2

-
-
-
-
-
-

KEY No.	SUP.	PART No.	DESCRIPTION	Q'TY	CHAN.	SERIAL No.	REMARKS
0	×	F342 793 00	Piping Ass'y, Blade	1		WG010001-	
0-1	×	F342 768 00	Piping Ass'y, Blade	1		WG010001-WG010152	
0-1	×	F342 853 00	Piping Ass'y, Blade	1		WG010153-	
1		D070 362 10	* Hose Ass'y	1		WG010001-WG010152	L=1300
1		D070 362 03	* Hose Ass'y	1	○	WG010153-	L=950
2		D070 362 11	* Hose Ass'y	1		WG010001-WG010152	L=1390
2		D070 362 15	* Hose Ass'y	1	○	WG010153-	L=1050
3		D070 348 02	* Hose Ass'y	2		WG010001-	L=500
4		D070 349 01	* Hose Ass'y	2		WG010001-	L=370
5		0760 710 16	* Ring, O	6		WG010001-	P14-90B
6		0713 700 03	* Adapter	2		WG010001-	
7		D060 032 00	* Adapter	2		WG010001-	
8		0710 114 33	* Elbow, 45	2		WG010001-	
9		0710 122 02	* Elbow	2		WG010001-	
10		D060 071 00	* Connector, Reducer	1		WG010001-	PF1/2XPF3/8
11		0760 710 19	* Ring, O	2		WG010001-	P18-90B
12		0713 700 78	* Connector, Reducer	1		WG010001-	PF1/2XPF3/8



40V4-150100-1

注意:1. 見出番号 1,21及び2,23は組にて互換性あり。 NOTE:1. The Key No.1,21 and 2,23 are exchangeable in couples.



FIRST SPARE PIPING ASS'Y

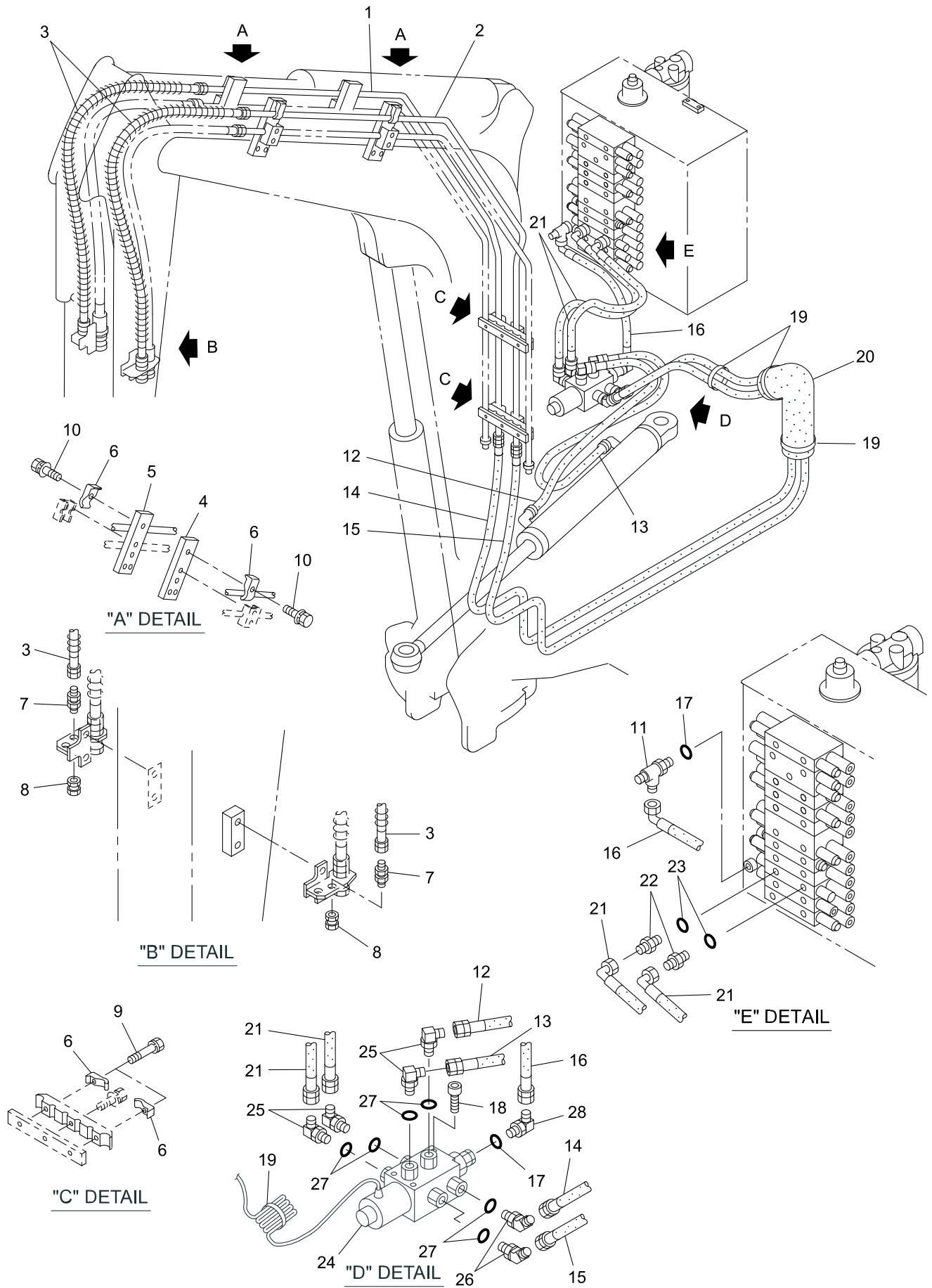
MODEL 45V4

SHEET No 15-1

KEY No.	SUP.	PART No.	DESCRIPTION	Q'TY	CHAN.	SERIAL No.	REMARKS
0	×	F342 780 00	Piping Ass'y, First Spare	1		WG010001-	
1		D286 240 00	* Tube	1		WG010001-***	
1		D286 375 00	* Tube	1	△	***-	
2		D286 241 00	* Tube	1		WG010001-***	
2		D286 376 00	* Tube	1	△	***-	
3		D070 372 01	* Hose Ass'y	2		WG010001-	L=900
4		D082 034 00	* Seat, Clamp	2		WG010001-	
5		D082 111 00	* Seat, Clamp	2		WG010001-	
6		D082 110 00	* Seat, Clamp	2		WG010001-	
7		D081 193 00	* Clamp, Tube	2		WG010001-	
8		D081 195 00	* Clamp, Tube	2		WG010001-	
9		D081 023 00	* Clamp, Tube	2		WG010001-	
10		D060 500 00	* Connector	2		WG010001-	
11		D418 813 00	* Bracket	2		WG010001-	
12		0710 303 06	* Plug, Swivel	2		WG010001-	
13		0518 100 25	* Bolt, Treatment (W/L.W, F.W)	8		WG010001-	M10X25 P=1.25
14		0518 100 45	* Bolt, Treatment (W/L.W, F.W)	4		WG010001-	M10X45 P=1.25
15		0518 100 50	* Bolt, Treatment (W/L.W, F.W)	6		WG010001-	M10X50 P=1.25
16		0518 100 55	* Bolt, Treatment (W/L.W, F.W)	4		WG010001-	M10X55 P=1.25
17		0518 100 20	* Bolt, Treatment (W/L.W, F.W)	4		WG010001-	M10X20 P=1.25
18		0725 004 UA	* Valve, Stop	1		WG010001-	
19		0713 700 70	* Adapter	1		WG010001-	
20		0710 122 09	* Elbow	1		WG010001-	
21		D070 387 02	* Hose Ass'y	1		WG010001-***	L=3450
21		D070 387 04	* Hose Ass'y	1	△	***-	L=3500
22		D070 363 25	* Hose Ass'y	1		WG010001-	L=420
23		D070 385 10	* Hose Ass'y	1		WG010001-***	L=2900
23		D070 385 12	* Hose Ass'y	1	△	***-	L=2950
24		4070 754 25	* Hose Ass'y	1		WG010001-	L=850
25		0713 700 72	* Adapter	1		WG010001-	
26		4072 971 00	* Connector	1		WG010001-	
27		0713 700 73	* Adapter	1		WG010001-	
28		D060 511 00	* Tee	1		WG010001-	
29		0710 113 66	* Elbow	1		WG010001-	
30		0760 710 19	* Ring, O	2		WG010001-	P18-90B
31		0760 710 12	* Ring, O	6		WG010001-	P11-90B
32		0760 710 24	* Ring, O	3		WG010001-	P22.4-90B
33		0517 080 30	* Bolt, Treatment (W/L.W, F.W)	2		WG010001-	M8X30
34		0820 067 05	* Band, Cable	4		WG010001-	
35		4070 548 41	* Hose Ass'y	1		WG010001-	L=1850
35-1	☆	D407 125 02	* Decal (Y2)	2		WG010001-	D407 125 00
36		4070 548 19	* Hose Ass'y	1		WG010001-	L=1250
36-1	☆	D407 125 01	* Decal (Y1)	2		WG010001-	D407 125 00
37		4070 548 27	* Hose Ass'y	1		WG010001-	L=600
38		4070 548 16	* Hose Ass'y	1		WG010001-	L=850
39		0820 067 04	* Band, Cable	1		WG010001-	
40		4070 551 18	* Hose Ass'y	1		WG010001-	L=1460
41		4070 548 50	* Hose Ass'y	1		WG010001-	L=460
41-1	☆	D407 125 01	* Decal (Y1)	2		WG010001-	D407 125 00
42		4070 548 18	* Hose Ass'y	1		WG010001-	L=1050
42-1	☆	D407 125 02	* Decal (Y2)	2		WG010001-	D407 125 00
43		4070 548 13	* Hose Ass'y	1		WG010001-	L=1100

KEY No.	SUP.	PART No.	DESCRIPTION	Q'TY	CHAN.	SERIAL No.	REMARKS
44		0517 080 16	* Bolt, Treatment (W/L.W, F.W)	2		WG010001-	M8X16
45		0713 700 70	* Adapter	1		WG010001-	
46	#	0783 965 UA	* Valve Ass'y, Pilot	1		WG010001-***	Sh. No. 5-14
46	#	0784 023 UA	* Valve Ass'y, Pilot	1	○	***-	Sh. No. 5-14
47		D501 059 00	* Pedal	1		WG010001-	
48		D416 915 00	* Bracket	1		WG010001-	
49		4497 989 00	* Lever	1		WG010001-	
50		4096 033 00	* Grip	1		WG010001-	
51		D406 930 00	* Pad, Rubber	1		WG010001-	
52		D406 931 00	* Pad, Rubber	1		WG010001-	
53		0710 121 00	* Elbow, 45	2		WG010001-	
54		0710 122 09	* Elbow	2		WG010001-	
55		0591 080 00	* Washer, Conical Spring	2		WG010001-	
56		0517 080 20	* Bolt, Treatment (W/L.W, F.W)	4		WG010001-	M8X20
57		0544 080 00	* Nut, Hex.	2		WG010001-	M8
58		0593 080 00	* Washer, Flat	1		WG010001-	M8
59		0785 169 UA	* Valve, Solenoid	1		WG010001-	
60		0754 805 UA	* Cock	2		WG010001-	
61		0712 310 33	* Adapter	4		WG010001-	
62		0520 100 70	* Bolt, Treatment (W/L.W)	4		WG010001-	M10X70 P=1.25
63		0710 122 09	* Elbow	3		WG010001-	

[Memo]



40V4-150200-1

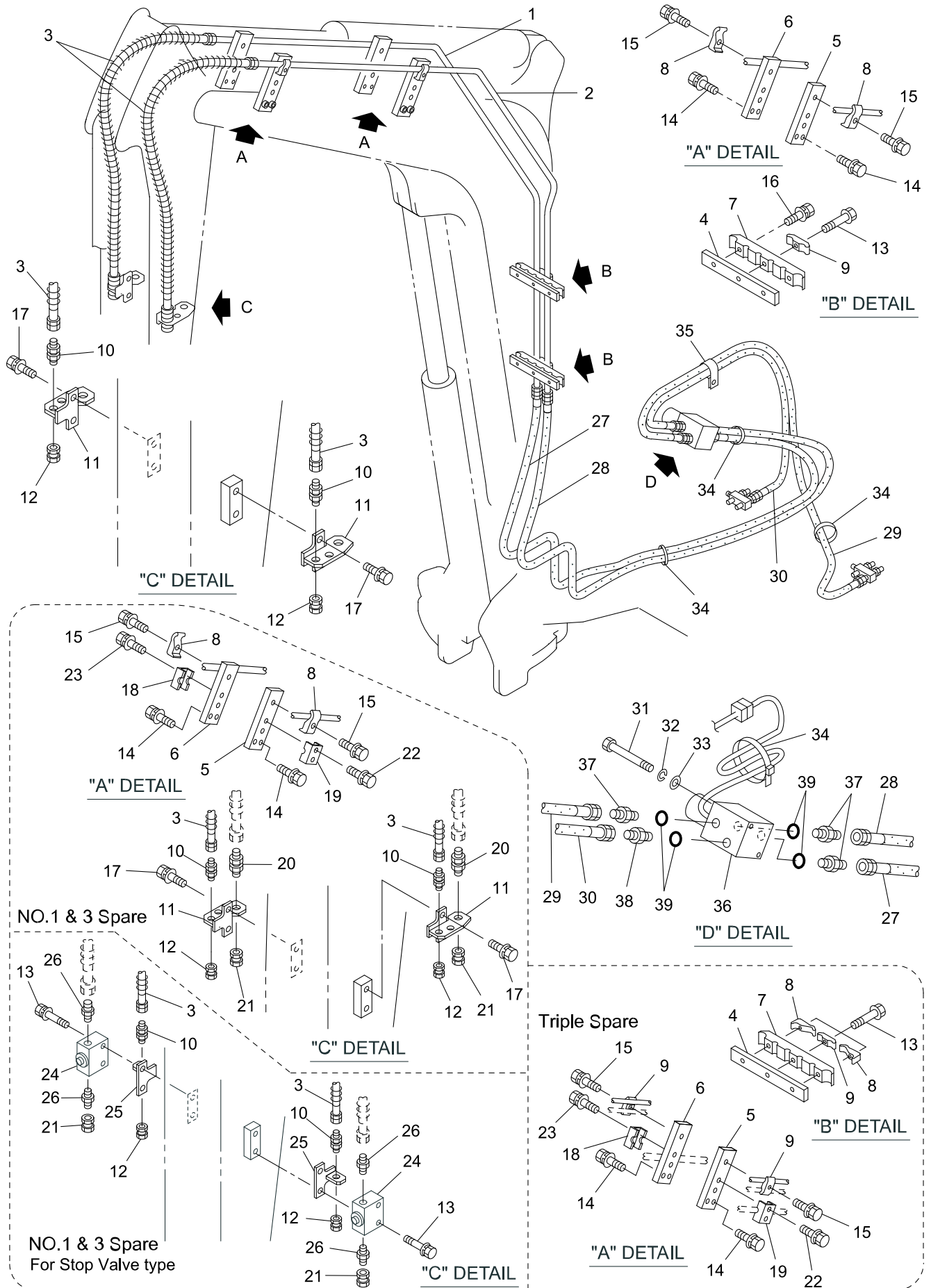


SECOND SPARE PIPING ASS'Y

MODEL 45V4

SHEET No 15-2

KEY No.	SUP.	PART No.	DESCRIPTION	Q'TY	CHAN.	SERIAL No.	REMARKS
0	×	F342 780 00	Piping Ass'y, Second Spare	1		WG010001-	
1		D286 242 00	* TUBE	1		WG010001-	
2		D286 243 00	* TUBE	1		WG010001-	
3		D070 373 04	* Hose Ass'y	2		WG010001-	L=980
4		D082 109 00	* Seat, Clamp	2		WG010001-	
5		D082 108 00	* Seat, Clamp	2		WG010001-	
6		4081 118 00	* Clamp, Tube	8		WG010001-	
7		D060 137 00	* Adapter	2		WG010001-	
8		0710 303 02	* Plug, Swivel	2		WG010001-	PF1/4
9		0520 100 70	* Bolt, Treatment (W/L.W)	4		WG010001-	M10X70 P=1.25
10		0518 100 40	* Bolt, Treatment (W/L.W, F.W)	4		WG010001-	M10X40 P=1.25
11		0710 713 09	* Tee	1		WG010001-	
12		D070 361 02	* Hose Ass'y	1		WG010001-	L=390
13		D070 361 03	* Hose Ass'y	1		WG010001-	L=490
14		D070 410 03	* Hose Ass'y	1		WG010001-	L=2900
14-1	☆	4405 308 03	* Decal (R2)	2		WG010001-	4405 308 00
15		D070 410 03	* Hose Ass'y	1		WG010001-	L=2900
15-1	☆	4405 310 03	* Decal (L2)	2		WG010001-	4405 310 00
16		4070 551 14	* Hose Ass'y	1		WG010001-	L=260
17		0760 710 12	* Ring, O	2		WG010001-	P11-90B
18		0562 060 35	* Bolt, Socket Head	3		WG010001-	M6X35
19		0820 067 09	* Band, Cable	4		WG010001-	
20		4070 854 11	* Cover, Hose	1		WG010001-	L=200
21		D070 360 02	* Hose Ass'y	2		WG010001-	L=710
22		D060 503 00	* Connector	2		WG010001-	
23		0760 710 19	* Ring, O	2		WG010001-	P18-90B
24		0786 988 UA	* Valve Ass'y, Solenoid	1		WG010001-	
25		0710 113 32	* Elbow, Reducer	4		WG010001-	PF3/8XPF1/4
26		0710 114 32	* Elbow, 45 Reducer	2		WG010001-	PF1/4XPF3/8
27		0760 710 16	* Ring, O	6		WG010001-	P14-90B
28		0710 122 09	* Elbow	1		WG010001-	



40V4-150300-1

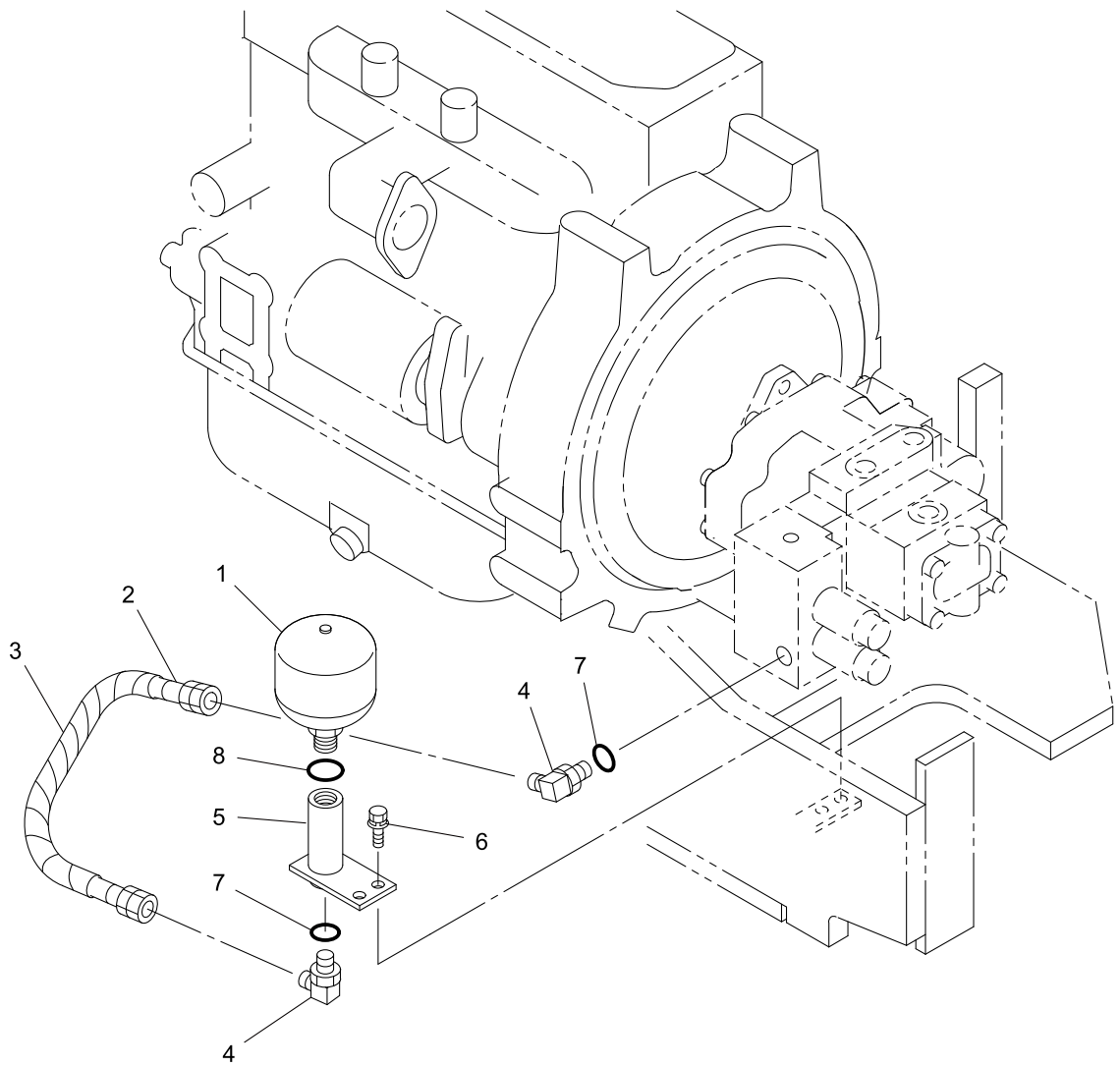


THIRD SPARE PIPING ASS'Y

MODEL 45V4

SHEET No 15-3

KEY No.	SUP.	PART No.	DESCRIPTION	Q'TY	CHAN.	SERIAL No.	REMARKS
0	×	F342 780 00	Piping Ass'y, Third Spare	1		WG010001-	
1		D286 244 00	* TUBE	1		WG010001-	
2		D286 245 00	* TUBE	1		WG010001-	
3		D070 373 02	* Hose Ass'y	2		WG010001-	L=1030
4		D082 034 00	* Seat, Clamp	2		WG010001-	
5		D082 109 00	* Seat, Clamp	2		WG010001-	
6		D082 108 00	* Seat, Clamp	2		WG010001-	
7		D081 193 00	* Clamp, Tube	2		WG010001-	
8		4081 118 00	* Clamp, Tube	4		WG010001-	
9		4081 189 00	* Clamp, Tube	2		WG010001-	
10		D060 137 00	* Adapter	2		WG010001-	
11		D418 813 00	* Bracket	2		WG010001-	
12		0710 303 02	* Plug, Swivel	2		WG010001-	PF1/4
13		0520 100 70	* Bolt, Treatment (W/L.W)	3		WG010001-	M10X70 P=1.25
14		0518 100 25	* Bolt, Treatment (W/L.W, F.W)	8		WG010001-	M10X25 P=1.25
15		0518 100 40	* Bolt, Treatment (W/L.W, F.W)	4		WG010001-	M10X40 P=1.25
16		0518 100 50	* Bolt, Treatment (W/L.W, F.W)	4		WG010001-	M10X50 P=1.25
17		0518 100 20	* Bolt, Treatment (W/L.W, F.W)	4		WG010001-	M10X20 P=1.25
18		D081 195 00	* Clamp, Tube	2		WG010001-	
19		D081 023 00	* Clamp, Tube	2		WG010001-	
20		D060 500 00	* Connector	2		WG010001-	
21		0710 303 06	* Plug Swivel	2		WG010001-	
22		0518 100 45	* Bolt, Treatment (W/L.W, F.W)	4		WG010001-	M10X45 P=1.25
23		0518 100 55	* Bolt, Treatment (W/L.W, F.W)	4		WG010001-	M10X55 P=1.25
24		0754 805 UA	* Cook	2		WG010001-	
25		D418 815 00	* Bracket	2		WG010001-	
26		0712 310 33	* Adapter	4		WG010001-	
27		D070 195 22	* Hose Ass'y	1		WG010001-	L=2590
27-1	☆	4405 307 04	* Decal (R3)	2		WG010001-	4405 307 00
28		D070 195 22	* Hose Ass'y	1		WG010001-	L=2590
28-1	☆	4405 309 04	* Decal (L3)	2		WG010001-	4405 309 00
29		4070 548 61	* Hose Ass'y	1		WG010001-	L=1700
30		4070 782 22	* Hose Ass'y	1		WG010001-	L=1250
31		0513 080 90	* Bolt, Treatment	2		WG010001-	M8X90
32		0590 080 00	* Washer, Lock	2		WG010001-	M8
33		0593 080 00	* Washer, Flat	2		WG010001-	M8
34		0820 067 09	* Band, Cable	4		WG010001-	
35		4080 000 29	* Clamp, Hose	1		WG010001-	
36		0785 171 UA	* Valve Ass'y, Solenoid	1		WG010001-	
37		0713 700 70	* Connector	3		WG010001-	
38		0713 700 93	* Adapter, Reducer	1		WG010001-	PF1/4XPF3/8
39		0760 710 12	* Ring, O	4		WG010001-	P11-90B



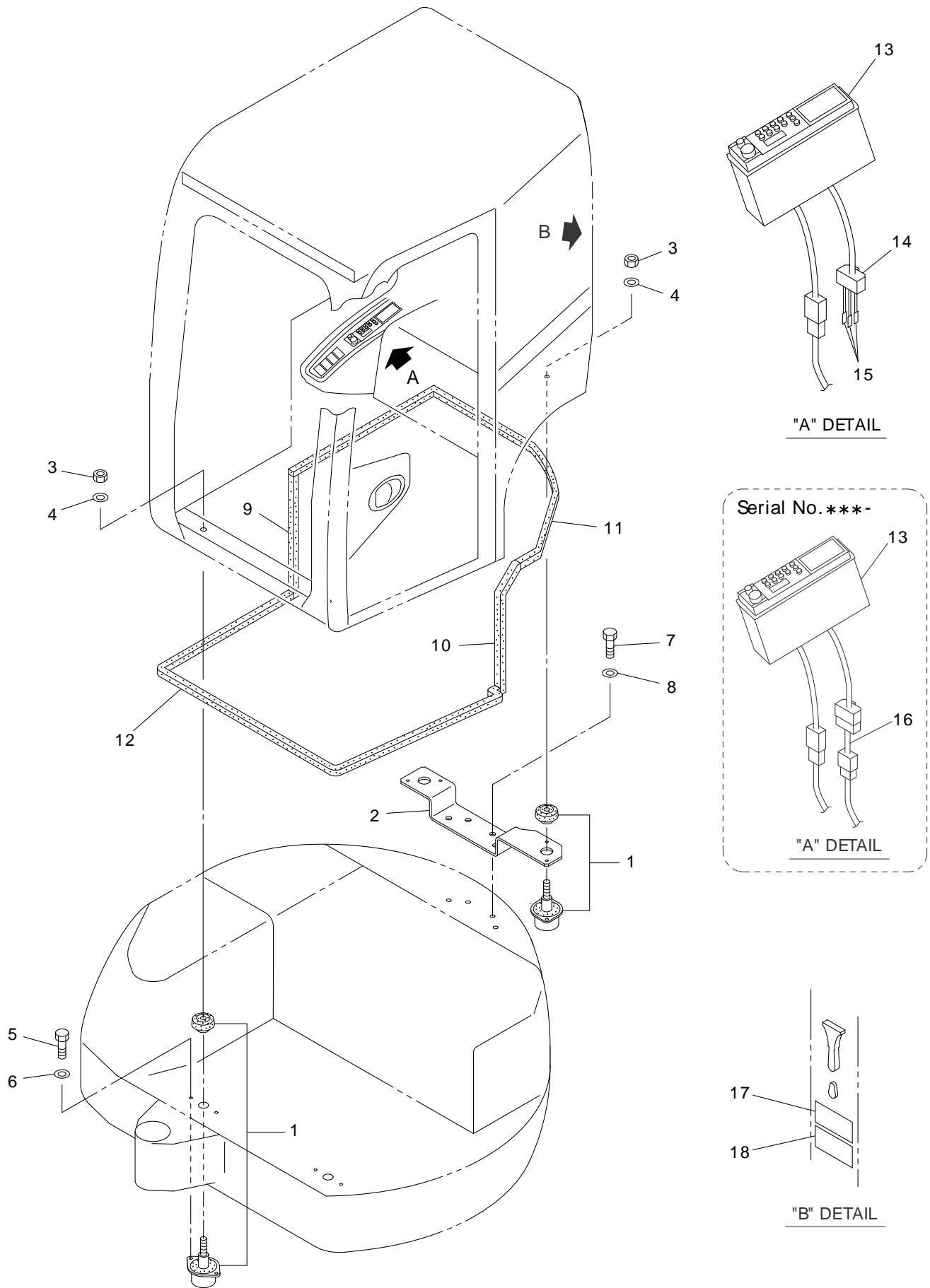
40V4-150400-1



ACCUMULATOR ASS'Y

MODEL 45V4

SHEET No 15-4



V4ALL- 150500- 1

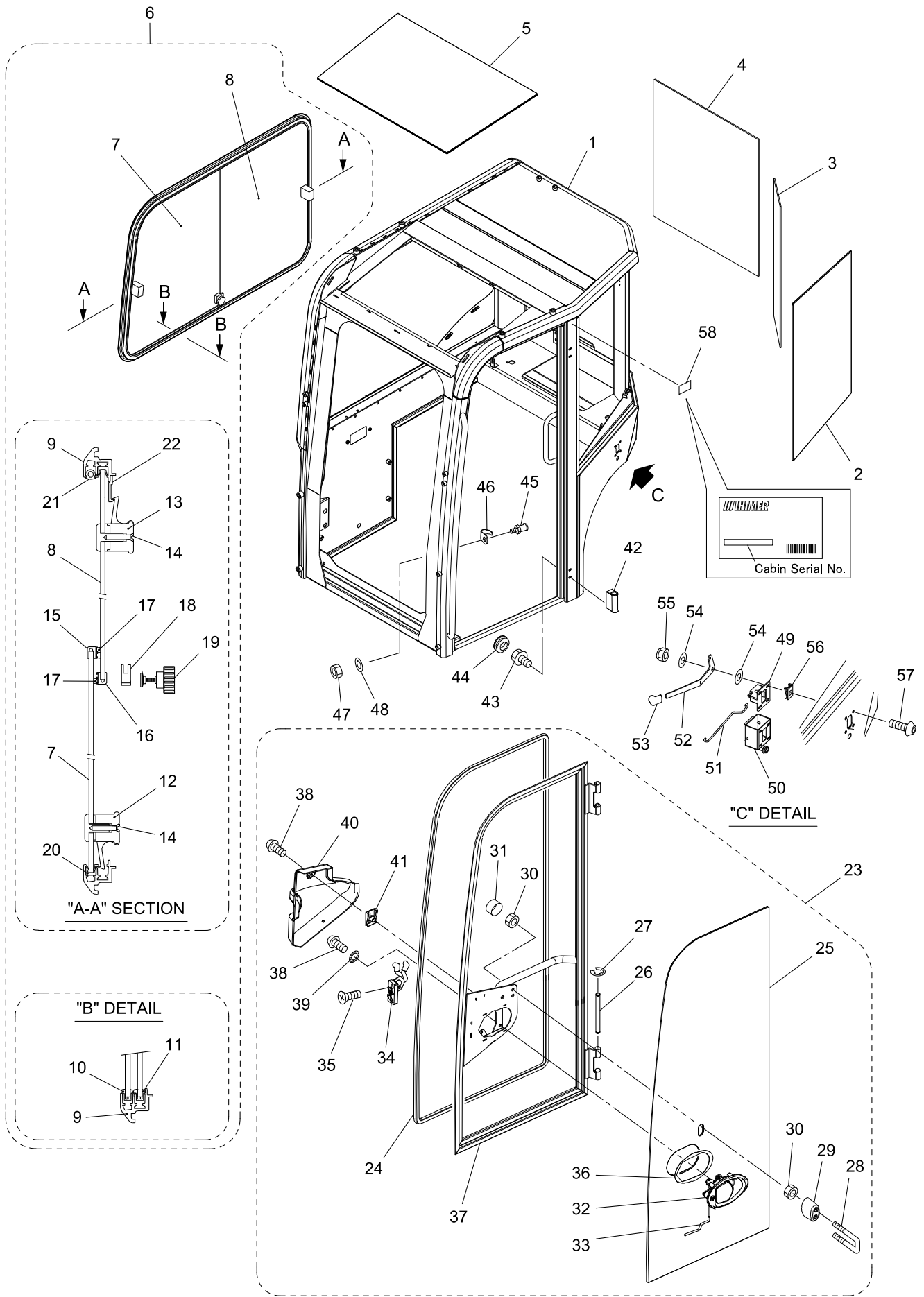


OPERATOR ROOM ASS'Y (1)

MODEL 45V4

SHEET No 15-5

KEY No.	SUP.	PART No.	DESCRIPTION	Q'TY	CHAN.	SERIAL No.	REMARKS
0	×	F355 182 00	Room Ass'y, Operator	1		WG010001-	
1		0690 203 15	* Mount, Cab	4		WG010001-	
2		D418 455 00	* Bracket	1		WG010001-	
3		0585 200 00	* Nut, Treatment	4		WG010001-	M20
4		0595 200 00	* Washer, Treatment	4		WG010001-	M20
5		0555 100 40	* Bolt, Treatment	8		WG010001-	M10X40
6		0595 100 00	* Washer, Treatment	8		WG010001-	M10
7		0555 160 50	* Bolt, Treatment	4		WG010001-	M16X50
8		0595 160 00	* Washer, Treatment	4		WG010001-	M16
9		D493 753 02	* Seal, Sponge	1		WG010001-	L=500
10		D493 753 01	* Seal, Sponge	1		WG010001-	L=430
11		4550 906 25	* Seal, Sponge	1		WG010001-	L=1900
12		4550 906 26	* Seal, Sponge	1		WG010001-	L=2250
13		0850 500 10	* Radio	1		WG010001-	For Japanese
14		0830 408 00	* Housing	1		WG010001-***	
15		0820 657 08	* Terminal	3		WG010001-***	
16		D592 436 00	* Harness	1		***-	
17		D408 378 00	* Decal (For Tops)	1		WG010001-	
18		D408 377 00	* Decal (For Rops)	1		WG010001-	



V4ALL-150600-1

注意:1. 適用号機はキャビンのシリアルN o. です。NOTE:1. Application-type is serial No. of cabin.

IHI

OPERATOR ROOM ASS'Y (2)

MODEL 45V4

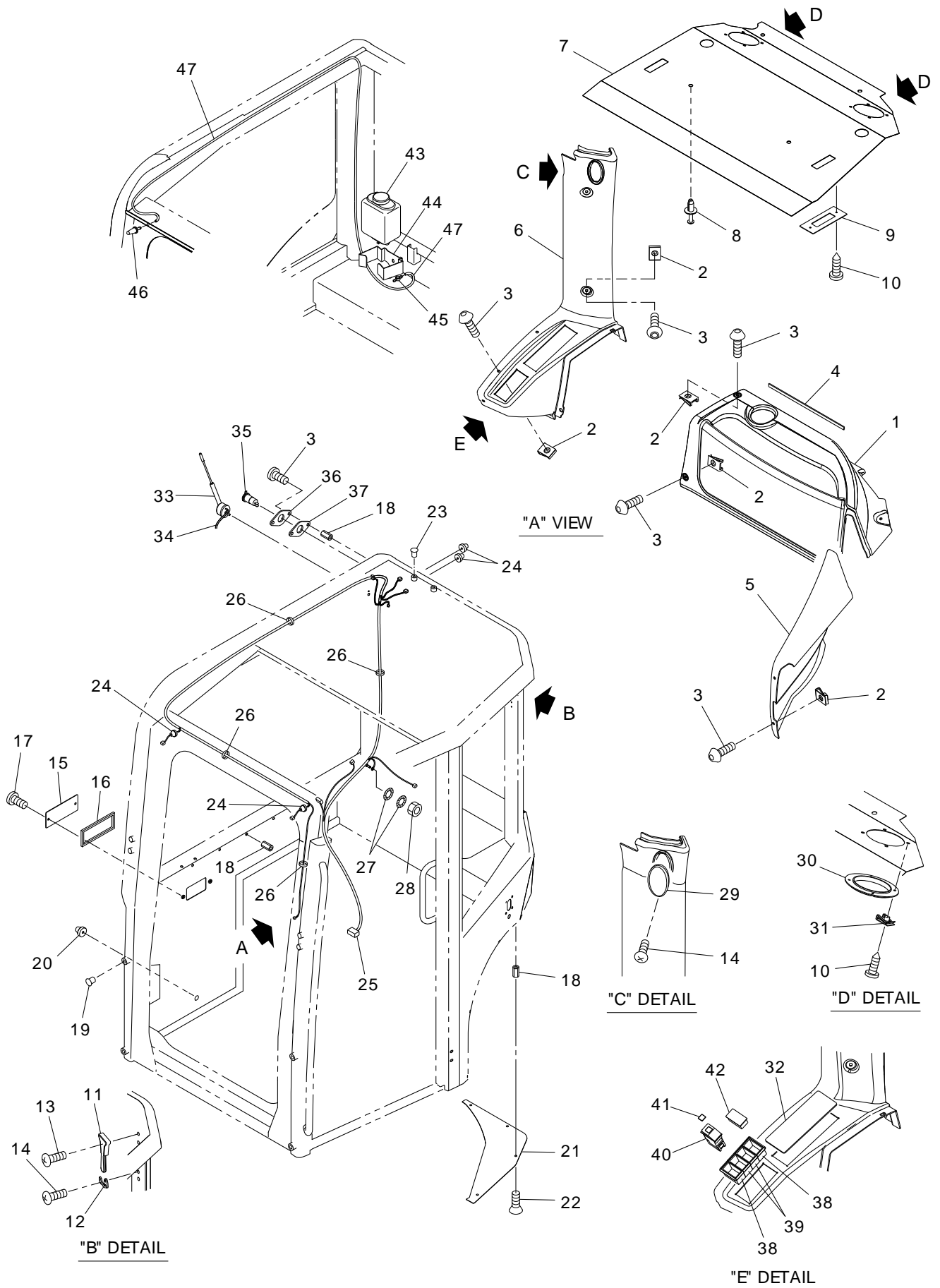
SHEET No 15-6

KEY No.	SUP.	PART No.	DESCRIPTION	Q'TY	CHAN.	SERIAL No.	REMARKS
0	×	3034212018	Cabin Ass'y (Dark Grey)	1		13707272-	
0-1	×	3034212019	Cabin Ass'y (Light Grey)	1		13707272-	
1		F354 810 00	* Cabin (Dark Grey)	1		13707272-	
1-1		5290105300	* Cabin (Light Grey)	1		13707272-	
2		4016000000	* Glass (L.H.)	1		13707272-	
3		4016000001	* Glass (Rear Side)	1		13707272-	
4		4016000002	* Glass (Rear)	1		13707272-	
5		4016000003	* Glass (Roof)	1		13707272-	
6		4016000004	* Window Ass'y, Side	1		13707272-	
7		4016000005	** Glass (Front)	1		13707272-	
8		4016000006	** Glass (Rear)	1		13707272-	
9		4016000007	** Frame, Glass	1		13707272-	
10		4016000008	** Shoe (Front)	1		13707272-	
11		4016000009	** Shoe (Rear)	1		13707272-	
12		4016000010	** Handle, Sliding (Front)	1		13707272-	
13		4016000011	** Handle, Sliding (Rear)	1		13707272-	
14		4016000012	** Bolt	4		13707272-	4.8X32
15		4016000013	** Support, Brush (Front)	1		13707272-	
16		4016000014	** Support, Brush (Rear)	1		13707272-14707009	
16		4016000235	** Support, Brush (Rear)	1		14707010-	
17		4016000015	** Brush	3		13707272-	
18		4016000016	** Glass Blocking	1		13707272-	
19		4016000017	** Handle, Glass Blocking	1		13707272-	
20		4016000018	** Support, Sliding	2		13707272-	
21		4016000019	** Gasket	2		13707272-	
22		4016000020	** Handle, Stop	1		13707272-	
23		4016000233	* Door Ass'y (Dark Grey)	1		13707272-	
23-1		4016000234	* Door Ass'y (Light Grey)	1		13707272-	
24		4016000023	** Gasket	1		13707272-	L=4050
25		4016000024	** Glass (Door)	1		13707272-	
26		4015000088	** Pin, Hinge	2		13707272-	
27		4015000092	** Ring, Elastic	4		13707272-	d=10
28		4016000026	** Hook, Door Stop	1		13707272-	L=120
29		4016000028	** Absorber, Shock	1		13707272-	H=77
30		4016000029	** Nut, Special	4		13707272-	M8
31		4012000206	** Cap	2		13707272-	M8
32		4016000030	** Handle Ass'y	1		13707272-	
33		4016000031	** Rod	1		13707272-	
34		4013001426	** Lock, Door	1		13707272-	
35		3442505	** Bolt	1		13707272-	M8X40
36		4012000390	** Gasket	1		13707272-	
37		4016000021	** Frame, Door (Dark Grey)	1		13707272-	
37-1		4016000022	** Frame, Door (Light Grey)	1		13707272-	
38		4016000033	** Bolt	9		13707272-	M6X16
39		4012000185	** Washer Toothed	4		13707272-	M6
40		4016000034	** Cover	1		13707272-	
41		4016000035	** Clip	5		13707272-	M6
42		4016000036	* Hinge	2		13707272-	
43		4016000037	* Bolt	4		13707272-	M8X16
44		4016000038	* Cap	4		13707272-	d=20
45		4013001417	* Block	1		13707272-	
46		4013001418	* Block, Security	1		13707272-	

KEY No.	SUP.	PART No.	DESCRIPTION	Q'TY	CHAN.	SERIAL No.	REMARKS
47		4012000260	* Nut	1		13707272-	M12X1
48		4015000109	* Washer Flat	1		13707272-	12.5X28
49		4012000138	* Door Stop	1		13707272-	
50		4012000257	* Bracket	1		13707272-	
51		4016000039	* Rod, Tie	1		13707272-	
52		4016000040	* Lever	1		13707272-	
53		4012000259	* Handle	1		13707272-	
54		4016000041	* Washer Flat	2		13707272-	8.5X24
● 55		4015000091	* Nut	1		13707272-	M8
● 56		4016000035	* Clip	1		13707272-	M6
● 57		4016000033	* Bolt	1		13707272-	M6X16
● 58		2034207015	* Decal (Serial No., Cabin)	1		13707272-	



[Memo]



V4ALL- 150700-1

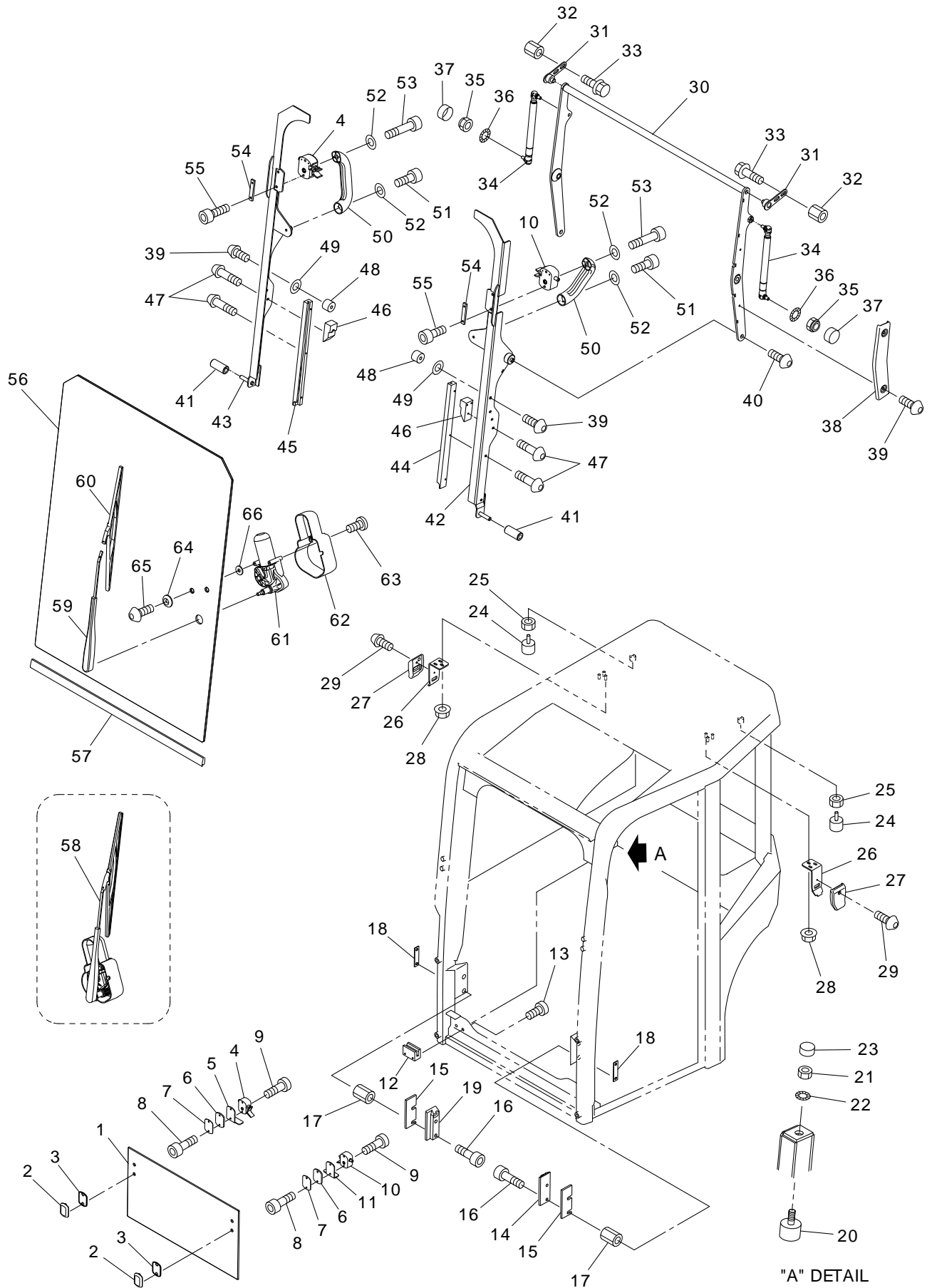


OPERATOR ROOM ASS'Y (3)

MODEL 45V4

SHEET No 15-7

KEY No.	SUP.	PART No.	DESCRIPTION	Q'TY	CHAN.	SERIAL No.	REMARKS
0	×	3034212018	Cabin Ass'y (Dark Grey)	1		13707272-	
0-1	×	3034212019	Cabin Ass'y (Light Grey)	1		13707272-	
1		4016000042	* Cover (Rear)	1		13707272-	
2		4016000035	* Clip	12		13707272-	M6
3		4016000033	* Bolt	12		13707272-	M6X16
4		4016000043	* Gasket	1		13707272-	L=325
5		4016000044	* Cover (Left)	1		13707272-	
6		4016000045	* Cover (Right Upright)	1		13707272-	
7		4016000046	* Roof Coating	1		13707272-	
8		4016000047	* Clip	4		13707272-	d=8
9		4016000048	* Bracket	2		13707272-	
10		4016000049	* Bolt	8		13707272-	4.2X22
11		4016000050	* Hammer, Emergency	1		13707272-	
12		4012000239	* Hook	1		13707272-	
13		4012000291	* Bolt	2		13707272-	3.5X16
14		4016000051	* Bolt	4		13707272-	4.2X13
15		4016000052	* Bracket	1		13707272-	
16		4016000053	* Gasket	1		13707272-	L=470
17		4016000054	* Bolt	2		13707272-	M6X12
18		4012000356	* Nut	11		13707272-	M6
19		4016000055	* Plug	8		13707272-	d=13X11
20		4012000297	* Plug, Rubber	1		13707272-	
21		4016000056	* Plate (Lower)	1		13707272-	
22		4016000057	* Bolt	4		13707272-	M6X16
23		4016000058	* Plug	8		13707272-	d=12X11.5
24		4012000367	* Plug, Rubber	4		13707272-	
25		4016000059	* Harness	1		13707272-	
26		4016000060	* Band, Cable	6		13707272-	4.8X200
27		4012000185	* Washer Toothed	2		13707272-	M6
28		4012000303	* Nut	1		13707272-	M6
29		4016000061	* Light	1		13707272-	
30		4016000062	* Cover, Audio	1		13707272-	
31		4016000063	* Clip	4		13707272-	
32		4012000274	* Cover	1		13707272-	
33		4012000314	* Antenna	1		13707272-	
34		4012000316	* Cable, Antenna	1		13707272-	L=2300
35		4016000064	* Plug	1		13707272-	
36		4016000065	* Bracket	1		13707272-	
37		4016000066	* Gasket	1		13707272-	
38		4012000251	* Frame, Side Switch	2		13707272-	
39		4012000252	* Frame, Central Switch	2		13707272-	
40		4012000250	* Switch, Wiper	1		13707272-	
41		4012000254	* Label	1		13707272-	
42		4012000255	* Cap	3		13707272-	
43		4012000256	* Tank	1		13707272-	
44		4016000067	* Bracket	1		13707272-	
45		4012000216	* Valve, Connection	1		13707272-	
46		4012000245	* Atomizer	1		13707272-	
47		4016000068	* Pipe	1		13707272-	L=2550



V4ALL-150800-1



OPERATOR ROOM ASS'Y (4)

MODEL 45V4

SHEET No 15-8

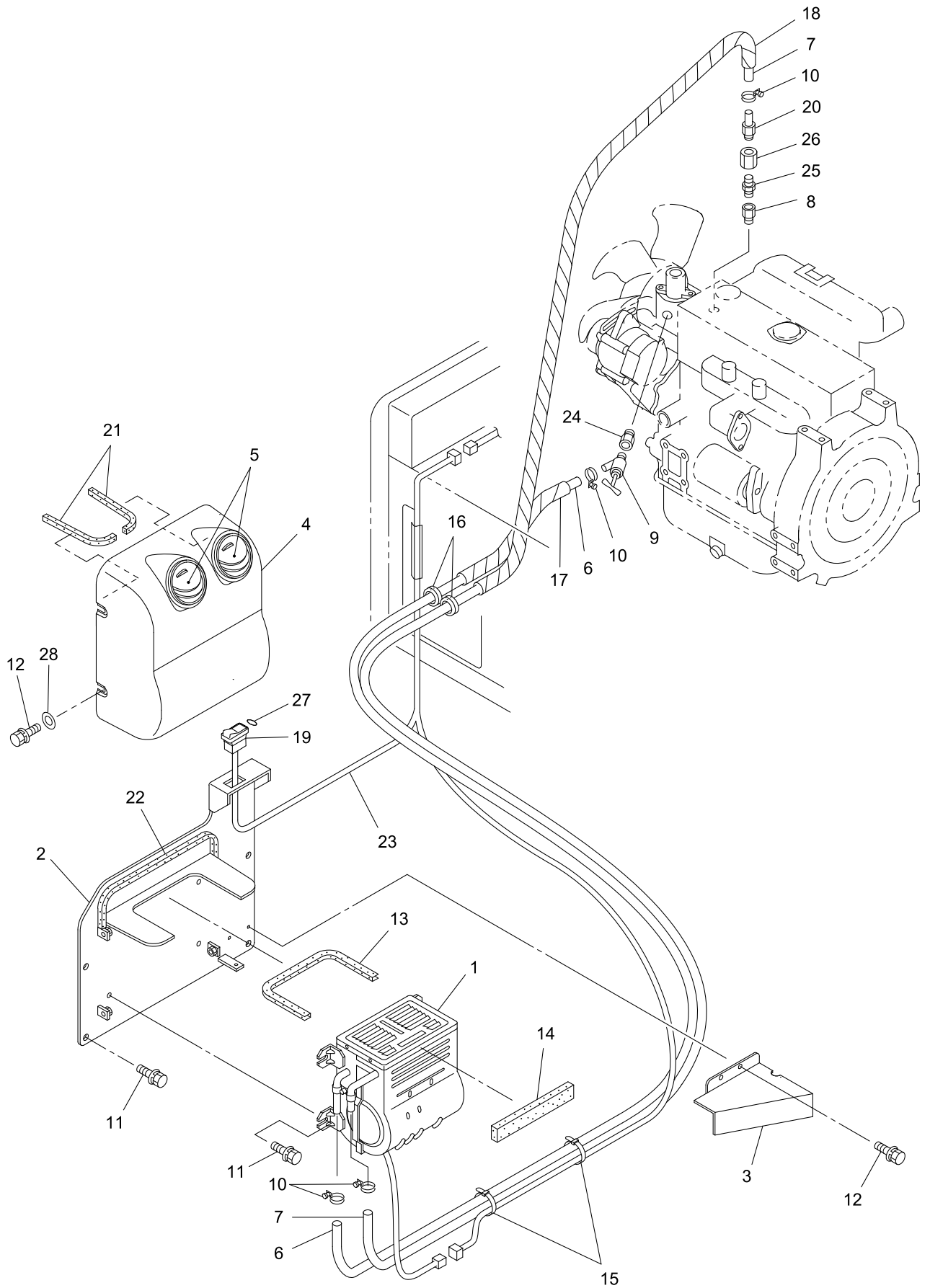
KEY No.	SUP.	PART No.	DESCRIPTION	Q'TY	CHAN.	SERIAL No.	REMARKS
0	×	3034212018	Cabin Ass'y (Dark Grey)	1		13707272-	
0-1	×	3034212019	Cabin Ass'y (Light Grey)	1		13707272-	
1		4016000069	* Glass	1		13707272-	
2		4016000070	* Lock, Cover	2		13707272-	
3		4016000071	* Gasket	2		13707272-	
4		4016000072	* Lock (R.H.)	2		13707272-	
5		4016000073	* Handle (R.H.)	1		13707272-	
6		4016000074	* Spacer	2		13707272-	
7		4016000075	* Gasket	2		13707272-	
8		4016000076	* Bolt	4		13707272-	M6X25
9		4016000077	* Bolt	2		13707272-	M8X25
10		4016000078	* Lock (L.H.)	2		13707272-	
11		4016000079	* Handle (L.H.)	1		13707272-	
12		4016000080	* Shoe (Lower)	2		13707272-	
13		4016000081	* Bolt	4		13707272-	M8X20
14		4016000082	* Shoe (L.H.)	1		13707272-	
15		4016000083	* Spacer	2		13707272-	
16		4016000084	* Bolt	4		13707272-	M8X35
17		4012000370	* Nut	4		13707272-	M8
18		4016000085	* Bracket	2		13707272-	
19		4016000086	* Shoe (R.H.)	1		13707272-	
20		4016000087	* Stopper, Rubber	2		13707272-	M6X15 H=15
21		4012000186	* Nut	2		13707272-	M6
22		4012000185	* Washer Toothed	2		13707272-	M6
23		4012000240	* Cap	2		13707272-	M6
24		4016000088	* Stopper, Rubber	2		13707272-	M6X18 H=20
25		4016000089	* Nut, Lock	2		13707272-	M6
26		4016000090	* Bracket	2		13707272-	
27		4016000091	* Protection, Door	2		13707272-	
28		4016000029	* Nut, Special	6		13707272-	M8
29		4016000033	* Bolt	2		13707272-	M6X16
30		4016000092	* Frame, Door	1		13707272-	
31		4016000093	* Bracket	2		13707272-	
32		4016000094	* Nut	4		13707272-	M8
33		4016000095	* Bolt	4		13707272-	M8X20
34		4016000096	* Spring, Gas	2		13707272-	400N-M8
35		4015000091	* Nut, Lock	2		13707272-	M8
36		4012000428	* Washer, Special	4		13707272-	M8
37		4012000206	* Cap	2		13707272-	M8
38		4016000097	* Cover	1		13707272-	
39		4016000054	* Bolt	4		13707272-	M6X12
40		4016000098	* Bolt	2		13707272-	M8X25
41		4016000099	* Bushing	2		13707272-	
42		4016000100	* Frame (L.H.)	1		13707272-	
43		4016000101	* Frame (R.H.)	1		13707272-	
44		4016000102	* Guide (L.H.)	1		13707272-	
45		4016000103	* Guide (R.H.)	1		13707272-	
46		4016000104	* Shoe	2		13707272-	
47		4013001450	* Bolt	10		13707272-	M5X16
48		4016000105	* Stopper, Rubber	2		13707272-	M6 H=15
49		4012000215	* Washer Flat	2		13707272-	
50		4016000106	* Handle	2		13707272-	

KEY No.	SUP.	PART No.	DESCRIPTION	Q'TY	CHAN.	SERIAL No.	REMARKS
51		4016000107	* Bolt	2		13707272-	M8X20
52		4012000189	* Washer Flat	4		13707272-	M8
53		4016000108	* Bolt	2		13707272-	M8X40
54		4016000109	* Bracket	2		13707272-	
55		4016000110	* Bolt	4		13707272-	M6X14
56		4016000111	* Glass	1		13707272-	
57		4016000112	* Gasket	1		13707272-	L=775
58		4016000113	* Wiper	1		13707272-	
59		4013001438	** Arm, Wiper	1		13707272-	
60		4013001437	** Blade, Wiper	1		13707272-	L=400
61		4016000114	** Motor, Wiper	1		13707272-	
62		4012000352	** Cover, Motor	1		13707272-	
63		4016000033	* Bolt	2		13707272-	M6X16
64		4012000210	* Washer, Nylon	2		13707272-	d=19.5
65		4016000115	* Bolt	2		13707272-	M6X25
66		4016000116	* Washer, Special	2		13707272-	d=6.5X18

15



[Memo]



40V4-150900-1

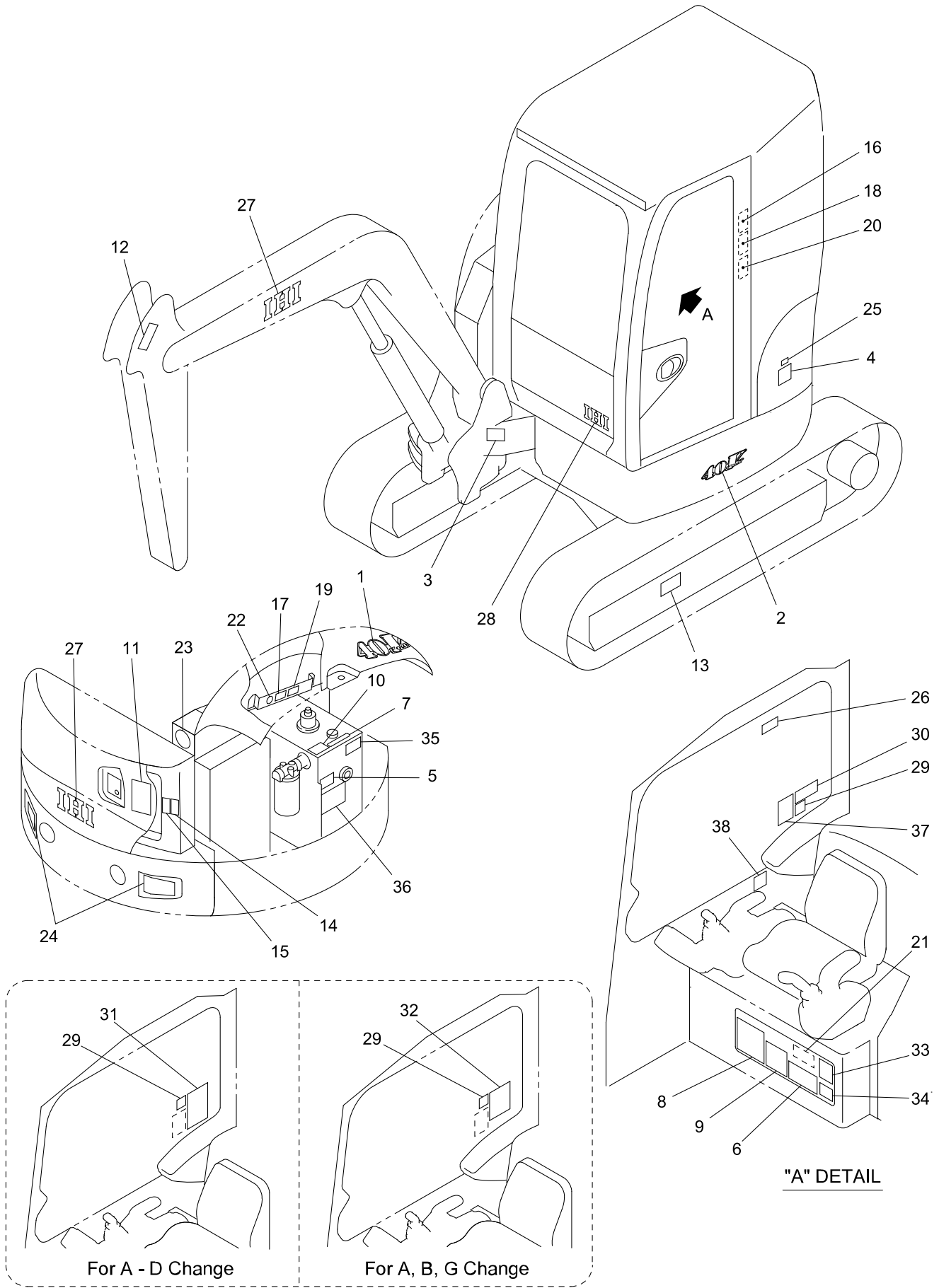


CAR HEATER ASS'Y

MODEL 45V4

SHEET No 15-9

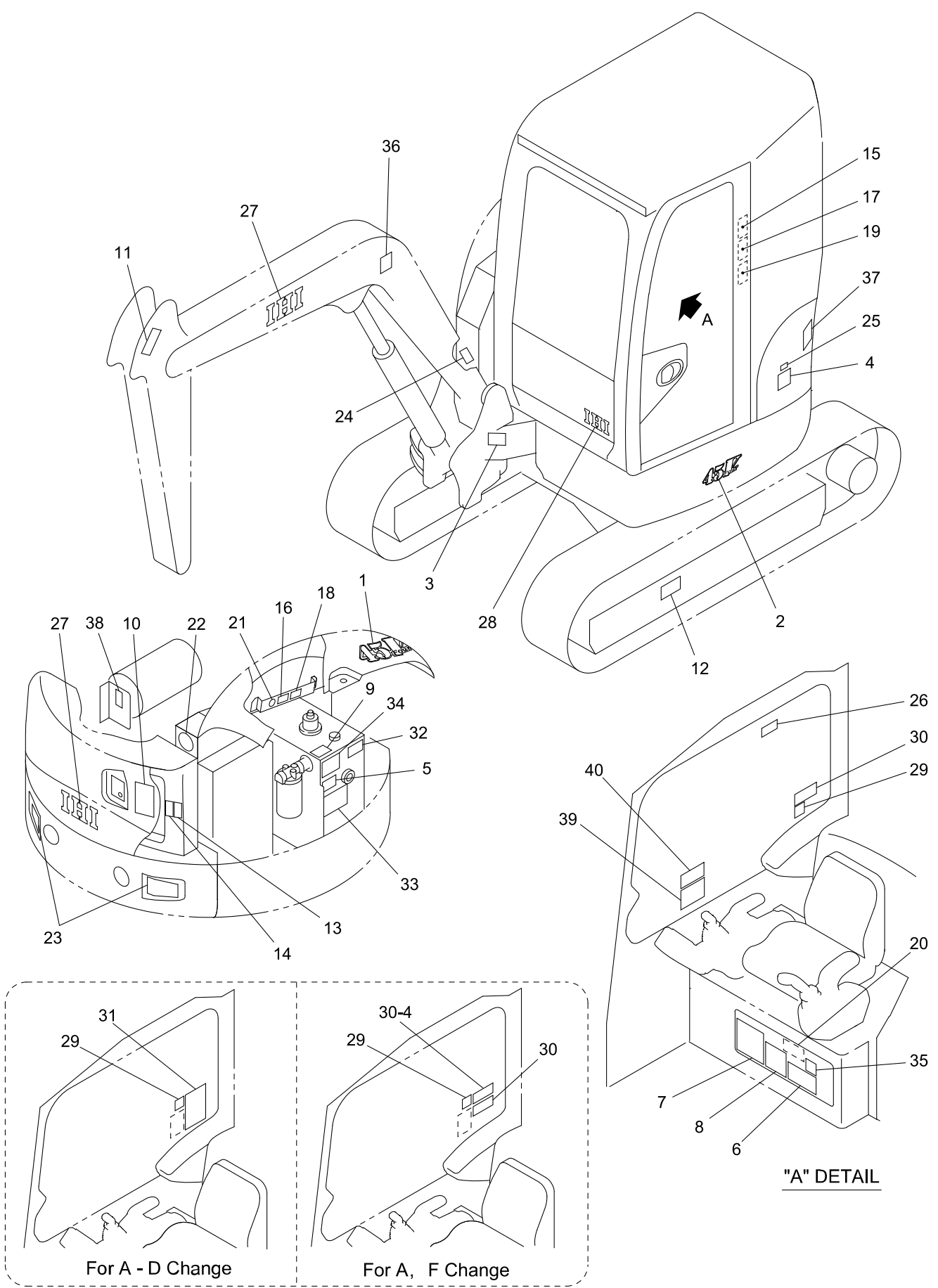
KEY No.	SUP.	PART No.	DESCRIPTION	Q'TY	CHAN.	SERIAL No.	REMARKS
0	×	F355 309 00	Heater Ass'y, Car	1		WG010001-	
1		0857 056 03	* Heater, Car	1		WG010001-	
2		D419 472 00	* Bracket	1		WG010001-	
3		D458 149 00	* Cover	1		WG010001-	
4		D465 358 00	* Panel	1		WG010001-	
5		0820 023 16	* Duct	2		WG010001-	
6		4070 102 40	* Hose, Water	M		WG010001-	L=1030
7		4070 102 41	* Hose, Water	M		WG010001-	L=1400
8		0710 503 02	* Socket	1		WG010001-	
9		0729 910 35	* Valve	1		WG010001-	
10		0690 083 05	* Clamp, Hose	4		WG010001-	17~25
11		0518 100 20	* Bolt, Treatment (W/L.W, F.W)	8		WG010001-	M10X20 P=1.25
12		0438 060 16	* Bolt, Treatment (W/L.W, F.W)	6		WG010001-***	M6X16
12		0517 060 16	* Bolt, Treatment (W/L.W, F.W)	6	○	***-	M6X16
13		4550 726 00	* Seal	M		WG010001-	L=400
14		D493 439 01	* Panel, Sponge	1		WG010001-	
15		0820 067 05	* Band, Cable	2		WG010001-	
16		0910 942 02	* Grommet	2		WG010001-***	
17		0820 803 06	* Tube, Corrugate	M		WG010001-	L=200
18		0820 803 06	* Tube, Corrugate	M		WG010001-	L=600
19		0858 314 34	* Switch Ass'y, Heater	1		WG010001-	
20		4072 220 00	* Nipple	1		WG010001-	
21		D493 626 00	* Panel, Sponge	2		WG010001-	
22		D493 732 00	* Panel, Sponge	1		WG010001-	
23		D592 309 00	* Harness	1		WG010001-	
24		0710 503 03	* Socket	1		WG010001-	
25		0710 600 13	* Nipple, Reducing	1		WG010001-	
26		0710 501 03	* Socket	1		WG010001-	
27		D407 820 00	* Decal	1		WG010001-	
28		0593 080 00	* Washer, Flat	4		WG010001-	M8



40V4-151000-1

"A" DETAIL

KEY No.	SUP.	PART No.	DESCRIPTION	Q'TY	CHAN.	SERIAL No.	REMARKS
0	×	F377 849 00	Decal Ass'y	1		WG010001-	
0-1	×	F377 855 00	Decal Ass'y	1		WG010001-	
0-2	×	F377 856 00	Decal Ass'y	1		WG010001-	
1		D408 407 00	* Decal (Model)	1		WG010001-	
2		D408 416 00	* Decal (Model)	1		WG010001-	
3	×	D405 094 00	* Decal (Serial No.)	1		WG010001-	
3-1		0497 035 00	* Screw, Drive	4		WG010001-	d=3
4		D408 324 00	* Decal (Oil)	1		WG010001-	
5		D406 490 00	* Decal (Oil Check)	1		WG010001-	
6		D408 313 00	* Decal (Lub. Chart)	1		WG010001-	
7		4447 479 00	* Decal (Oil)	1		WG010001-	
8		D408 325 00	* Decal (Engine Daily Check)	1		WG010001-	
9		D406 597 00	* Decal (Safety Works)	1		WG010001-	
10		D408 328 00	* Decal (Tank Decompression)	1		WG010001-	
11		D405 450 00	* Decal (Safety Swing)	1		WG010001-	
12		D405 454 00	* Decal (Caution)	2		WG010001-***	
12		D405 667 00	* Decal (Caution)	2	○	***-	
13		D405 455 00	* Decal (Caution)	2		WG010001-	
14		D405 424 00	* Decal (Caution)	1		WG010001-	
15		D405 452 00	* Decal (Caution)	1		WG010001-	
16		D405 332 00	* Decal (Caution)	1		WG010001-	
17		D405 462 00	* Decal (Caution)	1		WG010001-	
18		D405 451 00	* Decal (Caution)	1		WG010001-	
19		D405 463 00	* Decal (Caution)	1		WG010001-	
20		D405 449 00	* Decal (Caution)	1		WG010001-	
21		D405 373 00	* Decal (Caution)	1		WG010001-	
22		4407 035 00	* Decal (Anti-Freezing Solution)	1		WG010001-***	
22		D408 653 00	* Decal (Anti-Freezing Solution)	1	○	***-	
23		D406 631 00	* Decal (Environment)	1		WG010001-	
24		D408 371 00	* Decal (Reflector)	2		WG010001-	
25		D407 943 00	* Decal (EPA Regulation)	1		WG010001-	
26		D405 453 00	* Decal (Caution)	1		WG010001-	
27		D408 402 00	* Decal (IHI)	3		WG010001-	
28		D408 403 00	* Decal (IHI)	1		WG010001-	
29		D406 630 00	* Decal (Blade, Pedal)	1		WG010001-	
30		D406 622 00	* Decal (Control A)	1		WG010001-	
30-1		D406 623 00	* Decal (Control B)	1		WG010001-	
30-2		D406 624 00	* Decal (Control C)	1		WG010001-	
30-3		D406 625 00	* Decal (Control D)	1		WG010001-	
30-4		D406 627 00	* Decal (Control G)	1		WG010001-	
31		D406 628 00	* Decal (Control A-D)	1		WG010001-	
32		D406 629 00	* Decal (Control A, B, G)	1		WG010001-	
33		D408 317 00	* Decal (Specification)	1		WG010001-	
34		D408 228 00	* Decal (Bucket Specification)	1		WG010001-	
35		4447 874 00	* Decal (Spare Piping Change)	1		WG010001-	
36		4447 653 00	* Decal (Breaker Cation)	1		WG010001-	
37		D407 056 00	* Decal (Spare Pedal)	1		WG010001-	
38		D406 243 00	* Decal (Caution)	1		WG010001-	



40V4-15100A-1

"A" DETAIL



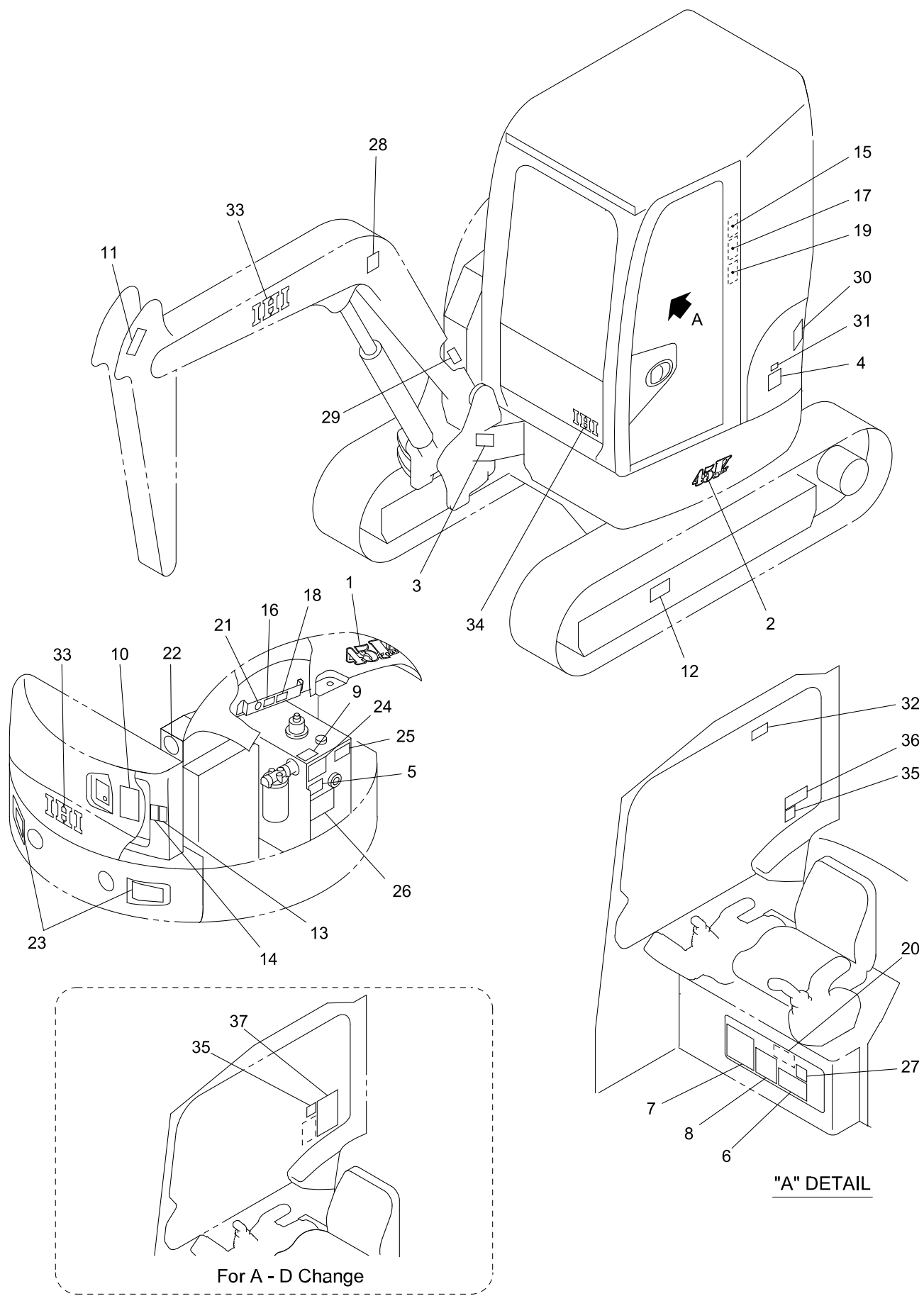
NAME PLATE ASS'Y(FOR ENGLISH)

MODEL 45V4

SHEET No 15-10[A]

KEY No.	SUP.	PART No.	DESCRIPTION	Q'TY	CHAN.	SERIAL No.	REMARKS
0	×	F377 849 00	Decal Ass'y	1		WG010001-WG020000	
0	×	F377 885 00	Decal Ass'y	1		WG020001-	
0-1	×	F377 855 00	Decal Ass'y	1		WG010001-	
1		D408 411 00	* Decal (Model)	1		WG010001-	
2		D408 420 00	* Decal (Model)	1		WG010001-	
3	×	D405 094 00	* Decal (Serial No.)	1		WG010001-	
3-1	×	D405 091 00	* Decal (Serial No.) (CE)	1		WG010001-	
3-2		0497 035 00	* Screw, Drive	4		WG010001-	d=3
4		4407 974 00	* Decal (Oil)	1		WG010001-	
5		D406 504 00	* Decal (Oil Check)	1		WG010001-	
6		D408 355 00	* Decal (Lub. Chart)	1		WG010001-WG020000	
6		D408 646 00	* Decal (Lub. Chart)	1		WG020001-	
7		D408 326 00	* Decal (Engine Daily Check)	1		WG010001-WG020000	
7		D407 887 00	* Decal (Engine Daily Check)	1		WG020001-	
8		4406 458 00	* Decal (Safety Works)	1		WG010001-	
9		D408 424 00	* Decal (Tank Decompression)	1		WG010001-	
10		D405 507 00	* Decal (Safety Swing)	1		WG010001-	
11		D405 511 00	* Decal (Caution)	2		WG010001-***	
11		D405 668 00	* Decal (Caution)	2	○	***-	
12		D405 505 00	* Decal (Caution)	2		WG010001-	
13		D405 366 00	* Decal (Caution)	1		WG010001-	
14		D405 509 00	* Decal (Caution)	1		WG010001-	
15		D405 359 00	* Decal (Caution)	1		WG010001-	
16		D405 503 00	* Decal (Caution)	1		WG010001-	
17		D405 508 00	* Decal (Caution)	1		WG010001-	
18		D405 504 00	* Decal (Caution)	1		WG010001-	
19		D405 506 00	* Decal (Caution)	1		WG010001-	
20		D405 323 00	* Decal (Caution)	1		WG010001-	
21		4407 035 00	* Decal (Anti-Freezing Solution)	1		WG010001-***	
21		D408 653 00	* Decal (Anti-Freezing Solution)	1	○	***-	
22		D406 783 00	* Decal (Environment)	1		WG010001-	
23		D408 371 00	* Decal (Reflector)	2		WG010001-	
24	×	D405 097 00	* Decal (New Machine)	1		WG010001-	
25		D407 943 00	* Decal (EPA Regulation)	1		WG010001-	
26		D405 510 00	* Decal (Caution)	1		WG010001-	
27		D408 402 00	* Decal (IHI)	3		WG010001-	
28		D408 403 00	* Decal (IHI)	1		WG010001-	
29		D406 630 00	* Decal (Blade, Pedal)	1		WG010001-	
30		D406 622 00	* Decal (Control A)	1		WG010001-	
30-1		D406 623 00	* Decal (Control B)	1		WG010001-	
30-2		D406 624 00	* Decal (Control C)	1		WG010001-	
30-3		D406 625 00	* Decal (Control D)	1		WG010001-	
30-4		D406 626 00	* Decal (Control F)	1		WG010001-	
31		D406 628 00	* Decal (Control A-D)	1		WG010001-	
32		4448 651 00	* Decal (Spare Piping Change)	1		WG010001-	
33		4447 857 00	* Decal (Breaker Cation)	1		WG010001-	
34		D408 322 00	* Decal (Boom Lowering)(CE)	1		WG010001-	
35		4448 474 00	* Decal (Transport Fix)(CE)	1		WG010001-	
36		D408 347 00	* Decal (Lifting Procedures)(CE)	1		WG010001-	
37		D406 032 00	* Decal (Noise 97)(CE)	1		WG010001-	
38		D405 361 00	* Decal (Caution)	1		WG020001-	
39		D408 651 00	* Decal (Lamp, DPF)	1		WG020001-	

[Memo]

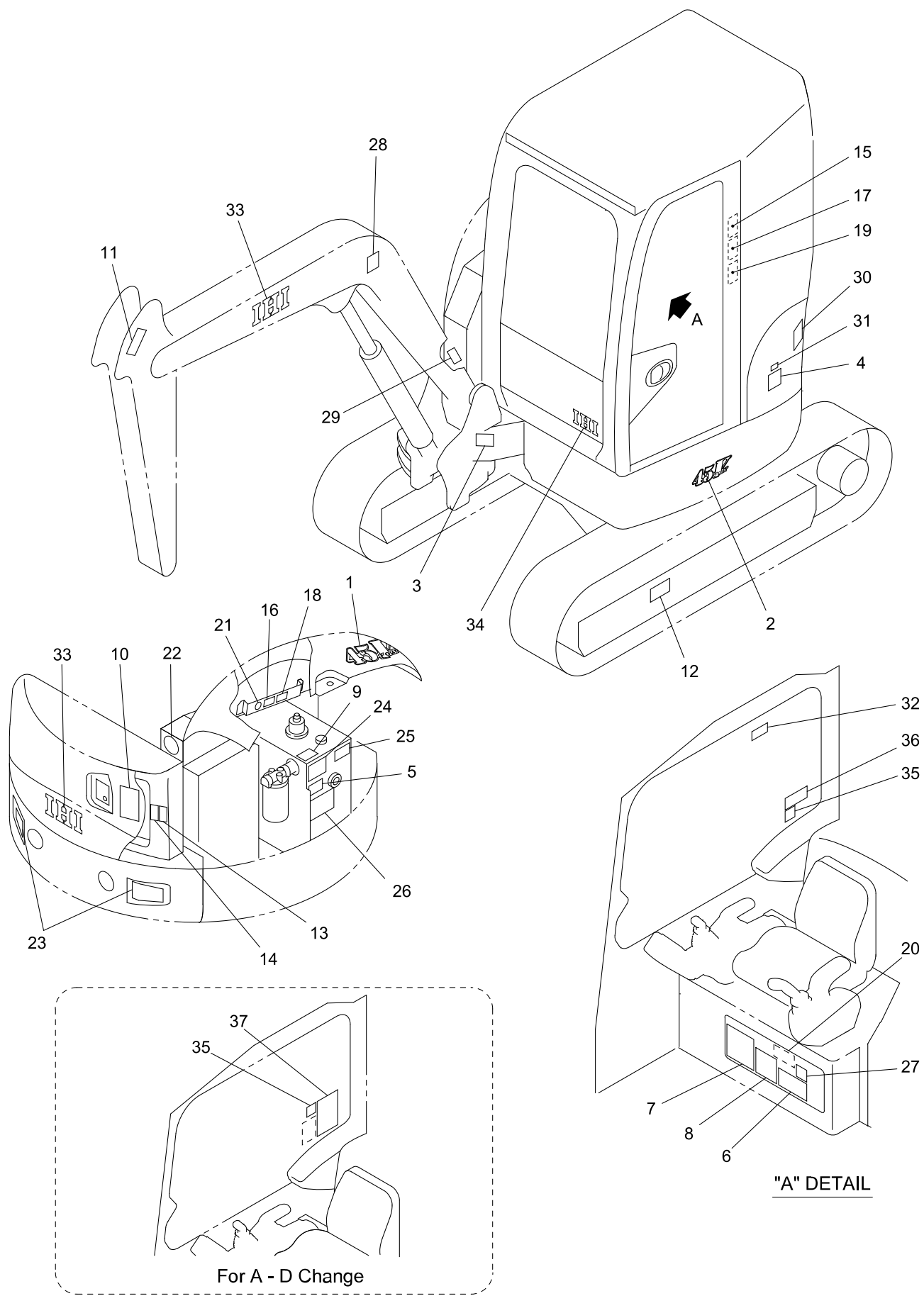


40V4-15100B-1

"A" DETAIL

For A - D Change

KEY No.	SUP.	PART No.	DESCRIPTION	Q'TY	CHAN.	SERIAL No.	REMARKS
0	×	F377 849 00	Decal Ass'y	1		WG010001-	
0-1	×	F377 855 00	Decal Ass'y	1		WG010001-	
1		D408 411 00	* Decal (Model)	1		WG010001-	
2		D408 420 00	* Decal (Model)	1		WG010001-	
3	×	D405 091 00	* Decal (Serial No.)	1		WG010001-	
3-1		0497 035 00	* Screw, Drive	4		WG010001-	d=3
4		4405 457 00	* Decal (Oil)	1		WG010001-	
5		D406 558 00	* Decal (Oil Check)	1		WG010001-	
6		D408 360 00	* Decal (Lub. Chart)	1		WG010001-	
7		D408 332 00	* Decal (Engine Daily Check)	1		WG010001-	
8		4448 584 00	* Decal (Safety Works)	1		WG010001-	
9		D408 429 00	* Decal (Tank Decompression)	1		WG010001-	
10		D405 507 00	* Decal (Safety Swing)	1		WG010001-	
11		D405 511 00	* Decal (Caution)	2		WG010001-***	
11		D405 668 00	* Decal (Caution)	2	○	***-	
12		D405 505 00	* Decal (Caution)	2		WG010001-	
13		D405 366 00	* Decal (Caution)	1		WG010001-	
14		D405 509 00	* Decal (Caution)	1		WG010001-	
15		D405 359 00	* Decal (Caution)	1		WG010001-	
16		D405 503 00	* Decal (Caution)	1		WG010001-	
17		D405 508 00	* Decal (Caution)	1		WG010001-	
18		D405 504 00	* Decal (Caution)	1		WG010001-	
19		D405 506 00	* Decal (Caution)	1		WG010001-	
20		D405 559 00	* Decal (Caution)	1		WG010001-	
21		4448 573 00	* Decal (Anti-Freezing Solution)	1		WG010001-***	
21		D408 653 00	* Decal (Anti-Freezing Solution)	1	○	***-	
22		D406 783 00	* Decal (Environment)	1		WG010001-	
23		D408 371 00	* Decal (Reflector)	2		WG010001-	
24		D408 338 00	* Decal (Boom Lowering)	1		WG010001-	
25		4449 003 00	* Decal (Spare Piping Change)	1		WG010001-	
26		4448 587 00	* Decal (Breaker Cation)	1		WG010001-	
27		4448 562 00	* Decal (Transport Fix)	1		WG010001-	
28		D408 352 00	* Decal (Lifting Procedures)	1		WG010001-	
29	×	D405 097 00	* Decal (New Machine)	1		WG010001-	
30		D406 032 00	* Decal (Noise 97)	1		WG010001-	
31		D407 943 00	* Decal (EPA Regulation)	1		WG010001-	
32		D405 510 00	* Decal (Caution)	1		WG010001-	
33		D408 402 00	* Decal (IHI)	3		WG010001-	
34		D408 403 00	* Decal (IHI)	1		WG010001-	
35		D406 630 00	* Decal (Blade, Pedal)	1		WG010001-	
36		D406 622 00	* Decal (Control A)	1		WG010001-	
36-1		D406 623 00	* Decal (Control B)	1		WG010001-	
36-2		D406 624 00	* Decal (Control C)	1		WG010001-	
36-3		D406 625 00	* Decal (Control D)	1		WG010001-	
37		D406 628 00	* Decal (Control A-D)	1		WG010001-	



40V4-15100B-1

"A" DETAIL

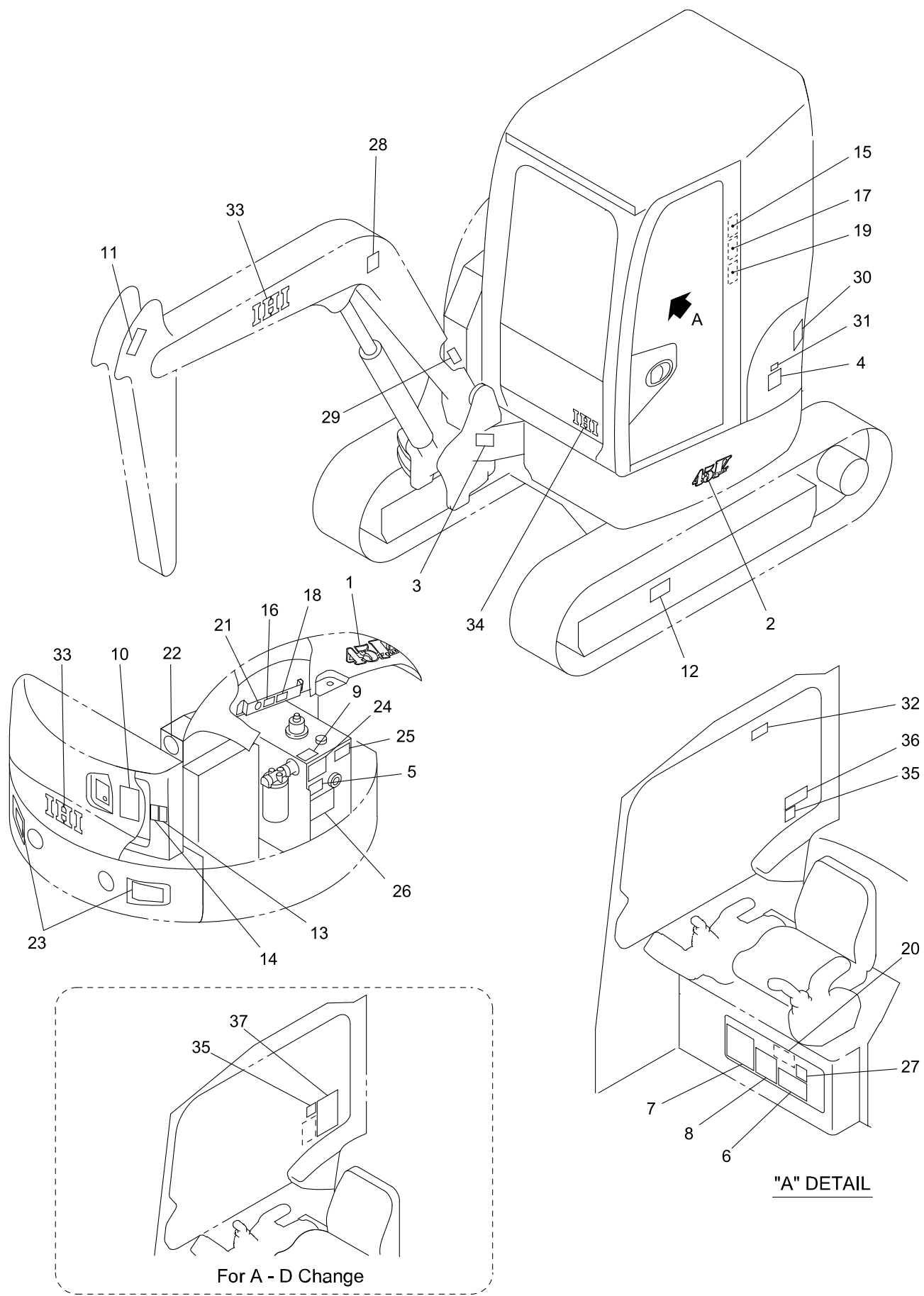


NAME PLATE ASS'Y (FOR FRENCH)

MODEL 45V4

SHEET No 15-10[C]

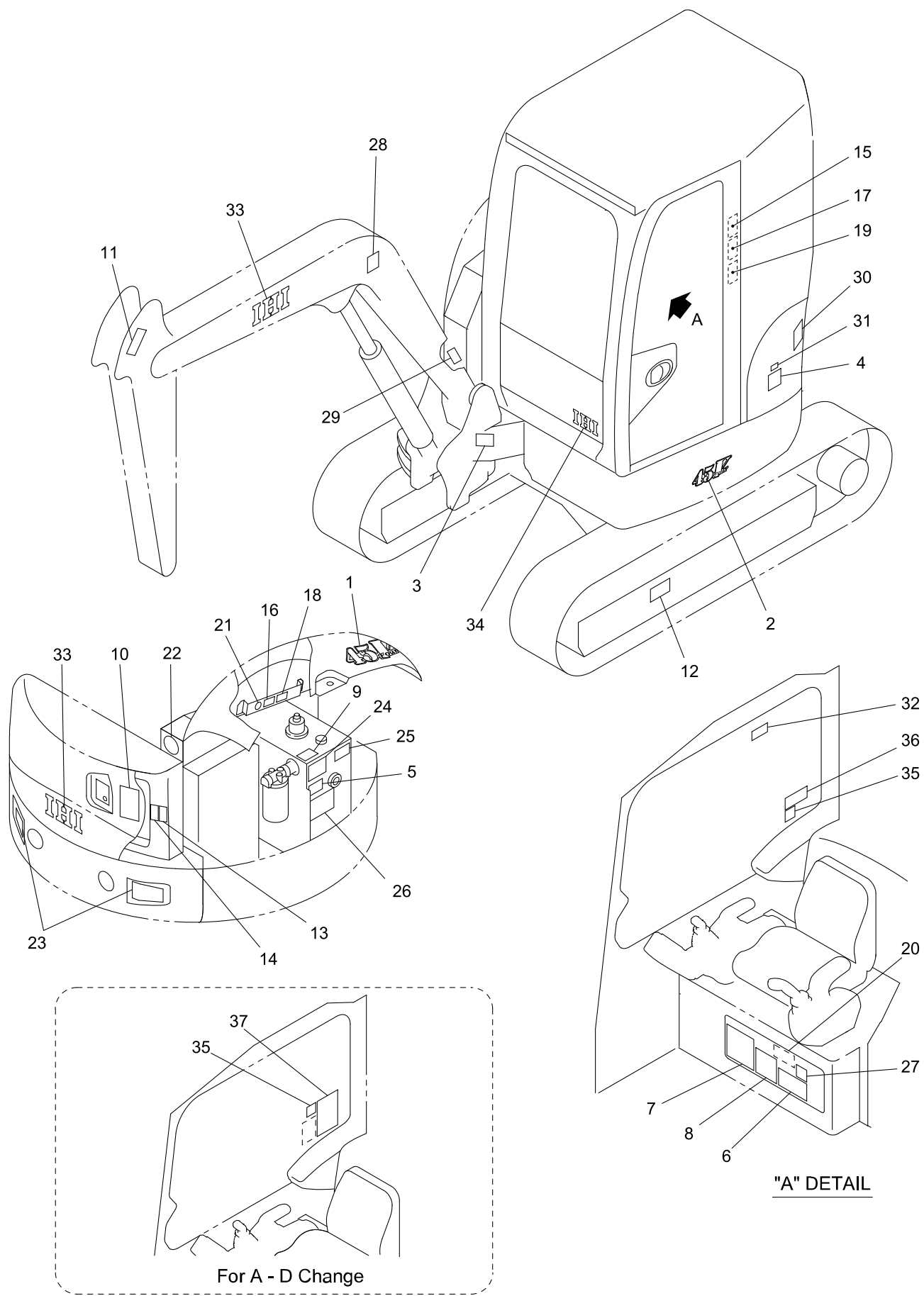
KEY No.	SUP.	PART No.	DESCRIPTION	Q'TY	CHAN.	SERIAL No.	REMARKS
0	×	F377 849 00	Decal Ass'y	1		WG010001-	
0-1	×	F377 855 00	Decal Ass'y	1		WG010001-	
1		D408 411 00	* Decal (Model)	1		WG010001-	
2		D408 420 00	* Decal (Model)	1		WG010001-	
3	×	D405 091 00	* Decal (Serial No.)	1		WG010001-	
3-1		0497 035 00	* Screw, Drive	4		WG010001-	d=3
4		4407 974 00	* Decal (Oil)	1		WG010001-	
5		D406 554 00	* Decal (Oil Check)	1		WG010001-	
6		D408 356 00	* Decal (Lub. Chart)	1		WG010001-	
7		D408 327 00	* Decal (Engine Daily Check)	1		WG010001-	
8		4406 714 00	* Decal (Safety Works)	1		WG010001-	
9		D408 425 00	* Decal (Tank Decompression)	1		WG010001-	
10		D405 507 00	* Decal (Safety Swing)	1		WG010001-	
11		D405 511 00	* Decal (Caution)	2		WG010001-***	
11		D405 668 00	* Decal (Caution)	2	○	***-	
12		D405 505 00	* Decal (Caution)	2		WG010001-	
13		D405 366 00	* Decal (Caution)	1		WG010001-	
14		D405 509 00	* Decal (Caution)	1		WG010001-	
15		D405 359 00	* Decal (Caution)	1		WG010001-	
16		D405 503 00	* Decal (Caution)	1		WG010001-	
17		D405 508 00	* Decal (Caution)	1		WG010001-	
18		D405 504 00	* Decal (Caution)	1		WG010001-	
19		D405 506 00	* Decal (Caution)	1		WG010001-	
20		D405 575 00	* Decal (Caution)	1		WG010001-	
20-1		D408 435 00	* Decal (Capacities Table)	1		WG010001-	
21		4406 710 00	* Decal (Anti-Freezing Solution)	1		WG010001-***	
21		D408 653 00	* Decal (Anti-Freezing Solution)	1	○	***-	
22		D406 783 00	* Decal (Environment)	1		WG010001-	
23		D408 371 00	* Decal (Reflector)	2		WG010001-	
24		D408 334 00	* Decal (Boom Lowering)	1		WG010001-	
25		4448 687 00	* Decal (Spare Piping Change)	1		WG010001-	
26		4447 996 00	* Decal (Breaker Cation)	1		WG010001-	
27		4448 542 00	* Decal (Transport Fix)	1		WG010001-	
28		D408 348 00	* Decal (Lifting Procedures)	1		WG010001-	
29	×	D405 097 00	* Decal (New Machine)	1		WG010001-	
30		D406 032 00	* Decal (Noise 97)	1		WG010001-	
31		D407 943 00	* Decal (EPA Regulation)	1		WG010001-	
32		D405 510 00	* Decal (Caution)	1		WG010001-	
33		D408 402 00	* Decal (IHI)	3		WG010001-	
34		D408 403 00	* Decal (IHI)	1		WG010001-	
35		D406 630 00	* Decal (Blade, Pedal)	1		WG010001-	
36		D406 622 00	* Decal (Control A)	1		WG010001-	
36-1		D406 623 00	* Decal (Control B)	1		WG010001-	
36-2		D406 624 00	* Decal (Control C)	1		WG010001-	
36-3		D406 625 00	* Decal (Control D)	1		WG010001-	
37		D406 628 00	* Decal (Control A-D)	1		WG010001-	



40V4-15100B-1

"A" DETAIL

KEY No.	SUP.	PART No.	DESCRIPTION	Q'TY	CHAN.	SERIAL No.	REMARKS
0	×	F377 849 00	Decal Ass'y	1		WG010001-	
0-1	×	F377 855 00	Decal Ass'y	1		WG010001-	
1		D408 411 00	* Decal (Model)	1		WG010001-	
2		D408 420 00	* Decal (Model)	1		WG010001-	
3	×	D405 091 00	* Decal (Serial No.)	1		WG010001-	
3-1		0497 035 00	* Screw, Drive	4		WG010001-	d=3
4		4405 457 00	* Decal (Oil)	1		WG010001-	
5		D406 550 00	* Decal (Oil Check)	1		WG010001-	
6		D408 357 00	* Decal (Lub. Chart)	1		WG010001-	
7		D408 329 00	* Decal (Engine Daily Check)	1		WG010001-	
8		4405 451 00	* Decal (Safety Works)	1		WG010001-	
9		D408 426 00	* Decal (Tank Decompression)	1		WG010001-	
10		D405 507 00	* Decal (Safety Swing)	1		WG010001-	
11		D405 511 00	* Decal (Caution)	2		WG010001-***	
11		D405 668 00	* Decal (Caution)	2	○	***-	
12		D405 505 00	* Decal (Caution)	2		WG010001-	
13		D405 366 00	* Decal (Caution)	1		WG010001-	
14		D405 509 00	* Decal (Caution)	1		WG010001-	
15		D405 359 00	* Decal (Caution)	1		WG010001-	
16		D405 503 00	* Decal (Caution)	1		WG010001-	
17		D405 508 00	* Decal (Caution)	1		WG010001-	
18		D405 504 00	* Decal (Caution)	1		WG010001-	
19		D405 506 00	* Decal (Caution)	1		WG010001-	
20		D405 571 00	* Decal (Caution)	1		WG010001-	
21		4405 456 00	* Decal (Anti-Freezing Solution)	1		WG010001-***	
21		D408 653 00	* Decal (Anti-Freezing Solution)	1	○	***-	
22		D406 783 00	* Decal (Environment)	1		WG010001-	
23		D408 371 00	* Decal (Reflector)	2		WG010001-	
24		D408 335 00	* Decal (Boom Lowering)	1		WG010001-	
25		4448 944 00	* Decal (Spare Piping Change)	1		WG010001-	
26		4447 925 00	* Decal (Breaker Cation)	1		WG010001-	
27		4448 511 00	* Decal (Transport Fix)	1		WG010001-	
28		D408 349 00	* Decal (Lifting Procedures)	1		WG010001-	
29	×	D405 097 00	* Decal (New Machine)	1		WG010001-	
30		D406 032 00	* Decal (Noise 97)	1		WG010001-	
31		D407 943 00	* Decal (EPA Regulation)	1		WG010001-	
32		D405 510 00	* Decal (Caution)	1		WG010001-	
33		D408 402 00	* Decal (IHI)	3		WG010001-	
34		D408 403 00	* Decal (IHI)	1		WG010001-	
35		D406 630 00	* Decal (Blade, Pedal)	1		WG010001-	
36		D406 622 00	* Decal (Control A)	1		WG010001-	
36-1		D406 623 00	* Decal (Control B)	1		WG010001-	
36-2		D406 624 00	* Decal (Control C)	1		WG010001-	
36-3		D406 625 00	* Decal (Control D)	1		WG010001-	
37		D406 628 00	* Decal (Control A-D)	1		WG010001-	



40V4-15100B-1

"A" DETAIL

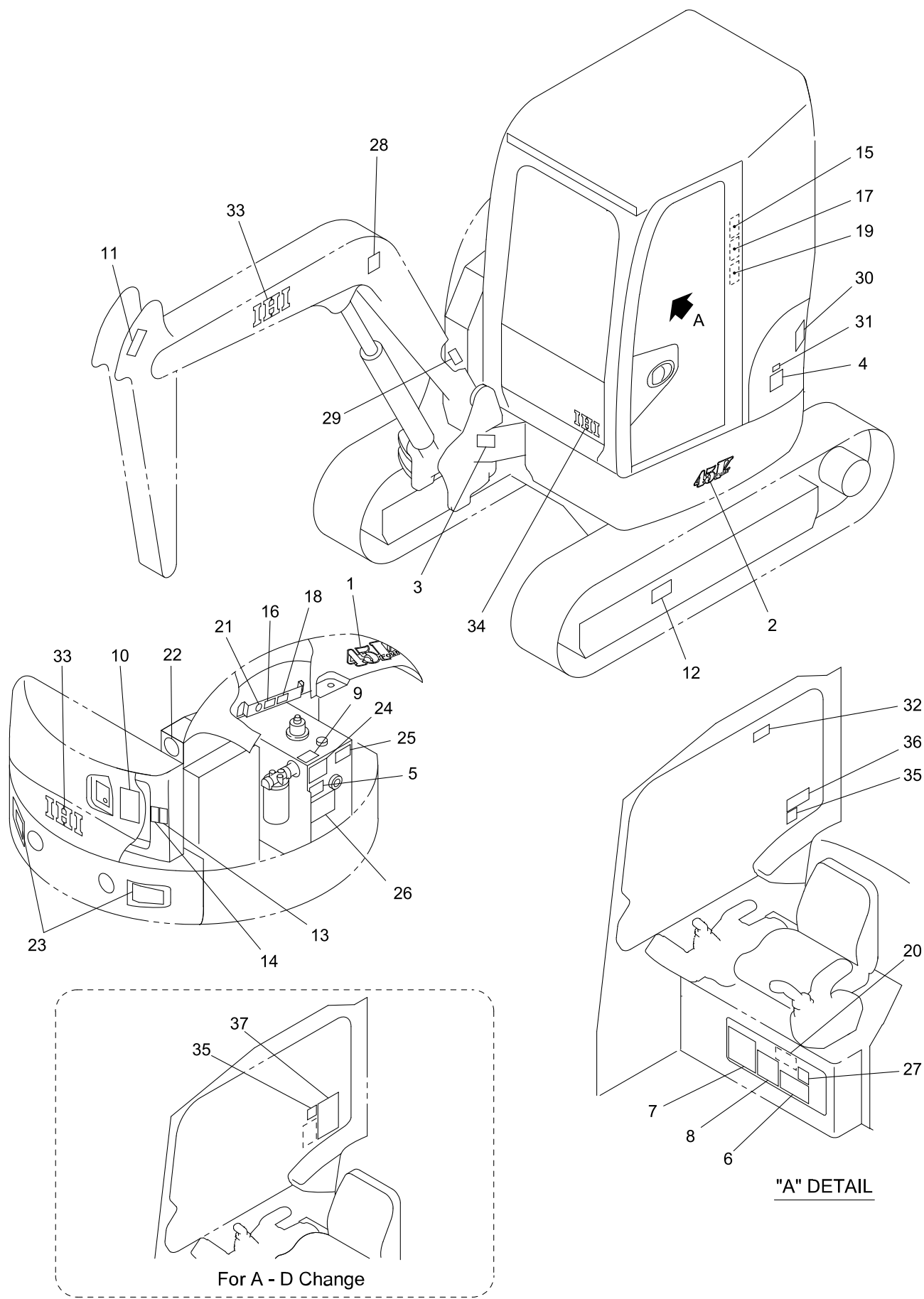


NAME PLATE ASS'Y (FOR GERMAN)

MODEL 45V4

SHEET No 15-10[E]

KEY No.	SUP.	PART No.	DESCRIPTION	Q'TY	CHAN.	SERIAL No.	REMARKS
0	×	F377 849 00	Decal Ass'y	1		WG010001-	
0-1	×	F377 855 00	Decal Ass'y	1		WG010001-	
1		D408 411 00	* Decal (Model)	1		WG010001-	
2		D408 420 00	* Decal (Model)	1		WG010001-	
3	×	D405 091 00	* Decal (Serial No.)	1		WG010001-	
3-1		0497 035 00	* Screw, Drive	4		WG010001-	d=3
4		4405 457 00	* Decal (Oil)	1		WG010001-	
5		D406 565 00	* Decal (Oil Check)	1		WG010001-	
6		D408 358 00	* Decal (Lub. Chart)	1		WG010001-	
7		D408 330 00	* Decal (Engine Daily Check)	1		WG010001-	
8		D407 017 00	* Decal (Safety Works)	1		WG010001-	
9		D408 427 00	* Decal (Tank Decompression)	1		WG010001-	
10		D405 507 00	* Decal (Safety Swing)	1		WG010001-	
11		D405 511 00	* Decal (Caution)	2		WG010001-***	
11		D405 668 00	* Decal (Caution)	2	○	***-	
12		D405 505 00	* Decal (Caution)	2		WG010001-	
13		D405 366 00	* Decal (Caution)	1		WG010001-	
14		D405 509 00	* Decal (Caution)	1		WG010001-	
15		D405 359 00	* Decal (Caution)	1		WG010001-	
16		D405 503 00	* Decal (Caution)	1		WG010001-	
17		D405 508 00	* Decal (Caution)	1		WG010001-	
18		D405 504 00	* Decal (Caution)	1		WG010001-	
19		D405 506 00	* Decal (Caution)	1		WG010001-	
20		D405 587 00	* Decal (Caution)	1		WG010001-	
21		4447 229 00	* Decal (Anti-Freezing Solution)	1		WG010001-***	
21		D408 653 00	* Decal (Anti-Freezing Solution)	1	○	***-	
22		D406 783 00	* Decal (Environment)	1		WG010001-	
23		D408 371 00	* Decal (Reflector)	2		WG010001-	
24		D408 336 00	* Decal (Boom Lowering)	1		WG010001-	
25		D405 256 00	* Decal (Spare Piping Change)	1		WG010001-	
26		4448 350 00	* Decal (Breaker Cation)	1		WG010001-	
27		D405 059 00	* Decal (Transport Fix)	1		WG010001-	
28		D408 350 00	* Decal (Lifting Procedures)	1		WG010001-	
29	×	D405 097 00	* Decal (New Machine)	1		WG010001-	
30		D406 032 00	* Decal (Noise 97)	1		WG010001-	
31		D407 943 00	* Decal (EPA Regulation)	1		WG010001-	
32		D405 510 00	* Decal (Caution)	1		WG010001-	
33		D408 402 00	* Decal (IHI)	3		WG010001-	
34		D408 403 00	* Decal (IHI)	1		WG010001-	
35		D406 630 00	* Decal (Blade, Pedal)	1		WG010001-	
36		D406 622 00	* Decal (Control A)	1		WG010001-	
36-1		D406 623 00	* Decal (Control B)	1		WG010001-	
36-2		D406 624 00	* Decal (Control C)	1		WG010001-	
36-3		D406 625 00	* Decal (Control D)	1		WG010001-	
37		D406 628 00	* Decal (Control A-D)	1		WG010001-	



40V4-15100B-1

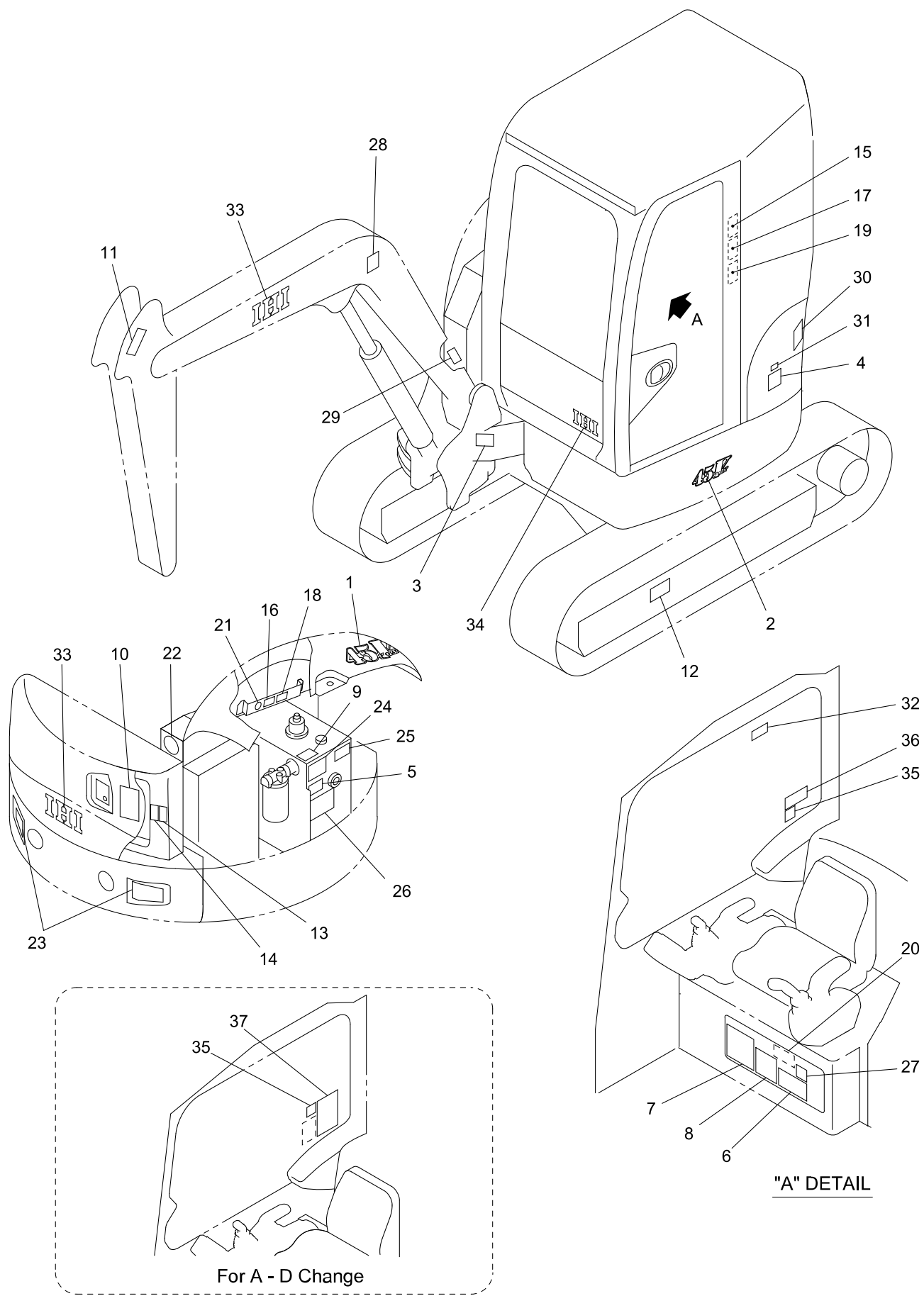
IHI

NAME PLATE ASS'Y (FOR DANISH)

MODEL 45V4

SHEET No 15-10[F]

KEY No.	SUP.	PART No.	DESCRIPTION	Q'TY	CHAN.	SERIAL No.	REMARKS
0	×	F377 849 00	Decal Ass'y	1		WG010001-	
0-1	×	F377 855 00	Decal Ass'y	1		WG010001-	
1		D408 411 00	* Decal (Model)	1		WG010001-	
2		D408 420 00	* Decal (Model)	1		WG010001-	
3	×	D405 091 00	* Decal (Serial No.)	1		WG010001-	
3-1		0497 035 00	* Screw, Drive	4		WG010001-	d=3
4		4405 457 00	* Decal (Oil)	1		WG010001-	
5		D406 562 00	* Decal (Oil Check)	1		WG010001-	
6		D408 359 00	* Decal (Lub. Chart)	1		WG010001-	
7		D408 331 00	* Decal (Engine Daily Check)	1		WG010001-	
8		4448 603 00	* Decal (Safety Works)	1		WG010001-	
9		D408 428 00	* Decal (Tank Decompression)	1		WG010001-	
10		D405 507 00	* Decal (Safety Swing)	1		WG010001-	
11		D405 511 00	* Decal (Caution)	2		WG010001-***	
11		D405 668 00	* Decal (Caution)	2	○	***-	
12		D405 505 00	* Decal (Caution)	2		WG010001-	
13		D405 366 00	* Decal (Caution)	1		WG010001-	
14		D405 509 00	* Decal (Caution)	1		WG010001-	
15		D405 359 00	* Decal (Caution)	1		WG010001-	
16		D405 503 00	* Decal (Caution)	1		WG010001-	
17		D405 508 00	* Decal (Caution)	1		WG010001-	
18		D405 504 00	* Decal (Caution)	1		WG010001-	
19		D405 506 00	* Decal (Caution)	1		WG010001-	
20		D405 594 00	* Decal (Caution)	1		WG010001-	
21		4448 598 00	* Decal (Anti-Freezing Solution)	1		WG010001-***	
21		D408 653 00	* Decal (Anti-Freezing Solution)	1	○	***-	
22		D406 783 00	* Decal (Environment)	1		WG010001-	
23		D408 371 00	* Decal (Reflector)	2		WG010001-	
24		D408 337 00	* Decal (Boom Lowering)	1		WG010001-	
25		4449 406 00	* Decal (Spare Piping Change)	1		WG010001-	
26		4448 607 00	* Decal (Breaker Cation)	1		WG010001-	
27		4448 619 00	* Decal (Transport Fix)	1		WG010001-	
28		D408 351 00	* Decal (Lifting Procedures)	1		WG010001-	
29	×	D405 097 00	* Decal (New Machine)	1		WG010001-	
30		D406 032 00	* Decal (Noise 97)	1		WG010001-	
31		D407 943 00	* Decal (EPA Regulation)	1		WG010001-	
32		D405 510 00	* Decal (Caution)	1		WG010001-	
33		D408 402 00	* Decal (IHI)	3		WG010001-	
34		D408 403 00	* Decal (IHI)	1		WG010001-	
35		D406 630 00	* Decal (Blade, Pedal)	1		WG010001-	
36		D406 622 00	* Decal (Control A)	1		WG010001-	
36-1		D406 623 00	* Decal (Control B)	1		WG010001-	
36-2		D406 624 00	* Decal (Control C)	1		WG010001-	
36-3		D406 625 00	* Decal (Control D)	1		WG010001-	
37		D406 628 00	* Decal (Control A-D)	1		WG010001-	



40V4-15100B-1

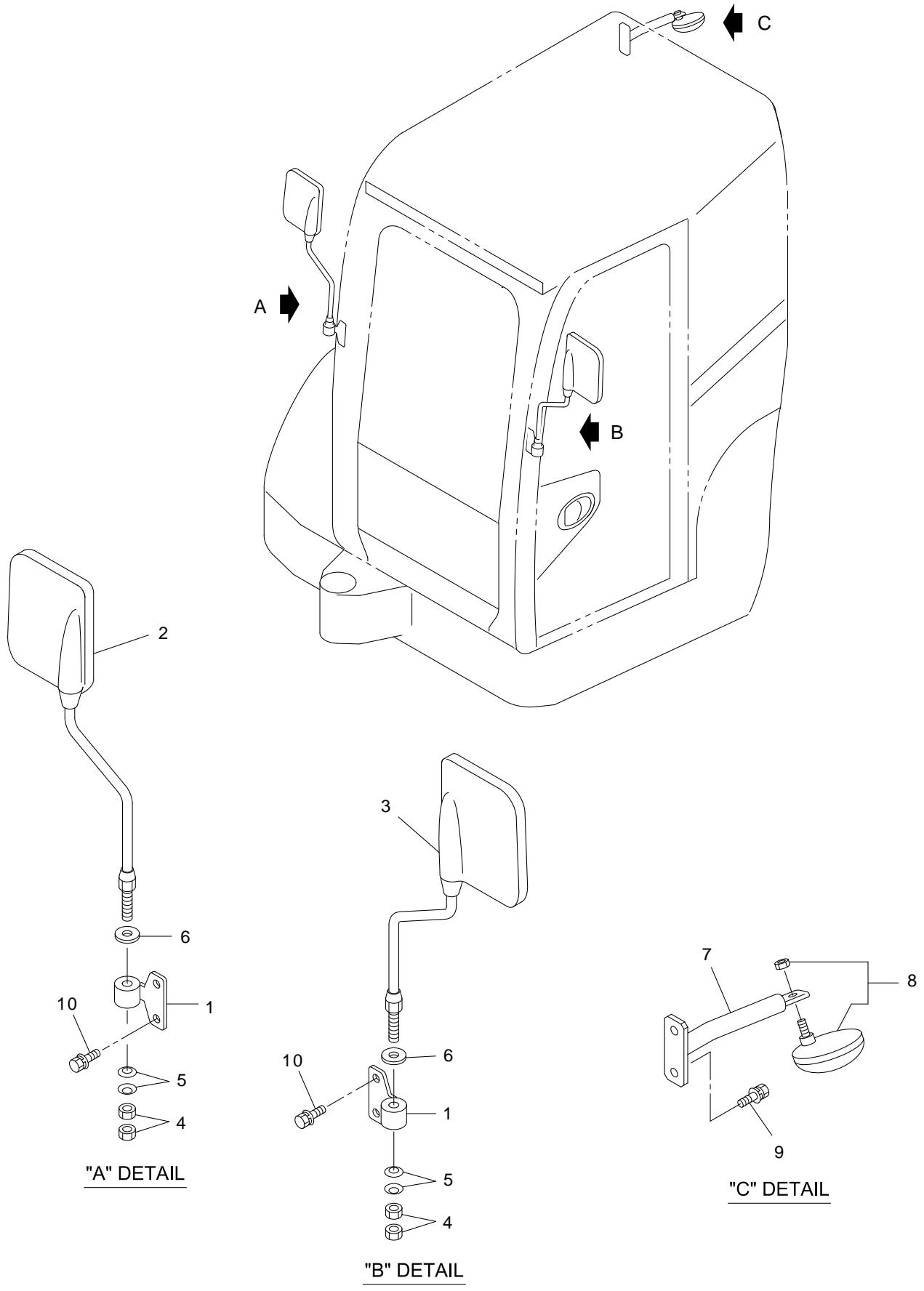


NAME PLATE ASS'Y (FOR SPANISH)

MODEL 45V4

SHEET No 15-10[G]

KEY No.	SUP.	PART No.	DESCRIPTION	Q'TY	CHAN.	SERIAL No.	REMARKS
0	×	F377 849 00	Decal Ass'y	1		WG010001-	
0-1	×	F377 855 00	Decal Ass'y	1		WG010001-	
1		D408 411 00	* Decal (Model)	1		WG010001-	
2		D408 420 00	* Decal (Model)	1		WG010001-	
3	×	D405 091 00	* Decal (Serial No.)	1		WG010001-	
3-1		0497 035 00	* Screw, Drive	4		WG010001-	d=3
4		D406 000 00	* Decal (Oil)	1		WG010001-	
5		D406 811 00	* Decal (Oil Check)	1		WG010001-	
6		D408 361 00	* Decal (Lub. Chart)	1		WG010001-	
7		D408 333 00	* Decal (Engine Daily Check)	1		WG010001-	
8		D407 016 00	* Decal (Safety Works)	1		WG010001-	
9		D408 430 00	* Decal (Tank Decompression)	1		WG010001-	
10		D405 507 00	* Decal (Safety Swing)	1		WG010001-	
11		D405 511 00	* Decal (Caution)	2		WG010001-***	
11		D405 668 00	* Decal (Caution)	2	○	***-	
12		D405 505 00	* Decal (Caution)	2		WG010001-	
13		D405 366 00	* Decal (Caution)	1		WG010001-	
14		D405 509 00	* Decal (Caution)	1		WG010001-	
15		D405 359 00	* Decal (Caution)	1		WG010001-	
16		D405 503 00	* Decal (Caution)	1		WG010001-	
17		D405 508 00	* Decal (Caution)	1		WG010001-	
18		D405 504 00	* Decal (Caution)	1		WG010001-	
19		D405 506 00	* Decal (Caution)	1		WG010001-	
20		D406 005 00	* Decal (Caution)	1		WG010001-	
21		D406 012 00	* Decal (Anti-Freezing Solution)	1		WG010001-***	
21		D408 653 00	* Decal (Anti-Freezing Solution)	1	○	***-	
22		D406 783 00	* Decal (Environment)	1		WG010001-	
23		D408 371 00	* Decal (Reflector)	2		WG010001-	
24		D408 339 00	* Decal (Boom Lowering)	1		WG010001-	
25		D406 720 00	* Decal (Spare Piping Change)	1		WG010001-	
26		D406 002 00	* Decal (Breaker Cation)	1		WG010001-	
27		D406 007 00	* Decal (Transport Fix)	1		WG010001-	
28		D408 353 00	* Decal (Lifting Procedures)	1		WG010001-	
29	×	D405 097 00	* Decal (New Machine)	1		WG010001-	
30		D406 032 00	* Decal (Noise 97)	1		WG010001-	
31		D407 943 00	* Decal (EPA Regulation)	1		WG010001-	
32		D405 510 00	* Decal (Caution)	1		WG010001-	
33		D408 402 00	* Decal (IHI)	3		WG010001-	
34		D408 403 00	* Decal (IHI)	1		WG010001-	
35		D406 630 00	* Decal (Blade, Pedal)	1		WG010001-	
36		D406 622 00	* Decal (Control A)	1		WG010001-	
36-1		D406 623 00	* Decal (Control B)	1		WG010001-	
36-2		D406 624 00	* Decal (Control C)	1		WG010001-	
36-3		D406 625 00	* Decal (Control D)	1		WG010001-	
37		D406 628 00	* Decal (Control A-D)	1		WG010001-	



V4ALL- 151100-1

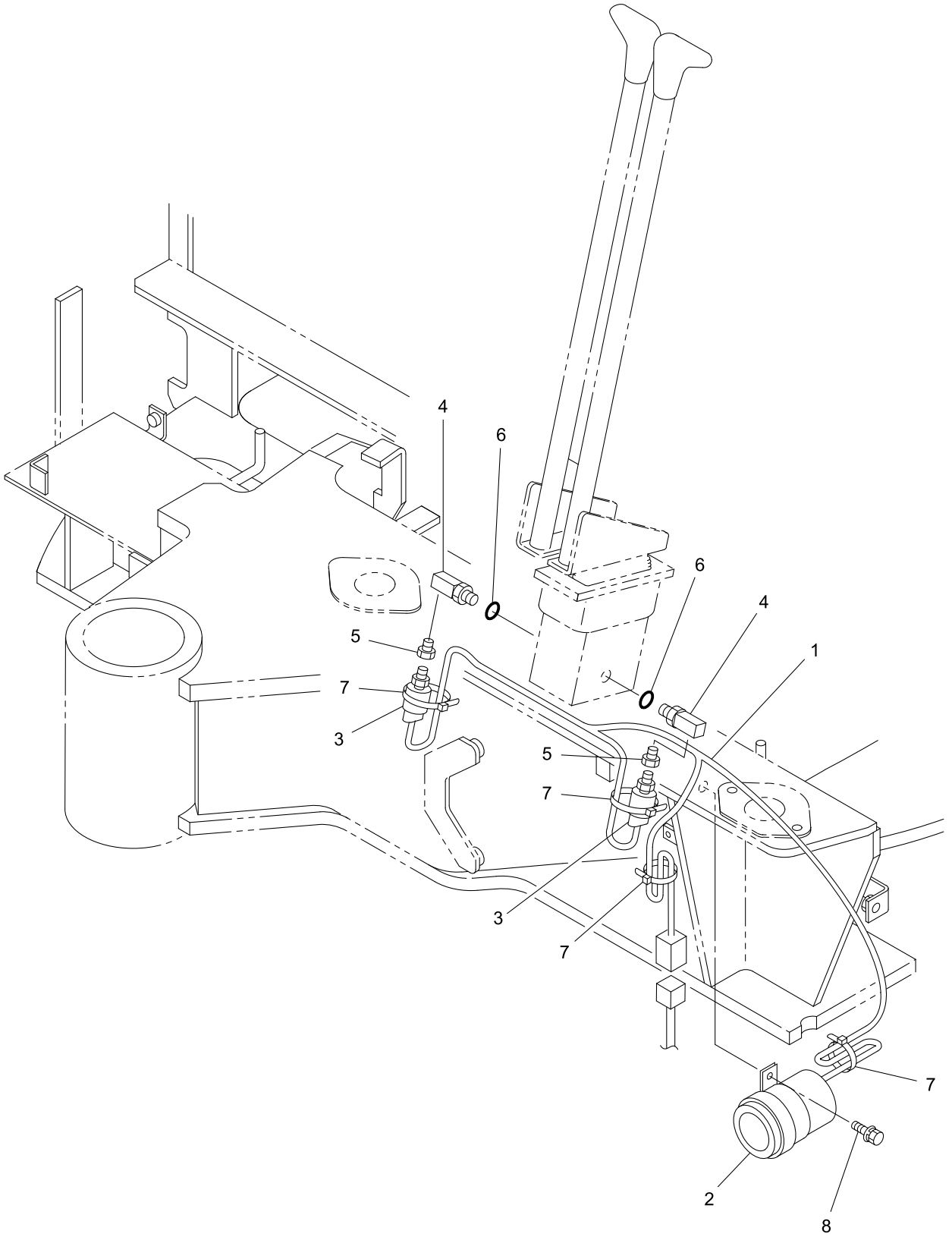


MIRROR ASS'Y

MODEL 45V4

SHEET No 15-11

KEY No.	SUP.	PART No.	DESCRIPTION	Q'TY	CHAN.	SERIAL No.	REMARKS
0	×	F355 037 00	Mirror Ass'y	1		WG010001-	
1		D416 701 00	* Bracket	2		WG010001-	
2		0699 901 12	* Mirror, Back	1		WG010001-	
3		0699 901 13	* Mirror, Back	1		WG010001-	
4		0580 120 00	* Nut, Hex.	4		WG010001-	M12
5		0491 800 12	* Washer, Conical Spring	4		WG010001-	M12
6		0593 120 00	* Washer, Flat	2		WG010001-	M12
7		D260 381 00	* Stay	1		WG010001-	
8		0690 203 08	* Mirror, Under	1		WG010001-	
9		0439 100 25	* Bolt, Treatment (W/L.W,F.W)	2		WG010001-	M10X25 P=1.25
10		0439 100 20	* Bolt, Treatment (W/L.W,F.W)	4		WG010001-	M10X20 P=1.25



40V4-151200-1



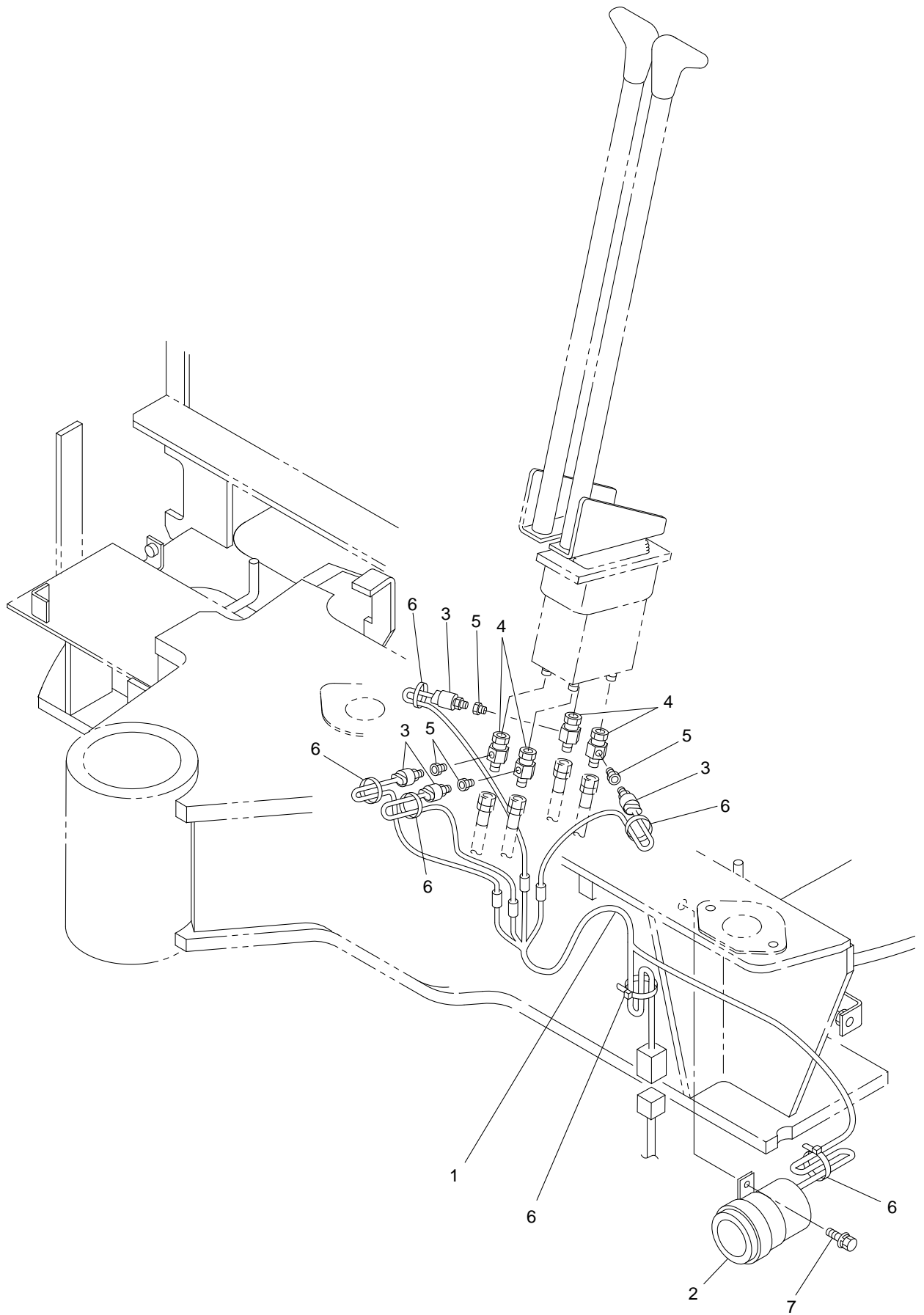
MODEL 45V4

TRAVEL ALARM DEVICE

SHEET No 15-12

KEY No.	SUP.	PART No.	DESCRIPTION	Q'TY	CHAN.	SERIAL No.	REMARKS
0	×	F432 331 00	Alarm Device, Travvel	1		WG010001-	
1		D592 161 00	* Harness	1		WG010001-	
2		0857 011 48	* Horn, Back	1		WG010001-	
3		0858 180 10	* Switch, Pressure	2		WG010001-	
4		0719 804 UA	* Elbow	2		WG010001-	
5		0710 400 24	* Bush, Reducer	2		WG010001-	PT1/4XPT1/8
6		0760 710 12	* Ring, O	2		WG010001-	P11-90B
7		0820 067 04	* Band, Cable	4		WG010001-	
8		0517 080 20	* Bolt, Treatment (W/L.W, F.W)	1		WG010001-	M8X20





40V4-1512A0-1

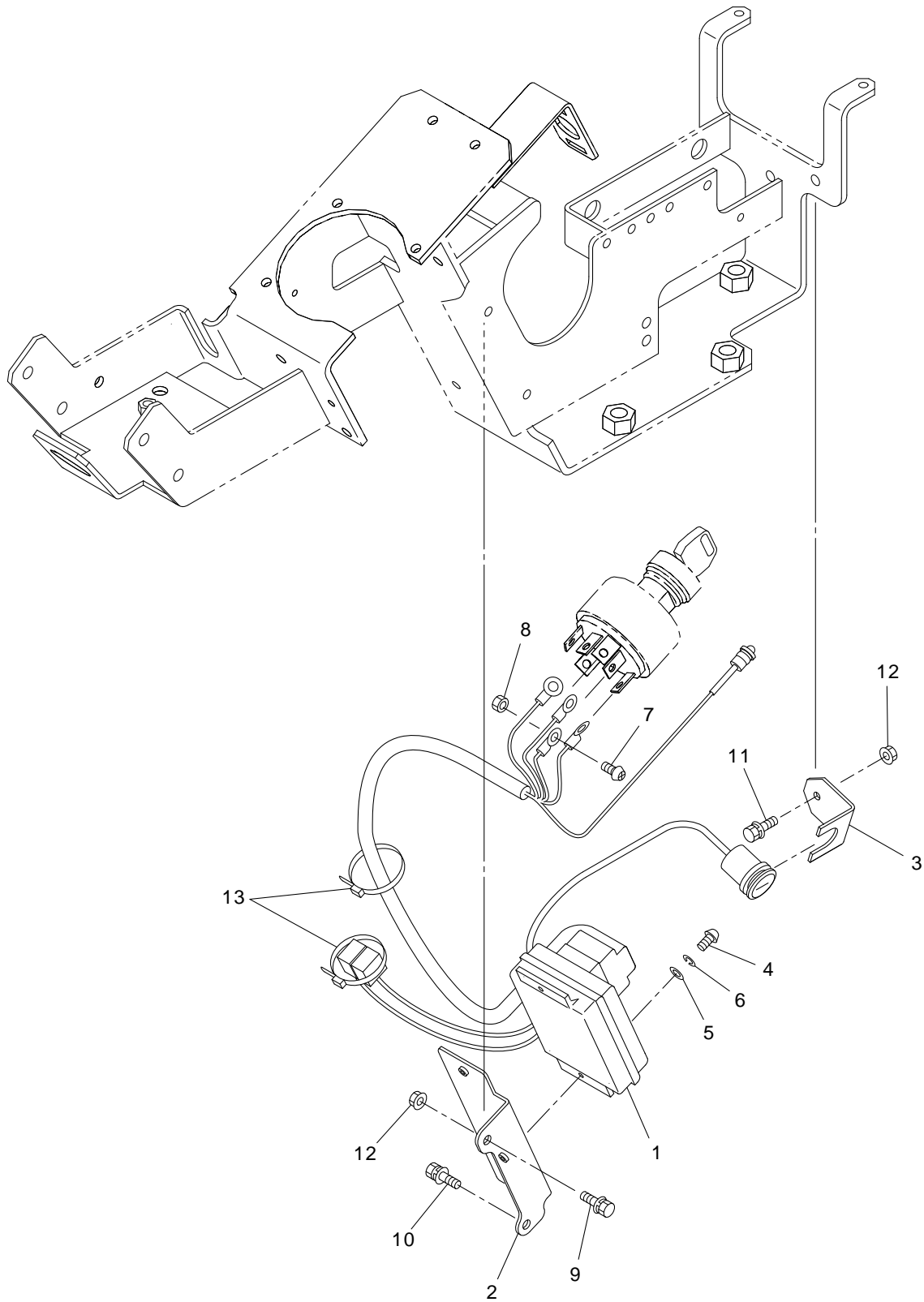


TRAVEL ALARM DEVICE

MODEL 45V4

SHEET No 15-12A

KEY No.	SUP.	PART No.	DESCRIPTION	Q'TY	CHAN.	SERIAL No.	REMARKS
0	×	F432 343 00	Alarm Device, Travel	1		***-	
1		D592 518 00	* Harness	1		***-	
2		0857 011 48	* Horn, Back	1		***-	
3		0858 180 10	* Switch, Pressure	4		***-	
4		4072 930 01	* Adapter, Union	4		***-	
5		0710 400 24	* Bush, Reducer	4		***-	PT1/4XPT1/8
6		0820 067 04	* Band, Cable	6		***-	
7		0517 080 25	* Bolt, Treatment (W/L.W, F.W)	1		***-	M8X25



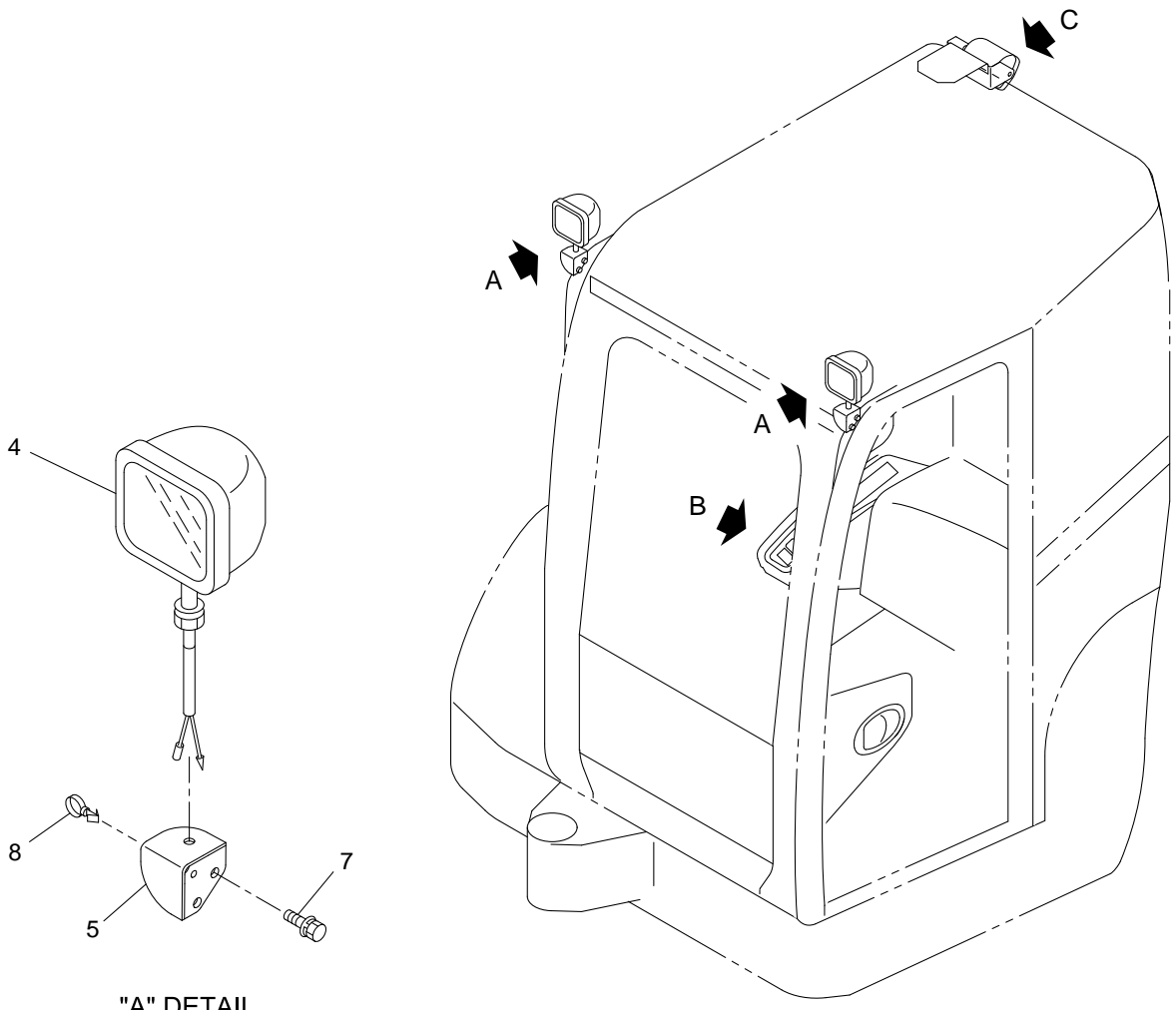
V4ALL- 151300-1



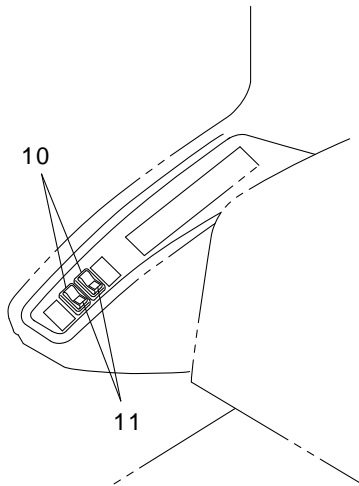
IMMOBILIZER ASS'Y

MODEL 45V4

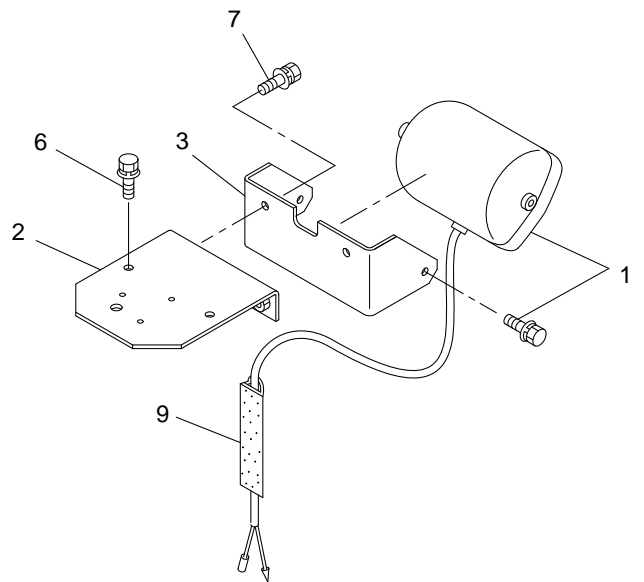
SHEET No 15-13



"A" DETAIL



"B" DETAIL



"C" DETAIL

V4ALL- 151400-1

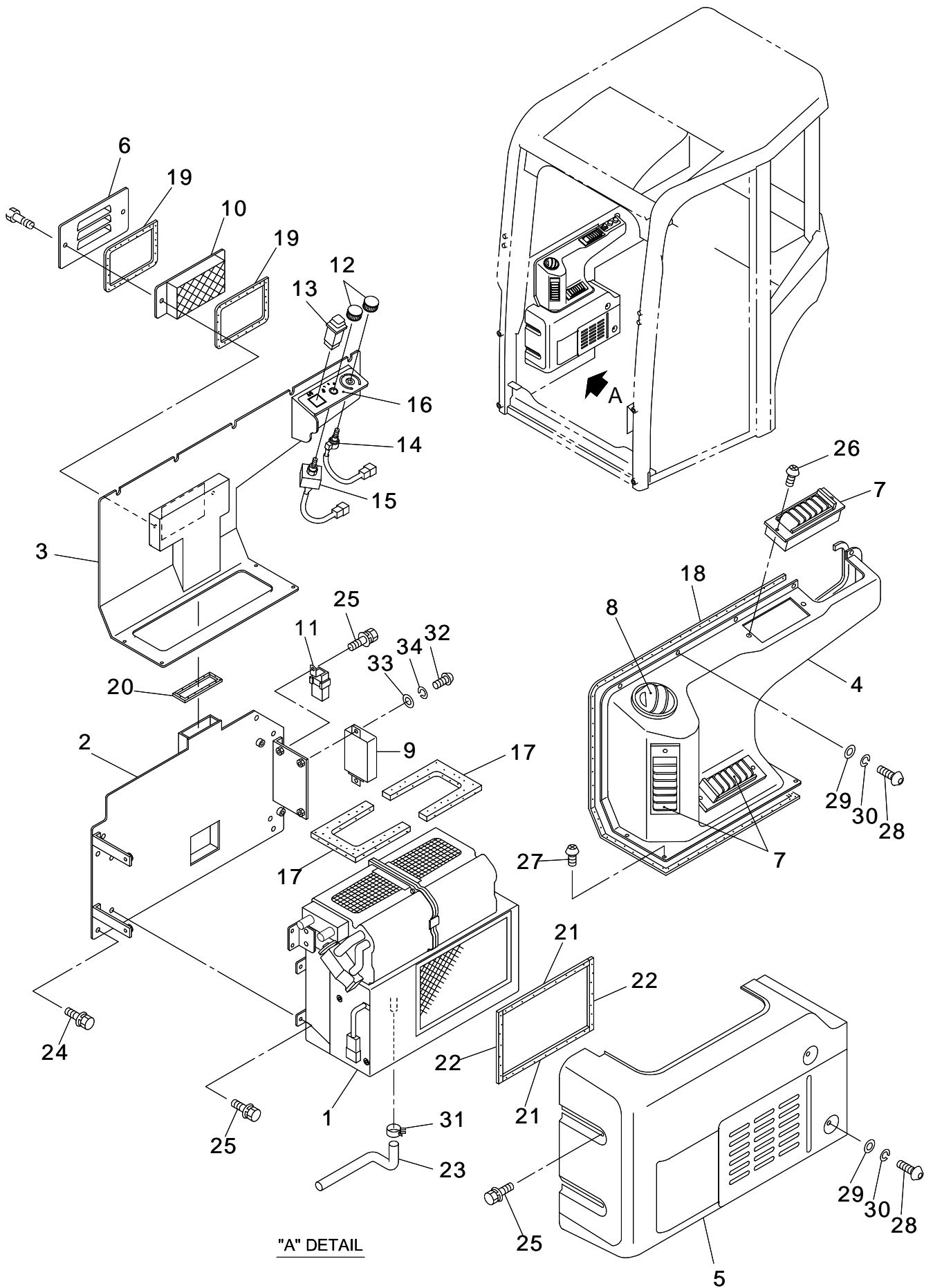


LIGHT ASS'Y

MODEL 45V4

SHEET No 15-14

KEY No.	SUP.	PART No.	DESCRIPTION	Q'TY	CHAN.	SERIAL No.	REMARKS
0	×	F385 402 00	Light Ass'y	1		WG010001-	
1		0854 536 UA	* Lamp Ass'y	1		WG010001-	
1-1		0854 536 01	** Lens	1		WG010001-	
1-2		0854 536 11	** Bulb	1		WG010001-	
2		D418 632 00	* Bracket	1		WG010001-	
3		D418 630 00	* Bracket	1		WG010001-	
4		0854 523 UA	* Light Ass'y	2		WG010001-	
4-1		0854 523 01	** Lens	1		WG010001-	
4-2		0854 523 06	** Bulb	1		WG010001-	
5		D419 161 00	* Bracket	2		WG010001-	
6		0439 100 20	* Bolt, Treatment (W/L.W, F.W)	2		WG010001-	M10X20 P=1.25
7		0439 100 25	* Bolt, Treatment (W/L.W, F.W)	6		WG010001-	M10X25 P=1.25
8		0690 082 08	* Clamp, Hose	2		WG010001-	
9		4522 707 01	* Duct	1		WG010001-	
10		0858 314 11	* Switch Ass'y, Light	2		WG010001-	
11		0858 314 12	* Decal	2		WG010001-	



30V4-151500-1

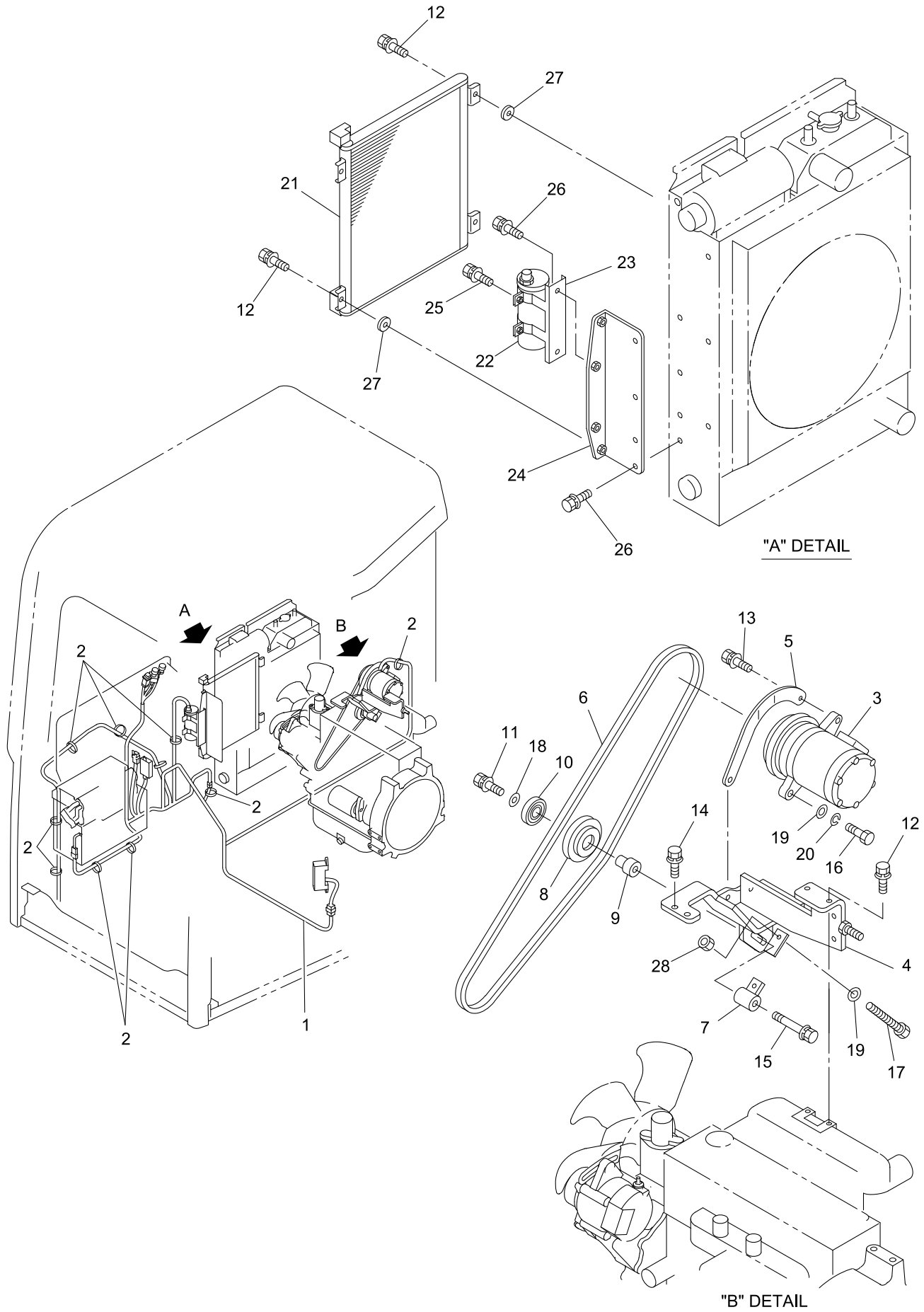


AIR CONDITIONER ASS'Y (1)

MODEL 45V4

SHEET No 15-15

KEY No.	SUP.	PART No.	DESCRIPTION	Q'TY	CHAN.	SERIAL No.	REMARKS
0	×	F385 429 00	Air Conditioner Ass'y (1)	1		WG010001-	
1		0892 270 UA	* Air Conditioner Ass'y	1		WG010001-	
2		D419 359 00	* Bracket	1		WG010001-	
3		D452 207 00	* Bracket	1		WG010001-	
4		D465 382 00	* Duct	1		WG010001-	
5		D465 383 00	* Panel	1		WG010001-	
6		D458 508 00	* Cover	1		WG010001-	
7		0820 023 19	* Louver	3		WG010001-	
8		0820 023 18	* Louver	1		WG010001-	
9		0898 000 02	* Amplifier	1		WG010001-	
10		0745 142 UA	* Filter, Air	1		WG010001-	
11		0820 215 07	* Relay	1		WG010001-	
12		0690 210 86	* Knob (With A/C)	2		WG010001-	
13		0898 000 05	* Switch	1		WG010001-	
14		0898 000 03	* Volume, Thermodtat	1		WG010001-	
15		0898 000 04	* Switch Ass'y, Blower	1		WG010001-	
16		D408 205 00	* Decal	1		WG010001-	
17		D493 694 00	* Seal, Sponge	2		WG010001-	
18		D551 009 01	* Seal, Sponge	2		WG010001-	L=1000
19		D551 009 02	* Seal, Sponge	2		WG010001-	L=430
20		D551 009 03	* Seal, Sponge	1		WG010001-	L=230
21		D551 010 01	* Seal, Sponge	2		WG010001-	L=210
22		D551 010 02	* Seal, Sponge	2		WG010001-	L=150
23		4070 740 01	* Hose, Fuel	1		WG010001-	L=390
24		0518 100 20	* Bolt, Treatment (W/L.W, F.W)	4		WG010001-	M10X20 P=1.25
25		0517 060 16	* Bolt, Treatment (W/L.W, F.W)	9		WG010001-	M6X16
26		0454 300 12	* Screw, Tapping	6		WG010001-	M3X12
27		0454 600 12	* Screw, Tapping	4		WG010001-	M6X12
28		4004 364 01	* Bolt, Button Head	7		WG010001-	M6X18
29		0593 060 00	* Washer, Flat	7		WG010001-	M6
30		0590 060 00	* Washer, Lock	7		WG010001-	M6
31		0690 082 07	* Clamp	1		WG010001-	
32		0565 040 12	* Screw, Pan Head	2		WG010001-	M4X12
33		0593 040 00	* Washer, Flat	2		WG010001-	M4
34		0590 040 00	* Washer, Lock	2		WG010001-	M4



40V4-151600-1

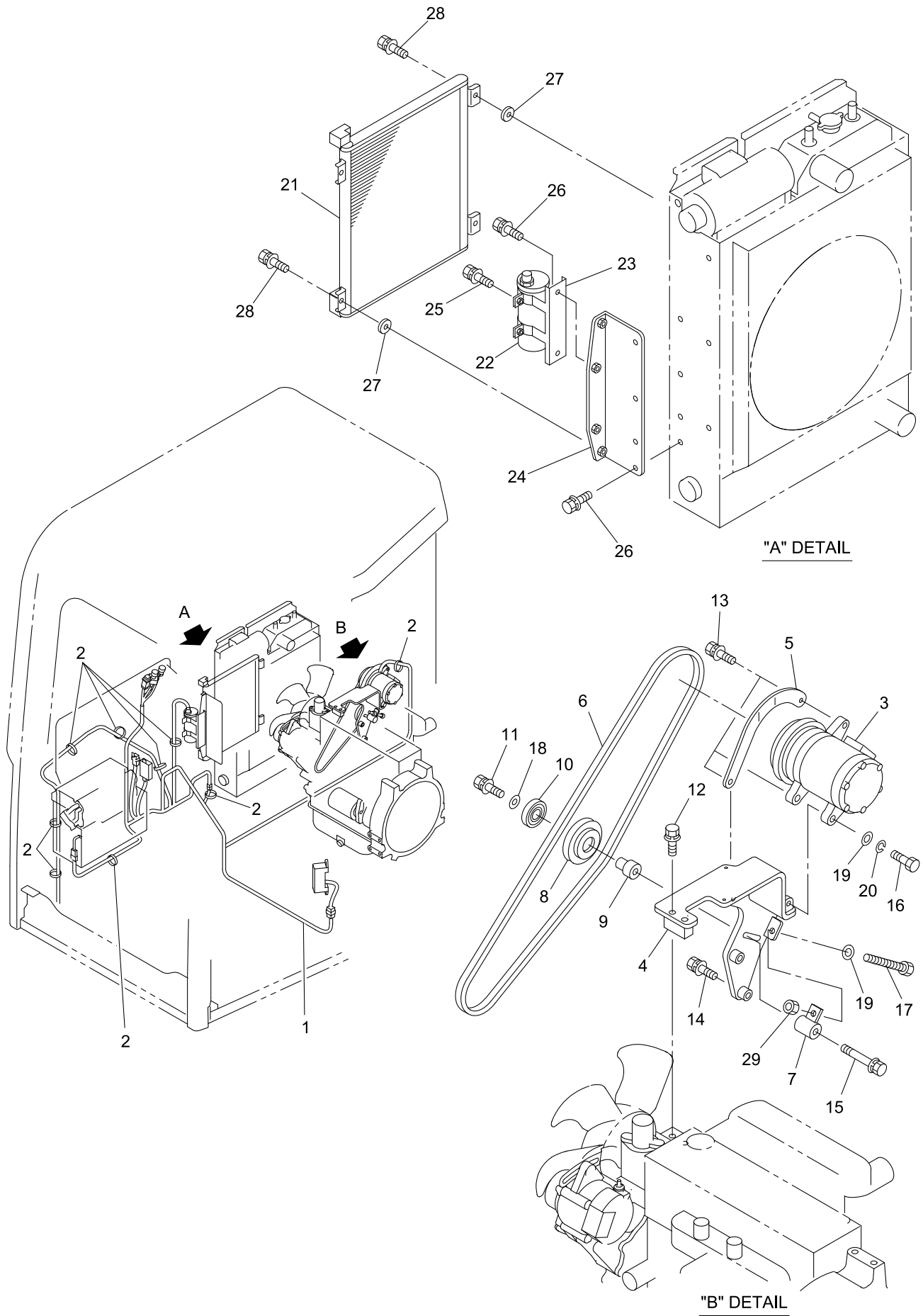
IHI

AIR CONDITIONER ASS'Y (2)

MODEL 45V4

SHEET No 15-16

KEY No.	SUP.	PART No.	DESCRIPTION	Q'TY	CHAN.	SERIAL No.	REMARKS
0	×	F385 430 00	Air Conditioner Ass'y (2)	1		WG010001-WG020000	
1		D592 307 00	* Harness	1		WG010001-	
2		0820 067 04	* Band, Cable	8		WG010001-	
3		0897 018 UA	* Compressor Ass'y	1		WG010001-	
4		D419 349 00	* Bracket	1		WG010001-***	
4		D419 683 00	* Bracket	1	○	***-	
5		D260 518 00	* Stay	1		WG010001-	
6		0910 101 19	* Belt	1		WG010001-	
7		D131 100 00	* Boss	1		WG010001-	
8		D032 017 00	* Pulley	1		WG010001-	
9		D040 381 00	* Spacer	1		WG010001-	
10		0630 620 33	* Bearing	1		WG010001-	6203UU
11		0517 080 12	* Bolt, Treatment (W/L.W, F.W)	1		WG010001-	M8X12
12		0517 080 25	* Bolt, Treatment (W/L.W, F.W)	6		WG010001-	M8X25
13		0517 080 30	* Bolt, Treatment (W/L.W, F.W)	3		WG010001-	M8X30
14		0517 080 40	* Bolt, Treatment (W/L.W, F.W)	2		WG010001-	M8X40
15		0517 080 55	* Bolt, Treatment (W/L.W, F.W)	1		WG010001-	M8X55
16		0513 080 40	* Bolt, Treatment	1		WG010001-	M8X40
17		0551 080 60	* Bolt, Hex.(Full-Thread)	1		WG010001-	M8X60
18		4006 119 01	* Washer	1		WG010001-	M8
19		0593 080 00	* Washer, Flat	2		WG010001-	M8
20		0590 080 00	* Washer, Lock	1		WG010001-	M8
21		0897 019 UA	* Condenser	1		WG010001-	
22		0897 002 UA	* Dryer, Recerver	1		WG010001-	
23		0898 000 01	* Bracket	1		WG010001-	
24		D419 370 00	* Bracket	1		WG010001-	
25		0517 060 20	* Bolt, Treatment (W/L.W, F.W)	2		WG010001-	M6X20
26		0517 080 20	* Bolt, Treatment (W/L.W, F.W)	5		WG010001-	M8X20
27		F771 315 00	* Washer, Rubber	4		WG010001-	
28		0580 080 00	* Nut, Hex.	1		WG010001-	M8



40V4-15160A-1

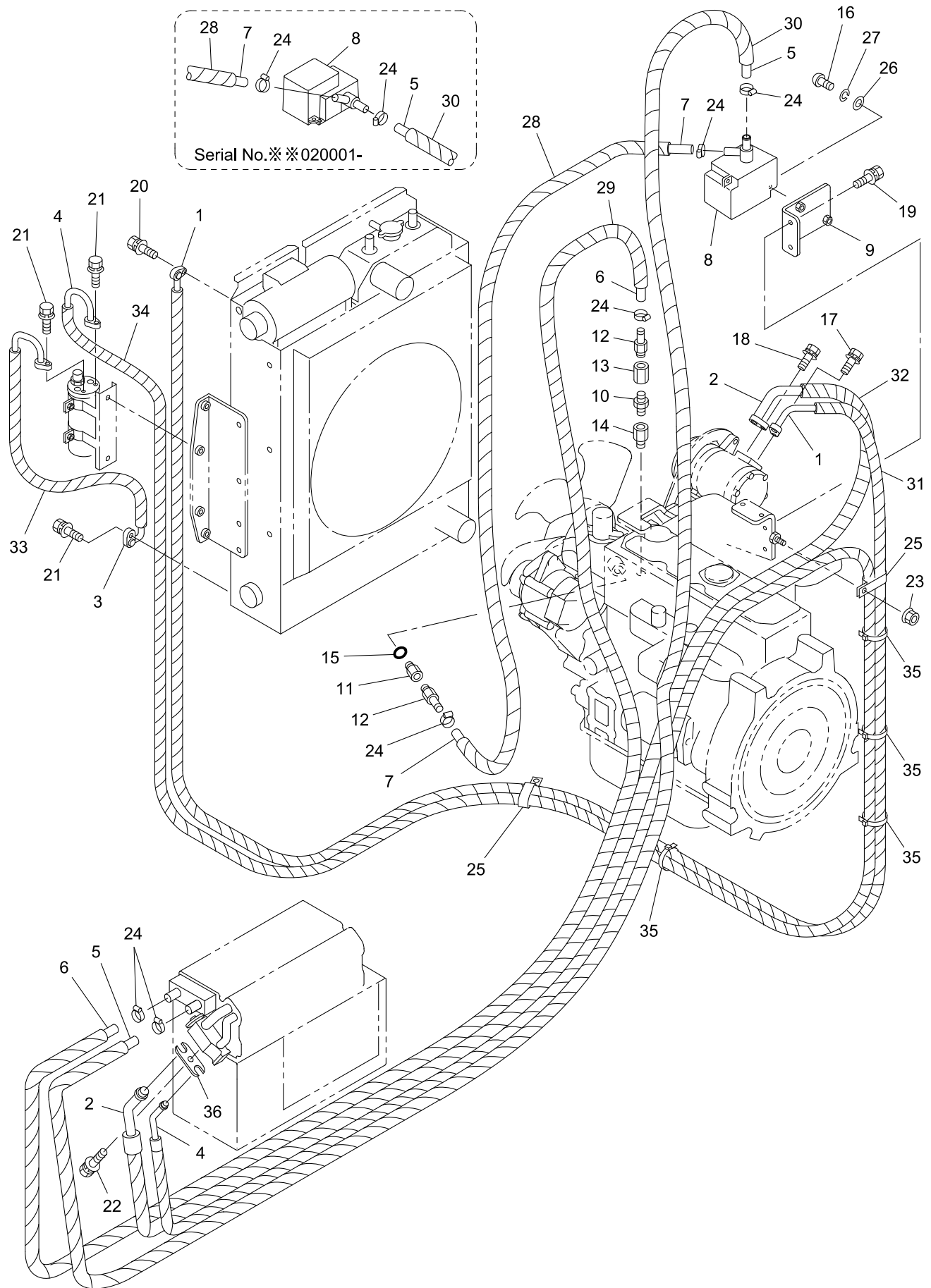


AIR CONDITIONER ASS'Y (2)

MODEL 45V4

SHEET No 15-16[A]

KEY No.	SUP.	PART No.	DESCRIPTION	Q'TY	CHAN.	SERIAL No.	REMARKS
0	×	F385 439 00	Air Conditioner Ass'y (2)	1		WG020001-	
1		D592 307 00	* Harness	1		WG020001-	
2		0820 067 04	* Band, Cable	9		WG020001-	
3		0897 018 UA	* Compressor Ass'y	1		WG020001-	
4		D419 716 00	* Bracket	1		WG020001-	
5		D260 518 00	* Stay	1		WG020001-	
6		0910 101 22	* Belt	1		WG020001-	
7		D131 100 00	* Boss	1		WG020001-	
8		D032 017 00	* Pully	1		WG020001-	
9		D040 381 00	* Spacer	1		WG020001-	
10		0630 620 33	* Bearing	1		WG020001-	6203UU
11		0517 080 12	* Bolt, Treatment (W/L.W, F.W)	1		WG020001-	M8X12
12		0517 080 45	* Bolt, Treatment (W/L.W, F.W)	2		WG020001-	M8X45
13		0517 080 30	* Bolt, Treatment (W/L.W, F.W)	3		WG020001-	M8X30
14		0517 080 35	* Bolt, Treatment (W/L.W, F.W)	2		WG020001-	M8X35
15		0517 080 55	* Bolt, Treatment (W/L.W, F.W)	1		WG020001-	M8X55
16		0513 080 40	* Bolt, Treatment	1		WG020001-	M8X40
17		0551 080 75	* Bolt, Hex.(Full-Thread)	1		WG020001-	M8X75
18		4006 119 01	* Washer	1		WG020001-	M8
19		0593 080 00	* Washer, Flat	2		WG020001-	M8
20		0590 080 00	* Washer, Lock	1		WG020001-	M8
21		0897 019 UA	* Condenser	1		WG020001-	
22		0897 002 UA	* Dryer, Recerver	1		WG020001-	
23		0898 000 01	* Bracket	1		WG020001-	
24		D419 370 00	* Bracket	1		WG020001-	
25		0517 060 20	* Bolt, Treatment (W/L.W, F.W)	2		WG020001-	M6X20
26		0517 080 20	* Bolt, Treatment (W/L.W, F.W)	5		WG020001-	M8X20
27		F771 315 00	* Washer, Rubber	4		WG020001-	
28		0517 080 25	* Bolt, Treatment (W/L.W, F.W)	4		WG020001-	M8X25
29		0580 080 00	* Nut, Hex.	1		WG020001-	M8



40V4-151700-1

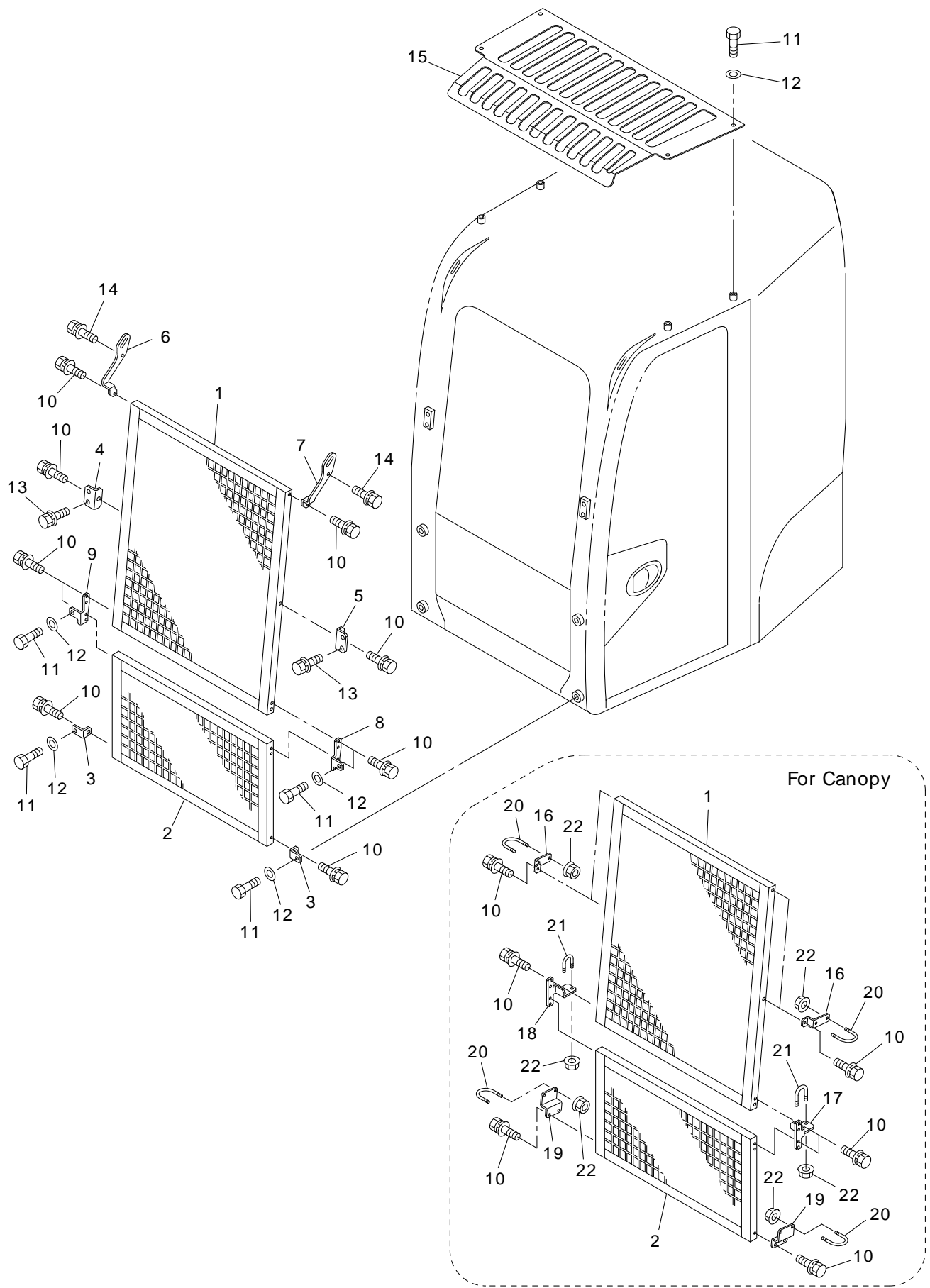


AIR CONDITIONER PIPING ASS'Y

MODEL 45V4

SHEET No 15-17

KEY No.	SUP.	PART No.	DESCRIPTION	Q'TY	CHAN.	SERIAL No.	REMARKS
0	×	F385 431 00	Piping, Ass'y Air Conditioner	1		WG010001-WG020000	
0	×	F385 441 00	Piping, Ass'y Air Conditioner	1		WG020001-	
1		0898 000 68	* Hose	1		WG010001-	
2		0898 000 69	* Hose	1		WG010001-	
3		0898 000 70	* Hose	1		WG010001-	
4		0898 000 71	* Hose	1		WG010001-	
5		4070 102 44	* Hose, Water	M		WG010001-	L=2000
6		4070 102 45	* Hose, Water	M		WG010001-	L=1750
7		4070 102 31	* Hose, Water	M		WG010001-	L=700
8		0898 000 00	* Valve, Water	1		WG010001-	
9		D419 206 00	* Bracket	1		WG010001-WG020000	
10		0710 600 13	* Nipple	1		WG010001-	PT3/8XPT1/4
11		0713 704 03	* Connector	1		WG010001-	
12		4072 220 00	* Nipple	2		WG010001-	
13		0710 501 03	* Socket	1		WG010001-	
14		0710 503 02	* Socket	1		WG010001-	
15		0760 710 16	* Ring, O	1		WG010001-	P14-90B
16		0565 050 12	* Screw, Pan Head	2		WG010001-	M5X12
17		0517 080 35	* Bolt, Treatment (W/L.W, F.W)	1		WG010001-	M8X35
18		0517 080 25	* Bolt, Treatment (W/L.W, F.W)	1		WG010001-	M8X25
19		0517 080 20	* Bolt, Treatment (W/L.W, F.W)	2		WG010001-WG020000	M8X20
20		0517 060 25	* Bolt, Treatment (W/L.W, F.W)	1		WG010001-	M6X25
21		0517 060 25	* Bolt, Treatment (W/L.W, F.W)	3		WG010001-	M6X25
22		0517 060 20	* Bolt, Treatment (W/L.W, F.W)	1		WG010001-	M6X20
23		0524 100 00	* Nut, Hex. (W/F.W)	1		WG010001-WG020000	M10 P=1.25
24		0690 083 04	* Clamp, Hose	6		WG010001-	
25		4080 000 26	* Clamp, Hose	2		WG010001-WG020000	
26		0593 050 00	* Washer, Flat	2		WG010001-	M5
27		0590 050 00	* Washer, Lock	2		WG010001-	M5
28		0820 803 06	* Tube, Corrugate	M		WG010001-	L=600
29		0820 803 06	* Tube, Corrugate	M		WG010001-	L=1650
30		0820 803 06	* Tube, Corrugate	M		WG010001-	L=1900
31		0820 803 05	* Tube, Corrugate	M		WG010001-	L=2100
32		0820 803 07	* Tube, Corrugate	M		WG010001-	L=1650
33		0820 803 04	* Tube, Corrugate	M		WG010001-	L=250
34		0820 803 04	* Tube, Corrugate	M		WG010001-	L=3300
35		0820 067 04	* Band, Cable	4		WG010001-	
36		**** ** *	* Plate, Flange (With A/C)	1		WG010001-	



55N4- 151400- 1

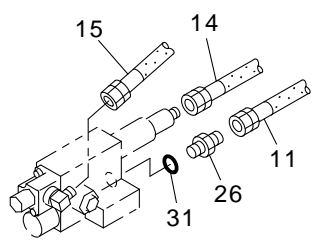


GUARD A'SSY

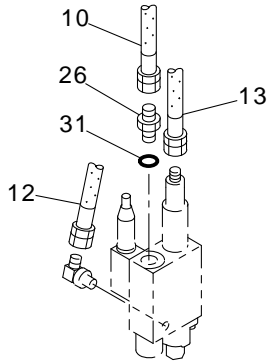
MODEL 45V4

SHEET No 15-18

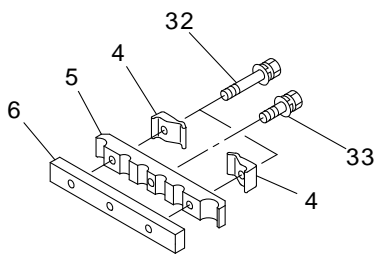
KEY No.	SUP.	PART No.	DESCRIPTION	Q'TY	CHAN.	SERIAL No.	REMARKS
0	×	F355 348 00	Guard Ass'y	1		WG010001-	
0-1	×	F355 294 00	Front Guard Ass'y (For Canopy)	1		WG010001-	
0-2	×	F355 374 00	Top Guard Ass'y (For Cabin)	1		WG010001-	
1		D470 868 00	* Guard (Upper)	1		WG010001-	
2		D470 869 00	* Gurad (Lower)	1		WG010001-	
3		D419 824 00	* Bracket	2		WG010001-	
4		D419 647 00	* Bracket	1		WG010001-	
5		D419 825 00	* Bracket	1		WG010001-	
6		D419 826 00	* Bracket	1		WG010001-	
7		D419 827 00	* Bracket	1		WG010001-	
8		D419 828 00	* Bracket	1		WG010001-	
9		D419 829 00	* Bracket	1		WG010001-	
10		0517 080 25	* Bolt, Treatment (W/L.W, F.W)	14		WG010001-	M8X25
11		0555 120 25	* Bolt, Treatment	AR		WG010001-	M12X25
12		0595 120 00	* Washer, Treatment	AR		WG010001-	M12
13		0518 100 20	* Bolt, Treatment (W/L.W, F.W)	4		WG010001-	M10X20 P=1.25
14		0518 100 25	* Bolt, Treatment (W/L.W, F.W)	2		WG010001-	M10X25 P=1.25
15		D470 893 00	* Guard	1		WG010001-	
16		D419 654 00	* Bracket	4		WG010001-	
17		D419 658 00	* Bracket	1		WG010001-	
18		D419 659 00	* Bracket	1		WG010001-	
19		D419 660 00	* Bracket	2		WG010001-	
20		D003 083 00	* Bolt U	6		WG010001-	
21		D003 084 00	* Bolt U	2		WG010001-	
22		0521 060 00	* Nut, Hex. (W/F.W)	16		WG010001-	M6



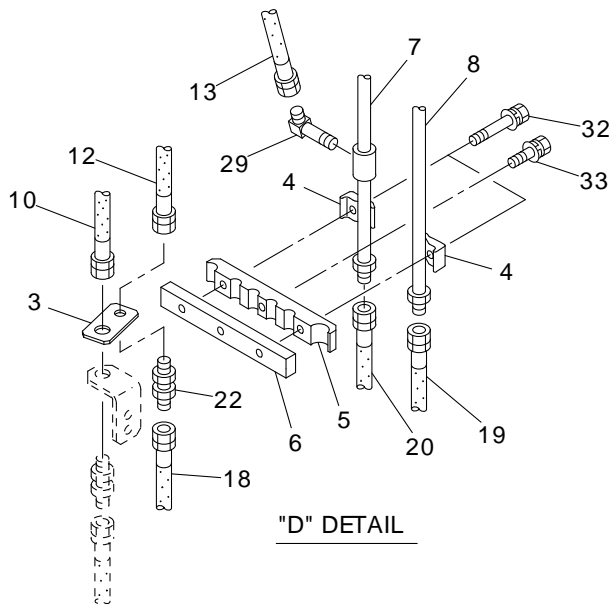
"A" DETAIL



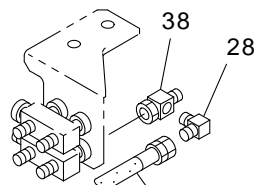
"B" DETAIL



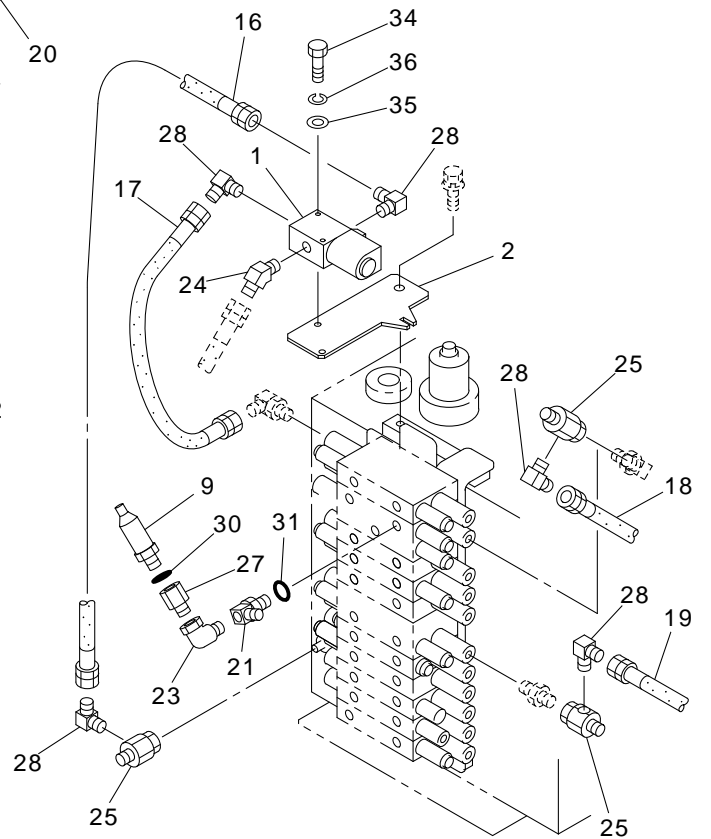
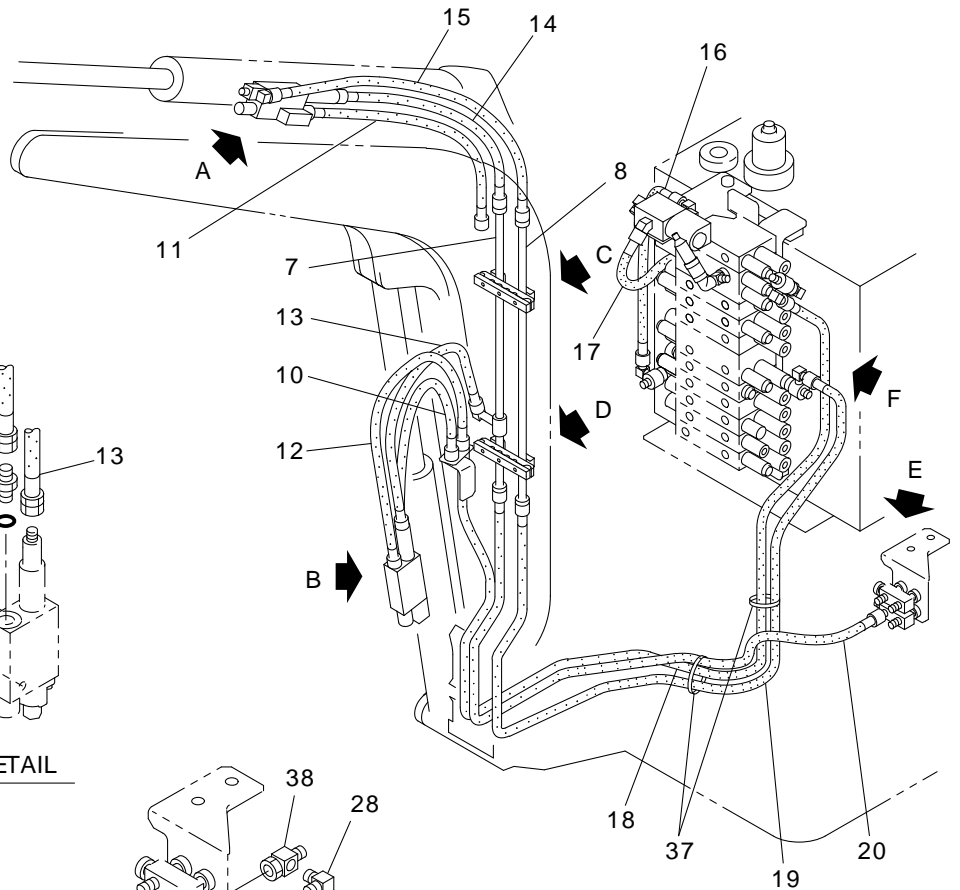
"C" DETAIL



"D" DETAIL



"E" DETAIL



"F" DETAIL

40V4-160100-1

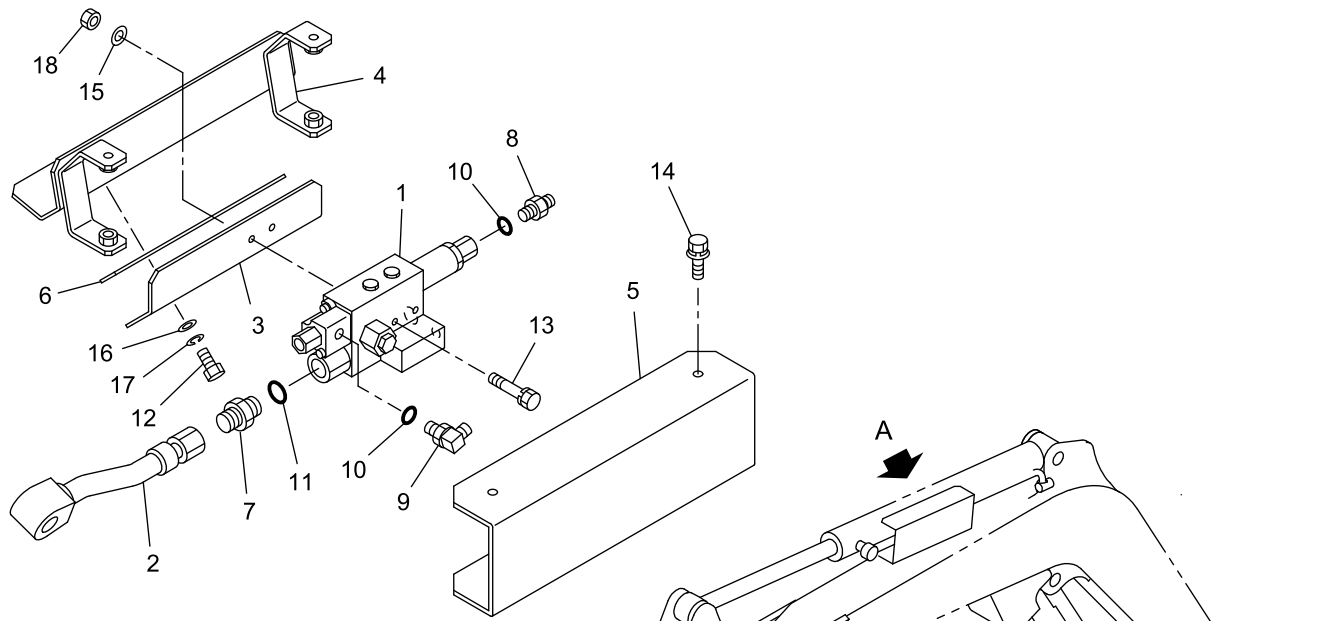


HYDRAULIC PIPING ASS'Y

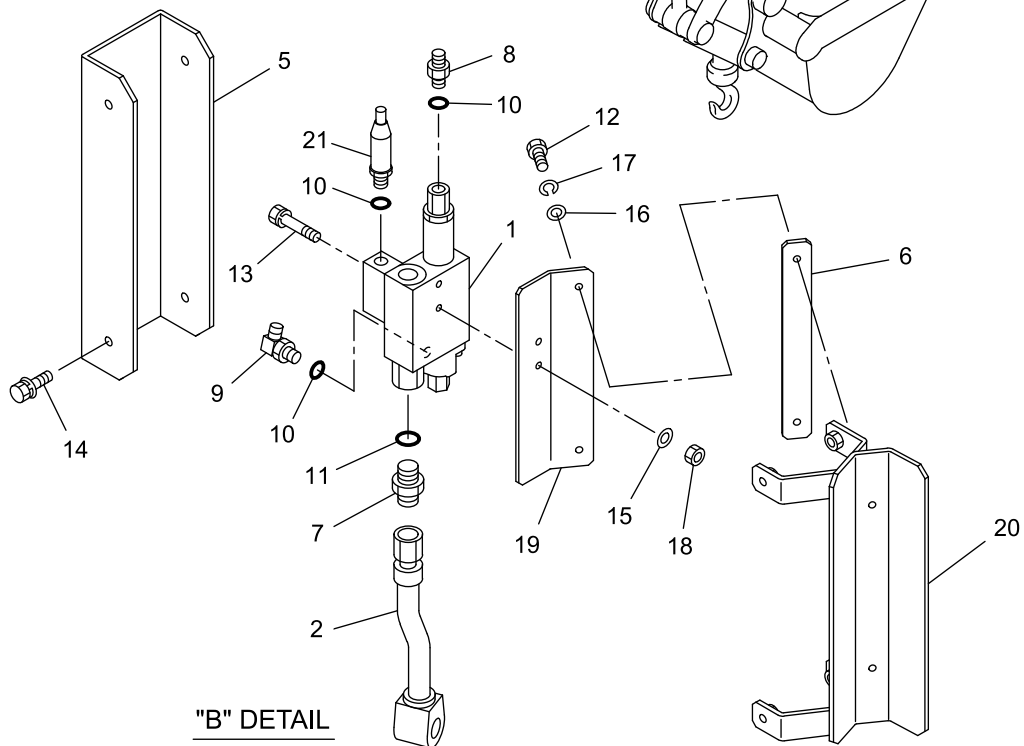
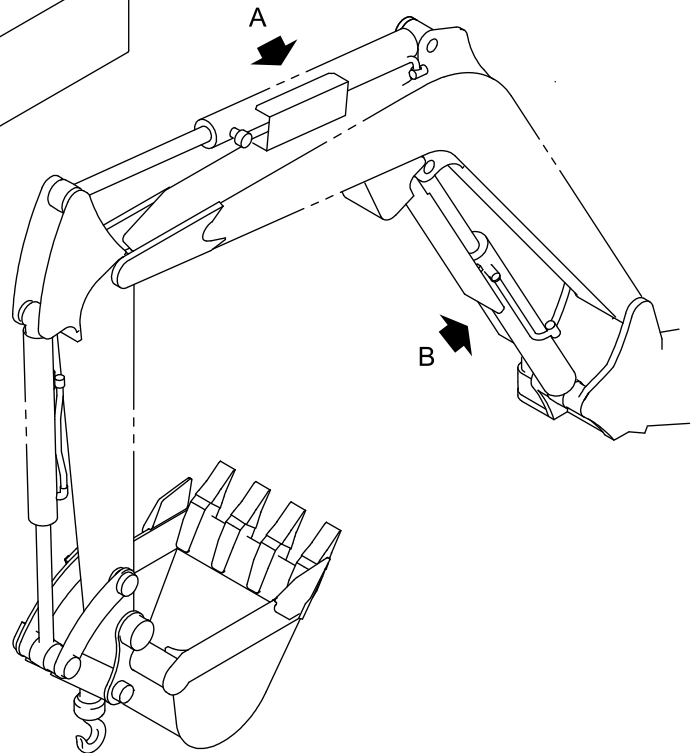
MODEL 45V4

SHEET No 16-1

KEY No.	SUP.	PART No.	DESCRIPTION	Q'TY	CHAN.	SERIAL No.	REMARKS
0	×	F342 758 00	Piping Ass'y, Hydraulic	1		WG010001-	
1		0785 118 UA	* Valve, Solenoid	1		WG010001-	
2		D419 356 00	* Bracket	1		WG010001-***	
2		D419 653 00	* Bracket	1	○	***-	
3		D419 193 00	* Bracket	1		WG010001-	
4		4081 118 00	* Clamp, Tube	4		WG010001-	
5		D081 193 00	* Clamp, Tube	2		WG010001-	
6		D082 034 00	* Clamp, Seat	2		WG010001-	
7		D286 305 00	* Tube	1		WG010001-	
8		D286 306 00	* Tube	1		WG010001-	
9		0858 601 16	* Sensor, Pressure	1		WG010001-	
10		D070 388 01	* Hose Ass'y	1		WG010001-	L=940
11		D070 388 20	* Hose Ass'y	1		WG010001-	L=1050
12		4070 842 16	* Hose Ass'y	1		WG010001-	L=1160
13		4070 842 33	* Hose Ass'y	1		WG010001-	L=950
14		4070 842 28	* Hose Ass'y	1		WG010001-	L=1050
15		4070 842 29	* Hose Ass'y	1		WG010001-	L=1250
16		4070 548 27	* Hose Ass'y	1		WG010001-	L=600
17		4070 548 55	* Hose Ass'y	1		WG010001-	L=350
18		D070 195 21	* Hose Ass'y	1		WG010001-	L=3000
19		D070 195 17	* Hose Ass'y	1		WG010001-	L=2800
20		D070 195 03	* Hose Ass'y	1		WG010001-	L=2450
21		D060 164 00	* Connector	1		WG010001-	
22		D060 137 00	* Adapter	1		WG010001-	
23		0710 102 02	* Elbow	1		WG010001-	
24		0712 310 40	* Elbow, 45	1		WG010001-	
25		4072 930 01	* Adapter, Union	3		WG010001-	
26		0713 700 04	* Adapter	2		WG010001-	
27		0713 705 02	* Socket	1		WG010001-	
28		0712 310 50	* Elbow	6		WG010001-	
29		4072 866 02	* Elbow, Long	1		WG010001-	
30		0760 710 12	* Ring, O	1		WG010001-	P11-90B
31		0760 710 19	* Ring, O	3		WG010001-	P18-90B
32		0520 100 70	* Bolt, Treatment (W/L.W)	4		WG010001-	M10X70 P=1.25
33		0518 100 50	* Bolt, Treatment (W/L.W, F.W)	2		WG010001-	M10X50 P=1.25
34		0550 060 50	* Bolt, Hex.	2		WG010001-	M6X50
35		0593 060 00	* Washer, Flat	2		WG010001-	M6
36		0590 060 00	* Washer, Lock	2		WG010001-	M6
37		0820 067 05	* Band, Cable	2		WG010001-	
38		4072 930 02	* Union	1		WG010001-	



"A" DETAIL



"B" DETAIL

V4ALL-160200-1

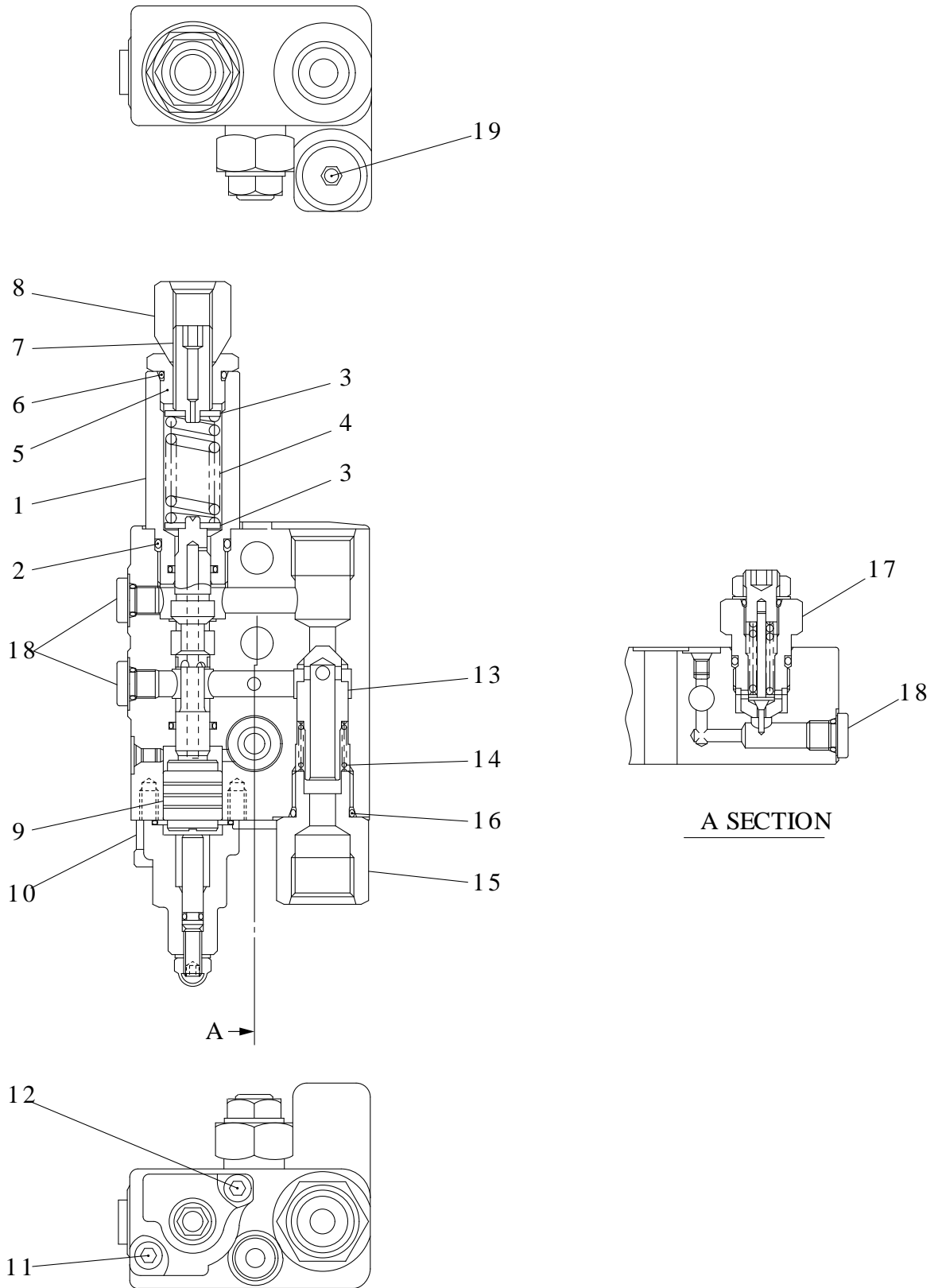


HOLDING VALVE ASS'Y

MODEL 45V4

SHEET No 16-2

KEY No.	SUP.	PART No.	DESCRIPTION	Q'TY	CHAN.	SERIAL No.	REMARKS
0	×	F342 759 00	Valve Ass'y, Holding	1		WG010001-	
0-1	×	F342 760 00	Valve Ass'y, Holding	1		WG010001-	
1	#	0787 047 UA	* Valve, Holding	2		WG010001-	Sh.No.16-3
2		D286 339 00	* Tube	2		WG010001-	
3		D419 204 00	* Bracket	1		WG010001-	
4		D419 208 00	* Bracket	1		WG010001-	
5		D458 699 00	* Cover	2		WG010001-	
6		D007 244 01	* Shim	AR		WG010001-	t=1.6
6-1		D007 244 02	* Shim	AR		WG010001-	t=4.5
6-2		D007 244 03	* Shim	AR		WG010001-	t=6.0
7		0713 700 04	* Adapter	2		WG010001-	
8		0713 700 02	* Adapter	2		WG010001-	
9		0710 122 09	* Elbow	2		WG010001-	
10		0760 710 12	* Ring, O	5		WG010001-	P11-90B
11		0760 710 19	* Ring, O	2		WG010001-	P18-90B
12		0550 100 20	* Bolt, Hex.	4		WG010001-	M10X20
13		0519 080 55	* Bolt, Treatment (W/L.W)	4		WG010001-	M8X55
14		0517 080 16	* Bolt, Treatment (W/L.W, F.W)	8		WG010001-	M8X16
15		0593 080 00	* Washer, Flat	4		WG010001-	M8
16		0593 100 00	* Washer, Flat	4		WG010001-	M10
17		0590 100 00	* Washer, Lock	4		WG010001-	M10
18		0521 080 00	* Nut, Hex. (W/F.W)	4		WG010001-	M8
19		D419 203 00	* Bracket	1		WG010001-	
20		D419 207 00	* Bracket	1		WG010001-	
21		0858 601 16	* Sensor, Pressure	1		WG010001-	



V4ALL-160300-1

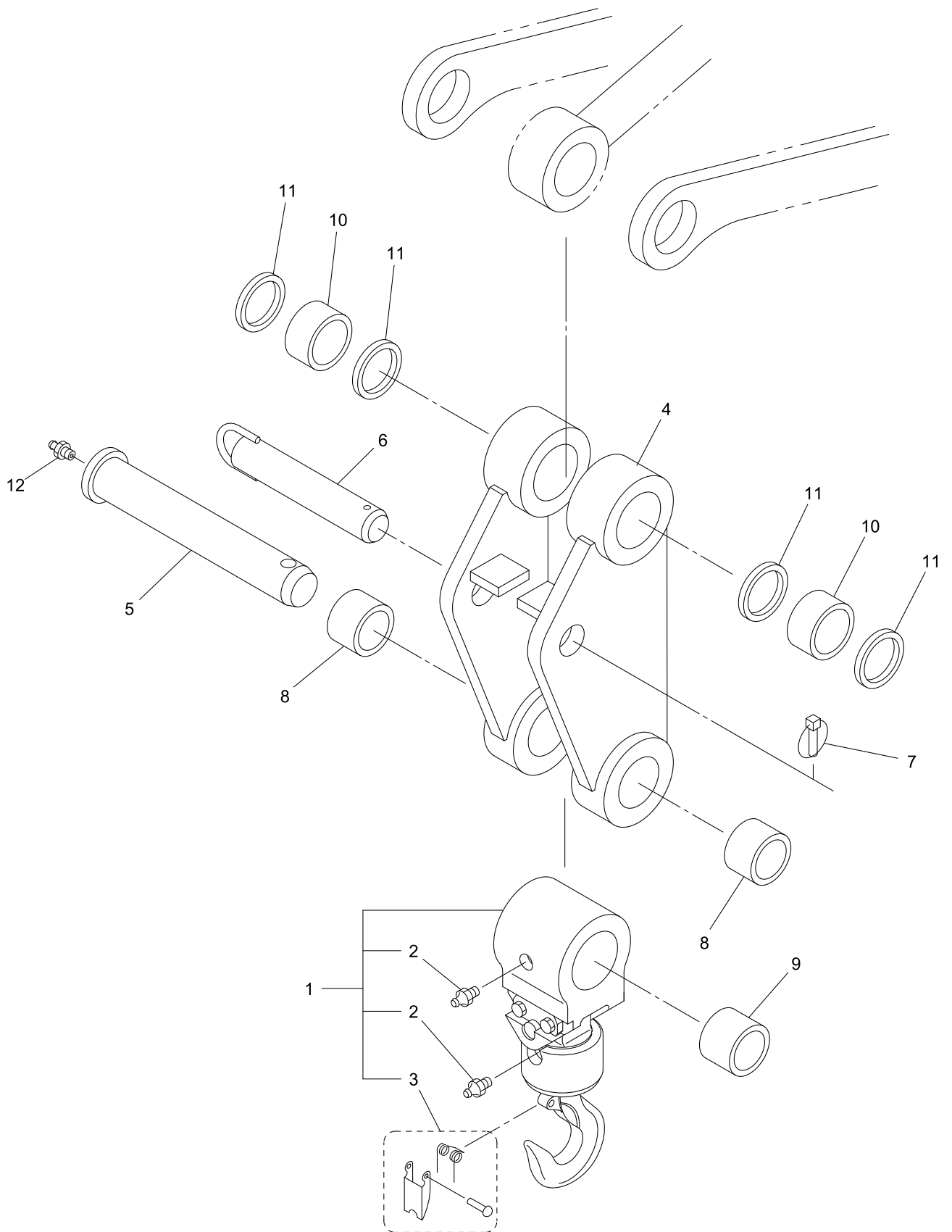


HOLDING VALVE

MODEL 45V4

SHEET No 16-3

KEY No.	SUP.	PART No.	DESCRIPTION	Q'TY	CHAN.	SERIAL No.	REMARKS
0		0787 047 UA	Valve Ass'y, Holding	1		WG010001-	
1		0787 047 04	* Plug	1		WG010001-	
2		0760 710 22	* Ring, O	1		WG010001-	P22-90B
3		0784 047 06	* Seat, Spring	2		WG010001-	
4		0784 047 07	* Spring	1		WG010001-	
5		0787 047 08	* Plug	1		WG010001-	
6		0760 710 20	* Ring, O	1		WG010001-	P20-90B
7		0784 047 10	* Adjuster	1		WG010001-	
8		0784 047 11	* Nut, Hex.	1		WG010001-	
9		0784 047 12	* Piston	1		WG010001-	
10		0784 047 13	* Cap	1		WG010001-	
11		0562 060 16	* Bolt, Socket Head	1		WG010001-	M6X16
12		0562 060 35	* Bolt, Socket Head	1		WG010001-	M6X35
13		0787 047 16	* Poppet	1		WG010001-	
14		0787 047 17	* Spring	1		WG010001-	
15		0787 047 18	* Plug	1		WG010001-	
16		0760 710 19	* Ring, O	1		WG010001-	P18-90B
17		0787 047 91	* Valve, Relief	1		WG010001-	
18		0783 677 83	* Plug	3		WG010001-	
19		0783 846 85	* Plug	1		WG010001-	



40V4-160400-1

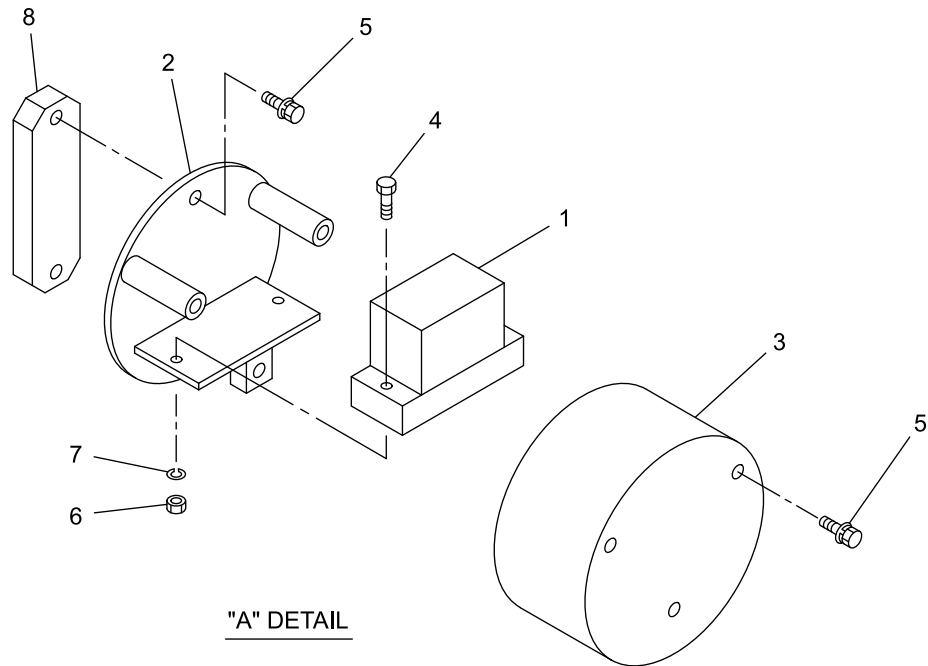
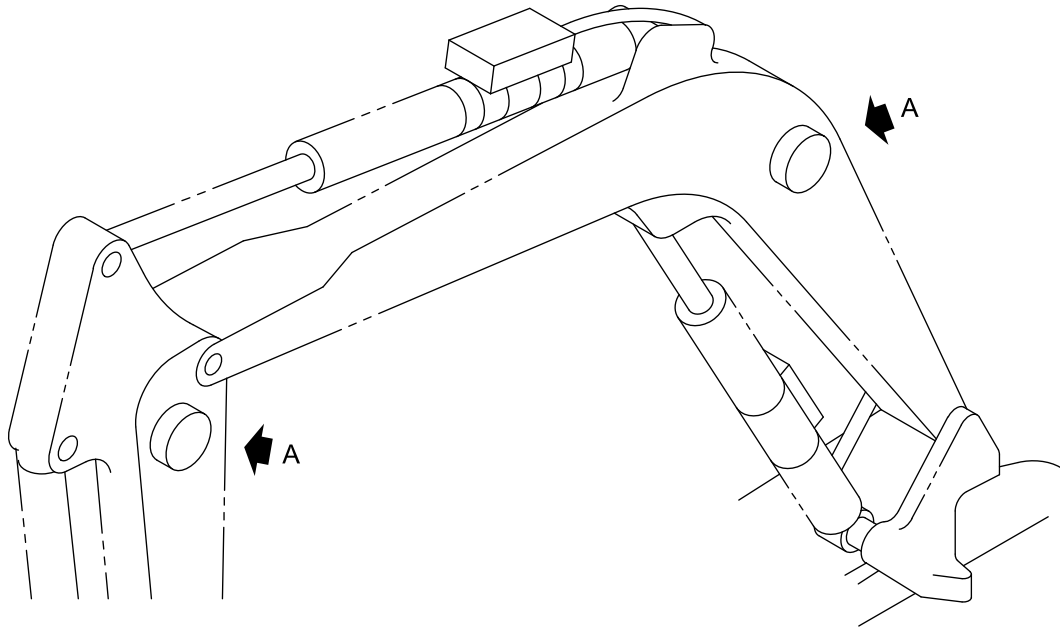


HOOK BLOCK ASS'Y

MODEL 45V4

SHEET No 16-4

KEY No.	SUP.	PART No.	DESCRIPTION	Q'TY	CHAN.	SERIAL No.	REMARKS
0	×	F418 128 00	Block Ass'y, Hook	1		WG010001-	
1		0652 965 UA	* Hook	1		WG010001-	
2		0728 131 11	** Nipple, Grease	2		WG010001-	
3		0652 923 UA	** Ratch Ass'y	1		WG010001-	
4		D490 443 00	* Link, Bucket	1		WG010001-	
5		D013 444 00	* Pin, Head	1		WG010001-	
6		D013 094 00	* Pin, Head	1		WG010001-	
7		4017 252 01	* Pin, Ring	1		WG010001-	
8		4043 231 02	* Bushing	2		WG010001-	
9		4043 261 03	* Bushing	1		WG010001-	
10		4043 231 12	* Bushing	2		WG010001-	
11		0765 033 27	* Seal, Dust	4		WG010001-	
12		0728 111 15	* Nipple, Grease	1		WG010001-	PT1/8



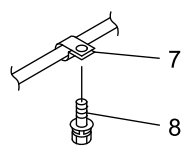
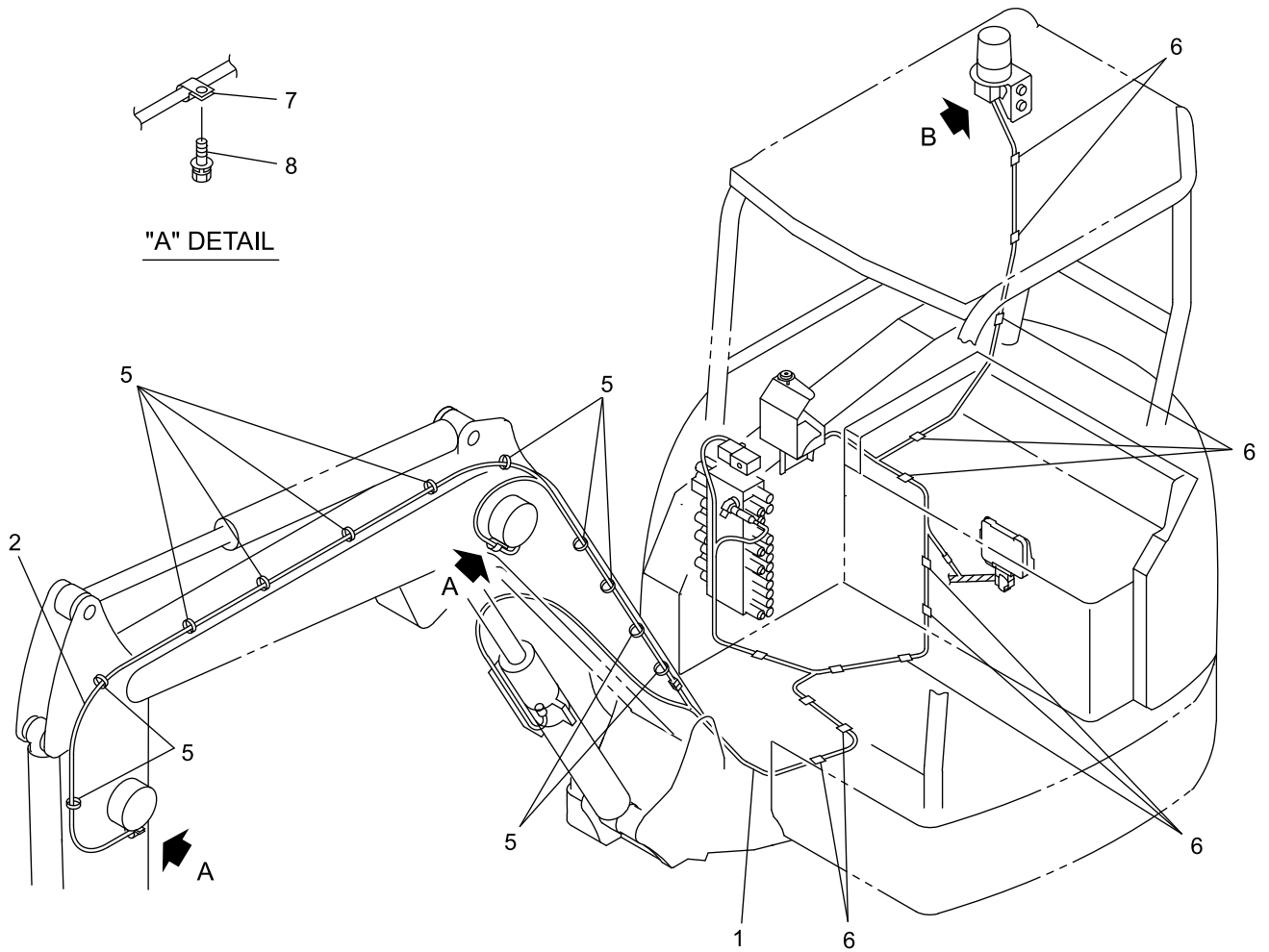
V4ALL-160500-1

IHI

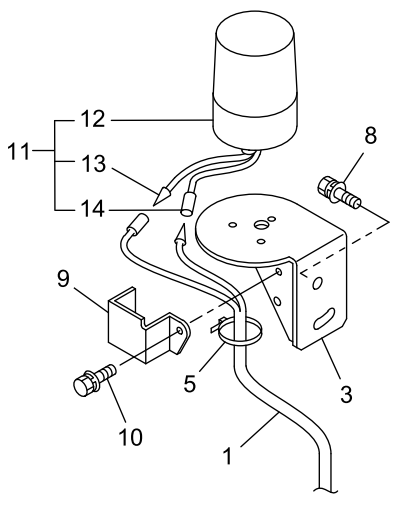
ANGLE DETECTOR

MODEL 45V4

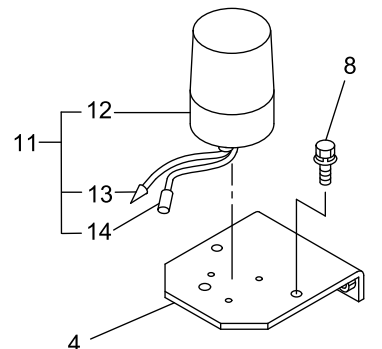
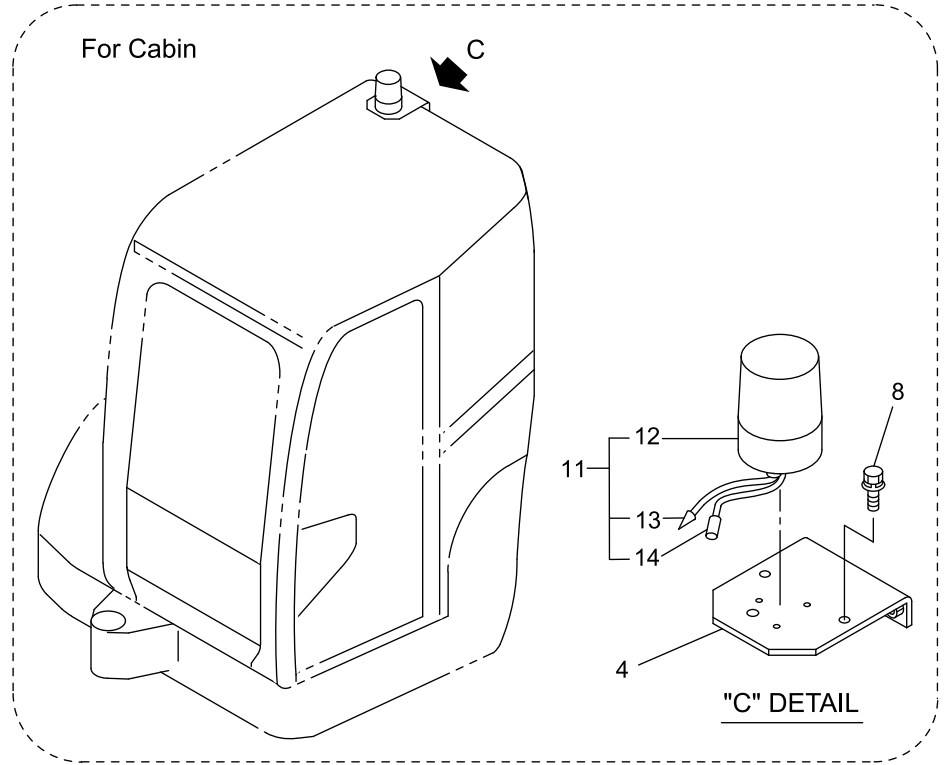
SHEET No 16-5



"A" DETAIL



"B" DETAIL



"C" DETAIL

30V4-160600-1

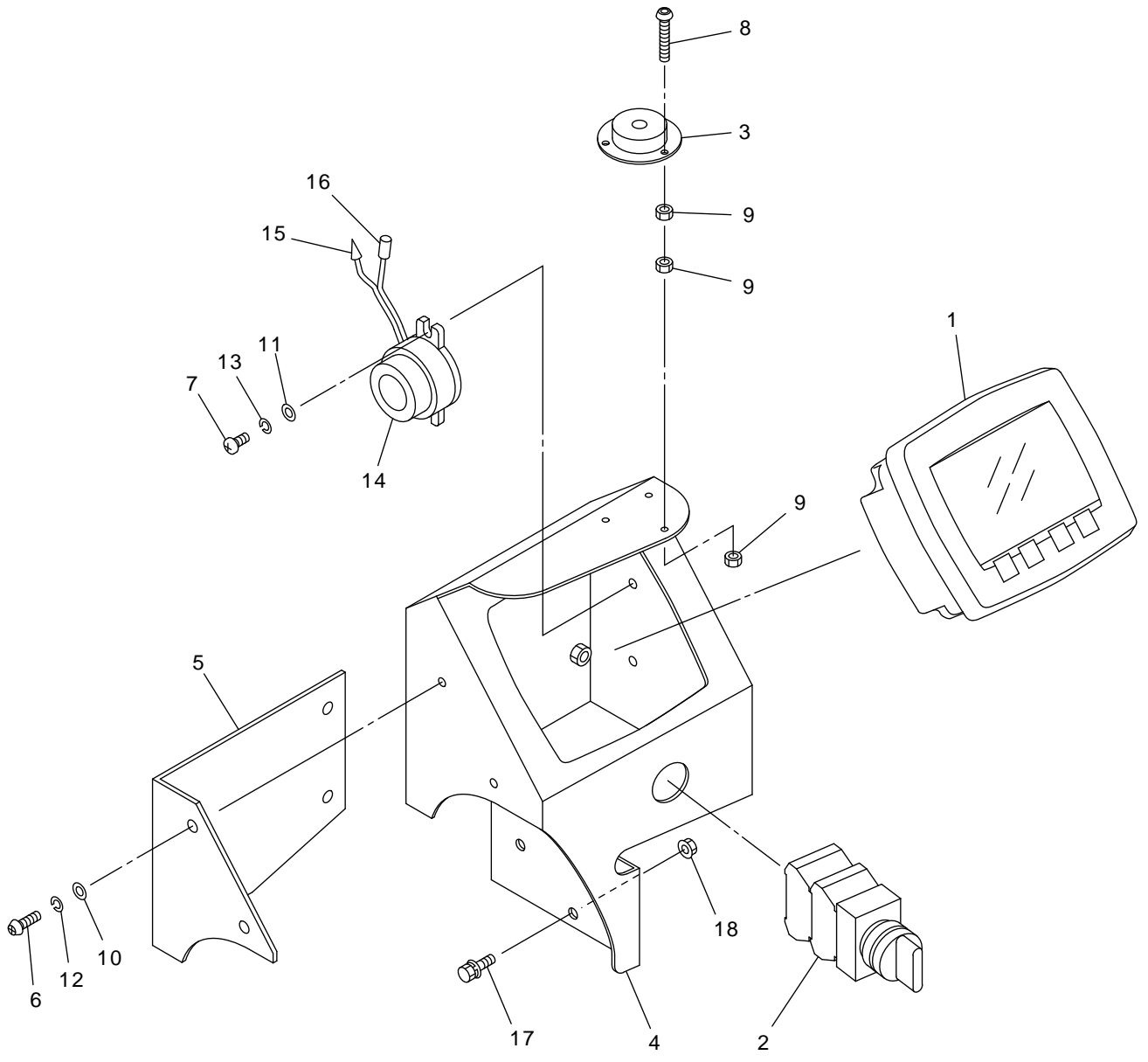


ELECTRIC SYSTEM

MODEL 45V4

SHEET No 16-6

KEY No.	SUP.	PART No.	DESCRIPTION	Q'TY	CHAN.	SERIAL No.	REMARKS
0	×	F366 940 00	Electrical System	1		WG010001-	
1		D592 426 00	* Harness	1		WG010001-	
2		D592 305 00	* Harness	1		WG010001-	
3		D418 456 00	* Bracket	1		WG010001-	
4		D418 632 00	* Bracket	1		WG010001-	
5		0820 067 04	* Band, Cable	AR		WG010001-	
6		0820 069 03	* Sticker	AR		WG010001-	
7		4080 000 02	* Clamp, Hose	1		WG010001-	
8		0518 100 20	* Bolt, Treatment (W/L.W, F.W)	4		WG010001-	M10X20 P=1.25
9		D457 127 00	* Cover	1		WG010001-	
10		0517 080 16	* Bolt, Treatment (W/L.W, F.W)	1		WG010001-	M8X16
11		F366 201 00	* Light Ass'y, Revolving	1		WG010001-	
12		0854 060 01	** Light, Rotary	1		WG010001-	
13		0820 650 20	** Terminal	1		WG010001-	
13-1		0820 651 20	** Sleeve	1		WG010001-	
14		0820 650 21	** Terminal	1		WG010001-	
14-1		0820 651 21	** Sleeve	1		WG010001-	



V4ALL-160700-1

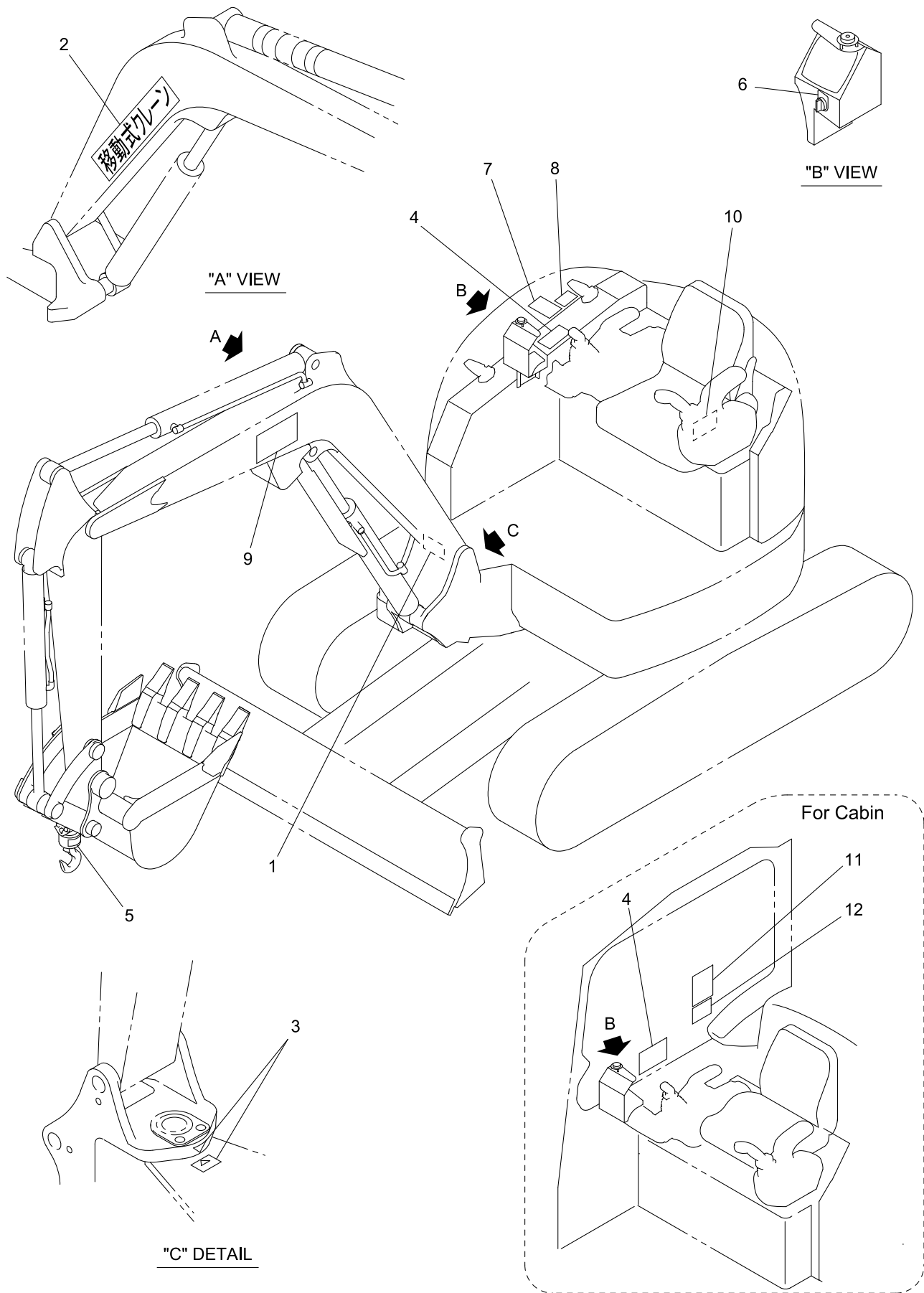


CONTROLLER ASS'Y

MODEL 45V4

SHEET No 16-7

KEY No.	SUP.	PART No.	DESCRIPTION	Q'TY	CHAN.	SERIAL No.	REMARKS
0	×	F370 358 00	Controller Ass'y	1		WG010001-	
1		0877 900 11	* Display	1		WG010001-	
2		0858 308 23	* Switch, Select	1		WG010001-	
3		0933 054 UA	* Gauge, Level	1		WG010001-	
● 4		D419 357 00	* Bracket	1		WG010001-WG010152	For Canopy
● 4		D419 645 00	* Bracket	1	○	WG010153-	For Canopy
● 4-1		D419 355 00	* Bracket	1		WG010001-WG010152	For Cabin
● 4-1		D419 644 00	* Bracket	1	○	WG010153-	For Cabin
5		D458 701 00	* Cover	1		WG010001-	For Canopy
5-1		D458 497 00	* Cover	1		WG010001-	For Cabin
6		4004 364 01	* Bolt, Button Head	4		WG010001-	M6X18
7		0565 040 08	* Screw, Pan Head	2		WG010001-	M4X8
8		0565 030 20	* Screw, Pan Head	3		WG010001-	M3X20
9		0580 030 00	* Nut, Hex.	9		WG010001-	M3
10		0594 060 00	* Washer, Flat	4		WG010001-	M6
11		0593 040 00	* Washer, Flat	2		WG010001-	M4
12		0596 060 00	* Washer, Lock	4		WG010001-	M6
13		0590 040 00	* Washer, Lock	2		WG010001-	M4
14		0860 504 02	* Buzzer	1		WG010001-	
15		0820 650 20	* Terminal	1		WG010001-	
15-1		0820 651 20	* Sleeve	1		WG010001-	
16		0820 650 21	* Terminal	1		WG010001-	
16-1		0820 651 21	* Sleeve	1		WG010001-	
● 17		0517 080 20	* Bolt, Treatment (W/L.W, F.W)	3		WG010001-	For Canopy
● 17-1		0517 060 20	* Bolt, Treatment (W/L.W, F.W)	3		WG010001-	For Cabin
● 18		0521 080 00	* Nut, Treatment (W/F.W)	3		WG010001-	For Canopy



40V4-160800-1



NAME PLATE ASS'Y

MODEL 45V4

SHEET No 16-8

KEY No.	SUP.	PART No.	DESCRIPTION	Q'TY	CHAN.	SERIAL No.	REMARKS
0	×	F377 860 00	Decal Ass'y	1		WG010001-	
1		D405 857 00	* Decal	1		WG010001-	
1-1		0497 035 00	* Screw, Drive	4		WG010001-	
2		D405 859 00	* Decal	1		WG010001-	
3		D405 867 00	* Decal	1		WG010001-	
4		D408 396 00	* Decal	1		WG010001-	
5		D405 868 00	* Decal	1		WG010001-	
6		D408 637 00	* Decal	1		WG010001-	
7		D408 021 00	* Decal	1		WG010001-	
8		D408 020 00	* Decal	1		WG010001-	
9		D408 379 05	* Decal	1		WG010001-	
9-1		D408 379 06	* Decal	1		WG010001-	ADD
10		D408 388 00	* Decal	1		WG010001-	Canopy
10-1		D408 390 00	* Decal	1		WG010001-	Canopy, ADD
10-2		D408 389 00	* Decal	1		WG010001-	Cabin
10-3		D408 391 00	* Decal	1		WG010001-	Cabin, ADD
11		D408 038 00	* Decal	1		WG010001-	Cabin
12		D406 827 00	* Decal	1		WG010001-	Cabin

[Memo]

部品番号順索引

PARTS INDEX

PARTS No.	Sh No.	KEY No.	PARTS No.	Sh No.	KEY No.	PARTS No.	Sh No.	KEY No.
**** ** *	1-1	2	0494 608 10	7-3	3	0517 060 12	7-4[A]	39
**** ** *	5-3	6	0494 608 12	5-2	24	0517 060 12	9-2	33
**** ** *	5-8	24	0494 608 40	6-2	50	0517 060 12	15-13	10
**** ** *	5-9	18	0494 610 24	5-15	12	0517 060 16	5-6	14
**** ** *	5-10	19	0494 610 24	5-15[A]	12	0517 060 16	6-2	26
**** ** *	5-11	17	0494 651 75	1-4	1	0517 060 16	9-1	33
**** ** *	5-12	18	0494 808 15	5-2	17	0517 060 16	9-1[A]	31
**** ** *	5-14	20	0497 035 00	8-7	3-1	0517 060 16	9-2	20
**** ** *	7-4[A]	64	0497 035 00	8-7[A]	3-2	0517 060 16	15-9	12
**** ** *	15-17	36	0497 035 00	8-7[B]	3-1	0517 060 16	15-13	11
0322 108 99	7-2	24	0497 035 00	8-7[C]	3-1	0517 060 16	15-15	25
0322 108 99	7-2[A]	24	0497 035 00	8-7[D]	3-1	0517 060 20	9-1	47
0438 060 16	15-9	12	0497 035 00	8-7[E]	3-1	0517 060 20	9-1	47
0439 100 20	8-5	6	0497 035 00	8-7[F]	3-1	0517 060 20	9-1[A]	34
0439 100 20	15-11	10	0497 035 00	8-7[G]	3-1	0517 060 20	9-2	39
0439 100 20	15-14	6	0497 035 00	15-10	3-1	0517 060 20	15-16	25
0439 100 25	8-4	3	0497 035 00	15-10[A]	3-2	0517 060 20	15-16[A]	25
0439 100 25	8-4[A]	6	0497 035 00	15-10[B]	3-1	0517 060 20	15-17	22
0439 100 25	15-11	9	0497 035 00	15-10[C]	3-1	0517 060 20	16-7	17-1
0439 100 25	15-14	7	0497 035 00	15-10[D]	3-1	0517 060 25	4-4	5
0454 300 12	15-15	26	0497 035 00	15-10[E]	3-1	0517 060 25	4-4A	5
0454 400 20	9-2	8	0497 035 00	15-10[F]	3-1	0517 060 25	4-4[A]	5
0454 600 12	15-15	27	0497 035 00	15-10[G]	3-1	0517 060 25	4-4A[A]	5
0457 080 16	7-1	36	0497 035 00	16-8	1-1	0517 060 25	4-4[B]	5
0457 140 35	1-1	14	0513 080 20	8-1	13	0517 060 25	4-4A[B]	5
0480 100 20	1-1	21	0513 080 40	15-16	16	0517 060 25	15-13	9
0480 100 20	8-1	30	0513 080 40	15-16[A]	16	0517 060 25	15-17	21
0491 800 12	15-11	5	0513 080 90	15-3	31	0517 060 60	4-4[B]	73
0493 500 20	5-13A	21	0513 100 16	4-1	49	0517 060 60	4-4A[B]	73
0493 500 28	5-2	19	0513 100 16	11-4	21	0517 060 60	6-4	20
0493 500 30	7-3	7	0513 100 20	7-2	11	0517 060 60	9-1[A]	44
0493 500 35	5-7	2	0513 100 20	7-4	41	0517 080 12	1-1	4
0493 510 08	6-1	26	0513 100 20	7-4[A]	40	0517 080 12	9-1	32
0493 510 08	6-1A	26	0513 100 30	7-3	12	0517 080 12	9-1[A]	30
0493 510 16	6-2	24	0513 100 30	11-3	11	0517 080 12	15-16	11
0493 510 22	5-2	5	0513 120 35	7-3	15	0517 080 12	15-16[A]	11
0493 510 25	1-6	4	0513 121 00	7-1	15	0517 080 16	6-1	17
0493 510 30	5-15[B]	11	0514 100 30	1-7	11	0517 080 16	6-1A	17
0493 510 55	5-3	3	0514 100 30	7-2	12	0517 080 16	6-3	21
0493 560 09	6-2	22	0514 120 60	1-3	22	0517 080 16	7-1	18
0494 604 06	5-13A	20	0514 120 90	11-1	45	0517 080 16	8-1	10
0494 606 12	5-15[B]	12	0514 121 20	11-1	30	0517 080 16	9-1	4
0494 606 16	6-4	5	0517 060 12	6-2	27	0517 080 16	9-1[A]	4
0494 606 25	5-15	11	0517 060 12	6-4	25	0517 080 16	15-1	44
0494 606 25	5-15[A]	11	0517 060 12	7-4	39	0517 080 16	16-2	14

部品番号順索引

PARTS INDEX

PARTS No.	Sh No.	KEY No.	PARTS No.	Sh No.	KEY No.	PARTS No.	Sh No.	KEY No.
0517 080 16	16-6	10	0517 081 15	9-2	5	0518 100 25	15-1	13
0517 080 20	2-1	11	0518 100 16	9-1	31	0518 100 25	15-3	14
0517 080 20	6-2	25	0518 100 16	9-1[A]	29	0518 100 25	15-18	14
0517 080 20	6-3	15	0518 100 20	1-1	6	0518 100 30	4-1	58
0517 080 20	6-4	17	0518 100 20	4-1	27	0518 100 30	4-3	18
0517 080 20	7-1	19	0518 100 20	4-4	43	0518 100 30	8-2	50
0517 080 20	7-4	52	0518 100 20	4-4A	43	0518 100 40	7-1	51
0517 080 20	7-4[A]	52	0518 100 20	4-4[A]	43	0518 100 40	15-2	10
0517 080 20	8-2	27	0518 100 20	4-4A[A]	43	0518 100 40	15-3	15
0517 080 20	9-1[A]	42	0518 100 20	4-4[B]	43	0518 100 45	15-1	14
0517 080 20	15-1	56	0518 100 20	4-4A[B]	43	0518 100 45	15-3	22
0517 080 20	15-4	6	0518 100 20	6-1	30	0518 100 50	15-1	15
0517 080 20	15-12	8	0518 100 20	6-1A	30	0518 100 50	15-3	16
0517 080 20	15-16	26	0518 100 20	6-3	25	0518 100 50	16-1	33
0517 080 20	15-16[A]	26	0518 100 20	7-2	13	0518 100 55	15-1	16
0517 080 20	15-17	19	0518 100 20	7-2[A]	13	0518 100 55	15-3	23
0517 080 20	16-7	17	0518 100 20	7-4	40	0518 120 25	5-6	11
0517 080 25	6-1	21	0518 100 20	7-4[A]	15	0519 080 20	6-2	45
0517 080 25	6-1A	21	0518 100 20	8-2	4	0519 080 25	5-3	1
0517 080 25	7-2	29	0518 100 20	8-5	6	0519 080 25	8-4[A]	9
0517 080 25	7-2[A]	15	0518 100 20	9-2	50	0519 080 55	16-2	13
0517 080 25	7-4	38	0518 100 20	12-1	4	0520 100 20	11-4	20
0517 080 25	8-2	62	0518 100 20	15-1	17	0520 100 25	8-2	8
0517 080 25	9-1[A]	43	0518 100 20	15-3	17	0520 100 40	11-4	19
0517 080 25	15-12A	7	0518 100 20	15-9	11	0520 100 70	15-1	62
0517 080 25	15-16	12	0518 100 20	15-15	24	0520 100 70	15-2	9
0517 080 25	15-16[A]	28	0518 100 20	15-18	13	0520 100 70	15-3	13
0517 080 25	15-17	18	0518 100 20	16-5	5	0520 100 70	16-1	32
0517 080 25	15-18	10	0518 100 20	16-6	8	0521 060 00	9-1	9
0517 080 30	7-4[A]	38	0518 100 25	4-1	58	0521 060 00	9-1[A]	9
0517 080 30	8-1	11	0518 100 25	4-4	64	0521 060 00	15-13	12
0517 080 30	15-1	33	0518 100 25	4-4A	64	0521 060 00	15-18	22
0517 080 30	15-16	13	0518 100 25	4-4[A]	64	0521 080 00	6-2	47
0517 080 30	15-16[A]	13	0518 100 25	4-4A[A]	64	0521 080 00	7-1	60
0517 080 35	8-1	12	0518 100 25	4-4[B]	64	0521 080 00	7-2	16
0517 080 35	8-2	18	0518 100 25	4-4A[B]	64	0521 080 00	7-2[A]	16
0517 080 35	15-16[A]	14	0518 100 25	6-1	10	0521 080 00	7-4	16
0517 080 35	15-17	17	0518 100 25	6-1A	10	0521 080 00	7-4[A]	16
0517 080 40	8-2	19	0518 100 25	6-2	1	0521 080 00	8-2	20
0517 080 40	15-16	14	0518 100 25	6-3	20	0521 080 00	8-5	5
0517 080 45	15-16[A]	12	0518 100 25	8-1	22	0521 080 00	9-1	2-4
0517 080 50	4-3	13	0518 100 25	8-2	3	0521 080 00	9-1[A]	2-4
0517 080 50	8-2	17	0518 100 25	9-1	30	0521 080 00	16-2	18
0517 080 55	15-16	15	0518 100 25	9-1[A]	28	0521 080 00	16-7	18
0517 080 55	15-16[A]	15	0518 100 25	9-2	12	0524 100 00	4-1	31

部品番号順索引

PARTS INDEX

PARTS No.	Sh No.	KEY No.	PARTS No.	Sh No.	KEY No.	PARTS No.	Sh No.	KEY No.
0524 100 00	6-4	23	0555 100 40	15-5	5	0562 080 16	5-13A	18
0524 100 00	7-4	49	0555 120 20	11-1	33	0562 080 16	5-14	10
0524 100 00	7-4[A]	49	0555 120 25	15-18	11	0562 080 16	5-15	8
0524 100 00	11-2	16	0555 120 35	1-1	25	0562 080 16	5-15[A]	8
0524 100 00	15-17	23	0555 120 40	8-4	4	0562 080 25	5-2	10
0528 050 16	6-4	3	0555 120 40	8-4[A]	7	0562 080 25	5-15	9
0535 100 00	7-2	15	0555 140 35	1-1	10	0562 080 25	5-15[A]	9
0535 120 00	11-1	46	0555 140 40	0-0	21	0562 080 30	5-1	57
0541 120 16	9-1	29	0555 140 40	11-3	6	0562 100 25	5-2	12
0541 120 16	9-1[A]	27	0555 160 30	7-2	11	0562 120 25	5-1	51
0544 060 00	9-1	10	0555 160 30	11-1	26	0562 120 30	4-1	29
0544 060 00	9-1[A]	10	0555 160 30	11-2	9	0562 120 35	4-1	29
0544 080 00	15-1	57	0555 160 35	2-1	6	0562 140 40	7-3	5
0544 100 00	5-4	77	0555 160 35	11-2	19	0562 140 45	7-3	4
0545 100 00	4-4	70	0555 160 40	1-7	10	0565 030 20	16-7	8
0545 100 00	4-4A	70	0555 160 40	3-1	2	0565 040 08	6-3	17
0545 100 00	4-4[A]	73	0555 160 50	8-4	2	0565 040 08	16-7	7
0545 100 00	4-4A[A]	73	0555 160 50	8-4[A]	5	0565 040 10	15-13	4
0545 100 00	4-4[B]	74	0555 160 50	15-5	7	0565 040 12	6-2	37
0545 100 00	4-4A[B]	74	0555 160 65	1-1	9	0565 040 12	15-15	32
0548 120 00	6-2	30	0555 160 70	2-1	7	0565 040 20	6-4	11
0549 140 00	6-1	18	0555 160 80	2-1	8	0565 050 10	15-13	7
0549 140 00	6-1A	18	0555 161 30	8-6	6	0565 050 12	15-17	16
0550 060 30	16-5	4	0555 200 30	1-1	16	0565 060 25	6-2	6
0550 060 50	16-1	34	0555 241 00	8-6	2	0567 040 08	5-14	5
0550 080 20	8-5	4	0558 120 25	7-2	31	0580 030 00	16-7	9
0550 080 70	7-4	36	0558 120 30	7-1	16	0580 050 00	7-4	24
0550 080 70	7-4[A]	36	0558 160 30	12-1	1	0580 050 00	7-4[A]	24
0550 100 20	7-2[A]	11	0561 060 06	5-13A	19	0580 050 00	15-13	8
0550 100 20	8-1	23	0561 080 08	5-9	21	0580 060 00	6-4	16
0550 100 20	8-2	5	0561 080 08	5-10	22	0580 060 00	16-5	6
0550 100 20	16-2	12	0561 080 08	5-11	20	0580 080 00	5-4	69
0550 100 25	4-4A	73	0561 100 10	5-8	27	0580 080 00	15-16	28
0550 100 25	4-4A[A]	76	0561 100 10	5-12	22	0580 080 00	15-16[A]	29
0550 100 25	4-4A[B]	77	0561 100 10	5-15	10	0580 120 00	4-1	28
0550 120 20	11-4	36	0561 100 10	5-15[A]	10	0580 120 00	7-2	14
0550 120 25	4-4[A]	65	0561 100 20	5-4	78	0580 120 00	7-2[A]	14
0550 120 25	4-4A[A]	65	0562 050 14	5-15[B]	3	0580 120 00	15-11	4
0551 080 60	7-4	17	0562 060 16	16-3	11	0580 140 00	6-2	36
0551 080 60	7-4[A]	17	0562 060 18	5-4	20	0580 200 00	1-3	11
0551 080 60	15-16	17	0562 060 20	5-2	30	0585 140 00	0-0	22
0551 080 75	15-16[A]	17	0562 060 35	15-2	18	0585 140 00	11-3	3
0552 080 20	9-1	2-3	0562 060 35	16-3	12	0585 200 00	15-5	3
0552 080 20	9-1[A]	2-3	0562 060 50	5-4	65	0587 360 00	11-1	34
0555 100 20	5-6	9	0562 060 50	5-13	19	0590 040 00	6-4	13

部品番号順索引

PARTS INDEX

PARTS No.	Sh No.	KEY No.	PARTS No.	Sh No.	KEY No.	PARTS No.	Sh No.	KEY No.
0590 040 00	15-13	6	0593 040 00	15-13	5	0595 120 00	1-3	23
0590 040 00	15-15	34	0593 040 00	15-15	33	0595 120 00	4-1	33
0590 040 00	16-7	13	0593 040 00	16-7	11	0595 120 00	7-1	17
0590 050 00	5-15[B]	2	0593 050 00	15-17	26	0595 120 00	7-2	17
0590 050 00	7-4	25	0593 060 00	6-2	9	0595 120 00	7-3	14
0590 050 00	7-4[A]	25	0593 060 00	6-4	7	0595 120 00	8-4	6
0590 050 00	15-17	27	0593 060 00	8-1	16	0595 120 00	8-4[A]	13
0590 060 00	6-2	10	0593 060 00	15-15	29	0595 120 00	11-4	37
0590 060 00	6-4	15	0593 060 00	16-1	35	0595 120 00	15-18	12
0590 060 00	15-15	30	0593 080 00	6-2	28	0595 140 00	1-1	11
0590 060 00	16-1	36	0593 080 00	7-4	18	0595 160 00	1-1	8
0590 060 00	16-5	7	0593 080 00	7-4[A]	18	0595 160 00	1-7	12
0590 080 00	7-4	37	0593 080 00	8-1	17	0595 160 00	3-1	3
0590 080 00	7-4[A]	37	0593 080 00	9-1	38	0595 160 00	8-4	5
0590 080 00	8-1	18	0593 080 00	15-1	58	0595 160 00	8-4[A]	8
0590 080 00	15-3	32	0593 080 00	15-3	33	0595 160 00	8-6	7
0590 080 00	15-16	20	0593 080 00	15-9	28	0595 160 00	15-5	8
0590 080 00	15-16[A]	20	0593 080 00	15-16	19	0595 200 00	1-1	17
0590 100 00	4-4A	74	0593 080 00	15-16[A]	19	0595 200 00	15-5	4
0590 100 00	4-4A[A]	77	0593 080 00	16-2	15	0595 240 00	8-6	3
0590 100 00	4-4A[B]	78	0593 100 00	1-1	20	0596 060 00	6-2	8
0590 100 00	5-6	12	0593 100 00	4-4A	75	0596 060 00	8-2	31
0590 100 00	7-2	21	0593 100 00	4-4A[A]	78	0596 060 00	9-2	11
0590 100 00	7-2[A]	18	0593 100 00	4-4A[B]	79	0596 060 00	16-7	12
0590 100 00	7-3	11	0593 100 00	7-2	36	0599 010 15	6-4	8
0590 100 00	7-4	43	0593 100 00	7-2[A]	12	0599 010 15	8-1	8
0590 100 00	7-4[A]	42	0593 100 00	7-4	42	0599 060 70	11-1	36
0590 100 00	8-1	24	0593 100 00	7-4[A]	41	0605 416 UA	2-1	2
0590 100 00	8-2	6	0593 100 00	8-1	25	0609 016 10	5-1	6
0590 100 00	11-3	12	0593 100 00	8-2	32	0609 016 10	5-8	28
0590 100 00	11-4	25	0593 100 00	11-4	26	0609 016 10	5-12	23
0590 100 00	16-2	17	0593 100 00	16-2	16	0609 016 10	5-13	3
0590 120 00	4-1	32	0593 120 00	4-4[A]	66	0618 116 15	6-2	18
0590 120 00	4-4[A]	67	0593 120 00	4-4A[A]	66	0618 120 20	6-2	17
0590 120 00	4-4A[A]	67	0593 120 00	7-2	19	0630 600 44	5-2	15
0590 120 00	7-2	20	0593 120 00	7-2[A]	19	0630 620 10	5-2	23
0590 120 00	7-2[A]	20	0593 120 00	15-11	6	0630 620 33	15-16	10
0590 120 00	9-1	34	0594 060 00	6-2	7	0630 620 33	15-16[A]	10
0590 120 00	9-1[A]	32	0594 060 00	8-2	30	0630 620 50	1-6	2
0590 120 00	11-1	40	0594 060 00	9-2	10	0650 001 07	11-3	2
0590 160 00	2-1	4	0594 060 00	16-7	10	0650 002 04	0-0	16
0590 160 00	7-2	18	0595 100 00	1-7	13	0650 002 04	11-3	9
0591 080 00	15-1	55	0595 100 00	4-1	51	0650 003 03	0-0	17
0593 040 00	6-4	12	0595 100 00	15-5	6	0650 003 03	11-3	8
0593 040 00	9-2	9	0595 120 00	1-1	24	0650 004 02	0-0	18

部品番号順索引

PARTS INDEX

PARTS No.	Sh No.	KEY No.	PARTS No.	Sh No.	KEY No.	PARTS No.	Sh No.	KEY No.
0650 004 02	11-3	7	0655 563 UA	8-5	2	0690 083 03	7-4[A]	33
0651 421 UA	7-3	2	0655 564 UA	8-5	10	0690 083 04	15-17	24
0651 482 02	7-3	6	0655 567 UA	8-5	8	0690 083 05	15-9	10
0651 482 UA	7-3	1	0655 568 01	8-5	9-2	0690 083 08	4-1	22
0651 588 07	1-2	5	0655 568 UA	8-5	9	0690 083 09	7-1	13
0651 911 01	1-6	6	0655 569 01	8-5	9-3	0690 083 12	7-1	14
0651 911 02	1-6	3	0655 569 02	8-5	9-4	0690 083 12	7-4	11
0651 911 03	1-6	1	0655 569 UA	8-5	9-1	0690 083 12	7-4[A]	11
0651 911 04	1-6	5	0661 800 29	7-2	5	0690 083 13	4-1	36
0651 911 UA	1-1	15	0661 800 29	7-2[A]	5	0690 083 13	7-2	34
0651 911 UA	1-6	0	0662 136 UA	7-2	2	0690 083 13	7-2[A]	10
0652 253 UA	6-2	20	0668 088 02	7-1	34	0690 083 14	7-2[A]	17
0652 274 UA	8-2	13	0668 246 02	7-1	32	0690 083 14	7-4	10
0652 923 UA	16-4	3	0668 246 06	7-1	35	0690 083 14	7-4[A]	10
0652 965 UA	16-4	1	0668 246 15	7-1	37	0690 089 36	7-2	22
0653 010 09	1-2	13	0668 246 91	7-1	33	0690 201 04	8-2	9
0653 010 10	1-2	11	0668 246 UA	7-1	31	0690 201 05	6-1	20
0653 779 01	1-2	12	0668 247 UA	7-4	50	0690 201 05	6-1A	20
0653 924 10	1-2	7	0668 247 UA	7-4[A]	50	0690 201 08	8-4	9
0653 973 01	1-2	9	0668 400 31	7-1	59	0690 201 08	8-4[A]	11
0653 973 02	1-2	10	0676 253 UA	7-1	1	0690 201 08	11-4	23
0653 973 03	1-2	3	0676 268 UA	7-1	1	0690 201 09	1-1	7
0653 973 04	1-2	1	0690 016 19	8-1	7	0690 201 09	8-5	7
0653 973 05	1-2	2	0690 016 19	8-2	16	0690 201 09	11-4	24
0653 973 06	1-2	4	0690 078 12	4-1	21	0690 202 50	6-2	29
0653 973 07	1-2	6	0690 081 89	9-1	39	0690 202 56	2-1	12
0653 973 08	1-2	8	0690 081 90	7-1	48	0690 203 08	15-11	8
0653 974 99	1-2	0-1	0690 081 90	7-4	34	0690 203 15	15-5	1
0653 974 UA	1-1	1-1	0690 081 90	7-4[A]	34	0690 203 44	9-2	16
0653 974 UA	1-2	0	0690 081 91	7-1	22	0690 210 86	15-15	12
0653 981 UA	1-1	1	0690 081 92	9-1	16	0690 211 05	9-2	29
0653 984 01	1-5	4	0690 081 92	9-1[A]	16	0690 211 08	8-2	34
0653 984 02	1-5	5	0690 082 01	9-1	18	0690 220 91	8-1	15
0653 984 03	1-5	8	0690 082 05	9-1	43	0690 220 91	8-2	22
0653 984 04	1-5	1	0690 082 05	9-1	43	0690 220 92	8-2	35
0653 984 05	1-5	3	0690 082 05	9-1[A]	18	0690 270 29	9-2	26-2
0653 984 06	1-5	7	0690 082 06	9-1[A]	56	0690 283 40	6-2	34
0653 984 UA	1-1	18	0690 082 07	15-15	31	0690 283 41	6-2	41
0653 984 UA	1-5	0	0690 082 08	6-2	55	0690 283 72	6-1	15
0655 563 01	8-5	2-1	0690 082 08	6-2	55	0690 283 72	6-1A	15
0655 563 02	8-5	2-2	0690 082 08	7-4	35	0690 283 81	6-3	13
0655 563 03	8-5	2-3	0690 082 08	9-1	24	0690 283 82	6-2	53
0655 563 04	8-5	2-4	0690 082 08	9-1[A]	23	0690 283 85	6-2	48
0655 563 05	8-5	2-5	0690 082 08	15-14	8	0690 283 86	6-2	2
0655 563 10	8-5	2-6	0690 083 03	7-4	33	0690 511 47	6-4	6

部品番号順索引

PARTS INDEX

PARTS No.	Sh No.	KEY No.	PARTS No.	Sh No.	KEY No.	PARTS No.	Sh No.	KEY No.
0699 901 12	15-11	2	0710 122 09	4-4A[B]	6	0710 707 04	1-7	22
0699 901 13	15-11	3	0710 122 09	6-1	8	0710 709 02	4-4	8
0710 102 02	16-1	23	0710 122 09	6-1A	8	0710 709 02	4-4A	8
0710 106 27	11-2	13	0710 122 09	6-3	8	0710 709 02	4-4[A]	8
0710 107 27	11-2	14	0710 122 09	15-1	63	0710 709 02	4-4A[A]	8
0710 113 11	4-1	13	0710 122 09	15-1	63	0710 709 02	4-4[B]	8
0710 113 23	4-1	53	0710 122 09	15-2	28	0710 709 02	4-4A[B]	8
0710 113 32	4-4	38	0710 122 09	16-2	9	0710 713 09	4-4	3
0710 113 32	4-4A	38	0710 122 10	15-4	4	0710 713 09	4-4A	3
0710 113 32	4-4[A]	38	0710 127 06	4-1	42	0710 713 09	4-4[A]	3
0710 113 32	4-4A[A]	38	0710 200 10	5-3	13	0710 713 09	4-4A[A]	3
0710 113 32	4-4[B]	38	0710 200 14	5-3	14	0710 713 09	4-4[B]	3
0710 113 32	4-4A[B]	38	0710 201 01	1-4	7	0710 713 09	4-4A[B]	3
0710 113 32	15-2	25	0710 201 01	1-5	9	0710 713 09	15-2	11
0710 113 44	1-7	18	0710 201 01	5-1	7	0710 713 10	4-1	17
0710 113 44	4-3	20	0710 202 02	4-3	11	0712 310 33	15-1	61
0710 113 44	11-4	14	0710 212 04	6-1	31	0712 310 33	15-3	26
0710 113 66	15-1	29	0710 212 12	4-1	57	0712 310 40	4-4	69
0710 114 32	15-2	26	0710 303 02	4-4	46	0712 310 40	4-4A	69
0710 114 33	12-2	8	0710 303 02	4-4A	46	0712 310 40	16-1	24
0710 114 44	1-7	19	0710 303 02	4-4[A]	46	0712 310 50	4-4[B]	72
0710 114 44	4-2	14	0710 303 02	4-4A[A]	46	0712 310 50	4-4A[B]	72
0710 114 66	4-1	43	0710 303 02	4-4[B]	46	0712 310 50	16-1	28
0710 114 88	4-1	45	0710 303 02	4-4A[B]	46	0712 310 55	4-1	19
0710 117 02	4-4	37	0710 303 02	15-2	8	0712 325 01	4-4A	72
0710 117 02	4-4A	37	0710 303 02	15-3	12	0712 325 01	4-4A[A]	75
0710 117 02	4-4[A]	37	0710 303 03	4-4	41	0712 325 01	4-4A[B]	76
0710 117 02	4-4A[A]	37	0710 303 03	4-4A	41	0712 325 02	4-4	68
0710 117 02	4-4[B]	37	0710 303 03	4-4[A]	41	0712 325 02	4-4A	68
0710 117 02	4-4A[B]	37	0710 303 03	4-4A[A]	41	0712 325 02	4-4[B]	71
0710 117 02	6-3	6	0710 303 03	4-4[B]	41	0712 325 02	4-4A[B]	71
0710 121 00	4-4[A]	72	0710 303 03	4-4A[B]	41	0712 326 01	4-4[B]	66
0710 121 00	4-4A[A]	71	0710 303 06	15-1	12	0712 326 01	4-4A[B]	66
0710 121 00	4-4[B]	69	0710 303 06	15-3	21	0713 100 02	11-2	14-1
0710 121 00	4-4A[B]	69	0710 400 24	15-12	5	0713 431 02	5-3	9
0710 121 00	6-3	19	0710 400 24	15-12A	5	0713 431 91	0-0	24
0710 121 00	15-1	53	0710 501 03	15-9	26	0713 431 91	5-3	7
0710 122 02	12-2	9	0710 501 03	15-17	13	0713 439 07	5-3	4
0710 122 09	4-1	55	0710 503 02	1-7	24	0713 439 10	5-3	2
0710 122 09	4-4	6	0710 503 02	15-9	8	0713 439 UA	1-7	17
0710 122 09	4-4A	6	0710 503 02	15-17	14	0713 439 UA	5-3	0
0710 122 09	4-4[A]	72	0710 503 03	15-9	24	0713 700 02	16-2	8
0710 122 09	4-4[A]	72	0710 600 13	15-9	25	0713 700 03	1-7	7
0710 122 09	4-4A[A]	6	0710 600 13	15-17	10	0713 700 03	4-2	5
0710 122 09	4-4[B]	6	0710 707 02	1-7	23	0713 700 03	11-4	16

部品番号順索引

PARTS INDEX

PARTS No.	Sh No.	KEY No.	PARTS No.	Sh No.	KEY No.	PARTS No.	Sh No.	KEY No.
0713 700 03	12-2	6	0725 004 UA	15-1	18	0752 756 05	5-11	11
0713 700 04	1-7	6	0728 111 15	2-1	9	0752 921 09	5-8	25
0713 700 04	4-2	15	0728 111 15	5-8	7	0752 922 11	5-12	20
0713 700 04	11-4	15	0728 111 15	5-9	7	0752 928 07	5-10	20
0713 700 04	16-1	26	0728 111 15	5-10	7	0752 935 04	5-8	12
0713 700 04	16-2	7	0728 111 15	5-12	3	0752 935 04	5-12	12
0713 700 70	4-4	2	0728 111 15	11-1	27	0752 941 06	5-9	19
0713 700 70	4-4A	2	0728 111 15	11-2	8	0753 101 09	5-4	49
0713 700 70	4-4[A]	2	0728 111 15	16-4	12	0753 265 UA	0-0	1
0713 700 70	4-4A[A]	2	0728 111 55	5-12	7	0753 265 UA	1-3	5
0713 700 70	4-4[B]	2	0728 111 65	5-9	3	0753 563 53	5-1	52
0713 700 70	4-4A[B]	2	0728 111 65	5-10	3	0753 563 63	5-1	42
0713 700 70	6-1	7	0728 111 65	5-11	6	0753 636 19	5-2	13
0713 700 70	6-1A	7	0728 111 65	12-1	10	0753 638 11	5-1	28
0713 700 70	6-3	7	0728 131 11	16-4	2	0753 713 05	5-1	2
0713 700 70	15-1	45	0729 910 35	15-9	9	0753 764 40	5-1	34
0713 700 70	15-1	45	0729 910 60	7-4	4	0753 764 41	5-1	36
0713 700 70	15-3	37	0729 910 60	7-4[A]	4	0753 764 49	5-1	64
0713 700 71	4-4	36	0729 910 73	0-0	9	0753 764 49	5-1	64
0713 700 71	4-4A	36	0729 910 73	7-4	3	0753 764 51	5-1	45
0713 700 71	4-4[A]	36	0729 910 73	7-4[A]	3	0753 795 11	5-1	35
0713 700 71	4-4A[A]	36	0729 910 80	7-4	1	0753 904 11	5-4	28
0713 700 71	4-4[B]	36	0729 910 80	7-4[A]	1	0754 124 13	5-15	20
0713 700 71	4-4A[B]	36	0745 142 UA	15-15	10	0754 124 13	5-15[A]	20
0713 700 72	15-1	25	0745 265 08	0-0	6	0754 309 10	5-13A	17
0713 700 73	4-1	16	0745 265 08	7-2	25-1	0754 309 10	5-16	1
0713 700 73	15-1	27	0745 265 08	7-2[A]	25-1	0754 805 UA	15-1	60
0713 700 74	4-1	15	0745 265 09	0-0	7	0754 805 UA	15-3	24
0713 700 77	4-3	22	0745 265 09	7-2	25-2	0755 142 03	0-0	3
0713 700 78	4-2	10	0745 265 09	7-2[A]	25-2	0755 142 03	5-6	10-1
0713 700 78	11-4	40	0745 265 UA	7-2	25	0755 861 26	5-3	12
0713 700 78	12-2	12	0745 265 UA	7-2[A]	25	0756 029 28	5-13A	24
0713 700 93	15-3	38	0750 198 15	5-13	16	0756 062 07	5-16	3
0713 700 94	4-1	14	0751 796 24	5-9	8	0756 065 11	5-14	17-1
0713 704 02	1-7	21	0751 796 24	5-10	8	0756 065 13	5-14	14
0713 704 03	15-17	11	0751 901 25	5-9	22	0756 089 26	5-13A	16
0713 705 02	16-1	27	0751 901 25	5-10	23	0756 094 01	5-15[B]	8
0719 804 UA	15-12	4	0751 901 25	5-11	21	0756 094 02	5-15[B]	5
0719 805 UA	1-7	20	0751 948 06	5-13	14	0756 094 03	5-15[B]	4
0719 805 UA	4-4	7	0751 960 03	5-1	41	0756 094 04	5-15[B]	1
0719 805 UA	4-4A	7	0752 159 21	5-11	5	0756 094 05	5-15[B]	10
0719 805 UA	4-4[A]	7	0752 164 20	5-11	18	0756 094 06	5-15[B]	9
0719 805 UA	4-4A[A]	7	0752 289 20	5-9	6	0756 094 07	5-15[B]	7
0719 805 UA	4-4[B]	7	0752 289 20	5-10	6	0756 094 08	5-15[B]	6
0719 805 UA	4-4A[B]	7	0752 756 05	5-9	12	0756 094 UA	4-4[B]	67

部品番号順索引

PARTS INDEX

PARTS No.	Sh No.	KEY No.	PARTS No.	Sh No.	KEY No.	PARTS No.	Sh No.	KEY No.
0756 094 UA	4-4A[B]	67	0758 698 09	5-11	12	0760 710 12	5-4	32
0756 094 UA	5-15[B]	0	0758 850 06	5-8	13	0760 710 12	5-7	4
0756 303 07	5-5	10	0758 850 06	5-12	13	0760 710 12	5-13	18
0756 303 07	5-5A	10	0758 850 12	5-12	8	0760 710 12	5-13A	26
0756 326 04	5-14	7	0759 106 UA	0-0	2	0760 710 12	5-16	2
0756 326 06	5-14	17	0759 106 UA	5-6	5	0760 710 12	6-1	9
0756 326 07	5-14	9	0759 114 UA	5-6	10-2	0760 710 12	6-1A	9
0756 326 08	5-13A	5	0759 115 UA	5-6	10	0760 710 12	6-3	9
0756 326 08	5-14	6	0759 301 UA	15-4	1	0760 710 12	9-1	49
0756 326 09	5-14	18	0760 211 18	5-15	17	0760 710 12	9-1[A]	52
0756 326 10	5-14	4	0760 211 18	5-15[A]	17	0760 710 12	15-1	31
0756 326 19	5-14	16	0760 212 58	5-1	37	0760 710 12	15-2	17
0756 326 20	5-14	3	0760 310 20	5-13	8	0760 710 12	15-3	39
0756 326 22	5-14	1	0760 310 25	5-13	9	0760 710 12	15-12	6
0756 326 23	5-14	2	0760 311 66	5-2	9	0760 710 12	16-1	30
0756 326 25	5-14	13	0760 312 11	5-6	8	0760 710 12	16-2	10
0756 339 05	5-4	13	0760 312 25	4-1	26	0760 710 14	5-1	56
0756 339 08	5-4	16	0760 319 10	5-4	80-1	0760 710 14	5-7	6
0756 339 17	5-4	31	0760 610 08	5-14	8	0760 710 16	1-7	14
0756 339 20	5-4	27	0760 610 09	5-4	53	0760 710 16	4-1	23
0756 339 25	5-4	61	0760 610 11	5-4	75	0760 710 16	4-2	7
0756 339 80	5-4	44	0760 610 11	5-4	75	0760 710 16	4-3	23
0756 357 03	5-13	15	0760 610 15	5-4	63	0760 710 16	4-4	42
0756 611 13	5-5	12	0760 615 70	5-4	21	0760 710 16	4-4A	42
0756 611 13	5-5A	12	0760 615 85	5-3	8	0760 710 16	4-4[A]	42
0756 735 09	5-5	2	0760 710 07	5-1	38	0760 710 16	4-4A[A]	42
0756 735 09	5-5A	2	0760 710 07	5-4	59	0760 710 16	4-4[B]	42
0756 735 15	5-5	7	0760 710 07	5-7	9	0760 710 16	4-4A[B]	42
0756 735 15	5-5A	7	0760 710 08	5-1	58	0760 710 16	5-1	55
0756 742 21	5-13A	23	0760 710 08	5-4	42-1	0760 710 16	5-1	55
0756 744 11	5-5	11	0760 710 08	5-7	13	0760 710 16	5-2	29
0756 744 11	5-5A	11	0760 710 08	5-13	10	0760 710 16	5-4	66-1
0756 781 14	5-15	13	0760 710 08	5-13A	25	0760 710 16	5-7	7
0756 781 14	5-15[A]	13	0760 710 09	5-2	32	0760 710 16	11-4	18
0756 863 09	5-15	16	0760 710 10	5-1	40	0760 710 16	12-2	5
0756 863 09	5-15[A]	16	0760 710 10	5-4	34	0760 710 16	15-2	27
0757 606 04	5-1	3	0760 710 12	1-7	25	0760 710 16	15-4	7
0757 606 20	5-1	18	0760 710 12	4-1	54	0760 710 16	15-17	15
0757 606 29	5-1	24	0760 710 12	4-4	4	0760 710 19	1-7	8
0757 618 20	5-2	14	0760 710 12	4-4A	4	0760 710 19	4-1	48
0757 641 92	5-2	31	0760 710 12	4-4[A]	4	0760 710 19	4-2	13
0757 785 06	5-1	59	0760 710 12	4-4A[A]	4	0760 710 19	4-3	12
0758 696 25	5-9	25	0760 710 12	4-4[B]	4	0760 710 19	5-2	33
0758 697 06	5-10	13	0760 710 12	4-4A[B]	4	0760 710 19	5-4	79-1
0758 698 09	5-9	13	0760 710 12	5-2	25	0760 710 19	7-3	9

部品番号順索引

PARTS INDEX

PARTS No.	Sh No.	KEY No.	PARTS No.	Sh No.	KEY No.	PARTS No.	Sh No.	KEY No.
0760 710 19	11-4	17	0760 716 90	5-1	23	0781 250 02	5-2	8
0760 710 19	12-2	11	0761 721 20	7-3	8	0781 250 96	5-2	7
0760 710 19	15-1	30	0762 120 09	5-4	54	0781 261 01	5-2	6
0760 710 19	15-2	23	0762 120 11	5-4	50	0781 261 03	5-2	3
0760 710 19	15-4	8	0762 120 15	5-4	64	0781 261 92	5-2	1
0760 710 19	16-1	31	0762 120 16	5-2	28	0781 261 94	5-2	2
0760 710 19	16-2	11	0762 120 50	1-3	2	0781 261 95	5-2	4
0760 710 19	16-3	16	0762 120 70	5-3	11	0781 261 96	5-2	22
0760 710 20	5-4	35	0763 014 60	1-5	2	0781 261 97	5-2	18
0760 710 20	5-5	3	0763 014 67	1-4	3	0781 313 92	5-2	16
0760 710 20	5-5A	3	0765 033 27	11-1	28	0781 372 01	5-1	4
0760 710 20	16-3	6	0765 033 27	16-4	11	0781 372 02	5-1	8
0760 710 22	5-2	27	0765 033 28	5-8	8	0781 372 03	5-1	9
0760 710 22	16-3	2	0765 033 28	5-11	7	0781 372 04	5-1	10
0760 710 23	5-12	26	0765 033 28	11-1	29	0781 372 05	5-1	12
0760 710 24	4-1	24	0765 033 28	12-1	9	0781 372 06	5-1	14
0760 710 24	15-1	32	0775 551 93	0-0	4	0781 372 07	5-1	15
0760 710 25	4-1	47	0775 551 93	7-1	11	0781 372 08	5-1	16
0760 710 28	5-8	33	0775 551 95	0-0	5	0781 372 09	5-1	17
0760 710 28	5-9	29	0775 551 95	7-1	12	0781 372 10	5-1	20
0760 710 30	4-1	25	0776 600 08	4-1	3	0781 372 11	5-1	22
0760 710 30	5-1	44	0776 600 11	4-1	37	0781 372 12	5-1	27
0760 710 30	5-6	15	0779 000 88	11-2	12	0781 372 13	5-1	29
0760 710 30	5-7	8	0779 002 97	7-1	24	0781 372 14	5-1	30
0760 710 40	4-1	35	0779 003 59	7-2	35	0781 372 15	5-1	33
0760 710 50	1-3	3	0779 003 59	7-2[A]	21	0781 372 16	5-1	46
0760 710 70	5-3	10	0779 005 27	7-2[A]	8	0781 372 17	5-1	47
0760 711 30	5-6	7	0779 005 37	7-2	9	0781 372 18	5-1	61
0760 715 35	1-5	6	0779 005 38	7-2	8	0781 372 19	5-1	62
0760 715 35	5-7	12	0779 005 52	7-2[A]	6	0781 372 20	5-1	63
0760 715 45	1-4	4	0779 005 53	7-2[A]	9	0781 372 91	5-1	1
0760 715 55	5-7	10	0780 162 91	5-7	1	0781 372 92	5-1	53
0760 715 65	5-10	14	0780 162 92	5-7	11	0781 372 93	5-1	21
0760 715 70	5-10	16	0780 162 93	5-7	14	0781 372 94	5-1	32
0760 715 75	5-7	3	0780 162 94	5-7	15	0781 372 96	5-1	60
0760 715 75	5-9	14	0780 162 UA	5-7	0	0781 372 UA	1-1	12
0760 715 80	5-9	16	0780 162 UA	7-3	13	0781 372 UA	5-1	0
0760 715 85	5-11	13	0780 440 10	5-8	19	0781 373 91	5-2	11
0760 715 90	5-8	17	0781 133 02	5-1	5	0781 373 92	5-2	26
0760 715 90	5-11	15	0781 133 07	5-1	11	0781 373 UA	3-1	1
0760 715 95	5-8	16	0781 133 11	5-1	19	0781 373 UA	5-2	0
0760 716 00	5-12	14	0781 133 17	5-1	31	0781 375 22	5-1	49
0760 716 05	5-12	16	0781 173 08	5-1	43	0782 173 04	5-10	17
0760 716 10	5-2	21	0781 173 10	5-1	50	0782 185 23	5-9	24
0760 716 25	5-2	20	0781 238 20	5-1	13	0782 372 95	5-1	39

部品番号順索引

PARTS INDEX

PARTS No.	Sh No.	KEY No.	PARTS No.	Sh No.	KEY No.	PARTS No.	Sh No.	KEY No.
0782 380 03	5-11	8	0782 603 UA	11-2	2	0783 677 06	5-4	19
0782 380 05	5-11	14	0782 604 02	5-8	5	0783 677 07	5-4	22
0782 380 07	5-11	19	0782 604 03	5-8	9	0783 677 09	5-4	24
0782 380 91	0-0	28	0782 604 04	5-8	20	0783 677 10	5-4	25
0782 380 91	5-11	10	0782 604 05	5-8	22	0783 677 13	5-4	30
0782 380 93	5-11	16	0782 604 07	5-8	29	0783 677 14	5-4	33
0782 396 03	5-10	9	0782 604 93	5-8	23	0783 677 15	5-4	36
0782 396 04	5-10	12	0782 604 UA	5-8	0	0783 677 16	5-4	37
0782 396 05	5-10	15	0782 604 UA	11-1	41	0783 677 18	5-4	41
0782 396 07	5-10	21	0782 605 08	5-8	31	0783 677 21	5-4	60
0782 396 13	5-10	10	0782 605 09	5-8	6	0783 677 22	5-4	62
0782 396 91	0-0	27	0782 606 02	5-9	5	0783 677 23	5-4	58
0782 396 91	5-10	11	0782 606 03	5-9	9	0783 677 24	5-4	45
0782 396 93	5-10	18	0782 606 UA	5-9	0	0783 677 26	5-4	47
0782 399 05	5-9	15	0782 606 UA	11-1	3	0783 677 27	5-4	52
0782 399 12	5-9	20	0782 608 02	5-12	5	0783 677 28	5-4	48
0782 401 06	5-9	26	0782 608 03	5-12	9	0783 677 29	5-4	57
0782 401 93	5-9	17	0782 608 04	5-12	15	0783 677 30	5-4	56
0782 431 21	5-12	28	0782 608 06	5-12	19	0783 677 31	5-4	67
0782 438 15	5-9	23	0782 608 07	5-12	24	0783 677 83	5-4	42
0782 438 93	0-0	26	0782 608 08	5-12	6	0783 677 83	16-3	18
0782 438 93	5-9	11	0782 608 91	0-0	29	0783 700 08	5-5	4
0782 440 03	5-8	9	0782 608 91	5-12	11	0783 700 08	5-5A	14
0782 440 08	5-8	15	0782 608 93	5-12	17	0783 700 09	5-5	6
0782 440 11	5-8	21	0782 608 UA	5-12	0	0783 700 09	5-5A	6
0782 440 13	5-8	18	0782 608 UA	12-1	6	0783 700 10	5-5	14
0782 440 17	5-8	26	0782 619 06	5-8	30	0783 700 10	5-5A	16
0782 440 27	5-8	35	0782 619 06	5-9	27	0783 700 12	5-5	9
0782 440 93	0-0	25	0783 637 16	5-15	15	0783 700 12	5-5A	9
0782 440 93	5-8	11	0783 637 16	5-15[A]	15	0783 719 01	5-13A	1
0782 446 03	5-9	10	0783 637 19	5-15	18	0783 719 03	5-13A	3
0782 446 03	5-11	9	0783 637 19	5-15[A]	18	0783 719 04	5-13A	4
0782 446 05	5-12	25	0783 637 20	5-15	19	0783 719 08	5-13A	7
0782 446 06	5-8	34	0783 637 20	5-15[A]	19	0783 719 09	5-13A	8
0782 446 06	5-12	27	0783 646 83	5-4	66	0783 719 13	5-13A	9
0782 491 09	5-8	32	0783 646 84	5-4	79	0783 719 14	5-13A	10
0782 491 09	5-9	28	0783 646 85	5-4	74	0783 719 15	5-13A	12
0782 492 04	5-8	10	0783 664 06	5-16	6	0783 719 16	5-13A	13
0782 492 04	5-12	10	0783 664 09	5-16	7	0783 719 18	5-13A	14
0782 498 13	5-12	21	0783 665 91	5-16	4	0783 719 20	5-13A	15
0782 602 02	5-10	5	0783 677 01	5-4	68	0783 719 30	5-13A	22
0782 602 UA	5-10	0	0783 677 02	5-4	12	0783 719 36	5-13A	27
0782 602 UA	11-1	4	0783 677 03	5-4	14	0783 726 91	5-16	5
0782 603 02	5-11	4	0783 677 04	5-4	15	0783 749 01	5-4	55
0782 603 UA	5-11	0	0783 677 05	5-4	26	0783 749 02	5-4	46

部品番号順索引

PARTS INDEX

PARTS No.	Sh No.	KEY No.	PARTS No.	Sh No.	KEY No.	PARTS No.	Sh No.	KEY No.
0783 756 01	5-5	13	0783 964 UA	5-5	0	0784 112 08	5-15	4
0783 756 01	5-5A	13	0783 965 02	5-14	11	0784 112 08	5-15[A]	4
0783 768 02	5-13A	2	0783 965 03	5-14	11-1	0784 112 09	5-15	5
0783 768 15	5-13A	11	0783 965 04	5-14	19	0784 112 09	5-15[A]	5
0783 768 17	5-13A	6	0783 965 11	5-14	15	0784 112 10	5-15	6
0783 768 UA	5-13A	0	0783 965 UA	5-14	0	0784 112 10	5-15[A]	6
0783 768 UA	6-1A	11	0783 965 UA	6-3	11	0784 112 11	5-15	7
0783 771 03	5-5	8	0783 965 UA	15-1	46	0784 112 11	5-15[A]	7
0783 771 03	5-5A	8	0783 970 01	5-4	38	0784 112 20	5-15	14
0783 771 07	5-5	1	0783 974 03	5-4	17	0784 112 20	5-15[A]	14
0783 771 07	5-5A	1	0783 974 04	5-4	39	0784 112 UA	4-4[A]	69
0783 787 15	5-16	4-1	0783 974 95	5-4	8	0784 112 UA	4-4A[A]	69
0783 802 UA	4-4A	71	0783 995 01	5-13	22	0784 112 UA	5-15	0
0783 802 UA	4-4A[A]	74	0783 995 UA	5-13	0	0784 113 11	5-15[A]	3
0783 802 UA	4-4A[B]	75	0783 995 UA	6-1	11	0784 113 UA	4-4[A]	69-1
0783 802 UA	5-16	0	0784 015 85	5-4	80	0784 113 UA	4-4A[A]	69-1
0783 842 02	5-4	18	0784 015 86	5-4	72	0784 113 UA	5-15[A]	0
0783 846 83	5-4	43	0784 015 87	5-4	71	0784 127 01	5-5A	17
0783 846 85	16-3	19	0784 015 88	5-4	70	0784 127 02	5-5A	4
0783 846 88	5-4	73	0784 015 90	5-4	1	0784 127 03	5-5A	5
0783 920 06	5-13	17	0784 015 91	5-4	2	0784 127 UA	4-4A	1
0783 936 01	5-13	11	0784 015 92	5-4	3	0784 127 UA	4-4A[A]	1
0783 936 02	5-13	22	0784 015 93	5-4	4	0784 127 UA	4-4A[B]	1
0783 951 01	5-13	1	0784 015 94	5-4	5	0784 127 UA	5-5A	0
0783 951 02	5-13	2	0784 015 95	5-4	6	0784 128 01	5-13	23
0783 951 03	5-13	4	0784 015 96	5-4	7	0784 128 UA	5-13	0
0783 951 04	5-13	5	0784 015 97	5-4	9	0784 128 UA	6-1	11
0783 951 05	5-13	6	0784 015 98	5-4	10	0785 118 UA	16-1	1
0783 951 06	5-13	7	0784 015 99	5-4	11	0785 169 UA	15-1	59
0783 951 08	5-13	12	0784 015 UA	4-1	38	0785 171 UA	15-3	36
0783 951 09	5-13	13	0784 015 UA	5-4	0	0785 606 UA	5-4	74-1
0783 951 10	5-13	20	0784 023 02	5-14	18	0785 607 UA	5-4	74-2
0783 951 11	5-13	21	0784 023 UA	6-3	11	0785 947 UA	4-1	11
0783 951 13	5-13	23	0784 023 UA	15-1	46	0786 988 UA	15-2	24
0783 951 14	5-13	24	0784 047 06	16-3	3	0787 047 04	16-3	1
0783 951 15	5-13	25	0784 047 07	16-3	4	0787 047 08	16-3	5
0783 951 16	5-13	26	0784 047 10	16-3	7	0787 047 16	16-3	13
0783 951 17	5-13	27	0784 047 11	16-3	8	0787 047 17	16-3	14
0783 951 18	5-13	28	0784 047 12	16-3	9	0787 047 18	16-3	15
0783 951 91	5-13	29	0784 047 13	16-3	10	0787 047 91	16-3	17
0783 964 01	5-5	5	0784 112 04	5-15	1	0787 047 UA	16-2	1
0783 964 01	5-5A	15	0784 112 04	5-15[A]	1	0787 047 UA	16-3	0
0783 964 UA	4-4	1	0784 112 06	5-15	2	0787 305 UA	5-6	13
0783 964 UA	4-4[A]	1	0784 112 06	5-15[A]	2	0784 023 UA	5-14	0
0783 964 UA	4-4[B]	1	0784 112 07	5-15	3	0790 000 02	1-7	15

部品番号順索引

PARTS INDEX

PARTS No.	Sh No.	KEY No.	PARTS No.	Sh No.	KEY No.	PARTS No.	Sh No.	KEY No.
0820 023 16	15-9	5	0820 067 09	15-3	34	0820 803 07	15-17	32
0820 023 18	15-15	8	0820 067 10	4-2	6	0830 106 00	9-1[A]	12-1
0820 023 19	15-15	7	0820 067 10	4-3	25	0830 107 06	9-1	42-4
0820 067 03	6-2	52	0820 067 10	4-4	62	0830 107 06	9-1[A]	46-4
0820 067 03	6-3	18	0820 067 10	4-4A	62	0830 107 07	9-1	42-5
0820 067 03	9-1	25	0820 067 10	4-4[A]	62	0830 107 07	9-1[A]	46-5
0820 067 03	9-1[A]	24	0820 067 10	4-4A[A]	62	0830 107 08	9-1	42-6
0820 067 03	15-13	13	0820 067 10	4-4[B]	62	0830 107 08	9-1[A]	46-6
0820 067 04	7-1	23	0820 067 10	4-4A[B]	62	0830 107 09	9-1	42-7
0820 067 04	9-1	46	0820 067 10	7-2	33	0830 107 09	9-1[A]	46-7
0820 067 04	9-1[A]	48	0820 067 10	11-4	41	0830 107 10	9-1	42-8
0820 067 04	15-1	39	0820 067 31	9-1	27	0830 107 10	9-1[A]	46-8
0820 067 04	15-12	7	0820 067 31	9-1[A]	25	0830 107 11	9-1	42-2
0820 067 04	15-12A	6	0820 069 03	16-6	6	0830 107 11	9-1[A]	46-2
0820 067 04	15-16	2	0820 215 07	0-0	13	0830 107 12	9-1	42-3
0820 067 04	15-16[A]	2	0820 215 07	6-4	24	0830 107 12	9-1[A]	46-3
0820 067 04	15-17	35	0820 215 07	9-1[A]	33	0830 291 01	9-1	12-1
0820 067 04	16-6	5	0820 215 07	9-2	34	0830 406 02	9-2	21
0820 067 05	1-7	16	0820 215 07	15-15	11	0830 408 00	15-5	14
0820 067 05	4-4	45	0820 215 10	0-0	10	0850 500 10	15-5	13
0820 067 05	4-4A	45	0820 215 10	9-1	41	0851 000 01	9-1	5
0820 067 05	4-4[A]	45	0820 215 10	9-1[A]	39	0851 000 01	9-1[A]	5
0820 067 05	4-4A[A]	45	0820 215 11	0-0	11	0851 000 02	9-1	5-1
0820 067 05	4-4[B]	45	0820 215 11	9-1	35	0851 000 02	9-1[A]	5-1
0820 067 05	4-4A[B]	45	0820 513 UA	6-2	54	0852 119 22	9-1	28
0820 067 05	6-1	29	0820 514 UA	6-2	51	0852 119 22	9-1[A]	26
0820 067 05	6-1A	29	0820 650 20	16-6	13	0854 060 01	16-6	12
0820 067 05	6-3	24	0820 650 20	16-7	15	0854 523 01	15-14	4-1
0820 067 05	7-1	26	0820 650 21	16-6	14	0854 523 06	15-14	4-2
0820 067 05	7-4[A]	35	0820 650 21	16-7	16	0854 523 UA	15-14	4
0820 067 05	9-1	26	0820 651 20	16-6	13-1	0854 529 01	9-1	2-2
0820 067 05	9-2	22	0820 651 20	16-7	15-1	0854 529 01	9-1[A]	2-2
0820 067 05	11-2	17	0820 651 21	16-6	14-1	0854 529 05	9-1	2-1
0820 067 05	15-1	34	0820 651 21	16-7	16-1	0854 529 05	9-1[A]	2-1
0820 067 05	15-9	15	0820 657 08	15-5	15	0854 529 UA	9-1	2
0820 067 05	16-1	37	0820 803 01	6-4	19	0854 529 UA	9-1[A]	2
0820 067 07	6-2	38	0820 803 03	7-1	21	0854 536 01	15-14	1-1
0820 067 09	4-4	61	0820 803 04	7-4	48	0854 536 11	15-14	1-2
0820 067 09	4-4A	61	0820 803 04	7-4[A]	58	0854 536 UA	15-14	1
0820 067 09	4-4[A]	61	0820 803 04	7-4[A]	58	0857 011 48	15-12	2
0820 067 09	4-4A[A]	61	0820 803 04	15-17	34	0857 011 48	15-12A	2
0820 067 09	4-4[B]	61	0820 803 05	15-4	3	0857 011 57	9-2	45
0820 067 09	4-4A[B]	61	0820 803 05	15-17	31	0857 056 03	15-9	1
0820 067 09	9-2	49	0820 803 06	15-9	18	0857 909 UA	7-4	23
0820 067 09	15-2	19	0820 803 06	15-17	30	0857 909 UA	7-4[A]	23

部品番号順索引

PARTS INDEX

PARTS No.	Sh No.	KEY No.	PARTS No.	Sh No.	KEY No.	PARTS No.	Sh No.	KEY No.
0857 914 11	0-0	8	0897 019 UA	15-16	21	4004 364 01	6-2	5
0857 914 11	7-4	54-1	0897 019 UA	15-16[A]	21	4004 364 01	8-2	29
0857 914 11	7-4[A]	54-1	0898 000 00	15-17	8	4004 364 01	9-2	7
0857 914 UA	7-4	54	0898 000 01	15-16	23	4004 364 01	15-15	28
0857 914 UA	7-4[A]	54	0898 000 01	15-16[A]	23	4004 364 01	16-7	6
0858 140 01	9-1	42-1	0898 000 02	15-15	9	4006 119 01	7-1	25
0858 140 01	9-1[A]	46-1	0898 000 03	15-15	14	4006 119 01	8-4[A]	10
0858 180 10	15-12	3	0898 000 04	15-15	15	4006 119 01	15-16	18
0858 180 10	15-12A	3	0898 000 05	15-15	13	4006 119 01	15-16[A]	18
0858 306 03	0-0	12	0898 000 68	15-17	1	4006 119 02	8-2	32
0858 306 03	9-2	26	0898 000 69	15-17	2	4006 119 02	9-1	37
0858 306 04	9-2	26-1	0898 000 70	15-17	3	4006 119 02	9-1[A]	35
0858 308 23	16-7	2	0898 000 71	15-17	4	4006 119 02	9-2	52
0858 314 02	9-1[A]	50	0910 101 19	15-16	6	4006 178 00	11-1	35
0858 314 02	9-2	53	0910 101 22	15-16[A]	6	4006 386 00	8-4[A]	12
0858 314 11	15-14	10	0910 870 05	7-1	30	4006 540 56	11-1	38
0858 314 12	15-14	11	0910 870 05	8-1	21	4006 540 57	11-1	38-1
0858 314 15	6-2	21	0910 870 05	8-2	59	4006 540 66	11-1	37
0858 314 33	9-2	36	0910 870 05	8-2	59	4006 540 66	11-2	11
0858 314 34	15-9	19	0910 911 00	11-1	42	4006 540 67	11-1	37-1
0858 314 35	9-2	40	0910 931 10	7-1	10	4006 540 67	11-2	11-1
0858 501 16	9-1	48	0910 940 24	8-2	63	4007 308 00	11-3	14
0858 501 16	9-1[A]	51	0910 942 02	15-9	16	4012000138	15-6	49
0858 601 16	16-1	9	0931 070 24	10-1	5	4012000185	15-6	39
0858 601 16	16-2	21	0931 109 25	10-1	2	4012000185	15-7	27
0858 614 05	9-2	31	0931 301 04	10-1	6	4012000185	15-8	22
0858 614 12	6-4	9	0931 331 10	10-1	4	4012000186	15-8	21
0860 504 02	16-7	14	0931 370 10	10-1	3-1	4012000189	15-8	52
0861 001 02	9-1	3	0931 370 11	10-1	3	4012000206	15-6	31
0861 001 02	9-1[A]	3	0931 371 01	10-1	3-2	4012000206	15-8	37
0877 900 11	16-7	1	0933 054 UA	16-7	3	4012000210	15-8	64
0879 551 30	9-1	13	2034207015	15-6	58	4012000215	15-8	49
0879 551 30	9-1[A]	13	3034212018	15-6	0	4012000216	15-7	45
0881 100 UA	16-5	1	3034212018	15-7	0	4012000239	15-7	12
0881 509 UA	9-2	1	3034212018	15-8	0	4012000240	15-8	23
0891 802 UA	6-4	1	3034212019	15-6	0-1	4012000245	15-7	46
0891 918 UA	9-1[A]	40	3034212019	15-7	0-1	4012000250	15-7	40
0891 922 UA	6-4	18	3034212019	15-8	0-1	4012000251	15-7	38
0892 270 UA	15-15	1	3442505	15-6	35	4012000252	15-7	39
0893 508 UA	15-13	1	4003 003 00	4-1	30	4012000254	15-7	41
0893 509 UA	9-2	38	4003 021 01	7-2	7	4012000255	15-7	42
0897 002 UA	15-16	22	4003 021 01	7-2[A]	7	4012000256	15-7	43
0897 002 UA	15-16[A]	22	4004 022 04	9-1	7	4012000257	15-6	50
0897 018 UA	15-16	3	4004 022 04	9-1[A]	7	4012000259	15-6	53
0897 018 UA	15-16[A]	3	4004 128 00	1-3	15	4012000260	15-6	47

部品番号順索引

PARTS INDEX

PARTS No.	Sh No.	KEY No.	PARTS No.	Sh No.	KEY No.	PARTS No.	Sh No.	KEY No.
4012000274	15-7	32	4016000021	15-6	37	4016000061	15-7	29
4012000291	15-7	13	4016000022	15-6	37-1	4016000062	15-7	30
4012000297	15-7	20	4016000023	15-6	24	4016000063	15-7	31
4012000303	15-7	28	4016000024	15-6	25	4016000064	15-7	35
4012000314	15-7	33	4016000026	15-6	28	4016000065	15-7	36
4012000316	15-7	34	4016000028	15-6	29	4016000066	15-7	37
4012000352	15-8	62	4016000029	15-6	30	4016000067	15-7	44
4012000356	15-7	18	4016000029	15-8	28	4016000068	15-7	47
4012000367	15-7	24	4016000030	15-6	32	4016000069	15-8	1
4012000370	15-8	17	4016000031	15-6	33	4016000070	15-8	2
4012000390	15-6	36	4016000033	15-6	57	4016000071	15-8	3
4012000428	15-8	36	4016000033	15-6	57	4016000072	15-8	4
4012 220 00	1-4	8	4016000033	15-7	3	4016000073	15-8	5
4013001417	15-6	45	4016000033	15-8	63	4016000074	15-8	6
4013001418	15-6	46	4016000033	15-8	63	4016000075	15-8	7
4013001426	15-6	34	4016000034	15-6	40	4016000076	15-8	8
4013001437	15-8	60	4016000035	15-6	56	4016000077	15-8	9
4013001438	15-8	59	4016000035	15-6	56	4016000078	15-8	10
4013001450	15-8	47	4016000035	15-7	2	4016000079	15-8	11
4015000088	15-6	26	4016000036	15-6	42	4016000080	15-8	12
4015000091	15-6	55	4016000037	15-6	43	4016000081	15-8	13
4015000091	15-8	35	4016000038	15-6	44	4016000082	15-8	14
4015000092	15-6	27	4016000039	15-6	51	4016000083	15-8	15
4015000109	15-6	48	4016000040	15-6	52	4016000084	15-8	16
4016000000	15-6	2	4016000041	15-6	54	4016000085	15-8	18
4016000001	15-6	3	4016000042	15-7	1	4016000086	15-8	19
4016000002	15-6	4	4016000043	15-7	4	4016000087	15-8	20
4016000003	15-6	5	4016000044	15-7	5	4016000088	15-8	24
4016000004	15-6	6	4016000045	15-7	6	4016000089	15-8	25
4016000005	15-6	7	4016000046	15-7	7	4016000090	15-8	26
4016000006	15-6	8	4016000047	15-7	8	4016000091	15-8	27
4016000007	15-6	9	4016000048	15-7	9	4016000092	15-8	30
4016000008	15-6	10	4016000049	15-7	10	4016000093	15-8	31
4016000009	15-6	11	4016000050	15-7	11	4016000094	15-8	32
4016000010	15-6	12	4016000051	15-7	14	4016000095	15-8	33
4016000011	15-6	13	4016000052	15-7	15	4016000096	15-8	34
4016000012	15-6	14	4016000053	15-7	16	4016000097	15-8	38
4016000013	15-6	15	4016000054	15-7	17	4016000098	15-8	40
4016000014	15-6	16	4016000054	15-8	39	4016000099	15-8	41
4016000015	15-6	17	4016000055	15-7	19	4016000100	15-8	42
4016000016	15-6	18	4016000056	15-7	21	4016000101	15-8	43
4016000017	15-6	19	4016000057	15-7	22	4016000102	15-8	44
4016000018	15-6	20	4016000058	15-7	23	4016000103	15-8	45
4016000019	15-6	21	4016000059	15-7	25	4016000104	15-8	46
4016000020	15-6	22	4016000060	15-7	26	4016000105	15-8	48

部品番号順索引

PARTS INDEX

PARTS No.	Sh No.	KEY No.	PARTS No.	Sh No.	KEY No.	PARTS No.	Sh No.	KEY No.
4016000106	15-8	50	4070 245 13	7-4[A]	56	4070 548 21	4-4A[B]	34
4016000107	15-8	51	4070 245 21	7-4[A]	64	4070 548 21	6-1	3
4016000108	15-8	53	4070 245 21	7-4[A]	64	4070 548 21	6-1A	3
4016000109	15-8	54	4070 245 32	7-4	30	4070 548 25	4-4	53
4016000110	15-8	55	4070 245 32	7-4[A]	30	4070 548 25	4-4[A]	53
4016000111	15-8	56	4070 245 39	7-4	28	4070 548 25	4-4[B]	53
4016000112	15-8	57	4070 245 67	7-4	29	4070 548 27	15-1	37
4016000113	15-8	58	4070 245 68	7-4[A]	57	4070 548 27	16-1	16
4016000114	15-8	61	4070 351 03	4-2	8	4070 548 35	4-4	31
4016000115	15-8	65	4070 351 03	11-4	38	4070 548 35	4-4[A]	31
4016000116	15-8	66	4070 390 03	4-3	24	4070 548 35	4-4[B]	31
4016000233	15-6	23	4070 548 01	6-3	4	4070 548 36	6-3	10
4016000234	15-6	23-1	4070 548 04	6-1	6	4070 548 39	4-4	32
4016000235	15-6	16	4070 548 04	6-1A	6	4070 548 39	4-4[A]	32
4016 030 04	6-2	23	4070 548 06	4-4	55	4070 548 39	4-4[B]	32
4016 030 04	8-2	21	4070 548 06	4-4A	55	4070 548 39	6-3	2
4017 252 01	16-4	7	4070 548 06	4-4[A]	55	4070 548 40	4-4	23
4040 468 02	11-1	23	4070 548 06	4-4A[A]	55	4070 548 40	4-4A	23
4040 468 16	11-1	22	4070 548 06	4-4[B]	55	4070 548 40	4-4[A]	23
4040 468 21	11-1	20	4070 548 06	4-4A[B]	55	4070 548 40	4-4A[A]	23
4040 867 00	6-2	16	4070 548 06	6-1	4	4070 548 40	4-4[B]	23
4043 229 07	11-1	18	4070 548 06	6-1A	4	4070 548 40	4-4A[B]	23
4043 231 02	16-4	8	4070 548 06	6-3	5	4070 548 41	4-4	30
4043 231 12	11-1	19	4070 548 08	4-4	58	4070 548 41	4-4A	30
4043 231 12	16-4	10	4070 548 08	4-4A	58	4070 548 41	4-4[A]	30
4043 261 03	16-4	9	4070 548 08	4-4[A]	58	4070 548 41	4-4A[A]	30
4043 376 01	12-1	11	4070 548 08	4-4A[A]	58	4070 548 41	4-4[B]	30
4047 035 02	1-4	5	4070 548 08	4-4[B]	58	4070 548 41	4-4A[B]	30
4070 013 07	4-1	7	4070 548 08	4-4A[B]	58	4070 548 41	15-1	35
4070 015 14	4-1	9	4070 548 13	15-1	43	4070 548 42	4-4	26
4070 015 26	1-7	4	4070 548 16	15-1	38	4070 548 42	4-4A	26
4070 026 44	4-1	6	4070 548 18	15-1	42	4070 548 42	4-4[A]	26
4070 056 32	15-4	2	4070 548 19	4-4	57	4070 548 42	4-4A[A]	26
4070 102 31	15-17	7	4070 548 19	4-4A	57	4070 548 42	4-4[B]	26
4070 102 40	15-9	6	4070 548 19	4-4[A]	57	4070 548 42	4-4A[B]	26
4070 102 41	15-9	7	4070 548 19	4-4A[A]	57	4070 548 50	15-1	41
4070 102 44	15-17	5	4070 548 19	4-4[B]	57	4070 548 55	16-1	17
4070 102 45	15-17	6	4070 548 19	4-4A[B]	57	4070 548 57	4-4	22
4070 124 09	4-4	17	4070 548 19	6-3	3	4070 548 57	4-4A	22
4070 124 09	4-4A	17	4070 548 19	15-1	36	4070 548 57	4-4[A]	22
4070 124 09	4-4[A]	17	4070 548 21	4-4	34	4070 548 57	4-4A[A]	22
4070 124 09	4-4A[A]	17	4070 548 21	4-4A	34	4070 548 57	4-4[B]	22
4070 124 09	4-4[B]	17	4070 548 21	4-4[A]	34	4070 548 57	4-4A[B]	22
4070 124 09	4-4A[B]	17	4070 548 21	4-4A[A]	34	4070 548 57	6-3	1
4070 245 12	7-4[A]	29	4070 548 21	4-4[B]	34	4070 548 61	4-4	29

部品番号順索引

PARTS INDEX

PARTS No.	Sh No.	KEY No.	PARTS No.	Sh No.	KEY No.	PARTS No.	Sh No.	KEY No.
4070 548 61	4-4A	32	4070 548 88	4-4[A]	27	4070 551 34	4-4[A]	14
4070 548 61	4-4[A]	29	4070 548 88	4-4A[A]	80	4070 551 34	4-4A[A]	14
4070 548 61	4-4A[A]	32	4070 548 88	4-4A[A]	80	4070 551 34	4-4[B]	14
4070 548 61	4-4[B]	29	4070 548 88	4-4[B]	27	4070 551 34	4-4A[B]	14
4070 548 61	4-4A[B]	32	4070 548 88	4-4A[B]	81	4070 551 43	4-4	18
4070 548 61	15-3	29	4070 548 88	4-4A[B]	81	4070 551 43	4-4A	18
4070 548 65	4-4	33	4070 548 89	4-4	28	4070 551 43	4-4[A]	18
4070 548 65	4-4A	33	4070 548 89	4-4A	28	4070 551 43	4-4A[A]	18
4070 548 65	4-4[A]	33	4070 548 89	4-4[A]	28	4070 551 43	4-4[B]	18
4070 548 65	4-4A[A]	33	4070 548 89	4-4A[A]	28	4070 551 43	4-4A[B]	18
4070 548 65	4-4[B]	33	4070 548 89	4-4[B]	28	4070 551 45	4-4	47
4070 548 65	4-4A[B]	33	4070 548 89	4-4A[B]	28	4070 551 45	4-4A	47
4070 548 68	4-4	21	4070 548 89	6-1	2	4070 551 45	4-4[A]	47
4070 548 68	4-4A	21	4070 548 89	6-1A	2	4070 551 45	4-4A[A]	47
4070 548 68	4-4[A]	21	4070 551 01	4-4	15	4070 551 45	4-4[B]	47
4070 548 68	4-4A[A]	21	4070 551 01	4-4A	15	4070 551 45	4-4A[B]	47
4070 548 68	4-4[B]	21	4070 551 01	4-4[A]	15	4070 572 51	7-4	27
4070 548 68	4-4A[B]	21	4070 551 01	4-4A[A]	15	4070 572 51	7-4[A]	27
4070 548 69	4-4	25	4070 551 01	4-4[B]	15	4070 572 52	7-4	53
4070 548 69	4-4A	78	4070 551 01	4-4A[B]	15	4070 572 52	7-4[A]	53
4070 548 69	4-4A	78	4070 551 14	15-2	16	4070 740 01	15-15	23
4070 548 69	4-4[A]	25	4070 551 15	4-4	49	4070 754 14	4-1	8
4070 548 69	4-4A[A]	72	4070 551 15	4-4A	49	4070 754 25	15-1	24
4070 548 69	4-4A[A]	72	4070 551 15	4-4[A]	49	4070 782 06	4-4	40
4070 548 69	4-4[B]	25	4070 551 15	4-4A[A]	49	4070 782 06	4-4A	40
4070 548 69	4-4A[B]	82	4070 551 15	4-4[B]	49	4070 782 06	4-4[A]	40
4070 548 69	4-4A[B]	82	4070 551 15	4-4A[B]	49	4070 782 06	4-4A[A]	40
4070 548 70	4-4	35	4070 551 18	1-7	5	4070 782 06	4-4[B]	40
4070 548 70	4-4A	35	4070 551 18	15-1	40	4070 782 06	4-4A[B]	40
4070 548 70	4-4[A]	35	4070 551 19	4-4	20	4070 782 22	15-3	30
4070 548 70	4-4A[A]	35	4070 551 19	4-4A	20	4070 842 16	16-1	12
4070 548 70	4-4[B]	35	4070 551 19	4-4[A]	20	4070 842 28	16-1	14
4070 548 70	4-4A[B]	35	4070 551 19	4-4A[A]	20	4070 842 29	16-1	15
4070 548 75	4-4A	53	4070 551 19	4-4[B]	20	4070 842 33	16-1	13
4070 548 75	4-4A[A]	53	4070 551 19	4-4A[B]	20	4070 854 11	15-2	20
4070 548 75	4-4A[B]	53	4070 551 22	4-4	16	4070 899 04	7-4	31
4070 548 82	4-4	24	4070 551 22	4-4A	16	4070 899 04	7-4[A]	31
4070 548 82	4-4A	24	4070 551 22	4-4[A]	16	4072 220 00	15-9	20
4070 548 82	4-4[A]	24	4070 551 22	4-4A[A]	16	4072 220 00	15-17	12
4070 548 82	4-4A[A]	24	4070 551 22	4-4[B]	16	4072 769 00	4-3	21
4070 548 82	4-4[B]	24	4070 551 22	4-4A[B]	16	4072 866 02	16-1	29
4070 548 82	4-4A[B]	24	4070 551 22	6-1	1	4072 887 00	5-6	3
4070 548 88	4-4	27	4070 551 22	6-1A	1	4072 930 01	15-12A	4
4070 548 88	4-4A	77	4070 551 34	4-4	14	4072 930 01	16-1	25
4070 548 88	4-4A	77	4070 551 34	4-4A	14	4072 930 02	16-1	38

部品番号順索引

PARTS INDEX

PARTS No.	Sh No.	KEY No.	PARTS No.	Sh No.	KEY No.	PARTS No.	Sh No.	KEY No.
4072 971 00	4-2	11	4123 040 00	0-0	19	4405 308 02	4-4[A]	33-1
4072 971 00	11-4	22	4123 040 00	11-3	10	4405 308 02	4-4A[A]	33-1
4072 971 00	15-1	26	4123 041 00	0-0	20	4405 308 02	4-4[B]	33-1
4077 036 00	5-6	4	4123 041 00	11-3	5	4405 308 02	4-4A[B]	33-1
4079 027 00	5-6	6	4170 126 00	1-3	13	4405 308 03	4-4	54-1
4080 000 02	11-2	15	4401 631 00	1-3	21	4405 308 03	4-4A	54-1
4080 000 02	16-6	7	4405 307 01	4-4	32-1	4405 308 03	4-4[A]	54-1
4080 000 03	6-4	22	4405 307 01	4-4A	78-1	4405 308 03	4-4A[A]	54-1
4080 000 03	9-1	22	4405 307 01	4-4A	78-1	4405 308 03	4-4[B]	54-1
4080 000 03	9-1[A]	21	4405 307 01	4-4[A]	32-1	4405 308 03	4-4A[B]	54-1
4080 000 04	9-1	21	4405 307 01	4-4A[A]	72-1	4405 308 03	15-2	14-1
4080 000 04	9-1[A]	20	4405 307 01	4-4A[A]	72-1	4405 308 04	4-4	57-1
4080 000 05	7-4	55	4405 307 01	4-4[B]	32-1	4405 308 04	4-4A	57-1
4080 000 05	7-4[A]	55	4405 307 01	4-4A[B]	82-1	4405 308 04	4-4[A]	57-1
4080 000 05	9-1	45	4405 307 01	4-4A[B]	82-1	4405 308 04	4-4A[A]	57-1
4080 000 05	9-1[A]	19	4405 307 02	4-4	31-1	4405 308 04	4-4[B]	57-1
4080 000 06	4-1	20	4405 307 02	4-4A	77-1	4405 308 04	4-4A[B]	57-1
4080 000 06	9-1	20	4405 307 02	4-4A	77-1	4405 309 01	4-4	29-1
4080 000 06	9-1[A]	57	4405 307 02	4-4[A]	31-1	4405 309 01	4-4A	29-1
4080 000 06	11-4	12	4405 307 02	4-4A[A]	80-1	4405 309 01	4-4[A]	29-1
4080 000 08	9-1	23	4405 307 02	4-4A[A]	80-1	4405 309 01	4-4A[A]	29-1
4080 000 08	9-1[A]	22	4405 307 02	4-4[B]	31-1	4405 309 01	4-4[B]	29-1
4080 000 09	4-4	60	4405 307 02	4-4A[B]	81-1	4405 309 01	4-4A[B]	29-1
4080 000 09	4-4A	60	4405 307 02	4-4A[B]	81-1	4405 309 02	4-4	28-1
4080 000 09	4-4[A]	60	4405 307 03	4-4	56-1	4405 309 02	4-4A	28-1
4080 000 09	4-4A[A]	60	4405 307 03	4-4A	56-1	4405 309 02	4-4[A]	28-1
4080 000 09	4-4[B]	60	4405 307 03	4-4[A]	56-1	4405 309 02	4-4A[A]	28-1
4080 000 09	4-4A[B]	60	4405 307 03	4-4A[A]	56-1	4405 309 02	4-4[B]	28-1
4080 000 10	7-4	59-1	4405 307 03	4-4[B]	56-1	4405 309 02	4-4A[B]	28-1
4080 000 10	7-4[A]	63-1	4405 307 03	4-4A[B]	56-1	4405 309 03	4-4	50-1
4080 000 14	11-4	13	4405 307 04	4-4	55-1	4405 309 03	4-4A	50-1
4080 000 25	4-4	44	4405 307 04	4-4A	55-1	4405 309 03	4-4[A]	50-1
4080 000 25	4-4A	44	4405 307 04	4-4[A]	55-1	4405 309 03	4-4A[A]	50-1
4080 000 26	15-17	25	4405 307 04	4-4A[A]	55-1	4405 309 03	4-4[B]	50-1
4080 000 29	7-4	59	4405 307 04	4-4[B]	55-1	4405 309 03	4-4A[B]	50-1
4080 000 29	7-4	59	4405 307 04	4-4A[B]	55-1	4405 309 04	4-4	52-1
4080 000 29	7-4[A]	63	4405 307 04	15-3	27-1	4405 309 04	4-4A	52-1
4080 000 29	7-4[A]	63	4405 308 01	4-4	18-1	4405 309 04	4-4[A]	52-1
4080 000 29	15-3	35	4405 308 01	4-4A	18-1	4405 309 04	4-4A[A]	52-1
4081 116 00	11-4	11	4405 308 01	4-4[A]	18-1	4405 309 04	4-4[B]	52-1
4081 118 00	15-2	6	4405 308 01	4-4A[A]	18-1	4405 309 04	4-4A[B]	52-1
4081 118 00	15-3	8	4405 308 01	4-4[B]	18-1	4405 309 04	15-3	28-1
4081 118 00	16-1	4	4405 308 01	4-4A[B]	18-1	4405 310 01	4-4	34-1
4081 189 00	15-3	9	4405 308 02	4-4	33-1	4405 310 01	4-4A	34-1
4096 033 00	15-1	50	4405 308 02	4-4A	33-1	4405 310 01	4-4[A]	34-1

部品番号順索引

PARTS INDEX

PARTS No.	Sh No.	KEY No.	PARTS No.	Sh No.	KEY No.	PARTS No.	Sh No.	KEY No.
4405 310 01	4-4A[A]	34-1	4405 312 02	4-4A[B]	26-1	4447 857 00	8-7[A]	33
4405 310 01	4-4[B]	34-1	4405 318 01	11-4	34-1	4447 857 00	15-10[A]	33
4405 310 01	4-4A[B]	34-1	4405 318 02	11-4	33-1	4447 874 00	8-7	35
4405 310 02	4-4	30-1	4405 319 01	11-4	31-1	4447 874 00	15-10	35
4405 310 02	4-4A	30-1	4405 319 02	11-4	32-1	4447 925 00	8-7[D]	26
4405 310 02	4-4[A]	30-1	4405 320 01	11-4	30-1	4447 925 00	15-10[D]	26
4405 310 02	4-4A[A]	30-1	4405 320 02	11-4	35-1	4447 996 00	8-7[C]	26
4405 310 02	4-4[B]	30-1	4405 451 00	8-7[D]	8	4447 996 00	15-10[C]	26
4405 310 02	4-4A[B]	30-1	4405 451 00	15-10[D]	8	4448 350 00	8-7[E]	26
4405 310 03	4-4	51-1	4405 456 00	8-7[D]	21	4448 350 00	15-10[E]	26
4405 310 03	4-4A	51-1	4405 456 00	15-10[D]	21	4448 474 00	8-7[A]	35
4405 310 03	4-4[A]	51-1	4405 457 00	8-7[B]	4	4448 474 00	15-10[A]	35
4405 310 03	4-4A[A]	51-1	4405 457 00	8-7[D]	4	4448 511 00	8-7[D]	27
4405 310 03	4-4[B]	51-1	4405 457 00	8-7[E]	4	4448 511 00	15-10[D]	27
4405 310 03	4-4A[B]	51-1	4405 457 00	8-7[F]	4	4448 542 00	8-7[C]	27
4405 310 03	15-2	15-1	4405 457 00	15-10[B]	4	4448 542 00	15-10[C]	27
4405 310 04	4-4	53-1	4405 457 00	15-10[D]	4	4448 562 00	8-7[B]	27
4405 310 04	4-4A	53-1	4405 457 00	15-10[E]	4	4448 562 00	15-10[B]	27
4405 310 04	4-4[A]	53-1	4405 457 00	15-10[F]	4	4448 573 00	8-7[B]	21
4405 310 04	4-4A[A]	53-1	4406 458 00	8-7[A]	8	4448 573 00	15-10[B]	21
4405 310 04	4-4[B]	53-1	4406 458 00	15-10[A]	8	4448 584 00	8-7[B]	8
4405 310 04	4-4A[B]	53-1	4406 710 00	8-7[C]	21	4448 584 00	15-10[B]	8
4405 311 01	4-4	25-1	4406 710 00	15-10[C]	21	4448 587 00	8-7[B]	26
4405 311 01	4-4A	25-1	4406 714 00	8-7[C]	8	4448 587 00	15-10[B]	26
4405 311 01	4-4[A]	25-1	4406 714 00	15-10[C]	8	4448 598 00	8-7[F]	21
4405 311 01	4-4A[A]	25-1	4407 035 00	8-7	22	4448 598 00	15-10[F]	21
4405 311 01	4-4[B]	25-1	4407 035 00	8-7[A]	21	4448 603 00	8-7[F]	8
4405 311 01	4-4A[B]	25-1	4407 035 00	15-10	22	4448 603 00	15-10[F]	8
4405 311 02	4-4	23-1	4407 035 00	15-10[A]	21	4448 607 00	8-7[F]	26
4405 311 02	4-4A	23-1	4407 974 00	8-7[A]	4	4448 607 00	15-10[F]	26
4405 311 02	4-4[A]	23-1	4407 974 00	8-7[C]	4	4448 619 00	8-7[F]	27
4405 311 02	4-4A[A]	23-1	4407 974 00	15-10[A]	4	4448 619 00	15-10[F]	27
4405 311 02	4-4[B]	23-1	4407 974 00	15-10[C]	4	4448 651 00	8-7[A]	32
4405 311 02	4-4A[B]	23-1	4409 625 11	9-1	8	4448 651 00	15-10[A]	32
4405 312 01	4-4	58-1	4409 625 11	9-1[A]	8	4448 687 00	8-7[C]	25
4405 312 01	4-4A	58-1	4416 063 01	9-1	6	4448 687 00	15-10[C]	25
4405 312 01	4-4[A]	58-1	4416 063 01	9-1[A]	6	4448 944 00	8-7[D]	25
4405 312 01	4-4A[A]	58-1	4420 525 00	1-4	2	4448 944 00	15-10[D]	25
4405 312 01	4-4[B]	58-1	4435 636 00	11-3	13	4448 987 00	4-4[B]	44
4405 312 01	4-4A[B]	58-1	4447 229 00	8-7[E]	21	4448 987 00	4-4A[B]	44
4405 312 02	4-4	26-1	4447 229 00	15-10[E]	21	4449 003 00	8-7[B]	25
4405 312 02	4-4A	26-1	4447 479 00	8-7	7	4449 003 00	15-10[B]	25
4405 312 02	4-4[A]	26-1	4447 479 00	15-10	7	4449 406 00	8-7[F]	25
4405 312 02	4-4A[A]	26-1	4447 653 00	8-7	36	4449 406 00	15-10[F]	25
4405 312 02	4-4[B]	26-1	4447 653 00	15-10	36	4450 505 00	10-1	1

部品番号順索引

PARTS INDEX

PARTS No.	Sh No.	KEY No.	PARTS No.	Sh No.	KEY No.	PARTS No.	Sh No.	KEY No.
4457 535 00	9-2	27	D003 083 00	15-18	20	D040 381 00	15-16	9
4459 598 00	7-2	23	D003 084 00	15-18	21	D040 381 00	15-16[A]	9
4459 598 00	7-2[A]	23	D003 085 00	7-2	6	D042 040 00	6-2	33
4460 756 00	1-1	3	D004 049 02	6-2	46	D042 069 00	6-2	33-1
4460 756 00	2-1	10	D006 032 00	8-6	4	D042 077 00	11-1	43
4461 932 00	1-1	19	D006 038 00	8-6	8	D043 030 00	11-2	6
4475 590 00	1-1	23	D006 051 00	0-0	23	D043 110 00	11-1	39
4475 591 00	1-1	22	D006 051 00	11-3	4	D043 115 00	11-2	7
4485 508 00	1-3	12	D006 136 00	8-2	7	D047 003 00	11-2	18
4485 509 00	1-3	14	D006 144 00	7-1	8	D047 058 00	11-1	25
4497 989 00	15-1	49	D007 023 00	8-2	24	D047 058 00	11-2	10
4511 501 01	0-0	15	D007 034 02	8-2	25	D047 058 00	12-1	2
4511 501 01	11-1	24	D007 060 00	1-1	26	D060 028 00	4-4[A]	71
4514 549 00	1-3	4	D007 240 01	7-1	49	D060 028 00	4-4A[A]	70
4515 506 00	1-3	1	D007 240 02	7-1	50	D060 032 00	12-2	7
4522 707 01	15-14	9	D007 244 01	16-2	6	D060 071 00	4-2	9
4550 519 00	8-2	61	D007 244 02	16-2	6-1	D060 071 00	11-4	39
4550 519 00	8-3	27	D007 244 03	16-2	6-2	D060 071 00	12-2	10
4550 718 00	7-1	57	D013 094 00	16-4	6	D060 137 00	4-4	67
4550 726 00	8-2	11	D013 384 00	6-1	25	D060 137 00	4-4A	67
4550 726 00	15-9	13	D013 384 00	6-1A	25	D060 137 00	4-4[B]	70
4550 873 00	8-2	12	D013 398 01	11-1	15	D060 137 00	4-4A[B]	70
4550 906 25	15-5	11	D013 408 00	0-0	14	D060 137 00	15-2	7
4550 906 26	15-5	12	D013 408 00	11-1	16	D060 137 00	15-3	10
4580 016 00	4-4	63	D013 409 00	11-1	17	D060 137 00	16-1	22
4580 016 00	4-4A	63	D013 444 00	16-4	5	D060 164 00	16-1	21
4580 016 00	4-4[A]	63	D017 225 00	6-2	15	D060 408 00	4-3	10
4580 016 00	4-4A[A]	63	D017 234 01	12-1	3	D060 451 00	11-4	9
4580 016 00	4-4[B]	63	D017 234 02	11-1	12	D060 500 00	15-1	10
4580 016 00	4-4A[B]	63	D017 234 03	11-2	3	D060 500 00	15-3	20
4580 730 00	1-7	9	D017 234 04	11-1	11	D060 503 00	4-3	19
4591 982 18	9-1	11	D017 234 05	11-2	5	D060 503 00	15-2	22
4591 982 18	9-1[A]	11	D017 237 01	11-1	13	D060 511 00	15-1	28
5290105300	15-6	1-1	D017 237 02	11-1	14	D060 512 00	15-4	5
5300 759 99	1-3	10	D017 249 00	11-1	10	D060 514 00	4-1	12
5301 231 00	1-3	0	D017 254 01	12-1	8	D060 525 00	4-4	9
5301 231 98	1-3	0-1	D017 259 00	11-2	4	D060 525 00	4-4A	9
5388 510 00	10-1	0	D032 017 00	15-16	8	D060 525 00	4-4[A]	9
5988 004 06	0-0	41	D032 017 00	15-16[A]	8	D060 525 00	4-4A[A]	9
5988 004 09	0-0	41-1	D040 178 00	6-2	35	D060 525 00	4-4[B]	9
5988 004 32	0-0	42	D040 192 04	11-1	21	D060 525 00	4-4A[B]	9
5988 004 33	0-0	42-1	D040 249 07	4-3	15	D060 526 00	4-1	52
5988 009 00	0-0	40	D040 345 00	4-4[A]	68	D060 530 00	4-1	41
5988 022 01	0-0	44	D040 345 00	4-4A[A]	68	D060 531 00	4-1	18
D002 015 00	2-1	5	D040 346 00	6-4	10	D060 532 00	4-1	40

部品番号順索引

PARTS INDEX

PARTS No.	Sh No.	KEY No.	PARTS No.	Sh No.	KEY No.	PARTS No.	Sh No.	KEY No.
D060 533 00	4-1	44	D070 370 00	7-1	47	D082 034 00	16-1	6
D060 534 00	4-1	46	D070 372 01	15-1	3	D082 108 00	15-2	5
D060 535 00	4-3	9	D070 373 02	15-3	3	D082 108 00	15-3	6
D060 540 00	4-3	17	D070 373 04	15-2	3	D082 109 00	15-2	4
D065 093 00	4-4	11	D070 385 06	11-4	33	D082 109 00	15-3	5
D065 093 00	4-4A	11	D070 385 07	11-4	34	D082 110 00	15-1	6
D065 093 00	4-4[A]	11	D070 385 08	11-4	35	D082 111 00	15-1	5
D065 093 00	4-4A[A]	11	D070 385 09	11-4	30	D083 152 00	7-4	5
D065 093 00	4-4[B]	11	D070 385 10	15-1	23	D083 152 00	7-4[A]	5
D065 093 00	4-4A[B]	11	D070 385 12	15-1	23	D083 154 00	4-3	1
D065 094 00	4-4	19	D070 386 03	11-4	31	D131 046 00	11-3	15
D065 094 00	4-4A	19	D070 386 04	11-4	32	D131 100 00	15-16	7
D065 094 00	4-4[A]	19	D070 387 02	15-1	21	D131 100 00	15-16[A]	7
D065 094 00	4-4A[A]	19	D070 387 04	15-1	21	D170 052 00	6-2	19
D065 094 00	4-4[B]	19	D070 388 01	11-4	4	D181 002 00	6-3	14
D065 094 00	4-4A[B]	19	D070 388 01	16-1	10	D204 356 00	2-1	1
D070 119 01	4-1	5	D070 388 09	11-4	5	D204 400 00	2-1	1
D070 195 03	16-1	20	D070 388 12	11-4	5	D206 825 00	7-4	12
D070 195 17	16-1	19	D070 388 16	11-4	6	D206 825 00	7-4[A]	12
D070 195 21	16-1	18	D070 388 20	16-1	11	D206 835 00	8-6	1
D070 195 22	15-3	28	D070 388 23	11-4	6	D206 836 00	8-6	5
D070 348 02	12-2	3	D070 410 03	15-2	15	D206 873 00	8-4[A]	2
D070 349 01	12-2	4	D070 572 01	4-1	10	D206 875 00	8-4	7
D070 350 05	1-7	2	D070 574 00	7-4	2	D206 906 00	8-2	26
D070 350 06	1-7	3	D070 574 00	7-4[A]	2	D206 935 00	8-2	26
D070 350 06	4-3	6	D070 577 01	4-4	59	D210 131 00	11-1	1
D070 350 10	4-3	14	D070 577 01	4-4A	59	D215 218 00	11-1	2
D070 350 11	4-3	5	D070 577 01	4-4[A]	59	D215 225 00	11-1	2-1
D070 351 06	11-4	7	D070 577 01	4-4A[A]	59	D230 059 00	7-3	10
D070 351 15	11-4	8-1	D070 577 01	4-4[B]	59	D234 037 00	1-1	13
D070 351 26	11-4	7-1	D070 577 01	4-4A[B]	59	D236 021 00	1-4	6
D070 351 28	11-4	8	D070 578 01	4-3	7	D257 110 00	12-1	7
D070 360 02	4-3	4	D070 578 02	4-3	8	D260 329 00	16-5	8
D070 360 02	15-2	21	D070 605 00	4-1	56	D260 381 00	15-11	7
D070 361 02	15-2	12	D080 015 00	7-2[A]	27	D260 516 00	1-7	1
D070 361 03	15-2	13	D080 100 00	7-2	32	D260 518 00	15-16	5
D070 362 03	12-2	1	D081 023 00	15-1	9	D260 518 00	15-16[A]	5
D070 362 10	12-2	1	D081 023 00	15-3	19	D260 552 00	8-1	6
D070 362 11	12-2	2	D081 193 00	15-1	7	D270 153 00	11-3	1-4
D070 362 12	4-2	4	D081 193 00	15-3	7	D270 155 00	11-3	1
D070 362 14	4-2	3	D081 193 00	16-1	5	D270 156 00	11-3	1-1
D070 362 15	12-2	2	D081 195 00	15-1	8	D270 157 00	11-3	1-2
D070 363 04	4-2	2	D081 195 00	15-3	18	D270 158 00	11-3	1-3
D070 363 19	4-2	1	D082 034 00	15-1	4	D270 160 00	11-3	1-5
D070 363 25	15-1	22	D082 034 00	15-3	4	D284 229 00	7-4	22

部品番号順索引

PARTS INDEX

PARTS No.	Sh No.	KEY No.	PARTS No.	Sh No.	KEY No.	PARTS No.	Sh No.	KEY No.
D284 229 00	7-4[A]	22	D405 097 00	8-7[B]	29	D405 366 00	8-7[F]	13
D284 241 00	5-6	1	D405 097 00	8-7[C]	29	D405 366 00	8-7[G]	13
D284 256 00	5-6	1	D405 097 00	8-7[D]	29	D405 366 00	15-10[A]	13
D286 202 00	11-4	2	D405 097 00	8-7[E]	29	D405 366 00	15-10[B]	13
D286 240 00	15-1	1	D405 097 00	8-7[F]	29	D405 366 00	15-10[C]	13
D286 241 00	15-1	2	D405 097 00	8-7[G]	29	D405 366 00	15-10[D]	13
D286 242 00	15-2	1	D405 097 00	15-10[A]	24	D405 366 00	15-10[E]	13
D286 243 00	15-2	2	D405 097 00	15-10[B]	29	D405 366 00	15-10[F]	13
D286 244 00	15-3	1	D405 097 00	15-10[C]	29	D405 366 00	15-10[G]	13
D286 245 00	15-3	2	D405 097 00	15-10[D]	29	D405 373 00	8-7	21
D286 277 00	4-1	1	D405 097 00	15-10[E]	29	D405 373 00	15-10	21
D286 305 00	16-1	7	D405 097 00	15-10[F]	29	D405 424 00	8-7	14
D286 306 00	16-1	8	D405 097 00	15-10[G]	29	D405 424 00	15-10	14
D286 339 00	16-2	2	D405 256 00	8-7[E]	25	D405 447 00	4-4[A]	44
D286 344 00	5-6	2	D405 256 00	15-10[E]	25	D405 447 00	4-4A[A]	44
D286 345 00	11-4	1	D405 272 00	4-4	65	D405 449 00	8-7	20
D286 347 00	4-1	2	D405 272 00	4-4A	65	D405 449 00	15-10	20
D286 375 00	15-1	1	D405 272 00	4-4[B]	65	D405 450 00	8-7	11
D286 376 00	15-1	2	D405 272 00	4-4A[B]	65	D405 450 00	15-10	11
D286 379 00	11-4	2	D405 272 00	8-4	8	D405 451 00	8-7	18
D286 417 00	4-1	1	D405 323 00	8-7[A]	20	D405 451 00	15-10	18
D400 273 00	8-1	14	D405 323 00	15-10[A]	20	D405 452 00	8-7	15
D400 273 00	8-2	23	D405 332 00	8-7	16	D405 452 00	15-10	15
D401 498 00	4-1	34	D405 332 00	15-10	16	D405 453 00	15-10	26
D405 059 00	8-7[E]	27	D405 359 00	8-7[A]	15	D405 454 00	8-7	12
D405 059 00	15-10[E]	27	D405 359 00	8-7[B]	15	D405 454 00	15-10	12
D405 091 00	8-7[A]	3-1	D405 359 00	8-7[C]	15	D405 455 00	8-7	13
D405 091 00	8-7[B]	3	D405 359 00	8-7[D]	15	D405 455 00	15-10	13
D405 091 00	8-7[C]	3	D405 359 00	8-7[E]	15	D405 462 00	8-7	17
D405 091 00	8-7[D]	3	D405 359 00	8-7[F]	15	D405 462 00	15-10	17
D405 091 00	8-7[E]	3	D405 359 00	8-7[G]	15	D405 463 00	8-7	19
D405 091 00	8-7[F]	3	D405 359 00	15-10[A]	15	D405 463 00	15-10	19
D405 091 00	8-7[G]	3	D405 359 00	15-10[B]	15	D405 503 00	8-7[A]	16
D405 091 00	15-10[A]	3-1	D405 359 00	15-10[C]	15	D405 503 00	8-7[B]	16
D405 091 00	15-10[B]	3	D405 359 00	15-10[D]	15	D405 503 00	8-7[C]	16
D405 091 00	15-10[C]	3	D405 359 00	15-10[E]	15	D405 503 00	8-7[D]	16
D405 091 00	15-10[D]	3	D405 359 00	15-10[F]	15	D405 503 00	8-7[E]	16
D405 091 00	15-10[E]	3	D405 359 00	15-10[G]	15	D405 503 00	8-7[F]	16
D405 091 00	15-10[F]	3	D405 361 00	8-7[A]	38	D405 503 00	8-7[G]	16
D405 091 00	15-10[G]	3	D405 361 00	15-10[A]	38	D405 503 00	15-10[A]	16
D405 094 00	8-7	3	D405 366 00	8-7[A]	13	D405 503 00	15-10[B]	16
D405 094 00	8-7[A]	3	D405 366 00	8-7[B]	13	D405 503 00	15-10[C]	16
D405 094 00	15-10	3	D405 366 00	8-7[C]	13	D405 503 00	15-10[D]	16
D405 094 00	15-10[A]	3	D405 366 00	8-7[D]	13	D405 503 00	15-10[E]	16
D405 097 00	8-7[A]	24	D405 366 00	8-7[E]	13	D405 503 00	15-10[F]	16

部品番号順索引

PARTS INDEX

PARTS No.	Sh No.	KEY No.	PARTS No.	Sh No.	KEY No.	PARTS No.	Sh No.	KEY No.
D405 503 00	15-10[G]	16	D405 507 00	8-7[C]	10	D405 510 00	15-10[F]	32
D405 504 00	8-7[A]	18	D405 507 00	8-7[D]	10	D405 510 00	15-10[G]	32
D405 504 00	8-7[B]	18	D405 507 00	8-7[E]	10	D405 511 00	8-7[A]	11
D405 504 00	8-7[C]	18	D405 507 00	8-7[F]	10	D405 511 00	8-7[B]	11
D405 504 00	8-7[D]	18	D405 507 00	8-7[G]	10	D405 511 00	8-7[C]	11
D405 504 00	8-7[E]	18	D405 507 00	15-10[A]	10	D405 511 00	8-7[D]	11
D405 504 00	8-7[F]	18	D405 507 00	15-10[B]	10	D405 511 00	8-7[E]	11
D405 504 00	8-7[G]	18	D405 507 00	15-10[C]	10	D405 511 00	8-7[F]	11
D405 504 00	15-10[A]	18	D405 507 00	15-10[D]	10	D405 511 00	8-7[G]	11
D405 504 00	15-10[B]	18	D405 507 00	15-10[E]	10	D405 511 00	15-10[A]	11
D405 504 00	15-10[C]	18	D405 507 00	15-10[F]	10	D405 511 00	15-10[B]	11
D405 504 00	15-10[D]	18	D405 507 00	15-10[G]	10	D405 511 00	15-10[C]	11
D405 504 00	15-10[E]	18	D405 508 00	8-7[A]	17	D405 511 00	15-10[D]	11
D405 504 00	15-10[F]	18	D405 508 00	8-7[B]	17	D405 511 00	15-10[E]	11
D405 504 00	15-10[G]	18	D405 508 00	8-7[C]	17	D405 511 00	15-10[F]	11
D405 505 00	8-7[A]	12	D405 508 00	8-7[D]	17	D405 511 00	15-10[G]	11
D405 505 00	8-7[B]	12	D405 508 00	8-7[E]	17	D405 518 00	4-4[A]	44-1
D405 505 00	8-7[C]	12	D405 508 00	8-7[F]	17	D405 518 00	4-4A[A]	44-1
D405 505 00	8-7[D]	12	D405 508 00	8-7[G]	17	D405 559 00	8-7[B]	20
D405 505 00	8-7[E]	12	D405 508 00	15-10[A]	17	D405 559 00	15-10[B]	20
D405 505 00	8-7[F]	12	D405 508 00	15-10[B]	17	D405 571 00	8-7[D]	20
D405 505 00	8-7[G]	12	D405 508 00	15-10[C]	17	D405 571 00	15-10[D]	20
D405 505 00	15-10[A]	12	D405 508 00	15-10[D]	17	D405 575 00	8-7[C]	20
D405 505 00	15-10[B]	12	D405 508 00	15-10[E]	17	D405 575 00	15-10[C]	20
D405 505 00	15-10[C]	12	D405 508 00	15-10[F]	17	D405 587 00	8-7[E]	20
D405 505 00	15-10[D]	12	D405 508 00	15-10[G]	17	D405 587 00	15-10[E]	20
D405 505 00	15-10[E]	12	D405 509 00	8-7[A]	14	D405 594 00	8-7[F]	20
D405 505 00	15-10[F]	12	D405 509 00	8-7[B]	14	D405 594 00	15-10[F]	20
D405 505 00	15-10[G]	12	D405 509 00	8-7[C]	14	D405 667 00	8-7	12
D405 506 00	8-7[A]	19	D405 509 00	8-7[D]	14	D405 667 00	15-10	12
D405 506 00	8-7[B]	19	D405 509 00	8-7[E]	14	D405 668 00	8-7[A]	11
D405 506 00	8-7[C]	19	D405 509 00	8-7[F]	14	D405 668 00	8-7[B]	11
D405 506 00	8-7[D]	19	D405 509 00	8-7[G]	14	D405 668 00	8-7[C]	11
D405 506 00	8-7[E]	19	D405 509 00	15-10[A]	14	D405 668 00	8-7[D]	11
D405 506 00	8-7[F]	19	D405 509 00	15-10[B]	14	D405 668 00	8-7[E]	11
D405 506 00	8-7[G]	19	D405 509 00	15-10[C]	14	D405 668 00	8-7[F]	11
D405 506 00	15-10[A]	19	D405 509 00	15-10[D]	14	D405 668 00	8-7[G]	11
D405 506 00	15-10[B]	19	D405 509 00	15-10[E]	14	D405 668 00	15-10[A]	11
D405 506 00	15-10[C]	19	D405 509 00	15-10[F]	14	D405 668 00	15-10[B]	11
D405 506 00	15-10[D]	19	D405 509 00	15-10[G]	14	D405 668 00	15-10[C]	11
D405 506 00	15-10[E]	19	D405 510 00	15-10[A]	26	D405 668 00	15-10[D]	11
D405 506 00	15-10[F]	19	D405 510 00	15-10[B]	32	D405 668 00	15-10[E]	11
D405 506 00	15-10[G]	19	D405 510 00	15-10[C]	32	D405 668 00	15-10[F]	11
D405 507 00	8-7[A]	10	D405 510 00	15-10[D]	32	D405 668 00	15-10[G]	11
D405 507 00	8-7[B]	10	D405 510 00	15-10[E]	32	D405 857 00	16-8	1

部品番号順索引

PARTS INDEX

PARTS No.	Sh No.	KEY No.	PARTS No.	Sh No.	KEY No.	PARTS No.	Sh No.	KEY No.
D405 859 00	16-8	2	D406 558 00	15-10[B]	5	D406 606 00	8-7[F]	36-3
D405 867 00	16-8	3	D406 562 00	8-7[F]	5	D406 606 00	8-7[G]	36-3
D405 868 00	16-8	5	D406 562 00	15-10[F]	5	D406 607 00	8-7[A]	30-4
D406 000 00	8-7[G]	4	D406 565 00	8-7[E]	5	D406 608 00	8-7	30-4
D406 000 00	15-10[G]	4	D406 565 00	15-10[E]	5	D406 609 00	8-7	31
D406 002 00	8-7[G]	26	D406 597 00	8-7	9	D406 609 00	8-7[A]	31
D406 002 00	15-10[G]	26	D406 597 00	15-10	9	D406 609 00	8-7[B]	37
D406 005 00	8-7[G]	20	D406 602 00	8-7	29	D406 609 00	8-7[C]	37
D406 005 00	15-10[G]	20	D406 602 00	8-7[A]	29	D406 609 00	8-7[D]	37
D406 007 00	8-7[G]	27	D406 602 00	8-7[B]	35	D406 609 00	8-7[E]	37
D406 007 00	15-10[G]	27	D406 602 00	8-7[C]	35	D406 609 00	8-7[F]	37
D406 012 00	8-7[G]	21	D406 602 00	8-7[D]	35	D406 609 00	8-7[G]	37
D406 012 00	15-10[G]	21	D406 602 00	8-7[E]	35	D406 610 00	8-7	32
D406 032 00	8-7[A]	37	D406 602 00	8-7[F]	35	D406 622 00	15-10	30
D406 032 00	8-7[B]	30	D406 602 00	8-7[G]	35	D406 622 00	15-10[A]	30
D406 032 00	8-7[C]	30	D406 603 00	8-7	30	D406 622 00	15-10[B]	36
D406 032 00	8-7[D]	30	D406 603 00	8-7[A]	30	D406 622 00	15-10[C]	36
D406 032 00	8-7[E]	30	D406 603 00	8-7[B]	36	D406 622 00	15-10[D]	36
D406 032 00	8-7[F]	30	D406 603 00	8-7[C]	36	D406 622 00	15-10[E]	36
D406 032 00	8-7[G]	30	D406 603 00	8-7[D]	36	D406 622 00	15-10[F]	36
D406 032 00	15-10[A]	37	D406 603 00	8-7[E]	36	D406 622 00	15-10[G]	36
D406 032 00	15-10[B]	30	D406 603 00	8-7[F]	36	D406 623 00	15-10	30-1
D406 032 00	15-10[C]	30	D406 603 00	8-7[G]	36	D406 623 00	15-10[A]	30-1
D406 032 00	15-10[D]	30	D406 604 00	8-7	30-1	D406 623 00	15-10[B]	36-1
D406 032 00	15-10[E]	30	D406 604 00	8-7[A]	30-1	D406 623 00	15-10[C]	36-1
D406 032 00	15-10[F]	30	D406 604 00	8-7[B]	36-1	D406 623 00	15-10[D]	36-1
D406 032 00	15-10[G]	30	D406 604 00	8-7[C]	36-1	D406 623 00	15-10[E]	36-1
D406 243 00	15-10	38	D406 604 00	8-7[D]	36-1	D406 623 00	15-10[F]	36-1
D406 490 00	8-7	5	D406 604 00	8-7[E]	36-1	D406 623 00	15-10[G]	36-1
D406 490 00	15-10	5	D406 604 00	8-7[F]	36-1	D406 624 00	15-10	30-2
D406 499 01	6-1	2-1	D406 604 00	8-7[G]	36-1	D406 624 00	15-10[A]	30-2
D406 499 01	6-1A	2-1	D406 605 00	8-7	30-2	D406 624 00	15-10[B]	36-2
D406 499 02	6-1	5-1	D406 605 00	8-7[A]	30-2	D406 624 00	15-10[C]	36-2
D406 499 02	6-1A	5-1	D406 605 00	8-7[B]	36-2	D406 624 00	15-10[D]	36-2
D406 499 03	6-1	3-1	D406 605 00	8-7[C]	36-2	D406 624 00	15-10[E]	36-2
D406 499 03	6-1A	3-1	D406 605 00	8-7[D]	36-2	D406 624 00	15-10[F]	36-2
D406 499 04	6-1	6-1	D406 605 00	8-7[E]	36-2	D406 624 00	15-10[G]	36-2
D406 499 04	6-1A	6-1	D406 605 00	8-7[F]	36-2	D406 625 00	15-10	30-3
D406 504 00	8-7[A]	5	D406 605 00	8-7[G]	36-2	D406 625 00	15-10[A]	30-3
D406 504 00	15-10[A]	5	D406 606 00	8-7	30-3	D406 625 00	15-10[B]	36-3
D406 550 00	8-7[D]	5	D406 606 00	8-7[A]	30-3	D406 625 00	15-10[C]	36-3
D406 550 00	15-10[D]	5	D406 606 00	8-7[B]	36-3	D406 625 00	15-10[D]	36-3
D406 554 00	8-7[C]	5	D406 606 00	8-7[C]	36-3	D406 625 00	15-10[E]	36-3
D406 554 00	15-10[C]	5	D406 606 00	8-7[D]	36-3	D406 625 00	15-10[F]	36-3
D406 558 00	8-7[B]	5	D406 606 00	8-7[E]	36-3	D406 625 00	15-10[G]	36-3

部品番号順索引

PARTS INDEX

PARTS No.	Sh No.	KEY No.	PARTS No.	Sh No.	KEY No.	PARTS No.	Sh No.	KEY No.
D406 626 00	15-10[A]	30-4	D407 017 00	15-10[E]	8	D407 967 00	9-2	47
D406 627 00	15-10	30-4	D407 056 00	15-10	37	D407 968 00	9-2	48
D406 628 00	15-10	31	D407 125 01	15-1	41-1	D408 020 00	16-8	8
D406 628 00	15-10[A]	31	D407 125 02	15-1	42-1	D408 021 00	16-8	7
D406 628 00	15-10[B]	37	D407 818 01	6-3	4-1	D408 038 00	16-8	11
D406 628 00	15-10[C]	37	D407 818 02	6-3	5-1	D408 205 00	15-15	16
D406 628 00	15-10[D]	37	D407 818 03	4-4	49-1	D408 228 00	8-7	34
D406 628 00	15-10[E]	37	D407 818 03	4-4A	49-1	D408 228 00	15-10	34
D406 628 00	15-10[F]	37	D407 818 03	4-4[A]	49-1	D408 280 00	9-2	23
D406 628 00	15-10[G]	37	D407 818 03	4-4A[A]	49-1	D408 281 00	6-2	42
D406 629 00	15-10	32	D407 818 03	4-4[B]	49-1	D408 285 00	9-2	41
D406 630 00	15-10	29	D407 818 03	4-4A[B]	49-1	D408 292 00	9-1	44
D406 630 00	15-10[A]	29	D407 818 04	4-4	16-1	D408 313 00	8-7	6
D406 630 00	15-10[B]	35	D407 818 04	4-4A	16-1	D408 313 00	15-10	6
D406 630 00	15-10[C]	35	D407 818 04	4-4[A]	16-1	D408 317 00	8-7	33
D406 630 00	15-10[D]	35	D407 818 04	4-4A[A]	16-1	D408 317 00	15-10	33
D406 630 00	15-10[E]	35	D407 818 04	4-4[B]	16-1	D408 322 00	8-7[A]	34
D406 630 00	15-10[F]	35	D407 818 04	4-4A[B]	16-1	D408 322 00	15-10[A]	34
D406 630 00	15-10[G]	35	D407 819 00	9-2	19	D408 324 00	8-7	4
D406 631 00	8-7	23	D407 820 00	15-9	27	D408 324 00	15-10	4
D406 631 00	15-10	23	D407 823 00	9-2	28	D408 325 00	8-7	8
D406 720 00	8-7[G]	25	D407 824 00	9-2	28-1	D408 325 00	15-10	8
D406 720 00	15-10[G]	25	D407 829 00	9-2	32	D408 326 00	8-7[A]	7
D406 783 00	8-7[A]	22	D407 887 00	8-7[A]	7	D408 326 00	15-10[A]	7
D406 783 00	8-7[B]	22	D407 887 00	15-10[A]	7	D408 327 00	8-7[C]	7
D406 783 00	8-7[C]	22	D407 943 00	8-7	25	D408 327 00	15-10[C]	7
D406 783 00	8-7[D]	22	D407 943 00	8-7[A]	25	D408 328 00	8-7	10
D406 783 00	8-7[E]	22	D407 943 00	8-7[B]	31	D408 328 00	15-10	10
D406 783 00	8-7[F]	22	D407 943 00	8-7[C]	31	D408 329 00	8-7[D]	7
D406 783 00	8-7[G]	22	D407 943 00	8-7[D]	31	D408 329 00	15-10[D]	7
D406 783 00	15-10[A]	22	D407 943 00	8-7[E]	31	D408 330 00	8-7[E]	7
D406 783 00	15-10[B]	22	D407 943 00	8-7[F]	31	D408 330 00	15-10[E]	7
D406 783 00	15-10[C]	22	D407 943 00	8-7[G]	31	D408 331 00	8-7[F]	7
D406 783 00	15-10[D]	22	D407 943 00	15-10	25	D408 331 00	15-10[F]	7
D406 783 00	15-10[E]	22	D407 943 00	15-10[A]	25	D408 332 00	8-7[B]	7
D406 783 00	15-10[F]	22	D407 943 00	15-10[B]	31	D408 332 00	15-10[B]	7
D406 783 00	15-10[G]	22	D407 943 00	15-10[C]	31	D408 333 00	8-7[G]	7
D406 811 00	8-7[G]	5	D407 943 00	15-10[D]	31	D408 333 00	15-10[G]	7
D406 811 00	15-10[G]	5	D407 943 00	15-10[E]	31	D408 334 00	8-7[C]	24
D406 827 00	16-8	12	D407 943 00	15-10[F]	31	D408 334 00	15-10[C]	24
D406 930 00	15-1	51	D407 943 00	15-10[G]	31	D408 335 00	8-7[D]	24
D406 931 00	15-1	52	D407 963 00	9-2	42	D408 335 00	15-10[D]	24
D407 016 00	8-7[G]	8	D407 964 00	9-2	43	D408 336 00	8-7[E]	24
D407 016 00	15-10[G]	8	D407 965 00	9-2	37	D408 336 00	15-10[E]	24
D407 017 00	8-7[E]	8	D407 966 00	9-2	46	D408 337 00	8-7[F]	24

部品番号順索引

PARTS INDEX

PARTS No.	Sh No.	KEY No.	PARTS No.	Sh No.	KEY No.	PARTS No.	Sh No.	KEY No.
D408 337 00	15-10[F]	24	D408 371 00	8-7[C]	23	D408 403 00	8-7[E]	34
D408 338 00	8-7[B]	24	D408 371 00	8-7[D]	23	D408 403 00	8-7[F]	34
D408 338 00	15-10[B]	24	D408 371 00	8-7[E]	23	D408 403 00	8-7[G]	34
D408 339 00	8-7[G]	24	D408 371 00	8-7[F]	23	D408 403 00	15-10	28
D408 339 00	15-10[G]	24	D408 371 00	8-7[G]	23	D408 403 00	15-10[A]	28
D408 347 00	8-7[A]	36	D408 371 00	15-10	24	D408 403 00	15-10[B]	34
D408 347 00	15-10[A]	36	D408 371 00	15-10[A]	23	D408 403 00	15-10[C]	34
D408 348 00	8-7[C]	28	D408 371 00	15-10[B]	23	D408 403 00	15-10[D]	34
D408 348 00	15-10[C]	28	D408 371 00	15-10[C]	23	D408 403 00	15-10[E]	34
D408 349 00	8-7[D]	28	D408 371 00	15-10[D]	23	D408 403 00	15-10[F]	34
D408 349 00	15-10[D]	28	D408 371 00	15-10[E]	23	D408 403 00	15-10[G]	34
D408 350 00	8-7[E]	28	D408 371 00	15-10[F]	23	D408 407 00	8-7	1
D408 350 00	15-10[E]	28	D408 371 00	15-10[G]	23	D408 407 00	15-10	1
D408 351 00	8-7[F]	28	D408 375 00	8-4	11	D408 411 00	8-7[A]	1
D408 351 00	15-10[F]	28	D408 376 00	8-4	10	D408 411 00	8-7[B]	1
D408 352 00	8-7[B]	28	D408 377 00	15-5	18	D408 411 00	8-7[C]	1
D408 352 00	15-10[B]	28	D408 378 00	15-5	17	D408 411 00	8-7[D]	1
D408 353 00	8-7[G]	28	D408 379 05	16-8	9	D408 411 00	8-7[E]	1
D408 353 00	15-10[G]	28	D408 379 06	16-8	9-1	D408 411 00	8-7[F]	1
D408 354 00	8-7	37	D408 388 00	16-8	10	D408 411 00	8-7[G]	1
D408 355 00	8-7[A]	6	D408 389 00	16-8	10-2	D408 411 00	15-10[A]	1
D408 355 00	15-10[A]	6	D408 390 00	16-8	10-1	D408 411 00	15-10[B]	1
D408 356 00	8-7[C]	6	D408 391 00	16-8	10-3	D408 411 00	15-10[C]	1
D408 356 00	15-10[C]	6	D408 396 00	16-8	4	D408 411 00	15-10[D]	1
D408 357 00	8-7[D]	6	D408 402 00	8-7	27	D408 411 00	15-10[E]	1
D408 357 00	15-10[D]	6	D408 402 00	8-7[A]	27	D408 411 00	15-10[F]	1
D408 358 00	8-7[E]	6	D408 402 00	8-7[B]	33	D408 411 00	15-10[G]	1
D408 358 00	15-10[E]	6	D408 402 00	8-7[C]	33	D408 416 00	8-7	2
D408 359 00	8-7[F]	6	D408 402 00	8-7[D]	33	D408 416 00	15-10	2
D408 359 00	15-10[F]	6	D408 402 00	8-7[E]	33	D408 420 00	8-7[A]	2
D408 360 00	8-7[B]	6	D408 402 00	8-7[F]	33	D408 420 00	8-7[B]	2
D408 360 00	15-10[B]	6	D408 402 00	8-7[G]	33	D408 420 00	8-7[C]	2
D408 361 00	8-7[G]	6	D408 402 00	15-10	27	D408 420 00	8-7[D]	2
D408 361 00	15-10[G]	6	D408 402 00	15-10[A]	27	D408 420 00	8-7[E]	2
D408 370 00	8-7	26	D408 402 00	15-10[B]	33	D408 420 00	8-7[F]	2
D408 370 00	8-7[A]	26	D408 402 00	15-10[C]	33	D408 420 00	8-7[G]	2
D408 370 00	8-7[B]	32	D408 402 00	15-10[D]	33	D408 420 00	15-10[A]	2
D408 370 00	8-7[C]	32	D408 402 00	15-10[E]	33	D408 420 00	15-10[B]	2
D408 370 00	8-7[D]	32	D408 402 00	15-10[F]	33	D408 420 00	15-10[C]	2
D408 370 00	8-7[E]	32	D408 402 00	15-10[G]	33	D408 420 00	15-10[D]	2
D408 370 00	8-7[F]	32	D408 403 00	8-7	28	D408 420 00	15-10[E]	2
D408 370 00	8-7[G]	32	D408 403 00	8-7[A]	28	D408 420 00	15-10[F]	2
D408 371 00	8-7	24	D408 403 00	8-7[B]	34	D408 420 00	15-10[G]	2
D408 371 00	8-7[A]	23	D408 403 00	8-7[C]	34	D408 424 00	8-7[A]	9
D408 371 00	8-7[B]	23	D408 403 00	8-7[D]	34	D408 424 00	15-10[A]	9

部品番号順索引

PARTS INDEX

PARTS No.	Sh No.	KEY No.	PARTS No.	Sh No.	KEY No.	PARTS No.	Sh No.	KEY No.
D408 425 00	8-7[C]	9	D417 041 00	9-1	17	D418 948 00	4-4[B]	39
D408 425 00	15-10[C]	9	D417 041 00	9-1[A]	17	D418 948 00	4-4A[B]	39
D408 426 00	8-7[D]	9	D417 821 00	9-1[A]	36	D418 970 00	8-2	28
D408 426 00	15-10[D]	9	D417 822 00	9-1[A]	37	D419 060 00	4-1	39
D408 427 00	8-7[E]	9	D418 139 00	6-2	44	D419 122 00	4-4	66
D408 427 00	15-10[E]	9	D418 190 00	6-2	14	D419 122 00	4-4A	66
D408 428 00	8-7[F]	9	D418 302 00	6-2	12	D419 161 00	15-14	5
D408 428 00	15-10[F]	9	D418 304 00	9-2	30	D419 193 00	16-1	3
D408 429 00	8-7[B]	9	D418 455 00	15-5	2	D419 195 00	7-4	51
D408 429 00	15-10[B]	9	D418 456 00	16-6	3	D419 195 00	7-4[A]	51
D408 430 00	8-7[G]	9	D418 564 00	8-2	38	D419 203 00	16-2	19
D408 430 00	15-10[G]	9	D418 583 00	4-4[B]	68	D419 204 00	16-2	3
D408 435 00	8-7[C]	20-1	D418 630 00	15-14	3	D419 206 00	15-17	9
D408 435 00	15-10[C]	20-1	D418 632 00	15-14	2	D419 207 00	16-2	20
D408 447 00	9-2	24	D418 632 00	16-6	4	D419 208 00	16-2	4
D408 637 00	16-8	6	D418 688 00	15-13	2	D419 219 00	7-4	14
D408 643 00	9-1[A]	49	D418 689 00	15-13	3	D419 219 00	7-4[A]	14
D408 643 00	9-2	54	D418 721 00	11-2	1	D419 229 00	9-2	13
D408 646 00	8-7[A]	6	D418 756 00	11-4	10	D419 256 00	7-1	3
D408 646 00	15-10[A]	6	D418 813 00	15-1	11	D419 257 00	7-1	5
D408 647 00	9-1[A]	47	D418 813 00	15-3	11	D419 258 00	7-1	2
D408 650 00	8-7[A]	40	D418 815 00	15-3	25	D419 259 00	7-1	4
D408 650 00	15-10[A]	40	D418 836 00	7-4	13	D419 265 00	7-4	26
D408 651 00	8-7[A]	39	D418 836 00	7-4[A]	13	D419 273 00	6-4	2
D408 651 00	15-10[A]	39	D418 868 00	7-2	4	D419 276 00	8-2	15
D408 653 00	8-7	22	D418 898 00	7-2[A]	4	D419 286 00	6-3	22
D408 653 00	8-7[A]	21	D418 908 00	8-1	3	D419 289 00	7-2	26
D408 653 00	8-7[B]	21	D418 909 00	8-1	4	D419 289 00	7-2[A]	26
D408 653 00	8-7[C]	21	D418 943 00	4-4	12	D419 308 00	6-2	11
D408 653 00	8-7[D]	21	D418 943 00	4-4A	12	D419 313 00	9-1	40
D408 653 00	8-7[E]	21	D418 943 00	4-4[A]	12	D419 313 00	9-1[A]	38
D408 653 00	8-7[F]	21	D418 943 00	4-4A[A]	12	D419 323 00	8-1	5
D408 653 00	8-7[G]	21	D418 943 00	4-4[B]	12	D419 342 00	6-1	24
D408 653 00	15-10	22	D418 943 00	4-4A[B]	12	D419 343 00	6-1	28
D408 653 00	15-10[A]	21	D418 944 00	4-4	13	D419 344 00	8-5	3
D408 653 00	15-10[B]	21	D418 944 00	4-4A	13	D419 347 00	6-4	26
D408 653 00	15-10[C]	21	D418 944 00	4-4[A]	13	D419 347 00	9-1[A]	41
D408 653 00	15-10[D]	21	D418 944 00	4-4A[A]	13	D419 349 00	15-16	4
D408 653 00	15-10[E]	21	D418 944 00	4-4[B]	13	D419 355 00	16-7	4-1
D408 653 00	15-10[F]	21	D418 944 00	4-4A[B]	13	D419 356 00	16-1	2
D408 653 00	15-10[G]	21	D418 945 00	8-1	20	D419 357 00	16-7	4
D414 314 00	16-5	2	D418 948 00	4-4	39	D419 359 00	15-15	2
D416 701 00	15-11	1	D418 948 00	4-4A	39	D419 360 00	6-1	14
D416 789 00	2-1	3	D418 948 00	4-4[A]	39	D419 370 00	15-16	24
D416 915 00	15-1	48	D418 948 00	4-4A[A]	39	D419 370 00	15-16[A]	24

部品番号順索引

PARTS INDEX

PARTS No.	Sh No.	KEY No.	PARTS No.	Sh No.	KEY No.	PARTS No.	Sh No.	KEY No.
D419 450 00	8-2	14	D433 496 00	7-4[A]	9	D458 580 00	8-2	56
D419 472 00	15-9	2	D433 503 00	6-4	21	D458 581 00	8-2	57
D419 477 00	9-2	51	D433 504 00	7-4	19	D458 634 00	8-2	1
D419 490 00	4-3	16	D433 504 00	7-4[A]	19	D458 662 00	7-2[A]	3
D419 496 00	7-2	30	D448 005 00	8-4[A]	1	D458 663 00	8-2	47
D419 542 00	8-1	2	D452 207 00	15-15	3	D458 699 00	16-2	5
D419 544 00	7-4	51-1	D455 737 00	16-5	3	D458 701 00	16-7	5
D419 544 00	7-4[A]	51-1	D456 908 00	12-1	5	D458 716 00	7-1	62
D419 551 00	6-1	19	D457 127 00	16-6	9	D458 717 00	7-1	63
D419 580 00	9-2	4	D458 059 00	8-1	26	D458 718 00	8-2	1
D419 586 00	7-4[A]	26	D458 060 00	8-1	27	D465 313 00	9-2	14
D419 644 00	16-7	4-1	D458 072 00	8-2	10	D465 314 00	9-2	15
D419 645 00	16-7	4	D458 149 00	15-9	3	D465 318 00	6-2	3
D419 647 00	15-18	4	D458 184 00	1-1	5	D465 319 00	6-2	4
D419 653 00	16-1	2	D458 236 00	8-2	33	D465 358 00	15-9	4
D419 654 00	15-18	16	D458 257 00	8-1	19	D465 380 00	9-2	2
D419 656 00	4-4[B]	68	D458 259 00	8-1	1	D465 381 00	9-2	3
D419 656 00	4-4A[B]	68	D458 269 00	9-1	1	D465 382 00	15-15	4
D419 658 00	15-18	17	D458 269 00	9-1[A]	1	D465 383 00	15-15	5
D419 659 00	15-18	18	D458 274 00	7-1	40	D470 700 00	8-4[A]	4
D419 660 00	15-18	19	D458 279 00	8-2	2	D470 805 00	8-4	1
D419 672 00	9-2	13	D458 288 00	8-1	28	D470 805 00	8-4[A]	3
D419 675 00	6-1	19	D458 291 00	8-2	60	D470 868 00	15-18	1
D419 675 00	6-1A	19	D458 292 00	8-2	60	D470 869 00	15-18	2
D419 676 00	6-1	14	D458 411 00	7-1	38	D470 893 00	15-18	15
D419 676 00	6-1A	14	D458 417 00	8-2	47	D475 052 00	11-1	9
D419 683 00	15-16	4	D458 432 00	7-1	39	D480 009 00	6-2	43
D419 688 00	7-1	5	D458 434 00	11-4	28	D481 022 00	7-1	6
D419 689 00	8-2	14	D458 436 00	8-2	39	D481 023 00	7-1	6
D419 697 00	6-1	24	D458 441 00	11-1	8	D490 186 00	11-1	5
D419 697 00	6-1A	24	D458 444 00	11-4	27	D490 373 00	11-1	7
D419 698 00	6-1	28	D458 445 00	7-1	7	D490 374 00	11-1	6
D419 698 00	6-1A	28	D458 461 00	8-2	40	D490 443 00	16-4	4
D419 716 00	15-16[A]	4	D458 464 00	7-1	41	D493 434 00	8-3	15
D419 788 00	4-4A	76	D458 468 00	8-1	29	D493 439 01	15-9	14
D419 788 00	4-4A[A]	79	D458 497 00	16-7	5-1	D493 462 00	8-3	18
D419 788 00	4-4A[B]	80	D458 501 00	8-2	52	D493 463 00	8-3	19
D419 824 00	15-18	3	D458 502 00	8-2	53	D493 478 00	8-3	20
D419 825 00	15-18	5	D458 503 00	7-1	62	D493 480 00	8-3	22
D419 826 00	15-18	6	D458 504 00	7-1	63	D493 481 00	8-3	23
D419 827 00	15-18	7	D458 508 00	15-15	6	D493 482 00	8-3	24
D419 828 00	15-18	8	D458 514 00	8-2	51	D493 483 00	8-3	25
D419 829 00	15-18	9	D458 515 00	8-2	58	D493 484 00	8-3	26
D419 926 00	7-2	3	D458 516 00	8-2	55	D493 507 00	7-1	44
D433 496 00	7-4	9	D458 568 00	8-2	54	D493 516 00	8-3	44

部品番号順索引

PARTS INDEX

PARTS No.	Sh No.	KEY No.	PARTS No.	Sh No.	KEY No.	PARTS No.	Sh No.	KEY No.
D493 519 00	8-3	45	D493 684 00	8-3	41	D525 004 00	7-2	25-3
D493 528 00	8-3	8	D493 685 00	8-3	1	D525 004 00	7-2[A]	25-3
D493 529 00	8-3	9	D493 686 00	8-3	12	D528 004 00	9-1	52
D493 530 00	8-3	10	D493 687 00	8-3	32	D528 004 00	9-1[A]	45
D493 535 00	8-3	4	D493 689 00	8-3	33	D528 005 00	9-2	35
D493 541 00	8-3	36	D493 692 00	8-3	37	D528 006 00	9-2	18
D493 599 00	8-3	6	D493 693 00	8-3	39	D528 011 02	8-6	10
D493 600 00	8-3	7	D493 694 00	15-15	17	D528 011 04	8-6	9
D493 601 00	8-3	5	D493 696 00	8-3	48	D550 019 00	4-4	48
D493 614 00	7-1	55	D493 698 00	8-3	49	D550 019 00	4-4A	48
D493 622 00	8-3	3	D493 699 00	8-3	50	D550 019 00	4-4[A]	48
D493 624 00	7-1	45	D493 700 00	7-1	64	D550 019 00	4-4A[A]	48
D493 625 00	7-1	46	D493 721 00	8-3	47	D550 019 00	4-4[B]	48
D493 626 00	15-9	21	D493 732 00	15-9	22	D550 019 00	4-4A[B]	48
D493 636 00	7-4	7	D493 733 00	8-3	51	D550 063 00	7-4	6
D493 636 00	7-4[A]	7	D493 753 01	15-5	10	D550 063 00	7-4[A]	6
D493 637 00	8-3	34	D493 753 02	15-5	9	D551 006 01	8-2	36
D493 638 00	8-3	2	D493 775 00	8-3	37	D551 006 02	8-2	37
D493 640 00	8-3	16	D493 791 00	8-3	38	D551 007 01	8-3	17
D493 641 00	8-3	11	D493 835 00	8-3	21	D551 008 01	8-3	40
D493 642 00	8-3	13	D493 915 00	7-2	28	D551 009 01	15-15	18
D493 643 00	8-3	14	D493 916 00	7-2	27	D551 009 02	15-15	19
D493 644 00	7-4	8	D493 918 00	8-3	52	D551 009 03	15-15	20
D493 644 00	7-4[A]	8	D493 919 00	4-1	4	D551 009 04	8-2	45
D493 645 00	7-4	20	D495 577 00	6-2	32	D551 009 05	8-2	46
D493 645 00	7-4[A]	20	D495 774 00	6-2	13	D551 009 06	8-3	30
D493 650 00	7-4	21	D495 808 00	6-3	12	D551 009 07	8-3	31
D493 650 00	7-4[A]	21	D495 810 00	6-4	14	D551 010 01	15-15	21
D493 654 00	8-3	21	D495 830 00	6-4	4	D551 010 02	15-15	22
D493 655 00	8-3	35	D495 843 00	6-2	49	D580 163 00	11-4	29
D493 656 00	8-3	42	D495 871 00	6-1	12	D580 170 00	4-3	2
D493 657 00	7-1	9	D495 872 00	6-1	13	D580 184 00	4-3	3
D493 658 00	7-1	27	D495 873 00	6-2	32-1	D581 191 00	8-5	1
D493 659 00	7-1	28	D495 880 00	6-1	12	D581 203 00	8-5	1-1
D493 660 00	7-1	43	D495 880 00	6-1A	12	D581 204 00	8-5	1-2
D493 661 00	7-1	54	D495 881 00	6-1	13	D581 205 00	8-5	1-3
D493 662 00	7-1	42	D495 881 00	6-1A	13	D584 130 00	7-2	1
D493 663 00	7-1	52	D501 057 00	6-1	22	D584 131 00	7-2[A]	1
D493 665 00	7-1	58	D501 057 00	6-1A	22	D584 141 00	7-2	1-1
D493 667 00	8-3	38	D501 058 00	6-1	27	D584 148 00	7-2[A]	1-1
D493 668 00	4-1	4	D501 058 00	6-1A	27	D592 161 00	15-12	1
D493 679 00	8-3	28	D501 059 00	15-1	47	D592 194 02	9-1	14
D493 680 00	8-3	29	D501 075 00	6-3	23	D592 194 02	9-1[A]	14
D493 681 00	8-3	43	D501 076 00	6-1	23	D592 195 03	9-1	15
D493 682 00	8-3	46	D501 076 00	6-1A	23	D592 195 03	9-1[A]	15

部品番号順索引

PARTS INDEX

PARTS No.	Sh No.	KEY No.	PARTS No.	Sh No.	KEY No.	PARTS No.	Sh No.	KEY No.
D592 206 00	9-2	44	F342 788 00	5-6	0	F361 810 00	6-1A	0-1
D592 285 00	9-1	42	F342 793 00	1-7	0	F366 201 00	16-6	11
D592 288 00	9-1	12	F342 793 00	12-2	0	F366 792 00	15-13	0
D592 290 00	6-2	39	F342 796 00	11-4	0	F366 821 00	9-1	0-2
D592 305 00	16-6	2	F342 853 00	4-1	0	F366 821 00	9-1[A]	0-2
D592 307 00	15-16	1	F342 853 00	4-2	0	F366 930 00	9-1[A]	0
D592 307 00	15-16[A]	1	F342 853 00	4-3	0	F366 940 00	16-6	0
D592 309 00	15-9	23	F342 853 00	11-4	0-1	F366 947 00	9-1	0
D592 398 00	9-1[A]	12	F342 853 00	12-2	0-1	F370 340 00	16-5	0
D592 400 00	9-1[A]	46	F342 888 00	4-4A	0	F370 358 00	16-7	0
D592 426 00	16-6	1	F342 888 00	4-4A[A]	0	F373 235 00	8-6	0
D592 432 00	9-1	42	F342 888 00	4-4A[B]	0	F377 845 00	8-7	0
D592 436 00	15-5	16	F342 888 00	6-1A	0	F377 845 00	8-7[A]	0
D592 518 00	15-12A	1	F354 810 00	15-6	1	F377 845 00	8-7[B]	0
F300 686 00	1-4	0	F355 037 00	15-11	0	F377 845 00	8-7[C]	0
F301 019 00	12-1	0	F355 102 00	9-1	0-1	F377 845 00	8-7[D]	0
F311 390 00	2-1	0	F355 102 00	9-1[A]	0-1	F377 845 00	8-7[E]	0
F320 251 00	3-1	0	F355 182 00	15-5	0	F377 845 00	8-7[F]	0
F320 258 00	2-1	0-1	F355 206 00	8-5	0-4	F377 845 00	8-7[G]	0
F330 677 00	7-3	0	F355 211 00	8-4	0	F377 849 00	15-10	0
F330 731 00	7-1	0	F355 221 00	8-4	0-1	F377 849 00	15-10[A]	0
F330 731 00	7-2	0	F355 294 00	15-18	0-1	F377 849 00	15-10[B]	0
F330 734 00	7-1	0	F355 298 00	8-4[A]	0	F377 849 00	15-10[C]	0
F330 734 00	7-2[A]	0	F355 303 00	8-5	0-3	F377 849 00	15-10[D]	0
F337 318 00	7-4	0	F355 304 00	8-5	0-1	F377 849 00	15-10[E]	0
F337 318 00	7-4[A]	0	F355 305 00	8-5	0-2	F377 849 00	15-10[F]	0
F337 334 00	7-4	0-1	F355 306 00	8-5	0	F377 849 00	15-10[G]	0
F337 337 00	7-4[A]	0-1	F355 309 00	15-9	0	F377 854 00	8-7	0-1
F342 676 00	15-4	0	F355 313 00	8-1	0	F377 854 00	8-7[A]	0-1
F342 758 00	16-1	0	F355 313 00	8-2	0	F377 854 00	8-7[B]	0-1
F342 759 00	16-2	0	F355 313 00	8-3	0	F377 854 00	8-7[C]	0-1
F342 760 00	16-2	0-1	F355 324 00	8-1	0	F377 854 00	8-7[D]	0-1
F342 768 00	4-1	0	F355 324 00	8-2	0	F377 854 00	8-7[E]	0-1
F342 768 00	4-2	0	F355 324 00	8-3	0	F377 854 00	8-7[F]	0-1
F342 768 00	4-3	0	F355 348 00	15-18	0	F377 854 00	8-7[G]	0-1
F342 768 00	11-4	0-1	F355 374 00	15-18	0-2	F377 855 00	15-10	0-1
F342 768 00	12-2	0-1	F361 697 00	6-4	0	F377 855 00	15-10[A]	0-1
F342 769 00	4-4	0	F361 706 00	9-2	0	F377 855 00	15-10[B]	0-1
F342 769 00	4-4[A]	0	F361 758 00	9-2	0-1	F377 855 00	15-10[C]	0-1
F342 769 00	4-4[B]	0	F361 762 00	6-1	0-1	F377 855 00	15-10[D]	0-1
F342 769 00	6-1	0	F361 762 00	6-2	0	F377 855 00	15-10[E]	0-1
F342 769 00	6-3	0	F361 762 00	8-1	0-1	F377 855 00	15-10[F]	0-1
F342 780 00	15-1	0	F361 762 00	8-2	0-1	F377 855 00	15-10[G]	0-1
F342 780 00	15-2	0	F361 762 00	8-3	0-1	F377 856 00	8-7	0-2
F342 780 00	15-3	0	F361 791 00	9-2	0-1	F377 856 00	15-10	0-2

部品番号順索引

PARTS INDEX

PARTS No.	Sh No.	KEY No.	PARTS No.	Sh No.	KEY No.
F377 860 00	16-8	0	KR1401 51352	7-4[A]	61
F377 884 00	8-7[A]	0	KRP421 53731	9-1[A]	54
F377 885 00	15-10[A]	0	KTD350 42571	7-4[A]	62
F385 402 00	15-14	0	ZG00451	0-0	45
F385 429 00	15-15	0	ZG00452	0-0	45-1
F385 430 00	15-16	0	ZG00453	0-0	45-2
F385 431 00	15-17	0	ZG00501	0-0	46
F385 439 00	15-16[A]	0	ZG00502	0-0	46-1
F385 441 00	15-17	0	ZG00503	0-0	46-2
F388 254 01	11-3	0-4	ZG10100	0-0	43
F388 255 01	11-3	0	D013 481 00	11-1	44
F388 255 02	11-3	0-1			
F388 255 03	11-3	0-2			
F388 255 04	11-3	0-3			
F388 256 01	11-3	0-5			
F388 386 00	11-1	0			
F388 388 00	4-3	0-1			
F388 388 00	11-2	0			
F418 128 00	16-4	0			
F432 331 00	15-12	0			
F432 343 00	15-12A	0			
F771 315 00	15-16	27			
F771 315 00	15-16[A]	27			
K15221 43170	0-0	30			
K15221 4317 0	7-4	56			
K15527 72461	7-1	61-1			
K15694 65992	9-1	51			
K15841 39010	0-0	38			
K17326 12231	7-2[A]	22			
K17490 42360	7-4	58			
K17490 42361	7-4[A]	60			
K1A021 60017	0-0	37			
K1G382 97010	0-0	35			
K1G642 72401	7-1	61			
K1G924 73010	0-0	36			
K1J002 83040	0-0	39			
K1J800 43021	7-4[A]	59			
K1J801 10691	7-2[A]	2			
K1K533 65660	0-0	34			
K1K574 60220	0-0	33			
K1K574 60221	9-1	50			
K3C081 75222	9-1[A]	55			
KHH164 32430	0-0	31			
KR1401 51352	0-0	32			
KR1401 5135 2	7-4	57			