

TABLE OF CONTENTS

RUNNING STORES	
0-0_RUNNING STORES.....	1
LOWER MACHINE	
1-1_LOWER MACHINE ASS'Y.....	5
1-2_CRAWLER SHOE ASS'Y.....	7
1-3_CRAWLER SHOE ADJ. DEVICE.....	9
1-4_FRONT IDLER ASS'Y.....	11
1-5_LOWER ROLLER ASS'Y.....	13
1-6_UPPER ROLLER ASS'Y.....	15
1-7_LOWER TRAVEL PIPING ASS'Y.....	17
1-8_CRAWLER EXPANTION DEVICE.....	19
TURNTABLE	
2-1_TURNTABLE & SWING BEARING ASS'Y.....	21
SWING DRIVE DEVICE	
3-1_SWING DRIVE DEVICE.....	23
HYDRAULIC PIPING	
4-1_RETURN & SUCTION PIPING ASS'Y.....	25
4-2_SWING & TRAVEL PIPING ASS'Y.....	27
4-3_PUMP DISCHARGE & BOOM SWING PIPING ASS'Y.....	29
4-4_CONTROL PIPING ASS'Y.....	31
4-4[A]_CONTROL PIPING ASS'Y (A-D & A, B, G CHANGE).....	35
4-4[B]_CONTROL PIPING ASS'Y (FOR A, F CHANGE).....	39
HYDRAULIC INSTRUMENT	
5-1_TRAVEL MOTOR ASS'Y.....	43
5-2_SWING MOTOR ASS'Y.....	47
5-3_ROTARY JOINT ASS'Y.....	51
5-4_CONTROL VALVE ASS'Y	
5-4_CONTROL VALVE ASS'Y(1/2).....	53
5-4_CONTROL VALVE ASS'Y(2/2).....	54
5-5_REMOTE CONTROL VALVE ASS'Y.....	59
5-6_HYDRAULIC OIL TANK ASS'Y.....	61
5-7_OIL PUMP ASS'Y.....	63
5-8_BOOM CYLINDER ASS'Y.....	65
5-9_ARM CYLINDER ASS'Y.....	67
5-10_BUCKET CYLINDER ASS'Y.....	69
5-11_BOOM SWING CYLINDER ASS'Y.....	71
5-12_BLADE CYLINDER ASS'Y.....	73
5-13_CRAWLER EXPANTION CYLINDER ASS'Y.....	75
5-14_PILOT VALVE ASS'Y(TRAVEL).....	77
5-15_PILOT VALVE ASS'Y.....	79
5-16_MULTIPLE VALVE ASS'Y (FOR A-D CHANGE).....	81
5-16[B]_MULTIPLE VALVE ASS'Y (FOR A, F CHANGE).....	83
OPERATING CONTROLS	
6-1_TRAVEL LEVER ASS'Y.....	85
6-2_CONTROL LEVER ASS'Y.....	87
6-3_BLADE & BOOM SWING CONTROL ASS'Y.....	91
6-4_BLADE & CRAWLER EXPANTION SHIFT LEVER ASS'Y.....	93
POWER UNIT	
7-1_ENGINE & ACCESSOORIES.....	95
7-2_AIR CLEANER & MUFFLER ASS'Y.....	99
7-3_OIL PUMP DRIVE DEVICE.....	101
7-4_FUEL TANK & PIPING ASS'Y.....	103
CAB & RELATED PARTS	
8-1_COVER ASS'Y (1).....	107
8-2_COVER ASS'Y (2).....	109

TABLE OF CONTENTS

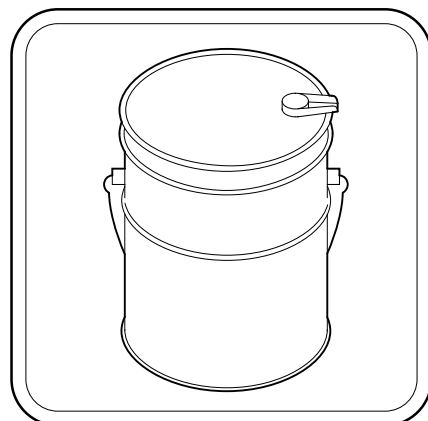
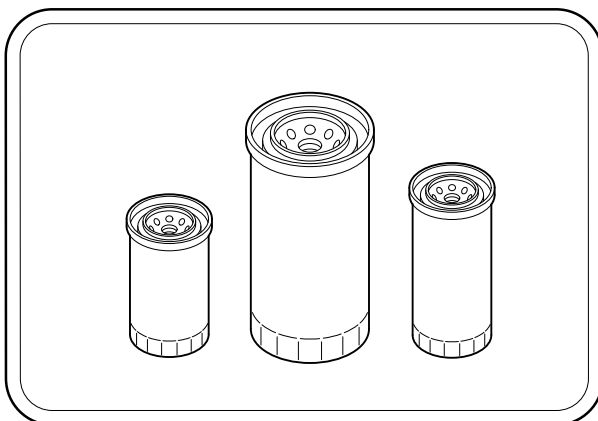
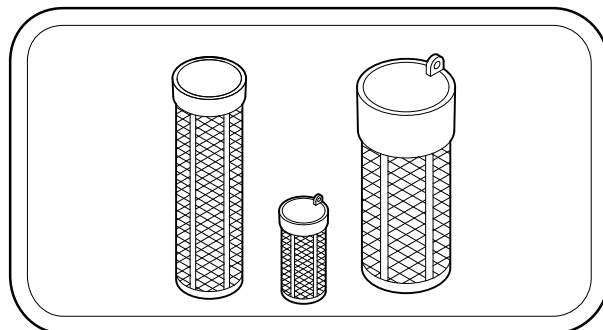
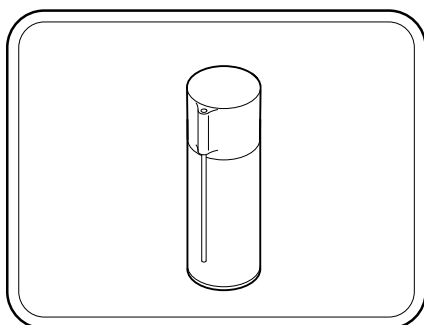
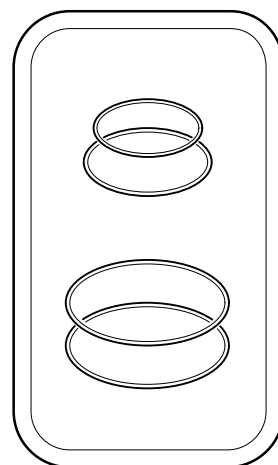
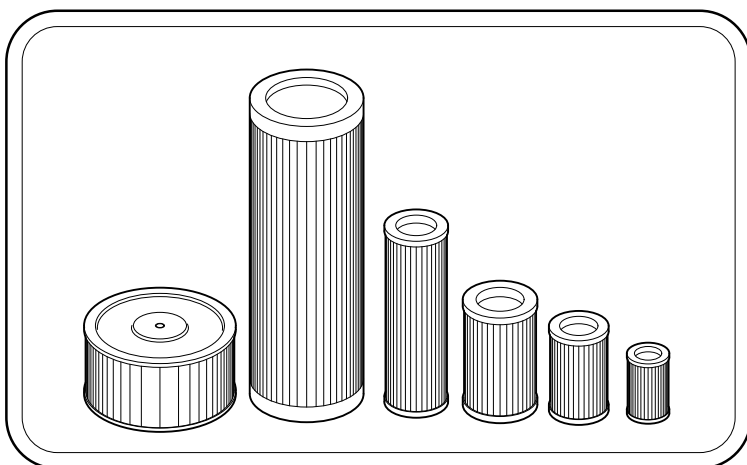
8-3_NOISE ABSORBENT ASS'Y.....	113
8-4_CANOPY ASS'Y (FOR TOPS/ROPS).....	115
8-4[A]_CANOPY ASS'Y.....	117
8-5_OPERATOR SEAT & MAT ASS'Y.....	119
8-6_COUNTER WEIGHT ASS'Y.....	121
8-7_NAME PLATE ASS'Y (FOR JAPANESE).....	123
8-7[A]_NAME PLATE ASS'Y (FOR ENGLISH).....	127
8-7[B]_NAME PLATE ASS'Y (FOR DUTCH).....	131
8-7[C]_NAME PLATE ASS'Y (FOR FRENCH).....	133
8-7[D]_NAME PLATE ASS'Y(FOR ITALIAN).....	135
8-7[E]_NAME PLATE ASS'Y(FOR GERMAN).....	137
8-7[F]_NAME PLATE ASS'Y(FOR DANISH).....	139
8-7[G]_NAME PLATE ASS'Y (FOR SPANISH).....	141
ELECTRIC SYSTEM	
9-1_ELECTRIC SYSTEM.....	143
9-2_INSTRUMENT PANEL ASS'Y.....	147
TOOLS & ACCESSORIES	
10-1_TOOLS & ACCESSORIES.....	151
HOE ATTACHMENT	
11-1_HOE ATTACHMENT ASS'Y.....	153
11-2_BOOM SWING ASS'Y.....	157
11-3_HOE BUCKET ASS'Y.....	159
11-4_HOE ATTACHMENT PIPING ASS'Y.....	161
BLADE ATTACHMENT	
12-1_BLADE ATTACHMENT ASS'Y.....	165
12-2_BLADE PIPING ASS'Y.....	167
OPTION SPECIFICATION	
15-1_FIRST SPARE PIPING ASS'Y.....	169
15-2_SECOND SPARE PIPING ASS'Y.....	173
15-3_THIRD SPARE PIPING ASS'Y.....	175
15-4_ACCUMULATOR ASS'Y.....	179
15-5_OPERATOR ROOM ASS'Y (1).....	181
15-6_OPERATOR ROOM ASS'Y (2).....	183
15-7_OPERATOR ROOM ASS'Y (3).....	187
15-8_OPERATOR ROOM ASS'Y (4).....	191
15-9_CAR HEATER ASS'Y.....	195
15-10_NAME PLATE ASS'Y (FOR JAPANESE).....	197
15-10[A]_NAME PLATE ASS'Y(FOR ENGLISH).....	201
15-10[B]_NAME PLATE ASS'Y (FOR DUTCH).....	205
15-10[C]_NAME PLATE ASS'Y (FOR FRENCH).....	207
15-10[D]_NAME PLATE ASS'Y (FOR ITALIAN).....	209
15-10[E]_NAME PLATE ASS'Y (FOR GERMAN).....	211
15-10[F]_NAME PLATE ASS'Y (FOR DANISH).....	213
15-10[G]_NAME PLATE ASS'Y (FOR SPANISH).....	215
15-11_MIRROR ASS'Y.....	217
15-12_TRAVEL ALARM DEVICE.....	219
15-13_IMMOBILIZER ASS'Y.....	221
15-14_LIGHT ASS'Y.....	223
15-15_AIR CONDITIONER ASS'Y (1).....	225
15-16_AIR CONDITIONER ASS'Y (2).....	227
15-17_AIR CONDITIONER PIPING ASS'Y.....	229
CRANE SPECIFICATION	
16-1_HYDRAULIC PIPING ASS'Y.....	231
16-2_HOLDING VALVE ASS'Y.....	233
16-3_HOLDING VALVE.....	235
16-4_HOOK BLOCK ASS'Y.....	237

TABLE OF CONTENTS

16-5_ANGLE DETECTOR.....	239
16-6_ELECTRIC SYSTEM.....	241
16-7_CONTROLLER ASS'Y.....	243
16-8_NAME PLATE ASS'Y.....	245

LIST OF CONSUMABLES

消耗品リスト

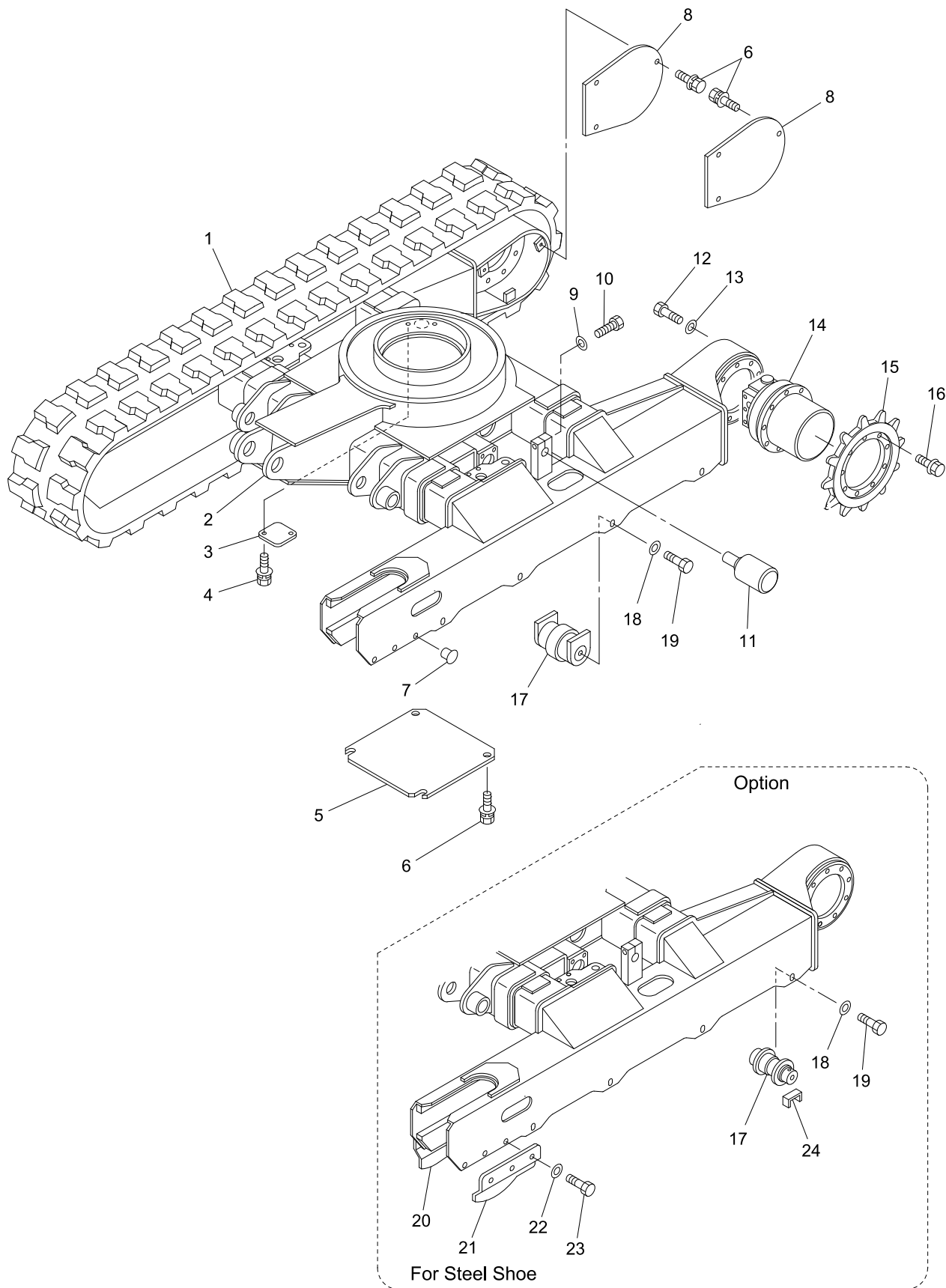


SHALL-000000-1

KEY No.	SU P.	PART No.	DESCRIPTION	Q'TY	CHAN	SERIAL No.	REMARKS
		*****	RUNNING STORES LIST				
1		0753 265 UA	Vaive, Check (Grease Up)	1		WF010001-	Sh. No. 1-3
2		0755 179 UA	Strainer, Suction	1		WF010001-	Sh. No. 5-6
3		0759 144 01	Cartridge, Return Filter	1		WF010001-	Sh. No. 5-6
4		0775 551 86	Hose, Radiator	1		WF010001-	Sh. No. 7-1
5		0775 551 87	Hose, Radiator	1		WF010001-	Sh. No. 7-1
6		0775 551 85	Hose, Radiator	1		WF010001-	Sh. No. 7-1
7		0745 266 08	Element, Air Cleaner	1		WF010001-	Sh. No. 7-2
8		0745 266 09	Element, Air Cleaner(Inner)	1		WF010001-	Sh. No. 7-2
9		0857 914 11	Element, Water Sedimenter	1		WF010001-	Sh. No. 7-4
10		0729 910 73	Cap, Fuel	1		WF010001-	Sh. No. 7-4
11		0820 215 10	Relay, Flip Flop	1		WF010001-	Sh. No. 9-1
12		0858 306 03	Switch Ass'y, Starter	1		WF010001-	Sh. No. 9-2
13		0820 215 07	Relay	4		WF010001-	Sh. No. 9-2
14		D013 403 00	Pin, Bucket	2		WF010001-	Sh. No. 11-1
15		4511 501 06	Ring, O (For Bucket)	4		WF010001-	Sh. No. 11-1
16		0650 002 04	Tooth, Bucket	AR		WF010001-	18S, Sh. No. 11-3
17		0650 003 03	Pin, Lock	AR		WF010001-	18-20M- PN, Sh. No. 11-3
18		0650 004 02	Pin, Rubber	AR		WF010001-	18-20M- LK, Sh. No. 11-3
19		4123 040 00	Coutter, Side (R.H.)	1		WF010001-	Sh. No. 11-3
20		4123 041 00	Coutter, Side (L.H.)	1		WF010001-	Sh. No. 11-3
21		0555 140 40	Bolt, Treatment	6		WF010001-	Sh. No. 11-3
22		0585 140 00	Nut, Treatment	6		WF010001-	Sh. No. 11-3
23		D006 051 00	Washer, Treatment	6		WF010001-	Sh. No. 11-3
23		*****	SEAL KIT				
24		0713 433 91	Rotary Joint	1		WF010001-	Sh. No. 5-3
25		0782 494 91	Boom Cylinder (Head Side)	1		WF010001-	Sh. No. 5-8
26		0782 396 91	Arm Cylinder (Head Side)	1		WF010001-	Sh. No. 5-9
27		0782 367 91	Bucket Cylinder (Head Side)	1		WF010001-	Sh. No. 5-10
28		0782 449 91	Boom Swing Cylinder (Head Side)	1		WF010001-	Sh. No. 5-11
29		0782 397 91	Blade Cylinder (Head Side)	1		WF010001-	Sh. No. 5-12
29		*****	ENGINE PARTS (3TNV88-ESIK, 3TNV88F-ESIK)				
30		Y119802 55801	Cartridge, Fuel Filter	1		WF010001-	Sh. No. 7-4
31		Y129150 35153	Filter, Oil	1		WF010001-	Engine P/C
32		Y119225 52102	Pump, Fuel	1		WF010001-	Sh. No. 7-4
33		Y198461 52950	Relay	3		WF010001-	Sh. No. 9-1
34		Y25152 003800	Belt, V	1		WF010001-	Engine P/C

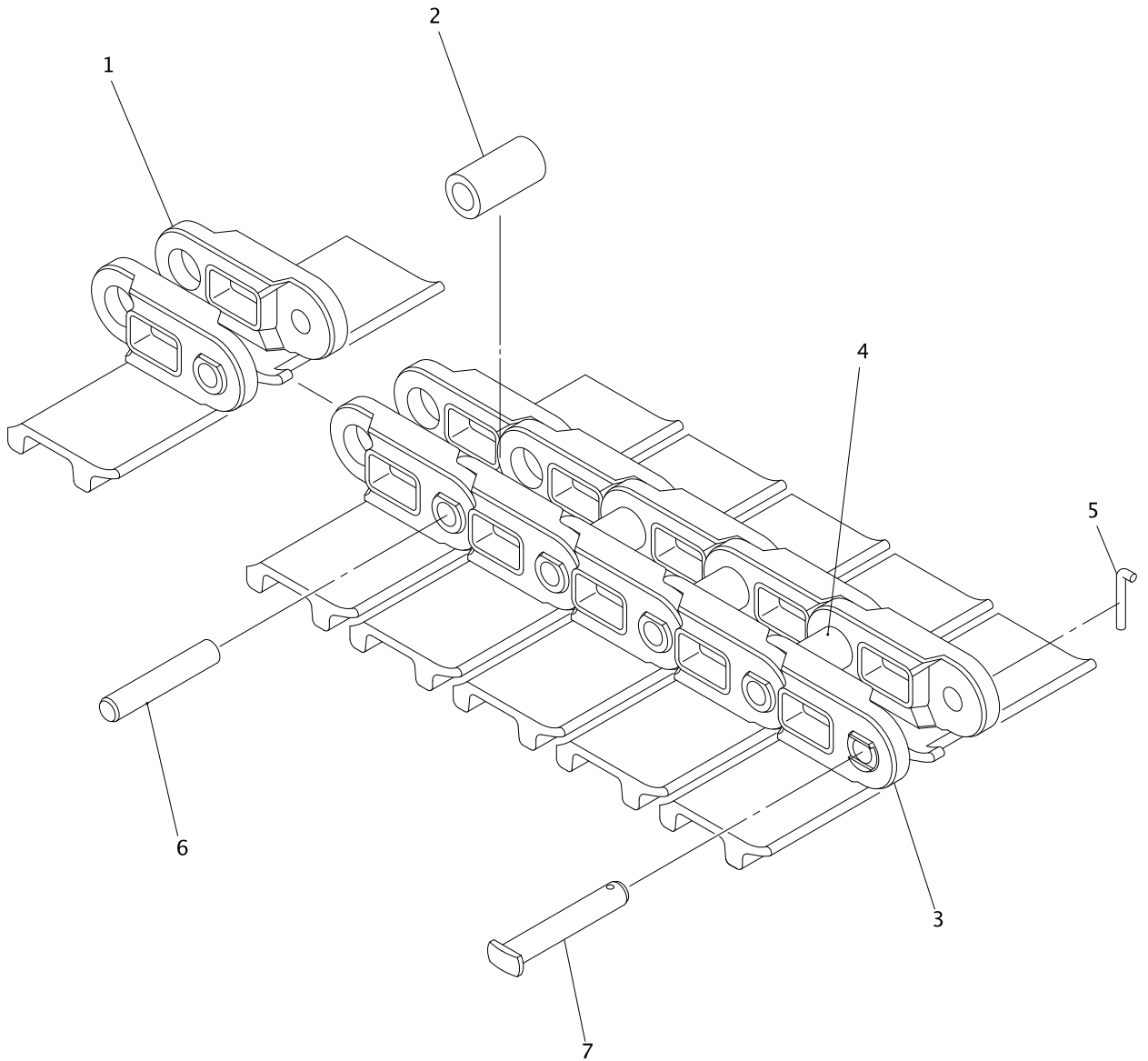
KEY No.	SU P.	PART No.	DESCRIPTION	Q'TY	CHAN	SERIAL No.	REMARKS
35		Y129155 49801	Thermostat	1		WF010001-	Engine P/C
36		Y121252 39450	Switch, Oil Pressure	1		WF010001-	Engine P/C
37		Y129927 44900	Sensor, Thermo	1		WF010001-	Engine P/C
37		* * * * *	* * * * *				
38		5988 009 00	* * * * *	1		WF010001-	400g × 20
39		5988 004 06	* * * * *	1		WF010001-	スプレー
39-1		5988 004 09	* * * * *	1		WF010001-	4k 缶
40		5988 004 32	* * * * *	1		WF010001-	スプレー
40-1		5988 004 33	* * * * *	1		WF010001-	4k 缶
41		ZG10100	* * * * *	1		WF010001-	38種-890ヶ
42		5988 022 01	* * * * *	1		WF010001-	18S= 1セット 20ヶ
43		ZG00401	* * * * *	1		WF010001-	1セット10枚
43-1		ZG00402	* * * * *	1		WF010001-	1セット10枚
43-2		ZG00403	* * * * *	1		WF010001-	1セット10枚

[Memo]



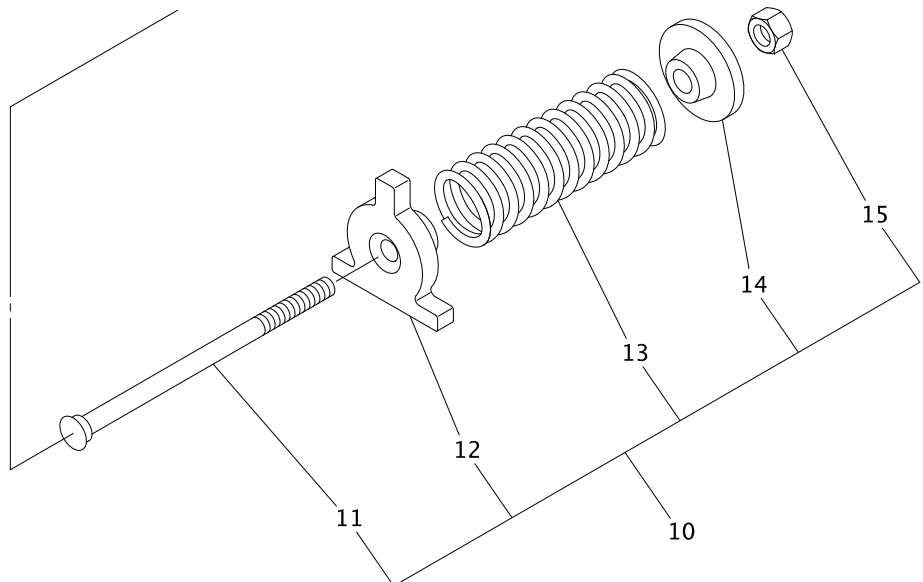
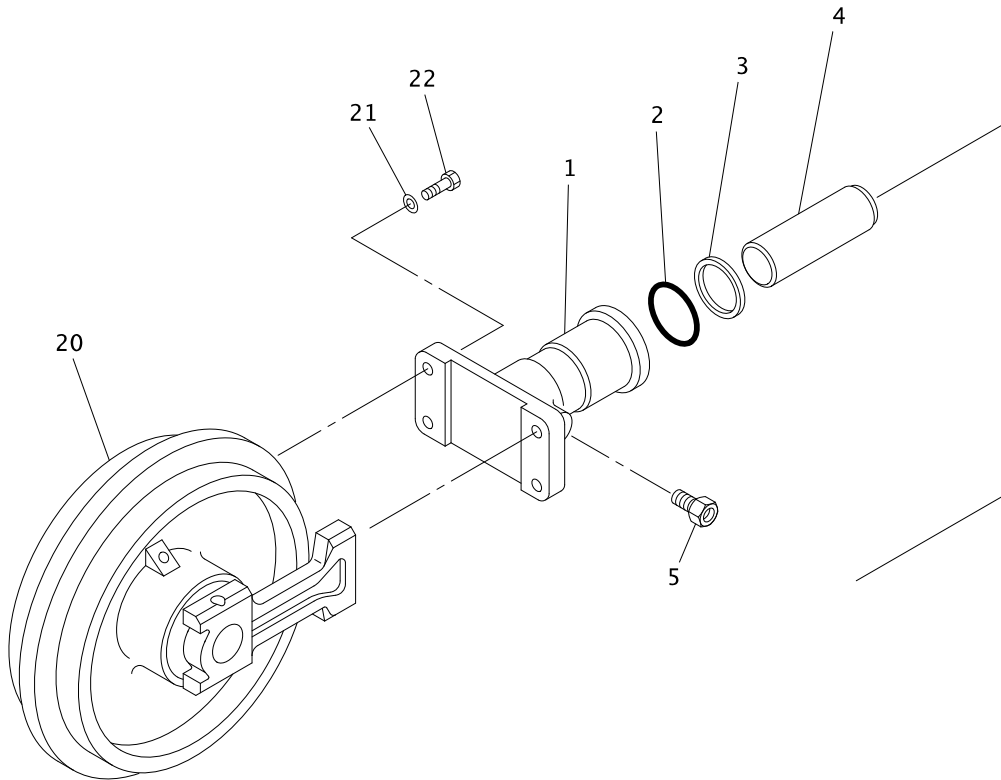
35V4-010100-1

KEY No.	SU P.	PART No.	DESCRIPTION	Q'TY	CHAN	SERIAL No.	REMARKS
0	×	**** ** *	Machine Ass'y, Lower	1		WF010001-	
1		0654 109 UA	*Shoe, Rubber Crawler	2		WF010001-	
1-1	#	0653 945 UA	*Shoe Ass'y, Crawler (Steel)	2		WF010001-	Sh. No. 1-2
2	×	**** ** *	*Frame Ass'y, Lower	1		WF010001-	
3		4460 756 00	*Cover	1		WF010001-	
4		0517 080 16	*Bolt, Treatment (W/L.W, F.W)	2		WF010001-	M8X16
5		4453 129 00	*Cover, Under	1		WF010001-	
6		0518 100 20	*Bolt, Treatment (W/L.W, F.W)	10		WF010001-	M10X20 P=1.25
7		0690 201 09	*Plug	12		WF010001-	
8		D458 194 00	*Cover	2		WF010001-	
9		0595 160 00	*Washer, Treatment	2		WF010001-	M16
10		0555 160 65	*Bolt, Treatment	2		WF010001-	M16X65
11	#	0651 911 UA	*Roller Ass'y, Upper	2		WF010001-	Sh. No. 1-6
12		0562 120 35	*Bolt, Socket Head	18		WF010001-	M12X35
13		0595 120 00	*Washer, Treatment	18		WF010001-	M12
14	#	0781 377 UA	*Motor Ass'y, Traction	2		WF010001-	Sh. No. 5-1
15		4234 563 00	*Sprocket, Drive	2		WF010001-	
16		0457 120 30	*Bolt, Treatment (W/Flange)	18		WF010001-	M12X30
17	#	F300 223 00	*Roller Ass'y, Lower	8		WF010001-	Sh. No. 1-5
18		0595 160 00	*Washer, Treatment	16		WF010001-	M16
19		0555 160 30	*Bolt, Treatment	16		WF010001-	M16X30
20		4475 587 00	*Guide, Shoe (R.H.)	2		WF010001-	
21		4475 586 00	*Guide, Shoe (L.H.)	2		WF010001-	
22		0595 120 00	*Washer, Treatment	12		WF010001-	M12
23		0555 120 35	*Bolt, Treatment	12		WF010001-	M12X35
24		D007 126 00	*Shim	16		WF010001-	t=9.0



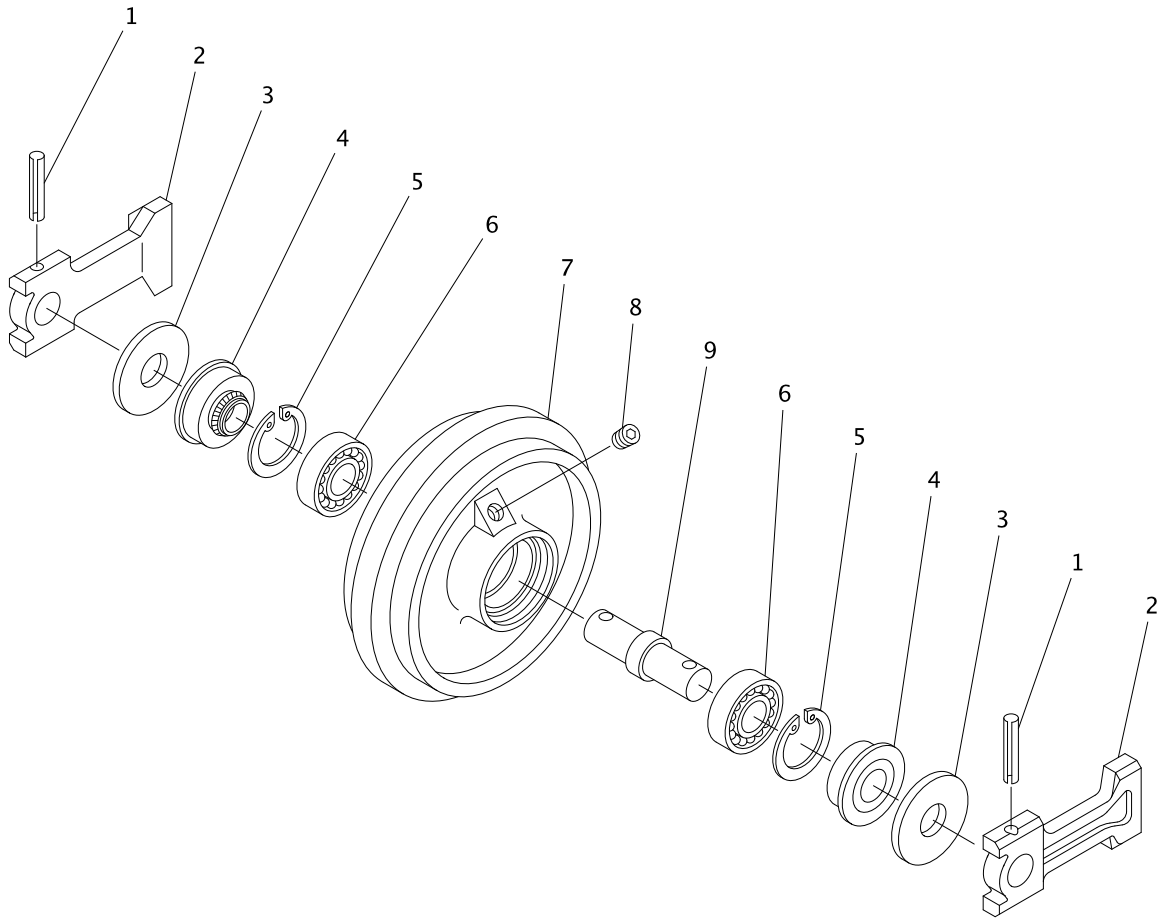
SHALL-010200-1

KEY No.	SU P.	PART No.	DESCRIPTION	Q'TY	CHAN	SERIAL No.	REMARKS
0		0653 945 UA	Shoe Ass'y, Crawler (For Rubber Pad)	2		WF000001-	L=300mm
1		0653 766 92	*Complete, Track Shoe (For Rubber Pad)	45		WF000001-	L=300mm
2		0653 048 06	**Bushing	1		WF000001-	
3		0653 766 93	*Complete, Master Shoe (For Rubber Pad)	1		WF000001-	L=300mm
4		0653 048 06	**Bushing	1		WF000001-	
5		0653 082 04	*Pin, Cotter	1		WF000001-	
6		0653 048 07	*Pin, Track	45		WF000001-	
7		0653 082 03	*Pin, Master	1		WF000001-	



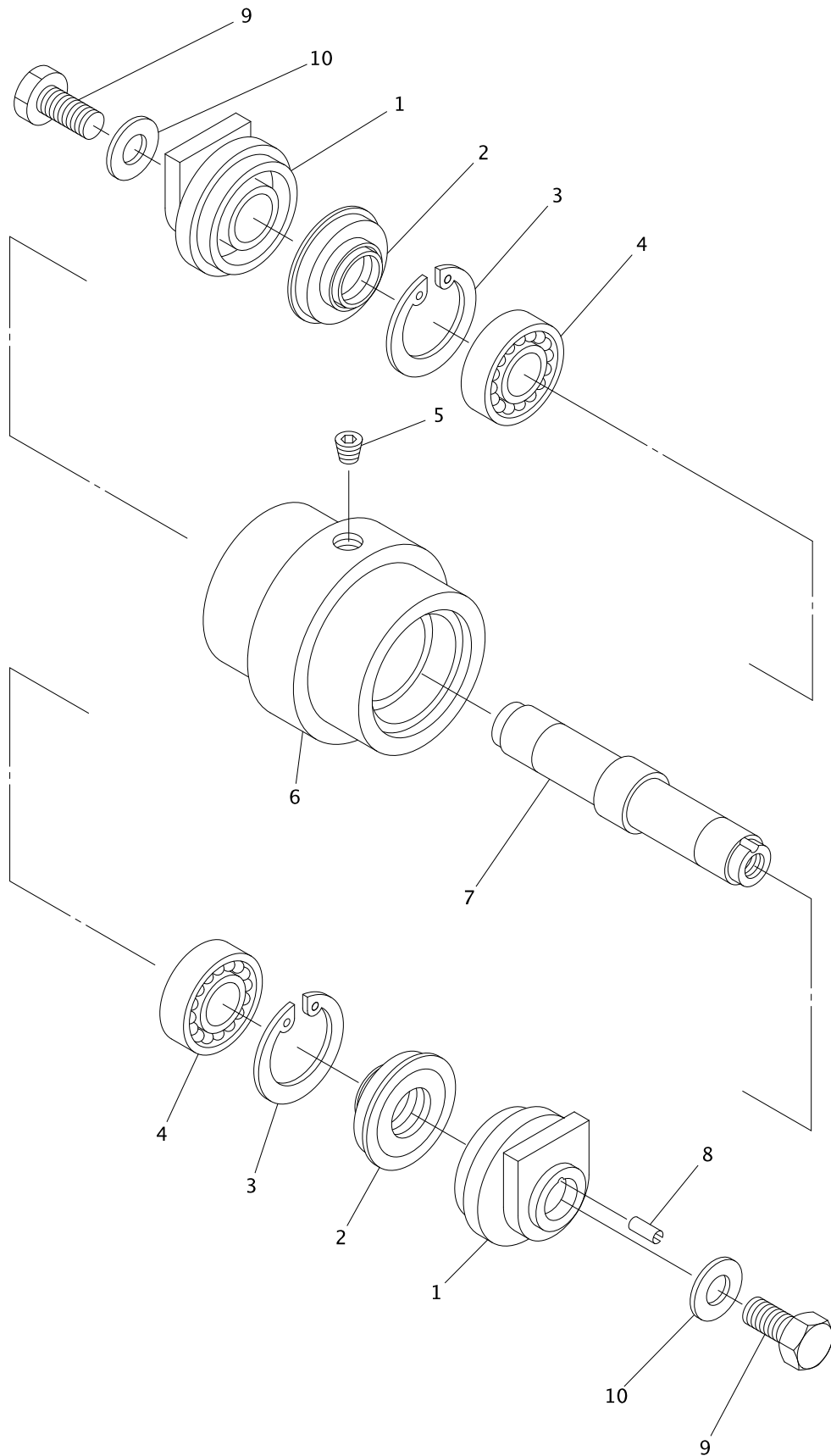
SHALL-010300-1

KEY No.	SU P.	PART No.	DESCRIPTION	Q'TY	CHAN	SERIAL No.	REMARKS
0		F300 111 00	Cylinder Ass'y, Grease	2		WF010001-	
1		4514 545 00	*Cylinder, Grease	1		WF010001-	
2		0760 710 42	*Ring, O	1		WF010001-	P40-90B
3		0762 120 42	*Ring, Back-up	1		WF010001-	P40-T2
4		4515 508 00	*Piston	1		WF010001-	
5		0753 265 UA	*Valve, Check	1		WF010001-	
10		F300 380 00	Unit Ass'y, Spring	2		WF010001-	
11		4004 161 00	*Bolt, Adjusting	1		WF010001-	
12		D485 021 00	*Retainer, Spring	1		WF010001-	
13		4170 177 00	*Spring	1		WF010001-	
14		4485 513 00	*Retainer, Spring	1		WF010001-	
15		0580 160 00	*Nut, Hex.	1		WF010001-	M16
20	#	F300 361 00	*Idler Ass'y, Front	2		WF010001-	Sh.No. 1-4
21		0595 100 00	*Washer, Treatment	8		WF010001-	M10
22		0513 100 35	*Bolt, Treatment	8		WF010001-	M10X35



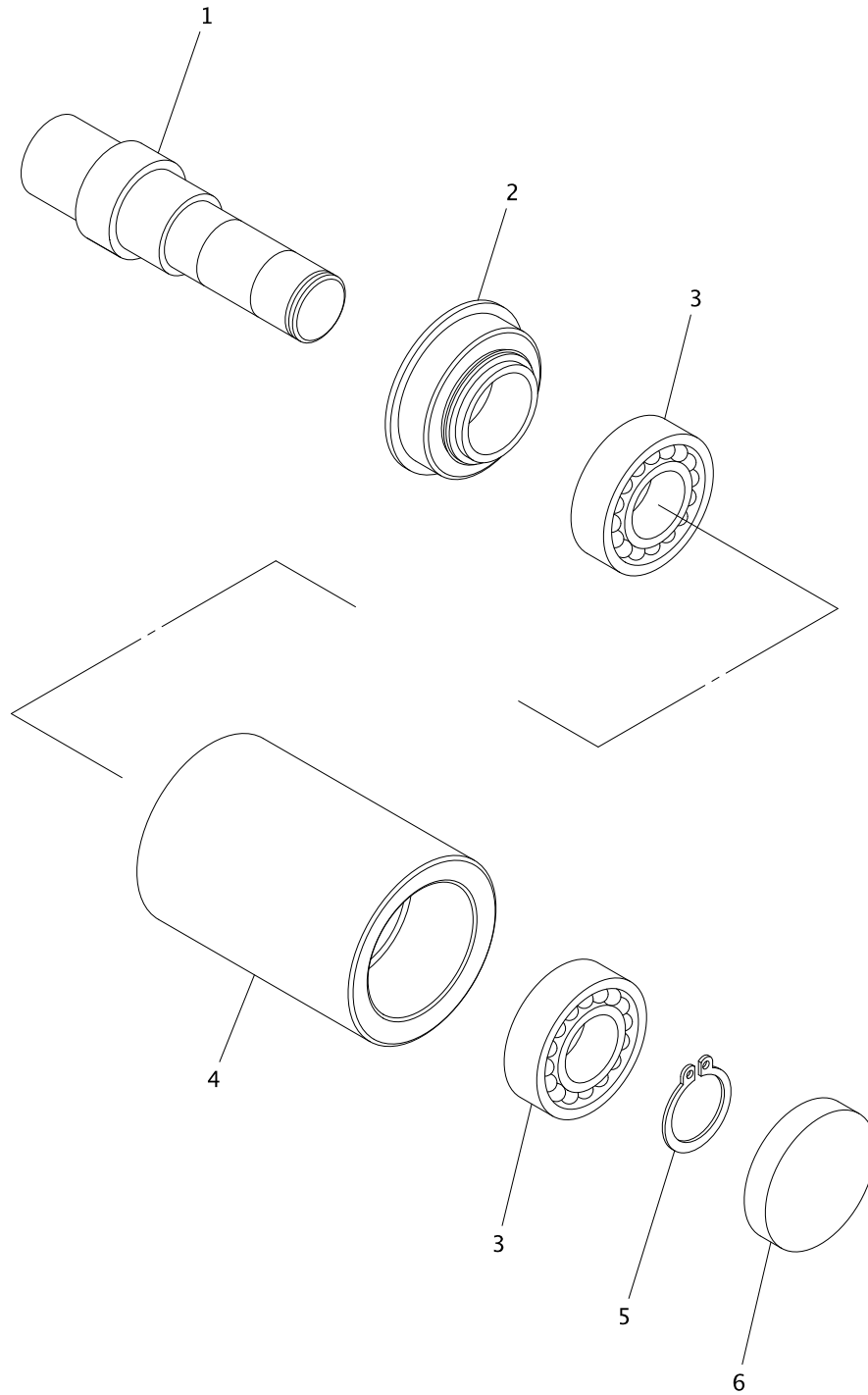
SHALL-010400-1

KEY No.	SU P.	PART No.	DESCRIPTION	Q'TY	CHAN	SERIAL No.	REMARKS
0		F300 361 01	Idler Ass'y, Front	2		WF010001-	
1		0494 651 70	*Pin, Spring	2		WF010001-	d=10X70
2		4420 732 00	*Block, Bearing	2		WF010001-	
3		4006 276 00	*Washer	2		WF010001-	
4		0761 731 40	*Seal	2		WF010001-	
5		0493 500 80	*Ring, Snap	2		WF010001-	d=80
6		0630 630 70	*Bearing, Ball	2		WF010001-	#6307
7		D236 013 00	*Idler, Front	1		WF010001-	
8		0710 201 01	*Plug	1		WF010001-	ST-PA-1/8
9		4220 516 00	*Shaft	1		WF010001-	



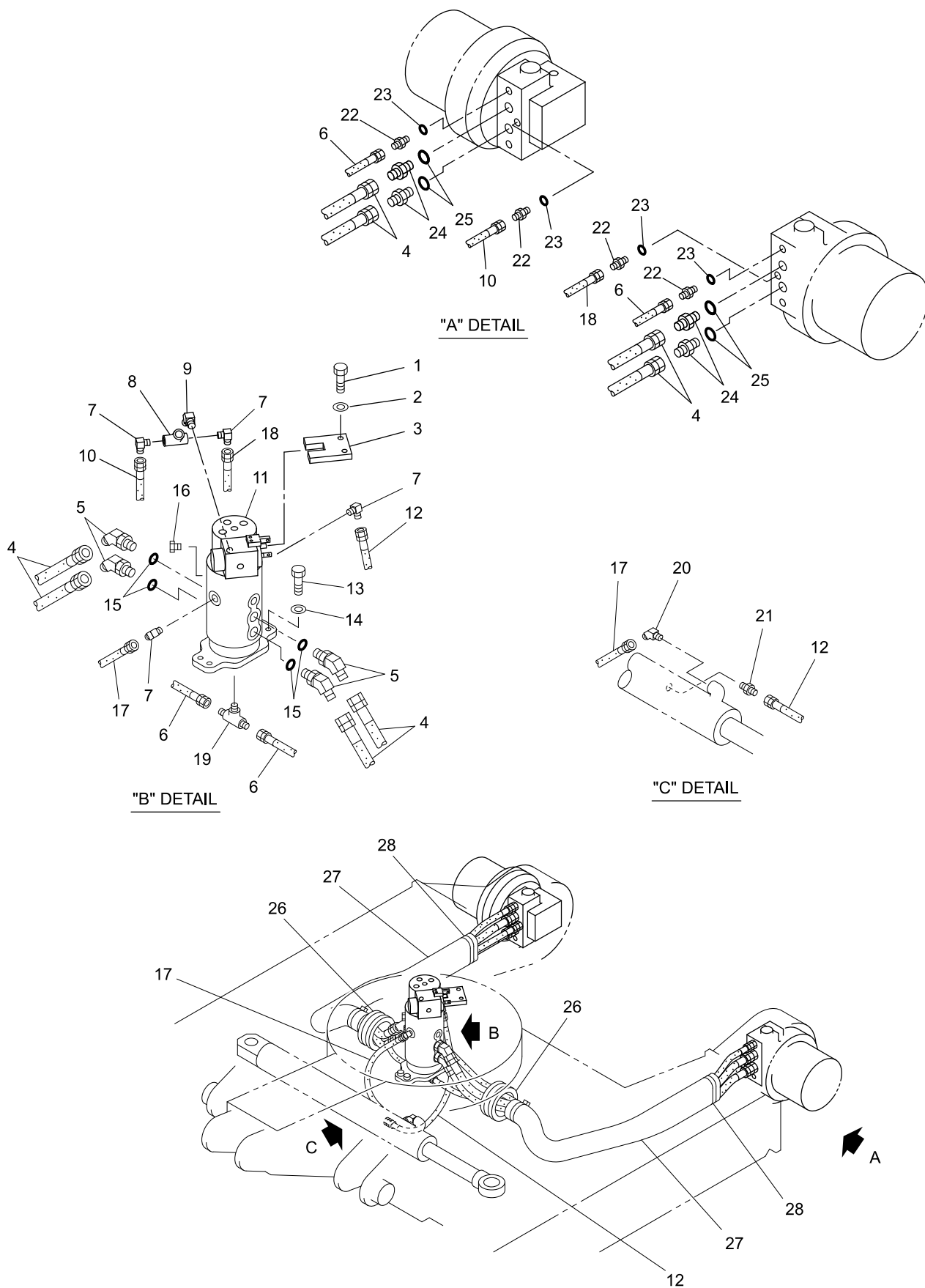
SHALL-010500-1

KEY No.	SU P.	PART No.	DESCRIPTION	Q'TY	CHAN .	SERIAL No.	REMARKS
0		F300 223 00	Roller Ass'y, Lower	8		WF000001-	
1		4042 204 00	*Collar, Roller	2		WF000001-	
2		0761 730 12	*Seal	2		WF000001-	
3		0493 500 62	*Ring, Snap	2		WF000001-	d=62
4		0630 620 60	*Bearing	2		WF000001-	#6206
5		0710 201 01	*Plug	1		WF000001-	ST-PA-1/8
6		D031 031 00	*Roller, Guide	1		WF000001-	
7		4220 517 00	*Shaft	1		WF000001-	
8		0494 608 10	*Pin, Spring	1		WF000001-	d=5X10
9		0555 160 30	Bolt, Treatment	2		WF000001-	M16X30
10		0595 160 00	Washer, Treatment	2		WF000001-	M16



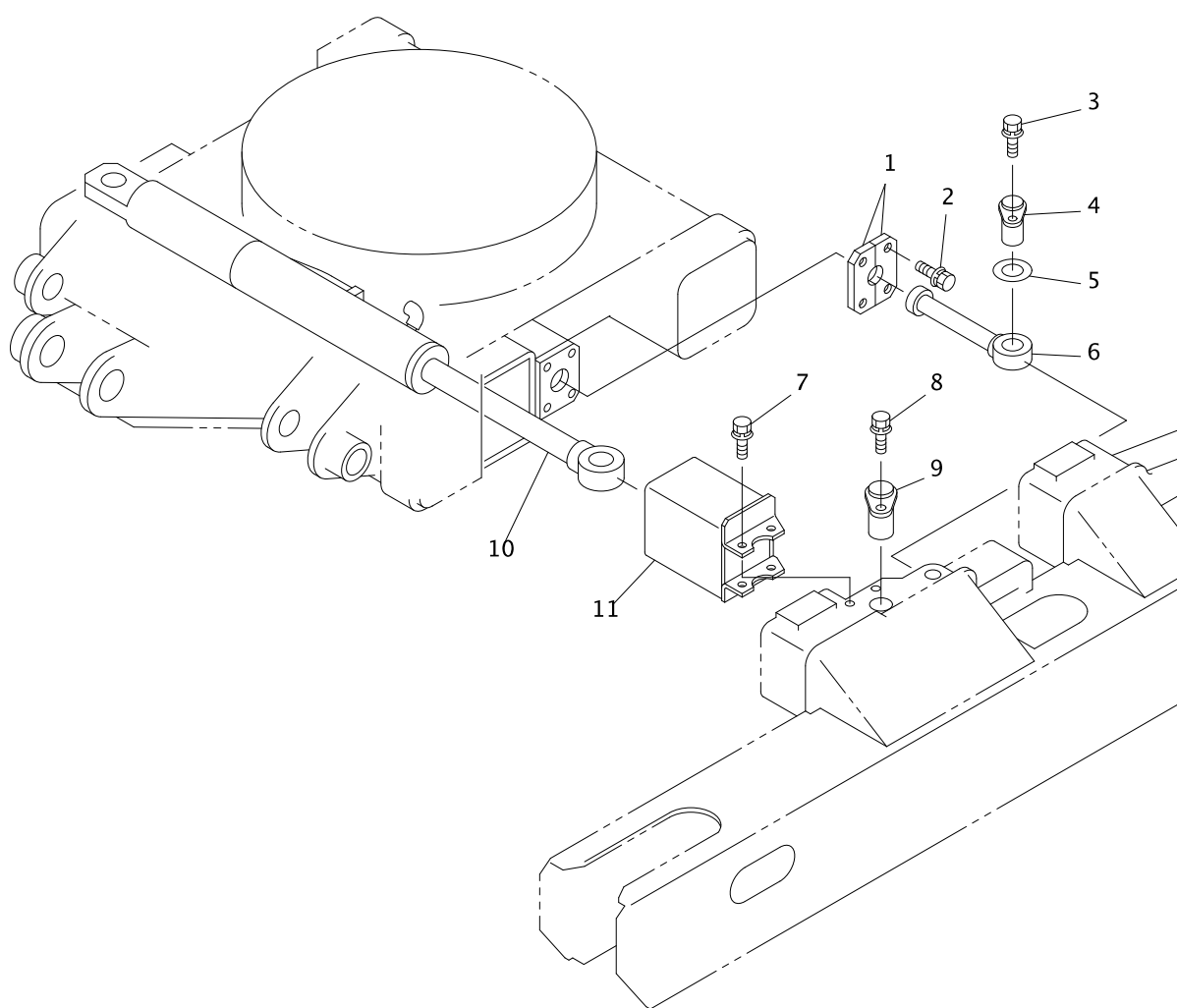
0651911UA-1

KEY No.	SU P.	PART No.	DESCRIPTION	Q'TY	CHAN .	SERIAL No.	REMARKS
0		0651 911 UA	Roller Ass'y, Upper	2		WF010001-	
1		0651 911 02	*Shaft, Roller	1		WF010001-	
2		0761 691 20	*Seal	1		WF010001-	
3		0630 620 50	*Bearing	2		WF010001-	#6205
4		0651 911 01	*Roller	1		WF010001-	
5		0493 510 25	*Ring, Snap	1		WF010001-	d=25
6		0651 911 04	*Cap	1		WF010001-	



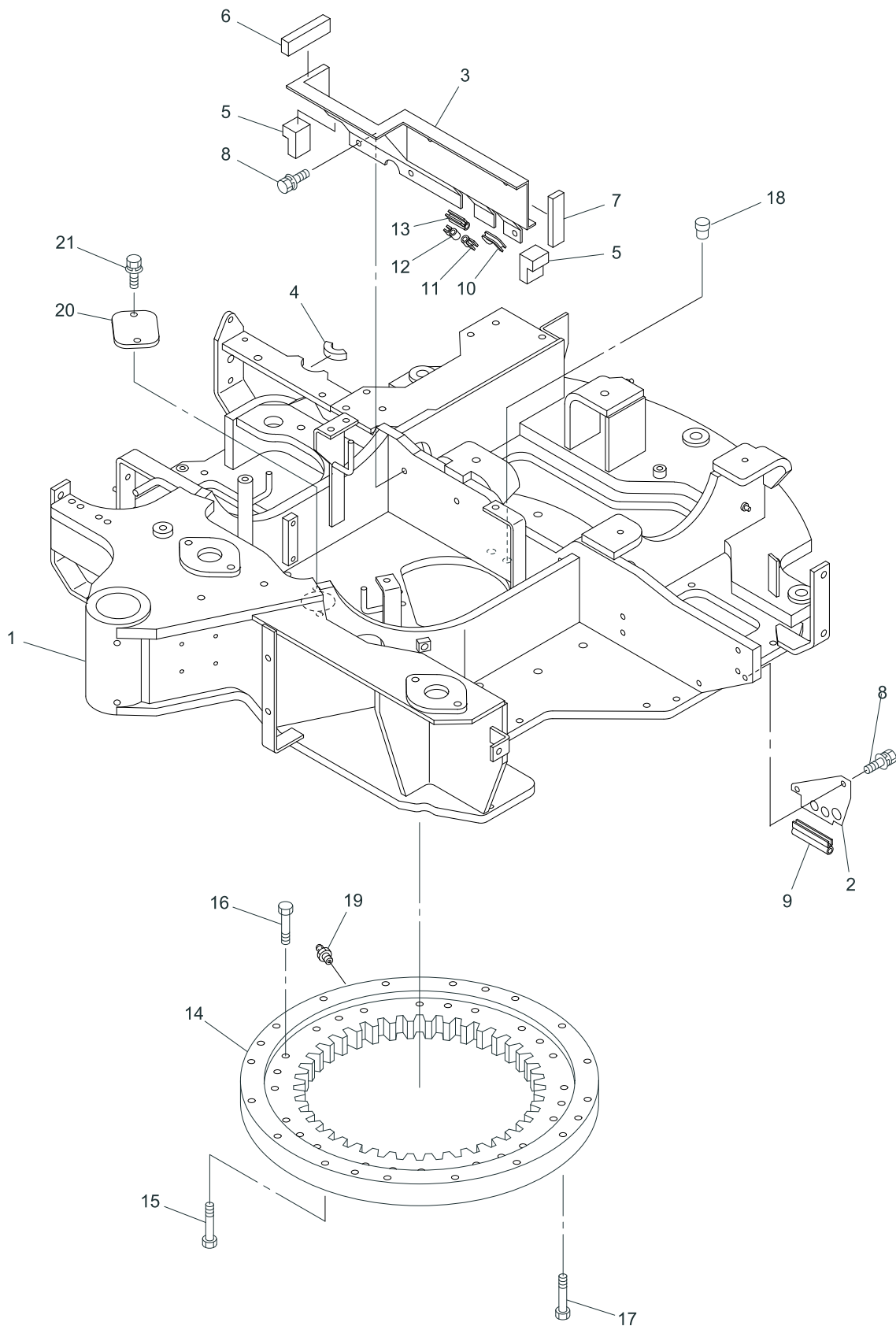
35V4-010700-1

KEY No.	SU P.	PART No.	DESCRIPTION	Q'TY	CHAN	SERIAL No.	REMARKS
0	×	F342 645 00	Piping Ass'y, Lower Travel	1		WF010001-	
1		0555 140 40	*Bolt, Treatment	2		WF010001-	M14X40
2		0595 140 00	*Washer, Treatment	2		WF010001-	M14
3		D260 525 00	*Stay	1		WF010001-	
4		4070 360 22	*Hose Ass'y	4		WF010001-	L=1250
5		0710 114 34	*Elbow, 45	4		WF010001-	
6		4070 548 07	*Hose Ass'y	2		WF010001-	L=1350
7		0712 310 50	*Elbow	4		WF010001-	
8		0710 701 02	*Tee	1		WF010001-	
9		0710 119 02	*Elbow, 45	1		WF010001-	
10		4070 548 37	*Hose Ass'y	1		WF010001-	L=1450
10-1	☆	4405 311 01	*Decal (RP)	2		WF010001-	4405 311 00
11	#	0713 448 UA	*Joint, Rotary	1		WF010001-* * *	Sh. No. 5-3
11	#	0713 452 UA	*Joint, Rotary	1	○	* * *-	Sh. No. 5-3
12		4070 000 07	*Hose Ass'y	1		WF010001-	L=600
13		0514 100 30	*Bolt, Treatment	4		WF010001-	M10X30 P=1.25
14		0595 100 00	*Washer, Treatment	4		WF010001-	M10
15		0760 710 16	*Ring, 0	4		WF010001-	P14-90B
16		4077 061 00	*Plug	1		WF010001-	
17		4070 000 01	*Hose Ass'y	1		WF010001-	L=380
18		4070 548 40	*Hose Ass'y	1		WF010001-	L=1650
18-1	☆	4405 311 02	*Decal (LP)	2		WF010001-	4405 311 00
19		0710 707 02	*Tee	1		WF010001-	
20		0712 310 40	*Elbow, 45	1		WF010001-	
21		0712 310 30	*Adapter	1		WF010001-	
22		0713 700 02	*Adapter	4		WF010001-	
23		0760 710 12	*Ring, 0	4		WF010001-	P11-90B
24		0713 700 04	*Adapter	4		WF010001-	
25		0760 710 19	*Ring, 0	4		WF010001-	P18-90B
26		4580 729 00	*Pad	2		WF010001-	
27		0779 003 47	*Cover, Hose	M		WF010001-	L=1000X2
28		0820 067 09	*Band, Cable	4		WF010001-	



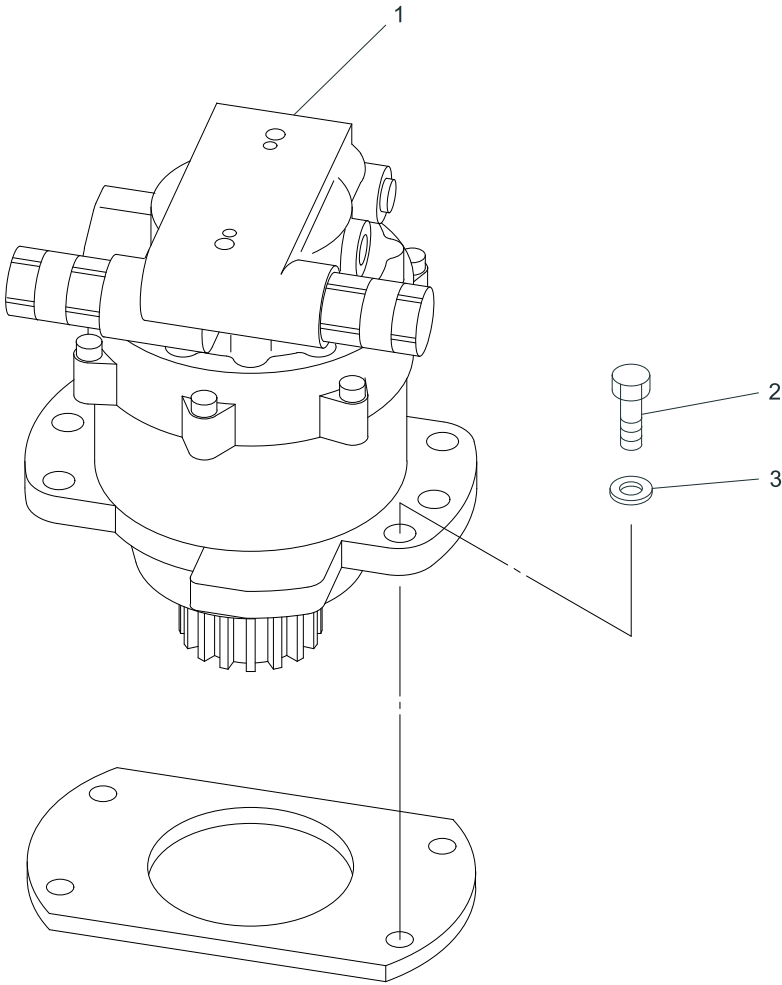
35VX-010800-1

KEY No.	SU P.	PART No.	DESCRIPTION	Q'TY	CHAN	SERIAL No.	REMARKS
0	×	F307 168 00	Expantion Device, Crawler	1		WF010001-	
1		4404 085 00	*Plate	4		WF010001-	
2		0518 120 35	*Bolt, Treatment (W/L.W, F.W)	4		WF010001-	M12X35 P=1.25
3		0518 100 25	*Bolt, Treatment (W/L.W, F.W)	2		WF010001-	M10X25 P=1.25
4		4017 443 00	*Pin, Wing	2		WF010001-	
5		4006 540 11	*Shim	AR		WF010001-	t=1.0
5-1		4006 540 12	*Shim	AR		WF010001-	t=2.0
6		4491 325 00	*Link	2		WF010001-	
7		0518 100 20	*Bolt, Treatment (W/L.W, F.W)	4		WF010001-	M10X20 P=1.25
8		0518 120 25	*Bolt, Treatment (W/L.W, F.W)	2		WF010001-	M12X25 P=1.25
9		4017 442 00	*Pin, Wing	2		WF010001-	
10	#	0782 426 UA	*Cylinder Ass'y, Crawler Expantion	1		WF010001-	Sh. No. 5-13
11		4453 371 00	*Cover	1		WF010001-	



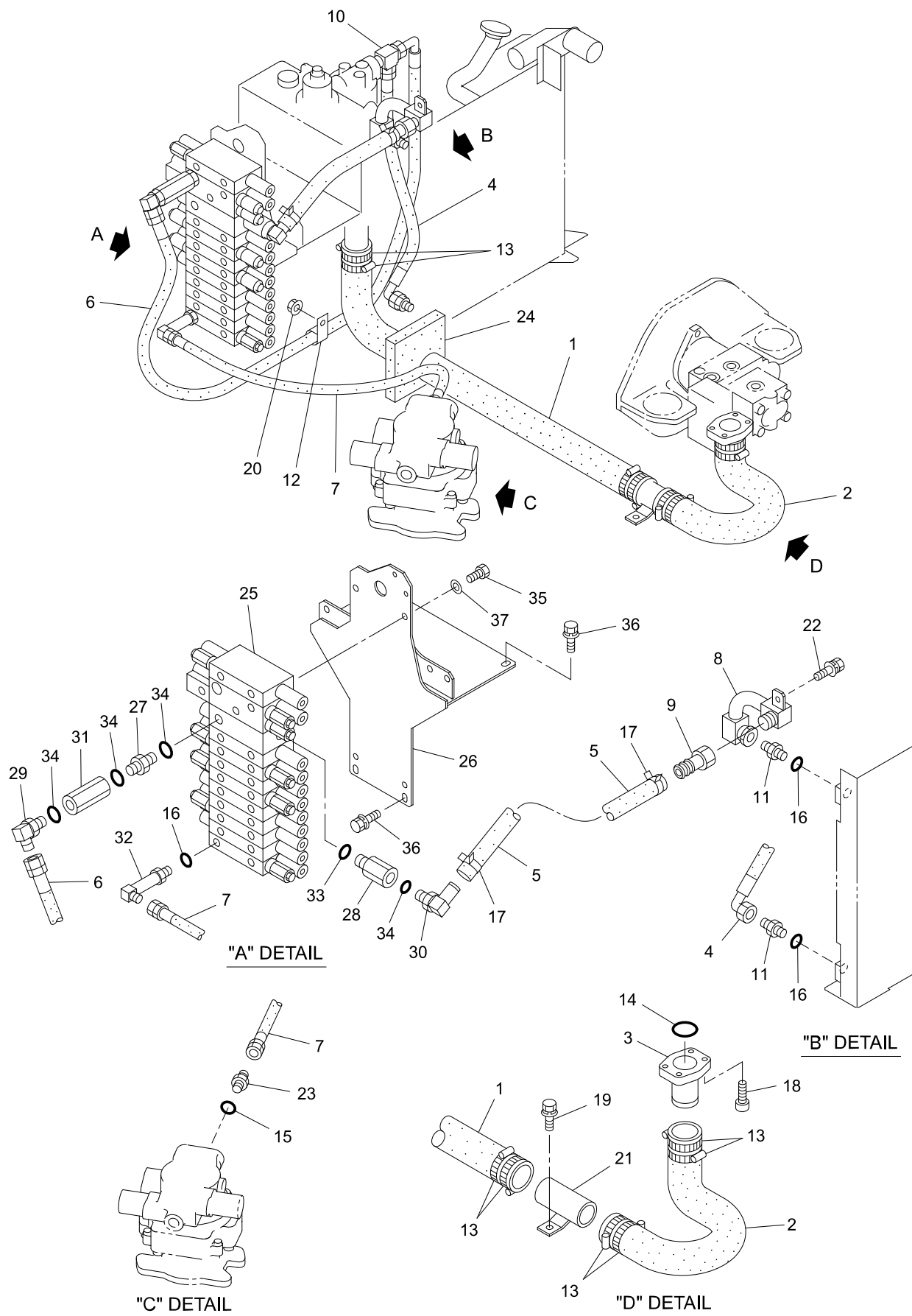
35V4-020100-1

KEY No.	SU P.	PART No.	DESCRIPTION	Q'TY	CHAN	SERIAL No.	REMARKS
0	×	F311 357 00	Frame Ass'y, Swing	1		WF010001-	
0-1	×	F320 257 00	Bearing Ass'y, Swing	1		WF010001-	
1	△	D204 360 00	*Frame, Swing	1		WF010001-	
2		D419 280 00	*Bracket	1		WF010001-	
3		D419 278 00	*Bracket	1		WF010001-	
4		D493 537 00	*Panel, Sponge	1		WF010001-	
5		D493 538 00	*Panel, Sponge	2		WF010001-	
6		D493 646 00	*Panel, Sponge	1		WF010001-	
7		D493 540 00	*Panel, Sponge	1		WF010001-	
8		0517 080 20	*Bolt, Treatment (W/L.W, F.W)	5		WF010001-	M8X20
9		0910 870 05	*Seal	M		WF010001-	L=90
10		4550 519 00	*Seal	M		WF010001-	L=60
11		0910 870 05	*Seal	M		WF010001-	L=15
12		0910 870 05	*Seal	M		WF010001-	L=15
13		0910 870 05	*Seal	M		WF010001-	L=35
14		0605 427 UA	*Bearing, Swing	1		WF010001-	
15		D002 001 00	*Bolt, Reamer	1		WF010001-	M12X70
16		0555 120 60	*Bolt, Treatment	24		WF010001-	M12X60
17		0555 120 70	*Bolt, Treatment	19		WF010001-	M12X70
18		0690 201 09	*Plug	2		WF010001-	M12
19		0728 111 15	*Nipple, Grease	1		WF010001-	PT1/8
20		4460 756 00	*Cover	1		WF010001-	
21		0517 080 20	*Bolt, Treatment (W/L.W, F.W)	2		WF010001-	M8X20



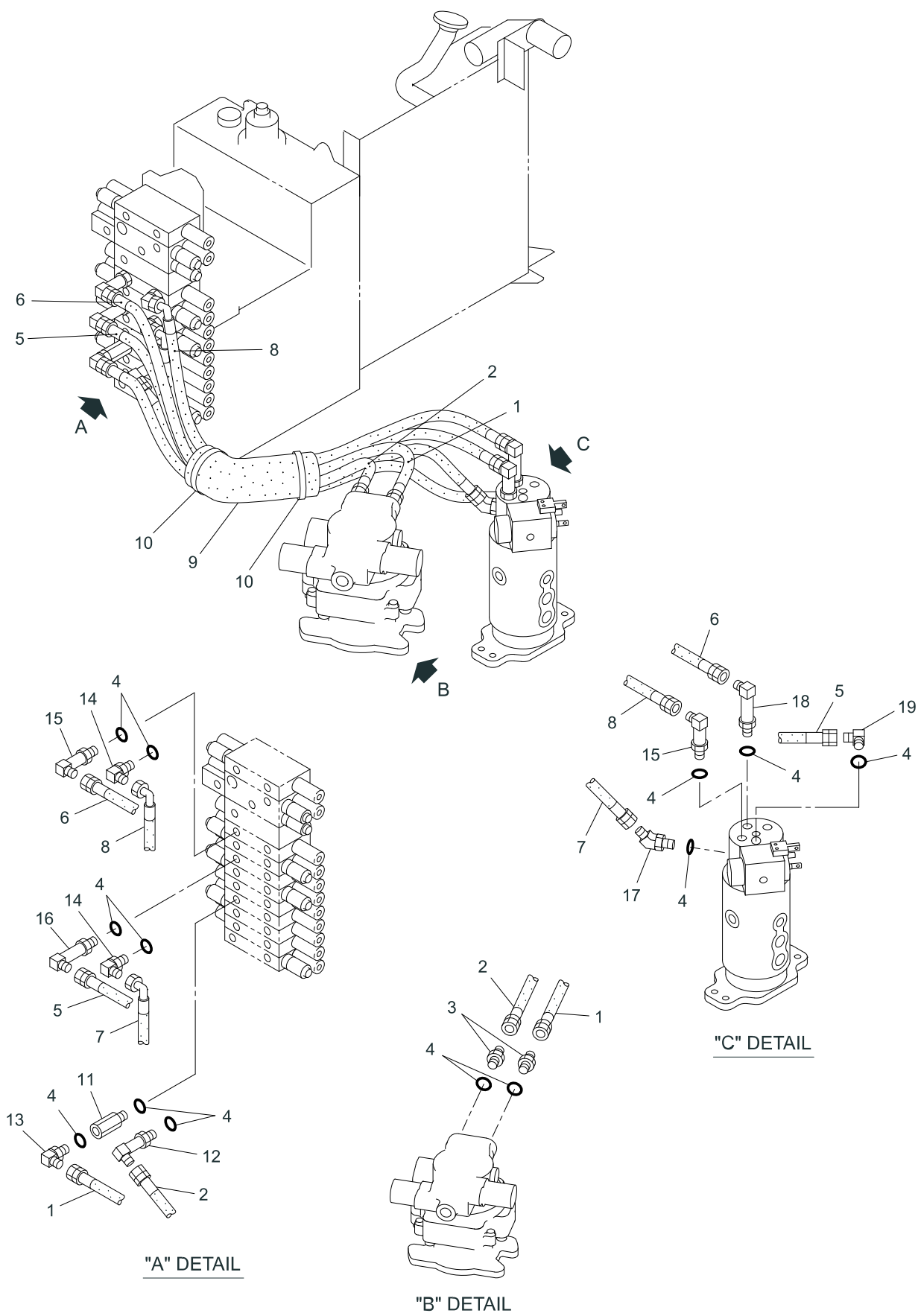
30V4-030100-1

KEY No.	SU P.	PART No.	DESCRIPTION	Q'TY	CHAN	SERIAL No.	REMARKS
0	×	F320 253 00	Swing Drive Device	1		WF010001-	
1	#	0781 376 UA	*Motor Ass'y, Swing	1		WF010001-	Sh. No. 5-2
2		0555 160 45	*Bolt, Treatment	6		WF010001-	M16X45
3		0595 160 00	*Washer, Treatment	6		WF010001-	M16



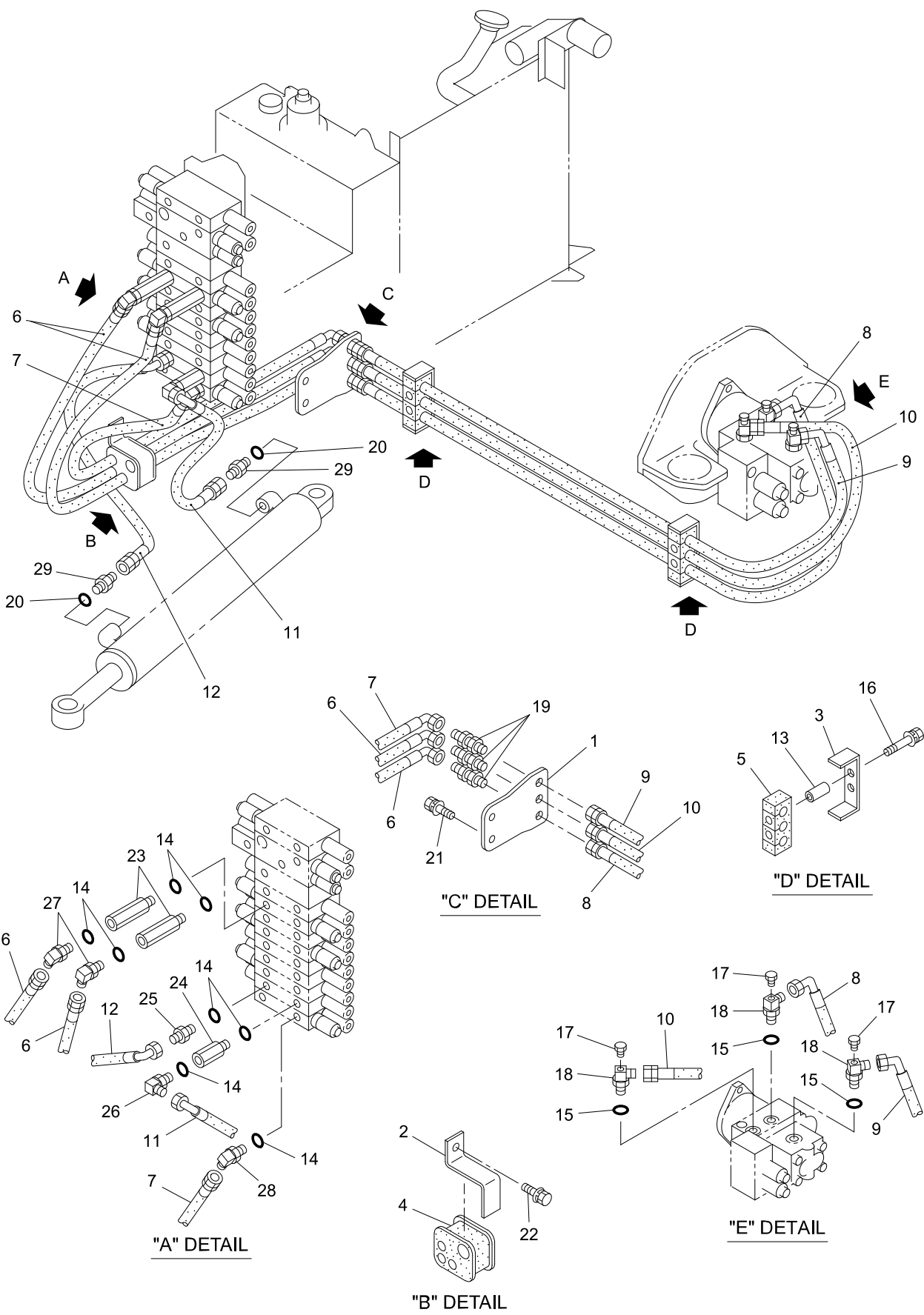
30V4-040100-1

KEY No.	SU P.	PART No.	DESCRIPTION	Q'TY	CHAN	SERIAL No.	REMARKS
0	×	F342 635 00	Piping Ass'y, Return & Suction	1		WF010001-	
1		0776 600 07	*Hose	1		WF010001-	
2		0776 600 06	*Hose	1		WF010001-	
3		D286 272 00	*Tube	1		WF010001-	
4		D070 110 15	*Hose Ass'y	1		WF010001-	L=430
5		D070 558 01	*Hose Ass'y	1		WF010001-	L=480
6		D070 110 01	*Hose Ass'y	1		WF010001-	L=1750
7		4070 015 15	*Hose Ass'y	1		WF010001-	L=800
8		D286 279 00	*Tube	1		WF010001-	
9		D060 227 00	*Nipple	1		WF010001-	
10		0710 709 12	*Tee, Special	1		WF010001-	
11		D060 538 00	*Connector, Reducer	2		WF010001-	PF1/2XPF3/4
12		4080 000 06	*Clamp, Hose	1		WF010001-	
13		0690 083 10	*Clamp, Hose	8		WF010001-	
14		0760 312 22	*Ring, O	1		WF010001-	222-90B
15		0760 710 16	*Ring, O	1		WF010001-	P14-90B
16		0760 710 19	*Ring, O	3		WF010001-	P18-90B
17		0690 083 06	*Clamp, Hose	2		WF010001-	
18		0562 100 30	*Bolt, Socket Head	4		WF010001-	M10X30
19		0517 080 20	*Bolt, Treatment (W/L.W, F.W)	1		WF010001-	M8X20
20		0524 100 00	*Nut, Hex. (W/F.W)	1		WF010001-	M10 P=1.25
21		D430 286 00	*Pipe	1		WF010001-	
22		0518 100 20	*Bolt, Treatment (W/L.W, F.W)	1		WF010001-	M10X20 P=1.25
23		0713 700 03	*Adapter	1		WF010001-	
24		D433 510 00	*Plate, Rubber	1		WF010001-	
25	#	0784 108 UA	*Valve Ass'y, Control	1		WF010001-	Sh. No. 5-4
26		D419 287 00	*Bracket	1		WF010001-	
27		D060 514 00	*Connector	1		WF010001-	
28		D060 515 00	*Connector, Reducer	1		WF010001-	PF1XPF3/4
29		0710 113 66	*Elbow	1		WF010001-	
30		0710 127 05	*Elbow	1		WF010001-	
31		0785 947 UA	*Valve, Check	1		WF010001-	
32		0710 117 07	*Elbow, Reducer	1		WF010001-	PF1/2XPF3/8
33		0760 710 30	*Ring, O	1		WF010001-	P29-90B
34		0760 710 24	*Ring, O	4		WF010001-	P22.4-90B
35		0513 100 16	*Bolt, Treatment	4		WF010001-	M10X16
36		0518 100 20	*Bolt, Treatment (W/L.W, F.W)	4		WF010001-	M10X20 P=1.25
37		0595 100 00	*Washer, Treatment	4		WF010001-	M10



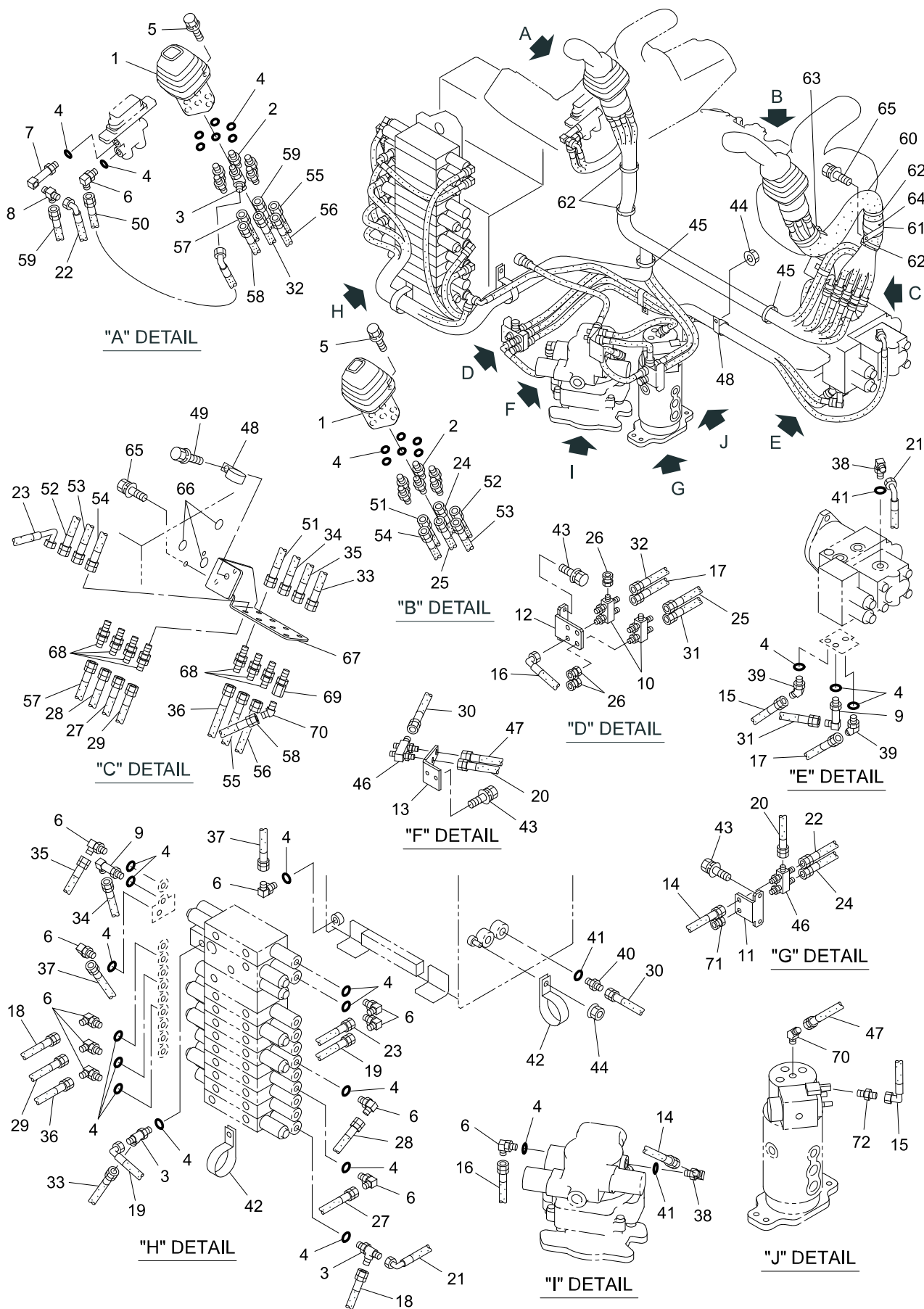
35V4-040200-1

KEY No.	SU P.	PART No.	DESCRIPTION	Q'TY	CHAN	SERIAL No.	REMARKS
0	×	F342 635 00	Piping Ass'y, Swing & Travel	1		WF010001-	
1		4070 001 09	*Hose Ass'y	1		WF010001-	L=900
2		4070 001 73	*Hose Ass'y	1		WF010001-	L=730
3		0713 700 03	*Adapter	2		WF010001-	
4		0760 710 16	*Ring, O	13		WF010001-	P14-90B
5		D070 461 06	*Hose Ass'y	1		WF010001-	L=1000
6		D070 461 11	*Hose Ass'y	1		WF010001-	L=950
7		D070 363 24	*Hose Ass'y	1		WF010001-	L=760
8		D070 363 15	*Hose Ass'y	1		WF010001-	L=810
9		4070 350 03	*Cover, Hose	1		WF010001-	
10		0820 067 09	*Band, Cable	2		WF010001-	
11		D060 483 00	*Connector	1		WF010001-	
12		0710 117 05	*Elbow, Long	1		WF010001-	
13		0710 113 33	*Elbow	1		WF010001-	
14		0710 113 34	*Elbow, Reducer	2		WF010001-	PF3/8XPF1/2
15		4060 051 00	*Elbow, Reducer	2		WF010001-	PF3/8XPF1/2
16		D060 541 00	*Elbow, Reducer	1		WF010001-	PF3/8XPF1/2
17		0710 114 34	*Elbow, 45 Reducer	1		WF010001-	PF3/8XPF1/2
18		D060 289 00	*Elbow, Reducer	1		WF010001-	PF3/8XPF1/2
19		0710 113 34	*Elbow, Reducer	1		WF010001-	PF3/8XPF1/2



30V4-040300-1

KEY No.	SU P.	PART No.	DESCRIPTION	Q'TY	CHAN	SERIAL No.	REMARKS
0	×	F342 635 00	Piping Ass'y, Pump Discharge & Boom Swing	1		WF010001-	
0-1	×	F388 395 00	Piping Ass'y, Pump Discharge & Boom Swing	1		WF010001-	
1		D419 310 00	*Bracket	1		WF010001-	
2		D083 146 00	*Clamp	1		WF010001-	
3		D419 311 00	*Bracket	2		WF010001-	
4		D580 169 00	*Pad	1		WF010001-	
5		D580 183 00	*Pad	2		WF010001-	
6		D070 363 04	*Hose Ass'y	2		WF010001-	L=950
7		D070 363 13	*Hose Ass'y	1		WF010001-	L=850
8		D070 363 26	*Hose Ass'y	1		WF010001-	L=1700
9		D070 363 27	*Hose Ass'y	1		WF010001-	L=1600
10		D070 461 13	*Hose Ass'y	1		WF010001-	L=1700
11		4070 472 25	*Hose Ass'y	1		WF010001-	L=520
12		4070 472 12	*Hose Ass'y	1		WF010001-	L=450
13		D040 218 00	*Spacer	4		WF010001-	
14		0760 710 16	*Ring, 0	8		WF010001-	P14-90B
15		0760 710 19	*Ring, 0	3		WF010001-	P18-90B
16		0517 080 60	*Bolt, Treatment (W/L.W, F.W)	4		WF010001-	M8X60
17		0710 202 02	*Plug	3		WF010001-	
18		D060 164 00	*Tee	3		WF010001-	
19		D060 451 00	*Connector	3		WF010001-	
20		0760 710 12	*Ring, 0	2		WF010001-	P11-90B
21		0518 100 30	*Bolt, Treatment (W/L.W, F.W)	2		WF010001-	M10X30 P=1.25
22		0518 100 20	*Bolt, Treatment (W/L.W, F.W)	1		WF010001-	M10X20 P=1.25
23		D060 482 00	*Connector, Reducer	2		WF010001-	PF3/8XPF1/2
24		D060 483 00	*Connector	1		WF010001-	
25		0713 700 77	*Adapter, Reducer	1		WF010001-	PF3/8XPF1/4
26		0710 113 32	*Elbow, Reducer	1		WF010001-	PF3/8XPF1/4
27		0710 113 44	*Elbow	2		WF010001-	
28		0710 113 34	*Elbow, Reducer	1		WF010001-	PF3/8XPF1/2
29		0713 700 70	*Connector	2		WF010001-	

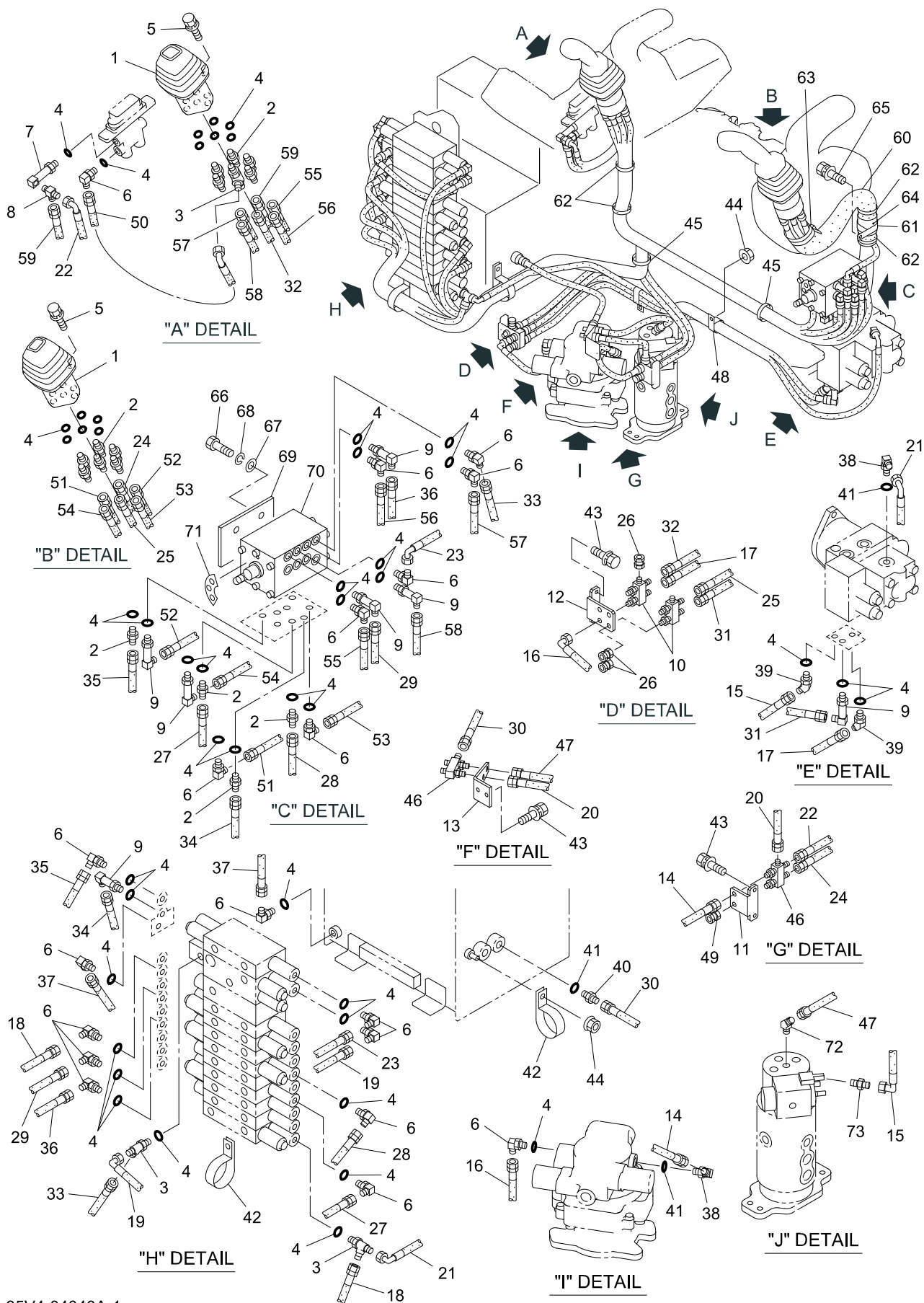


35V4-040400-1

KEY No.	SU P.	PART No.	DESCRIPTION	Q'TY	CHAN	SERIAL No.	REMARKS
0	×	F342 660 00	Piping Ass'y, Control	1		WF010001-	
1	#	0783 964 UA	*Valve Assy Remote Control	2		WF010001-	Sh. No. 5-5
2		0713 700 70	*Connector	11		WF010001-	
3		0710 713 09	*Tee	3		WF010001-	
4		0760 710 12	*Ring, O	33		WF010001-	P11-90B
5		0517 060 25	*Bolt, Treatment (W/L.W, F.W)	6		WF010001-	M6X25
6		0710 122 09	*Elbow	14		WF010001-	
7		0719 805 UA	*Elbow	1		WF010001-	
8		0710 709 02	*Tee	1		WF010001-	
9		D060 028 00	*Elbow	2		WF010001-	
10		D065 093 00	*Manifold	2		WF010001-	
11		D418 929 00	*Bracket	1		WF010001-	
12		D418 930 00	*Bracket	1		WF010001-	
13		D419 281 00	*Bracket	1		WF010001-	
14		4070 548 73	*Hose Ass'y	1		WF010001-	L=390
15		4070 551 28	*Hose Ass'y	1		WF010001-	L=830
16		4070 551 14	*Hose Ass'y	1		WF010001-	L=260
17		4070 548 06	*Hose Ass'y	1		WF010001-	L=1200
18		4070 548 15	*Hose Ass'y	1		WF010001-	L=900
19		4070 551 40	*Hose Ass'y	1		WF010001-	L=380
19-1	☆	4405 307 01	*Decal (B1)	2		WF010001-	4405 307 00
20		4070 782 18	*Hose Ass'y	1		WF010001-	L=230
21		4070 551 42	*Hose Ass'y	1		WF010001-	L=1600
22		4070 551 44	*Hose Ass'y	1		WF010001-	L=1120
22-1	☆	D407 818 04	*Decal (BT)	2		WF010001-	D407 818 00
23		4070 551 43	*Hose Ass'y	1		WF010001-	L=2450
23-1	☆	4405 308 01	*Decal (C1)	2		WF010001-	4405 308 00
24		4070 548 01	*Hose Ass'y	1		WF010001-	L=1900
24-1	☆	4405 312 02	*Decal (LT)	2		WF010001-	4405 312 00
25		4070 548 01	*Hose Ass'y	1		WF010001-	L=1900
25-1	☆	4405 311 02	*Decal (LP)	2		WF010001-	4405 311 00
26		0710 303 02	*Plug, Swivel	3		WF010001-	
27		4070 548 04	*Hose Ass'y	1		WF010001-	L=1800
27-1	☆	4405 310 01	*Decal (S1)	2		WF010001-	4405 310 00
28		4070 548 41	*Hose Ass'y	1		WF010001-	L=1850
28-1	☆	4405 309 01	*Decal (A1)	2		WF010001-	4405 309 00
29		4070 548 89	*Hose Ass'y	1		WF010001-	L=2250
29-1	☆	4405 309 02	*Decal (A2)	2		WF010001-	4405 309 00
30		4070 782 19	*Hose Ass'y	1		WF010001-	L=370
31		4070 548 33	*Hose Ass'y	1		WF010001-	L=1150
32		4070 548 33	*Hose Ass'y	1		WF010001-	L=1150
32-1	☆	4405 311 01	*Decal (RP)	2		WF010001-	4405 311 00
33		4070 548 80	*Hose Ass'y	1		WF010001-	L=2450
33-1	☆	4405 307 01	*Decal (B1)	2		WF010001-	4405 307 00
34		4070 548 85	*Hose Ass'y	1		WF010001-	L=2550

KEY No.	SU P.	PART No.	DESCRIPTION	Q'TY	CHAN	SERIAL No.	REMARKS
34-1	☆	4405 307 02	*Decal (B2)	2		WF010001-	4405 307 00
35		4070 548 85	*Hose Ass'y	1		WF010001-	L=2550
35-1	☆	4405 308 02	*Decal (G2)	2		WF010001-	4405 308 00
36		4070 548 23	*Hose Ass'y	1		WF010001-	L=2200
36-1	☆	4405 310 02	*Decal (S2)	2		WF010001-	4405 310 00
37		4070 548 82	*Hose Ass'y	1		WF010001-	L=420
38		0710 113 32	*Elbow, Reducer	2		WF010001-	PF3/8XPF1/4
39		0710 121 00	*Elbow, 45	2		WF010001-	
40		0713 700 03	*Adapter	1		WF010001-	
41		0760 710 16	*Ring, 0	3		WF010001-	P14-90B
42		4080 000 10	*Clamp, Hose	2		WF010001-	
43		0517 080 20	*Bolt, Treatment (W/L.W, F.W)	6		WF010001-	M8X20
44		0524 100 00	*Nut, Hex. (W/F.W)	2		WF010001-	M10 P=1.25
45		0820 067 05	*Band, Cable	7		WF010001-	
46		D065 094 00	*Manifold	2		WF010001-	
47		4070 548 55	*Hose Ass'y	1		WF010001-	L=350
48		4080 000 11	*Clamp	2		WF010001-	
49		0518 100 20	*Bolt, Treatment (W/L.W, F.W)	1		WF010001-	M10X20 P=1.25
50		4070 551 15	*Hose Ass'y	1		WF010001-	L=350
50-1	☆	D407 818 03	*Decal (BP)	2		WF010001-	D407 818 00
51		4070 548 25	*Hose Ass'y	1		WF010001-	L=700
51-1	☆	4405 309 03	*Decal (L1)	2		WF010001-	4405 309 00
52		4070 548 25	*Hose Ass'y	1		WF010001-	L=700
52-1	☆	4405 310 03	*Decal (L2)	2		WF010001-	4405 310 00
53		4070 548 25	*Hose Ass'y	1		WF010001-	L=700
53-1	☆	4405 309 04	*Decal (L3)	2		WF010001-	4405 309 00
54		4070 548 25	*Hose Ass'y	1		WF010001-	L=700
54-1	☆	4405 310 04	*Decal (L4)	2		WF010001-	4405 310 00
55		4070 548 06	*Hose Ass'y	1		WF010001-	L=1200
55-1	☆	4405 308 03	*Decal (R2)	2		WF010001-	4405 308 00
56		4070 548 06	*Hose Ass'y	1		WF010001-	L=1200
56-1	☆	4405 307 04	*Decal (R3)	2		WF010001-	4405 307 00
57		4070 548 19	*Hose Ass'y	1		WF010001-	L=1250
57-1	☆	4405 307 03	*Decal (R1)	2		WF010001-	4405 307 00
58		4070 548 19	*Hose Ass'y	1		WF010001-	L=1250
58-1	☆	4405 308 04	*Decal (R4)	2		WF010001-	4405 308 00
59		4070 548 08	*Hose Ass'y	1		WF010001-	L=300
59-1	☆	4405 312 01	*Decal (RT)	2		WF010001-	4405 312 00
60		D070 577 01	*Hose	1		WF010001-	
61		4080 000 09	*Clamp, Hose	1		WF010001-	
62		0820 067 09	*Band, Cable	4		WF010001-	
63		0820 067 10	*Band, Cable	1		WF010001-	
64		4580 016 00	*Pad	1		WF010001-	

KEY No.	SU P.	PART No.	DESCRIPTION	Q'TY	CHAN	SERIAL No.	REMARKS
65		0518 100 25	*Bolt, Treatment (W/L.W, F.W)	3		WF010001-	M10X25 P=1.25
66		D405 272 00	*Seal	3		WF010001-	
67		D419 122 00	*Bracket	1		WF010001-	
68		D060 137 00	*Adapter	7		WF010001-	
69		0712 325 02	*Adapter	1		WF010001-	
70		0712 310 40	*Elbow, 45	2		WF010001-	
71		0710 303 03	*Plug, Swivel	1		WF010001-	
72		0712 310 30	*Adapter	1		WF010001-	

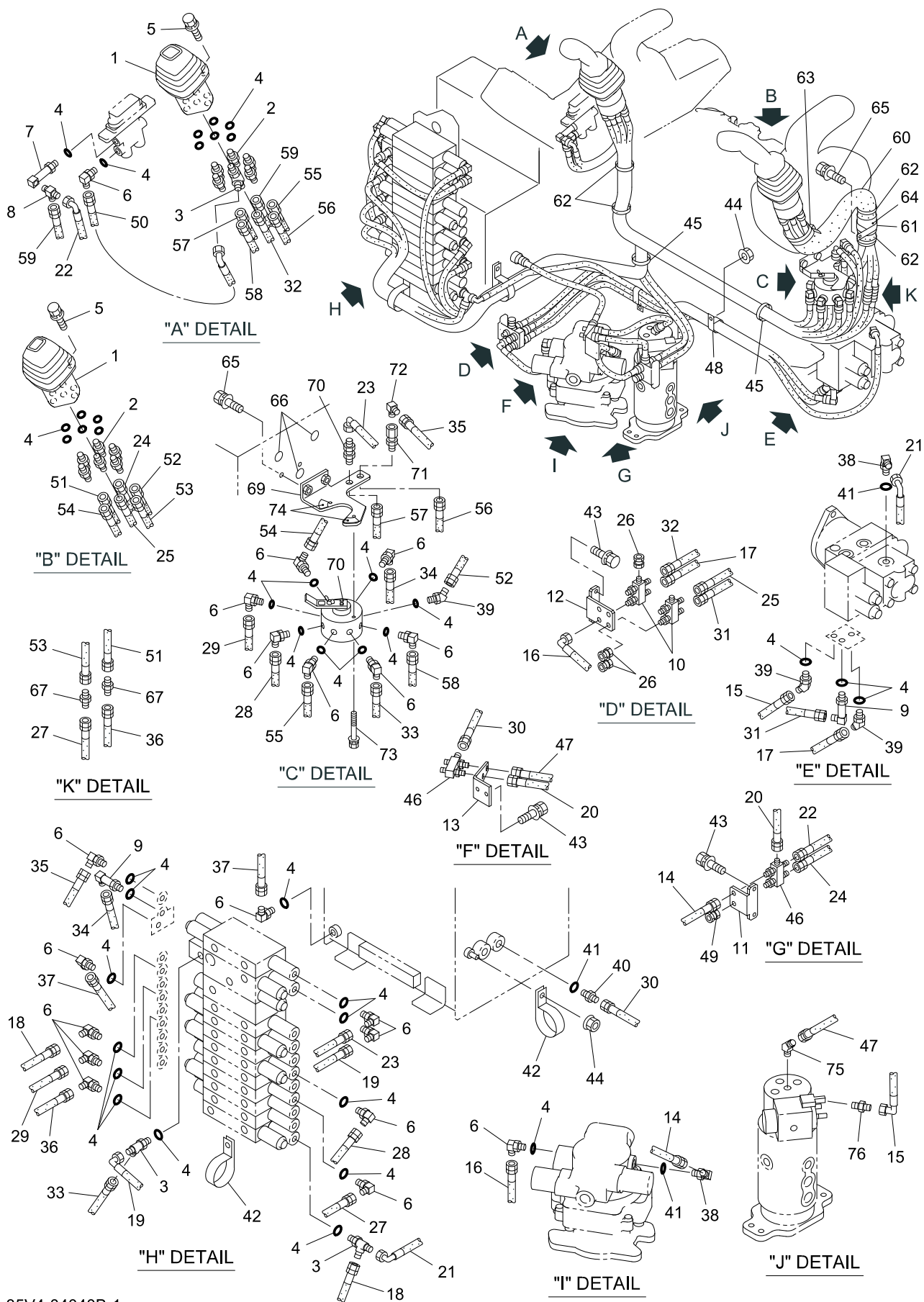


35V4-04040A-1

KEY No.	SU P.	PART No.	DESCRIPTION	Q'TY	CHAN	SERIAL No.	REMARKS
0	×	F342 660 00	Piping Ass'y, Control	1		WF010001-	
1	#	0783 964 UA	*Valve Assy Remote Control	2		WF010001-	Sh. No. 5-5
2		0713 700 70	*Connector	15		WF010001-	
3		0710 713 09	*Tee	3		WF010001-	
4		0760 710 12	*Ring, O	47		WF010001-	P11-90B
5		0517 060 25	*Bolt, Treatment (W/L.W, F.W)	6		WF010001-	M6X25
6		0710 122 09	*Elbow	19		WF010001-	
7		0719 805 UA	*Elbow	1		WF010001-	
8		0710 709 02	*Tee	1		WF010001-	
9		D060 028 00	*Elbow	7		WF010001-	
10		D065 093 00	*Manifold	2		WF010001-	
11		D418 929 00	*Bracket	1		WF010001-	
12		D418 930 00	*Bracket	1		WF010001-	
13		D419 281 00	*Bracket	1		WF010001-	
14		4070 548 73	*Hose Ass'y	1		WF010001-	L=390
15		4070 551 28	*Hose Ass'y	1		WF010001-	L=830
16		4070 551 14	*Hose Ass'y	1		WF010001-	L=260
17		4070 548 06	*Hose Ass'y	1		WF010001-	L=1200
18		4070 548 15	*Hose Ass'y	1		WF010001-	L=900
19		4070 551 40	*Hose Ass'y	1		WF010001-	L=380
19-1	☆	4405 307 01	*Decal (B1)	2		WF010001-	4405 307 00
20		4070 782 18	*Hose Ass'y	1		WF010001-	L=230
21		4070 551 42	*Hose Ass'y	1		WF010001-	L=1600
22		4070 551 44	*Hose Ass'y	1		WF010001-	L=1120
22-1	☆	D407 818 04	*Decal (BT)	2		WF010001-	D407 818 00
23		4070 551 43	*Hose Ass'y	1		WF010001-	L=2450
23-1	☆	4405 308 01	*Decal (C1)	2		WF010001-	4405 308 00
24		4070 548 01	*Hose Ass'y	1		WF010001-	L=1900
24-1	☆	4405 312 02	*Decal (LT)	2		WF010001-	4405 312 00
25		4070 548 01	*Hose Ass'y	1		WF010001-	L=1900
25-1	☆	4405 311 02	*Decal (LP)	2		WF010001-	4405 311 00
26		0710 303 02	*Plug, Swivel	3		WF010001-	
27		4070 548 04	*Hose Ass'y	1		WF010001-	L=1800
27-1	☆	4405 310 01	*Decal (S1)	2		WF010001-	4405 310 00
28		4070 548 41	*Hose Ass'y	1		WF010001-	L=1850
28-1	☆	4405 309 01	*Decal (A1)	2		WF010001-	4405 309 00
29		4070 548 89	*Hose Ass'y	1		WF010001-	L=2250
29-1	☆	4405 309 02	*Decal (A2)	2		WF010001-	4405 309 00
30		4070 782 19	*Hose Ass'y	1		WF010001-	L=370
31		4070 548 33	*Hose Ass'y	1		WF010001-	L=1150
32		4070 548 33	*Hose Ass'y	1		WF010001-	L=1150
32-1	☆	4405 311 01	*Decal (RP)	2		WF010001-	4405 311 00
33		4070 548 80	*Hose Ass'y	1		WF010001-	L=2450
33-1	☆	4405 307 01	*Decal (B1)	2		WF010001-	4405 307 00
34		4070 548 85	*Hose Ass'y	1		WF010001-	L=2550

KEY No.	SU P.	PART No.	DESCRIPTION	Q'TY	CHAN	SERIAL No.	REMARKS
34-1	☆	4405 307 02	*Decal (B2)	2		WF010001-	4405 307 00
35		4070 548 85	*Hose Ass'y	1		WF010001-	L=2550
35-1	☆	4405 308 02	*Decal (C2)	2		WF010001-	4405 308 00
36		4070 548 23	*Hose Ass'y	1		WF010001-	L=2200
36-1	☆	4405 310 02	*Decal (S2)	2		WF010001-	4405 310 00
37		4070 548 82	*Hose Ass'y	1		WF010001-	L=420
38		0710 113 32	*Elbow, Reducer	2		WF010001-	PF3/8XPF1/4
39		0710 121 00	*Elbow, 45	2		WF010001-	
40		0713 700 03	*Adapter	1		WF010001-	
41		0760 710 16	*Ring, 0	3		WF010001-	P14-90B
42		4080 000 10	*Clamp, Hose	2		WF010001-	
43		0517 080 20	*Bolt, Treatment (W/L.W, F.W)	6		WF010001-	M8X20
44		0524 100 00	*Nut, Hex. (W/F.W)	2		WF010001-	M10 P=1.25
45		0820 067 05	*Band, Cable	7		WF010001-	
46		D065 094 00	*Manifold	2		WF010001-	
47		4070 548 55	*Hose Ass'y	1		WF010001-	L=350
48		4080 000 11	*Clamp	1		WF010001-	
49		0710 303 03	*Plug, Swivel	1		WF010001-	
50		4070 551 15	*Hose Ass'y	1		WF010001-	L=350
50-1	☆	D407 818 03	*Decal (BP)	2		WF010001-	D407 818 00
51		4070 548 25	*Hose Ass'y	1		WF010001-	L=700
51-1	☆	4405 309 03	*Decal (L1)	2		WF010001-	4405 309 00
52		4070 548 25	*Hose Ass'y	1		WF010001-	L=700
52-1	☆	4405 310 03	*Decal (L2)	2		WF010001-	4405 310 00
53		4070 548 25	*Hose Ass'y	1		WF010001-	L=700
53-1	☆	4405 309 04	*Decal (L3)	2		WF010001-	4405 309 00
54		4070 548 25	*Hose Ass'y	1		WF010001-	L=700
54-1	☆	4405 310 04	*Decal (L4)	2		WF010001-	4405 310 00
55		4070 548 06	*Hose Ass'y	1		WF010001-	L=1200
55-1	☆	4405 308 03	*Decal (R2)	2		WF010001-	4405 308 00
56		4070 548 06	*Hose Ass'y	1		WF010001-	L=1200
56-1	☆	4405 307 04	*Decal (R3)	2		WF010001-	4405 307 00
57		4070 548 19	*Hose Ass'y	1		WF010001-	L=1250
57-1	☆	4405 307 03	*Decal (R1)	2		WF010001-	4405 307 00
58		4070 548 19	*Hose Ass'y	1		WF010001-	L=1250
58-1	☆	4405 308 04	*Decal (R4)	2		WF010001-	4405 308 00
59		4070 548 08	*Hose Ass'y	1		WF010001-	L=300
59-1	☆	4405 312 01	*Decal (RT)	2		WF010001-	4405 312 00
60		D070 577 01	*Hose	1		WF010001-	
61		4080 000 09	*Clamp, Hose	1		WF010001-	
62		0820 067 09	*Band, Cable	4		WF010001-	
63		0820 067 10	*Band, Cable	1		WF010001-	
64		4580 016 00	*Pad	1		WF010001-	
65		0518 100 25	*Bolt, Treatment (W/L.W, F.W)	1		WF010001-	M10X25 P=1.25

KEY No.	SU P.	PART No.	DESCRIPTION	Q'TY	CHAN .	SERIAL No.	REMARKS
66		0550 120 25	*Bolt, Hex.	3		WF010001-	M12X25
67		0593 120 00	*Washer, Flat	3		WF010001-	M12
68		0590 120 00	*Washer, Lock	3		WF010001-	M12
69		D040 345 00	*Spacer	1		WF010001-	
70	#	0784 112 UA	*Valve Ass'y, Multiple (For A-D)	1		WF010001-	Sh. No. 5-15
70-1		0784 113 UA	*Valve Ass'y, Multiple (For A, B, G)	1		WF010001-	
71		D405 447 00	*Decal (For A-D)	1		WF010001-	
71-1		D405 518 00	*Decal (For A, B, G)	1		WF010001-	
72		0712 310 40	*Elbow, 45	1		WF010001-	
73		0712 310 30	*Adapter	1		WF010001-	

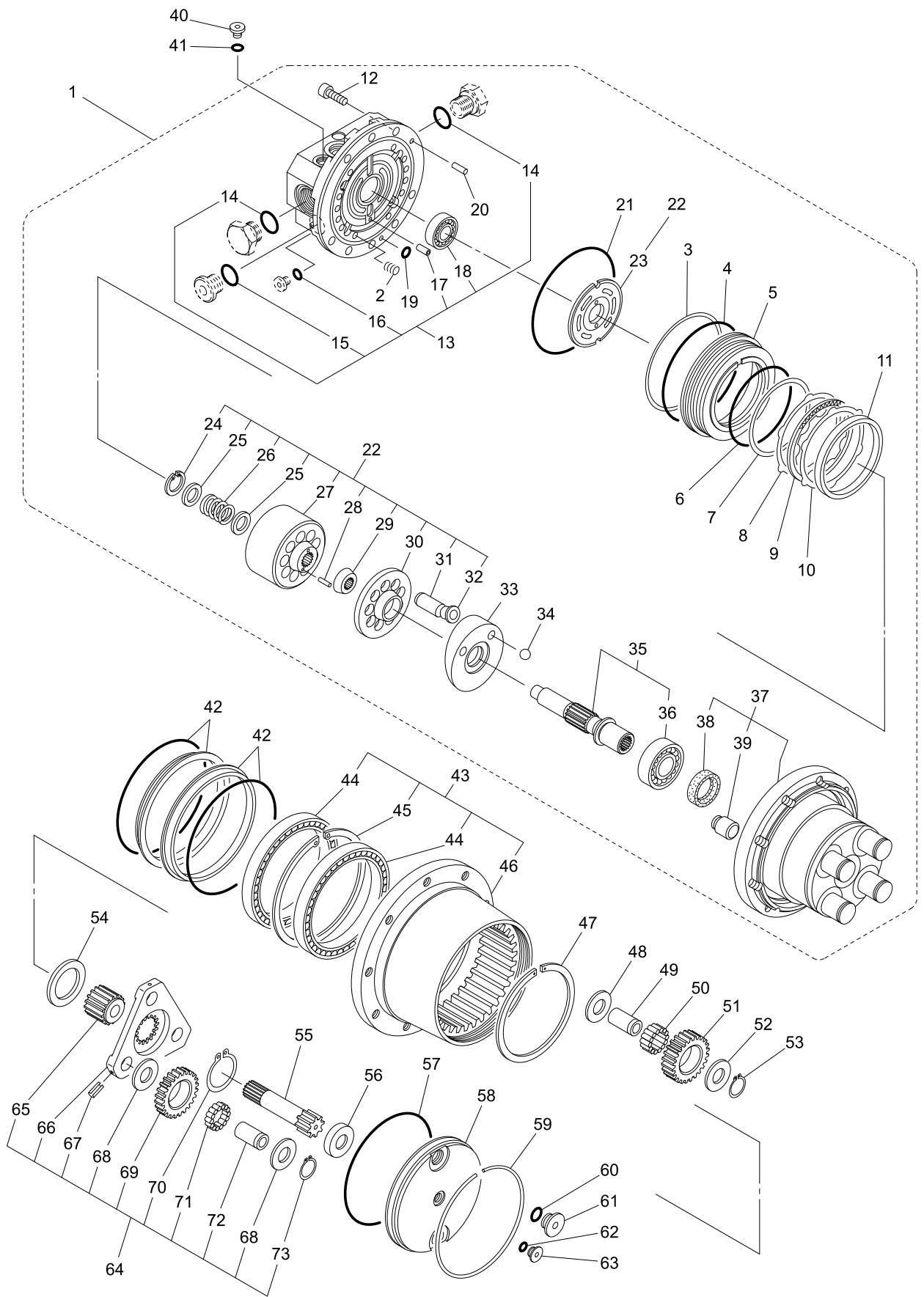


35V4-04040B-1

KEY No.	SU P.	PART No.	DESCRIPTION	Q'TY	CHAN	SERIAL No.	REMARKS
0	×	F342 660 00	Piping Ass'y, Control	1		WF010001-	
1	#	0783 964 UA	*Valve Assy Remote Control	2		WF010001-	Sh. No. 5-5
2		0713 700 70	*Connector	11		WF010001-	
3		0710 713 09	*Tee	3		WF010001-	
4		0760 710 12	*Ring, O	39		WF010001-	P11-90B
5		0517 060 25	*Bolt, Treatment (W/L.W, F.W)	6		WF010001-	M6X25
6		0710 122 09	*Elbow	19		WF010001-	
7		0719 805 UA	*Elbow	1		WF010001-	
8		0710 709 02	*Tee	1		WF010001-	
9		D060 028 00	*Elbow	2		WF010001-	
10		D065 093 00	*Manifold	2		WF010001-	
11		D418 929 00	*Bracket	1		WF010001-	
12		D418 930 00	*Bracket	1		WF010001-	
13		D419 281 00	*Bracket	1		WF010001-	
14		4070 548 73	*Hose Ass'y	1		WF010001-	L=390
15		4070 551 28	*Hose Ass'y	1		WF010001-	L=830
16		4070 551 14	*Hose Ass'y	1		WF010001-	L=260
17		4070 548 06	*Hose Ass'y	1		WF010001-	L=1200
18		4070 548 15	*Hose Ass'y	1		WF010001-	L=900
19		4070 551 40	*Hose Ass'y	1		WF010001-	L=380
19-1	☆	4405 307 01	*Decal (B1)	2		WF010001-	4405 307 00
20		4070 782 18	*Hose Ass'y	1		WF010001-	L=230
21		4070 551 42	*Hose Ass'y	1		WF010001-	L=1600
22		4070 551 44	*Hose Ass'y	1		WF010001-	L=1120
22-1	☆	D407 818 04	*Decal (BT)	2		WF010001-	D407 818 00
23		4070 551 43	*Hose Ass'y	1		WF010001-	L=2450
23-1	☆	4405 308 01	*Decal (C1)	2		WF010001-	4405 308 00
24		4070 548 01	*Hose Ass'y	1		WF010001-	L=1900
24-1	☆	4405 312 02	*Decal (LT)	2		WF010001-	4405 312 00
25		4070 548 01	*Hose Ass'y	1		WF010001-	L=1900
25-1	☆	4405 311 02	*Decal (LP)	2		WF010001-	4405 311 00
26		0710 303 02	*Plug, Swivel	3		WF010001-	
27		4070 548 04	*Hose Ass'y	1		WF010001-	L=1800
27-1	☆	4405 310 01	*Decal (S1)	2		WF010001-	4405 310 00
28		4070 548 41	*Hose Ass'y	1		WF010001-	L=1850
28-1	☆	4405 309 01	*Decal (A1)	2		WF010001-	4405 309 00
29		4070 548 89	*Hose Ass'y	1		WF010001-	L=2250
29-1	☆	4405 309 02	*Decal (A2)	2		WF010001-	4405 309 00
30		4070 782 19	*Hose Ass'y	1		WF010001-	L=370
31		4070 548 33	*Hose Ass'y	1		WF010001-	L=1150
32		4070 548 33	*Hose Ass'y	1		WF010001-	L=1150
32-1	☆	4405 311 01	*Decal (RP)	2		WF010001-	4405 311 00
33		4070 548 80	*Hose Ass'y	1		WF010001-	L=2450
33-1	☆	4405 307 01	*Decal (B1)	2		WF010001-	4405 307 00
34		4070 548 85	*Hose Ass'y	1		WF010001-	L=2550

KEY No.	SU P.	PART No.	DESCRIPTION	Q'TY	CHAN	SERIAL No.	REMARKS
34-1	☆	4405 307 02	*Decal (B2)	2		WF010001-	4405 307 00
35		4070 548 85	*Hose Ass'y	1		WF010001-	L=2550
35-1	☆	4405 308 02	*Decal (C2)	2		WF010001-	4405 308 00
36		4070 548 23	*Hose Ass'y	1		WF010001-	L=2200
36-1	☆	4405 310 02	*Decal (S2)	2		WF010001-	4405 310 00
37		4070 548 82	*Hose Ass'y	1		WF010001-	L=420
38		0710 113 32	*Elbow, Reducer	2		WF010001-	PF3/8XPF1/4
39		0710 121 00	*Elbow, 45	3		WF010001-	
40		0713 700 03	*Adapter	1		WF010001-	
41		0760 710 16	*Ring, 0	3		WF010001-	P14-90B
42		4080 000 10	*Clamp, Hose	2		WF010001-	
43		0517 080 20	*Bolt, Treatment (W/L.W, F.W)	6		WF010001-	M8X20
44		0524 100 00	*Nut, Hex. (W/F.W)	2		WF010001-	M10 P=1.25
45		0820 067 05	*Band, Cable	7		WF010001-	
46		D065 094 00	*Manifold	2		WF010001-	
47		4070 548 55	*Hose Ass'y	1		WF010001-	L=350
48		4080 000 11	*Clamp	1		WF010001-	
49		0710 303 03	*Plug, Swivel	1		WF010001-	
50		4070 551 15	*Hose Ass'y	1		WF010001-	L=350
50-1	☆	D407 818 03	*Decal (BP)	2		WF010001-	D407 818 00
51		4070 548 25	*Hose Ass'y	1		WF010001-	L=700
51-1	☆	4405 309 03	*Decal (L1)	2		WF010001-	4405 309 00
52		4070 548 25	*Hose Ass'y	1		WF010001-	L=700
52-1	☆	4405 310 03	*Decal (L2)	2		WF010001-	4405 310 00
53		4070 548 25	*Hose Ass'y	1		WF010001-	L=700
53-1	☆	4405 309 04	*Decal (L3)	2		WF010001-	4405 309 00
54		4070 548 25	*Hose Ass'y	1		WF010001-	L=700
54-1	☆	4405 310 04	*Decal (L4)	2		WF010001-	4405 310 00
55		4070 548 06	*Hose Ass'y	1		WF010001-	L=1200
55-1	☆	4405 308 03	*Decal (R2)	2		WF010001-	4405 308 00
56		4070 548 06	*Hose Ass'y	1		WF010001-	L=1200
56-1	☆	4405 307 04	*Decal (R3)	2		WF010001-	4405 307 00
57		4070 548 19	*Hose Ass'y	1		WF010001-	L=1250
57-1	☆	4405 307 03	*Decal (R1)	2		WF010001-	4405 307 00
58		4070 548 19	*Hose Ass'y	1		WF010001-	L=1250
58-1	☆	4405 308 04	*Decal (R4)	2		WF010001-	4405 308 00
59		4070 548 08	*Hose Ass'y	1		WF010001-	L=300
59-1	☆	4405 312 01	*Decal (RT)	2		WF010001-	4405 312 00
60		D070 577 01	*Hose	1		WF010001-	
61		4080 000 09	*Clamp, Hose	1		WF010001-	
62		0820 067 09	*Band, Cable	4		WF010001-	
63		0820 067 10	*Band, Cable	1		WF010001-	
64		4580 016 00	*Pad	1		WF010001-	
65		0518 100 25	*Bolt, Treatment (W/L.W, F.W)	3		WF010001-	M10X25 P=1.25

KEY No.	SU P.	PART No.	DESCRIPTION	Q'TY	CHAN	SERIAL No.	REMARKS
66		D405 272 00	*Seal	3		WF010001-	
67		0712 326 01	*Adapter	2		WF010001-	
68	#	0756 094 UA	*Valve Ass'y, Selector	1		WF010001-	Sh. No. 5-15[B]
69		D418 583 00	*Bracket	1		WF010001-	
70		D060 137 00	*Adapter	1		WF010001-	
71		0712 325 02	*Adapter	1		WF010001-	
72		0712 310 50	*Elbow	1		WF010001-	
73		0517 060 60	*Bolt, Treatment (W/L.W, F.W)	2		WF010001-	MGX60
74		4448 987 00	*Decal (For A, F)	1		WF010001-	
75		0712 310 40	*Elbow, 45	1		WF010001-	
76		0712 310 30	*Adapter	1		WF010001-	

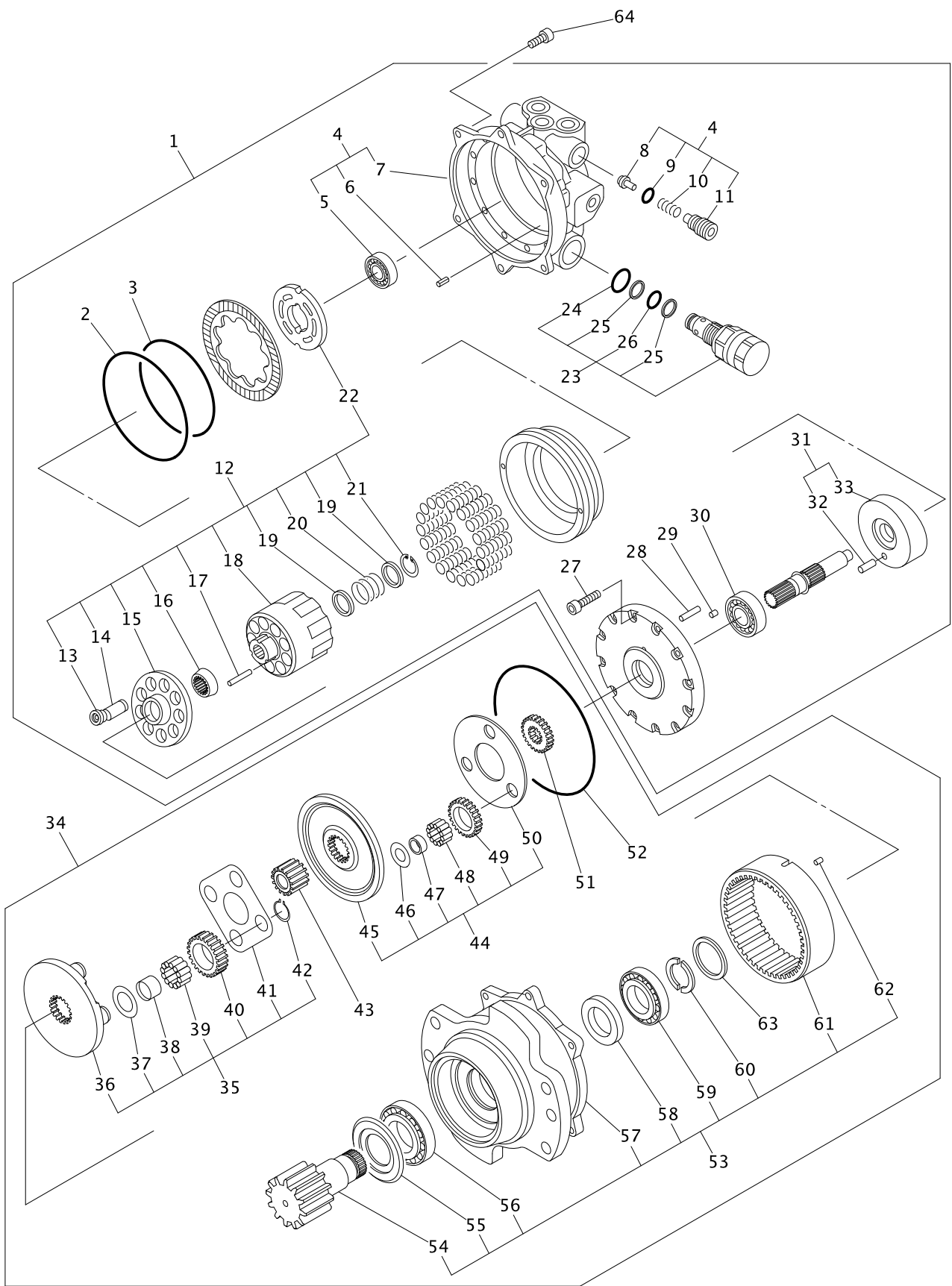


0781377UA-1

KEY No.	SU P.	PART No.	DESCRIPTION	Q'TY	CHAN	SERIAL No.	REMARKS
0		0781 377 UA	Motor Ass'y, Travel	2		WF010001-	
1		0781 377 91	*Motor Ass'y	1		WF010001-	
2		0781 377 03	**Spring	10		WF010001-	
3		0762 136 10	**Ring, Back-up	1		WF010001-	G110-T3
4		0760 716 10	**Ring, 0	1		WF010001-	G110-90B
5		0781 377 02	**Piston, Brake	1		WF010001-	
6		0760 716 00	**Ring, 0	1		WF010001-	G100-90B
7		0762 136 00	**Ring, Back-up	1		WF010001-	G100-T3
8		0781 172 09	**Plate, Steel	1		WF010001-	
9		0781 172 08	**Plate, Disk	1		WF010001-	
10		0781 172 09	**Plate, Steel	1		WF010001-	
11		0781 172 10	**Spacer	1		WF010001-	
12		0562 100 25	**Bolt, Socket Head	7		WF010001-	M10X25
13		0781 377 92	**Casing Ass'y	1		WF010001-	
14		0760 710 26	**Ring, 0	2		WF010001-	P25-90B
15		0760 710 16	**Ring, 0	2		WF010001-	P14-90B
16		0760 710 08	**Ring, 0	2		WF010001-	P8-90B
17	X	**** ** *	**Pin, Spring	1		WF010001-	
18	X	**** ** *	**Bearing	1		WF010001-	
19		0760 710 07	**Ring, 0	2		WF010001-	P7-90B
20		0753 747 12	**Pin	1		WF010001-	
21		0760 716 25	**Ring, 0	1		WF010001-	G125-90B
22		0781 377 93	**Barrel Ass'y, Cylinder	1		WF010001-	
23	X	**** ** *	**Plate, Valve	1		WF010001-	
24	X	**** ** *	**Ring, Snap	1		WF010001-	d=28
25	X	**** ** *	**Retainer	2		WF010001-	
26	X	**** ** *	**Spring	1		WF010001-	
27	X	**** ** *	**Barrel, Cylinder	1		WF010001-	
28	X	**** ** *	**Pin	3		WF010001-	
29	X	**** ** *	**Holder, Barrel	1		WF010001-	
30	X	**** ** *	**Holder, Shoe	1		WF010001-	
31	X	**** ** *	**Piston	9		WF010001-	
32	X	**** ** *	**Shoe	9		WF010001-	
33		0781 377 01	**Plate, Swash	1		WF010001-	
34		0753 778 43	**Ball, Steel	2		WF010001-	d=5/8
35		0781 281 95	**Shaft Ass'y	1		WF010001-	
36	X	**** ** *	**Bearing	1		WF010001-	
37		0781 377 94	**Casing Ass'y	1		WF010001-	
38	X	**** ** *	**Seal, Oil	1		WF010001-	
39	X	**** ** *	**Piston	1		WF010001-	
40		0750 083 23	*Plug	1		WF010001-	
41		0760 710 12	*Ring, 0	1		WF010001-	P11-90B
42		0781 281 01	*Seal, Floating	2		WF010001-	
43		0781 281 92	*Casing Ass'y	1		WF010001-	
44	X	**** ** *	**Bearing	2		WF010001-	

KEY No.	SU P.	PART No.	DESCRIPTION	Q'TY	CHAN	SERIAL No.	REMARKS
45	×	**** ** *	**Ring, Snap	1		WF010001-	
46	×	**** ** *	**Casing	1		WF010001-	
47		0781 102 14	*Ring, Snap	1		WF010001-	
48		0781 102 16	*Washer, Thrust	4		WF010001-	
49		0781 102 08	*Ring	4		WF010001-	
50		0781 102 13	*Needle	92		WF010001-	
51		0781 102 04	*Gear	4		WF010001-	
52		0781 102 17	*Washer, Thrust	4		WF010001-	
53		0493 510 28	*Ring, Snap	4		WF010001-	d=28
54		0781 102 09	*Collar	1		WF010001-	
55		0781 102 07	*Gear	1		WF010001-	
56		0781 102 10	*Ring, Slide	1		WF010001-	
57	☆	0760 212 61	*Ring, 0 (261-70B)	1		WF010001-	0760 312 61
58		0781 102 02	*Cover	1		WF010001-	
59		0753 636 13	*Ring, Snap	1		WF010001-	
60		0760 710 16	*Ring, 0	2		WF010001-	P14-90B
61		0759 203 13	*Plug	2		WF010001-	
62		0760 710 08	*Ring, 0	1		WF010001-	P8-90B
63		0757 787 20	*Plug	1		WF010001-	
64		0781 102 94	*Carrier Ass'y	1		WF010001-	
65	×	**** ** *	**Gear	1		WF010001-	
66	×	**** ** *	**Carrier	1		WF010001-	
67	×	**** ** *	**Pin, Spring	3		WF010001-	
68	×	**** ** *	**Washer, Thrust	6		WF010001-	
69	×	**** ** *	**Gear	3		WF010001-	
70	×	**** ** *	**Ring, Snap	1		WF010001-	
71	×	**** ** *	**Needle	48		WF010001-	
72	×	**** ** *	**Pin	3		WF010001-	
73	×	**** ** *	**Pin, Snap	3		WF010001-	

[Memo]

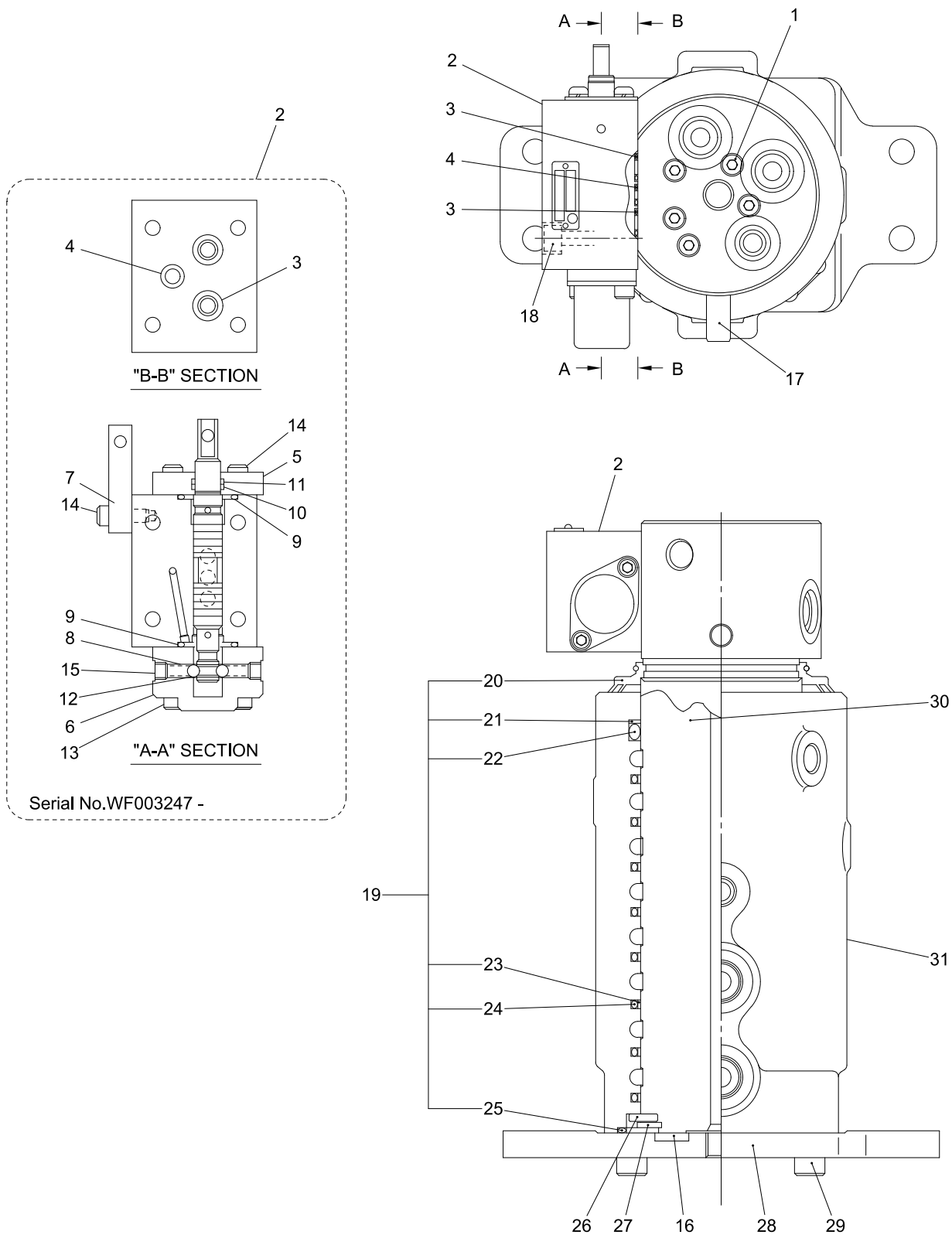


0781376UA-1
0781250UA-1

KEY No.	SU P.	PART No.	DESCRIPTION	Q'TY	CHAN	SERIAL No.	REMARKS
0		0781 376 UA	Motor Ass'y, Swing	1		WF010001-	
1		0781 376 91	*Motor Ass'y	1		WF010001-	
2		0760 716 25	**Ring, O	1		WF010001-	G125-90B
3		0760 716 10	**Ring, O	1		WF010001-	G110-90B
4		0781 250 97	**Body Ass'y	1		WF010001-	
5		0630 620 10	***Bearing	1		WF010001-	#6201
6		0494 608 12	***Pin, Spring	1		WF010001-	d=5X12
7	X	**** ** *	***Casing	1		WF010001-	
8	X	**** ** *	***Valve, Check	2		WF010001-	
9		0760 710 12	***Ring, O	2		WF010001-	P11-90B
10	X	**** ** *	***Spring	2		WF010001-	
11	X	**** ** *	***Plug	2		WF010001-	
12		0781 250 98	**Barrel Ass'y, Cylinder	1		WF010001-	
13	X	**** ** *	***Shoe	9		WF010001-	
14	X	**** ** *	***Piston	9		WF010001-	
15	X	**** ** *	***Holder, Shoe	1		WF010001-	
16	X	**** ** *	***Holder, Barrel	1		WF010001-	
17	X	**** ** *	***Pin	3		WF010001-	
18	X	**** ** *	***Barrel, Cylinder	1		WF010001-	
19	X	**** ** *	***Retainer	2		WF010001-	
20	X	**** ** *	***Spring	1		WF010001-	
21		0493 500 28	***Ring, Snap	1		WF010001-	d=28
22	X	**** ** *	***Plate, Valve	1		WF010001-	
23		0781 376 92	**Valve Ass'y, Relief	2		WF010001-	
24		0760 710 22	**Ring, O	1		WF010001-	P22-90B
25		0762 120 16	***Ring, Back-up	2		WF010001-	P14-T2
26		0760 710 16	**Ring, O	1		WF010001-	P14-90B
27		0562 080 25	**Bolt, Socket Head	12		WF010001-	M8X25
28		0753 636 19	**Pin	3		WF010001-	
29		0757 618 20	**Filter	1		WF010001-	
30		0630 600 44	**Bearing	1		WF010001-	#6004Z
31		0781 265 93	**Plate Ass'y, Swash	1		WF010001-	
32	X	**** ** *	***Pin	1		WF010001-	
33	X	**** ** *	***Plate, Swash	1		WF010001-	
34		0781 250 92	*Gear Ass'y, Reduction	1		WF010001-	
35		0781 250 95	**Carrier Ass'y (1)	1		WF010001-	
36	X	**** ** *	***Carrier	1		WF010001-	
37	X	**** ** *	***Washer, Thrust	4		WF010001-	
38	X	**** ** *	***Ring	4		WF010001-	
39	X	**** ** *	***Needle	92		WF010001-	
40	X	**** ** *	***Gear	4		WF010001-	
41	X	**** ** *	***Plate, Thrust	1		WF010001-	
42		0493 510 22	***Ring, Snap	4		WF010001-	d=22
43		0781 250 01	**Gear	1		WF010001-	
44		0781 250 96	**Carrier Ass'y (2)	1		WF010001-	

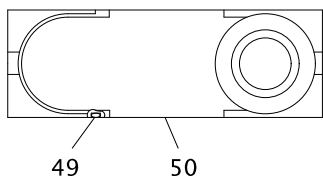
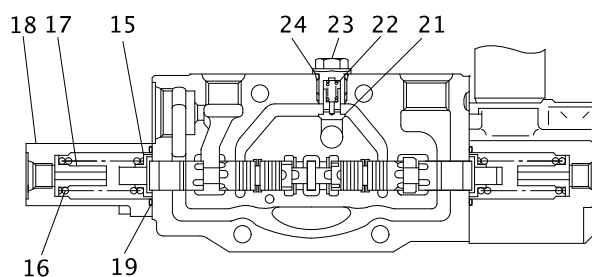
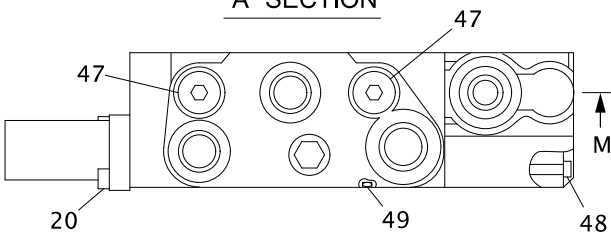
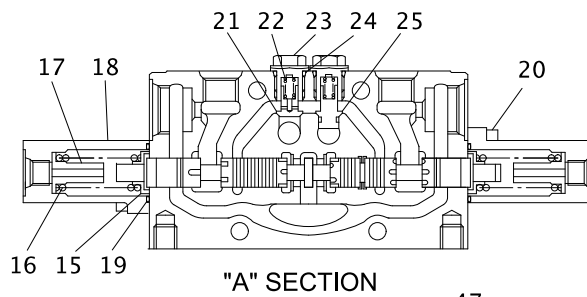
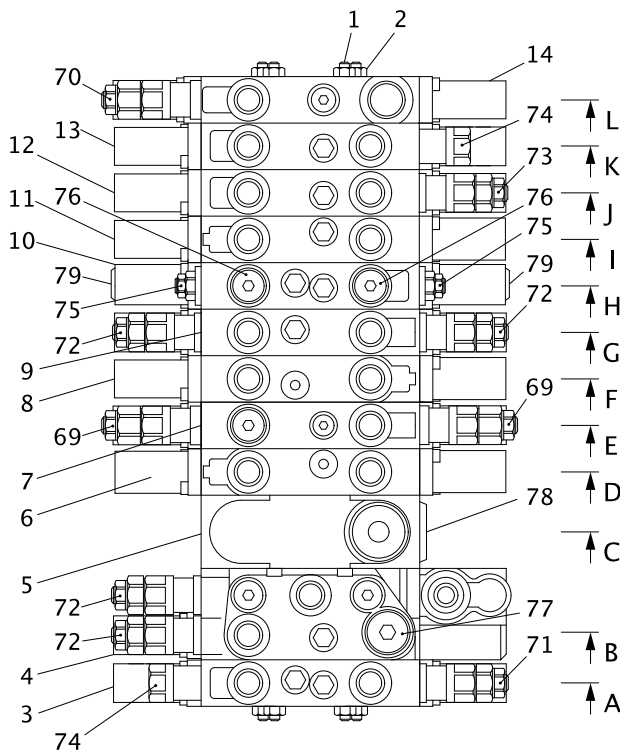
KEY No.	SU P.	PART No.	DESCRIPTION	Q'TY	CHAN	SERIAL No.	REMARKS
45	X	**** ** *	***Carrier	1		WF010001-	
46	X	**** ** *	***Washer, Thrust	3		WF010001-	
47	X	**** ** *	***Ring	3		WF010001-	
48	X	**** ** *	***Needle	72		WF010001-	
49	X	**** ** *	***Gear	3		WF010001-	
50	X	**** ** *	***Plate, Thrust	1		WF010001-	
51		0781 250 02	**Gear	1		WF010001-	
52		0760 311 65	**Ring, 0	1		WF010001-	165-90B
53		0781 250 94	**Pinion Ass'y	1		WF010001-	
54	X	**** ** *	***Shaft, Pinion	1		WF010001-	
55	X	**** ** *	***Ring, Seal	1		WF010001-	
56	X	**** ** *	***Bearing	1		WF010001-	
57	X	**** ** *	***Body	1		WF010001-	
58	X	**** ** *	***Seal, Oil	1		WF010001-	
59	X	**** ** *	***Bearing	1		WF010001-	
60	X	**** ** *	***Collar	2		WF010001-	
61	X	**** ** *	***Gear, Internal	1		WF010001-	
62	X	**** ** *	***Pin	2		WF010001-	
63		0781 250 03	**Ring	1		WF010001-	
64		0562 080 25	**Bolt, Socket Head	6		WF010001-	M8X25

[Memo]

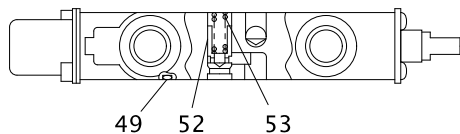


0713452UA-1
0713448UA-1

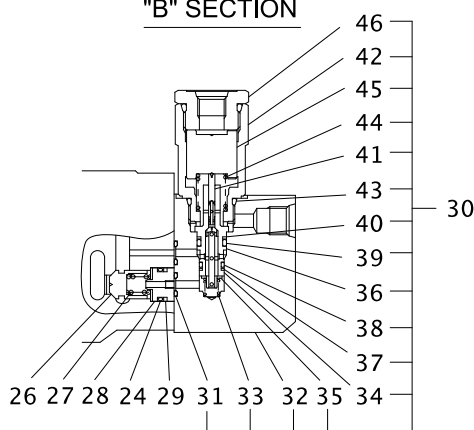
KEY No.	SU P.	PART No.	DESCRIPTION	Q'TY	CHAN	SERIAL No.	REMARKS
0		0713 448 UA	Joint Ass'y, Rotary	1		WF010001-***	
0		0713 452 UA	Joint Ass'y, Rotary	1	○	***-	
1		0710 201 01	*Plug	5		WF010001-	PT1/8
2		0713 448 91	*Valve Ass'y, Select	1		WF010001-	
3		0760 710 09	**Ring, O	2		WF010001-	P9-90B
4		0760 710 06	**Ring, O	1		WF010001-	P6-90B
5		0755 864 21	**Cover	1		WF010001-	
6		0713 448 04	**Cover, Detent	1		WF010001-	
7		0713 448 05	**Bracket	1		WF010001-	
8		0756 033 12	**Spring	2		WF010001-	
9		0760 710 22	**Ring, O	2		WF010001-	P22-90B
10		0760 610 10	**Ring, O	1		WF010001-	P10-70B
11		0762 120 10	**Ring, Back-up	1		WF010001-	P10-T2
12		0751 901 25	**Ball, Steel	2		WF010001-	d=7/32
13		0562 050 30	**Bolt, Socket Head	4		WF010001-	M5x30
14		0562 050 16	**Bolt, Socket Head	6		WF010001-	M5x16
15		0754 124 13	*Plug, Socket Head	2		WF010001-	
16		0713 446 06	*Spacer	1		WF010001-	
17		0755 864 05	*Pin	1		WF010001-	
18		0562 050 45	*Bolt, Socket Head	4		WF010001-	M5X45
19		0713 433 91	*Kit, Seal	1		WF010001-***	
19		0713 452 91	*Kit, Seal	1	○	***-	
20	×	0713 433 26	**Seal, Dust	1		WF010001-	
21	×	0762 120 70	**Ring, Back-up	1		WF010001-	P70-T2
22	×	0760 710 70	**Ring, O	1		WF010001-	P70-90B
23	×	0755 861 16	**Seal, Slipper	8		WF010001-***	
23	×	0713 452 07	**Seal, Slipper	8		***-	
24	×	0760 715 75	**Ring, O	8		WF010001-	G75-90B
25	×	0760 615 85	**Ring, O	1		WF010001-	G85-70B
26		0713 446 04	*Ring, Thrust	1		WF010001-	
27		0493 510 55	*Ring, Snap	1		WF010001-	d=55
28		0713 446 03	*Flange	1		WF010001-	
29		0562 080 25	*Bolt, Socket Head	4		WF010001-	M8X25
30		0713 446 01	*Shaft Ass'y	1		WF010001-	
31		0713 446 02	*Rotor	1		WF010001-	



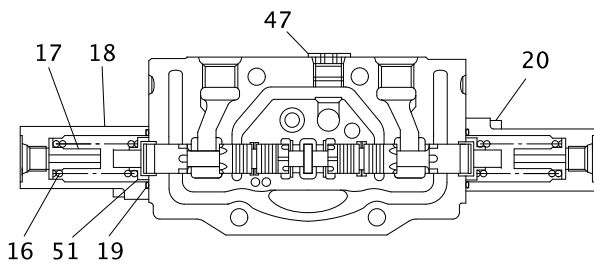
"C" SECTION



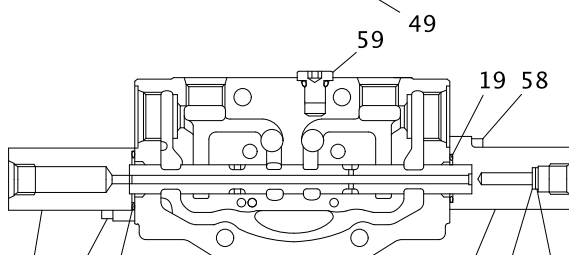
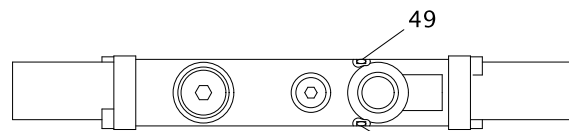
"D" SECTION



"M" SECTION

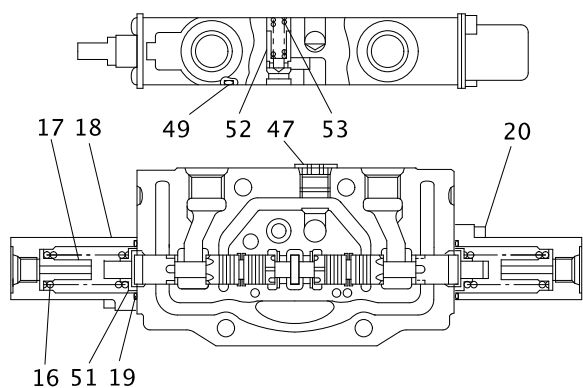


"D" SECTION

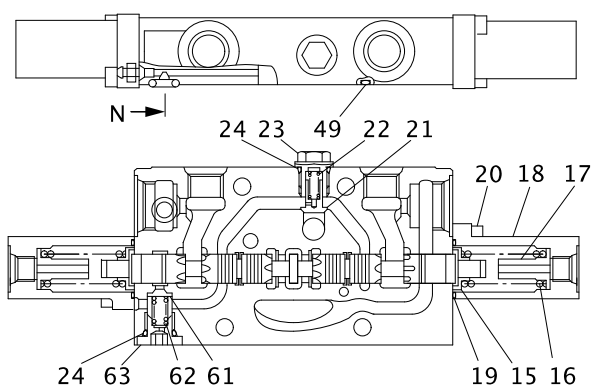


"E" SECTION

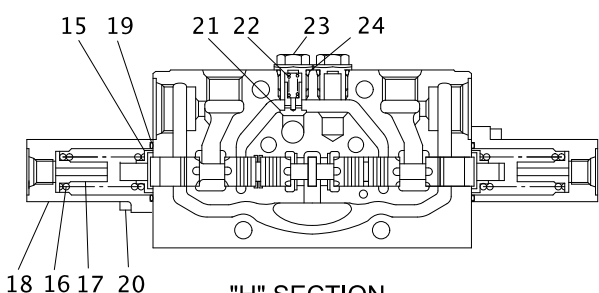
0784108UA-1
0784017UA-1



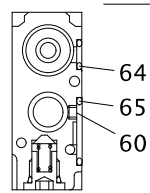
"F" SECTION



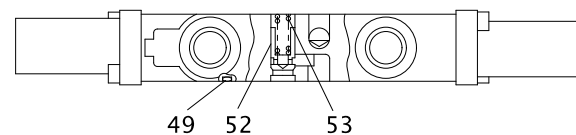
"G" SECTION



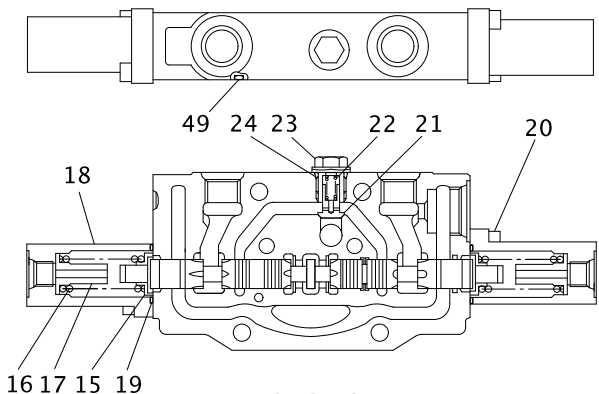
"H" SECTION



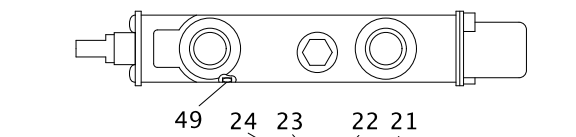
"N" SECTION



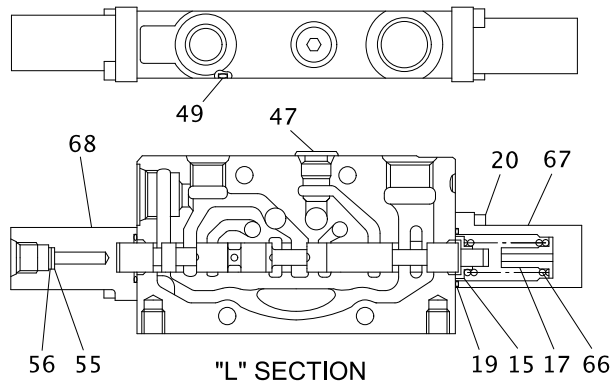
"I" SECTION



"J" SECTION



"K" SECTION



"L" SECTION

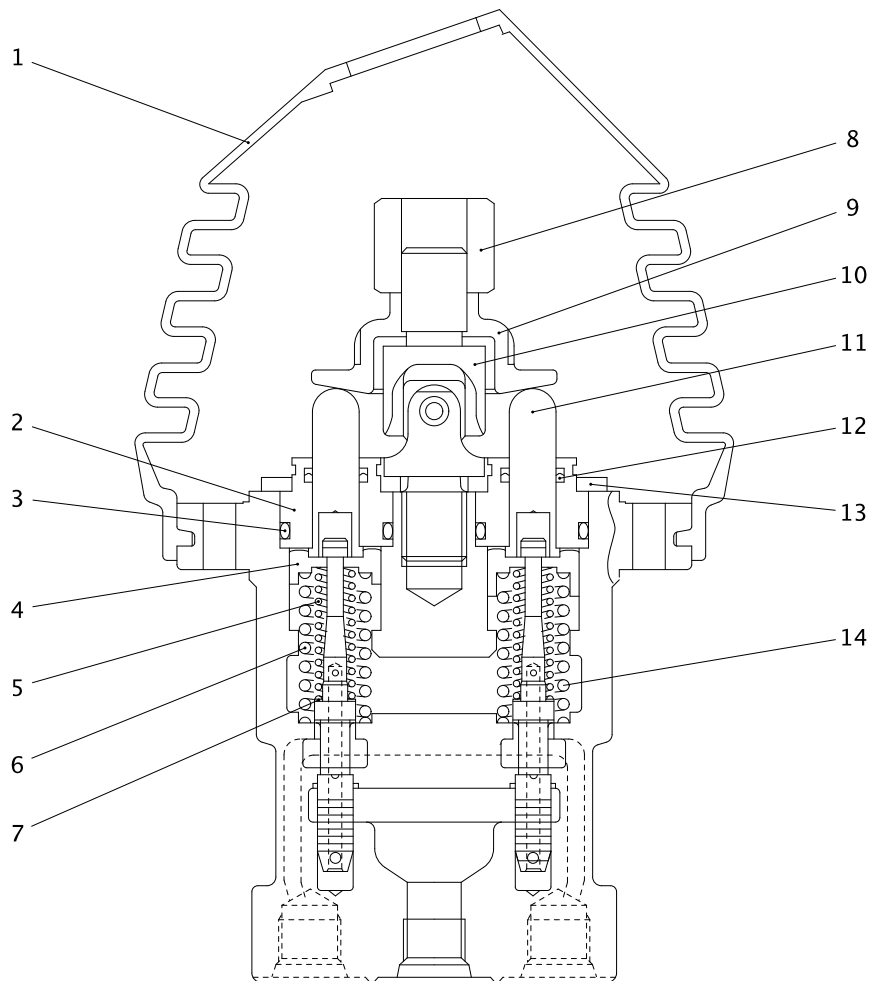
0784108UA-2
0784017UA-2

KEY No.	SU P.	PART No.	DESCRIPTION	Q'TY	CHAN	SERIAL No.	REMARKS
0		0784 108 UA	Valve Ass'y, Control	1		WF010001-	
1		0784 017 01	*Rod, Tie	4		WF010001-	
2		0580 080 00	*Nut, Hex.	8		WF010001-	M8
3		0784 108 99	*Block Ass'y, Bucket	1		WF010001-	
4		0784 108 98	*Block Ass'y, Boom	1		WF010001-	
5		0783 988 83	*Block Ass'y, Outlet	1		WF010001-	
6		0784 108 97	*Block Ass'y, Traction (R.H.)	1		WF010001-	
7		0784 017 96	*Block Ass'y, Inlet	1		WF010001-	
8		0784 108 96	*Block Ass'y, Traction (L.H.)	1		WF010001-	
9		0783 988 93	*Block Ass'y, Arm	1		WF010001-	
10		0784 017 93	*Block Ass'y, Spare	1		WF010001-	
11		0784 108 95	*Block Ass'y, Swing	1		WF010001-	
12		0784 017 91	*Block Ass'y, Blade	1		WF010001-	
13		0784 108 94	*Block Ass'y, Boom Swing	1		WF010001-	
14		0784 017 89	*Block Ass'y	1		WF010001-	
15		0783 988 01	**Seat, Spring	15		WF010001-	
16		0783 988 02	**Spring	18		WF010001-	
17		0783 988 03	**Seat, Spring	19		WF010001-	
18		0783 988 04	**Cap	17		WF010001-	
19		0783 988 05	**Ring, O	22		WF010001-	
20		0562 050 18	**Bolt, Socket Head	38		WF010001-	M5X18
21		0783 988 06	**Poppet	7		WF010001-	
22		0783 988 07	**Spring	8		WF010001-	
23		0783 988 08	**Plug	9		WF010001-	
24		0760 710 12	**Ring, O	11		WF010001-	P11-90B
25		0784 108 01	**Poppet	1		WF010001-	
26		0783 988 10	**Poppet	1		WF010001-	
27		0783 988 11	**Spring	1		WF010001-	
28		0783 988 12	**Spacer	1		WF010001-	
29		0762 120 12	**Ring, Back-up	1		WF010001-	P11-T2
30		0783 988 83	**Valve Ass'y, Anti Void	1		WF010001-	
31		0760 710 07	***Ring, O	2		WF010001-	P7-90B
32	×	*** ** *	***Body	1		WF010001-	
33		0783 677 29	***Spring	1		WF010001-	
34		0783 677 23	***Poppet	1		WF010001-	
35		0783 677 30	***Seat, Spring	1		WF010001-	
36		0783 677 27	***Sleeve	1		WF010001-	
37		0762 120 09	***Ring, Back-up	1		WF010001-	P9-T2
38		0760 710 09	***Ring, O	1		WF010001-	P9-90B
39		0760 710 11	***Ring, O	1		WF010001-	P10A-90B
40		0762 120 11	***Ring, Back-up	1		WF010001-	P10A-T2
41		0783 677 26	***Spool	1		WF010001-	
42		0783 677 24	***Plug	1		WF010001-	
43		0753 101 09	***Ring, O	1		WF010001-	
44		0783 677 28	***Spring	1		WF010001-	

KEY No.	SU P.	PART No.	DESCRIPTION	Q'TY	CHAN	SERIAL No.	REMARKS
45		0783 749 02	***Piston	1		WF010001-	
46		0756 339 80	***Plug Ass'y	1		WF010001-	
47		0783 988 13	**Plug Ass'y	5		WF010001-	
48		0562 060 60	**Bolt, Socket Head	5		WF010001-	M6X60
49		0783 988 14	**Ring, O	11		WF010001-	
50		0783 988 15	**Housing, Outlet	1		WF010001-	
51		0784 017 03	**Seat, Spring	4		WF010001-	
52		0783 988 18	**Poppet	3		WF010001-	
53		0756 865 08	**Spring	3		WF010001-	
54		0784 017 04	**Cap	1		WF010001-	
55		0783 988 26	**Filter	2		WF010001-	
56		0783 988 27	**Washer	2		WF010001-	
57		0783 988 21	**Cap	1		WF010001-	
58		0562 050 18	**Bolt, Socket Head	4		WF010001-	M5X18
59		0783 677 83	**Plug Ass'y	1		WF010001-	
60		0783 988 22	**Plug, Orifice	1		WF010001-	
61		0783 677 13	**Poppet	1		WF010001-	
62		0756 339 17	**Spring	1		WF010001-	
63		0783 677 14	**Plug	1		WF010001-	
64		0760 710 10	**Ring, O	1		WF010001-	P10-90B
65		0760 710 20	**Ring, O	1		WF010001-	P20-90B
66		0783 988 24	**Spring	1		WF010001-	
67		0783 988 20	**Cap	1		WF010001-	
68		0784 017 04	**Cap	1		WF010001-	
69		0783 912 88	*Valve Ass'y, Main Relief	2		WF010001-	
69-1		0760 319 10	**Ring, O	1		WF010001-	910-90B
70		0784 108 93	*Valve Ass'y, Main Relief	1		WF010001-	
70-1		0760 319 10	**Ring, O	1		WF010001-	910-90B
71		0783 846 87	*Valve Ass'y, Relief	1		WF010001-	
71-1		0760 319 10	**Ring, O	1		WF010001-	910-90B
72		0783 846 86	*Valve Ass'y, Relief	4		WF010001-	
72-1		0760 319 10	**Ring, O	1		WF010001-	910-90B
73		0783 677 86	*Valve Ass'y, Relief	1		WF010001-	
73-1		0760 319 10	**Ring, O	1		WF010001-	910-90B
74		0783 846 88	*Valve Ass'y, Anti Void	2		WF010001-	
74-1		0760 319 10	**Ring, O	1		WF010001-	910-90B
75		0783 646 85	*Valve Ass'y, Shut-off	2		WF010001-	
75-1		0785 640 UA	**Valve Ass'y, Relief	2		WF010001-	Option 13.7MPa-50L
75-2		0785 641 UA	**Valve Ass'y, Relief	2		WF010001-	Option 17.2MPa-40L
75-3		0760 319 10	**Ring, O	1		WF010001-	910-90B
76		0783 646 83	*Plug Ass'y	2		WF010001-	
76-1		0760 710 16	**Ring, O	1		WF010001-	P14-90B
77		0783 646 84	*Plug Ass'y	1		WF010001-	

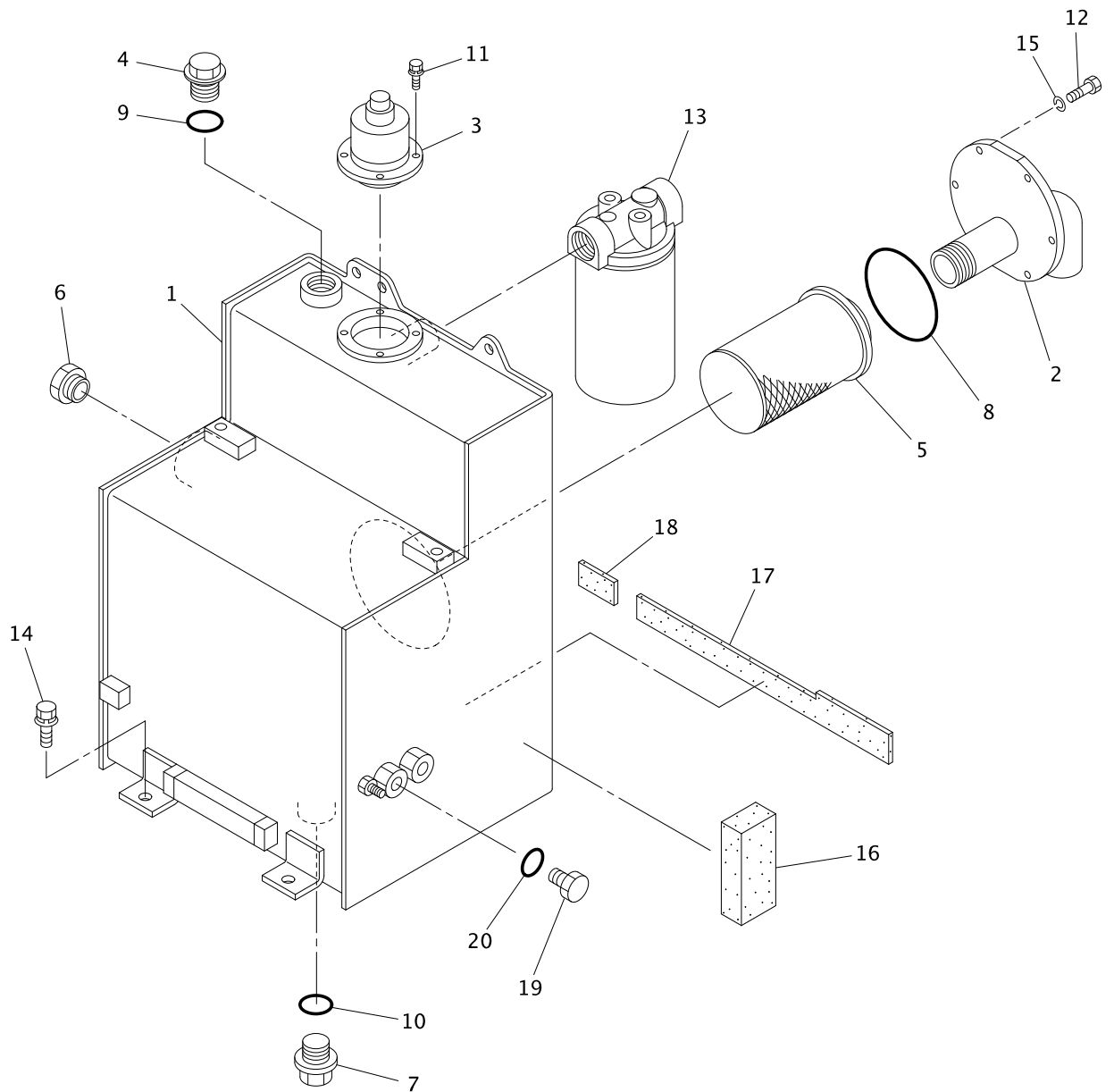
KEY No.	SU P.	PART No.	DESCRIPTION	Q'TY	CHAN	SERIAL No.	REMARKS
77-1		0760 710 19	**Ring, 0	1		WF010001-	P18-90B
78		0783 988 29	*Plug Ass'y	1		WF010001-	
79		0783 988 13	*Plug Ass'y	2		WF010001-	

[Memo]



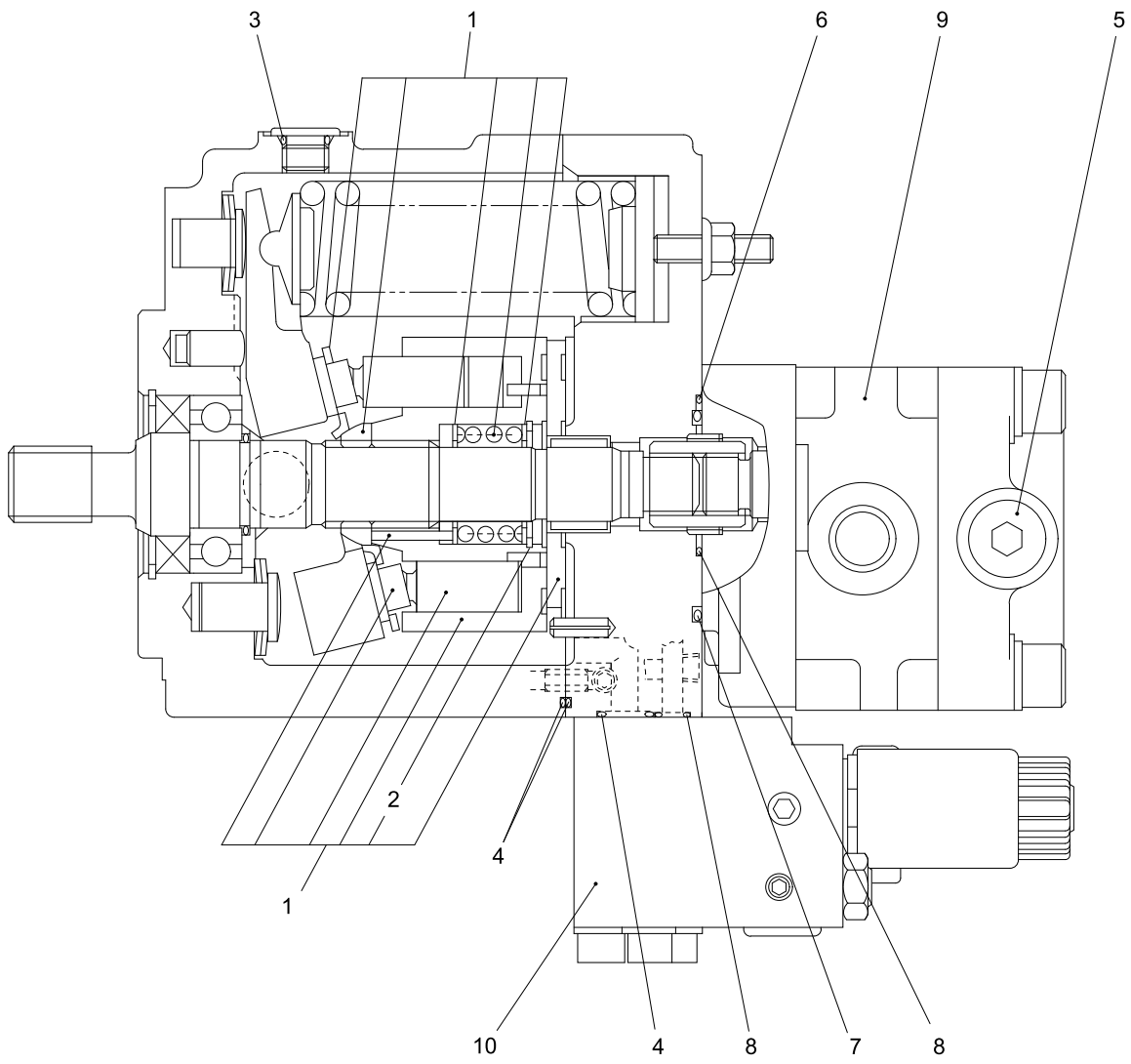
0783964UA-1
0783941UA-1

KEY No.	SU P.	PART No.	DESCRIPTION	Q'TY	CHAN	SERIAL No.	REMARKS
0		0783 964 UA	Valve Ass'y, Remote Control	2		WF010001-	
1		0783 771 07	*Boot	1		WF010001-	
2		0756 735 09	*Plug	4		WF010001-	
3		0760 710 20	*Ring, O	4		WF010001-	P20-90B
4		0783 700 08	*Seat, Spring	4		WF010001-	
5		0783 964 01	*Spring	4		WF010001-	
6		0783 700 09	*Spring (No.2, 4, Ports)	2		WF010001-	
7		0756 735 15	*Washer	4		WF010001-	
8		0783 771 03	*Nut, Adjusting	1		WF010001-	
9		0783 700 12	*Plate	1		WF010001-	
10		0756 303 07	*Joint	1		WF010001-	
11		0756 744 11	*Rod, Push	4		WF010001-	
12		0756 611 13	*Seal	4		WF010001-	
13		0783 756 01	*Plate	1		WF010001-	
14		0783 700 10	*Spring (No.1, 3, Ports)	2		WF010001-	



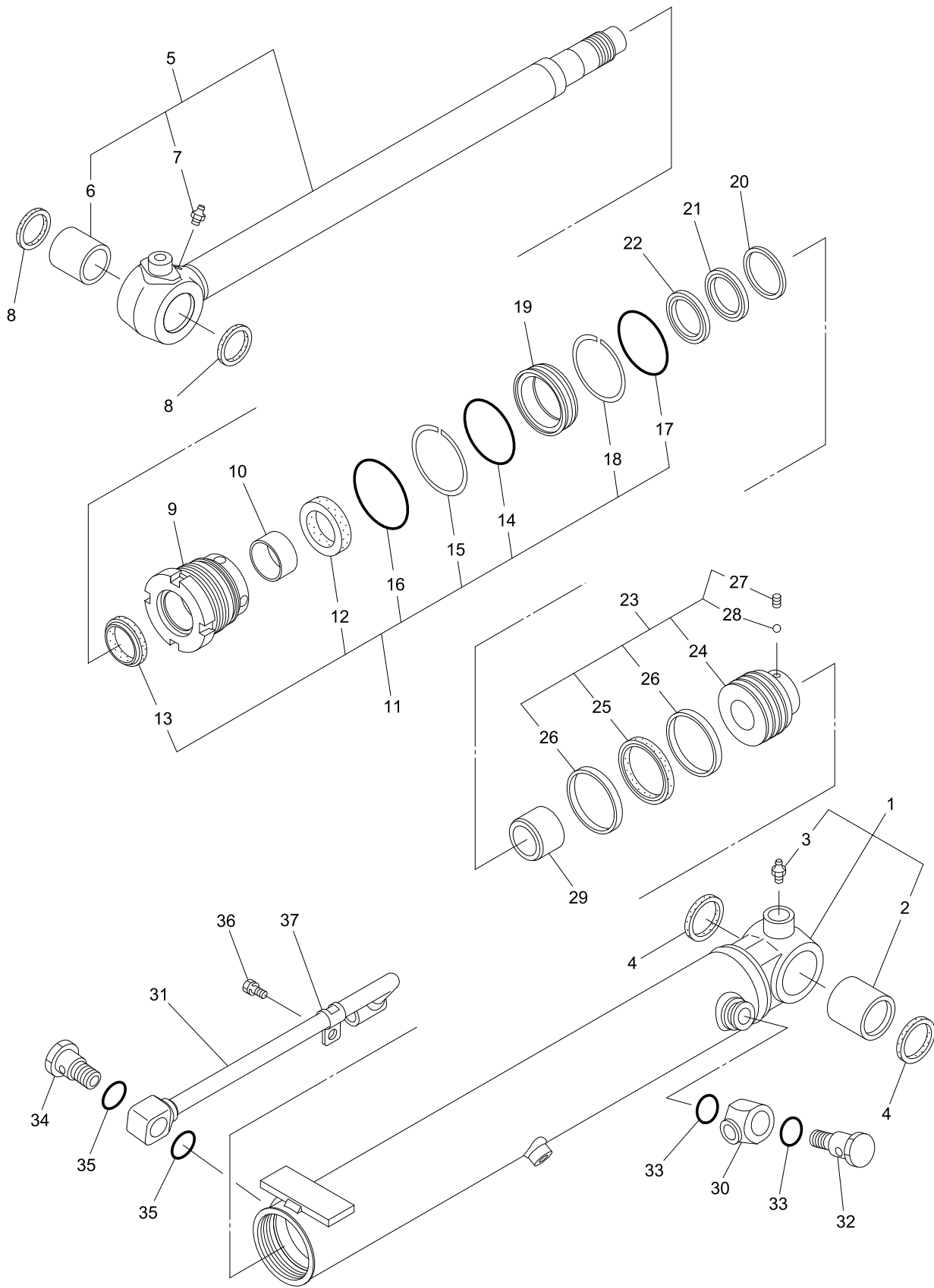
25V4-050600-1

KEY No.	SU P.	PART No.	DESCRIPTION	Q'TY	CHAN	SERIAL No.	REMARKS
0	×	F342 638 00	Tank Ass'y, Hydraulic Oil	1		WF010001-	
1	△	D284 240 00	*Tank, Hydraulic Oil	1		WF010001-* * *	
1	△	D284 247 00	*Tank, Hydraulic Oil	1	×	* * *-	
2		D286 252 00	*Tube	1		WF010001-	
3		0787 305 UA	*Breather, Air	1		WF010001-	
4		4072 887 00	*Plug	1		WF010001-	
5		0755 179 UA	*Strainer, Suction	1		WF010001-	
6		4079 027 00	*Gauge, Level	1		WF010001-	
7		4077 036 00	*Plug, Drain	1		WF010001-	
8		0760 711 25	*Ring, O	1		WF010001-	P125-90B
9		0760 710 30	*Ring, O	1		WF010001-	P29-90B
10		0760 312 11	*Ring, O	1		WF010001-	211-90B
11		0517 060 16	*Bolt, Treatment (W/L.W, F.W)	4		WF010001-	M6X16
12		0513 100 20	*Bolt, Treatment	6		WF010001-	M10X20
13		0759 144 UA	*Filter Ass'y, Return	1		WF010001-	
13-1		0759 144 01	**Cartridge Ass'y	1		WF010001-	
14		0518 120 25	*Bolt, Treatment (W/L.W, F.W)	4		WF010001-	M12X25 P=1.25
15		0590 100 00	*Washer, Lock	6		WF010001-	M10
16		D493 551 00	*Panel, Sponge	1		WF010001-	
17		D493 552 00	*Panel, Sponge	1		WF010001-	
18		D493 553 00	*Panel, Sponge	1		WF010001-	
19		0710 212 04	*Plug	1		WF010001-	
20		0760 710 12	*Ring, O	1		WF010001-	P11-90B



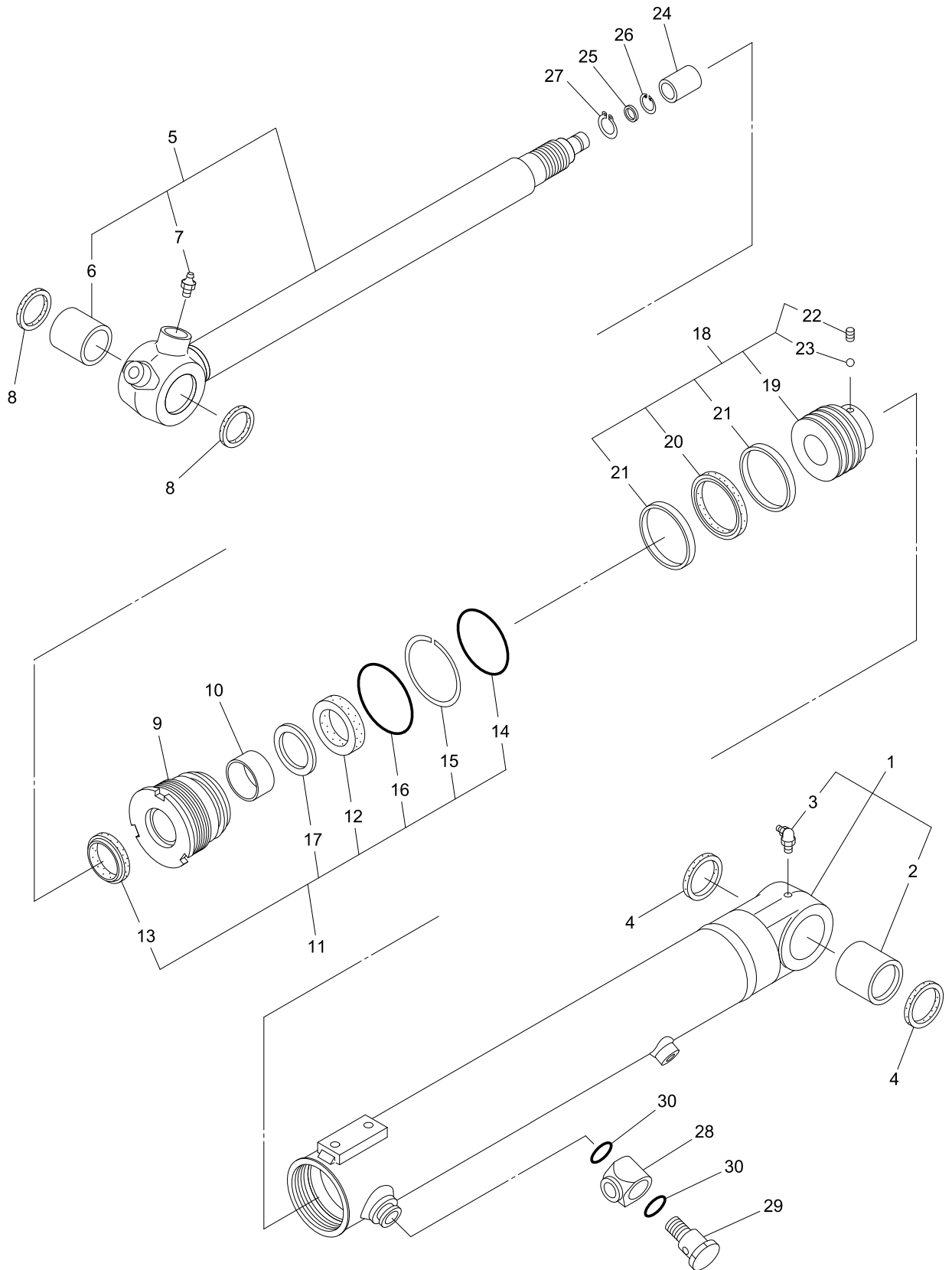
0780164UA-1

KEY No.	SU P.	PART No.	DESCRIPTION	Q'TY	CHAN	SERIAL No.	REMARKS
0		0780 164 UA	Pump Ass'y, Oil	1		WF010001-	
1		0780 164 91	*Cylinder Ass'y	1		WF010001-	
2		0493 500 35	**Ring, Snap	1		WF010001-	d=35
3		0760 710 12	*Ring, 0	1		WF010001-	P11-90B
4		0760 710 14	*Ring, 0	3		WF010001-	P12-90B
5		0760 710 16	*Ring, 0	1		WF010001-	P14-90B
6		0760 710 07	*Ring, 0	1		WF010001-	P7-90B
7		0760 715 55	*Ring, 0	1		WF010001-	G55-90B
8		0760 710 08	*Ring, 0	2		WF010001-	P8-90B
9		0780 110 91	*Pump Ass'y, Gear	1		WF010001-	
10		0780 163 92	*Valve, Ass'y	1		WF010001-	



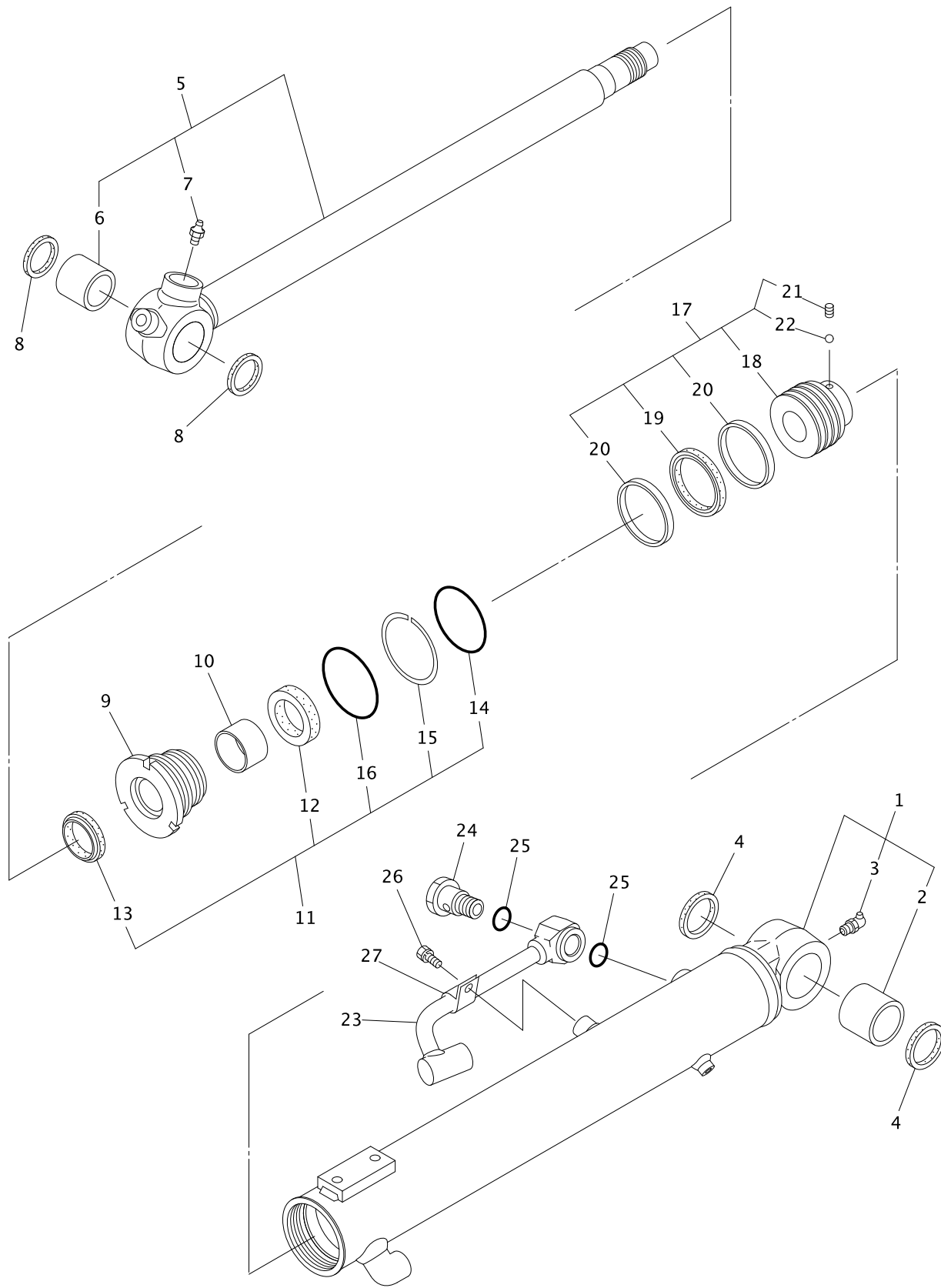
0782618UA-1
0782617UA-1

KEY No.	SU P.	PART No.	DESCRIPTION	Q'TY	CHAN	SERIAL No.	REMARKS
0		0782 618 UA	Cylinder Ass'y, Boom	1		WF010001-	
1	×	*** ** *	*Tube Ass'y, Cylinder	1		WF010001-	
2		0782 618 03	**Bushing	1		WF010001-	
3		0728 111 15	**Nipple, Grease	1		WF010001-	PT1/8
4		0751 796 24	*Seal, Dust	2		WF010001-	
5		0782 618 02	*Rod Ass'y, Piston	1		WF010001-	
6		0782 618 05	**Bushing	1		WF010001-	
7		0728 111 15	**Nipple, Grease	1		WF010001-	PT1/8
8		0752 239 24	*Seal, Dust	2		WF010001-	
9		0782 494 03	*Head, Cylinder	1		WF010001-	
10		0782 446 03	*Bushing	1		WF010001-	
11		0782 494 91	*Kit, Seal	1		WF010001-	
12	×	0752 756 05	**Ring, U	1		WF010001-	
13	×	0758 698 09	**Ring, Wiper	1		WF010001-	
14	×	0760 715 80	**Ring, O	1		WF010001-	G80-90B
15	×	0782 407 04	**Ring, Back-up	1		WF010001-	
16	×	0760 715 85	**Ring, O	1		WF010001-	G85-90B
17	×	0760 715 80	**Ring, O	1		WF010001-	G80-90B
18	×	0782 407 09	**Ring, Back-up	1		WF010001-	
19		0782 407 05	*Holder	1		WF010001-	
20		0782 407 06	*Spacer	1		WF010001-	
21		0782 407 07	*Seal, Cushion	1		WF010001-	
22		0782 618 04	*Collar	1		WF010001-	
23		0782 494 93	*Piston Ass'y	1		WF010001-	
24	×	*** ** *	**Piston	1		WF010001-	
25		0752 873 06	**Ring Ass'y, Seal	1		WF010001-	
26		0782 494 05	**Ring, Slide	2		WF010001-	
27		0561 080 08	**Screw, Set	1		WF010001-	M8X8
28		0751 901 25	**Ball, Steel	1		WF010001-	d=7/32
29		0782 618 06	*Bearing, Cushion	1		WF010001-	
30		0782 619 06	*Joint	1		WF010001-	
31		0782 618 08	*Pipe	1		WF010001-	
32		0782 491 09	*Plug	1		WF010001-	
33		0760 710 28	*Ring, O	2		WF010001-	P26-90B
34		0782 446 05	*Plug	1		WF010001-	
35		0760 710 23	*Ring, O	2		WF010001-	P22A-90B
36		0782 446 06	*Bolt	1		WF010001-	
37		0782 431 21	*Holder, Pipe	1		WF010001-	



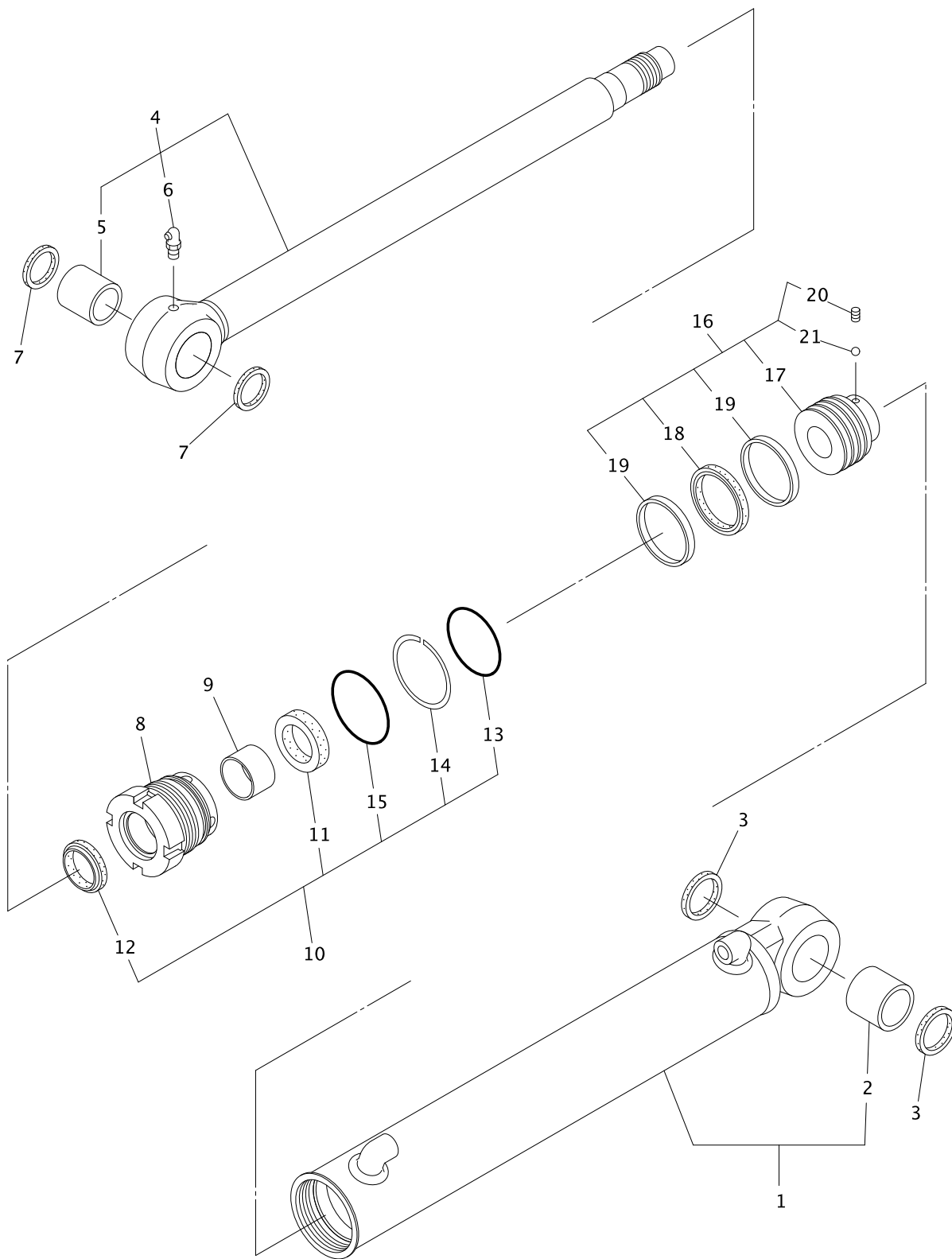
0782619UA-1

KEY No.	SU P.	PART No.	DESCRIPTION	Q'TY	CHAN	SERIAL No.	REMARKS
0		0782 619 UA	Cylinder Ass'y, Arm	1		WF010001-	
1	×	*** ** *	*Tube Ass'y, Cylinder	1		WF010001-	
2		0752 239 23	**Bushing	1		WF010001-	
3		0728 111 65	**Nipple, Grease	1		WF010001-	PT1/8X90
4		0752 239 24	*Seal, Dust	2		WF010001-	
5		0782 619 02	*Rod Ass'y, Piston	1		WF010001-	
6		0752 239 23	**Bushing	1		WF010001-	
7		0728 111 15	**Nipple, Grease	1		WF010001-	PT1/8
8		0752 239 24	*Seal, Dust	2		WF010001-	
9		0782 396 03	*Head, Cylinder	1		WF010001-	
10		0782 396 13	*Bushing	1		WF010001-	
11		0782 396 91	*Kit, Seal	1		WF010001-	
12	×	0782 396 04	**Ring, U	1		WF010001-	
13	×	0758 697 06	**Ring, Wiper	1		WF010001-	
14	×	0760 715 65	**Ring, O	1		WF010001-	G65-90B
15	×	0782 396 05	**Ring, Back-up	1		WF010001-	
16	×	0760 715 70	**Ring, O	1		WF010001-	G70-90B
17	×	0782 173 04	**Ring, Back-up	1		WF010001-	
18		0782 396 93	*Piston Ass'y	1		WF010001-	
19	×	*** ** *	**Piston	1		WF010001-	
20		0752 928 07	**Ring Ass'y, Seal	1		WF010001-	
21		0782 396 07	**Ring, Slide	2		WF010001-	
22		0561 080 08	**Screw, Set	1		WF010001-	M8X8
23		0751 901 25	**Ball, Steel	1		WF010001-	d=7/32
24		0758 697 18	*Bearing, Cushion	1		WF010001-	
25		0758 697 19	*Seal, Cushion	1		WF010001-	
26		0758 697 21	*Stopper	2		WF010001-	
27		0758 697 20	*Ring, Snap	1		WF010001-	
28		0782 619 06	*Joint	1		WF010001-	
29		0782 491 09	*Plug	1		WF010001-	
30		0760 710 28	*Ring, O	2		WF010001-	P26-90B



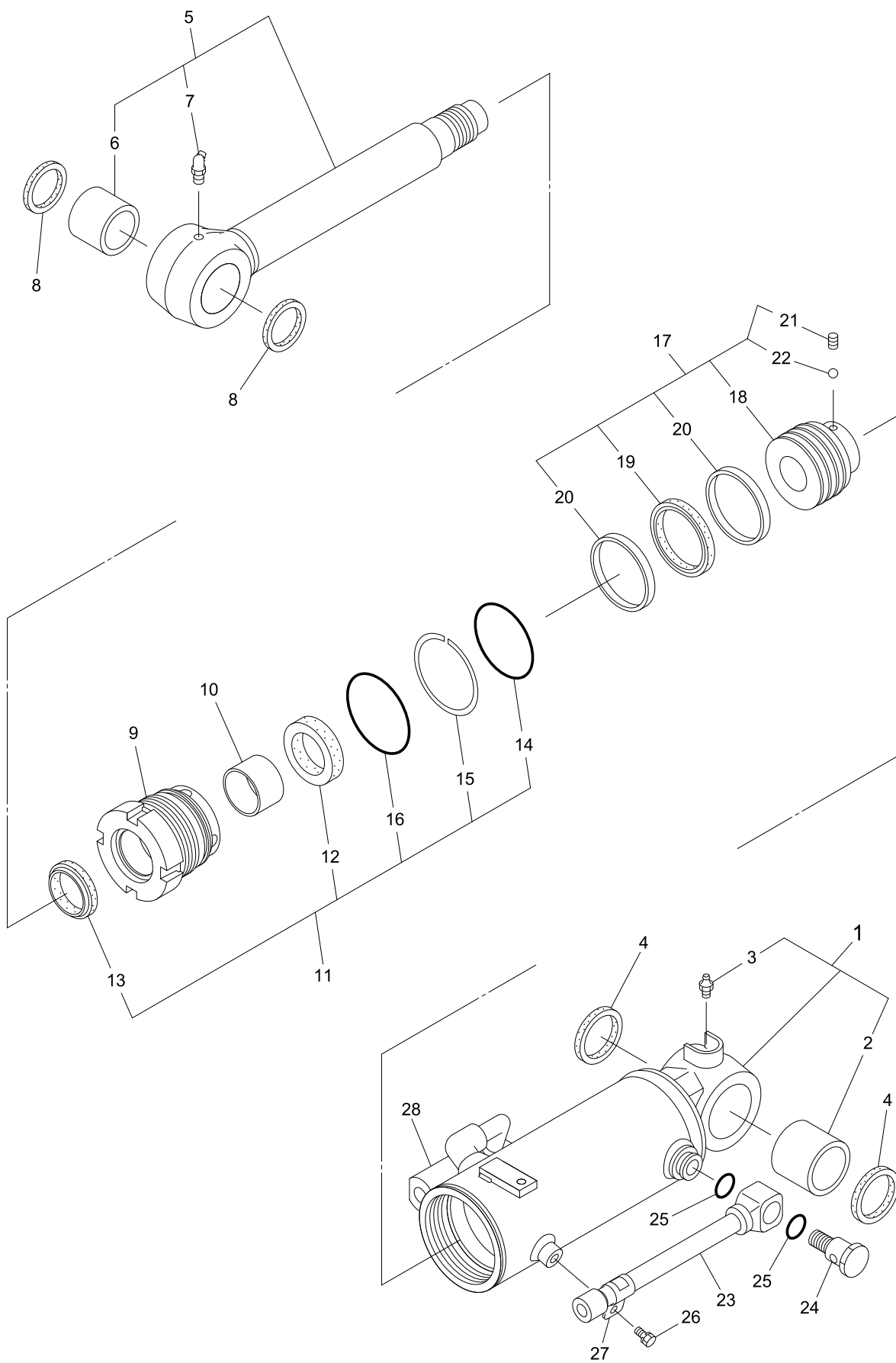
0782614UA-1

KEY No.	SU P.	PART No.	DESCRIPTION	Q'TY	CHAN	SERIAL No.	REMARKS
0		0782 614 UA	Cylinder Ass'y, Bucket	1		WF010001-	
1	×	*** ** *	*Tube Ass'y, Cylinder	1		WF010001-	
2		0752 676 25	**Bushing	1		WF010001-	
3		0728 111 65	**Nipple, Grease	1		WF010001-	PT1/8X90
4		0752 239 24	*Seal, Dust	2		WF010001-	
5		0782 614 02	*Rod Ass'y, Piston	1		WF010001-	
6		0752 676 25	**Bushing	1		WF010001-	
7		0728 111 15	**Nipple, Grease	1		WF010001-	PT1/8
8		0752 239 24	*Seal, Dust	2		WF010001-	
9		0782 367 03	*Head, Cylinder	1		WF010001-	
10		0782 367 13	*Bushing	1		WF010001-	
11		0782 367 91	*Kit, Seal	1		WF010001-	
12	×	0752 765 05	**Ring, U	1		WF010001-	
13	×	0758 868 02	**Ring, Wiper	1		WF010001-	
14	×	0760 715 60	**Ring, O	1		WF010001-	G60-90B
15	×	0782 367 05	**Ring, Back-up	1		WF010001-	
16	×	0760 715 65	**Ring, O	1		WF010001-	G65-90B
17		0782 367 93	*Piston Ass'y	1		WF010001-	
18	×	*** ** *	*Piston	1		WF010001-	
19		0752 775 13	**Ring Ass'y, Seal	1		WF010001-	
20		0782 367 07	**Ring, Slide	2		WF010001-	
21		0561 080 08	**Screw, Set	1		WF010001-	M8X8
22		0751 901 25	**Ball, Steel	1		WF010001-	d=7/32
23		0782 611 05	*Pipe	1		WF010001-	
24		0782 446 05	*Plug	1		WF010001-	
25		0760 710 23	*Ring, O	2		WF010001-	P22A-90B
26		0782 446 06	*Bolt	1		WF010001-	
27		0782 431 21	*Holder, Pipe	1		WF010001-	



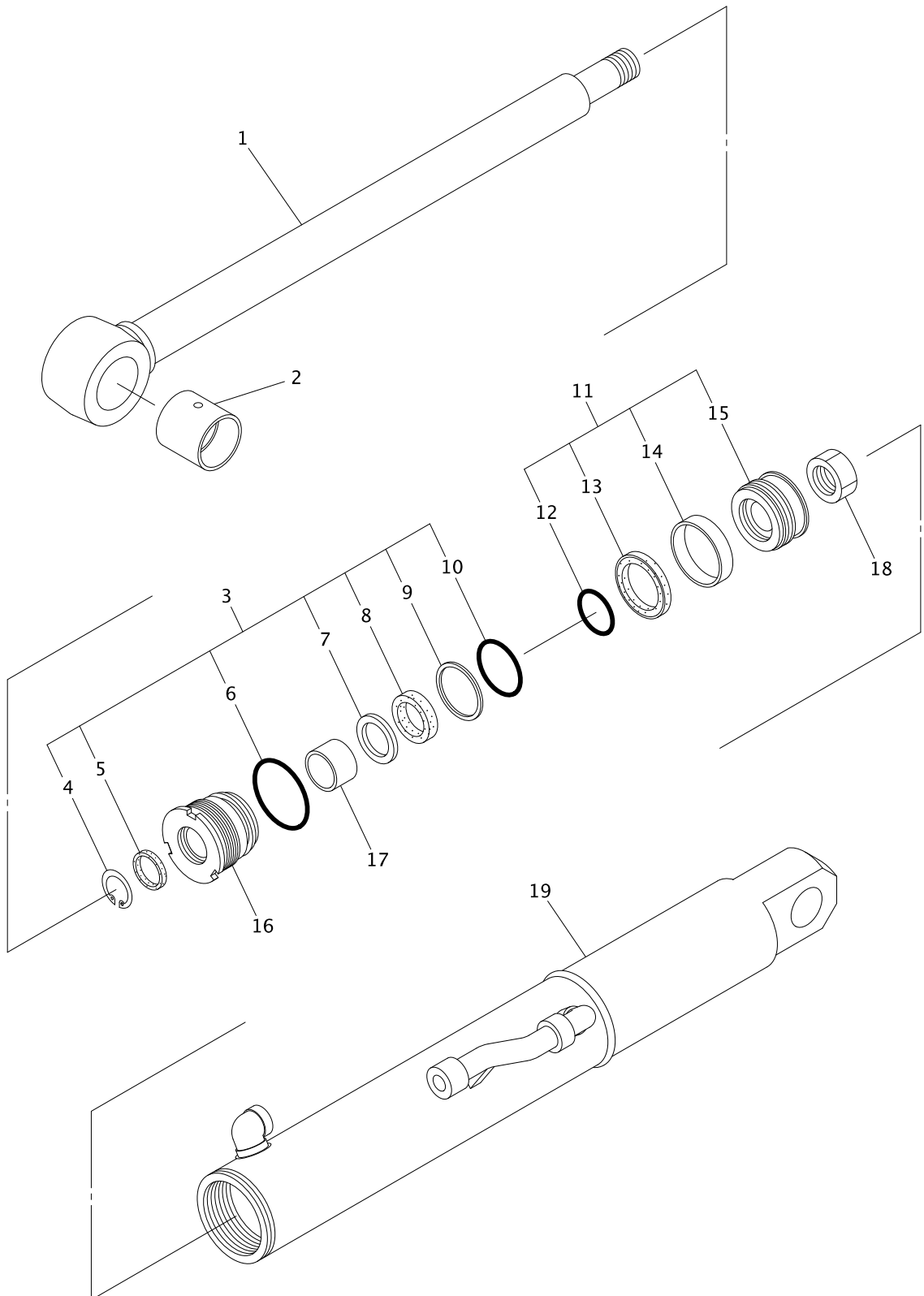
0782615UA-1
0782613UA-1

KEY No.	SU P.	PART No.	DESCRIPTION	Q'TY	CHAN	SERIAL No.	REMARKS
0		0782 615 UA	Cylinder Ass'y, Boom Swing	1		WF010001-	
1	×	**** ** *	*Tube Ass'y, Cylinder	1		WF010001-	
2		0752 676 25	**Bushing	1		WF010001-	
3		0752 239 24	*Seal, Dust	2		WF010001-	
4		0782 615 02	*Rod Ass'y, Piston	1		WF010001-	
5		0752 676 25	**Bushing	1		WF010001-	
6		0728 111 65	**Nipple, Grease	1		WF010001-	PT1/8X90
7		0752 239 24	*Seal, Dust	2		WF010001-	
8		0782 449 03	*Head, Cylinder	1		WF010001-	
9		0782 367 13	*Bushing	1		WF010001-	
10		0782 449 91	*Kit, Seal	1		WF010001-	
11	×	0752 765 05	**Ring, U	1		WF010001-	
12	×	0758 858 02	**Ring, Wiper	1		WF010001-	
13	×	0760 715 70	**Ring, O	1		WF010001-	G70-90B
14	×	0782 431 08	**Ring, Back-up	1		WF010001-	
15	×	0760 715 75	**Ring, O	1		WF010001-	G75-90B
16		0782 449 93	*Piston Ass'y	1		WF010001-	
17	×	**** ** *	**Piston	1		WF010001-	
18		0752 778 17	**Ring Ass'y, Seal	1		WF010001-	
19		0782 449 05	**Ring, Slide	2		WF010001-	
20		0561 080 08	**Screw, Set	1		WF010001-	M8X8
21		0751 901 25	**Ball, Steel	1		WF010001-	d=7/32



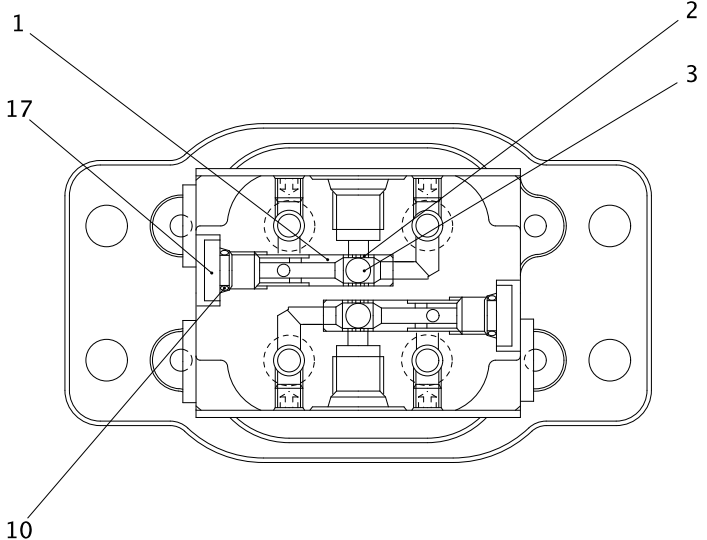
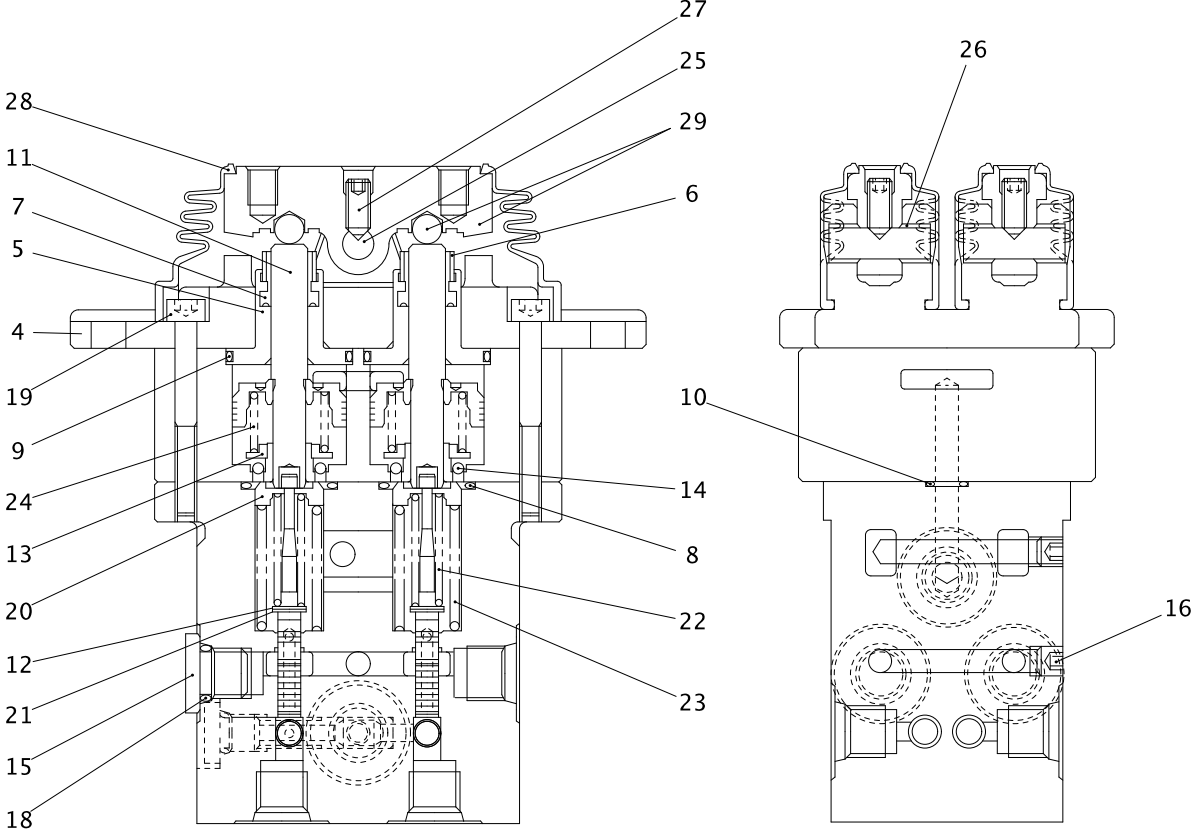
0782616UA-1

KEY No.	SU P.	PART No.	DESCRIPTION	Q'TY	CHAN	SERIAL No.	REMARKS
0		0782 616 UA	Cylinder Ass'y, Blade	1		WF010001-	
1	×	*** ** *	*Tube Ass'y, Cylinder	1		WF010001-	
2		0752 284 23	**Bushing	1		WF010001-	
3		0728 111 15	**Nipple, Grease	1		WF010001-	PT1/8
4		0765 033 28	*Seal, Dust	2		WF010001-	
5		0782 616 02	*Rod Ass'y, Piston	1		WF010001-	
6		0752 284 23	**Bushing	1		WF010001-	
7		0728 111 55	**Nipple, Grease	1		WF010001-	PT1/8X67.5
8		0765 033 28	*Seal, Dust	2		WF010001-	
9		0782 397 03	*Head, Cylinder	1		WF010001-	
10		0782 446 03	*Bushing	1		WF010001-	
11		0782 397 91	*Kit, Seal	1		WF010001-	
12	×	0752 756 05	**Ring, U	1		WF010001-	
13	×	0758 698 09	**Ring, Wiper	1		WF010001-	
14	×	0760 715 95	**Ring, O	1		WF010001-	G95-90B
15	×	0782 397 04	**Ring, Back-up	1		WF010001-	
16	×	0760 716 00	**Ring, O	1		WF010001-	G100-90B
17		0782 397 93	*Piston Ass'y	1		WF010001-	
18	×	*** ** *	*Piston	1		WF010001-	
19		0752 184 24	**Ring Ass'y, Seal	1		WF010001-	
20		0782 397 06	**Ring, Slide	2		WF010001-	
21		0561 100 10	**Screw, Set	1		WF010001-	M10X10
22		0609 016 10	**Ball, Steel	1		WF010001-	d=1/4
23		0782 616 05	*Pipe	1		WF010001-	
24		0782 446 05	*Plug	1		WF010001-	
25		0760 710 23	*Ring, O	2		WF010001-	P22A-90B
26		0782 446 06	*Bolt	1		WF010001-	
27		0782 431 21	*Holder, Pipe	1		WF010001-	
28		0754 865 UA	*Valve, Sequence	1		WF010001-	



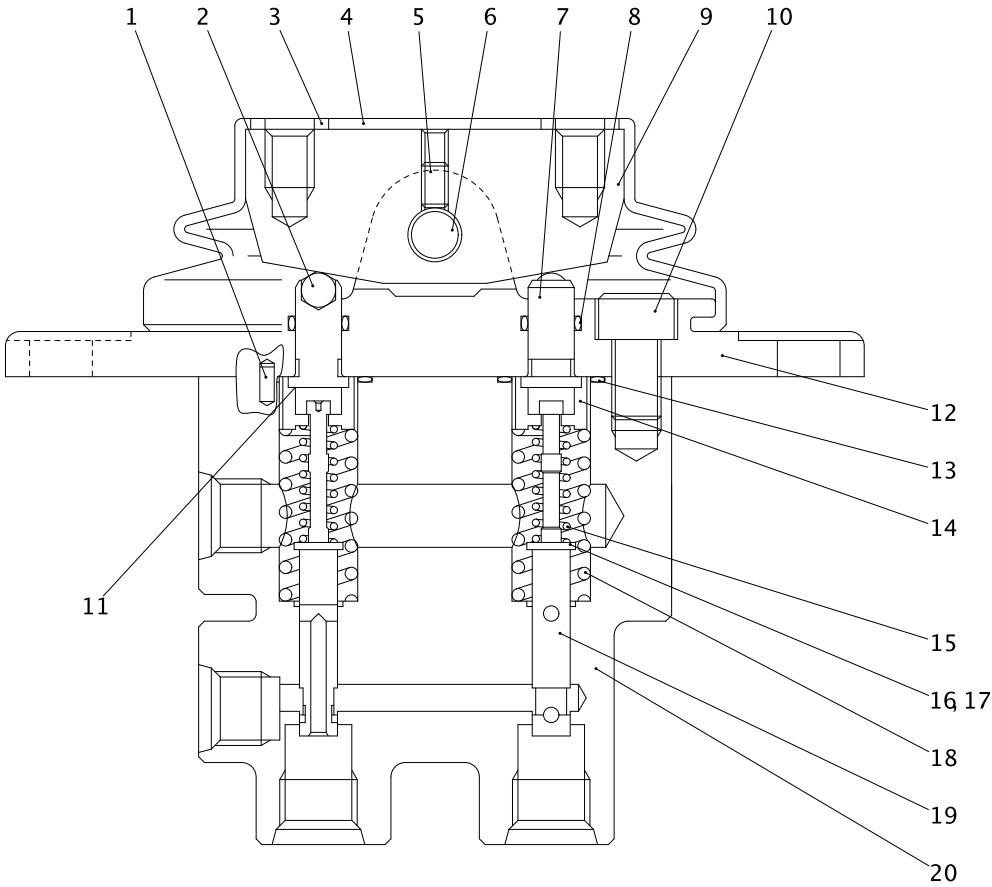
0782426UA-1

KEY No.	SU P.	PART No.	DESCRIPTION	Q'TY	CHAN	SERIAL No.	REMARKS
0		0782 426 UA	Cylinder Ass'y, Crawler Expantion	1		WF003001-	
1		0782 426 91	*Rod Ass'y, Piston	1		WF003001-	
2		0758 837 02	**Bushing	1		WF003001-	
3		0782 426 92	*Kit, Seal	1		WF003001-	
4	×	0493 710 52	**Ring, Snap	1		WF003001-	d=52
5	×	0758 837 13	**Ring, Wiper	1		WF003001-	
6	×	0760 715 70	**Ring, O	1		WF003001-	G70-90B
7	×	0758 837 12	**Ring, Back-up	1		WF003001-	
8	×	0758 837 11	**Ring, U	1		WF003001-	
9	×	0758 834 16	**Ring, Back-up	1		WF003001-	
10	×	0760 715 65	**Ring, O	1		WF003001-	G65-90B
11		0782 426 93	*Piston Ass'y	1		WF003001-	
12		0760 715 40	**Ring, O	1		WF003001-	G40-90B
13		0782 426 14	**Ring Ass'y, Seal	1		WF003001-	
14		0758 834 07	**Ring, Slide	2		WF003001-	
15	×	**** ** *	**Piston	1		WF003001-	
16		0782 426 04	*Head, Cylinder	1		WF003001-	
17		0782 388 06	*Bushing	1		WF003001-	
18		0758 837 08	*Nut	1		WF003001-	M30 P=3.0
19	△	0782 426 01	*Tube Ass'y, Cylinder	1		WF003001-	



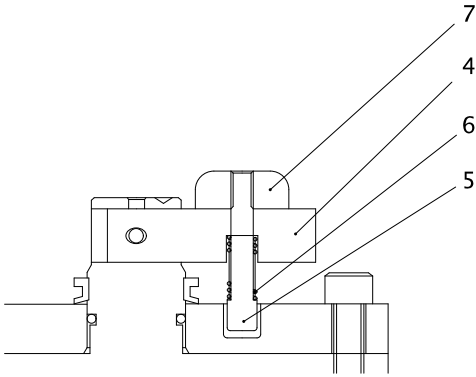
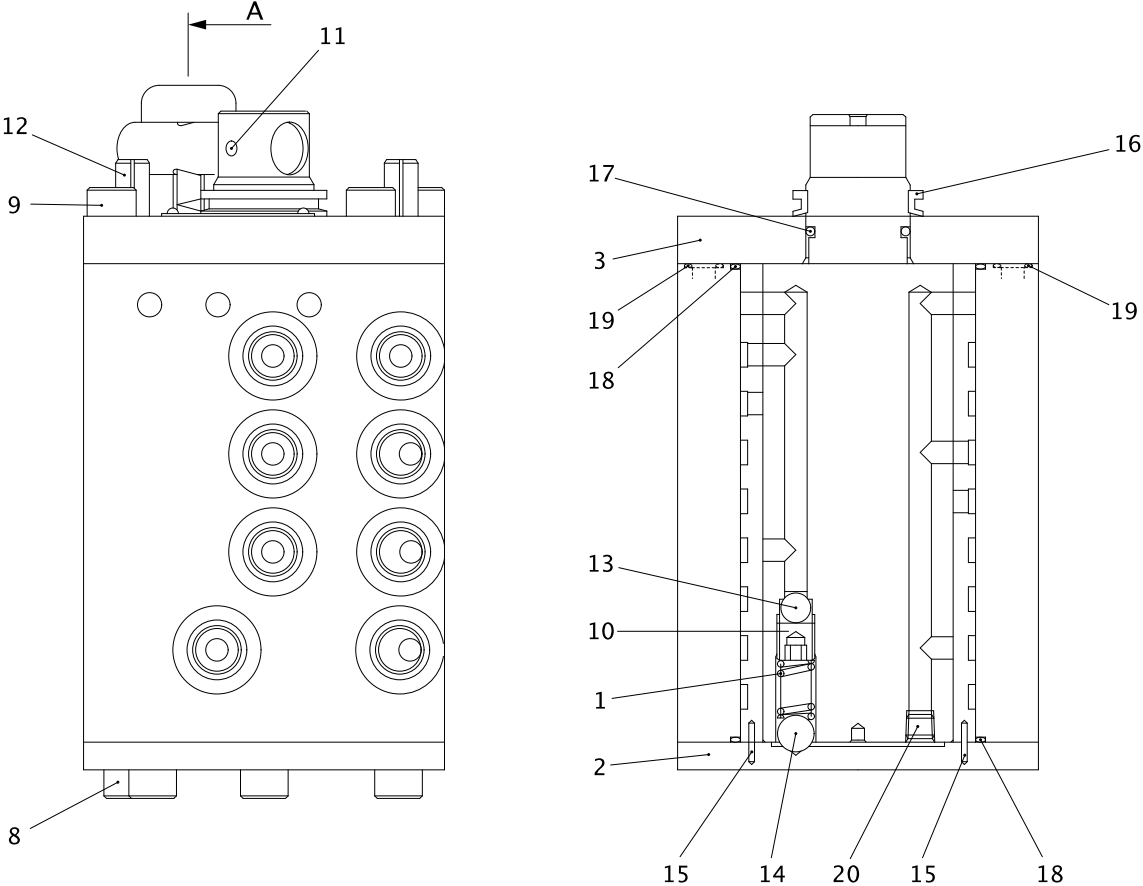
0783995UA-1
0783936UA-1

KEY No.	SU P.	PART No.	DESCRIPTION	Q'TY	CHAN	SERIAL No.	REMARKS
0		0783 995 UA	Valve Ass'y, Pilot	1		WF010001-	
1		0783 951 01	*Seat	2		WF010001-	
2		0783 951 02	*Bushing	2		WF010001-	
3		0609 016 10	*Ball, Steel	2		WF010001-	d=1/4
4		0783 951 03	*Cover	2		WF010001-	
5		0783 951 04	*Plug	4		WF010001-	
6		0783 951 05	*Cap, Grease	4		WF010001-	
7		0783 951 06	*Packing	4		WF010001-	
8		0760 310 20	*Ring, O	4		WF010001-	020-90B
9		0760 310 25	*Ring, O	4		WF010001-	025-90B
10		0760 710 08	*Ring, O	4		WF010001-	P8-90B
11		0783 936 01	*Rod, Push	4		WF010001-	
12		0783 951 08	*Shim	4		WF010001-	
13		0783 951 09	*Seat, Spring	4		WF010001-	
14		0751 948 06	*Ball, Steel	12		WF010001-	
15		0756 357 03	*Plug	3		WF010001-	
16		0750 198 15	*Plug	6		WF010001-	
17		0783 920 06	*Plug	2		WF010001-	
18		0760 710 12	*Ring, O	3		WF010001-	P11-90B
19		0562 060 50	*Bolt, Socket Head	4		WF010001-	M6X50
20		0783 951 10	*Seat, Spring	4		WF010001-	
21		0783 951 11	*Washer	4		WF010001-	
22		0783 995 01	*Spring	4		WF010001-	
23		0783 951 13	*Spring	4		WF010001-	
24		0783 951 14	*Spring	4		WF010001-	
25		0783 951 15	*Shaft Cam	2		WF010001-	
26		0783 951 16	*Bushing	4		WF010001-	
27		0783 951 17	*Screw, Set	2		WF010001-	
28		0783 951 18	*Boot	2		WF010001-	
29		0783 951 91	*Cam Ass'y	2		WF010001-	



0783965UA-1
0783724UA-1

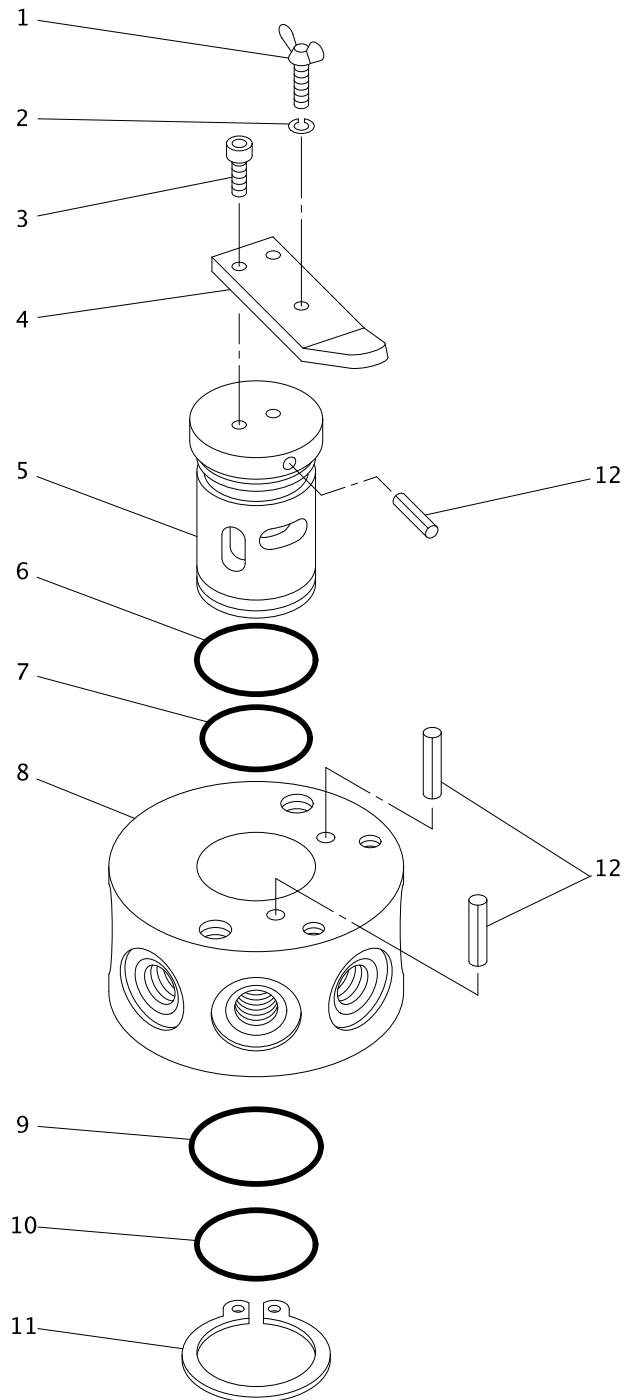
KEY No.	SU P.	PART No.	DESCRIPTION	Q'TY	CHAN .	SERIAL No.	REMARKS
0		0783 965 UA	Valve Ass'y, Pilot	1		WF010001-	
1		0756 326 22	*Pin, Spring	2		WF010001-	d=3X6
2		0756 326 23	*Ball, Steel	2		WF010001-	d=6
3		0756 326 20	*Washer, Flat	2		WF010001-	M8
4		0756 326 10	*Boot	1		WF010001-	
5		0567 040 08	*Screw, Set	1		WF010001-	M4X8
6		0756 326 08	*Pin	1		WF010001-	
7		0756 326 04	*Pusher	2		WF010001-	
8		0760 610 08	*Ring, O	2		WF010001-	P8-70B
9		0756 326 07	*Cam	1		WF010001-	
10		0562 080 16	*Bolt, Socket Head	2		WF010001-	M8X16
11		0783 965 02	*Shim	AR		WF010001-	t=0.1
11-1		0783 965 03	*Shim	AR		WF010001-	t=0.2
12		*** ** *	*Cover	1		WF010001-	
13		0756 326 25	*Ring, O	2		WF010001-	S16-90B
14		0756 065 13	*Holder, Spring	2		WF010001-	
15		0783 965 11	*Spring	2		WF010001-	
16		0756 326 19	*Washer, Flat	2		WF010001-	M4
17		0756 326 06	*Shim	AR		WF010001-	t=0.1
17-1		0756 065 11	*Shim	AR		WF010001-	
18		0756 326 09	*Spring	2		WF010001-	
19		0783 965 04	*Spool	2		WF010001-	
20		*** ** *	*Body	1		WF010001-	



"A" SECTION

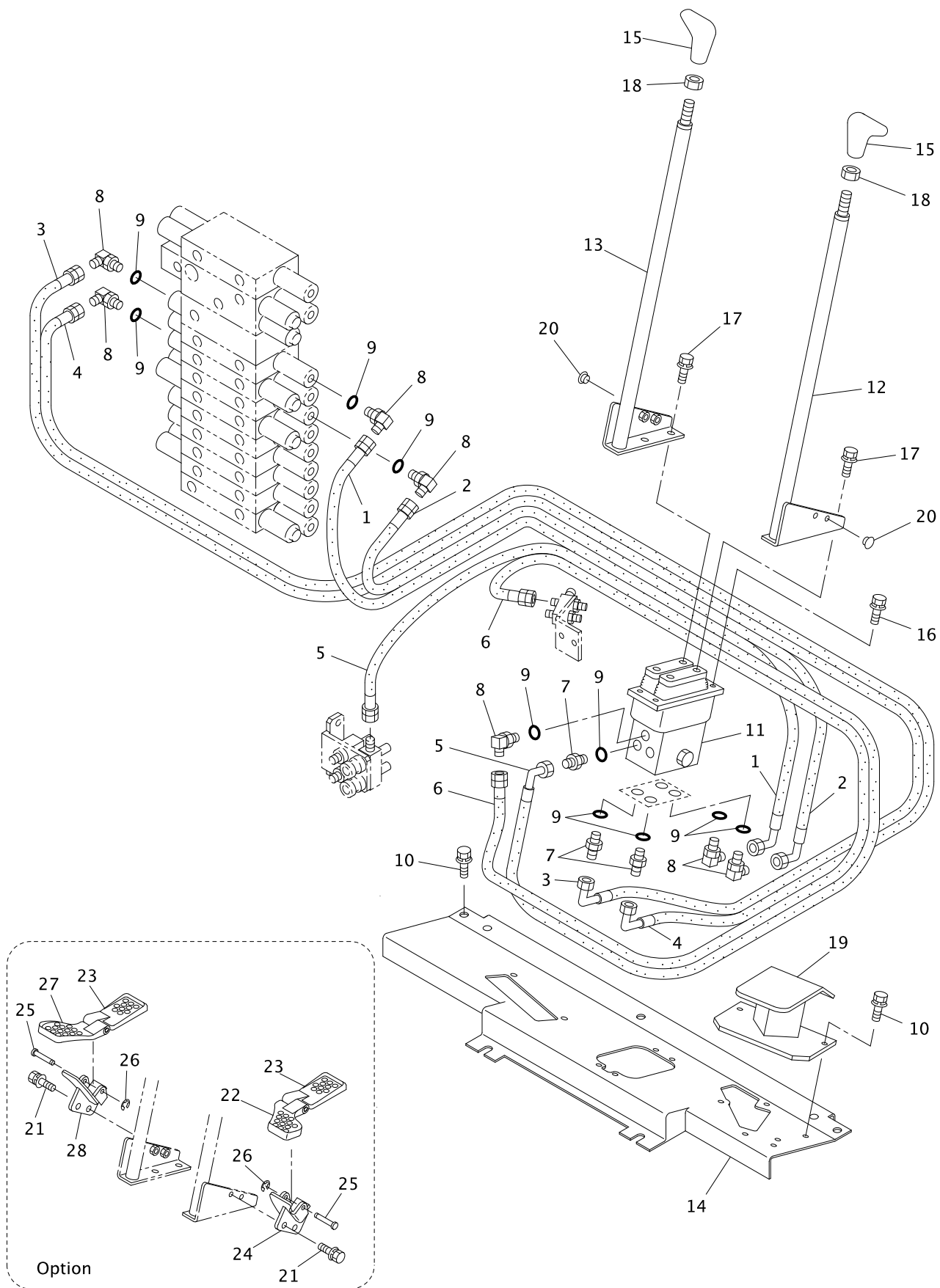
0784112UA-1

KEY No.	SU P.	PART No.	DESCRIPTION	Q'TY	CHAN	SERIAL No.	REMARKS
0		0784 112 UA	Valve Ass'y, Multiple (A-D Change)	1		WF010001-	
1		0784 112 04	*Spring	1		WF010001-	
2		0784 112 06	*Cover	1		WF010001-	
3		0784 112 07	*Cover	1		WF010001-	
4		0784 112 08	*Lever	1		WF010001-	
5		0784 112 09	*Pin	1		WF010001-	
6		0784 112 10	*Spring	1		WF010001-	
7		0784 112 11	*Grip	1		WF010001-	
8		0562 080 16	*Bolt, Socket Head	6		WF010001-	M8X16
9		0562 080 25	*Bolt, Socket Head	6		WF010001-	M8X25
10		0561 100 10	*Screw, Set	1		WF010001-	M10X10
11		0494 606 25	*Pin, Spring	1		WF010001-	d=4X25
12		0494 610 24	*Pin, Spring	2		WF010001-	d=8X24
13		0756 781 14	*Ball, Steel	1		WF010001-	d=8
14		0784 112 20	*Ball, Steel	1		WF010001-	d=10
15		0783 637 16	*Roller, Needle	4		WF010001-	d=2X9.8
16		0756 863 09	*Seal, Oil	1		WF010001-	
17		0760 211 18	*Ring, O	1		WF010001-	118-70B
18		0783 637 19	*Ring, O	2		WF010001-	S65-70B
19		0783 637 20	*Ring, O	8		WF010001-	S8-70B
20		0754 124 13	*Plug	7		WF010001-	



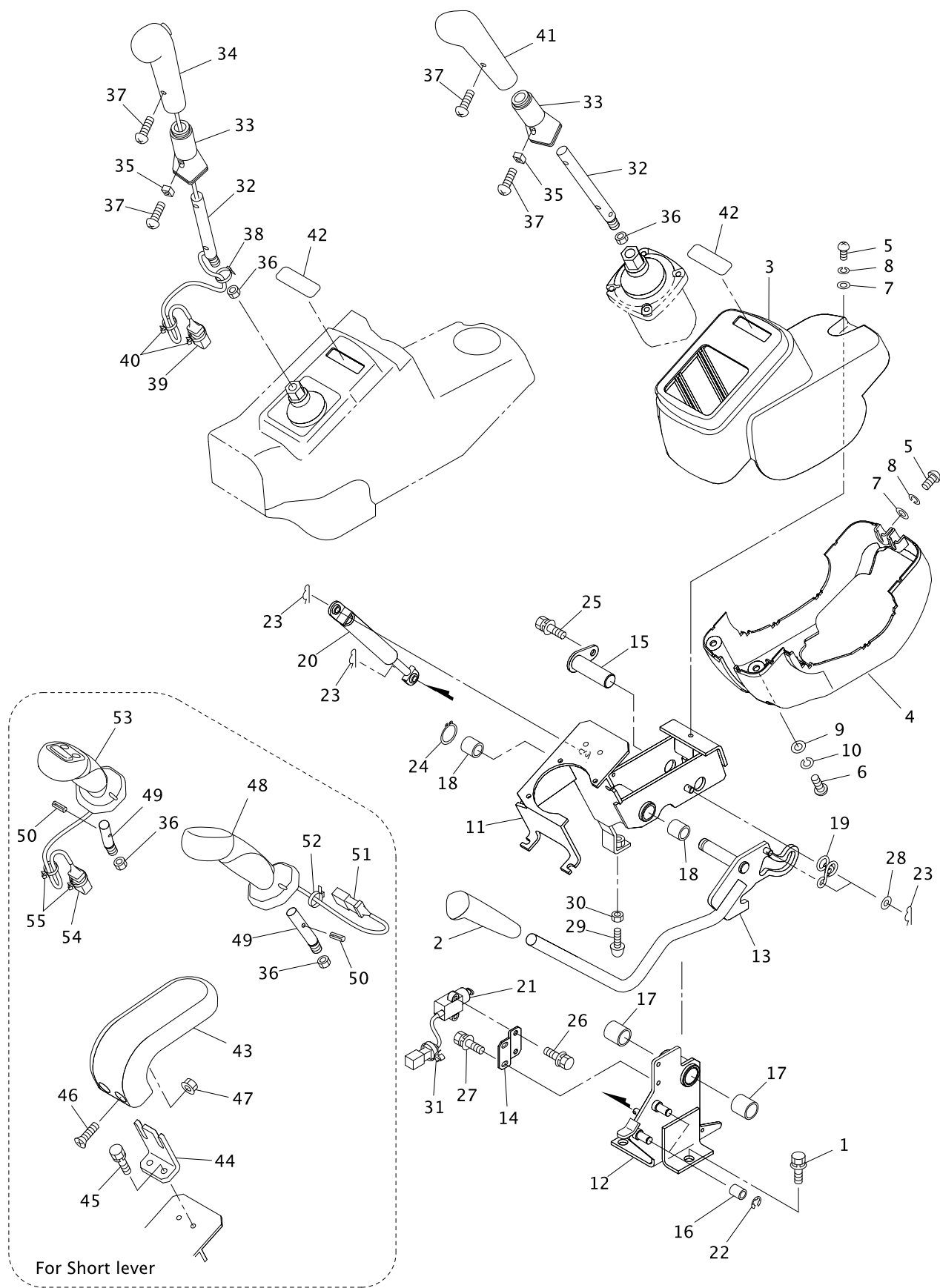
0756094UA-1

KEY No.	SU P.	PART No.	DESCRIPTION	Q'TY	CHAN	SERIAL No.	REMARKS
0		0756 094 UA	Valve Ass'y, Selector	1		WF010001-	
1		0756 094 04	*Bolt, Wing	1		WF010001-	
2		0590 050 00	*Washer, Lock	1		WF010001-	M5
3		0562 050 14	*Bolt, Socket Head	2		WF010001-	M5X14
4		0756 094 03	*Lever	1		WF010001-	
5		0756 094 02	*Rotor	1		WF010001-	
6		0756 094 08	*Ring, O	1		WF010001-	
7		0756 094 07	*Ring, O	1		WF010001-	
8		0756 094 01	*Body	1		WF010001-	
9		0756 094 06	*Ring, O	1		WF010001-	
10		0756 094 05	*Ring, O	1		WF010001-	
11		0493 510 30	*Ring, Snap	1		WF010001-	d=30
12		0494 606 12	*Pin, Spring	3		WF010001-	d=4X12



25V4-060100-1

KEY No.	SU P.	PART No.	DESCRIPTION	Q'TY	CHAN	SERIAL No.	REMARKS
0	×	F342 660 00	Lever Ass'y, Travel	1		WF010001-	
0-1	×	F361 720 00	Lever Ass'y, Travel	1		WF010001-	
1		4070 551 01	*Hose Ass'y	1		WF010001-	L=1150
1-1	☆	D406 499 01	*Decal (T1)	2		WF010001-	D406 499 00
2		4070 551 01	*Hose Ass'y	1		WF010001-	L=1150
2-1	☆	D406 499 03	*Decal (T3)	2		WF010001-	D406 499 00
3		4070 551 42	*Hose Ass'y	1		WF010001-	L=1600
3-1	☆	D406 499 02	*Decal (T2)	2		WF010001-	D406 499 00
4		4070 551 42	*Hose Ass'y	1		WF010001-	L=1600
4-1	☆	D406 499 04	*Decal (T4)	2		WF010001-	D406 499 00
5		4070 551 13	*Hose Ass'y	1		WF010001-	L=850
6		4070 548 69	*Hose Ass'y	1		WF010001-	L=840
7		0713 700 70	*Connector	3		WF010001-	
8		0710 122 09	*Elbow	7		WF010001-	
9		0760 710 12	*Ring, 0	10		WF010001-	P11-90B
10		0518 100 25	*Bolt, Treatment (W/L.W, F.W)	7		WF010001-	M10X25 P=1.25
11	#	0783 995 UA	*Valve Ass'y, Pilot	1		WF010001-	Sh. No. 5-14
12		D495 838 00	*Lever (L.H.)	1		WF010001-	
13		D495 839 00	*Lever (R.H.)	1		WF010001-	
14		D419 360 00	*Bracket	1		WF010001-	
15		0690 283 72	*Grip	2		WF010001-	
16		0517 080 25	*Bolt, Treatment (W/L.W, F.W)	4		WF010001-	M8X25
17		0517 080 16	*Bolt, Treatment (W/L.W, F.W)	4		WF010001-	M8X16
18		0549 140 00	*Nut, Half	2		WF010001-	M14 P=1.5
19		D419 285 00	*Bracket	1		WF010001-	
20		0690 201 05	*Plug, Hole	4		WF010001-	
21		0517 080 25	*Bolt, Treatment (W/L.W, F.W)	4		WF010001-	M8X25
22		D501 057 00	*Pedal	1		WF010001-	Option
23		D501 076 00	*Pedal	2		WF010001-	Option
24		D419 342 00	*Bracket	1		WF010001-	Option
25		D013 384 00	*Pin, Head	2		WF010001-	Option
26		0493 510 08	*Ring, Snap	2		WF010001-	Option
27		D501 058 00	*Pedal	1		WF010001-	Option
28		D419 343 00	*Bracket	1		WF010001-	Option

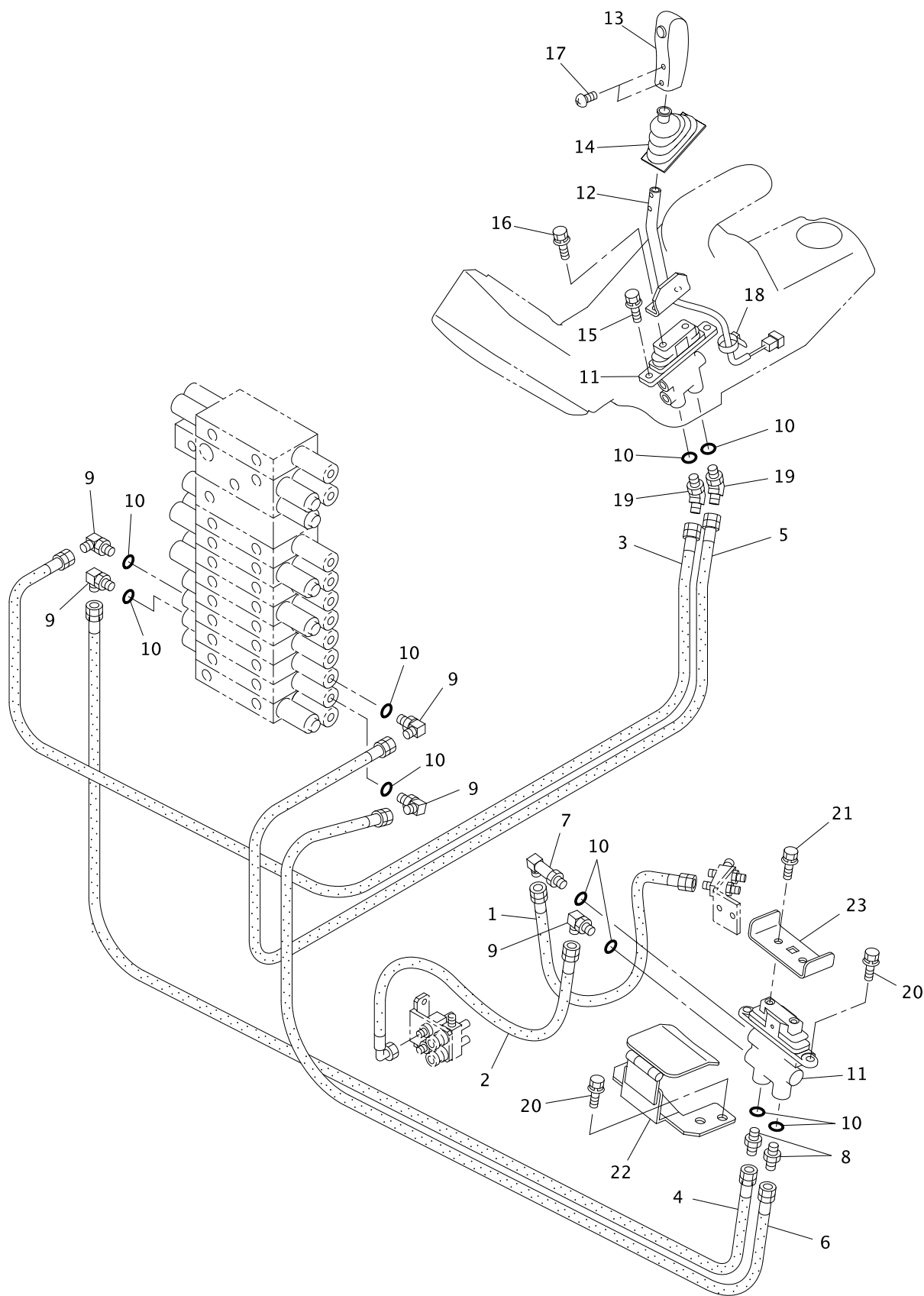


25V4-060200-1

KEY No.	SU P.	PART No.	DESCRIPTION	Q'TY	CHAN	SERIAL No.	REMARKS
0	×	F361 720 00	Lever Ass'y, Control	1		WF010001-	
1		0518 100 25	*Bolt, Treatment (W/L.W, F.W)	3		WF010001-	M10X25 P=1.25
2		0690 283 86	*Grip	1		WF010001-	
3		D465 318 00	*Panel	1		WF010001-	
4		D465 319 00	*Panel	1		WF010001-	
5		4004 364 01	*Bolt, Button Head	3		WF010001-	M6X18
6		0565 060 25	*Screw, Pan Head	2		WF010001-	M6X25
7		0594 060 00	*Washer, Flat	3		WF010001-	M6
8		0596 060 00	*Washer, Lock	3		WF010001-	M6
9		0593 060 00	*Washer, Flat	2		WF010001-	M6
10		0590 060 00	*Washer, Lock	2		WF010001-	M6
11		D419 308 00	*Bracket	1		WF010001-	
12		D418 302 00	*Bracket	1		WF010001-	
13		D495 774 00	*Lever	1		WF010001-	
14		D418 190 00	*Bracket	1		WF010001-	
15		D017 225 00	*Pin	1		WF010001-	
16		4040 867 00	*Spacer	2		WF010001-	
17		0618 120 20	*Bushing	2		WF010001-	
18		0618 116 15	*Bushing	2		WF010001-	
19		D170 052 00	*Spring	1		WF010001-	
20		0652 253 UA	*Stay, Dumper	1		WF010001-	
21		0858 314 15	*Switch, Limit	1		WF010001-	
22		0493 560 09	*Ring "E"	2		WF010001-	
23		4016 030 04	*Pin, Snap	4		WF010001-	
24		0493 510 16	*Ring, Snap	1		WF010001-	d=16
25		0517 080 20	*Bolt, Treatment (W/L.W, F.W)	1		WF010001-	M8X20
26		0517 060 16	*Bolt, Treatment (W/L.W, F.W)	2		WF010001-	M6X16
27		0517 060 12	*Bolt, Treatment (W/L.W, F.W)	2		WF010001-	M6X12
28		0593 080 00	*Washer, Flat	2		WF010001-	M8
29		0690 202 50	*Pad, Rubber	1		WF010001-	
30		0548 120 00	*Nut, Half	1		WF010001-	M12
31		0690 082 08	*Band, Cable	1		WF010001-	
32		D495 577 00	*Lever	2		WF010001-	
33		D042 040 00	*Collar	2		WF010001-	
34		0690 283 40	*Grip (W/Switch)	1		WF010001-	
35		D040 178 00	*Spacer	2		WF010001-	
36		0580 140 00	*Nut, Hex.	2		WF010001-	M14
37		0565 040 12	*Screw, Pan Head	4		WF010001-	M4X12
38		0820 067 07	*Band, Cable	1		WF010001-	
39		D592 290 00	*Harness	1		WF010001-	
40		0690 082 08	*Clamp, Hose	2		WF010001-	
41		0690 283 41	*Grip	1		WF010001-	
42		D408 281 00	*Seal	2		WF010001-	
43		D480 009 00	*Rest, Arm	2		WF010001-	

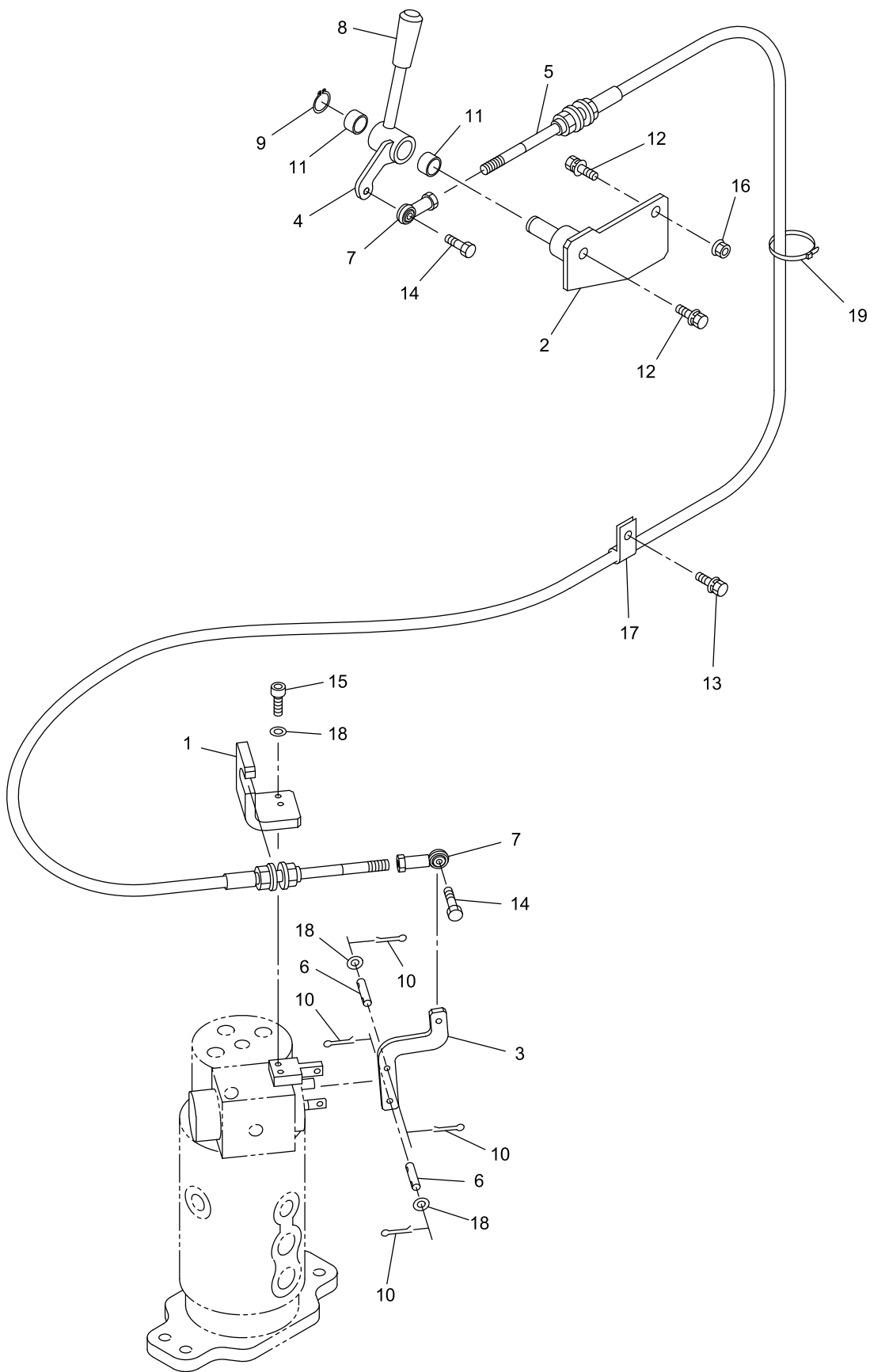
KEY No.	SU P.	PART No.	DESCRIPTION	Q'TY	CHAN .	SERIAL No.	REMARKS
44		D418 139 00	*Bracket	2		WF010001-	
45		0519 080 20	*Bolt, Treatment (W/L.W)	4		WF010001-	M8X20
46		D004 049 02	*Bolt, Button Head	4		WF010001-	M8X30
47		0521 080 00	*Nut, Hex..(W/F.W)	4		WF010001-	M8
48		0690 283 85	*Grip	1		WF010001-	
49		D495 843 00	*Lever	2		WF010001-	
50		0494 608 40	*Pin, Spring	2		WF010001-	d=5X40
51		0820 514 UA	*Connector	1		WF010001-	
52		0820 067 03	*Band, Cable	1		WF010001-	
53		0690 283 82	*Grip (W/Switch)	1		WF010001-	
54		0820 513 UA	*Connector	1		WF010001-	
55		0690 082 08	*Clamp, Hose	2		WF010001-	

[Memo]



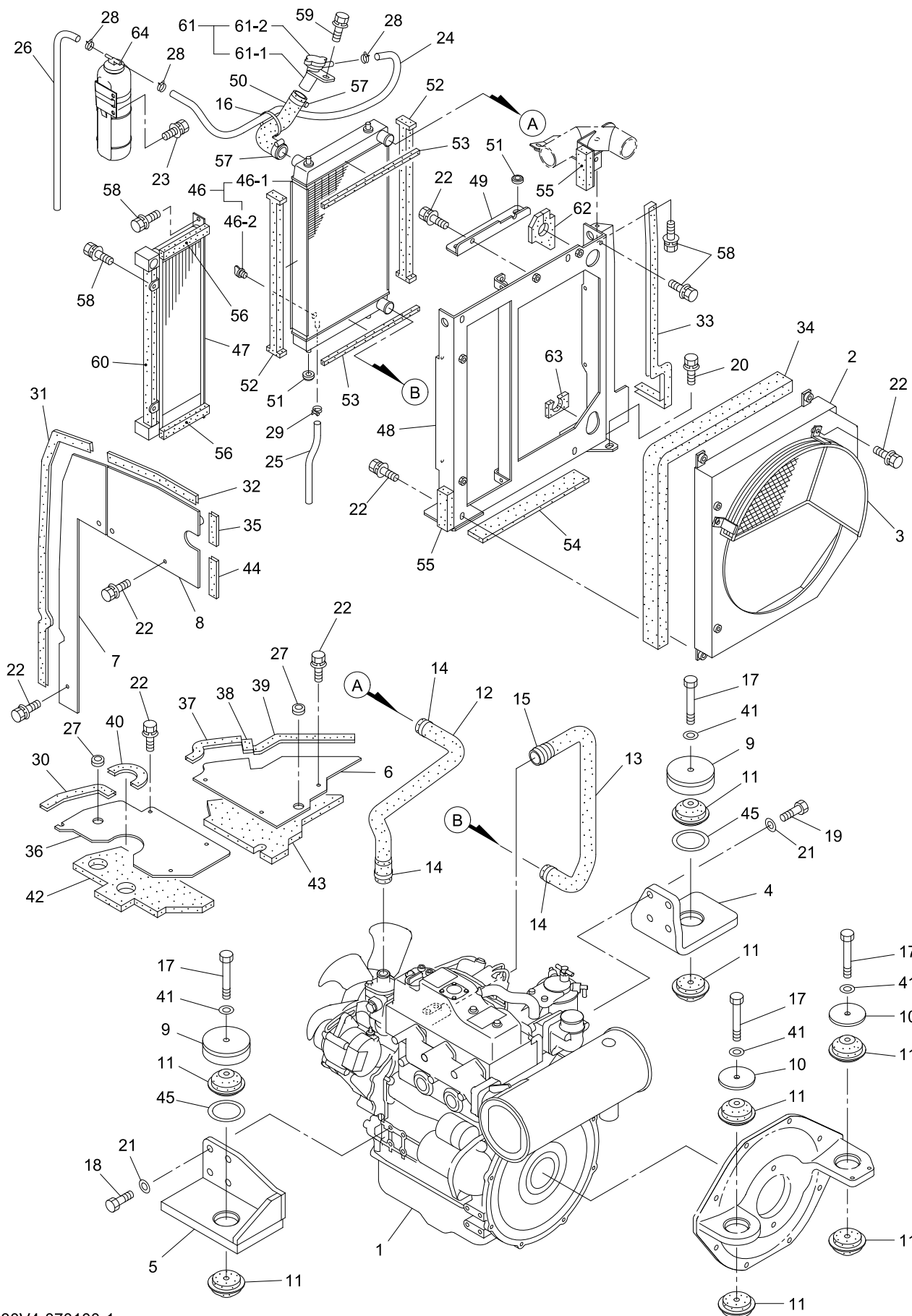
25V4-060300-1

KEY No.	SU P.	PART No.	DESCRIPTION	Q'TY	CHAN	SERIAL No.	REMARKS
0	×	F342 660 00	Control Ass'y, Blade & Boom Swing	1		WF010001-	
0-1	×	F361 720 00	Control Ass'y, Blade & Boom Swing	1		WF010001-	
1		4070 548 64	*Hose Ass'y	1		WF010001-	L=270
2		4070 551 20	*Hose Ass'y	1		WF010001-	L=550
3		4070 548 01	*Hose Ass'y	1		WF010001-	L=1900
3-1	☆	D407 818 01	*Decal (BA)	2		WF010001-	D407 818 00
4		4070 548 18	*Hose Ass'y	1		WF010001-	L=1050
5		4070 548 40	*Hose Ass'y	1		WF010001-	L=1650
5-1	☆	D407 818 02	*Decal (BB)	2		WF010001-	D407 818 00
6		4070 548 58	*Hose Ass'y	1		WF010001-	L=880
7		D060 028 00	*Elbow	1		WF010001-	
8		0713 700 70	*Connector	2		WF010001-	
9		0710 122 09	*Elbow	5		WF010001-	
10		0760 710 12	*Ring, 0	10		WF010001-	P11-90B
11	#	0783 965 UA	*Valve Ass'y, Pilot	2		WF010001-	Sh. No. 5-15
12		D495 808 00	*Lever	1		WF010001-	
13		0690 283 81	*Grip (W/Switch)	1		WF010001-	
14		D181 002 00	*Boots	1		WF010001-	
15		0517 080 20	*Bolt, Treatment (W/L.W, F.W)	2		WF010001-	M8X20
16		0517 080 16	*Bolt, Treatment (W/L.W, F.W)	2		WF010001-	M8X16
17		0565 040 08	*Screw, Pan Head	2		WF010001-	M4X8
18		0820 067 03	*Band, Cable	1		WF010001-	
19		0710 121 00	*Elbow, 45	2		WF010001-	
20		0518 100 25	*Bolt, Treatment (W/L.W, F.W)	4		WF010001-	M10X25 P=1.25
21		0517 080 16	*Bolt, Treatment (W/L.W, F.W)	2		WF010001-	M8X16
22		D419 286 00	*Bracket	1		WF010001-	
23		D501 075 00	*Pedal	1		WF010001-	



35V4-060400-1

KEY No.	SU P.	PART No.	DESCRIPTION	Q'TY	CHAN	SERIAL No.	REMARKS
0	×	F361 708 00	Shift Lever Ass'y, Blade & Crawler Expansion	1		WF010001-	
1		D419 199 00	*Bracket	1		WF010001-	
2		D419 434 00	*Bracket	1		WF010001-	
3		D495 724 00	*Lever	1		WF010001-	
4		D495 850 00	*Lever	1		WF010001-	
5		0690 511 46	*Cable, Control	1		WF010001-	
6		4012 541 00	*Pin	2		WF010001-	
7		0651 051 06	*End, Rod	2		WF010001-	
8		0690 283 20	*Grip	1		WF010001-	
9		0493 510 16	*Ring, Snap	1		WF010001-	d=16
10		0599 010 15	*Pin, Cotter	4		WF010001-	d=1.6X15
11		0618 116 15	*Bushing	2		WF010001-	
12		0518 100 20	*Bolt, Treatment (W/L.W, F.W)	2		WF010001-	M10X20 P=1.25
13		0517 080 20	*Bolt, Treatment (W/L.W, F.W)	1		WF010001-	M8X20
14		0513 060 16	*Bolt, Treatment	2		WF010001-	M6X16
15		0562 050 25	*Bolt, Socket Head	2		WF010001-	M5X25
16		0524 100 00	*Nut, Hex. (W/F.W)	1		WF010001-	M10 P=1.25
17		4080 000 08	*Clamp, Hose	1		WF010001-	
18		0593 050 00	*Washer, Flat	4		WF010001-	M5
19		0820 067 03	*Band, Cable	1		WF010001-	

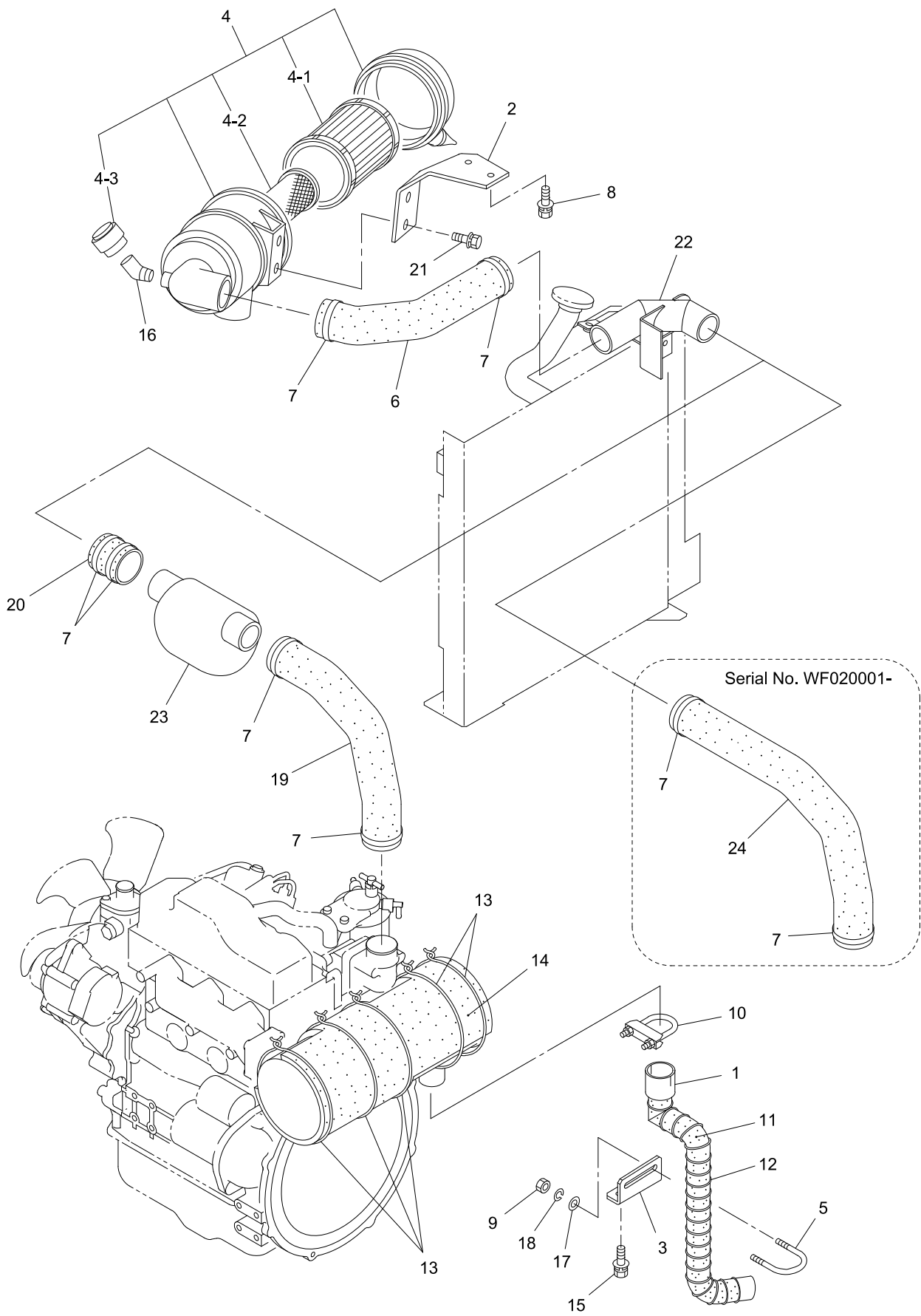


30V4-070100-1

KEY No.	SU P.	PART No.	DESCRIPTION	Q'TY	CHAN	SERIAL No.	REMARKS
0	×	F330 682 00	Engine & Accessories	1		WF010001-	
1		0676 255 UA	*Engine Ass'y	1		WF010001- WF020000	3TNV88
1-1		0676 256 UA	*Engine Ass'y (35V4F)	1		WF020001- 29999	3TNV88F-ESIK
2		D470 740 00	*Guide, Fan	1		WF010001-	
3		0668 502 19	*Guard, Fan	1		WF010001-	
4		D419 254 00	*Bracket	1		WF010001-	
5		D419 255 00	*Bracket	1		WF010001-	
5-1		D419 518 00	*Bracket (For A/C)	1		WF010001-	
6		D419 141 00	*Bracket	1		WF010001-	
7		D458 456 00	*Cover	1		WF010001-	
8		D458 579 00	*Cover	1		WF010001-	
9		D481 023 00	*Holder	2		WF010001-	
10		D006 132 00	*Washer	2		WF010001-	
11		0910 931 34	*Rubber, Cushion	8		WF010001-	
12		0775 551 86	*Hose, Radiator	1		WF010001-	
13		0775 551 87	*Hose, Radiator	1		WF010001-	
14		0690 083 08	*Clamp, Hose	3		WF010001-	
15		0690 083 09	*Clamp, Hose	1		WF010001-	
16		0820 067 10	*Band, Cable	1		WF010001-	
17		0513 121 00	*Bolt, Treatment	4		WF010001-	M12X100
18		0513 100 25	*Bolt, Treatment	4		WF010001-	M10X25
19		0513 100 30	*Bolt, Treatment	4		WF010001-	M10X30
20		0518 100 20	*Bolt, Treatment (W/L.W, F.W)	4		WF010001-	M10X20 P=1.25
21		0595 100 00	*Washer, Treatment	8		WF010001-	M10
22		0517 080 20	*Bolt, Treatment (W/L.W, F.W)	18		WF010001-	M8X20
23		0517 080 12	*Bolt, Treatment (W/L.W, F.W)	2		WF010001-	M8X12
24		0779 002 97	*Hose	M		WF010001-	L=650
25		0779 002 97	*Hose	M		WF010001-	L=280
26		4070 307 03	*Hose, Fuel	M		WF010001-	L=750
27		0910 941 42	*Grommet	2		WF010001-	
28		0690 081 91	*Clamp, Hose	3		WF010001-	
29		0690 081 56	*Clamp, Hose	1		WF010001-	
30		0910 870 05	*Seal	M		WF010001-	L=175
31		0910 870 05	*Seal	M		WF010001-	L=790
32		0910 870 05	*Seal	M		WF010001-	L=270
33		0910 870 05	*Seal	M		WF010001-	L=670
34		D493 524 00	*Panel, Sponge	1		WF010001-	
35		0910 870 05	*Seal	M		WF010001-	L=70
36		D458 458 00	*Cover	1		WF010001-	
36-1		D419 201 00	*Cover (For A/C)	1		WF010001-	
37		0910 870 05	*Seal	M		WF010001-	L=150
38		0910 870 05	*Seal	M		WF010001-	L=40
39		0910 870 05	*Seal	M		WF010001-	L=230

KEY No.	SU P.	PART No.	DESCRIPTION	Q'TY	CHAN	SERIAL No.	REMARKS
40		0910 870 05	*Seal	M		WF010001-	L=140
41		0595 120 00	*Washer, Treatment	4		WF010001-	M12
42		D493 648 00	*Panel, Sponge	1		WF010001-	
42-1		D493 697 00	*Panel, Sponge (For A/C)	1		WF010001-	
43		D493 649 00	*Panel, Sponge	1		WF010001-	
44		0910 870 05	*Seal	M		WF010001-	L=90
45		D007 246 00	*Shim	2		WF010001-	
46		0668 248 UA	*Radiator Ass'y	1		WF010001-	
46-1		0668 248 01	**Radiator	1		WF010001-	
46-2		0668 248 02	**Plug, Drain	1		WF010001-	
47		0667 800 UA	*Cooler Ass'y, Oil	1		WF010001-	
48		D206 870 00	*Frame	1		WF010001-	
49		D418 847 00	*Bracket	1		WF010001-	
50		0775 551 85	*Hose, Radiator	1		WF010001-	
51		D580 182 00	*Pad	4		WF010001-	
52		D493 495 00	*Panel, Sponge	2		WF010001-	
53		D493 488 00	*Panel, Sponge	2		WF010001-	
54		D493 520 00	*Panel, Sponge	1		WF010001-	
55		D493 672 00	*Panel, Sponge	2		WF010001-	
56		D493 525 00	*Panel, Sponge	2		WF010001-	
57		0690 083 08	*Clamp, Hose	2		WF010001-	
58		0517 080 16	*Bolt, Treatment (W/L.W, F.W)	6		WF010001-	M8X16
59		0517 060 16	*Bolt, Treatment (W/L.W, F.W)	1		WF010001-	M6X16
60		D493 726 00	*Panel, Sponge	1		WF010001-	
61		0668 249 UA	*Opering, Filler	1		WF010001-	
61-1		0668 249 01	**Neck, Filler	1		WF010001-	
61-2		0668 249 02	**Radiator, Cap	1		WF010001-	
62		D493 647 00	*Panel, Sponge	1		WF010001-	
63		D493 652 00	*Panel, Sponge	1		WF010001-	
64		Y171064 44510	*Tank, Surge	1		WF010001-	YANMAR
64-1		Y124450 44550	*Clamp	1		WF010001-	YANMAR
64-2		Y121256 44600	*Bracket	1		WF010001-	YANMAR

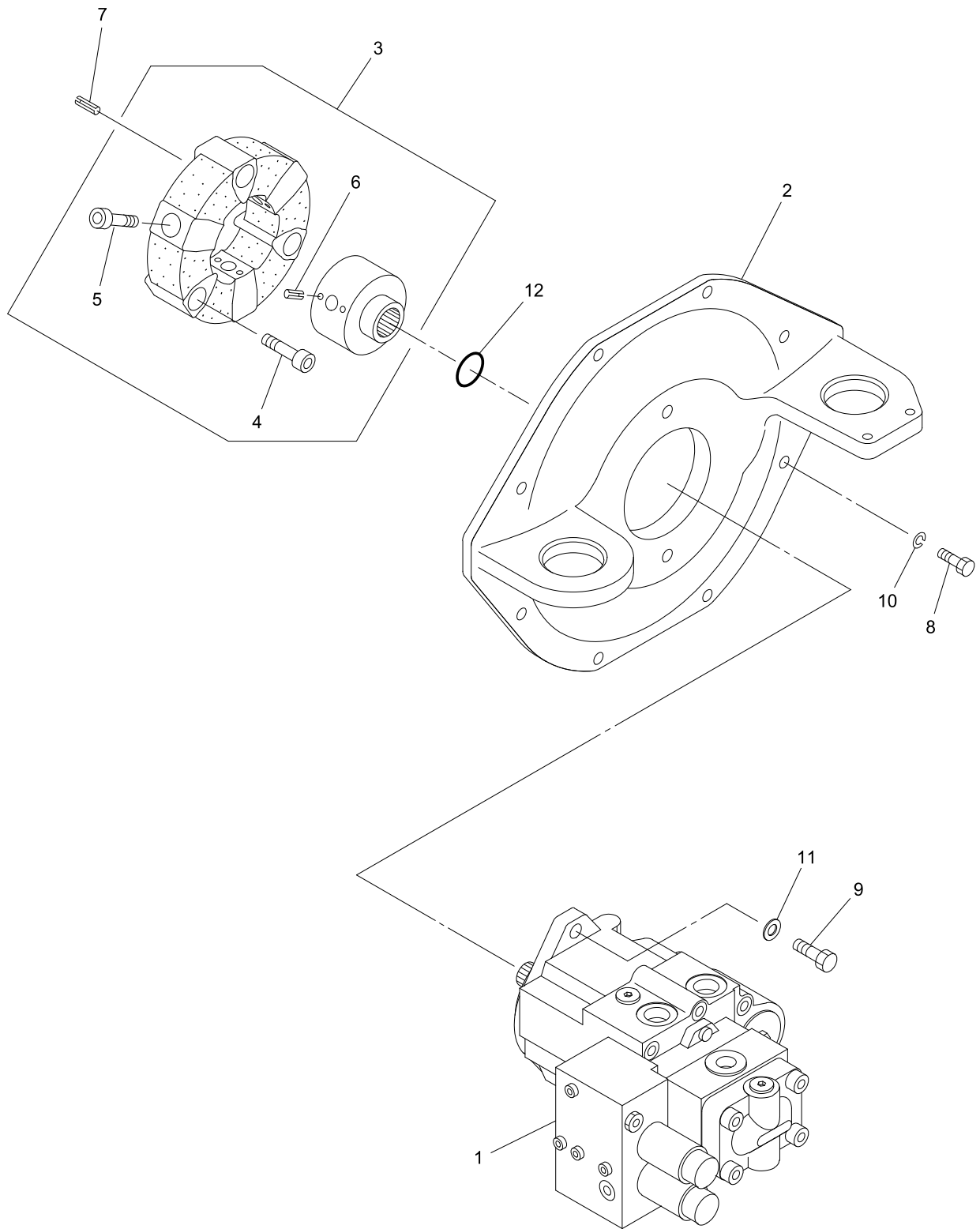
[Memo]



35V4-070200-1

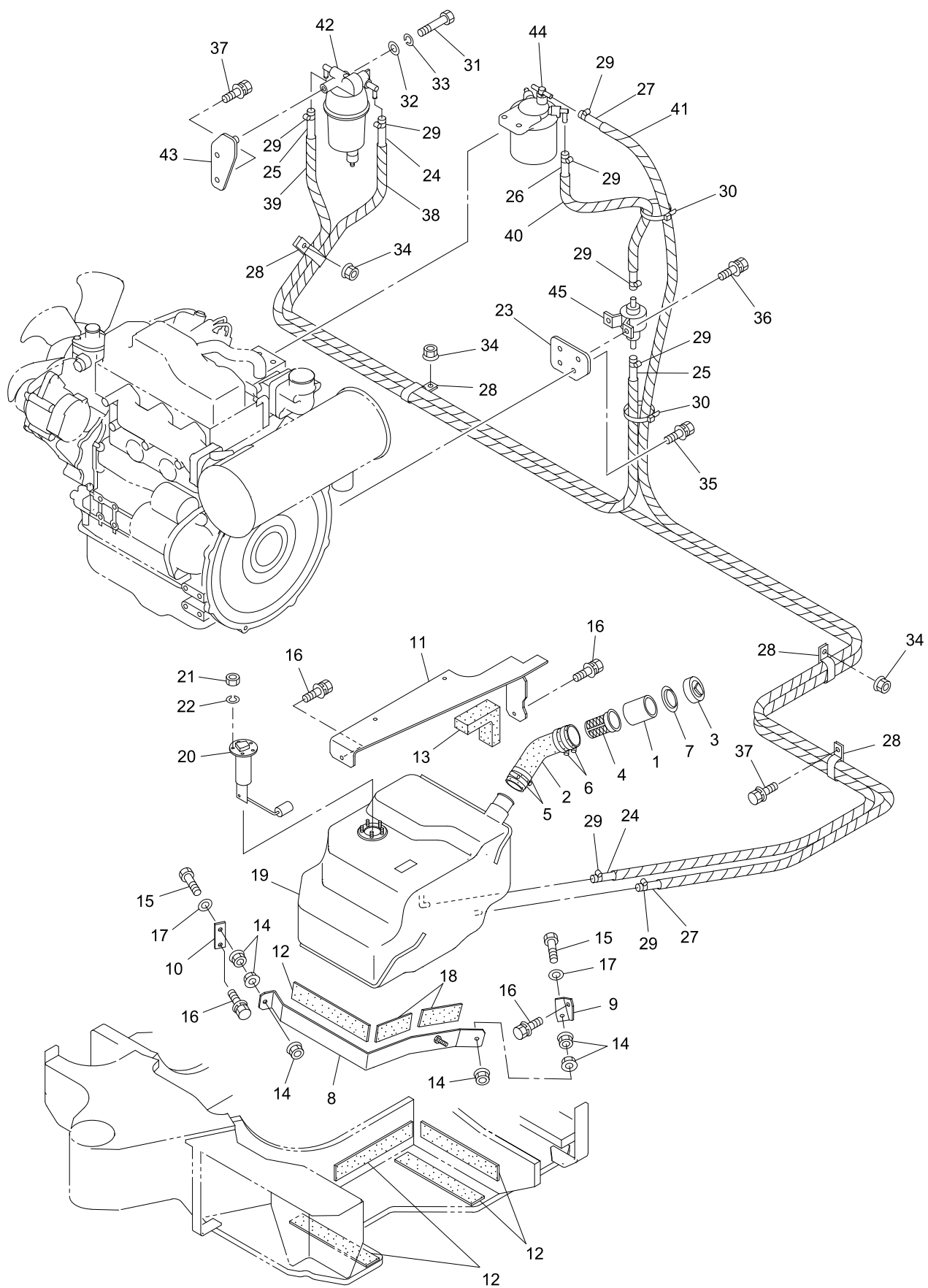
KEY No.	SU P.	PART No.	DESCRIPTION	Q'TY	CHAN	SERIAL No.	REMARKS
0	×	F330 682 00	Air Cleaner & Muffler Ass'y	1		WF010001-	
1		D584 143 00	*Pipe, Tail	1		WF010001-	
2		D418 899 00	*Bracket	1		WF010001-	
3		D419 264 00	*Bracket	1		WF010001-	
4		0745 266 UA	*Cleaner, Air	1		WF010001-	
4-1		0745 266 08	**Element Ass'y	1		WF010001-	
4-2		0745 266 09	**Element Ass'y (Inner)	1		WF010001-	
4-3		0745 266 02	**Indicator	1		WF010001-	
5		4003 001 00	*Bolt, U	1		WF010001-	
6		0779 005 32	*Hose, Air Cleaner	1		WF010001-	
7		0690 083 12	*Clamp, Hose	6		WF010001-	
8		0518 100 20	*Bolt, Treatment (W/L.W, F.W)	2		WF010001-	M10X20 P=1.25
9		0580 080 00	*Nut, Hex.	2		WF010001-	M8
10		0690 089 11	*Clamp, Hose	1		WF010001-	
11		4459 598 00	*Tape, Insulating	1		WF010001-	
12		0322 108 99	*Wire	M		WF010001-	L=1000
13		0322 108 99	*Wire	M		WF010001-	L=600X5
14		D468 251 00	*Panel	1		WF010001-	
15		0517 080 20	*Bolt, Treatment (W/L.W, F.W)	2		WF010001-	M8X20
16		0710 124 01	*Elbow, 45	1		WF010001-	
17		0595 080 00	*Washer, Treatment	2		WF010001-	M8
18		0590 080 00	*Washer, Lock	2		WF010001-	M8
19		0779 005 36	*Hose, Air Cleaner	1		WF010001- WF020000	
20		D070 313 00	*Hose	1		WF010001- WF020000	
21		0517 080 25	*Bolt, Treatment (W/L.W, F.W)	2		WF010001-	M8X25
22		D522 280 00	*Duct	1		WF010001-	
23		Y121855 12060	*Resonator	1		WF010001- WF020000	
24		0779 005 34	*Hose, Air Cleaner (EPA Regulation)	1		WF020001-	

074526604 Air Cleaner Cap



30V4-070300-1

KEY No.	SU P.	PART No.	DESCRIPTION	Q'TY	CHAN	SERIAL No.	REMARKS
0	×	F330 680 00	Dribve Device, Oil Pump	1		WF010001-	
1	#	0780 164 UA	*Pump Ass'y, Oil	1		WF010001-	Sh. No. 5-7
2		D230 061 00	*Flange, Pump	1		WF010001-	
3		0651 483 UA	*Coupling Ass'y	1		WF010001-	
4		0562 120 35	**Bolt, Socket Head	3		WQ010001-	M12X35
5		0562 120 40	**Bolt, Socket Head	3		WQ010001-	M12X40
6		0494 606 10	**Pin, Spring	6		WQ010001-	d=5X10
7		0494 608 16	*Pin, Spring	3		WF010001-	d=5X16
8		0513 100 25	*Bolt, Treatment	8		WF010001-	M10X25
9		0513 120 35	*Bolt, Treatment	2		WF010001-	M12X35
10		0590 100 00	*Washer, Lock	8		WF010001-	M10
11		0595 120 00	*Washer, Treatment	2		WF010001-	M12
12		0760 710 19	*Ring, O	1		WF010001-	P18-90B

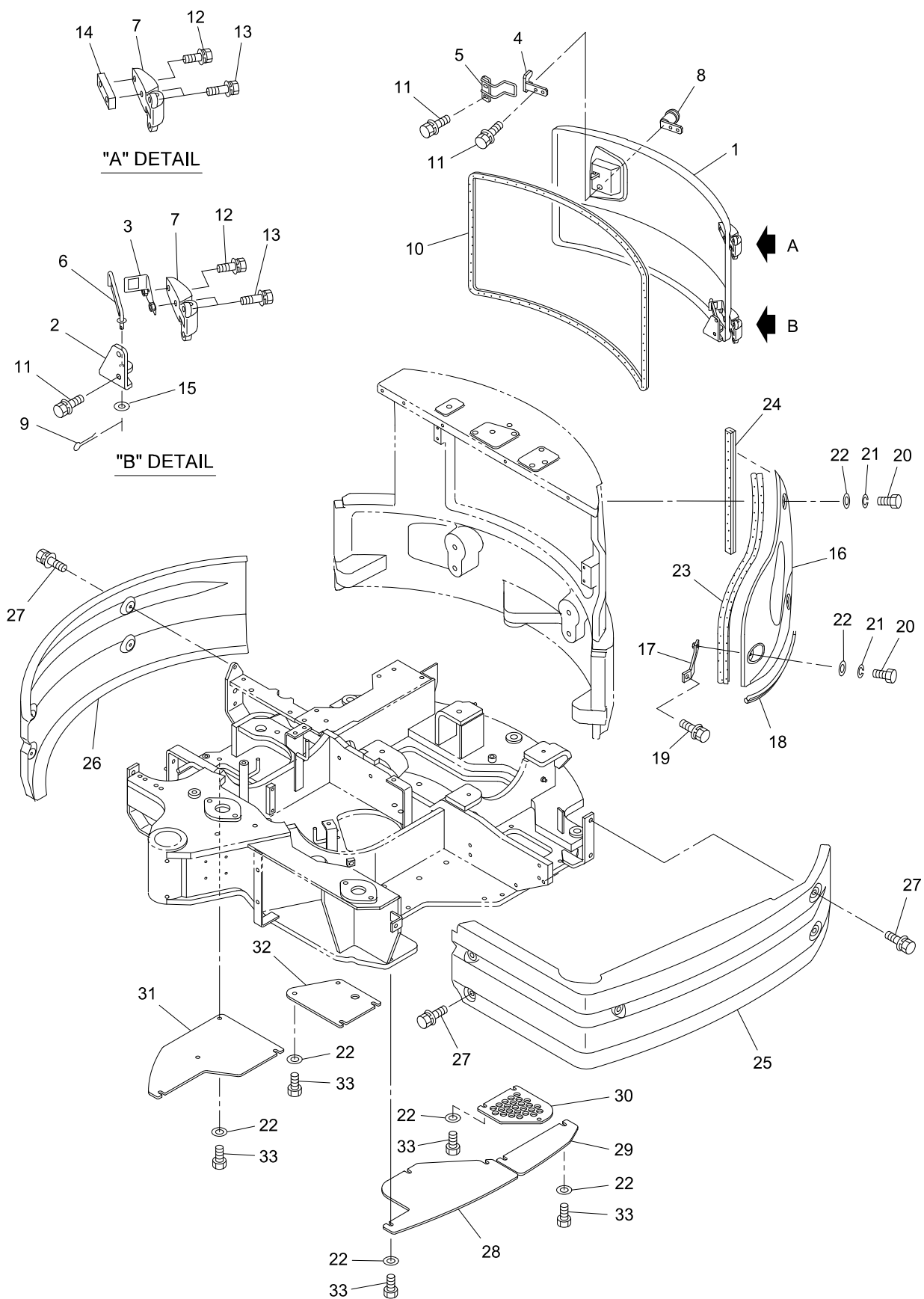


30V4-070400-1

KEY No.	SU P.	PART No.	DESCRIPTION	Q'TY	CHAN	SERIAL No.	REMARKS
0	×	F337 317 00	Tank Ass'y, Fuel	1		WF010001-	
0-1	×	F337 320 00	Piping Ass'y, Fuel	1		WF010001-	
1		0729 910 80	*Filter	1		WF010001-	
2		D070 573 00	*Hose	1		WF010001-	
3		0729 910 73	*Cap	1		WF010001-	
4		0729 910 60	*Strainer	1		WF010001-	
5		0690 083 12	*Clamp, Hose	2		WF010001-	
6		0690 083 14	*Clamp, Hose	2		WF010001-	
7		D550 063 00	*Seal	1		WF010001-	
8		D083 153 00	*Clamp	1		WF010001-	
9		D418 836 00	*Bracket	1		WF010001-	
10		D419 218 00	*Bracket	1		WF010001-	
11		D206 872 00	*Frame	1		WF010001-	
12		D433 496 00	*Plate, Rubber	5		WF010001-	
13		D493 651 00	*Panel, Sponge	1		WF010001-	
14		0521 080 00	*Nut, Hex.(W/F.W)	6		WF010001-	M8
15		0551 080 60	*Bolt, Hex.(Full-Thread)	2		WF010001-	M8X60
16		0518 100 20	*Bolt, Treatment (W/L.W, F.W)	4		WF010001-	M10X20 P=1.25
17		0593 080 00	*Washer, Flat	2		WF010001-	M8
18		D433 504 00	*Plate, Rubber	2		WF010001-	
19		D284 220 00	*Tank, Fuel	1		WF010001-	
20		0857 909 UA	*Gauge, Fuel	1		WF010001-	
21		0580 050 00	*Nut, Hex.	5		WF010001-	M5
22		0590 050 00	*Washer, Lock	5		WF010001-	M5
23		D418 867 00	*Bracket	1		WF010001-	
24		4070 245 27	*Hose, Fuel	M		WF010001-	L=2100
25		4070 245 31	*Hose, Fuel	M		WF010001-	L=1250
26		4070 245 53	*Hose, Fuel	M		WF010001-	L=260
27		4070 245 58	*Hose, Fuel	M		WF010001-	L=1350
28		4080 000 29	*Clamp, Hose	4		WF010001-	
29		0690 083 03	*Clamp, Hose	8		WF010001-	
30		0820 067 04	*Band, Cable	2		WF010001-	
31		0550 080 70	*Bolt, Hex.	1		WF010001-	M8X70
32		0593 080 00	*Washer, Flat	1		WF010001-	M8
33		0590 080 00	*Washer, Lock	1		WF010001-	M8
34		0524 100 00	*Nut, Hex. (W/F.W)	3		WF010001-	M10 P=1.25
35		0517 080 20	*Bolt, Treatment (W/L.W, F.W)	2		WF010001-	M8X20
36		0517 060 16	*Bolt, Treatment (W/L.W, F.W)	2		WF010001-	M6X16
37		0518 100 20	*Bolt, Treatment (W/L.W, F.W)	3		WF010001-	M10X20 P=1.25
38		0820 803 04	*Tube, Corrugate	M		WF010001-	L=2000
39		0820 803 04	*Tube, Corrugate	M		WF010001-	L=1150
40		0820 803 04	*Tube, Corrugate	M		WF010001-	L=160
41		0820 803 04	*Tube, Corrugate	M		WF010001-	L=1250

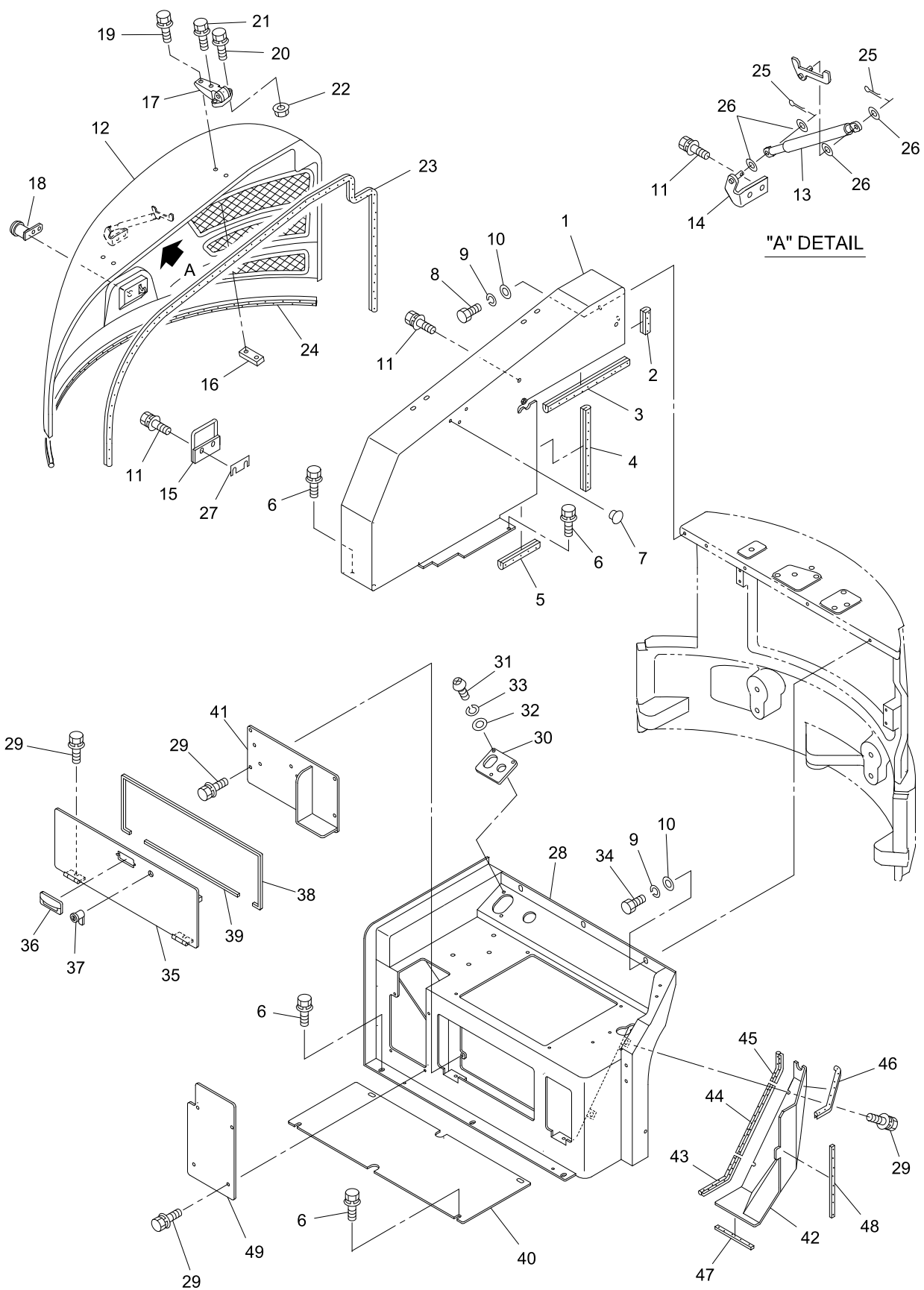
KEY No.	SU P.	PART No.	DESCRIPTION	Q'TY	CHAN	SERIAL No.	REMARKS
42		0857 914 UA	*Sedimenter, Water	1		WF010001-	
42-1		0857 914 11	**Element Ass'y	1		WF010001-	
43		D419 026 00	*Bracket	1		WF010001-	
44		Y119802 55801	*Cartridge, Fuel Filter	1		WF010001-	YANMAR
45		Y119225 52102	*Pump, Fuel	1		WF010001-	YANMAR

[Memo]



30V4-080100-1

KEY No.	SU P.	PART No.	DESCRIPTION	Q'TY	CHAN	SERIAL No.	REMARKS
0	×	F355 195 00	Cover Ass'y	1		WF010001-	
0-1	×	F361 721 00	Cover Ass'y	1		WF010001-	
1		D458 054 00	*Cover	1		WF010001-	
2		D419 542 00	*Bracket	1		WF010001-	
3		D418 908 00	*Bracket	1		WF010001-	
4		D418 909 00	*Bracket	1		WF010001-	
5		D418 910 00	*Bracket	1		WF010001-	
6		D260 552 00	*Stay	1		WF010001-	
7		0690 016 19	*Hinge	2		WF010001-	
8		0690 220 91	*Lock Ass'y	1		WF010001-	
9		0599 010 15	*Pin, Cotter	1		WF010001-	d=1.6X15
10		0910 870 05	*Seal	M		WF010001-	L=2440
11		0517 080 16	*Bolt, Treatment (W/L.W, F.W)	6		WF010001-	M8X16
12		0517 080 30	*Bolt, Treatment (W/L.W, F.W)	2		WF010001-	M8X30
13		0517 080 35	*Bolt, Treatment (W/L.W, F.W)	6		WF010001-	M8X35
14		D400 273 00	*Plate	1		WF010001-	
15		0593 060 00	*Washer, Flat	1		WF010001-	M6
16		D458 195 00	*Cover	1		WF010001-	
17		D418 941 00	*Bracket	1		WF010001-	
18		0910 870 05	*Seal	M		WF010001-	L=465
19		0518 100 25	*Bolt, Treatment (W/L.W, F.W)	1		WF010001-	M10X25 P=1.25
20		0550 100 20	*Bolt, Hex.	3		WF010001-	M10X20
21		0590 100 00	*Washer, Lock	3		WF010001-	M10
22		0593 100 00	*Washer, Flat	19		WF010001-	M10
23		0910 870 05	*Seal	M		WF010001-	L=850
24		4550 519 00	*Seal	M		WF010001-	L=460
25		D458 055 00	*Cover	1		WF010001-	
26		D458 056 00	*Cover	1		WF010001-	
27		0518 100 20	*Bolt, Treatment (W/L.W, F.W)	9		WF010001-	M10X20 P=1.25
28		D458 283 00	*Cover	1		WF010001-	
29		D458 284 00	*Cover	1		WF010001-	
30		D458 301 00	*Cover	1		WF010001-	
31		D458 286 00	*Cover	1		WF010001-	
32		D458 454 00	*Cover	1		WF010001-	
33		0480 100 20	*Bolt, Treatment (W/Flange)	16		WF010001-	M10X20 P=1.25

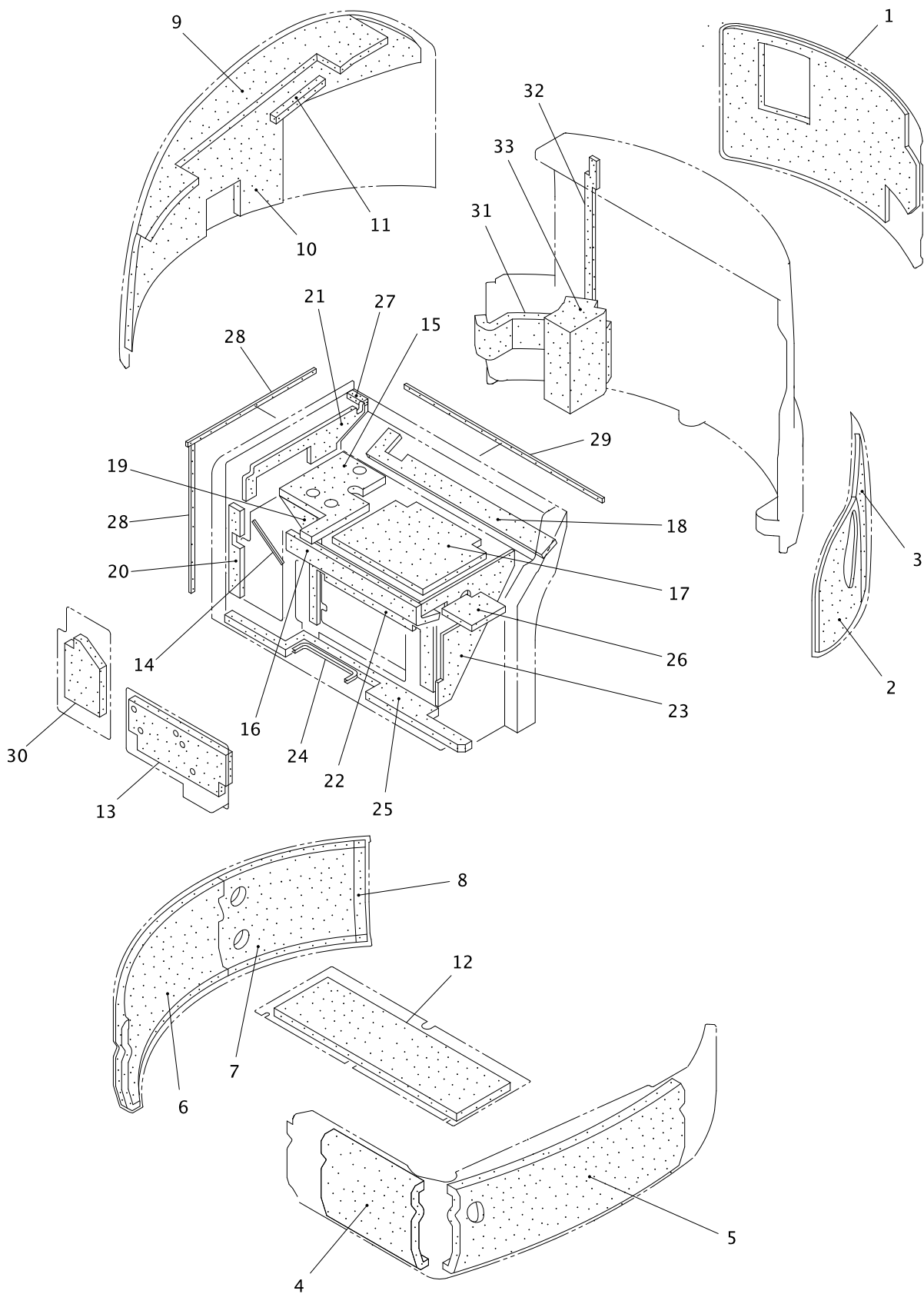


35V4-080200-1

KEY No.	SU P.	PART No.	DESCRIPTION	Q'TY	CHAN	SERIAL No.	REMARKS
0	×	F355 195 00	Cover Ass'y	1		WF010001-	
0-1	×	F361 721 00	Cover Ass'y	1		WF010001-	
1		D458 583 00	*Cover	1		WF010001-	
2		4550 519 00	*Seal	M		WF010001-	L=80
3		4550 519 00	*Seal	M		WF010001-	L=375
4		4550 519 00	*Seal	M		WF010001-	L=350
5		4550 519 00	*Seal	M		WF010001-	L=95
6		0518 100 25	*Bolt, Treatment (W/L.W, F.W)	21		WF010001-	M10X25 P=1.25
7		0690 201 08	*Plug, Hole	3		WF010001-	
8		0550 100 25	*Bolt, Hex.	2		WF010001-	M10X25
9		0590 100 00	*Washer, Lock	5		WF010001-	M10
10		0593 100 00	*Washer, Flat	5		WF010001-	M10
11		0518 100 20	*Bolt, Treatment (W/L.W, F.W)	6		WF010001-	M10X20 P=1.25
12		D458 071 00	*Cover	1		WF010001-	
13		0652 271 UA	*Stay, Dumper	1		WF010001-	
14		D418 927 00	*Bracket	1		WF010001-	
15		D419 451 00	*Bracket	1		WF010001-	
16		D400 273 00	*Plate	2		WF010001-	
17		0690 016 19	*Hinge	2		WF010001-	
18		0690 220 91	*Lock Ass'y	1		WF010001-	
19		0517 080 30	*Bolt, Treatment (W/L.W, F.W)	2		WF010001-	M8X30
20		0517 080 35	*Bolt, Treatment (W/L.W, F.W)	4		WF010001-	M8X35
21		0517 080 40	*Bolt, Treatment (W/L.W, F.W)	2		WF010001-	M8X40
22		0521 080 00	*Nut, Hex. (W/F.W)	4		WF010001-	M8
23		4550 726 00	*Seal	M		WF010001-	L=2060
24		0910 870 05	*Seal	M		WF010001-	L=1490
25		4016 030 04	*Pin, Snap	2		WF010001-	
26		0593 080 00	*Washer, Flat	4		WF010001-	M8
27		D007 147 00	*Shim	1		WF010001-	
28		D206 906 00	*Frame	1		WF010001-	
29		0517 080 20	*Bolt, Treatment (W/L.W, F.W)	12		WF010001-	M8X20
30		D418 969 00	*Bracket	1		WF010001-	
31		4004 364 01	*Bolt, Button Head	2		WF010001-	M6X18
32		0594 060 00	*Washer, Flat	2		WF010001-	M6
33		0596 060 00	*Washer, Lock	2		WF010001-	M6
34		0550 100 20	*Bolt, Hex.	3		WF010001-	M10X20
35		D458 236 00	*Cover	1		WF010001-	
36		0690 211 08	*Handle	1		WF010001-	
37		0690 220 92	*Lock Ass'y	1		WF010001-	
38		D551 006 01	*Seal	1		WF010001-	L=1000
39		D551 006 02	*Seal	1		WF010001-	L=410
40		D418 564 00	*Bracket	1		WF010001-	
41		D458 435 00	*Cover	1		WF010001-	

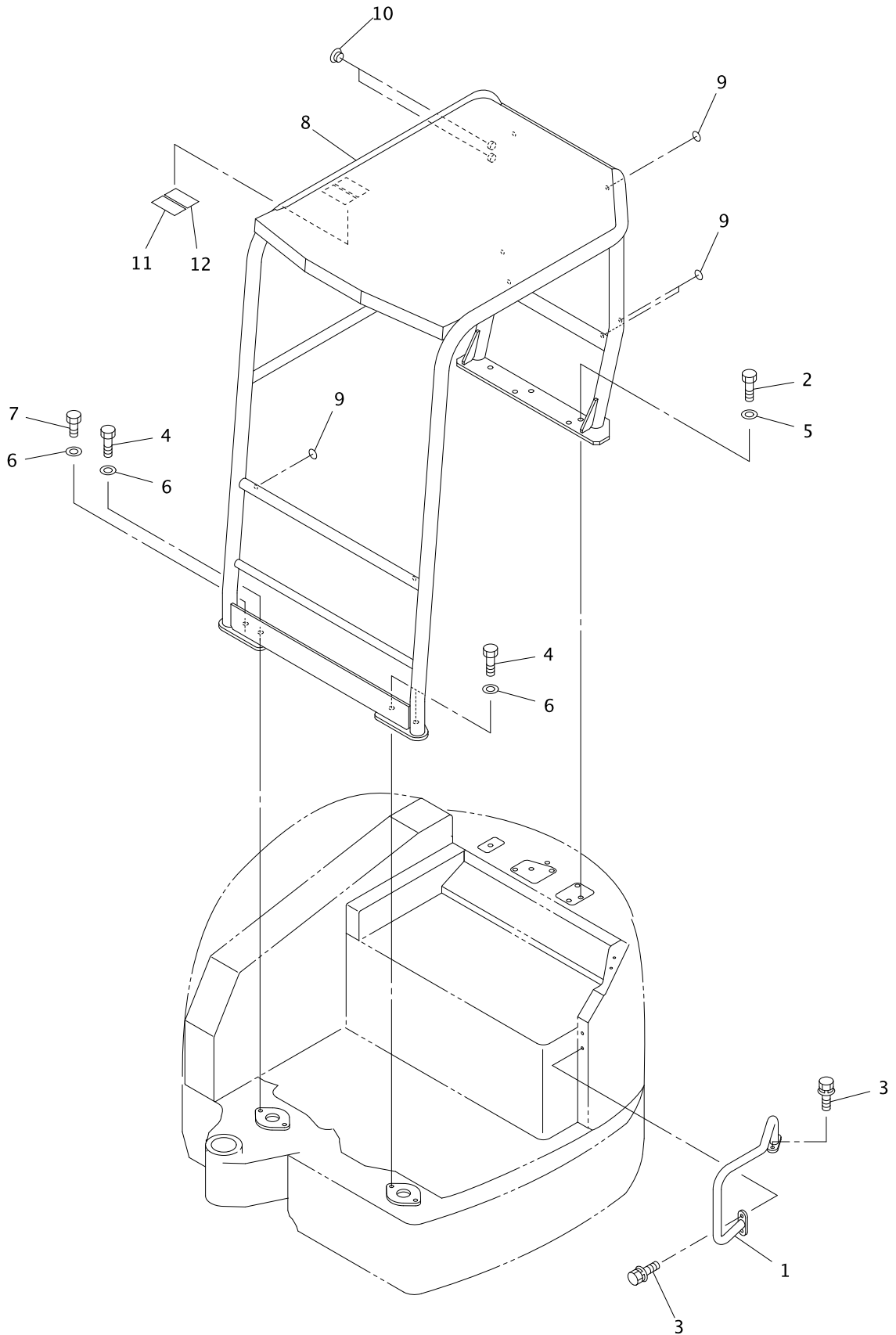
KEY No.	SU P.	PART No.	DESCRIPTION	Q'TY	CHAN .	SERIAL No.	REMARKS
42		D458 461 00	*Cover	1		WF010001-	
43		0910 870 05	*Seal	M		WF010001-	L=160
44		0910 870 05	*Seal	M		WF010001-	L=225
45		0910 870 05	*Seal	M		WF010001-	L=110
46		0910 870 05	*Seal	M		WF010001-	L=270
47		D551 009 04	*Seal	1		WF010001-	L=160
48		D551 009 05	*Seal	1		WF010001-	L=270
49		D458 514 00	*Cover	1		WF010001-	
49-1		D458 515 00	*Cover	1		WF010001-	For Car Heater

[Memo]



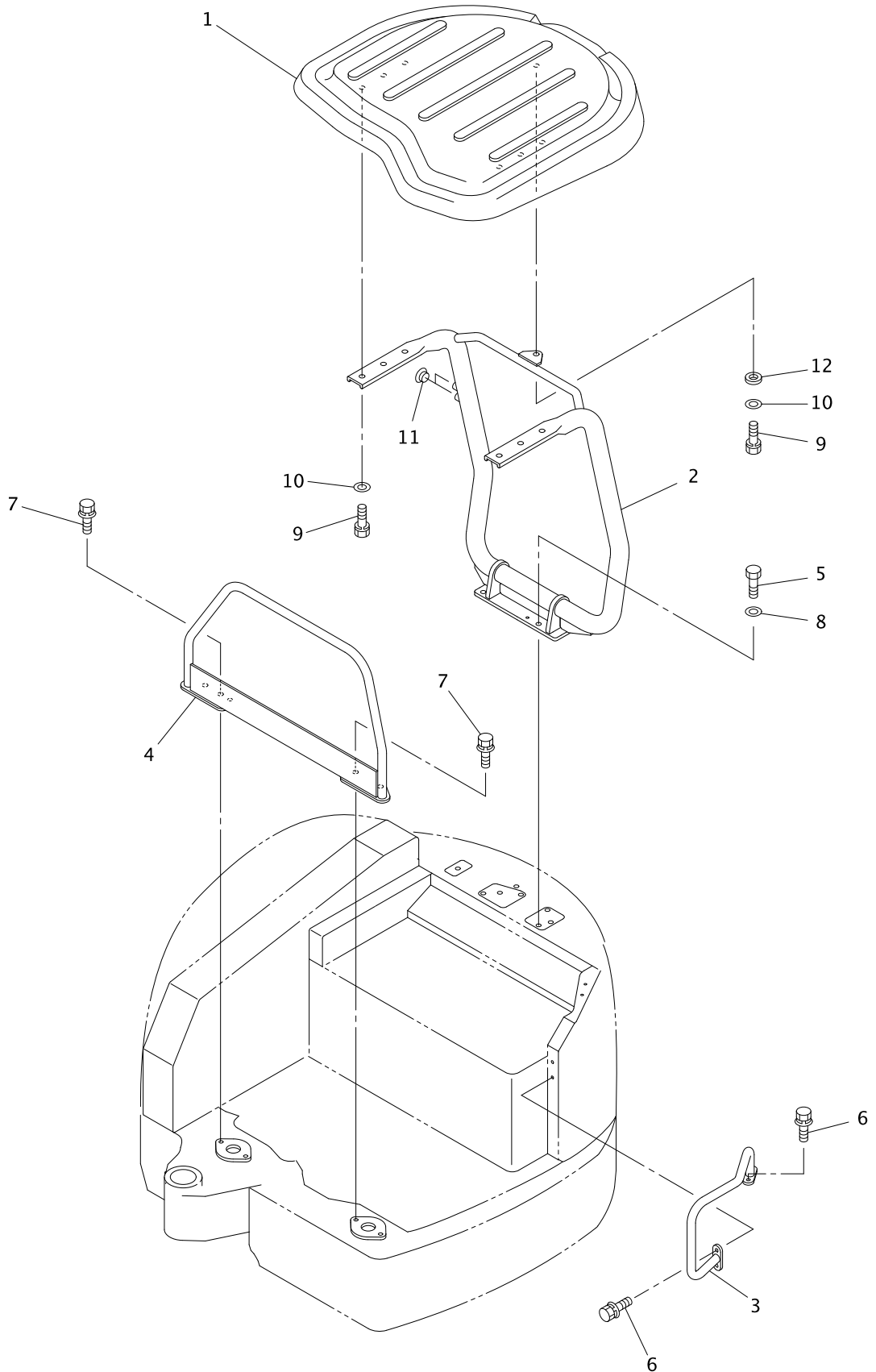
25V4-080300-1

KEY No.	SU P.	PART No.	DESCRIPTION	Q'TY	CHAN	SERIAL No.	REMARKS
0	×	F355 195 00	Absorbent Ass'y, Noise	1		WF010001-	
0-1	×	F361 718 00	Absorbent Ass'y, Noise	1		WF010001-	
0-2	×	F373 216 00	Absorbent Ass'y, Noise	1		WF010001-	
1		D493 506 00	*Panel, Sponge	1		WF010001-	
2		D493 671 00	*Panel, Sponge	1		WF010001-	
3		D493 673 00	*Panel, Sponge	1		WF010001-	
4		D493 675 00	*Panel, Sponge	1		WF010001-	
5		D493 511 00	*Panel, Sponge	1		WF010001-	
6		D493 512 00	*Panel, Sponge	1		WF010001-	
7		D493 513 00	*Panel, Sponge	1		WF010001-	
8		D493 514 00	*Panel, Sponge	1		WF010001-	
9		D493 670 00	*Panel, Sponge	1		WF010001-	
10		D493 669 00	*Panel, Sponge	1		WF010001-	
11		D493 674 00	*Panel, Sponge	1		WF010001-	
12		D493 434 00	*Panel, Sponge	1		WF010001-	
13		D493 639 00	*Panel, Sponge	1		WF010001-	
14		D551 007 01	*Seal	1		WF010001-	L=155
15		D493 462 00	*Panel, Sponge	1		WF010001-	
16		D493 463 00	*Panel, Sponge	1		WF010001-	
17		D493 478 00	*Panel, Sponge	1		WF010001-	
18		D493 654 00	*Panel, Sponge	1		WF010001-	
19		D493 480 00	*Panel, Sponge	1		WF010001-	
20		D493 481 00	*Panel, Sponge	1		WF010001-	
21		D493 482 00	*Panel, Sponge	1		WF010001-	
22		D493 483 00	*Panel, Sponge	1		WF010001-	
23		D493 484 00	*Panel, Sponge	1		WF010001-	
24		4550 519 00	*Seal	M		WF010001-	L=250
25		D493 653 00	*Panel, Sponge	1		WF010001-	
26		D493 679 00	*Panel, Sponge	1		WF010001-	
27		D493 680 00	*Panel, Sponge	1		WF010001-	
28		D551 009 06	*Panel, Sponge	2		WF010001-	
29		D551 009 07	*Panel, Sponge	1		WF010001-	
30		D493 721 00	*Panel, Sponge	1		WF010001-	
31		D493 634 00	*Panel, Sponge	1		WF010001-	
32		D493 664 00	*Panel, Sponge	1		WF010001-	
33		D493 666 00	*Panel, Sponge	1		WF010001-	



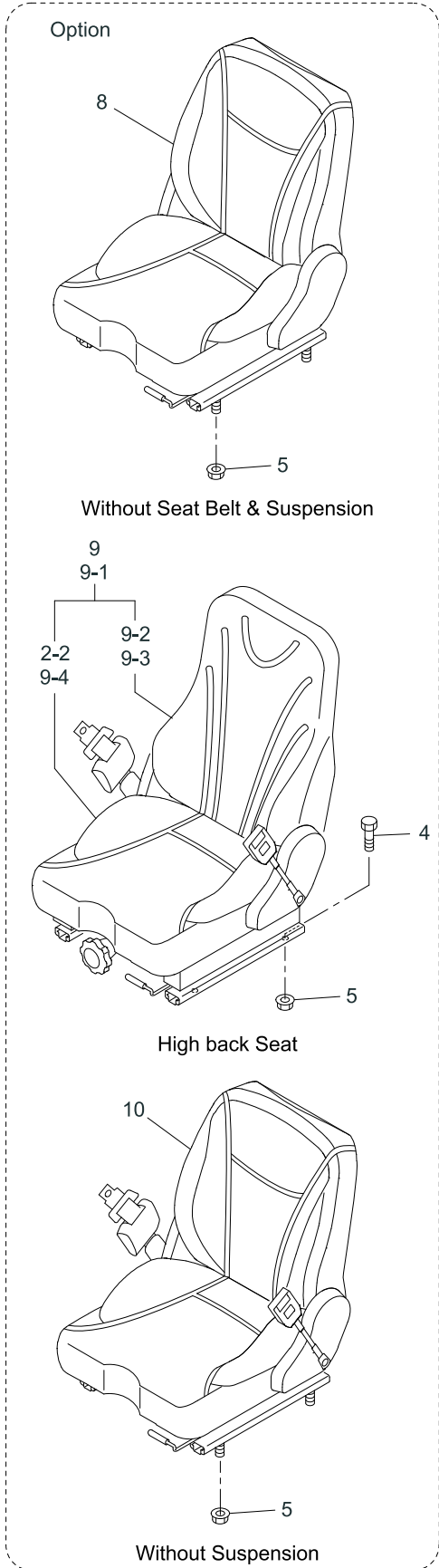
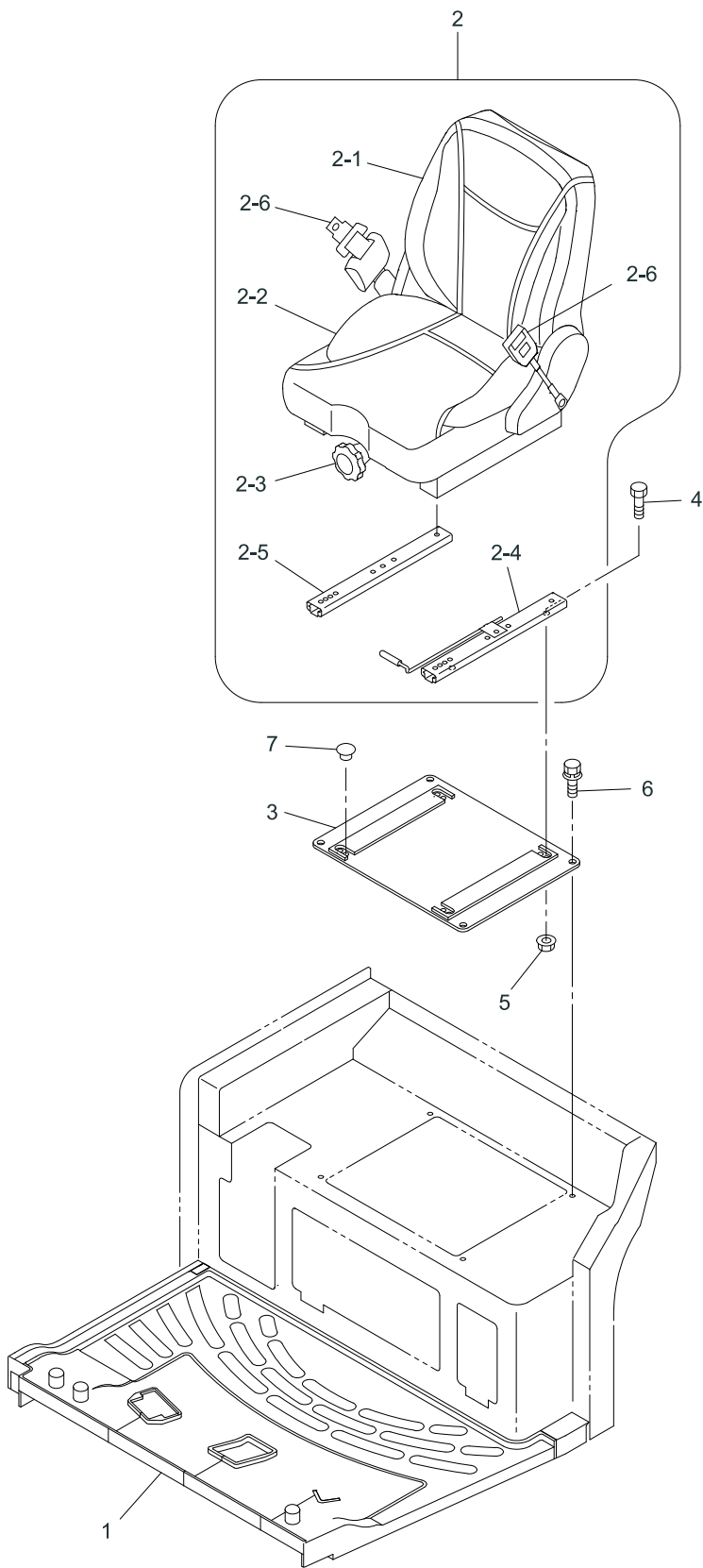
25V4-080400-1

KEY No.	SU P.	PART No.	DESCRIPTION	Q'TY	CHAN	SERIAL No.	REMARKS
0	×	F355 211 00	Canopy Ass'y (For Tops/Rops)	1		WF010001-	
0-1	×	F355 221 00	Canopy Ass'y (For Tops/Rops)	1		WF010001-	
1		D470 805 00	*Guard	1		WF010001-	
2		0555 160 50	*Bolt, Treatment	5		WF010001-	M16X50
3		0439 100 25	*Bolt, Treatment (W/L.W, F.W)	4		WF010001-	M10X25 P=1.25
4		0555 120 40	*Bolt, Treatment	3		WF010001-	M12X40
5		0595 160 00	*Washer, Treatment	5		WF010001-	M16
6		0595 120 00	*Washer, Treatment	4		WF010001-	M12
7		0555 120 25	*Bolt, Treatment	1		WF010001-	M12X25
8		D206 875 00	*Frame	1		WF010001-	
9		D405 272 00	*Seal	8		WF010001-	
10		0690 201 08	*Plug, Hole	2		WF010001-	M10
11		D408 376 00	*Decal (For Tops)	1		WF010001-	
12		D408 375 00	*Decal (For Rops)	1		WF010001-	



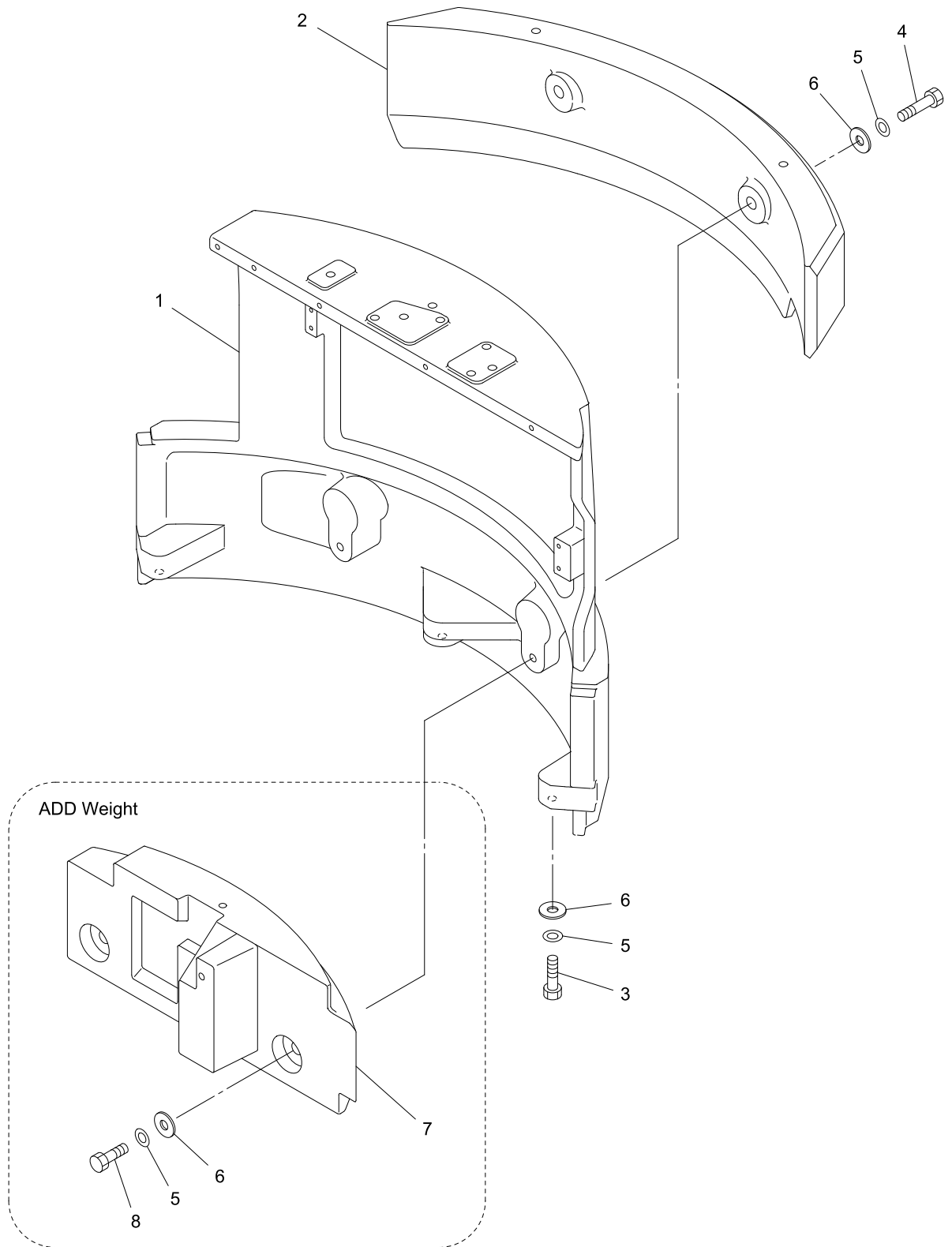
V4ALL-08040A-1

KEY No.	SU P.	PART No.	DESCRIPTION	Q'TY	CHAN	SERIAL No.	REMARKS
0	×	F355 197 00	Canopy Ass'y	1		WF010001-	
1		D448 005 00	*Canopy	1		WF010001-	
2		D206 873 00	*Frame	1		WF010001-	
3		D470 805 00	*Guard	1		WF010001-	
4		D470 700 00	*Guard	1		WF010001-	
5		0555 160 50	*Bolt, Treatment	4		WF010001-	M16X50
6		0439 100 25	*Bolt, Treatment (W/L.W, F.W)	4		WF010001-	M10X25 P=1.25
7		0518 120 40	*Bolt, Treatment (W/L.W, F.W)	4		WF010001-	M12X40 P=1.25
8		0595 160 00	*Washer, Treatment	4		WF010001-	M16
9		0519 080 25	*Bolt, Treatment (W/L.W)	7		WF010001-	M8X25
10		4006 119 01	*Washer	7		WF010001-	M8
11		0690 201 08	*Plug	2		WF010001-	M10
12		4006 386 00	*Washer, Rubber	1		WF010001-	



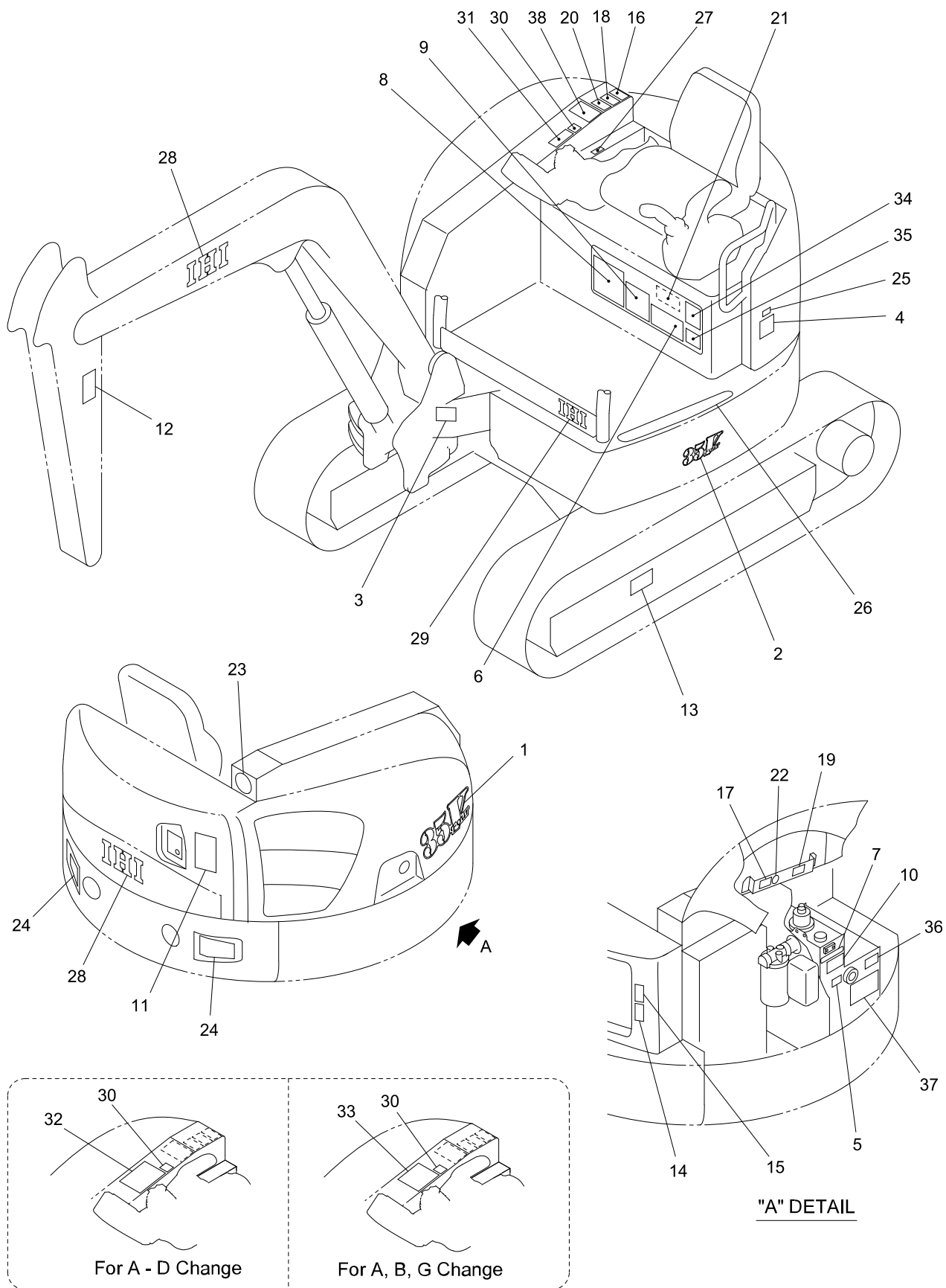
V4ALL-080500-1

KEY No.	SU P.	PART No.	DESCRIPTION	Q'TY	CHAN	SERIAL No.	REMARKS
0	×	F355 184 00	Seat Ass'y, Operator (W/Suspension)	1		WF010001-	
0-1	×	F355 183 00	Seat Ass'y, Operator	1		WF010001-	
0-2	×	F355 185 00	Seat Ass'y, Operator	1		WF010001-	
0-3	×	F355 196 00	Seat Ass'y, Operator	1		WF010001-	
0-3	×	F353 206 00	Mat Ass'y	1		WF010001-	
1		D581 191 00	*Mat (For Canopy)	1		WF010001-	STD
1-1		D581 203 00	*Mat (For Canopy, Pedal)	1		WF010001-	
1-2		D581 204 00	*Mat (For Cabin)	1		WF010001-	
1-3		D581 205 00	*Mat (For Cabin, Pedal)	1		WF010001-	
2		0655 563 UA	*Seat, Operator (W/Suspension)	1		WF010001-	W/Seat Belt
2-1		0655 563 01	**Seat Ass'y, Back	1		WF010001-	
2-2		0655 563 02	**Seat Ass'y, Cushion	1		WF010001-	
2-3		0655 563 03	**Suspension Ass'y	1		WF010001-	
2-4		0655 563 04	**Rail Ass'y, Slid (L.H)	1		WF010001-	
2-5		0655 563 05	**Rail Ass'y, Slid (R.H)	1		WF010001-	
2-6		0655 563 10	**Belt Ass'y, Seat	1		WF010001-	
3		D419 344 00	*BRACKET	1		WF010001-	
4		0550 080 20	*Bolt, Hex.	4		WF010001-	M8X20
5		0521 080 00	*Nut, Hex. (W/F.W)	4		WF010001-	M8
6		0439 100 20	*Bolt, Treatment (W/L.W, F.W)	4		WF010001-	M10X20 P=1.25
7		0690 201 09	*Plug	4		WF010001-	
8		0655 567 UA	*Seat, Operator (W/O Seat Belt)	1		WF010001-	
9		0655 568 UA	*Seat, Operator (High Back Seat)	1		WF010001-	Leather
9-1		0655 569 UA	*Seat, Operator (High Back Seat)	1		WF010001-	Fabric
9-2		0655 568 01	**Seat Ass'y, Back	1		WF010001-	Leather
9-3		0655 569 01	**Seat Ass'y, Back	1		WF010001-	Fabric
9-4		0655 569 02	**Seat Ass'y, Cushion	1		WF010001-	Fabric
10		0655 564 UA	*Seat, Operator (Leather)	1		WF010001-	W/O Suspension



35V4-080600-1

KEY No.	SU P.	PART No.	DESCRIPTION	Q'TY	CHAN	SERIAL No.	REMARKS
0	×	F373 216 00	Weight Ass'y, Counter	1		WF010001-	
1		D206 826 00	*Weight, Counter	1		WF010001-	
2		D206 830 00	*Weight, Counter	1		WF010001-	
3		0555 160 70	*Bolt, Treatment	3		WF010001-	M16X70
4		0555 161 00	*Bolt, Treatment	2		WF010001-	M16X100
5		0595 160 00	*Washer, Treatment	7		WF010001-	M16
6		D006 038 00	*Washer	7		WF010001-	
7		D206 829 00	*Weight, Counter	1		WF010001-	
8		0555 160 65	*Bolt, Treatment	2		WF010001-	M16X65

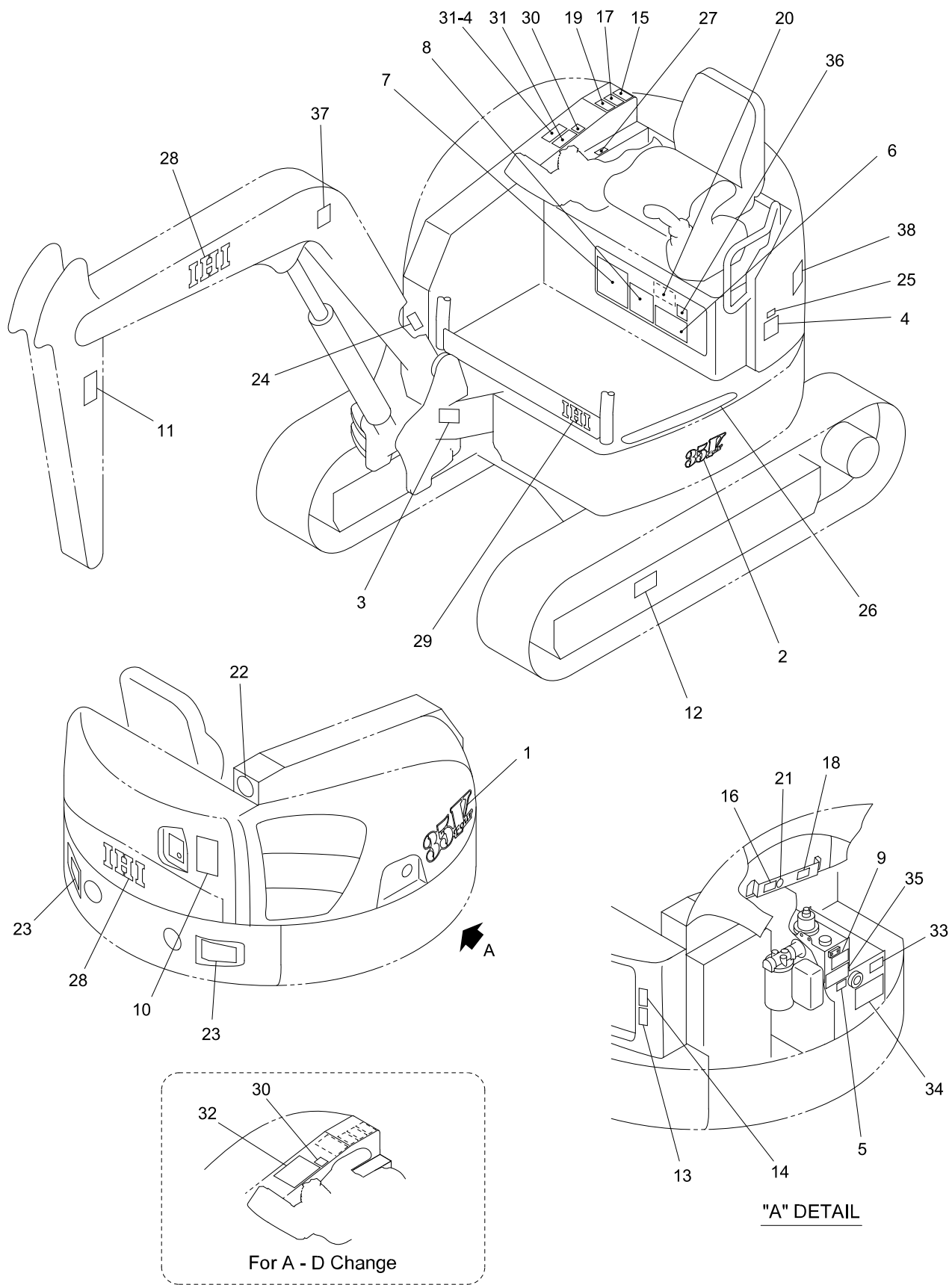


35V4-080700-1

KEY No.	SU P.	PART No.	DESCRIPTION	Q'TY	CHAN	SERIAL No.	REMARKS
0	×	F377 843 00	Decal Ass'y	1		WF010001-	
0-1	×	F377 854 00	Decal Ass'y	1		WF010001-	
0-2	×	F377 856 00	Decal Ass'y	1		WF010001-	
1		D408 406 00	*Decal (Model)	1		WF010001-	
2		D408 415 00	*Decal (Model)	1		WF010001-	
3	×	D405 094 00	*Decal (Serial No.)	1		WF010001-	
3-1		0497 035 00	*Screw, Drive	4		WF010001-	d=3
4		D408 324 00	*Decal (Oil)	1		WF010001-	
5		D406 490 00	*Decal (Oil Check)	1		WF010001-	
6		D408 313 00	*Decal (Lub. Chart)	1		WF010001-	
7		4447 479 00	*Decal (Oil)	1		WF010001-	
8		D407 877 00	*Decal (Engine Daily Check)	1		WF010001-	
9		D406 597 00	*Decal (Safety Works)	1		WF010001-	
10		D408 328 00	*Decal (Tank Decompression)	1		WF010001-	
11		D405 450 00	*Decal (Safety Swing)	1		WF010001-	
12		D405 454 00	*Decal (Caution)	2		WF010001-	
13		D405 455 00	*Decal (Caution)	2		WF010001-	
14		D405 424 00	*Decal (Caution)	1		WF010001-	
15		D405 452 00	*Decal (Caution)	1		WF010001-	
16		D405 332 00	*Decal (Caution)	1		WF010001-	
17		D405 462 00	*Decal (Caution)	1		WF010001-	
18		D405 451 00	*Decal (Caution)	1		WF010001-	
19		D405 463 00	*Decal (Caution)	1		WF010001-	
20		D405 449 00	*Decal (Caution)	1		WF010001-	
21		D405 373 00	*Decal (Caution)	1		WF010001-	
22		4407 035 00	*Decal (Anti-Freezing Solution)	1		WF010001-	
23		D406 631 00	*Decal (Environment)	1		WF010001-	
24		D408 371 00	*Decal (Reflector)	2		WF010001-	
25		D407 943 00	*Decal (EPA Regulation)	1		WF010001-	
26		D408 370 00	*Plate, Nonslip	1		WF010001-	
27		D408 323 00	*Decal (Spanner Change Lever)	1		WF010001-	
28		D408 402 00	*Decal (IHI)	3		WF010001-	
29		D408 403 00	*Decal (IHI)	1		WF010001-	
30		D406 602 00	*Decal (Blade, Pedal)	1		WF010001-	
31		D406 603 00	*Decal (Control A)	1		WF010001-	
31-1		D406 604 00	*Decal (Control B)	1		WF010001-	
31-2		D406 605 00	*Decal (Control C)	1		WF010001-	
31-3		D406 606 00	*Decal (Control D)	1		WF010001-	
31-4		D406 608 00	*Decal (Control G)	1		WF010001-	
32		D406 609 00	*Decal (Control A-D)	1		WF010001-	
33		D406 610 00	*Decal (Control A, B, G)	1		WF010001-	
34		D408 316 00	*Decal (Specification)	1		WF010001-	
35		D408 320 00	*Decal (Bucket Specification)	1		WF010001-	
36		4447 874 00	*Decal (Spare Piping Change)	1		WF010001-	
37		4447 653 00	*Decal (Breaker Cation)	1		WF010001-	

KEY No.	SU P.	PART No.	DESCRIPTION	Q'TY	CHAN	SERIAL No.	REMARKS
38		D408 354 00	*Decal (Spare Pedal)	1		WF010001-	

[Memo]

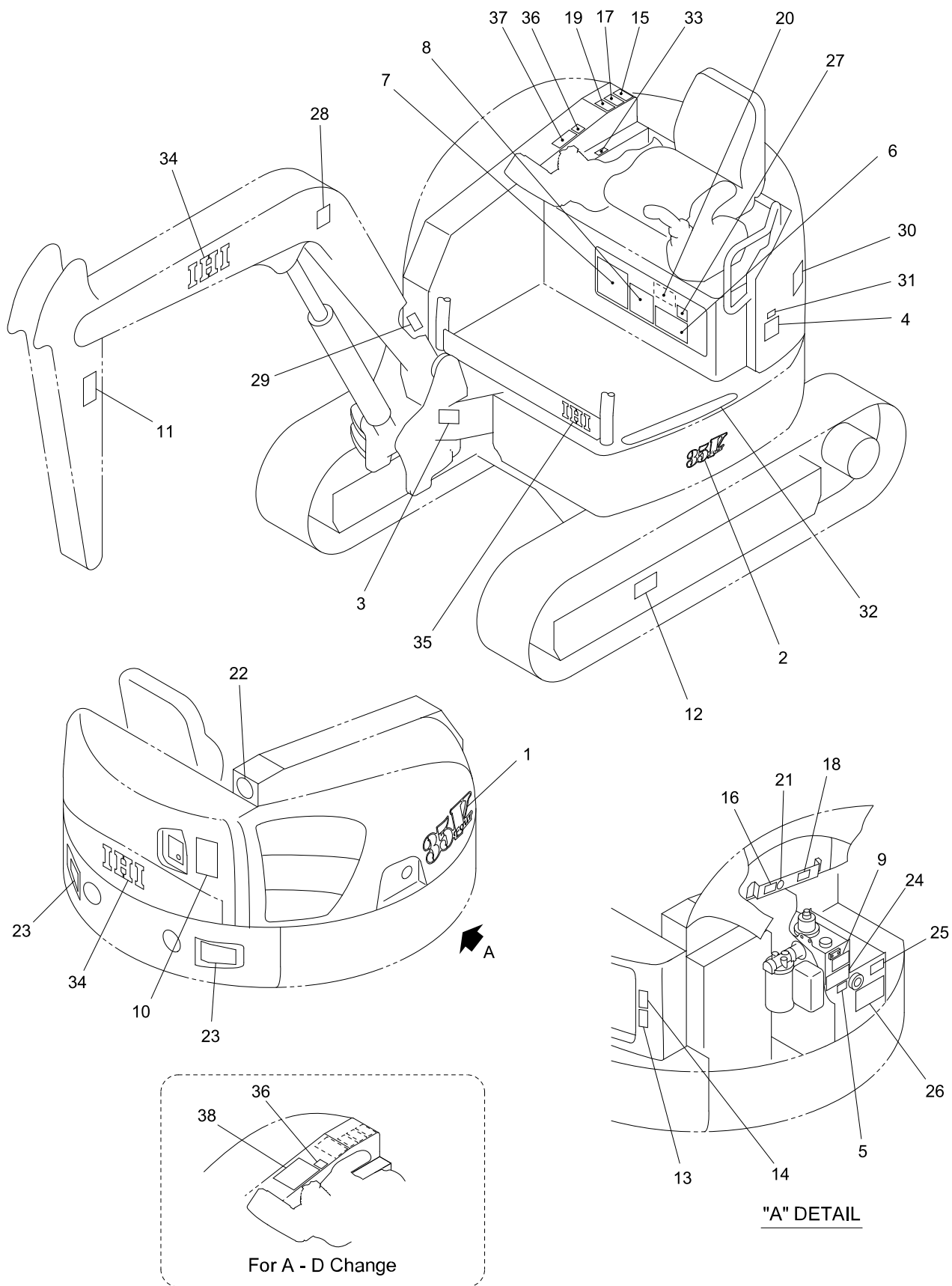


35V4-08070A-1

KEY No.	SU P.	PART No.	DESCRIPTION	Q'TY	CHAN	SERIAL No.	REMARKS
0	×	F377 843 00	Decal Ass'y	1		WF010001-	
0-1	×	F377 854 00	Decal Ass'y	1		WF010001-	
1		D408 406 00	*Decal (Model)	1		WF010001-	
2		D408 415 00	*Decal (Model)	1		WF010001-	
3	×	D405 094 00	*Decal (Serial No.)	1		WF010001-	
3-1	×	D405 091 00	*Decal (Serial No.) (CE)	1		WF010001-	
3-2		0497 035 00	*Screw, Drive	4		WF010001-	d=3
4		4407 974 00	*Decal (Oil)	1		WF010001-	
5		D406 504 00	*Decal (Oil Check)	1		WF010001-	
6		D408 355 00	*Decal (Lub. Chart)	1		WF010001-	
7		D407 887 00	*Decal (Engine Daily Check)	1		WF010001-	
8		4406 458 00	*Decal (Safety Works)	1		WF010001-	
9		D408 424 00	*Decal (Tank Decompression)	1		WF010001-	
10		D405 507 00	*Decal (Safety Swing)	1		WF010001-	
11		D405 511 00	*Decal (Caution)	2		WF010001-	
12		D405 505 00	*Decal (Caution)	2		WF010001-	
13		D405 366 00	*Decal (Caution)	1		WF010001-	
14		D405 509 00	*Decal (Caution)	1		WF010001-	
15		D405 359 00	*Decal (Caution)	1		WF010001-	
16		D405 503 00	*Decal (Caution)	1		WF010001-	
17		D405 508 00	*Decal (Caution)	1		WF010001-	
18		D405 504 00	*Decal (Caution)	1		WF010001-	
19		D405 506 00	*Decal (Caution)	1		WF010001-	
20		D405 323 00	*Decal (Caution)	1		WF010001-	
21		4407 035 00	*Decal (Anti-Freezing Solution)	1		WF010001-	
22		D406 783 00	*Decal (Environment)	1		WF010001-	
23		D408 371 00	*Decal (Reflector)	2		WF010001-	
24	×	D405 097 00	*Decal (New Machine)	1		WF010001-	
25		D407 943 00	*Decal (EPA Regulation)	1		WF010001-	
26		D408 370 00	*Plate, Nonslip	1		WF010001-	
27		D408 323 00	*Decal (Spanner Change Lever)	1		WF010001-	
28		D408 402 00	*Decal (IHI)	3		WF010001-	
29		D408 403 00	*Decal (IHI)	1		WF010001-	
30		D406 602 00	*Decal (Blade, Pedal)	1		WF010001-	
31		D406 603 00	*Decal (Control A)	1		WF010001-	
31-1		D406 604 00	*Decal (Control B)	1		WF010001-	
31-2		D406 605 00	*Decal (Control C)	1		WF010001-	
31-3		D406 606 00	*Decal (Control D)	1		WF010001-	
31-4		D406 607 00	*Decal (Control F)	1		WF010001-	
32		D406 609 00	*Decal (Control A-D)	1		WF010001-	
33		4448 651 00	*Decal (Spare Piping Change)	1		WF010001-	
34		4447 857 00	*Decal (Breaker Cation)	1		WF010001-	
35		D408 322 00	*Decal (Boom Lowering)(CE)	1		WF010001-	
36		4448 474 00	*Decal (Transport Fix)(CE)	1		WF010001-	
37		D408 340 00	*Decal (Lifting Procedures)(CE)	1		WF010001-	

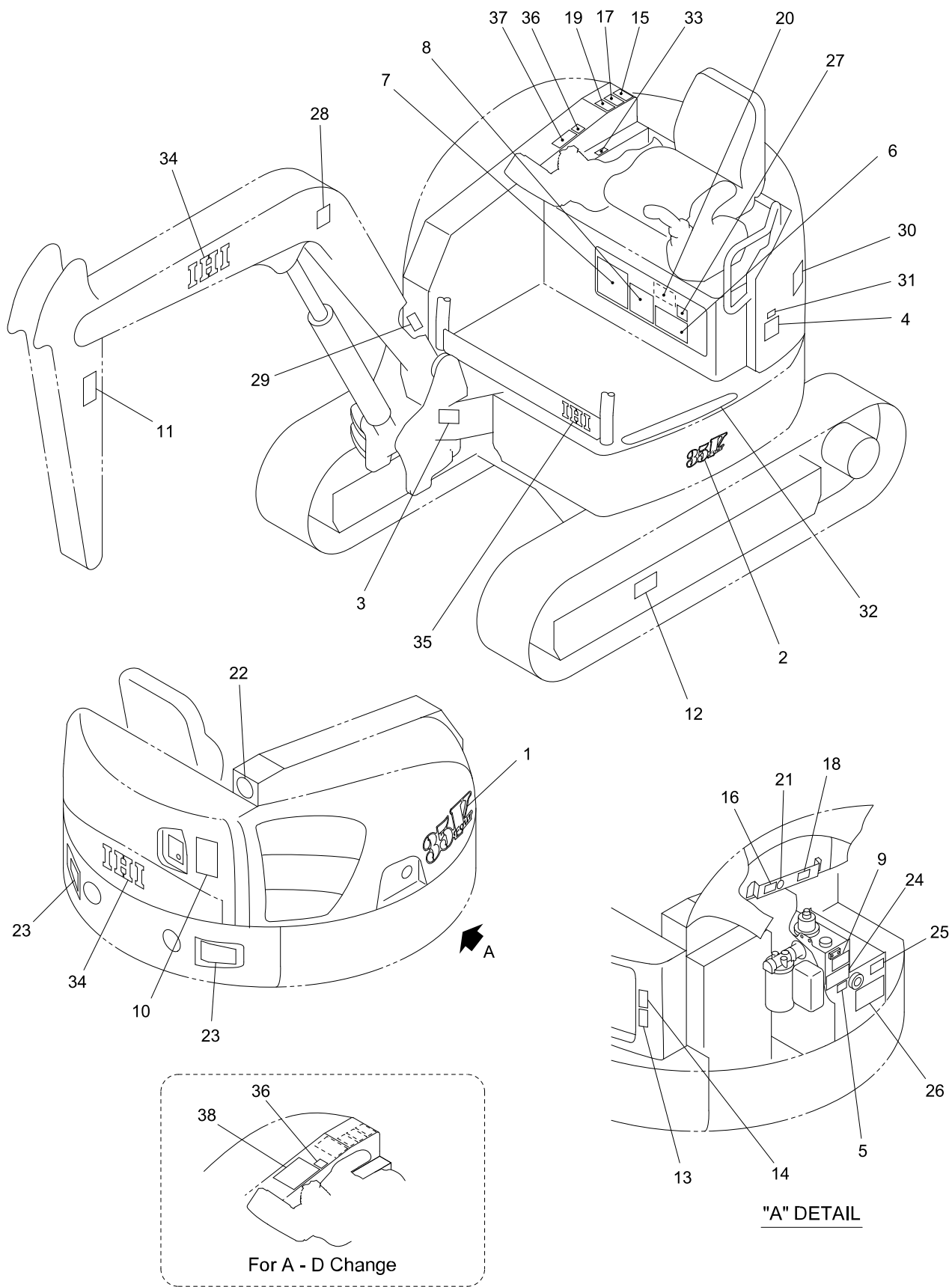
KEY No.	SU P.	PART No.	DESCRIPTION	Q'TY	CHAN	SERIAL No.	REMARKS
38		D406 154 00	*Decal (Noise 94)(CE)	1	.	WF010001-	

[Memo]



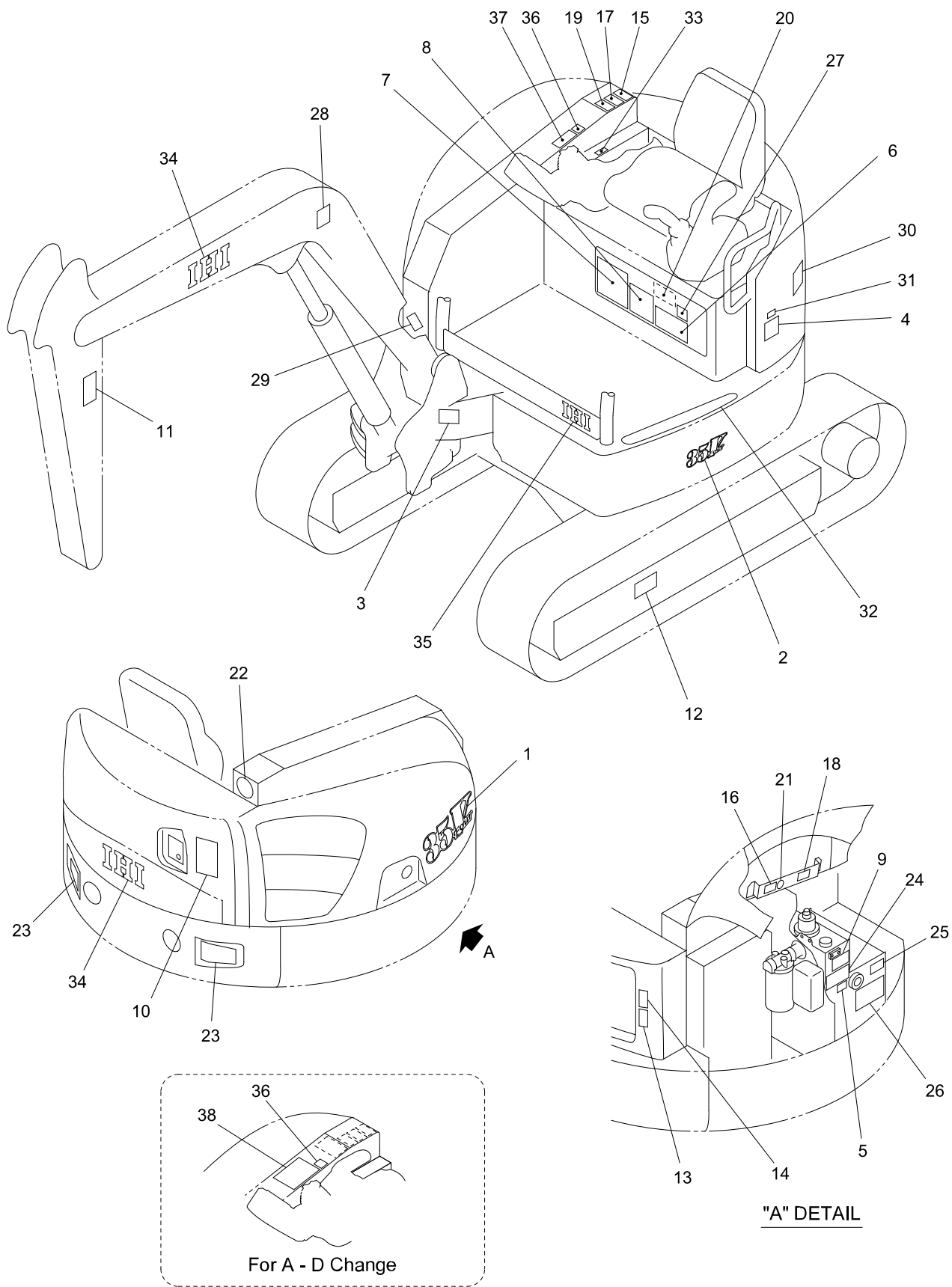
35V4-08070B-1

KEY No.	SU P.	PART No.	DESCRIPTION	Q'TY	CHAN	SERIAL No.	REMARKS
0	×	F377 843 00	Decal Ass'y	1		WF010001-	
0-1	×	F377 854 00	Decal Ass'y	1		WF010001-	
1		D408 406 00	*Decal (Model)	1		WF010001-	
2		D408 415 00	*Decal (Model)	1		WF010001-	
3	×	D405 091 00	*Decal (Serial No.)	1		WF010001-	
3-1		0497 035 00	*Screw, Drive	4		WF010001-	d=3
4		4405 457 00	*Decal (Oil)	1		WF010001-	
5		D406 558 00	*Decal (Oil Check)	1		WF010001-	
6		D408 360 00	*Decal (Lub. Chart)	1		WF010001-	
7		D407 891 00	*Decal (Engine Daily Check)	1		WF010001-	
8		4448 584 00	*Decal (Safety Works)	1		WF010001-	
9		D408 429 00	*Decal (Tank Decompression)	1		WF010001-	
10		D405 507 00	*Decal (Safety Swing)	1		WF010001-	
11		D405 511 00	*Decal (Caution)	2		WF010001-	
12		D405 505 00	*Decal (Caution)	2		WF010001-	
13		D405 366 00	*Decal (Caution)	1		WF010001-	
14		D405 509 00	*Decal (Caution)	1		WF010001-	
15		D405 359 00	*Decal (Caution)	1		WF010001-	
16		D405 503 00	*Decal (Caution)	1		WF010001-	
17		D405 508 00	*Decal (Caution)	1		WF010001-	
18		D405 504 00	*Decal (Caution)	1		WF010001-	
19		D405 506 00	*Decal (Caution)	1		WF010001-	
20		D405 559 00	*Decal (Caution)	1		WF010001-	
21		4448 573 00	*Decal (Anti-Freezing Solution)	1		WF010001-	
22		D406 783 00	*Decal (Environment)	1		WF010001-	
23		D408 371 00	*Decal (Reflector)	2		WF010001-	
24		D408 338 00	*Decal (Boom Lowering)	1		WF010001-	
25		4449 003 00	*Decal (Spare Piping Change)	1		WF010001-	
26		4448 587 00	*Decal (Breaker Cation)	1		WF010001-	
27		4448 562 00	*Decal (Transport Fix)	1		WF010001-	
28		D408 345 00	*Decal (Lifting Procedures)	1		WF010001-	
29	×	D405 097 00	*Decal (New Machine)	1		WF010001-	
30		D406 154 00	*Decal (Noise 94)	1		WF010001-	
31		D407 943 00	*Decal (EPA Regulation)	1		WF010001-	
32		D408 370 00	*Plate, Nonslip	1		WF010001-	
33		D408 323 00	*Decal (Spanner Change Lever)	1		WF010001-	
34		D408 402 00	*Decal (IHI)	3		WF010001-	
35		D408 403 00	*Decal (IHI)	1		WF010001-	
36		D406 602 00	*Decal (Blade, Pedal)	1		WF010001-	
37		D406 603 00	*Decal (Control A)	1		WF010001-	
37-1		D406 604 00	*Decal (Control B)	1		WF010001-	
37-2		D406 605 00	*Decal (Control C)	1		WF010001-	
37-3		D406 606 00	*Decal (Control D)	1		WF010001-	
38		D406 609 00	*Decal (Control A-D)	1		WF010001-	



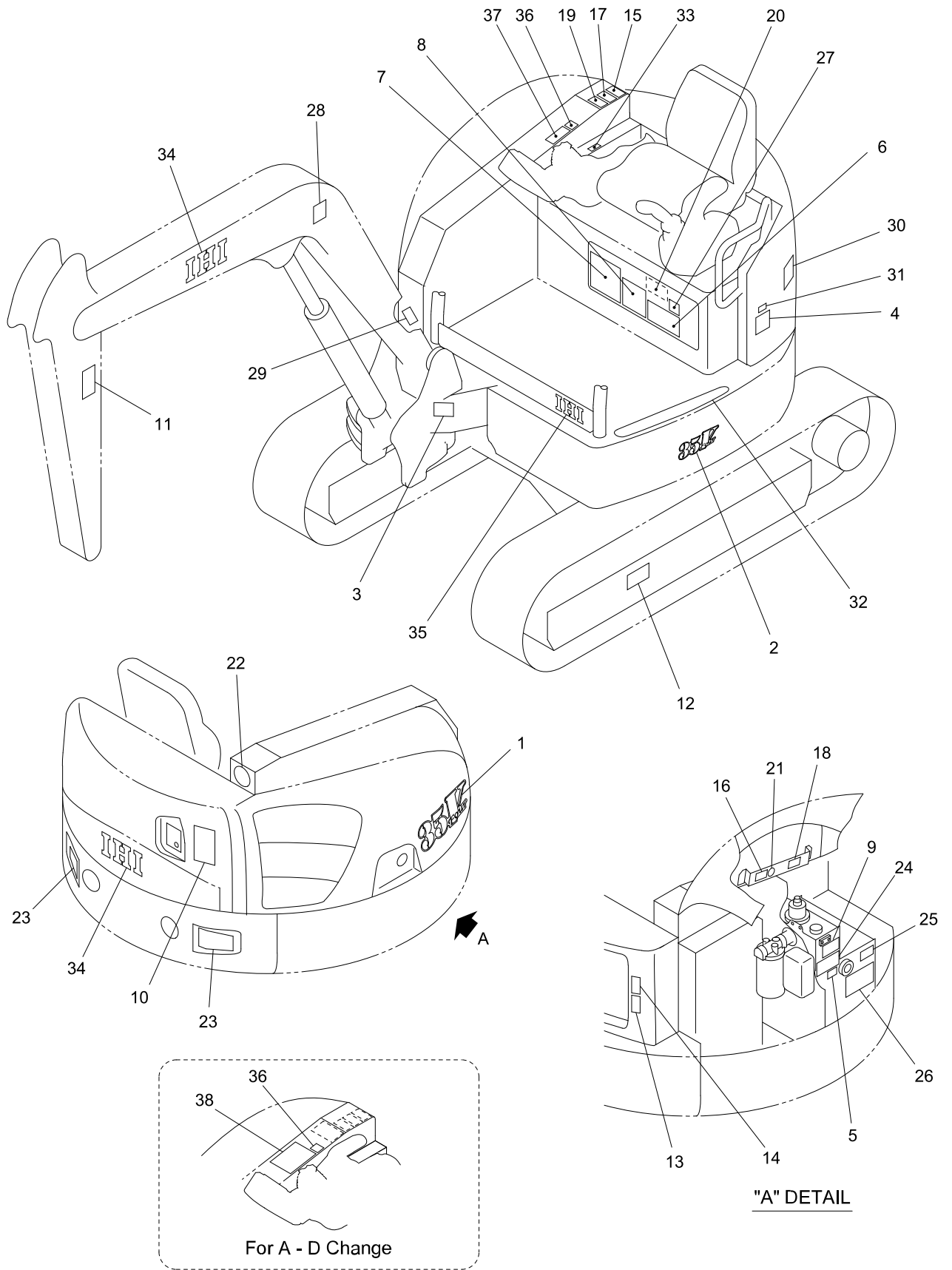
35V4-08070B-1

KEY No.	SU P.	PART No.	DESCRIPTION	Q'TY	CHAN	SERIAL No.	REMARKS
0	×	F377 843 00	Decal Ass'y	1		WF010001-	
0-1	×	F377 854 00	Decal Ass'y	1		WF010001-	
1		D408 406 00	*Decal (Model)	1		WF010001-	
2		D408 415 00	*Decal (Model)	1		WF010001-	
3	×	D405 091 00	*Decal (Serial No.)	1		WF010001-	
3-1		0497 035 00	*Screw, Drive	4		WF010001-	d=3
4		4407 974 00	*Decal (Oil)	1		WF010001-	
5		D406 554 00	*Decal (Oil Check)	1		WF010001-	
6		D408 356 00	*Decal (Lub. Chart)	1		WF010001-	
7		D407 889 00	*Decal (Engine Daily Check)	1		WF010001-	
8		4406 714 00	*Decal (Safety Works)	1		WF010001-	
9		D408 425 00	*Decal (Tank Decompression)	1		WF010001-	
10		D405 507 00	*Decal (Safety Swing)	1		WF010001-	
11		D405 511 00	*Decal (Caution)	2		WF010001-	
12		D405 505 00	*Decal (Caution)	2		WF010001-	
13		D405 366 00	*Decal (Caution)	1		WF010001-	
14		D405 509 00	*Decal (Caution)	1		WF010001-	
15		D405 359 00	*Decal (Caution)	1		WF010001-	
16		D405 503 00	*Decal (Caution)	1		WF010001-	
17		D405 508 00	*Decal (Caution)	1		WF010001-	
18		D405 504 00	*Decal (Caution)	1		WF010001-	
19		D405 506 00	*Decal (Caution)	1		WF010001-	
20		D405 575 00	*Decal (Caution)	1		WF010001-	
20-1		D408 434 00	*Decal (Capacities Table)	1		WF010001-	
21		4406 710 00	*Decal (Anti-Freezing Solution)	1		WF010001-	
22		D406 783 00	*Decal (Environment)	1		WF010001-	
23		D408 371 00	*Decal (Reflector)	2		WF010001-	
24		D408 334 00	*Decal (Boom Lowering)	1		WF010001-	
25		4448 687 00	*Decal (Spare Piping Change)	1		WF010001-	
26		4447 996 00	*Decal (Breaker Cation)	1		WF010001-	
27		4448 542 00	*Decal (Transport Fix)	1		WF010001-	
28		D408 341 00	*Decal (Lifting Procedures)	1		WF010001-	
29	×	D405 097 00	*Decal (New Machine)	1		WF010001-	
30		D406 154 00	*Decal (Noise 94)	1		WF010001-	
31		D407 943 00	*Decal (EPA Regulation)	1		WF010001-	
32		D408 370 00	*Plate, Nonslip	1		WF010001-	
33		D408 323 00	*Decal (Spanner Change Lever)	1		WF010001-	
34		D408 402 00	*Decal (IHI)	3		WF010001-	
35		D408 403 00	*Decal (IHI)	1		WF010001-	
36		D406 602 00	*Decal (Blade, Pedal)	1		WF010001-	
37		D406 603 00	*Decal (Control A)	1		WF010001-	
37-1		D406 604 00	*Decal (Control B)	1		WF010001-	
37-2		D406 605 00	*Decal (Control C)	1		WF010001-	
37-3		D406 606 00	*Decal (Control D)	1		WF010001-	
38		D406 609 00	*Decal (Control A-D)	1		WF010001-	



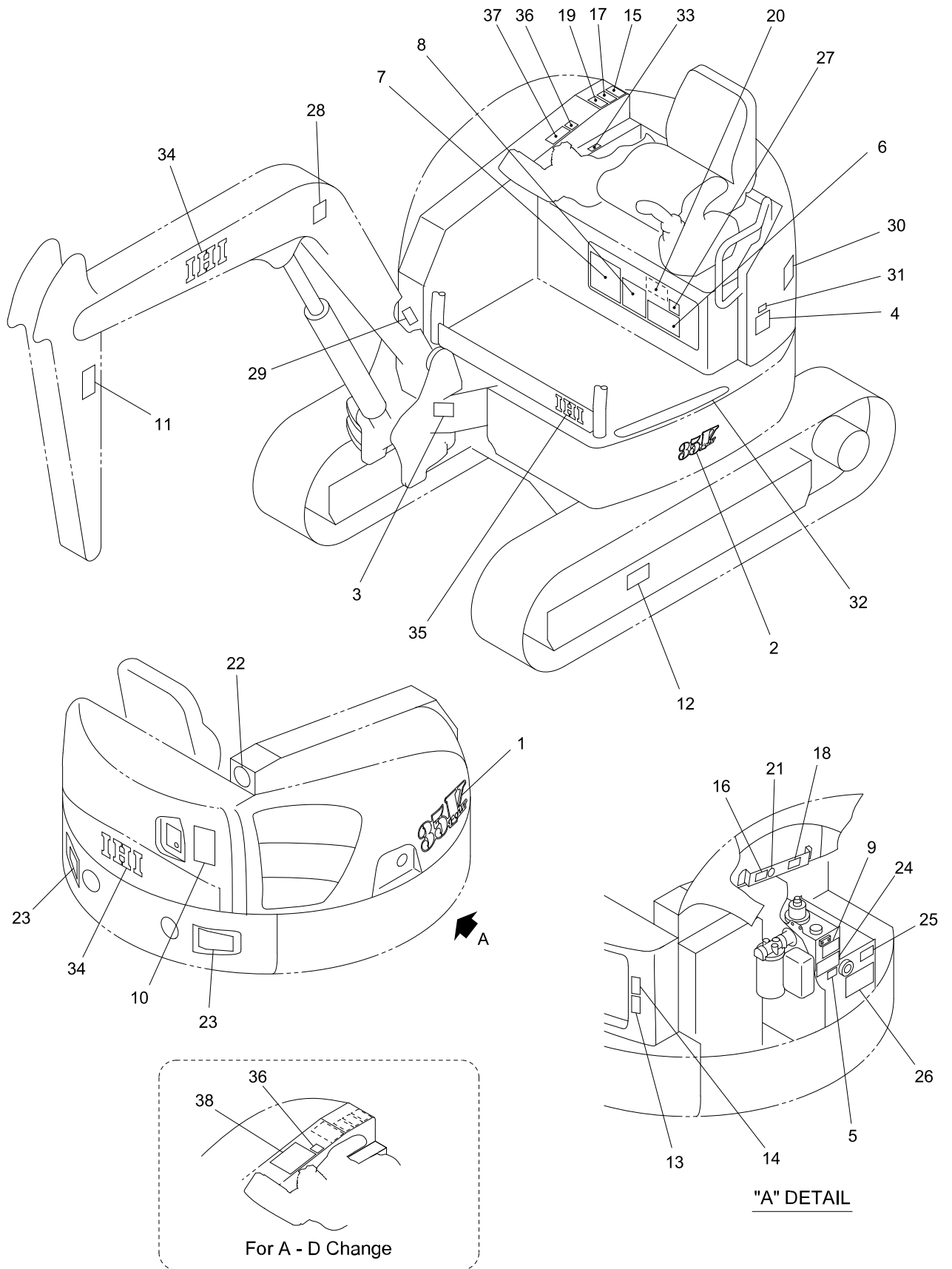
35V4-08070B-1

KEY No.	SU P.	PART No.	DESCRIPTION	Q'TY	CHAN	SERIAL No.	REMARKS
0	×	F377 843 00	Decal Ass'y	1		WF010001-	
0-1	×	F377 854 00	Decal Ass'y	1		WF010001-	
1		D408 406 00	*Decal (Model)	1		WF010001-	
2		D408 415 00	*Decal (Model)	1		WF010001-	
3	×	D405 091 00	*Decal (Serial No.)	1		WF010001-	
3-1		0497 035 00	*Screw, Drive	4		WF010001-	d=3
4		4405 457 00	*Decal (Oil)	1		WF010001-	
5		D406 550 00	*Decal (Oil Check)	1		WF010001-	
6		D408 357 00	*Decal (Lub. Chart)	1		WF010001-	
7		D407 917 00	*Decal (Engine Daily Check)	1		WF010001-	
8		D406 795 00	*Decal (Safety Works)	1		WF010001-	
9		D408 426 00	*Decal (Tank Decompression)	1		WF010001-	
10		D405 507 00	*Decal (Safety Swing)	1		WF010001-	
11		D405 511 00	*Decal (Caution)	2		WF010001-	
12		D405 505 00	*Decal (Caution)	2		WF010001-	
13		D405 366 00	*Decal (Caution)	1		WF010001-	
14		D405 509 00	*Decal (Caution)	1		WF010001-	
15		D405 359 00	*Decal (Caution)	1		WF010001-	
16		D405 503 00	*Decal (Caution)	1		WF010001-	
17		D405 508 00	*Decal (Caution)	1		WF010001-	
18		D405 504 00	*Decal (Caution)	1		WF010001-	
19		D405 506 00	*Decal (Caution)	1		WF010001-	
20		D405 571 00	*Decal (Caution)	1		WF010001-	
21		4405 456 00	*Decal (Anti-Freezing Solution)	1		WF010001-	
22		D406 783 00	*Decal (Environment)	1		WF010001-	
23		D408 371 00	*Decal (Reflector)	2		WF010001-	
24		D408 335 00	*Decal (Boom Lowering)	1		WF010001-	
25		4448 944 00	*Decal (Spare Piping Change)	1		WF010001-	
26		4447 925 00	*Decal (Breaker Cation)	1		WF010001-	
27		4448 511 00	*Decal (Transport Fix)	1		WF010001-	
28		D408 342 00	*Decal (Lifting Procedures)	1		WF010001-	
29	×	D405 097 00	*Decal (New Machine)	1		WF010001-	
30		D406 154 00	*Decal (Noise 94)	1		WF010001-	
31		D407 943 00	*Decal (EPA Regulation)	1		WF010001-	
32		D408 370 00	*Plate, Nonslip	1		WF010001-	
33		D408 323 00	*Decal (Spanner Change Lever)	1		WF010001-	
34		D408 402 00	*Decal (IHI)	3		WF010001-	
35		D408 403 00	*Decal (IHI)	1		WF010001-	
36		D406 602 00	*Decal (Blade, Pedal)	1		WF010001-	
37		D406 603 00	*Decal (Control A)	1		WF010001-	
37-1		D406 604 00	*Decal (Control B)	1		WF010001-	
37-2		D406 605 00	*Decal (Control C)	1		WF010001-	
37-3		D406 606 00	*Decal (Control D)	1		WF010001-	
38		D406 609 00	*Decal (Control A-D)	1		WF010001-	



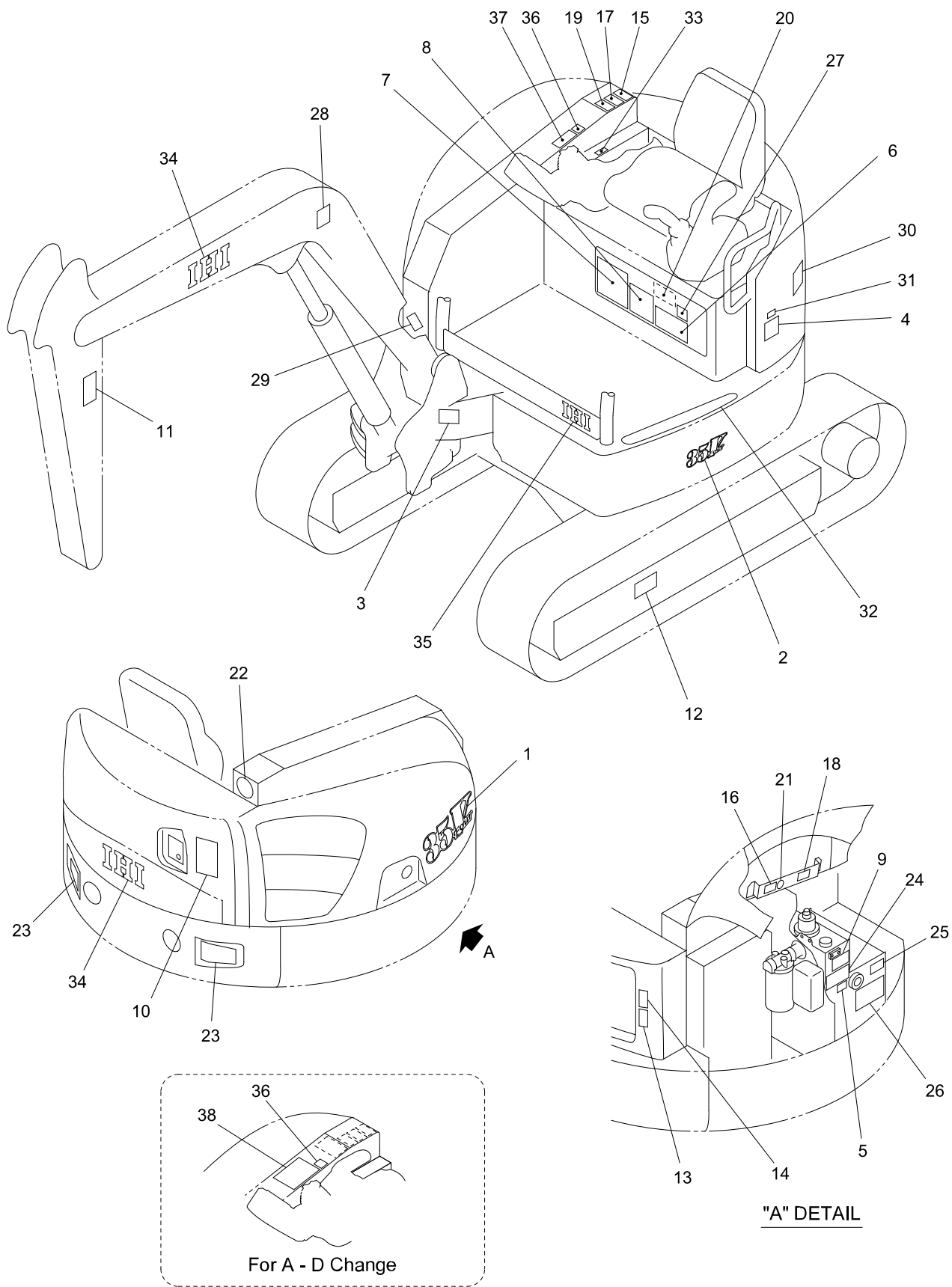
35V4-08070B-1

KEY No.	SU P.	PART No.	DESCRIPTION	Q'TY	CHAN	SERIAL No.	REMARKS
0	×	F377 843 00	Decal Ass'y	1		WF010001-	
0-1	×	F377 854 00	Decal Ass'y	1		WF010001-	
1		D408 406 00	*Decal (Model)	1		WF010001-	
2		D408 415 00	*Decal (Model)	1		WF010001-	
3	×	D405 091 00	*Decal (Serial No.)	1		WF010001-	
3-1		0497 035 00	*Screw, Drive	4		WF010001-	d=3
4		4405 457 00	*Decal (Oil)	1		WF010001-	
5		D406 565 00	*Decal (Oil Check)	1		WF010001-	
6		D408 358 00	*Decal (Lub. Chart)	1		WF010001-	
7		D407 906 00	*Decal (Engine Daily Check)	1		WF010001-	
8		4447 882 00	*Decal (Safety Works)	1		WF010001-	
9		D408 427 00	*Decal (Tank Decompression)	1		WF010001-	
10		D405 507 00	*Decal (Safety Swing)	1		WF010001-	
11		D405 511 00	*Decal (Caution)	2		WF010001-	
12		D405 505 00	*Decal (Caution)	2		WF010001-	
13		D405 366 00	*Decal (Caution)	1		WF010001-	
14		D405 509 00	*Decal (Caution)	1		WF010001-	
15		D405 359 00	*Decal (Caution)	1		WF010001-	
16		D405 503 00	*Decal (Caution)	1		WF010001-	
17		D405 508 00	*Decal (Caution)	1		WF010001-	
18		D405 504 00	*Decal (Caution)	1		WF010001-	
19		D405 506 00	*Decal (Caution)	1		WF010001-	
20		D405 587 00	*Decal (Caution)	1		WF010001-	
21		4447 229 00	*Decal (Anti-Freezing Solution)	1		WF010001-	
22		D406 783 00	*Decal (Environment)	1		WF010001-	
23		D408 371 00	*Decal (Reflector)	2		WF010001-	
24		D408 336 00	*Decal (Boom Lowering)	1		WF010001-	
25		D405 256 00	*Decal (Spare Piping Change)	1		WF010001-	
26		4448 350 00	*Decal (Breaker Cation)	1		WF010001-	
27		D405 059 00	*Decal (Transport Fix)	1		WF010001-	
28		D408 343 00	*Decal (Lifting Procedures)	1		WF010001-	
29	×	D405 097 00	*Decal (New Machine)	1		WF010001-	
30		D406 154 00	*Decal (Noise 94)	1		WF010001-	
31		D407 943 00	*Decal (EPA Regulation)	1		WF010001-	
32		D408 370 00	*Plate, Nonslip	1		WF010001-	
33		D408 323 00	*Decal (Spanner Change Lever)	1		WF010001-	
34		D408 402 00	*Decal (IHI)	3		WF010001-	
35		D408 403 00	*Decal (IHI)	1		WF010001-	
36		D406 602 00	*Decal (Blade, Pedal)	1		WF010001-	
37		D406 603 00	*Decal (Control A)	1		WF010001-	
37-1		D406 604 00	*Decal (Control B)	1		WF010001-	
37-2		D406 605 00	*Decal (Control C)	1		WF010001-	
37-3		D406 606 00	*Decal (Control D)	1		WF010001-	
38		D406 609 00	*Decal (Control A-D)	1		WF010001-	



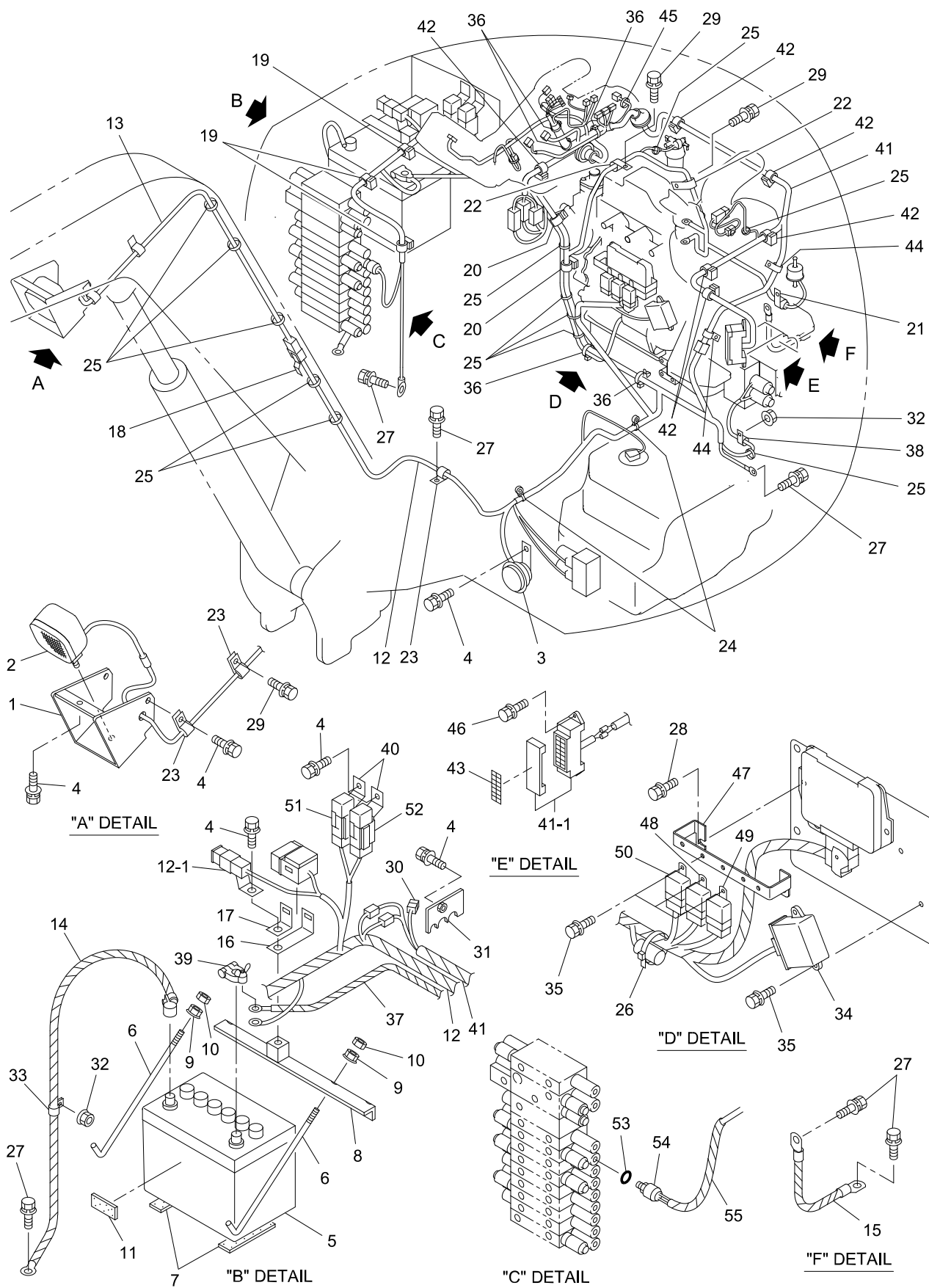
35V4-08070B-1

KEY No.	SU P.	PART No.	DESCRIPTION	Q'TY	CHAN	SERIAL No.	REMARKS
0	×	F377 843 00	Decal Ass'y	1		WF010001-	
0-1	×	F377 854 00	Decal Ass'y	1		WF010001-	
1		D408 406 00	*Decal (Model)	1		WF010001-	
2		D408 415 00	*Decal (Model)	1		WF010001-	
3	×	D405 091 00	*Decal (Serial No.)	1		WF010001-	
3-1		0497 035 00	*Screw, Drive	4		WF010001-	d=3
4		4405 457 00	*Decal (Oil)	1		WF010001-	
5		D406 562 00	*Decal (Oil Check)	1		WF010001-	
6		D408 359 00	*Decal (Lub. Chart)	1		WF010001-	
7		D407 912 00	*Decal (Engine Daily Check)	1		WF010001-	
8		4448 603 00	*Decal (Safety Works)	1		WF010001-	
9		D408 428 00	*Decal (Tank Decompression)	1		WF010001-	
10		D405 507 00	*Decal (Safety Swing)	1		WF010001-	
11		D405 511 00	*Decal (Caution)	2		WF010001-	
12		D405 505 00	*Decal (Caution)	2		WF010001-	
13		D405 366 00	*Decal (Caution)	1		WF010001-	
14		D405 509 00	*Decal (Caution)	1		WF010001-	
15		D405 359 00	*Decal (Caution)	1		WF010001-	
16		D405 503 00	*Decal (Caution)	1		WF010001-	
17		D405 508 00	*Decal (Caution)	1		WF010001-	
18		D405 504 00	*Decal (Caution)	1		WF010001-	
19		D405 506 00	*Decal (Caution)	1		WF010001-	
20		D405 594 00	*Decal (Caution)	1		WF010001-	
21		4448 598 00	*Decal (Anti-Freezing Solution)	1		WF010001-	
22		D406 783 00	*Decal (Environment)	1		WF010001-	
23		D408 371 00	*Decal (Reflector)	2		WF010001-	
24		D408 337 00	*Decal (Boom Lowering)	1		WF010001-	
25		4449 406 00	*Decal (Spare Piping Change)	1		WF010001-	
26		4448 607 00	*Decal (Breaker Cation)	1		WF010001-	
27		4448 619 00	*Decal (Transport Fix)	1		WF010001-	
28		D408 344 00	*Decal (Lifting Procedures)	1		WF010001-	
29	×	D405 097 00	*Decal (New Machine)	1		WF010001-	
30		D406 154 00	*Decal (Noise 94)	1		WF010001-	
31		D407 943 00	*Decal (EPA Regulation)	1		WF010001-	
32		D408 370 00	*Plate, Nonslip	1		WF010001-	
33		D408 323 00	*Decal (Spanner Change Lever)	1		WF010001-	
34		D408 402 00	*Decal (IHI)	3		WF010001-	
35		D408 403 00	*Decal (IHI)	1		WF010001-	
36		D406 602 00	*Decal (Blade, Pedal)	1		WF010001-	
37		D406 603 00	*Decal (Control A)	1		WF010001-	
37-1		D406 604 00	*Decal (Control B)	1		WF010001-	
37-2		D406 605 00	*Decal (Control C)	1		WF010001-	
37-3		D406 606 00	*Decal (Control D)	1		WF010001-	
38		D406 609 00	*Decal (Control A-D)	1		WF010001-	



35V4-08070B-1

KEY No.	SU P.	PART No.	DESCRIPTION	Q'TY	CHAN	SERIAL No.	REMARKS
0	×	F377 843 00	Decal Ass'y	1		WF010001-	
0-1	×	F377 854 00	Decal Ass'y	1		WF010001-	
1		D408 406 00	*Decal (Model)	1		WF010001-	
2		D408 415 00	*Decal (Model)	1		WF010001-	
3	×	D405 091 00	*Decal (Serial No.)	1		WF010001-	
3-1		0497 035 00	*Screw, Drive	4		WF010001-	d=3
4		D406 000 00	*Decal (Oil)	1		WF010001-	
5		D406 811 00	*Decal (Oil Check)	1		WF010001-	
6		D408 361 00	*Decal (Lub. Chart)	1		WF010001-	
7		D407 908 00	*Decal (Engine Daily Check)	1		WF010001-	
8		D407 016 00	*Decal (Safety Works)	1		WF010001-	
9		D408 430 00	*Decal (Tank Decompression)	1		WF010001-	
10		D405 507 00	*Decal (Safety Swing)	1		WF010001-	
11		D405 511 00	*Decal (Caution)	2		WF010001-	
12		D405 505 00	*Decal (Caution)	2		WF010001-	
13		D405 366 00	*Decal (Caution)	1		WF010001-	
14		D405 509 00	*Decal (Caution)	1		WF010001-	
15		D405 359 00	*Decal (Caution)	1		WF010001-	
16		D405 503 00	*Decal (Caution)	1		WF010001-	
17		D405 508 00	*Decal (Caution)	1		WF010001-	
18		D405 504 00	*Decal (Caution)	1		WF010001-	
19		D405 506 00	*Decal (Caution)	1		WF010001-	
20		D406 005 00	*Decal (Caution)	1		WF010001-	
21		D406 012 00	*Decal (Anti-Freezing Solution)	1		WF010001-	
22		D406 783 00	*Decal (Environment)	1		WF010001-	
23		D408 371 00	*Decal (Reflector)	2		WF010001-	
24		D408 339 00	*Decal (Boom Lowering)	1		WF010001-	
25		D406 720 00	*Decal (Spare Piping Change)	1		WF010001-	
26		D406 002 00	*Decal (Breaker Cation)	1		WF010001-	
27		D406 007 00	*Decal (Transport Fix)	1		WF010001-	
28		D408 346 00	*Decal (Lifting Procedures)	1		WF010001-	
29	×	D405 097 00	*Decal (New Machine)	1		WF010001-	
30		D406 154 00	*Decal (Noise 94)	1		WF010001-	
31		D407 943 00	*Decal (EPA Regulation)	1		WF010001-	
32		D408 370 00	*Plate, Nonslip	1		WF010001-	
33		D408 323 00	*Decal (Spanner Change Lever)	1		WF010001-	
34		D408 402 00	*Decal (IHI)	3		WF010001-	
35		D408 403 00	*Decal (IHI)	1		WF010001-	
36		D406 602 00	*Decal (Blade, Pedal)	1		WF010001-	
37		D406 603 00	*Decal (Control A)	1		WF010001-	
37-1		D406 604 00	*Decal (Control B)	1		WF010001-	
37-2		D406 605 00	*Decal (Control C)	1		WF010001-	
37-3		D406 606 00	*Decal (Control D)	1		WF010001-	
38		D406 609 00	*Decal (Control A-D)	1		WF010001-	

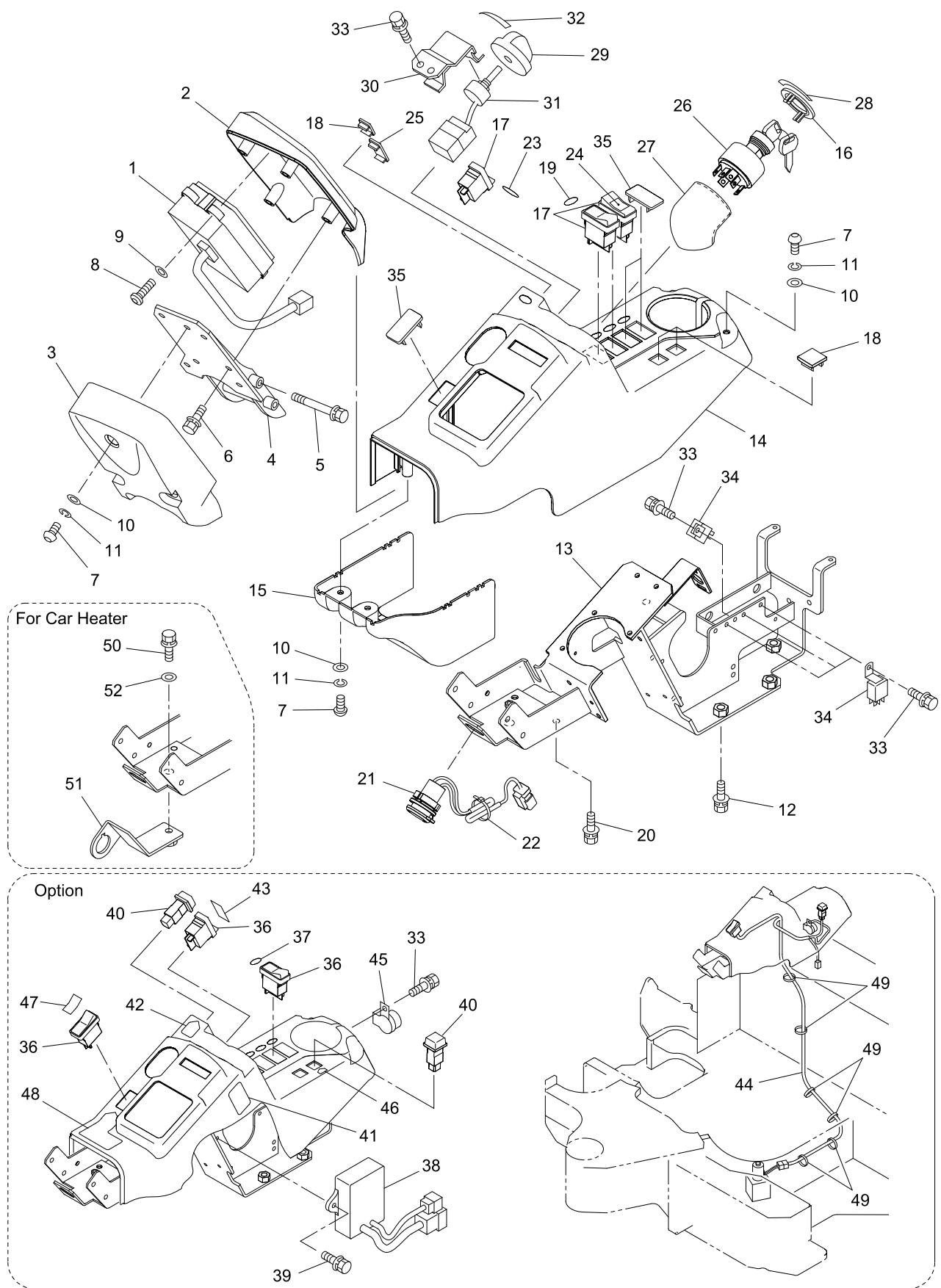


30V4-090100-1

KEY No.	SU P.	PART No.	DESCRIPTION	Q'TY	CHAN	SERIAL No.	REMARKS
0	×	F366 891 00	Electrical System	1		WF010001-	
0-1	×	F355 103 00	Accessories Ass'y	1		WF010001-	
0-2	×	F366 887 00	Battery Ass'y	1		WF010001-	
1		D458 270 00	*Cover	1		WF010001-	
2		0854 529 UA	*Light Ass'y	1		WF010001-	
2-1		0854 529 05	**Bulb	1		WF010001-	
2-2		0854 529 01	**Lens	1		WF010001-	
2-3		0552 080 20	**Bolt, Hex.	1		WF010001-	M8X20
2-4		0521 080 00	**Nut, Hex. (W/F.W)	1		WF010001-	M8
3		0861 001 02	*Horn	1		WF010001-	
4		0517 080 16	*Bolt, Treatment (W/L.W, F.W)	8		WF010001-	M8X16
5		0851 000 04	*Battery	1		WF010001-	
5-1		0851 000 01	*Battery (For Cold District)	1		WF010001-	
6		4004 022 17	*Bolt, Hook	2		WF010001-	M6X270
7		4409 625 09	*Plate, Rubber	2		WF010001-	
8		D419 288 00	*Bracket	1		WF010001-	
9		0521 060 00	*Nut, Hex. (W/F.W)	2		WF010001-	M6
10		0544 060 00	*Nut, Hex.	2		WF010001-	M6
11		4409 625 10	*Plate, Rubber	1		WF010001-	
12		D592 287 00	*Harness, Main	1		WF010001-	
12-1		0830 291 01	**Link, Fusible	1		WF010001-	65A
13		0879 551 78	*Harness	1		WF010001-	
14		D592 194 03	*Cable, Battery	1		WF010001-	
15		D591 717 03	*Band, Earth	1		WF010001-	
16		D417 821 00	*Bracket	1		WF010001-	
17		D417 822 00	*Bracket	1		WF010001-	
18		0690 081 92	*Clamp	1		WF010001-	
19		0690 082 03	*Clamp, Hose	3		WF010001-	
20		0690 082 05	*Clamp, Hose	2		WF010001-	
21		4080 000 38	*Clamp, Hose	1		WF010001-	
22		4080 000 04	*Clamp, Hose	2		WF010001-	
23		4080 000 02	*Clamp, Hose	3		WF010001-	
24		0820 067 31	*Band, Cable	2		WF010001-	
25		0820 067 03	*Band, Cable	14		WF010001-	
26		0820 067 28	*Band, Cable	1		WF010001-	
27		0518 100 16	*Bolt, Treatment (W/L.W, F.W)	6		WF010001-	M10X16 P=1.25
28		0517 080 30	*Bolt, Treatment (W/L.W, F.W)	3		WF010001-	M8X30
29		0517 080 12	*Bolt, Treatment (W/L.W, F.W)	3		WF010001-	M8X12
30		0820 658 01	*Cap	1		WF010001-	
31		D419 446 00	*Bracket	1		WF010001-	
32		0524 100 00	*Nut, Hex. (W/F.W)	2		WF010001-	M10 P=1.25
33		4080 000 03	*Clamp, Hose	1		WF010001-	
34		0820 215 10	*Relay, Flip-Flop	1		WF010001-	
35		0517 060 16	*Bolt, Treatment (W/L.W, F.W)	5		WF010001-	M6X16

KEY No.	SU P.	PART No.	DESCRIPTION	Q'TY	CHAN	SERIAL No.	REMARKS
36		0690 082 08	*Clamp, Hose	6		WF010001-	
37		4591 982 11	*Cable, Battery	1		WF010001-	
38		4080 000 23	*Clamp, Hose	1		WF010001-	
39		0852 119 22	*Terminal	1		WF010001-	
40		0690 081 89	*Clamp	3		WF010001-	
41		D592 285 00	*Harness	1		WF010001-	
41-1		0858 140 01	**Box, Fuse	1		WF010001-	
41-2		0830 107 10	**Fuse	2		WF010001-	30A
41-3		0830 107 09	**Fuse	1		WF010001-	25A
41-4		0830 107 08	**Fuse	2		WF010001-	20A
41-5		0830 107 07	**Fuse	1		WF010001-	15A
41-6		0830 107 06	**Fuse	8		WF010001-	10A
41-7		0830 107 12	**Fuse	1		WF010001-	5A
41-8		0830 107 11	**Fuse	1		WF010001-	2A
42		0690 082 05	*Clamp, Hose	6		WF010001-	d=19
43		D408 292 00	*Decal	1		WF010001-	
44		4080 000 05	*Clamp, Hose	2		WF010001-	d=22
45		0820 067 04	*Band, Cable	1		WF010001-	
46		0517 060 20	*Bolt, Treatment (W/L.W, F.W)	2		WF010001-	M6X20
47		D419 315 00	*Bracket	1		WF010001-	
48		Y198461 52950	*Relay, Sub	1		WF010001-	YANMAR
49		Y198461 52950	*Relay, Rack Actuator	1		WF010001-	YANMAR
50		Y198461 52950	*Relay, Main	1		WF010001-	YANMAR
51		Y129927 77930	*Relay, Glow	1		WF010001-	YANMAR
52		Y129927 77920	*Relay, Starter	1		WF010001-	YANMAR
53		0760 710 12	*Ring, O	1		WF010001-	P11-90B
54		0858 501 16	*Switch, Oil Pressure	1		WF010001-	
55		0820 803 01	*Tube, Corugate	M		WF010001-	L=300

[Memo]

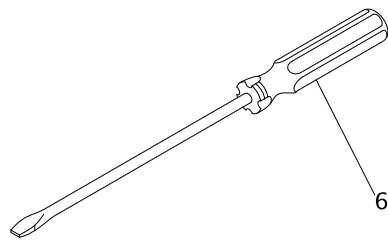
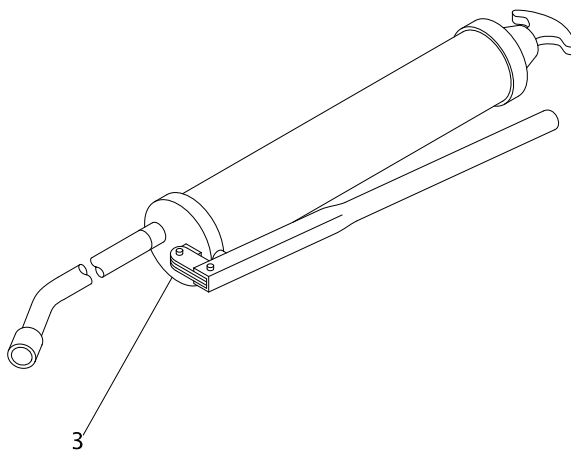
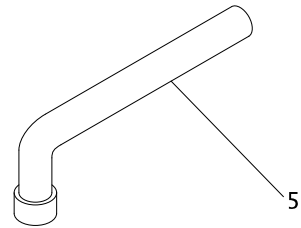
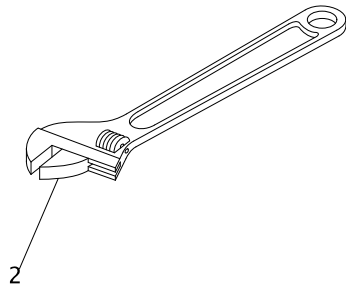
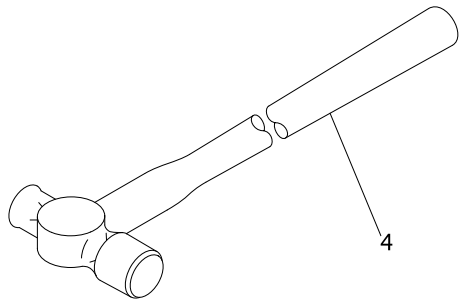
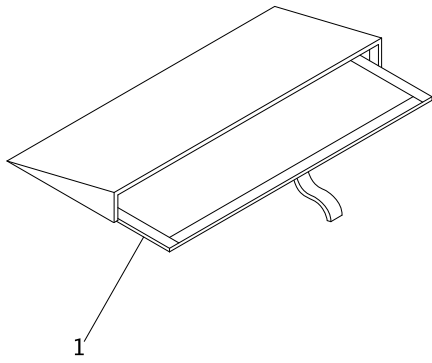


30V4-090200-1

KEY No.	SU P.	PART No.	DESCRIPTION	Q'TY	CHAN	SERIAL No.	REMARKS
0	×	F361 706 00	Panel Ass'y, Instrument	1		WF010001-	
0-1	×	F361 707 00	Panel Ass'y, Instrument	1		WF010001-	
1		0881 509 UA	*Monitor, OK	1		WF010001-	
2		D465 380 00	*Panel	1		WF010001-	
3		D465 381 00	*Panel	1		WF010001-	
4		D419 230 00	*Bracket	1		WF010001-	
5		0517 081 15	*Bolt, Treatment (W/L.W, F.W)	2		WF010001-	M8X115
6		0517 060 20	*Bolt, Treatment (W/L.W, F.W)	4		WF010001-	M6X20
7		4004 364 01	*Bolt, Button Head	7		WF010001-	M6X18
8		0454 400 20	*Screw, Tapping	4		WF010001-	M4X20
9		0593 040 00	*Washer, Flat	4		WF010001-	M4
10		0594 060 00	*Washer, Flat	7		WF010001-	M6
11		0596 060 00	*Washer, Lock	7		WF010001-	M6
12		0518 100 25	*Bolt, Treatment (W/L.W, F.W)	4		WF010001-	M10X25 P=1.25
13		D419 229 00	*Bracket	1		WF010001-	
14		D465 313 00	*Panel	1		WF010001-	
15		D465 314 00	*Panel	1		WF010001-	
16		0690 203 44	*Cover	1		WF010001-	
17		0858 314 33	*Switch Assy	3		WF010001-	
18		D528 006 00	*Cap	AR		WF010001-	
19		D407 819 00	*Decal (Light)	1		WF010001-	
20		0517 060 16	*Bolt, Treatment (W/L.W, F.W)	2		WF010001-	M6X16
21		0830 406 02	*Socket	1		WF010001-	
22		0820 067 05	*Band, Cable	1		WF010001-	
23		D408 280 00	*Decal	1		WF010001-	
24		D408 447 00	*Decal	1		WF010001-	
25		D528 005 00	*Cap	1		WF010001-	
26		0858 306 03	*Switch Assy Starter	1		WF010001-	
26-1		0858 306 04	*Switch Assy Starter	1		WF010001-	Option 5080
26-2		0690 270 29	**Key	2		WF010001-	#5080
27		4457 535 00	*Cover (Starter Switch)	1		WF010001-	
28		D407 823 00	*Decal	1		WF010001-	
29		0690 211 05	*Throttle, Dial	1		WF010001-	
30		D418 304 00	*Bracket	1		WF010001-	
31		0858 614 05	*Meter, Potention	1		WF010001-	
32		D407 829 00	*Plate, Name (Throttle)	1		WF010001-	
33		0517 060 12	*Bolt, Treatment (W/L.W, F.W)	7		WF010001-	M6X12
34		0820 215 07	*Relay	4		WF010001-	
35		D528 005 00	*Cap	AR		WF010001-	
36		0858 314 33	*Switch Assy	AR		WF010001-	
37		D407 965 00	*Decal	1		WF010001-	
38		0893 509 UA	*Controller Ass'y	1		WF010001-	
39		0517 060 20	*Bolt, Treatment (W/L.W, F.W)	2		WF010001-	M6X20
40		0858 314 35	*Switch Assy	AR		WF010001-	

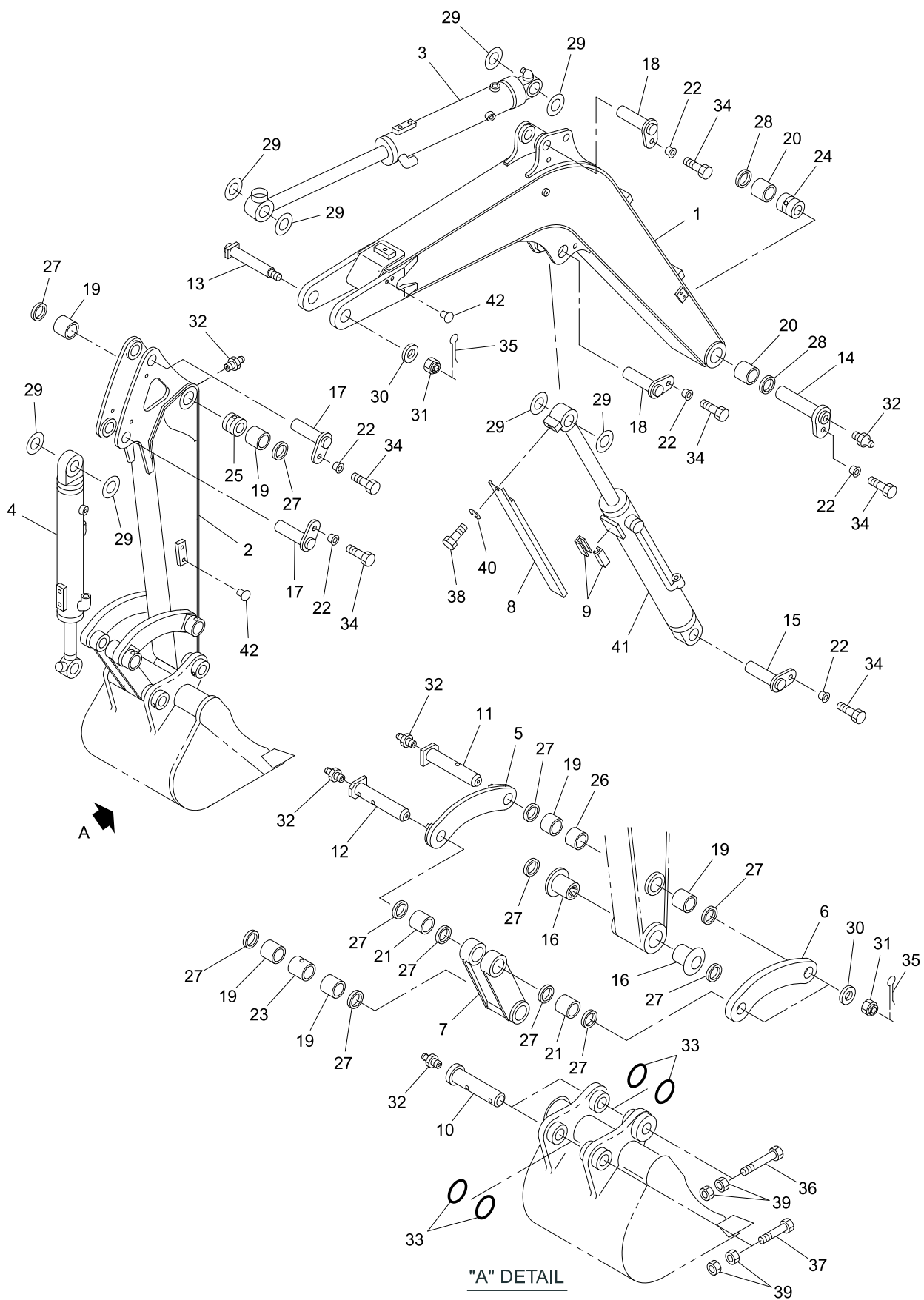
KEY No.	SU P.	PART No.	DESCRIPTION	Q'TY	CHAN	SERIAL No.	REMARKS
41		D408 285 00	*Decal	1		WF010001-	
42		D407 963 00	*Decal	1		WF010001-	
43		D407 964 00	*Decal	1		WF010001-	
44		D592 206 00	*Harness	1		WF010001-	
45		0857 011 57	*Buzzer	1		WF010001-	
46		D407 966 00	*Decal	1		WF010001-	
47		D407 967 00	*Decal	1		WF010001-	
48		D407 968 00	*Decal	1		WF010001-	
49		0820 067 09	*Band, Cable	6		WF010001-	
50		0518 100 20	*Bolt, Treatment (W/L.W, F.W)	1		WF010001-	M10X20 P=1.25
51		D419 477 00	*Bracket	1		WF010001-	
52		4006 119 02	*Washer	1		WF010001-	M10

[Memo]



SHALL-100100-1

KEY No.	SU P.	PART No.	DESCRIPTION	Q'TY	CHAN	SERIAL No.	REMARKS
0	×	5388 510 00	Tools Set	1		WF010001-	
1		4450 505 00	*Case, Tools	1		WF010001-	
2	△	0931 109 25	*Wrench, Adjustable	1		WF010001-	250mm
3		0931 370 11	*Gun, Grease	1		WF010001-	
3-1		0931 370 10	*Gun, Grease	1		WF010001-	For Export
3-2	☆	0931 371 01	**Hose, Grease	1		WF010001-	48190-20540
4	△	0931 331 10	*Hammer	1		WF010001-	
5	△	0931 070 24	*Wrench, L	1		WF010001-	24mm
6	△	0931 301 04	*Driver (-)	1		WF010001-	100mm



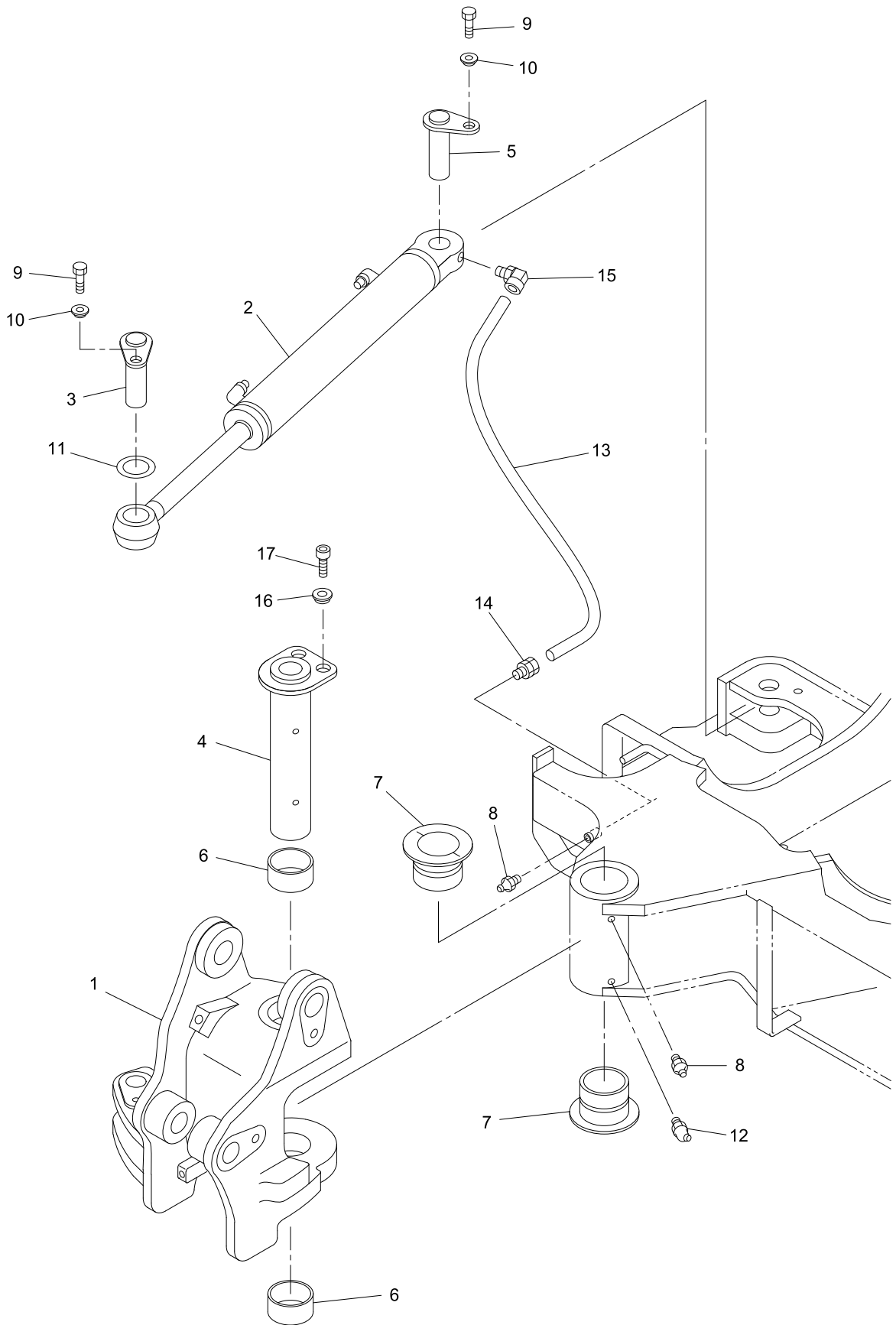
"A" DETAIL

35V4-110100-1

KEY No.	SU P.	PART No.	DESCRIPTION	Q'TY	CHAN	SERIAL No.	REMARKS
0	×	F388 398 00	Attachment Ass'y, Hoe	1		WF010001-	
1		D210 145 00	*Boom	1		WF010001-	
2		D215 220 00	*Arm Ass'y	1		WF010001-	
2-1		D215 234 00	*Arm Ass'y, Long	1		WF010001-	
3	#	0782 619 UA	*Cylinder Ass'y, Arm	1		WF010001-	Sh. No. 5-9
4	#	0782 614 UA	*Cylinder Ass'y, Bucket	1		WF010001-	Sh. No. 5-10
5		D490 370 00	*Link, Arm (R.H.)	1		WF010001-	
6		D490 371 00	*Link, Arm (L.H.)	1		WF010001-	
7		D490 372 00	*Link, Bucket	1		WF010001-	
8		D458 440 00	*Cover	1		WF010001-	
9		D475 052 00	*Guide	2		WF010001-	
10		D013 403 00	*Pin, Head	2		WF010001-	
11		D013 397 00	*Pin, Head	1		WF010001-	
12		D013 402 00	*Pin, Head	1		WF010001-	
13		D013 396 01	*Pin, Head	1		WF010001-	
14		D017 248 00	*Pin	1		WF010001-	
15		D017 237 03	*Pin	1		WF010001-	
16		D043 112 00	*Bushing	2		WF010001-	
17		D017 233 03	*Pin	2		WF010001-	φ 40x112
18		D017 233 02	*Pin	2		WF010001-	φ 40X198
19		4043 229 10	*Bushing	6		WF010001-	
20		D043 086 00	*Bushing	2		WF010001-	
21		4043 231 01	*Bushing	2		WF010001-	
22		D047 058 00	*Bushing	6		WF010001-	
23		4040 468 08	*Spacer	1		WF010001-	
24		4040 469 18	*Spacer	1		WF010001-	
25		4040 469 05	*Spacer	1		WF010001-	
26		4040 468 07	*Spacer	1		WF010001-	
27		0765 033 29	*Seal, Dust	12		WF010001-	
28		0765 033 28	*Seal, Dust	2		WF010001-	
29		4006 540 46	*Shim	AR		WF010001-	d=40, t=1.0
29-1		4006 540 47	*Shim	AR		WF010001-	d=40, t=2.0
30		4006 557 00	*Washer, Flat	3		WF010001-	
31		0587 300 00	*Nut, Castle	3		WF010001-	M30
32		0728 111 15	*Nipple, Grease	6		WF010001-	PT1/8
33		4511 501 06	*Ring, O	4		WF010001-	
34		0555 160 30	*Bolt, Treatment	6		WF010001-	M16X30
35		0599 060 50	*Pin, Cotter	3		WF010001-	d=6.0X50
36		0514 121 20	*Bolt, Treatment	1		WF010001-	M12X120 P=1.25
37		0514 120 80	*Bolt, Treatment	1		WF010001-	M12X80 P=1.25
38		0555 120 20	*Bolt, Treatment	1		WF010001-	M12X20
39		0535 120 00	*Nut, Treatment	4		WF010001-	M12 P=1.25
40		0590 120 00	*Washer, Lock	1		WF010001-	M12

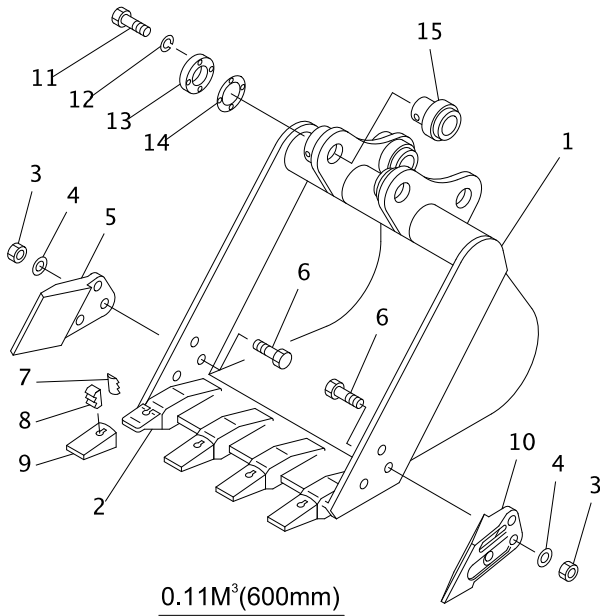
KEY No.	SU P.	PART No.	DESCRIPTION	Q'TY	CHAN	SERIAL No.	REMARKS
41	#	0782 618 UA	*Cylinder Ass'y, Boom	1		WF010001-	Sh. No. 5-8
42		0910 911 00	*Plug	8		WF010001-	

[Memo]

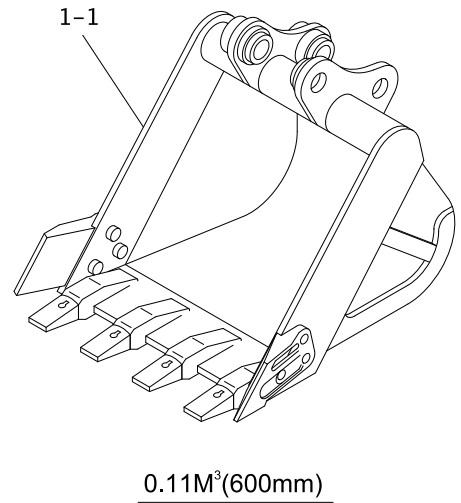


30V4-110200-1

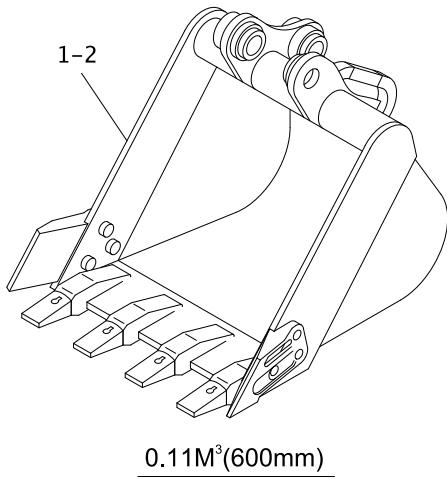
KEY No.	SU P.	PART No.	DESCRIPTION	Q'TY	CHAN	SERIAL No.	REMARKS
0	×	F388 395 00	Swing Ass'y, Boom	1		WF010001-	
1		D418 573 00	*Bracket, Boom Swing	1		WF010001-	
2	#	0782 615 UA	*Cylinder Ass'y, Boom Swing	1		WF010001-	Sh. No. 5-11
3		D017 233 01	*Pin	1		WF010001-	
4		D017 257 00	*Pin	1		WF010001-	
5		D017 233 05	*Pin	1		WF010001-	
6		D043 096 00	*Bushing	2		WF010001-	
7		D043 118 00	*Bushing	2		WF010001-	
8		0728 111 15	*Nipple, Grease	2		WF010001-	PT1/8
9		0555 160 30	*Bolt, Treatment	2		WF010001-	M16X30
10		D047 058 00	*Bushing	2		WF010001-	
11		4006 540 41	*Shim	AR		WF010001-	t=1.0
11-1		4006 540 42	*Shim	AR		WF010001-	t=2.0
12		0728 111 55	*Nipple, Grease	1		WF010001-	PT1/8X67.5
13		0779 000 88	*Tube, Synflex	M		WF010001-	L=800
14		0710 106 27	*Connector	1		WF010001-	
14-1		0713 100 02	**Sleeve	1		WF010001-	
15		0710 107 27	*Elbow	1		WF010001-	
15-1		0713 100 02	**Sleeve	1		WF010001-	
16		D047 003 00	*Bushing	2		WF010001-	
17		0555 160 35	*Bolt, Treatment	2		WF010001-	M16X35



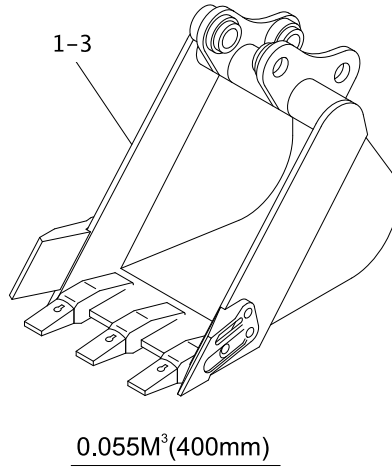
0.11M³(600mm)



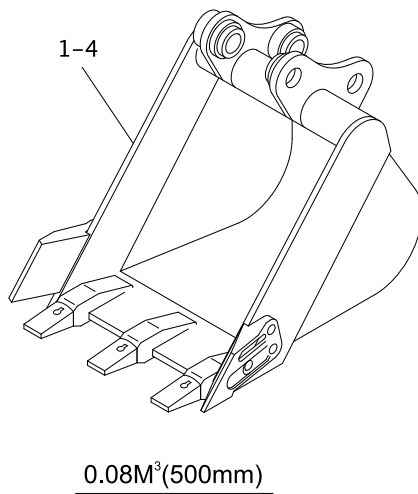
0.11M³(600mm)



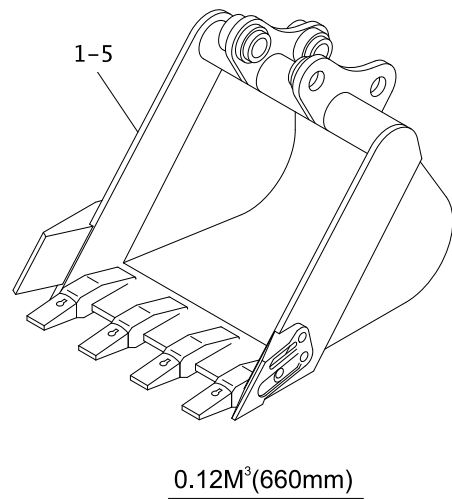
0.11M³(600mm)



0.055M³(400mm)



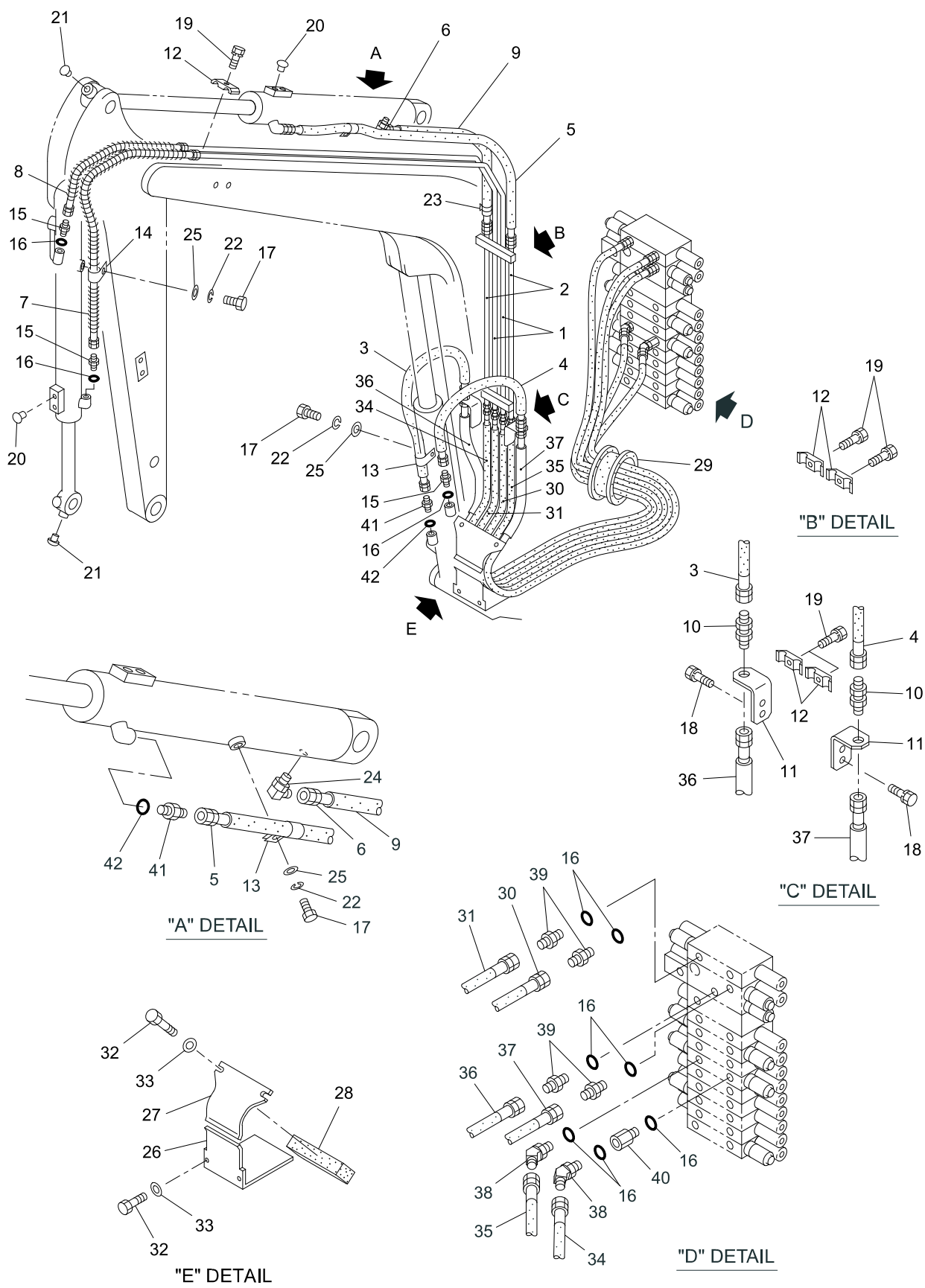
0.08M³(500mm)



0.12M³(660mm)

35VX-110300-1

KEY No.	SU P.	PART No.	DESCRIPTION	Q'TY	CHAN	SERIAL No.	REMARKS
0		F388 224 01	Bucket Ass'y, Hoe (0.11m3)	1		WF003001-	Std.
0-1		F388 225 01	Bucket Ass'y, Hoe (Reinforced, 0.11m3)	1		WF003001-	
0-2		F388 226 01	Bucket Ass'y, Hoe (W/Hook, 0.11m3)	1		WF003001-	
0-3		F388 224 02	Bucket Ass'y, Hoe (0.055m3)	1		WF003001-	
0-4		F388 224 03	Bucket Ass'y, Hoe (0.08m3)	1		WF003001-	For Long Arm
0-5		F388 224 04	Bucket Ass'y, Hoe (0.12m3)	1		WF003001-	
1	×	D270 128 00	*Bucket, Hoe (0.11m3, 600mm)	1		WF003001-	Std.
1-1	×	D270 130 00	*Bucket, Hoe (Reinforced, 0.11m3, 600mm)	1		WF003001-	
1-2	×	D270 131 00	*Bucket, Hoe (W/Hook, 0.11m3, 600mm)	1		WF003001-	
1-3	×	D270 144 00	*Bucket, Hoe (0.055m3, 400mm)	1		WF003001-	
1-4	×	D270 129 00	*Bucket, Hoe (0.08m3, 500mm)	1		WF003001-	For Long Arm
1-5	×	D270 145 00	*Bucket, Hoe (0.12m3, 660mm)	1		WF003001-	
2		0650 001 07	**Adapter, Tooth	AR		WF003001-	
3		0585 140 00	*Nut, Treatment	6		WF003001-	M14
4		D006 051 00	*Washer, Treatment	6		WF003001-	M14
5		4123 041 00	*Cutter, Side	1		WF003001-	
6		0555 140 40	*Bolt, Treatment	6		WF003001-	M14X40
7		0650 004 02	*Pin, Rubber	AR		WF003001-	18-20M-LK
8		0650 003 03	*Pin, Lock	AR		WF003001-	18-20M-PN
9		0650 002 04	*Tooth	AR		WF003001-	18S
10		4123 040 00	*Cutter, Side	1		WF003001-	
11		0513 100 30	*Bolt, Treatment	4		WF003001-	M10X30
12		0590 100 00	*Washer, Lock	4		WF003001-	M10
13		4435 635 00	*Flange	1		WF003001-	
14		4007 307 00	*Shim	AR		WF003001-	t=0.8
15		D131 040 00	*Boss	1		WF003001-	



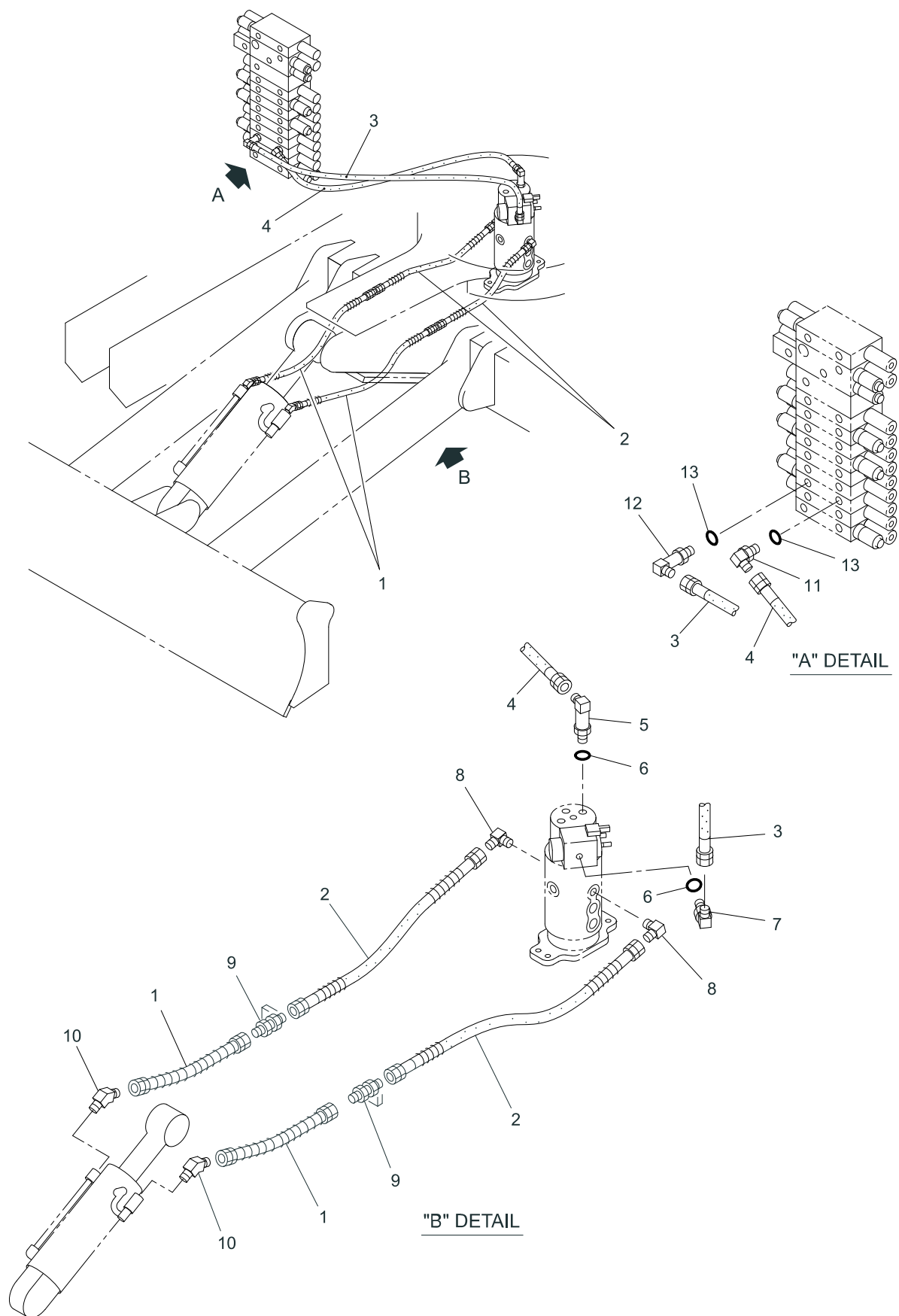
35V4-110400-1

KEY No.	SU P.	PART No.	DESCRIPTION	Q'TY	CHAN	SERIAL No.	REMARKS
0	×	F342 506 00	Piping Ass'y, Hoe Attachment	1		WF010001-	
0-1	×	F342 635 00	Piping Ass'y, Hoe Attachment	1		WF010001-	
1		D286 312 00	*Tube	2		WF010001-	
2		D286 309 00	*Tube	2		WF010001-	
3		D070 543 01	*Hose Ass'y	1		WF010001-	L=1120
4		D070 543 02	*Hose Ass'y	1		WF010001-	L=800
5		D070 543 06	*Hose Ass'y	1		WF010001-	L=1430
6		D070 365 13	*Hose Ass'y	1		WF010001-	L=770
7		D070 351 12	*Hose Ass'y	1		WF010001-	L=1200
7-1		D070 351 23	*Hose Ass'y (For Long Arm)	1		WF010001-	L=1500
8		D070 351 13	*Hose Ass'y	1		WF010001-	L=830
8-1		D070 351 04	*Hose Ass'y (For Long Arm)	1		WF010001-	L=1130
9		4070 853 16	*Cover, Hose	M		WF010001-	L=720
10		D060 032 00	*Adapter	2		WF010001-	
11		D418 453 00	*Bracket	2		WF010001-	
12		4081 189 00	*Clamp, Tube	5		WF010001-	
13		4080 000 05	*Clamp, Hose	2		WF010001-	
14		4080 000 14	*Clamp, Hose	1		WF010001-	
15		0713 700 03	*Adapter	3		WF010001-	
16		0760 710 16	*Ring, O	10		WF010001-	P14-90B
17		0513 100 16	*Bolt, Treatment	3		WF010001-	M10X16
18		0520 100 20	*Bolt, Treatment (W/L.W)	4		WF010001-	M10X20 P=1.25
19		0520 100 35	*Bolt, Treatment (W/L.W)	5		WF010001-	M10X35 P=1.25
20		0690 201 08	*Plug	4		WF010001-	
21		0690 201 09	*Plug	2		WF010001-	J
22		0590 100 00	*Washer, Lock	3		WF010001-	M10
23		0820 067 04	*Band, Cable	1		WF010001-	
24		0710 122 10	*Elbow	1		WF010001-	
25		0593 100 00	*Washer, Flat	3		WF010001-	M10
26		D458 437 00	*Cover	1		WF010001-	
27		D458 443 00	*Cover	1		WF010001-	
28		D580 160 00	*Pad	1		WF010001-	
29		4580 730 00	*Pad	1		WF010001-	
30		D070 460 12	*Hose Ass'y	1		WF010001-	L=2350
30-1	☆	4405 319 01	*Decal (CA)	2		WF010001-	4405 319 00
31		D070 460 13	*Hose Ass'y	1		WF010001-	L=2400
31-1	☆	4405 319 02	*Decal (CB)	2		WF010001-	4405 319 00
32		0513 120 25	*Bolt, Treatment	4		WF010001-	M12X25
33		0595 120 00	*Washer, Treatment	4		WF010001-	M12
34		D070 460 14	*Hose Ass'y	1		WF010001-	L=2270
34-1	☆	4405 320 01	*Decal (AA)	2		WF010001-	4405 320 00
35		D070 460 15	*Hose Ass'y	1		WF010001-	L=2320
35-1	☆	4405 320 02	*Decal (AB)	2		WF010001-	4405 320 00

KEY No.	SU P.	PART No.	DESCRIPTION	Q'TY	CHAN	SERIAL No.	REMARKS
36		D070 460 18	*Hose Ass'y	1		WF010001-	L=2550
36-1	☆	4405 318 01	*Decal (BA)	2		WF010001-	4405 318 00
37		D070 460 19	*Hose Ass'y	1		WF010001-	L=2600
37-1	☆	4405 318 02	*Decal (BB)	2		WF010001-	4405 318 00
38		0710 114 33	*Elbow, 45	2		WF010001-	
39		0713 700 71	*Adapter	4		WF010001-	
40		D060 536 00	*Connector	1		WF010001-	
41		0713 700 78	*Adapter, Reducer	2		WF010001-	PF1/2XPF3/8
42		0760 710 19	*Ring, 0	2		WF010001-	P18-90B

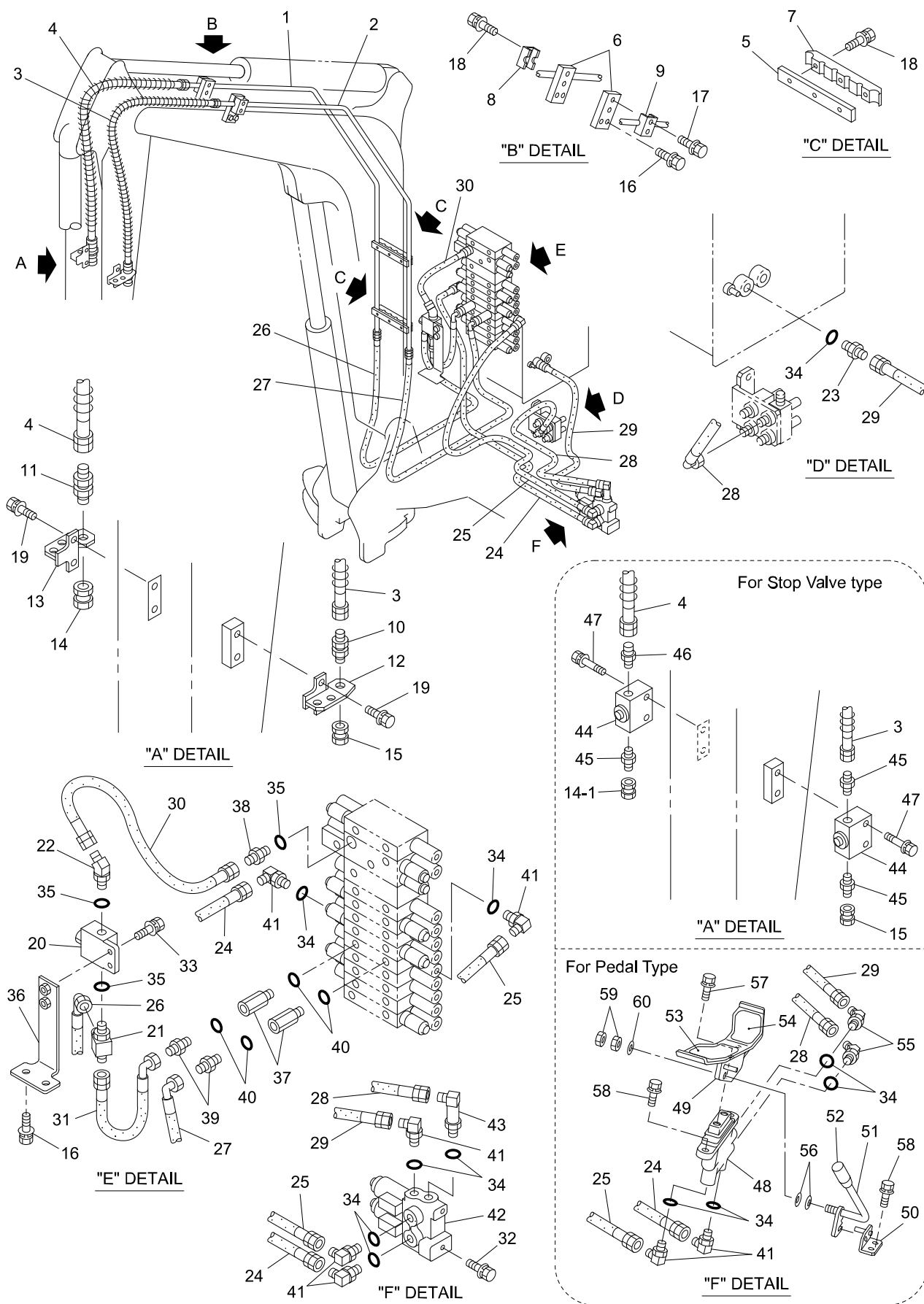
[Memo]

KEY No.	SU P.	PART No.	DESCRIPTION	Q'TY	CHAN	SERIAL No.	REMARKS
0	×	F301 022 00	Attachment Ass'y, Blade	1		WF010001-	
1		0518 100 20	*Bolt, Treatment (W/L.W, F.W)	2		WF010001-	M10X20 P=1.25
2		D457 917 00	*Cover	1		WF010001-	
3	#	0782 616 UA	*Cylinder Ass'y, Blade	1		WF010001-	Sh. No. 5-12
4		D257 108 00	*Blade	1		WF010001-	
5		D017 233 01	*Pin	2		WF010001-	
6		D047 058 00	*Bushing	4		WF010001-	
7		0555 160 30	*Bolt, Treatment	4		WF010001-	M16X30
8		D017 234 01	*Pin	2		WF010001-	
9		0765 033 29	*Seal, Dust	4		WF010001-	
10		4043 358 03	*Bushing	2		WF010001-	
11		0728 111 55	*Nipple, Grease	2		WF010001-	PT1/8X67.5



35V4-120200-1

KEY No.	SU P.	PART No.	DESCRIPTION	Q'TY	CHAN	SERIAL No.	REMARKS
0	×	F342 645 00	Piping Ass'y, Blade	1		WF010001-	
0-1	×	F342 635 00	Piping Ass'y, Blade	1		WF010001-	
1		4070 464 17	*Hose Ass'y	2		WF010001-	L=470
2		4070 581 04	*Hose Ass'y	2		WF010001-	L=370
3		4070 000 20	*Hose Ass'y	1		WF010001-	L=900
4		4070 000 38	*Hose Ass'y	1		WF010001-	L=750
5		D060 028 00	*Elbow	1		WF010001-	
6		0760 710 12	*Ring, 0	2		WF010001-	P11-90B
7		0710 122 00	*Elbow	1		WF010001-	
8		0712 311 51	*Elbow, Reducer	2		WF010001-	PF3/8XPT1/4
9		D060 032 00	*Adapter	2		WF010001-	
10		0710 150 06	*Elbow, 30	2		WF010001-	
11		0710 113 32	*Elbow, Reducer	1		WF010001-	PF3/8XPF1/4
12		0710 117 04	*Elbow, Reducer	1		WF010001-	PF3/8XPF1/4
13		0760 710 16	*Ring, 0	2		WF010001-	P14-90B

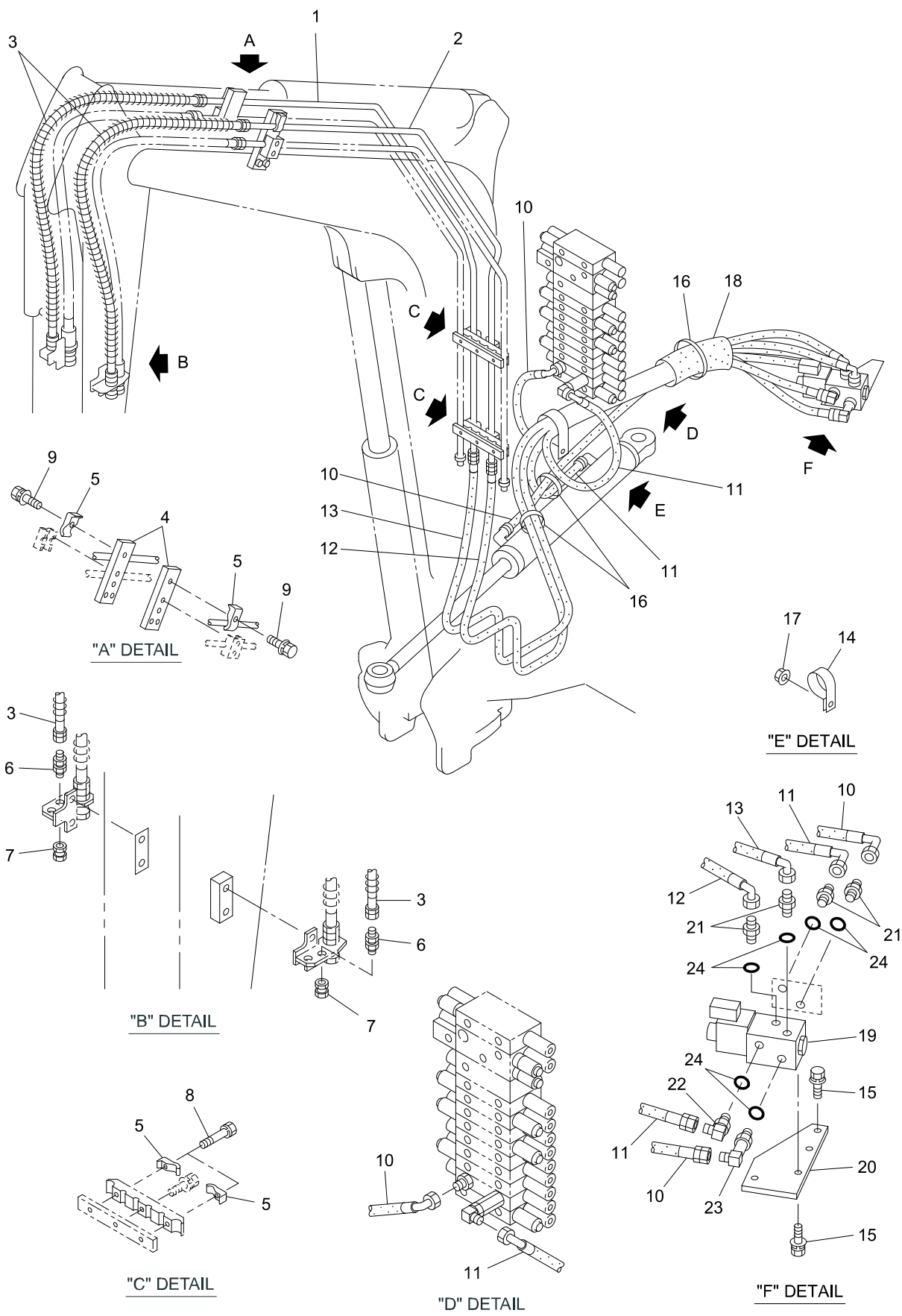


30V4-150100-1

KEY No.	SU P.	PART No.	DESCRIPTION	Q'TY	CHAN	SERIAL No.	REMARKS
0	×	F342 655 00	Piping Ass'y, First Spare	1		WF010001-	
1		D286 325 00	*Tube	1		WF010001-	
2		D286 326 00	*Tube	1		WF010001-	
3		D070 371 01	*Hose Ass'y	1		WF010001-	L=900
4		D070 372 01	*Hose Ass'y	1		WF010001-	L=900
5		D082 107 00	*Seat, Clamp	2		WF010001-	
6		D082 111 00	*Seat, Clamp	2		WF010001-	
7		D081 194 00	*Clamp, Tube	2		WF010001-	
8		D081 023 00	*Clamp, Tube	1		WF010001-	
9		D081 192 00	*Clamp, Tube	1		WF010001-	
10		D060 451 00	*Connector	1		WF010001-	
11		D060 500 00	*Connector	1		WF010001-	
12		D418 812 00	*Bracket	1		WF010001-	
13		D418 813 00	*Bracket	1		WF010001-	
14		0710 303 06	*Plug, Swivel	1		WF010001-	
14-1		0710 303 04	*Plug, Swivel	1		WF010001-	For Valve Type
15		0710 303 04	*Plug, Swivel	1		WF010001-	
16		0518 100 25	*Bolt, Treatment (W/L.W, F.W)	6		WF010001-	M10X25 P=1.25
17		0518 100 40	*Bolt, Treatment (W/L.W, F.W)	2		WF010001-	M10X40 P=1.25
18		0518 100 45	*Bolt, Treatment (W/L.W, F.W)	8		WF010001-	M10X45 P=1.25
19		0518 100 20	*Bolt, Treatment (W/L.W, F.W)	4		WF010001-	M10X20 P=1.25
20		0725 005 UA	*Valve, Stop	1		WF010001-	
21		0710 713 11	*Tee, Special	1		WF010001-	
22		0710 114 44	*Elbow, 45	1		WF010001-	
23		0713 700 70	*Connector	1		WF010001-	
24		4070 548 42	*Hose Ass'y	1		WF010001-	L=1670
25		4070 548 43	*Hose Ass'y	1		WF010001-	L=1370
26		D070 367 12	*Hose Ass'y	1		WF010001-	L=2130
26-1	☆	4405 307 03	*Decal (R1)	2		WF010001-	4405 307 00
27		D070 367 13	*Hose Ass'y	1		WF010001-	L=2180
27-1	☆	4405 309 03	*Decal (L1)	2		WF010001-	4405 309 00
28		4070 551 13	*Hose Ass'y	1		WF010001-	L=850
29		4070 548 72	*Hose Ass'y	1		WF010001-	L=930
30		4070 783 28	*Hose Ass'y	1		WF010001-	L=320
31		D070 363 20	*Hose Ass'y	1		WF010001-	L=450
32		0517 080 25	*Bolt, Treatment (W/L.W, F.W)	2		WF010001-	M8X25
33		0518 100 30	*Bolt, Treatment (W/L.W, F.W)	2		WF010001-	M10X30 P=1.25
34		0760 710 12	*Ring, 0	7		WF010001-	P11-90B
35		0760 710 19	*Ring, 0	3		WF010001-	P18-90B
36		D419 133 00	*Bracket	1		WF010001-	
37		D060 483 00	*Connector	2		WF010001-	

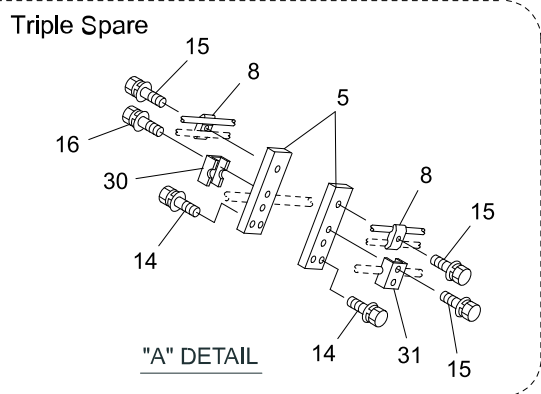
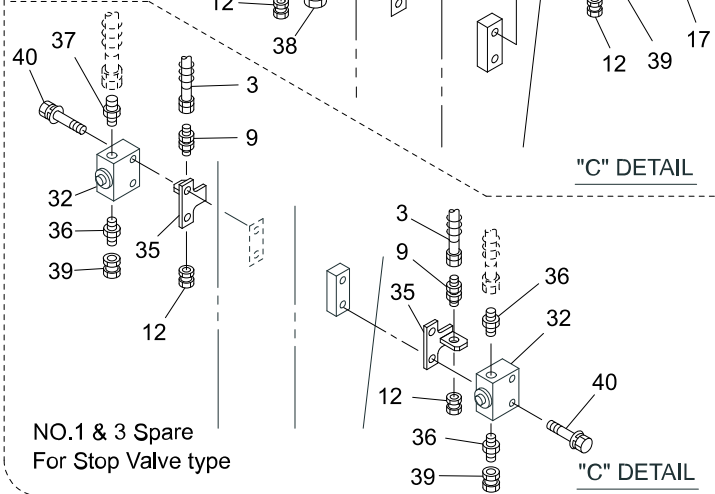
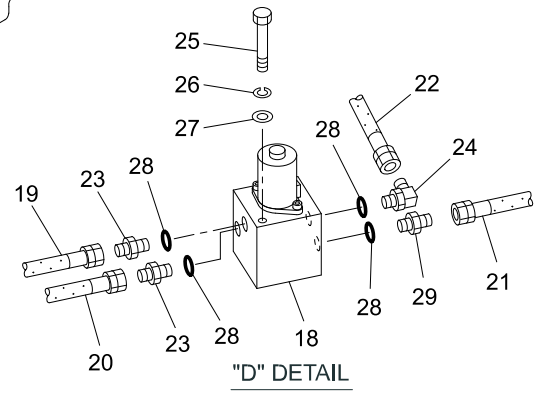
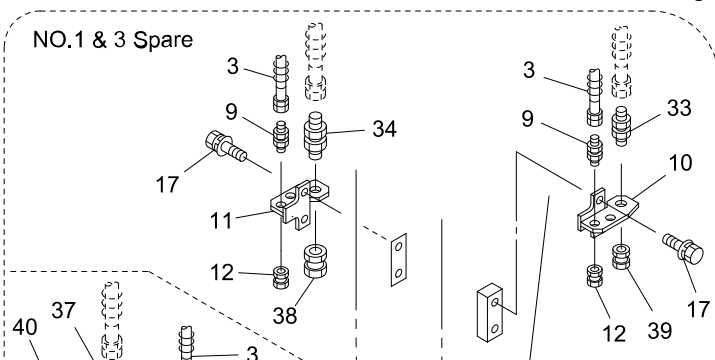
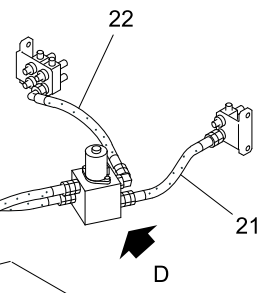
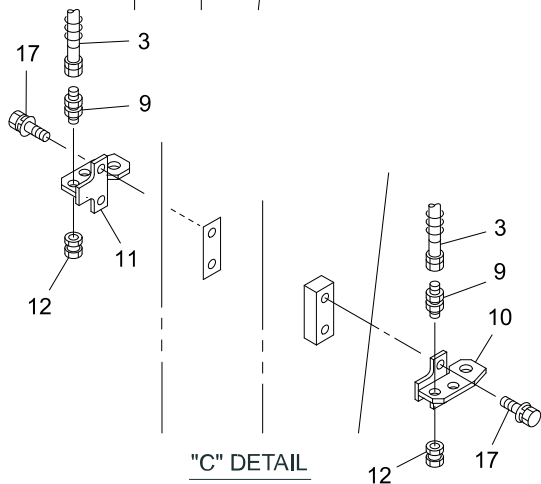
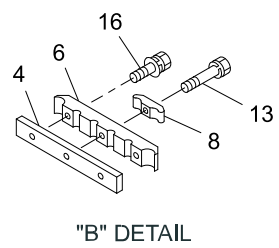
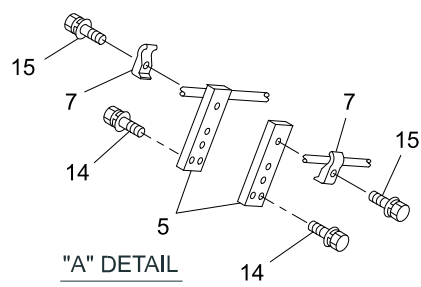
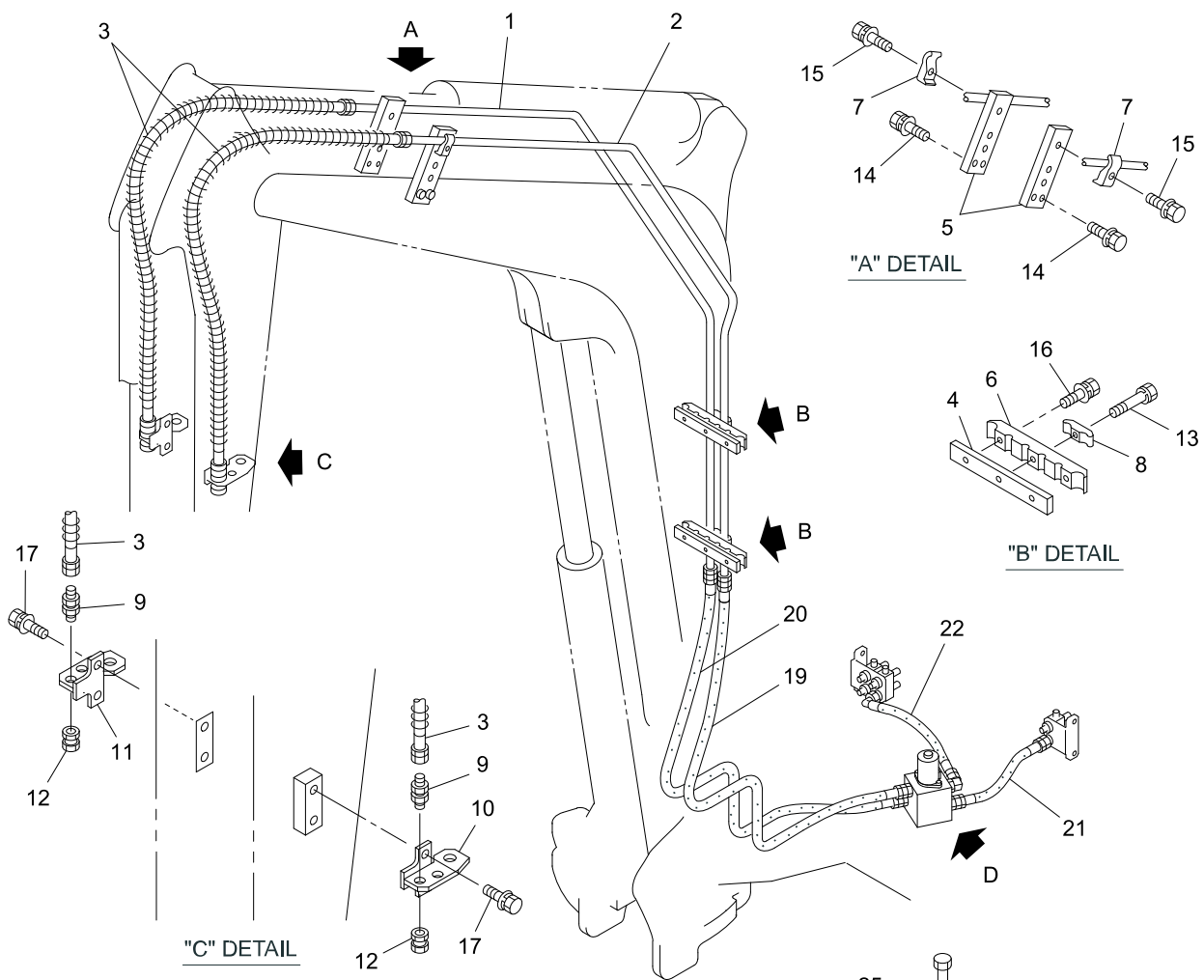
KEY No.	SU P.	PART No.	DESCRIPTION	Q'TY	CHAN	SERIAL No.	REMARKS
38		0713 700 72	*Adapter	1		WF010001-	
39		0713 700 94	*Adapter, Reducer	2		WF010001-	PF3/8XPF1/2
40		0760 710 16	*Ring, O	4		WF010001-	P14-90B
41		0710 122 09	*Elbow	5		WF010001-	
42		0785 169 UA	*Valve, Solenoid	1		WF010001-	
43		D060 028 00	*Elbow	1		WF010001-	
44		0754 804 UA	*Cock	2		WF010001-	
45		0712 310 32	*Adapter	3		WF010001-	
46		0712 311 37	*Adapter, Reducer	1		WF010001-	PF3/4XPT1/2
47		0518 100 60	*Bolt, Treatment (W/L.W, F.W)	4		WF010001-	M10X60 P=1.25
48	#	0783 965 UA	*Valve Ass'y, Pilot	1		WF010001-	Sh. No. 5-15
49		D501 059 00	*Pedal	1		WF010001-	
50		D416 915 00	*Bracket	1		WF010001-	
51		4497 989 00	*Lever	1		WF010001-	
52		4096 033 00	*Grip	1		WF010001-	
53		D406 930 00	*Pad, Rubber	1		WF010001-	
54		D406 931 00	*Pad, Rubber	1		WF010001-	
55		0710 121 00	*Elbow, 45	2		WF010001-	
56		0591 080 00	*Washer, Conical Spring	2		WF010001-	
57		0517 080 16	*Bolt, Treatment (W/L.W, F.W)	2		WF010001-	M8X16
58		0517 080 20	*Bolt, Treatment (W/L.W, F.W)	4		WF010001-	M8X20
59		0544 080 00	*Nut, Hex.	2		WF010001-	M8
60		0593 080 00	*Washer, Flat	1		WF010001-	M8

[Memo]



30V4-150200-1

KEY No.	SU P.	PART No.	DESCRIPTION	Q'TY	CHAN	SERIAL No.	REMARKS
0	×	F342 655 00	Piping Ass'y, Second Spare	1		WF010001-	
1		D286 327 00	*Tube	1		WF010001-	
2		D286 328 00	*Tube	1		WF010001-	
3		4070 642 10	*Hose Ass'y	2		WF010001-	L=950
4		D082 109 00	*Seat, Clamp	2		WF010001-	
5		4081 118 00	*Clamp, Tube	6		WF010001-	
6		D060 137 00	*Adapter	2		WF010001-	
7		0710 303 02	*Plug, Swivel	2		WF010001-	
8		0520 100 65	*Bolt, Treatment (W/L.W)	4		WF010001-	M10X65 P=1.25
9		0518 100 40	*Bolt, Treatment (W/L.W, F.W)	2		WF010001-	M10X40 P=1.25
10		4070 472 27	*Hose Ass'y	2		WF010001-	L=1080
11		4070 472 26	*Hose Ass'y	2		WF010001-	L=1170
12		4070 860 56	*Hose Ass'y	1		WF010001-	L=2940
12-1	☆	4405 310 03	*Decal (L2)	2		WF010001-	4405 310 00
13		4070 860 56	*Hose Ass'y	1		WF010001-	L=2940
13-1	☆	4405 308 03	*Decal (R2)	2		WF010001-	4405 308 00
14		4080 000 09	*Clamp, Hose	1		WF010001-	
15		0517 080 16	*Bolt, Treatment (W/L.W, F.W)	4		WF010001-	M8X16
16		0820 067 05	*Band, Cable	3		WF010001-	
17		0524 100 00	*Nut, Hex. (W/F.W)	1		WF010001-	M10 P=1.25
18		4070 504 02	*Cover, Hose	1		WF010001-	L=120
19		0787 045 UA	*Valve, Solenoid	1		WF010001-	
20		D419 547 00	*Bracket	1		WF010001-	
21		0713 700 70	*Connector	4		WF010001-	
22		0710 122 09	*Elbow	1		WF010001-	
23		D060 028 00	*Elbow	1		WF010001-	
24		0760 710 12	*Ring, O	6		WF010001-	P11-90B

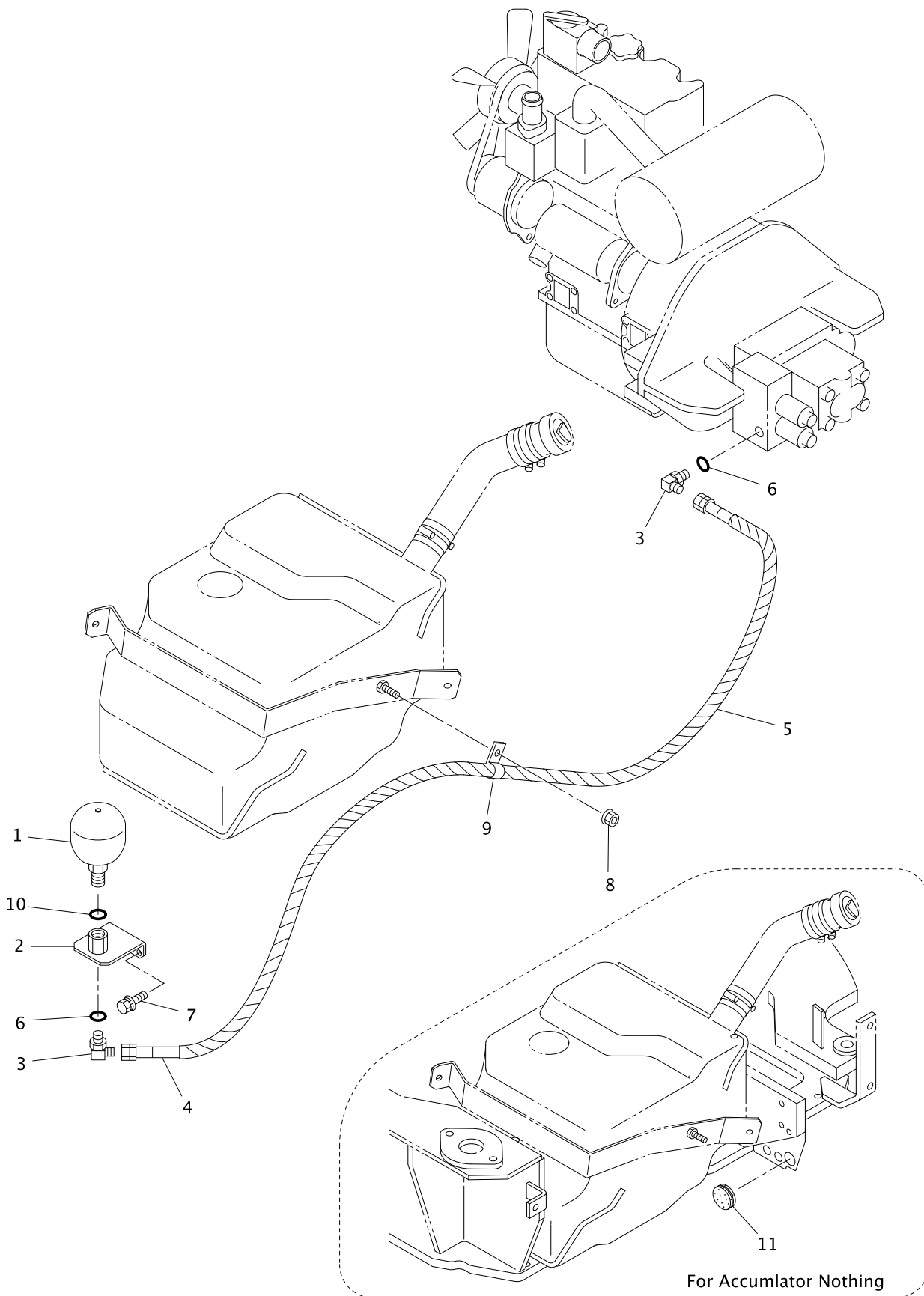


30V4-150300-1

KEY No.	SU P.	PART No.	DESCRIPTION	Q'TY	CHAN	SERIAL No.	REMARKS
0	×	F342 655 00	Piping Ass'y, Third Spare	1		WF010001-	
1		D286 329 00	*Tube	1		WF010001-	
2		D286 330 00	*Tube	1		WF010001-	
3		4070 642 11	*Hose Ass'y	2		WF010001-	L=1050
4		D082 107 00	*Seat, Clamp	2		WF010001-	
5		D082 109 00	*Seat, Clamp	2		WF010001-	
6		D081 194 00	*Clamp, Tube	2		WF010001-	
7		4081 118 00	*Clamp, Tube	2		WF010001-	
8		4081 189 00	*Clamp, Tube	4		WF010001-	
9		D060 137 00	*Adapter	4		WF010001-	
10		D418 812 00	*Bracket	1		WF010001-	
11		D418 813 00	*Bracket	1		WF010001-	
12		0710 303 02	*Plug, Swivel	2		WF010001-	PF1/4
13		0520 100 65	*Bolt, Treatment (W/L.W)	2		WF010001-	M10X65 P=1.25
14		0518 100 25	*Bolt, Treatment (W/L.W, F.W)	4		WF010001-	M10X25 P=1.25
15		0518 100 40	*Bolt, Treatment (W/L.W, F.W)	4		WF010001-	M10X40 P=1.25
16		0518 100 45	*Bolt, Treatment (W/L.W, F.W)	6		WF010001-	M10X45 P=1.25
17		0518 100 20	*Bolt, Treatment (W/L.W, F.W)	4		WF010001-	M10X20 P=1.25
18		0785 171 UA	*Valve Ass'y, Solenoid	1		WF010001-	
19		D070 195 23	*Hose Ass'y	1		WF010001-	L=1500
19-1	☆	4405 309 04	*Decal (L3)	2		WF010001-	4405 309 00
20		D070 195 23	*Hose Ass'y	1		WF010001-	L=1500
20-1	☆	4405 307 04	*Decal (R3)	2		WF010001-	4405 307 00
21		4070 056 47	*Hose Ass'y	1		WF010001-	L=250
22		4070 551 11	*Hose Ass'y	1		WF010001-	L=300
23		0713 700 70	*Connector	2		WF010001-	
24		0710 122 09	*Elbow	1		WF010001-	
25		0513 080 90	*Bolt, Treatment	2		WF010001-	M8X90
26		0590 080 00	*Washer, Lock	2		WF010001-	M8
27		0593 080 00	*Washer, Flat	2		WF010001-	M8
28		0760 710 12	*Ring, O	4		WF010001-	P11-90B
29		0713 700 93	*Adapter, Reducer	1		WF010001-	PF1/4XPF3/8
30		D081 023 00	*Clamp, Tube	1		WF010001-	
31		D081 192 00	*Clamp, Tube	1		WF010001-	
32		0754 804 UA	*Cock	2		WF010001-	
33		D060 451 00	*Connector	1		WF010001-	
34		D060 500 00	*Connector	1		WF010001-	
35		D418 815 00	*Bracket	2		WF010001-	
36		0712 310 32	*Adapter	3		WF010001-	
37		0712 311 37	*Adapter, Reducer	1		WF010001-	PF3/4XPT1/2
38		0710 303 06	*Plug, Swivel	1		WF010001-	

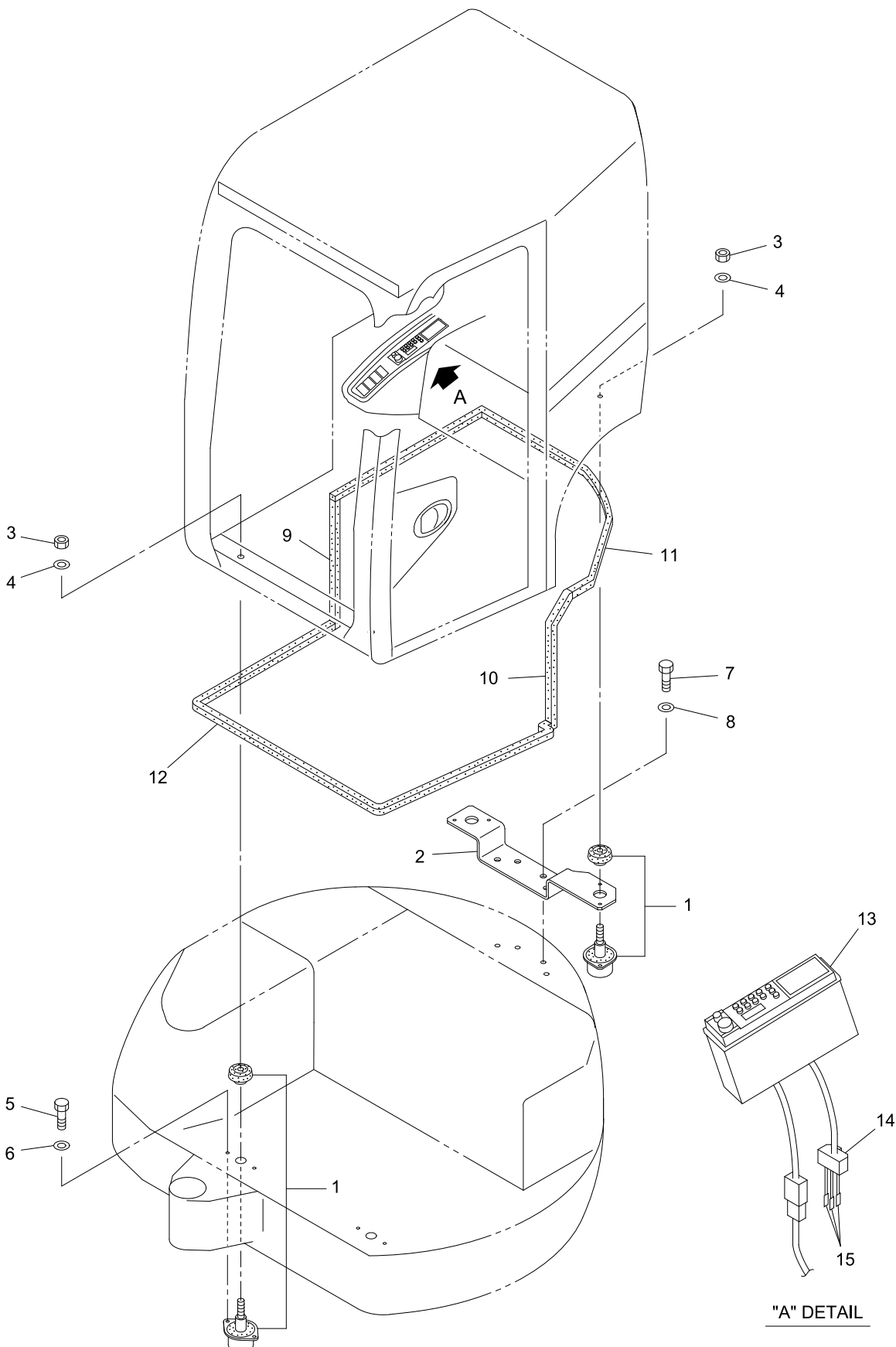
KEY No.	SU P.	PART No.	DESCRIPTION	Q'TY	CHAN	SERIAL No.	REMARKS
39		0710 303 04	*Plug, Swivel	2		WF010001-	
40		0518 100 60	*Bolt, Treatment (W/L.W, F.W)	4		WF010001-	M10X60 P=1.25

[Memo]



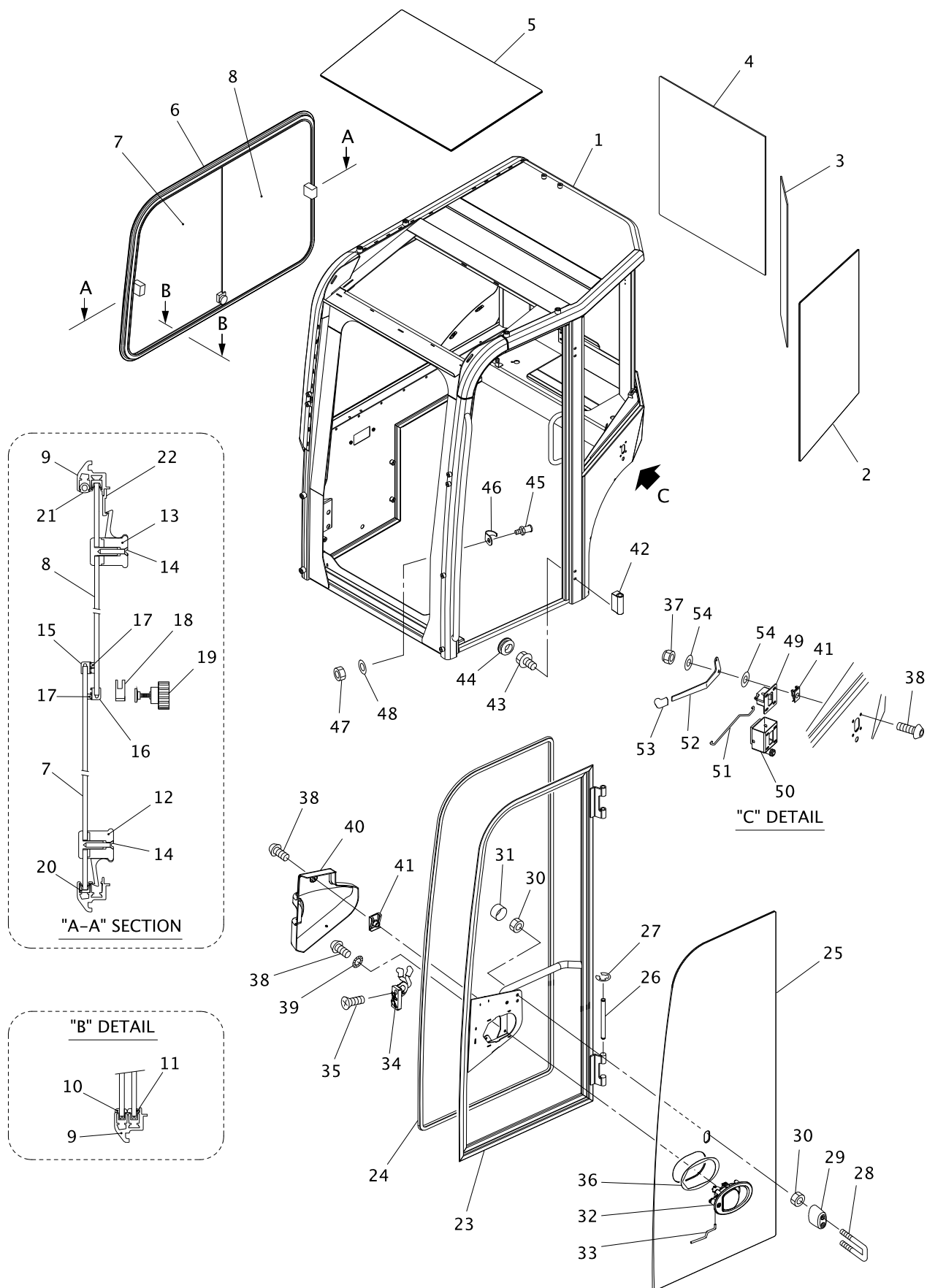
25V4-150400-1

KEY No.	SU P.	PART No.	DESCRIPTION	Q'TY	CHAN	SERIAL No.	REMARKS
0	×	F342 675 00	Accumulator Ass'y	0		WF010001-	
1		0759 301 UA	*Accumulator	1		WF010001-	
2		D060 518 00	*Connector	1		WF010001-	
3		0710 122 10	*Elbow	2		WF010001-	
4		4070 056 40	*Hose Ass'y	1		WF010001-	L=1150
5		0820 803 05	*Tube, Corrugate	M		WF010001-	L=1050
6		0760 710 16	*Ring, O	2		WF010001-	P14-90B
7		0518 100 20	*Bolt, Treatment (W/L.W, F.W)	2		WF010001-	M10X20 P=1.25
8		0524 100 00	*Nut, Hex. (W/F.W)	1		WF010001-	M10 P=1.25
9		4080 000 04	*Clamp, Hose	1		WF010001-	
10		0760 710 19	*Ring, O	1		WF010001-	P18-90B
11		0910 940 26	*Grommet	1		WF010001-	



V4ALL-150500-1

KEY No.	SU P.	PART No.	DESCRIPTION	Q'TY	CHAN	SERIAL No.	REMARKS
0	×	F355 182 00	Room Ass'y, Operator	1		WF010001-	
1		0690 203 15	*Mount, Cab	4		WF010001-	
2		D418 455 00	*Bracket	1		WF010001-	
3		0585 200 00	*Nut, Treatment	4		WF010001-	M20, M20
4		0595 200 00	*Washer, Treatment	4		WF010001-	M20, M20
5		0555 100 40	*Bolt, Treatment	8		WF010001-	M10X40, M10X40
6		0595 100 00	*Washer, Treatment	8		WF010001-	M10, M10
7		0555 160 50	*Bolt, Treatment	4		WF010001-	M16X50, M16X50
8		0595 160 00	*Washer, Treatment	4		WF010001-	M16, M16
9		D493 753 02	*Seal, Sponge	1		WF010001-	L=500
10		D493 753 01	*Seal, Sponge	1		WF010001-	L=550
11		4550 906 25	*Seal, Sponge	1		WF010001-	L=1900
12		4550 906 26	*Seal, Sponge	1		WF010001-	L=2250
13		0850 500 10	*Radio	1		WF010001-	For Japanese
14		0830 408 00	*Housing	1		WF010001-	
15		0820 657 08	*Terminal	3		WF010001-	

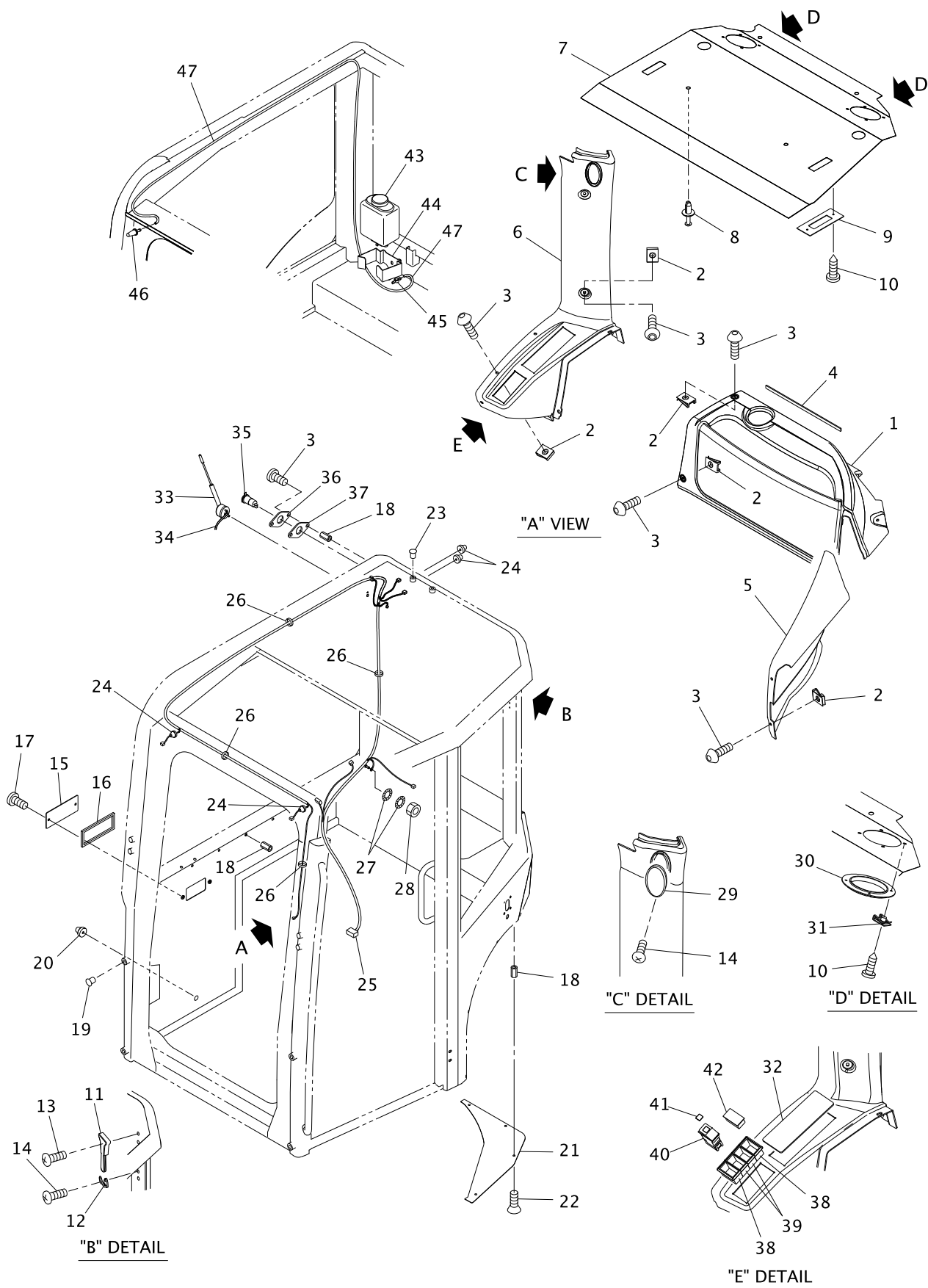


V4ALL-150600-1

KEY No.	SU P.	PART No.	DESCRIPTION	Q'TY	CHAN	SERIAL No.	REMARKS
0	×	3034212018	Cabin Ass'y (Dark Grey)	1		WF010001-	
0-1	×	3034212019	Cabin Ass'y (Light Grey)	1		WF010001-	
1		F354 810 00	*Cabin (Dark Grey)	1		WF010001-	
1-1		5290105300	*Cabin (Light Grey)	1		WF010001-	
2		4016000000	*Glass (L.H.)	1		WF010001-	
3		4016000001	*Glass (Rear Side)	1		WF010001-	
4		4016000002	*Glass (Rear)	1		WF010001-	
5		4016000003	*Glass (Roof)	1		WF010001-	
6		4016000004	*Window Ass'y, Side	1		WF010001-	
7		4016000005	**Glass (Front)	1		WF010001-	
8		4016000006	**Glass (Rear)	1		WF010001-	
9		4016000007	**Frame, Glass	1		WF010001-	
10		4016000008	**Shoe (Front)	1		WF010001-	
11		4016000009	**Shoe (Rear)	1		WF010001-	
12		4016000010	**Handle, Sliding (Front)	1		WF010001-	
13		4016000011	**Handle, Sliding (Rear)	1		WF010001-	
14		4016000012	**Bolt	4		WF010001-	4. 8X32
15		4016000013	**Support, Brush (Front)	1		WF010001-	
16		4016000014	**Support, Brush (Rear)	2		WF010001-	
17		4016000015	**Brush	3		WF010001-	
18		4016000016	**Glass Blocking	1		WF010001-	
19		4016000017	**Handle, Glass Blocking	1		WF010001-	
20		4016000018	**Support, Sliding	2		WF010001-	
21		4016000019	**Gasket	2		WF010001-	
22		4016000020	**Handle, Stop	1		WF010001-	
23		4016000021	*Frame, Door (Dark Grey)	1		WF010001-	
23-1		4016000022	*Frame, Door (Light Grey)	1		WF010001-	
24		4016000023	*Gasket	1		WF010001-	L=4050
25		4016000024	*Glass (Door)	1		WF010001-	
26		4015000088	*Pin, Hinge	2		WF010001-	
27		4015000092	*Ring, Elastic	4		WF010001-	d=10
28		4016000025	*Hook, Door Stop	1		WF010001-	L=94
28-1		4016000026	*Hook, Door Stop	1		WF010001-	L=120
29		4016000027	*Absorber, Shock	1		WF010001-	H=50
29-1		4016000028	*Absorber, Shock	1		WF010001-	H=77
30		4016000029	*Nut, Special	4		WF010001-	M8
31		4012000206	*Cap	2		WF010001-	M8
32		4016000030	*Handle Ass'y	1		WF010001-	
33		4016000031	*Rod	1		WF010001-	
34		4013001426	*Lock, Door	1		WF010001-	
35		3442505	*Bolt	1		WF010001-	M8X40
36		4012000390	*Gasket	1		WF010001-	
37		4015000091	*Nut	1		WF010001-	M8
38		4016000033	*Bolt	10		WF010001-	M6X16
39		4012000185	*Washer Toothed	4		WF010001-	M6

KEY No.	SU P.	PART No.	DESCRIPTION	Q'TY	CHAN .	SERIAL No.	REMARKS
40		4016000034	*Cover	1		WF010001-	
41		4016000035	*Clip	6		WF010001-	M6
42		4016000036	*Hinge	2		WF010001-	
43		4016000037	*Bolt	4		WF010001-	M8X16
44		4016000038	*Cap	4		WF010001-	d=20
45		4013001417	*Block	1		WF010001-	
46		4013001418	*Block, Security	1		WF010001-	
47		4012000260	*Nut	1		WF010001-	M12X1
48		4015000109	*Washer Flat	1		WF010001-	12.5X28
49		4012000138	*Door Stop	1		WF010001-	
50		4012000257	*Bracket	1		WF010001-	
51		4016000039	*Rod, Tie	1		WF010001-	
52		4016000040	*Lever	1		WF010001-	
53		4012000259	*Handle	1		WF010001-	
54		4016000041	*Washer Flat	2		WF010001-	8.5X24

[Memo]

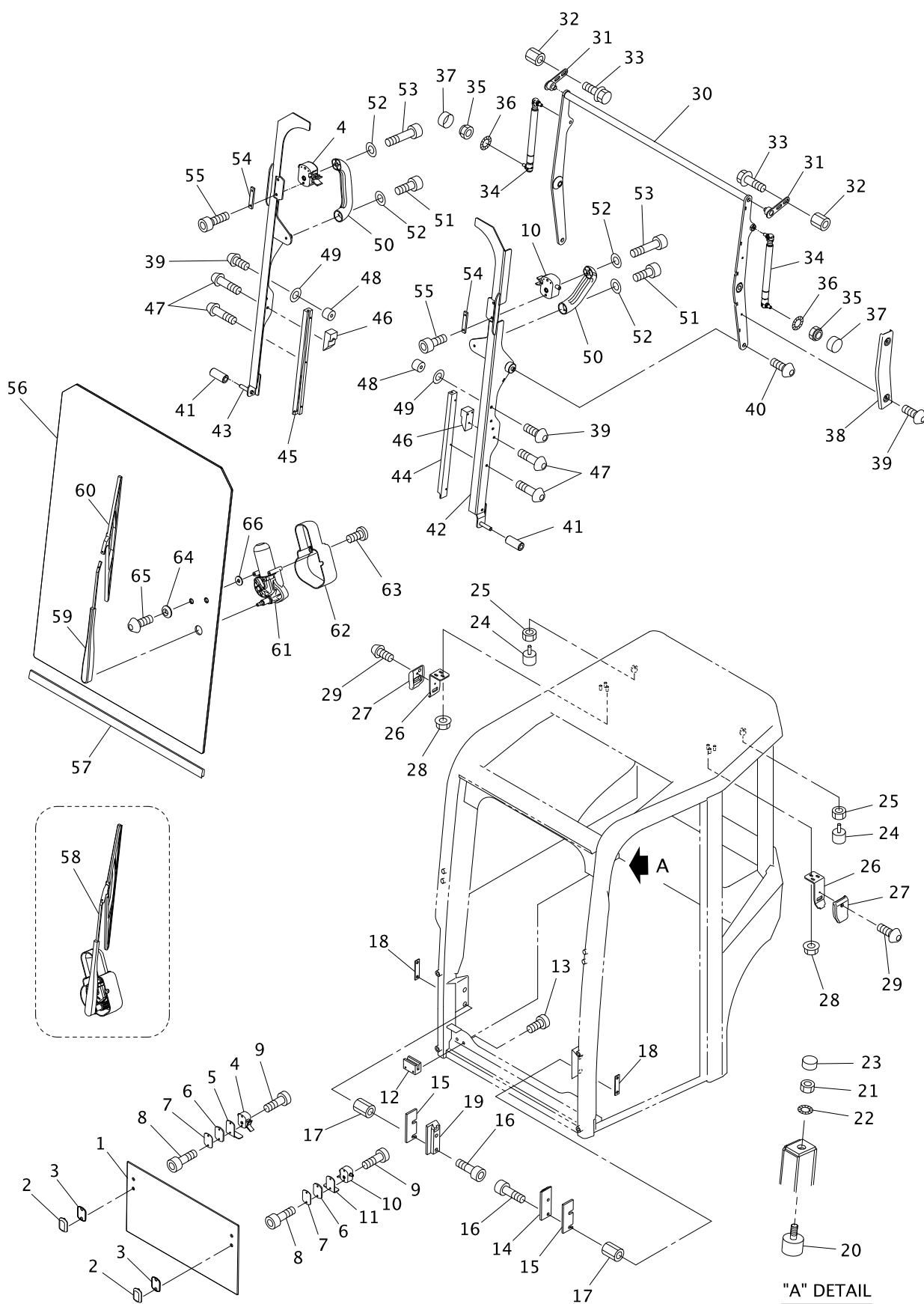


V4ALL-150700-1

KEY No.	SU P.	PART No.	DESCRIPTION	Q'TY	CHAN	SERIAL No.	REMARKS
0	×	3034212018	Cabin Ass'y (Dark Grey)	1		WF010001-	
0-1	×	3034212019	Cabin Ass'y (Light Grey)	1		WF010001-	
1		4016000042	*Cover (Rear)	1		WF010001-	
2		4016000035	*Clip	12		WF010001-	M6
3		4016000033	*Bolt	12		WF010001-	M6X16
4		4016000043	*Gasket	1		WF010001-	L=325
5		4016000044	*Cover (Left)	1		WF010001-	
6		4016000045	*Cover (Right Upright)	1		WF010001-	
7		4016000046	*Roof Coating	1		WF010001-	
8		4016000047	*Clip	4		WF010001-	d=8
9		4016000048	*Bracket	2		WF010001-	
10		4016000049	*Bolt	8		WF010001-	4.2X22
11		4016000050	*Hammer, Emergency	1		WF010001-	
12		4012000239	*Hook	1		WF010001-	
13		4012000291	*Bolt	2		WF010001-	3.5X16
14		4016000051	*Bolt	4		WF010001-	4.2X13
15		4016000052	*Bracket	1		WF010001-	
16		4016000053	*Gasket	1		WF010001-	L=470
17		4016000054	*Bolt	2		WF010001-	M6X12
18		4012000356	*Nut	11		WF010001-	M6
19		4016000055	*Plug	8		WF010001-	d=13X11
20		4012000297	*Plug, Rubber	1		WF010001-	
21		4016000056	*Plate (Lower)	1		WF010001-	
22		4016000057	*Bolt	4		WF010001-	M6X16
23		4016000058	*Plug	8		WF010001-	d=12X11.5
24		4012000367	*Plug, Rubber	4		WF010001-	
25		4016000059	*Harness	1		WF010001-	
26		4016000060	*Band, Cable	6		WF010001-	4.8X200
27		4012000185	*Washer Toothed	2		WF010001-	M6
28		4012000303	*Nut	1		WF010001-	M6
29		4016000061	*Light	1		WF010001-	
30		4016000062	*Cover, Audio	1		WF010001-	
31		4016000063	*Clip	4		WF010001-	
32		4012000274	*Cover	1		WF010001-	
33		4012000314	*Antenna	1		WF010001-	
34		4012000316	*Cable, Antenna	1		WF010001-	L=2300
35		4016000064	*Plug	1		WF010001-	
36		4016000065	*Bracket	1		WF010001-	
37		4016000066	*Gasket	1		WF010001-	
38		4012000251	*Frame, Side Switch	2		WF010001-	
39		4012000252	*Frame, Central Switch	2		WF010001-	
40		4012000250	*Switch, Wiper	1		WF010001-	
41		4012000254	*Label	1		WF010001-	
42		4012000255	*Cap	3		WF010001-	
43		4012000256	*Tank	1		WF010001-	

KEY No.	SU P.	PART No.	DESCRIPTION	Q'TY	CHAN	SERIAL No.	REMARKS
44		4016000067	*Bracket	1		WF010001-	
45		4012000216	*Valve, Connection	1		WF010001-	
46		4012000245	*Atomizer	1		WF010001-	
47		4016000068	*Pipe	1		WF010001-	L=2550

[Memo]

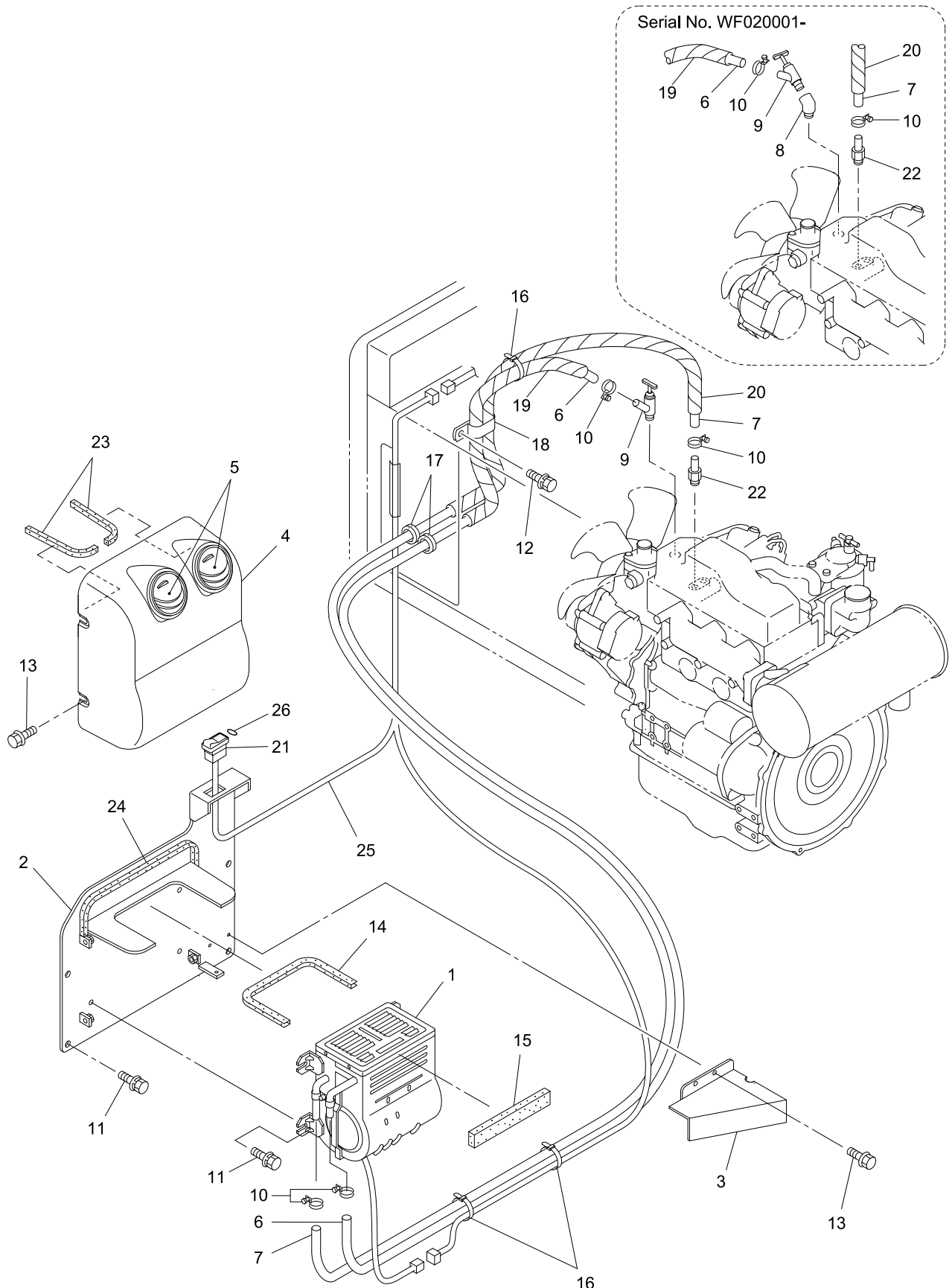


V4ALL-150800-1

KEY No.	SU P.	PART No.	DESCRIPTION	Q'TY	CHAN	SERIAL No.	REMARKS
0	×	3034212018	Cabin Ass'y (Dark Grey)	1		WF010001-	
0-1	×	3034212019	Cabin Ass'y (Light Grey)	1		WF010001-	
1		4016000069	*Glass	1		WF010001-	
2		4016000070	*Lock, Cover	2		WF010001-	
3		4016000071	*Gasket	2		WF010001-	
4		4016000072	*Lock (R.H.)	2		WF010001-	
5		4016000073	*Handle (R.H.)	1		WF010001-	
6		4016000074	*Spacer	2		WF010001-	
7		4016000075	*Gasket	2		WF010001-	
8		4016000076	*Bolt	4		WF010001-	M6X25
9		4016000077	*Bolt	2		WF010001-	M8X25
10		4016000078	*Lock (L.H.)	2		WF010001-	
11		4016000079	*Handle (L.H.)	1		WF010001-	
12		4016000080	*Shoe (Lower)	2		WF010001-	
13		4016000081	*Bolt	4		WF010001-	M8X20
14		4016000082	*Shoe (L.H.)	1		WF010001-	
15		4016000083	*Spacer	2		WF010001-	
16		4016000084	*Bolt	4		WF010001-	M8X35
17		4012000370	*Nut	4		WF010001-	M8
18		4016000085	*Bracket	2		WF010001-	
19		4016000086	*Shoe (R.H.)	1		WF010001-	
20		4016000087	*Stopper, Rubber	2		WF010001-	M6X15 H=15
21		4012000186	*Nut	2		WF010001-	M6
22		4012000185	*Washer Toothed	2		WF010001-	M6
23		4012000240	*Cap	2		WF010001-	M6
24		4016000088	*Stopper, Rubber	2		WF010001-	M6X18 H=20
25		4016000089	*Nut, Lock	2		WF010001-	M6
26		4016000090	*Bracket	2		WF010001-	
27		4016000091	*Protection, Door	2		WF010001-	
28		4016000029	*Nut, Special	6		WF010001-	M8
29		4016000033	*Bolt	2		WF010001-	M6X16
30		4016000092	*Frame, Door	1		WF010001-	
31		4016000093	*Bracket	2		WF010001-	
32		4016000094	*Nut	4		WF010001-	M8
33		4016000095	*Bolt	4		WF010001-	M8X20
34		4016000096	*Spring, Gas	2		WF010001-	400N-M8
35		4015000091	*Nut, Lock	2		WF010001-	M8
36		4012000428	*Washer, Special	4		WF010001-	M8
37		4012000206	*Cap	2		WF010001-	M8
38		4016000097	*Cover	1		WF010001-	
39		4016000054	*Bolt	4		WF010001-	M6X12
40		4016000098	*Bolt	2		WF010001-	M8X25
41		4016000099	*Bushing	2		WF010001-	
42		4016000100	*Frame (L.H.)	1		WF010001-	
43		4016000101	*Frame (R.H.)	1		WF010001-	

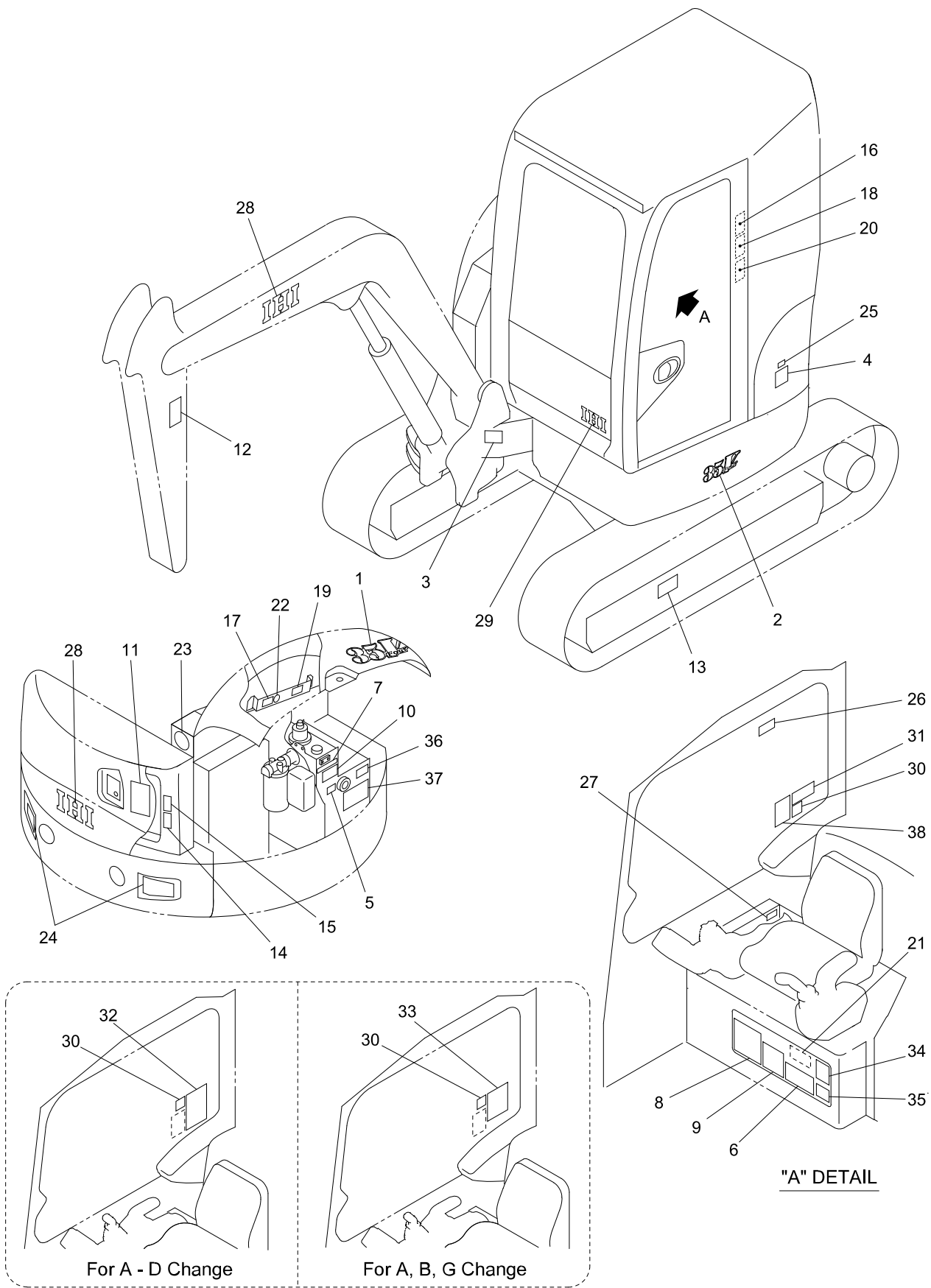
KEY No.	SU P.	PART No.	DESCRIPTION	Q'TY	CHAN	SERIAL No.	REMARKS
44		4016000102	*Guide (L.H.)	1		WF010001-	
45		4016000103	*Guide (R.H.)	1		WF010001-	
46		4016000104	*Shoe	2		WF010001-	
47		4013001450	*Bolt	10		WF010001-	M5X16
48		4016000105	*Stopper, Rubber	2		WF010001-	M6 H=15
49		4012000215	*Washer Flat	2		WF010001-	
50		4016000106	*Handle	2		WF010001-	
51		4016000107	*Bolt	2		WF010001-	M8X20
52		4012000189	*Washer Flat	4		WF010001-	M8
53		4016000108	*Bolt	2		WF010001-	M8X40
54		4016000109	*Bracket	2		WF010001-	
55		4016000110	*Bolt	4		WF010001-	M6X14
56		4016000111	*Glass	1		WF010001-	
57		4016000112	*Gasket	1		WF010001-	L=775
58		4016000113	*Wiper	1		WF010001-	
59		4013001438	**Arm, Wiper	1		WF010001-	
60		4013001437	**Blade, Wiper	1		WF010001-	L=400
61		4016000114	**Motor, Wiper	1		WF010001-	
62		4012000352	**Cover, Motor	1		WF010001-	
63		4016000033	*Bolt	2		WF010001-	M6X16
64		4012000210	*Washer, Nylon	2		WF010001-	d=19.5
65		4016000115	*Bolt	2		WF010001-	M6X25
66		4016000116	*Washer, Special	2		WF010001-	d=6.5X18

[Memo]



35V4-150900-1

KEY No.	SU P.	PART No.	DESCRIPTION	Q'TY	CHAN	SERIAL No.	REMARKS
0	×	F355 230 00	Heater Ass'y, Car	1		WF010001-	
1		0857 056 03	*Heater, Car	1		WF010001-	
2		D419 472 00	*Bracket	1		WF010001-	
3		D458 149 00	*Cover	1		WF010001-	
4		D465 358 00	*Panel	1		WF010001-	
5		0820 023 16	*Duct	2		WF010001-	
6		4070 102 29	*Hose, Water	M		WF010001-	L=1150
7		4070 102 17	*Hose, Water	M		WF010001-	L=1300
8		0710 124 07	*Elbow, 45	1		WS020001-	
9		0729 910 35	*Valve	1		WF010001-	
10		0690 083 05	*Clamp, Hose	4		WF010001-	
11		0518 100 20	*Bolt, Treatment (W/L.W, F.W)	8		WF010001-	M10X20 P=1.25
12		0517 080 20	*Bolt, Treatment (W/L.W, F.W)	1		WF010001-	M8X20
13		0438 060 16	*Bolt, Treatment (W/L.W, F.W)	6		WF010001-	M6X16
14		4550 726 00	*Seal	M		WF010001-	L=400
15		D493 439 01	*Panel, Sponge	1		WF010001-	
16		0820 067 05	*Band, Cable	3		WF010001-	
17		0910 942 02	*Grommet	2		WF010001-	
18		4080 000 25	*Clamp, Hose	1		WF010001-	
19		0820 803 06	*Tube, Corrugate	M		WF010001-	L=300
20		0820 803 06	*Tube, Corrugate	M		WF010001-	L=500
21		0858 314 34	*Switch Ass'y, Heater	1		WF010001-	
22		4072 220 00	*Nipple	1		WF010001-	
23		D493 626 00	*Panel, Sponge	2		WF010001-	
24		D493 732 00	*Panel, Sponge	1		WF010001-	
25		D592 309 00	*Harness	1		WF010001-	
26		D407 820 00	*Decal	1		WF010001-	



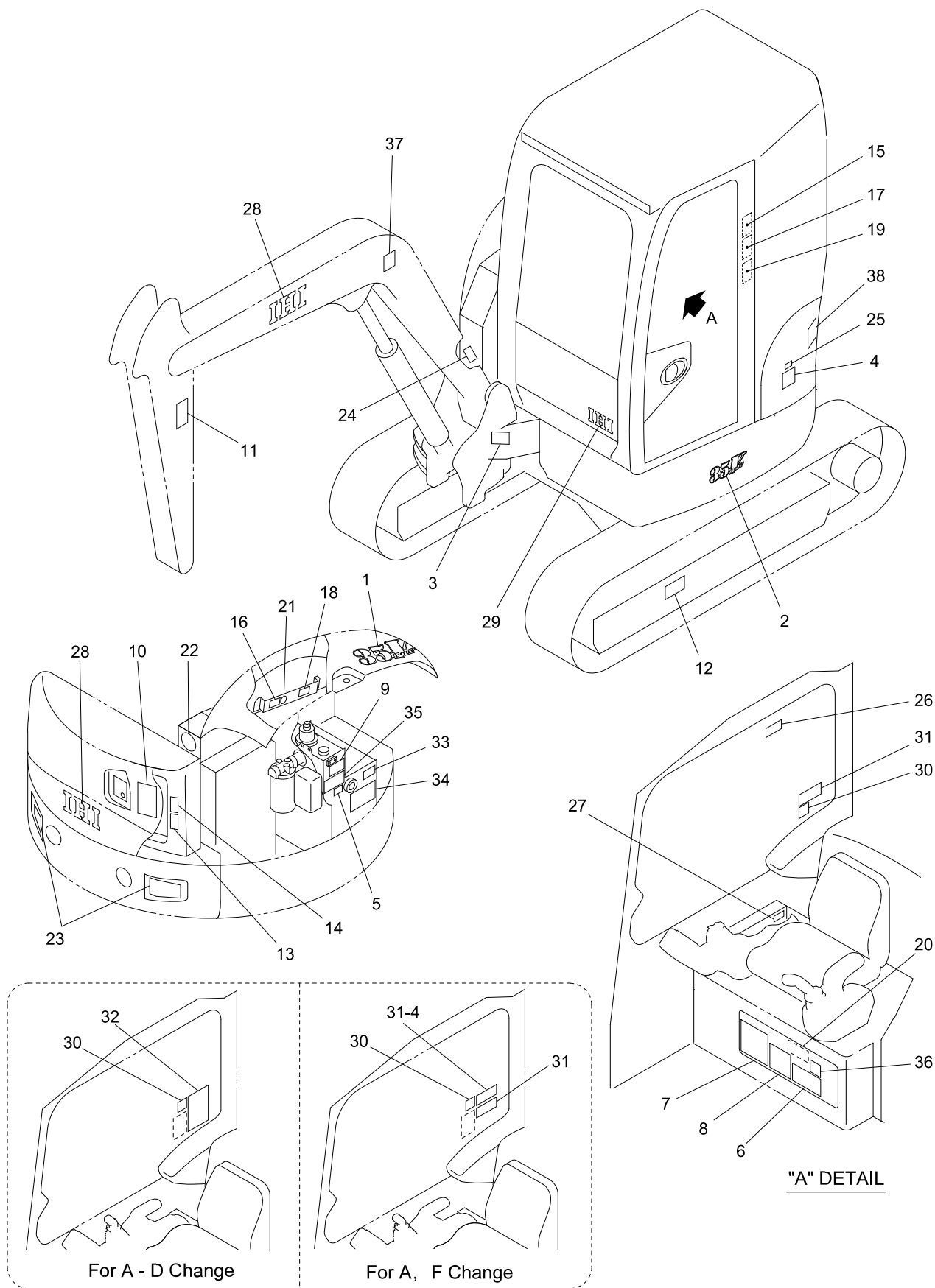
"A" DETAIL

35V4-151000-1

KEY No.	SU P.	PART No.	DESCRIPTION	Q'TY	CHAN	SERIAL No.	REMARKS
0	×	F377 844 00	Decal Ass'y	1		WF010001-	
0-1	×	F377 855 00	Decal Ass'y	1		WF010001-	
0-2	×	F377 856 00	Decal Ass'y	1		WF010001-	
1		D408 406 00	*Decal (Model)	1		WF010001-	
2		D408 415 00	*Decal (Model)	1		WF010001-	
3	×	D405 094 00	*Decal (Serial No.)	1		WF010001-	
3-1		0497 035 00	*Screw, Drive	4		WF010001-	d=3
4		D408 324 00	*Decal (Oil)	1		WF010001-	
5		D406 490 00	*Decal (Oil Check)	1		WF010001-	
6		D408 313 00	*Decal (Lub. Chart)	1		WF010001-	
7		4447 479 00	*Decal (Oil)	1		WF010001-	
8		D407 877 00	*Decal (Engine Daily Check)	1		WF010001-	
9		D406 597 00	*Decal (Safety Works)	1		WF010001-	
10		D408 328 00	*Decal (Tank Decompression)	1		WF010001-	
11		D405 450 00	*Decal (Safety Swing)	1		WF010001-	
12		D405 454 00	*Decal (Caution)	2		WF010001-	
13		D405 455 00	*Decal (Caution)	2		WF010001-	
14		D405 424 00	*Decal (Caution)	1		WF010001-	
15		D405 452 00	*Decal (Caution)	1		WF010001-	
16		D405 332 00	*Decal (Caution)	1		WF010001-	
17		D405 462 00	*Decal (Caution)	1		WF010001-	
18		D405 451 00	*Decal (Caution)	1		WF010001-	
19		D405 463 00	*Decal (Caution)	1		WF010001-	
20		D405 449 00	*Decal (Caution)	1		WF010001-	
21		D405 373 00	*Decal (Caution)	1		WF010001-	
22		4407 035 00	*Decal (Anti-Freezing Solution)	1		WF010001-	
23		D406 631 00	*Decal (Environment)	1		WF010001-	
24		D408 371 00	*Decal (Reflector)	2		WF010001-	
25		D407 943 00	*Decal (EPA Regulation)	1		WF010001-	
26		D405 453 00	*Decal (Caution)	1		WF010001-	
27		D408 323 00	*Decal (Spanner Change Lever)	1		WF010001-	
28		D408 402 00	*Decal (IHI)	3		WF010001-	
29		D408 403 00	*Decal (IHI)	1		WF010001-	
30		D406 630 00	*Decal (Blade, Pedal)	1		WF010001-	
31		D406 622 00	*Decal (Control A)	1		WF010001-	
31-1		D406 623 00	*Decal (Control B)	1		WF010001-	
31-2		D406 624 00	*Decal (Control C)	1		WF010001-	
31-3		D406 625 00	*Decal (Control D)	1		WF010001-	
31-4		D406 627 00	*Decal (Control G)	1		WF010001-	
32		D406 628 00	*Decal (Control A-D)	1		WF010001-	
33		D406 629 00	*Decal (Control A, B, G)	1		WF010001-	
34		D408 316 00	*Decal (Specification)	1		WF010001-	
35		D408 320 00	*Decal (Bucket Specification)	1		WF010001-	
36		4447 874 00	*Decal (Spare Piping Change)	1		WF010001-	
37		4447 653 00	*Decal (Breaker Cation)	1		WF010001-	

KEY No.	SU P.	PART No.	DESCRIPTION	Q'TY	CHAN	SERIAL No.	REMARKS
38		D407 056 00	*Decal (Spare Pedal)	1		WF010001-	

[Memo]

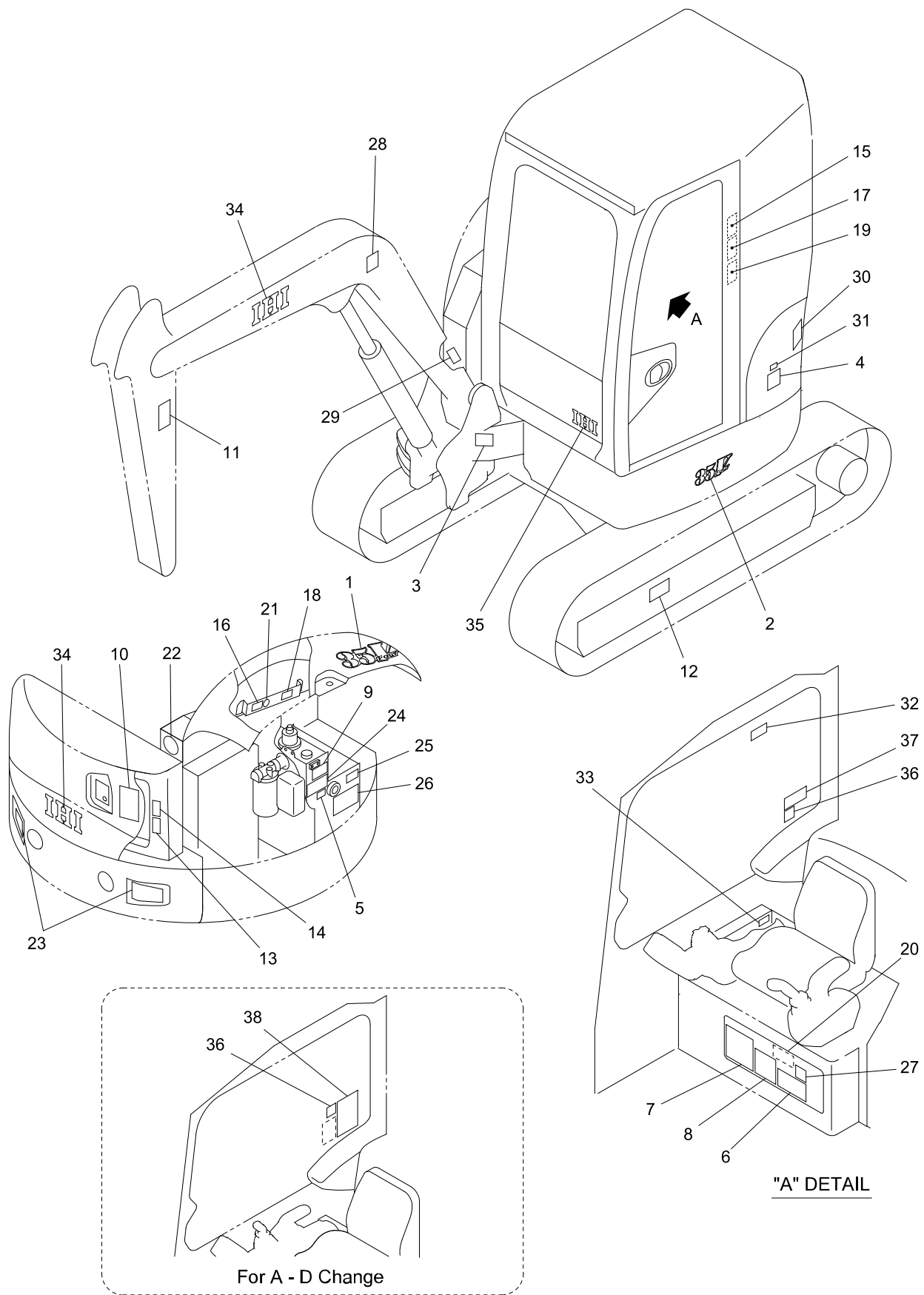


35V4-15100A-1

KEY No.	SU P.	PART No.	DESCRIPTION	Q'TY	CHAN	SERIAL No.	REMARKS
0	×	F377 844 00	Decal Ass'y	1		WF010001-	
0-1	×	F377 855 00	Decal Ass'y	1		WF010001-	
1		D408 406 00	*Decal (Model)	1		WF010001-	
2		D408 415 00	*Decal (Model)	1		WF010001-	
3	×	D405 094 00	*Decal (Serial No.)	1		WF010001-	
3-1	×	D405 091 00	*Decal (Serial No.) (CE)	1		WF010001-	
3-2		0497 035 00	*Screw, Drive	4		WF010001-	d=3
4		4407 974 00	*Decal (Oil)	1		WF010001-	
5		D406 504 00	*Decal (Oil Check)	1		WF010001-	
6		D408 355 00	*Decal (Lub. Chart)	1		WF010001-	
7		D407 887 00	*Decal (Engine Daily Check)	1		WF010001-	
8		4406 458 00	*Decal (Safety Works)	1		WF010001-	
9		D408 424 00	*Decal (Tank Decompression)	1		WF010001-	
10		D405 507 00	*Decal (Safety Swing)	1		WF010001-	
11		D405 511 00	*Decal (Caution)	2		WF010001-	
12		D405 505 00	*Decal (Caution)	2		WF010001-	
13		D405 366 00	*Decal (Caution)	1		WF010001-	
14		D405 509 00	*Decal (Caution)	1		WF010001-	
15		D405 359 00	*Decal (Caution)	1		WF010001-	
16		D405 503 00	*Decal (Caution)	1		WF010001-	
17		D405 508 00	*Decal (Caution)	1		WF010001-	
18		D405 504 00	*Decal (Caution)	1		WF010001-	
19		D405 506 00	*Decal (Caution)	1		WF010001-	
20		D405 323 00	*Decal (Caution)	1		WF010001-	
21		4407 035 00	*Decal (Anti-Freezing Solution)	1		WF010001-	
22		D406 783 00	*Decal (Environment)	1		WF010001-	
23		D408 371 00	*Decal (Reflector)	2		WF010001-	
24	×	D405 097 00	*Decal (New Machine)	1		WF010001-	
25		D407 943 00	*Decal (EPA Regulation)	1		WF010001-	
26		D405 510 00	*Decal (Caution)	1		WF010001-	
27		D408 323 00	*Decal (Spanner Change Lever)	1		WF010001-	
28		D408 402 00	*Decal (IHI)	3		WF010001-	
29		D408 403 00	*Decal (IHI)	1		WF010001-	
30		D406 630 00	*Decal (Blade, Pedal)	1		WF010001-	
31		D406 622 00	*Decal (Control A)	1		WF010001-	
31-1		D406 623 00	*Decal (Control B)	1		WF010001-	
31-2		D406 624 00	*Decal (Control C)	1		WF010001-	
31-3		D406 625 00	*Decal (Control D)	1		WF010001-	
31-4		D406 626 00	*Decal (Control F)	1		WF010001-	
32		D406 628 00	*Decal (Control A-D)	1		WF010001-	
33		4448 651 00	*Decal (Spare Piping Change)	1		WF010001-	
34		4447 857 00	*Decal (Breaker Cation)	1		WF010001-	
35		D408 322 00	*Decal (Boom Lowering)(CE)	1		WF010001-	
36		4448 474 00	*Decal (Transport Fix)(CE)	1		WF010001-	
37		D408 340 00	*Decal (Lifting Procedures)(CE)	1		WF010001-	

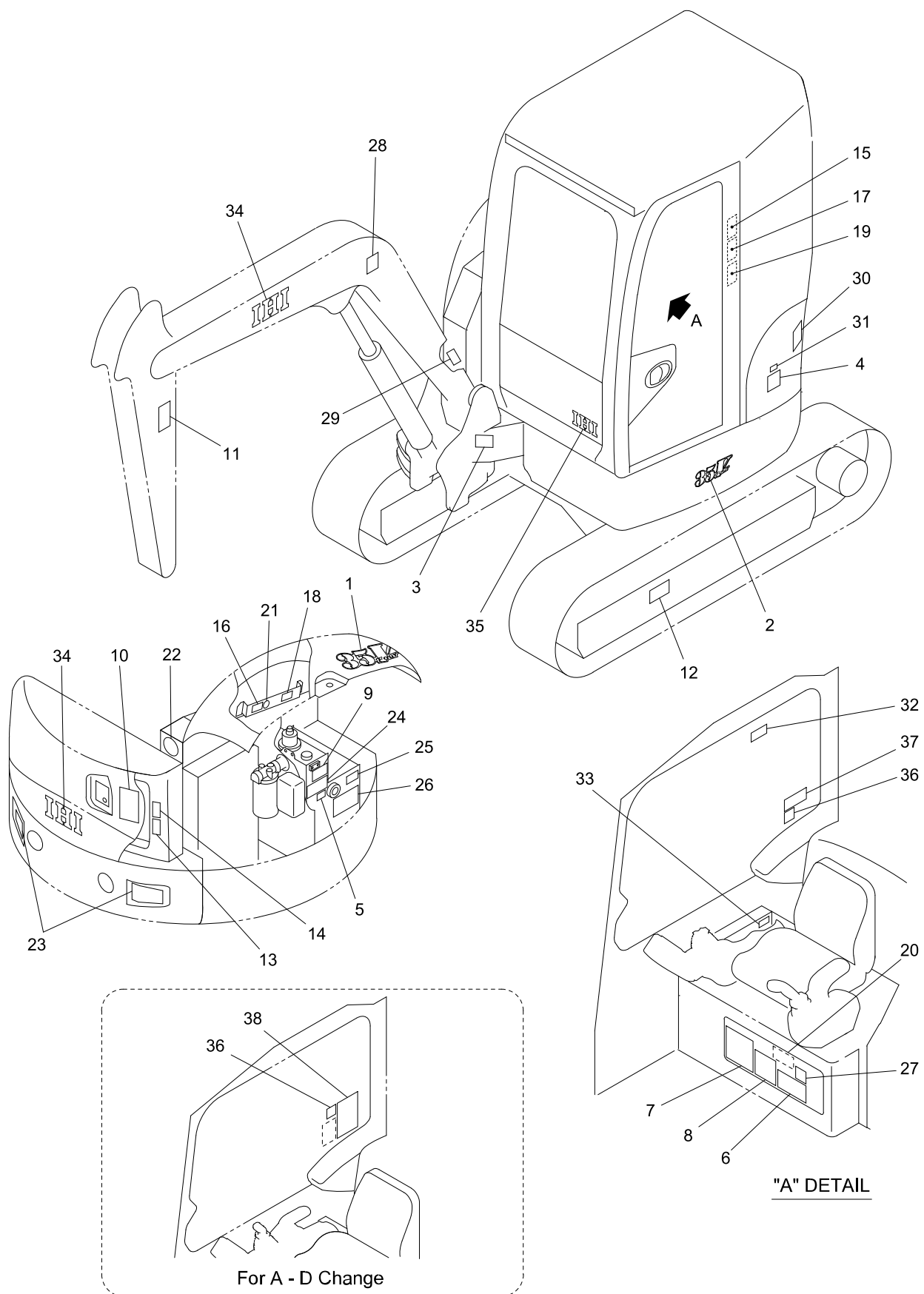
KEY No.	SU P.	PART No.	DESCRIPTION	Q'TY	CHAN	SERIAL No.	REMARKS
38		D406 154 00	*Decal (Noise 94)(CE)	1	.	WF010001-	

[Memo]



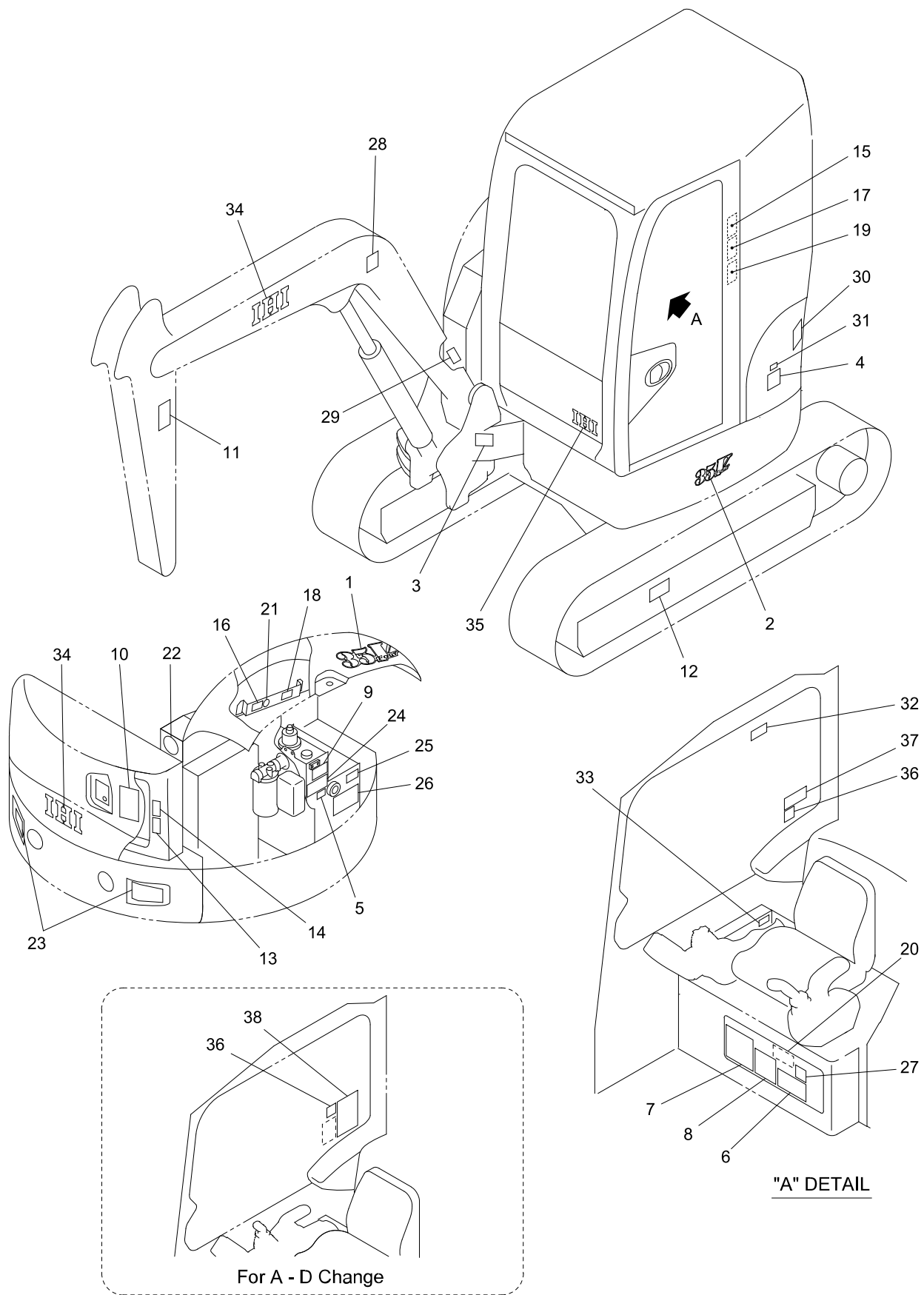
35V4-15100B-1

KEY No.	SU P.	PART No.	DESCRIPTION	Q'TY	CHAN	SERIAL No.	REMARKS
0	×	F377 844 00	Decal Ass'y	1		WF010001-	
0-1	×	F377 855 00	Decal Ass'y	1		WF010001-	
1		D408 406 00	*Decal (Model)	1		WF010001-	
2		D408 415 00	*Decal (Model)	1		WF010001-	
3	×	D405 091 00	*Decal (Serial No.)	1		WF010001-	
3-1		0497 035 00	*Screw, Drive	4		WF010001-	d=3
4		4405 457 00	*Decal (Oil)	1		WF010001-	
5		D406 558 00	*Decal (Oil Check)	1		WF010001-	
6		D408 360 00	*Decal (Lub. Chart)	1		WF010001-	
7		D407 891 00	*Decal (Engine Daily Check)	1		WF010001-	
8		4448 584 00	*Decal (Safety Works)	1		WF010001-	
9		D408 429 00	*Decal (Tank Decompression)	1		WF010001-	
10		D405 507 00	*Decal (Safety Swing)	1		WF010001-	
11		D405 511 00	*Decal (Caution)	2		WF010001-	
12		D405 505 00	*Decal (Caution)	2		WF010001-	
13		D405 366 00	*Decal (Caution)	1		WF010001-	
14		D405 509 00	*Decal (Caution)	1		WF010001-	
15		D405 359 00	*Decal (Caution)	1		WF010001-	
16		D405 503 00	*Decal (Caution)	1		WF010001-	
17		D405 508 00	*Decal (Caution)	1		WF010001-	
18		D405 504 00	*Decal (Caution)	1		WF010001-	
19		D405 506 00	*Decal (Caution)	1		WF010001-	
20		D405 559 00	*Decal (Caution)	1		WF010001-	
21		4448 573 00	*Decal (Anti-Freezing Solution)	1		WF010001-	
22		D406 783 00	*Decal (Environment)	1		WF010001-	
23		D408 371 00	*Decal (Reflector)	2		WF010001-	
24		D408 338 00	*Decal (Boom Lowering)	1		WF010001-	
25		4449 003 00	*Decal (Spare Piping Change)	1		WF010001-	
26		4448 587 00	*Decal (Breaker Cation)	1		WF010001-	
27		4448 562 00	*Decal (Transport Fix)	1		WF010001-	
28		D408 345 00	*Decal (Lifting Procedures)	1		WF010001-	
29	×	D405 097 00	*Decal (New Machine)	1		WF010001-	
30		D406 154 00	*Decal (Noise 94)	1		WF010001-	
31		D407 943 00	*Decal (EPA Regulation)	1		WF010001-	
32		D405 510 00	*Decal (Caution)	1		WF010001-	
33		D408 323 00	*Decal (Spanner Change Lever)	1		WF010001-	
34		D408 402 00	*Decal (IHI)	3		WF010001-	
35		D408 403 00	*Decal (IHI)	1		WF010001-	
36		D406 630 00	*Decal (Blade, Pedal)	1		WF010001-	
37		D406 622 00	*Decal (Control A)	1		WF010001-	
37-1		D406 623 00	*Decal (Control B)	1		WF010001-	
37-2		D406 624 00	*Decal (Control C)	1		WF010001-	
37-3		D406 625 00	*Decal (Control D)	1		WF010001-	
38		D406 628 00	*Decal (Control A-D)	1		WF010001-	



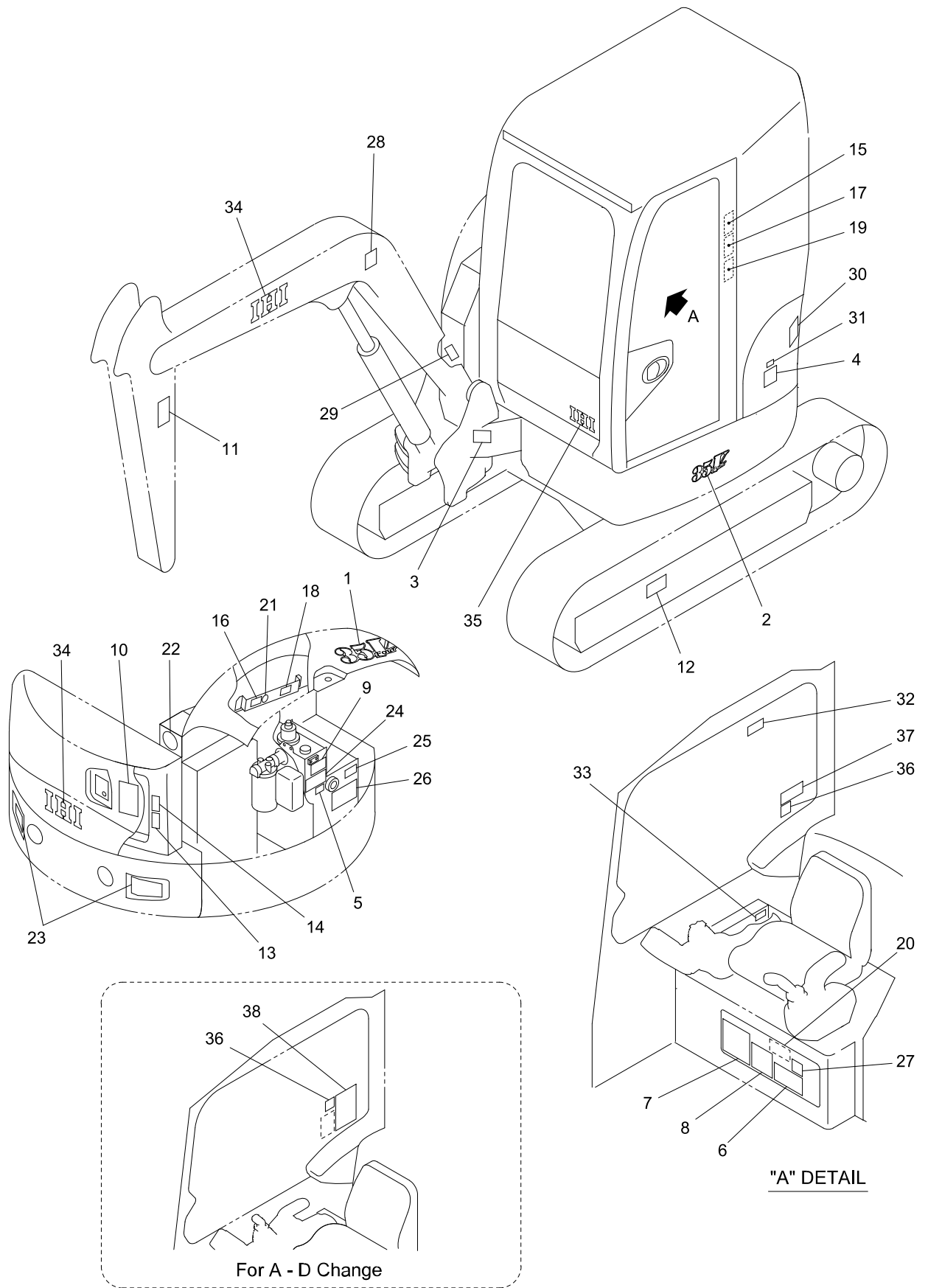
35V4-15100B-1

KEY No.	SU P.	PART No.	DESCRIPTION	Q'TY	CHAN	SERIAL No.	REMARKS
0	×	F377 844 00	Decal Ass'y	1		WF010001-	
0-1	×	F377 855 00	Decal Ass'y	1		WF010001-	
1		D408 406 00	*Decal (Model)	1		WF010001-	
2		D408 415 00	*Decal (Model)	1		WF010001-	
3	×	D405 091 00	*Decal (Serial No.)	1		WF010001-	
3-1		0497 035 00	*Screw, Drive	4		WF010001-	d=3
4		4407 974 00	*Decal (Oil)	1		WF010001-	
5		D406 554 00	*Decal (Oil Check)	1		WF010001-	
6		D408 356 00	*Decal (Lub. Chart)	1		WF010001-	
7		D407 889 00	*Decal (Engine Daily Check)	1		WF010001-	
8		4406 714 00	*Decal (Safety Works)	1		WF010001-	
9		D408 425 00	*Decal (Tank Decompression)	1		WF010001-	
10		D405 507 00	*Decal (Safety Swing)	1		WF010001-	
11		D405 511 00	*Decal (Caution)	2		WF010001-	
12		D405 505 00	*Decal (Caution)	2		WF010001-	
13		D405 366 00	*Decal (Caution)	1		WF010001-	
14		D405 509 00	*Decal (Caution)	1		WF010001-	
15		D405 359 00	*Decal (Caution)	1		WF010001-	
16		D405 503 00	*Decal (Caution)	1		WF010001-	
17		D405 508 00	*Decal (Caution)	1		WF010001-	
18		D405 504 00	*Decal (Caution)	1		WF010001-	
19		D405 506 00	*Decal (Caution)	1		WF010001-	
20		D405 575 00	*Decal (Caution)	1		WF010001-	
20-1		D408 434 00	*Decal (Capacities Table)	1		WF010001-	
21		4406 710 00	*Decal (Anti-Freezing Solution)	1		WF010001-	
22		D406 783 00	*Decal (Environment)	1		WF010001-	
23		D408 371 00	*Decal (Reflector)	2		WF010001-	
24		D408 334 00	*Decal (Boom Lowering)	1		WF010001-	
25		4448 687 00	*Decal (Spare Piping Change)	1		WF010001-	
26		4447 996 00	*Decal (Breaker Cation)	1		WF010001-	
27		4448 542 00	*Decal (Transport Fix)	1		WF010001-	
28		D408 341 00	*Decal (Lifting Procedures)	1		WF010001-	
29	×	D405 097 00	*Decal (New Machine)	1		WF010001-	
30		D406 154 00	*Decal (Noise 94)	1		WF010001-	
31		D407 943 00	*Decal (EPA Regulation)	1		WF010001-	
32		D405 510 00	*Decal (Caution)	1		WF010001-	
33		D408 323 00	*Decal (Spanner Change Lever)	1		WF010001-	
34		D408 402 00	*Decal (IHI)	3		WF010001-	
35		D408 403 00	*Decal (IHI)	1		WF010001-	
36		D406 630 00	*Decal (Blade, Pedal)	1		WF010001-	
37		D406 622 00	*Decal (Control A)	1		WF010001-	
37-1		D406 623 00	*Decal (Control B)	1		WF010001-	
37-2		D406 624 00	*Decal (Control C)	1		WF010001-	
37-3		D406 625 00	*Decal (Control D)	1		WF010001-	
38		D406 628 00	*Decal (Control A-D)	1		WF010001-	



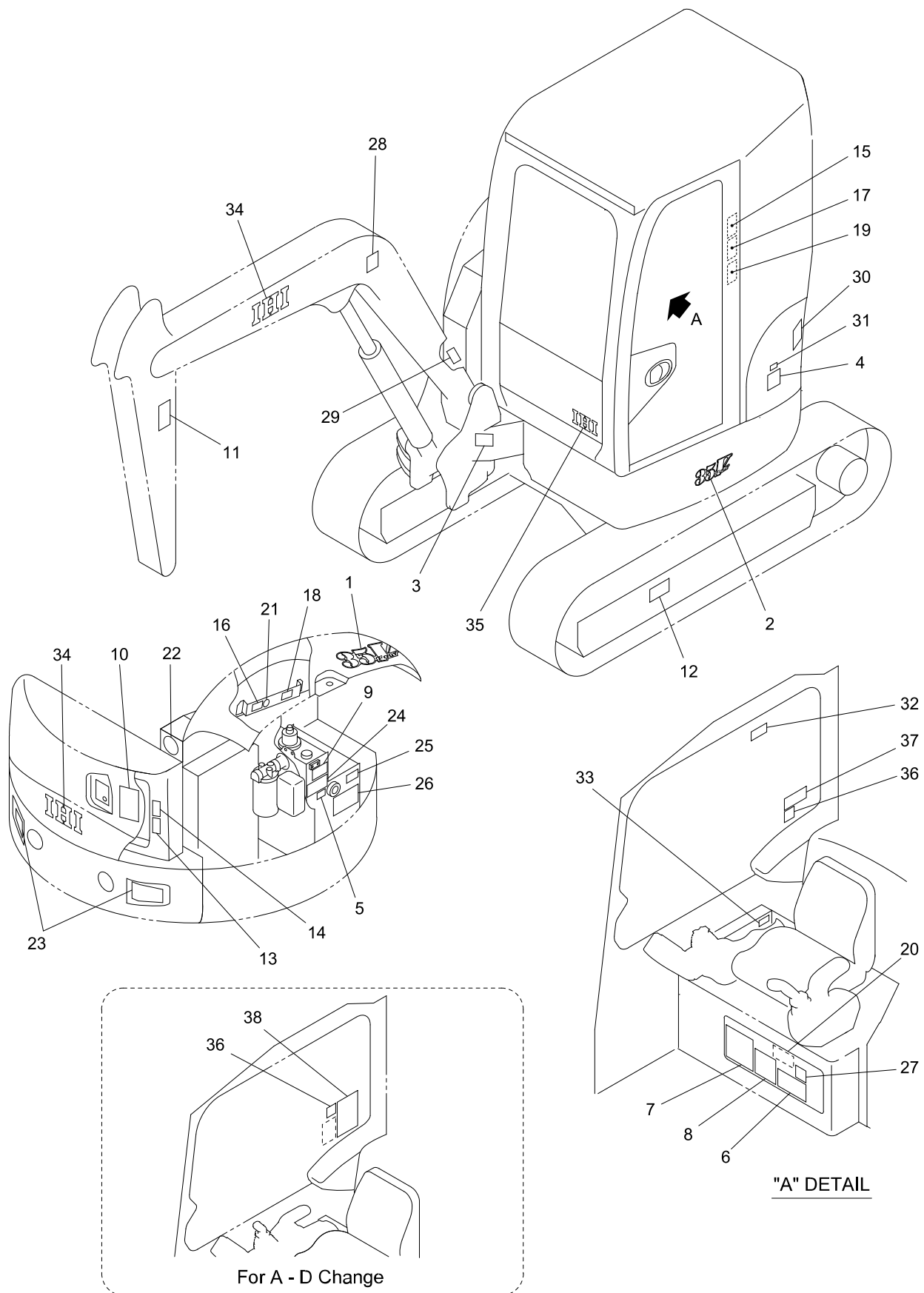
35V4-15100B-1

KEY No.	SU P.	PART No.	DESCRIPTION	Q'TY	CHAN	SERIAL No.	REMARKS
0	×	F377 844 00	Decal Ass'y	1		WF010001-	
0-1	×	F377 855 00	Decal Ass'y	1		WF010001-	
1		D408 406 00	*Decal (Model)	1		WF010001-	
2		D408 415 00	*Decal (Model)	1		WF010001-	
3	×	D405 091 00	*Decal (Serial No.)	1		WF010001-	
3-1		0497 035 00	*Screw, Drive	4		WF010001-	d=3
4		4405 457 00	*Decal (Oil)	1		WF010001-	
5		D406 550 00	*Decal (Oil Check)	1		WF010001-	
6		D408 357 00	*Decal (Lub. Chart)	1		WF010001-	
7		D407 917 00	*Decal (Engine Daily Check)	1		WF010001-	
8		D406 795 00	*Decal (Safety Works)	1		WF010001-	
9		D408 426 00	*Decal (Tank Decompression)	1		WF010001-	
10		D405 507 00	*Decal (Safety Swing)	1		WF010001-	
11		D405 511 00	*Decal (Caution)	2		WF010001-	
12		D405 505 00	*Decal (Caution)	2		WF010001-	
13		D405 366 00	*Decal (Caution)	1		WF010001-	
14		D405 509 00	*Decal (Caution)	1		WF010001-	
15		D405 359 00	*Decal (Caution)	1		WF010001-	
16		D405 503 00	*Decal (Caution)	1		WF010001-	
17		D405 508 00	*Decal (Caution)	1		WF010001-	
18		D405 504 00	*Decal (Caution)	1		WF010001-	
19		D405 506 00	*Decal (Caution)	1		WF010001-	
20		D405 571 00	*Decal (Caution)	1		WF010001-	
21		4405 456 00	*Decal (Anti-Freezing Solution)	1		WF010001-	
22		D406 783 00	*Decal (Environment)	1		WF010001-	
23		D408 371 00	*Decal (Reflector)	2		WF010001-	
24		D408 335 00	*Decal (Boom Lowering)	1		WF010001-	
25		4448 944 00	*Decal (Spare Piping Change)	1		WF010001-	
26		4447 925 00	*Decal (Breaker Cation)	1		WF010001-	
27		4448 511 00	*Decal (Transport Fix)	1		WF010001-	
28		D408 342 00	*Decal (Lifting Procedures)	1		WF010001-	
29	×	D405 097 00	*Decal (New Machine)	1		WF010001-	
30		D406 154 00	*Decal (Noise 94)	1		WF010001-	
31		D407 943 00	*Decal (EPA Regulation)	1		WF010001-	
32		D405 510 00	*Decal (Caution)	1		WF010001-	
33		D408 323 00	*Decal (Spanner Change Lever)	1		WF010001-	
34		D408 402 00	*Decal (IHI)	3		WF010001-	
35		D408 403 00	*Decal (IHI)	1		WF010001-	
36		D406 630 00	*Decal (Blade, Pedal)	1		WF010001-	
37		D406 622 00	*Decal (Control A)	1		WF010001-	
37-1		D406 623 00	*Decal (Control B)	1		WF010001-	
37-2		D406 624 00	*Decal (Control C)	1		WF010001-	
37-3		D406 625 00	*Decal (Control D)	1		WF010001-	
38		D406 628 00	*Decal (Control A-D)	1		WF010001-	



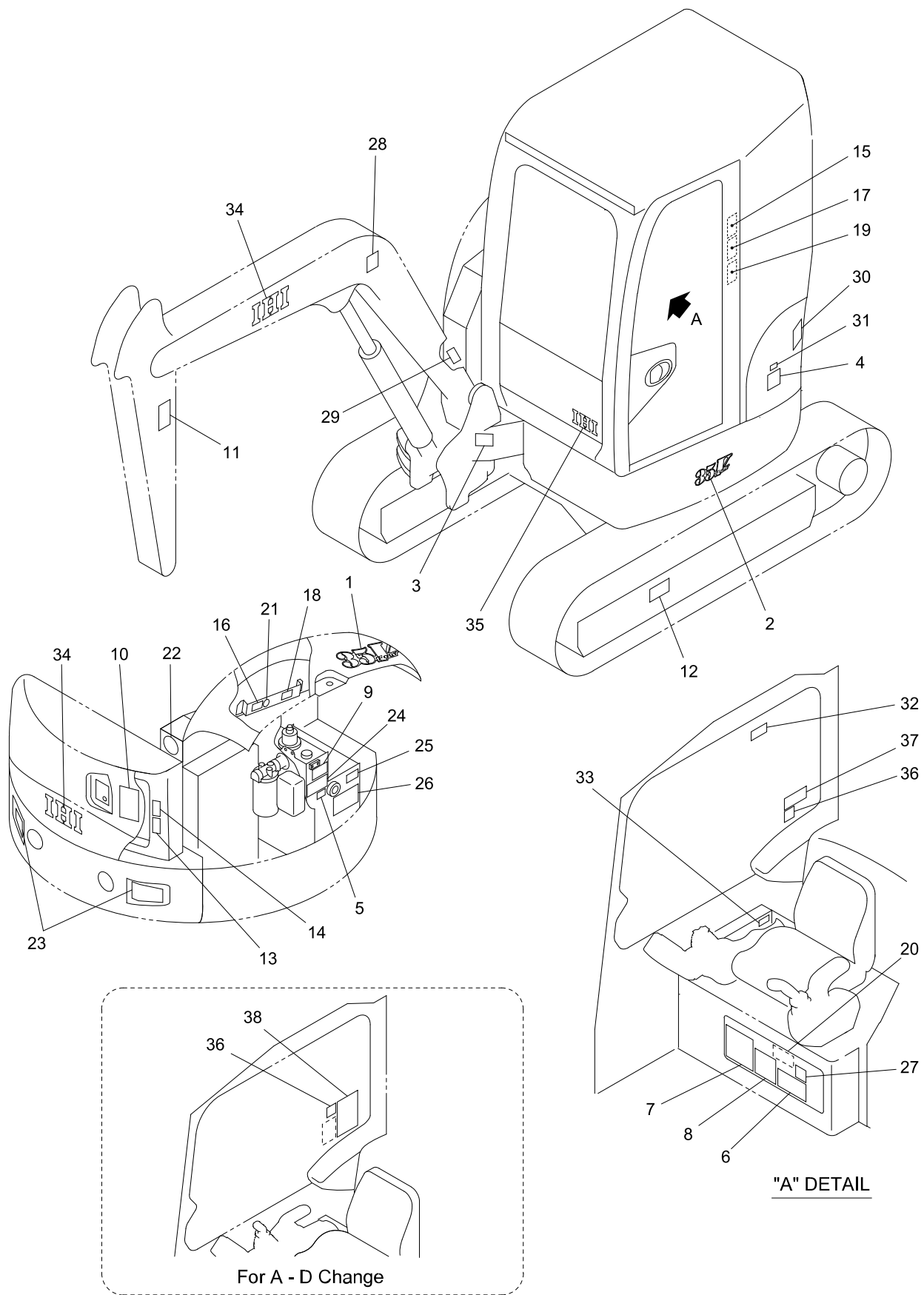
35V4-15100B-1

KEY No.	SU P.	PART No.	DESCRIPTION	Q'TY	CHAN	SERIAL No.	REMARKS
0	×	F377 844 00	Decal Ass'y	1		WF010001-	
0-1	×	F377 855 00	Decal Ass'y	1		WF010001-	
1		D408 406 00	*Decal (Model)	1		WF010001-	
2		D408 415 00	*Decal (Model)	1		WF010001-	
3	×	D405 091 00	*Decal (Serial No.)	1		WF010001-	
3-1		0497 035 00	*Screw, Drive	4		WF010001-	d=3
4		4405 457 00	*Decal (Oil)	1		WF010001-	
5		D406 565 00	*Decal (Oil Check)	1		WF010001-	
6		D408 358 00	*Decal (Lub. Chart)	1		WF010001-	
7		D407 906 00	*Decal (Engine Daily Check)	1		WF010001-	
8		4447 882 00	*Decal (Safety Works)	1		WF010001-	
9		D408 427 00	*Decal (Tank Decompression)	1		WF010001-	
10		D405 507 00	*Decal (Safety Swing)	1		WF010001-	
11		D405 511 00	*Decal (Caution)	2		WF010001-	
12		D405 505 00	*Decal (Caution)	2		WF010001-	
13		D405 366 00	*Decal (Caution)	1		WF010001-	
14		D405 509 00	*Decal (Caution)	1		WF010001-	
15		D405 359 00	*Decal (Caution)	1		WF010001-	
16		D405 503 00	*Decal (Caution)	1		WF010001-	
17		D405 508 00	*Decal (Caution)	1		WF010001-	
18		D405 504 00	*Decal (Caution)	1		WF010001-	
19		D405 506 00	*Decal (Caution)	1		WF010001-	
20		D405 587 00	*Decal (Caution)	1		WF010001-	
21		4447 229 00	*Decal (Anti-Freezing Solution)	1		WF010001-	
22		D406 783 00	*Decal (Environment)	1		WF010001-	
23		D408 371 00	*Decal (Reflector)	2		WF010001-	
24		D408 336 00	*Decal (Boom Lowering)	1		WF010001-	
25		D405 256 00	*Decal (Spare Piping Change)	1		WF010001-	
26		4448 350 00	*Decal (Breaker Cation)	1		WF010001-	
27		D405 059 00	*Decal (Transport Fix)	1		WF010001-	
28		D408 343 00	*Decal (Lifting Procedures)	1		WF010001-	
29	×	D405 097 00	*Decal (New Machine)	1		WF010001-	
30		D406 154 00	*Decal (Noise 94)	1		WF010001-	
31		D407 943 00	*Decal (EPA Regulation)	1		WF010001-	
32		D405 510 00	*Decal (Caution)	1		WF010001-	
33		D408 323 00	*Decal (Spanner Change Lever)	1		WF010001-	
34		D408 402 00	*Decal (IHI)	3		WF010001-	
35		D408 403 00	*Decal (IHI)	1		WF010001-	
36		D406 630 00	*Decal (Blade, Pedal)	1		WF010001-	
37		D406 622 00	*Decal (Control A)	1		WF010001-	
37-1		D406 623 00	*Decal (Control B)	1		WF010001-	
37-2		D406 624 00	*Decal (Control C)	1		WF010001-	
37-3		D406 625 00	*Decal (Control D)	1		WF010001-	
38		D406 628 00	*Decal (Control A-D)	1		WF010001-	



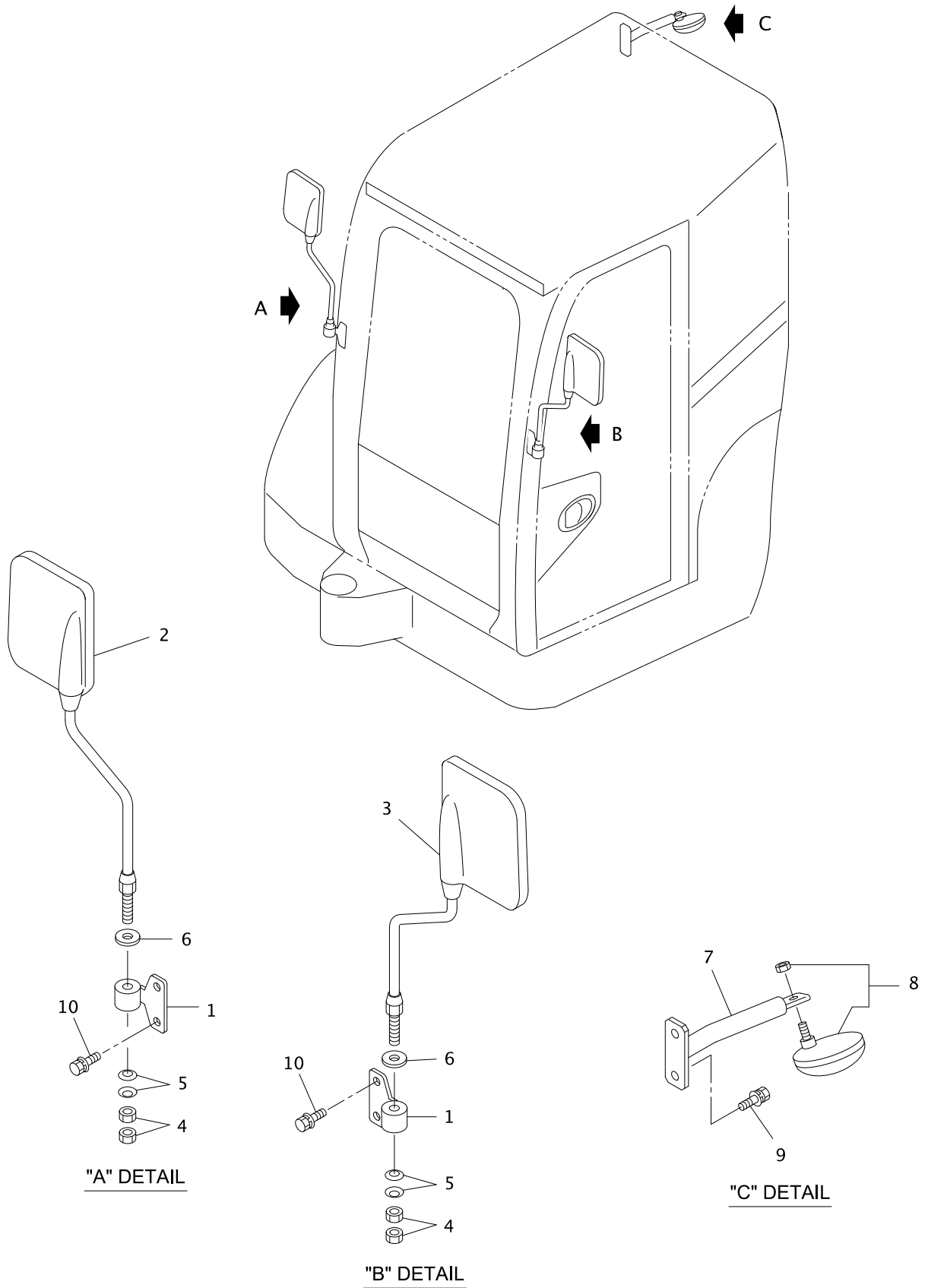
35V4-15100B-1

KEY No.	SU P.	PART No.	DESCRIPTION	Q'TY	CHAN	SERIAL No.	REMARKS
0	×	F377 844 00	Decal Ass'y	1		WF010001-	
0-1	×	F377 855 00	Decal Ass'y	1		WF010001-	
1		D408 406 00	*Decal (Model)	1		WF010001-	
2		D408 415 00	*Decal (Model)	1		WF010001-	
3	×	D405 091 00	*Decal (Serial No.)	1		WF010001-	
3-1		0497 035 00	*Screw, Drive	4		WF010001-	d=3
4		4405 457 00	*Decal (Oil)	1		WF010001-	
5		D406 562 00	*Decal (Oil Check)	1		WF010001-	
6		D408 359 00	*Decal (Lub. Chart)	1		WF010001-	
7		D407 912 00	*Decal (Engine Daily Check)	1		WF010001-	
8		4448 603 00	*Decal (Safety Works)	1		WF010001-	
9		D408 428 00	*Decal (Tank Decompression)	1		WF010001-	
10		D405 507 00	*Decal (Safety Swing)	1		WF010001-	
11		D405 511 00	*Decal (Caution)	2		WF010001-	
12		D405 505 00	*Decal (Caution)	2		WF010001-	
13		D405 366 00	*Decal (Caution)	1		WF010001-	
14		D405 509 00	*Decal (Caution)	1		WF010001-	
15		D405 359 00	*Decal (Caution)	1		WF010001-	
16		D405 503 00	*Decal (Caution)	1		WF010001-	
17		D405 508 00	*Decal (Caution)	1		WF010001-	
18		D405 504 00	*Decal (Caution)	1		WF010001-	
19		D405 506 00	*Decal (Caution)	1		WF010001-	
20		D405 594 00	*Decal (Caution)	1		WF010001-	
21		4448 598 00	*Decal (Anti-Freezing Solution)	1		WF010001-	
22		D406 783 00	*Decal (Environment)	1		WF010001-	
23		D408 371 00	*Decal (Reflector)	2		WF010001-	
24		D408 337 00	*Decal (Boom Lowering)	1		WF010001-	
25		4449 406 00	*Decal (Spare Piping Change)	1		WF010001-	
26		4448 607 00	*Decal (Breaker Cation)	1		WF010001-	
27		4448 619 00	*Decal (Transport Fix)	1		WF010001-	
28		D408 344 00	*Decal (Lifting Procedures)	1		WF010001-	
29	×	D405 097 00	*Decal (New Machine)	1		WF010001-	
30		D406 154 00	*Decal (Noise 94)	1		WF010001-	
31		D407 943 00	*Decal (EPA Regulation)	1		WF010001-	
32		D405 510 00	*Decal (Caution)	1		WF010001-	
33		D408 323 00	*Decal (Spanner Change Lever)	1		WF010001-	
34		D408 402 00	*Decal (IHI)	3		WF010001-	
35		D408 403 00	*Decal (IHI)	1		WF010001-	
36		D406 630 00	*Decal (Blade, Pedal)	1		WF010001-	
37		D406 622 00	*Decal (Control A)	1		WF010001-	
37-1		D406 623 00	*Decal (Control B)	1		WF010001-	
37-2		D406 624 00	*Decal (Control C)	1		WF010001-	
37-3		D406 625 00	*Decal (Control D)	1		WF010001-	
38		D406 628 00	*Decal (Control A-D)	1		WF010001-	



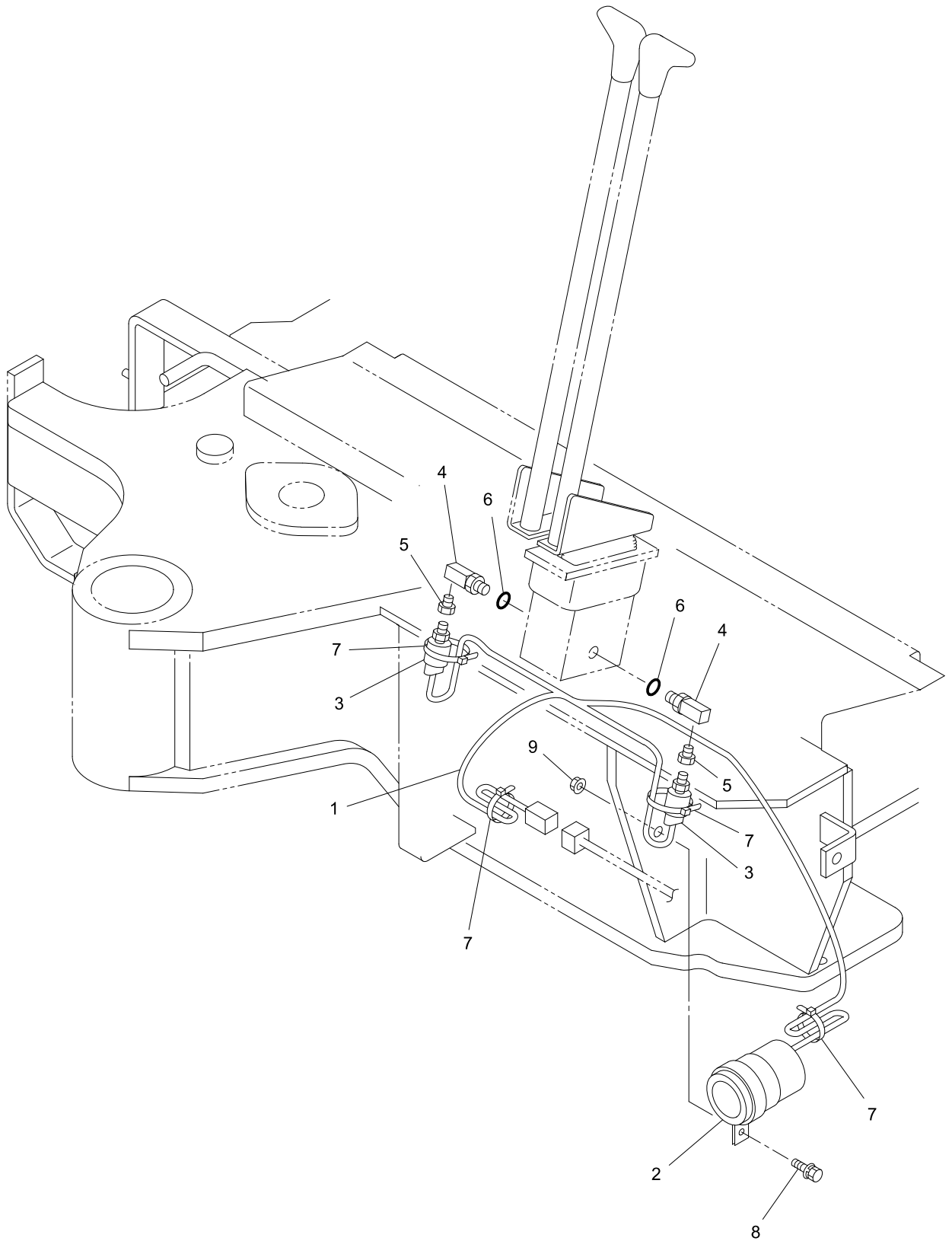
35V4-15100B-1

KEY No.	SU P.	PART No.	DESCRIPTION	Q'TY	CHAN	SERIAL No.	REMARKS
0	×	F377 844 00	Decal Ass'y	1		WF010001-	
0-1	×	F377 855 00	Decal Ass'y	1		WF010001-	
1		D408 406 00	*Decal (Model)	1		WF010001-	
2		D408 415 00	*Decal (Model)	1		WF010001-	
3	×	D405 091 00	*Decal (Serial No.)	1		WF010001-	
3-1		0497 035 00	*Screw, Drive	4		WF010001-	d=3
4		D406 000 00	*Decal (Oil)	1		WF010001-	
5		D406 811 00	*Decal (Oil Check)	1		WF010001-	
6		D408 361 00	*Decal (Lub. Chart)	1		WF010001-	
7		D407 908 00	*Decal (Engine Daily Check)	1		WF010001-	
8		D407 016 00	*Decal (Safety Works)	1		WF010001-	
9		D408 430 00	*Decal (Tank Decompression)	1		WF010001-	
10		D405 507 00	*Decal (Safety Swing)	1		WF010001-	
11		D405 511 00	*Decal (Caution)	2		WF010001-	
12		D405 505 00	*Decal (Caution)	2		WF010001-	
13		D405 366 00	*Decal (Caution)	1		WF010001-	
14		D405 509 00	*Decal (Caution)	1		WF010001-	
15		D405 359 00	*Decal (Caution)	1		WF010001-	
16		D405 503 00	*Decal (Caution)	1		WF010001-	
17		D405 508 00	*Decal (Caution)	1		WF010001-	
18		D405 504 00	*Decal (Caution)	1		WF010001-	
19		D405 506 00	*Decal (Caution)	1		WF010001-	
20		D406 005 00	*Decal (Caution)	1		WF010001-	
21		D406 012 00	*Decal (Anti-Freezing Solution)	1		WF010001-	
22		D406 783 00	*Decal (Environment)	1		WF010001-	
23		D408 371 00	*Decal (Reflector)	2		WF010001-	
24		D408 339 00	*Decal (Boom Lowering)	1		WF010001-	
25		D406 720 00	*Decal (Spare Piping Change)	1		WF010001-	
26		D406 002 00	*Decal (Breaker Cation)	1		WF010001-	
27		D406 007 00	*Decal (Transport Fix)	1		WF010001-	
28		D408 346 00	*Decal (Lifting Procedures)	1		WF010001-	
29	×	D405 097 00	*Decal (New Machine)	1		WF010001-	
30		D406 154 00	*Decal (Noise 94)	1		WF010001-	
31		D407 943 00	*Decal (EPA Regulation)	1		WF010001-	
32		D405 510 00	*Decal (Caution)	1		WF010001-	
33		D408 323 00	*Decal (Spanner Change Lever)	1		WF010001-	
34		D408 402 00	*Decal (IHI)	3		WF010001-	
35		D408 403 00	*Decal (IHI)	1		WF010001-	
36		D406 630 00	*Decal (Blade, Pedal)	1		WF010001-	
37		D406 622 00	*Decal (Control A)	1		WF010001-	
37-1		D406 623 00	*Decal (Control B)	1		WF010001-	
37-2		D406 624 00	*Decal (Control C)	1		WF010001-	
37-3		D406 625 00	*Decal (Control D)	1		WF010001-	
38		D406 628 00	*Decal (Control A-D)	1		WF010001-	



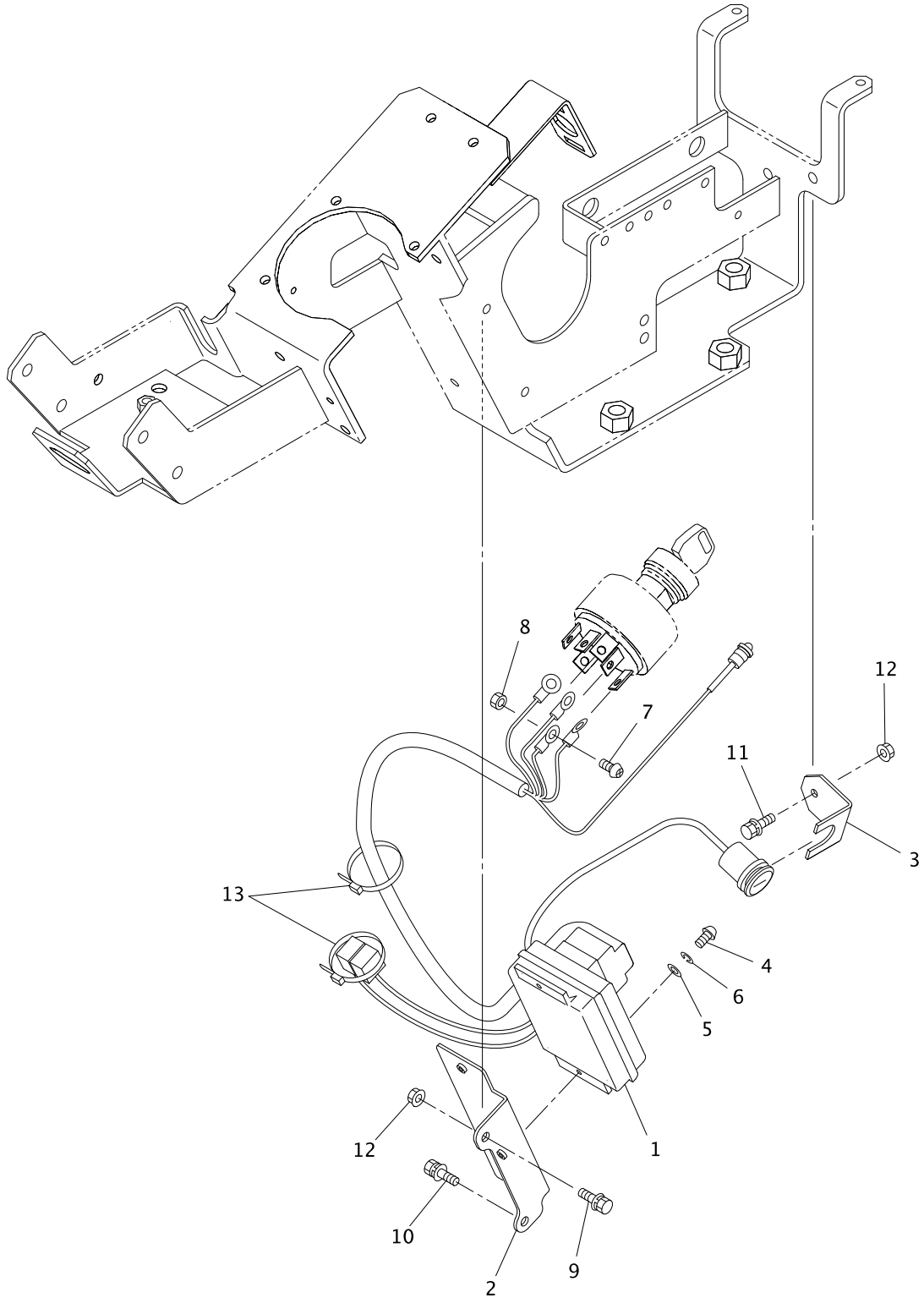
V4ALL-151100-1

KEY No.	SU P.	PART No.	DESCRIPTION	Q'TY	CHAN	SERIAL No.	REMARKS
0	×	F355 037 00	Mirror Ass'y	1		WF010001-	
1		D416 701 00	*Bracket	2		WF010001-	
2		0699 901 12	*Mirror, Back	1		WF010001-	
3		0699 901 13	*Mirror, Back	1		WF010001-	
4		0580 120 00	*Nut, Hex.	4		WF010001-	M12
5		0491 800 12	*Washer, Conical Spring	4		WF010001-	M12
6		0593 120 00	*Washer, Flat	2		WF010001-	M12
7		D260 381 00	*Stay	1		WF010001-	
8		0690 203 08	*Mirror, Under	1		WF010001-	
9		0439 100 25	*Bolt, Treatment (W/L.W,F.W)	2		WF010001-	M10X25 P=1.25
10		0439 100 20	*Bolt, Treatment (W/L.W,F.W)	4		WF010001-	M10X20 P=1.25



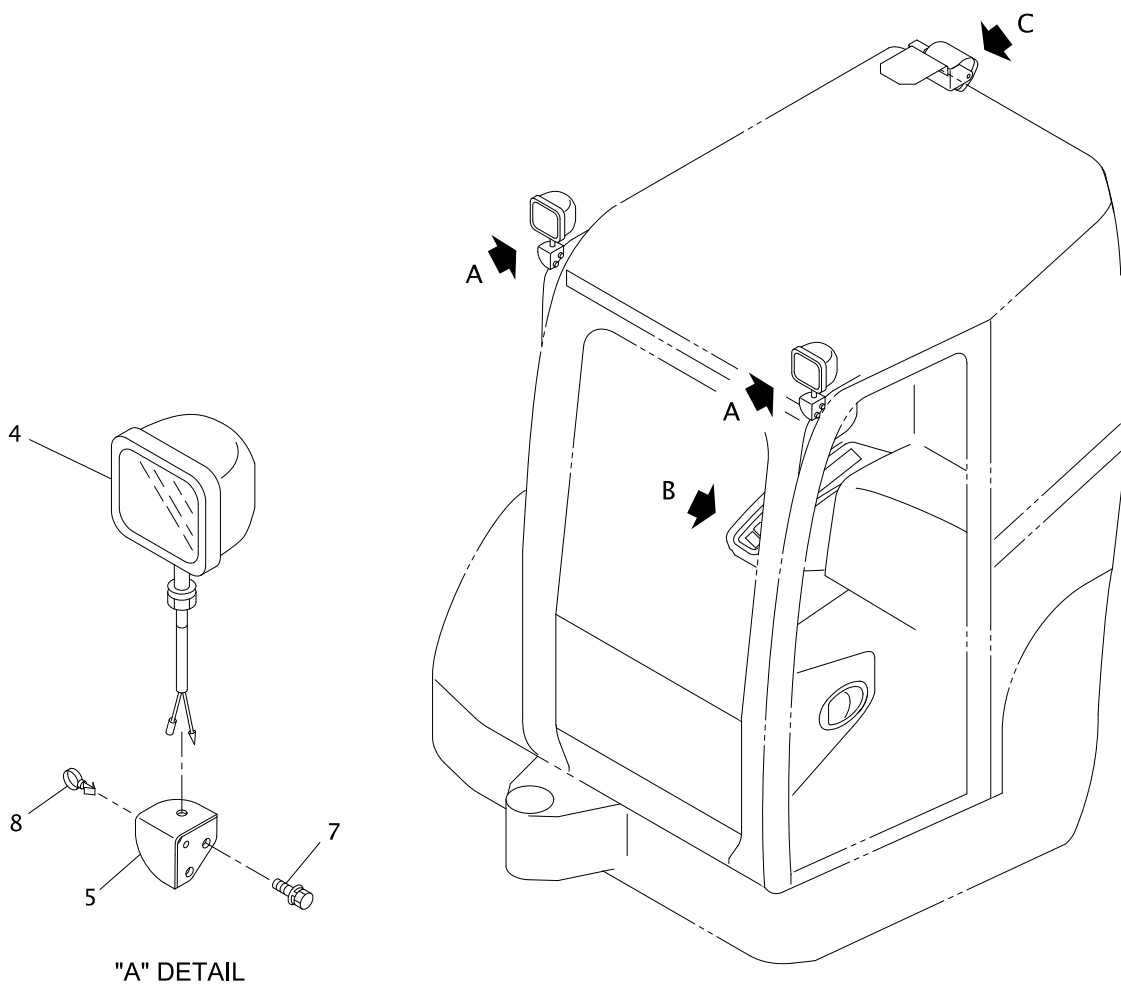
25V4-151200-1

KEY No.	SU P.	PART No.	DESCRIPTION	Q'TY	CHAN	SERIAL No.	REMARKS
0	×	F432 277 00	Alarm Device, Travvel	1		WF010001-	
1		D592 161 00	*Harness	1		WF010001-	
2		0857 011 48	*Horn, Back	1		WF010001-	
3		0858 180 10	*Switch, Pressure	2		WF010001-	
4		0719 804 UA	*Elbow	2		WF010001-	
5		0710 400 24	*Bush, Reducer	2		WF010001-	PT1/4XPT1/8
6		0760 710 12	*Ring, O	2		WF010001-	P11-90B
7		0820 067 04	*Band, Cable	4		WF010001-	
8		0517 080 30	*Bolt, Treatment (W/L.W, F.W)	1		WF010001-	M8X30
9		0521 080 00	*Nut, Hex. (W/F.W)	1		WF010001-	M8

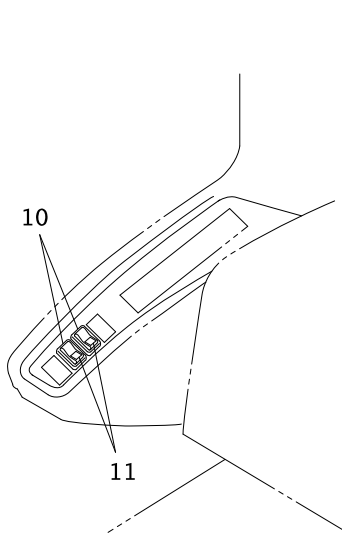


V4ALL-151300-1

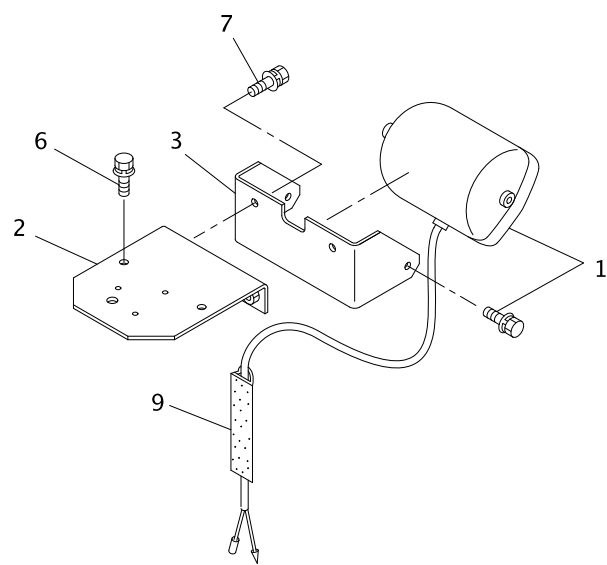
KEY No.	SU P.	PART No.	DESCRIPTION	Q'TY	CHAN	SERIAL No.	REMARKS
0	×	F366 792 00	Immobilizer Ass'y	1		WF010001-	
1		0893 508 UA	*Controller Ass'y	1		WF010001-	
2		D418 688 00	*Bracket	1		WF010001-	
3		D418 689 00	*Bracket	1		WF010001-	
4		0565 040 10	*Screw, Pan Head	2		WF010001-	M4X10
5		0593 040 00	*Washer, Flat	2		WF010001-	M4
6		0590 040 00	*Washer, Lock	2		WF010001-	M4
7		0565 050 10	*Screw, Pan Head	1		WF010001-	M5X10
8		0580 050 00	*Nut, Hex.	1		WF010001-	M5
9		0517 060 25	*Bolt, Treatment (W/L.W, F.W)	1		WF010001-	M6X25
10		0517 060 12	*Bolt, Treatment (W/L.W, F.W)	1		WF010001-	M6X12
11		0517 060 16	*Bolt, Treatment (W/L.W, F.W)	1		WF010001-	M6X16
12		0521 060 00	*Nut, Hex. (W/F.W)	2		WF010001-	M6
13		0820 067 03	*Band, Cable	2		WF010001-	



"A" DETAIL



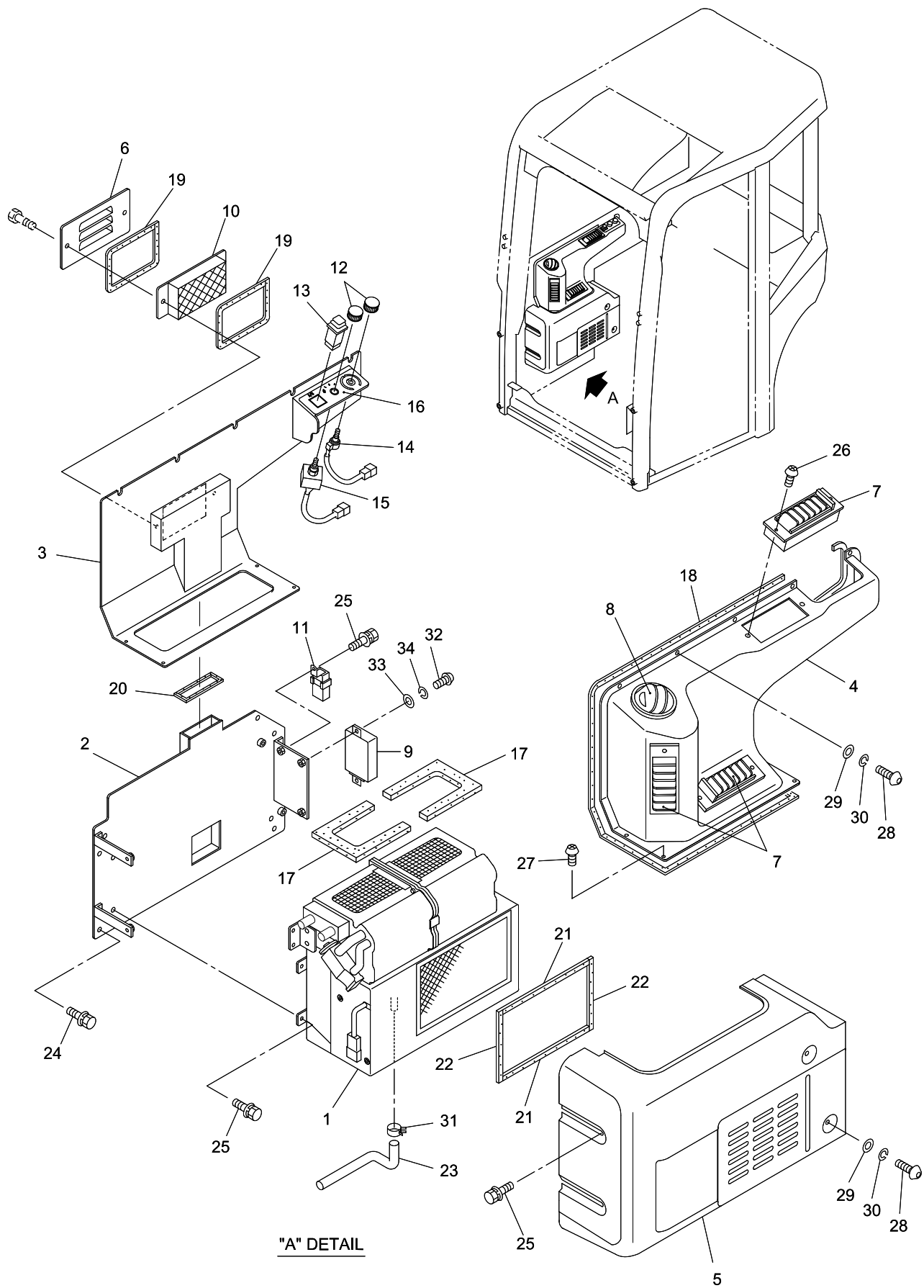
"B" DETAIL



"C" DETAIL

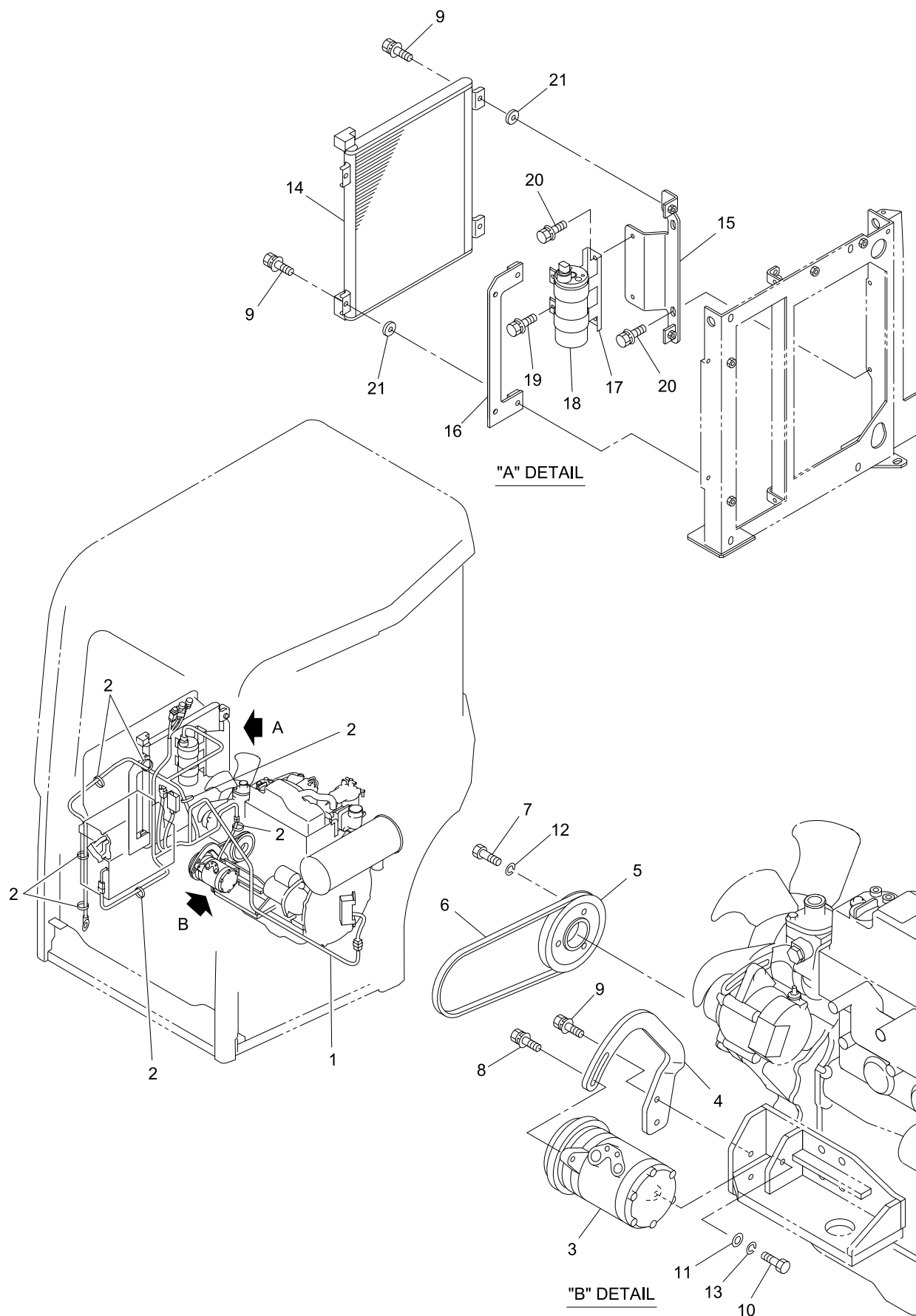
V4ALL-151400-1

KEY No.	SU P.	PART No.	DESCRIPTION	Q'TY	CHAN	SERIAL No.	REMARKS
0	×	F385 402 00	Light Ass'y	1		WF010001-	
1		0854 536 UA	*Lamp Ass'y	1		WF010001-	
1-1		0854 536 01	**Lens	1		WF010001-	
1-2		0854 536 11	**Bulb	1		WF010001-	
2		D418 632 00	*Bracket	1		WF010001-	
3		D418 630 00	*Bracket	1		WF010001-	
4		0854 523 UA	*Light Ass'y	2		WF010001-	
4-1		0854 523 01	**Lens	1		WF010001-	
4-2		0854 523 06	**Bulb	1		WF010001-	
5		D419 161 00	*Bracket	2		WF010001-	
6		0439 100 20	*Bolt, Treatment (W/L.W, F.W)	2		WF010001-	M10X20 P=1.25
7		0439 100 25	*Bolt, Treatment (W/L.W, F.W)	6		WF010001-	M10X25 P=1.25
8		0690 082 08	*Clamp, Hose	2		WF010001-	
9		4522 707 01	*Duct	1		WF010001-	
10		0858 314 11	*Switch Ass'y, Light	2		WF010001-	
11		0858 314 12	*Decal	2		WF010001-	



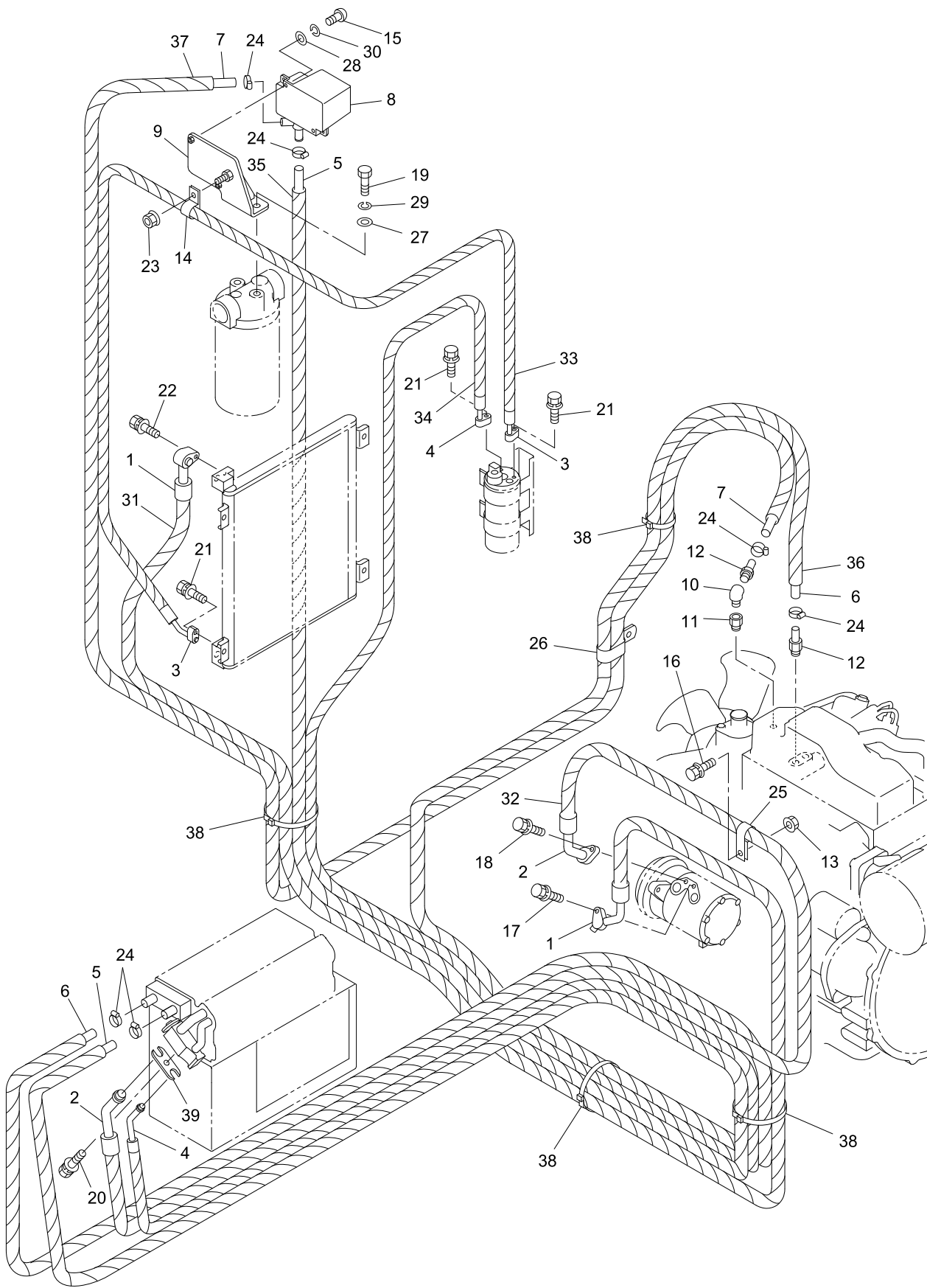
30V4-151500-1

KEY No.	SU P.	PART No.	DESCRIPTION	Q'TY	CHAN	SERIAL No.	REMARKS
0	×	F385 396 00	Air Conditioner Ass'y (1)	1		WF010001-	
1		0892 270 UA	*Air Conditioner Ass'y	1		WF010001-	
2		D419 359 00	*Bracket	1		WF010001-	
3		D452 207 00	*Bracket	1		WF010001-	
4		D465 382 00	*Duct	1		WF010001-	
5		D465 383 00	*Panel	1		WF010001-	
6		D458 508 00	*Cover	1		WF010001-	
7		0820 023 19	*Louver	3		WF010001-	
8		0820 023 18	*Louver	1		WF010001-	
9		0898 000 02	*Amplifier	1		WF010001-	
10		0745 142 UA	*Filter, Air	1		WF010001-	
11		0820 215 07	*Relay	1		WF010001-	
12		0690 210 86	*Knob	2		WF010001-	
13		0898 000 05	*Switch	1		WF010001-	
14		0898 000 03	*Volume, Thermodtat	1		WF010001-	
15		0898 000 04	*Switch Ass'y, Blower	1		WF010001-	
16		D408 205 00	*Decal	1		WF010001-	
17		D493 694 00	*Seal, Sponge	2		WF010001-	
18		D551 009 01	*Seal, Sponge	2		WF010001-	L=1000
19		D551 009 02	*Seal, Sponge	2		WF010001-	L=430
20		D551 009 03	*Seal, Sponge	1		WF010001-	L=230
21		D551 010 01	*Seal, Sponge	2		WF010001-	L=210
22		D551 010 02	*Seal, Sponge	2		WF010001-	L=150
23		4070 740 01	*Hose, Fuel	1		WF010001-	L=390
24		0518 100 20	*Bolt, Treatment (W/L.W, F.W)	4		WF010001-	M10X20 P=1.25
25		0517 060 16	*Bolt, Treatment (W/L.W, F.W)	9		WF010001-	M6X16
26		0454 300 12	*Screw, Tapping	6		WF010001-	M3X12
27		0454 600 12	*Screw, Tapping	4		WF010001-	M6X12
28		4004 280 01	*Bolt, Button Head	7		WF010001-	M6X16
29		0593 060 00	*Washer, Flat	7		WF010001-	M6
30		0590 060 00	*Washer, Lock	7		WF010001-	M6
31		0690 082 07	*Clamp	1		WF010001-	
32		0565 040 12	*Screw, Pan Head	2		WF010001-	M4X12
33		0593 040 00	*Washer, Flat	2		WF010001-	M4
34		0590 040 00	*Washer, Lock	2		WF010001-	M4



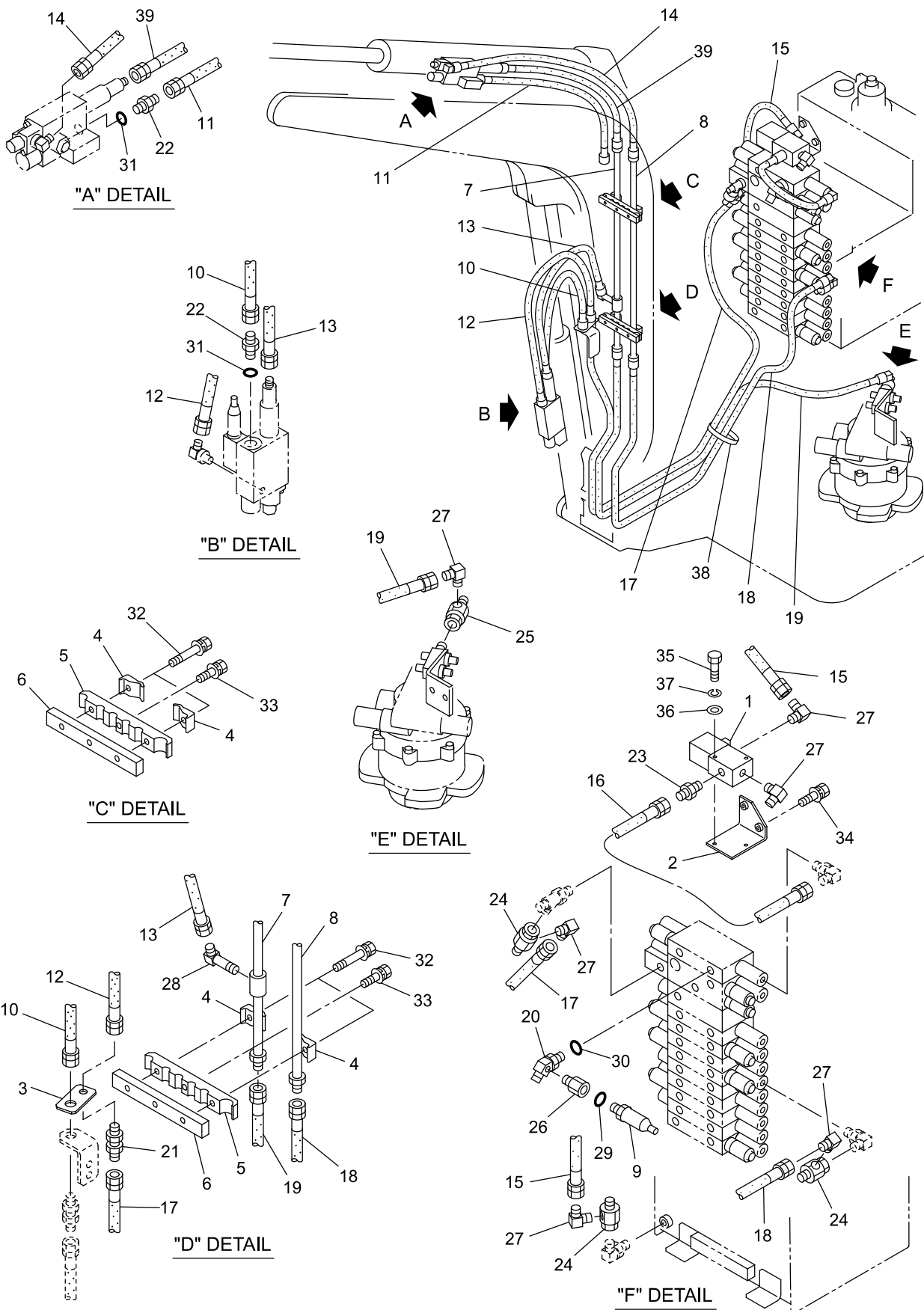
30V4-151600-1

KEY No.	SU P.	PART No.	DESCRIPTION	Q'TY	CHAN	SERIAL No.	REMARKS
0	×	F385 399 00	Air Conditioner Ass'y (2)	1		WF010001-	
1		D592 306 00	*Harness	1		WF010001-	
2		0820 067 04	*Band, Cable	7		WF010001-	
3		0897 018 UA	*Compressor Ass'y	1		WF010001-	
4		D260 513 00	*Stay	1		WF010001-	
5		D032 015 00	*Pully	1		WF010001-	
6		0910 101 17	*Belt	1		WF010001-	L=813
7		0513 100 20	*Bolt, Teratment	3		WF010001-	M10X20
8		0517 080 30	*Bolt, Treatment (W/L.W, F.W)	2		WF010001-	M8X30
9		0517 080 25	*Bolt, Treatment (W/L.W, F.W)	6		WF010001-	M8X25
10		0513 080 40	*Bolt, Treatment	1		WF010001-	M8X40
11		0593 080 00	*Washer, Flat	1		WF010001-	M8
12		0590 100 00	*Washer, Lock	3		WF010001-	M10
13		0590 080 00	*Washer, Lock	1		WF010001-	M8
14		0897 019 UA	*Condenser	1		WF010001-	
15		D419 361 00	*Bracket	1		WF010001-	
16		D419 362 00	*Bracket	1		WF010001-	
17		0898 000 01	*Bracket	1		WF010001-	
18		0897 002 UA	*Dryer, Recerver	1		WF010001-	
19		0517 060 20	*Bolt, Treatment (W/L.W, F.W)	2		WF010001-	M6X20
20		0517 080 20	*Bolt, Treatment (W/L.W, F.W)	6		WF010001-	M8X20
21		F771 315 00	*Washer, Rubber	4		WF010001-	



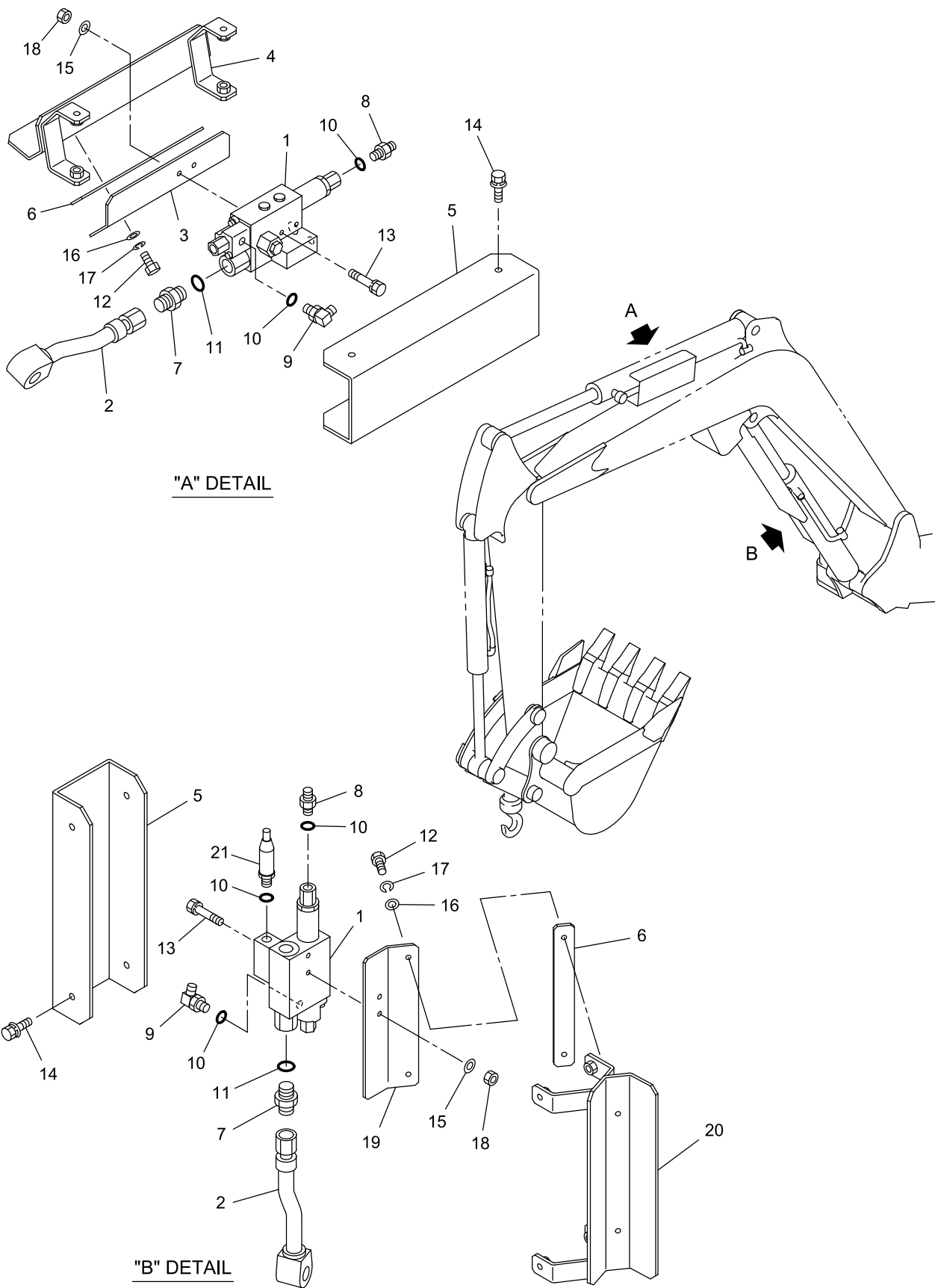
30V4-151700-1

KEY No.	SU P.	PART No.	DESCRIPTION	Q'TY	CHAN	SERIAL No.	REMARKS
0	×	F385 395 00	Piping, Ass'y Air Conditioner	1		WF010001-	
0-1	×	F385 399 00	Piping, Ass'y Air Conditioner	1		WF010001-	
1		0898 000 64	*Hose	1		WF010001-	
2		0898 000 65	*Hose	1		WF010001-	
3		0898 000 66	*Hose	1		WF010001-	
4		0898 000 67	*Hose	1		WF010001-	
5		4070 102 42	*Hose, Water	M		WF010001-	L=2800
6		4070 102 03	*Hose, Water	M		WF010001-	L=3300
7		4070 102 43	*Hose, Water	M		WF010001-	L=2250
8		0898 000 00	*Valve, Water	1		WF010001-	
9		D419 205 00	*Bracket	1		WF010001-	
10		0710 100 29	*Elbow	1		WF010001-	
11		0710 503 03	*Socket	1		WF010001-	
12		4072 220 00	*Nipple	2		WF010001-	
13		0521 080 00	*Nut, Hex. (W/F.W)	1		WF010001-	M8
14		4080 000 07	*Clamp	1		WF010001-	
15		0565 050 10	*Screw, Pan Head	2		WF010001-	M5X10
16		0517 080 30	*Bolt, Treatment (W/L.W, F.W)	1		WF010001-	M8X30
17		0517 080 35	*Bolt, Treatment (W/L.W, F.W)	1		WF010001-	M8X35
18		0517 080 25	*Bolt, Treatment (W/L.W, F.W)	1		WF010001-	M8X25
19		0550 120 25	*Bolt, Hex.	2		WF010001-	M12X25
20		0517 060 20	*Bolt, Treatment (W/L.W, F.W)	1		WF010001-	M6X20
21		0517 060 25	*Bolt, Treatment (W/L.W, F.W)	3		WF010001-	M6X25
22		0517 060 40	*Bolt, Treatment (W/L.W, F.W)	1		WF010001-	M6X40
23		0524 100 00	*Nut, Hex. (W/F.W)	1		WF010001-	M10 P=1.25
24		0690 083 04	*Clamp, Hose	6		WF010001-	
25		4080 000 12	*Clamp, Hose	1		WF010001-	
26		4080 000 26	*Clamp, Hose	1		WF010001-	
27		0593 120 00	*Washer, Flat	2		WF010001-	M12
28		0593 050 00	*Washer, Flat	2		WF010001-	M5
29		0590 120 00	*Washer, Lock	2		WF010001-	M12
30		0590 050 00	*Washer, Lock	2		WF010001-	M5
31		0820 803 05	*Tube, Corrugate	M		WF010001-	L=1530
32		0820 803 06	*Tube, Corrugate	M		WF010001-	L=1500
33		0820 803 04	*Tube, Corrugate	M		WF010001-	L=950
34		0820 803 04	*Tube, Corrugate	M		WF010001-	L=2500
35		0820 803 06	*Tube, Corrugate	M		WF010001-	L=2700
36		0820 803 06	*Tube, Corrugate	M		WF010001-	L=3200
37		0820 803 06	*Tube, Corrugate	M		WF010001-	L=2150
38		0820 067 04	*Band, Cable	4		WF010001-	
39		*** ** *	*Plate, Flange	1		WF010001-	



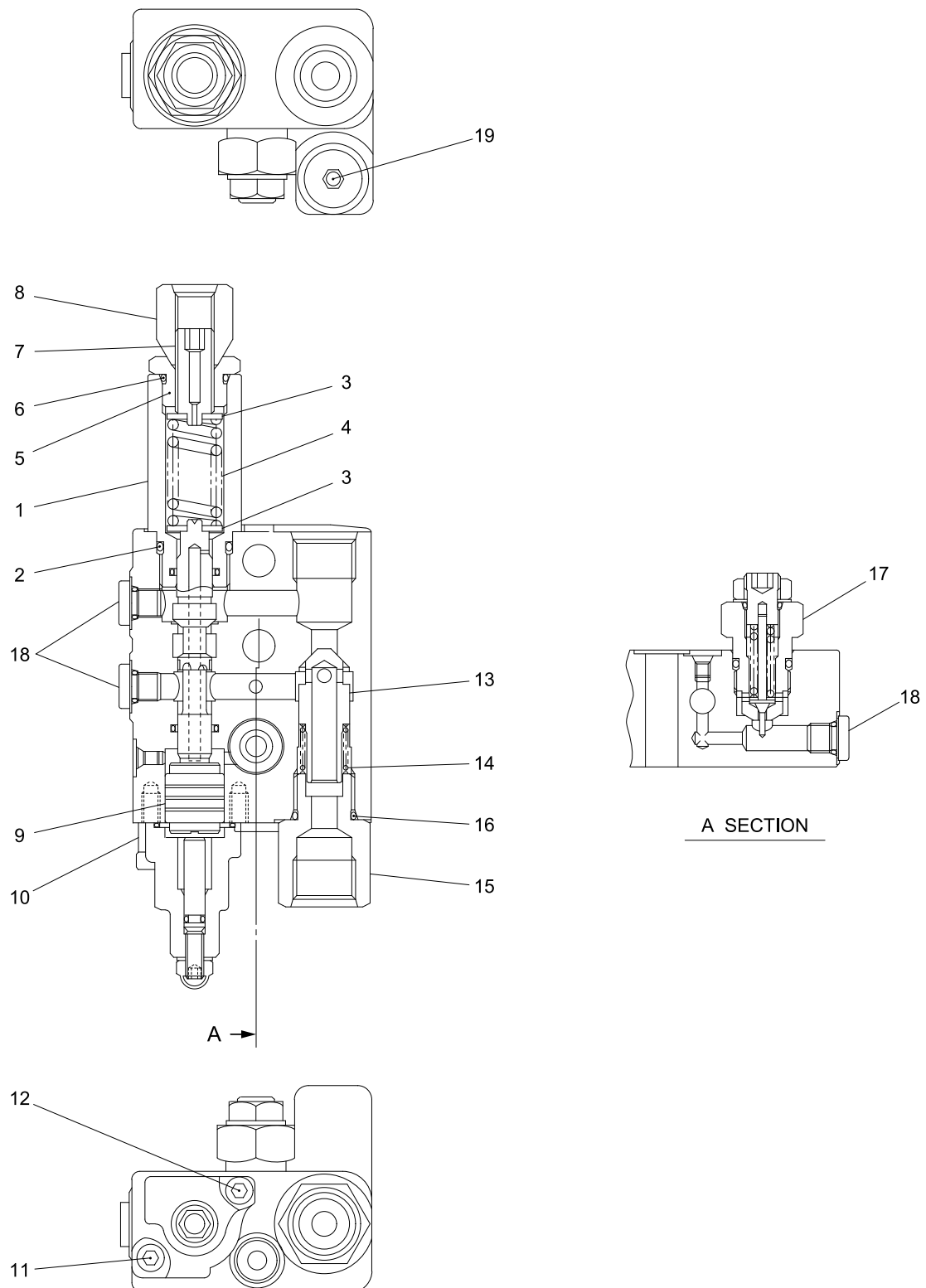
30V4-160100-1

KEY No.	SU P.	PART No.	DESCRIPTION	Q'TY	CHAN	SERIAL No.	REMARKS
0	×	F342 626 00	Piping Ass'y, Hydraulic	1		WF010001-	
1		0785 118 UA	*Valve, Solenoid	1		WF010001-	
2		D419 186 00	*Bracket	1		WF010001-	
3		D419 194 00	*Bracket	1		WF010001-	
4		4081 118 00	*Clamp, Tube	4		WF010001-	
5		D081 194 00	*Clamp, Tube	2		WF010001-	
6		D082 107 00	*Clamp, Seat	2		WF010001-	
7		D286 338 00	*Tube	1		WF010001-	
8		D286 337 00	*Tube	1		WF010001-	
9		0858 601 16	*Sensor, Pressure	1		WF010001-	
10		D070 543 07	*Hose Ass'y	1		WF010001-	L=1050
11		D070 543 10	*Hose Ass'y	1		WF010001-	L=1150
12		4070 842 01	*Hose Ass'y	1		WF010001-	L=1200
13		4070 842 27	*Hose Ass'y	1		WF010001-	L=850
14		4070 842 29	*Hose Ass'y	1		WF010001-	L=1250
15		4070 548 25	*Hose Ass'y	1		WF010001-	L=700
16		4070 548 55	*Hose Ass'y	1		WF010001-	L=350
17		D070 195 20	*Hose Ass'y	1		WF010001-	L=2600
18		D070 195 03	*Hose Ass'y	1		WF010001-	L=2450
19		D070 195 06	*Hose Ass'y	1		WF010001-	L=1900
20		D060 111 00	*Adapter	1		WF010001-	
21		D060 137 00	*Adapter	1		WF010001-	
22		0713 700 78	*Adapter, Reducer	2		WF010001-	PF1/2XPF3/8
23		0712 310 30	*Adapter	1		WF010001-	
24		4072 930 01	*Adapter, Union	3		WF010001-	
25		4072 930 02	*Adapter, Union	1		WF010001-	
26		0713 705 02	*Adapter	1		WF010001-	
27		0712 310 50	*Elbow	6		WF010001-	
28		4072 866 02	*Elbow, Long	1		WF010001-	
29		0760 710 12	*Ring, O	1		WF010001-	P11-90B
30		0760 710 16	*Ring, O	1		WF010001-	P14-90B
31		0760 710 19	*Ring, O	2		WF010001-	P18-90B
32		0520 100 65	*Bolt, Treatment (W/L.W)	4		WF010001-	M10X65 P=1.25
33		0518 100 45	*Bolt, Treatment (W/L.W, F.W)	2		WF010001-	M10X45 P=1.25
34		0517 060 20	*Bolt, Treatment (W/L.W, F.W)	2		WF010001-	M6X20
35		0550 060 50	*Bolt, Hex.	2		WF010001-	M6X50
36		0593 060 00	*Washer, Flat	2		WF010001-	M6
37		0590 060 00	*Washer, Lock	2		WF010001-	M6
38		0820 067 05	*Band, Cable	1		WF010001-	
39		4070 842 28	*Hose Ass'y	1		WF010001-	L=1050



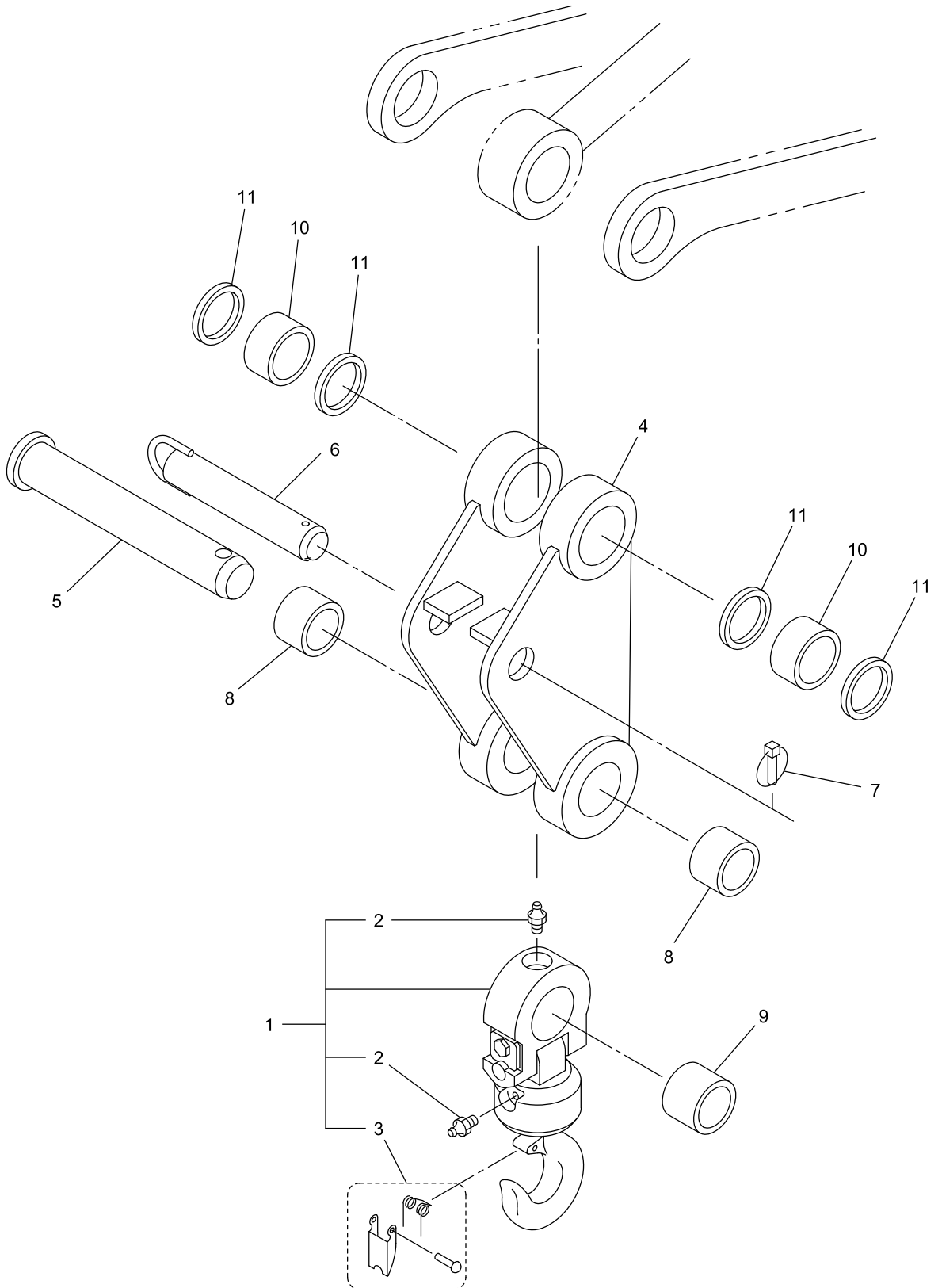
V4ALL-160200-1

KEY No.	SU P.	PART No.	DESCRIPTION	Q'TY	CHAN	SERIAL No.	REMARKS
0	×	F342 625 00	Valve Ass'y, Holding	1		WF010001-	
0-1	×	F342 624 00	Valve Ass'y, Holding	1		WF010001-	
1	#	0787 047 UA	*Valve, Holding	2		WF010001-	Sh.No. 16-3
2		D286 339 00	*Tube	2		WF010001-	
3		D419 204 00	*Bracket	1		WF010001-	
4		D419 208 00	*Bracket	1		WF010001-	
5		D458 413 00	*Cover	2		WF010001-	
6		D007 244 01	*Shim	AR		WF010001-	t=1.6
6-1		D007 244 02	*Shim	AR		WF010001-	t=4.5
6-2		D007 244 03	*Shim	AR		WF010001-	t=6.0
7		0713 700 04	*Adapter	2		WF010001-	
8		0713 700 02	*Adapter	2		WF010001-	
9		0710 122 09	*Elbow	2		WF010001-	
10		0760 710 12	*Ring, 0	5		WF010001-	P11-90B
11		0760 710 19	*Ring, 0	2		WF010001-	P18-90B
12		0550 100 20	*Bolt, Hex.	4		WF010001-	M10X20
13		0519 080 55	*Bolt, Treatment (W/L.W)	4		WF010001-	M8X55
14		0517 080 16	*Bolt, Treatment (W/L.W, F.W)	8		WF010001-	M8X16
15		0593 080 00	*Washer, Flat	4		WF010001-	M8
16		0593 100 00	*Washer, Flat	4		WF010001-	M10
17		0590 100 00	*Washer, Lock	4		WF010001-	M10
18		0521 080 00	*Nut, Hex. (W/F.W)	4		WF010001-	M8
19		D419 203 00	*Bracket	1		WF010001-	
20		D419 207 00	*Bracket	1		WF010001-	
21		0858 601 16	*Sensor, Pressure	1		WF010001-	



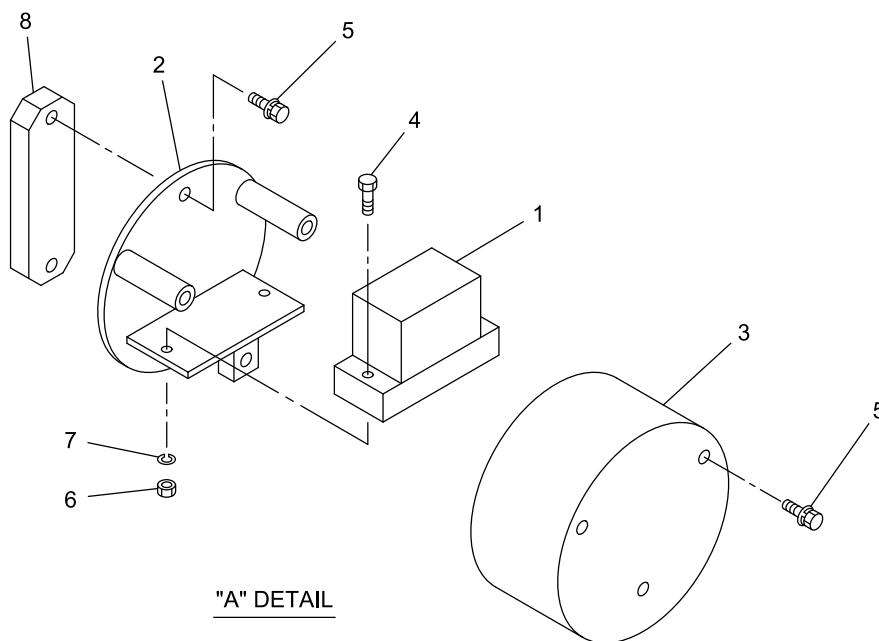
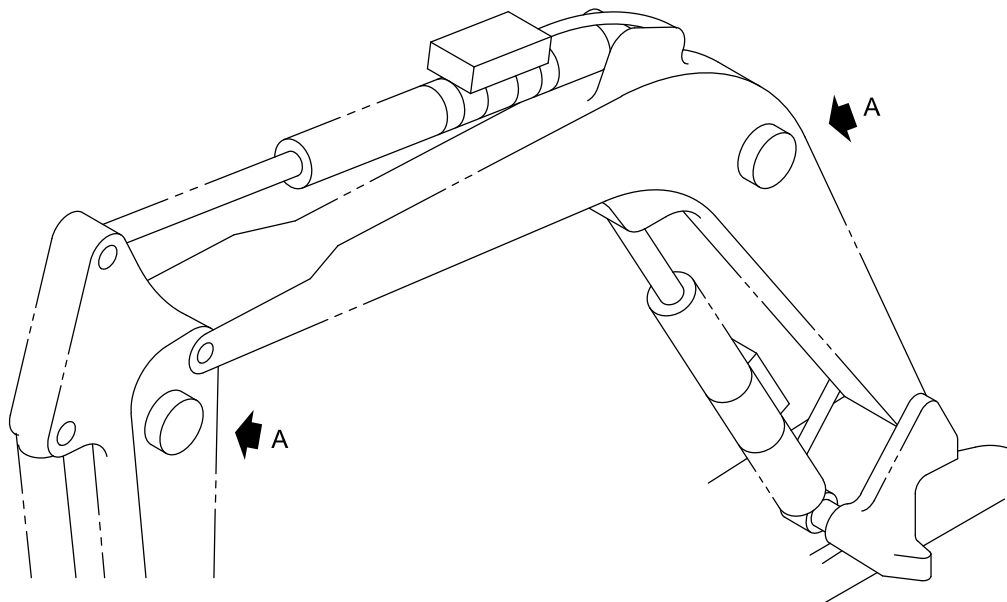
V4ALL-160300-1

KEY No.	SU P.	PART No.	DESCRIPTION	Q'TY	CHAN	SERIAL No.	REMARKS
0		0787 047 UA	Valve Ass'y, Holding	1		WF010001-	
1		0787 047 04	*Plug	1		WF010001-	
2		0760 710 22	*Ring, O	1		WF010001-	P22-90B
3		0784 047 06	*Seat, Spring	2		WF010001-	
4		0784 047 07	*Spring	1		WF010001-	
5		0787 047 08	*Plug	1		WF010001-	
6		0760 710 20	*Ring, O	1		WF010001-	P20-90B
7		0784 047 10	*Adjuster	1		WF010001-	
8		0784 047 11	*Nut, Hex.	1		WF010001-	
9		0784 047 12	*Piston	1		WF010001-	
10		0784 047 13	*Cap	1		WF010001-	
11		0562 060 16	*Bolt, Socket Head	1		WF010001-	M6X16
12		0562 060 35	*Bolt, Socket Head	1		WF010001-	M6X35
13		0787 047 16	*Poppet	1		WF010001-	
14		0787 047 17	*Spring	1		WF010001-	
15		0787 047 18	*Plug	1		WF010001-	
16		0760 710 19	*Ring, O	1		WF010001-	P18-90B
17		0787 047 91	*Valve, Relief	1		WF010001-	
18		0783 677 83	*Plug	3		WF010001-	
19		0783 846 85	*Plug	1		WF010001-	



30V4-160400-1

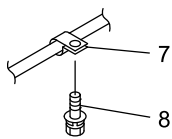
KEY No.	SU P.	PART No.	DESCRIPTION	Q'TY	CHAN	SERIAL No.	REMARKS
0	×	F418 127 00	Block Ass'y, Hook	1		WF010001-	
1		0652 964 UA	*Hook	1		WF010001-	
2		0728 131 11	**Nipple, Grease	2		WF010001-	M6
3		0652 923 UA	**Ratch Ass'y	1		WF010001-	
4		D490 442 00	*Link, Bucket	1		WF010001-	
5		D013 443 00	*Pin, Head	1		WF010001-	
6		D013 190 00	*Pin, Head	1		WF010001-	
7		4017 252 01	*Pin, Ring	1		WF010001-	
8		D043 080 00	*Bushing	2		WF010001-	
9		D043 081 00	*Bushing	1		WF010001-	
10		4043 231 01	*Bushing	2		WF010001-	
11		0765 033 29	*Seal, Dust	4		WF010001-	



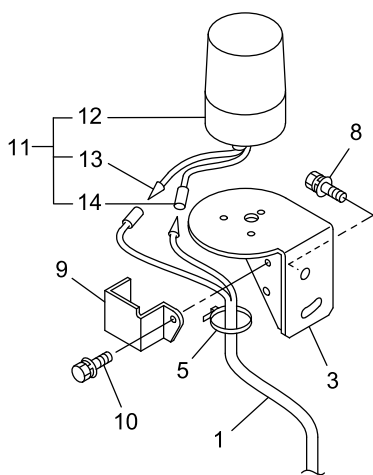
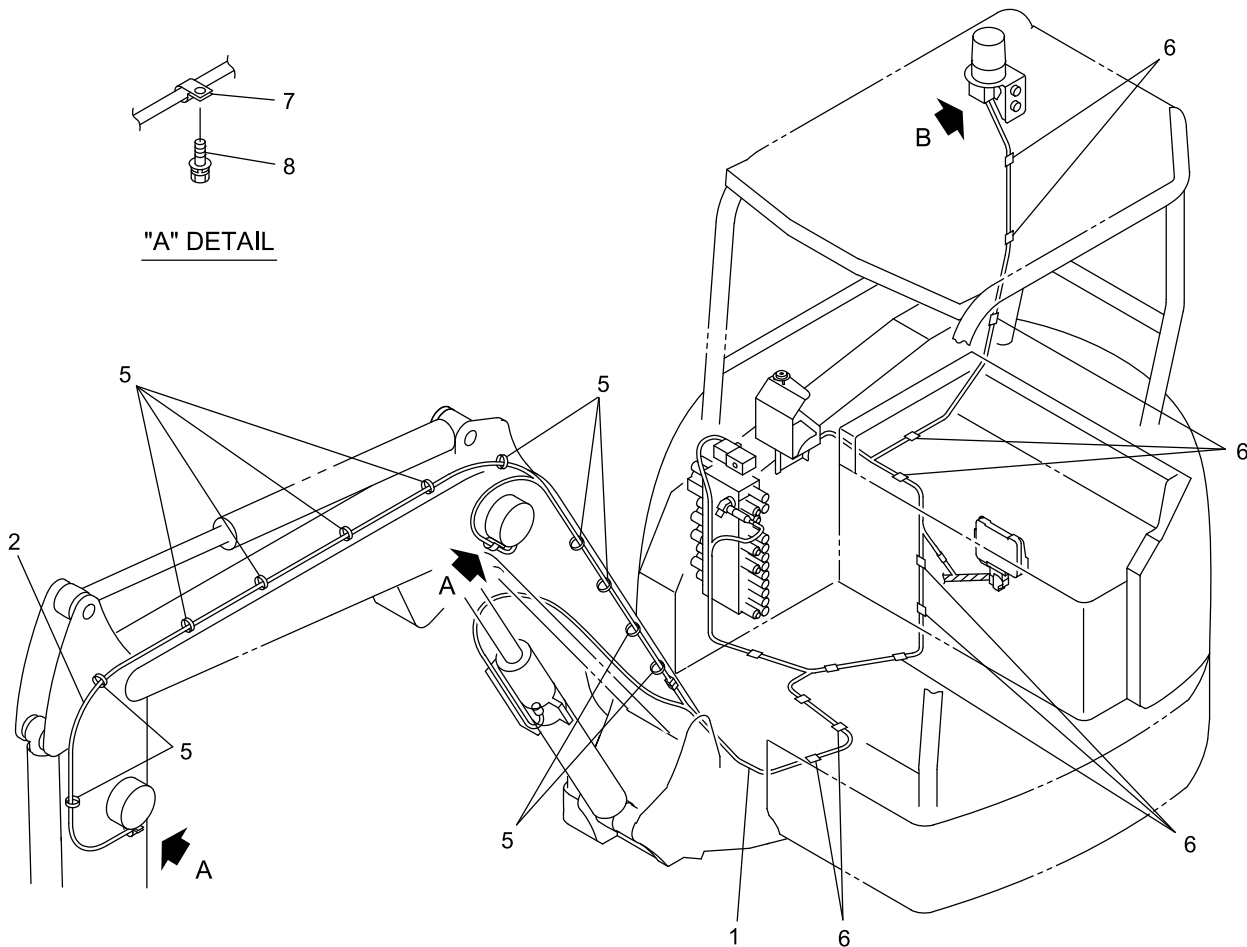
"A" DETAIL

V4ALL-160500-1

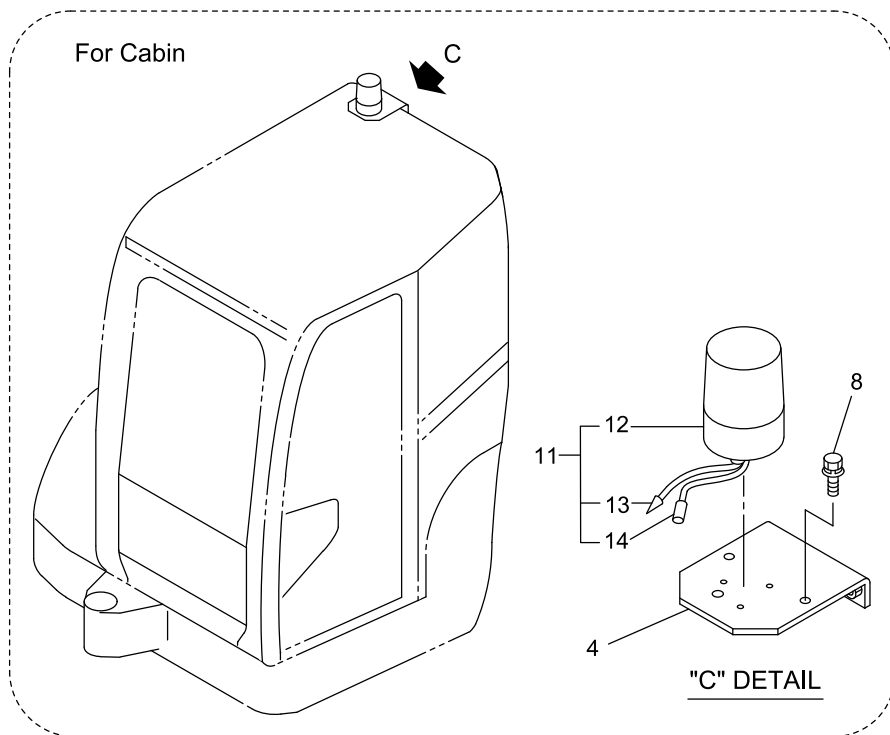
KEY No.	SU P.	PART No.	DESCRIPTION	Q'TY	CHAN .	SERIAL No.	REMARKS
0	×	F370 340 00	Angle Detector	1		WF010001-	
1		0881 100 UA	*Detector, Angle	2		WF010001-	
2		D414 314 00	*Bracket	2		WF010001-	
3		D455 737 00	*Cover	2		WF010001-	
4		0550 060 30	*Bolt, Hex.	4		WF010001-	M6X30
5		0518 100 20	*Bolt, Treatment (W/L.W, F.W)	10		WF010001-	M10X20 P=1.25
6		0580 060 00	*Nut, Hex.	4		WF010001-	M6
7		0590 060 00	*Washer, Lock	4		WF010001-	M6
8		D260 329 00	*Stay	2		WF010001-	



"A" DETAIL



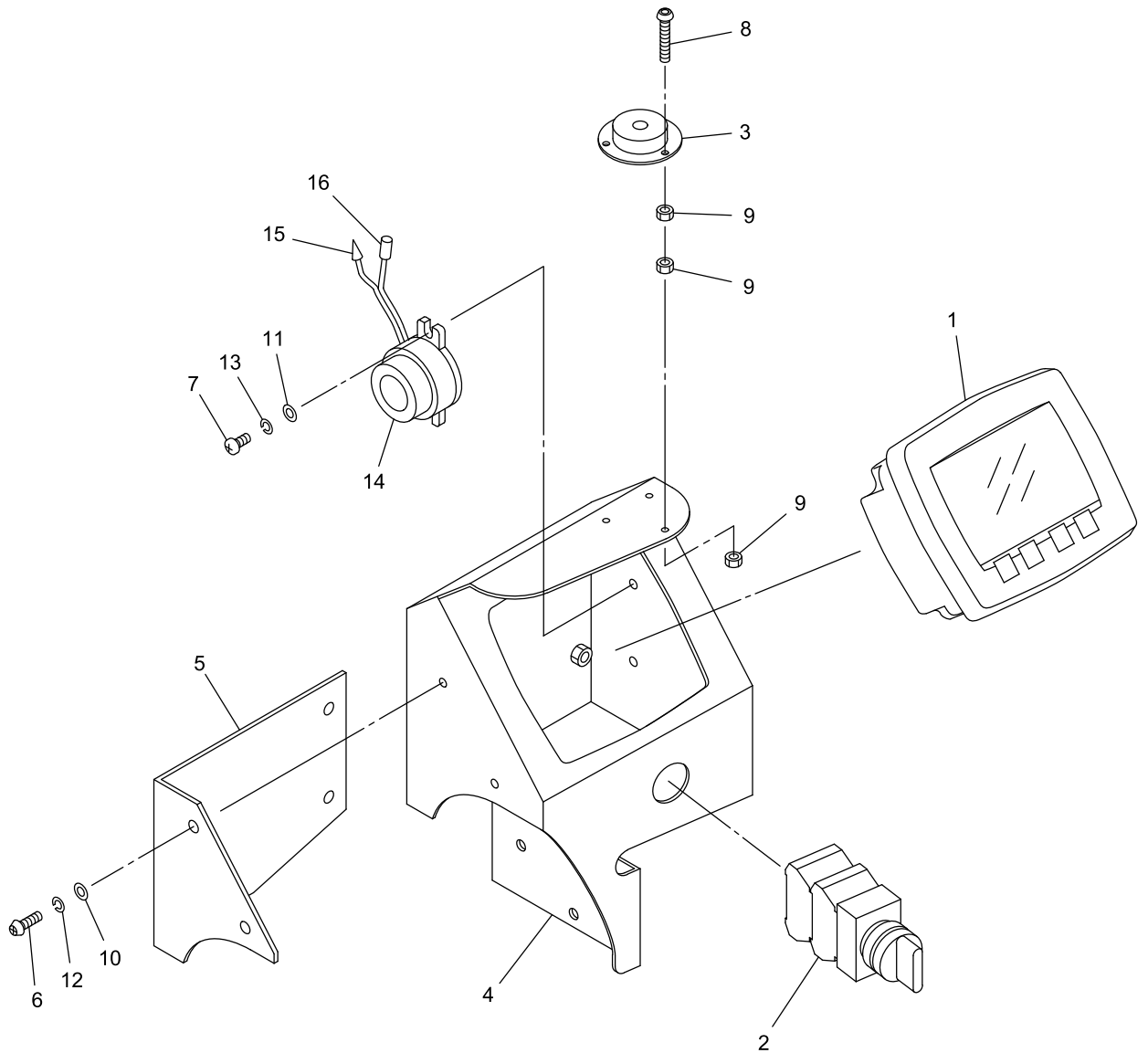
"B" DETAIL



"C" DETAIL

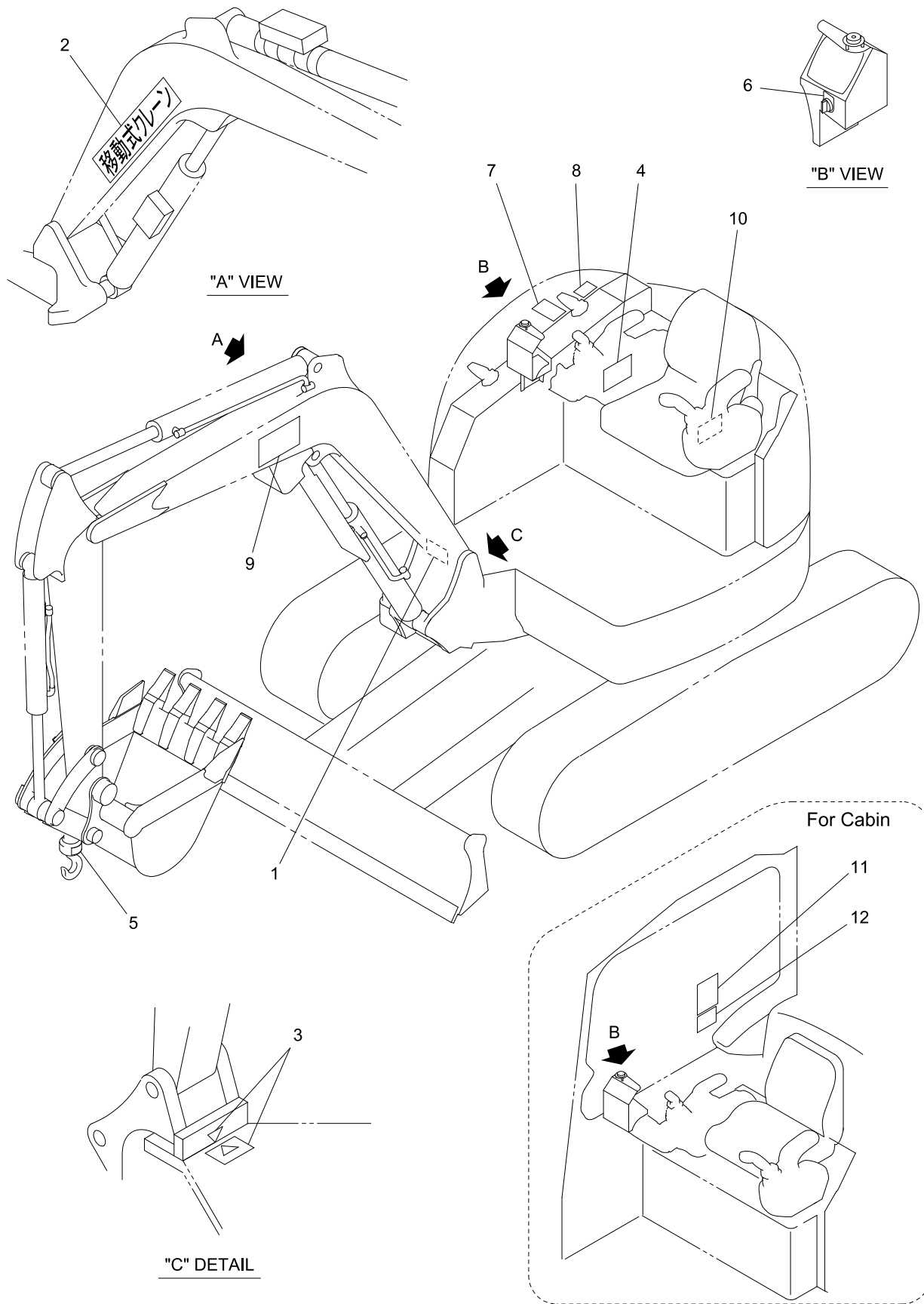
30V4-160600-1

KEY No.	SU P.	PART No.	DESCRIPTION	Q'TY	CHAN	SERIAL No.	REMARKS
0	×	F366 880 00	Electrical System	1		WF010001-	
1		D592 304 00	*Harness	1		WF010001-	
2		D592 305 00	*Harness	1		WF010001-	
3		D418 456 00	*Bracket	1		WF010001-	
4		D418 632 00	*Bracket	1		WF010001-	
5		0820 067 04	*Band, Cable	AR		WF010001-	
6		0820 069 03	*Sticker	AR		WF010001-	
7		4080 000 02	*Clamp	2		WF010001-	
8		0518 100 20	*Bolt, Treatment (W/L.W, F.W)	4		WF010001-	M10X20 P=1.25
9		D457 127 00	*Cover	1		WF010001-	
10		0517 080 16	*Bolt, Treatment (W/L.W, F.W)	1		WF010001-	M8X16
11		F366 201 00	*Light Ass'y, Revolving	1		WF010001-	
12		0854 060 01	**Light, Rotary	1		WF010001-	
13		0820 650 20	**Terminal	1		WF010001-	
13-1		0820 651 20	**Sleeve	1		WF010001-	
14		0820 650 21	**Terminal	1		WF010001-	
14-1		0820 651 21	**Sleeve	1		WF010001-	



V4ALL-160700-1

KEY No.	SU P.	PART No.	DESCRIPTION	Q'TY	CHAN	SERIAL No.	REMARKS
0	×	F370 342 00	Controller Ass'y	1		WF010001-	
1		0877 900 11	*Display	1		WF010001-	
2		0858 308 23	*Switch, Select	1		WF010001-	
3		0933 054 UA	*Gauge, Level	1		WF010001-	
4		D419 357 00	*Bracket	1		WF010001-	For Canopy
4-1		D419 355 00	*Bracket	1		WF010001-	For Cabin
5		D458 497 00	*Cover	1		WF010001-	
6		4004 364 01	*Bolt, Button Head	4		WF010001-	M6X18
7		0565 040 08	*Screw, Pan Head	2		WF010001-	M4X8
8		0565 030 20	*Screw, Pan Head	3		WF010001-	M3X20
9		0580 030 00	*Nut, Hex.	9		WF010001-	M3
10		0594 060 00	*Washer, Flat	4		WF010001-	M6
11		0593 040 00	*Washer, Flat	2		WF010001-	M4
12		0596 060 00	*Washer, Lock	4		WF010001-	M6
13		0590 040 00	*Washer, Lock	2		WF010001-	M4
14		0860 504 02	*Buzzer	1		WF010001-	
15		0820 650 20	*Terminal	1		WF010001-	
15-1		0820 651 20	*Sleeve	1		WF010001-	
16		0820 650 21	*Terminal	1		WF010001-	
16-1		0820 651 21	*Sleeve	1		WF010001-	



30V4-160800-1

KEY No.	SU P.	PART No.	DESCRIPTION	Q'TY	CHAN	SERIAL No.	REMARKS
0	×	F377 861 00	Decal Ass'y	1		WF010001-	
1		D405 857 00	*Decal	1		WF010001-	
1-1		0497 035 00	*Screw, Drive	4		WF010001-	d=3
2		D405 859 00	*Decal	1		WF010001-	
3		D405 867 00	*Decal	1		WF010001-	
4		D408 396 00	*Decal	1		WF010001-	
5		D405 868 00	*Decal	1		WF010001-	
6		D408 637 00	*Decal	1		WF010001-	
7		D408 021 00	*Decal	1		WF010001-	
8		D408 020 00	*Decal	1		WF010001-	
9		D408 379 01	*Decal	1		WF010001-	0.2t
9-1		D408 379 02	*Decal	1		WF010001-	ADD, 0.3t
10		D408 380 00	*Decal	1		WF010001-	Canopy
10-1		D408 382 00	*Decal	1		WF010001-	Canopy, ADD
10-2		D408 381 00	*Decal	1		WF010001-	Cabin
10-3		D408 383 00	*Decal	1		WF010001-	Cabin, ADD
11		D408 038 00	*Decal	1		WF010001-	
12		D406 827 00	*Decal	1		WF010001-	

ALPHABETICAL INDEX

Parts Name	P/N	Page *1	Item
* * * * *	*****	2	37
ENGINE PARTS (3TNV88-ESIK, 3TNV88F-ESIK)	*****	2	29
RUNNING STORES LIST	*****	2	
SEAL KIT	*****	2	23
Barrel, Cylinder	*****	44	27
Barrel, Cylinder	*****	48	18
Bearing	*****	44	18
Bearing	*****	44	36
Bearing	*****	44	44
Bearing	*****	48	56
Bearing	*****	48	59
Body	*****	48	57
Body	*****	55	32
Body	*****	80	20
Carrier	*****	44	66
Carrier	*****	48	36
Carrier	*****	48	45
Casing	*****	44	46
Casing	*****	48	7
Collar	*****	48	60
Cover	*****	80	12
Frame Ass'y, Lower	*****	6	2
Gear	*****	44	65
Gear	*****	44	69
Gear	*****	48	40
Gear	*****	48	49
Gear, Internal	*****	48	61
Holder, Barrel	*****	44	29
Holder, Barrel	*****	48	16
Holder, Shoe	*****	44	30
Holder, Shoe	*****	48	15
Machine Ass'y, Lower	*****	6	0
Needle	*****	44	71
Needle	*****	48	39
Needle	*****	48	48
Pin	*****	44	28
Pin	*****	44	72
Pin	*****	48	17
Pin	*****	48	32
Pin	*****	48	62
Pin, Snap	*****	44	73
Pin, Spring	*****	44	17
Pin, Spring	*****	44	67
Piston	*****	44	31
Piston	*****	44	39
Piston	*****	48	14
Piston	*****	66	24
Piston	*****	68	19
Piston	*****	70	18
Piston	*****	72	17
Piston	*****	74	18

*1 Note

ALPHABETICAL INDEX

Parts Name	P/N	Page *1	Item
Piston	*****	76	15
Plate, Flange	*****	230	39
Plate, Swash	*****	48	33
Plate, Thrust	*****	48	41
Plate, Thrust	*****	48	50
Plate, Valve	*****	44	23
Plate, Valve	*****	48	22
Plug	*****	48	11
Retainer	*****	44	25
Retainer	*****	48	19
Ring	*****	48	38
Ring	*****	48	47
Ring, Seal	*****	48	55
Ring, Snap	*****	44	24
Ring, Snap	*****	44	45
Ring, Snap	*****	44	70
Seal, Oil	*****	44	38
Seal, Oil	*****	48	58
Shaft, Pinion	*****	48	54
Shoe	*****	44	32
Shoe	*****	48	13
Spring	*****	44	26
Spring	*****	48	10
Spring	*****	48	20
Tube Ass'y, Cylinder	*****	66	1
Tube Ass'y, Cylinder	*****	68	1
Tube Ass'y, Cylinder	*****	70	1
Tube Ass'y, Cylinder	*****	72	1
Tube Ass'y, Cylinder	*****	74	1
Valve, Check	*****	48	8
Washer, Thrust	*****	44	68
Washer, Thrust	*****	48	37
Washer, Thrust	*****	48	46
Wire	032210899	100	12
Wire	032210899	100	13
Bolt, Treatment (W/L.W, F.W)	043806016	196	13
Bolt, Treatment (W/L.W, F.W)	043910020	120	6
Bolt, Treatment (W/L.W, F.W)	043910020	224	6
Bolt, Treatment (W/L.W,F.W)	043910020	218	10
Bolt, Treatment (W/L.W, F.W)	043910025	116	3
Bolt, Treatment (W/L.W, F.W)	043910025	118	6
Bolt, Treatment (W/L.W, F.W)	043910025	224	7
Bolt, Treatment (W/L.W,F.W)	043910025	218	9
Screw, Tapping	045430012	226	26
Screw, Tapping	045440020	148	8
Screw, Tapping	045460012	226	27

*1 Note

ALPHABETICAL INDEX

Parts Name	P/N	Page *1	Item
Bolt, Treatment (W/Flange)	045712030	6	16
Bolt, Treatment (W/Flange)	048010020	108	33
Washer, Conical Spring	049180012	218	5
Ring, Snap	049350028	48	21
Ring, Snap	049350035	64	2
Ring, Snap	049350062	14	3
Ring, Snap	049350080	12	5
Ring, Snap	049351008	86	26
Ring, Snap	049351016	88	24
Ring, Snap	049351016	94	9
Ring, Snap	049351022	48	42
Ring, Snap	049351025	16	5
Ring, Snap	049351028	44	53
Ring, Snap	049351030	84	11
Ring, Snap	049351055	52	27
Ring "E	049356009	88	22
Ring, Snap	049371052	76	4
Pin, Spring	049460610	102	6
Pin, Spring	049460612	84	12
Pin, Spring	049460625	82	11
Pin, Spring	049460810	14	8
Pin, Spring	049460812	48	6
Pin, Spring	049460816	102	7
Pin, Spring	049460840	88	50
Pin, Spring	049461024	82	12
Pin, Spring	049465170	12	1
Screw, Drive	049703500	124	3-1
Screw, Drive	049703500	128	3-2
Screw, Drive	049703500	132	3-1
Screw, Drive	049703500	134	3-1
Screw, Drive	049703500	136	3-1
Screw, Drive	049703500	138	3-1
Screw, Drive	049703500	140	3-1
Screw, Drive	049703500	142	3-1
Screw, Drive	049703500	198	3-1
Screw, Drive	049703500	202	3-2
Screw, Drive	049703500	206	3-1
Screw, Drive	049703500	208	3-1
Screw, Drive	049703500	210	3-1
Screw, Drive	049703500	212	3-1
Screw, Drive	049703500	214	3-1
Screw, Drive	049703500	216	3-1
Screw, Drive	049703500	246	1-1
Bolt, Treatment	051306016	94	14
Bolt, Treatment	051308040	228	10
Bolt, Treatment	051308090	176	25
Bolt, Treatment	051310016	26	35
Bolt, Treatment	051310016	162	17
Bolt, Teratment	051310020	228	7
Bolt, Treatment	051310020	62	12
Bolt, Treatment	051310025	96	18
Bolt, Treatment	051310025	102	8

*1 Note

ALPHABETICAL INDEX

Parts Name	P/N	Page *1	Item
Bolt, Treatment	051310030	96	19
Bolt, Treatment	051310030	160	11
Bolt, Treatment	051310035	10	22
Bolt, Treatment	051312025	162	32
Bolt, Treatment	051312035	102	9
Bolt, Treatment	051312100	96	17
Bolt, Treatment	051410030	18	13
Bolt, Treatment	051412080	154	37
Bolt, Treatment	051412120	154	36
Bolt, Treatment (W/L.W, F.W)	051706012	88	27
Bolt, Treatment (W/L.W, F.W)	051706012	148	33
Bolt, Treatment (W/L.W, F.W)	051706012	222	10
Bolt, Treatment (W/L.W, F.W)	051706016	62	11
Bolt, Treatment (W/L.W, F.W)	051706016	88	26
Bolt, Treatment (W/L.W, F.W)	051706016	96	59
Bolt, Treatment (W/L.W, F.W)	051706016	104	36
Bolt, Treatment (W/L.W, F.W)	051706016	144	35
Bolt, Treatment (W/L.W, F.W)	051706016	148	20
Bolt, Treatment (W/L.W, F.W)	051706016	222	11
Bolt, Treatment (W/L.W, F.W)	051706016	226	25
Bolt, Treatment (W/L.W, F.W)	051706020	144	46
Bolt, Treatment (W/L.W, F.W)	051706020	148	6
Bolt, Treatment (W/L.W, F.W)	051706020	148	39
Bolt, Treatment (W/L.W, F.W)	051706020	228	19
Bolt, Treatment (W/L.W, F.W)	051706020	230	20
Bolt, Treatment (W/L.W, F.W)	051706020	232	34
Bolt, Treatment (W/L.W, F.W)	051706025	32	5
Bolt, Treatment (W/L.W, F.W)	051706025	36	5
Bolt, Treatment (W/L.W, F.W)	051706025	40	5
Bolt, Treatment (W/L.W, F.W)	051706025	222	9
Bolt, Treatment (W/L.W, F.W)	051706025	230	21

*1 Note

ALPHABETICAL INDEX

Parts Name	P/N	Page *1	Item
Bolt, Treatment (W/L.W, F.W)	051706040	230	22
Bolt, Treatment (W/L.W, F.W)	051706060	40	73
Bolt, Treatment (W/L.W, F.W)	051708012	96	23
Bolt, Treatment (W/L.W, F.W)	051708012	144	29
Bolt, Treatment (W/L.W, F.W)	051708016	6	4
Bolt, Treatment (W/L.W, F.W)	051708016	86	17
Bolt, Treatment (W/L.W, F.W)	051708016	92	16
Bolt, Treatment (W/L.W, F.W)	051708016	92	21
Bolt, Treatment (W/L.W, F.W)	051708016	96	58
Bolt, Treatment (W/L.W, F.W)	051708016	108	11
Bolt, Treatment (W/L.W, F.W)	051708016	144	4
Bolt, Treatment (W/L.W, F.W)	051708016	170	57
Bolt, Treatment (W/L.W, F.W)	051708016	174	15
Bolt, Treatment (W/L.W, F.W)	051708016	234	14
Bolt, Treatment (W/L.W, F.W)	051708016	242	10
Bolt, Treatment (W/L.W, F.W)	051708020	22	8
Bolt, Treatment (W/L.W, F.W)	051708020	22	21
Bolt, Treatment (W/L.W, F.W)	051708020	26	19
Bolt, Treatment (W/L.W, F.W)	051708020	32	43
Bolt, Treatment (W/L.W, F.W)	051708020	36	43
Bolt, Treatment (W/L.W, F.W)	051708020	40	43
Bolt, Treatment (W/L.W, F.W)	051708020	88	25
Bolt, Treatment (W/L.W, F.W)	051708020	92	15
Bolt, Treatment (W/L.W, F.W)	051708020	94	13
Bolt, Treatment (W/L.W, F.W)	051708020	96	22
Bolt, Treatment (W/L.W, F.W)	051708020	100	15
Bolt, Treatment (W/L.W, F.W)	051708020	104	35

*1 Note

ALPHABETICAL INDEX

Parts Name	P/N	Page *1	Item
F.W)			
Bolt, Treatment (W/L.W, F.W)	051708020	110	29
Bolt, Treatment (W/L.W, F.W)	051708020	170	58
Bolt, Treatment (W/L.W, F.W)	051708020	196	12
Bolt, Treatment (W/L.W, F.W)	051708020	228	20
Bolt, Treatment (W/L.W, F.W)	051708025	86	16
Bolt, Treatment (W/L.W, F.W)	051708025	86	21
Bolt, Treatment (W/L.W, F.W)	051708025	100	21
Bolt, Treatment (W/L.W, F.W)	051708025	170	32
Bolt, Treatment (W/L.W, F.W)	051708025	228	9
Bolt, Treatment (W/L.W, F.W)	051708025	230	18
Bolt, Treatment (W/L.W, F.W)	051708030	108	12
Bolt, Treatment (W/L.W, F.W)	051708030	110	19
Bolt, Treatment (W/L.W, F.W)	051708030	144	28
Bolt, Treatment (W/L.W, F.W)	051708030	220	8
Bolt, Treatment (W/L.W, F.W)	051708030	228	8
Bolt, Treatment (W/L.W, F.W)	051708030	230	16
Bolt, Treatment (W/L.W, F.W)	051708035	108	13
Bolt, Treatment (W/L.W, F.W)	051708035	110	20
Bolt, Treatment (W/L.W, F.W)	051708035	230	17
Bolt, Treatment (W/L.W, F.W)	051708040	110	21
Bolt, Treatment (W/L.W, F.W)	051708060	30	16
Bolt, Treatment (W/L.W, F.W)	051708115	148	5
Bolt, Treatment (W/L.W, F.W)	051810016	144	27
Bolt, Treatment (W/L.W, F.W)	051810020	6	6
Bolt, Treatment (W/L.W, F.W)	051810020	20	7
Bolt, Treatment (W/L.W, F.W)	051810020	26	22

*1 Note

ALPHABETICAL INDEX

Parts Name	P/N	Page *1	Item
Bolt, Treatment (W/L.W, F.W)	051810020	26	36
Bolt, Treatment (W/L.W, F.W)	051810020	30	22
Bolt, Treatment (W/L.W, F.W)	051810020	32	49
Bolt, Treatment (W/L.W, F.W)	051810020	94	12
Bolt, Treatment (W/L.W, F.W)	051810020	96	20
Bolt, Treatment (W/L.W, F.W)	051810020	100	8
Bolt, Treatment (W/L.W, F.W)	051810020	104	16
Bolt, Treatment (W/L.W, F.W)	051810020	104	37
Bolt, Treatment (W/L.W, F.W)	051810020	108	27
Bolt, Treatment (W/L.W, F.W)	051810020	110	11
Bolt, Treatment (W/L.W, F.W)	051810020	148	50
Bolt, Treatment (W/L.W, F.W)	051810020	166	1
Bolt, Treatment (W/L.W, F.W)	051810020	170	19
Bolt, Treatment (W/L.W, F.W)	051810020	176	17
Bolt, Treatment (W/L.W, F.W)	051810020	180	7
Bolt, Treatment (W/L.W, F.W)	051810020	196	11
Bolt, Treatment (W/L.W, F.W)	051810020	226	24
Bolt, Treatment (W/L.W, F.W)	051810020	240	5
Bolt, Treatment (W/L.W, F.W)	051810020	242	8
Bolt, Treatment (W/L.W, F.W)	051810025	20	3
Bolt, Treatment (W/L.W, F.W)	051810025	32	65
Bolt, Treatment (W/L.W, F.W)	051810025	36	65
Bolt, Treatment (W/L.W, F.W)	051810025	40	65
Bolt, Treatment (W/L.W, F.W)	051810025	86	10
Bolt, Treatment (W/L.W, F.W)	051810025	88	1
Bolt, Treatment (W/L.W, F.W)	051810025	92	20
Bolt, Treatment (W/L.W, F.W)	051810025	108	19

*1 Note

ALPHABETICAL INDEX

Parts Name	P/N	Page *1	Item
F.W)			
Bolt, Treatment (W/L.W, F.W)	051810025	110	6
Bolt, Treatment (W/L.W, F.W)	051810025	148	12
Bolt, Treatment (W/L.W, F.W)	051810025	170	16
Bolt, Treatment (W/L.W, F.W)	051810025	176	14
Bolt, Treatment (W/L.W, F.W)	051810030	30	21
Bolt, Treatment (W/L.W, F.W)	051810030	170	33
Bolt, Treatment (W/L.W, F.W)	051810040	170	17
Bolt, Treatment (W/L.W, F.W)	051810040	174	9
Bolt, Treatment (W/L.W, F.W)	051810040	176	15
Bolt, Treatment (W/L.W, F.W)	051810045	170	18
Bolt, Treatment (W/L.W, F.W)	051810045	176	16
Bolt, Treatment (W/L.W, F.W)	051810045	232	33
Bolt, Treatment (W/L.W, F.W)	051810060	170	47
Bolt, Treatment (W/L.W, F.W)	051810060	176	40
Bolt, Treatment (W/L.W, F.W)	051812025	20	8
Bolt, Treatment (W/L.W, F.W)	051812025	62	14
Bolt, Treatment (W/L.W, F.W)	051812035	20	2
Bolt, Treatment (W/L.W, F.W)	051812040	118	7
Bolt, Treatment (W/L.W)	051908020	88	45
Bolt, Treatment (W/L.W)	051908025	118	9
Bolt, Treatment (W/L.W)	051908055	234	13
Bolt, Treatment (W/L.W)	052010020	162	18
Bolt, Treatment (W/L.W)	052010035	162	19
Bolt, Treatment (W/L.W)	052010065	174	8
Bolt, Treatment (W/L.W)	052010065	176	13
Bolt, Treatment (W/L.W)	052010065	232	32
Nut, Hex. (W/F.W)	052106000	144	9
Nut, Hex. (W/F.W)	052106000	222	12
Nut, Hex. (W/F.W)	052108000	110	22
Nut, Hex. (W/F.W)	052108000	120	5
Nut, Hex. (W/F.W)	052108000	220	9
Nut, Hex. (W/F.W)	052108000	230	13
Nut, Hex. (W/F.W)	052108000	234	18
Nut, Hex. (W/F.W)	052108000	104	14

*1 Note

ALPHABETICAL INDEX

Parts Name	P/N	Page *1	Item
Nut, Hex. (W/F.W)	052108000	144	2-4
Nut, Hex. (W/F.W)	052108000	88	47
Nut, Hex. (W/F.W)	052410000	26	20
Nut, Hex. (W/F.W)	052410000	32	44
Nut, Hex. (W/F.W)	052410000	36	44
Nut, Hex. (W/F.W)	052410000	40	44
Nut, Hex. (W/F.W)	052410000	94	16
Nut, Hex. (W/F.W)	052410000	104	34
Nut, Hex. (W/F.W)	052410000	144	32
Nut, Hex. (W/F.W)	052410000	174	17
Nut, Hex. (W/F.W)	052410000	180	8
Nut, Hex. (W/F.W)	052410000	230	23
Nut, Treatment	053512000	154	39
Nut, Hex.	054406000	144	10
Nut, Hex.	054408000	170	59
Nut, Half	054812000	88	30
Nut, Half	054914000	86	18
Bolt, Hex.	055006030	240	4
Bolt, Hex.	055006050	232	35
Bolt, Hex.	055008020	120	4
Bolt, Hex.	055008070	104	31
Bolt, Hex.	055010020	108	20
Bolt, Hex.	055010020	110	34
Bolt, Hex.	055010020	234	12
Bolt, Hex.	055010025	110	8
Bolt, Hex.	055012025	36	66
Bolt, Hex.	055012025	230	19
Bolt, Hex. (Full-Thread)	055108060	104	15
Bolt, Hex.	055208020	144	2-3
Bolt, Treatment	055510040	182	5
Bolt, Treatment	055512020	154	38
Bolt, Treatment	055512025	116	7
Bolt, Treatment	055512035	6	23
Bolt, Treatment	055512040	116	4
Bolt, Treatment	055512060	22	16
Bolt, Treatment	055512070	22	17
Bolt, Treatment	055514040	2	21
Bolt, Treatment	055514040	18	1
Bolt, Treatment	055514040	160	6
Bolt, Treatment	055516030	14	9
Bolt, Treatment	055516030	6	19
Bolt, Treatment	055516030	154	34
Bolt, Treatment	055516030	158	9
Bolt, Treatment	055516030	166	7
Bolt, Treatment	055516035	158	17
Bolt, Treatment	055516045	24	2
Bolt, Treatment	055516050	116	2
Bolt, Treatment	055516050	118	5
Bolt, Treatment	055516050	182	7
Bolt, Treatment	055516065	6	10
Bolt, Treatment	055516065	122	8
Bolt, Treatment	055516070	122	3

*1 Note

ALPHABETICAL INDEX

Parts Name	P/N	Page *1	Item
Bolt, Treatment	055516100	122	4
Screw, Set	056108008	66	27
Screw, Set	056108008	68	22
Screw, Set	056108008	70	21
Screw, Set	056108008	72	20
Screw, Set	056110010	74	21
Screw, Set	056110010	82	10
Bolt, Socket Head	056205014	84	3
Bolt, Socket Head	056205016	52	14
Bolt, Socket Head	056205018	55	20
Bolt, Socket Head	056205018	55	58
Bolt, Socket Head	056205018	55	20
Bolt, Socket Head	056205025	94	15
Bolt, Socket Head	056205030	52	13
Bolt, Socket Head	056205045	52	18
Bolt, Socket Head	056206016	236	11
Bolt, Socket Head	056206035	236	12
Bolt, Socket Head	056206050	78	19
Bolt, Socket Head	056206060	55	48
Bolt, Socket Head	056208016	80	10
Bolt, Socket Head	056208016	82	8
Bolt, Socket Head	056208025	48	27
Bolt, Socket Head	056208025	48	64
Bolt, Socket Head	056208025	52	29
Bolt, Socket Head	056208025	82	9
Bolt, Socket Head	056210025	44	12
Bolt, Socket Head	056210030	26	18
Bolt, Socket Head	056212035	6	12
Bolt, Socket Head	056212035	102	4
Bolt, Socket Head	056212040	102	5
Screw, Pan Head	056503020	244	8
Screw, Pan Head	056504008	92	17
Screw, Pan Head	056504008	244	7
Screw, Pan Head	056504010	222	4
Screw, Pan Head	056504012	88	37
Screw, Pan Head	056504012	226	32
Screw, Pan Head	056505010	222	7
Screw, Pan Head	056505010	230	15
Screw, Pan Head	056506025	88	6
Screw, Set	056704008	80	5
Nut, Hex.	058003000	244	9
Nut, Hex.	058005000	104	21
Nut, Hex.	058005000	222	8
Nut, Hex.	058006000	240	6
Nut, Hex.	058008000	55	2
Nut, Hex.	058008000	100	9
Nut, Hex.	058012000	218	4
Nut, Hex.	058014000	88	36
Nut, Hex.	058016000	10	15
Nut, Treatment	058514000	2	22
Nut, Treatment	058514000	160	3
Nut, Treatment	058520000	182	3

*1 Note

ALPHABETICAL INDEX

Parts Name	P/N	Page *1	Item
Nut, Castle	058730000	154	31
Washer, Lock	059004000	222	6
Washer, Lock	059004000	226	34
Washer, Lock	059004000	244	13
Washer, Lock	059005000	84	2
Washer, Lock	059005000	104	22
Washer, Lock	059005000	230	30
Washer, Lock	059006000	88	10
Washer, Lock	059006000	226	30
Washer, Lock	059006000	232	37
Washer, Lock	059006000	240	7
Washer, Lock	059008000	100	18
Washer, Lock	059008000	104	33
Washer, Lock	059008000	176	26
Washer, Lock	059008000	228	13
Washer, Lock	059010000	62	15
Washer, Lock	059010000	102	10
Washer, Lock	059010000	108	21
Washer, Lock	059010000	110	9
Washer, Lock	059010000	162	22
Washer, Lock	059010000	228	12
Washer, Lock	059010000	234	17
Washer, Lock	059010000	160	12
Washer, Lock	059012000	36	68
Washer, Lock	059012000	154	40
Washer, Lock	059012000	230	29
Washer, Conical Spring	059108000	170	56
Washer, Flat	059304000	148	9
Washer, Flat	059304000	222	5
Washer, Flat	059304000	226	33
Washer, Flat	059304000	244	11
Washer, Flat	059305000	94	18
Washer, Flat	059305000	230	28
Washer, Flat	059306000	88	9
Washer, Flat	059306000	108	15
Washer, Flat	059306000	226	29
Washer, Flat	059306000	232	36
Washer, Flat	059308000	88	28
Washer, Flat	059308000	104	17
Washer, Flat	059308000	104	32
Washer, Flat	059308000	110	26
Washer, Flat	059308000	170	60
Washer, Flat	059308000	176	27
Washer, Flat	059308000	228	11
Washer, Flat	059308000	234	15
Washer, Flat	059310000	108	22
Washer, Flat	059310000	110	10
Washer, Flat	059310000	162	25
Washer, Flat	059310000	234	16
Washer, Flat	059312000	36	67
Washer, Flat	059312000	218	6
Washer, Flat	059312000	230	27

*1 Note

ALPHABETICAL INDEX

Parts Name	P/N	Page *1	Item
Washer, Flat	059406000	88	7
Washer, Flat	059406000	110	32
Washer, Flat	059406000	148	10
Washer, Flat	059406000	244	10
Washer, Treatment	059508000	100	17
Washer, Treatment	059510000	10	21
Washer, Treatment	059510000	18	14
Washer, Treatment	059510000	26	37
Washer, Treatment	059510000	96	21
Washer, Treatment	059510000	182	6
Washer, Treatment	059512000	6	13
Washer, Treatment	059512000	6	22
Washer, Treatment	059512000	96	41
Washer, Treatment	059512000	102	11
Washer, Treatment	059512000	116	6
Washer, Treatment	059512000	162	33
Washer, Treatment	059514000	18	2
Washer, Treatment	059516000	14	10
Washer, Treatment	059516000	6	9
Washer, Treatment	059516000	6	18
Washer, Treatment	059516000	24	3
Washer, Treatment	059516000	116	5
Washer, Treatment	059516000	118	8
Washer, Treatment	059516000	122	5
Washer, Treatment	059516000	182	8
Washer, Treatment	059520000	182	4
Washer, Lock	059606000	88	8
Washer, Lock	059606000	110	33
Washer, Lock	059606000	148	11
Washer, Lock	059606000	244	12
Pin, Cotter	059901015	94	10
Pin, Cotter	059901015	108	9
Pin, Cotter	059906050	154	35
Bearing, Swing	0605427UA	22	14
Ball, Steel	060901610	74	22
Ball, Steel	060901610	78	3
Bushing	061811615	88	18
Bushing	061811615	94	11
Bushing	061812020	88	17
Bearing	063060044	48	30
Bearing	063062010	48	5
Bearing	063062050	16	3
Bearing	063062060	14	4
Bearing, Ball	063063070	12	6
Adapter, Tooth	065000107	160	2
Tooth	065000204	160	9
Tooth, Bucket	065000204	2	16
Pin, Lock	065000303	2	17
Pin, Lock	065000303	160	8
Pin, Rubber	065000402	2	18
Pin, Rubber	065000402	160	7
End, Rod	065105106	94	7

*1 Note

ALPHABETICAL INDEX

Parts Name	P/N	Page *1	Item
Coupling Ass'y	0651483UA	102	3
Roller	065191101	16	4
Shaft, Roller	065191102	16	1
Cap	065191104	16	6
Roller Ass'y, Upper	0651911UA	6	11
Roller Ass'y, Upper	0651911UA	16	0
Stay, Dumper	0652253UA	88	20
Stay, Dumper	0652271UA	110	13
Ratch Ass'y	0652923UA	238	3
Hook	0652964UA	238	1
Bushing	065304806	8	2
Bushing	065304806	8	4
Pin, Track	065304807	8	6
Pin, Master	065308203	8	7
Pin, Cotter	065308204	8	5
Complete, Track Shoe (For Rubber Pad)	065376692	8	1
Complete, Master Shoe (For Rubber Pad)	065376693	8	3
Shoe Ass'y, Crawler (For Rubber Pad)	0653945UA	8	0
Shoe Ass'y, Crawler (Steel)	0653945UA	6	1-1
Shoe, Rubber Crawler	0654109UA	6	1
Seat Ass'y, Back	065556301	120	2-1
Seat Ass'y, Cushion	065556302	120	2-2
Suspension Ass'y	065556303	120	2-3
Rail Ass'y, Slid (L.H)	065556304	120	2-4
Rail Ass'y, Slid (R.H)	065556305	120	2-5
Belt Ass'y, Seat	065556310	120	2-6
Seat, Operator (W/Suspension)	0655563UA	120	2
Seat, Operator (Leather)	0655564UA	120	10
Seat, Operator (W/O Seat Belt)	0655567UA	120	8
Seat Ass'y, Back	065556801	120	9-2
Seat, Operator (High Back Seat)	0655568UA	120	9
Seat Ass'y, Back	065556901	120	9-3
Seat Ass'y, Cushion	065556902	120	9-4
Seat, Operator (High Back Seat)	0655569UA	120	9-1
Cooler Ass'y, Oil	0667800UA	96	47
Radiator	066824801	96	46-1
Plug, Drain	066824802	96	46-2
Radiator Ass'y	0668248UA	96	46
Neck, Filler	066824901	96	61-1
Radiator, Cap	066824902	96	61-2
Opening, Filler	0668249UA	96	61
Guard, Fan	066850219	96	3
Engine Ass'y	0676255UA	96	1
Engine Ass'y	0676256UA	96	1-1
Hinge	069001619	108	7

*1 Note

ALPHABETICAL INDEX

Parts Name	P/N	Page *1	Item
Hinge	069001619	110	17
Clamp, Hose	069008156	96	29
Clamp	069008189	144	40
Clamp, Hose	069008191	96	28
Clamp	069008192	144	18
Clamp, Hose	069008203	144	19
Clamp, Hose	069008205	144	20
Clamp, Hose	069008205	144	42
Clamp	069008207	226	31
Band, Cable	069008208	88	31
Clamp, Hose	069008208	88	40
Clamp, Hose	069008208	88	55
Clamp, Hose	069008208	144	36
Clamp, Hose	069008208	224	8
Clamp, Hose	069008303	104	29
Clamp, Hose	069008304	230	24
Clamp, Hose	069008305	196	10
Clamp, Hose	069008306	26	17
Clamp, Hose	069008308	96	14
Clamp, Hose	069008308	96	57
Clamp, Hose	069008309	96	15
Clamp, Hose	069008310	26	13
Clamp, Hose	069008312	100	7
Clamp, Hose	069008312	104	5
Clamp, Hose	069008314	104	6
Clamp, Hose	069008911	100	10
Plug, Hole	069020105	86	20
Plug	069020108	118	11
Plug	069020108	162	20
Plug, Hole	069020108	110	7
Plug, Hole	069020108	116	10
Plug	069020109	6	7
Plug	069020109	22	18
Plug	069020109	120	7
Plug	069020109	162	21
Pad, Rubber	069020250	88	29
Mirror, Under	069020308	218	8
Mount, Cab	069020315	182	1
Cover	069020344	148	16
Knob	069021086	226	12
Throttle, Dial	069021105	148	29
Handle	069021108	110	36
Lock Ass'y	069022091	108	8
Lock Ass'y	069022091	110	18
Lock Ass'y	069022092	110	37
Key	069027029	148	26-2
Grip	069028320	94	8
Grip (W/Switch)	069028340	88	34
Grip	069028341	88	41
Grip	069028372	86	15
Grip (W/Switch)	069028381	92	13
Grip (W/Switch)	069028382	88	53

*1 Note

ALPHABETICAL INDEX

Parts Name	P/N	Page *1	Item
Grip	069028385	88	48
Grip	069028386	88	2
Cable, Control	069051146	94	5
Mirror, Back	069990112	218	2
Mirror, Back	069990113	218	3
Elbow	071010029	230	10
Connector	071010627	158	14
Elbow	071010727	158	15
Elbow, Reducer	071011332	30	26
Elbow, Reducer	071011332	32	38
Elbow, Reducer	071011332	36	38
Elbow, Reducer	071011332	40	38
Elbow, Reducer	071011332	168	11
Elbow	071011333	28	13
Elbow, Reducer	071011334	28	14
Elbow, Reducer	071011334	28	19
Elbow, Reducer	071011334	30	28
Elbow	071011344	30	27
Elbow	071011366	26	29
Elbow, 45	071011433	162	38
Elbow, 45	071011434	18	5
Elbow, 45 Reducer	071011434	28	17
Elbow, 45	071011444	170	22
Elbow, Reducer	071011704	168	12
Elbow, Long	071011705	28	12
Elbow, Reducer	071011707	26	32
Elbow, 45	071011902	18	9
Elbow, 45	071012100	32	39
Elbow, 45	071012100	36	39
Elbow, 45	071012100	40	39
Elbow, 45	071012100	92	19
Elbow, 45	071012100	170	55
Elbow	071012200	168	7
Elbow	071012209	32	6
Elbow	071012209	36	6
Elbow	071012209	40	6
Elbow	071012209	86	8
Elbow	071012209	92	9
Elbow	071012209	170	41
Elbow	071012209	174	22
Elbow	071012209	176	24
Elbow	071012209	234	9
Elbow	071012210	162	24
Elbow	071012210	180	3
Elbow, 45	071012401	100	16
Elbow, 45	071012407	196	8
Elbow	071012705	26	30
Elbow, 30	071015006	168	10
Plug	071020101	14	5
Plug	071020101	12	8
Plug	071020101	52	1
Plug	071020202	30	17

*1 Note

ALPHABETICAL INDEX

Parts Name	P/N	Page *1	Item
Plug	071021204	62	19
Plug, Swivel	071030302	32	26
Plug, Swivel	071030302	36	26
Plug, Swivel	071030302	40	26
Plug, Swivel	071030302	174	7
Plug, Swivel	071030302	176	12
Plug, Swivel	071030303	32	71
Plug, Swivel	071030303	36	49
Plug, Swivel	071030303	40	49
Plug, Swivel	071030304	170	14-1
Plug, Swivel	071030304	170	15
Plug, Swivel	071030304	176	39
Plug, Swivel	071030306	170	14
Plug, Swivel	071030306	176	38
Bush, Reducer	071040024	220	5
Socket	071050303	230	11
Tee	071070102	18	8
Tee	071070702	18	19
Tee	071070902	32	8
Tee	071070902	36	8
Tee	071070902	40	8
Tee, Special	071070912	26	10
Tee	071071309	32	3
Tee	071071309	36	3
Tee	071071309	40	3
Tee, Special	071071311	170	21
Adapter	071231030	18	21
Adapter	071231030	32	72
Adapter	071231030	36	73
Adapter	071231030	40	76
Adapter	071231030	232	23
Adapter	071231032	170	45
Adapter	071231032	176	36
Elbow, 45	071231040	18	20
Elbow, 45	071231040	32	70
Elbow, 45	071231040	36	72
Elbow, 45	071231040	40	75
Elbow	071231050	18	7
Elbow	071231050	40	72
Elbow	071231050	232	27
Adapter, Reducer	071231137	170	46
Adapter, Reducer	071231137	176	37
Elbow, Reducer	071231151	168	8
Adapter	071232502	32	69
Adapter	071232502	40	71
Adapter	071232601	40	67
Sleeve	071310002	158	14-1
Sleeve	071310002	158	15-1
Seal, Dust	071343326	52	20
Kit, Seal	071343391	52	19
Rotary Joint	071343391	2	24
Shaft Ass'y	071344601	52	30

*1 Note

ALPHABETICAL INDEX

Parts Name	P/N	Page *1	Item
Rotor	071344602	52	31
Flange	071344603	52	28
Ring, Thrust	071344604	52	26
Spacer	071344606	52	16
Cover, Detent	071344804	52	6
Bracket	071344805	52	7
Valve Ass'y, Select	071344891	52	2
Joint Ass'y, Rotary	0713448UA	52	0
Joint, Rotary	0713448UA	18	11
Seal, Slipper	071345207	52	23
Kit, Seal	071345291	52	19
Joint Ass'y, Rotary	0713452UA	52	0
Joint, Rotary	0713452UA	18	11
Adapter	071370002	18	22
Adapter	071370002	234	8
Adapter	071370003	26	23
Adapter	071370003	28	3
Adapter	071370003	32	40
Adapter	071370003	36	40
Adapter	071370003	40	40
Adapter	071370003	162	15
Adapter	071370004	18	24
Adapter	071370004	234	7
Connector	071370070	30	29
Connector	071370070	32	2
Connector	071370070	36	2
Connector	071370070	40	2
Connector	071370070	86	7
Connector	071370070	92	8
Connector	071370070	170	23
Connector	071370070	174	21
Connector	071370070	176	23
Adapter	071370071	162	39
Adapter	071370072	170	38
Adapter, Reducer	071370077	30	25
Adapter, Reducer	071370078	162	41
Adapter, Reducer	071370078	232	22
Adapter, Reducer	071370093	176	29
Adapter, Reducer	071370094	170	39
Adapter	071370502	232	26
Elbow	0719804UA	220	4
Elbow	0719805UA	32	7
Elbow	0719805UA	36	7
Elbow	0719805UA	40	7
Valve, Stop	0725005UA	170	20
Nipple, Grease	072811115	22	19
Nipple, Grease	072811115	66	3
Nipple, Grease	072811115	66	7
Nipple, Grease	072811115	68	7
Nipple, Grease	072811115	70	7
Nipple, Grease	072811115	74	3
Nipple, Grease	072811115	154	32

*1 Note

ALPHABETICAL INDEX

Parts Name	P/N	Page *1	Item
Nipple, Grease	072811115	158	8
Nipple, Grease	072811155	74	7
Nipple, Grease	072811155	158	12
Nipple, Grease	072811155	166	11
Nipple, Grease	072811165	68	3
Nipple, Grease	072811165	70	3
Nipple, Grease	072811165	72	6
Nipple, Grease	072813111	238	2
Valve	072991035	196	9
Strainer	072991060	104	4
Cap	072991073	104	3
Cap, Fuel	072991073	2	10
Filter	072991080	104	1
Filter, Air	0745142UA	226	10
Indicator	074526602	100	4-3
Element Ass'y	074526608	100	4-1
Element, Air Cleaner	074526608	2	7
Element Ass'y (Inner)	074526609	100	4-2
Element, Air Cleaner (Inner)	074526609	2	8
Cleaner, Air	0745266UA	100	4
Plug	075008323	44	40
Plug	075019815	78	16
Seal, Dust	075179624	66	4
Ball, Steel	075190125	52	12
Ball, Steel	075190125	66	28
Ball, Steel	075190125	68	23
Ball, Steel	075190125	70	22
Ball, Steel	075190125	72	21
Ball, Steel	075194806	78	14
Ring Ass'y, Seal	075218424	74	19
Bushing	075223923	68	2
Bushing	075223923	68	6
Seal, Dust	075223924	66	8
Seal, Dust	075223924	68	4
Seal, Dust	075223924	68	8
Seal, Dust	075223924	70	4
Seal, Dust	075223924	70	8
Seal, Dust	075223924	72	3
Seal, Dust	075223924	72	7
Bushing	075228423	74	2
Bushing	075228423	74	6
Bushing	075267625	70	2
Bushing	075267625	70	6
Bushing	075267625	72	2
Bushing	075267625	72	5
Ring, U	075275605	66	12
Ring, U	075275605	74	12
Ring, U	075276505	70	12
Ring, U	075276505	72	11
Ring Ass'y, Seal	075277513	70	19
Ring Ass'y, Seal	075277817	72	18
Ring Ass'y, Seal	075287306	66	25

*1 Note

ALPHABETICAL INDEX

Parts Name	P/N	Page *1	Item
Ring Ass'y, Seal	075292807	68	20
Ring, O	075310109	55	43
Valve, Check (Grease Up)	0753265UA	2	1
Valve, Check	0753265UA	10	5
Ring, Snap	075363613	44	59
Pin	075363619	48	28
Pin	075374712	44	20
Ball, Steel	075377843	44	34
Plug	075412413	82	20
Plug, Socket Head	075412413	52	15
Cock	0754804UA	170	44
Cock	0754804UA	176	32
Valve, Sequence	0754865UA	74	28
Strainer, Suction	0755179UA	2	2
Strainer, Suction	0755179UA	62	5
Seal, Slipper	075586116	52	23
Pin	075586405	52	17
Cover	075586421	52	5
Spring	075603312	52	8
Shim	075606511	80	17-1
Holder, Spring	075606513	80	14
Body	075609401	84	8
Rotor	075609402	84	5
Lever	075609403	84	4
Bolt, Wing	075609404	84	1
Ring, O	075609405	84	10
Ring, O	075609406	84	9
Ring, O	075609407	84	7
Ring, O	075609408	84	6
Valve Ass'y, Selector	0756094UA	40	68
Valve Ass'y, Selector	0756094UA	84	0
Joint	075630307	60	10
Pusher	075632604	80	7
Shim	075632606	80	17
Cam	075632607	80	9
Pin	075632608	80	6
Spring	075632609	80	18
Boot	075632610	80	4
Washer, Flat	075632619	80	16
Washer, Flat	075632620	80	3
Pin, Spring	075632622	80	1
Ball, Steel	075632623	80	2
Ring, O	075632625	80	13
Spring	075633917	55	62
Plug Ass'y	075633980	55	46
Plug	075635703	78	15
Seal	075661113	60	12
Plug	075673509	60	2
Washer	075673515	60	7
Rod, Push	075674411	60	11
Ball, Steel	075678114	82	13
Seal, Oil	075686309	82	16

*1 Note

ALPHABETICAL INDEX

Parts Name	P/N	Page *1	Item
Spring	075686508	55	53
Filter	075761820	48	29
Plug	075778720	44	63
Ring, Wiper	075869706	68	13
Bearing, Cushion	075869718	68	24
Seal, Cushion	075869719	68	25
Ring, Snap	075869720	68	27
Stopper	075869721	68	26
Ring, Wiper	075869809	66	13
Ring, Wiper	075869809	74	13
Ring, Slide	075883407	76	14
Ring, Back-up	075883416	76	9
Bushing	075883702	76	2
Nut	075883708	76	18
Ring, U	075883711	76	8
Ring, Back-up	075883712	76	7
Ring, Wiper	075883713	76	5
Ring, Wiper	075885802	72	12
Ring, Wiper	075886802	70	13
Cartridge Ass'y	075914401	62	13-1
Cartridge, Return Filter	075914401	2	3
Filter Ass'y, Return	0759144UA	62	13
Plug	075920313	44	61
Accumulator	0759301UA	180	1
Ring, O	076021118	82	17
Ring, O (261-70B)	076021261	44	57
Ring, O	076031020	78	8
Ring, O	076031025	78	9
Ring, O	076031165	48	52
Ring, O	076031211	62	10
Ring, O	076031222	26	14
Ring, O	076031910	55	69-1
Ring, O	076031910	55	70-1
Ring, O	076031910	55	71-1
Ring, O	076031910	55	72-1
Ring, O	076031910	55	73-1
Ring, O	076031910	55	74-1
Ring, O	076031910	55	75-3
Ring, O	076031910	55	69-1
Ring, O	076031910	55	70-1
Ring, O	076031910	55	71-1
Ring, O	076031910	55	72-1
Ring, O	076031910	55	73-1
Ring, O	076031910	55	74-1
Ring, O	076031910	55	75-3
Ring, O	076061008	80	8
Ring, O	076061010	52	10
Ring, O	076061585	52	25
Ring, O	076071006	52	4
Ring, O	076071007	44	19
Ring, O	076071007	55	31
Ring, O	076071007	64	6

*1 Note

ALPHABETICAL INDEX

Parts Name	P/N	Page *1	Item
Ring, 0	076071008	44	16
Ring, 0	076071008	44	62
Ring, 0	076071008	64	8
Ring, 0	076071008	78	10
Ring, 0	076071009	52	3
Ring, 0	076071009	55	38
Ring, 0	076071010	55	64
Ring, 0	076071011	55	39
Ring, 0	076071012	18	23
Ring, 0	076071012	30	20
Ring, 0	076071012	32	4
Ring, 0	076071012	36	4
Ring, 0	076071012	40	4
Ring, 0	076071012	44	41
Ring, 0	076071012	48	9
Ring, 0	076071012	55	24
Ring, 0	076071012	62	20
Ring, 0	076071012	64	3
Ring, 0	076071012	78	18
Ring, 0	076071012	86	9
Ring, 0	076071012	92	10
Ring, 0	076071012	144	53
Ring, 0	076071012	168	6
Ring, 0	076071012	170	34
Ring, 0	076071012	174	24
Ring, 0	076071012	176	28
Ring, 0	076071012	220	6
Ring, 0	076071012	232	29
Ring, 0	076071012	234	10
Ring, 0	076071014	64	4
Ring, 0	076071016	18	15
Ring, 0	076071016	26	15
Ring, 0	076071016	28	4
Ring, 0	076071016	30	14
Ring, 0	076071016	32	41
Ring, 0	076071016	36	41
Ring, 0	076071016	40	41
Ring, 0	076071016	44	15
Ring, 0	076071016	44	60
Ring, 0	076071016	48	26
Ring, 0	076071016	55	76-1
Ring, 0	076071016	64	5
Ring, 0	076071016	162	16
Ring, 0	076071016	168	13
Ring, 0	076071016	170	40
Ring, 0	076071016	180	6
Ring, 0	076071016	232	30
Ring, 0	076071019	18	25
Ring, 0	076071019	26	16
Ring, 0	076071019	30	15
Ring, 0	076071019	55	77-1
Ring, 0	076071019	102	12

*1 Note

ALPHABETICAL INDEX

Parts Name	P/N	Page *1	Item
Ring, 0	076071019	162	42
Ring, 0	076071019	170	35
Ring, 0	076071019	180	10
Ring, 0	076071019	232	31
Ring, 0	076071019	234	11
Ring, 0	076071019	236	16
Ring, 0	076071020	55	65
Ring, 0	076071020	60	3
Ring, 0	076071020	236	6
Ring, 0	076071022	48	24
Ring, 0	076071022	52	9
Ring, 0	076071022	236	2
Ring, 0	076071023	66	35
Ring, 0	076071023	70	25
Ring, 0	076071023	74	25
Ring, 0	076071024	26	34
Ring, 0	076071026	44	14
Ring, 0	076071028	66	33
Ring, 0	076071028	68	30
Ring, 0	076071030	26	33
Ring, 0	076071030	62	9
Ring, 0	076071042	10	2
Ring, 0	076071070	52	22
Ring, 0	076071125	62	8
Ring, 0	076071540	76	12
Ring, 0	076071555	64	7
Ring, 0	076071560	70	14
Ring, 0	076071565	68	14
Ring, 0	076071565	70	16
Ring, 0	076071565	76	10
Ring, 0	076071570	68	16
Ring, 0	076071570	72	13
Ring, 0	076071570	76	6
Ring, 0	076071575	52	24
Ring, 0	076071575	72	15
Ring, 0	076071580	66	14
Ring, 0	076071580	66	17
Ring, 0	076071585	66	16
Ring, 0	076071595	74	14
Ring, 0	076071600	44	6
Ring, 0	076071600	74	16
Ring, 0	076071610	44	4
Ring, 0	076071610	48	3
Ring, 0	076071625	44	21
Ring, 0	076071625	48	2
Seal	076169120	16	2
Seal	076173012	14	2
Seal	076173140	12	4
Ring, Back-up	076212009	55	37
Ring, Back-up	076212010	52	11
Ring, Back-up	076212011	55	40
Ring, Back-up	076212012	55	29

*1 Note

ALPHABETICAL INDEX

Parts Name	P/N	Page *1	Item
Ring, Back-up	076212016	48	25
Ring, Back-up	076212042	10	3
Ring, Back-up	076212070	52	21
Ring, Back-up	076213600	44	7
Ring, Back-up	076213610	44	3
Seal, Dust	076503328	74	4
Seal, Dust	076503328	74	8
Seal, Dust	076503328	154	28
Seal, Dust	076503329	154	27
Seal, Dust	076503329	166	9
Seal, Dust	076503329	238	11
Hose, Radiator	077555185	2	6
Hose, Radiator	077555185	96	50
Hose, Radiator	077555186	2	4
Hose, Radiator	077555186	96	12
Hose, Radiator	077555187	2	5
Hose, Radiator	077555187	96	13
Hose	077660006	26	2
Hose	077660007	26	1
Tube, Synflex	077900088	158	13
Hose	077900297	96	24
Hose	077900297	96	25
Cover, Hose	077900347	18	27
Hose, Air Cleaner	077900532	100	6
Hose, Air Cleaner (EPA Regulation)	077900534	100	24
Hose, Air Cleaner	077900536	100	19
Pump Ass'y, Gear	078011091	64	9
Valve, Ass'y	078016392	64	10
Cylinder Ass'y	078016491	64	1
Pump Ass'y, Oil	0780164UA	64	0
Pump Ass'y, Oil	0780164UA	102	1
Cover	078110202	44	58
Gear	078110204	44	51
Gear	078110207	44	55
Ring	078110208	44	49
Collar	078110209	44	54
Ring, Slide	078110210	44	56
Needle	078110213	44	50
Ring, Snap	078110214	44	47
Washer, Thrust	078110216	44	48
Washer, Thrust	078110217	44	52
Carrier Ass'y	078110294	44	64
Plate, Disk	078117208	44	9
Plate, Steel	078117209	44	8
Plate, Steel	078117209	44	10
Spacer	078117210	44	11
Gear	078125001	48	43
Gear	078125002	48	51
Ring	078125003	48	63
Gear Ass'y, Reduction	078125092	48	34
Pinion Ass'y	078125094	48	53

*1 Note

ALPHABETICAL INDEX

Parts Name	P/N	Page *1	Item
Carrier Ass'y (1)	078125095	48	35
Carrier Ass'y (2)	078125096	48	44
Body Ass'y	078125097	48	4
Barrel Ass'y, Cylinder	078125098	48	12
Plate Ass'y, Swash	078126593	48	31
Seal, Floating	078128101	44	42
Casing Ass'y	078128192	44	43
Shaft Ass'y	078128195	44	35
Motor Ass'y	078137691	48	1
Valve Ass'y, Relief	078137692	48	23
Motor Ass'y, Swing	0781376UA	24	1
Motor Ass'y, Swing	0781376UA	48	0
Plate, Swash	078137701	44	33
Piston, Brake	078137702	44	5
Spring	078137703	44	2
Motor Ass'y	078137791	44	1
Casing Ass'y	078137792	44	13
Barrel Ass'y, Cylinder	078137793	44	22
Casing Ass'y	078137794	44	37
Motor Ass'y, Traction	0781377UA	6	14
Motor Ass'y, Travel	0781377UA	44	0
Ring, Back-up	078217304	68	17
Head, Cylinder	078236703	70	9
Ring, Back-up	078236705	70	15
Ring, Slide	078236707	70	20
Bushing	078236713	70	10
Bushing	078236713	72	9
Bucket Cylinder (Head Side)	078236791	2	27
Kit, Seal	078236791	70	11
Piston Ass'y	078236793	70	17
Bushing	078238806	76	17
Head, Cylinder	078239603	68	9
Ring, U	078239604	68	12
Ring, Back-up	078239605	68	15
Ring, Slide	078239607	68	21
Bushing	078239613	68	10
Arm Cylinder (Head Side)	078239691	2	26
Kit, Seal	078239691	68	11
Piston Ass'y	078239693	68	18
Head, Cylinder	078239703	74	9
Ring, Back-up	078239704	74	15
Ring, Slide	078239706	74	20
Blade Cylinder (Head Side)	078239791	2	29
Kit, Seal	078239791	74	11
Piston Ass'y	078239793	74	17
Ring, Back-up	078240704	66	15
Holder	078240705	66	19
Spacer	078240706	66	20
Seal, Cushion	078240707	66	21
Ring, Back-up	078240709	66	18
Tube Ass'y, Cylinder	078242601	76	19
Head, Cylinder	078242604	76	16

*1 Note

ALPHABETICAL INDEX

Parts Name	P/N	Page *1	Item
Ring Ass'y, Seal	078242614	76	13
Rod Ass'y, Piston	078242691	76	1
Kit, Seal	078242692	76	3
Piston Ass'y	078242693	76	11
Cylinder Ass'y, Crawler Expantion	0782426UA	20	10
Cylinder Ass'y, Crawler Expantion	0782426UA	76	0
Ring, Back-up	078243108	72	14
Holder, Pipe	078243121	66	37
Holder, Pipe	078243121	70	27
Holder, Pipe	078243121	74	27
Bushing	078244603	66	10
Bushing	078244603	74	10
Plug	078244605	66	34
Plug	078244605	70	24
Plug	078244605	74	24
Bolt	078244606	66	36
Bolt	078244606	70	26
Bolt	078244606	74	26
Head, Cylinder	078244903	72	8
Ring, Slide	078244905	72	19
Boom Swing Cylinder (Head Side)	078244991	2	28
Kit, Seal	078244991	72	10
Piston Ass'y	078244993	72	16
Plug	078249109	66	32
Plug	078249109	68	29
Head, Cylinder	078249403	66	9
Ring, Slide	078249405	66	26
Boom Cylinder (Head Side)	078249491	2	25
Kit, Seal	078249491	66	11
Piston Ass'y	078249493	66	23
Pipe	078261105	70	23
Rod Ass'y, Piston	078261402	70	5
Cylinder Ass'y, Bucket	0782614UA	70	0
Cylinder Ass'y, Bucket	0782614UA	154	4
Rod Ass'y, Piston	078261502	72	4
Cylinder Ass'y, Boom Swing	0782615UA	72	0
Cylinder Ass'y, Boom Swing	0782615UA	158	2
Rod Ass'y, Piston	078261602	74	5
Pipe	078261605	74	23
Cylinder Ass'y, Blade	0782616UA	74	0
Cylinder Ass'y, Blade	0782616UA	166	3
Rod Ass'y, Piston	078261802	66	5
Bushing	078261803	66	2
Collar	078261804	66	22
Bushing	078261805	66	6
Bearing, Cushion	078261806	66	29
Pipe	078261808	66	31
Cylinder Ass'y, Boom	0782618UA	66	0
Cylinder Ass'y, Boom	0782618UA	154	41

*1 Note

ALPHABETICAL INDEX

Parts Name	P/N	Page *1	Item
Rod Ass'y, Piston	078261902	68	5
Joint	078261906	66	30
Joint	078261906	68	28
Cylinder Ass'y, Arm	0782619UA	68	0
Cylinder Ass'y, Arm	0782619UA	154	3
Roller, Needle	078363716	82	15
Ring, O	078363719	82	18
Ring, O	078363720	82	19
Plug Ass'y	078364683	55	76
Plug Ass'y	078364684	55	77
Valve Ass'y, Shut-off	078364685	55	75
Poppet	078367713	55	61
Plug	078367714	55	63
Poppet	078367723	55	34
Plug	078367724	55	42
Spool	078367726	55	41
Sleeve	078367727	55	36
Spring	078367728	55	44
Spring	078367729	55	33
Seat, Spring	078367730	55	35
Plug	078367783	236	18
Plug Ass'y	078367783	55	59
Valve Ass'y, Relief	078367786	55	73
Seat, Spring	078370008	60	4
Spring (No.2, 4, Ports)	078370009	60	6
Spring (No.1, 3, Ports)	078370010	60	14
Plate	078370012	60	9
Piston	078374902	55	45
Plate	078375601	60	13
Nut, Adjusting	078377103	60	8
Boot	078377107	60	1
Plug	078384685	236	19
Valve Ass'y, Relief	078384686	55	72
Valve Ass'y, Relief	078384687	55	71
Valve Ass'y, Anti Void	078384688	55	74
Valve Ass'y, Main Relief	078391288	55	69
Plug	078392006	78	17
Rod, Push	078393601	78	11
Seat	078395101	78	1
Bushing	078395102	78	2
Cover	078395103	78	4
Plug	078395104	78	5
Cap, Grease	078395105	78	6
Packing	078395106	78	7
Shim	078395108	78	12
Seat, Spring	078395109	78	13
Seat, Spring	078395110	78	20
Washer	078395111	78	21
Spring	078395113	78	23
Spring	078395114	78	24
Shaft Cam	078395115	78	25
Bushing	078395116	78	26

*1 Note

ALPHABETICAL INDEX

Parts Name	P/N	Page *1	Item
Screw, Set	078395117	78	27
Boot	078395118	78	28
Cam Ass'y	078395191	78	29
Spring	078396401	60	5
Valve Ass'y, Remote Control	0783964UA	60	0
Valve Assy Remote Control	0783964UA	32	1
Valve Assy Remote Control	0783964UA	36	1
Valve Assy Remote Control	0783964UA	40	1
Shim	078396502	80	11
Shim	078396503	80	11-1
Spool	078396504	80	19
Spring	078396511	80	15
Valve Ass'y, Pilot	0783965UA	80	0
Valve Ass'y, Pilot	0783965UA	92	11
Valve Ass'y, Pilot	0783965UA	170	48
Seat, Spring	078398801	55	15
Spring	078398802	55	16
Seat, Spring	078398803	55	17
Cap	078398804	55	18
Ring, O	078398805	55	19
Poppet	078398806	55	21
Spring	078398807	55	22
Plug	078398808	55	23
Poppet	078398810	55	26
Spring	078398811	55	27
Spacer	078398812	55	28
Plug Ass'y	078398813	55	47
Plug Ass'y	078398813	55	79
Plug Ass'y	078398813	55	47
Ring, O	078398814	55	49
Housing, Outlet	078398815	55	50
Poppet	078398818	55	52
Cap	078398820	55	67
Cap	078398821	55	57
Plug, Orifice	078398822	55	60
Spring	078398824	55	66
Filter	078398826	55	55
Washer	078398827	55	56
Plug Ass'y	078398829	55	78
Block Ass'y, Outlet	078398883	55	5
Valve Ass'y, Anti Void	078398883	55	30
Block Ass'y, Arm	078398893	55	9
Spring	078399501	78	22
Valve Ass'y, Pilot	0783995UA	78	0
Valve Ass'y, Pilot	0783995UA	86	11
Rod, Tie	078401701	55	1
Seat, Spring	078401703	55	51
Cap	078401704	55	54
Cap	078401704	55	68
Block Ass'y	078401789	55	14
Block Ass'y, Blade	078401791	55	12
Block Ass'y, Spare	078401793	55	10

*1 Note

ALPHABETICAL INDEX

Parts Name	P/N	Page *1	Item
Block Ass'y, Inlet	078401796	55	7
Seat, Spring	078404706	236	3
Spring	078404707	236	4
Adjuster	078404710	236	7
Nut, Hex.	078404711	236	8
Piston	078404712	236	9
Cap	078404713	236	10
Poppet	078410801	55	25
Valve Ass'y, Main Relief	078410893	55	70
Block Ass'y, Boom Swing	078410894	55	13
Block Ass'y, Swing	078410895	55	11
Block Ass'y, Traction (L.H.)	078410896	55	8
Block Ass'y, Traction (R.H.)	078410897	55	6
Block Ass'y, Boom	078410898	55	4
Block Ass'y, Bucket	078410899	55	3
Valve Ass'y, Control	0784108UA	26	25
Valve Ass'y, Control	0784108UA	55	0
Spring	078411204	82	1
Cover	078411206	82	2
Cover	078411207	82	3
Lever	078411208	82	4
Pin	078411209	82	5
Spring	078411210	82	6
Grip	078411211	82	7
Ball, Steel	078411220	82	14
Valve Ass'y, Multiple (A-D Change)	0784112UA	82	0
Valve Ass'y, Multiple (For A-D)	0784112UA	36	70
Valve Ass'y, Multiple (For A, B, G)	0784113UA	36	70-1
Valve, Solenoid	0785118UA	232	1
Valve, Solenoid	0785169UA	170	42
Valve Ass'y, Solenoid	0785171UA	176	18
Valve Ass'y, Relief	0785640UA	55	75-1
Valve Ass'y, Relief	0785641UA	55	75-2
Valve, Check	0785947UA	26	31
Valve, Solenoid	0787045UA	174	19
Plug	078704704	236	1
Plug	078704708	236	5
Poppet	078704716	236	13
Spring	078704717	236	14
Plug	078704718	236	15
Valve, Relief	078704791	236	17
Valve Ass'y, Holding	0787047UA	236	0
Valve, Holding	0787047UA	234	1
Breather, Air	0787305UA	62	3
Duct	082002316	196	5
Louver	082002318	226	8
Louver	082002319	226	7

*1 Note

ALPHABETICAL INDEX

Parts Name	P/N	Page *1	Item
Band, Cable	082006703	88	52
Band, Cable	082006703	92	18
Band, Cable	082006703	94	19
Band, Cable	082006703	144	25
Band, Cable	082006703	222	13
Band, Cable	082006704	104	30
Band, Cable	082006704	144	45
Band, Cable	082006704	162	23
Band, Cable	082006704	220	7
Band, Cable	082006704	228	2
Band, Cable	082006704	230	38
Band, Cable	082006704	242	5
Band, Cable	082006705	32	45
Band, Cable	082006705	36	45
Band, Cable	082006705	40	45
Band, Cable	082006705	148	22
Band, Cable	082006705	174	16
Band, Cable	082006705	196	16
Band, Cable	082006705	232	38
Band, Cable	082006707	88	38
Band, Cable	082006709	18	28
Band, Cable	082006709	28	10
Band, Cable	082006709	32	62
Band, Cable	082006709	36	62
Band, Cable	082006709	40	62
Band, Cable	082006709	148	49
Band, Cable	082006710	32	63
Band, Cable	082006710	36	63
Band, Cable	082006710	40	63
Band, Cable	082006710	96	16
Band, Cable	082006728	144	26
Band, Cable	082006731	144	24
Sticker	082006903	242	6
Relay	082021507	2	13
Relay	082021507	148	34
Relay	082021507	226	11
Relay, Flip Flop	082021510	2	11
Relay, Flip-Flop	082021510	144	34
Connector	0820513UA	88	54
Connector	0820514UA	88	51
Terminal	082065020	242	13
Terminal	082065020	244	15
Terminal	082065021	242	14
Terminal	082065021	244	16
Sleeve	082065120	242	13-1
Sleeve	082065120	244	15-1
Sleeve	082065121	242	14-1
Sleeve	082065121	244	16-1
Terminal	082065708	182	15
Cap	082065801	144	30
Tube, Corugate	082080301	144	55
Tube, Corrugate	082080304	104	38

*1 Note

ALPHABETICAL INDEX

Parts Name	P/N	Page *1	Item
Tube, Corrugate	082080304	104	39
Tube, Corrugate	082080304	104	40
Tube, Corrugate	082080304	104	41
Tube, Corrugate	082080304	230	33
Tube, Corrugate	082080304	230	34
Tube, Corrugate	082080305	180	5
Tube, Corrugate	082080305	230	31
Tube, Corrugate	082080306	196	19
Tube, Corrugate	082080306	196	20
Tube, Corrugate	082080306	230	32
Tube, Corrugate	082080306	230	35
Tube, Corrugate	082080306	230	36
Tube, Corrugate	082080306	230	37
Fuse	083010706	144	41-6
Fuse	083010707	144	41-5
Fuse	083010708	144	41-4
Fuse	083010709	144	41-3
Fuse	083010710	144	41-2
Fuse	083010711	144	41-8
Fuse	083010712	144	41-7
Link, Fusible	083029101	144	12-1
Socket	083040602	148	21
Housing	083040800	182	14
Radio	085050010	182	13
Battery (For Cold District)	085100001	144	5-1
Battery	085100004	144	5
Terminal	085211922	144	39
Light, Rotary	085406001	242	12
Lens	085452301	224	4-1
Bulb	085452306	224	4-2
Light Ass'y	0854523UA	224	4
Lens	085452901	144	2-2
Bulb	085452905	144	2-1
Light Ass'y	0854529UA	144	2
Lens	085453601	224	1-1
Bulb	085453611	224	1-2
Lamp Ass'y	0854536UA	224	1
Horn, Back	085701148	220	2
Buzzer	085701157	148	45
Heater, Car	085705603	196	1
Gauge, Fuel	0857909UA	104	20
Element Ass'y	085791411	104	42-1
Element, Water Sedimenter	085791411	2	9
Sedimenter, Water	0857914UA	104	42
Box, Fuse	085814001	144	41-1
Switch, Pressure	085818010	220	3
Switch Ass'y, Starter	085830603	2	12
Switch Assy Starter	085830603	148	26
Switch Assy Starter	085830604	148	26-1
Switch, Select	085830823	244	2
Switch Ass'y, Light	085831411	224	10
Decal	085831412	224	11

*1 Note

ALPHABETICAL INDEX

Parts Name	P/N	Page *1	Item
Switch, Limit	085831415	88	21
Switch Assy	085831433	148	17
Switch Assy	085831433	148	36
Switch Ass'y, Heater	085831434	196	21
Switch Assy	085831435	148	40
Switch, Oil Pressure	085850116	144	54
Sensor, Pressure	085860116	232	9
Sensor, Pressure	085860116	234	21
Meter, Potention	085861405	148	31
Buzzer	086050402	244	14
Horn	086100102	144	3
Display	087790011	244	1
Harness	087955178	144	13
Detector, Angle	0881100UA	240	1
Monitor, OK	0881509UA	148	1
Air Conditioner Ass'y	0892270UA	226	1
Controller Ass'y	0893508UA	222	1
Controller Ass'y	0893509UA	148	38
Dryer, Recerver	0897002UA	228	18
Compressor Ass'y	0897018UA	228	3
Condenser	0897019UA	228	14
Valve, Water	089800000	230	8
Bracket	089800001	228	17
Amplifier	089800002	226	9
Volume, Thermodtat	089800003	226	14
Switch Ass'y, Blower	089800004	226	15
Switch	089800005	226	13
Hose	089800064	230	1
Hose	089800065	230	2
Hose	089800066	230	3
Hose	089800067	230	4
Belt	091010117	228	6
Seal	091087005	22	9
Seal	091087005	22	11
Seal	091087005	22	12
Seal	091087005	22	13
Seal	091087005	96	30
Seal	091087005	96	31
Seal	091087005	96	32
Seal	091087005	96	33
Seal	091087005	96	35
Seal	091087005	96	37
Seal	091087005	96	38
Seal	091087005	96	39
Seal	091087005	96	40
Seal	091087005	96	44
Seal	091087005	108	10
Seal	091087005	108	18
Seal	091087005	108	23
Seal	091087005	110	24
Seal	091087005	110	43
Seal	091087005	110	44

*1 Note

ALPHABETICAL INDEX

Parts Name	P/N	Page *1	Item
Seal	091087005	110	45
Seal	091087005	110	46
Plug	091091100	154	42
Rubber, Cushion	091093134	96	11
Grommet	091094026	180	11
Grommet	091094142	96	27
Grommet	091094202	196	17
Wrench, L	093107024	152	5
Wrench, Adjustable	093110925	152	2
Driver (-)	093130104	152	6
Hammer	093133110	152	4
Gun, Grease	093137010	152	3-1
Gun, Grease	093137011	152	3
Hose, Grease	093137101	152	3-2
Gauge, Level	0933054UA	244	3
Cabin Ass'y (Dark Grey)	3034212018	184	0
Cabin Ass'y (Dark Grey)	3034212018	188	0
Cabin Ass'y (Dark Grey)	3034212018	192	0
Cabin Ass'y (Light Grey)	3034212019	184	0-1
Cabin Ass'y (Light Grey)	3034212019	188	0-1
Cabin Ass'y (Light Grey)	3034212019	192	0-1
Bolt	3442505	184	35
Bolt, U	400300100	100	5
Bolt, Hook	400402217	144	6
Bolt, Adjusting	400416100	10	11
Bolt, Button Head	400428001	226	28
Bolt, Button Head	400436401	88	5
Bolt, Button Head	400436401	110	31
Bolt, Button Head	400436401	148	7
Bolt, Button Head	400436401	244	6
Washer	400611901	118	10
Washer	400611902	148	52
Washer	400627600	12	3
Washer, Rubber	400638600	118	12
Shim	400654011	20	5
Shim	400654012	20	5-1
Shim	400654041	158	11
Shim	400654042	158	11-1
Shim	400654046	154	29
Shim	400654047	154	29-1
Washer, Flat	400655700	154	30
Shim	400730700	160	14
Door Stop	4012000138	184	49
Washer Toothed	4012000185	184	39
Washer Toothed	4012000185	188	27
Washer Toothed	4012000185	192	22
Nut	4012000186	192	21
Washer Flat	4012000189	192	52
Cap	4012000206	184	31
Cap	4012000206	192	37
Washer, Nylon	4012000210	192	64
Washer Flat	4012000215	192	49

*1 Note

ALPHABETICAL INDEX

Parts Name	P/N	Page *1	Item
Valve, Connection	4012000216	188	45
Hook	4012000239	188	12
Cap	4012000240	192	23
Atomizer	4012000245	188	46
Switch, Wiper	4012000250	188	40
Frame, Side Switch	4012000251	188	38
Frame, Central Switch	4012000252	188	39
Label	4012000254	188	41
Cap	4012000255	188	42
Tank	4012000256	188	43
Bracket	4012000257	184	50
Handle	4012000259	184	53
Nut	4012000260	184	47
Cover	4012000274	188	32
Bolt	4012000291	188	13
Plug, Rubber	4012000297	188	20
Nut	4012000303	188	28
Antenna	4012000314	188	33
Cable, Antenna	4012000316	188	34
Cover, Motor	4012000352	192	62
Nut	4012000356	188	18
Plug, Rubber	4012000367	188	24
Nut	4012000370	192	17
Gasket	4012000390	184	36
Washer, Special	4012000428	192	36
Pin	401254100	94	6
Block	4013001417	184	45
Block, Security	4013001418	184	46
Lock, Door	4013001426	184	34
Blade, Wiper	4013001437	192	60
Arm, Wiper	4013001438	192	59
Bolt	4013001450	192	47
Pin, Hinge	4015000088	184	26
Nut	4015000091	184	37
Nut, Lock	4015000091	192	35
Ring, Elastic	4015000092	184	27
Washer Flat	4015000109	184	48
Glass (L.H.)	4016000000	184	2
Glass (Rear Side)	4016000001	184	3
Glass (Rear)	4016000002	184	4
Glass (Roof)	4016000003	184	5
Window Ass'y, Side	4016000004	184	6
Glass (Front)	4016000005	184	7
Glass (Rear)	4016000006	184	8
Frame, Glass	4016000007	184	9
Shoe (Front)	4016000008	184	10
Shoe (Rear)	4016000009	184	11
Handle, Sliding (Front)	4016000010	184	12
Handle, Sliding (Rear)	4016000011	184	13
Bolt	4016000012	184	14
Support, Brush (Front)	4016000013	184	15
Support, Brush (Rear)	4016000014	184	16

*1 Note

ALPHABETICAL INDEX

Parts Name	P/N	Page *1	Item
Brush	4016000015	184	17
Glass Blocking	4016000016	184	18
Handle, Glass Blocking	4016000017	184	19
Support, Sliding	4016000018	184	20
Gasket	4016000019	184	21
Handle, Stop	4016000020	184	22
Frame, Door (Dark Grey)	4016000021	184	23
Frame, Door (Light Grey)	4016000022	184	23-1
Gasket	4016000023	184	24
Glass (Door)	4016000024	184	25
Hook, Door Stop	4016000025	184	28
Hook, Door Stop	4016000026	184	28-1
Absorber, Shock	4016000027	184	29
Absorber, Shock	4016000028	184	29-1
Nut, Special	4016000029	184	30
Nut, Special	4016000029	192	28
Handle Ass'y	4016000030	184	32
Rod	4016000031	184	33
Bolt	4016000033	184	38
Bolt	4016000033	188	3
Bolt	4016000033	192	29
Bolt	4016000033	192	63
Cover	4016000034	184	40
Clip	4016000035	184	41
Clip	4016000035	188	2
Hinge	4016000036	184	42
Bolt	4016000037	184	43
Cap	4016000038	184	44
Rod, Tie	4016000039	184	51
Lever	4016000040	184	52
Washer Flat	4016000041	184	54
Cover (Rear)	4016000042	188	1
Gasket	4016000043	188	4
Cover (Left)	4016000044	188	5
Cover (Right Upright)	4016000045	188	6
Roof Coating	4016000046	188	7
Clip	4016000047	188	8
Bracket	4016000048	188	9
Bolt	4016000049	188	10
Hammer, Emergency	4016000050	188	11
Bolt	4016000051	188	14
Bracket	4016000052	188	15
Gasket	4016000053	188	16
Bolt	4016000054	188	17
Bolt	4016000054	192	39
Plug	4016000055	188	19
Plate (Lower)	4016000056	188	21
Bolt	4016000057	188	22
Plug	4016000058	188	23
Harness	4016000059	188	25
Band, Cable	4016000060	188	26
Light	4016000061	188	29

*1 Note

ALPHABETICAL INDEX

Parts Name	P/N	Page *1	Item
Cover, Audio	4016000062	188	30
Clip	4016000063	188	31
Plug	4016000064	188	35
Bracket	4016000065	188	36
Gasket	4016000066	188	37
Bracket	4016000067	188	44
Pipe	4016000068	188	47
Glass	4016000069	192	1
Lock, Cover	4016000070	192	2
Gasket	4016000071	192	3
Lock (R.H.)	4016000072	192	4
Handle (R.H.)	4016000073	192	5
Spacer	4016000074	192	6
Gasket	4016000075	192	7
Bolt	4016000076	192	8
Bolt	4016000077	192	9
Lock (L.H.)	4016000078	192	10
Handle (L.H.)	4016000079	192	11
Shoe (Lower)	4016000080	192	12
Bolt	4016000081	192	13
Shoe (L.H.)	4016000082	192	14
Spacer	4016000083	192	15
Bolt	4016000084	192	16
Bracket	4016000085	192	18
Shoe (R.H.)	4016000086	192	19
Stopper, Rubber	4016000087	192	20
Stopper, Rubber	4016000088	192	24
Nut, Lock	4016000089	192	25
Bracket	4016000090	192	26
Protection, Door	4016000091	192	27
Frame, Door	4016000092	192	30
Bracket	4016000093	192	31
Nut	4016000094	192	32
Bolt	4016000095	192	33
Spring, Gas	4016000096	192	34
Cover	4016000097	192	38
Bolt	4016000098	192	40
Bushing	4016000099	192	41
Frame (L.H.)	4016000100	192	42
Frame (R.H.)	4016000101	192	43
Guide (L.H.)	4016000102	192	44
Guide (R.H.)	4016000103	192	45
Shoe	4016000104	192	46
Stopper, Rubber	4016000105	192	48
Handle	4016000106	192	50
Bolt	4016000107	192	51
Bolt	4016000108	192	53
Bracket	4016000109	192	54
Bolt	4016000110	192	55
Glass	4016000111	192	56
Gasket	4016000112	192	57
Wiper	4016000113	192	58

*1 Note

ALPHABETICAL INDEX

Parts Name	P/N	Page *1	Item
Motor, Wiper	4016000114	192	61
Bolt	4016000115	192	65
Washer, Special	4016000116	192	66
Pin, Snap	401603004	88	23
Pin, Snap	401603004	110	25
Pin, Ring	401725201	238	7
Pin, Wing	401744200	20	9
Pin, Wing	401744300	20	4
Spacer	404046807	154	26
Spacer	404046808	154	23
Spacer	404046905	154	25
Spacer	404046918	154	24
Spacer	404086700	88	16
Collar, Roller	404220400	14	1
Bushing	404322910	154	19
Bushing	404323101	154	21
Bushing	404323101	238	10
Bushing	404335803	166	10
Elbow, Reducer	406005100	28	15
Hose Ass'y	407000001	18	17
Hose Ass'y	407000007	18	12
Hose Ass'y	407000020	168	3
Hose Ass'y	407000038	168	4
Hose Ass'y	407000109	28	1
Hose Ass'y	407000173	28	2
Hose Ass'y	407001515	26	7
Hose Ass'y	407005640	180	4
Hose Ass'y	407005647	176	21
Hose, Water	407010203	230	6
Hose, Water	407010217	196	7
Hose, Water	407010229	196	6
Hose, Water	407010242	230	5
Hose, Water	407010243	230	7
Hose, Fuel	407024527	104	24
Hose, Fuel	407024531	104	25
Hose, Fuel	407024553	104	26
Hose, Fuel	407024558	104	27
Hose, Fuel	407030703	96	26
Cover, Hose	407035003	28	9
Hose Ass'y	407036022	18	4
Hose Ass'y	407046417	168	1
Hose Ass'y	407047212	30	12
Hose Ass'y	407047225	30	11
Hose Ass'y	407047226	174	11
Hose Ass'y	407047227	174	10
Cover, Hose	407050402	174	18
Hose Ass'y	407054801	32	24
Hose Ass'y	407054801	32	25
Hose Ass'y	407054801	36	24
Hose Ass'y	407054801	36	25
Hose Ass'y	407054801	40	24
Hose Ass'y	407054801	40	25

*1 Note

ALPHABETICAL INDEX

Parts Name	P/N	Page *1	Item
Hose Ass'y	407054801	92	3
Hose Ass'y	407054804	32	27
Hose Ass'y	407054804	36	27
Hose Ass'y	407054804	40	27
Hose Ass'y	407054806	32	17
Hose Ass'y	407054806	32	55
Hose Ass'y	407054806	32	56
Hose Ass'y	407054806	36	17
Hose Ass'y	407054806	36	55
Hose Ass'y	407054806	36	56
Hose Ass'y	407054806	40	17
Hose Ass'y	407054806	40	55
Hose Ass'y	407054806	40	56
Hose Ass'y	407054807	18	6
Hose Ass'y	407054808	32	59
Hose Ass'y	407054808	36	59
Hose Ass'y	407054808	40	59
Hose Ass'y	407054815	32	18
Hose Ass'y	407054815	36	18
Hose Ass'y	407054815	40	18
Hose Ass'y	407054818	92	4
Hose Ass'y	407054819	32	57
Hose Ass'y	407054819	32	58
Hose Ass'y	407054819	36	57
Hose Ass'y	407054819	36	58
Hose Ass'y	407054819	40	57
Hose Ass'y	407054819	40	58
Hose Ass'y	407054823	32	36
Hose Ass'y	407054823	36	36
Hose Ass'y	407054823	40	36
Hose Ass'y	407054825	32	51
Hose Ass'y	407054825	32	52
Hose Ass'y	407054825	32	53
Hose Ass'y	407054825	32	54
Hose Ass'y	407054825	36	51
Hose Ass'y	407054825	36	52
Hose Ass'y	407054825	36	53
Hose Ass'y	407054825	36	54
Hose Ass'y	407054825	40	51
Hose Ass'y	407054825	40	52
Hose Ass'y	407054825	40	53
Hose Ass'y	407054825	40	54
Hose Ass'y	407054825	232	15
Hose Ass'y	407054833	32	31
Hose Ass'y	407054833	32	32
Hose Ass'y	407054833	36	31
Hose Ass'y	407054833	36	32
Hose Ass'y	407054833	40	31
Hose Ass'y	407054833	40	32
Hose Ass'y	407054837	18	10
Hose Ass'y	407054840	18	18
Hose Ass'y	407054840	92	5

*1 Note

ALPHABETICAL INDEX

Parts Name	P/N	Page *1	Item
Hose Ass'y	407054841	32	28
Hose Ass'y	407054841	36	28
Hose Ass'y	407054841	40	28
Hose Ass'y	407054842	170	24
Hose Ass'y	407054843	170	25
Hose Ass'y	407054855	32	47
Hose Ass'y	407054855	36	47
Hose Ass'y	407054855	40	47
Hose Ass'y	407054855	232	16
Hose Ass'y	407054858	92	6
Hose Ass'y	407054864	92	1
Hose Ass'y	407054869	86	6
Hose Ass'y	407054872	170	29
Hose Ass'y	407054873	32	14
Hose Ass'y	407054873	36	14
Hose Ass'y	407054873	40	14
Hose Ass'y	407054880	32	33
Hose Ass'y	407054880	36	33
Hose Ass'y	407054880	40	33
Hose Ass'y	407054882	32	37
Hose Ass'y	407054882	36	37
Hose Ass'y	407054882	40	37
Hose Ass'y	407054885	32	34
Hose Ass'y	407054885	32	35
Hose Ass'y	407054885	36	34
Hose Ass'y	407054885	36	35
Hose Ass'y	407054885	40	34
Hose Ass'y	407054885	40	35
Hose Ass'y	407054889	32	29
Hose Ass'y	407054889	36	29
Hose Ass'y	407054889	40	29
Hose Ass'y	407055101	86	1
Hose Ass'y	407055101	86	2
Hose Ass'y	407055111	176	22
Hose Ass'y	407055113	86	5
Hose Ass'y	407055113	170	28
Hose Ass'y	407055114	32	16
Hose Ass'y	407055114	36	16
Hose Ass'y	407055114	40	16
Hose Ass'y	407055115	32	50
Hose Ass'y	407055115	36	50
Hose Ass'y	407055115	40	50
Hose Ass'y	407055120	92	2
Hose Ass'y	407055128	32	15
Hose Ass'y	407055128	36	15
Hose Ass'y	407055128	40	15
Hose Ass'y	407055140	32	19
Hose Ass'y	407055140	36	19
Hose Ass'y	407055140	40	19
Hose Ass'y	407055142	32	21
Hose Ass'y	407055142	36	21
Hose Ass'y	407055142	40	21

*1 Note

ALPHABETICAL INDEX

Parts Name	P/N	Page *1	Item
Hose Ass'y	407055142	86	3
Hose Ass'y	407055142	86	4
Hose Ass'y	407055143	32	23
Hose Ass'y	407055143	36	23
Hose Ass'y	407055143	40	23
Hose Ass'y	407055144	32	22
Hose Ass'y	407055144	36	22
Hose Ass'y	407055144	40	22
Hose Ass'y	407058104	168	2
Hose Ass'y	407064210	174	3
Hose Ass'y	407064211	176	3
Hose, Fuel	407074001	226	23
Hose Ass'y	407078218	32	20
Hose Ass'y	407078218	36	20
Hose Ass'y	407078218	40	20
Hose Ass'y	407078219	32	30
Hose Ass'y	407078219	36	30
Hose Ass'y	407078219	40	30
Hose Ass'y	407078328	170	30
Hose Ass'y	407084201	232	12
Hose Ass'y	407084227	232	13
Hose Ass'y	407084228	232	39
Hose Ass'y	407084229	232	14
Cover, Hose	407085316	162	9
Hose Ass'y	407086056	174	12
Hose Ass'y	407086056	174	13
Nipple	407222000	196	22
Nipple	407222000	230	12
Elbow, Long	407286602	232	28
Plug	407288700	62	4
Adapter, Union	407293001	232	24
Adapter, Union	407293002	232	25
Plug, Drain	407703600	62	7
Plug	407706100	18	16
Gauge, Level	407902700	62	6
Clamp	408000002	242	7
Clamp, Hose	408000002	144	23
Clamp, Hose	408000003	144	33
Clamp, Hose	408000004	144	22
Clamp, Hose	408000004	180	9
Clamp, Hose	408000005	144	44
Clamp, Hose	408000005	162	13
Clamp, Hose	408000006	26	12
Clamp	408000007	230	14
Clamp, Hose	408000008	94	17
Clamp, Hose	408000009	32	61
Clamp, Hose	408000009	36	61
Clamp, Hose	408000009	40	61
Clamp, Hose	408000009	174	14
Clamp, Hose	408000010	32	42
Clamp, Hose	408000010	36	42
Clamp, Hose	408000010	40	42

*1 Note

ALPHABETICAL INDEX

Parts Name	P/N	Page *1	Item
Clamp	408000011	32	48
Clamp	408000011	36	48
Clamp	408000011	40	48
Clamp, Hose	408000012	230	25
Clamp, Hose	408000014	162	14
Clamp, Hose	408000023	144	38
Clamp, Hose	408000025	196	18
Clamp, Hose	408000026	230	26
Clamp, Hose	408000029	104	28
Clamp, Hose	408000038	144	21
Clamp, Tube	408111800	174	5
Clamp, Tube	408111800	176	7
Clamp, Tube	408111800	232	4
Clamp, Tube	408118900	162	12
Clamp, Tube	408118900	176	8
Grip	409603300	170	52
Cutter, Side (R.H.)	412304000	2	19
Cutter, Side	412304000	160	10
Cutter, Side (L.H.)	412304100	2	20
Cutter, Side	412304100	160	5
Spring	417017700	10	13
Shaft	422051600	12	9
Shaft	422051700	14	7
Sprocket, Drive	423456300	6	15
Plate	440408500	20	1
Decal (B1)	440530701	32	19-1
Decal (B1)	440530701	32	33-1
Decal (B1)	440530701	36	19-1
Decal (B1)	440530701	36	33-1
Decal (B1)	440530701	40	19-1
Decal (B1)	440530701	40	33-1
Decal (B2)	440530702	32	34-1
Decal (B2)	440530702	36	34-1
Decal (B2)	440530702	40	34-1
Decal (R1)	440530703	32	57-1
Decal (R1)	440530703	36	57-1
Decal (R1)	440530703	40	57-1
Decal (R1)	440530703	170	26-1
Decal (R3)	440530704	32	56-1
Decal (R3)	440530704	36	56-1
Decal (R3)	440530704	40	56-1
Decal (R3)	440530704	176	20-1
Decal (C1)	440530801	32	23-1
Decal (C1)	440530801	36	23-1
Decal (C1)	440530801	40	23-1
Decal (C2)	440530802	32	35-1
Decal (C2)	440530802	36	35-1
Decal (C2)	440530802	40	35-1
Decal (R2)	440530803	32	55-1
Decal (R2)	440530803	36	55-1
Decal (R2)	440530803	40	55-1
Decal (R2)	440530803	174	13-1

*1 Note

ALPHABETICAL INDEX

Parts Name	P/N	Page *1	Item
Decal (R4)	440530804	32	58-1
Decal (R4)	440530804	36	58-1
Decal (R4)	440530804	40	58-1
Decal (A1)	440530901	32	28-1
Decal (A1)	440530901	36	28-1
Decal (A1)	440530901	40	28-1
Decal (A2)	440530902	32	29-1
Decal (A2)	440530902	36	29-1
Decal (A2)	440530902	40	29-1
Decal (L1)	440530903	32	51-1
Decal (L1)	440530903	36	51-1
Decal (L1)	440530903	40	51-1
Decal (L1)	440530903	170	27-1
Decal (L3)	440530904	32	53-1
Decal (L3)	440530904	36	53-1
Decal (L3)	440530904	40	53-1
Decal (L3)	440530904	176	19-1
Decal (S1)	440531001	32	27-1
Decal (S1)	440531001	36	27-1
Decal (S1)	440531001	40	27-1
Decal (S2)	440531002	32	36-1
Decal (S2)	440531002	36	36-1
Decal (S2)	440531002	40	36-1
Decal (L2)	440531003	32	52-1
Decal (L2)	440531003	36	52-1
Decal (L2)	440531003	40	52-1
Decal (L2)	440531003	174	12-1
Decal (L4)	440531004	32	54-1
Decal (L4)	440531004	36	54-1
Decal (L4)	440531004	40	54-1
Decal (RP)	440531101	18	10-1
Decal (RP)	440531101	32	32-1
Decal (RP)	440531101	36	32-1
Decal (RP)	440531101	40	32-1
Decal (LP)	440531102	18	18-1
Decal (LP)	440531102	32	25-1
Decal (LP)	440531102	36	25-1
Decal (LP)	440531102	40	25-1
Decal (RT)	440531201	32	59-1
Decal (RT)	440531201	36	59-1
Decal (RT)	440531201	40	59-1
Decal (LT)	440531202	32	24-1
Decal (LT)	440531202	36	24-1
Decal (LT)	440531202	40	24-1
Decal (BA)	440531801	162	36-1
Decal (BB)	440531802	162	37-1
Decal (CA)	440531901	162	30-1
Decal (CB)	440531902	162	31-1
Decal (AA)	440532001	162	34-1
Decal (AB)	440532002	162	35-1
Decal (Anti-Freezing Solution)	440545600	136	21

*1 Note

ALPHABETICAL INDEX

Parts Name	P/N	Page *1	Item
Decal (Anti-Freezing Solution)	440545600	210	21
Decal (Oil)	440545700	132	4
Decal (Oil)	440545700	136	4
Decal (Oil)	440545700	138	4
Decal (Oil)	440545700	140	4
Decal (Oil)	440545700	206	4
Decal (Oil)	440545700	210	4
Decal (Oil)	440545700	212	4
Decal (Oil)	440545700	214	4
Decal (Safety Works)	440645800	128	8
Decal (Safety Works)	440645800	202	8
Decal (Anti-Freezing Solution)	440671000	134	21
Decal (Anti-Freezing Solution)	440671000	208	21
Decal (Safety Works)	440671400	134	8
Decal (Safety Works)	440671400	208	8
Decal (Anti-Freezing Solution)	440703500	124	22
Decal (Anti-Freezing Solution)	440703500	128	21
Decal (Anti-Freezing Solution)	440703500	198	22
Decal (Anti-Freezing Solution)	440703500	202	21
Decal (Oil)	440797400	128	4
Decal (Oil)	440797400	134	4
Decal (Oil)	440797400	202	4
Decal (Oil)	440797400	208	4
Plate, Rubber	440962509	144	7
Plate, Rubber	440962510	144	11
Block, Bearing	442073200	12	2
Flange	443563500	160	13
Decal (Anti-Freezing Solution)	444722900	138	21
Decal (Anti-Freezing Solution)	444722900	212	21
Decal (Oil)	444747900	124	7
Decal (Oil)	444747900	198	7
Decal (Breaker Cation)	444765300	124	37
Decal (Breaker Cation)	444765300	198	37
Decal (Breaker Cation)	444785700	128	34
Decal (Breaker Cation)	444785700	202	34
Decal (Spare Piping Change)	444787400	124	36
Decal (Spare Piping Change)	444787400	198	36
Decal (Safety Works)	444788200	138	8
Decal (Safety Works)	444788200	212	8
Decal (Breaker Cation)	444792500	136	26
Decal (Breaker Cation)	444792500	210	26
Decal (Breaker Cation)	444799600	134	26
Decal (Breaker Cation)	444799600	208	26
Decal (Breaker Cation)	444835000	138	26

*1 Note

ALPHABETICAL INDEX

Parts Name	P/N	Page *1	Item
Decal (Breaker Cation)	444835000	212	26
Decal (Transport Fix)(CE)	444847400	128	36
Decal (Transport Fix)(CE)	444847400	202	36
Decal (Transport Fix)	444851100	136	27
Decal (Transport Fix)	444851100	210	27
Decal (Transport Fix)	444854200	134	27
Decal (Transport Fix)	444854200	208	27
Decal (Transport Fix)	444856200	132	27
Decal (Transport Fix)	444856200	206	27
Decal (Anti-Freezing Solution)	444857300	132	21
Decal (Anti-Freezing Solution)	444857300	206	21
Decal (Safety Works)	444858400	132	8
Decal (Safety Works)	444858400	206	8
Decal (Breaker Cation)	444858700	132	26
Decal (Breaker Cation)	444858700	206	26
Decal (Anti-Freezing Solution)	444859800	140	21
Decal (Anti-Freezing Solution)	444859800	214	21
Decal (Safety Works)	444860300	140	8
Decal (Safety Works)	444860300	214	8
Decal (Breaker Cation)	444860700	140	26
Decal (Breaker Cation)	444860700	214	26
Decal (Transport Fix)	444861900	140	27
Decal (Transport Fix)	444861900	214	27
Decal (Spare Piping Change)	444865100	128	33
Decal (Spare Piping Change)	444865100	202	33
Decal (Spare Piping Change)	444868700	134	25
Decal (Spare Piping Change)	444868700	208	25
Decal (Spare Piping Change)	444894400	136	25
Decal (Spare Piping Change)	444894400	210	25
Decal (For A, F)	444898700	40	74
Decal (Spare Piping Change)	444900300	132	25
Decal (Spare Piping Change)	444900300	206	25
Decal (Spare Piping Change)	444940600	140	25
Decal (Spare Piping Change)	444940600	214	25
Case, Tools	445050500	152	1
Cover, Under	445312900	6	5
Cover	445337100	20	11
Cover (Starter Switch)	445753500	148	27
Tape, Insulating	445959800	100	11
Cover	446075600	6	3
Cover	446075600	22	20
Guide, Shoe (L.H.)	447558600	6	21
Guide, Shoe (R.H.)	447558700	6	20
Retainer, Spring	448551300	10	14
Link	449132500	20	6
Lever	449798900	170	51
Ring, O	451150106	154	33
Ring, O (For Bucket)	451150106	2	15

*1 Note

ALPHABETICAL INDEX

Parts Name	P/N	Page *1	Item
Cylinder, Grease	451454500	10	1
Piston	451550800	10	4
Duct	452270701	224	9
Seal	455051900	22	10
Seal	455051900	108	24
Seal	455051900	110	2
Seal	455051900	110	3
Seal	455051900	110	4
Seal	455051900	110	5
Seal	455051900	114	24
Seal	455072600	110	23
Seal	455072600	196	14
Seal, Sponge	455090625	182	11
Seal, Sponge	455090626	182	12
Pad	458001600	32	64
Pad	458001600	36	64
Pad	458001600	40	64
Pad	458072900	18	26
Pad	458073000	162	29
Cable, Battery	459198211	144	37
Cabin (Light Grey)	5290105300	184	1-1
Tools Set	538851000	152	0
* * * * *	598800406	2	39
* * * * *	598800409	2	39-1
* * * * *	598800432	2	40
* * * * *	598800433	2	40-1
* * * * *	598800900	2	38
* * * * *	598802201	2	42
Bolt, Reamer	D00200100	22	15
Bolt, Button Head	D00404902	88	46
Washer	D00603800	122	6
Washer, Treatment	D00605100	2	23
Washer, Treatment	D00605100	160	4
Washer	D00613200	96	10
Shim	D00712600	6	24
Shim	D00714700	110	27
Shim	D00724401	234	6
Shim	D00724402	234	6-1
Shim	D00724403	234	6-2
Shim	D00724600	96	45
Pin, Head	D01319000	238	6
Pin, Head	D01338400	86	25
Pin, Head	D01339601	154	13
Pin, Head	D01339700	154	11
Pin, Head	D01340200	154	12
Pin, Bucket	D01340300	2	14
Pin, Head	D01340300	154	10
Pin, Head	D01344300	238	5
Pin	D01722500	88	15
Pin	D01723301	158	3
Pin	D01723301	166	5
Pin	D01723302	154	18

*1 Note

ALPHABETICAL INDEX

Parts Name	P/N	Page *1	Item
Pin	D01723303	154	17
Pin	D01723305	158	5
Pin	D01723401	166	8
Pin	D01723703	154	15
Pin	D01724800	154	14
Pin	D01725700	158	4
Roller, Guide	D03103100	14	6
Pully	D03201500	228	5
Spacer	D04017800	88	35
Spacer	D04021800	30	13
Spacer	D04034500	36	69
Collar	D04204000	88	33
Bushing	D04308000	238	8
Bushing	D04308100	238	9
Bushing	D04308600	154	20
Bushing	D04309600	158	6
Bushing	D04311200	154	16
Bushing	D04311800	158	7
Bushing	D04700300	158	16
Bushing	D04705800	154	22
Bushing	D04705800	158	10
Bushing	D04705800	166	6
Elbow	D06002800	32	9
Elbow	D06002800	36	9
Elbow	D06002800	40	9
Elbow	D06002800	92	7
Elbow	D06002800	168	5
Elbow	D06002800	170	43
Elbow	D06002800	174	23
Adapter	D06003200	162	10
Adapter	D06003200	168	9
Adapter	D06011100	232	20
Adapter	D06013700	32	68
Adapter	D06013700	40	70
Adapter	D06013700	174	6
Adapter	D06013700	176	9
Adapter	D06013700	232	21
Tee	D06016400	30	18
Nipple	D06022700	26	9
Elbow, Reducer	D06028900	28	18
Connector	D06045100	30	19
Connector	D06045100	170	10
Connector	D06045100	176	33
Connector, Reducer	D06048200	30	23
Connector	D06048300	28	11
Connector	D06048300	30	24
Connector	D06048300	170	37
Connector	D06050000	170	11
Connector	D06050000	176	34
Connector	D06051400	26	27
Connector, Reducer	D06051500	26	28
Connector	D06051800	180	2

*1 Note

ALPHABETICAL INDEX

Parts Name	P/N	Page *1	Item
Connector	D06053600	162	40
Connector, Reducer	D06053800	26	11
Elbow, Reducer	D06054100	28	16
Manifold	D06509300	32	10
Manifold	D06509300	36	10
Manifold	D06509300	40	10
Manifold	D06509400	32	46
Manifold	D06509400	36	46
Manifold	D06509400	40	46
Hose Ass'y	D07011001	26	6
Hose Ass'y	D07011015	26	4
Hose Ass'y	D07019503	232	18
Hose Ass'y	D07019506	232	19
Hose Ass'y	D07019520	232	17
Hose Ass'y	D07019523	176	19
Hose Ass'y	D07019523	176	20
Hose	D07031300	100	20
Hose Ass'y (For Long Arm)	D07035104	162	8-1
Hose Ass'y	D07035112	162	7
Hose Ass'y	D07035113	162	8
Hose Ass'y (For Long Arm)	D07035123	162	7-1
Hose Ass'y	D07036304	30	6
Hose Ass'y	D07036313	30	7
Hose Ass'y	D07036315	28	8
Hose Ass'y	D07036320	170	31
Hose Ass'y	D07036324	28	7
Hose Ass'y	D07036326	30	8
Hose Ass'y	D07036327	30	9
Hose Ass'y	D07036513	162	6
Hose Ass'y	D07036712	170	26
Hose Ass'y	D07036713	170	27
Hose Ass'y	D07037101	170	3
Hose Ass'y	D07037201	170	4
Hose Ass'y	D07046012	162	30
Hose Ass'y	D07046013	162	31
Hose Ass'y	D07046014	162	34
Hose Ass'y	D07046015	162	35
Hose Ass'y	D07046018	162	36
Hose Ass'y	D07046019	162	37
Hose Ass'y	D07046106	28	5
Hose Ass'y	D07046111	28	6
Hose Ass'y	D07046113	30	10
Hose Ass'y	D07054301	162	3
Hose Ass'y	D07054302	162	4
Hose Ass'y	D07054306	162	5
Hose Ass'y	D07054307	232	10
Hose Ass'y	D07054310	232	11
Hose Ass'y	D07055801	26	5
Hose	D07057300	104	2
Hose	D07057701	32	60
Hose	D07057701	36	60
Hose	D07057701	40	60

*1 Note

ALPHABETICAL INDEX

Parts Name	P/N	Page *1	Item
Clamp, Tube	D08102300	170	8
Clamp, Tube	D08102300	176	30
Clamp, Tube	D08119200	170	9
Clamp, Tube	D08119200	176	31
Clamp, Tube	D08119400	170	7
Clamp, Tube	D08119400	176	6
Clamp, Tube	D08119400	232	5
Clamp, Seat	D08210700	232	6
Seat, Clamp	D08210700	170	5
Seat, Clamp	D08210700	176	4
Seat, Clamp	D08210900	174	4
Seat, Clamp	D08210900	176	5
Seat, Clamp	D08211100	170	6
Clamp	D08314600	30	2
Clamp	D08315300	104	8
Boss	D13104000	160	15
Spring	D17005200	88	19
Boots	D18100200	92	14
Frame, Swing	D20436000	22	1
Weight, Counter	D20682600	122	1
Weight, Counter	D20682900	122	7
Weight, Counter	D20683000	122	2
Frame	D20687000	96	48
Frame	D20687200	104	11
Frame	D20687300	118	2
Frame	D20687500	116	8
Frame	D20690600	110	28
Boom	D21014500	154	1
Arm Ass'y	D21522000	154	2
Arm Ass'y, Long	D21523400	154	2-1
Flange, Pump	D23006100	102	2
Idler, Front	D23601300	12	7
Blade	D25710800	166	4
Stay	D26032900	240	8
Stay	D26038100	218	7
Stay	D26051300	228	4
Stay	D26052500	18	3
Stay	D26055200	108	6
Bucket, Hoe (0.11m3, 600mm)	D27012800	160	1
Bucket, Hoe (0.08m3, 500mm)	D27012900	160	1-4
Bucket, Hoe (Reinforced, 0.11m3, 600mm)	D27013000	160	1-1
Bucket, Hoe (W/Hook, 0.11m3, 600mm)	D27013100	160	1-2
Bucket, Hoe (0.055m3, 400mm)	D27014400	160	1-3
Bucket, Hoe (0.12m3, 660mm)	D27014500	160	1-5
Tank, Fuel	D28422000	104	19
Tank, Hydraulic Oil	D28424000	62	1
Tank, Hydraulic Oil	D28424700	62	1
Tube	D28625200	62	2
Tube	D28627200	26	3

*1 Note

ALPHABETICAL INDEX

Parts Name	P/N	Page *1	Item
Tube	D28627900	26	8
Tube	D28630900	162	2
Tube	D28631200	162	1
Tube	D28632500	170	1
Tube	D28632600	170	2
Tube	D28632700	174	1
Tube	D28632800	174	2
Tube	D28632900	176	1
Tube	D28633000	176	2
Tube	D28633700	232	8
Tube	D28633800	232	7
Tube	D28633900	234	2
Plate	D40027300	108	14
Plate	D40027300	110	16
Decal (Transport Fix)	D40505900	138	27
Decal (Transport Fix)	D40505900	212	27
Decal (Serial No.)	D40509100	132	3
Decal (Serial No.)	D40509100	134	3
Decal (Serial No.)	D40509100	136	3
Decal (Serial No.)	D40509100	138	3
Decal (Serial No.)	D40509100	140	3
Decal (Serial No.)	D40509100	142	3
Decal (Serial No.)	D40509100	206	3
Decal (Serial No.)	D40509100	208	3
Decal (Serial No.)	D40509100	210	3
Decal (Serial No.)	D40509100	212	3
Decal (Serial No.)	D40509100	214	3
Decal (Serial No.)	D40509100	216	3
Decal (Serial No.) (CE)	D40509100	128	3-1
Decal (Serial No.) (CE)	D40509100	202	3-1
Decal (Serial No.)	D40509400	124	3
Decal (Serial No.)	D40509400	128	3
Decal (Serial No.)	D40509400	198	3
Decal (Serial No.)	D40509400	202	3
Decal (New Machine)	D40509700	128	24
Decal (New Machine)	D40509700	132	29
Decal (New Machine)	D40509700	134	29
Decal (New Machine)	D40509700	136	29
Decal (New Machine)	D40509700	138	29
Decal (New Machine)	D40509700	140	29
Decal (New Machine)	D40509700	142	29
Decal (New Machine)	D40509700	202	24
Decal (New Machine)	D40509700	206	29
Decal (New Machine)	D40509700	208	29
Decal (New Machine)	D40509700	210	29
Decal (New Machine)	D40509700	212	29
Decal (New Machine)	D40509700	214	29
Decal (New Machine)	D40509700	216	29
Decal (Spare Piping Change)	D40525600	138	25
Decal (Spare Piping Change)	D40525600	212	25
Seal	D40527200	32	66
Seal	D40527200	40	66

*1 Note

ALPHABETICAL INDEX

Parts Name	P/N	Page *1	Item
Seal	D40527200	116	9
Decal (Caution)	D40532300	128	20
Decal (Caution)	D40532300	202	20
Decal (Caution)	D40533200	124	16
Decal (Caution)	D40533200	198	16
Decal (Caution)	D40535900	128	15
Decal (Caution)	D40535900	132	15
Decal (Caution)	D40535900	134	15
Decal (Caution)	D40535900	136	15
Decal (Caution)	D40535900	138	15
Decal (Caution)	D40535900	140	15
Decal (Caution)	D40535900	142	15
Decal (Caution)	D40535900	202	15
Decal (Caution)	D40535900	206	15
Decal (Caution)	D40535900	208	15
Decal (Caution)	D40535900	210	15
Decal (Caution)	D40535900	212	15
Decal (Caution)	D40535900	214	15
Decal (Caution)	D40535900	216	15
Decal (Caution)	D40536600	128	13
Decal (Caution)	D40536600	132	13
Decal (Caution)	D40536600	134	13
Decal (Caution)	D40536600	136	13
Decal (Caution)	D40536600	138	13
Decal (Caution)	D40536600	140	13
Decal (Caution)	D40536600	142	13
Decal (Caution)	D40536600	202	13
Decal (Caution)	D40536600	206	13
Decal (Caution)	D40536600	208	13
Decal (Caution)	D40536600	210	13
Decal (Caution)	D40536600	212	13
Decal (Caution)	D40536600	214	13
Decal (Caution)	D40536600	216	13
Decal (Caution)	D40537300	124	21
Decal (Caution)	D40537300	198	21
Decal (Caution)	D40542400	124	14
Decal (Caution)	D40542400	198	14
Decal (For A-D)	D40544700	36	71
Decal (Caution)	D40544900	124	20
Decal (Caution)	D40544900	198	20
Decal (Safety Swing)	D40545000	124	11
Decal (Safety Swing)	D40545000	198	11
Decal (Caution)	D40545100	124	18
Decal (Caution)	D40545100	198	18
Decal (Caution)	D40545200	124	15
Decal (Caution)	D40545200	198	15
Decal (Caution)	D40545300	198	26
Decal (Caution)	D40545400	124	12
Decal (Caution)	D40545400	198	12
Decal (Caution)	D40545500	124	13
Decal (Caution)	D40545500	198	13
Decal (Caution)	D40546200	124	17

*1 Note

ALPHABETICAL INDEX

Parts Name	P/N	Page *1	Item
Decal (Caution)	D40546200	198	17
Decal (Caution)	D40546300	124	19
Decal (Caution)	D40546300	198	19
Decal (Caution)	D40550300	128	16
Decal (Caution)	D40550300	132	16
Decal (Caution)	D40550300	134	16
Decal (Caution)	D40550300	136	16
Decal (Caution)	D40550300	138	16
Decal (Caution)	D40550300	140	16
Decal (Caution)	D40550300	142	16
Decal (Caution)	D40550300	202	16
Decal (Caution)	D40550300	206	16
Decal (Caution)	D40550300	208	16
Decal (Caution)	D40550300	210	16
Decal (Caution)	D40550300	212	16
Decal (Caution)	D40550300	214	16
Decal (Caution)	D40550300	216	16
Decal (Caution)	D40550400	128	18
Decal (Caution)	D40550400	132	18
Decal (Caution)	D40550400	134	18
Decal (Caution)	D40550400	136	18
Decal (Caution)	D40550400	138	18
Decal (Caution)	D40550400	140	18
Decal (Caution)	D40550400	142	18
Decal (Caution)	D40550400	202	18
Decal (Caution)	D40550400	206	18
Decal (Caution)	D40550400	208	18
Decal (Caution)	D40550400	210	18
Decal (Caution)	D40550400	212	18
Decal (Caution)	D40550400	214	18
Decal (Caution)	D40550400	216	18
Decal (Caution)	D40550500	128	12
Decal (Caution)	D40550500	132	12
Decal (Caution)	D40550500	134	12
Decal (Caution)	D40550500	136	12
Decal (Caution)	D40550500	138	12
Decal (Caution)	D40550500	140	12
Decal (Caution)	D40550500	142	12
Decal (Caution)	D40550500	202	12
Decal (Caution)	D40550500	206	12
Decal (Caution)	D40550500	208	12
Decal (Caution)	D40550500	210	12
Decal (Caution)	D40550500	212	12
Decal (Caution)	D40550500	214	12
Decal (Caution)	D40550500	216	12
Decal (Caution)	D40550600	128	19
Decal (Caution)	D40550600	132	19
Decal (Caution)	D40550600	134	19
Decal (Caution)	D40550600	136	19
Decal (Caution)	D40550600	138	19
Decal (Caution)	D40550600	140	19
Decal (Caution)	D40550600	142	19

*1 Note

ALPHABETICAL INDEX

Parts Name	P/N	Page *1	Item
Decal (Caution)	D40550600	202	19
Decal (Caution)	D40550600	206	19
Decal (Caution)	D40550600	208	19
Decal (Caution)	D40550600	210	19
Decal (Caution)	D40550600	212	19
Decal (Caution)	D40550600	214	19
Decal (Caution)	D40550600	216	19
Decal (Safety Swing)	D40550700	128	10
Decal (Safety Swing)	D40550700	132	10
Decal (Safety Swing)	D40550700	134	10
Decal (Safety Swing)	D40550700	136	10
Decal (Safety Swing)	D40550700	138	10
Decal (Safety Swing)	D40550700	140	10
Decal (Safety Swing)	D40550700	142	10
Decal (Safety Swing)	D40550700	202	10
Decal (Safety Swing)	D40550700	206	10
Decal (Safety Swing)	D40550700	208	10
Decal (Safety Swing)	D40550700	210	10
Decal (Safety Swing)	D40550700	212	10
Decal (Safety Swing)	D40550700	214	10
Decal (Safety Swing)	D40550700	216	10
Decal (Caution)	D40550800	128	17
Decal (Caution)	D40550800	132	17
Decal (Caution)	D40550800	134	17
Decal (Caution)	D40550800	136	17
Decal (Caution)	D40550800	138	17
Decal (Caution)	D40550800	140	17
Decal (Caution)	D40550800	142	17
Decal (Caution)	D40550800	202	17
Decal (Caution)	D40550800	206	17
Decal (Caution)	D40550800	208	17
Decal (Caution)	D40550800	210	17
Decal (Caution)	D40550800	212	17
Decal (Caution)	D40550800	214	17
Decal (Caution)	D40550800	216	17
Decal (Caution)	D40550900	128	14
Decal (Caution)	D40550900	132	14
Decal (Caution)	D40550900	134	14
Decal (Caution)	D40550900	136	14
Decal (Caution)	D40550900	138	14
Decal (Caution)	D40550900	140	14
Decal (Caution)	D40550900	142	14
Decal (Caution)	D40550900	202	14
Decal (Caution)	D40550900	206	14
Decal (Caution)	D40550900	208	14
Decal (Caution)	D40550900	210	14
Decal (Caution)	D40550900	212	14
Decal (Caution)	D40550900	214	14
Decal (Caution)	D40550900	216	14
Decal (Caution)	D40551000	202	26
Decal (Caution)	D40551000	206	32
Decal (Caution)	D40551000	208	32

*1 Note

ALPHABETICAL INDEX

Parts Name	P/N	Page *1	Item
Decal (Caution)	D40551000	210	32
Decal (Caution)	D40551000	212	32
Decal (Caution)	D40551000	214	32
Decal (Caution)	D40551000	216	32
Decal (Caution)	D40551100	128	11
Decal (Caution)	D40551100	132	11
Decal (Caution)	D40551100	134	11
Decal (Caution)	D40551100	136	11
Decal (Caution)	D40551100	138	11
Decal (Caution)	D40551100	140	11
Decal (Caution)	D40551100	142	11
Decal (Caution)	D40551100	202	11
Decal (Caution)	D40551100	206	11
Decal (Caution)	D40551100	208	11
Decal (Caution)	D40551100	210	11
Decal (Caution)	D40551100	212	11
Decal (Caution)	D40551100	214	11
Decal (Caution)	D40551100	216	11
Decal (For A, B, G)	D40551800	36	71-1
Decal (Caution)	D40555900	132	20
Decal (Caution)	D40555900	206	20
Decal (Caution)	D40557100	136	20
Decal (Caution)	D40557100	210	20
Decal (Caution)	D40557500	134	20
Decal (Caution)	D40557500	208	20
Decal (Caution)	D40558700	138	20
Decal (Caution)	D40558700	212	20
Decal (Caution)	D40559400	140	20
Decal (Caution)	D40559400	214	20
Decal	D40585700	246	1
Decal	D40585900	246	2
Decal	D40586700	246	3
Decal	D40586800	246	5
Decal (Oil)	D40600000	142	4
Decal (Oil)	D40600000	216	4
Decal (Breaker Caution)	D40600200	142	26
Decal (Breaker Caution)	D40600200	216	26
Decal (Caution)	D40600500	142	20
Decal (Caution)	D40600500	216	20
Decal (Transport Fix)	D40600700	142	27
Decal (Transport Fix)	D40600700	216	27
Decal (Anti-Freezing Solution)	D40601200	142	21
Decal (Anti-Freezing Solution)	D40601200	216	21
Decal (Noise 94)	D40615400	132	30
Decal (Noise 94)	D40615400	134	30
Decal (Noise 94)	D40615400	136	30
Decal (Noise 94)	D40615400	138	30
Decal (Noise 94)	D40615400	140	30
Decal (Noise 94)	D40615400	142	30
Decal (Noise 94)	D40615400	206	30

*1 Note

ALPHABETICAL INDEX

Parts Name	P/N	Page *1	Item
Decal (Noise 94)	D40615400	208	30
Decal (Noise 94)	D40615400	210	30
Decal (Noise 94)	D40615400	212	30
Decal (Noise 94)	D40615400	214	30
Decal (Noise 94)	D40615400	216	30
Decal (Noise 94)(CE)	D40615400	128	38
Decal (Noise 94)(CE)	D40615400	202	38
Decal (Oil Check)	D40649000	124	5
Decal (Oil Check)	D40649000	198	5
Decal (T1)	D40649901	86	1-1
Decal (T2)	D40649902	86	3-1
Decal (T3)	D40649903	86	2-1
Decal (T4)	D40649904	86	4-1
Decal (Oil Check)	D40650400	128	5
Decal (Oil Check)	D40650400	202	5
Decal (Oil Check)	D40655000	136	5
Decal (Oil Check)	D40655000	210	5
Decal (Oil Check)	D40655400	134	5
Decal (Oil Check)	D40655400	208	5
Decal (Oil Check)	D40655800	132	5
Decal (Oil Check)	D40655800	206	5
Decal (Oil Check)	D40656200	140	5
Decal (Oil Check)	D40656200	214	5
Decal (Oil Check)	D40656500	138	5
Decal (Oil Check)	D40656500	212	5
Decal (Safety Works)	D40659700	124	9
Decal (Safety Works)	D40659700	198	9
Decal (Blade, Pedal)	D40660200	124	30
Decal (Blade, Pedal)	D40660200	128	30
Decal (Blade, Pedal)	D40660200	132	36
Decal (Blade, Pedal)	D40660200	134	36
Decal (Blade, Pedal)	D40660200	136	36
Decal (Blade, Pedal)	D40660200	138	36
Decal (Blade, Pedal)	D40660200	140	36
Decal (Blade, Pedal)	D40660200	142	36
Decal (Control A)	D40660300	124	31
Decal (Control A)	D40660300	128	31
Decal (Control A)	D40660300	132	37
Decal (Control A)	D40660300	134	37
Decal (Control A)	D40660300	136	37
Decal (Control A)	D40660300	138	37
Decal (Control A)	D40660300	140	37
Decal (Control A)	D40660300	142	37
Decal (Control B)	D40660400	124	31-1
Decal (Control B)	D40660400	128	31-1
Decal (Control B)	D40660400	132	37-1
Decal (Control B)	D40660400	134	37-1
Decal (Control B)	D40660400	136	37-1
Decal (Control B)	D40660400	138	37-1
Decal (Control B)	D40660400	140	37-1
Decal (Control B)	D40660400	142	37-1
Decal (Control C)	D40660500	124	31-2

*1 Note

ALPHABETICAL INDEX

Parts Name	P/N	Page *1	Item
Decal (Control C)	D40660500	128	31-2
Decal (Control C)	D40660500	132	37-2
Decal (Control C)	D40660500	134	37-2
Decal (Control C)	D40660500	136	37-2
Decal (Control C)	D40660500	138	37-2
Decal (Control C)	D40660500	140	37-2
Decal (Control C)	D40660500	142	37-2
Decal (Control D)	D40660600	124	31-3
Decal (Control D)	D40660600	128	31-3
Decal (Control D)	D40660600	132	37-3
Decal (Control D)	D40660600	134	37-3
Decal (Control D)	D40660600	136	37-3
Decal (Control D)	D40660600	138	37-3
Decal (Control D)	D40660600	140	37-3
Decal (Control D)	D40660600	142	37-3
Decal (Control F)	D40660700	128	31-4
Decal (Control G)	D40660800	124	31-4
Decal (Control A-D)	D40660900	124	32
Decal (Control A-D)	D40660900	128	32
Decal (Control A-D)	D40660900	132	38
Decal (Control A-D)	D40660900	134	38
Decal (Control A-D)	D40660900	136	38
Decal (Control A-D)	D40660900	138	38
Decal (Control A-D)	D40660900	140	38
Decal (Control A-D)	D40660900	142	38
Decal (Control A, B, G)	D40661000	124	33
Decal (Control A)	D40662200	198	31
Decal (Control A)	D40662200	202	31
Decal (Control A)	D40662200	206	37
Decal (Control A)	D40662200	208	37
Decal (Control A)	D40662200	210	37
Decal (Control A)	D40662200	212	37
Decal (Control A)	D40662200	214	37
Decal (Control A)	D40662200	216	37
Decal (Control B)	D40662300	198	31-1
Decal (Control B)	D40662300	202	31-1
Decal (Control B)	D40662300	206	37-1
Decal (Control B)	D40662300	208	37-1
Decal (Control B)	D40662300	210	37-1
Decal (Control B)	D40662300	212	37-1
Decal (Control B)	D40662300	214	37-1
Decal (Control B)	D40662300	216	37-1
Decal (Control C)	D40662400	198	31-2
Decal (Control C)	D40662400	202	31-2
Decal (Control C)	D40662400	206	37-2
Decal (Control C)	D40662400	208	37-2
Decal (Control C)	D40662400	210	37-2
Decal (Control C)	D40662400	212	37-2
Decal (Control C)	D40662400	214	37-2
Decal (Control C)	D40662400	216	37-2
Decal (Control D)	D40662500	198	31-3
Decal (Control D)	D40662500	202	31-3

*1 Note

ALPHABETICAL INDEX

Parts Name	P/N	Page *1	Item
Decal (Control D)	D40662500	206	37-3
Decal (Control D)	D40662500	208	37-3
Decal (Control D)	D40662500	210	37-3
Decal (Control D)	D40662500	212	37-3
Decal (Control D)	D40662500	214	37-3
Decal (Control D)	D40662500	216	37-3
Decal (Control F)	D40662600	202	31-4
Decal (Control G)	D40662700	198	31-4
Decal (Control A-D)	D40662800	198	32
Decal (Control A-D)	D40662800	202	32
Decal (Control A-D)	D40662800	206	38
Decal (Control A-D)	D40662800	208	38
Decal (Control A-D)	D40662800	210	38
Decal (Control A-D)	D40662800	212	38
Decal (Control A-D)	D40662800	214	38
Decal (Control A-D)	D40662800	216	38
Decal (Control A, B, G)	D40662900	198	33
Decal (Blade, Pedal)	D40663000	198	30
Decal (Blade, Pedal)	D40663000	202	30
Decal (Blade, Pedal)	D40663000	206	36
Decal (Blade, Pedal)	D40663000	208	36
Decal (Blade, Pedal)	D40663000	210	36
Decal (Blade, Pedal)	D40663000	212	36
Decal (Blade, Pedal)	D40663000	214	36
Decal (Blade, Pedal)	D40663000	216	36
Decal (Environment)	D40663100	124	23
Decal (Environment)	D40663100	198	23
Decal (Spare Piping Change)	D40672000	142	25
Decal (Spare Piping Change)	D40672000	216	25
Decal (Environment)	D40678300	128	22
Decal (Environment)	D40678300	132	22
Decal (Environment)	D40678300	134	22
Decal (Environment)	D40678300	136	22
Decal (Environment)	D40678300	138	22
Decal (Environment)	D40678300	140	22
Decal (Environment)	D40678300	142	22
Decal (Environment)	D40678300	202	22
Decal (Environment)	D40678300	206	22
Decal (Environment)	D40678300	208	22
Decal (Environment)	D40678300	210	22
Decal (Environment)	D40678300	212	22
Decal (Environment)	D40678300	214	22
Decal (Environment)	D40678300	216	22
Decal (Safety Works)	D40679500	136	8
Decal (Safety Works)	D40679500	210	8
Decal (Oil Check)	D40681100	142	5
Decal (Oil Check)	D40681100	216	5
Decal	D40682700	246	12
Pad, Rubber	D40693000	170	53
Pad, Rubber	D40693100	170	54
Decal (Safety Works)	D40701600	142	8
Decal (Safety Works)	D40701600	216	8

*1 Note

ALPHABETICAL INDEX

Parts Name	P/N	Page *1	Item
Decal (Spare Pedal)	D40705600	198	38
Decal (BA)	D40781801	92	3-1
Decal (BB)	D40781802	92	5-1
Decal (BP)	D40781803	32	50-1
Decal (BP)	D40781803	36	50-1
Decal (BP)	D40781803	40	50-1
Decal (BT)	D40781804	32	22-1
Decal (BT)	D40781804	36	22-1
Decal (BT)	D40781804	40	22-1
Decal (Light)	D40781900	148	19
Decal	D40782000	196	26
Decal	D40782300	148	28
Plate, Name (Throttle)	D40782900	148	32
Decal (Engine Daily Check)	D40787700	124	8
Decal (Engine Daily Check)	D40787700	198	8
Decal (Engine Daily Check)	D40788700	128	7
Decal (Engine Daily Check)	D40788700	202	7
Decal (Engine Daily Check)	D40788900	134	7
Decal (Engine Daily Check)	D40788900	208	7
Decal (Engine Daily Check)	D40789100	132	7
Decal (Engine Daily Check)	D40789100	206	7
Decal (Engine Daily Check)	D40790600	138	7
Decal (Engine Daily Check)	D40790600	212	7
Decal (Engine Daily Check)	D40790800	142	7
Decal (Engine Daily Check)	D40790800	216	7
Decal (Engine Daily Check)	D40791200	140	7
Decal (Engine Daily Check)	D40791200	214	7
Decal (Engine Daily Check)	D40791700	136	7
Decal (Engine Daily Check)	D40791700	210	7
Decal (EPA Regulation)	D40794300	124	25
Decal (EPA Regulation)	D40794300	128	25
Decal (EPA Regulation)	D40794300	132	31
Decal (EPA Regulation)	D40794300	134	31
Decal (EPA Regulation)	D40794300	136	31
Decal (EPA Regulation)	D40794300	138	31
Decal (EPA Regulation)	D40794300	140	31
Decal (EPA Regulation)	D40794300	142	31
Decal (EPA Regulation)	D40794300	198	25
Decal (EPA Regulation)	D40794300	202	25
Decal (EPA Regulation)	D40794300	206	31
Decal (EPA Regulation)	D40794300	208	31
Decal (EPA Regulation)	D40794300	210	31
Decal (EPA Regulation)	D40794300	212	31
Decal (EPA Regulation)	D40794300	214	31
Decal (EPA Regulation)	D40794300	216	31
Decal	D40796300	148	42
Decal	D40796400	148	43
Decal	D40796500	148	37
Decal	D40796600	148	46
Decal	D40796700	148	47
Decal	D40796800	148	48
Decal	D40802000	246	8

*1 Note

ALPHABETICAL INDEX

Parts Name	P/N	Page *1	Item
Decal	D40802100	246	7
Decal	D40803800	246	11
Decal	D40820500	226	16
Decal	D40828000	148	23
Seal	D40828100	88	42
Decal	D40828500	148	41
Decal	D40829200	144	43
Decal (Lub. Chart)	D40831300	124	6
Decal (Lub. Chart)	D40831300	198	6
Decal (Specification)	D40831600	124	34
Decal (Specification)	D40831600	198	34
Decal (Bucket Specification)	D40832000	124	35
Decal (Bucket Specification)	D40832000	198	35
Decal (Boom Lowering)(CE)	D40832200	128	35
Decal (Boom Lowering)(CE)	D40832200	202	35
Decal (Spanner Change Lever)	D40832300	124	27
Decal (Spanner Change Lever)	D40832300	128	27
Decal (Spanner Change Lever)	D40832300	132	33
Decal (Spanner Change Lever)	D40832300	134	33
Decal (Spanner Change Lever)	D40832300	136	33
Decal (Spanner Change Lever)	D40832300	138	33
Decal (Spanner Change Lever)	D40832300	140	33
Decal (Spanner Change Lever)	D40832300	142	33
Decal (Spanner Change Lever)	D40832300	198	27
Decal (Spanner Change Lever)	D40832300	202	27
Decal (Spanner Change Lever)	D40832300	206	33
Decal (Spanner Change Lever)	D40832300	208	33
Decal (Spanner Change Lever)	D40832300	210	33
Decal (Spanner Change Lever)	D40832300	212	33
Decal (Spanner Change Lever)	D40832300	214	33
Decal (Spanner Change Lever)	D40832300	216	33
Decal (Oil)	D40832400	124	4
Decal (Oil)	D40832400	198	4
Decal (Tank Decompression)	D40832800	124	10
Decal (Tank Decompression)	D40832800	198	10

*1 Note

ALPHABETICAL INDEX

Parts Name	P/N	Page *1	Item
Decal (Boom Lowering)	D40833400	134	24
Decal (Boom Lowering)	D40833400	208	24
Decal (Boom Lowering)	D40833500	136	24
Decal (Boom Lowering)	D40833500	210	24
Decal (Boom Lowering)	D40833600	138	24
Decal (Boom Lowering)	D40833600	212	24
Decal (Boom Lowering)	D40833700	140	24
Decal (Boom Lowering)	D40833700	214	24
Decal (Boom Lowering)	D40833800	132	24
Decal (Boom Lowering)	D40833800	206	24
Decal (Boom Lowering)	D40833900	142	24
Decal (Boom Lowering)	D40833900	216	24
Decal (Lifting Procedures)(CE)	D40834000	128	37
Decal (Lifting Procedures)(CE)	D40834000	202	37
Decal (Lifting Procedures)	D40834100	134	28
Decal (Lifting Procedures)	D40834100	208	28
Decal (Lifting Procedures)	D40834200	136	28
Decal (Lifting Procedures)	D40834200	210	28
Decal (Lifting Procedures)	D40834300	138	28
Decal (Lifting Procedures)	D40834300	212	28
Decal (Lifting Procedures)	D40834400	140	28
Decal (Lifting Procedures)	D40834400	214	28
Decal (Lifting Procedures)	D40834500	132	28
Decal (Lifting Procedures)	D40834500	206	28
Decal (Lifting Procedures)	D40834600	142	28
Decal (Lifting Procedures)	D40834600	216	28
Decal (Spare Pedal)	D40835400	124	38
Decal (Lub. Chart)	D40835500	128	6
Decal (Lub. Chart)	D40835500	202	6
Decal (Lub. Chart)	D40835600	134	6
Decal (Lub. Chart)	D40835600	208	6
Decal (Lub. Chart)	D40835700	136	6
Decal (Lub. Chart)	D40835700	210	6
Decal (Lub. Chart)	D40835800	138	6
Decal (Lub. Chart)	D40835800	212	6
Decal (Lub. Chart)	D40835900	140	6
Decal (Lub. Chart)	D40835900	214	6
Decal (Lub. Chart)	D40836000	132	6
Decal (Lub. Chart)	D40836000	206	6
Decal (Lub. Chart)	D40836100	142	6
Decal (Lub. Chart)	D40836100	216	6
Plate, Nonslip	D40837000	124	26
Plate, Nonslip	D40837000	128	26
Plate, Nonslip	D40837000	132	32
Plate, Nonslip	D40837000	134	32
Plate, Nonslip	D40837000	136	32
Plate, Nonslip	D40837000	138	32
Plate, Nonslip	D40837000	140	32
Plate, Nonslip	D40837000	142	32
Decal (Reflector)	D40837100	124	24

*1 Note

ALPHABETICAL INDEX

Parts Name	P/N	Page *1	Item
Decal (Reflector)	D40837100	128	23
Decal (Reflector)	D40837100	132	23
Decal (Reflector)	D40837100	134	23
Decal (Reflector)	D40837100	136	23
Decal (Reflector)	D40837100	138	23
Decal (Reflector)	D40837100	140	23
Decal (Reflector)	D40837100	142	23
Decal (Reflector)	D40837100	198	24
Decal (Reflector)	D40837100	202	23
Decal (Reflector)	D40837100	206	23
Decal (Reflector)	D40837100	208	23
Decal (Reflector)	D40837100	210	23
Decal (Reflector)	D40837100	212	23
Decal (Reflector)	D40837100	214	23
Decal (Reflector)	D40837100	216	23
Decal (For Rops)	D40837500	116	12
Decal (For Tops)	D40837600	116	11
Decal	D40837901	246	9
Decal	D40837902	246	9-1
Decal	D40838000	246	10
Decal	D40838100	246	10-2
Decal	D40838200	246	10-1
Decal	D40838300	246	10-3
Decal	D40839600	246	4
Decal (IHI)	D40840200	124	28
Decal (IHI)	D40840200	128	28
Decal (IHI)	D40840200	132	34
Decal (IHI)	D40840200	134	34
Decal (IHI)	D40840200	136	34
Decal (IHI)	D40840200	138	34
Decal (IHI)	D40840200	140	34
Decal (IHI)	D40840200	142	34
Decal (IHI)	D40840200	198	28
Decal (IHI)	D40840200	202	28
Decal (IHI)	D40840200	206	34
Decal (IHI)	D40840200	208	34
Decal (IHI)	D40840200	210	34
Decal (IHI)	D40840200	212	34
Decal (IHI)	D40840200	214	34
Decal (IHI)	D40840200	216	34
Decal (IHI)	D40840300	124	29
Decal (IHI)	D40840300	128	29
Decal (IHI)	D40840300	132	35
Decal (IHI)	D40840300	134	35
Decal (IHI)	D40840300	136	35
Decal (IHI)	D40840300	138	35
Decal (IHI)	D40840300	140	35
Decal (IHI)	D40840300	142	35
Decal (IHI)	D40840300	198	29
Decal (IHI)	D40840300	202	29
Decal (IHI)	D40840300	206	35
Decal (IHI)	D40840300	208	35

*1 Note

ALPHABETICAL INDEX

Parts Name	P/N	Page *1	Item
Decal (IHI)	D40840300	210	35
Decal (IHI)	D40840300	212	35
Decal (IHI)	D40840300	214	35
Decal (IHI)	D40840300	216	35
Decal (Model)	D40840600	124	1
Decal (Model)	D40840600	128	1
Decal (Model)	D40840600	132	1
Decal (Model)	D40840600	134	1
Decal (Model)	D40840600	136	1
Decal (Model)	D40840600	138	1
Decal (Model)	D40840600	140	1
Decal (Model)	D40840600	142	1
Decal (Model)	D40840600	198	1
Decal (Model)	D40840600	202	1
Decal (Model)	D40840600	206	1
Decal (Model)	D40840600	208	1
Decal (Model)	D40840600	210	1
Decal (Model)	D40840600	212	1
Decal (Model)	D40840600	214	1
Decal (Model)	D40840600	216	1
Decal (Model)	D40841500	124	2
Decal (Model)	D40841500	128	2
Decal (Model)	D40841500	132	2
Decal (Model)	D40841500	134	2
Decal (Model)	D40841500	136	2
Decal (Model)	D40841500	138	2
Decal (Model)	D40841500	140	2
Decal (Model)	D40841500	142	2
Decal (Model)	D40841500	198	2
Decal (Model)	D40841500	202	2
Decal (Model)	D40841500	206	2
Decal (Model)	D40841500	208	2
Decal (Model)	D40841500	210	2
Decal (Model)	D40841500	212	2
Decal (Model)	D40841500	214	2
Decal (Model)	D40841500	216	2
Decal (Tank Decompression)	D40842400	128	9
Decal (Tank Decompression)	D40842400	202	9
Decal (Tank Decompression)	D40842500	134	9
Decal (Tank Decompression)	D40842500	208	9
Decal (Tank Decompression)	D40842600	136	9
Decal (Tank Decompression)	D40842600	210	9
Decal (Tank Decompression)	D40842700	138	9
Decal (Tank Decompression)	D40842700	212	9
Decal (Tank Decompression)	D40842800	140	9
Decal (Tank Decompression)	D40842800	214	9
Decal (Tank Decompression)	D40842900	132	9
Decal (Tank Decompression)	D40842900	206	9
Decal (Tank Decompression)	D40843000	142	9
Decal (Tank Decompression)	D40843000	216	9
Decal (Capacities Table)	D40843400	134	20-1
Decal (Capacities Table)	D40843400	208	20-1

*1 Note

ALPHABETICAL INDEX

Parts Name	P/N	Page *1	Item
Decal	D40844700	148	24
Decal	D40863700	246	6
Bracket	D41431400	240	2
Bracket	D41670100	218	1
Bracket	D41691500	170	50
Bracket	D41782100	144	16
Bracket	D41782200	144	17
Bracket	D41813900	88	44
Bracket	D41819000	88	14
Bracket	D41830200	88	12
Bracket	D41830400	148	30
Bracket	D41845300	162	11
Bracket	D41845500	182	2
Bracket	D41845600	242	3
Bracket	D41856400	110	40
Bracket, Boom Swing	D41857300	158	1
Bracket	D41858300	40	69
Bracket	D41863000	224	3
Bracket	D41863200	224	2
Bracket	D41863200	242	4
Bracket	D41868800	222	2
Bracket	D41868900	222	3
Bracket	D41881200	170	12
Bracket	D41881200	176	10
Bracket	D41881300	170	13
Bracket	D41881300	176	11
Bracket	D41881500	176	35
Bracket	D41883600	104	9
Bracket	D41884700	96	49
Bracket	D41886700	104	23
Bracket	D41889900	100	2
Bracket	D41890800	108	3
Bracket	D41890900	108	4
Bracket	D41891000	108	5
Bracket	D41892700	110	14
Bracket	D41892900	32	11
Bracket	D41892900	36	11
Bracket	D41892900	40	11
Bracket	D41893000	32	12
Bracket	D41893000	36	12
Bracket	D41893000	40	12
Bracket	D41894100	108	17
Bracket	D41896900	110	30
Bracket	D41902600	104	43
Bracket	D41912200	32	67
Bracket	D41913300	170	36
Bracket	D41914100	96	6
Bracket	D41916100	224	5
Bracket	D41918600	232	2
Bracket	D41919400	232	3
Bracket	D41919900	94	1
Cover (For A/C)	D41920100	96	36-1

*1 Note

ALPHABETICAL INDEX

Parts Name	P/N	Page *1	Item
Bracket	D41920300	234	19
Bracket	D41920400	234	3
Bracket	D41920500	230	9
Bracket	D41920700	234	20
Bracket	D41920800	234	4
Bracket	D41921800	104	10
Bracket	D41922900	148	13
Bracket	D41923000	148	4
Bracket	D41925400	96	4
Bracket	D41925500	96	5
Bracket	D41926400	100	3
Bracket	D41927800	22	3
Bracket	D41928000	22	2
Bracket	D41928100	32	13
Bracket	D41928100	36	13
Bracket	D41928100	40	13
Bracket	D41928500	86	19
Bracket	D41928600	92	22
Bracket	D41928700	26	26
Bracket	D41928800	144	8
Bracket	D41930800	88	11
Bracket	D41931000	30	1
Bracket	D41931100	30	3
Bracket	D41931500	144	47
Bracket	D41934200	86	24
Bracket	D41934300	86	28
BRACKET	D41934400	120	3
Bracket	D41935500	244	4-1
Bracket	D41935700	244	4
Bracket	D41935900	226	2
Bracket	D41936000	86	14
Bracket	D41936100	228	15
Bracket	D41936200	228	16
Bracket	D41943400	94	2
Bracket	D41944600	144	31
Bracket	D41945100	110	15
Bracket	D41947200	196	2
Bracket	D41947700	148	51
Bracket (For A/C)	D41951800	96	5-1
Bracket	D41954200	108	2
Bracket	D41954700	174	20
Pipe	D43028600	26	21
Plate, Rubber	D43349600	104	12
Plate, Rubber	D43350400	104	18
Plate, Rubber	D43351000	26	24
Canopy	D44800500	118	1
Bracket	D45220700	226	3
Cover	D45573700	240	3
Cover	D45712700	242	9
Cover	D45791700	166	2
Cover	D45805400	108	1
Cover	D45805500	108	25

*1 Note

ALPHABETICAL INDEX

Parts Name	P/N	Page *1	Item
Cover	D45805600	108	26
Cover	D45807100	110	12
Cover	D45814900	196	3
Cover	D45819400	6	8
Cover	D45819500	108	16
Cover	D45823600	110	35
Cover	D45827000	144	1
Cover	D45828300	108	28
Cover	D45828400	108	29
Cover	D45828600	108	31
Cover	D45830100	108	30
Cover	D45841300	234	5
Cover	D45843500	110	41
Cover	D45843700	162	26
Cover	D45844000	154	8
Cover	D45844300	162	27
Cover	D45845400	108	32
Cover	D45845600	96	7
Cover	D45845800	96	36
Cover	D45846100	110	42
Cover	D45849700	244	5
Cover	D45850800	226	6
Cover	D45851400	110	49
Cover	D45851500	110	49-1
Cover	D45857900	96	8
Cover	D45858300	110	1
Panel	D46531300	148	14
Panel	D46531400	148	15
Panel	D46531800	88	3
Panel	D46531900	88	4
Panel	D46535800	196	4
Panel	D46538000	148	2
Panel	D46538100	148	3
Duct	D46538200	226	4
Panel	D46538300	226	5
Panel	D46825100	100	14
Guard	D47070000	118	4
Guide, Fan	D47074000	96	2
Guard	D47080500	116	1
Guard	D47080500	118	3
Guide	D47505200	154	9
Rest, Arm	D48000900	88	43
Holder	D48102300	96	9
Retainer, Spring	D48502100	10	12
Link, Arm (R.H.)	D49037000	154	5
Link, Arm (L.H.)	D49037100	154	6
Link, Bucket	D49037200	154	7
Link, Backet	D49044200	238	4
Panel, Sponge	D49343400	114	12
Panel, Sponge	D49343901	196	15
Panel, Sponge	D49346200	114	15
Panel, Sponge	D49346300	114	16

*1 Note

ALPHABETICAL INDEX

Parts Name	P/N	Page *1	Item
Panel, Sponge	D49347800	114	17
Panel, Sponge	D49348000	114	19
Panel, Sponge	D49348100	114	20
Panel, Sponge	D49348200	114	21
Panel, Sponge	D49348300	114	22
Panel, Sponge	D49348400	114	23
Panel, Sponge	D49348800	96	53
Panel, Sponge	D49349500	96	52
Panel, Sponge	D49350600	114	1
Panel, Sponge	D49351100	114	5
Panel, Sponge	D49351200	114	6
Panel, Sponge	D49351300	114	7
Panel, Sponge	D49351400	114	8
Panel, Sponge	D49352000	96	54
Panel, Sponge	D49352400	96	34
Panel, Sponge	D49352500	96	56
Panel, Sponge	D49353700	22	4
Panel, Sponge	D49353800	22	5
Panel, Sponge	D49354000	22	7
Panel, Sponge	D49355100	62	16
Panel, Sponge	D49355200	62	17
Panel, Sponge	D49355300	62	18
Panel, Sponge	D49362600	196	23
Panel, Sponge	D49363400	114	31
Panel, Sponge	D49363900	114	13
Panel, Sponge	D49364600	22	6
Panel, Sponge	D49364700	96	62
Panel, Sponge	D49364800	96	42
Panel, Sponge	D49364900	96	43
Panel, Sponge	D49365100	104	13
Panel, Sponge	D49365200	96	63
Panel, Sponge	D49365300	114	25
Panel, Sponge	D49365400	114	18
Panel, Sponge	D49366400	114	32
Panel, Sponge	D49366600	114	33
Panel, Sponge	D49366900	114	10
Panel, Sponge	D49367000	114	9
Panel, Sponge	D49367100	114	2
Panel, Sponge	D49367200	96	55
Panel, Sponge	D49367300	114	3
Panel, Sponge	D49367400	114	11
Panel, Sponge	D49367500	114	4
Panel, Sponge	D49367900	114	26
Panel, Sponge	D49368000	114	27
Seal, Sponge	D49369400	226	17
Panel, Sponge (For A/C)	D49369700	96	42-1
Panel, Sponge	D49372100	114	30
Panel, Sponge	D49372600	96	60
Panel, Sponge	D49373200	196	24
Seal, Sponge	D49375301	182	10
Seal, Sponge	D49375302	182	9
Lever	D49557700	88	32

*1 Note

ALPHABETICAL INDEX

Parts Name	P/N	Page *1	Item
Lever	D49572400	94	3
Lever	D49577400	88	13
Lever	D49580800	92	12
Lever (L.H.)	D49583800	86	12
Lever (R.H.)	D49583900	86	13
Lever	D49584300	88	49
Lever	D49585000	94	4
Pedal	D50105700	86	22
Pedal	D50105800	86	27
Pedal	D50105900	170	49
Pedal	D50107500	92	23
Pedal	D50107600	86	23
Duct	D52228000	100	22
Cap	D52800500	148	25
Cap	D52800500	148	35
Cap	D52800600	148	18
Seal	D55006300	104	7
Seal	D55100601	110	38
Seal	D55100602	110	39
Seal	D55100701	114	14
Seal, Sponge	D55100901	226	18
Seal, Sponge	D55100902	226	19
Seal, Sponge	D55100903	226	20
Seal	D55100904	110	47
Seal	D55100905	110	48
Panel, Sponge	D55100906	114	28
Panel, Sponge	D55100907	114	29
Seal, Sponge	D55101001	226	21
Seal, Sponge	D55101002	226	22
Pad	D58016000	162	28
Pad	D58016900	30	4
Pad	D58018200	96	51
Pad	D58018300	30	5
Mat (For Canopy)	D58119100	120	1
Mat (For Canopy, Pedal)	D58120300	120	1-1
Mat (For Cabin)	D58120400	120	1-2
Mat (For Cabin, Pedal)	D58120500	120	1-3
Pipe, Tail	D58414300	100	1
Band, Earth	D59171703	144	15
Harness	D59216100	220	1
Cable, Battery	D59219403	144	14
Harness	D59220600	148	44
Harness	D59228500	144	41
Harness, Main	D59228700	144	12
Harness	D59229000	88	39
Harness	D59230400	242	1
Harness	D59230500	242	2
Harness	D59230600	228	1
Harness	D59230900	196	25
Cylinder Ass'y, Grease	F30011100	10	0
Roller Ass'y, Lower	F30022300	14	0
Roller Ass'y, Lower	F30022300	6	17

*1 Note

ALPHABETICAL INDEX

Parts Name	P/N	Page *1	Item
Idler Ass'y, Front	F30036100	10	20
Idler Ass'y, Front	F30036101	12	0
Unit Ass'y, Spring	F30038000	10	10
Attachment Ass'y, Blade	F30102200	166	0
Expantion Device, Crawler	F30716800	20	0
Frame Ass'y, Swing	F31135700	22	0
Swing Drive Device	F32025300	24	0
Bearing Ass'y, Swing	F32025700	22	0-1
Dribve Device, Oil Pump	F33068000	102	0
Air Cleaner & Muffler Ass'y	F33068200	100	0
Engine & Accessories	F33068200	96	0
Tank Ass'y, Fuel	F33731700	104	0
Piping Ass'y, Fuel	F33732000	104	0-1
Piping Ass'y, Hoe Attachment	F34250600	162	0
Valve Ass'y, Holding	F34262400	234	0-1
Valve Ass'y, Holding	F34262500	234	0
Piping Ass'y, Hydraulic	F34262600	232	0
Piping Ass'y, Blade	F34263500	168	0-1
Piping Ass'y, Hoe Attachment	F34263500	162	0-1
Piping Ass'y, Pump Discharge & Boom Swing	F34263500	30	0
Piping Ass'y, Return & Suction	F34263500	26	0
Piping Ass'y, Swing & Travel	F34263500	28	0
Tank Ass'y, Hydraulic Oil	F34263800	62	0
Piping Ass'y, Blade	F34264500	168	0
Piping Ass'y, Lower Travel	F34264500	18	0
Piping Ass'y, First Spare	F34265500	170	0
Piping Ass'y, Second Spare	F34265500	174	0
Piping Ass'y, Third Spare	F34265500	176	0
Control Ass'y, Blade & Boom Swing	F34266000	92	0
Lever Ass'y, Travel	F34266000	86	0
Piping Ass'y, Control	F34266000	32	0
Piping Ass'y, Control	F34266000	36	0
Piping Ass'y, Control	F34266000	40	0
Accumulator Ass'y	F34267500	180	0
Mat Ass'y	F35320600	120	0-3
Cabin (Dark Grey)	F35481000	184	1
Mirror Ass'y	F35503700	218	0
Accessories Ass'y	F35510300	144	0-1
Room Ass'y, Operator	F35518200	182	0
Seat Ass'y, Operator	F35518300	120	0-1
Seat Ass'y, Operator (W/Suspension)	F35518400	120	0
Seat Ass'y, Operator	F35518500	120	0-2
Absorbent Ass'y, Noise	F35519500	114	0
Cover Ass'y	F35519500	108	0
Cover Ass'y	F35519500	110	0

*1 Note

ALPHABETICAL INDEX

Parts Name	P/N	Page *1	Item
Seat Ass'y, Operator	F35519600	120	0-3
Canopy Ass'y	F35519700	118	0
Canopy Ass'y (For Tops/Rops)	F35521100	116	0
Canopy Ass'y (For Tops/Rops)	F35522100	116	0-1
Heater Ass'y, Car	F35523000	196	0
Panel Ass'y, Instrument	F36170600	148	0
Panel Ass'y, Instrument	F36170700	148	0-1
Shift Lever Ass'y, Blade & Crawler Expansion	F36170800	94	0
Absorbent Ass'y, Noise	F36171800	114	0-1
Control Ass'y, Blade & Boom Swing	F36172000	92	0-1
Lever Ass'y, Control	F36172000	88	0
Lever Ass'y, Travel	F36172000	86	0-1
Cover Ass'y	F36172100	108	0-1
Cover Ass'y	F36172100	110	0-1
Light Ass'y, Revolving	F36620100	242	11
Immobilizer Ass'y	F36679200	222	0
Electrical System	F36688000	242	0
Battery Ass'y	F36688700	144	0-2
Electrical System	F36689100	144	0
Angle Detector	F37034000	240	0
Controller Ass'y	F37034200	244	0
Absorbent Ass'y, Noise	F37321600	114	0-2
Weight Ass'y, Counter	F37321600	122	0
Decal Ass'y	F37784300	124	0
Decal Ass'y	F37784300	128	0
Decal Ass'y	F37784300	132	0
Decal Ass'y	F37784300	134	0
Decal Ass'y	F37784300	136	0
Decal Ass'y	F37784300	138	0
Decal Ass'y	F37784300	140	0
Decal Ass'y	F37784300	142	0
Decal Ass'y	F37784400	198	0
Decal Ass'y	F37784400	202	0
Decal Ass'y	F37784400	206	0
Decal Ass'y	F37784400	208	0
Decal Ass'y	F37784400	210	0
Decal Ass'y	F37784400	212	0
Decal Ass'y	F37784400	214	0
Decal Ass'y	F37784400	216	0
Decal Ass'y	F37785400	124	0-1
Decal Ass'y	F37785400	128	0-1
Decal Ass'y	F37785400	132	0-1
Decal Ass'y	F37785400	134	0-1
Decal Ass'y	F37785400	136	0-1
Decal Ass'y	F37785400	138	0-1
Decal Ass'y	F37785400	140	0-1
Decal Ass'y	F37785400	142	0-1
Decal Ass'y	F37785500	198	0-1

*1 Note

ALPHABETICAL INDEX

Parts Name	P/N	Page *1	Item
Decal Ass'y	F37785500	202	0-1
Decal Ass'y	F37785500	206	0-1
Decal Ass'y	F37785500	208	0-1
Decal Ass'y	F37785500	210	0-1
Decal Ass'y	F37785500	212	0-1
Decal Ass'y	F37785500	214	0-1
Decal Ass'y	F37785500	216	0-1
Decal Ass'y	F37785600	124	0-2
Decal Ass'y	F37785600	198	0-2
Decal Ass'y	F37786100	246	0
Piping, Ass'y Air Conditioner	F38539500	230	0
Air Conditioner Ass'y (1)	F38539600	226	0
Air Conditioner Ass'y (2)	F38539900	228	0
Piping, Ass'y Air Conditioner	F38539900	230	0-1
Light Ass'y	F38540200	224	0
Bucket Ass'y, Hoe (0.11m3)	F38822401	160	0
Bucket Ass'y, Hoe (0.055m3)	F38822402	160	0-3
Bucket Ass'y, Hoe (0.08m3)	F38822403	160	0-4
Bucket Ass'y, Hoe (0.12m3)	F38822404	160	0-5
Bucket Ass'y, Hoe (Reinforced, 0.11m3)	F38822501	160	0-1
Bucket Ass'y, Hoe (W/Hook, 0.11m3)	F38822601	160	0-2
Piping Ass'y, Pump Discharge & Boom Swing	F38839500	30	0-1
Swing Ass'y, Boom	F38839500	158	0
Attachment Ass'y, Hoe	F38839800	154	0
Block Ass'y, Hook	F41812700	238	0
Alarm Device, Travvel	F43227700	220	0
Washer, Rubber	F77131500	228	21
Pump, Fuel	Y11922552102	2	32
Pump, Fuel	Y11922552102	104	45
Cartridge, Fuel Filter	Y11980255801	2	30
Cartridge, Fuel Filter	Y11980255801	104	44
Switch, Oil Pressure	Y12125239450	2	36
Bracket	Y12125644600	96	64-2
Resonator	Y12185512060	100	23
Clamp	Y12445044550	96	64-1
Filter, Oil	Y12915035153	2	31
Thermostat	Y12915549801	2	35
Sensor, Thermo	Y12992744900	2	37
Relay, Starter	Y12992777920	144	52
Relay, Glow	Y12992777930	144	51
Tank, Surge	Y17106444510	96	64
Relay	Y19846152950	2	33
Relay, Main	Y19846152950	144	50
Relay, Rack Actuator	Y19846152950	144	49
Relay, Sub	Y19846152950	144	48
Belt, V	Y25152003800	2	34
* * * * *	ZG00401	2	43

*1 Note

ALPHABETICAL INDEX

Parts Name	P/N	Page *1	Item
* * * * *	ZG00402	2	43-1
* * * * *	ZG00403	2	43-2
* * * * *	ZG10100	2	41

*1 Note

初版発行

不許複製

Published,

35V4

パーツカタログ
PARTS CATALOG

編集及び発行所

IHI建機株式会社 設計部 技術管理G

Editing & Publishing Office

IHI Construction Machinery Limited

Design Department

〒236-8611 神奈川県横浜市金沢区昭和町 3174

3174 Syowa-machi, Kanazawa-ku, Yokohama, Kanagawa, 236-8611, Japan
