



**The new tracked excavator Menzi Master M515  
with up to 70% performance increase  
in the 14-ton class.**

# The Menzi Master M515.

## Performance

The powerful 4-cylinder Deutz turbo-diesel engine (115 kW / 157 HP) allows the Master to supply up to 70% increase in performance compared to standard tracked excavators in the same weight class. The optional Powerline covers the oil requirements of even the most demanding accessories.

## Stability

The long, rugged track chassis with adjustable track gauge from 1900 to 2900 mm guarantees excellent stability.

## Excellent on slopes

Owing to its low center of gravity, the machine is particularly good for working on steep slopes. The sophisticated blade kinematics guarantee a large grading angle and safe stability on steep terrain.

## Highly versatile

The various additional hydraulic circuits at the boom and chassis mean that the machine is extremely versatile.

## Optional

Different track widths and variants in addition to the blade extension increase the flexibility of the Master. For additional safety on the terrain it is possible to attach a cable winch at the chassis.

A tracked excavator that is only available from Menzi Muck: a 14-ton excavator with track chassis and 157 HP that eclipses all existing machines!

A world first made by Menzi: the Master works with a telescopic arm and special wide-angle kinematics – a combination that finally makes the impossible possible!

The power unit is ideal as an equipment-carrier of particularly power-hungry attachments and also for the operator, who up to now had to make do with less!

This excavator with zero tail is qualified for applications where low ground pressure is provided and narrow spaces require a market-leading concept.



# Economical. Powerful. Efficient. Engine, hydraulic, electric and cooling system.

## APM - up to 30% fuel savings

The APM controller (Anticipating Power Management) creates a new, fast and harmonic interplay between the engine and the hydraulics. Overloading is thereby reduced to an absolute minimum. Power, Eco and Fine mode provide extra help in efficient operation of the machines. Power-lift function for maximum forces.

## Engine

The powerful Deutz 4-cylinder turbo diesel engine with 115 kW/157 hp has been ideally adapted to the overall system and guarantees minimum fuel and overall operating costs.

## Deutz T4F

With this EU IV standard engine, Deutz is relying on selective catalytic reduction, consisting of SCR catalytic converter and additional components, such as injector and AdBlue® supply. Protecting the environment by effectively minimising nitrogen oxide while maintaining the output.

## Deutz T3A

Engines with emission standard IIIA are suitable for exports to unregulated countries. Please do not hesitate to contact your customer advisor for more information. [www.menzimuck.com/en/service-and-sales/](http://www.menzimuck.com/en/service-and-sales/)

## Cooling

A generously dimensioned, naturally aspirated cooling system for hydraulic oil, charge air and water, three adapted radiator elements, maximum cooling output thanks to side-by-side cooling element arrangement, variable fan motor featuring demand-based drive control and optionally a swivelling condenser element for the air conditioning as well as reversible fan.

## Swiveling with big slewing ring

An axial piston motor with automatic multi-disc stop brake acts via a planetary gear on the internal gearing of the large-dimensioned, double-row slewing ring (Ø 1200 mm, hardened tooth flank). The large volume swing motor operates extremely quietly and is completely maintenance free. The maximum slewing force is available over the entire speed range.

## Tank contents

Operating tank: 180 liters / 47.6 US-gall.  
AdBlue tank: 20 liters / 5.3 US-gall.  
Content of hydraulic system: 220 liters / 58.1 US-gall.

## Hydraulic system

Sensitive Load Sensing hydraulic system by Bosch-Rexroth. The harmonious operating cycle is geared towards smooth and optimised performance.

## Hydraulic cylinders

All cylinders on the boom are equipped with cushioning.

## Hydraulic circuits

The required liter /gallons quantities of the hydraulic auxiliary circuits can be selected on the color display.

### Circuit 1 (on the boom)

up to 200 l/min. - 52.8 US-gall./min. through proportional foot pedal - double acting

### Circuit 2 (on the boom)

up to 100 l/min. - 26.4 US-gall./min. through proportional-rocker switch on the right joystick - double acting

### Circuit 3 (on the boom)

up to 50 l/min. - 13.2 US-gall./min. over s/w-circuit on the left joystick - double acting option)

### Circuit 4 (on the boom)

for hydraulic quick changer from pilot pressure - double acting (option)

### Hydraulic winch preparation (chassis)

up to 80 l/min. / 21.1 US-gall./min.

### Return line (on the boom)

for hydraulic hammer

### Powerline (view options)

Simple or double acting auxiliary circuit up to 220 l/min - 58.1 US.gall./min.; with priority supply by a separate pump

### Leakage line (option)

## Available options

- automatic central lubrication system
- biodegradable hydraulic oil
- Powerline with higher engine output
- hydraulic affluent filter
- lifting gear attachments
- provision for cable winch
- leakage line and lifting limiter
- check valves with electrical operation
- hose-burst safety device
- blade extension
- rubber pads
- various track versions





# Menzi Muck, the technology leader. Innovations that make us number one.

## The new Powerline 2017 with increased litre output

A separate pump optionally supplies the additional connection with up to 220 liters per minute, thus significantly boosting the efficiency of attachments thanks to a permanently high oil supply. The system enables individual configurations for liter quantities and pressure values.

## Menzi powerboom

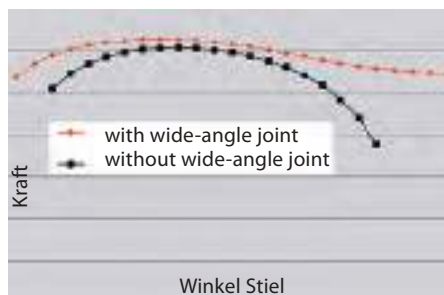
There is a lot of innovation in the proven and unique boom of the M-series. Unique to Menzi Muck, the boom cylinder is mounted horizontally in the center part. Collisions at the boom cylinder are therefore impossible.

## Wide-angle kinematics with power booster

The kinematics of Menzi Muck opens new dimensions: optimum work in the close-up range at the minimum possible swivel radius is contrasted with maximum stretching of the boom. The Menzi power booster thereby supplies the highest possible forces over the whole working range.

## Maximum forces

Lifting capacity @ 3.0 m	9200 kg / 20283 lb
Lifting capacity @ 4.5 m	6000 kg / 13228 lb
Lifting capacity @ 6.0 m	4100 kg / 9039 lb
Breakout force	102 kN / 10401 kp
Ripping force	69 kN / 7036 kp
Thrust force telescope	191 kN
Swing torque	52 kNm



## Tool management

The required liter/US-gall. volumes can be stored at the display for up to 15 accessories. Simply select the corresponding preprogramming to change the tool.

## Digging arc comparison

The new arm kinematics results in increased working area.



## The panorama cockpit. The operator is most important.

### Panorama cockpit

A free view of the entire working environment, the support and the wheels, provide the operator with safety and complete control in all situations. The spacious cab provides a perfect sense of space and many practical details for relaxed working.

### Comfort and safety

From the ergonomic joystick with proportional rocker and hand support to the air-suspended operator's seat right up to adjustable armrests and foot pedals, no stone has been left unturned to provide the operator with a maximum of comfort.

### Dashboard with LCD-Display

Clear and ergonomic arranged instrument panel. Analog controls with integrated color display to show the most important indicators. Various control elements with LED-illuminated toggles switches.

### Extensive standard equipment

"Roll-Over Protection System" – ROPS as per (DIN ISO 3471), cast parts on the upper structure as impact protection, side and rear panels featuring gas shocks to facilitate opening, reversing camera, diesel input pump including limit stop, cyclone air filter, integrated tool compartment, DAB+ radio including CD/MP3 player, powerful heating with seven individually adjustable air vents, pollen and air recirculation filter, five LED headlights (three facing forwards, two facing towards the rear), etc.

### Numerous cab options

- air-conditioning
- Grammer Evolution operator's seat
- heater with time clock
- rotating beacon
- lighting system on the roof with up to 10 LED- or Xenon-spotlights
- four point safety harness
- FOPS security grid roof
- protective grid on the windshield
- security glazing (polycarbonate/lexan)
- LED-additional light on the boom
- additional external tool box
- special color
- telediagnostic service
- lock out switch





# The Menzi Master M515. Unmatched versatility.



- Weight without accessories
- Climbing ability
- Speed 1st stage
- Speed 2nd stage
- Ground pressure with 600 mm track
- Ground pressure with 900 mm track



### M515

14500 kg / 31967 lb

94 %

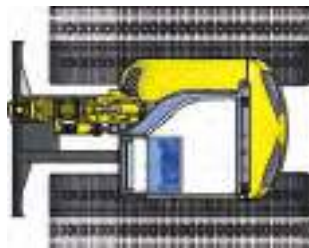
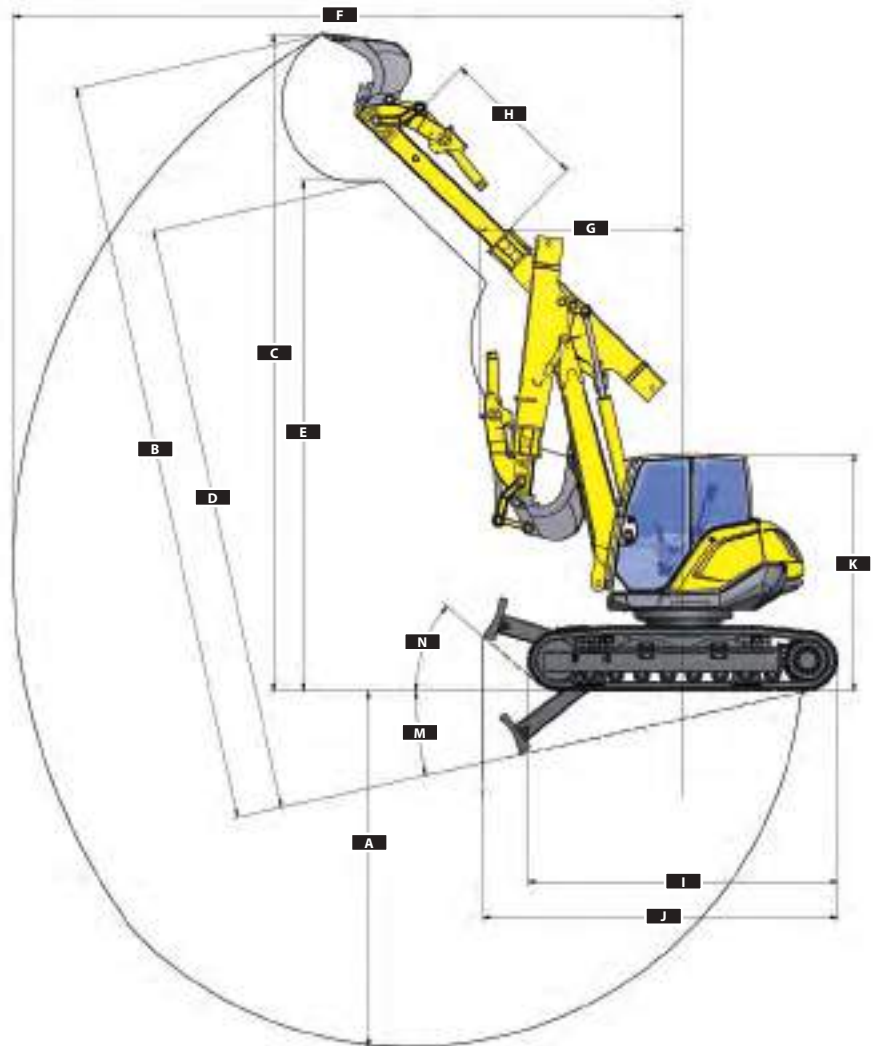
2 km/h / 1.25 mph

6 km/h / 3.73 mph

0.35 kg/cm<sup>2</sup>

0.25 kg/cm<sup>2</sup>

cks  
cks



Dimensions without PowerTilt. Technical data vary upon tyre/track  
Technical data subject to change / 1017

Dimensions in mm / "		M515	
A	Max. Excavation depth	4324	14'2"
B	Max. Excavation height (shield shifting)	9183	30'1"
C	Max. Excavation height	8082	26'6"
D	Max. Discharge height (shield shifting)	7274	23'10"
E	Max. Discharge height	6292	20'7"
F	Max. Jib Range	8211	26'11"
G	Min. Swivelling radius	2487	8'1"
H	Dipper length	1800	5'10"
I	Length under carriage	3800	12'5"
J	Total length	4367	14'3"
K	Transport height	2947	9'8"
L	Transport length	7177	23'6"
M	Leveling angle	13°	
N	Side wall angle	40°	
O	Width	2500 – 3500	8'2"-11'5"
P	Track width	600	1'11"



## More information.



### **[www.menzimuck.com](http://www.menzimuck.com)**

- entire product range
- distributors, service network and event calendar
- company infos
- calendar of trade fairs and open doors
- multimedia (brochures, guides, photographs, videos, ...)
- multilingual
- and much more



### **[www.facebook.com/menzimuckcom](https://www.facebook.com/menzimuckcom)**

- the history of the Menzi Muck
- product and company news
- discussions over the Menzi Muck
- events
- contributions from other Menzi Muck operators and fans



### **[www.youtube.com/menzimuckcom](https://www.youtube.com/menzimuckcom)**

- events and special reports
- TV-reports
- Menzi Muck working
- accessories in action



### **<https://www.menzimuck.com/gebrauchtmarkt/>**

- several used machines/accessories with foto
- free ads for private offers and requests