

GARDEN TRACTOR

MT423T, MT425T, MT426H

MT433H, MT435H

MT770H

- A. Front Chassis Assembly – H11
- B. Front Chassis Assembly – H25
- B. Front Chassis Assembly – 3510B / 3520
- C. Rear Chassis Assembly – MT770H
- D. Frame Assembly
- E. Frame Assembly – MT770H
- F. Rear Chassis Assembly – MT770H
- G. Frame Assembly
- H. Motor Drive Assembly – Shift
- I. Motor Drive Assembly – Hydro
- J. Steering Assembly
- K. Mower Suspension Assembly
- L. Engine & Control Assembly
- M. Deck Assembly
- N. Deck Assembly – MT770H
- O. Electrical Assembly
- P. Decals Assembly
- Q. Mulch Kit Assembly

1997 - 1998	H11 Bonnet / Dash
1998 - 1999	H25 Bonnet / Dash
1999 - 2000	3510B MT433H Bonnet / Dash
	3520 MT435H-MT770H Bonnet / Dash

*Deck length 6201
6121 706 6201
32.5*

Illustration A

MT423T, MT425T, MT426H - Metal Bonnet P111

Front Chassis Assembly

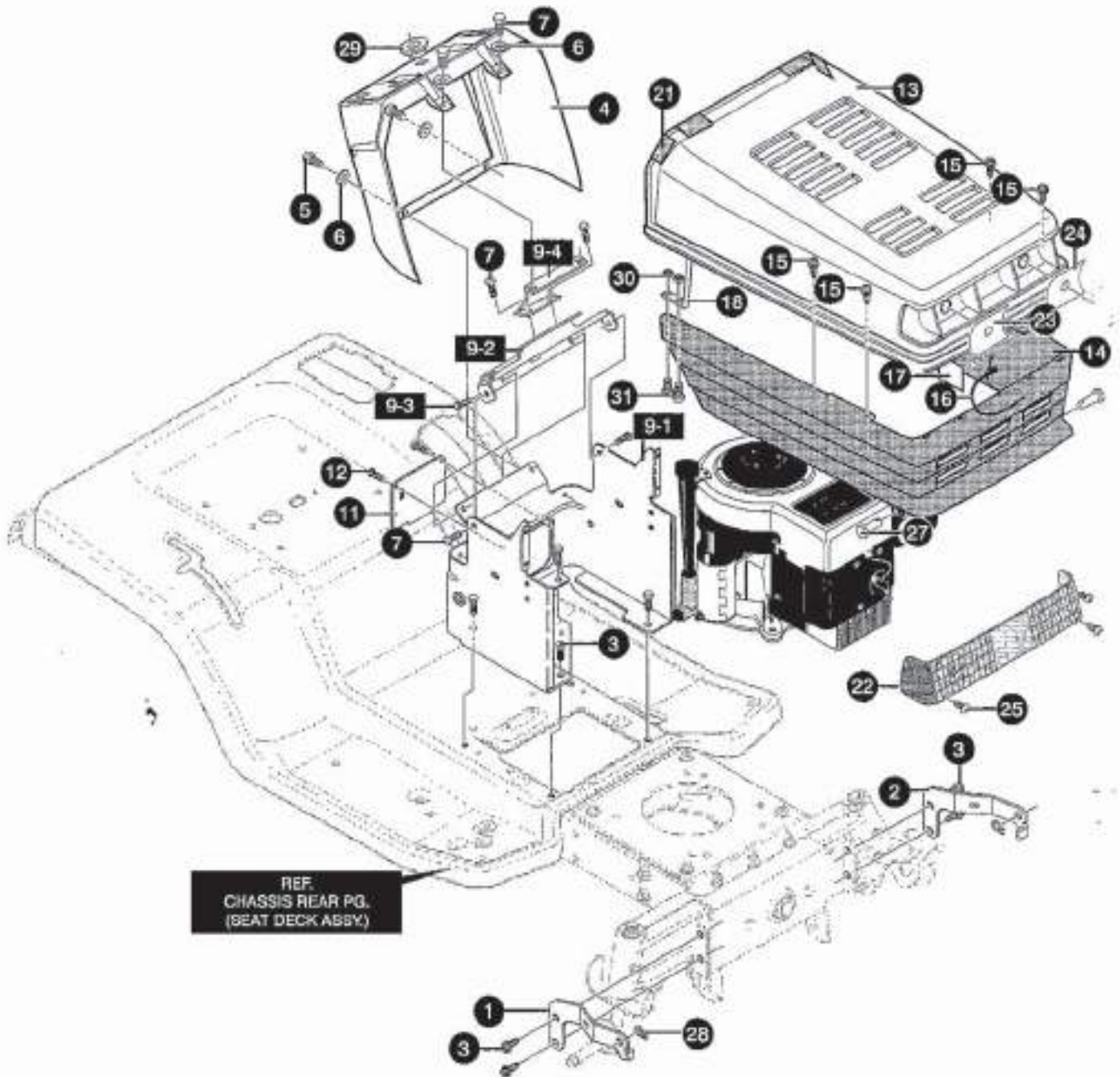


Illustration A

MT423T, MT425T, MT426H - Metal Bonnet H11

Front Chassis Assembly

KEY#	PART NUMBER	QTY	DESCRIPTION
1	6121 009 4651	1	BRACKET, LH HOOD
2	6121 009 4652	1	BRACKET, RH HOOD
3	6121 071 1606	*	SCREW, 5/16-18 X .75
4	6121 009 4709	1	DASH
5	6121 071 0282	2	SCREW, 1/4-14 X .75
6	6121 031 6868	*	WASHER, SHOULDER
7	6121 071 1592	*	SCREW, 1/4-20 X .50
9-1	6121 009 5425	1	LOWER DASH
9-2	6121 009 5426	1	SUPPORT, STEERING
9-4	6121 009 4614	1	BRACE, DASH
11	6121 009 4638	1	PANEL, ACCESS
12	6121 071 0196	2	SCREW, 10-24 X .50
13	6121 034 2636	1	HOOD - BONNET, MT423T-MT425T-MT426H
14	6121 034 2635	1	GRILL, LOWER
15	6121 071 1741	4	SCREW, #12 X .50
16	0000 988 9200	1	TIE, CABLE
17	6121 030 1452	1	FOIL, HEAT REFLECTOR
	6121 030 1425	1	BRACE, HOOD SUPPORT
21	6121 031 8197	4	PAD, ADHESIVE 1.00 X 1.50 X .12
22	6121 030 2333	1	LENS, CLEAR
23	6121 030 1540	1	FOIL, REFLECTOR LENS RH
24	6121 030 1541	1	FOIL, REFLECTOR LENS LH
25	6121 005 7796	4	SCREW, #6 X .50
27	6121 703 9010	2	PIN, CLEVIS .500 X .49/.51
28	6121 071 1682	2	PIN, HAIR .38DIA. X 1.64
29	6121 009 5404	1	BUSHING, STEERING SHAFT
30	6121 071 1754	4	NUT, #10-24
31	6121 030 1542	4	SCREW, 10-24 X 1.00
	6121 071 1473	1	OWNERS MANUAL - MT426H
	6121 071 1484	1	OWNERS MANUAL - MT425T
	6121 071 1483	1	OWNERS MANUAL - MT423T

* AS REQUIRED

Illustration B

MT433H, MT435H, MT770H - Polymer Bonnet H25

Front Chassis Assembly

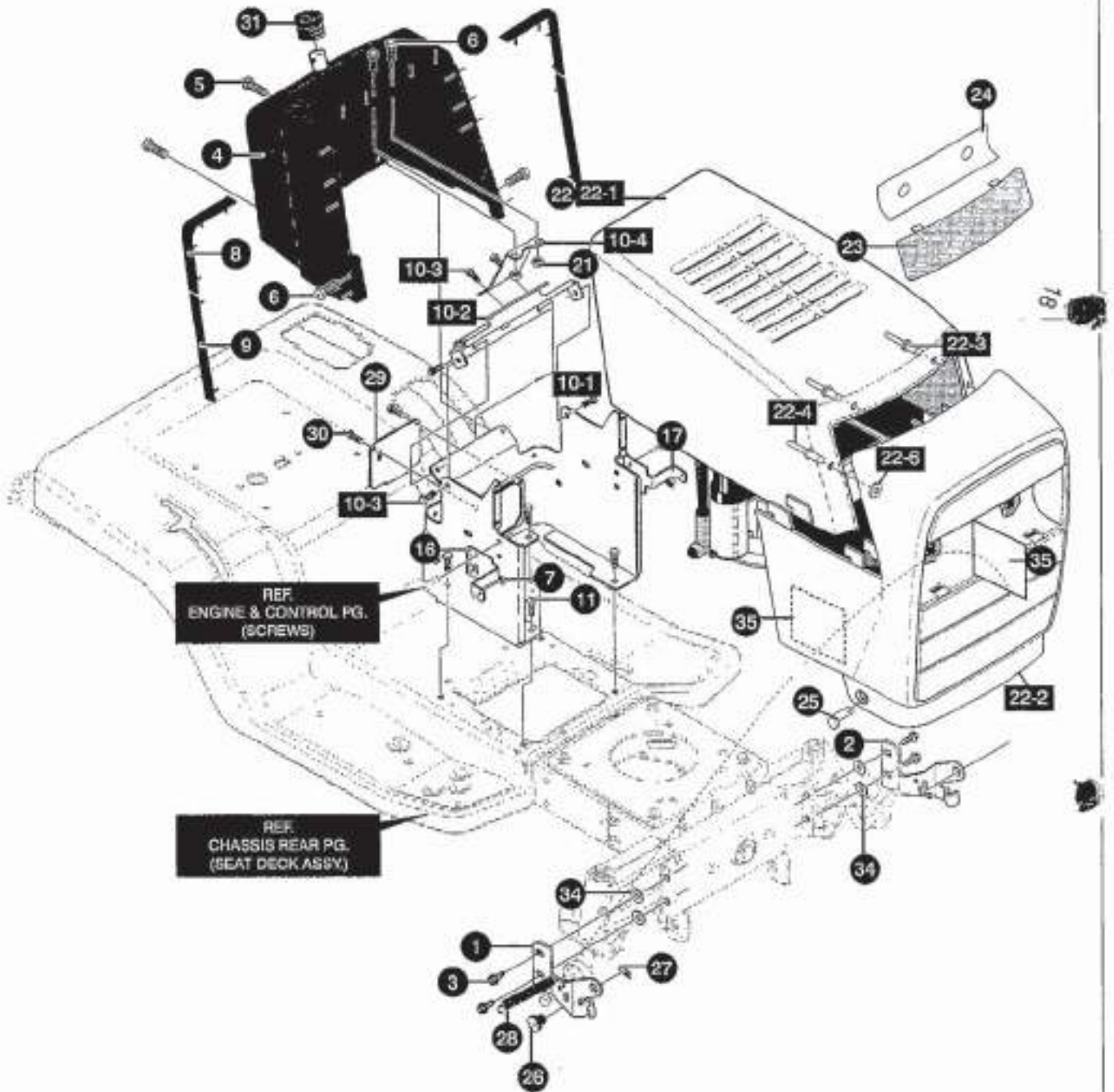


Illustration B

Front Chassis Assembly

MT433H, MT435H, MT770H - Polymer Bonnet H25

KEY#	PART NUMBER	QTY	DESCRIPTION
1	6121 009 4616	1	BRACKET, BONNET RH
2	6121 009 4617	1	BRACKET, BONNET LH
3	6121 071 0606	4	SCREW, 5/16-18 X .75
4	6121 009 5403	1	DASH, MT433H-MT770H ↔ 6121 706 6200
5	6121 071 0282	2	SCREW, 1/4-14 X .75
6	6121 071 1749	2	WASHER, 10-24 X .63
7	6121 071 1754	2	NUT, 10-20
8	6121 706 0700	2	TRIM, DASH
9	6121 706 0710	2	TRIM, DASH
10-1	6121 009 5425	1	LOWER DASH
10-2	6121 009 5426	1	SUPPORT STEERING
10-3	6121 071 1592	8	SCREW, 1/4-20 X .50
10-4	6121 009 4615	2	SUPPORT DASH, BRACKET
11	6121 071 1606	4	SCREW, 5/16-18 X .755
16	6121 009 4646	1	BRACKET, DASH RH
17	6121 009 4647	1	BRACKET DASH LH
18	6121 071 1754	2	NUT, 10-24
19	6121 069 0141	1	HOOD ASSY, BONNET
22-3	6121 032 9238	2	RIVET
22-4	6121 033 3225	2	RIVET
22-5	6121 000 1501	8	FLAT WASHER
23	6121 032 5198	1	LENS, GRILLE
24	6121 040 2220	1	REFLECTOR FOIL, LENS
25	6121 703 9010	2	PIN CLEVIS, .50 X .49 X 1.51
26	6121 032 6522	2	BUSH, BONNET PIVOT
27	6121 071 1682	2	PIN HAIR, .38 X 1.64
28	6121 071 1124	1	SPRING, BONNET
29	6121 009 4638	1	PANEL, ACCESS W/SLOT MT433H-MT435H
	6121 009 5270	1	PANEL, W/BUZZER & SLOT MT770H
30	6121 071 1629	2	SCREW, 10-24 X .50
31	6121 069 0186	1	BELLOW, STEERING
34	6121 031 1245	4	WASHER FLAT, .250 X .75
35	6121 030 1452	2	HEAT REFLECTOR, FOIL
	6121 071 2293		OWNER'S MANUAL - MT433H
	6121 071 2294		OWNER'S MANUAL - MT435H
	6121 071 2295		OWNER'S MANUAL - MT770H

Illustration B

Front Chassis Assembly

MT433H, MT436H, MT770H - Metal Bonnet 3510B / 3520

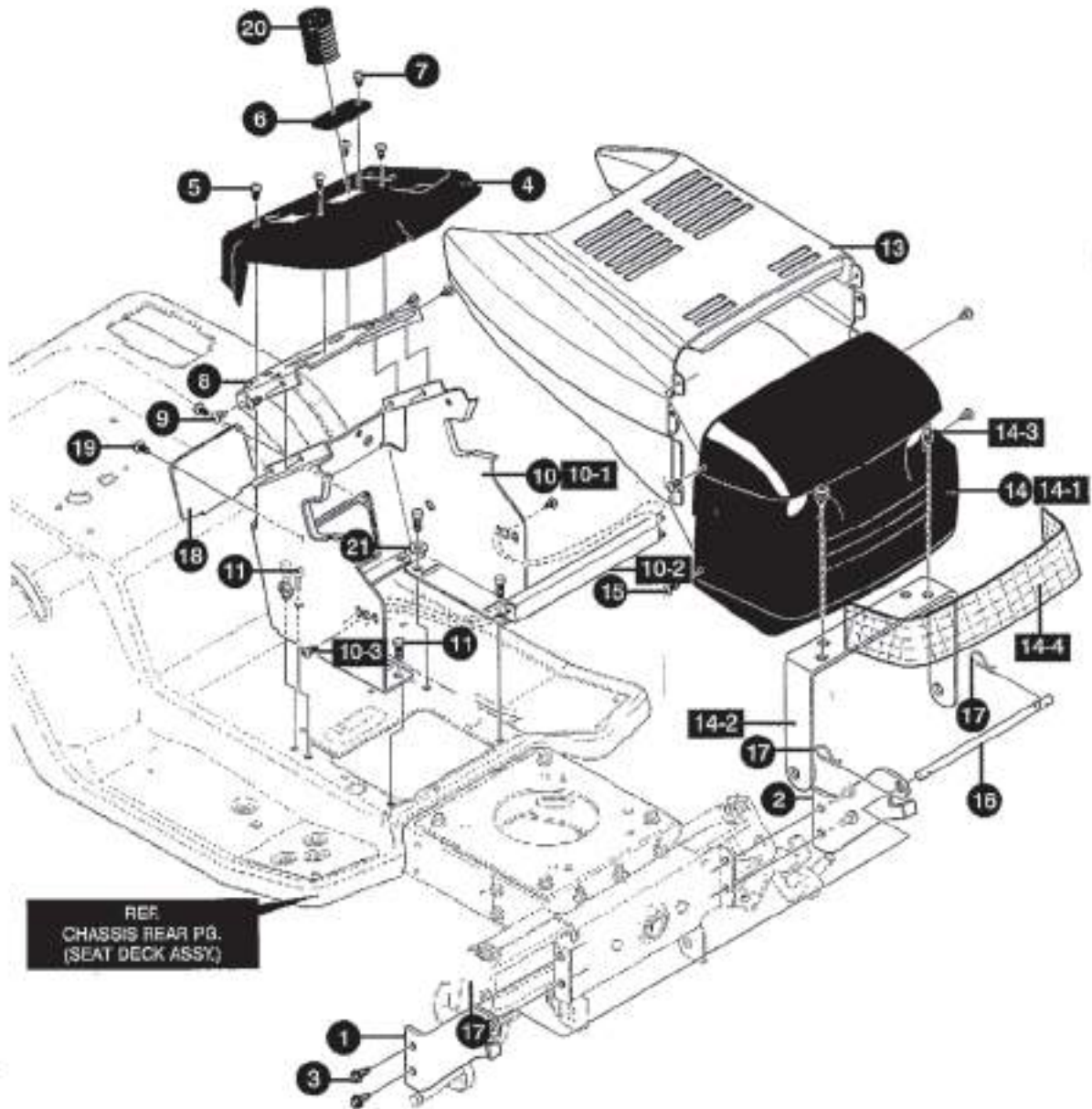


Illustration B

Front Chassis Assembly

MT433H, MT435H, MT770H - Metal Bonnet 3510B / 3520

KEY#	PART NUMBER	QTY	DESCRIPTION
1	6121 069 0543	1	BRACKET, GRILLE RH
2	6121 069 0544	1	BRACKET, GRILLE LH
3	6121 071 1606	4	SCREW, 5/16-18 X .75
4	6121 009 4842	1	DASH, MT433H
	6121 009 4843	1	DASH, MT435H-MT770H
5	6121 071 1629	2	SCREW, 10-24 X 0.50
6	6121 009 4214	1	BEARING, DASH MT433H
	6121 009 4219	1	BEARING, DASH MT433H-MT770H
7	6121 071 0197	2	SCREW, 1/4-14 X 0.50
8	6121 009 4211	1	PLATE, DASH MT433H
	6121 009 4221	1	PLATE, DASH MT435H-MT770H
10-1	6121 009 5323	1	SUPPORT, DASH MT433H
	6121 009 5082	1	SUPPORT, DASH MT435H-MT770H
10-2	6121 009 4215	1	SUPPORT, CHANNEL MT433H
	6121 009 5081	1	SUPPORT, CHANNEL MT435H-MT770H
10-3	6121 071 1620	8	SCREW, 1/4-20 MT770H
13	6121 009 4972	1	BONNET MT433H
	6121 009 4971	1	BONNET MT435H-MT770H
14-1	6121 009 2368	1	GRILLE MT433H
	6121 009 3138	1	GRILLE MT435H-MT770H
14-2	6121 009 2448	1	BRACE GRILLE MT433H
	6121 009 3190	1	BRACE GRILLE MT435H-MT770H
14-3	6121 071 0282	1	SCREW, 1/4-14 X 0.75
14-4	6121 009 2369	1	LENS MT433H
	6121 009 3139	1	LENS MT435H-MT770H
15	6121 071 1679	1	SCREW, 0.23 X 0.135
16	6121 069 0093	1	ROD, BONNET PIVOT MT433H
	6121 069 0599	1	ROD, BONNET PIVOT MT435H-MT770H
17	6121 071 1676	1	PIN, HAIR
18	6121 009 4313	1	BELLOWS MT433H
	6121 009 2059	1	BELLOWS MT435H-MT770H
19	6121 071 2063	1	WASHER, 0.391 X 2.50 X 0.12
20	6121 009 3007	1	ACCESS PANEL MT433H-MT435H
	6121 009 5366	1	ACCESS PANEL MT770H
	6121 009 9843		OWNERS MANUAL MT433H
	6121 009 9844		OWNERS MANUAL MT435H
	6121 009 9845		OWNERS MANUAL MT770H

Illustration C

MT423T, MT433H, MT425T, MT426H, MT435H

Rear Chassis Assembly

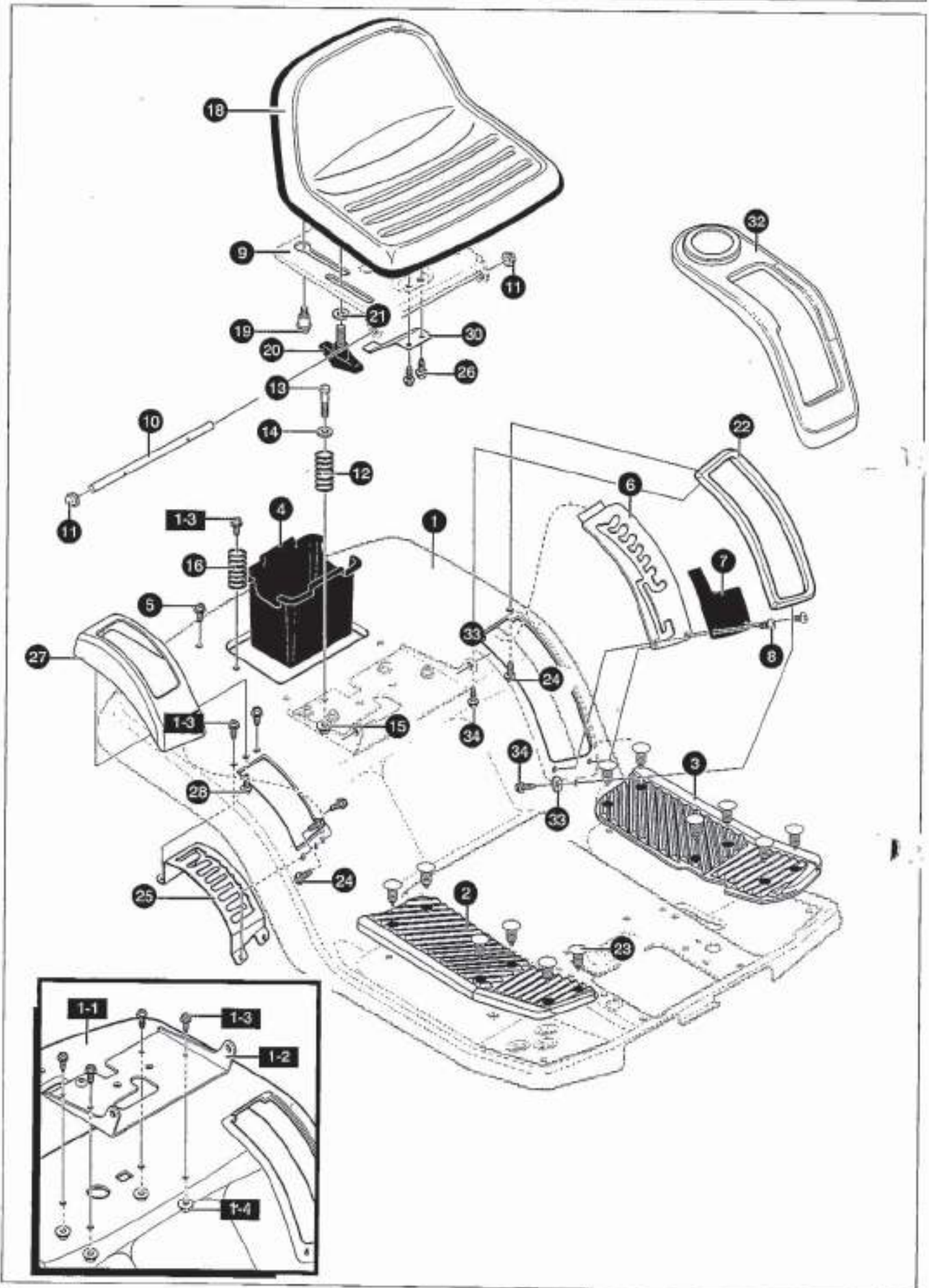


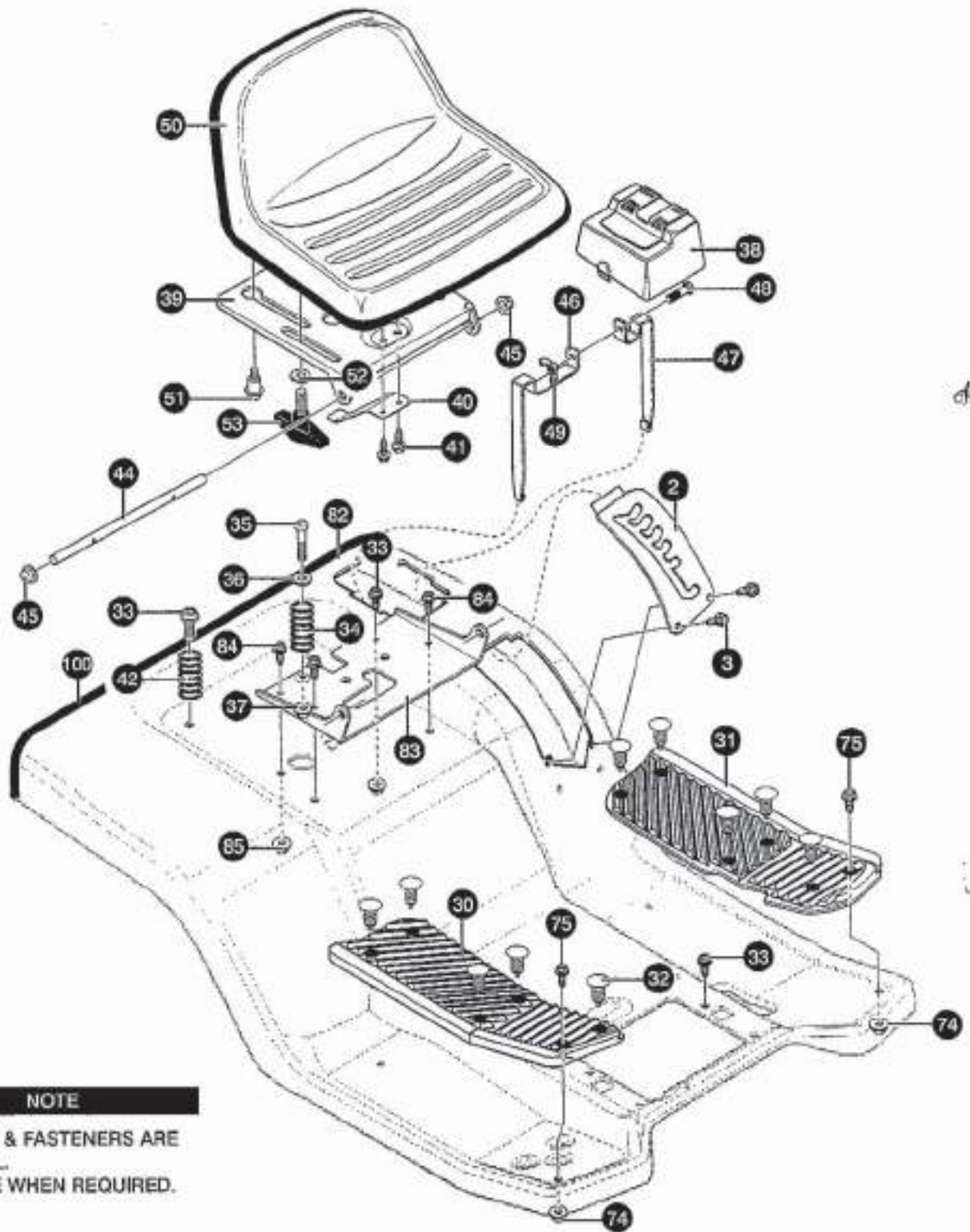
Illustration C

Rear Chassis Assembly

MT423T, MT433H, MT425T, MT426H, MT435H

KEY#	PART NUMBER	QTY	DESCRIPTION
1	6121 034 1604	1	FENDER, DECK ASSY MT423T
	6121 009 5122	1	FENDER, DECK MT433H
	6121 034 1846	1	FENDER, DECK ASSY MT425T
	6121 034 1675	1	FENDER, DECK ASSY MT426H
	6121 009 4629	1	FENDER, DECK MT435H
1-2	6121 009 4153	1	BRACKET, PIVOT SEAT
1-3	6121 071 1606	4	SCREW, 5/16-18 X .75
1-4	6121 071 1633	4	NUT, 5/16-18
2	6121 009 5409	1	FOOTREST PAD RH MT425H-MT426-MT435
	6121 009 4372	1	FOOTREST PAD RH MT433H
	6121 009 4148	1	FOOTREST PAD RH MT423T
3	6121 009 5408	1	FOOTREST PAD LH MT425H-MT426-MT435
	6121 009 4371	1	FOOTREST PAD LH MT433H
	6121 009 4149	1	FOOTREST PAD LH MT423T
4	6121 069 0424	1	CONTAINER, BATTERY
5	6121 071 0274	2	SCREW, 1/4-20 X .63
	6121 071 1642	2	SCREW, 1/4-20 X .63
6	6121 009 4886	1	PLATE, LIFT DETENT MT425H-MT426-MT435
	6121 009 4829	1	PLATE, LIFT DETENT MT423T-MT433H
7			NOT USED ON THIS UNIT
8	6121 071 0196	2	SCREW, LIFT DETENT
	6121 071 1629	2	SCREW, 10-24 X 0.50
9	6121 009 4154	1	SUPPORT, SEAT
10	6121 009 5294	1	ZINC HINGE SEAT PIVOT
11	6121 071 1627	2	NUT, PUSH CAP .375
12	6121 071 0136	1	SPRING, COMPRESS
13	6121 071 1610	1	BOLT, SHOULDER 1/4-20
14	6121 009 5293	1	ZINC WASHER CUP
15	6121 004 6931	1	NUT, 1/4-20
16	6121 071 0109	2	SPRING, COMPRESS
18	6121 009 5415	1	SEAT
	6121 009 4163	1	SEAT, HI BACK MT433H
19	6121 071 1740	2	BOLT, SHOULDER
20	6121 071 1747	2	BOLT, WING 5/16
21	6121 071 1644	2	WASHER, FLAT
22	6121 009 4477	1	COVER, DETENT PLATE MT425H-MT426
23	6121 034 9235	6	FASTENER, RATCHET
24	6121 931 1331	3	SCREW, 1/4-15 X .44/.53
25	6121 009 4476	1	GATE, LARGE
26	6121 071 1592	2	SCREW, 1/2-20 X 0.50
27	6121 009 4470	1	COVER, SHIFT
29	6121 912 0392	1	WASHER, FLAT .281 X .63 X .065
30	6121 009 4057	1	SPRING-LEAF
31	6121 071 1592	2	SCREW, 1/4-20 X .50
32	6121 009 4469	1	COVER, DETENT MT433H
33	6121 007 1067	1	WASHER FLAT, .281 X .63 X .065
34	6121 071 1671	3	SCREW, 1/4-15 X .44/.53
35	6121 071 1842	2	NUT 10-24 LOCK

MT770H



KEY#	PART NUMBER	QTY	DESCRIPTION
2	6121 009 5190	1	PLATE-LIFT DETENT 5 POS
3	6121 071 1741	2	SCREW, #12 X .50
30	6121 009 5409	1	PAD, FOOT-RH-MOLDED
31	6121 009 5408	1	PAD, FOOT-LH-MOLDED
32	6120 708 2100	10	FASTENER, RATCHET
33	6121 071 1606	1	SCREW, 5/16-18 X .75
34	6121 071 0136	1	SPRING, COMP. 4.57LG X 1.17
35	6121 071 1610	1	BOLT, SHOULDER 1/4-20
36	6121 009 5293	1	ZINC WASHER CUP
37	6121 004 6931	1	NUT, 1/4-20
38	6121 009 4200	1	COVER, BATTERY
39	6121 009 4154	1	SUPPORT, SEAT
40	6121 009 4057	1	SPRING-LEAF
41	6121 071 1592	2	SCREW, 1/4-20 X .50
42	6121 071 0109	2	SPRING, COMPRESS 2.43LG
44	6121 009 5294	1	ZINC HINGE SEAT PIVOT
45	6121 071 1627	2	NUT, PUSH CAP
46	6121 009 5393	1	BATTERY BRACKET LH
47	6121 009 5394	1	BATTERY BRACKET RH
48	6121 071 1680	1	BOLT, 1/4-20 X .63
49	6121 071 1636	1	NUT WING 1/4-20
50	6121 009 5415	1	SEAT
51	6121 071 1654	2	BOLT, .375 X .255 5/16-18
52	6121 071 1644	2	WASHER, FLAT .344 X .62 X .06
53	6121 071 1747	2	BOLT, WING 5/160-18 X .50
74	6121 071 0026	2	NUT, 5/16-18
75	6121 034 0720	2	BOLT, 5/16-18 X .75
82	6121 009 4311	1	FENDER/DECK
83	6121 009 4153	1	BRACKET, SEAT PIVOT
85	6121 071 1633	4	NUT 5/16-18
100	6121 706 8100	41 IN.	TRIM, STRIP

Illustration D

MT423T, MT435H, MT425T, MT426H, MT435H

Frame Assembly

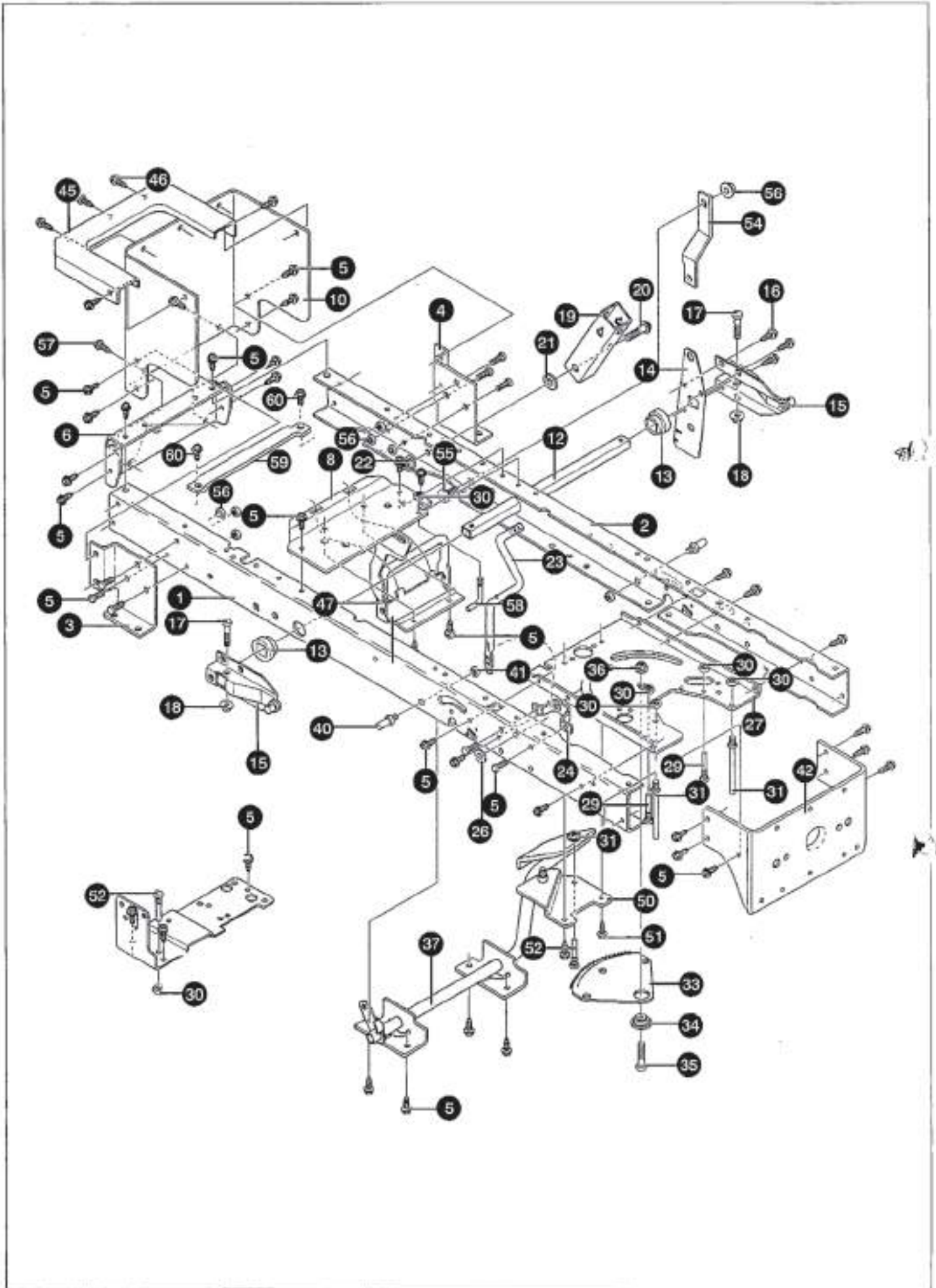
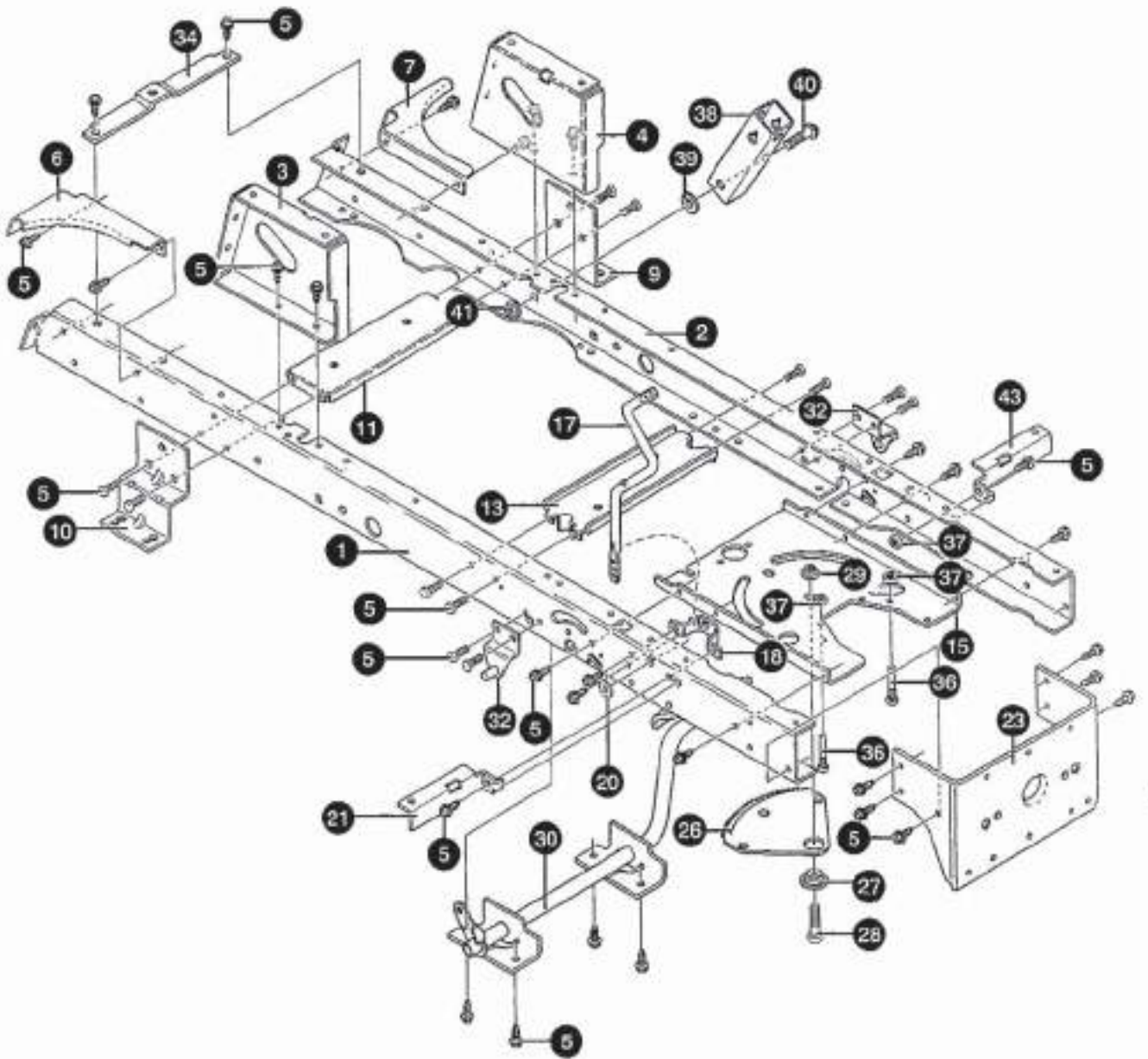


Illustration D

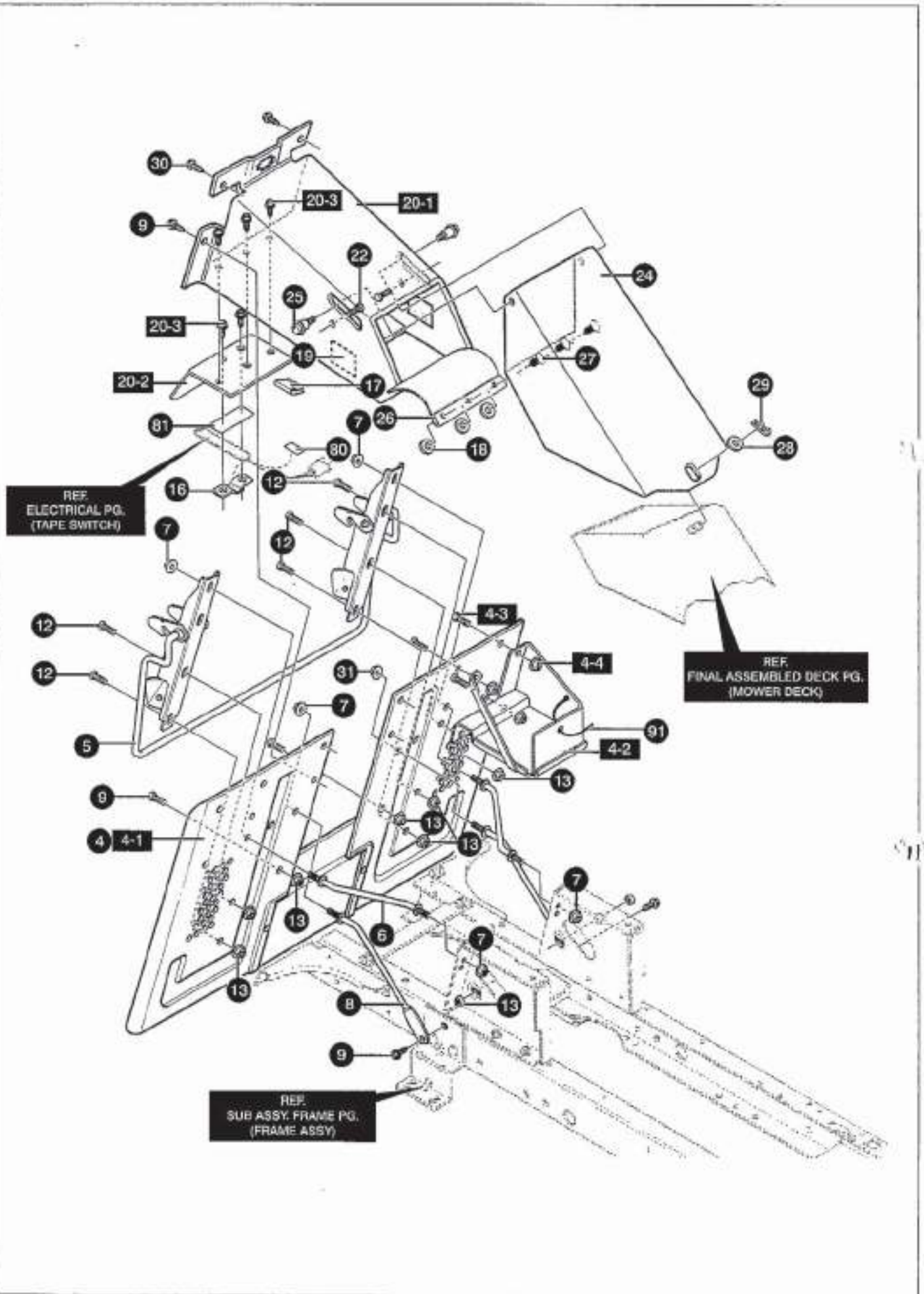
MT423T, MT433H, MT425T, MT426H, MT435H

Frame Assembly

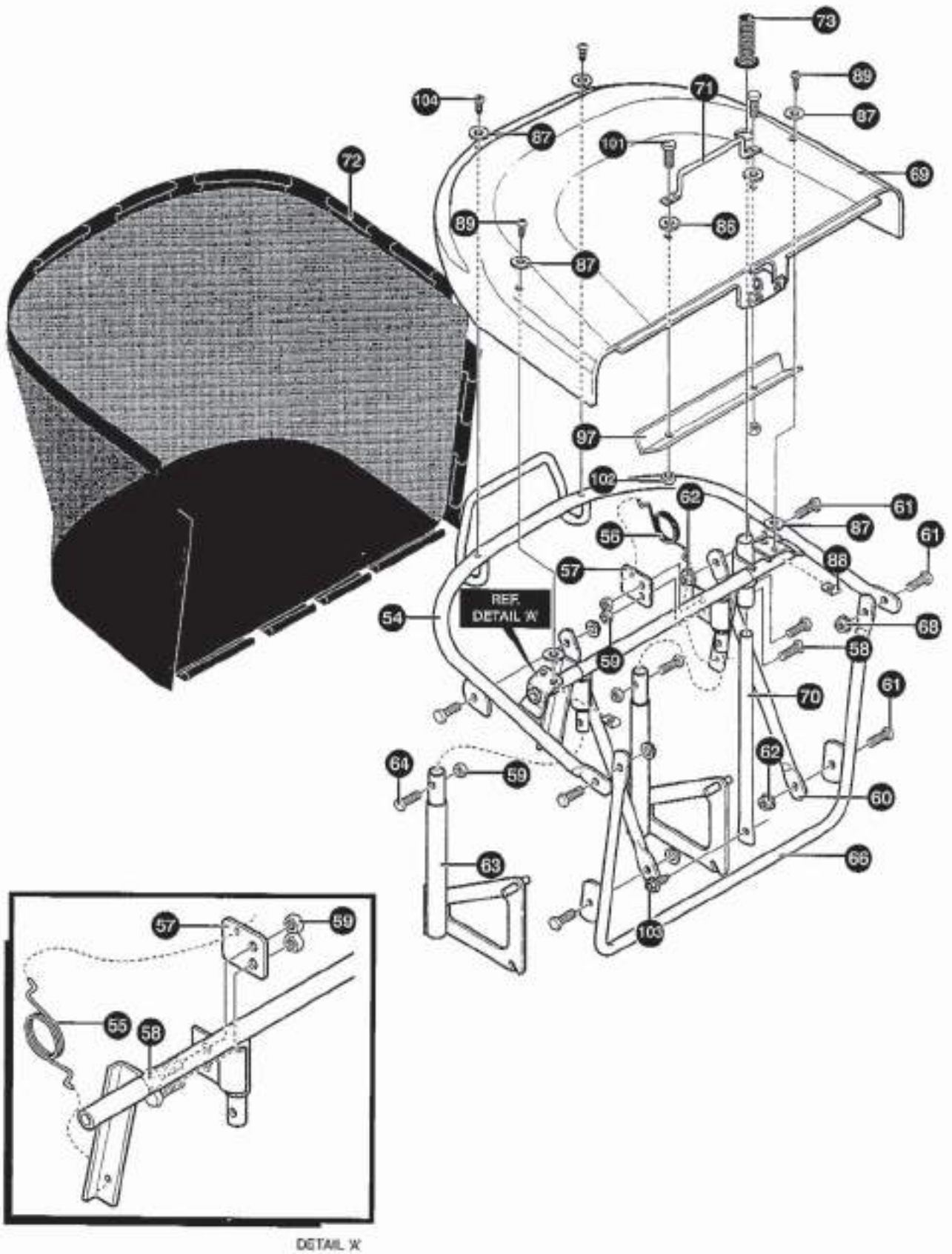
KEY#	PART NUMBER	QTY	DESCRIPTION
1	6121 009 5110	1	FRAME, RAIL LH
2	6121 009 5111	1	FRAME, RAIL RH
3	6121 009 4008	2	BRACKET - T/AXLE LH + RH MT423T-MT435H
	6121 009 4184	1	BRACKET - T/AXLE RH MT435H-MT426H
4	6121 009 4185	1	BRACKET - T/AXLE LH MT435H-MT426H
5	6121 071 1606	6	SCREW, 5/16-18 X .75
6	6121 009 4002	1	HITCH PLATE
8	6121 009 4431	1	BRACKET, IDLER TRUNNION SUPP HYDRO
	6121 009 4033	1	BRACKET MT423T-MT425T
10	6121 069 0434	1	PANEL - REAR MT433H
	6121 069 0218	1	PANEL - REAR MT423T-MT433H
12	6121 009 4063	1	TUBE, LIFTER
13	6121 009 4065	2	BUSHING, LIFT TUBE
14	6121 009 4030	1	PLATE, LIFT ARM
15	6121 009 4180	2	ASSY, LIFT ARM LEVER
16	6121 071 0106	3	SCREW, 5/16-18 X .50
17	6121 071 0310	2	SCREW, 5/16-24 X 1.25
18	6121 071 0080	2	NUT, 5/16-24
19	6121 009 4015	1	BRACKET, PIVOT
20	6121 071 0000	1	BOLT, .562 X 1.563 3/8-16
21	6121 071 0130	1	WASHER FLAT .406
22	6121 071 1622	1	NUT 3/8-16
23	6121 069 0394	1	CRANK, PTO (DRILLED)
24	6121 009 4005	1	BRACKET, BELL CRANK
26	6121 012 0395	1	WASHER FLAT, .469 X .92 X .065
27	6121 069 0551	1	PLATE STEERING MOUNTING
29	6121 009 3349	2	SCREW GUIDE, 5/16-18
30	6121 071 1633	2	NUT, 5/16-18
31	6121 009 4066	2	SCREW GUIDE
33	6121 009 4121	1	SECTOR GEAR
34	6121 009 4123	1	BEARING, SECTOR GEAR
35	9008 319 9040	1	SCREW, 5/16-18 X 1.00
36	6121 071 0105	1	NUT, 5/16-8
37	6121 009 5075	1	WELD ASSY CLUTCH/BRAKE ROD NLT MT433H-MT426H
	6121 009 4632	1	WELD ASSY CLUTCH/BRAKE PEDAL DELUX MT435H
39	6121 071 1606	4	SCREW, 5/16-18 X .75
40	6121 009 4067	2	PIN, THREADED SHOULDER
41	6121 994 5171	2	NUT, 3/8-16
42	6121 009 4013	1	PLATE, HANGER REAR
45	6121 009 4186	1	TOP REAR PLATE MT435H-MT426H
46	6121 071 0196	5	SCREW, 10-24 X .50
47	6121 009 4425	1	ROD, TRUNNION YOKE HYDRO
48	6121 009 4434	1	CLAMP, TRUNNION PIVOT
50	6121 009 4409	1	PLATE, IDLER INTER HYDRO
51	6121 078 0055	2	BOLT, 5/16-18 X .50
52	6121 009 3349	1	SCREW GUIDE 5/16-18
54	6121 009 4433	1	TORQUE STRAP, LH
55	6121 071 1661	1	BOLT, 5/16-18 X .63
56	6121 071 1633	1	NUT, 5/16-18
57	6121 071 0199	1	SCREW 3/8-16 X 1.25 MT426H-MT435H
58	6121 009 4781	1	SCREW GUIDE
59	6121 069 0482	1	SUPPORT
60	6121 071 0079	2	SCREW



KEY#	PART NUMBER	QTY	DESCRIPTION
1	6121 009 4564	1	FRAME, RAIL RH
2	6121 009 4565	1	FRAME, RAIL LH
3	6121 009 4634	1	SUPPORT, SEAT RH
4	6121 009 4633	1	SUPPORT, SEAT LH
5	6121 071 1606	4	SCREW, 5/16-18 X .75
6	6121 009 4561	1	BRACE, BACKPLATE RH
7	6121 009 4562	1	BRACE, BACKPLATE LH
9	6121 009 4008	1	BRACKET, TRANSAXLE
10	6121 009 4234	1	BRACKET, T/A RH-VST LH-MST
11	6121 009 4236	1	ASM. IDLER MOUNT, REAR
13	6121 009 4237	1	ASM. IDLER MOUNT FRONT
15	6121 069 0551	1	PLATE, STEERING MOUNTING
17	6121 069 0394	1	CRANK, PTO DRILLED
18	6121 009 4005	1	BRACKET, BELL CRANK
20	6121 012 0395	1	WASHER, FLAT .469 X .92 X .065
21	6121 069 0035	1	BRACKET, SEAT DECK RH
23	6121 009 4013	1	BRACKET HANGER REAR
26	6121 009 4121	1	GEAR, SECTOR
27	6121 009 4123	1	BEARING, SECTOR GEAR
28	9008 319 9040	1	SCREW 5/16-18 X 1.00
29	6121 071 0105	1	NUT, 5/16-18
30	6121 069 0033	1	ASM. WELD CLUTCH/BRAKE
32	6121 009 4285	2	BRACKET, SUSPENSION ASM
34	6121 009 4566	1	BRACE, RAIL
36	6121 009 3349	2	ZINC SCREW GUIDE 5/16-18
37	6121 071 1633	2	NUT, 5/16-18
38	6121 009 4015	1	BRACKET, PIVOT
39	6121 999 9845	1	WASHER, FLAT .390 X 1.25 X .119
40	6121 071 0000	1	BOLT, .562 X 1.563 3/8-16
41	6121 071 1622	1	NUT, 3/8-16
43	6121 069 0036	1	BRACKET, SEAT DECK LH



KEY#	PART NUMBER	QTY	DESCRIPTION
4-1	6121 034 3678	1	WELD ASM, BACK PLATE FLAT
4-2	6121 009 4563	1	BATTERY TRAY WELD
4-3	9008 319 9004	3	SCREW, 5/16 X .50
4-4	6121 004 5174	3	NUT, 5/16-18
5	6121 009 5359	1	WELDMENT-LATCH LEVER
6	6121 069 0097	2	ROD, BRACE
7	6121 071 1906	5	NUT, 3/8-16
8	6121 009 4231	2	ROD, BRACE
9	6121 071 1606	2	SCREW, 5/16-18 X .75
12	6121 071 1907	5	SCREW, 5/16-18 X .75
13	6121 071 0026	5	NUT, 5/16-18
16	6121 009 5390	1	BRACKET, FLEX SWITCH MOUNTING
17	6121 005 5939	1	WIRE CLIP, ADHESIVE
18	6121 071 1666	3	WASHER, FLAT .250 X .56 X .0478
19	6121 031 8197	2	PAD, ADHESIVE 1.00 X 1.50 X .12
20-1	6121 069 0102	1	CHUTE, WELD ASM. UPPER
20-2	6121 009 5367	1	SHIELD, TRANSAXLE
20-3	6121 071 0274	3	SCREW, 1/4-20 X .63
22	6121 071 1688	2	BOLT, 5/16-18 X .75
24	6121 009 4296	1	CHUTE WELD ASM. MIDDLE
25	6121 005 1601	2	BOLT, .500 X .453 3/8-16
26	6121 009 4264	1	FLAP, CHUTE
27	6120 708 2100	3	FASTENER, RETCHET
28	6121 071 1617	1	WASHER, FLAT
29	6121 071 1682	1	PIN, HAIR .38DIA. X 1.64LG
30	6121 034 0720	2	BOLT, 5/16-18 x 0.75
31	6121 071 0026	2	NUT, 5/16-18
80			TAPE, DOUBLE SIDED FOAM 3/4" WD
81			TAPE, DOUBLE SIDED FOAM 3/4" WD
91	0000 988 9200	1	CABLE TIE



KEY#	PART NUMBER	QTY	DESCRIPTION
54	6121 069 0044	1	ASM. WLD-UPPER FRAME
55	6121 069 0003	1	SPRING, TORSION RH BAG CLOSE
56	6121 069 0004	1	SPRING, TORSION LH BAG CLOSE
57	6121 009 5339	2	BRACKET, SPRING COLLECTOR
58	6121 018 0016	4	SCREW, 1/4-20 X .50
59	6121 078 2585	4	NUT, 1/4-20
60	6121 009 4850	2	BRACE, FRAME COLLECTOR
61	6121 071 1909	4	SCREW, 1/4-20 X .62
62	6121 071 1632	4	NUT, 1/4-20
63	6121 009 5343	2	ASM. SUPPORT COLLECTOR
64	6121 018 0034	2	SCREW, 1/4-20 X 1.50
66	6121 009 5349	1	ASM. FRONT FRAME COLLECTOR
68	6121 071 1632	2	NUT, 1/4-20
69	6121 009 4908	1	TOP COLLECTOR ASM.
70	6121 069 0019	1	HANDLE, DUMP COLLECTOR
71	6121 069 0506	1	HANDLE, COLLECTOR
72	6121 009 5389	1	REBA COLLECTOR BAG
73	6121 009 4854	1	RUBBER GRIP
85	6121 071 1633	2	NUT, 5/16-18 (NOT ILLUSTRATED)
86	6121 071 2129	2	WASHER, .281 X 1.25 X.06
87	6121 078 5373	6	WASHER, FLAT .328 X 1.06 X .062
88	6121 057 8107	2	NUT, 1/4-20
89	6121 071 1674	2	SCREW, 1/4-20 X .63
97	6121 069 0010	1	BRACE, BAGGER
101	6121 071 2068	2	SCREW, 1/4-20 X 1.50
102	6121 071 1632	2	NUT, 1/4-20
103	6121 071 0266	1	SCREW, 10-24 X .38
104	6121 071 1741	2	SCREW, #12 X .50

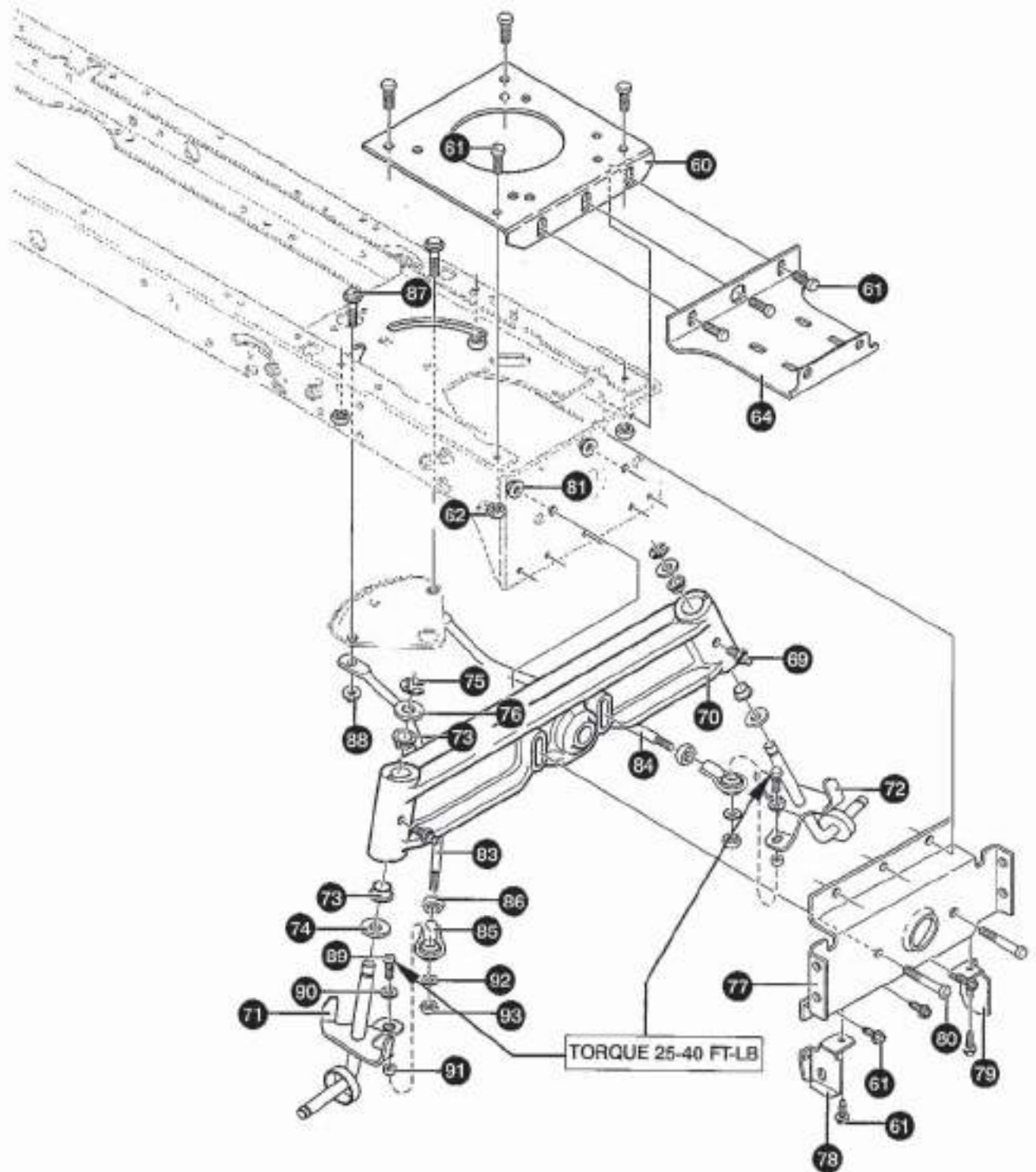
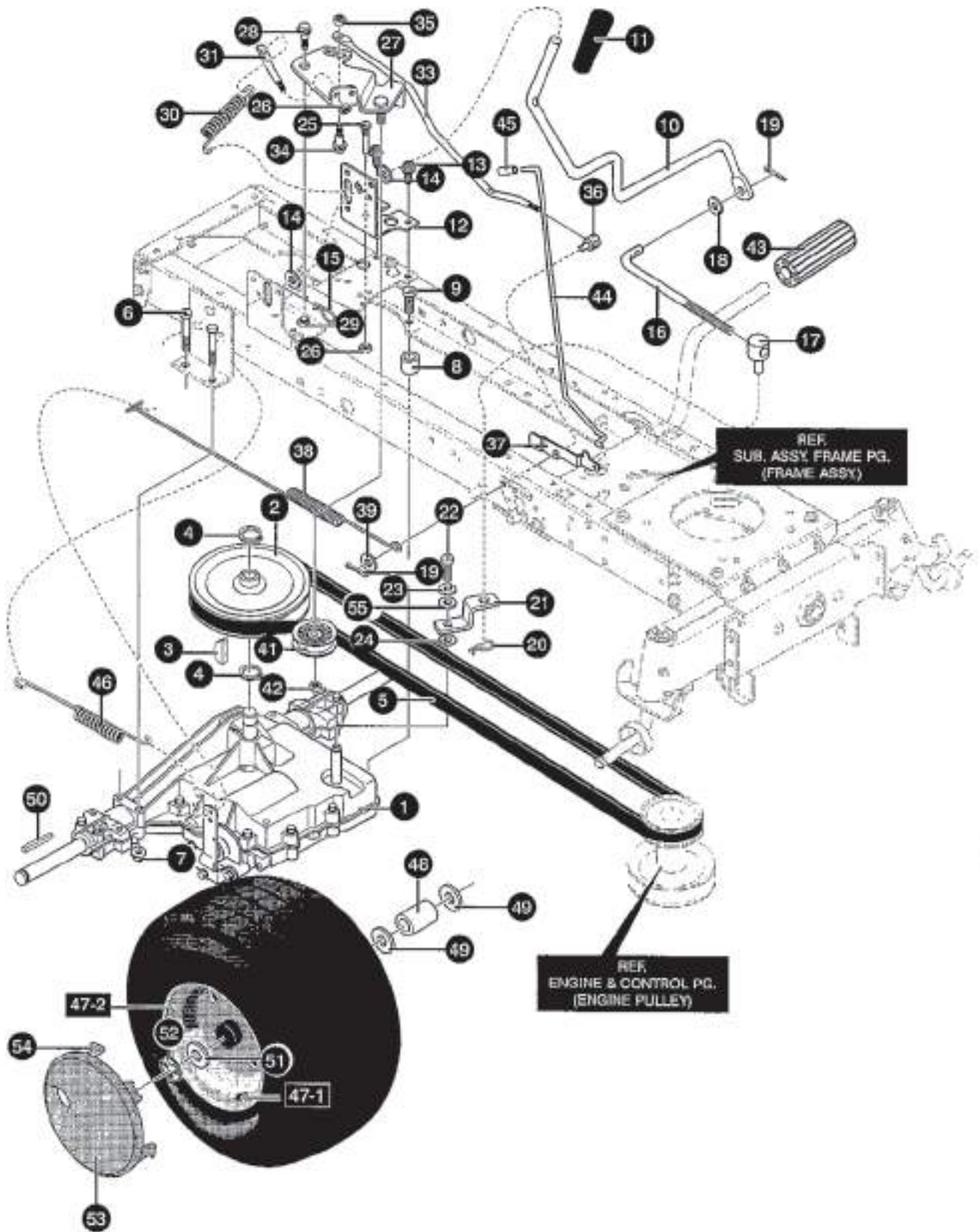


Illustration G

Frame Assembly

MT423T, MT425T, MT426H, MT433H, MT435H, MT770H

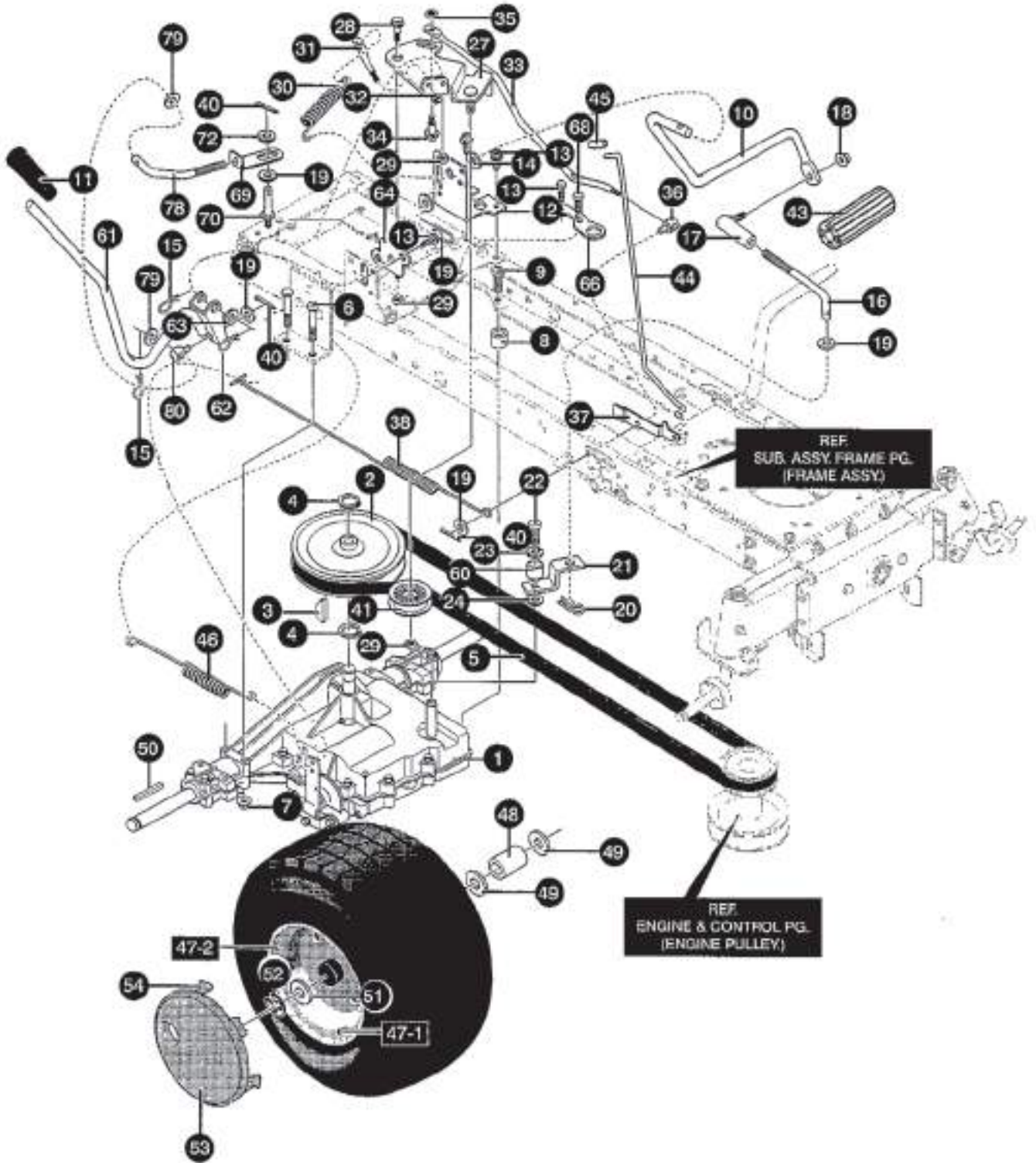
KEY#	PART NUMBER	QTY	DESCRIPTION
60	6121 009 4006	1	ENGINE PLATE
61	6121 071 1606	4	SCREW, 5/16-18 X .75
62	6121 071 1633	4	NUT, 5/16-18
64	6121 009 4306	1	BRACKET, MUFFLER MOUNT MT433H-425T-426H-435H-770H
	6121 009 4901	1	BRACKET, MUFFLER MOUNT MT423T
67	6121 004 5174	2	NUT, 5/16-18
68	6121 009 4310	1	BELT GUIDE ENGINE PULLEY MT770H NOT SHOWN
69	6121 999 9706	2	ZERK, GREASE FITTING
70	6121 069 0211	1	FRONT AXLE MT423T-425T-MT426H-MT433H
	6121 034 3710	1	FRONT AXLE MT435H
	6121 009 5405	1	FRONT AXLE MT770H
71	6121 009 4178	1	SPINDLE RH MT423T-425T-426H
	6121 009 4732	1	SPINDLE RH MT433H-435H
	6121 009 5182	1	SPINDLE RH MT770H
72	6121 009 4179	1	SPINDLE LH MT423T-425T-426H
	6121 009 4733	1	SPINDLE LH MT433H-435H
	6121 009 5183	1	SPINDLE LH MT770H
73	6121 009 2527	4	BEARING, SPINDLE MT770H
	6121 069 0150	2	BEARING, SPINDLE MT423T-425T-MT426H-MT433H-MT435H
74	6121 071 0129	4	WASHER 0.765 X 1.62 X 0.059 MT423T-425T-426H-433H-770H
	6121 071 1758	4	WASHER 0.765 X 1.81 X 0.059 MT435H
75	9460 624 5015	2	E-CLIP, .574 X .50 X .750
76	6121 071 0088	2	WASHER FLAT, .766 X 1.81 X .059
77	6121 009 4007	1	HANGER, AXLE
78	6121 009 4026	1	HANGER - DECK RH MT423T-425T-426H-433H-435H
	6121 069 0199	1	HANGER - DECK RH MT770H
79	6121 009 4027	1	HANGER - DECK LH MT423T-425T-426H-433H-435H
	6121 069 0198	1	HANGER - DECK LH MT770H
80	6121 071 0081	2	BOLT, 5/16-24 X 2.75 MT423T-425T-426H-433H-435H
	6121 918 0113	2	SCREW, 5/16-18 X 3.00 MT770H
81	6121 071 0080	2	NUT, 5/16-24 MT423T-425T-426H-433H-435H
	6121 071 1633	2	NUT, 5-16-18 MT770H
83	6121 009 4020	1	DRAGLINK RH MT423T-425T-426H
	6121 009 4767	1	DRAGLINK RH MT433H-435H ADJUSTABLE 5/8
	6121 009 5328	1	DRAGLINK RH MT770H
84	6121 009 4021	1	DRAGLINK LH MT423T-425T-426H
	6121 009 4768	1	DRAGLINK LH MT433H-435H ADJUSTABLE 5/8
	6121 009 5329	1	DRAGLINK LH MT770H
85	6121 009 4766	2	BALL JOINT 1/2-20
86	6121 000 7058	2	NUT, 1/2-20
87	6121 071 0440	2	BOLT
88	6121 071 1622	2	NUT, 3/8-16
89	6121 031 0364	2	BOLT, 3/8-16 1.18 MT433H-435H
	6121 071 0082	2	BOLT, 3/8-15 X 1.50 MT423T-426H-425T-770H
90	6121 071 1672	4	WASHER MT433H-435H
	6121 071 0083	4	WASHER FLAT .391 X 1.0 X 0.083 MT423T-426H-425T-770H
91	6121 031 9618	2	SPACER MT433H-435H
	6121 071 1623	2	WASHER FLAT .406 X .81 X .16 MT423T-426H-425T-770H
92	6121 030 1188	2	WASHER MT433H-435H
93	9210 260 0782	2	NUT MT433H-435H
	6121 071 1622	2	NUT 3/8-16 MT423T-426H-425T-770H



KEY#	PART NUMBER	QTY	DESCRIPTION
1	*	1	TRANSAXLE, PEERLESS MST205
2	6121 009 5094	1	PULLEY, 8.81DIA
3	6121 002 0697	1	KEY, WDRF #9 .75DIA X .18 X .310
4	6121 071 0340	2	RING, RETEX .58 X .04
5	6121 071 0341	1	DRIVE BELT MT423T-425T
6	6121 071 0342	4	SCREW, 5/16-18 X 2.625
7	6121 071 1633	4	NUT, 5/16-18
8	6121 009 4132	1	SPACER, TRANSAXLE
9	6121 071 0002	1	SCREW, 5/16-18 X 2.00
10	6121 009 4043	1	LEVER, SHIFTER
11	6121 009 4497	1	GRIP, LIFT
12	6121 009 4034	1	BRACKET, SHIFT PIVOT
13	6121 071 1606	2	SCREW, 5/16-18 X .75
14	6121 071 1615	2	WASHER, FLAT .518 X .87 X .16
15	6121 071 1676	1	PIN, HAIR
16	6121 009 4044	1	LINK, SHIFT ZINC
17	6121 002 1920	1	NUT, ADJ. 3/8-16TAP
18	6121 071 1623	1	WASHER, FLAT .406 X .81 X .16GA
19	6121 071 1614	*	PIN, COTTER .094DIA X .75
20	6121 071 1682	1	PIN, HAIR .38DIA X 1.64LG
21	6121 009 4031	1	ZINC YOKE-SHIFT
22	6121 995 6255	1	SCREW, 1/4-28 X 0.75
23	6121 995 6255	1	WASHER
24	6121 071 0346	1	WASHER, .388/.393SQ X 1.00 X .065
25	6121 009 3349	1	SCREW GUIDE
26	6121 071 1633	1	NUT, 5/16-18
27	6121 069 4040	1	ASSY, IDLER ARM
28	6121 071 1613	1	BOLT .50 X .75 3/8-16
29	6121 071 1622	1	NUT, 3/8-16
30	6121 071 0334	1	SPRING, EXTENSION 5.16LG
31	6121 009 4042	1	STUD-SPRING MTG
33	6121 009 4041	1	ROD, CLUTCH SWITCH ZINC.
34	6121 071 0344	1	BOLT, .50 X .20 1/4-20 X .50
35	6121 004 6931	1	NUT, 1/4-20
36	6121 071 1596	1	NUT, ADJUSTING
37	6121 009 5290	1	LATCH, PARK BRAKE ZINC
38	6121 071 0333	1	SPRING, EXTENSION 23.10LG
39	6121 071 1623	1	WASHER, FLAT .406 X .81 X 16GA
40	6121 009 1179	1	PULLEY, IDLER 2.75"
41	6121 069 0409	1	PULLEY, IDLER 2.75" (METAL)
41	6121 069 0369	1	SPACER/SLEEVE 1/2-17
42	6121 071 1622	1	NUT, 3/8-16
43	6121 002 1544	1	PEDAL, BRAKE/CLUTCH STD NLT
44	6121 069 0046	1	ROD, PARKING BRAKE
45	6121 009 1079	1	GRIP, ROD
46	6121 071 0353	1	SPRING, TENSION
47-1	6121 033 8512	2	VALVE STEM
47-2	6121 033 8524	2	RIM
48	6121 009 5421	2	SPACER, .87 X 1.78
49	6121 071 0351	4	WASHER, FLAT .760 X 1.25 X .065
50	6121 002 1553	2	KEY, SQUARE .187Q X 2.0LG
51	6121 071 1758	2	WASHER, FLAT .765 X 1.62 X .065
52	9460 624 5015	2	E-RING .574ID X .50/.750SH
53	6121 930 4441	2	HUBCAP
54	6121 704 3701	10	CLIP, HUBCAP
55	6121 071 0657	1	FLATWASHER .256 X .75 X 1.30

* AS REQUIRED

* CONTACT YOUR NEAREST PEERLESS TRANSAXLE DEALER FOR PARTS AND SERVICE.



KEY#	PART NUMBER	QTY	DESCRIPTION
1	*	1	TRANSAXLE, PEERLESS MST206-502
2	6121 009 5094	1	PULLEY, 8.81DIA
3	6121 002 0697	1	KEY, WOODRUFF #9
4	6121 071 0340	2	RING, RETEX
5	6121 071 0341	1	DRIVE BELT MT423T-MT425T
6	6121 071 0342	4	SCREW, 5/16-18 X 2.825
7	6121 071 1633	4	NUT, 5/16-18
8	6121 009 4132	1	SPACER, TRANSAXLE
9	6121 071 0002	1	SCREW, 5/16-18 X 2.00
10	6121 009 4167	1	SHIFT ROD
11	6121 009 4198	1	GRIP, BLACK
12	6121 009 4034	1	BRACKET, SHIFT PIVOT
13	6121 071 1606	*	SCREW, 5/16-18 X .75
14	6121 071 1615	2	WASHER, FLAT .518 X .87 X .16 (17X102)
15	6121 071 1676	*	PIN, HAIR
16	6121 009 4172	1	LINK, SHIFT
17	6121 002 1031	1	BALL JOINT 3/8-24 X .625
18	6121 071 0368	1	NUT, 3/8-24
19	6121 071 0207	*	WASHER, FLAT .406 X .812 X .06
20	6121 071 1882	1	PIN, HAIR .38DIA X 1.64
21	6121 009 4031	1	ZINC YOKE-SHIFT
22	6121 995 6255	1	SCREW, 1/4-28 X .750
23	6121 071 0249	1	WASHER
24	6121 071 0346	1	WASHER, .388/393SQ X 1.00 X .06
27	6121 069 4040	1	ASM, IDLER ARM
28	6121 071 1613	1	BOLT .50 X .75 3/8-16
29	6121 071 1622	*	NUT, 3/8-16
30	6121 071 0334	1	SPRING, EXTENSION 5.16LG
31	6121 009 4042	1	STUD-SPRING MTG
32	6121 071 1633	1	NUT, 5/16-16
33	6121 009 4041	1	ROD, CLUTCH SWITCH ZINC.
34	6121 071 0344	1	BOLT, .50 X .20 1/4-20 X .50
35	6121 004 6931	1	NUT, 1/4-20
36	6121 071 1596	1	NUT, ADJUSTING
37	6121 009 5290	1	LATCH, PARK BRAKE ZINC
38	6121 071 0333	1	SPRING, EXTENSION 23.10LG
39	6121 071 1623	1	WASHER, FLAT .406 X .81 X 16GA
40	6121 071 1614	*	PIN, COTTER .094DIA X .75
41	6121 009 1179	1	PULLEY, IDLER 2.75" ID 1/2"
	6121 069 0409	1	PULLEY, IDLER 2.75" ID 17MM
	6121 069 0369	1	SPACER 1/2-17MM
43	6121 002 1544	1	PEDAL, BRAKE/CLUTCH STD NLT
44	6121 069 0046	1	ROD, PARKING BRAKE
45	6121 009 1079	1	GRIP, ROD
46	6121 071 0353	1	SPRING, TENSION
47-1	6121 033 8512	2	VALVE STEM
47-2	6121 033 8524	2	RIM
48	6121 009 5421	2	SPACER, .87 X 1.78
49	6121 071 0351	4	WASHER, FLAT .760 X 1.25 X .065
50	6121 002 1553	2	KEY, SQUARE .187Q X 2.0LG
51	6121 071 1758	2	WASHER, FLAT .765 X 1.62 X .065
52	9460 624 5015	2	E-RING .574ID X .50/.750SH
53	6121 930 4441	2	HUBCAP
54	6121 704 3701	10	CLIP, HUBCAP
55	6121 071 0657	1	FLATWASHER .256 X .75 X 1.30
60	6121 009 1889	1	SPACER, PILOT .25 X .750 X 1.0
61	6121 069 4710	1	ASM, SHIFT LEVER
63	6121 071 1615	1	FLATWASHER .516 X .87 X 16
64	6121 009 4164	1	PLATE-PIVOT
66	6121 009 4032	1	PLATE, SHIFT STABILISER
69	6121 009 4183	1	WELD ASSY, LINK-CLUTCH
70	6121 009 4146	1	SPACER-STUD 3/8-16
78	6121 009 4166	1	ROD-ADJUSTING
79	6121 071 1644	2	WASHER, FLAT .344 X .62 X .06
80	6121 009 4147	1	SWIVEL PIN

* AS REQUIRED

* CONTACT YOUR NEAREST PEERLESS TRANSAXLE DEALER FOR PARTS AND SERVICE.

PERNOS HYON
V57205.025B

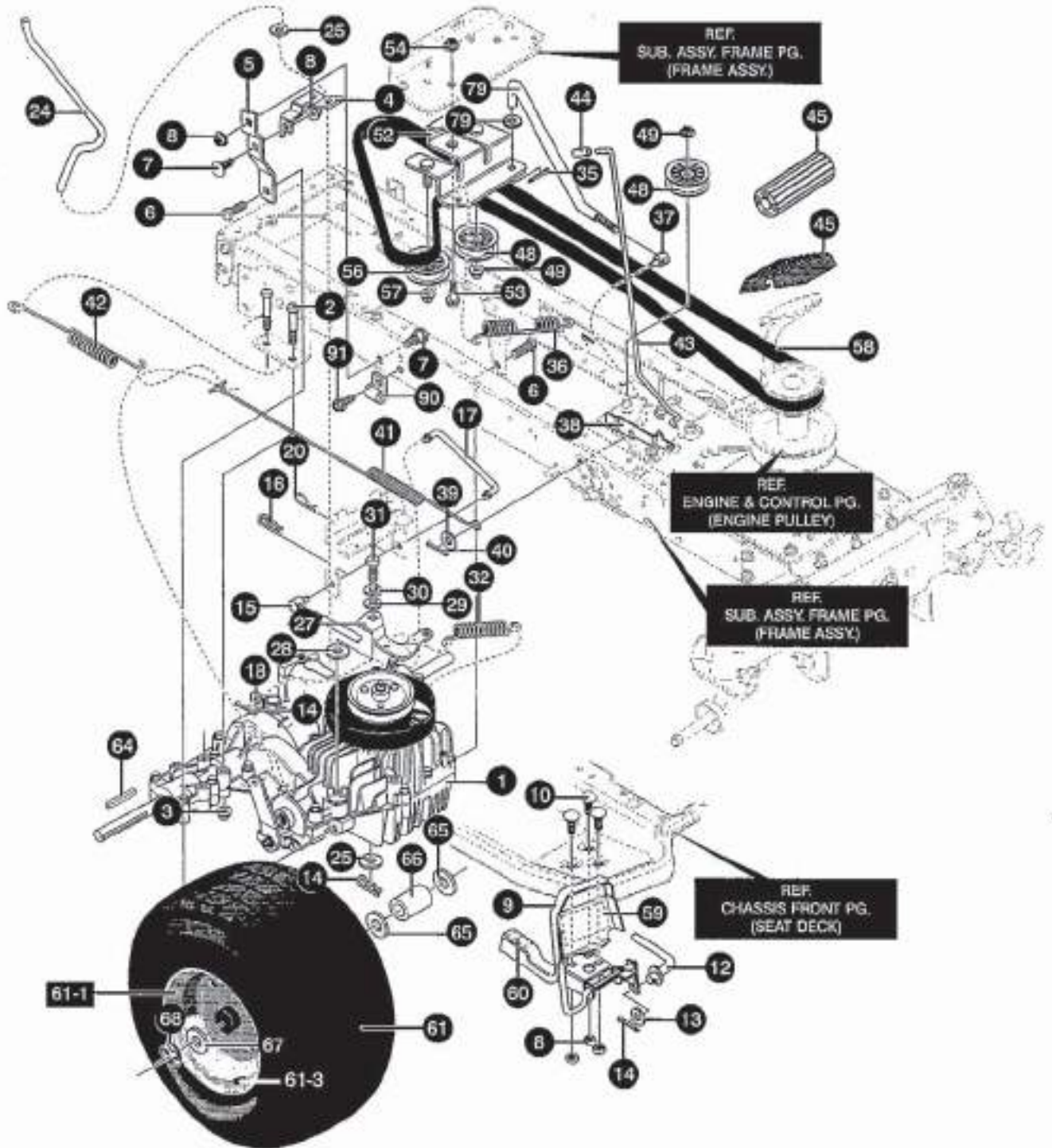


Illustration I

MT426H, MT433H, MT435H

Motion Drive Assembly

KEY#	PART NUMBER	QTY	DESCRIPTION
1			HYDRO - PEERLESS VST205-024 MT433H-MT426H-MT435H
2	6121 918 0091	4	SCREW, 5/16-18 X 2.50
3	6121 071 1633	4	NUT, 5/16-18
4	6121 009 4429	1	BRACKET, DISCONNECT
5	6121 009 4432	1	TORQUE STRAP
6	6121 071 0268	2	SCREW, 5/16-18 X .75
7	6121 071 1661	2	BOLT, 5/16-18 X 0.63
8	6121 071 1633	2	NUT, 5/16-18
9	6121 009 5121	1	PEDAL ASSY MT433H
	6121 069 0013	1	PEDAL ASSY MT435H
	6121 009 4422	1	PEDAL ASSY MT426H
10	6121 071 1688	3	BOLT, 5/16-18 X 0.75
12	6121 069 0250	1	ROD - PEDAL LINK MT433H
	6121 009 5278	1	ROD - PEDAL LINK MT426H-MT435H
13	6121 071 0238	1	WASHER, 0.469 X 0.72
14	6121 071 1614	1	COTTER PIN, 0.094 X 0.75
	6121 007 1081	1	COTTER PIN, 0.094 X 0.75
15	6121 071 1594	1	ADJUSTING NUT, 1/2-13
16	6121 071 1682	1	HAIR PIN, 0.38 X 1.64
17	6121 009 5279	1	ROD - HYDRO LINK MT426H-MT433H-MT435H
18	6121 071 1617	1	FLATWASHER
20	6121 071 1676	1	PIN HAIR
24	6121 009 5298	1	ROD - DISCONNECT
25	6121 071 1644	2	WASHER FLAT 0.344 X 0.62 X 0.06
27	6121 009 5299	1	ARM - DISCONNECT
28	6121 071 0346	1	WASHER, .388/398 X 1.0 X .065
29	6121 071 0657	1	WASHER FLAT, .256 X .75 X .130
30	6121 071 0249	1	WASHER
31	6121 995 6255	1	SCREW, 1/4-28 X .075
32	6121 071 0330	1	SPRING EXTENSION
33	6121 009 5297	1	ROD - CLUTCH MT426H-MT433H-MT435H (NOT ILLUSTRATED)
34	6121 071 1644	1	WASHER FLAT 0.344 X 0.62 X 0.06 MT433H-MT435H
35	6121 007 1081	1	COTTER PIN, 0.094 X 0.75

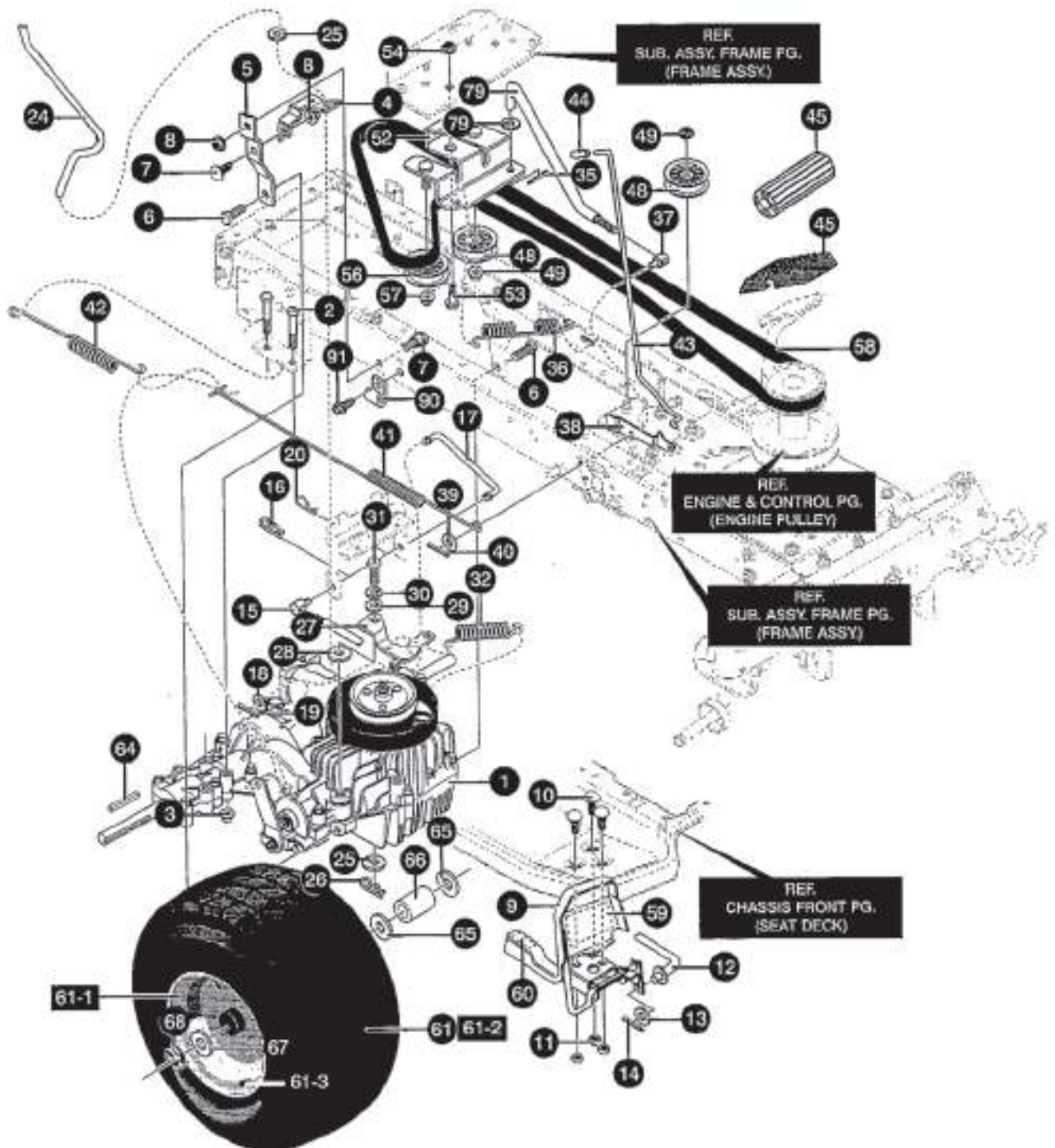


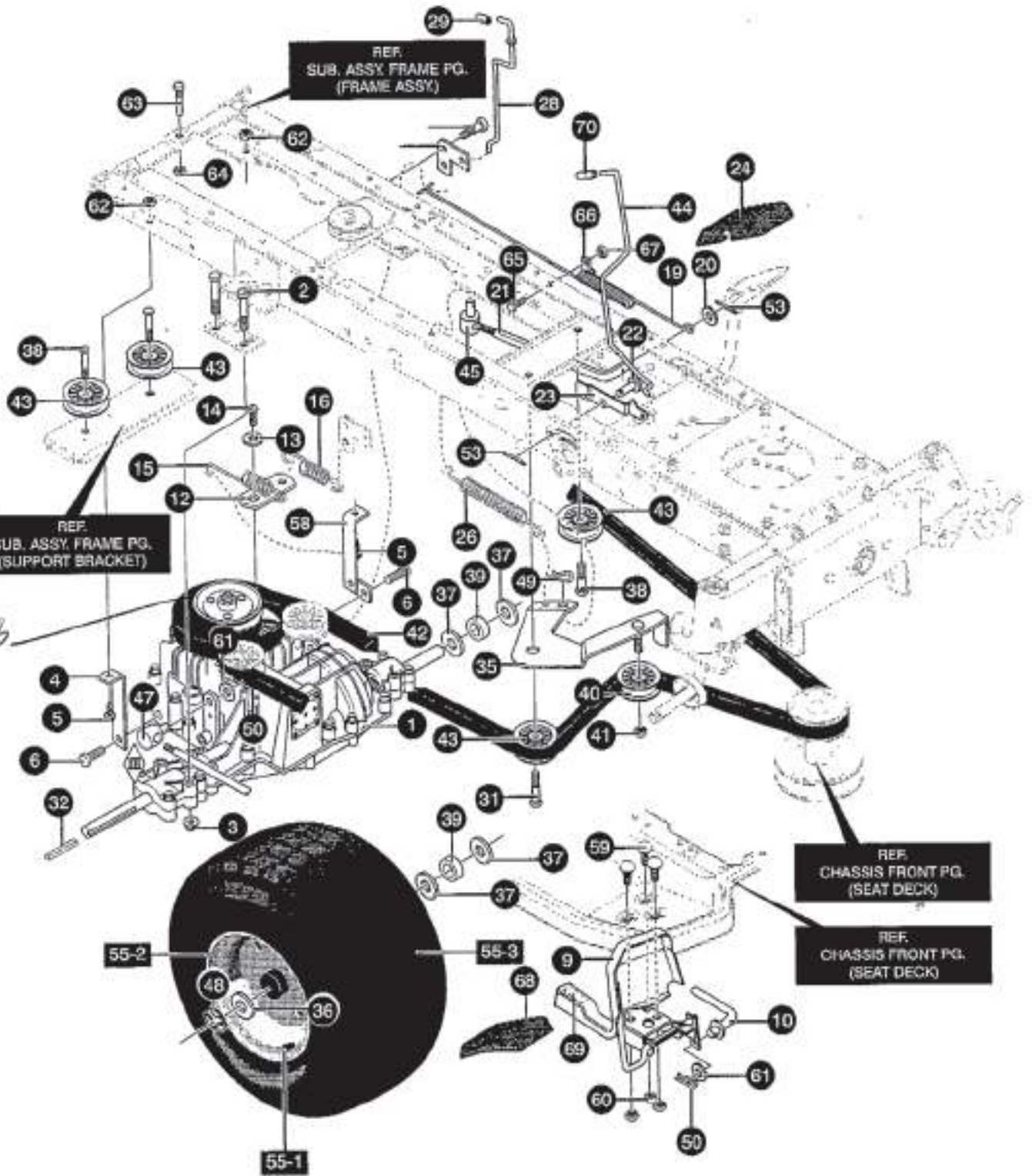
Illustration 1

MT426H, MT433H, MT435H

Motion Drive Assembly

KEY#	PART NUMBER	QTY	DESCRIPTION
36	6121 071 0707	1	SPRING, CLUTCH DRIVE
37	6121 071 1596	1	NUT - ADJUSTING
38	6121 009 5290	1	LATCH - PARK BRAKE
39	6121 071 1623	1	WASHER - FLAT 0.460 X 0.81
40	6121 071 1614	1	COTTER PIN, 0.094 X 0.75
41	6121 071 0333	1	SPRING BRAKE
42	6121 071 0353	1	SPRING, 3.98 X .530
43	6121 069 0046	1	ROD - PARK BRAKE CONTROL
	6121 069 0047	1	ROD - PARK BRAKE CONTROL (3510B/3520)
44	6121 009 1079	1	CAP - DUMP VALVE ROD MT426H-MT433H-MT435H
45	6121 002 1544	1	PAD - BRAKE/CLUTCH PEDAL MT433H-MT426H
	6121 009 5220	1	PAD - BRAKE/CLUTCH PEDAL MT435H
48	6121 009 1179	2	PULLEY, IDLER 2.75" ID 1/2"
	- 6121 069 0409 -	2	PULLEY, IDLER 2.75" ID 17MM
	6121 069 0369	2	SPACER/SLEEVE 1/2-17MM
49	6121 071 1622	1	NUT, 3/8-16
52	6121 009 5305	1	BRACKET - IDLER
53	6121 071 1613	1	BOLT, 0.50 X 0.75 MT433H-MT435H
54	6121 071 1622	1	NUT, 3/8-16
56	6121 009 1178	1	PULLEY, IDLER 3" ID 1/2"
	- 6121 069 0410 -	1	PULLEY, IDLER 3" ID 17MM
	6121 069 0369	1	SPACER/SLEEVE 1/2-17MM
58	6121 071 0531	1	DRIVE BELT MT426H-MT433H-MT435H
59	6121 009 3248	1	PAD - SANDPAPER MT433H-MT426H
	6121 009 4798	1	PAD - SANDPAPER MT435H
60	6121 009 3249	1	PEDAL SANDPAPER MT433H-MT435H-MT426H
61			TYRE & RIM, 18 X 8.50-8 MT433H
			TYRE & RIM, 20 X 8.00-8 MT435H-MT426H
61-1	6121 033 8512	2	VALVE, STEM
61-2	6121 033 8524	2	RIM, REAR 18"/20"
61-3			TYRE - REAR 18 X 8.50-8
62	6121 930 4441	2	HUBCAP - REAR (NOT ILLUSTRATED)
63	6121 704 3701	18	CLIP - HUBCAP (NOT ILLUSTRATED)
64	6121 995 2928	2	KEY
65	6121 071 1648	4	WASHER - FLAT 0.760 X 1.25 X 0.065
66	6121 009 5274	2	SPACER, 0.871 X 1.78 MT433H-MT435H
67	6121 071 1758	2	WASHER FLAT, 0.765 X 1.81 X 0.59 MT433H-MT435H
68	9460 624 5015	2	E-CLIP, .578 X .50 X .750
90	6121 071 1742	1	RETAINER, 31ID X .62 X .03
91	6121 071 1606	1	SCREW, 5/16-18 X .75

MT770H



KEY#	PART NUMBER	QTY	DESCRIPTION
1		1	HYDRO - PEERLESS VST205-025BM
2	6121 071 1669	4	SCREW, 5/16-18 X 2.50
3	6121 071 1633	4	NUT, 5/16-18 X 2.50
4	6121 009 4224	1	STABILISER BRACKET HYDRO T/A
5	6121 071 1893	2	SCREW, 5/16-18 X 1.0
6	6121 071 0268	2	SCREW, 5/16-18 X .75
9	6121 069 0134	1	PEDAL ASM. HYDRO
10	6121 069 0018	1	ROD, FOOT CONTROL
12	6121 032 3212	1	BRACKET, SHIFT
13	6121 071 1895	1	WASHER, .750 X .250 SP-TRANSAXLE
14	6121 995 6255	1	SCREW, 1/4-28 X .75
15	6121 009 4622	1	SPRING, TRANSAXLE DISCONNECT
16	6121 032 6780	1	SPRING, 3/8OD X 2.18 X .055 TENSION
17	6121 009 4621	1	BRACKET, DISCONNECT LEVER VST (NOT ILLUSTRATED)
18	6121 071 1896	1	BOLT, .437 X .136 5/16-18 (NOT ILLUSTRATED)
19	6121 009 5424	1	SPRING, BRAKE
20	6121 076 5373	1	WASHER, FLAT .328 X 1.06 X .062
21	6121 069 0016	1	ROD, CLUTCH
22	6121 071 1903	1	PIN, CLEVIS .375D X .81LG
23	6121 009 5290	1	ZINC LATCH, PARK BRAKE
24	6121 009 5220	1	PAD, CLUTCH/BRAKE
26	6121 071 1522	1	SPRING, TENSION .096 X .80OD X 5.00LG
28	6121 069 0015	1	ROD, DISCONNECT CONTROL
29	6121 069 0032	1	GRIP, HYDRO DISCONNECT
31	6121 071 1905	1	SCREW, 3/8-16 X 1.25
32	6121 995 2928	2	KEY, SQUARE .187SQ X 2.25LG
35	6121 009 4238	1	ASSY. IDLER ARM TRACTION
36	6121 071 1758	2	WASHER, FLAT .785 X 1.81 X .059 (NOT ILLUSTRATED)
37	6121 071 1904	4	WASHER, FLAT .755ID
38	6121 071 1905	3	SCREW, 3/8-16 X 1.25
39	6121 009 5274	2	SPACER .87 X 1.78
40	6121 009 1179	1	PULLEY, IDLER 2.75" ID 1/2"
	6121 069 0409	1	PULLEY, IDLER 2.75" ID 17MM
	6121 069 0369	1	SPACER/SLEEVE 1/2-17MM
41	6121 071 1920	1	NUT, 3/8-16
42	6121 009 4609	1	BELT, V4L 112.75
43	6121 009 5531	4	PULLEY, IDLER V4L 3.00 X .710
44	6121 069 0046	1	PARK BRAKE CONTROL ROD
	6121 069 0047	1	PARK BRAKE CONTROL ROD (3510B/3520)
45	6121 071 0059	1	NUT, 5/16-18 X 3/8 ADJUSTING
47	6121 071 1594	1	ADJUSTING NUT, 1/2-13
48	9460 624 5015	2	E-RING .574ID X .050(.750SH)
49	6121 071 1899	1	PIN, HAIR .53DIA X 1.82LG (NOT ILLUSTRATED)
50	6121 071 1676	2	PIN, HAIR
53	6121 071 1897	2	PIN, COTTER .090DIA X .75LG
55		2	TYRE & RIM 20 X 8.00-8
55-1	6121 033 8512	2	VALVE STEM
55-2	6121 033 8524	2	RIM
55-3		2	TYRE 20 X 8.00 X 8
58	6121 009 4225	1	WELD ASM. BRACKET, STABILISER LH
59	6121 071 1688	3	BOLT, 5/16-18 X .75
60	6121 071 0026	3	NUT, 5/16-18
61	6121 071 1894	2	WASHER, FLAT .515 X .68 X .064
62	6121 071 0026	2	NUT, 5/16-18
63	6121 009 3349	1	ZINC SCREW GUIDE 5/16-18
64	6121 071 1633	1	NUT, 5/16-18
65	6121 018 0018	1	SCREW, 1/4-20 X .50
66	6121 071 1742	1	RETAINER, .31ID X .62 X .03
67	6121 009 1685	1	NUT, 1/4-20
68	6121 009 4798	1	PAD, SPEED CONTROL PEDAL DLX
69	6121 009 3249	1	PAD, TOE SANDPAPER
70	6121 009 1079	1	CAP, DUMP VALVE ROD

798028

mod.

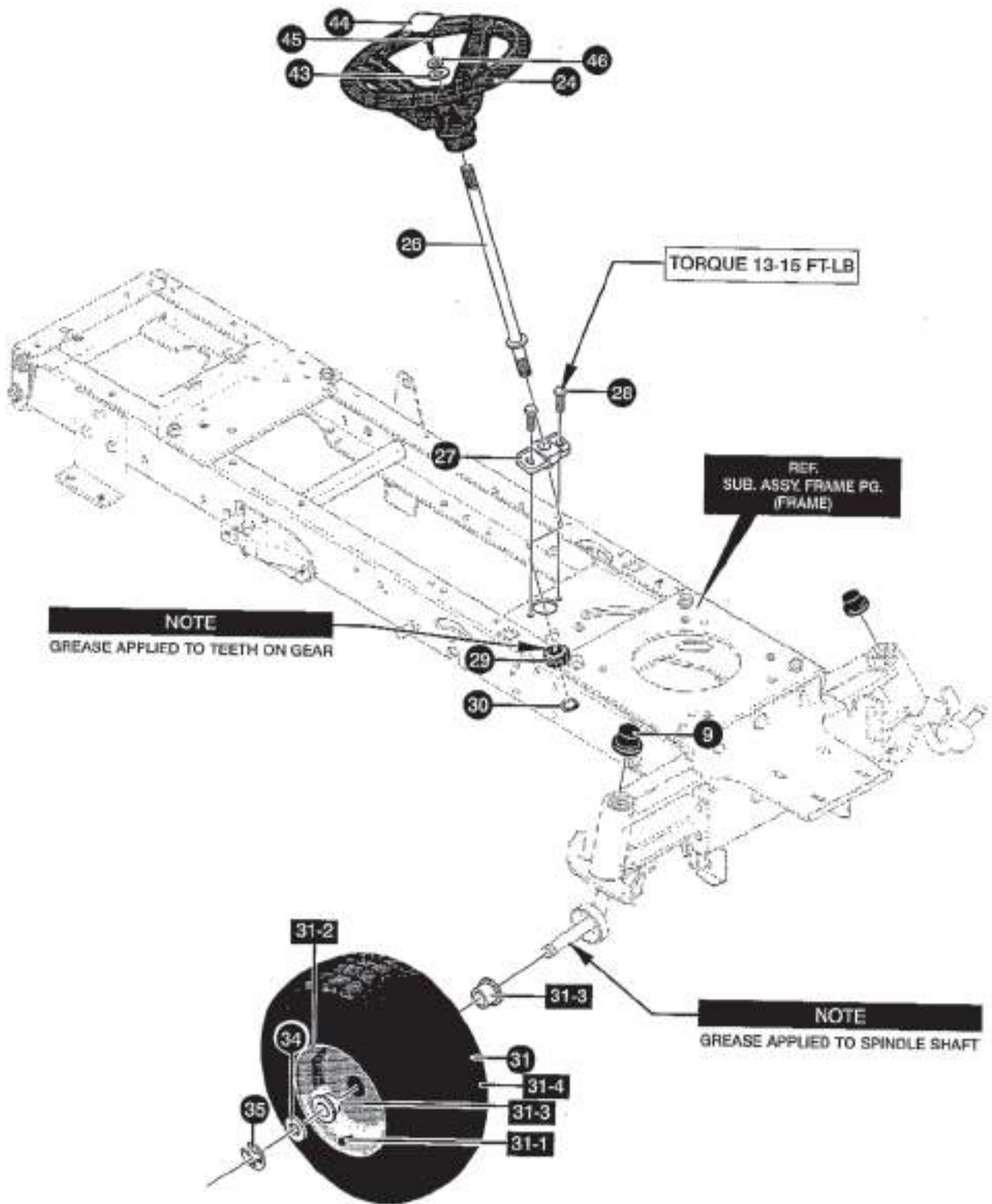


Illustration J

Steering Assembly

MT423T, MT425T, MT426H, MT433H, MT435H, MT770H

KEY#	PART NUMBER	QTY	DESCRIPTION
9	6121 009 4618	2	DUST CAP
24	6121 009 4134	1	STEERING WHEEL MT423T
	6121 009 5185	1	STEERING WHEEL MT433H
	6121 009 5185	1	STEERING WHEEL MT435H-MT770H
	6121 009 5441	1	STEERING WHEEL MT425T-MT426H-MT630H
24-1	6121 009 4131	1	RETAINING - CLIP (NOT ILLUSTRATED)
26	6121 009 4520	1	SHAFT, STEERING
27	6121 009 4124	1	BEARING, LOWER
28	6121 071 1606	1	SCREW, 5/16-18 X .75
29	6121 009 4122	1	PINION GEAR, STEERING
30	6121 071 0102	1	E-CLIP, .54 X .59
31			TYRE & RIM - FRONT 15 X 6.00-6
31-1	6121 033 8512	2	VALVE STEM
31-2	6121 033 8517	2	RIM, FRONT 15"
31-3	6121 033 8513	2	WHEEL, BEARING
31-4		1	TYRE - FRONT 15 X 6.00-6
32	6121 930 4441	2	HUBCAP - FRONT (NOT ILLUSTRATED)
33	6121 704 3701	18	CLIP, HUBCAP (NOT ILLUSTRATED)
34	6121 071 1758	1	WASHER FLAT, 0.765 X 1.81 X 0.59
35	9460 624 5015	1	E-RING, 0.574 X 0.50/0.750
43	6121 071 1720	1	WASHER FLAT, .391 X 1.25 X .115
	6121 071 1663	1	WASHER FLAT, 0.281 X 1.25 X 0.06 MT770H
44	6121 071 1326	1	INSERT, STEERING WHEEL
45	6121 071 1719	1	SCREW, 1/4-20 X .75
46	6121 071 0249	1	WASHER

Illustration K

MT423T, MT425T, MT426H, MT433H, MT435H

Mower Suspension Assembly

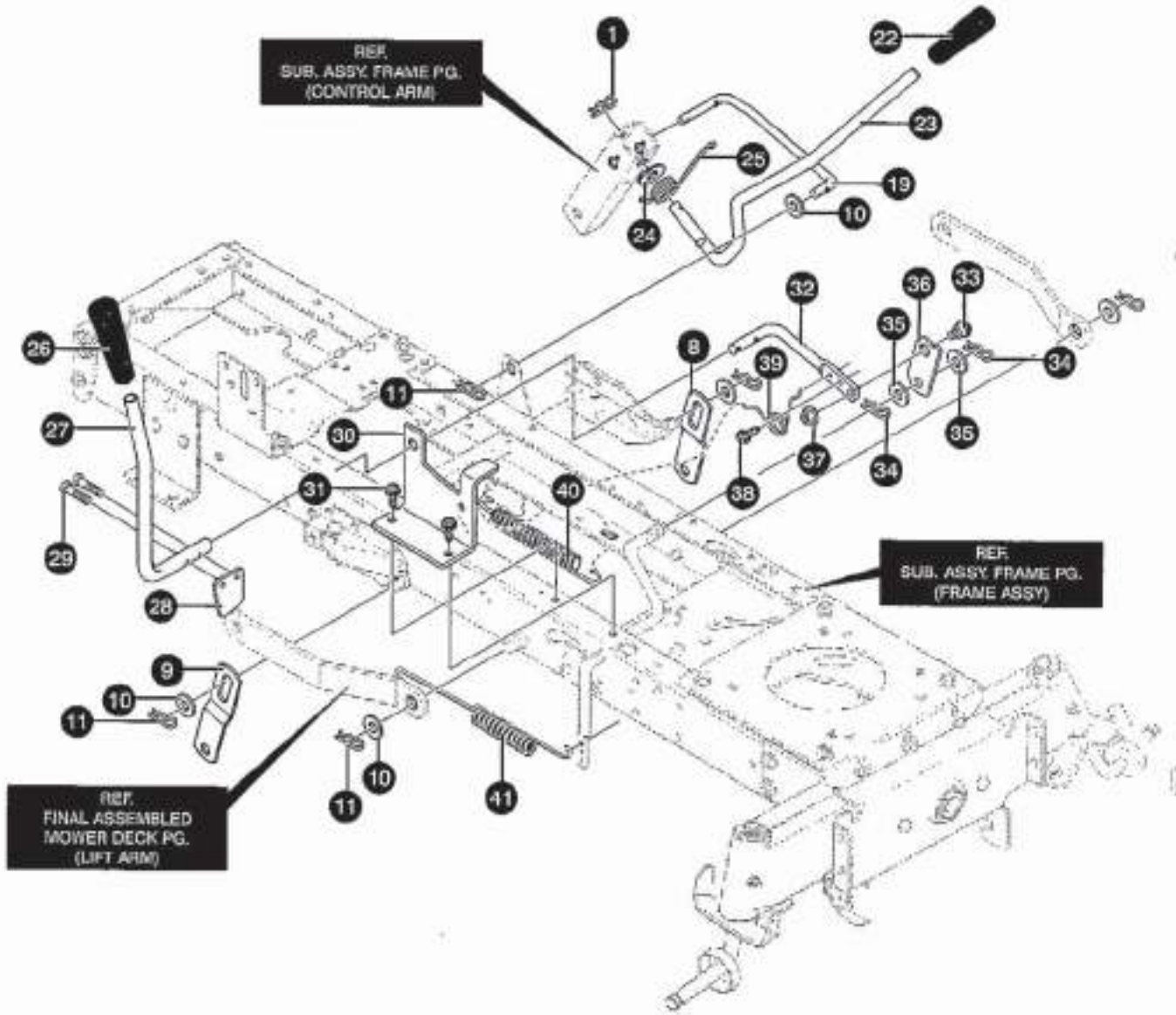
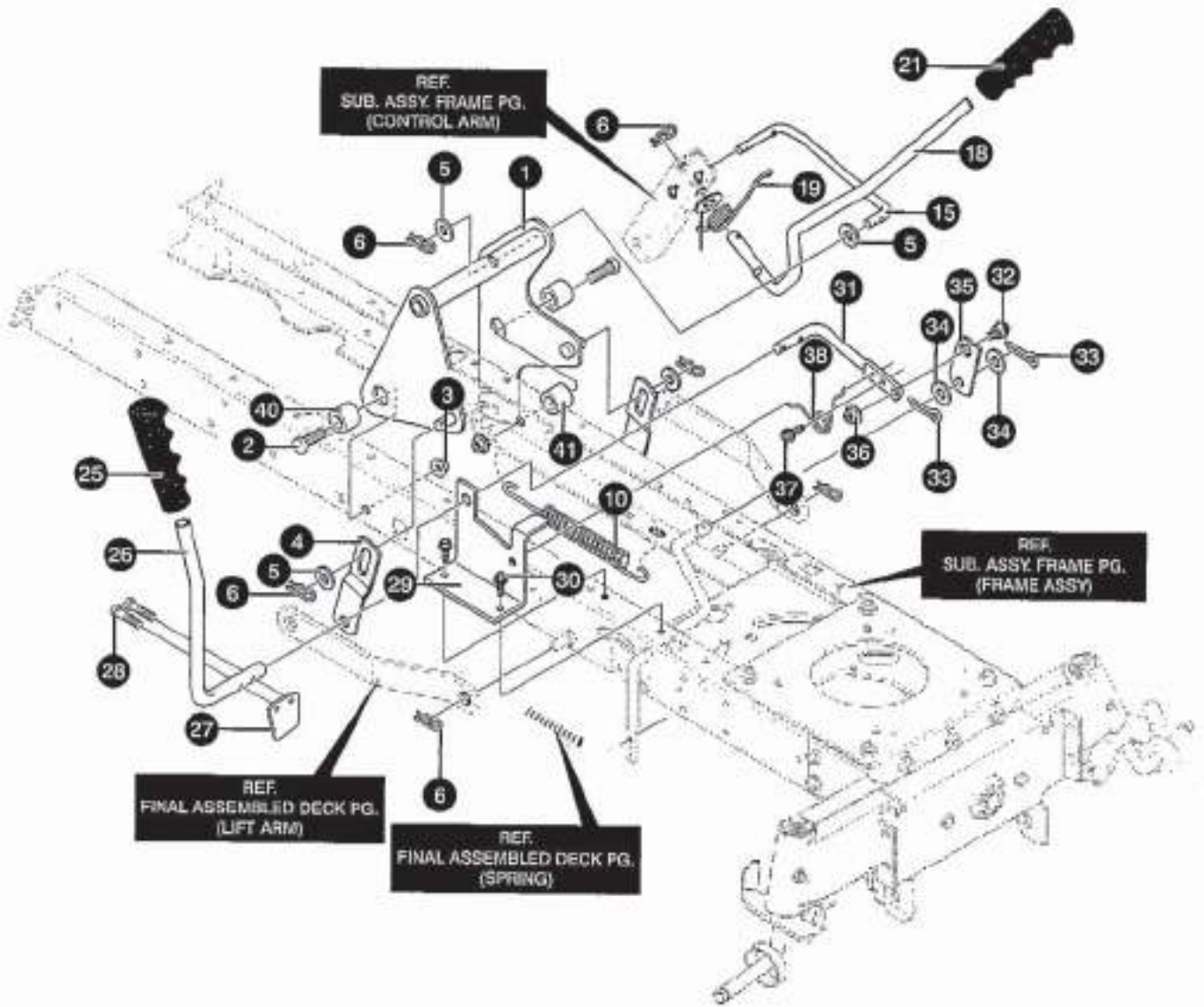


Illustration K

MT423T, MT425T, MT428H, MT433H, MT435H

Mower Suspension Assembly

KEY#	PART NUMBER	QTY	DESCRIPTION
1	6121 071 1676	1	PIN, HAIR
8	6121 009 4611	1	LINK - LIFT LH
9	6121 009 4053	1	LINK - LIFT RH
10	6121 071 1617	1	WASHER FLAT
11	6121 071 1676	1	PIN, HAIR
19	6121 009 4028	1	LINK - LIFT LEVER
22	6121 009 4497	1	GRIP, LIFT LEVER
23	6121 069 0532	1	LEVER, LIFT
24	6121 071 1616	1	WASHER FLAT, 0.550 X 1.0 X 11
25	6121 071 0111	1	SPRING 0.657
26	6121 009 4496	1	GRIP - PTO LEVER
27	6121 009 4648	1	HANDLE LEVER - PTO MT423T-MT425T-MT428H (H11)
	6121 069 0126	1	HANDLE LEVER - PTO MT433H-MT435H-MT770H (H25)
	6121 071 2035	1	HANDLE LEVER - PTO MT433H (3510B)
	6121 069 0050	1	HANDLE LEVER - PTO MT435H (3520)
28	6121 009 5284	1	PADDLE, SWITCH MT433H-MT435H
29	6121 071 1621	2	SCREW, 0.246 X 1.050 MT433H-MT435H
30	6121 009 4018	1	BRACKET - PTO LEVER
31	6121 078 0055	1	SCREW, 5/16-18 X 0.50
32	6121 009 5283	1	LOWER LEVER - PTO MT433H-MT435H
33	6121 071 1613	1	BOLT, 0.50 X 0.75 3/8-16 MT433H-MT435H
34	6121 071 1659	1	PIN, HAIR 0.072 X 1.13 MT433H-MT435H
35	6121 071 1615	2	WASHER FLAT, 0.518 X 0.87 X 16 MT433H-MT435H
36	6121 009 5282	1	LINK PLATE - PTO MT433H-MT435H
37	6121 071 1622	1	NUT, 3/8-16 MT433H-MT435H
38	6121 071 1606	1	SCREW, 5/16-18 X 0.75 MT433H-MT435H
39	6121 071 0141	1	SPRING, 0.33 MT433H-MT435H
40	6121 071 0311	1	SPRING 1.01 X 8.18 MT433H-MT435H
41	6121 071 0208	1	SPRING MT433H-MT425T-MT428H-MT435H
	6121 071 0229	1	SPRING MT423T



KEY#	PART NUMBER	QTY	DESCRIPTION
1	6121 009 5233	1	DECK LIFT ARM
2	6121 071 1917	2	SCREW, 1/2-13 X 1.50
3	6121 071 1918	2	NUT, 1/2-13 LOCK
4	6121 009 4262	2	BRACKET, LIFT LINK
5	6121 071 1617	2	WASHER, FLAT
6	6121 071 1676	2	PIN, HAIR
10	6121 071 0235	1	SPRING, EXTENSION 9.82 X 1.01OD
15	6121 071 1981	1	LINK-LIFT HANDLE
18	6121 009 5296	1	ZINC HANDLE, LIFT
19	6121 071 0111	1	TORSION SPRING .657LG
21	6121 009 4497	1	GRIP, LIFT
24	6121 071 1616	1	WASHER, FLAT .550 X 1.00 X 11 (NOT ILLUSTRATED)
25	6121 009 4496	1	GRIP, PTO 5/8
26	6121 069 0126	1	HANDLE LEVER - PTO (H25)
	6121 069 0532	1	HANDLE LEVER - PTO (3520)
27	6121 009 5284	1	ZINC PADDLE, SWITCH
28	6121 071 1621	2	SCREW, THD FORM .246 X 1.050LG
29	6121 009 4018	1	BRACKET, PTO
30	6121 078 0055	2	SCREW, 5/16-18 X .50
31	6121 009 5283	1	ZINC LEVER, PTO
32	6121 071 1613	1	BOLT, .50 X .75 3/8-16
33	6121 071 1659	2	PIN HAIR .072DIA X 1.13LH
34	6121 071 1615	2	WASHER, FLAT .518 X .87 X 16
35	6121 009 5282	1	ZINC LINK PTO
36	6121 071 1622	1	NUT, 3/8-16
37	6121 071 1606	1	SCREW, 5/16-18 X .75
38	6121 071 0141	1	TORSION SPRING
40	6121 009 4309	2	SPACER .513ID X .880OD
41	6121 005 6150	1	SPACER, SLEEVE .94 X 1.13 X .531

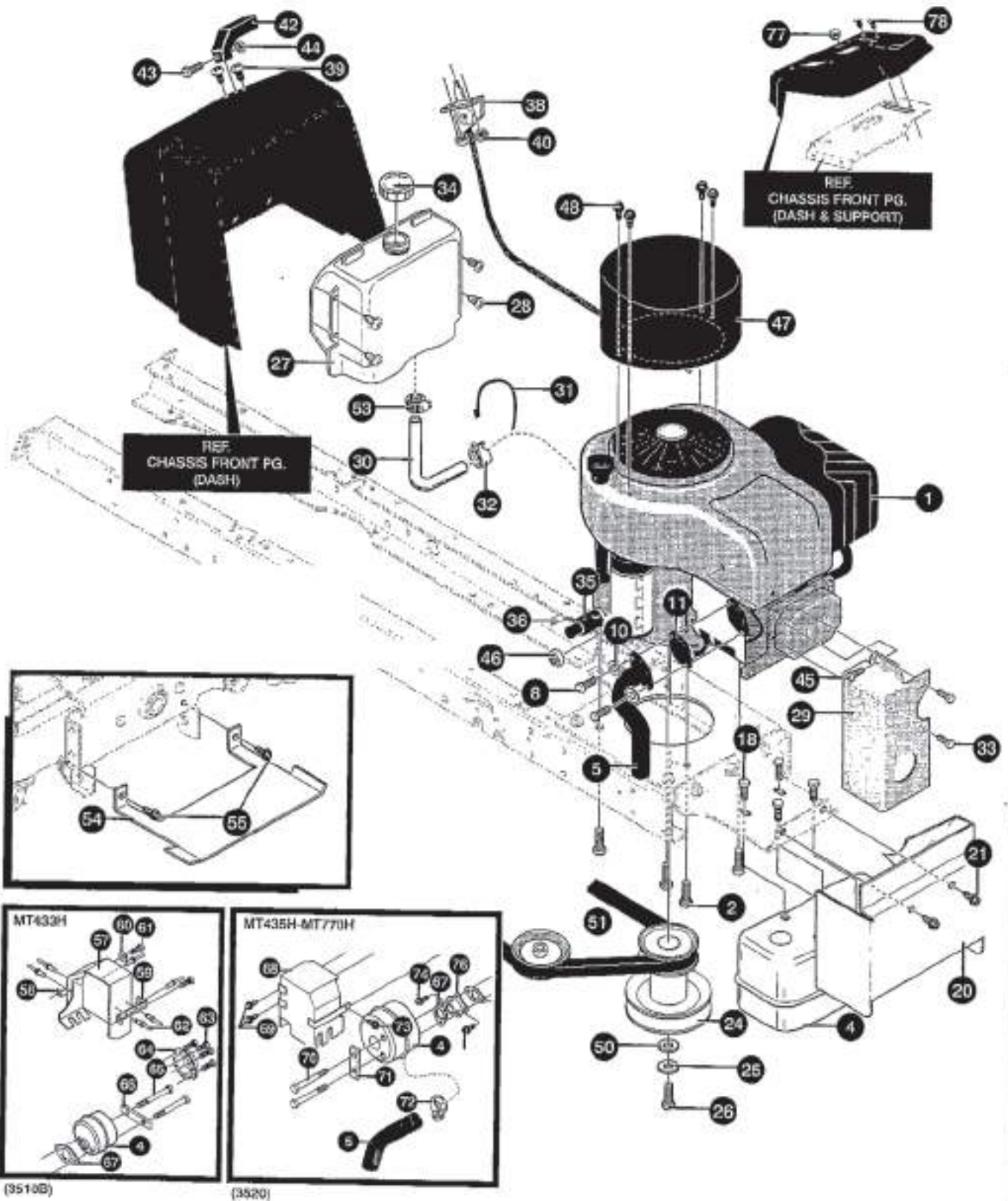


Illustration L

MT423T, MT425T, MT426H, MT433H, MT435H, MT770H

Engine & Control Assembly

KEY#	PART NUMBER	QTY	DESCRIPTION
1	REFER ENGINE MANUAL		BRIGGS & STRATTON
2	6121 071 0199	1	SCREW, 3/8-16 X 1.25
4	6121 009 4654	1	MUFFLER MT425T-MT426H (H11) MT435H-MT770H (H25)
	6121 009 4902	1	MUFFLER MT423T (H11) MT433H (H25)
	6121 009 1271	1	MUFFLER MT433H (3510B)
	6121 009 5206	1	MUFFLER MT435H-MT770H (3520)
5	6121 009 4657	1	EXHAUST PIPE MT425T-MT426H-MT435H-MT770H (H11-H25)
	6121 009 4900	1	EXHAUST PIPE MT423T (H11) MT433H (H25)
6	6121 009 2378	1	BRACKET LOCK, MUFFLER MT433H (3510B)
7	6121 071 2065	2	SCREW, 5/16-18 X 4.125 MT433H (3510B)
8	6121 031 3676	1	SCREW, 5/16-18 X 0.75
10	6121 031 3679	1	WASHER, 0.328 X 0.60 X 0.09
11	6121 149 0600	1	GASKET, MUFFLER
18	6121 071 0274	1	SCREW, 1/4-20 X 0.63
20	6121 009 5439	1	HEAT SHIELD, LOWER FRONT MT425T-MT426H-MT435H-MT770H
	6121 009 5123	1	HEAT SHIELD, LOWER FRONT MT433H
	6121 009 5123	1	HEAT SHIELD, LOWER FRONT MT423T
21	6121 071 1606	1	SCREW, 5/16-18 X 0.75
24	6121 009 5259	1	PULLEY STACK MT433H-MT435H-MT426H
	6121 009 5257	1	PULLEY STACK MT423T-MT425T
	6121 009 5383	1	PULLEY STACK MT770H
	6121 069 0450	1	PULLEY STACK 38-42° RAIL HYDRO
	6121 069 0456	1	PULLEY STACK 17 HP INTEK
25	9321 630 0201	1	WASHER, 0.459 X 0.78 X 0.12
26	6121 071 0248	1	SCREW, 7/16-20 X 1.50
27	6121 031 4991	1	FUEL TANK 2 US GALLON MT425T-MT426H-MT435H-MT770H
	6121 350 0400 <i>See</i>	1	FUEL TANK 1.5 US GALLON MT423T-MT433H
28	6121 071 1741	1	SCREW, #12 X 0.50
29	6121 033 3772	1	HEAT SHIELD - SIDE MT425T-MT426H-MT435H-MT770H
30	6121 358 0800	1	FUEL LINE 0.25 X 0.50 X 12"
31	0000 988 9200	1	CABLE TIE
32	0000 998 9100	1	HOSE CLAMP - SCREW TYPE MT433H-MT435H-MT770H
33	6121 071 1592	1	SCREW, 1/4-20 X 0.50
34	6121 030 0304	1	FUEL TANK CAP MT425T-MT426H-MT435H-MT770H
	0000 350 0540	1	FUEL TANK CAP MT423T-MT433H
35	6121 020 9300	1	OIL DRAIN VALVE ASSY
36	6121 021 1500	1	CAP - OIL DRAIN VALVE
38	6121 009 5370	1	THROTTLE CONTROL MT435H-MT770H
	6121 009 4906	1	THROTTLE CONTROL MT423T-MT433H-MT425T-MT426H
39	6121 071 1755	1	SCREW, #10-24 X 0.63
0	6121 071 1754	2	NUT, #10-24 X 0.63
2	6121 182 1000	1	KNOB, THROTTLE CONTROL

Illustration L

MT423T, MT425T, MT426H, MT433H, MT435H, MT770H

Engine & Control Assembly

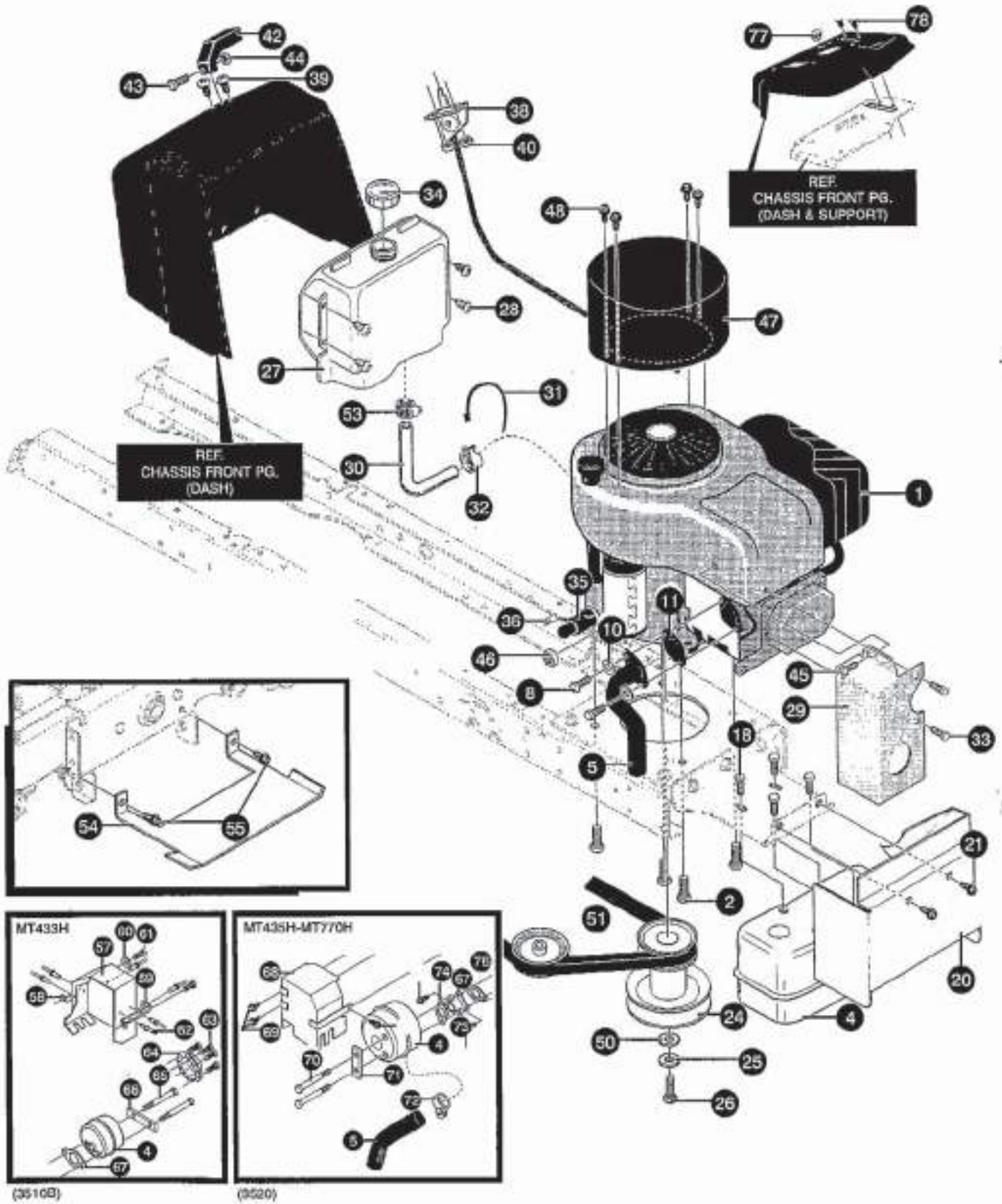
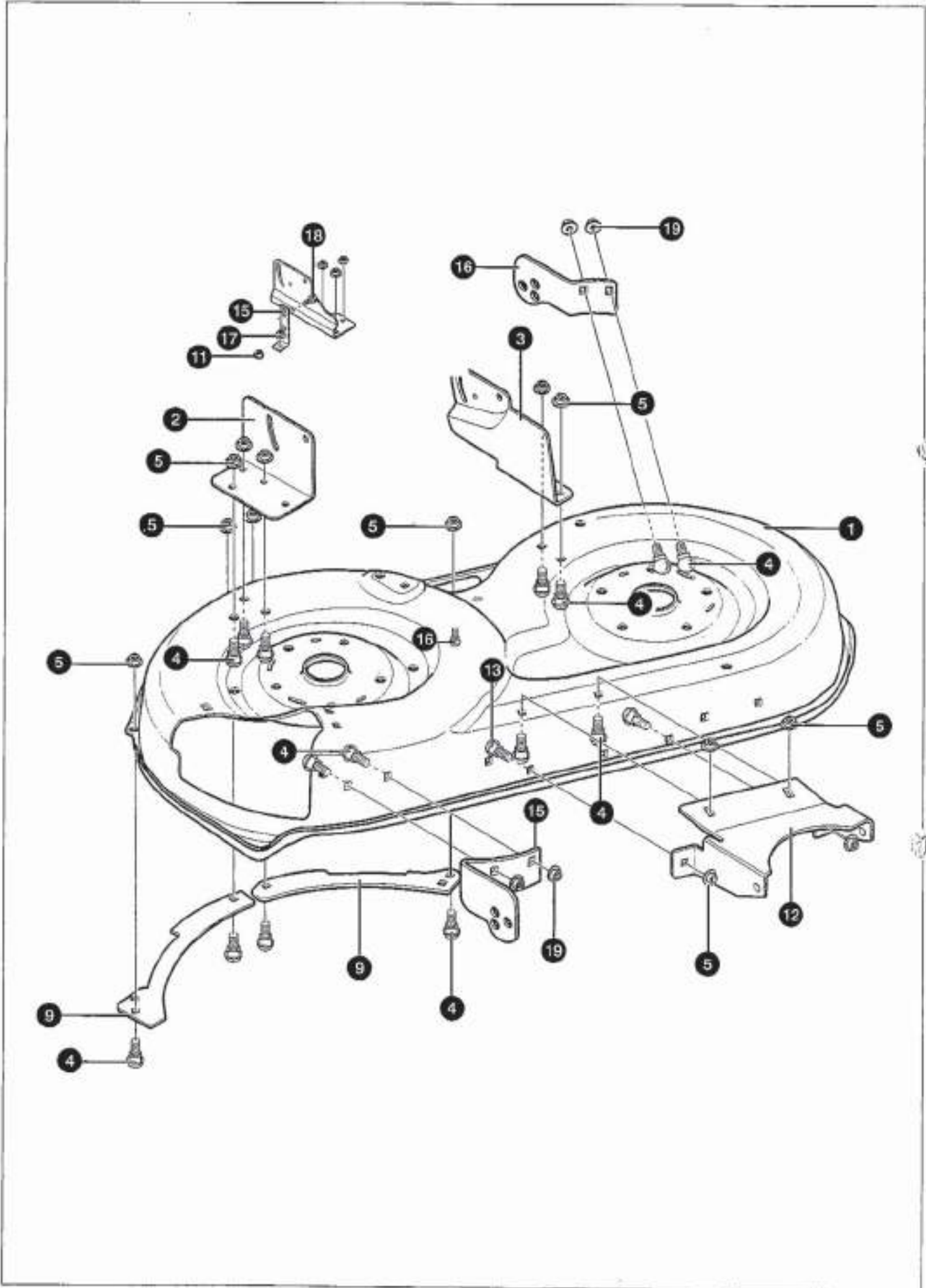


Illustration L

MT423T, MT425T, MT426H, MT433H, MT435H, MT770H

Engine & Control Assembly

KEY#	PART NUMBER	QTY	DESCRIPTION
43	6121 071 1750	1	SCREW, #8-32 X 0.38
44	6121 071 1748	1	NUT, #8-32 MT433H-MT435H-MT770H
45	6121 071 1593	1	SCREW, #10-16 X 0.50 MT435H-MT770H
46	6121 071 1601	1	NUT, 1/4-20 MT433H-MT435H-MT770H
47	6121 069 0059	1	PLENUM MT770H
48	6121 071 0245	1	SCREW, #8-16 X 0.38 MT770H
50	6121 071 0247	1	WASHER FLAT, 0.480 X 1.0 X 0.25 MT433H-MT435H-MT770H
51	6121 009 3077	1	SPACER SLEEVE MT425T-MT426H-MT435H
53	0000 998 9100	1	HOSE CLAMP - SCREW TYPE MT433H-MT426H-MT426H-MT435H-MT770H
54	6121 009 5192	1	SHIELD - ANTI DEHYDRATION MT433H-MT435H-MT770H
55	6121 071 1606	1	SCREW, 5/16-18 X 0.75 MT433H-MT435H-MT770H
56	6121 071 1909	1	SCREW, 1/4 X 0.62 MT433H-MT435H
57	6121 009 5031	1	HEAT SHIELD MT433H (3510B)
58	6121 009 4360	1	L BRACKET MT433H (3510B)
59	6121 009 4359	1	L BRACKET MT433H (3510B) ????????
60	6121 071 0249	1	WASHER
61	6121 071 1592	1	SCREW, 1/4-20 X 0.50
62	6121 071 2066	6	POP RIVET
63	6121 071 2070	4	SCREW, #8-32 X 0.38
64	6121 002 3740	1	DEFLECTOR, EXHAUST (3510B)
65	6121 071 2065	2	SCREW, 5/16-18 X 4.125
66	6121 009 2378	1	BRACKET, LOCK MT433H (3510B)
67	6121 009 1309	1	GASKET, MUFFLER
68	6121 009 4324	1	HEAT SHIELD MT435H-MT770H (3520)
69	6121 071 2099	2	SCREW, 5/16-18 X 0.625
70	6121 071 2100	2	BOLT, 5/16-18 X 0.625
71	6121 009 2378	1	BRACKET, LOCK MT435H-MT770H (3520)
72	6121 009 2558	1	CLAMP
73	6121 071 1642	1	SCREW, 1/4-20 X 0.63
74	6121 071 2098	2	SCREW, 5/16-18 X 0.625
76	6121 009 5207	1	MUFFLER ADAPTOR MT435H-MT770H (3520)
77	6121 009 3160	1	PLUG MT433H (3510B) MT435H-MT770H (3520)
78	6121 071 1637	2	SCREW, #8-32 X 0.38

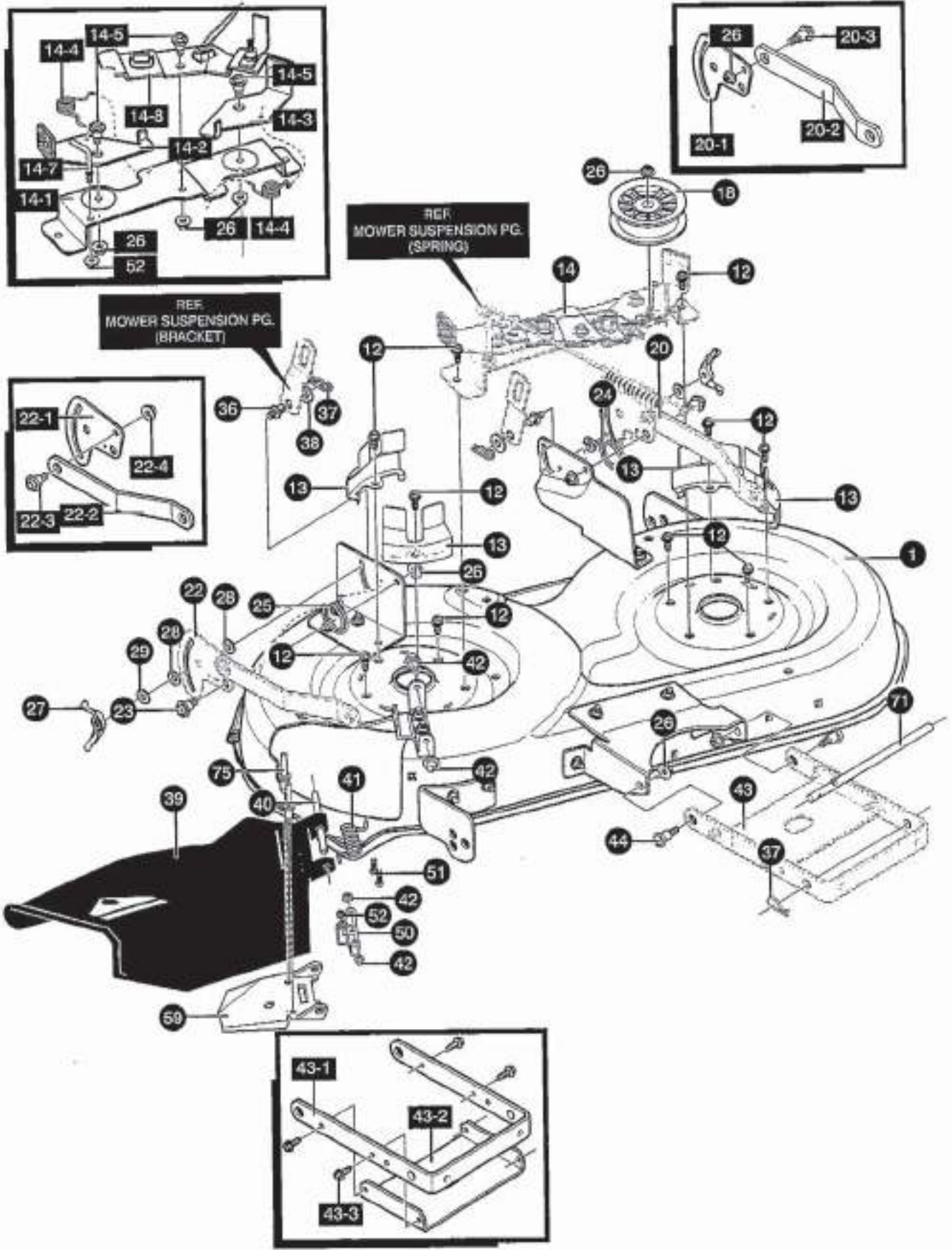


KEY#	PART NUMBER	QTY	DESCRIPTION
1	6121 009 4188	1	DECK ONLY 42" MT425T-MT426H-MT435H
	6121 009 4140	1	DECK ONLY 40" MT433H
	6121 009 4080	1	DECK ONLY 38" MT423T
2	6121 009 4191	1	BRACKET, DECK 42" RH MT425T-MT426H-MT435H
	6121 009 4142	1	BRACKET, DECK 40" RH MT433H
	6121 009 4052	1	BRACKET, DECK 38" RH MT423T
3	6121 009 4192	1	BRACKET, DECK 42" LH MT425T-MT426H-MT435H
	6121 009 4143	1	BRACKET, DECK 40" LH MT433H
	6121 009 4054	1	BRACKET, DECK 38" LH MT423T
4	6121 071 1661	11	BOLT, 5/16-18 X 0.63
5	6121 071 1633	11	NUT, 5/16-18
9	6121 009 2426	1	PLATE REAR TOE GUARD - 42" DECK
	6121 009 1770	1	PLATE REAR TOE GUARD - 38" & 40" DECK
11	6121 071 1633	4	NUT, 5/16-18
12	6121 009 4190	1	BRACKET, FRONT DECK 42" MT425T-MT426H-MT435H
	6121 009 4144	1	BRACKET, FRONT DECK 40" MT433H
	6121 009 4062	1	BRACKET, FRONT DECK 38" MT423T
15	6121 009 2422	1	BRACKET, FRONT DECK RH 42" MT425T-MT426H-MT435H
16	6121 009 2423	1	BRACKET, FRONT DECK LH 42" MT425T-MT426H-MT435H
17	6121 071 1661	4	BOLT, 5/16-18 X 0.63
19	6121 071 0205	4	NUT, 5/16-18
20	6121 009 4681	1	BRACKET SUPPORT MT423T-MT433H (NOT SHOWN)
23	6121 071 1606	1	SCREW, 5/16-18 X 0.75 (NOT SHOWN)

Illustration M

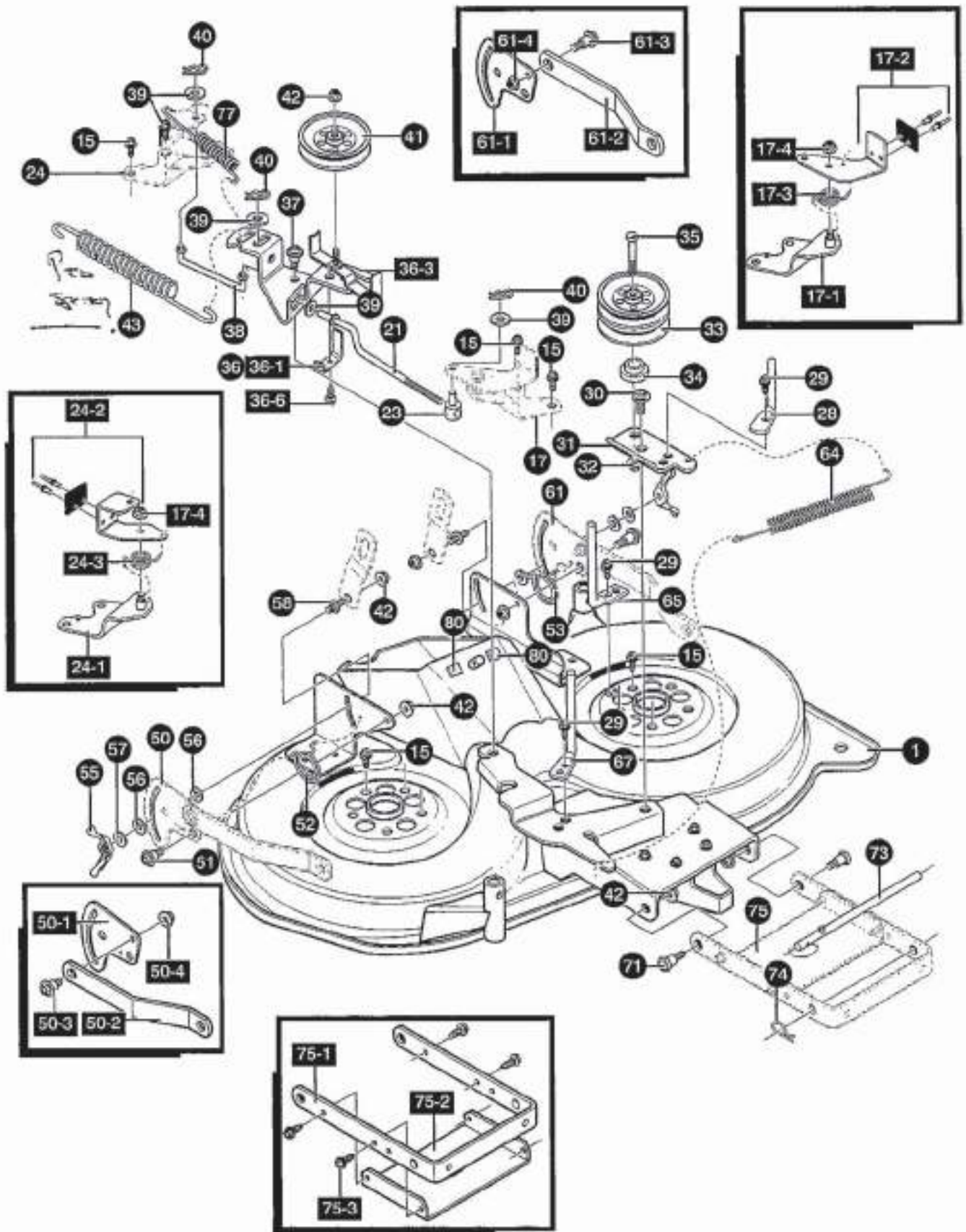
MT425T, MT428H, MT435H - 42"

Deck Assembly



KEY#	PART NUMBER	QTY	DESCRIPTION
1	6121 009 4188	1	DECK ONLY 42" MT425T-MT426H-MT435H
	6121 009 4140	1	DECK ONLY 40" MT433H
	6121 009 4060	1	DECK ONLY 38" MT429T
12	6121 071 0199	1	SCREW, 3/8-16 X 1.25
13	6121 009 4051	1	COVER SEGMENT BELT GUIDE
14-1	6121 009 4193	1	MOUNTING BRACKET - BRAKE ARMS 42"
	6121 009 4145	1	MOUNTING BRACKET - BRAKE ARMS 40"
	6121 009 4059	1	MOUNTING BRACKET - BRAKE ARMS 38"
14-2	6121 009 4047	1	BRAKE ARM, RH
14-3	6121 009 4049	1	BRAKE ARM, LH
14-4	6121 071 0227	2	BRAKE SPRING 0.55
14-5	6121 071 1613	3	BOLT, 0.50 X 0.75 3/8-16Z
14-7	6121 009 4781	3	BELT GUIDE
14-8	6121 069 0137	1	IDLER ARM ASSY - RESTRIKE
18	6121 009 1801	1	PULLEY, IDLER 4.75" ID 1/2"
	6121 069 0451	1	PULLEY, IDLER 4.75" ID 17MM
	6121 069 0369	1	SPACER/SLEEVE, 1/2-17MM
20-1	6121 009 4128	2	PLATE, SUSPENSION RH & LH
20-2	6121 009 4055	2	ARM, SUSPENSION RH & LH
20-3	6121 071 0095	2	BOLT, SHOULDER 3/8-16
23	6121 071 1611	2	BOLT, SHOULDER 0.375
24	6121 071 0113	1	SPRING 0.68 LH
25	6121 071 0112	1	SPRING 0.68 RH
26	6121 071 1622	1	NUT, 3/8-16
27	6121 071 1600	2	WINGNUT, 5/16-18 (METAL)
	6121 009 4068	2	WINGNUT, 5/16-18 (NYLON)
28	6121 009 4137	2	WASHER, FRICTION
29	6121 071 1628	2	WASHER
36	6121 071 1595	1	PIN, HANGER
37	6121 071 1676	2	PIN, HAIR
38	6121 071 1616	1	WASHER FLAT 0.55 X 1.0 X 11
39	6121 009 4687	1	DEFLECTOR CHUTE - 38"/40"/42"
40	6121 009 5303	1	ROD, DEFLECTOR CHUTE
41	6121 071 0194	1	SPRING 0.44 X 2.06 DEFLECTOR CHUTE
42	6121 071 1627	1	NUT, PUSH CAP 0.375
43-1	6121 009 4058	1	BRACKET, FRONT SUSPENSION
43-2	6121 009 5057	1	STIFFENER MT425T-MT426H-MT435H
43-3	6121 071 1606	4	SCREW, 5/16-18 X 0.75 MT425T-MT426H-MT435H
44	6121 071 1611	1	BOLT, SHOULDER 0.375
50	6121 009 4956	1	BRACKET, DEFLECTOR CHUTE
51	6121 071 1661	1	BOLT, 5/16-18 X 0.63 MT433H-MT435H
52	6121 071 1633	1	NUT, 5/16-18 MT433H-MT435H
59	6121 009 4686	1	DEFLECTOR CHUTE SUPPORT
71	6121 009 5295	1	ROD, FRONT DECK HANGER
75	6121 071 1624	1	RIVET-SEMI 0.244 X 0.25

*COPY
#004*



KEY#	PART NUMBER	QTY	DESCRIPTION
1	6121 069 0156	1	MOWER DECK A
15	6121 071 1911	10	SCREW, 3/8-16 X 1.00
17-1	6121 009 4293	1	BRAKE SUPPORT ASSEMBLY LH
17-2	6121 009 4291	1	BRAKE ARM ASSEMBLY LH
17-3	6121 071 0110	1	SPRING TORSION
17-4	6121 071 1633	1	NUT, 5/16-18
21	6121 069 0021	1	LINK, BRAKE LH
23	6121 071 1591	1	NUT, ADJUSTING
24-1	6121 009 4294	1	BRAKE SUPPORT ASSEMBLY RH
24-2	6121 009 4292	1	BRAKE ARM ASSEMBLY RH
24-3	6121 071 0077	1	SPRING, TORSION .751 X.50 X .166
28	6121 071 1912	1	BELT GUIDE
29	6121 071 1914	3	SCREW, 5/16-18 X .50
30	6121 071 1613	1	BOLT, .50 X .75 3/8-16
31	6121 009 4261	1	ARM, DOUBLE IDLER
32	6121 071 1622	1	NUT, 3/8-16
33	6121 009 4279	1	PULLEY, IDLER DOUBLE VEE
34	6121 009 4269	1	SPACER, DECK
35	6121 071 1915	1	SCREW, 3/8-16 X 3.00
36-1	6121 009 4312	1	SPRING-BELT GUIDE
36-2	6121 071 1592	1	SCREW 1/4-20 X .50
36-3	6121 009 4298	1	IDLER ARM ASSEMBLY
37	6121 071 1613	1	BOLT, .50 X .75 3/8-16
38	6121 069 0023	1	LINK, BRAKE RH
39	6121 071 2480	3	WASHER, FLAT .406 X .82 X .040
40	6121 071 1682	3	PIN, HAIR .38 DIA X 1.64LG
41	6121 009 4280	1	PULLEY, V IDLER 4"
42	6121 071 1622	1	NUT, 3/8-16
43	6121 071 0234 <i>P.T. or</i>	1	SPRING, EXTENSION 5.40 X .7140D
50-1	6121 009 4128	1	PLATE-SUSPENSION
50-2	6121 009 4055	1	SUSPENSION BRACKET REAR
50-3	6121 071 0095	1	BOLT, SHOULDER 3/8-16
50-4	6121 071 1622	1	NUT, 3/8-16
51	6121 071 1611	2	BOLT, SHOULDER .375
52	6121 071 0112	1	SPRING, TORSION .68LG RH
53	6121 071 0113	1	SPRING, TORSION .68LG LH
55	6121 071 1600	2	WINGNUT, 5/16-18
56	6121 009 4137	4	PAD, FRICTION
57	6121 071 1628	2	WASHER
58	6121 071 1595	2	PIN, HANGER
61-1	6121 009 4128	1	PLATE-SUSPENSION
61-2	6121 009 4055	1	SUSPENSION BRACKET REAR
61-3	6121 071 0095	1	BOLT, SHOULDER 3/8-16
61-4	6121 071 1622	1	NUT, 3/8-16
64	6121 071 0233	1	SPRING, EXTENSION 4.20 X .750D
65	6121 071 1913	1	GUIDE, BELT
67	6121 069 0030	1	GUIDE, BELT
71	6121 071 1611	2	BOLT, SHOULDER .375
73	6121 009 5295	1	ZINC ROD, HANGER
74	6121 071 1676	1	PIN, HAIR
75-1	6121 009 4058	1	BRACKET, FRONT SUSPENSION
75.2	6121 009 5057	1	STIFFENER, DECK
75-3	6121 071 1606	4	SCREW, 5/16-18 X .75
77	6121 071 0858	1	SPRING, EXTENSION 1.94LG
78	6121 058 3409	1	WASHER, FLAT .391 X 1.00 X .125
80	6121 031 8197	2	PAD, ADHESIVE 1.00 X 1.50 X .12

Illustration N

MT423T, MT425T, MT426H, MT433H, MT436H

Deck Assembly

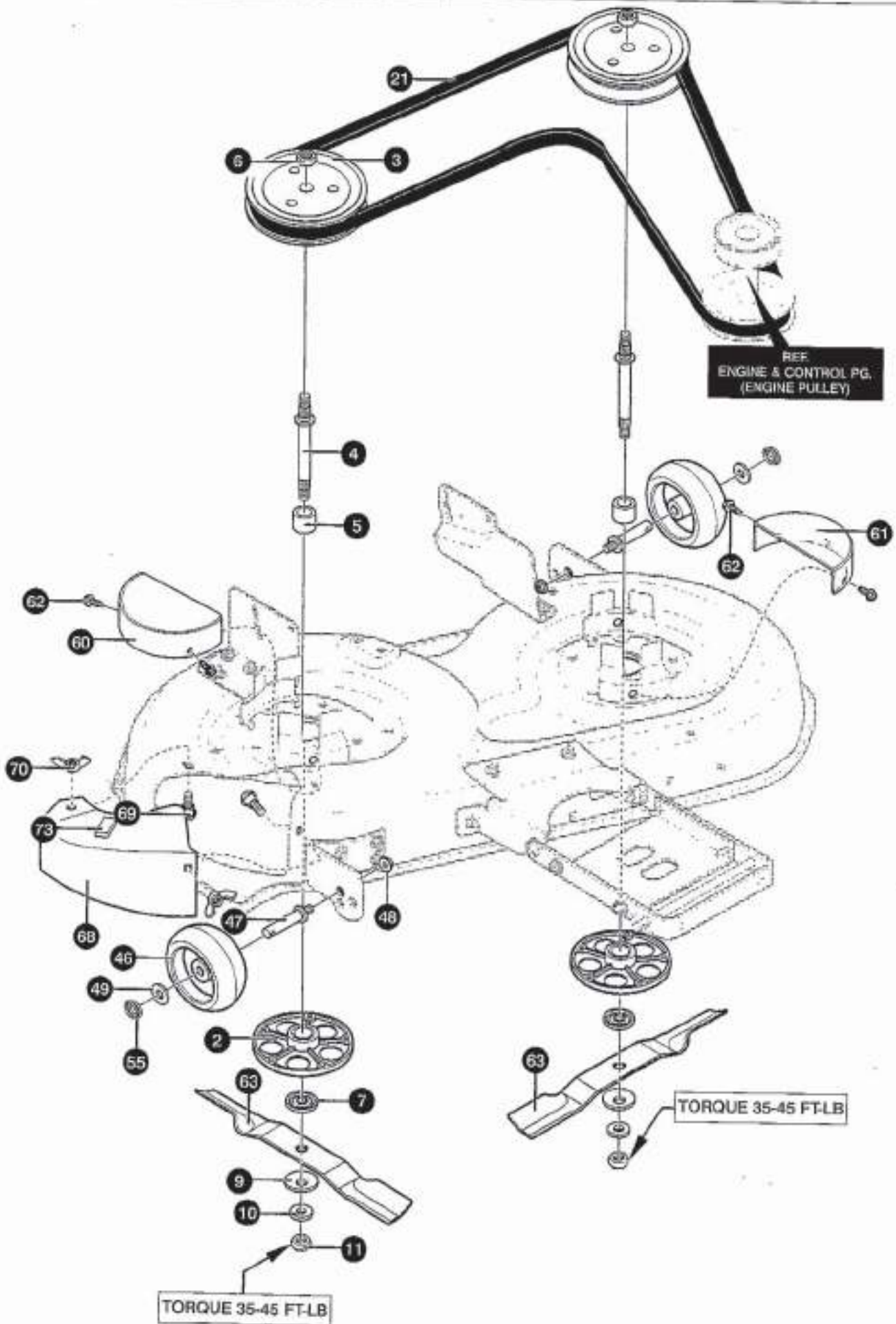


Illustration N

MT423T, MT425T, MT426H, MT433H, MT435H

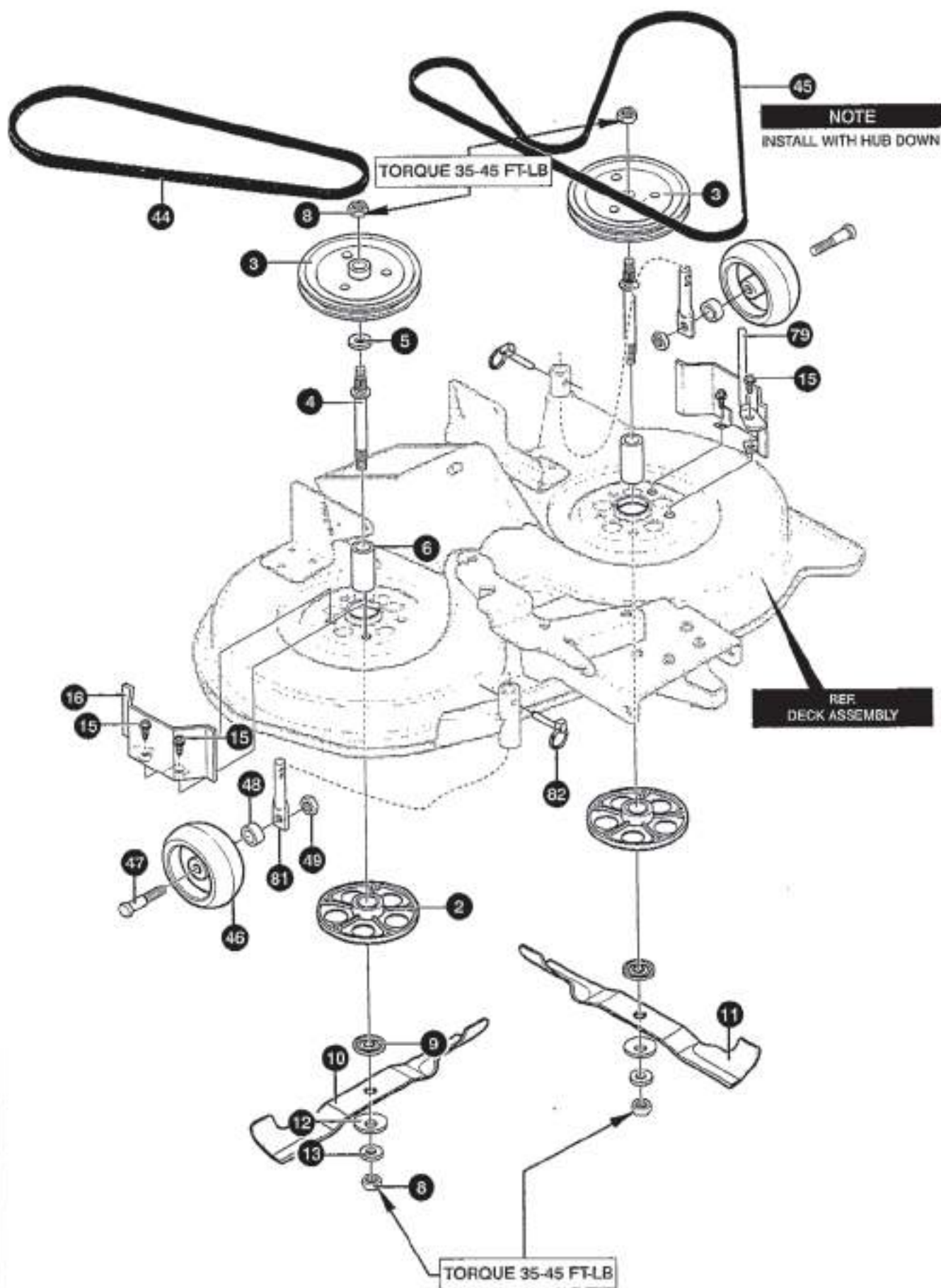
Deck Assembly

KEY#	PART NUMBER	QTY	DESCRIPTION
2	6121 009 2574	2	QUILL ASSY
2-1	6121 009 2282	2	BEARING LOWER
2-3	6121 009 2281	2	BEARING UPPER
2-4	6121 009 0904	2	SPACER
3	6121 009 5308	2	PULLEY- QUILL MT425T-MT426H-MT435H 42" DECK
	6121 009 2851	2	PULLEY- QUILL MT433H 40" DECK
	6121 009 2852	2	PULLEY- QUILL MT423T 38" DECK
	6121 009 4199	2	PULLEY- QUILL MT425T-MT426H-MT435H
4	6121 009 4129	2	JACKSHAFT
5	6121 009 4130	2	SPACER, .625 X .875 X 1.858
6	6121 071 0191	2	NUT, 9/16-18 UNF 2B
7	6121 009 2466	2	ADAPTOR - BLADE
9	6121 071 0118	2	WASHER CONCAVE - BLADE
10	6121 071 0117	2	WASHER FLAT
11	6121 071 0104	2	NUT, 9/16
21	6121 071 0213	1	DECK BELT MT425T-MT426H-MT435H 42" DECK
	6121 071 0209	1	DECK BELT MT433H 40" DECK
	6121 071 0193	1	DECK BELT MT423T 38" DECK
46	6121 009 2683	2	DECK GAUGE WHEEL MT425T-MT426H-MT435H
47	6121 071 1746	2	BOLT 3/8-16 X 0.63 X 3.0 MT425T-MT426H-MT435H
48	6121 071 1622	2	NUT 3/8-16 MT425T-MT426H-MT435H
49	6121 071 1615	2	WASHER FLAT 0.518 X 0.87 X 16 MT435H
55	6121 071 1764	2	PIN, CIRCLE MT425T-MT426H-MT435H
60	6121 009 4669	2	BELT GUARD RH
61	6121 009 4668	2	BELT GUARD LH
62	6121 071 0274	2	SCREW 1/4-20 X 0.63
63	6121 009 5100	2	3-N-1 BLADE MT435H (FITTED AS STD) 42" DECK
	6121 009 5103	2	3-N-1 BLADE MT433H (FITTED AS STD) 40" DECK
	6121 009 5104	2	3-N-1 BLADE MT423T 38" DECK
	6121 702 1122	2	HI LIFT BLADE MT425T-MT426H (FITTED AS STD) 42" DECK
	6121 009 1871	2	HI LIFT BLADE MT433H 40" DECK
	6121 702 1121	2	HI LIFT BLADE MT423T 38" DECK
	6121 702 1122	2	MOWING BLADE MT425T-MT426H-MT435H 42" DECK
	6121 702 1101	2	MOWING BLADE MT423T (FITTED AS STD) 38" DECK
68	6121 009 5080	1	MULCH PLATE MT433H-MT435H (FITTED AS STD) 38" / 40" / 42"
69	6121 071 0780	2	BOLT 5/16-18 X 0.75
70	6121 071 1604	2	WINGNUT 5/16-18
73	6121 031 8197	1	ADHESIVE PAD

N.B. POINT 1. WHEN MOWING OR HILIFT BLADES ARE FITTED DEFLECTOR CHUTE MUST ALSO BE FITTED.

POINT 2. PLEASE REFER TO OWNERS MANUAL FOR WARNINGS.

POINT 3. HILIFT BLADES MAY BE SUBSTITUTED FOR MOWING BLADES.



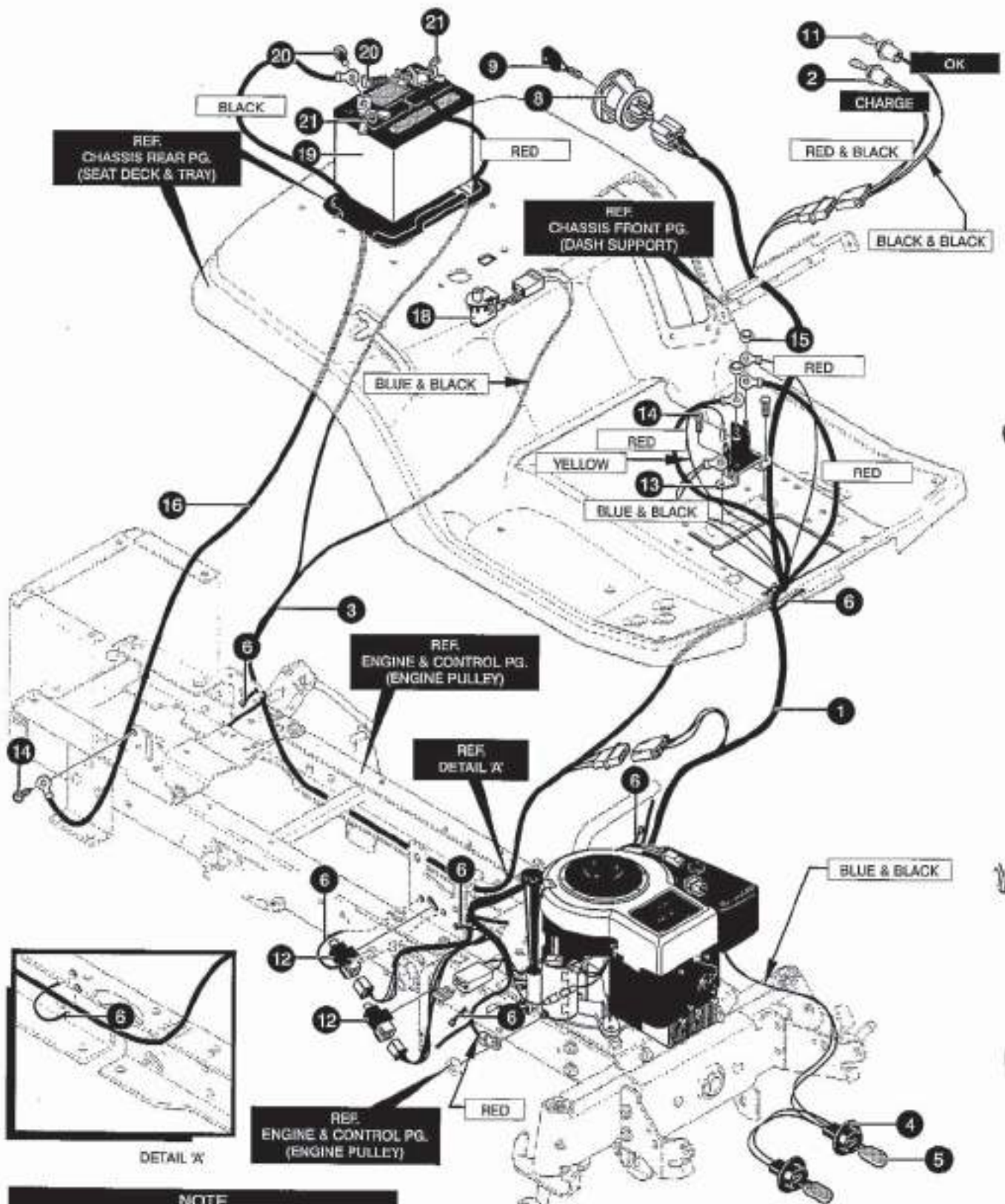
KEY#	PART NUMBER	QTY	DESCRIPTION
2	6121 009 4305	2	QUILL ASSY
3	6121 069 0020	2	PULLEY, DECK
4	6121 009 1922	2	JACKSHAFT 7.76LG - 9/16-18TH
5	6121 071 0117	1	WASHER, FLAT .625 X 1.00 X .188
6	6121 009 1903	2	SPACER, .625 X .875 Z1.91
8	6121 071 0408	2	NUT, 9/16-18
9	6121 009 4207	2	ADAPTOR, DECK/BLADE
10	6121 069 0500	1	BLADE 40" RH
11	6121 069 0499	1	BLADE 40" LH
12	6121 071 0118	2	WASHER, BELLVIL .625 X 1.75
13	6121 071 0117	2	WASHER, FLAT .625 X 1.00 X .188
15	6121 071 1911	4	SCREW, 3/8-16 X 1.00
16	6121 009 4288	2	PULLEY COVER
44	6121 071 0231	1	DECK DRIVE BELT
45	6121 069 0071	1	DECK DRIVE BELT
46	6121 009 2265	2	WHEEL, GAUGE
47	6121 071 1657	2	BOLT, .5 X 3.27 3/8-16 X .728
48	6121 009 5188	2	SPACER, SLEEVE NYLON .515 X 1.00 X .70
49	6121 004 1529	2	NUT, 3/8-16
79	6121 009 5280	1	ZINC ROD BELT GUIDE
81	6121 009 5187	2	ROD, GAUGE SHORT
82	6121 071 1797	2	PIN, LYNCH

Blade tip Speed Approx
at 3400 r.p.m

17000, 18000 ft per second.

200 m.p.h

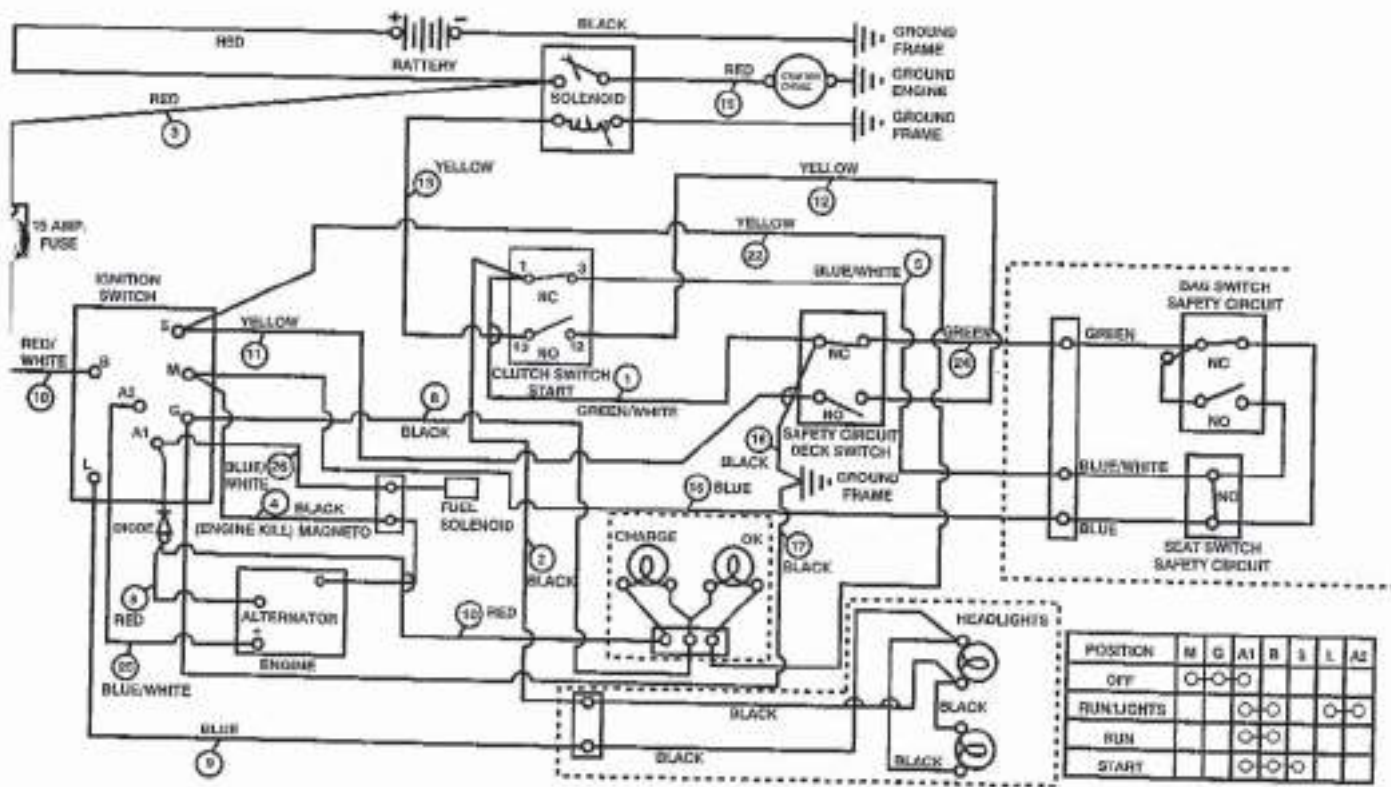
330 k.p.h.

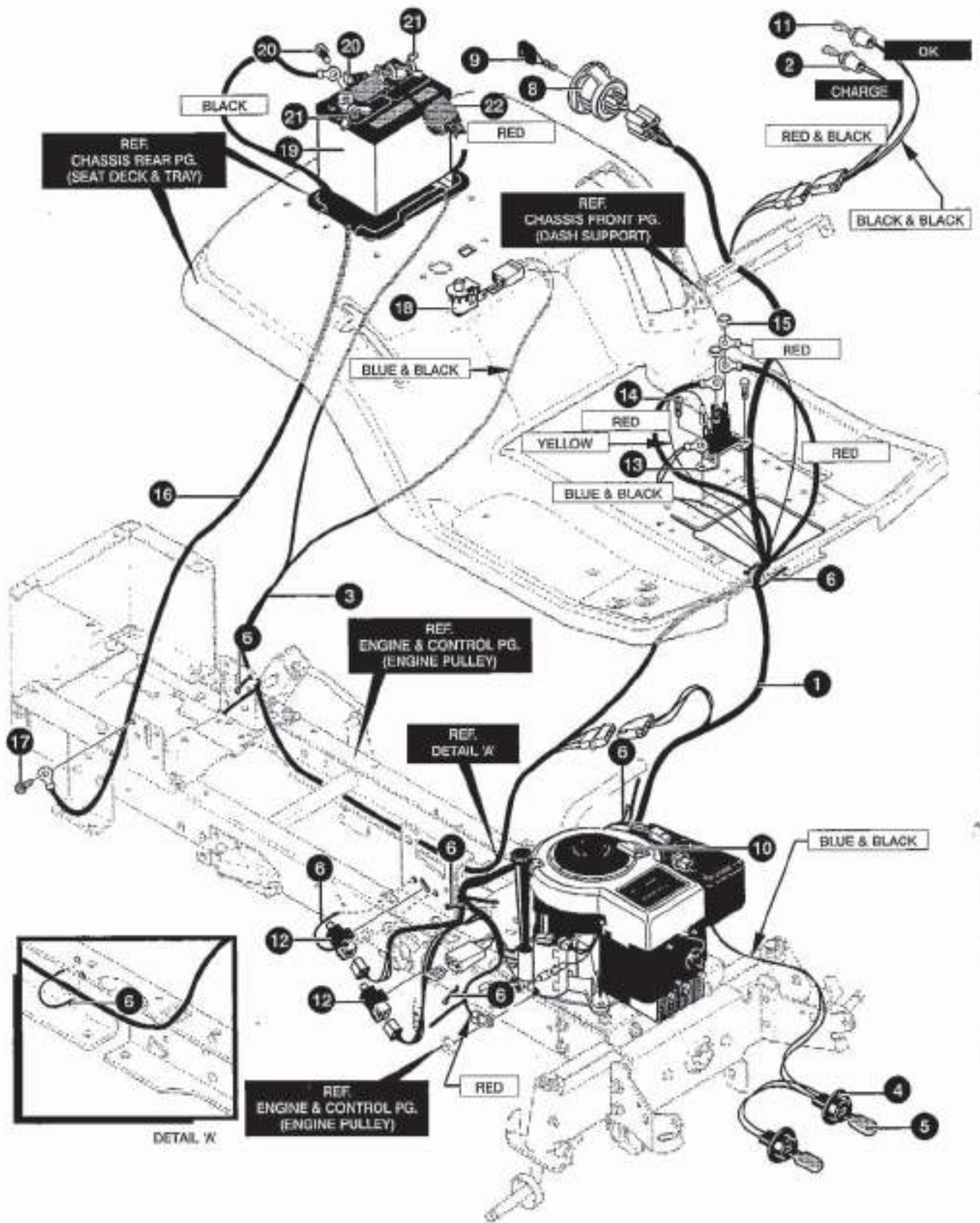


NOTE

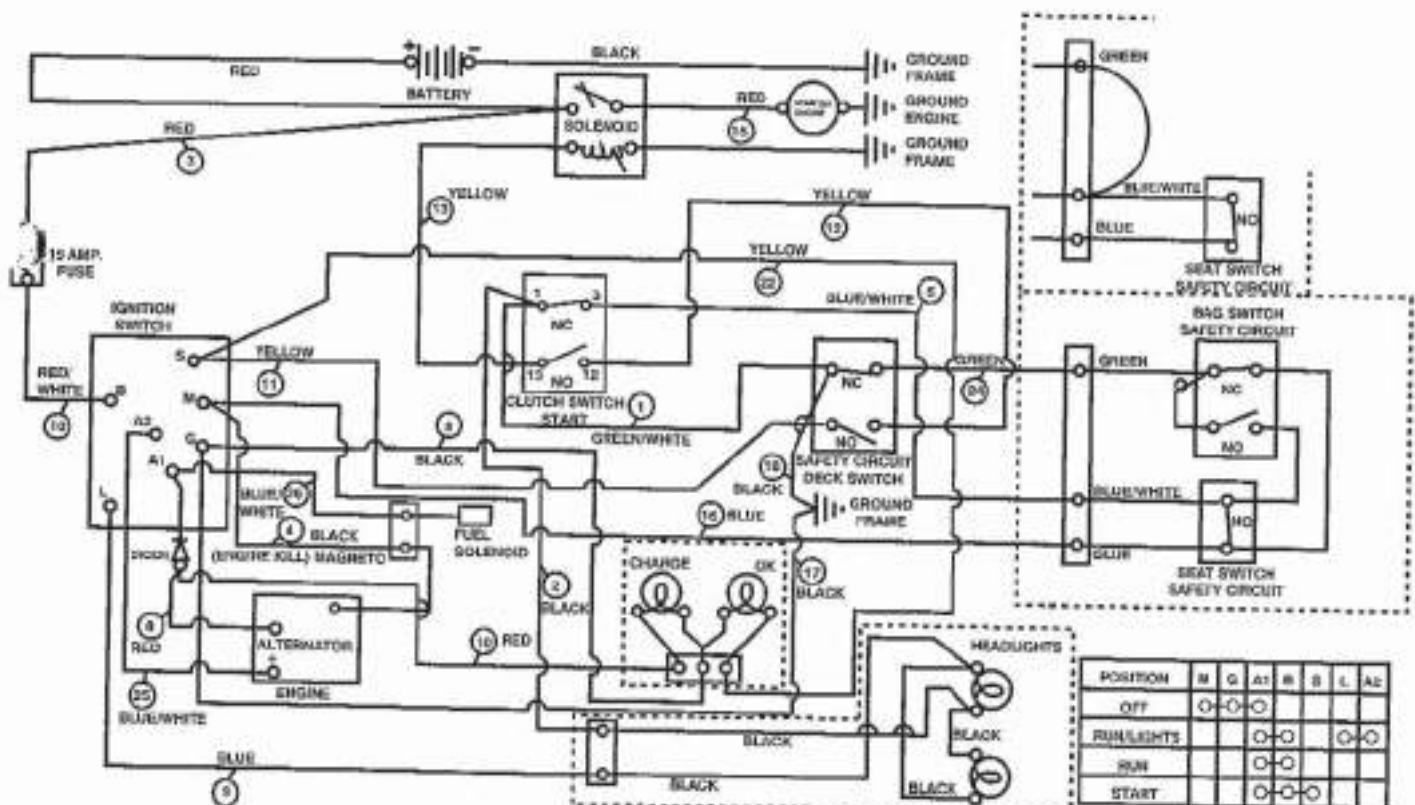
1. WIRE HARNESS AND WIRE TIE TUCK UNDER RAIL.
2. WIRE TIE THE WIRING HARNESS TO THE SEAT DECK AND ROLL WIRING HARNESS UNDER THE SEAT DECK TO ELIMINATE A PINCH POINT.
3. WIRE TIE PTO SWITCH TO PTO BRACKET.

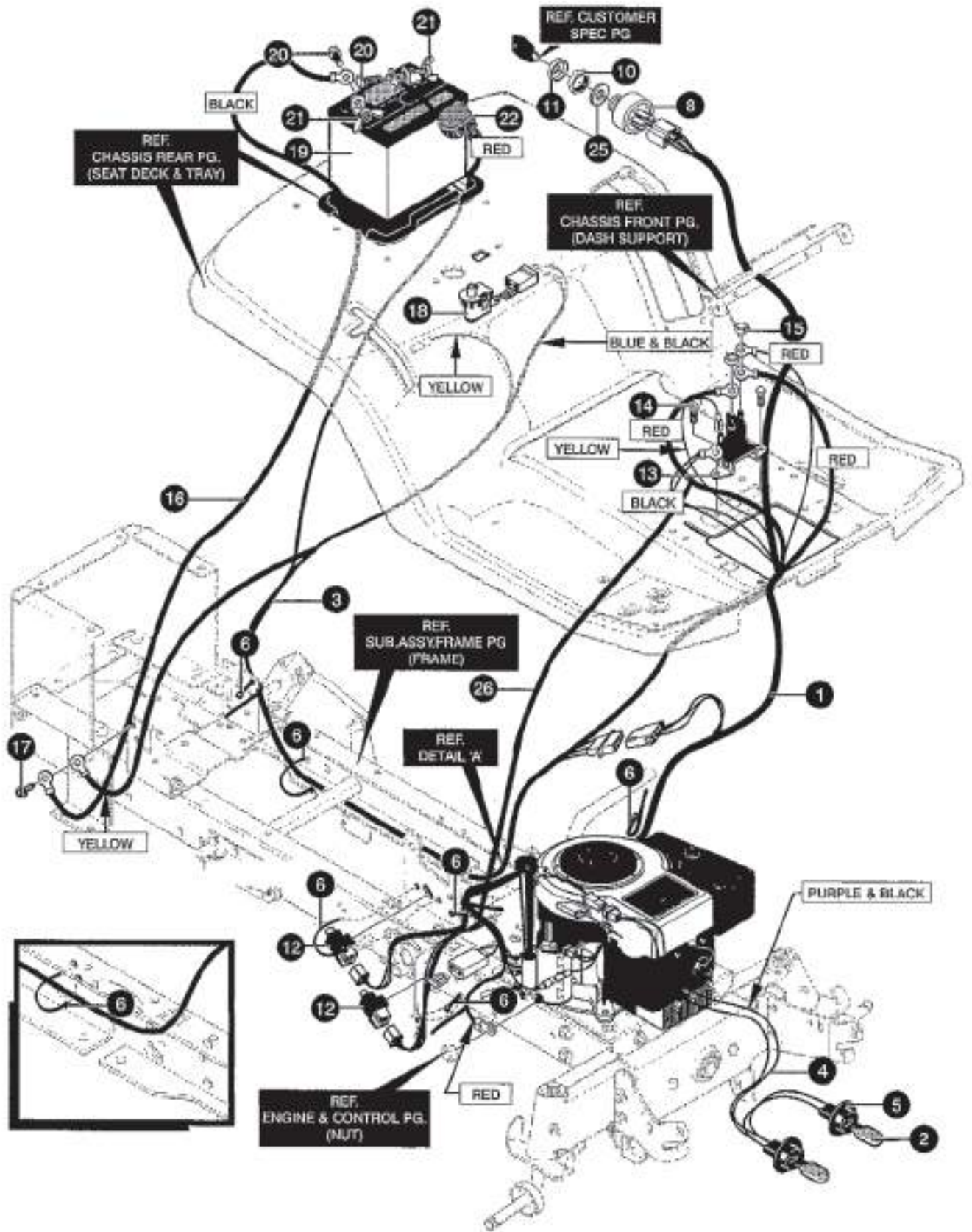
KEY#	PART NUMBER	QTY	DESCRIPTION
1	6121 009 4751	1	HARNESS
2	6121 009 4740	1	HARNESS ADAPTOR
3	6121 009 4741	1	WIRE HARNESS
4	6121 440 2000	1	ASSY. LIGHT WIRE-1/4 TURN
5	6120 405 3000	2	BULB, HEADLAMP
6	0000 988 9200	2	TIE, CABLE BLACK
8	6121 009 4762	1	SWITCH, IGNITION
9	6120 435 0500	1	KEY, IGNITION
11	6121 430 1800	2	BULB, INDICATOR
12	6121 009 4136	2	SWITCH LIMIT
13	6121 078 2966	1	SOLENOID
14	6121 071 0133	2	SCREW 1/4 X .50
15	6121 071 0203	2	NUT, 1/4-20
16	6121 071 0228	1	WIRE, GROUND
18	6121 009 4159	1	SWITCH, SEAT
19		1	BATTERY 12V 7 PLATE (NOT A STOCK ITEM)
20	6121 071 0226	2	BOLT, 1/4-20 X .63
21	6121 071 0225	2	NUT, WING 1/4-20



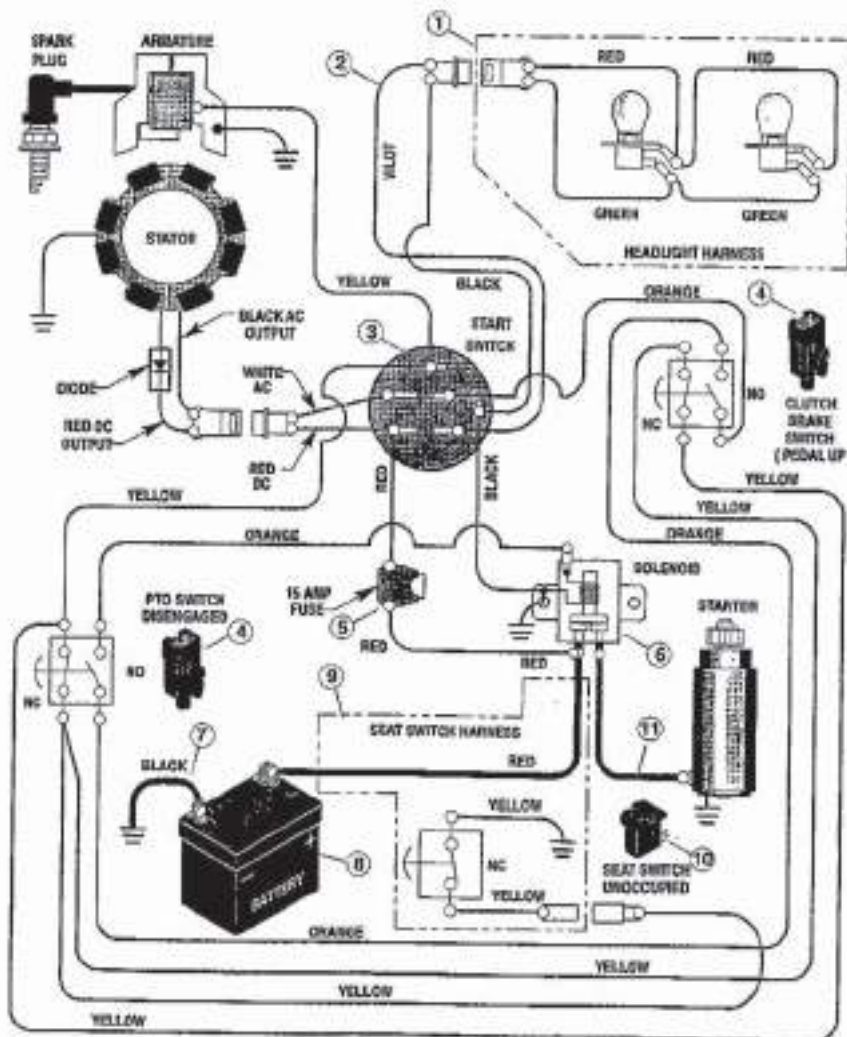


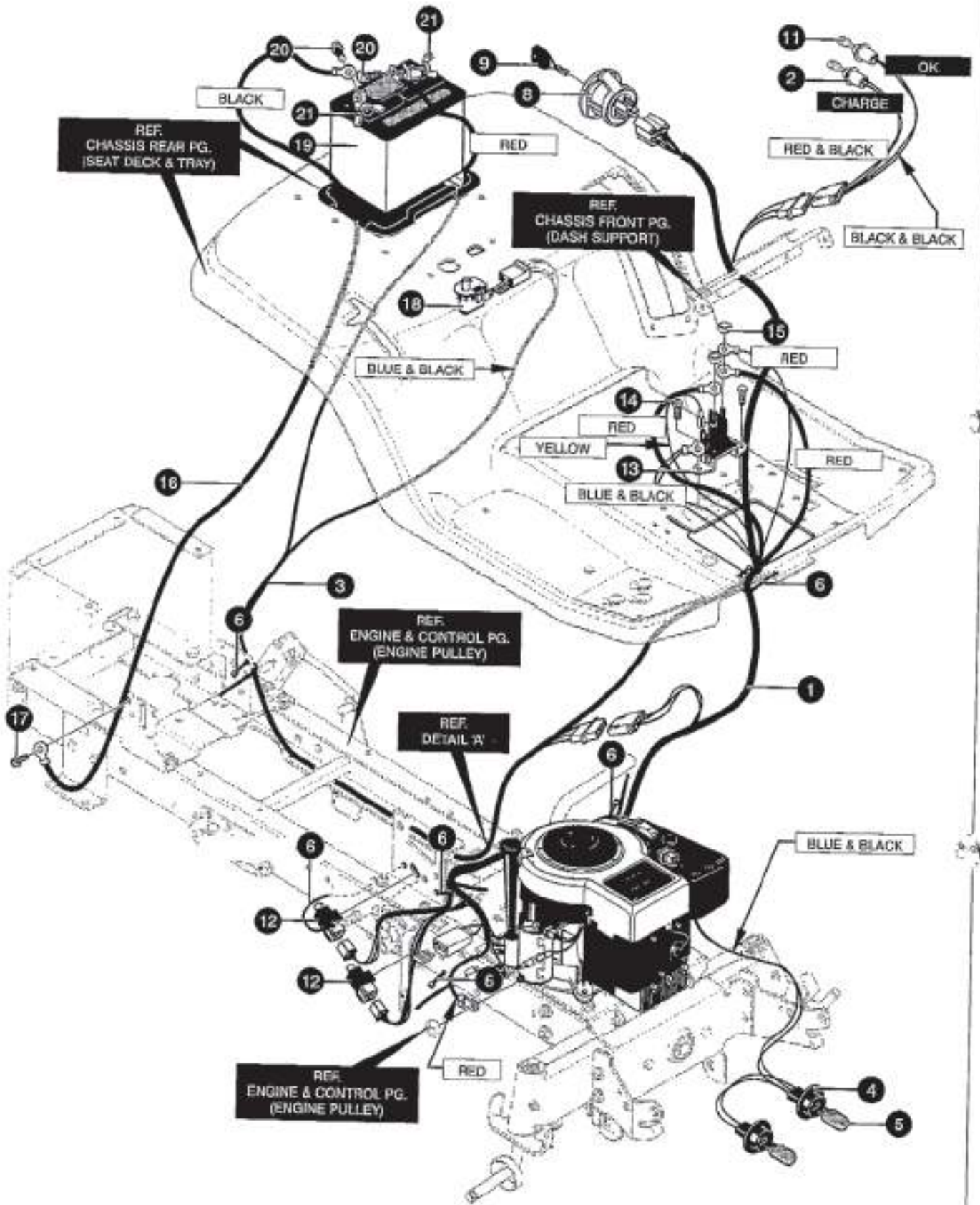
KEY#	PART NUMBER	QTY	DESCRIPTION
1	6121 009 4751	1	HARNESS
2	6121 009 4740	1	HARNESS ADAPTOR
3	6121 009 4741	1	WIRE HARNESS
4	6121 440 2000	1	WIRE HARNESS FOR HEADLIGHTS
5	6120 405 3000	2	BULB, HEADLAMP
6	0000 988 9200	7	TIE, CABLE BLACK
8	6121 009 4762	1	SWITCH, IGNITION
9	6120 435 0500	2	KEY, IGNITION
10	6121 005 5939	1	WIRE CLIP, ADHESIVE
11	6121 430 1800	2	BULB, INDICATOR
12	6121 009 4136	2	SWITCH LIMIT
13	6121 078 2966	1	SOLENOID
14	6121 071 1619	2	SCREW 1/4 X .50
15	6121 071 1632	2	NUT, 1/4-20
16	6121 071 0228	1	WIRE, GROUND
17	6121 071 0230	1	SCREW 1/4-20 X .75
18	6121 009 4159	1	SWITCH, SEAT
19		1	BATTERY 12V 7 PLATE (NOT A STOCK ITEM)
20	6121 071 1680	2	BOLT, 1/4-20 X .63
21	6121 071 1636	2	NUT, WING 1/4-20
22	6121 033 5417	1	BOOT, BATTERY



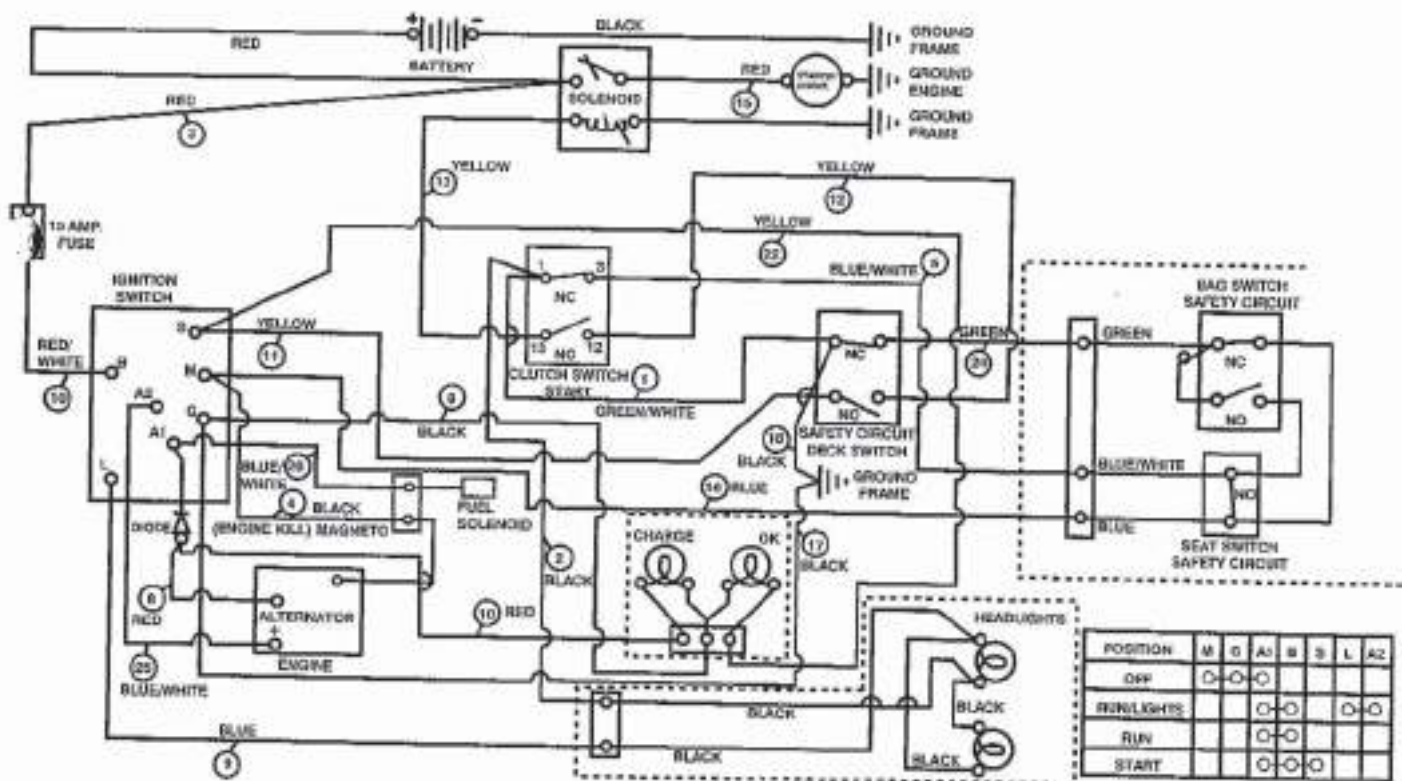


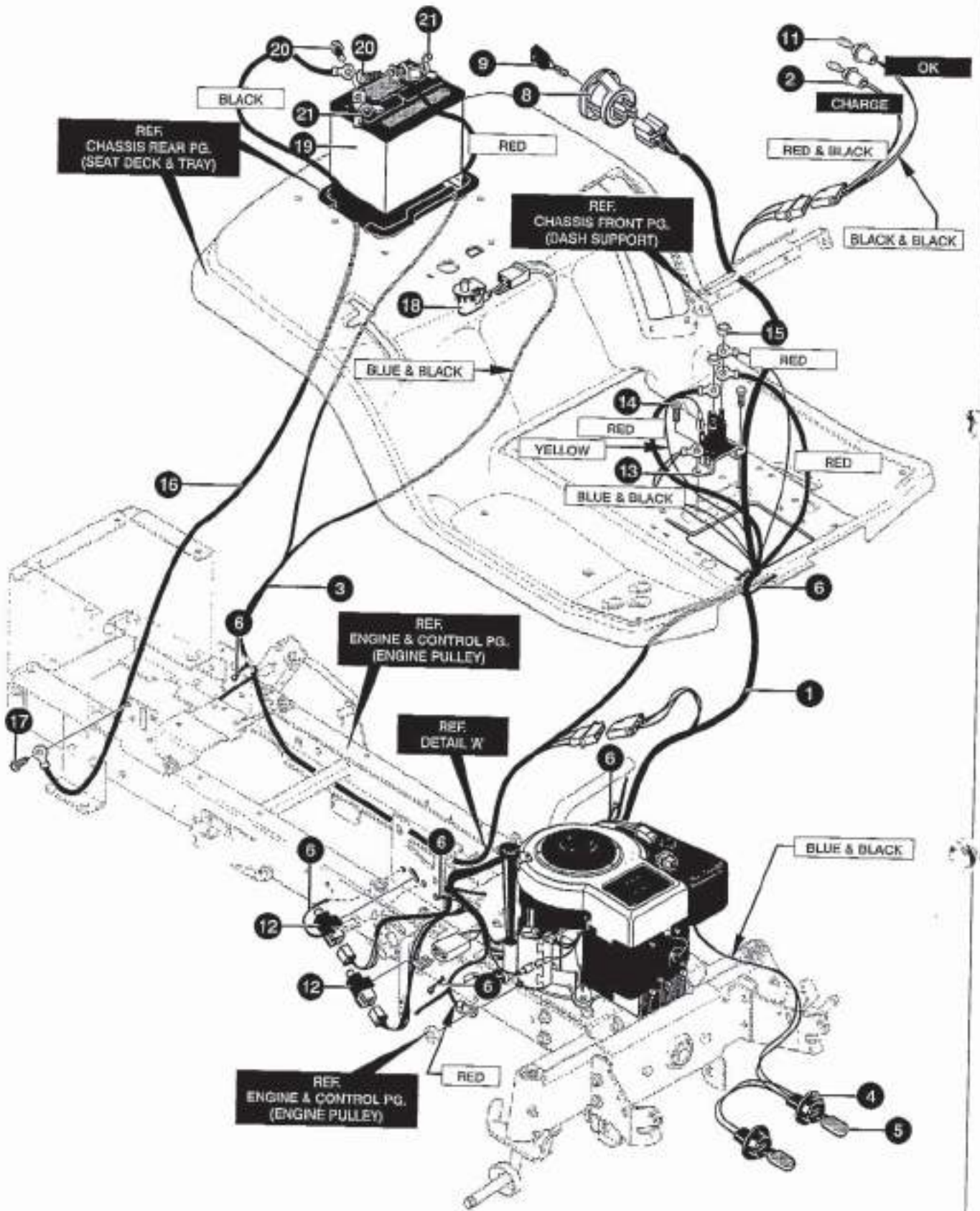
KEY#	PART NUMBER	QTY	DESCRIPTION
1	6121 002 5086	1	HARNES
2	6121 009 0084	1	LIGHT BULB
3	6121 034 0530	1	WIRE HARNES, REAR
4	6121 034 0513	1	WIRE HARNES FOR HEADLIGHTS
5	6121 009 2372	2	SOCKET LAMP
6	6121 005 7444	6	TIE, CABLE BLACK
7	6121 005 5939	1	WIRE CLIP
8	6121 009 2377	1	SWITCH, IGNITION
9	6121 032 7350	2	KEY, IGNITION
10	6121 009 1489	1	NUT, IGNITION SWITCH
11	6121 009 1488	1	CAP, IGNITION SWITCH
12	6121 009 4136	2	SWITCH LIMIT
13	6121 009 4613	1	SOLENOID
14	6121 071 1619	2	SCREW 1/4 X .50
15	6121 071 1632	2	NUT, 1/4-20
16	6121 071 0228	1	WIRE, GROUND
17	6121 071 1760	1	SCREW, 1/4-20
18	6121 009 4159	1	SWITCH, SEAT
19	6121 009 2739	1	BATTERY 12V 7 PLATE
20	6121 071 1680	2	BOLT, 1/4-20 X .63
21	6121 071 1636	2	NUT, WING 1/4-20
22	6121 033 5417	1	BOOT, BATTERY
25	6121 031 3683	1	WASHER
26	6121 071 1579	1	WIRE, LEAD SOLENOID TO STARTER



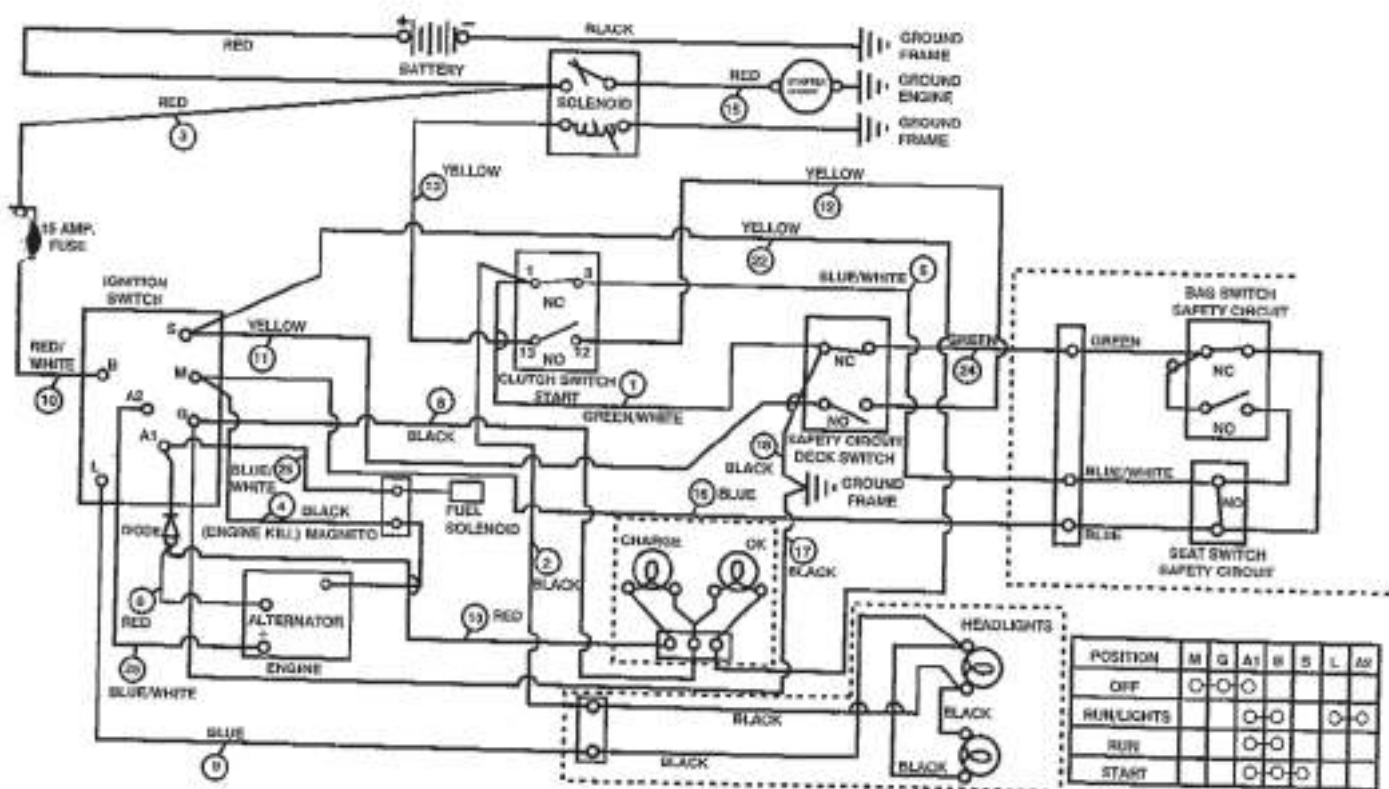


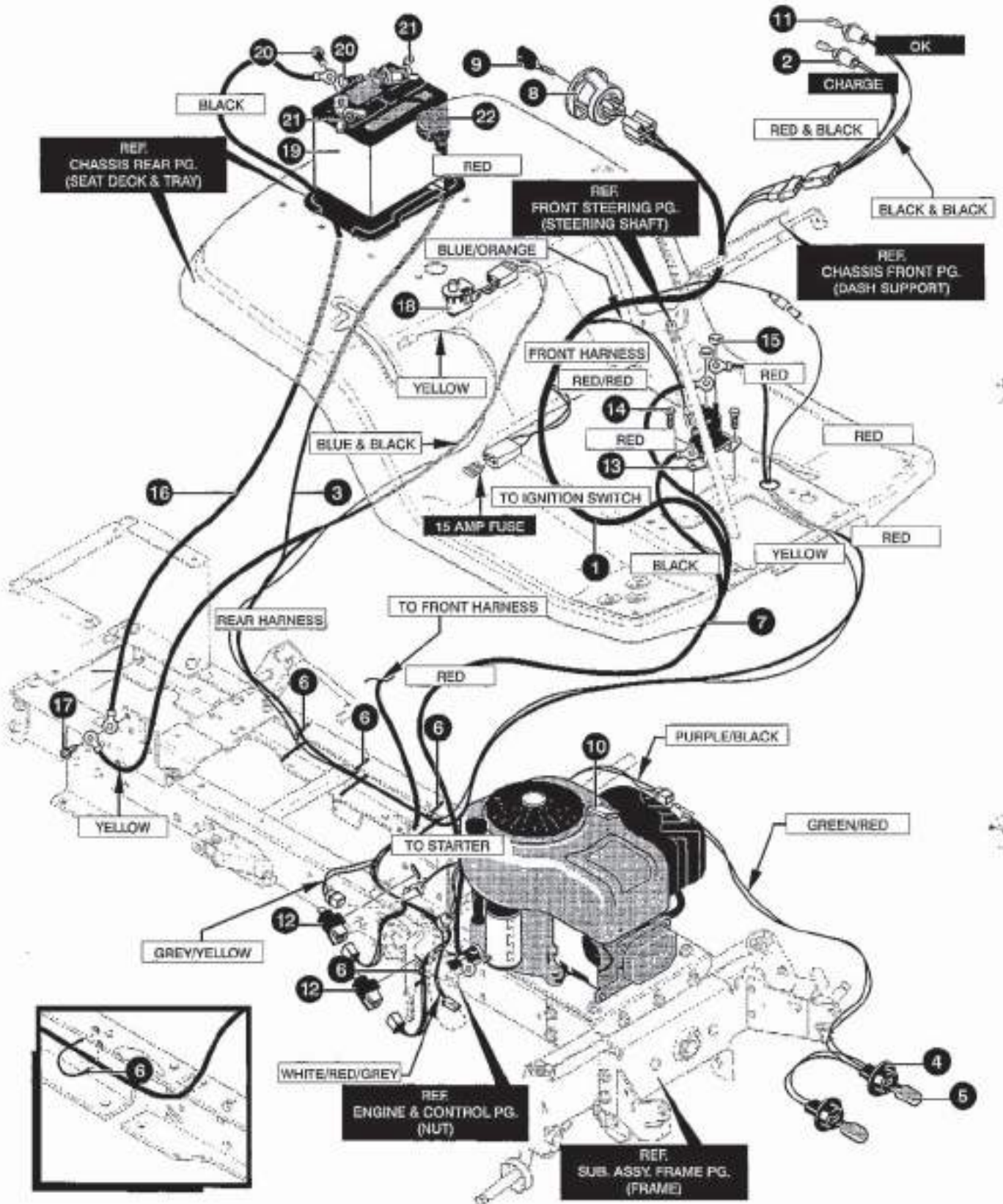
KEY#	PART NUMBER	QTY	DESCRIPTION
1	6121 009 4745	1	HARNESS
2	6121 009 4740	1	HARNESS ADAPTOR
3	6121 009 4741	1	WIRE HARNESS
4	6121 440 2000	1	ASSY. LIGHT WIRE-1/4 TURN
5	6120 405 3000	2	BULB, HEADLAMP
6	0000 988 9200	7	TIE, CABLE BLACK
8	6121 009 4762	1	SWITCH, IGNITION
9	6120 435 0500	2	KEY, IGNITION
11	6121 430 1800	2	BULB, INDICATOR
12	6121 009 4136	2	SWITCH LIMIT
13	6121 078 2966	1	SOLENOID
14	6121 071 0133	2	SCREW 1/4 X .50
15	6121 071 0203	2	NUT, 1/4-20
16	6121 071 0228	1	WIRE, GROUND
17	6121 071 0230	1	SCREW 1/4-20 X .75
18	6121 009 4159	1	SWITCH, SEAT
19		1	BATTERY 12V 7 PLATE (NOT A STOCK ITEM)
20	6121 071 0226	2	BOLT, 1/4-20 X .63
21	6121 071 0225	2	NUT, WING 1/4-20



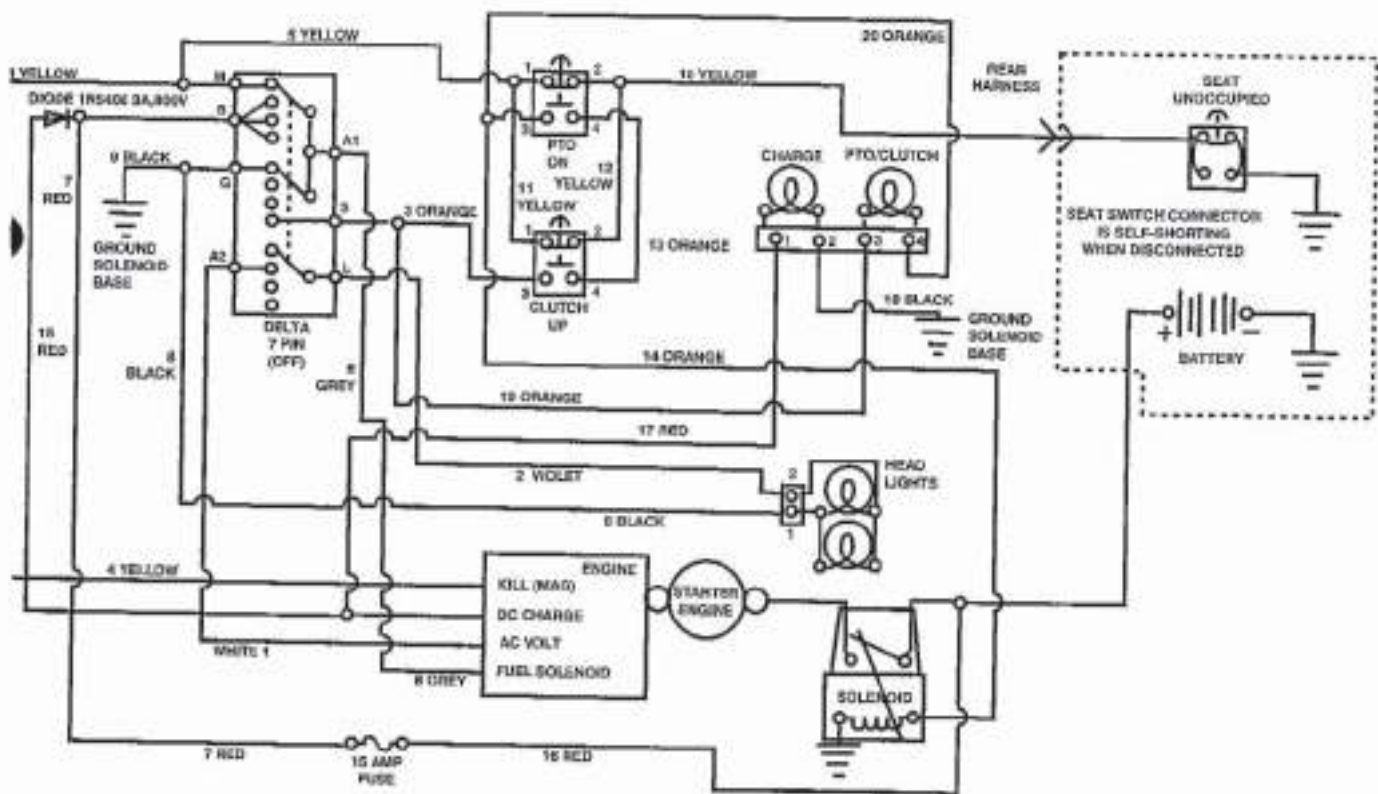


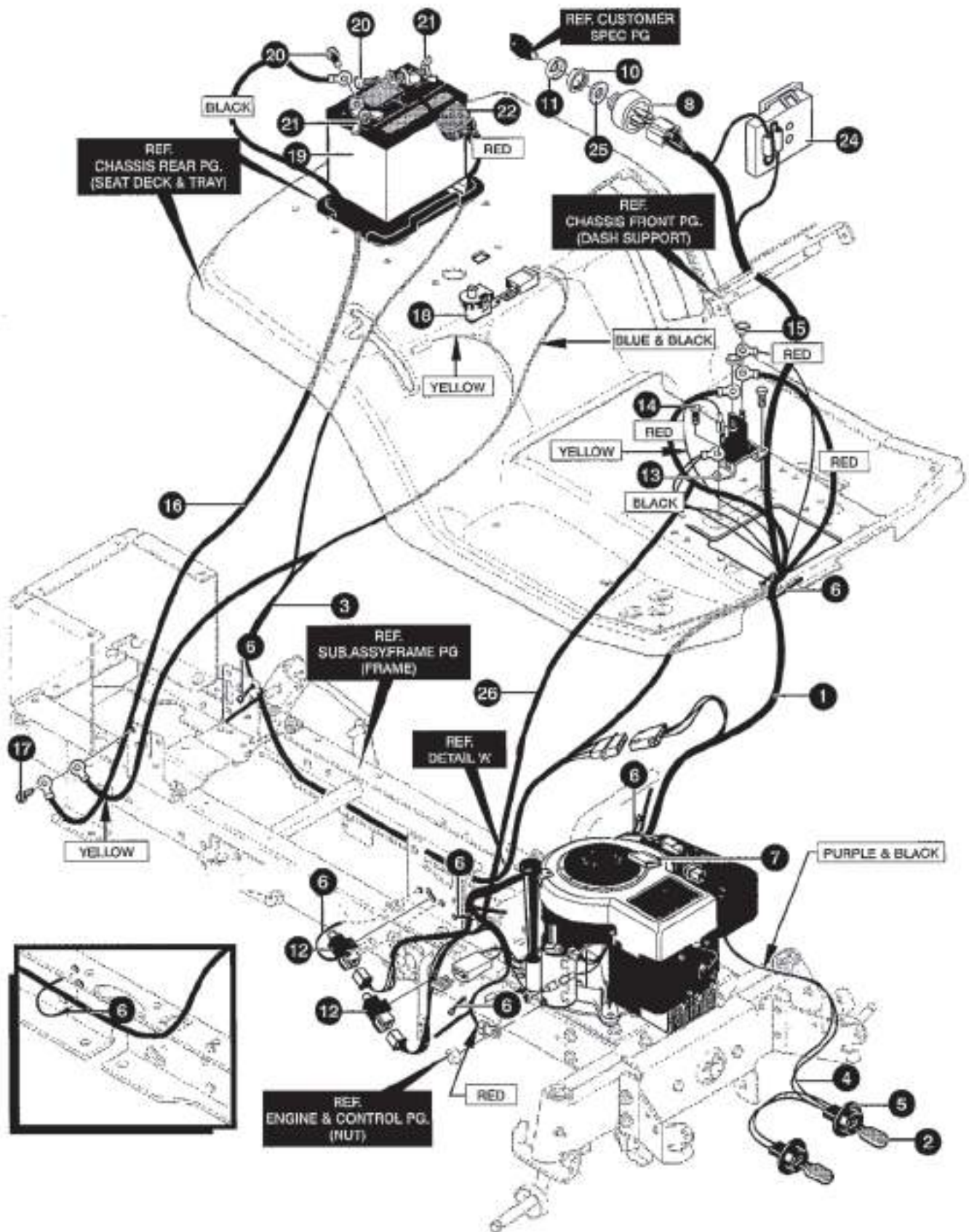
KEY#	PART NUMBER	QTY	DESCRIPTION
1	6121 009 4745	1	HARNESS
2	6121 009 4740	1	HARNESS ADAPTOR
3	6121 009 4741	1	WIRE HARNESS
4	6121 440 2000	1	ASSY. LIGHT WIRE-1/4 TURN
5	6120 405 3000	2	BULB, HEADLAMP
6	0000 988 9200	7	TIE, CABLE BLACK
8	6121 009 4762	1	SWITCH, IGNITION
9	6120 435 0500	2	KEY, IGNITION
11	6121 430 1800	2	BULB, INDICATOR
12	6121 009 4136	2	SWITCH LIMIT
13	6121 078 2966	1	SOLENOID
14	6121 071 0133	2	SCREW 1/4 X .50
15	6121 071 0203	2	NUT, 1/4-20
16	6121 071 0228	1	WIRE, GROUND
17	6121 071 0230	1	SCREW 1/4-20 X .75
18	6121 009 4159	1	SWITCH, SEAT
19		1	BATTERY 12V 7 PLATE (NOT A STOCK ITEM)
20	6121 071 0226	2	BOLT, 1/4-20 X .63
21	6121 071 0225	2	NUT, WING 1/4-20



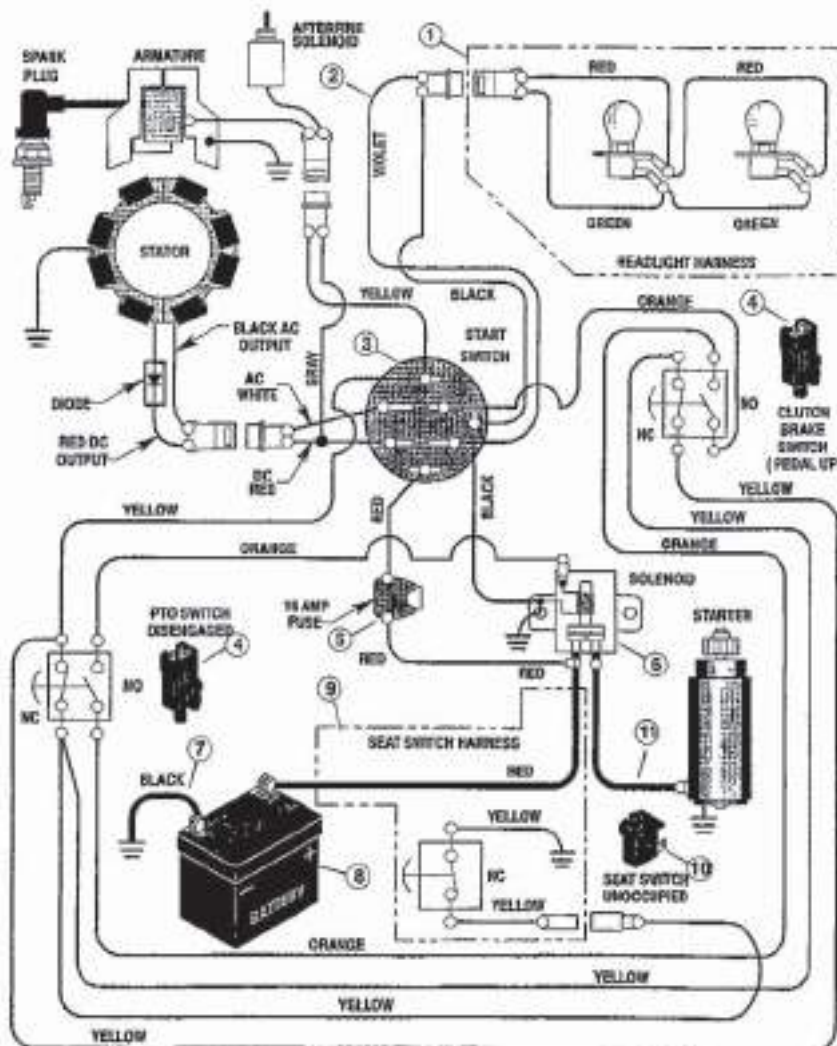


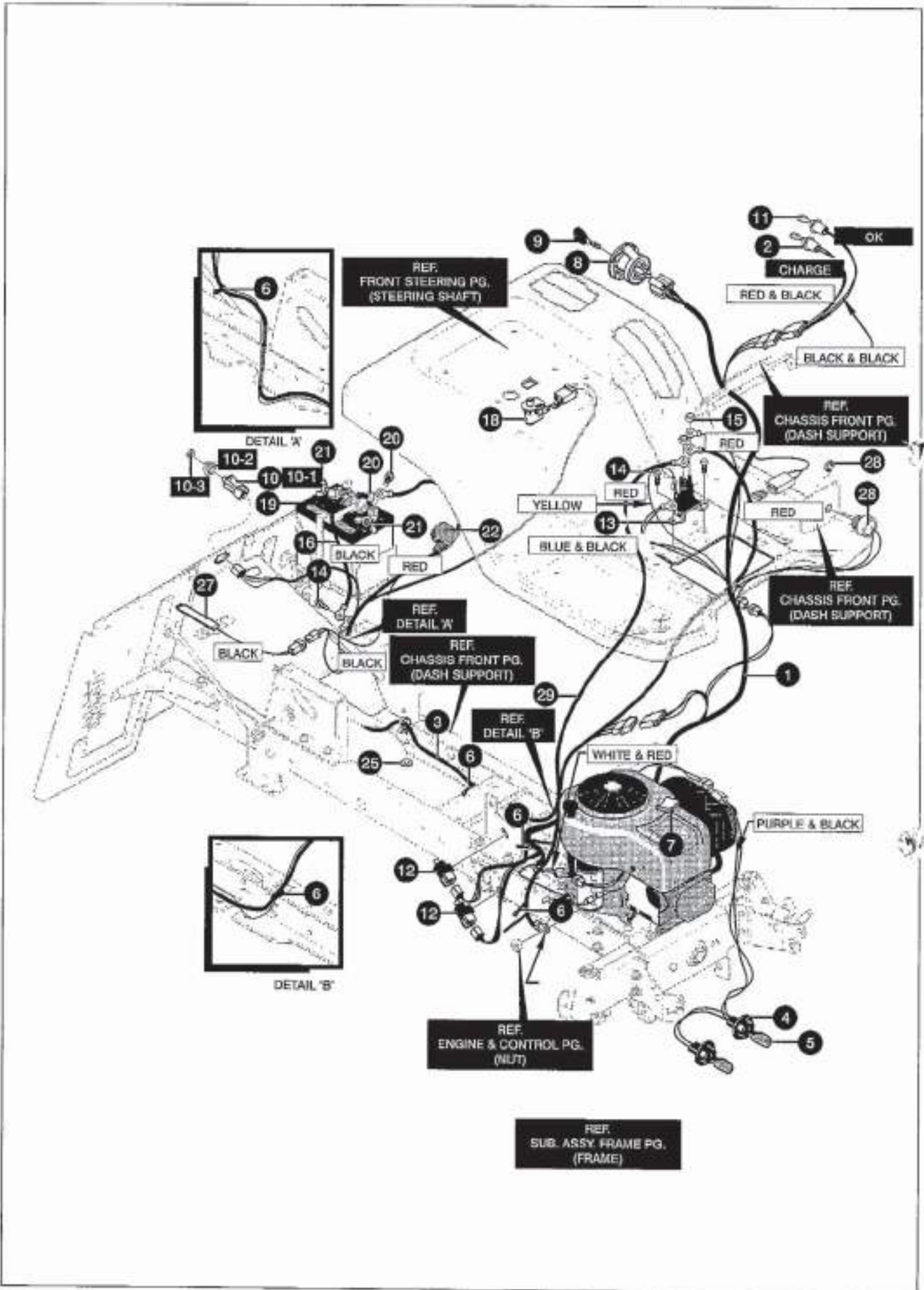
KEY#	PART NUMBER	QTY	DESCRIPTION
1	6121 009 5374	1	WIRE HARNESS
2	6121 069 0054	1	INDICATOR HARNESS
3	6121 034 0530	1	WIRE HARNESS, REAR
4	6121 009 4103	1	WIRE HARNESS FOR HEADLIGHTS
5	6120 405 3000	2	BULB, HEADLAMP
6	0000 988 9200	7	TIE, CABLE BLACK
7	6121 071 1579	1	WIRE, LEAD SOLENOID TO STARTER
8	6121 009 4762	1	SWITCH, IGNITION
9	6120 435 0500	2	KEY, IGNITION
10	6121 005 5939	1	WIRE CLIP, ADHESIVE
11	6121 430 1800	2	BULB, INDICATOR
12	6121 009 4136	2	SWITCH LIMIT
13	6121 078 2966	1	SOLENOID
14	6121 071 1619	2	SCREW 1/4 X .50
15	6121 071 1632	2	NUT, 1/4-20
16	6121 071 0228	1	WIRE, GROUND
17	6121 071 0230	1	SCREW 1/4-20 X .75
18	6121 009 4159	1	SWITCH, SEAT
19		1	BATTERY 12V 7 PLATE (NOT A STOCK ITEM)
20	6121 071 1680	2	BOLT, 1/4-20 X .63
21	6121 071 1636	2	NUT, WING 1/4-20
22	6121 033 5417	1	BOOT, BATTERY



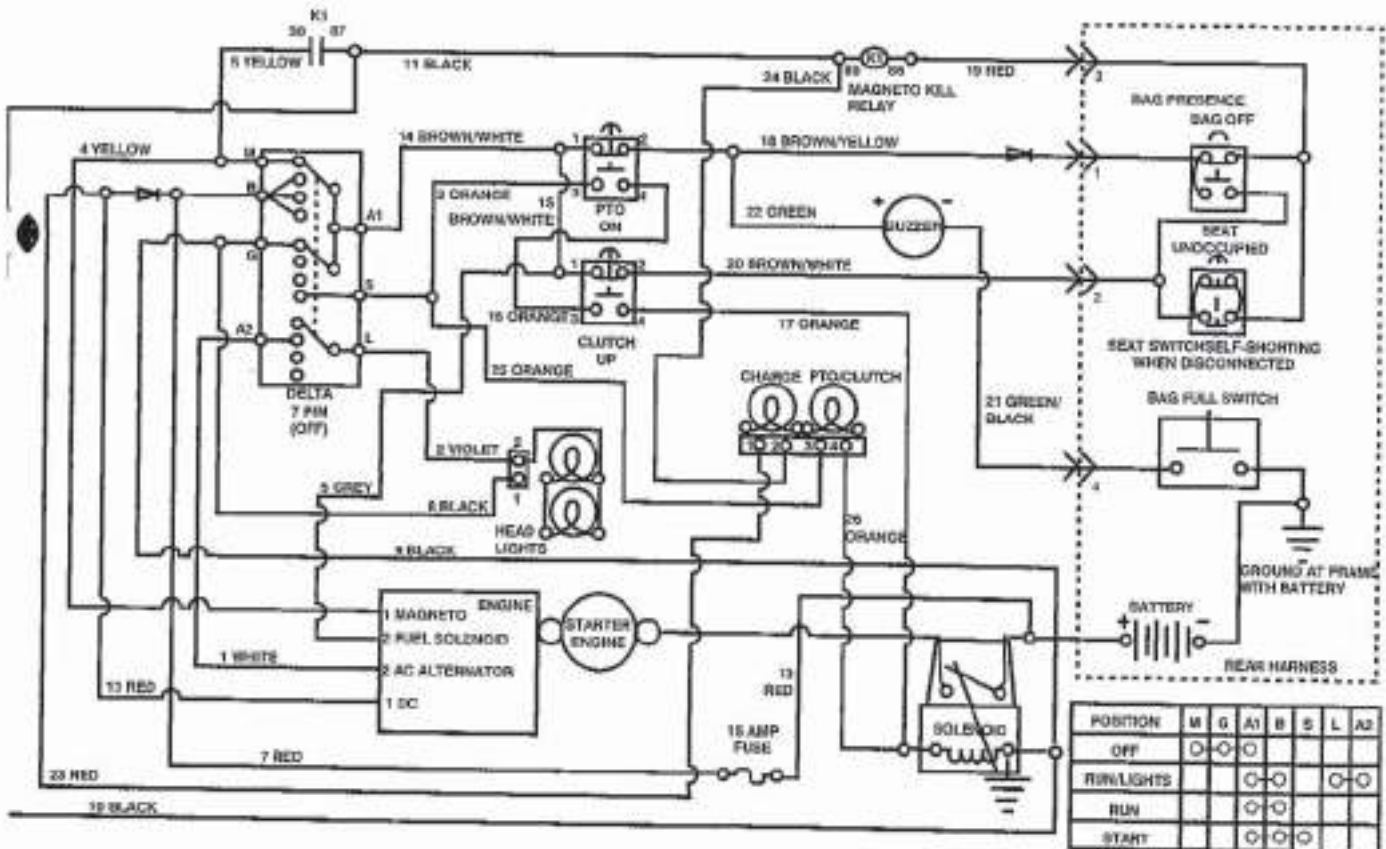


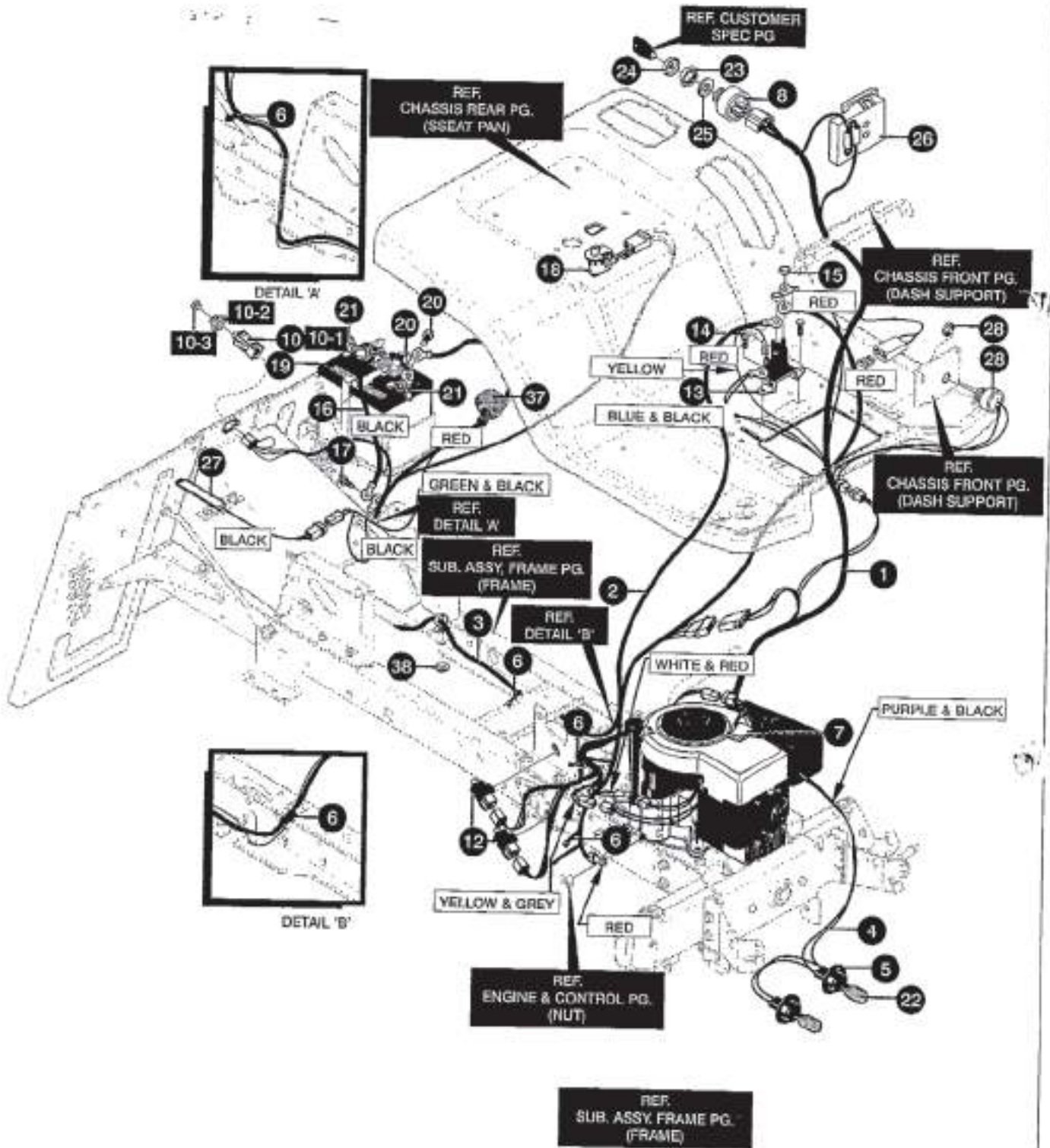
KEY#	PART NUMBER	QTY	DESCRIPTION
1	6121 002 5087	1	WIRE HARNESS
2	6121 009 0084	2	LIGHT BULB
3	6121 034 0530	1	WIRE HARNESS, REAR
4	6121 034 0513	1	WIRE HARNESS FOR HEADLIGHTS
5	6121 009 2372	2	SOCKET LAMP
6	6121 005 7444	5	TIE, CABLE BLACK
7	6121 005 5939	1	WIRE CLIP
8	6121 009 2556	1	SWITCH, IGNITION
10	6121 009 1489	1	NUT, IGNITION SWITCH
11	6121 009 1488	1	CAP. IGNITION SWITCH
12	6121 009 4136	2	SWITCH LIMIT
13	6121 009 4613	1	SOLENOID
14	6121 071 1619	2	SCREW 1/4 X .50
15	6121 071 1632	2	NUT, 1/4-20
16	6121 071 0226	1	WIRE, GROUND
17	6121 071 1760	1	SCREW, 1/4-20
18	6121 009 4159	1	SWITCH, SEAT
19	6121 009 2739	1	BATTERY 5 PLATE
20	6121 071 1680	2	BOLT, 1/4-20 X .63
21	6121 071 1636	2	NUT, WING 1/4-20
22	6121 033 5417	1	BOOT, BATTERY
24	6121 009 3156	1	AMPMETER
25	6121 031 3683	1	WASHER
26	6121 071 1759	1	WIRE, LEAD SOLENOID TO STARTER



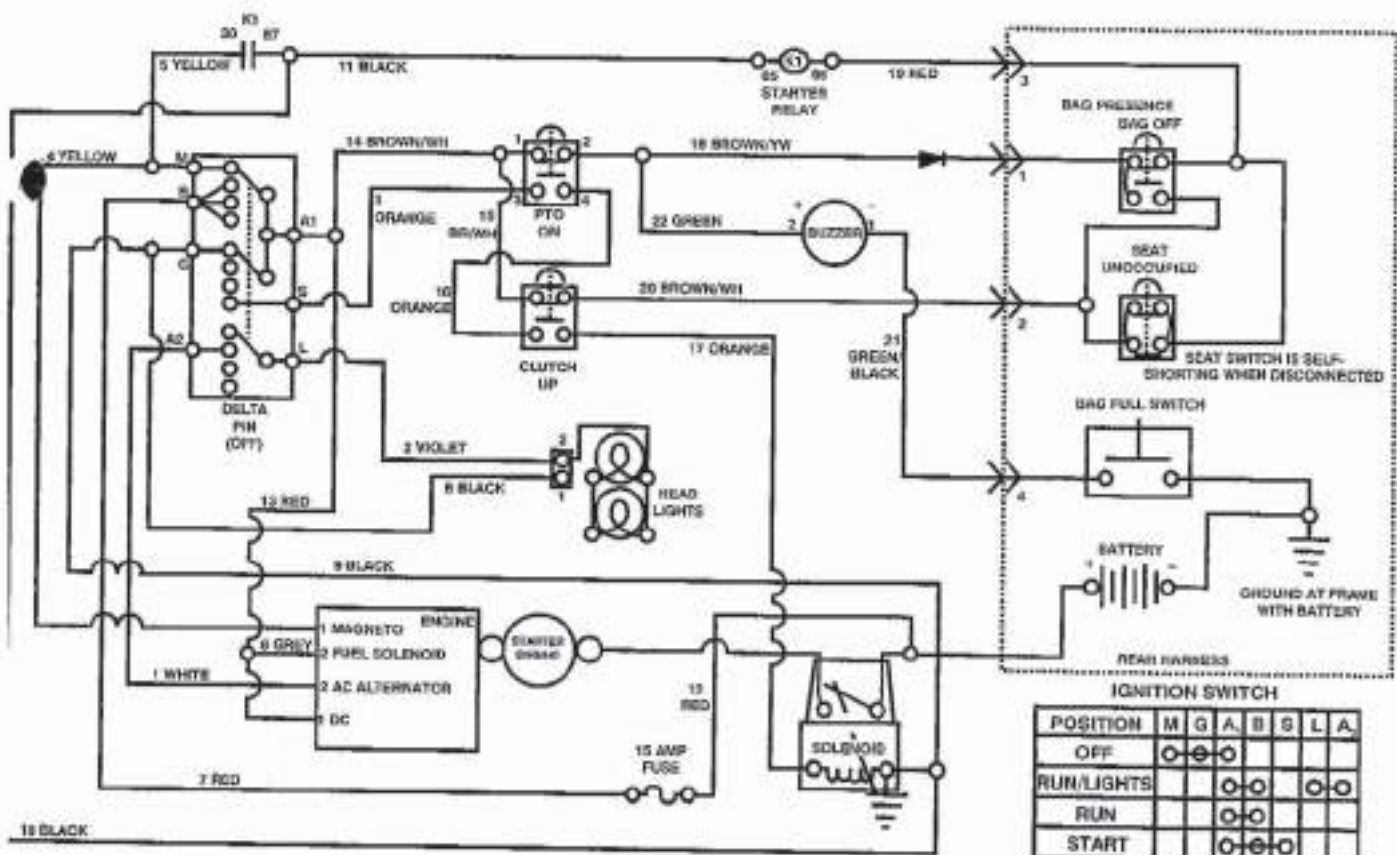


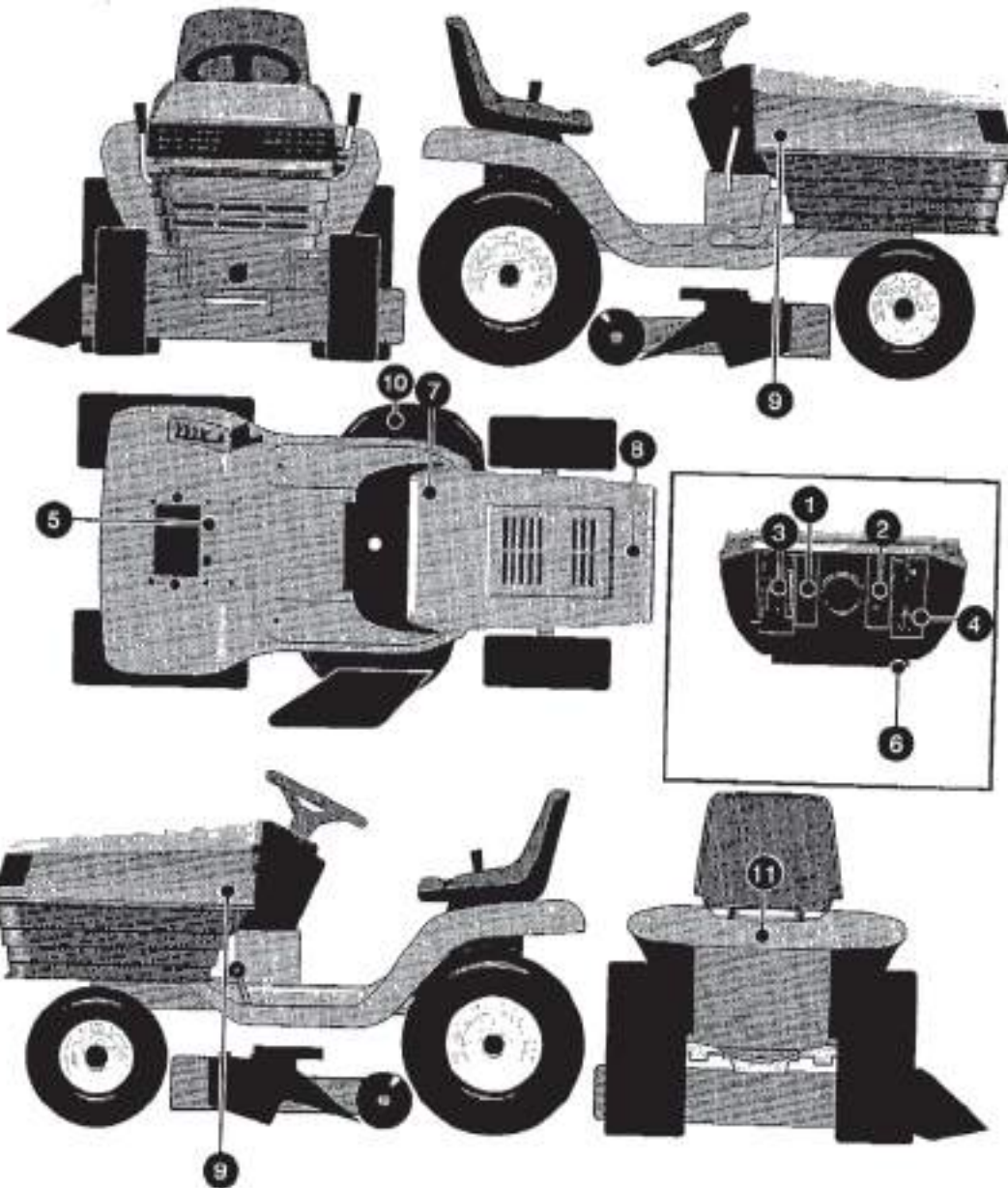
KEY#	PART NUMBER	QTY	DESCRIPTION
1	6121 009 5378	1	HARNES, WIRE
2	6121 069 0054	1	INDICATOR HARNES PTO/CHARGE
3	6121 009 5381	1	REAR HARNES
4	6121 009 4103	1	WIRE HARNES FOR HEADLIGHTS
5	6120 405 3000	2	BULB, HEADLAMP
6	0000 988 9200	5	TIE, CABLE BLACK
7	6121 005 5939	1	WIRE CLIP, ADHESIVE
8	6121 009 4762	1	SWITCH, IGNITION
9	6120 435 0500	2	KEY, IGNITION
10	6121 069 0106	1	SWITCH, DOUBLE POLE DELTA
10-1	6121 430 0230	1	SWITCH, DOUBLE POLE
10-2	6121 069 0074	1	BOLT, SWITCH (COVER)
10-3	6121 069 0075	1	CAP, SWITCH
11	6121 005 7789	2	BULB, INDICATOR
12	6121 009 4136	2	SWITCH LIMIT
13	6121 078 2966	1	SOLENOID
14	6121 071 1619	2	SCREW 1/4 X .50
15	6121 071 1632	2	NUT, 1/4-20
16	6121 009 5420	1	WIRE, GROUND
18	6121 009 4159	1	SWITCH, SEAT
19	6121 030 2257	1	BATTERY 12V 7 PLATE
20	6121 071 1680	2	BOLT, 1/4-20 X .63
21	6121 071 1636	2	NUT, WING 1/4-20
22	6121 033 5417	1	BOOT, BATTERY
25	6121 071 1666	1	WASHER, FLAT .250 X .56 X .0478
27	6121 009 5330	1	TAPE, SWITCH
28	6121 009 5391	1	BUZZER, FOR BAG FULL
29	6121 071 1579	1	WIRE, LEAD SOLENOID TO STARTER



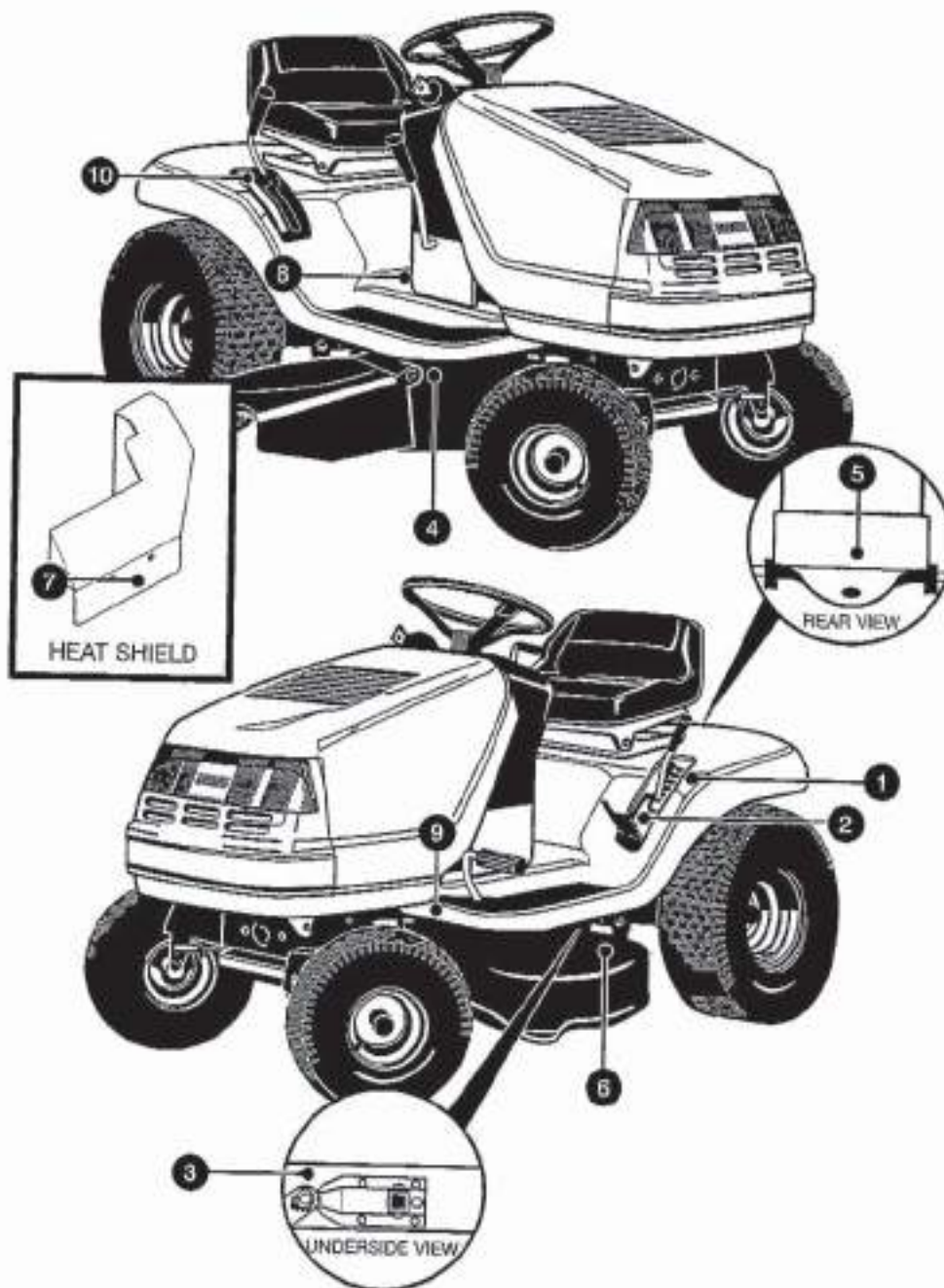


KEY#	PART NUMBER	QTY	DESCRIPTION
1	6121 009 5380	1	HARNES, WIRE
2	6121 071 1579	1	WIRE, LEAD SOLENOID TO STARTER
3	6121 009 5381	1	REAR HARNES
4	6121 034 0513	1	WIRE HARNES FOR HEADLIGHTS
5	6121 009 2372	2	SOCKET LAMP
6	6121 005 7444	5	TIE, CABLE BLACK
7	6121 005 5939	1	WIRE CLIP, ADHESIVE
8	6121 009 4878	1	SWITCH, IGNITION <i>→ 3700</i>
10	6121 069 0106	1	SWITCH, DOUBLE POLE DELTA
10-1	6121 032 0082	1	SWITCH, DOUBLE POLE
10-2	6121 069 0074	1	BOLT, SWITCH (COVER)
10-3	6121 069 0075	1	CAP, SWITCH
11	6121 005 7769	2	BULB, INDICATOR
12	6121 099 4136	2	SWITCH LIMIT
13	6121 009 4613	1	SOLENOID
14	6121 071 1619	2	SCREW 1/4 X .50
15	6121 071 1632	2	NUT, 1/4-20
16	6121 009 5420	1	WIRE, GROUND
17	6121 071 1760	1	SCREW, 1/4 X .75
18	6121 009 4159	1	SWITCH, SEAT
19	6121 009 2693	1	BATTERY 6 PLATE
20	6121 071 1680	2	BOLT, 1/4-20 X .63
21	6121 071 1636	2	NUT, WING 1/4-20
22	6121 009 0084	2	BULB, LIGHT
23	6121 032 7352	1	NUT, 5/8-8
24	6121 030 0194	1	BOOT, IGNITION SWITCH
25	6121 031 3683	1	WASHER
26	6121 009 3156	1	AMPMETER
27	6121 009 5330	1	TAPE, SWITCH
28	6121 009 5391	1	BUZZER, FOR BAG FULL
37	6121 033 5417	1	BOOT, BATTERY
38	6121 071 1666	1	WASHER, FLAT .250 X 56 X .04

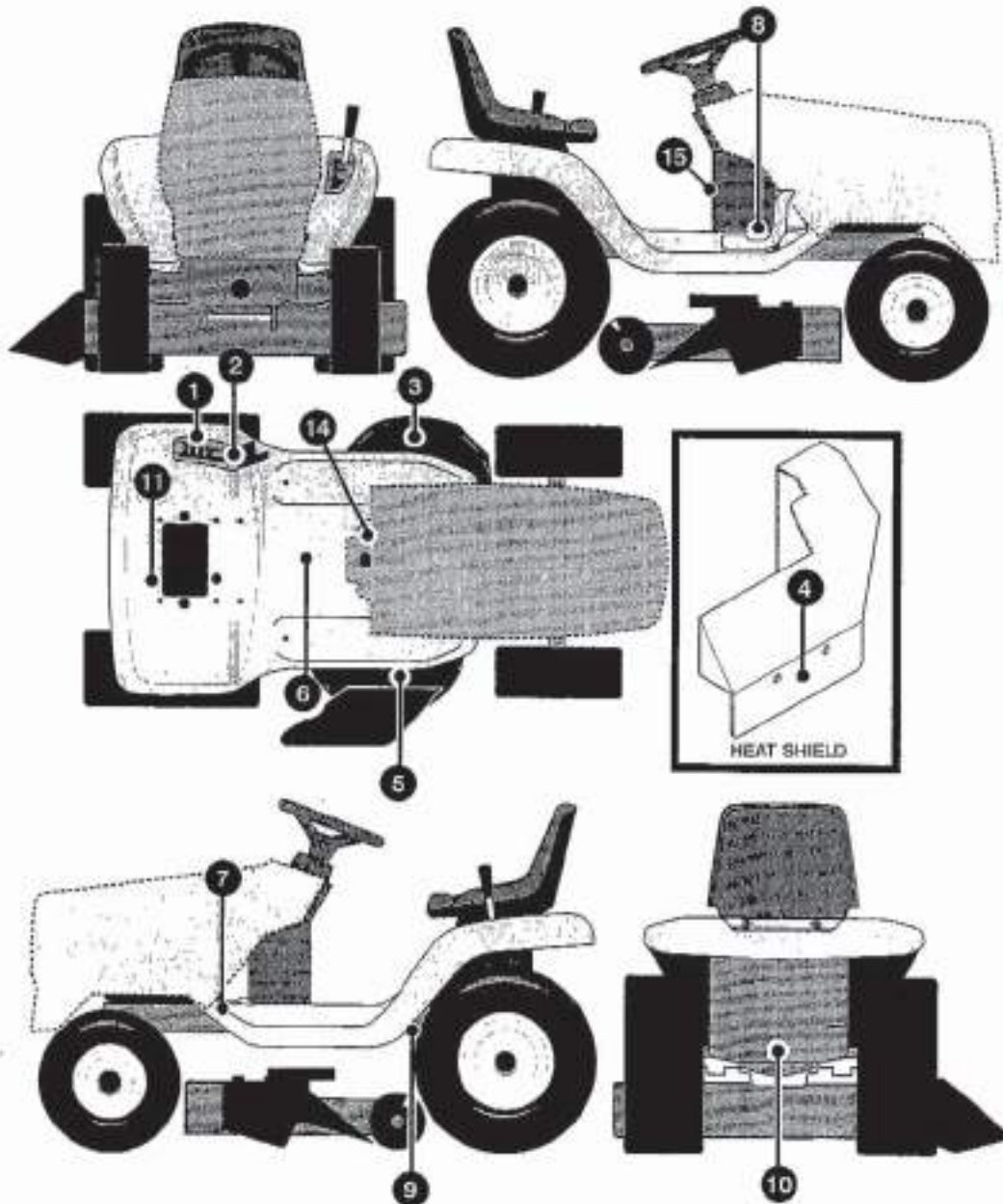




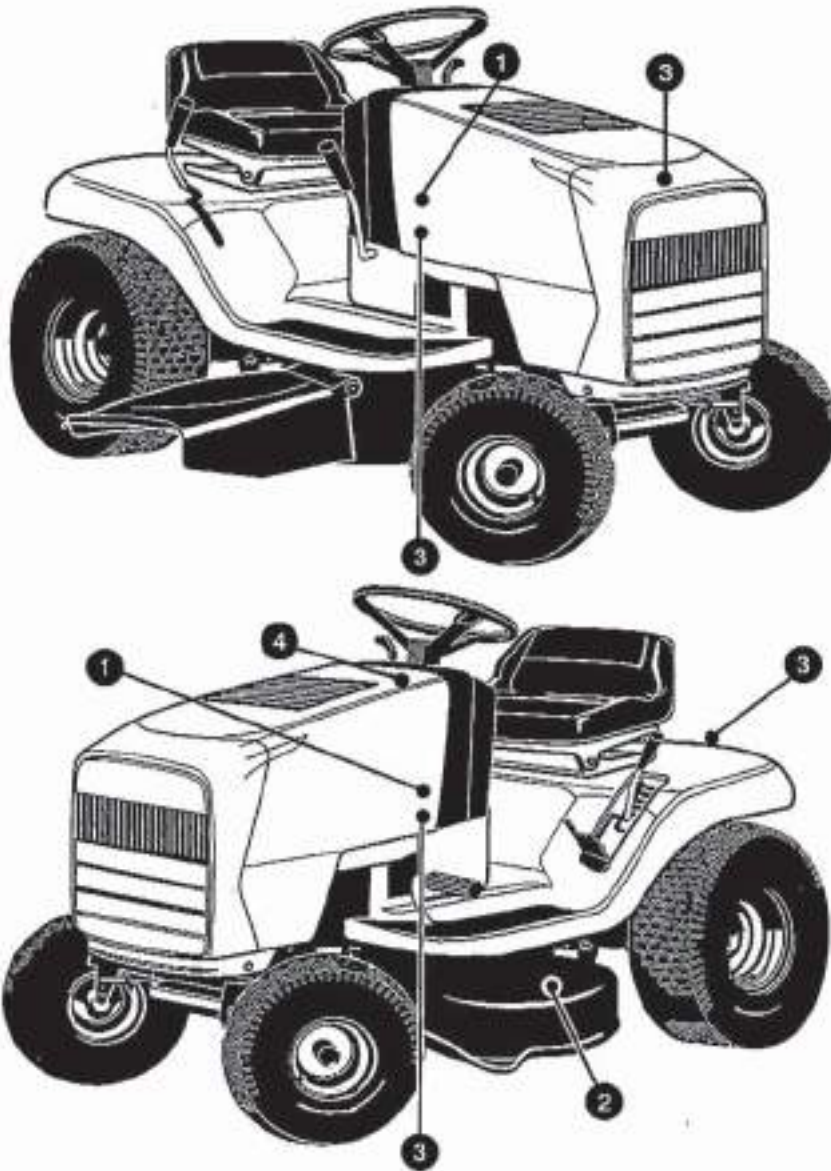
KEY#	PART NUMBER	QTY	DESCRIPTION
1	6121 030 2049	1	DECAL, DASH LH
2	6121 033 8498	1	DECAL, DASH RH CHARGE/OK
3	6121 030 5767	1	DECAL, DASH LH
4	6121 071 0765	1	DECAL, DASH H11 RH
5		1	NOT A SERVICEABLE PART
6	6121 071 0691	1	DECAL, PARK BRAKE
7	6121 071 1506	2	DECAL, MT426H HOOD
7	6121 071 1504	2	DECAL, MT425T HOOD
7	6121 071 1505	2	DECAL, MT423T HOOD
8	6121 071 1507	2	DECAL, HOOD VIKING
9	6121 071 1509	2	DECAL, AUTOMATIC
9	6121 071 1497	2	DECAL 6 SPD 15.5HP
9	6121 071 1498	2	DECAL 5SP/13HP RH/LH HOOD
10	6121 071 1502	1	DECAL, DECK 38" CUT
10	6121 071 2285	1	DECAL, DECK 42" CUT
11	6121 071 1508	1	DECAL, REAR VIKING



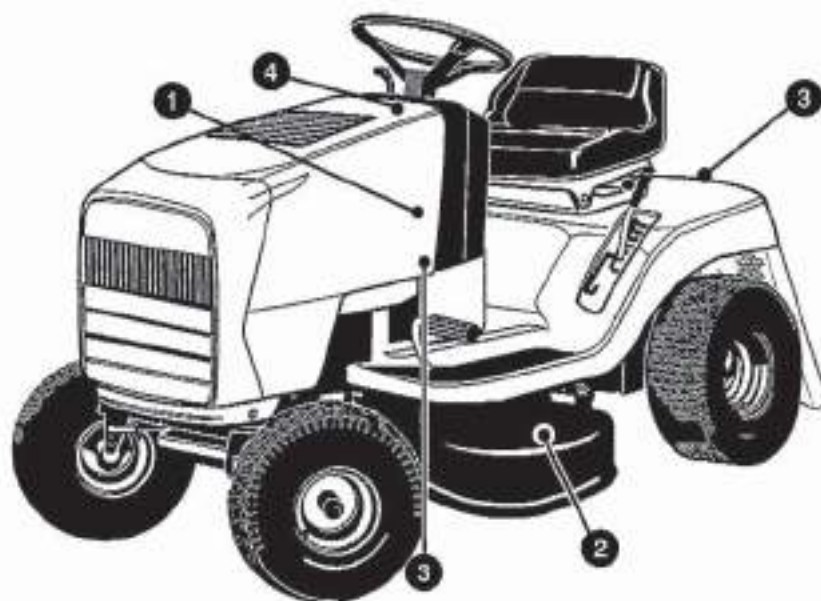
KEY#	PART NUMBER	QTY	DESCRIPTION
1	6121 071 0685	1	DECAL, HEIGHT ADJ 7 POS
2	6121 071 0683	1	DECAL, DECK LEVEL
3	6121 071 0523	1	DECAL, PINCH POINTS WARNING
4	6121 040 2701	1	DECAL, CAUTION DECK RH CUT HND
5	6121 033 8542	1	DECAL, DRAWBAR WARN
6	6121 040 2700	1	DECAL, CAUTION DECK LH NO STEP
7	6121 033 8543	1	DECAL, HOT SURFACE WARN
8	6121 071 0534	1	DECAL, CONST. CAUTION
9	6121 071 1419	1	DECAL, CLUTCH BRAKE
10	6121 071 1541	1	DECAL, 6 SPEED 1-6-N-R
10	6121 071 0519	1	DECAL, 5 SPEED



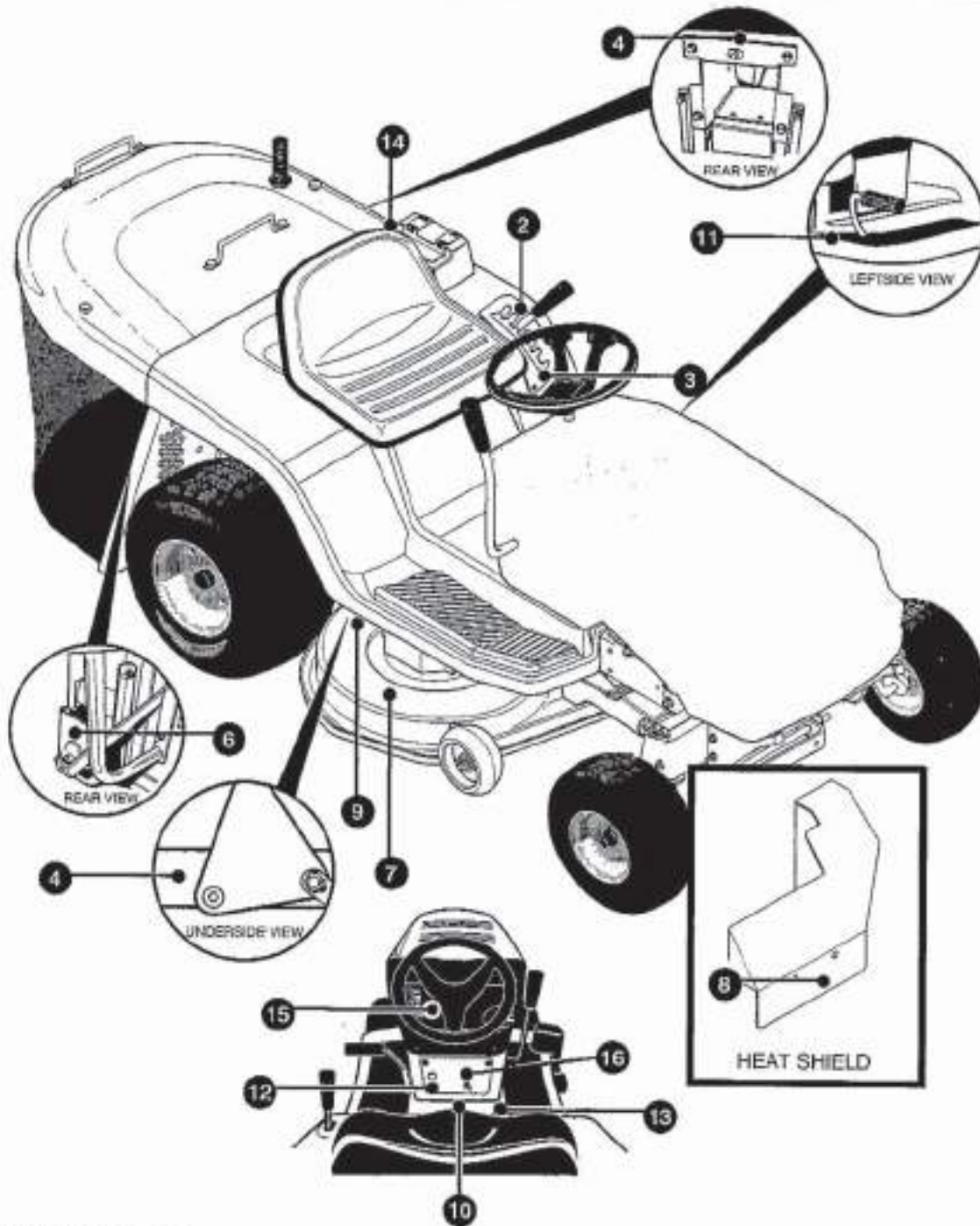
KEY#	PART NUMBER	QTY	DESCRIPTION
1	6121 071 1274	1	DECAL, HEIGHT ADJ 7 POS MT426H
	6121 071 2305	1	DECAL, HEIGHT ADJ 7 POS MT435H
2	6121 071 1850	1	DECAL, DECK LEVEL
3	6121 040 2700	1	DECAL, CAUTION DECK LH
4	6121 033 8543	1	DECAL, HOT SURFACE WARNING
5	6121 040 2701	1	DECAL, CAUTION DECK RH
6	6121 071 0534	1	DECAL, CONS CAUTION
7	6121 071 1419	1	DECAL, CLUTCH BRAKE
8	6121 071 0720	1	DECAL, AUTODRIVE INST DASH
9	6121 071 0523	1	DECAL, PINCH POINTS WARNING
10	6121 033 8542	1	DECAL, WARNING DRAWBAR
11	6121 071 0767	1	DECAL, HYDRO PUMP
14	6121 071 0397	1	DECAL, DASH MT433H-MT435H-MT770H
15	6121 071 0691	1	DECAL, PARK BRAKE (P)



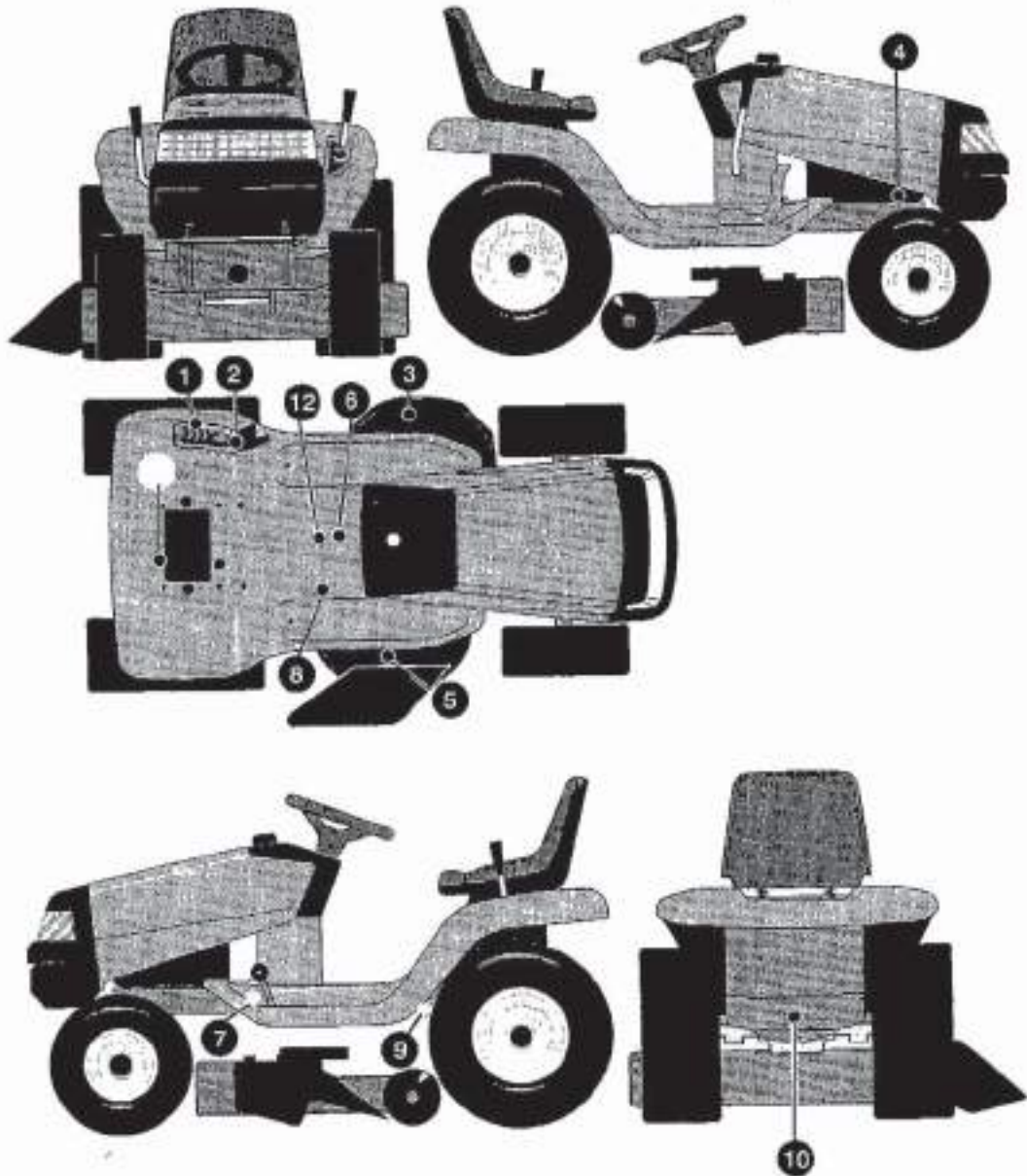
KEY#	PART NUMBER	QTY	DESCRIPTION
1	6121 071 2283 - 6121 071 2302	2	DECAL
	6121 071 2284	1	DECAL
2	6121 071 2284	1	DECAL, DECK 40" CUT
	6121 071 2285	1	DECAL, DECK 42" CUT
3	6121 071 2282	2	DECAL
	6121 071 2281	1	DECAL, MT433H
4	6121 071 2286	1	DECAL, MT435H



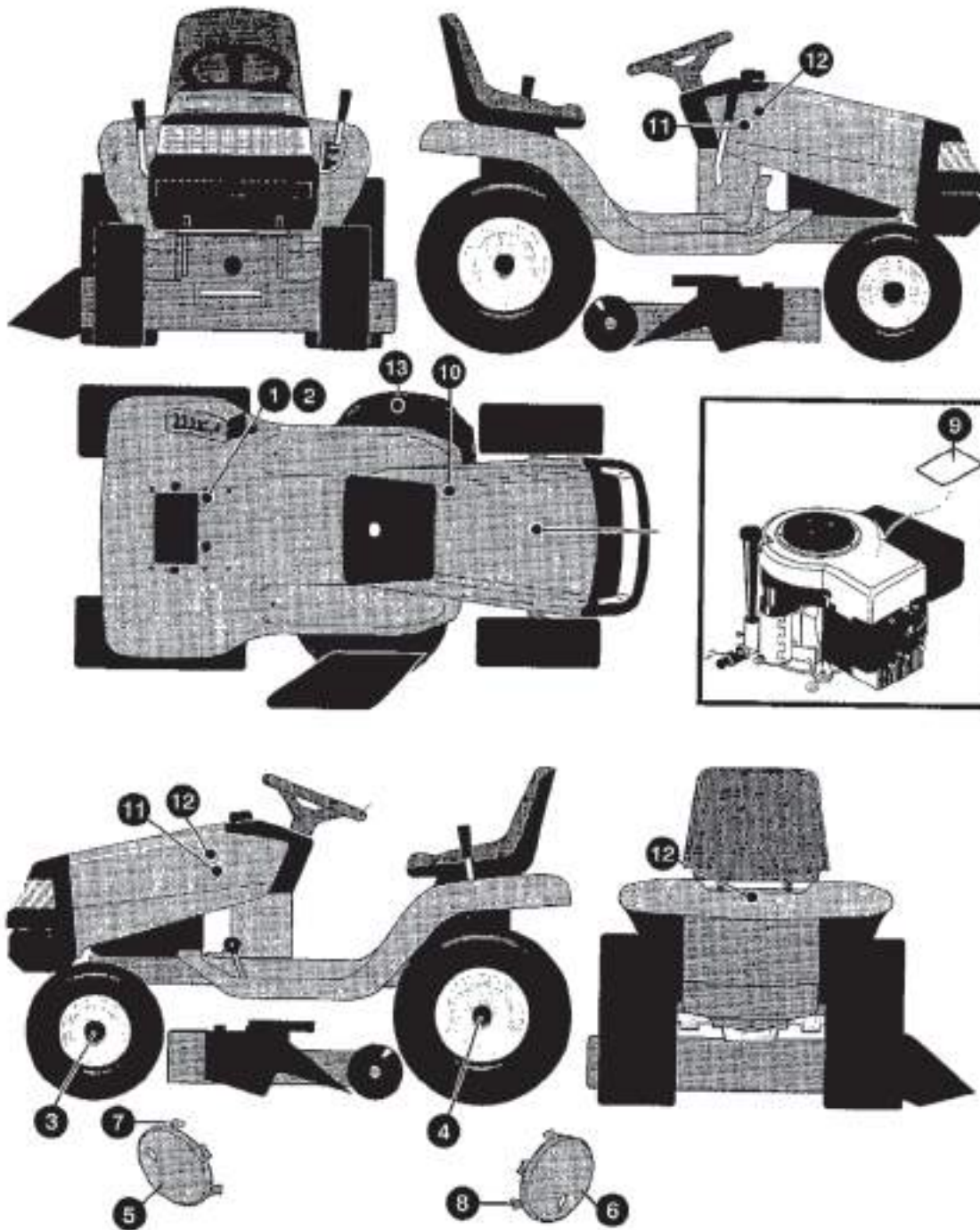
KEY#	PART NUMBER	QTY	DESCRIPTION
1	6121 071 2288	1	DECAL, AUTOMATIC
2	6121 071 2284	1	DECAL, DECK 40" CUT
3	6121 071 2282	1	DECAL, VIKING
4	6121 071 2287	1	DECAL, HOOD MT770H



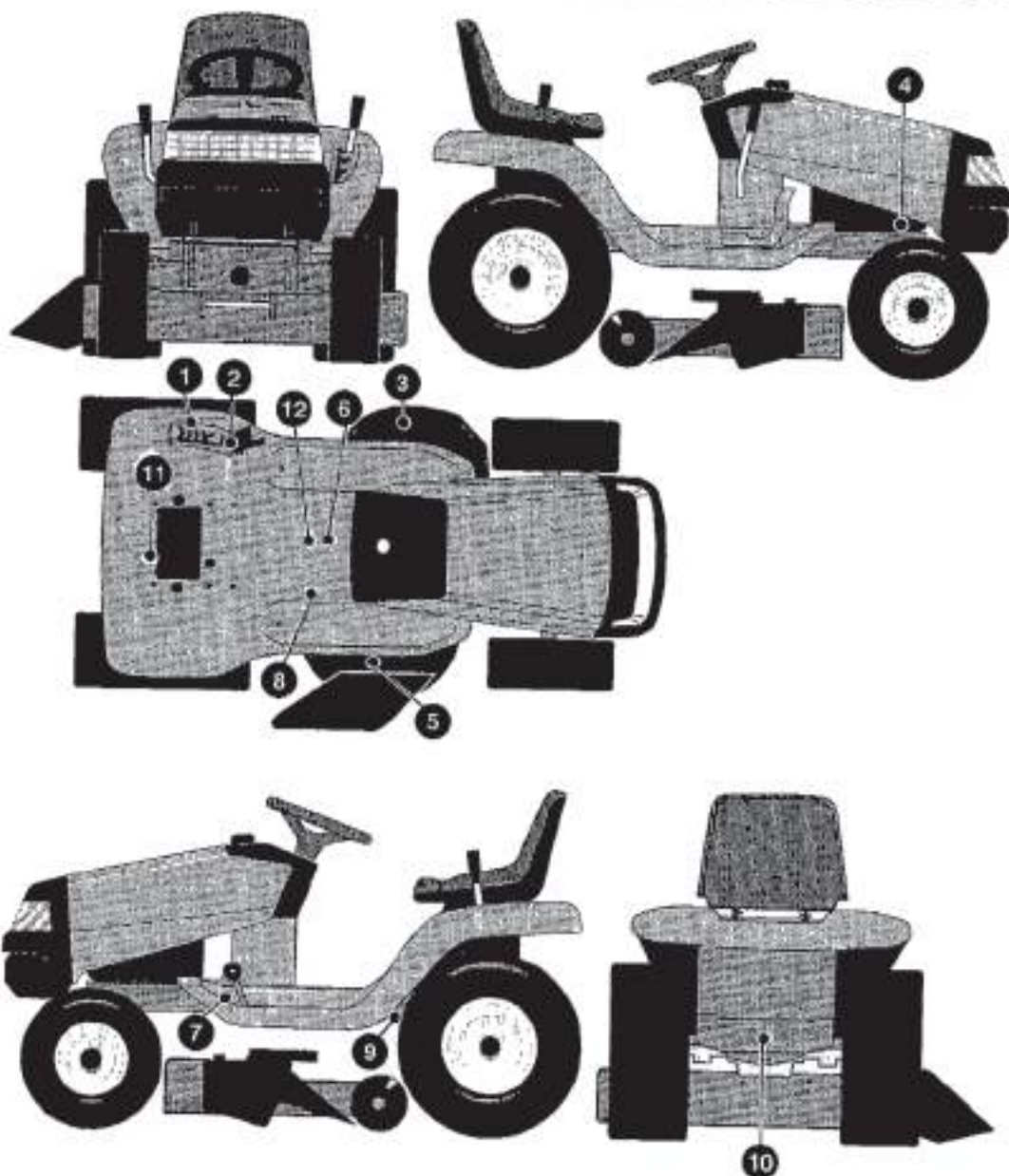
KEY#	PART NUMBER	QTY	DESCRIPTION
2	6121 071 1736	1	DECAL, 5 - POSITION
3	6121 071 1850	1	DECAL, DECK LEVEL POSITION
4	6121 071 0523	1	DECAL, PINCH POINTS WARNING
5	6121 033 8541	1	DECAL, BAGGER "CE"
6	6121 033 8542	1	DECAL, DRAWBAR WARN
7	6121 040 2700	2	DECAL, CAUTION DECK LH NO STEP
8	6121 033 8543	1	DECAL, HOT SURFACE WARN
9	6121 071 0684	1	DECAL, DECK BELT ROUTE
10	6121 071 0534	1	DECAL, CONS CAUTION.
11	6121 071 1419	1	DECAL, CLUTCH BRAKE
12	6121 071 1766	1	DECAL, BUZZER/DUMP BAG
13	6121 071 0720	1	DECAL, AUTODRIVE INST DASH
14	6121 071 0771	1	DECAL, HYDRO DUMP VALVE
15	6121 071 0397	1	DECAL, DASH
16	6121 071 0691	1	DECAL, PARK BRAKE (P)



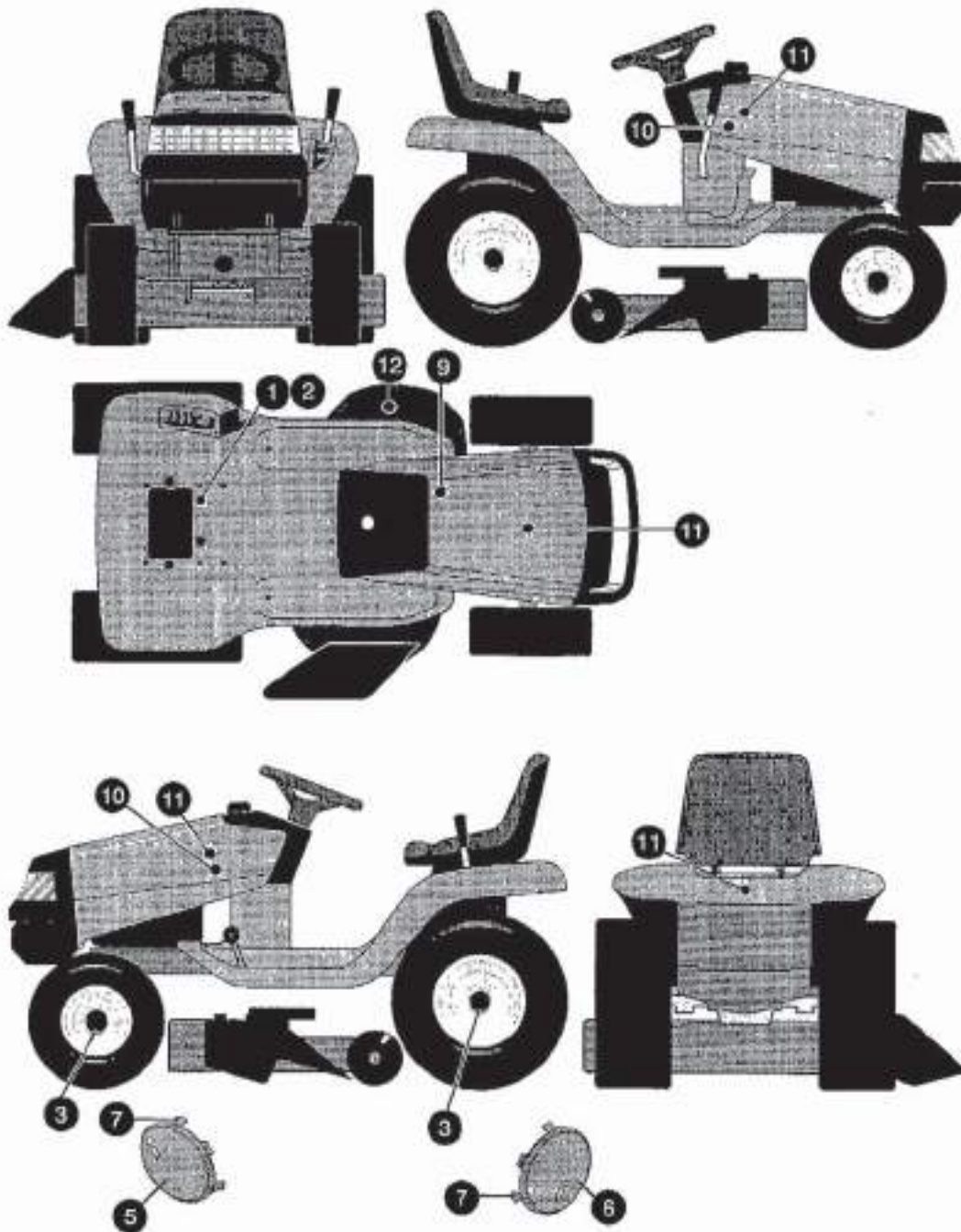
KEY#	PART NUMBER	QTY	DESCRIPTION
1	6121 071 0685	1	DECAL, HEIGHT ADJUST 7 POS.
2	6121 071 1850	1	DECAL, DECK LEVEL POSITION
3	6121 040 2700	1	DECAL, CAUTION DECK LH NO STEP
4	6121 033 8543	1	DECAL, HOT SURFACE WARNING
5	6121 040 2701	1	DECAL, CAUTION DECK RH CUT HAND
6	6121 071 0534	1	DECAL, CONS. CAUTION
7	6121 071 1419	1	DECAL, CLUTCH / BRAKE
8	6121 071 0720	1	DECAL, AUTO DRIVE INST.
9	6121 071 0523	1	DECAL, PINCH POINTS WARNING
10	6121 033 8542	1	DECAL, DRAWBAR WARN
11	6121 071 0767	1	DECAL, HYDRO DUMP
12	6121 071 1468	1	DECAL, INST. CONSOLE



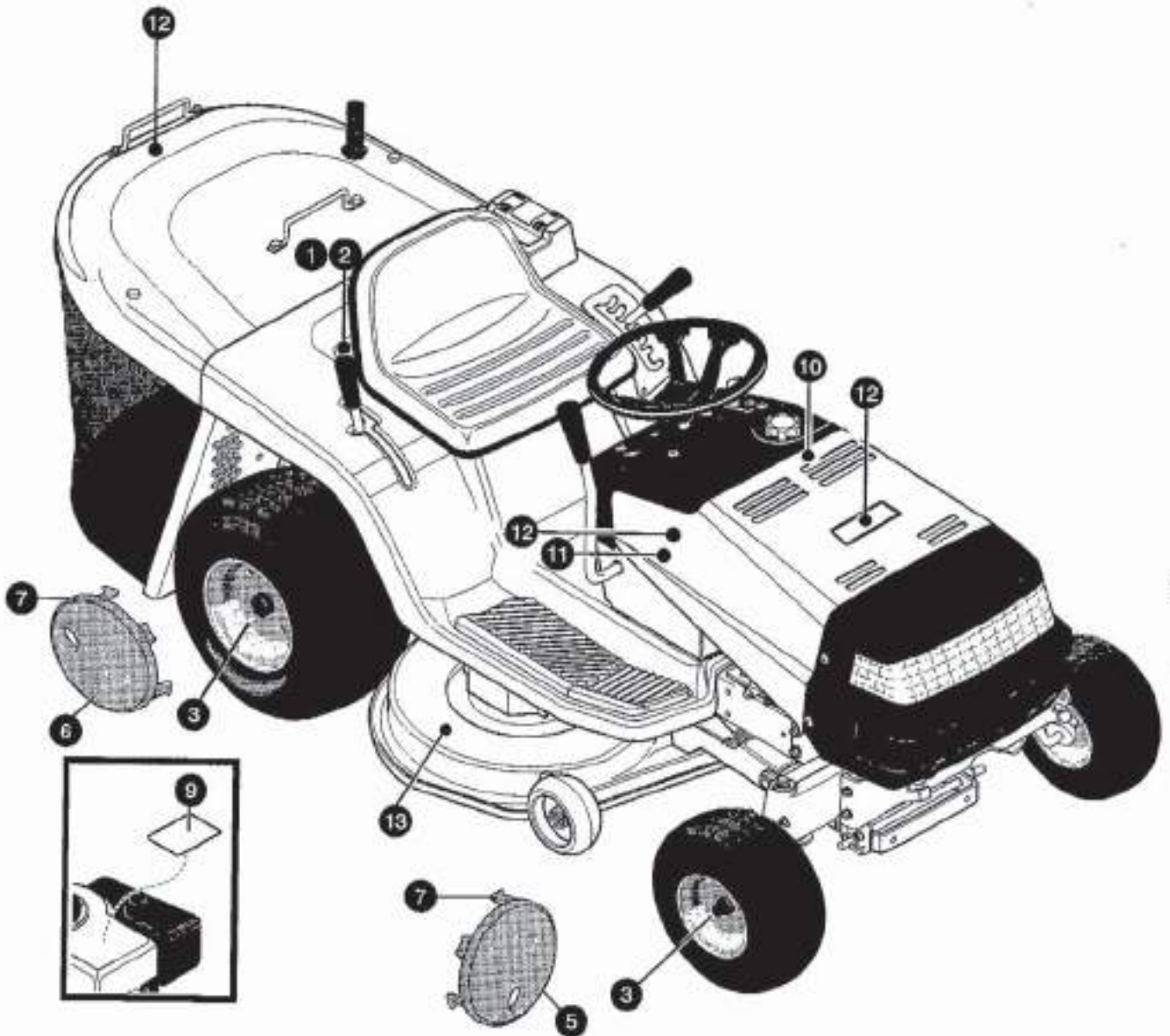
KEY#	PART NUMBER	QTY	DESCRIPTION
1			NOT A SERVICEABLE PART
2	6121 067 1706	1	LAMINATE
3	6121 009 4618	4	HUBCAP
5	6121 033 4429	2	HUBCAP 6"
6	6121 033 4427	2	HUBCAP 8"
7	6121 030 8669	18	CLIP, TINNEMAN
9	6121 071 2301	1	DECAL, ENGINE 13.51C
10	6121 004 8228	1	DECAL, MT433H
11	6121 004 8229	1	DECAL, 13.5HP AUTOMATIC
12	6121 071 2282	4	DECAL, VIKING
13	3121 071 2284	1	DECAL, 40" CUT



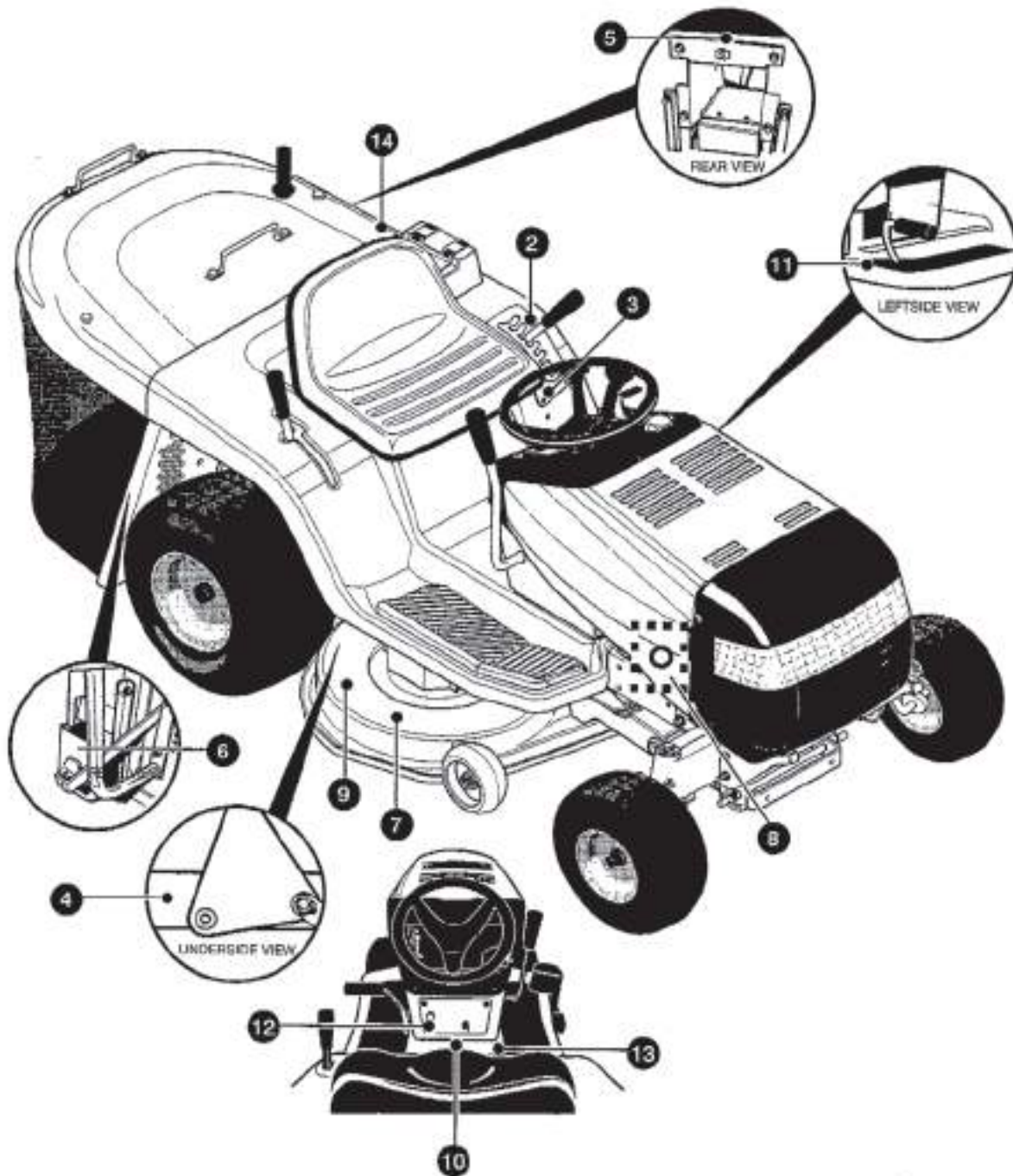
KEY#	PART NUMBER	QTY	DESCRIPTION
1	6121 071 2305	1	DECAL, HEIGHT ADJUST 7 POS
2	6121 071 1850	1	DECAL, DECK LEVEL
3	6121 040 2700	1	DECAL, CAUTION DECK LH NO STEP
4	6121 033 8543	1	DECAL, HOT SURFACE WARNING
5	6121 040 2701	1	DECAL, CAUTION DECK RH CUT HAND
6	6121 071 0534	1	DECAL, CONS. CAUTION
7	6121 071 1419	1	DECAL, CLUTCH / BRAKE
8	6121 071 0720	1	DECAL, AUTO DRIVE INST.
9	6121 071 0523	1	DECAL, PINCH POINTS WARNING
10	6121 033 8542	1	DECAL, DRAWBAR WARN
11	6121 071 0767	1	DECAL, HYDRO DUMP
12	6121 071 1468	1	DECAL, INST. CONSOLE



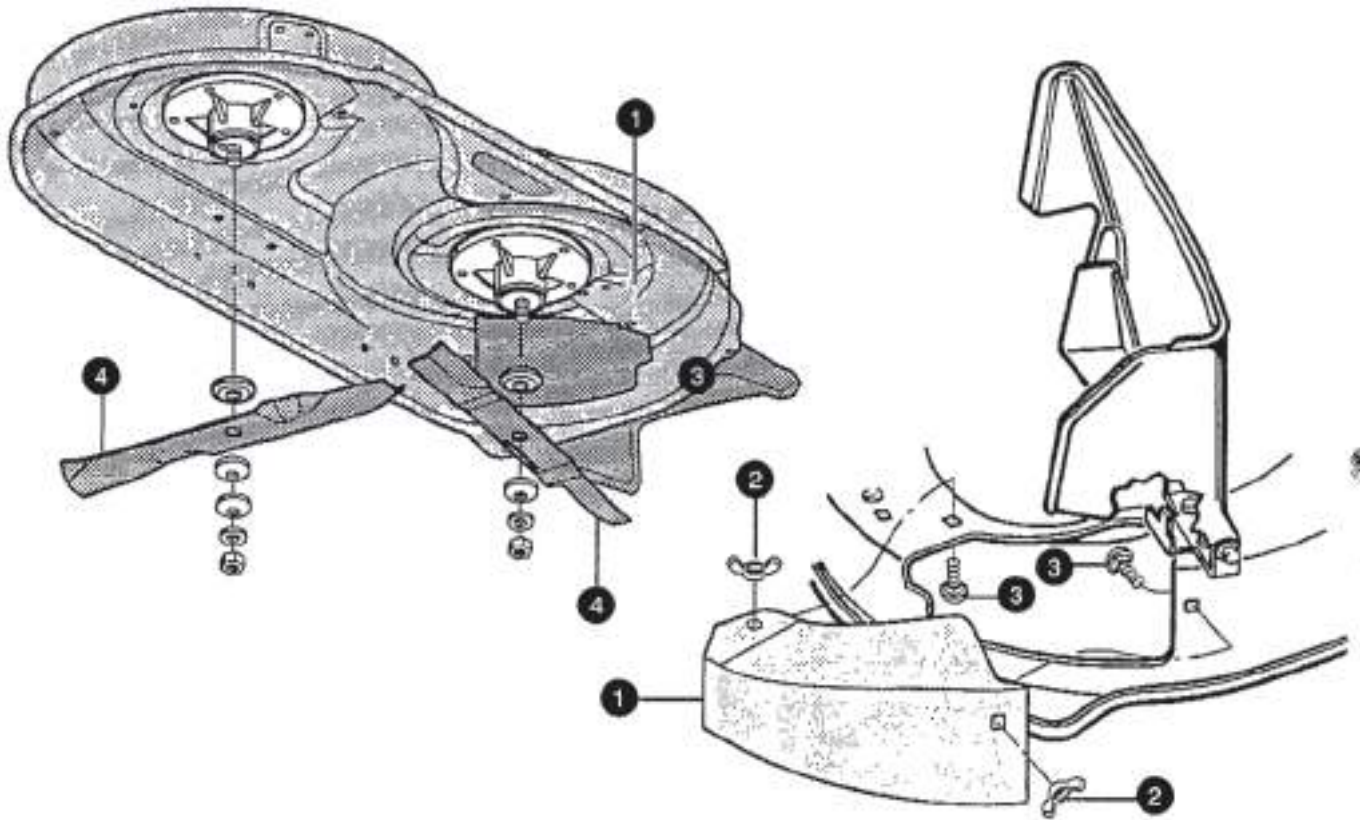
KEY#	PART NUMBER	QTY	DESCRIPTION
1			NOT A SERVICEABLE PART
2	6121 067 1706	1	LAMINATE
3		4	DUST HUBCAP
5	6121 033 4429	2	HUBCAP 6"
6	6121 033 4427	2	HUBCAP 8"
7	6121 030 6669	18	CLIP, HUBCAP
9	6121 004 8230	1	DECAL, HOOD MT435H
10	6121 004 8231	2	DECAL, 15.5HP AUTOMATIC
11	6121 071 2282	4	DECAL, VIKING
12	6121 071 2285	1	DECAL, 42" CUT



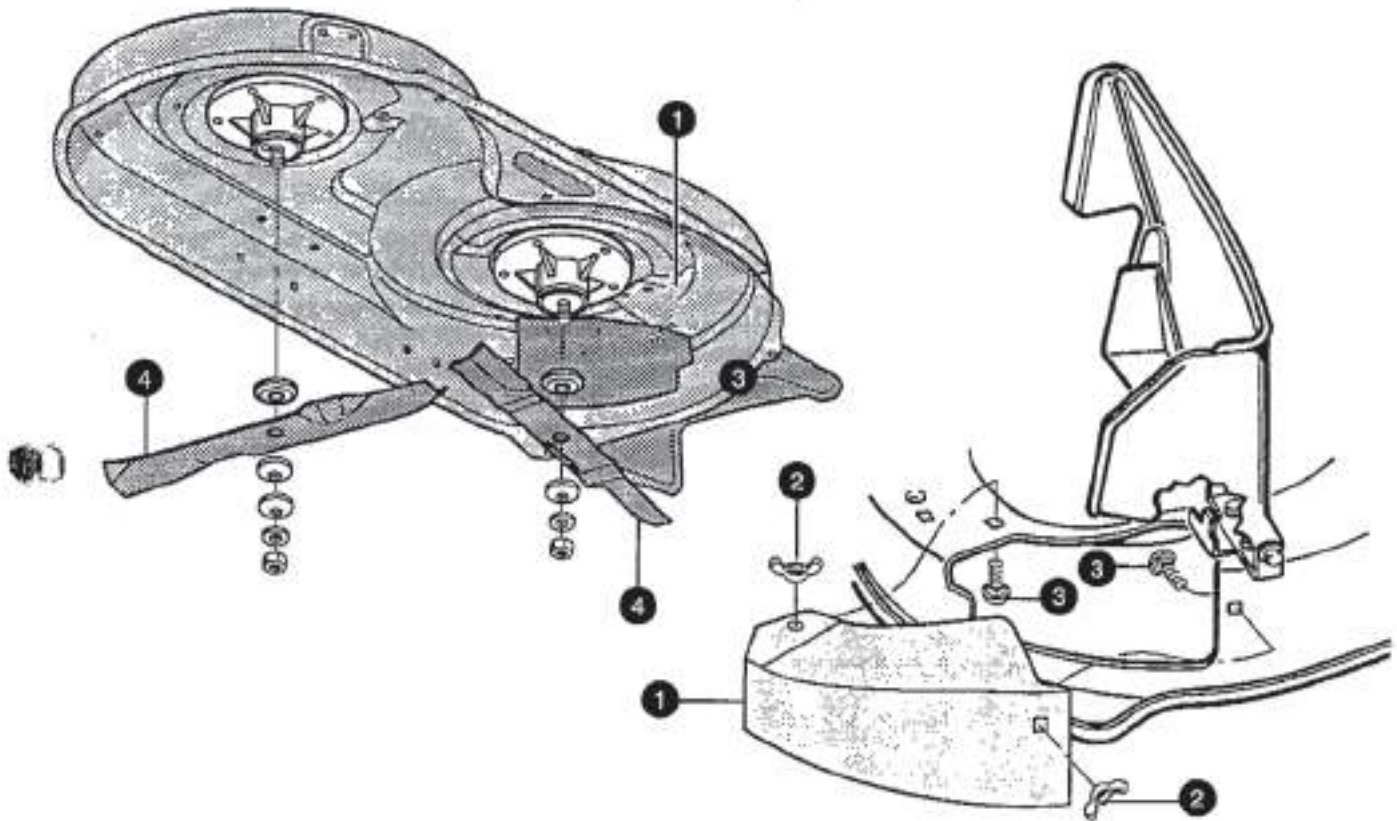
KEY#	PART NUMBER	QTY	DESCRIPTION
1			NOT A SERVICEABLE PART
2	6121 067 1706	1	LAMINATE
3	6121 009 4618	4	HUBCAP
5	6121 033 4429	2	HUBCAP 6"
6	6121 033 4427	2	HUBCAP 8"
7	6121 030 6669	16	CLIP, TINNEMAN
9	6121 071 1758	1	DECAL, ENGINE 17HP
10	6121 004 8232	1	DECAL, MT770H
11	6121 004 8233	2	DECAL, 17HP
12	6121 071 2282	4	DECAL, VIKING
13	6121 071 2284	1	DECAL, DECK 40" CUT



KEY#	PART NUMBER	QTY	DESCRIPTION
2	6121 071 1736	1	DECAL, REBA 5 - POSITION
3	6121 071 1850	1	DECAL, DECK LEVEL POSITION
4	6121 071 0523	1	DECAL, PINCH POINTS WARNING
5	6121 033 8541	1	DECAL, BAGGER "CE"
6	6121 033 8542	1	DECAL, DRAWBAR WARN
7	6121 040 2700	2	DECAL, CAUTION DECK LH NO STEP
8	6121 033 8543	1	DECAL, HOT SURFACE WARN
9	6121 071 0684	1	DECAL, DECK BELT ROUTE
10	6121 071 0534	1	DECAL CONS CAUTION.
11	6121 071 1419	1	DECAL, CLUTCH BRAKE
12	6121 071 1766	1	DECAL, BUZZER/DUMP BAG
13	6121 071 0720	1	DECAL, AUTODRIVE INST DASH
14	6121 071 0771	1	DECAL, HYDRO DUMP VALVE



KEY#	PART NUMBER	QTY	DESCRIPTION
1	6121 009 5080	1	MULCHER PLATE
2	6121 071 1604	2	WINGNUT
3	6121 071 0780	2	CARRIAGE BOLT
4	6121 009 5104	2	3-N-1 BLADE MT423T 38"
	6121 009 5103	2	3-N-1 BLADE MT433H 40"

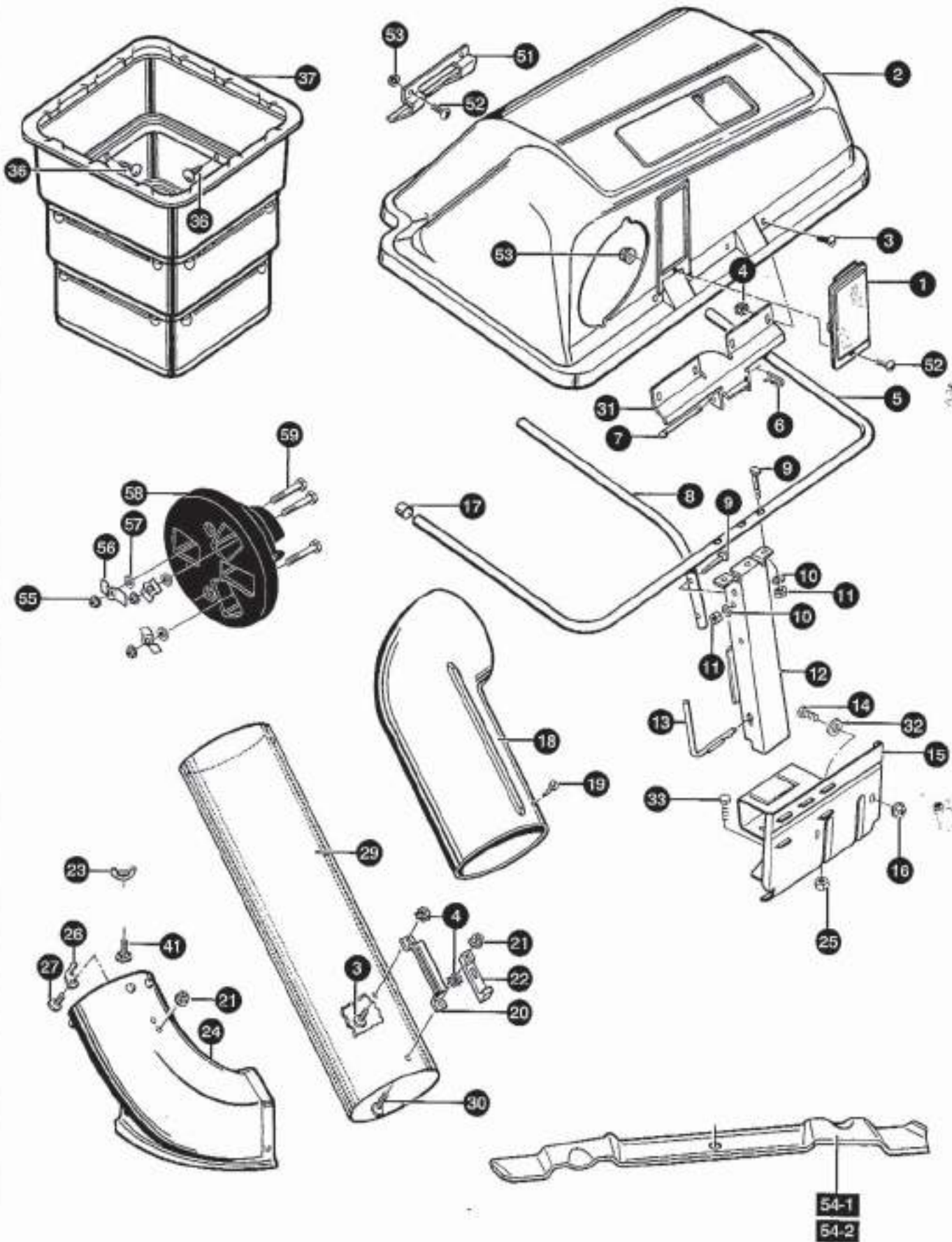


KEY#	PART NUMBER	QTY	DESCRIPTION
1	6121 009 5080	1	MULCHER PLATE
2	6121 071 1604	2	WINGNUT
3	6121 071 0780	2	CARRIAGE BOLT
4	6121 009 5100	2	3-N-1 BLADE MT425T-MT426H-MT435H 42"

Illustration Q

MT423T, MT425T, MT426H, MT433H, MT435H

Bagger Kit



KEY#	PART NUMBER	QTY	DESCRIPTION
1	6121 005 4575	1	WINDOW
2	6121 005 4576	1	COVER
3	6121 000 0424	1	SCREW
4	6121 000 1566	1	LOCKNUT
5	6121 005 4410	1	TUBE, "U"
6	6121 000 0316	1	PIN, HAIR
7	6121 005 4407	1	PIN, HINGE
8	6121 005 4412	1	TUBE, CENTRE
9	6121 000 0693	1	BOLT, SPECIAL
10	6121 000 1815	1	LOCKWASHER
11	6121 000 1532	1	NUT, HEX
12	6121 005 4422	1	CHANNEL ASSEMBLY
13	6121 005 4408	1	PIN, CHANNEL
14	6121 000 0184	1	BOLT, HEX
15	6121 009 4690	1	MOUNT ASSEMBLY, BAGGER
16	6121 001 5108	1	NUT, HEX
17	6121 002 4862	1	CAP, END
18	6121 009 1944	1	ELBOW
19	6121 002 6239	1	SCREW
20	6121 005 4416	1	HANDLE, CONNECTOR TUBE
21	6121 004 6931	1	LOCKNUT, FLANGE
22	6121 005 4695	1	LATCH, RUBBER
23	6121 071 1604	1	WINGNUT
24	6121 005 4564	1	TUBE, EXTENSION
25	6121 071 0223	1	HEX NUT
26	6121 005 4563	1	PIN, LATCH
27	6121 000 0239	1	BOLT, CARRIAGE
29	6121 009 1967	1	TUBE, CONNECTOR
30	6121 000 0471	1	SCREW
31	6121 005 4398	1	HINGE, COVER
32	6121 000 1715	1	WASHER
33	6121 071 0102	1	BOLT, HEX
36	6121 000 1931	1	FASTENER, PLASTIC
37	6121 005 4727	2	CONTAINERS Δ 36
41	6121 071 0780	1	BOLT, CARRIAGE
42	6121 005 4537	1	HANDLE, PLASTIC
52	6121 000 0421	1	SCREW
53	6121 000 1581	1	NUT, HEX
54-1	6121 702 1122	2	BLADE, HIGH LIFT <small>MT425T-MT426H-MT435H</small>
54-2	6121 009 1871	2	BLADE, HIGH LIFT <small>MT433H</small>
54-2	6121 702 1121	2	BLADE, HIGH LIFT <small>MT423T</small>
55	6121 071 1633	1	NUT, FLANGE
56	6121 009 4784	1	CLIP, WHEEL
57	6121 000 2864	1	RETAINER
58	6121 009 4783	1	WEIGHT, WHEEL
59	6121 000 1141	1	BOLT
	6121 009 7901		BOOK, INSTRUCTION

