

**A**

**ATAŞMANLAR  
ATTACHMENTS**

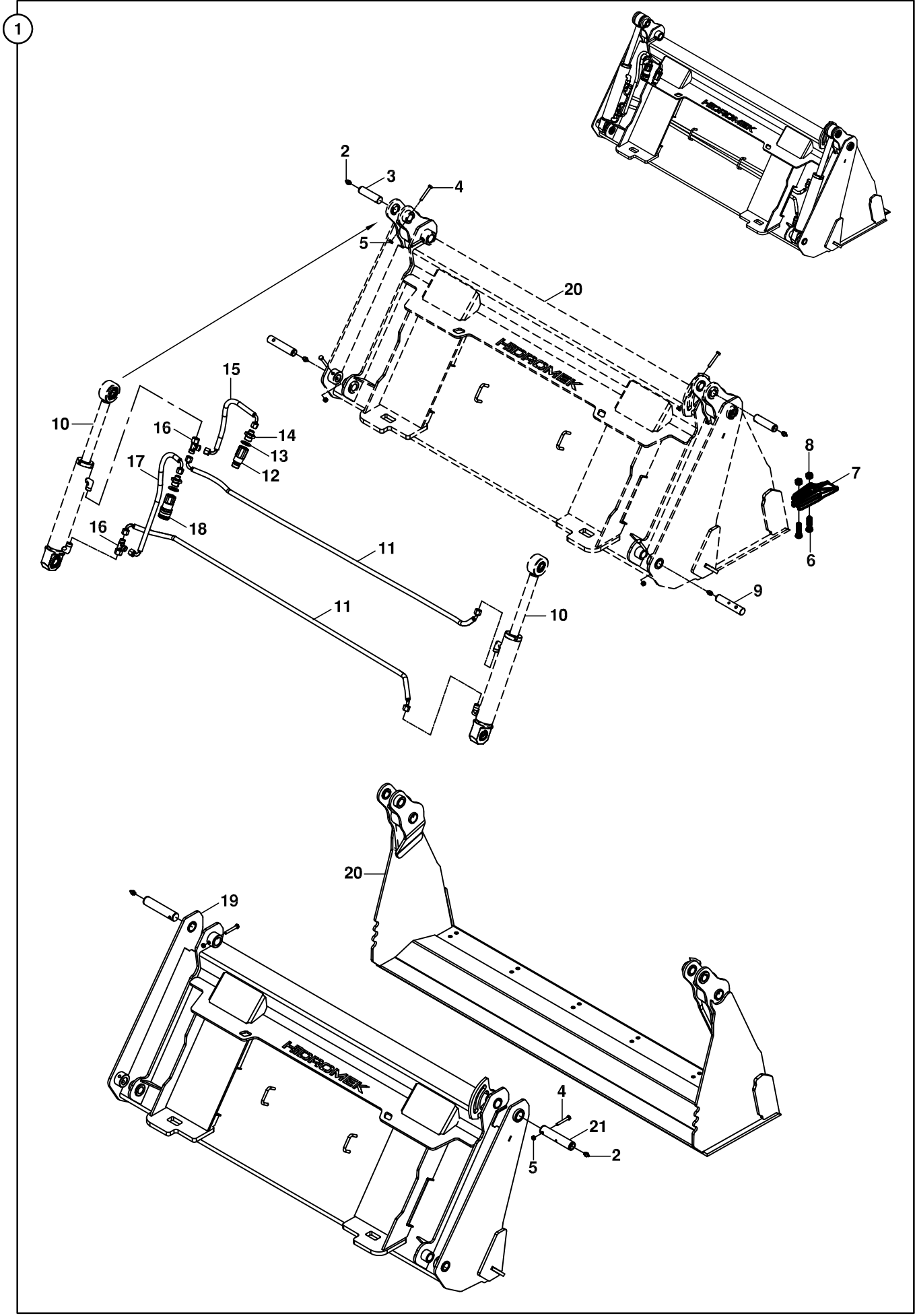
**A1**

**YÜKLEYİCİ ATAŞMANLAR  
LOADER ATTACHMENTS**

**A2**

**KAZICI ATAŞMANLAR  
BACKHOE ATTACHMENTS**

KEPÇE, AÇILIR  
SHOVEL, CLAM

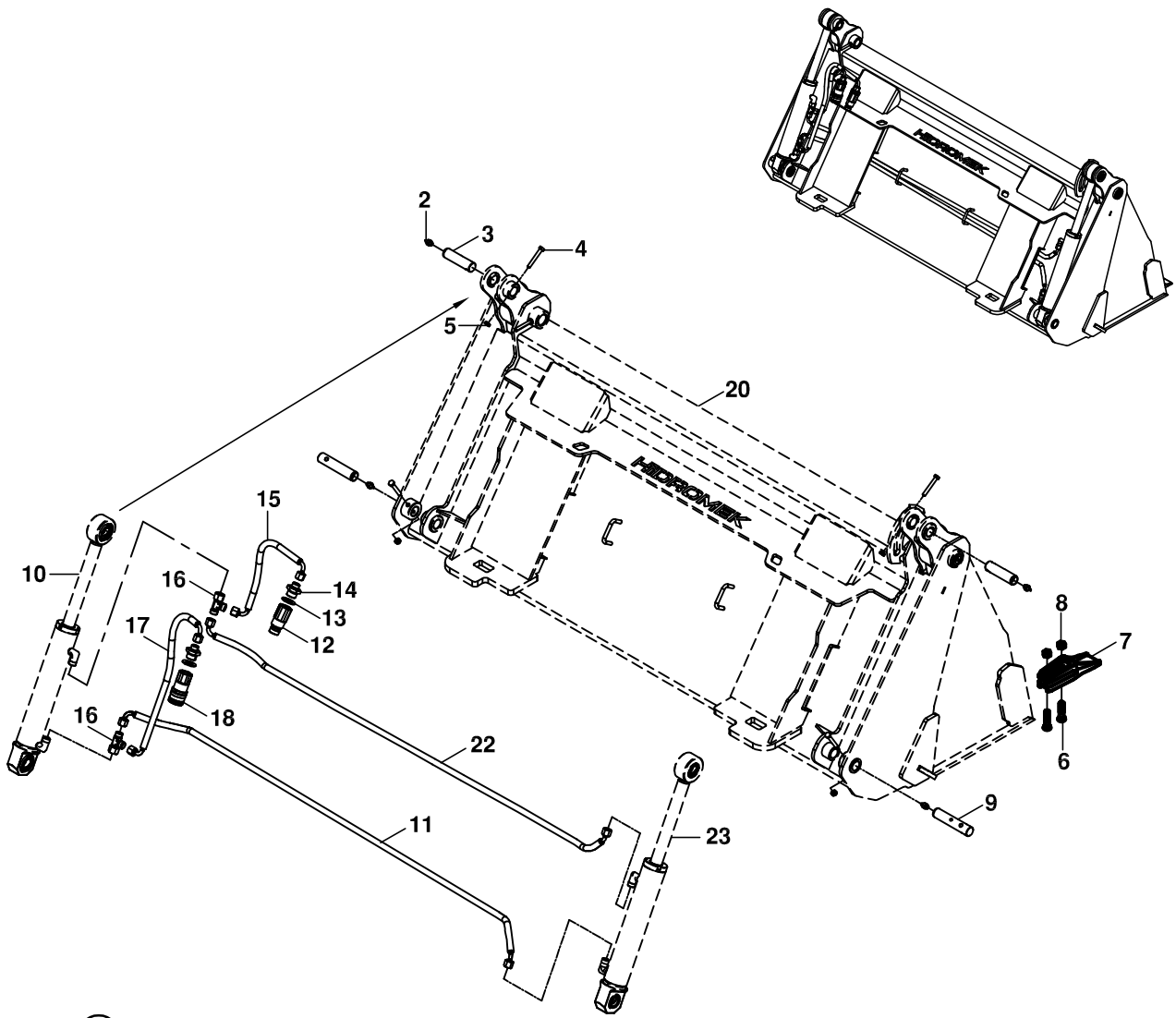


**KEPÇE, AÇILIR  
SHOVEL, CLAM**

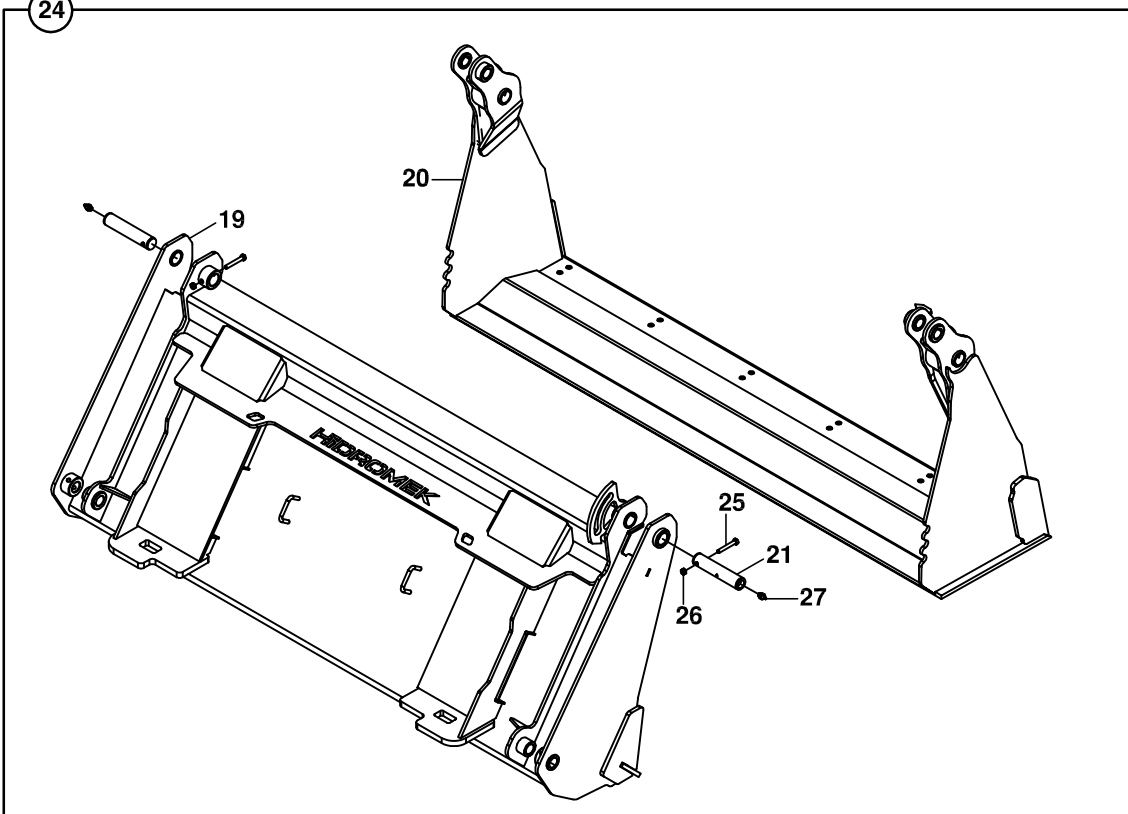
NO NO	PARÇA NO PART NO	TANIM	DESCRIPTION	ADET QTY	S.K. S.C.	SERİ NO SERIAL NO	D.T. ICA	NOT NOTE
1	M111100000	AÇILIR KEPÇE KOMPLE	SHOVEL, CLAM, ASSY.	1				
2	N08/1210020	GRESÖRLÜK	GREASSE NIPPLE	6				
3	801/04310	PİM	PIN	2				
4	N01/0380434	ÇİVATA M8x55	BOLT M8X55	6				
5	N02/5900062	SOMUN M8	NUT M8	6				
6	N01/0232882	ÇİVATA M12x45	BOLT M12x45	12				
7	M111104100	TIRNAK	TOOTH	6				
8	N02/8320300	SOMUN	NUT	12				
9	801/04305	PİM	PIN	2				
10		SİLİNDİR	RAM	2				☞ E3-3-1
11	651/1128153	HORTUM	HOSE	2				
12	N16/9900091	ÇABUK SÖK TAK	QUICK COUPLER	1				
13	N03/0000015	O-RİNGLİ PUL	WASHER	2				
14	806/24820	NİPEL	ADAPTER	2				
15	651/1124042	HORTUM	HOSE	1				
16	N16/3790038	T- RAKOR	TEE	2				
17	651/1124050	HORTUM	HOSE	1				
18	N16/9900092	ÇABUK SÖK TAK	QUICK COUPLER	1				
19	M111100101	SABİT KANAT	BLADE, BACK	1				
20	M111100201	HAREKETLİ KANAT	JAW, CLAMSHOVEL	1				
21	801/04300	PİM	PIN	2				

KEPÇE, AÇILIR  
SHOVEL, CLAM

1

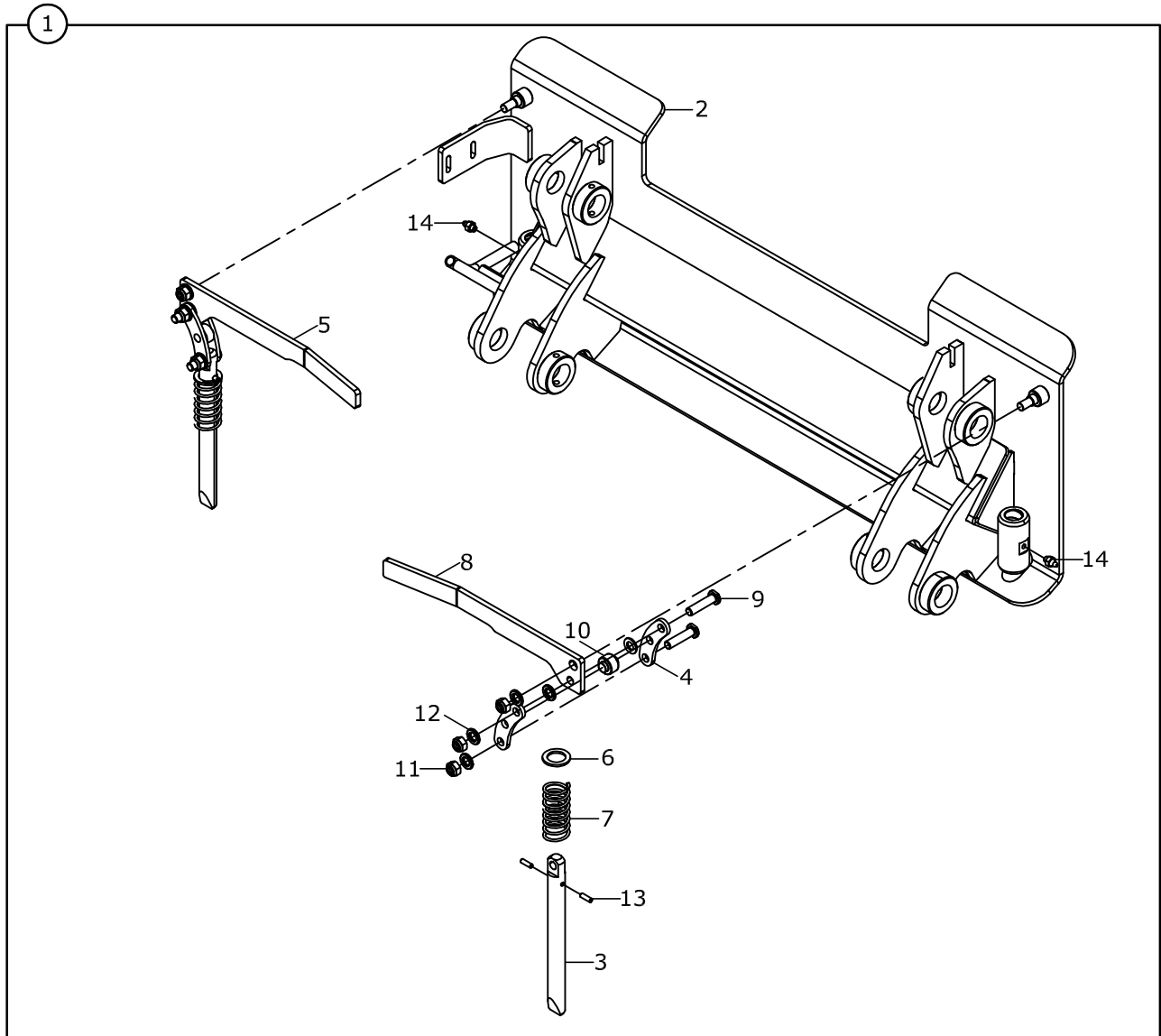
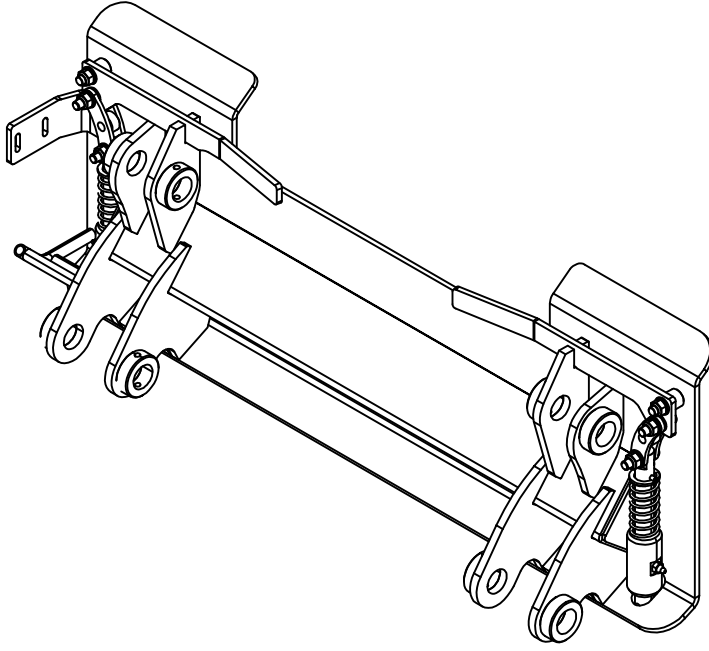


24



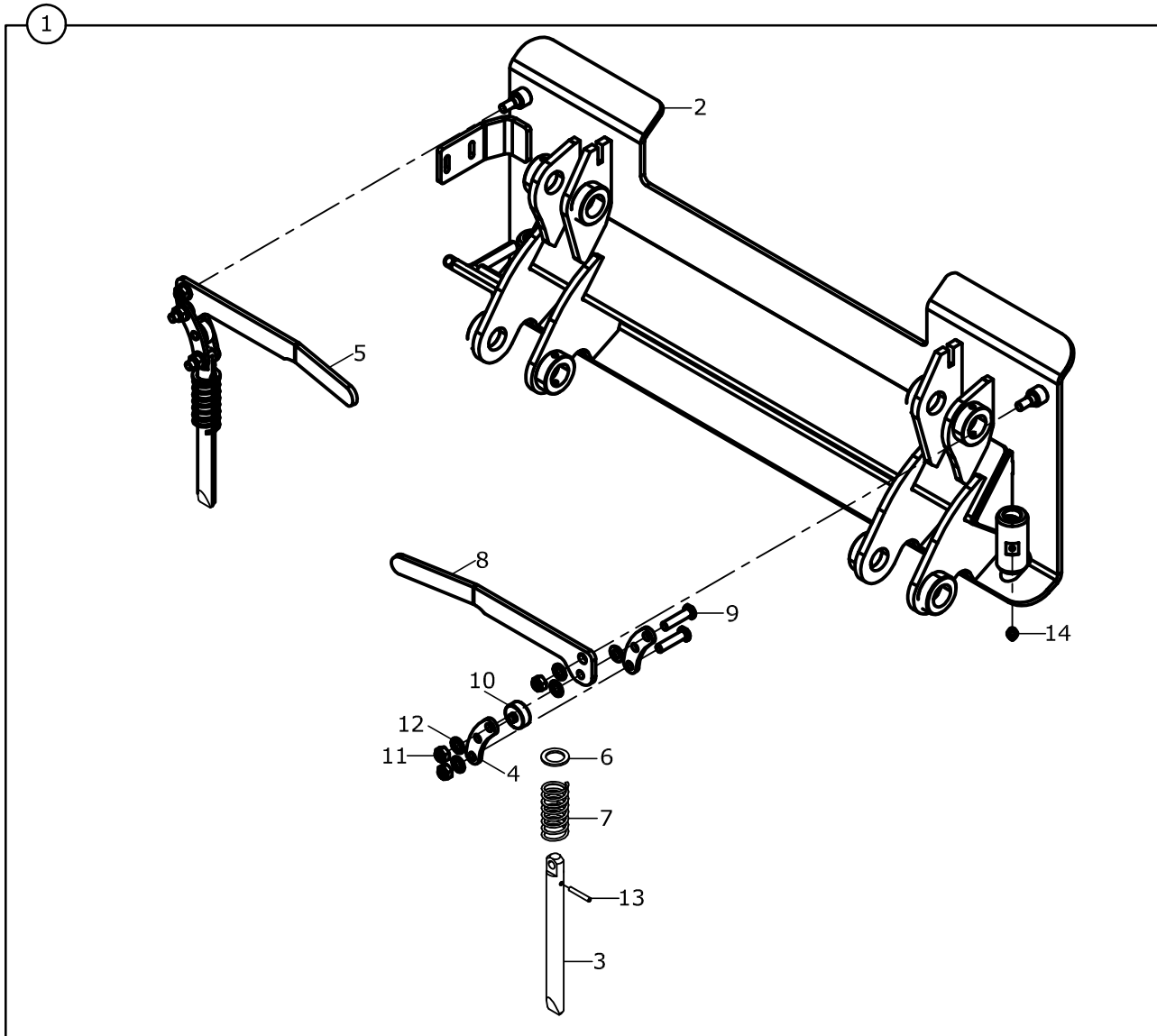
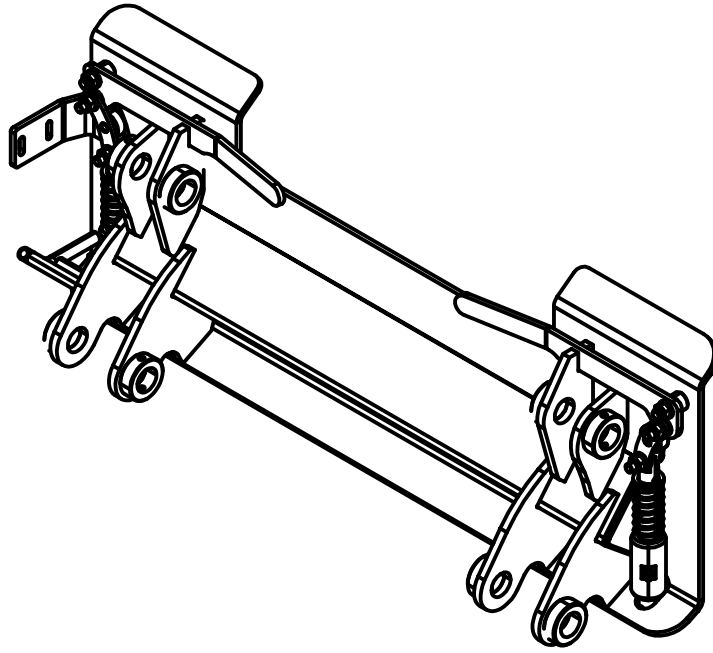
**KEPÇE, AÇILIR  
SHOVEL, CLAM**

NO NO	PARÇA NO PART NO	TANIM	DESCRIPTION	ADET QTY	S.K. S.C.	SERİ NO SERIAL NO	D.T. ICA	NOT NOTE
1	M111100000	AÇILIR KEPÇE KOMPLE	SHOVEL, CLAM, ASSY.	1				
2	N08/1210020	GRESÖRLÜK	GREASSE NIPPLE	6				
3	801/04311	PİM	PIN	2				
4	N01/0380470	CİVATA M8x70	BOLT M8x70	4				
5	N02/5900062	SOMUN M8	NUT M8	4				
6	N01/0232882	CİVATA M12x45	BOLT M12x45	12				
7	M111104100	TIRNAK	TOOTH	6				
8	N02/8320192	SOMUN	NUT	12				
9	801/04306	PİM	PIN	2				
10		SİLİNDİR	RAM	2				☞ E3-3-1
11	651/1122145	HORTUM	HOSE	1				
12	N16/9900091	ÇABUK SÖK TAK	QUICK COUPLER	1				
13	N03/0000015	O-RİNGLİ PUL	WASHER	2				
14	806/24820	NİPEL	ADAPTER	2				
15	651/11P4040	HORTUM	HOSE	1				
16	N16/3790038	T- RAKOR	TEE	2				
17	651/11P4050	HORTUM	HOSE	1				
18	N16/9900092	ÇABUK SÖK TAK	QUICK COUPLER	1				
19	M11/1100102	SABİT KANAT	BLADE, BACK	1				
20	M11/1100202	HAREKETLİ KANAT	JAW, CLAMSHOVEL	1				
21	801/04301	PİM	PIN	2				
22	651/1128150	HORTUM	HOSE	1				
23		SİLİNDİR	RAM	2				☞ E3-3-2
24	M111104300	AÇILIR KEPÇE	SHOVEL, CLAM, ASSY.	1				
25	N01/0380470	CİVATA M8x70	BOLT M8x70	2				
26	N02/5900062	SOMUN M8	NUT M8	2				
27	N08/1210020	GRESÖRLÜK	GREASSE NIPPLE	2				

ÇABUK SÖK TAK  
QUICK COUPLER

**ÇABUK SÖK TAK  
QUICK COUPLER**

NO NO	PARÇA NO PART NO	TANIM	DESCRIPTION	ADET QTY	S.K. S.C.	SERİ NO SERIAL NO	D.T. ICA	NOT NOTE
	* M111300100							
1	M111302700	QUICK COUPLER KOMPLE	QUICK COUPLER ASSEMB.	1				
2	M111302800	QUICK COUPLER	QUICK COUPLER	1				
3	M111304400	KİLİT PİMİ	PIN, LOCKING	2				
4	M111304500	KİLİT KOLU	LOCKING, HANDLE	4				
5	M111304600	KOL, KİLİT AÇMA, SOL	ARM, LOCKING, LEFT	1				
6	M111304700	YAY SABİTLEME	WASHER	2				
7	M111304800	YAY	SPRING	2				
8	M111304900	KOL, KİLİT AÇMA, SAĞ	ARM, LOCKING, RIGHT	1				
9	M111305600	MENTEŞE PİMİ	PIN	4				
10	M111305700	PİM	PIN	2				
11	N02//5900122	SOMUN M12	NUT M12	6				
12	N03/0810001	SERT PUL M12	WASHER M12	10				
13	N04/3120650	VİDA M6x20	SCREW M6x20	4				
14	N08/1210020	GRESÖRLÜK	GREASE NIPPLE	2				

ÇABUK SÖK TAK  
QUICK COUPLER



**ÇABUK SÖK TAK**  
**QUICK COUPLER**

NO NO	PARÇA NO PART NO	TANIM	DESCRIPTION	ADET QTY	S.K. S.C.	SERİ NO SERIAL NO	D.T. ICA	NOT NOTE
	* M111300100							
1	M111302700	QUICK COUPLER KOMPLE	QUICK COUPLER ASSEMB.	1				
2	M111302800	QUICK COUPLER	QUICK COUPLER	1				
3	M111304400	KİLİT PİMİ	PIN, LOCKING	2				
	M111304401	KİLİT PİMİ	PIN, LOCKING	2			Y	
4	M111304500	KİLİT KOLU	LOCKING, HANDLE	4				
	M111304501	KİLİT KOLU	LOCKING, HANDLE	4			Y	
5	M111304600	KOL, KİLİT AÇMA, SOL	ARM, LOCKING, LEFT	1				
	M111304601	KOL, KİLİT AÇMA, SOL	ARM, LOCKING, LEFT	1			Y	
6	M111304700	YAY SABİTLEME	WASHER	2				
7	M111304800	YAY	SPRING	2				
8	M111304900	KOL, KİLİT AÇMA, SAĞ	ARM, LOCKING, RIGHT	1				
	M111304901	KOL, KİLİT AÇMA, SAĞ	ARM, LOCKING, RIGHT	1			Y	
9	M111305600	MENTEŞE PİMİ	PIN	4				
10	M111305700	PİM	PIN	2				
	M111305701	PİM	PIN	2			Y	
11	N02//5900122	SOMUN M12	NUT M12	6				
12	N03/0810001	SERT PUL M12	WASHER M12	10				
13	N15/6451628	SIKMA KOVANI	PIN EXPANSION	2			Y	
14	N08/1210020	GRESÖRLÜK	GREASE NIPPLE	2				

**A**

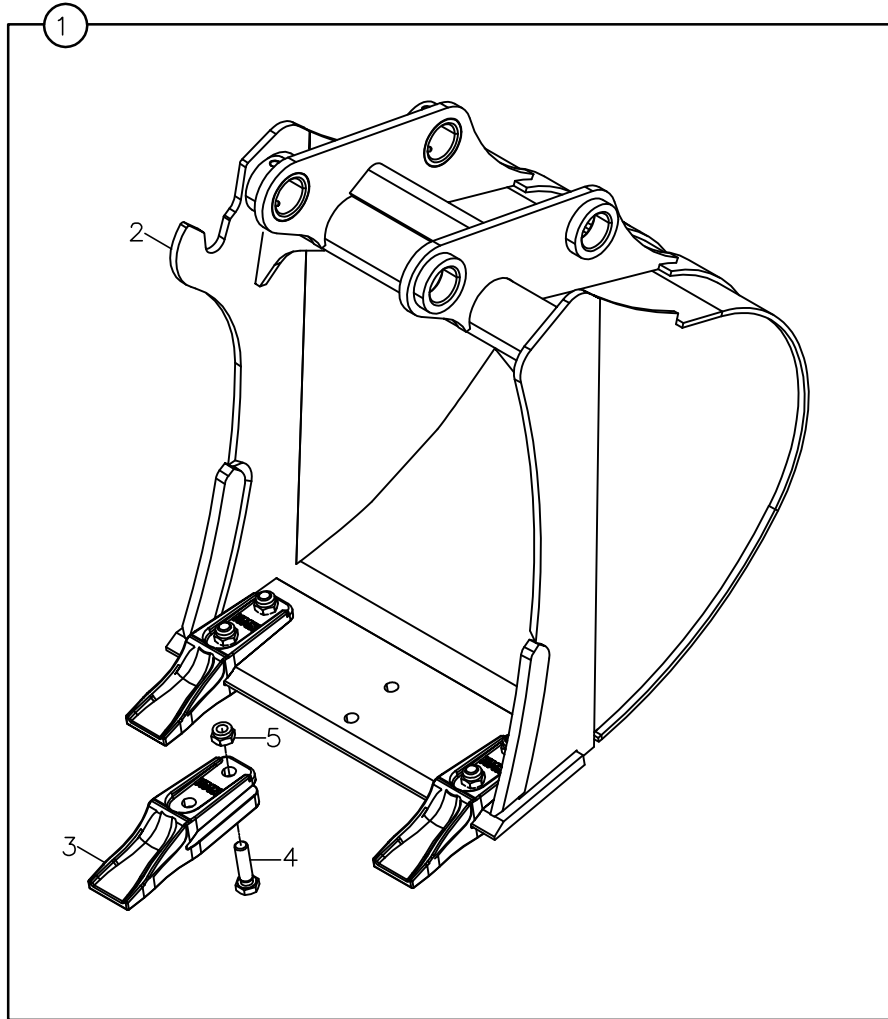
**ATAŞMANLAR  
ATTACHMENTS**

**A1**

**YÜKLEYİCİ ATAŞMANLAR  
LOADER ATTACHMENTS**

**A2**

**KAZICI ATAŞMANLAR  
BACKHOE ATTACHMENTS**

KEPÇE, KAZICI  
BUCKET, BACKHOE

**KEPÇE, KAZICI  
BUCKET, BACKHOE**

NO NO	PARÇA NO PART NO	TANIM	DESCRIPTION	ADET QTY	S.K. S.C.	SERİ NO SERIAL NO	D.T. ICA	NOT NOTE
1A	M115300300	KEPÇE (420mm), KOMPLE	BUCKET (420mm), ASSY	1				
1B	M115300100	KEPÇE (320mm), KOMPLE	BUCKET (320mm), ASSY	1	OP			
2A	M115300400	KEPÇE (420mm)	BUCKET (420mm)	1				
2B	M115300200	KEPÇE (320mm)	BUCKET (320mm)	1	OP			
3	M111104100	TIRNAK	TOOHT, FOR	3				
4	N01/0232882	CIVATA M12x45	BOLT M12x45	6				
5	N02/5910122	SOMUN M12	NUT M12	6				

**B**

**GÖVDE  
BODY PARTS**

**B1**

**GÖVDE MONTAJLARI  
BODY PARTS MOUNTINGS**

**B2**

**KABİN  
OPERATOR CAB**

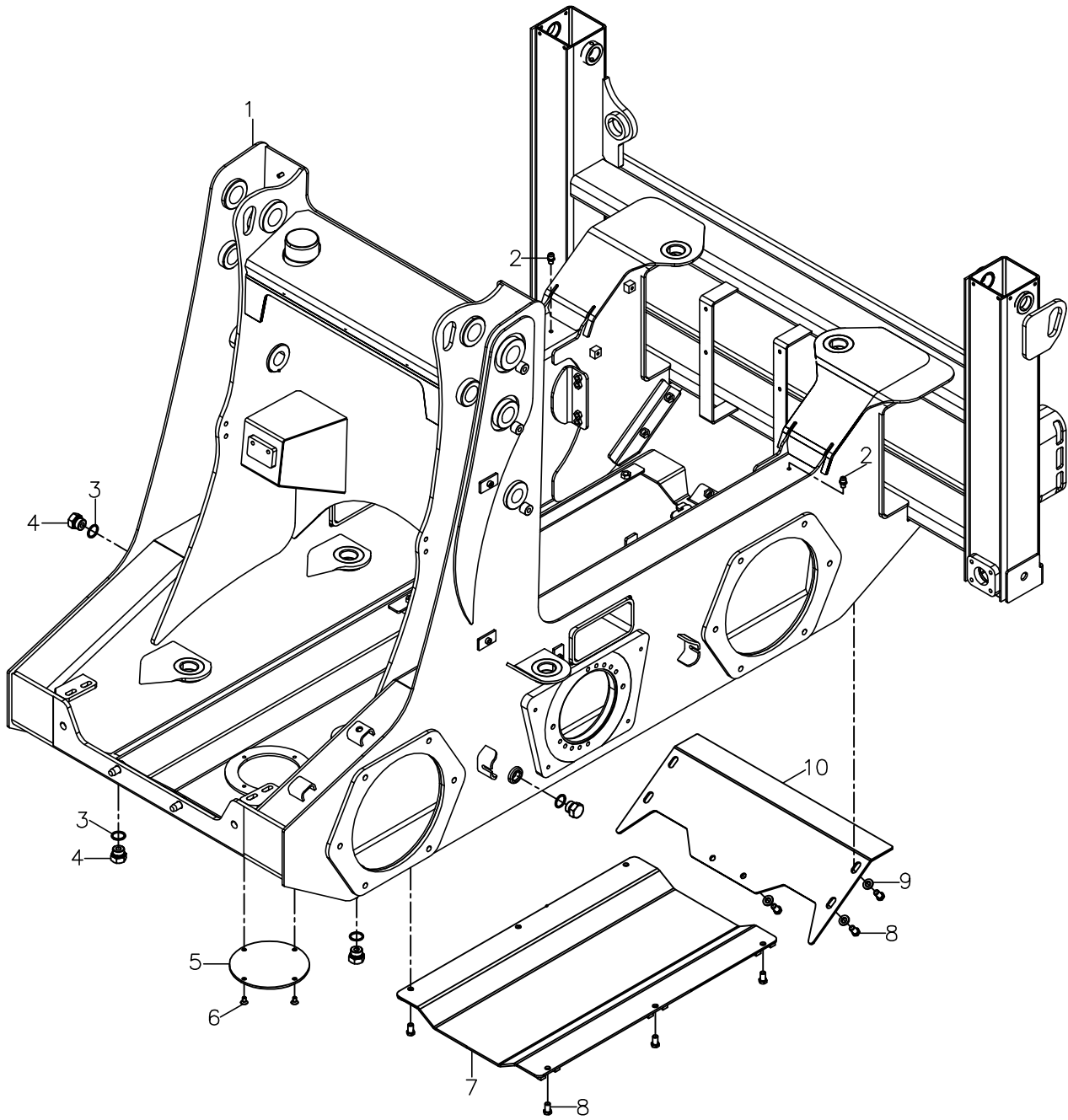
**B3**

**YÜKLEYİCİ  
LOADER**

**B4**

**KAZICI  
BACKHOE**

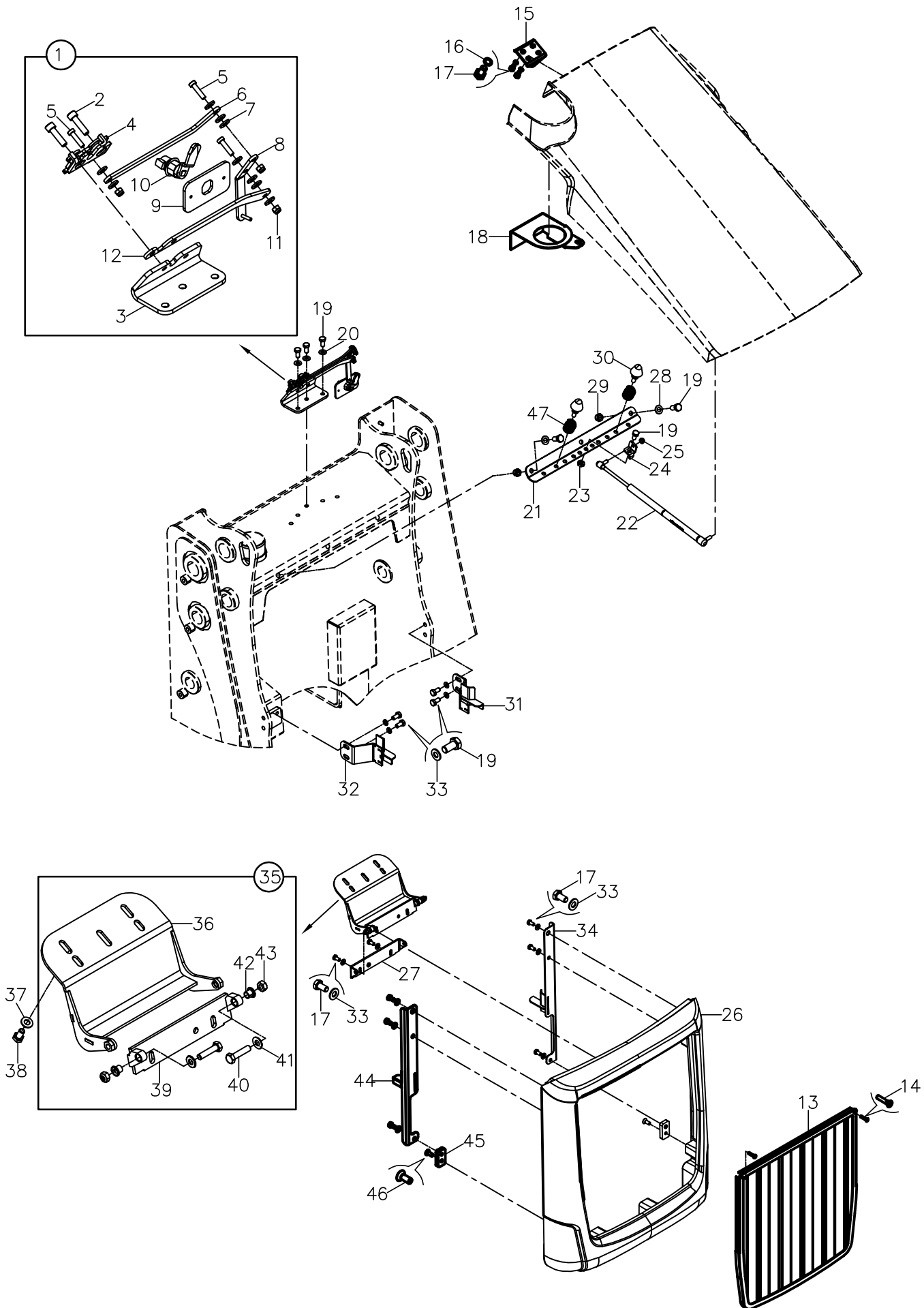
?AS?  
CHASSIS



**ŞASI  
CHASSIS**

NO NO	PARÇA NO PART NO	TANIM	DESCRIPTION	ADET QTY	S.K. S.C.	SERİ NO SERIAL NO	D.T. ICA	NOT NOTE
1	* M114100100 M114100200	ŞASI	CHASSIS	1				
2	F06/13852	HAVALANDIRMA TAPASI	PLUG	2				
3	N03/0226331	PUL	WASHER	4				
4	814/03010	TAPA	PLUG	4				
5	M114110600	MOTOR YAĞI BOŞALTMA DELİK KAPAĞI	COVER	1				
6	N04/4320482	VİDA M8x14	SCREW M8x14	4				
7	M114110700	MUDAHALE KAPAĞI	COVER	1				
8	N01/0232798	CİVATA M12x20	BOLT M12x20	12				
9	N03/0810001	PUL	WASHER	6				
10	M114111000	ŞASI ARKA KAPAMA SACI	SHEET	1				

KAPUT-PANEL- PANJUR- TAMPON ?AS? BA?LANTILARI  
BONNET- NOSE GUARD- BUMPER- FRONT GRILLE- CHASSIS MOUN.

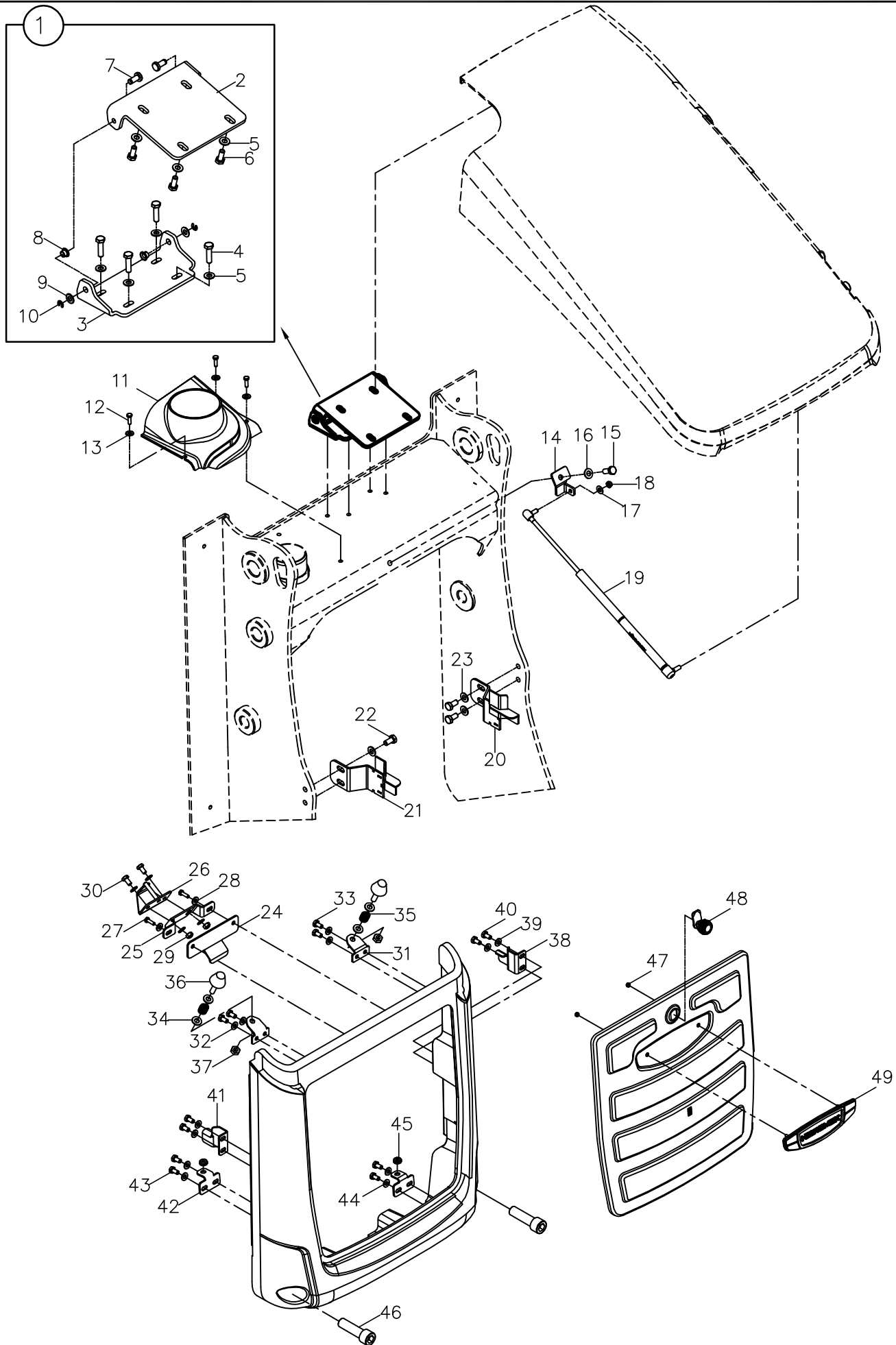




**KAPUT- MOTOR YAN KAPAĞI- PANEL- PANJUR- TAMPON- ŞASI BAĞLANTILARI  
BONNET- ENGINE PANEL- NOSE GUARD- BUMPER- FRONT GRILLE CHASSIS MOUN.**

NO NO	PARÇA NO PART NO	TANIM	DESCRIPTION	ADET QTY	S.K. S.C.	SERİ NO SERIAL NO	D.T. ICA	NOT NOTE
	* M114200100							
1	M114200300	KAPUT KİLİT KOMPL.	BONNET LOCKING ASSY.	1				
2	N01/5890494	CİVATA M8x30	BOLT M8x30	2				
3	M114200500	KİLİT SACI	PLATE, LOCKING	1				
4	F99/60260	KİLİT	LOCKING	1				
5	N01/5890326	CİVATA M6x25	BOLT M6x25	3				
6	M114200600	KİLİT HAREKET SACI	LOCK MOVEMENT, LING	1				
7	M114200900	PUL	WASHER	9				
8	M114200800	KİLİT SACI	PLATE, LOCKING	1				
9	M114200700	BUTON YATAĞI SACI	LOCK ATTACHMENT, LING	1				
10	F99/60265	KİLİT, KELEBEK	LOCKING	1				
11	N02/5910050	SOMUN M6	NUT M6	3				
12	M114200400	KİLİT BAĞLANTI SACI	LOCKING MOUNTING	1				
13	M114203900	ÖN PANJUR	GRILLE, FRONT	1				
14	N04/4330266	VİDA M5x25	SCREW M5x25	2				
15	M114202800	KİLİT KARŞILIĞI	LOCKING PLATE	1				
16	N03/0020011	PUL M8	WASHER M8	4				
17	N01/0232078	CİVATA M8x16	BOLT M8x16	12				
18	M114201900	EGSOZ KORUYUCU SACI	EXHAUST, VENTURI BRACKET	1				
19	N01/0232438	CİVATA M10x20	BOLT M10x20	9				
20	N02/5910086	PUL M10	WASHER M10	3				
21	M114201800	BAĞLANTI SACI	MOUNTING PLATE	1				
22	M114203100	AMORTİSÖR	DAMPER	1				
23	N02/5910086	SOMUN M10	NUT M10	1				
24	M114202100	BAĞLANTI SACI	MOUNTING PLATE	1				
25	N02/5910062	SOMUN M8	WASHER M8	1				
26	M114200200	ÖN PANEL	NOSE GUARD	1				
27	M114202300	MENTEŞE BAGL. SACI	HINGE MOUNTING PLATE	1				
28	N03/0020018	PUL M10	WASHER M10	3				
29	N02/5910086	SOMUN M10	NUT M10	3				
30	810/40041	STOPER	STOPER	2				
31	M114203500	KAPAK KİLİT KARŞILIĞI, SOL	COVER LOCKING PLATE, LEFT	1				
32	M114203300	KAPAK KİLİT KARŞILIĞI, SAĞ	COVER LOCKING PLATE, RIGHT	1				
33	N03/0100017	PUL M8	WASHER M8	12				
34	M114201000	KAPUT BAGL. BRAKETİ, SOL	BONNET MOUNTING BRACKET, LEFT	1				
35	M114202200	KAPUT MENTEŞE KOMPL.	BONNET HINGE ASSY.	1				
36	M114202400	MENTEŞE BRAKETİ	HINGE BRACKET	1				
37	N03/0100017	PUL M8	WASHER M8	3				
38	N01/0232078	CİVATA M8x16	BOLT M8x16	3				
39	M114203700	MENTEŞE YATAK SACI	HINGE PLATE	1				
40	N01/0380374	CİVATA M8x35	BOLT M8x16	2				
41	N03/0108017	PUL M8	WASHER M8	2				
42	F99/14899	BURÇ	BUSHING	2				
43	N02/5910062	SOMUN M8	NUT M8	2				
44	M114201200	KAPUT BAGL. BRAKETİ, SAĞ	BONNET MOUNTING BRACKET, RIGHT	1				
45	M114202000	ARA DESTEK SACI	SPACER,SUPPORT	1				
46	N04/4320506	VİDA M8x20	SCREW M8x20	2				
47	807/06650	YAY	SPRING	2				

KAPUT-PANEL- PANJUR- TAMPON ?AS? BA?LANTILARI  
BONNET- NOSE GUARD- BUMPER- FRONT GRILLE- CHASSIS MOUN.

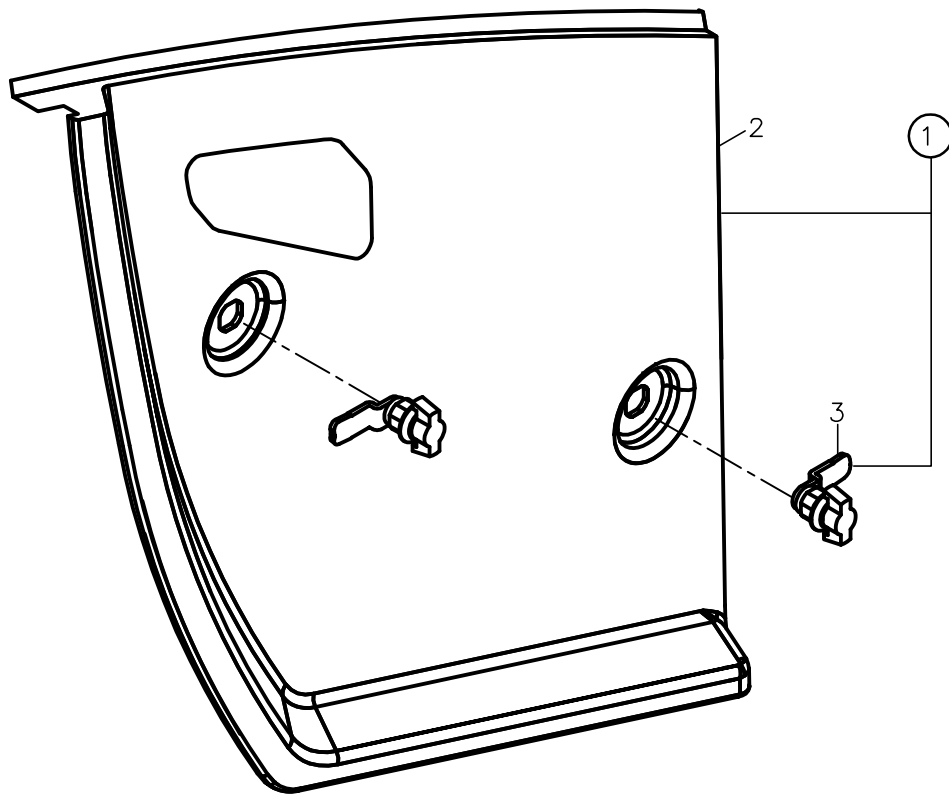


**KAPUT- MOTOR YAN KAPAĞI- PANEL- PANJUR- TAMPON- ŞASI BAĞLANTILARI  
BONNET- ENGINE PANEL- NOSE GUARD- BUMPER- FRONT GRILLE CHASSIS MOUN.**

NO NO	PARÇA NO PART NO	TANIM	DESCRIPTION	ADET QTY	S.K. S.C.	SERİ NO SERIAL NO	D.T. ICA	NOT NOTE
	* M114206600							
1	M114204800	MENTEŞE KOMPLESİ	HINGE ASSY.	1				
2	M114205000	MENTEŞE SACI	HINGE BARCKET	1				
3	M114204900	MENTEŞE SACI	HINGE BARCKET	1				
4	N01/0232162	CİVATA M8x30	BOLT M8x30	4				
5	N03/0140017	RONDELA M8 DIN125	WASHER M8 DIN125	8				
6	N01/0222114	CİVATA M8X20	BOLT M8X20	4				
7	M114205100	MENTESE PİMİ	PIN	2				
8	F99/14899	BURÇ	BUSHING	2				
9	N03/0108001	PUL Ø8X1	WASHER M8X1	2				
10	N05/0760001	SEGMAN	RETAINING RING	2				
11	M114204200	EGZOS KAPLAMA	EXHAUST, VENTURI BRACKET	1				
12	N01/0231514	CİVATA M6X20	BOLT M6X20	3				
13	N03/0108001	PUL,Ø8X1	WASHER M8X1	3				
14	M114204700	AMORTİSOR BAG. SACI	MOUNTING PLATE	1				
15	N01/0222462	CİVATA M10X25	BOLT M10X25	1				
16	N03/0020018	PUL M10	WASHER M10	1				
17	N03/0140017	RONDELA M8 DIN125	WASHER M8 DIN125	1				
18	N02/5900062	SOMUN M8	NUT M8	1				
19	M114207300	AMORTİSÖR	DAMPER	1				
20	M114206900	KAPAK KİLİT KARŞILIĞI,SOL	COVER LOCKING PLATE,LEFT	1				
21	M114206800	KAPAK KİLİT KARŞILIĞI,SAĞ	COVER LOCKING PLATE,RIGHT	1				
22	N01/0222438	CİVATA M10X20	BOLT M10X20	4				
23	N03/0020018	PUL M10	WASHER M10	4				
24	M114205900	KİLİT KARSILIK SACI	LOCKING PLATE	1				
25	M114205700	KİLİT KARSILIK SACI	LOCKING PLATE	1				
26	M114205600	KİLİT KARSILIGI	LOCKING PLATE	1				
27	N01/0231514	CİVATA M6X10	BOLT M6X6	2				
28	N03/0140017	RONDELA M8	WASHER M8	6				
29	N02/5900062	SOMUN M8	NUT M8	2				
30	N01/0232078	CİVATA M8X15	BOLT M8X15	2				
31	M114205200	STOPER SACI	MOUNTING PLATE	2				
32	N03/0140017	PUL M8,DIN125	WASHER M8 ,DIN125	4				
33	N01/0232078	CİVATA M8X15	BOLT M8X15	4				
34	N03/0020018	PUL,M10,DIN125	WASHER,M10,DIN125	4				
35	807/06650	YAY	SPRING	2				
36	810/40041	STOPER	STOPER	2				
37	N02/5900086	SOMUN M10	NUT M10	2				
38	M114205300	YAN KAPUT BAĞLANTI SACI,SOL	BONNET MOUNTING BRACKET, LEFT	1				
39	N03/0140017	PUL M8,DIN125	WASHER M8 ,DIN125	4				
40	N01/0232078	CİVATA M8x15	BOLT M8x15	4				
41	M114205400	YAN KAPUT BAĞLANTI SACI,SAĞ	BONNET MOUNTING BRACKET, RIGHT	1				
42	M114206200	SABİTLEME SACI	SUPPORT	2				
43	N01/0232078	CİVATA,M8X15	BOLT,M8X15	4				
44	N03/0140017	PUL M8,DIN125	WASHER M8 ,DIN125	4				
45	810/40016	GROMET	GROMMET	2				
46	N01/5892078	CİVATA,M20X70	BOLT,M20X70	2				
47	N02/5880026	SOMUN,M5	NUT,M5	2				
48	M11/6102700	KİLİT	LOCKING	1				
49	M114206100	PANJUR	BUMPER	1				
50	M114204300	ÖN PANEL	NOSE GUARD	1				
51	M114206000	ÖN PANJUR	GRILLE, FRONT	1				

MOTOR KAPA?I, YAN SA?  
PANEL, ENGINE, RIGHT SIDE

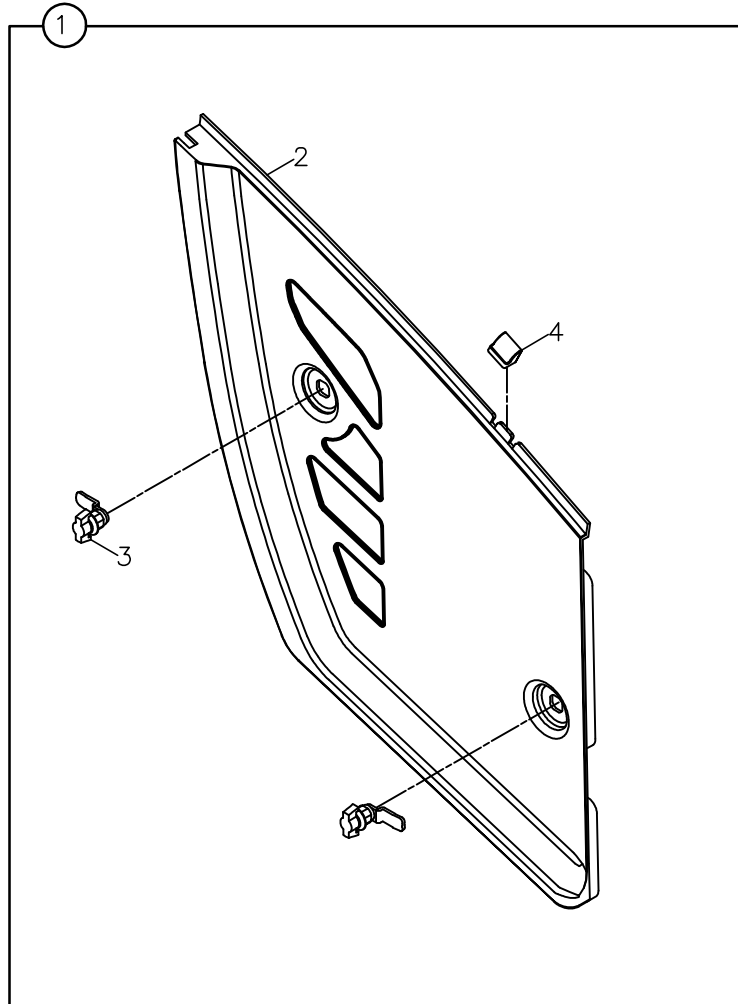
---



**MOTOR KAPAĐI, YAN, SAĐ  
PANEL, ENGINE, RIGHT SIDE**

NO NO	PARĐA NO PART NO	TANIM	DESCRIPTION	ADET QTY	S.K. S.C.	SERİ NO SERIAL NO	D.T. ICA	NOT NOTE
1	* M114200100 M114201600	MOTOR KAPAĐI, YAN, SAĐ, KOMP.	PANEL, ENGINE, RIGHT, ASSY	1				
2	M114201700	YAN KAPAK, SAĐ	PANEL, RIGHT	1				
3	F99/60265	KİLİT, KELEBEK	LOCK	2				

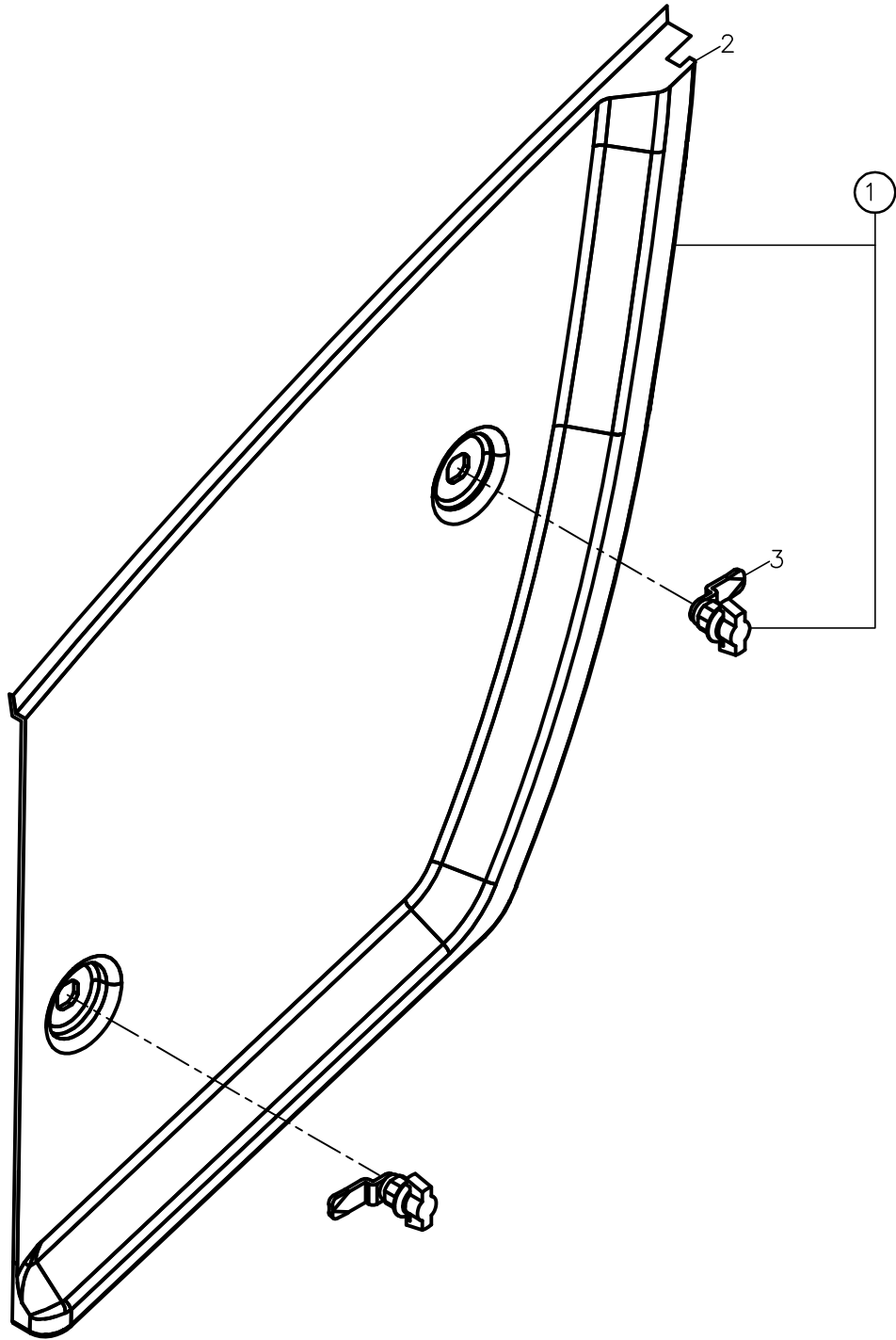
MOTOR KAPA?I ,YAN SA?  
PANEL,ENGINE,RIGHT SIDE



**MOTOR KAPAĐI, YAN, SAĐ**  
**PANEL, ENGINE, RIGHT SIDE**

NO NO	PARĐA NO PART NO	TANIM	DESCRIPTION	ADET QTY	S.K. S.C.	SERİ NO SERIAL NO	D.T. ICA	NOT NOTE
1	M114206600 M114201600	MOTOR KAPAĐI, YAN, SAĐ, KOMP.	PANEL, ENGINE, RIGHT, ASSY	1				
2	M114201700	YAN KAPAK, SAĐ	PANEL, RIGHT	1				
3	F99/60265	KİLİT, KELEBEK	LOCK	2				
4	810/40091	STOPER	STOPER	1				

MOTOR KAPA?I, YAN SOL  
PANEL, ENGINE, LEFT SIDE

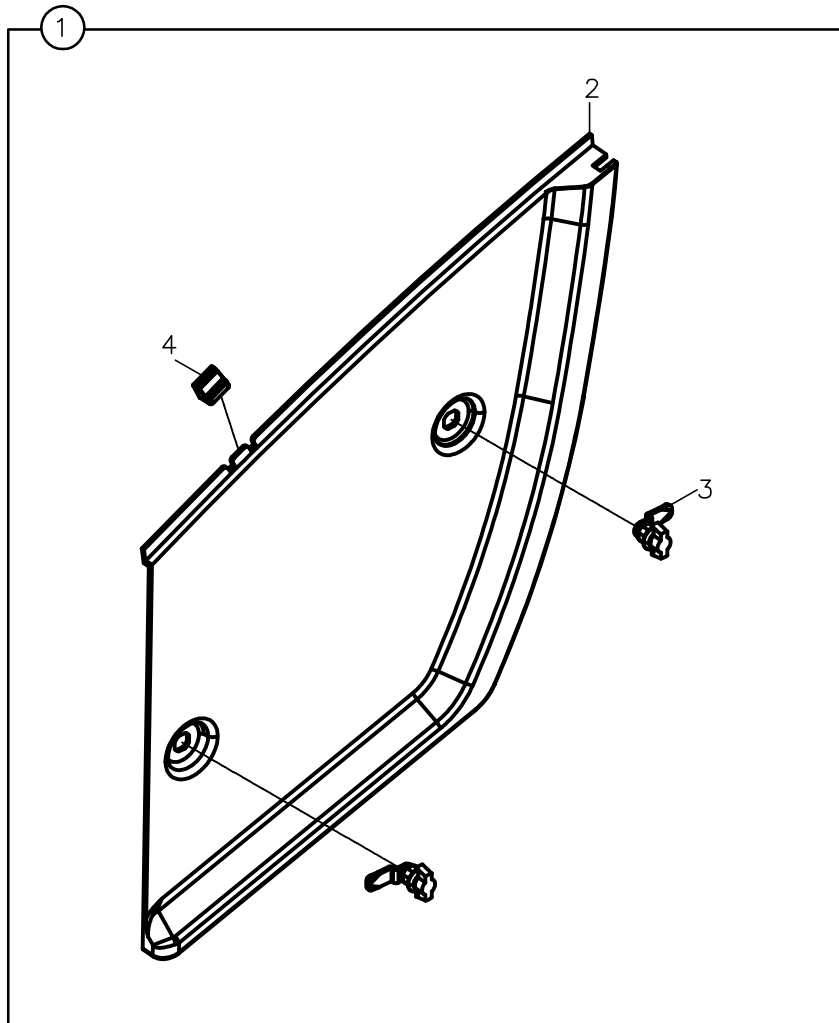




**MOTOR KAPAĐI, YAN, SOL  
PANEL, ENGINE, LEFT SIDE**

NO NO	PARĐA NO PART NO	TANIM	DESCRIPTION	ADET QTY	S.K. S.C.	SERİ NO SERIAL NO	D.T. ICA	NOT NOTE
1	* M114200100 M114201400	MOTOR KAPAĐI, YAN, SOL, KOMP.	PANEL, ENGINE, LEFT, ASSY	1				
2	M114201500	YAN KAPAK, SOL	PANEL, LEFT	1				
3	F99/60265	KİLİT, KELEBEK	LOCK	2				

MOTOR KAPA?I,YAN SOL  
PANEL,ENGINE,LEFT SIDE

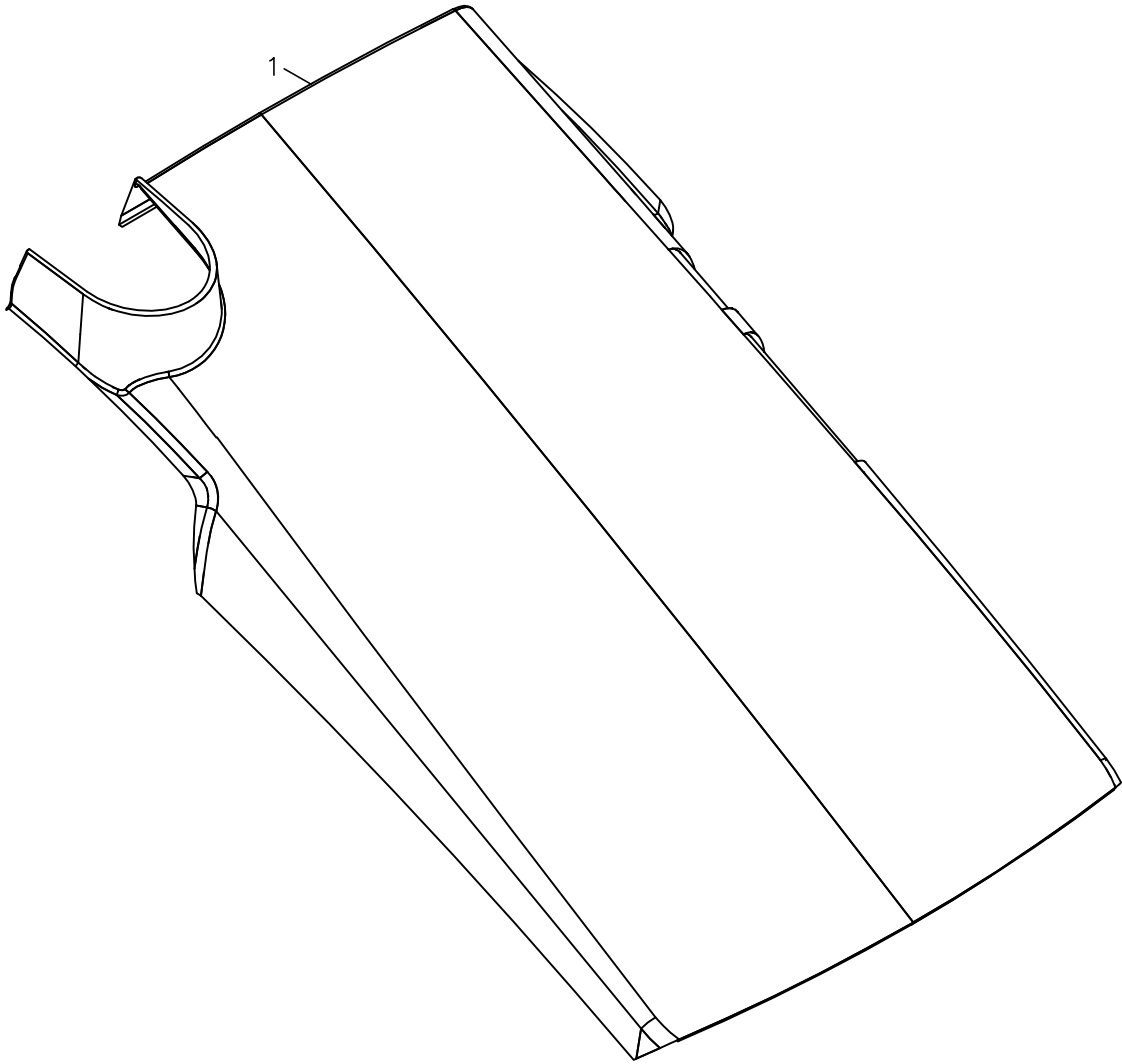


**MOTOR KAPAĐI, YAN, SOL  
PANEL, ENGINE, LEFT SIDE**

NO NO	PARĐA NO PART NO	TANIM	DESCRIPTION	ADET QTY	S.K. S.C.	SERİ NO SERIAL NO	D.T. ICA	NOT NOTE
1	* M114206600 M114201400	MOTOR KAPAĐI, YAN, SOL, KOMP.	PANEL, ENGINE, LEFT, ASSY	1				
2	M114201500	YAN KAPAK, SOL	PANEL, LEFT	1				
3	F99/60265	KİLİT, KELEBEK	LOCK	2				
4	810/40091	STOPER	STOPER	1				

KAPUT  
BONNET

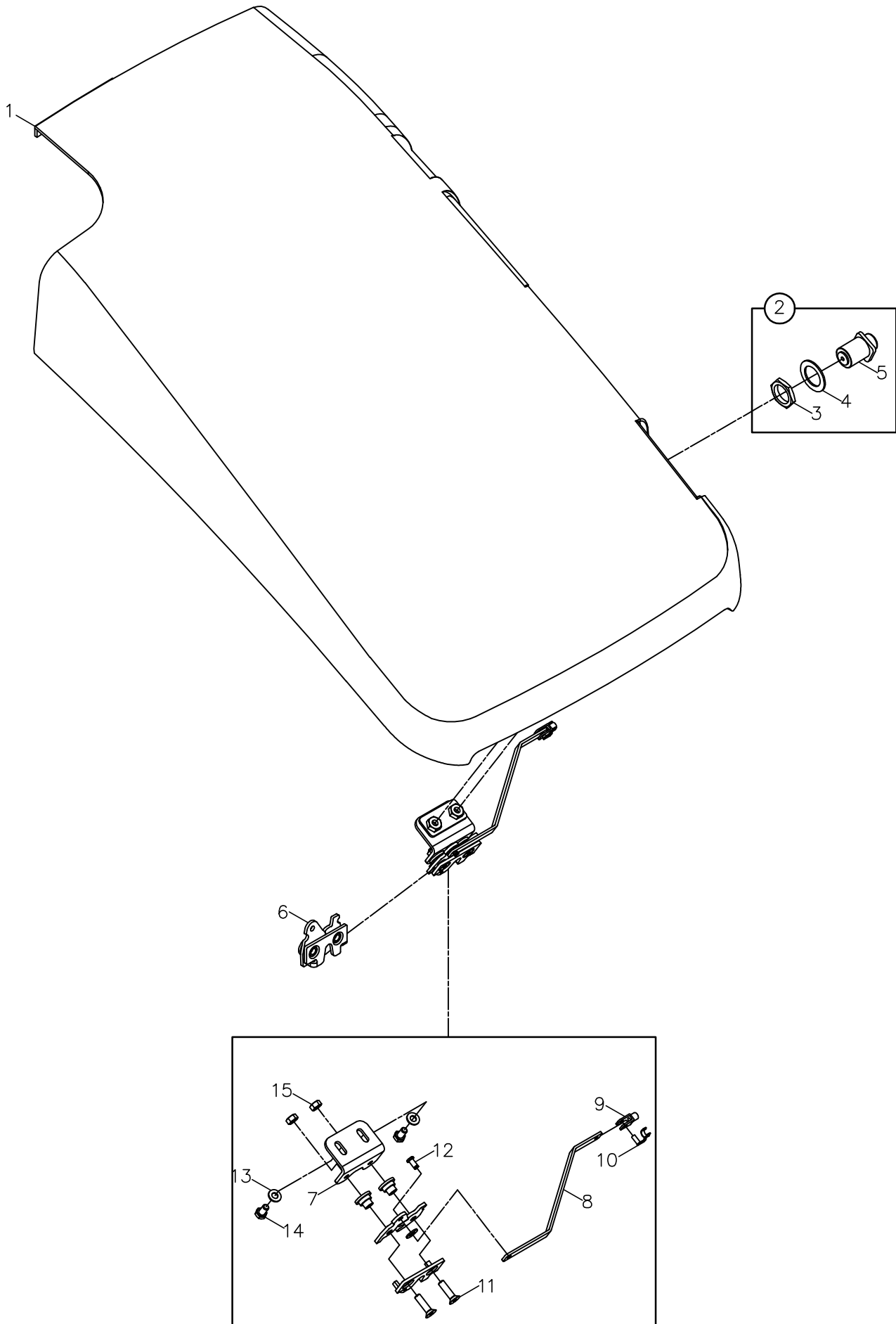
---



**KAPUT  
BONNET**

NO NO	PARÇA NO PART NO	TANIM	DESCRIPTION	ADET QTY	S.K. S.C.	SERİ NO SERIAL NO	D.T. ICA	NOT NOTE
1	* M114200100 M114202700	KAPUT KOMPLE	BONNET ASSY.	1				

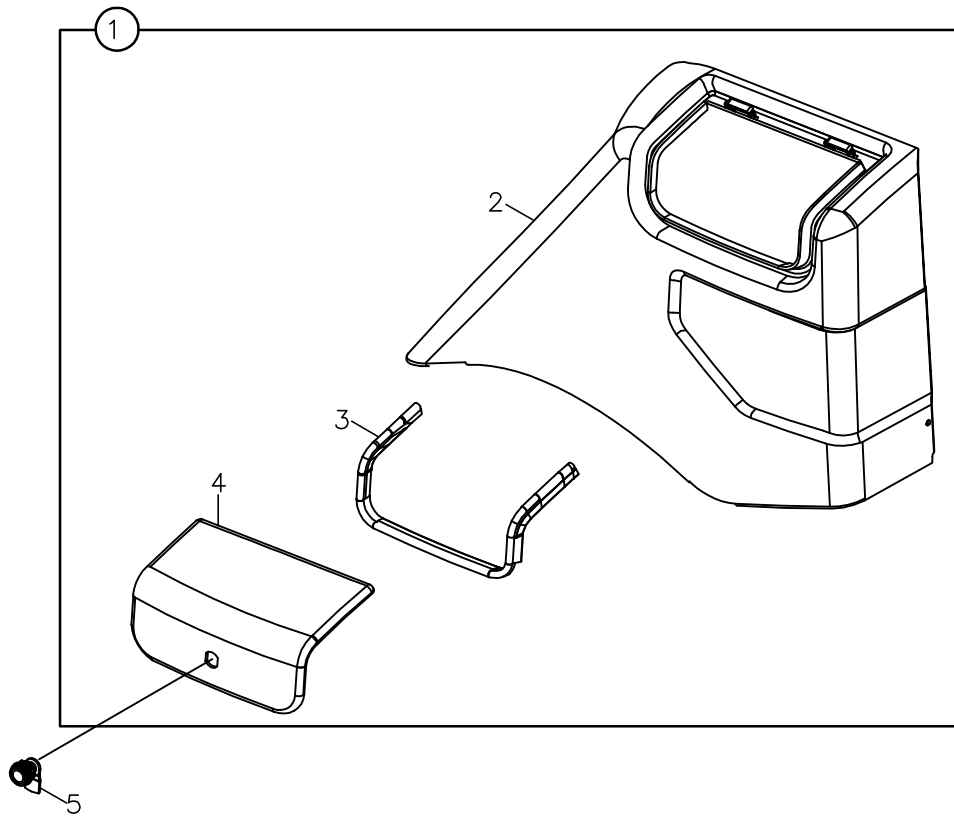
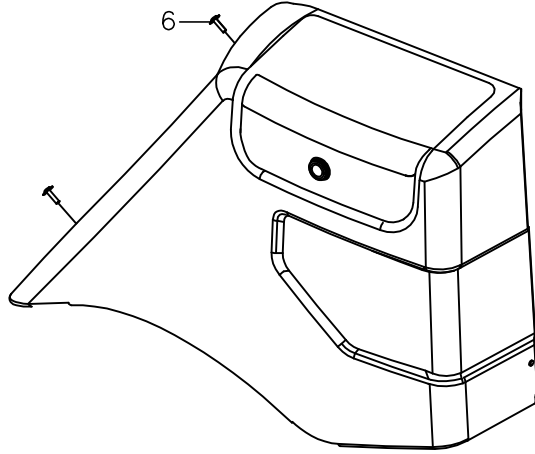
KAPUT  
BONET



KAPUT  
BONNET

NO NO	PARÇA NO PART NO	TANIM	DESCRIPTION	ADET QTY	S.K. S.C.	SERİ NO SERIAL NO	D.T. ICA	NOT NOTE
	* M114205500							
1	M114204100	KAPUT KOMPLE	BONNET ASSY.	1				
2	F99/60270	BUTON, KAPUT ACMA	BUTTON	1				
3	804/00658	OZEL SOMUN	SPECIAL NUT	1				
4	805/00097	PUL	WASHER	1				
5	N02/3570182	SOMUN M8, ISO 4032	NUT M8,ISO 4032	2				
6	F99/60260	KILIT	LOCK	1				
7	M114204400	KILIT BAGLANTI SACI	LOCKING BRACKET	1				
8	M114204500	BUTON SACI	LOCKING LEVER	1				
9	H90/6103100	KILIT MEKANIZMA	CLEVIS	1				
10	H90/6103200	KILIT MEKANIZMA BIRLESTIRME MILI	CLEVIS, PIN	1				
11	N04/4320530	VİDA,M8X30,DIN7991	SCREW,M8X30,DIN7991	2				
12	M114204600	MENTESE PİMİ	PIN	1				
13	N03/0140017	RONDELA,M8,DIN125	WASHER M8 DIN125	3				
14	N01/0232078	CİVATA,M8x15,DIN933	BOLT,M8x15,DIN933	2				

ÇAMURLUK, SOL  
FENDER, LEFT



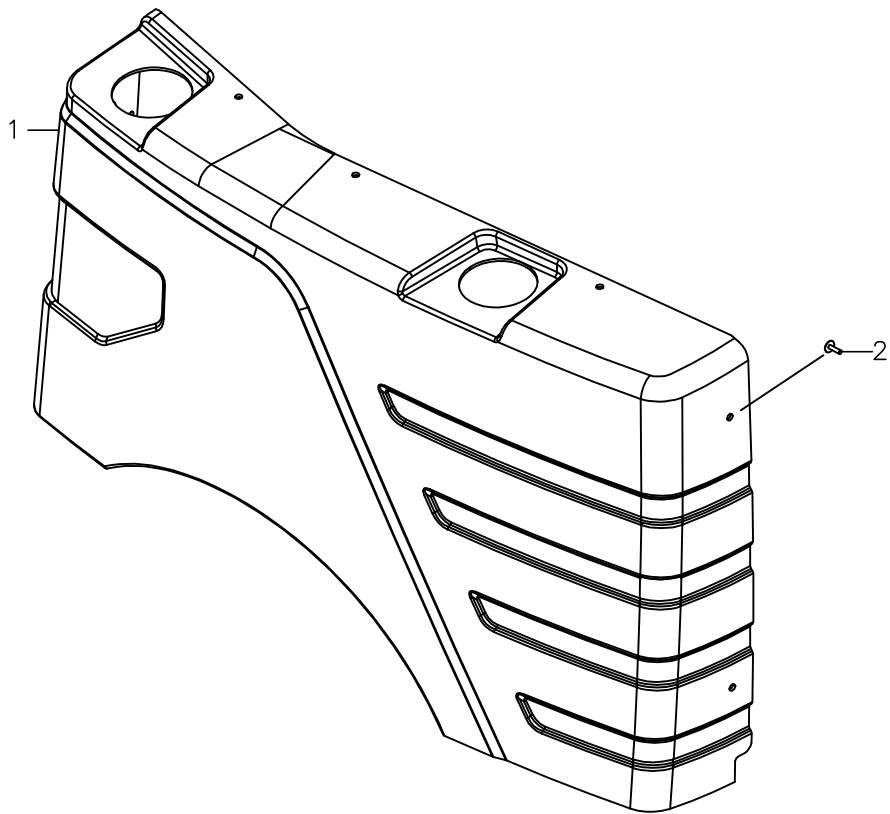


**ÇAMURLUK, SOL  
FENDER, LEFT**

NO NO	PARÇA NO PART NO	TANIM	DESCRIPTION	ADET QTY	S.K. S.C.	SERİ NO SERIAL NO	D.T. ICA	NOT NOTE
	* M116100100				RK			
1	M116100600	SOL ÇAMURLUK KOMPL.	FENDER ASSY., SOL	1				
2	M116101800	SOL ÇAMURLUK GÖVDESİ	FENDER , SOL	1				
3	816/00820	FİTİL	STRIP, RUBBER	1				
4	M116101900	SOL ÇAMURLUK KAPAĞI	COVER	1				
5	M116103300	KİLİT	LOCK	1				
6	N04/4320245	VİDA M5x16	SCREW M5x16	6				

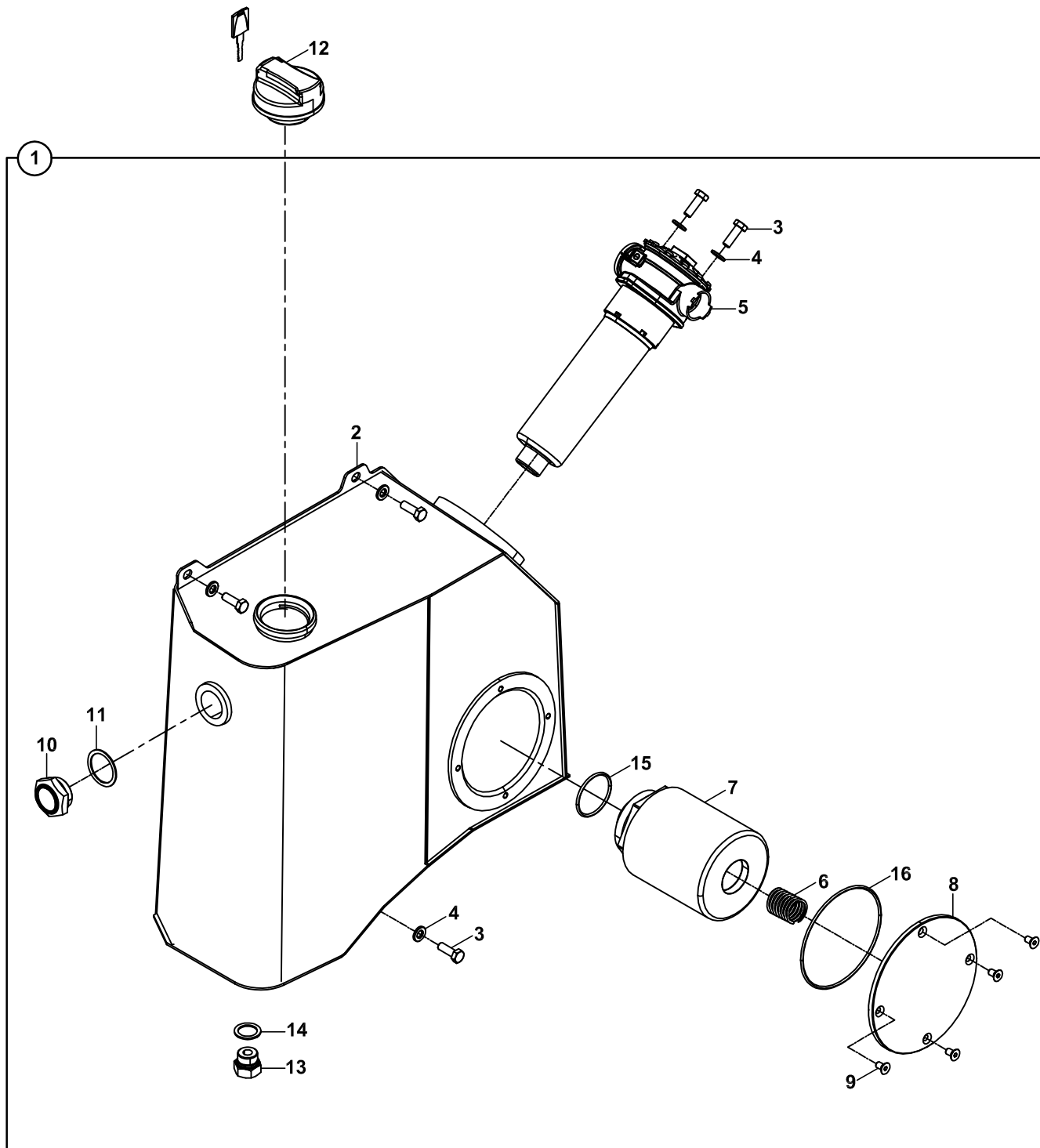
ÇAMURLUK, SA?  
FENDER, RIGHT

---



**ÇAMURLUK, SAĞ  
FENDER, RIGHT**

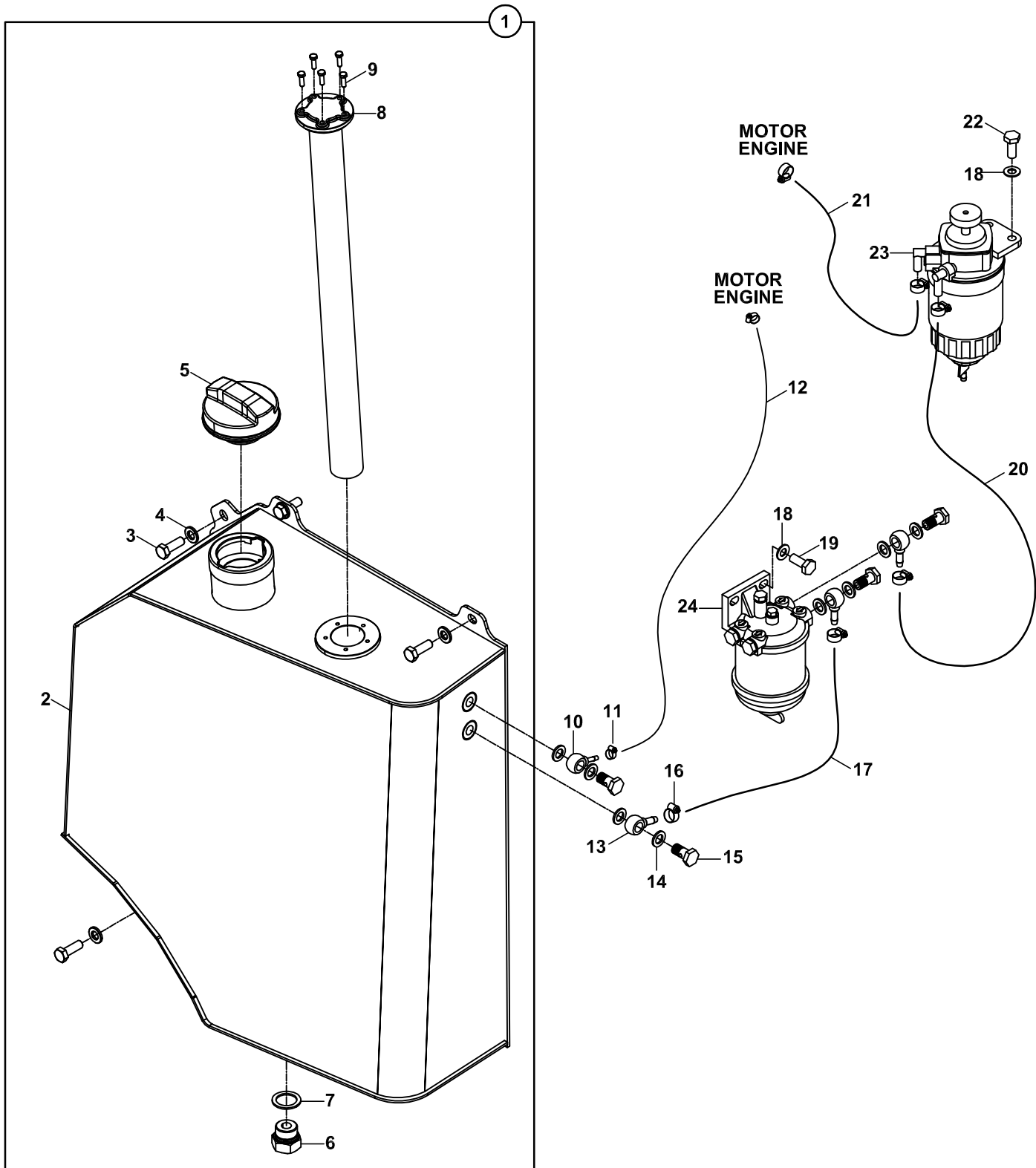
NO NO	PARÇA NO PART NO	TANIM	DESCRIPTION	ADET QTY	S.K. S.C.	SERİ NO SERIAL NO	D.T. ICA	NOT NOTE
1	* M116100100 M116100500	ÇAMURLUK KOMPL., SAĞ	FENDER ASSY., RIGHT	1	RK			
2	N04/4320245	VİDA M5x16	SCREW M5x16	7				

DEPO, HİDROLİK YAG  
TANK, HYDRAULIC

**DEPO, HİDROLİK YAĞ  
TANK, HYDRAULIC**

NO NO	PARÇA NO PART NO	TANIM	DESCRIPTION	ADET QTY	S.K. S.C.	SERİ NO SERIAL NO	D.T. ICA	NOT NOTE
1	M113400100	YAĞ DEPOSU, KOMPLE	TANK HYDRAULIC, ASSY.	1	SOP			
2	M113400200	HİDROLİK DEPO	TANK HYDRAULIC	1				
3	N01/0380566	CİVATA M10x30	BOLT M10x30	6				
4	N03/0810015	PUL M10	WASHER M10	6				
5	M113402500	FİLTRE, DÖNÜŞ	FILTER, RETURN	1				
6	M113402400	YAY, EMİŞ SÜZGEÇİ	SPRING	1				
7	M113401900	EMİŞ FİLTRESİ	FILTERİ SUCTION	1				
8	M113401600	KAPAK	COVER	1				
9	N04/4320484	VİDA M8x16	SCREW M8x16	4				
10	F99/14030	YAĞ SEVİYE GÖSTERGESİ	INDICATOR, OIL LEVER	1				
11	F99/15160	GÖSTERGE SOMUNU	GASKET	1				
12	F99/15022	DEPO KAPAĞI	CAP. HYD. FILLER	1				
13	814/03010	TAPA	PLUG	1				
14	N03/0000025	PUL	WASHER	1				
15	N10/2005735	O-RİNG	O-RING	1				
16	N10/2014235	O-RİNG	O-RING	1				

DEPO, YAKIT  
TANK, FUEL



**DEPO, YAKIT  
TANK, FUEL**

NO NO	PARÇA NO PART NO	TANIM	DESCRIPTION	ADET QTY	S.K. S.C.	SERİ NO SERIAL NO	D.T. ICA	NOT NOTE
	M112500100							
1	M112500300	YAKIT DEPOSU	TANK, DIESEL FUEL	1				
2	M112500400	YAKIT DEPOSU	TANK, DIESEL FUEL	1				
3	N01/0380566	CİVATA M10x30	BOLT M10x30	4				
4	N03/0810015	PUL M10	WASHER M10	4				
5	F99/15018	DEPO KAPAĞI	CAP, HYD. FILLER	1				
6	814/03010	BOŞALTIMA TAPASI	PLUG	1				
7	N03/0000025	PUL	WASHER	1				
8	M112501800	ŞAMANDIRA	FLOAT SWITCH	1				
9	N01/0221202	CİVATA M5x16	BOLT M5x16	5				
10	F99/00465	HALKA RAKOR	BANJO NIPPLE	1				
11	N07/4010016	KELEPÇE	CLAMP	6				
12	H06/1600316	HORTUM	HOSE	1				metre/meters
13	F99/00460	HALKA RAKOR	BANJO NIPPLE	3				
14	N03/0000004	ORINGLI PUL	WASHER	8				
15	F99/00459	BSP CIVATA	BOLT	4				
16	N07/4008013	KELEPÇE	CLAMP	6				
17	H06/1600516	HORTUM	HOSE	1.2				metre/meters
18	N03/0100020	PUL	WASHER	4				
19	N01/0232438	CİVATA M10x20	BOLT M10x20	2				
20	H06/1600516	HORTUM	HOSE	4.47				metre/meters
21	H06/1600516	HORTUM	HOSE	0.6				metre/meters
22	N01/0232486	CİVATA M10x30	BOLT M10x30	2				
23	F28/91030	YAKIT FİLTRESİ, SU AYIRICI	FUEL FILTER	1				
24	M113100150	YAKIT FİLTRESİ	FUEL FILTER	1				

**B**

**GÖVDE  
BODY PARTS**

**B1**

**GÖVDE MONTAJLARI  
BODY PARTS MOUNTINGS**

**B2**

**KABİN  
OPERATOR CAB**

**B3**

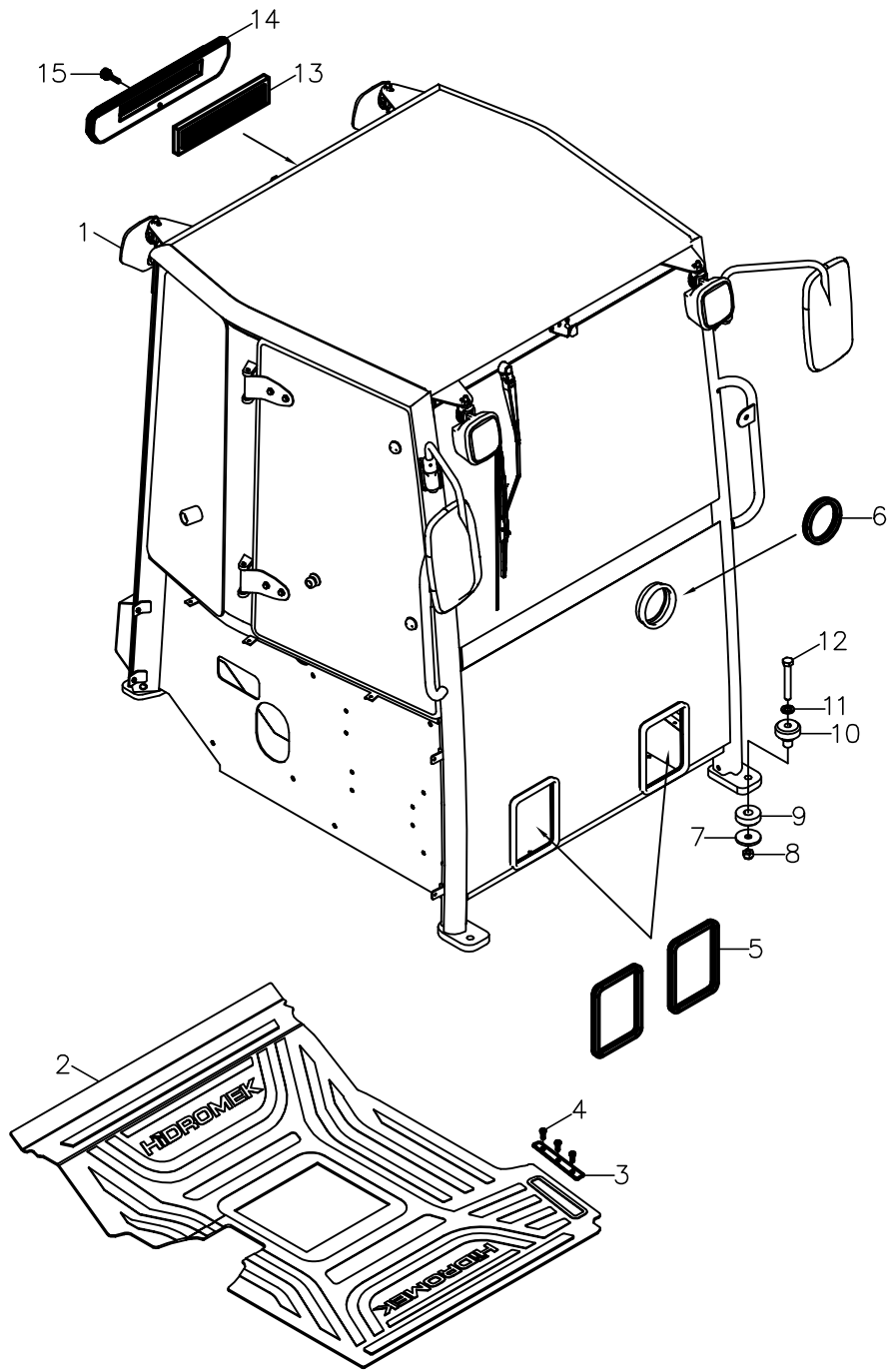
**YÜKLEYİCİ  
LOADER**

**B4**

**KAZICI  
BACKHOE**



KAB?N  
OPERATOR CAB



**KABİN, LEVYE MEKANİZMALI  
OPERATOR CAB, LEVERS MECHANISM**

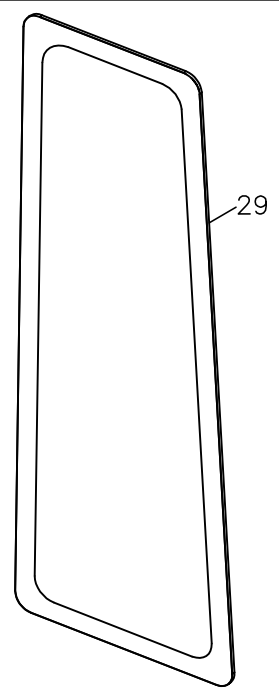
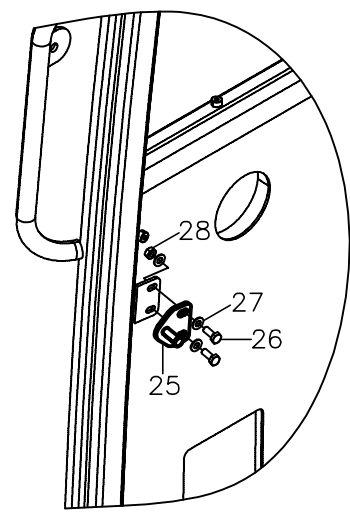
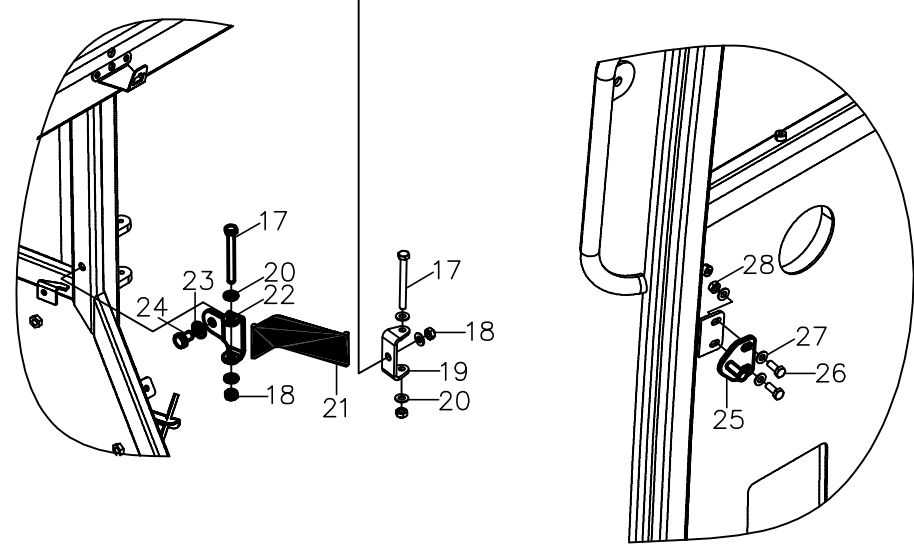
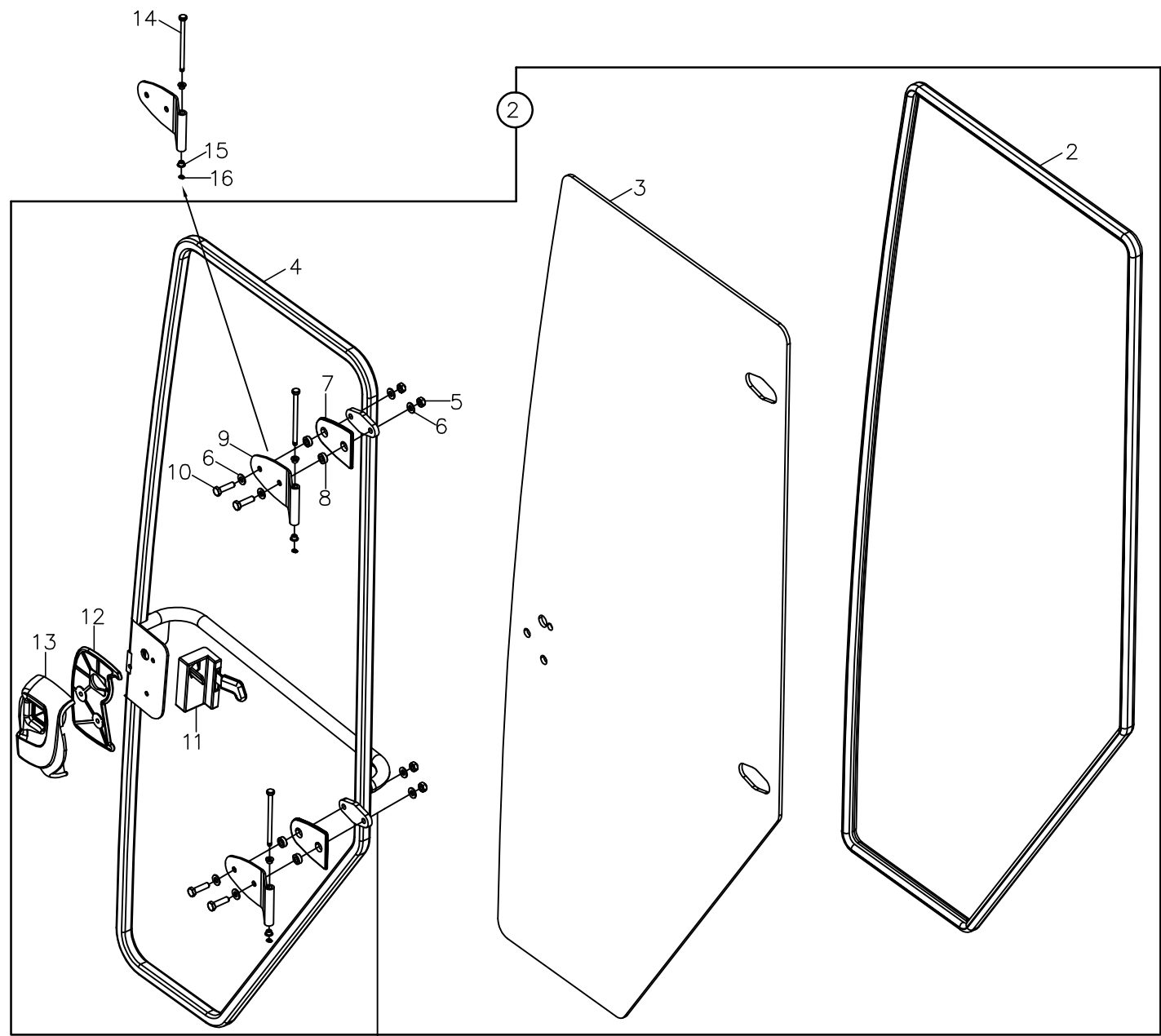
NO NO	PARÇA NO PART NO	TANIM	DESCRIPTION	ADET QTY	S.K. S.C.	SERİ NO SERIAL NO	D.T. ICA	NOT NOTE
	* M116000100							
1	M116000200	KABİN	OPERATOR CAB	1				
2	M116100400	PASPAS	FLOORMAT	1				
3	M116000800	PASPAS SACI	PLATE, FLOORMAT	1				
4	N01/0231514	CİVATA M6x20	BOLT M6x20	3				
5	M116002000	FİTİL	STRIP	2				
6	M116002100	FİTİL	STRIP	1				
7	M112002200	TAKOZ ALT SACI	WASHER	4				
8	N02/5910182	SOMUN M16	NUT M16	4				
9	M112002600	MOTOR TAKOZU ALT PARÇA	MOUNTING, LOWER	4				
10	M112002500	MOTOR TAKOZU UST PARÇA	MOUNTING, RUBBER	4				
11	N03/0810002	PUL, M16	WASHER M16	4				
12	N01/0381370	CİVATA, M16x110	BOLT M16x100	4				
13	M116018500	FİLTRE, KLİMA	FILTER, AIR CONDITIONER	1				
14	M116018100	KAPAK, KLİMA FİLTRE	COVER, AIR CONDITIONER FILTER	1				
15	M116017800	ÖZEL CİVATA	BOLT, SPECIAL	1				



**KAPI VE CAMLAR, YAN SAĞ  
DOOR AND WINDOW SIDE, RIGHT**

NO NO	PARÇA NO PART NO	TANIM	DESCRIPTION	ADET QTY	S.K. S.C.	SERİ NO SERIAL NO	D.T. ICA	NOT NOTE
	M116000200							
1	M116001400	ARKA CAM, SAĞ	REAR CLASS, RIGHT	1				
2	M116001500	PİM, MENTEŞE	PIN	2				
3	F99/14897	BURÇ, YATAK	BUSHING	4				
4	N05/0020007	SEGMAN	RETAINING RING	2				
5	M116000500	AÇILIR CAM, SAĞ KOMPLE	GLASS REAR, RIGHT	1				
6	M116003000	KAPI FİTİLİ	STRIP, DOOR	1				
7	N01/0232162	CİVATA M8x30	BOLT M8x30	4				
8	N03/0140017	PUL M8	WASHER M8	8				
9	M116003300	YAN CAM MENTESE SACI	HINGE PLATE, SIDE WINDOW	2				
10	M116003200	CONTA YAN CAM MENTEŞE	GASKET	2				
11	M116002900	AÇILIR CAM SAĞ ON	GLASS REAR, RIGHT FRONT	1				
12	M116003400	YAN CAM MENTESE CONTASI İÇ	GASKET	2				
13	M116003500	YAN CAM MENTESE BAGL. SACI	HINGE MOUNTING PLATE, SIDE WINDOW	2				
14	N02/5900062	SOMUN M8	NUT M8	4				
15	M116003600	TUTAMAK	HANDLE	1				
16	F32/18103	KİLİT, YAN CAM	LOCK, SIDE WINDOW	1				
17	810/40045	SERT PLASTİK PUL	WASHER, PLASTIC, HARD	3				
18	810/40046	YUMUŞAK PLASTİK PUL	WASHER, PLASTIC, SOFT	6				
19	810/40046	YUMUŞAK PLASTİK PUL	WASHER, PLASTIC, SOFT	1				
20	810/40082	KİTLEK SABİTLEME PARÇ.	BRACKET, LOCK MOUNTING	2				
21	810/40070	GERİ KİTLEK PLASTİĞİ	PLASTIC, LOCK	1				
22	N02/3580206	SOMUN	NUT	1				
23	810/40045	SERT PLASTİK PUL	WASHER, PLASTIC, HARD	1				
24	810/40046	YUMUSAK PLASTİK PUL	WASHER, RUBBER, SOFT	1				
25	020/21462	CİVATA ALTLIĞI	SPACER	1				
26	N03/0100013	PUL	WASHER	1				
27	810/99950	CİVATA M10x50	BOLT M10x50	1				
28	810/40090	TUTAMAK	HOLDER	1				
29	807/01515	YAY	SPRING	1				

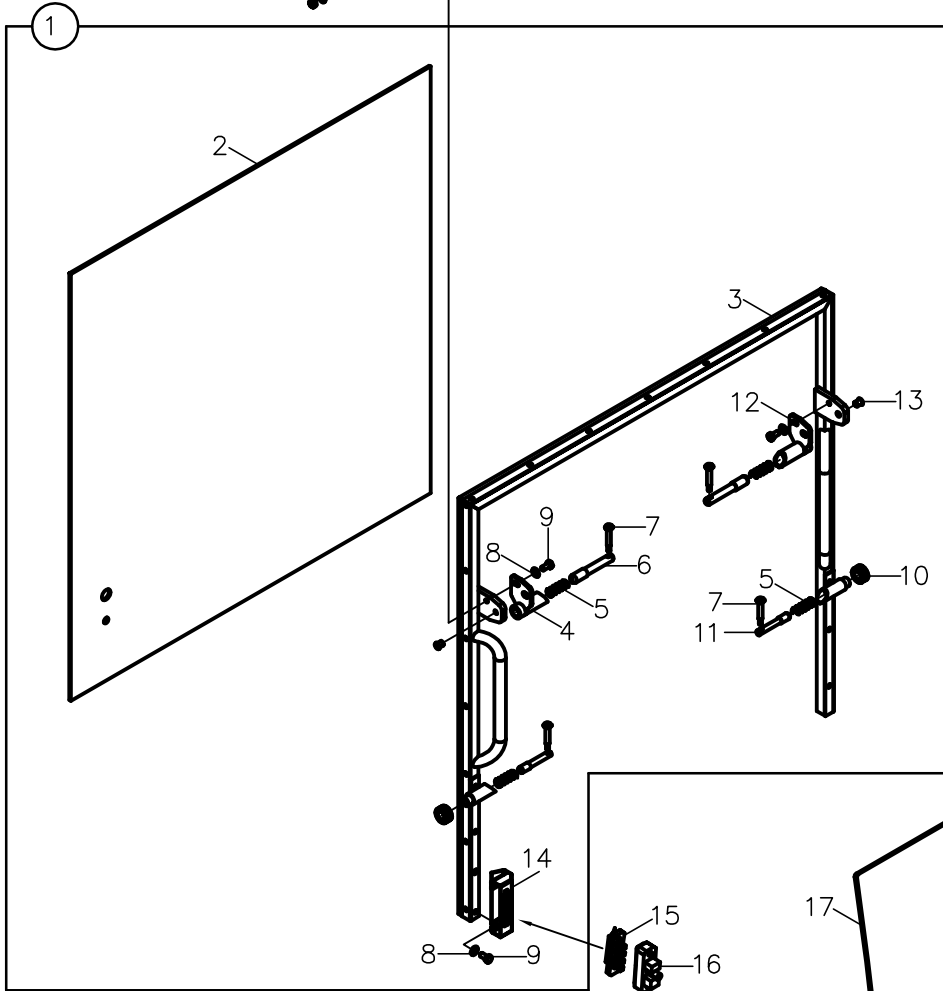
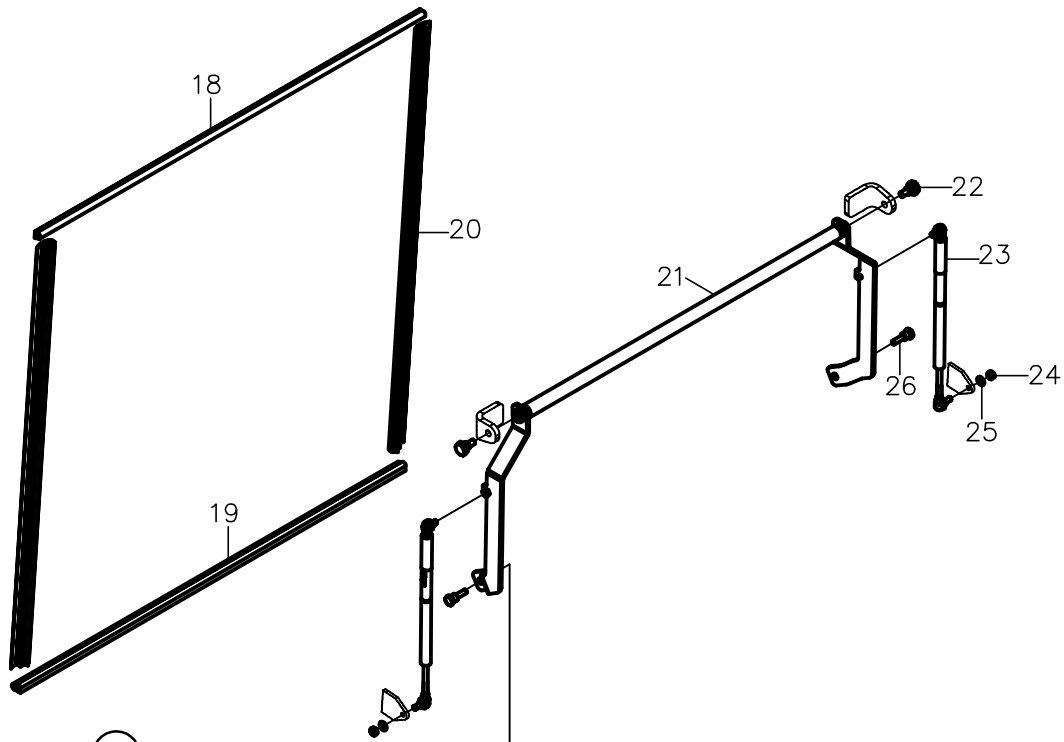
KAPI VE CAMLAR, YAN, SOL  
DOOR AND WINDOW SIDE, LEFT



**KAPI VE CAMLAR, YAN SOL**  
**DOOR AND WINDOW SIDE, LEFT**

NO NO	PARÇA NO PART NO	TANIM	DESCRIPTION	ADE QTY	S.K. S.C.	SERİ NO SERIAL NO	D.T. ICA	NOT NOTE
	M116000200							
1	M116000600	KAPI KOMPLE, SOL	DOOR, LEFT, ASSY.	1				
2	M116002800	KAPI FİTİLİ	STRIP, DOOR	1				
3	M116002600	KAPI CAMI	GLASS DOOR	1				
4	M116002700	KAPI	DOOR	1				
5	N02/5910062	SOMUN M8	NUT M8	4				
6	N03/0140017	PUL M8	WASHER M8	8				
7	M116003200	CONTA YAN CAM MENTEŞE	GASKET	2				
8	M116003700	PLASTİK BURÇ	BUSHING	4				
9	M116003300	MENTEŞE SACI, KAPI	HINGE PLATE, DOOR	2				
10	N01/0232162	CİVATA M8x30	BOLT M8x30	4				
11	S91/00631	KİLİT, KAPI İÇ	LOCK, DOOR	1				
12	810/40064	KAPI KOLU ALTLIĞI, SOL	BASE, HANDLE, LEFT	1				
13	S91/00657	KAPI KOLU, F TİPİ, SOL	HANDLE, F TYPE, LEFT	1				
14	M116001500	PİM MENTESE	PIN	2				
15	F99/14897	BURÇ,YATAK	BUSHING	4				
16	N05/0020007	SEGMAN	RETAINING RING	2				
17	N01/0380493	CİVATA M8x80	BOLT M8x80	1				
18	N02/5910062	SOMUN M8	NUT M8	2				
19	M116005500	KAPI GERĞİ BAĞLANTI SACI	STAY PLATE, DOOR	1				
20	N03/0100017	PUL M8	WASHER M8	4				
21	M116000900	HALAT	LASHING	1				
22	M116005600	KAPI GERĞİ BAĞLANTI SACI	STAY PLATE, DOOR	1				
23	N03/0020018	PUL M10	WASHER M10	1				
24	N01/0232402	CİVATA M10x16	BOLT M10x16	1				
25	M116002400	KİLİT KARŞILĞI	LOCK TOWARD	1				
26	N01/0232114	CİVATA M8x20	BOLT M8x20	2				
27	N03/0140017	PUL M8	WASHER M8	4				
28	N02/5910062	SOMUN M8	NUT M8	2				
29	M116001300	SOL ARKA CAM	REAR GLASS, LEFT	1				

CAMLAR, ÖN- ARKA  
WINDOWS, FRONT- REAR



**CAMLAR, ÖN - ARKA  
WINDOWS, FRONT - REAR**

NO NO	PARÇA NO PART NO	TANIM	DESCRIPTION	ADET QTY	S.K. S.C.	SERİ NO SERIAL NO	D.T. ICA	NOT NOTE
	* M116000200				RK			
1	M116000400	ARKA AÇILIR CAM KOMPL.	BACKHOE SIDE, REAR WINDOW COMPL.	1				
2	M116003100	ARKA AÇILIR CAM	BACKHOE SIDE, REAR WINDOW	1				
3	M116003800	ARKA ÇERÇEVE KOMPLE	FRAME, REAR WINDOW	1				
4	M116004600	KİLİT MEKANİZMA MONTAJI, SOL	LOCK MECHANISM MOUNTING, LEFT	1				
5	M116004400	YAY	SPRING	1				
6	M116004200	PİM	PIN	2				
7	M116004500	MEKANİZMA KOLU	MECHANISM LEVER	2				
8	N03/0100017	PUL	WASHER	2				
9	N01/0222090	CİVATA	BOLT	2				
10	N09/0404903	RULMAN	BEARING	2				
11	M116004700	MEKANİZMA DİLİ	MECHANISM PIN	2				
12	M116004000	KİLİT MEKANİZMA MONTAJI, SAĞ	LOCK MECHANISM MOUNTING, RIGHT	1				
13	F99/14898	BURÇ, YATAK	BUSHING	2				
14	M116003900	SVİÇ BAĞLANTI SACI	SWITCH MONTING PLATE	2				
15	554/00601	KONTAK SVİÇ 4' LÜ	SWITCH	1				
16	554/00611	KONTAK SVİÇ 4' LÜ	SWITCH	1				
17	M116000300	ÖN CAM	GLASS, FRONT	1				
18	816/00618	FİTİL, ARKA ÜST	STRIP, REAR UPPER	1				
19	S33/00620	ARKA CAM ALT FİTİLİ	STRIP, REAR LOWER	1				
20	S3300656	ARKA CAM FİTİLİ	STRIP	2				
21	M116001600	AÇILIR CAM MEKANİZMASI	GLASS REAR MECHANISM	1				
22	813/00165	CİVATA	BOLT	2				
23	M116001700	AMORTİSÖR	DAMPER	2				
24	N02/5900062	SOMUN M8	NUT M8	2				
25	N03/0100017	PUL M8	WASHER M8	2				
26	M116002500	CİVATA	BOLT	2				