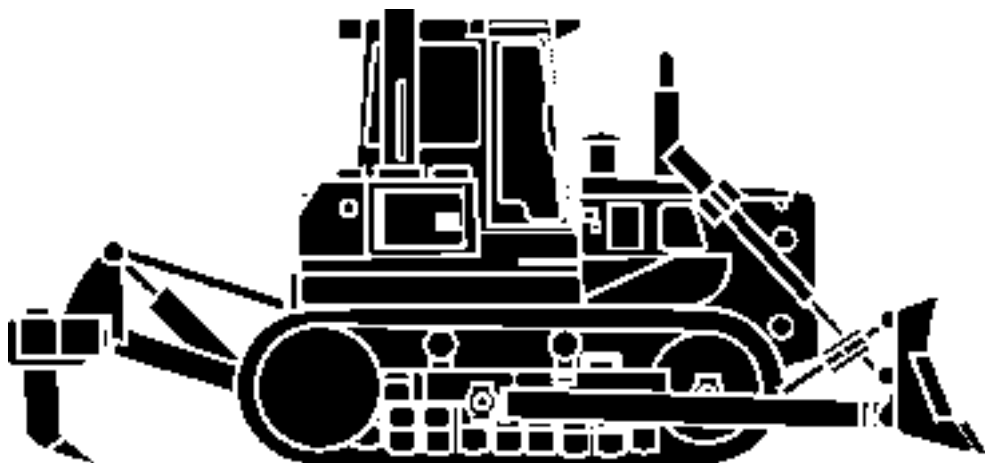


OPERATOR'S MANUAL

TD-15H

SERIAL NUMBERS
32501 AND UP



DRESSTA Co. Ltd.

CONTENTS

1. INTRODUCTION
2. SAFETY PRECAUTIONS
3. MACHINE TRANSPORT AND STORAGE
4. OPERATING
5. MAINTENANCE
6. SPECIFICATIONS

FOREWORD

Welcome to the growing group of value-conscious people who operate DRESSTA machines.

This manual covers the instructions for safe operation, lubrications, adjustments and maintenance for normal daily care. These instructions are divided into six sections to simplify your reference to the information most important to you. Refer to the contents page at the beginning of the section for a complete list of the subjects covered except for Section 2, which should be read entirely.

This manual has been prepared to help you operate and maintain your machine with utmost efficiency and safety. Read this manual thoroughly and learn your machine before you attempt to operate it.

It is our policy to improve our products whenever it is possible and practical to do so. We reserve the right to make changes or add improvements at any time without incurring any obligation to install such changes on products sold previously.

Due to this continuous program of research and development, periodic revisions may be made to this publication. It is recommended that customers contact their distributor for information on the latest revision.

We hope you enjoy operating Dressta machines.

DRESSTA Co. Ltd.

THIS MATERIAL IS PROPRIETARY TO DRESSTA Co. Ltd. AND IS NOT TO BE REPRODUCED, USED, OR DISCLOSED EXCEPT IN ACCORDANCE WITH WRITTEN AUTHORIZATION FROM DRESSTA Co. Ltd.

SECTION INDEX

SECTION 1 - INTRODUCTION

This section discusses the use of this manual and the serial number locations.

SECTION 2 - SAFETY PRECAUTIONS

This section lists safety rules concerning personal safety. Read this section carefully! Maintain this manual and review it frequently for continuing safe operation and instructing new operators.

SECTION 3 - MACHINE TRANSPORT AND STORAGE

This section discusses how to ship or store this machine.

SECTION 4 - OPERATING

The front portion of this section provides you with instructions for trouble free operation of a machine, machine precautions and a universal symbol chart, text and illustrations for instruments and controls. The instrument and controls area is designed to tell you „where it is, what it does and how to use it". Read this area carefully. The remaining portion of this section outlines and illustrates the step-by-step procedures for starting, operating and stopping the machine and discusses a few operating suggestions and techniques and simple ideas to help ease the work and lengthen the useful life of your machine.

SECTION 5 - MAINTENANCE

The beginning of this section outlines a complete scheduled maintenance program, which helps to reduce down-time and expense, and increase the profit and work from your machine. Read and use this area. Following the maintenance program are the lubrication recommendations and requirements for the machine. The remainder of the section is devoted to clearly explaining the "how to" of the many maintenance and adjustment procedures listed in the maintenance program. The explanations are prepared in an easy style to help you "do it yourself" and get it right.

SECTION 6 - SPECIFICATIONS

This section covers, general dimensions and weights, refill capacities, technical parameters, the standard and special torque values, maintenance tools and the diagrams.

SECTION CONTENTS

	PAGE
1. INTRODUCTION	
1.1. Introduction	3
1.2. Serial Numbers	4
2. SAFETY PRECAUTIONS	
2.1. General	3
2.2. Before Starting the Engine	5
2.3. Operation	6
2.4. Maintenance	8
2.5. Shutdown	11
2.6. Safety Product Graphic Location	12
3. MACHINE TRANSPORT AND STORAGE	
3.1. Machine Transport	3
3.2. Lifting Machine on Slings	4
3.3. Moving a Disabled Machine	5
3.4. Machine Storage	7
4. OPERATING	
4.1. Machine Precautions.....	3
4.2. Universal Symbols for Instruments and Controls	4
4.3. Instrument Panel	5
4.4. Cab Switches	9
4.5. Control and Adjustment	10
4.6. Starting the Engine	17
4.7. Stopping the Engine	20
4.8. Driving the Machine	21
4.9. Shifting the Transmission	22
4.10. Converter Overheating	23
4.11. Steering the Machine	23
4.12. Locking Both Tracks	24
4.13. Downgrade Operation	24
4.14. Operating Over an Obstruction	24
4.15. Stopping the Machine	24
4.16. Parking the Machine	25
4.17. Operating Mounted Equipment	25
4.18. Operating Techniques	33
4.19. Economical Operation of the Machine	40

5. MAINTENANCE

5.1. Service Precautions	3
5.2. Scheduled Maintenance Guide	4
5.3. Maintenance and Service Chart	7
5.4. Lubrication	10
5.5. Seasonal Preparation	12
5.6. Air Cleaning System	14
5.7. Belts	17
5.8. Cooling System	19
5.9. Fan and Fan Hub	24
5.10. Electrical System	24
5.11. Engine	27
5.12. Fuel System	33
5.13. Hydraulic System	37
5.14. Lubricating Fittings	41
5.15. Mounted Equipment	43
5.16. Safety Belt	49
5.17. Final Drives	49
5.18. Transmission System	50
5.19. Undercarriage	55
5.20. Adjusting the Hand and Foot Controls	61
5.21. Cab and ROPS	62

6. SPECIFICATIONS

6.1. Application	3
6.2. Technical Description	3
6.3. Specifications.....	5
6.4. Special Torque Values	8
6.5. Torque Values for Standard Metric Fasteners	10
6.6. Torque Values for Standard English Fasteners	11
6.7. Torque Values for Split Flange Connections	12
6.8. Torque Values for Hydraulic Tubes and Fittings	12
6.9. Torque Values for Hose Clamps	13
6.10. Torque Values for Air Conditioning Tubes and Fittings	13
6.11. Torque Values for Air Conditioning O-Ring Connections	13
6.12. List of Service Tools	14
6.13. Drive Train Schematic	15
6.14. Equipment Hydraulic System Diagram	17
6.15. Transmission Hydraulic System Diagram	18
6.16. Wiring Schematic	20

SECTION 1

INTRODUCTION

SECTION CONTENTS

	PAGE
1.1. Introduction	3
1.2. Serial Numbers	4

1.1. INTRODUCTION

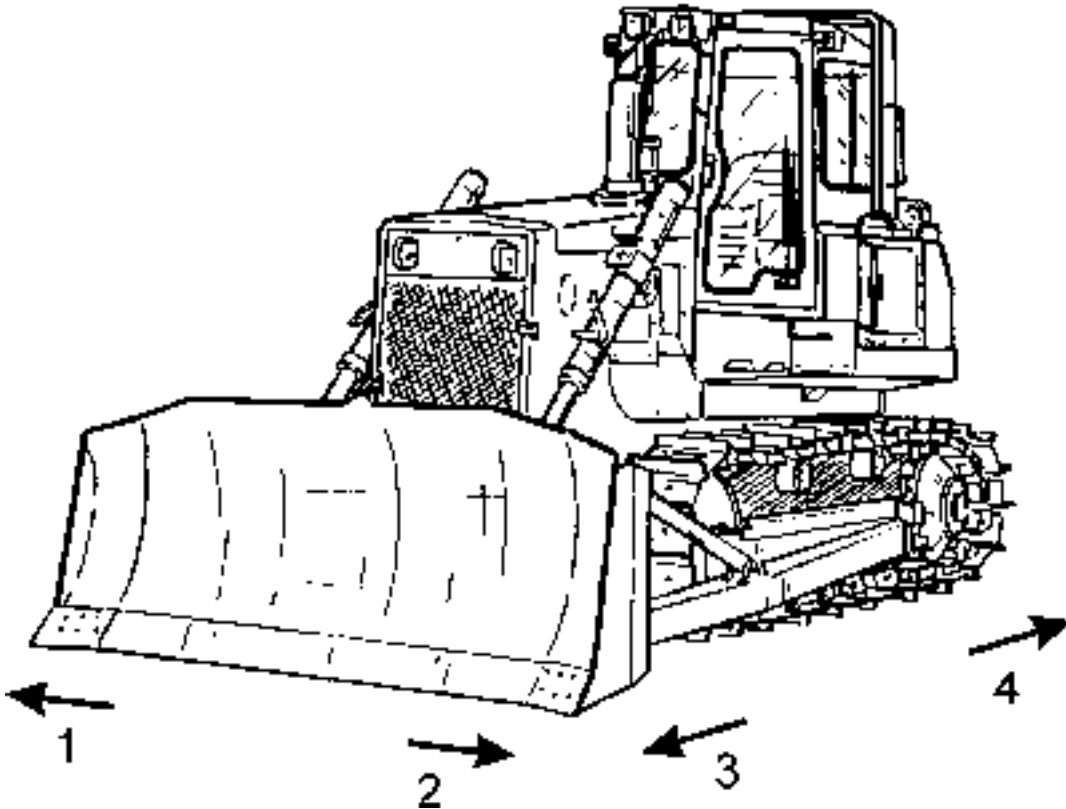


Fig. 1.1. TD-15 Series H Crawler Tractor Equipped with Bulldozer Blade

- | | |
|-----------------------------------|-------------------------|
| 1. Right Hand Side of the Machine | 3. Front of the Machine |
| 2. Left Hand Side of the Machine | 4. Rear of the Machine |

GENERAL

Throughout this manual there will be two types of cross references. One type is to a heading in another section. The other is to a heading within the same section. Unless it is otherwise stated, references will be to the same section. Refer to the section contents page at the beginning of the individual sections for specific page numbers.

Some illustrations are of general application and may not show your machine accurately in all details.

Throughout this manual the use of the terms “left”, “right”, “front”, and “rear” must be understood to avoid confusion when following instructions. These terms indicate the sides of the machine when facing forward in the operator's seat. See Fig. 1.1.

The three following symbols and text in bold letters are used throughout this manual to call your attention to instructions concerning your personal safety:



DANGER! It indicates an emergency which, if not avoided, may result in injury or death. This sign calls your attention to a most serious danger.

INTRODUCTION



WARNING! ! This sign indicates an emergency which, if not avoided, may result in injury or death.



CAUTION! This sign indicated an emergency which, if not avoided, may result in minor injury.

The two following signs and text in italics are used throughout this manual to call your attention to important procedures or steps having influence on the right functioning of a machine. Failure to follow such instructions may result in the damage of a machine or affect machine's lifetime.

IMPORTANT: This sign and text in italics is used throughout this manual to call your attention to key problems for machine operation. Failure to follow such instructions may result in damage of a machine and heavy material losses.

NOTE: This sign and text in italics is used throughout this manual to call your attention to an important function having influence on the right functioning of a machine or for informational purposes.

1.2. SERIAL NUMBERS

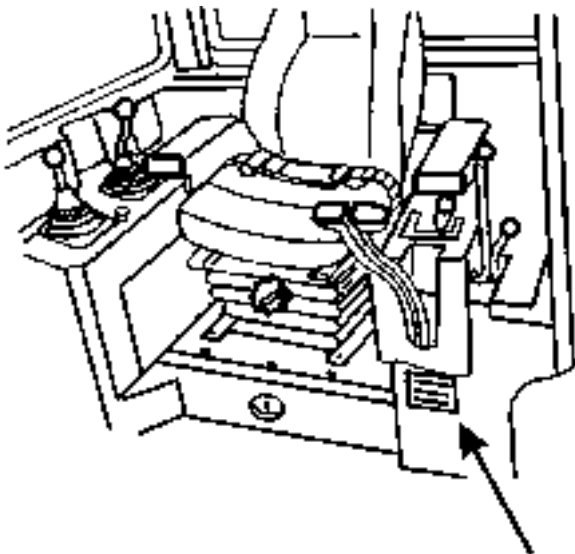


Fig. 1.2. Product Identification Number (P.I.N.)

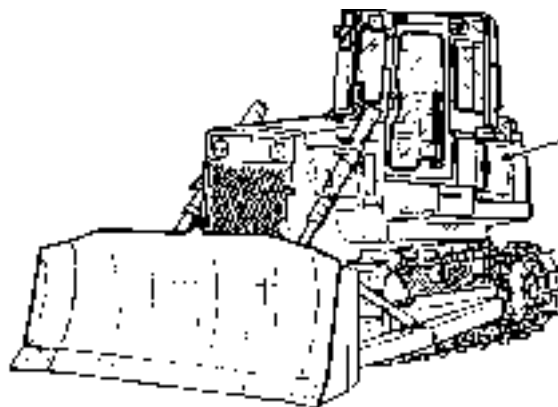


Fig. 1.2A. Product Identification Number (P.I.N.) on the Filters Cover

SERIAL NUMBERS

The product identification number (P.I.N.) is stamped on the plate attached to the front wall of the control console at the left hand side of the operator's seat (Fig. 1.2) or on a plate attached to the filters cover at the left hand side of the machine. It is also stamped on the rear frame in the upper right hand corner under the fender (Fig. 1.3).

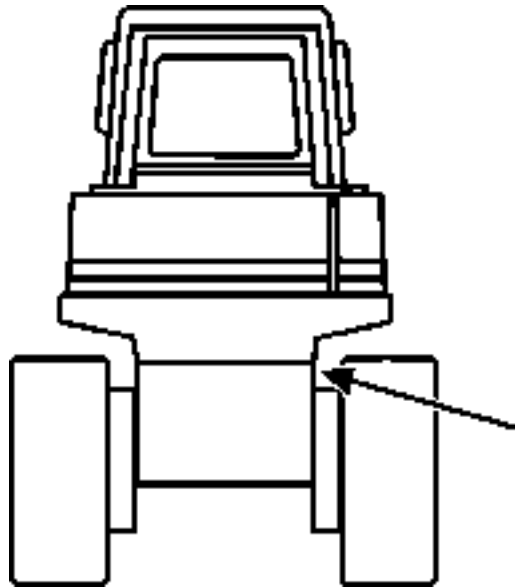


Fig. 1.3. Product Identification Number (P.I.N.) on RMF

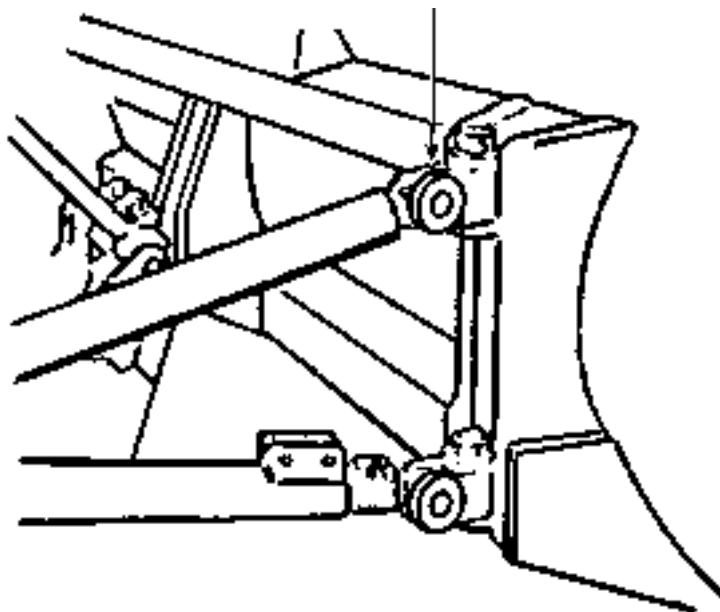


Fig. 1.4. Serial Number Designation of Blade.

The equipment model designation is stamped on the back of the blade or stamped on the plate attached in this same place, near the top right hand corner (Fig. 1.4).

INTRODUCTION

SERIAL NUMBERS

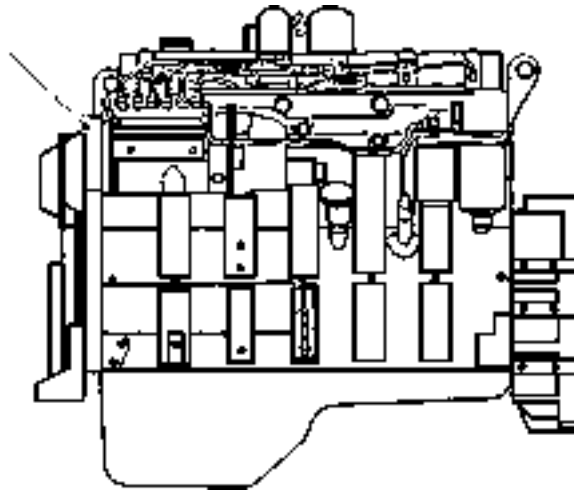


Fig. 1.5. Engine serial number plate.

The engine serial number and technical data are designated on the plate attached to the front of the engine on the left hand side (Fig. 1.5.).

All other components having serial numbers are equipped with a separate serial number plate.

Use machine serial numbers when requesting information or ordering parts and the proper numbers from the Parts Catalogue.

SECTION 2

SAFETY PRECAUTIONS

SECTION CONTENTS

	PAGE
2.1. General	3
2.2. Before Starting the Engine	5
2.3. Operation	6
2.4. Maintenance	8
2.5. Shutdown	11
2.6. Safety Product Graphic Location	12
2.6.1. Safety Product Graphic	13

2.1. GENERAL

WORK SAFELY – FOLLOW THESE RULES



This symbol and text with bold letters is used throughout this manual to call your attention to instructions concerning your personal safety. Observe and follow these instructions. Be certain anyone operating and servicing this machine is aware of these rules. Failure to follow these rules may result in injury or death.



WARNING! The machine can only be operated by a person who is familiar with this manual, knows operation of the machine and its mechanisms, experienced and properly licensed to operate such machines. Carefully observe and follow all instructions provided in this manual.

The instructions and information given in this section do not cover all you ought to know to operate the machine safely. Detailed instructions regarding operational safety appear in the following sections of this manual.

Human error is a contributing factor in most equipment-related injuries. Haste, carelessness and lack of training are the primary causes of injuries.

Most operating injuries occur because of excessive speed, loss of control, failure to observe warning signs, slipping or falling while entering or dismounting, a lack of berms on roadways or piles, lack of a ROPS or seat belt, or not watching in the direction of travel.

Most maintenance injuries occur during welding or when using hammers or wrenches. The most common faults are improper work position, a slipped tool, missed aim, a broken tool, flying chips and no welding hood.

Think before you act. A careful operator or maintenance man is the best insurance against an accident.

Always wear proper safety equipment. Avoid wearing jewelry and loose fitting clothing; they could catch on moving parts, which could result in serious injury or death. Hard hat, sturdy rough-soled work shoes or safety shoes, ear protectors, reflective clothing, safety glasses and heavy gloves may be required. Consult your employer for specific safety equipment requirements.

Each job site and application may have personal safety requirements. Carefully evaluate your particular application and machine for equipment such as heater and defroster, all windshield wipers, warning lights, side view and rearview mirrors, back-up alarms, fire extinguisher, rotating beacons and additional lights. If in doubt, contact your distributor.

The machine should be equipped with a fully charged fire extinguisher. All personnel should be instructed in proper usage. Recharge immediately after use. If machine is equipment with Grammer operator's seat the extinguisher is placed in the cab on the left hand side of the operator's seat (Fig. 2.1).

SAFETY PRECAUTIONS

GENERAL

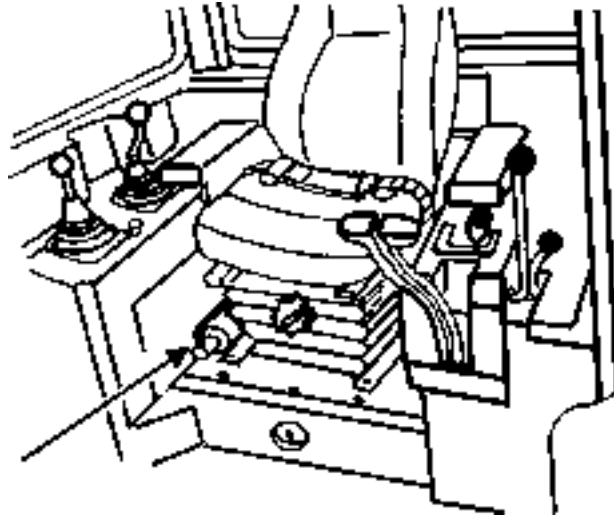


Fig. 2.1. Fire Extinguisher Placement for Machine with Grammer Seat

If machine is equipped with other than Grammer seat the extinguisher is placed on the structure ROPS on the left side of the machine. (Fig. 2.1A)

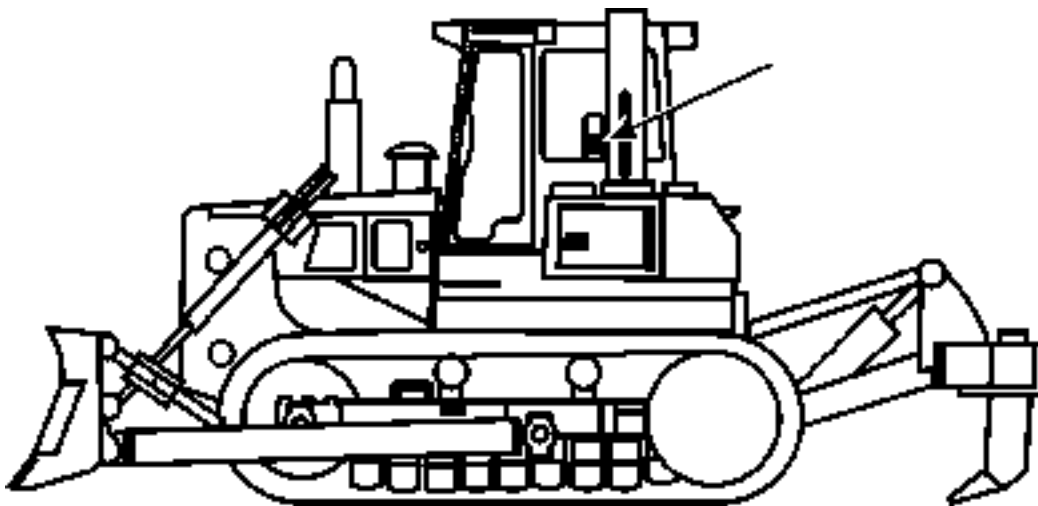


Fig. 2.1A. Fire Extinguisher Placement for Machine with other than Grammer Seat

A dry powder fire is placed in a holder preventing its free movement during machine operation. In case of a fire the extinguisher can be easily removed from the holder. The extinguisher is provided with a label containing the instructions of its use and application. The operator should be familiar with these instructions.

Do not jump on or off the machine. Keep two hands and one foot or two feet and one hand in contact with the steps and grab handles and rails at all times.

Electrical system is 24-volt negative ground. Each machine is equipped with a starting receptacle. It should be used when starting the machine using booster batteries. In case the receptacle cannot be used the following precautions must be taken to minimize chances of injury or damage to electrical parts.

GENERAL

1. Turn the system master switch to the OFF position.
2. Attach one end of the jumper cable to the positive terminal of the booster battery and the other end to the positive terminal of the machine battery.
3. Attach one end of the second cable to the negative terminal of the booster battery and the other end to the machine's frame away from the battery.
4. To remove the cables, reverse the above sequence exactly to avoid sparks near the battery.

A frozen battery can explode when the booster cables are attached.

NEVER check battery charge by placing a metal object across the battery posts. Sparks can cause an explosion. Use a voltmeter or hydrometer for checking.

Each new machine is equipped with a fire extinguisher, first aid kit and safety belt.

2.2. BEFORE STARTING THE ENGINE

Never start the engine indoors unless proper exhaust ventilation is provided to remove deadly exhaust gases. Once the engine is operating, move the machine outdoors as soon as possible. Exhaust gases are dangerous and can cause unconsciousness and death.

Always place the gear selector in neutral, apply the neutral safety lock and lock the parking brake before starting.

The operator must be alert, physically fit and free from the influences of alcohol, drugs or medications that might affect his eyesight, hearing, reactions or judgment.

Observe and know the use of alternative exits from the operator compartment.

Safety must always be the operator's most important concern. He must refuse to operate when he knows it is unsafe and consult his supervisor when safety is in doubt. The best safety device is a safe operator.

Do not use controls or hoses as hand holds when climbing on or off the machine. Hoses and controls can move and do not provide solid support. Movement of the controls may cause inadvertent and unexpected movement of the machine or its equipment.

Follow all machine-mounted safety signs before starting, operating, maintaining or servicing the machine.

Be sure the area of the operator's compartment, all mounting steps and grab handles are free of oil, grease, loose objects, ice and mud to lessen the possibility of slipping. Remove or secure all maintenance and personal items so they will not interfere with the operator or jam the controls.

Perform a visual check of the machine before starting the engine. Look for such things as improper fluid levels, oil leaks, and loose, damaged or missing parts. Do not start the engine until any unsafe conditions are corrected. Secure all caps and filler plugs.

Know and understand the traffic flow patterns of your job and obey flagman, signs and signals.

BEFORE STARTING THE ENGINE

Before entering the operator's compartment, clear the immediate area surrounding the machine of personnel and obstructions. Walk completely around the machine. After entering the operator's compartment, sound the horn to clear the immediate area of the machine.

Due to the danger of fire and explosion, never check or fill fuel tank or batteries near lighted smoking materials or open flame or sparks.

2.3. OPERATION

Check work area for hazardous conditions. Be alert for soft ground conditions, especially when working on slopes, near drop-offs or excavations or fill material, which could lead to sudden tipping of the machine.

At night and times of poor visibility, carefully check the work area before moving in with the machine. Use all lights provided.

Keep the windshield, windows and mirrors (if equipped) clean.

Before starting the engine, be sure you understand all control functions. Check all controls, including the brakes, decelerator, steering and transmission. Check all gauges, warning lights and safety devices. Correct any malfunctions.

Only one person, the operator, should be permitted to ride on the machine when it is in operation.

Perform an operational check of the machine in a safe area before putting it to work.

Keep operating controls, hands and shoes free of grease, water and mud to insure positive control functions.

If the machine is ROPS equipped, for your personal protection, wear your seat belt. Before driving the machine, adjust the seat and fasten the seat belt. Adjust the seat belt to fit snugly and flow around the hips to lessen the chance and severity of injury in the event of an accident. Never wear the seat belt across the abdomen.

Check overhead clearance carefully before operating the machine in areas with low overhead clearance, such as guy wires, power lines, bridges, low-hanging tree branches and building entrances or exits. These overhead obstructions could cause an accident.

After starting the engine, but before moving the machine, warn nearby personnel by giving a couple of short horn blasts.

Be sure that the rear screen is securely fastened to the R.O.P.S. structure before operating the winch. Operating without properly installed screen could result in serious injuries. Operate the winch from the driver's seat only. Always engage the parking brake before winching, if the machine is stopped. Use caution when installing or removing cable from the winch. Keep all persons clear of a cable under tension. Never use a cable that is damaged. Failure to follow these precautions could result in serious injuries.

Never mix gasoline, gasohol and/or alcohol with diesel fuel. This practice creates an extreme fire hazard and under certain conditions an explosion, which could result in personal injury or death.

OPERATION

Do not smoke when refueling or servicing the machine. A fire could result.

Never place gasoline or diesel fuel in an open pan.

Never remove the fuel tank filler caps or refill the fuel tanks while the engine is running or hot or when the machine is indoors. Fumes are dangerous, a spark or flame could result in a fire or explosion.

On machines equipped with a suction fan or a reversible fan in the suction position, periodically check the engine exhaust system for leaks. Exhaust gases are dangerous to the operator.

Do not operate the machine in the condition of extreme fatigue or illness.

Be sure that the rear screen is securely fastened to the ROPS structure. Be sure chains or cables and their anchor points are strong enough to handle the expected load. Inspect carefully for flaws before using. When pulling or towing with a chain or cable, take up the slack carefully. A sudden jerk could snap the chain or cable causing it to whip dangerously. Do not pull or tow unless the operator compartment is guarded against a whipping chain or cable. Clear personnel from the area. Be sure that the rear screen is securely fastened to the ROPS structure. Be sure chains or cables and their anchor points are strong enough to handle the expected load. Inspect carefully for flaws before using.

Always wear gloves when handling cables and chains. Avoid looping or knotting a cable or chain. Do not pull with a kinked chain or cable as excessively high stress in the area of bending may cause a failure in the kinked area. Cables or chains for towing or winching should be fastened to the designated to this purpose attachment points only. Be sure the pins are attached securely before pulling.

Stand clear of chains or cables under load.

Keep the engine exhaust system and exhaust manifold clear of combustible material for your personal protection.

Know the locations of underground cables, water mains, gas lines, etc. A ruptured gas line or cut electrical cable could result in personal injury or death.

When leaving a machine unattended for any length of time, make sure the transmission shift lever is positioned and locked in neutral (N), the blade is completely lowered, the engine is stopped, the parking brake is applied, and the electric master switch is in the "off" position. If the machine is equipped with a cab make sure that the cab is locked.

Before operating a machine read and know the Operator's Manual and all Safety Product Graphic.

The roll-over protective structure (ROPS) provides the operator's protection in the event of machine rollover or upset. This structure is designed to bend during a rollover to protect the operator from sudden impact loads.

When operating a machine, look in the intended direction of travel to be sure personnel or allied equipment does not interfere with the machine work pattern.

Never try to get on or off a machine while it is moving. A serious injury or death could result.

OPERATION

Never shift the transmission into neutral (N) when traveling downhill. The machine may go out of control and a rollover could result or the transmission, torque converter or engine could be damaged when the transmission is again placed in gear. Always put the transmission in low range position before starting downhill. Use the decelerator and brake pedal to slow the machine.

Avoid side hill travel whenever possible. Drive straight up and down the slope. If the machine starts slipping sideways on a grade, turn downhill immediately.

If possible avoid crossing obstacles such as ridges, rocks or logs. If you can't avoid them, reduce speed and ease over the obstacle at an angle.

Machine's weight and the vibration it creates can cause the edge of a high wall to collapse. Keep your machine back from the edges of banks and excavations. If it cannot be avoided drive the machine at the straight angle to the edge.

Travel slowly in congested areas or on rough ground, slopes or near drop-offs or on snow, ice or slippery surfaces.

Maintain a safe distance between your machine and other vehicles according to the condition of the road and load.

Never hold the hydraulic controls in their extreme position after the equipment has reached its maximum travel. This could cause overheating of the hydraulic system.

Do not adjust the seat position while the machine is in motion. A loss of control may result. Completely stop the machine, apply and lock the parking brake and then adjust the seat.

Never use the blade as a brake except in an emergency.

Carry the blade low for maximum stability and visibility.

Where noise exposure exceeds the levels defined by proper health and safety authorities and applicable standards wear authorized ear protective equipment.

2.4. MAINTENANCE

Authorized personnel only is allowed to maintain or repair a machine. It is forbidden to allow any unauthorized person to control the machine.

Do not hasten. It may cause accidents.

Put objects onto a machine standing on the ground level before you climb on the machine.

Loosen the radiator cap slowly to relieve all pressure in the system and use caution when removing the cap to prevent possible injury.

Have all equipment resting on the ground or blocked before removing any hydraulic component. Actuate the control levers in opposite directions to relieve all pressure from the system.

Never work beneath a blade or ripper without proper blocking. Improper blocking could result in serious injuries.

MAINTENANCE

When service or maintenance requires access to areas that cannot be reached from the ground, use a ladder or platform. If such ladders or platforms are not available, use the machine hand holds and steps provided. Perform all service or maintenance carefully.

Use only approved parts for repairs and maintenance shown in your parts catalog. Failure to do so could compromise your personal safety and machine performance and reliability.

Never align holes with fingers or hands. Use a proper aligning tool.

Be sure all tools are in good condition. Do not use tools which are worn, bent or have mushroomed heads. Use the proper tool for the job. Remove sharp edges and burrs from reworked parts.

For field service, move machine to level ground if possible and block the tracks. If work is absolutely necessary on an incline, block the machine and its attachments securely. Move the machine to level ground as soon as possible.

Before working on a machine, turn OFF the electric system master switch and take the key out so no one will start it unexpectedly.

Do not carry loose objects in your pockets that might catch on the machine or fall unnoticed into open compartments.

Before working on any part of the engine or electric system, disconnect the battery ground cable. Tag the cable and all controls to alert personnel that work is in progress.

When it is necessary to make any checks or adjustments with the engine operating, always use two people. One trained person must be in the operator's seat to safeguard the second person making checks or adjustments.

As an additional precaution, when making checks or adjustments with the engine operating, make sure the transmission shift lever is locked in neutral (N), and the parking brake is locked.

Never stand on the tracks or near the blade while the engine is operating.

If the engine is running and the side doors are open or removed be careful of rotating parts such as the fan and belts that can cause serious injury.

Never operate the engine when cleaning or lubricating the machine. Serious injury could result from contacting moving parts.

Use a non-toxic, nonflammable commercial solvent for cleaning parts. Never use gasoline, diesel fuel, kerosene or other flammable solvents for cleaning a part.

Excessive or repeated skin contact with sealant or solvents may cause skin irritation. In case of skin contact, remove sealant or solvent promptly by washing with soap and water. Follow the manufacturer's advice whenever cleaning agents or other chemicals are used.

Lower the blade and/or the ripper before making hydraulic adjustments. To prevent personal injury, be sure the personnel are standing out of the way of the blade when it is being lowered. Never allow anyone to walk under or be near unblocked raised equipment.

MAINTENANCE

Provide proper ventilation when operating in a closed building to avoid danger of exhaust gases. Exhaust gases are dangerous and can cause poisoning, unconsciousness and death.

Hydraulic fluid escaping under pressure from a very small hole can be almost invisible, yet have sufficient force to penetrate the skin. Use a piece of cardboard or wood to search for suspected leaks. Do not use hands. If injured by escaping fluid, see a doctor at once. Serious infection or reaction can occur if proper medical treatment is not administered immediately.

Wear proper protective equipment such as goggles or safety glasses with side shields, hard hat, safety shoes and heavy gloves when metal or other particles are apt to fly or fall. Many of a machine's parts are hardened and can chip.

Lift and handle all heavy parts with a lifting device of proper capacity. Be sure parts are secured by proper slings and hooks. Use lifting eyes if provided. Warn people in the area to stand clear.

Do not attempt to repair a protective structure after an accident. Repaired structures do not provide the original strength and protection. Contact your distributor for information on structure replacement. Do not operate the machine again until the ROPS has been replaced.

Do not cut, grind, weld, drill or tap holes in the ROPS. This could weaken the structure, or affect the overall energy absorption capabilities.

When using compressed air for cleaning parts, wear goggles or safety glasses with side shields. Use a nozzle, which limits the pressure to 200 [kPa].

Do not use an open flame to check for leaks or fluid levels anywhere around a machine.

Keep work area clean and dry. Remove oil and water spills immediately.

Do not pile up oily or greasy rags. They are a fire hazard. Store them in an approved, closed metal container.

Use a soft iron or nonferrous hammer to install or remove ripper teeth. It is dangerous to hammer on the teeth. Wear safety glasses with side shields or goggles to reduce the chances of injury.

Batteries give off a highly inflammable gas. Never allow sparks or open flame near the batteries.

A fire or explosion could occur. Do not charge batteries in a closed area. Provide proper ventilation to guard against accidental explosion of an accumulation of the explosive gas given off in the charging process. When installing batteries, be sure the electric master switch is in the "OFF" position. Be sure to connect the positive cable to the positive terminal and the negative (ground) cable to the ground of machine.

Ether starting fluid is flammable. Follow the precautions printed on the container. An explosion can result if sparks or flame contact ether in a container or if a container is stored in an area in which the temperature exceeds 70 [°C]. Observe the following precautions:

1. Follow the correct method for starting the engine. Refer to "STARTING THE ENGINE" in Section 4.
2. Do not use the ether injector when the ambient temperature is above freezing.
3. For your own personal safety, always remove the ether container when welding, grinding or using a torch on the machine.
4. Do not let ether come in contact with your skin, as it can cause local freezing.

MAINTENANCE

5. Do not breathe in hazardous ether vapor.
6. Keep a fluid container out of reach of children.
7. Never puncture a fluid container or put it into fire. Dispose of an empty container properly.
8. Do not store fluid containers in the operator's compartment.

Never mix gasoline, gasohol or alcohol with diesel fuel. This creates an extreme fire or explosion hazard, which could result in personal injury or death.

Do not use bleach, color dye or solvents on the seat belt webbing. This may cause a severe loss of tensile strength. This could cause the webbing to break resulting in personal injury. It is recommended that the seat belt be cleaned only with warm water and mild detergent.

2.5. SHUTDOWN

If parking on or near traffic lanes cannot be avoided, provide appropriate flags, barriers, flares and warning signals. Also provide advance-warning signals in the traffic lane for approaching traffic. Park the machine in a non-operating and non-traffic area. Park the machine on level ground whenever possible. If you must park on a slope, park at the right angle to the slope. Apply and lock the brake pedal.

Never leave a machine unattended with the engine running.

When leaving a machine unattended, slowly lower the hydraulic equipment to the ground, shift the transmission into neutral and lock the neutral lock lever, shut off the engine, apply and lock the parking brake. Relieve any pressure in the hydraulic system by moving the controls in both directions. Turn off the electric system master switch and take it out. Always lock up the machine when leaving it unattended, including any anti-vandalism attachments.

Do not jump off a machine.

When operating in bad weather and storm lightening is nearby, dismount and seek shelter away from the machine. Lightening will be attracted to the machine and can cause serious injury or death.

When a machine is to be loaded onto a transport truck and trailer do so carefully. Load only when the trailer is level. The steel track shoes will slide easily on the trailer. When the machine is properly positioned chain it securely so it can not move on the trailer.

Keep away from a blade and ripper when they are in a raised position.

Do not allow the hydraulic system to support the mounted equipment when leaving a machine unattended, to eliminate possibility of an unexpected drop of the blade or ripper.

SAFETY PRECAUTIONS

2.6. SAFETY PRODUCT GRAPHIC LOCATION

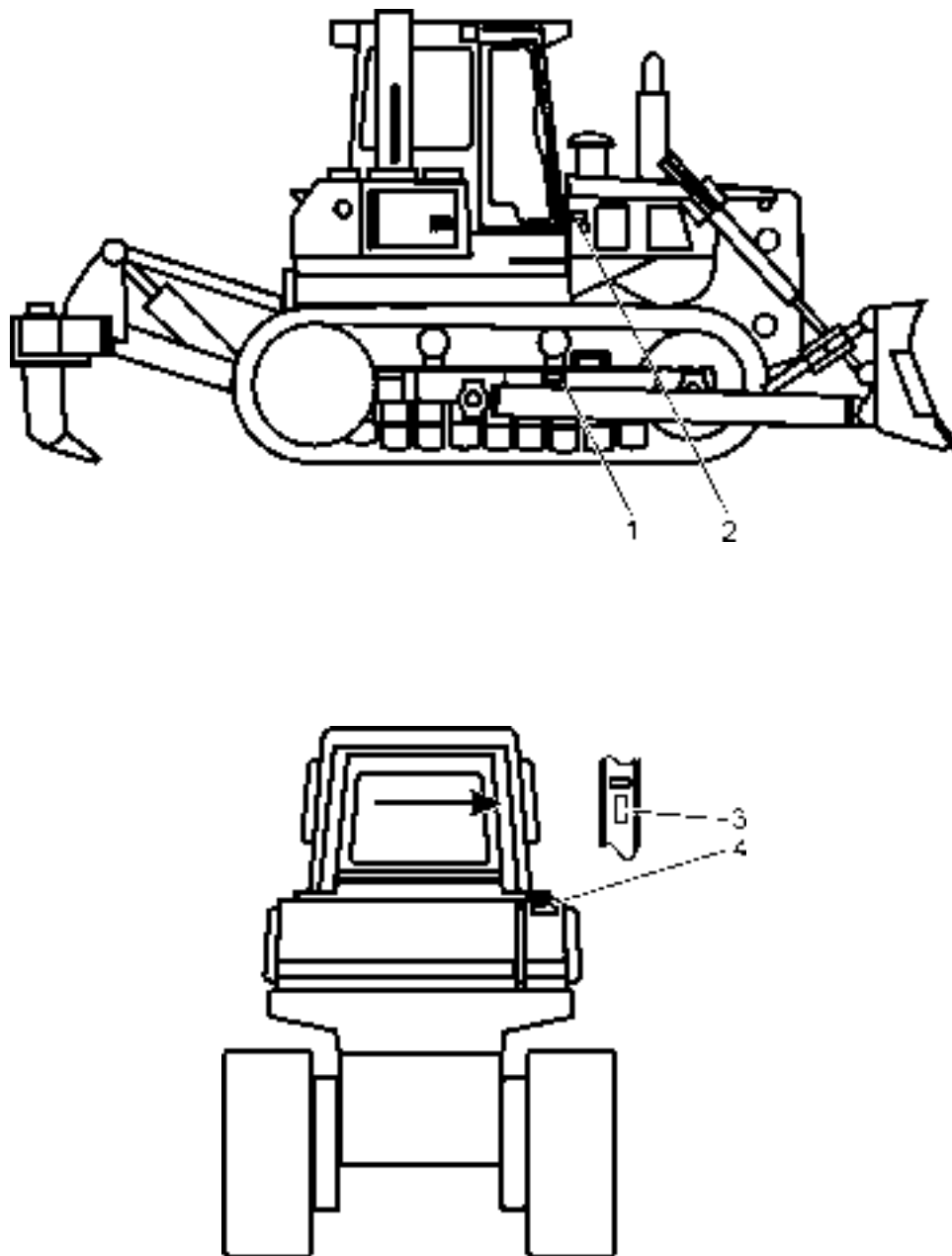


Fig. 2.2. Safety Product Graphic Location – Machine

1. Track Adjuster Decal
2. Door Decal
3. ROPS Decal
4. Pressurized Reservoir Decal

SAFETY PRECAUTIONS

SAFETY PRODUCT GRAPHIC LOCATION

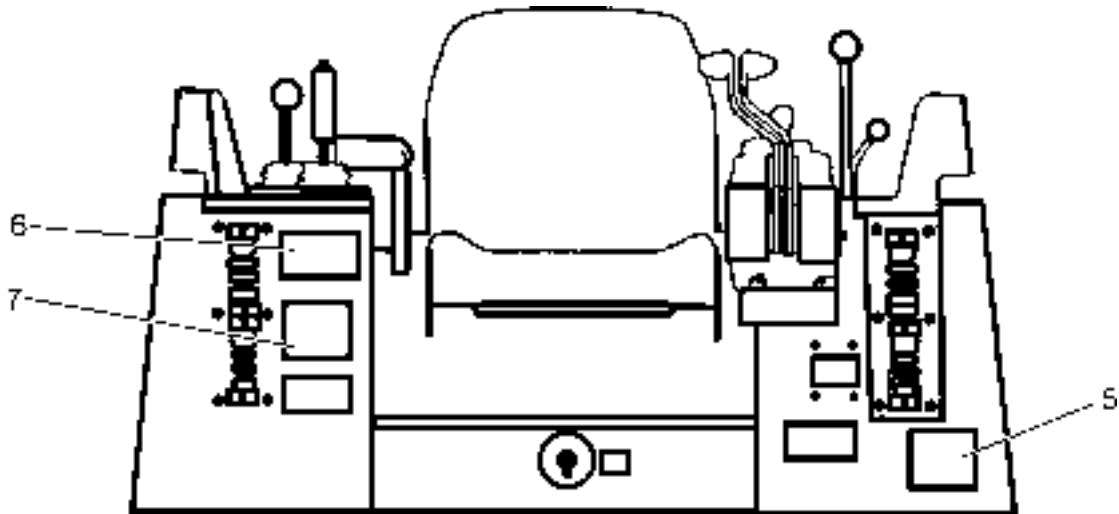


Fig. 2.3. Safety Product Graphic Location – Cab

- 5. General Decal
- 6. Instruction Decal for locking the lever to prevent incidental movement of a machine.
- 7. Safety Decal

2.6.1. SAFETY PRODUCT GRAPHICS



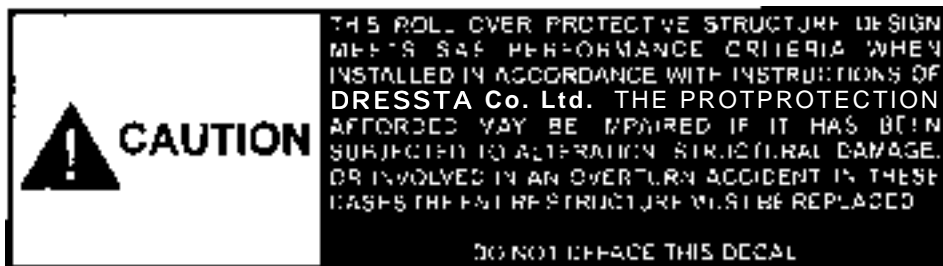
Decal 1



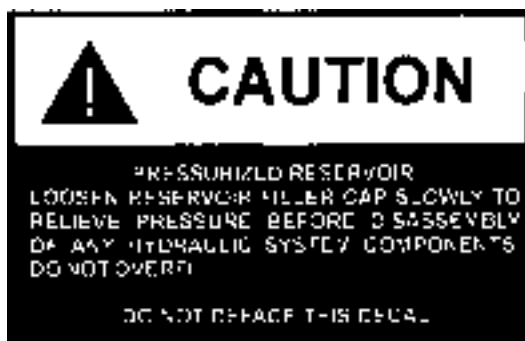
Decal 2

SAFETY PRECAUTIONS

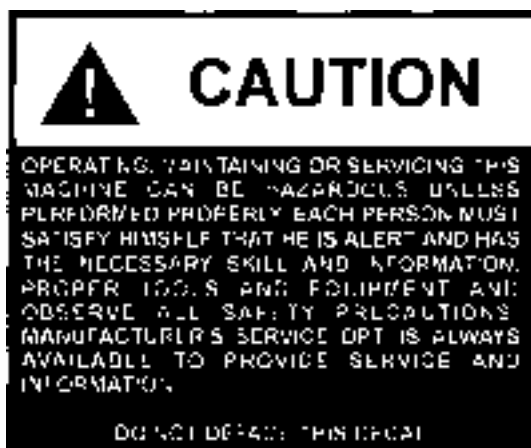
SAFETY PRODUCT GRAPHIC LOCATION



Decal 3



Decal 4



Decal 5

SAFETY PRECAUTIONS

SAFETY PRODUCT GRAPHIC LOCATION



Decal 6



Decal 7

SECTION 3
MACHINE TRANSPORT AND STORAGE

SECTION CONTENTS

	PAGE
3.1. Machine Transport	3
3.1.1. General	3
3.1.2. Truck	3
3.1.3. Railroad Flat Car	3
3.2. Lifting Machine on Slings	4
3.3. Moving a Disabled Machine	5
3.4. Machine Storage	7
3.4.1. Preparing for Storage	7
3.4.2. Servicing Machine During Storage	9
3.4.3. Preparing for Operation after Storage	9

3.1. MACHINE TRANSPORT

3.1.1. GENERAL

IMPORTANT: When shipping this machine by high-speed means of transport secure the air intake cap and the exhaust outlet to protect the turbocharger from damage. Turn the system master switch to the OFF position.



WARNING! When transporting the machine, use caution when loading and unloading it. Load and unload a machine on a level area which fully supports the machine and the transport vehicle so it cannot move. Use loading ramps of adequate strength, low angle and proper height.

3.1.2. TRUCK

When shipping this machine by truck learn obligatory regulations. Contact local authorities for the proper shipping and loading regulations.

When preparing to transport a machine by truck, have the truck and trailer level.

1. Use ramps or loading dock to maintain stability.
2. Drive the machine in its lower gear.
3. Use the lowest engine speed that will move the machine and not stall the engine.
4. The machine can be "inched" into place by holding the steering hand levers back and slowly moving them forward into the drive position. (Be careful and move the levers simultaneously otherwise the machine will turn).
5. Pulling the steering hand levers back will disconnect the drive. Pulled back part way they will permit the machine to roll freely.
6. When the machine is properly located, stop the engine, place the transmission controls in Neutral (N), apply the Neutral Safety Lever, apply and lock the brakes and turn off the master switch.
7. Tie the machine down securely by ropes or wires and by wooden blocks to prevent unintentional movement.



DANGER! Failure to secure a machine to the truck during transporting can result in property damage, personal injury or death.

3.1.3. RAILROAD FLAT CAR

Respective railroad loading rules and specifications must be followed when shipping this machine on open top railroad cars.

SECTION 3 MACHINE TRANSPORT AND STORAGE

Page 4

3.2. LIFTING MACHINE ON SLINGS

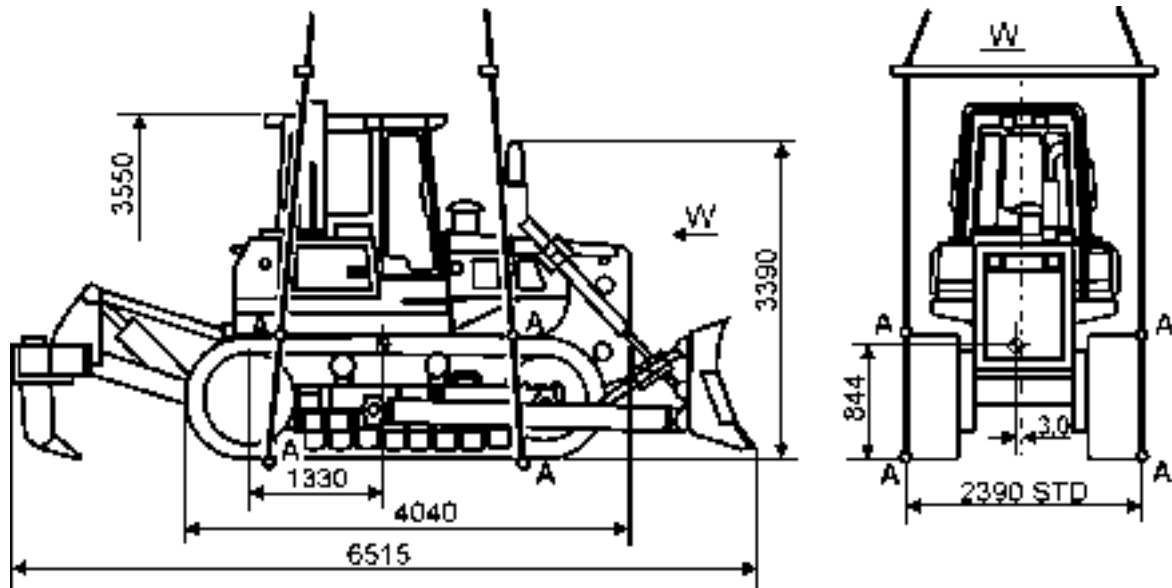


Fig. 3.1. Lifting Machine on Slings (Machine without Lifting Eyes)

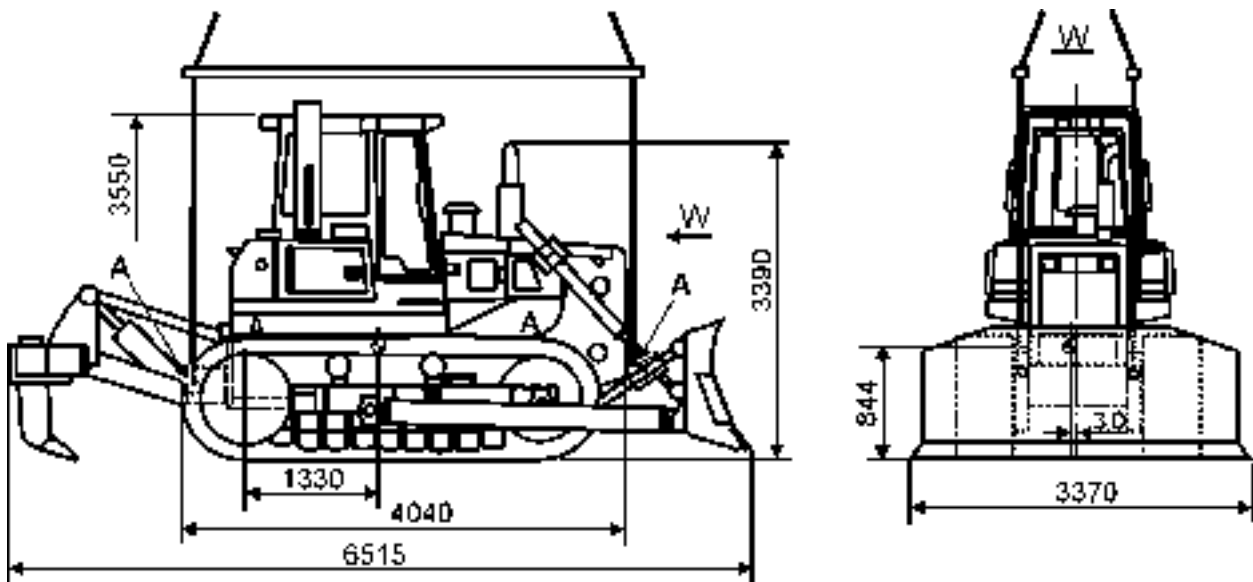


Fig. 3.1A. Lifting Machine on Slings (Machine with Lifting Eyes)

1. Before lifting a machine depress the brake pedal and apply the pedal lock.
 2. Use slings of sufficient strength.
 - 3A. If the machine is not equipped with lifting eyes, attach slings under the machine as shown in Fig. 3.1 in the places marked by the letter „A” in the way preventing sliding of the sling from the track shoe and moving the track itself.
 - 3B. If the machine is equipped with lifting eyes attach slings as in Fig. 3.1A in the places marked by letter "A" in the way preventing sliding out of the sling.
- All attaching points for lifting devices such as eyes, holes of the elements of mounted equipment should be marked as shown in Fig. 3.1.B.

LIFTING MACHINE ON SLINGS

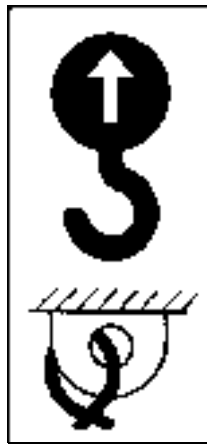


Fig. 3.1B. Plate Marking Place for Lifting Machine

4. Attach beams to the lifting slings to prevent them sliding out of the sling.
5. The standard machine weight with a cab, ROPS structure, air conditioner, blade and ripper is 19,850 [kg].

3.3. MOVING A DISABLED MACHINE



CAUTION! When using a chain or cable, be sure it is strong enough for the expected load and is properly secured to the drawbar pins or tow hooks (if equipped).



WARNING! When pulling with a chain or cable, take up the slack slowly to avoid jerking. A chain or cable which fails under load can whip and cause serious injury. Stand clear. Do not pull or tow unless the operator's compartment is guarded against or out of reach of a whipping chain or cable. Attach only to the machine tow hook or drawbar. Failure to follow these instructions could cause serious injury.

IMPORTANT! A machine **MUST NOT** be towed if the steering drive, final drive or their parts or subassemblies are out of order. It must be transported to avoid further damage.

To avoid a possibility of power train damage, limit towing to a distance of 1 [km] at speeds less than 2 [km/h]. The brakes on this machine are spring applied automatically when the engine is stopped or the steering hydraulic system fails, and can only be released hydraulically.

The diagnostic center (Fig. 3.2) has a quick couplers R_B and L_B for externally applying hydraulic pressure to the LH and RH brake spools to release them prior to towing per below specified procedure.

SECTION 3 MACHINE TRANSPORT AND STORAGE

Page 6

MOVING A DISABLED MACHINE

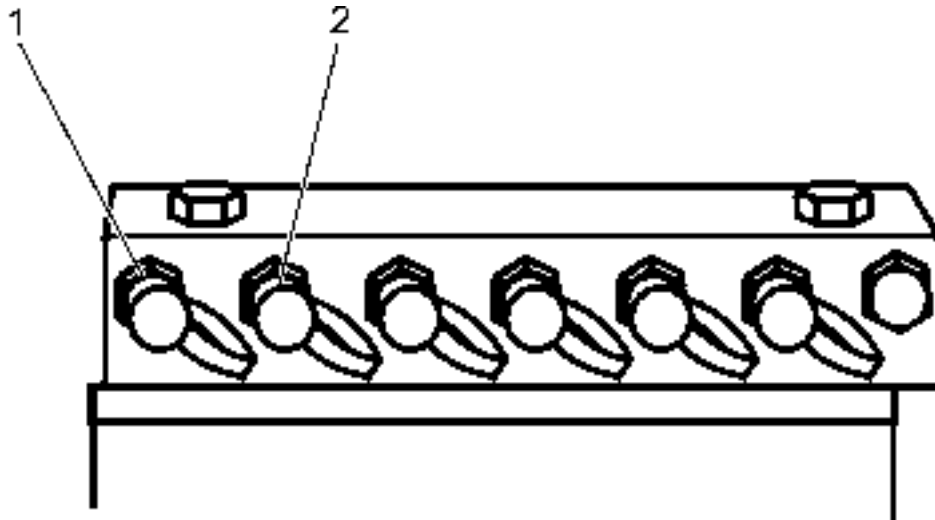


Fig. 3.2. Diagnostic Center – Tow and Pressure Check Ports

1. Right Brake Quick Coupler
2. Left Brake Quick Coupler

If the tractor can be towed and the engine and steering hydraulic system can be operated, proceed as follows:

1. Lock the transmission shift lever in "NEUTRAL".
2. Start the engine.
3. Release the brake and decelerator pedal.
4. Use a towing cable of sufficient strength. Keep the engine running in the middle range of the idle speed and gear selector locked in "NEUTRAL" during the tow.

If the tractor can be towed but the engine and/or steering hydraulic system is inoperable proceed as follows:

1. Lock the transmission shift lever in "NEUTRAL".
2. Open the diagnostic center cover on the LH side of the machine and connect a lubricating fitting and pressure gauge to one of the quick couplers (port 1 or 2, Fig. 3.2).
3. Release the decelerator and brake pedal.
4. Pump sufficient grease into one of the ports (1 or 2 in Fig. 3.2.) to release the brakes. Connected pressure gauge should show the pressure of 830 - 1030 [kPa]. The amount of grease required depends on the amount of pressure dissipation in the system.
5. Use a towing cable of sufficient strength. During the tow, it may be necessary to pump more grease into the quick coupling to replace loss of pressure.
6. Depressing the decelerator and brake pedal will relieve hydraulic pressure and apply the brakes.
7. After towing is completed, actuate the steering levers until all grease is purged from the system and the pressure drops to zero (as measured on the brake port) while the decelerator and brake pedal is depressed and the steering levers are in the braking position.
8. Close the diagnostic center cover after disconnecting the lubricating fitting.

3.4. MACHINE STORAGE

3.4.1. PREPARING FOR STORAGE

When a machine is taken out of service and stored for more than 30 days, steps must be taken to protect the machine. Leaving the equipment outdoors exposed to the elements will materially shorten its life. An enclosure will protect the machine from rapid temperature changes and lessen the amount of condensation that forms in hydraulic components, engine, fuel tank and final drives. If it is not possible to put the machine in an enclosure, cover it with a tarpaulin.

After a machine has been positioned for storage and the engine shutdown, perform the following operations:

1. Visually inspect the machine for external leakage and other defects.
2. Clean the radiator, refer to "COOLING SYSTEM", Section 5.
3. Thoroughly clean the machine, be sure to rinse off any corrosive residue.
4. Correct any defects found. Consult Authorized Distributor of Construction Equipment, if necessary.
5. Clean or replace the air cleaner filter elements. Refer to "AIR CLEANING SYSTEM", Section 5.
6. The cooling system should be completely drained, chemically flushed, and refilled with a conditioned water/antifreeze solution suitable for the lowest temperature anticipated. Refer to "COOLING SYSTEM", Section 5 for the proper antifreeze and conditioner concentrations.

IMPORTANT: Under no circumstances should a vehicle be stored with a dry cooling system.

7. Drain the condensation water from the fuel tank. Refer to "FUEL SYSTEM", Section 5.
8. Remove and reinstall new fuel filters. Refer to "FUEL SYSTEM", Section 5. It is recommended to use fuel stabilizer, quantity as instructed by the manufacturer. Stabilizer will prevent degrading of fuel, sludge buildup and stops the growth of bacteria in fuel during storage. Fuel stabilizer may be purchased from:

FUEL PREP 1000
NALCO CHEMICAL COMPANY
2901 BUTTERFIELD ROAD
OAK BROOK, ILLINOIS 60521, USA
or machines distributor

10. Add 120 [ml] of volatile corrosion inhibitor "VCI" for each 100 liters of total fuel capacity to the fuel tank. "VCI" provides corrosion protection by contact with metal, and in a closed system, the vapors provide sufficient protection for areas that are not in contact with fuel. "VCI" may be purchased from:

NOX RUST VCI # 105 OIL

DAUBERT CHEMICAL COMPANY
1200 JORIES BLVD
OAK BROOK, ILLINOIS 60521, USA
or machines distributor



WARNING! Rust inhibitors are volatile and flammable. Prepare the machine in a well ventilated place. Keep away from open flame or sparks **DO NOT SMOKE.** Store the container in a secure, cool, well ventilated place.

SECTION 3 MACHINE TRANSPORT AND STORAGE

Page 8

MACHINE STORAGE



CAUTION! Due to the volatile nature of "VCI", irritation of eyes and skin may occur. Prolonged exposure to the vapors or oil should be avoided.

11. Start the engine and run in the middle range of idle speed, no load, for approximately 4 minutes and stop the engine.

12. Lubricate all points of the machine as outlined in the "SERVICE GUIDE", Section 5.

NOTE: Be sure to oil or grease all linkage connections, joints, nuts, pins, shafts, and bushings not covered in the "SERVICE GUIDE".

13. Drain the crankcase oil from the engine, replace the lubricating oil filter and refill with the specified oil. Refer to "ENGINE", Section 5.

14. Add 15 [ml] of "VCI" for each liter of engine oil capacity to the crankcase. (Example: if the total crankcase capacity is 10 liters, add 150 [ml] of VCI to the crankcase).

15. Start the engine and run it in the middle range of idle speed, no load, for approximately 30 seconds and stop the engine.

16. Remove the air intake cap.

17. Pour 120 [ml] of "VCI" into the intake manifold to provide sufficient corrosion protection for the area between the top of the piston and the bottom of the cylinder head.

18. Add 350 [ml] of VCI to the hydraulic reservoir.

19. Seal all external openings (i.e. engine exhaust outlet, crankcase and hydraulic breathers, fuel vent line, air intake, etc.) with waterproof tape wide enough to cover the opening regardless of its size.

NOTE: When sealing with tape, be sure to extend the tape approximately 25 mm beyond opening to insure a good seal.

20. Remove the batteries and store them in a cool, clean, dry, well ventilated place away from areas of storing or dispensing fuel and oil, not near any heat source and preferably where the temperature range is between 0[°C] to +21 [°C]. Be sure the batteries are fully charged.

IMPORTANT: Do not leave batteries on a concrete floor or in freezing temperatures.

IMPORTANT: If the machine is stored with dry-charged batteries or no batteries, the alternator output lead must be disconnected and insulated. Failure to do so may result in permanent damage to the alternator. Connect the output lead only after the batteries have been activated with electrolyte. Refer to "ELECTRICAL SYSTEM", Section 5.

21. If the blade is detached for storage, secure the cylinders to the machine to avoid damage.

22. Coat all machined, unpainted surfaces with chassis grease to prevent rust.

MACHINE STORAGE

3.4.2. SERVICING MACHINE DURING STORAGE

ONE-MONTH REPETITIVE SERVICE PERIOD

MACHINES EQUIPPED WITH MAINTENANCE-FREE BATTERIES

Check if batteries are fully charged. Never allow batteries to run down below $\frac{3}{4}$ full charge.

SIX-MONTH REPETITIVE SERVICE PERIOD

1. Visually inspect the engine and radiator for leakage and other defects. Correct all defects. If necessary, consult Authorized Distributor of Construction Equipment.
2. Remove all storage seals from the machine. (i.e. crankcase and hydraulic breathers, engine air intake, fuel tank vent lines, etc.).
3. Install fully charged batteries. Refer to "ELECTRICAL SYSTEM", Section 5.

IMPORTANT: Check that batteries are level in the holder and securely held. The hold-down fasteners should hold the batteries firmly but not tight enough to warp or damage either the hold-down bar or batteries.



WARNING! The ends of wires should be so arranged that access to the plugs is ensured. Lay the cables so that the wires should not rub hold-down bars or its fasteners. Always connect the negative ground cable last to minimize the chance of sparks or explosion.

4. Check the coolant level in the radiator and add proper concentrations of antifreeze and coolant conditioners, if required. Refer to "COOLING SYSTEM", Section 5.

NOTE: If excessive loss of coolant is detected, the problem should be corrected. Refer to "COOLING SYSTEM", Section 5.

5. Perform steps 7 through 22 of "PREPARING FOR STORAGE".

3.4.3. PREPARING FOR OPERATION AFTER STORAGE

1. Visually inspect the machine for external leakage and other defects.
2. Clean the radiator, refer to "COOLING SYSTEM", Section 5.
3. Thoroughly clean and wash the machine.
4. Correct any defects found. Consult Authorized Distributor of Construction Equipment if necessary.
5. Remove all storage seals from the machine (i.e. crankcase and hydraulic breathers, engine air intake, fuel tank vent lines, etc.).
6. Replace the air cleaner filter elements. Refer to "AIR CLEANING SYSTEM", Section 5.
7. Remove and discard fuel filters and replace with new ones. Refer to "FUEL SYSTEM", Section 5.
8. Fill the fuel tank with approved diesel fuel. Refer to "REFILL SPECIFICATIONS AND CAPACITY CHART", Section 5.
9. Lubricate all points of the machine as outlined in the "SERVICE GUIDE", Section 5.

SECTION 3 MACHINE TRANSPORT AND STORAGE

Page 10

MACHINE STORAGE

NOTE: Be sure to oil or grease all linkage connections, joints, nuts, pins, shafts, and bushings not covered in the "SERVICE GUIDE".

10. Drain the engine oil from the crankcase and replace the engine lubricating oil filter. Refer to "ENGINE", Section 5.
11. Install fully charged batteries. Refer to "ELECTRICAL SYSTEM", Section 5.

IMPORTANT: Check that the batteries are level in the holder and securely held. The hold-down fasteners should hold the batteries firmly but not tight enough to warp or damage either the hold-down bar or batteries.



WARNING! Ends of the wires should be so arranged that access to the plugs is ensured. Lay the cables so that the wires should not rub hold-down bars or its fasteners. Always connect the negative ground cable last to minimize the chance of sparks or explosion.

12. Prime the turbocharger by placing the engine speed control lever in the engine SHUT-DOWN position and cranking the engine for approximately 30 seconds. Continue to crank the engine periodically for 30-second until an oil pressure reading is indicated on the engine oil pressure gauge or the engine oil pressure warning light goes out. This should provide an adequate amount of oil to lubricate the turbocharger.

IMPORTANT: Crank the engine for a period of 30 seconds then allow the cranking motor to cool for two or three minutes before cranking again to avoid damaging the cranking motor.



WARNING! Never start an engine indoors unless proper exhaust ventilation is provided. Once the engine is running, move the machine outdoors as soon as possible.

13. Start the engine, refer to "STARTING THE ENGINE", Section 4. Observe all the gauges on the instrument panel for proper operation of engine.

SECTION 4

OPERATING

SECTION CONTENTS

	PAGE
4.1. Machine Precautions.....	3
4.2. Universal Symbols for Instruments and Controls	4
4.3. Instrument Panel	6
4.4. Cab Controls	9
4.4.1. Additional Receptacle (if equipped)	10
4.5. Controls and Adjustment	10
4.5.1. Seat	10
4.5.2. Seat Belt	11
4.5.3. Engine Speed and Shut Down Lever	12
4.5.4. Transmission Neutral Lock Lever	13
4.5.5. Transmission Shift Lever	13
4.5.6. Hand Steering Levers	14
4.5.7. Brake and Decelerator Pedal	14
4.5.8. Brake and Decelerator Pedal Lock	15
4.5.9. Electric System Master Switch	15
4.5.10. Equipment Control Levers	16
4.6. Starting the Engine	17
4.6.1. Normal Start	18
4.6.2. Ether Injector Start	19
4.6.3. Engine Start After Oil Change or Prolonged Standstill	20
4.7. Stopping the Engine	20
4.8. Driving the Machine	21
4.9. Shifting the Transmission	22
4.10. Converter Overheating	23
4.11. Steering the Machine	23
4.12. Locking Both Tracks	24
4.13. Downgrade Operation	24
4.14. Operating Over an Obstruction	24
4.15. Stopping the Machine	24
4.16. Parking the Machine	25
4.17. Operating Mounted Equipment	25
4.17.1. Hold	26
4.17.2. Raise	26
4.17.3. Lower	26
4.17.4. Float	26
4.17.5. Tilt	27
4.17.6. Ripper Control Lever	27
4.17.7. Bulldozer Blade Positions	28
4.17.7.1. Tilting the Blade with Mechanical Tilt.....	28
4.17.7.2. Tilting the Blade with Hydraulic Tilt	28
4.17.7.3. Leveling the Blade with Mechanical Tilt.....	29
4.17.7.4. Pitching the Blade	29

4.17.8. Angling the Bulldozer Blade	30
4.17.8.1. Adjusting the Diagonal Angle of Blade	30
4.17.8.2. Tilting the Blade with Mechanical Tilt	32
4.17.8.3. Tilting the Blade with Hydraulic Tilt	32
4.17.8.4. Leveling the Blade with Mechanical Tilt	32
4.17.8.5. Leveling the Blade with Hydraulic Tilt	33
4.18. Operating Techniques	33
4.18.1. Digging and Clearing	34
4.18.2. Transporting, Piling or Loading	37
4.18.3. Breaking Piles and Spreading	38
4.18.4. Ripping	40
4.18.4.1. Prior to Operation	40
4.18.4.2. Ripping Techniques	40
4.18.4.3. Cold Weather Operation	40
4.19. Economical Operation of the Machine	40

4.1. MACHINE PRECAUTIONS

During operation stay alert and watch what you are doing. Use common sense and do not operate when fatigued.

Know your machine.

For your personal safety read this manual carefully and follow all instructions and precautions. Refer to and read Section 2 carefully and follow all precautions.

Before starting or operating this tractor, read the following general precautions. These are listed there to help you protect the machine and to remind you of protection for yourself and those around you. Sound judgment and observance of these rules will help make your job a safer one. Visually check out the machine for leaks and broken, missing or malfunctioning parts. Be sure all caps, dipsticks, battery cups, etc. are secure before starting. Correct any problems before operating the machine.

Keep the transmission in low gear when going downhill. Never coast downhill with the transmission in neutral. The machine could go out of control and tip over. Always drive the machine slowly when on hillsides, ramps or rough terrain. Be extremely careful when working around trenches or banks. Failure to do so could cause the machine to roll over.

Before starting operation, check the machine for correct function of steering controls, brake controls, hydraulic controls, instruments and safety equipment. Make all necessary repairs or adjustments before operating the machine.

Do not place the tractor under load without the proper engine oil pressure and operating temperature. Before starting the engine, move the engine speed control lever to the low idle position.

Allow the engine to run at low idle for 3 to 5 minutes at 1000 [RPM] until normal oil pressure registers on the gauge to obtain complete distribution of the lubricating oil. Oil pressure after 15 seconds must be correct. Don't idle the engine more than 10 minutes.

To prevent any possible damage to the alternator, the electric system master switch must be in the "ON" position when the engine is running. The switch must be in the "OFF" position only when the engine is shut down at the end of each day or when the operator leaves the tractor unattended.

If the tractor is left outside during cold weather and the tracks become frozen to the ground, do not attempt to jerk them free with the power of the engine. Start the tractor slowly and, if the tracks do not break free, pry them loose. To prevent the tracks from freezing in the ground, park the tractor on planks.

In freezing weather thoroughly clean all ice and mud from the track system after each day's operation to prevent freeze-up of the system. Be sure to clean the seal area of the final drives, front idlers, top idlers and rollers.

Never pour cold coolant into the radiator if the engine is very hot unless conditions make it absolutely necessary. Use extreme caution as hot coolant could burn you. Keep face away from filler neck. Under such conditions, start the engine and let it idle while slowly pouring the coolant into the radiator. Allow the engine to cool down to 50[°C].

Pouring cold coolant into the engine may result in damage to cast components of the engine.

Never use water alone in the cooling system.

Fill the fuel tank at the end of each day's work to reduce moisture condensation in the tank.

MACHINE PRECAUTIONS

When using a long chain or cable to hitch the tractor to the load, drive the tractor forward slowly until all slack is taken out.

Before shutting down, operate the engine at half speed (no load) for three to five minutes. This will aid in cooling the engine and turbocharger.

4.2. UNIVERSAL SYMBOLS FOR INSTRUMENTS AND CONTROLS

The use of universal symbols will pictorially identify various instruments and controls. These symbols are an effort to overcome language differences for all operators in a positive way, thus enhancing their safety through quicker recognition of the instruments and controls while operating the equipment.

Study the following symbols so you will know their meaning immediately and at a glance.

UNIVERSAL SYMBOLS FOR INSTRUMENTS AND CONTROLS

The symbols below are used in crawler dozers, however not all of them are used on this machine.











































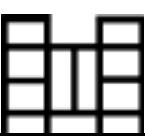

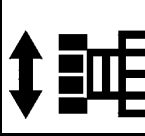
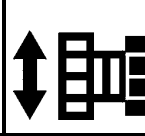














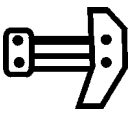











ON (GENERAL) 	OFF (GENERAL) 	FWD or UP 	REVERSE or DOWN 	FWD or REVERSE 	HOURMETER 	DANGER WARNING CAUTION 	Caution high pressure 
Variable slide CONTROL 	Variable rotation CONTROL 	Next speed (straight-line) 2 	Next speed (rotation) 1 	NEUTRAL position 	A/C 	Electrical receptacle 	
Battery switch 	Voltmeter 	Lights 	Dome lights 	Windshield Wiper 	Rear window wiper 	Window washer 	Fan 
Horn 	Fuel filler 	Fuel level 	Air cleaner 	Coolant level 	Coolant temperature 	Engine 	Engine RPM 
Oil pressure 	Starting aid 	Drive train oil filler 	Oil pressure 	Oil filler 	Oil level 	Oil temperature 	Oil pressure diagnostic point 
Hydraulic oil filler 	Hydraulic oil level 	Undercarriage 	Vehicle FWD or REVERSE 	LH Track driven 	RH Track driven 	RH Track brake 	LH Track brake 
Hydraulic filter 	Blade 	Raise 	Hold 	Lower 	Float 	Tilt left 	Tilt Right 
Angle left 	Angle right 	Pitch FWD 	Pitch AFT 	Ripper 	Raise 	Hold 	Lower 
Pitch FWD 	Pitch AFT 	Coolant filler 	Grease lubricant 	Engine start 	Parking brake 	IBrake ON 	Lift or lift point 

Fig. 4.1. Universal Symbols for Instruments and Controls

4.3. INSTRUMENT PANEL

General

This section covers the location and function of the various instruments and controls. More detailed information regarding operation of controls can be found in the following text within this section. Regardless of previous experience as an operator; you must be thoroughly familiar with the location and use of all instruments and controls before operating the machine.



CAUTION! Understand all control functions before starting the engine.

IMPORTANT: After starting and while operating observe instruments and warning lights frequently.

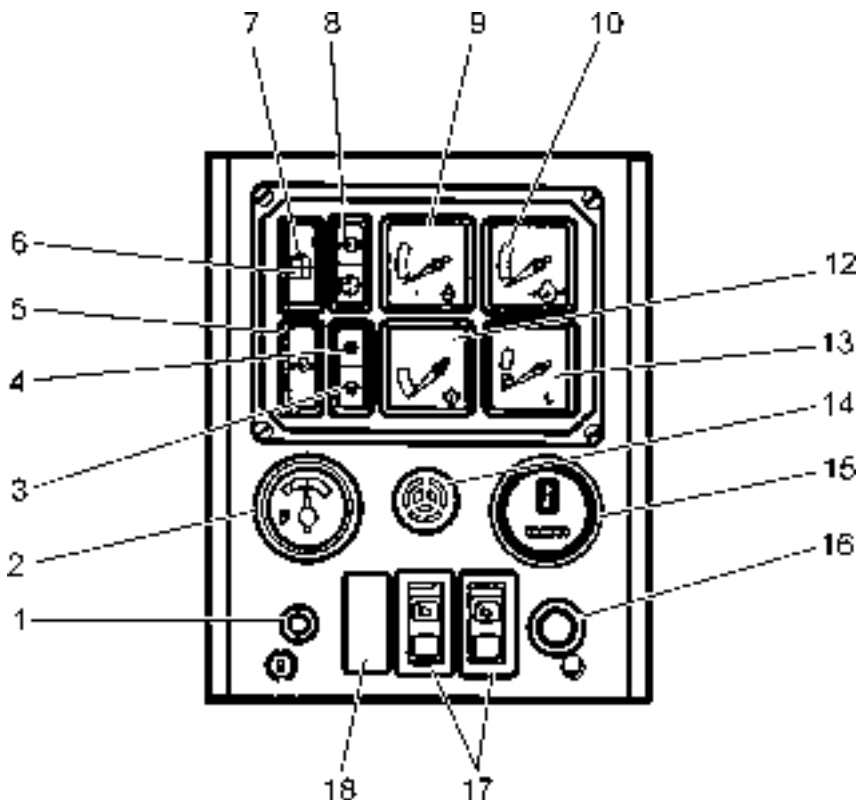


Fig. 4.2. Instrument Panel

1. Brake Lock
2. Fuel Level Gauge
3. Engine Coolant Level Warning Light
4. Air Cleaner Filter Warning Light
5. Low Engine Oil Pressure Warning Light
6. Transmission Oil Pressure Filter Warning Light
7. Hydraulic Oil Filter Warning Light
8. Transmission Main Low Pressure and Clutch Low Oil Pressure Warning Light
9. Engine Coolant Temperature Gauge
10. Engine Oil Pressure Gauge
12. Torque Converter Oil Temperature Gauge
13. Voltmeter
14. Engine Coolant Low Level and Engine Low Oil Pressure Alarm
15. Hourmeter
16. Starting Button and Warning Light Check
17. Light Switches
18. Ether Start Switch

OPERATING

INSTRUMENT PANEL

1. BRAKE LOCK

This handle locks the brake and decelerator pedal in the applied position for parking the machine. To lock the brake and decelerator pedal, fully depress the pedal, pull out the lock handle and remove your foot from the pedal. To release the brake, simultaneously depress the brake pedal and push in the lock handle.

2. FUEL LEVEL GAUGE

The gauge indicates quantity of fuel available for operation in the fuel tank.

3. ENGINE COOLANT LEVEL WARNING LIGHT

The engine coolant level indicator will glow if coolant level drops below operating level, this light is supplemental to low engine coolant and oil pressure alarm (13) on instrument panel.

4. AIR CLEANER FILTER WARNING LIGHT

The air cleaner filter warning light will glow amber when the filter element reaches the maximum allowable restriction. When this happens, filter element service is required and examining the problem.

5. LOW ENGINE OIL PRESSURE WARNING LIGHT

The engine oil pressure warning light will glow when engine oil pressure is low. Glowing of this lamp obliges the operator to immediate stopping the engine.

6. TRANSMISSION OIL PRESSURE FILTER WARNING LIGHT

The transmission oil filter indicator will glow amber when the oil filter element reaches the maximum allowable restriction. When this happens, transmission pressure filter change is required.

7. HYDRAULIC OIL FILTER WARNING LIGHT

The hydraulic oil filter warning light will glow amber when the oil filter element reaches the maximum allowable restriction. When this happens, filter change is required.

8. TRANSMISSION MAIN LOW PRESSURE AND CLUTCH LOW OIL PRESSURE WARNING LIGHT

The transmission clutch low oil pressure warning light will glow when there is insufficient oil pressure in neutral position or insufficient oil pressure available for the transmission clutches with transmission in gear. When warning light is activated stop the engine and clean transmission system suction filter and check oil level in rear frame. Refer to "TRANSMISSION SYSTEM" in Section 5. If the light continues to glow stop the engine and consult Authorized Distributor of Construction Equipment before operating the machine.

9. ENGINE COOLANT TEMPERATURE GAUGE

This gauge shows the temperature of the coolant circulating through the engine. After the engine has operated a sufficient length of the time, the pointer of the gauge must be in the GREEN area of the gauge. During normal operation the gauge readings may vary between the minimum and maximum indicated by the GREEN area of the gauge.

Continuous engine operating below the minimum temperature is harmful to the engine. Low coolant temperatures will also cause exhaust smoke and increase the rate of fuel consumption.

NOTE: *In cold weather, if no louver is mounted, it may be necessary to cover part of the radiator to maintain the minimum coolant temperature indicated at the lower end of the GREEN area.*

The engine temperature under full load should remain in the GREEN of the gauge.

INSTRUMENT PANEL

10. ENGINE OIL PRESSURE GAUGE

This gauge shows the pressure at which the lubricating oil is circulating through the engine. The pointer must register in the green area during operation of the engine.

12. TRANSMISSION SYSTEM OIL TEMPERATURE GAUGE

This gauge shows the temperature of oil in transmission system. The pointer of the gauge must be in the GREEN area of the gauge. If the pointer is above the GREEN area of the gauge check the following:

- if the transmission is not in a gear range too high for the load handled,
- oil level in the rear main frame,
- the radiator for cleanness,
- suction filter for cleanness and suction line for leaks.

If the pointer still remains beyond the GREEN area, consult an Authorized Distributor of Construction Equipment.

13. VOLTMETER

The voltmeter indicates the condition of the batteries. At low idle speed, the gauge pointer should be within the green with white stripe area, which indicates a good battery charge. If the voltage drops below this area, the batteries should be checked.

With the engine operating above low idle speed, the pointer should be within the upper green area, which is the normal operating range. If the pointer drops below or exceeds this area, the battery, alternator or wiring may be at fault.

14. LOW ENGINE COOLANT AND LOW OIL PRESSURE ALARM

This alarm will sound when engine lubricating oil pressure or coolant level in the radiator drops below normal. If so, stop the machine and find out which warning light glows and check the gauge indication.

15. HOURMETER

The hourmeter electrically records actual hours of engine operation. The purpose of the hourmeter is to indicate when to perform the recommended maintenance and lubrication operations. The hourmeter will register only when the engine is running.

16. START AND WARNING LIGHTS CHECK BUTTON

The button is used to crank the engine.

IMPORTANT: *To prevent damage to the starter motor and avoid low battery output, do not continuously crank the engine for more than 30-second intervals. Allow 2 to 3 minute recovery period between cranking.*

Place the transmission neutral lock in neutral (OFF) and the electric system master switch to the ON position.

Prior to starting the engine move the engine speed and shut down lever fully forward (OFF position), depress the starting switch and check if all warning lights glow. If any warning light doesn't glow that indicates that the bulb is defective or its circuit is broken.

17. LIGHTS SWITCH

The work light switches are the rocker type switches. Activation of the switches turns on front and/or rear work lights.

18. ETHER INJECTOR SWITCH

This switch controls the ether injector for cold weather starting. Refer to "STARTING THE ENGINE" for proper operation of this switch.

4.4. CAB CONTROLS

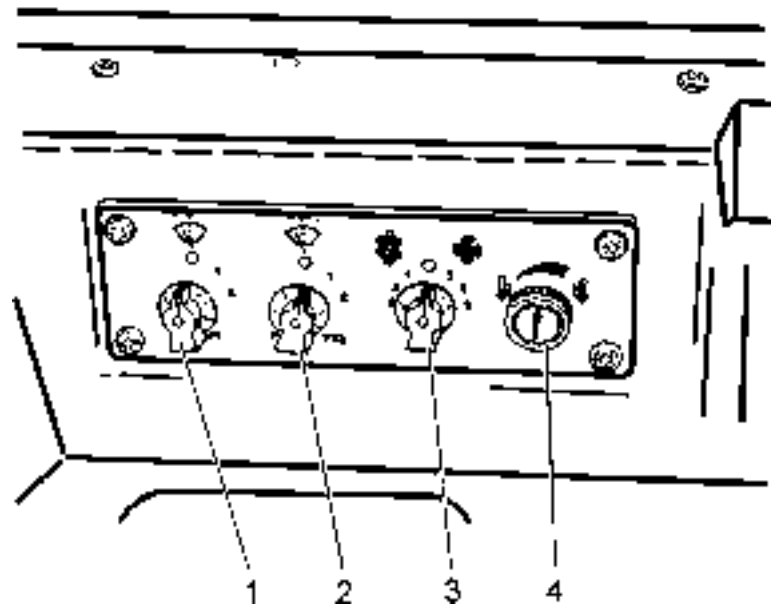


Fig. 4.3. Air Conditioner, Heater and Accessories Controls

1. Door Wipers Switch and Washer Push-button
2. Windows Wiper Switch and Washer Push-button
3. Heater and/or Cooler Pressurized Control Switch
4. Temperature Control Knob

DOME LIGHT

Dome light is switched on with switch mounted in the light.

CAB VENTILATION

NOTE: For maximum cooling turn the temperature control knob fully to the left.

1. DOOR WIPERS SWITCH

This switch activates window wipers and washers. The switch enables two-speed selection of the wipers that is: low (position 1) and high (position 2). Push the washer button to spray washer fluid.

2. WINDOW WIPERS SWITCH

This switch activates window wipers and washers. The switch enables two-speed selection of the wipers that is: low (position 1) and high (position 2). Push the washer button to spray washer fluid.

3. HEATER AND/OR COOLING PRESSURIZER FAN SPEED CONTROL SWITCH

This switch controls the speed of the fan circulating the air inside the cab. It has three speed settings low, medium and high. Turn the knob to the left for three fan speed selections when cooling the air, i.e. low, medium and high.

Turn the knob to right for three fan speed selections when heating air i.e. low, medium and high. To turn the fan off, turn knob to the central position.

4. TEMPERATURE CONTROL KNOB

This knob is used to control temperature inside the cab. To decrease temperature turn the knob to left and to increase temperature turn the knob to right.

To supply cool air into the cab, turn the temperature control knob off (completely to left). The rate of cooling can be adjusted by selection of fan speed as required.

To increase the temperature of air, turn the temperature control knob to right. A turn of the knob opens the valve, which lets more coolant through the heater and increases the temperature of the air entering the cab.

OPERATING

CAB CONTROLS

4.4.1. ADDITIONAL RECEPTACLE (if equipped)

An additional receptacle is attached to the instrument panel housing as shown in Fig. 4.3A to connect a receiver of current rating not to exceed 6 [amps].

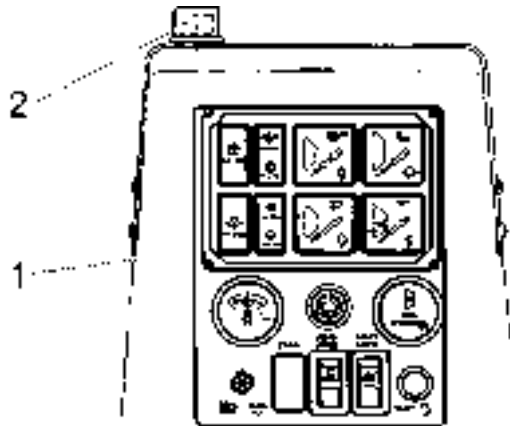


Fig. 4.3A. Additional Receptacle (if equipped)

1. Instrument Panel 2. Additional Receptacle

4.5. CONTROLS AND ADJUSTMENT

4.5.1. SEAT

SEAT ADJUSTMENT LEVERS

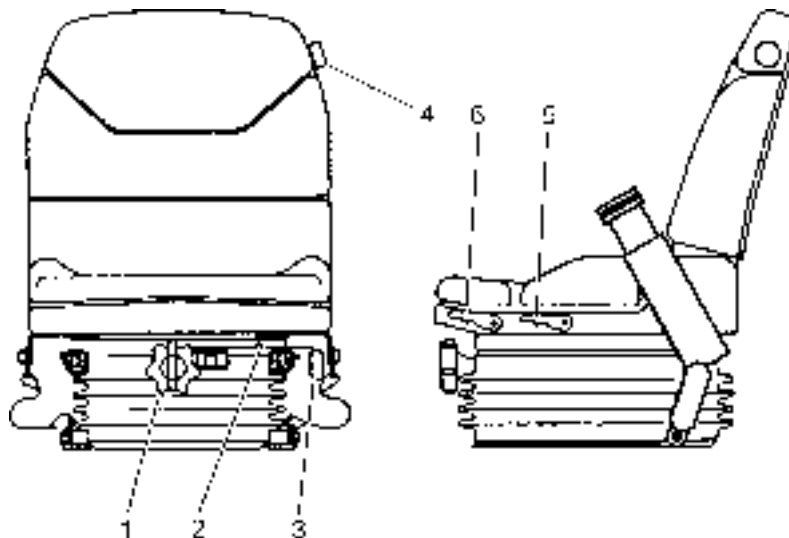


Fig. 4.4. Seat

1. Weight Adjustment Lever
2. Seat Travel Lever
3. 15 [°] Swivel to Right Lever
4. Back Rest Cushion Adjustment Knob
5. Back Cushion Tilt Lever
6. Seat Adjustment Knob

CONTROLS AND ADJUSTMENT

The operator's seat is adjusted as follows:

Press tilt lever (5) to adjust the required angle of the back cushion.

Turn knob (1) to adjust to your own weight. Move lever (2) forward to slide the seat back or forth.

Turn knob (4) located on the left side of the back rest to adjust the back rest angle.

For ripping operations lift lever (3) to swivel the seat 15[°] to the right.

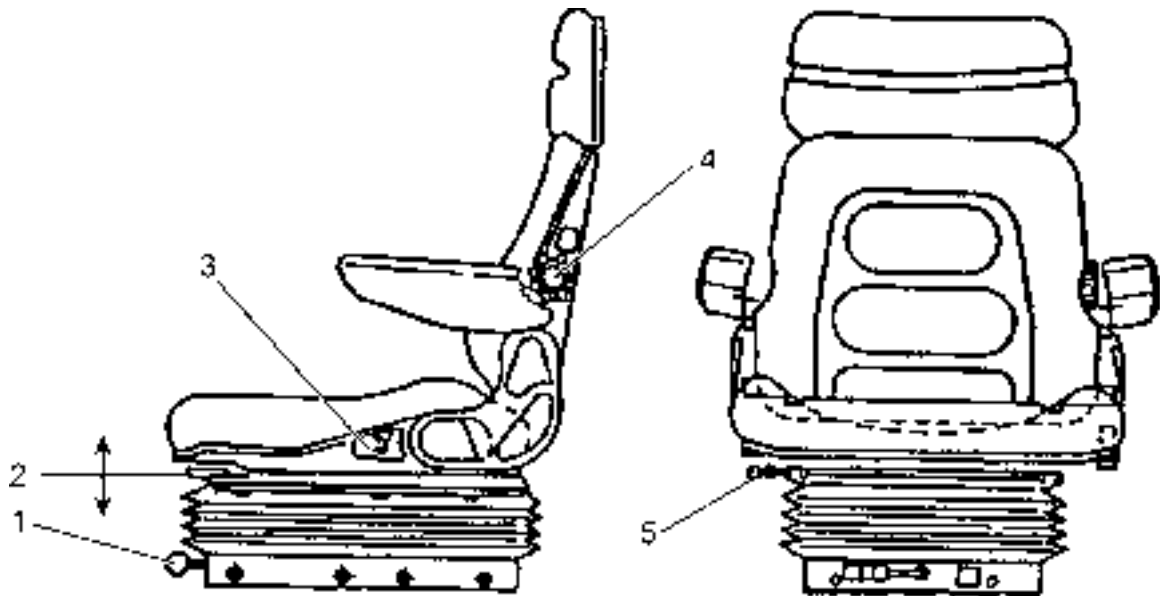


Fig. 4.4A. GRAMMER Seat (if equipped)

1. Weight Adjustment Lever
2. Seat Height Adjustment Lever
3. Back Rest Angle Adjustment Lever
4. Back Rest Profile Adjustment Lever
5. Seat Travel Lever

This is a suspension seat with several adjustments to provide maximal comfort to the operator.

Set with lever (1) the initial load according to the operator's weight.

The seat cushion can be set in one of the following three positions: "low", "medium" and "high". To change the position press the cushion down or lift it up as necessary.

Turn knob (4) to adjust the backrest profile.

Pull up lever (5) and slide the seat forward or rearward to the desired positions and lock with the lever.

The backrest angle can be adjusted with lever (3).

The seat is equipped with arm rests and safety belt.

The seat belt is emergency type and does not need to be adjusted.

4.5.2. SEAT BELT



WARNING! Before driving a machine adjust the seat belt and fasten the seat belt. Adjust the belt to fit snugly and low around the hips to lessen the chance and severity of injury in the event of an accident. Never wear the belt across the abdomen.

OPERATING

CONTROLS AND ADJUSTMENT

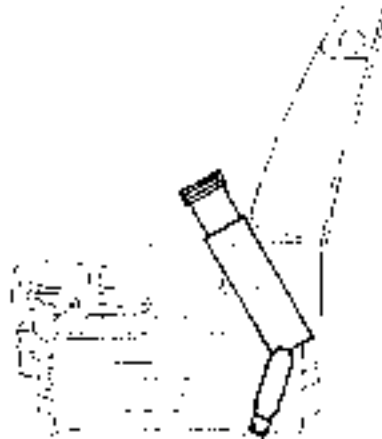


Fig. 4.5. Seat Belt

To buckle, insert the tongue portion of the buckle into the locking portion.



WARNING! Do not use bleach, color dye or solvents on the seat belt webbing, this may cause a severe loss of tensile strength. This could cause the webbing to break resulting in personal injury, it is recommended that the seat belt be cleaned only with warm water and a mild detergent. Keep belt flat to avoid twisting and roping when not being used. Do not place heavy or sharp object on the belts.

4.5.3. ENGINE SPEED AND SHUT DOWN LEVER

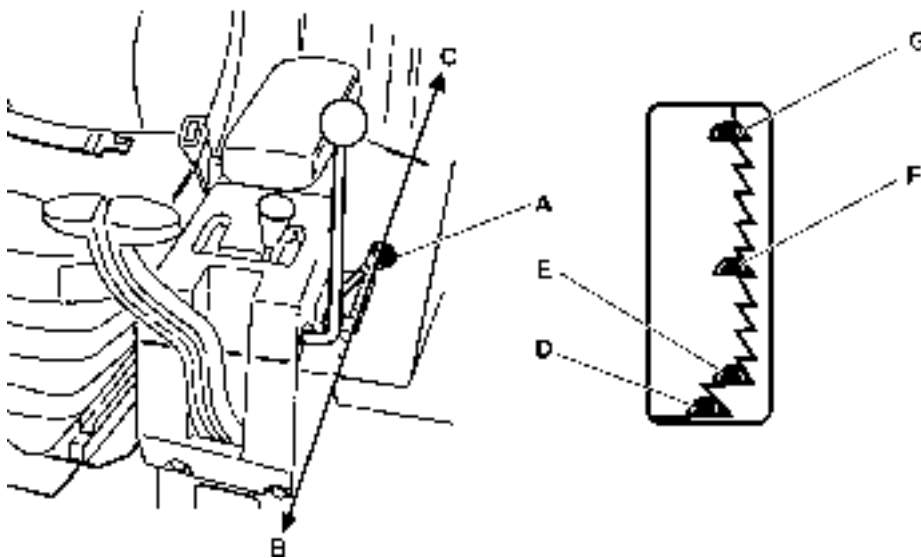


Fig. 4.6. Engine Speed and Shut Down Lever

- A. Engine Speed and Shut Down Lever
- B. Lever Forward to Decrease Speed
- C. Lever Back to Increase Speed
- D. Large Cutout for Engine Shut Down
- E. Cutout for Engine Start and Low Idle Speed
- F. Midium Idle Speed
- G. High Idle Speed

This lever (A) is used to start the engine, control speed of the engine or to shut it off. Push this lever forward (B) to decrease engine speed. Pull the lever back (C) to increase engine speed. Position lever in this large cutout (D) to shut down the engine.

CONTROLS AND ADJUSTMENT

4.5.4. TRANSMISSION NEUTRAL LOCK LEVER

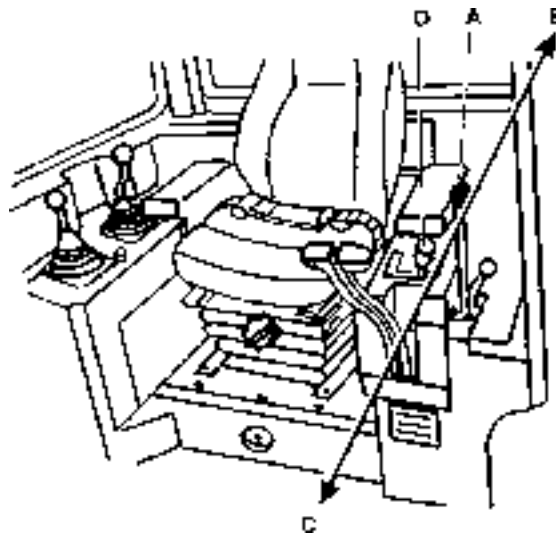


Fig. 4.7. Transmission Neutral Lock Lever

- A. Transmission Neutral Lock Lever
- B. Lever Rearward to Lock Shift Lever
- C. Lever Forward to Release Shift Lever
- D. Transmission Shift Lever

This lever (A) is used to lock the transmission shift lever in "NEUTRAL." Move the lever backward (B) (ON position) to lock the shift lever, or forward (C) (OFF position) to release. When starting or idling the engine with the transmission in NEUTRAL place the lock lever in the ON position.

4.5.5. TRANSMISSION SHIFT LEVER

Lever (D) is used to select the various transmission gear ranges and directional ranges. Refer to "DRIVING THE MACHINE."

NOTE: When the shift lever is placed in one of the reverse positions, the back-up alarm will automatically sound.

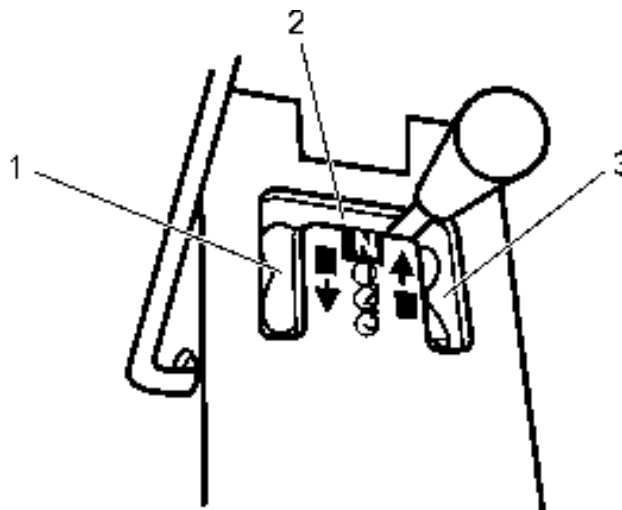


Fig. 4.8. Transmission Shift Lever

- 1. Rear Gears
- 2. Neutral Position
- 3. Front Gears

OPERATING

CONTROLS AND ADJUSTMENT

4.5.6. HAND STEERING LEVERS

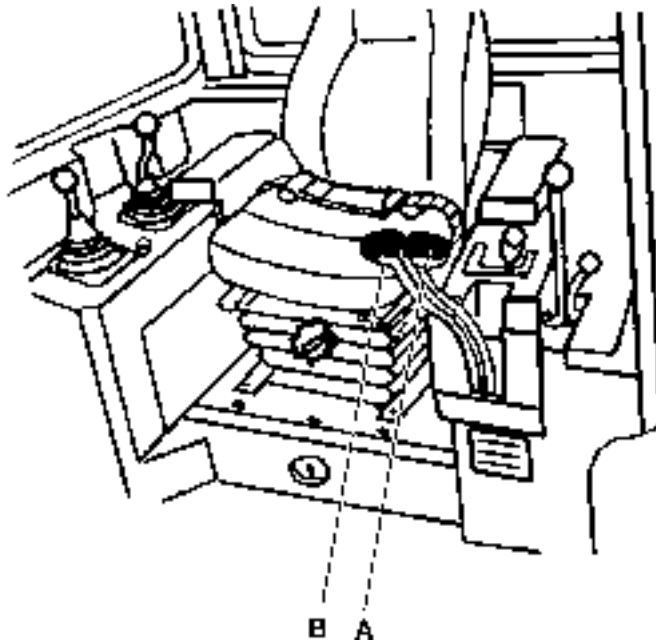


Fig. 4.9. Hand Steering Levers

A. Left Hand Steering Lever B. Right Hand Steering Lever

These levers steer the machine by controlling engine power to the tracks and by applying and releasing respective speed range clutch packs and brake clutch packs. The left hand steering lever (A) controls the left track with the right hand steering lever (B) controlling the right track.

4.5.7. BRAKE AND DECELERATOR PEDAL

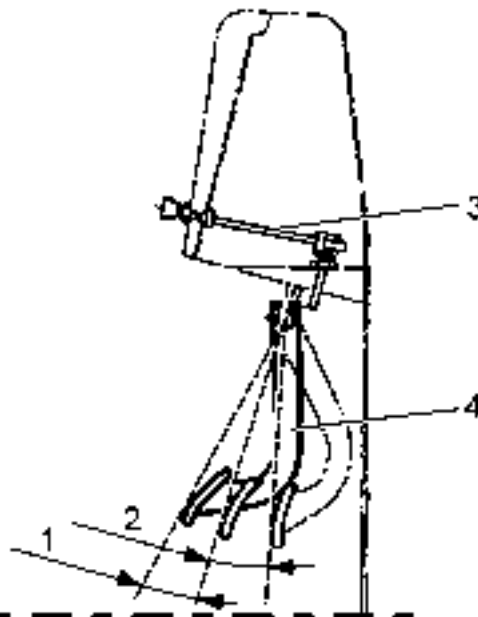


Fig. 4.10. Brake and Decelerator Pedal Adjustment

1. Deceleration Angle (10 [°]) 3. Brake Lock Linkage
2. Braking Angle (14 [°]) 4. Brake and Decelerator Pedal

CONTROLS AND ADJUSTMENT

This pedal overrides the engine speed control lever setting. Partial depression of the pedal decreases engine speed for smoother changes in machine direction and to ease the machine up to a load. Release the pedal to accelerate the engine speed control lever setting. This pedal stops the machine when fully depressed. It also serves as a parking brake when the brake pedal lock is applied and brake pedal lock knob is pulled.

Periodic adjustment of the pedal might be required. Refer to Section 5 if values are not within those shown in Fig. 4.10.

4.5.8. BRAKE AND DECELERATOR PEDAL LOCK

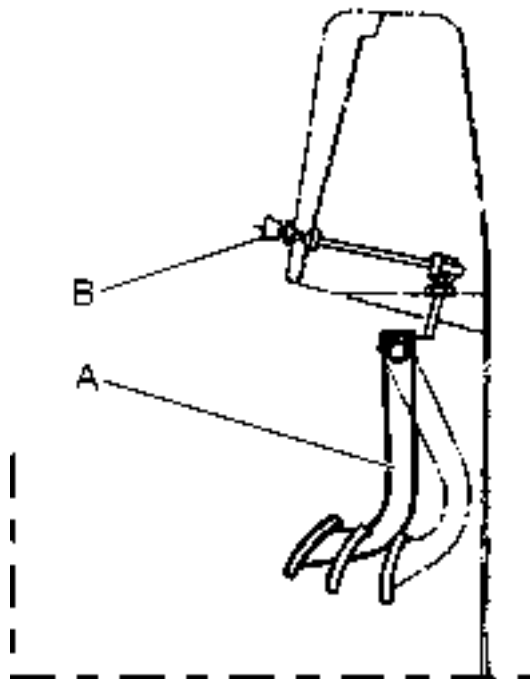


Fig. 4.11. Brake and Decelerator Pedal

- A. Brake and Decelerator Pedal
- B. Brake Lock

This lock secures the brake and decelerator pedal in the applied position for parking the machine. To lock the brake and decelerator pedal fully depress the pedal, pull out the lock and remove your foot from the brake and decelerator pedal. To release the brake, depress the brake and decelerator pedal and push the lock.

IMPORTANT: Release the brake pedal lock before moving a machine. The brakes could burn or steering clutches be damaged if a machine is driven with partially applied brakes.

4.5.9. ELECTRIC SYSTEM MASTER SWITCH

Turn the key clockwise to connect the battery ground circuit. Turn the key counterclockwise to disconnect the battery ground circuit.

IMPORTANT: Keep the switch on while the engine is running.

OPERATING

CONTROLS AND ADJUSTMENT

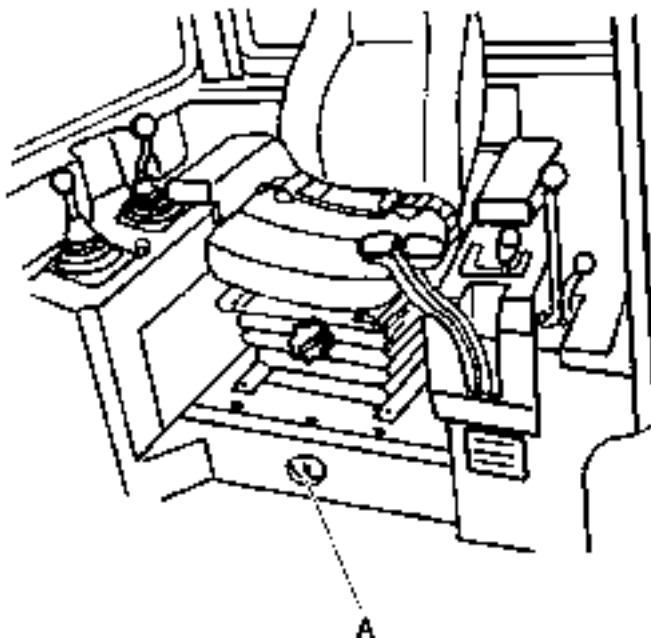


Fig. 4.12. Electric System Master Switch
A. Electric System Master Switch Key

4.5.10. EQUIPMENT CONTROL LEVERS

BLADE CONTROL LEVER

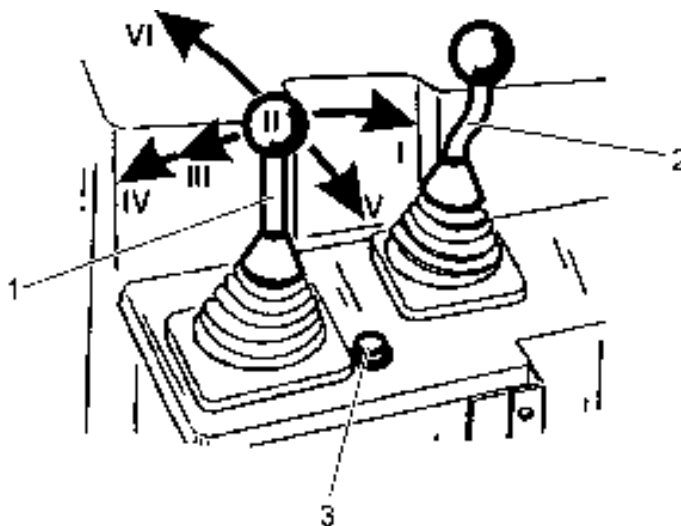


Fig. 4.13. Blade Equipment Control Lever (1)

1. Blade Control Lever
 - I. Raising
 - II. Hold
 - III. Lowering
 - IV. Floating
 - V. Tilt to the left
 - VI. Tilt to the right
2. Ripper Control Lever
3. Horn Button

CONTROLS AND ADJUSTMENT

RIPPER CONTROL LEVER

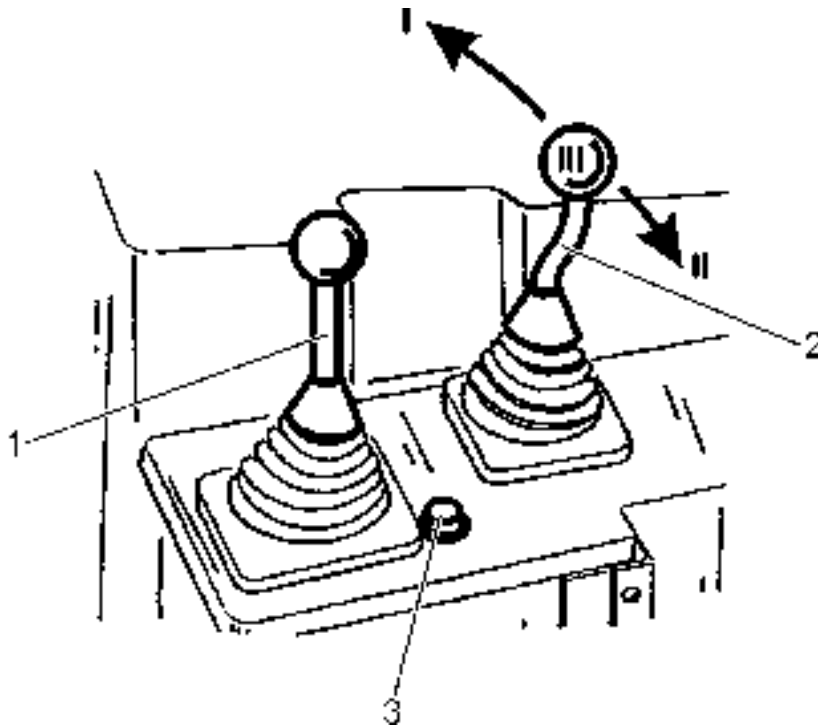


Fig. 4.14. Ripper Control Levers (2)

- | | |
|-------------------------|------------------|
| 1. Blade Control Lever | I. Ripper Raise |
| 2. Ripper Control Lever | II. Ripper Lower |
| 3. Horn Button | III. Hold |

NOTE: For proper control of the ripper control lever and observation of working tool swivel the operator seat 15[°] to the right.

4.6. STARTING THE ENGINE

IMPORTANT: Before operating a machine perform each of the 10 hour maintenance requirements shown in Section 5.2. SCHEDULED MAINTENANCE. This engine cannot be started by towing, pushing or coasting the machine.



WARNING! Before entering the operator s compartment, walk completely around the machine and clear the area of personnel and obstructions.



WARNING! Read all product graphics before starting, operating, maintaining, or repairing the machine.



WARNING! Understand all control functions before starting the engine.

STARTING THE ENGINE

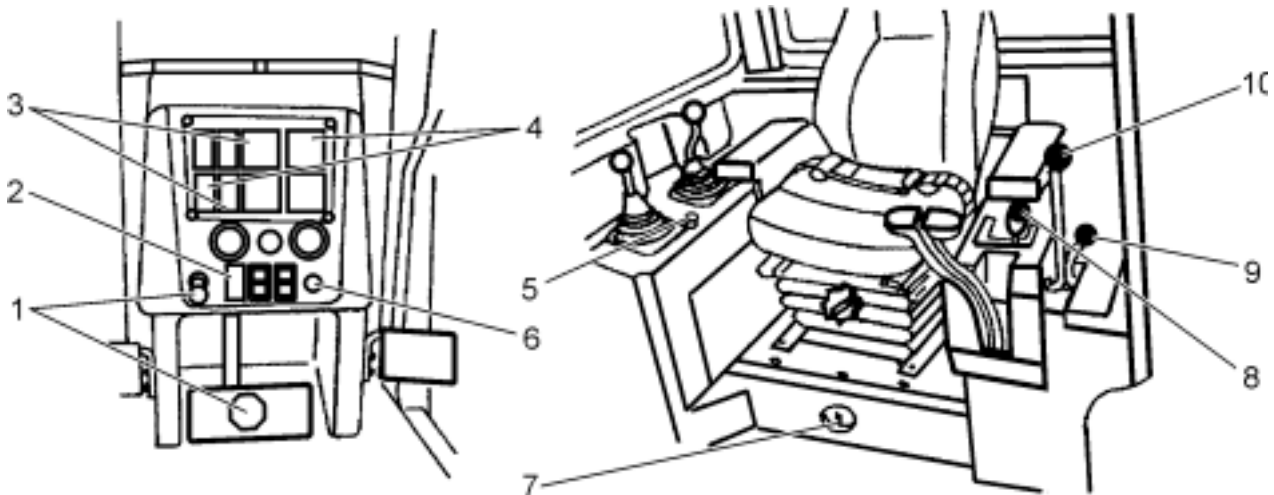


Fig. 4.15. Starting the Engine

1. Brake and Decelerator Pedal and Brake Lock Knob
2. Ether Start Button
3. Engine Coolant Gauge and Light
4. Engine Oil Pressure Gauge and Light
5. Horn Button
6. Start Switch Button
7. Electric system Master Switch
8. Transmission Shift Lever
9. Engine Speed and Shut Down Lever
10. Transmission Neutral Lock Lever



WARNING! Never start the engine indoors unless proper exhaust ventilation is provided to remove deadly exhaust gases. Once the engine is running, move the machine outdoors as soon as possible. Exhaust gases are hazardous and can cause unconsciousness and death.



WARNING! Be sure all personnel are clear of the machine before starting the engine. Sound the horn.



WARNING! Make sure the operator's seat is adjusted properly and fasten the safety seat belt.

4.6.1. NORMAL START (temperature above 0 [°C]) (Fig. 4.15)

1. Apply and lock the brake and decelerator pedal.
2. Place transmission shift levers (8) in neutral.
3. Place the neutral lock lever (10) in vertical "ON" position.
4. Move the engine speed control lever (9) to low speed (idle) position (Fig. 4.16).
5. Turn on electric system master switch "ON".

STARTING THE ENGINE

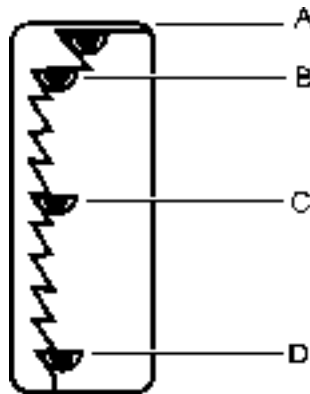


Fig. 4.16. Engine Speed and Shut Down Control Lever Position

- | | |
|---------------------|-----------------|
| A. Engine Shut Off | C. Medium Speed |
| B. Low Speed (Idle) | D. High Speed |

6. Sound the horn (5) to clear all personnel of the immediate area.
7. Crank the engine with button (6).

IMPORTANT: Crank the engine for 30 seconds at a time no more. If the engine does not start, allow the cranking motor to cool two or three minutes before cranking again.

8. Check the oil pressure. Stop the engine immediately, if gauge fails to show correct pressure after 15 seconds. Allow the engine to idle for 3 to 5 minutes (app.1000 [RPM]) before increasing the engine speed and placing under load.
9. Check the indications of all instruments to ensure that the machine is operating correctly. Refer to INSTRUMENT PANEL.

IMPORTANT: It is not recommended to run the engine at low idle over 10 minutes due to possibility of faster wear of engine components.

4.6.2. ETHER INJECTOR START (temperatures below 0 [°C]) (Fig. 4.15)



WARNING! Ether starting fluid is highly flammable. Follow the precautions on the container. An explosion can result if sparks or flame contact the ether or when storing ether container when the air temperature is above 70 [°C].

Observe the following precautions:

- Do not use the ether injector when the air temperature is above 0 [°C].
- Do not use open flame when using ether starting fluid.
- Do not store fluid containers in the operator's compartment.
- Store the containers in a cool, well ventilated place. Keep the fluid containers out reach of children.
- Do not breathe hazardous ether vapor.
- Do not let ether contact you skin, because it can cause frostbite.
- Never puncture a fluid container or put it into a fire.
- Dispose of empty containers per instructions printed on the container.
- For your safety, remove the ether container when welding, grinding, or using a torch on a machine.

STARTING THE ENGINE

- Follow the correct method for starting the engine.
- Before any attempt to start the engine, check the ether container or insure that a supply of starting fluid is available under pressure and the system is in working condition. Pressing the switch in the instrument panel makes ether injection.

IMPORTANT: The ether injector is to be used only for starting. Misuse of the ether injector while the engine is running can result in serious damage to engine.

1. Perform all activities as described in item 1-6. Refer to NORMAL START (temperature above 0 [°C]).
2. Press the start button and during cranking press the ether injector switch. Allow one to two seconds for the chamber in the valve to fill then, with the engine cranking, release the ether injector switch to release a measured shot of starting fluid into the engine. If temperature is below -18 [°C], additional ether may be required. If the engine does not fire with a maximum of 2-3 injections, determine the cause and correct before again attempting a start.

IMPORTANT: Crank the engine for 30 seconds at a time no more. If it does not start, allow the cranking motor to cool two or three minutes before cranking again.

4.6.3. ENGINE START AFTER OIL CHANGE OR PROLONGED STANDSTILL (over 5 days) (FIG.4.15).

1. Perform all activities as described in item 1 to 3 and 5 to 6. Refer to NORMAL START.
2. Place the engine speed control lever in OFF position (Fig. 4.16).
3. Press engine start switch (6) on the instrument panel. Crank the engine until oil gauge (4) registers oil pressure or the low oil pressure warning light goes off. Depress the start switch.
4. Move the engine speed control lever to idle position (Fig.4.16).
5. Perform all activities as described in item 7 to 9. Refer to NORMAL START.

4.7. STOPPING THE ENGINE (Fig. 4.17)

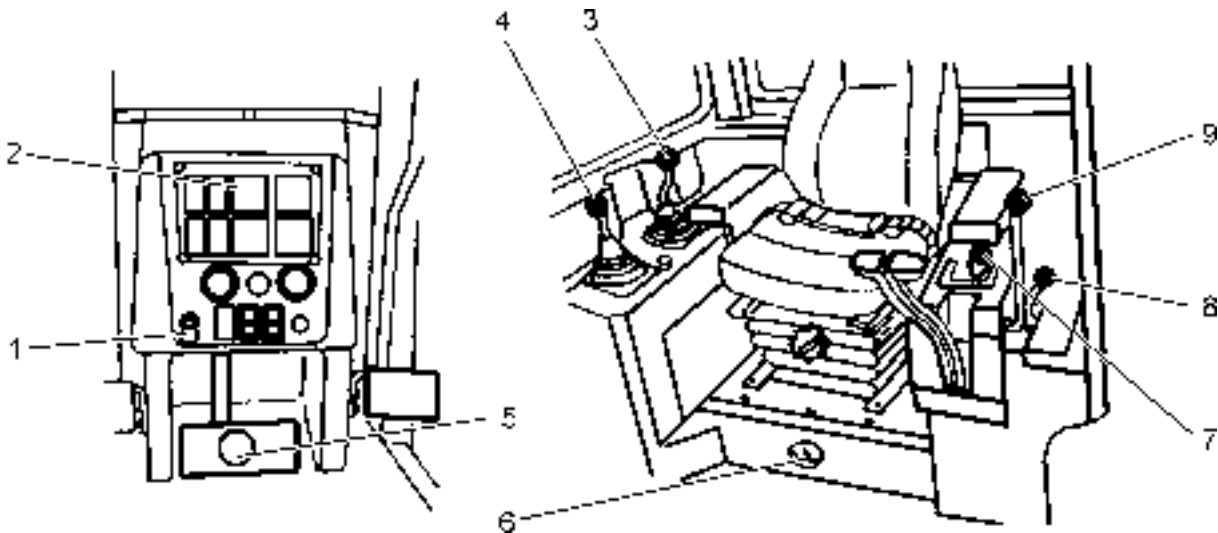


Fig. 4.17. Stopping the Engine

- | | |
|-------------------------------------|-------------------------------------|
| 1. Brake Lock Knob | 6. Electric System Master Switch |
| 2. Engine Coolant Temperature Gauge | 7. Transmission Shift Lever |
| 3. Ripper Control Lever | 8. Engine Speed and Shut Down Lever |
| 4. Blade Control Lever | 9. Transmission Neutral Lock Lever |
| 5. Brake and Decelerator Pedal | |

STOPPING THE ENGINE (Fig. 4.17)

1. Using control lever (3 and 4) lower all mounted equipment to the ground. Depress brake and decelerator pedal (5) and place transmission shift lever (7) into NEUTRAL.
2. Apply transmission neutral lock lever (9).
3. If the engine has been operated under load, operate it at idle speed for 3 to 5 minutes to allow the engine to cool down in a gradual and uniform manner.

IMPORTANT: Immediate engine shut-down after operation under load may result in engine damage.

4. Depress and lock brake and decelerator pedal (5).
5. Move engine speed and shut down lever (8) to large notched OFF position – the solenoid valve will shut down the engine.
6. Turn electric master switch (6) in OFF position.

4.8. DRIVING THE MACHINE (Fig. 4.18)

CAUTION! : Read the **SAFETY PRECAUTIONS** in Section 2 before operating a machine.

IMPORTANT: Before operating check all instruments.



WARNING! Never haul passengers. Only the operator should be on the machine when it is moving.

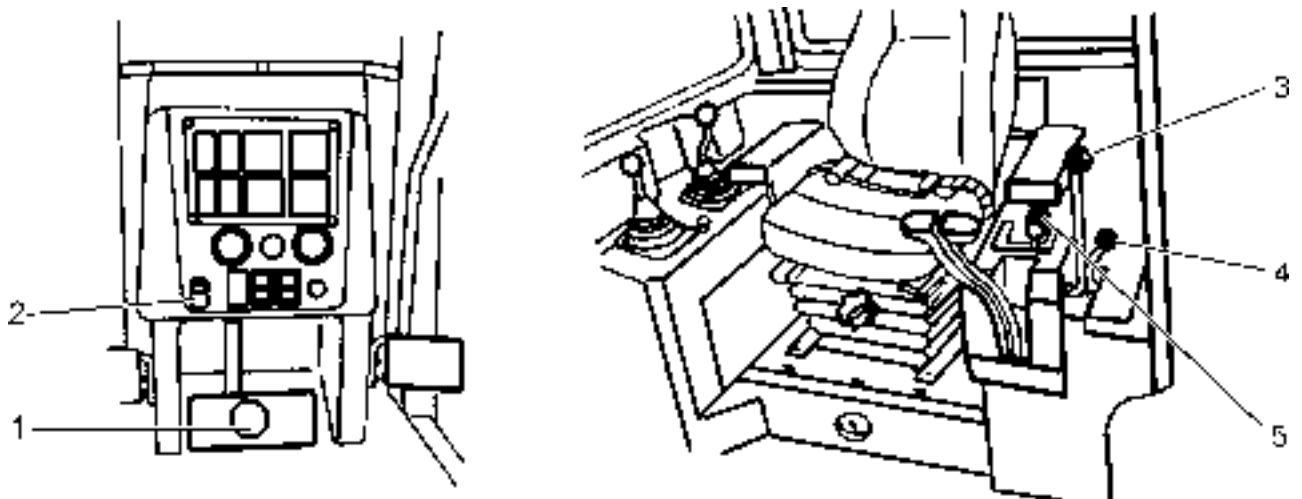


Fig. 4.18. Driving the Machine

1. Brake and Decelerator Pedal
2. Brake Lock Lever
3. Transmission Neutral Lock Lever
4. Engine Speed and Shut Down Lever
5. Transmission Shift Lever

DRIVING THE MACHINE (Fig. 4.18)



WARNING! Sit in the operator's seat before operating the controls. Keep your hands and footwear free of grease, water and mud to insure positive control movements.



WARNING! Before operating a machine adjust the seat to allow full access of all controls and fasten the seat belt. Failure to do so could result in serious injuries or death.



WARNING! Never get on or off the machine while it is moving because serious injury or death could result.

1. Place the engine speed and shut down control lever (4) in the high idle position (Fig. 4.16).
2. Depress the decelerator pedal (1) to decrease engine speed.
3. Move forward the neutral lock lever (3) from ON to OFF position.
4. Place transmission shift lever (5) in the desired range. Refer to "SHIFTING THE TRANSMISSION".
5. Gradually release brake and decelerator pedal (1).

4.9.SHIFTING THE TRANSMISSION

The transmission has three speeds in both the forward and reverse ranges. The ranges and speeds are controlled by a transmission shift lever.

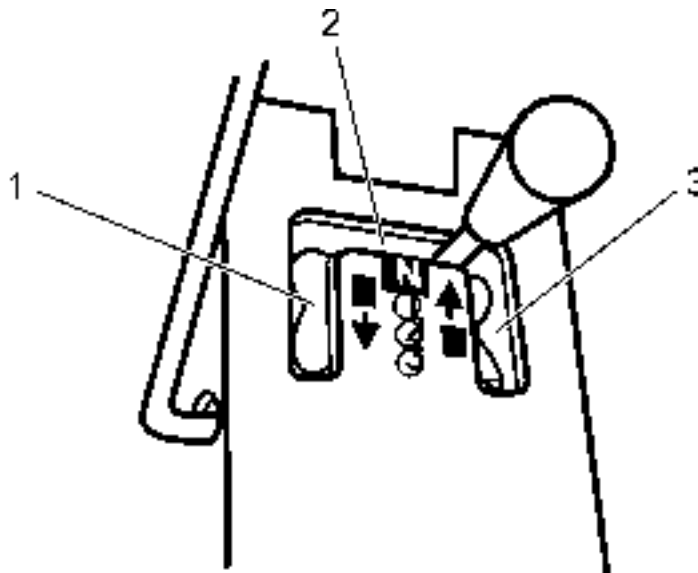


Fig.4.19. Transmission Shift Lever Position

1. Rear Gears
2. Neutral Position
3. Front Gears

4.10. CONVERTER OVERHEATING

If the pointer of the torque converter oil temperature gauge moves out of the RUN area of the dial during operation, the transmission may be in a gear range which is too high for the load. Shift down into the next lower gear range. The temperature should reduce; if not, downshift again. If the dial pointer remains out of the RUN range in the first gear, stop the machine, shift into neutral and run the engine at 1000 [RPM] until the gauge pointer moves into the RUN area. Stop the engine, check transmission oil level, clean radiator and suction filter.

If the converter still remains overheated, stop the engine and consult Authorized Distributor of Construction Equipment before operating the machine.

4.11. STEERING THE MACHINE

Steering is accomplished with two steering levers. Each of the two levers functions in three positions as shown in Fig. 4.20.

- in forward position A transmits power to the track in high range
- in middle position B transmits the power to the track in low range
- in rearward position C disconnects the power and applies the brake

To turn to the right or left pull back the steering lever on the side toward which the turn is to be made. Pull lever back just enough to make the desired turn. To make a pivot turn pull the lever all the way back.

To make a gradual left turn proceed as follows:

With steering lever in the high range move the LH steering into the low range. When both steering levers are in the low range, move the RH steering lever into the high range. To make a gradual right turn proceed in the similar manner.

Machines with 1-speed steering have not high range.

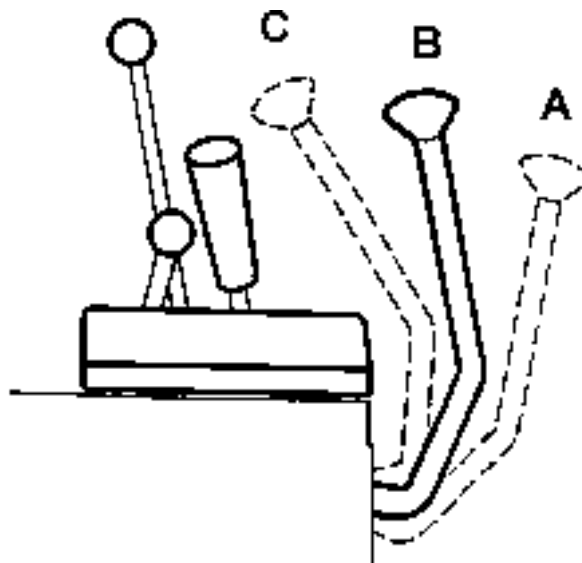


Fig. 4.20. Steering Levers

A. High Range

B. Low Range

C. Pivot

4.12. LOCKING BOTH TRACKS

When both steering levers are pulled simultaneously all the way back, the braking action stops both tracks.



WARNING! Never pull both steering levers all the way back to stop the machine unless the machine is moving very slowly. Use the foot brake to slow down or stop the machine.

4.13. DOWNGRADE OPERATION



WARNING! When operating a machine downhill, always put the transmission in the low range position. Use the brake pedal to slow the machine. Never go downhill with the transmission control in neutral. Failure to do so could result in losing control of the machine and rollover could result.

Before going downgrade, select the range, which will provide full tractor control without overspeeding the engine.

4.14. OPERATING OVER AN OBSTRUCTION

When crossing a log or ditch bank, use the decelerator pedal to slow the machine; and when possible, cross at an angle. Then gradually increase the power to the tracks as the machine moves forward, over, and down. If the load is light, it may also be necessary to use the brake pedal to avoid abrupt movements.

4.15. STOPPING THE MACHINE (Fig. 4.21)

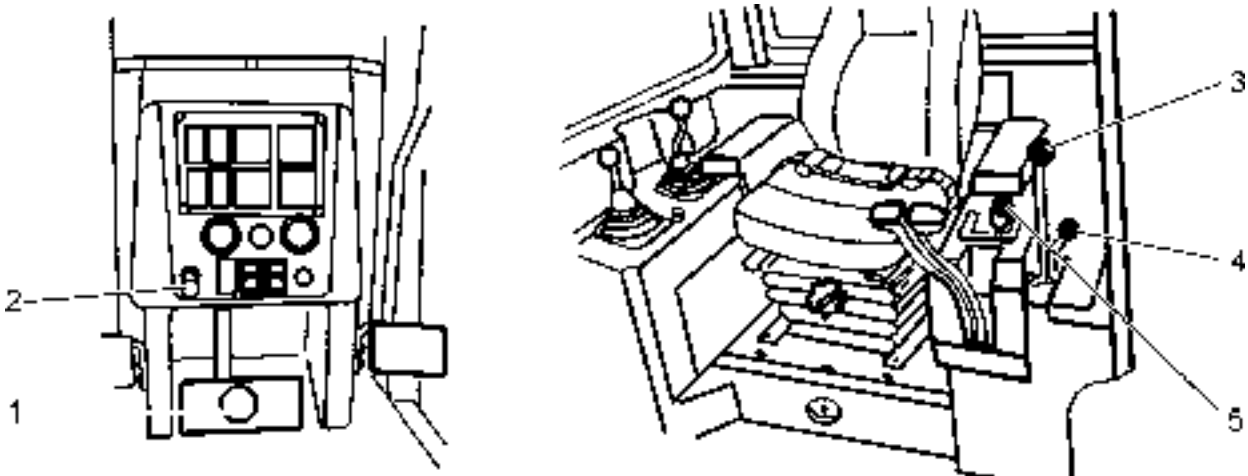


Fig. 4.21. Stopping the Machine

- | | |
|------------------------------------|-------------------------------------|
| 1. Brake and Decelerator Pedal | 4. Engine Speed and Shut-down Lever |
| 2. Brake Lock Lever | 5. Transmission Shift Lever |
| 3. Transmission Neutral Lock Lever | |

Activity order for stopping a machine:

1. Depress brake and decelerator pedal (1) until the machine is stopped.
2. Move engine speed and shut down control lever (4) to the low idle position.
3. Place transmission shift lever (5) in NEUTRAL.
4. Place neutral lock lever (3) in ON position.
5. Lock brake and decelerator pedal (1) with brake lock lever (2).

4.16. PARKING THE MACHINE

A few DO suggestions to protect both lives and equipment when parking. DO park tractor on planks in freezing weather to prevent the tracks from freezing to ground. Do lower the hydraulically operated tractor equipment to the ground to reduce injury possibilities and to gain tractor stability.



WARNING! Never leave a machine unattended while the engine is running.

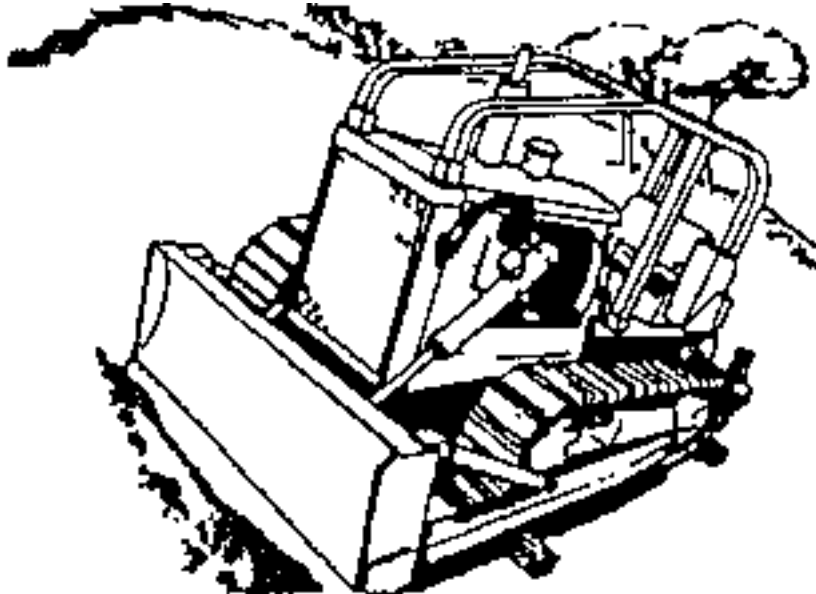


Fig. 4.22. Parking on a Slope

Parking on a slope is not recommended. Do park tractor on level ground, if at all possible to:

- a) Avoid unexpected movement
- b) Obtain accurate coolant, lubricant and fuel level checks

Avoid parking on a slope because unexpected machine movement may occur. However, if necessary, park at the right angle and secure the tracks with blocks (front and rear).

4.17. OPERATING MOUNTED EQUIPMENT

General

The hydraulic system provides power for the blade equipment, ripper or various other types of equipment. Specific instructions for the operation of the blade and ripper are included in this section.

IMPORTANT: Holding a control lever in any position except HOLD or FLOAT for an extended period of time after the hydraulic cylinder rod has reached the limit of its travel will produce excessive heat in the hydraulic system which may affect equipment performance.

OPERATING MOUNTED EQUIPMENT

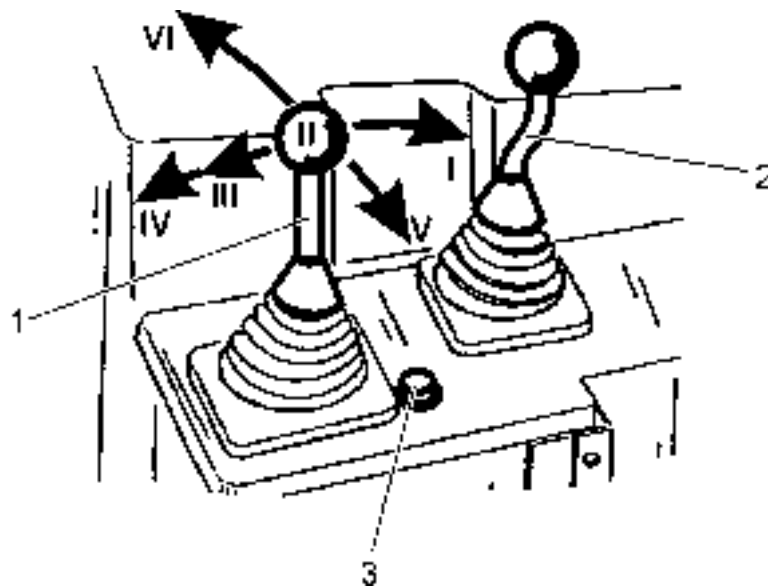


Fig. 4.23. Blade Control Lever Positions (1)

1. Blade Control Lever	I. Raise	IV. Float
2. Ripper Control Lever	II. Hold	V. LH Tilt
3. Horn Button	III. Lower	VI. RH Tilt

4.17.1. HOLD

When the lever is released from any position except "Float", the lever automatically returns to the hold position. The blade height will remain the same, as it was when the lever was released.

4.17.2. RAISE

Pull the control lever back to raise the blade to desired height. When released the lever will return to the hold position.

4.17.3. LOWER

Push the control lever forward to lower the blade. When released the lever will return to the hold position.

4.17.4. FLOAT

With the control lever in the float position, the blade is free to follow the contour of the ground. To place the control lever in the float position, push all the way forward to its detented position in direction IV in Fig. 4.23. The lever will remain in this position until it is manually returned to the hold position.

OPERATING MOUNTED EQUIPMENT

4.17.5. TILT

LH TILT

Pull the control lever to the left to lower the left hand corner of the blade. The lever will return to the hold position when released.

RH TILT

Push the control lever to the right to lower the right hand corner of the blade. The lever will return to the hold position when released.

4.17.6. RIPPER CONTROL LEVER

NOTE: For proper operation of the ripper control lever and observation of working tool it is necessary to swivel the operator's seat 15° to the right.

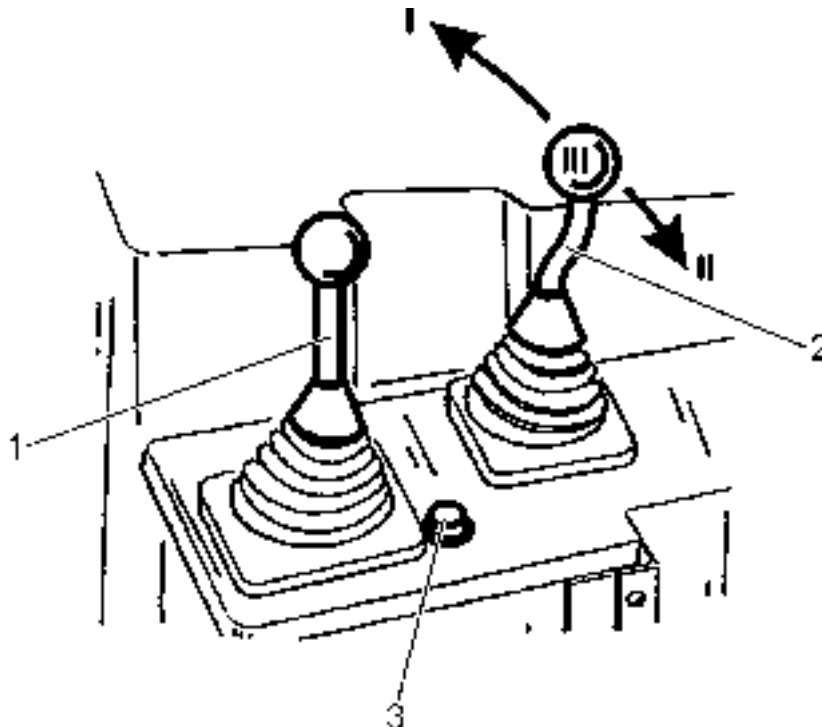


Fig. 4.24. Ripper Control Lever (2)

- | | |
|-------------------------|------------------|
| 1. Blade Control Lever | I. Ripper Raise |
| 2. Ripper Control Lever | II. Ripper Lower |
| 3. Horn Button | III. Hold |

1. Ripper Raise

To raise the ripper to the required height, move the lever into position "I". The control lever will return automatically to HOLD position "III" when released.

2. Ripper Lower

To lower the ripper moves the lever into position "II". The control lever will return automatically to HOLD position "III" when released.

IMPORTANT: Holding the control lever in any position except HOLD for an extended period of time will produce excessive heat in the hydraulic system which may affect equipment performance.

OPERATING MOUNTED EQUIPMENT

4.17.7. BULLDOZER BLADE POSITIONS

4.17.7.1. TILTING THE BLADE WITH MECHANICAL TILT

1. Raise the blade 400 [mm] above the ground and shut off the engine. Refer to STOPPING THE ENGINE.
2. Remove the locking pin and adjust the upper strut on the side to be raised. Extend the strut by the value equal approximately to half of the required blade tilt.

IMPORTANT: Do not expose any portion of the eyebolt threads.

3. Adjust the opposite side to get the desired tilt by shortening the strut by the value equal to remaining part of the desired tilt. Install the locking pin.

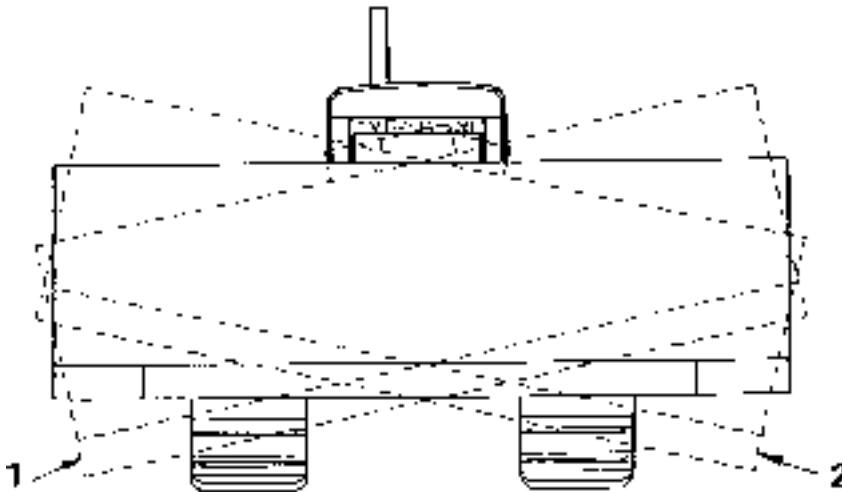


Fig. 4.25. Blade tilt

1. Tilt to the Right 2. Tilt to the Left

NOTE: Do not tilt the blade more than 560 [mm] tip to tip.

4.17.7.2. TILTING THE BLADE WITH HYDRAULIC TILT

1. To obtain a desired tilt of 400 [mm] or less, proceed as follows:
 - a) Raise the blade about 450 [mm] off the ground.
 - b) Hold the tilt control lever in the tilt position on the side to which the blade is to be tilted until the desired tilt is obtained.
2. To obtain a tilt of 400 [mm] to maximum 710 [mm], proceed as follows:
 - a) hold the tilt control lever in the tilt position until the piston rod in the tilt cylinder is either fully extended or retracted (depending upon the side to be tilted). Shut off the engine. Refer to "STOPPING THE ENGINE".
 - b) Adjust the mechanical strut as described under "TILTING THE BLADE WITH MECHANICAL TILT".

OPERATING MOUNTED EQUIPMENT

4.17.7.3. LEVELLING THE BLADE WITH HYDRAULIC TILT

1. Place the lowest corner of the blade on a flat surface.
2. Move the control lever to this side to which the blade is to be lowered until the blade is even along the flat surface.

NOTE: When venting the cylinders refer to "HYDRAULIC SYSTEM".

4.17.7.4. PITCHING THE BLADE

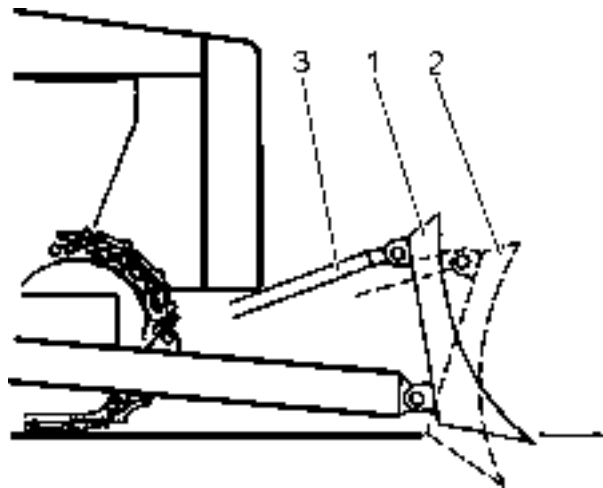


Fig. 4.26. Blade Pitch

1. Decreased suction angle for soft material.
2. Increased suction angle for hard materials.
3. Upper strut.

1. To pitch the blade forward (increasing suction angle), raise the blade several centimeters off the ground. Shut off the engine. Refer to "STOPPING THE ENGINE". Then extend upper struts (3) on each side of the blade an equal amount in the range of dimensions A given on Fig. 4.27.

IMPORTANT: Do not expose any portion of the eyebolt threads.

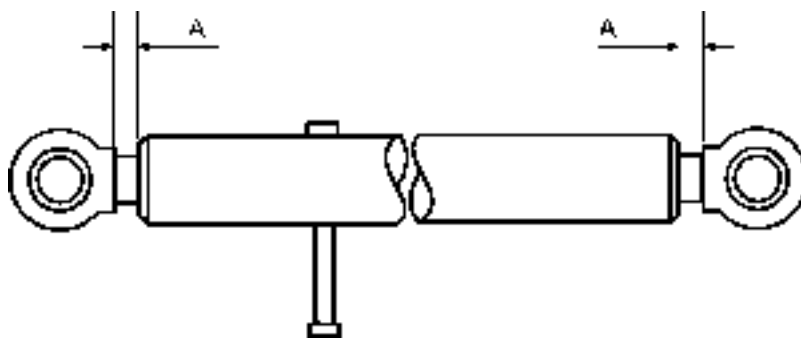


Fig. 4.27. Upper strut adjustment

2. To pitch the blade backward (decreasing suction angle), the upper strut must be shortened on each side of the blade an equal amount A given on Fig. 4.27.
3. After making the adjustments, secure the upper strut with the locking pin so it will not rotate.

OPERATING MOUNTED EQUIPMENT

4.17.8. ANGLING THE BULLDOZER BLADE

4.17.8.1. ADJUSTING THE DIAGONAL ANGLE OF BLADE.

1. Raise the blade off the ground and shut off the engine. Refer to section "STOPPING THE ENGINE"
2. Remove one strut trunnion from the trunnion bracket on the C-frame, keep it close to the C-frame.
3. Remove the strut trunnion from the trunnion bracket on the opposite side of the frame, and carefully swing the strut assembly out as far as it will go.



WARNING! Stay clear of blade when performing above activities. Swinging the blade will cause lost of balance and a drop of the blade on the side of swung strut.

4. Swing the first disconnected strut assembly outward to regain blade balance. Level the blade and maintain this level position while repositioning the blade (changing the angle).
5. Assemble the first strut assembly to the C-frame as follows:
 - a) When connecting a blade angled to the right or the left, connect the rear most strut assembly first.
 - b) When connecting a straight blade (not angled), swing each strut assembly in until they contact the C-frame, level the blade, then assemble either strut assembly.
6. Assemble the remaining strut assembly to the C-frame. If necessary, adjust the upper struts to obtain strut trunnion alignment with the trunnion brackets on the C-frame.
7. Lock the strut trunnion in place through the C-frame bracket with lock pin chained to the lower strut. Loosen the clamping screws and nuts on the lower struts so that the strut eyebolt can be adjusted to fit into the swivel block.

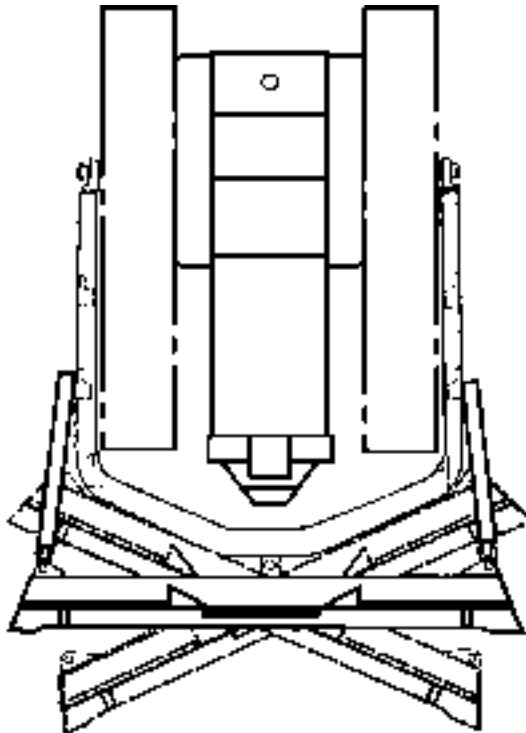


Fig. 4.28. Adjusting the Diagonal Angle of Blade

OPERATING MOUNTED EQUIPMENT

NOTE: This adjustment is made such that gaps are provided as shown in Figs. 4.29 and 4.30.

8. Install the mounting pins aligning the lock holes and secure with locking hardware. Retorque the strut eyebolt clamping cap screws and nuts to 450 [Nm].

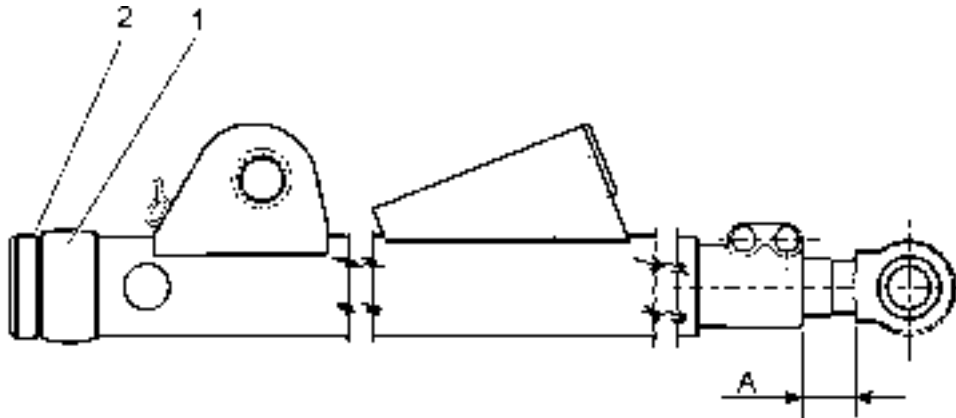


Fig. 4.29. Lower Strut Adjustment of the Angled Blade.

- 1. Trunnion Swivel Eye
- 2. Gap

9. Level the blade so one end does not dig in deeper than the other. This can be done by adjusting either or both upper struts. Refer to "LEVELLING THE BLADE"

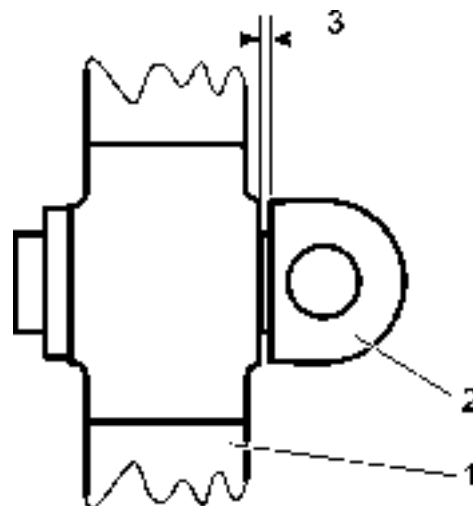


Fig. 4.30. Swivel Pin Adjustment Gap.

- 1. C-frame
- 2. Swivel Pin
- 3. Gap

OPERATING MOUNTED EQUIPMENT

4.17.8.2. TILTING THE BLADE WITH MECHANICAL TILT

1. Raise the blade 300 [mm] above the ground and shut off the engine. Refer to "STOPPING THE ENGINE".
2. Remove the upper strut trunnion from its bracket on the side to be raised, and position strut close to the C-frame.
3. Adjust the opposite side to get the desired tilt by shortening the upper strut. Adjust this strut to tilt the blade about half of the desired tilt.



WARNING! Always lower the side being adjusted first so lack of balance will not cause the loose strut assembly to swing out and cause unexpected injury or damage.

4. Return to the side of the machine on which the strut assembly was disengaged, and lengthen the upper strut until the strut trunnion can be inserted in its bracket on the C-frame.

NOTE: Do not tilt the blade more than 480 [mm] tip to tip.

5. After tilting the blade, raise the blade above the ground 300 [mm] and shut off the engine. Refer to "STOPPING THE ENGINE". Adjust the upper struts to a "neutral" position (no compression or tension) so the blade connecting pins are free in their brackets.
6. Whenever the blade is tilted, adjustments to one upper strut must always be equal and opposite to the adjustment made on the other strut. (For example: if a strut on one side is shortened 1 turn, lengthen the opposite strut 1 turn).

4.17.8.3. TILTING THE BLADE WITH HYDRAULIC TILT

To obtain 483 [mm] tilt proceed as follows:

1. Lift the blade 400 [mm] off the ground.
2. Hold the tilt control lever in the tilt position on the side to which the blade is to be tilted until the desired tilt is obtained.

4.17.8.4. LEVELLING THE BLADE WITH MECHANICAL TILT (Fig. 4.31)

1. Lift the blade off the ground and shut off the engine. Refer to "STOPPING THE ENGINE".
2. Remove the locking pins and adjust both upper struts to the gap between the shoulder of the eyebolts (1 and 4) and the strut body is 39 [mm] on each end. This will position the blade in its neutral pitch position. If the blade is not level, a half turn of the upper strut in either direction will level the blade.
3. After leveling the blade, raise the blade above the ground 300 [mm] and shut off the engine. Refer to "STOPPING THE ENGINE". Adjust the upper struts to a "neutral" position (no compression or tension) so the blade connecting pins are free to revolve in their brackets.
4. Having determined the "neutral" position, shorten each upper strut by 1 full turn.

NOTE: Adjustment made in step 4 must be made only if all strut adjustments have been made with blade raised off the ground.

5. Reinstall the upper strut locking pins.

OPERATING MOUNTED EQUIPMENT

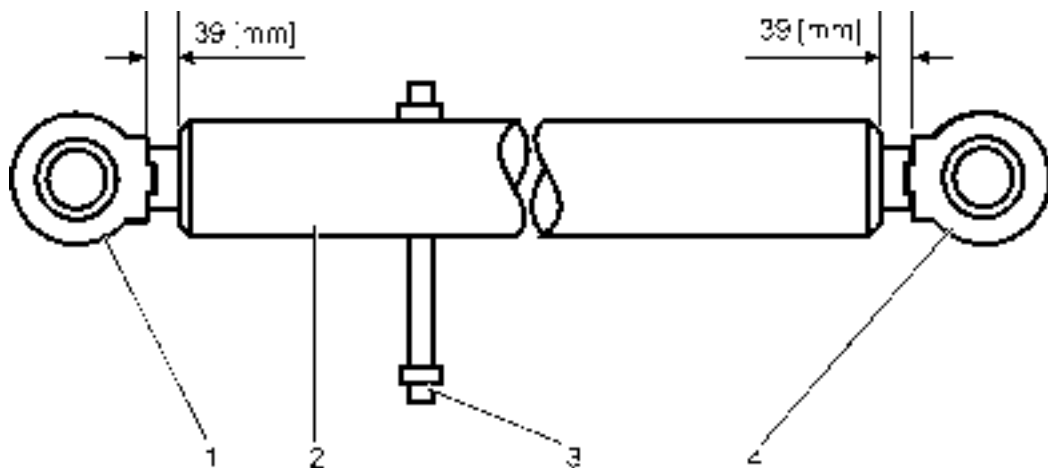


Fig. 4.32. Upper Strut Adjustment of Angle Blade.

- | | |
|---------------|----------------|
| 1. Eyebolt | 3. Locking Pin |
| 2. Strut Body | 4. Eyebolt |

4.17.8.5. LEVELLING THE BLADE WITH HYDRAULIC TILT

1. Place the lowest corner of the blade on a flat surface.
2. Move the control lever to this side to which the blade is to be lowered until the blade is even along the flat surface.

4.18. OPERATING TECHNIQUES



WARNING! Before operating a machine, be sure the area of the operator's compartment, all mounting steps and grab handles are free of oil, grease, loose objects, ice, snow and mud to lessen the possibility of slipping. Remove or secure all maintenance and personal items so they will not interfere with the operator or jam the controls. Failure to follow these instructions may result in serious injury.

When the blade is held hydraulically it becomes a rigid part of the tractor, except when the valve is in "FLOAT" position, and will follow all movements of the machine. When rough terrain is encountered it will be necessary to vary the height of the blade while pitching to obtain a smooth cut. When possible, start all jobs from relatively level ground. If necessary, level an area large enough to provide sufficient working space for the machine. This prevents back and forth pitch of the machine and will result in easier digging.

Avoid track spinning whenever possible; this wastes effort and converts a relatively smooth working area into ruts and piles that pitch and tilt a tractor. In cold weather this material can freeze and cause additional difficulty the following day.

Crossing ditches, ridges, rock or logs should be done slowly and, at an angle. This slows the fall, lessens the danger of upsetting the machine and reduces the fall jolt, which can be harmful to the operator and machine.

OPERATING

OPERATING TECHNIQUES

4.18.1. DIGGING AND CLEARING



WARNING! Prior to operating know the locations of gas lines, utility lines, sewers, overhead and buried power lines, and the other obstructions or hazards are known. A ruptured gas line or cut electrical line could result in personal injury.

Always feed the blade into the ground gradually until the desired depth of cut is obtained. When selecting the gear range and determining the depth of cut, allow for an increase in resistance as the load increases. When raising the blade at the end of a cut, do it gradually to avoid an abrupt ridge or bump in the path of the tractor. Move material downgrade whenever possible to take advantage of the reduced effort required (Fig. 4.32).



Fig. 4.32. Moving Material Downgrade

Two methods of cutting down a pile or hill are shown in Fig. 4.33. Type of material and local conditions may dictate which method is preferred. Further information is included in "BREAKING PILES AND SPREADING". When using Method 1 never allow the high face to become a hazard to the operator or machine. With the tractor at the right angle to the face, raise the blade and dislodge the high bank before returning to the original direction of cut. When using Method 2, make a cut wide enough to avoid trapping the tractor.

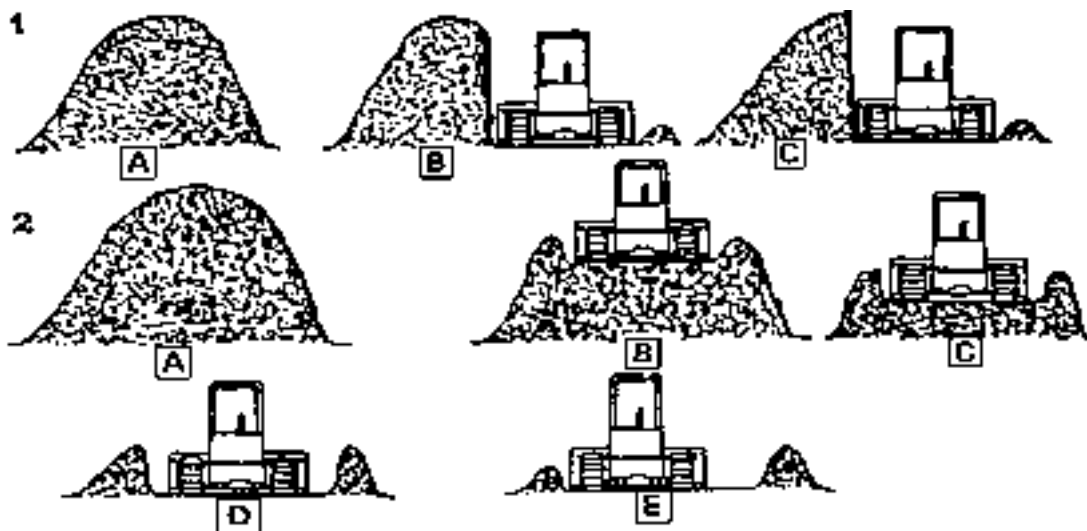


Fig. 4.33. Cutting Down a Pile or Hill

1. Method 1 2. Method 2

OPERATING TECHNIQUES



WARNING! Avoid high overhangs. Ramp up and remove the top layers first. Avoid high banks. Operate the machines as far away from the trench as possible or cave-in may result.

A side-hill cut can be started more easily if a small bench cut is first made as shown in Fig. 4.34. Then, when digging as in Fig. 4.35, keep the inside (uphill) surface slightly lower to gain greater tractor stability. Tilting the blade will provide this type of cut with less effort on the operator's part.

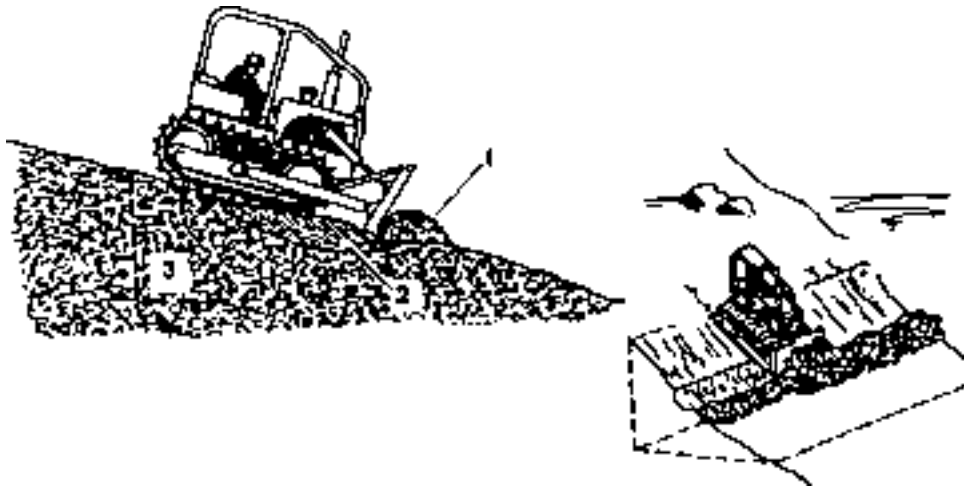


Fig. 4.34. Side-Hill Cut

1. Cut I 2. Cut II 3. Cut III

Always cut a shelf wide enough to provide solid support for equipment used later. If possible, move the material downhill to gain the advantage of gravity, reduced effort and increased tractor stability. Soft soil or shallow slopes may allow the side hill cut to be made as shown in Fig. 4.35. Increased stability is realized by running the uphill track inside the ridge left by the first cut. Cuts 3, 4 and 5 illustrate the completion of the shelf.

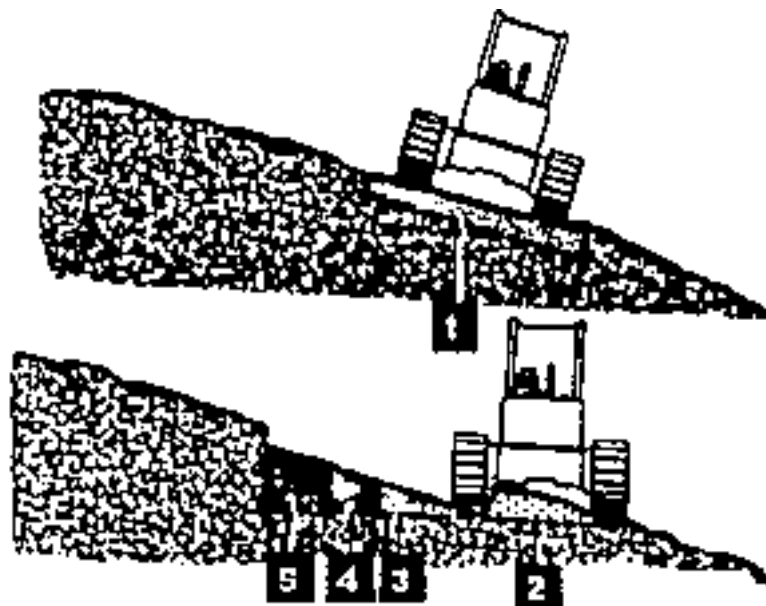


Fig. 4.35. Shallow Slope Side Hill Cut

OPERATING TECHNIQUES

Once again, pushing loosened material to the lower side of the slope Fig. 4.36 will normally reduce time and cost. Do not push material beyond the point required to retain firm track support.



Fig. 4.36. Slope Edge Operation



Fig. 4.37. Operating a Tandem Arrangement

When backing up, do not raise the blade as this puts extra weight on the front idlers causing greater track penetration. Let the blade float as you back away from the edge of soft fills. Initial work on steep hillsides can be safer by either securing the tractor with a winch to a suitable uphill anchor point or by operating a tandem arrangement as shown in Fig. 4.37.

When clearing trees, raise the blade high to gain leverage and make contact gently to reduce possible harm to the operator and machine (Fig. 4.38). Heavy roots of large trees may require pushing and digging or cutting from several sides of the tree. Use a cable to topple and remove trees from soft ground (Fig. 4.39).



Fig. 4.38. Machine Equipped with Sweeps



Fig. 4.39. Using Cable to Remove Trees



CAUTION! Falling trees and dead limbs can cause injuries. When clearing trees, operator protection must be used.

OPERATING TECHNIQUES

When clearing a rocky area, remove the small and loose rocks first, large and solid rocks can then be loosened and moved with less difficulty. When loosening large or solid rocks, greater force and penetration can be obtained by tilting the blade and prying under the rock with the lower edge of the blade (Fig. 4.40). Lifting the rock with the blade while pushing will increase traction and reduce track spinning.

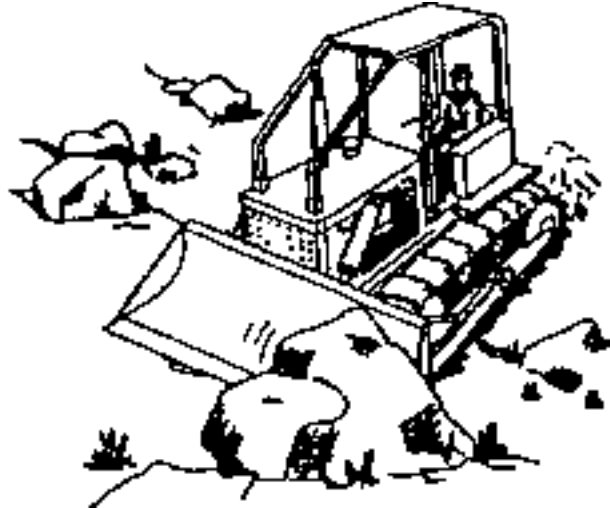


Fig. 4.40. Loosening Rocks with Lower Edge of the Blade

Penetration on hard, frozen or rocky ground can be made easier by tilting the blade. This will add weight and power to the lower cutting edge. When the ground is frozen and the area must be ripped before it can be worked, rip a relatively small section and work it to grade before enlarging the cut. This will require ripping each section only once, not every morning after the ground has refrozen. Snow can act as an insulating blanket and reduce or eliminate the need for a ripper. Therefore, remove snow only from the area to be worked each day; leave the rest to insulate the ground.

4.18.2. TRANSPORTING, PILING OR LOADING

The transporting of material with a bulldozer is not always a most economical method. Natural ridges, a window formed by side blade spillage on earlier passes or side-by-side, dozing will improve the productivity (Fig 4.41). Where the quantity of material or distance involved becomes excessive, a loader, scraper or truck should be considered.

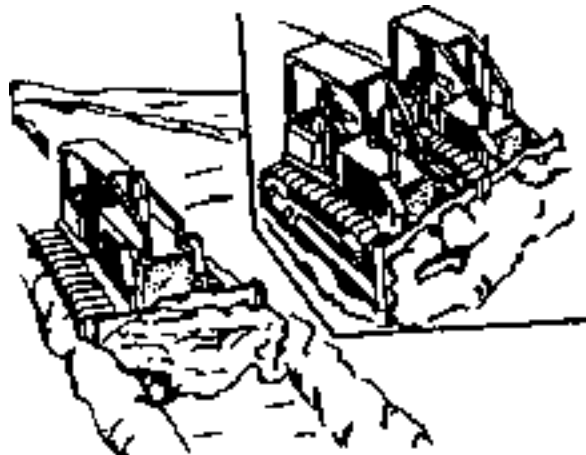


Fig. 4.41. Side-by-Side Dozing

OPERATING

OPERATING TECHNIQUES

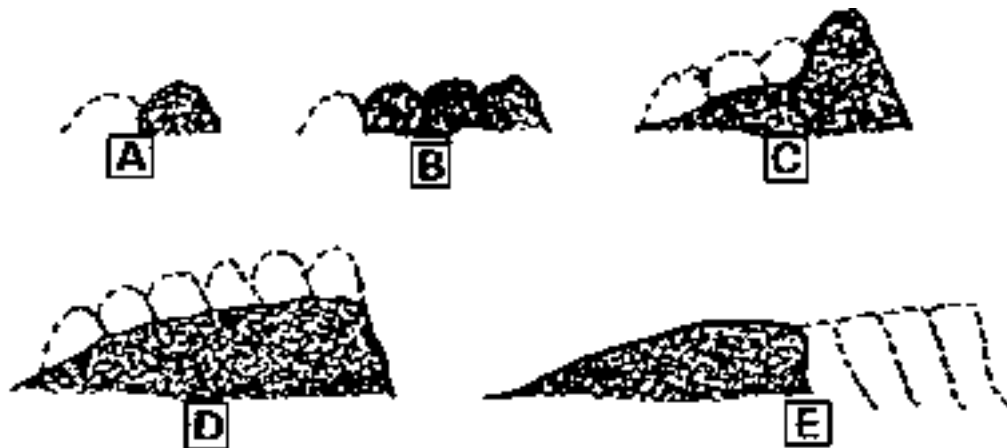


Fig. 4.42. A Usual Method of Piling

A usual method of piling is shown in fig. 4.42. When the piling reaches stages “D” or “E” the operator may elect to continue one of the other depending on height or area desired. When the machine is used as a pusher, aiding scraper loading (Fig. 4.43), the machine power must be carefully controlled. Excessive “push” effort can cause the scraper unit to “jackknife”, with resulting injury or damage. On turns, be sure the blade of the pusher tractor does not come in contact with the rear wheels of the scraper.

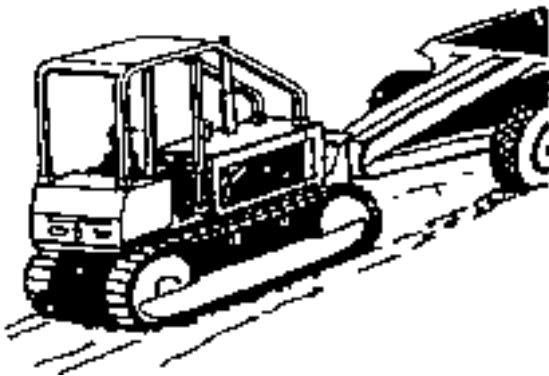


Fig. 4.43. Aiding Scraper Loading

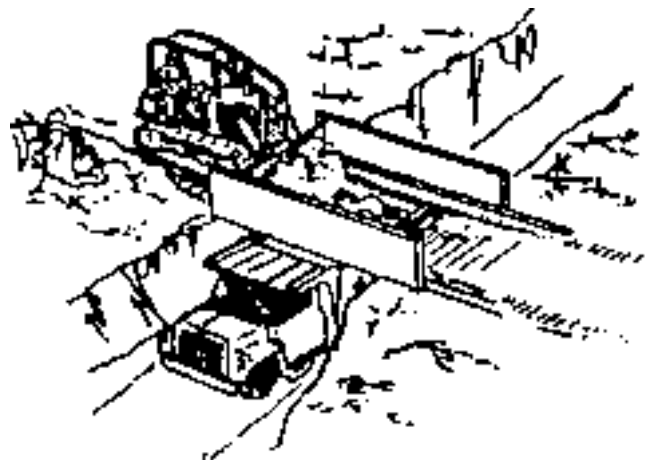


Fig. 4.44. Loading Directly

A bulldozer can be used directly as a loader if the method shown in Fig. 4.44 is used.

4.18.3. BREAKING PILES AND SPREADING

Two methods of breaking down a pile are shown in Fig. 4.45. When spreading is to be done in several directions or if the pile is large or hard, Method 1 is usually desired. When using Method 1, cut into the side of the pile from different angles. When Method 2 is used, and access to the top of the pile is difficult, a slot may be started as shown below. Loosen the material at the base and form a dirt “ramp” to provide a decreased angle of approach and cut.

OPERATING TECHNIQUES



Fig. 4.45. Breaking Down a Pile

Method 1

Method 2

- 1. Ramp
- 2. Original Slope

When trucks or wagons are used for hauling, bulldozers are ideal spreading tools at the fill (Fig. 4.46). Blade should be kept in the straight position so that the material is drifted directly under the cutting edge (Fig. 4.47). When finishing in non-solid materials, such as earth, drag the blade backward for a smooth job as shown in Fig. 4.47. Rock, of course, may damage the blade base, therefore, such practice is not recommended where abrasive material is common.



Fig. 4.46. Spreading Material Forward

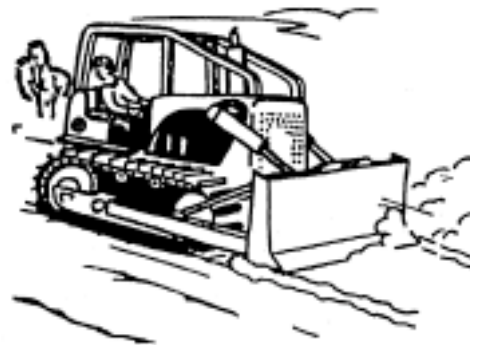


Fig. 4.47. Back dragging

Angling blade dozers are ideal for widening fills. Travel about 30 [cm] from the slope blind so that earth rolling off the blade end will fall over the edge as shown in Fig. 4.48.



Fig. 4.48. Widening a Fill

OPERATING TECHNIQUES

4.18.4. RIPPING

4.18.4.1. Prior to Operation

Before operating the ripper proceed as follows:

1. Check all mounting hardware for torque.
2. Check the hydraulic connections for leaks.
3. Check the condition of the ripper, bits, mounting hardware for completeness and torque.

4.18.4.2. Ripping Techniques

When starting ripping lower the ripper teeth slowly to the required depth. Ripping of rock material must be performed in direction of easier ripping which may be established by carrying out test ripping in various directions and under various angle of inclination of the shanks. During test ripping lower the shank to the half of working depth. Machine efficiency can be improved when several centimeters of loose material is left on solid rock. Ripping should be performed at a depth the best results are obtained without overloading the engine. Keep loose ground level and horizontal as much as possible. Never make turns with the machine with ripper teeth at full depth in rocky ground. Use common sense when working in hard ground not to damage the ripper and the machine. Do not accelerate the machine and simultaneously lower the ripper teeth into the ground – this will damage the ripper.

Pay attention not to allow the rear of the machine to lift off the ground during ripping operations, as this decreases traction and accelerates wear of track system. Use new and sharp bits for hard ground.

4.18.4.3. Cold Weather Operation

Start the engine as described in "STARTING THE ENGINE" and then proceed as follows:

- move slightly and slowly ripper control to warm the oil in the hydraulic cylinders.
- raise the ripper at max. height and then lower it slowly until it rests on the ground.
- increase gradually pressure in the ripper cylinders by keeping the control lever in LOWER position until the rear of the machine is off the ground.
- prior to normal ripping operations operate the ripper at low depth for a couple of minutes to warm the shank bits.
- protect the shank and bits when parking the machine.

4.19. ECONOMICAL OPERATION OF THE MACHINE

Fuel consumption during operation of a dozer depends on many factors as: engine characteristics, load, terrain, operator's skill and experience, the manner of operation.

A relatively conclusive indicator of fuel consumption is the quantity on moved material per unit of consumed fuel. To reach the most favorable value of this ratio observe the following principles of dozer operation:

- Avoid long distance transporting of material.
- Loading and pushing of material must be performed at gear which ensures maximum drawbar pull (1st or 2nd gear) with high blade fill ratio without losing material in blade.
- Reverse travel at top gear but keep engine speed above medium, not maximum.
- Avoid stopping machine due to stall of the engine.
- Avoid track slippage.

For digging hard material pitch the blade forward, for transportation of material pitch the blade backward.

SECTION 5

MAINTENANCE

SECTION CONTENTS

5.1.	Service Precautions	3
5.2.	Scheduled Maintenance Guide	4
5.2.1.	Ground Level Inspection	6
5.3.	Maintenance and Service Chart	7
5.3.1.	Refill Specifications and Capacities Chart	9
5.4.	Lubrication	10
5.4.1.	When Shipped	10
5.4.2.	When Serviced	10
5.4.3.	Selection	11
5.4.4.	Viscosities	11
5.4.5.	Recommended Lubricant Chart	11
5.5.	Seasonal Preparation	12
5.5.1.	Fuel System	13
5.5.2.	Cooling System	13
5.5.3.	Electric System	13
5.6.	Air Cleaning System	14
5.6.1.	Air Cleaner	14
5.6.2.	Primary Filter Element	14
5.6.3.	Safety Filter Element	16
5.6.4.	Air Intake System	17
5.6.4.1.	Pre-cleaner	17
5.6.4.2.	Checking Air Intake System for Leaks	17
5.7.	Belts	17
5.7.1.	Visual Inspection	18
5.7.2.	Checking Tension and Adjustment	18
5.7.2.1.	Checking Tension and Adjustment of Fan Belt	18
5.7.2.2.	Checking Tension and Adjustment of A/C Compressor Belt	19
5.8.	Cooling System	19
5.8.1.	Water	19
5.8.2.	Antifreeze	20
5.8.3.	Inhibitors / Conditioners	20
5.8.4.	Radiator Cap	21
5.8.5.	Checking Coolant Level	22
5.8.6.	Cleaning the Radiator Core	22
5.8.7.	Refilling an Overheated System	23
5.8.8.	Changing Coolant	23
5.8.8.1.	Draining the System	23
5.8.8.2.	Filling the Drained System	23
5.9.	Fan and Fan Hub	24
5.10.	Electric System	24
5.10.1.	Electric Wires and Connections.....	24
5.10.2.	Automatic Reset Circuit Breaker	25
5.10.3.	Batteries	25
5.11.	Engine	27
5.11.1.	Checking the Crankcase Oil	27
5.11.2.	Changing the Crankcase Oil and Oil Filter	27
5.11.3.	Adjustment of Engine Valves	29
5.11.4.	Checking the Condition of Fan and Hub	31
5.11.5.	Inspection Of Idler Pulley	32
5.11.6.	Ether Injector	32

5.12. Fuel System	33
5.12.1. Filling the Fuel Tank	34
5.12.2. Fuel Tank Filler Strainer	34
5.12.3. Fuel Tank Shutoff Valve	34
5.12.4. Fuel Filters	35
5.12.4.1. Fuel Filter Water Separator Drain Valve	35
5.12.4.2. Replacing the Fuel Filter	35
5.12.4.3. Replacing the Fuel Strainer	36
5.12.5. Draining Fuel Tank	36
5.13. Hydraulic System	37
5.13.1. Checking Oil Level	37
5.13.2. Changing Hydraulic Oil	37
5.13.3. Servicing the Return Filter	38
5.13.4. Servicing the Suction Strainer	39
5.13.5. Servicing the Reservoir Breather	40
5.13.6. Venting the Hydraulic System	41
5.14. Lubricating Fittings	41
5.15. Mounted Equipment	43
5.15.1. Complete Blade Removal and Installation	43
5.15.1.1. Leveling the Blade	44
5.15.1.2. Adjustment of Diagonal Blade with Hydraulic Tilt Cylinders	45
5.15.1.3. Filling Up and Venting the Tilt Cylinders of Diagonal Blade	45
5.15.1.4. Diagonal Struts Adjustment	46
5.15.2. Trunnion, Cover Mounting Bolts	47
5.15.3. Blade Cutting Edge and End Bits Mounting Bolts	48
5.15.4. Allowable Wear of Cutting Edge and End Bits and Ripper Points	48
5.15.5. Servicing the Ripper	49
5.16. Safety Belt	49
5.17. Final Drives	49
5.17.1. Checking the Oil Level	49
5.17.2. Changing the Oil	50
5.18. Transmission System	50
5.18.1. Universal Joint	50
5.18.2. Checking the Oil Level	51
5.18.3. Changing Transmission System Oil	52
5.18.4. Servicing the Transmission System Filters	52
5.18.4.1. Servicing the Pressure Filter	53
5.18.4.2. Servicing the Suction Strainer	53
5.18.5. Servicing the Breather	54
5.18.6. Servicing Transmission Scavenger Strainer	55
5.19. Undercarriage	55
5.19.1. Checking the Undercarriage Condition	55
5.19.2. Track Shoe Bolts.....	56
5.19.3. Effect of Track Adjustment on Undercarriage Wear	56
5.19.4. Checking the Tension	56
5.19.5. Adjusting Tension	57
5.19.6. Track Frame Guide	58
5.19.7. Pivot Shaft Housing	59
5.19.8. Equalizer Bar	60
5.19.9. Sprocket	60
5.19.10. Front Wheel Guides	61
5.20. Adjusting Hand and Foot Controls	61
5.21. Cab and ROPS	62
5.21.1. Air Conditioning Cleaning	62
5.21.2. ROPS Cab/Canopy and Mounted Equipment Mounting Hardware	63
5.21.3. Windshield Washer Reservoir.....	63

5.1. SERVICE PRECAUTIONS



CAUTION! Only authorized personnel, thoroughly trained with the design and operation of all assemblies and mechanisms may be allowed to service this machine.

WORK SAFELY – FOLLOW THESE RULES

A CAREFUL OPERATOR IS THE BEST INSURANCE AGAINST AN ACCIDENT.

GENERAL SERVICE PRECAUTIONS

The procedures in this section contains many notes and precautions, which should be followed along with standard safety procedures to minimize the possibility of personal injury or improper service. Improper service could compromise the machine's safety or cause it to function improperly, which could result in personal injury or death. Review the precautions listed in Section 2, "SAFETY PRECAUTIONS".

Do not attempt to do repairs you do not understand. Use your "Service Manual" or consult your Authorized Distributor for information.

Do not jump on or off a machine.

When working under a machine or servicing in the area of the engine fan or belts, turn off the electric system master switch, apply and lock the parking brake and tag controls to warn against starting the machine.

Whenever servicing, take care to prevent accidental cranking of the engine. Turn off the electric master switch and remove the key. It is not possible to anticipate all conceivable ways or conditions under which a machine may be serviced or to provide precautions for all the possible hazards that may result. Safety is always the most important rule.

Constantly be aware of dangers involved in working on a machine and take proper precautions.

Standard and accepted safety precautions and equipment should be used.

This machine is assembled using high strength fasteners. Do not substitute. Replacement fasteners must be of the same size and strength as the originals (refer to Section 6). Tighten fasteners to the proper torque value specified in Section 6, unless otherwise specified.

Refer to Spare Parts Catalogue for all replacement parts.

Use safety goggles, hard hats, safety shoes, heavy duty gloves and other protection during cutting, grinding, chiseling, prying or any other process which could cause material removal or projectiles. Many machined parts are hardened and can chip.

Use the proper size and type of tool for the job being done. Select a wrench that fits and be sure it is on straight. Keep your tools clean and in good condition.

Some procedures require the use of tools specially designed for that specific purpose.

Before substituting another tool or procedure, you must be completely satisfied that neither personal safety nor the performance of the machine will be endangered.

Scheduled maintenance is the normal maintenance necessary to provide proper and efficient equipment operation.

5.2. SCHEDULED MAINTENANCE GUIDE**Every 10 Hours of Operation (Every Day)**

1. Check radiator coolant level. Refer to 5.8.5
 2. Drain water from fuel filter prior to starting work. Refer to 5.12.4.
 3. Check engine oil level. Refer to 5.11.1.
 4. Check hydraulic system oil level. Refer to 5.13.1.
 5. Check and clean pre-cleaner screen dome, if necessary. Refer to 5.6.4.1.
 6. Check fluid level in window washer reservoir. Refer to 5.21.
 7. Carry out ground level inspection. Refer to 5.2.1.
 8. Clean windows, lights and instrument panel.
 9. Visually check condition of drive belts (Refer to 5.7.)
 10. Visually check condition of fan (Refer to 5.9.)
 11. Check instruments and warning lights for operation. Refer to 4.3.
 12. Refill fuel tank at the end of each day's operation. Refer to 5.12.1.
 - 12.* Check torque:
 - track shoe bolts. Refer to 5.19.2.
 - blade cutting edge and end bit bolts. Refer to 5.15.3.
 - trunnion cap bolts and trunnion mounting bolts. Refer to 5.15.2.
- * – after initial 10 hours of operation only.

Every 50 Hours of Operation

1. Check oil level in rear mainframe. Refer to 5.18.2.
 2. Clean radiator core. Refer to 5.8.6.
 3. Check and adjust track tension, if necessary. Refer to 5.19.4. and 5.19.5.
 4. Lubricate ripper cylinder bearings and pins. Refer to 5.14.
 - 5*. Replace hydraulic system return filter. Refer to 5.13.3.
 - 6*. Replace transmission system pressure filter. Refer to 5.18.4.1.
 - 7*. Clean transmission system suction strainer. Refer to 5.18.4.2.
- * – after initial 50 hours of operation only.

Every 250 Hours of Operation or 3 Months

1. Change engine crankcase oil filter. Refer to 5.11.2.
2. Change engine crankcase oil. Refer to 5.11.2.
3. Check air intake system for leaks (hoses and clamps). Refer to 5.6.4.2.
4. Check air conditioner belt tension (if equipped). Refer to 5.7.2.2.

Every 500 Hours of Operation or 6 Months

1. Check coolant for DCA concentration and replace coolant filter. Refer to 5.8.3.
2. Check oil level in pivot shaft housing. Refer to 5.19.7.
3. Check final drive oil level. Refer to 5.17.1.
4. Replace fuel filters. Refer to 5.12.4.2.

Every 1000 Hours of Operation or 12 Months

1. Replace rear mainframe breather. Refer to 5.18.5.
2. Change final drive oil. Refer to 5.17.2.
3. Change oil level in rear mainframe. Refer to 5.18.3.
4. Replace transmission system pressure filter. Refer to 5.18.4.1.
5. Lubricate transmission universal joints. Refer to 5.18.1.

SCHEDULED MAINTENANCE GUIDE

6. Lubricate gimbal crosstube. Refer to 5.14.
7. Replace hydraulic system return filter. Refer to 5.13.3.
8. Clean hydraulic reservoir breather. Refer to 5.13.5.
9. Clean transmission system suction strainer. Refer to 5.18.4.2.
10. Adjust engine valve lash. Refer to 5.11.3.
11. Check condition of fan hub and idler pulley. Refer to 5.11.4. and 5.11.5.
12. Check fan belt tension. Refer to 5.7.2.1.
13. Check sprocket bolts torque. Refer to 5.19.9.

Periodic (at least once a year or as required)

1. Clean air cleaner elements or replace if necessary. Refer to 5.6.
2. Lubricate hand and foot linkage, check for operation and adjust if necessary. Refer to 5.20.
3. Drain water and sediment from fuel tank sediment bowl. Refer to 5.12.5.
4. Clean fuel tank filler strainer. Refer to 5.12.2.
5. Clean the transmission scavenger strainer. Refer to 15.18.6.
6. Replace fuel strainer. Refer to 5.12.4.3.
7. Clean cab air filters. Refer to 5.21.1.
8. Check engine RPM with depressed decelerator. Refer to 5.20.
9. Check operation of brake lock. Refer to 5.20.
10. Check the condition of safety belt. Refer to 5.16.
11. Check undercarriage components for wear. Refer to 5.19.1.
12. Check track frames guide clearance and adjust if necessary, lubricate track frame guides. Refer to 5.19.6.
13. Check clearance in blade socket and diagonal struts. Refer to 5.15.1.4.
14. Check condition and amount of charge of batteries. Refer to 5.10.3.
15. Check condition of electric wires and connections. Refer to 5.10.1.
16. Reverse fan blades (if equipped). Refer to 5.9.
17. Lubricate upper struts. Refer to 5.14.
18. Check torque:
 - cab and ROPS mounting bolts. Refer to 5.21.2.
 - track shoe mounting bolts. Refer to 5.19.2.
 - blade cutting edge and end bit bolts. Refer to 5.15.3.
 - trunnion cap bolts and trunnion mounting bolts. Refer to 5.15.2.
19. Check cutting edges and end bits for wear. Refer to 5.15.4.
20. Check ripper points for wear. Refer to 5.15.5.
21. Measure and adjust the gap between equalizer bar and track frame rebound. Refer to 5.19.8.
22. Check front wheel guide clearance. Refer to 5.19.10.
23. Wash drive train compartment.

Every 2000 Hours of Operation or 2 Years

1. Drain and flush cooling system. Change coolant. Refer to 5.8.8.
2. Change hydraulic system oil. Refer to 5.13.2., 5.13.6.
3. Clean hydraulic system suction strainer. Refer to 5.13.4.
4. Clean hydraulic reservoir filler strainer. Refer to 5.13.4.
5. Check condition of crankshaft vibration damper. Refer to Engine Operation and Maintenance Manual.

SCHEDULED MAINTENANCE GUIDE

5.2.1. GROUND LEVEL INSPECTION

Check:

1. Tractor operational equipment for damage and state of proper fastening.
2. Radiator: for damage, evidence of leakage and condition of grill.
3. Hydraulic components for damage or leakage.
4. Track system: rollers, front idlers, sprockets, track frames and track shoes for cracks, excessive wear, loose components and leaks.
5. Transmission system and final drives: for possible leakage.
6. Engine compartment for fuel, oil and coolant leaks.
7. Guards: for damage or missing.
8. ROPS: general condition (no ROPS defects are permissible that may adversely affect its protection in case of machine rollover).




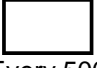





CAUTION! To ensure personal protection perform all maintenance services in accordance with Scheduled Maintenance Guide and Instructions

To prolong the service life of your equipment follow the scheduled maintenance listed in Scheduled Maintenance Guide.

5.3. MAINTENANCE AND SERVICE CHART

(Always use clean containers and lubricators)

SERVICE INTERVAL	REF. No	POINT OF SERVICE	SERVICE POINTS	LUBRICANT	SERVICE
 Every 10 Hours	1	Radiator Coolant Level	1	E01 HDTF/E02	Check
	17	Fuel Filter Water Separator	1		Drain
	19	Engine Crankcase Oil Level	1		Check
	20	Hydraulic Reservoir Oil Level	1		Check
		Ground Level Inspection			Check
 Every 50 Hours	8	Rear Frame Oil Level	1	HDTF MPG	Check
	31	Ripper Cylinder Bearings and Pins	10		Lube
 Every 250 Hours or 3 Months	3	Engine Crankcase Oil Filter	1	EO1 EO1	Change
	18	Engine Crankcase Oil Level	1		Change
 Every 500 Hours or 6 Month	2	Engine Coolant Filter, DCA Concentration	1	MPL MPL	Check
	6	Pivot Shaft Housing Oil Level	2		Check
	10	Final Drive Oil Level	2		Check
	17	Fuel Filter	2		Change
 Every 1000 Hours or 12 Month	7	Rear Frame Breather	1	MPL HDTF	Change
	9	Final Drive Oil	2		Change
	11	Transmission System Oil	1		Change
	13	Transmission System Pressure Filter	1	MPG MPG	Change
	15	Universal Joint	2		Lube
	21	Gimbal Crosstube	2	Lube	
	25	Hydraulic System Return Filter	1	Change	
	29	Hydraulic Reservoir Breather	1	Clean	
	30	Transmission Suction Strainer	1	Clean	
	 Every 2000 Hours	24	Engine Coolant	1	HDTF/E02
26		Hydraulic System Oil	1	Change	
27		Hydraulic Oil Suction Strainer	1	Clean	
28		Hydraulic Reservoir Filler Strainer	1	Clean	
 Periodic or at Least Once a Year	4	Air Cleaner Element	1+1	MPG MPG	Clean/Change
	5	Hand and Foot Control Linkage	all		Lube
	12	Fuel Tank Sediment Bowl	1		Drain
	14	Fuel Tank Strainer	1		Clean
	16	Transmission System Scavenger Strainer	1		Clean
	23	Fuel Filter	1		Change
	32	Upper Struts	4		Lube

Lubricant Key:

E01 – Engine Oil

E02 – Multigrade Transmission Oil (for service purposes only)

MPL – Multigrade Gear Oil

MPG – Multi-Purpose Grease

HDTF – Heavy Duty Hydraulic Transmission Fluid

MAINTENANCE

MAINTENANCE AND SERVICE CHART

IMPORTANT: Intervals of time between services are based on average operating conditions. Under unusually severe conditions of operation, reduce the intervals of time between services. Service a machine according to Scheduled Maintenance Guide Instructions.

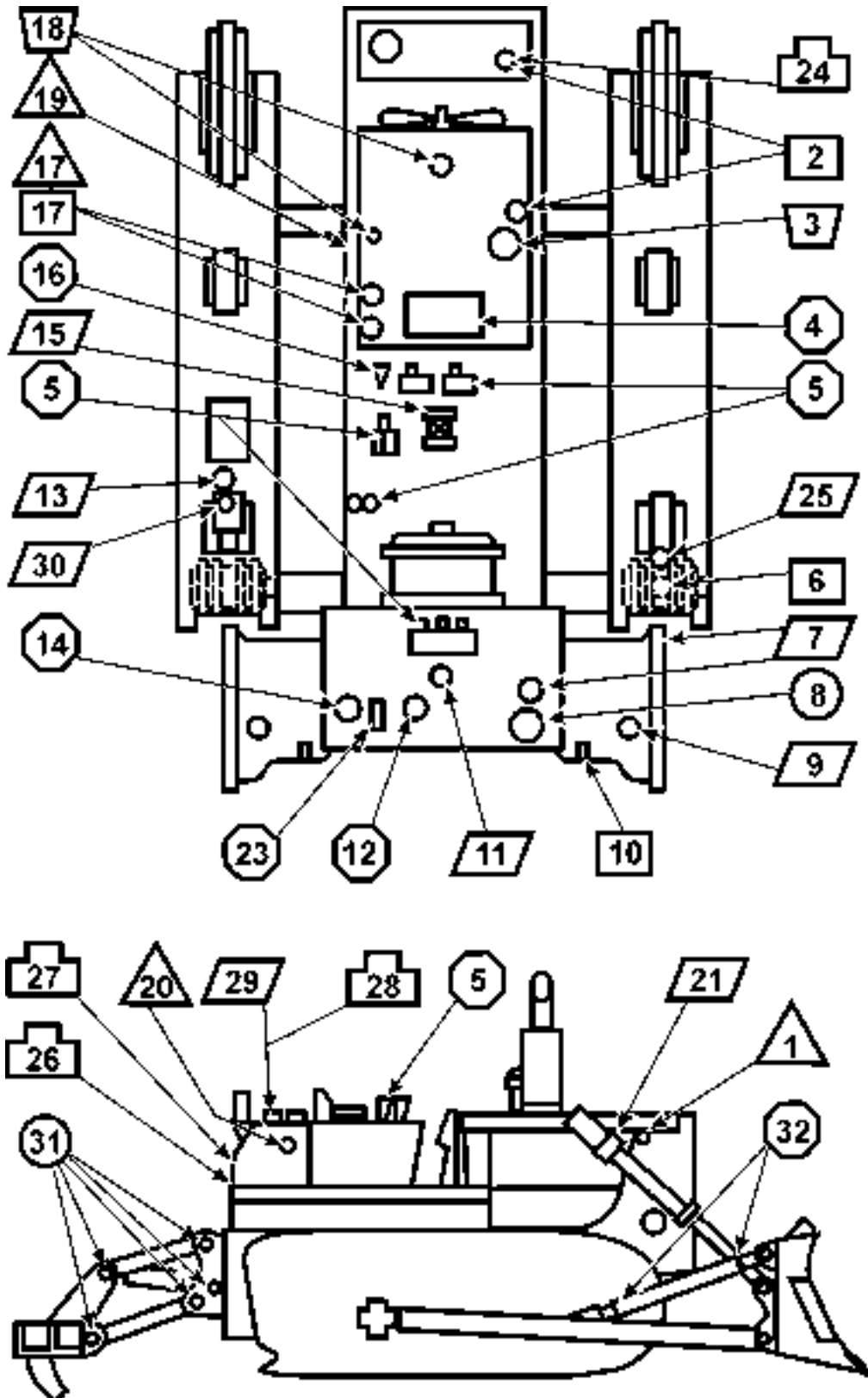


Fig. 5.1. Service Guide

MAINTENANCE AND SERVICE CHART

5.3.1. REFILL SPECIFICATION AND CAPACITIES CHART

MODEL TD-15H							
Lubrication Point	Refill capacity	Type	Air Temperature +45 – -7 [°C]	Air Temperature +21 – -23 [°C]	Temperature -12 – -34 [°C]	Temperature -12 – -54 [°C]	
Final Drive - Each	40 [l]	MPL	SAE 85W-140	SAE 85W-140 SAE 80W – 90	SAE 80W-90	MPL - ARCTIC ARCTIC GRADE 75 per HMS-B22-0003	
Pivot Shaft Housing - Each	3.0 [l]	MPL					
Engine Crankcase with Filter Change	23 [l]	E01	SAE 15W-40*	SAE 10W-30 SAE 15W-40	SAE 5W-20 or SAE 5W-30	E01 - ARCTIC MULTI - PURPOSE ARCTIC OIL PER HMS-B21-0001	
Transmission System (RMF)	135 [l]	HDTF	SAE 10W				
Track Roller (each)	Life Time Lubrication If Rebuilt	0.4 [l]	HDTF or E02*	SAE 30			
Top Idler (each)	Life Time Lubrication If Rebuilt	0.4 [l]					
Front Idler (each)	Life Time Lubrication If Rebuilt	0.3 [l]					
Lubricated track chain link	Life Time Lubrication If Rebuilt	0.03 [l] approx.	MPL	SAE 85W			MPL - ARCTIC ARCTIC GRADE 75 per HMS-B22-0003
D-2 Equipment Hydraulic System w/Tilt	101 [l]	HDTF or E02*	SAE 10W			E01 - ARCTIC MULTI - PURPOSE	
D-2 Equipment Hydraulic System w/Ripper	107 [l]	HDTF or E02*	SAE 10W			ARCTIC OIL PER HMS-B21-0001	
Cooling System	55 [l]		ANTI-FREEZE SOLUTION 0° – -37 [°C] 50 [%] Anti-freeze 50 [%] Water			62 [%] Anti-freeze 38 [%] Water	
Fuel Tank	388 [l]		above -12 [°C] Diesel # 2D below - 12 [°C] Diesel Fuel # 1D			Diesel Fuel VV-F-800DF-A	

DESCRIPTION:

HDTF:

Heavy Duty Transmission Fluid per HMS B21-0006 or equivalent and passing formula C-4 and TO-4. Should not contain viscosity-improving agent.

MAINTENANCE AND SERVICE CHART

EO1:

Engine Oil per HMS B21-0002 or multi-grade diesel engine oil CF-4/SG per API, MIL-L-2104D with sulfated ash of 1.85% maximum.

***EO2:**

Multi – purpose engine oil per HMS B21-0003 or engine oil CD per API MIL-L-2104C passing TO-2 and C-3 test with 0.10% minimum zinc.

EO:

Arctic selection: multi-purpose oil per HMS B21-0001 or MIL-L-46167

MPL:

Multi – purpose gear lubricant per HMS B22-0003 or API GL-5, MIL-L-2105C

Arctic selection: grade 75 per HMS B22-0003

MPG:

Multi – purpose grease 251 HEPM per HMS B27-0002 or NLGI grade #2 multi-purpose lithium grease with 3% minimum molybdenum disulfide (MoS₂).

Arctic selection: per HMS B27-0003 or MIL-L-10924D

ANTI-FREEZE:

Single Phase, ethylene glycol base per HMS B01-0001.

DIESEL FUEL:

Per HMS B32-0001 or ASTM D-975

Arctic selection: per VV-F-800DF-A

5.4. LUBRICATION

5.4.1. WHEN SHIPPED

This machine has been lubricated at the factory for operation in an air temperature range of +21[°C] to – 23[°C]. If this tractor is to be operated above or below this range, change to the correct lubricants.

Unless an exception is shown below, all lubricants can be used (within above temperature range) until regular scheduled (normal) change intervals occur. Refer to "MAINTENANCE AND SERVICE CHART" for the scheduled (normal) change intervals and to "REFILL SPECIFICATIONS AND CAPACITIES CHART" for the proper oil grades for ambient temperatures.

Front idlers, track idlers and track rollers are permanently lubricated with a SAE 30, API CD or MIL-L-2104C engine oil. A level check of these compartments is not required.

Lubricated track chain links are permanently lubricated with SAE 85 W multi-purpose lubricant.

5.4.2. WHEN SERVICED



WARNING! When you service the machine, always follow the Operator's or Service Manual. Never grease, oil or perform any maintenance alone with the engine running. Always have another experienced person helping in the operator's compartment when maintenance must be done with the engine running. Block up all attachments securely. Do not leave the operator's seat with the engine running. Failure to follow these instructions could result in serious injury or death.

LUBRICATION

The life and performance of a tractor and its equipment depends on the service that it is given. Proper lubrication is an important part of maintenance service. Thorough lubrication service performed at specified intervals will aid in prolonging the life of a tractor and its equipment and in reducing operating expense. The type of work being done, load, ground and weather conditions are all factors to consider in frequency of lubrication.

The scheduled intervals between lubrication periods shown on the "SERVICE CHART" are approximate, based on average operating conditions. It may be necessary to lubricate after shorter working periods under severe operating conditions such as extreme dust, low engine temperatures, intermittent operation, excessively heavy loads with high oil temperatures, or when diesel fuel with a high sulfur content is used. However, the time intervals between lubrication periods must never exceed those indicated in this manual.

5.4.3. SELECTION

The selection of the proper type (specification) and the grade (weight or viscosity) of lubricant is important. Many tests have been made to determine the correct lubricants for this tractor and its equipment. Refer to "REFILL SPECIFICATION AND CAPACITIES CHART" for the recommended time intervals and grades of lubricants.

5.4.4. VISCOSITIES

During cold weather, base the selection of a crankcase lubricating oil viscosity on the lowest anticipated temperature for the day to make starting easier. For hot weather operation, base the selection on the highest anticipated temperature. Refer to the "REFILL SPECIFICATIONS AND CAPACITIES CHART".

5.4.5. RECOMMENDED LUBRICANT CHART

RECOMMENDED LUBRICANT	EQUIVALENT LUBRICANT			TYPE
	POLISH	SHELL	TEXACO	
Engine oil per HMS B21-0002 or API CF-4/SG or MIL-L-2104D with sulfated ash of 1.85% maximum SAE 15W/40 SAE 10W/30 SAE 5W/40	AQUILA DIESEL TURBO CE/CF-4/SG SAE 15W/40 HELIUS SAE 5W/40	RIMULA TX 15W/40 MYRINA TX 10W/30	URSA SUPER LA 15W/40 URSA TDX 10W/30	E01
Engine oil per HMS B21-0003 or CD MIL-L-2104C SAE 10W SAE 30	SUPEROL CD SAE 10W SUPEROL CD SAE 30	ROTELLA TX 10W ROTELLA TX 30	URSA SUPER LA 10W URSA SUPER LA 30	E02

MAINTENANCE

LUBRICATION

RECOMMENDED LUBRICANT	EQUIVALENT LUBRICANT			TYPE
	POLISH	SHELL	TEXACO	
Transmission Fluid HDTF per HMS B21-0006 passing formula C-4 and TO-4 SAE 10W SAE 30	GERAX TKD 10W GERAX TKD 30	DONAX TC 10W DONAX TC 30	TEXTRAN HD 10W TEXTRAN HD 30	HDTF
Gear Lube per HMS B22-0003 or API GL-5 or MIL-L-2105C SAE 85W/140 SAE 80W/90	HIPOL 85W/140 HIPOL 80W/90	SPIRAX HD 85W/140 SPIRAX HD 80W/90	GEARTEX EP-C 85W/140 GEARTEX EP-C 80W/90	MPL
Multi-purpose grease per HMS B27-0002 or NLGI grade #2 Multi-purpose lithium grease with 3% minimum molybdenum disulfide (MoS ₂)	LITOMOS EP-23	RETINAX EPX2	MOLYTEX EP-2	MPG
Anti-freeze, ethylene glycol base per HMS B01-0001	ERGOFRYZ	GLYCOSHELL DILUTED	ANTIFREEZE ETX 6042	
Arctic oil, synthetic 75W per HMS B22-0003	-----	-----	SYN-STAR 75W CODE 2080	MPL ARCTIC
Arctic engine Oil, synthetic per HMS B21-0001 or MIL-L-46167	-----	CHEVRON SUB-ZERO Fluid OW-30 Manufactured by CHEVRON or FRIGID-GO 2809A Manufactured by EMERY Ind.		EO ARCTIC
Arctic grease per HMS B27-0003 or MIL-L-10924D	-----	SRI grease manufactured by CONOCO Grease 2816 manufactured by EMERY Ind.		MPG ARCTIC
Diesel Fuel Per HMS-B32-0001	Diesel fuel per Polish Standard PN-C-96051:1992 DL above 0[°C] DP above -12[°C] DZ above -20[°C] IZ-40 above -30[°C] For temperatures below -30[°C] add pour point depressant			

5.5. SEASONAL PREPARATION

General

Mechanical efficiency is enhanced during seasonal air temperature changes, when these instructions are followed.

SEASONAL PREPARATION

Outside source of heat

Machines left outside for prolonged periods in sub-zero weather will suffer from "cold-soak." Lubricants become viscous and incapable of lubricating moving parts. Extreme wear could result to the engine, transmission and final drives unless proper precautions are taken.

A source of outside heat is necessary under these conditions. There are electric as well as propane-fired engine coolant heaters available. Gas-fired forced air heaters may also be obtained to heat the transmission and final drives.

When using such heaters follow manufacturer's safety instructions.



WARNING! For your personal safety, use caution and follow the manufacturer's instructions when using engine block heaters to warm the coolant or external heaters to warm the tractor.

5.5.1. FUEL SYSTEM

Refer to "FUEL SYSTEM" for the diesel fuels selection, which will give the most satisfactory performance.

5.5.2. COOLING SYSTEM

Prepare the cooling system as follows:

1. Check the entire engine system for leaks.
2. Inspect the condition of all hoses and replace the hose and hose clamps as necessary.
3. Check the drive belts tension and adjust tension or replace a faulty belt. Refer to "CHECKING TENSION AND ADJUSTMENT".
4. Remove all debris from the radiator core using air or water under pressure. Direct the flow through the core, opposite the normal direction of air flow.



WARNING! For your personal protection, water pressure should not exceed 270 [kPa] and air pressure should not exceed 210 [kPa]. Use safety goggles.

5. Clean the radiator guard and the outside of the core.
6. Protect your cooling system from damage by using approved antifreeze and coolant. Refer to "CHANGING COOLANT".
7. Keep your cooling system clean and minimize corrosion by changing the coolant filter at correct intervals. Refer to "COOLING SYSTEM".
8. Check the condition of the fan blades.

5.5.3. ELECTRIC SYSTEM

Clean the batteries and remove all corrosion from the battery terminals and cables. Repair or replace all wires, which have worn, cracked or frayed insulation and broken or loose wires. Service the batteries.

5.6. AIR CLEANING SYSTEM

5.6.1. AIR CLEANER

This machine has a "dry-type" cleaner with replaceable elements.

The cleaner has two elements: primary and safety. The primary element can be cleaned for a limited number of times before replacement is necessary. However, the safety element must be replaced when plugged. Detailed service procedures for this air cleaner are covered in the following text.

IMPORTANT: *As a precaution against dirt entering the engine, all gasket and rubber hoses between the air cleaner, turbocharger and intake manifold, and between the manifold and cylinder head must be in good condition and the joints or connections must be tight. Never operate the engine unless a filter element is in place and filter end gasket is installed. Never remove the element from the air cleaner or service the air cleaner while the engine is running.*

5.6.2. PRIMARY FILTER ELEMENT

Service

The air cleaner primary element must be serviced whenever indicated by the air cleaner filter warning light. Refer to "AIR CLEANER FILTER WARNING LIGHT", Section 4.

If after performed cleaning of the primary filter element the air cleaner filter warning light continues to glow, check the pre-cleaner screen for allowable restriction. If the warning light continues to glow, replace safety filter element. If, with cleaned primary filter element and replaced safety filter element, the warning light still continues to glow check the air cleaner service indicator. The primary element can be cleaned by either of two methods: washing or cleaning with compressed air. Washing is the preferred method as it removes more dust and soot and restores the element to an almost new condition.

The result being better performance and longer intervals between required element service. It is recommended that a spare element be obtained for use while the serviced element is drying.

NOTE: *The primary filter element must be replaced after six washings.*

Cleaning the element with compressed air is not considered an entirely satisfactory method. Some dust will remain in the element causing more frequent servicing of the element. Cleaning with compressed air should be used only as a temporary measure until sufficient time is available to clean the element by washing.

NOTE: *After cleaning, if an element is to be stored for later use, place it in a plastic bag and store in an element-shipping container to protect against dirt and damage.*

Removal (Fig. 5.2)

1. Open the left engine access door. Remove all dust from the element removable end of air cleaner body (8).
2. Loosen the wing nut and remove cover (1) and seal ring (2) from air cleaner body (8).
3. Unscrew wing nut (3) and carefully remove primary element (4) from the body not to dislodge dust from the dirty element onto safety element (7).
4. Check the condition of the seal at the end of primary element (4). If the seal is damaged or missing, replace the primary element.
5. Remove all dirt from inside air cleaner body (8) with a damp cloth. A small amount of nonsudsing detergent added to the water will remove the soot.

AIR CLEANING SYSTEM

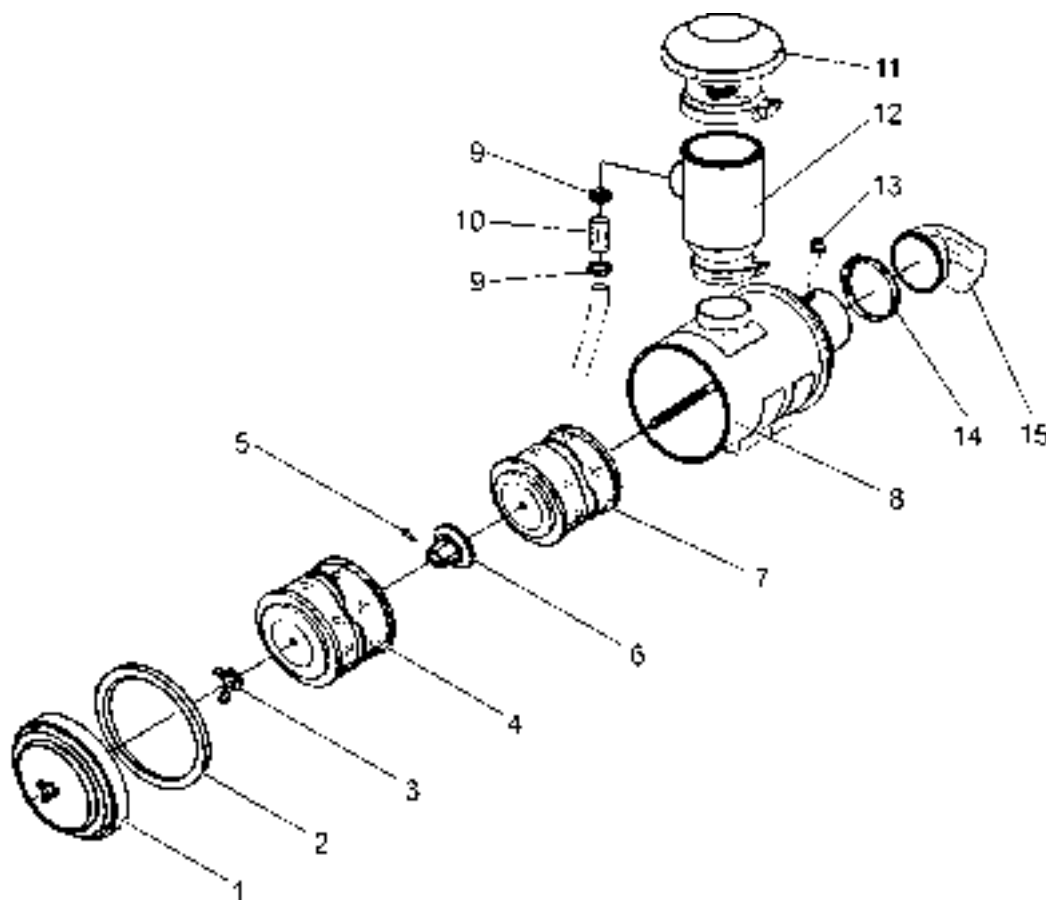


Fig. 5.2. Air Cleaner with Connections

- | | |
|--------------------|---------------------------------|
| 1. Cover | 9. Clamp |
| 2. Seal Ring | 10. Hose |
| 3. Wing nut | 11. Pre-Cleaner Cover |
| 4. Primary Element | 12. Pre-Cleaner Body |
| 5. Cotter Pin | 13. Filter Warning Light Switch |
| 6. Wing nut | 14. Clamp |
| 7. Safety Element | 15. Elbow |
| 8. Cleaner Body | |

Washing

IMPORTANT: Never wash element in flammable liquids such as: fuel, oil, gas or solvent. DO NOT OIL ELEMENTS. Do not tap the element against a hard surface; this will damage the element.

- Carefully tap the side or end of the element against the palm of your hand to remove loose dust.
- Wash the element in clean, warm water 20 [°C] to 40 [°C]. A small amount of nonsudsing detergent added to water will remove the soot.
- Rinse the element in clear water (if a hose is used, do not exceed 270 [kPa]). Shake the element carefully to remove excess water.

NOTE: Do not use compressed air to speed the drying of an element; air pressure will rupture a wet element.

- Lay the element on its side and allow it to air-dry before reinstalling. Overnight drying is usually sufficient. When drying an element, protect it from dirt and/or freezing.

AIR CLEANING SYSTEM

NOTE: *If no spare element is available, the wet element, after excess water has been shaken out, may be installed in the air cleaner and the engine operated at idle for 10 minutes before operating the tractor.*

5. Inspect for damage. Refer to "INSPECTION" below.

Inspection

1. Inspect a filter element for leaks or damage by placing a bright light inside the element. Inspection of the element on the outside will disclose any holes where concentrated light shines through. The slightest rupture requires replacement of the filter element.
2. Inspect the contact surfaces of the air cleaner body. If faulty or damaged surfaces are noted, correct these conditions immediately.

Installation (Fig. 5.2)

1. Insert the open end of primary element (4) into air cleaner body (8) and secure with wing nut (3). Install cover (1) with seal ring (2) onto air cleaner body (8). Secure the cover to the body with locking clamps making sure the cover is not cocked.
2. Inspect and tighten all air cleaner connections before resuming operation. Start the engine. If the air cleaner filter warning light indicates air restriction, replace the primary or primary and safety filter elements.

5.6.3. SAFETY FILTER ELEMENT**Service**

Replace the safety element with every third change of the primary element or when plugged, as shown by the filter warning light.

Removal (Fig. 5.2.)

1. Loosen nut on cover (1) and remove the cover.
2. Unscrew wing nut (3) and remove primary element (4).
3. Remove cotter pin (5) and unscrew nut (6). Pull safety element (7) out.
4. Clean the inside of body (8) with a damp cloth.
5. Check the condition of the gasket at nut (6) securing the safety element. If the gasket is damaged or missing, replace the gasket and the nut.

Installation (Fig. 5.2.)

1. Install new safety element (7) into body (8) and secure it with nut (6). Then secure the nut with cotter pin (5).
2. Install new primary filter element (4) onto safety element (7) and secure it with wing nut (3).
3. Install cover (1) and secure it with the nut making sure the cover is not cocked.

AIR CLEANING SYSTEM

5.6.4. AIR INTAKE SYSTEM

5.6.4.1. Pre-cleaner

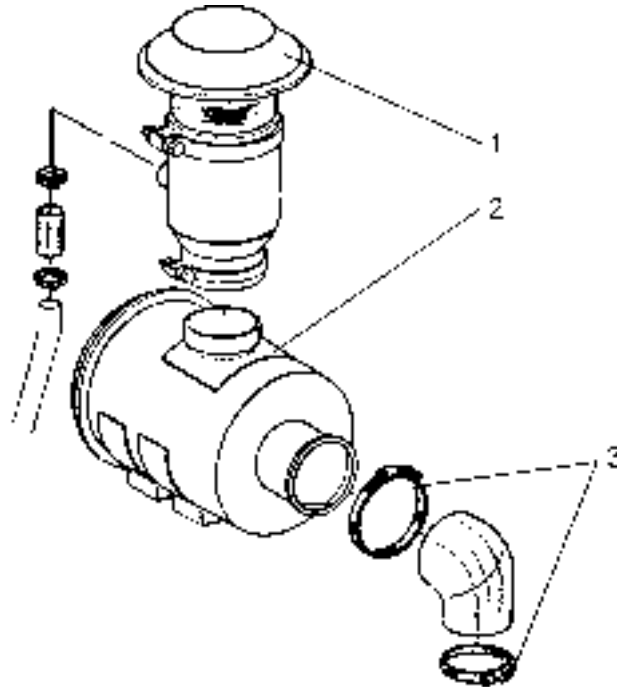


Fig. 5.3. Pre-cleaner Assembly

- 1. Pre-cleaner Filter
- 2. Air Cleaner
- 3. Air Intake Tube Clamps

The dome of the pre-cleaner hood serves as a rain shield and the screen prevents chaff and coarse dirt from getting into the air cleaner. Keep this screen clean from all chaff, oil or dust. Clogged holes in the screen will reduce the power of the engine by restricting the flow of air.

Loosen the clamp screw on the pre-cleaner hood. Twist and pull upward to remove the cap. Use compressed air to clean the screen. If compressed air is not available, wash in clean hot water or water containing a small amount of nonsudsing detergent.

IMPORTANT: Never wash pre-cleaner installed on a machine as water may penetrate to the engine and cause a serious damage.

5.6.4.2. Checking air intake system for leaks

Check the air intake system for hose cracks, loose clamps. Tighten loose connection, replace broken parts to eliminate leaks, which may damage or impair the engine.

5.7. BELTS

General



WARNING! Keep clear of the fan and fan belts when the engine is running. Rotating fan and belt contact can cause injury.

MAINTENANCE

BELTS

5.7.1. Visual Inspection

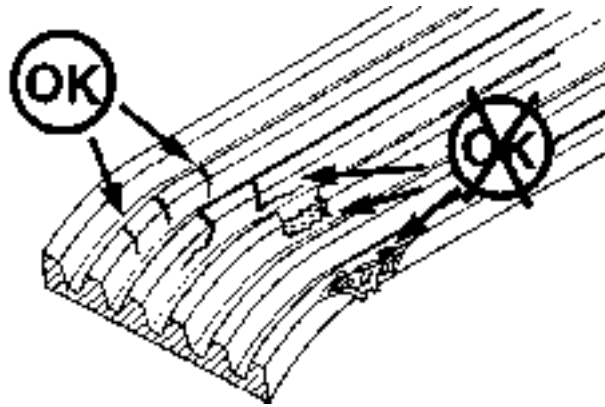


Fig. 5.4. Belt Inspection

Replace badly worn, greasy or cracked belts immediately. These conditions prevent proper belt function.

Visually inspect the drive belts for intersecting cracks. Transverse (across the belt width) cracks are acceptable. Longitudinal (direction of belt length) cracks that intersect with transverse cracks are not acceptable. Replace a belt if it is frayed or has pieces of material missing.

5.7.2. CHECKING TENSION AND ADJUSTMENT

5.7.2.1. Checking tension and adjustment of fan belt

The engine is equipped with an automatic belt tensioner that maintains correct tension on the drive belt. The tension should be 360-490 [N]. To check belt tension a Borroughs type gauge must be used. If the gauge is unavailable, check the tension by pressing the belt with the thumb on the longest portion of the belt. The deflection should be 9.5-13 [mm]. Check the fan belt tension every 1000 hours of operation.

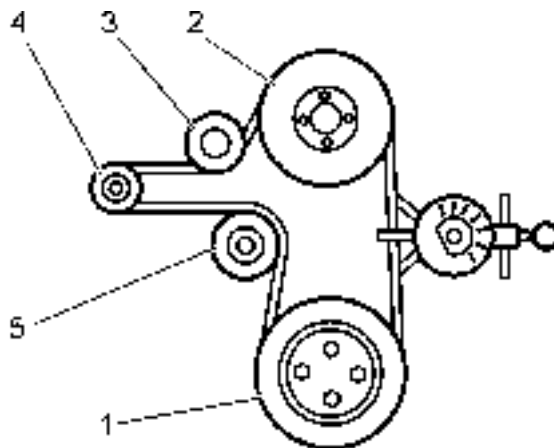


Fig. 5.5. Belt Tension Check

- | | |
|-----------------------|----------------------|
| 1. Crankshaft Pulley. | 3. Idler Pulley |
| 2. Fan Pulley | 4. Alternator Pulley |
| | 5. Water Pump Pulley |

BELTS

5.7.2.2. Checking Tension and Adjustment of A/C Compressor Belt

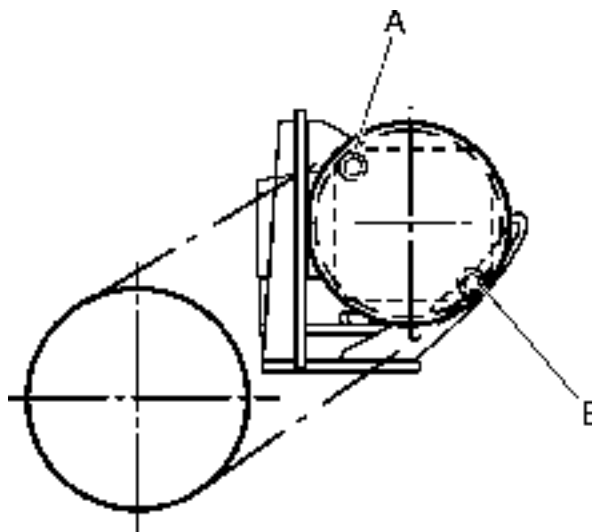


Fig. 5.6. Tension Adjustment of Air Conditioner Compressor Belt

- A. Air Conditioner Compressor Clamping Bolt (2 pcs)
- B. Locking Bolt

To adjust the belt tension of an air conditioner compressor proceed as follows:

1. Loosen clamping bolts "A" of the compressor and bolts "B".
2. Tense the belt by tilting the compressor till the belt tension is between 270-490 [N] (the deflection under the force of 110 [N] should be 16.5 ± 2 [mm]).
3. Tighten clamping bolts "A" and lock nuts "B".

5.8. COOLING SYSTEM

General

The cooling system operates under pressure. The water pump circulates the coolant through the oil cooler, engine block, cylinder heads, and radiator. Circulation is controlled by thermostats, which prevent coolant flow through the radiator until the engine reaches the operating temperature. Proper cooling is assured only when the system is sealed, radiator cap and gasket in good condition, thermostats operate properly, system is free of coolant and/or air flow restrictions and is filled to the proper level.

Selection and maintenance of the system coolant is important to long engine life. The following information provides recommendations for selecting engine coolant, maintaining coolant inhibitors, and servicing the cooling system. This system will operate with a water/antifreeze mixture or inhibited water as a coolant. Never use water alone because water will allow rust, scale deposits, and corrosion to occur within the system.

5.8.1. WATER

Use water, which has a low mineral content. Water used in conjunction with antifreeze, coolant filters and inhibited water must meet the following standards:

COOLING SYSTEM

Total hardness: Not to exceed 170 parts per million to prevent scale deposits. Water containing dissolved magnesium and calcium (the usual reason for water hardness) above the specified amount will cause scale deposits to develop in the engine.

Chlorides – Not to exceed 40 parts per million to prevent corrosion.

Sulfites – Not to exceed 100 parts per million to prevent corrosion.

Dissolved solids – Not to exceed 340 parts per million to minimize sludge deposits, scale deposits and corrosion.

If any of the requirements cannot be met, use distilled, de-ionized or de-mineralized water. To determine if local water supplies meet these standards, water treatment laboratories can test water samples. Softened water that is prepared using common salt (sodium chloride) contains excessive amounts of chlorides and should not be used.

5.8.2. ANTIFREEZE

Low silicate ethylene glycol antifreeze is recommended. The antifreeze should contain no more than 0.1[%] anhydrous alkali metasilicate. Low silicate antifreeze is recommended to avoid the formation of silica gel (hydro-gel). This gel formation can occur when cooling system contains an over concentration of high silicate antifreeze and/or supplemental coolant additive. DO NOT use methanol or alcohol as antifreeze because of its low boiling point. Antifreeze may retain its freeze protection for more than one season but coolant conditioners must be added to maintain corrosion protection. Antifreeze formulated with methoxy propanol, or propylene glycol is not recommended for this system.

IMPORTANT: Do not mix different types of antifreeze solutions. Mixed solutions make it impossible to determine the protection against freezing.

IMPORTANT: Antifreeze containing sealer or anti-leak additives should not be used in this system. Sealer or anti-leak additives will plug the coolant filter and cause plugging problems in the cooling system.



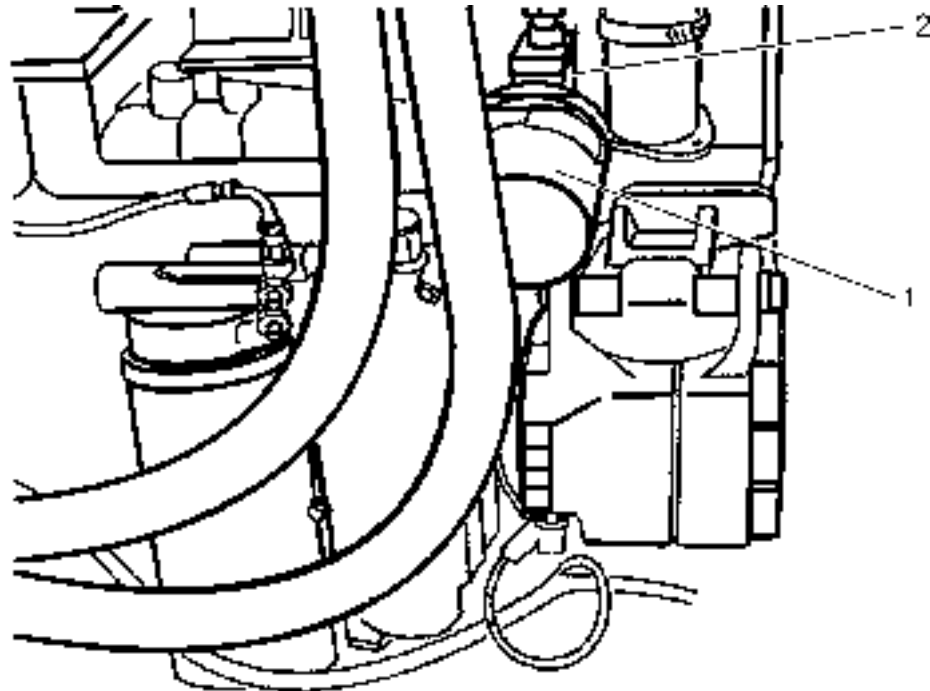
WARNING! Use extreme caution when adding coolant to a hot radiator to avoid being burned. Wear gloves and goggles and keep face away from the filler neck.

A table included in Engine Operation and Maintenance Manual shows percentage of antifreeze concentration required for various temperatures.

5.8.3. INHIBITORS / CONDITIONERS

All cooling system inhibitors, including those in antifreeze solutions, become depleted through normal operation. If the inhibitors in antifreeze are allowed to become depleted, the antifreeze becomes corrosive and attacks and coats the metallic surfaces of the cooling system. If the concentration is too high it causes plugging problems in the cooling system, which reduces heat transfer. Cooling system conditioners, which contain these inhibitors, must be added or filters replaced to maintain corrosion protection.

COOLING SYSTEM



5.7. Coolant Filter

1. Coolant Filter

2. Shut-off Valve

Coolant testing for conditioner concentration

Coolant testing for DCA4 concentration should be performed periodically before coolant filter replacement to determine proper capacity of the filter to be applied. CC2626 test kit of the filter manufacturer is designed for this purpose.

Replenishing coolant conditioner

Replenishing coolant conditioner is performed by periodical replacement of filters containing DCA4 inhibitor protecting the cooling system against corrosion and cavitation erosion of the cylinder sleeves and coolant pump blades.

Prior to installation of a new coolant filter close the shut-off valve on the coolant filter head (OFF). Upon the installation of a new coolant filter open the shut-off valve (ON).

NOTE: *Mixing of DCA4 and other supplemental coolant additives is not recommended because there is currently no test kit available to measure concentration levels with mixed chemical solutions.*

5.8.4. RADIATOR CAP

General

Radiator cap (2) seals the coolant filler opening of the radiator. Positive sealing requires a cap gasket and its contacting surfaces in good condition, and a properly tightened cap.

Radiator cap cover (1) incorporates a pressure relief valve that keeps the pressure of coolant at 40 – 55 [kPa] in the top tank of the radiator.

IMPORTANT: *Operating a machine without the radiator cap, or with a cap without a relief valve set to operate at the correct pressure can cause damage.*

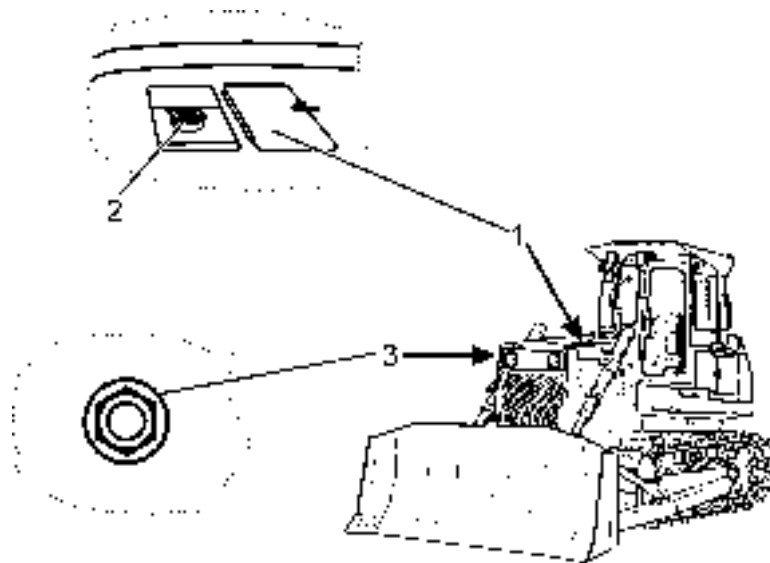


Fig. 5.8. Radiator Cap and Coolant Level Sight Gauge

1. Radiator Cap Cover
2. Radiator Cap
3. Sight Gauge

Removal

To remove the cap turn it to the left or counterclockwise up to the safety stop until all pressure is released. Then press down on the cap and continue to turn until the cap is free to be removed.

Installation

When installing a cap, the gasket and contacting surfaces must be clean. Turn the cap to the right or clockwise until snug.

5.8.5. CHECKING COOLANT LEVEL

IMPORTANT: Check the coolant level before starting the engine.

1. Check the coolant level daily to be sure that the level is proper. Coolant level must be seen in the sight gauge (3, Fig. 5.8).
2. For checking coolant level place the machine on the level ground and lower the mounted equipment to the ground.
3. If coolant has to be added, remove the radiator cap (Refer to 5.8.4) and pour the coolant until it is visible in the sight gauge.

5.8.6. CLEANING THE RADIATOR CORE

Every 50 hours of operation remove dirt from the radiator core blowing it through with compressed air in the direction opposite to the fan.

COOLING SYSTEM

5.8.7. REFILLING AN OVERHEATED SYSTEM



WARNING! Hot, scalding coolant can spray out if the radiator cap is removed suddenly. Relieve system pressure by slowly turning the cap to the first notch or lifting the safety lever. Remove the cap only after the pressure has been relieved.



WARNING! Use extreme caution when adding coolant to a hot radiator to avoid being burned. Wear gloves and goggles and keep your face away from the filler neck.

Never add coolant when the engine is hot. This may result in damage to the engine. Allow the engine to cool down below 50[°C] prior to replenishing the coolant in the radiator.

5.8.8.CHANGING COOLANT

5.8.8.1. Draining the System

1. Position the machine on the level ground. Run the engine until it reaches operating temperature then stop the engine.

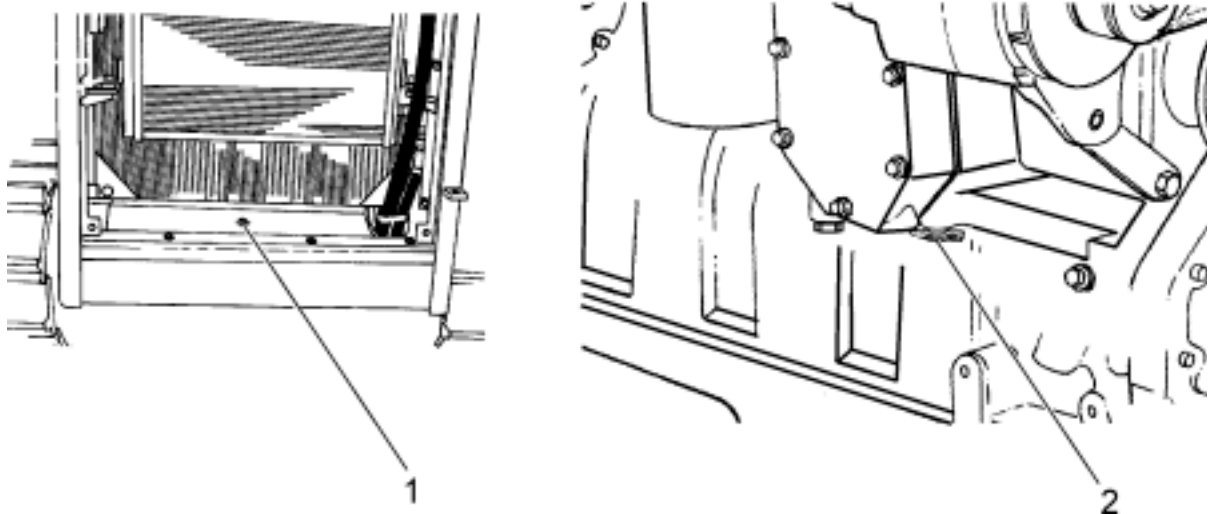


Fig. 5.9 Radiator Drain Valves.

1. Radiator Drain Valve 2. Drain Valve on Engine Block

2. Remove the radiator cap.
3. Open the radiator drain valve and the main drain valve located on the engine block and drain the system completely (Fig. 5.9).

5.8.8.2. Filling the Drained System

IMPORTANT: Do not fill a cooling system with water alone. Use antifreeze and water solution in proportions as specified in chart 5.3.1. according to the ambient temperature.

1. Close the radiator drain valve and the valve on the engine body (Fig.5.9).

COOLING SYSTEM

2. Fill the cooling system slowly. This allows more air to escape and the system to be filled to its maximum capacity. Fill the system until the coolant fills completely the sight gauge (Fig. 5.8), approximately 43 [mm] above the inner baffle in the radiator top tank.
3. Install the radiator cap. Start the engine and run until the normal operating temperature is reached. Check for leaks and add coolant to the proper level.

5.9. FAN AND FAN HUB

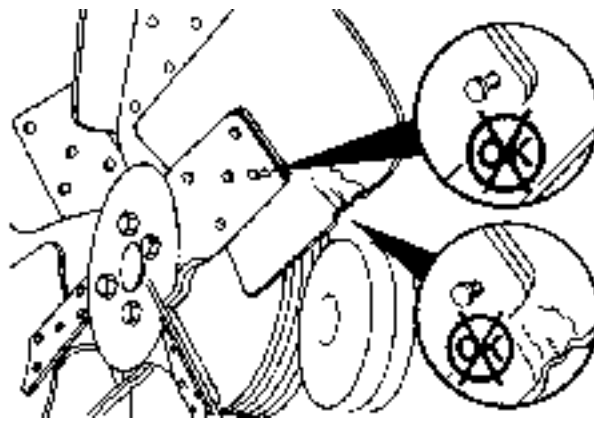


Fig. 5.10. Fan



WARNING! Keep clear of fan and fan belts when engine is running. Rotating fan and belt contact can cause injury.

1. Check the condition of the fan blades (cracks, damaged, rivets, loose mounting bolts) and bearing of the idler pulley.
2. Reversible fan blades (if equipped) should be reversed periodically to clean the radiator and engine compartment. After reversing the blades adjust them in the required position.

5.10. ELECTRIC SYSTEM

5.10.1. ELECTRIC WIRES AND CONNECTIONS



WARNING! Before working on an engine or electric system, turn off the electric system master switch and remove the key. All terminals must be clean and fastened securely. Replace frayed, cracked, and poorly insulated wiring. Electric system shall not be tampered with. Wrongly made alterations may cause machine damage or fire.

The surface under all terminals must be clean, and good electrical connections must be established after any reassembly. Also, all clips must grip cables tightly to prevent vibrations and rapid cable wear. All clips and straps must be closed in a workmanlike manner, so as not to damage the insulation.

ELECTRIC SYSTEM

5.10.2. AUTOMATIC RESET CIRCUIT BREAKER

Electric circuits are protected by automatic reset circuit breakers mounted on the underside of the instrument panel. In the event of a short circuit or ground, the circuit breaker will open and close until trouble clears or is corrected. The circuit breaker will then return and stay in its normal closed position.

5.10.3. BATTERIES

General

Batteries can only be charged using receptacle located close to the engine on the left hand side of the machine. The receptacle can also be used to connect additional source of supply, e.g. for engine starting. This receptacle can also be used to connect additional source of power to start the engine under extreme conditions.

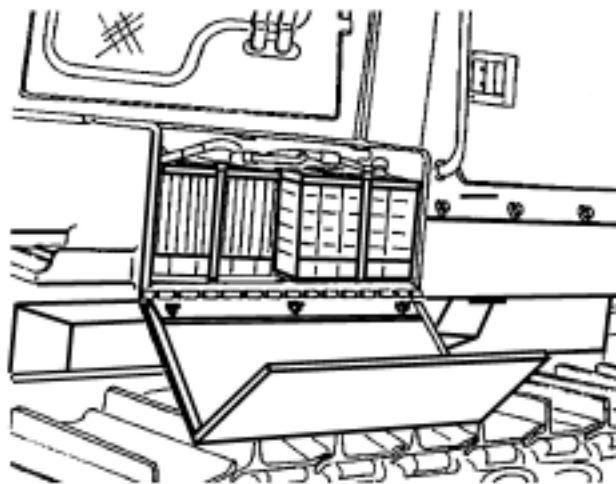


Fig. 5.11. Location of Batteries

A machine is equipped with two 12-volt battery. They are located in L.H. fender. Access is provided upon removal of three bolts and lifting the cover.

Never allow a battery to stand on concrete, ground or a metal support unless proper insulation is provided. A wooden platform or board is a sufficient insulation. Be sure the battery in a machine is fastened securely to avoid damage from vibration.



WARNING! A battery gives off highly flammable gas. Never allow sparks, open flame or lighted smoking material near the battery. Avoid spilling any electrolyte on hands or clothing. Always wear safety glasses when working on a battery.



WARNING! Never check a battery charge by placing a metal object across the terminals. The sparks could cause a battery explosion. Use a voltmeter or hydrometer to measure the charge.



WARNING! Be sure the electric system master switch is off when connecting or disconnecting a battery to minimize the chance of sparks and explosion.

Maintenance

Proper battery maintenance will assure maximum service. Following are a few simple rules: Keep battery cable terminals clean and tight. Keep the filler cap vent holes unplugged. Replace worn, cracked, broken or corroded cables. Keep the battery fastened securely in frame.

IMPORTANT: *Excessive tightening can warp or crack a battery case.*

Maintain the correct battery electrolyte level. Refer to "Electrolyte Level" below. Always charge the battery in a ventilated area. Keep the battery clean. Refer to "Cleaning the Batteries" below.

CAUTION! The following precautions must be taken when working around batteries:

- Use a battery carrier to avoid spilling electrolyte on clothing. Wearing rubber aprons and gloves is advisable.
- Be careful that tools or other metallic objects do not fall across the battery terminals.
- Never break a live circuit at the terminals. This could cause sparks. Make sure charger cable clamps or booster leads are clean and making good contact. If it becomes necessary to prepare electrolyte of a desired specific gravity, always pour acid into water.
- Always turn the charger to the OFF position before connecting or removing charger leads to a battery.
- Be sure the electric system master switch is off when connecting or disconnecting a battery to minimize the chance of sparks and explosion.

**Cleaning the Batteries**

If the top of a battery is dirty, it may be cleaned with a brush dipped in ammonia or soda solution and then rinsed with water.

Electrolyte Level

The electrolyte in each cell must be at the proper level (21 to 27 [mm] above the plates) at all times to prevent battery failure. Check periodically the level of electrolyte.

When the electrolyte is below this level, pure distilled water must be added. Never use hydrant water or any water which has been in a metal container. A skilled battery man must never add except acid or electrolyte. Under no circumstances add any special battery solutions or powders.

It is especially important to keep a battery at full charge for cold weather operation. Add distilled water to the battery in freezing temperatures only when the engine is to operate for several hours, to thoroughly mix the water and the electrolyte, or damage to the battery may occur.

Battery Charge

When a machine is not in use for an extended period, the maintenance-free battery can become discharged. For this reason, when a machine will not be used for over 30 days, it is recommended that the negative ground terminal cable be disconnected. Prior to starting up a machine that has been idle, always make a visual inspection of the battery and take the open circuit voltage test. A reading of 12.4 volts (75% of full charge) or less indicates a state of discharge and the battery should be charged.

Check amount of charge of batteries:

100% of full charge	1.26 – 1.28 [g/cm ³]
75% of full charge	1.23 – 1.25 [g/cm ³]
50% of full charge	1.20 – 1.22 [g/cm ³]
Fully discharged	1.11 – 1.13 [g/cm ³]

5.11. ENGINE

5.11.1. CHECKING THE CRANKCASE OIL

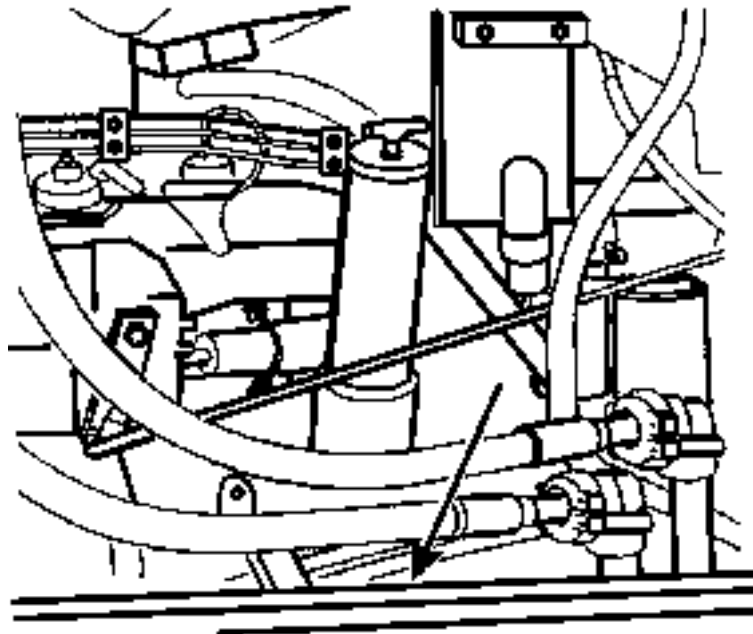


Fig. 5.12. Oil Level Gauge



WARNING! Park the machine on level ground, stop the engine, lower all mounted equipment to the ground, lock the transmission shift the lever in neutral, apply the brake pedal lock, turn off the electric system master switch.

Stop the engine and check the oil level. For an accurate reading wait for the oil to drain into the crankcase pan. Open the side access door.

Remove the oil level gauge and wipe it clean. Reinsert the gauge completely. Remove the gauge and check the oil level. If the level is at or below the MIN (ADD) mark, add oil through the fast fill receiver to bring the level up to the MAX (FULL) mark on the gauge. Refer to "REFILL SPECIFICATIONS AND CAPACITIES CHART" for type and viscosity of oil specified.

Reinstall the level gauge.

IMPORTANT: Never run an engine, if the level of the oil is at or below the MIN (ADD) mark on the oil level gauge.

5.11.2. CHANGING THE CRANKCASE OIL AND OIL FILTER

Change the engine oil and oil filter every 250 hours.



CAUTION! Hot parts – wear gloves. Fire hazards – do not smoke.



WARNING! Whenever working under the machine, turn off the electric system master switch, remove the key and tag the controls to prevent inadvertent starting.

ENGINE

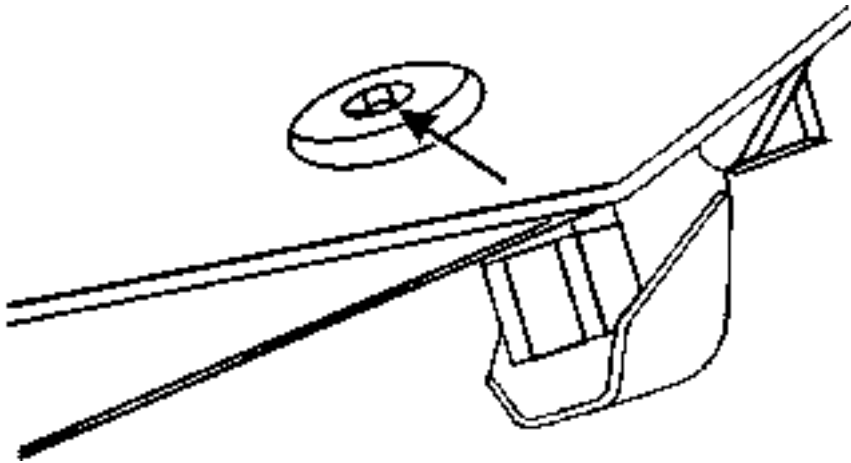


Fig. 5.13. Location of Oil Drain Plug Cover in Crankcase Guard

1. If the engine is cool start it and run it until it reaches 60[°C]. Then stop the engine.
2. Remove the oil pan door to gain access to the crankcase oil pan drain plug. Remove the drain plug and allow the oil to drain completely into a suitable container.
3. Clean the oil filter and filter head. Remove the filter.
4. Clean the filter head in the seal contact area.

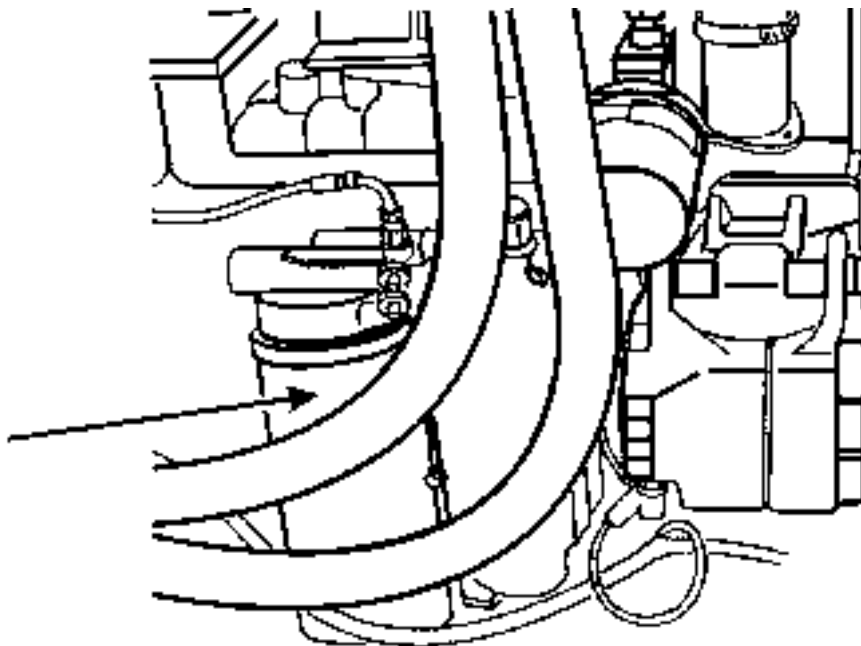


Fig. 5.14. Lubricating Oil Filter

IMPORTANT: Use only recommended filters available from Authorized Distributor of Construction Equipment.

5. Apply a little clean engine oil to the seal of a new filter, fill the filter with engine oil and thread the filter on by hand per instructions specified on the filter.

IMPORTANT: Thread it filters by hand. Do not use any tools to install a filter because this can damage.

ENGINE

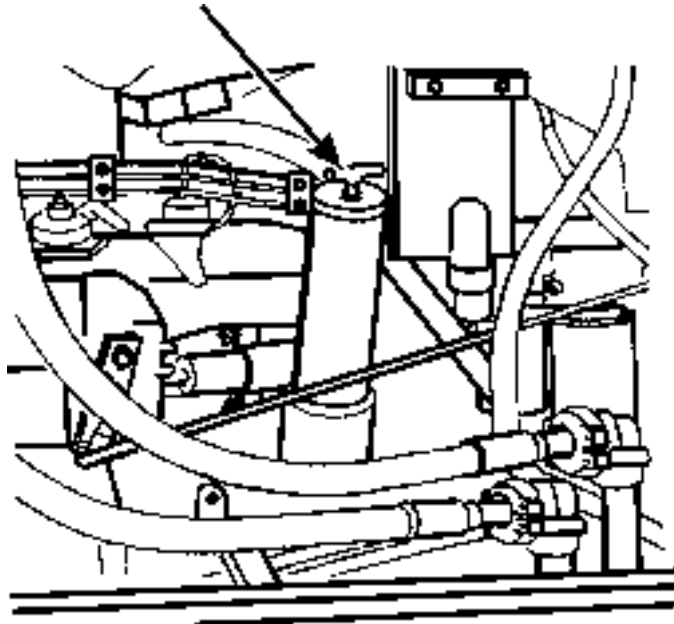


Fig. 5.15. Engine Oil Filler

6. Fill the crankcase with fresh oil (Fig. 5.15). Refer to the "REFILL SPECIFICATION AND CAPACITIES CHART".
7. Check the oil level with the oil dipstick as described in 5.11.1.

IMPORTANT: After the oil has been replaced, start the engine according to the instructions specified in Section 4 "ENGINE START AFTER OIL CHANGE OR PROLONGED STANDSTILL".

5.11.3. ADJUSTMENT OF ENGINE VALVES

1. Lift the hood and side doors.
2. Disconnect the air pre-cleaner dome, muffler with the bracket and turbocharger - manifold tube.
3. Remove the valve covers (Fig. 5.16).

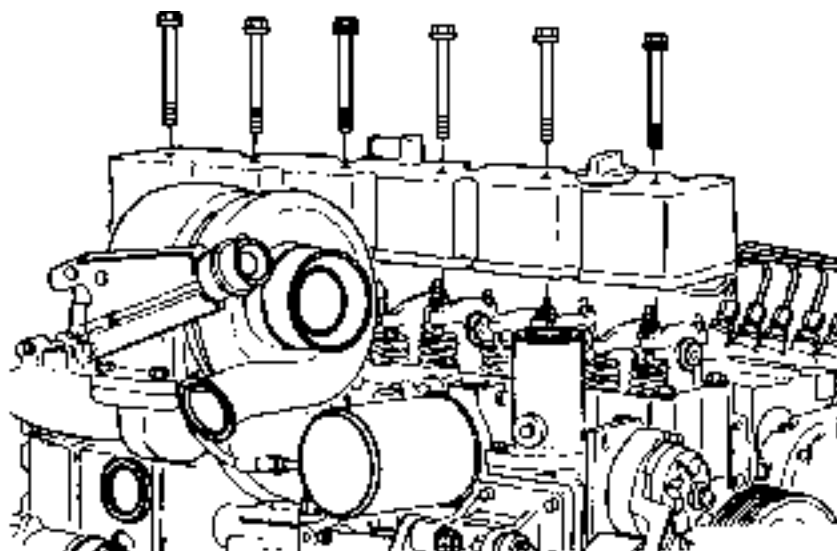


Fig. 5.16. Removal of Valve Covers.

4. Position the first cylinder piston in the top dead center (TDC) by turning the pinion on the rack (No 3824591) by hand and simultaneously pressing a timing pin (Fig. 5.17). When the pin slides into the camshaft hole, the cylinder piston has reached the top dead center (TDC).

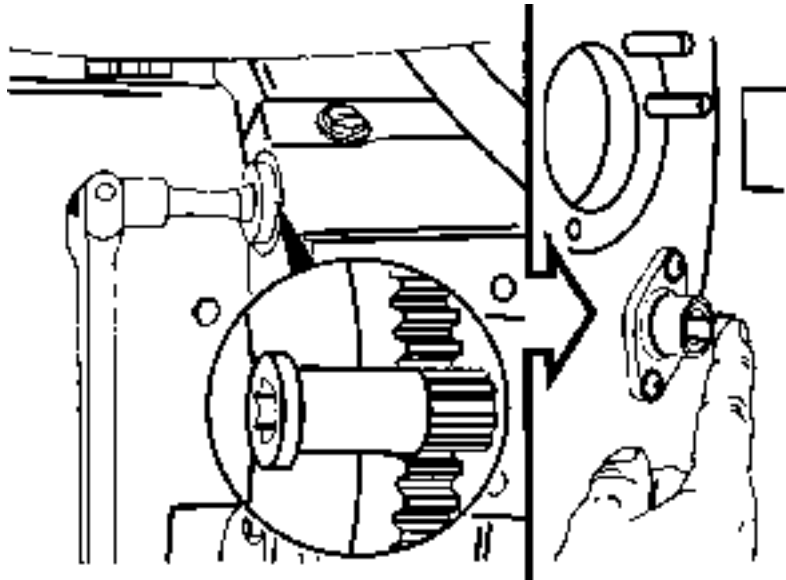


Fig. 5.17. Positioning a Cylinder Piston in TDC

IMPORTANT: When the piston is positioned in its TDC remove the pin so as not to cause damage to the pin or engine.

5. Check and adjust (step 1), if necessary, the valve lash as shown in Fig. 5.18. Use a screw driver, a wrench and a filler gauge. The value of the valve lash should be as follows:

- Intake valve (I): 0.30 [mm],
- Exhaust valve (E): 0.61 [mm].

Tighten the adjusting nut up to the torque of 24 [Nm] and check the lash again.

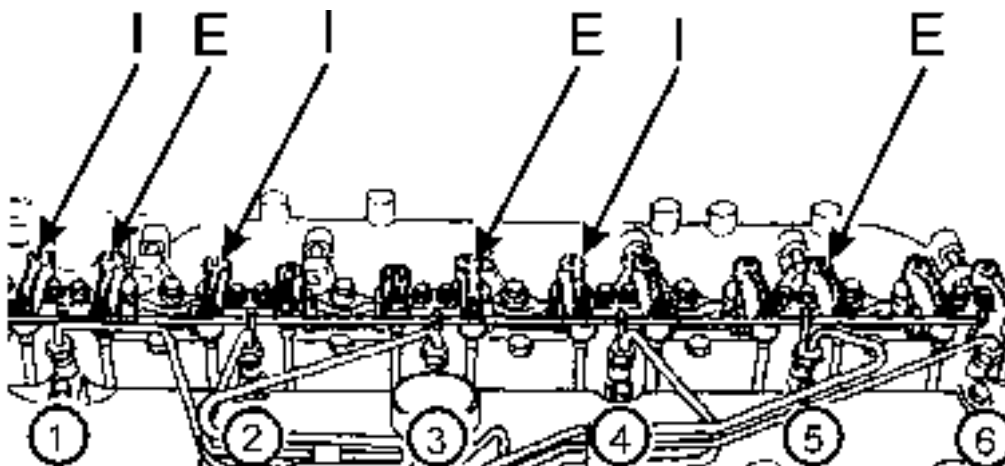


Fig. 5.18. Engine Valves (Step 1)

I. Intake Valves

E. Exhaust Valves

ENGINE

6. Mark the position of the vibration damper (Fig. 5.19) and rotate the camshaft by 360 [°]. Check and adjust (step 2), if necessary, the other valves as shown in Fig. 5.20 as described in item 5 above.

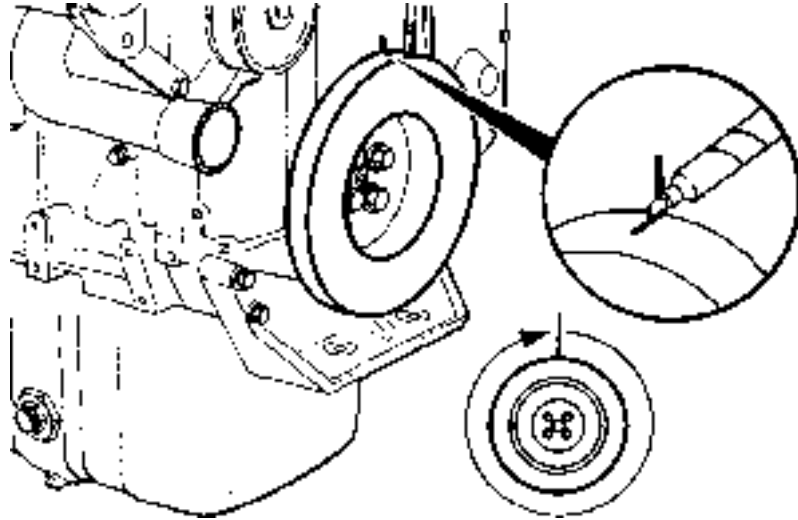


Fig. 5.19. Vibration Damper Position Mark

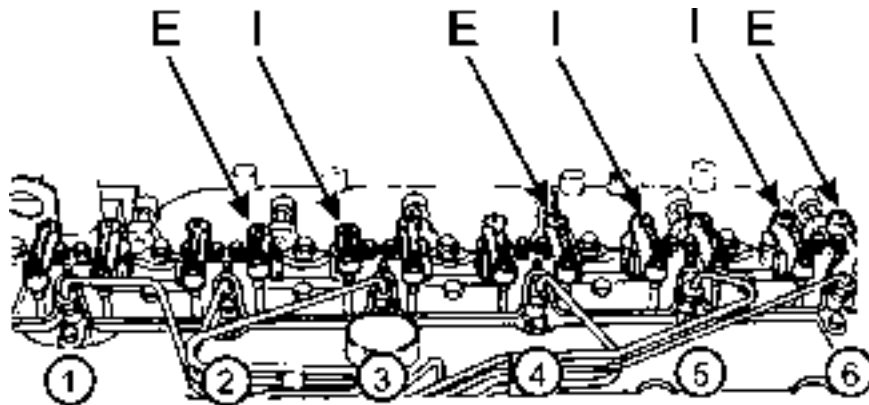


Fig. 5.20. Engine Valves (Step 2)

I. Intake Valves

E. Exhaust Valves

7. Install the valve cover.

IMPORTANT: Use the same cover gasket unless it is damaged. If so, replace it with a new one.

8. Torque the valve cover bolts to 24 [Nm].
9. Reinstall all the parts removed in step 2 and 1.

5.11.4. CHECKING THE CONDITION OF FAN AND HUB

Check the fan hub every 1000 hours of operation. It should rotate freely although without excessive loose. If the end play exceeds 0.15 [mm] the hub bearing should be replaced.

ENGINE

5.11.5. INSPECTION OF IDLER PULLEY

Idler pulley should be checked every 1000 hours of operation. The pulley should rotate freely but without excessive play.

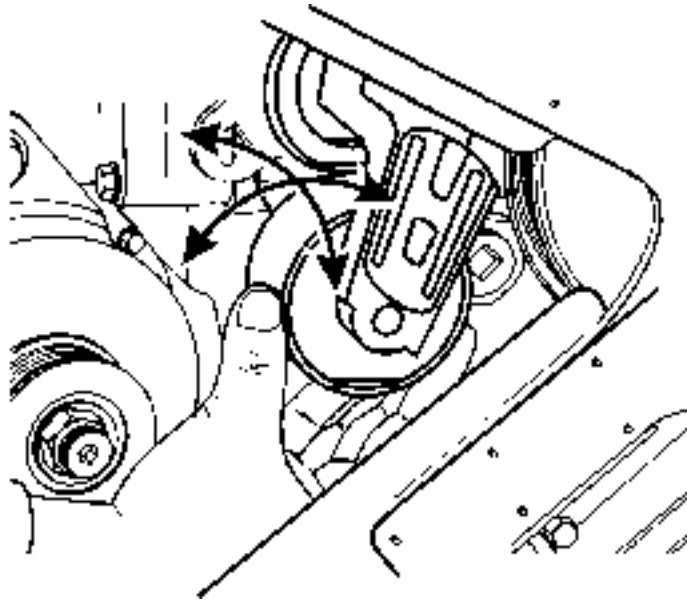


Fig. 5.21. Inspection of Idler Pulley

5.11.6. ETHER INJECTOR (if equipped)

Precautions

WARNING! Ether starting fluid is highly flammable.

Follow the precautions on the container. Explosion can result if sparks or flame contact ether or a container is stored in temperature above 70 [°C].

Observe the following precautions:

- Do not use the ether injector when air temperature is above 0 [°C].
- Do not use open flame when using ether-starting fluid.
- Do not store fluid containers in the operator's compartment.
- Store containers in a cool, well ventilated place.
- Keep fluid containers out of unauthorized personnel.
- Do not breathe hazardous ether vapor.
- Do not let ether contact your skin, because it can cause frostbite.
- Never puncture a fluid container or put it into fire. Dispose of empty containers properly.
- For your safety, remove the ether container when welding, grinding, or using a torch on a machine.



Follow the correct method of starting the engine. Refer to "STARTING THE ENGINE" in this manual.

IMPORTANT: An ether starting valve inlet must be sealed against the entry of dirt at all times by having a fluid container installed or by installing the dust cap provided with the valve.

ENGINE

INSPECTION AND CLEANING

Make certain that ether is available under pressure. To do so, remove the ether container and check if a good spray is obtained.

Test the ether injector as follows:

1. Disconnect the ether tube at the spray nozzle in the engine manifold. Remove the spray nozzle.
2. Reconnect the nozzle to the tube. Direct the nozzle away from the engine and actuate the ether injector. Dribbling or no spray indicates a blocked spray nozzle or tube. If necessary, clean or replace spray nozzle and/or tube.

CHANGING THE FLUID CONTAINER

1. Loosen the clamp screw securing the fluid container in the support saddle.
2. Unscrew and discard the container from the ether starting valve in a suitable, closed refuse container.
3. Install a new container in the valve.
4. Secure the container in place by tightening the clamp screws.

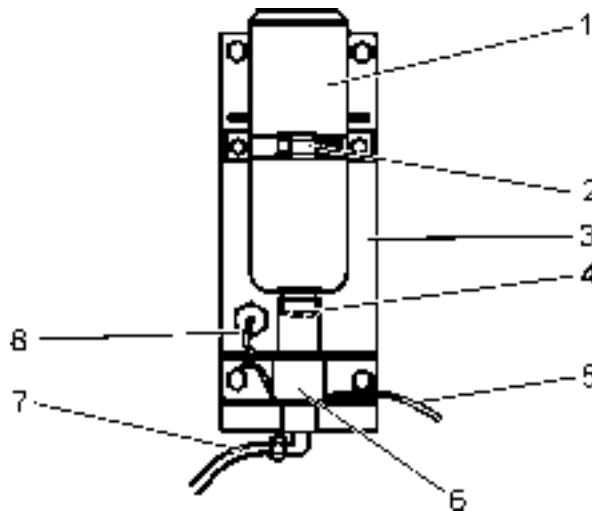


Fig. 5.22. Ether Fluid Container

- | | |
|--------------------|------------------------------|
| 1. Ether Container | 5. Electric Wire |
| 2. Clamp | 6. Injector |
| 3. Support Saddle | 7. Injection Pipe |
| 4. Seal Ring | 8. Plug for Container Socket |

5.12. FUEL SYSTEM

GENERAL

Cleanness of diesel fuel determines the service life of the fuel system components. Water and contaminants, allowed to reach precision components, cause rapid wear and poor performance. Clean fuel and regular servicing of the fuel tank and fuel filtering components are necessary for long service life. Always clean the area around the fuel tank filler cap before refueling.

FUEL SYSTEM



WARNING! Fire hazard – never mix gasoline and/or alcohol with diesel fuel. This practice creates an extreme fire hazard and under certain conditions could cause explosion, which could result in personal injury or death.



WARNING! Never remove the fuel tank filler cap or refill the fuel tank while the engine is running or hot or when a machine is indoors. Fumes are dangerous, a spark or flame could result in a fire or explosion.

5.12.1. FILLING THE FUEL TANK

Be sure the fuel tank is full. Fill the tank at the end of each day's operation to reduce condensation of moisture.

5.12.2. FUEL TANK FILLER STRAINER

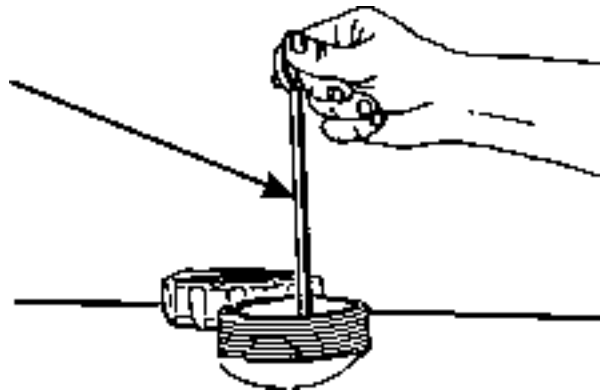


Fig. 5.23. Fuel Tank Filler Strainer and Fuel Level Dipstick

This screen filters the fuel entering the tank and eases the job of the fuel filters. Remove and clean the screen with nonflammable commercial cleaning solvent.

5.12.3. FUEL TANK SHUTOFF VALVE

Be sure the shutoff valve is open.

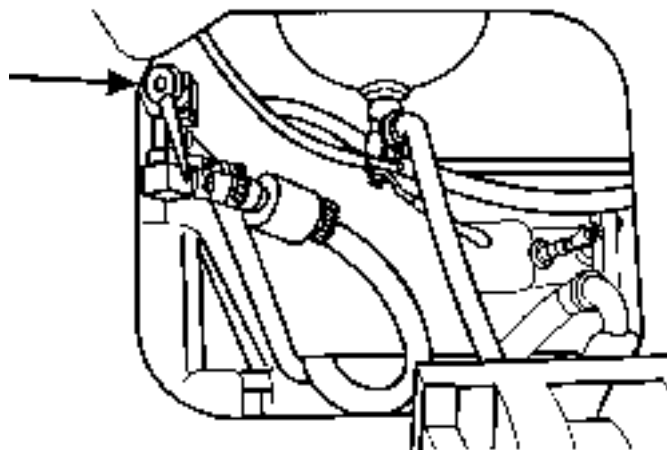


Fig. 5.24. Fuel Tank Shutoff Valve

FUEL SYSTEM

5.12.4. FUEL FILTERS

5.12.4.1. Fuel Filter Water Separator Drain Valve

One of the fuel filters equipped with a water separator is used in a fuel system. Water and foreign materials separated from fuel, which settle at the bottom of the filter, are drained from the fuel through drain valve located in the lower part of the filter.

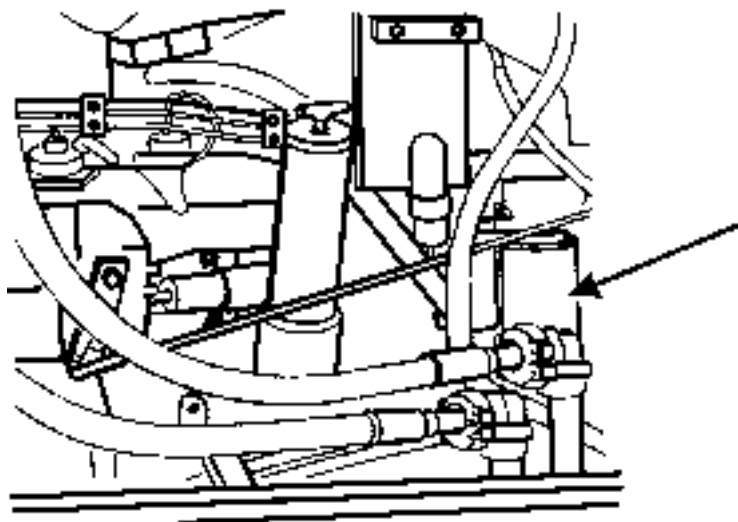


Fig. 5.25. Fuel Filter with Water Drain Valve

Open the valve and drain water and sediment from the filter until clean diesel fuel appears. Close the valve.

IMPORTANT: *Water contaminated with sediment and fuel as well as oil are detrimental to environment. Drain water into a suitable container and utilize in the appropriate area.*

5.12.4.2. Replacing the Fuel Filters

Replace fuel filters after 500 hours of operation.

Keep new filters in their original packages until ready for installation. Before loosening the filter, clean the filter header to prevent dirt or foreign material from entering the system.

1. Close the fuel shutoff valve under the fuel tank.
2. Remove the fuel filter from the filter header using a filter wrench.
3. Thoroughly clean the filter header to prevent dirt or foreign material from entering the system.
4. Fill the fuel filter with clean fuel.
5. Apply a light coating of clean engine oil to the seal surface of the new filter.
6. Install the new filter, turning it until the seal just contacts the filter header and tighten the filter an additional 1/2 to 3/4 turn.

IMPORTANT: *Thread the filters by hand. Do not use any tools to install a filter because this can damage it.*

NOTE: *Use only recommended filters available from Authorized Distributor of Construction Equipment.*

FUEL SYSTEM

5.12.4.3. Replacing the Fuel Strainer (on the fuel line)

The filter must be replaced periodically (at least once a year).

1. Close the fuel shut-off valve under the fuel tank
2. Loosen the fuel hose clamps on both sides of the filter.
3. Remove the filter.
4. Install a new filter. Make sure the arrow on the filter points the direction of fuel flow.
5. Open the shut-off valve.

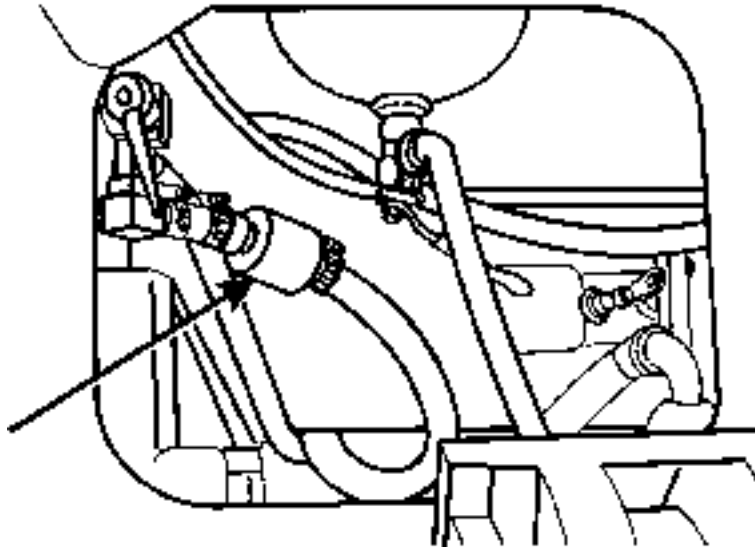


Fig. 5.26. Fuel Strainer (on Fuel Line)

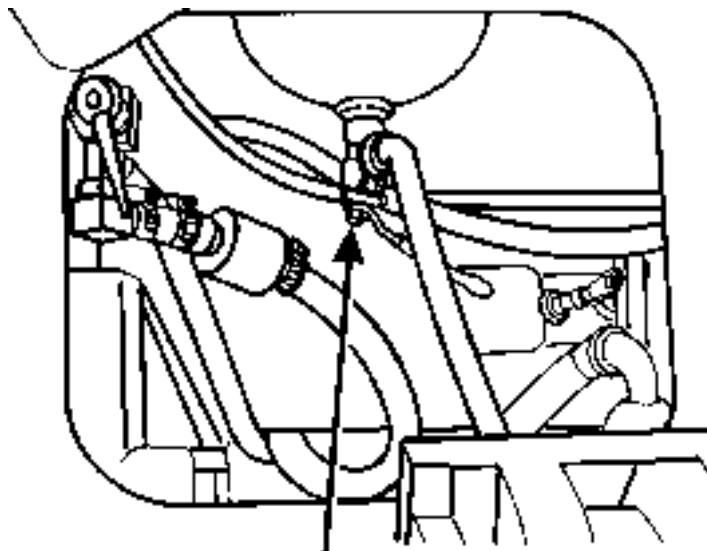
5.12.5. DRAINING FUEL TANK

Fig. 5.27. Fuel Tank Drain Valve

Periodically open the valve and drain water and sediment from the fuel tank until clean diesel fuel appears. Close the valve.

5.13. HYDRAULIC SYSTEM

General



WARNING! Always lower all mounted equipment to the ground before performing work on the hydraulic system. With all mounted equipment lowered to the ground and the engine off, cycle all hydraulic controls in all directions to relieve trapped pressure.

Slowly loosen the hydraulic reservoir filler cap to relieve trapped reservoir pressure.

5.13.1. CHECKING OIL LEVEL

1. Park the machine on level ground, lower the blade and the ripper to the ground and stop the engine.
2. Check the oil level at the sight gauge on the side of the reservoir. Add oil if the level is below the centerline of the gauge. Refer to "CHANGING HYDRAULIC OIL".

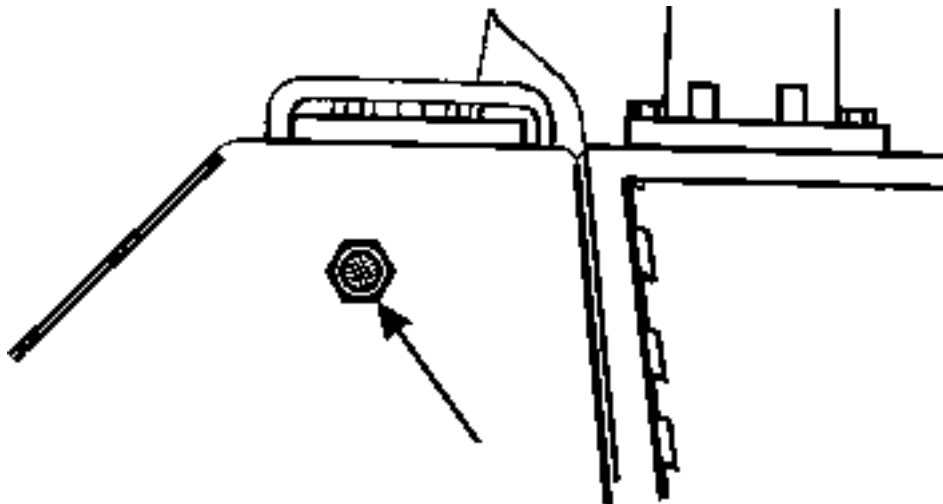


Fig. 5.28. Hydraulic Reservoir Sight Gauge

IMPORTANT: Before removing any components from the reservoir or servicing, wipe the top surface of the reservoir, using clean kerosene or a commercial cleaning solvent.

5.13.2. CHANGING HYDRAULIC OIL

1. Start the engine and operate the blade to warm the oil for easy draining.
2. Park the machine on level ground lower the blade and the ripper to the ground.
3. Stop the engine. Shift the transmission lever to neutral and apply the neutral lock lever. Apply and lock the parking brake. Turn the electric system master switch to OFF and remove the key. Slowly loosen reservoir filler plug to relieve reservoir pressure.
4. Drain the reservoir into a suitable container by removing the filler plug and the drain plug.
5. Replace the return filter of the hydraulic system. Refer to "SERVICING THE RETURN FILTER". Service the suction strainer as described in "SERVICING THE SUCTION STRAINER". Service hydraulic reservoir filler strainer.

HYDRAULIC SYSTEM

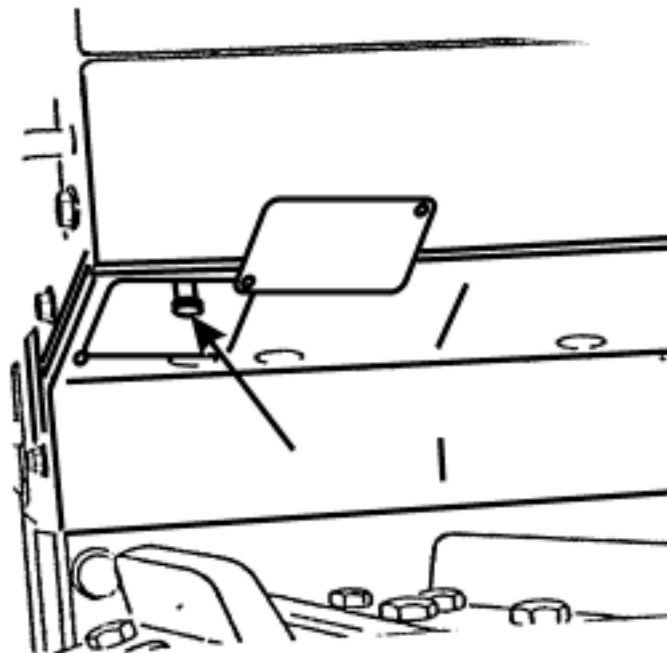


Fig. 5.29. Hydraulic Reservoir Drain Plug

IMPORTANT: Use clean oil from a clean container. Maintain all packaging and fittings so as to prevent leakage.

6. Reinstall the drain plug. Fill the reservoir with lubricant up to the center line of the sight gauge. Refer to Section 6 "REFILL CAPACITIES" for the quantity oil specified. Reinstall the filler cap.
7. Vent the system. Refer to "VENTING THE HYDRAULIC SYSTEM".

5.13.3. SERVICING THE RETURN FILTER

NOTE: The hydraulic reservoir does not have to be drained in order to service this filter.

IMPORTANT: If the filter warning light on the instrument panel, remains on at the operating oil temperature with the engine running, the filter must be changed.

Change the hydraulic return filter as described below:

1. Park the machine on level ground, lower the blade to the ground and stop the engine. Turn the electric master switch to OFF.
2. With the engine stopped, operate the equipment lever several times in all directions to relieve any pressure. Remove the return filter side cover located on the R.H. side in front of the hydraulic reservoir, remove all outside dirt from the filter.
3. Using a filter wrench, remove the filter. Wipe the filter head, removing all of the old oil from the seal area.
4. Coat the seal on the new filter element with clean oil. Install the new element by threading it onto the filter head until the seal contacts the head, turn the filter by hand an additional 1/4 to 1/2 turn. Check the oil level in the system as outlined in "CHECKING OIL LEVEL".

HYDRAULIC SYSTEM

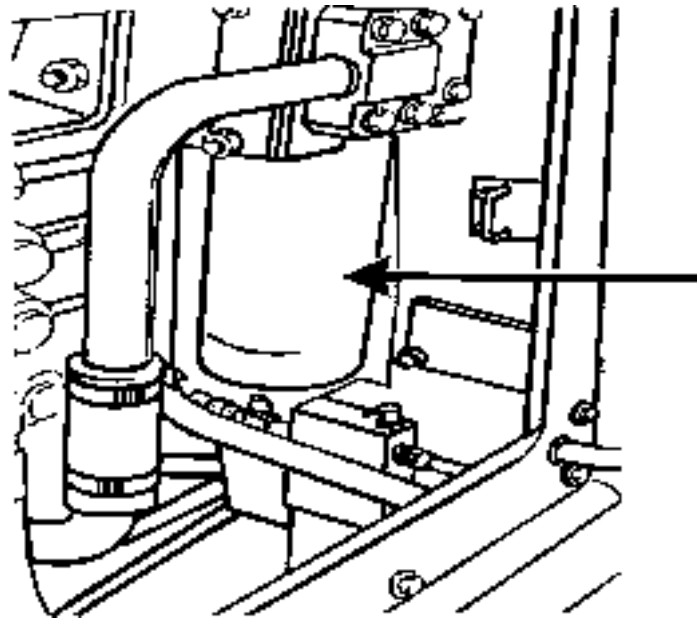


Fig. 5.30. Hydraulic Return Filter

5.13.4. SERVICING THE SUCTION STRAINER

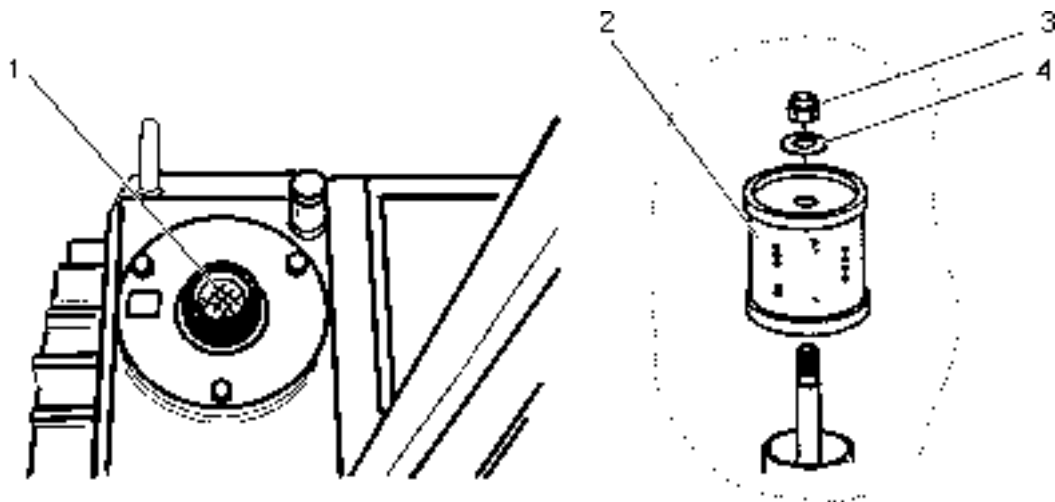


Fig. 5.31. Hydraulic Oil Suction Strainer (Inside Hydraulic Reservoir) and Filler Strainer

1. Filler Strainer 2. Suction Strainer 3. Nut 4. Washer

1. Park the machine on level ground, lower the blade to the ground and stop the engine. Turn the electric master switch OFF. With the engine stopped, operate the equipment lever several times to relieve any pressure. Drain the hydraulic system. Refer to "CHANGING HYDRAULIC OIL".
2. Remove three bolts and remove the cover of the hydraulic reservoir. Remove nut (3). Remove strainer (2) from the reservoir.
3. Remove the snap ring securing filler strainer (1). Clean and dry the strainer and install it in the reservoir cover.
4. Clean the suction strainer in nonflammable commercial solvent and dry thoroughly. Thoroughly clean the interior of the reservoir being sure all particles are removed from the corners.



WARNING! Always lower all mounted equipment to the ground before performing work on the hydraulic system. With all mounted equipment lowered to the ground and the engine off, operate the equipment lever several times in all directions to relieve any pressure.

5. Install the suction strainer, secure it with the nut. Install the reservoir cover with a new O-ring.
6. Fill the system, refer to "CHANGING HYDRAULIC OIL".

5.13.5. SERVICING THE RESERVOIR BREATHER

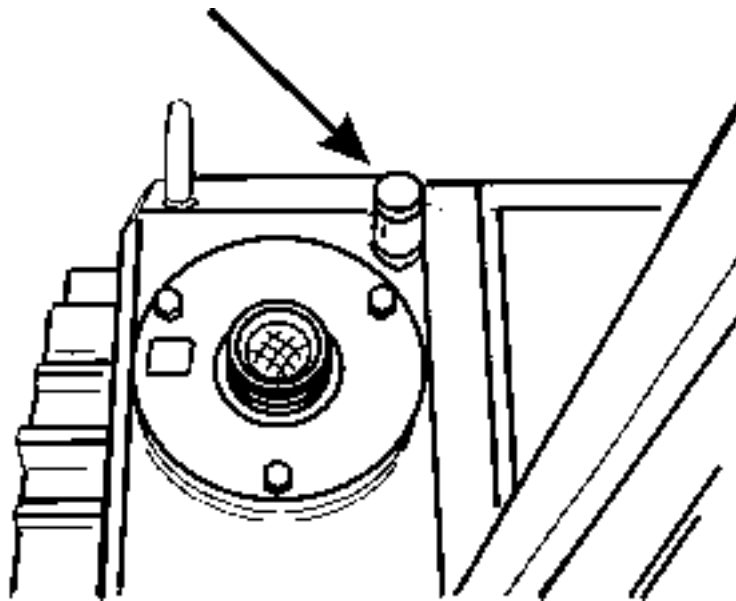


Fig. 5.32. Hydraulic Reservoir Breather Location

1. Park the machine on level ground, lower the blade to the ground and stop the engine. Turn the electric master switch to OFF and remove the key. With the engine stopped, operate the equipment lever several times to relieve any pressure. Remove all outside dirt from the breather.
2. Slowly loosen the filler plug on the reservoir in order to relieve any pressure in the reservoir.



CAUTION! Pressurized Reservoir. Always loosen the filler plug slowly in case there is still some pressure in the system.

3. Remove the breather (Fig. 5.33) from the reservoir. Remove snap ring (1), cover (2), element (3) and clean in nonflammable commercial solvent. Dry thoroughly. Check O-ring (4) for wear or deterioration. Replace if necessary. Reinstall the filter and cover. Secure with snap ring (1). Reinstall the breather and the filler cap.

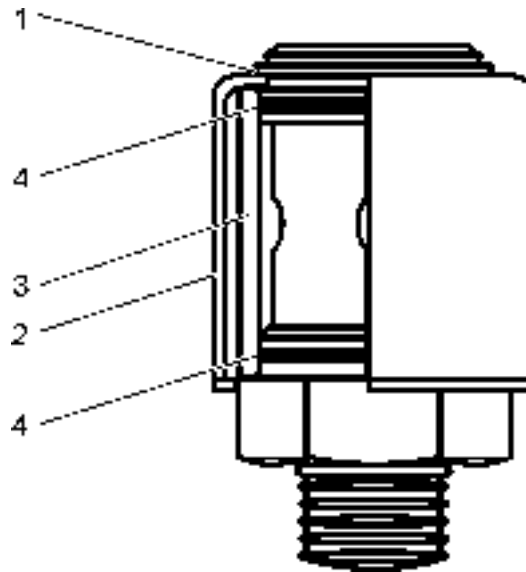
HYDRAULIC SYSTEM

Fig. 5.33. Hydraulic Reservoir Breather

1. Snap Ring
2. Element Cover
3. Breather Element
4. O-Ring

5.13.6. VENTING THE HYDRAULIC SYSTEM

The hydraulic system has to be vented of air if:

- the system has been drained and filled,
- the hydraulic lines have been disconnected or tightened,
- after noting hydraulic leaks,
- the hydraulic system has been operated with excessively low oil level.

1. Start the engine and run it at low idle speed. Operate all the controls through all positions four or five times so the cylinders are filled with oil and air expelled.
2. Check the oil level as described in "CHECKING OIL LEVEL". Repeat this procedure until the fluid level remains at the specified level in the reservoir.

5.14. LUBRICATING FITTINGS**GENERAL**

The following lubrication fittings are to be greased at the intervals indicated in the "SCHEDULED MAINTENANCE GUIDE".

- brake and engine control linkage (8 fittings),
- hand steering levers (2 fittings),

MAINTENANCE

LUBRICATING FITTINGS

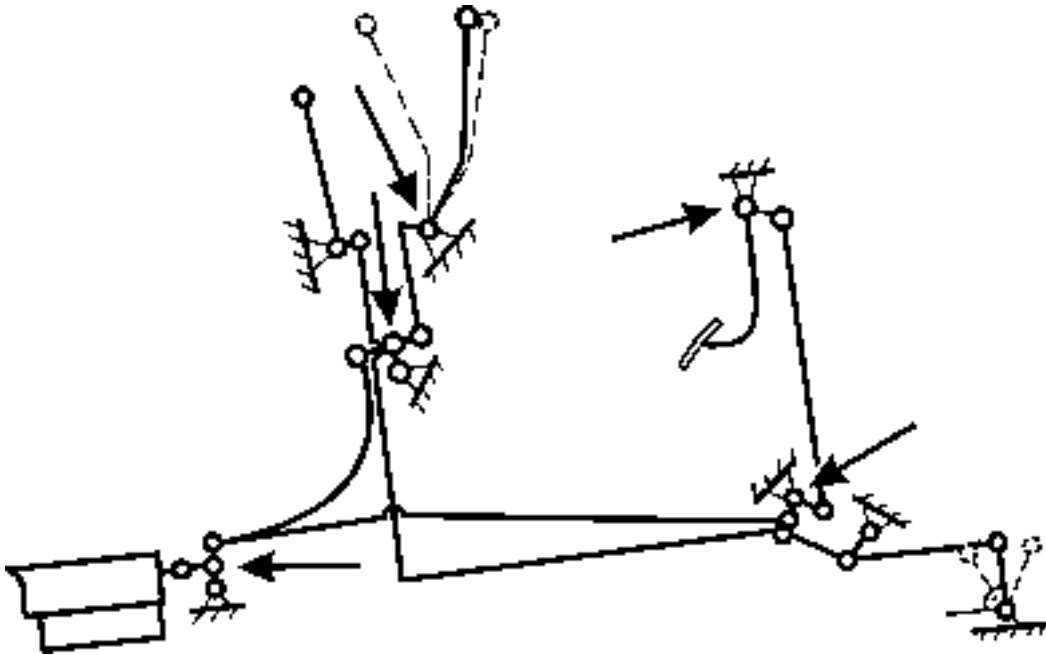


Fig. 5.34. Hand and Foot Control Linkage Lubrication Fittings

Mounted equipment fittings:

- Gimbal crosstube (2 fittings),
- Ripper pins (10 fittings),

Lubricate the ripper pins every 50 hours of operation in average conditions. The lubrication period should be shorter in extremely heavy conditions. Always use clean lubricators and containers. Apply fresh grease until the old lubricant and dirt is removed.

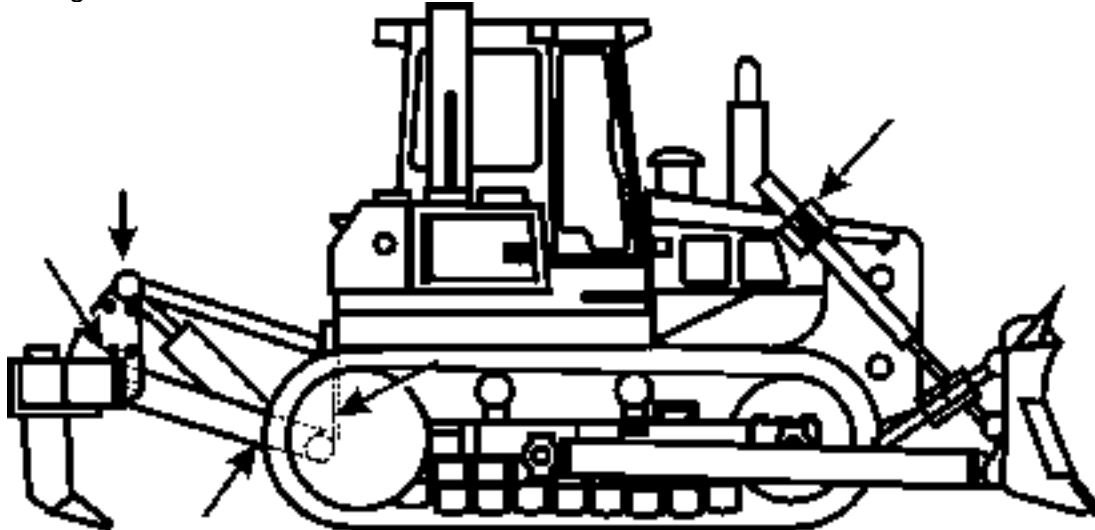


Fig. 5.35. Mounted Equipment Fittings

Apply grease until clean lubricant is visible. Always use a clean lubricator and wipe dirt from fittings before fresh grease is applied. If grease fails to go through the fitting, determine the cause and correct it.

Gimbal cross tube and yokes: Remove the plugs and apply grease until clean lubricant is visible from breathers.

5.15. MOUNTED EQUIPMENT

5.15.1. COMPLETE BLADE REMOVAL AND INSTALLATION

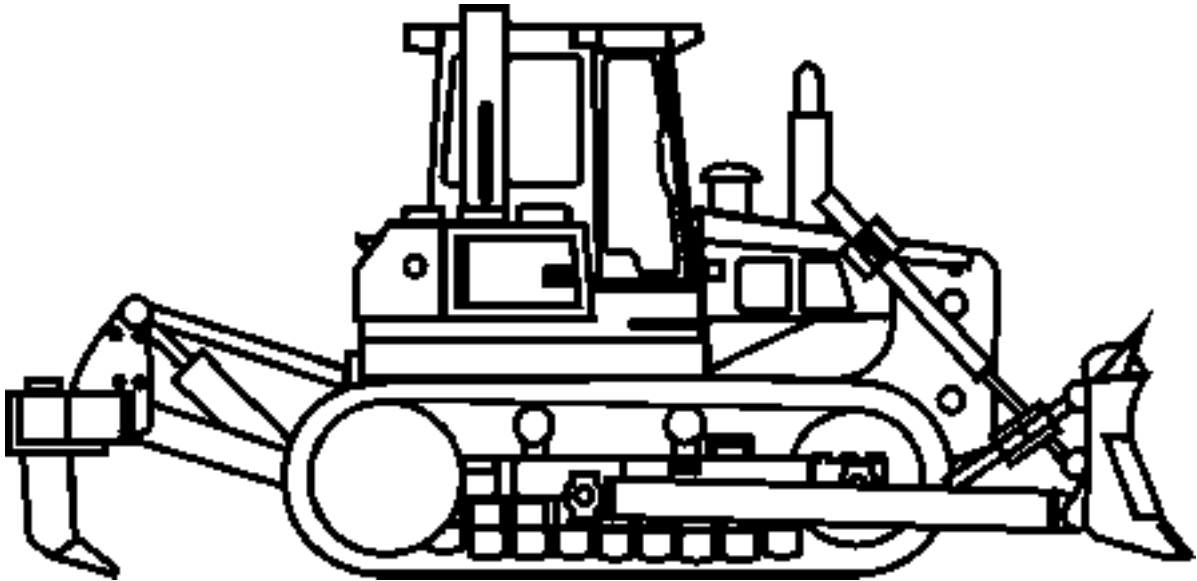


Fig. 5.36. Complete Semi-U Blade

If for any reason the complete blade is to be removed from the tractor proceed as follows:

1. Place the blade on level ground and block up the ends of the push arms or C-frame close to the trunnions. This will maintain the proper height for reassembly.
2. For machines with hydraulic tilt: disconnect the hoses (Fig. 5.37). Fit and secure plugs to the ends of hoses and pipes.

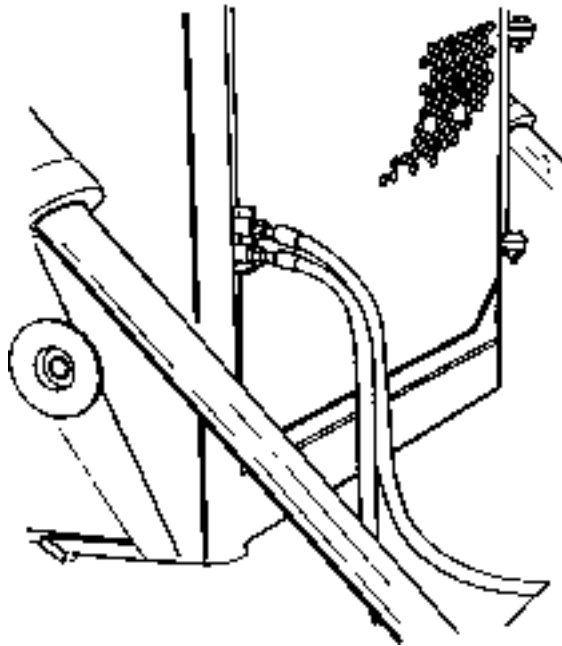


Fig. 5.37. Blade Tilt Hoses Connection Location

MOUNTED EQUIPMENT

3. Remove the pins securing the lift cylinder piston rods to the blade lift brackets at the back of the blade (or on the C-frame). Retract the piston rods fully into the cylinders. Secure the rods to the tractor using shipping hanger bars to prevent damage to the piston rods.
4. Remove two trunnion bearing cap bolts (2, Fig.5.38) and remove caps (1) and shims (6) of R.H. and L.H. side trunnion (3) from push arms.
5. Back the tractor straight out and away from the push arms or C-frame.
6. Reassemble shims and bearing caps to the push arms and secure with the bearing cap bolts to prevent their damage or being lost. If the blade is to be stored outdoors, grease to prevent corrosion. To reassemble the blade, perform the above in reverse order. Retorque the trunnion cap bolts to 1050 [Nm].

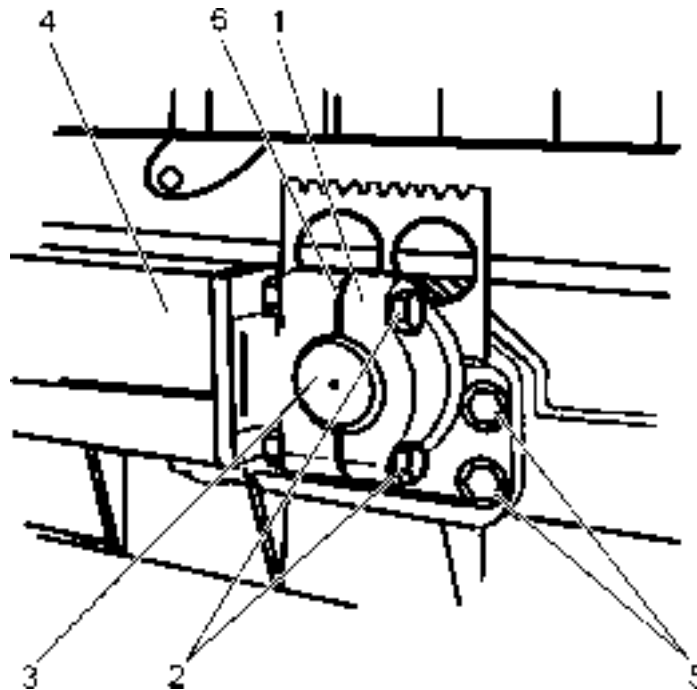


Fig. 5.38. Push Arm Mounting

- | | |
|-------------------------|----------------------------|
| 1. Trunnion Bearing Cap | 4. Push Arm |
| 2. Cap Bolts | 5. Trunnion Mounting Bolts |
| 3. Trunnion Ball | 6. Shims |

7. Check if the blade is positioned symmetrically to the machine axis. Operating with a blade non-symmetrical to the machine axis results in damage to the blade.

5.15.1.1. Leveling the Blade

1. Place the lower corner of the blade on a flat surface.
2. Push the control lever to the side to which the blade is to be lowered until the blade is even along the flat surface.

MOUNTED EQUIPMENT

5.15.1.2. Adjustment of Diagonal Blade with Hydraulic Tilt Cylinders (Fig. 5.39).

1. Raise the blade and make several full tilt cycles of the blade.
2. Level the blade.
3. Measure the dimension "A" of the tilt cylinders. If dimension "A" is less than 170 [mm] proceed as follows:
 - a) unscrew plug (2) of the right tilt cylinder and direct the oil flowing out to an adequate vessel.
 - b) start the engine and tilt the blade until a small amount of oil will flow out through plug (2).
 - c) screw in the plug, check the dimension and, if necessary, repeat the above steps until the right dimension is obtained.
4. If dimension "A" of the tilt cylinders is above 170 [mm], proceed as follows:
 - a) connect a provisional hose to the quick connector on the mounted equipment valve,
 - b) fill the hose with oil,
 - c) connect the other end of hose to hole of plug (2) on the right tilt cylinder.
 - d) start the engine and make full tilt to the right. Keep the control lever in the full tilt position until full extension of the right tilt cylinder piston rod.
5. Close the plug.
6. Level the blade.
7. Measure dimension "A" of the tilt cylinders.
8. Repeat steps 4 to 7 until you get dimension "A" on the tilt cylinders equal to 170 [mm] \pm 3 [mm].

5.15.1.3. Filling up and Venting the Tilt Cylinders of Diagonal Blade (Fig. 5.39)

The hydraulic circuit has no connection between the piston rod side of the tilt cylinders and the oil tank and therefore has no capability of self-venting. Whenever balance hose (1) is disconnected, the cylinders have to be filled with oil and vented as follows:

1. Install the tilt cylinders and connect the hoses.
2. Remove venting plugs (2) located in the upper part of both cylinders.
3. Start the engine and run it at low idle speed. Raise the blade so that its lower tilted end bit is above the ground.

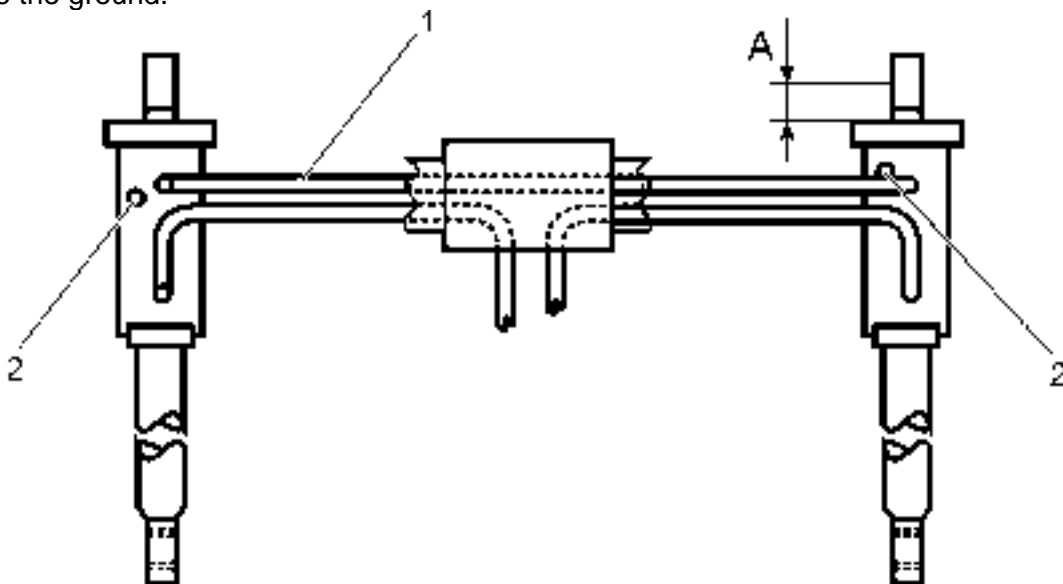


Fig. 5.39. Filling and venting the tilt cylinders.

1. Balance Hose
2. Filling Hose

MOUNTED EQUIPMENT

4. Hold the blade tilt control lever in the left "tilt" position until the oil leaking from the venting hole is free from air bubbles. Then shift the lever to the "hold" position.
5. Plug the venting hole of the extended cylinder.
6. Shift and hold the tilt control lever in the left "tilt" position again until the full tilt to left is obtained and the oil leaking from the venting hole of the retracted cylinder is free from air bubbles. Then shift the lever to the "hold" position.
7. Plug the venting hole of the retracted cylinder.
8. Shift and hold the tilt control lever in the left "tilt" position again until the full tilt to left is obtained. Increase the engine speed to high idle and keep the engine running at this speed for 1 minute. Then decrease the engine speed to its low idle. Shift the tilt control lever to the "hold" position.
9. Tilt the cylinder several times to both sides to check for proper operation. If correct, proceed to step 10. If not, repeat steps 2 through 9 again.
10. Install the hydraulic hose guard and check the oil level in the reservoir.
11. Each time the hydraulic circuit has been opened for any reason, it must be vented as described in steps 2 through 9 above.

5.15.1.4. Diagonal Struts Adjustment

The diagonal strut adjustment must be checked periodically to maintain the proper compression load of the strut with the straight positioned blade.

Properly positioned struts should be so positioned that their ball ends press against their sockets (4) and the gap at push arm bracket (8) appears on the inner side of the push arm and the track frames are symmetrical between push arms (7). The diagonal strut should be adjusted as follows:

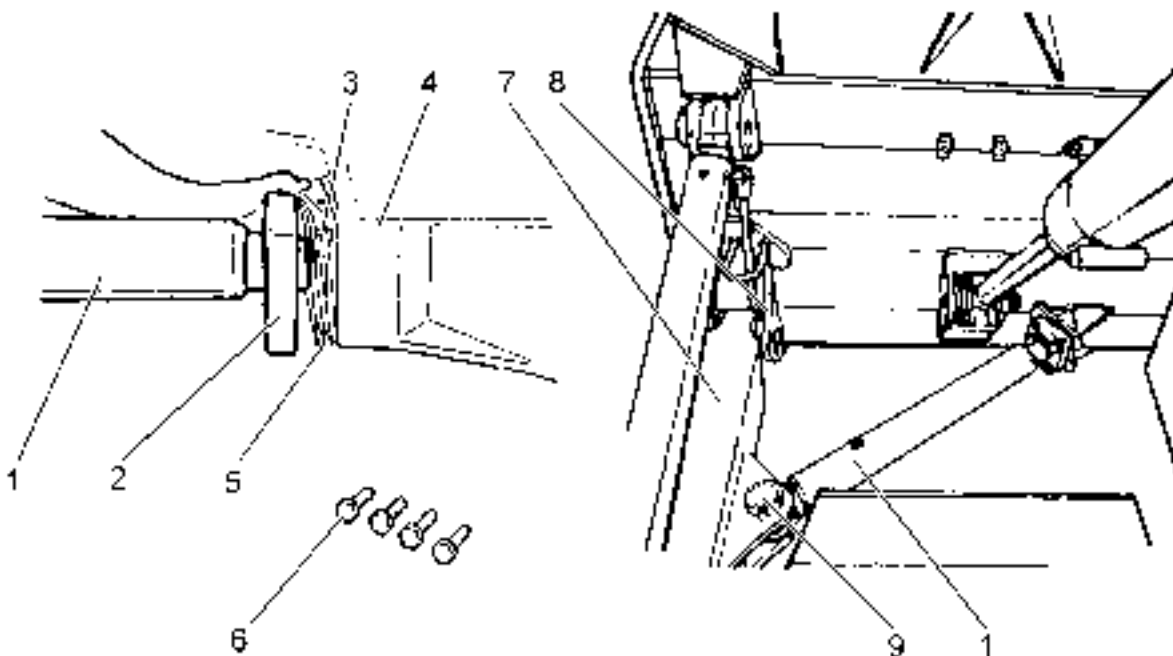


Fig. 5.40. Installing the Diagonal Strut

- | | |
|---------------------|---------------------|
| 1. Diagonal Strut | 5. Shims |
| 2. Strut Cap | 6. Cap Bolts |
| 3. Ball End | 7. Push Arm |
| 4. Mounting Bracket | 8. Push Arm Bracket |
| | 9. Mounting Pin |

MOUNTED EQUIPMENT

Pre-installation

1. Put the ball end of diagonal strut (1) in the socket of bracket (4). Install and fix strut cap (2) with four cap bolts (6).
2. Thread the strut in or out so that its eye is aligned with the push arm bracket hole and pin (9) can be installed. Secure the pin. Repeat the same procedure to adjust the other strut.
3. Adjust the strut length so that:
Push arms (7) are pushed out in their blade brackets (8); the gaps should appear on the inner face of the push arms and the track frames are positioned symmetrically between both push arms (7). Then lengthen both struts by turning them out by $\frac{1}{4}$ to $\frac{1}{2}$ turn to increase their compression.
4. Tighten cap bolts (6) keeping an even gap between bracket socket (4) and cap (2). Determine the number of shims (5) necessary to fill the gap. Add one more shim to ensure adequate end play. Install the number of shims (5) determined earlier. Tighten cap bolts (6) to 450 [Nm].
Periodic adjustment: repeat steps 3 and 4.

5.15.2. TRUNNION, COVER, MOUNTING BOLTS.

Check the torque of the trunnion mounting bolts, push arm bearing cap bolts after the initial 10 hours of operation, and then periodically.

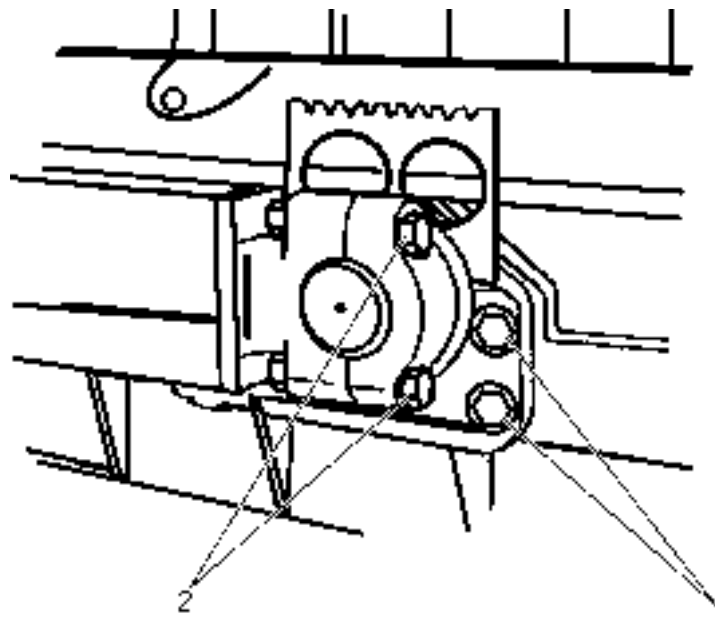


Fig. 5.41. Tightening Trunnion and Pusharm Bearing Cap Bolts

1. Trunnion Bolts
2. Cup Bolts

Tighten cap bolts (2) to the torque of 1050 [Nm].

Tighten trunnion bolts (1) to the torque of 610 [Nm] (standard tracks).

Tighten trunnion bolts (1) to the torque of 920 [Nm] (LGP tracks).

MOUNTED EQUIPMENT

5.15.3. BLADE CUTTING EDGE AND END BITS MOUNTING BOLTS.

Check the torque of the blade cutting edges and end bit bolts after the initial 10 hours of operation and then periodically. Lift the blade off the ground and block it. Stop the engine. Turn the electric system master key off and remove it.

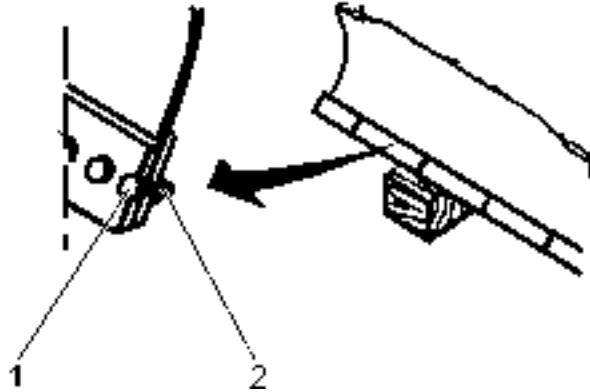


Fig. 5.42. Tightening Blade Cutting Edge Bolts

1. Bolt 2. Nut

Check the torque of the cutting edges and end bits bolts. It should be 455 [Nm].



WARNING! Never work beneath the blade without securing it with wooden blocks.

5.15.4. ALLOWABLE WEAR OF CUTTING EDGE AND END BITS AND RIPPER POINTS

Reverse or replace the cutting edge and end bits before the mounting plate is worn or damaged. If the distance between a cutting edge mounting bolt axis and the cutting edge bottom edge is smaller than 70 [mm] it should be reversed or replaced if it had already been reversed before. An end bit should be replaced if the distance between the axis of a mounting bolt in the lower row and the bottom edge is smaller than 80 [mm]. To replace the cutting edge and the end bits proceed as follows:

1. Raise the blade about 300 [mm] above the ground and set the pilot valve lever in HOLD position. Prop up the pusharms and stop the engine.



WARNING! Never work beneath the blade without securing it by wooden blocks.

2. Remove the cutting edge and end bits mounting bolts.
3. Install the cutting edge or the end bits and tighten the bolts to the torque 450 [Nm] .

Authorized Distributor of Construction Equipment can supply these specially heat-treated bolts.



CAUTION! Do not substitute bolts. Loosening of the bolts securing a cutting edge and end bits may result in tearing off of the cutting edge or end bits and blade damage or personal injury.

MOUNTED EQUIPMENT

5.15.5. Servicing the Ripper

Prior to each day's work carry out ripper inspection and remedy if any malfunction is found. Operating defective ripper results in reduced job efficiency and may cause its damage. The following table specifies services to be carried out during inspection:

POINT OF SERVICE	SERVICE DESCRIPTION
Ripper Assy	Visually check for cracks, breakage, loose parts and completeness.
Hydraulic hoses and connections	Check for leaks and remedy, if any.
Hydraulic reservoir	Check hydraulic reservoir oil level. Refer to Hydraulic System.
Ripper pins	Check if pins are secured correctly and tighten loosened bolts if necessary.
Ripper shank point	Check for wear. Replace, if the total length of the point is smaller than 160 [mm].

Replace a ripper shank point as follows:

1. Raise the ripper tooth about 300 [mm] above the ground and prop up to prevent the ripper tooth from lowering during service.
2. Stop the engine.
3. Remove the point mounting pin.
4. Install a new point and the mounting pin.

5.16. SAFETY BELT



WARNING! Seat belt – do not clean with solvents or bleach or re-dye color of webbing as this may cause a severe loss of strength. This could cause the webbing to break and result in personal injury. Wash in warm water with mild detergent.

Keep the belt flat to avoid twisting and roping when not being used. Do not place heavy or sharp objects on the belt.

The entire seat belt assembly should be inspected periodically for corrosion, wear, fraying or weak spots. The seat belt mounting bolts should also be periodically inspected for tightness.

5.17. FINAL DRIVES

5.17.1. CHECKING THE OIL LEVEL

Position the machine on level ground so that the "OIL LEVEL" mark on the final drive housing is positioned horizontally. Remove the magnetic filler and level plug, check the lubricant and, if the lubricant is low, fill to the level of the plug opening. Also, check the plug for metallic particles that may be present. If this condition continues after periodic checks, consult Authorized Distributor of Construction Equipment. Reinstall the plug and tighten.

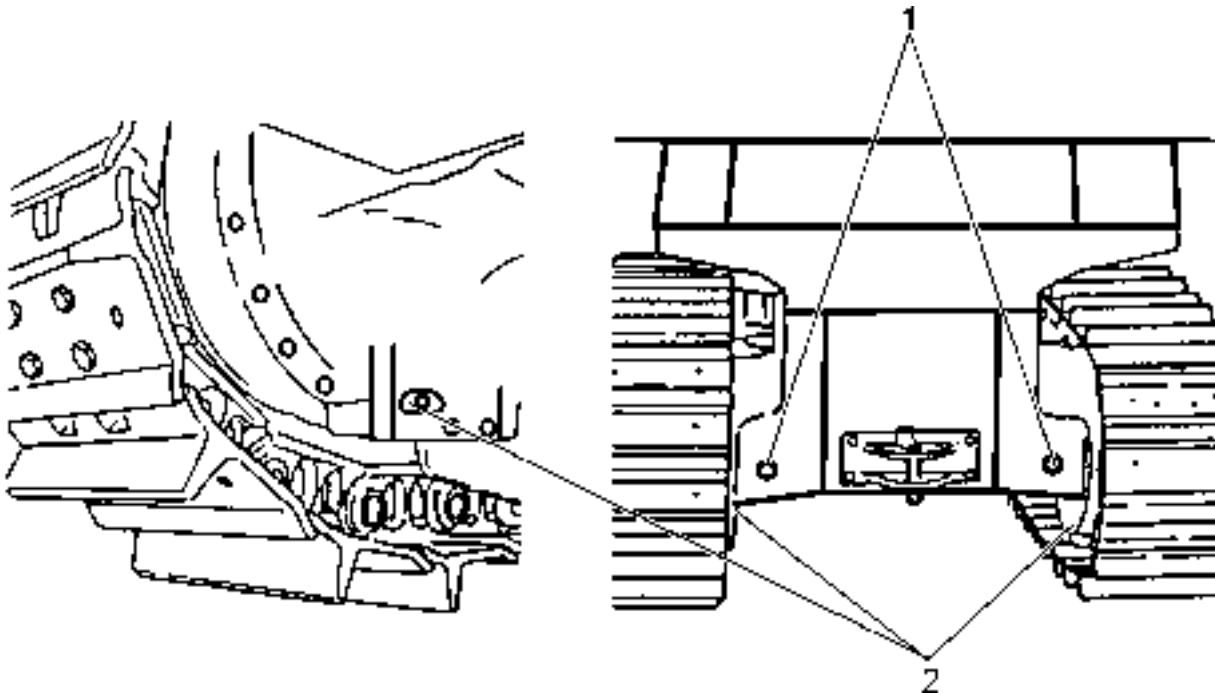


Fig. 5.43. Checking the Lubricant Level

1. Filler and Level Plug 2. Drain Plug

5.17.2. CHANGING THE OIL

1. While the oil is at operating or warm ambient temperature, park the machine on level ground. Remove drain plugs (2) and levels plugs (1) and allow the lubricant to drain into a suitable container. Remove metal particles from the magnetic plugs. Install and tighten the drain plugs. Fill app.8 liters of fuel oil up to the housing and install the plugs.
2. Operate the machine in low gear (with no load) for a few minutes. Remove the drain plugs and thoroughly drain the fuel oil into a suitable container. Reinstall and tighten the drain plugs. Remove the filler and level plugs. Fill the housing with fresh oil up to the bottom of the filler and level plug opening. Refer to the "REFILL SPECIFICATIONS AND CAPACITIES" chart, 5.3.1 for grade of lubricant specified. Reinstall and tighten the filler and level plugs.

5.18. TRANSMISSION SYSTEM

5.18.1. UNIVERSAL JOINTS

Every 500 hours lubricate the universal joints of transmission system.

General

The rear frame is the common oil reservoir for the transmission, torque converter and hydraulic steering drive. The system has a pressure filter and a suction strainer, which require service.

TRANSMISSION SYSTEM

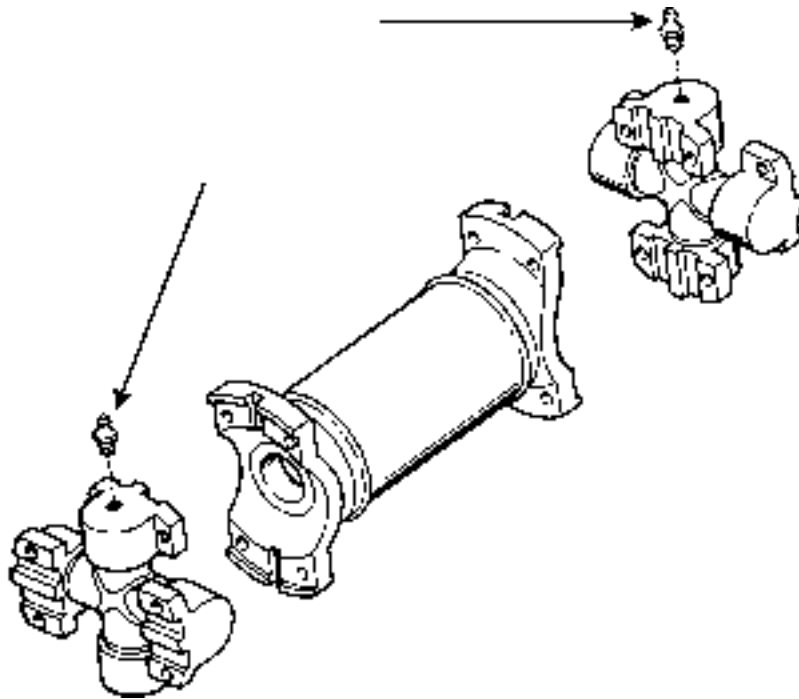


Fig. 5.44. Grease Nipples of Universal Joints.

5.18.2. CHECKING THE OIL LEVEL

1. With the engine shut down open the L.H. side rear access door, unscrew the T handle of the oil level gauge, remove the gauge and wipe it clean.

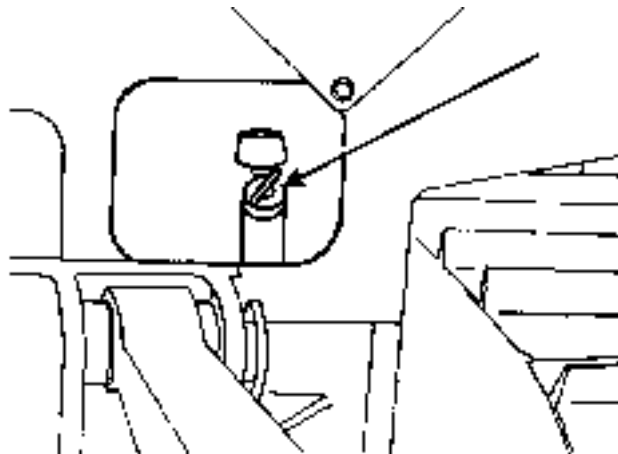


Fig. 5.45. Rear Frame Oil Level

2. Insert the gauge fully into the filler sleeve. Do not tighten. Remove the gauge and check the lubricant level. If necessary, add oil through the filler to bring the level up. Reinstall and secure the gauge. The gauge has two marks: for low oil level and for high oil level for HOT oil on one side and two marks: for low oil level and for high oil level for COLD oil on the other. side. Check the oil level with the engine stopped.

IMPORTANT: Never operate a machine if the oil level is at or below the LOW mark on the oil level gauge.

TRANSMISSION SYSTEM

5.18.3. CHANGING TRANSMISSION SYSTEM OIL

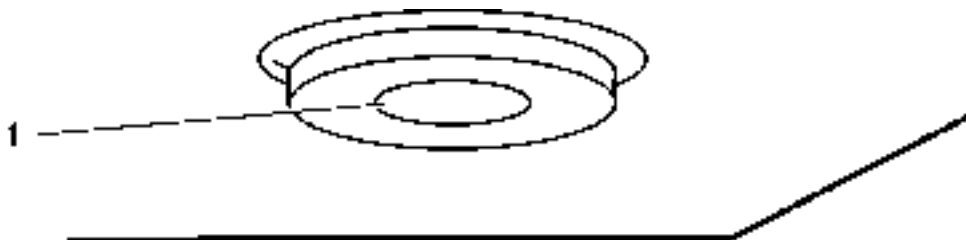


Fig. 5.46. Rear Frame drain Plug

1. Drain Plug

The transmission system lubricant must be changed at least once a year, even if the 1000 hours operational period has not elapsed.

1. To drain oil, warm it and remove the drain plug in the rear frame.
2. Remove the oil level gauge with the cover. Drain out the used oil and pour lubricant into the rear frame through the filler tube to bring the level up to the FULL mark on the gauge.
3. Reinstall the oil level gauge.

5.18.4. SERVICING THE TRANSMISSION SYSTEM FILTERS

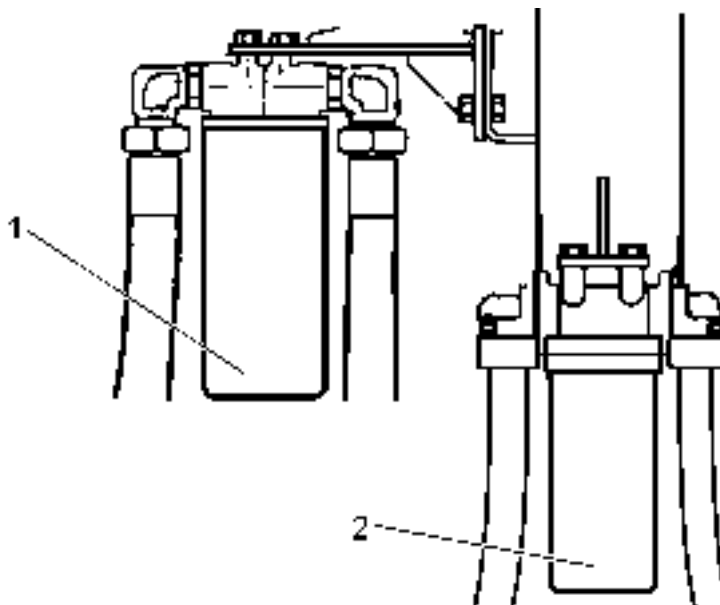


Fig. 5.47. Transmission System Filters.

1. Pressure Filter 2. Suction Strainer

TRANSMISSION SYSTEM

5.18.4.1. Servicing the Pressure Filter

IMPORTANT: If the pressure filter warning light on the instrument panel remains on at the operating oil temperature with the engine running, the restricted pressure filter must be changed.

1. With the engine stopped, operate the steering levers several times to relieve any pressure. Open the L.H. side access door. Remove all outside dirt from the filter and using a filter wrench remove the filter. Wipe the filter head, removing all of the old oil from the seal area.
2. Coat the seal on the new filter with clean oil. Install the filter by threading it onto the filter head until the seal contacts the head, turn the filter by hand an additional 1/4 to 1/2 turn. Start the engine and let it idle for approximately 5 minutes. During this time operate the steering levers several times, check filters for leaks and remove leaks if any.
3. Check the oil level in the transmission system.

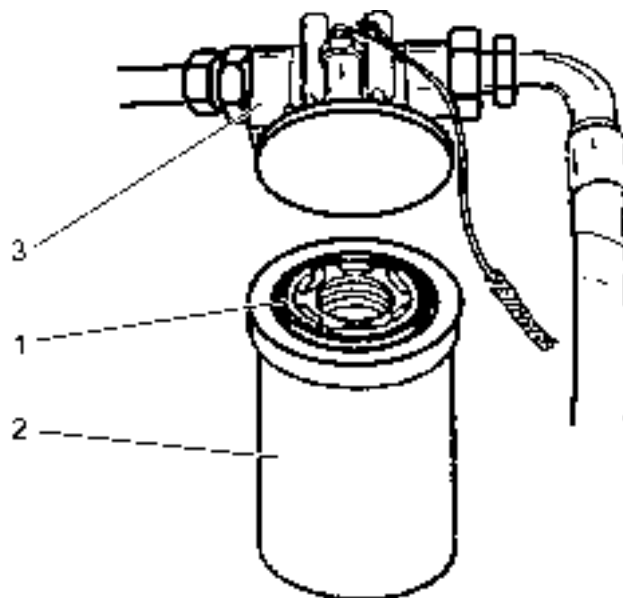


Fig. 5.48. Transmission Pressure Filter

1. Filter Seal 2. Filter Element 3. Filter Head

5.18.4.2. Servicing the Suction Strainer

IMPORTANT: After the first 50 hours of operation clean the filter element. Perform further servicing periodically according to the "Maintenance Schedule".

To gain access to the suction strainer, follow a procedure similar to that for the pressure filter.

1. Remove the four bolts and separate the housing from the head. Check the condition of the O-rings.
2. Remove the element with magnets. Clean the magnets with clean soft cloth. **DO NOT STRIKE THE MAGNETS.** Wash the element and housing in a commercial solvent and dry thoroughly.
3. Secure the housing to the head with the hardware previously removed. Start the engine and let it idle for approximately five minutes. During this time, check the strainer for leaks.
4. Check the level in the transmission system.

MAINTENANCE

TRANSMISSION SYSTEM

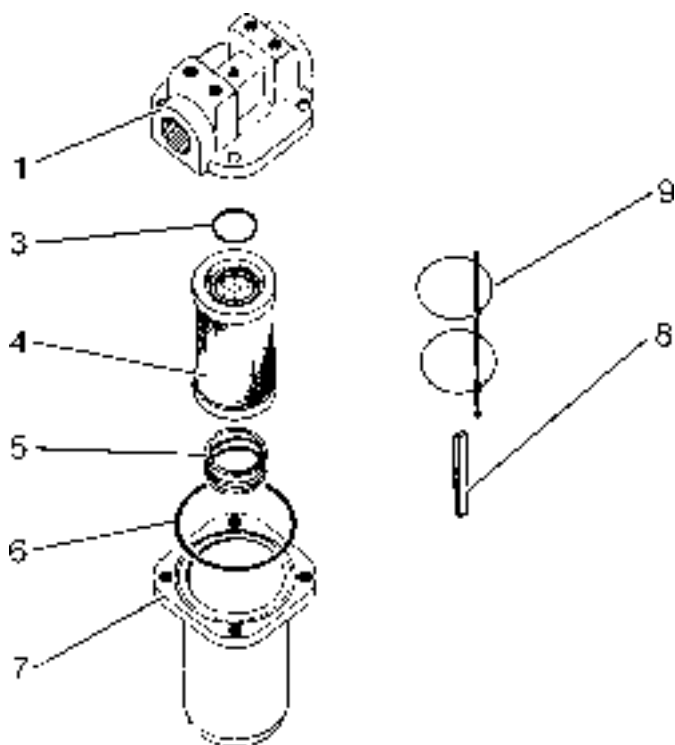


Fig. 5.49. Suction Strainer

- | | | |
|-------------------|------------|------------------|
| 1. Filter Head | 5. Spring | 8. Magnet |
| 3. O-ring | 6. O-ring | 9. Pressing ring |
| 4. Filter Element | 7. Housing | |

5.18.5. SERVICING THE BREATHER

IMPORTANT: To prevent dirt from entering the critical areas of the transmission system, keep the breather clean. Replace the breather as indicated when changing oil in the rear frame.

The breather is located next to the rear frame filler tube. Unscrew the breather from the reducer nipple. Install the new breather on the nipple.

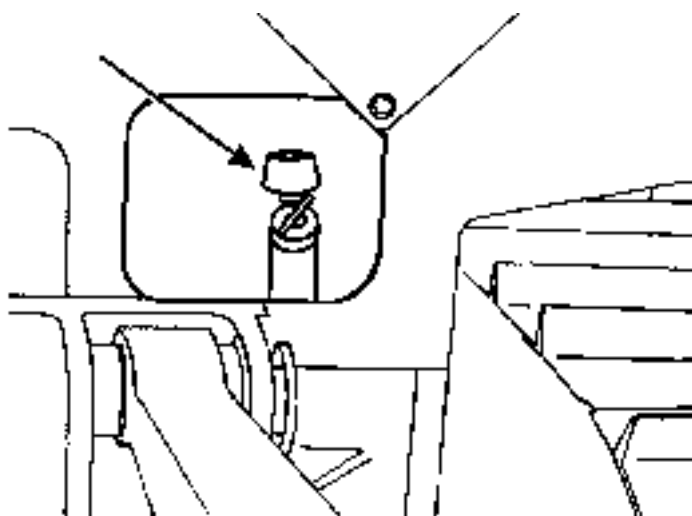


Fig. 5.50. Transmission System Breather

TRANSMISSION SYSTEM

5.18.6. SERVICING TRANSMISSION SCAVENGER STRAINER

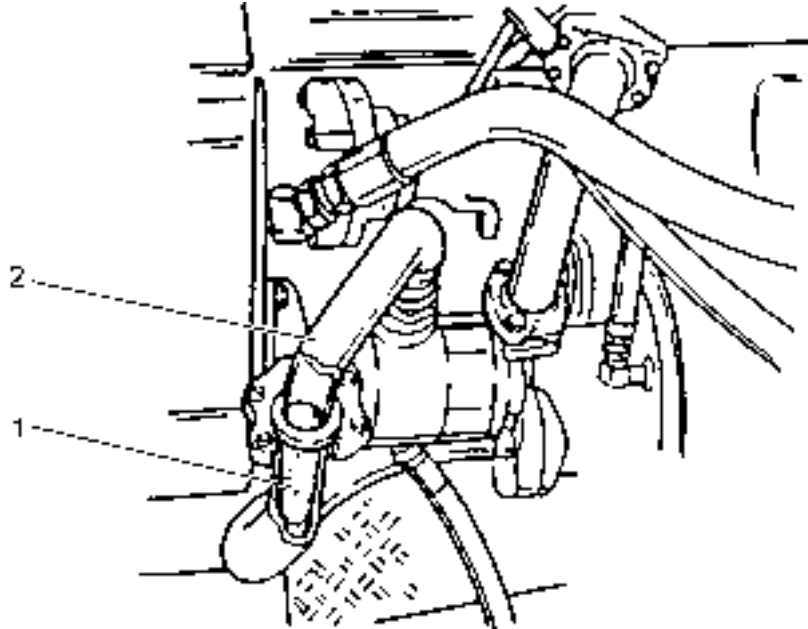


Fig. 5.51. Transmission Scavenger Oil Strainer

1. Hose with Filter Strainer 2. Intake Pipe with Scavenger Pump

NOTE: *With the transmission system drained after 1000 hours of operation as described in the "Maintenance Schedule", remove the scavenger oil strainer and clean as described below:*

1. To gain access to the oil strainer first remove the center cover in the floor of the cab.
2. Disconnect transmission scavenger hose (1) from intake pipe (2).
3. Remove the strainer from hose (1).
4. Clean the strainer with nonflammable commercial cleaning solvent.
5. Reinstall the strainer into hose (1).
6. Reinstall the transmission scavenger hose to pipe (2). Make sure that the filter strainer is properly seated in the hose.
7. Reinstall the center cover.

5.19. UNDERCARRIAGE

5.19.1. CHECKING THE UNDERCARRIAGE CONDITION

Periodically make observation checks on your undercarriage components. Check the tracks, track rollers, track idlers, front idlers etc. for abnormal wear. Make adjustments to these problems before damages to the components occur. Once the wear on these components drops below zero percentage the option to recondition will also be lost. Refer to Service Manual for dimensions indicating percentage of allowable wear. If this Service Manual is not available, then contact Authorized Distributor of Construction Equipment.

Clean mud and debris from the undercarriage so components can perform properly.



WARNING! Special knowledge and equipment are required to service lubricated track systems and their components. Unless you are completely familiar with servicing lubricated track systems do not make any attempt to remove them. Disconnecting the master link could cause the chain to whip off the front idler causing serious personal injury.

Improper track tension and loose track shoes will cause damage and premature wear to the track. When new tracks or track shoes are installed, track tension and track shoe bolts should be checked after initial 10 hours of operation and adjusted if necessary.

5.19.2. TRACK SHOE BOLTS

The bolts used for attaching the track shoes to the tracks are heat-treated alloy bolts and will stand a considerable tightening strain. Ordinary bolts must not be used. Nuts must be assembled so that washer face is not against track link. Radius side of nuts must be against track link.

If removed or new, coat bolt threads and area under the head with engine oil. Torque value is given in Section 6. Check the bolts torque for 700 [Nm].

5.19.3. EFFECT OF TRACK ADJUSTMENT ON UNDERCARRIAGE WEAR

Tracks adjusted too tightly increase operating loads on final drives and accelerate wear on undercarriage components, especially in packing conditions.

A machine in forward operation with correctly adjusted tracks will experience track loads only along the ground from the front idler to where the bushings engage the sprocket.

Lubricated track systems are to be adjusted to provide a sag in the track chain between the front top idler and the front idler. Correct tension reduces stress levels throughout the undercarriage system.

5.19.4. CHECKING THE TENSION

1. Place a wooden block, ~300 [mm] in height, under the foremost track shoe lug. Drive the machine forward until the track chain is tight along the ground and around the sprocket. Apply and lock the brake pedal, lock the transmission shift lever in NEUTRAL position and stop the engine, turn the master switch off and remove the key.
2. Stand on the track between the front idler and the first track idler in order to accumulate all the chain slack at this point.
3. Place a straightedge on the track so the ends rest over the front idler and track idler. Measure the clearance between the bottom of the straightedge and the top of the shoe grouser with a ruler at the midway point between the idlers. If the distance is more than 64 [mm] or less than 38 [mm] for lubricated chain and more than 38 [mm] or less than 25 [mm] respectively for non-lubricated chain, adjust the track tension.
4. For mud and snow packing conditions track should be adjusted so sag is 64 – 76 [mm] for lubricated chain and 38 - 50 [mm] for non-lubricated chain.

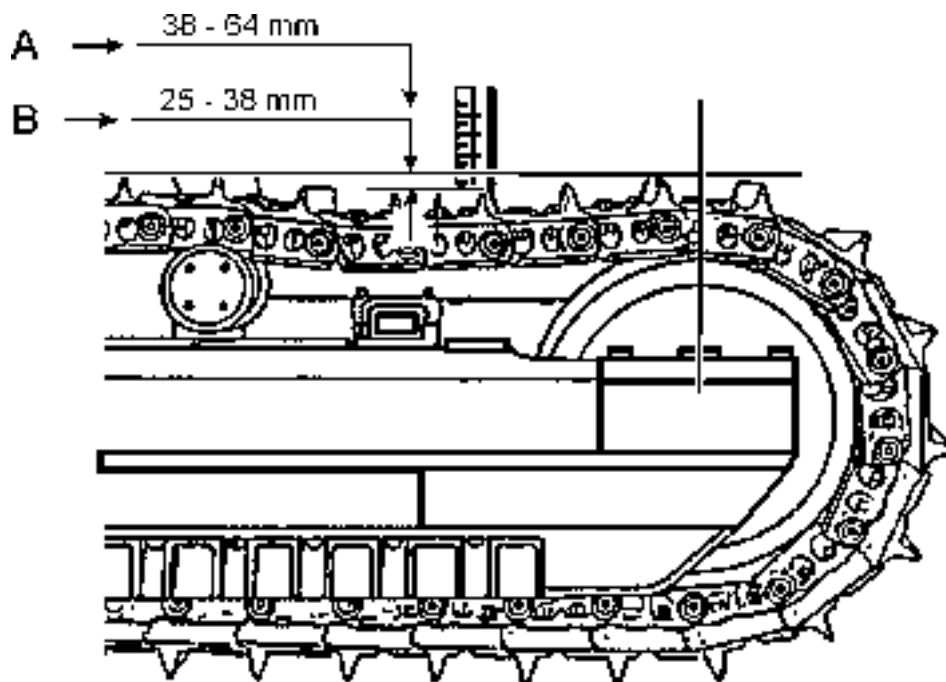


Fig. 5.52. Checking Track Tension

1. Track Sag of Lubricated Chain
2. Track Sag for Non-lubricated Chain

5.19.5. ADJUSTING TENSION

The track chains are adjusted by hydraulic pressure. When lubricant is introduced into the front idler fork through the lubrication fitting, it acts upon the piston within the front idler fork forcing the front idler fork and front idler forward for track adjustment.



WARNING! To avoid possible injury, always stand to the side of the bleeder plug when making track adjustment. The pressure in the front idler fork is held by the bleeder plug and check valve. A loose or improper thread fit of either of these parts can allow them to be ejected by the pressure of lubricant, causing possible injury. When relieving track tension, never loosen the bleeder plug and check valve more than 2 – 2 ½ turns.

1. Remove the bolts and track adjuster cover.



WARNING! Before adding lubricant for track adjustment, be sure the ball check and relief valves are properly torqued to 61 – 75 [Nm] .

2. To increase track tension, connect a lubricator nozzle to lubrication fitting (3). Determine the amount of adjustment necessary, and add lubricant to obtain the proper track chain tension. It is advisable to move the machine forward and backward slightly to be sure the correct tension has been obtained.
3. To reduce track tension, loosen relief valve (2) ½ to 1 full turn to allow the pressurized lubricant to escape through the relief passage. If lubricant does not appear, loosen the ball check valve (located under lubricating fitting (3)) ½ to one full turn to allow the pressurized lubricant to escape from the second relief passage.

MAINTENANCE

UNDERCARRIAGE

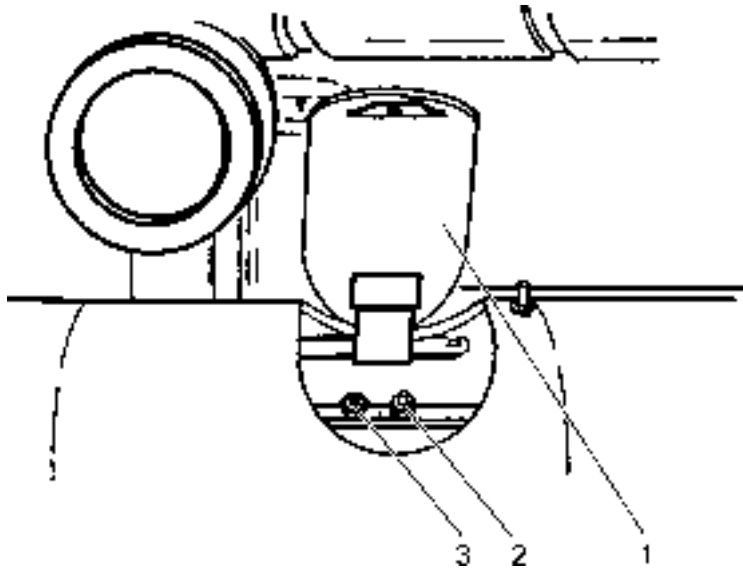


Fig. 5.53. Track Adjuster

1. Track Adjuster Cover
2. Relief Valve
3. Lubrication Fitting (Ball Check Valve)

4. If lubricant still does not appear, use the following emergency method. Should the relief passages still be blocked, unscrew the ball check and/or relief valve an additional 1 to 2 turns (2 ½ total turns).



WARNING! Use extreme care when relieving pressure with the following emergency method. If loosened excessively, the cylinder pressure can eject the ball check or relief valve. NEVER loosen these parts more than a total of 2 ½ turns.

5. When the proper tension has been obtained, tighten the ball check and/or relief valve to 61 – 75 [Nm]. Install the cover and secure with the removed hardware.

IMPORTANT: Never remove one link to bring a stretched track to within the range of proper track adjustment. A track that is worn badly enough to take up the length of one link, will be so far out of pitch that the increased wear on the sprocket will far more than offset the saving obtained by the removal of one link in the track chain.

5.19.6. TRACK FRAME GUIDE

To avoid excessive wear of undercarriage components and track frame suspension points, the track frame guide must be checked periodically.

Measure clearances "A" and "B". If the total is 6.5 [mm] or more, adjust by removing shims (4) from between spacer blocks (5) and inner wear plate (2). Remove enough shims to reduce the total clearance (A+B) to 0.8 [mm]. Keep the removed shims for future use.

If the removal of all shims (4) will not provide a total clearance of less than 6.5 [mm], replace wear plates (1 and 2), worn guide plate (3), as required. Reinstall the shims and repeat the check. Lubricate track frame guides. Apply grease into clearance "A" and "B".

UNDERCARRIAGE

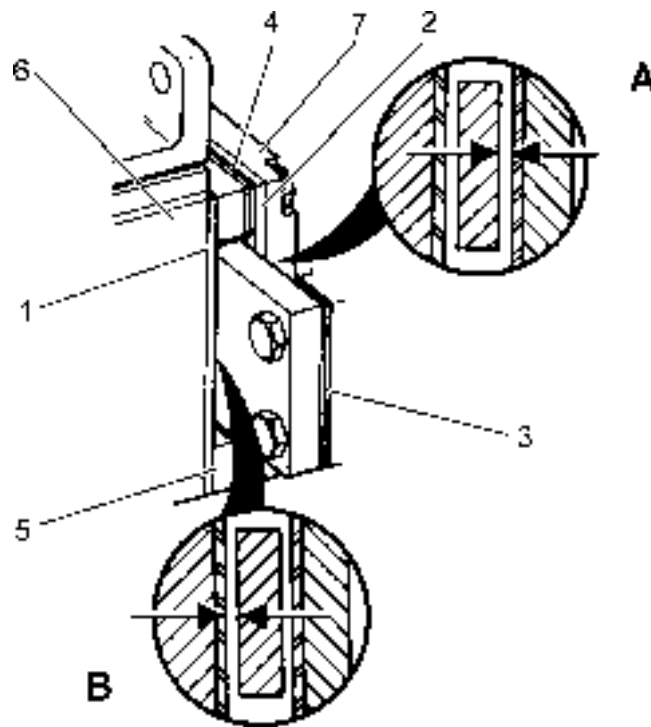


Fig. 5.54. Track Frame Guide

- | | | |
|---------------------|--------------------|----------------------------|
| 1. Outer Wear Plate | 4. Shims | 6. Track Frame |
| 2. Inner Wear Plate | 5. Guide Bar Block | 7. Track Frame Guide Plate |
| 3. Guide Plate | | |

5.19.7. PIVOT SHAFT HOUSING

Remove the plug (one at each side), check the oil level and if the lubricant is low, fill to the level of the plug opening. Reinstall and tighten the plug.

NOTE: Refer to the "REFILL SPECIFICATIONS AND CAPACITIES" chart for grade of lubricant specified.

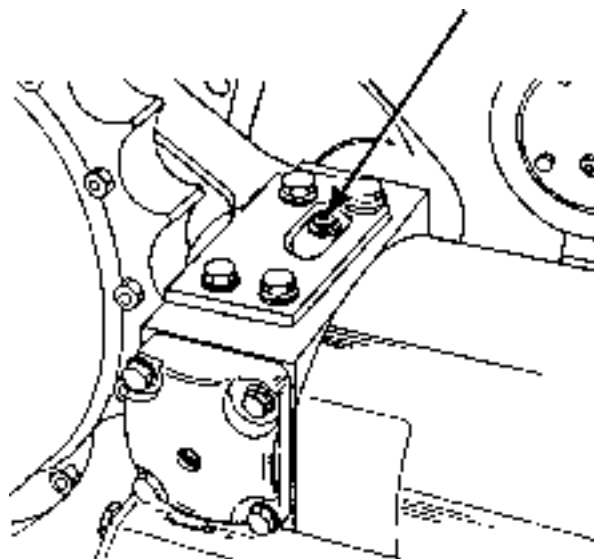


Fig. 5.55. Track Frame Oil Filler Plug

MAINTENANCE

UNDERCARRIAGE

5.19.8. EQUALIZER BAR

Periodically check the condition of wear pads that support equalizer bar ends (3) in the track frame rebound brackets. Distance (A) between equalizer bar (3) and rebound bracket (1) is to be measured periodically too. Perform measurement when both track frames are leveled. Add or remove such a number of shims (2) to obtain a distance of 4.8 - 6.3 [mm]. Replace pads if any cracks are found.

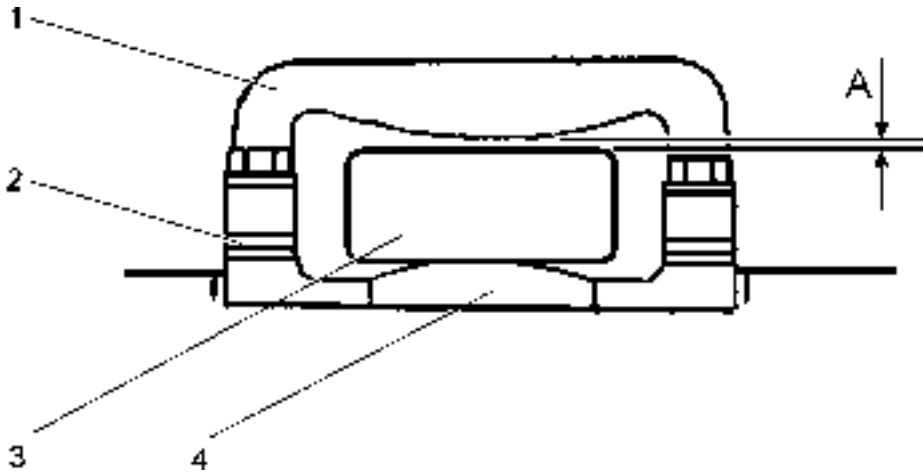


Fig. 5.56. Rebound Gap of the Equalizer Bar

- 1. Rebound Bracket
- 2. Shims
- 3. Equalizer Bar
- 4. Pad

5.19.9. SPROCKETS

After each 1000 hour of operation check and retorque, if necessary, the sprocket mounting hardware to 450 [Nm].

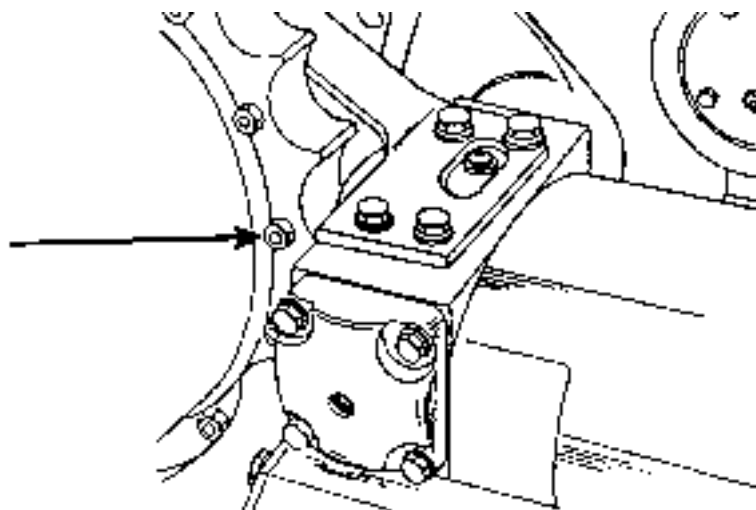


Fig. 5.57. Sprocket Wheel Mounting Bolts

5.19.10. FRONT WHEEL GUIDES

Periodically check the thickness of the front wheel guides. (4 pieces in the right track frame and 4 in the left track frame). If they are worn (min. thickness is 16 [mm]) replace them.

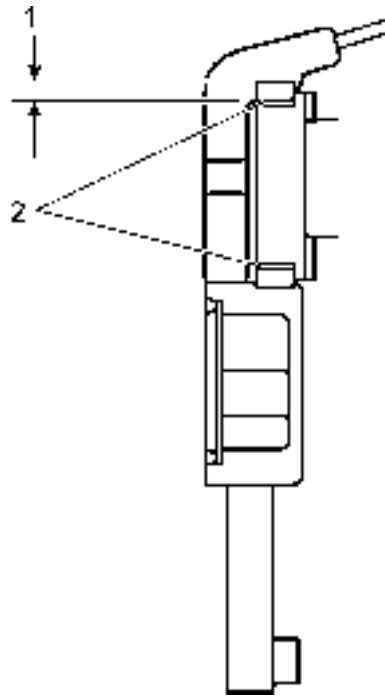


Fig. 5.58. Front Wheel Guide Clearance

1. Minimum Guide Thickness 16 [mm]. 2. Guide Clearance

5.20. ADJUSTING HAND AND FOOT CONTROLS

Check the engine high and deceleration RPM. If RPM values are incorrect proceed as follows:

Check the adjustment of the hand levers and foot pedals as described below (Fig. 5.59):

- a) Adjust lever (4) to vertical position of the lever for high idle speed (2400 ± 100 [RPM]). During the adjustment lever (1) must be placed in its foremost position.
- b) Adjust lever (2) to maintain the dimension 200 [mm] and 36 [mm].
- c) Adjust foot pedal (3) to maintain the dimensions in [mm]
 - I - Engine high speed position (2400 ± 100 [RPM])
 - II - End of deceleration (11000 ± 100 [RPM])
 - III - Beginning of braking
 - IV - Full braking

ADJUSTING HAND AND FOOT CONTROLS

After the adjustment has been made lubricate linkage and fill bearings with grease through the lubricating fittings (refer to "LUBRICATING FITTINGS") and check if the machine is stopped with the Decelerator-Brake pedal applied. Perform a brake test as follows:

- start the engine and bring the transmission system to operating temperature
- shift to 2nd speed with engine at high speed and brake the machine for a while by applying the decelerator and brake pedal and brake lock.

With correct adjustment made the machine should stop. If in doubt contact Authorized Distributor of Construction Equipment.

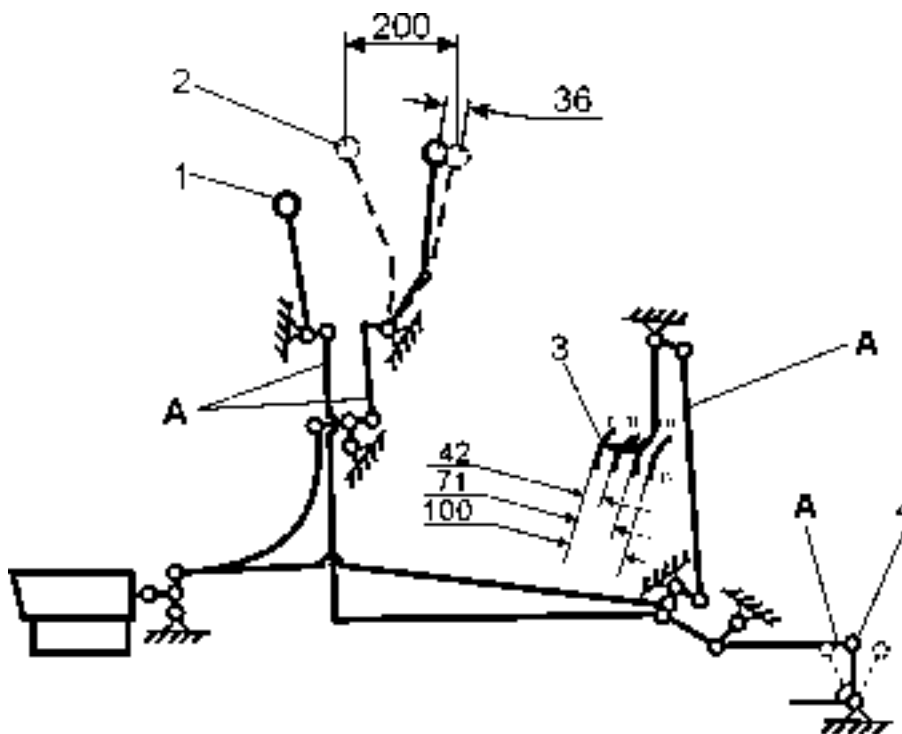


Fig. 5.59. Hand and Foot Controls

- | | |
|------------------------|---------------------------------|
| 1. Engine Speed Lever | 3. Decelerator and Brake Pedal |
| 2. Hand Steering Lever | 4. Fuel Pump Lever |
| | A – Adjustable Control Elements |

5.21. CAB AND ROPS

A dozer can be equipped with a ROPS protective structure with a canopy or a cab with a separate ROPS protective structure.

5.21.1. AIR CONDITIONING FILTER CLEANING

Open two latches and remove the filter. Clean the filter with compressed air directing the air in the reverse direction to that of normal operation. Clean the filter housing. Reinstall the filter and secure the cover with the latches.

CAB AND ROPS

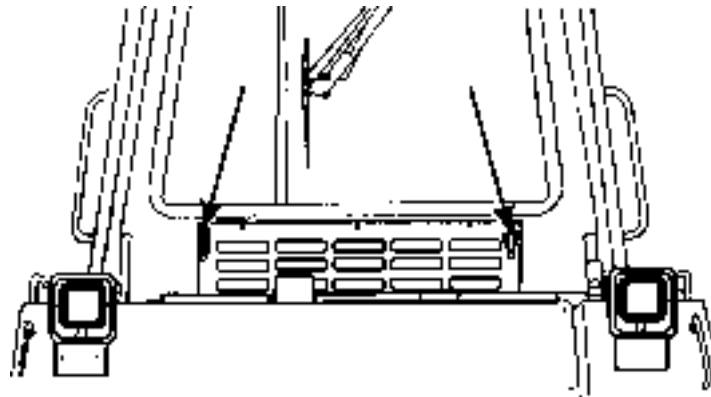


Fig. 5.60. Air Conditioner Filter Cover (Latches)

5.21.2. ROPS CAB/CANOPY AND MOUNTED EQUIPMENT MOUNTING HARDWARE

Periodically check the torque of ROPS and operator's platform mounting bolts, and check instruments and controls for proper operation, tighten or adjust the mounting bolts of the mirrors, wipers and shields. ROPS bolts should be torqued to 1100 [Nm].

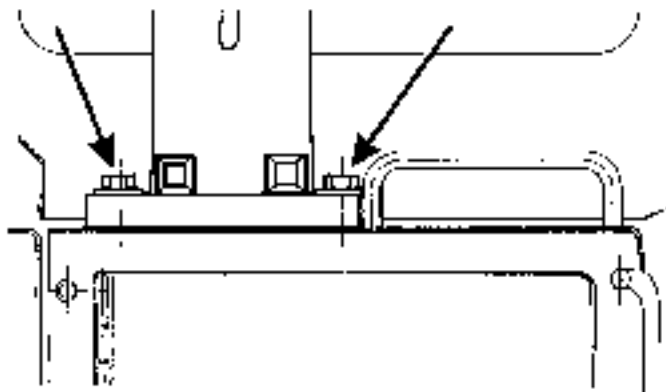


Fig. 5.61. ROPS Mounting Bolts

5.21.3. WINDSHIELD WASHER RESERVOIR

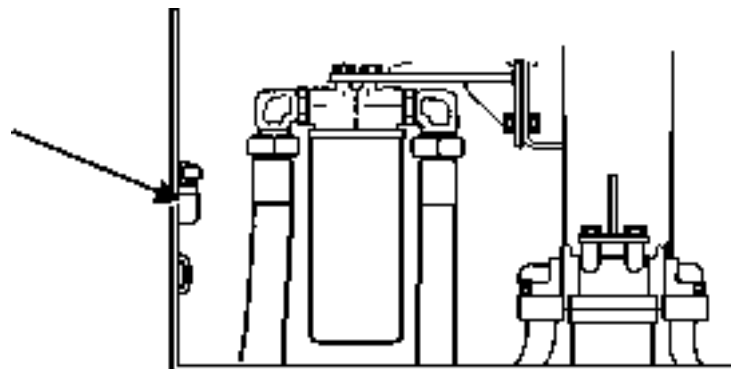


Fig. 5.62. Windshield Washer Reservoir Filler Spout.

Refill the reservoir with washer liquid periodically. The filler spout is located on the LH side of a machine inside the transmission filters box.

SECTION 6

SPECIFICATIONS

SECTION CONTENTS

6.1. Application	3
6.2. Technical Description	3
6.3. Specifications	5
6.3.1. Overall Dimensions of Dozers	5
6.3.2. Refill Capacities	6
6.3.3. Tracks	6
6.3.4. Engine	7
6.3.5. Torque Converter	7
6.3.6. Travel Speeds	7
6.3.7. Weight (Approximate)	7
6.3.8. Operation Weights	8
6.3.9. Electrical System	8
6.3.10. Fuel Consumption	8
6.4. Special Torque's	8
6.5. Torque Values for Standard Metric Fasteners	10
6.6. Torque Values for Standard English Fasteners	11
6.7. Torque Values for Split Flange Connections	12
6.8. Torque Values for Hydraulic Tubes and Fittings	12
6.9. Torque Values for Hose Clamps	13
6.10. Torque Values for Air Conditioning Tubes and Fittings	13
6.11. Torque Values for Air Conditioning O-Ring Connections	13
6.12. List of Service Tools	14
6.13. Drive Train Schematic	15
6.13.1. Two Speed Steering	15
6.13.2. One Speed Steering	16
6.14. Equipment Hydraulic System Diagram	17
6.15. Transmission Hydraulic System Diagram	18
6.16. Wiring Schematic	20
6.16.1. Cab Wiring Schematic.....	23

6.1. APPLICATION

The TD-15H Crawler dozer has been designed to perform many different jobs at housing and industrial construction sites in a variety of soils, bulk materials, etc. The principal range of application covers:

- loosening the ground
- transporting materials at short distances
- grading and clearing
- digging and piling
- other jobs with blade, ripper and drawbar and mounted equipment

The TD-15H dozer is easy in operation and maintenance.

The TD-15H is designated for normal operation conditions, where there is no fire or explosion hazard.

6.2. TECHNICAL DESCRIPTION

The TD-15H Crawler Dozer features powershift speed changes and hydraulic control of all mounted equipment.

The TD-15H includes the following main assemblies / systems:

- undercarriage
- superstructure
- drive train
- transmission hydraulic system
- mounted equipment
- equipment hydraulic system

Undercarriage

The undercarriage includes two box section track frames with track rollers, track idlers, front idlers and track chains with track shoes, sprockets.

Track tension can be hydraulically increased to force the front idler forward for track chain adjustment by use of a common grease gun and released by turning pressure relief valve located under an easily removed plate.

Track frames are attached to the mainframe by a pivot shaft and to a flexible equalizer bar attached to the saddle in the front mainframe.

Superstructure

The superstructure includes one-piece weldment consisting of a front and rear frame. The mainframe is a mounting base for radiator, cooler, engine, transmission and final drive. The superstructure includes an engine hood, instrument panel, fenders, fuel tank, hydraulic reservoir, operator's platform and operator's seat.

The TD-15H Crawler Dozer is equipped with a cab with an air conditioner and can also be equipped with external individually mounted ROPS.

TECHNICAL DESCRIPTION

Drive train:

The drive train includes the following components:

- Engine with Radiator
- Torque Converter
- Universal Joint
- Transmission
- Pinion / Bevel Gear Set and Steering Drive
- Final Drives

Engine power is transmitted thru a torque converter, universal joint, transmission, pinion/bevel gear set and steering drive to two final drives with mounted sprockets.

A three-speed powershift transmission combined with two-speed steering gives six speeds forward and six speeds reverse or when combined with one-speed steering gives three speeds forward and three speeds reverse.

Steering is accomplished by the application of clutch packs in the steering drive.

Hydraulics of transmission system

The transmission system includes an oil tank which is the rear frame, suction filter, torque converter mounted pump, pressure filter, main regulator valve, rate of rise valve, range selector valve and transmission and steering drive control valves.

Mounted equipment

- Semi-U Blade with beams and tilt cylinder (model D-2)
- Diagonal Blade with C-frame and tilt cylinders (model G-2)
- Straight Blade for LGP machines
- Drawbar
- Multi-shank ripper – max. 5 shanks, tool beam raised and lowered with hydraulic cylinder, ripper shanks can be adjusted in two vertical positions for shallow and deep penetration.
- Fixed drawbar with vertical pin.

Equipment hydraulic system

The equipment hydraulic system consists of a hydraulic reservoir with a sight gauge and breather, and suction filter, hydraulic pump, control valve with a pressure relief valve supplying hydraulic cylinders, quick drop valve and pressure filter.

6.3. SPECIFICATIONS

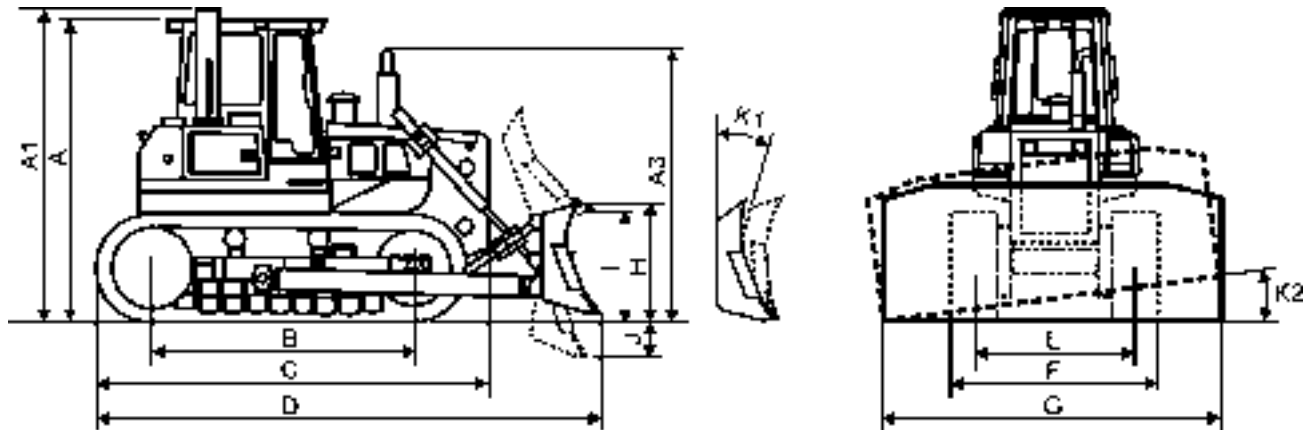


Fig. 6.1. Dimensions of Dozers

6.3.1. OVERALL DIMENSIONS OF DOZERS:

	TD-15H
Dimensions:	[mm]
A. Height with cab FOPS	3471
A1. Height with ROPS	3569
A2. Height with FOPS and ROPS (option)	3615
A3. Height to exhaust pipe	3320
B. Distance between sprocket and front idler	2860, 2950 for LT
C. Length without mounted equipment	4040
D. Length with straight blade	5340
(for TD-15H with std drawbar)	
D1. Length with diagonal blade (Model G-2)	
- blade set up frontally	5350
D2. Length with blade and ripper	6515
E. Gauge	1880
F. Width (with track shoes)	
508 [mm]	2390
560 [mm]	2440
610 [mm]	2490
660 [mm]	2540
F1. Machine width including trunnions	2760
F2. Machine width with C-frame	3030
G. Machine width (Model D-2)	3370
G1. Diagonal Blade width	
- blade straight (model G-2)	4030
- blade angled	3650
H. Blade height (Model D-2)	
- struts in central position	1480
H. Blade height (Model G-2)	
- angled blade	1100
I. Max. blade raise	
- straight blade	1170
- angled blade	1420
J. Max. blade drop below the ground level	
- straight blade (Model D-2)	508
- angled blade (Model G-2)	546

SPECIFICATIONS

K. Blade tilt	
- straight blade (Model D-2)	724
- angled blade (Model G-2)	381
K1. Blade angle	25 [°]
K2. Max. pitching angle	9 [°]
L. Ripper shank:	
- length	2130
- section (height x width)	229x254
- clearance under shank	
with lowered shank	114
with raised shank	1030
number of pockets / ripper teeth	5/5
Maximum teeth penetration	528
Clearance with fully raised tooth	503
Ripper weight with one tooth	1530 [kg]
Tooth weight	92 [kg]

6.3.2. REFILL CAPACITIES

Fuel tank	388 liters
Cooling system	55 liters
Crankcase with filter	23 liters
Transmission system (RMF)	135 liters
Rear Frame	106 liters
Final drive (each)	40 liters
Track roller (each)	0.4 liter
Track idler (each)	0.4 liter
Front idler (each)	0.3 liter
Track chain link	0.03 liters
Pivot shaft reservoir (each)	3.0 liters
Equipment hydraulic system:	
Model D-2	
(Equipped with hydraulic tilt)	101 liters
Model D-2 Blade & Ripper	
(Equipped with hydraulic tilt)	107 liters
Model G-2	
(Equipped with hydraulic tilt)	106 liters
Hydraulic reservoir	52 liters
Air conditioning refrigerant	1.22 [kg]

Track chains, track rollers, track idlers and front idlers are permanently lubricated with SAE 30 engine oil, lubricated track chain links are permanently lubricated with SAE 85 W multi-purpose lubricant when assembled and do not require any additional lubrication except when reconditioned.

6.3.3. TRACKS

Gauge	1880 [mm] STD<
Track on ground	2635 [mm] & 2940 [mm] LT
Track shoe width, standard	510 [mm]
Track shoe width, max.	660 [mm]
Number of track shoes per each side	39 for STD & 42 for LT

SPECIFICATIONS

6.3.4. ENGINE

Make and model	Komatsu S6D 114E-1
Type	4-cycle diesel, turbocharged
No of cylinders	6
Bore	114 [mm]
Stroke	135 [mm]
Displacement	8.3 [dm ³]
Net flywheel power @ 2100 [RPM]	129 [kW]
Engine speed:	
Full load governed	2200 [RPM]
Low idle	900 ± 100 [RPM]
Max. Torque at 1500 [RPM]	780 [Nm]

6.3.5. TORQUE CONVERTER

Type	single-stage, single-range
Venting	Self-venting thru breather
Oil operating temperature range	82 – 121 [°C]
Effective diameter (size)	330 [mm]
Torque ratio	2.625 : 1

6.3.6. TRAVEL SPEEDS

Forward:	
1 st , low range	0 – 2.7 [km/h]
1 st , high range	0 – 3.7 [km/h]
2 nd , low range	0 – 5.0 [km/h]
2 nd , high range	0 – 6.6 [km/h]
3 rd , low range	0 – 7.9 [km/h]
3 rd , high range	0 – 10.5 [km/h]
Reverse:	
1 st , low range	0 – 3.2 [km/h]
1 st , high range	0 – 4.3 [km/h]
2 nd , low range	0 – 5.8 [km/h]
2 nd , high range	0 – 7.8 [km/h]
3 rd , low range	0 – 9.2 [km/h]
3 rd , high range	0 – 12.5 [km/h]

6.3.7. WEIGHT (APPROXIMATE)

Machine without mounted equipment, 10% fuel, ROPS, track roller guard, sprocket rock deflector, crankcase and transmission guards, pull hook and lights:

TD-15H	TD-15H-LGP
16400 [kg]	17700 [kg]

SPECIFICATIONS

SPECIFICATIONS

6.3.8. OPERATION WEIGHTS (approximate)

A machine with mounted equipment (hydraulic tilt), operator, full fuel tank and standard equipment:

	TD-15H	TD-15H-LT
Blade	Semi-U	Semi-U
R.O.P.S.	19850 [kg]	20150 [kg]
Cab with A/C and ROPS	20250 [kg]	20550 [kg]

6.3.9. ELECTRIC SYSTEM

System voltage	24 [V], negative ground
Batteries (maintenance-free)	two 12 [V]
Alternator	50 [A]

6.3.10. FUEL CONSUMPTION

During intensive slot dozing tests in sandy soil (soil density app. 1.89 [t/m³]) the average fuel consumption amounted to app. 37 [l/h].

Average operational fuel consumption.

The above specified fuel consumption value refers to a short period of intensive operation of the machine only. However, taking into consideration actual longer periods of machine operation fuel consumption value is considerably lower and can be estimated at the level of app. 28 [l/h].

6.4. SPECIAL TORQUES

No	Description of tightening place	Size of thread	Torque [Nm]	No of places
1	Main Harness to Pod at Rear of LH Console	4-40	0.7	4
2	Horn Switch Terminal (On RH Console)	8-32	1.8-3.4	2
3	Neutral Start & Engine Shutdown Switch Terminal	8-32	2	4
4	Back-up Alarm Terminal	8-32	2	2
5	Back-up Alarm Switch Terminal (In Console)	8-32	2	2
6	Cab Dome Light Mounting Screw	10-24	2	2
7	Transmission Filter Warning Light Switch	10-24	1.4-1.8	2
8	Hydraulic Filter Warning Light Switch	10-24	1.4-1.8	1
9	Cooling Temperature Sensor Terminal	10-32	2	1
10	Circuit Breaker Mounting Screw (On Hood Support)	10-32	2	2
11	Circuit Breaker Mounting Screw (On Instrument Panel)	10-32	2	10

SPECIAL TORQUES

No	Description of tightening place	Size of thread	Torque [Nm]	No of places
12	Magnetic Switch Terminal	10-32	2	2
13	Cranking Motor Solenoid Switch Terminal	10-32	2.6	1
14	Torque Converter Temperature Sensor Terminal	10-32	2	1
15	Circuit Breaker Terminal (On Instrument Panel)	10-32	2	10
16	Fuel Sensor Mounting Screw	10-32	2	5
17	Fuel Level Gauge Terminal	10-32	2	3
18	Fuel Level Gauge Mounting Screw	10-32	0.9-1.4	2
19	Washer Reservoir Spout Mounting Screw	M5	7	2
20	Cab Plastic Trim Mounting Screw	M6	5.4	76
21	Circuit Breaker Terminal (On Hood Support)	¼ ["]-28	6.2	2
22	Magnetic Switch Terminal	5/16 ["]-18	5.4-8.1	2
23	Cab Lining Trim Mounting Screw	M8	13.5	6
24	Battery Hold Down Bolt	3/8 ["]	9	2
25	Battery Terminal Nut	3/8 ["]	31	4
26	Master Switch Terminal	3/8 ["]-24	12	2
27	A/C Compressor Mounting Bolt	3/8-16	62	2
28	Air Pre-Cleaner Clamp Bolt	3/8	42	2
29	Alternator to Battery (+) Terminal	7/16 ["]	8.5	1
30	Track Roller Bushing Retainer Bolt	7/16 ["]	87	All
31	Cranking Motor Terminals	½ ["]	31	2
32	Hydraulic Reservoir Oil Filter Mounting Nut	½ ["]	14-27	1
33	Sprocket Dirt Deflector Mounting Bolt	½ ["]	110	8
34	Equalizer Bar Pivot Retainer Plate Bolt	5/8 ["]	267	8
35	Equalizer Bar Rebound Bracket Mounting Bolt	5/8 ["]	267	8
36	U-joint Cover Bolt	5/8 ["]	267	8
37	Track Adjuster Check Valve	5/8 ["]	68	2
38	Track Adjuster Relief Valve	5/8 ["]	68	2
39	Diagonal Strut Prevailing Torque Clamping Nut	5/8 ["]	267	4
40	Diagonal Strut Prevailing Torque Clamping Bolt	5/8 ["]	267	4
41	Cylinder Yoke Cap Bolt	5/8 ["]	250	8
42	Starting Switch Nut	5/8 ["]-24	4.5	1
43	Horn Switch Nut	5/8 ["]-24	4.5	1
44	End Bit Nuts (Semi-U Blade with C-Frame and LGP)	¾ ["]	455	12
45	Cutting Edge Nuts (C-Frame and LGP)	¾ ["]	455	21
46	Cutting Edge (Semi-U Blade)	¾ ["]	455	17

SPECIAL TORQUES

No	Description of tightening place	Size of thread	Torque [Nm]	No of places
47	Diagonal Strut Cap Nut	¾ ["	455	8
48	Lift Cylinder Cover Nut	¾ ["	455	8
49	Track Roller Mounting Bolt	¾ ["	455	All
50	Track Roller Shield and Rock Deflector Bushing Mounting Bolt	¾ ["	455	All
51	Track Roller Shield and Rock Deflector Mounting Bolt	¾ ["	455	All
52	Rear Track Idler Mounting Block Bolts	¾ ["	455	8
53	Front Track Idler Mounting Block Bolt	¾ ["	455	8
54	Front Idler Fork Mounting Bolt	¾ ["	455	8
55	Track Shoe Bolt	¾ ["	700	All
56	Sprocket Rock Shield Mounting Bolts	¾ ["	455	8
57	Pivot Shaft Filler Plug	¾ ["	20 – 54	2
58	Master Switch Mounting Nut	¾ ["	51	1
59	Front Idler Shaft Support Bolt	7/8 ["	730	4
60	Push Arm Trunnion Bolt	7/8 ["	610	20
61	Rear Frame Drain Plug	7/8 ["	48 – 62	3
62	Track Frame Guide Plate Mounting Bolt	7/8 ["	730	12
63	FOPS/ROPS Mounting Bolt	1 ["	1110	8
64	ROPS Support Mounting Bolt	1 ["	1110	8
65	Track Frame Lower Guide Retainer Bolt	1 ["	1110	4
66	Pusharm Trunnion Cap Bolt	1 ["	1050	4
67	C-Frame Trunnion Cap Bolt	1 ["	1050	4
68	Gimbal Crosstube Mounting Bolt	1 ["	920	4
69	Track Frame Guide Retainer Bolt	1 ["	1110	4
70	Push Arm Trunnion Bolt (LGP)	1 ["	920	16
71	Ripper Mounting Frame Bolts	1-1/8 ["	1300	16
72	Rigid Drawbar Mounting Bolt	1-1/8 ["	1560	6

6.5. TORQUES VALVES FOR STANDARD METRIC FASTENERS

This chart provides tightening torque for general-purpose applications using original equipment standard hardware. Original equipment standard hardware is defined as coarse thread metric class 10.9 bolts and class 10.0 nuts and thru hardened flat washers (Rockwell "C" 38-45), all phosphate coated and assembled without supplemental lubrication (as received condition). The torques shown below apply to phosphate coated bolts designed for 60% yield strength.

The torques shown below also apply to phosphate coated bolts used with phosphate coated prevailing torque nuts, phosphate coated bolts used with copper plated weld nuts and are applied to steel and cast iron parts.

TORQUES VALVES FOR STANDARD METRIC FASTENERS

NOMINAL THREAD DIAMETER [mm]	STANDARD TORQUE ±10% [Nm]
6	10
7	16
8	23
10	46
12	80
14	125
16	200
18	275
20	385
22	530
24	670
27	980
30	1330
33	1790
36	2325

6.6. TORQUE VALUES FOR STANDARD ENGLISH FASTENERS

This chart provides tightening torque for general purpose applications using original equipment standard hardware as listed in the Parts Catalog for the machine involved. DO NOT SUBSTITUTE. Original equipment standard hardware is defined as Type 8, coarse thread bolts and nuts and thru hardened flat washers (Rockwell "C" 38-45), all phosphate coated and assembled without supplemental lubrication (as received condition). Phosphate coated bolts used in tapped holes in steel or gray iron, phosphate coated bolts used with phosphate coated prevailing torque nuts (nuts with distorted threads or plastic inserts). Phosphate coated bolts used with copper plated weld nuts.

Markings on bolt heads or nuts indicate material grade ONLY and are NOT to be used to determine required torque.

NOMINAL THREAD DIAMETER [in]	STANDARD TORQUE ±10% [Nm]
¼	10
5/16	21
3/8	38
7/16	60
½	92
9/16	130
5/8	180
¾	325
7/8	520
1	780
1-1/8	1110
1- 1/4	1565
1- 3/8	2050
1- 1/2	2720
1- 3/4	3380
2	5080

6.7. TORQUE VALUES FOR SPLIT FLANGE CONNECTIONS

The following chart provides the tightening torques for split flange connections used in hydraulic systems. Split flanges and fitting shoulders should fit squarely. Install all bolts, finger tight and then torque evenly. Over torquing bolts will damage the flanges and/or bolts, which may cause leakage.

Bolt size [in]	Flange size [in]*	Torque Value [Nm]
1/2	5/16	20–24
3/4	3/8	30–37
1	3/8	37–47
1- 1/4	7/16	47–61
1- 1/2	1/2	62–79
2	1/2	75–88
2- 1/2	1/2	107–123
3	5/8	187–203
3- 1/2	5/8	159–180

* – Inside diameter of hydraulic tube or hose fitting.

6.8. TORQUE VALUES FOR HYDRAULIC TUBES AND FITTINGS

Size	Tubing o.d. in inches	Thread size in inches	Torque values for 37 [°] flared fittings	Torque values for O-ring boss plugs, locknuts and 37 [°] flared fittings
4	¼	7/16–20	12–16	8–14
5	5/16	1/2 –20	16–20	14–20
6	3/8	9/16–18	29–33	20–27
8	1/2	3/4 –16	47–54	34–41
10	5/8	7/8–14	72–79	47–54
12	3/4	1-1/16–12	104–111	81–95
14	7/8	1-3/16–12	122–138	95–109
16	1	1-5/16–12	149–163	108–122
20	1- 1/4	1-5/8–12	190–204	129–156
24	1- 1/2	1-7/8–12	217–237	163–190
32	2	2-1/2–12	305–325	339–407

Above torque figures are recommended for plain, cadmium or zinc plated fittings, dry or wet installations. These torques are not recommended for tube with wall thickness of 0.9 [mm] or less.

6.9. TORQUE VALUES FOR HOSE CLAMPS

The following chart provides the tightening torques for hose clamps used in all rubber applications (radiator, air cleaner, operating lever boots, hydraulic system, etc.).

CLAMP TYPE AND SIZE	TORQUE ± 0.6 [Nm]	
	Radiator, Air Cleaner, Boots, etc. [Nm]	Hydraulic System [Nm]
"T" Bolt (any diameter)	6.2 – 7.3	—
Worm Drive – 1-3/4 ["] Open Diameter & Under	2.2 – 3.3	4.5 – 5.6
Worm Drive – Over 1-3/4 ["] Open Diameter	4.5 – 5.6	—
Worm Drive – Al1 "Ultra-tite"	10.7 – 11.8	4.5 – 5.6

6.10. TORQUE VALUES FOR AIR CONDITIONING TUBES AND FITTINGS

SWAGED 45 [°] CONNECTIONS

SIZE	THREAD SIZE ["]	TORQUE VALUES FOR MATERIALS [Nm]			
		STEEL-STEEL	BRONZE –STEEL	COPPER-STEEL	ALUMINUM-STEEL
1/4	7/16–20	16 – 23	15 – 20	15 – 20	12 – 18
3/8	5/8–18	27 – 33	23 – 38	23 – 38	20 – 25
1/2	3/4–16	47 – 54	38 – 46	38 – 46	28 – 36
5/8	7/8–14	61 – 68	45 – 53	45 – 53	34 – 42
3/4	1-1/16–12	72 – 80	49 – 57	49 – 57	45 – 53
	1-1/16–14	72 – 80	49 – 57	49 – 57	45 – 53

6.11. TORQUE VALUES FOR AIR CONDITIONING O-RING CONNECTIONS

SIZE	THREAD SIZE ["]	TORQUE VALUES FOR MATERIALS [Nm]
		STEEL-STEEL
1/4	7/16–20	15 – 25
3/8	5/8–18	27 – 33
1/2	3/4–16	40 – 48
5/8	7/8–14	47 – 54
3/4	1-1/16–12	54 – 61
	1-1/16–14	54 – 61

SPECIFICATIONS

6.12. LIST OF SERVICE TOOLS

Item	Tool-wrench size	Type of tool	Service (removal and installation)
1	7/16 ["]	End Wrench	Ether Injector Nozzle
2	¾ ["]	End Wrench	Battery Removal
			Transmission System Suction Filter Cleaning (Filter Body Removal)
			Transmission System Scavenger Strainer Cleaning (Platform Cover Removal)
3	15/16 ["]	Socket	Track Tension Adjustment (Relief and Check Valve)
		End Wrench	Equalizer Bar Rebound Gap Adjustment
			Lower Strut Adjustment
4	1-1/8 ["]	End Wrench	Blade Edges and End Bits
		Socket	Track Chain Shoes
		End Wrench	RMF Oil Replacement (Plug)
			Final Drive Oil Replacement (Plug)
5	1-1/2 ["]	End Wrench	Blade Removal (Pusharm Trunnion Cap Bolts)
		Socket	ROPS Mounting Bolts
6	1-11/16 ["]	Socket	Ripper Frame Removal
			Drawbar Removal
7	10 [mm]	End Wrench	Fuel Line Venting
8	14 [mm]	End Wrench	Battery Terminal Cleaning
			Valve Lash Adjustment
9	17 [mm]	End Wrench	RMF Breather Replacement
10	19 [mm]	End Wrench	Engine Crankcase Oil Draining Plug
11	38 [mm]	End Wrench	Hydraulic Reservoir Breather Replacement
12	ST-1293 Gauge		Drive Belt Tension Adjustment
13	3824591 Gauge (pinion)		Valve Lash Adjustment
14	Flat Screwdriver 1x6.5		Valve Lash Adjustment
			Air Pre-Cleaner Clamp
15	Filter Wrench 75-80 [mm]		Fuel Filter
16	Filter Wrench 90-95 [mm]		Coolant Filter
			Fuel Filter and Water Separator
17	Filter Wrench 118-131 [mm]		Engine Crankcase Oil Filter
			Hydraulic Return Filter
			Transmission System Pressure Filter

6.13. DRIVE TRAIN SCHEMATIC

6.13.1. TWO SPEED STEERING

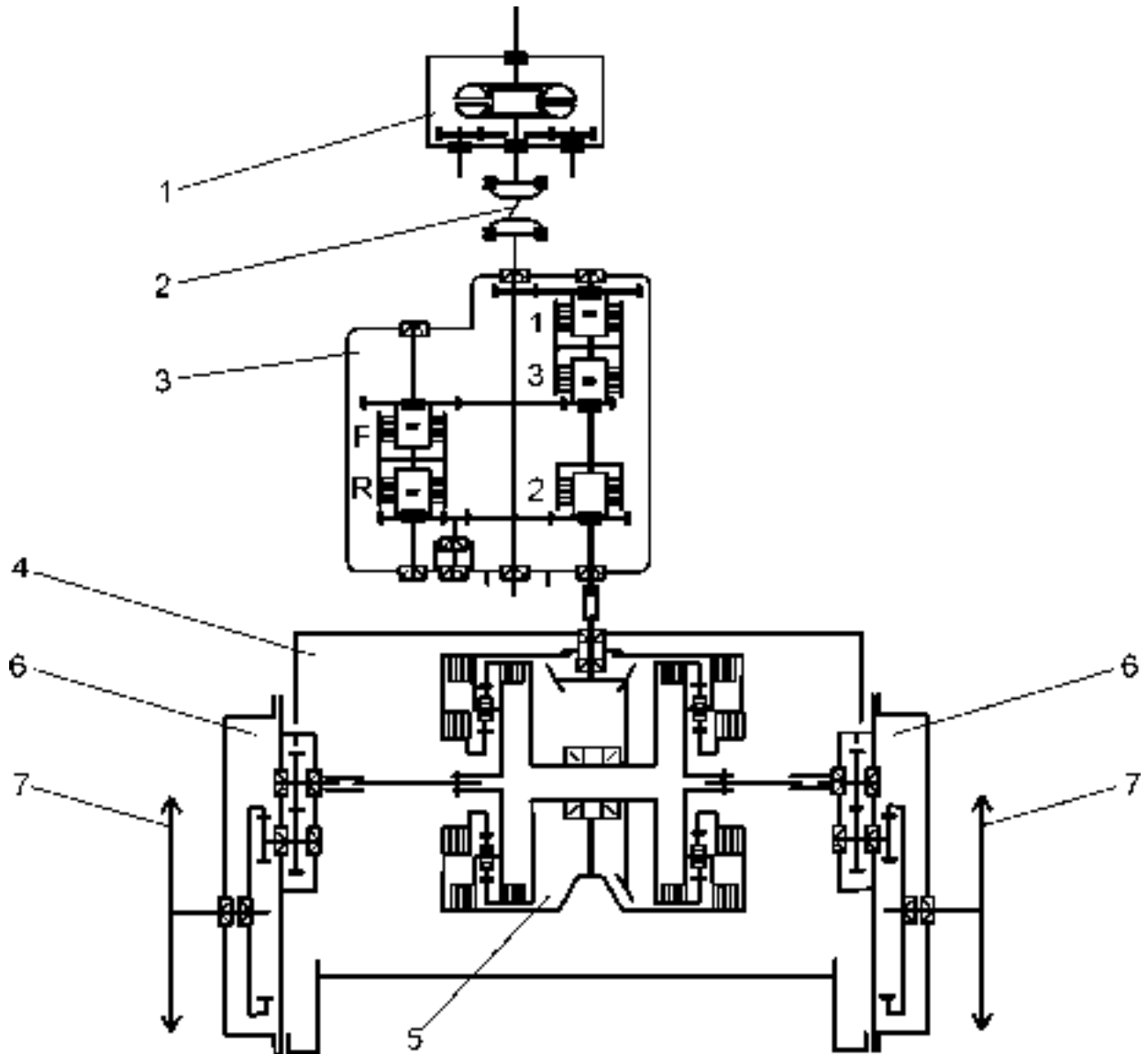


Fig. 6.2. Two Speed Steering Drive Train Schematic

- | | |
|---------------------|-------------------|
| 1. Torque Converter | 5. Steering Drive |
| 2. Universal Joint | 6. Final Drive |
| 3. Transmission | 7. Sprocket Wheel |
| 4. Rear Main Frame | |

SPECIFICATIONS

DRIVE TRAIN SCHEMATIC

6.13.2. ONE SPEED STEERING

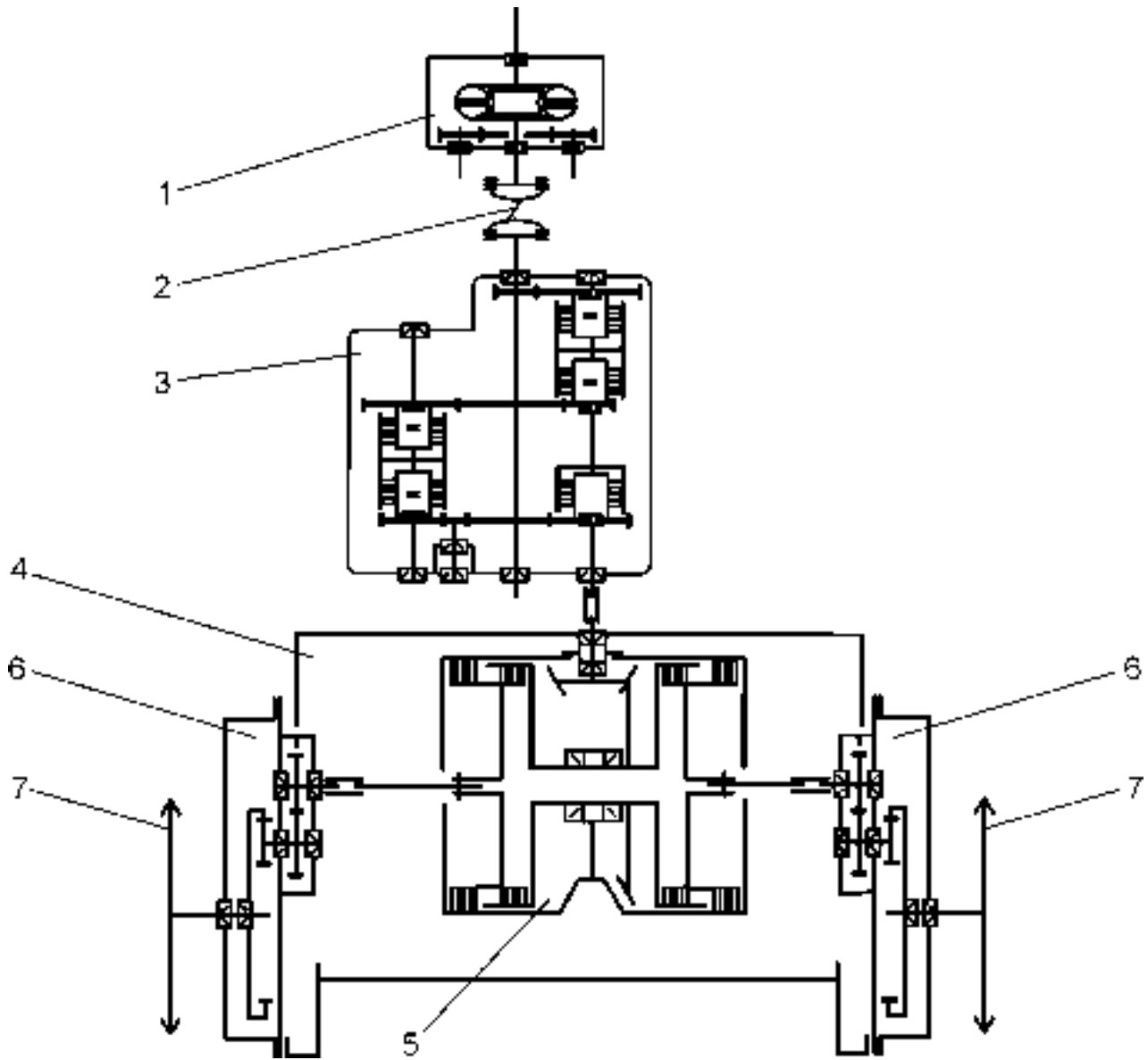


Fig. 6.3. One Speed Steering Drive Train Schematic

- | | |
|---------------------|-------------------|
| 1. Torque Converter | 5. Steering Drive |
| 2. Universal Joint | 6. Final Drive |
| 3. Transmission | 7. Sprocket Wheel |
| 4. Rear Main Frame | |

6.14. EQUIPMENT HYDRAULIC SYSTEM DIAGRAM

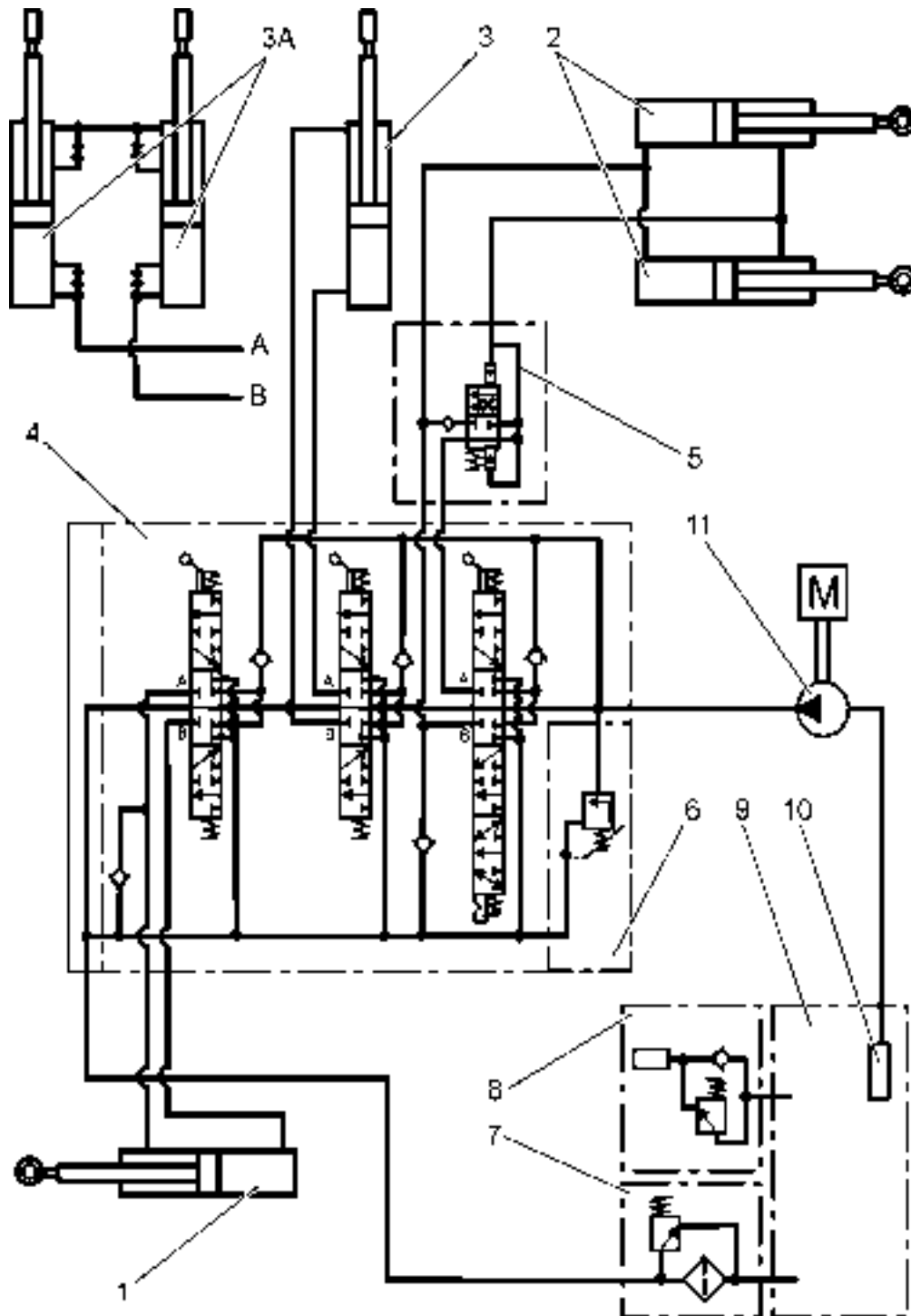


Fig. 6.4. Equipment Hydraulic System Diagram

- | | |
|---|------------------------------------|
| 1. Ripper Lift Cylinder | 6. Relief Valve |
| 2. Blade Lift Cylinders | 7. Return Filter with Bypass Valve |
| 3. Blade Tilt Cylinder (D-2 Straight Blade) | 8. Vacuum Pressure Relief Valve |
| 3A. Blade Tilt Cylinders (G-2 Angled Blade) | 9. Hydraulic Reservoir |
| 4. Main Control Valve | 10. Hydraulic Suction Strainer |
| 5. Quick Drop Valve | 11. Pump |

SPECIFICATIONS

6.15. TRANSMISSION HYDRAULIC SYSTEM DIAGRAM

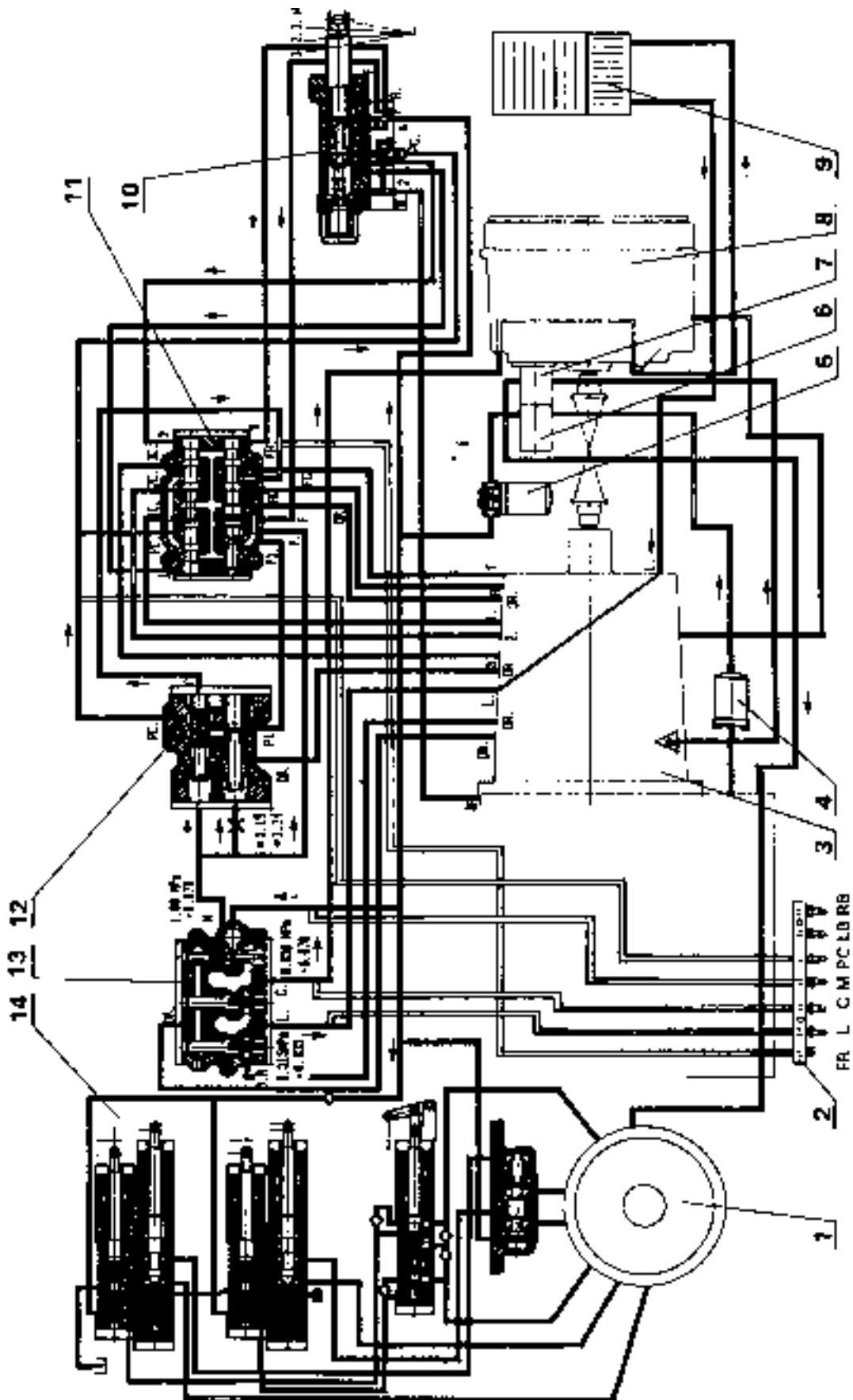


Fig. 6.5. Transmission Hydraulic System Diagram

TRANSMISSION HYDRAULIC SYSTEM DIAGRAM

Key to transmission hydraulic system:

1. Steering Drive
 2. Diagnostic Center
 3. Transmission
 4. Suction Filter
 5. Pressure Filters (2 pcs)
 6. Charge Pump
 7. Scavenger Pump
 8. Torque Converter
 9. Oil Cooler
 10. Transmission Control Valve
 11. Range Selector Valve
 12. Rate-of-Rise Valve
 13. Main Regulator Valve
 14. Steering Drive Valve
-
- 1C. Range Clutch 1 Oil Pressure
 - 2C. Range Clutch 2 Oil Pressure
 - 3C. Range Clutch 3 Oil Pressure
 - FC. Forward Clutch Oil Pressure
 - RC. Reverse Clutch Oil Pressure
 1. Range Clutch 1 Pilot Pressure
 2. Range Clutch 2 Pilot Pressure
 - F. Forward Clutch Pilot Pressure
 - R. Reverse Clutch Pilot Pressure
 - PC. Range Clutch Oil Pressure
 - M. Main Pressure
 - FR. Direction Clutch Oil Pressure
 - C. Torque Converter Oil Pressure
 - L. Lubricating Pressure
 - P1. Rate-of-Rise Valve Pilot Pressure
 - DR Drain (Return to the Reservoir)

6.16. WIRING SCHEMATIC

Key to the wiring schematic:

1. Horn
2. Front Tractor Headlamps
3. Alternator
4. Cranking Motor
5. Magnetic Switch
6. Main Automatic Breaker
7. Air Filter Vacuum Warning Light Switch
8. Electromagnetic Clutch
9. Ether Solenoid Valve
10. Fuel Solenoid Valve
11. Engine Oil Pressure Sensor
12. Engine Oil Pressure Switch
13. Coolant Temperature Sensor
14. Window Washers Pump Motor
15. Torque Converter Oil Temperature Sensor
16. Master Switch
17. Battery
18. Transmission Main Low Pressure and Range Clutches Pressure Warning Light Switch
19. Warning Lamp Delay Relay
20. Back up Alarm Pressure Switch
21. Fuel Solenoid Valve Switch
22. Transmission Neutral Lock Lever Switch
23. Transmission Filter Warning Light Switch
24. Rear Headlamp
25. Back up Alarm
26. Fuel Level Sensor
27. Horn Pushbutton
28. Hydraulic Filter Warning Light Switch
29. Gauge Cluster
30. Diode Assembly
31. Warning Lamp Check Relay
32. Fuel Level Gauge
33. Audible Alarm (Engine Oil Pressure or Low Coolant Level)
34. Hourmeter
35. Start Button
36. Ether Solenoid Valve Switch
37. Cab Switch
38. Tractor Headlamp Switch
39. Automatic Circuit Breakers
40. Additional Receptacle

Gauge cluster components:

- A – Hydraulic Oil Filter Warning Light
 B – Engine Low Oil Pressure Switch
 C – Main and Speed Clutches Oil Pressure Warning Light
 D – Transmission Oil Filters Warning Light
 E – Air Filter Vacuum Warning Light
 F – Coolant Low Level Warning Light
 H – Coolant Temperature Gauge
 J – Torque Converter Temperature Gauge
 K – Engine Oil Pressure Gauge
 L – Gauges Lamps
 M – Voltmeter

Wire color code:

- | | |
|------------|------------------|
| R - red | O - orange |
| T - amber | P - pink |
| W - white | V - violet |
| Y - yellow | DB - dark blue |
| B - black | LB - light blue |
| BR - brown | DG - dark green |
| G - gray | LG - light green |

Wire cable marking:

- 42/DB
- 42 - cable designation
 - DB - color code

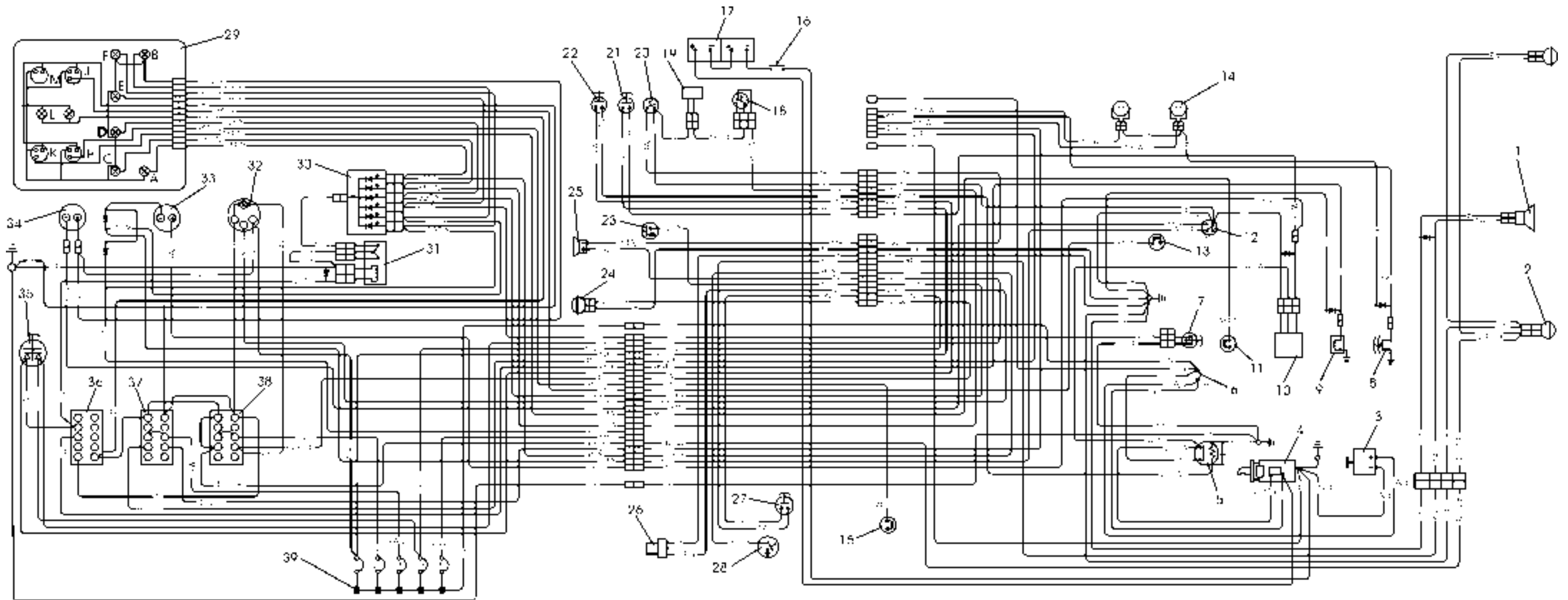


Fig. 6.6. Wiring Schematic

SPECIFICATIONS

WIRING SCHEMATIC

WIRING SCHEMATIC

6.16.1. CAB WIRING SCHEMATIC

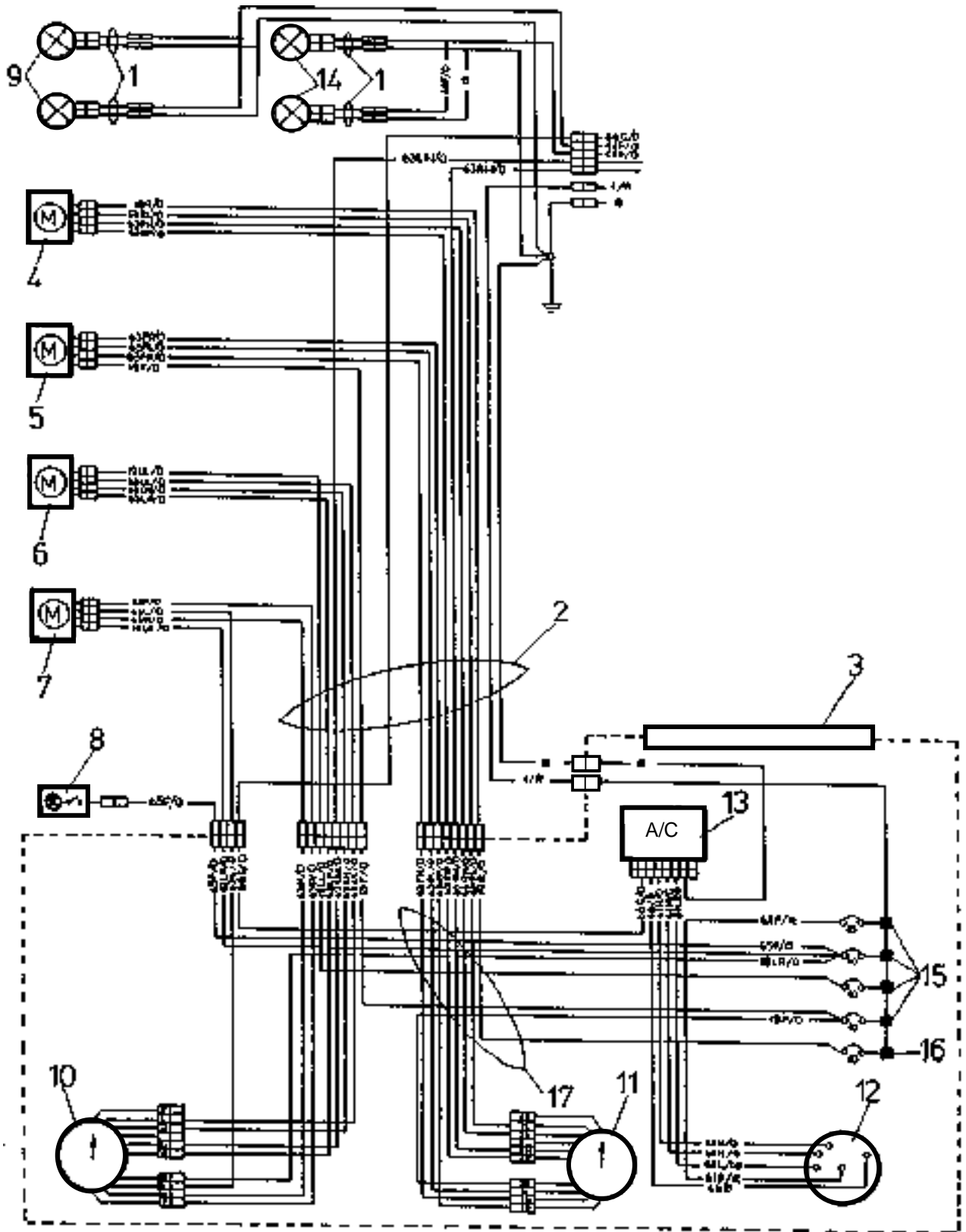


Fig. 6.7. Cab Wiring Schematic

WIRING SCHEMATIC

Key to the Cab Wiring System

1. Cab Headlamps Harness
2. Cab Harness
3. Cab Instrument Panel
4. Rear Wiper
5. Front Wiper
6. L.H. Wiper
7. R.H. Wiper
8. Lamp Dome
9. Cab Front Headlamp
10. Left and Right Wiper and Washer Switch
11. Front and Rear Wiper and Washer Switch
12. Air Conditioner Switch
13. Air Conditioner
14. Cab Rear Headlamp
15. Automatic Circuit Breaker 10A
16. Automatic Circuit Breaker 20A
17. Instrument Panel Harness