

# **HYMAC**

## **370C**

**PARTS MANUAL  
LEYLAND**

**26010370xxxx**



## PARTS MANUAL INTRODUCTION

This manual is intended to assist the machine owner or operator in locating and ordering the correct parts for a particular machine.

Improvements to HYMAC products and changes to individual machine specifications may not be included in this manual. It is, therefore, important to observe the following procedure when requesting parts or parts information.

Always quote the MODEL and MACHINE SERIAL NUMBER

Then quote :

- a) The Part Manual Section (i.e. A, B or C etc.)
- b) The Assembly Description and Assembly Reference Number.
- c) The Part Number, Description and Quantity.

For Example :

370C - Serial No. 1234 0370 4321

Section 'A' Handbrake - 750 2608

181 0105 - Collar - Quantity 2

Note :

1. Quantities listed are per assembly.
2. Seal Kits and Repair Kits are denoted on the parts list by symbols (e.g. ● ○ □ \* \*). Items included in a particular kit are identified by one of these symbols.
3. Sub-assemblies are denoted by letters against the part numbers. (e.g. A, B, C, D, etc.,) the letters group the items contained in a sub-assembly.
4. Items shown N.S.S. are not sold separately.

The following additional information will assist the supply of your parts :-

Full forwarding instructions (post, air, rail etc.,)

Full destination address (and final destination where applicable).

Your order and account number.

ROTARY

1952

MEMBER

NO. 123

1952

MEMBER

NO. 123

MEMBER

MEMBER

MEMBER

# **HYMAC 370C**

**LOADER EXCAVATOR**

## **PARTS MANUAL**

(REF : PM 370CL/5/780)

PART NO. 246 0324

GENERAL INDEX

SECTION 'A'

CAB AND CONTROLS

SECTION 'B'

HYDRAULICS

SECTION 'C'

WORKING EQUIPMENT

SECTION 'D'

POWER UNIT AND TRANSMISSION

SECTION 'E'

ELECTRICS

VARIANTS

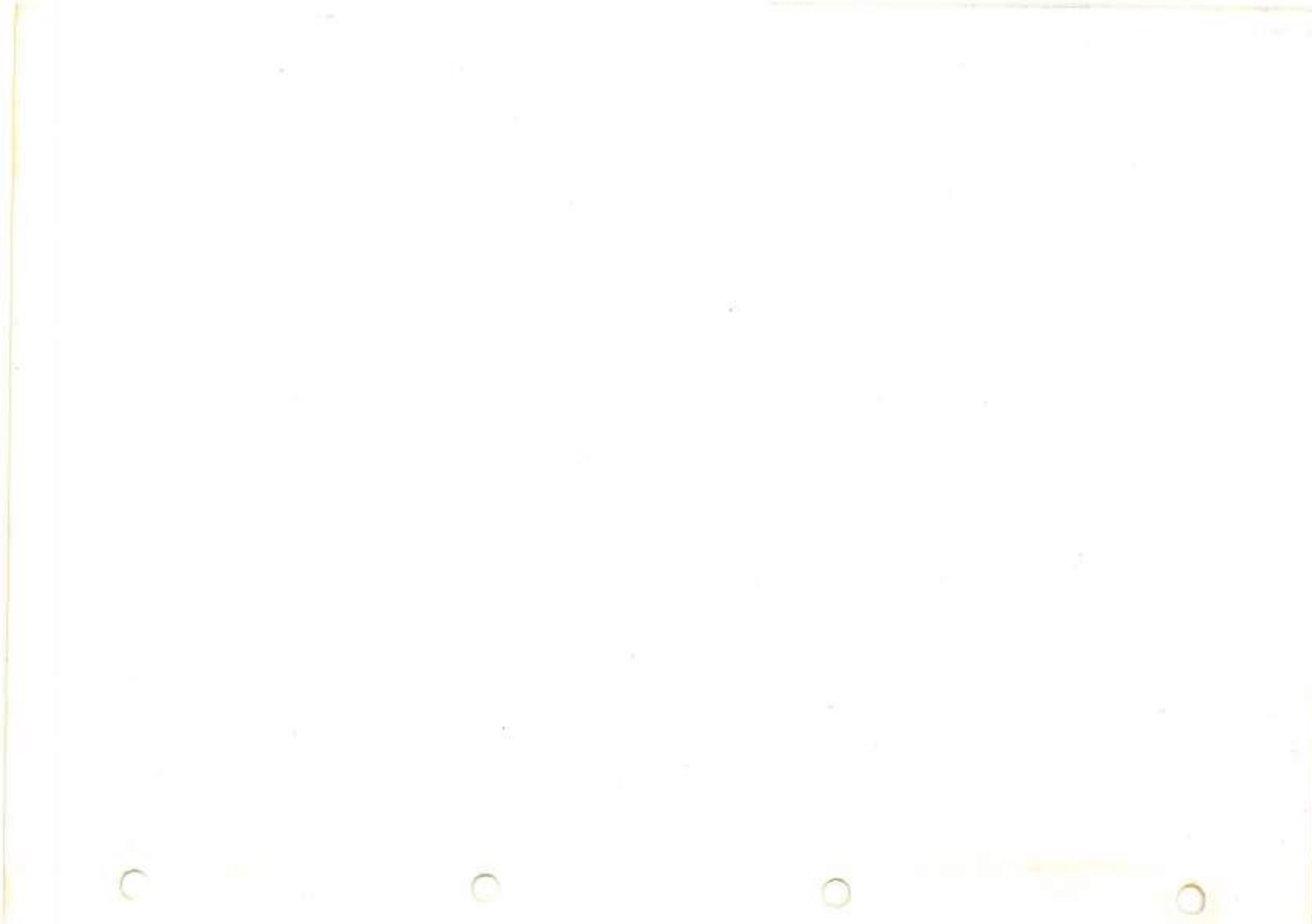




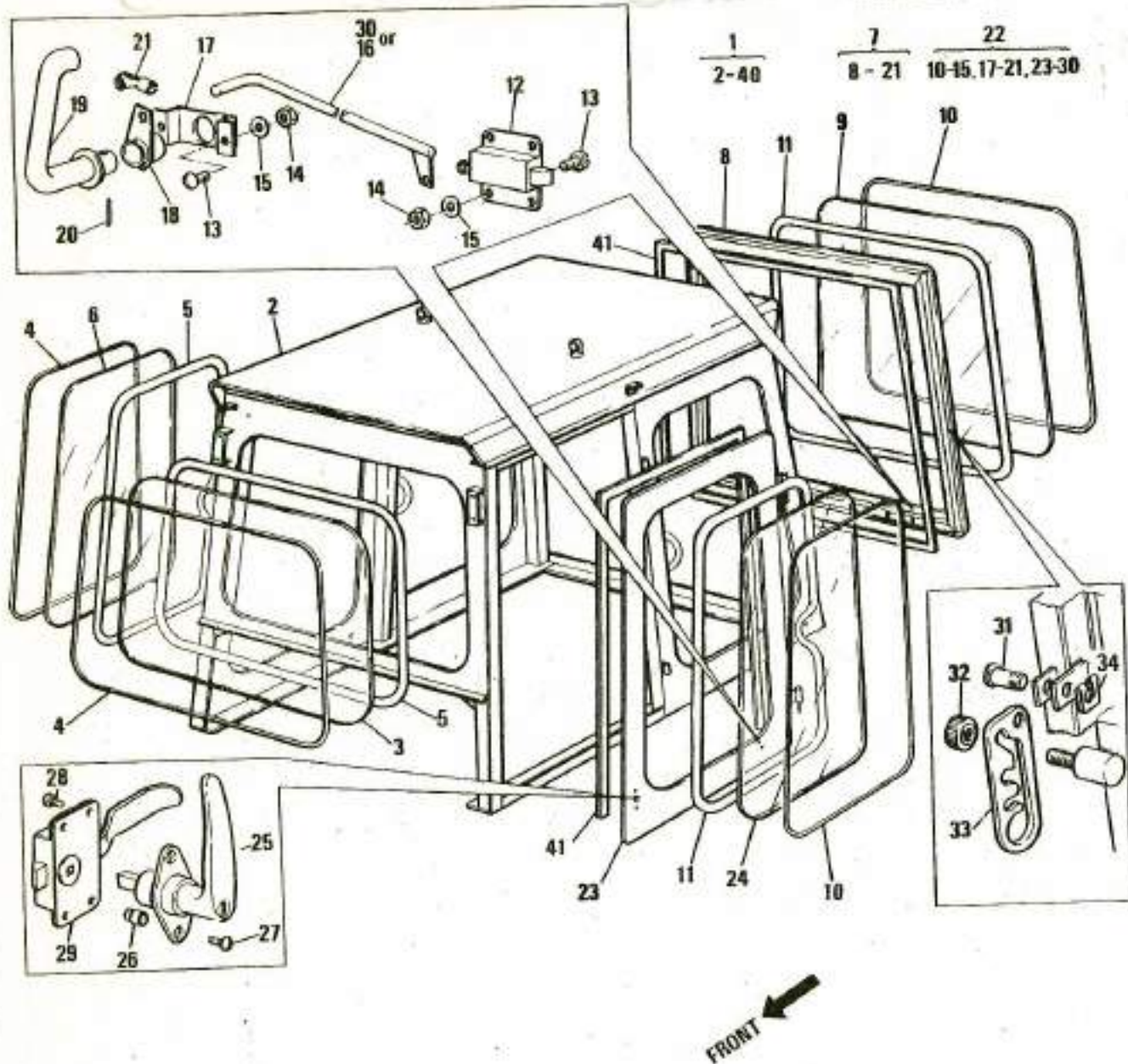
## INDEX

### SECTION 'A' : CAB AND CONTROLS

ASSEMBLY REF. NO.	DESCRIPTION
751 2601	CAB ASSEMBLY
750 2602	CONSOLE AND INSTRUMENT PANEL ASSEMBLY - Torque
750 2603	BONNET ASSEMBLY
750 2604	SEAT AND SUPPORT ASSEMBLY
750 2605	CONSOLE AND INSTRUMENT PANEL ASSEMBLY - Manual
754 2606	FOOT AND HAND THROTTLE - Manual
751 2607	FOOT BRAKE CONTROLS - Manual
753 2608	HAND BRAKE - Manual
751 2609	BONNET SIDE PANEL ASSEMBLY
750 2610	CLUTCH CONTROL ASSEMBLY - Manual Only
751 2611	GEARSHIFT - Manual
751 2612	LOADER CONTROLS
751 2613	EXCAVATOR CONTROLS
750 2614	HEATER AND DEMISTER
751 2615	TORQUE CONVERTER HAND CONTROL
754 2616	FLOOR MATS
752 2617	FOOT AND HAND THROTTLE - Torque
752 2618	FOOT BRAKE CONTROLS - Torque
753 2619	HAND BRAKE - Torque
751 2620	GEARSHIFT - Torque







ITEM	PART NO.	DESCRIPTION	QTY
1	174 8196	CAB ASSEMBLY	1
2	N.S.S.	CAB	1
3	287 0140	FRONT SCREEN	1
4	713 0130	FILLER STRIP	A/R
5	713 0310	GLAZING RUBBER	A/R
6	287 0133	SIDE SCREEN	3
7	244 8048	REAR DOOR ASSEMBLY	1
8	244 9072	DOOR	1
9	287 0132	SCREEN	1
10	713 0127	FILLER STRIP	A/R
11	713 0307	GLAZING RUBBER	A/R
12	352 7105	SLAM LATCH	1
13	662 8405	SCREW	7
14	650 0184	NUT	7
15	651 0702	WASHER	7
16	486 9728	BAR	1
17	122 1107	BRACKET	1
18	352 9429	LEVER	1
19	344 9006	HANDLE	1
20	406 4556	PIN	1
21	176 2434	CLIP	1
22	244 8048	DOOR ASSEMBLY	1
23	244 9070	DOOR	1
24	207 0133	SCREEN	1
10	713 0127	FILLER STRIP	A/R
11	713 0307	GLAZING RUBBER	A/R
25	344 7004	DOOR HANDLE	1
26	305 1008	NUTSERT	2
27	127 2059	SCREW	2
28	687 0410	SCREW	4
29	344 0134	LOCKING HANDLE	1
12	352 7105	SLAM LATCH	1
13	662 8405	SCREW	7
14	650 0184	NUT	7
15	651 0702	WASHER	7
30	486 9727	BAR	1
17	122 1107	BRACKET	1
18	352 9426	LEVER	1
19	344 9006	HANDLE	1
20	406 4556	PIN	1
21	176 2434	CLIP	1
31	406 3681	CLEVIS PIN	1
32	344 0152	KNOB	1
33	352 0141	REAR DOOR LATCH	1
34	176 2443	SAFETY CLIP	1
41	713 0210	DOOR SEAL	A/R

NOTE: ● ITEMS MARKED THIS ARE CUT FROM ROLL; PLEASE STATE LENGTH REQUIRED WHEN ORDERING.

**HVMAC**

TITLE

370 C CAB ASSEMBLY

ALWAYS QUOTE FULL MACHINE SERIAL NUMBER

ISSUE

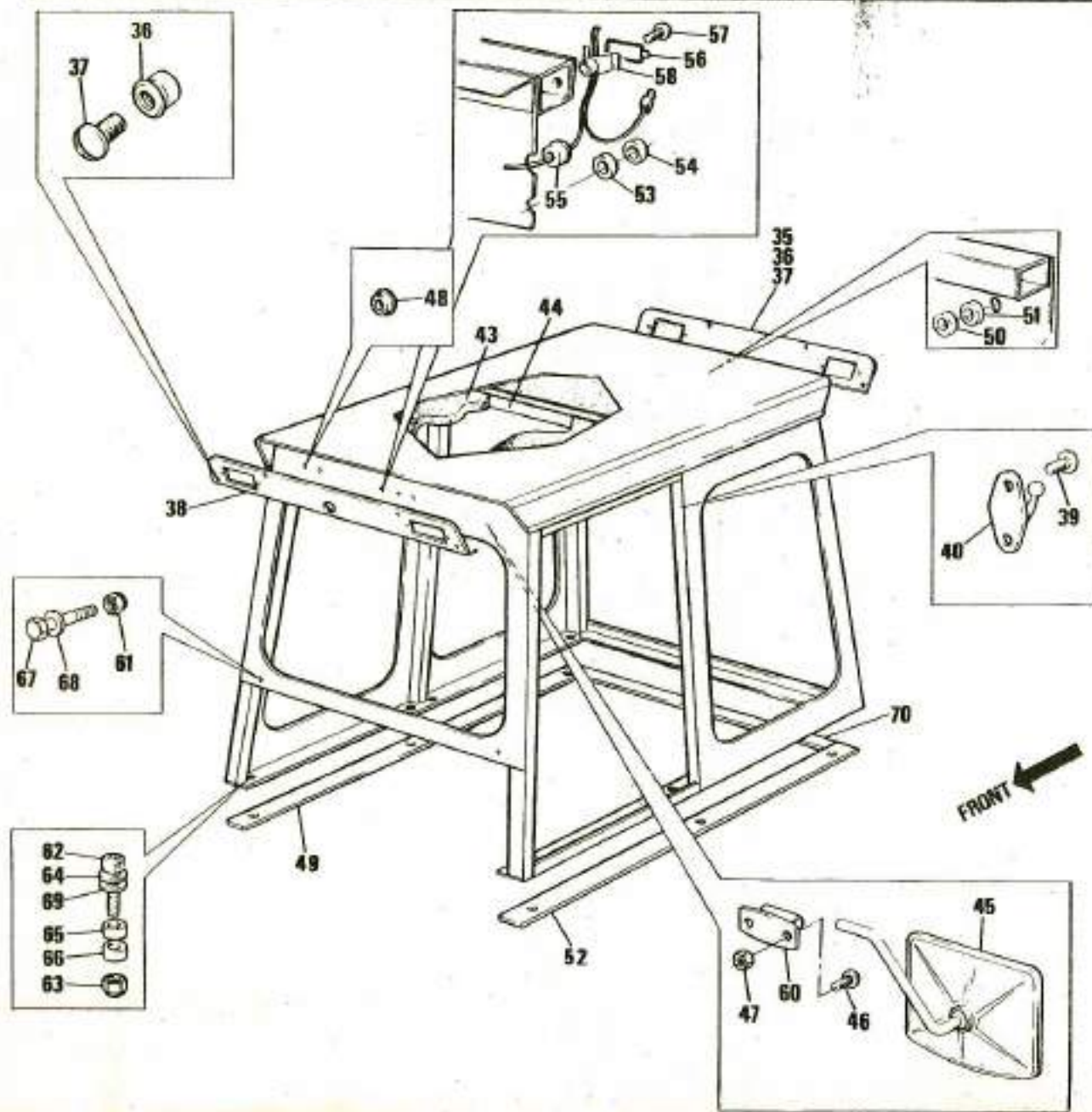
4

SHEET 1 of 2

751 2801 A

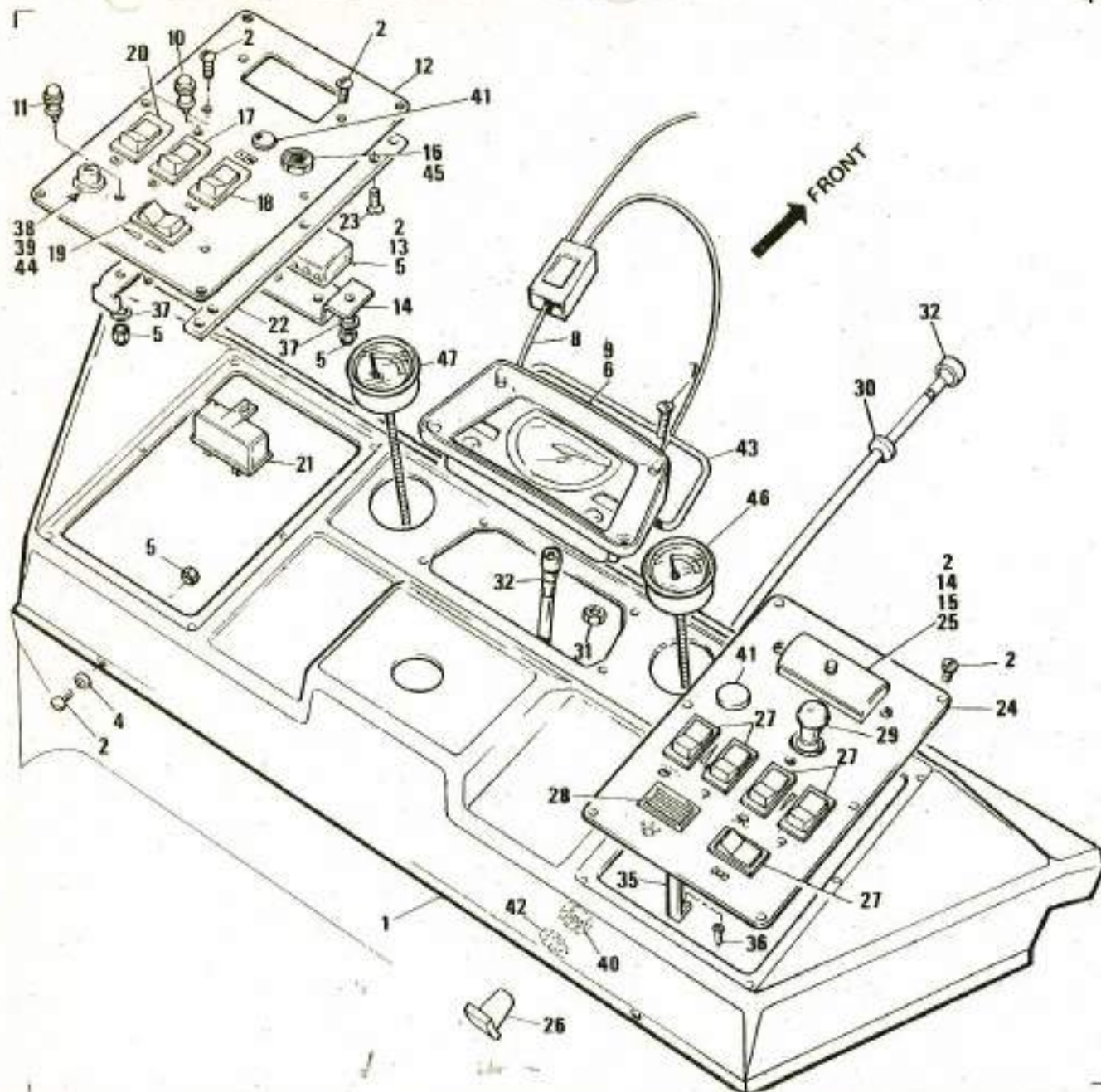


ALWAYS QUOTE FULL MACHINE SERIAL NUMBER



ITEM	PART NO.	DESCRIPTION	QTY
1	174 8196	CAB ASSEMBLY	1
35	383 8003	PLATE	1
36	452 0031	ANCHOR RIVET BUSH	8
37	687 0610	SCREW	8
38	257 8461	PLATE	1
39	671 8807	SCREW	2
40	174 0024	COAT HOOK	1
43	713 1510	SOUNDPROOFING	2
44	713 0660	FOAM STRIP	1
45	287 7022	MIRROR	1
46	644 0616	SCREW	2
47	643 0601	NUT	2
48	713 0052	GROMMET	4
49	713 0634	FOAM STRIP	1
50	495 0726	SPACER	1
51	495 0727	SPACER	1
52	713 0629	FOAM STRIP	1
53	495 0755	SPACER	1
54	495 0750	SPACER	1
55	713 0041	GROMMET	2
56	176 2315	R1 CLIP	12
57	127 0078	SCREW	12
58	176 2322	C1 CRADLE	12
59			
60	122 1112	BRACKET	1
61	642 1201	NUT	2
62	717 1650	SCREW	8
63	642 1601	NUT	8
64	588 5930	WASHER	4
65	494 0212	SHIM	4
66	494 0213	SHIM	4
67	635 1290	BOLT	2
68	716 1201	WASHER	2
69	716 1601	WASHER	4
70	713 0659	FOAM STRIP	A/R





ITEM	PART NO.	DESCRIPTION	QTY
1	173 0132	CONSOLE MOULDING	1
2	127 2063	SCREW	28
3			
4	716 0501	WASHER	7
5	643 0501	NUT	10
6	257 7305	MAIN INSTRUMENT CLUSTER	1
7	127 1313	SCREW	4
8	259 8044	CABLE	2
9	257 6110	BULB	4
10	253 0011	INDICATOR LAMP - BLUE	1
11	253 0012	INDICATOR LAMP - GREEN	2
12	173 0125	L.H. CONSOLE PANEL	1
13	251 7002	FUSEBOX ASSEMBLY	1
14	122 1006	FUSEBOX BRACKET	2
15	642 0501	NUT	4
16	251 0824	IGNITION SWITCH	1
17	251 0819	DIP SWITCH	1
18	251 0820	HORN SWITCH	1
19	251 0821	INDICATOR SWITCH	1
20	251 0822	SIDE/HEAD LAMPS SWITCH	1
21	253 7009	FLASHER UNIT	1
22	383 3256	BACKING PLATE	4
23	685 0308	SCREW	8
24	173 0112	R.H. CONSOLE PANEL	1
25	251 8013	FUSEBOX ASSEMBLY	1
26	179 0048	STOP CABLE	1
27	251 0823	SWITCH	5
28	257 2062	BLANKING PLATE	1
29	257 8431	CIGARETTE LIGHTER	1
30	713 0040	GROMMET	1
31	385 0556	'U' NUT	4
32	179 7058	TACHO DRIVE CABLE	1
33			
34			
35	383 2284	STIFFENER	2
36	671 9207	SCREW	4
37	716 0530	WASHER	5
38	251 0830	HAZARD WARNING SWITCH	1
39	251 1229	IN-LINE FUSE HOLDER	1
40	385 0530	NUT	1
41	713 0043	GROMMET	2
42	588 5903	WASHER	1
43	490 0390	GASKET	1
44	251 1204	.15 AMP FUSE	1
45	385 0564	NUT	1
46	326 0012	PRESSURE GAUGE	1
47	326 1026	TEMPERATURE GAUGE	1

**HVMAC**

TITLE

370 C

CONSOLE AND INSTRUMENT  
PANEL ASSEMBLY - Torque

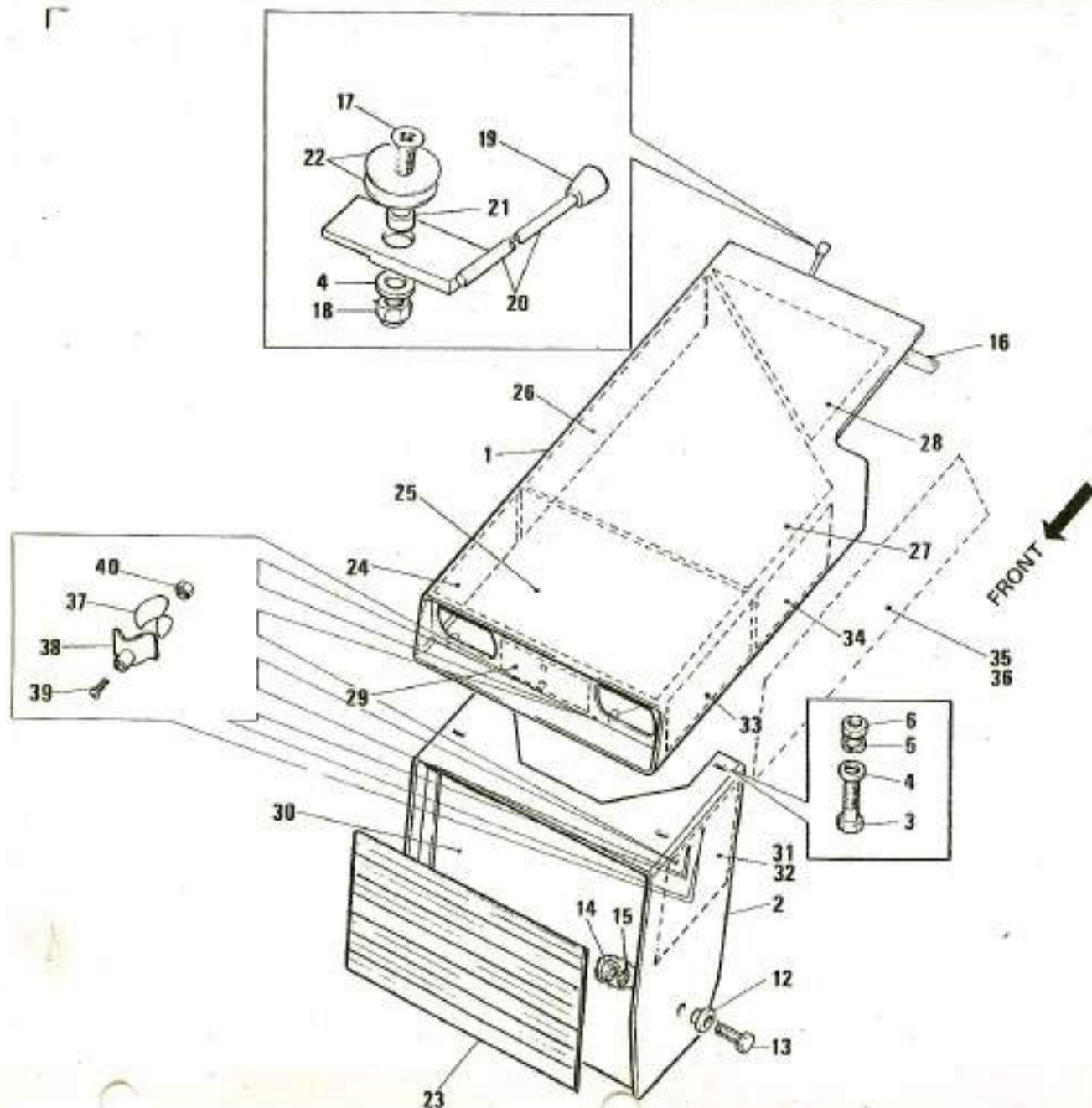
ALWAYS QUOTE FULL MACHINE SERIAL NUMBER

ISSUE 2

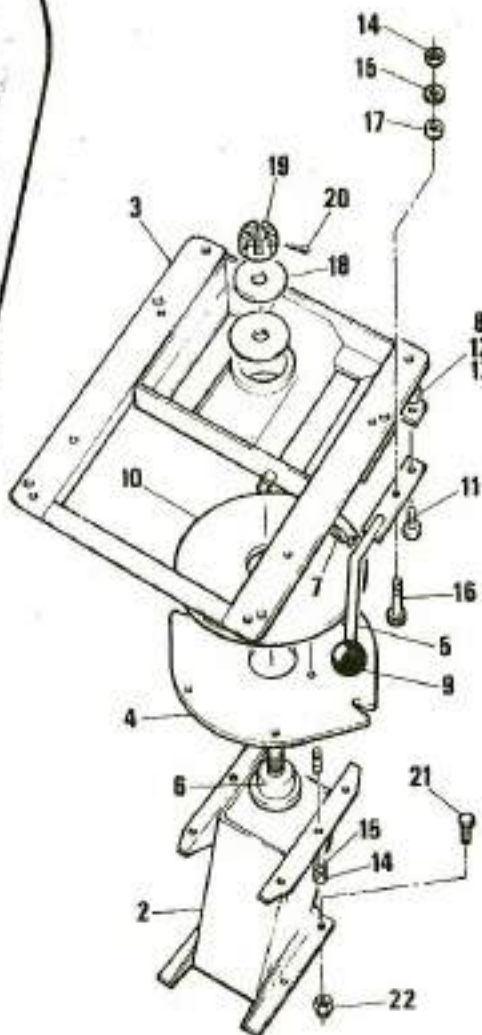
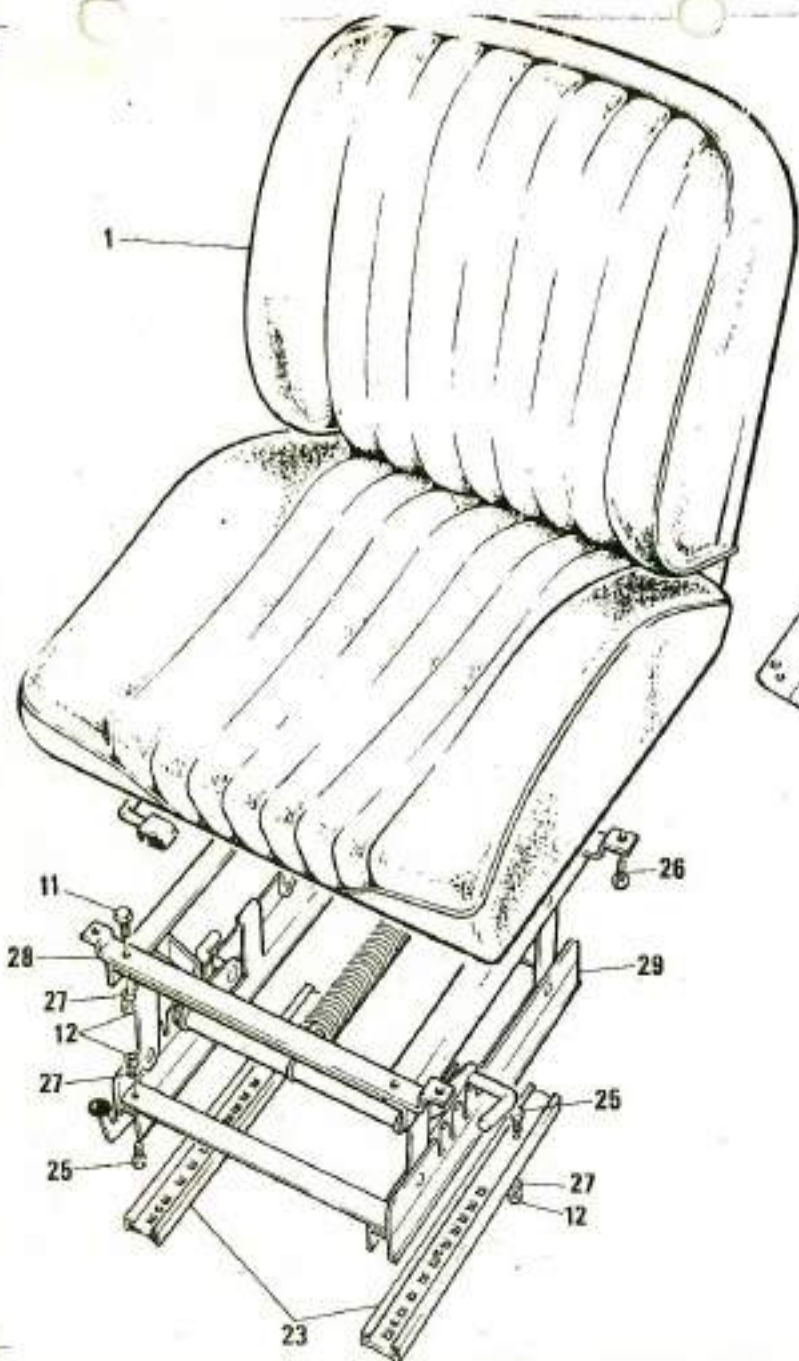
SHEET 1 of 1

750 2602 A





ITEM	PART NO.	DESCRIPTION	QTY
1	167 9858	BONNET TOP	1
2	167 8099	BONNET FRONT ASSEMBLY	1
3	635 1040	BOLT	4
4	716 1001	WASHER	5
5	716 1030	WASHER	4
6	643 1001	NUT	4
7			
8			
9			
10			
11			
12	131 0068	BUSH	2
13	644 1240	SCREW	2
14	643 1201	NUT	2
15	716 1230	WASHER	2
16	713 0630	FOAM STRIP	1
17	685 1040	SCREW	1
18	642 1001	NUT	1
19	187 0107	PLASTIC CAP	1
20	362 9036	BONNET CATCH	1
21	495 0681	SPACER	1
22	588 5043	WASHER	2
23	350 0850	DECAL	1
24	167 4092	SOUNDPROOFING(TORQUE ONLY)	1
25	167 4098	SOUNDPROOFING(TORQUE ONLY)	1
26	167 4093	SOUNDPROOFING(TORQUE ONLY)	1
27	167 4094	SOUNDPROOFING(TORQUE ONLY)	1
28	167 4095	SOUNDPROOFING(TORQUE ONLY)	1
29	167 4097	SOUNDPROOFING(TORQUE ONLY)	1
30	713 1550	SOUNDPROOFING(TORQUE ONLY)	1
31	713 1536	SOUNDPROOFING(TORQUE ONLY)	1
32	713 1537	SOUNDPROOFING(TORQUE ONLY)	1
33	167 4089	SOUNDPROOFING(TORQUE ONLY)	1
34	167 4096	SOUNDPROOFING(TORQUE ONLY)	1
35	167 4090	SOUNDPROOFING(TORQUE ONLY)	1
36	167 4091	SOUNDPROOFING(TORQUE ONLY)	1
37	176 2315	R1 CLIP	5
38	176 2322	C1 CRADLE	5
39	687 0416	SCREW	5
40	643 0402	NUT	5



ITEM	PART NO.	DESCRIPTION	QTY
1	402 7010	SEAT	1
2	402 9048	SEAT PEDESTAL	1
3	486 9729	SEAT SUPPORT	1
4	383 9080	PLATE	1
5	344 9007	HANDLE	1
6	406 3837	PIN	1
7	403 1067	SPRING	1
8	406 3838	PIN	1
9	344 0151	KNOB	1
10	588 5948	WASHER	1
11	644 0620	SCREW	6
12	643 0601	NUT	13
13	716 0601	WASHER	1
14	643 0801	NUT	7
15	716 0830	WASHER	7
16	717 0820	SCREW	1
17	495 0776	SPACER	1
18	651 0710	WASHER	1
19	650 1252	NUT	1
20	701 1112	SPLIT PIN	1
21	644 0825	SCREW	4
22	642 0801	NUT	4
23	492 0025	SEAT SLIDE	2
24			
25	644 0616	SCREW	8
26	662 6509	SCREW	4
27	588 5585	WASHER	12
28	383 3272	PLATE	2
29	492 8008	SEAT MECHANISM	1

**HVMAC**

TITLE

370 C SEAT AND SUPPORT ASSEMBLY

ALWAYS QUOTE FULL MACHINE SERIAL NUMBER

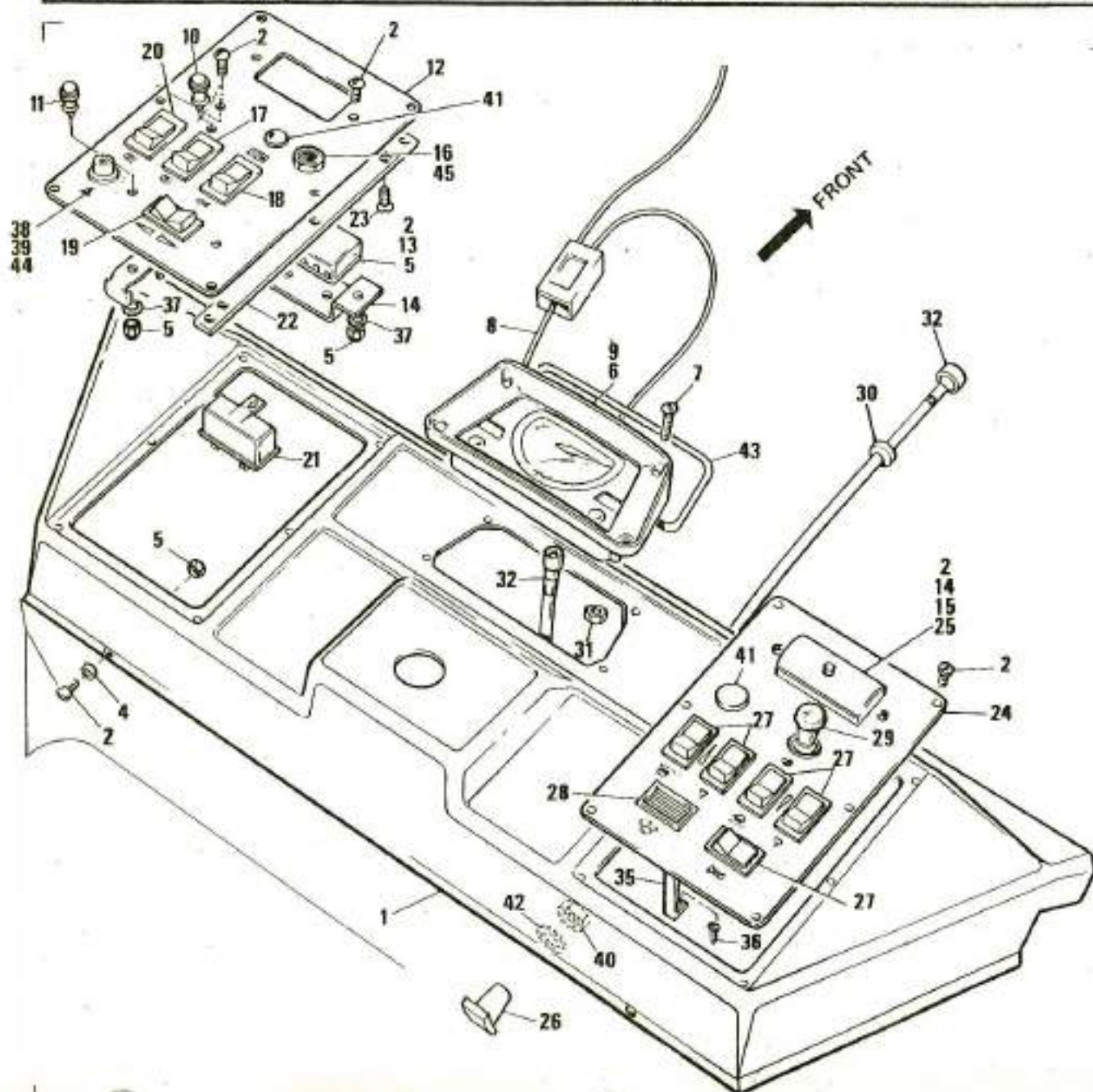
ISSUE

3

SHEET of 1

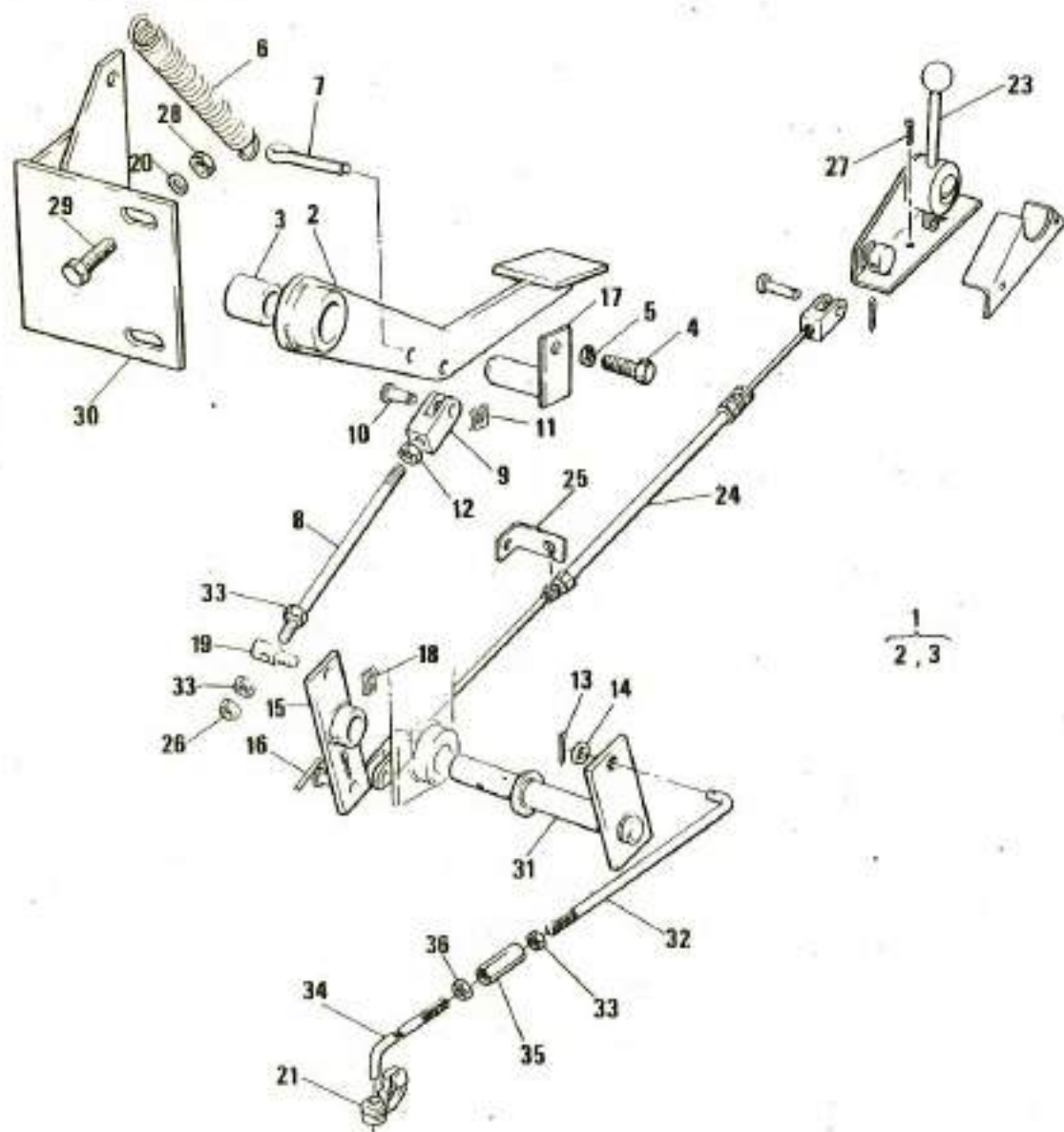
760 2804 A





ITEM	PART NO.	DESCRIPTION	QTY
1	173 0124	CONSOLE MOULDING	1
2	127 2063	SCREW	28
3			
4	716 0501	WASHER	7
5	643 0501	NUT	10
6	257 7305	CLUSTER ASSEMBLY	1
7	127 1313	SCREW	4
8	259 8044	CABLE	2
9	257 6110	BULB	4
10	253 0011	INDICATOR LAMP - BLUE	1
11	253 0012	INDICATOR LAMP - GREEN	2
12	173 0125	L.H.CONSOLE PANEL	1
13	251 7002	FUSEBOX	1
14	122 1006	FUSEBOX BRACKET	2
15	642 0501	NUT	4
16	251 0824	IGNITION SWITCH	1
17	251 0019	DIP SWITCH	1
18	251 0020	HORN SWITCH	1
19	251 0021	INDICATOR SWITCH	1
20	251 0822	SIDE/HEAD LAMPS SWITCH	1
21	253 7009	FLASHER UNIT	1
22	383 3256	BACKING PLATE	4
23	685 0308	SCREW	8
24	173 0112	R.H.CONSOLE PANEL	1
25	251 8013	FUSEBOX ASSEMBLY	1
26	179 0048	ENGINE STOP CABLE	1
27	251 0823	SWITCH	5
28	257 2062	BLANKING PLATE	1
29	257 8431	CIGARETTE LIGHTER	1
30	713 0040	GROMMET	1
31	385 0556	NUT	4
32	179 7058	TACHO DRIVE CABLE	1
33			
34			
35	383 2204	STIFFENER	2
36	671 9207	SCREW	4
37	716 0530	WASHER	5
38	251 0830	HAZARD WARNING SWITCH	1
39	251 1229	IN-LINE FUSE HOLDER	1
40	385 0530	NUT	1
41	713 0043	GROMMET	2
42	588 5903	WASHER	1
43	490 0390	GASKET	1
44	251 1204	15 AMP FUSE	1
45	385 0564	NUT	1





ITEM	PART NO.	DESCRIPTION	QTY
1	403 8022	THROTTLE PEDAL ASSEMBLY	1
2	403 9067	PEDAL	1
3	132 2052	BUSH	1
4	644 1016	SCREW	1
5	716 1030	WASHER	1
6	493 1060	SPRING	1
7	701 1310	SPLIT PIN	2
8	448 5585	THROTTLE CONNECTING ROD	1
9	272 0174	CLEVIS	1
10	408 3679	CLEVIS PIN	1
11	176 2442	SAFETY CLIP	1
12	643 0601	NUT	1
13	701 0304	SPLIT PIN	2
14	716 0601	WASHER	2
15	351 9425	LEVER	1
16	408 3667	TENSION PIN	1
17	408 9470	PEDAL PIVOT PIN	1
18	178 2443	SAFETY CLIP	1
19	408 0073	SLIDING PIVOT	1
20	716 1001	WASHER	2
21	176 2434	ROD ANCHOR CLIP	1
22			
23	351 8118	HAND LEVER	1
24	179 7064	THROTTLE CABLE	1
25	122 1218	BRACKET	1
26	642 0601	NUT	3
27	671 0105	SCREW	1
28	642 1001	NUT	2
29	644 1030	SCREW	2
30	122 9800	PEDAL SUPPORT	1
31	491 9039	CROSS SHAFT	1
32	448 5604	CONTROL ROD	1
33	643 0602	NUT	3
34	448 5603	CONTROL ROD	1
35	385 0608	TURNBUCKLE	1
36	385 1615	LOCKNUT	1

**Hymac**

TITLE

370 C

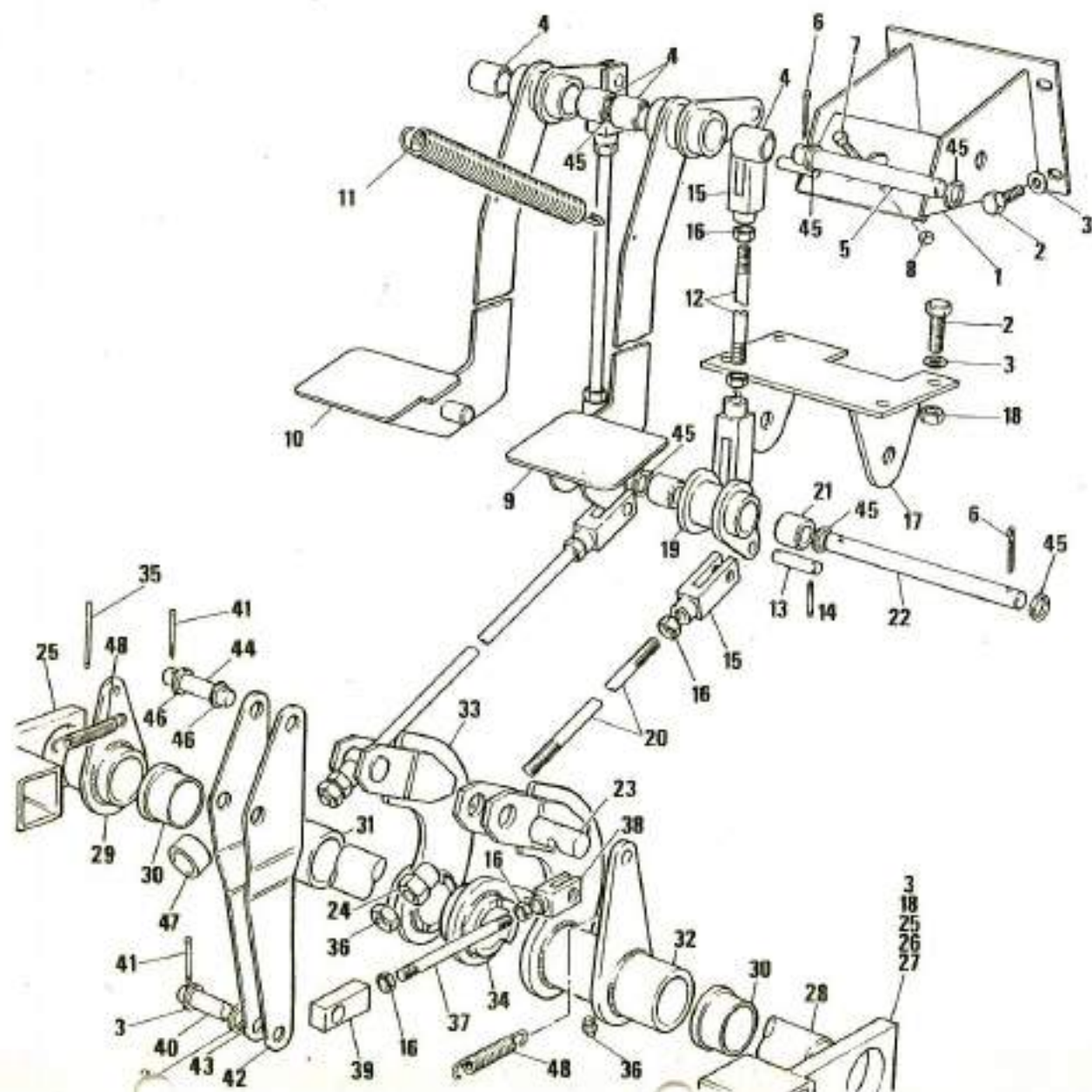
FOOT AND HAND  
THROTTLE - (Manual)

ALWAYS QUOTE FULL MACHINE SERIAL NUMBER

ISSUE 2

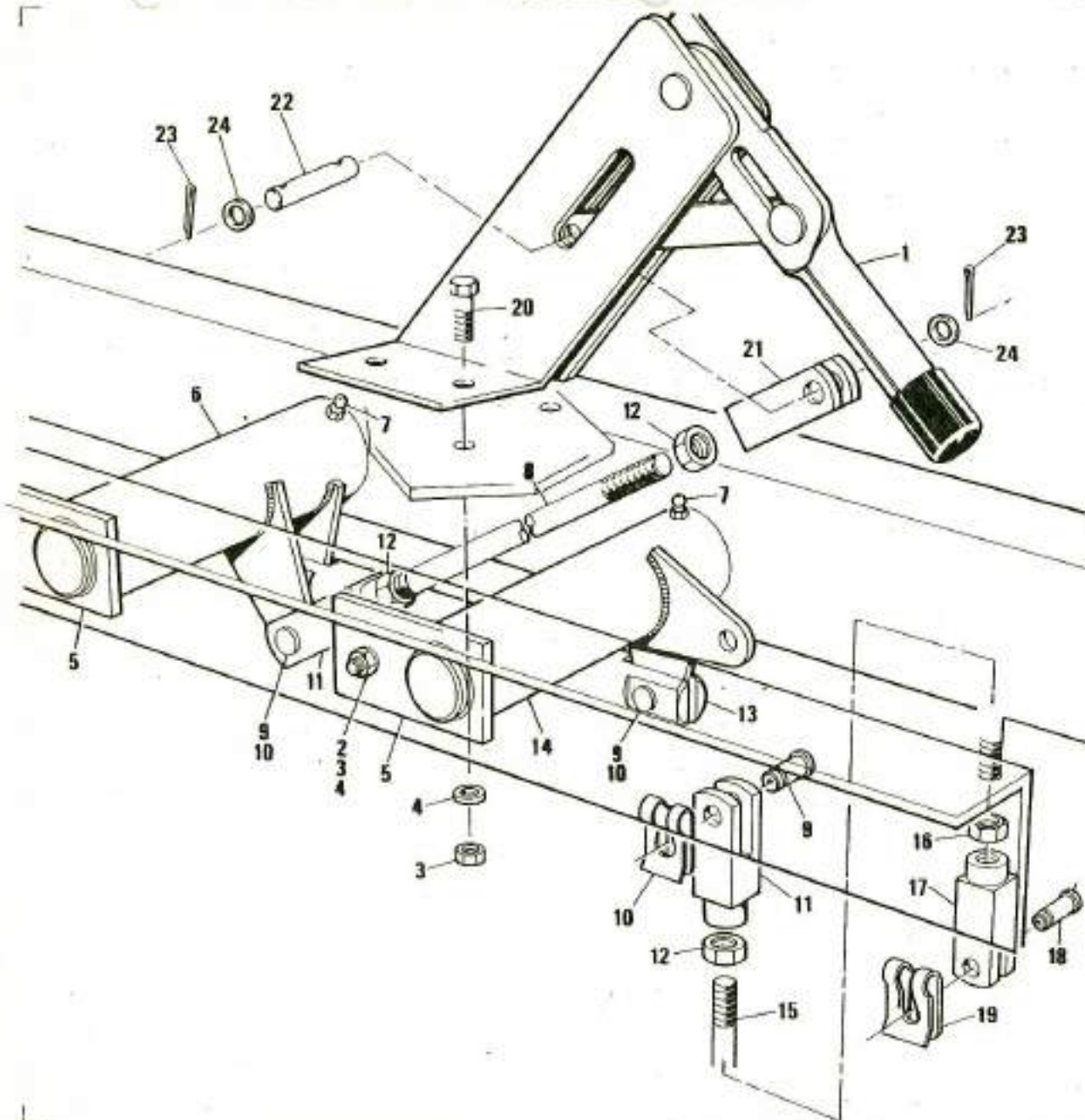
SHEET 1 of 1

754 2606 A



ITEM	PART NO.	DESCRIPTION	QTY
1	122 9921	PEDAL SUPPORT	1
2	644 1030	SCREW	8
3	716 1801	WASHER	16
4	120 3516	BUSH	4
5	406 4156	PIN	1
6	701 0708	SPLIT PIN	4
7	644 0625	SCREW	2
8	643 0602	NUT	2
9	403 9077	R.H. PEDAL	1
10	403 9078	L.H. PEDAL	1
11	493 1060	SPRING	2
12	448 4083	CONTROL ROD	2
13	406 3883	CLEVIS PIN	8
14	176 2445	SAFETY CLIP	8
15	272-0182	CLEVIS	6
16	643 1002	LOCKNUT	12
17	122 9920	BRACKET	1
18	642 1001	NUT	8
19	349 9166	SWIVEL LINK	2
20	448 4085	CONTROL ROD	2
21	129 3515	BUSH	4
22	406 4155	PIN	1
23	406 4098	PIVOT PIN	2
24	385 0547	ADJUSTING NUT	2
25	486 9791	SUPPORT	1
26	635 1055	BOLT	2
27	638 1011	BOLT	2
28	491 1203	SHAFT	1
29	351 9456	LEVER	1
30	129 2531	BUSH	2
31	120 2116	BOSS	1
32	351 9455	R.H. BRAKE LEVER	1
33	351 9454	L.H. BRAKE LEVER	1
34	351 9457	LEVER	1
35	406 3905	PIN	3
36	271 0151	GREASE NIPPLE	2
37	448 4084	CONTROL ROD	2
38	272 0175	CLEVIS	2
39	118 0386	BLOCK	2
40	406 3933	PIN	2
41	701 0306	SPLIT PIN	8
42	351 0427	R.H. LEVER	2
43	351 0428	L.H. LEVER	2
44	406 4154	PIN	2
45	716 1801	WASHER	6
46	716 1201	WASHER	4
47	495 0878	SPACER	2
48	493 1070	SPRING	2





ITEM	PART NO.	DESCRIPTION	QTY
1	351 7016	HANDBRAKE ASSEMBLY	1
2	644 1030	SCREW	2
3	642 1001	NUT	6
4	716 1001	WASHER	6
5	406 9524	PIN	2
6	491 9049	RELAY SHAFT	1
7	271 0151	GREASE NIPPLE	2
8	448 5610	PULL ROD	1
9	406 3683	PIN	4
10	176 2445	SAFETY CLIP	4
11	272 0182	CLEVIS	2
12	643 1002	LOCKNUT	3
13	448 9666	PUSH ROD	1
14	491 9048	RELAY SHAFT	1
15	448 5598	PULL ROD	1
16	950 0867	LOCKNUT	1
17	272 0195	CLEVIS	1
18	406 3756	PIN	1
19	176 2455	SAFETY CLIP	1
20	644 1025	SCREW	4
21	272 0191	CLEVIS	1
22	406 3915	PIN	1
23	701 0306	SPLIT PIN	2
24	716 0801	WASHER	2

**HVMAC**

TITLE

**370 C HANDBRAKE (Manual)**

ALWAYS QUOTE FULL MACHINE SERIAL NUMBER

ISSUE 1

SHEET 1 of 1

753 2608 A

**HYMAC**

TITLE

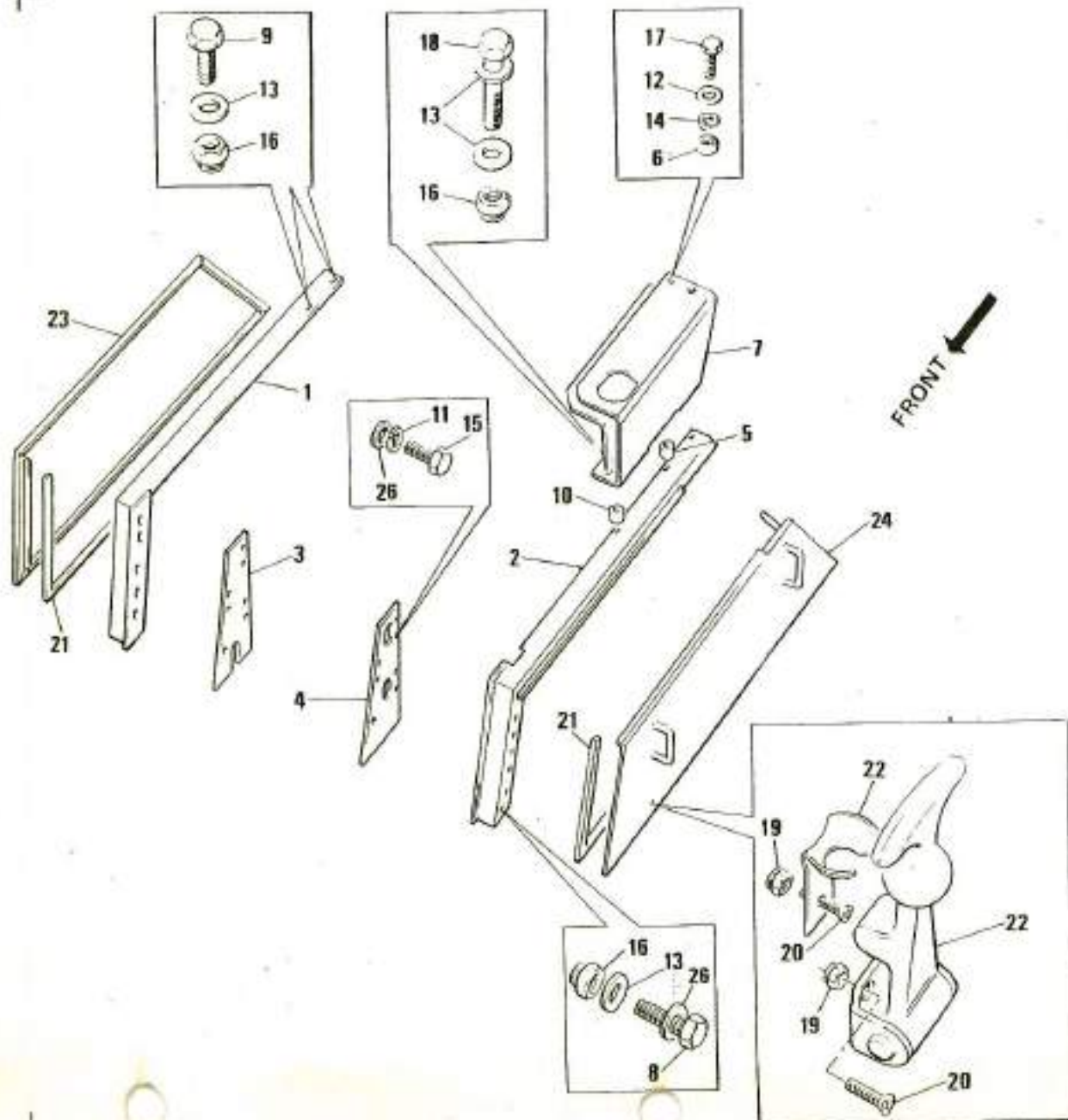
370 C · BONNET SIDE PANEL ASSEMBLY

ISSUE 2

751 2609 A

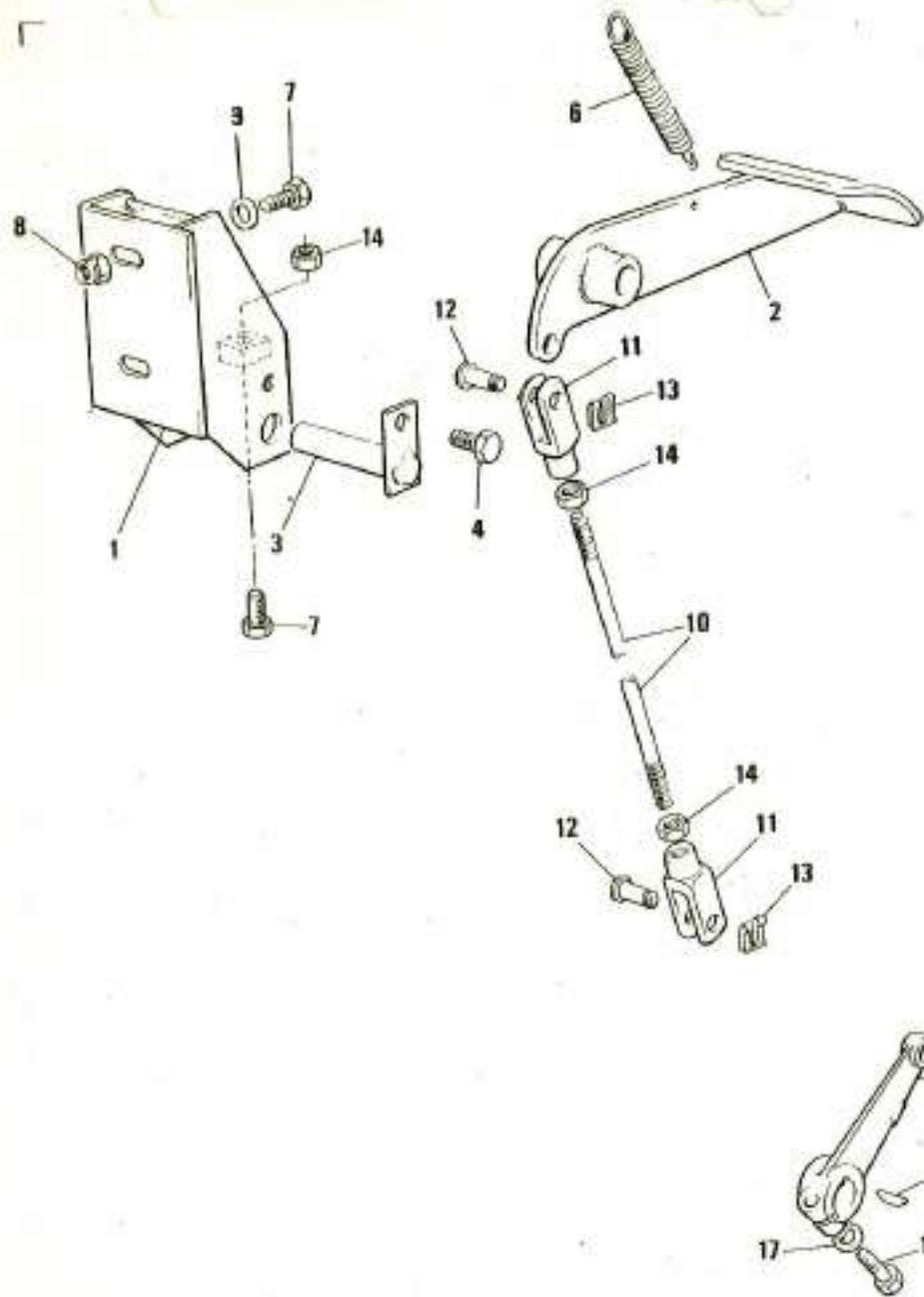
ALWAYS QUOTE FULL MACHINE SERIAL NUMBER

SHEET 1 of 1



ITEM	PART NO.	DESCRIPTION	QTY
1	486 9756	R.H.SIDE PANEL SUPPORT	1
2	486 9755	L.H.SIDE PANEL SUPPORT	1
3	453 0081	R.H.RADIATOR BAFFLE	1
4	453 0082	L.H.RADIATOR BAFFLE	1
5	495 0678	SPACER	1
6	643 0601	NUT	2
7	187 9576	BONNET FILLER PANEL	1
8	644 1035	SCREW	2
9	644 1025	SCREW	2
10	495 0677	SPACER	1
11	651 0804	WASHER	8
12	716 0601	WASHER	2
13	716 1001	WASHER	8
14	716 0630	WASHER	2
15	653 6009	SCREW	8
16	642 1001	NUT	6
17	644 0620	SCREW	2
18	635 1050	BOLT	2
19	642 0401	NUT	16
20	685 0416	SCREW	16
21	713 0631	FOAM STRIP	6
22	352 7003	BONNET FASTENER	4
23	167 9590	R.H.SIDE PANEL	1
24	167 9591	L.H.SIDE PANEL	1
25			
26	588 5809	WASHER	10





ITEM	PART NO.	DESCRIPTION	QTY
1	486 9772	CLUTCH PEDAL SUPPORT	1
2	403 9066	CLUTCH PEDAL	1
3	406 9469	PIVOT PIN	1
4	644 1016	SCREW	1
5			
6	493 1060	RETURN SPRING	1
7	644 1030	SCREW	3
8	642 1001	NUT	2
9	716 1001	WASHER	2
10	448 5548	CLUTCH ROD	1
11	272 0175	CLEVIS	2
12	406 3683	CLEVIS PIN	2
13	176 2445	SAFETY CLIP	2
14	643 1002	LOCKNUT	3
15	351 0314	CLUTCH LEVER	1
16	127 1305	PINCH BOLT	1
17	651 0705	WASHER	1
18	708 5100	KEY	1

**HVMAC**

TITLE

370C CLUTCH CONTROL ASSEMBLY

ALWAYS QUOTE FULL MACHINE SERIAL NUMBER

ISSUE

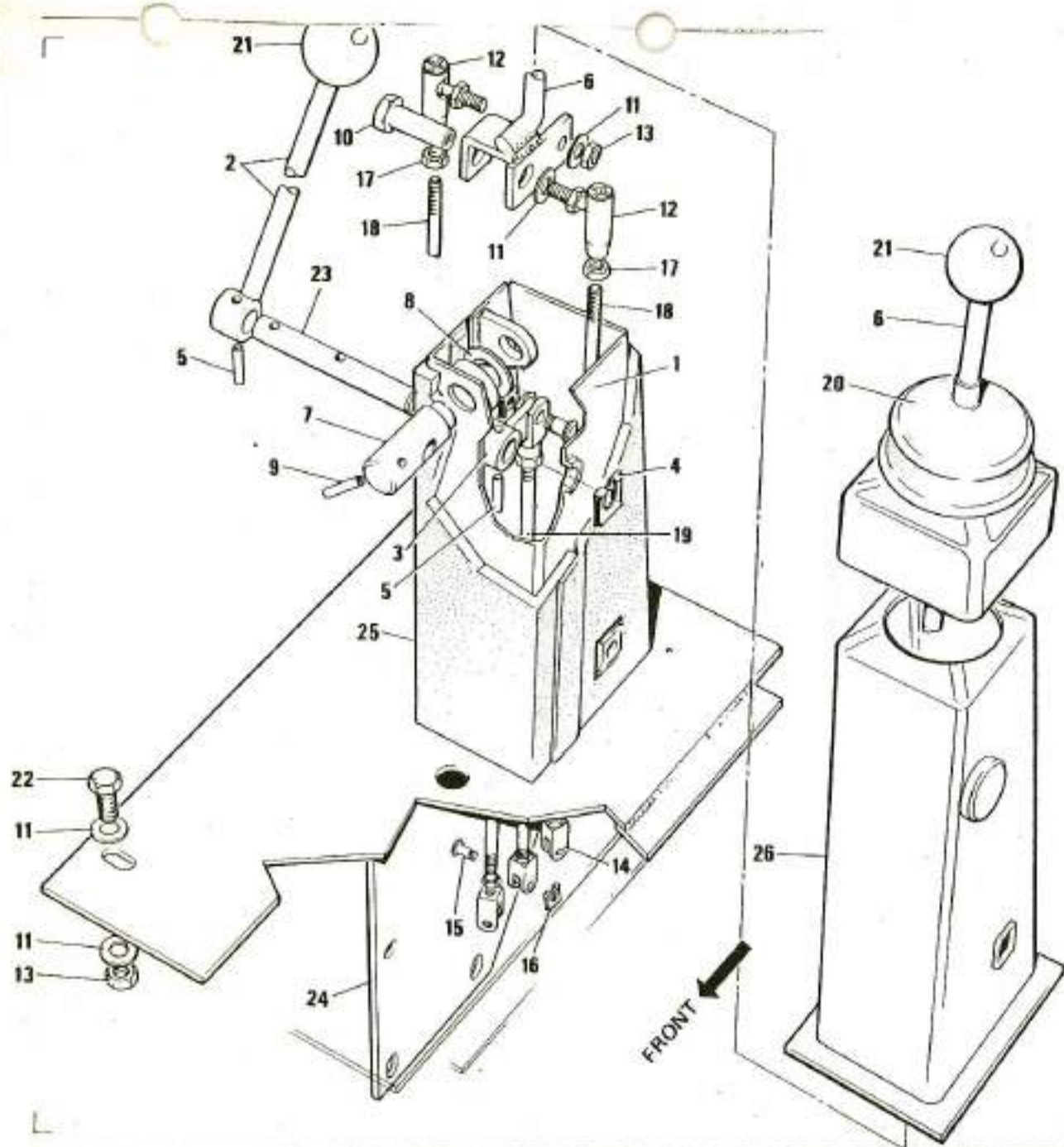
3

SHEET 1 of 1

750 2610 A







ITEM	PART NO.	DESCRIPTION	QTY
1	173 9135	CONTROL TOWER	1
2	351 9390	LEVER	1
3	351 9377	LEVER	1
4	176 2444	SAFETY CLIP	1
5	406 3667	TENSION PIN	2
6	351 8391	CONTROL LEVER	1
7	491 1150	PIVOT SHAFT	1
8	588 5859	WASHER	1
9	406 3692	TENSION PIN	1
10	406 3694	PIVOT PIN	1
11	716 1001	WASHER	14
12	114 0240	BALL JOINT	2
13	643 1001	NUT	7
14	272 0178	CLEVIS	4
15	406 3691	CLEVIS PIN	4
16	176 2443	SAFETY CLIP	4
17	643 0801	NUT	6
18	448 5552	CONTROL ROD	2
19	448 5554	CONTROL ROD	1
20	713 0717	BELLOWS	1
21	344 0126	CONTROL KNOB	2
22	644 1025	SCREW	6
23	491 1155	SHAFT	1
24	486 3117	SUPPORT PLATE	1
25	713 1512	SOUNDPROOFING	1
26	167 0775	COVER	1

**HYMAC**

FILE

370 C LOADER CONTROLS

ISSUE 1

ALWAYS QUOTE FULL MACHINE SERIAL NUMBER

SHEET 1 of 1

751 2612 A

# HYMAC

TITLE

370 C EXCAVATOR CONTROLS

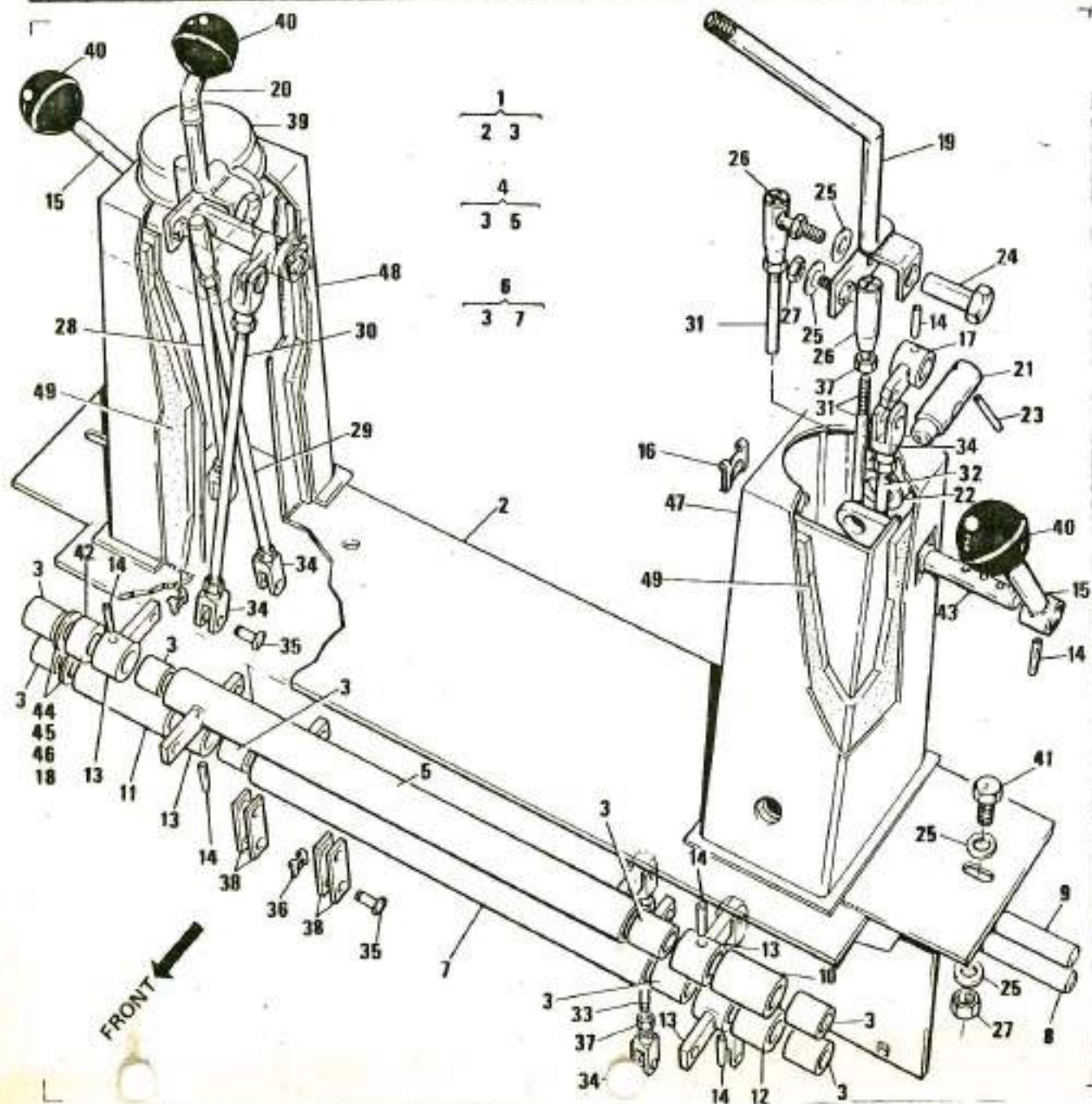
ALWAYS QUOTE FULL MACHINE SERIAL NUMBER

ISSUE

1

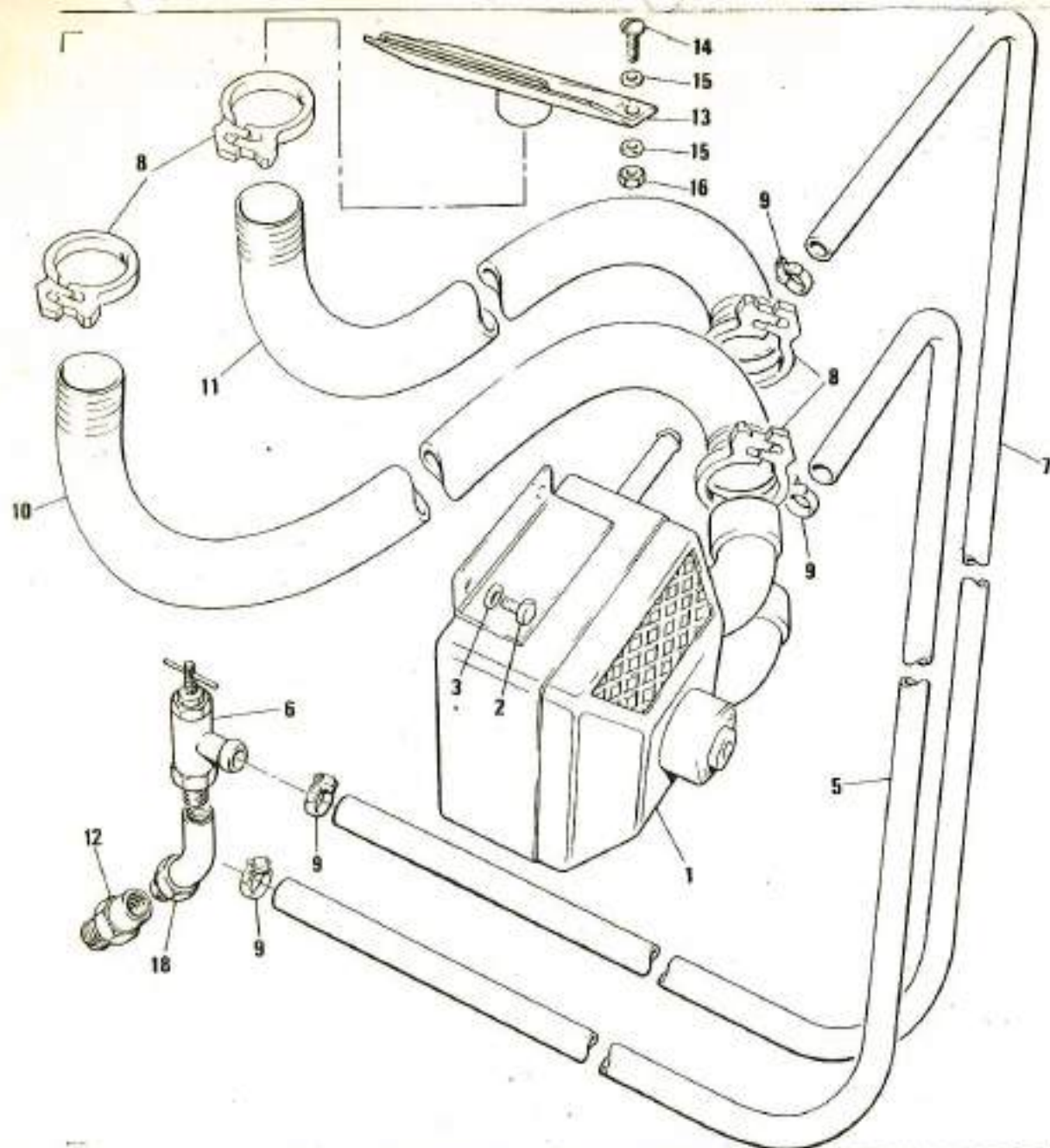
SHEET 1 of 1

751 2613 A



ITEM	PART NO.	DESCRIPTION	QTY
1	173 8138	CONTROL TOWER ASSEMBLY	1
2	N.S.S.	CONTROL TOWER	1
3	132 2052	BUSH	4
4	491 8201	UPPER CROSS SHAFT ASSEMBLY	1
5	N.S.S.	UPPER CROSS SHAFT	1
3	132 2052	BUSH	2
6	491 8202	LOWER CROSS SHAFT ASSEMBLY	1
7	N.S.S.	LOWER CROSS SHAFT	1
3	132 2052	BUSH	2
8	491 1154	LOWER SHAFT	1
9	491 1153	UPPER SHAFT	1
10	495 0687	SPACER	1
11	495 0688	SPACER	1
12	495 0689	SPACER	1
13	351 9380	LEVER	4
14	406 3667	TENSION PIN	8
15	351 9390	LEVER	2
16	176 2444	SAFETY CLIP	2
17	351 9377	LEVER	2
18	651 0709	WASHER	A/R
19	351 9379	R.H.CONTROL LEVER	1
20	351 9378	L.H.CONTROL LEVER	1
21	491 1150	PIVOT SHAFT	2
22	588 5859	WASHER	2
23	406 3692	TENSION PIN	2
24	406 3694	PIVOT PIN	2
25	716 1001	WASHER	16
26	114 0240	BALL JOINT	4
27	643 1001	NUT	8
28	448 5652	CONTROL ROD	1
29	448 5653	CONTROL ROD	1
30	448 5654	CONTROL ROD	1
31	448 5655	CONTROL ROD	2
32	448 5656	CONTROL ROD	1
33	448 5657	CONTROL ROD	2
34	272 0178	CLEVIS	12
35	406 3691	CLEVIS PIN	16
36	176 2443	SAFETY CLIP	16
37	643 0801	NUT	16
38	349 3010	LINK	4
39	713 0717	BELLOWS	2
40	344 0126	CONTROL KNOB	4
41	644 1025	SCREW	6
42	495 0686	SPACER	1
43	491 1155	SHAFT	2
44	588 5847	WASHER	A/R
45	588 5848	WASHER	A/R
46	588 5862	WASHER	A/R
47	167 0775	R.H.COVER	1
48	167 0776	L.H.COVER	1
49	713 1511	SOUNDPROOFING	2





ITEM	PART NO.	DESCRIPTION	QTY
1	317 7014	HEATER	1
2	644 0610	SCREW	4
3	716 0630	WASHER	4
4			
5 ●	307 0376	HOSE	1
6	574 7104	TAP	1
7 ●	307 0376	HOSE	1
8	176 2446	HOSE CLIP	4
9	176 1008	HOSE CLIP	4
10 ●	307 0374	DEMISTER HOSE	1
11 ●	307 0374	DEMISTER HOSE	1
12	271 0838	REDUCER NIPPLE	1
13	317 9006	DEMISTER NOZZLE	2
14	644 0816	SCREW	4
15	716 0801	WASHER	8
16	643 0801	NUT	4
17 □	371 7001	HEATER MOTOR	1
18	271 7005	ELBOW	1

NOTE: ● ITEMS MARKED THUS ARE CUT FROM ROLL;  
PLEASE STATE LENGTH REQUIRED WHEN  
ORDERING.

□ NOT ILLUSTRATED

**HYMAC**

TITLE

370 C HEATER AND DEMISTER

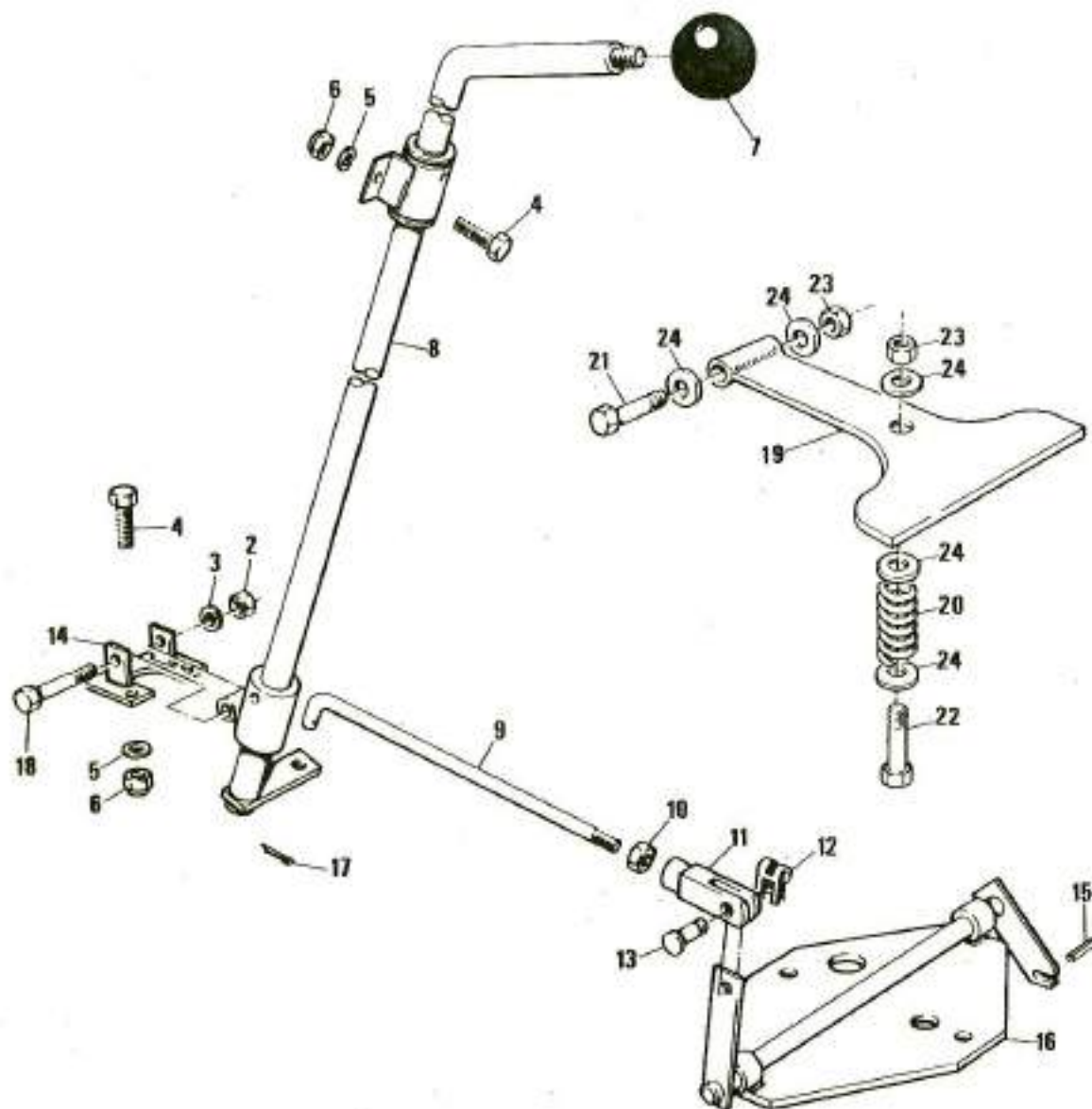
ALWAYS QUOTE FULL MACHINE SERIAL NUMBER

ISSUE

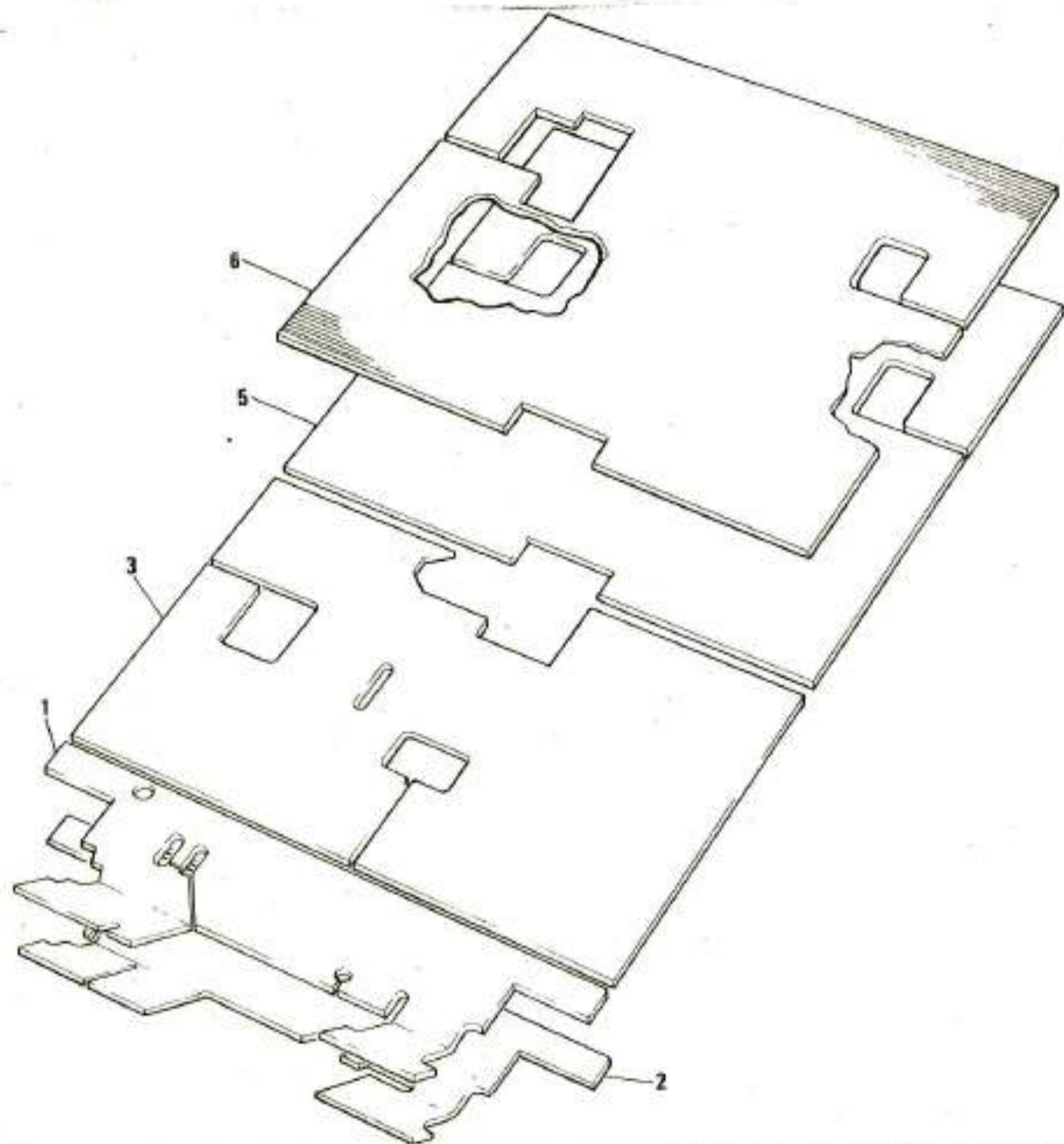
4

SHEET 1 of 1

750 2014 A



ITEM	PART NO.	DESCRIPTION	QTY
1			
2	643 0801	NUT	1
3	716 0830	WASHER	1
4	644 0825	SCREW	3
5	716 0801	WASHER	3
6	642 0801	NUT	3
7	344 0126	KNOB	1
8	351 9444	CONTROL LEVER	1
9	448 9667	ROD	1
10	643 1002	NUT	1
11	272 0182	CLEVIS	1
12	170 2445	CLIP	1
13	400 3083	PIN	1
14	122 9927	BRACKET	1
15	406 4593	TENSION PIN	1
16	351 9464	LEVER	1
17	701 0706	SPLIT PIN	1
18	635 0855	BOLT	1
19	403 9081	PEDAL	1
20	493 0339	SPRING	1
21	635 1290	BOLT	1
22	635 1275	BOLT	1
23	642 1201	NUT	2
24	716 1201	WASHER	5



ITEM	PART NO.	DESCRIPTION	QTY
1	174 0317	FRONT FLOORMAT (MANUAL)	1
2	174 0322	FRONT FLOORMAT (TORQUE)	1
3	174 0315	CENTRE FLOORMAT	1
4			
5	174 0303	REAR FLOORMAT	1
6	174 0318	REAR FLOORMAT (GERMAN ONLY)	1

**HVMAC**

MODEL

**370 C FLOOR MATS**

ALWAYS QUOTE FULL MACHINE SERIAL NUMBER

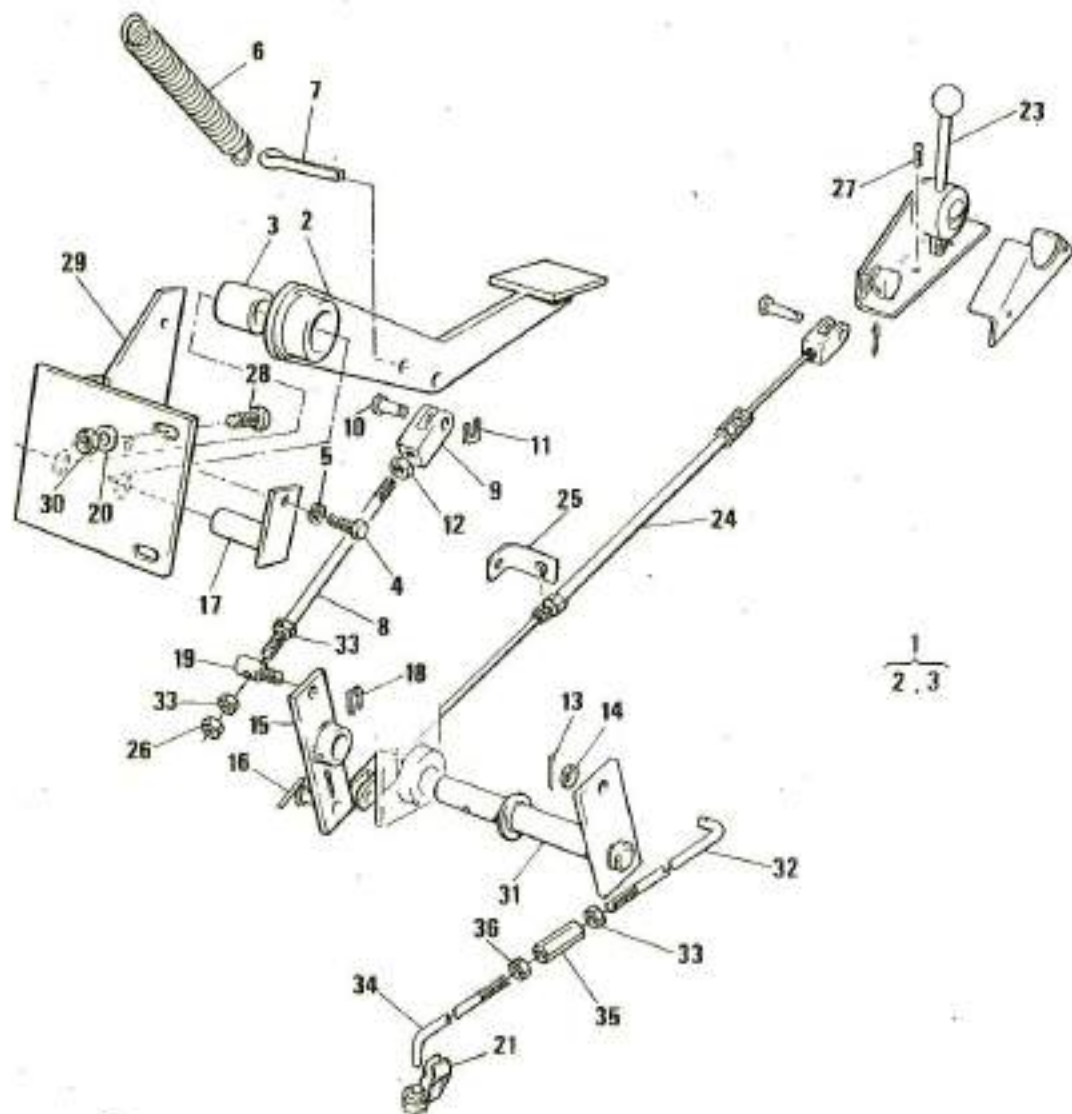
ISSUE

1

SHEET 1 of 1

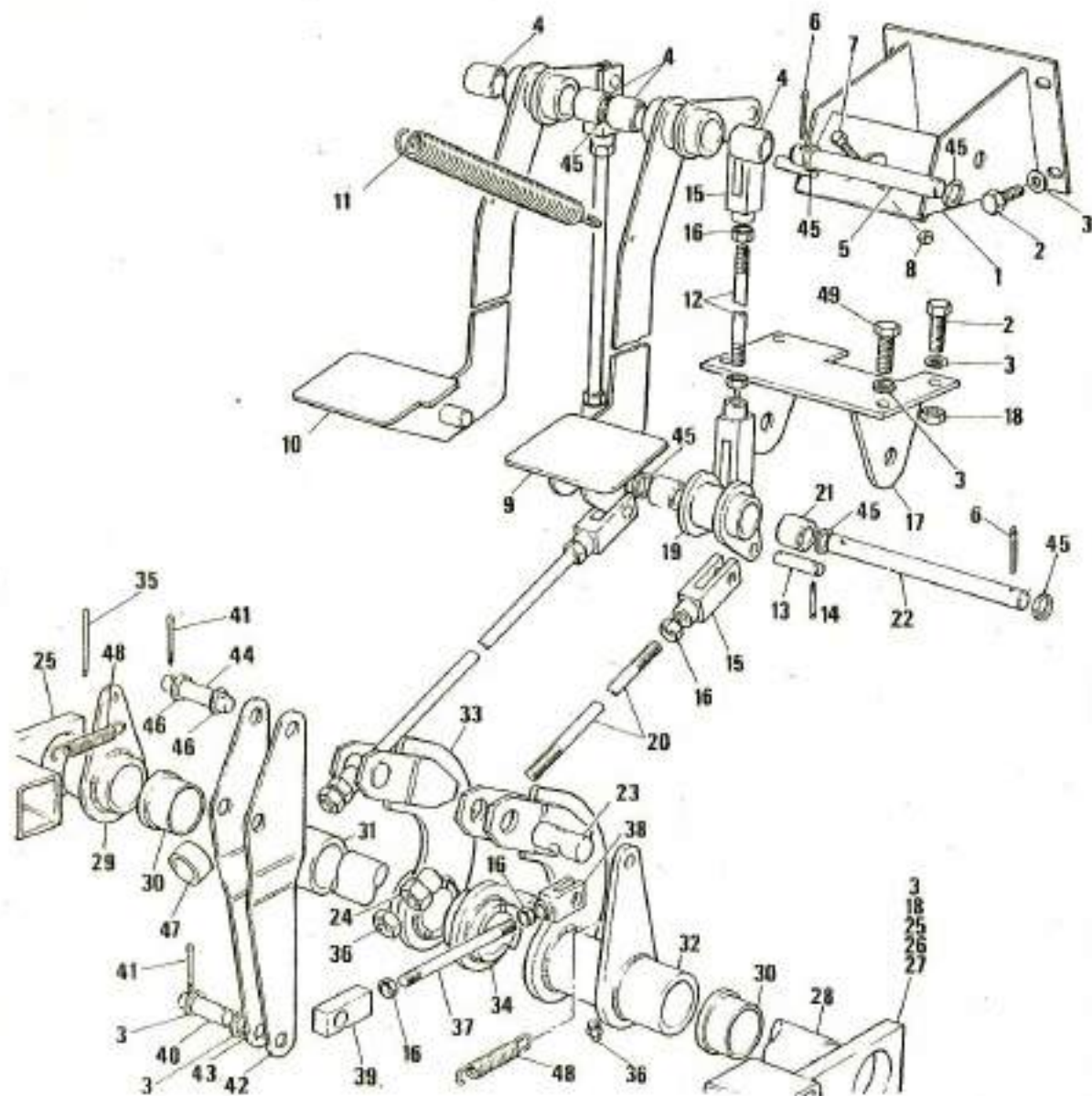
754 2616 A




 $\frac{1}{2, 3}$ 

ITEM	PART NO.	DESCRIPTION	QTY
1	403 8022	THROTTLE PEDAL ASSEMBLY	1
2	403 9067	PEDAL	1
3	132 2052	BUSH	1
4	644 1016	SCREW	1
5	716 1030	WASHER	1
6	493 1060	SPRING	1
7	701 1310	SPLIT PIN	2
8	448 5585	THROTTLE CONNECTING ROD	1
9	272 0174	CLEVIS	1
10	406 3679	CLEVIS PIN	1
11	176 2442	SAFETY CLIP	1
12	643 0601	NUT	1
13	701 0304	SPLIT PIN	2
14	716 0601	WASHER	2
15	351 9425	LEVER	1
16	406 3667	TENSION PIN	1
17	406 9470	PEDAL PIVOT PIN	1
18	176 2443	SAFETY CLIP	1
19	408 0073	SLIDING PIVOT	1
20	716 1001	WASHER	2
21	176 2434	ROD ANCHOR CLIP	1
22			
23	351 8118	HAND LEVER	1
24	179 7064	THROTTLE CABLE	1
25	122 1210	BRACKET	1
26	642 0601	NUT	1
27	671 9105	SCREW	3
28	644 1030	SCREW	2
29	122 9860	PEDAL SUPPORT	1
30	642 1001	NUT	2
31	491 9039	CROSS SHAFT	1
32	448 5604	CONTROL ROD	1
33	643 0602	NUT	3
34	448 5603	CONTROL ROD	1
35	385 0608	TURNBUCKLE	1
36	385 1015	LOCKNUT	1





ITEM	PART NO.	DESCRIPTION	QTY
1	122 9021	PEDAL SUPPORT	1
2	644 1030	SCREW	7
3	716 1001	WASHER	16
4	129 3516	BUSH	4
5	406 4156	PIN	4
6	701 0708	SPLIT PIN	1
7	644 0625	SCREW	2
8	643 0602	NUT	2
9	403 9077	R.H. PEDAL	1
10	403 0078	L.H. PEDAL	1
11	493 1000	SPRING	2
12	448 4003	CONTROL ROD	2
13	406 3683	CLEVIS PIN	8
14	176 2445	SAFETY CLIP	8
15	272 0182	CLEVIS	6
16	643 1002	LOCKNUT	12
17	122 9920	BRACKET	1
18	642 1001	NUT	8
19	349 9106	SWIVEL LINK	2
20	448 4005	CONTROL ROD	2
21	129 3515	BUSH	4
22	406 4155	PIN	1
23	406 4088	PIVOT PIN	2
24	385 0547	ADJUSTING NUT	2
25	486 9802	SUPPORT	1
26	635 1055	BOLT	2
27	636 1011	BOLT	2
28	491 1203	SHAFT	1
29	351 9461	LEVER	1
30	129 2531	BUSH	2
31	120 2116	BOSS	1
32	351 9462	R.H. BRAKE LEVER	1
33	351 9463	L.H. BRAKE LEVER	1
34	351 9457	LEVER	1
35	406 3905	PIN	3
36	271 0151	GREASE NIPPLE	2
37	448 4004	CONTROL ROD	2
38	272 0175	CLEVIS	2
39	118 0306	BLOCK	2
40	406 3933	PIN	2
41	701 0306	SPLIT PIN	8
42	351 0427	R.H. LEVER	2
43	351 0428	L.H. LEVER	2
44	406 4154	PIN	2
45	716 1601	WASHER	6
46	716 1201	WASHER	4
47	495 0878	SPACER	2
48	493 1070	SPRING	2
49	644 1035	SCREW	1

**HVMAC**

TITLE

370C FOOTBRAKE CONTROLS - Torque

ISSUE 2

752 2618 A

ALWAYS QUOTE FULL MACHINE SERIAL NUMBER

SHEET 1 OF 1

**HYMAC**

TITLE

**370 C HANDBRAKE (Torque)**

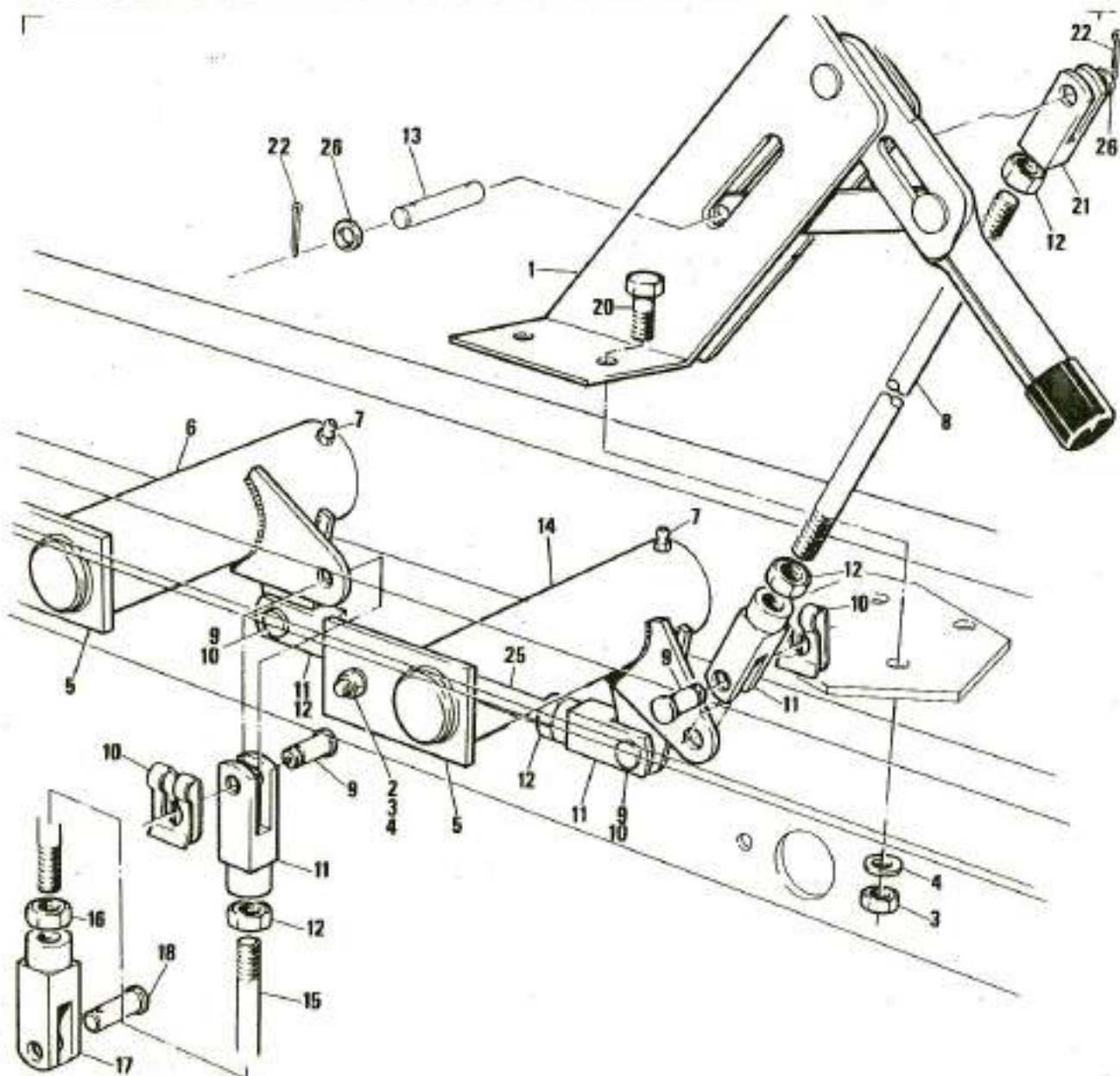
ALWAYS QUOTE FULL MACHINE SERIAL NUMBER

ISSUE

1

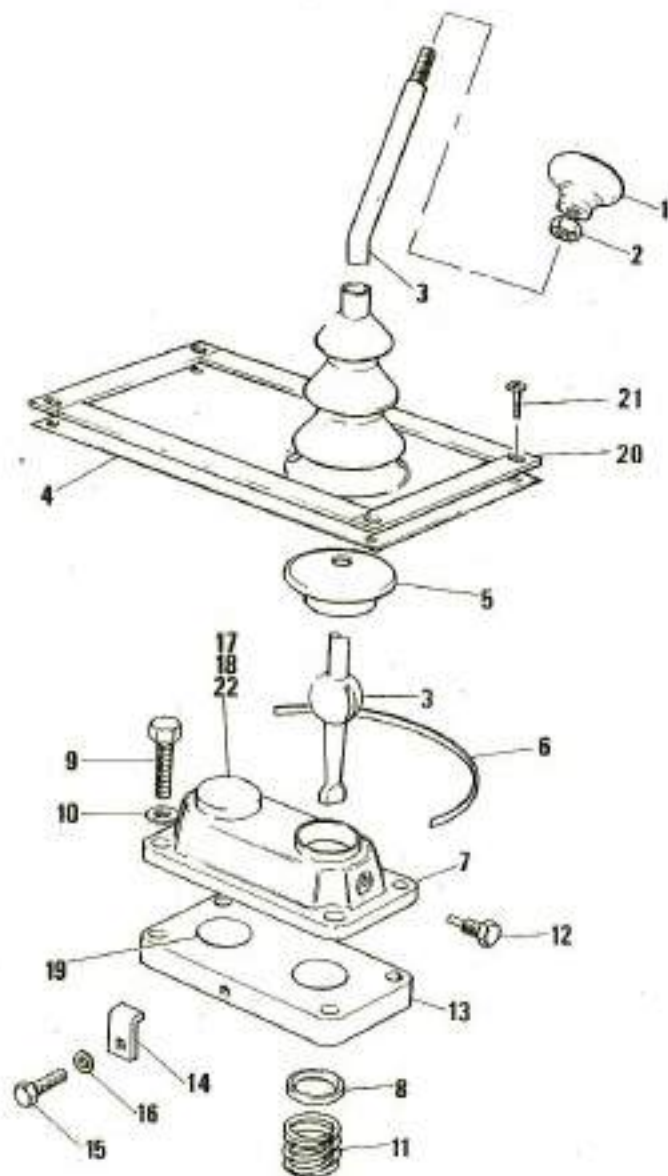
SHEET 1 of 1

753 2619 A



ITEM	PART NO.	DESCRIPTION	QTY
1	351 7016	HANDBRAKE ASSEMBLY	1
2	644 1030	SCREW	2
3	642 1001	NUT	6
4	716 1001	WASHER	6
5	406 9524	PIN	2
6	491 9048	RELAY SHAFT	1
7	271 0151	GREASE NIPPLE	2
8	448 5610	PULL ROD	1
9	406 3683	PIN	4
10	176 2445	SAFETY CLIP	4
11	272 0182	CLEVIS	4
12	643 1002	LOCKNUT	5
13	406 3916	PIN	1
14	491 9048	RELAY SHAFT	1
15	448 5598	PULL ROD	1
16	650 0867	LOCKNUT	1
17	272 0195	CLEVIS	1
18	406 3756	PIN	1
19			
20	644 1025	SCREW	4
21	272 0191	CLEVIS	1
22	701 0306	SPLIT PIN	2
25	448 5599	PULL ROD	1
26	716 0801	WASHER	2





ITEM	PART NO.	DESCRIPTION	QTY
1	344 0183	KNOB	1
2	643 0802	NUT	1
3	351 9452	GEAR LEVER	1
4	713 0727	GAITER	1
5	713 0730	GAITER	1
6	176 2490	CLIP	1
7	320 1160	HOUSING	1
8	445 0310	BALL RETAINER	2
9	127 1396	SCREW	4
10	588 6003	WASHER	4
11	493 0331	SPRING	2
12	406 3936	PIN	2
13	495 0839	SPACER	1
14	176 2487	CLIP	2
15	644 0612	SCREW	2
16	716 0630	WASHER	2
17	127 1403	SCREW	1
18	127 1404	SCREW	1
19	409 0467	PLUG	1
20	176 9087	CLAMP	1
21	687 0410	SCREW	4
22	167 0870	COVER	1

**Hymac**

TITLE

370C GEARSHIFT

ALWAYS QUOTE FULL MACHINE SERIAL NUMBER

ISSUE

1

SHEET

1 of 1

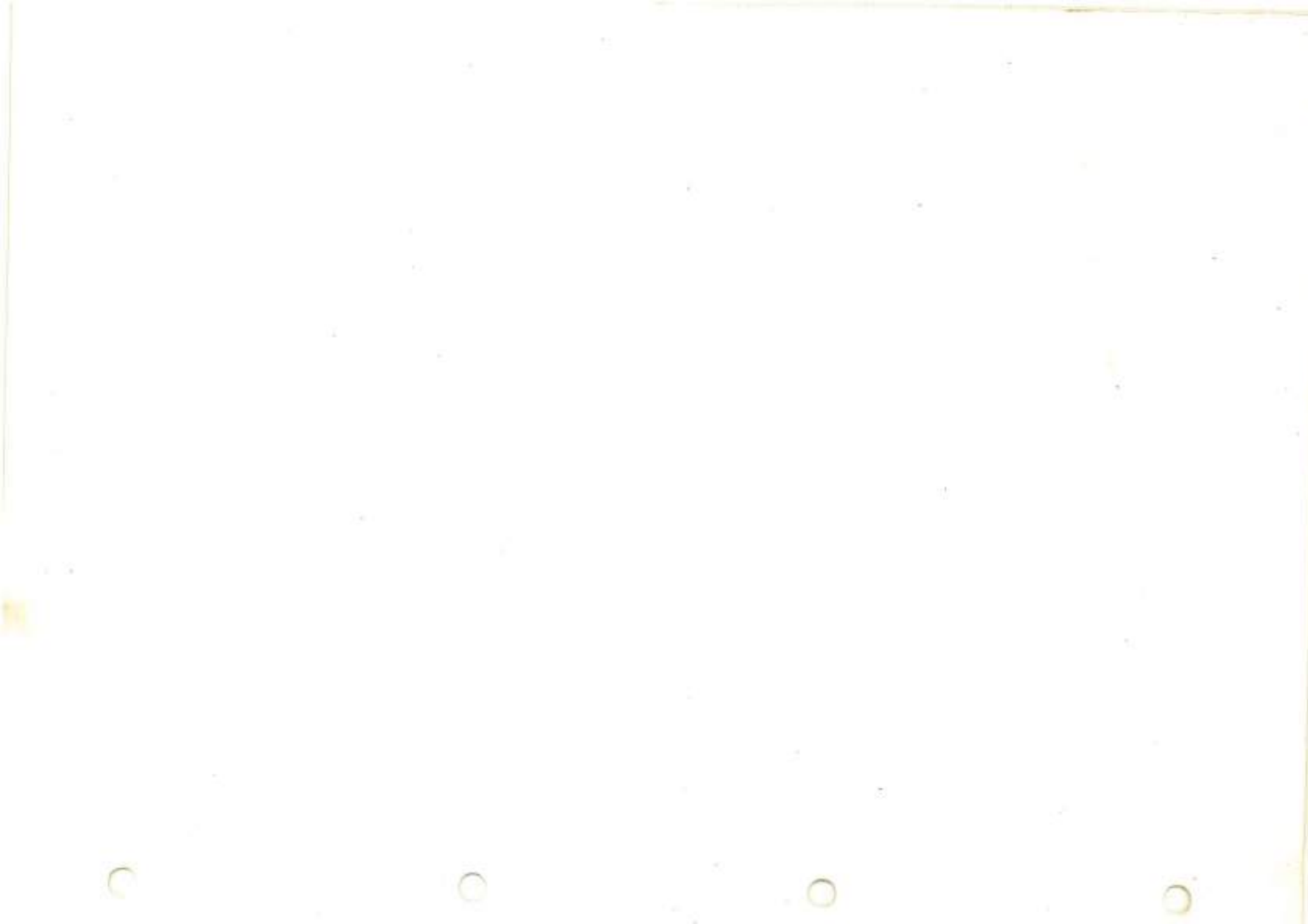
751 2620 A



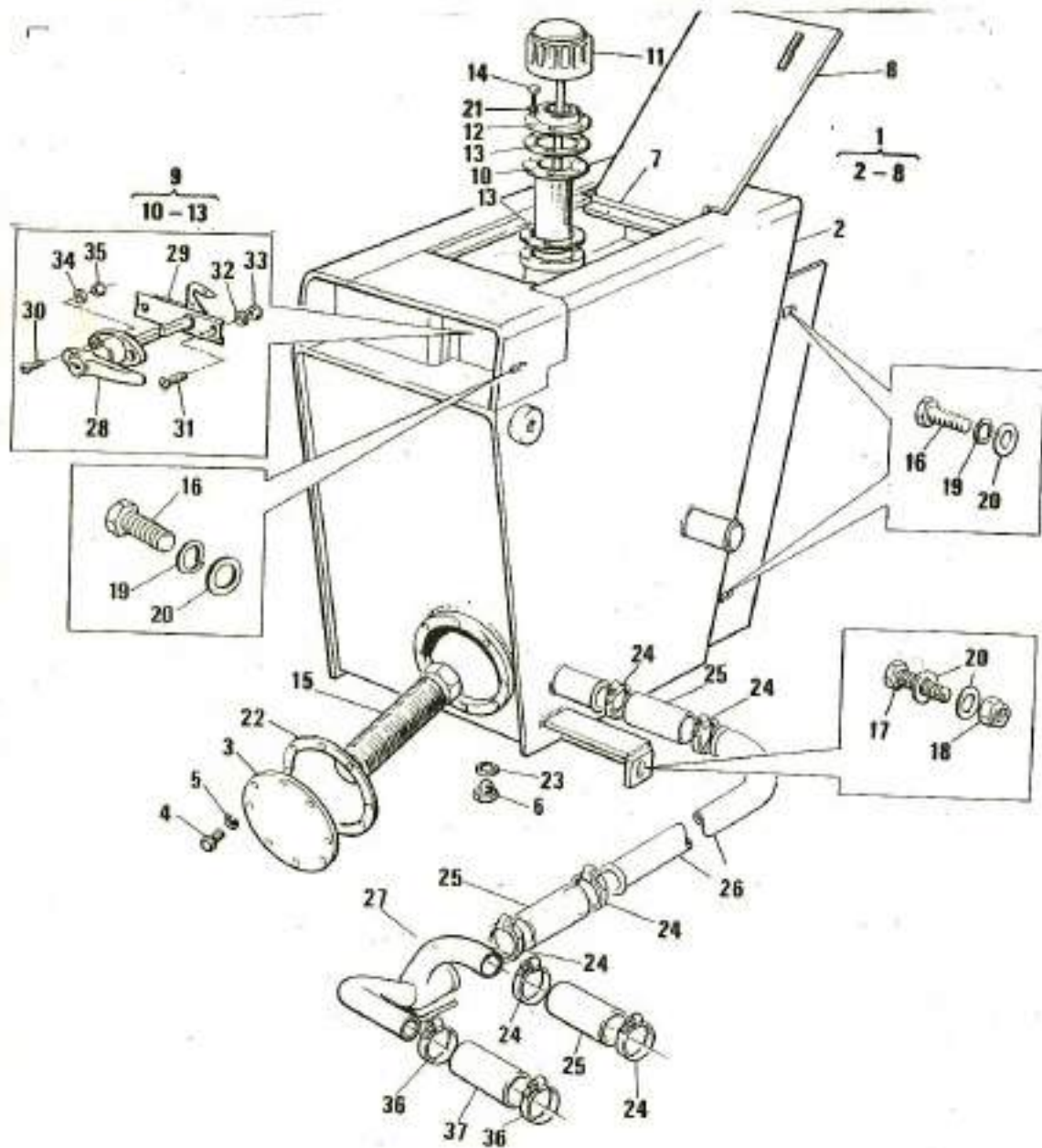
## INDEX

### SECTION 'B' : HYDRAULICS

ASSEMBLY REF. NO.	DESCRIPTION
754 2621	HYDRAULIC TANK
754 2622	PUMP DRIVE
750 2623	HYDRAULIC PUMP
752 2624	STEERING ASSEMBLY - Manual
751 2625	STEERING UNIT
750 2626	LOADER VALVE
750 2627	EXCAVATOR VALVE
750 2628	EXCAVATOR VALVE
750 2629	UNLOADER VALVE
751 2630	CROSSLINE RELIEF VALVE
751 2631	HYDRAULIC FILTERS
750 2632	STEERING CYLINDER
752 2633	SLEW CYLINDER
752 2634	LIFT CYLINDER
752 2635	DIPPER AND BUCKET CYLINDER
752 2636	STABILISER CYLINDER
752 2637	LOADER LIFT CYLINDER
752 2638	LOADER BUCKET CYLINDER
750 2639	SWINGLOCK CYLINDER
750 2640	HYDRAULICS - VALVE TO EXCAVATOR DIPPER CYLINDER
750 2641	HYDRAULICS - VALVE TO SWINGLOCK CYLINDER
750 2642	HYDRAULICS - VALVE TO BOOM PIPES (BUCKET CYLINDER)
752 2643	HYDRAULICS - VALVE TO EXCAVATOR LIFT CYLINDER
752 2644	HYDRAULICS - VALVE TO SLEW CYLINDER
751 2645	HYDRAULICS - VALVE TO STABILISER CYLINDER
752 2646	HYDRAULICS - VALVE TO LOADER LIFT AND BUCKET CYLINDER
752 2647	HYDRAULICS - PUMP TO FILTER AND VALVE
754 2648	HYDRAULICS - SUPPLY TO VALVES
752 2649	HYDRAULICS - BOOM PIPES TO BUCKET CYLINDER
752 2650	STEERING ASSEMBLY - Torque







ITEM	PART NO.	DESCRIPTION	QTY
1	540 8165	HYDRAULIC TANK ASSEMBLY	1
2	N.S.S.	HYDRAULIC TANK	1
3	167 0731	COVER PLATE	1
4	644 0616	SCREW	8
5	716 0630	WASHER	8
6	400 0453	DRAIN PLUG	1
7	406 3800	PIN	1
8	167 9685	COVER	1
9	540 7004	FILLER CAP AND STRAINER	1
10	N.S.S.	STRAINER	1
11	N.S.S.	FILLER CAP	1
12	N.S.S.	FLANGE	1
13	N.S.S.	GASKET	2
14	687 0512	SCREW	6
15	270 7080	STRAINER	1
16	644 1230	SCREW	3
17	644 1240	SCREW	1
18	042 1201	NUT	1
19	716 1230	WASHER	3
20	716 1201	WASHER	5
21	716 0530	WASHER	6
22	490 0367	GASKET	1
23	490 5021	BONDED SEAL	1
24	176 1015	HOSE CLIP	6
25	307 0456	HOSE	3
26	414 2070	TUBE	1
27	369 9033	SUCTION TUBE	1
28	344 7008	COMPARTMENT HANDLE	1
29	352 0147	COMPARTMENT LOCK	1
30	685 0420	SCREW	2
31	644 0816	SCREW	2
32	716 0801	WASHER	2
33	642 0801	NUT	2
34	716 0430	WASHER	2
35	643 0401	NUT	2
36	176 1013	HOSE CLIP	2
37	307 0385	HOSE	1

**HVMAC**

TITLE

370C HYDRAULIC TANK

ALWAYS QUOTE FULL MACHINE SERIAL NUMBER

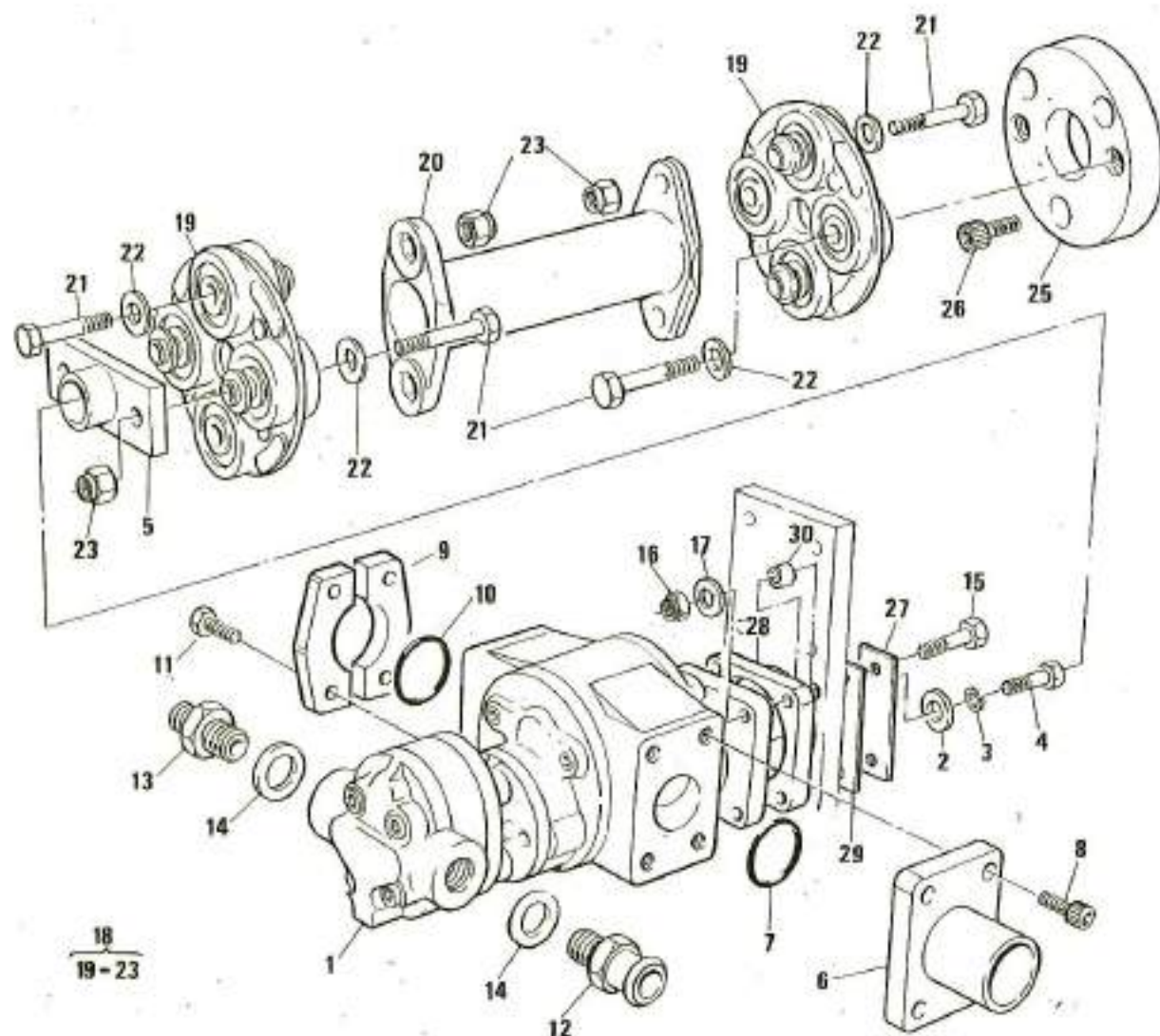
ISSUE

1

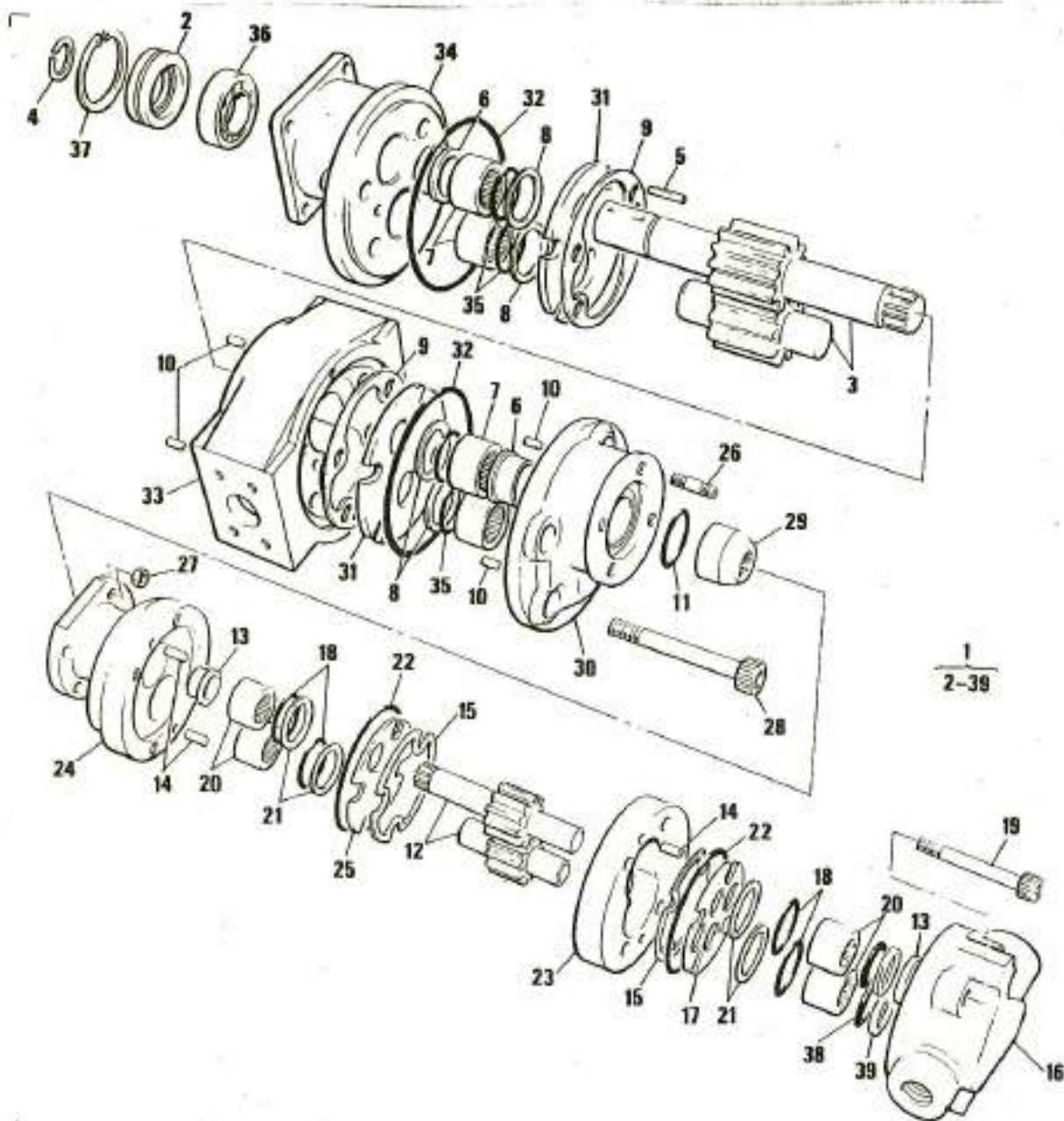
SHEET 1 of 1

754 2621 B

ITEM	PART NO.	DESCRIPTION	QTY
1	402 7323	TANDEM PUMP ASSEMBLY	1
2	508 5809	RETAINING WASHER	1
3	716 1030	WASHER	1
4	663 6707	SCREW	1
5	274 9026	PUMP DRIVE FLANGE (MANUAL)	1
5	274 9023	PUMP DRIVE FLANGE (TORQUE)	1
6	271 9080	INLET ADAPTOR	1
7	490 6213	'O' RING	1
8	654 4917	SCREW	4
9	271 0091	SPLIT FLANGE CLAMP	1/PR
10	490 6157	'O' RING	1
11	653 4817	SCREW	4
12	271 1320	ADAPTOR	1
13	271 5051	ADAPTOR	1
14	490 5026	BONDED SEAL	2
15	636 1270	BOLT	4
16	642 1201	NUT	4
17	716 1201	WASHER	4
18	183 8003	COUPLING ASSEMBLY	1
19	183 7013	COUPLING	2
20	491 1157	DRIVE SHAFT	1
21	127 1397	BOLT	8
22	588 6004	WASHER	8
23	385 1019	NUT	8
24			
25	274 0272	DRIVE FLANGE	1
26	654 6815	SCREW	3
27	495 0720	SPACER	2
28	495 8003	SPACER ASSEMBLY	1
29	495 0721	SPACER	2
30	495 0814	SPACER	4







ITEM	PART NO.	DESCRIPTION	QTY
1	402 7323	HYDRAULIC PUMP	1
2	□ 490 7116	SEAL CARRIER ASSEMBLY	1
3	288 0311	GEAR SET	1
4	184 0295	CIRCLIP	1
5	345 0045	KEY	1
6	○ □	SEAL BUSH	2
7	○	MAIN BEARING	4
8	○ □	BACK-UP RING	4
9	○ □	SHIM	2
10	N.S.S.	DOWEL	4
11	●	SEAL RING	1
12	288 0312	GEAR SET	1
13	●	SEAL BUSH	2
14	N.S.S.	DOWEL	4
15	●	SHIM	2
16	N.S.S.	COVER	1
17	■	WEAR PLATE	1
18	●	SEAL RING	4
19	127 1314	CAPSCREW	4
20	■	MAIN BEARING	4
21	●	BACK-UP RING	4
22	●	MAIN SEAL RING	2
23	N.S.S.	HOUSING	1
24	N.S.S.	ADAPTOR	1
25	■	WEAR PLATE	1
26	497 0059	STUD	4
27	385 0281	NUT	4
28	127 0297	CAPSCREW	4
29	183 1008	MUFF COUPLING	1
30	N.S.S.	COVER	1
31	○ □	WEAR PLATE	2
32	○ □	MAIN SEAL RING	2
33	N.S.S.	HOUSING	1
34	180 0375	ADAPTOR	1
35	○ □	SEAL RING	4
36	○	THRUST BEARING	1
37	450 0150	CIRCLIP	1
38	●	'O' RING	1
39	●	BACK-UP RING	1
40	346 8639	FRONT SECTION PUMP-COMplete ASSEMBLY	1
41	346 8638	REAR SECTION PUMP-COMplete ASSEMBLY	1

● 346 0081	SEAL KIT-FRONT SECTION
■ 346 0082	REPAIR KIT-FRONT SECTION
○ 346 8585	SEAL KIT-REAR SECTION
□ 346 8584	REPAIR KIT-REAR SECTION

**HVMAC**

TITLE

370 C : HYDRAULIC PUMP

ALWAYS QUOTE FULL MACHINE SERIAL NUMBER

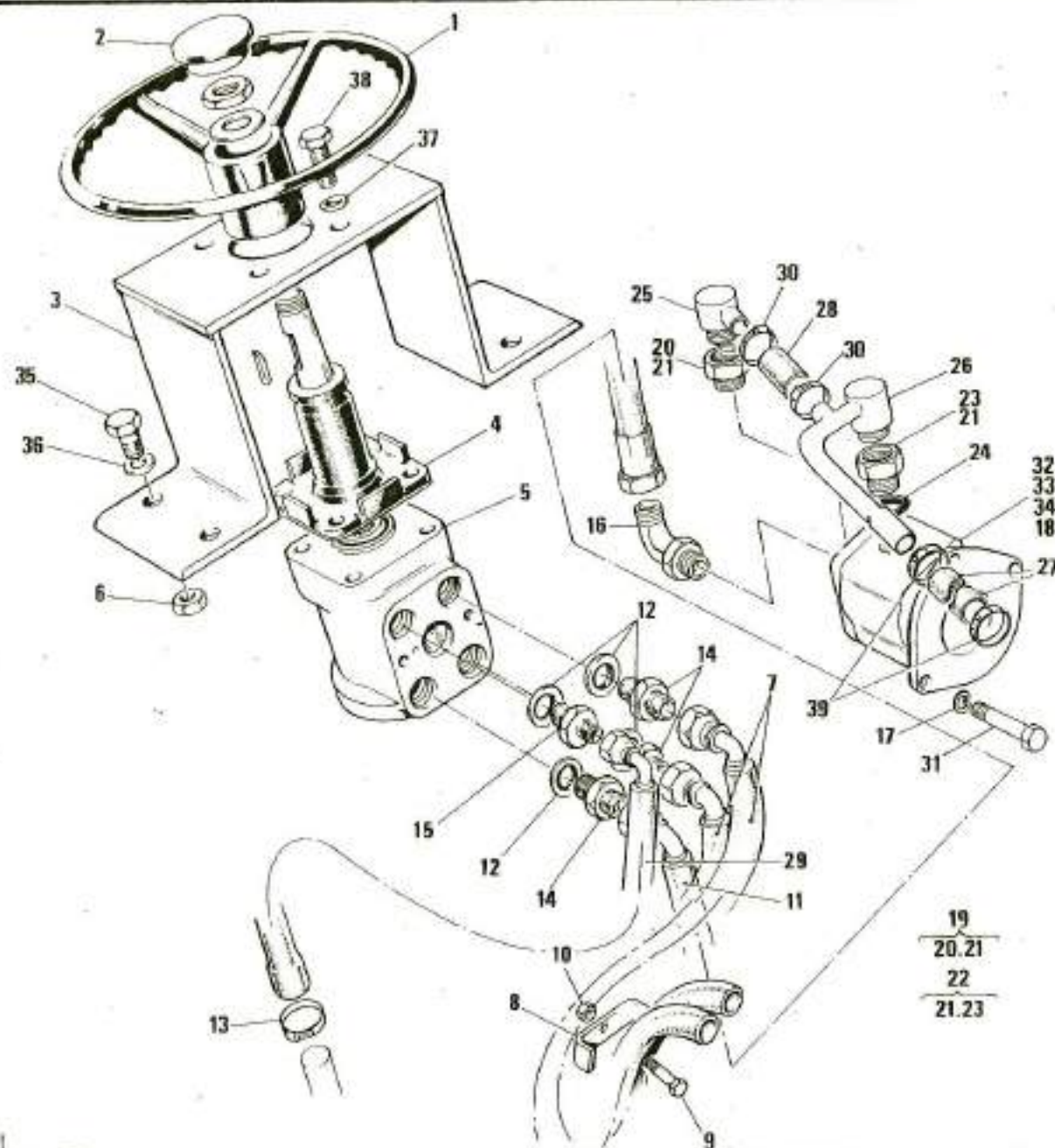
ISSUE

2

SHEET 1 of 1

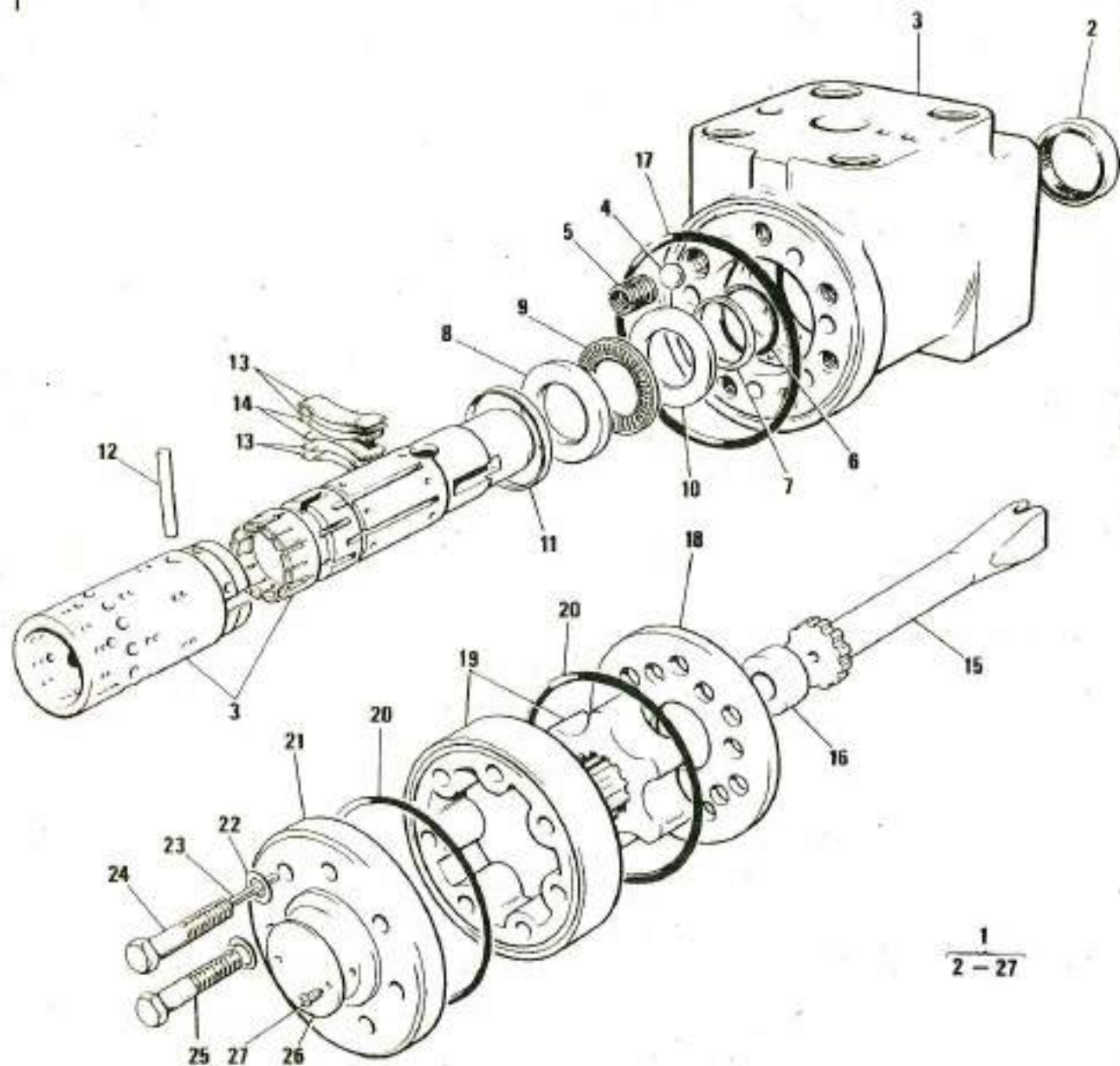
750 2623 B





ITEM	PART NO.	DESCRIPTION	QTY
1	487 0014	STEERING WHEEL	1
2	187 0105	CAP	1
3	122 9840	BRACKET	1
4	407 7014	STEERING COLUMN	1
5		STEERING UNIT	1
6	643 0801	NUT	4
7	307 8209	HOSE ASSEMBLY	2
8	176 2447	HOSE CLAMP	2
9	635 1050	BOLT	2
10	642 1001	NUT	2
11	307 8208	HOSE	1
12	490 5018	BONDED SEAL	4
13	176 1088	HOSE CLIP	1
14	271 5642	ADAPTOR	3
15	271 5635	ADAPTOR	1
16	271 7018	ELBOW	1
17	851 0605	WASHER	1
18	402 7055	STEERING PUMP	1
19	271 8025	ADAPTOR ASSEMBLY	1
20	271 1342	ADAPTOR	1
21	271 0977	WIRE-ON NUT	1
22	271 8026	ADAPTOR ASSEMBLY	1
23	271 1343	ADAPTOR	1
24	271 0977	WIRE-ON NUT	1
25	490 6472	'O' RING	1
26	271 9081	ELBOW	1
27	413 8592	TUBE	1
28	307 0363	HOSE	A/R
29	307 0378	HOSE	A/R
30	307 8320	HOSE ASSEMBLY	1
31	176 1057	HOSE CLIP	2
32	625 4731	BOLT	1
33	493 0286	SPRING	1
34	494 0211	SHIM	1
35	494 0209	SHIM	1
36	635 1035	BOLT	4
37	716 1030	WASHER	4
38	716 0830	WASHER	4
39	644 0825	SCREW	4
	176 1011	HOSE CLIP	2

NOTE: ● ITEMS MARKED THUS ARE CUT FROM ROLL;  
PLEASE STATE LENGTH REQUIRED WHEN  
ORDERING.



ITEM	PART NO.	DESCRIPTION	QTY
1	487 7013	STEERING UNIT	1
2	●	DUST SEAL	1
3	N.S.S.	HOUSING ASSEMBLY	1
4	111 0047	STEEL BALL	1
5	133 0091	THREAD BUSHING	1
6	●	'O' RING	1
7	●	KIN RING	1
8	588 5927	FRONT BEARING RACE	1
9	113 0088	AXIAL NEEDLE BEARING	1
10	114 1061	REAR BEARING RACE	1
11	450 0250	RING	1
12	406 3780	CROSS PIN	1
13	493 1066	NEUTRAL POSITION SPRING	4
14	493 6032	NEUTRAL POSITION SPRING	2
15	491 4005	SHAFT	1
16	495 0802	SPACER	1
17	●	'O' RING	1
18	241 0112	DISTRIBUTOR PLATE	1
19	288 0347	GEAR WHEEL SET	1
20	●	'O' RING	2
21	N.S.S.	END COVER	1
22	●	WASHER	7
23	406 3781	ROLLED PIN	1
24	127 2076	BOLT	1
25	127 2075	BOLT	6
26	N.S.S.	RATING PLATE	1
27	N.S.S.	DRIVE SCREW	2

● 346 8659 SEAL KIT

1  
2-27

**HVMAC**

TITLE

370C STEERING UNIT

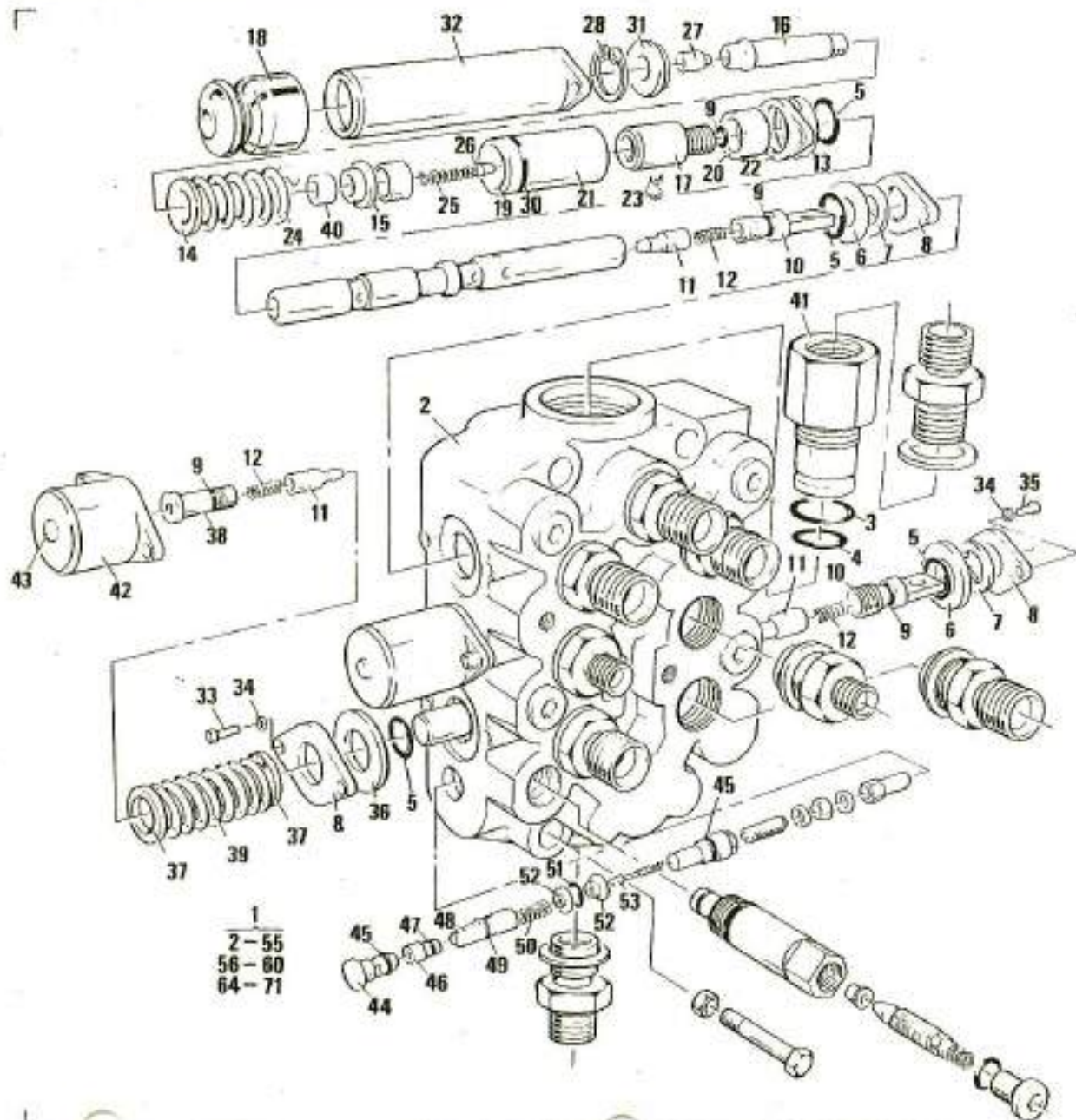
ISSUE 1

ALWAYS QUOTE FULL MACHINE SERIAL NUMBER

SHEET 1 of 1

751 2625 B

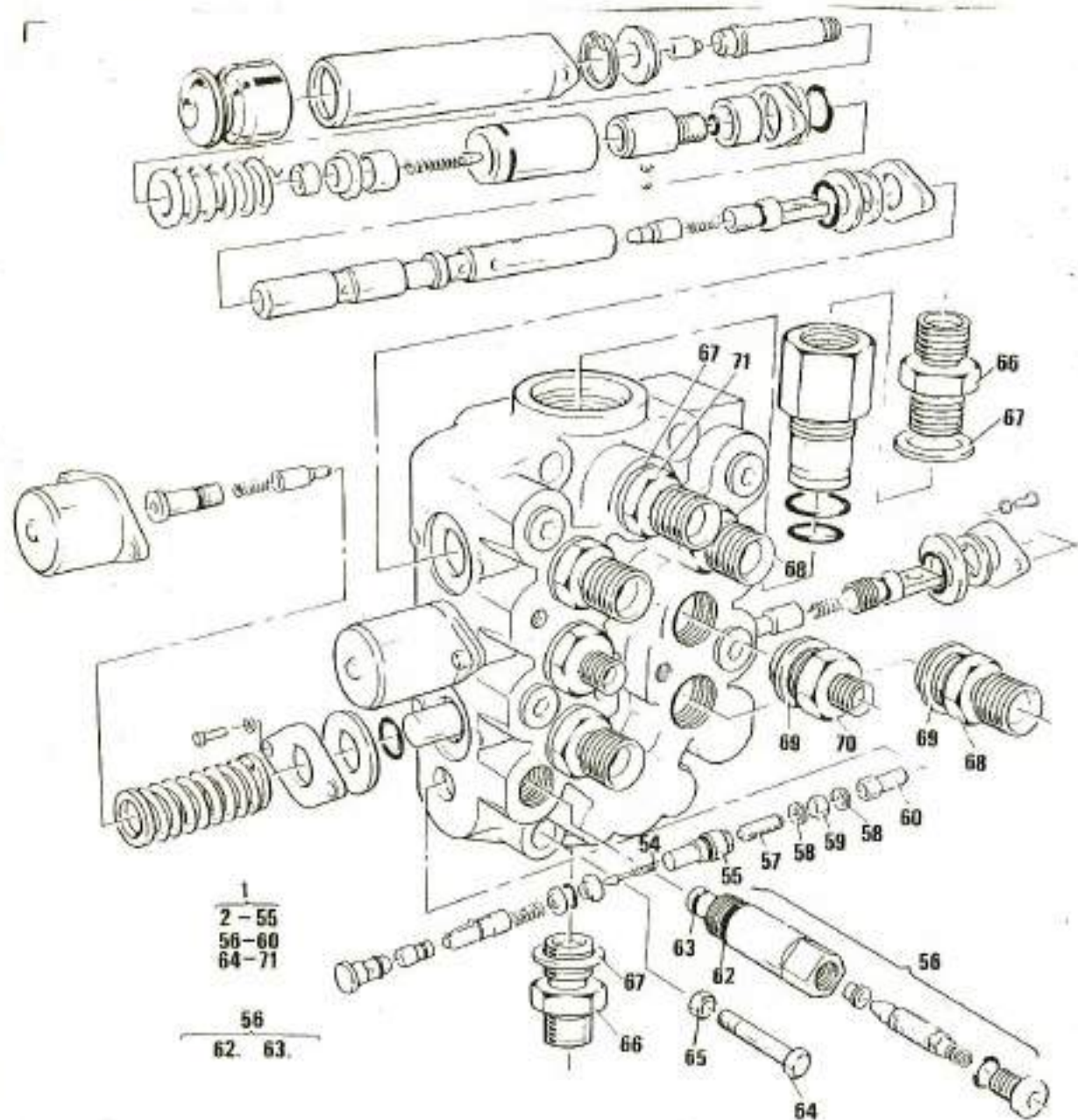




1  
2-55  
56-60  
64-71

ITEM	PART NO.	DESCRIPTION	QTY
1	574 7805	LOADER VALVE ASSEMBLY	1
2	N.S.S.	VALVE BLOCK	1
3	490 6319	'O' RING	1
4	490 6320	'O' RING	1
5	490 6318	'O' RING	6
6	445 0116	SEAL RETAINER	3
7	490 4328	WIPER	3
8	495 0419	WIPER RETAINER	5
9	490 6317	'O' RING	6
10	272 1011	EYE END	3
11	498 0041	CHECK VALVE PLUNGER	5
12	493 0146	CHECK VALVE SPRING	5
13	445 0272	SEAL RETAINER	1
14	445 0273	SPRING RETAINER	1
15	445 0274	SPRING RETAINER	1
16	187 0118	SPRING CAP	1
17	187 0119	DETENT CAP	1
18	180 0515	RUBBER CONE	1
19	496 0188	SPACING SLEEVE	1
20	496 0189	SPACING SLEEVE	1
21	496 0190	DETENT SLEEVE	1
22	495 0703	COVER SPACER	1
23	111 0041	DETENT BALL	6
24	493 0268	RETURN SPRING	1
25	493 0269	POPPET SPRING	1
26	498 0078	POPPET	1
27	127 1316	ADJUSTING SCREW	1
28	184 0307	CIRCLIP	1
29			
30	490 6324	'O' RING	1
31	167 0737	COVER PLATE	1
32	167 0738	COVER	1
33	127 7024	CAPSCREW	6
34	588 7019	WASHER	12
35	127 7026	CAPSCREW	6
36	445 0115	SEAL RETAINER	2
37	445 0114	SPRING RETAINER	2
38	180 0340	SPRING CAP	1
39	493 0249	SPRING	1
40	495 0705	SPACER	1
41	180 0341	HIGH PRESSURE CARRYOVER	1
42	180 0339	COVER	2
43	409 7013	BLEED PLUG	2
44	180 0435	PLUG	2
45	490 6349	'O' RING	2
46	574 0246	MAIN SEAT	1
47	490 6281	'O' RING	1
48	498 0058	PLUNGER	1
49	352 7002	ORIFICE WIRE	1
50	493 7019	PILOT SPRING	1
51	490 6350	'O' RING	1
52	574 0245	PILOT SEAT	1
53	498 7001	PILOT POPPET	1





ITEM	PART NO.	DESCRIPTION	QTY
54	493 0194	MAIN SPRING	1
55	180 0436	RELIEF VALVE CAP	1
56	574 0199	OVERLOAD RELIEF VALVE	1
57	127 0462	ADJUSTING SCREW	1
58	588 5623	SEAL WASHER	2
59	385 0353	JAM NUT	1
60	385 0135	ACORN NUT	1
61			
62	490 6290	'O' RING	1
63	490 6291	'O' RING	1
64	635 1290	BOLT	3
65	642 1201	NUT	3
66	271 5646	ADAPTOR	2
67	490 5026	SEAL	3
68	271 5643	ADAPTOR	4
69	490 5021	BONDED SEAL	6
70	271 5672	ADAPTOR	2
71	271 1326	ADAPTOR	1

**HVMAC**

TITLE

370 C LOADER VALVE

ALWAYS QUOTE FULL MACHINE SERIAL NUMBER

ISSUE

3

SHEET

2 of 2

750 2626 B

**HYMAC**

TITLE

**370 C EXCAVATOR VALVE**

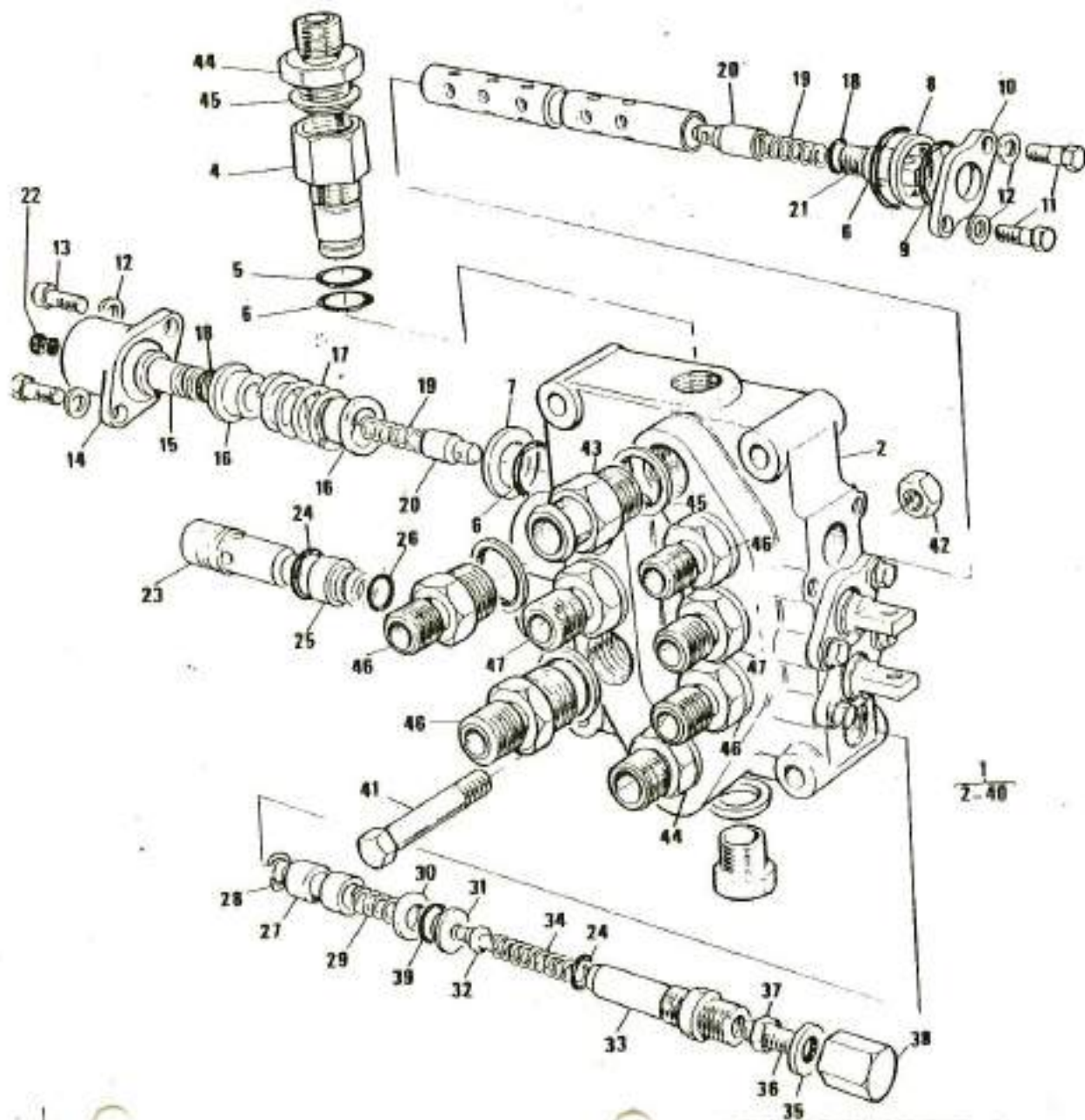
ISSUE

4

SHEET 1 of 1

750 2627 B

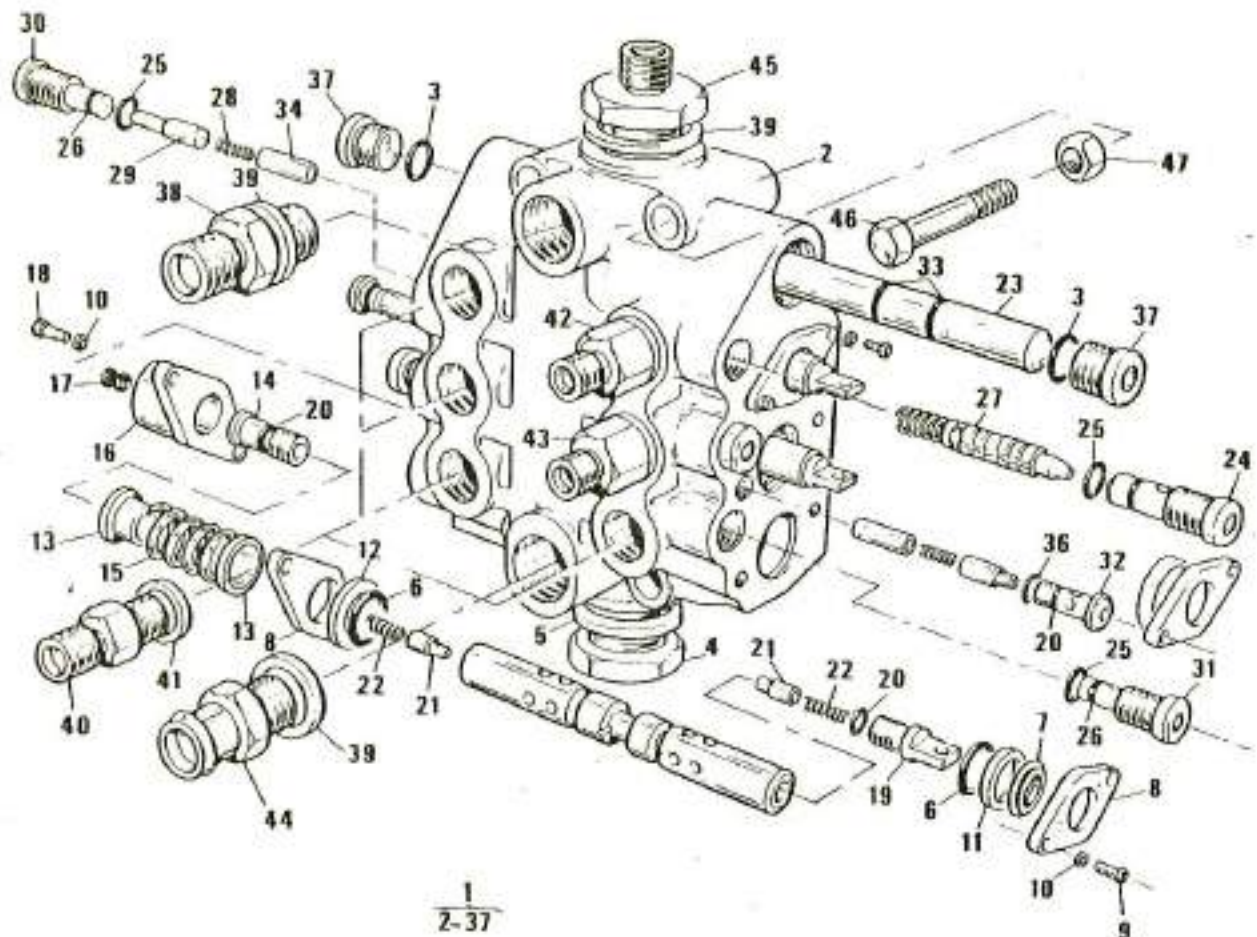
ALWAYS QUOTE FULL MACHINE SERIAL NUMBER



ITEM	PART NO.	DESCRIPTION	QTY
1	574 7807	EXCAVATOR VALVE ASSEMBLY	1
2	N.S.S.	VALVE BLOCK HOUSING	1
3			
4	187 0117	HIGH PRESSURE CARRYOVER	1
5	490 6318	'O' RING	1
6	490 6326	'O' RING	7
7	445 8117	SEAL RETAINER	3
8	445 8243	SEAL RETAINER	3
9	490 4345	WIPER	3
10	445 8244	WIPER RETAINER	3
11	127 1031	SCREW	6
12	588 7019	LOCK WASHER	12
13	127 7025	SCREW	6
14	180 0352	COVER	3
15	180 0351	SPRING CAP	3
16	445 0118	SPRING RETAINER	6
17	493 0196	SPRING	3
18	490 7024	'O' RING	6
19	493 0145	SPRING	6
20	405 7009	CHECK VALVE PLUNGER	6
21	272 0132	EYE END	3
22	400 7013	BLEED PLUG	3
23		PLUG	1
24	490 7042	'O' RING	2
25		MAIN SEAT	1
26		'O' RING	1
27		PLUNGER	1
28		ORIFICE WIRE	1
29		SPRING	1
30		SEAL WASHER	1
31		PILOT SEAT ASSEMBLY	1
32		PILOT POPPET	1
33		RELIEF VALVE CAP	1
34		PILOT SPRING	1
35		SEAL WASHER	1
36	127 1165	ADJUSTING SCREW	1
37	385 0275	JAM NUT	1
38	385 0276	ACORN NUT	1
39	490 7030	'O' RING	1
40			
41	635 1075	BOLT	3
42	642 1001	NUT	3
43	271 1324	ADAPTOR	1
44	271 5643	ADAPTOR	2
45	490 5021	BONDED SEAL	9
46	271 5662	ADAPTOR	4
47	271 8034	RESTRICTOR	2

● 346 8617 MAIN RELIEF VALVE KIT



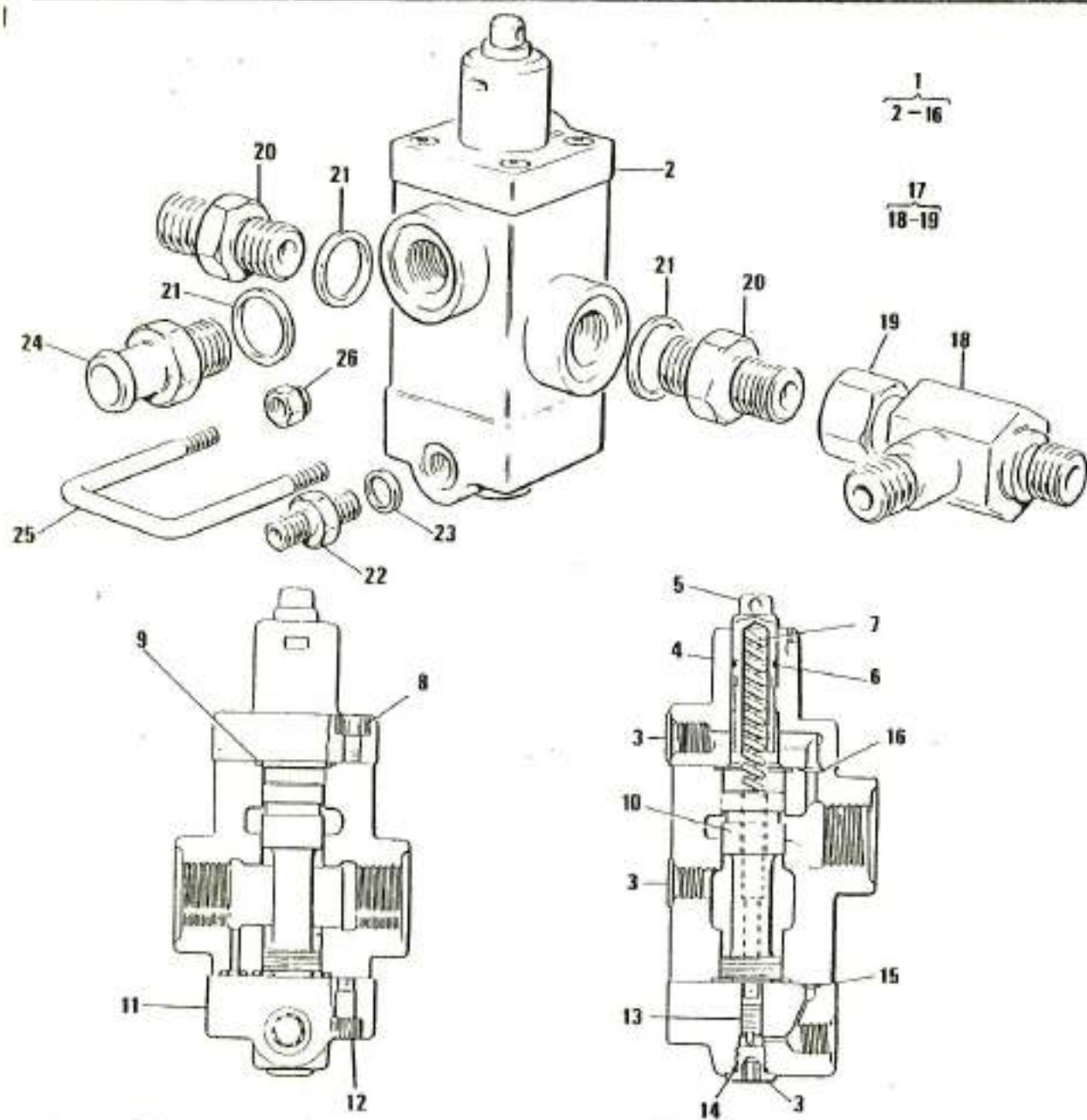


1  
2-37

ITEM	PART NO.	DESCRIPTION	QTY
1	574 7806	EXCAVATOR VALVE ASSEMBLY	1
2	N.S.S.	VALVE BLOCK HOUSING	1
3	490 6349	'O' RING	2
4	409 0389	PLUG	1
5	588 5885	WASHER	1
6	490 7026	'O' RING	6
7	490 4642	WIPER	3
8		WIPER RETAINER/COVER SPACER	6
9	127 7026	SCREW	6
10	588 7019	WASHER	12
11		SEAL RETAINER	3
12		SEAL RETAINER	3
13		SPRING RETAINER	6
14		SPRING CAP	3
15		SPRING	3
16		CAP	3
17		BLEED PLUG	3
18	127 7024	SCREW	6
19	272 1012	EYE END	3
20	490 7042	'O' RING	6
21	498 0086	CHECK VALVE PLUNGER	6
22	493 0281	CHECK VALVE SPRING	6
23	N.S.S.	PLUG	1
24	574 0339	SEAT	3
25	490 7022	'O' RING	5
26	490 6323	'O' RING	2
27	574 0338	RELIEF VALVE CARTRIDGE	3
28	493 0145	SPRING	1
29	498 0085	PLUNGER	1
30	574 0337	SEAT	1
31	409 0390	PLUG	1
32	574 7810	CHECK VALVE ASSEMBLY	2
33	490 6117	'O' RING	2
34	445 0278	SPRING RETAINER	2
35		'O' RING	2
36	490 6498	PLUG	2
37	187 0121	ADAPTOR	1
38	271 5651	SEAL	3
39	490 5026	ADAPTOR	4
40	271 5639	SEAL	6
41	490 5021	RESTRICTOR VALVE	1
42	574 9125	RESTRICTOR VALVE	1
43	574 9126	ADAPTOR	1
44	271 1325	ADAPTOR	1
45	271 5640	ADAPTOR	1
46	635 1200	BOLT	3
47	642 1201	NUT	3

● 346 8622 PLUNGER KIT

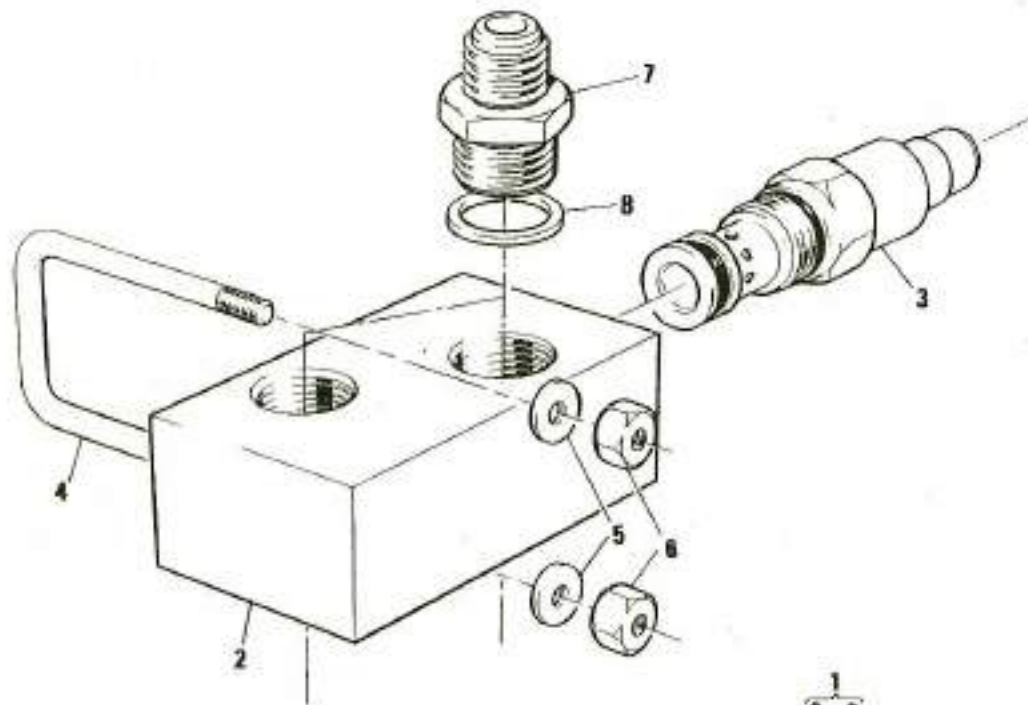




ITEM	PART NO.	DESCRIPTION	QTY
1	574 7105	UNLOADER VALVE ASSEMBLY	1
2	N.S.S.	MAIN BODY	1
3	409 0388	PLUG	3
4	574 0331	HEAD	1
5	127 1319	ADJUSTING SCREW	1
6	●	'O' RING	1
7	●	SPRING	1
8	127 0489	SCREW	4
9	●	'O' RING	2
10	●	SPOOL	1
11	574 0332	BASE	1
12	127 0490	SCREW	4
13	●	POPPET	1
14	●	'O' RING	3
15	●	'O' RING	1
16	●	'O' RING	1
17	574 0604	CHECK VALVE ASSEMBLY	1
18	N.S.S.	CHECK VALVE	1
19	N.S.S.	WIRE-ON NUT	1
20	271 5635	ADAPTOR	2
21	490 5018	BONDED SEAL	3
22	271 5644	ADAPTOR	1
23	490 5011	BONDED SEAL	1
24	271 1323	ADAPTOR	1
25	127 0485	'U' BOLT	1
26	642 1001	NUT	2
●	346 8623	SEAL KIT	

ITEM	PART NO.	DESCRIPTION	QTY
1	574 7137	VALVE ASSEMBLY	1
2	N.S.S.	BODY	1
3	574 7138	CARTRIDGE	1
4	127 1357	'U' BOLT	1
5	716 1001	WASHER	2
6	642 1001	NUT	2
7	271 5055	ADAPTOR	4
8	490 5015	BONDED SEAL	4

● 346 8313 CARTRIDGE SEAL KIT



1  
2.3.

**HVMAC**

TITLE

370C CROSSLINE RELIEF VALVE

ALWAYS QUOTE FULL MACHINE SERIAL NUMBER

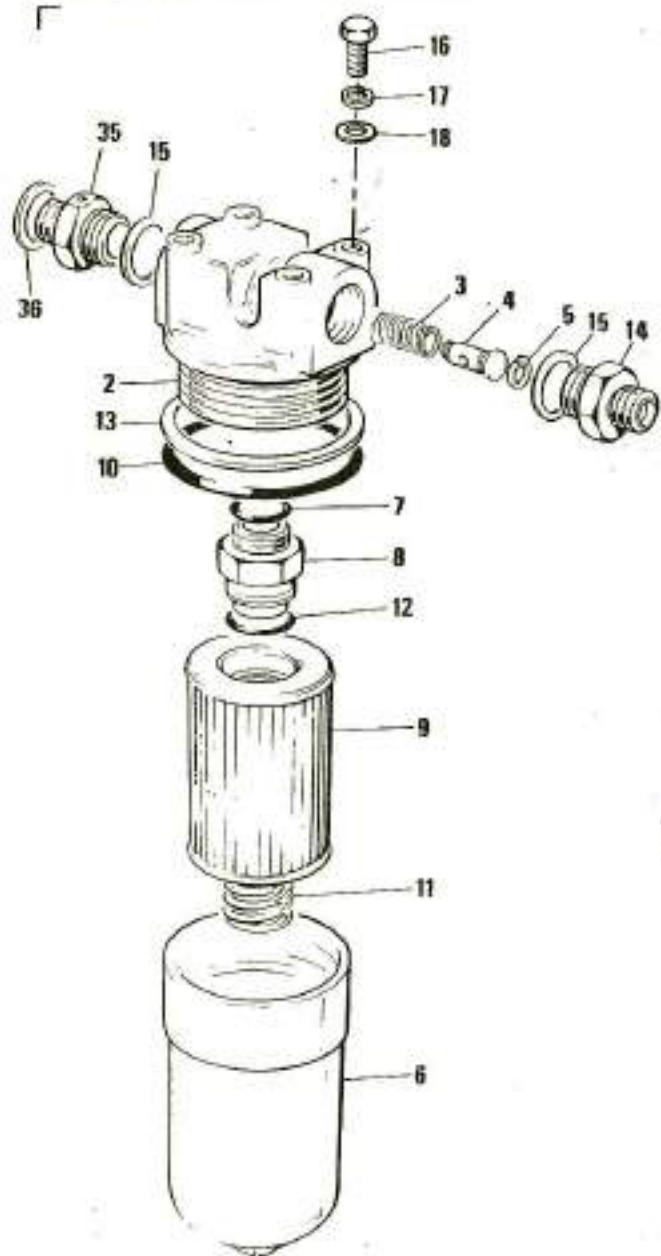
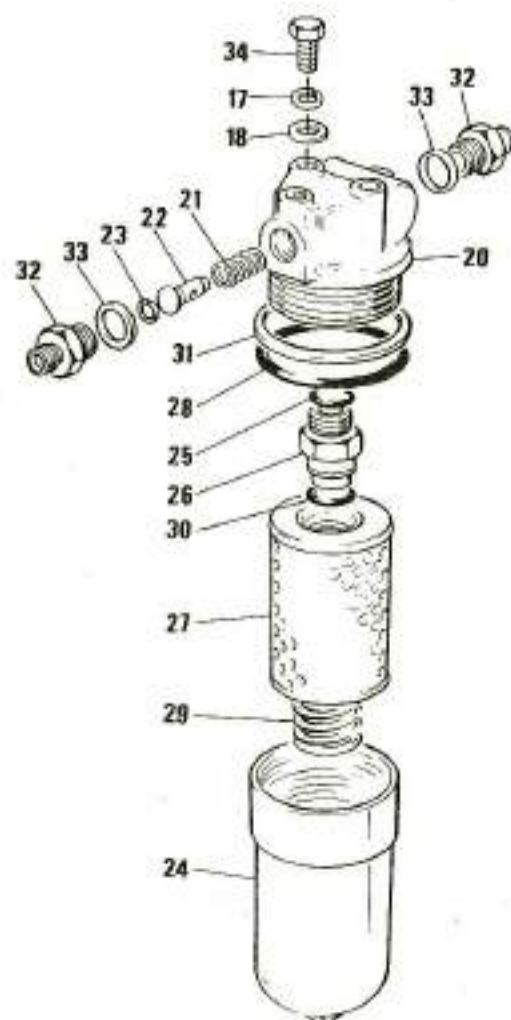
ISSUE

2

SHEET

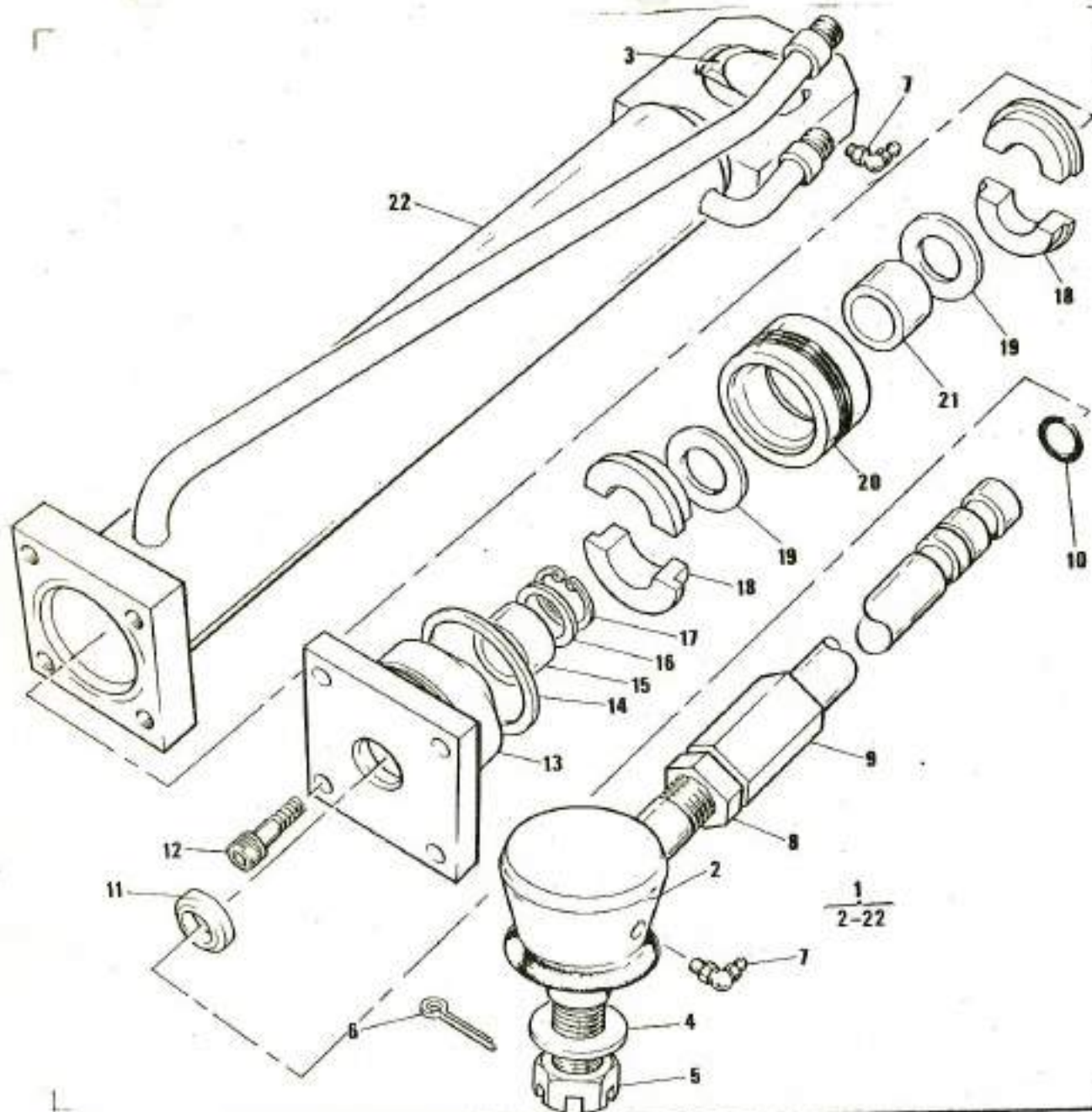
1 of 1

751 2630 B


 $\frac{1}{2-13}$ 
 $\frac{19}{20-31}$ 


ITEM	PART NO.	DESCRIPTION	QTY
1	270 7083	HIGH PRESSURE FILTER ASSY	1
2	N.S.S.	FILTER TOP	1
3	493 0278	SPRING	1
4	498 0087	POPPET	1
6	184 0254	CLIP	1
6	270 0057	BOWL	1
7	490 4380	'O' RING	1
8	270 0141	ADAPTOR	1
9	●	ELEMENT	1
10	●	'O' RING	1
11	●	SPRING	1
12	●	'O' RING	1
13	450 0238	BACK-UP RING	1
14	271 5654	ADAPTOR	1
15	490 5030	BONDED SEAL	2
16	653 6711	SCREW	4
17	716 1091	WASHER	7
18	716 1030	WASHER	7
35	271 5856	ADAPTOR	1
36	490 5027	BONDED SEAL	1
19	270 7020	HIGH PRESSURE FILTER ASSY	1
20	N.S.S.	FILTER TOP	1
21	493 0195	SPRING	1
22	498 0057	POPPET	1
23	184 0263	CLIP	1
24	270 0156	BOWL	1
25	490 6500	'O' RING	1
26	270 0109	ADAPTOR	1
27	■	ELEMENT	1
28	■	'O' RING	1
29	■	SPRING	1
30	■	'O' RING	1
31	450 0237	BACK-UP RING	1
32	271 5643	ADAPTOR	2
33	490 5021	BONDED SEAL	2
34	644 1020	SCREW	3
●	270 0213	ELEMENT KIT	
■	270 0212	ELEMENT KIT	





ITEM	PART NO.	DESCRIPTION	QTY
1	170 8104	STEERING CYLINDER ASSEMBLY	1
2	114 0241	BALL JOINT	1
3	114 0242	BALL JOINT	1
4	651 0709	WASHER	1
5	650 1271	NUT	1
6	701 0708	SPLIT PIN	1
7	271 1289	GREASE NIPPLE	2
8	385 0612	NUT	1
9	448 9554	PISTON ROD	1
10	●	'O' RING	1
11	●	SEAL	1
12	717 1030	SCREW	4
13	289 0067	GLAND	1
14	●	SEAL	1
15	●	GLAND SEAL	1
16	588 5901	WASHER	1
17	●	CIRCLIP	1
18	405 0331	SPLIT RING	4
19	588 5902	WASHER	2
20	●	PISTON SEAL	1
21	495 0725	SPACER	1
22	N.S.S.	CYLINDER BODY	1
●	346 8289	SEAL KIT	

1  
2-22

**HVMAC**

TITLE

370 C STEERING CYLINDER

ALWAYS QUOTE FULL MACHINE SERIAL NUMBER

ISSUE

3

750 2632 B

SHEET 1 of 1

**HYMAC**

TITLE

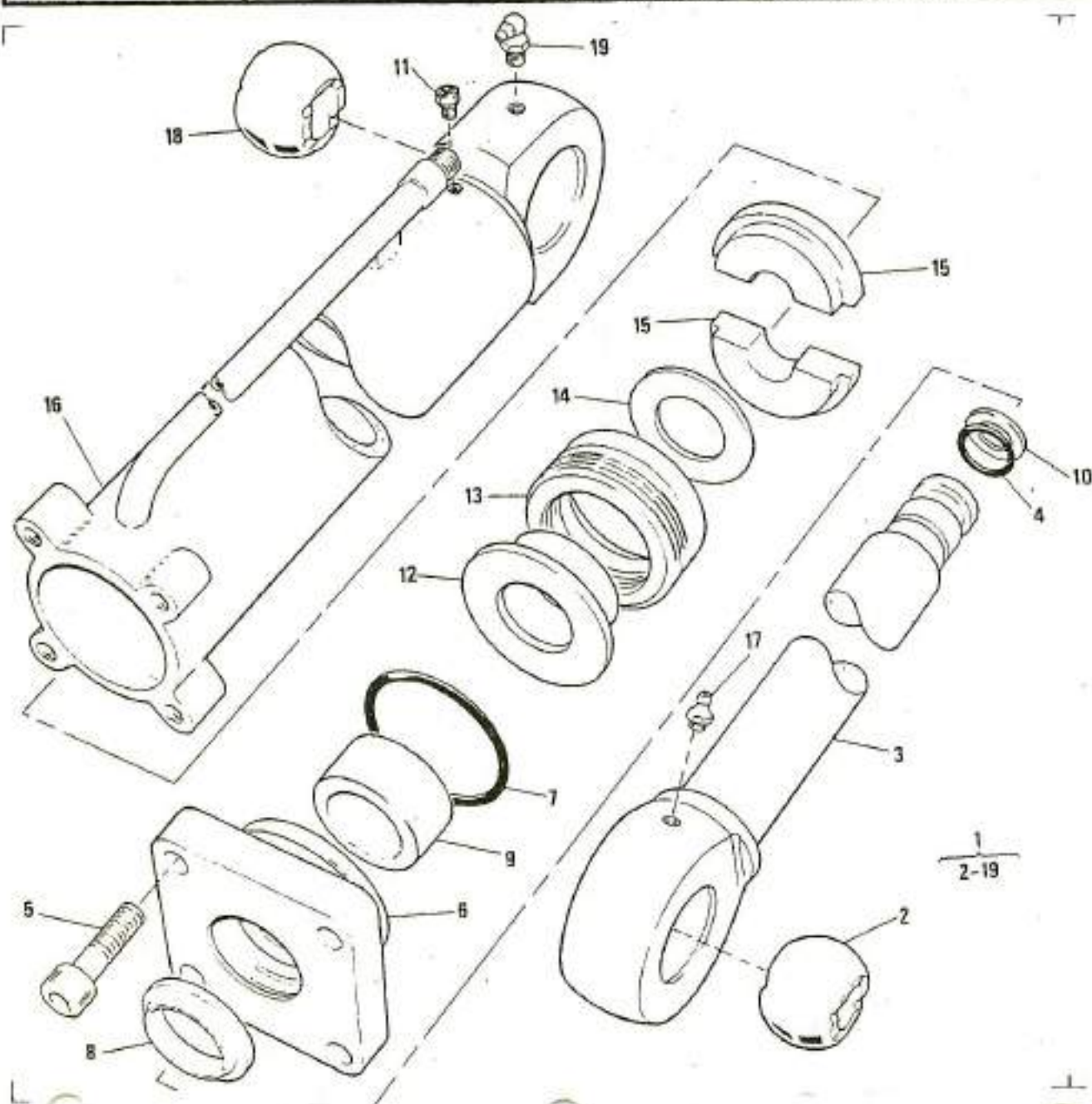
370 C SLEW CYLINDER

ALWAYS QUOTE FULL MACHINE SERIAL NUMBER

ISSUE 2

Sheet 1 of 1

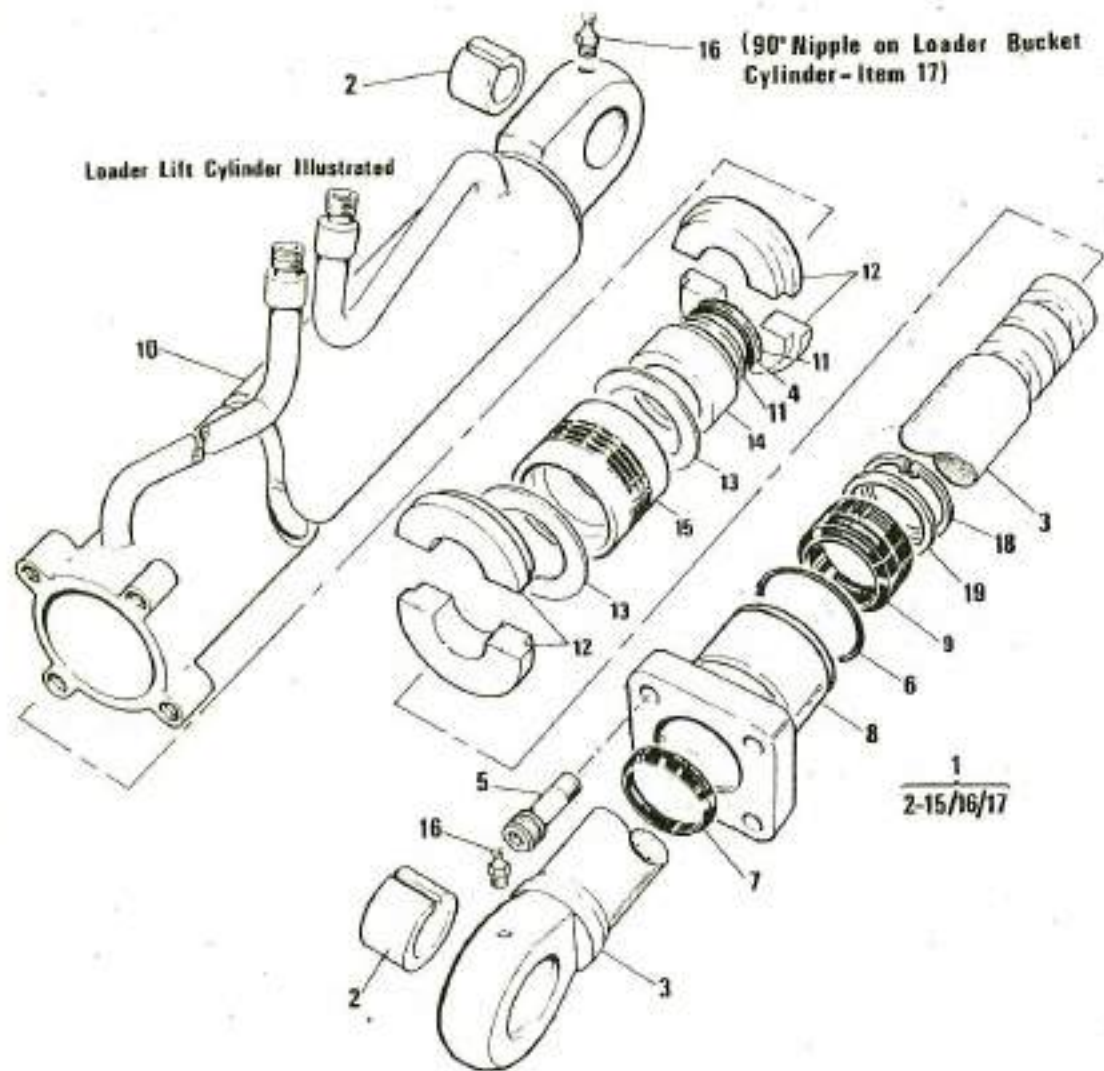
752 2633 B



ITEM	PART NO.	DESCRIPTION	QTY
1	170 8451	SLEW CYLINDER ASSEMBLY	1
2	114 0243	BALL JOINT	1
3	448 9567	PISTON ROD	1
4	●	'O' RING	1
5	717 1050	SCREW	4
6	269 0072	GLAND	1
7	●	'O' RING	1
8	●	WIPER RING	1
9	●	SEAL	1
10	●	BACK-UP RING	1
11	574 2016	RELIEF VALVE	1
12	405 0355	PISTON BODY	1
13	●	SEAL	1
14	588 5856	WASHER	1
15	405 0328	PISTON END RING	2
16	N.S.S.	CYLINDER BODY	1
17	271 0151	GREASE NIPPLE	1
18	114 0244	BALL JOINT	1
19	271 1289	GREASE NIPPLE	1

● 346 8284 SEAL KIT





ASSEMBLY REFERENCE NUMBERS	752 2634 B	752 2635 B	752 2636 B			
ITEM DESCRIPTION	LIFT		DIPPER & BUCKET		STABILISER	
	PART NO.	QTY	PART NO.	QTY	PART NO.	QTY
1 CYLINDER ASSEMBLY	170 8508	1	170 8469	2	170 8341	2
2 BUSH	131 5108	2	131 5108	2	131 5111	2
3 PISTON ROD	448 9564	1	448 9565	1	448 9569	1
4 'O' RING		1		1		1
5 SCREW	717 2480	4	717 1600	4	717 1600	4
6 'O' RING		1		1		1
7 WIPER SEAL		1		1		1
8 GLAND ASSEMBLY	289 8005	1	289 8004	1	289 0073	1
9 SEAL		1		1		1
10 CYLINDER	N.S.S.	1	N.S.S.	1	N.S.S.	1
11 BACK-UP RING		1		1		1
12 PISTON END RING	405 0391	2	405 0390	2	405 0330	2
13 WASHER	588 6013	2	588 6012	2	588 6015	2
14 PISTON BODY	405 0392	1	405 0389	1	405 0353	1
15 PISTON SEAL		1		1		1
16 GREASE NIPPLE	271 0151	2	271 0151	2		
17 GREASE NIPPLE		1		1		1
18 CIRCLIP		1		1		1
19 WASHER	588 5081	1	588 5860	1		
NOTE: QUANTITIES GIVEN ARE FOR ONE CYLINDER	346 8321		346 8318		346 8286	
	SEAL KIT		SEAL KIT		SEAL KIT	

**HVMAC**

TITLE

370 C CYLINDERS

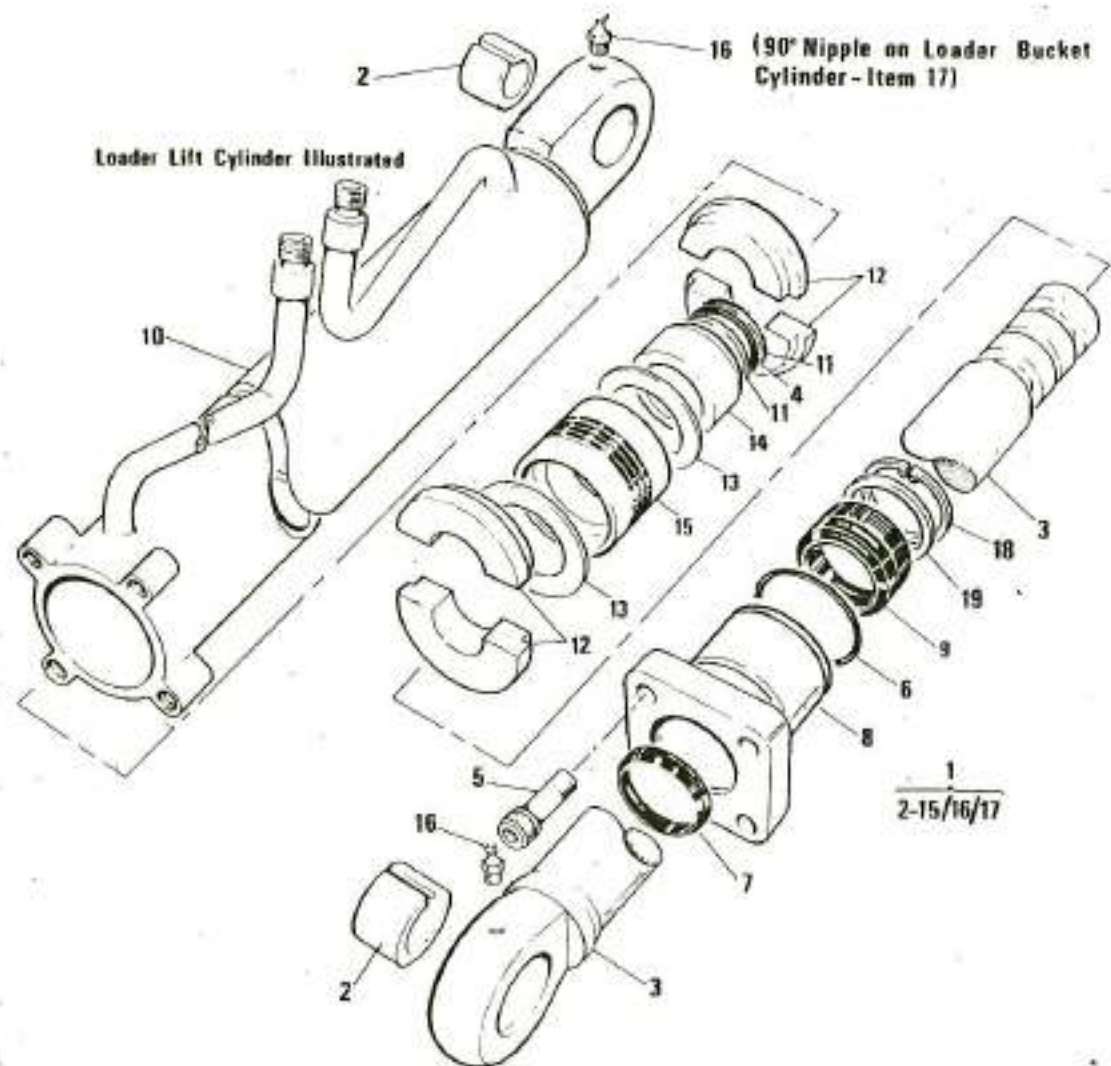
ALWAYS QUOTE FULL MACHINE SERIAL NUMBER

ISSUE 1

752 2634 B to

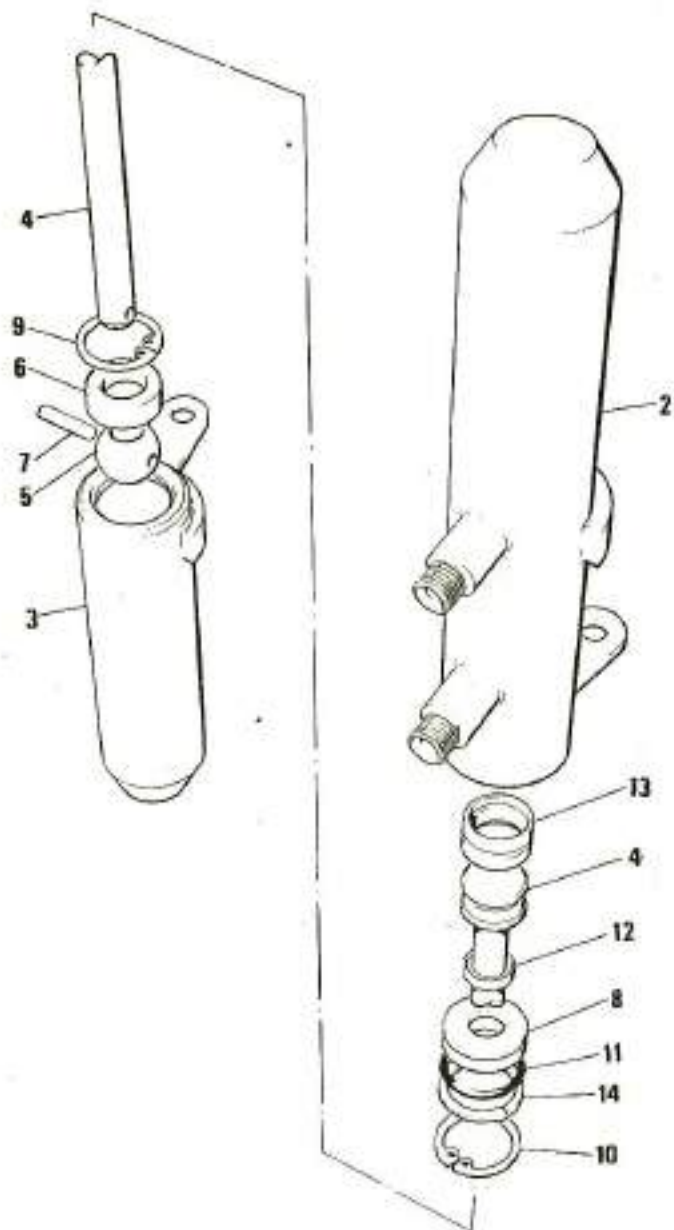
SHEET 1 OF 2

752 2638 B



ASSEMBLY REFERENCE NUMBERS	752 2637 B	752 2638 B
ITEM DESCRIPTION	LOADER LIFT PART NO. QTY	LOADER BUCKET PART NO. QTY
1 CYLINDER ASSEMBLY	170 8467 2	170 8468 2
2 BUSH	131 5108 2	131 5108 2
3 PISTON ROD	448 9568 1	448 9568 1
4 'O' RING	1	1
5 SCREW	717 1660 4	717 1660 4
6 'O' RING	1	1
7 WIPER SEAL	1	1
8 GLAND ASSEMBLY	289 8004 1	289 8004 1
9 SEAL	1	1
10 CYLINDER	N.S.S. 1	N.S.S. 1
11 BACK-UP RING	2	2
12 PISTON END RING	405 0390 2	405 0390 2
13 WASHER	588 6012 2	588 6012 2
14 PISTON BODY	405 0389 1	405 0389 1
15 PISTON SEAL	1	1
16 GREASE NIPPLE	271 0151 2	271 0151 1
17 GREASE NIPPLE		271 1289 1
18 CIRCLIP	1	1
19 WASHER	588 5860 1	588 5860 1
NOTE: QUANTITIES GIVEN ARE FOR ONE CYLINDER	346 8318	346 8318
	SEAL KIT	SEAL KIT





1  
2-14

ITEM	PART NO.	DESCRIPTION	QTY
1	170 8101	SWINGLOCK CYLINDER ASSY	1
2	406 9457	TOP CYLINDER BODY	1
3	406 9474	BOTTOM CYLINDER BODY	1
4	448 0297	PISTON ROD	1
5	448 6074	BALL END	1
6	450 0230	BALL RETAINING RING	1
7	406 3898	PIN	1
8	289 0064	GLAND HOUSING	1
9	184 0019	CIRCLIP	1
10	184 0021	CIRCLIP	1
11	●	'O' RING	1
12	●	INTERNAL RING	1
13	●	PISTON SEAL ASSEMBLY	1
14	●	ANTI-EXTRUSION RING	1
	● 346 8308	SEAL KIT	

**HVMAC**

TITLE

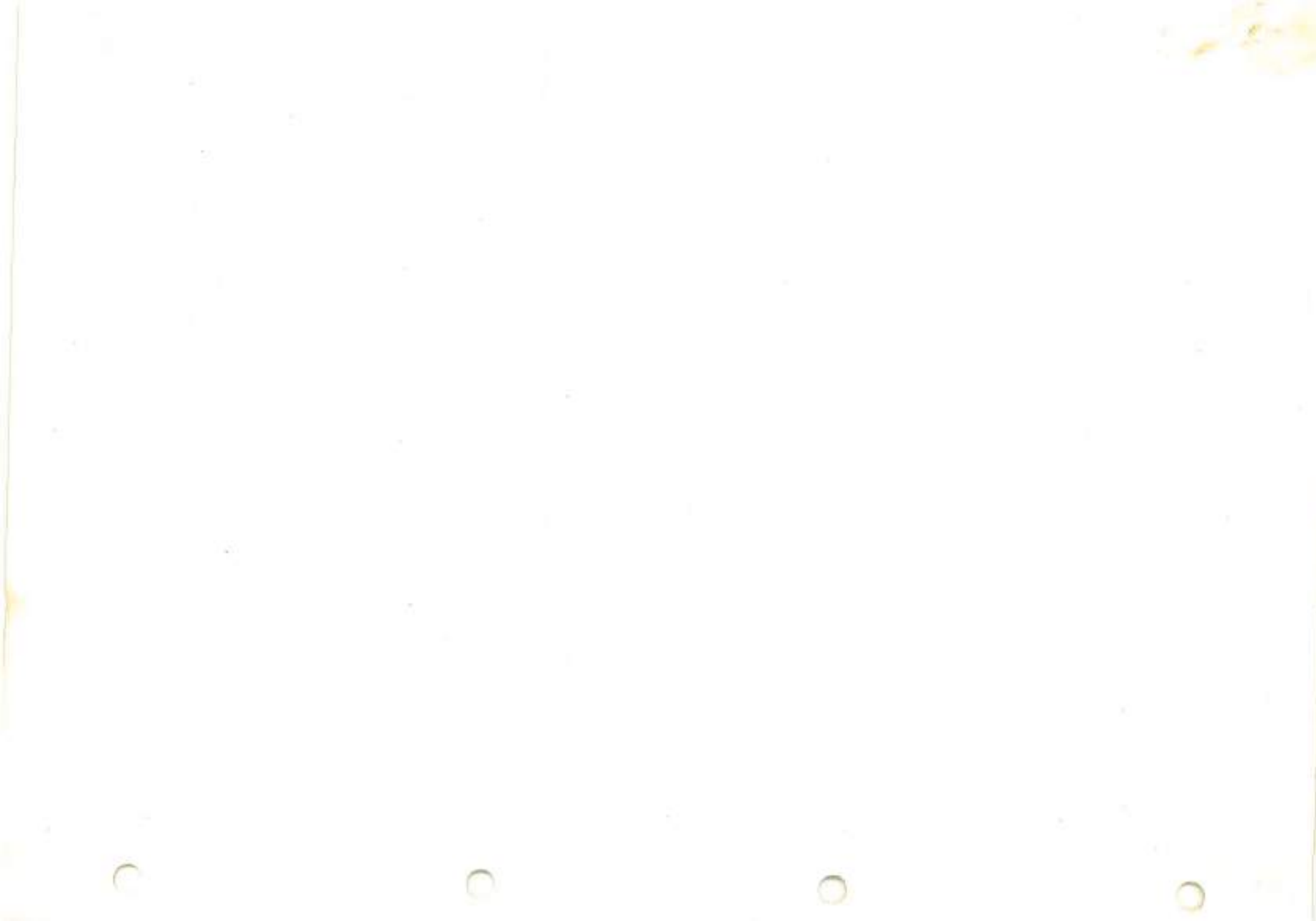
370 C SWINGLOCK CYLINDER

ISSUE 2

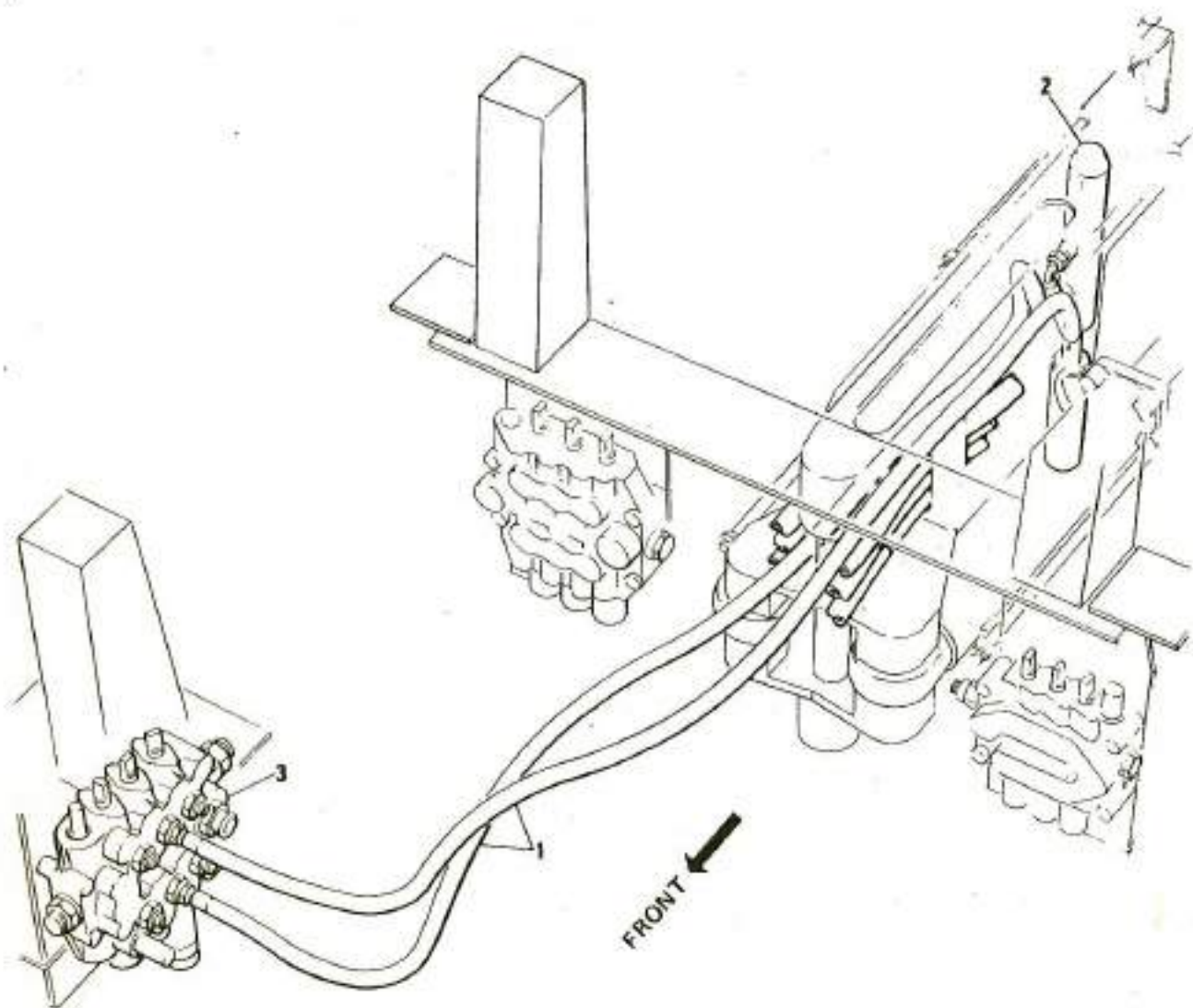
ALWAYS QUOTE FULL MACHINE SERIAL NUMBER

SHEET 1 of 1

750 2639 B







ITEM	PART NO.	DESCRIPTION	QTY
1	307 8035	HOSE ASSEMBLY	2
2		SWINGLOCK CYLINDER ASSY	1
3		LOADER VALVE ASSEMBLY	1

**HVMAC**

TITLE

370 C

HYDRAULICS - VALVE TO  
SWINGLOCK CYLINDER

ISSUE 1

750 2641 B

SHEET 1 of 1

ALWAYS QUOTE FULL MACHINE SERIAL NUMBER

**HYMAC**

TITLE

370 C

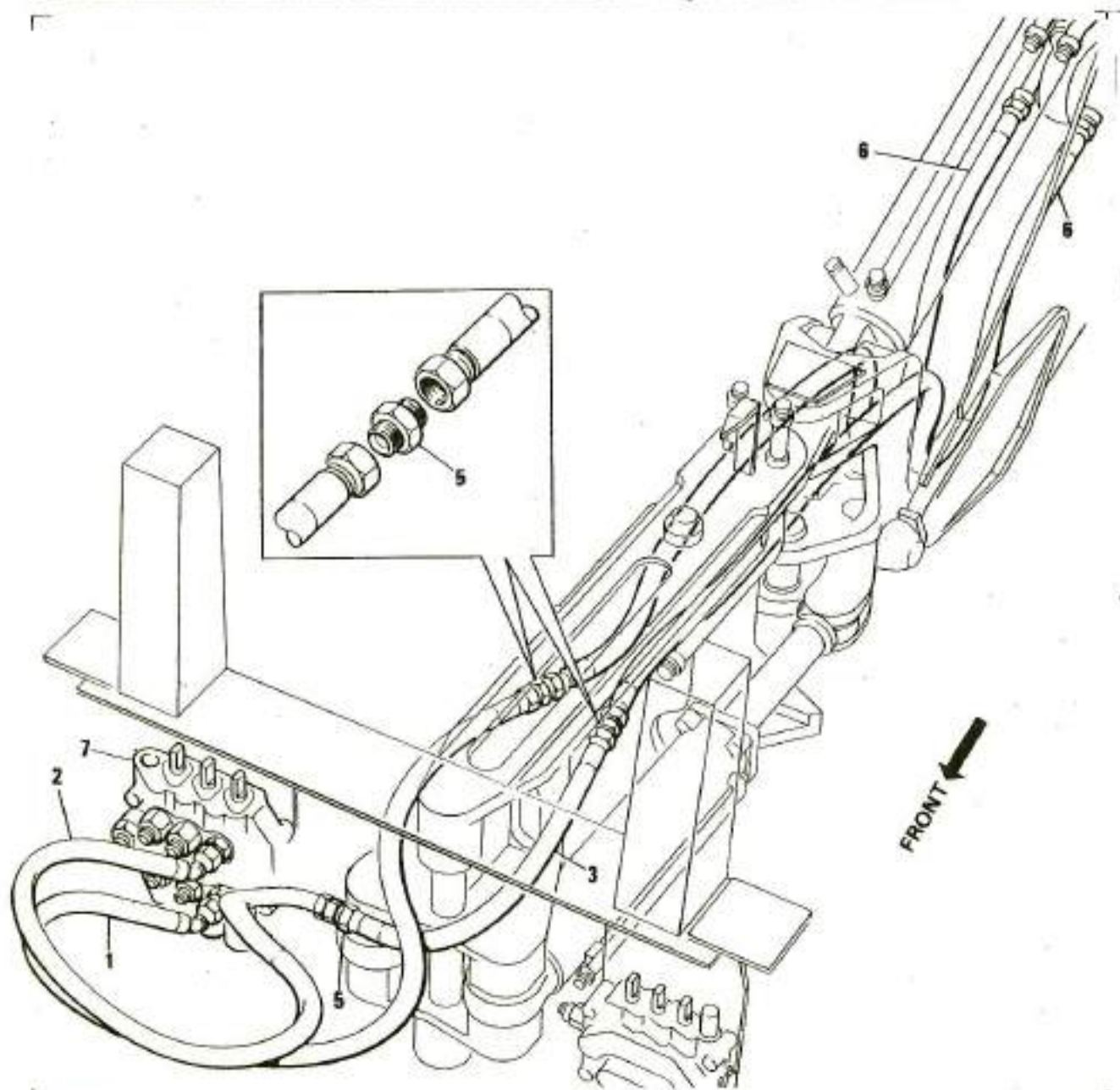
HYDRAULICS - VALVE TO BOOM  
PIPES (BUCKET CYLINDER)

ISSUE 2

SHEET 1 of 1

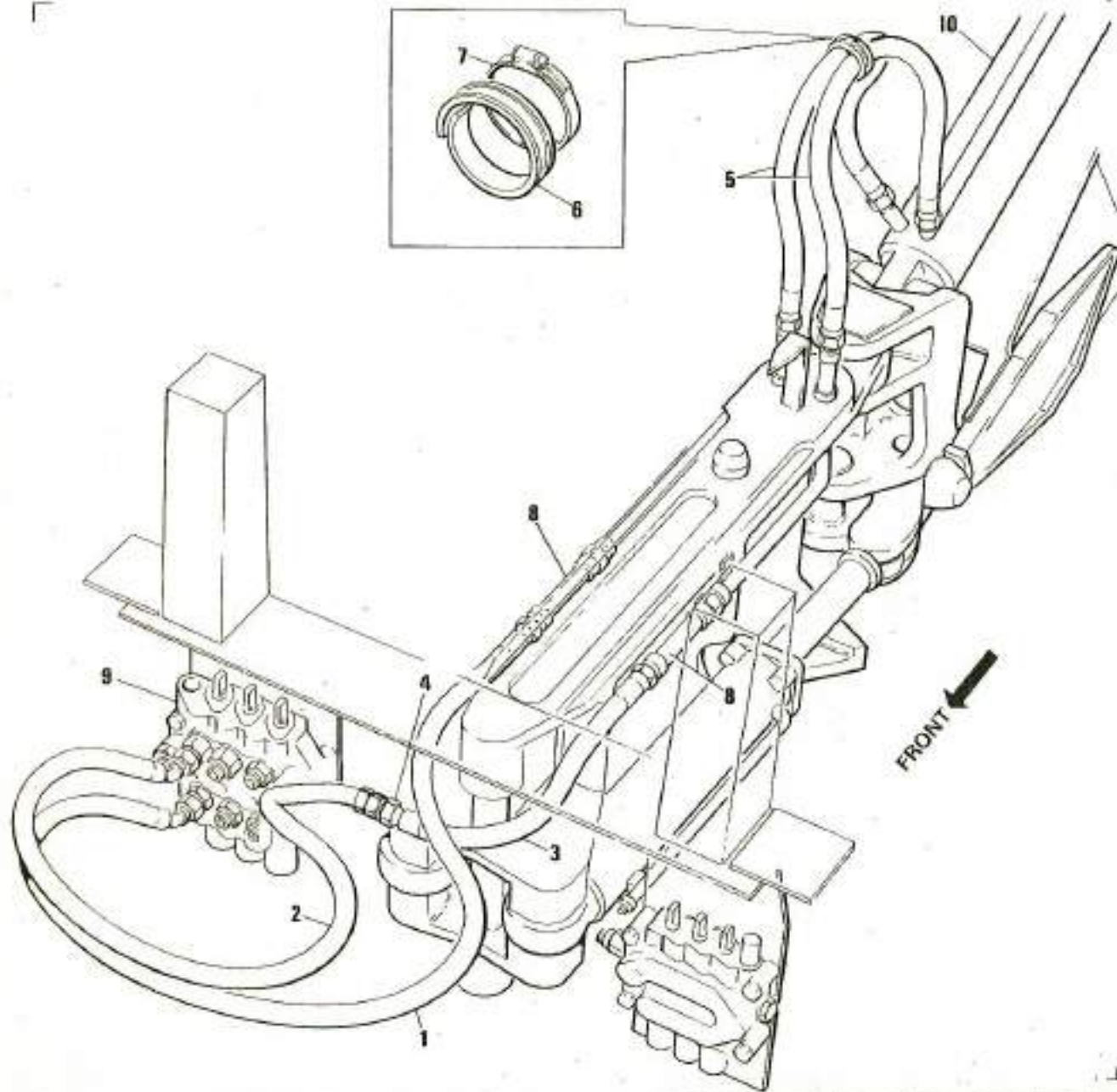
750 2642 B

ALWAYS QUOTE FULL MACHINE SERIAL NUMBER



ITEM	PART NO.	DESCRIPTION	QTY
1	307 8545	HOSE ASSEMBLY	1
2	307 8546	HOSE ASSEMBLY	1
3	307 8544	HOSE ASSEMBLY	1
4			
5	271 5639	ADAPTOR	2
6	307 8547	HOSE ASSEMBLY	2
7		EXCAVATOR VALVE ASSEMBLY	





ITEM	PART NO.	DESCRIPTION	QTY
1	307 8545	HOSE ASSEMBLY	1
2	307 8546	HOSE ASSEMBLY	1
3	307 8544	HOSE ASSEMBLY	1
4	271 5639	ADAPTOR	1
5	307 8537	HOSE ASSEMBLY	2
6	713 1212	HOSE PROTECTOR	1
7	176 1015	HOSE CLIP	1
8	413 8609	TUBE ASSEMBLY	2
9		EXCAVATOR VALVE ASSEMBLY	1
10		EXCAVATOR LIFT CYLINDER	1

**HVMAC**

TITLE

370 C

VALVE TO EXCAVATOR LIFT  
CYLINDER

ALWAYS QUOTE FULL MACHINE SERIAL NUMBER

ISSUE

1

SHEET 1 of 1

750 2643 B

**HVMAC**

TITLE

**370 C** HYDRAULICS - VALVE TO  
SLEW CYLINDERS

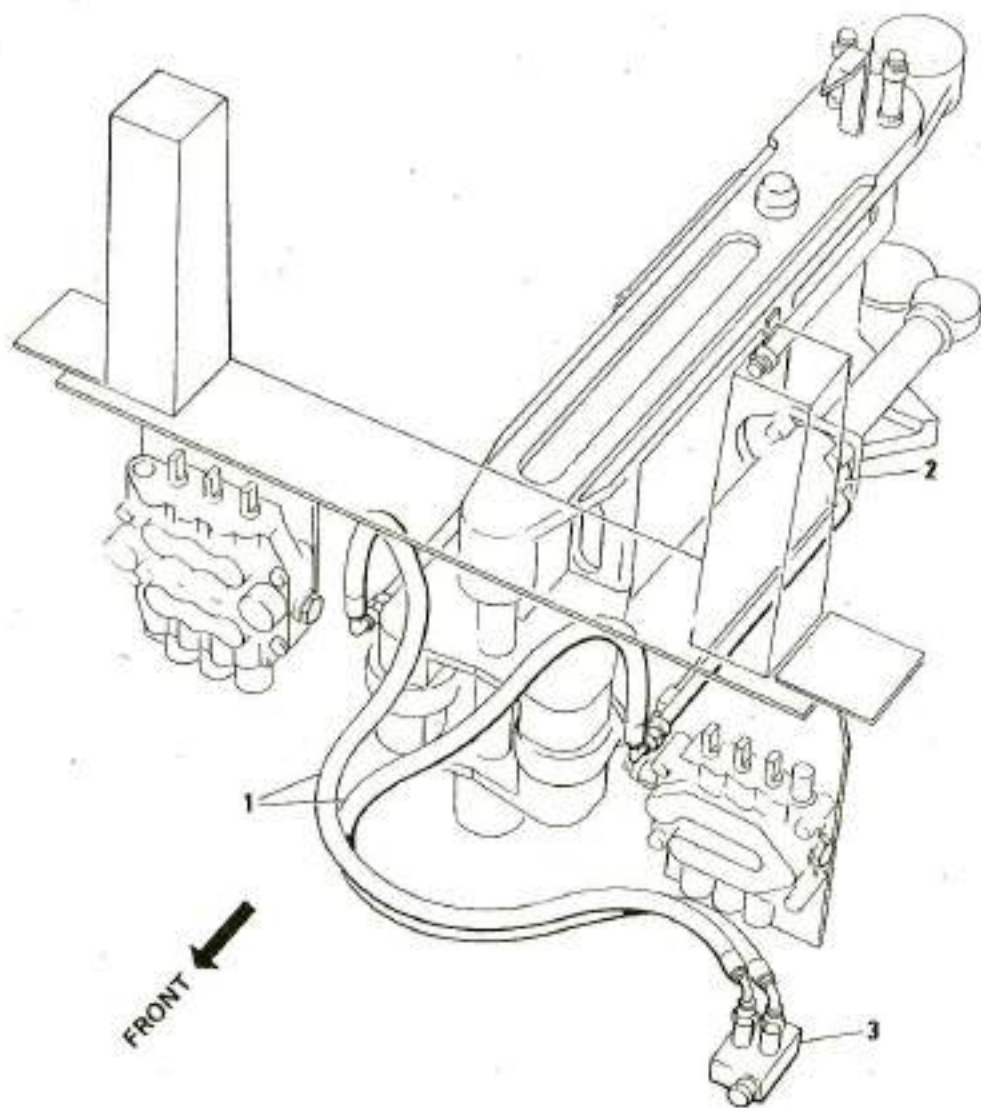
ISSUE 1

752 2644 B

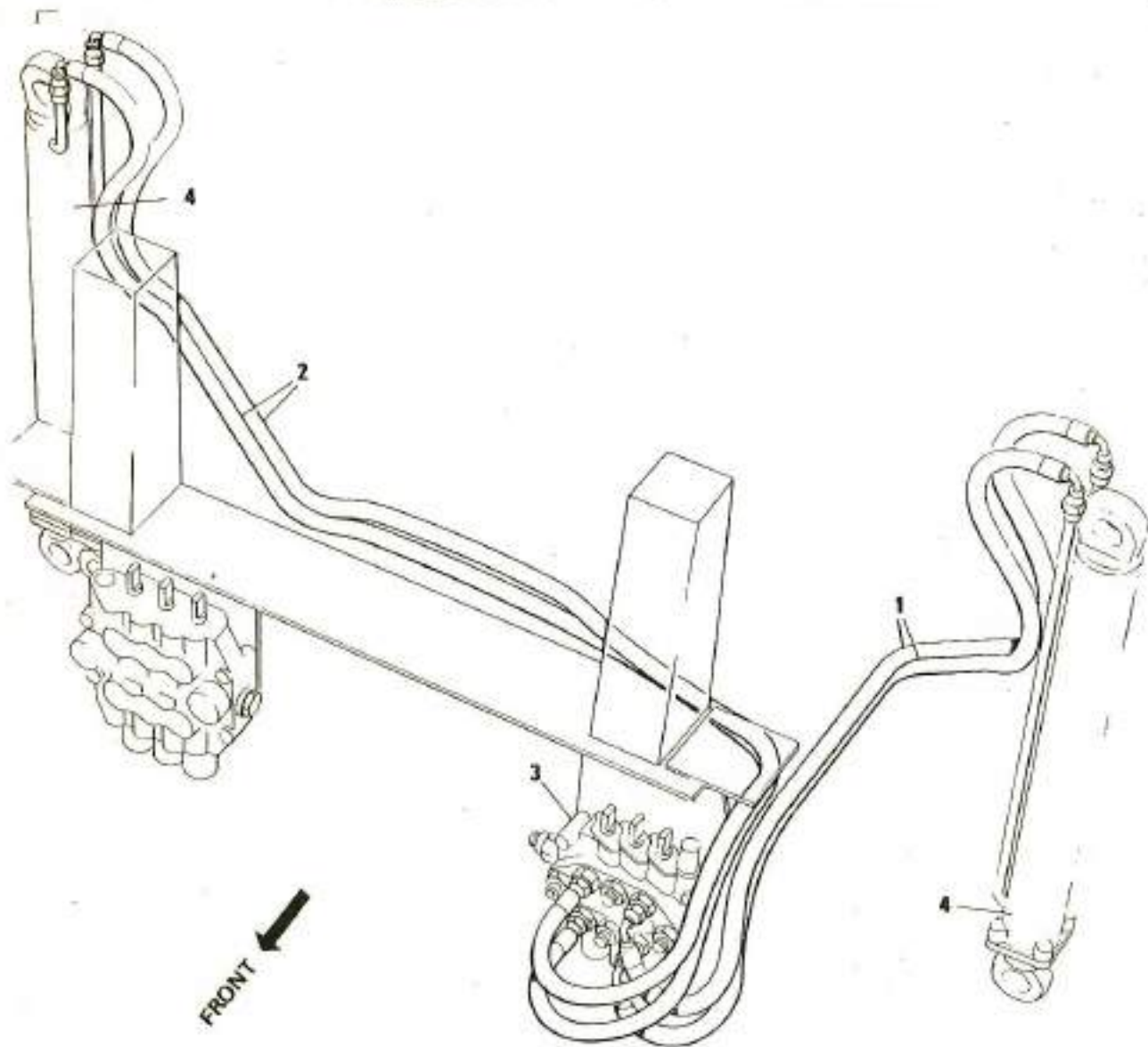
ALWAYS QUOTE FULL MACHINE SERIAL NUMBER

SHEET 1 of 1

ITEM	PART NO.	DESCRIPTION	QTY
1	307 8206	HOSE ASSEMBLY	2
2		SLEW CYLINDER ASSEMBLY	1
3		CROSSLINE RELIEF VALVE	1







ITEM	PART NO.	DESCRIPTION	QTY
1	307 8207	HOSE ASSEMBLY	2
2	307 8204	HOSE ASSEMBLY	2
3		EXCAVATOR VALVE ASSY	1
4		STABILISER CYLINDER ASSY	2

**HVMAC**

TITLE

370 C

HYDRAULICS - VALVE TO  
STABILISER CYLINDERS

ISSUE 1

SHEET 1 of 1

751 2645 B

ALWAYS QUOTE FULL MACHINE SERIAL NUMBER

**HVMAC**

TITLE

370 C

VALVE TO LOADER LIFT  
AND BUCKET CYLINDERS

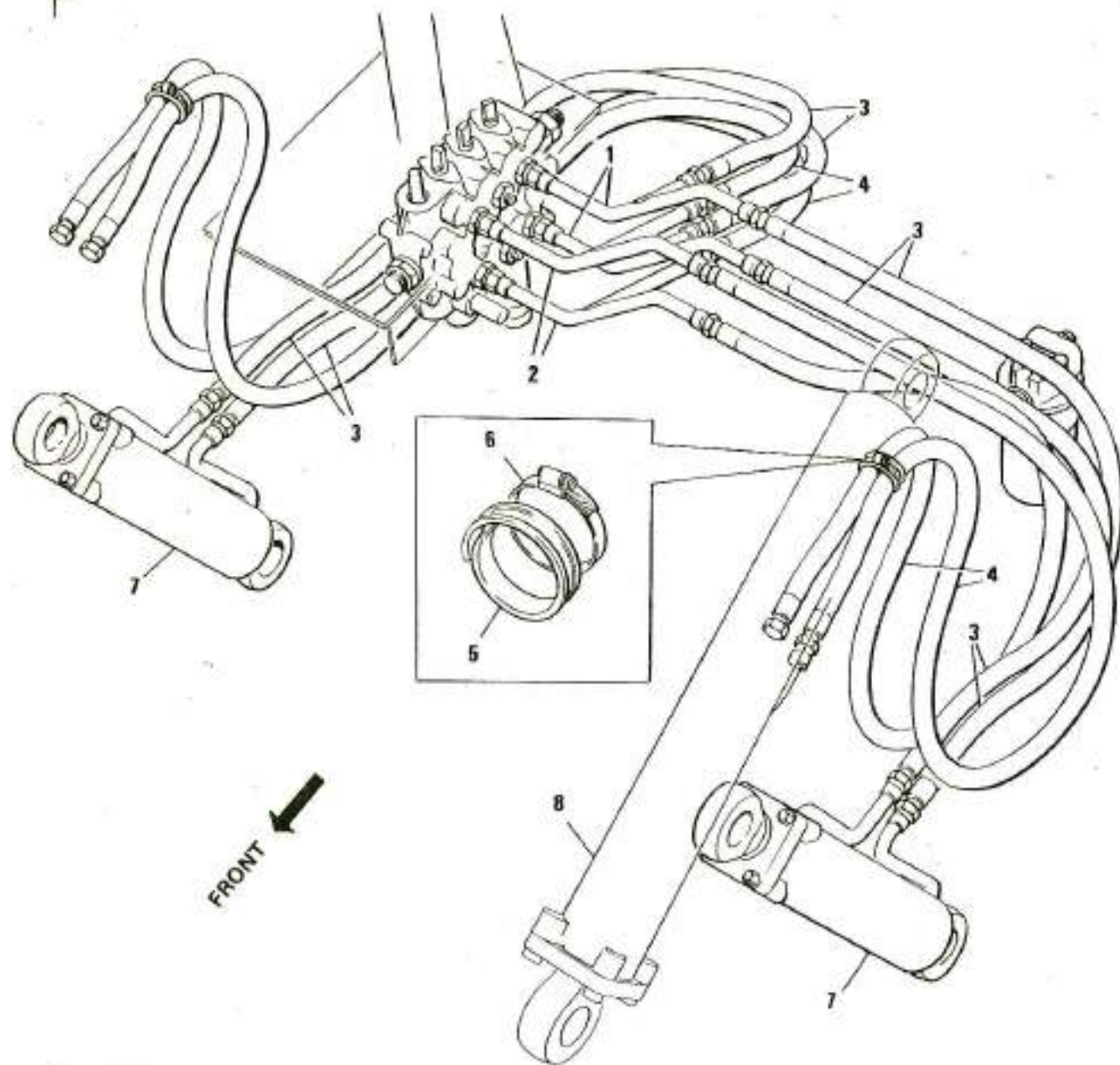
ALWAYS QUOTE FULL MACHINE SERIAL NUMBER

ISSUE

1

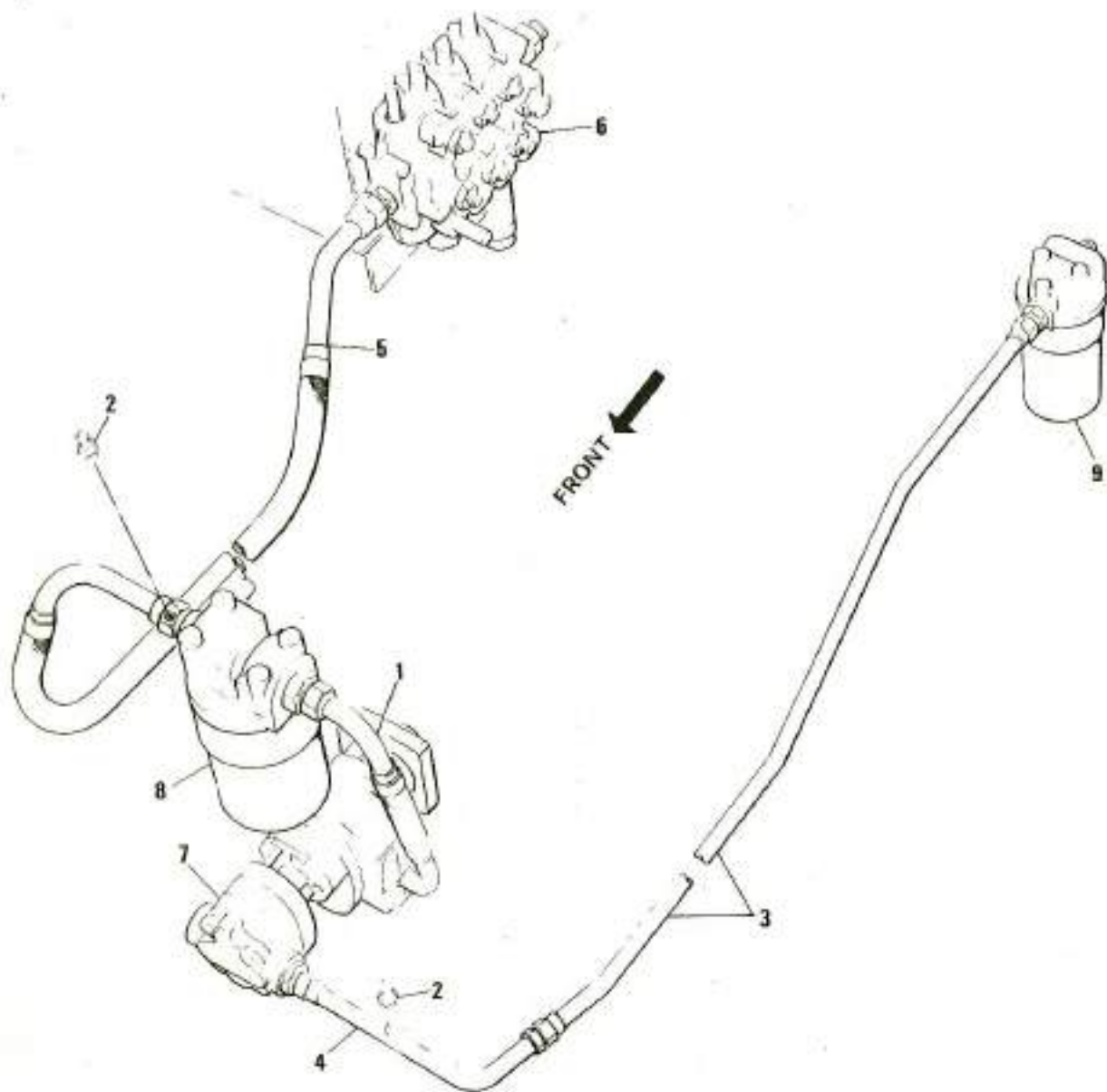
SHEET 1 of 1

752 2646 B



ITEM	PART NO.	DESCRIPTION	QTY
1	413 8498	TUBE ASSEMBLY	2
2	413 8496	TUBE ASSEMBLY	2
3	307 8302	HOSE ASSEMBLY	4
4	307 8303	HOSE ASSEMBLY	4
5	713 1212	HOSE PROTECTOR	2
6	176 1015	HOSE CLIP	2
7		LOADER LIFT CYLINDER ASSY	2
8		BUCKET CYLINDER ASSEMBLY	2





ITEM	PART NO.	DESCRIPTION	QTY
1	307 8777	HOSE ASSEMBLY	1
2	271 1403	NIPPLE	2
3	271 8303	HOSE ASSEMBLY	1
4	413 8493	TUBE ASSEMBLY	1
5	307 8776	HOSE ASSEMBLY	1
6		LOADER VALVE ASSEMBLY	1
7		TANDEM PUMP ASSEMBLY	1
8		H.P.FILTER ASSEMBLY	1
9		H.P.FILTER ASSEMBLY	1

**HVMAC**

TITLE

370 C

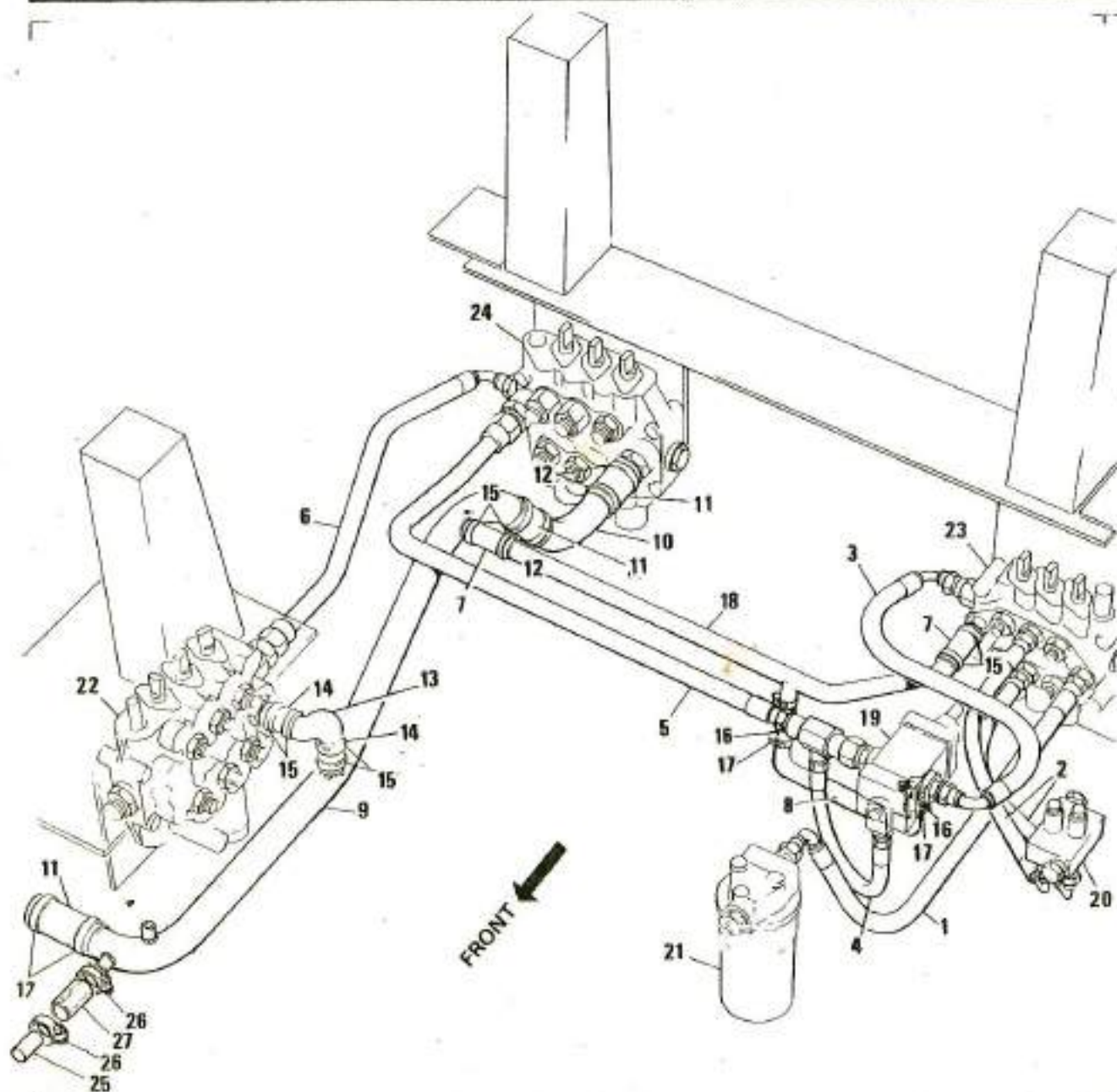
HYDRAULICS - PUMP TO FILTERS  
AND VALVE

ISSUE 2

SHEET 1 of 1

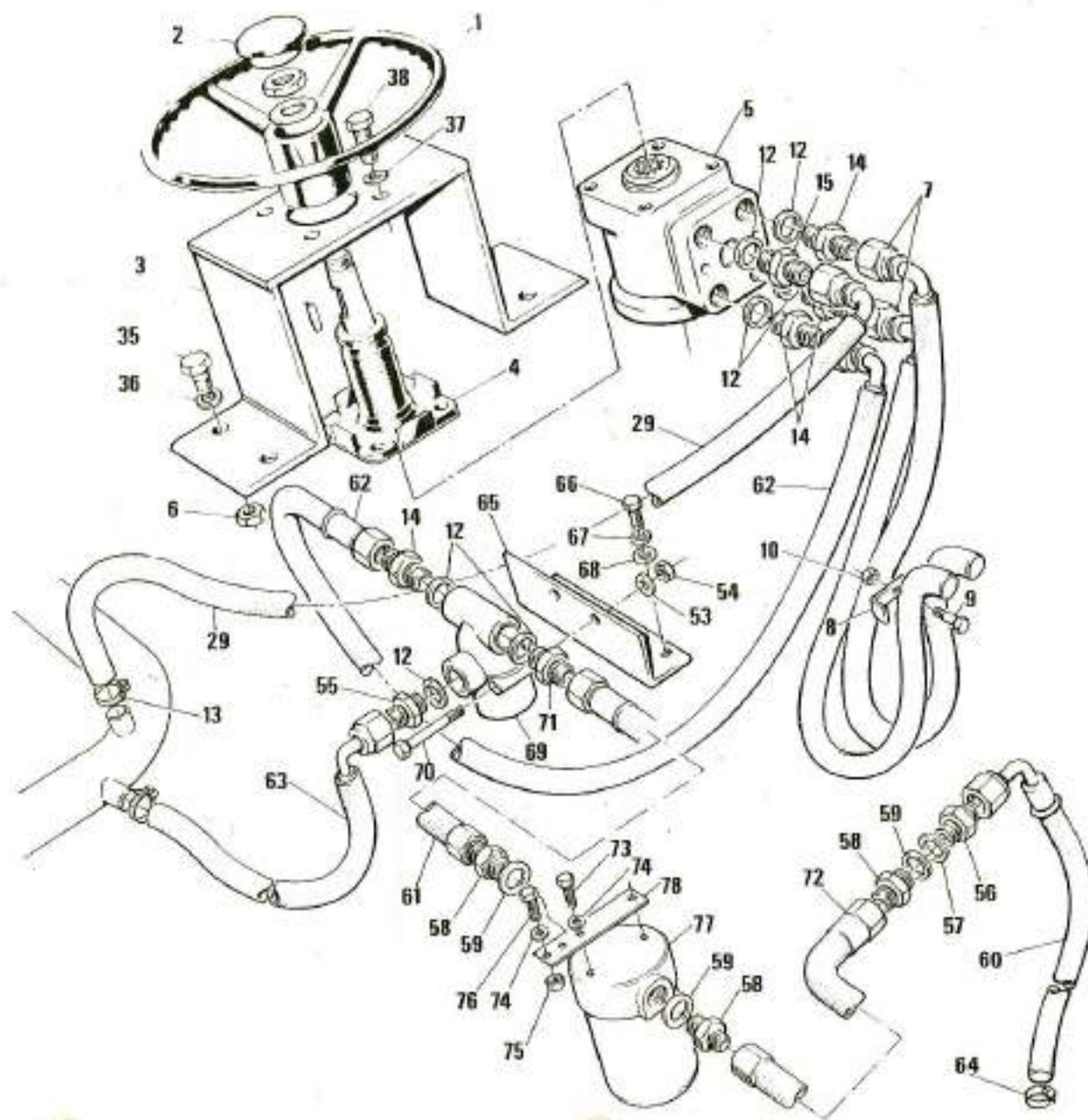
752 2647 B

ALWAYS QUOTE FULL MACHINE SERIAL NUMBER

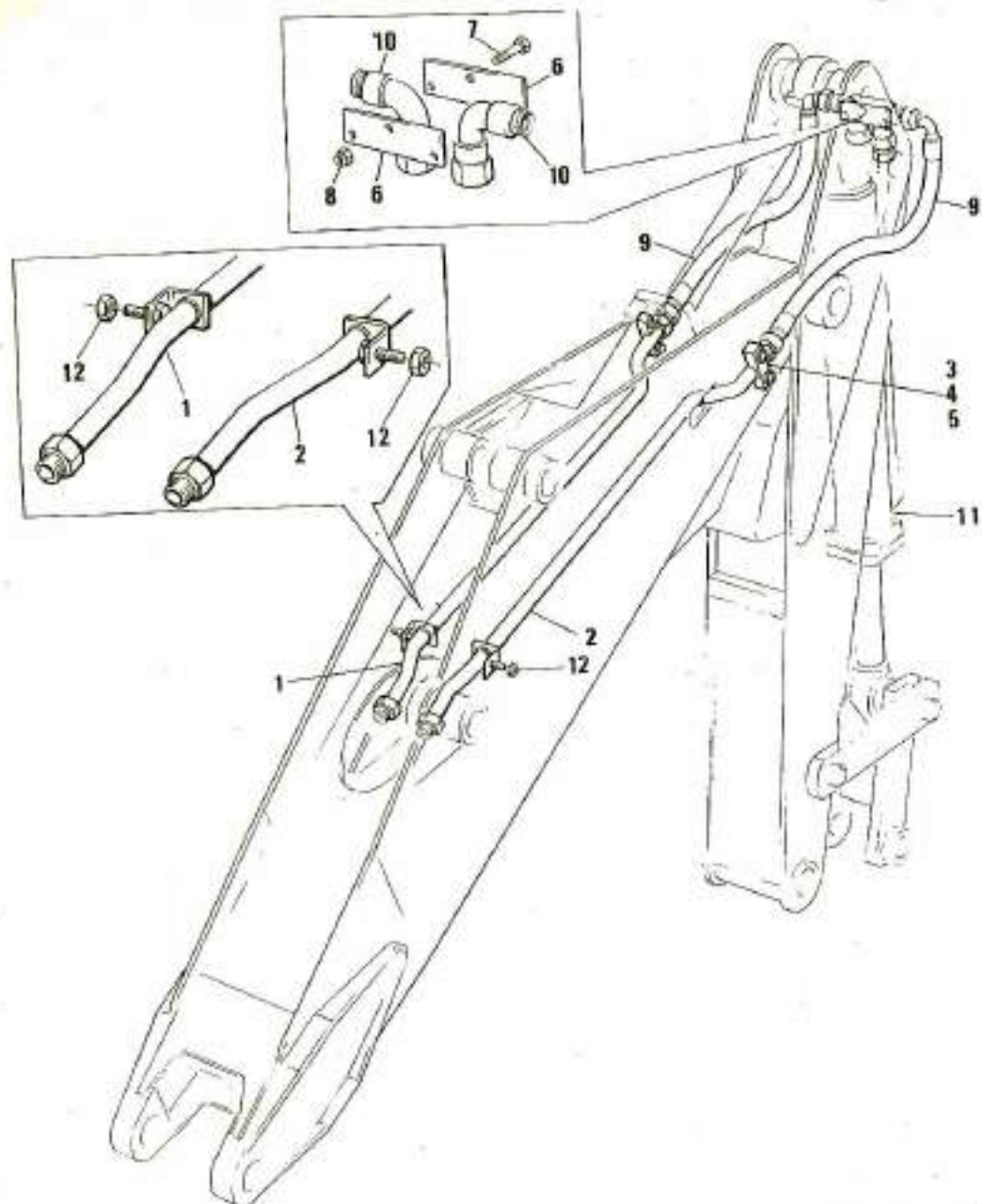


ITEM	PART NO.	DESCRIPTION	QTY
1	307 8297	HOSE ASSEMBLY	1
2	307 8205	HOSE ASSEMBLY	2
3	307 8305	HOSE ASSEMBLY	1
4	307 8034	HOSE ASSEMBLY	1
5	307 8313	HOSE ASSEMBLY	1
6	308 8320	HOSE ASSEMBLY	1
7	307 0379	HOSE	A/R
8	413 1093	TUBE	1
9	414 9170	TUBE	1
10	414 2052	TUBE	1
11	307 0465	HOSE	3
12	176 1015	HOSE CLIP	6
13	413 5535	TUBE	1
14	307 0380	HOSE	A/R
15	176 1013	HOSE CLIP	8
16	307 0378	HOSE	A/R
17	176 1010	HOSE CLIP	4
18	413 8667	TUBE	1
19		UNLOADER VALVE	1
20		CROSSLINE RELIEF VALVE	1
21		H.P.OIL FILTER	1
22		LOADER VALVE	1
23		EXCAVATOR VALVE	1
24		EXCAVATOR VALVE	1
25	406 4100	PIN (MANUAL ONLY)	1
26	176 1010	HOSE CLIP (MANUAL ONLY)	2
27	397 0378	HOSE (MANUAL ONLY)	1





ITEM	PART NO.	DESCRIPTION	QTY
1	487 0014	STEERING WHEEL	1
2	187 0105	CAP	1
3	122 9848	BRACKET	1
4	487 7014	STEERING COLUMN	1
5		STEERING UNIT	1
6	643 0801	NUT	4
7	307 8209	HOSE-UNIT TO CYLINDER	2
8	176 2447	HOSE CLAMP	2
9	635 1050	BOLT	2
10	642 1801	NUT	2
12	490 6018	BONDED SEAL	7
13	176 1808	HOSE CLIP	1
14	271 5642	ADAPTOR	4
15	271 5635	ADAPTOR	1
29	307 8320	HOSE ASSEMBLY	1
35	635 1035	BOLT	4
36	716 1030	WASHER	4
37	716 0830	WASHER	4
38	644 0825	SCREW	4
53	716 0601	WASHER	2
54	642 0601	NUT	2
55	271 5643	ADAPTOR	1
56	271 5637	ADAPTOR	1
57	490 5021	BONDED SEAL	1
58	271 5773	ADAPTOR	3
59	490 5015	BONDED SEAL	3
60	307 8781	HOSE ASSEMBLY	1
61	307 8184	HOSE ASSEMBLY	1
62	307 8212	HOSE ASSEMBLY	1
63	307 8558	HOSE ASSEMBLY	1
64	176 1013	HOSE CLIP	1
65	122 1158	BRACKET	1
66	653 6815	SCREW	2
67	651 0706	WASHER	2
68	651 0606	WASHER	2
69	574 7135	VALVE	1
70	635 0605	BOLT	2
71	271 5774	ADAPTOR	1
72	307 8200	HOSE ASSEMBLY	1
73	644 0820	SCREW	2
74	716 0801	WASHER	4
75	642 0801	NUT	2
76	635 0830	BOLT	2
77	270 7111	FILTER	1
78	486 2642	FLAT	1



ITEM	PART NO.	DESCRIPTION	QTY
1	413 8612	TUBE ASSEMBLY	1
2	413 8611	TUBE ASSEMBLY	1
3	635 1045	SCREW	4
4	716 1039	WASHER	4
5	176 3284	PIPE CLAMP	2
6	N.S.S.	PLATE	2
7	635 0850	BOLT	3
8	642 0801	NUT	3
9	307 8548	HOSE ASSEMBLY	2
10	413 8610	ELBOW	2
11		BUCKET CYLINDER	1
12	642 1201	NUT	2

<b>HVMAC</b>	TITLE	370 C HYDRAULICS-JIB PIPE TO BUCKET CYLINDER	ISSUE 1
	ALWAYS QUOTE FULL MACHINE SERIAL NUMBER		SHEET 1 OF 1

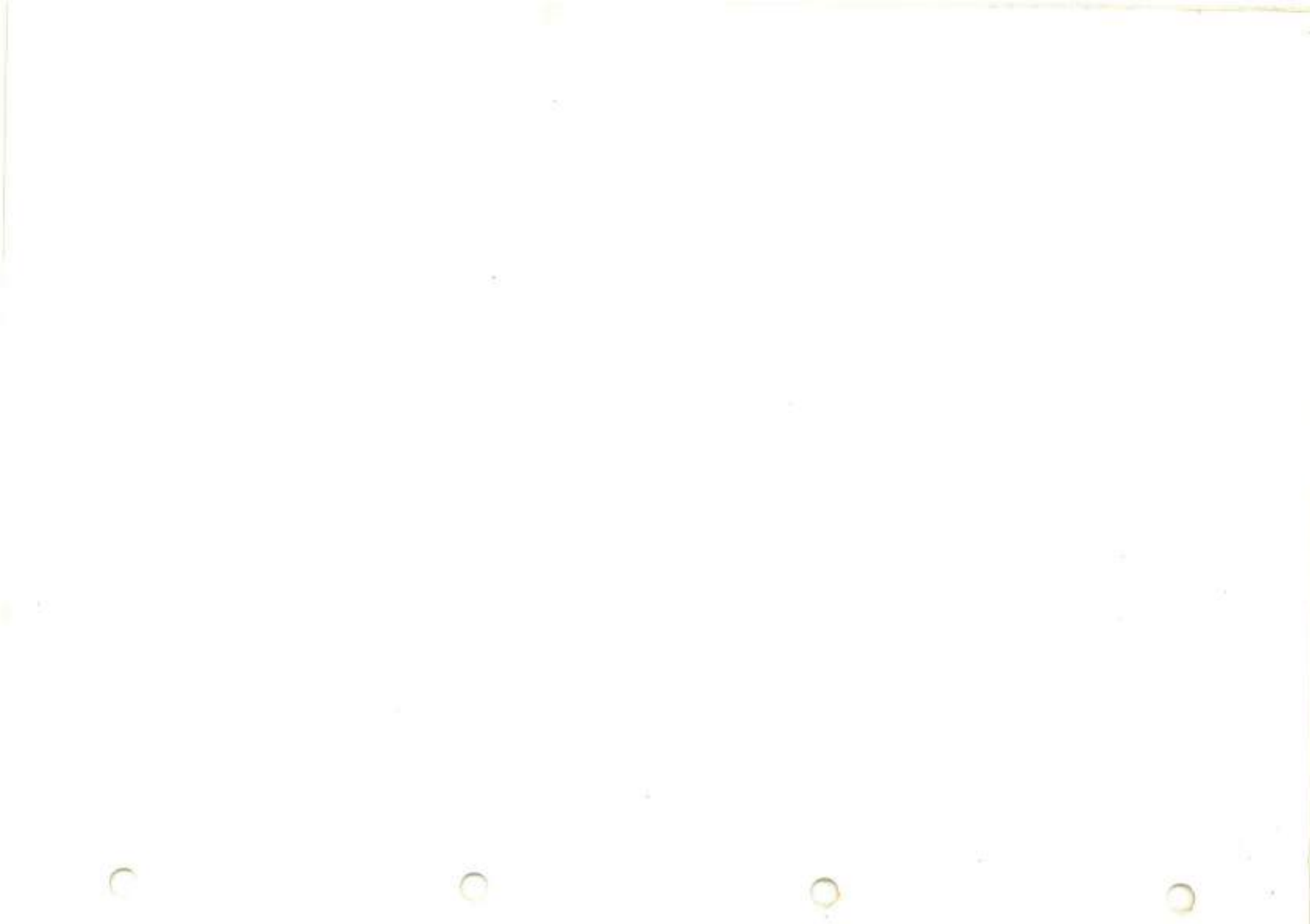
752 2649 B

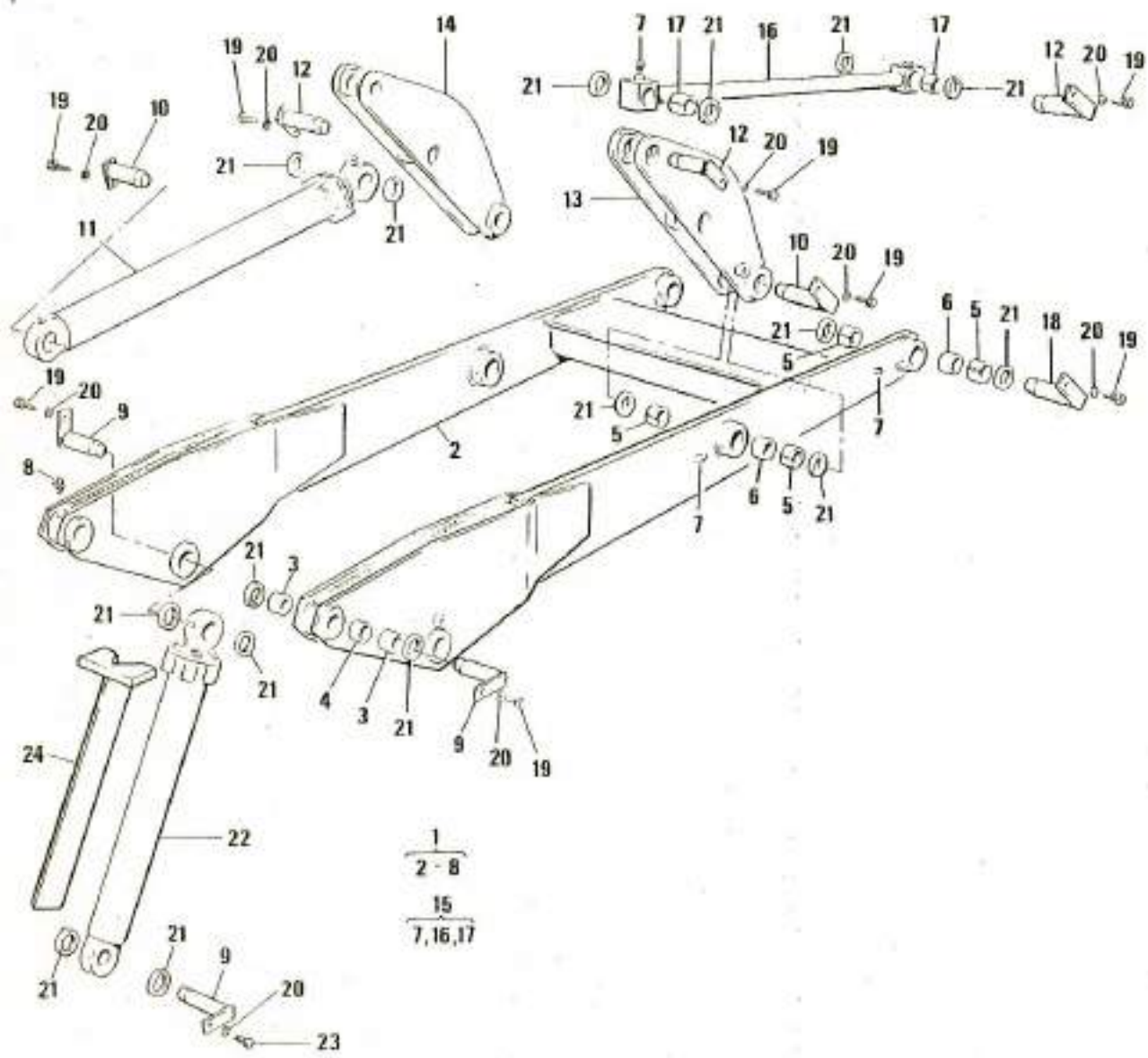
## INDEX

### SECTION 'C' : WORKING EQUIPMENT

ASSEMBLY REF. NO.	DESCRIPTION
752 2651	LOADER ASSEMBLY
751 2652	4 in 1 BUCKET ASSEMBLY
750 2653	4 in 1 BUCKET - HYDRAULICS - VALVE TO BUCKET
750 2654	4 in 1 BUCKET - SELECTOR VALVE ASSEMBLY
750 2655	4 in 1 BUCKET - RELIEF VALVE ASSEMBLY
750 2656	4 in 1 BUCKET - BUCKET CYLINDER
753 2657	EXCAVATOR ASSEMBLY
751 2658	SWINGFRAME AND SLEWPOST ASSEMBLY
751 2659	STABILISER LEG ASSEMBLY
754 2660	MAINFRAME

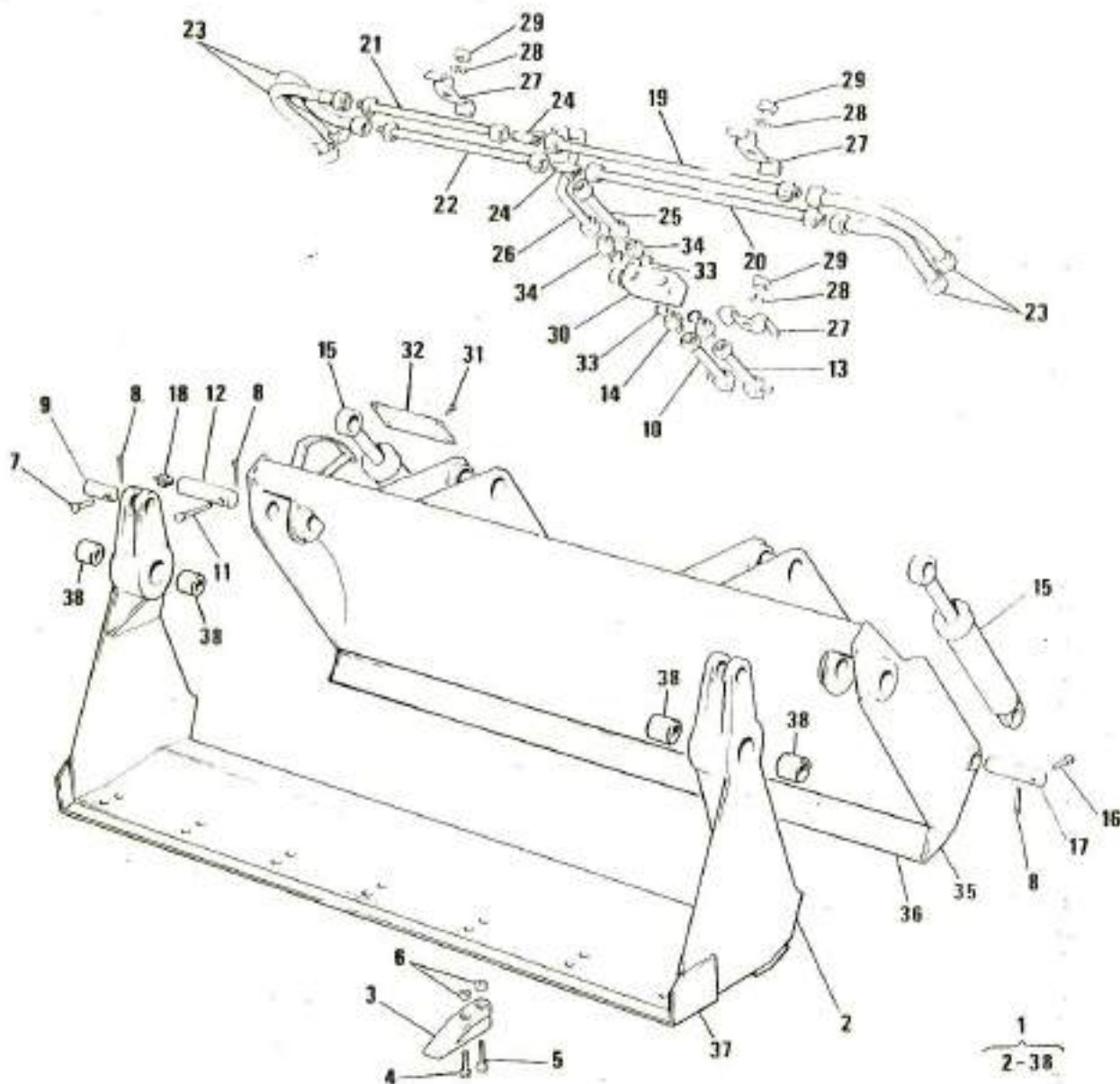






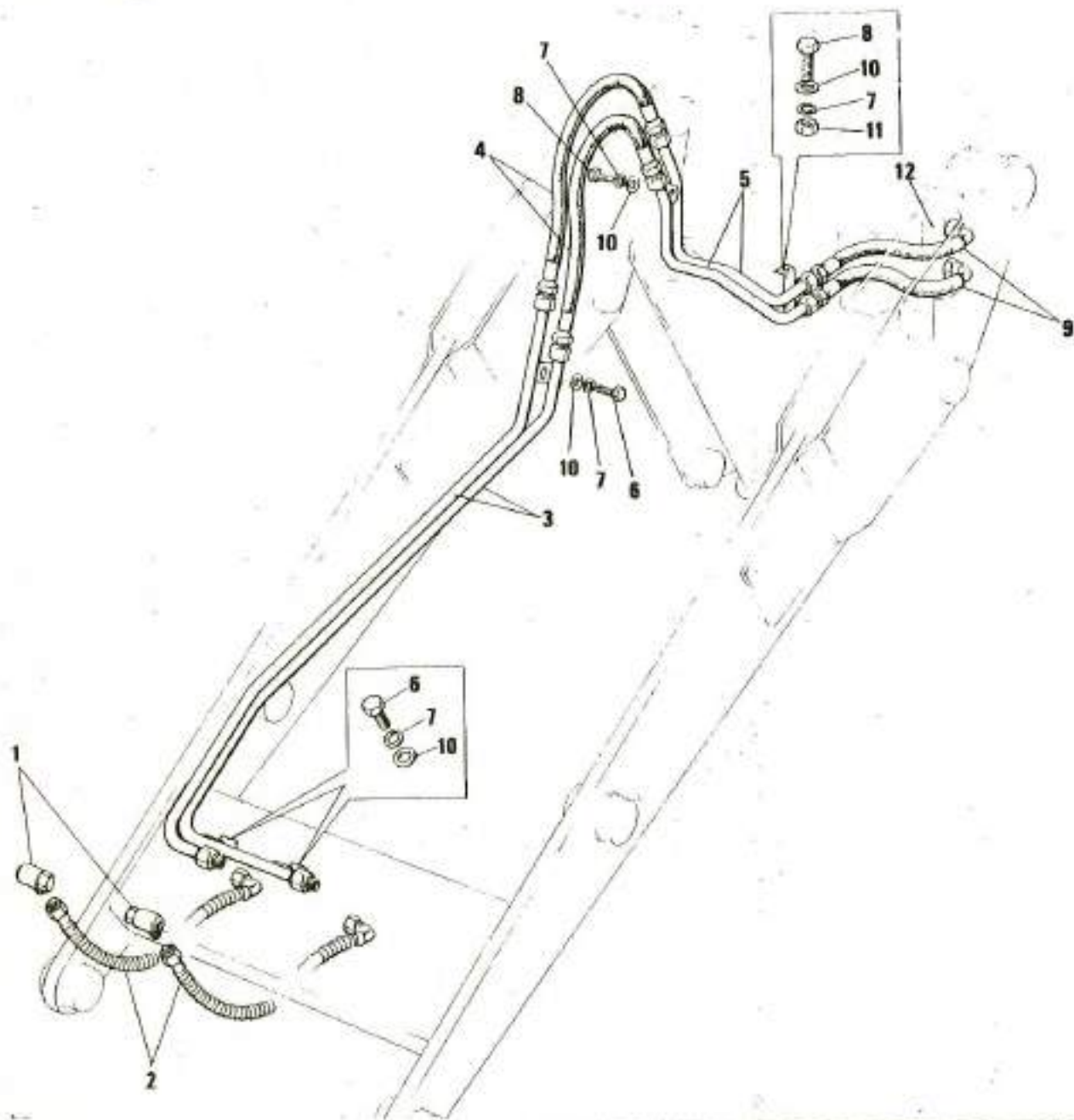
ITEM	PART NO.	DESCRIPTION	QTY
1	354 8002	LOADER ARM ASSEMBLY	1
2	N.S.S.	LOADER ARM	1
3	131 5109	BUSH	4
4	131 5103	SPACER	2
5	131 5110	TENSION BUSH	8
6	131 5102	SPACER	4
7	271 0151	GREASE NIPPLE	8
8	271 1289	GREASE NIPPLE	2
9	406 9497	PIN	6
10	406 9509	PIN	4
11		BUCKET CYLINDER	2
12	406 9510	PIN	6
13	351 9384	R.H. TIPPING LEVER	1
14	351 9385	L.H. TIPPING LEVER	1
15	349 8036	TIPPING LINK ASSEMBLY	2
16	N.S.S.	TIPPING LINK	1
17	131 5108	TENSION BUSH	2
7	271 0151	GREASE NIPPLE	2
18	406 9500	PIN	2
19	644 1230	SCREW	16
20	716 1230	WASHER	18
21	588 5028	WASHER	A/R
22		LIFT CYLINDER	2
23	644 1225	SCREW	2
24	486 8021	SUPPORT ARM	2

$\frac{1}{2-8}$   
 $\frac{15}{7,16,17}$



ITEM	PART NO.	DESCRIPTION	QTY
1	125 7020	BUCKET ASSEMBLY	1
2	125 9364	CLAM (INCL ITEM 37)	1
3	539 1052	TOOTH	7
4	127 0529	BOLT	7
5	127 0528	BOLT	7
6	650 2269	NUT	14
7	406 3743	CLEVIS PIN	2
8	406 4105	SPLIT PIN	6
9	406 4106	PIVOT PIN	2
10	413 7009	TUBE ASSEMBLY	1
11	406 3744	CLEVIS PIN	2
12	406 4107	PIVOT PIN	2
13	413 7010	TUBE ASSEMBLY	1
14	271 1127	ADAPTOR	2
15		CYLINDER ASSEMBLY	2
16	406 3745	CLEVIS PIN	2
17	406 4108	PIVOT PIN	2
18	271 1348	GREASE NIPPLE	2
19	413 7001	TUBE ASSEMBLY	1
20	413 7002	TUBE ASSEMBLY	1
21	413 7003	TUBE ASSEMBLY	1
22	413 7004	TUBE ASSEMBLY	1
23	307 0411	HOSE ASSEMBLY	4
24	271 2061	TEE	2
25	413 7005	TUBE ASSEMBLY	1
26	413 7006	TUBE ASSEMBLY	1
27	170 3221	PIPE CLAMP	3
28	588 5884	WASHER	3
29	650 2247	NUT	3
30		RELIEF VALVE ASSEMBLY	1
31	127 1378	SCREW	4
32	350 0894	NAMEPLATE	1
33	490 6539	'O' RING	4
34	271 1128	ADAPTOR	2
35	125 9423	BUCKET (INCL ITEM 36)	1
36	125 0699	BLADE	1
37	125 0698	CLAM CUTTING EDGE	1
38	133 0081	BUSH	4





ITEM	PART NO.	DESCRIPTION	QTY
1	271 1126	ROTARY UNION	2
2	307 0412	HOSE ASSEMBLY	2
3	413 8502	TUBE	1
4	307 8312	HOSE ASSEMBLY	2
5	413 8501	TUBE	1
6	644 1020	SCREW	3
7	716 1030	WASHER	5
8	044 1030	SCREW	2
9	307 8298	HOSE ASSEMBLY	2
10	716 1001	WASHER	5
11	643 1001	NUT	1
12		SELECTOR VALVE ASSEMBLY	1

**HVMAC**

TITLE

370 C 4 in 1 BUCKET  
 HYDRAULICS - VALVE TO BUCKET  
 ALWAYS QUOTE FULL MACHINE SERIAL NUMBER

ISSUE

2

SHEET 1 of 1

750 2653 C

**HYMAC**

TITLE

370 C

4 in 1 BUCKET

SELECTOR VALVE ASSEMBLY

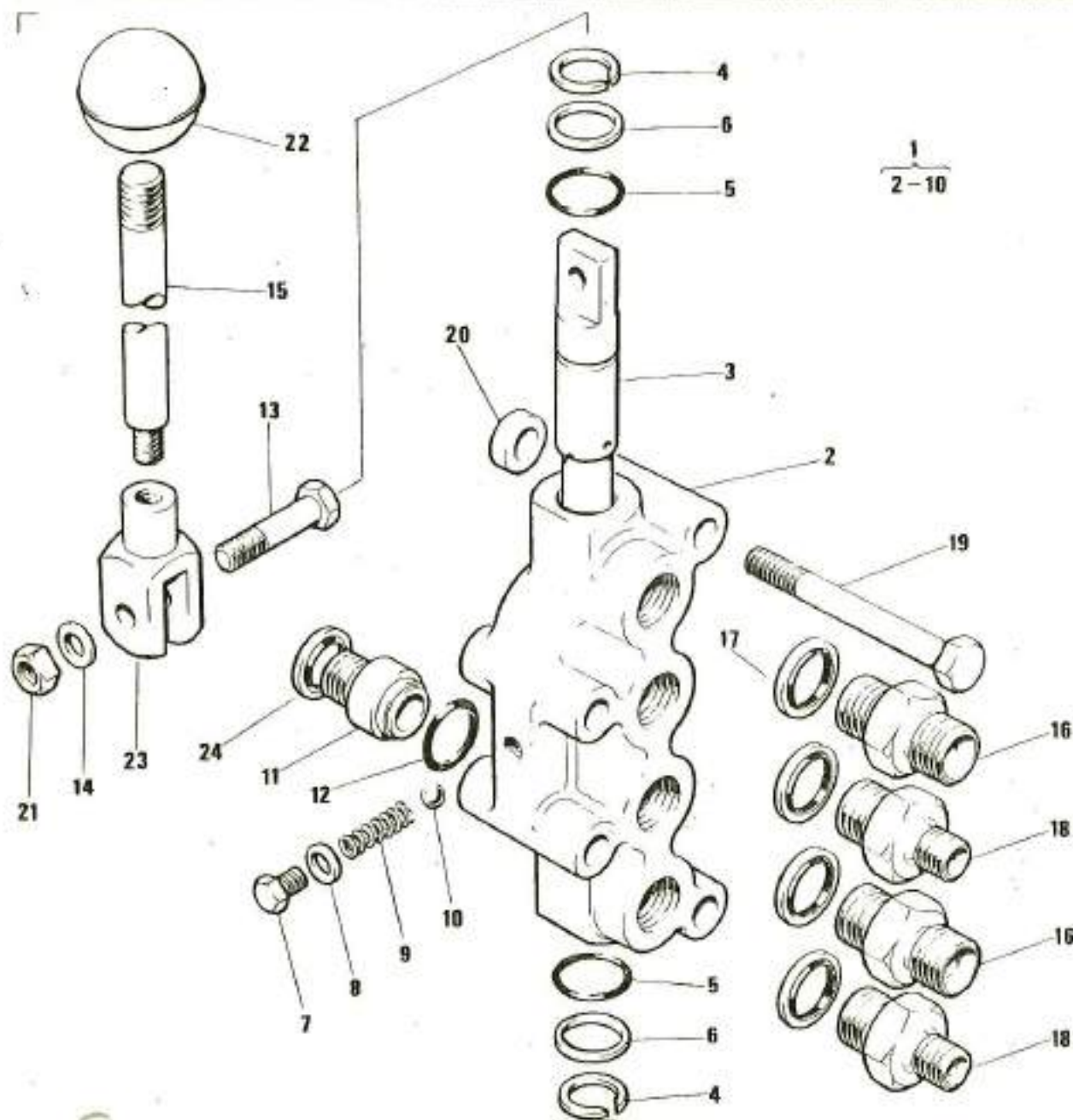
ALWAYS QUOTE FULL MACHINE SERIAL NUMBER

ISSUE

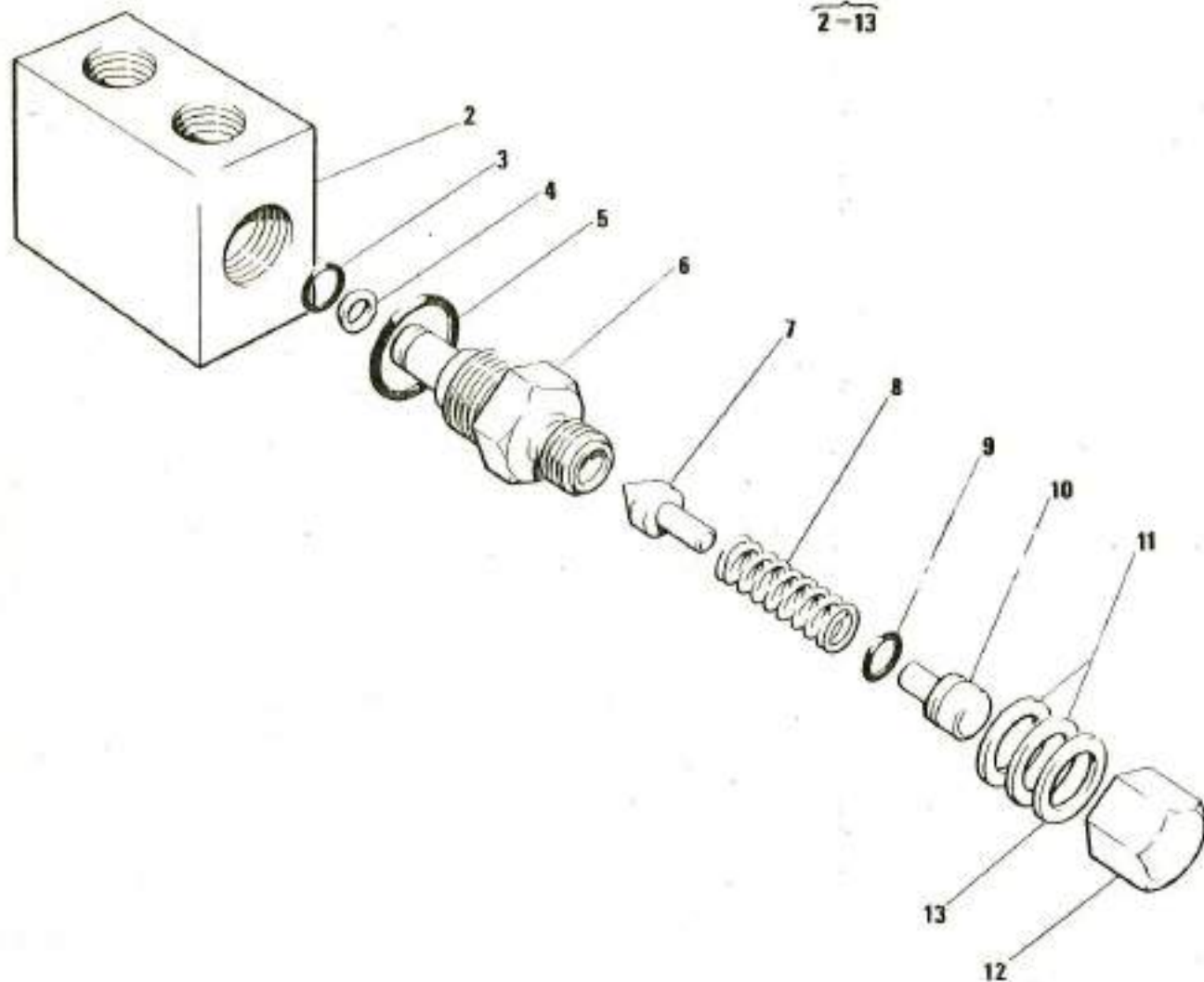
1

SHEET 1 of 1

750 2654 C



ITEM	PART NO.	DESCRIPTION	QTY
1	574 7808	SELECTOR VALVE ASSEMBLY	1
2	N.S.S.	BODY	1
3	N.S.S.	VALVE SPOOL	1
4	184 0311	CIRCLIP	2
5	490 6326	'O' RING	2
6	450 0219	BACK-UP RING	2
7	127 1320	SCREW	1
8	588 5623	WASHER	1
9	403 0276	SPRING	1
10	111 0041	DETENT BALL	1
11	271 1346	NIPPLE	2
12	490 6472	'O' RING	2
13	644 0825	SCREW	1
14	716 0830	WASHER	1
15	351 0358	CONTROL LEVER	1
16	271 5635	NIPPLE	2
17	490 5018	BONDED SEAL	4
18	271 5673	NIPPLE	2
19	654 4631	SCREW	4
20	495 0702	SPACER	4
21	643 0801	NUT	1
22	344 0126	CONTROL KNOB	1
23	272 0178	CLEVIS	1
24	490 5021	BONDED SEAL	2



1  
2-13

ITEM	PART NO.	DESCRIPTION	QTY
1	574 7166	RELIEF VALVE ASSEMBLY	1
2	N.S.S.	BODY	1
3	490 6494	'O' RING	1
4	450 0243	BACK-UP WASHER	1
5	490 6495	'O' RING	1
6	574 0334	RELIEF VALVE HOUSING	1
7	498 0048	POPPET	1
8	403 0277	SPRING	1
9	490 6496	'O' RING	1
10	493 0031	SPRING GUIDE	1
11	494 0210	SHIM	A/R
12	385 0560	NUT	1
13	508 5883	WASHER	1

**HVMAC**

TITLE

370 C

4 in 1 BUCKET

RELIEF VALVE ASSEMBLY

ALWAYS QUOTE FULL MACHINE SERIAL NUMBER

ISSUE

2

SHEET 1 of 1

750 2655 C



**HVMAC**

TITLE

370 C 4 in 1 BUCKET  
BUCKET CYLINDER

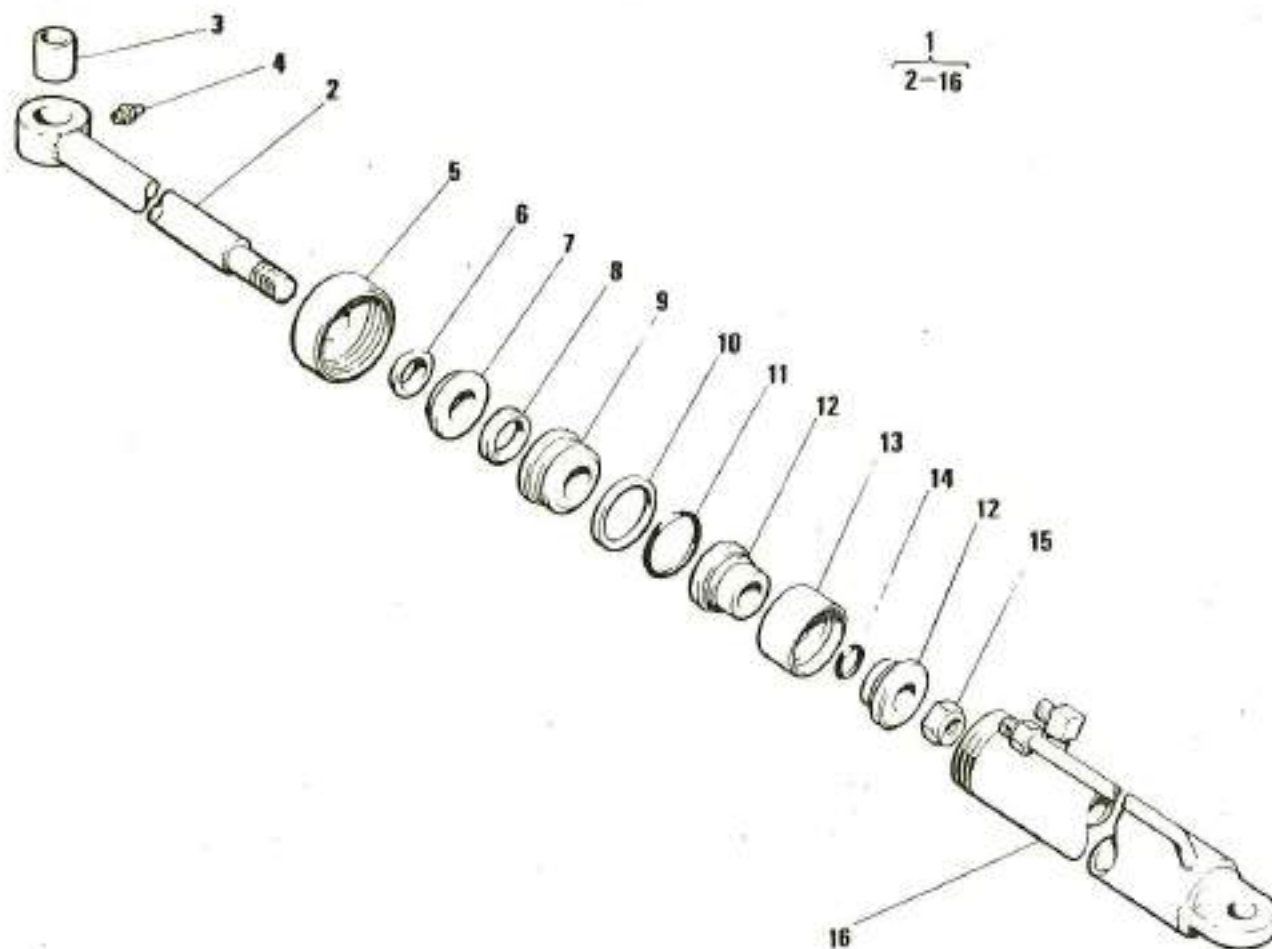
ALWAYS QUOTE FULL MACHINE SERIAL NUMBER

ISSUE

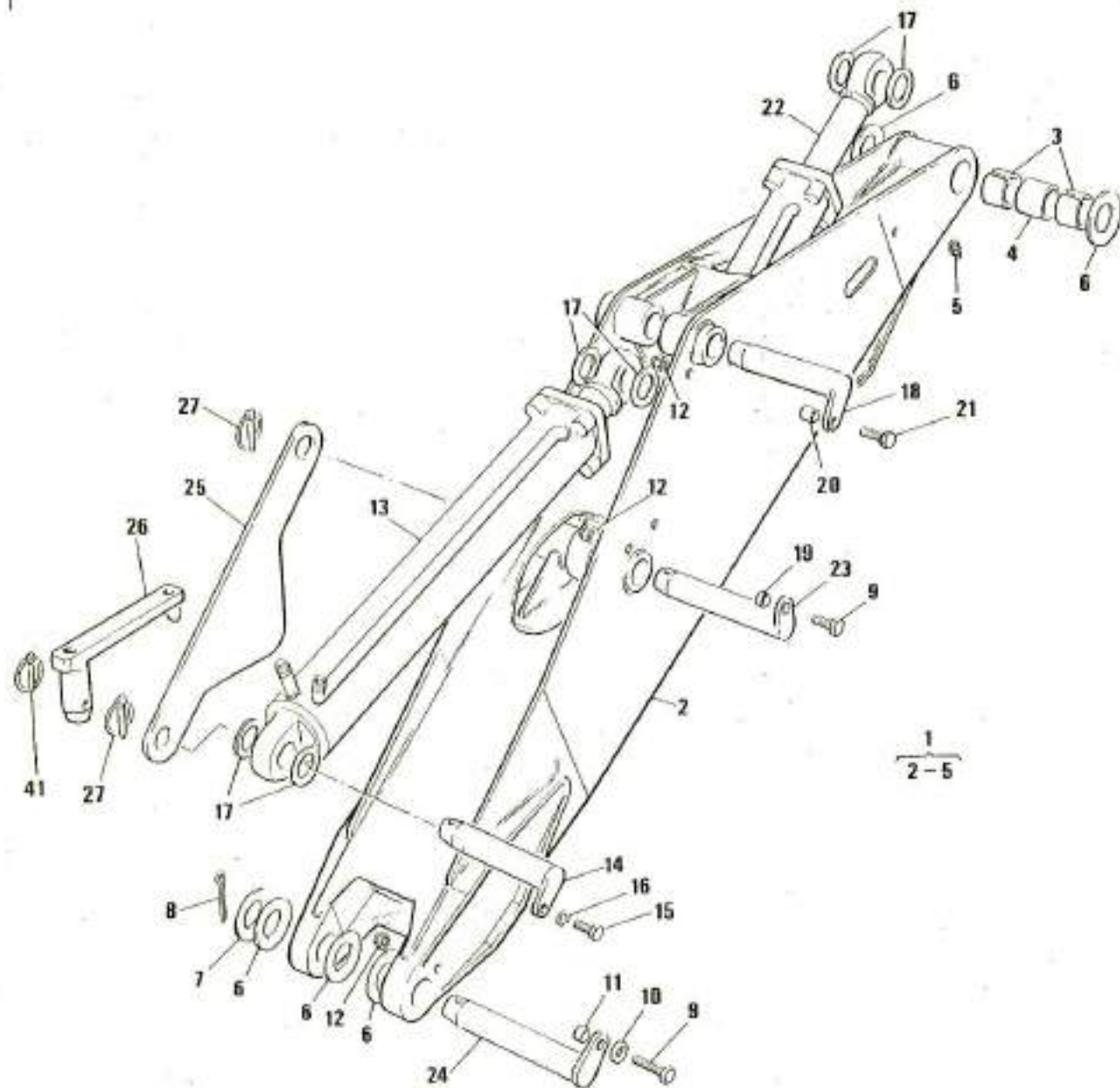
1

SHEET 1 of 1

750 2656 C



ITEM	PART NO.	DESCRIPTION	QTY
1	171 7013	CYLINDER ASSEMBLY	1
2	448 0299	PISTON ROD	1
3	133 0080	BUSH	1
4	271 1348	GREASE NIPPLE	2
5	445 0275	RETAINING BUSH	1
6	●	WIPER RING	1
7	445 0276	RETAINING RING	1
8	●	FLUID SEAL	1
9	131 0061	GLAND BUSH	1
10	●	BACK-UP WASHER	1
11	●	'O' RING	1
12	405 0360	PISTON HALF	2
13	●	DOUBLE ACTING SEAL	1
14	●	'O' RING	1
15	385 0559	NUT	1
16	N.S.S.	CYLINDER TUBE	1
	● 346 8268	SEAL KIT	



ITEM	PART NO.	DESCRIPTION	QTY
1	119 8301	BOOM ASSEMBLY	1
2	N.S.S.	BOOM	1
3	131 5107	TENSION BUSH	2
4	131 5100	SPACER	1
5	271 0151	GREASE NIPPLE	1
6	588 5831	WASHER	A/R
7	588 5834	WASHER	A/R
8	701 1620	SPLIT PIN	1
9	635 1290	BOLT	2
10	588 5833	WASHER	1
11	495 0672	SPACER	1
12	642 1201	NUT	3
13		BOOM CYLINDER	1
14	406 9495	PIN	1
15	644 1230	SCREW	1
16	716 1230	WASHER	1
17	588 5828	WASHER	A/R
18	406 9498	PIN	1
19	495 0683	SPACER	1
20	495 0684	SPACER	1
21	635 1260	BOLT	1
22		BUCKET CYLINDER	1
23	406 9494	PIN	1
24	406 9512	PIN	1
25	349 9140	TRANSPORT LINK	1
26	486 9697	TRANSPORT BAR	1
27	406 3671	QUICK-RELEASE PIN	2
41	406 4121	QUICK-RELEASE PIN	1

1  
2-5

**HVMAC**

TITLE

370 C EXCAVATOR ASSEMBLY

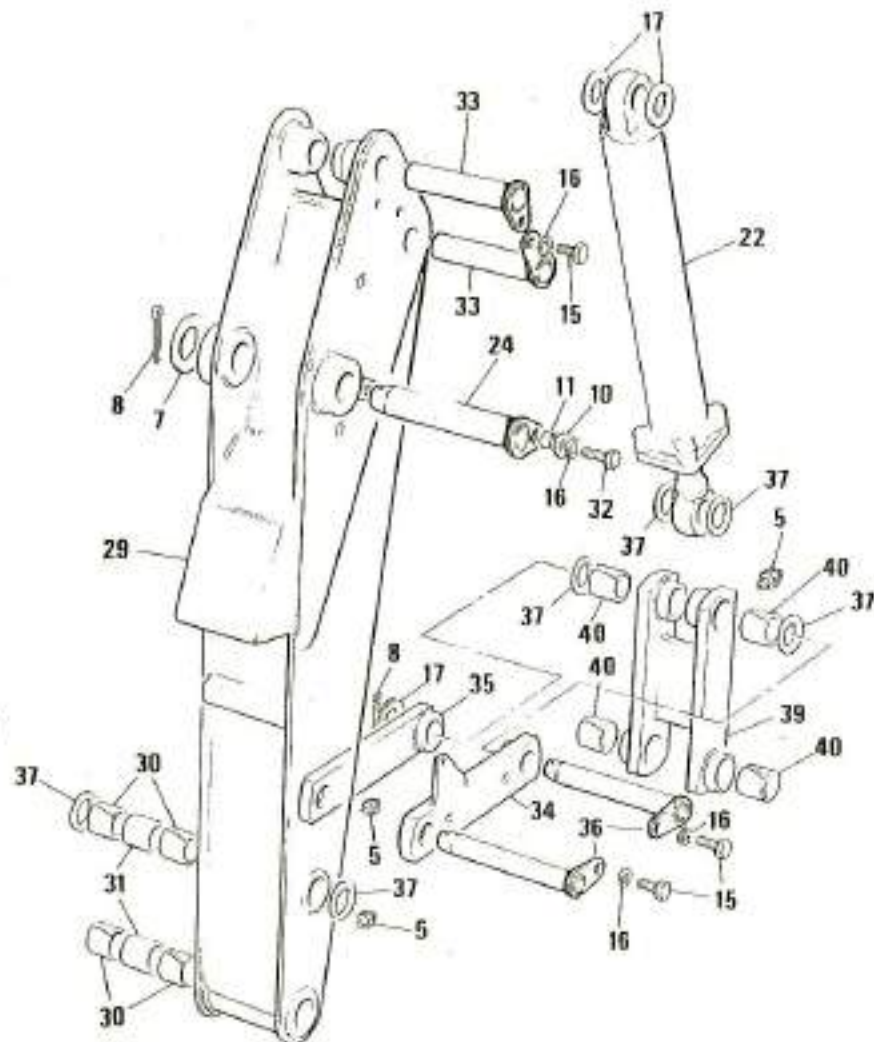
ISSUE

1

753 2657 C

ALWAYS QUOTE FULL MACHINE SERIAL NUMBER

DIRET 1 of 2

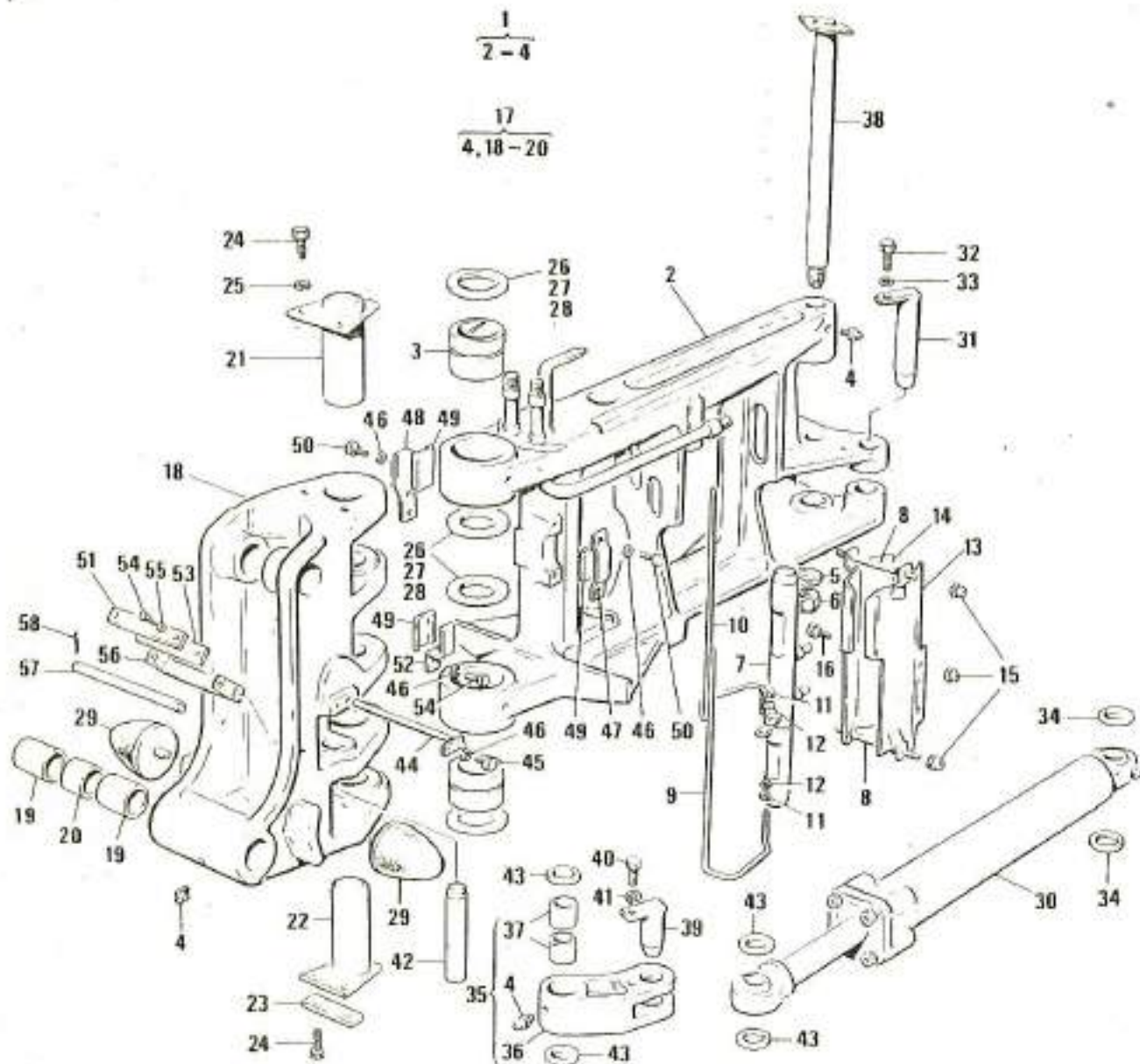


28  
5, 29-31

38  
5, 39, 40

ITEM	PART NO.	DESCRIPTION	QTY
28	240 8110	DIPPER ARM ASSEMBLY	1
29	N.S.S.	DIPPER ARM	1
30	131 5108	TENSION BUSH	4
31	131 5101	SPACER	2
5	271 0151	GREASE NIPPLE	2
7	588 5834	WASHER	A/R
8	701 1620	SPLIT PIN	3
10	588 5833	WASHER	1
11	495 0672	SPACER	1
15	644 1230	SCREW	4
16	716 1230	WASHER	5
17	588 5828	WASHER	A/R
22		BUCKET CYLINDER	1
24	406 9512	PIN	1
32	644 1240	SCREW	1
33	406 9499	PIN	2
34	351 9383	R.H. TIPPING LEVER	1
35	351 9382	L.H. TIPPING LEVER	1
36	406 9496	PIN	2
37	588 5829	WASHER	A/R
38	349 8035	TIPPING LINK ASSEMBLY	1
39	N.S.S.	TIPPING LINK	1
40	131 5109	TENSION BUSH	4
5	271 0151	GREASE NIPPLE	4





ITEM	PART NO.	DESCRIPTION	QTY
1	273 8043	SWINGFRAME ASSEMBLY	1
2	N.S.S.	SWINGFRAME	1
3	129 2524	BUSH	2
4	271 0151	GREASE NIPPLE	4
5	588 5840	WASHER	1
6	642 3001	NUT	1
7		SWINGLOCK CYLINDER	1
8	497 0218	STUD	2
9	448 5543	R.H.INDICATOR ROD-UPPER PIN	1
10	448 5542	L.H.INDICATOR ROD-LOWER PIN	1
11	643 0801	NUT	4
12	716 0801	WASHER	4
13	291 9135	R.H.GUARD	1
14	291 9138	L.H.GUARD	1
15	642 1001	NUT	6
16	644 1016	SCREW	2
17	485 8001	SLEWPOST ASSEMBLY	1
18	N.S.S.	SLEWPOST	1
19	131 5107	TENSION BUSH	2
20	131 5104	SPACER	1
21	271 0151	GREASE NIPPLE	1
22	406 9465	TOP PIN	1
23	406 9464	BOTTOM PIN	1
24	588 0419	TAB WASHER	1
25	644 1635	SCREW	4
26	716 1630	WASHER	2
27	588 5832	WASHER	2
28	588 0525	WASHER	4
29	588 0526	SHIM (0.5mm)	2
30	137 0041	BUFFER	2
31		SLEW CYLINDER	2
32	406 9497	PIN	2
33	644 1225	SCREW	2
34	716 1230	WASHER	2
35	588 5829	WASHER	4
36	349 8034	SLEW LINK ASSEMBLY	2
37	N.S.S.	SLEW LINK	1
38	131 5111	TENSION BUSH	2
39	271 0151	GREASE NIPPLE	1
40	406 9467	PIN	1
41	406 9511	PIN	2
42	653 6915	SCREW	2
43	651 0607	WASHER	2
44	406 3817	PIN	2
45	588 5830	SHIM	A/R
46	406 9466	PIN	2
47	644 1020	SCREW	2
48	716 1030	WASHER	8
49	176 0314	HOSE CLAMP	1
50	176 0317	HOSE CLAMP	1
51	713 1214	HOSE PROTECTOR	4
52	644 1025	SCREW	6

**HVMAC**

TITLE

370 C SWINGFRAME AND SLEWPOST  
ASSEMBLY

ALWAYS QUOTE FULL MACHINE SERIAL NUMBER

ISSUE 3

SHEET 1 OF 2

751 2658 C

**HYMAC**

TITLE

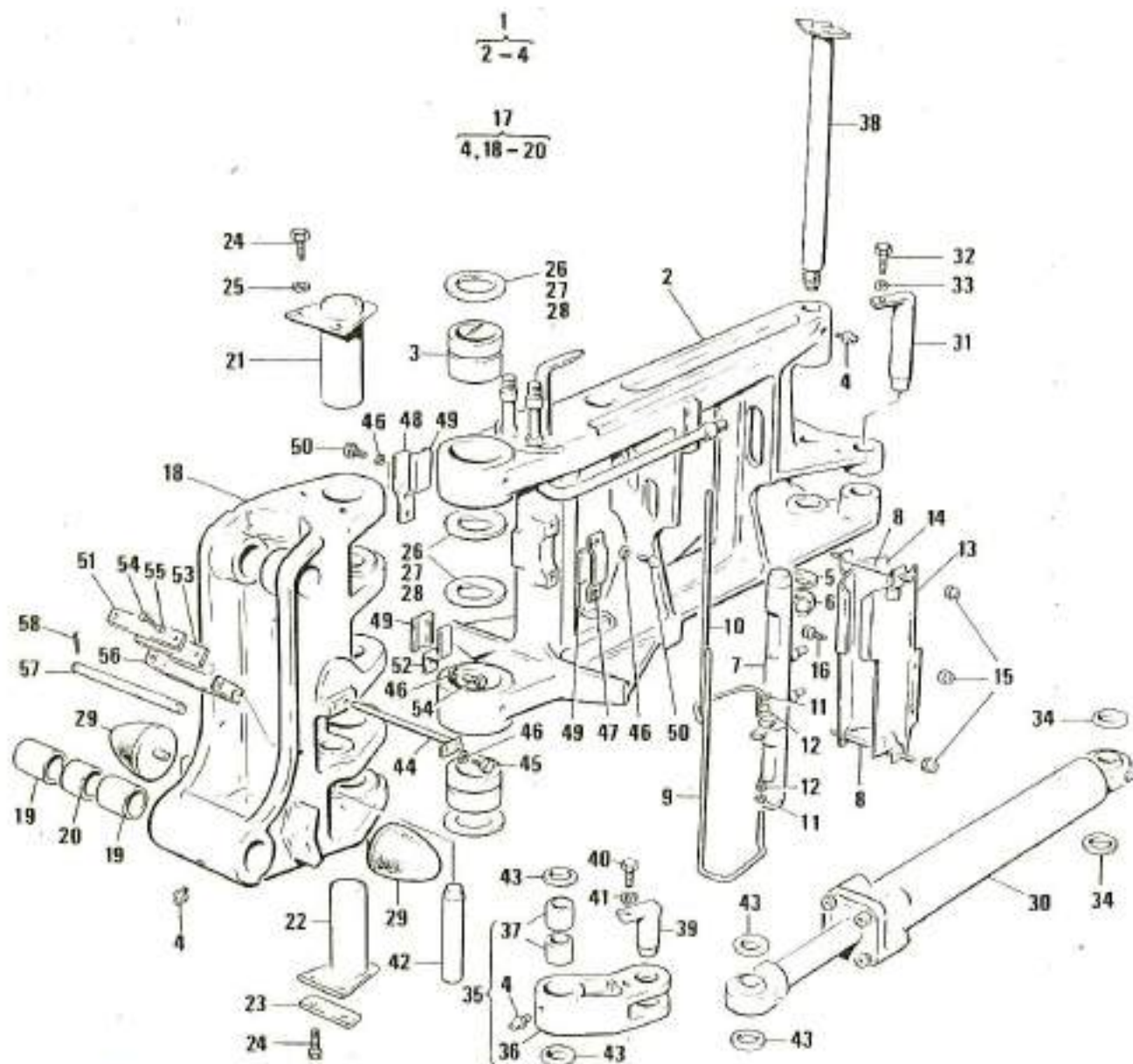
370 C SWINGFRAME AND SLEWPOST  
ASSEMBLY

ISSUE 3

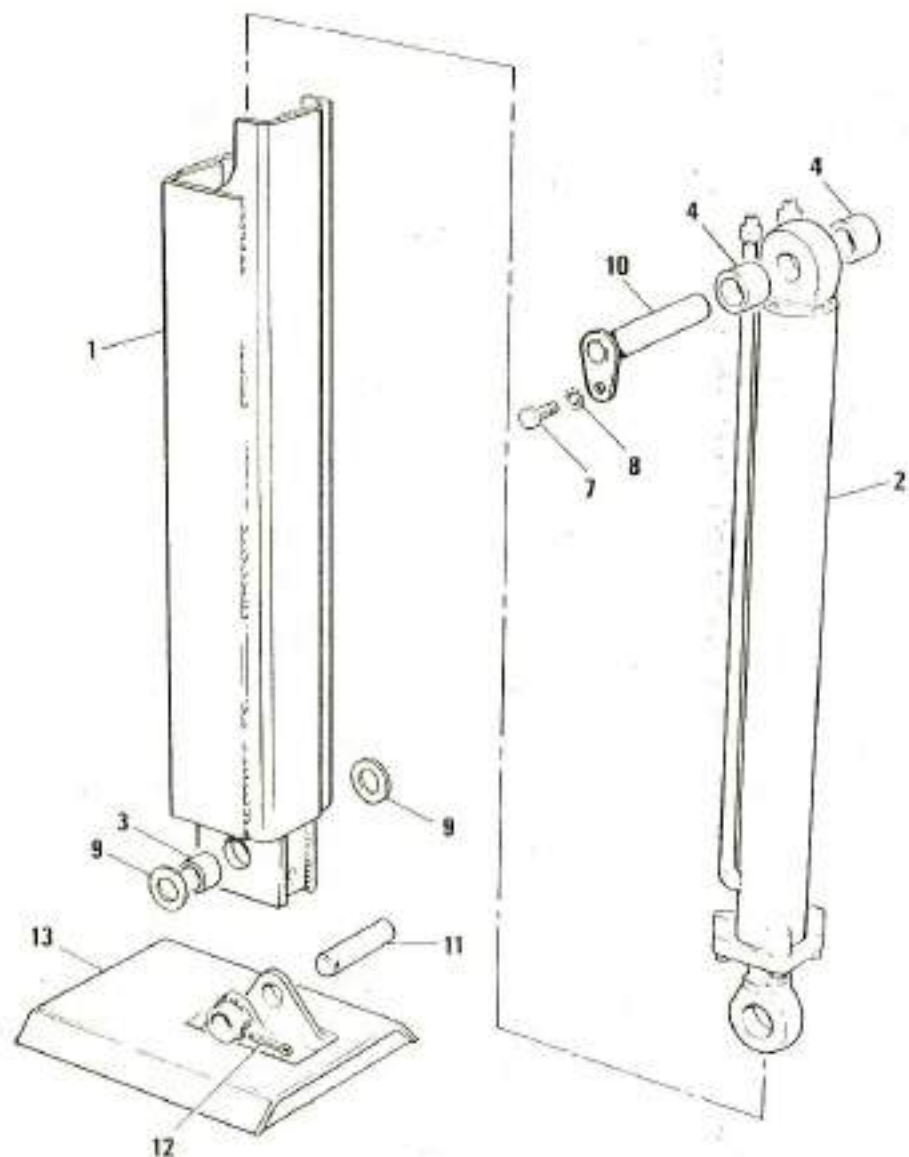
751 2658 C

ALWAYS QUOTE FULL MACHINE SERIAL NUMBER

PAGE 2 OF 2



ITEM	PART NO.	DESCRIPTION	QTY
51	176 0318	CLAMP	1
52	176 0310	HOSE CLAMP	2
53	713 1215	HOSE PROTECTOR	1
54	844 0825	SCREW	2
55	716 0830	WASHER	2
56	122 9781	HOSE BRACKET	1
57	408 0877	PIVOT	1
58	701 1706	SPLIT PIN	2



ITEM	PART NO.	DESCRIPTION	QTY
1	488 9039	INNER LEG	1
2	170 8341	STABILISER CYLINDER	1
3	131 5111	TENSION BUSH	1
4	495 0680	SPACER	2
5			
6			
7	644 1230	SCREW	1
8	716 1230	WASHER	1
9	500 5030	SHIM	2
10	406 9468	PIN	1
11	406 3818	PIN	1
12	701 1519	SPLIT PIN	1
13	488 0054	R.H.FOOT	1
13	488 0055	L.H.FOOT	1

**HVMAC**

TITLE

370C STABILISER LEG ASSEMBLY

ISSUE 1

751 2659 C

ALWAYS QUOTE FULL MACHINE SERIAL NUMBER

SHEET 1 OF 1



**HVMAC**

TITLE

370 C MAINFRAME

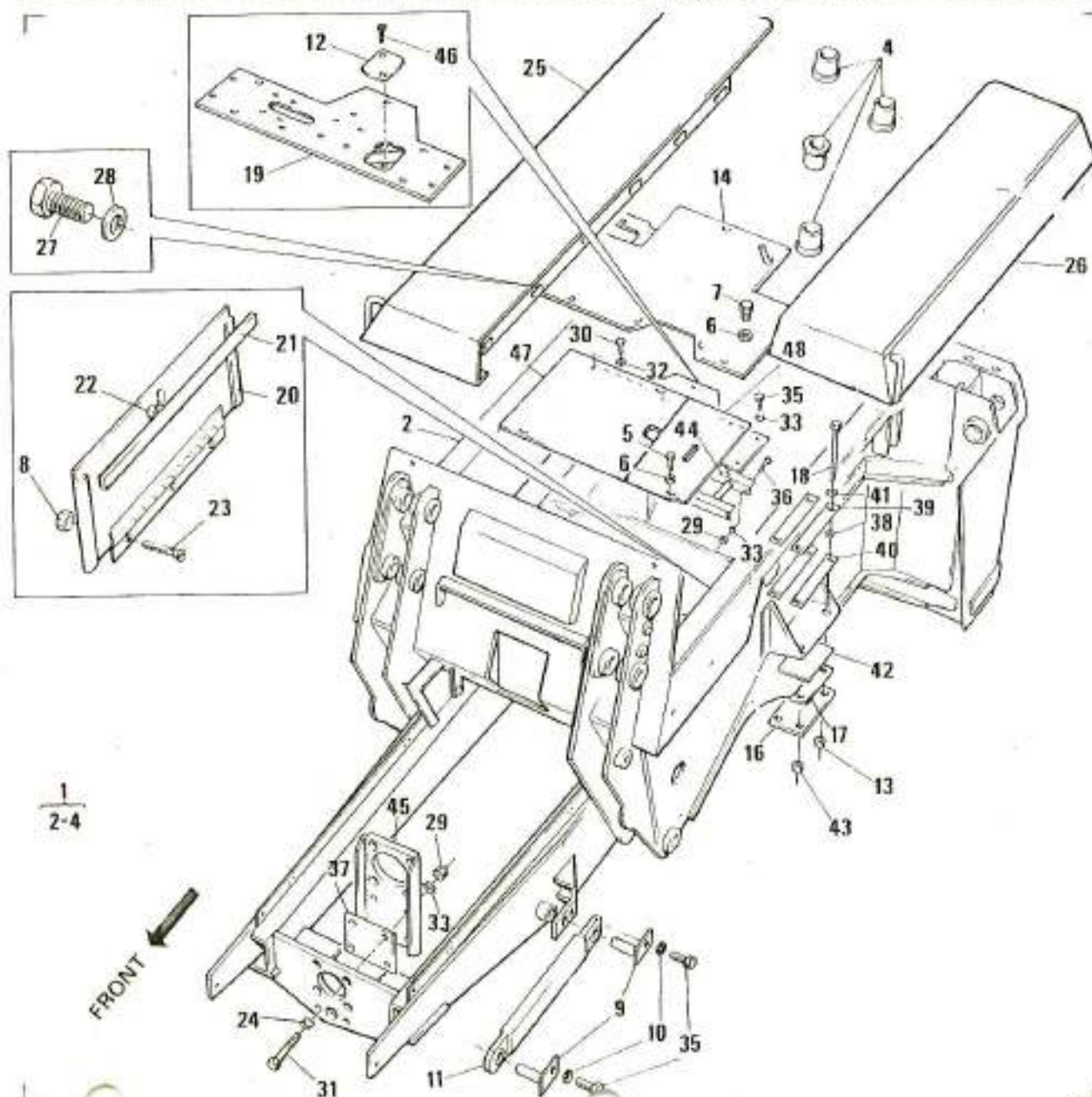
ISSUE

1

SHEET 1 of 1

754 2660 C

ALWAYS QUOTE FULL MACHINE SERIAL NUMBER



ITEM	PART NO.	DESCRIPTION	QTY
1	273 8056	MAINFRAME ASSEMBLY	1
2	N.S.S.	MAINFRAME	1
3			
4	130 0035	BUSH	6
5	644 0816	SCREW	3
6	716 0801	WASHER	6
7	644 0825	SCREW	3
8	642 0501	NUT	6
9	406 9461	PIN	4
10	716 1230	WASHER	4
11	448 9655	RADIUS ROD	2
12	383 3309	PLATE	1
13	642 2001	NUT	6
14	399 0309	REAR FLOOR PLATE	1
15			
16	100 0069	AXLE MOUNTING PLATE	2
17	100 0070	PACKING PLATE	2
18	625 7254	SCREW	8
19	383 9108	PLATE	1
20	244 9059	DOOR	2
21	N.S.S.	FOAM STRIP	2
22	352 7104	COMPARTMENT LOCK	2
23	127 2059	SCREW	6
24	495 0731	SPACER	4
25	291 9156	R.H. UPPER MUDGUARD	1
26	291 9157	L.H. UPPER MUDGUARD	1
27	644 1025	SCREW	12
28	716 1001	WASHER	12
29	642 1201	NUT	8
30	644 0820	SCREW	6
31	635 1270	BOLT	4
32	716 0830	WASHER	6
33	716 1201	WASHER	12
34			
35	644 1230	SCREW	8
36	644 1235	SCREW	4
37	495 0801	SPACER	1
38	495 0815	BUSH	8
39	495 9025	SPACER	4
40	495 0812	SPACER	4
41	651 0710	WASHER	10
42	100 0092	SPACER	2
43	385 0017	NUT	2
44	486 9750	SUPPORT	1
45	486 9753	SUPPORT PLATE	1
46	687 0512	SCREW	2
47	174 0316	R.H.FRONT FLOOR PLATE	1
48	399 0255	L.H.FRONT FLOOR PLATE	1