



**Suplemento do  
Catálogo de Peças**

**Suplemento del  
Catálogo de Repuestos**

**Supplement to  
Spare Parts Catalogue**

**1280R - 1380S**

**1580 - 1680S**

**1780R - 1880S**

**Nova Geração  
Nueva Generación  
New Generation**

**Trator série / Tractor serial:**

1280GA70450  
1380DH70369  
1580JK70456  
1680DH70428  
1780JK70323  
1880DH70478

**Valtra do Brasil S.A.**

**Fábrica / Peças / Serviços:**

Rua Capitão Francisco de Almeida, 695  
08740-300 - Mogi das Cruzes - SP.  
Telefone (PABX) (0XX11) 4795-2000  
Telefax (0XX11) 4727-1144 - Peças de Reposição  
Telefax (0XX11) 4727-2049 - Serviços  
e-mail: mkt@valtra.com.br  
site:www.valtra.com.br

**Código: 81850200  
Outubro/2000**

**PARTEK**



**Índice Numérico  
Indice Numérico  
Numerical Index**

**10**



**Motor  
Motor  
Engine**

**20**



**Sistema Elétrico  
Sistema Eléctrico  
Electrical System**

**30**



**Caixa de Câmbio e TDP  
Caja de Marchas y TDF  
Power Transmission**

**40**



**Transmissão Final e Freios  
Transmision Final y Frenos  
Final Drive and Brakes**

**50**



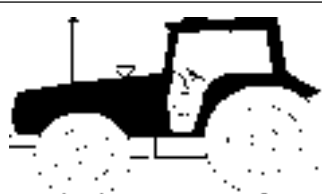
**Sistema de Direção  
Sistema de Dirección  
Steering System**

**60**



**Rodagem e  
Tanque de Combustível  
Rodaje y  
Depósito del Combustible  
Wheels and Fuel Tank**

**70**



**Cabine e Lataria  
Cabina y Lataria  
Cab and Shields**

**80**



**Sistema Hidráulico  
Sistema Hidráulico  
Working Hydraulics**

**90**



**Ferramentas e  
Adesivos  
Herramientas y  
Adhesivos  
Tools and Adhesives**

**100**

<b>Código</b>	<b>Página</b>	<b>Referência</b>
<b>113370</b>	31-4	40
<b>113370</b>	31-8	6
<b>114450</b>	23-6	2
<b>115130</b>	31-2	4
<b>115470</b>	31-6	25
<b>116310</b>	23-6	6
<b>116420</b>	23-6	4
<b>116700</b>	31-2	14
<b>116720</b>	31-2	10
<b>116780</b>	31-4	811
<b>117090</b>	23-6	15
<b>117100</b>	23-6	24
<b>117190</b>	23-6	13
<b>118280</b>	23-6	7
<b>129270</b>	31-4	810
<b>130680</b>	91-22	57
<b>130700</b>	91-22	58
<b>130710</b>	91-22	59
<b>130720</b>	91-22	60
<b>131680</b>	91-22	61
<b>132760</b>	91-6	20
<b>137030</b>	23-6	22
<b>137180</b>	31-2	13
<b>137190</b>	31-2	12

<b>Código</b>	<b>Página</b>	<b>Referência</b>
<b>141940</b>	23-6	23
<b>142750</b>	23-6	8
<b>143170</b>	31-2	7
<b>143180</b>	31-2	8
<b>143190</b>	31-2	10
<b>143200</b>	31-2	10.2
<b>143330</b>	31-4	39
<b>143370</b>	31-4	812
<b>143380</b>	31-4	50
<b>143390</b>	31-2	5
<b>146270</b>	31-6	7
<b>147860</b>	31-6	5
<b>147890</b>	31-6	9
<b>147930</b>	31-8	1
<b>147950</b>	31-6	14
<b>147970</b>	31-10	50
<b>147970</b>	31-6	28
<b>148020</b>	31-6	26
<b>148040</b>	31-8	4
<b>148050</b>	31-8	5
<b>148060</b>	31-8	3
<b>148080</b>	31-6	16
<b>148090</b>	31-10	49
<b>148130</b>	31-8	12



<b>Código</b>	<b>Página</b>	<b>Referência</b>
<b>148140</b>	31-8	10
<b>148150</b>	31-8	11
<b>148160</b>	31-8	13
<b>148170</b>	31-8	9
<b>148180</b>	31-8	14
<b>148190</b>	31-8	15
<b>148250</b>	31-8	2
<b>148280</b>	31-8	7
<b>148300</b>	31-8	16
<b>148520</b>	23-6	9
<b>148870</b>	23-6	17
<b>149600</b>	23-6	10
<b>149610</b>	23-6	20
<b>149620</b>	23-6	1
<b>149630</b>	23-6	3
<b>149640</b>	23-6	21
<b>149650</b>	23-6	5
<b>149670</b>	23-6	28
<b>149770</b>	23-6	16
<b>149790</b>	23-6	12
<b>159880</b>	32-4	15
<b>164481</b>	41-10	4
<b>166220</b>	51-2	25
<b>166530</b>	41-10	18



<b>Código</b>	<b>Página</b>	<b>Referência</b>
<b>166530</b>	41-2	25
<b>166530</b>	41-4	25
<b>168620</b>	21-26	2
<b>191500</b>	46-2	24
<b>192934</b>	41-2	9
<b>193051</b>	91-2	8
<b>195670</b>	91-10	63
<b>195700</b>	91-4	9
<b>197071</b>	71-4	26
<b>200240</b>	91-36	5
<b>200490</b>	41-2	26
<b>200490</b>	41-4	26
<b>200500</b>	41-2	29
<b>200500</b>	41-4	29
<b>200510</b>	41-2	27
<b>200510</b>	41-4	27
<b>200530</b>	41-2	31
<b>200530</b>	41-4	31
<b>200540</b>	41-10	19
<b>200540</b>	41-2	17
<b>200540</b>	41-4	17
<b>200550</b>	41-10	17
<b>200550</b>	41-2	24
<b>200550</b>	41-4	24



<b>Código</b>	<b>Página</b>	<b>Referência</b>
<b>200770</b>	71-4	34
<b>200770</b>	83-2	13
<b>202970</b>	46-4	62
<b>204810</b>	41-10	16
<b>216600</b>	91-20	33
<b>216640</b>	42-16	55
<b>217310</b>	91-24	10
<b>218730</b>	41-10	39
<b>218730</b>	41-14	28
<b>218810</b>	71-4	9
<b>218810</b>	71-4	16
<b>218810</b>	71-8	6
<b>219462</b>	41-10	36
<b>219462</b>	41-2	18.
<b>219462</b>	41-4	18
<b>219730</b>	22-18	7
<b>221561</b>	31-2	-
<b>221590</b>	42-18	69
<b>221600</b>	42-14	6b
<b>221610</b>	42-14	6a
<b>221930</b>	61-4	6
<b>221930</b>	61-4	31
<b>221940</b>	46-2	18
<b>221950</b>	46-2	34



<b>Código</b>	<b>Página</b>	<b>Referência</b>
<b>221960</b>	46-2	-
<b>222140</b>	42-10	40
<b>222140</b>	42-8	61
<b>222580</b>	91-2	22
<b>222700</b>	42-10	31
<b>222700</b>	42-6	31
<b>223312</b>	46-2	10
<b>223620</b>	42-10	30
<b>223620</b>	42-6	30
<b>224550</b>	51-2	45
<b>224580</b>	51-2	44
<b>225860</b>	46-2	32
<b>226970</b>	83-2	41
<b>226990</b>	83-2	40
<b>227270</b>	42-10	11
<b>227270</b>	42-6	21
<b>227300</b>	42-20	20
<b>227320</b>	42-22	26
<b>227340</b>	42-20	21
<b>227360</b>	42-22	31
<b>227450</b>	42-22	33
<b>227520</b>	42-20	22
<b>227530</b>	42-20	23
<b>227920</b>	71-2	9



<b>Código</b>	<b>Página</b>	<b>Referência</b>
<b>228000</b>	42-22	37
<b>228010</b>	42-22	32
<b>228020</b>	42-22	41
<b>228090</b>	46-2	34a
<b>228361</b>	41-2	16
<b>228480</b>	42-2	16
<b>228930</b>	42-12	61
<b>228930</b>	42-8	65
<b>229210</b>	91-12	12
<b>229340</b>	42-22	36
<b>229500</b>	91-2	13
<b>229860</b>	91-10	76
<b>229880</b>	91-10	64
<b>229890</b>	91-10	62
<b>229910</b>	91-4	14
<b>229920</b>	91-4	12
<b>229950</b>	91-2	37
<b>230291</b>	71-4	22
<b>230970</b>	83-4	40
<b>234130</b>	91-2	11.
<b>235000</b>	71-4	28
<b>235840</b>	71-4	7
<b>235840</b>	71-4	20
<b>235840</b>	71-8	4





<b>Código</b>	<b>Página</b>	<b>Referência</b>
<b>240790</b>	71-4	21
<b>243020</b>	32-10	8
<b>243020</b>	32-12	16
<b>243020</b>	32-16	18
<b>243020</b>	32-6	6
<b>243020</b>	39-10	15
<b>243020</b>	42-18	74
<b>244270</b>	91-2	12
<b>245880</b>	71-4	25
<b>246210</b>	71-6	69
<b>246280</b>	71-6	68
<b>246280</b>	71-6	71
<b>246280</b>	71-8	34
<b>246420</b>	42-18	63
<b>246460</b>	42-16	60
<b>260140</b>	91-12	3
<b>260320</b>	42-16	48
<b>260530</b>	42-20	16
<b>260580</b>	83-2	17.
<b>260660</b>	64-2	14
<b>261090</b>	91-12	33
<b>261100</b>	91-12	25
<b>261680</b>	42-10	45
<b>261680</b>	42-8	46



<b>Código</b>	<b>Página</b>	<b>Referência</b>
<b>261690</b>	42-10	45a
<b>261690</b>	42-8	46a
<b>261700</b>	42-10	45b
<b>261700</b>	42-8	46b
<b>261940</b>	64-2	3
<b>261960</b>	64-2	8
<b>261970</b>	64-2	5
<b>262061</b>	91-12	30
<b>262080</b>	91-4	2
<b>262350</b>	91-26	1
<b>262400</b>	64-2	6
<b>262410</b>	64-2	7
<b>262800</b>	91-12	31
<b>262870</b>	64-2	2
<b>262880</b>	64-2	4
<b>262970</b>	71-4	19
<b>263100</b>	71-4	24
<b>263140</b>	91-2	32
<b>265150</b>	42-14	7
<b>265310</b>	42-14	5c
<b>411090</b>	51-2	5
<b>433800</b>	91-16	41
<b>433800</b>	91-22	53
<b>433811</b>	91-16	39



<b>Código</b>	<b>Página</b>	<b>Referência</b>
<b>433811</b>	91-22	54
<b>433830</b>	91-16	40
<b>433830</b>	91-22	55
<b>436390</b>	51-2	36
<b>436720</b>	91-2	23
<b>440910</b>	42-20	19
<b>581020</b>	41-10	31
<b>581020</b>	41-2	15
<b>581020</b>	41-4	15
<b>581020</b>	42-2	22
<b>581020</b>	42-22	28
<b>581020</b>	46-4	52
<b>581020</b>	71-4	37
<b>581020</b>	91-2	29.
<b>581770</b>	46-4	45
<b>581771</b>	42-2	6a
<b>582410</b>	91-34	69
<b>584150</b>	71-6	54
<b>585180</b>	41-4	47
<b>586250</b>	91-34	65
<b>586270</b>	22-18	29
<b>586270</b>	91-32	39
<b>586270</b>	91-8	8
<b>586280</b>	41-14	3



<b>Código</b>	<b>Página</b>	<b>Referência</b>
<b>586300</b>	41-14	1
<b>589260</b>	71-4	29
<b>589270</b>	71-4	30
<b>589270</b>	91-2	9
<b>589360</b>	23-2	2
<b>591780</b>	42-16	25
<b>601640</b>	32-4	18
<b>608845</b>	71-6	56
<b>610810</b>	22-18	18
<b>611180</b>	46-4	61
<b>612320</b>	91-10	53
<b>612360</b>	91-10	50
<b>612790</b>	91-8	38
<b>612810</b>	91-8	39
<b>612840</b>	91-8	42
<b>619690</b>	32-2	13
<b>619700</b>	32-6	10
<b>622891</b>	91-6	42
<b>626980</b>	83-6	65
<b>639431</b>	83-6	63
<b>641163</b>	42-6	16
<b>641163</b>	42-6	37
<b>641190</b>	42-6	12
<b>641190</b>	42-6	33



<b>Código</b>	<b>Página</b>	<b>Referência</b>
<b>649791</b>	32-12	1
<b>673070</b>	91-12	35
<b>677030</b>	91-12	34
<b>679390</b>	42-10	24b
<b>679390</b>	42-6	24
<b>681320</b>	42-10	24a
<b>681320</b>	42-6	24a
<b>681330</b>	42-10	24
<b>681330</b>	42-6	24b
<b>684280</b>	41-10	10
<b>684460</b>	91-8	41
<b>684470</b>	91-8	47
<b>684520</b>	91-8	45
<b>685720</b>	83-2	7
<b>686300</b>	91-18	66
<b>689260</b>	91-6	16
<b>689281</b>	91-6	14
<b>692930</b>	91-6	26
<b>726970</b>	46-4	60
<b>811410</b>	46-2	31
<b>812241</b>	91-6	6
<b>812821</b>	91-10	67
<b>820500</b>	41-10	11
<b>820500</b>	41-2	14



<b>Código</b>	<b>Página</b>	<b>Referência</b>
<b>820610</b>	41-2	37
<b>820711</b>	42-14	11
<b>820720</b>	42-14	22
<b>820731</b>	42-14	19
<b>820770</b>	42-14	13
<b>820790</b>	42-14	5
<b>820800</b>	42-14	5a
<b>820810</b>	42-14	5b
<b>821320</b>	42-10	42
<b>821320</b>	42-6	44
<b>821320</b>	46-2	37
<b>822140</b>	42-2	21
<b>822140</b>	64-2	10
<b>822242</b>	46-2	20
<b>822250</b>	46-4	39
<b>822260</b>	46-2	22
<b>822270</b>	46-4	41
<b>822280</b>	46-4	42
<b>822290</b>	46-4	63
<b>822300</b>	46-4	54
<b>822340</b>	46-2	12
<b>822391</b>	46-4	49
<b>822400</b>	46-2	30
<b>822440</b>	46-2	5



<b>Código</b>	<b>Página</b>	<b>Referência</b>
822510	42-2	7
822531	42-2	13
822540	42-2	11
822780	41-14	23
822780	51-6	15
823350	42-2	37
823880	91-2	6
823901	91-2	35
823950	91-4	4
823961	91-4	7
824002	91-2	33
824040	91-4	15
824281	91-6	23
824290	91-6	38
824301	91-6	43
824311	91-6	40
824320	91-6	34
824340	91-6	29
824360	91-10	57
824400	91-6	11
824410	91-6	37
824420	91-6	25
824550	91-2	34
824670	46-4	46



<b>Código</b>	<b>Página</b>	<b>Referência</b>
<b>826100</b>	51-2	34
<b>826360</b>	91-10	77
<b>826380</b>	91-10	61
<b>826392</b>	91-10	71
<b>826650</b>	22-18	39
<b>827340</b>	46-2	9
<b>827470</b>	41-6	2
<b>831240</b>	91-6	39
<b>833030</b>	42-12	65
<b>836390</b>	22-18	11
<b>845890</b>	42-8	52
<b>847770</b>	42-14	6
<b>851990</b>	42-2	19
<b>851990</b>	91-12	40
<b>853820</b>	91-20	30
<b>854990</b>	91-10	49
<b>859071</b>	91-10	73
<b>859691</b>	41-10	12
<b>859711</b>	41-10	8
<b>859750</b>	41-10	23
<b>859750</b>	41-2	33
<b>859780</b>	41-10	7
<b>859800</b>	41-10	33
<b>859800</b>	41-2	10





<b>Código</b>	<b>Página</b>	<b>Referência</b>
<b>859800</b>	41-4	10
<b>863710</b>	42-22	29
<b>866460</b>	91-6	22
<b>866470</b>	91-6	22
<b>866480</b>	91-6	22
<b>866540</b>	91-6	29
<b>868202</b>	42-6	8
<b>868222</b>	42-6	6
<b>868410</b>	42-10	13
<b>868410</b>	42-6	9
<b>868420</b>	42-10	19
<b>868420</b>	42-6	18
<b>868721</b>	42-14	16
<b>868730</b>	42-14	10
<b>868740</b>	91-12	26
<b>868750</b>	91-12	27
<b>868771</b>	42-2	45
<b>868782</b>	42-2	8
<b>868792</b>	42-2	3
<b>868802</b>	42-2	5
<b>868811</b>	42-2	15
<b>868820</b>	42-2	10
<b>868890</b>	42-12	60
<b>868890</b>	42-8	59



<b>Código</b>	<b>Página</b>	<b>Referência</b>
<b>868931</b>	42-4	48
<b>869130</b>	42-16	47
<b>869191</b>	42-2	39
<b>869200</b>	42-2	31
<b>869420</b>	46-2	35
<b>869830</b>	42-6	13
<b>869860</b>	42-10	35
<b>869860</b>	42-6	34
<b>871180</b>	42-22	27
<b>871600</b>	42-2	36
<b>878050</b>	91-6	22
<b>878060</b>	91-6	22
<b>878070</b>	91-6	22
<b>878080</b>	91-6	22
<b>884111</b>	41-10	5
<b>889940</b>	42-20	2
<b>889990</b>	42-6	14
<b>889990</b>	42-6	35
<b>7823008</b>	91-34	-
<b>30057630</b>	46-2	11
<b>30086100</b>	91-16	30
<b>30101100</b>	32-6	3
<b>30101400</b>	32-16	1
<b>30102100</b>	32-12	20



<b>Código</b>	<b>Página</b>	<b>Referência</b>
<b>30102100</b>	42-16	51
<b>30135500</b>	41-6	16
<b>30135500</b>	41-8	16
<b>30145500</b>	32-18	8
<b>30145700</b>	39-6	12
<b>30145700</b>	83-6	71
<b>30145900</b>	32-12	22
<b>30145900</b>	32-16	19
<b>30146000</b>	32-16	3
<b>30168200</b>	91-16	-
<b>30168200</b>	91-20	-
<b>30168300</b>	91-16	45
<b>30168300</b>	91-20	50
<b>30168400</b>	91-16	47
<b>30168400</b>	91-22	51
<b>30168500</b>	91-16	46
<b>30168500</b>	91-22	52
<b>30181500</b>	51-2	1
<b>30182000</b>	51-2	7
<b>30182100</b>	51-2	12
<b>30182200</b>	51-2	14
<b>30182300</b>	51-2	3
<b>30182400</b>	51-2	6
<b>30182500</b>	51-2	8



<b>Código</b>	<b>Página</b>	<b>Referência</b>
30198800	91-26	23
30231200	71-2	5
30234000	42-16	8
30235400	91-8	1
30239000	91-16	18
30239000	91-20	21
30239200	91-16	13
30239200	91-20	18
30239300	91-16	11
30239300	91-20	15
30240800	32-18	6
30249400	91-16	15
30249400	91-20	17
30249500	91-16	17
30249500	91-20	22
30250100	91-16	16
30250100	91-20	20
30252500	22-20	49
30302800	61-2	1
30302930	83-2	37
30322100	91-32	44
30328500	39-6	2
30354510	39-10	4
30354800	39-10	8



<b>Código</b>	<b>Página</b>	<b>Referência</b>
<b>30415200</b>	32-16	6
<b>30446600</b>	61-4	19
<b>30446600</b>	91-16	28
<b>30515810</b>	51-6	7
<b>30531000</b>	39-10	
<b>30555700</b>	91-16	29
<b>30581200</b>	89-4	39
<b>30606000</b>	42-16	21
<b>30637400</b>	32-18	5
<b>30637400</b>	39-2	8
<b>30655200</b>	42-14	17
<b>30659100</b>	71-2	3
<b>30931500</b>	91-10	87
<b>30943900</b>	32-2	6
<b>30943900</b>	32-2	6a
<b>30944100</b>	32-2	4
<b>30944200</b>	32-12	7
<b>30944200</b>	32-2	2
<b>30944200</b>	32-2	3
<b>30944200</b>	32-2	7
<b>30944200</b>	32-2	8
<b>30944200</b>	39-10	12
<b>30944200</b>	39-4	1
<b>30944500</b>	32-2	9



<b>Código</b>	<b>Página</b>	<b>Referência</b>
<b>30944500</b>	83-6	81
<b>30944600</b>	32-12	6
<b>30944600</b>	32-2	10
<b>30944600</b>	39-10	14
<b>30944600</b>	39-4	3
<b>30944700</b>	32-2	
<b>30944700</b>	32-2	
<b>30945000</b>	32-2	
<b>30945100</b>	32-12	8
<b>30945100</b>	32-2	
<b>31016500</b>	83-2	31
<b>31085100</b>	39-10	2
<b>31085200</b>	39-10	3
<b>31088400</b>	22-18	5
<b>31102100</b>	22-18	27
<b>31540600</b>	32-4	3
<b>31540700</b>	32-4	8
<b>31540800</b>	32-6	11
<b>31541000</b>	32-6	
<b>31541100</b>	32-6	
<b>31542060</b>	32-2	1
<b>31631800</b>	89-4	27
<b>31686920</b>	39-10	5
<b>31690810</b>	32-2	



<b>Código</b>	<b>Página</b>	<b>Referência</b>
31690810	39-10	13
31709010	32-2	
31752000	32-16	5
31752000	32-16	8
31759200	71-2	14
31767800	71-2	12
31768200	71-2	16
31781000	32-2	5
31950300	32-2	
31950400	32-2	
31957800	32-2	
32004300	32-6	
32008500	71-2	16.
32291100	32-16	4
32291100	32-16	7
32297200	32-12	8a
32297200	32-2	
32403200	71-2	16
32403300	71-2	16
32422800	39-6	8
32424800	83-6	64
32425000	83-6	62
32461100	91-32	57
32503500	32-4	10



<b>Código</b>	<b>Página</b>	<b>Referência</b>
<b>32503500</b>	89-4	38
<b>32534210</b>	32-16	27
<b>32547500</b>	32-4	17
<b>32547600</b>	32-4	20
<b>32553200</b>	32-2	11
<b>32570900</b>	32-16	
<b>32571100</b>	32-16	
<b>32580200</b>	39-6	5
<b>32590900</b>	42-16	7
<b>32635910</b>	39-10	6
<b>32640800</b>	32-4	12
<b>32640900</b>	32-4	12a
<b>32641800</b>	39-10	1
<b>32644700</b>	32-16	
<b>32673500</b>	32-2	
<b>32673600</b>	32-2	
<b>32673700</b>	32-2	
<b>32673800</b>	32-2	
<b>32693800</b>	32-4	19
<b>32720100</b>	32-4	11
<b>32727900</b>	32-16	11
<b>32729800</b>	32-16	10
<b>32730010</b>	32-16	
<b>32730100</b>	32-16	





<b>Código</b>	<b>Página</b>	<b>Referência</b>
32745300	32-4	13
32752800	32-18	4
32844300	32-16	14
32862400	32-2	
32862400	39-4	2
32889010	61-2	5
32905000	89-2	12
32905100	89-2	12a
32991600	83-2	30
32995100	32-16	28
32995100	39-8	6
33182600	32-2	12
33204700	83-4	32
33208800	83-4	34
33263200	22-18	21
33389600	21-22	2
33389600	32-10	18
33400300	22-18	1
33476000	89-2	18
70038100	22-18	14
70042700	83-2	33
70042700	83-4	29
74645005	41-2	-
74780001	41-2	-



<b>Código</b>	<b>Página</b>	<b>Referência</b>
75017200	39-4	4
76661001	41-2	-
76695002	41-2	-
76696001	41-8	
76701001	41-2	-
76705003	41-2	-
76705003	42-12	-
76705003	42-8	-
78721001	41-2	-
78721001	42-4	-
78721001	46-4	-
78721006	42-4	-
78721006	46-4	-
78723001	42-14	-
78723001	42-22	-
78723001	71-6	--
78723001	91-28	-
78723002	42-22	-
78723005	42-12	-
78723005	42-18	-
78723005	42-22	-
78723005	42-8	-
78723005	46-4	-
78723007	91-6	-



<b>Código</b>	<b>Página</b>	<b>Referência</b>
<b>78723013</b>	64-4	-
<b>78723015</b>	91-6	-
<b>78723017</b>	41-2	-
<b>80006000</b>	42-14	14
<b>80006100</b>	42-14	12
<b>80020300</b>	51-2	39
<b>80048600</b>	61-2	4
<b>80049000</b>	61-2	2
<b>80052210</b>	22-18	6
<b>80052420</b>	22-18	10
<b>80054600</b>	91-32	40
<b>80054600</b>	91-8	15
<b>80056000</b>	91-8	14
<b>80056100</b>	91-8	23
<b>80068700</b>	32-4	14
<b>80069430</b>	83-4	2
<b>80074000</b>	31-10	53
<b>80075500</b>	51-6	8
<b>80075700</b>	51-6	9
<b>80075900</b>	51-6	10
<b>80077400</b>	83-6	79
<b>80077400</b>	91-10	82
<b>80077710</b>	22-18	22
<b>80086400</b>	21-26	19



<b>Código</b>	<b>Página</b>	<b>Referência</b>
<b>80090100</b>	91-8	13
<b>80092800</b>	91-14	1
<b>80097100</b>	61-4	12
<b>80097100</b>	91-16	54
<b>80097100</b>	91-20	43
<b>80097100</b>	91-26	13
<b>80111500</b>	91-8	4
<b>80114601</b>	83-4	18
<b>80150500</b>	89-2	10
<b>80152700</b>	31-10	59
<b>80158700</b>	51-6	14
<b>80171300</b>	71-6	55
<b>80171700</b>	91-36	19
<b>80188711</b>	89-2	17
<b>80192300</b>	42-16	50
<b>80193510</b>	91-4	19
<b>80199700</b>	91-2	39
<b>80206710</b>	91-20	-
<b>80211100</b>	22-18	8
<b>80211200</b>	22-18	9
<b>80221200</b>	64-16	4
<b>80221300</b>	64-16	1
<b>80222000</b>	64-16	24
<b>80223700</b>	64-16	23



<b>Código</b>	<b>Página</b>	<b>Referência</b>
80223800	64-16	10
80224100	64-16	21
80224300	64-16	3
80229500	91-16	35
80244800	91-20	31
80255100	41-6	17
80255100	41-8	17
80260700	51-2	-
80261400	61-4	3
80266510	91-16	1
80289000	51-2	11
80292400	64-6	93
80292600	64-6	19
80292600	64-6	94
80306800	83-6	76
80306800	91-10	83
80306800	91-10	96
80306800	91-8	3
80324000	22-18	31
80330000	22-18	30
80332301	21-26	5
80334900	41-10	40
80336100	21-26	4
80337110	91-2	31



<b>Código</b>	<b>Página</b>	<b>Referência</b>
80340810	91-2	26
80341300	91-20	35
80341400	91-20	32
80342100	71-4	18
80344100	91-20	40
80344110	91-16	52
80349200	22-18	33
80352300	91-32	41
80353910	83-2	42
80355900	91-20	7
80356200	91-20	36
80356300	91-20	38
80372800	89-2	24
80372900	89-2	25
80376100	61-4	9
80376900	91-20	5
80380700	41-6	6
80386000	91-20	24
80386100	91-20	1
80389800	83-2	4
80390200	83-2	32
80390200	83-4	31
80390500	83-4	30
80390800	83-4	43



<b>Código</b>	<b>Página</b>	<b>Referência</b>
80414700	42-2	24
80415500	32-16	
80415500	32-4	2
80425200	83-6	75
80446400	83-4	42
80487520	42-6	38
80487610	42-6	32
80487820	42-6	17
80487910	42-6	11
80520800	22-18	44
80546810	31-10	64
80547110	31-10	56
80547300	23-2	10
80565710	23-6	27
80569910	42-2	42
80602300	64-10	74
80611000	64-10	65
80611100	64-10	65
80611200	64-10	65
80611300	64-10	65
80611400	64-10	65
80611500	64-10	65
80637200	42-2	26
80649000	32-4	16



<b>Código</b>	<b>Página</b>	<b>Referência</b>
<b>80649200</b>	46-4	55
<b>80655300</b>	46-2	2
<b>80661500</b>	42-16	-
<b>80661600</b>	42-16	45
<b>80662600</b>	64-8	39
<b>80666800</b>	42-2	18
<b>80666800</b>	42-22	44
<b>80733100</b>	42-14	23
<b>80733200</b>	42-14	8
<b>80733300</b>	42-14	4
<b>80733400</b>	42-14	25
<b>80735800</b>	41-10	21
<b>80736700</b>	42-2	1
<b>80739000</b>	42-20	8
<b>80739210</b>	23-2	1
<b>80739420</b>	42-8	56
<b>80739700</b>	42-12	58
<b>80739700</b>	42-8	58
<b>80740410</b>	42-6	7
<b>80740510</b>	42-6	-
<b>80740800</b>	42-10	8
<b>80740800</b>	42-6	5
<b>80740900</b>	42-10	4
<b>80740900</b>	42-6	2





<b>Código</b>	<b>Página</b>	<b>Referência</b>
80741510	91-28	14
80742600	42-16	32
80743920	61-4	21
80744010	61-4	27a
80744130	61-4	10a
80744140	61-4	10
80744200	61-4	4
80744910	61-4	26
80745220	91-2	27
80745510	91-20	2
80745600	91-20	13
80745800	42-16	17
80746900	61-4	25
80747000	91-16	37
80747000	91-20	14
80747400	61-4	11
80747400	91-26	12
80747710	42-6	-
80747910	42-6	-
80749610	21-26	24
80749710	42-16	27
80750510	41-2	4
80750900	41-2	28
80750900	41-4	28



<b>Código</b>	<b>Página</b>	<b>Referência</b>
<b>80752200</b>	91-14	25
<b>80752600</b>	42-14	-
<b>80752800</b>	64-2	1
<b>80752910</b>	42-8	55
<b>80754500</b>	64-4	35
<b>80761000</b>	71-2	8
<b>80767100</b>	42-16	31
<b>80767500</b>	42-16	30
<b>80767600</b>	42-16	56
<b>80767900</b>	42-16	52
<b>80770510</b>	42-20	**
<b>80772000</b>	42-20	7
<b>80772100</b>	42-20	14
<b>80772310</b>	42-20	15
<b>80772410</b>	42-20	10
<b>80772510</b>	42-20	11
<b>80772600</b>	42-10	26
<b>80772600</b>	42-20	6
<b>80772600</b>	42-6	26
<b>80772700</b>	42-20	12
<b>80789200</b>	42-22	39
<b>80789300</b>	42-8	45
<b>80789710</b>	23-2	8
<b>80789810</b>	23-2	5



<b>Código</b>	<b>Página</b>	<b>Referência</b>
80789911	23-2	3
80793000	46-2	-
80793100	46-2	-
80796010	42-20	**
80796400	42-8	62
80796500	42-22	30
80796600	42-10	43
80796600	42-8	62a
80796700	42-22	30a
80796900	42-22	30b
80797200	46-4	39a
80797510	42-20	**
80798100	41-12	-
80798200	41-12	3a
80798400	41-10	3
80800810	42-16	22
80801320	91-36	12
80801400	42-12	57
80801400	42-8	57
80801800	91-36	11
80804500	42-18	71
80808100	42-18	73
80813700	91-26	21
80813800	91-26	18



<b>Código</b>	<b>Página</b>	<b>Referência</b>
80813900	91-26	20
80814000	91-26	8
80815100	42-16	20
80816400	42-16	54
80819300	91-36	15
80819400	91-36	16
80822300	91-6	49
80823500	91-20	8
80836020	91-14	23a
80836220	91-14	23
80838500	46-4	41a
80839800	71-2	6
80840200	64-2	11
80840300	64-2	23
80844100	41-10	34
80845610	91-2	16
80846600	42-16	29
80847710	91-14	26
80847800	91-14	27
80847910	91-14	24
80848800	64-2	30
80850000	46-2	-
80851100	41-10	30
80851100	41-2	1



<b>Código</b>	<b>Página</b>	<b>Referência</b>
<b>80851100</b>	41-4	1
<b>80851500</b>	91-26	3
<b>80851600</b>	91-26	5
<b>80854400</b>	64-2	16
<b>80854500</b>	64-2	22
<b>80854600</b>	64-2	13
<b>80854900</b>	64-2	19
<b>80855000</b>	64-2	20
<b>80855100</b>	64-2	18
<b>80855200</b>	41-10	9
<b>80856420</b>	32-10	3
<b>80856520</b>	32-10	1
<b>80857100</b>	32-16	15
<b>80857100</b>	32-4	1
<b>80858820</b>	64-4	36
<b>80866000</b>	83-4	7
<b>80866100</b>	83-4	17
<b>80867720</b>	71-6	58
<b>80867720</b>	71-8	27
<b>80868300</b>	89-2	1
<b>80872810</b>	71-8	26
<b>80872811</b>	71-6	59
<b>80873600</b>	42-22	40
<b>80874600</b>	51-6	-



<b>Código</b>	<b>Página</b>	<b>Referência</b>
<b>80874720</b>	51-6	11
<b>80874900</b>	83-4	37
<b>80875000</b>	83-4	41
<b>80875100</b>	83-4	38
<b>80875200</b>	83-4	36
<b>80884410</b>	71-4	31
<b>80884600</b>	89-4	32
<b>80891700</b>	42-16	26
<b>80891900</b>	42-18	68
<b>80892000</b>	42-16	62
<b>80892200</b>	42-18	72
<b>80892400</b>	42-18	65
<b>80892600</b>	42-18	70
<b>80892800</b>	42-18	66
<b>80895100</b>	64-2	17
<b>80895300</b>	64-2	9a
<b>80896520</b>	61-4	34
<b>80900300</b>	64-14	107
<b>80900500</b>	64-12	101
<b>80900600</b>	64-12	104.1
<b>80900700</b>	64-12	104.1
<b>80900800</b>	64-12	104.1
<b>80900900</b>	64-12	104.1
<b>80901000</b>	64-6	14



<b>Código</b>	<b>Página</b>	<b>Referência</b>
<b>80901100</b>	64-6	13
<b>80901300</b>	64-14	109
<b>80901400</b>	64-14	114
<b>80902200</b>	64-6	4
<b>80902500</b>	64-6	10
<b>80902600</b>	64-6	9
<b>80902900</b>	64-6	7
<b>80903000</b>	64-6	5
<b>80903100</b>	64-6	21
<b>80903400</b>	64-6	22
<b>80903500</b>	64-6	22.1
<b>80904400</b>	64-8	28
<b>80904400</b>	64-8	36
<b>80904600</b>	64-6	26
<b>80904600</b>	64-8	37
<b>80905200</b>	64-6	20
<b>80906100</b>	64-8	42
<b>80906200</b>	64-8	42
<b>80906300</b>	64-8	42
<b>80906400</b>	64-8	42
<b>80906500</b>	64-8	42
<b>80906700</b>	64-8	42
<b>80906900</b>	64-8	44
<b>80907000</b>	64-6	25



<b>Código</b>	<b>Página</b>	<b>Referência</b>
<b>80907000</b>	64-8	38
<b>80907100</b>	64-8	35
<b>80907600</b>	64-8	49
<b>80907700</b>	64-10	57
<b>80907800</b>	64-10	58
<b>80907900</b>	64-10	59
<b>80908000</b>	64-10	52
<b>80908100</b>	64-10	56
<b>80908201</b>	64-10	51
<b>80908500</b>	64-10	60
<b>80908600</b>	64-10	63
<b>80908700</b>	64-10	62
<b>80908800</b>	64-10	61
<b>80908900</b>	64-10	64
<b>80909100</b>	64-10	69
<b>80909300</b>	64-10	70
<b>80909400</b>	64-10	66
<b>80909500</b>	64-10	65
<b>80909900</b>	64-12	79
<b>80909900</b>	64-12	81
<b>80910200</b>	64-12	76
<b>80910300</b>	64-12	77
<b>80910600</b>	64-12	87
<b>80910800</b>	64-12	84





<b>Código</b>	<b>Página</b>	<b>Referência</b>
<b>80910900</b>	64-12	82
<b>80911000</b>	64-12	83
<b>80911100</b>	64-12	88
<b>80911200</b>	64-12	89
<b>80911300</b>	64-12	90
<b>80911400</b>	64-12	90
<b>80911500</b>	64-12	90
<b>80911600</b>	64-12	90
<b>80911700</b>	64-12	90
<b>80912100</b>	64-12	90
<b>80912200</b>	64-12	90
<b>80912400</b>	64-12	90
<b>80912500</b>	64-12	90
<b>80913000</b>	64-12	90
<b>80913100</b>	64-12	90
<b>80917410</b>	51-6	13
<b>80920600</b>	22-18	38
<b>80929800</b>	42-12	64
<b>80929800</b>	42-8	67
<b>80929910</b>	42-6	39
<b>80930300</b>	64-12	95.3
<b>80944500</b>	64-2	17
<b>80944600</b>	64-2	17
<b>80944700</b>	64-2	17



<b>Código</b>	<b>Página</b>	<b>Referência</b>
80944800	64-2	17
80944900	64-2	17
80945000	64-2	17
80947820	21-26	31
80948610	91-4	16
80950100	22-18	33
80953410	51-6	12
80958701	91-4	8
80964410	91-6	48
80966410	91-8	32
80973200	23-6	14
80983600	64-2	29
80989600	89-4	33
80990200	91-2	28
80990800	32-12	5
80990800	32-6	2
80995200	41-2	6
80995900	42-16	49
80998900	42-4	52
81003900	83-2	35
81005100	21-26	16
81009000	91-36	17
81013800	42-16	34
81013900	42-16	41



<b>Código</b>	<b>Página</b>	<b>Referência</b>
<b>81058100</b>	42-16	58
<b>81090800</b>	91-10	66
<b>81090900</b>	91-10	75
<b>81091000</b>	91-10	65
<b>81091100</b>	91-10	78
<b>81091200</b>	91-10	79
<b>81091300</b>	91-10	60
<b>81091400</b>	91-10	59
<b>81111800</b>	71-8	10
<b>81113500</b>	64-16	19
<b>81114700</b>	42-2	33
<b>81114900</b>	42-2	29
<b>81115000</b>	42-2	30
<b>81115110</b>	42-4	53
<b>81116000</b>	42-10	46
<b>81116000</b>	42-8	66
<b>81117100</b>	42-2	32
<b>81124310</b>	41-6	9a
<b>81124700</b>	41-6	3a
<b>81124800</b>	41-6	3
<b>81125300</b>	41-6	9
<b>81125910</b>	21-26	23
<b>81131100</b>	91-22	62
<b>81132300</b>	89-4	29



<b>Código</b>	<b>Página</b>	<b>Referência</b>
81132400	89-4	30
81132600	89-4	31
81133000	71-6	57
81133600	41-2	13
81142330	42-4	51b
81143100	71-4	3
81146500	71-4	2
81151101	41-10	13
81151101	41-2	12
81152800	41-10	22
81153100	91-4	13
81155000	42-22	47
81155200	41-6	12
81160800	89-2	19
81162100	42-6	22
81163210	21-26	1
81167900	91-6	27
81168000	91-6	-
81178410	89-2	21
81179300	42-16	39
81180000	61-2	11
81180300	61-4	1
81180300	61-6	-
81183900	42-14	3



<b>Código</b>	<b>Página</b>	<b>Referência</b>
81189910	61-2	-
81190100	89-4	35
81190200	89-4	34
81192300	91-36	12a
81194000	51-2	35
81194200	51-2	47
81194501	51-2	30
81194700	51-2	18
81194800	51-2	23
81194900	51-2	15
81195000	51-2	22
81195510	42-6	-
81195600	42-20	11a
81195700	42-20	7a
81195800	42-22	48
81196000	42-20	**
81196100	42-20	**
81196930	42-4	51
81197630	42-4	51c
81198300	41-10	3
81198300	41-12	-
81198400	41-12	8
81198600	61-2	12
81199910	89-2	-



<b>Código</b>	<b>Página</b>	<b>Referência</b>
81214810	83-2	5
81281600	31-6	1
81281700	31-6	2
81281800	31-6	3
81281900	31-6	10
81282000	31-6	11
81282100	31-6	12
81282200	31-6	13
81282300	31-6	
81282400	31-6	19
81282500	31-6	18
81282600	31-6	21
81282700	31-6	15
81282800	31-6	29
81282900	31-6	51
81283000	31-6	52
81283100	31-6	53
81283200	31-6	4
81283300	31-6	6
81293800	61-6	26
81295700	61-6	15
81295900	61-6	21
81301700	61-6	3
81301800	61-6	4



<b>Código</b>	<b>Página</b>	<b>Referência</b>
<b>81302100</b>	61-6	7
<b>81302200</b>	61-6	8
<b>81302300</b>	61-6	9
<b>81302400</b>	61-6	10
<b>81302500</b>	61-6	11
<b>81302600</b>	61-6	12
<b>81302800</b>	61-6	14
<b>81303100</b>	61-6	17
<b>81303500</b>	61-6	22
<b>81303600</b>	61-6	23
<b>81303700</b>	61-6	24
<b>81303800</b>	61-6	25
<b>81303900</b>	61-6	29
<b>81304000</b>	61-6	27
<b>81304500</b>	46-2	3
<b>81304610</b>	22-20	50
<b>81304700</b>	22-18	43
<b>81306200</b>	22-18	38
<b>81306200</b>	22-18	42
<b>81308100</b>	41-12	3
<b>81308200</b>	41-12	1
<b>81308300</b>	41-12	2
<b>81308400</b>	41-12	5
<b>81308500</b>	41-12	4



<b>Código</b>	<b>Página</b>	<b>Referência</b>
81308600	41-12	6
81308700	41-12	7
81308800	41-12	4a
81308900	41-12	7a
81317000	42-10	2
81317100	42-2	8a
81317200	42-2	45a
81317300	42-2	3a
81317400	42-2	5a
81317500	42-4	48a
81317600	42-2	15a
81317900	42-10	44
81319300	41-2	23
81319300	41-4	23
81319610	42-10	-
81319710	42-10	-
81319820	42-10	-
81319900	42-2	13a
81320320	42-4	51a
81320710	42-10	25
81320710	42-10	32
81320800	42-10	28
81320800	42-6	28
81320900	42-10	34





<b>Código</b>	<b>Página</b>	<b>Referência</b>
<b>81321000</b>	42-10	36
<b>81321200</b>	42-10	33
<b>81321600</b>	42-10	6
<b>81321700</b>	42-10	21
<b>81321800</b>	42-10	12
<b>81321910</b>	42-10	9
<b>81322000</b>	42-10	18
<b>81322100</b>	42-10	15
<b>81322200</b>	42-10	17
<b>81322510</b>	42-10	10
<b>81322700</b>	42-10	5
<b>81322910</b>	42-12	49
<b>81327500</b>	64-6	18
<b>81337600</b>	91-24	8
<b>81337800</b>	91-24	1
<b>81338000</b>	91-24	4
<b>81339400</b>	91-24	7
<b>81339900</b>	42-10	29
<b>81339900</b>	42-6	29
<b>81340200</b>	42-12	54
<b>81340500</b>	42-12	52
<b>81340610</b>	42-12	50
<b>81340710</b>	42-12	56
<b>81340800</b>	42-10	47



<b>Código</b>	<b>Página</b>	<b>Referência</b>
<b>81340900</b>	42-12	53
<b>81344000</b>	64-8	41
<b>81360600</b>	42-2	6
<b>81360600</b>	42-4	46
<b>81361400</b>	42-8	53
<b>81361500</b>	42-8	50
<b>81361900</b>	42-8	49
<b>81365800</b>	31-8	8
<b>81391400</b>	42-8	47
<b>81391600</b>	42-6	36
<b>81391900</b>	42-6	15
<b>81397400</b>	91-12	29
<b>81406500</b>	41-4	-
<b>81406600</b>	41-4	43
<b>81406700</b>	41-4	6
<b>81407300</b>	61-4	17
<b>81412810</b>	42-4	51d
<b>81417800</b>	91-28	11
<b>81417900</b>	91-28	10
<b>81418000</b>	91-28	17
<b>81418100</b>	91-28	15
<b>81419800</b>	91-28	9
<b>81419900</b>	91-28	5
<b>81420000</b>	91-28	1



<b>Código</b>	<b>Página</b>	<b>Referência</b>
81420100	91-28	2
81420300	61-6	19
81421710	61-2	7
81430600	91-24	2
81430700	91-24	9
81430800	91-24	3
81430900	91-24	5
81431000	91-24	6
81442210	42-4	51e
81449420	42-4	51f
81454300	91-36	10
81458400	91-36	3
81465300	32-16	23
81465300	39-8	1
81465400	32-16	13
81465400	39-8	7
81468200	32-18	1
81468300	32-18	2
81468400	32-18	3
81468500	32-18	7
81482800	91-36	7
81488800	83-2	25.
81488900	83-2	23
81490500	32-10	2



<b>Código</b>	<b>Página</b>	<b>Referência</b>
81503800	39-4	6
81511300	91-12	22
81512800	32-16	24
81512800	32-18	12
81512800	39-2	13
81512900	32-18	9
81513000	32-16	25
81513000	32-18	10
81513000	39-2	11
81513400	39-2	1
81513500	39-2	2
81513600	39-2	3
81513700	39-2	4
81514000	39-2	6
81514100	39-2	5
81514200	32-18	11
81514200	39-2	12
81514300	39-2	9
81514400	39-2	7
81514500	39-2	10
81514600	32-16	20
81514600	39-8	2
81514700	32-16	17
81514700	39-8	4



<b>Código</b>	<b>Página</b>	<b>Referência</b>
81514900	32-16	22
81514900	39-8	3
81515000	32-16	21
81515000	39-8	5
81519300	51-2	-
81524900	91-30	4
81525000	91-30	5
81526000	41-2	7
81533600	61-6	5
81553200	42-16	14
81553300	42-16	13
81567600	89-2	21
81587400	91-32	36
81588000	91-32	34
81588620	32-6	1
81588710	32-10	6
81588830	32-12	15
81589000	32-10	15
81589100	32-10	16
81589200	32-12	10
81590300	91-32	37
81590610	91-32	38
81591710	91-32	32
81591810	91-32	33



<b>Código</b>	<b>Página</b>	<b>Referência</b>
<b>81593300</b>	91-32	46
<b>81593400</b>	91-32	59
<b>81593600</b>	91-32	60
<b>81593700</b>	91-32	29
<b>81593900</b>	91-32	54
<b>81595000</b>	91-36	6
<b>81595800</b>	91-32	58
<b>81596910</b>	91-30	-
<b>81597010</b>	91-30	-
<b>81597110</b>	91-30	-
<b>81597210</b>	91-30	-
<b>81597310</b>	91-30	-
<b>81597410</b>	91-30	-
<b>81597510</b>	91-30	-
<b>81597610</b>	91-30	1
<b>81597710</b>	91-30	3
<b>81597900</b>	91-30	14
<b>81598000</b>	91-30	15
<b>81598200</b>	91-30	16
<b>81598300</b>	91-32	23
<b>81598600</b>	91-32	24
<b>81598700</b>	91-32	24
<b>81598800</b>	91-32	24
<b>81598900</b>	91-32	24



<b>Código</b>	<b>Página</b>	<b>Referência</b>
<b>81599000</b>	91-32	19
<b>81599100</b>	91-32	22
<b>81599300</b>	61-2	14
<b>81599400</b>	61-2	13
<b>81599510</b>	32-6	13
<b>81599700</b>	41-2	8
<b>81601610</b>	32-12	13
<b>81601910</b>	32-12	14
<b>81602600</b>	39-4	-
<b>81602700</b>	39-10	-
<b>81602800</b>	32-12	-
<b>81602900</b>	39-6	-
<b>81603000</b>	39-4	11
<b>81603100</b>	39-10	9
<b>81603200</b>	32-12	3
<b>81603300</b>	39-6	11
<b>81604800</b>	83-2	27
<b>81604900</b>	83-2	27
<b>81605800</b>	91-32	47
<b>81606510</b>	91-30	-
<b>81607900</b>	91-18	58
<b>81607900</b>	91-22	67
<b>81607900</b>	91-32	61
<b>81608910</b>	91-30	-



<b>Código</b>	<b>Página</b>	<b>Referência</b>
81609010	91-30	-
81609110	91-30	-
81609810	83-4	26
81609900	83-6	59
81610000	83-4	45
81610100	83-4	48
81610410	83-6	57
81610500	83-4	33
81610600	22-18	-
81610700	61-2	15
81611310	22-18	12
81611400	22-18	13
81611500	22-18	15
81613400	89-2	26
81613500	89-2	-
81613600	89-2	-
81613700	89-2	-
81613800	89-2	-
81613900	89-2	-
81614000	89-2	-
81614100	89-2	-
81614200	89-2	-
81614300	89-2	-
81614500	91-32	30





<b>Código</b>	<b>Página</b>	<b>Referência</b>
81615500	22-18	2
81618400	32-12	-
81618500	32-12	-
81620100	32-6	14
81620700	32-16	26
81620910	32-16	16
81625200	91-30	11
81625300	64-2	24
81626300	91-30	6
81626900	91-30	10
81627000	91-30	7
81627100	91-30	9
81627200	91-30	8
81627300	91-30	13
81627400	91-30	12
81627500	91-32	21
81627600	91-32	20
81627700	91-32	18
81627900	91-32	31
81629800	32-4	7
81630800	41-6	19
81630900	32-4	7a
81633700	91-32	48
81633900	91-32	49



<b>Código</b>	<b>Página</b>	<b>Referência</b>
81634000	91-32	51
81637400	32-6	9
81637400	83-6	61
81642700	91-8	12
81644100	91-8	40
81644900	91-8	11
81646600	91-8	21
81648200	91-8	27
81649900	91-8	46
81650600	91-8	10
81653100	91-8	44
81657900	51-2	42
81658900	91-10	88
81659000	91-8	20
81659100	91-8	5
81661300	71-4	43
81661300	71-8	7
81661700	71-4	49
81661700	71-8	20
81662100	71-4	44
81662100	71-8	13
81662500	71-4	45
81662500	71-8	14
81662800	71-4	46



<b>Código</b>	<b>Página</b>	<b>Referência</b>
81662800	71-8	15
81662900	71-4	51
81662900	71-8	19
81663000	71-4	50
81663000	71-8	18
81663300	42-2	27
81663700	42-2	28
81664000	83-4	6
81664100	51-2	27
81664300	64-8	47
81664600	83-4	10
81665400	83-6	60
81665500	83-6	68
81665600	83-6	69
81665700	42-2	34
81665800	64-16	11
81666100	42-2	38
81666900	83-6	70
81667300	83-6	55
81667400	83-6	74
81667500	51-2	33
81667600	51-2	31
81667700	91-8	19
81667800	91-8	25



<b>Código</b>	<b>Página</b>	<b>Referência</b>
81668100	64-16	15
81668200	64-16	22
81668600	21-26	28
81668800	83-2	-
81668900	83-2	39
81669000	83-2	8
81669100	83-2	20
81669200	83-2	20
81669300	83-2	19
81669400	83-2	19
81669500	71-2	7
81669800	83-4	21
81669900	83-6	53
81670000	83-4	15
81670200	83-2	10
81670700	83-2	28
81670800	83-4	12
81670900	83-4	1
81671000	83-4	16
81671100	83-4	13
81671200	83-4	9
81672700	41-14	12
81672800	64-16	17
81673100	41-14	15



<b>Código</b>	<b>Página</b>	<b>Referência</b>
<b>81673100</b>	64-16	7
<b>81673100</b>	83-4	8
<b>81673900</b>	83-4	22
<b>81674000</b>	83-4	14
<b>81674500</b>	91-10	91
<b>81674600</b>	91-2	2
<b>81674700</b>	91-2	4
<b>81674800</b>	91-32	25
<b>81675300</b>	91-2	38
<b>81675400</b>	91-12	10
<b>81675600</b>	91-18	55
<b>81675600</b>	91-20	45
<b>81675700</b>	91-18	59
<b>81675700</b>	91-22	68
<b>81675700</b>	91-32	62
<b>81675800</b>	91-18	60
<b>81675800</b>	91-22	69
<b>81675800</b>	91-34	63
<b>81676200</b>	91-34	68
<b>81676300</b>	91-18	62
<b>81676300</b>	91-22	71
<b>81676400</b>	91-18	56
<b>81676400</b>	91-22	65
<b>81676800</b>	91-34	72



<b>Código</b>	<b>Página</b>	<b>Referência</b>
81677000	91-18	64
81677000	91-22	73
81677200	91-34	73
81677400	91-34	70
81677500	91-34	71
81680300	83-2	24
81680700	71-2	11
81684800	51-4	49
81686000	71-4	42
81686000	71-8	5
81687100	83-6	73
81687200	83-4	47
81687500	83-4	46
81688800	71-6	65
81688800	71-8	22
81689000	71-4	52
81689000	71-8	23
81689100	71-8	-
81689900	91-34	74
81690000	91-34	67
81694500	91-14	12
81694900	91-14	13
81695400	91-12	15
81696100	91-14	2



<b>Código</b>	<b>Página</b>	<b>Referência</b>
<b>81696300</b>	91-14	29
<b>81696400</b>	91-12	36
<b>81696500</b>	91-12	37
<b>81696600</b>	91-12	39
<b>81696700</b>	91-12	17
<b>81696800</b>	91-14	3
<b>81696900</b>	91-14	5
<b>81697000</b>	91-14	4
<b>81697100</b>	91-14	6a
<b>81697200</b>	91-14	6
<b>81697300</b>	91-14	8
<b>81697400</b>	91-14	21
<b>81697500</b>	91-14	17
<b>81697600</b>	91-14	16
<b>81697700</b>	91-14	15
<b>81697800</b>	91-14	19
<b>81697900</b>	91-14	7
<b>81698000</b>	91-14	28
<b>81698100</b>	64-6	1
<b>81698200</b>	64-6	2
<b>81698300</b>	64-6	3
<b>81698400</b>	64-6	6
<b>81698500</b>	64-6	8
<b>81698600</b>	64-6	11



<b>Código</b>	<b>Página</b>	<b>Referência</b>
<b>81699100</b>	64-6	11
<b>81699400</b>	64-6	15
<b>81699500</b>	64-6	16
<b>81699600</b>	64-6	17
<b>81699700</b>	64-6	23
<b>81699800</b>	64-6	24
<b>81699900</b>	64-8	27
<b>81700000</b>	64-8	29
<b>81700100</b>	64-8	31
<b>81700200</b>	64-8	33
<b>81700300</b>	64-8	33
<b>81700400</b>	64-8	40
<b>81700500</b>	64-8	43
<b>81700600</b>	64-8	50
<b>81700700</b>	64-8	50
<b>81700800</b>	64-8	50
<b>81700900</b>	64-8	50
<b>81701000</b>	64-8	50
<b>81701100</b>	64-8	50
<b>81701200</b>	64-8	50
<b>81701300</b>	64-8	50
<b>81701300</b>	64-8	50
<b>81701400</b>	64-8	50
<b>81701500</b>	64-8	50





<b>Código</b>	<b>Página</b>	<b>Referência</b>
<b>81701600</b>	64-8	50
<b>81701700</b>	64-8	50
<b>81701800</b>	64-8	50
<b>81701900</b>	64-8	50
<b>81702000</b>	64-8	50
<b>81702100</b>	64-8	50
<b>81702200</b>	64-8	50
<b>81702400</b>	64-8	50
<b>81702500</b>	64-8	50
<b>81702600</b>	64-8	50
<b>81702700</b>	64-8	50
<b>81702800</b>	64-8	50
<b>81702900</b>	64-8	50
<b>81703000</b>	64-8	50
<b>81703100</b>	64-8	50
<b>81703200</b>	64-8	50
<b>81703300</b>	64-8	50
<b>81703400</b>	64-8	50
<b>81703500</b>	64-10	50
<b>81703600</b>	64-10	50
<b>81703700</b>	64-10	68
<b>81703800</b>	64-10	71
<b>81703900</b>	64-10	72
<b>81704000</b>	64-12	75



<b>Código</b>	<b>Página</b>	<b>Referência</b>
<b>81704100</b>	64-12	78
<b>81704200</b>	64-12	80
<b>81704300</b>	64-12	86
<b>81704500</b>	64-12	92
<b>81704600</b>	64-12	95
<b>81704700</b>	64-12	95.1
<b>81704800</b>	64-12	95.2
<b>81704900</b>	64-12	96
<b>81705100</b>	64-6	104
<b>81705200</b>	64-6	104
<b>81705300</b>	64-6	104
<b>81705400</b>	64-6	104
<b>81705500</b>	64-6	104
<b>81705600</b>	64-6	104
<b>81705700</b>	64-6	104
<b>81705800</b>	64-6	104
<b>81705900</b>	64-6	104
<b>81706000</b>	64-6	104
<b>81706100</b>	64-6	104
<b>81706200</b>	64-6	104
<b>81706300</b>	64-6	104
<b>81706400</b>	64-6	104
<b>81706500</b>	64-6	104
<b>81706600</b>	64-6	104



<b>Código</b>	<b>Página</b>	<b>Referência</b>
<b>81706700</b>	64-6	104
<b>81706800</b>	64-6	104
<b>81706900</b>	64-6	104
<b>81707000</b>	64-6	104
<b>81707100</b>	64-6	104
<b>81707200</b>	64-6	104
<b>81707300</b>	64-6	104
<b>81707400</b>	64-12	105
<b>81707500</b>	64-12	105
<b>81707600</b>	64-12	105
<b>81707700</b>	64-12	105
<b>81707800</b>	64-12	105
<b>81707900</b>	64-12	105
<b>81708000</b>	64-12	105
<b>81708100</b>	64-14	105
<b>81708200</b>	64-14	105
<b>81708300</b>	64-14	105
<b>81708400</b>	64-14	105
<b>81708500</b>	64-14	105
<b>81708600</b>	64-14	105
<b>81708700</b>	64-14	105
<b>81708800</b>	64-14	105
<b>81708900</b>	64-14	105
<b>81709000</b>	64-14	105



<b>Código</b>	<b>Página</b>	<b>Referência</b>
<b>81709100</b>	64-14	105
<b>81709200</b>	64-14	105
<b>81709300</b>	64-14	105
<b>81709400</b>	64-14	105
<b>81709500</b>	64-14	105
<b>81709600</b>	64-14	105
<b>81709700</b>	64-14	105
<b>81709800</b>	64-14	105
<b>81709900</b>	64-14	105
<b>81710000</b>	64-14	105
<b>81710100</b>	64-14	105
<b>81710200</b>	64-14	105
<b>81710300</b>	64-14	105
<b>81710400</b>	64-14	105
<b>81710600</b>	64-14	110
<b>81710700</b>	64-14	113
<b>81710800</b>	64-14	115
<b>81710900</b>	64-2	21
<b>81711000</b>	64-4	39
<b>81711100</b>	64-6	167
<b>81712400</b>	91-14	18
<b>81723200</b>	83-4	4
<b>81723300</b>	32-12	23
<b>81723300</b>	32-6	16



<b>Código</b>	<b>Página</b>	<b>Referência</b>
81723500	32-6	15
81725300	64-14	-
81731400	41-14	14
81731400	64-16	6
81731400	83-6	78
81736400	51-2	46
81751100	83-4	39
81754500	64-16	8
81754900	83-4	11
81757200	91-8	34
81757300	83-6	80
81758600	32-10	12
81758800	83-2	47
81760300	42-16	5
81760400	42-16	10
81760500	42-16	11
81761000	91-8	33
81761200	21-26	42
81761300	21-26	41
81761400	21-26	30
81762900	83-2	1
81763000	71-4	11
81763900	71-2	1
81764800	91-8	11



<b>Código</b>	<b>Página</b>	<b>Referência</b>
81766200	91-30	-
81766400	91-10	92
81766500	91-10	93
81767300	89-2	5
81768400	83-4	49
81768400	91-8	9
81768700	71-4	6
81768700	71-8	2
81768800	71-4	8
81768800	71-8	3
81769500	41-8	2
81769800	71-4	32
81769900	71-4	33
81772500	41-14	5
81774300	71-4	27
81774400	71-4	27
81774500	71-4	27
81774900	71-4	7
81774900	71-8	4
81775000	83-6	72
81775600	42-16	9
81776000	91-10	90
81780200	91-34	64
81780300	91-30	-



<b>Código</b>	<b>Página</b>	<b>Referência</b>
81780600	51-2	38
81782000	51-4	51
81785700	51-2	20
81785800	91-32	24
81785900	91-32	55
81786000	91-30	17
81786300	51-4	54
81786400	91-34	75
81787300	91-8	24
81788900	42-16	6
81791100	83-2	11
81791200	83-2	43
81791300	83-2	44
81792200	91-8	26
81792600	91-36	2
81793000	41-14	26
81793400	41-14	24
81793700	41-14	22
81794300	41-10	26
81794300	41-14	29
81798100	91-14	22
81798600	83-6	83
81798700	83-6	82
81798900	83-6	84



<b>Código</b>	<b>Página</b>	<b>Referência</b>
81799200	41-14	10
81799300	41-14	11
81829000	91-32	26
81830300	41-14	27
82010100	91-16	21
82013810	83-2	18
82014010	83-2	18
82024500	31-6	54
82028000	31-6	-
82031900	71-4	40
82031900	71-8	11
82052700	64-4	35
82055800	21-2	19a
82061610	91-14	9
82061910	91-12	20
82062010	91-12	19
82063320	71-4	1
82065430	41-4	9
82065610	41-8	12
82065720	41-8	1
82065800	41-4	16
82065900	41-4	11
82066111	23-2	3a
82066300	23-2	5a





<b>Código</b>	<b>Página</b>	<b>Referência</b>
<b>82066400</b>	23-2	8a
<b>82066820</b>	21-26	15
<b>82067320</b>	21-26	25
<b>82067700</b>	61-4	14
<b>82068000</b>	91-16	19
<b>82068700</b>	91-16	34
<b>82068800</b>	91-16	10
<b>82068910</b>	91-16	36
<b>82069000</b>	91-16	2
<b>82071900</b>	61-4	27
<b>82072220</b>	83-2	38
<b>82075010</b>	41-8	5
<b>82075300</b>	41-8	7
<b>82075930</b>	64-4	36
<b>82076600</b>	91-16	6
<b>82078300</b>	64-2	-
<b>82078500</b>	21-26	12
<b>82078600</b>	91-6	18
<b>82079800</b>	91-12	5
<b>82080000</b>	91-2	3
<b>82080500</b>	41-4	44
<b>82080600</b>	41-8	6
<b>82080800</b>	22-18	40
<b>82080900</b>	22-18	38



<b>Código</b>	<b>Página</b>	<b>Referência</b>
82081000	22-18	41
82082600	21-26	9
82082700	21-26	11
82083900	91-16	51
82084100	41-4	42
82084210	41-4	39
82084400	41-4	41
82087800	64-2	29
82087900	64-2	9
82088700	91-12	4
82088810	91-12	6
82089910	91-26	4
82089910	91-28	-
82090100	91-6	-
82090400	22-18	38
82090700	91-12	1
82091100	22-18	33
82093200	46-2	8
82096300	91-6	12
82098500	31-6	58
82098900	31-6	57
82099700	91-28	12
82099900	91-28	13
82503500	83-6	66



<b>Código</b>	<b>Página</b>	<b>Referência</b>
82514800	91-32	56
82600500	21-2	-
82600600	21-2	-
82607010	21-26	8
82609600	31-10	51
82611000	31-10	51
82611900	23-4	31
82612000	21-22	1
82612100	21-22	11
82612200	21-22	9
82612300	21-22	10
82612400	21-22	7
82612900	21-26	32
82613000	21-16	2
82613100	21-16	5
82613700	23-2	13
82614500	21-26	7
82614600	21-26	37
82614700	21-26	7
82615400	21-26	45
82615500	21-2	36
82619900	21-26	29
83103900	32-10	14
83326400	51-2	16



<b>Código</b>	<b>Página</b>	<b>Referência</b>
83338700	51-2	29
83432000	71-4	10
83432000	71-8	8
500950800	21-16	23
528801380	21-2	20
528801400	23-4	19
529801420	23-4	6
529801440	23-4	14
529801460	23-4	13
529801500	23-4	24
529801570	31-6	55
529802682	21-2	42
529903180	21-2	7
581805020	23-4	20
602074615	21-16	14
610063044	23-4	2
614102636	23-4	5
614601524	21-16	16
614602950	23-4	15
615571014	21-2	18
615881216	21-2	34
615881418	23-4	26
615881620	21-2	27
615881822	21-2	30



<b>Código</b>	<b>Página</b>	<b>Referência</b>
615881822	23-4	28
615881824	21-2	35
617330052	23-4	1
640016016	21-2	14
640016018	21-2	28
640016040	21-2	16
640305012	21-2	33
640325014	23-4	25
640325018	21-2	29
640325018	23-4	27
640325110	21-2	17
640435015	21-16	11
654271208	32-10	7
684121400	23-6	25
684121400	23-6	29
835324277	91-16	23
835331586	21-16	3
835331592	31-2	-
835339425	23-4	8
835340042	21-16	-
836014334	21-2	32
836019756	21-2	31
836020290	21-16	20
836115646	23-4	30



<b>Código</b>	<b>Página</b>	<b>Referência</b>
836117834	21-16	17
836117836	21-16	19
836119079	21-2	26
836119270	23-4	3
836119849	23-4	29
836128220	31-6	63
836128220	31-6	64
836128220	31-6	65
836128220	31-6	66
836128220	31-6	67
836128220	31-6	68
836128220	31-6	69
836128220	31-6	70
836128220	31-6	71
836128220	31-6	72
836129849	21-16	22
836129978	21-16	9
836131366	21-16	4
836214478	21-2	4
836214478	21-2	6
836322190	21-16	21
836322610	21-2	2
836322852	21-2	22
836338601	21-2	38



<b>Código</b>	<b>Página</b>	<b>Referência</b>
836338850	21-16	18
836338985	21-26	22
836640234	91-16	25
836640234	91-24	-
836640501	32-10	17
836646393	23-4	22
836647133	21-16	1
836647400	21-2	39
836647401	21-2	40
836647420	21-2	11
836647502	21-2	12
836647503	21-2	13
836647933	21-2	
836647934	21-2	
836647935	21-2	
836655246	21-16	19a
836659521	21-16	12
836659522	21-16	13
836659523	21-16	25
836662129	21-16	-
836662130	21-16	-
836747124	21-16	7
836840101	23-4	-
836846231	21-2	37



<b>Código</b>	<b>Página</b>	<b>Referência</b>
836846302	23-4	11
836846303	23-4	9
836846304	23-4	10
836846305	23-4	12
836846370	23-4	23
836846432	23-4	21
836847275	21-2	1
836847465	23-4	-
836847466	23-4	7
836847467	23-4	4
836847929	21-16	10
836847994	21-2	21
836852459	21-2	9
836852460	21-2	8
836852461	21-2	10
836852656	21-2	19
836852744	21-2	15
836855063	23-4	17a
836855074	23-4	17
836855150	23-4	16
836864056	21-16	25a
887283760	21-2	25
887283760	32-10	9
116670-*	31-2	11





<b>Código</b>	<b>Página</b>	<b>Referência</b>
<b>116730-*</b>	31-2	6
<b>143150-*</b>	31-2	2
<b>81278600-*</b>	31-2	11
<b>GB8005</b>	61-2	10
<b>GG0019</b>	64-2	12
<b>GG0019</b>	91-12	16
<b>GG0019</b>	91-14	20
<b>GG0085</b>	51-2	4
<b>GG0085</b>	91-2	15
<b>GG0088</b>	41-10	6
<b>GG0088</b>	91-12	21
<b>GG0088</b>	91-26	22
<b>GG0088</b>	91-28	6
<b>GP3910</b>	21-16	6
<b>GP3915</b>	91-16	7
<b>GP3915</b>	91-20	23
<b>GP3923</b>	21-26	6
<b>GP3923</b>	71-8	9
<b>GP3923</b>	91-20	34
<b>GP3932</b>	71-4	17
<b>GP3932</b>	71-8	1
<b>GP3933</b>	21-26	27
<b>GP3942</b>	21-26	26
<b>GP3942</b>	23-2	4



<b>Código</b>	<b>Página</b>	<b>Referência</b>
<b>GP3942</b>	91-16	5
<b>GP3942</b>	91-2	30
<b>GP3942</b>	91-20	6
<b>GR0202</b>	42-18	67
<b>GR0204</b>	91-4	3
<b>GR0234</b>	91-6	19
<b>GR0277</b>	42-16	57
<b>GR0277</b>	91-16	3
<b>GR0277</b>	91-20	25
<b>GR0279</b>	91-2	14
<b>GR0279</b>	91-26	15
<b>GR5013</b>	42-4	49
<b>GS9205</b>	42-16	15
<b>GS9205</b>	91-26	19
<b>GS9250</b>	91-2	19
<b>GS9265</b>	91-26	25
<b>GS9270</b>	91-26	17
<b>GS9274</b>	61-4	5
<b>HA6306</b>	91-10	94
<b>HA6313</b>	22-18	46
<b>HA6313</b>	32-4	6
<b>HA6313</b>	39-4	8
<b>HA6313</b>	39-6	9
<b>HA6313</b>	42-16	1



<b>Código</b>	<b>Página</b>	<b>Referência</b>
HA6313	64-16	5
HA6313	64-16	26
HA6313	83-4	19
HA6318	42-16	28
HA6318	46-4	56
HA6322	21-26	38
HA6322	22-18	34
HA6322	41-14	13
HA6322	41-14	16
HA6322	42-16	12
HA6322	83-4	24
HA6322	89-2	13
HA6322	91-16	20
HA6322	91-20	37
Hj6322	21-2	41
HA6323	21-26	20
HA6323	22-18	26
HA6323	23-2	9
HA6323	23-4	32
HA6323	41-4	3
HA6323	41-8	8
HA6323	42-16	3
HA6323	51-2	40
HA6323	61-2	8



<b>Código</b>	<b>Página</b>	<b>Referência</b>
HA6323	61-4	20
HA6323	71-4	35
HA6323	83-2	26
HA6323	91-16	33
HA6323	91-20	3
Hj6323	21-16	15
HA6324	22-18	45
HA6324	31-10	63
HA6324	32-10	13
HA6324	51-2	37
HA6324	71-6	61
HA6324	71-6	67
HA6324	71-8	25
HA6324	83-4	44
HA6324	91-16	8
HA6324	91-16	50
HA6324	91-20	9
HA6325	22-18	24
HA6325	91-32	45
HA6327	31-10	58
HA6333	21-26	36
HA6333	31-10	60
HA6333	31-4	37
HA6333	51-2	9



<b>Código</b>	<b>Página</b>	<b>Referência</b>
HA6333	83-2	48
HA6333	89-2	4
HA6333	91-32	27
HA6334	21-26	44
HA6334	61-4	32
HA6334	64-2	31
HA6334	64-4	37
Hj6334	21-22	8
HA6343	64-4	33
HA6343	71-4	15
HA6344	46-2	1
HA6344	83-2	14
HA6345	91-36	9
HA6356	71-4	13
HA6358	71-2	2
HA6358	91-2	1
HA6358	91-36	24
HA6369	71-2	10
HA6425	23-6	19
HA6426	91-10	55
HA6426	91-34	76
HA6428	89-2	6
HA6449	91-12	18
HA6468	64-2	27



<b>Código</b>	<b>Página</b>	<b>Referência</b>
HA8326	91-22	63
HA8327	51-2	2
HA8327	91-8	37
HA8330	46-2	25
HA8337	41-2	3
HA8337	91-8	28
HA8346	91-12	7
HA8347	64-16	16
HA8347	83-4	52
HA8348	83-4	50
HA8350	91-8	36
HA8371	64-2	26
HA8372	64-2	25
HA8373	71-2	15
HA8373	91-36	20
HA8393	91-36	13
HA8397	91-36	14
HA9089	42-16	18
HA9206	31-6	56
HA9207	31-10	54
HA9219	39-6	3
HA9223	32-6	7
HA9223	61-2	17
HA9223	83-6	67



<b>Código</b>	<b>Página</b>	<b>Referência</b>
HA9224	89-4	37
HA9224	91-34	77
HA9225	91-32	42
HA9226	89-2	14
HA9229	41-14	4
Hj9230	21-16	24
HA9234	61-4	7
HA9234	61-4	33
HA9235	21-26	13
HA9235	23-2	12
HA9235	51-2	28
HA9241	21-26	17
HA9241	71-6	53
HA9241	71-6	62
HA9241	71-8	28
HA9241	71-8	30
HA9241	71-8	33
HA9242	42-10	1
HA9242	42-10	39
HA9242	42-6	42
HA9242	89-2	8
HA9242	91-12	11
HA9348	42-14	9
HC1305	32-6	12



<b>Código</b>	<b>Página</b>	<b>Referência</b>
HC1305	71-4	23
HC1312	46-4	59
HC8331	91-4	1
HC8342	91-6	10
HC8348	91-10	86
HC8357	71-4	36
HC8382	91-20	12
HC8431	83-2	3
HC8438	41-10	29
HC8438	41-2	21
HC8439	41-10	35
HC8439	41-2	19
HC8446	41-10	32
HC8446	41-2	35
HC8446	41-4	35
HC8447	41-10	27
HC8447	41-2	22
HC8447	41-4	22
HC8447	46-2	27
HC8447	91-2	25
HC8450	46-4	51
HC8455	91-2	17
HC8456	42-2	2
HC8456	42-20	9





<b>Código</b>	<b>Página</b>	<b>Referência</b>
HC8456	71-4	38
HC9318	91-20	39
HC9322	61-4	29
HC9322	91-16	27
HC9322	91-20	28
HC9325	61-4	23
HC9325	71-4	5
HC9325	83-2	6
HC9327	83-2	16
HC9327	91-2	20
HC9336	91-16	38
HC9336	91-20	42
HC9354	71-4	39
HC9435	91-16	9
HC9435	91-20	27
HC9512	42-2	12
HC9525	91-2	24
HC9530	42-2	44
HC9530	91-8	48
HC9605	39-10	7
HC9605	61-4	15
HC9605	91-16	24
HC9623	91-20	10
HC9743	91-6	28



<b>Código</b>	<b>Página</b>	<b>Referência</b>
HC9766	41-14	25
HC9766	41-4	38
HC9767	64-2	15
HD8005	61-2	6
HD9013	91-8	7
HD9024	83-2	29
HD9025	39-10	11
HD9035	39-6	6
HD9043	32-12	2
HD9052	42-2	25
HD9152	32-6	5
HD9152	83-4	5
HD9152	91-8	22
HD9153	41-14	6
HD9157	32-2	14
HF3104	41-14	7
HF3104	83-6	56
HH4403	91-4	18
HH4468	42-22	34
HH6429	46-2	28
HJ1902	42-14	2
HN6612	32-16	9
HN6646	23-2	6
HN6646	83-2	36



<b>Código</b>	<b>Página</b>	<b>Referência</b>
<b>HN6646</b>	83-4	27
<b>HS9523</b>	89-2	22
<b>JB0937</b>	91-8	17
<b>JB0940</b>	42-14	1
<b>JB0952</b>	42-2	20
<b>JB0952</b>	91-12	42
<b>JB1106</b>	22-18	32
<b>JB1106</b>	39-4	10
<b>JB1106</b>	39-6	7
<b>JB1106</b>	41-14	9
<b>JB1106</b>	42-2	23
<b>JB1106</b>	46-4	58
<b>JB1106</b>	91-32	50
<b>JB1108</b>	21-22	5
<b>JB1108</b>	21-26	10
<b>JB1108</b>	21-26	33
<b>JB1108</b>	22-18	25
<b>JB1108</b>	31-10	55
<b>JB1108</b>	31-6	60
<b>JB1108</b>	32-10	11
<b>JB1108</b>	41-6	5
<b>JB1108</b>	42-22	35
<b>JB1108</b>	51-4	53
<b>JB1108</b>	61-4	18



<b>Código</b>	<b>Página</b>	<b>Referência</b>
<b>JB1108</b>	83-2	12
<b>JB1108</b>	83-2	45
<b>JB1108</b>	89-2	15
<b>JB1108</b>	91-10	56
<b>JB1108</b>	91-16	31
<b>JB1108</b>	91-22	64
<b>JB1110</b>	22-18	4
<b>JB1110</b>	41-10	25
<b>JB1110</b>	41-2	34
<b>JB1110</b>	61-4	8
<b>JB1110</b>	64-4	38
<b>JB1110</b>	89-2	2
<b>JB1110</b>	91-12	24
<b>JB1110</b>	91-8	31
<b>JB1112</b>	46-2	29
<b>JB1112</b>	64-16	18
<b>JB1112</b>	83-4	51
<b>JB1112</b>	89-2	11
<b>JB1116</b>	71-2	18
<b>JB1116</b>	83-4	35
<b>JB1116</b>	91-12	14
<b>JB1120</b>	91-26	6
<b>JB1120</b>	91-36	21
<b>JB1208</b>	22-18	28



<b>Código</b>	<b>Página</b>	<b>Referência</b>
<b>JB1208</b>	22-18	37
<b>JB1208</b>	41-14	17
<b>JB1208</b>	46-2	26
<b>JB1208</b>	46-2	26a
<b>JB1208</b>	51-2	10
<b>JB1208</b>	91-10	81
<b>JB1210</b>	41-14	2
<b>JB1210</b>	51-2	19
<b>JB1210</b>	64-16	2
<b>JB1216</b>	22-18	19
<b>JB1216</b>	91-12	2
<b>JB1220</b>	91-36	22
<b>JB1230</b>	91-36	18
<b>JB2110</b>	64-16	20
<b>JB3112</b>	42-22	46a
<b>JB3212</b>	42-22	46
<b>JB3212</b>	91-10	74
<b>JB3212</b>	91-12	9
<b>JB8902</b>	39-4	7
<b>JB8902</b>	39-6	4
<b>JB8903</b>	32-12	4
<b>JB8903</b>	89-4	28
<b>JB8903</b>	91-32	53
<b>JB8904</b>	22-20	48



<b>Código</b>	<b>Página</b>	<b>Referência</b>
<b>JB8904</b>	31-6	61
<b>JB8904</b>	51-2	43
<b>JB8904</b>	71-4	47
<b>JB8904</b>	71-8	16
<b>JB8905</b>	51-4	52
<b>JB8906</b>	51-6	3
<b>JB8906</b>	91-10	80
<b>JB8907</b>	41-14	21
<b>JB8908</b>	71-2	13
<b>JB9909</b>	42-14	24
<b>JC1608</b>	83-2	21
<b>JC8230</b>	91-14	10
<b>JD0106</b>	42-16	2
<b>JD0110</b>	42-16	19
<b>JD0405</b>	23-2	7
<b>JD0405</b>	83-2	34
<b>JD0406</b>	32-6	4
<b>JD0406</b>	39-4	9
<b>JD0406</b>	39-6	10
<b>JD0406</b>	61-2	16
<b>JD0406</b>	83-4	20
<b>JD0406</b>	89-4	36
<b>JD0406</b>	91-32	43
<b>JD0406</b>	91-32	52



<b>Código</b>	<b>Página</b>	<b>Referência</b>
<b>JD0406</b>	91-8	6
<b>JD0408</b>	22-18	23
<b>JD0408</b>	22-18	35
<b>JD0408</b>	31-10	57
<b>JD0408</b>	31-6	62
<b>JD0408</b>	41-8	3
<b>JD0408</b>	42-16	4
<b>JD0408</b>	51-2	32
<b>JD0408</b>	61-2	9
<b>JD0408</b>	71-4	4
<b>JD0408</b>	71-4	48
<b>JD0408</b>	71-8	17
<b>JD0408</b>	71-8	24
<b>JD0408</b>	83-2	9
<b>JD0408</b>	83-2	22
<b>JD0408</b>	83-4	23
<b>JD0408</b>	89-2	16
<b>JD0410</b>	21-26	14
<b>JD0410</b>	31-10	52
<b>JD0410</b>	41-6	7
<b>JD0410</b>	64-16	13
<b>JD0410</b>	64-16	25
<b>JD0410</b>	64-2	32
<b>JD0410</b>	89-2	3



<b>Código</b>	<b>Página</b>	<b>Referência</b>
JD0410	91-32	28
JD0410	91-8	29
JD0412	41-10	38
JD0412	41-14	19
JD0412	51-4	57
JD0412	64-4	34
JD0412	71-4	14
JD0412	71-6	63
JD0412	71-8	29
JD0412	71-8	31
JD0412	83-4	25
JD0412	89-2	9
JD0412	91-34	66
JD0412	91-36	8
JD0412	91-8	35
JD0416	22-18	17
JD0416	41-14	20
JD0416	51-6	2
JD0416	71-4	12
JD0420	61-2	3
JD0424	41-10	24
JD0424	41-2	32
JD0424	41-6	14
JD0424	41-8	14





<b>Código</b>	<b>Página</b>	<b>Referência</b>
<b>JD3106</b>	32-4	21
<b>JD3106</b>	46-4	57
<b>JD3106</b>	89-2	20
<b>JD3106</b>	89-2	23
<b>JD3106</b>	91-10	89
<b>JD3108</b>	21-26	21
<b>JD3108</b>	21-26	39
<b>JD3108</b>	22-20	47
<b>JD3108</b>	23-6	11
<b>JD3108</b>	23-6	18
<b>JD3108</b>	31-10	62
<b>JD3108</b>	31-6	59
<b>JD3108</b>	32-10	10
<b>JD3108</b>	42-16	16
<b>JD3108</b>	61-4	22
<b>JD3108</b>	71-6	60
<b>JD3108</b>	91-16	32
<b>JD3108</b>	91-20	4
<b>JD3108</b>	91-8	18
<b>JD3110</b>	21-26	3
<b>JD3110</b>	23-2	11
<b>JD3110</b>	31-10	61
<b>JD3110</b>	31-4	38
<b>JD3110</b>	41-2	2



<b>Código</b>	<b>Página</b>	<b>Referência</b>
<b>JD3110</b>	61-4	24
<b>JD3110</b>	91-12	23
<b>JD3110</b>	91-8	30
<b>JD3112</b>	21-26	18
<b>JD3112</b>	71-6	64
<b>JD3112</b>	71-8	32
<b>JD3112</b>	83-2	15
<b>JD3112</b>	91-12	8
<b>JD3113</b>	83-6	54
<b>JD3116</b>	71-2	17
<b>JD3116</b>	91-12	41
<b>JD3120</b>	64-2	28
<b>JD3120</b>	91-26	2
<b>JD3208</b>	51-2	26
<b>JD3208</b>	91-20	11
<b>JD8003</b>	32-6	8
<b>JD8003</b>	41-14	8
<b>JD8003</b>	83-4	3
<b>JD8003</b>	83-4	28
<b>JD8003</b>	91-10	84
<b>JD8003</b>	91-10	95
<b>JD8003</b>	91-8	2
<b>JD9062</b>	21-22	6
<b>JD9062</b>	21-26	34



<b>Código</b>	<b>Página</b>	<b>Referência</b>
<b>JD9062</b>	21-26	43
<b>JD9062</b>	41-10	41
<b>JD9062</b>	83-2	46
<b>JD9106</b>	91-12	13
<b>JD9106</b>	91-36	23
<b>JD9201</b>	39-10	10
<b>JD9228</b>	32-16	2
<b>JE3047</b>	22-18	36
<b>JE3047</b>	51-4	55
<b>JE3047</b>	64-16	12
<b>JE3047</b>	71-6	66
<b>JE3047</b>	71-8	21
<b>JE3047</b>	91-8	16
<b>JE3076</b>	22-18	3
<b>JE3076</b>	51-2	48
<b>JE3079</b>	41-6	4
<b>JE3079</b>	41-8	4
<b>JE3079</b>	51-2	17
<b>JE3079</b>	64-16	14
<b>JE3079</b>	91-10	85
<b>JE3079</b>	91-6	46
<b>JE3101</b>	41-6	8
<b>JE3101</b>	51-4	56
<b>JE3103</b>	51-6	4



<b>Código</b>	<b>Página</b>	<b>Referência</b>
<b>JE3108</b>	46-4	43
<b>JE3111</b>	42-2	9
<b>JE3125</b>	41-4	45
<b>JE3134</b>	91-14	11
<b>JE3155</b>	41-6	13
<b>JE3155</b>	41-8	13
<b>JE3155</b>	91-14	30
<b>JE3156</b>	91-14	14
<b>JE3181</b>	91-36	1
<b>JE6404</b>	42-4	50
<b>JE8062</b>	91-32	35
<b>JE8102</b>	51-2	24
<b>JE8132</b>	91-10	72
<b>JE8139</b>	22-18	16
<b>JE8141</b>	51-2	13
<b>JE8162</b>	51-4	50
<b>JE9059</b>	91-6	47
<b>JE9069</b>	51-6	5
<b>JE9070</b>	51-2	21
<b>JE9071</b>	91-2	36
<b>JE9084</b>	22-18	20
<b>JE9089</b>	91-6	8
<b>JE9099</b>	51-6	6
<b>JE9099</b>	91-2	21



<b>Código</b>	<b>Página</b>	<b>Referência</b>
<b>JE9106</b>	41-10	28
<b>JE9106</b>	41-2	11.
<b>JE9106</b>	91-6	9
<b>JE9110</b>	91-26	24
<b>JE9301</b>	91-12	32
<b>JE9301</b>	91-36	4
<b>JE9404</b>	91-8	43
<b>JE9405</b>	91-12	28
<b>JF5002</b>	41-6	18
<b>JF5002</b>	41-8	18
<b>JF5002</b>	83-2	2
<b>JF5002</b>	89-2	7
<b>JJ51002</b>	71-2	4
<b>KG1014</b>	91-6	45
<b>KG1016</b>	46-2	33
<b>KG1018</b>	91-10	51
<b>KG1020</b>	42-22	38
<b>KG1026</b>	42-22	43
<b>KG1038</b>	91-30	2
<b>KG1045</b>	42-10	22
<b>KG1045</b>	42-20	1
<b>KG1045</b>	42-6	25
<b>KG1055</b>	46-2	19
<b>KG1073</b>	41-10	37



<b>Código</b>	<b>Página</b>	<b>Referência</b>
<b>KG1073</b>	41-14	18
<b>KG1074</b>	91-10	58
<b>KG1074</b>	91-6	7
<b>KG1174</b>	42-10	23
<b>KG1174</b>	42-6	23
<b>KG1176</b>	46-2	16
<b>KG1189</b>	42-10	20
<b>KG1189</b>	42-6	19
<b>KG1189</b>	91-4	10
<b>KG1201</b>	91-10	54
<b>KG1406</b>	91-18	65
<b>KG2018</b>	64-16	9
<b>KG3023</b>	46-2	21
<b>KG3024</b>	91-16	48
<b>KG3024</b>	91-20	46
<b>KG3040</b>	42-2	35
<b>KG3052</b>	41-4	46
<b>KG3072</b>	42-22	24
<b>KG3080</b>	46-2	4
<b>KG3090</b>	46-2	17
<b>KG3100</b>	42-10	7
<b>KG3100</b>	42-10	27
<b>KG3100</b>	42-20	4
<b>KG3100</b>	42-6	3



<b>Código</b>	<b>Página</b>	<b>Referência</b>
<b>KG3100</b>	42-6	27
<b>KG9114</b>	42-10	16
<b>KG9120</b>	42-10	48
<b>KG9120</b>	42-8	48
<b>KG9121</b>	42-12	51
<b>KG9121</b>	42-8	51
<b>KG9122</b>	42-12	53
<b>KG9122</b>	42-8	54
<b>KG9123</b>	42-10	14
<b>KG9123</b>	42-6	10
<b>KH0931</b>	46-2	23
<b>KH1041</b>	41-10	14
<b>KH1160</b>	42-20	3
<b>KH1164</b>	41-10	20
<b>KH1164</b>	41-2	30.
<b>KH1164</b>	41-4	30
<b>KH3272</b>	91-4	11
<b>KH3305</b>	91-28	3
<b>KH3306</b>	91-28	4
<b>KH3610</b>	42-2	17
<b>KH3610</b>	42-22	45
<b>KH3611</b>	61-4	13
<b>KH3611</b>	91-16	53
<b>KH3611</b>	91-2	40



<b>Código</b>	<b>Página</b>	<b>Referência</b>
KH3611	91-20	44
KH3611	91-26	14
KH3615	42-16	61
KH3617	21-16	8
KH3617	42-16	53
KH3618	42-16	36
KH3618	91-2	10
KH3621	42-16	24
KH3621	91-16	4
KH3621	91-20	26
KH3625	42-18	64
KH3625	91-2	18.
KH3635	42-16	33
KH4010	91-16	14
KH4010	91-20	19
KH4013	42-16	23
KH4040	91-6	44
KH4048	91-6	17
KH4052	91-16	22
KH4061	91-10	68
KH4070	41-10	2
KH4091	41-2	36
KH4091	41-4	36
KH4091	61-4	30





<b>Código</b>	<b>Página</b>	<b>Referência</b>
<b>KH4091</b>	91-18	57
<b>KH4091</b>	91-20	29
<b>KH4091</b>	91-22	66
<b>KH4091</b>	91-6	36
<b>KH4111</b>	46-4	50
<b>KH4111</b>	91-10	52
<b>KH4131</b>	91-16	49
<b>KH4131</b>	91-20	41
<b>KH4131</b>	91-4	17
<b>KH4190</b>	42-22	42
<b>KH4328</b>	91-28	8
<b>KH4329</b>	91-28	7
<b>KH4330</b>	91-28	16
<b>KH4781</b>	46-2	6
<b>KH4781</b>	91-16	43
<b>KH4781</b>	91-20	47
<b>KH4801</b>	91-2	5
<b>KH4811</b>	91-2	7
<b>KH4933</b>	71-4	41
<b>KH4933</b>	71-6	70
<b>KH4933</b>	71-8	12
<b>KH4934</b>	91-10	69
<b>KH4946</b>	61-4	2
<b>KH4946</b>	91-16	12



<b>Código</b>	<b>Página</b>	<b>Referência</b>
<b>KH4946</b>	91-20	16
<b>KH4946</b>	91-26	16
<b>KH4952</b>	61-4	16
<b>KH4952</b>	91-16	26
<b>KH4965</b>	91-16	42
<b>KH4965</b>	91-20	48
<b>KH5050</b>	91-4	5
<b>KH5056</b>	91-6	41
<b>KH5057</b>	91-6	35
<b>KH5058</b>	91-16	44
<b>KH5058</b>	91-20	49
<b>KH6001</b>	91-10	70
<b>KH7070</b>	42-2	14
<b>KH7070</b>	42-2	41
<b>KH7070</b>	91-18	63
<b>KH7070</b>	91-22	72
<b>KH7070</b>	91-4	6
<b>KH7070</b>	91-6	21
<b>KH7081</b>	91-6	13
<b>KH7131</b>	91-18	61
<b>KH7131</b>	91-22	70
<b>LA1016</b>	46-2	15
<b>LA11071</b>	41-2	5
<b>LA11071</b>	41-4	5



<b>Código</b>	<b>Página</b>	<b>Referência</b>
LA1115	46-4	40
LA1189	91-22	56
LA12051	41-10	1
LA1213	46-2	36
LA1214	42-20	5
LA1286	46-2	7
LA1991	41-4	40
LA3974	42-12	59
LA3974	42-8	60
LA3976	42-10	38
LA3976	42-6	20
LA3976	42-6	41
LA5111	42-22	25
LA9011	41-10	15
LA9124	41-6	11
LA9124	41-8	11
LA9386	42-20	13
LA9386	42-6	4
LB3010	42-20	18
LB3013	42-10	41
LB3013	42-6	43
LB3013	46-4	38
LB3014	42-10	3
LB3014	42-6	1



<b>Código</b>	<b>Página</b>	<b>Referência</b>
<b>LB5010</b>	42-20	17
<b>LB8013</b>	91-6	24
<b>LB8022</b>	42-16	46
<b>LB8022</b>	42-16	59
<b>LB8022</b>	42-2	4
<b>LB8022</b>	42-4	47
<b>LB8022</b>	46-4	44
<b>LB8027</b>	91-6	15
<b>LB8107</b>	42-10	37
<b>LB8107</b>	42-6	40
<b>LB8154</b>	42-12	62
<b>LB8154</b>	42-8	64
<b>SA1793</b>	32-6	17
<b>SH2647</b>	32-4	5
<b>SH2647</b>	39-4	5
<b>SH2648</b>	32-4	9
<b>SH2649</b>	32-4	4
<b>SH2651</b>	32-16	12
<b>SH2654</b>	39-6	1
<b>SH2662</b>	39-10	
<b>SH2667</b>	32-2	

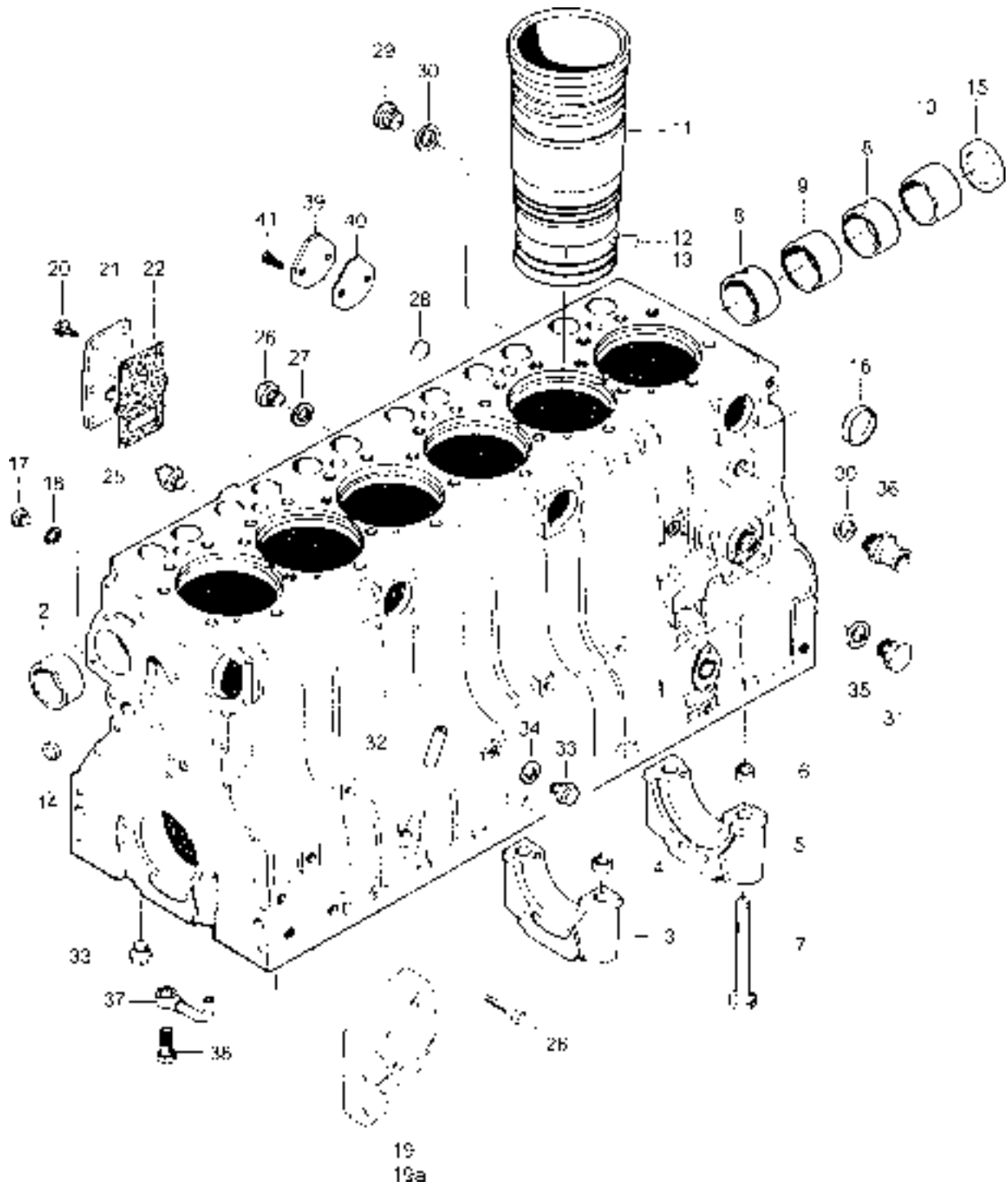


**MOTOR  
MOTOR  
ENGINE**
**1280R, 1580, 1780  
1380S, 1680S, 1880S**

<b>21</b>	<b>MOTOR</b>	<b>MOTOR</b>	<b>ENGINE</b>	<b>2</b>
	Bloco do motor	Bloque del motor	Engine block	1380S,1680S,1880S
	Resfriador do óleo	Refrigeración del aceite	Oil cooler	1380S,1680S,1880S 16
	Filtro de ar	Filtro de aire	Aair filter	1280R,1580,1780 22
				1380S,1680S,1880S
	Silencioso e instalação do filtro de ar	Escape u instalación del friltro de aire	Muffler and instalation air filter	1280R,1580,1780 26
				1380S,1680S,1880S
<b>22</b>	<b>SISTEMA DE COMBUSTÍVEL</b>	<b>SISTEMA DE COMBUSTIBLE</b>	<b>FUEL SYSTEM</b>	
	Sistema de aceleração	Sistema de aceleración	Throttle system	1280R,1580,1780 18 - 20
				1380S,1680S,1880S
<b>23</b>	<b>SISTEMA DE ARREFECIMENTO</b>	<b>SISTEMA DE REFRIGERACIÓN</b>	<b>COOLING SYSTEM</b>	
	Radiador	Radiador	Radiator	1280R,1580,1780 2
				1380S,1680S,1880S
	Bomba d`água	Bomba centrifugo	Coolant pump	1380S,1680S,1880S 4
	Bomba d`água	Bomba centrifugo	Coolant pump	1280R,1580,1780 6

**BLOCO DO MOTOR  
BLOQUE DEL MOTOR  
ENGINE BLOCK**

1380S, 1680S, 1880S

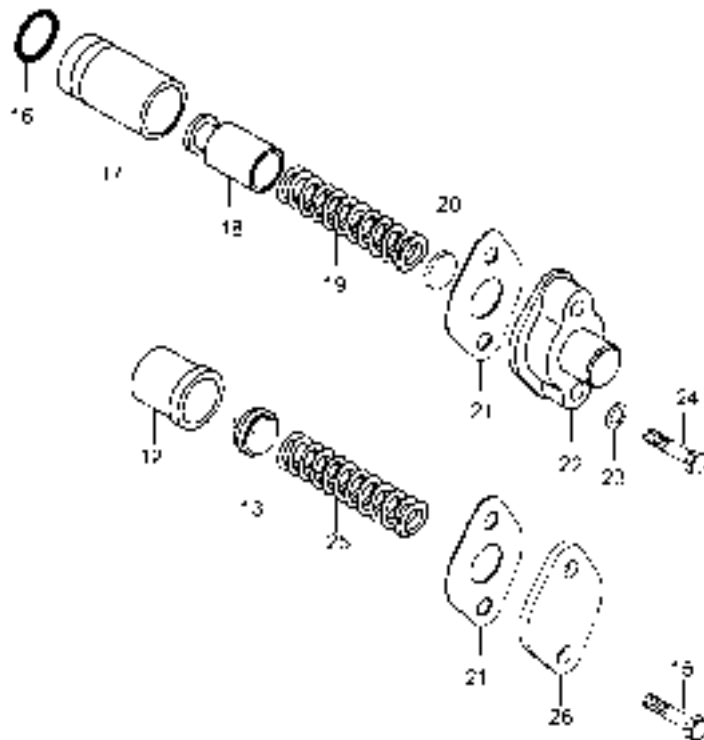
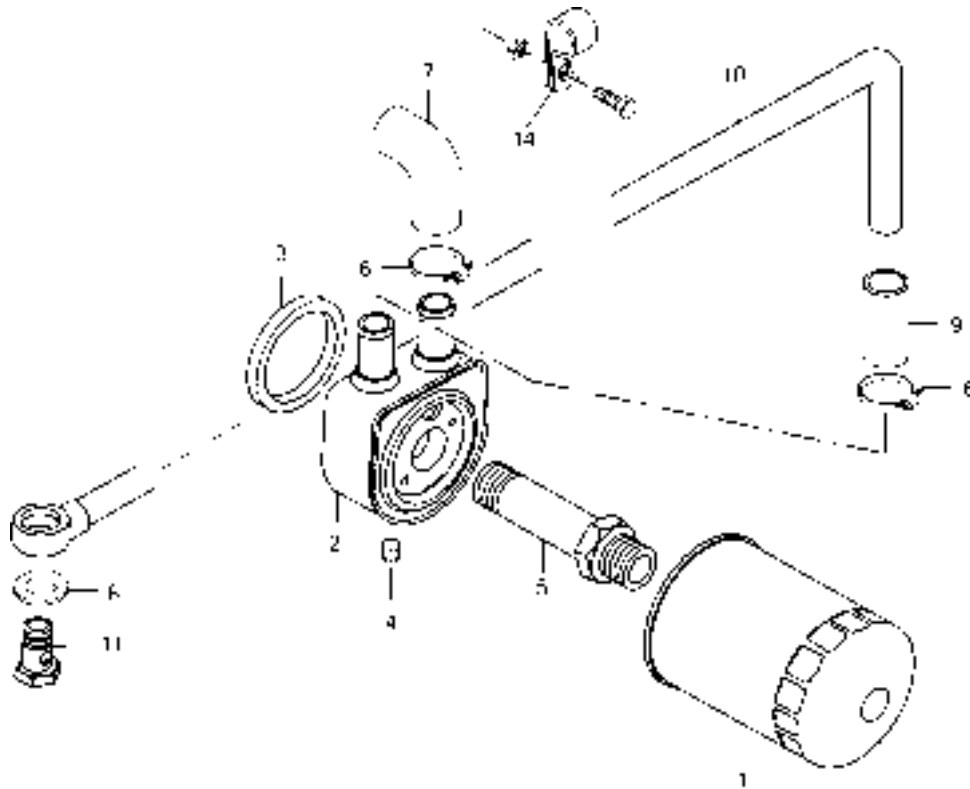


**BLOCO DO MOTOR  
BLOQUE DEL MOTOR  
ENGINE BLOCK**
**1380S, 1680S, 1880S**

Ref.	Qde.	Peça	Denominação	Denominación	Description	Nota
Ref.	Cant.	Pieza				Nota
Ref.	Qty.	Part				Note
1	1	836847275	Bloco do motor	Bloque del motor	Cylinder block	Ref. 2-10
2	1	836322610	.Bucha	Buje	Busbing	
3	6	-	.Tampa do mancal	Tapa del cojinete	Bearing cover	Ref. 4
4	12	836214478	..Buch guia	Buje guia	Guide bush	
5	1	-	.Tampa do mancal	Tapa del cojinete	Bearing cover	Ref. 6
6	2	836214478	..Bucha guia	Buje guia	Guide bush	
7	14	529903180	.Parafuso	Tornillo	Screw	
8	2	836852460	.Bucha	Buje	Bushing	
9	1	836852459	.Bucha	Buje	Bushing	
10	1	836852461	.Bucha	Buje	Bushing	
11	6	836647420	Camisa do cilindro	Camisa del cilindro	Cylinder liner	
	X	836647933	Camisa do cilindro com flange de 9,08	Camisa del cilindro com flange de 9,08	Cylinder liner, flange thickness	S 9,08
	X	836647934	Camisa do cilindro com flange de 9,13	Camisa del cilindro com flange de 9,13	Cylinder liner, flange thickness	S 9,13
	X	836647935	Camisa do cilindro com flange de 9,23	Camisa del cilindro com flange de 9,23	Cylinder liner, flange thickness	S 9,23
12	12	836647502	Anel retentor	Anillo retenedor	O-ring	S2
13	6	836647503	Anel retentor	Anillo retenedor	O-ring	S2
14	4	640016016	Tampão	Tapón	Plug	S2
15	1	836852744	Tampão	Tapón	Plug	
16	3	640016040	Tampão	Tapón	Plug	
17	4	640325110	Bujão	Tapón	Plug	
18	4	615571014	Anel de vedação	Anillo de sellamiento	Seal ring	S2
19	1	836852656	Suporte esquerdo	Soporte izquierdo	Left bracket	
19a	1	82055800	Suporte direito	Soporte derecho	Right bracket	
20	6	528801380	Parafuso	Tornillo	Screw	
21	1	836847994	Tampa	Tapa	Cover	
22	1	836322852	Junta	Junta	Gasket	S2
25	1	887283760	Sensor de pressão	Sensor de presión	Pressure switch	
26	1	836119079	Bujão	Tapón	Plug	
27	1	615881620	Anel de vedação	Anillo de sellamiento	Seal ring	S2
28	3	640016018	Tampão	Tapón	Plug	
29	1	640325018	Bujão	Tapón	Plug	
30	2	615881822	Anel de vedação	Anillo de sellamiento	Seal ring	S2
31	1	836019756	Bujão	Tapón	Plug	
32	1	836014334	Tubo	Tubo	Pipe	
33	7	640305012	Bujão	Tapón	Plug	
34	1	615881216	Anel de vedação	Anillo de sellamiento	Seal ring	S2
35	1	615881824	Anel de vedação	Anillo de sellamiento	Seal ring	S2
36	1	82615500	Conexão	Conexión	Union	
37	6	836846231	Injetor	Inyector	Nozzle	1680S-1880S
38	6	836338601	Válvula	Válvula	Valve	1680S-1880S
39	1	836647400	Tampa	Tapa	Cover	1680S-1880S
40	1	836647401	Junta	Junta	Gasket	1680S-1880S
41	2	HÁ6322	Parafuso	Tornillo	Screw	1680S-1880S
42	8	529802682	Parafuso	Tornillo	Screw	1680S-1880S
-	1	82600500	Jogo de juntas	Juego de juntas	Gasket set I	S1
-	1	82600600	Jogo de juntas	Juego de juntas	Gasket set II	S1 + S2

**RESFRIADOR DO ÓLEO  
REFRIGERACIÓN DEL ACEITE  
OIL COOLER**

1380S, 1680S, 1880S



J7589 (M)

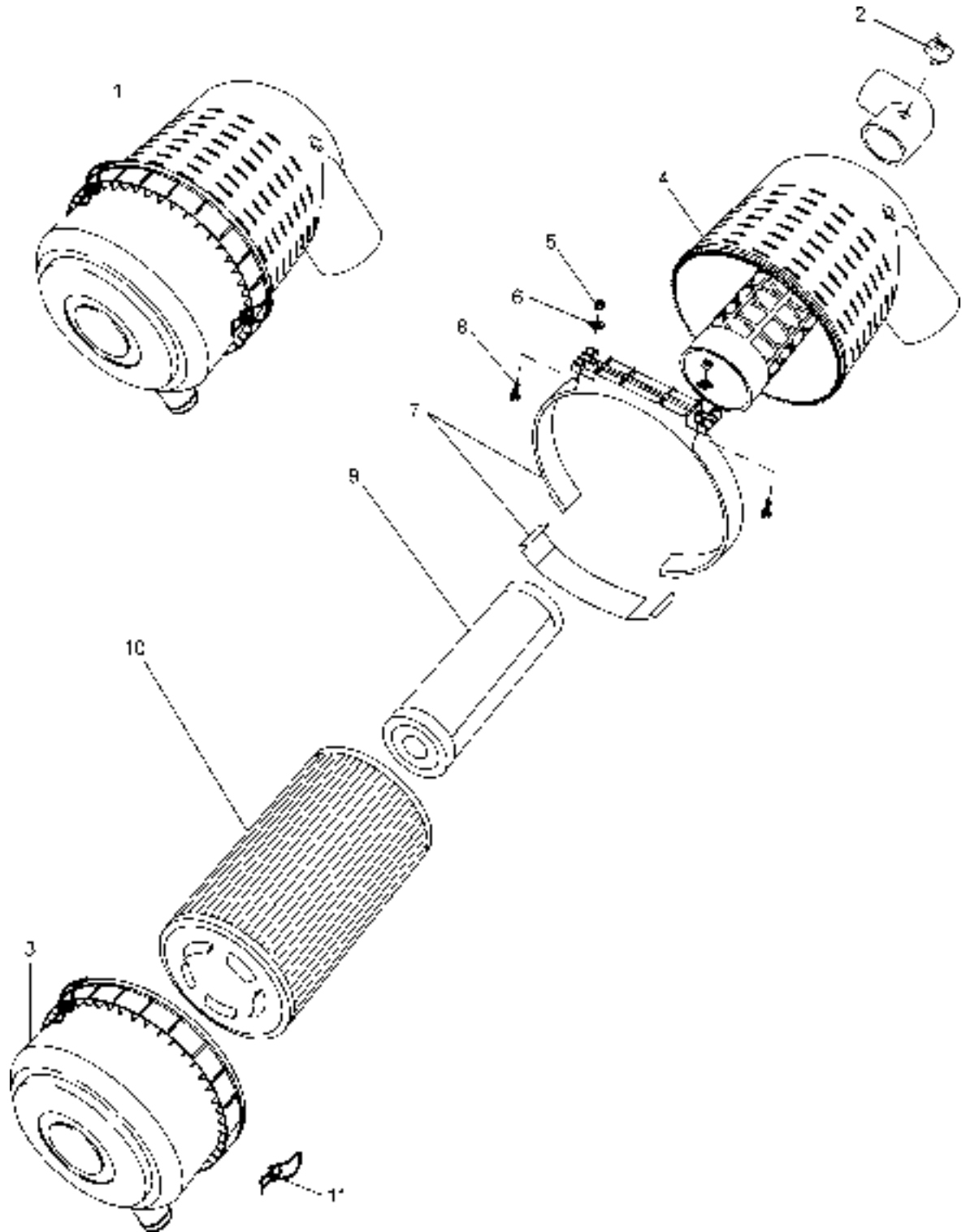


**RESFRIADOR DO ÓLEO  
REFRIGERACIÓN DEL ACEITE  
OIL COOLER**
**1380S, 1680S, 1880S**

Ref.	Qde.	Peça	Denominação	Denominación	Description	Nota
Ref.	Cant.	Pieza				Nota
Ref.	Qty.	Part				Note
1	1	836647133	Filtro do óleo	Filtro del aceite	Oil filter	
2	1	82613000	Resfriador do óleo	Frefrigeración del aceite	Oil cooler	Ref. 3 e 4
3	1	835331586	.Retentor	Retenedor	Oil seal	
4	1	836131366	.Bujão	Tapón	Plug	
5	1	82613100	Conexão	Conexión	Thread union	
6	4	GP3910	Abraçadeira	Abrazadera	Clamp	
7	1	836747124	Mangueira	Manguera	Hose	
8	2	KH3617	Anel de vedação	Anillo de sellamiento	Seal ring	S2
9	1	836129978	Mangueira	Manguera	Hose	
10	1	836847929	Tubo	Tubo	Pipe	
11	1	640435015	Parafuso	Tornillo	Screw	
12	1	836659521		.Assento da válvula	Asiento de la válvula	Seat valve
13	1	836659522	.Chapa da válvula	Chapa de la válvula	Valve plaete	
14	1	602074615	Abraçadeira	Abrazadera	Clamp	
15	2	HÁ6323	Parafuso	Tornillo	Screw	
-	1	836662129	Reparo da válvula de alívio	Juego de reparación de la válvula de alívio	Control valve set	Ref. 12,13,21, 25,26 - 1380S - J7589 (M)
-	1	835340042	Reparo da válvula de alívio	Juego de reparación de la válvula de alívio	Control valve set	Ref. 16,17,18, 19,20,21 - 1380S - J7588(M)
-	1	836662130	Reparo da válvula de alívio	Juego de reparación de la válvula de alívio	Control valve set	Ref. 12,13,21, 25 a 26 - 1680S, 1880S - J7589 (M)
16	1	614601524	.Anel retentor	Anillo de sellamiento	O-ring	S2
17	1	836117834	.Cilindro	Cilindro	Cylinder	
18	1	836338850	.Válvula	Válvula	Valve	
19	1	836117836	.Mola	Resorte	Spring	1380S
19a	1	836655246	.Mola	Resorte	Spring	1680S, 1880S
20	1	836020290	.Encosto da mola	Apoyo de resorte	Thrust spring	
21	1	836322190	.Junta	Junta	Gasket	S2
22	1	836129849	Tampa	Tapa	Cover	
23	2	500950800	Arruela	Arandela	Washer	
24	2	HÁ9230	Parafuso	Tornillo	Screw	
25	1	836659523	.Mola	Resorte	Spring	1380S
25a	1	836864056	.Mola	Resorte	Spring	1680S, 1880S
26	1	836659524	Tampa	Tapa	Cover	

FILTRO DE AR  
FILTRO DE AIRE  
AIR FILTER

1280R, 1580, 1780  
1380S, 1680S, 1880S



**FILTRO DE AR  
FILTRO DE AIRE  
AIR FILTER****1280R, 1580, 1780  
1380S, 1680S, 1880S**

Ref.	Qde.	Peça	Denominação	Denominación	Description	Nota
Ref.	Cant.	Pieza				Nota
Ref.	Qty.	Part				Note
1	1	82612000	Filtro de ar motado	Filtro de aire montado	Air filter assy	Ref. 2,3,4,7, 9,10
2	1	33389600	Indicador de restrição	Indicador de restricción	Restriction indicator	
3	1	*	Tampa do filtro	Tapa del filtro	Filter cover	*
4	1	*	Carcaça do filtro	Carcasa del filtro	Filter housing	*
5	2	JB1108	Porca	Tuerca	Nut	
6	2	JD9062	Arruela	Arandela	Washer	
7	1	82612400	Suporte do filtro	Soporte del filtro	Filter support	
8	2	HÁ6334	Parafuso	Tornillo	Bolt	
9	1	82612200	Elemento filtrante de segurança	Elemento filtrante seguridad	Safety element	
10	1	82612300	Elemento filtrante	Elemento filtrante	Filter element	
11	3	82612100	Presilha	Abrazadera	Cleat	

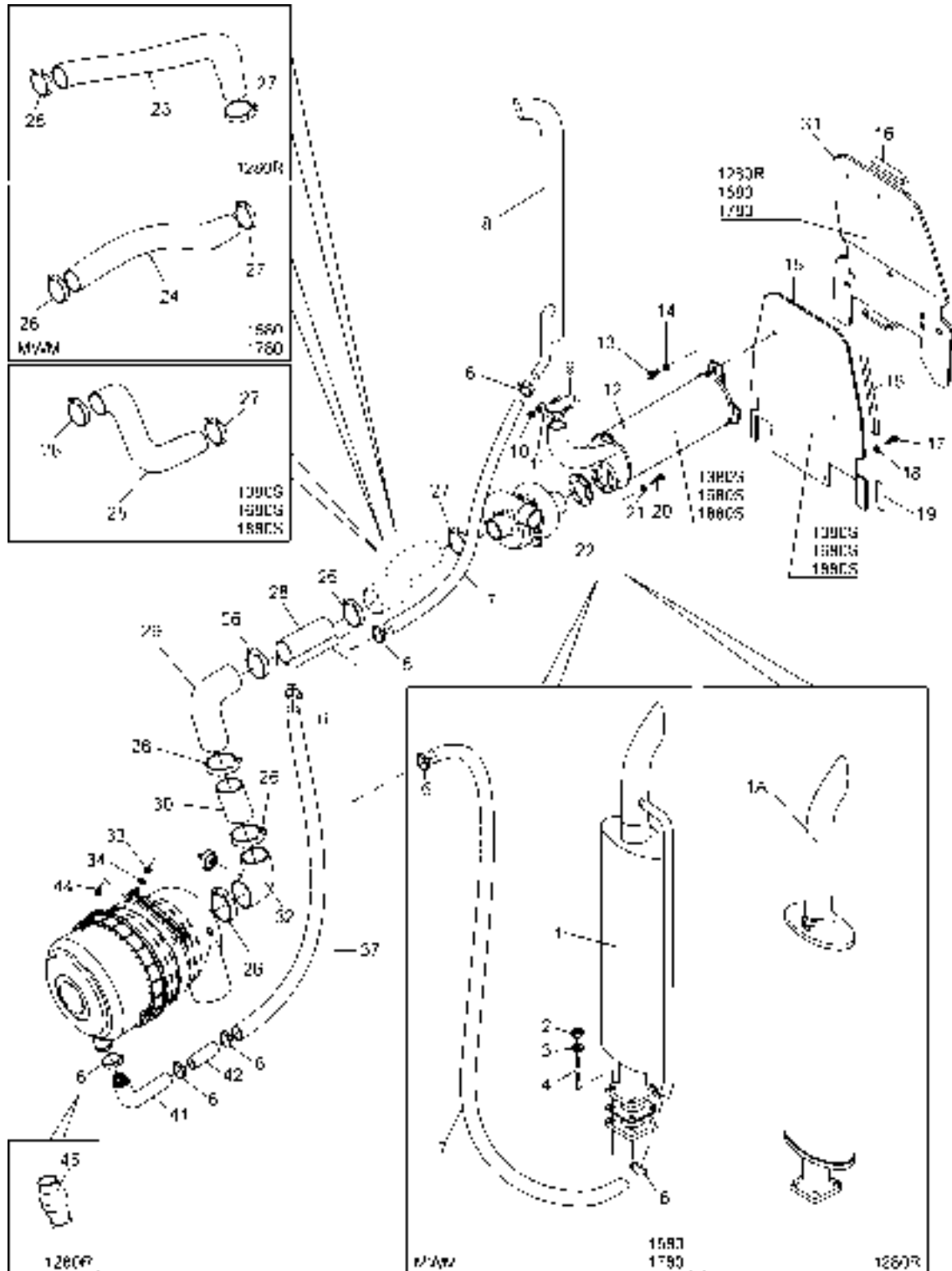
\* Vendido somente em conjunto com o filtro de ar montado.

\* Vendido solamente in conjunto com el filtro de aire montado.

\* Delivered only with air filter assy.

**SILENCIOSO E INSTALAÇÃO DO FILTRO DE AR**  
**ESCAPE Y INSTALACIÓN DEL FILTRO DE AIRE**  
**MUFFLER AND INSTALATION AIR FILTER**

1280R, 1580, 1780  
1380S, 1680S, 1880S

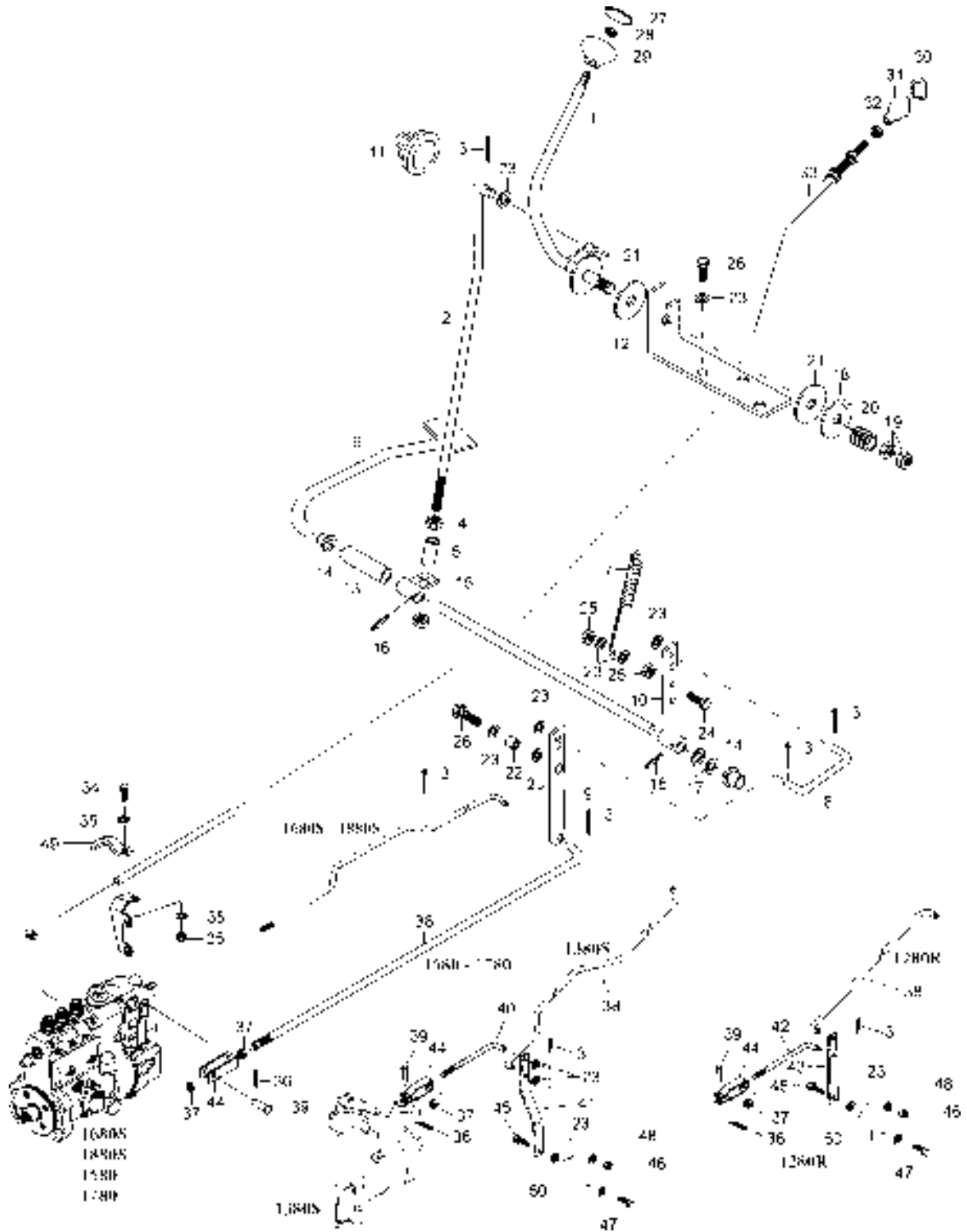


**SILENCIOSO E INSTALAÇÃO DO FILTRO DE AR  
 ESCAPE Y INSTALACIÓN DEL FILTRO DE AIRE  
 MUFFLER AND INSTALATION AIR FILTER**
**1280R, 1580, 1780  
 1380S, 1680S, 1880S**

Ref.	Qde.	Peça	Denominação	Denominación	Description	Nota
Ref.	Cant.	Pieza				Nota
Ref.	Qty.	Part				Note
1	1	81163210	Silencioso com ejetor	Escape con yector	Muffler with ejector	1580, 1780
1	1	81151010	Silencioso	Escape	Muffler	1280R
2	4	168620	Porca	Tuerca	Nut	
3	4	JD3110	Arruela	Arandela	Washer	
4	4	80336100	Prisioneiro	Espárrago	Stud	
5	1	80332301	Junta	Junta	Gasket	1280R, 1580, 1780
6	8	GP3923	Abraçadeira	Abrazadera	Clamp	
7	1	82614500	Mangueira do ejetor	Manguera del yector	Ejector hose	1380S, 1680S, 1880S
7	1	82614700	Mangueira do ejetor	Manguera del yector	Ejector hose	1580, 178
8	1	82607010	Tubo de escape com ejetor	Tubo de escape com yector	Ejector pipe	1380S, 1680S, 1880S
9	1	82082600	Abraçadeira	Abrazadera	Clamp	
10	2	JB1108	Porca	Tuerca	Nut	
11	1	82082700	Suporte	Soporte	Bracket	
12	1	82078500	Silencioso	Silenciador	Muffler	1380S, 1680S, 1880S
13	1	HA9235	Parafuso	Tornillo	Bolt	
14	1	JD0410	Arruela de pressão	Arandela de presión	Lock washer	
15	1	82066820	Chapa divisória	Chapa divisória	Divisor plate	1380S, 1680S, 1880S
16	1	81005100	Borracha de vedação	Goma de sellamiento	Seal rubber	
17	2	HA9241	Parafuso	Tornillo	Bolt	
18	2	JD3112	Arruela de pressão	Arandela de presión	Lock washer	
19	2	80086400	Borracha de vedação	Goma de sellamiento	Seal rubber	
20	6	HA6323	Parafuso	Tornillo	Bolt	
21	6	JD3108	Arruela de pressão	Arandela de presión	Lock washer	
22	1	836338985	Junta	Junta	Gasket	1380S, 1680S, 1880S
23	1	81125910	Mangueira	Manguera	Hose	1280R
24	1	80749610	Mangueira	Manguera	Hose	1580, 1780
25	1	82067320	Mangueira	Manguera	Hose	1380S, 1680S, 1880S
26	5	GP3942	Abraçadeira	Abrazadera	Clamp	
27	1	GP3933	Abraçadeira	Abrazadera	Clamp	
28	1	81668600	Tubo de ligação	Tubo de ligación	Connection tube	
29	1	82619900	Mangueira	Manguera	Clamp	
30	1	81761400	Tubo	Tubo	Tube	
31	1	80947820	Chapa divisória	Chapa devisória	Divisor plate	1280R, 1580, 1780
32	1	82612900	Mangueira	Manguera	Hose	
33	2	JB1108	Porca	Tuerca	Nut	
34	2	JD9062	Arruela de pressão	Arandela de presión	Lock washer	
36	2	HA6333	Parafuso	Tornillo	Bolt	
37	1	82614600	Mangueira do ejetor	Manguera del yector	Ejector hose	
38	4	HA6322	Parafuso	Tornillo	Bolt	
39	4	JD3108	Arruela de pressão	Arandela de presión	Lock washer	
41	1	81761300	Mangueira	Manguera	Hose	
42	1	81761200	Tubo	Tubo	Tube	
43	2	JD9062	Arruela	Arandela	Washer	
44	2	HA6334	Parafuso	Tornillo	Bolt	
45	1	82615400	Válvula de pó	Válvula de polvo	Dust valve	

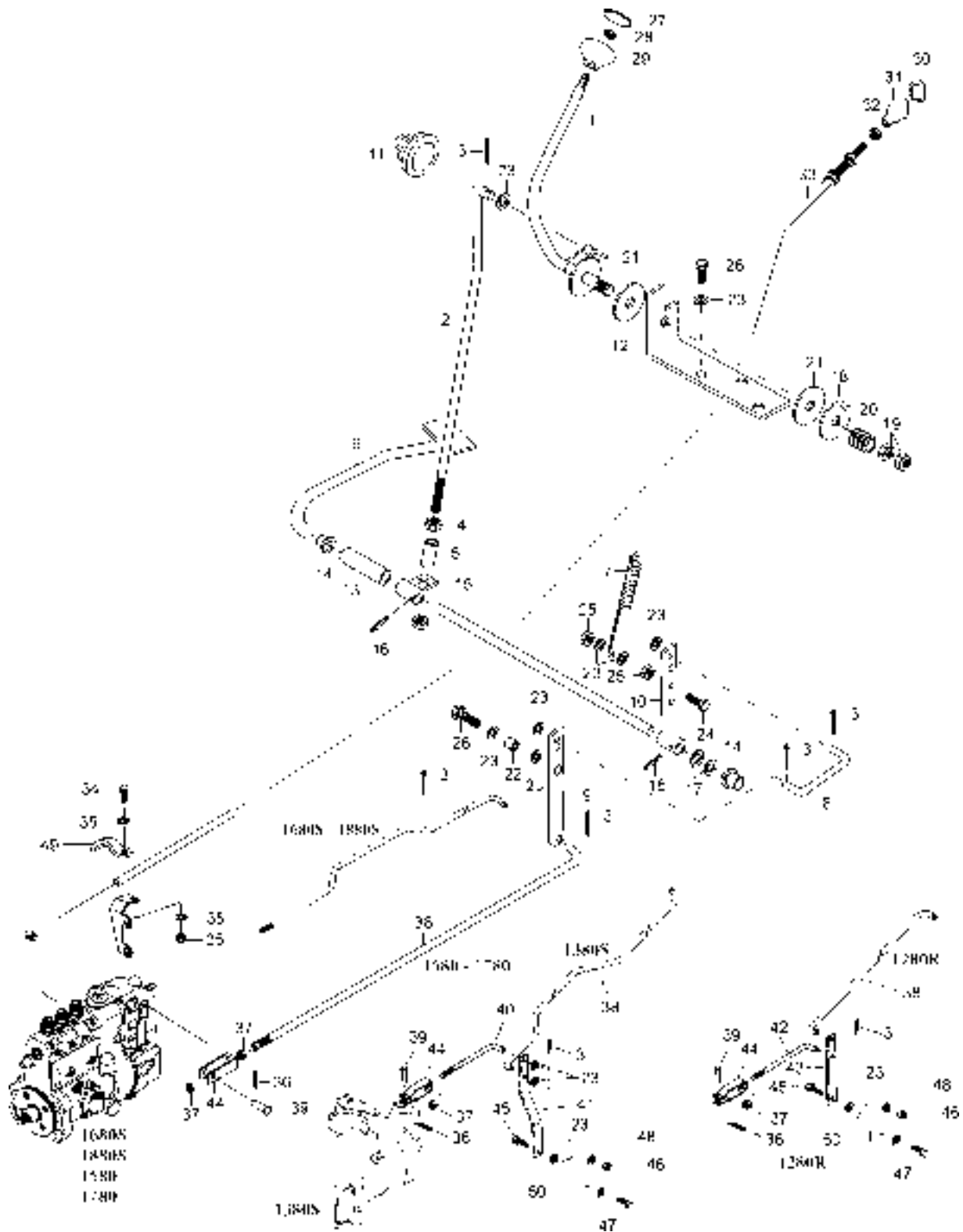
**SISTEMA DE ACELERAÇÃO**  
**SISTEMA DE ACELERACIÓN**  
**THROTTLE SYSTEM**

1280R, 1580, 1780  
1380S, 1680S, 1880S



**SISTEMA DE ACELERAÇÃO  
SISTEMA DE ACELERACIÓN  
THROTTLE SYSTEM**
**1280R, 1580, 1780  
1380S, 1680S, 1880S**

Ref.	Qde.	Peça	Denominação	Denominación	Description	Nota
Ref.	Cant.	Pieza				Nota
Ref.	Qty.	Part				Note
-	1	81610600	Sistema de aceleração	Sistema de aceleración	Throttle system assy	ref. 1-29
1	1	33400300	.Alavanca	Palanca	Lever	
2	1	81615500	.Barra	Barra	Rod	
3	3	JE3076	.Cupilha	Perno aberto	Split pin	
4	2	JB1110	.Porca	Tuerca	Nut	M10
5	1	31088400	.Bucha	Buje	Bushing	
6	1	80052210	.Pedal do acelerador	Pedal del acererador	Throttle pedal	
7	1	219730	.Mola	Resorte	Spring	
8	1	80211100	.Haste intermediária	Vástargo	Rod	
9	1	80211200	.Braço	Brazo	Arm	
10	1	80052420	.Alavanca	Palanca	Lever	
11	1	836390	.Proteção de borracha	Protección de goma	Rubber protector	
12	1	81611310	.Suporte	Soporte	Bracket	
13	1	81611400	.Bucha espaçadora	Buje espaciadora	Spacer bushing	
14	2	70038100	.Bucha	Buje	Bushing	
15	1	81611500	.Alavanca	Palanca	Lever	
16	2	JE8139	.Pino de pressão	Perno de presión	Lock pin	
17	2	JD0416	.Arruela	Arandela	Washer	
18	1	610810	.Chapa de trava	Chapa de traba	Lock plate	
19	2	JB1216	.Porca	Tuerca	Nut	M16 x 2
20	4	JE9084	.Mola prato	Resorte de pratillo	Plate spring	
21	2	33263200	.Disco de fricção	Disco del fricción	Friction plate	
22	1	80077710	.Bucha	Buje	Bushing	
23	9	JD0408	.Arruela	Arandela	Washer	
24	1	HA6325	.Parafuso	Tornillo	Bolt	M8 x 30
25	2	JB1108	.Porca	Tuerca	Nut	M8
26	4	HA6323	.Parafuso	Tornillo	Bolt	M8 x 20
27	1	31102100	.Tampa	Tapa	Cover	
28	1	JB1208	.Porca	Tuerca	Nut	M8 x 1,25
29	1	586270	.Manopla	Empuñadura	Knob	
30	1	80330000	Tampa	Tapa	Cap	
31	1	80324000	Manopla	Empuñadura	Knob	
32	1	JB1106	Porca	Tuerca	Nut	
33	1	82091100	Cabo de parada	Cable de parada	Shut off cable	1680S, 1880S
33	1	80349200	Cabo de parada	Cable de parada	Shut off cable	1280R
33	1	80950100	Cabo de parada	Cable de parada	Shut off cable	1580, 1780
34	1	HA6322	Parafuso	Tomillo	Bolt	
35	2	JD0408	Arruela	Arandela	Washer	
36	2	JE3047	Cupilha	Perno abierto	Split pin	
37	2	JB1208	Porca	Tuerca	Nut	
38	1	82090400	Barra de comando	Barra de comando	Throttle rod	1680S, 1880S
38	1	82080900	Barra de comando	Barra de comando	Throttle rod	1380S
38	1	81306200	Barra de comando	Barra de comando	Throttle rod	1280R
38	1	80920600	Barra de comando	Barra de comando	Throttle rod	1580, 1780
39	1	826650	Pino	Perno	Pin	
40	1	82080800	Barra de comando	Barra de comando	Throttle rod	1380S
41	1	82081000	Suporte	Soporte	Bracket	1380S
42	1	81306200	Barra de comando	Barra de comando	Throttle rod	1280R
43	1	81304700	Braço	Brazo	Bracket	1280R
44	1	80520800	Terminal	Terminal	Terminal	
45	1	HA6324	Parafuso	Tornillo	Bolt	
46	1	HA6313	Parafuso	Tornillo	Bolt	

**SISTEMA DE ACELERAÇÃO  
SISTEMA DE ACELERACIÓN  
THROTTLE SYSTEM**1280R, 1580, 1780  
1380S, 1680S, 1880S

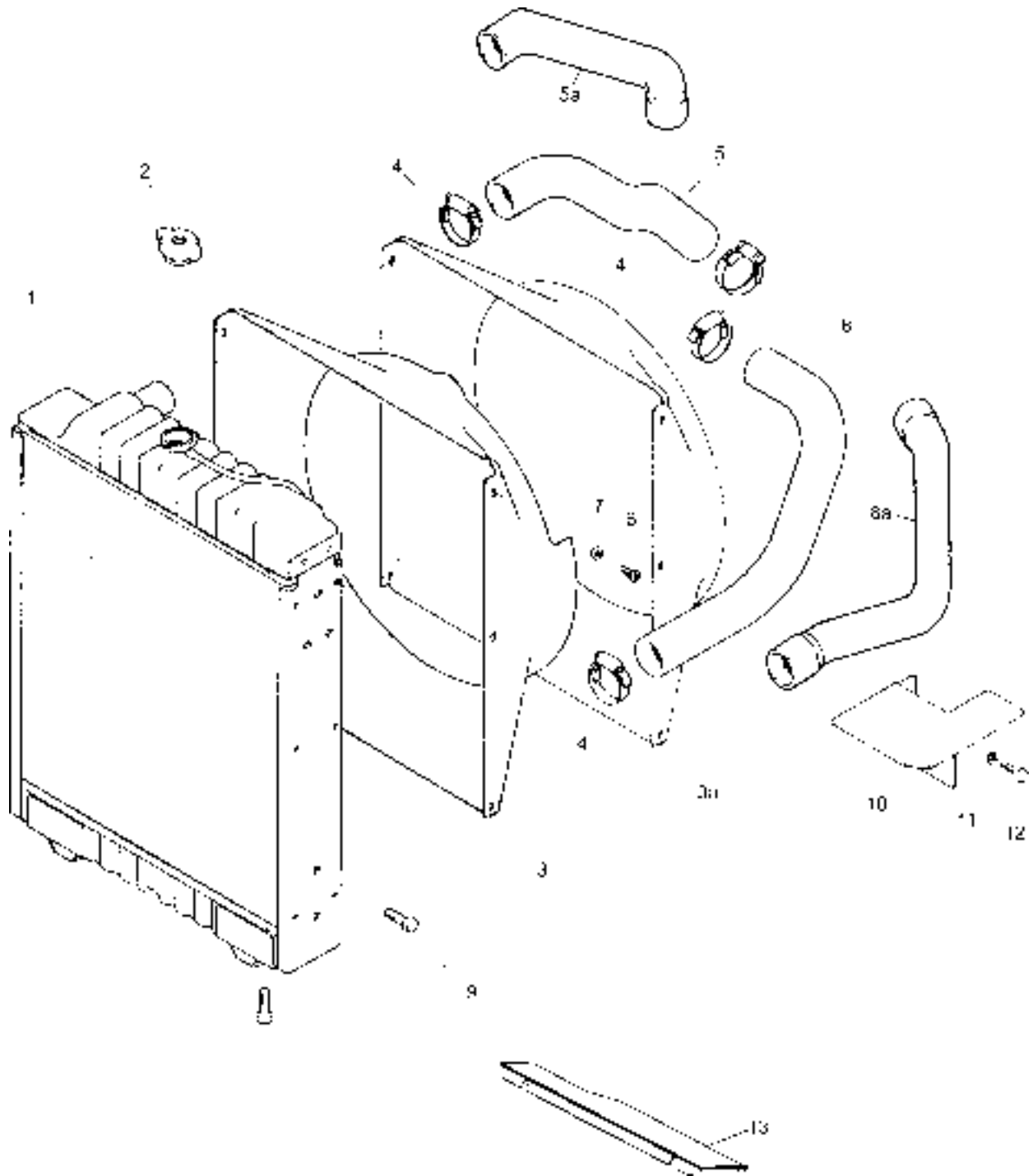


**SISTEMA DE ACELERAÇÃO  
SISTEMA DE ACELERACIÓN  
THROTTLE SYSTEM****1280R, 1580, 1780  
1380S, 1680S, 1880S**

<b>Ref.</b>	<b>Qde.</b>	<b>Peça</b>	<b>Denominação</b>			<b>Nota</b>
<b>Ref.</b>	<b>Cant.</b>	<b>Pieza</b>		<b>Denominación</b>		<b>Nota</b>
<b>Ref.</b>	<b>Qty.</b>	<b>Part</b>			<b>Description</b>	<b>Note</b>
47	2	JD3108	Arruela	Arandela	Washer	
48	1	JB8904	Porca	Tuerca	Nut	
49	1	30252500	Abraçadeira	Abrazadera	Clamp	
50	1	81304610	Suporte	Soporte	Bracket	1280R, 1380S

RADIADOR  
RADIADOR  
RADIATOR

1280R, 1580, 1780  
1380S, 1680S, 1880S

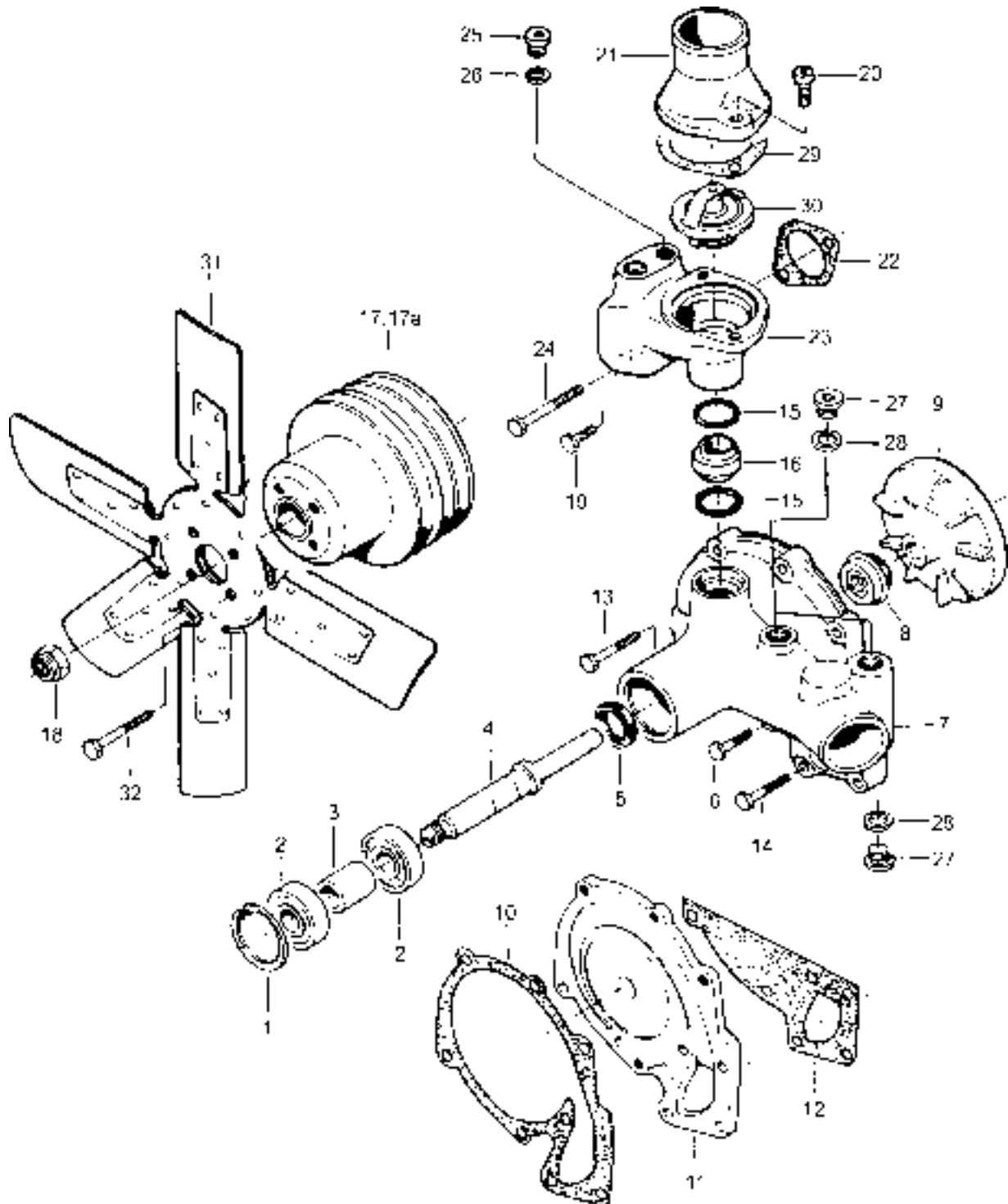


**RADIADOR  
RADIADOR  
RADIATOR**
**1280R, 1580, 1780  
1380S, 1680S, 1880S**

Ref.	Qde.	Peça	Denominação	Denominación	Description	Nota
Ref.	Cant.	Pieza				Nota
Ref.	Qty.	Part				Note
1	1	80739210	Radiador	Radiador	Radiator	
2	1	589360	Tampa	Tapa	Cover	
3	1	80789911	Defletor de ar	Deflector de aire	Air deflector	1280R, 1580, 1780
3a	1	82066111	Defletor de ar	Deflector de aire	Air deflector	1380S, 1680S, 1880S
4	4	GP3942	Abraçadeira	Abrazadera	Clamp	
5	1	80789810	Mangueira	Manguera	Hose	1280R, 1580, 1780
5a	1	82066300	Mangueira	Manguera	Hose	1380S, 1680S, 1880S
6	6	HN6646	Parafuso	Tornillo	Screw	
7	6	JD0405	Arruela	Arandela	Washer	
8	1	80789710	Mangueira	Manguera	Hose	1280R, 1580, 1780
8a	1	82066400	Mangueira	Manguera	Hose	1380S, 1680S, 1880S
9	2	HA6323	Parafuso	Tornillo	Bolt	
10	1	80547300	Aparador de ar	Deflector de aire	Air deflector	1280R, 1580, 1780
11	2	JD3110	Arruela de pressão	Arandela de presión	Lock washer	1280R, 1580, 1780
12	2	HA9235	Parafuso	Tornillo	Bolt	1280R, 1580, 1780
13	1	82613700	Chapa defletora	Chapa deflectora	Baffle palte	1380S, 1680S, 1880S

**BOMBA D'ÁGUA  
BOMBA CENTRÍFUGA  
COOLANT PUMP**

1380S, 1680S, 1880S

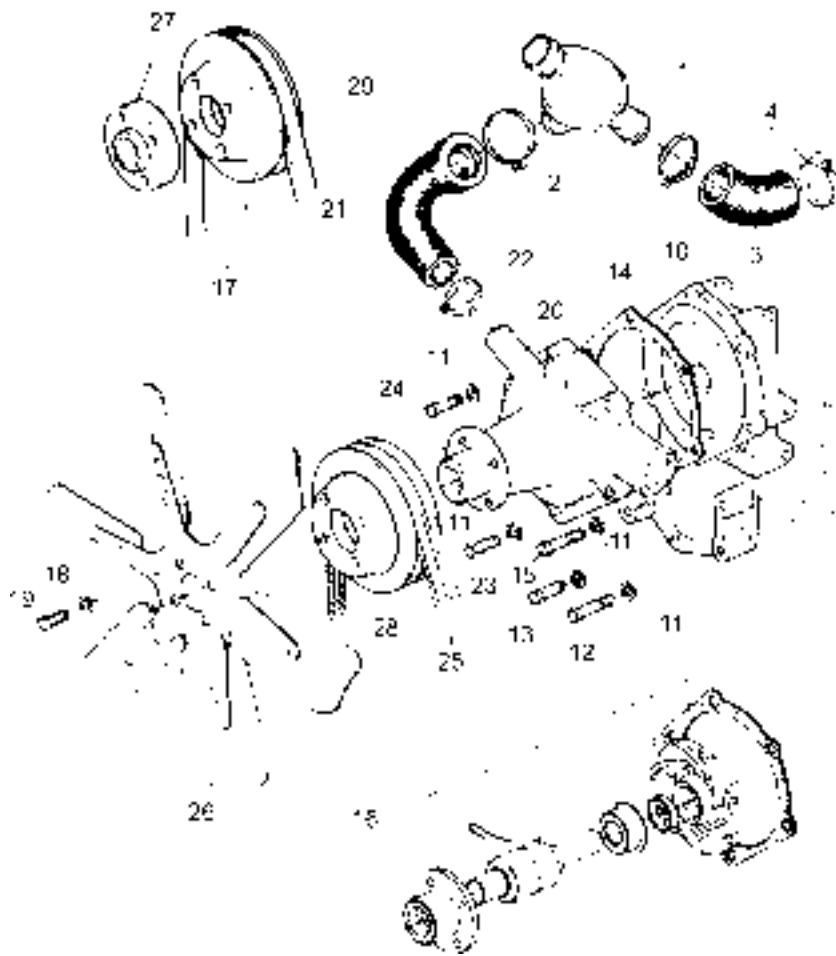
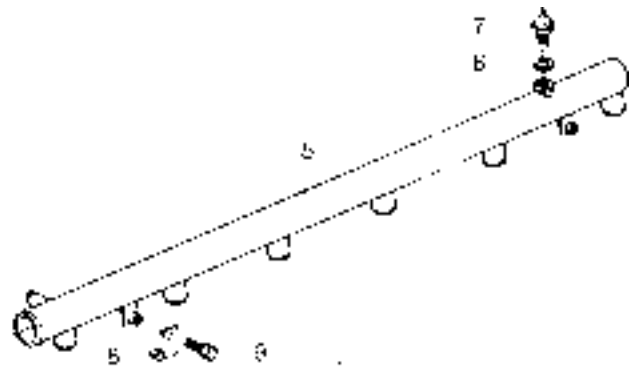


**BOMBA D'ÁGUA  
BOMBA CENTRÍFUGA  
COOLANT PUMP**
**1380S, 1680S, 1880S**

Ref.	Qde.	Peça	Denominação	Denominación	Description	Nota
Ref.	Cant.	Pieza				Nota
Ref.	Qty.	Part				Note
-	1	836847465	Bomba d' água	Bomba centrífuga l	Coolant pump	Ref. 1...11
1	1	617330052	.Anel de trava	Anillo de traba	Lock ring	K
2	1	610063044	.Rolamento	Rodamiento	Bearing	K
3	1	836119270	.Luva	Manga	Sleeve	
4	1	836847467	.Eixo	Eje	Shaft	
5	1	614102636	.Junta	Junta	Gasket	K
6	4	529801420	.Parafuso	Tornillo	Screw	
7	1	836847466	.Carcaça	Caja	Housing	
8	1	835339425	.Junta	Junta	Gasket	K
9	1	836846303	.Rotor	Impulsor	Blade wheel	
10	1	836846304	.Junta	Junta	Gasket	K, S2
11	1	836846302	.Flange	Flange	Flange	
12	1	836846305	Junta	Junta	Gasket	K, S2
13	3	529801460	Parafuso	Tornillo	Screw	
14	2	529801440	Parafuso	Tornillo	Screw	
15	2	614602950	Anel retentor	Anillo retenedor	O-ring	K, S1
16	1	836855150	Tubo	Tubo	Pipe	
17	1	836855074	Pulia	Polea	Pulley	1380S
17*	1	836855063	Pulia	Polea	Pulley	1680S, 1880S
18	1	510611602	Porca	Tuerca	Nut	
19	1	528801400	Parafuso	Tornillo	Screw	
20	2	581805020	Parafuso	Tornillo	Screw	
21	1	836846432	Tubo	Tubo	Pipe	
22	1	836646393	Junta	Junta	Gasket	S1
23	1	836846370	Carcaça	Caja	Housing	
24	1	529801500	Parafuso	Tornillo	Screw	
25	1	640325014	Bujão	Tapón	Plug	
26	1	615881418	Anel de vedação	Anillo de sellamiento	Seal ring	S1
27	3	640325018	Bujão	Tapón	Plug	
28	3	615881822	Arruela	Arandela	Washer	
29	1	836119849	Junta	Junta	Gasket	S1
30	1	836115646	Válvula termostática	Válvula termostatica	Thermostat	79°C
31	1	82611900	Ventilador	Ventilador	Fan	
32	4	HA6323	Parafuso	Tornillo	Screw	
-	1	836840101	Kit de reparo	Kit de reparación	Repair kit	K

**BOMBA D'ÁGUA**  
**BOMBA CENTRÍFUGA**  
**COOLANT PUMP**

1280R, 1580, 1780



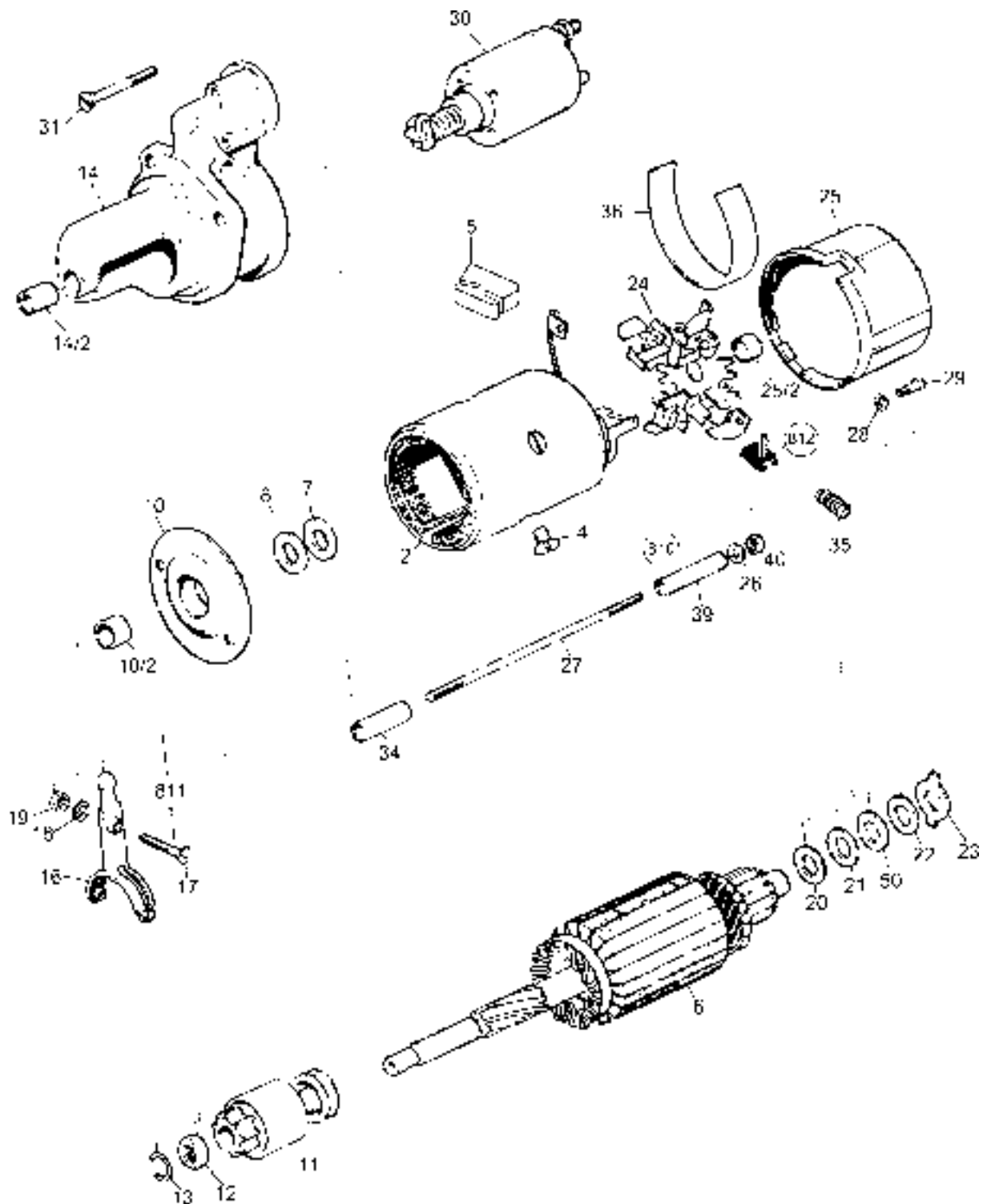
**BOMBA D'ÁGUA  
BOMBA CENTRÍFUGA  
COOLANT PUMP**
**1280R, 1580, 1780**

Ref.	Qde.	Peça	Denominação	Denominación	Description	Nota
Ref.	Cant.	Pieza				Nota
Ref.	Qty.	Part				Note
1	1	149620	Válvula termostática	Válvula termostática	Thermostat	
2	1	114450	Braçadeira	Abrazadera	Clamp	
3	1	149630	Mangueia	Manguera	Hose	
4	2	116420	Braçadeira	Abrazadera	Clamp	
5	1	149650	Tubo de água	Tubo de agua	Water pipe	
6	1	116310	Arruela de vedação	Arandela de sellamiento	Seal washer	
7	1	118280	Indicador de temperatura	Bulbo sensor	Temperature gauge sensor	
8	1	142750	Suporte	Soporte	Support	
9	2	148520	Parafuso	Tornillo	Bolt	
10	1	149600	Peça intermediária	Pieza intermediaria	Pump support	
11	12	JD3108	Arruela de pressão	Arandela de presión	Lock washer	
12	4	149790	Parafuso	Tornillo	Bolt	
13	2	117190	Parafuso	Tornillo	Bolt	
14	1	80973200	Junta	Junta	Gasket	
15	1	117090	Parafuso	Tornillo	Bolt	
16	1	149770	Jogo de reparo	Juego de reparación	Spare parts set	
17	1	148870	Polia	Polea	Pulley	1280R
18	4	JD3108	Arruela de pressão	Arandela de presión	Lock washer	
19	4	HA6425	Parafuso	Tornillo	Bolt	
20	1	149610	Bomba d'água	Bomba centrífuga	Coolant pump	
21	1	149640	Mangueira	Manguera	Hose	
22	1	137030	Braçadeira	Abrazadera	Clamp	
23	1	141940	Parafuso	Tornillo	Bolt	
24	4	117100	Parafuso	Tornillo	Bolt	
25	2	684121400	Correia	Correa	Belt	1580, 1780
26	1	82611900	Ventilador	Ventilador	Fan	
27	1	80565710	Espaçador do ventilador	Espaciador del ventilador	Fan spacer	
28	1	149670	Polia	Polea	Pulley	1580, 1780
29	1	684121400	Correia	Correa	Belt	1280R

**SISTEMA ELÉTRICO  
SISTEMA ELECTRICO  
ELECTRICAL SYSTEM**
**1280R, 1580, 1780  
1380S, 1680S, 1880S**

31	<b>EQUIPAMENTO ELÉTRICO PARA MOTOR</b>	<b>INSTALACIÓN ELECTRICA DE MOTOR</b>	<b>ELECTRIC EQUIPMENT FORENGINE</b>	<b>TRATOR</b>	
	Motor de partida	Motor de arranque	Starter motor	1280R,1580,1780, 1380S,1680S,1880S	2
	Alternador	Alternador	Alternator	1280R,1580,1780	6
	Alternador	Alternador	Alternator	1380S,1680S,1880S	8
32	<b>SISTEMA ELÉTRICO DA CABINE E PAINEL DE INSTRUMENTOS</b>	<b>SISTEMA ELECTRICO DE LA CABINA Y PAINEL DE INSTRUMENTOS</b>	<b>INSTRUMENTS PANEL AND CABELECTRIC SYSTEM</b>		
	Painel de instrumentos	Panel de instrumentos	Instruments panel	1280R,1580,1780	2
	Luzes	Luces	Lights	1380S,1680S,1880S	4
	Sistema elétrico do painel	Sistema electrico del panel	Panel electric system	1280R,1580,1780	6
	Sistema elétrico dianteiro	Sistema electrico delantero	Front electric system	1380S,1680S,1880S	10
	Sistema elétrico traseiro - cabine aberta	Sistema electrico trasero - cabina abierta	Rear electrical system for open cab	1280R,1580,1780	12
	Sistema elétrico traseiro cabine	Sistema electrico trasero para cabina	Rear electrical system for cab	1380S,1680S,1880S	16
	Limpador e lavador de pára-brisas	Limpiador y lavador de parabrisas	Windscreen wiper and washer	1280R,1580,1780 1380S,1680S,1880S	18
39	<b>EQUIPAMENTO OPCIONAL</b>	<b>EQUIPO OPCIONAL</b>	<b>OPTIONAL EQUIPMENT</b>		
	Limpador e lavador do pára-brisas traseiro	Limpiador y lavador de los parabrisas trasero	Rear window wiper and washer	1280R,1580,1780 1380S,1680S,1880S	2
	Farol de neblina traseiro	Faro de nevoeiro trasero	Rear fog light	1280R,1580,1780 1380S,1680S,1880S	4
	Luz da placa	Luz de la matricula	Light number plate	1280R,1580,1780 1380S,1680S,1880S	6
	Radio	Radio	Radio	1280R,1580,1780 1380S,1680S,1880S	8
	Luz rotativa	Luz rotativa	Rotating light	1280R,1580,1780 1380S,1680S,1880S	10



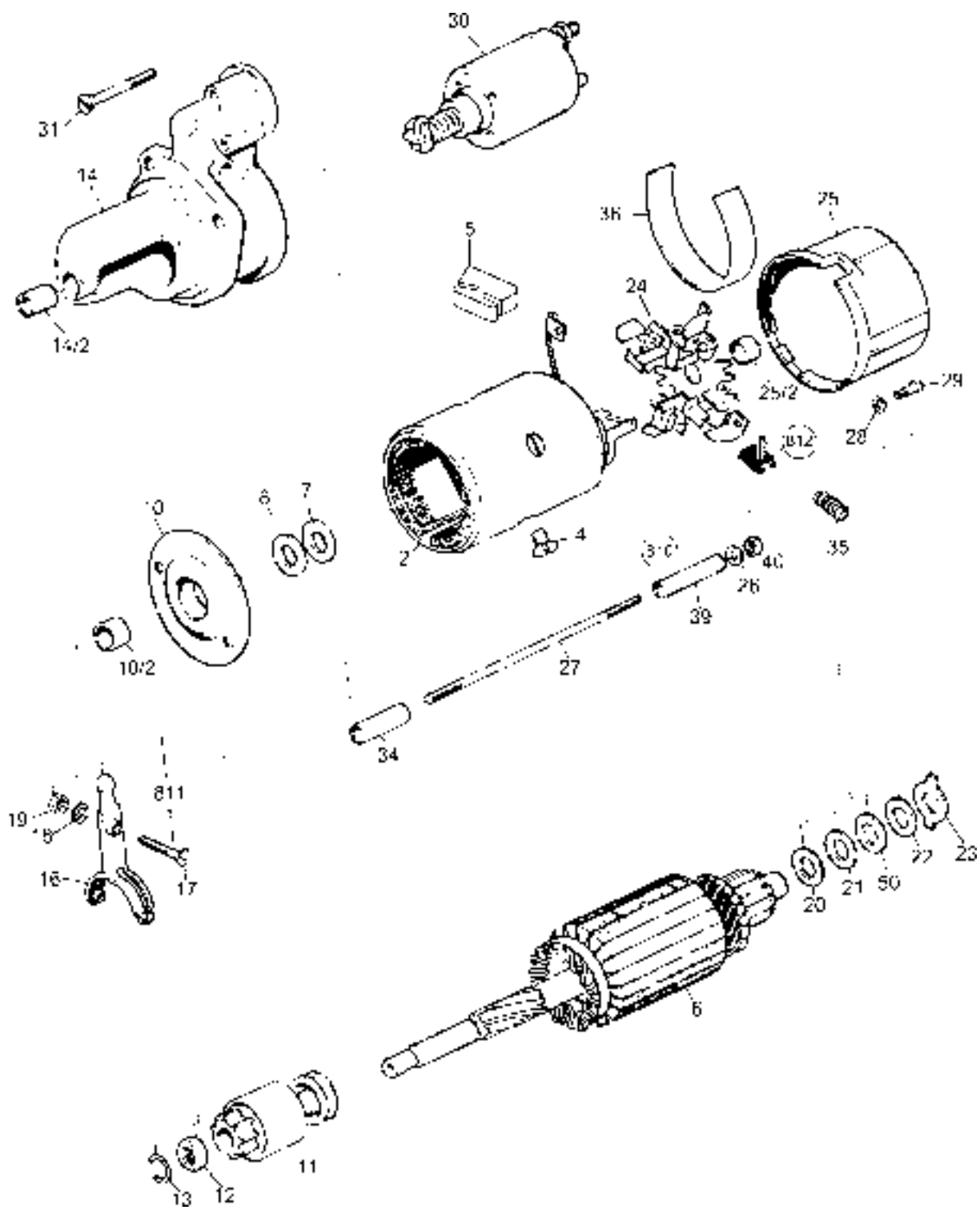
**MOTOR DE PARTIDA  
MOTOR DE ARRANQUE  
STARTER MOTOR**1280R, 1580, 1780  
1380S, 1680S, 1880S

**MOTOR DE PARTIDA  
MOTOR DE ARRANQUE  
STARTER MOTOR**
**1280R, 1580, 1780  
1380S, 1680S, 1880S**

Ref.	Qde.	Peça	Denominação	Denominación	Description	Nota
Ref.	Cant.	Pieza				Nota
Ref.	Qty.	Part				Note
-	1	221561	Motor de partida 12V 3KW	Motor de arranque	Starter motor	1280R,1580, 1780
-	1	835331592	Motor de partida 12V 3KW	Motor de arranque	Starter motor	1380S,1680S, 1880S
2	1	143150*	Jogo de bobinas de campo	Devanado de excitación	Excitation winding	
4	4	115130	Parafuso	Tornillo	Screw	
5	1	143390	Isolador	Aislador	Insulator	1280R,1580, 1780
6	1	116730*	Induzido	Inducido	Armature	
7	1	143170	Arruela isolante	Arandela aislante	Insulating washer	
8	2	143180	Arruela lisa	Arandela plana	Plain washer	
10	1	143190	Mancal intermediário completo	Cojinete interemediário completo	Intermediary bearing complete	1280R,1580, 1780
10	1	116720	Mancal intermediário completo	Tapa intermédia completa	Intermediate bearing complete	1380S,1680S, 1880S
10.2	1	143200	Bucha sinterizada	Casquillo sinterizado	Sintered-metal	
11	1	116670*	Impulsor	Impulsor	Impeller	1280R,1580, 1780
11	1	81278600*	Impulsor	Impulsor	Impeller	1380S,1680S, 1880S
12	1	137190	Anel de encosto	Anillo de tope	Stop ring	
13	1	137180	Anel retentor	Anillo de muelle	Retainer	
14	1	116700	Mancal lado do acionamento completo	Tapa lado accionamiento completa	Drive end shield complete	1280R,1580, 1780
14	1	81278700	Mancal lado do acionamento completo	Tapa lado accionamiento completa	Drive end shield complete	1380S,1680S, 1880S
14.2	1	126780	Bucha sinterizada	Casquillo sinterizado	Sintered-metal bushing	
16	1	143220	Alavanca tipo garfo	Palanca ahorquillada	Fork lever	
17	1	143230	Pino roscado	Perno roscado	Threaded pin	
18	1	126160	Arruela de pressão	Arandela grover	Spring lock washer	
19	1	126810	Porca sextavada	Tuerca hexagonal	Hexagon nut	
20	1	143240	Arruela lisa	Arandela plana	Plain washer	
21	1	143250	Arruela lisa	Arandela plana	Plain washer	
22	1	143260	Arruela lisa	Arandela plana	Plain washer	
23	1	143270	Arruela de retenção	Arandela de retención	Retainer washer	
24	1	143280	Porca-escovas	Tuerca escobillas	Brush holder	
25	1	116740	Mancal lado do coletor completo	Platillo lado del colector completo	Commutator-end shield complete	
25.2	1	143290	Bucha sinterizada	Casquillo sinterizado	Sintered-metal bushing	
26	2	113720	Arruela de pressão	Arandela grover	Spring lock washer	
27	2	143300	Pino roscado	Esparrago	Stud	
28	4	146270	Arruela de pressão	Arandela grover	Spring lock washer	
29	4	143320	Parafuso	Tornillo	Screw	
30	1	116760*	Chave magnética	Rele de engrane	Solenoid switch	
31	3	116680	Parafuso	Tornillo	Screw	
34	2	143360	Tubo isolante	Tubo aislante	Insulating tube	
35	4	143340	Mola helicoidal	Muelle helicoidal	Helical spring	
36	2	143350	Papel isolante	Papel aislante	Insulating paper	1280R,1580, 1780
36	2	81278800	Papel isolante	Papel aislante	Insulating paper	1380S,1680S, 1880S

MOTOR DE PARTIDA  
MOTOR DE ARRANQUE  
STARTER MOTOR

1280R, 1580, 1780  
1380S, 1680S, 1880S

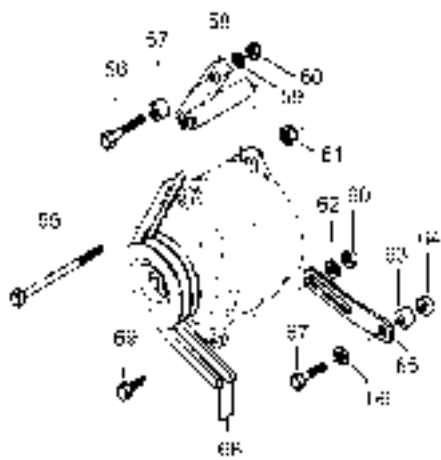
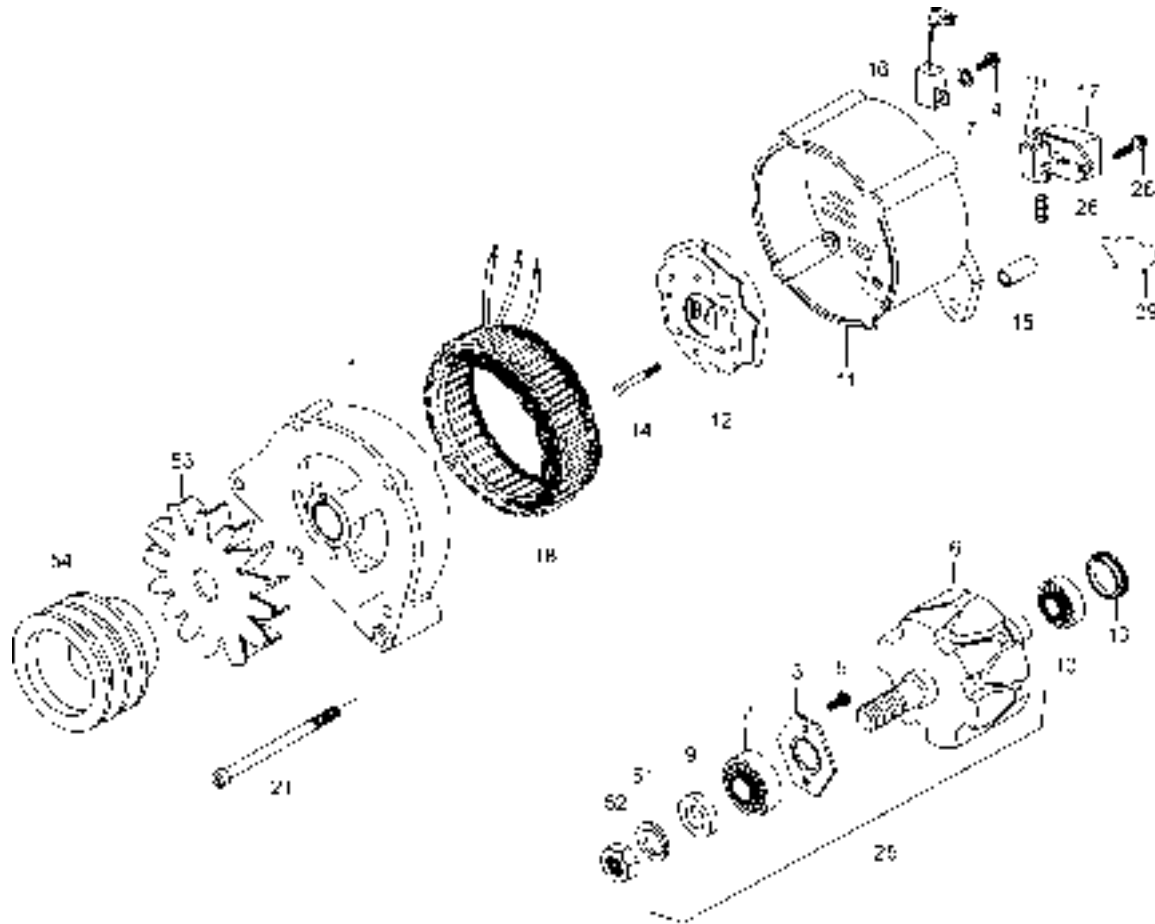


**MOTOR DE PARTIDA  
MOTOR DE ARRANQUE  
STARTER MOTOR****1280R, 1580, 1780  
1380S, 1680S, 1880S**

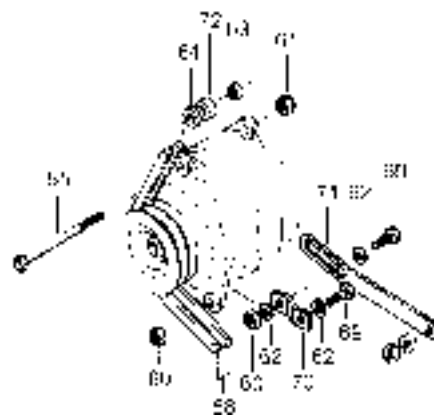
<b>Ref.</b>	<b>Qde.</b>	<b>Peça</b>	<b>Denominação</b>	<b>Denominación</b>	<b>Description</b>	<b>Nota</b>
<b>Ref.</b>	<b>Cant.</b>	<b>Pieza</b>				<b>Nota</b>
<b>Ref.</b>	<b>Qty.</b>	<b>Part</b>				<b>Note</b>
37	3	HA6333	Parafuso	Tornillo	Screw	
38	3	JD3110	Arruela de pressão	Arandela de presión	Lock washer	
39	2	143330	Tubo isolante	Tubo aislante	Insulating tube	
40	2	113370	Porca sextavada	Tuerca hexagonal	Hexagon nut	
50	**	143380	Arruela lisa	Arandela plana	Plain washer	
810	1	129270	Jogo de reparo	Juego de piezas	Parts set	*
811	1	116780	Jogo de reparo	Juego de piezas	Parts set (fork lever)	*
812	1	143370	Jogo de escovas	Juego de escobillas	Carbon brush set	*
* Peças de maior desgaste			Piezas de desgaste	Wearing parts		
** Conforme necessidade			Según la necesidad	According to necessity		

ALTERNADOR  
ALTERNADOR  
ALTERNATOR

1380S, 1680S, 1880S



1680S - 1880S



1380S

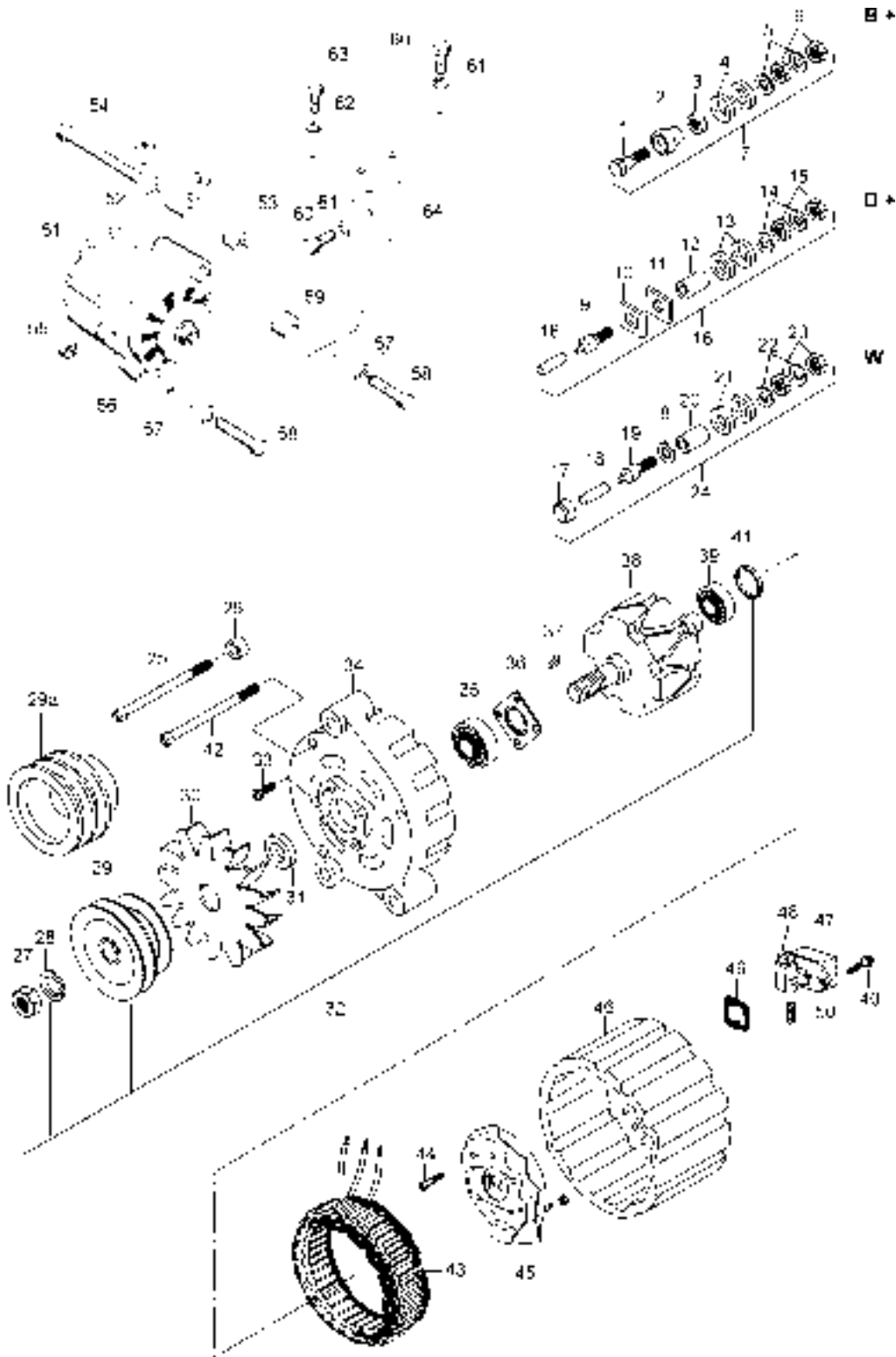
ALTERNADOR  
 ALTERNADOR  
 ALTERNATOR

1380S, 1680S, 1880S

Ref.	Qde.	Peça	Denominação	Denominación	Description	Nota
Ref.	Cant.	Pieza				Nota
Ref.	Qty.	Part				Note
-	1	82028000	Alternador	Alternador	Alternator	12V - 55A
1	1	81281600	.Mancal lado acionamento	Cojinete lado accionamiento	Drive end bearing	
2	1	81281700	.Rolamento	Rodamiento	Bearing	
3	1	81281800	.Placa de fechamento	Placa de cubiera	Cover plate	
4	1	81283200	.Parafuso	Tornillo	Screw	
5	2	147860	.Parafuso	Tornillo	Screw	
6	1	81283300	.Rotor	Rotor	Rotor	
7	1	146270	.Arruela	Arandela	Washer	
9	1	147890	.Anel de encosto	Anillo de tope	Stop ring	
10	1	81281900	.Rolamento	Rodamiento	Bearing	
11	1	81282000	.Mancal lado do coletor	Cojinete lado colector	Bearing side collector	
12	1	81282100	.Retificador	Rectificador	Rectifier	
13	1	81282200	.Anel de ajuste	Anillo de ajuste	Adjusting ring	
14	4	147950	.Parafuso	Tornillo	Screw	
15	1	81282700	.Bucha distanciadora	Buje distanciadora	Spacer bushing	
16	1	148080	.Condensador	Condesador	Capacitor	
17	1	81282300	.Regulador de tensão	Regulador de tensión	Voltage regulator	
18	1	81282500	.Estator	Estator	Stator	
19	1	81282400	.Jogo de escovas com molas	Juego de escobillas con resortes	Carbon brush and spring	
21	4	81282600	.Parafuso	Tornillo	Screw	
25	1	115470	.Jogo de peças (Rotor)	Juego de piezas (Rotor)	Parts set (Rotor)	
26	2	148020	.Parafuso	Tornillo	Screw	
28	2	147970	.Mola	Resorte	Spring	
29	1	81282800	.Presilha	Presilla	Spring clip	
51	1	81282900	.Arruela	Arandela	Washer	
52	1	81283000	.Porca	Tuerca	Nut	
53	1	81283100	.Ventilador	Ventilador	Fan	
54	1	82024500	Polia canal duplo	Polea	Pulley	
55	1	529801570	Parafuso	Tornillo	Bolt	
56	2	HA9206	Parafuso	Tornillo	Bolt	1680S, 1880S
57	2	82098900	Bucha	Buje	Bushing	1680S, 1880S
58	1	82098500	Suporte do alternador	Soporte del alternador	Support	1680S, 1880S
59	2	JD3108	Arruela de pressão	Arandela de presión	Lock washer	1680S, 1880S
60	3	JB1108	Porca	Tuerca	Nut	1680S, 1880S
61	1	JB8904	Porca	Tuerca	Nut	1680S, 1880S
62	1	JD0408	Arruela	Arandela	Washer	1680S, 1880S
63	1	836128220	Bucha	Buje	Bushing	1680S, 1880S
64	1	836120989	Bucha	Buje	Bushing	1680S, 1880S
65	1	82098700	Esticador de correia	Tensionador	Tensioner	1680S, 1880S
66	1	82098800	Bucha	Buje	Bushing	1680S, 1880S
67	1	HA8329	Parafuso	Tornillo	Bolt	1680S, 1880S
68	1	684121400	Correia	Correa	Belt	
69	1	HA6325	Parafuso	Tornillo	Bolt	1680S, 1880S
70	1	836847376	Esticador de correia	Tensionador	Tensioner	1380S
71	1	836847375	Esticador de correia	Tensionador	Tensioner	1380S
72	1	836136337	Bucha	Buje	Bushing	1380S

ALTERNADOR  
ALTERNADOR  
ALTERNATOR

1280R, 1580, 1780



ALTERNADOR  
 ALTERNADOR  
 ALTERNATOR

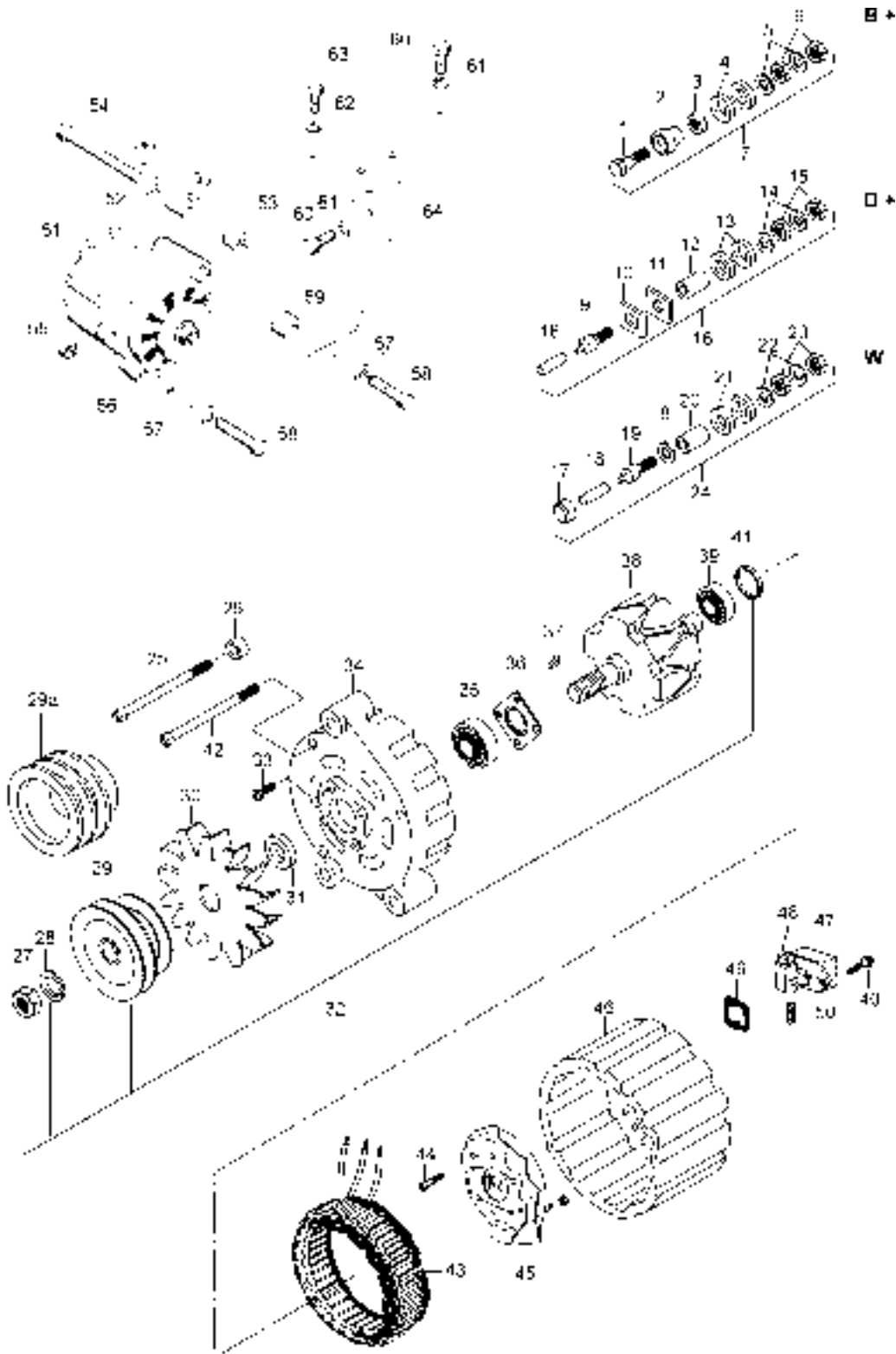
1280R, 1580, 1780

Ref.	Qde.	Peça	Denominação	Denominación	Description	Nota
Ref.	Cant.	Pieza				Nota
Ref.	Qty.	Part				Note
1	1	147930	Parafuso	Tornillo	Screw	
2	1	148250	Porca	Tuerca	Nut	
3	1	148060	Bucha isolante	Buje aislante	Insulating bushing	
4	2	148040	Disco isolante	Disco aislante	Insulating disc	
5	2	148050	Arruela de pressão	Arandela de presión	Spring washer	
6	2	113370	Porca	Tuerca	Nut	
7	1	148280	Jogo de peças (Borne B+)	Juego de piezas (BorneB+)	Parts set (terminal B+)	
8	1	81365800	Disco isolante	Disco aislante	Insulating disc	
9	1	148170	Parafuso conector	Tornillo conector	Connecting screw	
10	1	148140	Placa isolante	Placa aislante	Insulating plate	
11	1	148150	Placa isolante	Placa aislante	Insulating plate	
12	1	148130	Bucha isolante	Buje aislante	Insulating bushing	
13	2	148160	Disco isolante	Disco aislante	Insulating disc	
14	2	148180	Arruela de pressão	Arandela de presión	Spring washer	
15	2	148190	Porca	Tuerca	Nut	
16	1	148300	Jogo de peças (Borne D+)	Juego de piezas (BorneD+)	Parts set (terminal D+)	
17	1	148260	Rebite	Bemache	Rivet	
18	2	148200	Tubo isolante	Tubo aislante	Insulating tube	
19	1	148230	Parafuso	Tornillo	Screw	
20	1	81365900	Bucha isolante	Buje aislante	Insulating bushing	
21	2	148220	Disco isolante	Disco aislante	Insulating disc	
22	2	146270	Arruela de pressão	Arandela de presión	Spring washer	
23	2	148240	Porca	Tuerca	Nut	
24	1	148290	Jogo de peças (Borne W)	Juego de piezas (Borne W)	Parts set (Terminal W)	
25	3	81282600	Parafuso	Tornillo	Screw	
26	1	148020	Parafuso	Tornillo	Screw	
27	1	126020	Porca	Tuerca	Nut	
28	1	126010	Arruela de pressão	Arandela de presión	Spring washer	
29	1	81615210	Polia simples	Polea	Pulley	1280R
29a	1	82610900	Polia dupla	Polea	Pulley	1580, 1780
30	1	148110	Ventilador	Ventilador	Fan	
31	1	147890	Anel de encosto	Anillo de tope	Stop ring	
32	1	148270	Jogo de peças (Rotor)	Juego de piezas (Rotor)	Parts set (Rotor)	
33	6	147860	Parafuso	Tornillo	Screw	
34	1	147830	Mancal lado acionamento	Cojunte lado accionamiento	Drive en bearing	
35	1	147840	Rolamento	Rodamiento	Bearing	
36	1	81282500	Placa de fechamento	Placa de cubiera	Cover plate	
37	1	148100	Chaveta	Clavija	Key	
38	1	81366600	Rotor	Rotor	Rotor	
39	1	147900	Rolamento	Rodamiento	Bearing	
40	1	148020	Parafuso	Tornillo	Screw	
41	1	147880	Anel de vedação	Anillo de sellamiento	Seal ring	
42	1	81366000	Parafuso	Tornillo	Screw	
43	1	147990	Estator	Estator	Stator	
44	3	147950	Parafuso	Tornillo	Screw	
45	1	147920	Retificador	Rectificador	Rectifier	
46	1	147910	Mancal lado do coletor	Cojinete lado colector	Bearing side collector	
47	1	147960	Regulador de tensão	Regulador de tensión	Voltage regulator	
48	1	147980	Jogo de escovas	Juego de escobillos	Carbon brush set	



ALTERNADOR  
ALTERNADOR  
ALTERNATOR

1280R, 1580, 1780



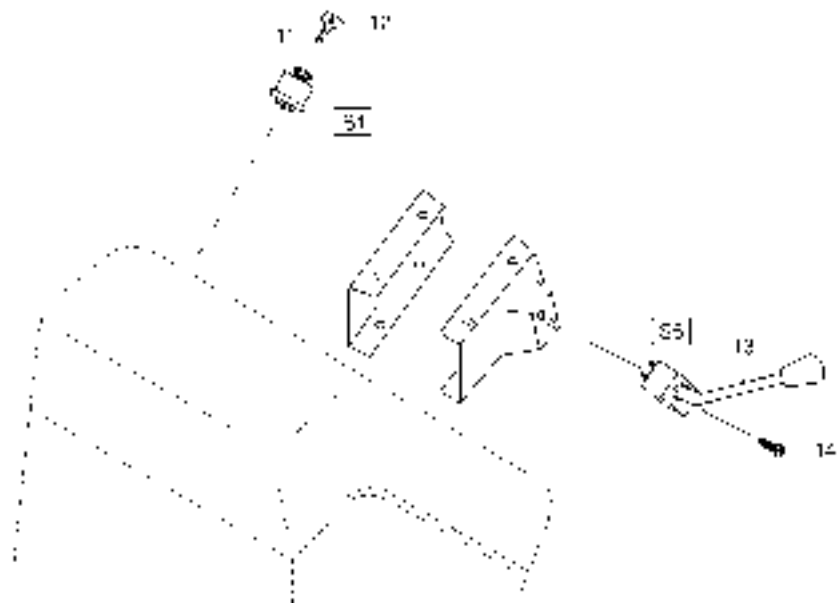
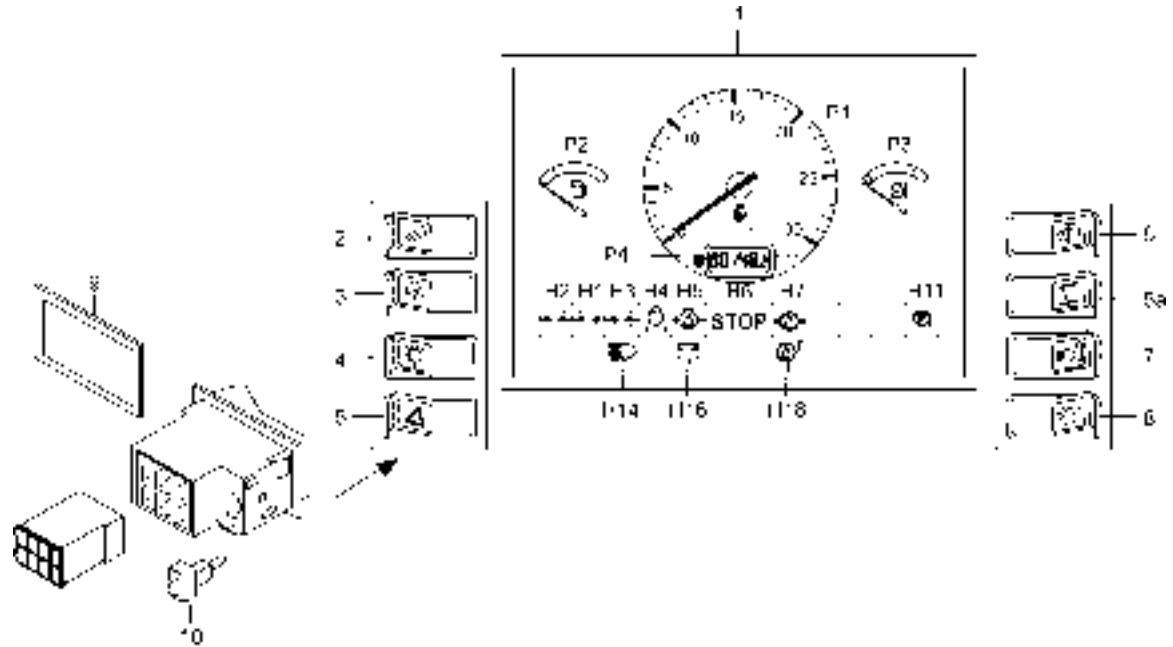
ALTERNADOR  
ALTERNADOR  
ALTERNATOR

1280R, 1580, 1780

Ref.	Qde.	Peça	Denominação	Denominación	Description	Nota
Ref.	Cant.	Pieza				Nota
Ref.	Qty.	Part				Note
49	1	148090	Junta	Junta	Gasket	
50	2	147970	Mola	Resorte	Spring	
51	1	82609600	Alternador 14V - 45A	Alternador 14V - 45A	Alternator 14V - 45A	1280R
51	1	82611000	Alternador 14V - 45A	Alternador 14V - 45A	Alternator 14V - 45A	1580, 1780
52	2	JD0410	Arruela	Arandela	Washer	
53	1	80074000	Suporte	Soporte	Support	
54	1	HA9207	Parafuso	Tornillo	Bolt	
55	1	JB1108	Porca	Tuerca	Nut	
56	1	80547110	Esticador	Tensionador	Tensioner	
57	2	JD0408	Arruela	Arandela	Washer	
58	2	HA6327	Parafuso	Tornillo	Bolt	
59	1	80152700	Calço	Calzo	Shim	
60	2	HA6333	Parafuso	Tornillo	Bolt	
61	2	JD3110	Arruela	Arandela	Washer	
62	2	JD3108	Arruela de pressão	Arandela de presión	Lock washer	
63	2	HA6324	Parafuso	Tornillo	Bolt	
64	1	80546810	Suporte	Soporte	Support	

PAINEL DE INSTRUMENTOS  
PANEL DE INSTRUMENTOS  
INSTRUMENTS PANEL

1280R, 1580, 1780  
1380S, 1680S, 1880S



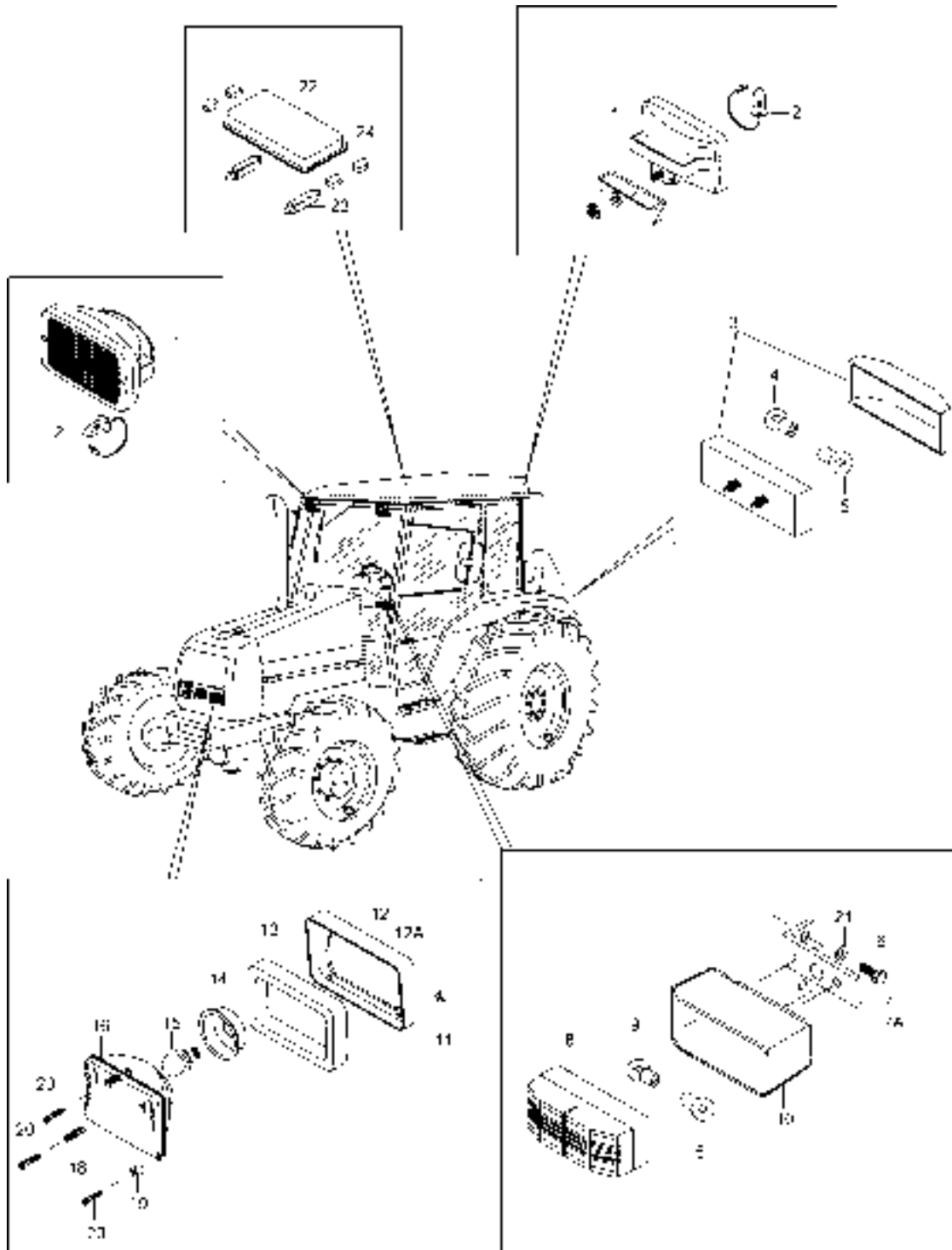
PAINEL DE INSTRUMENTOS  
 PANEL DE INSTRUMENTOS  
 INSTRUMENTS PANEL

1280R, 1580, 1780  
 1380S, 1680S, 1880S

Ref.	Qde.	Peça	Denominação	Denominación	Description	Nota
Ref.	Cant.	Pieza				Nota
Ref.	Qty.	Part				Note
1	1	31542060	Instrumentos	Instrumentos	Instrument	
	x	SH2667	.Lâmpada	Lámpara	Bulb	
	1	32673500	.Indicador de combustível	Indicador de combustible	Fuelmeter	
	1	32673600	.Termômetro	Termómetro	Thermometer	
	1	32673700	.Tacômetro	Tacómetro	Tachometer	
	1	32673800	.Horímetro	Horímetro	Hourmeter	
	1	31950300	.Circuito pequeno	Ciruito pequeño	Circuit card, small	
	1	31950400	.Circuito grande	Circuito grande	Circuit card, big	
	1	31957800	.Caixa	Caja	Housing	
2	1	30944200	Interruptor do farol de trabalho dianteiro	Interruptor del faro de trabajo delantero	Switch working light, front	Equip. opcional
	1	30945100	Lente do interruptor do farol de trabalho dianteiro	Lente del interruptor del faro de trabajo delantero	Lens, swith working light, front	Equip. opcional
3	1	30944200	Interruptor do farol de trabalho traseiro	Interruptor del faro de trabajo trasero	Switch working light, rear	Equip. opcional
	1	32297200	Lente do interruptor do farol de trabalho traseiro	Lente del interruptor del faro de trabajo trasero	Lens, swith working light, rear	Equip. opcional
4	1	30944100	Interruptor das lanternas	Interruptor de las lanternas	Switch, light	
	1	30945000	Lente do interruptor das lanternas	Lentes del interruptor de las lanternas	Lens, switch light	
5	1	31781000	Interruptor do pisca-alerta	Interruptor de las luces de aviso	Switch, harzard	
	1	31709010	Lente do interruptor do pisca-alerta	Lentes del interruptor de las luces de aviso	Lens, switch harzard	
6	1	30943900	Interruptor do limpador e lavador de pára-brisas dianteiro	Interruptor del limpiador e lavador del pára-brisas delantero	Switch, wiper + wash front	Equip. opcional
	1	30944700	Lente do interruptor do limpador e lavador de pára-brisas dianteiro	Lente del interruptor del limpiador e lavador de pára-brisas delantero	Lens, switch wiper + wash front	Equip. opcional
6a	1	30943900	Interruptor do limpador e lavador de pára-brisas traseiro	Interruptor del limpiador e lavador del pára-brisas trasero	Switch, wiper + wash rear	Equip. opcional
	1	30944700	Lente do interruptor do limpador e lavador de pára-brisas traseiro	Lente del interruptor del limpiador e lavador de pára-brisas trasero	Lens, switch wiper + wash rear	Equip. opcional
7	1	30944200	Interruptor da luz de neblina	Interruptor de las luces de neblina	Switch, fog light	Equip. opcional
	1	32862400	Lente do interruptor da luz de neblina	Lente del interruptor de las luces de neblina	Lens, switch fog light	Equip. opcional
8	1	30944200	Interruptor da luz rotativa	Interruptor de la luz rotativa	Switch, rotating light	Equip. opcional
	1	31690810	Lente do interruptor da luz rotativa	Lente del interruptor de la luz rotativa	Lens, swith rotating light	Equip. opcional
9	c/n	30944500	Tampa do orificio do interruptor	Tapa del orificio del interruptor	Switch cover	
10	c/n	30944600	Soquete e lâmpadas	Manquito y lámpias	Bulb socket	
11	1	32553200	Ignição de partida	Ignición de arranque	Ignition switch	
12	1	33182600	Chave de partida	Llave de arranque	Ignition key	
13	1	619690	Chave indicadora de direção	Llave indicadora de la dirección	Combined switch	
14	2	HD9157	Parafuso	Tornillo	Screw	

LUZES  
LUZES  
LIGHTS

1280R, 1580, 1780  
1380S, 1680S, 1880S



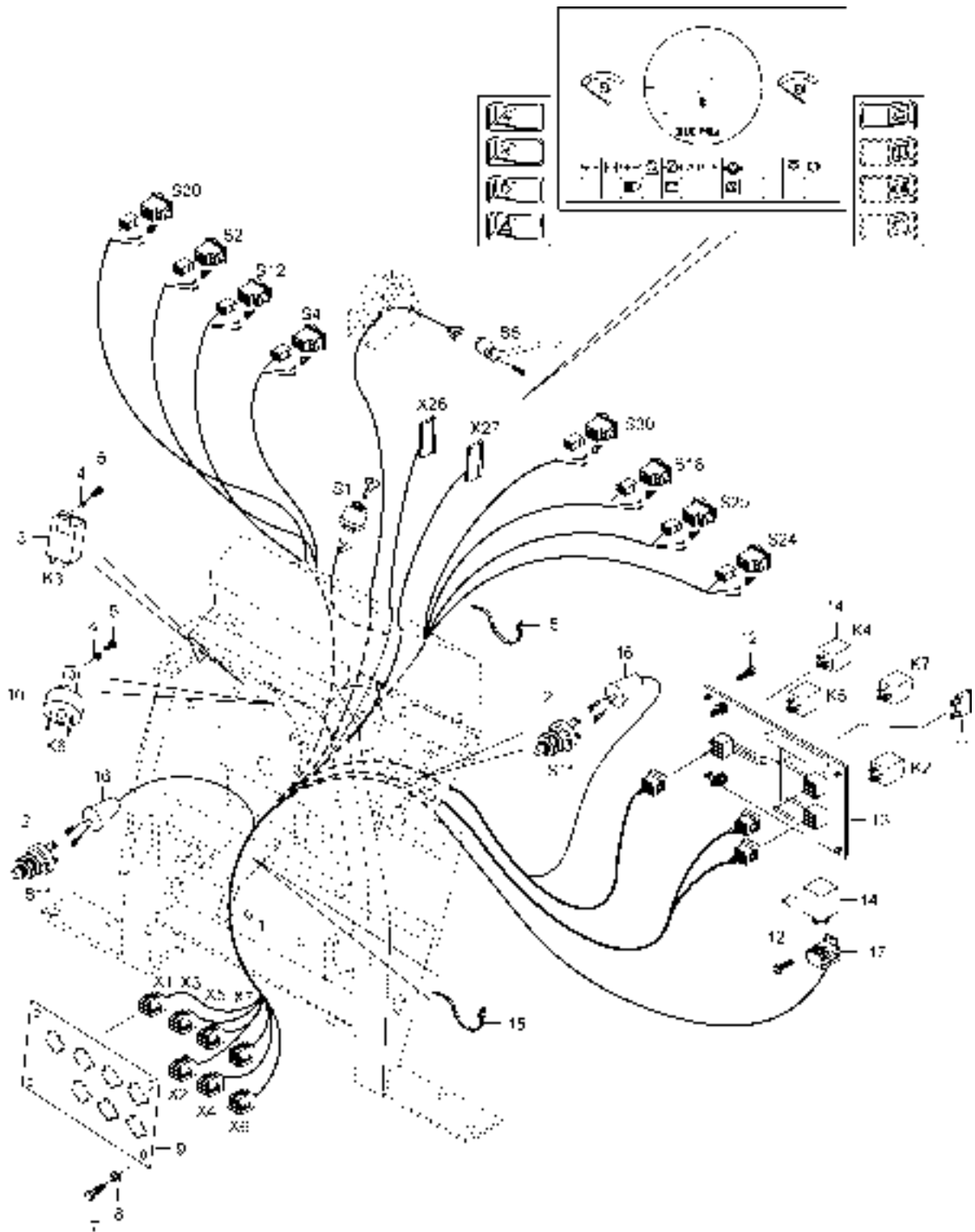
LUZES  
 LUZES  
 LIGHTS

 1280R, 1580, 1780  
 1380S, 1680S, 1880S

Ref.	Qde.	Peça	Denominação	Denominación	Description	Nota
Ref.	Cant.	Pieza				Nota
Ref.	Qty.	Part				Note
1	4	80857100	Farol de trabalho dianteiro e traseiro	Farol de trabajo de lantero y trasero	Front and rear working light	
2	4	80415500	Lâmpada	Lámpara	Bulb	
3	2	31540600	Lanterna traseira	Linterna trasera	Rear light	
4	2	SH2649	Lâmpada	Lámpara	Bulb	
5	2	SH2647	Lâmpada	Lámpara	Bulb	
6	4	HA6313	Parafuso	Tornillo	Bolt	
7	1	81629800	Suporte direito	Soporte derecho	Right bracket	
7a	1	81630900	Suporte esquerdo	Soprte izquierdo	Left bracket	
8	2	31540700	Lanterna dianteira	Linterna delantera	Front light	
9	2	SH2648	Lâmpada	Lámpara	Bulb	
10	2	32503500	Tampa plástica	Tapa plastica	Plastic cover	
11	6	32720100	Fixador	Fijador	Fastener	
12	1	32640800	Protetor esquerdo	Protección izquierdo	Shield	Left
12a	1	32640900	Protetor direito	Protección derecho	Shield	Right
13	2	32745300	Vedador	Vedación	Seal	
14	2	80068700	Protetor de borracha	Protección de goma	Rubber protector	
15	2	159880	Lâmpada	Lámpara	Bulb	
16	2	80649000	Bloco ótico	Boque óptico	Optic reflector	
17	2	32547500	Mola	Resorte	Spring	
18	2	601640	Mola	Resorte	Spring	
19	1	32693800	Luva	Manchon	Sleeve	
20	6	32547600	Parafuso de regulagem	Tornillo de regulaje	Adjusting screw	
21	4	JD3106	Arruela de pressão	Arandela de traba	Lock washer	

**SISTEMA ELÉTRICO DO PAINEL**  
**SISTEMA ELÉCTRICO DEL PANEL**  
**PANEL ELETTRIC SYSTEM**

1280R, 1580, 1780  
1380S, 1680S, 1880S



**SISTEMA ELÉTRICO DO PAINEL**  
**SISTEMA ELÉCTRICO DEL PANEL**  
**PANEL ELETRIC SYSTEM**
**1280R, 1580, 1780**  
**1380S, 1680S, 1880S**

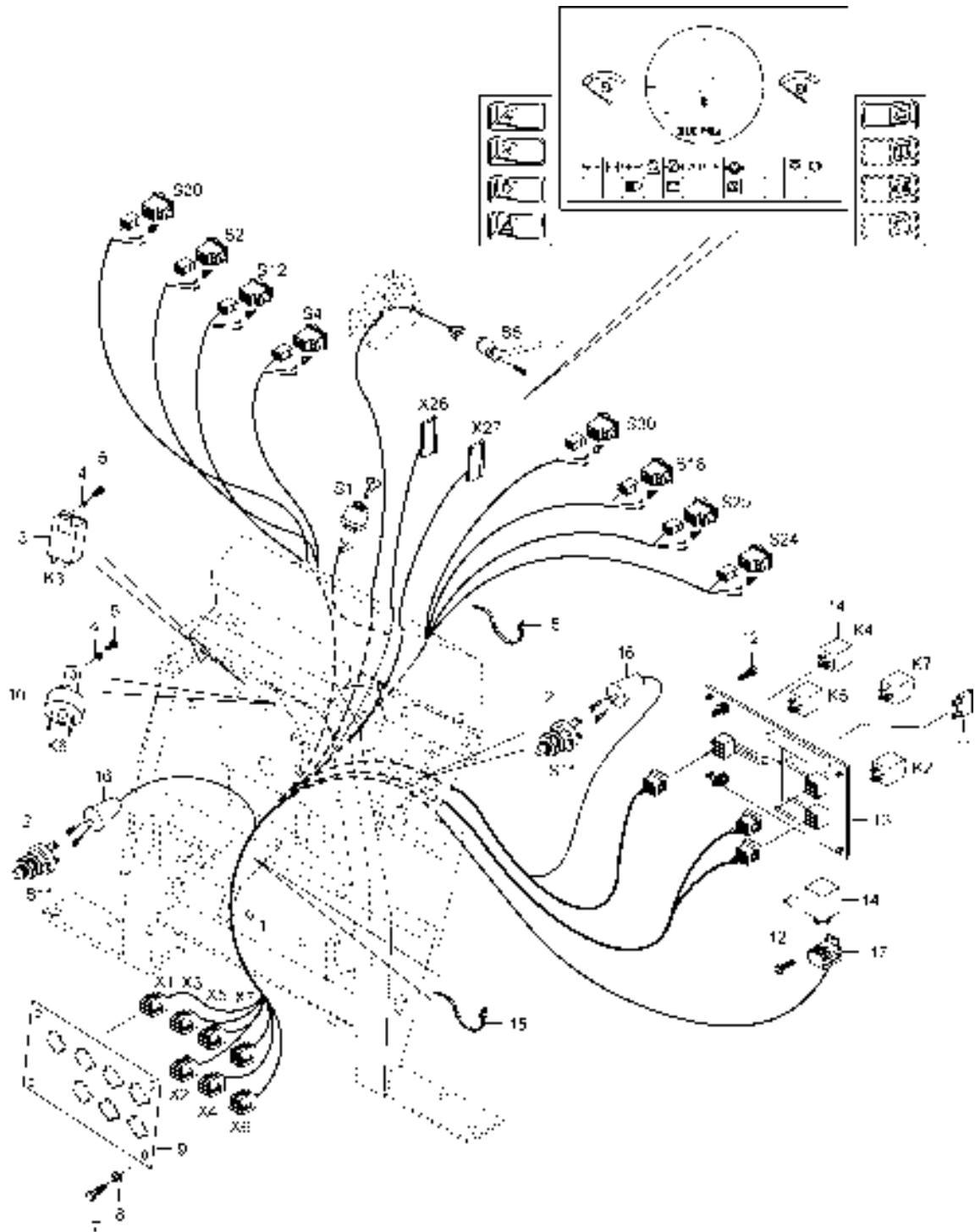
Ref.	Qde.	Peça	Denominação	Denominación	Description	Nota
Ref.	Cant.	Pieza				Nota
Ref.	Qty.	Part				Note
1	1	81588620	Chicote do painel	Cable del panel	Panel wiring	
2	2	80990800	Interruptor do freio	Interruptor del freno	Brake switch	
3	1	30101100	Rele indicador de direção	Rele indicador de la dirección	Relay	
4	2	JD0406	Arruela de pressão	Arandela de traba	Lock washer	
5	2	HD9152	Parafuso	Tornillo	Screw	
6	5	243020	Abraçadeira	Abrazadera	Clamp	
7	4	HA9223	Parafuso	Tornillo	Bolt	
8	4	JD8003	Arruela de pressão	Arandela de traba	Lock washer	
9	1	81637400	Chapa dos conectores	Chapa de los conectores	Connector plate	
10	1	619700	Relé comutador do farol alto	Rele comutador del faro alto	Relay head light	
11	1	31540800	Fusível	Fusible	Fuse	5A
	1	31541000	Fusível	Fusible	Fuse	10A
	1	31541100	Fusível	Fusible	Fuse	15A
	1	32004300	Fusível	Fusible	Fuse	25A
12	8	HC1305	Parafuso	Tornillo	Screw	
13	1	81599510	Central elétrica	Central electrica	Electric central	
14	5	81620100	Rele	Rele	Relay	
15	2	81723500	Abraçadeira	Abrazadera	Clamp	
16	2	81723300	Guarnição	Protección de goma	Rubber protector	
17	1	SA1793	Suporte do relé	Soporte del rele	Relay mounting	

X1	200	Sensor de temperatura da água do motor	Sensor de temperatura de la agua del motor	Water engine temperature sender
X1	241	D+ (Alternador)	D+ (Alternador)	D+ (Alternator)
X1	240	W (Alternador)	W (Alternador)	W (Alternator)
X1	600	Interruptor da bomba injetora	Interruptor de la bomba inyectora	Injection pump switch
X1	212	Interruptor do filtro de ar	Interruptor del filtro de aire	Air filter switch
X1	422	Farol baixo	Faro bajo	Low headlight
X1	412	Farol alto	Faro alto	High headlight
X1	211	Interruptor da pressão do óleo do motor	Interruptor de presión del aceite del motor	Engine pressure switch
X1	213	Interruptor de temperatura da água do motor	Interruptor de temperatura de la agua del motor	Water engine temperature switch
X2	500	Partida	Arranque	Starter
X2	BR	Aterramento	Aterramiento	Grounding
X2	800	Alimentação +30 da chave de partida	Alimentación +30 de la llave de arranque	Power +30 of the injection switch
X2	802	Alimentação +30 central elétrica	Alimentación +30 de la central electrica	Power +30 of the electric central
X2	803	Alimentação +30 cabine	Alimentación +30 de la cabina	Power +30 of the cab
X2	730	Buzina (terminal +)	Bocina (terminal +)	Horn (terminal +)
X2	731	Buzina (terminal -)	Bocina (terminal -)	Horn (terminal -)
X3	643	Válvula do multitorque	Valvula del multitorque	Multitork valve
X3	201	Sensor de combustível	Sensor del combustible	Fuel sender
X3	220	Interruptor de pressão do óleo da caixa de câmbio	Interruptor de presión del aceite de la caja de marcha	Pressure switch of the oil transmission
X3	221	Interruptor de temperatura do óleo da caixa de câmbio	Interruptor de temperatura del aceite de la caja de marcha	Temperature switch of the oil transmission
X3	631	Solenóide da válvula da TDP (T2)	Solenoido de la válvula de la TDF (T2)	PTO valve solenoid
X3	743	Luz rotativa	Luz rotativa	Hazard light
X3	480	Luz de neblina	Luz de neblina	Fog light
X4	452	Lanterna dianteira direita	Linterna delantera derecha	Front tail light, right
X4	456	Lanterna traseira	Linterna trasera	Rear tail light
X4	712	Indicador de direção dianteiro direito	Indicador de la dirección delantera derecha	Front turn light, right
X4	712	Indicador de direção traseiro direito	Indicador de la dirección trasera derecha	Rear turn light, right
X4	BR	Aterramento	Aterramiento	Grounding
X4	711	Indicador de direção dianteiro esquerdo	Indicador de la dirección delantero izquierdo	Front turn light, left
X4	711	Indicador de direção traseiro esquerdo	Indicador de la dirección trasero izquierdo	Rear turn light, left
X4	451	Lanterna dianteira esquerda	Linterna delantera izquierda	Front tail light, left
X4	BR	Aterramento	Aterramiento	Grounding



**SISTEMA ELÉTRICO DO PAINEL**  
**SISTEMA ELÉCTRICO DEL PANEL**  
**PANEL ELETRIC SYSTEM**

1280R, 1580, 1780  
 1380S, 1680S, 1880S

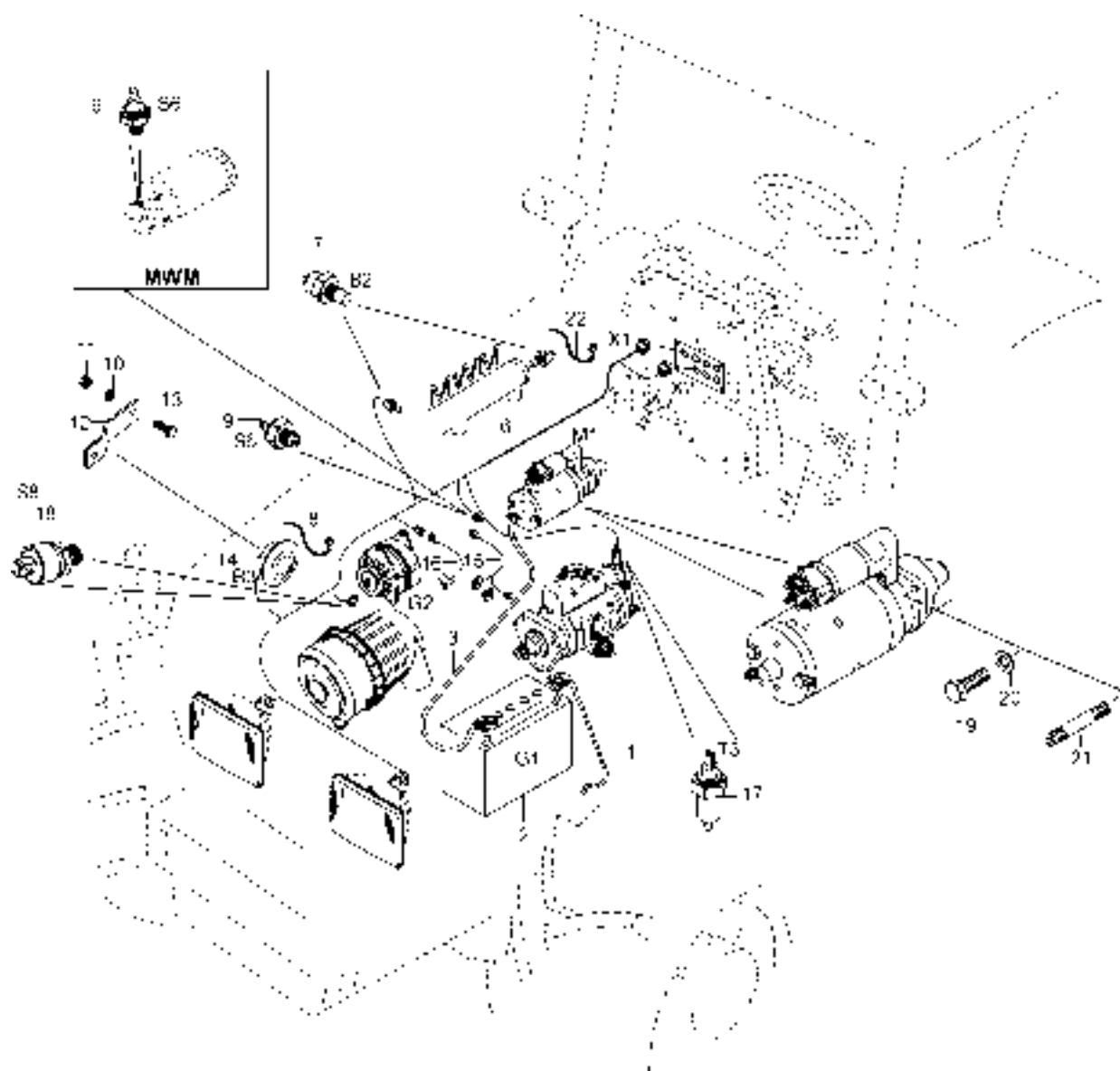


**SISTEMA ELÉTRICO DO PAINEL  
 SISTEMA ELÉCTRICO DEL PANEL  
 PANEL ELETRIC SYSTEM**
**1280R, 1580, 1780  
 1380S, 1680S, 1880S**

X5	630	Retorno da alimentação da TDP	Retorno de la alimentación de TDF	Power return of the PTO
X5	444	Farol de trabalho dianteiro	Faro de trabajo delantero	Front working light
X5	448	Farol de trabalho traseiro	Faro de trabajo trasero	Rear working light
X5	641	Interruptor do multitorque	Interruptor del multitorque	Multitork clutch switch
X5	700	Luz de freio	Luz de freno	Brake light
X5	BR	Aterramento	Aterramiento	Grounding
X5	813	Alimentação do interruptor da TDP	Alimentación del interruptor de la TDF	PTO switch power
X5	642	Retorno do interruptor do multitorque S14	Retorno del interruptor del multitorque S14	Return of multitork switch S14
X5	230	Retorno do interruptor do freio de mão	Retorno del interruptor del freno de mano	Return of the hand brake switch
X6	534	Alimentação do ventilador da cabine	Alimentación del ventilador de la cabina	Power of the cab fan
X6	518	Alimentação +15 do motor e tecla do limpador traseiro	Alimentación +15 del motor y tecla del limpiador trasero	Power +15 of the motor and switch of rear window wiper
X6	513	Alimentação +15 do motor e tecla do limpador dianteiro	Alimentación +15 del motor y tecla do limpiador delantero	Power +15 of the motor and switch of front window wiper
X6	807	Alimentação +30 do radio e luz de cortesia	Alimentación +30 del radio y luz de cortesía	Power +30 of the radio and courtesy light
X6	531	Sinal da velocidade 3 do ventilador	Sinal de la velocidad 3 del ventilador	Signal of the fan velocity 3
X6	530	Alimentação da velocidade 3 do ventilador	Alimentación de la velocidad 3 del ventilador	Power of the fan velocity 3
X7	514	Jato d'água dianteiro	Jacto de agua delantero	Front water jet
X7	512	Alimentação do motor do limpador dianteiro com jato d'água	Alimentación del motor del limpiador delantero con jacto de agua	Power of the front wiper motor with water jet
X7	511	Alimentação do motor do limpador dianteiro sem jato d'água	Alimentación del motor del limpiador delantero sin jacto de agua	Power of the front wiper motor without water jet
X7	519	Jato d'água traseiro	Jacto de agua trasero	Rear water jet
X7	517	Alimentação do motor do limpador traseiro com jato d'água	Alimentación del motor del limpiador trasero con jacto de agua	Power of the window wiper motor with water jet
X7	516	Alimentação do motor do limpador traseiro sem jato d'água	Alimentación del motor del limpiador sin jacto de agua	Power of the window wiper motor without water jet
X7	912	Entrada e saída do acionamento do compressor	Entrada y salida del accionamento del compresor	In-out of the drive compressor
X7	454	Alimentação das luzes do painel superior da cabine	Alimentación de las luces del panel superior de la cabina	Power of the lights superior panel of cab

**SISTEMA ELÉTRICO DIANTEIRO**  
**SISTEMA ELÉCTRICO DELANTERO**  
**FRONT ELETRIC SYSTEM**

1280R, 1580, 1780  
1380S, 1680S, 1880S



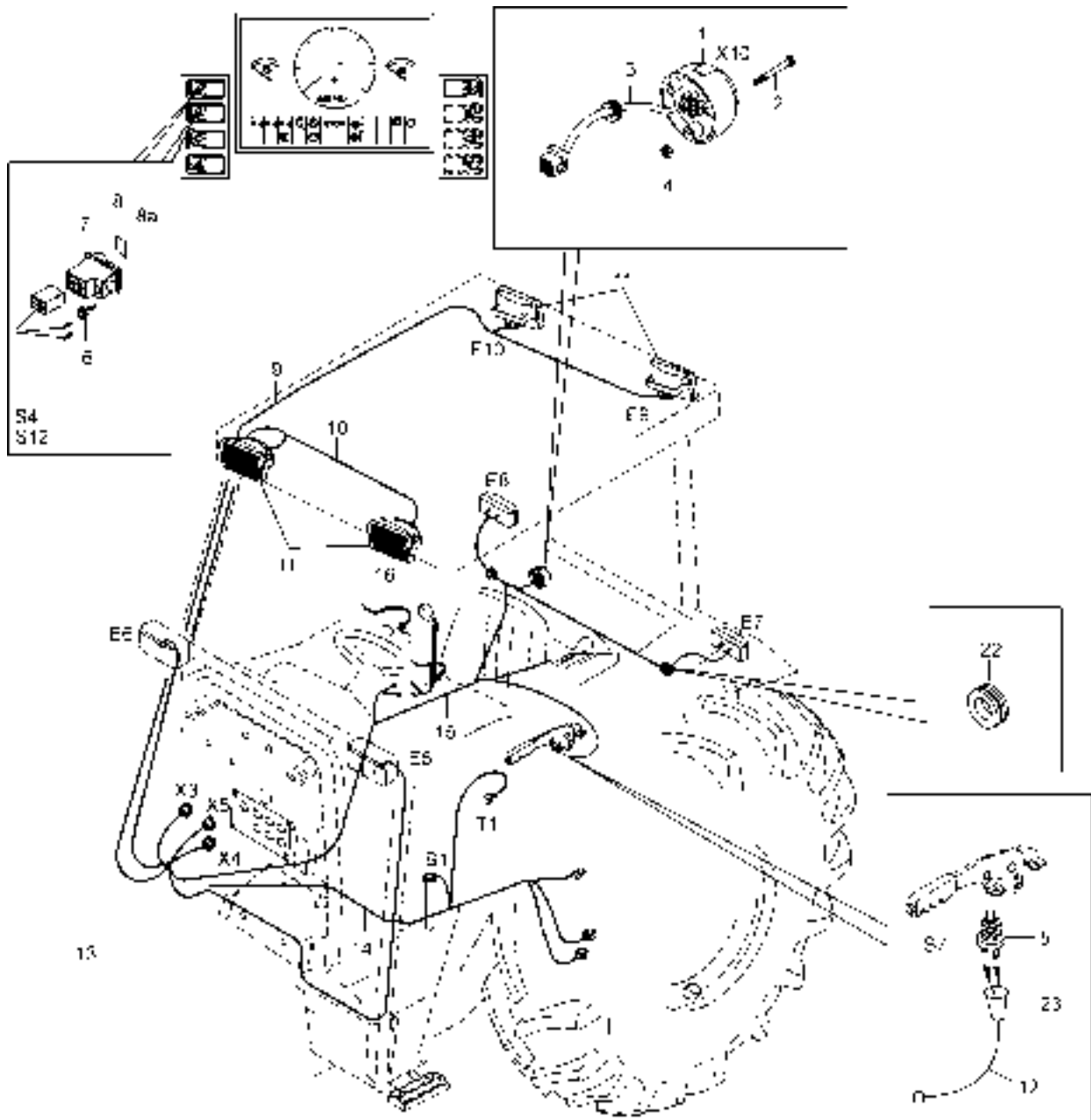
SISTEMA ELÉTRICO DIANTEIRO  
SISTEMA ELÉCTRICO DELANTERO  
FRONT ELETRIC SYSTEM

1280R, 1580, 1780  
1380S, 1680S, 1880S

Ref.	Qde.	Peça	Denominação	Denominación	Description	Nota
Ref.	Cant.	Pieza				Nota
Ref.	Qty.	Part				Note
1	1	80856520	Cabo terra	Cable tierra	Ground cable	
2	1	81490500	Bateria	Bateria	Battery	
3	1	80856420	Cabo do motor de partida	Cable del motor de arranque	Starter cable	
6	1	81588710	Chicote dianteiro	Cable delantero	Front wiring	
7	1	654271208	Sensor de temperatura do líquido refrigerante	Sensor de temperatura de la água	Water temp. sender	
8	c/n	243020	Abraçadeira	Abrazadera	Clamp	
9	1	887283760	Sensor de pressão do óleo do motor	Sensor de presión del aceite del motor	Engine oil pressure sender	
10	1	JD3108	Arruela de pressão	Arandela de presión	Lock washer	
11	1	JB1108	Porca	Tuerca	Nut	
12	1	81758600	Suporte	Soporte	Support	
13	1	HA6324	Parafuso	Tornillo	Bolt	
14	1	83103900	Buzina	Bocina	Horn	
15	1	81589000	Cabo do alternador	Cable del alternador	Alternator wire	1280R, 1580, 1780
16	1	81589100	Cabo do alternador	Cable del alternador	Alternator wire	1380S, 1680S, 1880S
17	1	836640501	Solenóide	Solenóide	Solenoid	
18	1	33389600	Sensor de manutenção do filtro de ar	Sensor de restricción del filtro de aire	Ar filter restriction sender	
19	3	HA6333	Parafuso	Tornillo	Bolt	1280R, 1580, 1780
20	x	JD3110	Arruela de pressão	Arandela de presión	Lock washer	1280R, 1580, 1780
21	3	546801800	Prisioneiro	Espárrago	Stud	1380S, 1680S, 1880S
22	2	81754000	Braçadeira	Abrazadera	Clamp	

**SISTEMA ELÉTRICO TRASEIRO PARA CABINE**  
**SISTEMA ELÉCTRICO TRASERO PARA CABINA**  
**REAR ELECTRICAL SYSTEM FOR CAB**

1280R, 1580, 1780  
1380S, 1680S, 1880S



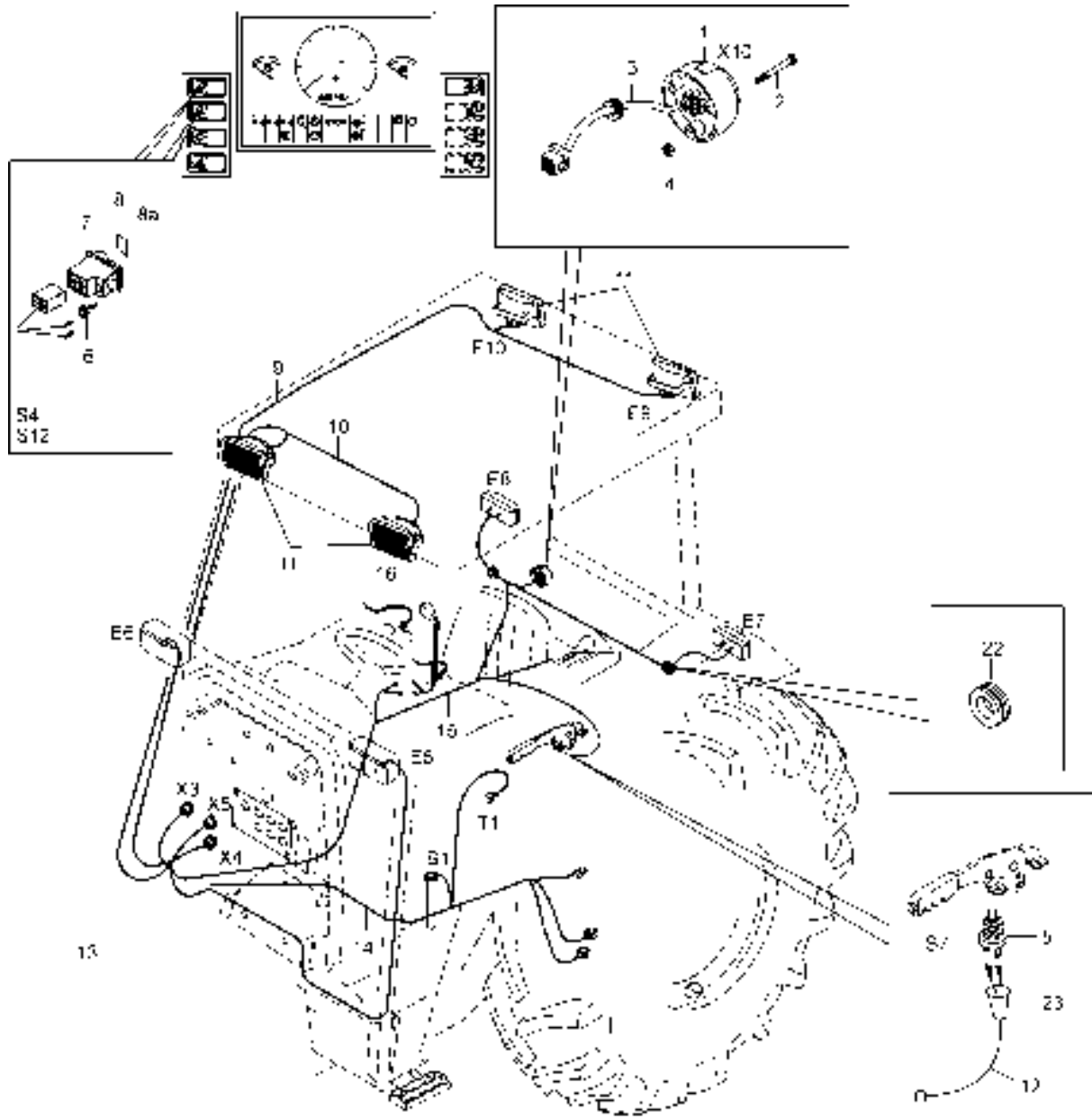
**SISTEMA ELÉTRICO TRASEIRO PARA CABINE**  
**SISTEMA ELÉCTRICO TRASERO PARA CABINA**  
**REAR ELECTRICAL SYSTEM FOR CAB**

**1280R, 1580, 1780**  
**1380S, 1680S, 1880S**

Ref.	Qde.	Peça	Denominação	Denominación	Description	Nota
Ref.	Cant.	Pieza				Nota
Ref.	Qty.	Part				Note
-	1	81602800	Kit da tomada para carreta	Kit para la enchufe	Plug socket set	
1	1	649791	.Tomada para carreta	Enchufe	Plug socket	Equip. opcional
2	3	HD9043	.Parafuso	Tornillo	Screw	Equip. opcional
3	1	81603200	.Chicote da tomada	Cable de la enchufe	Wiring	Equip. opcional
4	3	JB8903	.Porca	Tuerca	Nut	Equip. opcional
-	1	81618400	Kit do farol de trabalho dianteiro	Kit del faro de trabajo delantero	Fonr working light set	Equip. opcional
-	1	81618500	Kit do farol de trabalho traseiro	Kit del faro del trabajo trasero	Rear working light set	Equip. opcional
5	2	80990800	Interruptor do freio de mão e da TDP	Interruptor del freno manual y de la TDF	Parking brake and PTO switch	
6	2	30944600	.Soque e lâmpada	Manquito y lámpias	Bulb socket	Equip. opcional
7	2	30944200	.Interruptor do farol de trabalho dianteiro e traseiro	Interruptor del faro de trabajo delantero y trasero	Front and rear woring light switch	Equip. opcional
8	1	30945100	.Lente do interruptor do farol de trabalho dianteiro	Lente del interruptor del faro de trabajo delantero	Lens, switch working light, front	Equip. opcional
8a	1	32297200	.Lente do interruptor do farol de trabalho traseiro	Lente del interruptor del faro de trabajo trasero	Lens, switch working light, rear	Equip. opcional
9	1	81589300	.Chicote do farol de trabalho traseiro	Cable del faro de trabajo trasero	Rear working light wiring	Equip. opcional
10	1	81589200	.Chicote do farol de trabalho dianteiro	Cable del faro de trabajo delantero	Front working light wiring	Equip. opcional
11	2	80857100	.Farol de trabalho dianteiro e traseiro	Faro de trabajo delantero y trasero	Front and rear working light	Equip. opcional
12	1	81800500	Chicote do freio de mão	Cable del freno de mano	Handbrak wiring	
13	2	81601610	Cabo da lanterna dianteira esquerdo e direito	Cable de linterna d elantera izquierda y derecha	Front light wiring	Left and right
14	1	81601910	Cabo do sensor multitorque	Cable del sensores del multitorque	Multitorque sender	
15	1	81588830	Chicote traseiro	Cable trasero	Rear wiring	
16	x	243020	Abraçadeira	Abrazadera	Clamp	
20	1	30102100	Sensor de pressão do óleo da transmissão	Sensor de presión del aceite de la transmisión	Pressure sender	
22	4	30145900	Anel de borracha	Anillo de goma	Rubber ring	
23	1	81723300	Guarnição de proteção	Protección de goma	Rubber protector	

**SISTEMA ELÉTRICO TRASEIRO - CABINE ABERTA**  
**SISTEMA ELÉCTRICO TRASERO - CABINA ABIERTA**  
**REAR ELECTRICAL SYSTEM FOR OPEN CAB**

1280R, 1580, 1780  
1380S, 1680S, 1880S



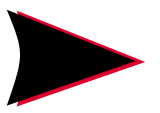
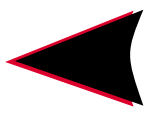
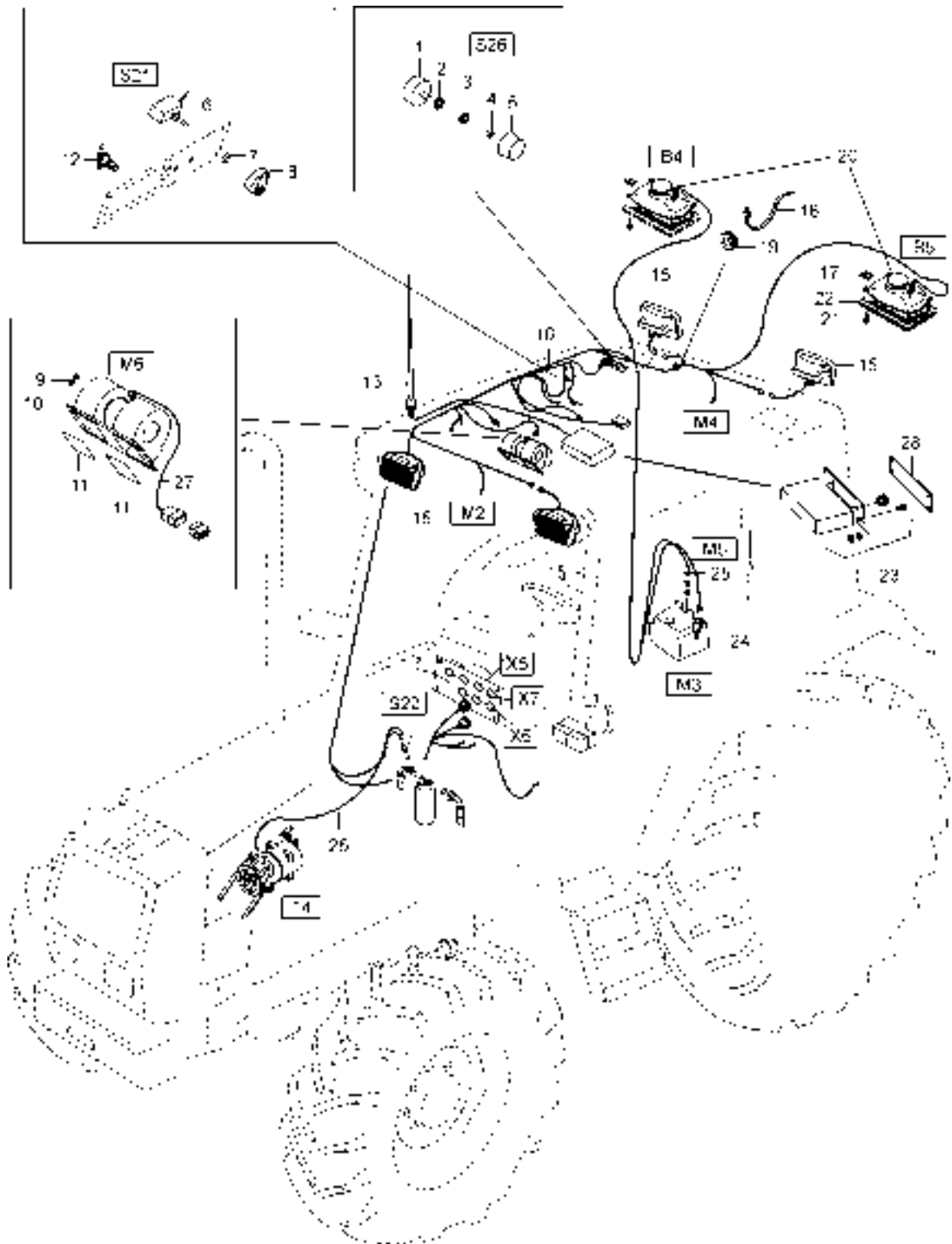
**SISTEMA ELÉTRICO TRASEIRO - CABINE ABERTA  
 SISTEMA ELÉCTRICO TRASERO - CABINA ABIERTA  
 REAR ELECTRICAL SYSTEM FOR OPEN CAB**
**1280R, 1580, 1780  
 1380S, 1680S, 1880S**

X3	643	Válvula do multitorque	Valvula del multitorque	Multitork valve
X3	201	Sensor de combustível	Sensor del combustible	Fuel sender
X3	220	Interruptor de pressão do óleo da caixa de câmbio	Interruptor de presión del aceite de la caja de marcha	Pressure switch of the oil transmission
X3	221	Interruptor de temperatura do óleo da caixa de câmbio	Interruptor de temperatura del aceite de la caja de marcha	Temperature switch of the oil transmission
X3	631	Solenóide da válvula da TDP (T2)	Solenoid de la válvula de la TDF (T2)	PTO valve solenoid
X3	743	Luz rotativa	Luz rotativa	Hazard light
X3	480	Luz de neblina	Luz de neblina	Fog light
X4	452	Lanterna dianteira direita	Linterna delantera derecha	Front tail light, right
X4	456	Lanterna traseira	Linterna trasera	Rear tail light
X4	712	Indicador de direção dianteiro direito	Indicador de la dirección delantera derecha	Front turn light, right
X4	712	Indicador de direção traseiro direito	Indicador de la dirección trasera derecha	Rear turn light, right
X4	BR	Aterramento	Aterramiento	Grounding
X4	711	Indicador de direção dianteiro esquerdo	Indicador de la dirección delantero izquierdo	Front turn light, left
X4	711	Indicador de direção traseiro esquerdo	Indicador de la dirección trasero izquierdo	Rear turn light, left
X4	451	Lanterna dianteira esquerda	Linterna delantera izquierda	Front tail light, left
X4	BR	Aterramento	Aterramiento	Grounding
X5	630	Retorno da alimentação da TDP	Retorno de la alimentación de TDF	Power return of the PTO
X5	444	Farol de trabalho dianteiro	Faro de trabajo delantero	Front working light
X5	448	Farol de trabalho traseiro	Faro de trabajo trasero	Rear working light
X5	641	Interruptor do multitorque	Interruptor del multitorque	Multitork clutch switch
X5	700	Luz de freio	Luz de freno	Brake light
X5	BR	Aterramento	Aterramiento	Grounding
X5	813	Alimentação do interruptor da TDP	Alimentación del interruptor de la TDF	PTO switch power
X5	642	Retorno do interruptor do multitorque S14	Retorno del interruptor del multitorque S14	Return of multitork switch S14
X5	230	Retorno do interruptor do freio de mão	Retorno del interruptor del freno de mano	Return of the hand brake switch



**SISTEMA ELÉTRICO TRASEIRO PARA CABINE**  
**SISTEMA ELÉCTRICO TRASERO PARA CABINA**  
**REAR ELECTRICAL SYSTEM FOR CAB**

1280R, 1580, 1780  
1380S, 1680S, 1880S



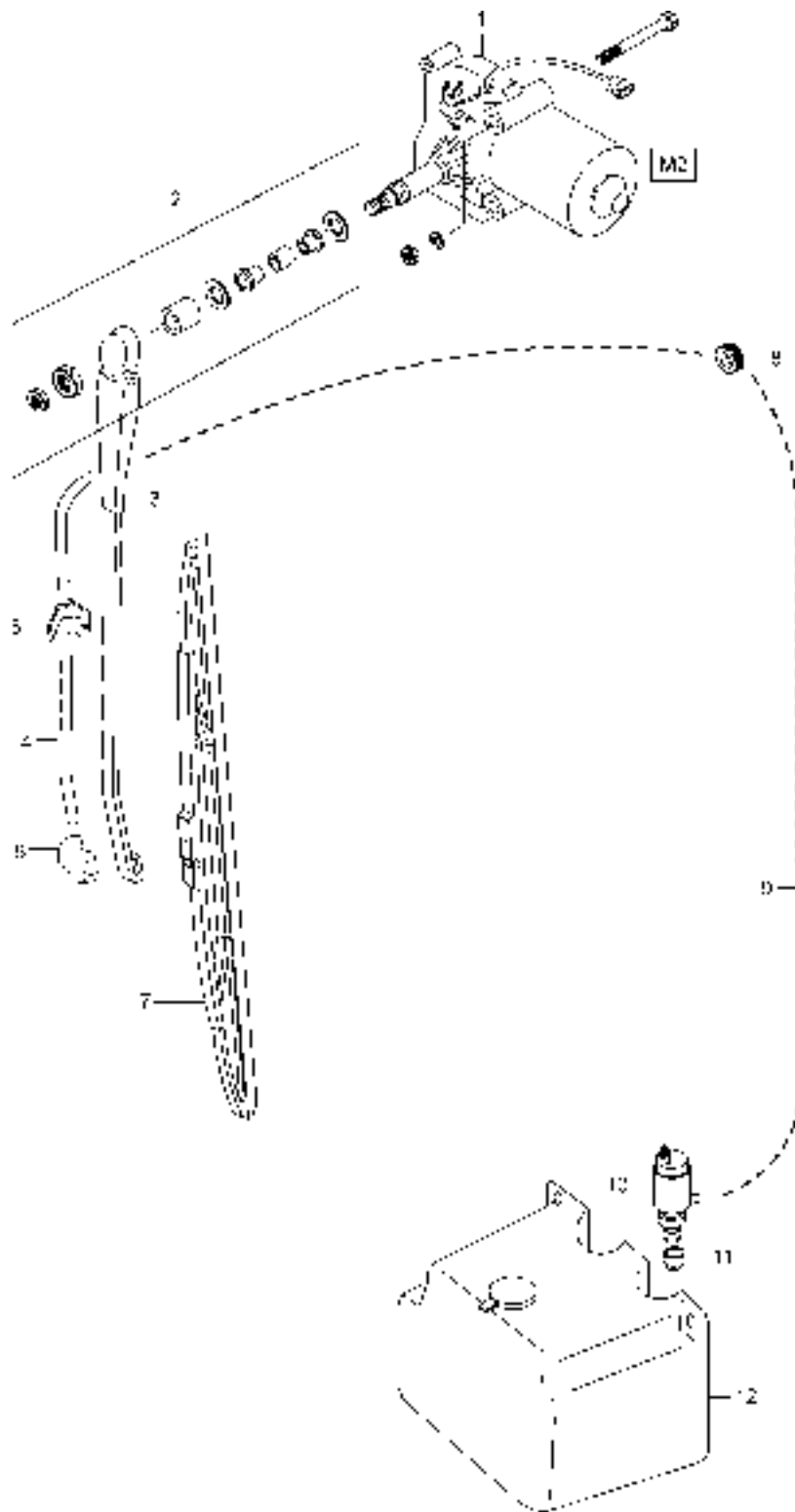
**SISTEMA ELÉTRICO TRASEIRO PARA CABINE**  
**SISTEMA ELÉCTRICO TRASERO PARA CABINA**  
**REAR ELECTRICAL SYSTEM FOR CAB**
**1280R, 1580, 1780**  
**1380S, 1680S, 1880S**

Ref.	Qde.	Peça	Denominação	Denominación	Nota
Ref.	Cant.	Pieza		Description	Nota
Ref.	Qty.	Part			Note
1	1	30101400	Interruptor do ventilador	Interruptor del ventilador	Fan switch
2	1	JD9228	Arruela	Arandela	Washer
3	1	30146000	Porca	Tuerca	Nut
4	1	32291100	Anel de trava	Anillo de trava	Lock ring
5	1	31752000	Botão de controle	Botón de controle	Control knob
6	1	30415200	Interruptor de controle	Interruptor de controle	Control switch
7	1	32291100	Porca	Tuerca	Nut
8	1	31752000	Botão de controle	Botón de controle	Control knob
9	4	HN6612	Parafuso	Tornillo	Screw
10	1	32729800	Ventilador	Ventilador	Fan
	1	32730010	Unidade de resistência	Unidade resistencia	Resistance unit
	1	32730100	Jogo de escovas	Juego de escobillas	Carbon brush set
11	2	32727900	Junta	Junta	Gasket
	1	32644700	Apoio de borracha	Apoyo de goma	Rubber plate
12	1	SH2651	Lâmpada	Lámpara	Bulb
	1	32570900	Junta	Junta	Gasket
	1	32571100	Abraçadeira	Abrazadera	Clamp
13	1	81465400	Antena para rádio	Antena para radio	Antenna
14	1	32844300	Detector de pressão	Detector de presión	Pressure detector
15	4	80857100	Farol de trabalho dianteiro e traseiro	Faro de trabajo delantero y trasero	Front and rear working light
	4	80415500	Lâmpada	Lámpara	Bulb
16	1	81620910	Chicote principal da cabine	Cable principal de la cabina	Wiring set, cab
17	8	81514700	Grampo	Grapa altavoces	Clip
18	x	243020	Abraçadeira	Abrazadera	Clamp
19	2	30145900	Anel de borracha	Anillo de goma	Rubber ring
20	1	81514600	Jogo de altofalante	Juego altavoces	loud speaker
21	8	81515000	Parafuso	Tornillo	Screw
22	2	81514900	Grade do altofalante	Rejilla altovoces	Grid
23	1	81465300	Rádio kasete FM	Radio kasete FM	Radio kasette Fm
24	1	81512800	Depósito do limpador	Deposito del limpiador	Container
25	2	81513000	Bomba do limpador	Bomba del limpiador	Windscreen pump
26	1	81620700	Chicote do compressor	Cable del compresor	Compressor wiring
27	1	32534210	Cabo do ventilador	Cable del ventilador	Fan wire
28	1	32995100	Tampa	Tapa	Covering palte

X5	444	Farol de trabalho dianteiro	Faro de trabajo delantero	Front working light
X5	448	Farol de trabalho traseiro	Faro de trabajo trasero	Rear working light
X6	534	Alimentação do ventilador da cabine	Alimentación del ventilador de la cabina	Power of the cab fan
X6	518	Alimentação +15 do motor e tecla do limpador traseiro	Alimentación +15 del motor y tecla del limpiador trasero	Power +15 of the motor and swith of rear window wiper
X6	513	Alimentação +15 do motor e tecla do limpador dianteiro	Alimentación +15 del motor y tecla do limpiador delantero	Power +15 of the motor and switch of front window wiper
X6	817	Alimentação +30 do radio e luz de cortesia	Alimentación +30 del radio y luz de cortesia	Power +30 of the radio and cortesy light
X6	531	Sinal da velocidade 3 do ventilador	Sinal de la velocidad 3 del ventilador	Signal of the fan velocity 3
X6	530	Alimentação da velocidade 3 do ventilador	Alimentación de la velocidad 3 del ventilador	Power of the fan velocity 3
X7	514	Jato d'água dianteiro	Jacto de agua delantero	Front water jet
X7	512	Alimentação do motor do limpador dianteiro com jato d'água	Alimentación del motor del limpiador delantero con jacto de agua	Power of the front wiper motor with water jet
X7	511	Alimentação do motor do limpador dianteiro sem jato d'água	Alimentación del motor del limpiador delantero sin jacto de agua	Power of the front wiper motor without water jet
X7	519	Jato d'água traseiro	Jacto de agua trasero	Rear water jet
X7	517	Alimentação do motor do limpador traseiro com jato d'água	Alimentación del motor del limpiador trasero con jacto de agua	Power of the window wiper motor with water jet
X7	516	Alimentação do motor do limpador traseiro sem jato d'água	Alimentación del motor del limpiador sin jacto de agua	Power of the window wiper motor without water jet
X7	912	Entrada e saída do acionamento do compressor	Entrada y salida del accionamento del compresor	In-out of the drive compressor
X7	451	Alimentação das luzes do painel superior da cabine	Alimentación de las luces del panel superior de la cabina	Power of the lights superior panel of cab

**LIMPADOR E LAVADOR DE PÁRA-BRISAS**  
**LIMPIADOR Y LAVADOR DE PÁRABRISAS**  
**WINDSCREEN WIPER AND WASHER**

1280R, 1580, 1780  
1380S, 1680S, 1880S



**LIMPADOR E LAVADOR DE PÁRA-BRISAS**  
**LIMPIADOR Y LAVADOR DE PÁRABRISAS**  
**WINDSCREEN WIPER AND WASHER**

**1280R, 1580, 1780**  
**1380S, 1680S, 1880S**

<b>Ref.</b>	<b>Qde.</b>	<b>Peça</b>	<b>Denominação</b>	<b>Denominación</b>	<b>Description</b>	<b>Nota</b>
<b>Ref.</b>	<b>Cant.</b>	<b>Pieza</b>				<b>Nota</b>
<b>Ref.</b>	<b>Qty.</b>	<b>Part</b>				<b>Note</b>
1	1	81468200	Motor do limpador de pára-brisas	Motor del limpiador de parabrisas	Motor windscreen wiper	
2	1	81468300	Fixação do limpador	Fijación del limpiador	Windscreen fastening	
3	1	81468400	Braço do limpador	Brazo del limpiador	Arm	
4	1	32752800	Mangueira	Manguera	Hose	
5	2	30637400	Fixador	Fijador	Fastener	
6	1	30240800	Injetor	Tobera	Nozzle	
7	1	81468500	Palheta do limpador	Escobilla del limpiador	Blade	
8	1	30145500	Anel de borracha	Anillo de goma	Rubber ring	
9	1	81512900	Mangueira	Manguera	Hose	
10	1	81513000	Bomba do limpador	Bomba del limpiador	Windscreen pump	
11	1	81514200	Adaptador	Adapatador	Water nozzle	
12	1	81512800	Depósito do limpador	Deposito del limpiador	Windscreen container	

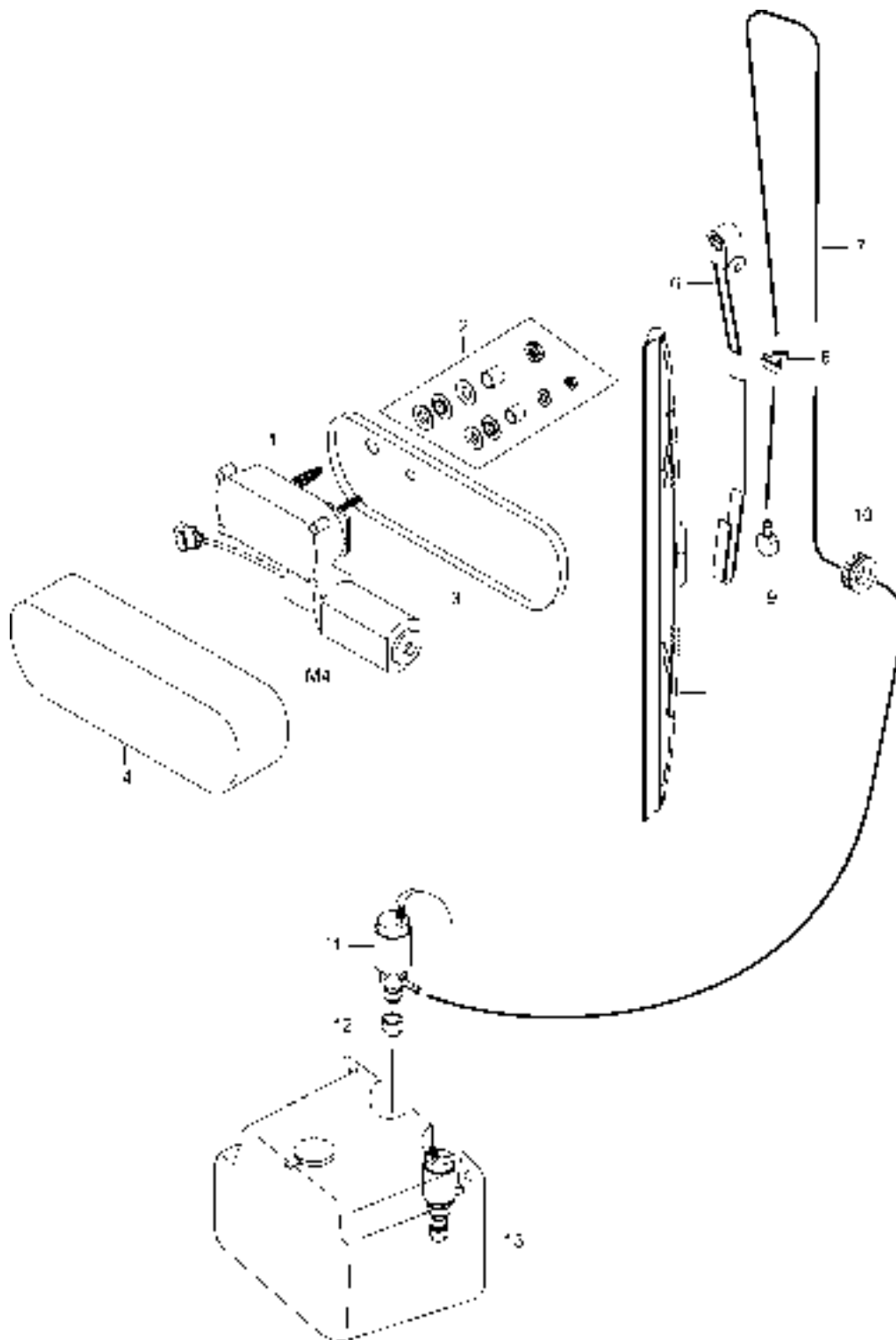


**ILUSTRAÇÃO**  
**ÍNDICE**



LIMPADOR E LAVADOR DO PÁRA-BRISAS TRASEIRO (EQUIP. OPCIONAL)  
LIMPIADOR Y LAVADOR DE LOS PÁRABRISAS TRASERO (EQUIPO OPC.)  
REAR WINDOW WIPER AND WASHER (OPTIONAL EQUIPMENT)

1280R, 1580, 1780  
1380S, 1680S, 1880S



LIMPADOR E LAVADOR DO PÁRA-BRISAS TRASEIRO (EQUIP. OPCIONAL)  
LIMPIADOR Y LAVADOR DE LOS PÁRABRISAS TRASERO (EQUIPO OPC.)  
REAR WINDOW WIPER AND WASHER (OPTIONAL EQUIPMENT)

1280R, 1580, 1780  
1380S, 1680S, 1880S

Ref.	Qde.	Peça	Denominação	Denominación	Description	Nota
Ref.	Cant.	Pieza				Nota
Ref.	Qty.	Part				Note
1	1	81513400	Motor do limpador traseiro	Motor del limpiador trasero	Rear window wiper	
2	2	81513500	Kit de fixação do motor do limpador traseiro	Juego de piezas de fijación del motor do limpiador trasero	Rear window set fasterning	
3	1	81513600	Base de encosto do motor do limpador	Compartimiento de apoyo del motor del limpiador	Sticker	
4	1	81513700	Tampa do motor do limpador	Tapa del motor del limpiador	Cover	
5	1	81514100	Palheta do limpador	Escobilla del limpiador	Blade	
6	1	81514000	Braço do limpador	Brazo del limpiador	Arm	
7	1	81514400	Mangueira	Manguera	Hose	
8	2	30637400	Fixador	Fijador	Fastener	
9	1	81514300	Injetor de água	Tobera	Nozzle	
10	2	81514500	Anel de borracha	Anillo de goma	Rubber ring	
11	1	81513000	Bomba do limpador	Bomba del limpiador	Window pump	
12	1	81514200	Adaptador	Adaptador	Connector	
13	1	81512800	Depósito de água	Deposito	Container	

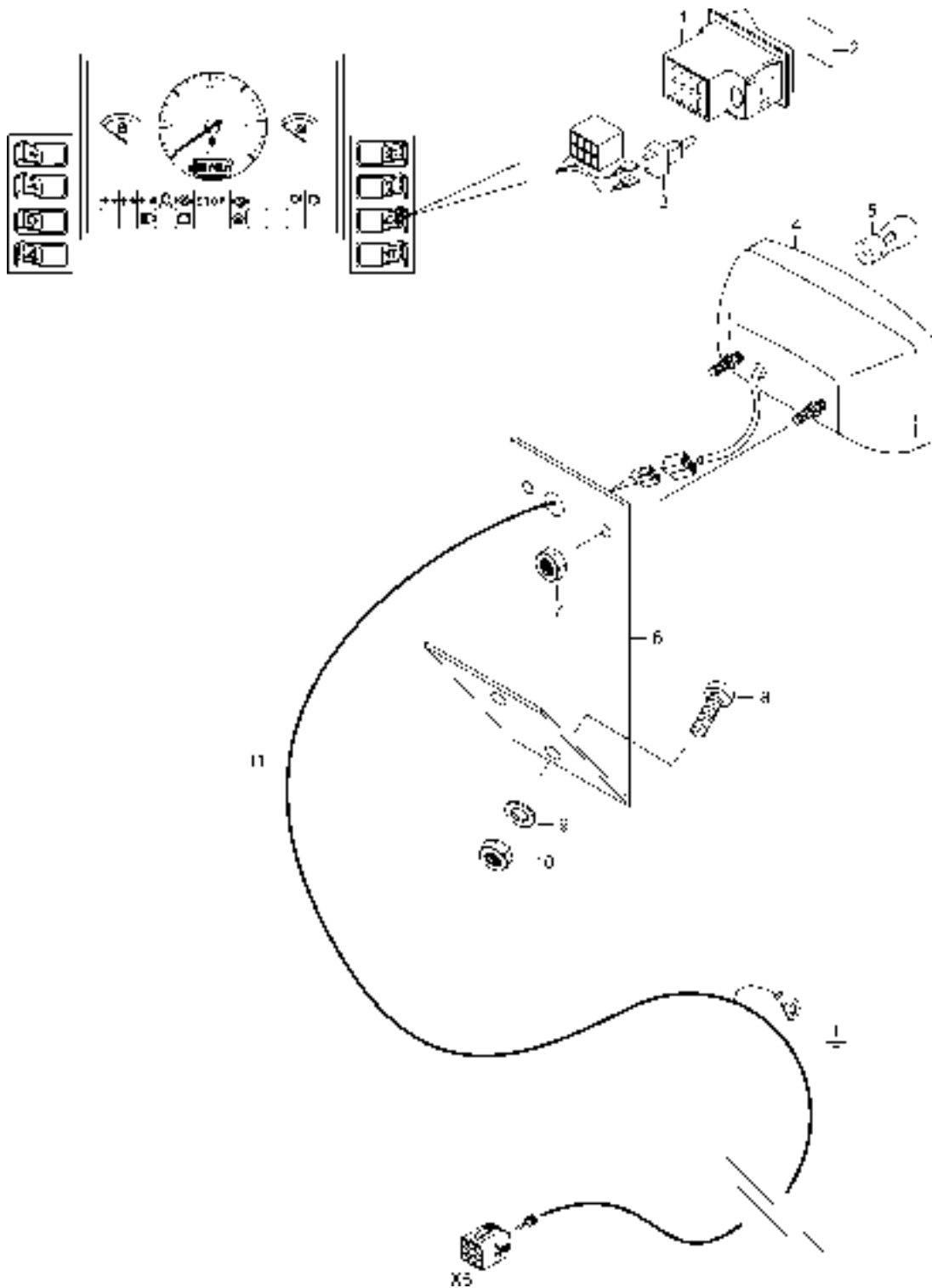


ILUSTRAÇÃO  
ÍNDICE



FAROL DE NEBLINA TRASEIRO (EQUIP. OPCIONAL)  
FARO DE NEVOEIRO TRASERO (EQUIPO OPCIONAL)  
REAR FOG LIGHT (OPTIONAL EQUIPMENT)

1280R, 1580, 1780  
1380S, 1680S, 1880S



**FAROL DE NEBLINA TRASEIRO (EQUIP. OPCIONAL)**  
**FARO DE NEVOEIRO TRASERO (EQUIPO OPCIONAL)**  
**REAR FOG LIGHT (OPTIONAL EQUIPMENT)**

**1280R, 1580, 1780**  
**1380S, 1680S, 1880S**

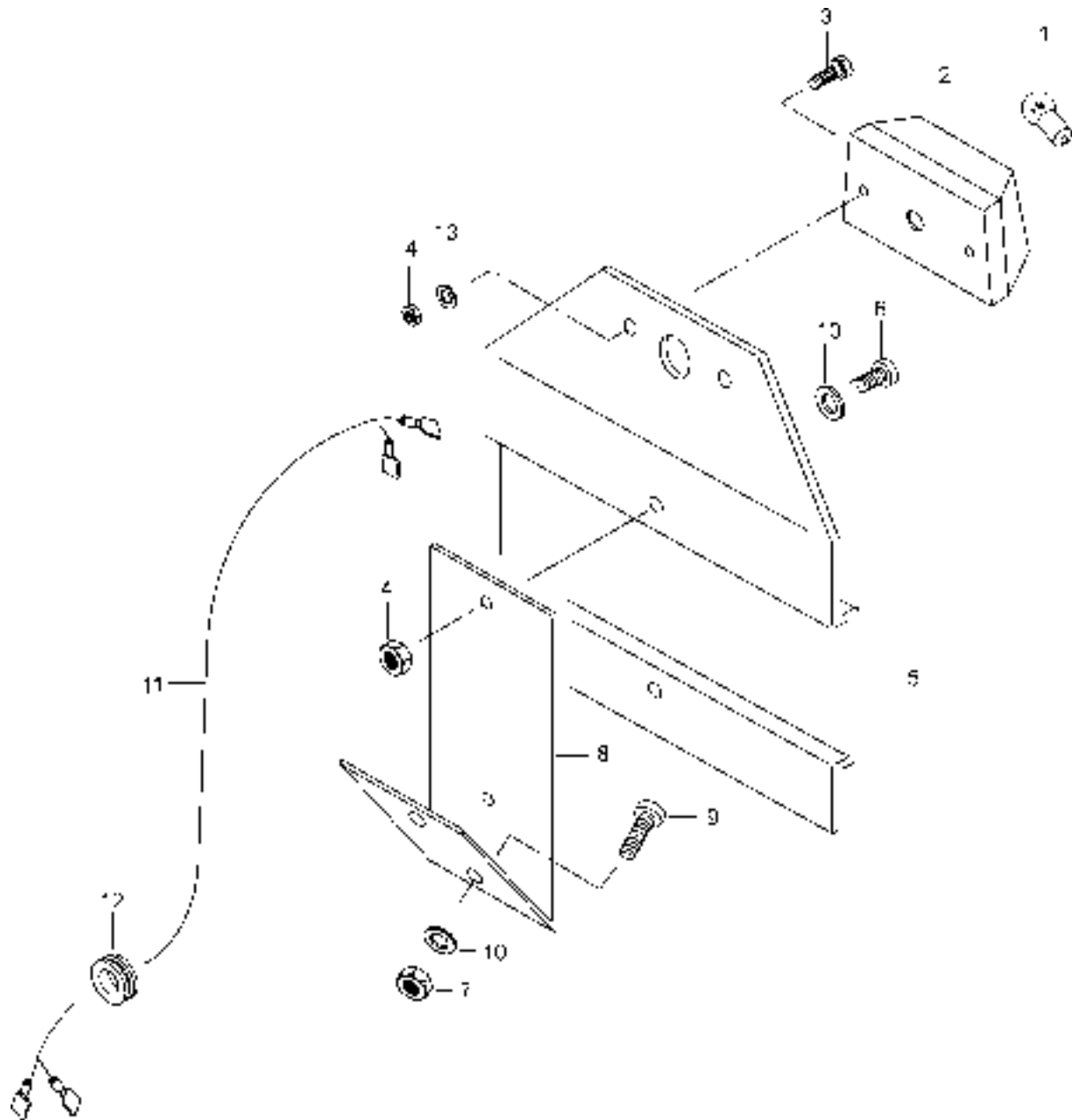
Ref.	Qde.	Peça	Denominação	Denominación	Description	Nota
Ref.	Cant.	Pieza				Nota
Ref.	Qty.	Part				Note
-	1	81602600	Kit da Luz de neblina	Kit de la luz de novoeiro	Rear fog light set	
1	1	30944200	.Interruptor do farol de neblina	Interruptor del faro de nevoeiro	Fog light switch	
2	1	32862400	.Lente do interruptor do farol de neblina	Lente del interruptor del faro de nevoeiro	Fog light switch lens	
3	1	30944600	.Soquete e lâmpada	Manquito y lámpias	Bulb socket	
4	1	75017200	.Farol de neblina	Faro de nevoeiro	Fog light	
5	1	SH2647	.Lâmpada	Lámpara	Bulb	
6	1	81503800	.Suporte	Soporte	Support	
7	2	JB8902	Porca	Tuerca	Nut	
8	2	HA6313	Parafuso	Tornillo	Screw	
9	2	JD0406	Arruela	Arandela	Washer	
10	2	JB1106	Porca	Tuerca	Nut	
11	1	81603000	.Chicote da luz de neblina	Cable de la luz de nevoeiro	Fog light wiring	

X5	630	Retorno da alimentação da TDP	Retorno de la alimentación de TDF	Power return of the PTO
X5	444	Farol de trabalho dianteiro	Faro de trabajo delantero	Front working light
X5	448	Farol de trabalho traseiro	Faro de trabajo trasero	Rear working light
X5	743	Luz rotativa	Luz rotativa	Hazard light
X5	480	Luz de neblina	Luz de neblina	Fog light
X5	642	Válvula do multitorque	Valvula del multitorque	Multitork valve
X5	642	Retorno do interruptor do multitorque S14	Retorno del interruptor del multitorque S14	Return of multitork switch S14
X5	230	Retorno do interruptor do freio de mão	Retorno del interruptor del freno de mano	Return of the hand brake switch



LUZ DA PLACA (EQUIPAMENTO OPCIONAL)  
LUZ DE LA MATRICULA (EQUIPO OPCIONAL)  
LIGHT, NUMBER PLATE (OPTIONAL EQUIPMENT)

1280R, 1580, 1780  
1380S, 1680S, 1880S



LUZ DA PLACA (EQUIPAMENTO OPCIONAL)  
 LUZ DE LA MATRICULA (EQUIPO OPCIONAL)  
 LIGHT, NUMBER PLATE (OPTIONAL EQUIPMENT)

1280R, 1580, 1780  
 1380S, 1680S, 1880S

Ref.	Qde.	Peça	Denominação	Denominación	Description	Nota
Ref.	Cant.	Pieza				Nota
Ref.	Qty.	Part				Note
-	1	81602900	Kit, luz da placa	Kit, luz de la matrícula	Light, number plate set	
1	1	SH2654	.Lâmpada	Lámpara	Bulb	
2	1	30328500	.Lanterna	Linterna	Light	
3	2	HA9219	.Parafuso	Tornillo	Screw	
4	4	JB8902	.Porca	Tuerca	Nut	
5	1	32580200	.Suporte da placa	Soporte de la matricula	Number plate support	
6	2	HD9035	.Parafuso	Tornillo	Screw	
7	2	JB1106	.Porca	Tuerca	Nut	
8	1	32422800	.Suporte	Soporte	Bracket	
9	2	HA6313	.Parafuso	Tornillo	Screw	
10	4	JD0406	.Arruela	Arandela	Washer	
11	1	81603300	.Cabo da luz da placa	Cable de la luz de matrícula	Wiring	
12	1	30145700	.Guarnição	Anillo de goma	Rubber ring	

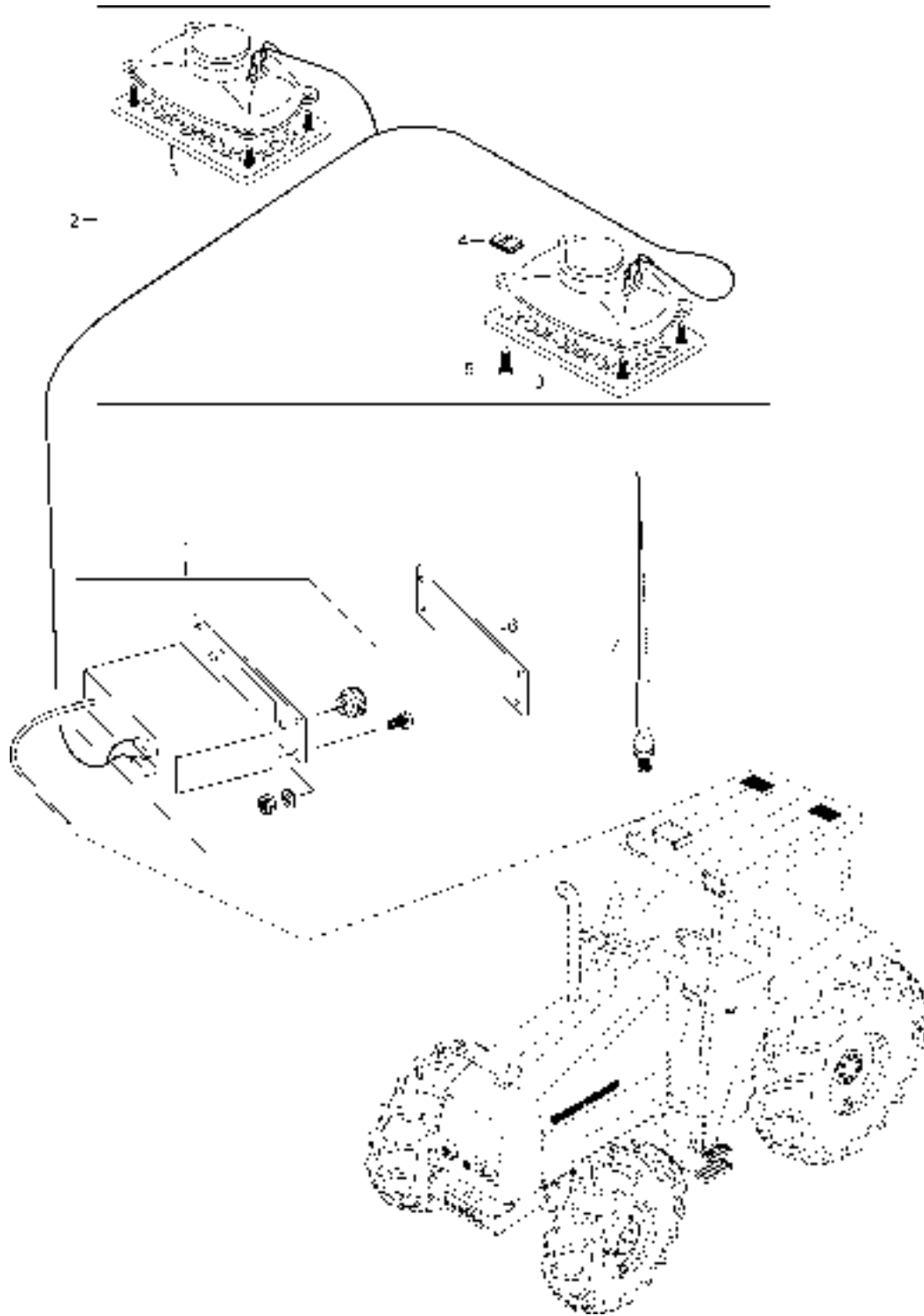


ILUSTRAÇÃO  
 ÍNDICE



RADIO (EQUIPAMENTO OPCIONAL)  
RADIO (EQUIPO OPCIONAL)  
RADIO (OPTIONAL EQUIPMENT)

1280R, 1580, 1780  
1380S, 1680S, 1880S



RADIO (EUIPAMENTO OPCIONAL)  
RADIO (EQUIPO OPCIONAL)  
RADIO (OPTIONAL EQUIPMENT)

1280R, 1580, 1780  
1380S, 1680S, 1880S

Ref.	Qde.	Peça	Denominação	Denominación	Description	Nota
Ref.	Cant.	Pieza				Nota
Ref.	Qty.	Part				Note
1	1	81465300	Rádio kasette Fm	Rádio kasette Fm	Radio kasette FM	
2	1	81514600	Jogo de altofalante	Juego del altavoces	Loud speaker	
3	2	81514900	Grade do altofalante	Rejilla altavoces	Grid	
4	8	81514700	Grampo	Grapa altavoces	Clip	
5	8	81515000	Parafuso	Tornillo	Screw	
6	1	32995100	Tampa	Tapa	Covering plate	
7	1	81465400	Antena para rádio	Antena	Antenna	



ILUSTRAÇÃO  
ÍNDICE





LUZ ROTATIVA (EQUIPAMENTO OPCIONAL)  
 LUZ ROTATIVA (EQUIPO OPCIONAL)  
 ROTATING LIGHT (OPTIONAL. EQUIPMENT)

1280R, 1580, 1780  
 1380S, 1680S, 1880S

Ref.	Qde.	Peça	Denominação	Denominación	Description	Nota
Ref.	Cant.	Pieza				Nota
Ref.	Qty.	Part				Note
-	1	81602700	Kit da luz rotativa	Kit de la luz rotativa	Rotating light kit	
1	1	32641800	.Luz rotativa laranja	Luz rotativa	Flash light	flexible arm, orange
	1	SH2662	..Lâmpada	Lámpara	Bulb	
	1	30531000	..Vidro	Cristal	Glass	
2	1	31085100	.Proteção de borracha	Protección de goma	Shield rubber	
3	1	31085200	.Soquete da tomada	Manquito de enchufe	Plug socket	
4	1	30354510	.Tubo	Tubo	Pipe	
5	1	31686920	.Tubo telescópeco	Tubo deslizante	Sliding tube	
6	4	32635910	.Fixador	Fijación	Fastener	
7	4	HC9605	.Parafuso	Tornillo	Screw	
8	1	30354800	.Parafuso de regulagem	Tornillo de ajuste	Adjusting screw	
9	1	81603100	.Chicote	Cable	Wire	
10	1	JD9201	.Arruela	Arandela	Washer	
11	1	HD9025	.Parafuso	Tornillo	Screw	
12	1	30944200	.Interruptor	Interruptor	Switch	
13	1	31690810	.Lente	Cristal	Glass	
14	1	30944600	.Suporte com lâmpada	Manquito con lámpara	Bulb socket	
15	1	243020	.Abraçadeira	Abrazadera	Clamp	



ILUSTRAÇÃO  
 ÍNDICE

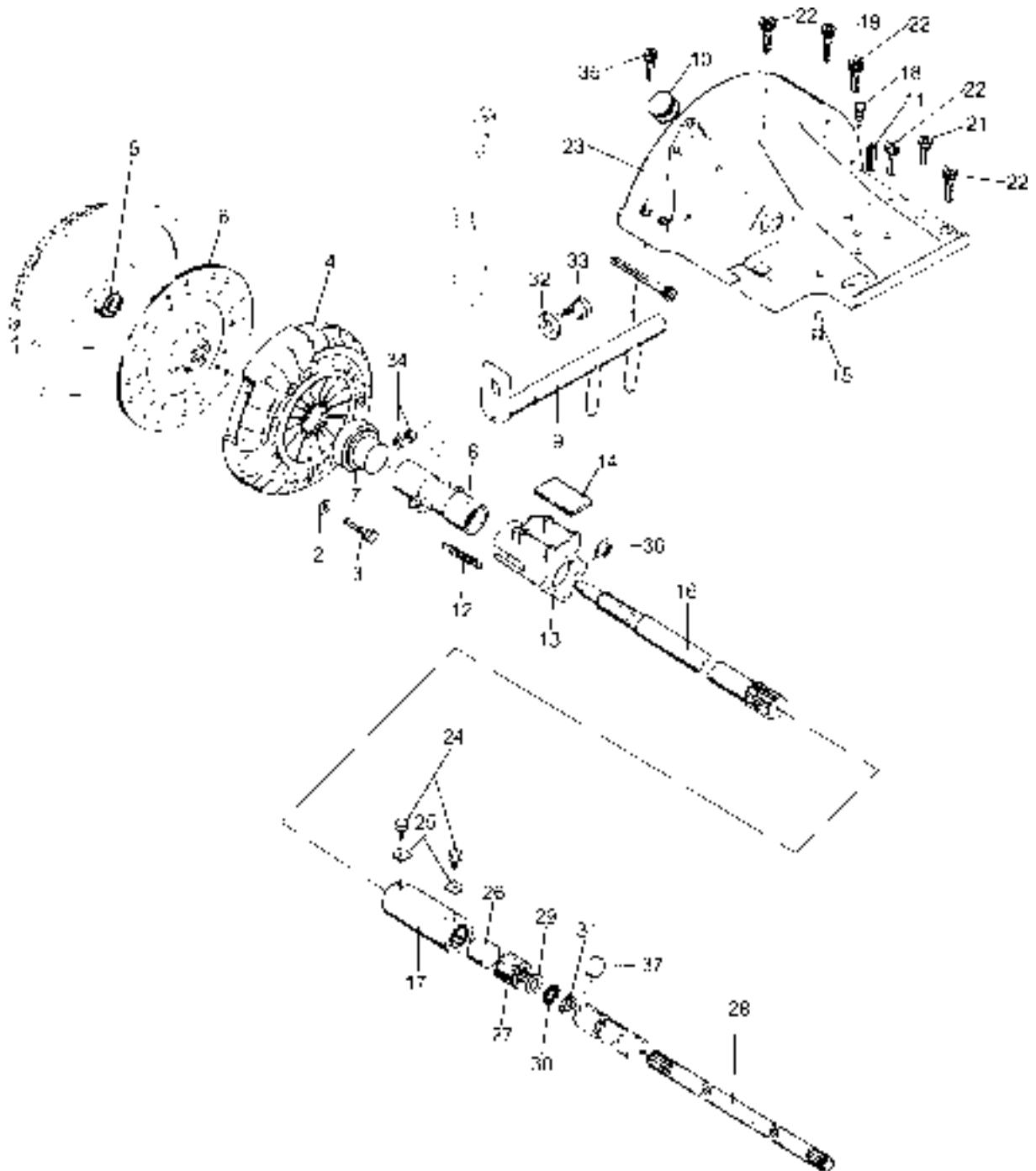


**TRANSMISSÃO  
TRANSMISIÓN  
TRANSMISSION**
**1280R, 1580, 1780  
1380S, 1680S, 1880S**

<b>41</b>	<b>EMBREAGEM</b>	<b>EMBRAGUE</b>	<b>CLUTCH</b>	<b>TRATOR</b>	
	Embreagem simples	Embrague simple	Single clutch	1280R,1580,1780	2
	Embreagem simples	Embrague simple	Single clutch	1380S,1680S,1880S	4
	Acionamento da embreagem	Accionamiento de embrague simple	Single clutch control	1280R,1580,1780	6
	Acionamento da embreagem simples	Accionamiento de embregue simple	Single clutch control	1380S,1680S,1880S	8
	Sistema de embreagem dupla	Sistema de embrague doble	Double clutch system	1280R,1580S,1780,1380S,1680S,1880S	10
	Platô da embreagem dupla	Embrague doble	Double clutch	1280R,1580S,1780,1380S,1680S,1880S	12
	Acionamento da embreagem dupla	Accionamiento de embrague doble	Double clutch control	1280R,1580S,1780,1380S,1680S,1880S	14
<b>42</b>	<b>CAIXA DE CÂMBIO</b>	<b>CAJA DE MARCHAS</b>	<b>GEAR BOX</b>		
	Carcaça da caixa de câmbio	Caja de marchas	Gearbox housing	1280R,1580,1780,1380S,1680S,1880S	02.4
	Eixo lateral, principal, e pinhão	Contraeje, primário y piñon	Countershaft, mainshaft and bevel pinion shaft	1280R,1580,1380S	06.8
	Eixo lateral, principal, e pinhão (HD)	Contraeje, primário y piñon (HD)	Countershaft, mainshaft and bevel pinion shaft (HD)	1780,1680S,1880S	10.12
	Eixo lateral, principal, e pinhão (HD)	Contraeje, primário y piñon (HD)	Countershaft, mainshaft and bevel pinion shaft (HD)	1580,1380S Optional	10.12
	Diferencial	Diferencial	Differential	1280R,1580,1780,1380S,1680S,1880S	14
	Refrigeração da caixa de câmbio	Refrigeración de la caja de marchas	Gear box cooling	1280R,1580,1780,1380S,1680S,1880S	16.18
	Multiplicador de velocidade	Multiplicador de velocidade	Gear box speed multiplier	1280R,1580,1780,1380S,1680S,1880S	20.22
<b>46</b>	<b>TOMADA DE POTÊNCIA</b>	<b>TOMA DE FUERZA</b>	<b>POWER TAKE OFF</b>		
	Tomada de potência	Toma de fuerza	Power take off	1280R,1580,1780,1380S,1680S,1880S	2.4

**EMBREGEM SIMPLES  
EMBRAGUE SIMPLE  
SINGLE CLUTCH**

1280R, 1580, 1780





**EMBREGEM SIMPLES  
 EMBRAGUE SIMPLE  
 SINGLE CLUTCH**

1280R, 1580, 1780

Ref.	Qde.	Peça	Denominação	Denominación	Description	Nota
Ref.	Cant.	Pieza				Nota
Ref.	Qty.	Part				Note
1	5	80851100	Parafuso	Tornillo	Bolt	
2	6	JD3110	Arruela	Arandela	Washer	
3	6	HA8337	Parafuso	Tornillo	Bolt	
4	1	80750510	Platô Luk	Embrague	Clutch	
5	1	LA11071	Rolamento	Rodamiento	Bearing	
6	1	80995200	Disco de embreagem	Disco de embrague	Clutch disc	
7	1	81526000	Rolamento de encosco	Rodamiento de empuje	Thrust clutch bearing	
8	1	81599700	Guia do rolamento	Guia del rodamiento	Guide bushing	
9	1	192934	Eixo do pedal da embreagem	Eje horquilla de embrague	Clutch pedal fork shaft	
10	1	859800	Tampa	Tapa	Cap	
11.	2	JE9106	Pino de pressão	Perno de presión	Lock pin	
12	2	81151101	Mola	Resorte	Spring	
13	1	81133600	Bucha guia	Buje guia	Guide bushing	
14	1	820500	Feltro de lubrificação	Fieltro de lubricación	Lubricant felt	
15	2	581020	Pino guia	Perno guia	Dowel pin	
16	1	228361	Eixo acionador	Eje accionador	Drive shaft	
17	1	200540	Luva de acoplamento	Manga de acoplamiento	Coupling sleeve	
18.	1	219462	Coxim	Cojin	Cushion	
19	1	HC8439	Parafuso Allen	Tornillo Allen	Set screw	
21	1	HC8438	Parafuso Allen	Tornillo Allen	Set screw	
22	4	HC8447	Parafuso Allen	Tornillo Allen	Set screw	
23	1	81319300	Tampa da embrague	Tapa del embrague	Clutch cover	
24	2	200550	Parafuso	Tornillo	Bolt	
25	2	166530	Arruela de trava	Arandela de trava	Lock washer	
26	1	200490	Espaçador	Espaciador	Spacer	
27	1	200510	Bucha estriada	Buje estriado	Striated bushing	
28	1	80750900	Eixo acionador da TDP	Aje accionador de la TDF	PTO drive shaft	
29	1	200500	Anel espaçador	Anillo esapaciador	Spacer ring	
30.	1	KH1164	Retentor	Retenedor	Oil seal	
31	1	200530	Bucha	Buje	Bushing	
32	1	JD0424	Arruela	Arandela	Washer	
33	1	859750	Parafuso de regulagem	Tornillo de regulaje	Adjusting bolt	
34	2	JB1110	Porca	Tuerca	Nut	
35	4	HC8446	Parafuso Allen	Tornillo Allen	Set screw	
36	1	KH4091	Anel retentor	Anillo de sellamiento	O-ring	
37	1	820610	Tampa	Tapa	Cover	Mod.II e III
-	1	074645005	Desengraxante Chlorothene	Desengrasante Chlorothene	Grease cleaner Chlorothene	
-	1	076661001	Óleo SAE 140 API GL-5	Aceite SAE 140 API GL-5	Oil SAE 140 API GL-5	
-	1	078723017	Cola Loctite	Cola Loctite	Loctite sealant	
-	1	074780001	Ativador para cola loctite	Ativador para cola loctite	Loctite sealant activation	
-	1	076695002	Graxa Varilub 220 BR	Grasa Varilub 220 BR	Grease 220 BR	
-	1	076701001	Vaselina	Vaselina	Vaselina	
-	1	078721001	Cola Dow Corning	Cola Dow Corning	Seal Dow Corning	Mod.II e III
-	1	076705003	Molykote 321R	Molykote 321 R	Molykote 321R	



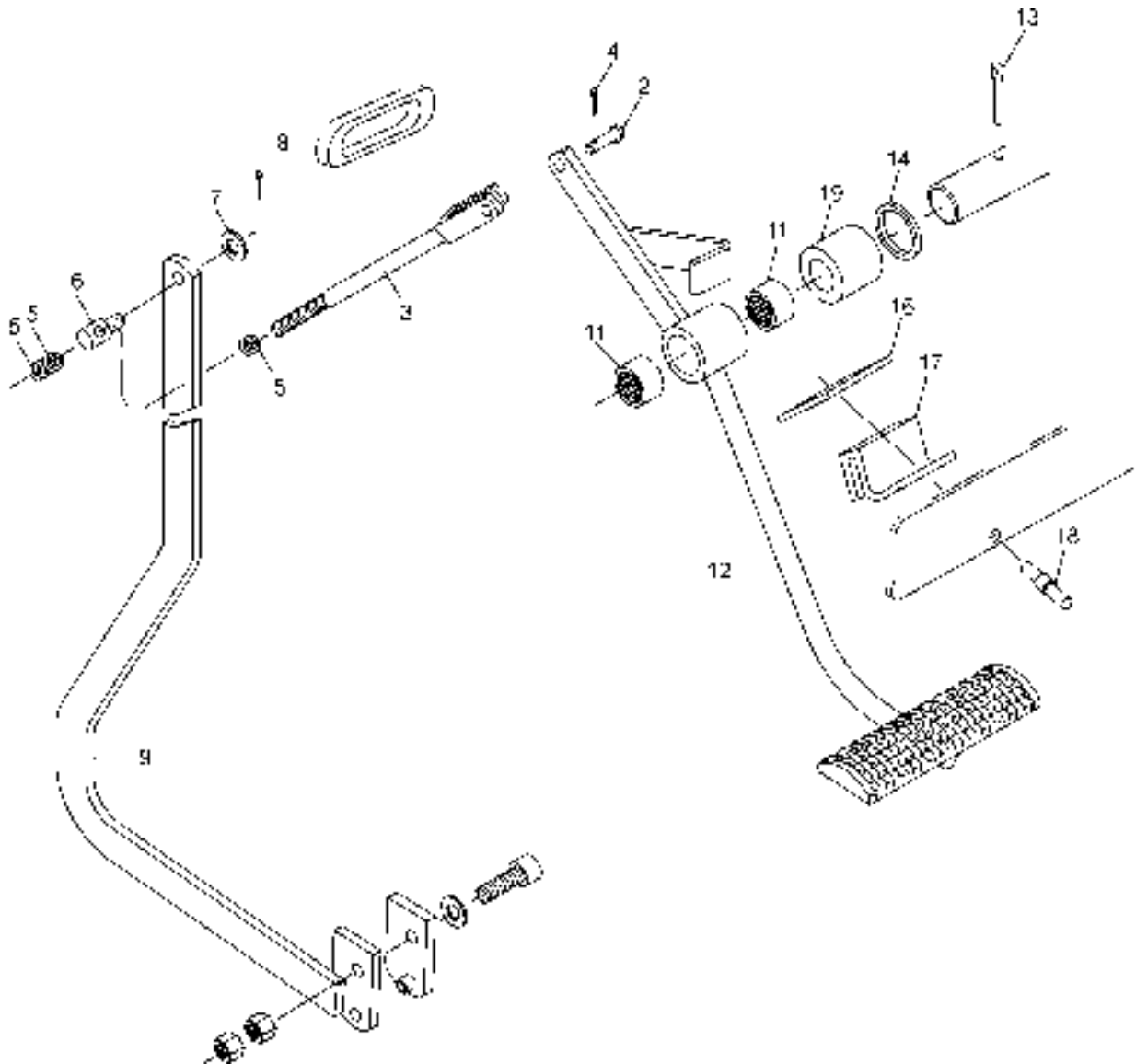
**EMBREGEM SIMPLES**  
**EMBRAGUE SIMPLE**  
**SINGLE CLUTCH**

1380S, 1680S, 1880S

Ref.	Qde.	Peça	Denominação	Denominación	Description	Nota
Ref.	Cant.	Pieza				Nota
Ref.	Qty.	Part				Note
-	1	81406500	Platô da embreagem montado	Embrague montada	Clutch assy	Ref.39,42,43
1	5	80851100	Parafuso	Tornillo	Bolt	
3	8	HA6323	Parafuso	Tornillo	Bolt	
5	1	LA11071	Rolamento	Rodamiento	Bearing	
6	1	81406700	Disco de embreagem	Disco de embrague	Clutch disc	
9	1	82065430	Garfo acionador	Eje horquilla	Fork sahft	
10	1	859800	Tampa	Tapa	Cap	
11	1	82065900	Mola	Resorte	Spring	
15	2	581020	Pino guia	Perno guia	Dowel pin	
16	1	82065800	Eixo acionador	Eje accionador	Drive shaft	
17	1	200540	Luva de acoplamento	Manga de acoplamiento	Coupling sleeve	
18	1	219462	Coxim	Cojin	Cushion	
22	4	HC8447	Parafuso Allen	Tornillo Allen	Set screw	
23	1	81319300	Tampa da embreagem	Tapa del embrague	Clutch cover	
24	2	200550	Parafuso	Tornillo	Bolt	
25	2	166530	Arruela de trava	Arandela de traba	Lock washer	
26	1	200490	Espaçador	Espaciador	Spacer	
27	1	200510	Bucha estriada	Buje estriado	Striated bushing	
28	1	80750900	Eixo acionador	Eje accionador	PTO drive shaft	
29	1	200500	Anel espaçador	Anillo espaciador	Spacer ring	
30	1	KH1164	Retentor	Retenedor	Oil seal	
31	1	200530	Bucha	Buje	Bushing	
35	2	HC8446	Parafuso Allen	Tornillo Allen	Set screw	
36	1	KH4091	Anel retentor	Anillo de sellamiento	Seal ring	
38	2	HC9766	Parafuso Allem	Tornillo Allen	Set screw	
39	1	82084210	Mancal montado	Cojinete montado	Bearing assy	
40	1	LA1991	Rolamento de esferas	Rodamiento de esferas	Ball bearing	
41	2	82084400	Bucha	Buje	Bushing	
42	1	82084100	Kit de reparo	Juego de reparación	Spares set	
43	1	81406600	Platô	Embrague	Clutch	
44	1	82080500	Espuma	Espuma	Scum	
45	2	JE3125	Cupilha	Pasador abierto	Split pin	
46	1	KG3052	Anel de segurança	Anillo de traba	Lock ring	
47	2	585180	Pino guia	Perno guia	Dowel pin	

ACIONAMENTO DA EMBREAGEM SIMPLES E DUPLA  
ACCIONAMIENTO DE EMBRAGUE SIMPLE Y DOBLE  
SINGLE AND DOUBLE CLUTCH CONTROL CPLPFL

1280R, 1580, 1780  
1380S, 1680S, 1880S

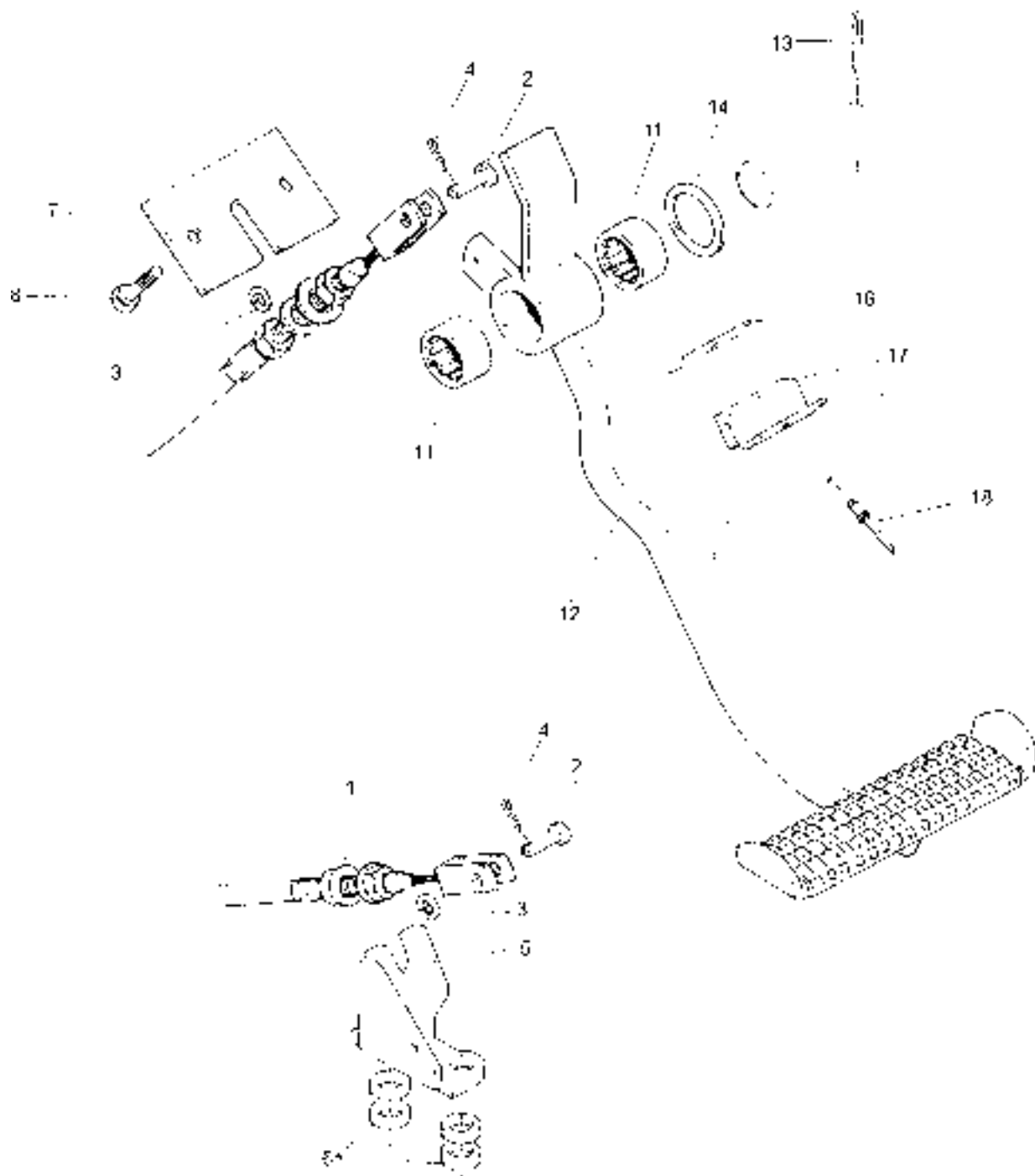


**ACIONAMENTO DA EMBREAGEM SIMPLES E DUPLA  
 ACCIONAMIENTO DE EMBRAGUE SIMPLE Y DOBLE  
 SINGLE AND DOUBLE CLUTCH CONTROL CPLPFL**
**1280R, 1580, 1780  
 1380S, 1680S, 1880S**

Ref.	Qde.	Peça	Denominação	Denominación	Description	Nota
Ref.	Cant.	Pieza				Nota
Ref.	Qty.	Part				Note
2	1	827470	Pino	Perno	Pin	
3	1	81124800	Haste da embreagem simples	Vastago de la embrague simple	Single clutch rod	
3a	1	81124700	Haste da embreagem dupla	Vastago de la embrague doble	Double clutch rod	
4	1	JE3079	Cupilha	Perno abierto	Split pin	
5	3	JB1108	Porca	Tuerca	Nut	
6	1	80380700	Pino de articulação	Perno de articulación	Link pin	
7	1	JD0410	Arruela	Arandela	Washer	
8	1	JE3101	Cupilha	Perno abierto	Split pin	
9	1	81125300	Alavanca da embreagem simples	Palanca de embrague simple	Single clutch lever	
9a	1	81124310	Alavanca da embreagem dupla	Palanca de embrague doble	Double clutch lever	
11	2	LA9124	Rolamento de agulha	Rodamiento de agujas	Needle bearing	
12	1	81155200	Pedal de embreagem	Pedal de embrague	Clutch pedal	
13	1	JE3155	Cupilha	Perno abierto	Split pin	
14	1	JD0424	Arruela	Arandela	Washer	
16	1	30135500	Arruela	Arandela	Washer	
17	1	80255100	Batente de borracha	Batiente de goma	Rubber knocker	
18	1	JF5002	Rebite	Remache	Rivet	
19	1	81630800	Bucha espaçadora	Buje distanciadora	Spacer bush	Double clutch

**ACIONAMENTO DA EMBREAGEM SIMPLES  
ACCIONAMIENTO DE EMBRAGUE SIMPLE  
SINGLE CLUTCH CONTROL**

1380S, 1680S, 1880S



**ACIONAMENTO DA EMBREAGEM SIMPLES  
ACCIONAMIENTO DE EMBRAGUE SIMPLE  
SINGLE CLUTCH CONTROL**

1380S, 1680S, 1880S

<b>Ref.</b>	<b>Qde.</b>	<b>Peça</b>	<b>Denominação</b>			<b>Nota</b>
<b>Ref.</b>	<b>Cant.</b>	<b>Pieza</b>		<b>Denominación</b>		<b>Nota</b>
<b>Ref.</b>	<b>Qty.</b>	<b>Part</b>			<b>Description</b>	<b>Note</b>
1	1	82065720	Cabo de embreagem	Cable de embrague	Clutch cable	
2	2	81769500	Pino	Perno	Pin	
3	2	JD0408	Arruela	Arandela	Washer	
4	2	JE3079	Cupilha	Perno abierto	Split pin	
5	1	82075010	Suporte inferior	Soporte inferior	Inner support	
6	4	82080600	Calço	Calzo	Shim	
7	1	82075300	Suporte superior	Soporte superior	Upper support	
8	2	HA6323	Parafuso	Tornillo	Bolt	
11	2	LA9124	Rolamento de agulha	Rodamiento de agujas	Needle bearing	
12	1	82065610	Pedal de embreagem	Pedal del embrague	Clutch pedal	
13	1	JE3155	Cupilha	Perno abierto	Split pin	
14	1	JD0424	Arruela	Arandela	Washer	
16	1	30135500	Arruela	Arandela	Washer	
17	1	80255100	Batente de borracha	Batiente de goma	Rubber knocker	
18	1	JF5002	Rebite	Remache	Rivet	
	1	076696001	Graxa NLGI N° 2	Graxa NLG N° 2	Grease NLG N° 2	

SISTEMA DE EMBREAGEM DUPLA  
SISTEMA DE EMBRAGUE DOBLE  
DOUBLE CLUTCH SYSTEM

1280R, 1580, 1780  
1380S, 1680S, 1880S



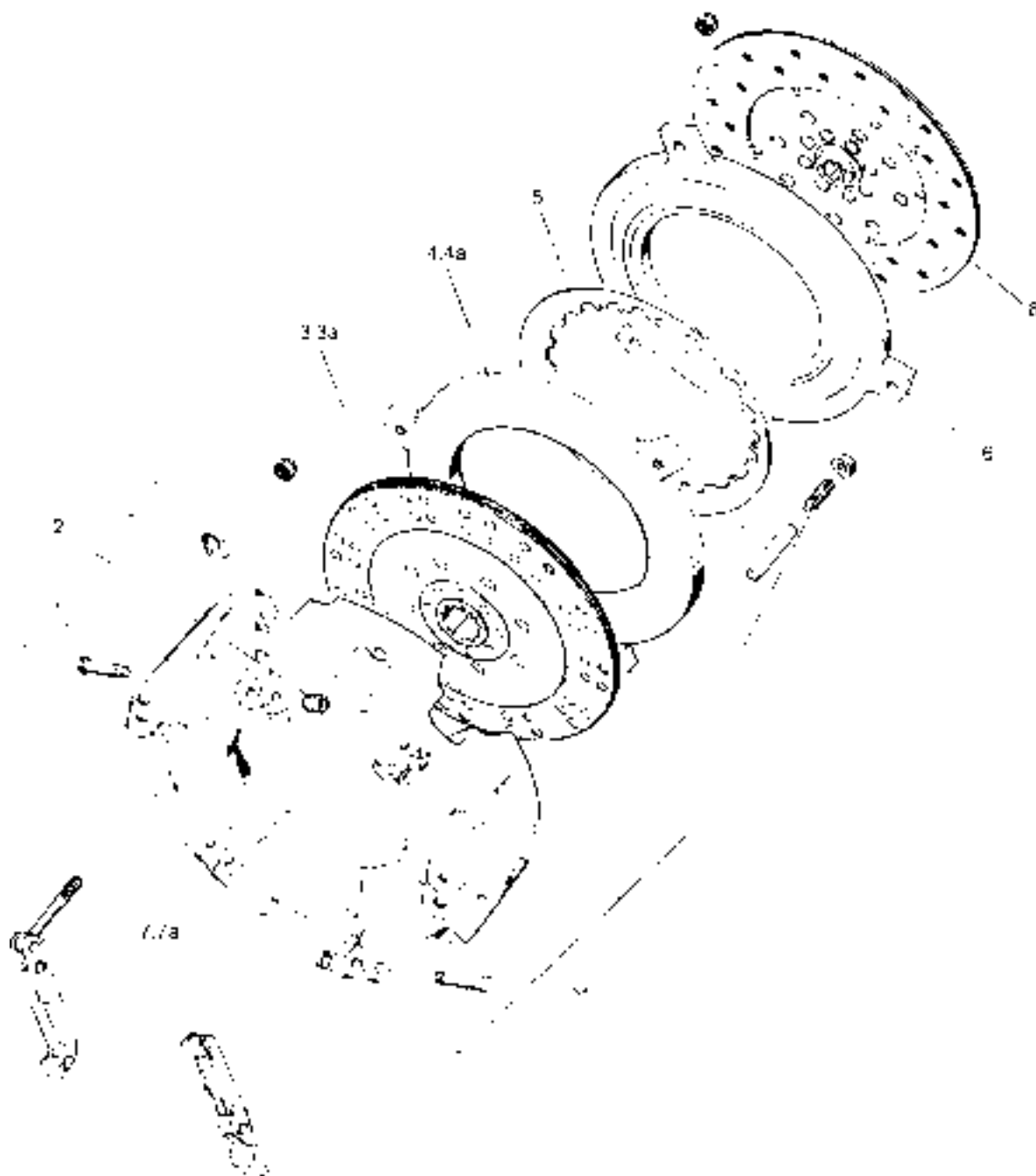


**SISTEMA DE EMBREAGEM DUPLA  
SISTEMA DE EMBRAGUE DOBLE  
DOUBLE CLUTCH SYSTEM**
**1280R, 1580, 1780  
1380S, 1680S, 1880S**

Ref.	Qde.	Peça	Denominação	Denominación	Description	Nota
Ref.	Cant.	Pieza				Nota
Ref.	Qty.	Part				Note
1	1	LA12051	Rolamento de esferas	Rodamiento de esferas	Ball bearing	
2	1	KH4070	Anel retentor	Anillo de sellamiento	Seal ring	
3	1	81198300	Platô de embreagem dupla montada	Embrague doble montada	Double clutch assy	1280R,1580, 1380S,1680S
3	1	80798400	Platô da embreagem dupla montada	Embrague doble montada	Double clutch assy	1780,1880S
4	1	164481	Rolamento de encosto	Rodamiento de empuje	Clutch release bearing	
5	1	884111	Rolamento de encosto	Rodamiento de empuje	Clutch release bearing	
6	1	GG0088	Niple de lubrificação	Niple de lubricación	Grease fitting	
7	1	859780	Tubo de lubrificação	Tubo de lubricación	Lubricant tube	
8	1	859711	Guia do rolamento de encosto	Guia del rodamiento de empuje	Clutch release bearing	
9	1	80855200	Guia do rolamento de encosto	Guia del rodamiento empuje	Clutch release guide	
10	2	684280	Mola	Resorte	Spring	
11	1	820500	Feltro de lubrificação	Fieltro de lubricación	Lubricant felt	
12	1	859691	Bucha guia	Buje guia	Guide bushing	
13	2	81151101	Mola	Resorte	Spring	
14	2	KH1041	Retentor	Retenedor	Oil seal	
15	2	LA9011	Rolamento de agulhas	Rodamiento de agujas	Needle bearing	
16	1	204810	Eixo externo	Eje accionador	Outer drive shaft	
17	2	200550	Parafuso	Tornillo	Bolt	
18	2	166530	Arruela de trava	Arandela de traba	Lock washer	
19	1	200540	Luva de acoplamento	Manga de acoplamiento	Coupling sleeve	
20	1	KH1164	Retentor	Retenedor	Oil seal	
21	1	80735800	Eixo acionador da TDP	Eje accionador de la TDF	PTO drive shaft	
22	1	81152800	Eixo de embreagem	Eje de embrague	Clutch shaft	
23	1	859750	Parafuso de regulagem	Tornillo de ajuste	Adjusting bolt	
24	1	JD0424	Arruela	Arandela	Washer	
25	2	JB1110	Porca	Tuerca	Nut	
26	1	81794300	Eixo do pedal de embreagem	Eje del pedal de embrague	Clutch pedal shaft	
27	4	HC8447	Parafuso Allen	Tornillo Allen	Set screw	
28	2	JE9106	Pino de pressão	Perno de presión	Spring pin	
29	1	HC8438	Parafuso Allen	Tornillo Allen	Set screw	
30	5	80851100	Parafuso Allen	Tornillo Allen	Set screw	
31	2	581020	Pino guia	Perno guia	Dowel pin	
32	4	HC8446	Parafuso Allen	Tornillo Allen	Set screw	
33	1	859800	Tampa	Tapa	Cover	
34	1	80844100	Tampa da embreagem	Tapa del embrague	Clutch cover	
35	1	HC8439	Parafuso Allen	Tornillo Allen	Set screw	
36	1	219462	Coxim	Cojin	Cushion	
37	1	KG1073	Anel de trava	Anillo de traba	Circlip	
38	3	JD0412	Arruela	Arandela	Washer	
39	1	218730	Terminal	Terminal	Terminal	
40	12	80334900	Parafuso	Tornillo	Bolt	
41	12	JD9062	Arruela	Arandela	Washer	

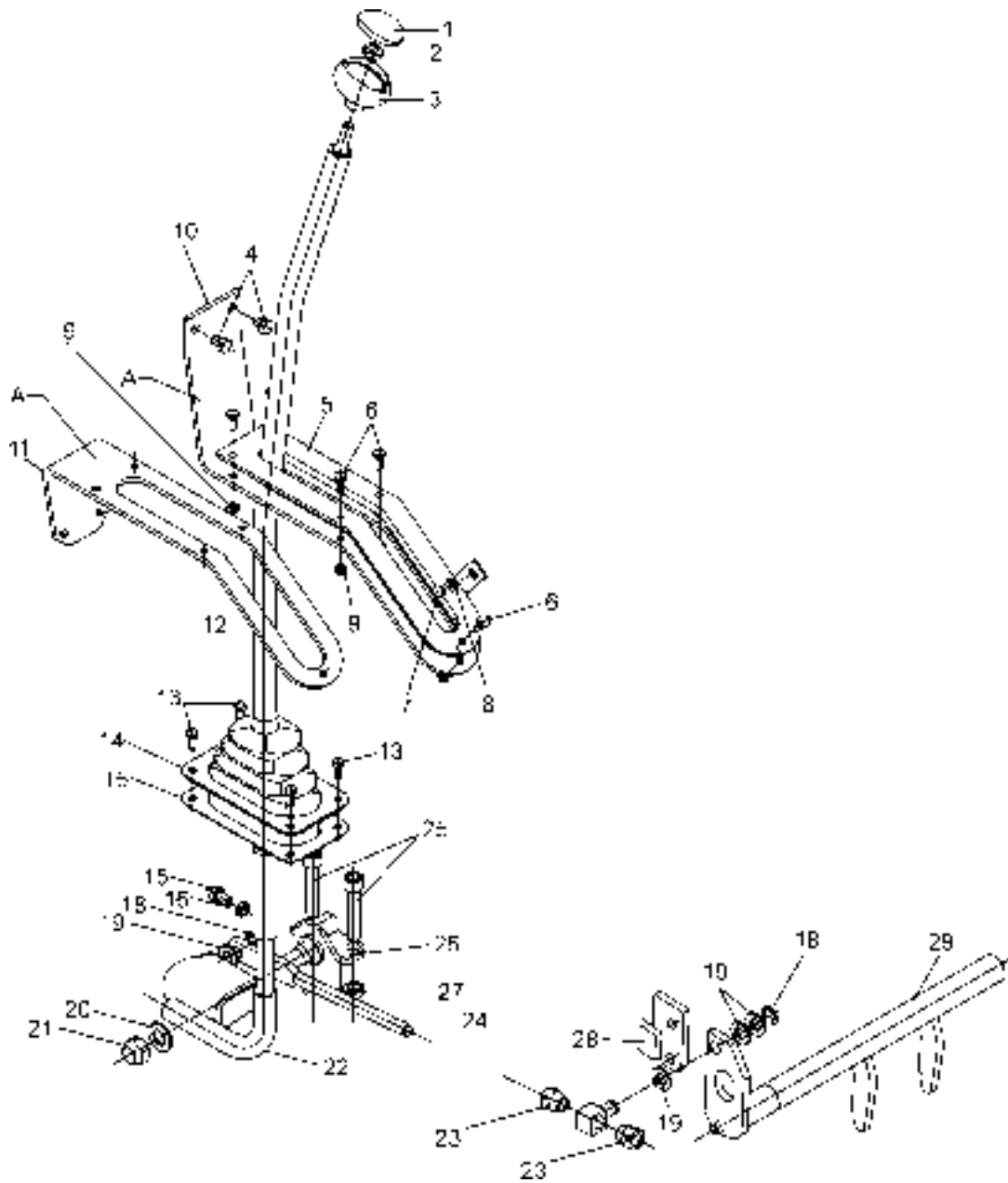
PLATÔ DA EMBREAGEM DUPLA  
EMBRAGUE DOBLE  
DOUBLE CLUTCH

1280R, 1580, 1780  
1380S, 1680S, 1880S



**PLATÔ DA EMBREAGEM DUPLA  
 EMBRAGUE DOBLE  
 DOUBLE CLUTCH**
**1280R, 1580, 1780  
 1380S, 1680S, 1880S**

Ref.	Qde.	Peça	Denominação	Denominación	Description	Nota
Ref.	Cant.	Pieza				Nota
Ref.	Qty.	Part				Note
-	1	81198300	Platô de embreagem dupla montado	Embrague doble montada	Double clutch assy	1280R,1580,1380S,1680S
-	1	80798100	Platô de embreagem dupla montada	Embrague doble montada	Double clutch assy	-Ref.1-7 1780,1880S Ref.1,2,3a,4a,5,6,7a
1	1	81308200	Kit de acionamento da TDP	Kit de accionamiento de la TDF	Spares kit PTO	
2	1	81308300	Kit de acionamento da transmissão	Kit de accionamiento de la transmisión	Spares kit transmission	
3	1	81308100	Disco de embreagem de la TDP	Disco de embrague de la TDF	PTO clutch disc	1280R,1580,1380S,1680S
3a	1	80798200	Disco de embreagem de la TDP	Disco de embrague de la TDF	PTO clutch disc	1780,1880S
4	1	81308500	Placa de encosto	Placa de empuje	Thrust plate	1280R,1580,1380S,1680S
4a	1	81308800	Placa de encosto	Placa de empuje	Thrust plate	1780,1880S
5	1	81308400	Mola membrana	Resorte membrana	Clutch spring plate	
6	1	81308600	Placa de encosto	Placa de empuje	Thrust plate	
7	1	81308700	Carcaça do platô	Caja de embrague	Clutch housing	1280R,1580,1380S,1680S
7a	1	81308900	Carcaça do platô	Caja de embrague	Clutch housing	1780,1880S
8	1	81198400	Disco de embreagem da transmissão	Disco de embrague de la transmisión	Transmission clutch disc	

**ACIONAMENTO DA EMBREAGEM DUPLA  
ACCIONAMIENTO DE EMBRAGUE DOBLE  
DOUBLE CLUTCH CONTROL****1280R, 1580, 1780  
1380S, 1680S, 1880S**

ACIONAMENTO DA EMBREAGEM DUPLA  
ACCIONAMIENTO DE EMBRAGUE DOBLE  
DOUBLE CLUTCH CONTROL

1280R, 1580, 1780  
1380S, 1680S, 1880S

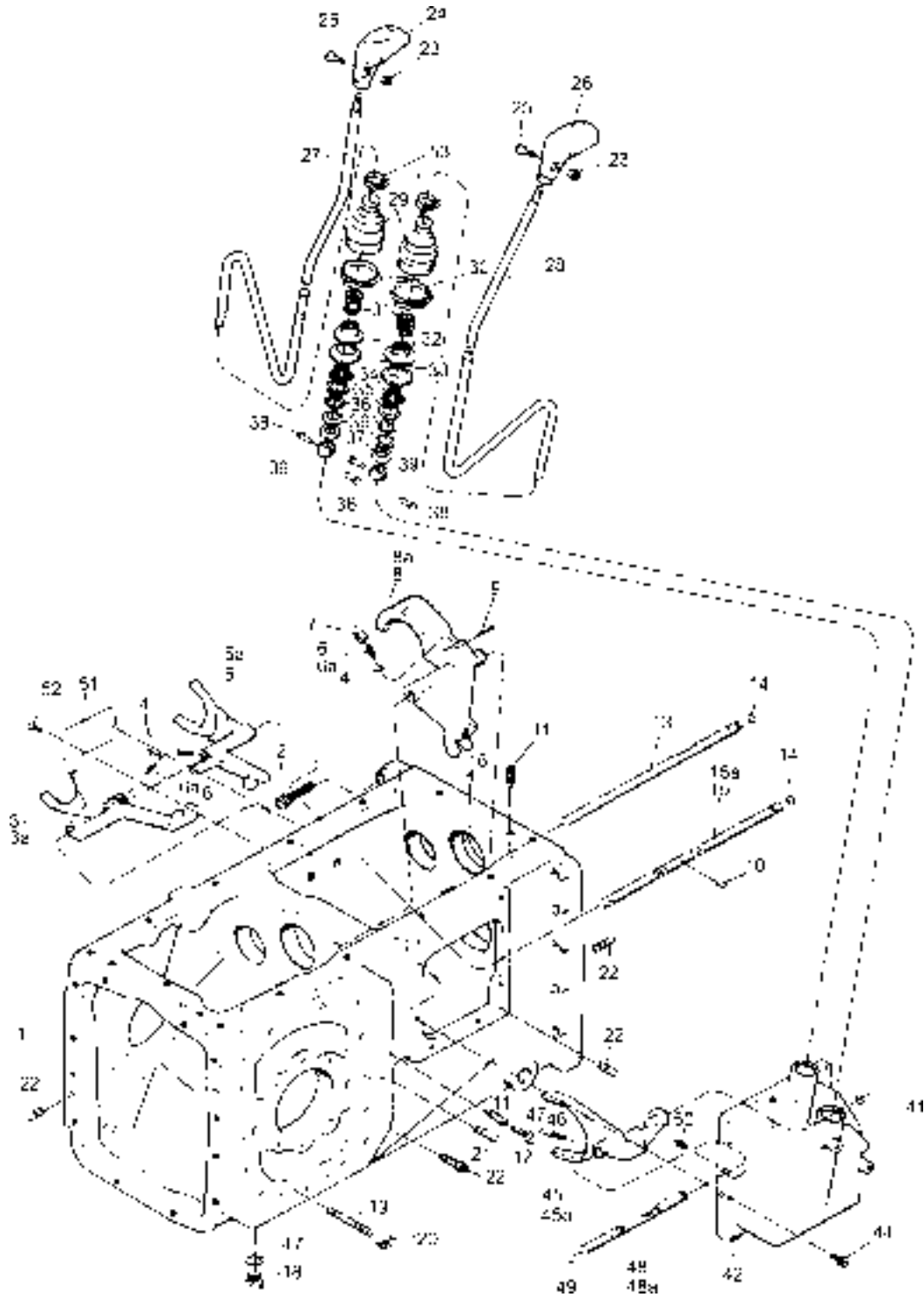
Ref.	Qde.	Peça	Denominação	Denominación	Description	Nota
Ref.	Cant.	Pieza				Nota
Ref.	Qty.	Part				Note
1	1	586300	Tampa	Tapa	Cover	
2	1	JB1210	Porca	Tuerca	Nut	
3	1	586280	Manopla	Empuñadura	Knob	
4	2	HA9229	Parafuso	Tornillo	Bolt	
5	1	81772500	Guia	Guia	Guide	
6	5	HD9153	Parafuso	Tornillo	Bolt	
7	1	HF3104	Parafuso	Tornillo	Screw	
8	1	JD8003	Arruela	Arandela	Washer	
9	5	JB1106	Porca	Tuerca	Nut	
10	1	81799200	Chapa guia (sem cabine)	Soprte guia (sin cabina)	Guide plate	Without cab
11	1	81799300	Chapa guia (com cabine)	Soprte guia (con cabina)	Guide plate	With cab
12	1	81672700	Alavanca de acionamento	Palanca de accionamiento	Drive lever	
13	4	HA6322	Parafuso	Tornillo	Bolt	
14	1	81731400	Chapa de fixação	Chapa de fijación	Fastening plate	
15	1	81673100	Capa protetora de pó	Protección de polvo	Dust protector	
16	1	HA6322	Parafuso	Tornillo	Bolt	
17	1	JB1208	Porca	Tuerca	Nut	
18	2	KG1073	Anel de trava	Anillo de traba	Circlip	
19	1	JD0412	Arruela	Arandela	Washer	
20	1	JD0416	Arruela	Arandela	Washer	
21	1	JB8907	Porca	Tuerca	Nut	
22	1	81793700	Base inferior da alavanca	Base inferior de la palanca	Low base of lever	
23	2	822780	Porca de regulagem	Tuerca de regulaje	Adjusting nut	
24	1	81793400	Barra de acionamento	Barra de accionamiento	Drive rod	
25	2	HC9766	Parafuso	Tornillo	Bolt	
26	1	81793000	Mancal da alavanca da TDP	Cojinete de la palanca de la TDF	PTO lever bearing	
27	2	81830300	Calço	Suplemento	Shim	
28	1	218730	Terminal	Terminal	Terminal	
29	1	81794300	Eixo do pedal da embreagem	Eje del pedal de embrague	Clutch fork shaft	

02.07.1999

**CARCAÇA DA CAIXA DE CÂMBIO E ALAVANCAS DE MUDANÇAS**  
**CARCAÇA Y PALANCAS DE CAMBIOS**  
**GEARBOX HOUSING AND SHIFT LEVERS**

42-1

1280R, 1580, 1780  
 1380S, 1680S, 1880S



02.07.1999

**CARCAÇA DA CAIXA DE CÂMBIO E ALAVANCAS DE MUDANÇAS  
 CARCASA Y PALANCAS DE CAMBIOS  
 GEARBOX HOUSING AND SHIFT LEVERS**

42-2

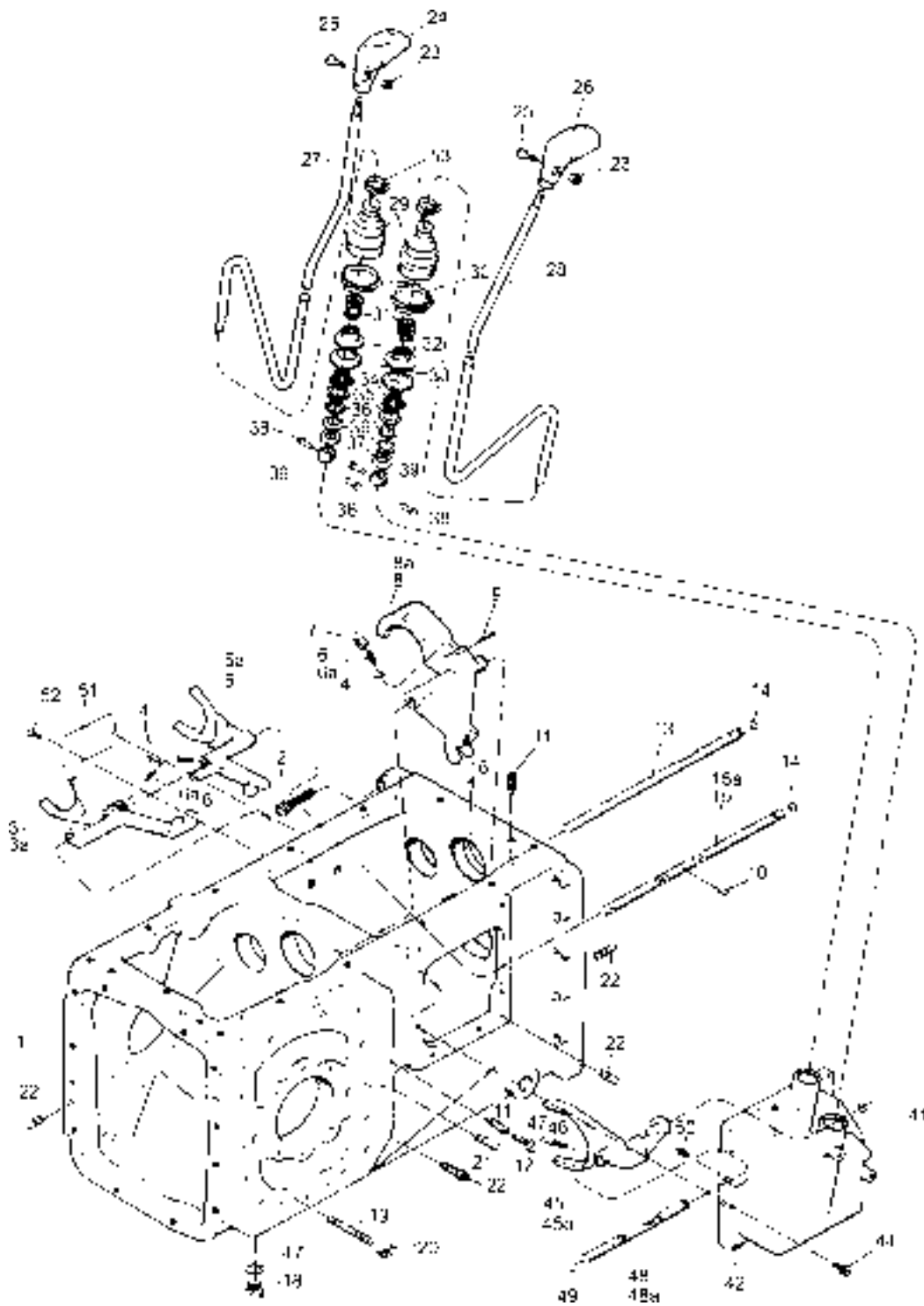
**1280R, 1580, 1780  
 1380S, 1680S, 1880S**

Ref.	Qde.	Peça	Denominação	Denominación	Description	Nota
Ref.	Cant.	Pieza				Nota
Ref.	Qty.	Part				Note
1	1	80736700	Carcaça da caixa de câmbio	Carcasa de cambio	Gearbox housing	
2	14	HC8456	Parafuso	Tornillo	Set screw	
3	1	868792	Garfo do seletor 4-H	Horquilla del selector 4-H	Selector fork 4-H	1280R,1380S
3a	1	81317300	Garfo do seletor L-H	Horquilla del selector L-H	Selector fork L_H	1580,1780, 1680S,1880S
4	3	LB8022	Esfera	Esfera	Ball	
5	1	868802	Garfo do seletor R-II	Horquilla del selector R-II	Selector fork R-II	1280R,1380S
5a	1	81317400	Garfo do seletor R-N-I	Horquilla del selector R-N-I	Selector fork R-N-I	1580,1780, 1680S,1880S
6	3	81360600	Mola de trava	Resorte	Spring	1280R,1380S
6a	3	581771	Mola de trava	Resorte	Spring	1680S,1880S
7	1	822510	Caixa de esferas	Caja de bolas	Ball plunger	
8	1	868782	Garfo do seletor 3-4	Horquilla del selector 3-4	Selector fork 3-4	1280R,1380S
8a	1	81317100	Garfo do seletor 3-4	Horquilla del selector 3-4	Selector fork 3-4	1680S,1880S
9	1	JE3111	Cupilha	Pasador abierto	Split pin	
10	1	868820	Pino de trava	Perno de trava	Lock pin	
11	2	822540	Parafuso	Tornillo	Set screw	
12	1	HC9512	Parafuso	Tornillo	Set screw	
13	1	822531	Barra do seletor	Eje del selector	Selector shift rod	1280R,1380S
13a	1	81319900	Barra do seletor	Eje del selector	Selector shift rod	1580,1780, 1680S,1880S
14	2	KH7070	Anel retentor	Anillo de sellamiento	O-ring	
15	1	868811	Barra do seletor	Eje del selector	Selector shaft rod	1280R,1380S
15a	1	81317600	Barra do seletor	Eje del selector	Selector shaft rod	1580,1780, 1680S,1880S
16	1	228480	Pino	Perno	Pin	
17	1	KH3610	Arruela de vedação	Arandela de sellamiento	Seal washer	
18	1	80666800	Bujão	Tapón	Plug	
19	28	851990	Prisioneiro	Espárrago	Stud	
20	28	JB0952	Porca	Tuerca	Nut	
21	4	822140	Pino guia	Perno guia	Dowel pin	
22	6	581020	Pino guia	Perno guia	Dowel pin	
23	2	JB1106	Porca	Tuerca	Nut	
24	1	80414700	Empunhadura	Empuñadura	Knob	
25	2	HD9052	Parafuso	Tornillo	Bolt	
26	1	80637200	Empunhadura	Empuñadura	Bolt	
27	1	81663300	Alavanca de marchas	Palanca de marchas	Gear shift lever	
28	1	81663700	Alavanca de grupo	Palanca de régimen	Gear range lever	
29	2	81114900	Capa protetora	Capa protectora	Dust protector	
30	2	81115000	Abraçadeira	Abrazadera	Clamp	
31	2	869200	Mola	Resorte	Spring	
32	2	81117100	Protetor	Protector	Protective	
33	2	81114700	Protetor	Protector	Protective	
34	2	81665700	Capa protetora	Capa protectora	Protective cap	
35	2	KG3040	Anel de segurança	Anillo de traba	Circlip	
36	4	871600	Mola prato	Resorte de disco	Ddisc spring	
37	2	823350	Anel de apoio	Anillo de empuje	Thrust ring	
38	4	81666100	Pino	Perno	Pin	
39	2	869191	Esfera de articulação	Esfera de articulación	Articulation ball	
41	1	KH7070	Anel retentor	Anillo de sellamiento	O-ring	
42	1	80569910	Carcaça	Caja	Housing	
44	6	HC9530	Parafuso allen	Tornillo allen	Set screw	
45	1	868771	Garfo do seletor 1-2	Horquilla del selector 1-2	Selector fork 1-2	1280R,1380S
45a	1	81317200	Garfo do seletor 1-2	Horquilla del selector 1-2	Selector fork 1-2	1580,1780, 1680S,1880S

02.07.1999

**CARCAÇA DA CAIXA DE CÂMBIO E ALAVANCAS DE MUDANÇAS  
CARCASA Y PALANCAS DE CAMBIOS  
GEARBOX HOUSING AND SHIFT LEVERS**

42-3

1280R, 1580, 1780  
1380S, 1680S, 1880S



**02.07.1999**
**CARCAÇA DA CAIXA DE CÂMBIO E ALAVANCAS DE MUDANÇAS  
 CARCASA Y PALANCAS DE CAMBIOS  
 GEARBOX HOUSING AND SHIFT LEVERS**
**42-4**
**1280R, 1580, 1780  
 1380S, 1680S, 1880S**

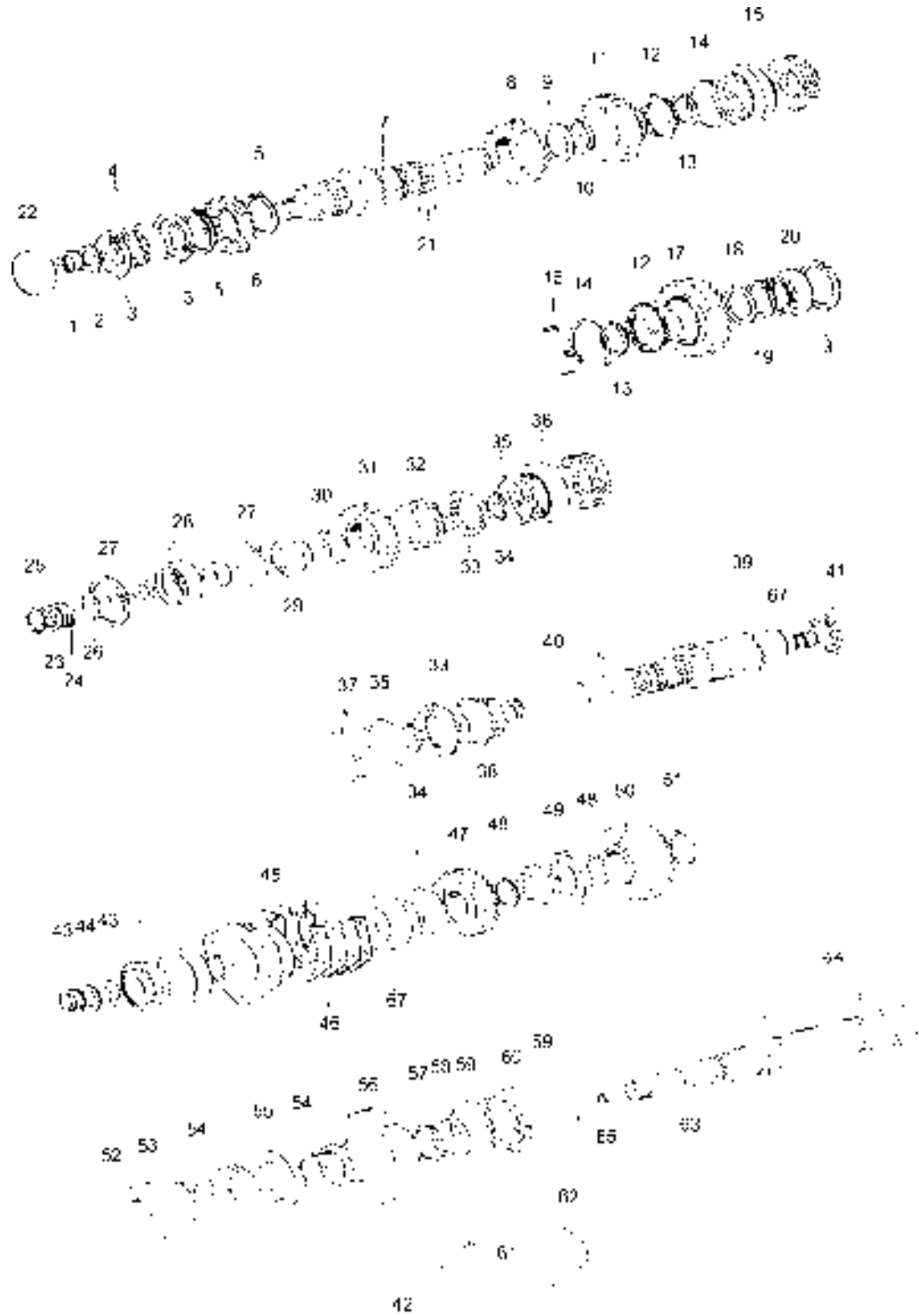
Ref.	Qde.	Peça	Denominação	Denominación	Description	Nota
Ref.	Cant.	Pieza				Nota
Ref.	Qty.	Part				Note
46	1	81360600	Mola	Resorte	Spring	
47	1	LB8022	Esfera	Esfera	Ball	
48	1	868931	Barra do seletor	Eje del selector	Selector rod	1280R,1380S
48a	1	81317500	Barra do seletor	Eje del selector	Selector rod	1580,1780, 1680S,1880S
49	1	GR5013	Tampa cônica	Tapa cónica	Cover	
50	1	JE6404	Pino guia	Perno guia	Dowel pin	
51	1	81196930	Placa de identificação	Placa de identificación	Identification plate	1280R,1380S (Z32/Z37)
51a	1	81320320	Placa de identificação	Placa de identificación	Identification plate	1580,1780, 1680S,1880S (Z32/Z37)
51b	1	81142330	Placa de identificação	Placa de identificación	Identification plate	1580 (Z32/ Z37)
51c	1	81197630	Placa de identificação	Placa de identificación	Identification plate	1280R (Z32/ Z37)
51d	1	81412810	Placa de identificação	Placa de identificación	Identification plate	1780 (Z32/ Z37)
51e	1	81442210	Placa de identificação	Placa de identificación	Identification plate	1280R (Z29/ Z35)
51f	1	81449420	Placa de identificação	Placa de identificación	Identification plate	1380S (Z32/ Z37)
52	2	80998900	Parafuso	Tornillo	Bolt	
53	2	81115110	Abraçadeira	Abrazadera	Clamp	
-	1	078721001	Cola Dow Corning	Cola Dow Corning	Sealant Dow	
-	1	078721006	Cola Loctite 567	Cola Loctite 567	Sealant Loctite 567	

28.09.1999

42-5

**EIXO LATERAL, PRINCIPAL E PINHÃO  
CONTRAEJE, EJE PRIMÁRIO Y EJE PIÑÓN  
COUNTERSHAFT, MAINSHAFT AND BEVEL PINION SHAFT**

1280R, 1580, 1380S

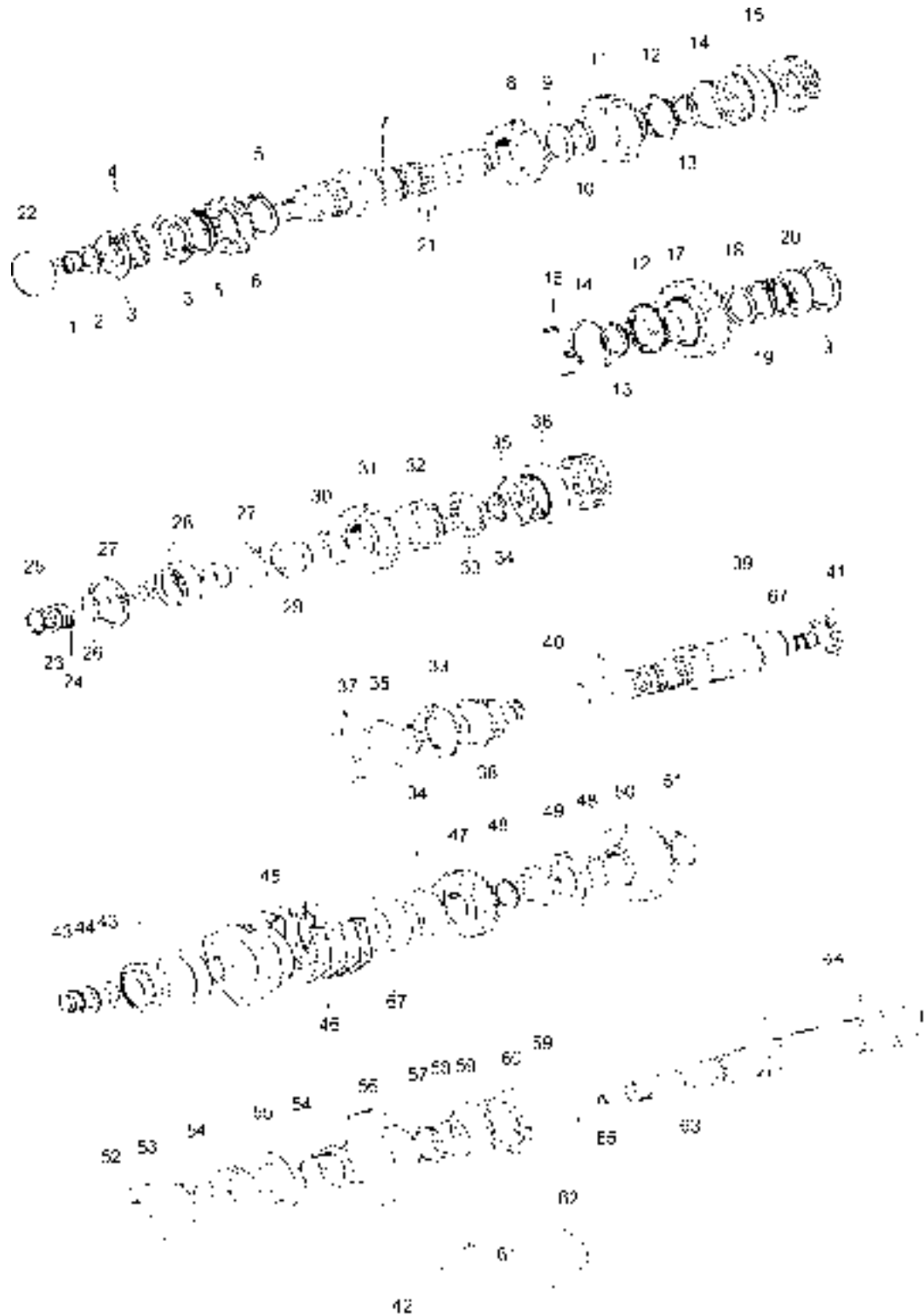


**EIXO LATERAL, PRINCIPAL E PINHÃO  
 CONTRAEJE, EJE PRIMÁRIO Y EJE PIÑÓN  
 COUNTERSHAFT, MAINSHAFT AND BEVEL PINION SHAFT**

Ref.	Qde.	Peça	Denominação	Denominación	Description	Nota
Ref.	Cant.	Pieza				Nota
Ref.	Qty.	Part				Note
-	1	80740510	Eixo lateral completo	Contraeje completo	Countershaft complete	Ref.1-22
-	1	81195510	Eixo principal completo	Eje primario completo	Mainshaft complete	Ref.23-41
-	1	80747710	Eixo cônico do pinhão montado	Eje piñon montado	Bevel pinion shaft assy	Ref.42-54,55a, 56-61,62,63-66 (Z29/Z35)
-	1	80747910	Eixo cônico do pinhão montado	Eje piñon montado	Bevel pinion shaft assy	Ref.42 54,55, 56-61,62a,63-66 (Z32/Z38)
1	1	LB3014	Porca	Tuerca	Nut	
2	1	80740900	Arruela de trava	Arandela de traba	Lock washer	
3	3	KG3100	Anel de segurança	Anillo de traba	Circlip	
4	1	LA9386	Rolamento	Rodamiento	Bearing	
5	2	80740800	Anel de segurança	Anillo de traba	Circlip	
6	1	868222	Engrenagem	Engranaje	Gear	Z32
7	1	80740410	Eixo lateral	Contraeje	Countershaft	
8	1	868202	Engrenagem	Engranaje	Gear	Z36
9	1	868410	Anel espaçador	Anillo espaciador	Spacer ring	
10	1	KG9123	Anel de segurança	Anillo de traba	Lock ring	
11	1	80487910	Engrenagem	Engranaje	Gear	Z41
12	2	641190	Anel de sincronização	Anillo de sincronización	Syncromesh ring	
13	2	869830	Anel de segurança	Anillo de traba	Lock ring	
14	2	889990	Mola	Resorte	Spring	
15	1	81391900	Capa e cubo	Capa y cubo	Hub and sleeve	
16	3	641163	Chaveta de comando	Chaveta de comando	Shifting plate	
17	1	80487820	Engrenagem	Engranaje	Gear	Z42
18	1	868420	Anel espaçador	Anillo espaciador	Spacer ring	
19	1	KG1189	Anel de segurança	Anillo de traba	Circlip	
20	1	LA3976	Rolamento	Rodamiento	Bearing	
21	1	227270	Chaveta	Chaveta	Key	
22	1	81162100	Tampa	Tapa	Cover	
23	1	KG1174	Anel de encosto	Anillo de empuje	Thrust ring	
24	1	679390	Calço	Calzo	Shim	0,3 mm
24a	3	681320	Calço	Calzo	Shim	0,2 mm
24b	1	681330	Calço	Calzo	Shim	0,1 mm
25	1	KG1045	Anel de segurança	Anillo de traba	Circlip	
26	1	80772600	Espaçador	Espaciador	Spacer ring	
27	2	KG3100	Anel de segurança	Anillo de traba	Circlip	
28	1	81320800	Rolamento	Rodamiento	Bearing	
29	1	81339900	Anel de encosto	Anillo de empuje	Thrust ring	
30	1	223620	Rolamento de agulhas	Rodamiento de agujas	Needle bearing	
31	1	222700	Engrenagem	Engranaje	Gear	Z35
32	1	80487610	Engrenagem	Engranaje	Gear	Z26
33	2	641190	Anel de sincronização	Anillo de sincronización	Syncromesh ring	
34	2	869860	Anel de segurança	Anillo de traba	Lock ring	
35	2	889990	Mola	Resorte	Spring	
36	1	81391600	Capa e cubo	Capa y cubo	Hub and slleve	
37	3	641163	Chaveta de comando	Chaveta de comando	Shifting plate	
38	1	80487520	Engrenagem	Engranaje	Gear	Z22
39	1	80929910	Eixo principal	Eje primario	Mainshaft	
40	1	LB8107	Rolo cilíndrico	Rodillo cilíndrico	Cylindrical roller	
41	1	LA3976	Rolamento	Rodamiento	Bearing	
42	4	HA9242	Parafuso	Tornillo	Bolt	
43	2	LB3013	Porca	Tuerca	Nut	
44	1	821320	Chapa de segurança	Arandela de traba	Lock washer	

**EIXO LATERAL, PRINCIPAL E PINHÃO  
CONTRAEJE, EJE PRIMÁRIO Y EJE PIÑÓN  
COUNTERSHAFT, MAINSHAFT AND BEVEL PINION SHAFT**

1280R, 1580, 1380S



**EIXO LATERAL, PRINCIPAL E PINHÃO  
 CONTRAEJE, EJE PRIMÁRIO Y EJE PIÑÓN  
 COUNTERSHAFT, MAINSHAFT AND BEVEL PINION SHAFT**
**1280R, 1580, 1380S**

Ref.	Qde.	Peça	Denominação	Denominación	Description	Nota
Ref.	Cant.	Pieza				Nota
Ref.	Qty.	Part				Note
45	1	80789300	Mancal montado	Cojinete montado	Bearing assy	
46	1	261680	Calço	Calzo	Shim	0,1 mm
46a	1	261690	Calço	Calzo	Shim	0,2 mm
46b	1	261700	Calço	Calzo	Shim	0,5 mm
47	1	81391400	Engrenagem	Engranaje	Gear	Z36
48	2	KG9120	Anel de segurança	Anillo de traba	Lock ring	
49	1	81361900	Capa e cubo	Capa y cubo	Hub and sleeve	
50	1	81361500	Engrenagem	Engranaje	Gear	Z40
51	1	KG9121	Anel de segurança	Anillo de traba	Lock ring	
52	1	845890	Anel espaçador	Anillo espaciador	Spacer ring	
53	1	81361400	Engrenagem	Engranaje	Gear	Z31
54	2	KG9122	Anel de segurança	Anillo de traba	Lock ring	
55	1	80752910	Capa e cubo	Capa y cubo	Hub and sleeve	**
56	1	80739420	Engrenagem	Engranaje	Gear	Z51
57	1	80801400	Anel de segurança	Anillo de traba	Lock ring	
58	1	80739700	Anel espaçador	Anillo espaciador	Spacer ring	
59	2	868890	Anel de trava	Anillo de traba	Circlip	
60	1	LA3974	Rolamento	Rodamiento	Bearing	
61	1	222140	Suporte	Soporte	Support	
62	1	80796400	Engrenagem	Engranaje	Gear	Z29
62a	1	80796600	Engrenagem	Engranaje	Gear	Z32
63	1	**	Eixo pinhão	Eje piñón	Bevel pinio shaft	**
64	2	LB8154	Rolos	Rodillos	Rollers	
65	1	228930	Bucha	Buje	Bush	
66	1	81116000	Calço	Calzo	Shim	0,15 mm
67	1	80929800	Bucha	Buje	Bush	
-	1	076705003	Molykote	Molykote	Molykote	321R
-	1	078723005	Cola Loctite 56	Cola Loctite 56	Sealant Loctite 56	

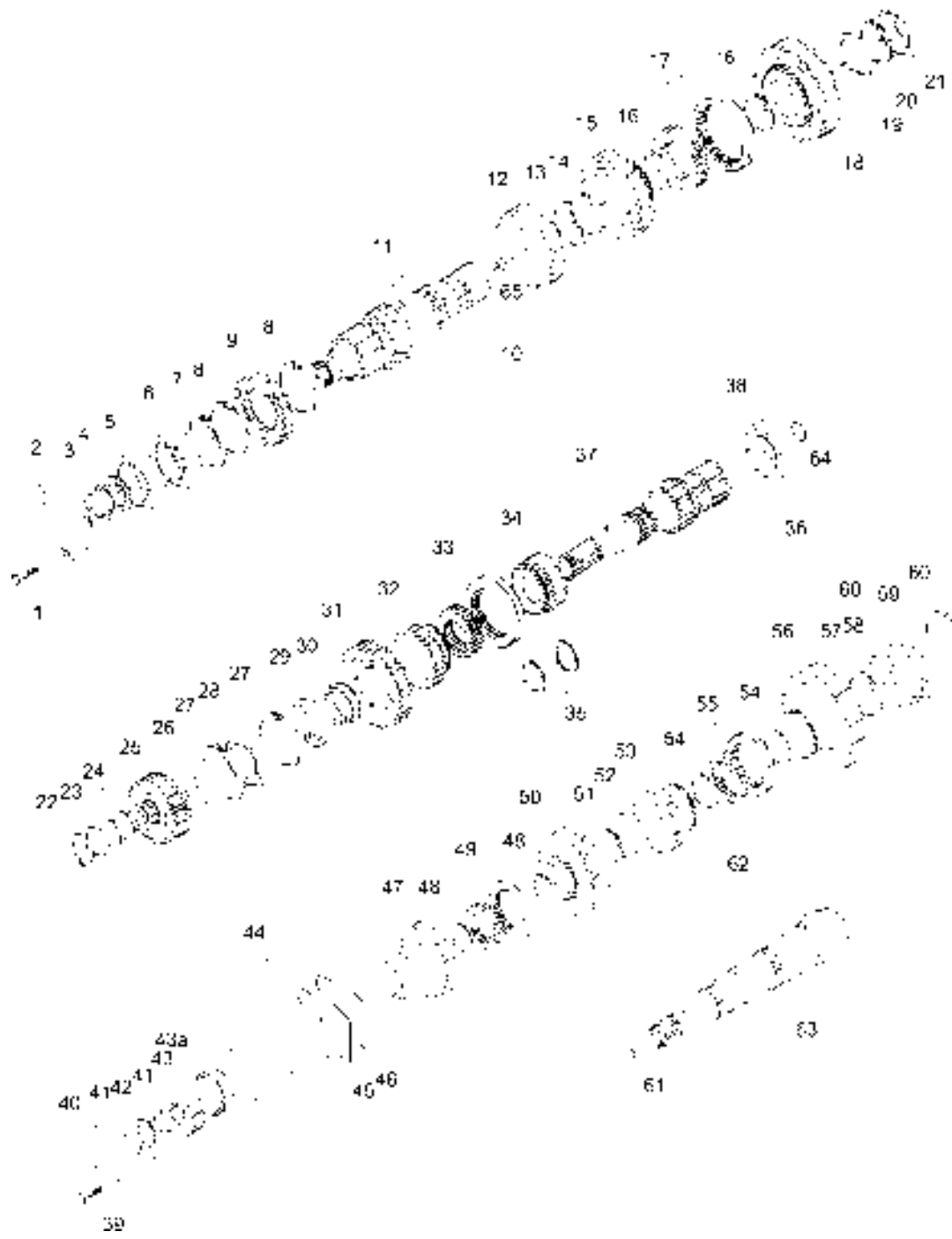
\*\* Vendido somente em conjunto montado, código 80743110 Eixo pinhão + Coroa

\*\* Vendido solamente en conjunto, código 80743110 Eje piñón + Corona

\*\* Delivered only complete part 80743110 bevel pinion shaft + crown wheel

**EIXO LATERAL, PRINCIPAL E PINHÃO  
CONTRAEJE, EJE PRIMÁRIO Y EJE PIÑÓN  
COUNTERSHAFT, MAINSHAFT AND BEVEL PINION SHAFT**

1780R, 1680S, 1880S



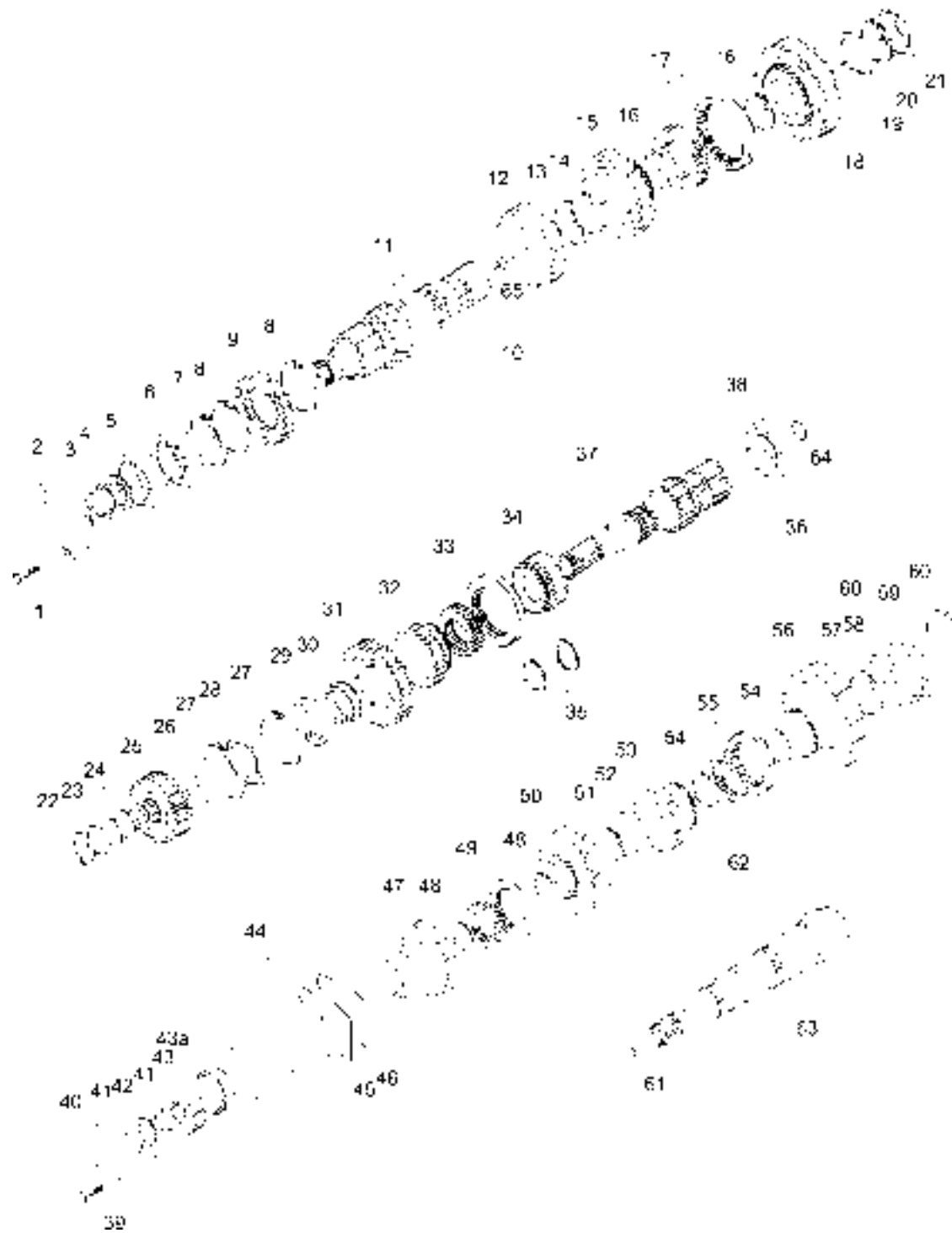
**EIXO LATERAL, PRINCIPAL E PINHÃO  
 CONTRAEJE, EJE PRIMÁRIO Y EJE PIÑÓN  
 COUNTERSHAFT, MAINSHAFT AND BEVEL PINION SHAFT**

1780R, 1680S, 1880S

Ref.	Qde.	Peça	Denominação	Denominación	Description	Nota
Ref.	Cant.	Pieza				Nota
Ref.	Qty.	Part				Note
-	1	81319710	Eixo lateral completo	Contraeje completo	Countershaft complete	Ref.1-21,65
-	1	81319610	Eixo principal completo	Eje primário completo	Mainshaft complete	Ref. 22-38,64
-	1	81319820	Eixo cónico do pinhão completo	Eje piñón completo	Bevel pinion shaft complete	Ref.39-63
1	3	HA9242	Parafuso	Tornillo	Bolt	
2	1	81317000	Tampa	Tapa	Cover	
3	1	LB3014	Porca	Tuerca	Nut	
4	1	80740900	Arruela de trava	Arandela de trava	Lock washer	
5	1	81322700	Rolamento	Rodamiento	Bearing	
6	1	81321600	Rolamento	Rodamiento	Bearing	
7	3	KG3100	Anel de segurança	Anillo de trava	Lock ring	
8	2	80740800	Anel de segurança	Anillo de trava	Lock ring	
9	1	81321910	Engrenagem	Engranaje	Gear	Z32
10	1	81322510	Eixo lateral	Contraeje	Countershaft	
11	1	227270	Chaveta	Chaveta	Key	
12	1	81321800	Engrenagem	Engranaje	Gear	Z40
13	1	868410	Anel espaçador	Anillo espaciador	Spacer ring	
14	1	KG9123	Anel de segurança	Anillo de trava	Lock ring	
15	1	81322100	Engrenagem	Engranaje	Gear	Z42
16	2	KG9114	Anel de segurança	Anillo de trava	Lock ring	
17	1	81322200	Capa e cubo	Capa y cubo	Hub and sleeve	
18	1	81322000	Engrenagem	Engranaje	Gear	Z44
19	1	868420	Anel espaçador	Anillo espaciador	Spacer ring	
20	1	KG1189	Anel de segurança	Anillo de trava	Circlip	
21	1	81321700	Rolamento	Rodamiento	Bearing	
22	1	KG1045	Anel de segurança	Anillo de trava	Circlip	
23	1	KG1174	Anel de encosto	Anillo de empuje	Thrust ring	
24	1	681330	Calço	Calzo	Shim	0,1 mm
24a	3	681320	Calço	Calzo	Shim	0,2 mm
24b	1	679390	Calço	Calzo	Shim	0,3 mm
25	1	81320710	Engrenagem	Engranaje	Gear	Z28
26	1	80772600	Espaçador	Espaciador	Spacer ring	
27	3	KG3100	Anel de segurança	Anillo de trava	Circlip	
28	1	81320800	Rolamento	Rodamiento	Bearing	
29	3	81339900	Anel de encosto	Anillo de empuje	Thrust ring	
30	1	223620	Rolamento de agulhas	Rodamiento de agujas	Needle bearing	
31	1	222700	Engrenagem	Engranaje	Gear	Z35
32	1	81320710	Engrenagem	Engranaje	Gear	Z28
33	1	81321200	Capa e cubo	Capa y cubo	Hub and sleeve	
34	1	81320900	Engrenagem	Engranaje	Gear	Z26
35	2	869860	Anel de segurança	Anillo de trava	Circlip	
36	1	81321000	Eixo principal	Eje primário	Countershaft	
37	1	LB8107	Rolo cilíndrico	Rodillo cilindrico	Cylindrical roller	
38	1	LA3976	Rolamento	Rodamiento	Bearing	
39	1	HA9242	Parafuso	Tornillo	Bolt	
40	1	222140	Suporte	Soporte	Support	
41	1	LB3013	Porca	Tuerca	Nut	
42	1	821320	Chapa de segurança	Arandela de trava	Lock washer	
43	1	80796600	Engrenagem	Engranaje	Gear	Z32
44	1	81317900	Mancal montado	Cojinete montado	Bearing assy	
45	1	261680	Calço	Calzo	Shim	0,10mm
45a	1	261690	Calço	Calzo	Shim	0,20mm
45b	1	261700	Calço	Calzo	Shim	0,50mm
46	1	81116000	Calço	Calzo	Shim	0,15 mm
47	1	81340800	Engrenagem	Engranaje	Gear	Z36 ®
48	2	KG9120	Anel de segurança	Anillo de trava	Lock ring	

**EIXO LATERAL, PRINCIPAL E PINHÃO  
CONTRAEJE, EJE PRIMÁRIO Y EJE PIÑÓN  
COUNTERSHAFT, MAINSHAFT AND BEVEL PINION SHAFT**

1780R, 1680S, 1880S





28.09.1999

**EIXO LATERAL, PRINCIPAL E PINHÃO  
 CONTRAEJE, EJE PRIMÁRIO Y EJE PIÑÓN  
 COUNTERSHAFT, MAINSHAFT AND BEVEL PINION SHAFT**

42-12

**1780R, 1680S, 1880S**

Ref.	Qde.	Peça	Denominação	Denominación	Description	Nota
Ref.	Cant.	Pieza				Nota
Ref.	Qty.	Part				Note
49	1	81322910	Capa e cubo	Capa u cubo	Hub and sleeve	R-M
50	1	81340610	Engrenagem	Engranaje	Gear	Z48 (M)
51	1	KG9121	Anel de segurança	Anillo de traba	Lock ring	
52	1	81340500	Anel espaçador	Anillo espaciador	Spacer ring	
53	1	81340900	Engrenagem	Engranaje	Gear	Z36 (H)
53	2	KG9122	Anel de segurança	Anillo de traba	Lock ring	
54	3	81340200	Capa e cubo	Capa y cubo	Hub and sleeve	L-H
56	1	81340710	Engrenagem	Engranaje	Gear	Z56 (L)
57	1	80801400	Anel de segurança	Anillo de traba	Lock ring	
58	1	80739700	Anel espaçador	Anillo espaciador	Spacer ring	
59	1	LA3974	Rolamento	Rodamiento	Bearing	
60	2	868890	Anel de trava	Anillo de traba	Circlip	
61	1	228930	Bucha	Buje	Bush	
62	2	LB8154	Rolo cilíndrico	Rodillo cilindrico	Cylindrical roller	
63	1	**	Eixo pinhão	Eje piñón	Bevel pinion shaft	
64	1	80929800	Bucha	Buje	Bush	
65	1	833030	Bucha	Buje	Bush	
-	1	076705003	Molykote	Molykote	Molykote	321R
-	1	078723005	Cola Loctite 56	Cola Loctite 56	Sealant Loctite 56	

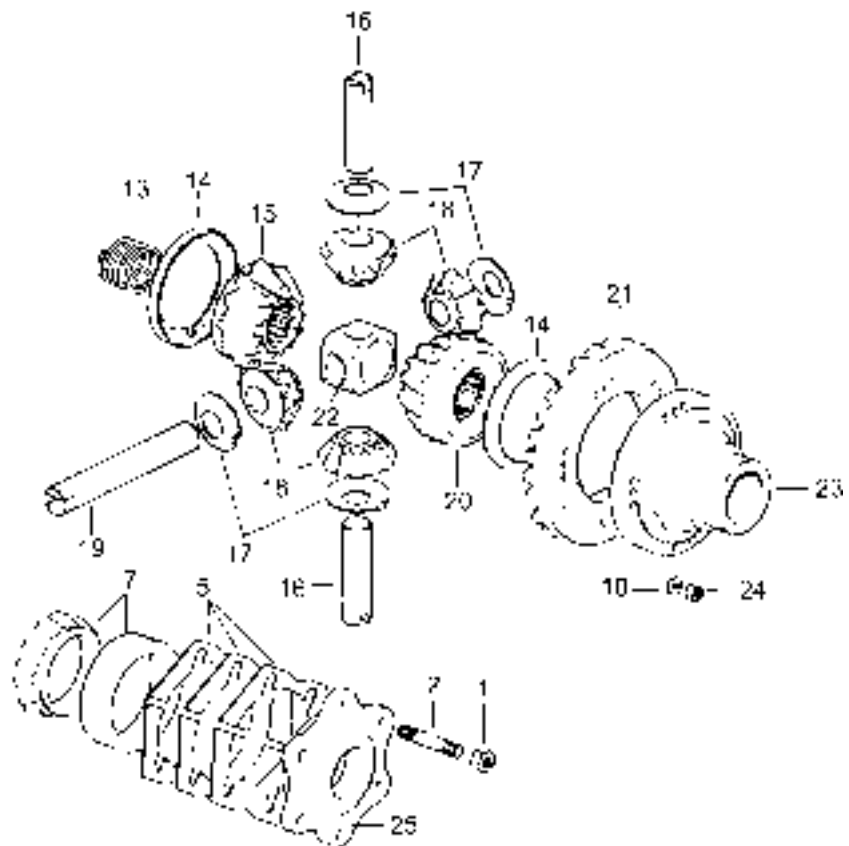
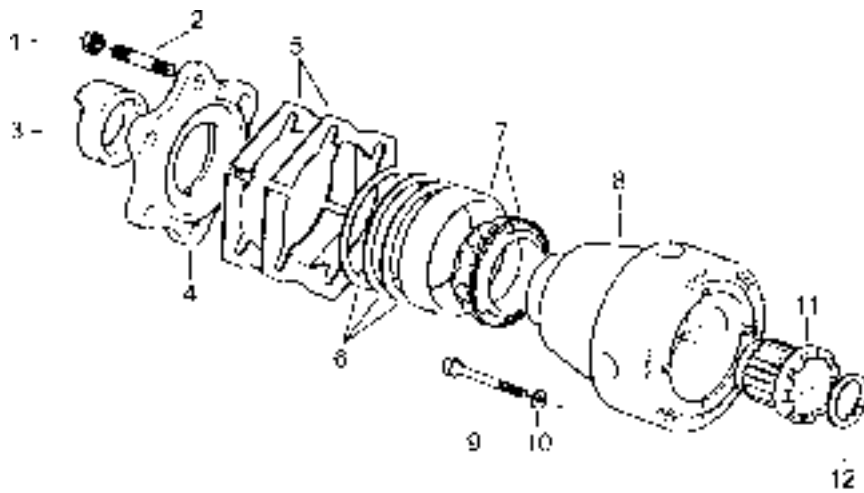
\*\* Vendido somente em conjunto montado, código 81323000 Eixo pinhão + Coroa

\*\* Vendido solamente en conjunto montado código 81323000 Eje piñón + Corona

\*\* Delivered only complete part 81323000 Bevel pinion shaft + Crown wheel

DIFERENCIAL  
DIFERENCIAL  
DIFFERENTIAL

1280R, 1580, 1780  
1380S, 1680S, 1880S



**DIFERENCIAL  
DIFERENCIAL  
DIFFERENTIAL**
**1280R, 1580, 1780  
1380S, 1680S, 1880S**

Ref.	Qde.	Peça	Denominação	Denominación	Description	Nota
Ref.	Cant.	Pieza				Nota
Ref.	Qty.	Part				Note
-	1	80752600	Caixa do diferencial montado	Caja del diferencial montada	Differential assy	Ref. 1-25
1	12	JB0940	Porca	Tuerca	Nut	
2	12	HJ1902	Prisioneiro	Espárrago	Stud	
3	1	81183900	Bucha	Buje	Bush	
4	1	80733300	Caixa do mancal direito	Caja del cojinete derecho	Right bearing housing	
5	+	820790	Calço	Calzo	Shim	0,1 mm
5a	+	820800	Calço	Calzo	Shim	0,2 mm
5b	+	820810	Calço	Calzo	Shim	0,5 mm
5c	+	265310	Calço	Calzo	Shim	0,15 mm
6	1	847770	Calço	Calzo	Shim	0,5 mm
6a	1	221610	Calço	Calzo	Shim	0,2 mm
6b	1	221600	Calço	Calzo	Shim	0,1 mm
7	2	265150	Rolamento	Rodamiento	Bearing	
8	1	80733200	Carcaça do diferencial	Caja del diferencial	Differential housing	
9	18	HA9348	Parafuso	Tornillo	Bolt	
10	36	868730	Arruela	Arandela	Washer	
11	1	820711	Bucha do bloqueio	Buje del bloqueio	Differential lock bush	
12	1	80006100	Anel de encosto	Anillo de empuje	Thrust ring	
13	1	820770	Mola do bloqueio	Resorte	Spring	
14	2	80006000	Anel de encosto	Anillo de empuje	Thrust ring	
15	1	*	Engrenagem planetária direita	Engranaje planetária derecha	Right side bevel gear	
16	2	868721	Eixo curto	Eje corto	Shot shaft	
17	4	30655200	Chapa de pressão	Chapa de presión	Pressure plate	
18	1	*	Engrenagem satélite	Engranaje satelite	Side bevel gear	
19	1	820731	Eixo longo	Eje largo	Long shaft	
20	1	*	Engrenagem planetária esquerda	Engranaje planetária izquierda	Left side bevel gear	
21	1	**	Engrenagem coroa	Engranaje corona	Crown whell	
22	1	820720	Cruzeta do diferencial	Cruceta del diferencial	Differential spinder	
23	1	80733100	Tampa	Tapa	Cover	
24	18	JB9909	Porca	Tuerca	Nut	
25	1	80733400	Caixa do mancal esquerdo	Caja del cojinete izquierdo	Left bearing housing	
-	1	078723001	Cola Loctite 271	Cola Loctite 271	Sealante Loctite 271	

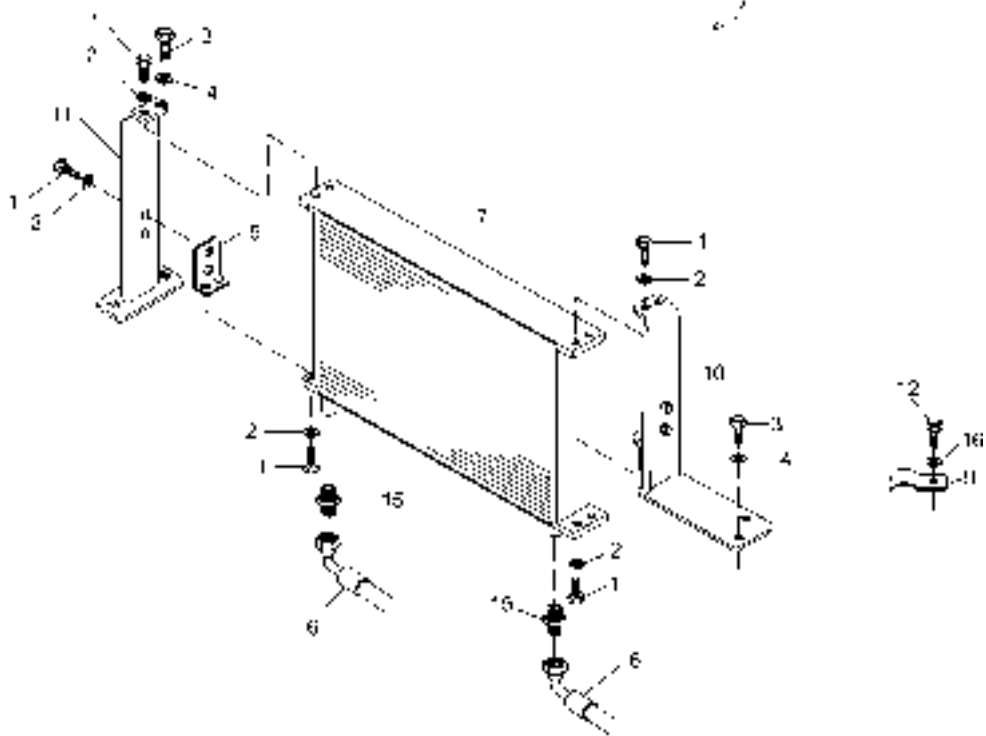
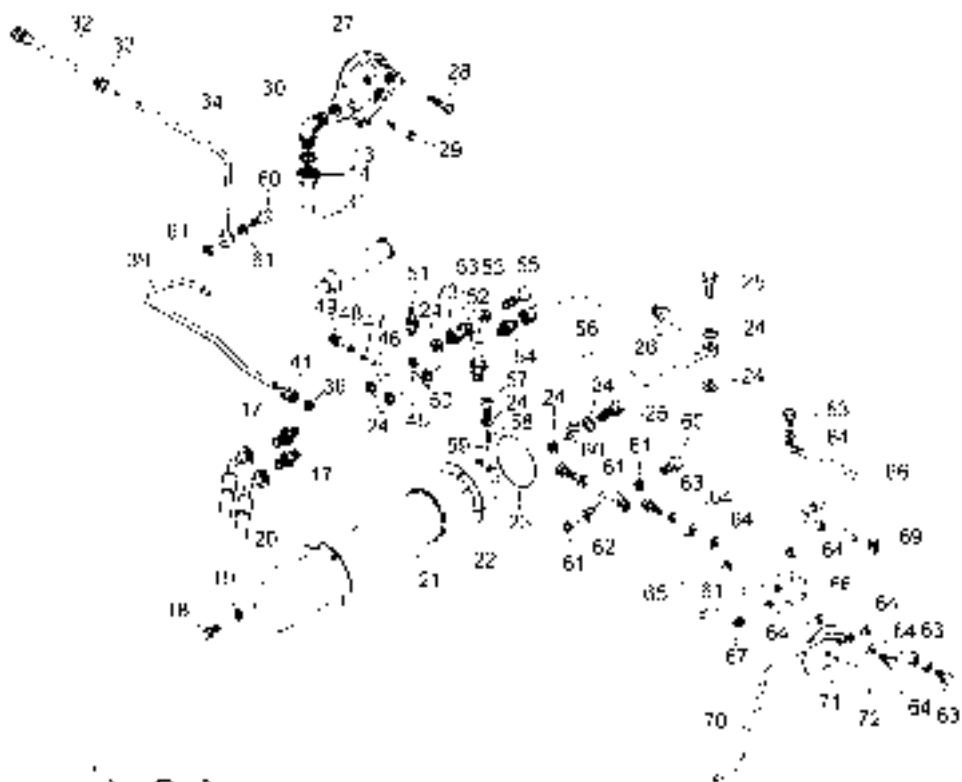
+ Conforme necessidade  
+ Según la necesidad  
+ According to necessity

\* Vendido somente em conjunto 80012800 - Engrenagem do diferencial  
\* Vendido solamente en conjunto 80012800 - Engranaje del diferencial  
\* Delivered only complete under 80012800 - Differential gears

\*\* Não é vendido em conjunto  
\*\* No es vendido en conjunto  
\*\* Not delivered complete

**REFRIGERAÇÃO DA CAIXA DE CÂMBIO  
REFRIGERACIÓN DE LA CAJA DE MARCHAS  
GEARBOX COOLING**

**1280R, 1580, 1780  
1380S, 1680S, 1880S**

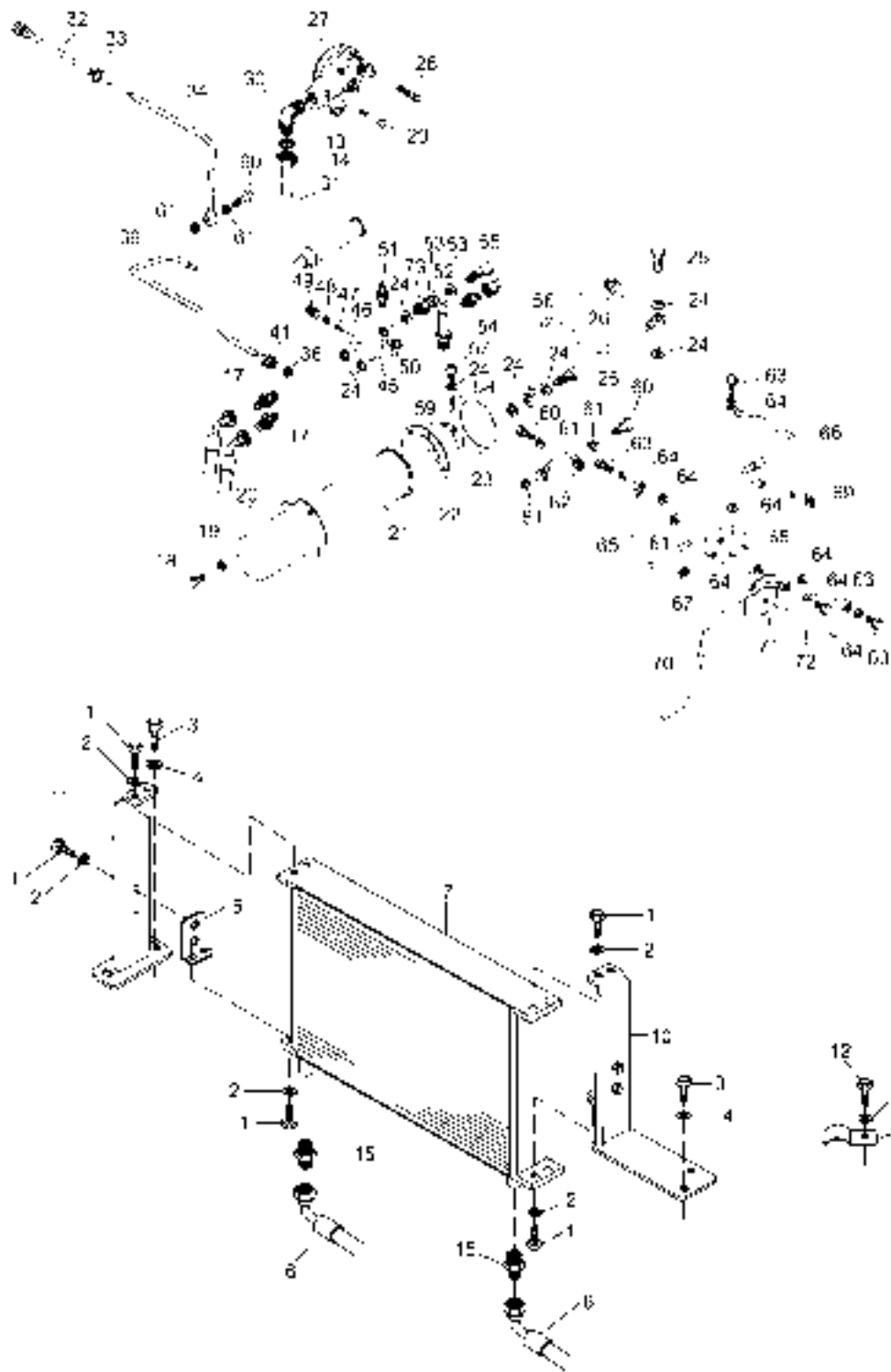


**REFRIGERAÇÃO DA CAIXA DE CÂMBIO  
REFRIGERACIÓN DE LA CAJA DE MARCHAS  
GEARBOX COOLING**

Ref.	Qde.	Peça	Denominação	Denominación	Description	Nota
Ref.	Cant.	Pieza				Nota
Ref.	Qty.	Part				Note
-	1	80661500	Válvula de segurança montada	Válvula de seguridad montada	Safety valve assy	Ref.45-49
1	12	HA6313	Parafuso	Tornillo	Bolt	
2	12	JD0106	Arruela	Arandela	Washer	
3	4	HA6323	Parafuso	Tornillo	Bolt	
4	4	JD0408	Arruela	Arandela	Washer	
5	2	81760300	Suporte	Soporte	Support	
6	2	81788900	Mangueira	Manguera	Hose	
7	2	32590900	Radiador de óleo	Radiador de aceite	Oil radiator	
8	2	30234000	Anel passador	Anillo de goma	Rubber ring	
9	1	81775600	Abraçadeira	Abrazadera	Clamp	
10	1	81760400	Suporte esquerdo	Soporte izquierdo	Left support	
11	1	81760500	Suporte direito	Soporte derecho	Right support	
12	1	HA6322	Parafuso	Tornillo	Bolt	
13	1	81553300	Anel de vedação	Anillo de sellamiento	Seal ring	
14	1	81553200	Porca	Tuerca	Nut	
15	2	GS9205	Conexão	Conexión	Connection	
16	1	JD3108	Arruela	Arandela	Washer	
17	2	80745800	Conexão	Conexión	Connection	
18	4	HA9089	Parafuso	Tornillo	Bolt	
19	4	JD0110	Arruela	Arandela	Washer	
20	1	80815100	Protetor do filtro	Protector del filtro	Filter protector	
21	1	30606000	Filtro	Filtro	Filter	
22	1	80800810	Suporte do filtro	Suporte del filtro	Filter support	
23	1	KH4013	Anel retentor	Anillo de sellamiento	O-ring	
24	7	KH3621	Anel de vedação	Arandela de sellamiento	Seal washer	
25	2	591780	Parafuso de conexão	Tornillo de conexión	Banjo bolt	
26	1	80891700	Tubo de lubrificação	Tubo de lubricación	Oil pipe	
27	1	80749710	Bomba de óleo	Bomba de aceite	Oil pump	
28	1	HA6318	Parafuso	Tornillo	Bolt	
29	1	80846600	Parafuso	Tornillo	Bolt	
30	1	80767500	Conexão	Conexión	Connection	
31	1	80767100	Tubo de sucção	Tubo de succión	Suction pipe	
32	1	80742600	Tubo de lubrificação	Tubo de lubricación	Oil pipe	
33	1	KH3635	Anel de vedação	Arandela de sellamiento	Seal washer	
34	1	81013800	Tubo de lubrificação	Tubo de lubricación	Oil pipe	
36	1	KH3618	Anel de vedação	Arandela de sellamiento	Seal washer	
39	1	81179300	Tubo de lubrificação	Tubo de lubricación	Oil pipe	
41	1	81013900	Conexão	Conexión	Connection	
45	1	80661600	Corpo da válvula	Cuerpo de la válvula	Valve body	
46	1	LB8022	Esfera	Esfera	Ball	
47	1	869130	Mola	Resorte	Spring	
48	1	260320	Parafuso	Tornillo	Bolt	
49	1	80995900	Bujão	Tapón	Plug	
50	2	80192300	Anel de vedação	Arandela de sellamiento	Seal washer	
51	1	30102100	Interruptor de pressão	Interruptor de presión	Pressure switch	
52	1	80767900	Tubo de retorno	Tubo de retorno	Return pipe	
53	2	KH3617	Anel de vedação	Arandela de sellamiento	Seal washer	
54	1	80816400	Conexão	Conexión	Connection	
55	1	216640	Parafuso de conexão	Tornillo de conexión	Banjo bolt	
56	1	80767600	Tubo de lubrificação	Tubo de lubricación	Oil pipe	
57	1	GR0277	Bujão	Tapón	Plug	
58	1	81058100	Mola	Resorte	Spring	
59	1	LB8022	Esfera	Esfera	Ball	
60	3	246460	Parafuso de conexão	Tornillo de conexión	Banjo bolt	
61	6	KH3615	Anel de vedação	Arandela de sellamiento	Seal washer	
62	1	80892000	Tubo de lubrificação	Tubo de lubricación	Oil pipe	

**REFRIGERAÇÃO DA CAIXA DE CÂMBIO**  
**REFRIGERACIÓN DE LA CAJA DE MARCHAS**  
**GEARBOX COOLING**

1280R, 1580, 1780  
1380S, 1680S, 1880S



28.09.1999

**REFRIGERAÇÃO DA CAIXA DE CÂMBIO**  
**REFRIGERACIÓN DE LA CAJA DE MARCHAS**  
**GEARBOX COOLING**

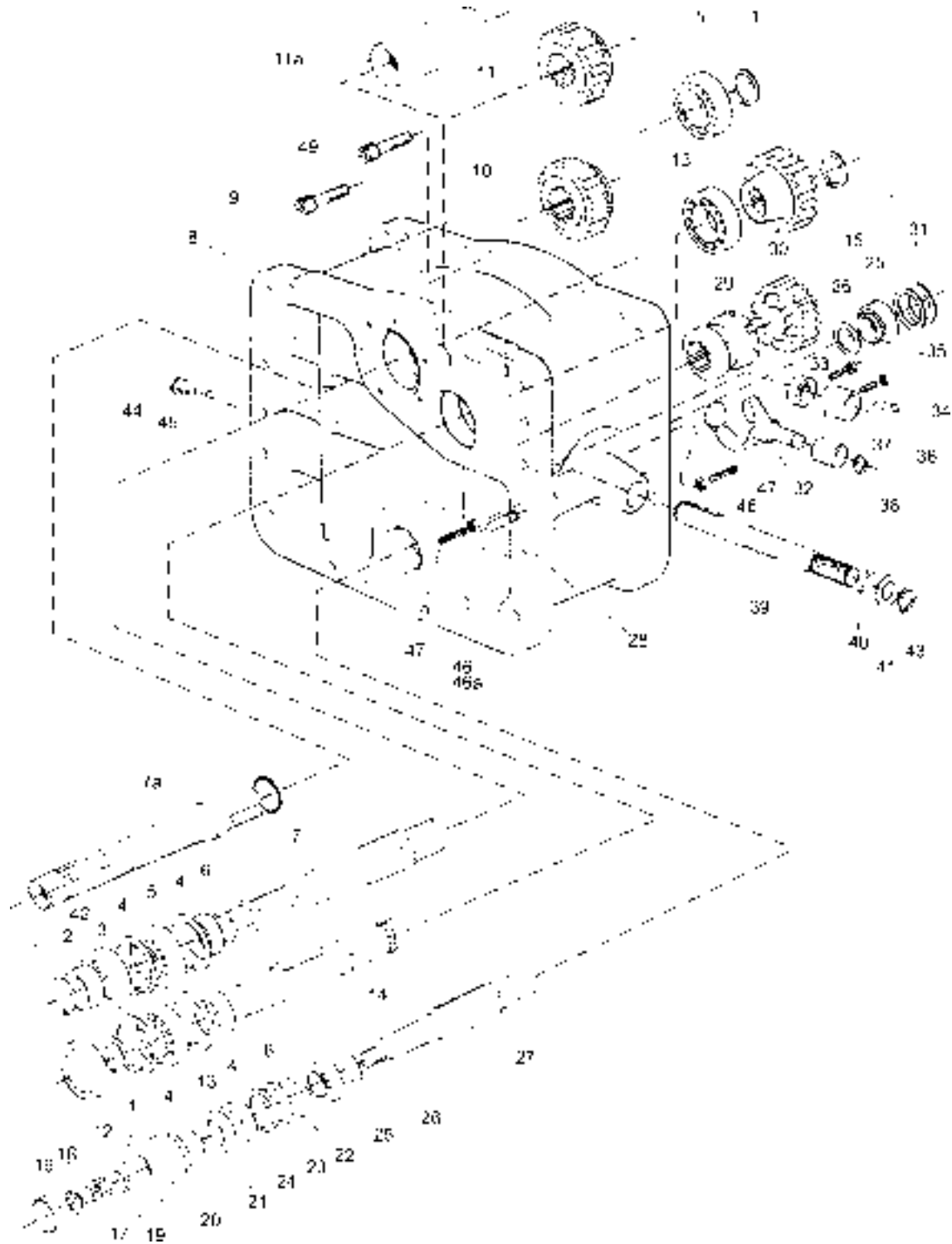
42-18

**1280R, 1580, 1780**  
**1380S, 1680S, 1880S**

<b>Ref.</b>	<b>Qde.</b>	<b>Peça</b>	<b>Denominação</b>	<b>Denominación</b>	<b>Description</b>	<b>Nota</b>
<b>Ref.</b>	<b>Cant.</b>	<b>Pieza</b>				<b>Nota</b>
<b>Ref.</b>	<b>Qty.</b>	<b>Part</b>				<b>Note</b>
63	4	246420	Parafuso de conexão	Tornillo de conexión	Banjo blt	
64	8	KH3625	Anel de vedação	Arandela de sellamiento	Seal washer	
65	1	80892400	Tubo de lubrificação	Tubo de lubricación	Oil pipe	
66	1	80892800	Tubo de lubrificação	Tubo de lubricación	Oil pipe	
67	1	GR0202	Bujão	Tapón	Plug	
68	1	80891900	Distribuidor	Distribuidor	Distributor	
69	1	221590	Fixador do tubo	Fijador del tubo	Pipe fastener	
70	1	80892600	Tubo de lubrificação	Tubo de lubricación	Oil pipe	
71	1	80804500	Tampa	Tapa	Cover	
72	1	80892200	Tubo de lubrificação	Tubo de lubricación	Oil pipe	
73	1	80808100	Adaptador	Adaptador	Adapter	
74	2	243020	Abraçadeira	Abrazadera	Clamp	
-	1	78723005	Cola Loctite 566	Cola Loctite 566	Selant Loctite 566	

MULTIPLICADOR DE VELOCIDADE  
MULTIPLICADOR DE VELOCIDAD  
GEARBOX SPEED MULTIPLIER

1280R, 1580, 1780  
1380S, 1680S, 1880S





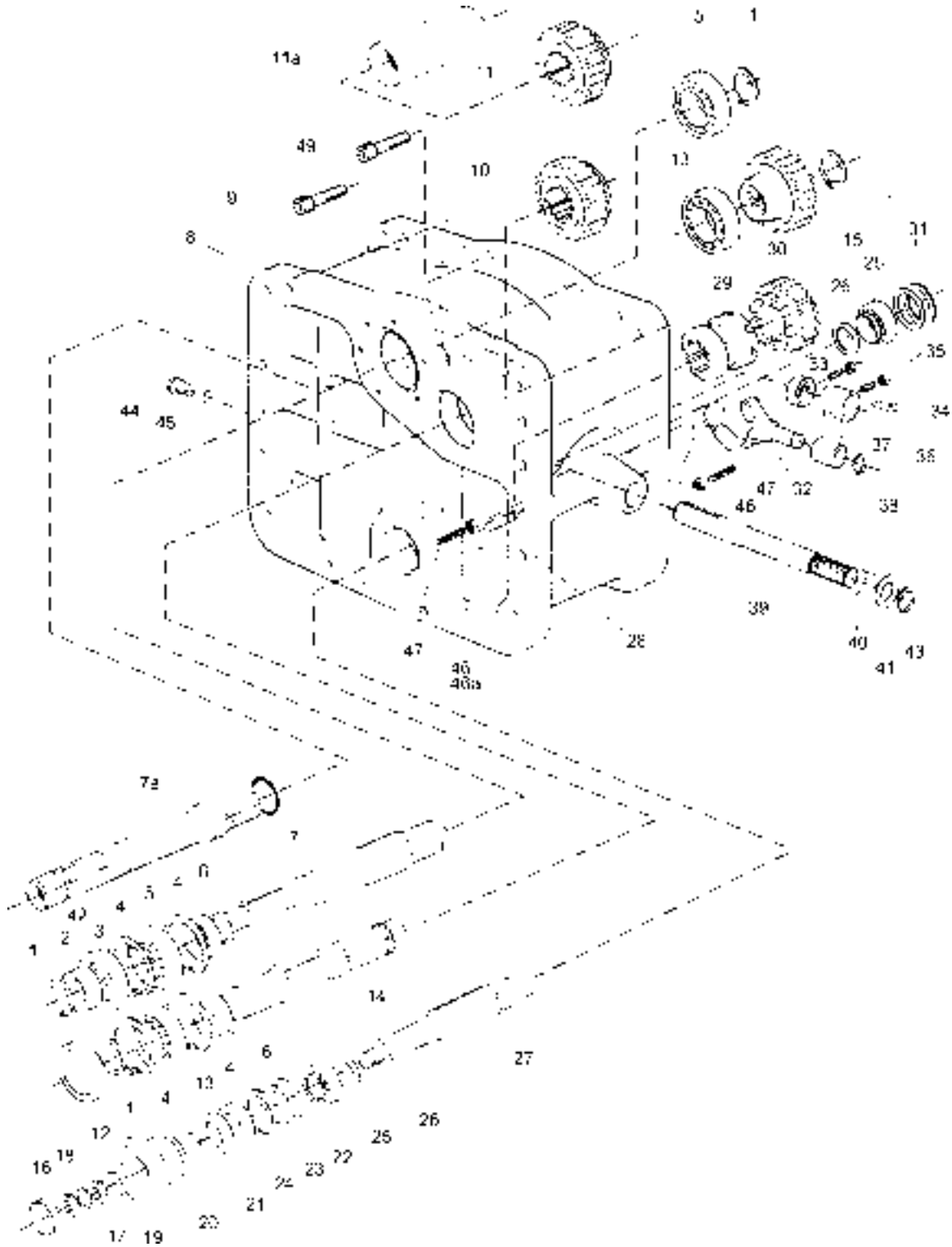
28.09.1999

**MULTIPLICADOR DE VELOCIDADE  
MULTIPLICADOR DE VELOCIDAD  
GEARBOX SPEED MULTIPLIER**
**42-20**
**1280R, 1580, 1780  
1380S, 1680S, 1880S**

Ref.	Qde.	Peça	Denominação	Denominación	Description	Nota
Ref.	Cant.	Pieza				Nota
Ref.	Qty.	Part				Note
**	1	80770510	Multiplicador	Multiplicador	Multiplier	Ref.1-45,46a,47,49 (1580, 1680S)
**	1	80796010	Multiplicador	Multiplicador	Multiplier	Ref.1-29,30b,31-45,46a,47,49 (1780, 1880S)
**	1	80797510	Multiplicador	Multiplicador	Multiplier	Ref.1-29,30a,31-45,46a,47,49 (1580, 1680S)
**	1	81196100	TDP dianteira (Z32/Z38)	TDF delantera	Front PTO	Ref.1-5,7a,8,9,11a,12,16-29,30b,31,45-49 (1280R, 1380S)
**	1	81196000	TDP dianteira (Z29/Z35)	TDF delantera	Front PTO	Ref.1-5,7a,8,9,11a,12,16-31,45-49 (1280R, 1380S)
1	4	KG1045	Anel de segurança	Anillo de traba	Circlip	
2	1	889940	Anel espaçador	Anillo espaciador	Spacer ring	
3	1	KH1160	Retentor	Retenedor	Oil seal	
4	4	KG3100	Anel de segurança	Anillo de traba	Circlip	
5	2	LA1214	Rolamento	Rodamiento	Bearing	
6	2	80772600	Espaçador	Espaciador	Spacer	1580,1780, 1680S,1880S
7	1	80772000	Eixo piloto	Eje piloto	Pilot shaft	1580,1780, 1680S,1880S
7a	1	81195700	Eixo piloto	Eje piloto	Pilot shaft	1280R, 1380S
8	1	80739000	Carcaça	Caja	Housing	
9	18	HC8456	Parafuso allen	Tornillo allen	Set screw	
10	1	80772410	Engrenagem Z32	Engranaje Z32	Gear Z32	1580,1780, 1680S,1880S
11	1	80772510	Engrenagem Z31	Engranaje Z32	Gear Z32	1580,1780, 1680S,1880S
11a	1	81195600	Luva de acoplamento	Manga de acoplamiento	Sleeve	120R,1380S
12	1	80772700	Tampão	Tapón	Cover	
13	2	LA9386	Rolamento	Rodamiento	Bearing	1580,1780, 1680S,1880S
14	1	80772100	Contra eixo	Contraeje	Countershaft	1580,1780, 1680S,1880S
15	1	80772310	Engrenagem Z33	Engranaje Z33	Gear Z33	1580,1780, 1680S,1880S
16	1	260530	Tampa	Tapa	Cover	
17	1	LB5010	Anel de segurança	Anillo de seguridad	Lock washer	
18	2	LB3010	Porca	Tuerca	Nut	
19	1	440910	Anel espaçador	Anillo espaciador	Spacer ring	
20	1	227300	Flange	Flange	Flange	
21	1	227340	Retentor	Retenedor	Oil seal	
22	+	227520	Calço	Calzo	Shim	0,10mm
23	+	227530	Calço	Calzo	Shim	0,20mm

MULTIPLICADOR DE VELOCIDADE  
MULTIPLICADOR DE VELOCIDAD  
GEARBOX SPEED MULTIPLIER

1280R, 1580, 1780  
1380S, 1680S, 1880S



28.09.1999

**MULTIPLICADOR DE VELOCIDADE  
MULTIPLICADOR DE VELOCIDAD  
GEARBOX SPEED MULTIPLIER**

42-22

**1280R, 1580, 1780  
1380S, 1680S, 1880S**

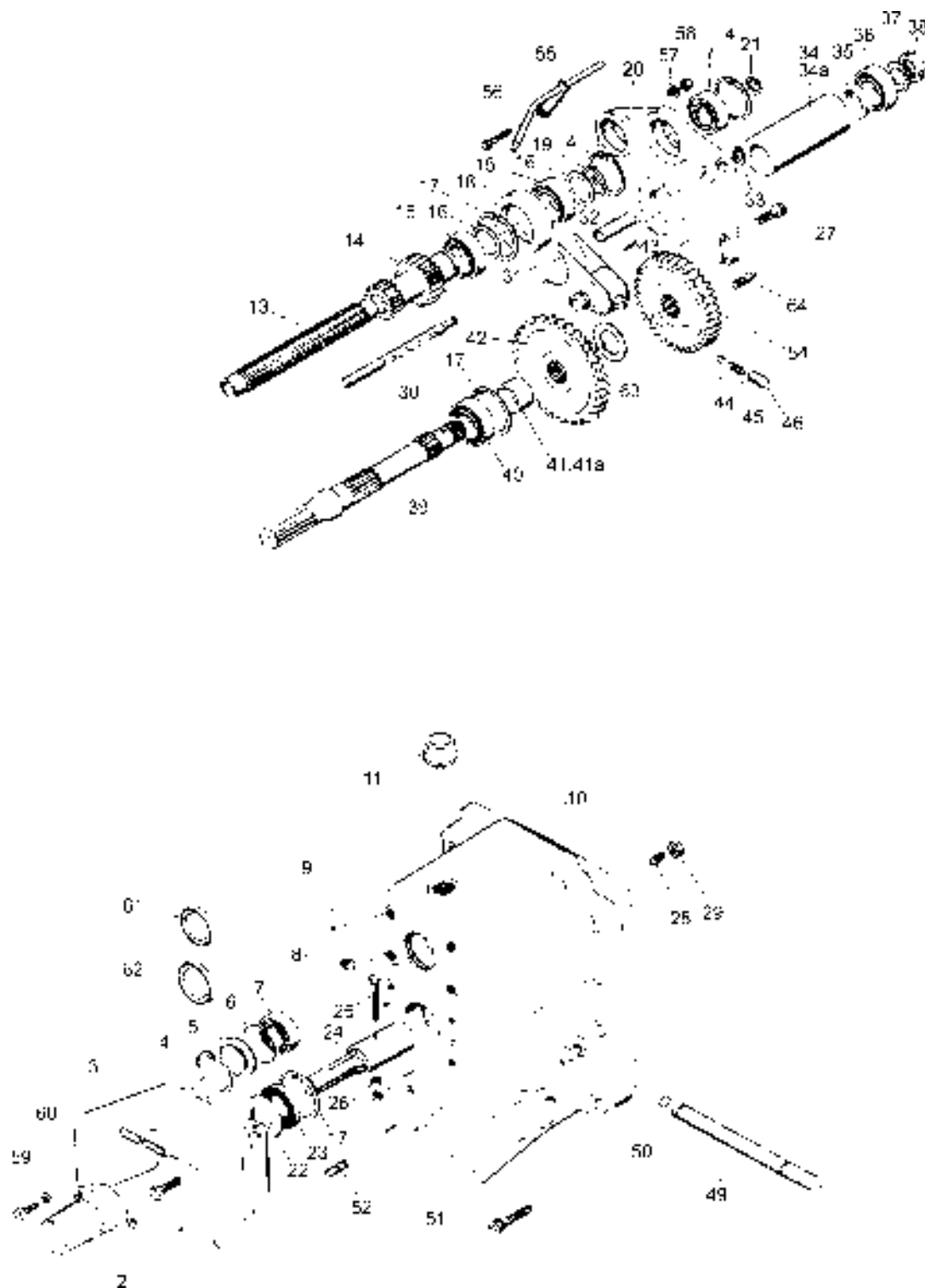
Ref.	Qde.	Peça	Denominação	Denominación	Description	Nota
Ref.	Cant.	Pieza				Nota
Ref.	Qty.	Part				Note
24	1	KG3072	Anel de segurança	Anillo de traba	Circlip	
25	2	LA5111	Rolamento	Rodamiento	Bearing	
26	2	227320	Anel de encosto	Anillo de empuje	Thrust ring	
27	1	871180	Eixo	Eje	Shaft	
28	2	581020	Pino guia	Perno guia	Dowel pin	
29	1	863710	Cubo de acoplamento	Cubo de acoplamiento	Coupling hub	
30	1	80796500	Engrenagem Z35	Engranaje Z35	Gear Z35	1280R,1580, 1380S,1680S
30a	1	80796700	Engrenagem Z37	Engranaje Z37	Gear Z37	1780,1880S
30b	1	80796900	Engrenagem Z38	Engranaje Z38	Gear Z38	1280R,1580, 1380S,1680S
31	4	227360	Anel espaçador	Anillo espaciador	Spacer ring	
32	1	228010	Garfo de seletor	Horquilla del selector	Selector fork	
33	1	227450	Anel limitador	Anillo limitador	Backstop ring	
34	2	HH4468	Parafuso sem cabeça	Tornillo sin cabeza	Screw	
35	2	JB1108	Porca	Tuerca	Nut	
36	1	229340	Chaveta	Chaveta	Key	
37	1	228000	Alavanca da TDP	Palanca de la TDF	PTO lever	
38	1	KG1020	Anel de segurança	Anillo de traba	Circlip	
39	1	80789200	Eixo de acionamento da TDP	Eje de accionamiento de la TDF	PTO shaft	
40	2	80873600	Aanel retentor	Anillo de sellamiento	Seal ring	
41	1	228020	Arruela de encosto	Arandela de empuje	Thrust washer	
42	1	KH4190	Anel retentor	Anillo de sellamiento	Seal ring	
43	1	KG1026	Anel de segurança	Anillo de traba	Circlip	
44	1	80666800	Bujão	Tapón	Plug	
45	1	KH3610	Anel retentor	Anillo de sellamiento	Seal ring	
46	2	JB3212	Porca	Tuerca	Nut	1280R,1380S
46a	2	JB3112	Porca	Tuerca	Nut	1580,1780, 1680S,1880S
47	2	81155000	Parafuso sem cabeça	Tornillo sin cabeza	Screw	
48	1	81195800	Anel retentor	Anillo de sellamiento	Seal ring	1280R,1380S
49	2	HC8448	Parafuso allen	Tornillo allen	Bolt allen	
-	1	078723002	Cola Loctite 271	Cola Loctite 271	Selant Loctite 271	
-	1	078723005	Cola Loctite 568	Cola Loctite 568	Selant Loctite 568	
-	1	078723001	Cola Loctite 271 THR	Cola Loctite 271 THR	Selant Loctite 271	THR

+ Conforme necessidade  
+ Conforme la necesidad  
+ According to necessity

\*\*Não é vendido em conjunto

\*\*No es vendido en conjunto

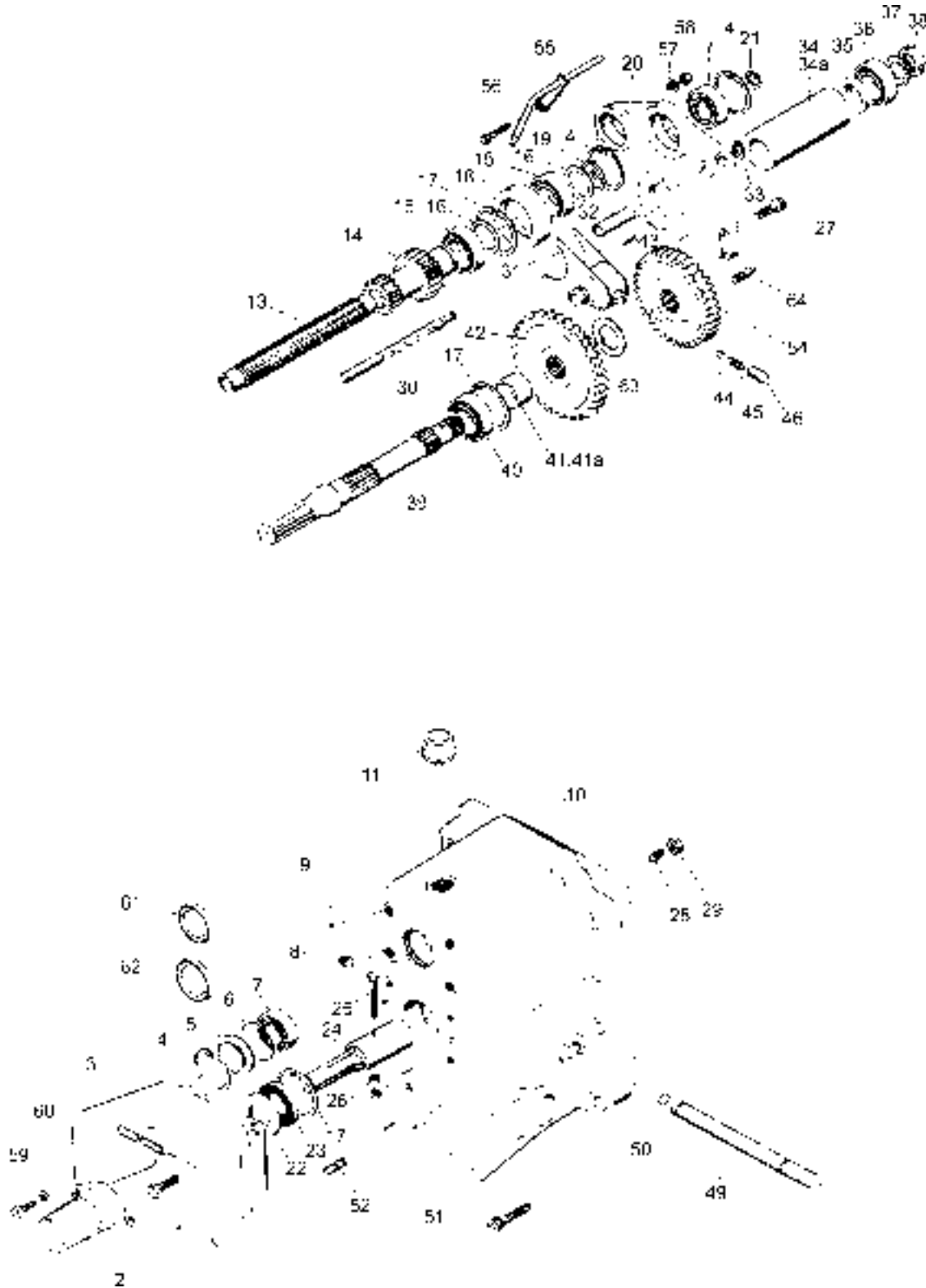
\*\*Not delivered complete



Ref.	Qde.	Peça	Denominação	Denominación	Description	Nota
Ref.	Cant.	Pieza				Nota
Ref.	Qty.	Part				Note
-	1	80793000	Tomada de potência 540 rpm	Toma de fuerza 540 rpm	Power take off 540 rpm	Ref.1-53,55-60
-	1	80850000	Tomada de potência 540/1000 rpm	Toma de fuerza 540/1000 rpm	Power take off 540/1000 rpm	Ref.1-25,26a- 33,34a,35,60, 63 (Optionnal)
-	1	80793100	Tomada de potência 1000 rpm	Toma de fuerza 1000 rpm	Power take off 1000 rpm	Ref.1-25,26a- 33,34a,35-38, 39a,40,41a, 43-60 1780, 1880S (Optionnal)
1	4	HA6344	Parafuso	Tornillo	Bolt	
2	1	80655300	Tampa de proteção	Tapa de protección	Cover	
3	1	81304500	Chapa de proteção	Chapa de protección	Shield	
4	3	KG3080	Anel de segurança	Anillo de traba	Circlip	
5	1	822440	Tampa	Tapa	Cover	
6	1	KH4781	Anel retentor	Anillo de sellamiento	O-ring	
7	2	LA1286	Rolamento	Rodamiento	Bearing	
8	1	82093200	Bujão	Tapón	Plug	
9	1	827340	Tampa	Tapa	Plug	
10	1	223312	Tampa traseira	Tapa trasera	Rear cover	
11	1	30057630	Tampa	Tapa	Filler cap	
12	1	822340	Eixo estriado	Eje estriado	Shaft	
-	1	221960	Engrenagem montada	Engrenaje montada	Gear assy	Ref.14-19
14	1	822350	Engrenagem	Engranaje	Gear	
15	2	LA1016	Rolamento de esfera	Rodamiento de esferas	Ball bearing	
16	2	KG1176	Anel de encosto	Anillo de empuje	Thrust ring	
17	3	KG3090	Anel de segurança	Anillo de traba	Circlip	
18	1	221940	Guia do eixo estriado	Guia del eje estriado	Shaft guide	
19	1	KG1055	Anel de segurança	Anillo de traba	Circlip	
20	1	822242	Suporte dos rolamentos	Soporte de los rodamiento	Bearing support	
21	1	KG3023	Anel de segurança	Anillo de traba	Circlip	
22	1	822260	Chapa de proteção	Anillo de protección	Protective ring	
23	1	KH0931	Retentor	Retenedor	Oil seal	
24	1	191500	Adaptador da TDP	Adaptador del TDF	PTO adapter	
25	1	HA8330	Parafuso	Tornillo	Bolt	
26	2	JB1208	Porca	Tuerca	Nut	
26a	4	JB1208	Porca	Tuerca	Nut	
27	3	HC8447	Parafuso allen	Tornillo allen	Set screw	
28	1	HH6429	Parafuso	Tornillo	Bolt	
29	1	JB1112	Porca	Tuerca	Nut	
30	1	822400	Barra do seletor	Eje del selector	Selector rod	
31	1	811410	Garfo do seletor	Horquilla del selector	Selector fork	
32	1	225860	Tubo limitador	Tubo limitador	Spacer tube	
33	1	KG1016	Anel de segurança	Anillo de traba	Circlip	
34	1	221950	Bucha distanciadora 540 rpm	Buje espaciador 540 rpm	Spacer bush 540 rpm	
34a	1	228090	Bucha distanciadora 540/1000 rpm	Buje espaciador 540/1000 rpm	Spacer bush 540/1000 rpm	Optionnal
35	1	869420	Anel distanciador	Anillo espaciador	Spacer ring	
36	1	LA1213	Rolamento	Rodamiento	Bearing	
37	1	821320	Chapa de segurança	Arandela de traba	Lock washer	

TOMADA DE POTÊNCIA  
TOMA DE FUERZA  
POWER TAKE OFF

1280R, 1580, 1780  
1380S, 1680S, 1880S



Ref.	Qde.	Peça	Denominação	Denominación	Description	Nota
Ref.	Cant.	Pieza				Nota
Ref.	Qty.	Part				Note
38	1	LB3013	Porca	Tuerca	Nut	
39	1	822250	Eixo TDP 540/1000 rpm	Eje TDF 540/1000 rpm	PTO shaft 540/1000 rpm	Optionnal
39a	1	80797200	Eixo TDP 1000 rpm	Eje TDF 1000 rpm	PTO shaft 1000 rpm	Optionnal - 1780,1880S
40	1	LA1115	Rolamento	Rodamiento	Bearing	
41	1	822270	Anel distanciador 540/1000 rpm	Anillo epaciador 540/1000 rpm	Spacer ring 540/1000 rpm	
41a	1	80838500	Anel distanciador 1000 rpm	Anillo espaciador 1000 rpm	Spacer ring 1000 rpm	Optionnal - 1780,1880S
42	1	822280	Engrenagem	Engranaje	Gear	Z55
43	1	JE3108	Cupilha	Perno abierto	Split pin	
44	1	LB8022	Esfera	Esfera	Ball	
45	1	581770	Mola	Resorte	Spring	
46	1	824670	Caixa de esferas	Caja de bolas	Ball housing	
49	1	822391	Eixo da alavanca	Eje de la palanca	Lever shaft	
50	1	KH4111	Anel retentor	Anillo de sellamiento	O-ring	
51	12	HC8450	Parafuso allen	Tornillo allen	Set screw	
52	4	581020	Pino guia	Perno guia	Dowel pin	
54	1	822300	Engrenagem	Engranaje	Gear	Z50
55	1	80649200	Tubo	Tubo	Pipe	
56	1	HA6318	Parafuso	Tornillo	Bolt	
57	1	JD3106	Arruela	Arandela	Washer	
58	1	JB1106	Porca	Tuerca	Nut	
59	2	HC1312	Parafuso	Tornillo	Bolt	
60	2	726970	Arruela	Arandela	Washer	
61	1	611180	Tampa	Tapa	Cap	
62	1	202970	Tampa	Tapa	Cap	
63	1	822290	Arruela distanciadora	Arandela espaciadora	Spacer washer	
-	1	078721001	Cola Dow Corning 780	Cola Dow Corning 780	Sealant Dow Corning 780	
-	1	078721006	Cola Loctite 515	Cola Loctite 515	Sealant Loctite 515	
-	1	078723005	Cola Loctite 566	Cola Loctite 566	Sealant Loctite 566	

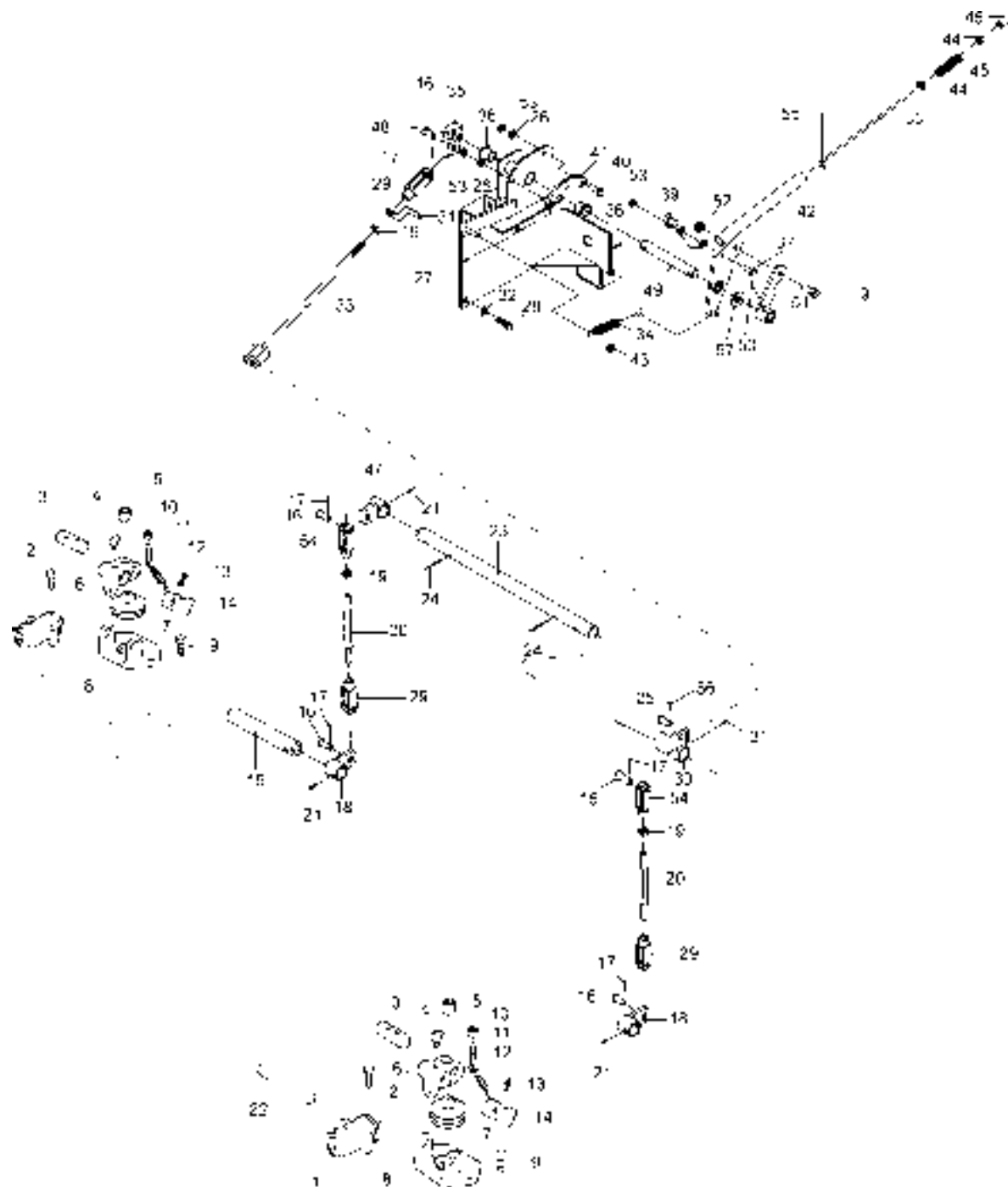
**TRANSMISSÃO FINAL E FREIO  
TRANSMISIÓN FINALE Y FRENO  
FINAL DRIVE AND BRAKES**

50-1

**1280R, 1580, 1780  
1380S, 1680S, 1880S**

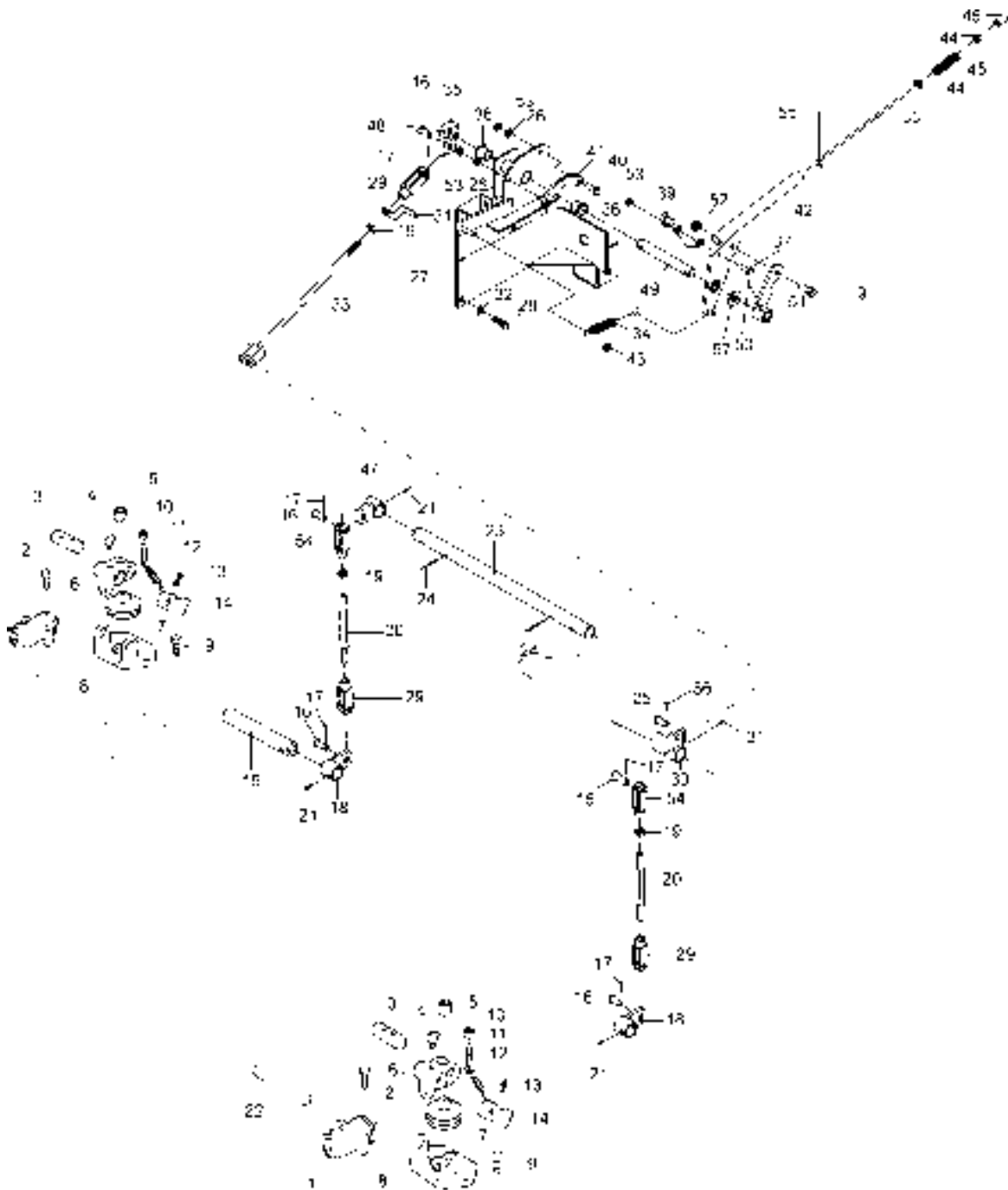
<b>51</b>	<b>MECANISMO DO FREIO</b>	<b>FRENO MECANICOS</b>	<b>MECHANICAL BRAKES</b>	<b>TRATOR/ TRACTOR</b>	
	Sistema de comando do freio	Sistema de comando del freno	Control brake system	1280R,1580,1780	2-4
	Acionamento do bloqueio do diferencial	Accionamiento del bloqueo del diferencial	Differential lock drive	1280R,1580,1780 1380S,1680S,1880S	6



**SISTEMA DE COMANDO DO FREIO  
SISTEMA DE COMANDO DEL FRENO  
CONTROL BRAKE SYSTEM**1280R, 1580, 1780  
1380S, 1680S, 1880S

**SISTEMA DE COMANDO DO FREIO  
SISTEMA DE COMANDO DEL FRENO  
CONTROL BRAKE SYSTEM**
**1280R, 1580, 1780  
1380S, 1680S, 1880S**

Ref.	Qde.	Peça	Denominação	Denominación	Description	Nota
Ref.	Cant.	Pieza				Nota
Ref.	Qty.	Part				Note
-	1	81519300	Jogo de reparo do cilindro do freio	Juego de reparación del cilindro del freno	Repair set of brake cylinder	VARGA
-	1	80260700	Jogo de reparo do cilindro do freio	Juego de reparación del cilindro del freno	Repair set of brake cylinder	FAG
1	2	30181500	Cilindro do freio	Cilindro del freno	Brake cylinder	FAG/VARGA
2	4	HA8327	Parafuso	Tornillo	Bolt	
3	2	30182300	Pino	Perno	Pin	
4	2	GG0085	Niple de lubrificação	Niple de lubricación	Grease fitting	
5	2	411090	Porca	Tuerca	Nut	
6	2	30182400	Suporte da alavanca	Soporte de la palanca	Lever support	
7	2	30182000	Tampa	Tapa	Cover	
8	2	30182500	Suporte do elevador	Soporte del elevador	Lift support	
9	5	HA6333	Parafuso	Tornillo	Bolt	
10	2	JB1208	Porca	Tuerca	Nut	
11	2	80289000	Parafuso	Tornillo	Bolt	
12	2	30182100	Mola	Resorte	Spring	
13	2	JE8141	Pino de pressão	Perno de presión	Lock pin	
14	2	30182200	Alavanca	Palanca	Lever	
15	1	81194900	Eixo de acionamento esq.	Eje de accionamiento izq.	Drive shaft	Left
16	5	83326400	Pino	Perno	Pin	
17	5	JE3079	Cupilha	Perno aberto	Split pin	
18	2	81194700	Alavanca de acionamento	Palanca de accionamiento	Drive lever	
19	3	JB1210	Porca	Tuerca	Nut	
20	2	81785700	Barra	Espárrago	Stud	
21	4	JE9070	Pino de pressão	Perno de presión	Lock pin	
22	1	81195000	Eixo de acionamento dir.	Eje de accionamiento der.	Drive shaft	Right
23	1	81194800	Eixo do freio	Eje del freno	Brake shaft	
24	2	JE8102	Pino de pressão	Perno de presión	Lock pin	
25	1	166220	Pino de trava	Perno de traba	Lock pin	
26	2	JD3208	Arruela de pressão	Arandela de presión	Lock washer	
27	1	81664100	Suporte	Soporte	Support	
28	3	HA9235	Parafuso	Tornillo	Bolt	
29	1	83338700	Garfo	Horquilla	Fork	
30	1	81194501	Alavanca de acionamento	Palanca de accionamiento	Drive lever	
31	1	81667600	Acionador	Accionador	Drive	
32	5	JD0408	Arruela	Arandela	Washer	
33	1	81667500	Barra	Vastargo	Rod	
34	1	826100	Mola	Resorte	Spring	
35	1	81194000	Alavanca de acionamento	Palanca de accionamiento	Drive lever	
36	2	436390	Bucha de plástico	Buje	Bushing	
37	1	HA6324	Parafuso	Tornillo	Bolt	
38	1	81780600	Vareta da trava	Varilla de la traba	Lock rod	
39	1	80020300	Trava	Traba	Lock	
40	1	HA6323	Parafuso	Tornillo	Bolt	
41	1	81770900	Catraca	Trinquete	Tatchet	
42	1	81657900	Alavanca	Palanca	Lever	
43	1	JB8904	Porca	Tuerca	Nut	
44	2	224580	Arruela	Arandela	Washer	
45	1	224550	Mola	Resorte	Spring	
46	1	81736400	Botão	Botón	Button	
47	1	81194200	Alavanca de acionamento	Palanca de accionamiento	Drive lever	
48	1	JE3076	Pino de pressão	Perno de presión	Lock pin	

**SISTEMA DE COMANDO DO FREIO  
SISTEMA DE COMANDO DEL FRENO  
CONTROL BRAKE SYSTEM**1280R, 1580, 1780  
1380S, 1680S, 1880S

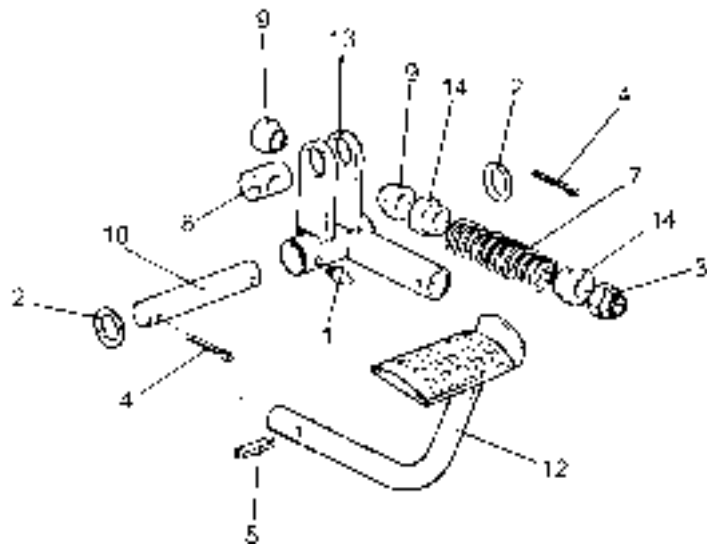
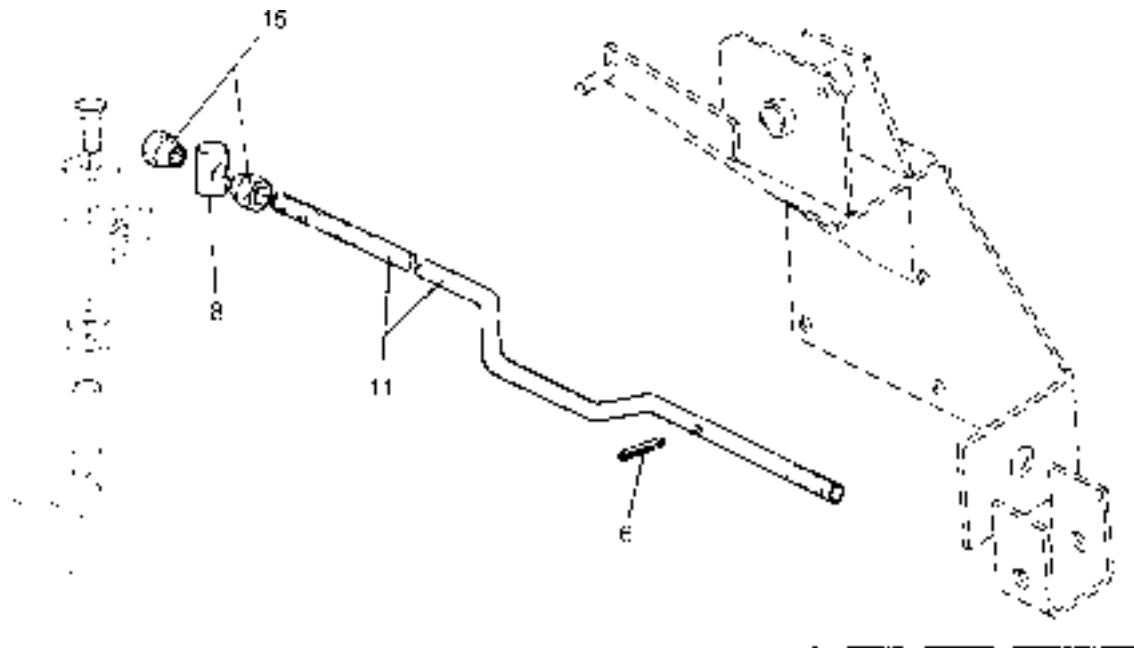
12.04.2000

**SISTEMA DE COMANDO DO FREIO  
SISTEMA DE COMANDO DEL FRENO  
CONTROL BRAKE SYSTEM**

51-4

**1280R, 1580, 1780  
1380S, 1680S, 1880S**

<b>Ref.</b>	<b>Qde.</b>	<b>Peça</b>	<b>Denominação</b>			<b>Nota</b>
<b>Ref.</b>	<b>Cant.</b>	<b>Pieza</b>		<b>Denominación</b>		<b>Nota</b>
<b>Ref.</b>	<b>Qty.</b>	<b>Part</b>			<b>Description</b>	<b>Note</b>
49	1	81684800	Eixo	Eje	Shaft	
50	1	JE8162	Pino de pressão	Perno de presión	Lock pin	
51	1	81782000	Alavanca auxiliar	Palanca	Lever	
52	1	JB8905	Porca	Tuerca	Nut	
53	2	JB1108	Porca	Tuerca	Nut	
54	2	81786300	Garfo	Horquilla	Fork	
55	1	JE3047	Cupilha	Perno abierto	Split pin	
56	1	JE3101	Cupilha	Perno abierto	Split pin	
57	1	JD0412	Arruela	Arandela	Washer	



12.04.2000

**ACIONAMENTO DO BLOQUEIO DO DIFERENCIAL  
ACCIONAMIENTO DEL BLOQUEO DEL DIFERENCIAL  
DIFFERENTIAL LOCK DRIVE**

51-6

**1280R, 1580, 1780  
1380S, 1680S, 1880S**

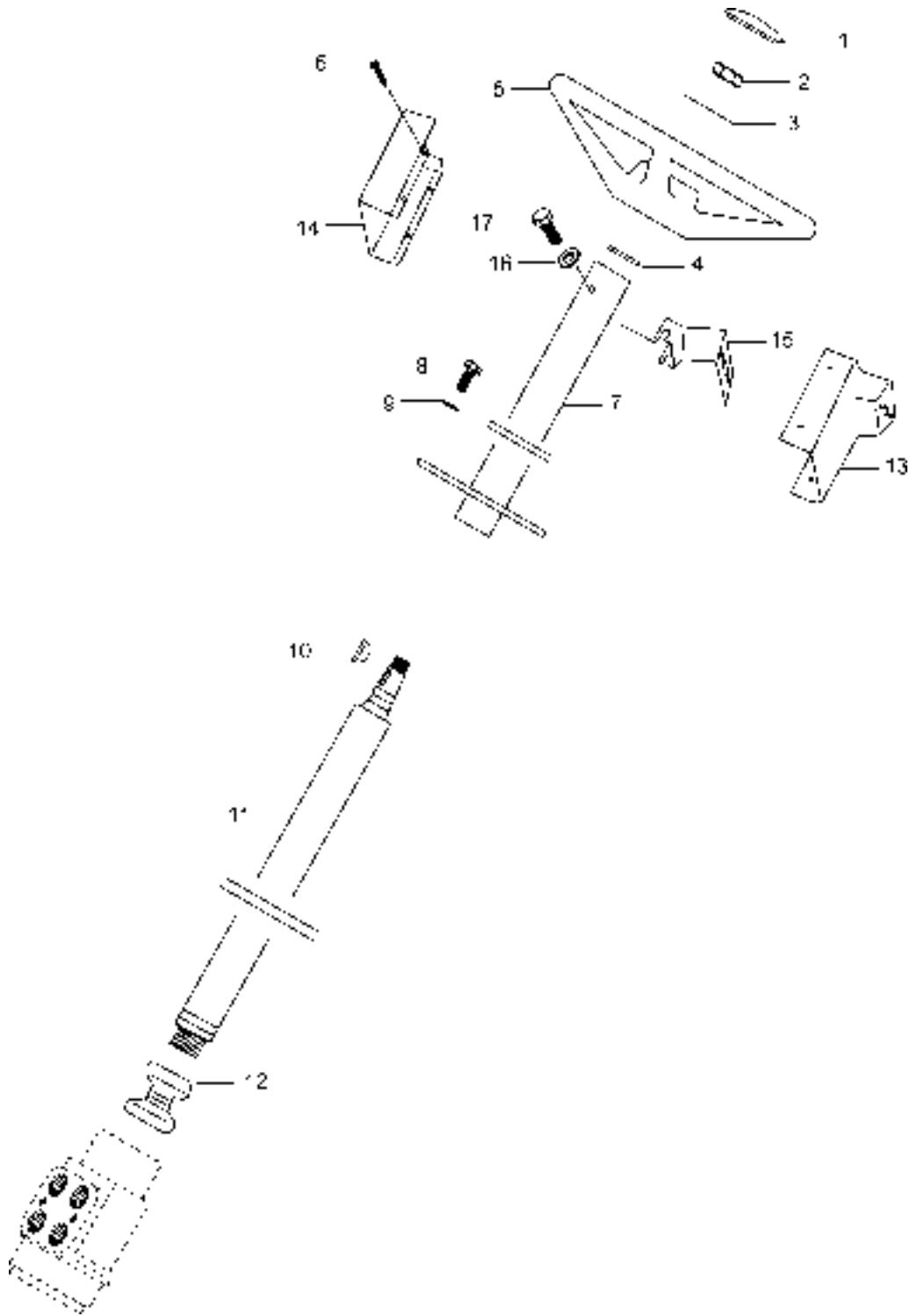
Ref.	Qde.	Peça	Denominação	Denominación	Description	Nota
Ref.	Cant.	Pieza				Nota
Ref.	Qty.	Part				Note
-	1	80874600	Acionamento do bloqueio do diferencial	Accionamiento del	Differential lock drive bloqueio del diferencial	Ref.1-15
1	1	GG0085	.Niple de lubrificação	Niple de lubricación	Grease fitting	
2	2	JD0416	.Arruela	Arandela	Washer	
3	1	JB8906	.Porca	Tuerca	Nut	
4	2	JE3103	.Cupilha	Perno aberto	Split pin	
5	1	JE9069	.Pino de pressão	Perno de presión	Lock pin	
6	1	JE9099	.Pino de pressão	Perno de presión	Lock pin	
7	1	30515810	.Mola	Resorte	Spring	
8	2	80075500	.Pino	Perno	Pin	
9	2	80075700	.Bucha distânciadora	Buje espaciadora	Spacer bushing	
10	1	80075900	.Eixo	Eje	Shaft	
11	1	80874720	.Barra acionadora	Barra de accionamiento	Drive rod	
12	1	80953410	.Pedal do bloqueio	Pedal del bloqueio	Lock pedal	
13	1	80917410	.Suporte	Soporte	Support	
14	2	80158700	.Guia da mola	Guia del resorte	Spring guide	
15	2	822780	.Porca de regulagem	Tuerca de ajuste	Adjusting nut	

**SISTEMA DE DIREÇÃO  
SISTEMA DE DERECCIÓN  
STEERRING SYSTEM**
**60-1**
**1280R, 1580, 1780  
1380S, 1680S, 1880S**

<b>61</b>	<b>SISTEMA DE DIREÇÃO</b>	<b>SISTEMA DE DIRECCIÓN</b>	<b>STEERING SYSTEM</b>	<b>TRATOR</b>	
	Coluna da direção	Columna de la dirección	Sterring wheel column	1280r,1580,1780, 1380s,1680s,1880s	2
	Direção hidráulico	Dirección hidráulica	Steering hydraulic	1280r,1580,1780, 1380s,1680s,1880s	4
	Unidade hidrostática danfoss	Unidad hidrostática danfoss	Hydraulic steering unit danfoss	1280r,1580,1780, 1380s,1680s,1880s	6
<b>64</b>	<b>EIXO DIANTEIRO E CARDAN</b>	<b>EJE DELANTERO Y CARDAN</b>	<b>FRONT AXLE AND CARDAN</b>		
	Suporte, Mancais E Cardan Do Eixo Zf Apl 359	Soporte, Cojinetes Y Cardan Del Eje Zf Apl 359	Frame, Bearings And Cardan Of Front Axle Zf Apl 359	1280r,1580,1780, 1380s,1680s,1880s	2-4
	Carcaça Do Eixo Dianteiro E Diferencial 4wd Zf Apl 359	Carcasa Del Eje Delantero Y Diferencial	Differential And Axle Housing	1280r,1580,1780, 1380s,1680s,1880s	6
	Carca Articuladora E Planetárias 4wd Zf Apl 359	Carcasa De Articulación E Juego Planetários	Joint Casing And Planetary Gear	1280r,1580,1780, 1380s,1680s,1880s	8-10
	Cilindro E Barra Da Direção 4wd Zf Apl 359	Cilindro Y Barra De La Dirección 4wd	Cylinder And Rod Steering 4wd	1280r,1580,1780, 1380s,1680s,1880s	12-14
	Alavanca Da Tração Dianteira	Palanca De La Tracción Delantera	Front Axle Selecting Lever	1280r,1580,1780, 1380s,1680s,1880s	16

**COLUNA DA DIREÇÃO  
COLUMN DE LA DIRECCIÓN  
STEERING WHEEL COLUMN**

1280R, 1580, 1780  
1380S, 1680S, 1880S



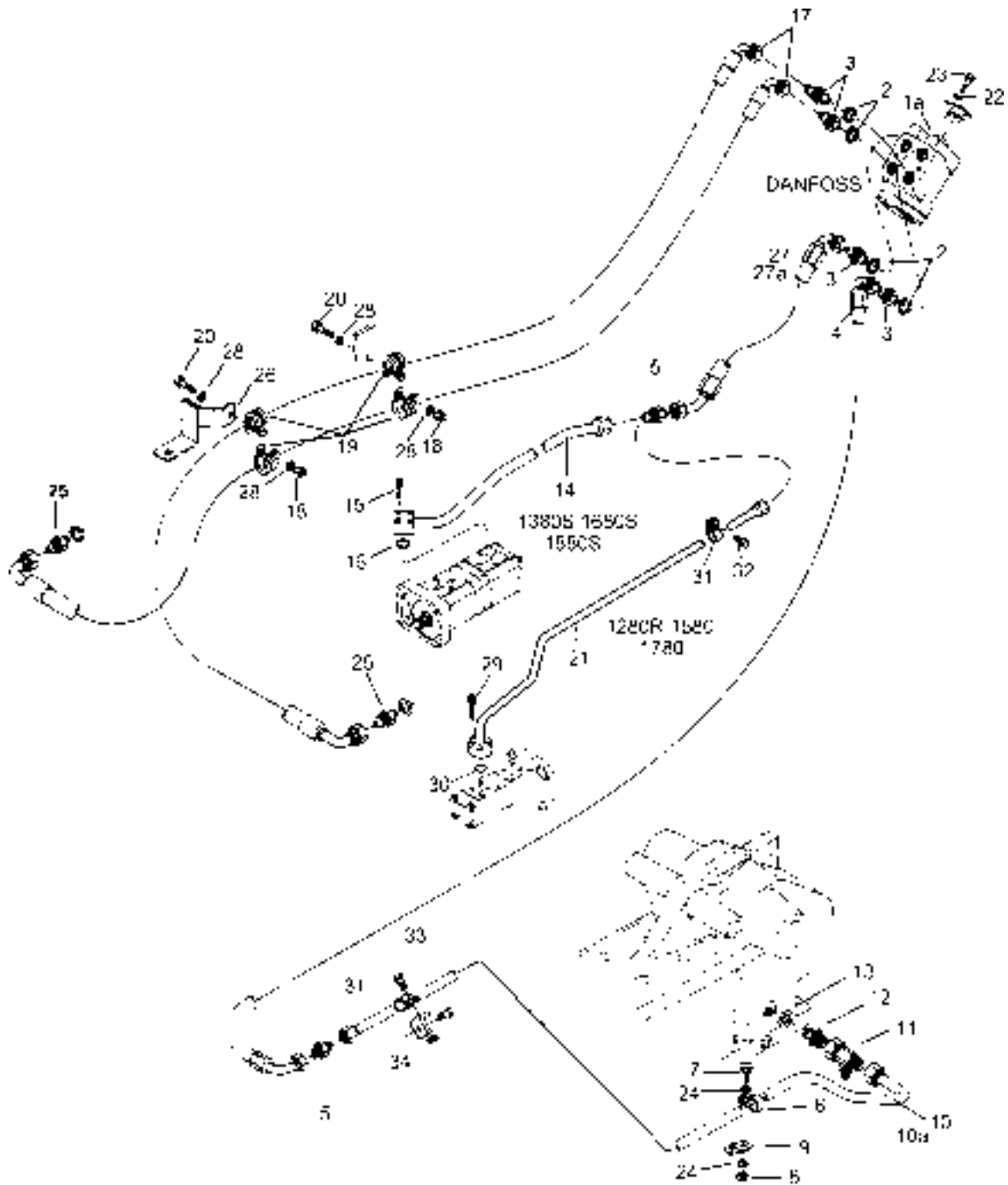


**COLUNA DA DIREÇÃO  
 COLUMNA DE LA DIRECCIÓN  
 STEERING WHEEL COLUMN**

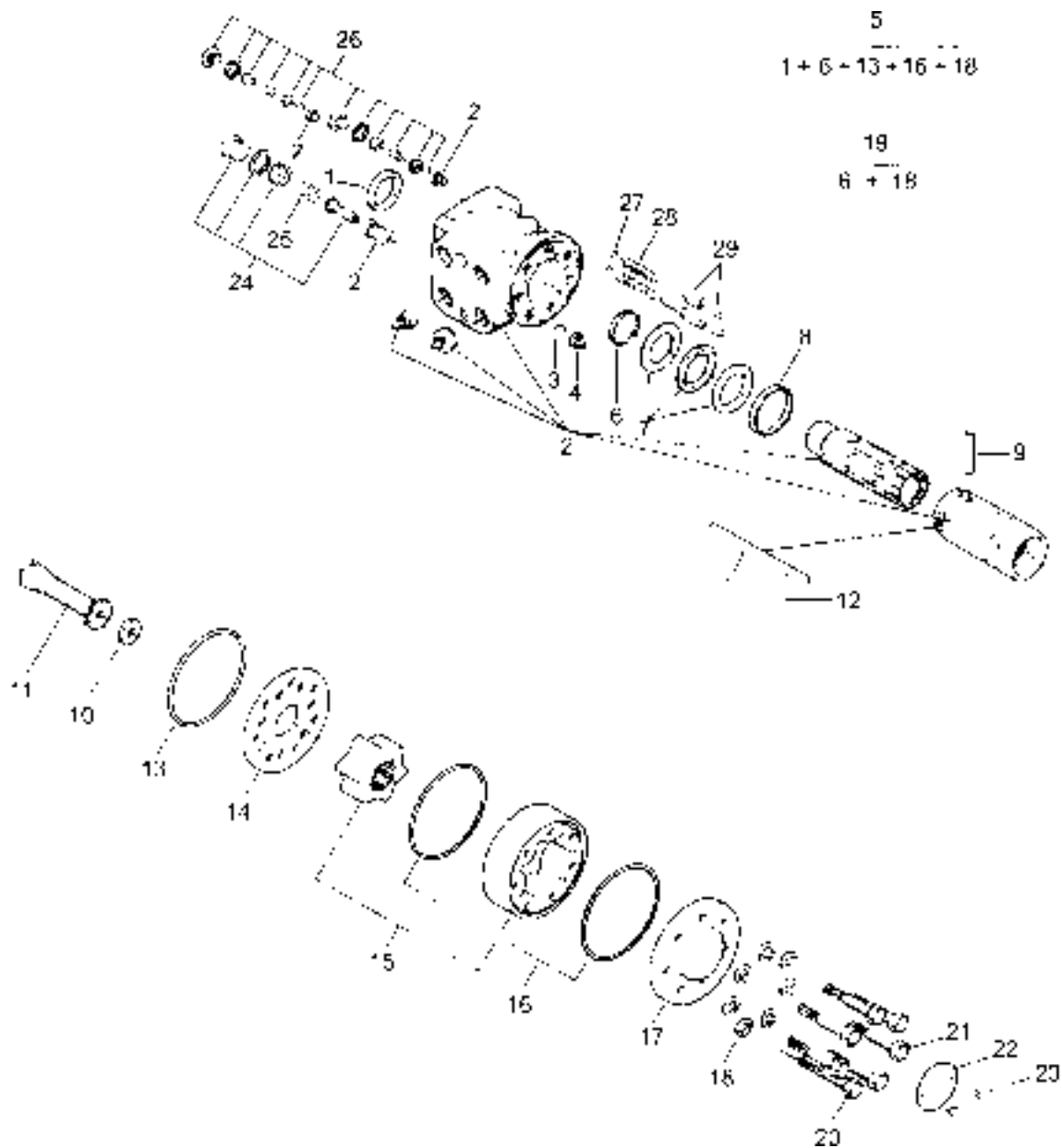
Ref.	Qde.	Peça	Denominação	Denominación	Description	Nota
Ref.	Cant.	Pieza				Nota
Ref.	Qty.	Part				Note
-	1	81189910	Sistema de direção	Sistema de la dirección	Steering system	Danfoss
1	1	30302800	.Tampa	Tapa	Cover	
2	1	80049000	.Porca	Tuerca	Nut	
3	1	JD0420	.Arruela	Arandela	Washer	
4	2	80048600	.Anel	Anillo	O-ring	
5	1	32889010	.Volante	Volante	Steering wheel	
6	4	HD8005	.Parafuso	Tornillo	Screw	
7	1	81421710	.Coluna da direção	Columna de la dirección	Steering wheel column	
8	4	HA6323	.Parafuso	Tornillo	Screw	
9	4	JD0408	.Arruela	Arandela	Washer	
10	1	GB8005	.Chaveta	Clavija	Key	
11	1	81180000	.Eixo da coluna da direção	Eje de la columna de la dirección	Steering wheel column shaft	
12	1	81198600	.Guarnição de borracha	Protector de goma	Rubber protector	
13	1	81599400	.Proteção esquerda	Protección izquierda	Left protector	
14	1	81599300	.Proteção direita	Protección derecha	Right protector	
15	1	81610700	.Suporte	Soporte	Support	
16	2	JD0406	.Arruela	Arandela	Washer	
17	2	HA9223	.Parafuso	Tornillo	Screw	

DIREÇÃO HIDRÁULICO  
DIRECCIÓN HIDRÁULICA  
STEERING HYDRAULIC

1280R, 1580, 1780  
1380S, 1680S, 1880S



Ref.	Qde.	Peça	Denominação	Denominación	Description	Nota
Ref.	Cant.	Pieza				Nota
Ref.	Qty.	Part				Note
1	1	81180300	Unidade hidrostática	Unidad hidrostática	Hidrostatic steering unit	DANFOSS
2	4	KH4946	Anel de vedação	Anillo de sellamiento	Seal ring	
3	4	80261400	Conexão	Conexión	Connection	
4	1	80744200	Mangueira de retorno	Manguera de retorno	Return hose	
5	2	GS9274	Conexão	Conexión	Connection	
6	1	221930	Braçadeira	Abrazadera	Clamp	
7	1	HA9234	Parafuso	Tornillo	Bolt	
8	1	JB1110	Porca	Tuerca	Nut	
9	1	80376100	Suporte	Soporte	Support	
10	1	80744140	Tubo de retorno	Tubo de retorno	Return pipe	1380S,1680S, 1880S
10a	1	80744130	Tubo de retorno	Tubo de retorno	Return pipe	1280R,1580, 1780
11	1	80747400	Conexão	Conexión	Connection	
12	1	80097100	Conexão	Conexión	Connection	
13	1	KH3611	Anel de vedação	Anillo de sellamiento	Seal ring	
14	1	82067700	Tubo de pressão	Tubo de presión	Pressure pipe	1380S,1680S, 1880S
15	4	HC9605	Parafuso	Tornillo	Bolt	1380S,1680S, 1880S
16	1	KH4952	Anel retentor	Anillo retenedor	O-ring	1380S,1680S, 1880S
17	2	81407300	Mangueira	Manguera	Hose	
18	1	JB1108	Porca	Tuerca	Nut	
19	4	30446600	Braçadeira	Abrazadera	Clamp	
20	2	HA6323	Parafuso	Tornillo	Bolt	
21	1	80743920	Tubo de pressão	Tubo de presión	Pressure pipe	1280R,1580, 1780
22	4	JD3108	Arruela de pressão	Arandela de presión	Lock washer	
23	4	HC9325	Parafuso	Tornillo	Bolt	
24	2	JD3110	Arruela de pressão	Arandela de presión	Lock washer	
25	2	80746900	Conexão	Conexión	Conexión	
26	1	80744910	Suporte	Soporte	Support	
27	1	82071900	Mangueira de pressão	Manguera de presión	Pressure hose	1380S,1680S, 1880S
27a	1	80744010	Mangueira de pressão	Manguera de presión	Pressure hose	1280R,1580, 1780
28	2	JD0408	Arruela de pressão	Arandela de presión	Lock washer	
29	4	HC9322	Parafuso	Tornillo	Bolt	1280R,1580, 1780
30	1	KH4091	Anel retentor	Anillo retenedor	O-ring	1280R,1580, 1780
31	2	221930	Abraçadeira	Abrazadera	Clamp	1280R,1580, 1780
32	1	HA6334	Parafuso	Tornillo	Bolt	1280R,1580, 1780
33	1	HA9234	Parafuso	Tornillo	Bolt	1280R,1580, 1780
34	1	80896520	Suporte	Soporte	Support	1280R,1580, 1780



**UNIDADE HIDROSTÁTICA DANFOSS  
 UNIDAD HIDROSTÁTICA DANFOSS  
 HYDROSTATIC STEERING UNIT DANFOSS**

61-6

**1280R, 1580, 1780  
 1380S, 1680S, 1880S**

Ref.	Qde.	Peça	Denominação	Denominación	Description	Nota
Ref.	Cant.	Pieza				Nota
Ref.	Qty.	Part				Note
-	1	81180300	Unidade hidrostática	Unidad hidrostático	Hydrostatic steering unit	
1	1	*	Retentor anti-pó	Retenedor anti-polvo	Dust seal ring	
2	1	*	Carcaça, carretel e luva	Carcasa, carretel y manga	Housing, spool, and sleeve	
3	1	81301700	Esfera	Esfera	Ball	
4	1	81301800	Bucha rosqueada	Buje rosqueada	Threaded bushing	
5	1	81533600	Kit de reparo	Kit de reparación	Repair kit	Ref.1,6,13, 16,18
6	1	*	Anel	Anillo	O-ring	
7	1	81302100	Rolamento axial	Rodamiento axial	Thrust bearing	
8	1	81302200	Anel	Anillo	O-ring	
9	1	81302300	Pino	Perno	Pin	
10	1	81302400	Espaçador	Espaciador	Spacer	
11	1	81302500	Eixo	Eje	Shaft	
12	1	81302600	Conjunto de molas	Conjunto de resortes	Spring set	
13	1	*	Anel retentor	Anillo de sellamiento	Seal ring	
14	1	81302800	Placa distribuidora	Placa distribuidora	Distributor plate	
15	1	81295700	Conjunto de engrenagens	Conjunto de engranajes	Gears set	
16	2	*	Anel retentor	Anillo de sellamiento	Seal ring	
17	1	81303100	Tampa	Tapa	Cover	
18	7	*	Arruela	Arandela	Washer	
19	1	81420300	Kit de reparo	Kit de reparación	Repair kit	Ref. 6,18
20	1	81295800	Parafuso especial	Tornillo especial	Bolt, special	
21	6	81295900	Parafuso	Tornillo	Screw	
22	1	81303500	Placa de identificação	Placa de identifcación	Identification plate	
23	2	81303600	Parafuso	Tornillo	Screw	
24	1	81303700	Válvula de alívio	Válvula de alívio	Reliet valve	
25	2	81303800	Mola	Resorte	Spring	
26	2	81293800	Válvula anti-choque	Válvula	Dual shock valve	
27	2	81304000	Esfera	Esfera	Ball	
28	2	*	Mola	Resorte	Spring	
29	2	81303900	Pino cilíndrico	Perno cilíndrico	Rolled pin	

\* Não fornecida separadamente

\* No suministrada en separado

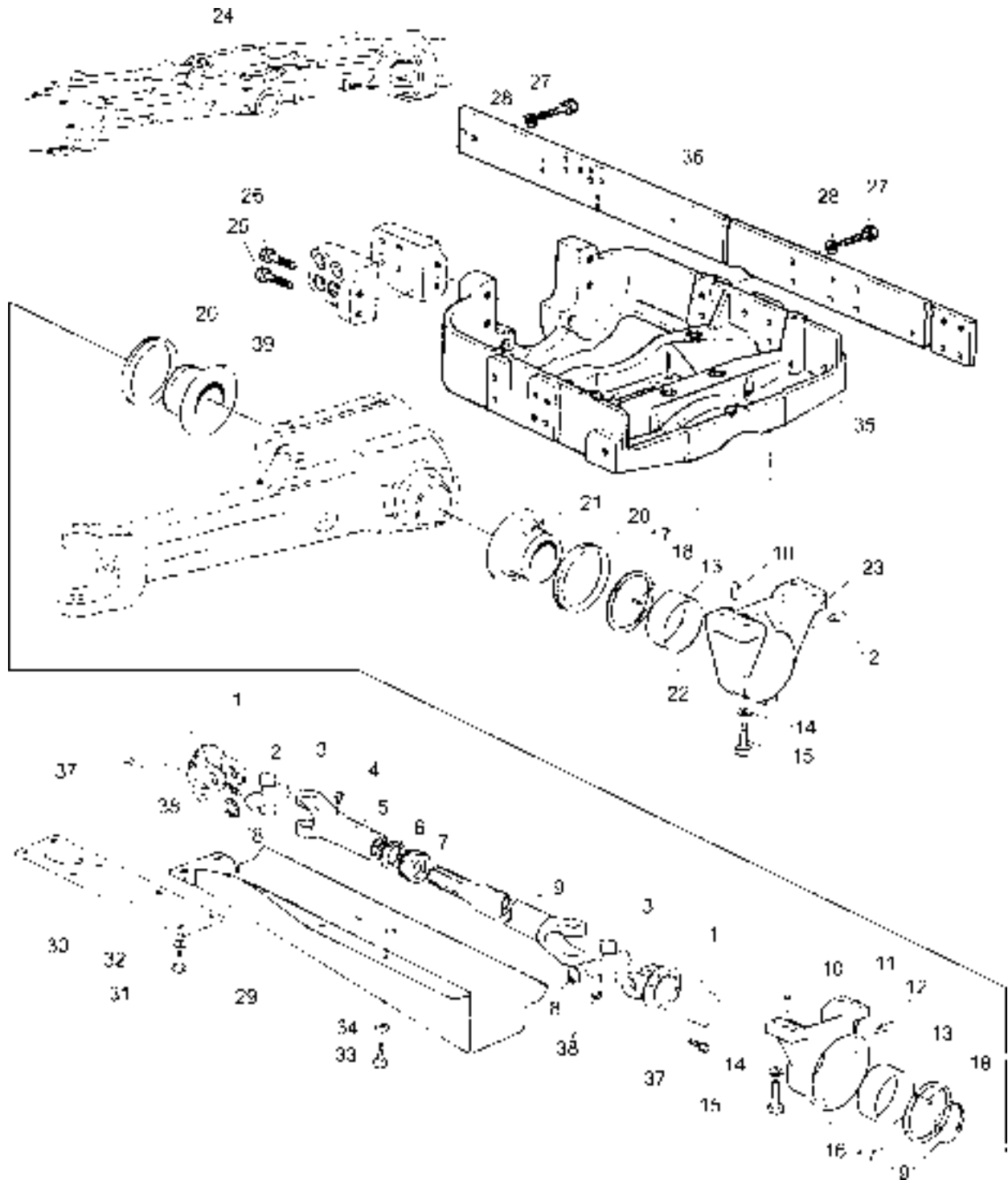
\* Not supplied separately

02.07.1999

64-1

SUPOORTE, MANCAIS E CARDAN DO EIXO ZF APL 359  
SOPORTE, COJINETES Y CARDAN DEL EJE ZF APL 359  
FRAME, BEARING AND CARDAN OF FRONT AXLE ZF APL 359

1280R, 1580, 1780  
1380S, 1680S, 1880S

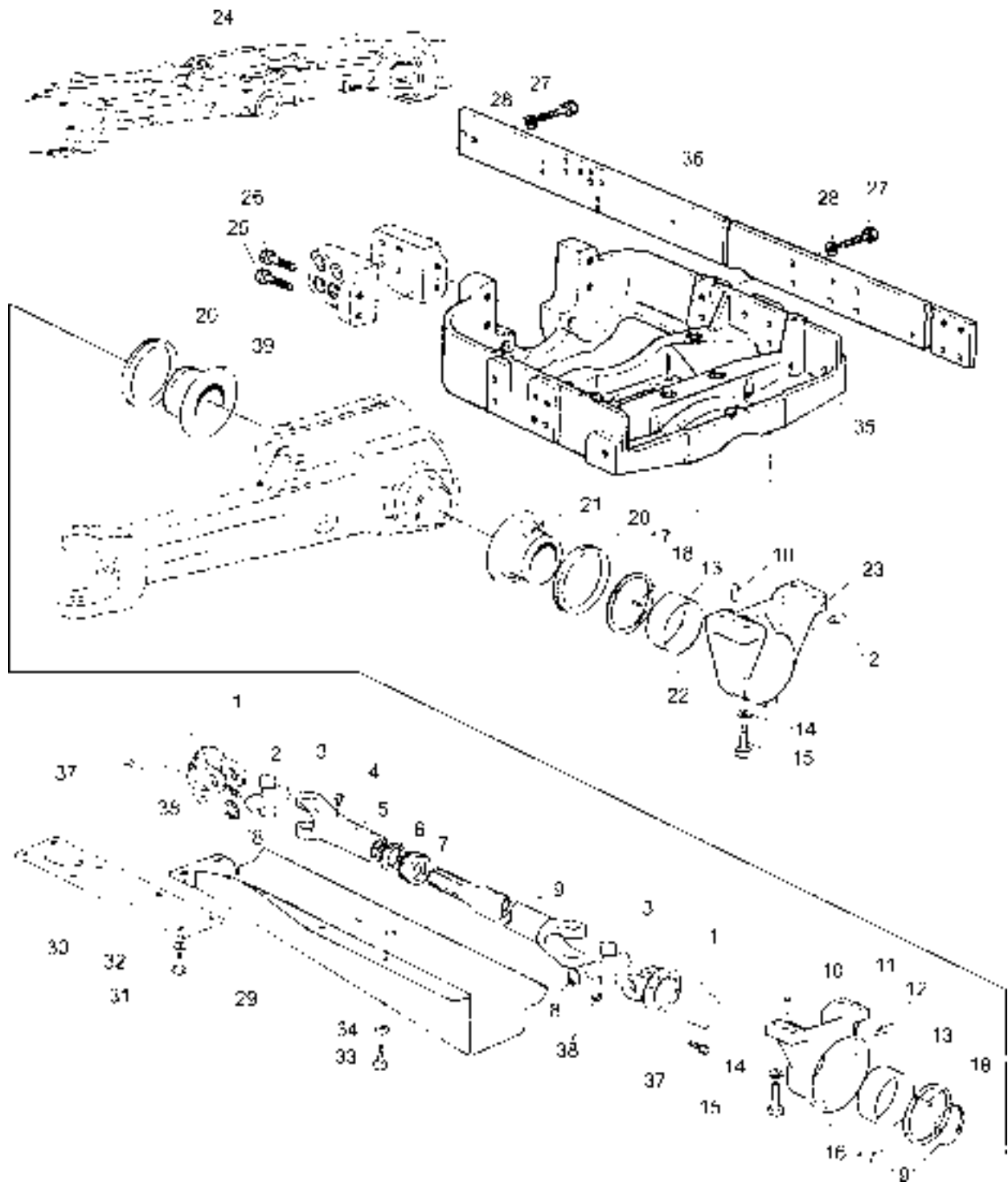


**02.07.1999**
**SUPORTE, MANCAIS E CARDAN DO EIXO ZF APL 359  
 SOPORTE, COJINETES Y CARDAN DEL EJE ZF APL 359  
 FRAME, BEARING AND CARDAN OF FRONT AXLE ZF APL 359**
**64-2**
**1280R, 1580, 1780  
 1380S, 1680S, 1880S**

Ref.	Qde.	Peça	Denominação	Denominación	Description	Nota
Ref.	Cant.	Pieza				Nota
Ref.	Qty.	Part				Note
-	1	82078300	Cardan montado	Cardan montado	Cardan assy	1380S,1680S, 1880S Ref. 1-9
-	1	80752800	Cardan montado	Cardan montado	Cardan assy	1280R,1580, 1780 Ref. 1-8,9a
1	2	261950	Flange	Flange	Flange	
2	2	262870	Niple de lubrificação	Niple de lubricación	Grease fitting	
3	2	261940	Cruzeta	Cruceta	Spider	
4	1	262880	Niple de lubrificação	Niple de lubricación	Grease fitting	
5	1	261970	Eixo externo	Eje externo	Outer shaft	
6	1	262400	Anel de vedação	Anillo de sellamiento	Seal ring	
7	1	262410	Tampa protetora	Tapa protectora	Protective ring	
8	4	261960	Anel de trava	Anillo de traba	Lock ring	
9	1	82087900	Eixo interno	Eje interno	Inner shaft	1380S,1680S, 1880S
9a	1	80895300	Eixo interno	Eje interno	Inner shaft	1280R,1580, 1780
10	4	822140	Pino	Pasador	Pin	
11	1	80840200	Mancal traseiro	Cojinete trasero	Rear pivot	
12	2	GG0019	Niple de lubrificação	Niple de lubricación	Grease fitting	
13	2	80854600	Bucha	Buje	Bush	
14	8	260660	Arruela	Arandela	Washer	
15	8	HC9767	Parafuso	Tornillo	Bolt	
16	1	80854400	Mancal traseiro montado	Cojinete trasero montado	Rear pivot assy	Ref. 11,13
17	1	80895100	Anel espaçador	Anillo espaciador	Spacer ring	4,05 mm
17	1	80944500	Anel espaçador	Anillo espaciador	Spacer ring	3,55 mm
17	1	80944600	Anel espaçador	Anillo espaciador	Spacer ring	3,75 mm
17	1	80944700	Anel espaçador	Anillo espaciador	Spacer ring	3,95 mm
17	1	80944800	Anel espaçador	Anillo espaciador	Spacer ring	4,15 mm
17	1	80944900	Anel espaçador	Anillo espaciador	Spacer ring	4,35 mm
17	1	80945000	Anel espaçador	Anillo espaciador	Spacer ring	4,55 mm
18	4	80855100	Pino	Pasador	Pin	
19	1	80854900	Anel de vedação	Anillo de sellamiento	Seal ring	
20	1	80855000	Anel retentor	Anillo de sellamiento	Seal ring	
21	1	81710900	Bucha dianteira	Buje delantera	Front bush	
22	1	80854500	Mancal dianteiro montado	Cojinete delantero montado	Front pivot assy	Ref. 13,23
23	1	80840300	Mancal dianteiro	Cojinete delantero	Front pivot	
24	1	81625300	Eixo dianteiro com mancais montado	Eje delantero con cojinetes montado	Front axle assy with bearings	ZFAPL35925
25	2	HA8372	Parafuso	Tornillo	Bolt	
26	2	HA8371	Parafuso	Tornillo	Bolt	
27	12	HA6468	Parafuso	Tornillo	Bolt	
28	12	JD3120	Arruela	Arandela	Washer	
29	1	82087800	Protetor do cardan	Protector del cardan	Cardan protector	1380S,1680S, 1880S
29	1	80983600	Protetor do cardan	Protector del cardan	Cardan protector	1280R,1580, 1780
30	1	80848800	Protetor do cardan	Protector del cardan	Cardan protector	
31	8	HA6334	Parafuso	Tornillo	Bolt	
32	8	JD0410	Arruela	Arandela	Washer	

SUPOORTE, MANCAIS E CARDAN DO EIXO ZF APL 359  
SOPORTE, COJINETES Y CARDAN DEL EJE ZF APL 359  
FRAME, BEARING AND CARDAN OF FRONT AXLE ZF APL 359

1280R, 1580, 1780  
1380S, 1680S, 1880S





02.07.1999

**SUPORTE, MANCAIS E CARDAN DO EIXO ZF APL 359**  
**SOPORTE, COJINETES Y CARDAN DEL EJE ZF APL 359**  
**FRAME, BEARING AND CARDAN OF FRONT AXLE ZF APL 359**

64-4

**1280R, 1580, 1780**  
**1380S, 1680S, 1880S**

Ref.	Qde.	Peça	Denominação			Nota
Ref.	Cant.	Pieza		Denominación		Nota
Ref.	Qty.	Part			Description	Note
33	4	HA6343	Parafuso	Tornillo	Bolt	
34	4	JD0412	Arruela	Arandela	Washer	
35	1	82052700	Cavalete	Soporte	Support	1380S,1680S, 1880S
35	1	80754500	Cavalete	Soporte	Support	1280R,1580, 1780
36	2	82075930	Viga lateral	Viga lateral	Side beam	1380S,1680S, 1880S
36	2	80858820	Viga lateral	Viga lateral	Side beam	1280R,1580, 1780
37	16	HA6334	Parafuso	Tornillo	Bolt	
38	8	JB1110	Porca	Tuerca	Nut	
39	1	81711000	Bucha traseira	Buje trasera	Rear bush	
-	1	078723013	Cola Loctite 24	Cola Loctite 24	Sealant Loctite 24	

02.07.1999

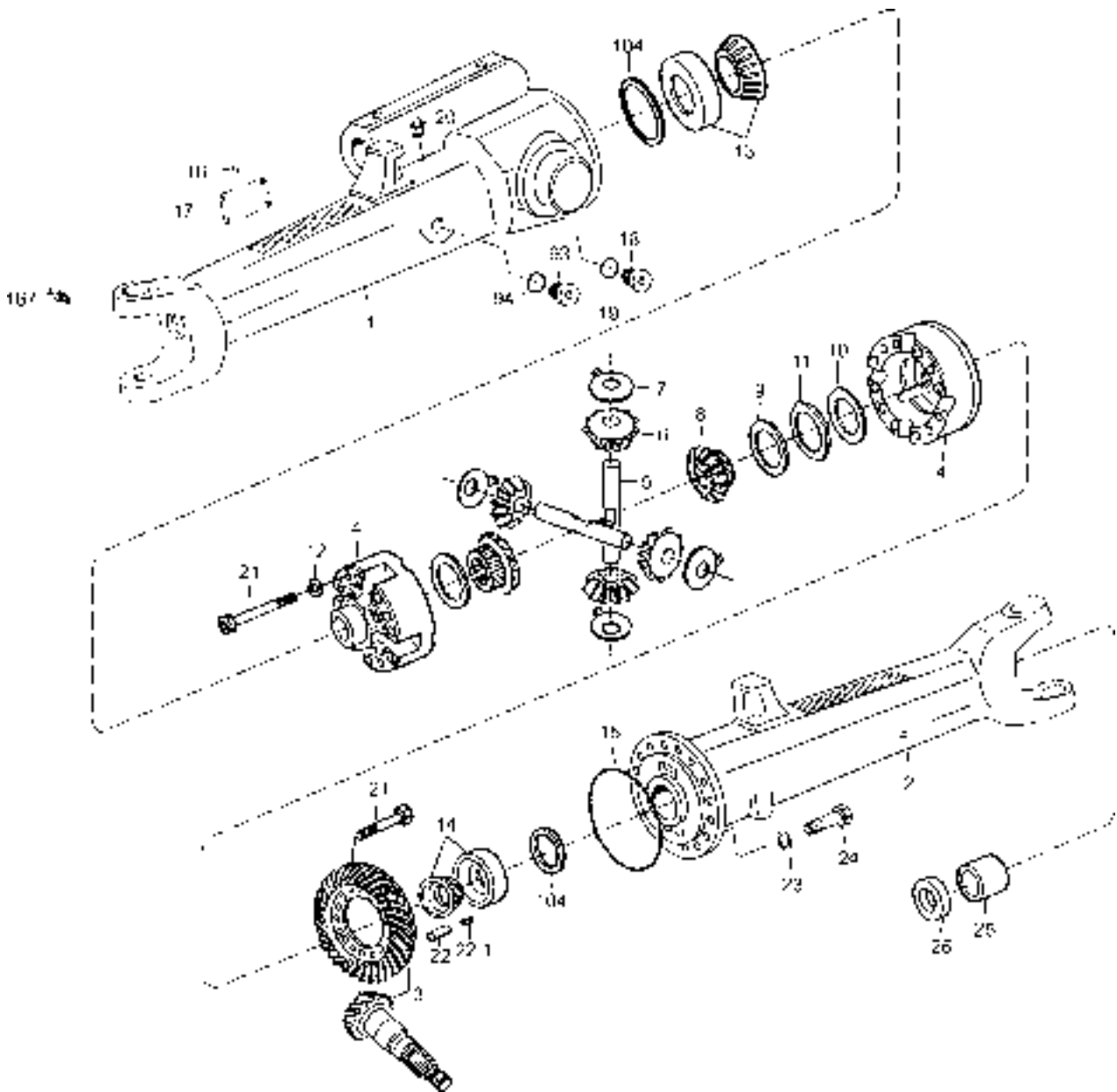
CARCAÇA DO EIXO DIANTEIRO E DIFERENCIAL 4WD ZF APL 359

64-5

CARCAÑA DEL EJE DELANTERO Y DIFERENCIAL

DIFFERENTIAL AND AXLE HOUSING

1280R, 1580, 1780  
1380S, 1680S, 1880S



02.07.1999

**CARCAÇA DO EIXO DIANTEIRO E DIFERENCIAL 4WD ZF APL 359**  
**CARCASA DEL EJE DELANTERO Y DIFERENCIAL**  
**DIFFERENTIAL AND AXLE HOUSING**

64-6

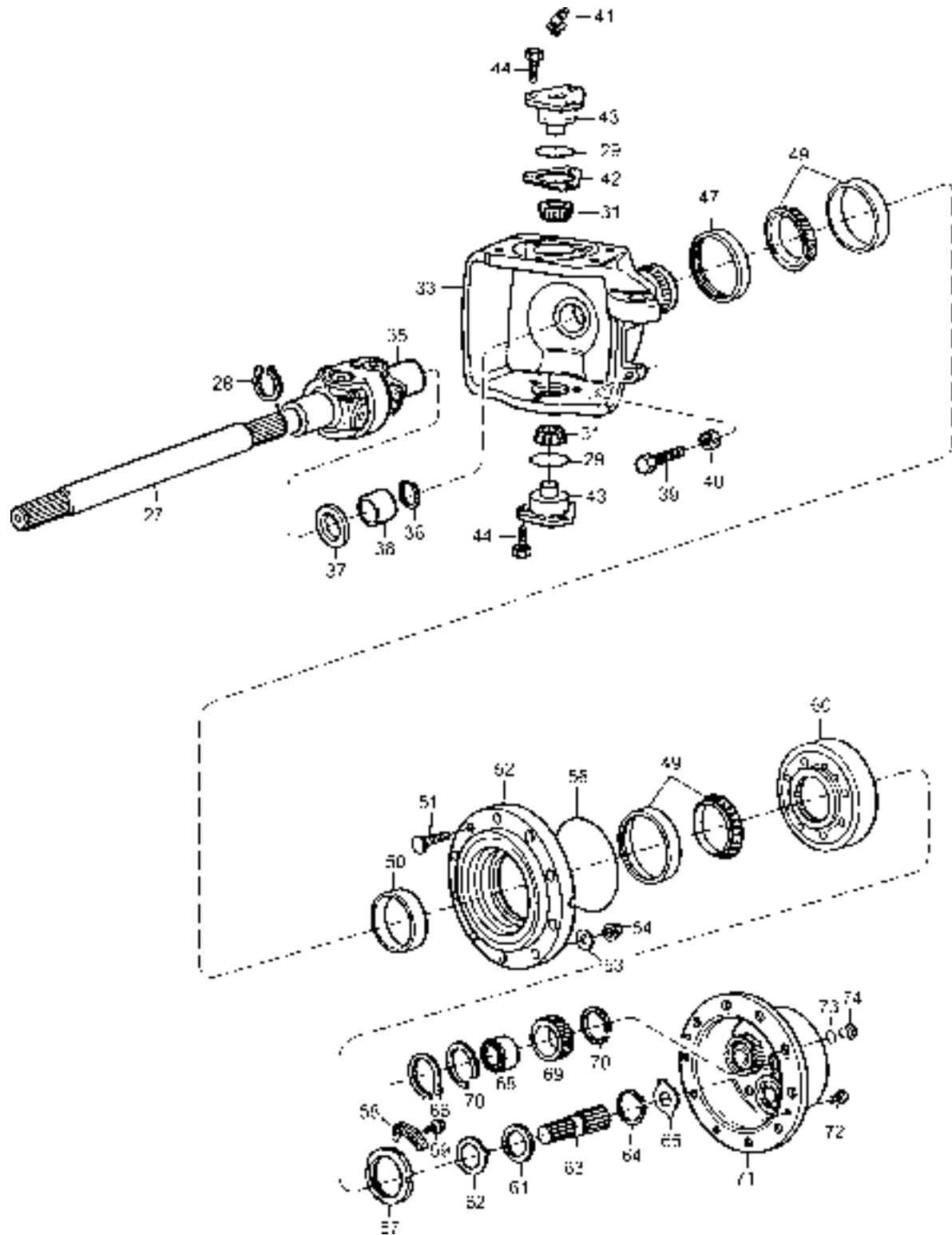
 1280R, 1580, 1780  
 1380S, 1680S, 1880S

Ref.	Qde.	Peça	Denominação	Denominación	Description	Nota
Ref.	Cant.	Pieza				Nota
Ref.	Qty.	Part				Note
1	1	81698100	Carcaça do eixo direito	Carcasa del eje derecho	Axle housing	Right
2	1	81698200	Carcaça do eixo esquerdo	Carcasa del eje izquierdo	Axle housing	Left
3	1	81698300	Eixo pinhão + engrenagem coroa	Eje piñon + engranaje corona	Bevel pinion + Crown wheel	
4	1	80902200	Carcaça do diferencial	Carcasa del diferencial	Differential housing	
5	2	80903000	Eixo	Eje	Shaft	
6	4	81698400	Engrenagem satélite	Engranaje satelite	Satellite gear	
7	4	80902900	Arruela de encosto	Arandela empuje	Thrust washer	
8	2	81698500	Engrenagem planetária	Engranaje planetaria	Planetary gear	
9	2	80902600	Disco de encosto	Disco de empuje	Thrust disc	
10	6	80902500	Disco interno	Disco interno	Inner disc	
11	8	81698600	Disco externo-opcional	Disco externo-opcional	Outer disc-optional	1,4 mm
11	8	81699100	Disco externo-opcional	Disco externo-opcional	Outer disc-optional	1,5 mm
13	1	80901100	Rolamento de rolos	Rodamiento	Bearing roller	
14	1	80901000	Rolamento de rolos	Rodamiento	Bearing roller	
15	1	81699400	Anel retentor	Anillo retenedor	O-ring	
16	4	81699500	Rebite	Remache	Rivet	
17	1	81699600	Placa de identificação	Plaqueta	Plate	
18	1	81327500	Bujão	Tapón	Plug	M36x1,5
19	1	80292600	Anel de vedação	Anillo de sellamiento	O-ring	
20	4	80905200	Respiro	Respiro	Breather	
21	12	80903100	Parafuso	Tornillo	Screw	M12x1,5x90
22	4	80903400	Pino elástico	Perno de presión	Slot pin	12x28
22.1	4	80903500	Pino elástico	Perno de presión	Slot pin	7x30
23	16	81699700	Arruela	Arandela	Washer	
24	16	81699800	Parafuso	Tornillo	Screw	M18x50
25	2	80907000	Bucha	Buje	Bushing	
26	2	80904600	Retentor	Retenedor	Oil seal	
93	1	80292400	Bujão magnético	Tapón	Plug	
94	1	80292600	Anel de vedação	Anillo de sellamiento	O-ring	
104	2	81705100	Arruela de ajuste	Calzo	Shim	0,30 mm
104	2	81705200	Arruela de ajuste	Calzo	Shim	0,40 mm
104	2	81705300	Arruela de ajuste	Calzo	Shim	0,50 mm
104	2	81705400	Arruela de ajuste	Calzo	Shim	0,60 mm
104	2	81705500	Arruela de ajuste	Calzo	Shim	0,70 mm
104	2	81705600	Arruela de ajuste	Calzo	Shim	0,75 mm
104	2	81705700	Arruela de ajuste	Calzo	Shim	0,80 mm
104	2	81705800	Arruela de ajuste	Calzo	Shim	0,85 mm
104	2	81705900	Arruela de ajuste	Calzo	Shim	0,90 mm
104	2	81706000	Arruela de ajuste	Calzo	Shim	0,95 mm
104	2	81706100	Arruela de ajuste	Calzo	Shim	1,00 mm
104	2	81706200	Arruela de ajuste	Calzo	Shim	1,10 mm
104	2	81706300	Arruela de ajuste	Calzo	Shim	1,15 mm
104	2	81706400	Arruela de ajuste	Calzo	Shim	1,25 mm
104	2	81706500	Arruela de ajuste	Calzo	Shim	1,30 mm
104	2	81706600	Arruela de ajuste	Calzo	Shim	1,35 mm
104	2	81706700	Arruela de ajuste	Calzo	Shim	1,65 mm
104	2	81706800	Arruela de ajuste	Calzo	Shim	1,70 mm
104	2	81706900	Arruela de ajuste	Calzo	Shim	1,75 mm
104	2	81707000	Arruela de ajuste	Calzo	Shim	1,80 mm
104	2	81707100	Arruela de ajuste	Calzo	Shim	1,85 mm
104	2	81707200	Arruela de ajuste	Calzo	Shim	1,90 mm
104	2	81707300	Arruela de ajuste	Calzo	Shim	2,00 mm
167	2	81711100	Engraxadeira	Engrazadera	Grease nipple	

02.07.1999

**CARCAÇA ARTICULADORA E PLANETÁRIAS 4WD ZF APL 359**  
**CARCAÇA DE ARTICULACIÓN E JUEGO PLANETARIOS**  
**JOINT CASING AND PLANETARY GEAR**

64-7

1280R, 1580, 1780  
1380S, 1680S, 1880S

**CARCAÇA ARTICULADORA E PLANETÁRIAS 4WD ZF APL 359**  
**CARCAÇA DE ARTICULACIÓN E JUEGO PLANETÁRIOS**  
**JOINT CASING AND PLANETARY GEAR**

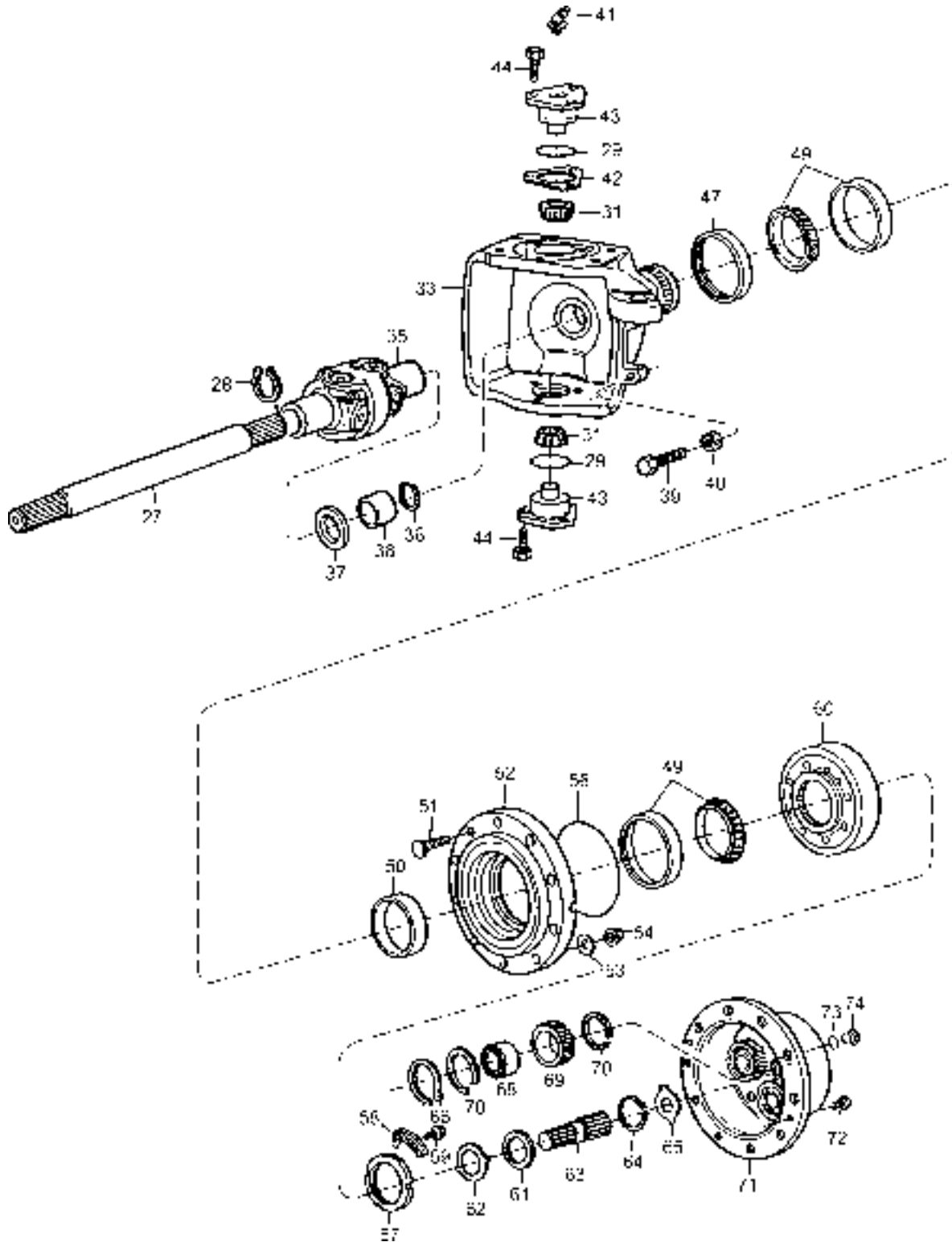
Ref.	Qde.	Peça	Denominação	Denominación	Description	Nota
Ref.	Cant.	Pieza				Nota
Ref.	Qty.	Part				Note
27	2	81699900	Eixo de ligação	Eixo de ligación	Half shaft	
28	2	80904400	Anel de segurança	Circlip	Retaining ring	
29	4	81700000	Anel retentor	Anillo de retención	O-ring	
31	4	81700100	Rolamento	Rodamiento	Roller bearing	
33	1	81700200	Carcaça artiduladora direita	Carcasa de articulación derecha	Joint casing	Right
33	1	81700300	Carcaça artiduladora esquerda	Carcasa de articulación izquierda	Joint casing	Left
35	2	80907100	Articulador duplo	Articulación doble	Double joint	
36	2	80904400	Anel de elástico	Bague élastique	Snap ring	
37	2	80904600	Retentor	Retenedor	Oil seal	
38	2	80907000	Bucha	Buje	Bushing	
39	2	80662600	Parafuso	Tornillo	Screw	
40	2	81700400	Porca	Tuerca	Nut	M18x1,5
41	4	81344000	Engraxadeira	Engrazadera	Grease fitting	
42	2	80906600	Calço - opcional	Calzo - opcional	Shim plate - optional	0,2 mm
42	2	80906700	Calço - opcional	Calzo - opcional	Shim plate - optional	0,3 mm
42	2	80906400	Calço - opcional	Calzo - opcional	Shim plate - optional	0,4 mm
42	2	80906100	Calço - opcional	Calzo - opcional	Shim plate - optional	0,6 mm
42	2	80906500	Calço - opcional	Calzo - opcional	Shim plate - optional	0,8 mm
42	2	80906200	Calço - opcional	Calzo - opcional	Shim plate - optional	1,0 mm
42	2	80906300	Calço - opcional	Calzo - opcional	Shim plate - optional	1,4 mm
43	4	81700500	Pivo principal	Pivote principal	Holder pivot	
44	12	80906900	Parafuso	Tornillo	Screw	M14x35
47	2	81664300	Retentor	Retenedor	Oil seal	
49	4	80907600	Rolamento	Rodamiento	Roller bearing	
50	2	81700600	Anel de ajuste - opcional	Anillo de regulaje	Adjusting ring	16,550 mm
50	2	81700700	Anel de ajuste - opcional	Anillo de regulaje	Adjusting ring	16,575 mm
50	2	81700800	Anel de ajuste - opcional	Anillo de regulaje	Adjusting ring	16,600 mm
50	2	81700900	Anel de ajuste - opcional	Anillo de regulaje	Adjusting ring	16,625 mm
50	2	81701000	Anel de ajuste - opcional	Anillo de regulaje	Adjusting ring	16,650 mm
50	2	81701100	Anel de ajuste - opcional	Anillo de regulaje	Adjusting ring	16,675 mm
50	2	81701200	Anel de ajuste - opcional	Anillo de regulaje	Adjusting ring	16,700 mm
50	2	81701300	Anel de ajuste - opcional	Anillo de regulaje	Adjusting ring	16,725 mm
50	2	81701400	Anel de ajuste - opcional	Anillo de regulaje	Adjusting ring	16,750 mm
50	2	81701500	Anel de ajuste - opcional	Anillo de regulaje	Adjusting ring	16,775 mm
50	2	81701600	Anel de ajuste - opcional	Anillo de regulaje	Adjusting ring	16,800 mm
50	2	81701700	Anel de ajuste - opcional	Anillo de regulaje	Adjusting ring	16,825 mm
50	2	81701800	Anel de ajuste - opcional	Anillo de regulaje	Adjusting ring	16,850 mm
50	2	81701900	Anel de ajuste - opcional	Anillo de regulaje	Adjusting ring	16,875 mm
50	2	81702000	Anel de ajuste - opcional	Anillo de regulaje	Adjusting ring	16,900 mm
50	2	81702100	Anel de ajuste - opcional	Anillo de regulaje	Adjusting ring	16,925 mm
50	2	81702200	Anel de ajuste - opcional	Anillo de regulaje	Adjusting ring	16,950 mm
50	2	81701300	Anel de ajuste - opcional	Anillo de regulaje	Adjusting ring	16,975 mm
50	2	81702400	Anel de ajuste - opcional	Anillo de regulaje	Adjusting ring	17,000 mm
50	2	81702500	Anel de ajuste - opcional	Anillo de regulaje	Adjusting ring	17,025 mm
50	2	81702600	Anel de ajuste - opcional	Anillo de regulaje	Adjusting ring	17,050 mm
50	2	81702700	Anel de ajuste - opcional	Anillo de regulaje	Adjusting ring	17,075 mm
50	2	81702800	Anel de ajuste - opcional	Anillo de regulaje	Adjusting ring	17,100 mm
50	2	81702900	Anel de ajuste - opcional	Anillo de regulaje	Adjusting ring	17,125 mm
50	2	81703000	Anel de ajuste - opcional	Anillo de regulaje	Adjusting ring	17,150 mm
50	2	81703100	Anel de ajuste - opcional	Anillo de regulaje	Adjusting ring	17,175 mm
50	2	81703200	Anel de ajuste - opcional	Anillo de regulaje	Adjusting ring	17,200 mm
50	2	81703300	Anel de ajuste - opcional	Anillo de regulaje	Adjusting ring	17,225 mm
50	2	81703400	Anel de ajuste - opcional	Anillo de regulaje	Adjusting ring	17,250 mm

02.07.1999

**CARCAÇA ARTICULADORA E PLANETÁRIAS 4WD ZF APL 359**  
**CARCAÇA DE ARTICULACIÓN E JUEGO PLANETARIOS**  
**JOINT CASING AND PLANETARY GEAR**

64-9

1280R, 1580, 1780  
1380S, 1680S, 1880S



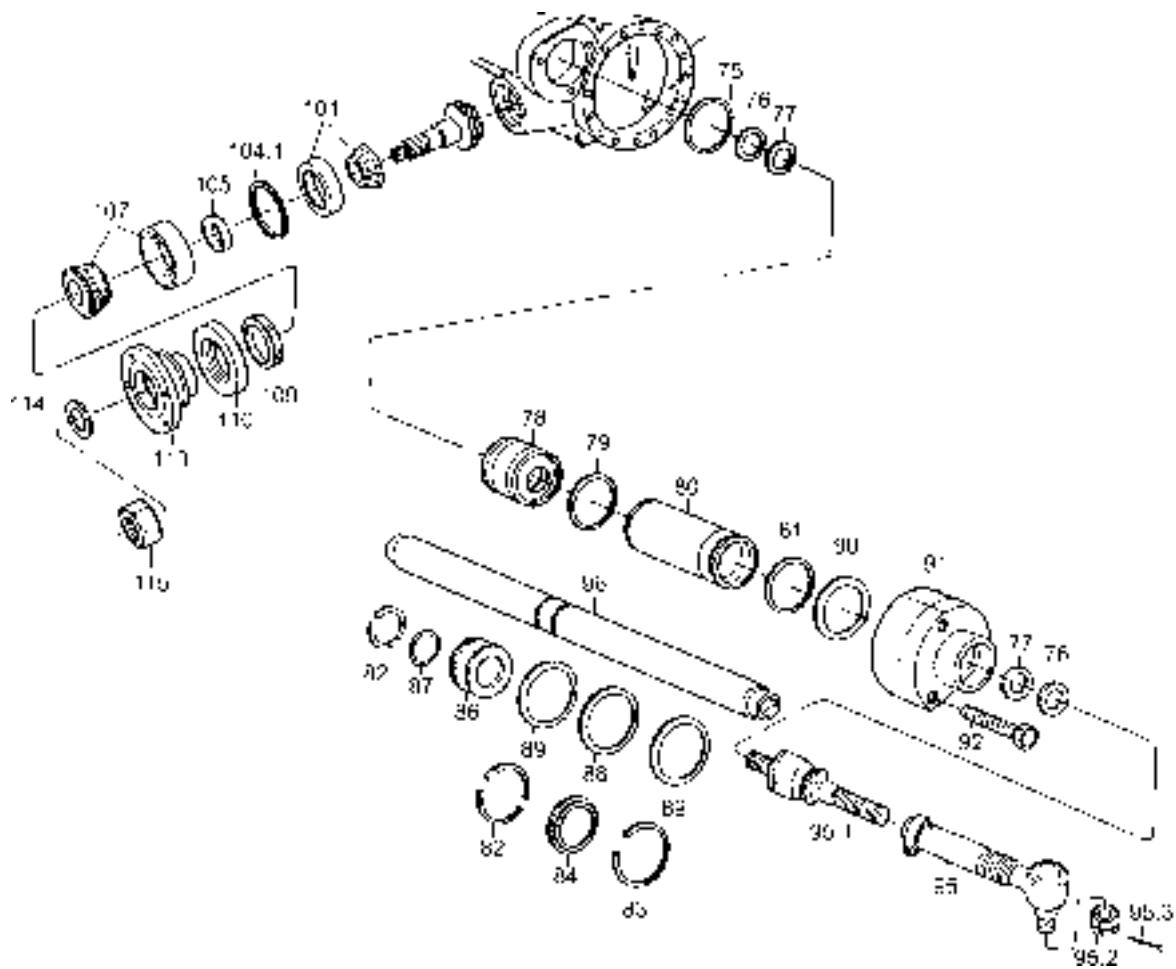
02.07.1999

**CARCAÇA ARTICULADORA E PLANETÁRIAS 4WD ZF APL 359**  
**CARCAÇA DE ARTICULACIÓN E JUEGO PLANETÁRIOS**  
**JOINT CASING AND PLANETARY GEAR**

64-10

**1280R, 1580, 1780**  
**1380S, 1680S, 1880S**

Ref.	Qde.	Peça	Denominação	Denominación	Description	Nota
Ref.	Cant.	Pieza				Nota
Ref.	Qty.	Part				Note
50	2	81703500	Anel de ajuste - opcional	Anillo de regulaje	Adjusting ring	17,275 mm
50	2	81703600	Anel de ajuste - opcional	Anillo de regulaje	Adjusting ring	17,300 mm
51	20	80908201	Parafuso da roda	Tornillo de la rueda	Screw	
52	2	80908000	Cubo	Cubo	Hub	
56	2	80908100	Anel retentor	Anillo de retención	O-ring	
57	2	80907700	Porca ranhurada	Tuerca ranurada	Sloted nut	
58	2	80907800	Chapa de trava	Placa de trava	Lock plate	
59	4	80907900	Parafuso	Tornillo	Screw	
60	2	80908500	Engrenagem dentes internos	Engranaje diente interna	Internal ring gear	
61	2	80908800	Arruela de encosto	Arandela de empuje	Thrust washer	
62	2	80908700	Arruela de encosto	Arandela de empuje	Thrust washer	
63	2	80908600	Eixo entalhado	Eje ranurado	Splined shaft	
64	2	80908900	Anel elástico	Anillo de trava	Snap ring	
65	2	80611000	Calço - opcional	Calzo - opcional	Shim - optional	1,5 mm
65	2	80611400	Calço - opcional	Calzo - opcional	Shim - optional	1,7 mm
65	2	80611100	Calço - opcional	Calzo - opcional	Shim - optional	2,0 mm
65	2	80611500	Calço - opcional	Calzo - opcional	Shim - optional	2,2 mm
65	2	80611200	Calço - opcional	Calzo - opcional	Shim - optional	2,5 mm
65	2	80909500	Calço - opcional	Calzo - opcional	Shim - optional	2,7 mm
65	2	80611300	Calço - opcional	Calzo - opcional	Shim - optional	3,0 mm
66	6	80909400	Anel elástico	Anillo de trava	Snap ring	
68	6	81703700	Rolamento	Rodamiento	Roller bearing	
69	6	80909100	Engreangem planetária	Engranaje planetaria	Planetary gear	
70	12	80909300	Anel angular	Anillo	Angle ring	
71	2	81703800	Carcaça planetária	Carcasa planetária	Planetary carrier	
72	4	81703900	Parafuso	Tornillo	Screw	M12x20
73	2	80909600	Anel retentor	Anillo de retención	O-ring	
74	2	80602300	Bujão	Tapón	Plug	M30x1,5

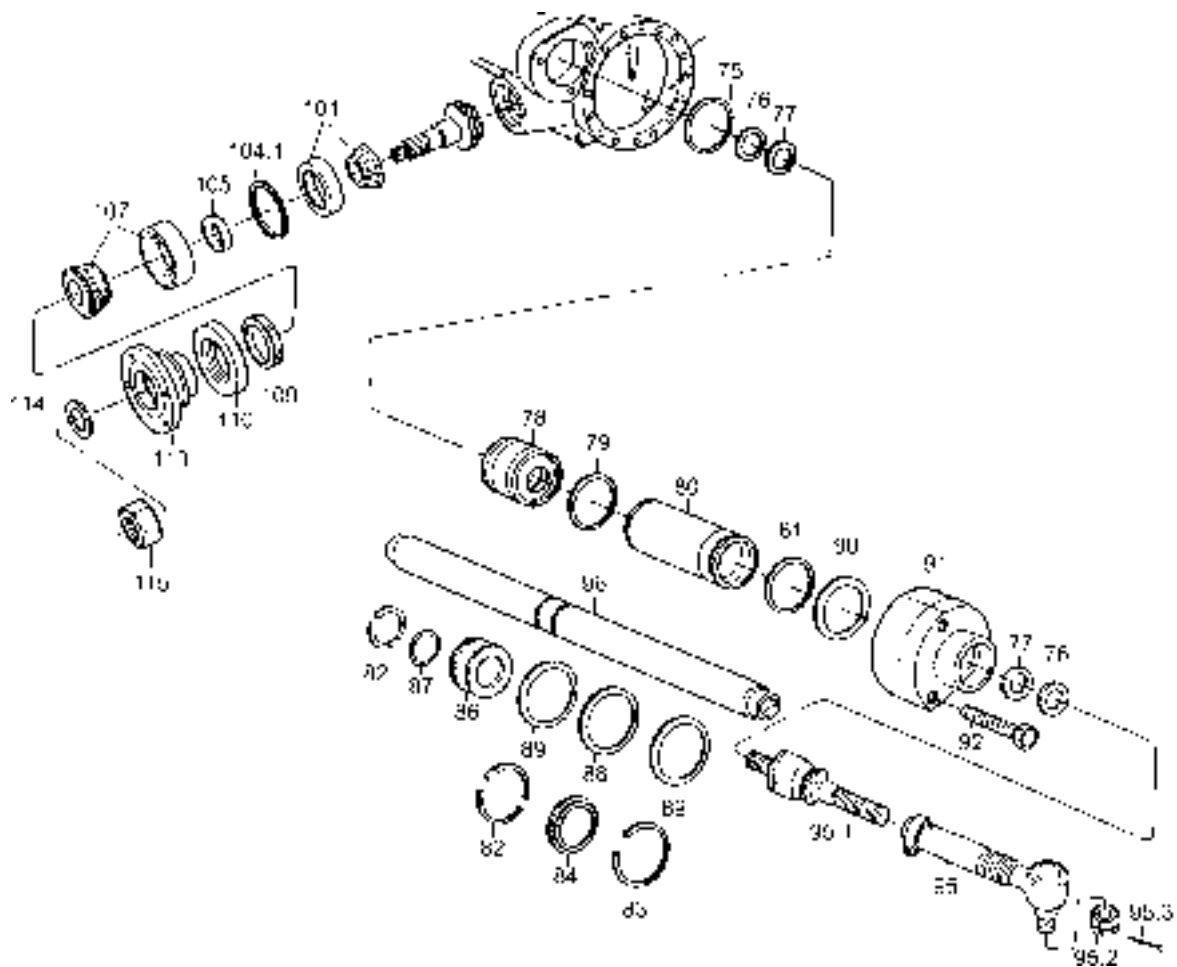




Ref.	Qde.	Peça	Denominação	Denominación	Description	Nota
Ref.	Cant.	Pieza				Nota
Ref.	Qty.	Part				Note
75	1	81704000	Anel retentor	Anillo de retención	O-ring	
76	2	80910200	Anel de vedação	Anillo de sellamiento	Rod wiper	
77	2	80910300	Anel ranhurado	Anillo ranurado	Grooved ring	
78	1	81704100	Guia do pistão	Guia	Piston guide	
79	1	80909900	Anel retentor	Anillo de retención	O-ring	
80	1	81704200	Cilindro	Cilindro	Cylinder	
81	1	80909900	Anel retentor	Anillo de retención	O-ring	
82	2	80910900	Anel bi-partido	Anillo partido	Split ting	
83	1	80911000	Anel eslátrico	Anillo de traba	Snap ring	SB 63
84	1	80910800	Anel de segurança	Anillo de traba	Retaining ring	
86	1	81704300	Pistão	Pistón	Piston	
87	1	80910600	Anel retentor	Anillo de retención	O-ring	
88	1	80911100	Anel de vedação	Anillo de sellamiento	Seal ring	
89	2	80911200	Anel raspador	Anillo raspador	Scraper ring	
90	1	80913000	Calço - opcional	Calzo - opticonal	Shim - optional	0,70mm
90	1	80913100	Calço - opcional	Calzo - opcional	Shim - optional	0,80mm
90	1	80913200	Calço - opcional	Calzo - opcional	Shim - optional	0,90mm
90	1	80911300	Calço - opcional	Calzo - opcional	Shim - optional	1,00mm
90	1	80912100	Calço - opcional	Calzo - opcional	Shim - optional	1,05mm
90	1	80911400	Calço - opcional	Calzo - opcional	Shim - optional	1,10mm
90	1	80912200	Calço - opcional	Calzo - opcional	Shim - optional	1,15mm
90	1	80911500	Calço - opcional	Calzo - opcional	Shim - optional	1,20mm
90	1	80912400	Calço - opcional	Calzo - opcional	Shim - optional	1,25mm
90	1	80911600	Calço - opcional	Calzo - opcional	Shim - optional	1,30mm
90	1	80912500	Calço - opcional	Calzo - opcional	Shim - optional	1,35mm
90	1	80911700	Calço - opcional	Calzo - opcional	Shim - optional	1,40mm
90	1	80912300	Calço - opcional	Calzo - opcional	Shim - optional	1,50mm
91	1	81704400	Guia do pistão	Guia del pistón	Piston guide	
92	3	81704500	Parafuso	Tornillo	Screw	M16x95
95	2	81704600	Terminal tubular	Terminal tubular	Steering terminal	
95.1	2	81704700	Terminal axial	Terminal axial	Axial joint	
95.2	2	81704800	Porca castelo	Tuerca ranurada	Porca castelo	M27x1,5
95.3	2	80930300	Cupilha	Perno abierto	Split pin	
96	1	81704900	Pistão	Pistón	Piston rod	
101	1	80900500	Rolamento	Rodamiento	Roller bearing	
104.1	1	80900900	Calço - opcional	Calzo - opcional	Shim - optional	0,10mm
104.1	1	80900800	Calço - opcional	Calzo - opcional	Shim - optional	0,20mm
104.1	1	80900700	Calço - opcional	Calzo - opcional	Shim - optional	0,30mm
104.1	1	80900600	Calço - opcional	Calzo - opcional	Shim - optional	0,50mm
105	1	81707400	Anel espaçador - opcional	Anillo espaciador	Spacer ring	10,40mm
105	1	81707500	Anel espaçador - opcional	Anillo espaciador	Spacer ring	10,43mm
105	1	81707600	Anel espaçador - opcional	Anillo espaciador	Spacer ring	10,46mm
105	1	81707700	Anel espaçador - opcional	Anillo espaciador	Spacer ring	10,49mm
105	1	81707800	Anel espaçador - opcional	Anillo espaciador	Spacer ring	10,52mm
105	1	81707900	Anel espaçador - opcional	Anillo espaciador	Spacer ring	10,55mm
105	1	81708000	Anel espaçador - opcional	Anillo espaciador	Spacer ring	10,58mm

02.07.1999

64-13

**CILINDRO E BARRA DA DIREÇÃO 4WD ZF APL 359****CILINDRO Y BARRA DE LA DIRECCIÓN 4WD****CYLINDER AND ROD STEERING 4WD**1280R, 1580, 1780  
1380S, 1680S, 1880S

02.07.1999

**CILINDRO E BARRA DA DIREÇÃO 4WD ZF APL 359**  
**CILINDRO Y BARRA DE LA DIRECCIÓN 4WD**  
**CYLINDER AND ROD STEERING 4WD**

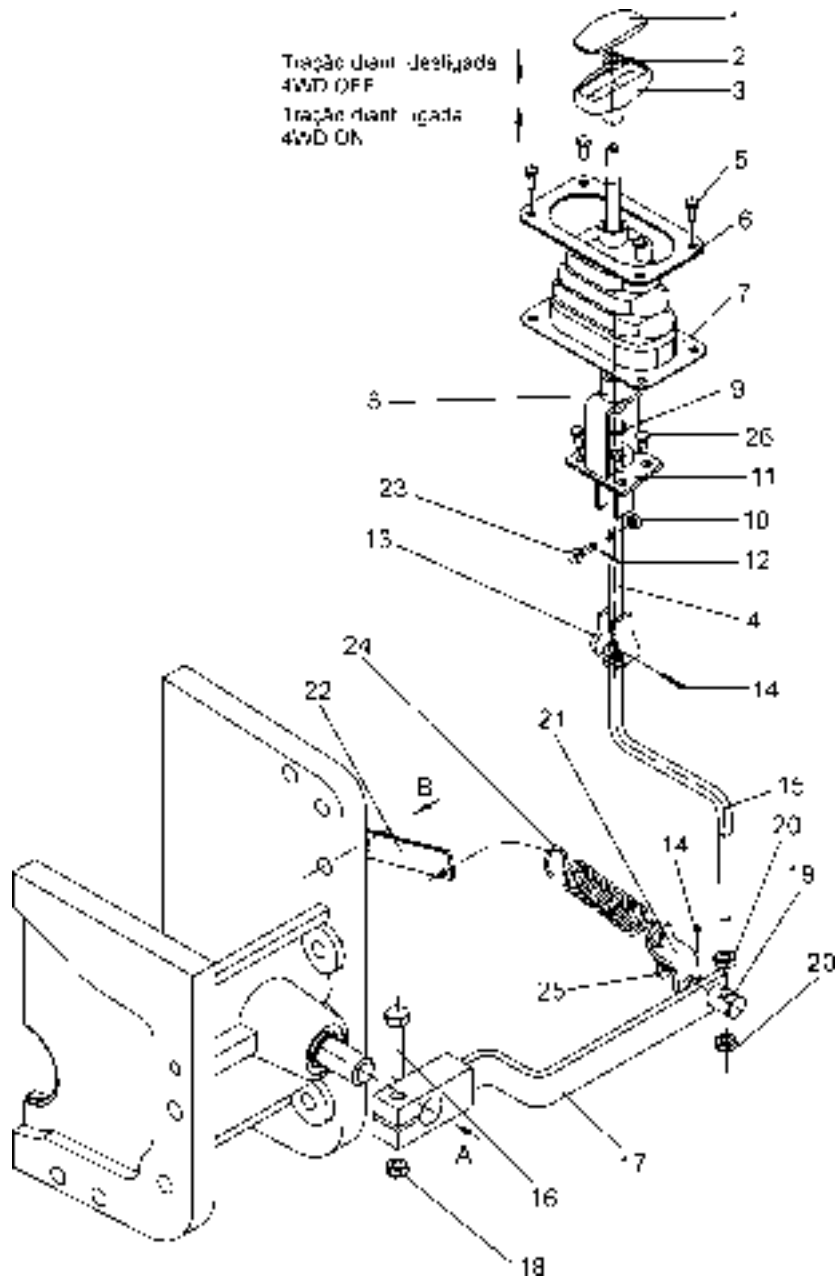
64-14

**1280R, 1580, 1780**  
**1380S, 1680S, 1880S**

Ref.	Qde.	Peça	Denominação	Denominación	Description	Nota
Ref.	Cant.	Pieza				Nota
Ref.	Qty.	Part				Note
105	1	81708100	Anel espaçador - opcional	Anillo espaciador	Spacer ring	10,61 mm
105	1	81708200	Anel espaçador - opcional	Anillo espaciador	Spacer ring	10,64 mm
105	1	81708300	Anel espaçador - opcional	Anillo espaciador	Spacer ring	10,67 mm
105	1	81708400	Anel espaçador - opcional	Anillo espaciador	Spacer ring	10,70 mm
105	1	81708500	Anel espaçador - opcional	Anillo espaciador	Spacer ring	10,73 mm
105	1	81708600	Anel espaçador - opcional	Anillo espaciador	Spacer ring	10,76 mm
105	1	81708700	Anel espaçador - opcional	Anillo espaciador	Spacer ring	10,79 mm
105	1	81708800	Anel espaçador - opcional	Anillo espaciador	Spacer ring	10,82 mm
105	1	81708900	Anel espaçador - opcional	Anillo espaciador	Spacer ring	10,85 mm
105	1	81709000	Anel espaçador - opcional	Anillo espaciador	Spacer ring	10,88 mm
105	1	81709100	Anel espaçador - opcional	Anillo espaciador	Spacer ring	10,91 mm
105	1	81709200	Anel espaçador - opcional	Anillo espaciador	Spacer ring	10,94 mm
105	1	81709300	Anel espaçador - opcional	Anillo espaciador	Spacer ring	10,97 mm
105	1	81709400	Anel espaçador - opcional	Anillo espaciador	Spacer ring	11,00 mm
105	1	81709500	Anel espaçador - opcional	Anillo espaciador	Spacer ring	11,03 mm
105	1	81709600	Anel espaçador - opcional	Anillo espaciador	Spacer ring	11,06 mm
105	1	81709700	Anel espaçador - opcional	Anillo espaciador	Spacer ring	11,09 mm
105	1	81709800	Anel espaçador - opcional	Anillo espaciador	Spacer ring	11,12 mm
105	1	81709900	Anel espaçador - opcional	Anillo espaciador	Spacer ring	11,15 mm
105	1	81710000	Anel espaçador - opcional	Anillo espaciador	Spacer ring	11,18 mm
105	1	81710100	Anel espaçador - opcional	Anillo espaciador	Spacer ring	11,21 mm
105	1	81710200	Anel espaçador - opcional	Anillo espaciador	Spacer ring	11,24 mm
105	1	81710300	Anel espaçador - opcional	Anillo espaciador	Spacer ring	11,27 mm
105	1	81710400	Anel espaçador - opcional	Anillo espaciador	Spacer ring	11,30 mm
107	1	80900300	Rolamento	Rodamiento	Roller bearing	
109	1	80901300	Retentor	Retenedor	Oil seal	
110	1	81710600	Chapa de retenção	Anillo del retenedor	Ring the oil seal	
113	1	81710700	Flange	Flange	Flange	
114	1	80901400	Arruela	Arandela	Washer	
115	1	81710800	Porca	Tuerca	Nut	
-	1	81725300	Jogo de reparo do cilindro	Juego de reparación del cilindro	Cylinder repair kit	Ref.75/76/ 77/79/81/87/ 88/89

**ALAVANCA DA TRACÇÃO DIANTEIRA  
PALANCA DE LA TRACCIÓN DELANTERA  
FRONT AXLE SELECTING LEVER**

1280R, 1580, 1780  
1380S, 1680S, 1880S



**ALAVANCA DA TRACÇÃO DIANTEIRA  
PALANCA DE LA TRACCIÓN DELANTERA  
FRONT AXLE SELECTING LEVER**

Ref.	Qde.	Peça	Denominação			Nota
Ref.	Cant.	Pieza		Denominación		Nota
Ref.	Qty.	Part			Description	Note
1	1	80221300	Tampa	Tapa	Cover	
2	1	JB1210	Porca	Tuerca	Nut	
3	1	80224300	Empunhadura	Empuñadura	Knob	
4	1	80221200	Alavanca superior	Palanca superior	Upper lever	
5	8	HA6313	Parafuso	Tornillo	Bolt	
6	1	81731400	Fixador	Fijador	Fastening	
7	1	81673100	Coifa de proteção	Goma de protección	Dust protector	
8	1	81754500	Bucha	Buje	Bushing	
9	1	KG2018	Trava	Traba	Circlip	
10	1	80223800	Arruela	Arandela	Washer	
11	1	81665800	Guia da alavanca	Guia de la palanca	Lever guide	
12	1	JE3047	Cupilha	Perno abierto	Split pin	
13	2	JD0410	Arruela	Arandela	Washer	
14	2	JE3079	Cupilha	Perno abierto	Split pin	
15	1	81668100	Barra de acionamento	Barra de accionamiento	Drive rod	
16	1	HA8347	Parafuso	Tornillo	Bolt	
17	1	81672800	Alavanca de acionamento	Palanca de accionamiento	Drive lever	
18	1	JB1112	Porca	Tuerca	Nut	
19	1	81113500	Terminal	Articulación	Link	
20	2	JB2110	Porca	Tuerca	Nut	
21	1	80224100	Suporte	Soporte	Bracket	
22	1	81668200	Suporte	Soporte	Bracket	
23	1	80223700	Pino	Perno	Pin	
24	1	80222000	Mola	Resorete	Spring	
25	1	JD0410	Arruela	Arandela	Washer	
26	4	HA6313	Parafuso	Tornillo	Bolt	

**CHASSI E RODAS  
CHASI Y ROUEDAS  
FRAME AND WHEELS****70-1****1280R, 1580, 1780  
1380S, 1680S, 1880S**

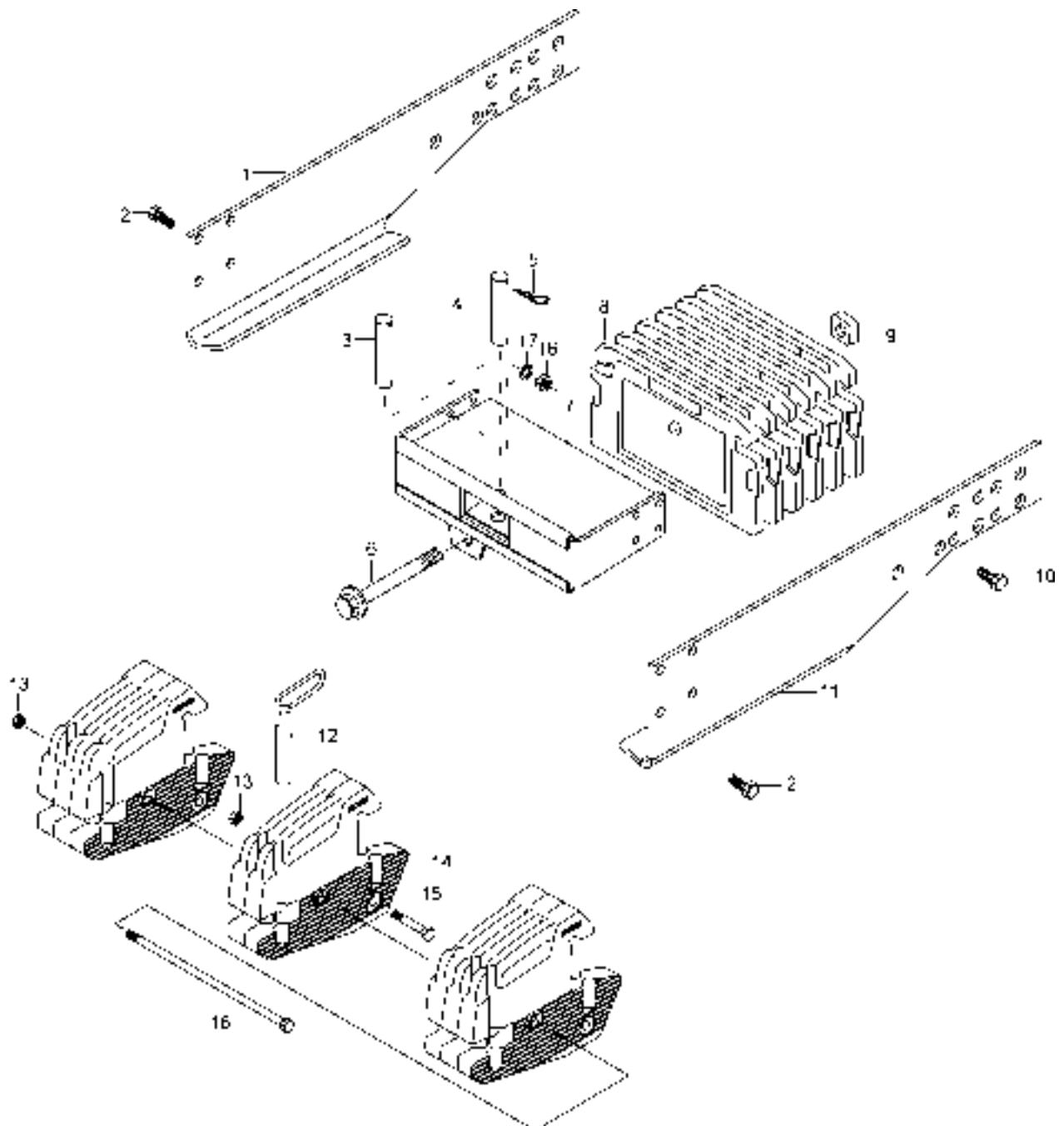
<b>71</b>	<b>PÁRÁ-CHOQUE E CONTRAPESOS DIANTEIRO</b>	<b>PARACHOQUE Y CONTRAPESOS DELANTERO</b>	<b>BUFFER AND COUTERWEIGHTS</b>		
	Pára-Choque e Contrapesos Dianteiro Tanque De Combustível	Parachoque Y Contrapesos Delantero Deposito De Combustible	Buffer And Couterweights Fuel Tank	1280R,1580,1780 1380S,1680S,1880S 1280R,1580,1780 1380S,1680S,1880S	2 4-6
	Tanque de Combustível - Equip. Opcional	Deposito De Combustible - Equipo Opcional	Fuel Tank - Optionnal Equipment	1280R,1580,1780 1380S,1680S,1880S	8

02.07.1999

71-1

PÁRA-CHOQUE E CONTRAPESOS DIANTEIRO (EQUIP. OPC.)  
PARACHOQUE Y CONTRAPESOS DELANTERO (EQUIPO OPCIONAL)  
BUFFER AND COUNTERWEIGHTS (OPTIONAL EQUIPMENT)

1280R, 1580, 1780  
1380S, 1680S, 1880S



02.07.1999

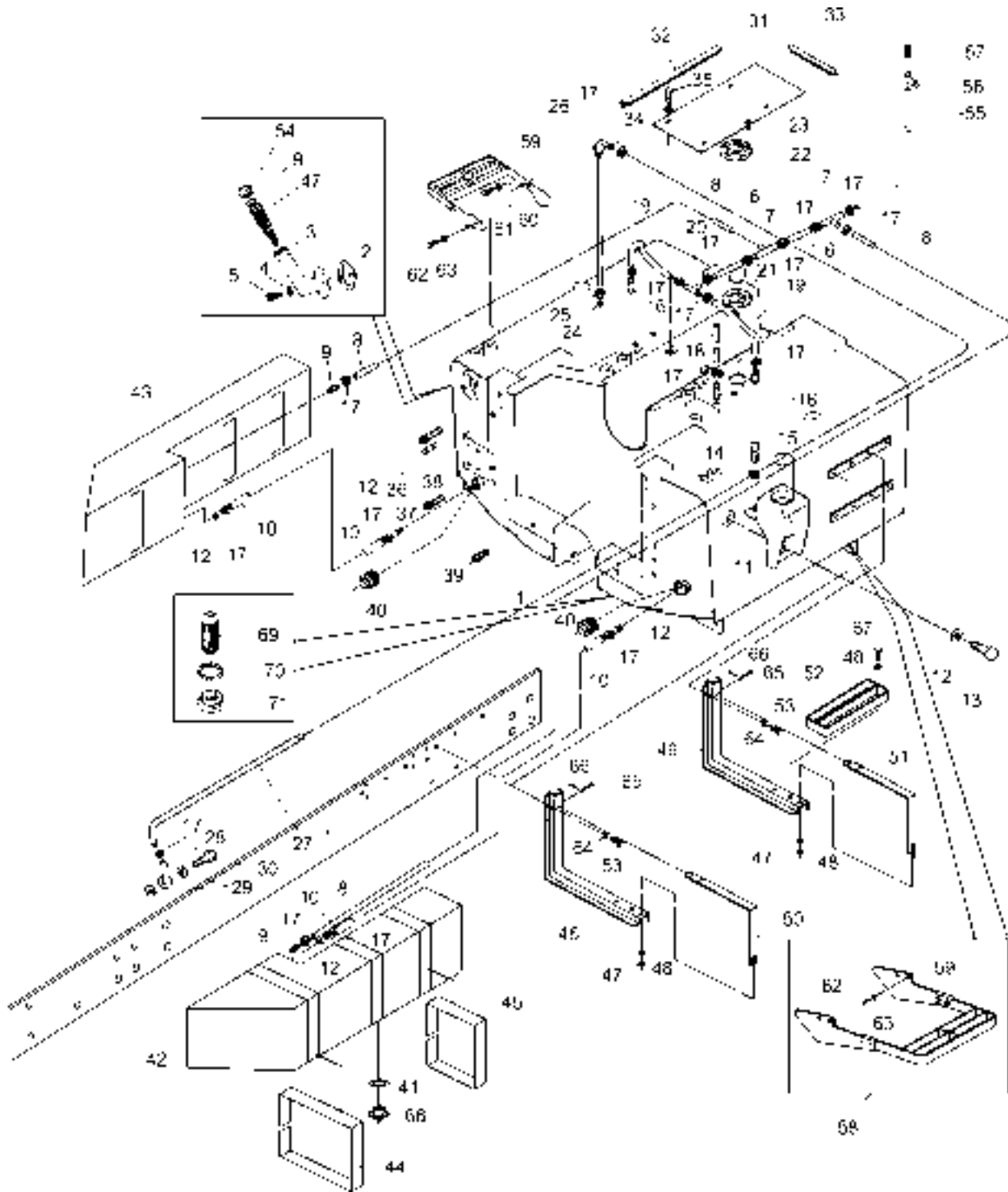
**PÁRA-CHOQUE E CONTRAPESOS DIANTEIRO (EQUIP. OPC.)**  
**PARACHOQUE Y CONTRAPESOS DELANTERO (EQUIPO OPCIONAL)**  
**BUFFER AND COUNTERWEIGHTS (OPTIONAL EQUIPMENT)**

71-2

**1280R, 1580, 1780**  
**1380S, 1680S, 1880S**

Ref.	Qde.	Peça	Denominação	Denominación	Description	Nota
Ref.	Cant.	Pieza				Nota
Ref.	Qty.	Part				Note
1	1	81763900	Suporte direito	Soporte derecho	Right support	
2	8	HA6358	Parafuso	Tornillo	Bolt	
3	1	30659100	Pino	Perno	Pin	
4	1	JJ51002	Pino	Perno	Pin	
5	2	30231200	Grampo	Grapa	Clip	
6	1	80839800	Fuso	Huso	Spindle	
7	1	81669500	Pára-choque	Parachoque	Buffer	
8	1	80761000	Contrapeso transversal	Contrapeso transversal	Transversal c outerweight	
9	1	227920	Porca	Tuerca	Nut	
10	8	HA6369	Parafuso	Tornillo	Bolt	
11	1	81680700	Suporte esquerdo	Soporte izquierdo	Left support	
12	1	31767800	Pino	Perno	Pin	
13	2	JB8908	Porca	Tuerca	Nut	
14	cn	31759200	Contrapeso dianteiro	Contrapeso delantero	Front counterweight	
15	1	HA8373	Parafuso	Tornillo	Bolt	
16	1	32403300	Parafuso	Tornillo	Screw	For 4 weights
16	1	32403200	Parafuso	Tornillo	Screw	For 6 weights
16.	1	32008500	Parafuso	Tornillo	Screw	For 8 weithts
16	1	31768200	Parafuso	Tornillo	Screw	For 10 weights
17	8	JD3116	Arruela	Arandela	Washer	
18	8	JB1116	Porca	Tuerca	Nut	

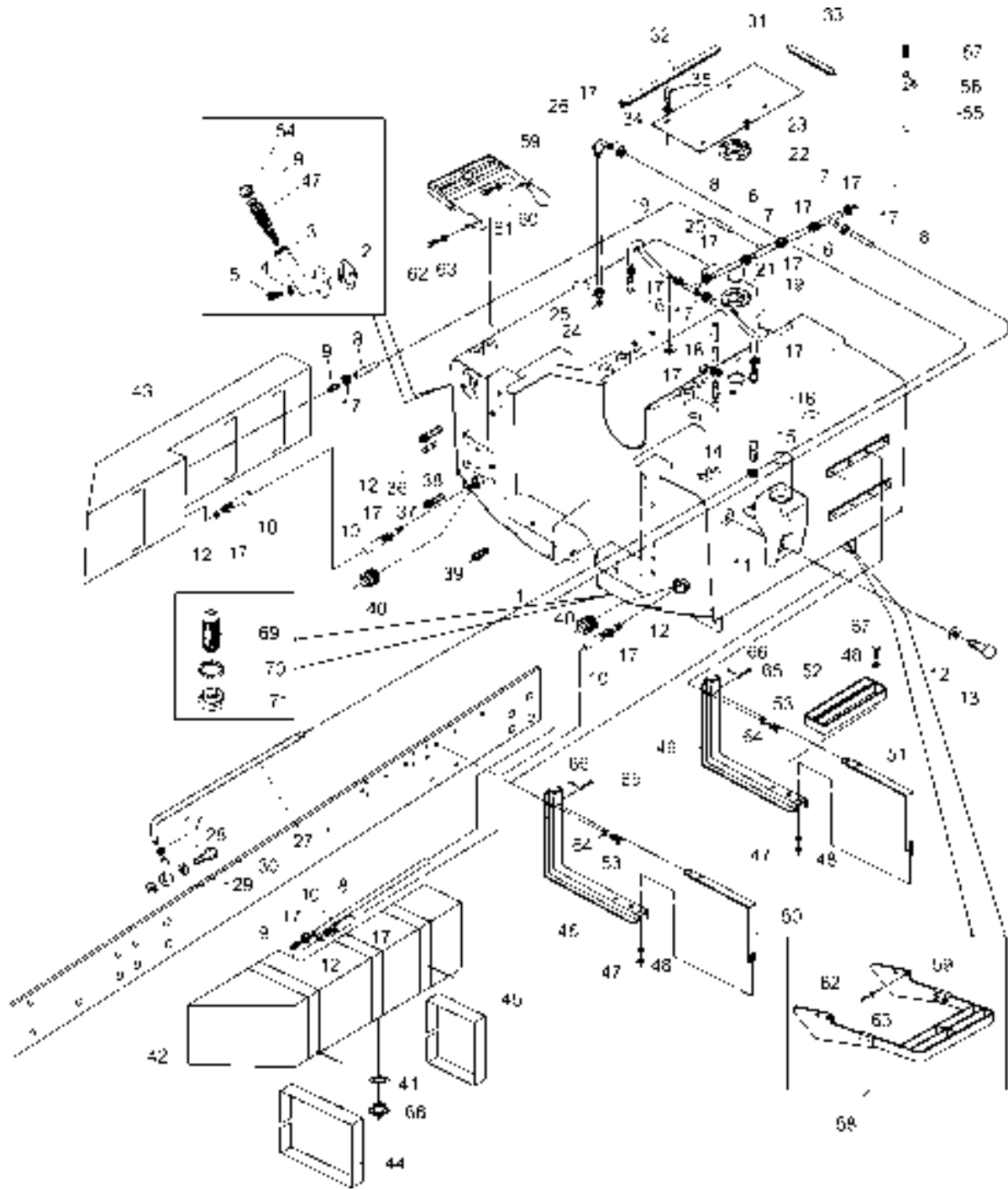


**TANQUE DE COMBUSTÍVEL**  
**DEPOSITO DE COMBUSTÍBLE**  
**FUEL TANK**1280R, 1580, 1780  
1380S, 1680S, 1880S

Ref.	Qde.	Peça	Denominação	Denominación	Description	Nota
Ref.	Cant.	Pieza				Nota
Ref.	Qty.	Part				Note
1	1	82063320	Tanque de combustível	Depósito de combustible	Fuel tank	
2	1	81146500	Guarnição	Protección de goma	Rubber shim	
3	1	81143100	Bocal	Bocal	Filler neck	
4	2	JD0408	Arruela	Arandela	Washer	
5	2	HC9325	Parafuso	Tornillo	Bolt	
6	2	81768700	Mangueira	Manguera	Hose	
7	2	235840	Conexão 3 vias	Conexión 3 vias	Connection 3 lines	1280R
7	1	81774900	Conexão 5 vias	Conexión 5 vias	Connection 5 lines	1580,178, 1380S,1680S, 1880S
8	2	81768800	Mangueira	Manguera	Hose	
9	2	218810	Niple de conexão	Niple de conexión	Connection nipple	
10	2	83432000	Mangueira	Manguera	Hose	
11	2	81763000	Suporte	Soporte	Support	
12	2	JD0416	Arruela	Arandela	Washer	
13	2	HA6356	Parafuso	Tornillo	Bolt	
14	4	JD0412	Arruela	Arandela	Washer	
15	4	HA6343	Parafuso	Tornillo	Bolt	
16	3	218810	Niple de conexão	Niple de conexión	Connection nipple	
17	14	GP3932	Braçadeira	Abrazadera	Clamp	
18	1	80342100	Tubo de retorno	Tubo de retorno	Return pipe	
19	2	262970	Mangueira	Manguera	Hose	
20	1	235840	Conexão	Conexión	Connection	
21	1	240790	Junta de vedação	Junta de sellamiento	Gasket	
22	1	230291	Medidor de combustível	Medidor de combustible	Fuel gauge	Ref. 21
23	5	HC1305	Parafuso	Tornillo	Bolt	
24	1	263100	Anel retentor	Anillo de sellamiento	O-ring	
25	1	245880	Porca	Tuerca	Nut	
26	1	197071	Tubo de sucção	Tubo de succión	Suction pipe	
27	1	81774400	Mangueira	Manguera	Hose	1280R
27	1	81774500	Mangueira	Manguera	Hose	1580,178
27	1	81774300	Mangueira	Manguera	Hose	1380S,1680S, 1880S
28	1	235000	Conexão	Conexión	Connection	
29	2	589260	Arruela de vedação	Arandela de sellamiento	Seal washer	
30	1	589270	Parafuso de conexão	Tornillo de conexión	Banjo bolt	
31	1	80884410	Tampa de proteção	Tapa de protección	Protector cover	
32	2	81769800	Guarnição	Protección de goma	Rubber protector	
33	2	81769900	Guarnião	Protección de goma	Rubber protector	
34	4	200770	Arruela	Arandela	Washer	
35	4	HA6323	Parafuso	Tornillo	Bolt	
36	6	HC8357	Parafuso	Tornillo	Bolt	
37	2	581020	Pino guia	Perno guia	Dowel pin	
38	6	HC8456	Parafuso	Tornillo	Bolt	
39	2	HC9354	Parafuso	Tornillo	Bolt	
40	2	82031900	Bujão	Tapón	Plug	
41	2	KH4933	Anel de vedação	Anillo de sellamiento	Seal ring	
42	1	81686000	Tanque esquerdo	Deposito izquierdo	Fuel tank	Left
43	1	81661300	Tanque direito	Deposito derecho	Fuel tank	Right
44	2	81662100	Tira de borracha dianteira	Tira de goma delantera	Front rubber strip	
45	4	81662500	Tira de borracha traseira	Tira de goma trasera	Rear rubber strip	
46	2	81662800	Suporte dianteiro	Soporte delantero	Front support	
47	6	JB8904	Porca	Tuerca	Nut	
48	14	JD0408	Arruela	Arandela	Washer	
49	2	81661700	Suporte traseiro	Soporte trasero	Rear support	
50	2	81663000	Cinta dianteira	Cinto delantero	Front sash	
51	2	81662900	Cinta traseira	Cinto trasero	Rear sash	
52	2	81689000	Estribo	Peldaño	Foot board	

**TANQUE DE COMBUSTÍVEL  
DEPOSITO DE COMBUSTÍBLE  
FUEL TANK**

1280R, 1580, 1780  
1380S, 1680S, 1880S



11.02.2000

TANQUE DE COMBUSTÍVEL  
 DEPOSITO DE COMBUSTÍBLE  
 FUEL TANK

71-6

1280R, 1580, 1780  
 1380S, 1680S, 1880S

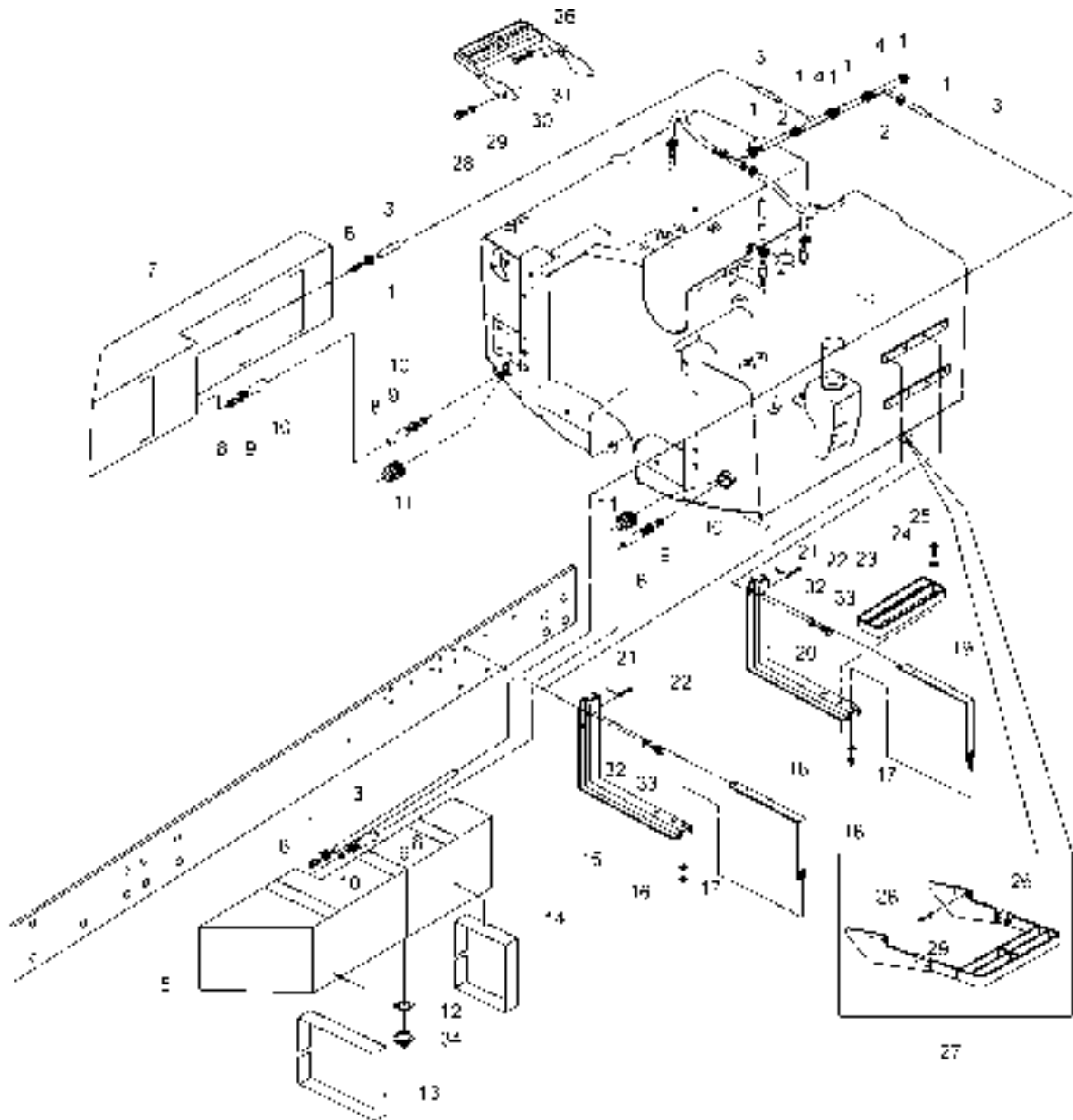
Ref.	Qde.	Peça	Denominação	Denominación	Description	Nota
Ref.	Cant.	Pieza				Nota
Ref.	Qty.	Part				Note
53	16	HA9241	Parafuso	Tornillo	Bolt	
54	1	584150	Tampa	Tapa	Cover	
55	1	80171300	Mangueira	Manguera	Hose	
56	1	608845	Abraçadeira	Abrazadera	Clamp	
57	1	81133000	Filtro	Filtro	Filter	
58	2	80867720	Estribo montado	Estribo montado	Foot board assy	Ref.59-63
59	2	80872811	Suporte	Soporte	Support	
60	8	JD3108	Arruela de pressão	Arandela de presión	Lock washer	
61	8	HA6324	Parafuso	Tornillo	Bolt	
62	8	HA9241	Parafuso	Tornillo	Bolt	
63	8	JD0412	Arruela	Arandela	Washer	
64	16	JD3112	Arruela	Arandela	Washer	
65	4	81688800	Pino	Perno	Pin	
66	4	JE3047	Cupilha	Perno aberto	Split pin	
67	8	HA6324	Parafuso	Tornillo	Bolt	
68	2	246280	Tampa	Tapa	Cover	
69	1	246210	Filtro de sucção	Filtro de succión	Suction filter	
70	1	KH4933	Anel retentor	Anillo de sellamiento	O-ring	
71	1	246280	Bujão	Tapón	Plug	
-	1	78723001	Cola Loctite 271	Cola Loctite 271	Sealant Loctite 271	

11.02.2000

TANQUE DE COMBUSTÍVEL (EQUIPAMENTO OPCIONAL)  
DEPOSITO DE COMBUSTÍBLE (EQUIPO OPCIONAL)  
FUEL TANK (OPTIONAL EQUIPMENT)

71-7

1280R, 1580, 1780  
1380S, 1680S, 1880S



**11.02.2000**
**TANQUE DE COMBUSTÍVEL (EQUIPAMENTO OPCIONAL)  
 DEPOSITO DE COMBUSTÍBLE (EQUIPO OPCIONAL)  
 FUEL TANK (OPTIONAL EQUIPMENT)**
**71-8**
**1280R, 1580, 1780  
 1380S, 1680S, 1880S**

Ref.	Qde.	Peça	Denominação	Denominación	Description	Nota
Ref.	Cant.	Pieza				Nota
Ref.	Qty.	Part				Note
-	1	81689100	Tanque de combustível completo	Deposito de combustible completo	Fuel tank complete	Ref. 1-34
1	8	GP3932	.Abraçadeira	Abrazadera	Clamp	
2	2	81768700	.Mangueira	Manguera	Hose	
3	2	81768800	.Mangueira	Manguera	Hose	
4	1	235840	.Conexão 3 vias	Conexión 3 vias	Connection 3 lines	
4	1	81774900	.Conexão 5 vias	Conexión 5 vias	Connection 5 lines	
5	1	81686000	.Tanque esquerdo	Deposito izquierdo	Fuel tank	Left
6	2	218810	.Niple de conexão	Niple de conexión	Connection nipple	
7	1	81661300	.Tanque direito	Depósito derecho	Fuel tank	Right
8	2	83432000	.Mangueira	Manguera	Hose	
9	4	GP3923	.Abraçadeira	Abrazadera	Clamp	
10	4	81111800	.Niple de conexão	Niple de conexión	Connection nipple	
11	2	82031900	.Bujão	Tapón	Plug	
12	2	KH4933	.Anel de vedação	Anillo de sellamiento	Seal ring	
13	2	81662100	.Tira de borracha dianteira	Tira de goma delantero	Front rubber strip	
14	4	81662500	.Tira de borracha traseira	Tira de goma trasera	Rear rubber strip	
15	2	81662800	.Suporte	Soporte	Support	
16	6	JB8904	.Porca	Tuerca	Nut	
17	6	JD0408	.Arruela	Arandela	Washer	
18	2	81663000	.Cinta dianteira	Cinto delantero	Front sash	
19	2	81662900	.Cinta traseira	Cinto trasero	Rear sash	
20	2	81661700	.Suporte traseiro	Soporte trasero	Rear support	
21	4	JE3047	.Cupilha	Perno abierto	Split pin	
22	4	81688800	.Pino	Perno	Pin	
23	2	81689000	.Estribo	Peldaño	Foot board	
24	8	JD0408	.Arruela	Arandela	Washer	
25	8	HA6324	.Parafuso	Tornillo	Bolt	
26	2	80872810	.Suporte	Soporte	Support	
27	2	80867720	.Estribo montado	Peldaño montado	Foot board assy	Ref.26,28,29, 30,31
28	8	HA9241	.Parafuso	Tomillo	Bolt	
29	8	JD0412	.Arruela	Arandela	Washer	
30	16	HA9241	.Parafuso	Tornillo	Bolt	
31	6	JD0412	.Arruela	Arandela	Washer	
32	16	JD3112	.Arruela	Arandela	Washer	
33	16	HA9241	.Parafuso	Tomillo	Bolt	
34	2	246280	.Tampa	Tapa	Cover	

11.02.2000

**CABINA E LATARIA**  
**CABINE Y LATARIA**  
**CAB AND SHIELDS****80-1****1280R, 1580, 1780**  
**1380S, 1680S, 1880S**

<b>83</b>	<b>LATARIA</b> Lataria dianteira  Cabine aberta	<b>LATARIA</b> Lataria delantera  Cabine abierta	<b>SHIELDS</b> Front shields  Open cab	1280R,1580,1780 1380S,1680S,1780S 1280R,1580,1780 1380S,1680S,1780S	2  4-6
<b>89</b>	<b>EQUIPAMENTO OPCIONAL</b> Estrutura de Segurança	<b>EQUIPAMENTO OPCIONAL</b> Techo de protección	<b>OPTIONAL EQUIPMENT</b> Frame and roof	1280R,1580,1780 1380S,1680S,1780S	2-4

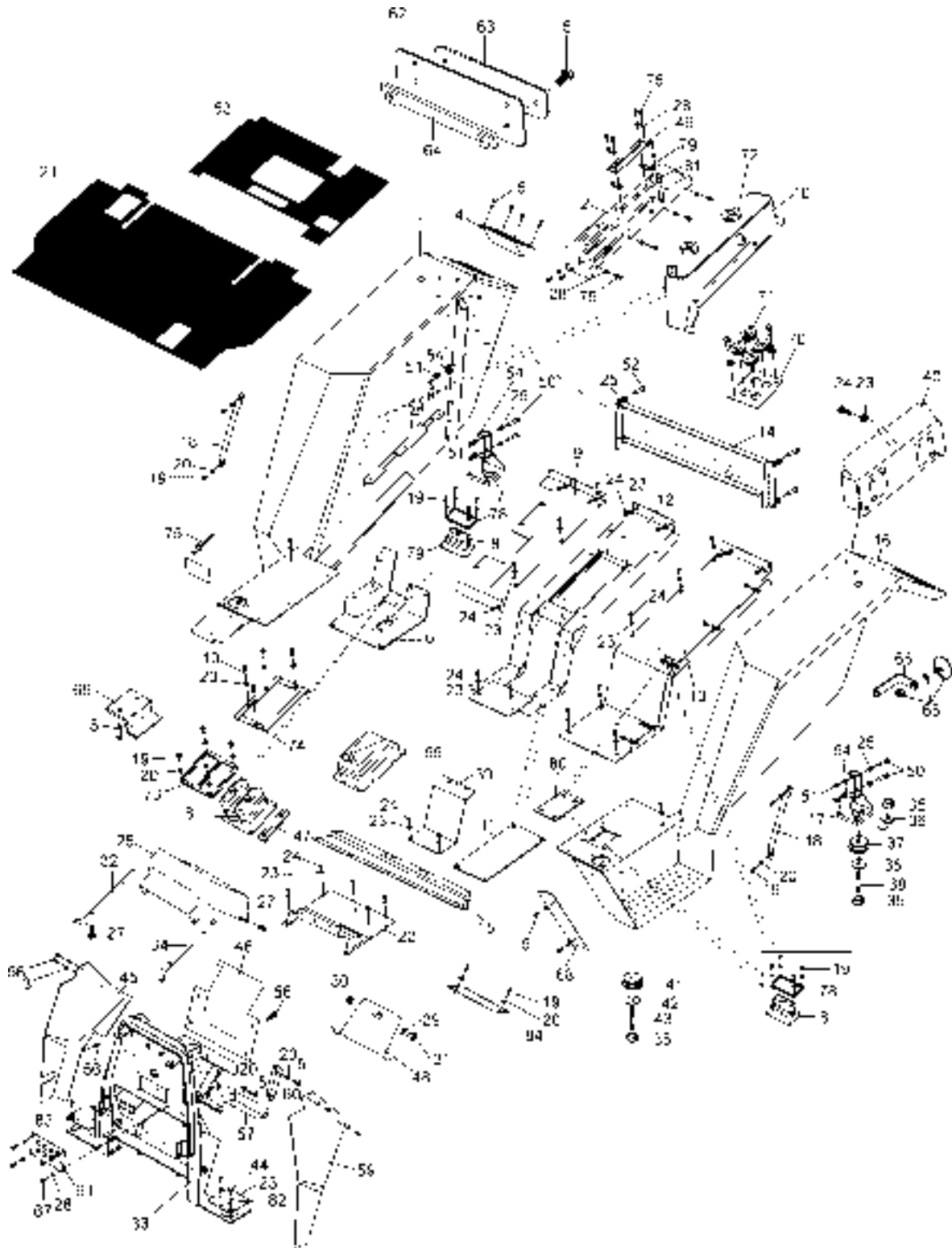




Ref.	Qde.	Peça	Denominação	Denominación	Description	Nota
Ref.	Cant.	Pieza				Nota
Ref.	Qty.	Part				Note
-	1	81668800	Capota do motor montada	Capota del motor montada	Engine hood assy	Ref.1,2,4,5, 6,9,35
1	1	81762900	Capoto do motor	Capota del motor	Engine hood	
2	12	JF5002	Rebite	Remache	Rivet	
3	2	HC8431	Parafuso	Tornillo	Bolt	
4	6	80389800	Coxim	Cojin	Cushion	
5	14	81214810	Assento de borracha	Apoyo de goma	Rubber rest	
6	14	HC9325	Parafuso	Tornillo	Bolt	
7	14	685720	Amortecedor de borracha	Amortiguador de goma	Rubber shock absorber	
8	1	81669000	Suporte do radiador	Soporte del radiador	Radiator support	
9	20	JD0408	Arruela	Arandela	Washer	
10	.1	81670200	Chapa de proteção	Chapa de protección	Protector plate	
11	1	81791100	Tampa	Tapa	Cover	1280R,1580, 1780
12	20	JB1108	Porca	Tuerca	Nut	
13	20	200770	Arruela	Arandela	Washer	
14	4	HA6344	Parafuso	Tornillo	Bolt	
15	4	JD3112	Arruela	Arandela	Washer	
16	14	HC9327	Parafuso	Tornillo	Bolt	
17	1	260580	Suporte	Soporte	Support	
18	1	82014010	Chapa lateral esquerda	Chapa lateral izquierda	Left side plate	
18	1	82013810	Chapa lateral direita	Chapa lateral derecha	Right side plate	
19	1	81669400	Chapa lateral inferior traseira esquerda	Chapa lateral inferior trasera izquierda	Rear lower side plate	Left
19	1	81669300	Chapa lateral inferior traseira direita	Chapa lateral inferior trasera derecha	Rear lower side plate	Right
20	1	81669200	Chapa lateral inferior dianteira esquerda	Chapa lateral inferior delantera izquierda	Front lower side plate	Left
20	1	81669100	Chapa lateral inferior dianteira direita	Chapa lateral inferior delantera derecha	Front lower side plate	Right
21	2	JC1608	Porca borboleta	Tuerca mariposa	Wing nut	
22	2	JD0408	Arruela	Arandela	Washer	
23	1	81488900	Fixador da bateria	Fijación de la bateria	Battery fastener	
24	1	81680300	Suporte da bateria	Soporte de la bateria	Battery support	
25	2	81488800	Haste	Vastargo	Rod	
26	4	HA6323	Parafuso	Tornillo	Bolt	
27	1	81604800	Faixa lateralesquerda	Adhesivo lateral izquierdo	Side sticker	Left
27	1	81604900	Faixa lateral direita	Adhesivo lateral derecho	Side sticker	Right
28	1	81670700	Tampa	Tapa	Cover	
29	8	HD9024	Parafuso	Tornillo	Screw	
30	4	32991600	Fixador	Fijación	Fastener	
31	4	31016500	Luva de borracha	Manga de goma	Rubber sleeve	
32	6	80390200	Pino trava	Perno trava	Lock pin	
33	6	70042700	Arruela de plástico	Arandela de plastico	Plastic washer	
34	1	JD0405	Arruela	Arandela	Washer	
35	1	81003900	Guarnição	Protección de goma	Rubber protector	
36	1	HN6646	Parafuso	Tornillo	Bolt	
37	1	30302930	Simbolo VALTRA	Emblema VALTRA	VALTRA Symbol	
38	1	82072220	Grade	Grada	Front grille	
39	1	81668900	Máscara	Mascara	Shields	
40	1	226990	Trava	Traba	Lock	
41	2	226970	Bucha	Buje	Bushing	
42	1	80353910	Cabo de aço	Alambre	Steel cable	
43	1	81791200	Tampa	Tapa	Cover	1380S,1680S, 1880S
44	1	81791300	Tampa	Tapa	Cover	1280R,1380S, 1680S,1880S
45	2	JB1108	Porca	Tuerca	Nut	
46	2	JD9062	Arruela de pressão	Arandela de presión	Lock washed	
47	1	81758800	Suporte do filtro	Soporte del filtro	Filter support	
48	2	HA6333	Parafuso	Tornillo	Bolt	

CABINE ABERTA  
CABINA ABIERTA  
OPEN CAB

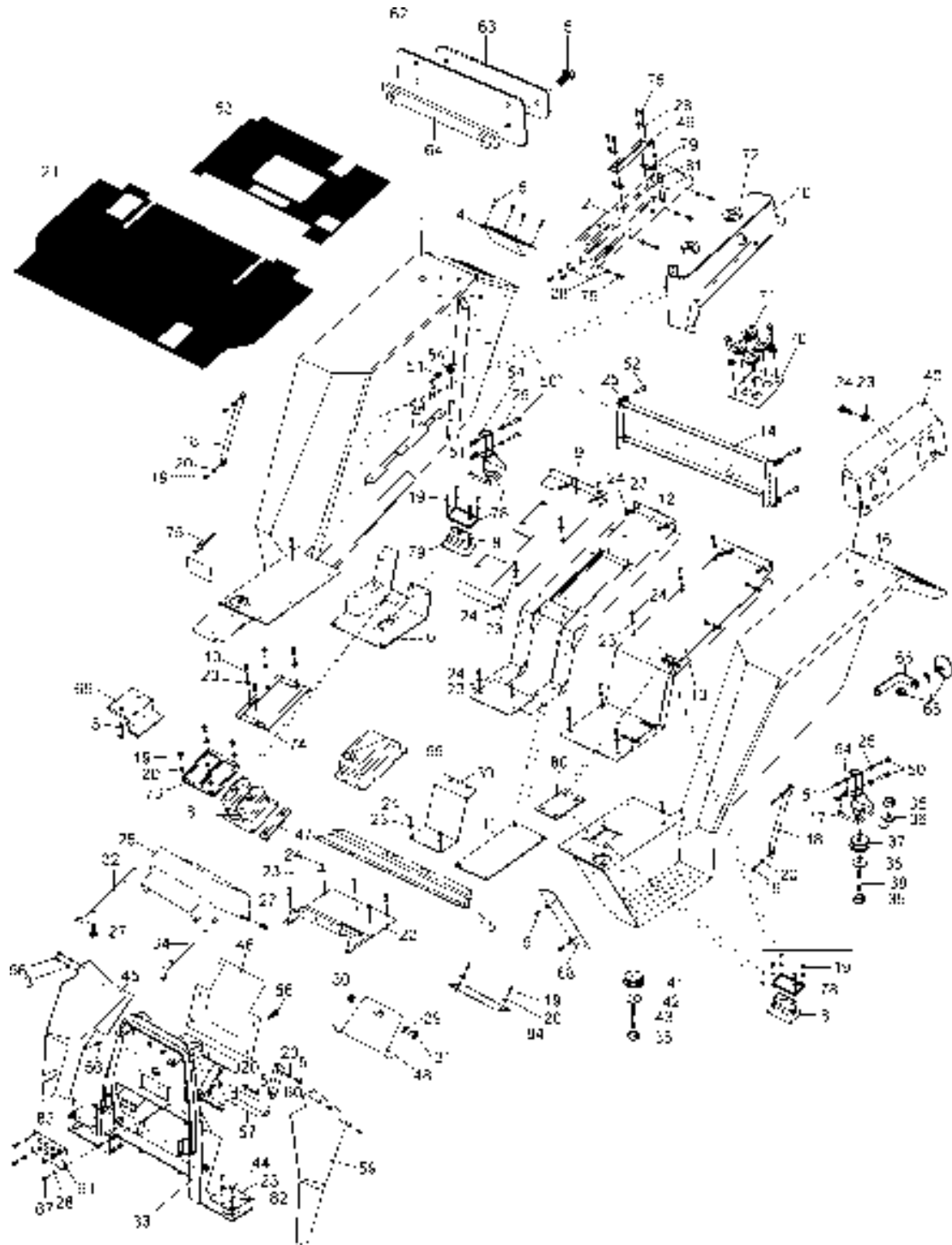
1280R, 1580, 1780  
1380S, 1680S, 1880S



Ref.	Qde.	Peça	Denominação	Denominación	Description	Nota
Ref.	Cant.	Pieza				Nota
Ref.	Qty.	Part				Note
1	1	81670900	Pára-lamas direito	Guardabarros derecho	Mud guard	Right
2	1	80069430	Tampa	Tapa	Cover	
3	8	JD8003	Arruela	Arandela	Washer	
4	2	81723200	Suporte das lanternas	Soporte de las linternas	Rear light support	
5	16	HD9152	Parafuso	Tornillo	Bolt	
6	1	81664000	Piso intermediário direito	Piso intermediário derecho	Floor side right	
7	1	80866000	Suporte direito	Soporte derecho	Support	Right
8	4	81673100	Capa protetora	Capa protectora	Dust protector	
9	1	81671200	Piso direito	Piso derecho	Floor side right	
10	1	81664600	Suporte das alavancas	Soporte de las palancas	Levers support	
11	1	81754900	Tampa	Tapa	Cover	
12	1	81670800	Piso central	Piso central	Central floor	
13	1	81671100	Piso esquerdo	Piso izquierdo	Left floor	
14	1	81674000	Travessa traseira	Barra trasera	Rear bar	
15	1	81670000	Travessa dianteira	Barra delantera	Front bar	
16	1	81671000	Pára-lama esquerdo	Guardabarros izquierdo	Mud guard	Left
17	1	80866100	Suporte	Soporte	Support	
18	2	80114601	Alça	Alza	Grip	
19	24	HA6313	Parafuso	Tornillo	Bolt	
20	28	JD0406	Arruela	Arandela	Washer	
21	1	81669800	Tapete dianteiro	Tapete delantero	Front carpet	
22	1	81673900	Piso dianteiro	Piso delantero	Front floor	
23	57	JD0408	Arruela	Arandela	Washer	
24	57	HA6322	Parafuso	Tornillo	Screw	
25	16	JD0412	Arruela	Arandela	Washer	
26	1	81609810	Painel	Panel	Panel	
27	11	HN6646	Parafuso	Tornillo	Screw	
28	11	JD8003	Arruela	Arandela	Washer	
29	4	70042700	Arruela	Arandela	Washer	
30	1	80390500	Trava	Traba	Lock	
31	2	80390200	Pino de trava	Perno de trava	Lock pin	
32	1	33204700	Suporte direito	Soporte derecho	Support	Right
33	1	81610500	Parede dianteira	Parede delantera	Front wall assy	
34	1	33208800	Suporte esquerdo	Soporte izquierdo	Support	Left
35	4	JB1116	Porca	Tuerca	Nut	
36	4	80875200	Arruela	Arandela	Washer	
37	2	80874900	Coxim amortecedor	Cojin amortiguador	Rubber shock	
38	2	80875100	Prisioneiro	Espárrago	Stud	
39	1	81751100	Tampa dianteira	Tapa delantera	Front cover	
40	1	230970	Caixa de ferramentas	Caja de herramientas	Tool box	
41	2	80875000	Coxim amortecedor	Cojin amortiguador	Rubber shock	
42	2	80446400	Arruela	Arandela	Washer	
43	2	80390800	Prisioneiro	Espárrago	Stud	
44	6	HA6324	Parafuso	Tornillo	Bolt	
45	1	81610000	Lateral direita do painel	Lateral derecha del panel	Right side panel	
46	1	81687500	Tampa inferior	Tapa inferior	Lower cover	
47	2	81687200	Chapa inferior	Chapa de fijación	Fastening plate	
48	1	81610100	Tampa do painel	Tapa del panel	Panel cover	
49	1	81768400	Guia	Guia	Guide	
50	4	HA8348	Parafuso	Tornillo	Bolt	
51	8	JB1112	Porca	Tuerca	Nut	
52	4	HA8347	Parafuso	Tornillo	Bolt	

CABINE ABERTA  
CABINA ABIERTA  
OPEN CAB

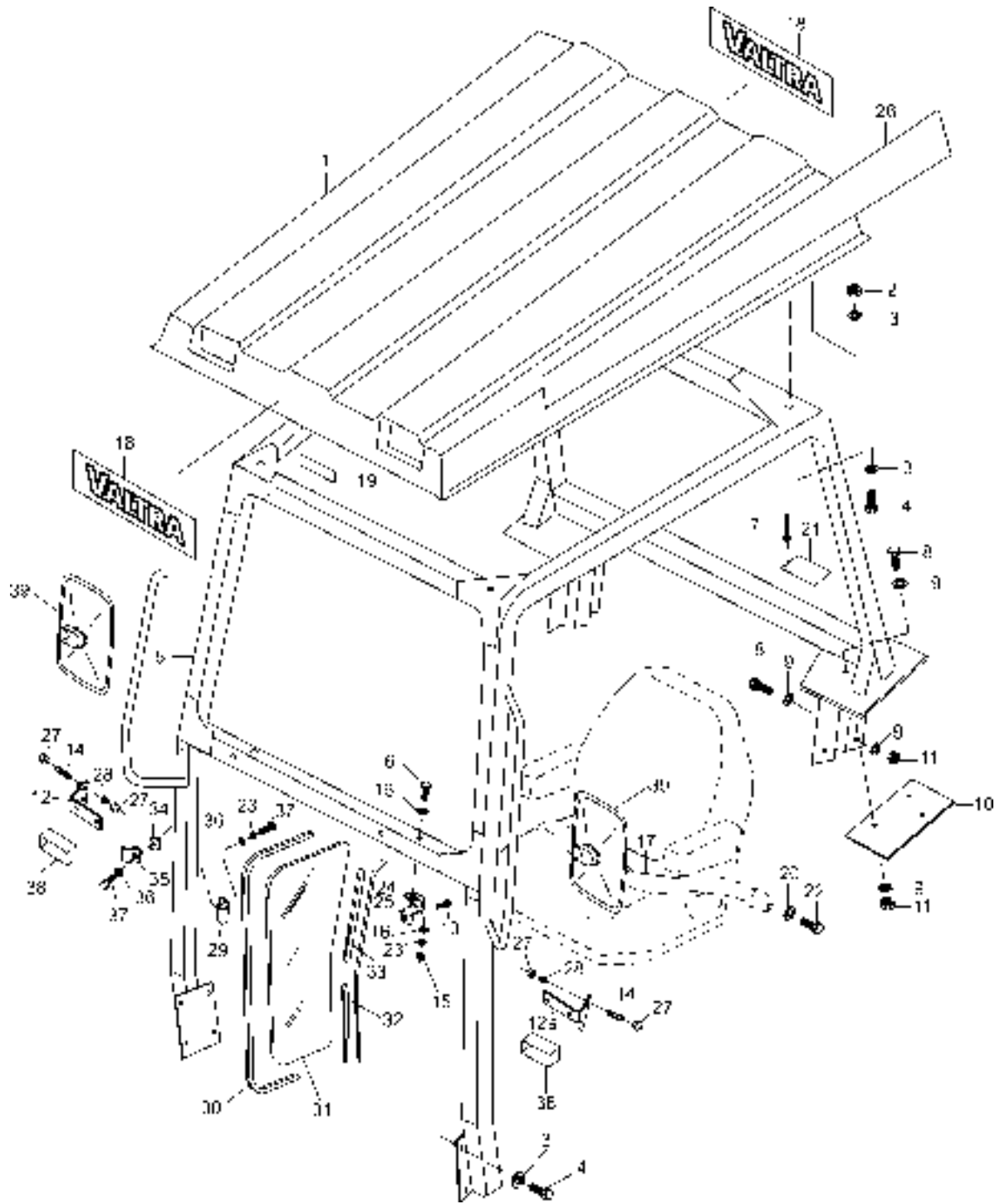
1280R, 1580, 1780  
1380S, 1680S, 1880S



Ref.	Qde.	Peça	Denominação	Denominación	Description	Nota
Ref.	Cant.	Pieza				Nota
Ref.	Qty.	Part				Note
53	1	81669900	Tapete traseiro	Tapete trasero	Rear carpet	
54	1	JD3113	Arruela de pressão	Arandela de presión	Lock washer	
55	1	81667300	Capa protetora de pó	Goma de protección de polvo	Dust protector	
56	8	HF3104	Parafuso	Tornillo	Bolt	
57	1	81610410	Suporte do interruptor	Soporte del interruptor	Switch support	
59	1	81609900	Lateral esquerda do painel	Lateral izquierda del panel	Left side panel	
60	2	81665400	Suporte	Soporte	Support	
61	1	81637400	Chapa dos conectores	Chapa de los conectores	Plate	
62	1	32425000	Placa de borracha	Placa de goma	Rubber plate	
63	1	639431	Olho de gato	Reflector de alerta	Rear warning reflector	
64	1	32424800	Chapa de fixação	Chapa de fijación	Fastening plate	
65	2	626980	Olho de gato	Reflector de alerta	Rear warning reflector	
66	1	82503500	Suporte	Soporte	Support	
67	4	HA9223	Parafuso	Tornillo	Bolt	
68	1	81665500	Chapa protetora esquerda	Chapa de protección izquierda	Protector plate	Left
69	1	81665600	Chapa protetora direita	Chapa de protección derecha	Protector plate	Right
70	1	81666900	Chapa distanciadora	Chapa espaciadora	Spacer plate	
71	4	30145700	Tampa	Tapa	Cover	
72	2	81775000	Anel de borracha	Anillo de goma	Rubber ring	
73	1	81687100	Chapa de fixação	Chapa de fijación	Fastening plate	
74	1	81667400	Chapa de fixação	Chapa de fijación	Fastening plate	
75	4	80425200	Rebite	Remache	Revit	
76	11	80306800	Parafuso	Tornillo	Bolt	
78	3	81731400	Chapa de fixação	Chapa de fijación	Fastening plate	
79	2	80077400	Fixador	Fijador	Fastening	
80	2	81757300	Tampa	Tapa	Cover	
81	1	30944500	Tampa	Tapa	Cover	
82	1	81798700	Tampa	Tapa	Cover	
83	1	81798600	Tampa	Tapa	Cover	
84	1	81798900	Tampa do piso	Tapa del piso	Floor cover	

ESTRUTURA DE SEGURANÇA (EQUIP.OPCIONAL)  
TECHO DE PROTECCIÓN (EQUIPO OPCIONAL)  
FRAME AND ROOF (OPTIONAL EQUIPMENT)

1280R, 1580, 1780  
1380S, 1680S, 1880S



02.07.1999

**ESTRUTURA DE SEGURANÇA (EQUIP.OPCIONAL)**  
**TECHO DE PROTECCIÓN (EQUIPO OPCIONAL)**  
**FRAME AND ROOF (OPTIONAL EQUIPMENT)**

89-2

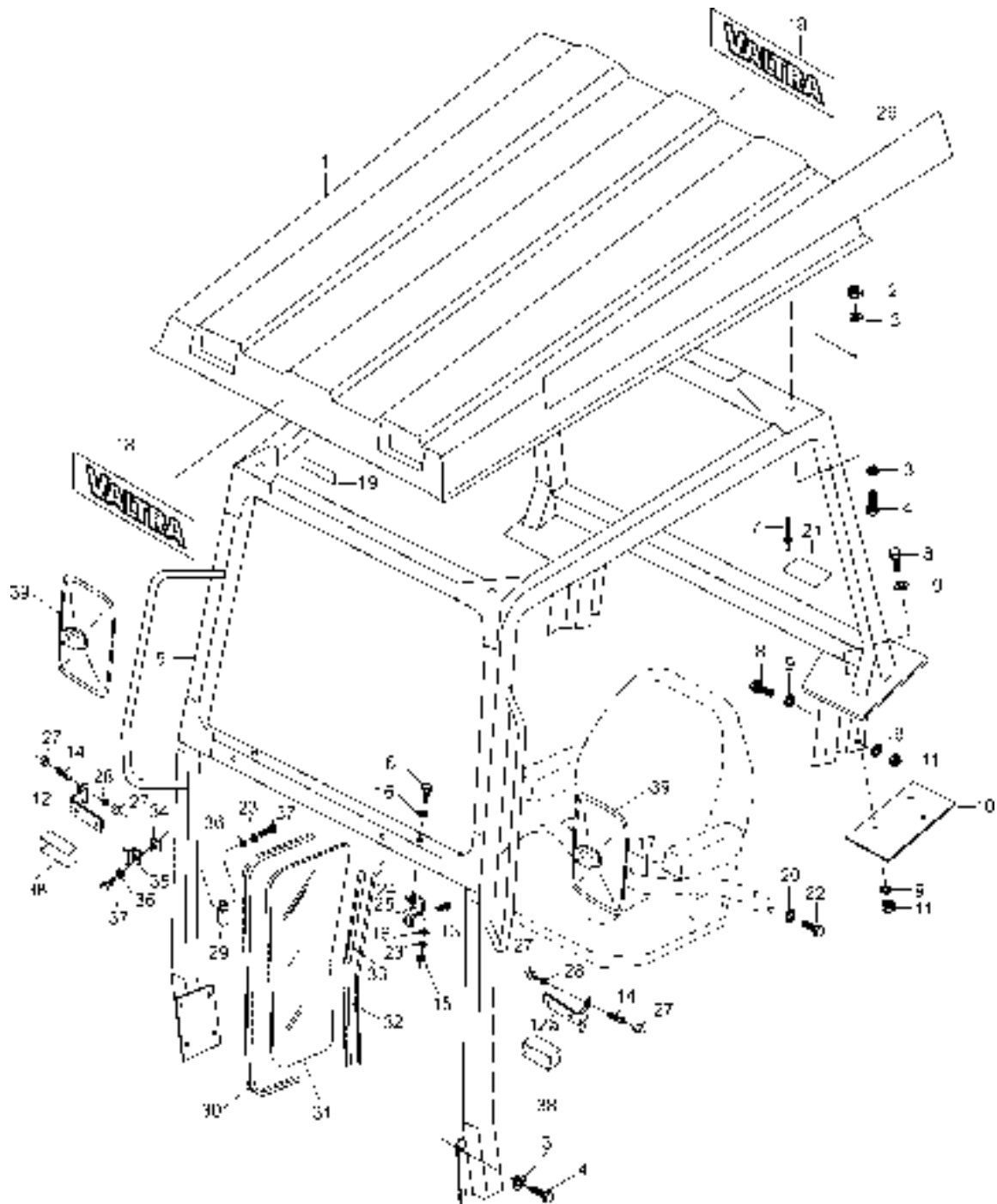
**1280R, 1580, 1780**  
**1380S, 1680S, 1880S**

Ref.	Qde.	Peça	Denominação	Denominación	Description	Nota
Ref.	Cant.	Pieza				Nota
Ref.	Qty.	Part				Note
-	1	81199910	Estrutura de segurança completa	Techo de protección completo	Frame and roof assy	ref.1-26
1	1	80868300	.Cobertura de proteção	Techo de protección	Roof	
2	4	JB1110	.Porca	Tuerca	Nut	
3	16	JD0410	.Arruela	Arandela	Washer	
4	12	HA6333	.Parafuso	Tornillo	Screw	
5	1	81767300	.Estrutura de segurança	Estructura de seguridad	Frame	
6	2	HA6428	.Parafuso	Tornillo	Screw	
7	4	JF5002	.Rebite	Remache	Rivet	
8	14	HA9242	.Parafuso	Tornillo	Screw	
9	28	JD0412	.Arruela	Arandela	Washer	
10	2	80150500	.Calço de borracha	Calzo de goma	Rubber shim	
11	14	JB1112	.Porca	Tuerca	Nut	
12	1	32905000	.Suporte da lanterna direita	Soporte de la linterna derecha	Support tail light	Right
12a	1	32905100	.Suporte da lanterna esquerda	Soporte de la linterna izquierda	Support tail light	Left
13	2	HA6322	.Parafuso	Tornillo	Screw	
14	4	HA9226	.Parafuso	Tornillo	Screw	
15	2	JB1108	.Porca	Tuerca	Nut	
16	4	JD0408	.Arruela	Arandela	Washer	
17	1	80188711	Cinto de segurança	Cinto de seguridad	Safety belt	
18	2	33476000	.Adesivo VALTRA	Adhesivo VALTRA	Adhesive VALTRA	
19	1	81160800	.Adesivo para cinto de segurança	Adhesivo del cinto de seguridad	Adhesive Safety belt	
20	8	JD3106	.Arruela de pressão	Arandela de presión	Lock washer	
21	1	81567600	.Plaqueta do ROPS	Placa	Plate	
21	1	81178410	.Plaqueta do ROPS	Placa	Plate	Inglês
22	2	HS9523	Parafuso	Tornillo	Screw	
23	4	JD3106	.Arruela de pressão	Arandela de presión	Lock washer	
24	1	80372800	.Suporte direito	Soporte derecho	Right support	
25	1	80372900	.Suporte esquerdo	Soporte izquierdo	Left support	
26	1	81613400	.Faixa do teto amarela direita	Adhesivo amarillo del techo derecho	Roof yellow adhesive	Right
-	1	81613500	.Faixa do teto amarela esquerda	Adhesivo amarillo del techo izquierdo	Roof yellow adhesive	Left
-	1	81613600	.Faixa do teto vermelha direita	Adhesivo rojo del techo derecho	Roof read adhesive	Right
-	1	81613700	.Faixa do teto vermelha esquerda	Adhesivo rojo del techo izquierdo	Roof read adhesive	Left
-	1	81613800	.Faixa do teto azul direita	Adhesivo azul del techo derecho	Roof blue adhesive	Right
-	1	81613900	Faixa do teto azul esquerda	Adhesivo azul del techo izquierdo	Roof blue adhesive	Left
-	1	81614000	.Faixa do teto verde direita	Adhesivo verde del techo derecho	Roof green adhesive	Right
-	1	81614100	.Faixa do teto verde esquerda	Adhesivo verde del techo izquierdo	Roof green adhesive	Left
-	1	81614200	.Faixa do teto branca direita	Adhesivo blanco del techo derecho	Roof green adhesive	Right
-	1	81614300	.Faixa do teto branca esquerda	Adhesico blanco del techo izquierda	Roof green adhesive	Left

ESTRUTURA DE SEGURANÇA (EQUIP.OPCIONAL)

TECHO DE PROTECCIÓN (EQUIPO OPCIONAL)

FRAME AND ROOF (OPTIONAL EQUIPMENT)

1280R, 1580, 1780  
1380S, 1680S, 1880S



02.07.1999

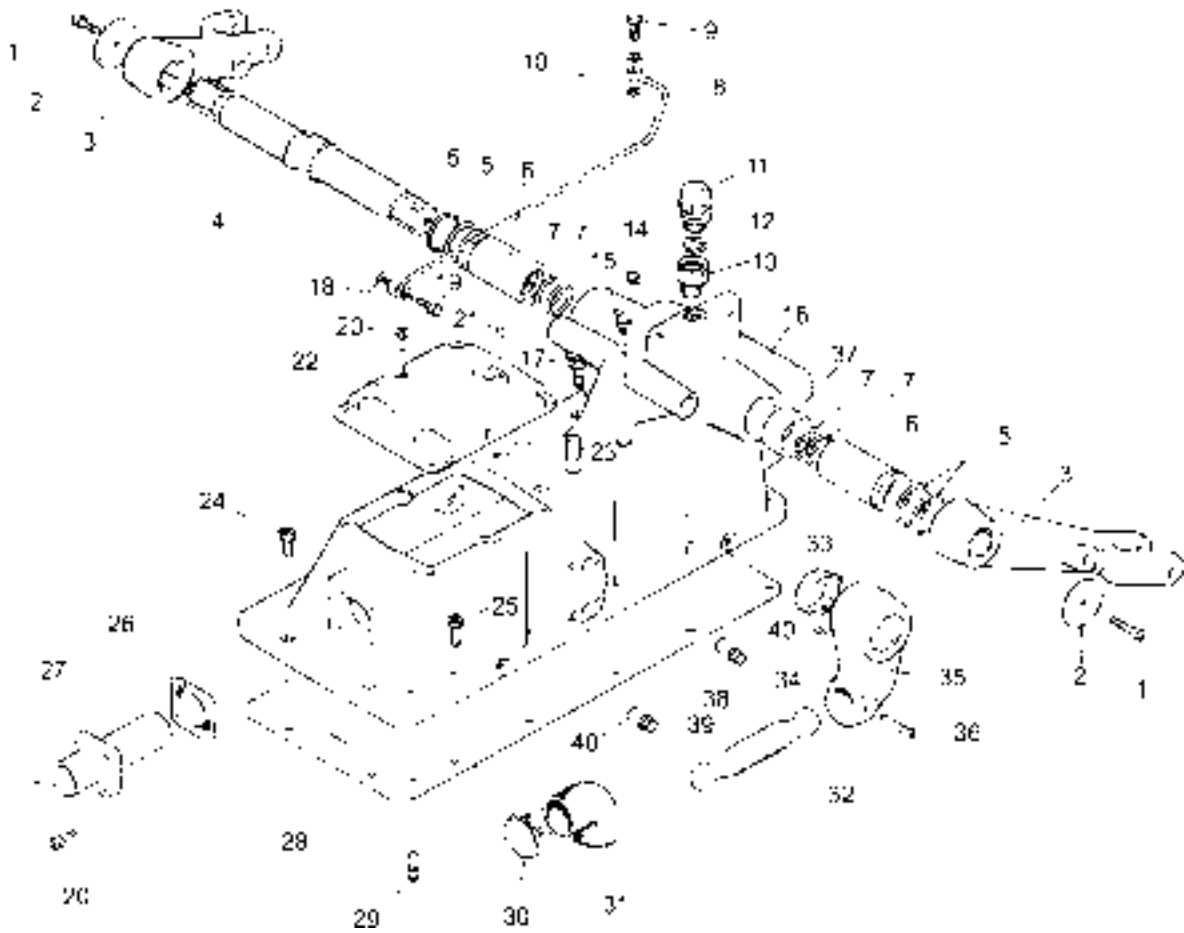
**ESTRUTURA DE SEGURANÇA (EQUIP.OPCIONAL)**  
**TECHO DE PROTECCIÓN (EQUIPO OPCIONAL)**  
**FRAME AND ROOF (OPTIONAL EQUIPMENT)**

89-4

1280R, 1580, 1780  
1380S, 1680S, 1880S

Ref.	Qde.	Peça	Denominação	Denominación	Description	Nota
Ref.	Cant.	Pieza				Nota
Ref.	Qty.	Part				Note
27	4	31631800	Tampa	Tapa	Cover	
28	4	JB8903	Porca	Tuerca	Nut	
29	2	81132300	Guia lateral	Guia lateral	Side guide	
30	2	81132400	Guarnição de borracha	Protección de goma	Rubber parking	
31	2	81132600	Vidro dianteiro	Vidrio delantero	Lower wind shield	
32	2	80884600	Guarnição de borracha	Protección de goma	Rubber parking	
33	2	80989600	Guarnição de borracha	Protección de goma	Rubber parking	
34	2	81190200	Apoio do vidro inferior	Apoyo del vidrio inferior	Support	
35	2	81190100	Trava do vidro inferior	Traba del vidrio inferior	Lower wind lock	
36	8	JD0406	Arruela	Arandela	Washer	
37	8	HA9224	Parafuso	Tornillo	Bolt	
38	2	32503500	Tampa protetora	Tapa de protección	Protection cover	
39	2	30581200	Espelho retrovisor	Ejejo lateral	Side mirros	

91	SISTEMA HIDRÁULICO	SISTEMA HIDRÁULICO	HYDRAULIC SYSTEM		
	Tampa da caixa de câmbio	Tapa de la caja de marchas	Gearbox upper cover	1280R,1580,1780 1380S,1680S,1880S	2
	Cilindro de levantamento	Cilindro de levantamiento	Lift cylinder	1280R,1580,1780 1380S,1680S,1880S	4
	Válvula do hidráulico	Válvula del hidraulico	Hydraulic valve	1280R,1580,1780 1380S,1680S,1880S	6
	Alavanca do hidráulico	Palanca del hidráulico	Hydraulic lever	1280R,1580,1780 1380S,1680S,1880S	8-10
	Barra de engate superior e braço apalpador	Terceiro punto y brazo del palpador	Top link rod	1280R,1580,1780 1380S,1680S,1880S	12
	Conexão de levante	Conexión de levante	Lift connection	1280R,1580,1780 1380S,1680S,1880S	14
	Bomba e tubulações do hidráulico	Bomba y tubulaciones del hidráulico	Hydraulic pump and pipes	1380S,1680S,1880S	16-18
	Bomba e tubulações do hidráulico	Bomba y tubulaciones del hidráulico	Hydraulic pump and pipes	1280R,1580,1780	20-22
	Bomba hidráulica	Bomba hidráulica	Hydraulic pump	1280R,1580,1780 1380S,1680S,1880S	24
	Cilindro auxiliar de levantamento	Cilindro auxiliar de levantamiento	Auxiliary lift cylinder	1280R,1580,1780 1380S,1680S,1880S	26
	Cilindro	Cilindro	Cylinder	1280R,1580,1780 1380S,1680S,1880S	28
	Válvula de controle remoto auxiliar	Válvula de mando remoto auxiliar	Directional control valve	1280R,1580,1780 1380S,1680S,1880S	30-34
	Gancho de tração	Gancho de tracción	Trailer hitch	1280R,1580,1780 1380S,1680S,1880S	36

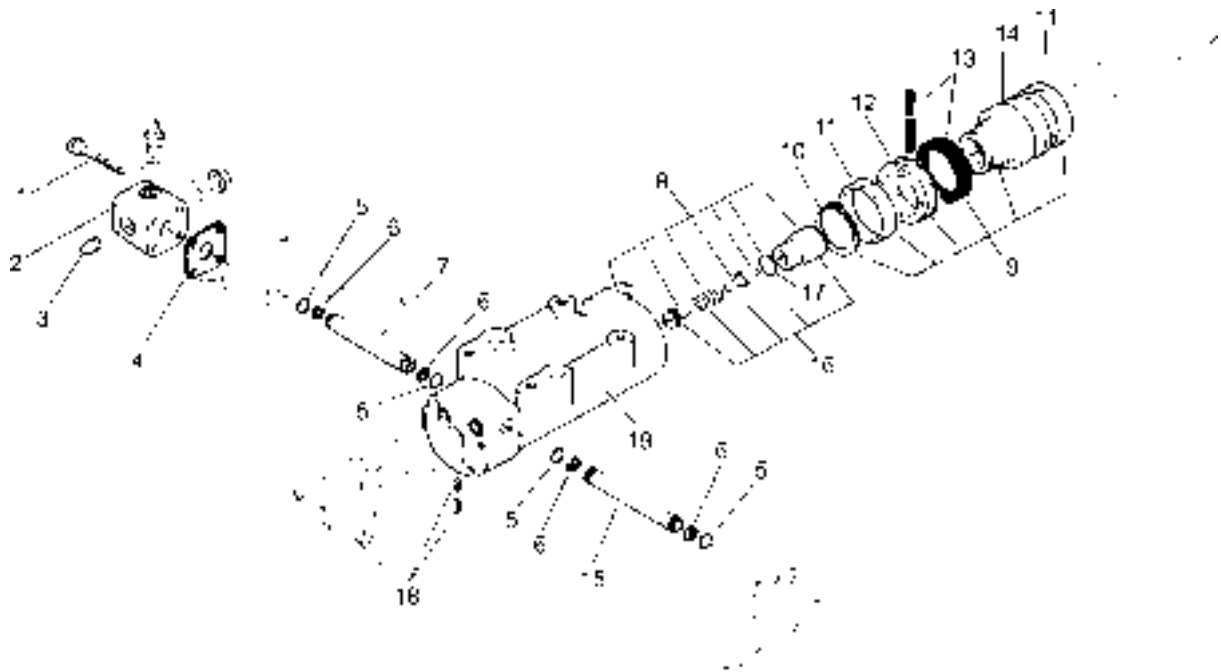
**TAMPA DA CAIXA DE CÂMBIO  
TAPA DE LA CAJA DE MARCHAS  
GEARBOX UPPER COVER**1280R, 1580, 1780  
1380S, 1680S, 1880S

**TAMPA DA CAIXA DE CÂMBIO  
TAPA DE LA CAJA DE MARCHAS  
GEARBOX UPPER COVER**
**1280R, 1580, 1780  
1380S, 1680S, 1880S**

Ref.	Qde.	Peça	Denominação	Denominación	Description	Nota
Ref.	Cant.	Pieza				Nota
Ref.	Qty.	Part				Note
1	2	HA6358	Parafuso	Tornillo	Bolt	
2	2	81674600	Disco	Disco	Disc	
3	2	82080000	Braço do elevador	Brazo del elevador	Lift arm	
4	1	81674700	Eixo do elevador	Eje del elevador	Rock shaft	
5	4	KH4801	Anel retentor	Anillo de sellameinto	O-ring	
6	2	823880	Bucha do hidráulico	Buje del hidráulico	Bushing	
7	4	KH4811	Anel retentor	Anillo de sellamiento	O-ring	
8	1	193051	Tubo de respiro	Tubo de respiración	Breather pipe	
9	1	589270	Parafuso de conexão	Tornillo de conexión	Banjo bolt	
10	2	KH3618	Anel de vedação	Arandela de sellamiento	Seal washer	
11.	1	234130	Tampa de enchimento	Tapón de llenado	Filler cap	
12	1	244270	Anel retentor	Anillo de sellamiento	O-ring	
13	1	229500	Conexão	Conexión	Connection	
14	1	GR0279	Bujão	Tapón	Plug	
15	1	GG0085	Niple de lubrificação	Niple de lubricación	Grease fitting	
16	1	80845610	Tampa da caixa de câmbio	Tapa de la caja de marchas	Gearbox cover	
17	4	HC8455	Parafuso allen	Tornillo allen	Set screw	
18.	3	KH3625	Anel de vedação	Anillo de sellamaiento	Seal ring	
19	1	GS9250	Parafuso de conexão	Tornillo de conexión	Banjo bolt	
20	10	HC9327	Parafuso allen	Tornillo allen	Set screw	
21	2	JE9099	Pino de pressão	Perno de presión	Spring pin	
22	1	222580	Tampa de manutenção	Tapa de mantenimiento	Cover	
23	2	436720	Pino	Perno	Pin	
24	2	HC9525	Parafuso allen	Tornillo allen	Set screw	
25	12	HC8447	Parafuso allen	Tornillo allen	Set screw	
26	1	80340810	Junta	Junta	Gasket	
27	1	80745220	Conexão	Conexión	Connection	
28	1	80990200	Tampa inferior	Tapa inferior	Separation plate	
29.	2	581020	Pino guia	Perno guia	Guide pin	
30	1	GP3942	Abraçadeira	Abrazadera	Clamp	
31	1	80337110	Mangueira	Manguera	Hose	
32	1	263140	Impulsor	Impulsor	Push rod	
33	1	824002	Excêntrico	Excêntrico	Cam	
34	1	824550	Pino	Perno	Pin	
35	1	823901	Braço da alavanca	Brazo de la palanca	Crank arm	
36	1	JE9071	Pino de pressão	Perno de presión	Lock pin	
37	1	229950	Anel espaçador	Anillo espaciador	Spacer ring	
38	1	81675300	Bujão	Tapón	Plug	Mod. I – II
39	1	80199700	Bujão	Tapón	Plug	Mod. I – II
40	2	KH3611	Arruela de vedação	Arandela de sellamiento	Seal washer	

CILINDRO DE LEVANTAMENTO  
CILINDRO DE LEVANTAMIENTO  
LIFT CYLINDER

1280R, 1580, 1780  
1380S, 1680S, 1880S



**CILINDRO DE LEVANTAMENTO**  
**CILINDRO DE LEVANTAMIENTO**  
**LIFT CYLINDER**

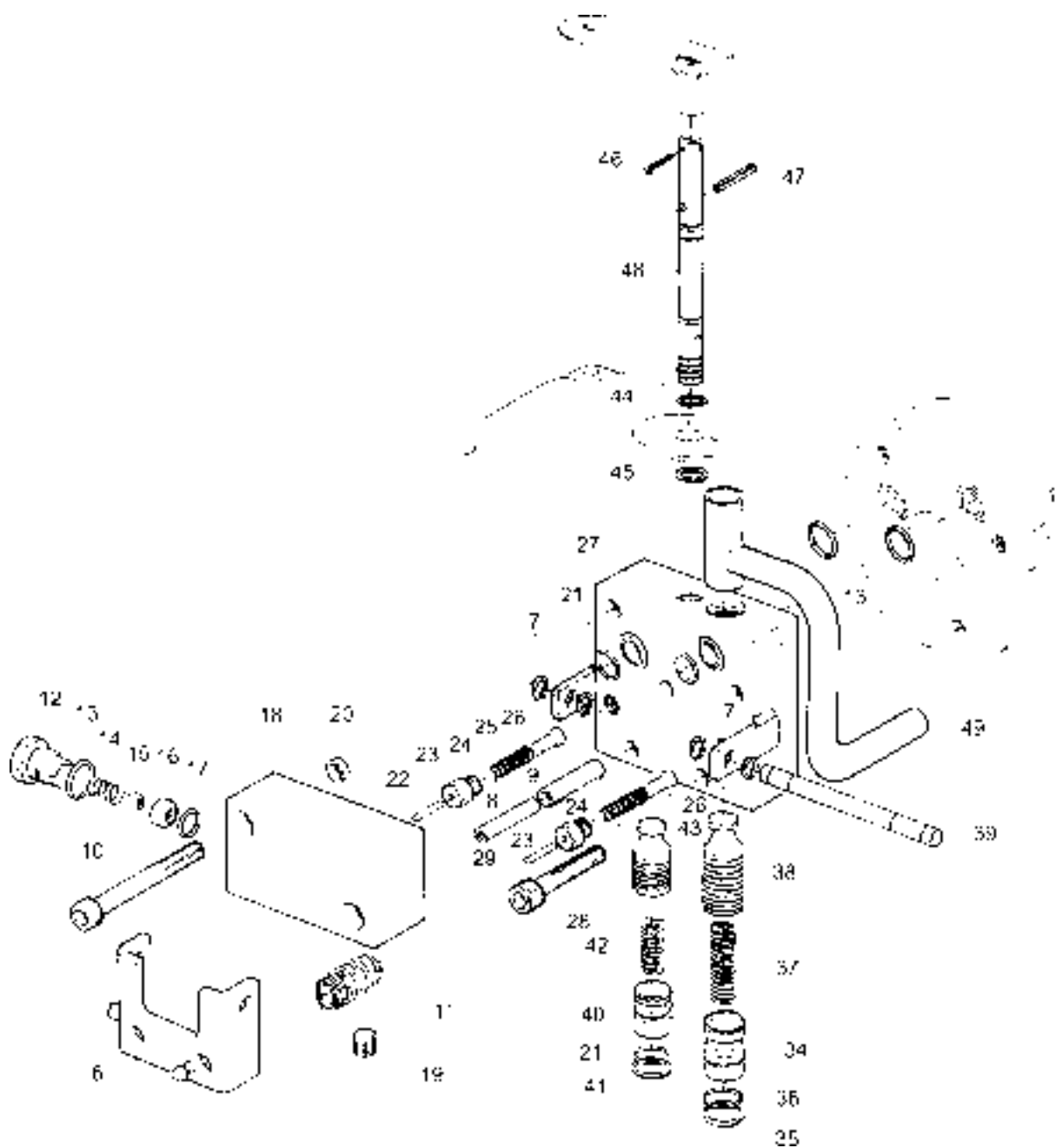
91-4

**1280R, 1580, 1780**  
**1380S, 1680S, 1880S**

Ref.	Qde.	Peça	Denominação	Denominación	Description	Nota
Ref.	Cant.	Pieza				Nota
Ref.	Qty.	Part				Note
1	4	HC8331	Parafuso allen	Tornillo allen	Set screw	
2	1	262080	Conexão	Conexión	Connecting	
3	1	GR0204	Bujão	Tapón	Plug	
4	1	823950	Junta de vedação	Junta de sellamiento	Gasket	
5	4	KH5050	Anel de vedação	Arandela de sellamiento	Seal washer	
6	4	KH7070	Anel retentor	Anillo de sellamiento	O-ring	
7	1	823961	Tubo de conexão direito	Tubo de conexión derecho	Right connecting pipe	
8	1	80958701	Cilindro do elevador	Cilindro del hidráulico	Lift cylinder	Ref.16,17,18,19
9	1	195700	Pistão montado	Pistón montado	Piston assy	Ref.10,11,12,13,14
10	1	KG1189	Anel de segurança	Anillo de traba	Circlip	
11	2	KH3272	Anel de guia	Anillo de guia	Guide ring	
12	1	229920	Anel raspador	Anillo raspador	Scraper ring	
13	1	81153100	Retentor	Retenedor	Oil seal	
14	1	229910	Pistão	Pistón	Piston	
15	1	824040	Tubo de conexão	Tubo de conexión	Left connecting	
16	1	80948610	Encosto do pistão montado	Válvula de seguridad montada	Safety valve assy	
17	1	KH4131	Anel retentor	Anillo de sellamiento	O-ring	
18	2	HH4403	Parafuso sem cabeça	Tornillo	Screw	
19	1	80193510	Cilindro do elevador	Cilindro del elevador	Lift cylinder	

VÁLVULA DO HIDRÁULICO  
VÁLVULA DEL HIDRÁULICO  
HYDRAULIC VALVE

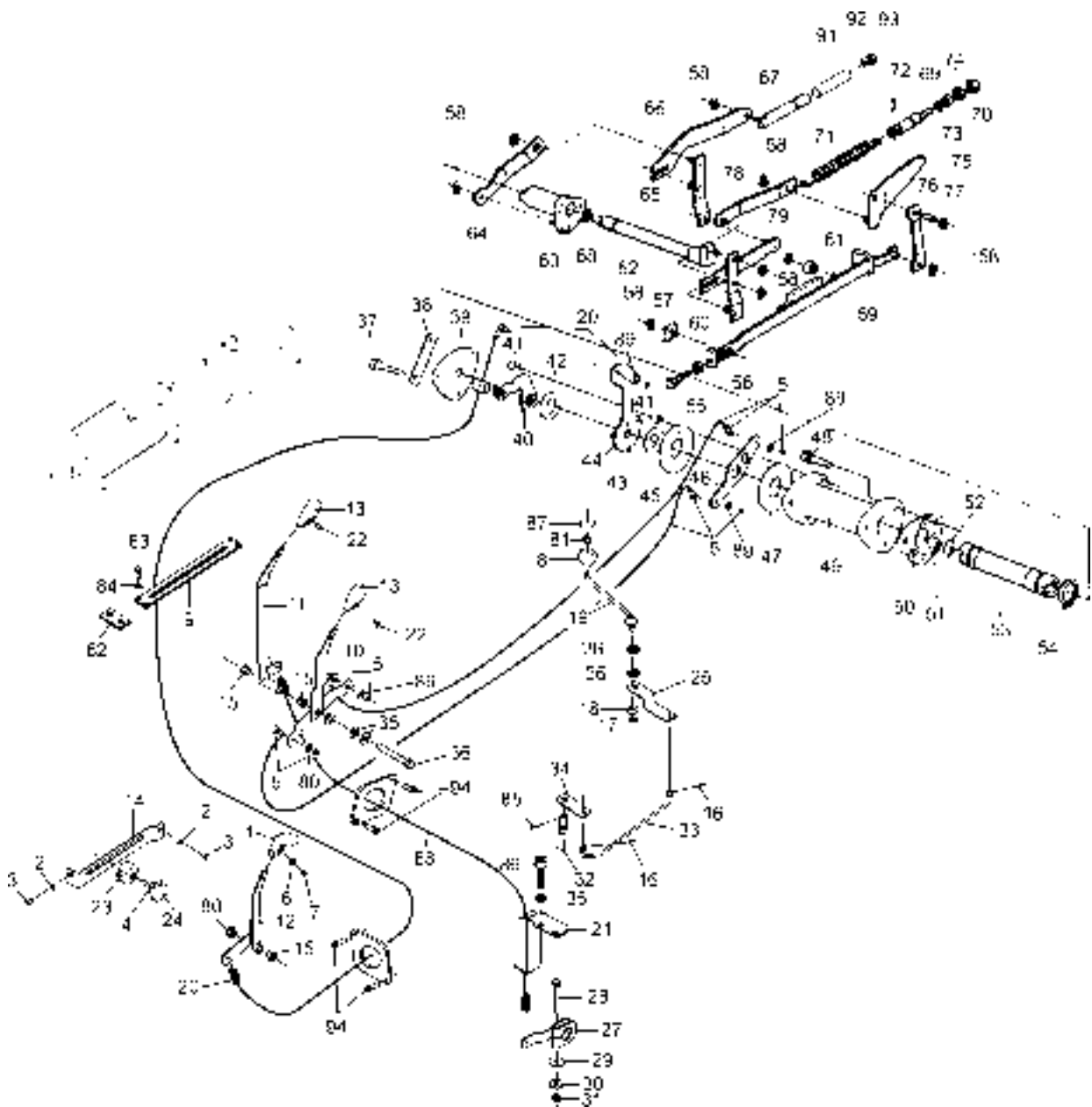
1280R, 1580, 1780  
1380S, 1680S, 1880S



**VÁLVULA DO HIDRÁULICO  
VÁLVULA DEL HIDRÁULICO  
HYDRAULIC VALVE**
**1280R, 1580, 1780  
1380S, 1680S, 1880S**

Ref.	Qde.	Peça	Denominação	Denominación	Description	Nota
Ref.	Cant.	Pieza				Nota
Ref.	Qty.	Part				Note
-	1	81168000	Válvula do hidráulico completa	Válvula del hidráulico completa	Hydraulic valve complete	Ref.1-43
-	1	82090100	Válvula de retenção montada	Válvula by-pass montada	By-pass valve assy	Ref.12-19
6	1	812241	Placa de comando	Placa de comando	Pressure plate	
7	4	KG1074	Anel de segurança	Anillo de traba	Circlip	
8	1	JE9089	Pino de pressão	Perno de presión	Lock pin	
9	1	JE9106	Pino de pressão	Perno de presión	Lock pin	
10	2	HC8342	Parafuso allen	Tornillo allen	Set screw	
11	1	824400	Mola	Resorte	Spring	
12	1	82096300	Bujão	Tapón	Plug	
13	1	KH7081	Anel de vedação	Anillo de sellamiento	Seal ring	
14	1	689281	Mola	Resorte	Sspring	
15	1	LB8027	Esfera	Bola	Ball	
16	1	689260	Assento da esfera	Asiento de la bola	Ball seat	
17	1	KH4048	Anel retentor	Anillo de sellameinto	O-ring	
18	1	82078600	Corpo da válvula	Cuerpo de la válvula	Valve body	
19	1	GR0234	Bujão	Tapón	Plug	
20	2	132760	Bucha de guia	Buje de guia	Guide bushing	
21	3	KH7070	Anel retentor	Anillo de sellamiento	O-ring	
22	1	866460	Pino	Perno	Pin	18,3mm
22	1	866470	Pino	Perno	Pin	18,4mm
22	1	866480	Pino	Perno	Pin	18,5mm
22	1	878050	Pino	Perno	Pin	18,2mm
22	1	878060	Pino	Perno	Pin	18,6mm
22	1	878070	Pino	Perno	Pin	18,7mm
22	1	878080	Pino	Perno	Pin	18,8mm
23	2	824281	Encosto da esfera	Asiento de la esfera	Ball seat	
24	2	LB8013	Esfera	Esfera	Ball	
25	2	824420	Mola	Resorte	Spring	
26	2	692930	Guia	Guia	Guide	
27	1	81167900	Corpo da válvula	Cuerpo de la válvula	Valve housing	
28	1	HC9743	Parafuso allen	Tornillo allen	Set screw	
29	1	824340	Pino	Perno	Pin	18,9mm
29	1	866540	Pino	Perno	Pin	19,0mm
34	1	824320	Encosto da mola	Tapón	Plug	
35	1	KH5057	Anel de apoio	Arandela de sellamiento	Seal ring	
36	1	KH4091	Anel retentor	Anillo de sellamiento	O-ring	
37	1	824410	Mola	Resorte	Spring	
38	1	824290	Válvula de alívio	Válvula de descarga	Free flow valve	
39	1	831240	Eixo	Eje	Shaft	
40	1	824311	Encosto da mola	Tapón	Plug	
41	1	KH5056	Anel de apoio	Arandela de sellameinto	Seal ring	
42	1	622891	Mola	Resorte	Spring	
43	1	824301	Válvula de alívio do cilindro	Válvula de descarga del cilindro	Cylinder free flow	
44	2	KH4040	Anel retentor	Anillo de sellamiento	O-ring	
45	1	KG1014	Anel de segurança	Anillo de traba	Circlip	
46	1	JE3079	Cupilha	Perno abierto	Split pin	
47	1	JE9059	Pino de pressão	Perno de presión	Lock pin	
48	1	80964410	Válvula reguladora de fluxo	Válvula reguladora de caudal	Retur pipe	
49	1	80822300	Tubo de retorno	Tubo de retorno	Return pipe	
-	1	078723007	Cola Loctite	Cola Loctite	Sealant Loctite	
-	1	078723015	Cola Loctite	Cola Loctite	Sealant loctite	



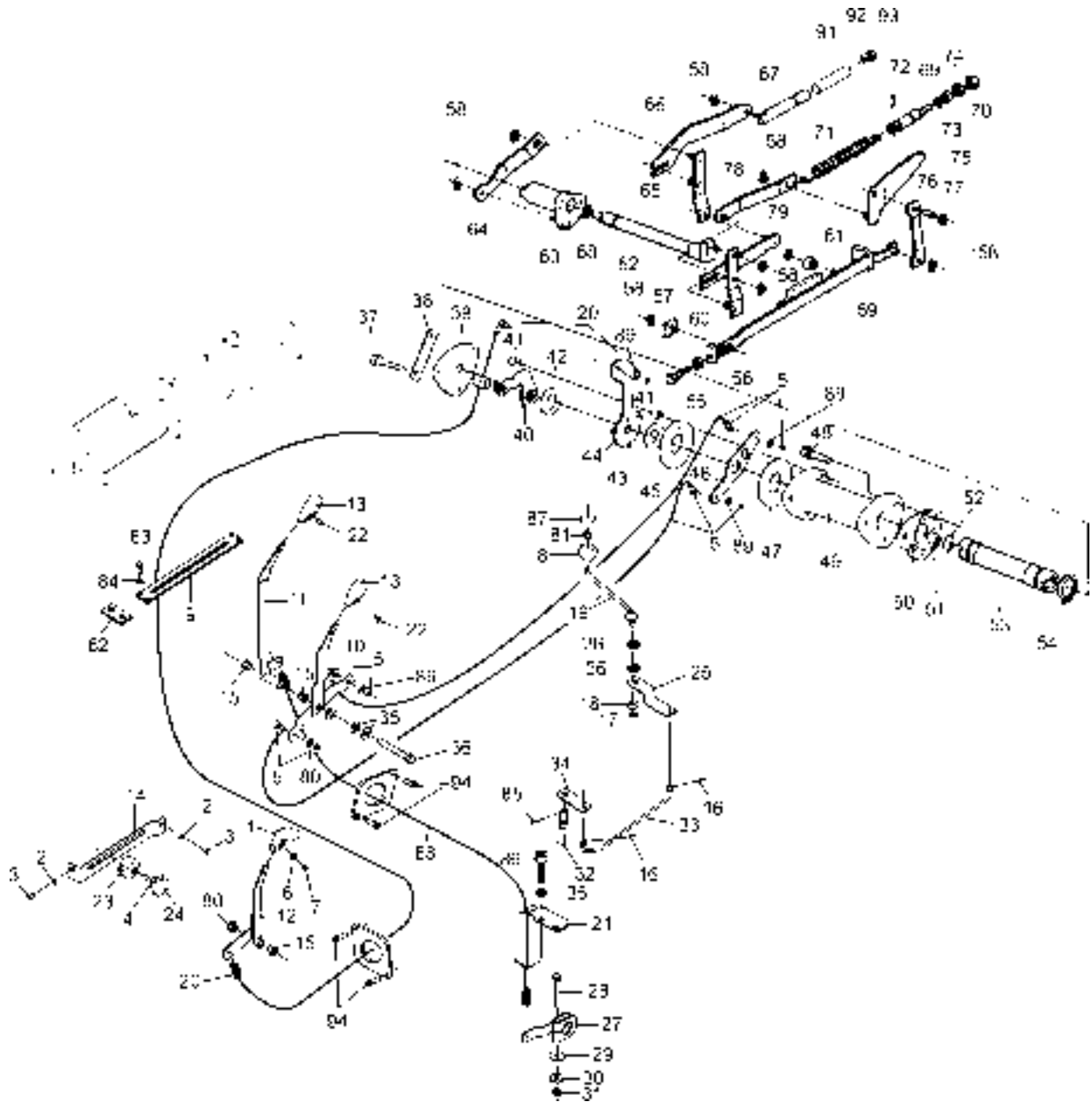
**VÁLVULA DO HIDRÁULICO**  
**VÁLVULA DEL HIDRÁULICO**  
**HYDRAULIC VALVE**1280R, 1580, 1780  
1380S, 1680S, 1880S

**VÁLVULA DO HIDRÁULICO  
VÁLVULA DEL HIDRÁULICO  
HYDRAULIC VALVE**
**91-8**
**1280R, 1580, 1780  
1380S, 1680S, 1880S**

Ref.	Qde.	Peça	Denominação	Denominación	Description	Nota
Ref.	Cant.	Pieza				Nota
Ref.	Qty.	Part				Note
1	1	30235400	Manopla	Empuñadura	Knob	
2	1	JD8003	Arruela	Arandela	Washer	
3	1	80306800	Parafuso	Tornillo	Bolt	
4	1	80111500	Arruela	Arandela	Washer	
5	2	81659100	Cabo da sensibilidade	Cabo	Cable	
6	1	JD0406	Arruela	Arandela	Washer	
7	1	HD9013	Parafuso	Tornillo	Bolt	
8	1	586270	Manopla	Empuñadura	Knob	
9	1	81768400	Guiã	Guiã	Guide	
10	1	81650600	Alavanca de sensibilidade	Palanca	Lever	
11	1	81644900	Alavanca da TDP	Palanca de la TDF	PTO lever	
11	1	81764800	Alavanca da TDP	Palanca de la TDF	PTO lever	Mod. I
12	1	81642700	Alavanca de posição	Palanca	Lever	
13	1	80090100	Manopla	Empuñadura	Knob	
14	1	80056000	Chapa limitadora	Chapa limitadora	Limiter plate	
15	3	80054600	Bucha	Buje	Bushing	
16	2	JE3047	Cupilha	Perno aberto	Split pin	
17	1	JB0937	Porca	Tuerca	Nut	
18	1	JD3108	Arruela	Arandela	Washer	
19	1	81667700	Alavanca de velocidade de descida	Palanca	Lever	
20	1	81659000	Cabo de controle de posição	Cabo de controle de posiciones	Cable	
21	1	81646600	Suporte	Soporte	Support	
22	2	HD9152	Parafuso	Tornillo	Bolt	
23	1	80056100	Limitador	Limitador	Limiter	
24	1	81787300	Parafuso de regulagem	Tornillo de regulaje	Adjusting screw	
25	1	81667800	Alavanca	Palanca	Lever	
26	2	81792200	Arruela	Arandela	Washer	
27	1	81648200	Alavanca	Palanca	Lever	
28	1	HA8337	Parafuso	Tornillo	Bolt	
29	1	JD0410	Arruela	Arandela	Washer	
30	1	JD3110	Arruela	Arandela	Washer	
31	1	JB1110	Porca	Tuerca	Nut	
32	1	80966410	Válvula reguladora de fluxo	Válvula reguladora de caudal	Throttle valve	
33	1	81761000	Haste	Vástago	Rod	
34	1	81757200	Alavanca	Palanca	Lever	
35	4	JD0412	Arruela	Arandela	Washer	
36	1	HA8350	Parafuso	Tornillo	Bolt	
37	3	HA8327	Parafuso	Tornillo	Bolt	
38	2	612790	Chapa de trava	Chapa de traba	Lock plate	
39	1	612810	Chapa mola	Chapa resorte	Spring plate	
40	1	81644100	Alavanca	Palanca	Lever	
41	6	684460	Bucha	Buje	Bushing	
42	1	612840	Arruela de encosto	Arandela de empuje	Thrust plate	
43	1	JE9404	Mola prato	Resorte plato	Plate spring	
44	1	81653100	Distanciador	Espaciador	Spacer	
45	1	684520	Arruela de encosto	Arandela de empuje	Thrust washer	
46	1	81649900	Alavanca	Palanca	Lever	
47	1	684470	Arruela de encosto	Arandela de empuje	Thrust washer	
48	3	HC9530	Parafuso	Tornillo	Bolt	

**VÁLVULA DO HIDRÁULICO**  
**VÁLVULA DEL HIDRÁULICO**  
**HYDRAULIC VALVE**

1280R, 1580, 1780  
1380S, 1680S, 1880S

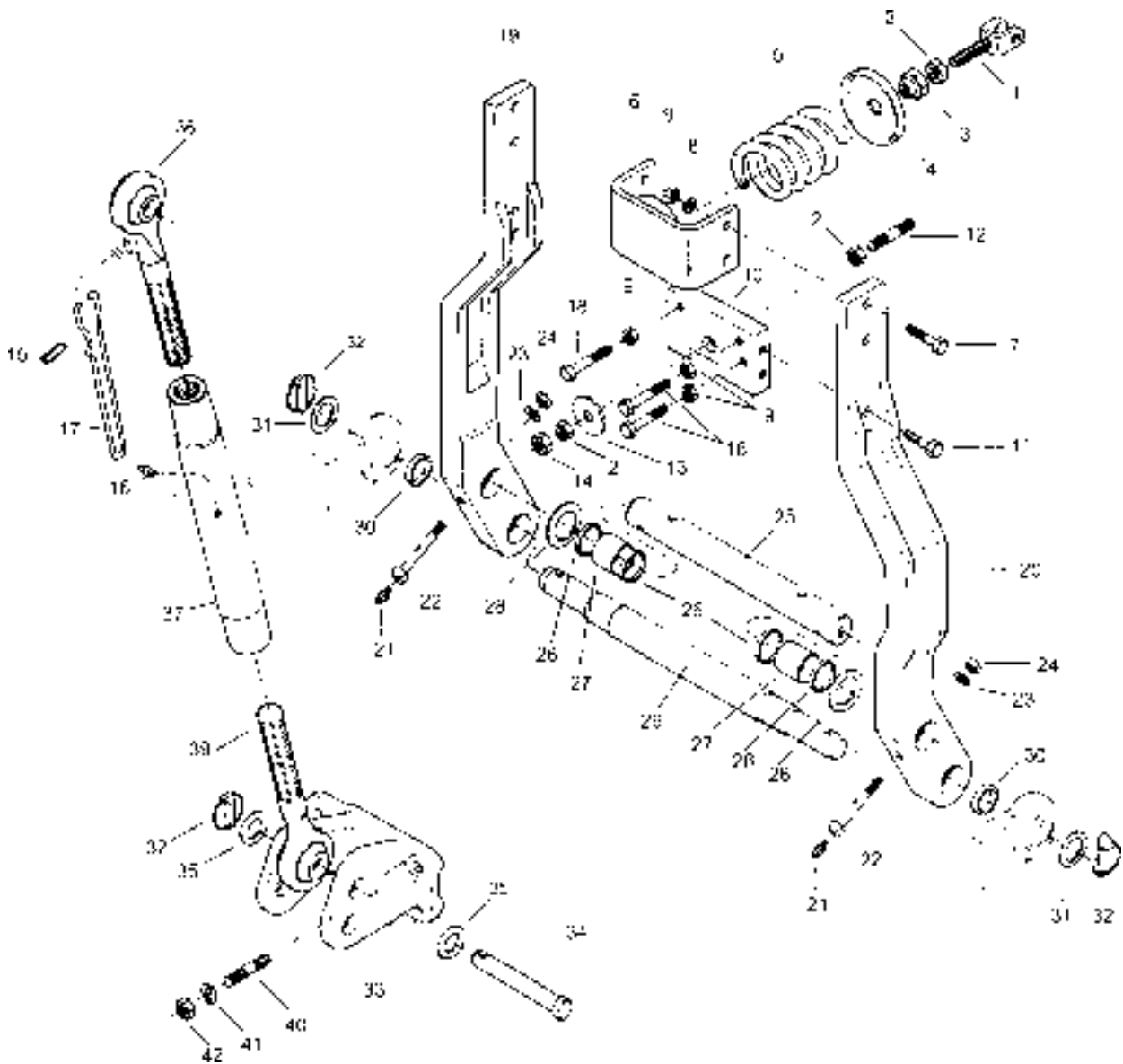


**VÁLVULA DO HIDRÁULICO  
VÁLVULA DEL HIDRÁULICO  
HYDRAULIC VALVE**
**1280R, 1580, 1780  
1380S, 1680S, 1880S**

Ref.	Qde.	Peça	Denominação	Denominación	Nota
Ref.	Cant.	Pieza			Nota
Ref.	Qty.	Part		Description	Note
49	1	854990	Corpo da alavanca	Cuerpo de la palanca	Lever body
50	1	612360	Junta	Junta	Gasket
51	1	KG1018	Anel de segurança	Anillo de traba	Circlip
52	1	KH4111	Anel retentor	Anillo de sellamiento	O-ring
53	1	612320	Eixo	Eje	Shaft
54	1	KG1201	Anel de segurança	Anillo de traba	Circlip
55	1	HA6426	Parafuso	Tornillo	Bolt
56	1	JB1108	Porca	Tuerca	Nut
57	1	824360	Peça corrediça	Pieza corrediza	Side piece
58	13	KG1074	Anel de segurança	Anillo de traba	Circlip
59	1	81091400	Alavanca de comando	Palanca de comando	Control lever
60	1	81091300	Alavanca	Palanca	Lever
61	1	826380	Anel	Anillo	Ring
62	1	229890	Eixo de comando	Eje de comando	Contrl valve
63	1	195670	Eixo da alavanca	Eje de la palanca	Lever shaft
64	1	229880	Barra de ligação	Barra de conexión	Connecting rod
65	1	81091000	Alavanca	Palanca	Lever
66	1	81090800	Chapa de ligação	Chapa de conexión	Connection plate
67	1	812821	Barra do apalpador	Barra del palpador	Feeler rod
68	1	KH4061	Anel retentor	Anillo de sellamiento	O-ring
69	1	KH4934	Anel retentor	Anillo de sellamiento	O-ring
70	1	KH6001	Anel retentor	Anillo de sellamiento	O-ring
71	1	826392	Mola	Resorte	Spring
72	1	JE8132	Pino de pressão	Perno de presión	Spring pin
73	1	859071	Eixo de regulagem	Eje de ajuste	Adjusting rod
74	2	JB3212	Porca	Tuerca	Nut
75	1	81090900	Alavanca do excêntrico	Palanca del excêntrico	Lever
76	1	229860	Barra de ligação	Barra de conexión	Connecting rod
77	1	826360	Pino	Perno	Pin
78	1	81091100	Chapa intermediária	Chapa intermediaria	Connecting plate
79	1	81091200	Chapa intermediária	Chapa intermediária	Connecting plate
80	1	JB8906	Porca	Tuerca	Nut
81	1	JB1208	Porca	Tuerca	Nut
82	1	80077400	Fixador	Fijación	Fastening
83	4	80306800	Parafuso	Tornillo	Bolt
84	4	JD8003	Arruela	Arandela	Washer
85	1	JE3079	Cupilha	Perno abierto	Split pin
86	2	HC8348	Parafuso	Tornillo	Bolt
87	1	30931500	Tampa	Tapa	Cover
88	1	81658900	Cabo da TDP	Cabo TDF	Cable PTO
89	5	JD3106	Arruela	Arandela	Washer
90	1	81776000	Arruela	Arandela	Washer
91	1	81674500	Bucha	Buje	Bushing
92	1	81766400	Retentor	Retenedor	Oil seal
93	1	81766500	Retentor	Retenedor	Oil seal
94	4	HA6306	Parafuso	Tornillo	Bolt
95	1	JD8003	Arruela	Arandela	Washer
96	1	80306800	Parafuso	Tornillo	Bolt

08.02.1999

91-11

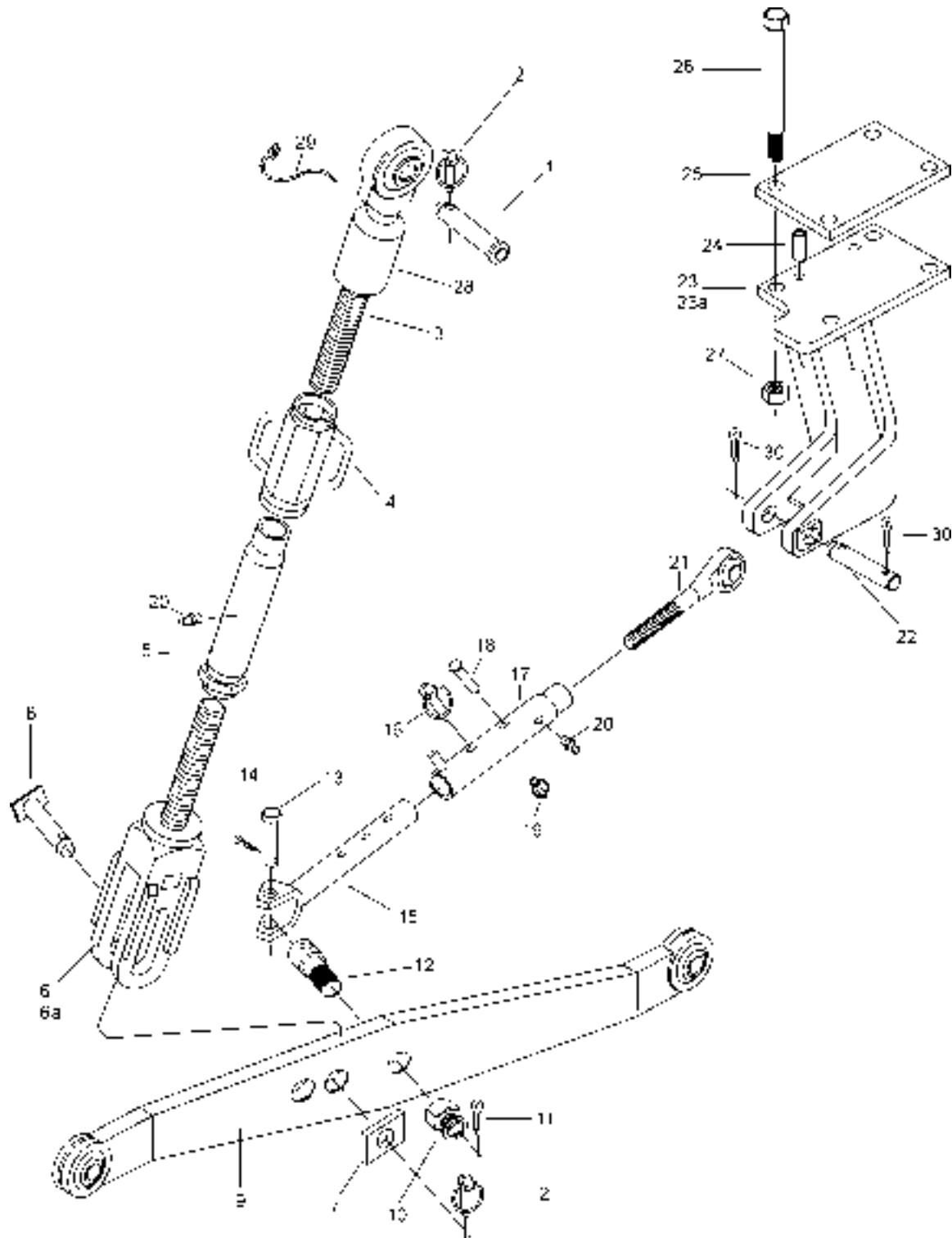
**BARRA DE ENGATE SUPERIOR E BRAÇO APALPADOR  
TERCEIRO PUNTO Y BRAZO DEL PALPADOR  
TOP LINK ROD**1280R, 1580, 1780  
1380S, 1680S, 1880S

**08.02.1999**
**BARRA DE ENGATE SUPERIOR E BRAÇO APALPADOR  
TERCEIRO PUNTO Y BRAZO DEL PALPADOR  
TOP LINK ROD**
**91-12**
**1280R, 1580, 1780  
1380S, 1680S, 1880S**

Ref.	Qde.	Peça	Denominação	Denominación	Nota
Ref.	Cant.	Pieza			Nota
Ref.	Qty.	Part		Description	Note
1	1	82090700	Eixo	Eje	Shaft
2	3	JB1216	Porca	Tuerca	Nut
3	1	260140	Porca de regulagem	Tuerca de ajuste	Adjusting nut
4	1	82088700	Encosto da mola	Apoyo del resorte	Thrust plate
5	1	82079800	Mola	Resorte	Spring
6	1	82088810	Guia da mola	Guia del resorte	Spring guide
7	4	HA8346	Parafuso	Tornillo	Bolt
8	4	JD3112	Arruela de pressão	Arandela de presión	Lock washer
9	7	JB3212	Porca	Tuerca	Nut
10	1	81675400	Placa guia	Placa guia	Guide plate
11	4	HA9242	Parafuso	Tornillo	Bolt
12	1	229210	Prisioneiro	Espárrago	Stud
13	1	JD9106	Arruela	Arandela	Washer
14	1	JB1116	Porca	Tuerca	Nut
15	1	81695400	Cinta trava	Cinto trava	Lock band
16	1	GG0019	Niple de lubrificação	Niple de lubricación	Grease fitting
17	1	81696700	Mola	Resorte	Spring
18	3	HA6449	Parafuso	Tornillo	Bolt
19	1	82062010	Braço do apalpador esquerdo	Brazo del palpador izquierdo	Left arm
20	1	82061910	Braço do apalpador direito	Brazo del palpador derecho	Right arm
21	2	GG0088	Niple de lubrificação	Niple de lubricación	Grease fitting
22	2	81511300	Pino de lubrificação	Perno de lubricación	Grease pin
23	2	JD3110	Arruela de pressão	Arandela de presión	Lock washer
24	2	JB1110	Porca	Tuerca	Nut
25	1	261100	Eixo apalpador	Eje del palpador	Feeler shaft
26	4	868740	Anel retentor	Anillo de sellamiento	O-ring
27	2	868750	Bucha	Buje	Bush
28	2	JE9405	Mola prato	Resorte pratillo	Spring washer
29	1	81397400	Eixo de articulação	Eje de articulación	Link shaft
30	2	262061	Espaçador	Espaciador	Spacer ring
31	2	262800	Arruela de encosto	Arandela de empuje	Thrust washer
32	2	JE9301	Trava	Traba	Lock pin
33	1	261090	Suporte do 3º ponto	Soporte del 3 punto	Top link support
34	1	677030	Pino de articulação	Perno de articulación	Link pin
35	2	673070	Arruela	Arandela	Washer
36	1	81696400	Fuso esquerdo	Huso izquierdo	Left spindle
37	1	81696500	Tensor	Tensor	Turnbuckle
39	1	81696600	Fuso direito	Huso derecho	Right spindle
40	4	851990	Prisioneiro	Espárrago	Stud
41	4	JD3116	Arruela	Arandela	Washer
42	4	JB0952	Porca	Tuerca	Nut

CONEXÃO DE LEVANTE  
CONEXIÓN DE LEVANTE  
LIFT CONNECTION

1280R, 1580, 1780  
1380S, 1680S, 1880S



**CONEXÃO DE LEVANTE**  
**CONEXIÓN DE LEVANTE**  
**LIFT CONNECTION**

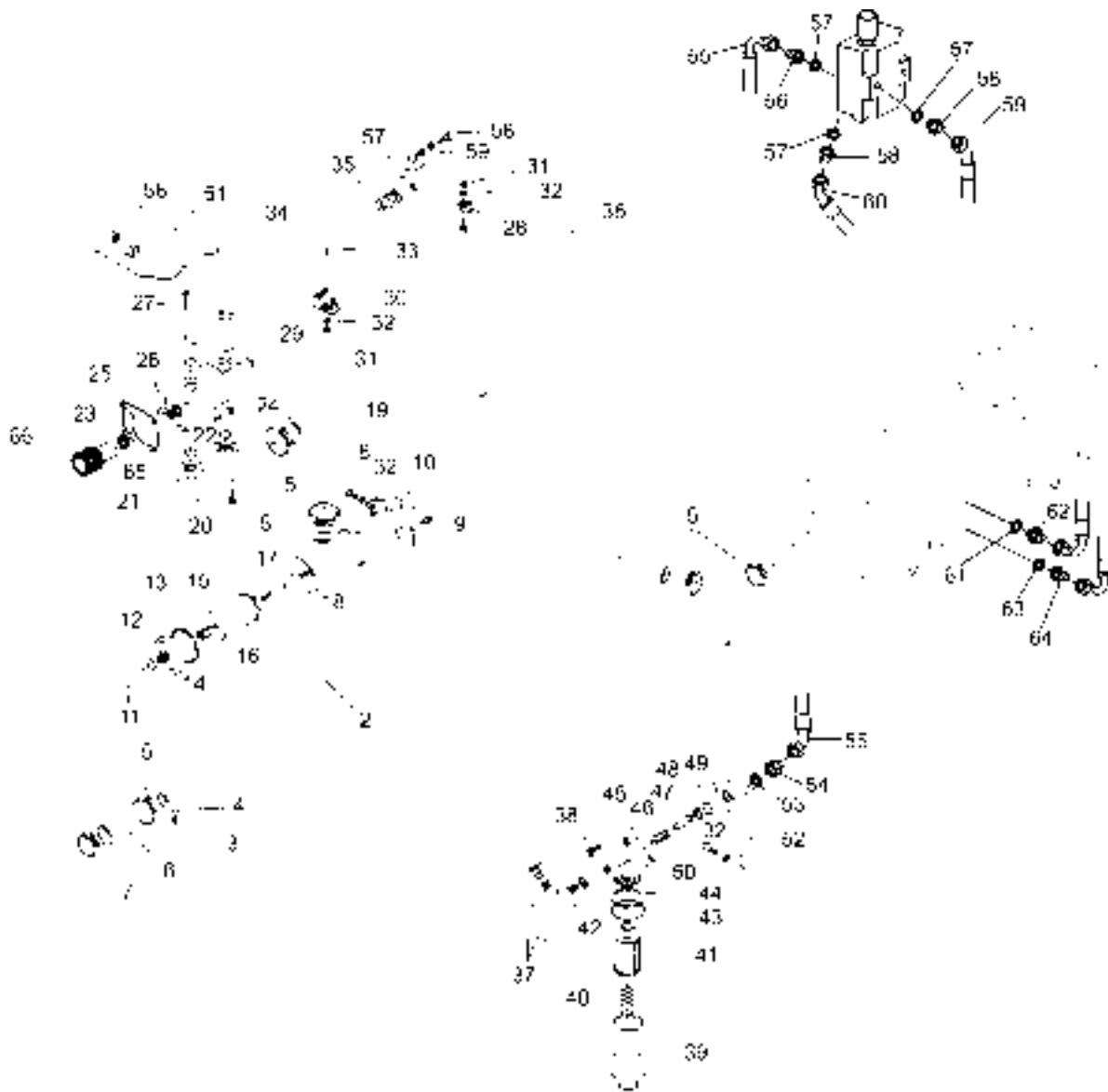
**1280R, 1580, 1780**  
**1380S, 1680S, 1880S**

<b>Ref.</b>	<b>Qde.</b>	<b>Peça</b>	<b>Denominação</b>	<b>Denominación</b>	<b>Nota</b>
<b>Ref.</b>	<b>Cant.</b>	<b>Pieza</b>			<b>Nota</b>
<b>Ref.</b>	<b>Qty.</b>	<b>Part</b>		<b>Description</b>	<b>Note</b>
1	2	80092800	Pino de articulação	Perno de articulación	Link pin
2	6	81696100	Trava	Traba	Lock pin
3	2	81696800	Fuso esquerdo	Huso izquierdo	Left spindle
4	2	81697000	Ajustador	Regulador	Adjusting tube
5	2	81696900	Tensor	Tensor	Turnbuckle
6	1	81697200	Garfo esquerdo	Horquilla izquierdo	Left fork
6a	1	81697100	Garfo direito	Horquilla derecho	Left fork
7	2	81697900	Chapa de trava	Traba	Lock plate
8	2	81697300	Pino	Perno	Pin
9	2	82061610	Barra de engate	Barra de tracción	Lower link
10	2	JC8230	Porca	Tuerca	Nut
11	2	JE3134	Cupilha	Perno abierto	Split pin
12	2	81694500	Terminal	Terminal	Terminal
13	2	81694900	Pino de articulação	Perno de articulación	Link pin
14	2	JE3156	Cupilha	Perno abierto	Split pin
15	2	81697700	Garfo	Horquilla	Fork spindle
16	2	81697600	Pino	Perno	Pin
17	2	81697500	Barra interna	Barra interna	Inner rod
18	2	81712400	Pino	Perno	Pin
19	2	81697800	Trava	Traba	Lock pin
20	4	GG0019	Niple de lubrificação	Niple de lubricación	Grease fitting
21	2	81697400	Fuso	Huso	Spindle
22	2	81798100	Pino de articulação	Perno de articulación	Link pin
23	1	80836220	Suporte esquerdo	Soporte izquierdo	Left support
23a	1	80836020	Suporte direito	Soporte derecho	Right support
24	4	80847910	Pino	Perno	Pin
25	2	80752200	Base	Apoyo	Base plate
26	8	80847710	Parafuso	Tornillo	Bolt
27	8	80847800	Porca	Tuerca	Nut
28	2	81698000	Capa protetora	Capa de protección	Protection cap
29	2	81696300	Abraçadeira	Abrazadera	Clamp
30	4	JE3155	Cupilha	Perno abierto	Split pin



**BOMBA E TUBULAÇÕES DO HIDRÁULICO**  
**BOMBA Y TUBULACIONES DEL HIDRÁULICO**  
**HYDRAULIC PUMP AND PIPES**

1380S, 1680S, 1880S



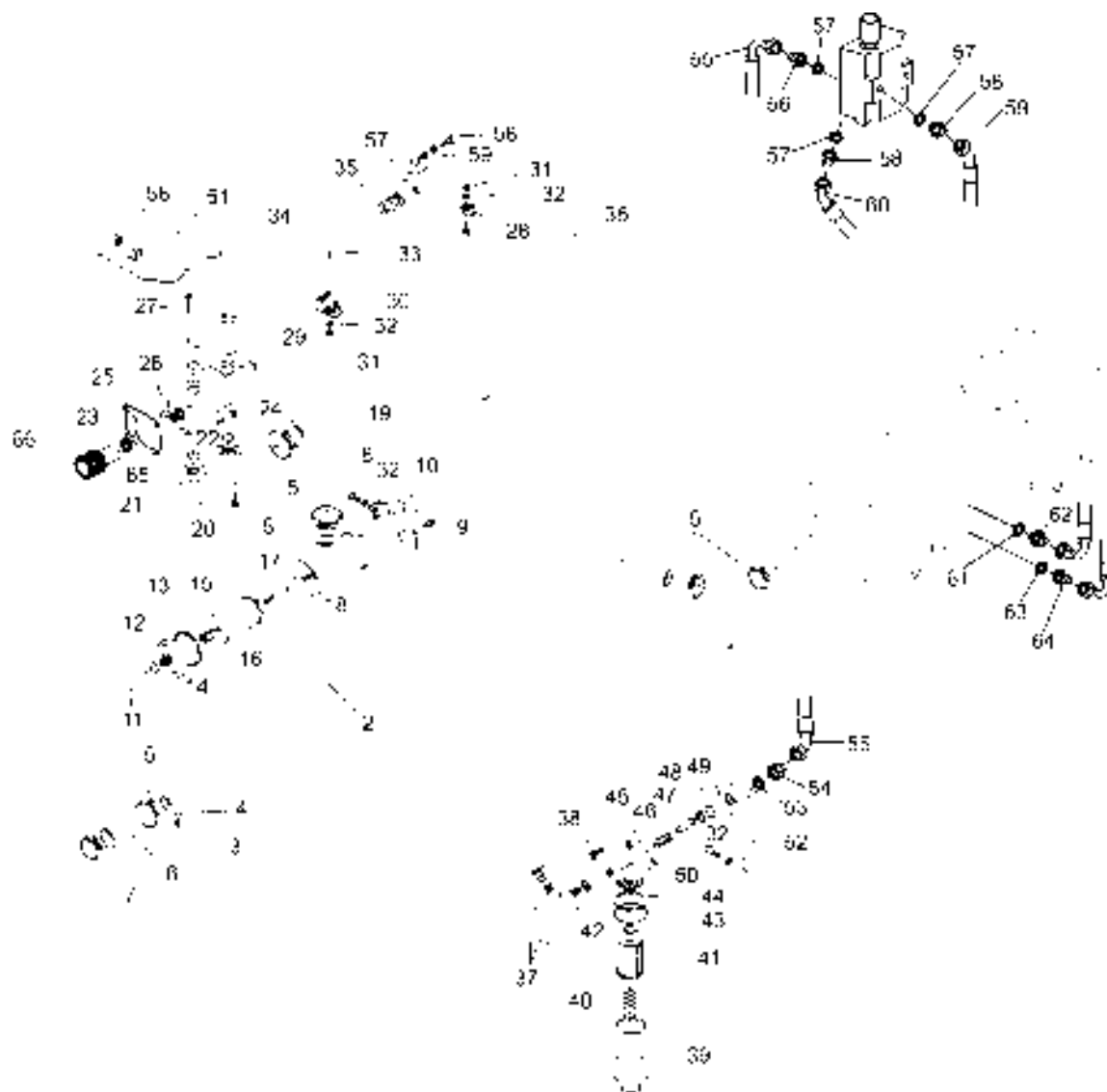
**BOMBA E TUBULAÇÕES DO HIDRÁULICO**  
**BOMBA Y TUBULACIONES DEL HIDRÁULICO**  
**HYDRAULIC PUMP AND PIPES**

1380S, 1680S, 1880S

Ref.	Qde.	Peça	Denominação	Denominación	Description	Nota
Ref.	Cant.	Pieza				Nota
Ref.	Qty.	Part				Note
-	1	30168200	Filtro de pressão	Filtro de presión	Pressure filtre assy	Ref.39-48
1	1	80266510	Mangueira de ligação	Manguera	Hose	
2	1	82069000	Tubo de sucção	Tubo de succión	Suction pipe	
3	1	GR0277	Bujão	Tapón	Plug	
4	1	KH3621	Anel de vedação	Anillo de sellamiento	Seal ring	
5	5	GP3942	Abraçadeira	Abrazadera	Clamp	
6	1	82076600	Mangueira de ligação	Manguera	Hose	
7	1	GP3915	Abraçadeira	Abrazadera	Clamp	
8	2	HA6324	Parafuso	Tornillo	Bolt	
9	4	HC9435	Parafuso allen	Tornillo allen	Set screw	
10	1	82068800	Suporte	Soporte	Bracket	
11	1	30239300	Porca	Tuerca	Nut	
12	1	KH4946	Anel retentor	Anillo retenedor	Seal ring	
13	1	30239200	Tampa	Tapa	Cover	
14	1	KH4010	Anel retentor	Anillo retenedor	Seal ring	
15	1	30249400	Mola	Resorte	Spring	
16	1	30250100	Filtro	Filtro	Filter	
17	1	30249500	Prisioneiro	Espárrago	Stud	
18	1	30239000	Carça do filtro	Carcasa del filtro	Filter housing	
19	1	82068000	Mangueira de sucção	Manguera de succión	Suction hose	
20	8	HA6322	Parafuso	Tornillo	Bolt	
21	1	82010100	Conexão dupla	Conexión doble	Double connection	
22	2	KH4052	Anel retentor	Anillo retenedor	Seal ring	
23	1	835324277	Junta	Junta	Gasket	
24	1	HC9605	Parafuso allen	Tornillo allen	Set screw	
25	1	836640234	Bomba hidráulica	Bomba hidráulica	Hydraulic pump	
26	1	KH4952	Anel retentor	Anillo retenedor	Seal ring	
27	4	HC9322	Parafuso allen	Tornillo allen	Set screw	
28	1	30446600	Grampo	Abrazadera	Clamp	
29	1	30555700	Grampo	Abrazadera	Clamp	
30	1	30086100	Grampo	Abrazadera	Clamp	
31	2	JB1108	Porca	Tuerca	Nut	
32	6	JD3108	Arruela de pressão	Arandela de presión	Lock washer	
33	1	HA6323	Parafuso	Tornillo	Bolt	
34	1	82068700	Tubo	Tubo	Pipe	
35	1	80229500	União dupla	Conexión doble	Double connection	
36	1	82068910	Tubo	Tubo	Pipe	
37	1	80747000	Conexão	Conexión	Connection	
38	2	HC9336	Parafuso allen	Tornillo allen	Set screw	
39	1	433811	Carça do filtro	Carcasa del filtro	Filter housing	
40	1	433830	Mola	Resorte	Spring	
41	1	433800	Elemento filtrante	Elemento filtrante	Filter element	
42	1	KH4965	Anel retentor	Anillo retenedor	Seal ring	
43	1	KH4781	Anel retentor	Anillo retenedor	Seal ring	
44	1	KH5058	Anel retentor	Anillo retenedor	Seal ring	
45	1	30168300	Cabeçote do filtro	Cabezal del filtro	Filter head	
46	1	30168500	Mola	Resorte	Spring	
47	1	30168400	Válvula by-pass	Válvula by-pass	By-pass valve	
48	1	KG3024	Anel de segurança	Anillo de traba	Circlip	
49	1	KH4131	Anel retentor	Anillo retenedor	Seal ring	
50	3	HA6324	Parafuso	Tornillo	Bolt	
51	1	82083900	Chapa de proteção	Placa de protección	Protective plate	
52	1	80344110	Suporte	Soporte	Support	
53	1	KH3611	Anel vedação	Anillo de sellamiento	Seal ring	
54	1	80097100	Conexão	Conexión	Connection	

**BOMBA E TUBULAÇÕES DO HIDRÁULICO**  
**BOMBA Y TUBULACIONES DEL HIDRÁULICO**  
**HYDRAULIC PUMP AND PIPES**

1380S, 1680S, 1880S



02.08.1999

**BOMBA E TUBULAÇÕES DO HIDRÁULICO**  
**BOMBA Y TUBULACIONES DEL HIDRÁULICO**  
**HYDRAULIC PUMP AND PIPES**

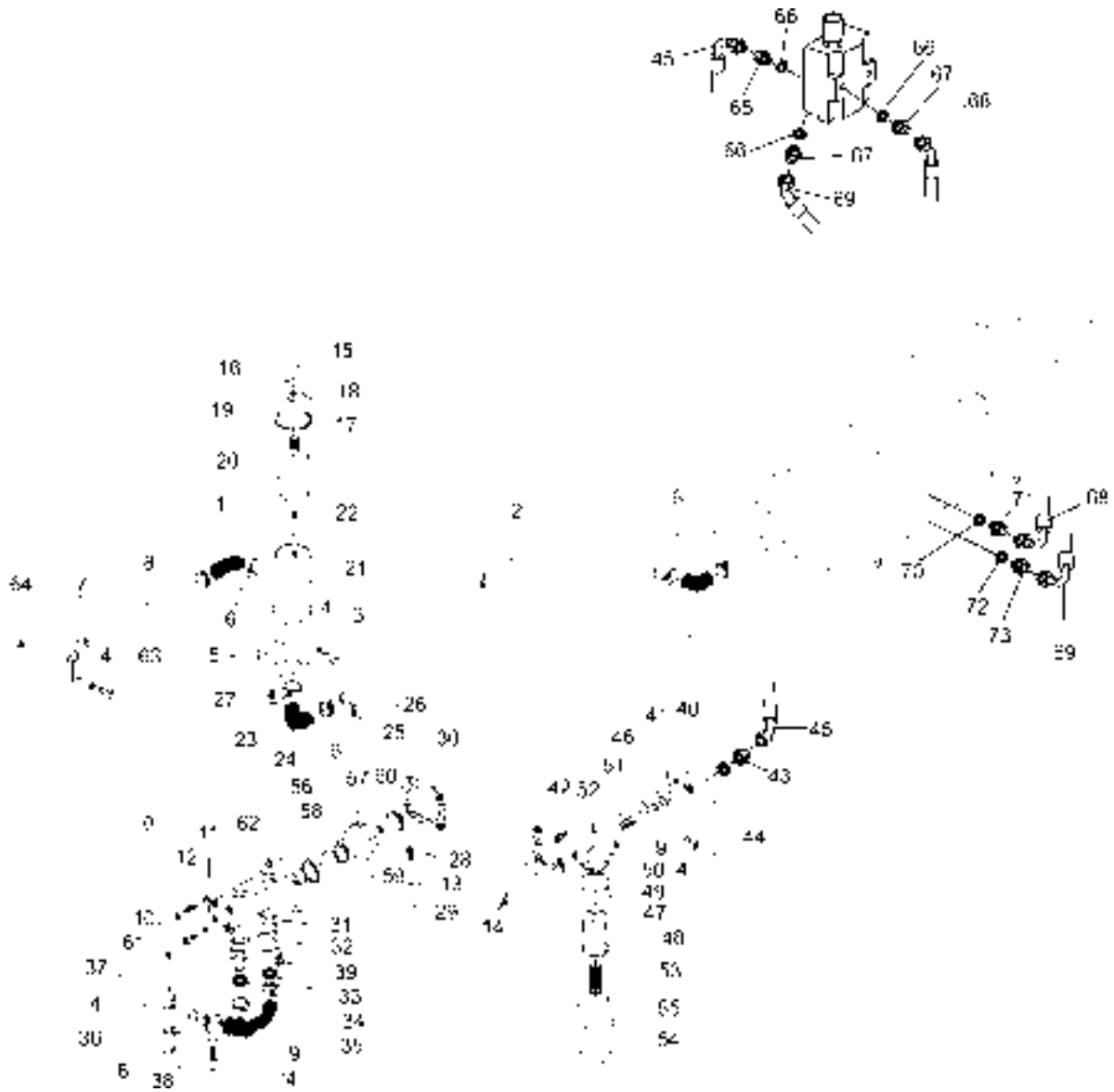
91-18

1380S, 1680S, 1880S

<b>Ref.</b>	<b>Qde.</b>	<b>Peça</b>	<b>Denominação</b>	<b>Denominación</b>	<b>Description</b>	<b>Nota</b>
<b>Ref.</b>	<b>Cant.</b>	<b>Pieza</b>				<b>Nota</b>
<b>Ref.</b>	<b>Qty.</b>	<b>Part</b>				<b>Note</b>
55	1	81675600	Mangueira de pressão	Manguera de presión	Pressure hose	
56	1	81676400	Conexão	Conexión	Connection	
57	3	KH4091	Anel de vedação	Anillo de sellamiento	Seal ring	
58	2	81607900	Conexão	Conexión	Connection	
59	1	81675700	Mangueira de retorno	Manguera de retorno	Return hose	
60	1	81675800	Mangueira de pressão	Manguera de presión	Pressure hose	
61	1	KH7131	Anel de vedação	Anillo de sellamiento	Seal ring	
62	1	81676300	Conexão	Conexión	Connection	
63	1	KH7070	Anel de vedação	Anillo de sellamiento	Seal ring	
64	1	81677000	Conexão	Conexión	Connection	
65	1	KG1406	Anel de trava	Anillo de traba	Circlip	
66	1	686300	Luva	Manga	Sleeve	

**BOMBA E TUBULAÇÕES DO HIDRÁULICO**  
**BOMBA Y TUBULACIONES DEL HIDRÁULICO**  
**HYDRAULIC PUMP AND PIPES**

1280R, 1580, 1780

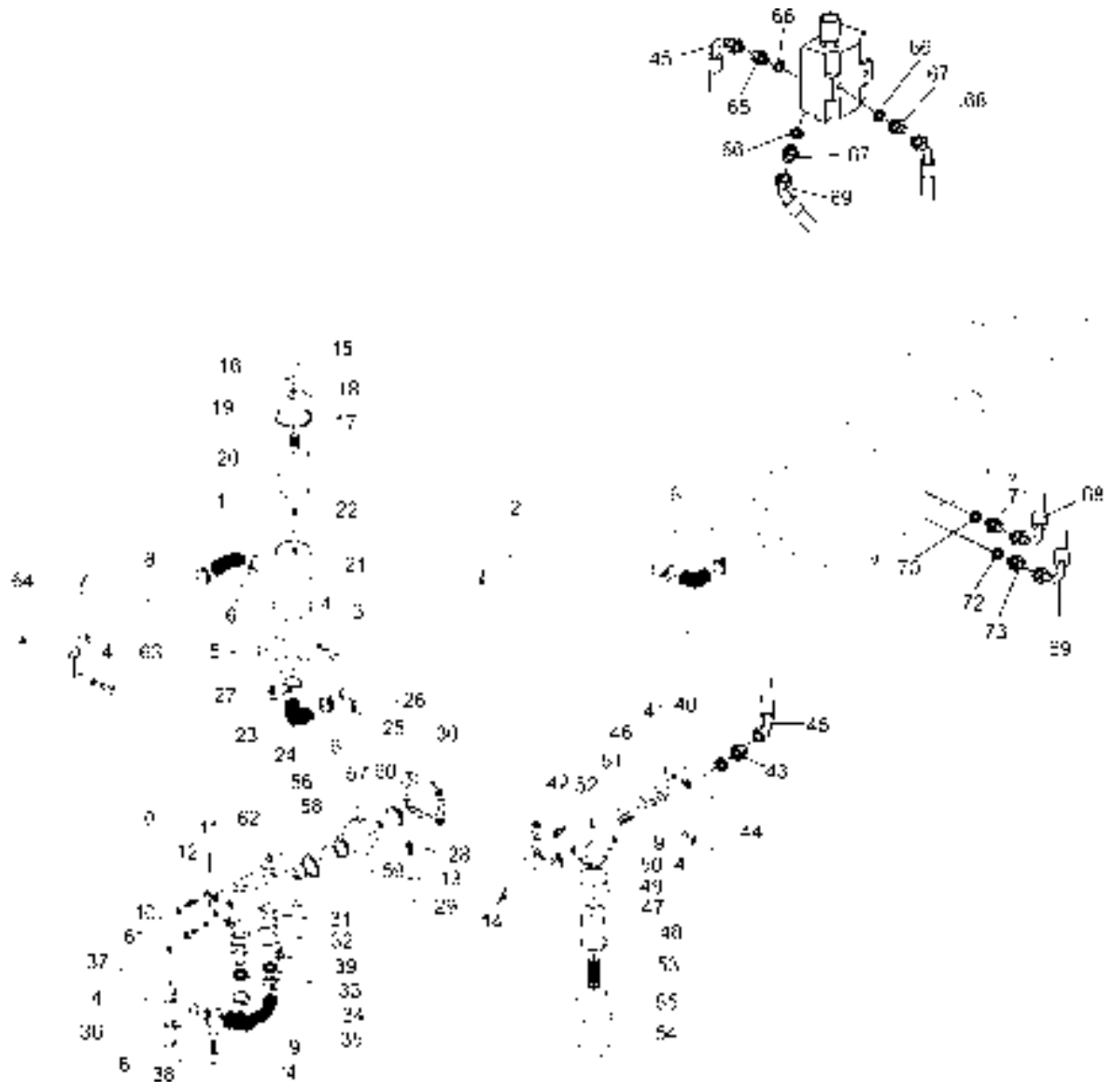


**BOMBA E TUBULAÇÕES DO HIDRÁULICO**  
**BOMBA Y TUBULACIONES DEL HIDRÁULICO**  
**HYDRAULIC PUMP AND PIPES**

Ref.	Qde.	Peça	Denominação	Denominación	Description	Nota
Ref.	Cant.	Pieza				Nota
Ref.	Qty.	Part				Note
-	1	80206710	Unidade hidráulica	Unidad hidráulica	Hydraulic pump	Ref.56 - 62
-	1	30168200	Filtro de pressão montado	Filtro de presión montado	Pressure filter assy	Ref.46 - 55
1	2	80386100	Mangueira	Manguera	Hose	
2	1	80745510	Tubo de sucção	Tuberia de succión	Suction pipe	
3	2	HA6323	Parafuso	Tornillo	Bolt	
4	7	JD3108	Arruela de pressão	Arandela de presión	Lock washer	
5	1	80376900	Suporte	Soporte	Support	
6	6	GP3942	Abraçadeira	Abrazadera	Clamp	
7	1	80355900	Abraçadeira	Abrazadera	Clamp	
8	1	80823500	Tubo de sucção	Tuberia de succión	Suction pipe	
9	3	HA6324	Parafuso	Tornillo	Bolt	
10	2	HC9623	Parafuso allen	Tornillo allen	Set screw	
11	4	JD3208	Arruela de pressão	Arandela de presión	Lock washer	
12	2	HC8382	Parafuso allen	Tornillo allen	Set screw	
13	1	80745600	Tubo de pressão	Tubo de presión	Pressure pipe	
14	1	80747000	Conexão	Conexión	Connection	
15	1	30239300	Porca	Tuerca	Nut	
16	1	KH4946	Anel retentor	Anillo de sellamiento	O-ring	
17	1	30249400	Mola	Resorte	Spring	
18	1	30239200	Tampa	Tapa	Cover	
19	1	KH4010	Anel retentor	Anillo de sellamiento	Seal ring	
20	1	30250100	Filtro	Filtro	Filter	
21	1	30239000	Carcaça dl filtro	Carcasa del filtro	Filter housing	
22	1	30249500	Prisioneiro	Espárrago	Stud	
23	1	GP3915	Abraçadeira	Abrazadera	Clamp	
24	1	80386000	Mangueira	Manguera	Hose	
25	1	GR0277	Bujão	Tapón	Plug	
26	1	KH3621	Anel de vedação	Arandela de sellamiento	Seal washer	
27	4	HC9435	Parafuso allen	Tornillo allen	Set screw	
28	4	HC9322	Parafuso allen	Tornillo allen	Set screw	
29	1	KH4091	Anel retentor	Anillo de sellamiento	Seal ring	
30	1	853820	Junta	Junta	Gasket	
31	2	80244800	Junta	Junta	Gasket	
32	2	80341400	Conexão de sucção	Conexión de succión	Suction connection	
33	2	216600	Anel de borracha	Anillo de goma	Rubber ring	
34	2	GP3923	Abraçadeira	Abrazadera	Clamp	
35	1	80341300	Mangueira	Manguera	Hose	
36	1	80356200	Abraçadeira	Abrazadera	Clamp	
37	1	HA6322	Parafuso	Tornillo	Bolt	
38	1	80356300	Suporte	Soporte	Support	
39	8	HC9318	Parafuso allen	Tornillo allen	Set screw	
40	1	80344100	Suporte	Soporte	Support	
41	1	KH4131	Anel retentor	Anillo de sellamiento	Seal ring	
42	2	HC9336	Parafuso allen	Tornillo allen	Set screw	
43	1	80097100	Conexão	Conexión	Connection	
44	1	KH3611	Anel retentor	Anillo de sellamiento	Seal ring	
45	1	81675600	Mangueira de pressão	Manguera de presión	Pressure hose	
46	1	KG3024	Anel de segurança	Anillo de traba	Circlip	
47	1	KH4781	Anel retentor	Anillo de sellamiento	Seal ring	
48	1	KH4965	Anel retentor	Anillo de sellamiento	Seal ring	
49	1	KH5058	Anel retentor	Anillo de sellamiento	Seal ring	
50	1	30168300	Cabeçote do filtro	Cabezal del filtro	Filter head	

**BOMBA E TUBULAÇÕES DO HIDRÁULICO**  
**BOMBA Y TUBULACIONES DEL HIDRÁULICO**  
**HYDRAULIC PUMP AND PIPES**

1280R, 1580, 1780



**BOMBA E TUBULAÇÕES DO HIDRÁULICO**  
**BOMBA Y TUBULACIONES DEL HIDRÁULICO**  
**HYDRAULIC PUMP AND PIPES**

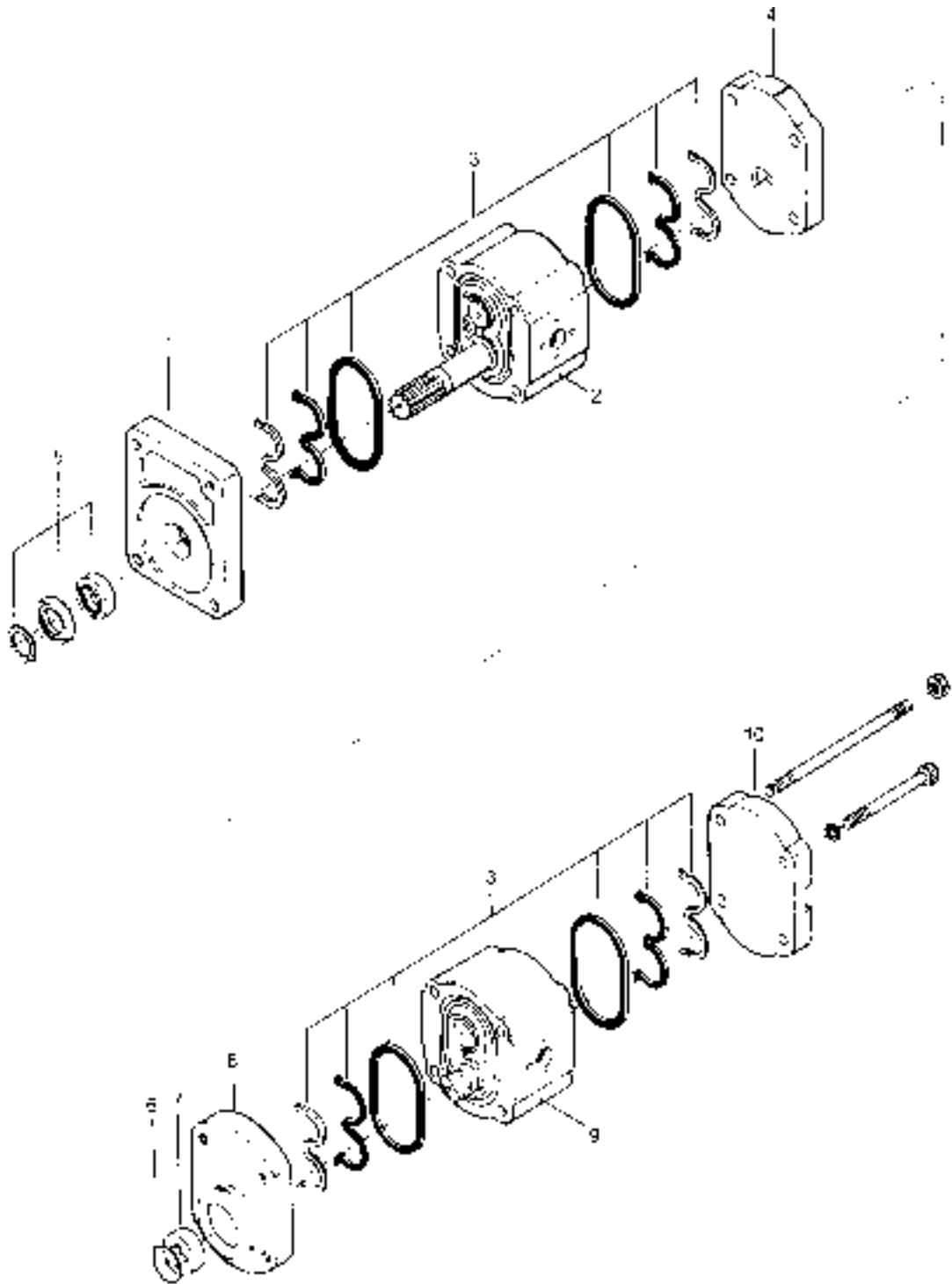
1280R, 1580, 1780

Ref.	Qde.	Peça	Denominação	Denominación	Description	Nota
Ref.	Cant.	Pieza				Nota
Ref.	Qty.	Part				Note
51	1	30168400	Válvula by-pass	Válvula py-pass	By-pass valve	
52	1	30168500	Mola	Resorte	Spring	
53	1	433800	Elemento filtrante	Elemento filtrante	Filter element	
54	1	433811	Carcaça do filtro	Caja del filtro	Filter housing	
55	1	433830	Mola	Resorte	Spring	
56	2	LA1189	Rolamento	Rodamiento	Bearing	
57	1	130680	Engrenagem	Engranaje	Gear	
58	1	130700	Anel espaçador	Anillo espaciador	Spacer ring	
59	1	130710	Pino	Perno	Pin	
60	1	130720	Luva de acoplamento	Manga de acoplamiento	Coupling sleeve	
61	2	131680	Pino de pressão	Perno de presión	Lock pin	
62	1	81131100	Bomba hidráulica	Bomba hidráulica	Hydraulic pump	
63	1	HA8326	Parafuso	Tornillo	Bolt	
64	1	JB1108	Porca	Tuerca	Nut	
65	1	81676400	Conexão	Conexión	Connection	
66	3	KH4091	Anel de vedação	Anillo de sellamiento	Seal ring	
67	2	81607900	Conexão	Conexión	Connection	
68	1	81675700	Mangueira de retorno	Manguera de retorno	Return hose	
69	1	81675800	Mangueira de pressão	Manguera de presión	Pressure hose	
70	1	KH7131	Anel retentor	Anillo de sellamiento	Seal ring	
71	1	81676300	Conexão	Conexión	Connection	
72	1	KH7070	Anel de vedação	Anillo de sellamiento	Seal ring	
73	1	81677000	Conexão	Conexión	Connection	



BOMBA HIDRÁULICA  
BOMBA HIDRÁULICA  
HYDRAULIC PUMP

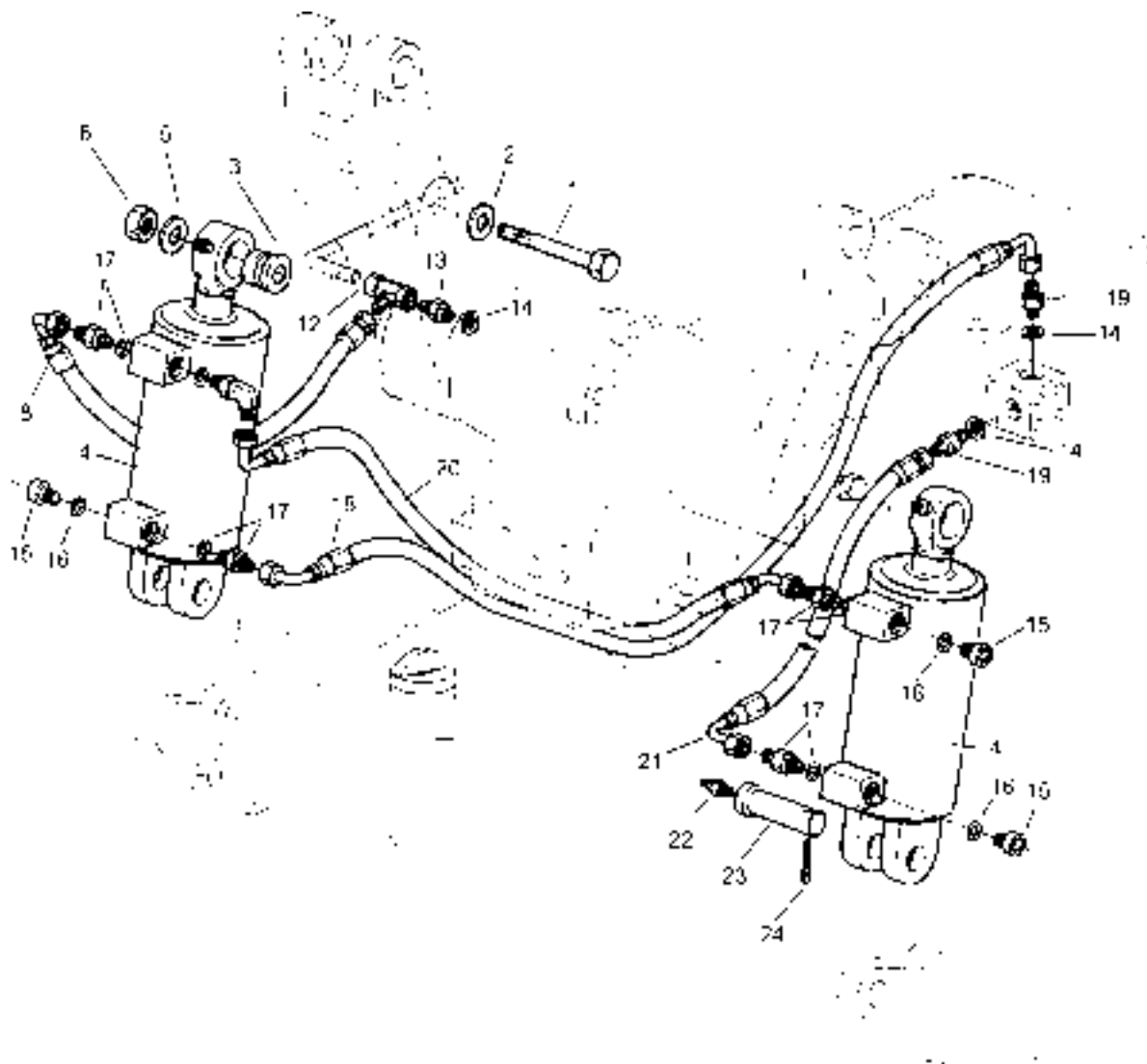
1380S, 1680S, 1880S



Ref.	Qde.	Peça	Denominação	Denominación	Description	Nota
Ref.	Cant.	Pieza				Nota
Ref.	Qty.	Part				Note
-	1	836640234	Bomba hidráulica	Bomba hidráulica	Hydraulic pump	Ref.1-10
1	1	81337800	Tampa dianteira	Tapa delantera	Front cover	
2	1	81430600	Conjunto acasalado	Conjunto central	Central assembly	
3	2	81430800	Jogo de vedação	Juego de sellamiento	Repair kit	
4	1	81338000	Tampa traseira	Tapa trasera	Rear cover	
5	1	81430900	Vedação da tampa	Juego de sellamiento	Repair kit	
6	1	81431000	Anel de vedação	Anillo de sellamiento	O-ring	
7	1	81339400	Arrastador	Buje de acoplamiento	Coupling bush	
8	1	81337600	Tampa do mancal	Tapa del cojinete	Bearing cover	
9	1	81430700	Conjunto acasalado	Conjunto central trasero	Central rear assy	
10	1	217310	Tampa traseira	Tapa trasera	Rear cover	

**CILINDRO AUXILIAR DE LEVANTAMENTO  
CILINDRO AUXILIAR DE LEVANTAMIENTO  
AUXILIARY LIFT CYLINDER**

1280R, 1580, 1780  
1380S, 1680S, 1880S



02.08.1999

**CILINDRO AUXILIAR DE LEVANTAMENTO  
CILINDRO AUXILIAR DE LEVANTAMIENTO  
AUXILIARY LIFT CYLINDER**

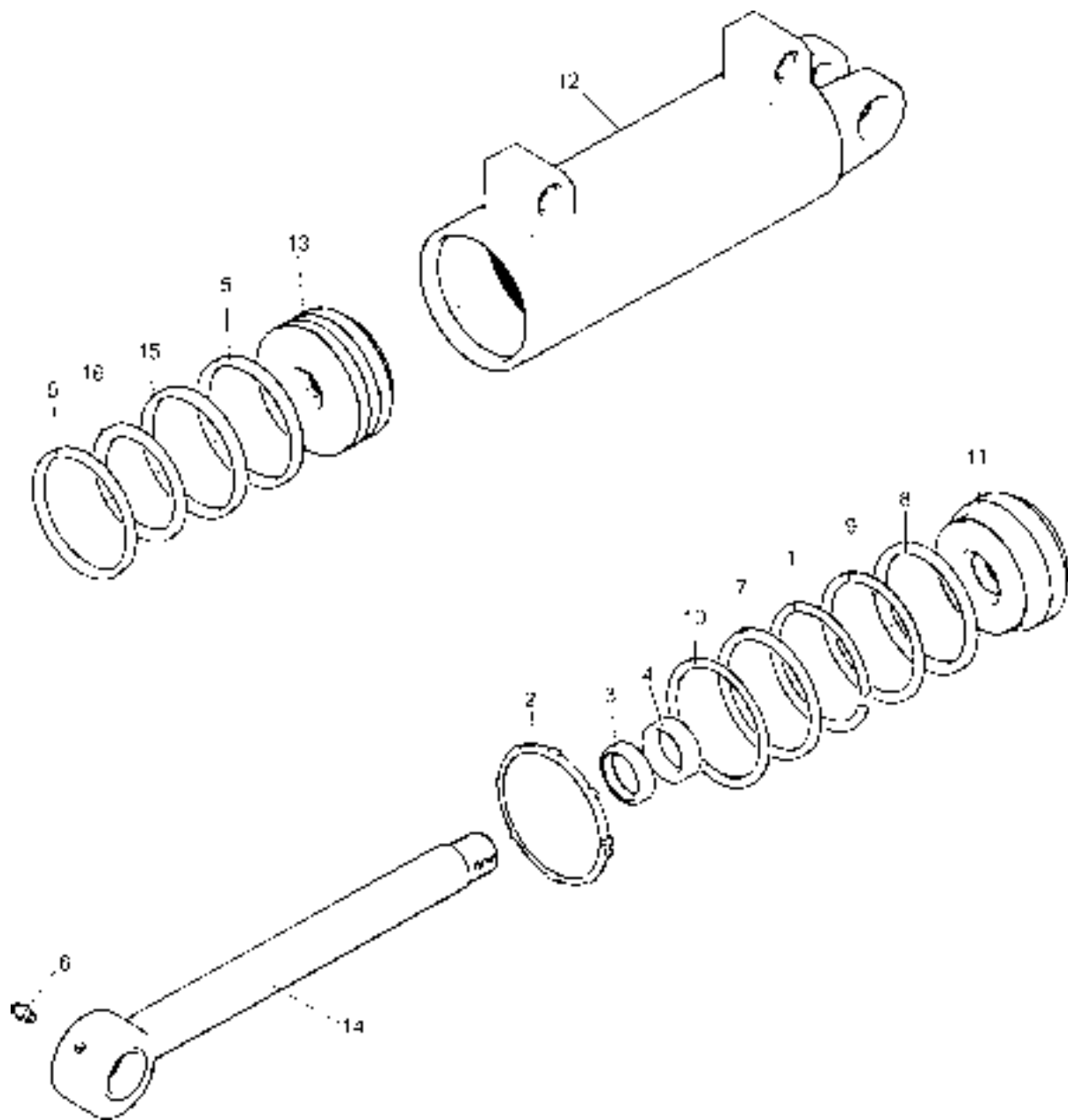
91-26

**1280R, 1580, 1780  
1380S, 1680S, 1880S**

Ref.	Qde.	Peça	Denominação	Denominación	Description	Nota
Ref.	Cant.	Pieza				Nota
Ref.	Qty.	Part				Note
1	2	262350	Parafuso	Tornillo	Bolt	
2	2	JD3120	Arruela de pressão	Arandela de presión	Lock washer	
3	2	80851500	Bucha	Buje	Bushing	
4	2	82089910	Cilindro	Cilindro	Cylinder	
5	2	80851600	Espaçador	Espaciador	Spacer	
6	2	JB1120	Porca	Tuerca	Nut	
8	1	80814000	Mangueira	Manguera	Hose	
12	1	80747400	Conexão	Conexión	Connection	
13	1	80097100	Conexão	Conexión	Connection	
14	3	KH3611	Anel de vedação	Anillo de sellamiento	Seal ring	
15	3	GR0279	Bujão	Tapón	Plug	
16	3	KH4946	Anel de vedação	Anillo de sellamiento	Seal ring	
17	4	GS9270	Conexão	Conexión	Connection	
18	1	80813800	Mangueira de pressão	manguera de presión	Pressure house	
19	2	GS9205	Conexão	Conexión	Connection	
20	1	80813900	Mangueira	Manguera	Hose	
21	1	80813700	Mangueira de pressão	Manguera de presión	Pressure hose	
22	2	GG0088	Niple de lubrificação	Niple de lubricación	Grease fitting	
23	2	30198800	Pino de articulação	Perno de articulación	Link pin	
24	2	JE9110	Pino de pressão	Perno de presión	Lock pin	
25	1	GS9265	Conexão	Conexión	Conection	

CILINDRO AUXILIAR  
CILINDRO AUXILIAR  
AUXILIARY CYLINDER

1280R, 1580, 1780  
1380S, 1680S, 1880S

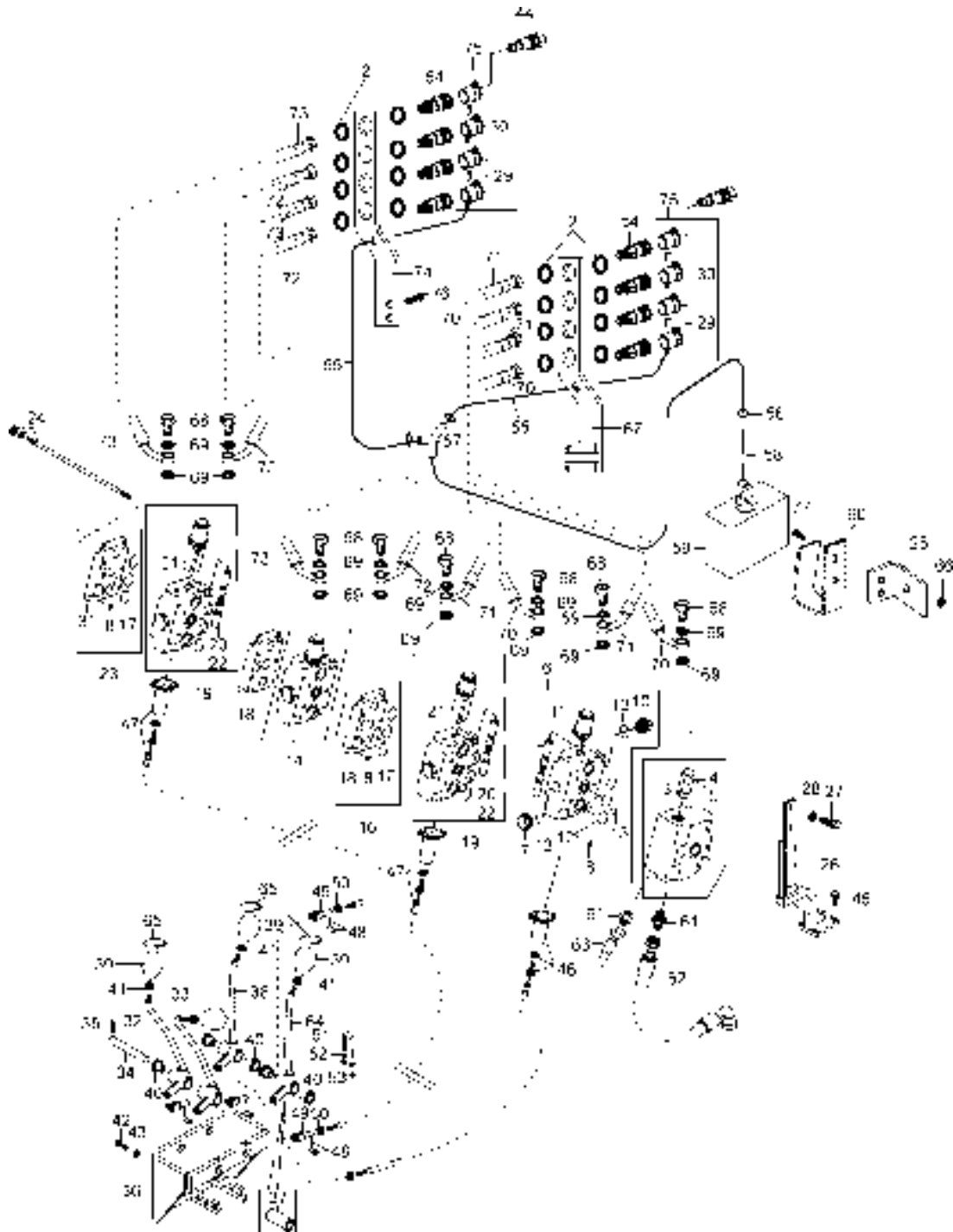


**CILINDRO AUXILIAR  
 CILINDRO AUXILIAR  
 AUXILIARY CYLINDER**
**1280R, 1580, 1780  
 1380S, 1680S, 1880S**

Ref.	Qde.	Peça	Denominação	Denominación	Description	Nota
Ref.	Cant.	Pieza				Nota
Ref.	Qty.	Part				Note
-	1	82089910	Cilindro	Cilindro	Cylinder	Ref.1-16
1	1	81420000	.Anel de trava	Anillo de trava	Circlip	
2	1	81420100	.Anel de segurança	Anillo de trava	Circlip	
3	1	KH3305	.Anel raspador	Anillo raspador	Scraper ring	
4	1	KH3306	.Graseta	Sellador	Seal	
5	2	81419900	.Guia	Guia	Guide	
6	1	GG0088	.Niple de lubrificação	Niple de lubricación	Grease fitting	
7	1	KH4329	.Anel retentor	Anillo de sellamiento	Seal ring	
8	1	KH4328	.Anel retentor	Anillo de sellamiento	Seal ring	
9	1	81419800	.Anel anti-extrusão	Anillo de teflon	Teflon ring	
10	1	81417900	.Anel retentor	Anillo de sellamiento	O-ring	
11	1	81417800	.Guia da haste	Guia del vástago	Rod guide	
12	1	82099700	.Camisa do cilindro	Cuerpo del cilindro	Cylinder body	
13	1	82099900	.Êmbolo	Pistón	Piston	
14	1	80741510	.Haste do cilindro	Vástago del cilindro	Piston rod	
15	1	81418100	.Anel de teflon	Anillo de teflon	Teflon ring	
16	1	KH4330	.Anel retentor	Anillo de sellamiento	Seal ring	
17	1	81418000	Kit de reparo	Kit de reparación	Repair kit	Ref.3-5,7-9, 15,16
-	1	078723001	Cola Loctite 271	Cola Loctite 271	Sealante Loctite 271	

VÁLVULAS DE CONTROLE REMOTO AUXILIAR  
VÁLVULAS DE MANDO REMOTO AUXILIAR  
DIRECTIONAL CONTROL VALVE

1280R, 1580, 1780  
1380S, 1680S, 1880S



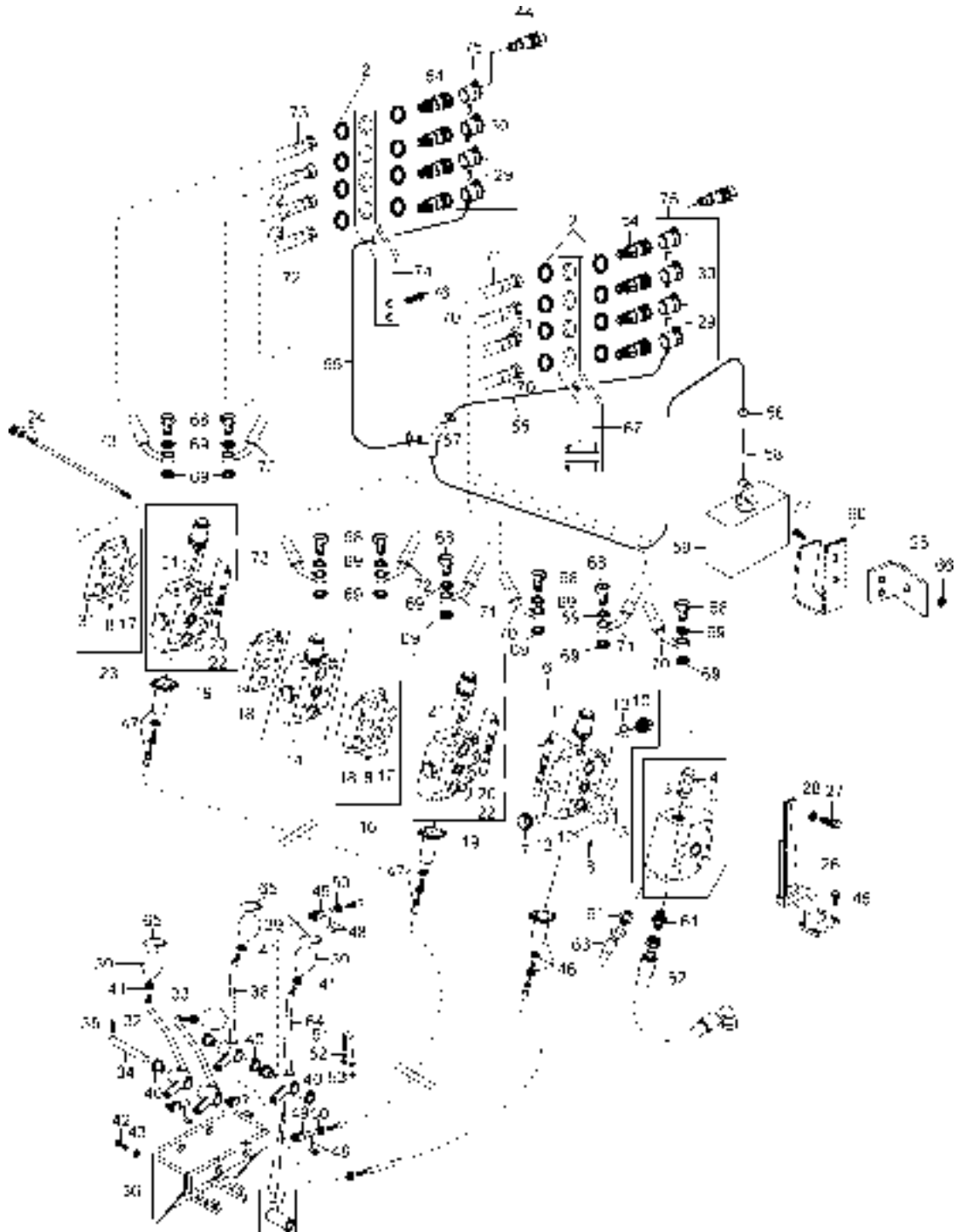
**VÁLVULAS DE CONTROLE REMOTO AUXILIAR  
VÁLVULAS DE MANDO REMOTO AUXILIAR  
DIRECTIONAL CONTROL VALVE**

Ref.	Qde.	Peça	Denominação	Denominación	Description	Nota
Ref.	Cant.	Pieza				Nota
Ref.	Qty.	Part				Note
-	1	81596910	1 válvula dupla ação montada	1 válvula doble acción montada	1 double action valve assy	A
-	1	81597010	2 válvulas de dupla ação montada	2 válvulas de doble acción montada	2 double action valve assy	B
-	1	81597110	3 válvulas de dupla ação montada	3 válvulas de doble acción montada	3 double action valve assy	C
-	1	81597310	1 válvula de dupla ação com destrave automático	1 válvula de doble acción con destrave automatico	1 double action valve with automatic unlock	D
-	1	81597410	1 válvula de dupla ação + 1 válvula de dupla ação com destrave automático	1 válvula de doble acción + 1 válvula de doble acción con destrave automático	1 double action valve + 1 double action valve with automatic unlock	E
-	1	81597510	2 válvulas de dupla ação + 1 válvula de dupla ação com destrave automático	2 válvulas de doble acción + 1 válvula de doble acción con destrave automático	2 double action valve + 1 double action valve with automatic unlock	F
-	1	81606510	1 válvula de simples ação + 1 válvula de dupla ação	1 válvula de simple acción + 1 válvula de doble acción	1 single action valve + 1 double action valve	G
-	1	81766200	2 válvula de dupla ação + 2 válvula de dupla ação com destrave automático	2 válvula de doble acción + 2 válvula de doble acción con destrave automático	2 double action valve + 2 double action valve with automatic unlock	M
-	1	81597210	Placas montadas	Placas montados	Block asst	H
-	1	81608910	Conjunto de 1 alavanca para 1 válvula	Conjunto de 1 palanca para 1 válvula	Set of the one lever to 1 valve	I
-	1	81609010	Conjunto de 2 alavancas para 2 válvulas	Conjunto de 2 palancas para 2 válvulas	Set of the two lever to 2 valves	J
-	1	81609110	Conjunto de 3 alavancas para 3 válvulas	Conjunto de 3 palancas para 3 válvulas	Set of the three lever to 3 valves	K
-	1	81780300	Conjunto de 4 alavancas para 4 válvulas	Conjunto de 4 palancas para 4 válvulas	Set of the for lever to 4 valves	L
1	1	81597610	Conj. do corpo de admissão montado	Conj. del cuerpo de admisión montado	Set of the admission body assy	Ref.2-5
2	c/n	KG1038	Anel de trava	Anillo de traba	Circlip	
3	1	81597710	Corpo de admissão	Cuerpo de admisión	Admission body	
4	1	81524900	Válvula limitadora de pressão	Válvula limitadora de presión	Safety pressure valve	
5	1	81525000	Reparo da válvula limitadora de pressão	Juego de reparación de la válvula limitadora de presión	Repair kit of the pressure valve	
6	1	81626300	Conj. do corpo central simples montado	Conj. de cuerpo central simple montado	Set of the central body single assy	Ref.7-13
7	1	81627000	Válvula de retenção de carga	Valvula de retención de carga	Check valve	
8	3	81627200	Arruela	Arandela	Washer	
9	1	81627100	Inversor	Inversor	Reverser	
10	1	81626900	Bujão	Tapón	Plug	
11	1	81625200	Tampa	Tapa	Cover	
12	1	81627400	Corpo central	Cuerpo central	Central body	
13	1	81627300	Reparo do corpo central simples	Juego de reparación del cuerpo central simple	Repair kit of the central body single	
14	1	81597900	Conj. do corpo central duplo	Conj. del cuerpo central doble	Set of the central body double	Ref.7,8,9,11, 12,15
15	1	81598000	Reparo do corpo central duplo montado	Juego de reparación del cuerpo central montado	Repair kit of the central body double	
16	1	81598200	Conj.do espaçador montado	Conj. del espaciador montado	Set of the separator assy	Ref.8,17,18
17	4	81786000	Anel o-ring	Anillo de sellamiento	O-ring	



**VÁLVULAS DE CONTROL REMOTO AUXILIAR**  
**VÁLVULAS DE MANDO REMOTO AUXILIAR**  
**DIRECTIONAL CONTROL VALVE**

1280R, 1580, 1780  
1380S, 1680S, 1880S

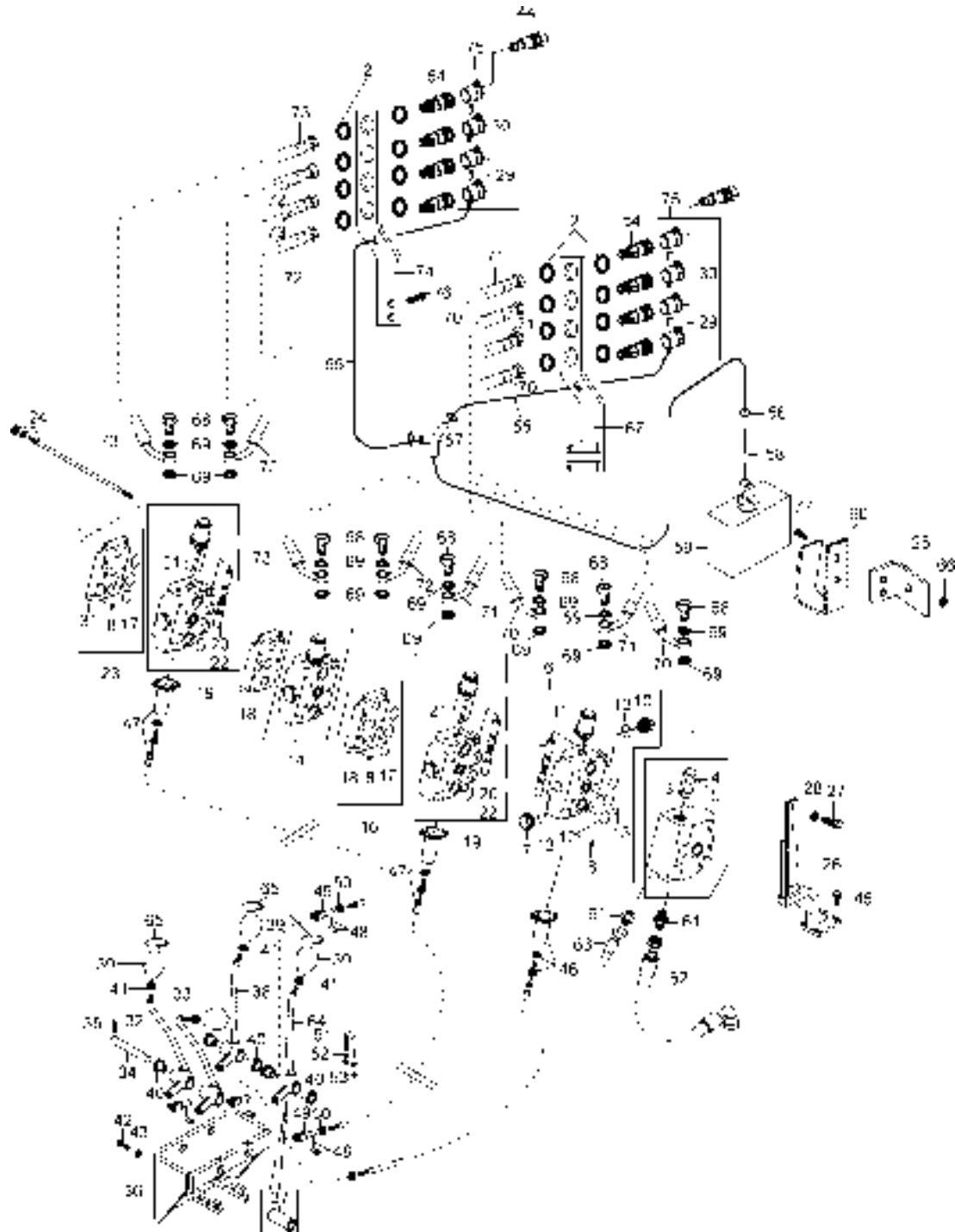


**VÁLVULAS DE CONTROLE REMOTO AUXILIAR  
VÁLVULAS DE MANDO REMOTO AUXILIAR  
DIRECTIONAL CONTROL VALVE**

Ref.	Qde.	Peça	Denominação	Denominación	Description	Nota
Ref.	Cant.	Pieza				Nota
Ref.	Qty.	Part				Note
18	1	81627700	Espaçador	Espaciador	Spacer	
19	1	81599000	Conj.do corpo central duplo com destrave hidráulico	Conj. del cuerpo central doble con destrave hidráulico	Set of the central body double with hydraulic lock	Ref.7,8,20, 21,22
20	1	81627600	Inversor			
21	1	81627500	Conj. do corpo central duplo	Conj. del cuerpo central doble	Set of the central body double	
22	1	81599100	Reparo do corpo central duplo	Juego de reparación del cuerpo central doble	Repair kit of the central body double	
23	1	81598300	Conj. do corpo de retorno	Conj. del cuerpo de retorno	Set of the return body	Ref.8,17,18
24	1	81598600	Conjunto de tirante	Conjunto de espárrago	Stud assy	For 1 valve
24	1	81598700	Conjunto de tirante	Conjuntao de espárrago	Stud assy	For 2 valve
24	1	81598800	Conjunto de tirante	Conjunto de espárrago	Stud assy	For 3 valve
24	1	81598900	Conjunto de tirante	Conjunto de espárrago	Stud assy	For 0 valve
24	1	81785800	Conjunto de tirante	Conjunto de espárrago	Stud assy	For 4 valve
25	1	81674800	Suporte	Soporte	Support	
26	1	81829000	Suporte	Soporte	Support	
27	c/n	HA6333	Parafuso	Tornillo	Bolt	
28	c/n	JD0410	Arruela	Arandela	Washer	
29	c/n	81593700	Tampas dupla	Tapa doble	Double cover	
30	c/n	81614500	Tampa simples	Tapa simple	Single cover	
31	1	81627900	Corpo de retorno	Cuerpo de retorno	Return body	
32	1	81591710	Alavanca direita	Palanca derecha	Right lever	
33	1	81591810	Alavanca esquerda	Palanca izquierda	Left lever	
34	1	81588000	Eixo	Eje	Shaft	
35	c/n	JE8062	Pino de pressão	Perno de traba	Spring pin	
36	1	81587400	Suporte	Soporte	Support	
37	1	81590300	Bucha	Buje	Bushing	
38	1	81590610	Alavanca traseira direita	Palanca trasera derecha	Rear leve	Right
39	c/n	586270	Manopla	Empuñadura	Knob	
40	c/n	80054600	Bucha	Buje	Bushing	
41	c/n	80352300	Porca	Tuerca	Nut	
42	4	HA9225	Parafuso	Tornillo	Bolt	
43	4	JD0406	Arruela	Arandela	Washer	
44	1	30322100	Engate rápido macho	Enganche rápido macho	Quick coupler male	
45	4	HA6325	Parafuso	Tornillo	Bolt	
46	c/n	81593300	Cabo montado	Cabo montado	Cable assy	Ref.48-53 1270mm
47	1	81605800	Cabo montado (quando montado 3 válvulas)	Cobo motado (cuando montado 3 válvulas)	Cable assy (when assembly 3 valves)	Ref.48-53 1220mm
48	1	81633700	Pino de trava	Perno de traba	Lock pin	
49	1	81633900	Garfo	Horquilla	Fork	
50	1	JB1106	Porca	Tuerca	Nut	
51	1	81634000	Abraçadeira	Abrazadera	Clamp	
52	2	JD0406	Arruela	Arandela	Washer	
53	2	JB8903	Porca com anel	Tuerca con anillo	Nut with ring	
54	c/n2	190901	Engate rápido	Enganche rápido	Quick coupler	
55	2	81785900	Mangueira	Manguera	Hose	
56	c/n	82514800	Abraçadeira	Abrazadera	Clamp	
57	1	32461100	Conexão	Conexión	Connection	
58	1	81595800	Mangueira	Manguera	Hose	
59	1	81593400	Reservatório	Depósito	Reservoir	
60	1	81593600	Suporte	Soporte	Support	
61	2	81607900	Conexão	Conexión	Connection	
62	1	81675700	Mangueira de pressão	Manguera de presión	Pressure hose	

VÁLVULAS DE CONTROL REMOTO AUXILIAR  
VÁLVULAS DE MANDO REMOTO AUXILIAR  
DIRECTIONAL CONTROL VALVE

1280R, 1580, 1780  
1380S, 1680S, 1880S



02-08.2000

**VÁLVULAS DE CONTROLE REMOTO AUXILIAR**  
**VÁLVULAS DE MANDO REMOTO AUXILIAR**  
**DIRECTIONAL CONTROL VALVE**

91-34

 1280R, 1580, 1780  
 1380S, 1680S, 1880S

Ref.	Qde.	Peça	Denominação	Denominación	Description	Nota
Ref.	Cant.	Pieza				Nota
Ref.	Qty.	Part				Note
63	1	81675800	Mangueira de retorno	Manguera de retorno	Return hose	
64	1	81780200	Alavanca traseira esquerda	Palanca trasera izquierda	Rear lever	Left
65	c/n	586250	Tampa	Tapa	Cover	
66	1	JD0412	Arruela	Arandela	Washer	
67	1	81690000	Suporte direito	Soporte derecho	Right support	
68	8	81676200	Parafuso de conexão	Tornillo de conexión	Banjo bolt	
69	16	582410	Arruela de vedação	Arandela de sellamiento	Seal washer	
70	2	81677400	Mangueira	Manguera	Hose	
71	2	81677500	Mangueira	Manguera	Hose	
72	2	81676800	Mangueira	Manguera	Hose	
73	2	81677200	Mangueira	Manguera	Hose	
74	1	81689900	Suporte esquerdo	Soporte izquierdo	Left support	
75	1	81786400	Jogo de 4 tampas	Juego de 4 tapas	Set 4 covers	
76	2	HA6426	Parafuso	Tornillo	Bolt	
77	2	HA9224	Parafuso	Tornillo	Bolt	
-	1	7823008	Cola Loctite 221	Cola Loctite 221	Sealant loctite 221	

CÓDIGO DE CONJUNTO DAS VÁLVULAS DE SIMPLES AÇÃO, DUPLA AÇÃO E DUPLA AÇÃO COM DESTRAVE AUTOMÁTICO.  
 CÓDIGO DE CONJUNTO DE LAS VÁLVULAS DE SIMPLE ACCIÓN, DOBLE ACCIÓN Y DOBLE ACCIÓN CON DESTRAVE AUTOMÁTICO.  
 ORDER ASSEMBLY OF THE VALVES: SINGLE ACTION, DOUBLE ACTION AND DOUBLE ACTION WITH AUTOMATIC UNLOCK

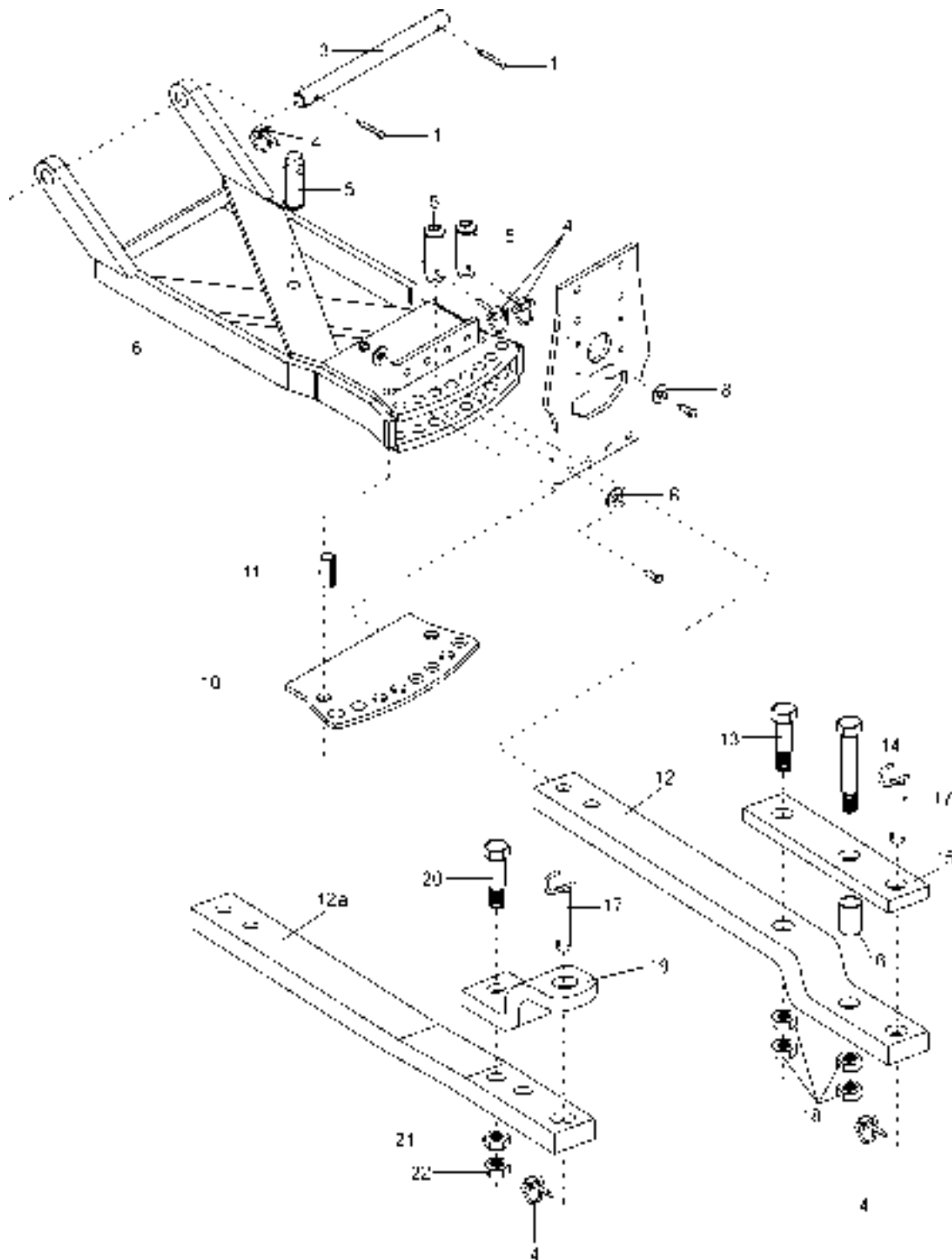
		A	B	C	D	E	F	G	H	M
Ref.	Código	81596910	81597010	81597110	81597310	81597410	81597510	81606510	81597210	81766200
1	81597610	1	1	1	1	1	1	1	1	1
6	81626300	-	-	-	-	-	-	1	-	-
14	81597900	1	2	3	-	1	2	1	-	2
16	81598200	-	1	2	-	1	2	1	-	3
17	81786000	2	4	6	2	4	6	4	1	8
19	81599000	-	-	-	1	1	1	-	-	2
23	81598300	1	1	1	1	1	1	1	1	1
24	81598600	1	-	-	1	-	-	-	-	-
24	81598700	-	1	-	-	1	-	1	-	-
24	81598800	-	-	1	-	-	1	-	-	-
24	81598900	-	-	-	-	-	-	-	1	-
24	81785800	-	-	-	-	-	-	-	-	1
25	81593000	1	1	1	1	1	1	1	1	1
26	81761700	-	1	1	-	1	1	1	-	1
27	HA6333	2	4	4	2	4	4	4	2	2
28	JD0410	2	4	4	2	4	4	4	2	2

CÓDIGO DE CONJUNTO DAS ALAVANCAS PARA 1, 2, 3 E 4 VÁLVULA DE CONTROLE REMOTO  
 CODIGO DE CONJUNTO DE LAS PALANCAS PARA 1, 2,3 Y 4 VÁLVULA DE MANDO REMOTO  
 ORDER ASSEMBLY OF THE LEVERS FOR 1, 2,3 AND 4 DIRECTIONAL CONTROL VALVE

		I	J	K	L
Ref.	Código	81608910	81609010	81609110	81780300
32	81591710	1	1	1	1
33	81591810	-	1	1	1
34	81588000	1	1	2	2
35	JE8062	1	1	2	2
36	81587400	1	1	1	1
37	81590300	1	-	1	-
38	81590610	-	-	1	1
39	586270	1	2	3	4
40	80054600	4	4	8	8
41	80352300	1	2	3	4
42	HA9225	4	4	4	4
43	JD0406	4	4	4	4
64	81780200	-	-	-	1
65	586250	1	2	3	4

GANCHO DE TRACÇÃO  
GANCHO DE TRACCIÓN  
TRAILER HITCH

1280R, 1580, 1780  
1380S, 1680S, 1880S



**GANCHO DE TRACÇÃO  
GANCHO DE TRACCIÓN  
TRAILER HITCH**
**1280R, 1580, 1780  
1380S, 1680S, 1880S**

Ref.	Qde.	Peça	Denominação	Denominación	Description	Nota
Ref.	Cant.	Pieza				Nota
Ref.	Qty.	Part				Note
1	2	JE3181	Cupilha	Perno abierto	Split pin	
2	4	81792600	Porca	Tuerca	Nut	
3	1	81458400	Eixo	Eje	Shaft	
4	4	JE9301	Trava	Traba	Linch pin	
5	3	200240	Pino de articulação	Perno de articulación	Link pin	
6	1	81595000	Gancho de tração	Gancho de tracción	Trailer hitch	
7	1	81482800	Chapa traseira	Chapa trasera	Rear plate	
8	4	JD0412	Arruela	Arandela	Washer	
9	4	HA6345	Parafuso	Tomillo	Bolt	
10	1	81454300	Base removível	Chapa de ajuste	Adjusting plate	
11	2	80801800	Pino	Perno	Pin	
12	1	80801320	Barra de engate	Barra de tiro	Drawbar	1580, 1780 1680S, 1880S
12a	1	81192300	Barra de engate	Barra de tiro	Drawbar	1280R, 1380S
13	1	HA8393	Parafuso	Tomillo	Bolt	1580, 1780, 1680S, 1880S
14	1	HA8397	Parafuso	Tomillo	Bolt	1580, 1780, 1680S, 1880S
15	1	80819300	Apoio	Apoyo	Plate	1580, 1780, 1680S, 1880S
16	1	80819400	Tubo espaçador	Tubo espaciador	Spacer tube	1580, 1780, 1680S, 1880S
17	1	81009000	Pino de articulação	Perno de articulación	Link pin	
18	4	JB1230	Porca	Tuerca	Nut	1580, 1780, 1680S, 1880S
19	1	80171700	Apoio	Apoyo	Support	1280R, 1380S
20	2	HA8373	Parafuso	Tomillo	Bolt	1280R, 1380S
21	2	JB1120	Porca	Tuerca	Nut	1280R, 1380S
22	2	JB1220	Porca	Tuerca	Nut	1280R, 1380S
23	4	JD9106	Arruela	Arandela	Washer	
24	4	HA6358	Parafuso	Tomillo	Bolt	