

Directions for use of Parts Catalogue

1. Applicable model of machines

All component and option parts used for TM3200, TM3240 tractors are listed in this parts catalogue.

1) MODEL TYPE

- F..... FOUR WHEEL DRIVE
- H..... HST
- S..... POWER STEERING & INDEPENDENT PTO
- M..... MID PTO.
- U..... POWER STEERING
- R..... FRONT/REAR HITCH & ROPS

2) AREA CODE

- E4..... EUROPE

2. Explanation for head paragraph

KEY	PART CODE	DESCRIPTION	S P C	TYPE OF MODEL						F T C	C O L	G R P	REMARKS
				3200	3240	3240G	3240L	3240P	3240G				
1	2595-211-001-70	CASE/TYPE	4										
2	4497-293-001-90	CASE/TYPE	4										
3	4696-211-002-10	CASE/TYPE	4										
3	9522-100-001-90	PLH	4										
4	7211-200-002-90	ENCL SMS	4										

- ① KEY shows the location of parts diagramed in the illustration.
- ② Parts numbers begin with `V` and `W` are standard parts of the market.
- ③ `LH` and `RH` on the parts name are described against the moving direction of the machine or are described on the condition how to install parts on the machines.

- ④ SPC : The following symbol classifies parts to be used for machines.
- `*` means standard parts.
 - `T` shows that the parts can be installed as optional parts.
 - `R` shows that the parts can be used as applicable parts to replace originally equipped parts.
- ⑤ Upper column : QTY shows the number of parts to be used for one unit of machine.
- `M` is indicated for parts supplied by a meter long.
 - `l` is indicated for parts supplied by liter.
 - `AR` is indicated for parts need to be adjusted or regulated.
- Lower column : serial number
- 229 means serial number up to 229.
 - 230— means serial number 230 and after.
- ⑥ ITC : Interchangeability
- `1`...OLD ← NEW
New parts can be used in place of the old parts.
 - `2`...OLD → NEW
Old parts can be used in place of the new parts.
 - `3`...OLD →← NEW
Old parts and new parts can not be replaced each other.
- ⑦ COL : Color code
- Color is signified with color code number for colored parts.
- Please see the color list shown in the next page.
- ⑧ GRP : Parts shown in this column can be replaced by SET parts.
- Example : Parts marked ① can be replaced by parts marked ②, and ③ for ④, so the rest follow in the same alphabetical order.
- ⑨ Remarks
- * Other maker's part code number is shown in this column.
 - * When Fig. No. is shown in the Remark column of SET parts or ASSY parts, each of their component parts are listed in said Fig. No.

3. Color :

The following colors are used color parts.

COLOR CODE	COLOR	SPRAY TYPE CODE NUMBER	PAINTS 4K DRUM	PAINTS 16K DRUM
4 L	NEO BLUE	1300-985-001-10	1300-985-003-00	—————
5 I	SUNSET GRAY	1300-959-001-10	1300-959-003-00	1300-959-004-00
6 G	SUMMER WHITE	1300-958-001-10	1300-958-003-00	1300-958-004-00
7 F	MIRROR BLACK	1300-954-001-10	1300-954-003-00	1300-954-004-00

NOTE : Color code is signified only for the parts assigned by the maker as color parts.

4. Serial Numbers :

1) For engines serial number is stamped on CYLINDER BLOCK ASSY.

Please see Fig. No. 5-1.

2) For chassies serial number is shown on the LABEL.

Please see



5. Parts Order

1) Parts numbers listed in the parts catalogue are all registered in “ISEKI on-line computer”.

2) When you order parts, please make sure of correct numbers.

3) When substitute parts is available, the part number ordered will be automatically turned to a new part number.

4) Please be sure to use “ISEKI GENUINE PARTS”.

Any other similar parts other than ISEKI parts when used may cause a trouble that makes us unable to repair or guarantee the warrant.

*** Structure Table of Model ***

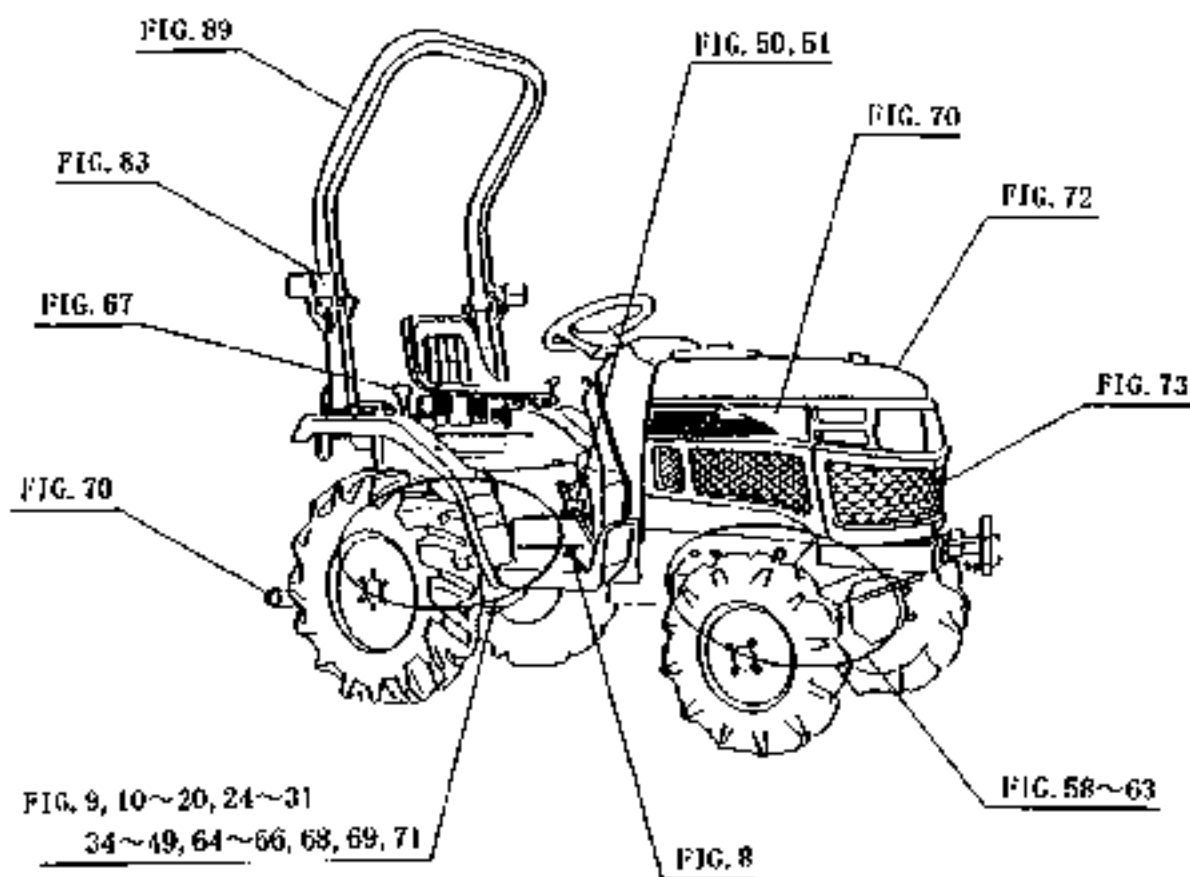
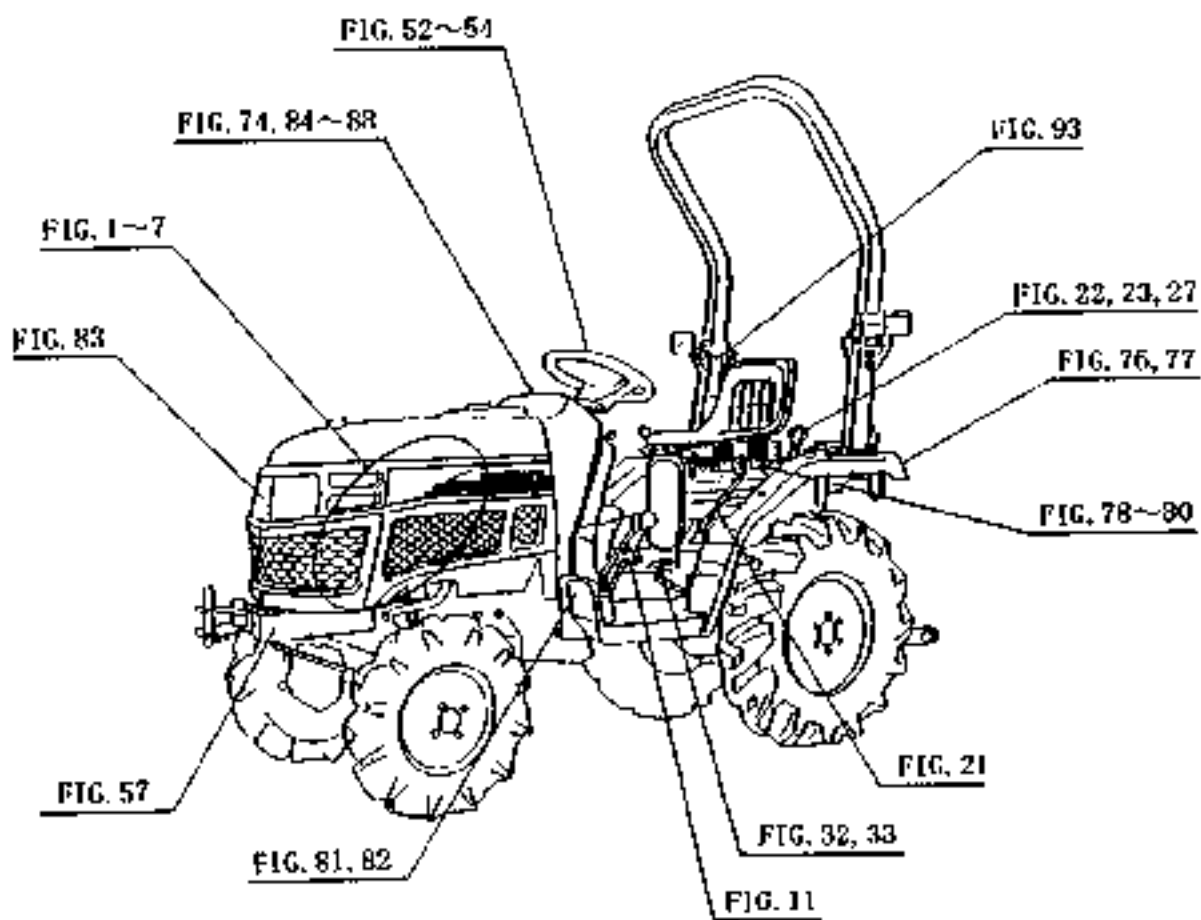
M O D E L FIG.	T M 3 2 0 0 4 4 4	T M 3 2 0 0 4 4 4	T M 3 2 4 4 4	T M 3 2 4 4 4								
1	***		**	*								
2			**									
3	***	***	**	**	*							
4	***	***	**	**	*							
5	***	***	**	**	*							
6	***	***	**	**	*							
7	***	***	**	**	*							
8	***	***	**	**	*							
9	***	***	**	**	*							
10			**		*							
11	***			**	*							
12	***			**	*							
13			**		*							
14			**		*							
15	***			**	*							
16			**		*							
17	***			**	*							
18	***			**	*							
19	***			**	*							
20			**		*							
21	***			**	*							
22	***			**	*							
23			**		*							
24	***			**	*							
25			**		*							
26			**		*							
27	***			**	*							
28				**	*							
29	***											
30			**		*							
31	***	***	**	**	*							
32	***			**	*							
33			**		*							
34	***	***	**	**	*							
35			**		*							
36	**			**								
37	*				*							
38			**		*							
39			**		*							
40			**		*							
41					*							
42			**		*							
43			**		*							
44	***	***	**	**	*							
45	***	***	**	**	*							

*** Structure Table of Model ***

M O D E L	T	T	T	T									
	M	M	M	M									
	3	F	F	F	3	F	F	3	F	F	F	3	F
	2	M	M	U	2	H	H	2	M	M	U	2	H
	0	U	U	R	0	S	S	4	U	U	R	4	S
	0	E	R	0	M	M	0	E	R	0	M	M	
	4	E	4	H	E	R	4	E	4	H	E	R	
		4		4	E		4		4	E		4	
				4						4			
FIG.													
46	*	*	*	*	*	*	*	*	*	*	*		
47	*	*	*	*			*	*	*				
48					*	*				*	*		
49	*	*	*	*	*	*	*	*	*	*	*		
50	*	*	*	*			*	*	*				
51					*	*				*	*		
52	*	*	*	*	*	*	*	*	*	*	*		
53	*	*	*	*	*	*	*	*	*	*	*		
54	*	*	*	*	*	*	*	*	*	*	*		
55	*	*	*	*			*	*	*				
56					*	*				*	*		
57	*	*	*	*	*	*	*	*	*	*	*		
58	*	*	*	*			*	*	*				
59					*	*				*	*		
60	*	*	*	*	*	*	*	*	*	*	*		
61	*	*	*	*	*	*	*	*	*	*	*		
62	*	*	*	*	*	*	*	*	*	*	*		
63	*	*	*	*	*	*	*	*	*	*	*		
64	*	*	*	*	*	*	*	*	*	*	*		
65	*	*	*	*	*	*	*	*	*	*	*		
66	*	*	*	*	*	*	*	*	*	*	*		
67	*	*	*	*	*	*	*	*	*	*	*		
68	*	*	*	*			*	*	*				
69					*	*				*	*		
70	*	*	*	*	*	*	*	*	*	*	*		
71		*	*	*	*	*	*	*	*	*	*		
72	*	*	*	*	*	*	*	*	*	*	*		
73	*	*	*	*	*	*	*	*	*	*	*		
74	*	*	*	*	*	*	*	*	*	*	*		
75					*	*				*	*		
76	*	*	*	*	*	*	*	*	*				
77										*	*		
78	*	*	*	*			*	*	*				
79					*	*				*	*		
80	*	*	*	*	*	*	*	*	*	*	*		
81	*	*	*	*			*	*	*				
82					*	*				*	*		
83	*	*	*	*	*	*	*	*	*	*	*		
84	*	*	*	*	*	*	*	*	*	*	*		
85	*	*	*	*			*	*	*				
86					*	*				*	*		
87	*	*	*	*			*	*	*				
88					*	*				*	*		
89		*	*	*	*	*	*	*	*	*	*		
90	*	*	*	*	*	*	*	*	*	*	*		

*** Structure Table of Model ***

M O D E L FIG.	T M 3 2 0 0 4 4 4	T M 3 2 0 0 4 4 4	T M 3 2 0 0 4 4 4	T M 3 2 0 0 4 4 4							
91	***		**	**							
92			**	**							
93	***	**	**	**							
94	***	**	**	**							
95	T			T							
96				TTT	TT						
97	TTT	TT									
98				TTT	TT						
99	TTT	TT									
100	T	T	T	T							
101	TTT	TT	TTT	TT							
102	TTT	TT									
103				TTT	TT						
104	TTT	TT	TTT	TT							
105	T	T	T	T							
106	T	T	T	T							
107	TTT	TT	TTT	TT							
108		**		**							
109	***	**	**	**							
110		**		**							
111		**		**							



Contents

TM3200H

ENGINE(E3112-B13)

CYLINDER HEAD	Fig. 1
CYLINDER HEAD COVER	Fig. 2
INLET MANIFOLD	Fig. 3
EXHAUST MANIFOLD	Fig. 4
CYLINDER BLOCK	Fig. 5
BEARING/UNDER SIZE (OPTION)	Fig. 6
OIL PAN	Fig. 7
REAR PLATE	Fig. 8
TIMING GEAR CASE	Fig. 9
HANGER	Fig. 10
VALVE	Fig. 11
CAM SHAFT	Fig. 12
PISTON	Fig. 13
PISTON/OVER SIZE (OPTION)	Fig. 14
CRANK SHAFT	Fig. 15
OIL PUMP	Fig. 16
WATER PUMP	Fig. 17
COOLING FAN	Fig. 18
INJECTION NOZZLE	Fig. 19
INJECTION PUMP	Fig. 20
FUEL PIPE	Fig. 21
ADAPTER	Fig. 22
ELECTRIC (1)	Fig. 23
ELECTRIC (2)	Fig. 24

REPAIR PARTS (OPTION).....	Fig. 25
COMPONENT PARTS	
FOR 6215-300-036-00 ON Fig.19.....	Fig. 26
COMPONENT PARTS	
FOR 6215-600-103-10 ON Fig.20.....	Fig. 27
COMPONENT PARTS	
FOR 6281-100-014-00 ON Fig.23.....	Fig. 28
COMPONENT PARTS	
FOR 6281-200-005-00 ON Fig.23.....	Fig. 29

Contents

TM3200

ENGINE(E3112-B14)

CYLINDER HEAD	Fig. 1
CYLINDER HEAD COVER	Fig. 2
INLET MANIFOLD	Fig. 3
EXHAUST MANIFOLD	Fig. 4
CYLINDER BLOCK	Fig. 5
BEARING/UNDER SIZE (OPTION)	Fig. 6
OIL PAN	Fig. 7
REAR PLATE	Fig. 8
TIMING GEAR CASE	Fig. 9
HANGER	Fig. 10
VALVE	Fig. 11
CAM SHAFT	Fig. 12
PISTON	Fig. 13
PISTON/OVER SIZE (OPTION)	Fig. 14
CRANK SHAFT	Fig. 15
OIL PUMP	Fig. 16
WATER PUMP	Fig. 17
COOLING FAN	Fig. 18
INJECTION NOZZLE	Fig. 19
INJECTION PUMP	Fig. 20
FUEL PIPE	Fig. 21
ADAPTER	Fig. 22
ELECTRIC (1)	Fig. 23
ELECTRIC (2)	Fig. 24

REPAIR PARTS (OPTION)..... Fig. 25

COMPONENT PARTS

 FOR 6215-300-036-00 ON Fig.19..... Fig. 26

COMPONENT PARTS

 FOR 6215-600-103-10 ON Fig.20..... Fig. 27

COMPONENT PARTS

 FOR 6281-100-014-00 ON Fig.23..... Fig. 28

COMPONENT PARTS

 FOR 6281-200-005-00 ON Fig.23..... Fig. 29

Contents

TM3240H

ENGINE(E3112-B15)

CYLINDER HEAD.....	Fig. 1
CYLINDER HEAD COVER.....	Fig. 2
INLET MANIFOLD.....	Fig. 3
EXHAUST MANIFOLD.....	Fig. 4
CYLINDER BLOCK.....	Fig. 5
BEARING/UNDER SIZE (OPTION).....	Fig. 6
OIL PAN.....	Fig. 7
REAR PLATE.....	Fig. 8
TIMING GEAR CASE.....	Fig. 9
HANGER.....	Fig. 10
VALVE.....	Fig. 11
CAM SHAFT.....	Fig. 12
PISTON.....	Fig. 13
PISTON/OVER SIZE (OPTION).....	Fig. 14
CRANK SHAFT.....	Fig. 15
OIL PUMP.....	Fig. 16
WATER PUMP.....	Fig. 17
COOLING FAN.....	Fig. 18
INJECTION NOZZLE.....	Fig. 19
INJECTION PUMP.....	Fig. 20
FUEL PIPE.....	Fig. 21
ADAPTER.....	Fig. 22
ELECTRIC (1).....	Fig. 23
ELECTRIC (2).....	Fig. 24

REPAIR PARTS (OPTION).....	Fig. 25
COMPONENT PARTS	
FOR 6215-300-036-00 ON Fig.19.....	Fig. 26
COMPONENT PARTS	
FOR 6215-600-103-10 ON Fig.20.....	Fig. 27
COMPONENT PARTS	
FOR 6281-100-014-00 ON Fig.23.....	Fig. 28
COMPONENT PARTS	
FOR 6281-200-005-00 ON Fig.23.....	Fig. 29

Contents

TM3240

ENGINE(E3112-B16)

CYLINDER HEAD.....	Fig. 1
CYLINDER HEAD COVER.....	Fig. 2
INLET MANIFOLD.....	Fig. 3
EXHAUST MANIFOLD.....	Fig. 4
CYLINDER BLOCK.....	Fig. 5
BEARING/UNDER SIZE (OPTION).....	Fig. 6
OIL PAN.....	Fig. 7
REAR PLATE.....	Fig. 8
TIMING GEAR CASE.....	Fig. 9
HANGER.....	Fig. 10
VALVE.....	Fig. 11
CAM SHAFT.....	Fig. 12
PISTON.....	Fig. 13
PISTON/OVER SIZE (OPTION).....	Fig. 14
CRANK SHAFT.....	Fig. 15
OIL PUMP.....	Fig. 16
WATER PUMP.....	Fig. 17
COOLING FAN.....	Fig. 18
INJECTION NOZZLE.....	Fig. 19
INJECTION PUMP.....	Fig. 20
FUEL PIPE.....	Fig. 21
ADAPTER.....	Fig. 22
ELECTRIC (1).....	Fig. 23
ELECTRIC (2).....	Fig. 24

REPAIR PARTS (OPTION).....	Fig. 25
COMPONENT PARTS	
FOR 6215-300-036-00 ON Fig.19.....	Fig. 26
COMPONENT PARTS	
FOR 6215-600-103-10 ON Fig.20.....	Fig. 27
COMPONENT PARTS	
FOR 6281-100-014-00 ON Fig.23.....	Fig. 28
COMPONENT PARTS	
FOR 6281-200-005-00 ON Fig.23.....	Fig. 29

Contents

CHASSIS

RADIATOR SYSTEM (EXCEPT H TYPE).....	Fig. 1
RADIATOR SYSTEM (H TYPE).....	Fig. 2
MUFFLER SYSTEM.....	Fig. 3
AIR CLEANER SYSTEM.....	Fig. 4
FILTER SYSTEM.....	Fig. 5
FUEL TANK SYSTEM.....	Fig. 6
BATTERY SYSTEM.....	Fig. 7
ACCELERATOR PEDAL (EXCEPT H TYPE), ACCELERATOR SYSTEM.....	Fig. 8
MAIN CLUTCH,INPUT SHAFT SYSTEM (EXCEPT H TYPE).....	Fig. 9
CLUTCH HOUSING,INPUT SHAFT SYSTEM (H TYPE).....	Fig. 10
PEDAL (CLUTCH) SYSTEM (EXCEPT H TYPE).....	Fig. 11
CASE (TRANSMISSION) SYSTEM (EXCEPT H TYPE).....	Fig. 12
CASE (TRANSMISSION) SYSTEM (H TYPE).....	Fig. 13
HST SYSTEM (H TYPE).....	Fig. 14
GEAR (INPUT) SYSTEM (EXCEPT H TYPE).....	Fig. 15
GEAR (DRIVE) SYSTEM (H TYPE).....	Fig. 16
PINION (DRIVE) SYSYTEM (EXCEPT H TYPE).....	Fig. 17
GEAR (REVERSE) SYSTEM (EXCEPT H TYPE).....	Fig. 18
GEAR (4WD) SYSTEM (EXCEPT H TYPE).....	Fig. 19
GEAR (4WD) SYSTEM (H TYPE).....	Fig. 20
LEVER (MAIN) SYSTEM (EXCEPT H TYPE).....	Fig. 21
LEVER (SUB) SYSTEM (EXCEPT H TYPE).....	Fig. 22
LEVER (SUB) SYSTEM (H TYPE).....	Fig. 23

CHANGE (4WD) SYSTEM (EXCEPT H TYPE).....	Fig. 24
CHANGE (4WD) SYSTEM (H TYPE).....	Fig. 25
CHANGE (SUB) SYSTEM (H TYPE).....	Fig. 26
CHANGE (MAIN/SUB) SYSTEM (EXCEPT H TYPE).....	Fig. 27
GEAR (PTO) SYSTEM (TM3240-EXCEPT H TYPE).....	Fig. 28
GEAR (PTO) SYSTEM (TM3200-EXCEPT H TYPE).....	Fig. 29
GEAR (PTO) SYSTEM (H TYPE).....	Fig. 30
SHAFT (PTO) SYSTEM.....	Fig. 31
LEVER (PTO) SYSTEM (EXCEPT H TYPE).....	Fig. 32
LEVER (PTO) SYSTEM (H TYPE).....	Fig. 33
SHIELD COVER SYSTEM.....	Fig. 34
MID PTO SYSTEM (H TYPE).....	Fig. 35
MID PTO SYSTEM (M TYPE EXCEPT H)(1/2)(2/2).....	Fig. 36
MID PTO SYSTEM (EXCEPT M,H TYPE).....	Fig. 37
LEVER (MID PTO) SYSTEM (H TYPE).....	Fig. 38
LINK (HST) SYSTEM (H TYPE).....	Fig. 39
PEDAL (HST) SYSTEM (H TYPE).....	Fig. 40
CRUISE SYSTEM (TM3240-H TYPE).....	Fig. 41
SHAFT COVER SYSTEM (TM3200-H TYPE).....	Fig. 42
PIPING SYSTEM (H TYPE).....	Fig. 43
DIFF CASE SYSTEM.....	Fig. 44
REAR AXLE HOUSING SYSTEM.....	Fig. 45
SHAFT (WHEEL) SYSTEM.....	Fig. 46
PEDAL (DIFF-LOCK) SYSTEM (EXCEPT H TYPE).....	Fig. 47
LEVER (DIFF-LOCK) SYSTEM (H TYPE).....	Fig. 48
BRAKE SYSTEM.....	Fig. 49
PEDAL (BRAKE) SYSTEM (EXCEPT H TYPE)(1/2)(2/2).....	Fig. 50
PEDAL (BRAKE) SYSTEM (H TYPE)(1/2)(2/2).....	Fig. 51

WHEEL (STEERING) SYSTEM.....	Fig. 52
STEERING SYSTEM (1).....	Fig. 53
STEERING SYSTEM (2).....	Fig. 54
PIPING SYSTEM (EXCEPT H TYPE).....	Fig. 55
PIPING SYSTEM (H TYPE).....	Fig. 56
BRACKET (AXLE),	
HITCH (FRONT/R TYPE) SYSTEM.....	Fig. 57
SHAFT (DRIVE) SYSTEM (EXCEPT H TYPE).....	Fig. 58
SHAFT (DRIVE) SYSTEM (H TYPE).....	Fig. 59
PINION (DRIVE) SYSTEM.....	Fig. 60
HOUSING (AXLE) SYSTEM.....	Fig. 61
GEAR (FINAL) SYSTEM.....	Fig. 62
ROD (TIE) SYSTEM.....	Fig. 63
CYLINDER CASE SYSTEM.....	Fig. 64
ARM (LIFT) SYSTEM.....	Fig. 65
CYLINDER SYSTEM.....	Fig. 66
CONTROL SYSTEM.....	Fig. 67
PIPING (MAIN) SYSTEM (EXCEPT H TYPE).....	Fig. 68
PIPING SYSTEM (H TYPE).....	Fig. 69
LINK (3P) SYSTEM.....	Fig. 70
HITCH (DRAW BAR) SYSTEM (R TYPE).....	Fig. 71
HOOD SYSTEM(1/2)(2/2).....	Fig. 72
GRILLE SYSTEM.....	Fig. 73
STEERING COVER SYSTEM.....	Fig. 74
SEAL (NOISE) SYSTEM (H TYPE).....	Fig. 75
FENDER SYSTEM	
(TM3200/TM3240-EXCEPT H TYPE).....	Fig. 76
FENDER SYSTEM (TM3240-H TYPE).....	Fig. 77
SEAT BASE SYSTEM (EXCEPT H TYPE).....	Fig. 78
SEAT BASE SYSTEM (H TYPE).....	Fig. 79
FRAME SYSTEM.....	Fig. 80
STEP SYSTEM (EXCEPT H TYPE).....	Fig. 81
STEP SYSTEM (H TYPE).....	Fig. 82

LAMP SYSTEM.....	Fig. 83
PANEL SYSTEM.....	Fig. 84
SWITCH SYSTEM (EXCEPT H TYPE).....	Fig. 85
SWITCH SYSTEM (H TYPE).....	Fig. 86
HARNESS SYSTEM (EXCEPT H TYPE).....	Fig. 87
HARNESS SYSTEM (H TYPE).....	Fig. 88
ROPS SYSTEM (R TYPE).....	Fig. 89
ORNAMENT.....	Fig. 90
LABEL (CONTROL) (EXCEPT H TYPE).....	Fig. 91
LABEL (CONTROL) (H TYPE).....	Fig. 92
LABEL (CAUTION).....	Fig. 93
TOOLS.....	Fig. 94

OPTIONAL PARTS

MID PTO SET (EXCEPT M TYPE)	
(OPTION)(1/2)(2/2).....	Fig. 95
REAR WHEEL SYSTEM (TM3240) (OPTION).....	Fig. 96
REAR WHEEL SYSTEM (TM3200) (OPTION).....	Fig. 97
REAR WHEEL (TURF) SYSTEM (TM3240)	
(OPTION).....	Fig. 98
REAR WHEEL (TURF) SYSTEM (TM3200)	
(OPTION).....	Fig. 99
HITCH (FRONT) SET (EXCEPT R TYPE)	
(OPTION).....	Fig. 100
FRONT WHEEL SYSTEM (OPTION).....	Fig. 101
FRONT WHEEL (TURF) SYSTEM (TM3200)	
(OPTION).....	Fig. 102
FRONT WHEEL (TURF) SYSTEM (TM3240)	
(OPTION).....	Fig. 103
HITCH (CREVICE) SET (R TYPE) (OPTION).....	Fig. 104
HITCH (DRAW BAR) SET (EXCEPT R TYPE)	
(OPTION).....	Fig. 105

ROPS SET (EXCEPT R TYPE) (OPTION)..... Fig.106

WEIGHT (BUMPER) SYSTEM (OPTION)..... Fig.107

COMPONENT PARTS

COMPONENT PARTS

FOR K200-053-000-00 ON Fig.56..... Fig.108

COMPONENT PARTS

FOR K211-001-000-00 ON Fig.66..... Fig.109

COMPONENT PARTS

FOR K510-008-000-00 ON Fig.14..... Fig.110

COMPONENT PARTS

FOR 1685-211-500-10 ON Fig.30..... Fig.111

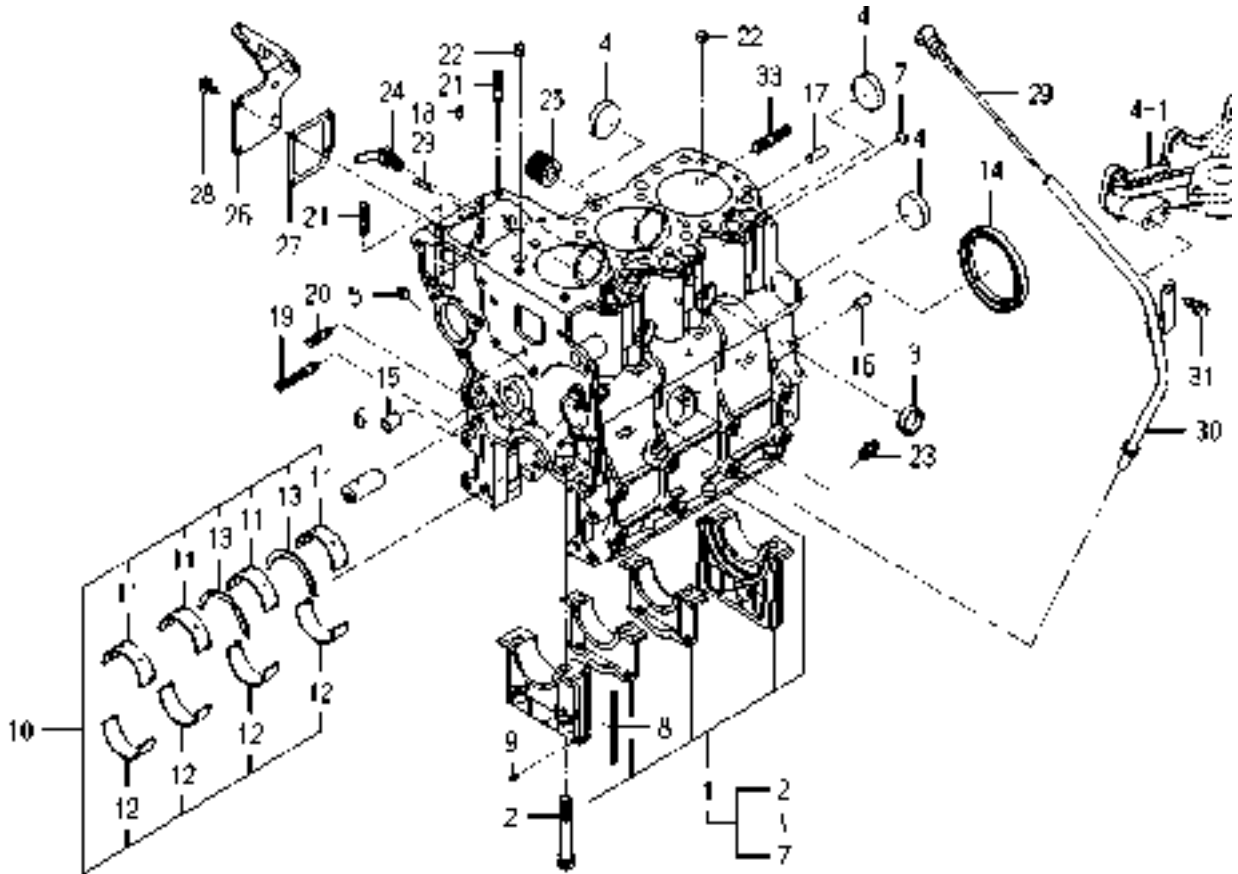
WIRING DIAGRAM

WIRING DIAGRAM (HST)

ENGINE

E3112B13...TM3200H

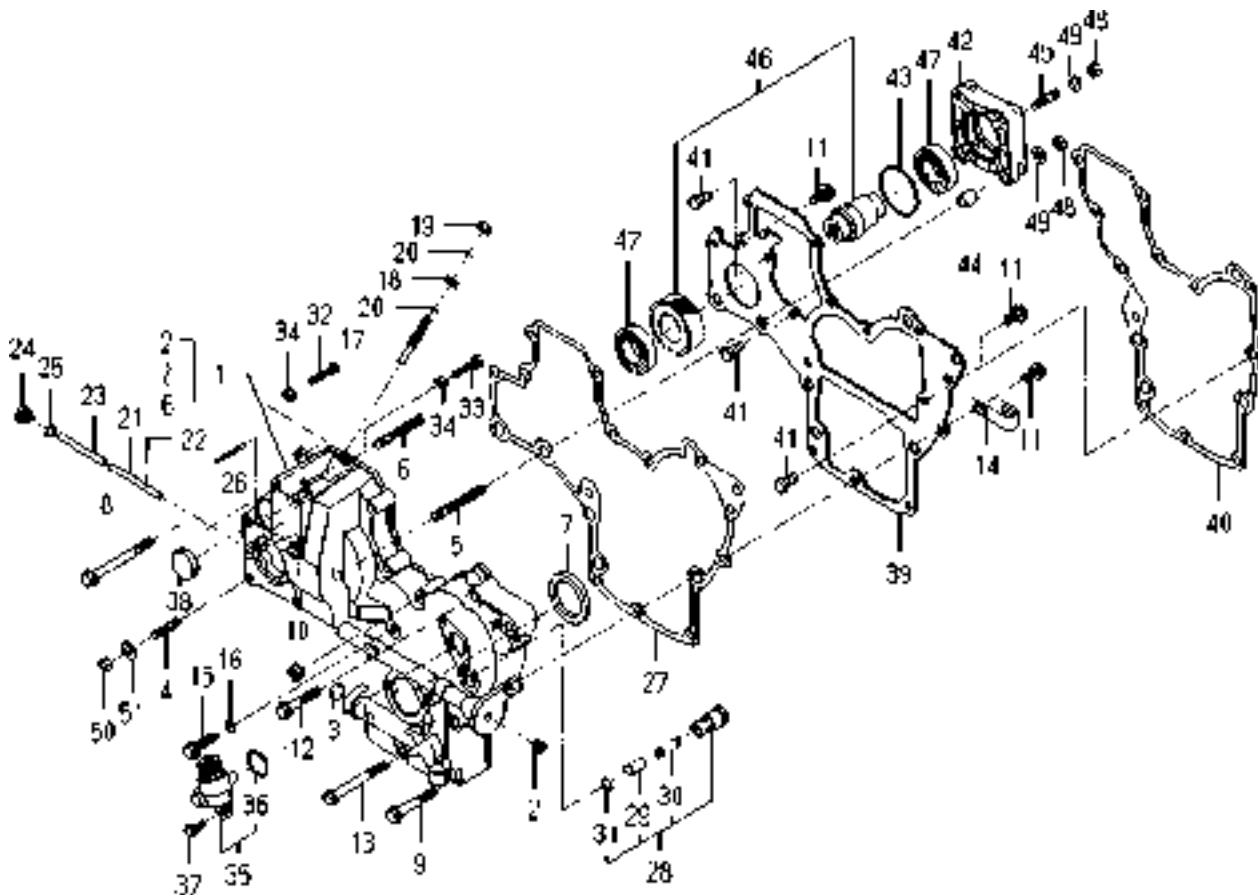
FIG. 5 CYLINDER BLOCK



6004-202G-0100

KEY	PART CODE	DESCRIPTION	S P C	TYPE OF MODEL		I T C	C O L	G R P	REMARKS
				E3112	B13				
1	6211-210-037-20	CYLINDERBLOCK ASSY	*	1					
2	6209-000-004-10	BOLT	*	8					
3	6209-610-001-10	CUP/SEALING/28	*	2					
4	6209-610-009-00	CUP/SEALING/36	*	4					
5	6509-605-019-10	PLUG	*	3					
6	6212-531-005-10	PIN/IDLEGEAR	*	1					
7	6209-610-008-00	CUP/SEALING/12	*	2					
8	6211-258-001-00	SEAL, BEARING CAP	*	4					
9	6211-258-002-00	SEAL, BEARING CAP/7	*	2					
10	6211-510-001-00	METAL, CRANK SET	*	1					
11	6211-511-003-00	BEARING/CRANK/UPPER	*	4					
12	6211-511-004-00	BEARING/CRANK/LOWER	*	4					
13	6211-599-001-10	BEARING, THRUST CRANK	*	2					
14	6209-625-012-00	OILSEAL	*	1					
15	6209-749-001-20	PIN/TUBE	*	2					
16	6213-129-006-00	PIN/STRAIGHT	*	1					
17	V523-100-802-40	PIN	*	1					
18	6209-740-005-00	PIN	*	2					
19	6904-110-840-00	STUD/M8X40	*	1					
20	6904-110-818-00	STUD	*	1					
21	6904-110-822-00	STUD	*	2					
22	6294-453-002-00	DOWEL	*	2					
23	6909-902-299-00	NIPPLE	*	1					
24	6213-721-007-00	PIPE/WATERDRAIN	*	1					
25	6213-319-001-00	CONNECTOR, OIL FILTER	*	1					
26	6211-291-016-00	COVER/INJECTIONPUMP	*	1					
27	6211-292-001-20	GASKET/COVER	*	1					
28	V230-360-601-20	FLANGE BOLT	*	4					
29	6215-549-013-00	PIN	*	1					
30	6211-760-030-00	LEVELGAGE	*	1					

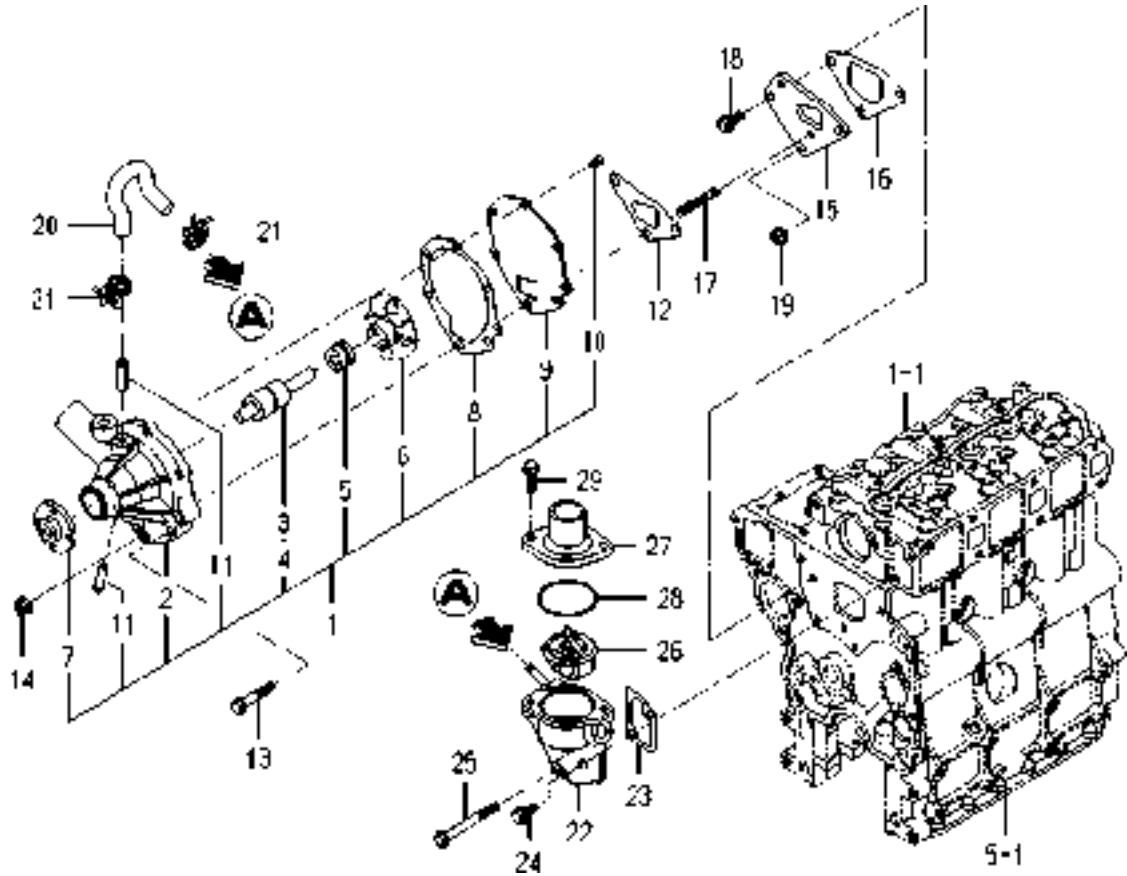
FIG. 9 TIMING GEAR CASE



6004-240N-0100,6004-240N-0200

KEY	PART CODE	DESCRIPTION	S P C	TYPE OF MODEL		I T C	C O L	G R P	REMARKS
				E3112	B13				
1	6211-310-012-30	GEARCASE ASSY	*	1					
2	6509-605-019-10	PLUG	*	2					
3	6209-610-002-10	CUP/SEALING/16	*	1					
4	6904-110-822-00	STUD	*	4					
5	6904-110-855-00	STUD	*	2					
6	6904-110-850-00	STUD	*	1					
7	6209-625-002-00	SEAL,OIL	*	1					
8	V231-360-808-50	FLANGEBOLT	*	1					
9	V231-360-805-50	FLANGEBOLT	*	2					
10	3817-401-001-00	NUT/M08	*	1					
11	V231-360-801-60	FLANGEBOLT	*	3					
12	V231-360-804-50	FLANGEBOLT	*	5					
13	V231-360-807-50	FLANGEBOLT	*	1					
14	1425-621-004-00	HOLDER/JE/9-9	*	2					
15	V231-360-803-00	FLANGEBOLT	*	1					
16	6209-500-003-00	WASHER/08X14X01	*	1					
17	6215-546-003-10	STOPPER/FULLLOAD	*	1					
18	6209-409-001-00	NUT/M8	*	1					
19	V341-120-008-00	NUT,CAP/M 8	*	1					
20	6209-920-002-00	PACKING	*	2					
21	6215-542-004-20	PIN/ARM	*	1					
22	P117-303-003-00	PIN/SNAP	*	2					
23	6215-542-005-10	PIN	*	1					
24	6209-600-004-00	PLUG/SCREW	*	1					
25	6209-500-003-00	WASHER/08X14X01	*	1					
26	6209-740-001-00	PIN,GROOVE	*	1					
27	6211-312-003-20	GASKET/GEARCASE	*	1					
28	6213-160-002-20	VALVE/RELIEF ASSY	*	1					
29	6213-161-001-20	PISTON/VALVE/RELIEF	*	1					
30	6213-164-001-00	SPRING/RELIEF VALVE	*	1					

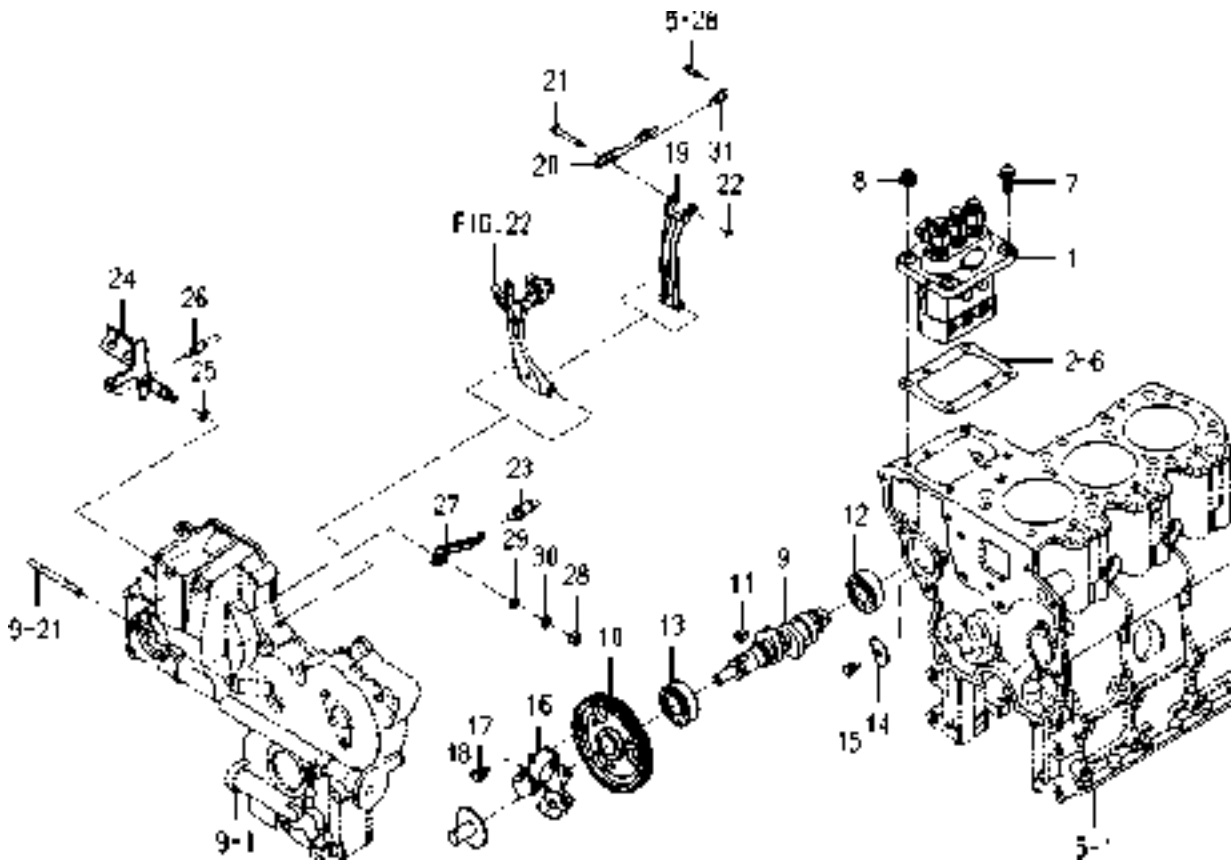
FIG. 17 WATER PUMP



6004-420 -0100

KEY	PART CODE	DESCRIPTION	S P C	TYPE OF MODEL		I T C	C O L	G R P	REMARKS
				E3112	B13				
1	6213-610-005-40	WATERPUMP ASSY	*	1					
2	6213-611-003-20	BODY/WATERPUMP	*	1					
3	6213-631-002-00	BEARING/WATER PUMP	*	1					
4	6213-631-005-00	BEARING/WATERPUMP	*	1					
5	6213-622-002-10	SEAL SET/WATER PUMP	*	1					
6	6213-621-003-00	ROTOR/WATERPUMP	*	1					
7	6213-642-002-00	SEAL/WATER PUMPPULLE	*	1					
8	6213-613-002-10	GASKET	*	1					
9	6213-612-004-00	PLATE/WATER PUMP	*	1					
10	6213-619-003-00	SCREW/WATER PUMP	*	3					
11	6213-619-002-00	PIPE/WATER PUMP	*	2					
12	6213-614-003-10	GASKET/WATER PUMP	*	1					
13	V231-360-804-50	FLANGE BOLT	*	1					
14	3817-401-001-00	NUT/M08	*	2					
15	6213-619-001-00	SPACER,PUMP.WATER	*	1					
16	6213-614-004-10	GASKET,SPACER	*	1					
17	6904-110-840-00	STUD/M8X40	*	2					
18	V231-360-802-00	FLANGE BOLT	*	1					
19	3817-401-001-00	NUT/M08	*	1					
20	6213-729-013-10	HOSE/RUBBER	*	1					
21	J061-210-015-00	CLAMP/WIRE/10-15	*	2					
22	6213-716-001-50	HOUSING/THERMOSTAT	*	1					
23	6213-743-002-10	GASKET/HOUSING	*	1					
24	V231-360-802-00	FLANGE BOLT	*	1					
25	V231-360-807-50	FLANGE BOLT	*	1					
26	6513-770-022-10	THERMOSTAT	*	1					
27	6213-711-003-20	PIPE,WATER OUTLET	*	1					
28	V723-102-005-50	O-RING	*	1					
29	V231-360-802-50	FLANGE BOLT	*	2					

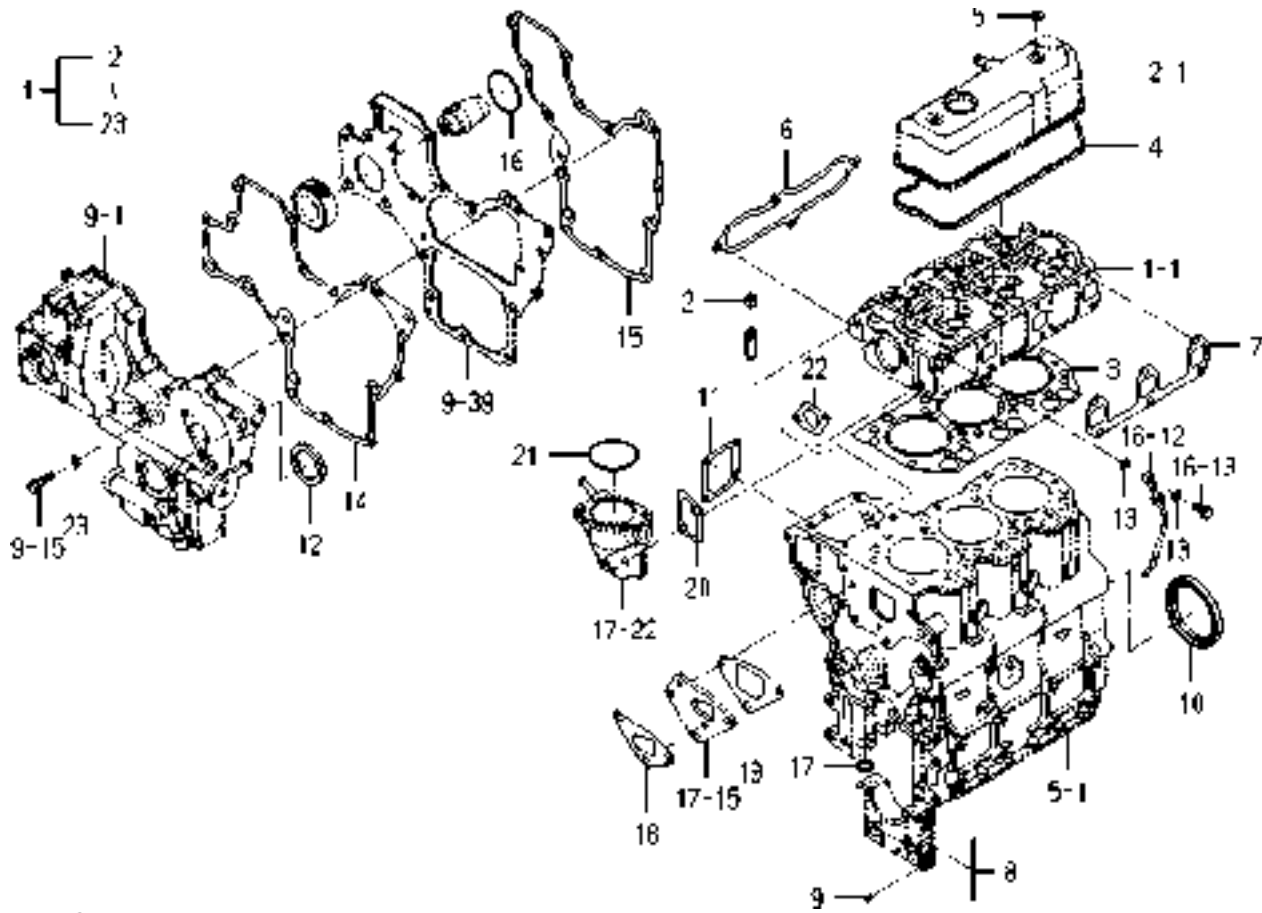
FIG. 20 INJECTION PUMP



6004-511A-0100

KEY	PART CODE	DESCRIPTION	S P C	TYPE OF MODEL		I T C	C O L	G R P	REMARKS
				E3112	B13				
1	6215-600-103-10	INJECTIONPUMP ASSY	*	1					FIG 027
2	6219-752-006-00	SHIM/INJECTION P/0.3	*	1					
3	6219-752-007-00	SHIM/INJECTION P/0.1	*	1					
4	6219-752-008-00	SHIM/INJECTION P/0.2	*	1					
5	6219-752-009-00	SHIM/INJECTION P/0.4	*	1					
6	6219-752-010-00	SHIM/INJECTION P/0.5	*	1					
7	V231-360-802-00	FLANGE BOLT	*	2					
8	3817-401-001-00	NUT/M08	*	2					
9	6215-621-016-20	CAMSHAFT/INJECTION P	*	1					
10	6212-524-002-20	GEAR/INJECTIONPUMP	*	1					
11	6209-730-005-00	KEY/07X05X09	*	1					
12	V600-110-620-30	BEARING,RB/6203	*	1					
13	V600-110-600-40	BEARING,RB/6004	*	1					
14	6212-535-002-00	PLATE,THRUST INJPUMP	*	1					
15	6901-910-612-00	BOLT,SEMS/M6X12	*	1					
16	6215-520-001-00	FLYWEIGHT	*	1					
17	6209-030-043-00	BOLT/M6X10	*	3					
18	6215-526-004-00	THRUSTPIECE	*	1					
19	6215-541-001-10	ARM/FLOATING COMP	*	1					
20	6215-543-002-10	RINK/CONTROL	*	1					
21	6215-542-006-00	PIN,CONTROL	*	1					
22	V710-140-004-00	RING,SNAP/ 4 E	*	1					
23	6215-531-019-00	SPRING/GOVERNOR	*	1					
24	6215-541-024-30	LEVER/CONTROL COMP	*	1					
25	V720-101-900-80	O-RING/P 8	*	1					
26	6209-580-002-10	SPRING,RETURN	*	1					
27	6215-549-007-10	ARM/CONTROL	*	1					
28	6909-110-406-00	NUT	*	1					
29	V411-260-006-00	WASHER / M6	*	1					
30	V401-160-006-00	WASHER,SP/M 6	*	1					

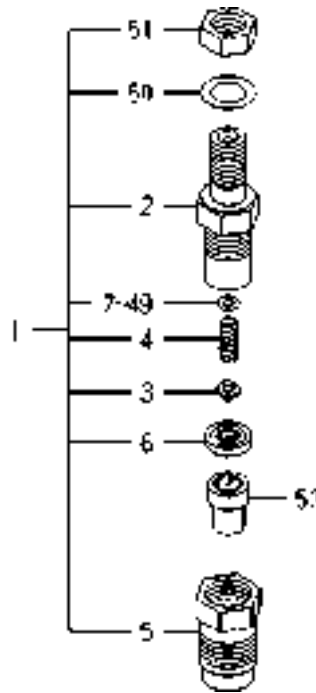
FIG. 25 REPAIR PARTS (OPTION)



6004-999C-0100

KEY	PART CODE	DESCRIPTION	S P C	TYPE OF MODEL		I T C	C O L	G R P	REMARKS
				E3112	B13				
1	6287-810-015-20	REPAIR/ENGINE SET	T	1					
2	6212-569-002-00	SEAL,OIL	T	6					
3	6211-141-029-20	GASKET/CYLINDERHEAD	T	1					
4	6211-173-003-00	SEAL,CYL.HEAD COVER	T	1					
5	6209-572-003-00	GASKET	T	2					
6	6214-115-001-20	GASKET,INLET MANIFOL	T	1					
7	6214-145-001-30	GASKET,EXH.MANIFOLD	T	1					
8	6211-258-001-00	SEAL,BEARING CAP	T	4					
9	6211-258-002-00	SEAL,BEARING CAP/7	T	2					
10	6209-625-012-00	OILSEAL	T	1					
11	6211-292-001-20	GASKET/COVER	T	1					
12	6209-625-002-00	SEAL,OIL	T	1					
13	6209-920-002-00	PACKING	T	2					
14	6211-312-003-20	GASKET/GEARCASE	T	1					
15	6211-312-004-20	GASKET/PLATE	T	1					
16	V723-102-005-00	O-RING 1A S50	T	1					
17	V720-102-401-50	O-RING/P15	T	1					
18	6213-614-003-10	GASKET/WATER PUMP	T	1					
19	6213-614-004-10	GASKET,SPACER	T	1					
20	6213-743-002-10	GASKET/HOUSING	T	1					
21	V723-102-005-50	O-RING	T	1					
22	6209-630-002-10	GASKET	T	1					
23	6209-500-003-00	WASHER/08X14X01	T	2					

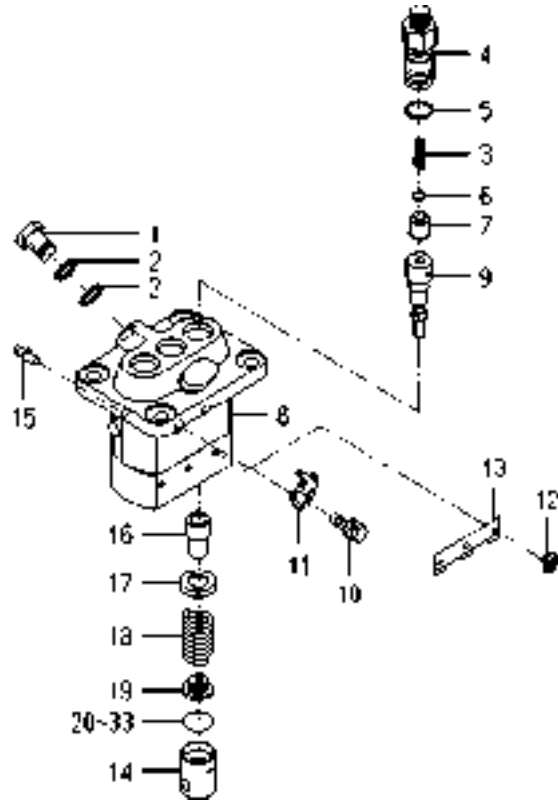
**FIG. 26 COMPONENT PARTS
FOR 6215-300-036-00 ON Fig.19**



6215-300-036-0A

KEY	PART CODE	DESCRIPTION	S P C	TYPE OF MODEL		I T C	C O L	G R P	REMARKS
				E3112 B13					
1	6215-330-024-00	HOLDER/NOZZLE ASSY	*	3					
2	6215-331-008-00	BODY/NOZZLE HOLDER	*	3					
3	6215-342-001-00	PIN,NOZZLE HOLDER	*	3					
4	6215-343-001-00	WASHER	*	3					
5	6215-332-013-00	NUT/NOZZLERETAINING	*	3					
6	6215-339-001-00	PIECE,DISTANCE	*	3					
7	6215-345-001-00	WASHER/0.9	*	3					
8	6215-345-002-00	WASHER/0.925	*	3					
9	6215-345-003-00	WASHER/0.95	*	3					
10	6215-345-004-00	WASHER/0.975	*	3					
11	6215-345-005-00	WASHER/1.0	*	3					
12	6215-345-006-00	WASHER/1.025	*	3					
13	6215-345-007-00	WASHER/1.05	*	3					
14	6215-345-008-00	WASHER/1.075	*	3					
15	6215-345-009-00	WASHER/1.1	*	3					
16	6215-345-010-00	WASHER/1.125	*	3					
17	6215-345-011-00	WASHER/1.15	*	3					
18	6215-345-012-00	WASHER/1.175	*	3					
19	6215-345-013-00	WASHER/1.2	*	3					
20	6215-345-014-00	WASHER/1.225	*	3					
21	6215-345-015-00	WASHER/1.25	*	3					
22	6215-345-016-00	WASHER/1.275	*	3					
23	6215-345-017-00	WASHER/1.3	*	3					
24	6215-345-018-00	WASHER/1.325	*	3					
25	6215-345-019-00	WASHER/1.35	*	3					
26	6215-345-020-00	WASHER/1.375	*	3					
27	6215-345-021-00	WASHER/1.4	*	3					
28	6215-345-022-00	WASHER/1.425	*	3					
29	6215-345-023-00	WASHER/1.45	*	3					
30	6215-345-024-00	WASHER/1.475	*	3					

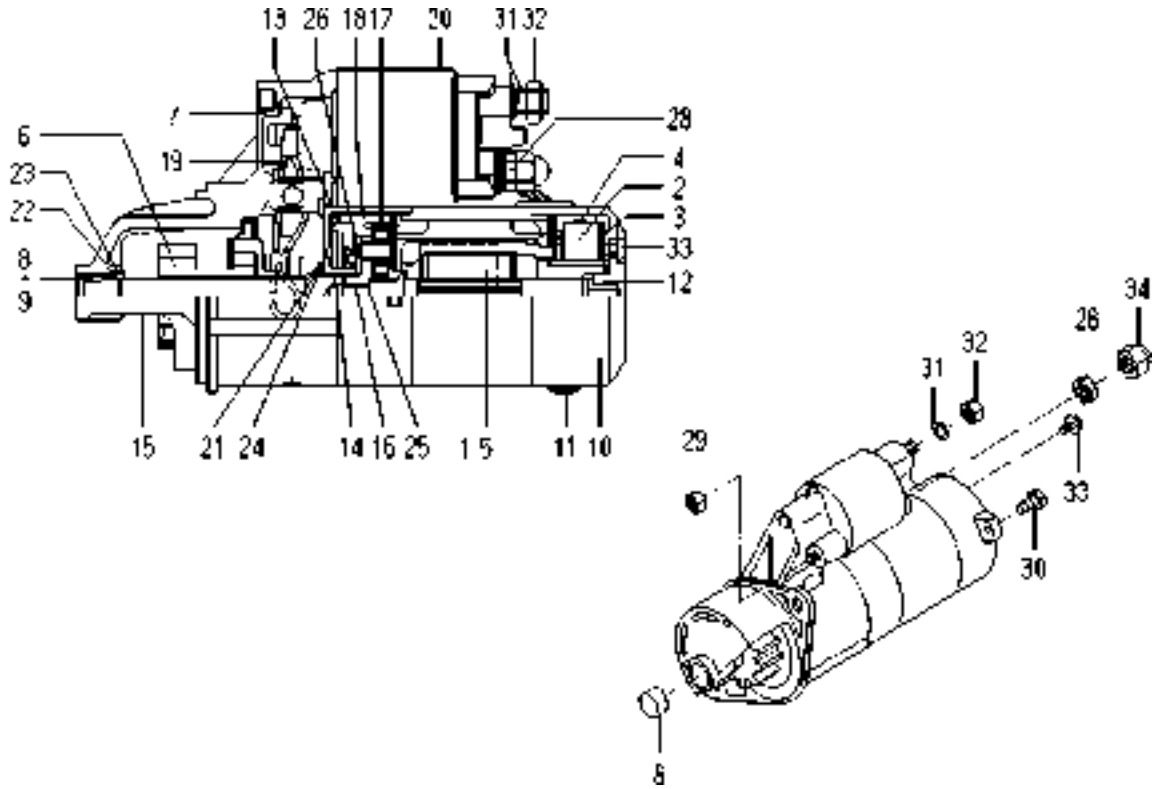
**FIG. 27 COMPONENT PARTS
FOR 6215-600-103-10 ON Fig.20**



6215-600-103-1C

KEY	PART CODE	DESCRIPTION	S P C	TYPE OF MODEL		I T C	C O L	G R P	REMARKS
				E3112 B13					
1	6215-619-009-00	SCREW/HOLLOW	*	1					
2	6215-619-010-00	WASHER/AIR BLEEDER	*	2					
3	6215-643-006-00	SPRING/DELIVERYVALVE	*	3					
4	6215-644-007-00	HOLDER/DELIVERYVALVE	*	3					
5	6215-649-001-00	ORING	*	3					
6	6215-649-002-00	GASKET/DELIVERYVALVE	*	3					
7	6215-641-006-00	VALVE ASSY	*	3					
8	6215-611-001-00	HOUSING ASSY	*	1					
9	6215-631-019-00	ELEMENT ASSY	*	3					
10	6215-619-022-00	BOLT/WASHERHEAD	*	2					
11	6215-612-001-00	PLATE/ADJUSTING	*	2					
12	6215-629-001-00	PIN/INJECTIONPUMP	*	3					
13	6215-629-002-00	PLATE	*	1					
14	6215-622-001-00	TAPPET/INJECTIO ASSY	*	3					
15	6215-637-001-00	RACK/CONTROL ASSY	*	1					
16	6215-635-001-00	SLEEVE/PLUNGER	*	3					
17	6215-639-004-00	SEAT/SPRING/UPPER	*	3					
18	6215-634-001-00	SPRING/PUMPPLUNGER	*	3					
19	6215-639-005-00	SEAT/SPRING/LOWER	*	3					
20	6215-629-003-00	PLATE/TAPPET/AD 0.6	*	1					
21	6215-629-004-00	PLATE/TAPPET/AD 0.7	*	1					
22	6215-629-005-00	PLATE/TAPPET/AD 0.8	*	1					
23	6215-629-006-00	PLATE/TAPPET/AD 0.9	*	1					
24	6215-629-007-00	PLATE/TAPPET/AD 1.0	*	1					
25	6215-629-008-00	PLATE/TAPPET/AD 0.2	*	1					
26	6215-629-009-00	PLATE/TAPPET/AD 0.3	*	1					
27	6215-629-010-00	PLATE/TAPPET/AD 0.4	*	1					
28	6215-629-011-00	PLATE/TAPPET/AD 0.5	*	3					
29	6215-629-012-00	PLATE/TAPPET/AD 0.25	*	1					
30	6215-629-013-00	PLATE/TAPPET/AD 0.35	*	1					

**FIG. 28 COMPONENT PARTS
FOR 6281-100-014-00 ON Fig.23**



6281-100-014-0A

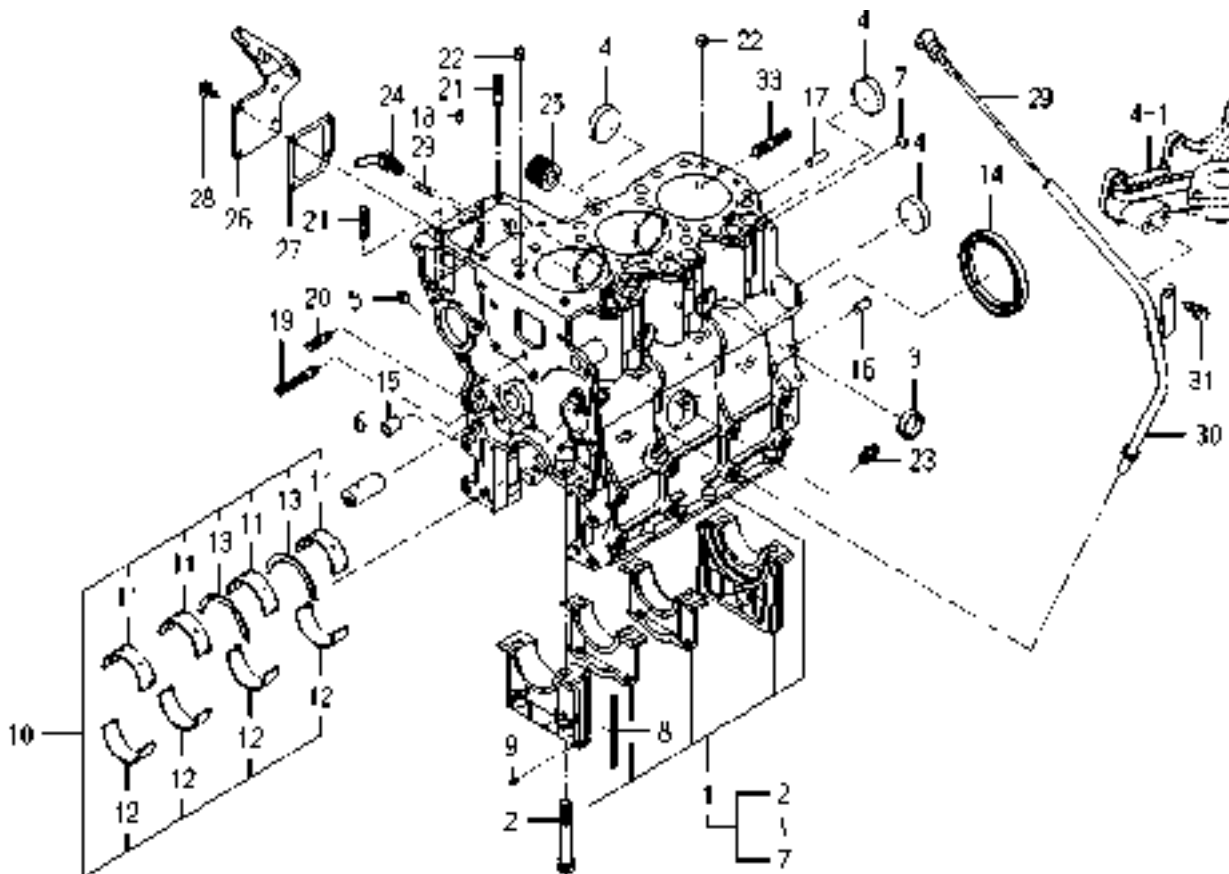
KEY	PART CODE	DESCRIPTION	S P C	TYPE OF MODEL		I T C	C O L	G R P	REMARKS
				E3112 B13					
1	6281-111-009-00	YOKE/STARTER ASSY	*	1					
2	6281-119-009-00	BRUSH/STARTER	*	2					
3	6281-118-007-00	HOLDER/STARTER ASSY	*	1					
4	6281-117-003-00	SPRING/STARTERBRUSH	*	4					
5	6281-121-010-00	ARMATURE/STARTE ASSY	*	1					
6	6281-124-011-00	CLUTCH/STARTER ASSY	*	1					
7	6281-129-064-00	HOUSING/STARTER ASSY	*	1					
8	6281-129-080-00	BEARING/NEEDLE	*	1					
9	6281-129-058-00	BEARING/NEEDLE	*	1					
10	6281-115-017-00	FRAME/COMMUTATOR END	*	1					
11	6281-115-018-00	COVER	*	1					
12	6281-129-065-00	BEARING/OILLESS	*	1					
13	6281-129-066-00	BEARING/WITH SHOCKAB	*	1					
14	6281-129-067-00	BEARING/OILLESS	*	1					
15	6281-129-068-00	SHAFT/STARTER PLANET	*	1					
16	6281-129-069-00	BEARING/OILLESS	*	1					
17	6281-129-070-00	GEAR/STARTER PLANETA	*	3					
18	6281-129-071-00	GEAR/STARTERINTERNAL	*	1					
19	6281-127-003-00	LEVER/PINIONDRIVE	*	1					
20	6281-151-014-00	SWITCH/MAGNETIC ASSY	*	1					
21	6281-129-072-00	RING/SNAP	*	1					
22	6281-129-073-00	RING/SNAP	*	1					
23	6281-129-074-00	NUT/PINIONSTOP	*	1					
24	6281-129-075-00	WASHER/SK	*	1					
25	6281-129-076-00	WASHER/SK	*	1					
26	6281-129-077-00	WASHER/SK	*	1					
27	6281-129-078-00	PLATE	*	1					
28	6281-129-030-00	NUT	*	1					
29	6281-129-029-00	NUT	*	2					
30	6281-129-043-00	BOLT/THROUGH	*	2					

ENGINE

E3112B14...TM3200

ENGINE

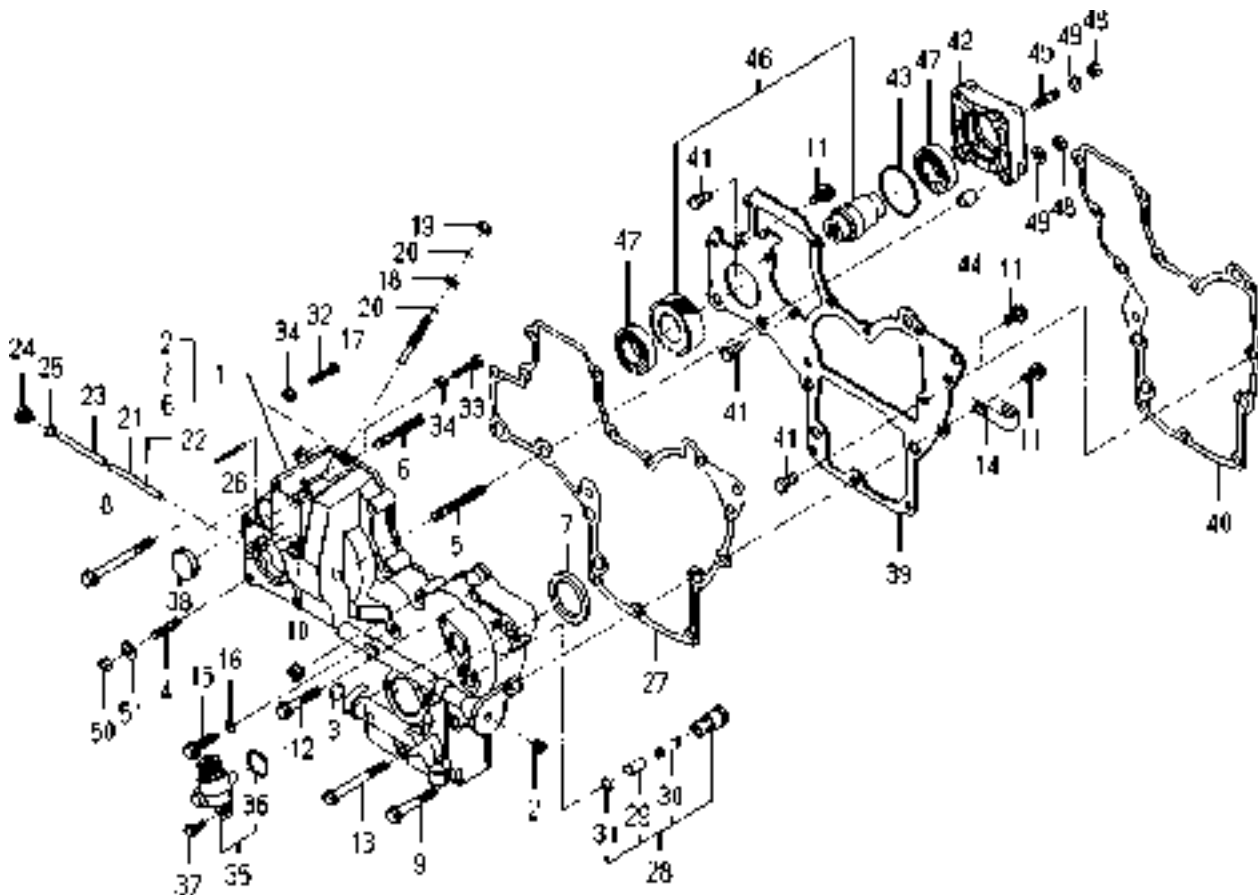
FIG. 5 CYLINDER BLOCK



6004-202G-0100

KEY	PART CODE	DESCRIPTION	S P C	TYPE OF MODEL		I T C	C O L	G R P	REMARKS
				E3112	B14				
1	6211-210-037-20	CYLINDERBLOCK ASSY	*	1					
2	6209-000-004-10	BOLT	*	8					
3	6209-610-001-10	CUP/SEALING/28	*	2					
4	6209-610-009-00	CUP/SEALING/36	*	4					
5	6509-605-019-10	PLUG	*	3					
6	6212-531-005-10	PIN/IDLEGEAR	*	1					
7	6209-610-008-00	CUP/SEALING/12	*	2					
8	6211-258-001-00	SEAL, BEARING CAP	*	4					
9	6211-258-002-00	SEAL, BEARING CAP/7	*	2					
10	6211-510-001-00	METAL, CRANK SET	*	1					
11	6211-511-003-00	BEARING/CRANK/UPPER	*	4					
12	6211-511-004-00	BEARING/CRANK/LOWER	*	4					
13	6211-599-001-10	BEARING, THRUST CRANK	*	2					
14	6209-625-012-00	OILSEAL	*	1					
15	6209-749-001-20	PIN/TUBE	*	2					
16	6213-129-006-00	PIN/STRAIGHT	*	1					
17	V523-100-802-40	PIN	*	1					
18	6209-740-005-00	PIN	*	2					
19	6904-110-840-00	STUD/M8X40	*	1					
20	6904-110-818-00	STUD	*	1					
21	6904-110-822-00	STUD	*	2					
22	6294-453-002-00	DOWEL	*	2					
23	6909-902-299-00	NIPPLE	*	1					
24	6213-721-007-00	PIPE/WATERDRAIN	*	1					
25	6213-319-001-00	CONNECTOR, OIL FILTER	*	1					
26	6211-291-016-00	COVER/INJECTIONPUMP	*	1					
27	6211-292-001-20	GASKET/COVER	*	1					
28	V230-360-601-20	FLANGE BOLT	*	4					
29	6215-549-013-00	PIN	*	1					
30	6211-760-030-00	LEVELGAGE	*	1					

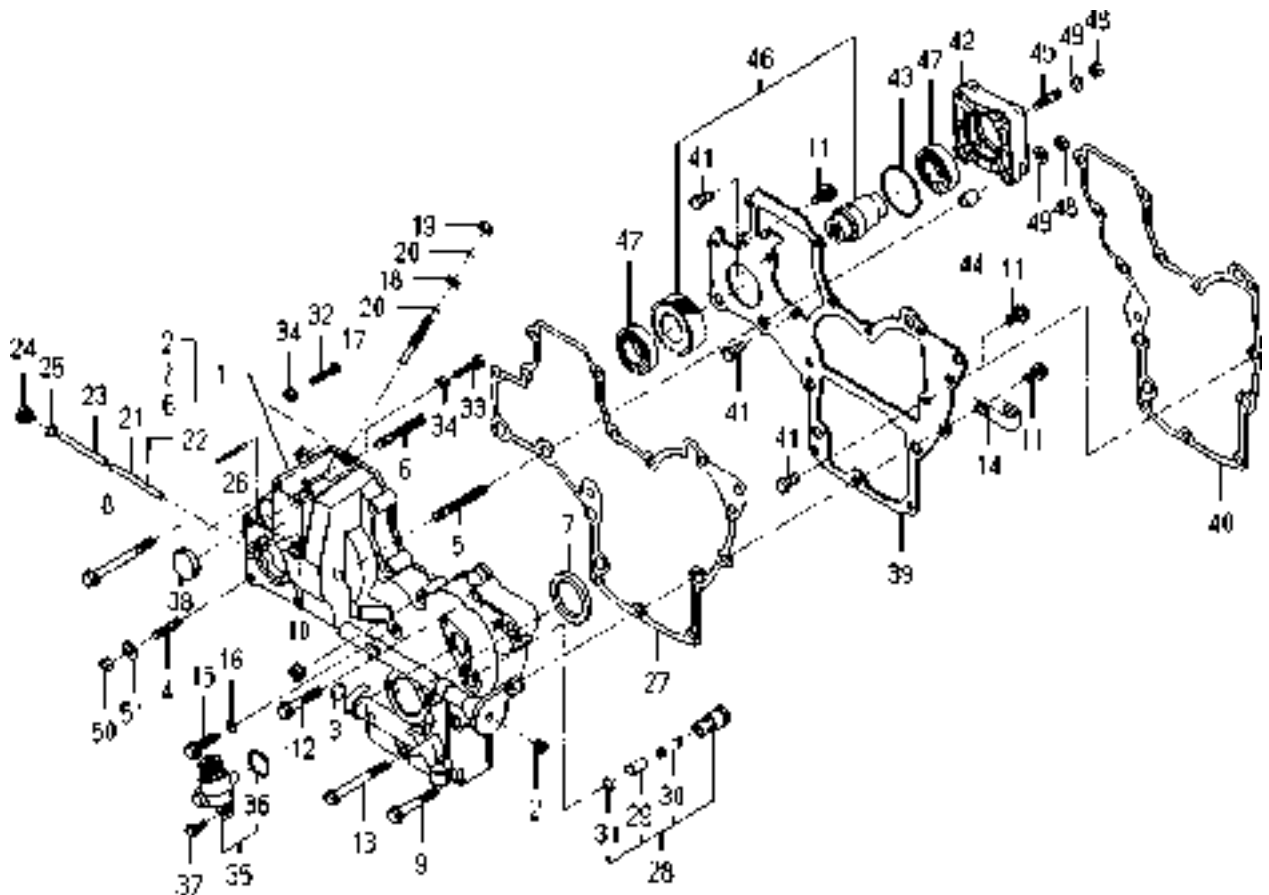
FIG. 9 TIMING GEAR CASE



6004-240N-0100,6004-240N-0200

KEY	PART CODE	DESCRIPTION	S P C	TYPE OF MODEL		I T C	C O L	G R P	REMARKS
				E3112	B14				
1	6211-310-012-30	GEARCASE ASSY	*	1					
2	6509-605-019-10	PLUG	*	2					
3	6209-610-002-10	CUP/SEALING/16	*	1					
4	6904-110-822-00	STUD	*	4					
5	6904-110-855-00	STUD	*	2					
6	6904-110-850-00	STUD	*	1					
7	6209-625-002-00	SEAL,OIL	*	1					
8	V231-360-808-50	FLANGEBOLT	*	1					
9	V231-360-805-50	FLANGEBOLT	*	2					
10	3817-401-001-00	NUT/M08	*	1					
11	V231-360-801-60	FLANGEBOLT	*	3					
12	V231-360-804-50	FLANGEBOLT	*	5					
13	V231-360-807-50	FLANGEBOLT	*	1					
14	1425-621-004-00	HOLDER/JE/9-9	*	2					
15	V231-360-803-00	FLANGEBOLT	*	1					
16	6209-500-003-00	WASHER/08X14X01	*	1					
17	6215-546-003-10	STOPPER/FULLLOAD	*	1					
18	6209-409-001-00	NUT/M8	*	1					
19	V341-120-008-00	NUT,CAP/M 8	*	1					
20	6209-920-002-00	PACKING	*	2					
21	6215-542-004-20	PIN/ARM	*	1					
22	P117-303-003-00	PIN/SNAP	*	2					
23	6215-542-005-10	PIN	*	1					
24	6209-600-004-00	PLUG/SCREW	*	1					
25	6209-500-003-00	WASHER/08X14X01	*	1					
26	6209-740-001-00	PIN,GROOVE	*	1					
27	6211-312-003-20	GASKET/GEARCASE	*	1					
28	6213-160-002-20	VALVE/RELIEF ASSY	*	1					
29	6213-161-001-20	PISTON/VALVE/RELIEF	*	1					
30	6213-164-001-00	SPRING/RELIEF VALVE	*	1					

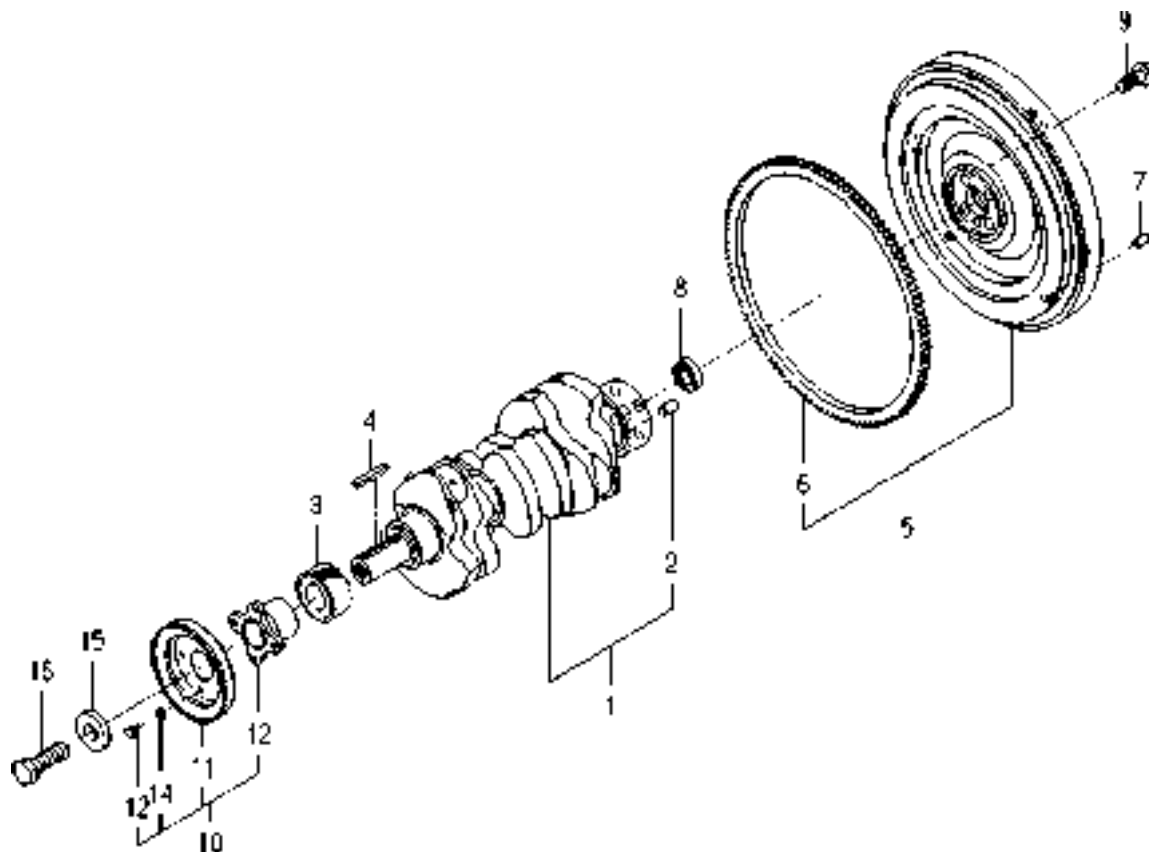
FIG. 9 TIMING GEAR CASE



6004-240N-0100,6004-240N-0200

KEY	PART CODE	DESCRIPTION	S P C	TYPE OF MODEL		I T C	C O L	G R P	REMARKS
				E3112	B14				
31	V 705 -140 -012 -00	RING,SNAP/12 C	*	1					
32	6209-050-001-00	BOLT/M6	*	1					
33	6209-050-002-00	BOLT/M6	*	1					
34	6909-110-406-00	NUT	*	2					
35	6219-310-003-20	DRIVE/TACHOMETE ASSY	*	1					
36	V 723 -102 -002 -40	RING/O	*	1					
37	V 230 -360 -601 -60	FLANGEBOLT	*	2					
38	3625-540-004-00	CAP,BLANK/30	*	1					
39	6211-311-007-40	PLATE/FRONT	*	1					
40	6211-312-004-20	GASKET/PLATE	*	1					
41	6902-050-816-00	BOLT	*	3					
42	6211-319-003-00	SPACER	*	1					
43	V 723 -102 -005 -00	O-RING 1A S50	*	1					
44	6209-749-001-20	PIN/TUBE	*	2					
45	6904-110-822-00	STUD	*	1					
46	6212-530-005-20	SHAFT/HYDRAULIC ASSY	*	1					
47	V 600 -110 -600 -50	BEARING,RB/6005	*	2					
48	6909-110-408-00	NUT/M8	*	4					
49	V 401 -160 -008 -00	WASHER,SP/M 8	*	4					
50	6909-110-408-00	NUT/M8	*	4					
51	V 401 -160 -008 -00	WASHER,SP/M 8	*	4					

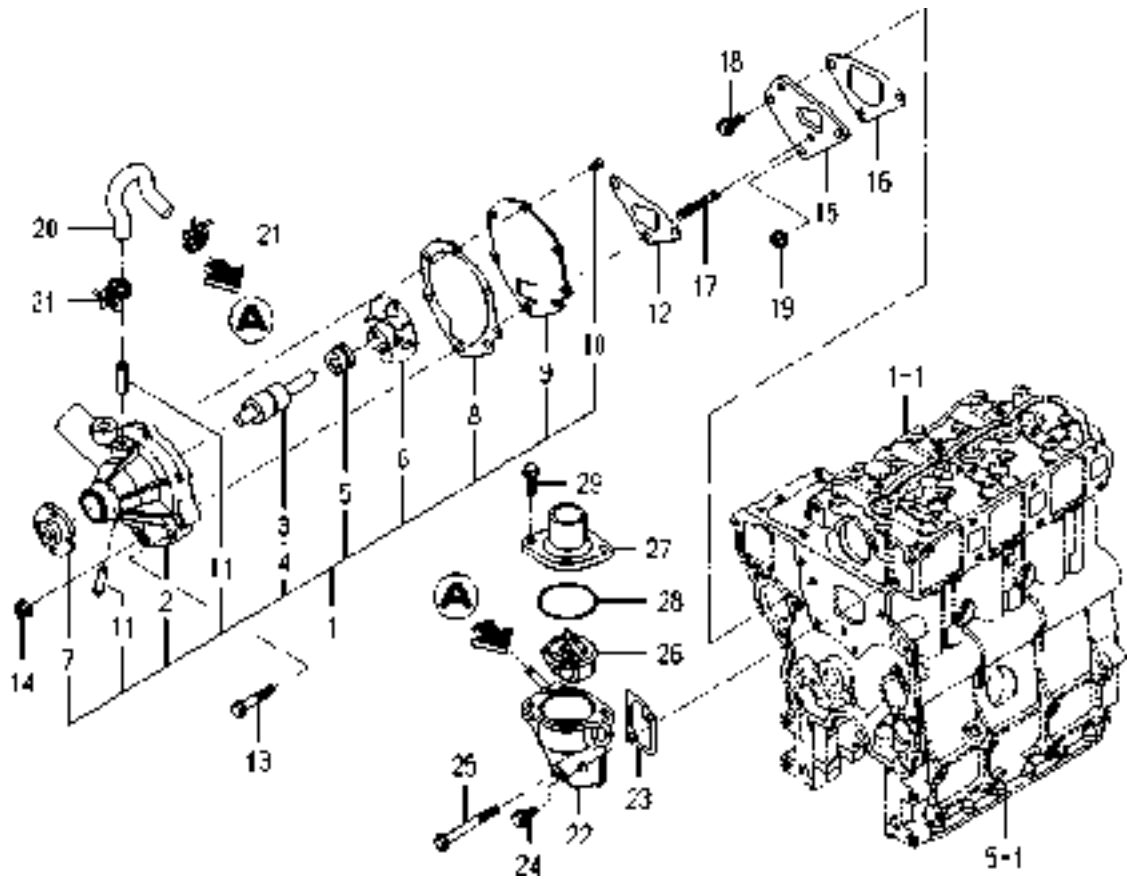
FIG. 15 CRANK SHAFT



6004-3500-0100

KEY	PART CODE	DESCRIPTION	S P C	TYPE OF MODEL		I T C	C O L	G R P	REMARKS
				E3112 B14					
1	6212-310-009-30	CRANKSHAFT ASSY	*	1					
2	V523-101-001-80	PIN	*	1					
3	6212-521-008-00	GEAR/CRANK	*	1					
4	6209-730-006-00	KEY/07X05X43	*	1					
5	6212-330-049-10	FLYWHEEL ASSY	*	1					
6	6212-333-003-00	RINGGEAR	*	1					
7	6213-129-006-00	PIN/STRAIGHT	*	3					
8	V600-150-600-20	BEARING,RB/6002SS	*	1					
9	6209-046-015-00	BOLT/FLANGE	*	4					
10	6212-370-011-00	PULLEY ASSY	*	1					
11	6212-371-009-00	PULLEY	*	1					
12	6212-372-002-10	CENTER CRANK PULLEY	*	1					
13	6902-050-610-00	BOLT	*	4					
14	6909-150-506-00	WASHER,SP/M6	*	4					
15	6212-379-001-00	WASHER	*	1					
16	6901-066-645-00	BOLT	*	1					

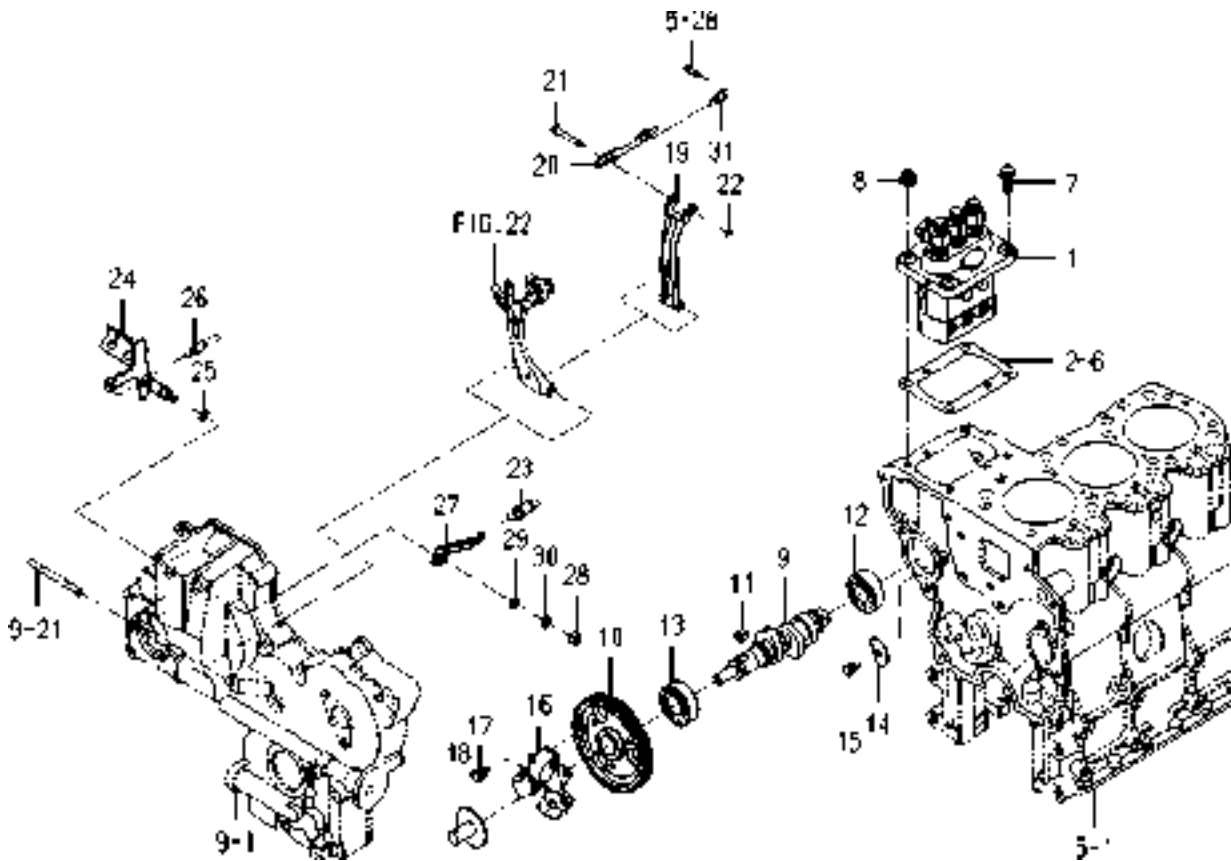
FIG. 17 WATER PUMP



6004-420 -0100

KEY	PART CODE	DESCRIPTION	S P C	TYPE OF MODEL		I T C	C O L	G R P	REMARKS
				E3112	B14				
1	6213-610-005-40	WATERPUMP ASSY	*	1					
2	6213-611-003-20	BODY/WATERPUMP	*	1					
3	6213-631-002-00	BEARING/WATER PUMP	*	1					
4	6213-631-005-00	BEARING/WATERPUMP	*	1					
5	6213-622-002-10	SEAL SET/WATER PUMP	*	1					
6	6213-621-003-00	ROTOR/WATERPUMP	*	1					
7	6213-642-002-00	SEAL/WATER PUMPPULLE	*	1					
8	6213-613-002-10	GASKET	*	1					
9	6213-612-004-00	PLATE/WATER PUMP	*	1					
10	6213-619-003-00	SCREW/WATER PUMP	*	3					
11	6213-619-002-00	PIPE/WATER PUMP	*	2					
12	6213-614-003-10	GASKET/WATER PUMP	*	1					
13	V231-360-804-50	FLANGE BOLT	*	1					
14	3817-401-001-00	NUT/M08	*	2					
15	6213-619-001-00	SPACER,PUMP.WATER	*	1					
16	6213-614-004-10	GASKET,SPACER	*	1					
17	6904-110-840-00	STUD/M8X40	*	2					
18	V231-360-802-00	FLANGE BOLT	*	1					
19	3817-401-001-00	NUT/M08	*	1					
20	6213-729-013-10	HOSE/RUBBER	*	1					
21	J061-210-015-00	CLAMP/WIRE/10-15	*	2					
22	6213-716-001-50	HOUSING/THERMOSTAT	*	1					
23	6213-743-002-10	GASKET/HOUSING	*	1					
24	V231-360-802-00	FLANGE BOLT	*	1					
25	V231-360-807-50	FLANGE BOLT	*	1					
26	6513-770-022-10	THERMOSTAT	*	1					
27	6213-711-003-20	PIPE,WATER OUTLET	*	1					
28	V723-102-005-50	O-RING	*	1					
29	V231-360-802-50	FLANGE BOLT	*	2					

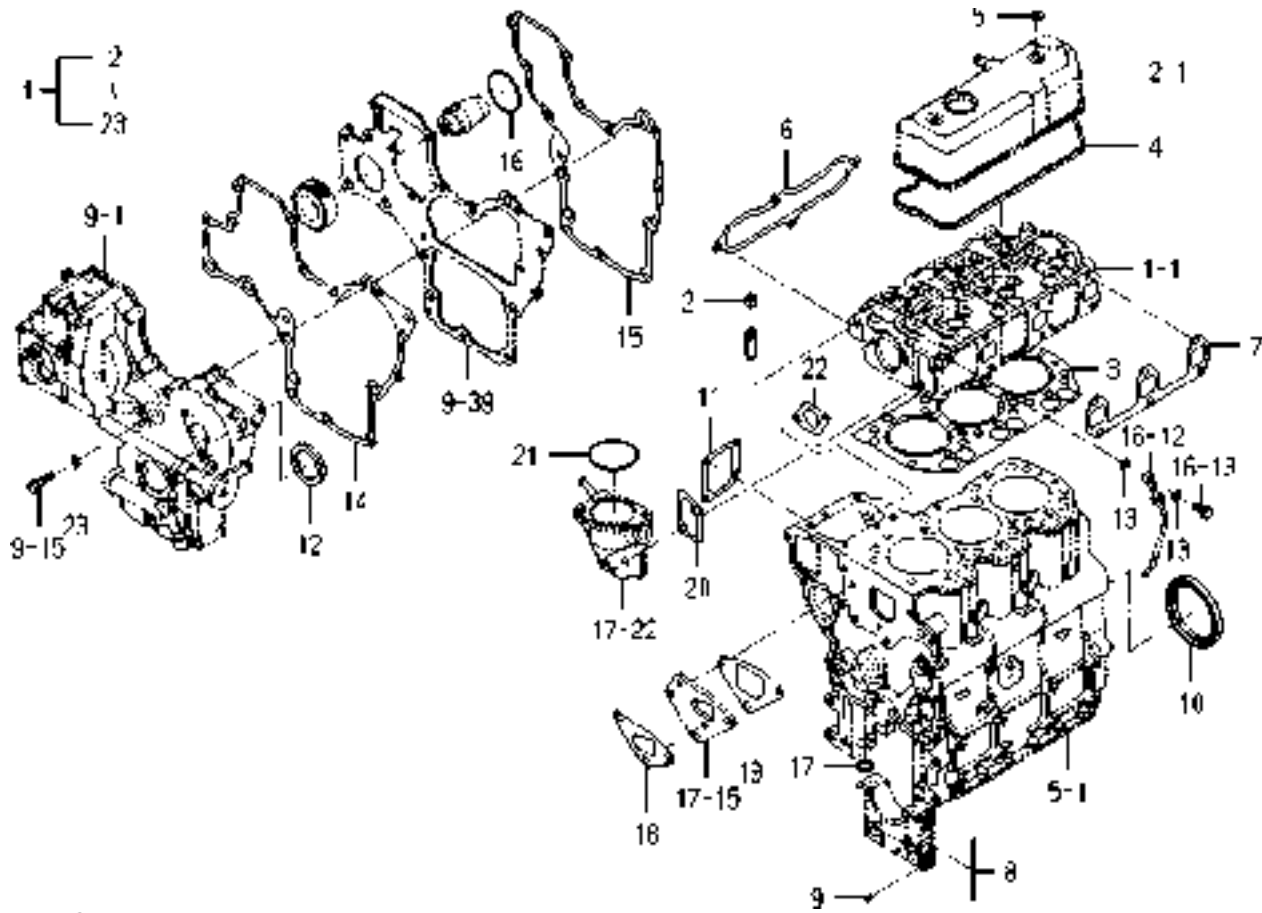
FIG. 20 INJECTION PUMP



6004-511A-0100

KEY	PART CODE	DESCRIPTION	S P C	TYPE OF MODEL		I T C	C O L	G R P	REMARKS
				E3112	B14				
1	6215-600-103-10	INJECTIONPUMP ASSY	*	1					FIG 027
2	6219-752-006-00	SHIM/INJECTION P/0.3	*	1					
3	6219-752-007-00	SHIM/INJECTION P/0.1	*	1					
4	6219-752-008-00	SHIM/INJECTION P/0.2	*	1					
5	6219-752-009-00	SHIM/INJECTION P/0.4	*	1					
6	6219-752-010-00	SHIM/INJECTION P/0.5	*	1					
7	V231-360-802-00	FLANGE BOLT	*	2					
8	3817-401-001-00	NUT/M08	*	2					
9	6215-621-016-20	CAMSHAFT/INJECTION P	*	1					
10	6212-524-002-20	GEAR/INJECTIONPUMP	*	1					
11	6209-730-005-00	KEY/07X05X09	*	1					
12	V600-110-620-30	BEARING,RB/6203	*	1					
13	V600-110-600-40	BEARING,RB/6004	*	1					
14	6212-535-002-00	PLATE,THRUST INJPUMP	*	1					
15	6901-910-612-00	BOLT,SEMS/M6X12	*	1					
16	6215-520-001-00	FLYWEIGHT	*	1					
17	6209-030-043-00	BOLT/M6X10	*	3					
18	6215-526-004-00	THRUSTPIECE	*	1					
19	6215-541-001-10	ARM/FLOATING COMP	*	1					
20	6215-543-002-10	RINK/CONTROL	*	1					
21	6215-542-006-00	PIN,CONTROL	*	1					
22	V710-140-004-00	RING,SNAP/ 4 E	*	1					
23	6215-531-019-00	SPRING/GOVERNOR	*	1					
24	6215-541-024-30	LEVER/CONTROL COMP	*	1					
25	V720-101-900-80	O-RING/P 8	*	1					
26	6209-580-002-10	SPRING,RETURN	*	1					
27	6215-549-007-10	ARM/CONTROL	*	1					
28	6909-110-406-00	NUT	*	1					
29	V411-260-006-00	WASHER / M6	*	1					
30	V401-160-006-00	WASHER,SP/M 6	*	1					

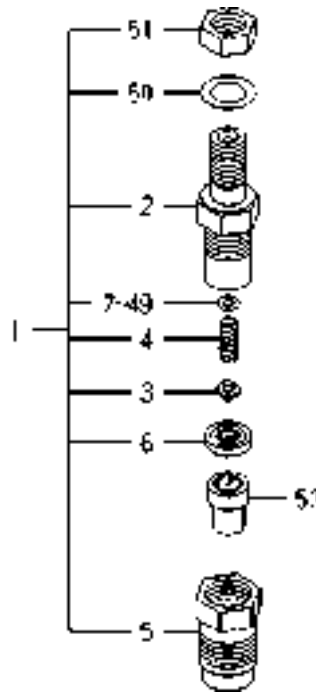
FIG. 25 REPAIR PARTS (OPTION)



6004-999C-0100

KEY	PART CODE	DESCRIPTION	S P C	TYPE OF MODEL		I T C	C O L	G R P	REMARKS
				E3112	B14				
1	6287-810-015-20	REPAIR/ENGINE SET	T	1					
2	6212-569-002-00	SEAL,OIL	T	6					
3	6211-141-029-20	GASKET/CYLINDERHEAD	T	1					
4	6211-173-003-00	SEAL,CYL.HEAD COVER	T	1					
5	6209-572-003-00	GASKET	T	2					
6	6214-115-001-20	GASKET,INLET MANIFOL	T	1					
7	6214-145-001-30	GASKET,EXH.MANIFOLD	T	1					
8	6211-258-001-00	SEAL,BEARING CAP	T	4					
9	6211-258-002-00	SEAL,BEARING CAP/7	T	2					
10	6209-625-012-00	OILSEAL	T	1					
11	6211-292-001-20	GASKET/COVER	T	1					
12	6209-625-002-00	SEAL,OIL	T	1					
13	6209-920-002-00	PACKING	T	2					
14	6211-312-003-20	GASKET/GEARCASE	T	1					
15	6211-312-004-20	GASKET/PLATE	T	1					
16	V723-102-005-00	O-RING 1A S50	T	1					
17	V720-102-401-50	O-RING/P15	T	1					
18	6213-614-003-10	GASKET/WATER PUMP	T	1					
19	6213-614-004-10	GASKET,SPACER	T	1					
20	6213-743-002-10	GASKET/HOUSING	T	1					
21	V723-102-005-50	O-RING	T	1					
22	6209-630-002-10	GASKET	T	1					
23	6209-500-003-00	WASHER/08X14X01	T	2					

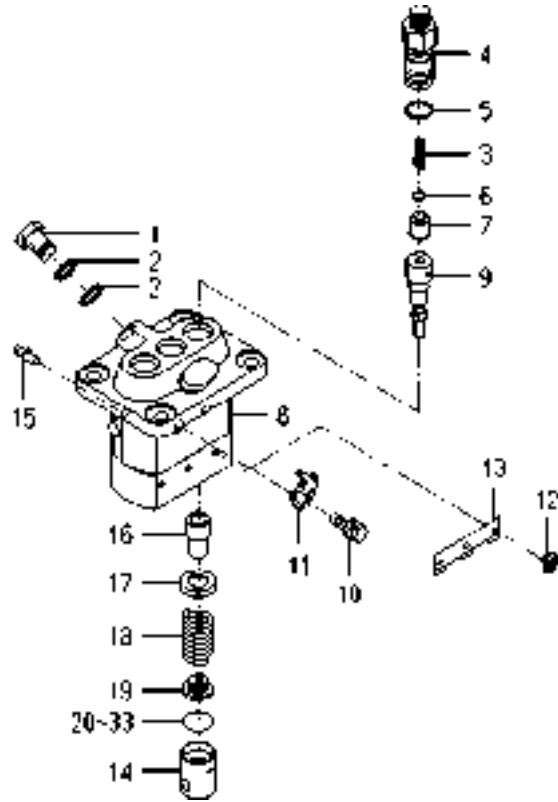
**FIG. 26 COMPONENT PARTS
FOR 6215-300-036-00 ON Fig.19**



6215-300-036-0A

KEY	PART CODE	DESCRIPTION	S P C	TYPE OF MODEL		I T C	C O L	G R P	REMARKS
				E3112 B14					
1	6215-330-024-00	HOLDER/NOZZLE ASSY	*	3					
2	6215-331-008-00	BODY/NOZZLE HOLDER	*	3					
3	6215-342-001-00	PIN,NOZZLE HOLDER	*	3					
4	6215-343-001-00	WASHER	*	3					
5	6215-332-013-00	NUT/NOZZLERETAINING	*	3					
6	6215-339-001-00	PIECE,DISTANCE	*	3					
7	6215-345-001-00	WASHER/0.9	*	3					
8	6215-345-002-00	WASHER/0.925	*	3					
9	6215-345-003-00	WASHER/0.95	*	3					
10	6215-345-004-00	WASHER/0.975	*	3					
11	6215-345-005-00	WASHER/1.0	*	3					
12	6215-345-006-00	WASHER/1.025	*	3					
13	6215-345-007-00	WASHER/1.05	*	3					
14	6215-345-008-00	WASHER/1.075	*	3					
15	6215-345-009-00	WASHER/1.1	*	3					
16	6215-345-010-00	WASHER/1.125	*	3					
17	6215-345-011-00	WASHER/1.15	*	3					
18	6215-345-012-00	WASHER/1.175	*	3					
19	6215-345-013-00	WASHER/1.2	*	3					
20	6215-345-014-00	WASHER/1.225	*	3					
21	6215-345-015-00	WASHER/1.25	*	3					
22	6215-345-016-00	WASHER/1.275	*	3					
23	6215-345-017-00	WASHER/1.3	*	3					
24	6215-345-018-00	WASHER/1.325	*	3					
25	6215-345-019-00	WASHER/1.35	*	3					
26	6215-345-020-00	WASHER/1.375	*	3					
27	6215-345-021-00	WASHER/1.4	*	3					
28	6215-345-022-00	WASHER/1.425	*	3					
29	6215-345-023-00	WASHER/1.45	*	3					
30	6215-345-024-00	WASHER/1.475	*	3					

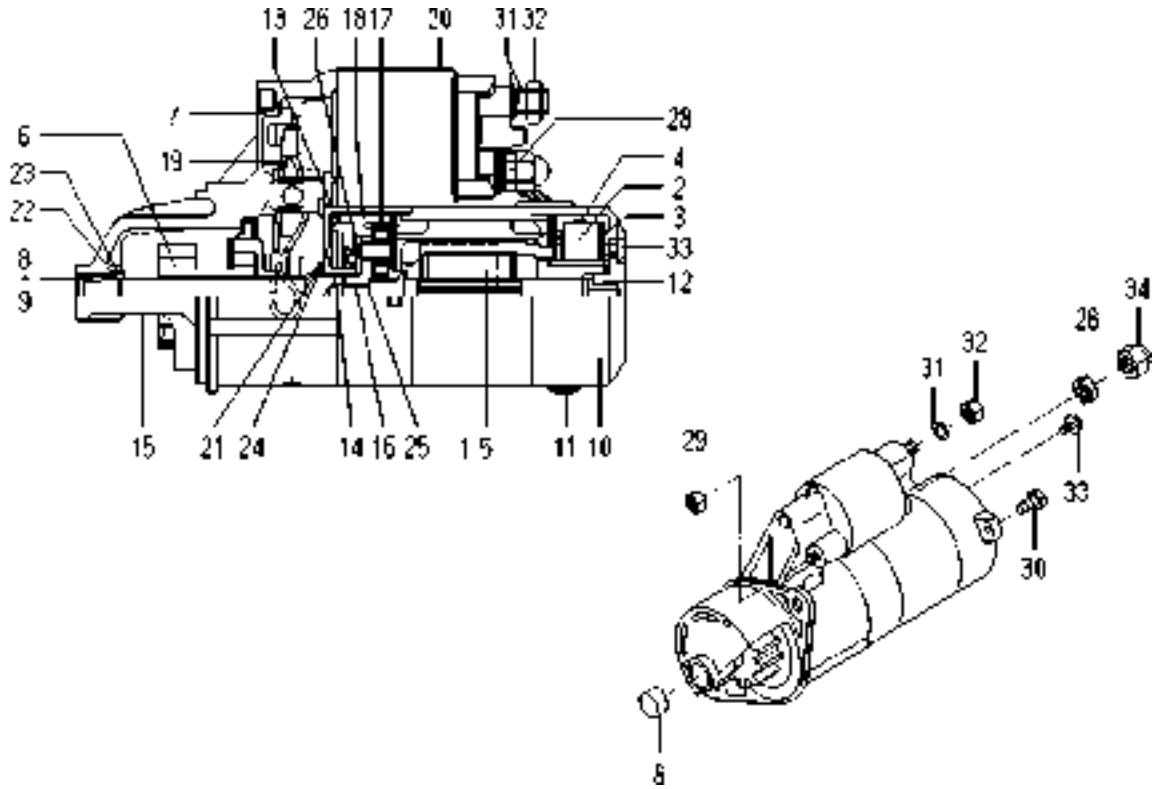
**FIG. 27 COMPONENT PARTS
FOR 6215-600-103-10 ON Fig.20**



6215-600-103-1C

KEY	PART CODE	DESCRIPTION	S P C	TYPE OF MODEL		I T C	C O L	G R P	REMARKS
				E3112 B14					
1	6215-619-009-00	SCREW/HOLLOW	*	1					
2	6215-619-010-00	WASHER/AIR BLEEDER	*	2					
3	6215-643-006-00	SPRING/DELIVERYVALVE	*	3					
4	6215-644-007-00	HOLDER/DELIVERYVALVE	*	3					
5	6215-649-001-00	ORING	*	3					
6	6215-649-002-00	GASKET/DELIVERYVALVE	*	3					
7	6215-641-006-00	VALVE ASSY	*	3					
8	6215-611-001-00	HOUSING ASSY	*	1					
9	6215-631-019-00	ELEMENT ASSY	*	3					
10	6215-619-022-00	BOLT/WASHERHEAD	*	2					
11	6215-612-001-00	PLATE/ADJUSTING	*	2					
12	6215-629-001-00	PIN/INJECTIONPUMP	*	3					
13	6215-629-002-00	PLATE	*	1					
14	6215-622-001-00	TAPPET/INJECTIO ASSY	*	3					
15	6215-637-001-00	RACK/CONTROL ASSY	*	1					
16	6215-635-001-00	SLEEVE/PLUNGER	*	3					
17	6215-639-004-00	SEAT/SPRING/UPPER	*	3					
18	6215-634-001-00	SPRING/PUMPPLUNGER	*	3					
19	6215-639-005-00	SEAT/SPRING/LOWER	*	3					
20	6215-629-003-00	PLATE/TAPPET/AD 0.6	*	1					
21	6215-629-004-00	PLATE/TAPPET/AD 0.7	*	1					
22	6215-629-005-00	PLATE/TAPPET/AD 0.8	*	1					
23	6215-629-006-00	PLATE/TAPPET/AD 0.9	*	1					
24	6215-629-007-00	PLATE/TAPPET/AD 1.0	*	1					
25	6215-629-008-00	PLATE/TAPPET/AD 0.2	*	1					
26	6215-629-009-00	PLATE/TAPPET/AD 0.3	*	1					
27	6215-629-010-00	PLATE/TAPPET/AD 0.4	*	1					
28	6215-629-011-00	PLATE/TAPPET/AD 0.5	*	3					
29	6215-629-012-00	PLATE/TAPPET/AD 0.25	*	1					
30	6215-629-013-00	PLATE/TAPPET/AD 0.35	*	1					

**FIG. 28 COMPONENT PARTS
FOR 6281-100-014-00 ON Fig.23**



6281-100-014-0A

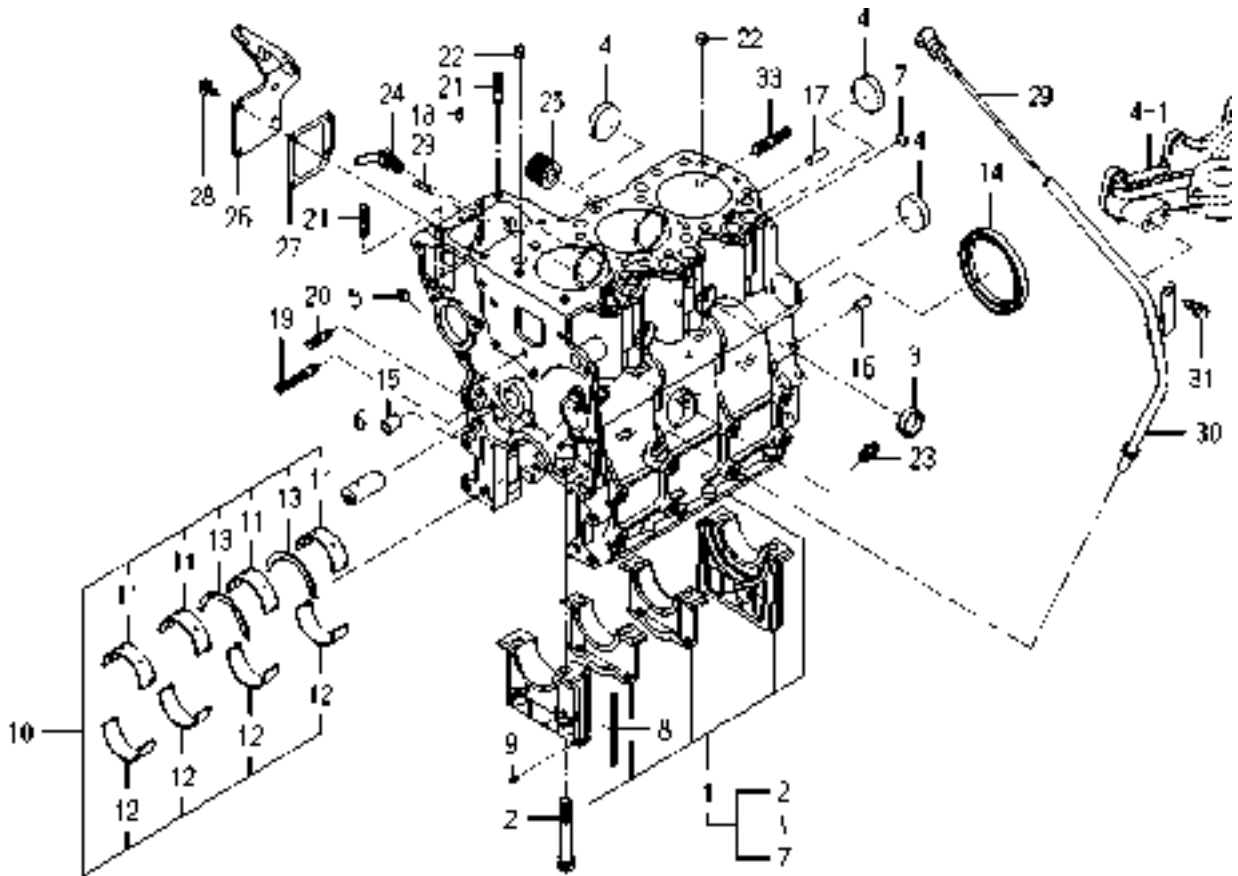
KEY	PART CODE	DESCRIPTION	S P C	TYPE OF MODEL		I T C	C O L	G R P	REMARKS
				E3112 B14					
1	6281-111-009-00	YOKE/STARTER ASSY	*	1					
2	6281-119-009-00	BRUSH/STARTER	*	2					
3	6281-118-007-00	HOLDER/STARTER ASSY	*	1					
4	6281-117-003-00	SPRING/STARTERBRUSH	*	4					
5	6281-121-010-00	ARMATURE/STARTE ASSY	*	1					
6	6281-124-011-00	CLUTCH/STARTER ASSY	*	1					
7	6281-129-064-00	HOUSING/STARTER ASSY	*	1					
8	6281-129-080-00	BEARING/NEEDLE	*	1					
9	6281-129-058-00	BEARING/NEEDLE	*	1					
10	6281-115-017-00	FRAME/COMMUTATOR END	*	1					
11	6281-115-018-00	COVER	*	1					
12	6281-129-065-00	BEARING/OILLESS	*	1					
13	6281-129-066-00	BEARING/WITH SHOCKAB	*	1					
14	6281-129-067-00	BEARING/OILLESS	*	1					
15	6281-129-068-00	SHAFT/STARTER PLANET	*	1					
16	6281-129-069-00	BEARING/OILLESS	*	1					
17	6281-129-070-00	GEAR/STARTER PLANETA	*	3					
18	6281-129-071-00	GEAR/STARTERINTERNAL	*	1					
19	6281-127-003-00	LEVER/PINIONDRIVE	*	1					
20	6281-151-014-00	SWITCH/MAGNETIC ASSY	*	1					
21	6281-129-072-00	RING/SNAP	*	1					
22	6281-129-073-00	RING/SNAP	*	1					
23	6281-129-074-00	NUT/PINIONSTOP	*	1					
24	6281-129-075-00	WASHER/SK	*	1					
25	6281-129-076-00	WASHER/SK	*	1					
26	6281-129-077-00	WASHER/SK	*	1					
27	6281-129-078-00	PLATE	*	1					
28	6281-129-030-00	NUT	*	1					
29	6281-129-029-00	NUT	*	2					
30	6281-129-043-00	BOLT/THROUGH	*	2					

ENGINE

E3112B15...TM3240H

ENGINE

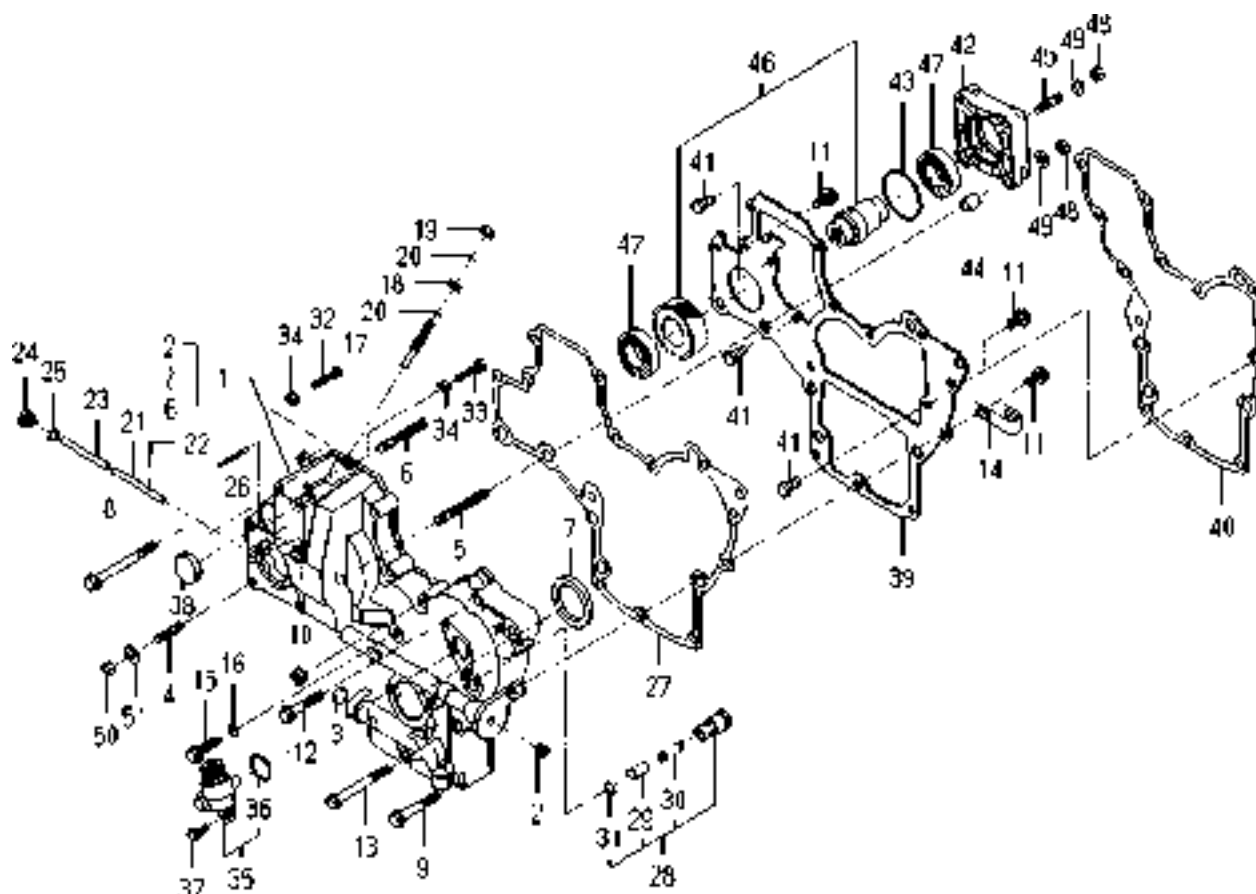
FIG. 5 CYLINDER BLOCK



6004-202G-0100

KEY	PART CODE	DESCRIPTION	S P C	TYPE OF MODEL		I T C	C O L	G R P	REMARKS
				E3112	B15				
1	6211-210-037-20	CYLINDERBLOCK ASSY	*	1					
2	6209-000-004-10	BOLT	*	8					
3	6209-610-001-10	CUP/SEALING/28	*	2					
4	6209-610-009-00	CUP/SEALING/36	*	4					
5	6509-605-019-10	PLUG	*	3					
6	6212-531-005-10	PIN/IDLEGEAR	*	1					
7	6209-610-008-00	CUP/SEALING/12	*	2					
8	6211-258-001-00	SEAL,BEARING CAP	*	4					
9	6211-258-002-00	SEAL,BEARING CAP/7	*	2					
10	6211-510-001-00	METAL,CRANK SET	*	1					
11	6211-511-003-00	BEARING/CRANK/UPPER	*	4					
12	6211-511-004-00	BEARING/CRANK/LOWER	*	4					
13	6211-599-001-10	BEARING,THRUST CRANK	*	2					
14	6209-625-012-00	OILSEAL	*	1					
15	6209-749-001-20	PIN/TUBE	*	2					
16	6213-129-006-00	PIN/STRAIGHT	*	1					
17	V523-100-802-40	PIN	*	1					
18	6209-740-005-00	PIN	*	2					
19	6904-110-840-00	STUD/M8X40	*	1					
20	6904-110-818-00	STUD	*	1					
21	6904-110-822-00	STUD	*	2					
22	6294-453-002-00	DOWEL	*	2					
23	6909-902-299-00	NIPPLE	*	1					
24	6213-721-007-00	PIPE/WATERDRAIN	*	1					
25	6213-319-001-00	CONNECTOR,OIL FILTER	*	1					
26	6211-291-016-00	COVER/INJECTIONPUMP	*	1					
27	6211-292-001-20	GASKET/COVER	*	1					
28	V230-360-601-20	FLANGE BOLT	*	4					
29	6215-549-013-00	PIN	*	1					
30	6211-760-030-00	LEVELGAGE	*	1					

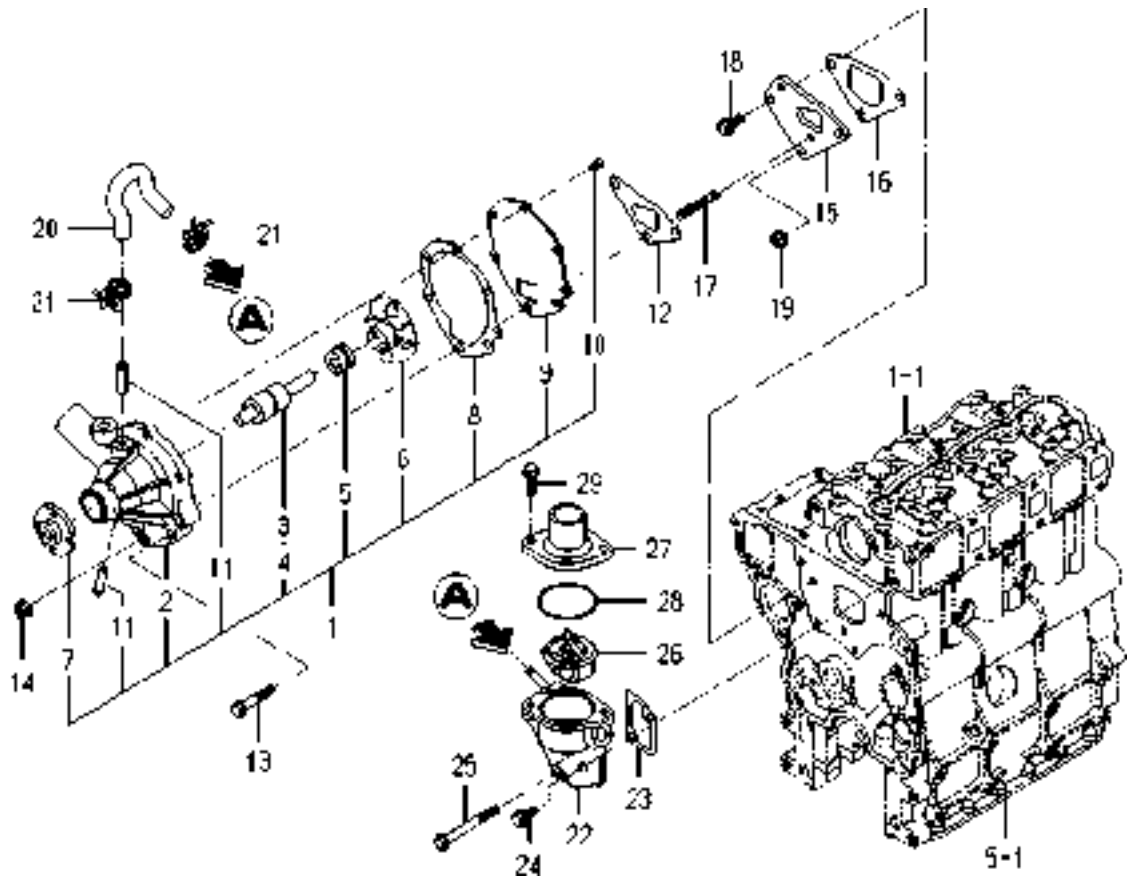
FIG. 9 TIMING GEAR CASE



6004-240N-0100,6004-240N-0200

KEY	PART CODE	DESCRIPTION	S P C	TYPE OF MODEL		I T C	C O L	G R P	REMARKS
				E3112	B15				
1	6211-310-012-30	GEARCASE ASSY	*	1					
2	6509-605-019-10	PLUG	*	2					
3	6209-610-002-10	CUP/SEALING/16	*	1					
4	6904-110-822-00	STUD	*	4					
5	6904-110-855-00	STUD	*	2					
6	6904-110-850-00	STUD	*	1					
7	6209-625-002-00	SEAL,OIL	*	1					
8	V231-360-808-50	FLANGE BOLT	*	1					
9	V231-360-805-50	FLANGE BOLT	*	2					
10	3817-401-001-00	NUT/M08	*	1					
11	V231-360-801-60	FLANGE BOLT	*	3					
12	V231-360-804-50	FLANGE BOLT	*	5					
13	V231-360-807-50	FLANGE BOLT	*	1					
14	1425-621-004-00	HOLDER/JE/9-9	*	2					
15	V231-360-803-00	FLANGE BOLT	*	1					
16	6209-500-003-00	WASHER/08X14X01	*	1					
17	6215-546-003-10	STOPPER/FULLLOAD	*	1					
18	6209-409-001-00	NUT/M8	*	1					
19	V341-120-008-00	NUT,CAP/M 8	*	1					
20	6209-920-002-00	PACKING	*	2					
21	6215-542-004-20	PIN/ARM	*	1					
22	P117-303-003-00	PIN/SNAP	*	2					
23	6215-542-005-10	PIN	*	1					
24	6209-600-004-00	PLUG/SCREW	*	1					
25	6209-500-003-00	WASHER/08X14X01	*	1					
26	6209-740-001-00	PIN,GROOVE	*	1					
27	6211-312-003-20	GASKET/GEARCASE	*	1					
28	6213-160-002-20	VALVE/RELIEF ASSY	*	1					
29	6213-161-001-20	PISTON/VALVE/RELIEF	*	1					
30	6213-164-001-00	SPRING/RELIEF VALVE	*	1					

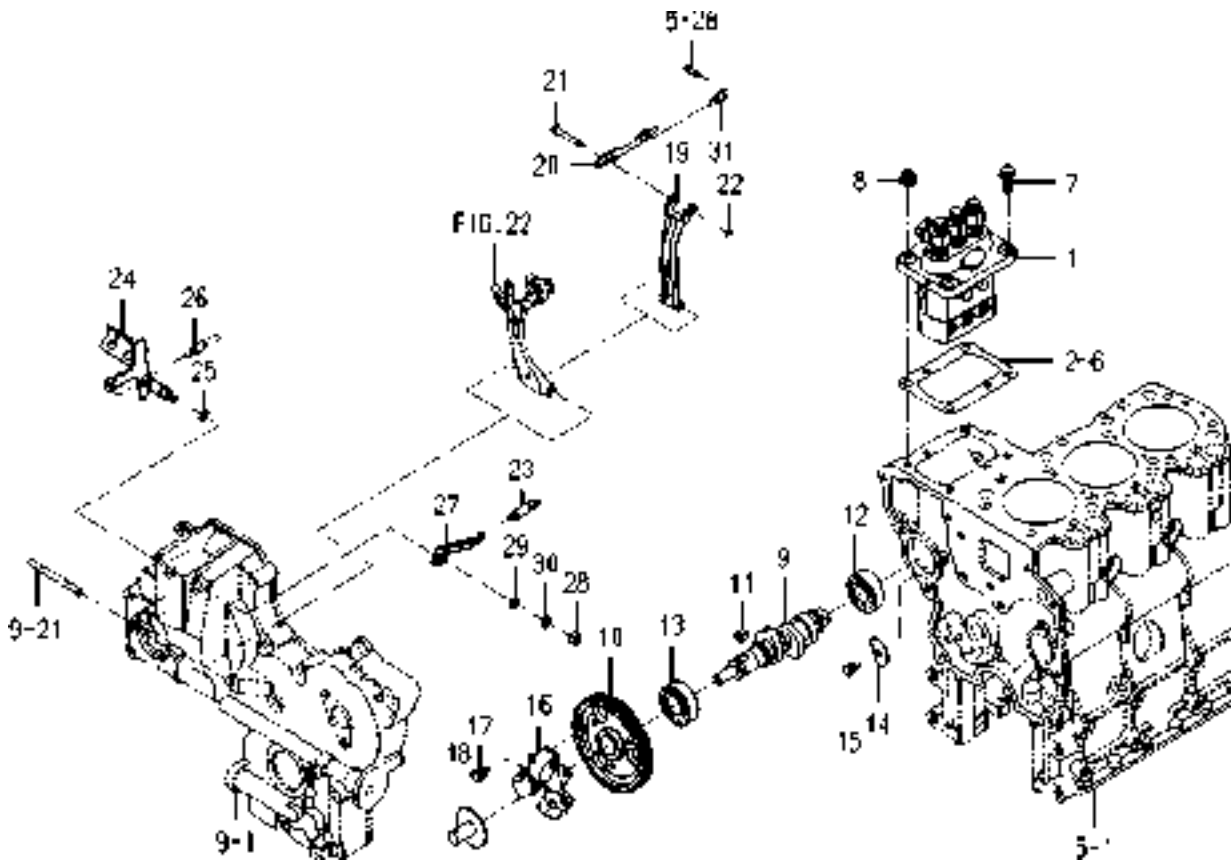
FIG. 17 WATER PUMP



6004-420 -0100

KEY	PART CODE	DESCRIPTION	S P C	TYPE OF MODEL		I T C	C O L	G R P	REMARKS
				E3112 B15					
1	6213-610-005-40	WATERPUMP ASSY	*	1					
2	6213-611-003-20	BODY/WATERPUMP	*	1					
3	6213-631-002-00	BEARING/WATER PUMP	*	1					
4	6213-631-005-00	BEARING/WATERPUMP	*	1					
5	6213-622-002-10	SEAL SET/WATER PUMP	*	1					
6	6213-621-003-00	ROTOR/WATERPUMP	*	1					
7	6213-642-002-00	SEAL/WATER PUMPPULLE	*	1					
8	6213-613-002-10	GASKET	*	1					
9	6213-612-004-00	PLATE/WATER PUMP	*	1					
10	6213-619-003-00	SCREW/WATER PUMP	*	3					
11	6213-619-002-00	PIPE/WATER PUMP	*	2					
12	6213-614-003-10	GASKET/WATER PUMP	*	1					
13	V231-360-804-50	FLANGE BOLT	*	1					
14	3817-401-001-00	NUT/M08	*	2					
15	6213-619-001-00	SPACER,PUMP.WATER	*	1					
16	6213-614-004-10	GASKET,SPACER	*	1					
17	6904-110-840-00	STUD/M8X40	*	2					
18	V231-360-802-00	FLANGE BOLT	*	1					
19	3817-401-001-00	NUT/M08	*	1					
20	6213-729-013-10	HOSE/RUBBER	*	1					
21	J061-210-015-00	CLAMP/WIRE/10-15	*	2					
22	6213-716-001-50	HOUSING/THERMOSTAT	*	1					
23	6213-743-002-10	GASKET/HOUSING	*	1					
24	V231-360-802-00	FLANGE BOLT	*	1					
25	V231-360-807-50	FLANGE BOLT	*	1					
26	6513-770-022-10	THERMOSTAT	*	1					
27	6213-711-003-20	PIPE,WATER OUTLET	*	1					
28	V723-102-005-50	O-RING	*	1					
29	V231-360-802-50	FLANGE BOLT	*	2					

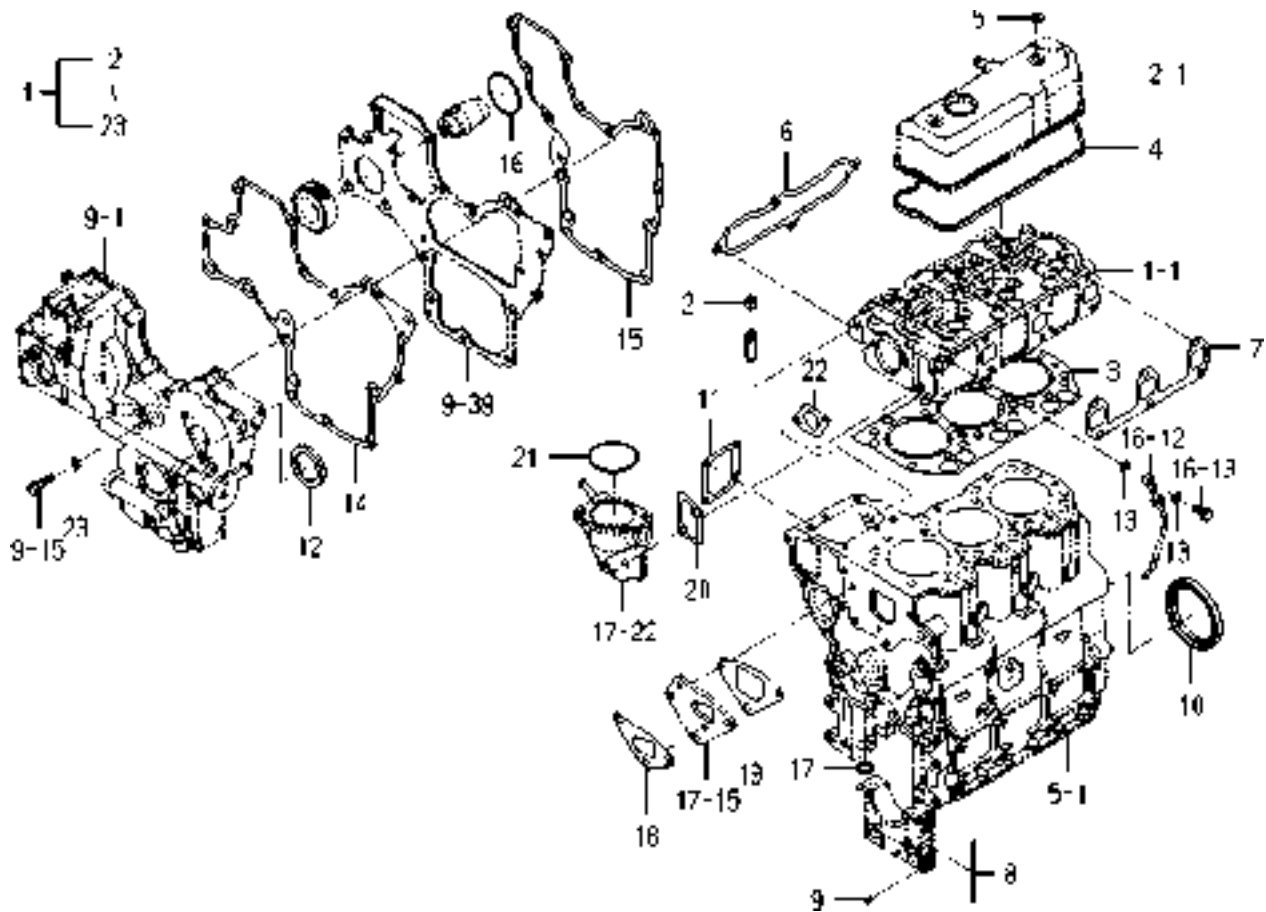
FIG. 20 INJECTION PUMP



6004-510S-0100

KEY	PART CODE	DESCRIPTION	S P C	TYPE OF MODEL		I T C	C O L	G R P	REMARKS
				E3112	B15				
1	6215-600-103-10	INJECTIONPUMP ASSY	*	1					FIG 027
2	6219-752-006-00	SHIM/INJECTION P/0.3	*	1					
3	6219-752-007-00	SHIM/INJECTION P/0.1	*	1					
4	6219-752-008-00	SHIM/INJECTION P/0.2	*	1					
5	6219-752-009-00	SHIM/INJECTION P/0.4	*	1					
6	6219-752-010-00	SHIM/INJECTION P/0.5	*	1					
7	V231-360-802-00	FLANGE BOLT	*	2					
8	3817-401-001-00	NUT/M08	*	2					
9	6215-621-016-20	CAMSHAFT/INJECTION P	*	1					
10	6212-524-002-20	GEAR/INJECTIONPUMP	*	1					
11	6209-730-005-00	KEY/07X05X09	*	1					
12	V600-110-620-30	BEARING,RB/6203	*	1					
13	V600-110-600-40	BEARING,RB/6004	*	1					
14	6212-535-002-00	PLATE,THRUST INJPUMP	*	1					
15	6901-910-612-00	BOLT,SEMS/M6X12	*	1					
16	6215-520-001-00	FLYWEIGHT	*	1					
17	6209-030-043-00	BOLT/M6X10	*	3					
18	6215-526-004-00	THRUSTPIECE	*	1					
19	6215-541-001-10	ARM/FLOATING COMP	*	1					
20	6215-543-002-10	RINK/CONTROL	*	1					
21	6215-542-006-00	PIN,CONTROL	*	1					
22	V710-140-004-00	RING,SNAP/ 4 E	*	1					
23	6215-531-008-00	SPRING/GOVERNOR	*	1					
24	6215-541-024-30	LEVER/CONTROL COMP	*	1					
25	V720-101-900-80	O-RING/P 8	*	1					
26	6209-580-002-10	SPRING,RETURN	*	1					
27	6215-549-007-10	ARM/CONTROL	*	1					
28	6909-110-406-00	NUT	*	1					
29	V411-260-006-00	WASHER / M6	*	1					
30	V401-160-006-00	WASHER,SP/M 6	*	1					

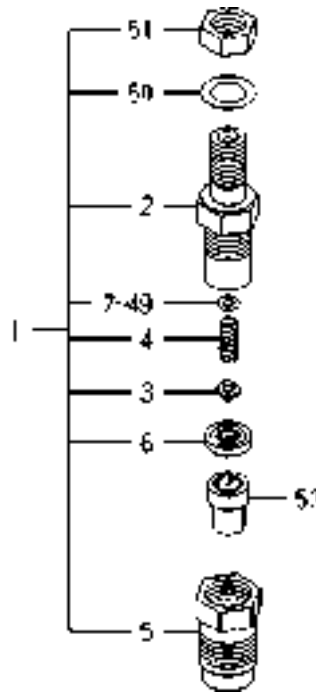
FIG. 25 REPAIR PARTS (OPTION)



6004-999C-0100

KEY	PART CODE	DESCRIPTION	S P C	TYPE OF MODEL		I T C	C O L	G R P	REMARKS
				E3112	B15				
1	6287-810-015-20	REPAIR/ENGINE SET	T	1					
2	6212-569-002-00	SEAL,OIL	T	6					
3	6211-141-029-20	GASKET/CYLINDERHEAD	T	1					
4	6211-173-003-00	SEAL,CYL.HEAD COVER	T	1					
5	6209-572-003-00	GASKET	T	2					
6	6214-115-001-20	GASKET,INLET MANIFOL	T	1					
7	6214-145-001-30	GASKET,EXH.MANIFOLD	T	1					
8	6211-258-001-00	SEAL,BEARING CAP	T	4					
9	6211-258-002-00	SEAL,BEARING CAP/7	T	2					
10	6209-625-012-00	OILSEAL	T	1					
11	6211-292-001-20	GASKET/COVER	T	1					
12	6209-625-002-00	SEAL,OIL	T	1					
13	6209-920-002-00	PACKING	T	2					
14	6211-312-003-20	GASKET/GEARCASE	T	1					
15	6211-312-004-20	GASKET/PLATE	T	1					
16	V723-102-005-00	O-RING 1A S50	T	1					
17	V720-102-401-50	O-RING/P15	T	1					
18	6213-614-003-10	GASKET/WATER PUMP	T	1					
19	6213-614-004-10	GASKET,SPACER	T	1					
20	6213-743-002-10	GASKET/HOUSING	T	1					
21	V723-102-005-50	O-RING	T	1					
22	6209-630-002-10	GASKET	T	1					
23	6209-500-003-00	WASHER/08X14X01	T	2					

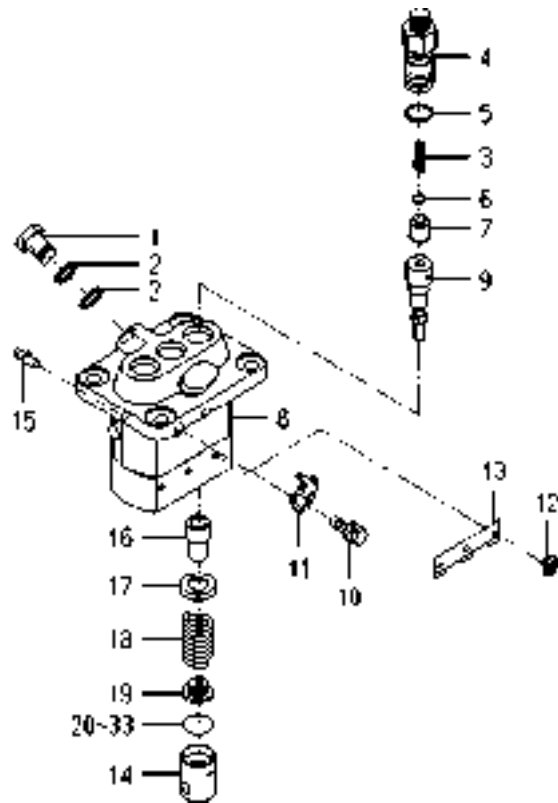
**FIG. 26 COMPONENT PARTS
FOR 6215-300-036-00 ON Fig.19**



6215-300-036-0A

KEY	PART CODE	DESCRIPTION	S P C	TYPE OF MODEL		I T C	C O L	G R P	REMARKS
				E3112 B15					
1	6215-330-024-00	HOLDER/NOZZLE ASSY	*	3					
2	6215-331-008-00	BODY/NOZZLE HOLDER	*	3					
3	6215-342-001-00	PIN,NOZZLE HOLDER	*	3					
4	6215-343-001-00	WASHER	*	3					
5	6215-332-013-00	NUT/NOZZLERETAINING	*	3					
6	6215-339-001-00	PIECE,DISTANCE	*	3					
7	6215-345-001-00	WASHER/0.9	*	3					
8	6215-345-002-00	WASHER/0.925	*	3					
9	6215-345-003-00	WASHER/0.95	*	3					
10	6215-345-004-00	WASHER/0.975	*	3					
11	6215-345-005-00	WASHER/1.0	*	3					
12	6215-345-006-00	WASHER/1.025	*	3					
13	6215-345-007-00	WASHER/1.05	*	3					
14	6215-345-008-00	WASHER/1.075	*	3					
15	6215-345-009-00	WASHER/1.1	*	3					
16	6215-345-010-00	WASHER/1.125	*	3					
17	6215-345-011-00	WASHER/1.15	*	3					
18	6215-345-012-00	WASHER/1.175	*	3					
19	6215-345-013-00	WASHER/1.2	*	3					
20	6215-345-014-00	WASHER/1.225	*	3					
21	6215-345-015-00	WASHER/1.25	*	3					
22	6215-345-016-00	WASHER/1.275	*	3					
23	6215-345-017-00	WASHER/1.3	*	3					
24	6215-345-018-00	WASHER/1.325	*	3					
25	6215-345-019-00	WASHER/1.35	*	3					
26	6215-345-020-00	WASHER/1.375	*	3					
27	6215-345-021-00	WASHER/1.4	*	3					
28	6215-345-022-00	WASHER/1.425	*	3					
29	6215-345-023-00	WASHER/1.45	*	3					
30	6215-345-024-00	WASHER/1.475	*	3					

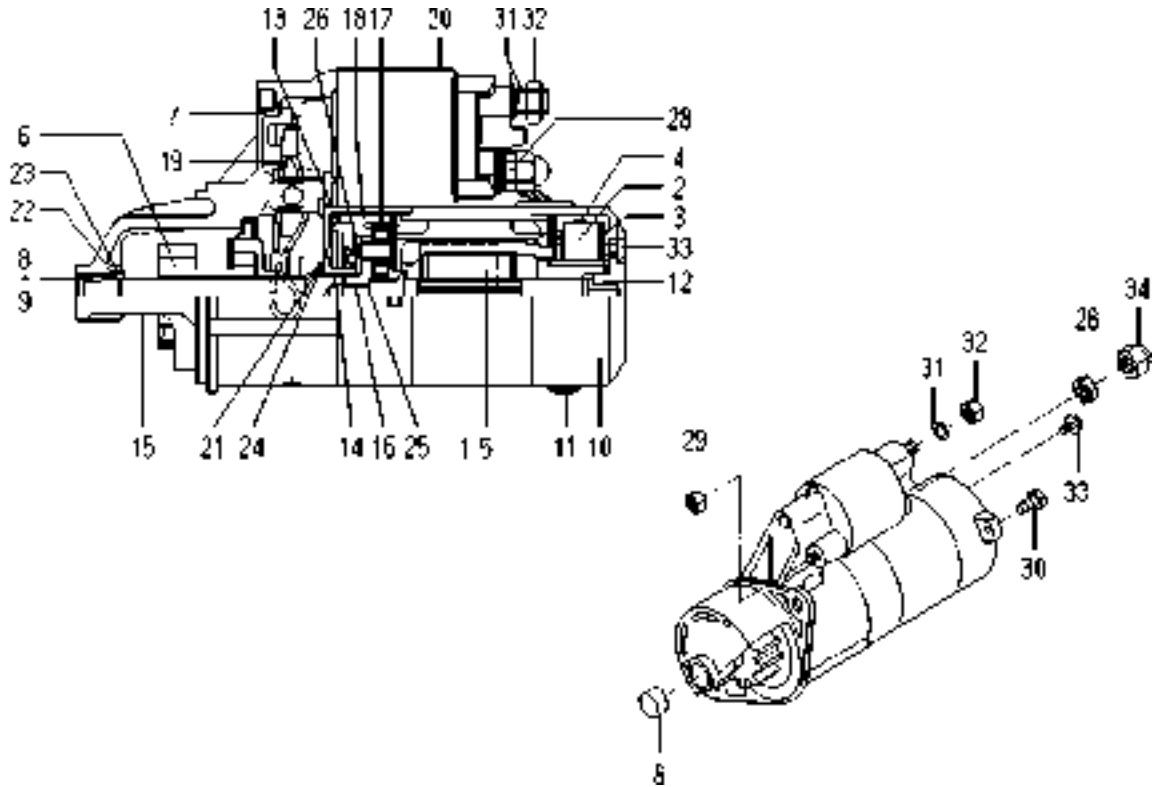
FIG. 27 COMPONENT PARTS FOR 6215-600-103-10 ON Fig.20



6215-600-103-1C

KEY	PART CODE	DESCRIPTION	S P C	TYPE OF MODEL		I T C	C O L	G R P	REMARKS
				E3112 B15					
1	6215-619-009-00	SCREW/HOLLOW	*	1					
2	6215-619-010-00	WASHER/AIR BLEEDER	*	2					
3	6215-643-006-00	SPRING/DELIVERYVALVE	*	3					
4	6215-644-007-00	HOLDER/DELIVERYVALVE	*	3					
5	6215-649-001-00	ORING	*	3					
6	6215-649-002-00	GASKET/DELIVERYVALVE	*	3					
7	6215-641-006-00	VALVE ASSY	*	3					
8	6215-611-001-00	HOUSING ASSY	*	1					
9	6215-631-019-00	ELEMENT ASSY	*	3					
10	6215-619-022-00	BOLT/WASHERHEAD	*	2					
11	6215-612-001-00	PLATE/ADJUSTING	*	2					
12	6215-629-001-00	PIN/INJECTIONPUMP	*	3					
13	6215-629-002-00	PLATE	*	1					
14	6215-622-001-00	TAPPET/INJECTIO ASSY	*	3					
15	6215-637-001-00	RACK/CONTROL ASSY	*	1					
16	6215-635-001-00	SLEEVE/PLUNGER	*	3					
17	6215-639-004-00	SEAT/SPRING/UPPER	*	3					
18	6215-634-001-00	SPRING/PUMPPLUNGER	*	3					
19	6215-639-005-00	SEAT/SPRING/LOWER	*	3					
20	6215-629-003-00	PLATE/TAPPET/AD 0.6	*	1					
21	6215-629-004-00	PLATE/TAPPET/AD 0.7	*	1					
22	6215-629-005-00	PLATE/TAPPET/AD 0.8	*	1					
23	6215-629-006-00	PLATE/TAPPET/AD 0.9	*	1					
24	6215-629-007-00	PLATE/TAPPET/AD 1.0	*	1					
25	6215-629-008-00	PLATE/TAPPET/AD 0.2	*	1					
26	6215-629-009-00	PLATE/TAPPET/AD 0.3	*	1					
27	6215-629-010-00	PLATE/TAPPET/AD 0.4	*	1					
28	6215-629-011-00	PLATE/TAPPET/AD 0.5	*	3					
29	6215-629-012-00	PLATE/TAPPET/AD 0.25	*	1					
30	6215-629-013-00	PLATE/TAPPET/AD 0.35	*	1					

**FIG. 28 COMPONENT PARTS
FOR 6281-100-014-00 ON Fig.23**



6281-100-014-0A

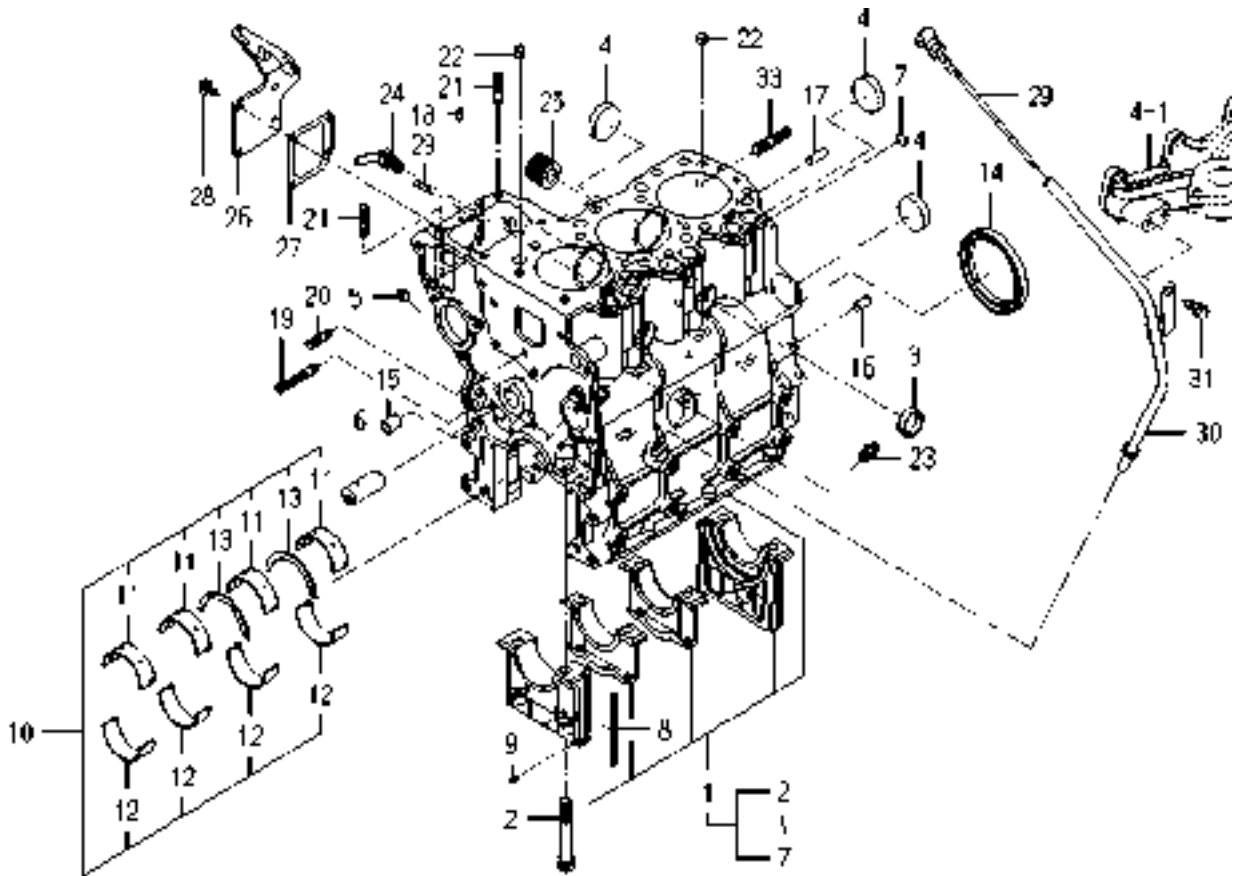
KEY	PART CODE	DESCRIPTION	S P C	TYPE OF MODEL		I T C	C O L	G R P	REMARKS
				E3112 B15					
1	6281-111-009-00	YOKE/STARTER ASSY	*	1					
2	6281-119-009-00	BRUSH/STARTER	*	2					
3	6281-118-007-00	HOLDER/STARTER ASSY	*	1					
4	6281-117-003-00	SPRING/STARTERBRUSH	*	4					
5	6281-121-010-00	ARMATURE/STARTE ASSY	*	1					
6	6281-124-011-00	CLUTCH/STARTER ASSY	*	1					
7	6281-129-064-00	HOUSING/STARTER ASSY	*	1					
8	6281-129-080-00	BEARING/NEEDLE	*	1					
9	6281-129-058-00	BEARING/NEEDLE	*	1					
10	6281-115-017-00	FRAME/COMMUTATOR END	*	1					
11	6281-115-018-00	COVER	*	1					
12	6281-129-065-00	BEARING/OILLESS	*	1					
13	6281-129-066-00	BEARING/WITH SHOCKAB	*	1					
14	6281-129-067-00	BEARING/OILLESS	*	1					
15	6281-129-068-00	SHAFT/STARTER PLANET	*	1					
16	6281-129-069-00	BEARING/OILLESS	*	1					
17	6281-129-070-00	GEAR/STARTER PLANETA	*	3					
18	6281-129-071-00	GEAR/STARTERINTERNAL	*	1					
19	6281-127-003-00	LEVER/PINIONDRIVE	*	1					
20	6281-151-014-00	SWITCH/MAGNETIC ASSY	*	1					
21	6281-129-072-00	RING/SNAP	*	1					
22	6281-129-073-00	RING/SNAP	*	1					
23	6281-129-074-00	NUT/PINIONSTOP	*	1					
24	6281-129-075-00	WASHER/SK	*	1					
25	6281-129-076-00	WASHER/SK	*	1					
26	6281-129-077-00	WASHER/SK	*	1					
27	6281-129-078-00	PLATE	*	1					
28	6281-129-030-00	NUT	*	1					
29	6281-129-029-00	NUT	*	2					
30	6281-129-043-00	BOLT/THROUGH	*	2					

ENGINE

E3112B16...TM3240

ENGINE

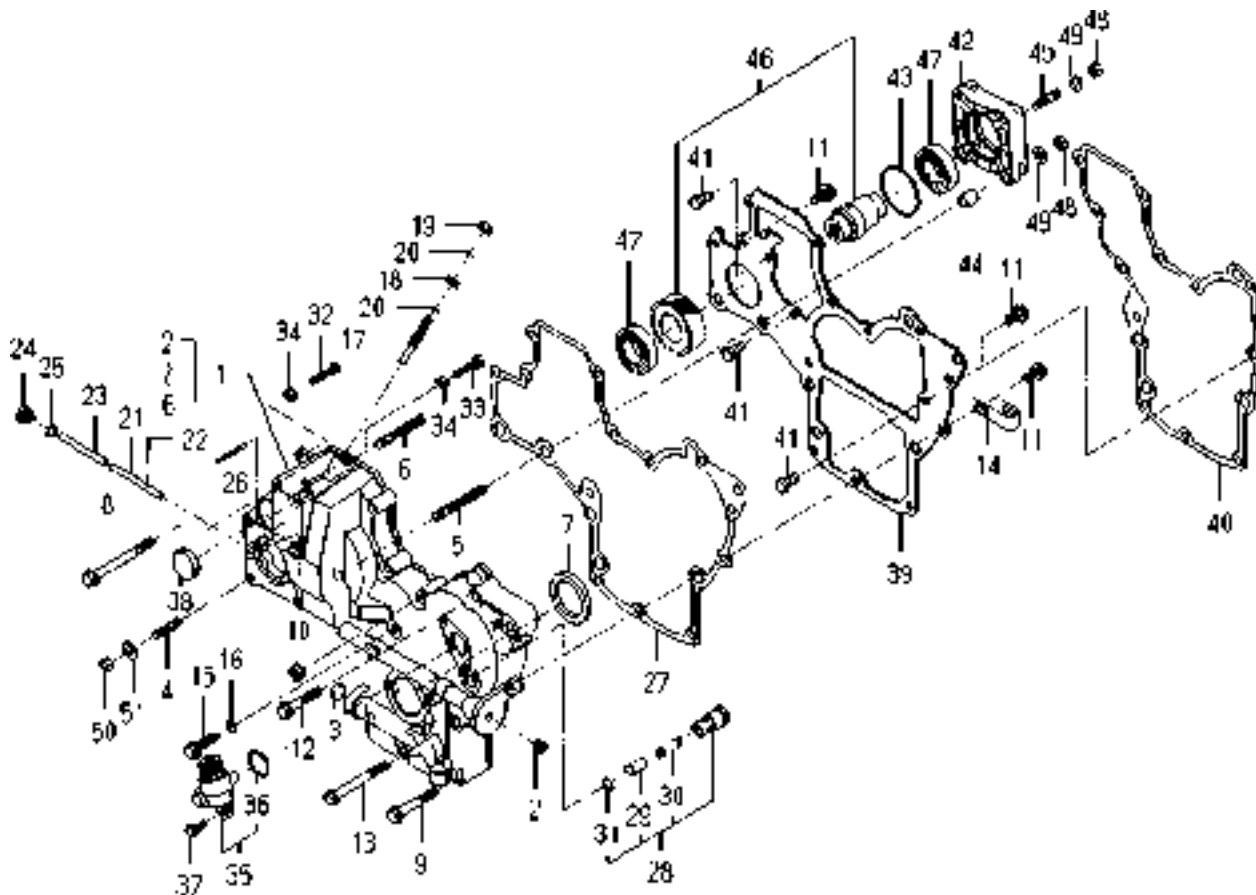
FIG. 5 CYLINDER BLOCK



6004-202G-0100

KEY	PART CODE	DESCRIPTION	S P C	TYPE OF MODEL		I T C	C O L	G R P	REMARKS
				E3112	B16				
1	6211-210-037-20	CYLINDERBLOCK ASSY	*	1					
2	6209-000-004-10	BOLT	*	8					
3	6209-610-001-10	CUP/SEALING/28	*	2					
4	6209-610-009-00	CUP/SEALING/36	*	4					
5	6509-605-019-10	PLUG	*	3					
6	6212-531-005-10	PIN/IDLEGEAR	*	1					
7	6209-610-008-00	CUP/SEALING/12	*	2					
8	6211-258-001-00	SEAL, BEARING CAP	*	4					
9	6211-258-002-00	SEAL, BEARING CAP/7	*	2					
10	6211-510-001-00	METAL, CRANK SET	*	1					
11	6211-511-003-00	BEARING/CRANK/UPPER	*	4					
12	6211-511-004-00	BEARING/CRANK/LOWER	*	4					
13	6211-599-001-10	BEARING, THRUST CRANK	*	2					
14	6209-625-012-00	OILSEAL	*	1					
15	6209-749-001-20	PIN/TUBE	*	2					
16	6213-129-006-00	PIN/STRAIGHT	*	1					
17	V523-100-802-40	PIN	*	1					
18	6209-740-005-00	PIN	*	2					
19	6904-110-840-00	STUD/M8X40	*	1					
20	6904-110-818-00	STUD	*	1					
21	6904-110-822-00	STUD	*	2					
22	6294-453-002-00	DOWEL	*	2					
23	6909-902-299-00	NIPPLE	*	1					
24	6213-721-007-00	PIPE/WATERDRAIN	*	1					
25	6213-319-001-00	CONNECTOR, OIL FILTER	*	1					
26	6211-291-016-00	COVER/INJECTIONPUMP	*	1					
27	6211-292-001-20	GASKET/COVER	*	1					
28	V230-360-601-20	FLANGE BOLT	*	4					
29	6215-549-013-00	PIN	*	1					
30	6211-760-030-00	LEVELGAGE	*	1					

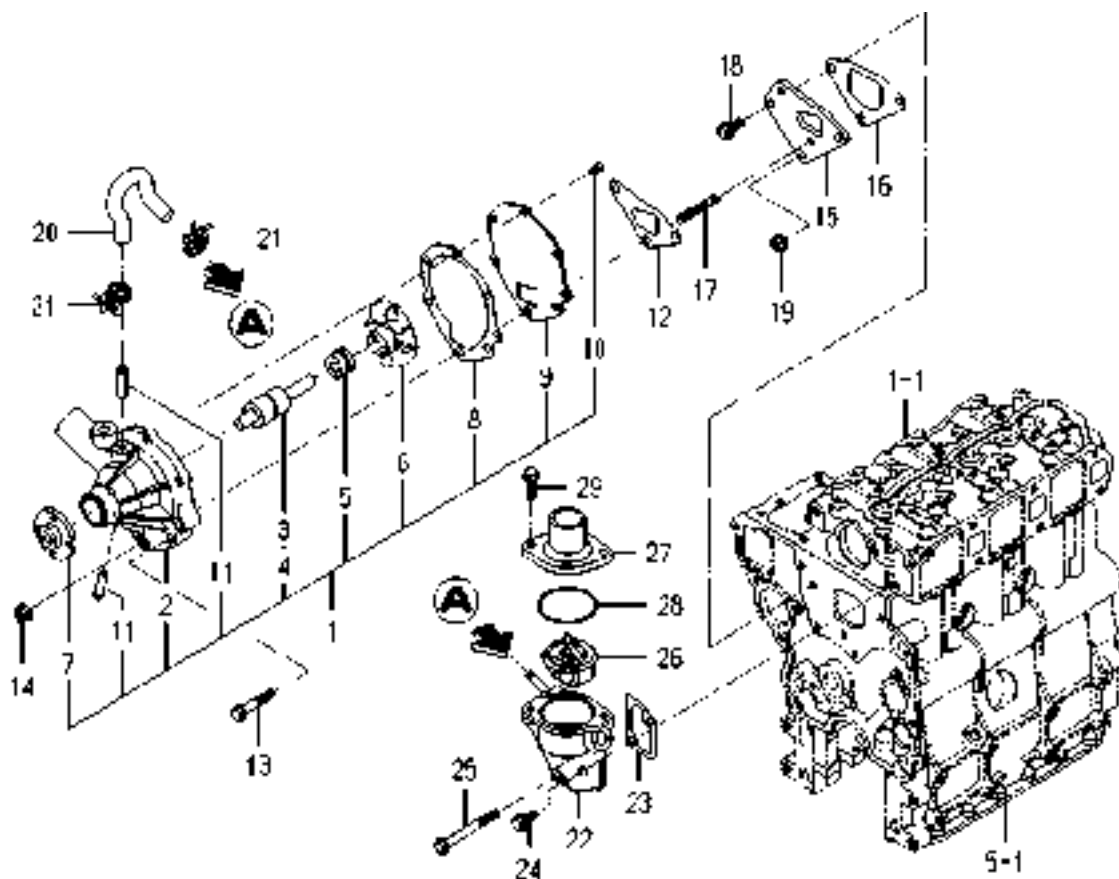
FIG. 9 TIMING GEAR CASE



6004-240N-0100,6004-240N-0200

KEY	PART CODE	DESCRIPTION	S P C	TYPE OF MODEL		I T C	C O L	G R P	REMARKS
				E3112	B16				
1	6211-310-012-30	GEARCASE ASSY	*	1					
2	6509-605-019-10	PLUG	*	2					
3	6209-610-002-10	CUP/SEALING/16	*	1					
4	6904-110-822-00	STUD	*	4					
5	6904-110-855-00	STUD	*	2					
6	6904-110-850-00	STUD	*	1					
7	6209-625-002-00	SEAL,OIL	*	1					
8	V231-360-808-50	FLANGEBOLT	*	1					
9	V231-360-805-50	FLANGEBOLT	*	2					
10	3817-401-001-00	NUT/M08	*	1					
11	V231-360-801-60	FLANGEBOLT	*	3					
12	V231-360-804-50	FLANGEBOLT	*	5					
13	V231-360-807-50	FLANGEBOLT	*	1					
14	1425-621-004-00	HOLDER/JE/9-9	*	2					
15	V231-360-803-00	FLANGEBOLT	*	1					
16	6209-500-003-00	WASHER/08X14X01	*	1					
17	6215-546-003-10	STOPPER/FULLLOAD	*	1					
18	6209-409-001-00	NUT/M8	*	1					
19	V341-120-008-00	NUT,CAP/M 8	*	1					
20	6209-920-002-00	PACKING	*	2					
21	6215-542-004-20	PIN/ARM	*	1					
22	P117-303-003-00	PIN/SNAP	*	2					
23	6215-542-005-10	PIN	*	1					
24	6209-600-004-00	PLUG/SCREW	*	1					
25	6209-500-003-00	WASHER/08X14X01	*	1					
26	6209-740-001-00	PIN,GROOVE	*	1					
27	6211-312-003-20	GASKET/GEARCASE	*	1					
28	6213-160-002-20	VALVE/RELIEF ASSY	*	1					
29	6213-161-001-20	PISTON/VALVE/RELIEF	*	1					
30	6213-164-001-00	SPRING/RELIEF VALVE	*	1					

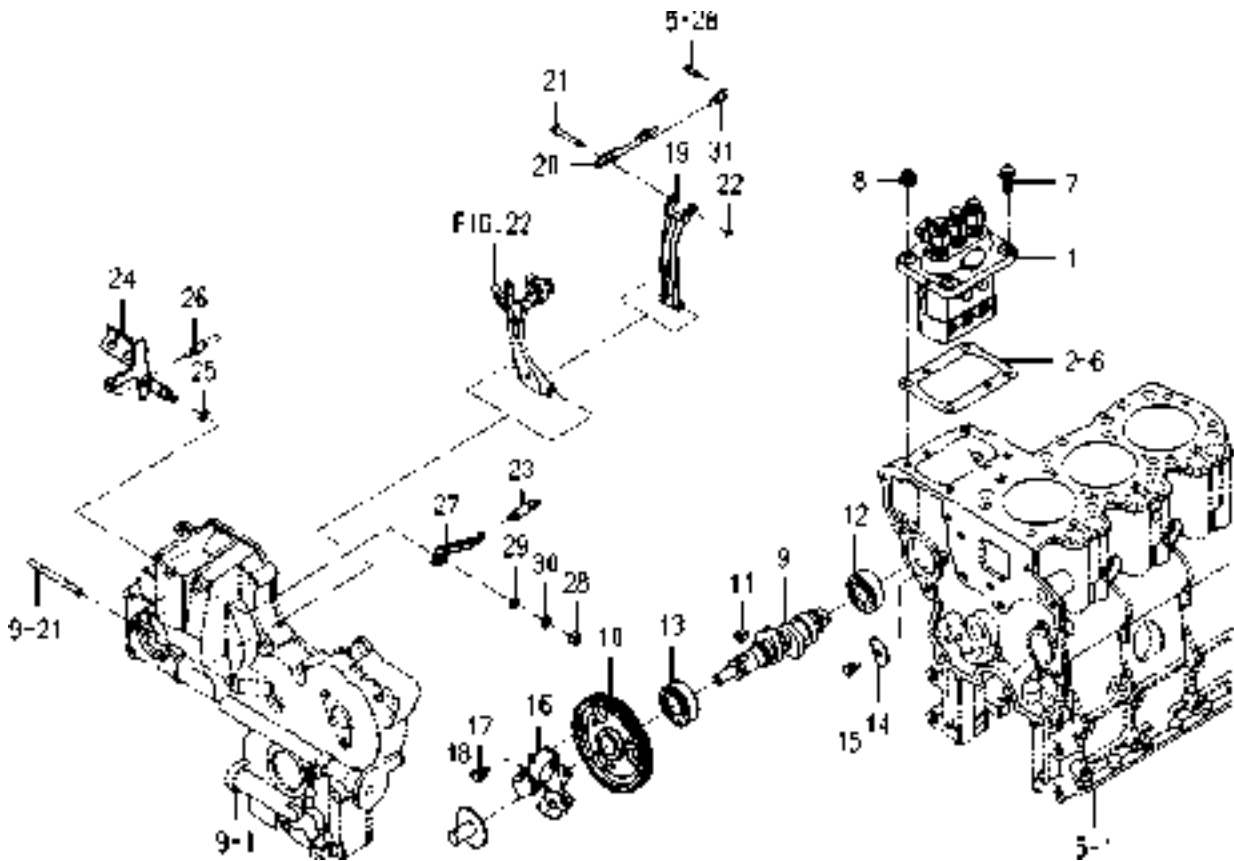
FIG. 17 WATER PUMP



6004-420 -0100

KEY	PART CODE	DESCRIPTION	S P C	TYPE OF MODEL		I T C	C O L	G R P	REMARKS
				E3112	B16				
1	6213-610-005-40	WATERPUMP ASSY	*	1					
2	6213-611-003-20	BODY/WATERPUMP	*	1					
3	6213-631-002-00	BEARING/WATER PUMP	*	1					
4	6213-631-005-00	BEARING/WATERPUMP	*	1					
5	6213-622-002-10	SEAL SET/WATER PUMP	*	1					
6	6213-621-003-00	ROTOR/WATERPUMP	*	1					
7	6213-642-002-00	SEAL/WATER PUMPPULLE	*	1					
8	6213-613-002-10	GASKET	*	1					
9	6213-612-004-00	PLATE/WATER PUMP	*	1					
10	6213-619-003-00	SCREW/WATER PUMP	*	3					
11	6213-619-002-00	PIPE/WATER PUMP	*	2					
12	6213-614-003-10	GASKET/WATER PUMP	*	1					
13	V231-360-804-50	FLANGE BOLT	*	1					
14	3817-401-001-00	NUT/M08	*	2					
15	6213-619-001-00	SPACER,PUMP.WATER	*	1					
16	6213-614-004-10	GASKET,SPACER	*	1					
17	6904-110-840-00	STUD/M8X40	*	2					
18	V231-360-802-00	FLANGE BOLT	*	1					
19	3817-401-001-00	NUT/M08	*	1					
20	6213-729-013-10	HOSE/RUBBER	*	1					
21	J061-210-015-00	CLAMP/WIRE/10-15	*	2					
22	6213-716-001-50	HOUSING/THERMOSTAT	*	1					
23	6213-743-002-10	GASKET/HOUSING	*	1					
24	V231-360-802-00	FLANGE BOLT	*	1					
25	V231-360-807-50	FLANGE BOLT	*	1					
26	6513-770-022-10	THERMOSTAT	*	1					
27	6213-711-003-20	PIPE,WATER OUTLET	*	1					
28	V723-102-005-50	O-RING	*	1					
29	V231-360-802-50	FLANGE BOLT	*	2					

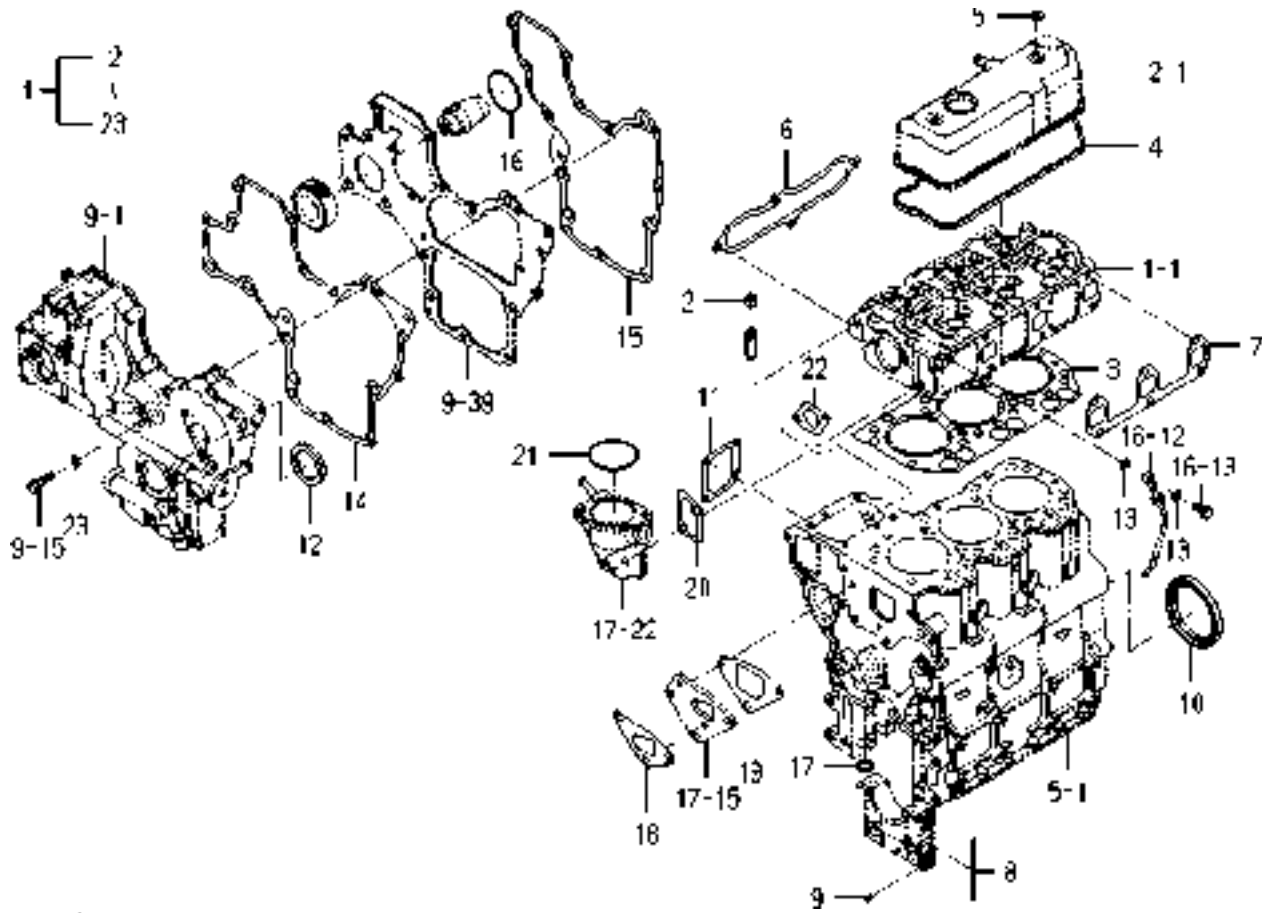
FIG. 20 INJECTION PUMP



6004-510S-0100

KEY	PART CODE	DESCRIPTION	S P C	TYPE OF MODEL		I T C	C O L	G R P	REMARKS
				E3112	B16				
1	6215-600-103-10	INJECTIONPUMP ASSY	*	1					FIG 027
2	6219-752-006-00	SHIM/INJECTION P/0.3	*	1					
3	6219-752-007-00	SHIM/INJECTION P/0.1	*	1					
4	6219-752-008-00	SHIM/INJECTION P/0.2	*	1					
5	6219-752-009-00	SHIM/INJECTION P/0.4	*	1					
6	6219-752-010-00	SHIM/INJECTION P/0.5	*	1					
7	V231-360-802-00	FLANGE BOLT	*	2					
8	3817-401-001-00	NUT/M08	*	2					
9	6215-621-016-20	CAMSHAFT/INJECTION P	*	1					
10	6212-524-002-20	GEAR/INJECTIONPUMP	*	1					
11	6209-730-005-00	KEY/07X05X09	*	1					
12	V600-110-620-30	BEARING,RB/6203	*	1					
13	V600-110-600-40	BEARING,RB/6004	*	1					
14	6212-535-002-00	PLATE,THRUST INJPUMP	*	1					
15	6901-910-612-00	BOLT,SEMS/M6X12	*	1					
16	6215-520-001-00	FLYWEIGHT	*	1					
17	6209-030-043-00	BOLT/M6X10	*	3					
18	6215-526-004-00	THRUSTPIECE	*	1					
19	6215-541-001-10	ARM/FLOATING COMP	*	1					
20	6215-543-002-10	RINK/CONTROL	*	1					
21	6215-542-006-00	PIN,CONTROL	*	1					
22	V710-140-004-00	RING,SNAP/ 4 E	*	1					
23	6215-531-008-00	SPRING/GOVERNOR	*	1					
24	6215-541-024-30	LEVER/CONTROL COMP	*	1					
25	V720-101-900-80	O-RING/P 8	*	1					
26	6209-580-002-10	SPRING,RETURN	*	1					
27	6215-549-007-10	ARM/CONTROL	*	1					
28	6909-110-406-00	NUT	*	1					
29	V411-260-006-00	WASHER / M6	*	1					
30	V401-160-006-00	WASHER,SP/M 6	*	1					

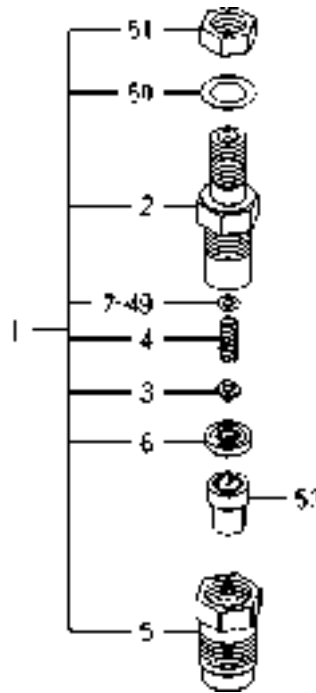
FIG. 25 REPAIR PARTS (OPTION)



6004-999C-0100

KEY	PART CODE	DESCRIPTION	S P C	TYPE OF MODEL		I T C	C O L	G R P	REMARKS
				E3112	B16				
1	6287-810-015-20	REPAIR/ENGINE SET	T	1					
2	6212-569-002-00	SEAL,OIL	T	6					
3	6211-141-029-20	GASKET/CYLINDERHEAD	T	1					
4	6211-173-003-00	SEAL,CYL.HEAD COVER	T	1					
5	6209-572-003-00	GASKET	T	2					
6	6214-115-001-20	GASKET,INLET MANIFOL	T	1					
7	6214-145-001-30	GASKET,EXH.MANIFOLD	T	1					
8	6211-258-001-00	SEAL,BEARING CAP	T	4					
9	6211-258-002-00	SEAL,BEARING CAP/7	T	2					
10	6209-625-012-00	OILSEAL	T	1					
11	6211-292-001-20	GASKET/COVER	T	1					
12	6209-625-002-00	SEAL,OIL	T	1					
13	6209-920-002-00	PACKING	T	2					
14	6211-312-003-20	GASKET/GEARCASE	T	1					
15	6211-312-004-20	GASKET/PLATE	T	1					
16	V723-102-005-00	O-RING 1A S50	T	1					
17	V720-102-401-50	O-RING/P15	T	1					
18	6213-614-003-10	GASKET/WATER PUMP	T	1					
19	6213-614-004-10	GASKET,SPACER	T	1					
20	6213-743-002-10	GASKET/HOUSING	T	1					
21	V723-102-005-50	O-RING	T	1					
22	6209-630-002-10	GASKET	T	1					
23	6209-500-003-00	WASHER/08X14X01	T	2					

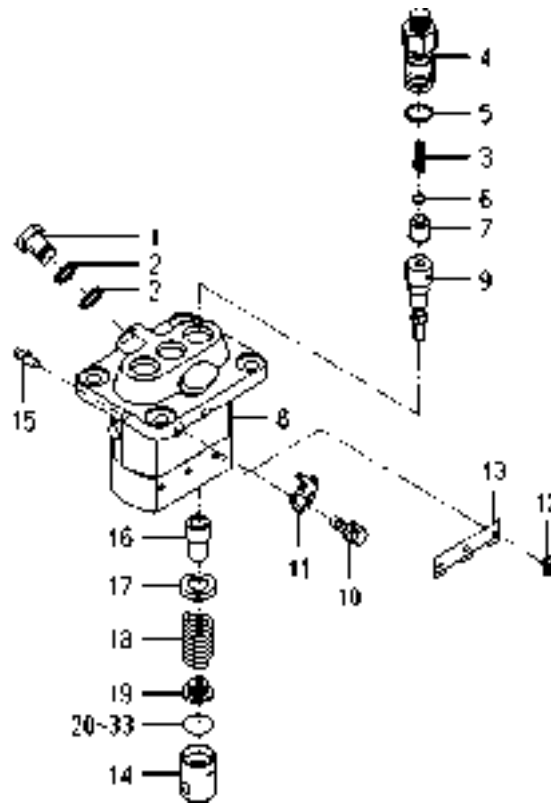
**FIG. 26 COMPONENT PARTS
FOR 6215-300-036-00 ON Fig.19**



6215-300-036-0A

KEY	PART CODE	DESCRIPTION	S P C	TYPE OF MODEL		I T C	C O L	G R P	REMARKS
				E3112 B16					
1	6215-330-024-00	HOLDER/NOZZLE ASSY	*	3					
2	6215-331-008-00	BODY/NOZZLE HOLDER	*	3					
3	6215-342-001-00	PIN,NOZZLE HOLDER	*	3					
4	6215-343-001-00	WASHER	*	3					
5	6215-332-013-00	NUT/NOZZLERETAINING	*	3					
6	6215-339-001-00	PIECE,DISTANCE	*	3					
7	6215-345-001-00	WASHER/0.9	*	3					
8	6215-345-002-00	WASHER/0.925	*	3					
9	6215-345-003-00	WASHER/0.95	*	3					
10	6215-345-004-00	WASHER/0.975	*	3					
11	6215-345-005-00	WASHER/1.0	*	3					
12	6215-345-006-00	WASHER/1.025	*	3					
13	6215-345-007-00	WASHER/1.05	*	3					
14	6215-345-008-00	WASHER/1.075	*	3					
15	6215-345-009-00	WASHER/1.1	*	3					
16	6215-345-010-00	WASHER/1.125	*	3					
17	6215-345-011-00	WASHER/1.15	*	3					
18	6215-345-012-00	WASHER/1.175	*	3					
19	6215-345-013-00	WASHER/1.2	*	3					
20	6215-345-014-00	WASHER/1.225	*	3					
21	6215-345-015-00	WASHER/1.25	*	3					
22	6215-345-016-00	WASHER/1.275	*	3					
23	6215-345-017-00	WASHER/1.3	*	3					
24	6215-345-018-00	WASHER/1.325	*	3					
25	6215-345-019-00	WASHER/1.35	*	3					
26	6215-345-020-00	WASHER/1.375	*	3					
27	6215-345-021-00	WASHER/1.4	*	3					
28	6215-345-022-00	WASHER/1.425	*	3					
29	6215-345-023-00	WASHER/1.45	*	3					
30	6215-345-024-00	WASHER/1.475	*	3					

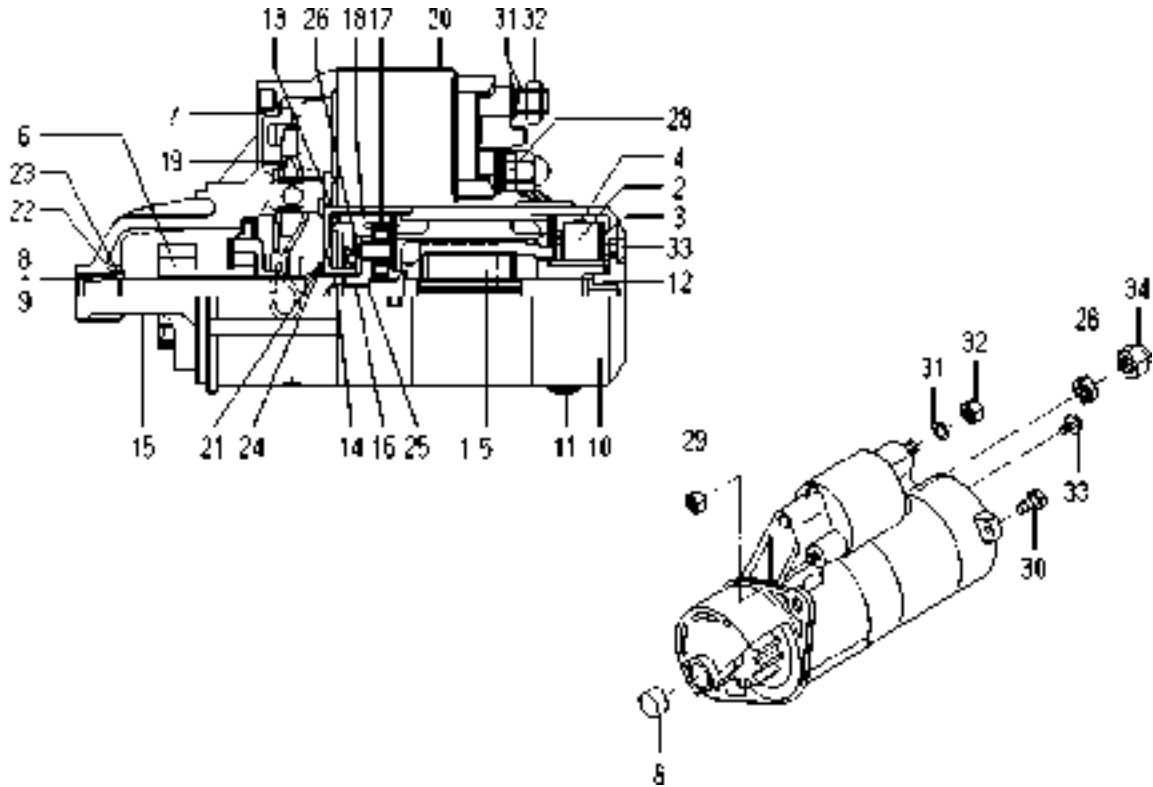
**FIG. 27 COMPONENT PARTS
FOR 6215-600-103-10 ON Fig.20**



6215-600-103-1C

KEY	PART CODE	DESCRIPTION	S P C	TYPE OF MODEL		I T C	C O L	G R P	REMARKS
				E3112 B16					
1	6215-619-009-00	SCREW/HOLLOW	*	1					
2	6215-619-010-00	WASHER/AIR BLEEDER	*	2					
3	6215-643-006-00	SPRING/DELIVERYVALVE	*	3					
4	6215-644-007-00	HOLDER/DELIVERYVALVE	*	3					
5	6215-649-001-00	ORING	*	3					
6	6215-649-002-00	GASKET/DELIVERYVALVE	*	3					
7	6215-641-006-00	VALVE ASSY	*	3					
8	6215-611-001-00	HOUSING ASSY	*	1					
9	6215-631-019-00	ELEMENT ASSY	*	3					
10	6215-619-022-00	BOLT/WASHERHEAD	*	2					
11	6215-612-001-00	PLATE/ADJUSTING	*	2					
12	6215-629-001-00	PIN/INJECTIONPUMP	*	3					
13	6215-629-002-00	PLATE	*	1					
14	6215-622-001-00	TAPPET/INJECTIO ASSY	*	3					
15	6215-637-001-00	RACK/CONTROL ASSY	*	1					
16	6215-635-001-00	SLEEVE/PLUNGER	*	3					
17	6215-639-004-00	SEAT/SPRING/UPPER	*	3					
18	6215-634-001-00	SPRING/PUMPPLUNGER	*	3					
19	6215-639-005-00	SEAT/SPRING/LOWER	*	3					
20	6215-629-003-00	PLATE/TAPPET/AD 0.6	*	1					
21	6215-629-004-00	PLATE/TAPPET/AD 0.7	*	1					
22	6215-629-005-00	PLATE/TAPPET/AD 0.8	*	1					
23	6215-629-006-00	PLATE/TAPPET/AD 0.9	*	1					
24	6215-629-007-00	PLATE/TAPPET/AD 1.0	*	1					
25	6215-629-008-00	PLATE/TAPPET/AD 0.2	*	1					
26	6215-629-009-00	PLATE/TAPPET/AD 0.3	*	1					
27	6215-629-010-00	PLATE/TAPPET/AD 0.4	*	1					
28	6215-629-011-00	PLATE/TAPPET/AD 0.5	*	3					
29	6215-629-012-00	PLATE/TAPPET/AD 0.25	*	1					
30	6215-629-013-00	PLATE/TAPPET/AD 0.35	*	1					

**FIG. 28 COMPONENT PARTS
FOR 6281-100-014-00 ON Fig.23**



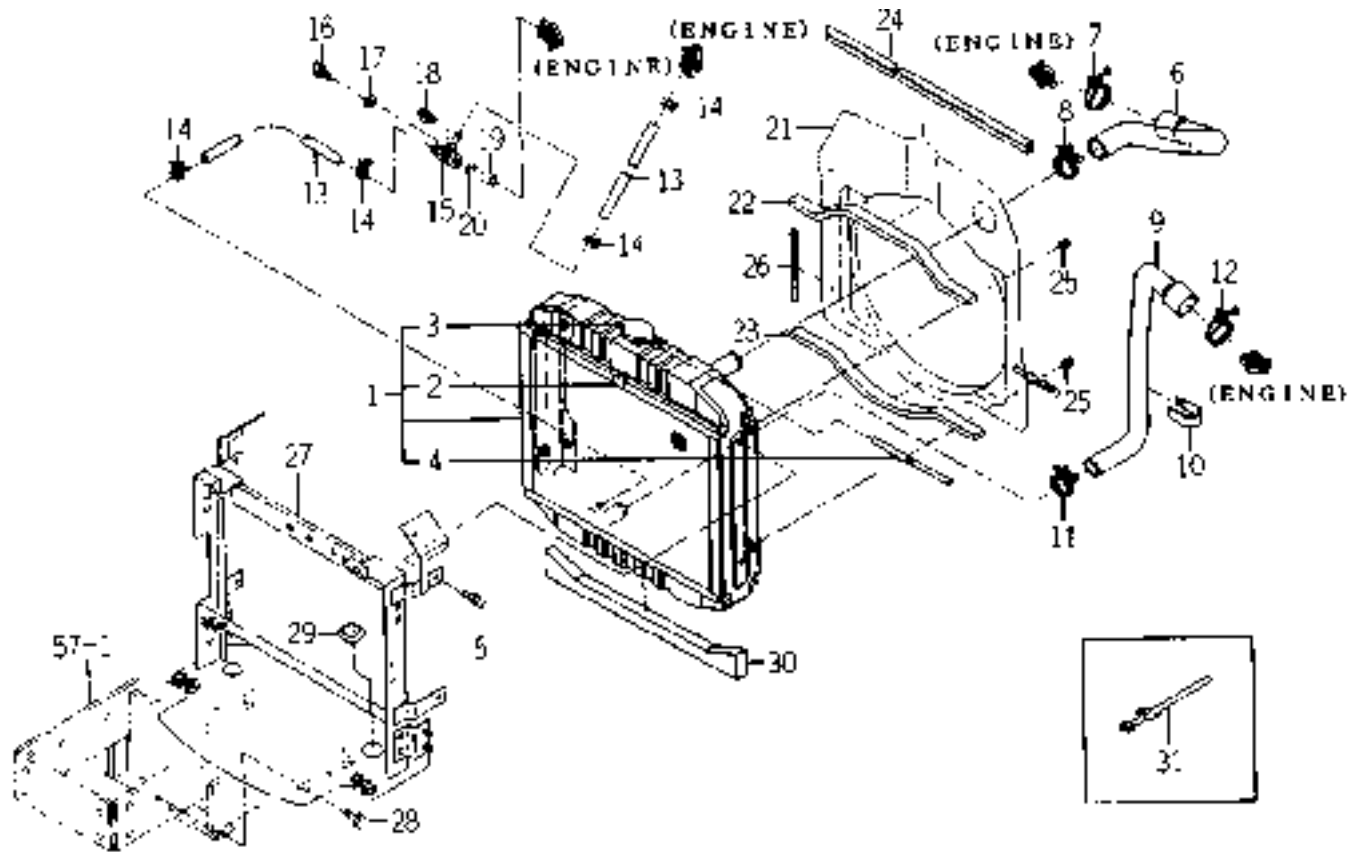
6281-100-014-0A

KEY	PART CODE	DESCRIPTION	S P C	TYPE OF MODEL		I T C	C O L	G R P	REMARKS
				E3112 B16					
1	6281-111-009-00	YOKE/STARTER ASSY	*	1					
2	6281-119-009-00	BRUSH/STARTER	*	2					
3	6281-118-007-00	HOLDER/STARTER ASSY	*	1					
4	6281-117-003-00	SPRING/STARTERBRUSH	*	4					
5	6281-121-010-00	ARMATURE/STARTE ASSY	*	1					
6	6281-124-011-00	CLUTCH/STARTER ASSY	*	1					
7	6281-129-064-00	HOUSING/STARTER ASSY	*	1					
8	6281-129-080-00	BEARING/NEEDLE	*	1					
9	6281-129-058-00	BEARING/NEEDLE	*	1					
10	6281-115-017-00	FRAME/COMMUTATOR END	*	1					
11	6281-115-018-00	COVER	*	1					
12	6281-129-065-00	BEARING/OILLESS	*	1					
13	6281-129-066-00	BEARING/WITH SHOCKAB	*	1					
14	6281-129-067-00	BEARING/OILLESS	*	1					
15	6281-129-068-00	SHAFT/STARTER PLANET	*	1					
16	6281-129-069-00	BEARING/OILLESS	*	1					
17	6281-129-070-00	GEAR/STARTER PLANETA	*	3					
18	6281-129-071-00	GEAR/STARTERINTERNAL	*	1					
19	6281-127-003-00	LEVER/PINIONDRIVE	*	1					
20	6281-151-014-00	SWITCH/MAGNETIC ASSY	*	1					
21	6281-129-072-00	RING/SNAP	*	1					
22	6281-129-073-00	RING/SNAP	*	1					
23	6281-129-074-00	NUT/PINIONSTOP	*	1					
24	6281-129-075-00	WASHER/SK	*	1					
25	6281-129-076-00	WASHER/SK	*	1					
26	6281-129-077-00	WASHER/SK	*	1					
27	6281-129-078-00	PLATE	*	1					
28	6281-129-030-00	NUT	*	1					
29	6281-129-029-00	NUT	*	2					
30	6281-129-043-00	BOLT/THROUGH	*	2					

CHASSIS

CHASSIS

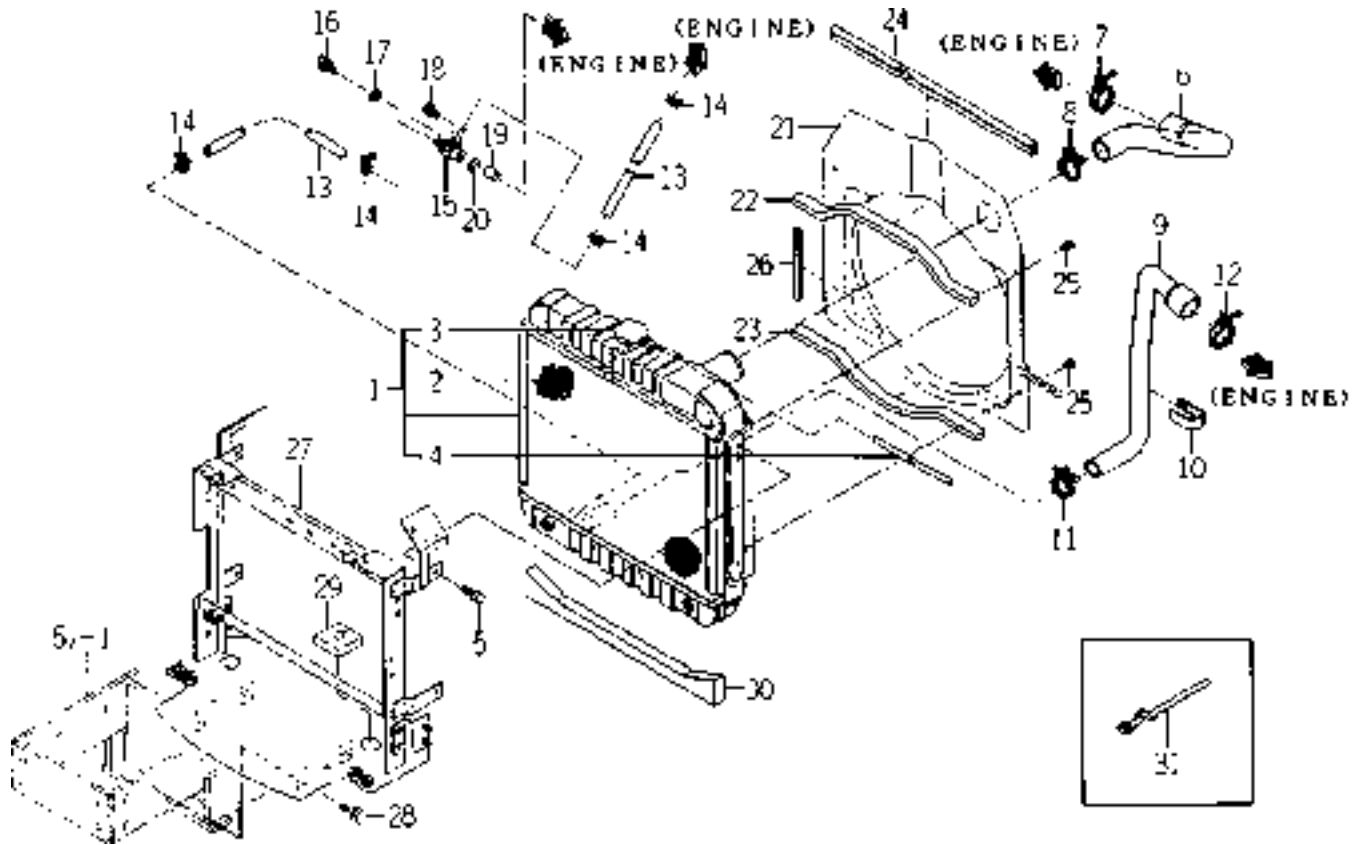
FIG. 1 RADIATOR SYSTEM (EXCEPT H TYPE)



1750-102-0100

KEY	PART CODE	DESCRIPTION	S P C	TYPE OF MODEL				I T C	C O L	G R P	REMARKS
				TM3200	TM3200H	TM3240	TM3240H				
1	1716-102-230-10	RADIATOR ASSY	*	1		1					
2	1622-102-520-00	NET/WIRE COMP	*	1		1					
3	1614-102-213-00	CAP	*	1		1					
4	1614-102-214-00	HOSE	*	1		1					
5	V211-260-801-60	BOLT,SEMS (S) M8X16	*	4		4					
6	1675-102-004-00	HOSE/RADIATOR/INLET	*	1		1					
7	J061-236-044-00	CLAMP/WIRE/36-44	*	1		1					
8	J061-230-038-00	CLAMP/WIRE/30-38	*	1		1					
9	1614-102-002-00	HOSE/RADIATOR/OUTLET	*	1		1					
10	1425-621-004-00	HOLDER/JE/9-9	*	1		1					
11	J061-224-032-00	CLAMP/WIRE/24-32	*	1		1					
12	J061-236-044-00	CLAMP/WIRE/36-44	*	1		1					
13	1682-102-004-00	HOSE/250	*	2		2					
14	J061-210-015-00	CLAMP/WIRE/10-15	*	4		4					
15	1560-104-010-40	CONNECTOR	*	1		1					
16	1424-101-203-00	PLUG	*	1		1					
17	1424-101-204-00	PACKING	*	1		1					
18	V211-360-804-00	BOLT	*	1		1					
19	1617-102-006-00	HUB/09X14X20	*	1		1					
20	V411-260-008-00	WASHER,PL/M 8	*	1		1					
21	1750-102-220-10	SHROUD COMP	*	1		1					
22	1675-102-002-00	INSULATOR	*	1		1					
23	1650-102-006-00	INSULATOR	*	1		1					
24	1716-102-003-00	INSULATOR/550	*	1		1					
25	V210-360-601-20	BOLT,SEMS	*	4		4					
26	1705-102-014-00	TRIM/130	*	1		1					
27	1750-102-210-40	BRACKET/RADIATO COMP	*	1		1					
28	V211-260-801-60	BOLT,SEMS (S) M8X16	*	4		4					
29	1560-630-029-00	CAP/30	*	2		2					
30	1716-410-004-10	INSULATOR	*	1		1					

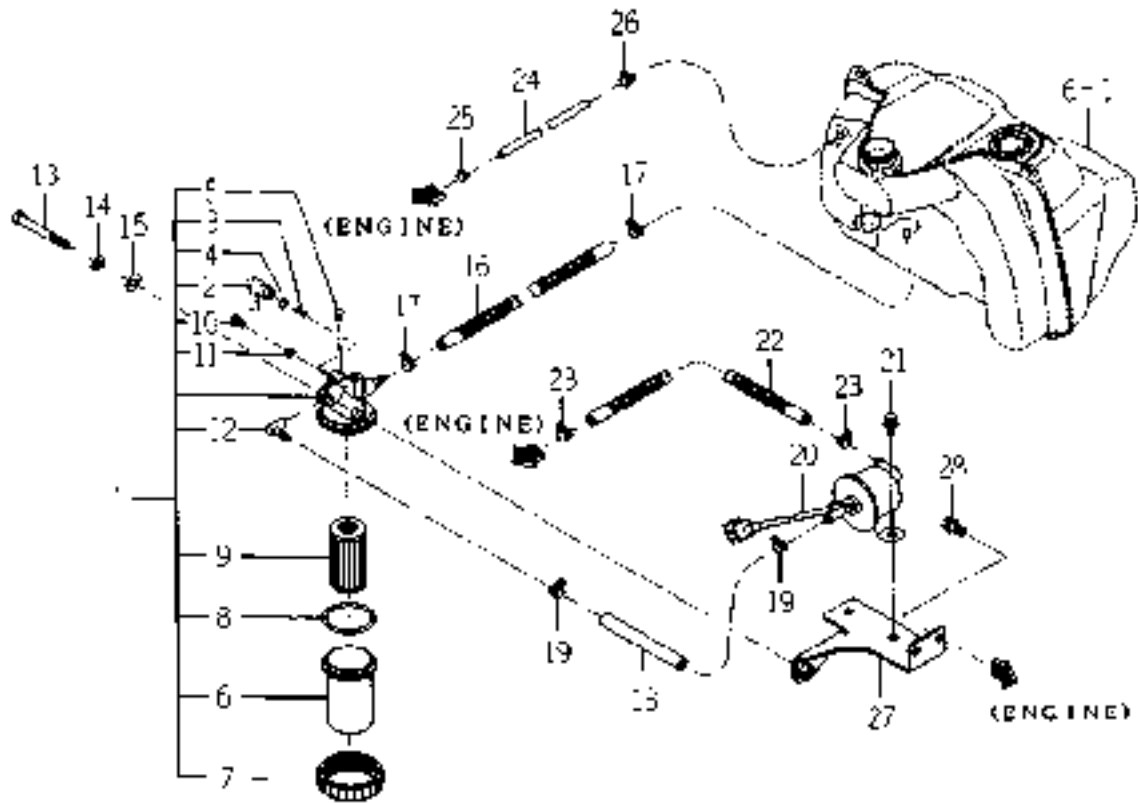
FIG. 2 RADIATOR SYSTEM (H TYPE)



1750-102A-0100

KEY	PART CODE	DESCRIPTION	S P C	TYPE OF MODEL				I T C	C O L	G R P	REMARKS
				TM3200	TM3200H	TM3240	TM3240H				
1	1750-102-230-00	RADIATOR ASSY	*		1		1				
2	1639-102-202-00	NET/WIRE COMP	*		1		1				
3	1614-102-213-00	CAP	*		1		1				
4	1614-102-214-00	HOSE	*		1		1				
5	V211-260-801-60	BOLT,SEMS (S) M8X16	*		4		4				
6	1675-102-004-00	HOSE/RADIATOR/INLET	*		1		1				
7	J061-236-044-00	CLAMP/WIRE/36-44	*		1		1				
8	J061-230-038-00	CLAMP/WIRE/30-38	*		1		1				
9	1614-102-002-00	HOSE/RADIATOR/OUTLET	*		1		1				
10	1425-621-004-00	HOLDER/JE/9-9	*		1		1				
11	J061-224-032-00	CLAMP/WIRE/24-32	*		1		1				
12	J061-236-044-00	CLAMP/WIRE/36-44	*		1		1				
13	1682-102-004-00	HOSE/250	*		2		2				
14	J061-210-015-00	CLAMP/WIRE/10-15	*		4		4				
15	1560-104-010-40	CONNECTOR	*		1		1				
16	1424-101-203-00	PLUG	*		1		1				
17	1424-101-204-00	PACKING	*		1		1				
18	V211-360-804-00	BOLT	*		1		1				
19	1617-102-006-00	HUB/09X14X20	*		1		1				
20	V411-260-008-00	WASHER,PL/M 8	*		1		1				
21	1750-102-220-10	SHROUD COMP	*		1		1				
22	1675-102-002-00	INSULATOR	*		1		1				
23	1650-102-006-00	INSULATOR	*		1		1				
24	1716-102-003-00	INSULATOR/550	*		1		1				
25	V210-360-601-20	BOLT,SEMS	*		4		4				
26	1705-102-014-00	TRIM/130	*		1		1				
27	1750-102-210-40	BRACKET/RADIATO COMP	*		1		1				
28	V211-260-801-60	BOLT,SEMS (S) M8X16	*		4		4				
29	1741-112-053-10	INSULATOR/50X50X15	*		2		2				
30	1716-410-004-10	INSULATOR	*		1		1				

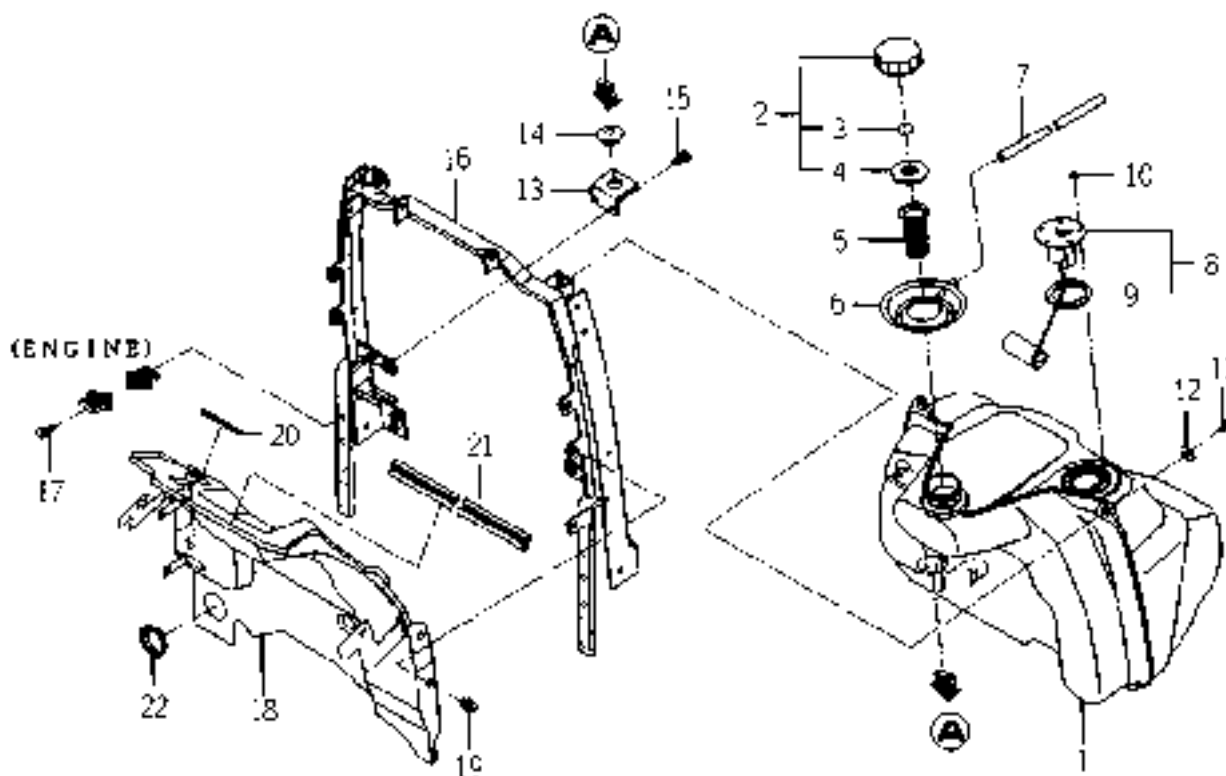
FIG. 5 FILTER SYSTEM



1716-105-0100

KEY	PART CODE	DESCRIPTION	S P C	TYPE OF MODEL				I T C	C O L	G R P	REMARKS
				TM3200	TM3200H	TM3240	TM3240H				
1	1716-105-200-00	FILTER/FUEL ASSY	*	1	1	1	1				
2	1444-102-202-00	LEVER	*	1	1	1	1				
3	1415-102-007-00	SPRING,VALVE	*	1	1	1	1				
4	V720-102-401-00	O-RING/P10A	*	1	1	1	1				
5	1415-102-008-00	VIS	*	1	1	1	1				
6	1440-103-201-00	CAP	*	1	1	1	1				
7	1444-102-204-00	NUT,RING	*	1	1	1	1				
8	V720-103-504-40	O-RING/P44	*	1	1	1	1				
9	1672-105-211-00	ELEMENT	*	1	1	1	1				
10	1572-102-003-00	BOLT/M06X08/APSET	*	2	2	2	2				
11	1415-102-013-00	PACKING	*	2	2	2	2				
12	1444-102-206-00	JOINT,L TYPE	*	1	1	1	1				
13	V201-260-806-50	BOLT/M 8X65	*	1	1	1	1				
14	V401-160-008-00	WASHER,SP/M 8	*	1	1	1	1				
15	V411-260-008-00	WASHER,PL/M 8	*	1	1	1	1				
16	1716-105-001-00	HOSE/08X13X300	*	1	1	1	1				
17	J062-119-126-00	CLIP/HOSE/11.9-12.6	*	2	2	2	2				
18	1560-102-003-20	HOSE/110	*	1	1	1	1				
19	J062-119-126-00	CLIP/HOSE/11.9-12.6	*	2	2	2	2				
20	1703-105-210-00	PUMP/FUEL ASSY	*	1	1	1	1				
21	V210-360-601-60	BOLT(SP)/M6X16	*	2	2	2	2				
22	1716-105-001-00	HOSE/08X13X300	*	1	1	1	1				
23	J062-119-126-00	CLIP/HOSE/11.9-12.6	*	2	2	2	2				
24	1614-105-004-00	HOSE/04X08X400	*	1	1	1	1				
25	J062-081-087-00	CLIP/HOSE/8.1-8.7	*	1	1	1	1				
26	J062-104-111-00	CLIP/HOSE/10.4-11.1	*	1	1	1	1				
27	1716-105-210-00	BRACKET/FILTER COMP	*	1	1	1	1				
28	V211-260-801-60	BOLT,SEMS (S) M8X16	*	2	2	2	2				

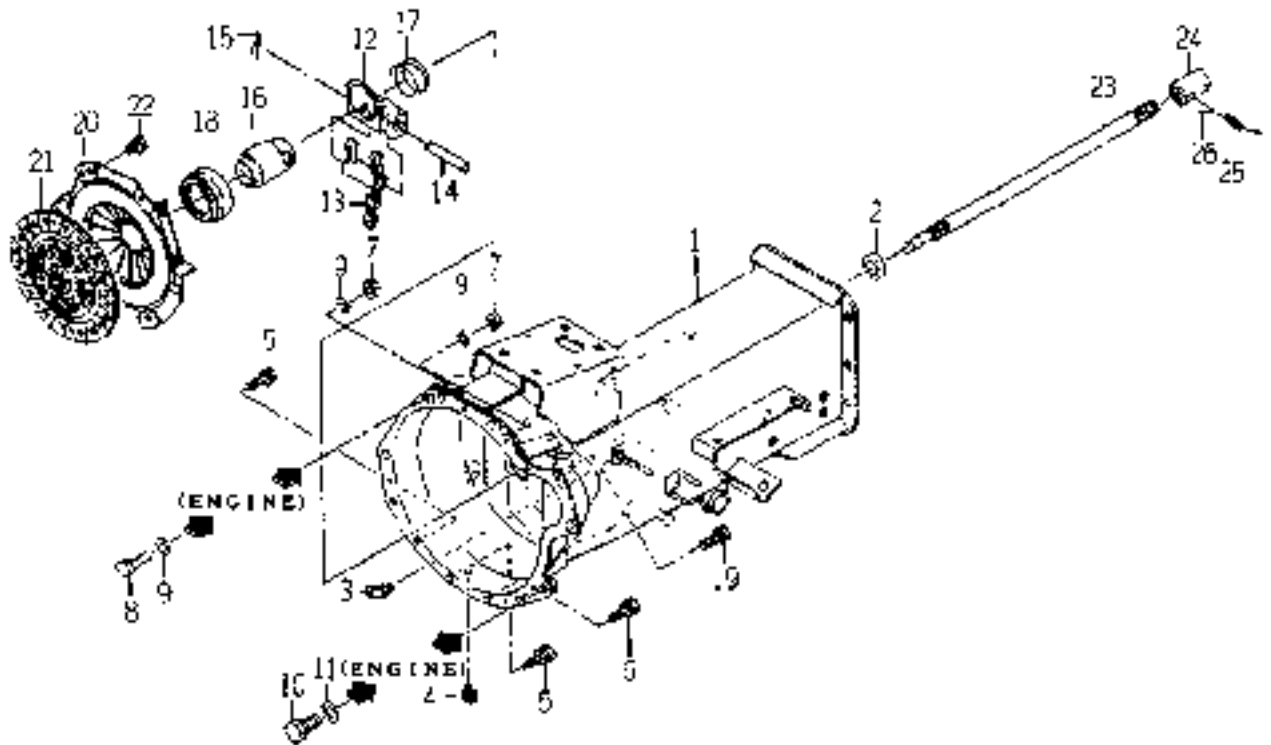
FIG. 6 FUEL TANK SYSTEM



1750-111 -0100

KEY	PART CODE	DESCRIPTION	S P C	TYPE OF MODEL				I T C	C O L	G R P	REMARKS
				TM3200	TM3200H	TM3240	TM3240H				
1	1716-111-001-00	TANK/FUEL	*	1	1	1	1				
2	1593-612-220-10	CAP,TANK	*	1	1	1	1				
3	2706-501-003-00	BREATHER,TANK CAP	*	1	1	1	1				
4	2706-501-004-00	GASKET	*	1	1	1	1				
5	1716-111-004-00	FILTER/FUEL	*	1	1	1	1				
6	2161-111-004-00	CUP/FUEL	*	1	1	1	1				
7	P103-112-003-20	HOSE/700	*	1	1	1	1				
8	1703-680-200-10	GAUGE/FUEL ASSY	*	1	1	1	1				
9	1416-621-037-00	PACKING/RUBBER	*	1	1	1	1				
10	1617-730-005-00	NUT/WASHER	*	5	5	5	5				
11	V211-260-802-00	BOLT/S	*	2	2	2	2				
12	4101-102-038-00	WASHER/24X9X3.2	*	2	2	2	2				
13	1716-111-005-00	PLATE/L/50X45	*	2	2	2	2				
14	1421-603-004-00	BUSH,LEVER	*	2	2	2	2				
15	V211-260-802-00	BOLT/S	*	4	4	4	4				
16	1750-111-200-20	BRACKET/TANK COMP	*	1	1	1	1				
17	V211-260-802-00	BOLT/S	*	4	4	4	4				
18	1750-111-210-00	COVER/TANK COMP	*	1	1	1	1				
19	V211-360-801-60	BOLT,SEMS (SP)	*	4	4	4	4				
20	1717-111-001-00	INSULATOR	*	1	1	1	1				
21	1600-616-006-00	INSULATOR/75	*	1	1	1	1				
22	3817-335-021-00	GROMMET	*	1	1	1	1				

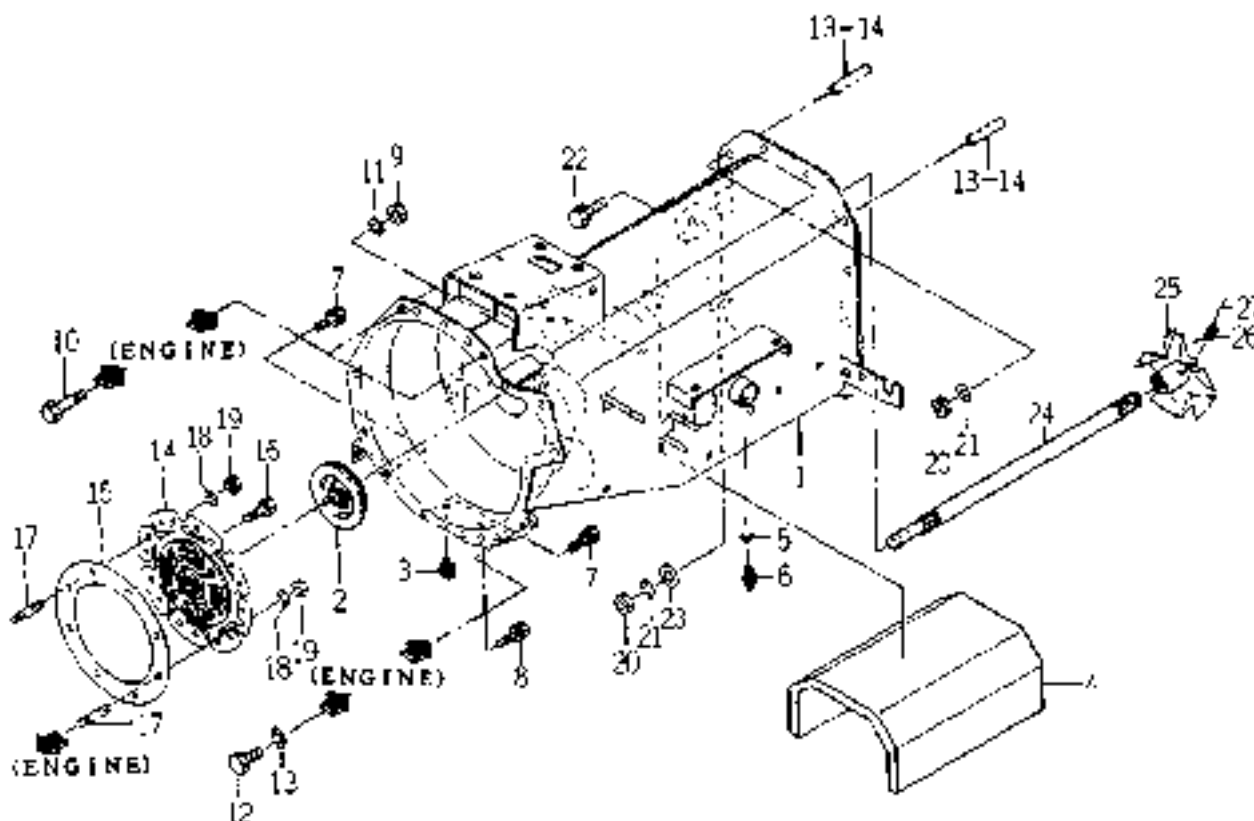
**FIG. 9 MAIN CLUTCH,INPUT SHAFT SYSTEM
(EXCEPT H TYPE)**



1750-120 -0100,1750-125 -0100

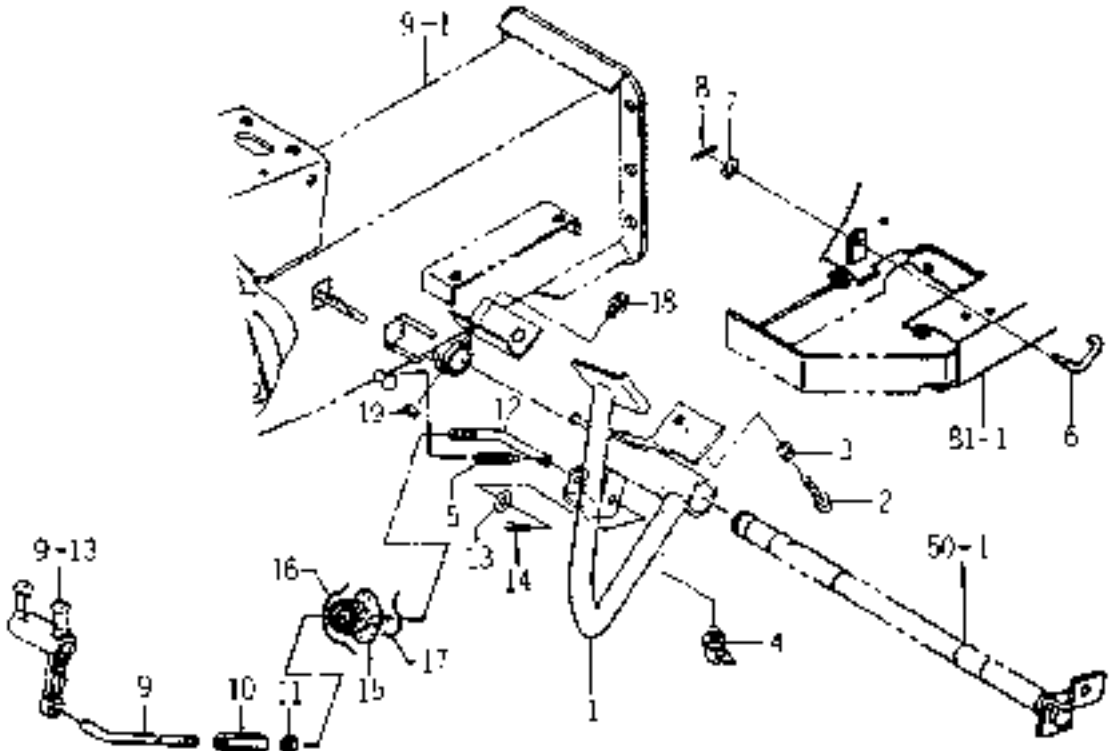
KEY	PART CODE	DESCRIPTION	S P C	TYPE OF MODEL				I T C	C O L	G R P	REMARKS
				TM3200	TM3200H	TM3240	TM3240H				
1	1750-120-210-30	HOUSING/CLUTCH COMP	*	1		1					
2	V744-120-350-70	SEAL,OIL/TC20357	*	1		1					
3	V763-150-000-00	NIPPLE,GREASE/PT1/8	*	1		1					
4	V782-160-000-2T	PLUG/SCREW/SEAL	*	1		1					
5	V211-260-801-60	BOLT,SEMS (S) M8X16	*	3		3					
6	V211-260-803-00	BOLT,SEMS	*	1		1					
7	V334-460-010-00	NUT/M10 7T P=1.25	*	2		2					
8	V203-361-002-00	BOLT/M10X1.25X20	*	2		2					
9	V401-160-010-00	WASHER,SP/M10	*	4		4					
10	V201-361-202-50	BOLT/M12X25	*	2		2					
11	V401-160-012-00	WASHER,SP/M12	*	2		2					
12	1434-122-230-10	BRACKET COMP	*	1		1					
13	1435-122-002-00	FORK/RELEASE	*	1		1					
14	1672-120-006-00	PIN/12X75	*	1		1					
15	V500-163-002-00	PIN,SPLIT/3 X20	*	1		1					
16	1672-120-007-00	SLEEVE	*	1		1					
17	1434-120-005-00	SPRING/HC50	*	1		1					
18	1491-120-001-00	BEARING,CLUTCH RS	*	1		1					
19	V211-260-801-60	BOLT,SEMS (S) M8X16	*	2		2					
20	1684-120-210-00	COVER/CLUTCH ASSY	*	1		1					
21	1684-120-220-00	DISK/CLUTCHCOMP	*	1		1					
22	V211-260-802-00	BOLT/S	*	6		6					
23	1684-120-001-10	SHAFT/INPUT	*	1		1					
24	1435-120-002-30	COUPLING/16X27X62	*	1		1					
25	V580-140-602-80	PIN,SPRING/6 X28 W	*	2		2					
26		WIRE	*	1		1					

FIG. 10 CLUTCH HOUSING, INPUT SHAFT SYSTEM (H TYPE)



1750-120A-0100, 1750-125A-0100

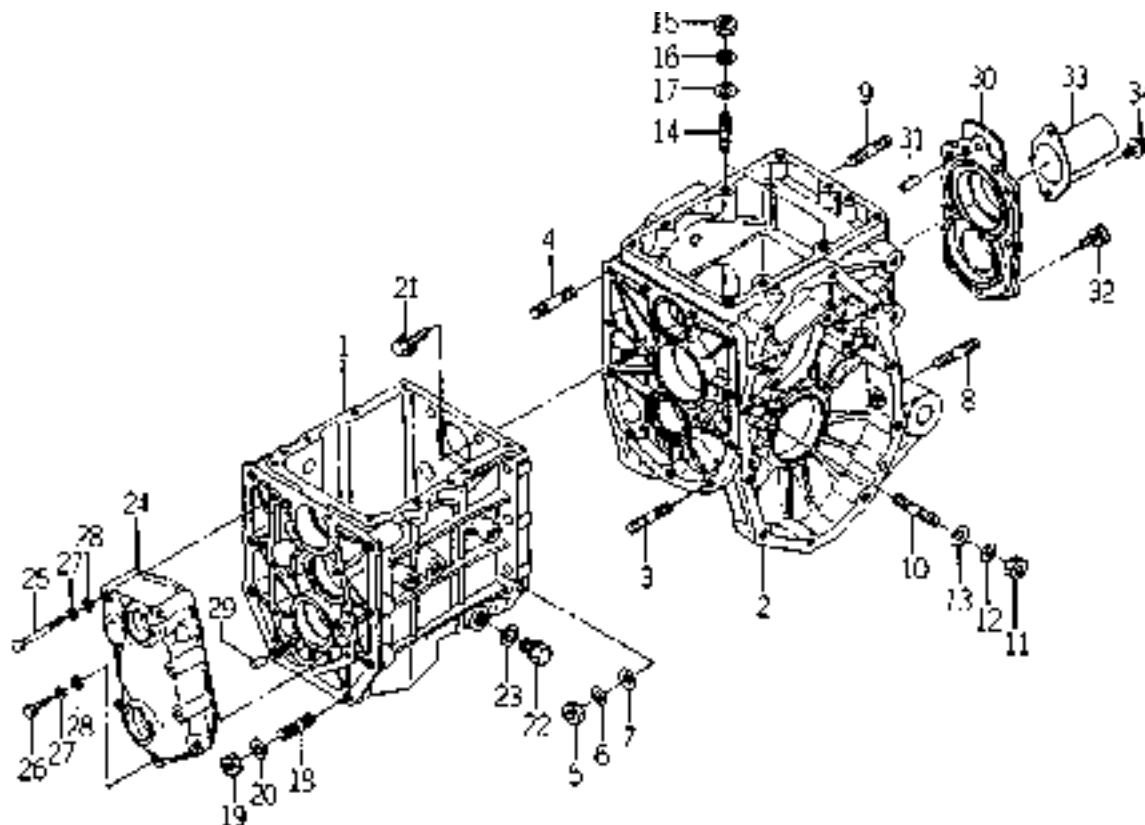
KEY	PART CODE	DESCRIPTION	S P C	TYPE OF MODEL				I T C	C O L	G R P	REMARKS
				TM3200	TM3200H	TM3240	TM3240H				
1	1750-120-510-30	HOUSING/CLUTCH COMP	*		1		1				
2	1688-120-052-00	GROMMET/25X70X03	*		1		1				
3	V782-160-000-2T	PLUG/SCREW/SEAL	*		1		1				
4	1750-120-051-20	INSULATOR	*		1		1				
5	V401-160-006-00	WASHER,SP/M 6	*		2		2				
6	V760-150-000-00	NIPPLE,GREASE	*		2		2				
7	V211-260-801-60	BOLT,SEMS (S) M8X16	*		3		3				
8	V211-260-803-00	BOLT,SEMS	*		1		1				
9	V334-460-010-00	NUT/M10 7T P=1.25	*		2		2				
10	V203-361-002-00	BOLT/M10X1.25X20	*		2		2				
11	V401-160-010-00	WASHER,SP/M10	*		4		4				
12	V201-361-202-50	BOLT/M12X25	*		2		2				
13	V401-160-012-00	WASHER,SP/M12	*		2		2				
14	1685-120-310-00	DISC/DAMPER ASSY	*		1		1				
15	1685-120-062-00	PLATE/DAMPER	*		1		1				
16	V211-260-802-00	BOLT/S	*		6		6				
17	V251-340-802-5D	BOLT/STUD/SEAL	*		2		2				
18	V401-160-008-00	WASHER,SP/M 8	*		2		2				
19	V304-460-008-00	NUT/M8	*		2		2				
20	V304-460-010-00	NUT/M10	*		3		3				
21	V401-160-010-00	WASHER,SP/M10	*		3		3				
22	V211-561-003-50	BOLT/S	*		10		10				
23	V411-260-010-00	WASHER/M10	*		1		1				
24	1685-120-061-00	SHAFT/INPUT	*		1		1				
25	1683-120-530-20	FAN/HST COMP	*		1		1				
26	V580-140-603-20	PIN,SPRING/6 X32 W	*		2		2				
27		WIRE	*		2		2				



1750-122 -0100

KEY	PART CODE	DESCRIPTION	S P C	TYPE OF MODEL				I T C	C O L	G R P	REMARKS
				TM3200	TM3200H	TM3240	TM3240H				
1	1738-122-200-20	PEDAL/CLUTCH COMP	*	1		1					
2	V201-260-803-50	BOLT/M 8X35	*	1		1					
3	V304-260-008-00	NUT	*	1		1					
4	V763-150-000-00	NIPPLE,GREASE/PT1/8	*	1		1					
5	1105-106-001-00	SPRING/HC094	*	1		1					
6	1675-135-001-00	HOOK	*	1		1					
7	V411-260-006-00	WASHER / M6	*	1		1					
8	V500-162-002-00	PIN,SPLIT/2 X20	*	1		1					
9	1750-122-001-00	ROD/CLUTCH/A	*	1		1					
10	1421-122-003-00	TURNBUCKLE	*	1		1					
11	V304-260-008-00	NUT	*	1		1					
12	1672-122-001-20	ROD/CLUTCH/B	*	1		1					
13	V411-260-008-00	WASHER,PL/M 8	*	2		2					
14	V500-163-001-50	PIN,SPLIT/3 X15	*	2		2					
15	1434-122-005-00	BOOT	*	1		1					
16		WIRE	*	1		1					
17		WIRE	*	1		1					
18	V211-360-802-00	BOLT/SP M8X20	*	1		1					
19	V304-260-008-00	NUT/M8	*	1		1					

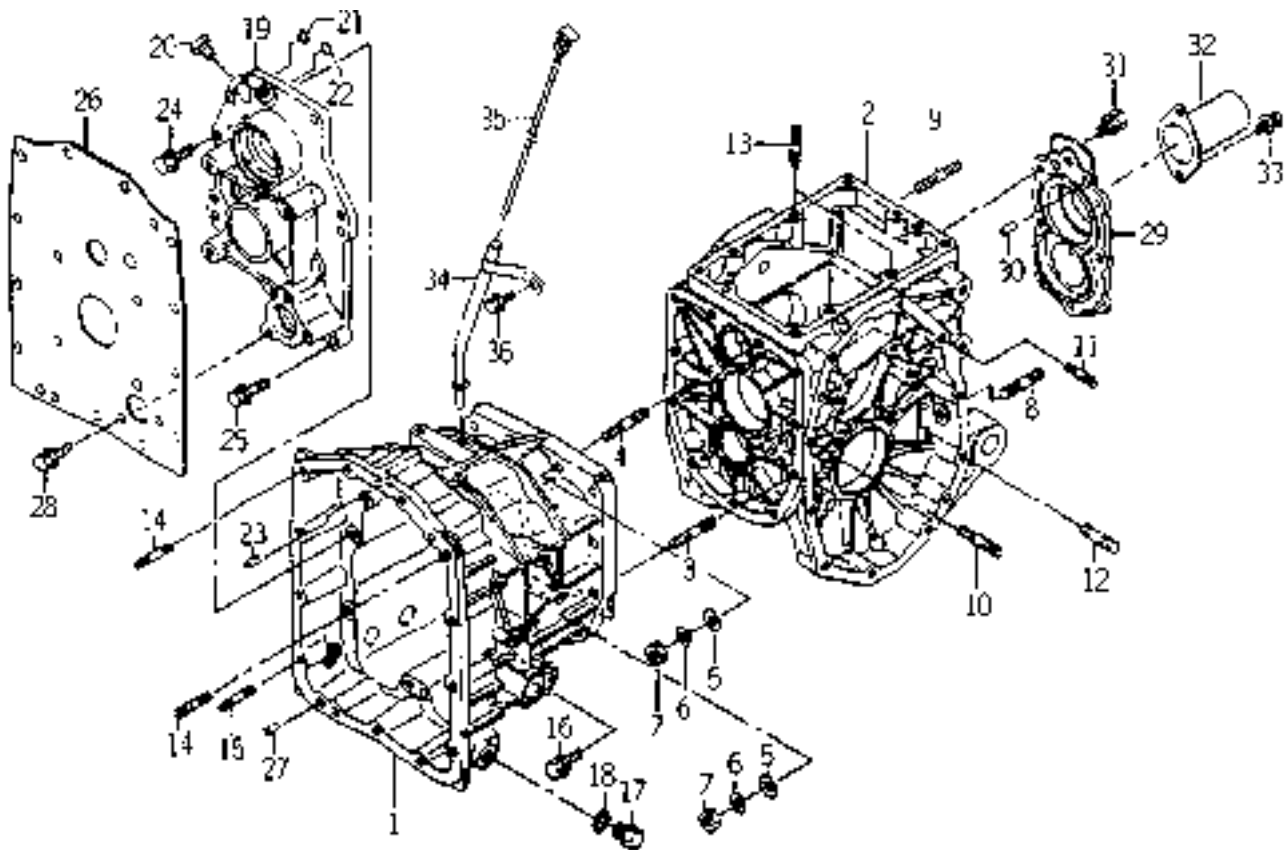
**FIG. 12 CASE (TRANSMISSION) SYSTEM
(EXCEPT H TYPE)**



1738-201 -0100

KEY	PART CODE	DESCRIPTION	S P C	TYPE OF MODEL				I T C	C O L	G R P	REMARKS
				TM3200	TM3200H	TM3240	TM3240H				
1	1682-201-001-10	CASE/TRANSMISSION/F	*	1		1					
2	1688-201-055-10	CASE/TRANSMISSION/RE	*	1		1					
3	V252-341-003-00	BOLT/STUD	*	2		2					
4	V252-341-003-50	BOLT/M10X35	*	7		7					
5	V304-260-010-00	NUT	*	9		9					
6	V401-160-010-00	WASHER,SP/M10	*	9		9					
7	V411-260-010-00	WASHER/M10	*	9		9					
8	V251-261-202-5D	BOLT/STUD/SEAL	*	2		2					
9	V252-341-202-50	BOLT/STUD	*	4		4					
10	V252-261-005-50	BOLT/M10X55	*	4		4					
11	V304-260-010-00	NUT	*	4		4					
12	V401-160-010-00	WASHER,SP/M10	*	4		4					
13	V411-260-010-00	WASHER/M10	*	4		4					
14	V252-341-003-00	BOLT/STUD	*	2		2					
15	V304-260-010-00	NUT	*	2		2					
16	V401-160-010-00	WASHER,SP/M10	*	2		2					
17	V411-260-010-00	WASHER/M10	*	2		2					
18	V252-341-203-00	BOLT/M12X30	*	8		8					
19	V304-460-012-00	NUT/M12	*	8		8					
20	V401-160-012-00	WASHER,SP/M12	*	8		8					
21	V211-361-003-50	BOLT/M10X35	*	2		2					
22	1427-201-007-00	PLUG,DRAIN	*	1		1					
23	1427-201-008-00	WASHER,SEAL/16	*	1		1					
24	1427-201-005-00	METAL/INPUT	*	1		1					
25	V201-260-806-00	BOLT/M 8X60	*	4		4					
26	V201-260-803-50	BOLT/M 8X35	*	4		4					
27	V401-160-008-00	WASHER,SP/M 8	*	8		8					
28	V411-260-008-00	WASHER,PL/M 8	*	8		8					
29	V522-100-801-80	PIN	*	2		2					
30	1688-201-056-00	METAL/PTO	*	1		1					

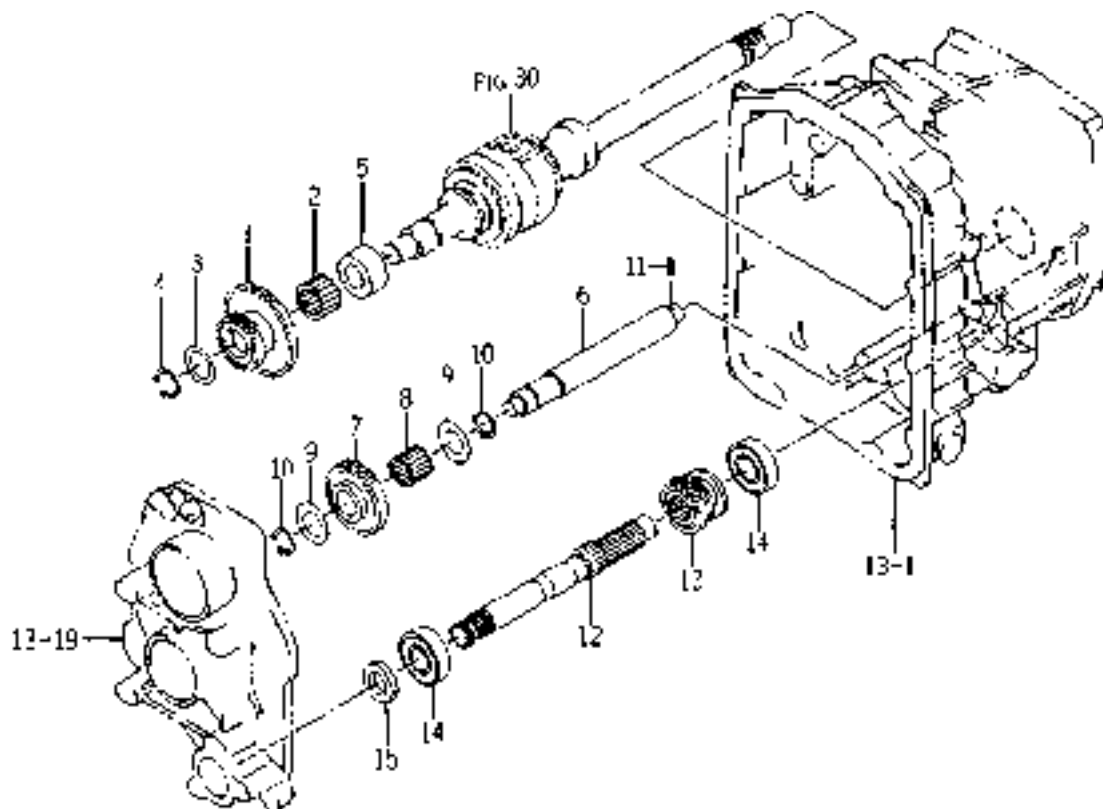
FIG. 13 CASE (TRANSMISSION) SYSTEM (H TYPE)



1750-201 -0100

KEY	PART CODE	DESCRIPTION	S P C	TYPE OF MODEL				I T C	C O L	G R P	REMARKS
				TM3200	TM3200H	TM3240	TM3240H				
1	1688-201-051-20	CASE/TRANSMISSION/HS	*		1		1				
2	1688-201-055-10	CASE/TRANSMISSION/RE	*		1		1				
3	V252-341-003-50	BOLT/M10X35	*		8		8				
4	V251-341-003-5D	BOLT/STUD/SEAL	*		2		2				
5	V411-260-010-00	WASHER/M10	*		10		10				
6	V401-160-010-00	WASHER,SP/M10	*		10		10				
7	V304-260-010-00	NUT	*		10		10				
8	V251-261-202-5D	BOLT/STUD/SEAL	*		2		2				
9	V252-341-202-50	BOLT/STUD	*		4		4				
10	V252-261-004-00	BOLT/STUD	*		2		2				
11	V252-261-005-50	BOLT/M10X55	*		2		2				
12	V252-341-204-50	BOLT/STUD	*		2		2				
13	V252-341-003-00	BOLT/STUD	*		2		2				
14	V252-341-002-00	BOLT/STUD	*		2		2				
15	V251-341-002-50	BOLT/STUD	*		1		1				
16	V211-661-005-00	BOLT/SP	*		1		1				
17	1427-201-007-00	PLUG,DRAIN	*		2		2				
18	1427-201-008-00	WASHER,SEAL/16	*		2		2				
19	1688-201-052-00	METAL/HST	*		1		1				
20	V782-160-000-2T	PLUG/SCREW/SEAL	*		2		2				
21	V720-111-900-70	O-RING/P 7	*		1		1				
22	V720-111-900-50	O-RING/P5 HS90	*		1		1				
23	V523-101-002-40	PIN	*		2		2				
24	V211-661-003-50	BOLT/SP	*		6		6				
25	V211-661-004-00	BOLT/SP	*		1		1				
26	1683-201-053-10	PLATE/COVER	*		1		1				
27	1421-433-004-00	PIN,KNOCK	*		2		2				
28	V211-660-802-00	BOLT/8X20	*		2		2				
29	1688-201-056-00	METAL/PTO	*		1		1				
30	V523-101-002-40	PIN	*		2		2				

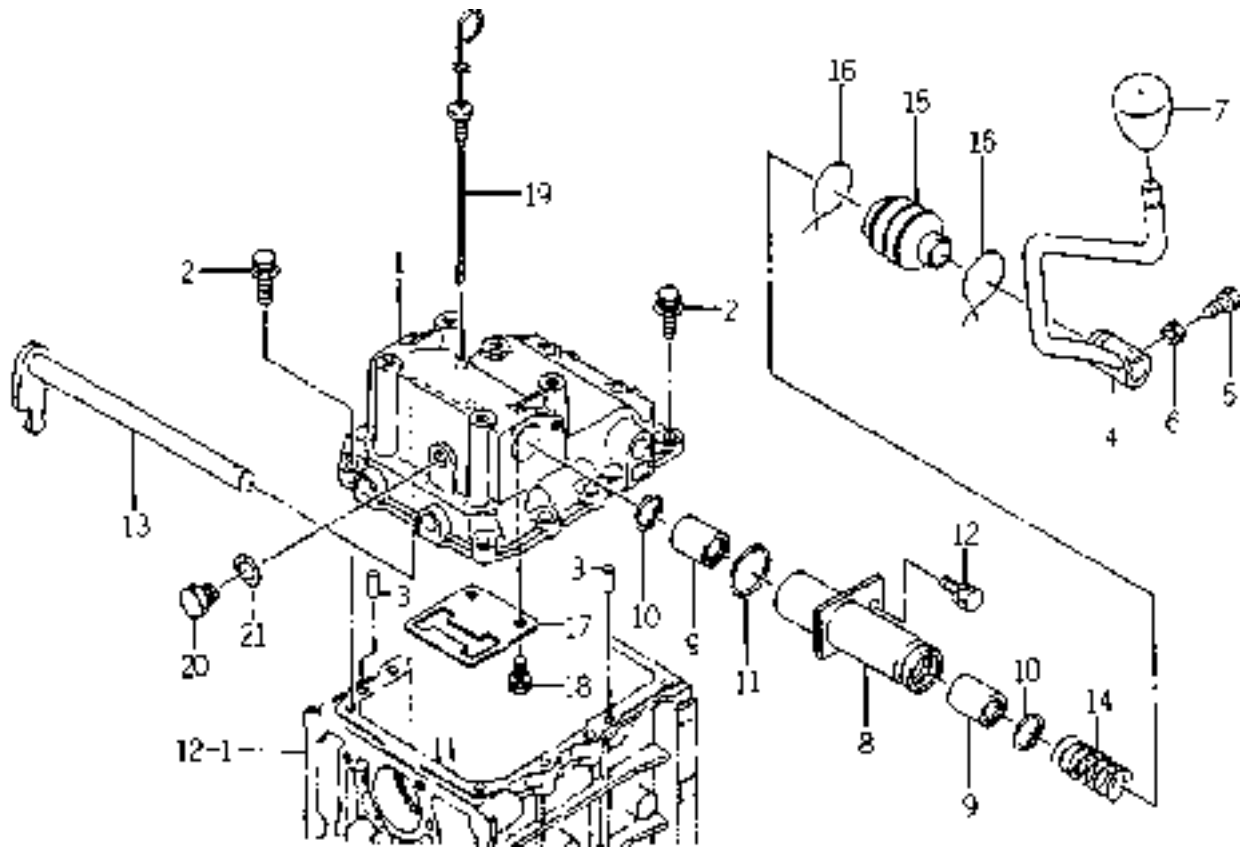
FIG. 20 GEAR (4WD) SYSTEM (H TYPE)



1750-205 -0100

KEY	PART CODE	DESCRIPTION	S P C	TYPE OF MODEL				I T C	C O L	G R P	REMARKS
				TM3200	TM3200H	TM3240	TM3240H				
1	1683-205-051-00	GEAR/SPUR/18-30	*		1		1				
2	V654-425-322-40	BEARING KT253224	*		1		1				
3	1593-203-058-20	COLLAR/25X35X02	*		1		1				
4	V704-140-025-00	RING,SNAP/25 C	*		1		1				
5	1685-205-001-00	COLLAR/25X40X25	*		1		1				
6	1683-205-052-00	SHAFT/4WD	*		1		1				
7	1683-205-053-00	GEAR/SPUR/25	*		1		1				
8	1682-255-002-20	BEARING/NEEDLE	*		1		1				
9	3656-107-004-00	WASHER/21X38X02	*		2		2				
10	V704-140-020-00	RING,SNAP/20C	*		2		2				
11	V580-140-601-60	PIN SPLIT W 6.0X16	*		1		1				
12	1750-205-051-00	SHAFT/FRONT	*		1		1				
13	1683-205-055-10	GEAR/SPUR/17	*		1		1				
14	V600-110-620-40	BEARING, RB/6204	*		2		2				
15	V744-120-350-70	SEAL,OIL/TC20357	*		1		1				

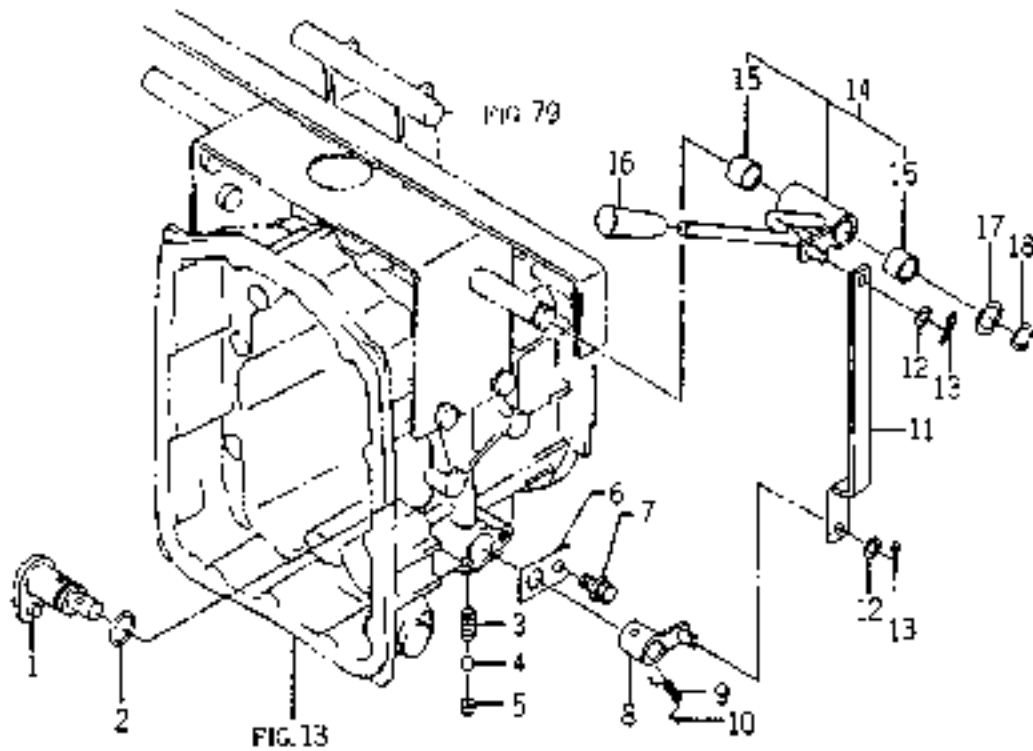
FIG. 21 LEVER (MAIN) SYSTEM (EXCEPT H TYPE)



1750-207-0100,1672-207A-0100

KEY	PART CODE	DESCRIPTION	S P C	TYPE OF MODEL				I T C	C O L	G R P	REMARKS
				TM3200	TM3200H	TM3240	TM3240H				
1	1672-207-001-10	METAL/SHIFT	*	1		1					
2	V211-360-803-00	BOLT/SP	*	8		8					
3	V522-100-801-80	PIN	*	2		2					
4	1750-207-200-10	LEVER/MAIN COMP	*	1		1					
5	1600-502-003-00	BOLT,SM/M08X25	*	1		1					
6	V304-260-008-00	NUT	*	1		1					
7	1636-271-013-00	GRIP/12X50	*	1		1					
8	1672-207-240-00	TUBE/SHIFT/MAIN COMP	*	1		1					
9	1544-215-015-00	BEARING	*	2		2					
10	V705-140-028-00	RING,SNAP/28 C	*	2		2					
11	V723-102-003-00	O-RING	*	1		1					
12	V211-260-802-00	BOLT/S	*	1		1					
13	1672-207-230-00	ARM/SHIFT/MAIN COMP	*	1		1					
14	1614-215-006-00	SPRING/HC060	*	1		1					
15	1544-215-016-00	BOOT,CHANGE	*	1		1					
16		WIRE	*	2		2					
17	1672-207-002-10	PLATE/GUIDE	*	1		1					
18	V211-560-802-00	BOLT/M8X20	*	2		2					
19	1614-501-006-00	GAUGE/OIL	*	1		1					
20	1564-667-002-00	BLOT/M14X10	*	1		1					
21	1488-541-021-00	SHIM/T=0.7	*	1		1					

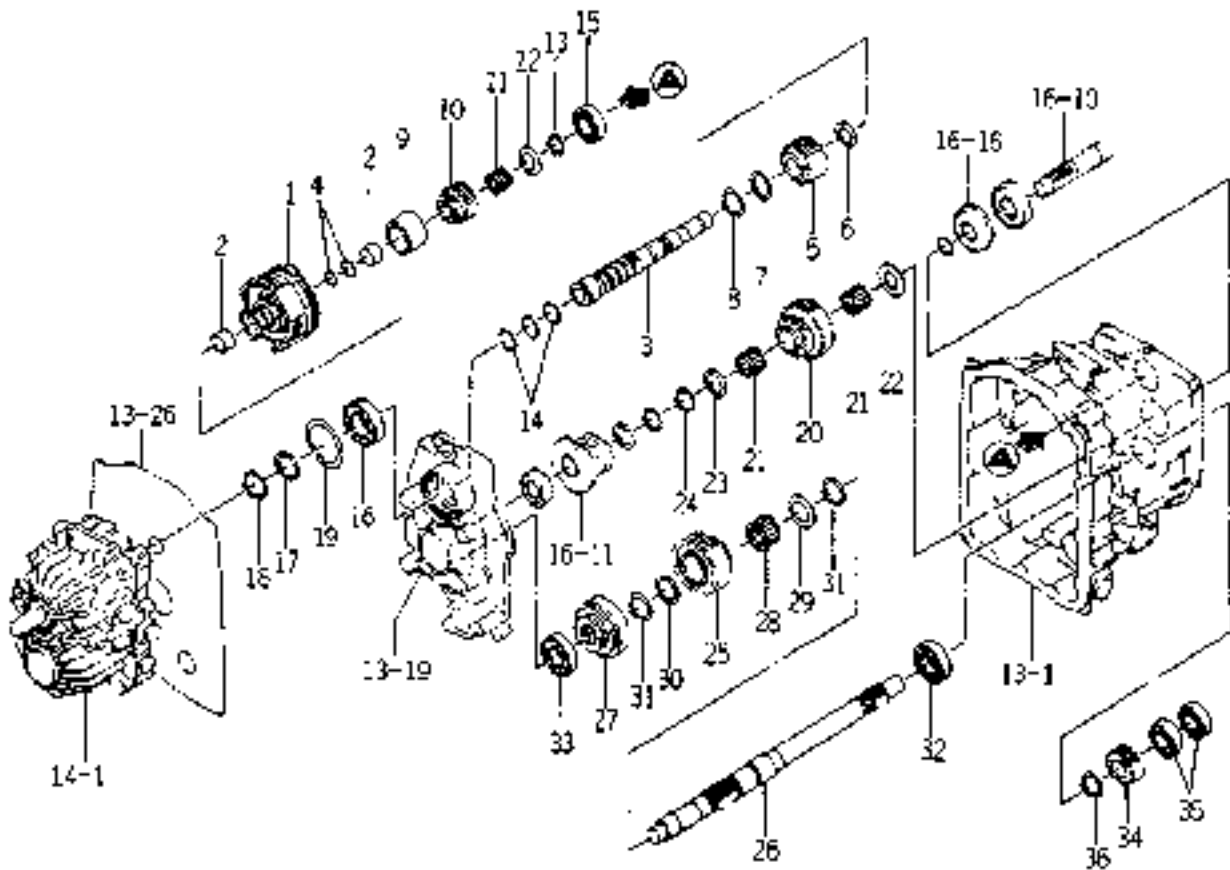
FIG. 25 CHANGE (4WD) SYSTEM (H TYPE)



1750-209A-0100

KEY	PART CODE	DESCRIPTION	S P C	TYPE OF MODEL				I T C	C O L	G R P	REMARKS
				TM3200	TM3200H	TM3240	TM3240H				
1	1683-209-500-10	PIN/SHIFT/FRONT COMP	*		1		1				
2	V720-102-402-10	O-RING/P21	*		1		1				
3	1650-253-003-00	SPRING/HC022	*		1		1				
4	V682-200-001-00	BALL	*		1		1				
5	1427-251-004-00	CAP,BLANK/M10	*		1		1				
6	1620-255-208-00	PLATE/I/30X50	*		1		1				
7	V211-360-801-60	BOLT,SEMS (SP)	*		1		1				
8	1683-209-520-00	ARM/SHIFT COMP	*		1		1				
9	V580-140-602-50	PIN,SPRING/6 X25 W	*		1		1				
10		WIRE	*		1		1				
11	1685-209-051-00	PLATE/Z/19X261	*		1		1				
12	V411-260-008-00	WASHER,PL/M 8	*		2		2				
13	V500-163-002-00	PIN,SPLIT/3 X20	*		2		2				
14	1750-209-500-00	LEVER/4WD ASSY	*		1		1				
15	3668-612-001-00	BUSH	*		2		2				
16	2173-820-003-00	GRIP/ORANGE/10.5	*		1		1				
17	2144-419-022-00	WASHER/18X26X02	*		1		1				
18	V704-140-018-00	RING,SNAP/18 C	*		1		1				

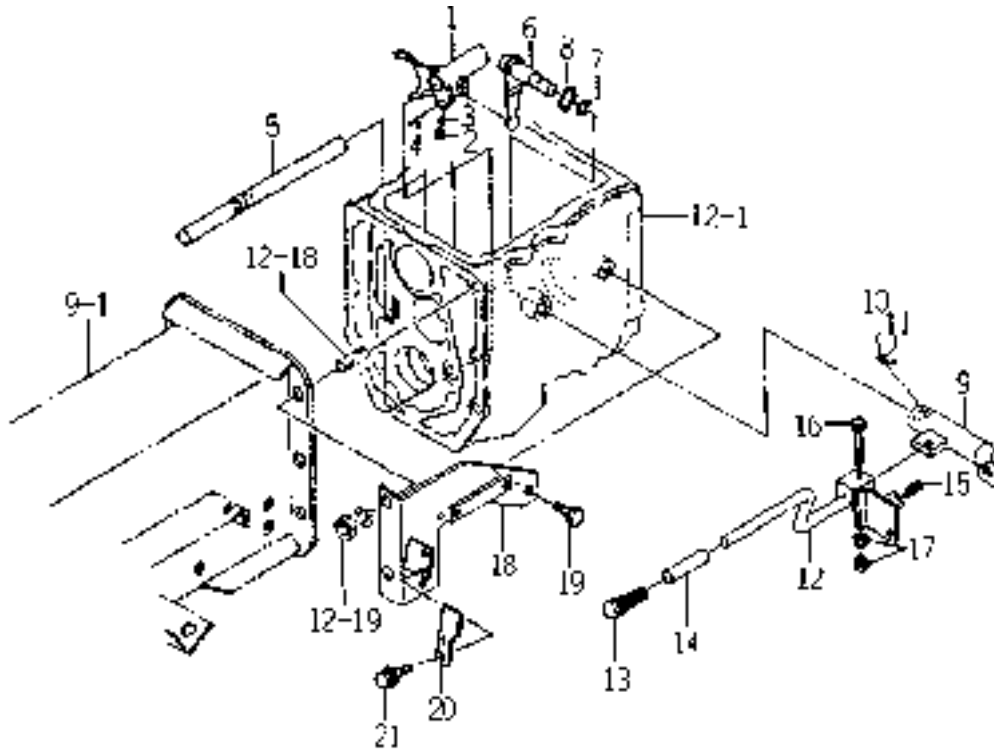
FIG. 30 GEAR (PTO) SYSTEM (H TYPE)



1750-211A-0100

KEY	PART CODE	DESCRIPTION	S P C	TYPE OF MODEL				I T C	C O L	G R P	REMARKS
				TM3200	TM3200H	TM3240	TM3240H				
1	1685-211-500-10	CLUTCH/PTO/3 ASSY	*		1		1			FIG 111	
2	1688-211-058-00	BUSH/22X25X15	*		2		2				
3	1688-211-510-20	SHAFT/PTO COMP	*		1		1				
4	1688-211-057-00	RING/22	*		2		2				
5	1688-211-051-10	GEAR/SPUR/33	*		1		1				
6	1480-207-012-00	COLLAR 23X34X2	*		1		1				
7	1544-322-002-00	WASHER/30X40X2	*		1		1				
8	V704-140-030-00	RING,SNAP/30 C	*		1		1				
9	1688-211-053-00	COUPLING/37X50X35	*		1		1				
10	1688-211-052-00	GEAR/SPUR/18	*		1		1				
11	1682-255-002-20	BEARING/NEEDLE	*		1		1				
12	3656-107-004-00	WASHER/21X38X02	*		1		1				
13	V704-140-020-00	RING,SNAP/20C	*		1		1				
14	1650-203-008-00	RING/30	*		3		3				
15	V600-110-620-40	BEARING,RB/6204	*		1		1				
16	V600-110-620-60	BEARING,RB/6206	*		1		1				
17	1544-322-002-00	WASHER/30X40X2	*		1		1				
18	V704-140-030-00	RING,SNAP/30 C	*		1		1				
19	V707-140-062-00	RING/SNAP	*		1		1				
20	1688-211-054-00	GEAR/SPUR/31-20	*		1		1				
21	V654-425-322-40	BEARING KT253224	*		2		2				
22	1435-203-001-00	COLLAR/25X46X3	*		1		1				
23	1415-205-013-00	COLLAR/25X42X4	*		1		1				
24	V704-140-025-00	RING,SNAP/25 C	*		1		1				
25	1688-211-055-10	GEAR/SPUR/30	*		1		1				
26	1688-211-056-20	SHAFT/DRIVE/PTO	*		1		1				
27	1688-211-310-00	HUB/CLUTCH COMP	*		1		1				
28	V654-430-382-40	BEARING,NR/KT303824	*		1		1				
29	1560-208-018-40	WASHER/30X46X2	*		1		1				
30	1544-322-002-00	WASHER/30X40X2	*		1		1				

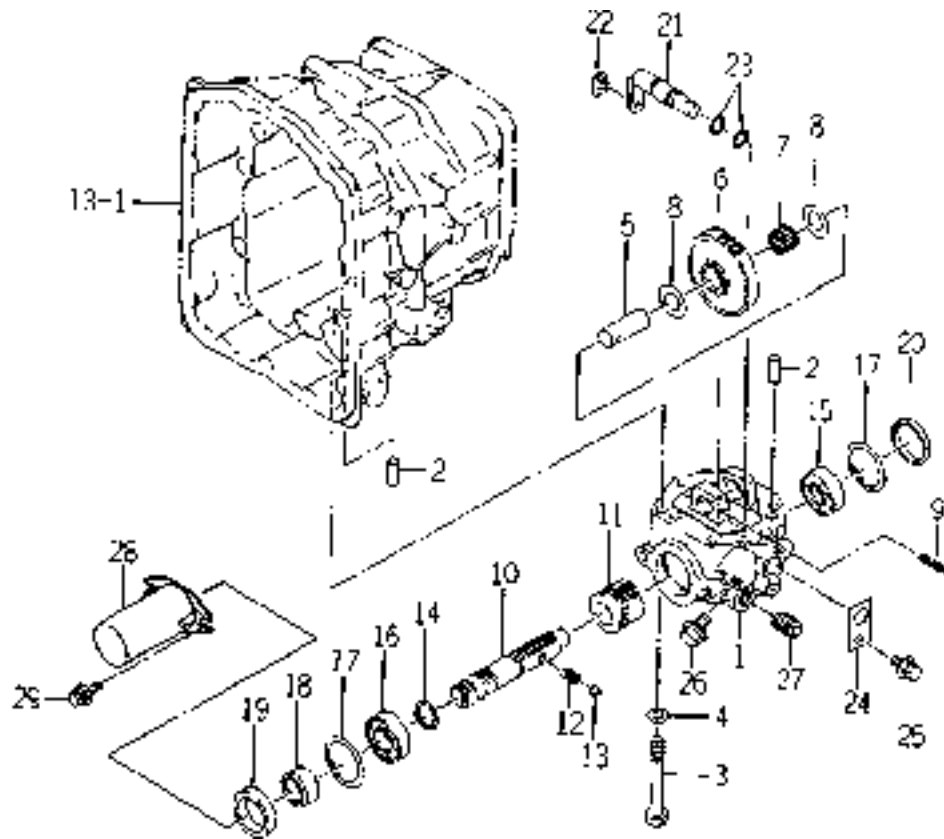
FIG. 32 LEVER (PTO) SYSTEM (EXCEPT H TYPE)



1750-216 -0100

KEY	PART CODE	DESCRIPTION	S P C	TYPE OF MODEL				I T C	C O L	G R P	REMARKS
				TM3200	TM3200H	TM3240	TM3240H				
1	1682-216-006-00	SHIFTER/PTO	*	1		1					
2	1302-225-003-00	SPRING,SHIFTER	*	1		1					
3	V682-200-001-00	BALL	*	1		1					
4	V500-162-502-50	PIN,SPLIT/2.5X25	*	1		1					
5	1682-216-001-10	STAY/SHIFT/PTO	*	1		1					
6	1672-216-310-00	ARM/SHIFT/PTO COMP	*	1		1					
7	V720-102-401-40	O-RING/P14	*	1		1					
8	1427-601-003-00	WASHER/15X24X2	*	1		1					
9	1682-216-270-10	ARM/PTO COMP	*	1		1					
10		WIRE	*	1		1					
11	V580-140-502-50	PIN,SPRING/5 X25 W	*	1		1					
12	1750-216-210-00	LEVER/PTO COMP	*	1		1					
13	3640-585-001-00	GLIP/YELLOW	*	1		1					
14	1682-255-303-00	TUBE/10X12X50	*	1		1					
15	2149-601-031-00	SPRING/HC024	*	1		1					
16	1682-216-007-10	BOLT/M8X45	*	1		1					
17	V304-460-008-00	NUT/M8	*	2		2					
18	1738-216-220-00	STAY/PTO/PARKIN COMP	*	1		1					
19	V211-261-002-00	BOLT,SEMS	*	1		1					
20	1750-216-001-10	GUIDE/CHANGE	*	1		1					
21	V210-360-601-60	BOLT(SP)/M6X16	*	2		2					

FIG. 35 MID PTO SYSTEM (H TYPE)

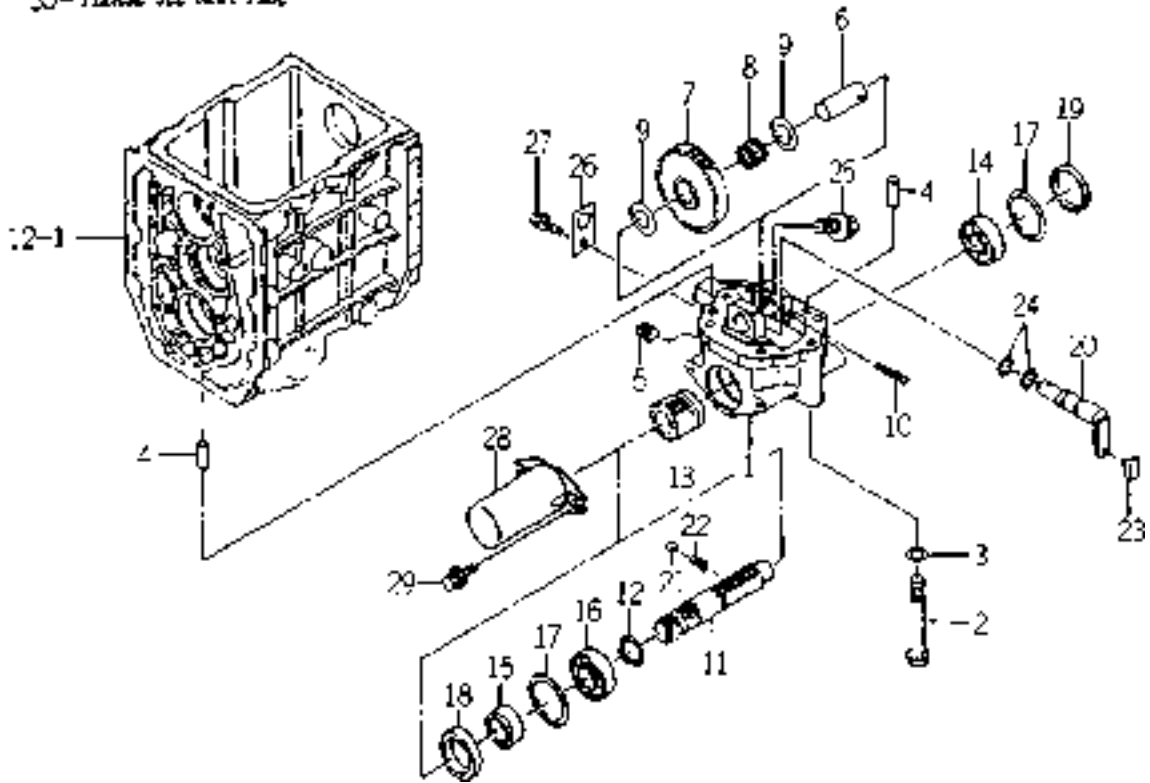


1683-255 -0100

KEY	PART CODE	DESCRIPTION	S P C	TYPE OF MODEL				I T C	C O L	G R P	REMARKS
				TM3200	TM3200H	TM3240	TM3240H				
1	1682-255-201-10	CASE/PTO/MID	*		1		1				
2	V523-101-002-40	PIN	*		2		2				
3	V201-361-009-00	BOLT/M10X90	*		6		6				
4	V401-160-010-00	WASHER,SP/M10	*		6		6				
5	1682-255-203-00	PIN/20X51	*		1		1				
6	1682-255-202-00	GEAR/SPUR/34	*		1		1				
7	1682-255-002-20	BEARING/NEEDLE	*		1		1				
8	1480-212-003-00	COLLAR/21X36X1	*		2		2				
9	V580-140-604-00	PIN,SPRING/6 X40 W	*		1		1				
10	1682-255-204-00	SHAFT/PTO/MID	*		1		1				
11	1682-255-205-10	GEAR/SPUR/15	*		1		1				
12	1302-225-003-00	SPRING,SHIFTER	*		1		1				
13	V682-200-001-00	BALL	*		1		1				
14	V704-140-025-00	RING,SNAP/25 C	*		1		1				
15	V600-110-630-40	BEARING,RB/6304	*		1		1				
16	V600-110-620-50	BEARING,RB/6205	*		1		1				
17	V705-140-052-00	RING,SNAP/52 C	*		2		2				
18	1427-212-003-20	SLEEVE	*		1		1				
19	V744-135-520-80	SEAL,OIL/TC35528	*		1		1				
20	3625-701-003-00	CAP,BLANK/52	*		1		1				
21	1682-255-210-40	ARM/SHIFT/MID COMP	*		1		1				
22	2703-101-020-00	COLLAR,SHIFTER	*		1		1				
23	V720-102-401-40	O-RING/P14	*		2		2				
24	1620-255-208-00	PLATE/L/30X50	*		1		1				
25	V211-360-801-60	BOLT,SEMS (SP)	*		1		1				
26	V233-361-201-60	FLANGEBOLT	*		1		1				
27	V781-160-000-6B	PLUG/SCREW/SEAL	*		1		1				
28	1444-314-009-10	CAP,PTO SHAFT	*		1		1				
29	V210-360-602-00	BOLT/SP	*		1		1				

FIG. 36 MID PTO SYSTEM (M TYPE EXCEPT H)(1/2)

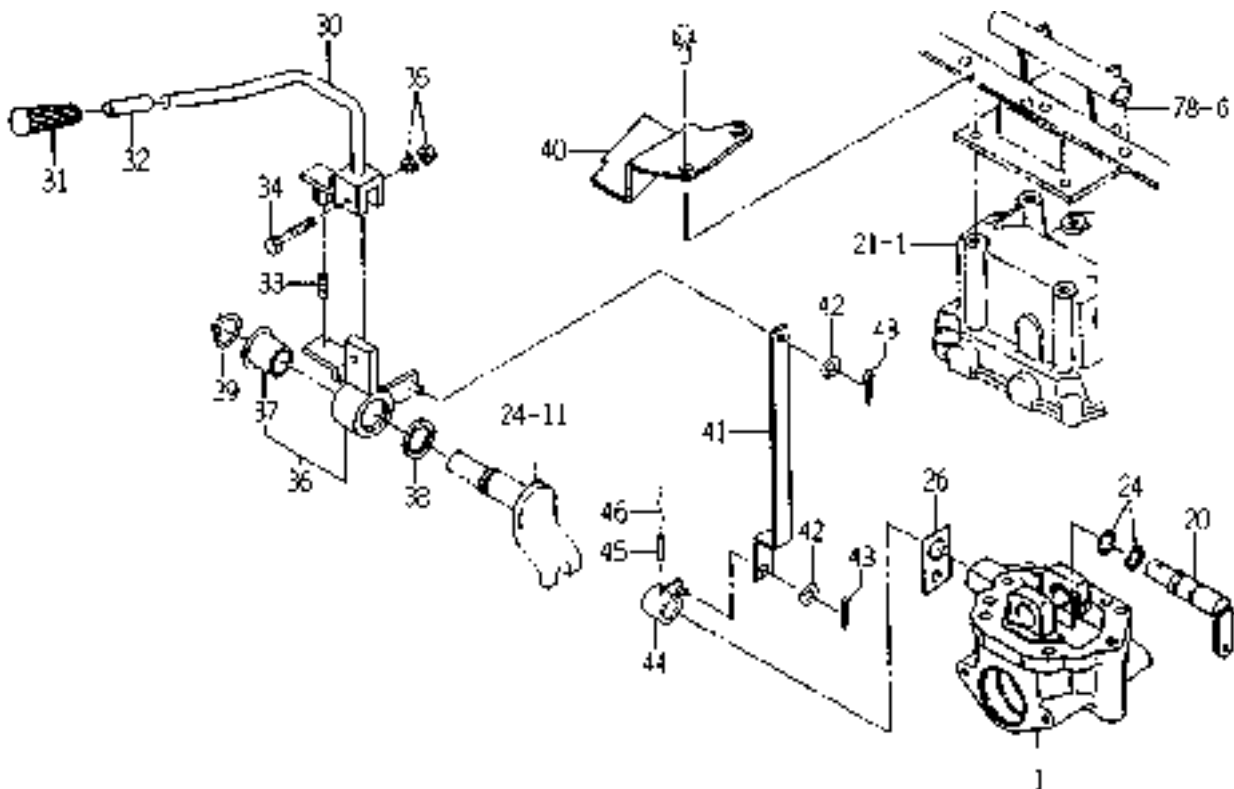
30- PLEASE SEE NEXT PAGE



1738-255-0100

KEY	PART CODE	DESCRIPTION	S P C	TYPE OF MODEL				I T C	C O L	G R P	REMARKS
				TM3200	TM3200H	TM3240	TM3240H				
1	1682-255-201-10	CASE/PTO/MID	*	1		1					
2	V201-361-009-00	BOLT/M10X90	*	6		6					
3	V401-160-010-00	WASHER,SP/M10	*	6		6					
4	V523-101-002-40	PIN	*	2		2					
5	V781-160-000-6B	PLUG/SCREW/SEAL	*	1		1					
6	1682-255-203-00	PIN/20X51	*	1		1					
7	1682-255-202-00	GEAR/SPUR/34	*	1		1					
8	1682-255-002-20	BEARING/NEEDLE	*	1		1					
9	1480-212-003-00	COLLAR/21X36X1	*	2		2					
10	V580-140-604-00	PIN,SPRING/6 X40 W	*	1		1					
11	1682-255-204-00	SHAFT/PTO/MID	*	1		1					
12	V704-140-025-00	RING,SNAP/25 C	*	1		1					
13	1682-255-205-10	GEAR/SPUR/15	*	1		1					
14	V600-110-630-40	BEARING,RB/6304	*	1		1					
15	1427-212-003-20	SLEEVE	*	1		1					
16	V600-110-620-50	BEARING,RB/6205	*	1		1					
17	V705-140-052-00	RING,SNAP/52 C	*	2		2					
18	V744-135-520-80	SEAL,OIL/TC35528	*	1		1					
19	3625-701-003-00	CAP,BLANK/52	*	1		1					
20	1682-255-210-40	ARM/SHIFT/MID COMP	*	1		1					
21	V682-200-001-00	BALL	*	1		1					
22	1302-225-003-00	SPRING,SHIFTER	*	1		1					
23	2703-101-020-00	COLLAR,SHIFTER	*	1		1					
24	V720-102-401-40	O-RING/P14	*	2		2					
25	V233-361-201-60	FLANGE BOLT	*	1		1					
26	1620-255-208-00	PLATE/I/30X50	*	1		1					
27	V211-360-801-60	BOLT,SEMS (SP)	*	1		1					
28	1444-314-009-10	CAP,PTO SHAFT	*	1		1					
29	V210-360-602-00	BOLT/SP	*	2		2					
30	1738-255-310-20	LEVER/PTO/MID COMP	*	1		1					

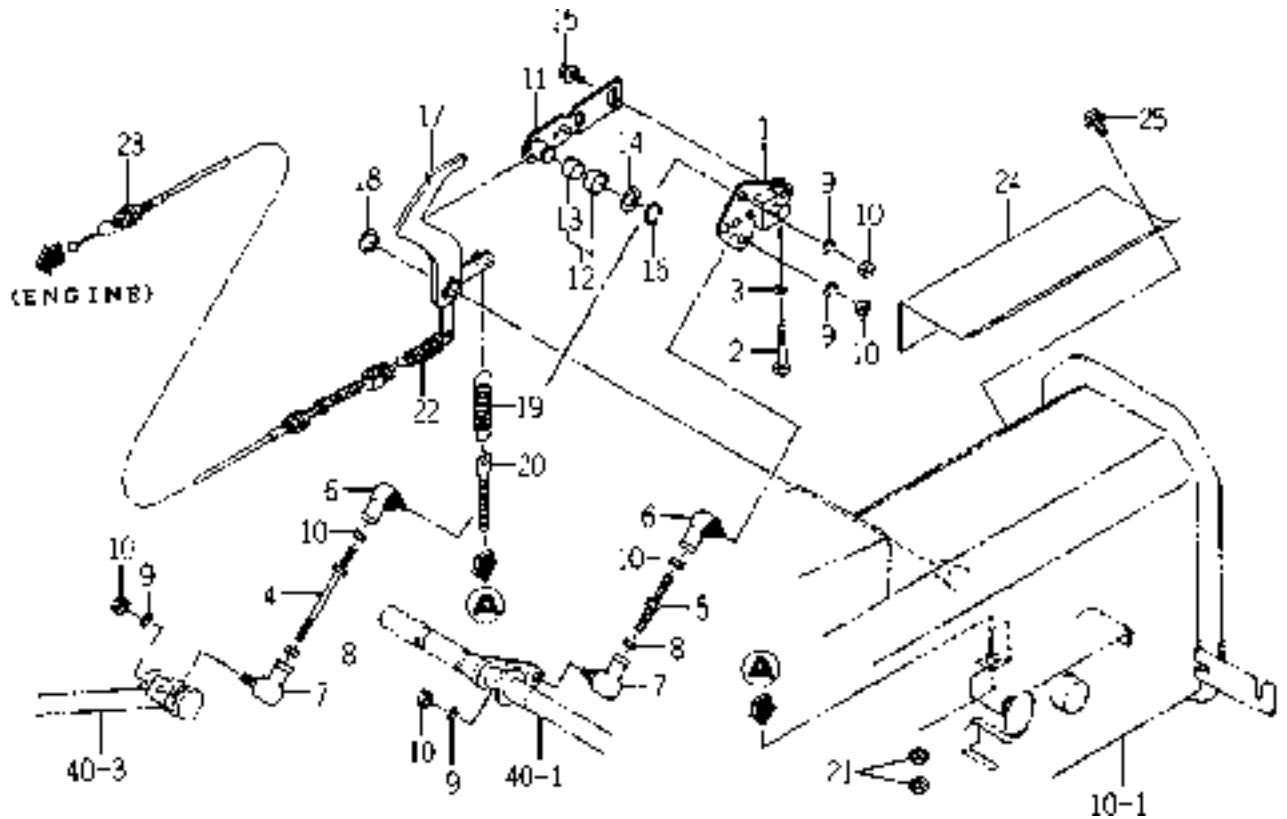
FIG. 36 MID PTO SYSTEM (M TYPE EXCEPT H)(2/2)



1738-255-0100

KEY	PART CODE	DESCRIPTION	S P C	TYPE OF MODEL				I T C	C O L	G R P	REMARKS
				TM3200	TM3200H	TM3240	TM3240H				
31	3640-585-001-00	GLIP/YELLOW	*	1		1					
32	1682-255-303-00	TUBE/10X12X50	*	1		1					
33	2149-601-031-00	SPRING/HC024	*	1		1					
34	V200-360-604-00	BOLT	*	1		1					
35	V300-460-006-00	NUT/M 6	*	2		2					
36	1738-255-330-00	ARM/PTO/MID ASSY	*	1		1					
37	1581-521-642-00	BUSH/25X28X27	*	1		1					
38	3670-520-008-00	WASHER/25X34X02	*	1		1					
39	V704-140-025-00	RING,SNAP/25 C	*	1		1					
40	1738-255-002-00	GUIDE/PTO/MID	*	1		1					
41	1738-255-001-00	ROD/TIE/MID	*	1		1					
42	V411-260-008-00	WASHER,PL/M 8	*	2		2					
43	V500-162-001-50	PIN,SPLIT/2 X15	*	2		2					
44	1683-265-510-00	ARM/SHIFT/MID COMP	*	1		1					
45	V580-140-602-50	PIN,SPRING/6 X25 W	*	1		1					
46		WIRE	*	1		1					

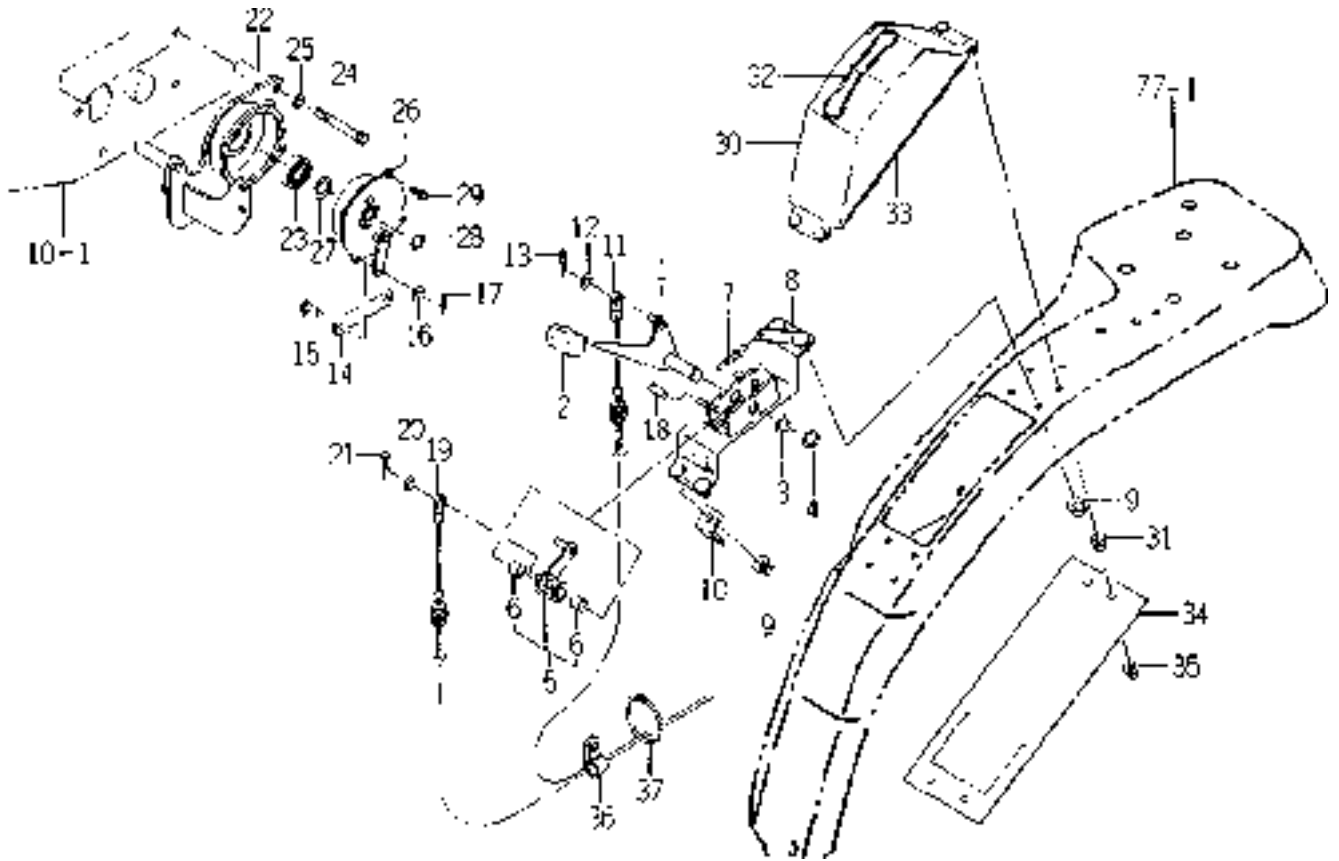
FIG. 39 LINK (HST) SYSTEM (H TYPE)



1750-271-0100

KEY	PART CODE	DESCRIPTION	S P C	TYPE OF MODEL				I T C	C O L	G R P	REMARKS
				TM3200	TM3200H	TM3240	TM3240H				
1	1688-271-510-10	PIVOT/TRUNNION COMP	*		1		1				
2	V201-360-804-50	BOLT/M8X45/7T	*		1		1				
3	V401-160-008-00	WASHER,SP/M 8	*		1		1				
4	1683-271-560-00	ROD/M08X110 COMP	*		1		1				
5	1750-271-220-00	ROD/M8X65 COMP	*		1		1				
6	1560-695-021-00	JOINT BALL M08RH	*		2		2				
7	1560-695-022-00	JOINT BALL M08LH	*		2		2				
8	1560-132-007-30	NUT/M8	*		2		2				
9	V401-160-008-00	WASHER,SP/M 8	*		4		4				
10	V304-260-008-00	NUT	*		6		6				
11	1683-271-500-40	ARM/NEUTRAL COMP	*		1		1				
12	1683-271-520-10	COLLAR/17X21X11 ASSY	*		1		1				
13	3643-420-004-00	BUSH/15X17X10	*		1		1				
14	3747-342-002-00	WASHER	*		1		1				
15	V211-360-801-60	BOLT,SEMS (SP)	*		2		2				
16	V704-140-015-00	RING,SNAP/15 C	*		1		1				
17	1750-271-210-20	ARM COMP	*		1		1				
18	V704-140-015-00	RING,SNAP/15 C	*		1		1				
19	3650-703-004-00	SPRING/HE85	*		1		1				
20	3814-114-001-00	ROD/M8X92	*		1		1				
21	V304-260-008-00	NUT	*		2		2				
22	2149-312-015-60	SPRING/HE068	*		1		1				
23	1750-271-300-00	CABLE/PEDAL ASSY	*		1		1				
24	1750-271-001-00	COVER/TRUNNION	*		1		1				
25	V210-360-601-60	BOLT(SP)/M6X16	*		3		3				

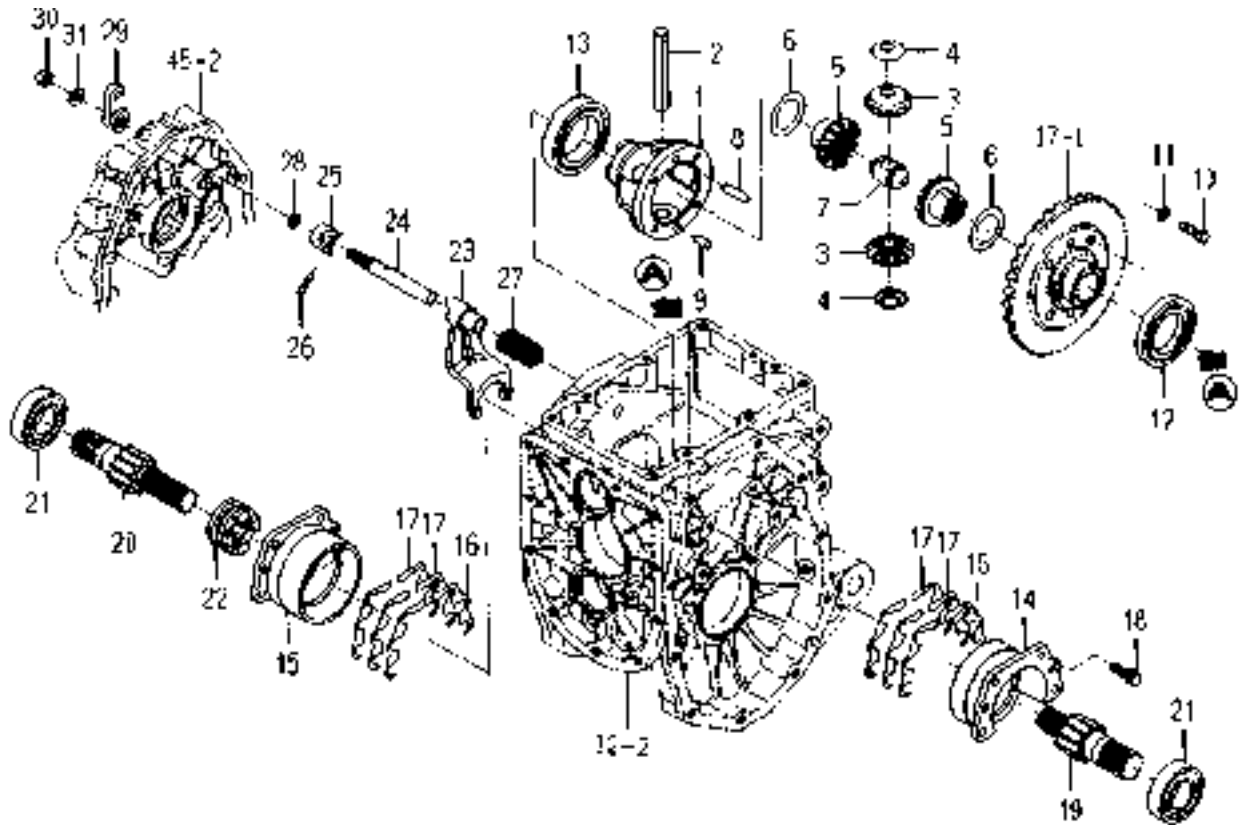
FIG. 41 CRUISE SYSTEM (TM3240-H TYPE)



1750-272A-0100

KEY	PART CODE	DESCRIPTION	S P C	TYPE OF MODEL				I T C	C O L	G R P	REMARKS
				TM3200	TM3200H	TM3240	TM3240H				
1	1750-272-520-00	LEVER/CRUISE COMP	*				1				
2	1703-261-002-00	GRIP/MAIN	*				1				
3	V411-260-014-00	WASHER,PLM14	*				1				
4	V704-140-015-00	RING,SNAP/15 C	*				1				
5	1750-272-530-00	ARM/CRUISE ASSY	*				1				
6	3650-106-006-00	BUSH/15X17X15	*				2				
7	1414-312-002-00	SPRING,TENSION/53	*				1				
8	1750-272-550-20	PLATE/CRUISE COMP	*				1				
9	V362-260-008-00	NUT/WASHER	*				4				
10	1750-272-580-00	PLATE COMP	*				1				
11	1750-272-610-10	CABLE/CRUISE/A ASSY	*				1				
12	V411-260-008-00	WASHER,PL/M 8	*				1				
13	V500-162-002-00	PIN,SPLIT/2 X20	*				1				
14	1726-505-003-00	PLATE/IR/16X105	*				1				
15	1432-242-001-00	PIN	*				2				
16	V411-260-008-00	WASHER,PL/M 8	*				2				
17	V500-162-002-00	PIN,SPLIT/2 X20	*				2				
18	1750-272-054-00	HOSE/07X11X20	*				3				
19	1750-272-620-00	CABLE/CRUISE/B ASSY	*				1				
20	V411-260-008-00	WASHER,PL/M 8	*				1				
21	V500-162-002-00	PIN,SPLIT/2 X20	*				1				
22	1750-272-510-10	BRACKET/BRAKE/FILTER	*				1				
23	V600-150-600-40	BEARING,RB/6004SS	*				1				
24	V201-261-008-00	BOLT/M10X80	*				4				
25	V401-160-010-00	WASHER,SP/M10	*				4				
26	1750-272-570-00	BRAKE ASSY	*				1				
27	3824-222-006-00	COLLAR/18X30X1	*				1				
28	V704-140-018-00	RING,SNAP/18 C	*				1				
29	V210-560-601-60	BOLT/S	*				4				
30	1750-272-560-10	GUIDE/CRUISE COMP	*				1				

FIG. 44 DIFF CASE SYSTEM

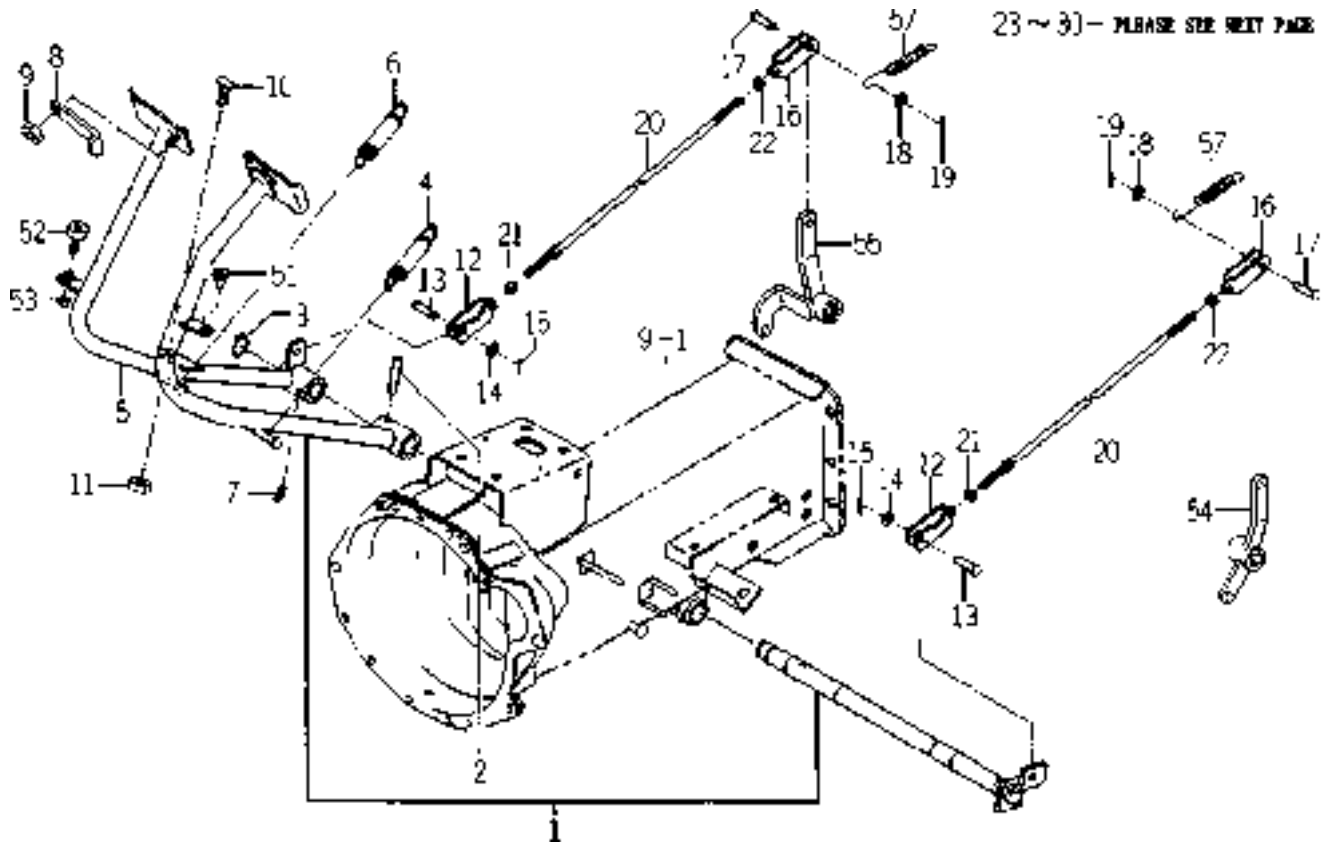


1750-304 -0100

KEY	PART CODE	DESCRIPTION	S P C	TYPE OF MODEL				I T C	C O L	G R P	REMARKS
				TM3200	TM3200H	TM3240	TM3240H				
1	1427-301-002-20	CASE,DIFF	*	1	1	1	1				
2	1444-411-006-00	SHAFT,DIFF. PINION	*	1	1	1	1				
3	1672-301-003-00	PINION/BEVEL/12	*	2	2	2	2				
4	1427-301-005-00	COLLAR,PINION THRUST	*	2	2	2	2				
5	1672-301-004-00	GEAR/BEVEL/14	*	2	2	2	2				
6	1427-301-007-00	COLLAR,THRUST	*	2	2	2	2				
7	1427-301-009-00	HOLDER,PINION SHAFT	*	1	1	1	1				
8	1672-301-002-00	PIN	*	1	1	1	1				
9	V523-100-801-60	PIN	*	1	1	1	1				
10	1544-304-006-10	BOLT/M8X25	*	4	4	4	4				
11	V401-160-008-00	WASHER,SP/M 8	*	4	4	4	4				
12	1600-301-004-00	BEARING/BALL	*	1	1	1	1				
13	V600-110-601-00	BEARING,RB/6010	*	1	1	1	1				
14	1427-201-012-00	METAL,DIFF-CASE LH	*	1	1	1	1				
15	1427-201-013-00	METAL,DIFF-CASE RH	*	1	1	1	1				
16	1427-201-014-10	SHIM,DIFF-CASE A	*	8	8	8	8				
17	1427-201-015-10	SHIM,DIFF-CASE B	*	4	4	4	4				
18	V211-560-802-50	BOLT,SEMS/M8X25 7T	*	8	8	8	8				
19	1717-304-001-00	GEAR/SPUR/11/LH	*	1	1	1	1				
20	1717-304-002-00	GEAR/SPUR/11/RH	*	1	1	1	1				
21	V600-110-620-60	BEARING,RB/6206	*	2	2	2	2				
22	1427-301-013-20	CLUTCH/DIFFLOCK	*	1	1	1	1				
23	1427-301-014-10	FORK/SHIFT/DIFFLOCK	*	1	1	1	1				
24	1427-301-015-10	STAY,SHIFTER	*	1	1	1	1				
25	1427-301-016-00	CAM,DIFF-LOCK	*	1	1	1	1				
26	V530-240-502-40	PIN/SLITTED	*	1	1	1	1				
27	1427-301-018-00	SPRING,PRESS/40	*	1	1	1	1				
28	V720-102-401-00	O-RING/P10A	*	1	1	1	1				
29	1427-301-019-00	ARM/DIFFLOCK	*	1	1	1	1				
30	V304-260-010-00	NUT	*	1	1	1	1				

**FIG. 50 PEDAL (BRAKE) SYSTEM(1/2)
(EXCEPT H TYPE)**

23~31) - PLEASE SEE NEXT PAGE

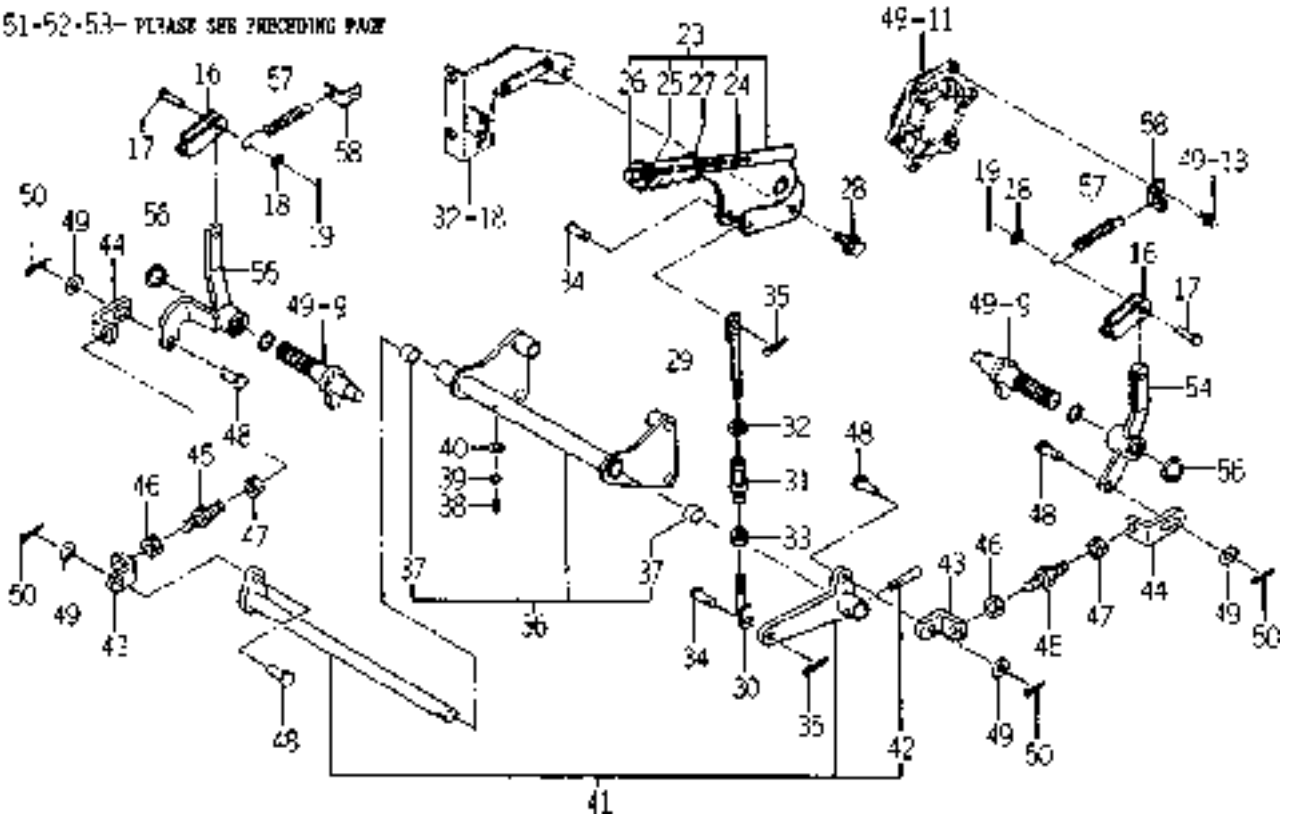


1750-312-0100

KEY	PART CODE	DESCRIPTION	S P C	TYPE OF MODEL				I T C	C O L	G R P	REMARKS
				TM3200	TM3200H	TM3240	TM3240H				
1	1738-312-320-20	PEDAL/BRAKE/LH SET	*	1		1					
2	V511-100-805-00	PIN,TAPER/8X50	*	1		1					
3	V704-140-022-00	RING,SNAP/22 C	*	1		1					
4	1673-314-001-00	SPRING/HE106	*	1		1					
5	1738-312-220-10	PEDAL/BRAKE/RH COMP	*	1		1					
6	1673-314-001-00	SPRING/HE106	*	1		1					
7	V763-150-000-00	NIPPLE,GREASE/PT1/8	*	1		1					
8	1675-312-051-00	LOCKPLATE	*	1		1					
9	P120-605-031-00	U-NUT	*	1		1					
10	1688-312-001-10	BOLT/ADJUST	*	1		1					
11	V304-260-008-00	NUT	*	1		1					
12	1415-312-500-00	YOKE,LH	*	2		2					
13	1404-312-006-00	PIN,YOKE A	*	2		2					
14	V411-260-008-00	WASHER,PL/M 8	*	2		2					
15	V500-162-002-00	PIN,SPLIT/2 X20	*	2		2					
16	1510-328-260-00	YOKE COMP	*	2		2					
17	1404-312-006-00	PIN,YOKE A	*	2		2					
18	V411-260-008-00	WASHER,PL/M 8	*	2		2					
19	V500-162-002-00	PIN,SPLIT/2 X20	*	2		2					
20	1750-312-310-00	ROD/390 COMP	*	2		2					
21	1560-132-007-30	NUT/M8	*	2		2					
22	V304-260-008-00	NUT	*	2		2					
23	1740-313-300-00	LEVER/PARKING ASSY	*	1		1					
24	1442-313-202-00	ROD	*	1		1					
25	1444-328-273-00	SPRING	*	1		1					
26	1444-328-272-00	BUTTON	*	1		1					
27	1740-313-301-00	GRIP/ORANGE	*	1		1					
28	V211-360-802-50	BOLT/SP	*	2		2					
29	1738-312-280-00	ROD/115 COMP	*	1		1					
30	1738-312-290-00	ROD/70 COMP	*	1		1					

**FIG. 50 PEDAL (BRAKE) SYSTEM(2/2)
(EXCEPT H TYPE)**

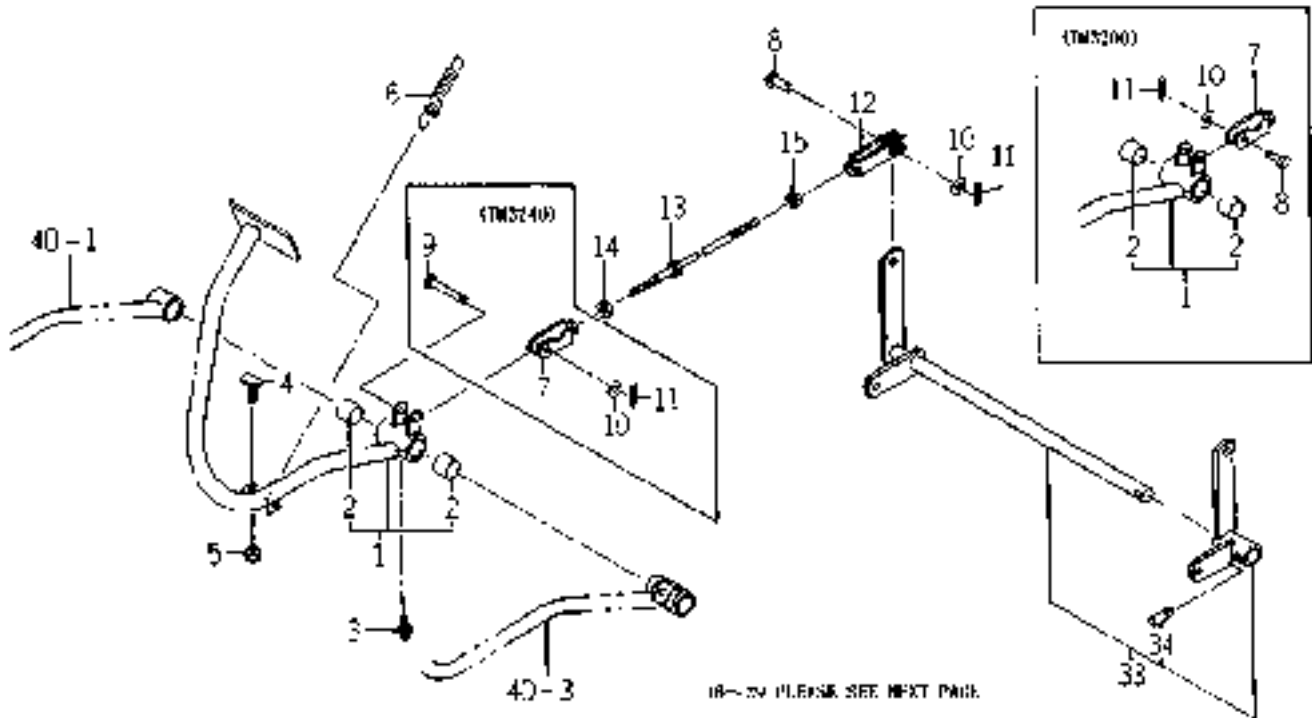
51-52-53- PLEASE SEE PRECEDING PAGE



1750-312-0100

KEY	PART CODE	DESCRIPTION	S P C	TYPE OF MODEL				I T C	C O L	G R P	REMARKS
				TM3200	TM3200H	TM3240	TM3240H				
31	1444-122-002-00	TURNBUCKLE/M8	*	1		1					
32	V304-260-008-00	NUT	*	1		1					
33	1560-132-007-30	NUT/M8	*	1		1					
34	1673-730-008-00	PIN/08X19	*	2		2					
35	V500-162-002-00	PIN,SPLIT/2 X20	*	2		2					
36	1738-312-300-10	HOLDER/SHAFT ASSY	*	1		1					
37	3668-612-001-00	BUSH	*	2		2					
38	V760-150-000-00	NIPPLE,GREASE	*	1		1					
39	V401-160-006-00	WASHER,SP/M 6	*	1		1					
40	V411-260-006-00	WASHER / M6	*	1		1					
41	1738-312-200-00	SHAFT/BRAKE SET	*	1		1					
42	V511-100-805-00	PIN,TAPER/8X50	*	1		1					
43	1738-312-005-00	PLATE/PARKING/A	*	2		2					
44	1738-312-006-00	PLATE/PARKING/B	*	2		2					
45	1738-312-007-00	ROD/M12X66	*	2		2					
46	V304-260-012-00	NUT/M12	*	2		2					
47	3640-432-006-00	NUT/M12/LH	*	2		2					
48	1627-122-008-00	PIN/10X25	*	4		4					
49	V411-260-010-00	WASHER/M10	*	4		4					
50	V500-162-502-00	PIN,SPLIT/2.5X20	*	4		4					
51	1432-616-002-00	RUBBER,CUSHION	*	1		1					
52	1560-630-024-00	INSULATOR	*	1		1					
53	V304-260-008-00	NUT	*	1		1					
54	1738-312-240-00	ARM/BRAKE/LH COMP	*	1		1					
55	1738-312-260-00	ARM/BRAKE/RH COMP	*	1		1					
56	V704-140-022-00	RING,SNAP/22 C	*	2		2					
57	3659-480-003-00	SPRING/HE110	*	2		2					
58	1738-312-009-00	PLATE/L/28X28	*	2		2					

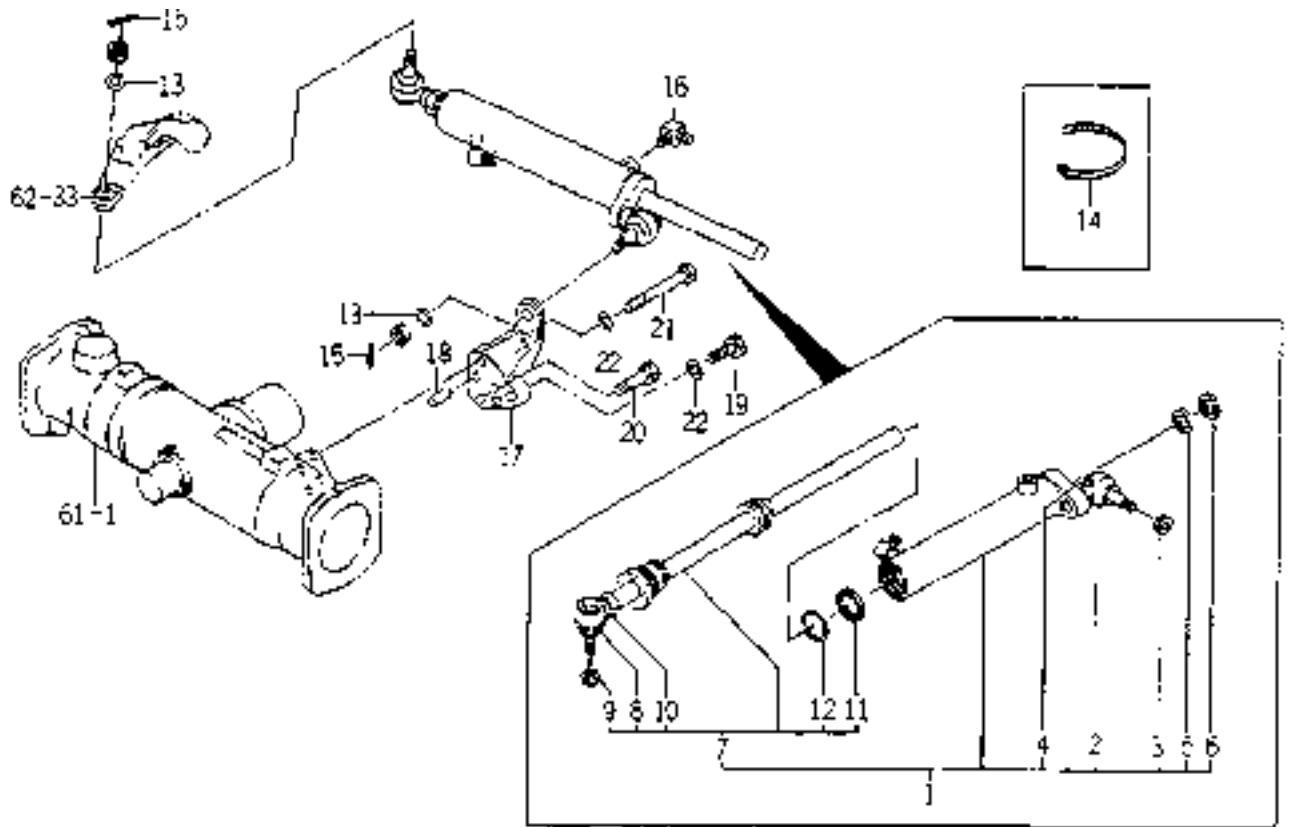
FIG. 51 PEDAL (BRAKE) SYSTEM (H TYPE)(1/2)



1750-312A-0100

KEY	PART CODE	DESCRIPTION	S P C	TYPE OF MODEL				I T C	C O L	G R P	REMARKS
				TM3200	TM3200H	TM3240	TM3240H				
1	1750-312-620-00	PEDAL/BRAKE ASSY	*		1		1				
2	3664-540-001-00	BUSH/22X25X20	*		2		2				
3	V763-150-000-00	NIPPLE, GREASE/PT1/8	*		1		1				
4	1688-312-001-10	BOLT/ADJUST	*		1		1				
5	V304-260-008-00	NUT	*		1		1				
6	1673-314-001-00	SPRING/HE106	*		1		1				
7	1415-312-500-00	YOKE, LH	*		1		1				
8	1404-312-006-00	PIN, YOKE A	*				1				
8	1404-312-006-00	PIN, YOKE A	*		2						
9	1750-312-054-00	PIN/08X57	*				1				
10	V411-260-008-00	WASHER, PL/M 8	*		2		2				
11	V500-162-002-00	PIN, SPLIT/2 X20	*		2		2				
12	1510-328-260-00	YOKE COMP	*		1		1				
13	1683-312-570-00	ROD/BRAKE COMP	*		1		1				
14	1560-132-007-30	NUT/M8	*		1		1				
15	V304-260-008-00	NUT	*		1		1				
16	1738-312-330-00	LEVER/PARKING COMP	*		1		1				
17	V211-360-802-50	BOLT/SP	*		2		2				
18	V211-360-802-00	BOLT/SP	*		2		2				
19	1750-312-590-00	PLATE COMP	*		1		1				
20	1425-621-004-00	HOLDER/JE/9-9	*		1		1				
21	1750-312-056-00	ROD/42	*		1		1				
22	V411-260-008-00	WASHER, PL/M 8	*		2		2				
23	V500-162-002-00	PIN, SPLIT/2 X20	*		2		2				
24	1404-312-006-00	PIN, YOKE A	*		1		1				
25	1750-312-540-00	ROD COMP	*		1		1				
26	1560-132-007-30	NUT/M8	*		1		1				
27	1444-122-002-00	TURNBUCKLE/M8	*		1		1				
28	1750-312-500-10	HOLDER/SHAFT ASSY	*		1		1				
29	3668-612-001-00	BUSH	*		2		2				

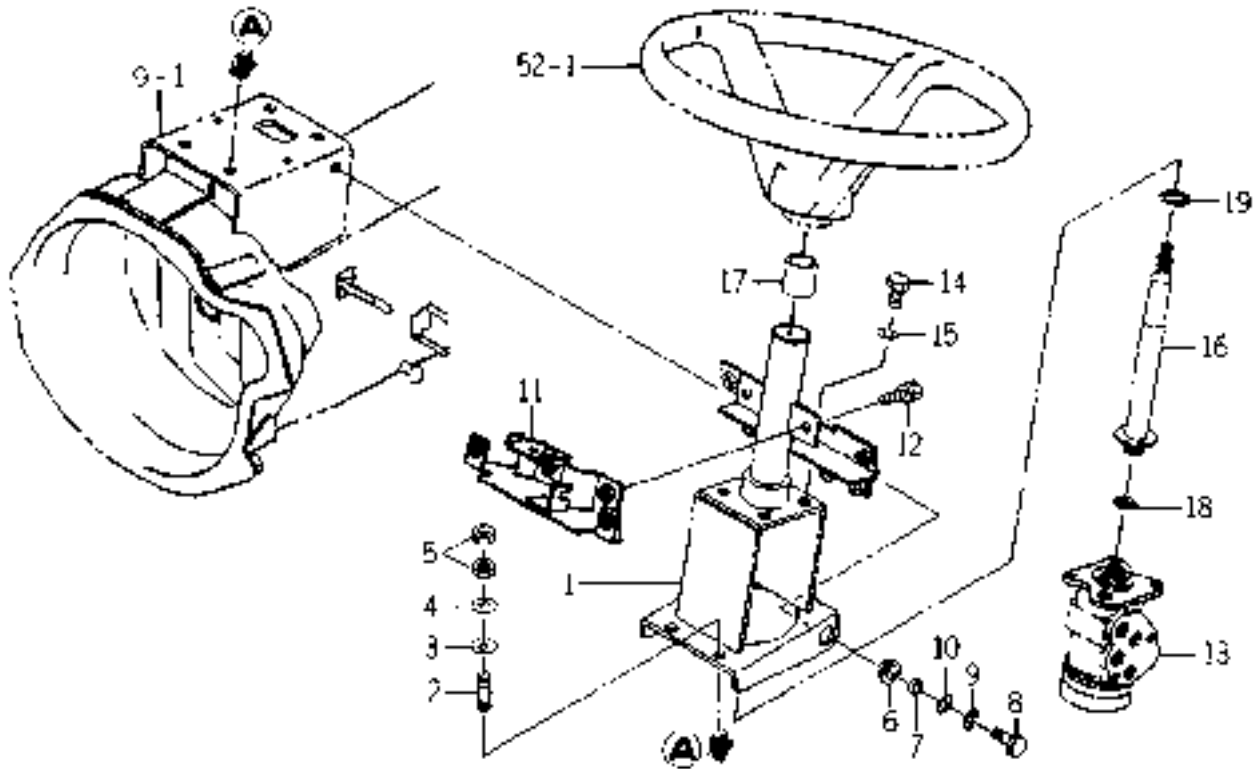
FIG. 53 STEERING SYSTEM (1)



1684-403-0100

KEY	PART CODE	DESCRIPTION	S P C	TYPE OF MODEL				I T C	C O L	G R P	REMARKS
				TM3200	TM3200H	TM3240	TM3240H				
1	1684-403-200-00	CYLINDER ASSY	*	1	1	1	1				
2	1404-402-001-00	COVER,DUST	*	1	1	1	1				
3	1404-402-002-00	NUT,SLOTTED	*	1	1	1	1				
4	1404-402-005-00	NIPPLE,GREASE	*	1	1	1	1				
5	K185-012-003-00	PACKING,ROD	*	1	1	1	1				
6	K185-012-004-00	SEAL,DUST	*	1	1	1	1				
7	1684-403-300-00	ROD/PISTON SET	*	1	1	1	1				
8	1404-402-001-00	COVER,DUST	*	1	1	1	1				
9	1404-402-002-00	NUT,SLOTTED	*	1	1	1	1				
10	1404-402-005-00	NIPPLE,GREASE	*	1	1	1	1				
11	K177-006-203-00	SEAL/PISTON	*	1	1	1	1				
12	V720-113-503-40	RING/O	*	1	1	1	1				
13	V401-160-012-00	WASHER,SP/M12	*	2	2	2	2				
14	1342-402-006-00	BAND,WIRE/250	*	1	1	1	1				
15	V500-162-002-50	PIN,SPLIT/2 X25	*	2	2	2	2				
16	3768-185-022-10	ADAPTER(90Ø/PUMP)	*	1	1	1	1				
17	1682-403-001-40	STAY/CYLINDER	*	1	1	1	1				
18	V523-101-002-40	PIN	*	2	2	2	2				
19	1682-434-011-00	BOLT/REAMER/M10X35	*	1	1	1	1				
20	V211-561-003-50	BOLT/S	*	1	1	1	1				
21	V201-361-008-50	BOLT	*	1	1	1	1				
22	V401-160-010-00	WASHER,SP/M10	*	2	2	2	2				

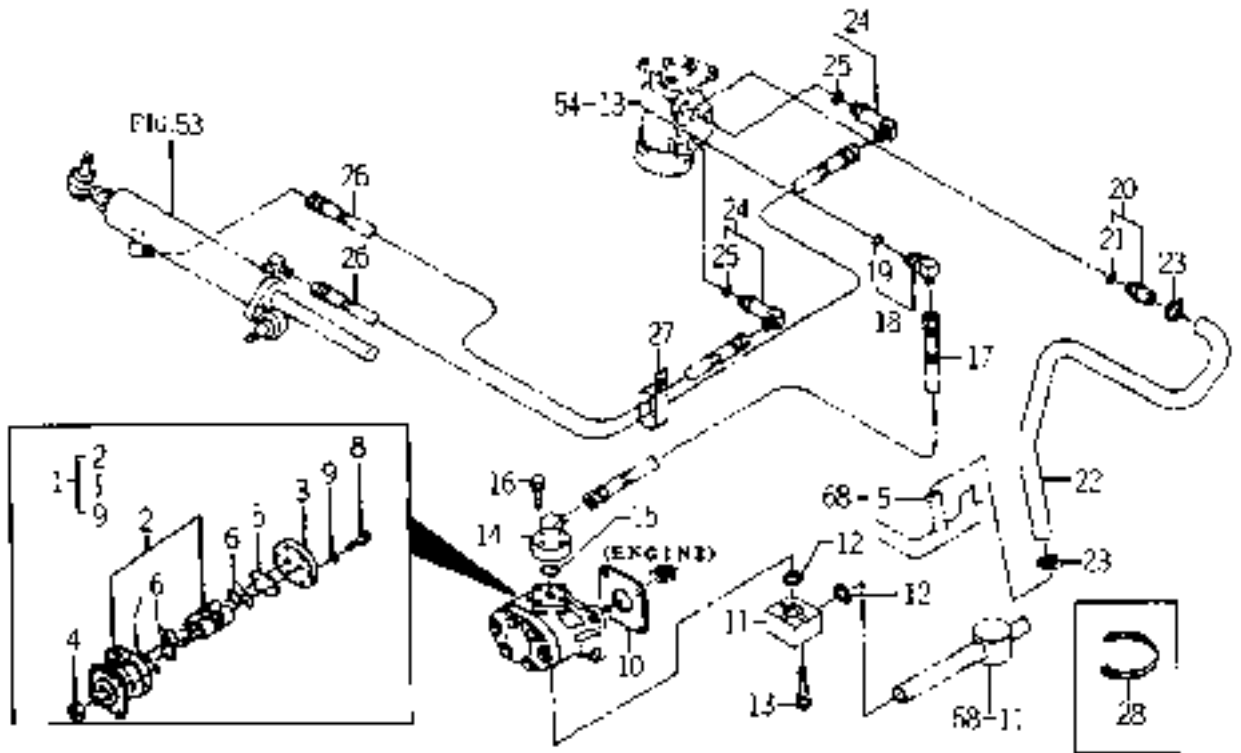
FIG. 54 STEERING SYSTEM (2)



1750-407-0100

KEY	PART CODE	DESCRIPTION	SPC	TYPE OF MODEL				I T C	C O L	G R P	REMARKS
				TM3200	TM3200H	TM3240	TM3240H				
1	1750-407-210-10	COLUMN/STEERING COMP	*	1	1	1	1				
2	1672-406-005-00	BOLT/STUD/M10X35	*	2	2	2	2				
3	1646-640-059-00	WASHER/12X26X06	*	2	2	2	2				
4	V411-260-010-00	WASHER/M10	*	2	2	2	2				
5	V334-460-010-00	NUT/M10 7T P=1.25	*	4	4	4	4				
6	1750-407-001-00	GROMMET/14X18X06	*	2	2	2	2				
7	3814-835-035-00	COLLAR/10X15X07	*	2	2	2	2				
8	V203-361-002-50	BOLT	*	2	2	2	2				
9	V401-160-010-00	WASHER,SP/M10	*	2	2	2	2				
10	V411-260-010-00	WASHER/M10	*	2	2	2	2				
11	1717-406-200-00	BRACKET/FRONT COMP	*	1	1	1	1				
12	V211-260-802-00	BOLT/S	*	2	2	2	2				
13	1682-407-220-00	CONTROLLER/STEERING	*	1	1	1	1				
14	V203-261-002-00	BOLT/M10X20	*	3	3	3	3				
15	V401-160-010-00	WASHER,SP/M10	*	3	3	3	3				
16	1682-407-210-10	SHAFT/STEERING/ COMP	*	1	1	1	1				
17	1429-406-205-00	BUSH	*	1	1	1	1				
18	V720-102-402-00	O-RING/P20	*	1	1	1	1				
19	V720-103-503-60	O-RING/P36	*	1	1	1	1				

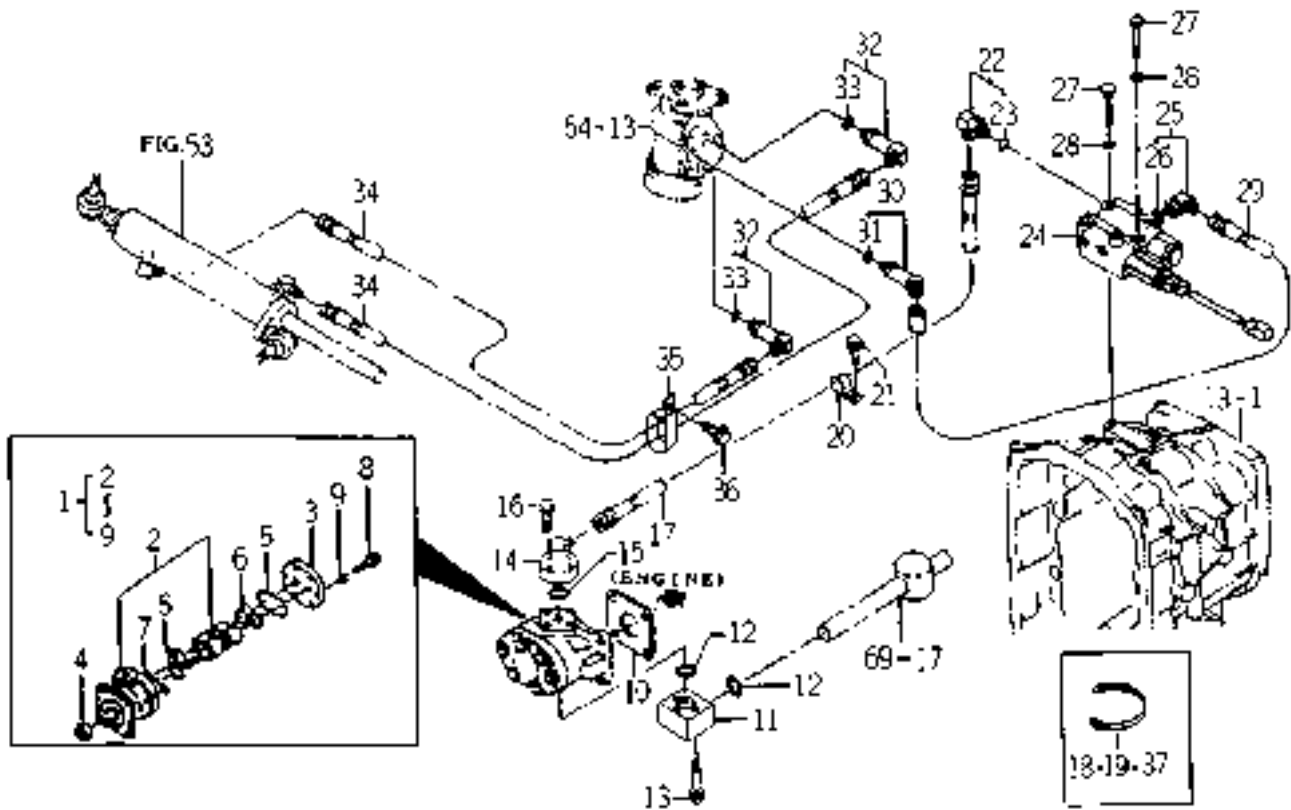
FIG. 55 PIPING SYSTEM (EXCEPT H TYPE)



1750-408-0100

KEY	PART CODE	DESCRIPTION	S P C	TYPE OF MODEL				I T C	C O L	G R P	REMARKS
				TM3200	TM3200H	TM3240	TM3240H				
1	K135-020-000-00	PUMP,GEAR ASSY	*	1		1					
2	K135-020-100-10	PUMP SET	*	1		1					
3	K135-015-002-00	COVER,PUMP	*	1		1					
4	V744-114-280-70	SEAL,OIL	*	1		1					
5	V721-113-105-00	O-RING HS90 G50	*	1		1					
6	V720-112-402-20	O-RING/P22	*	4		4					
7	V720-111-900-60	O-RING P6 HS90	*	1		1					
8	K135-002-009-00	BOLT/M8X28 11T	*	6		6					
9	V401-170-008-00	S.W	*	6		6					
10	1404-503-006-00	PACKING,OIL PUMP	*	1		1					
11	1709-407-002-00	FLANGE	*	1		1					
12	V720-112-402-00	O-RING/P20	*	2		2					
13	V210-560-604-50	BOLT/S	*	3		3					
14	1709-407-310-20	FLANGE/DELIVERY COMP	*	1		1					
15	V720-112-402-00	O-RING/P20	*	1		1					
16	V210-560-603-00	BOLT/S	*	4		4					
17	8664-555-330-00	HOSE/HYDRO/750 ASSY	*	1		1					
18	1705-408-230-00	ADAPTER/L/G1/4 ASSY	*	1		1					
19	V720-112-401-10	RING/O	*	1		1					
20	1682-408-230-00	ADAPTER/PF1/4 ASSY	*	1		1					
21	V720-112-401-10	RING/O	*	1		1					
22	1672-408-002-00	HOSE/TANK	*	1		1					
23	J061-116-025-00	CLAMP/WORM/16-25	*	2		2					
24	P113-211-330-00	ELBOW/90B/L ASSY	*	2		2					
25	V720-112-401-10	RING/O	*	2		2					
26	1682-408-220-00	HOSE/DERIVERY ASSY	*	2		2					
27	1444-101-016-10	CLAMP,RADIATOR HOSE	*	1		1					
28	1342-402-006-00	BAND,WIRE/250	*	1		1					

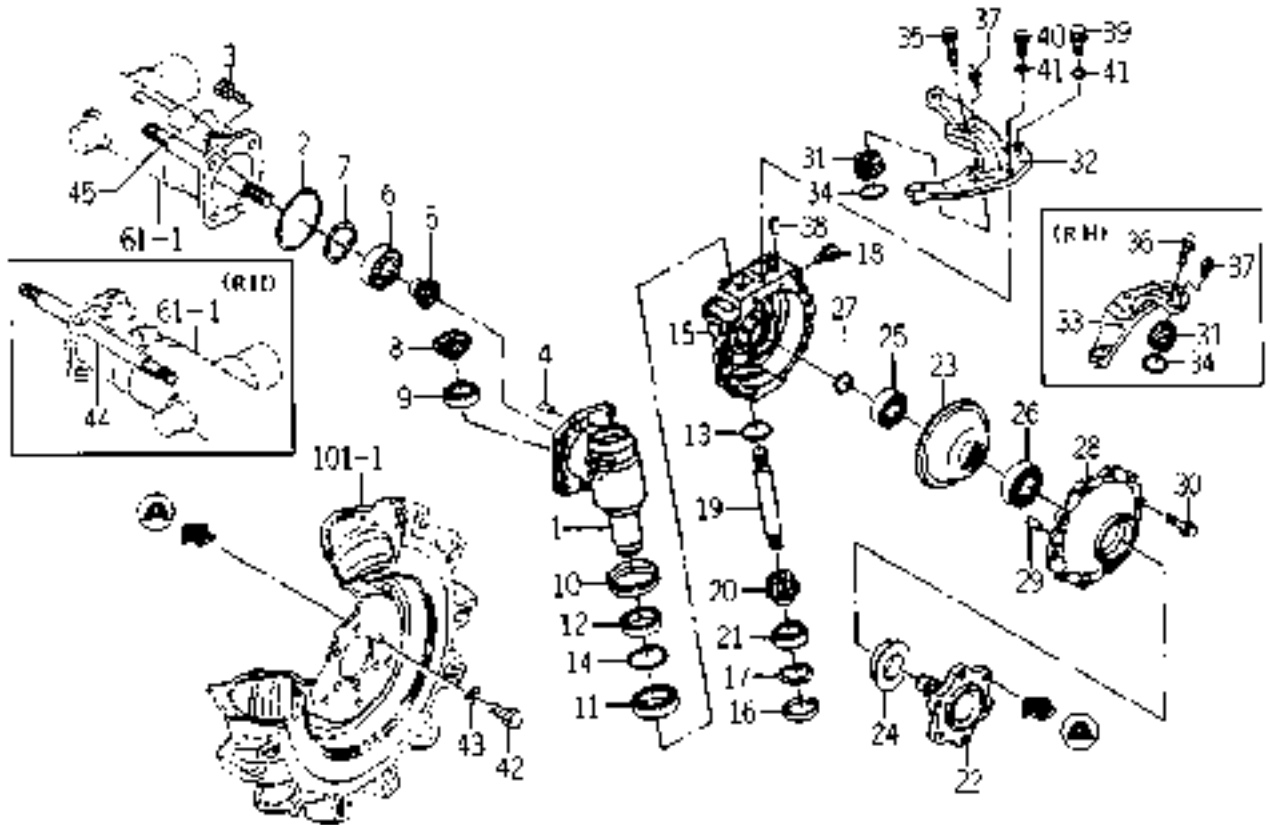
FIG. 56 PIPING SYSTEM (H TYPE)



1750-408B-0100

KEY	PART CODE	DESCRIPTION	S P C	TYPE OF MODEL				I T C	C O L	G R P	REMARKS
				TM3200	TM3200H	TM3240	TM3240H				
1	K 135-020-000-00	PUMP,GEAR ASSY	*		1		1				
2	K 135-020-100-10	PUMP SET	*		1		1				
3	K 135-015-002-00	COVER,PUMP	*		1		1				
4	V744-114-280-70	SEAL,OIL	*		1		1				
5	V721-113-105-00	O-RING HS90 G50	*		1		1				
6	V720-112-402-20	O-RING/P22	*		4		4				
7	V720-111-900-60	O-RING P6 HS90	*		1		1				
8	K 135-002-009-00	BOLT/M8X28 11T	*		6		6				
9	V401-170-008-00	S.W	*		6		6				
10	1404-503-006-00	PACKING,OIL PUMP	*		1		1				
11	1709-407-002-00	FLANGE	*		1		1				
12	V720-112-402-00	O-RING/P20	*		2		2				
13	V210-560-604-50	BOLT/S	*		3		3				
14	1709-407-310-20	FLANGE/DELIVERY COMP	*		1		1				
15	V720-112-402-00	O-RING/P20	*		1		1				
16	V210-560-603-00	BOLT/S	*		4		4				
17	3676-374-003-00	HOSE/HYDRO/1700 ASSY	*		1		1				
18	1376-402-003-00	BAND,WIRE/140	*		1		1				
19	1376-402-003-00	BAND,WIRE/140	*		2		2				
20	1675-407-003-00	HOLDER/19	*		1		1				
21	V211-360-801-60	BOLT,SEMS (SP)	*		1		1				
22	1705-408-230-00	ADAPTER/L/G1/4 ASSY	*		1		1				
23	V720-112-401-10	RING/O	*		1		1				
24	K200-053-000-00	VALVE ASSY	*		1		1			FIG 108	
25	1705-408-230-00	ADAPTER/L/G1/4 ASSY	*		1		1				
26	V720-112-401-10	ORING	*		1		1				
27	V201-260-805-50	BOLT/M 8X55	*		3		3				
28	V401-160-008-00	WASHER,SP/M 8	*		3		3				
29	1683-273-570-10	HOSE/1350 ASSY	*		1		1				
30	P 113-211-300-00	ELBOW/45B ASSY	*		1		1				

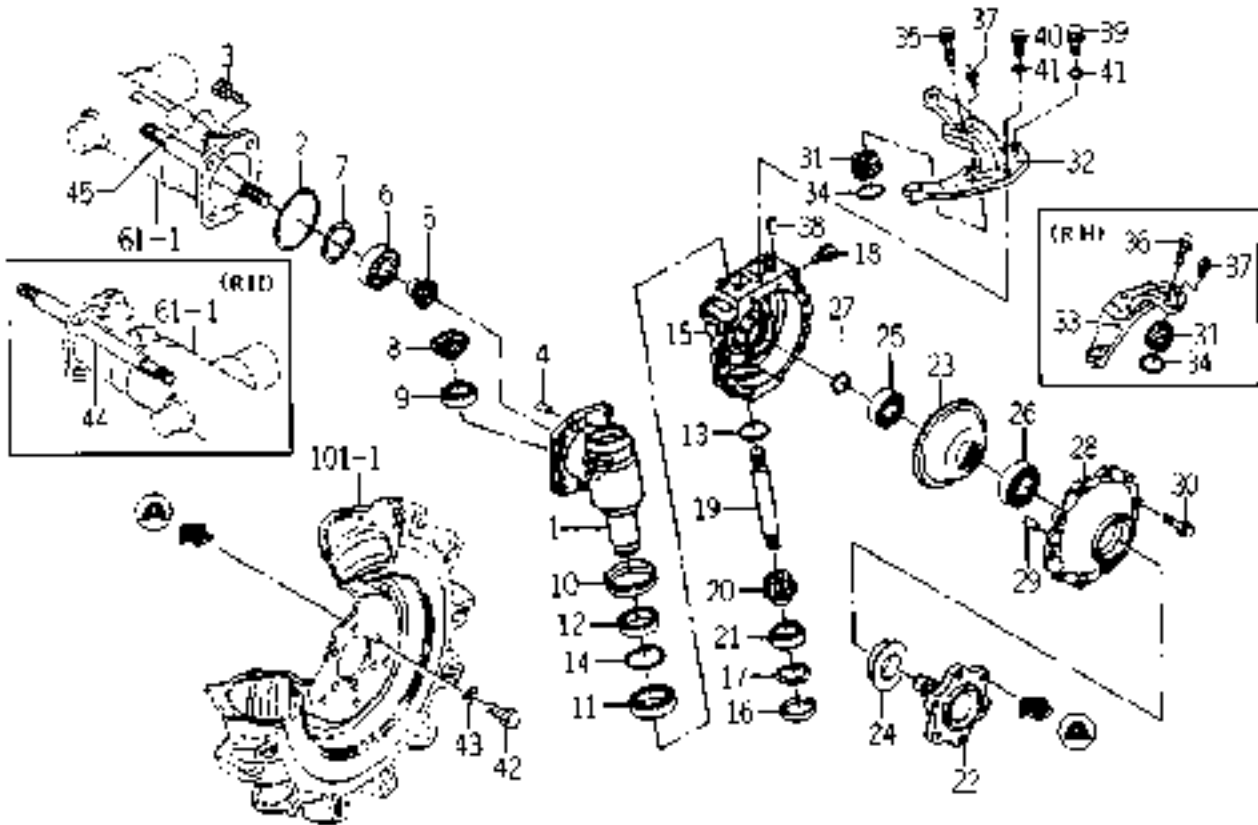
FIG. 62 GEAR (FINAL) SYSTEM



1684-434A-0100,1614-435A-0100

KEY	PART CODE	DESCRIPTION	S P C	TYPE OF MODEL				I T C	C O L	G R P	REMARKS
				TM3200	TM3200H	TM3240	TM3240H				
1	1689-434-001-20	CASE/FINAL	*	2	2	2	2				
2	V721-103-109-00	O-RING/G90	*	2	2	2	2				
3	V211-561-003-00	BOLT/M10X30	*	8	8	8	8				
4	V523-101-002-40	PIN	*	4	4	4	4				
5	1672-434-002-00	GEAR/BEVEL/11	*	2	2	2	2				
6	V600-110-630-50	BEARING,RB/6305	*	2	2	2	2				
7	V707-140-062-00	RING/SNAP	*	2	2	2	2				
8	1672-434-003-00	GEAR/BEVEL/15	*	2	2	2	2				
9	V600-110-600-50	BEARING,RB/6005	*	2	2	2	2				
10	1685-434-001-00	SEAL/OIL ASSY	*	2	2	2	2				
11	V600-110-690-70	BEARING	*	2	2	2	2				
12	V600-110-600-80	BEARING,RB/6008	*	2	2	2	2				
13	V704-140-035-00	RING,SNAP/35 C	*	2	2	2	2				
14	V707-140-055-00	RING/SNAP	*	2	2	2	2				
15	1672-434-011-10	CASE/FINAL	*	2	2	2	2				
16	1564-201-003-00	CAP/SEAL/47	*	2	2	2	2				
17	V705-140-047-00	RING,SNAP/47 C	*	2	2	2	2				
18	7955-201-026-00	PLUG,DRAIN (1/4)	*	4	4	4	4				
19	1612-434-006-00	SHAFT	*	2	2	2	2				
20	1672-434-007-00	GEAR/BEVEL/12	*	2	2	2	2				
21	V600-110-600-50	BEARING,RB/6005	*	2	2	2	2				
22	1682-434-007-00	SHAFT/WHEEL	*	2	2	2	2				
23	1672-434-008-00	GEAR/BEVEL/47	*	2	2	2	2				
24	1491-434-017-00	SEAL/QLNY35571116	*	2	2	2	2				
25	V600-110-620-50	BEARING,RB/6205	*	2	2	2	2				
26	V600-110-620-60	BEARING,RB/6206	*	2	2	2	2				
27	V704-140-025-00	RING,SNAP/25 C	*	2	2	2	2				
28	1612-434-009-00	COVER/WHEEL	*	2	2	2	2				
29	V523-101-002-40	PIN	*	4	4	4	4				
30	V211-360-802-50	BOLT/SP	*	20	20	20	20				

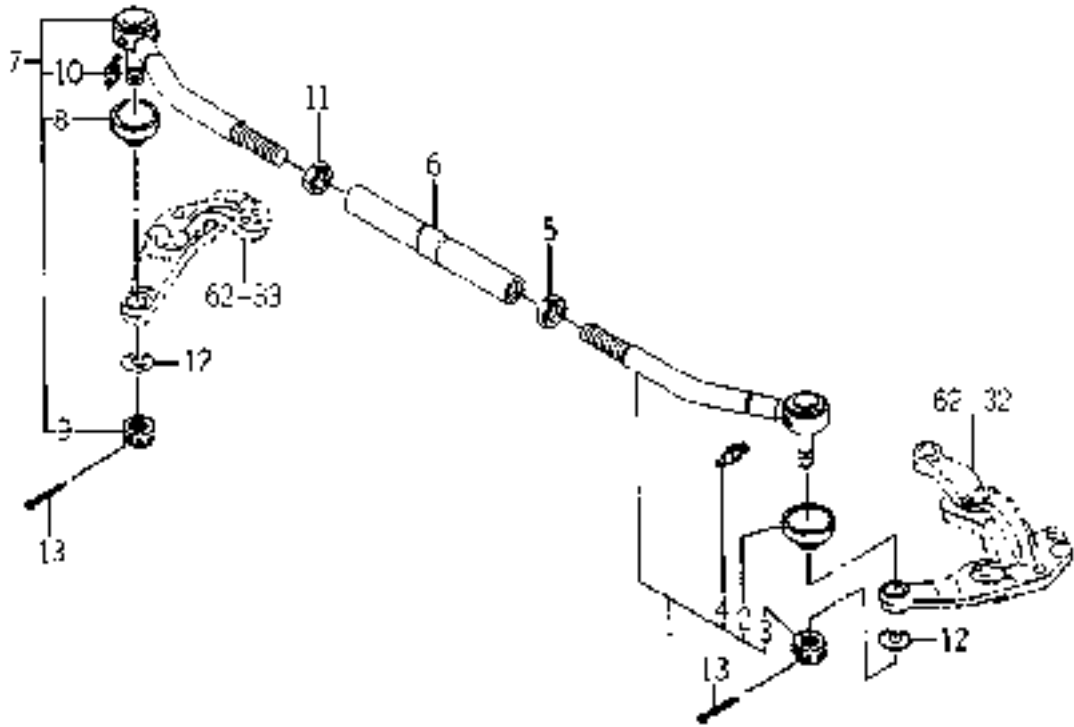
FIG. 62 GEAR (FINAL) SYSTEM



1684-434A-0100,1614-435A-0100

KEY	PART CODE	DESCRIPTION	S P C	TYPE OF MODEL				I T C	C O L	G R P	REMARKS
				TM3200	TM3200H	TM3240	TM3240H				
31	1682-434-006-30	PIN/47X19	*	2	2	2	2				
32	1684-434-011-00	ARM/KNUCKLE/LH	*	1	1	1	1				
33	1684-434-012-00	ARM/KNUCKLE/RH	*	1	1	1	1				
34	V720-103-504-10	O-RING /P41	*	2	2	2	2				
35	V211-560-802-50	BOLT,SEMS/M8X25 7T	*	2	2	2	2				
36	V211-560-802-00	BOLT/M8X20	*	2	2	2	2				
37	V760-150-000-00	NIPPLE,GREASE	*	2	2	2	2				
38	V523-101-002-40	PIN	*	4	4	4	4				
39	V211-561-003-50	BOLT/S	*	4	4	4	4				
40	V201-361-003-5B	BOLT/SEAL	*	2	2	2	2				
41	V401-160-010-00	WASHER,SP/M10	*	2	2	2	2				
42	V201-361-202-50	BOLT/M12X25	*	12	12	12	12				
43	V401-160-012-00	WASHER,SP/M12	*	12	12	12	12				
44	1617-435-002-00	SHAFT	*	1	1	1	1				
45	1614-435-004-00	SHAFT	*	1	1	1	1				

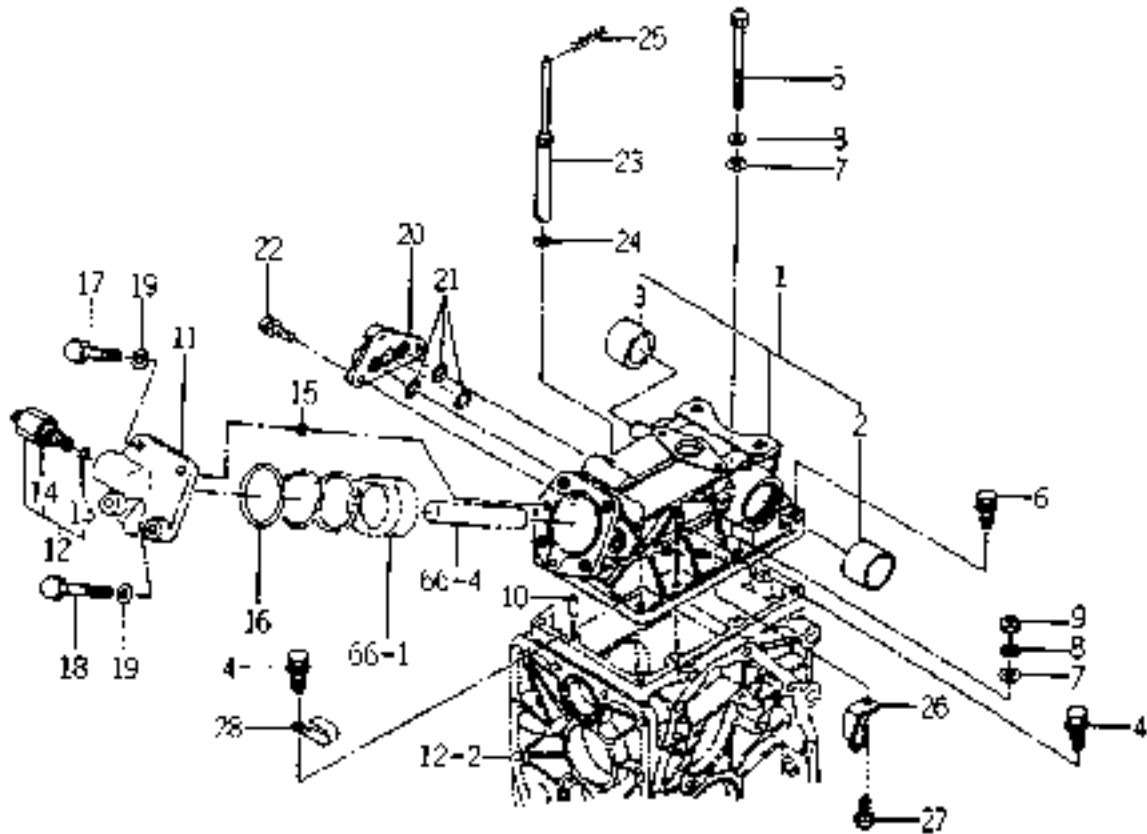
FIG. 63 ROD (TIE) SYSTEM



1750-436-0100

KEY	PART CODE	DESCRIPTION	S P C	TYPE OF MODEL				I T C	C O L	G R P	REMARKS
				TM3200	TM3200H	TM3240	TM3240H				
1	1750-436-210-00	ROD/TIE/LH ASSY	*	1	1	1	1				
2	1404-402-001-00	COVER,DUST	*	1	1	1	1				
3	1404-402-002-00	NUT,SLOTTED	*	1	1	1	1				
4	1404-402-005-00	NIPPLE,GREASE	*	1	1	1	1				
5	1421-403-001-00	NUT	*	1	1	1	1				
6	1750-436-201-00	ROD/TIE	*	1	1	1	1				
7	1750-436-220-00	ROD/TIE/RH ASSY	*	1	1	1	1				
8	1404-402-001-00	COVER,DUST	*	1	1	1	1				
9	1404-402-002-00	NUT,SLOTTED	*	1	1	1	1				
10	1404-402-005-00	NIPPLE,GREASE	*	1	1	1	1				
11	1421-403-002-00	NUT,LH THREAD/M17	*	1	1	1	1				
12	V401-160-012-00	WASHER,SP/M12	*	2	2	2	2				
13	V500-163-002-00	PIN,SPLIT/3 X20	*	2	2	2	2				

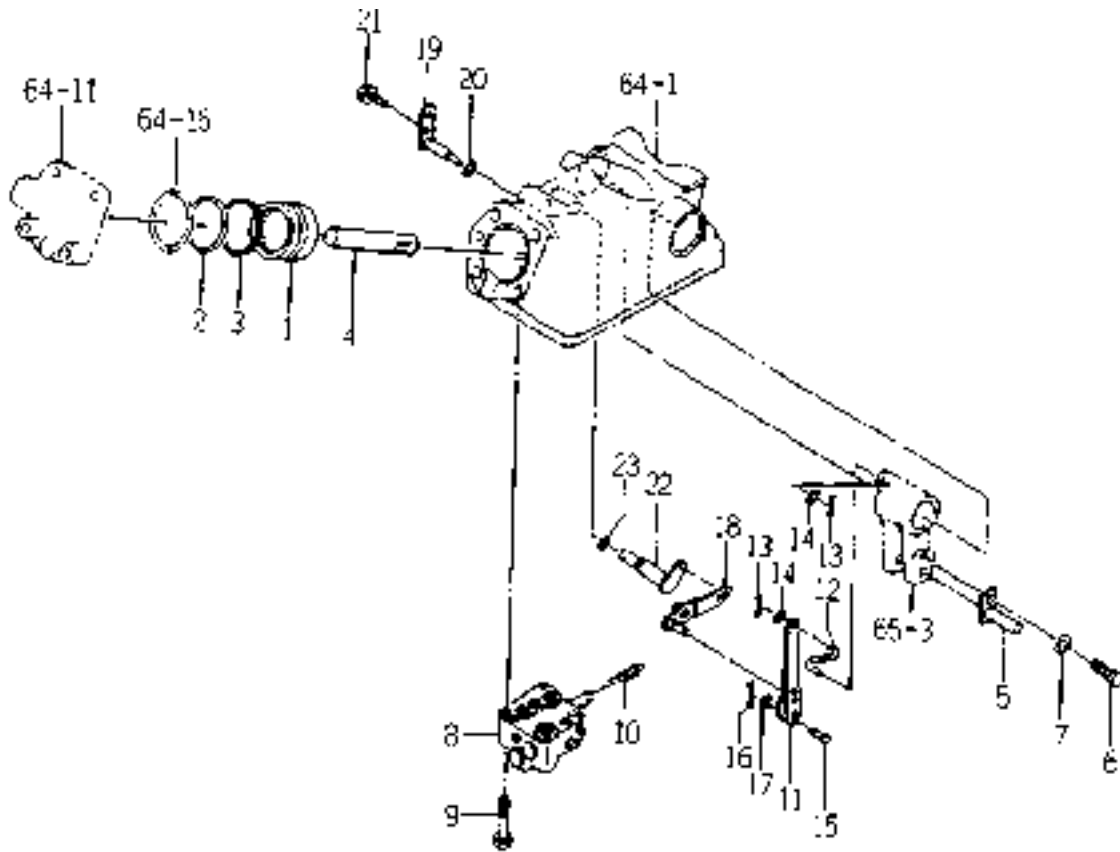
FIG. 64 CYLINDER CASE SYSTEM



1750-501 -0100

KEY	PART CODE	DESCRIPTION	S P C	TYPE OF MODEL				I T C	C O L	G R P	REMARKS
				TM3200	TM3200H	TM3240	TM3240H				
1	1579-501-200-00	CASE, SYLINDER	*	1	1	1	1				
2	1480-501-003-00	BUSH/40X43X30	*	1	1	1	1				
3	1427-501-003-00	BUSH/35X39X30	*	1	1	1	1				
4	V211-661-004-00	BOLT/SP	*	4	4	4	4				
5	V201-361-010-00	BOLT/M10X100	*	1	1	1	1				
6	V211-661-004-50	BOLT/SP	*	2	2	2	2				
7	V411-260-010-00	WASHER/M10	*	3	3	3	3				
8	V401-160-010-00	WASHER, SP/M10	*	3	3	3	3				
9	V304-460-010-00	NUT/M10	*	2	2	2	2				
10	V522-100-801-80	PIN	*	2	2	2	2				
11	1579-501-002-00	HEAD, SYLINDER	*	1	1	1	1				
12	K250-001-000-00	VALVE, RELIEF ASSY	*	1	1	1	1				
13	V720-112-401-20	O-RING/P12	*	1	1	1	1				
14	K250-001-009-00	PACKING	*	1	1	1	1				
15	V720-112-401-20	O-RING/P12	*	2	2	2	2				
16	V721-113-106-00	O-RING G60	*	1	1	1	1				
17	V201-361-204-00	BOLT/M12X40	*	2	2	2	2				
18	V201-361-206-00	BOLT	*	2	2	2	2				
19	V401-160-012-00	WASHER, SP/M12	*	4	4	4	4				
20	1434-501-003-10	SUBCONCOVER	*	1	1	1	1				
21	V720-112-401-20	O-RING/P12	*	3	3	3	3				
22	V211-260-802-50	BOLT/S	*	3	3	3	3				
23	1738-501-001-00	PIN/ADJUST	*	1	1	1	1				
24	V720-101-900-70	O-RING/P 7	*	1	1	1	1				
25	V580-140-403-60	PIN, SPRING 3X32	*	1	1	1	1				
26	1434-501-005-00	HOOK, SPRING	*	1	1	1	1				
27	V201-260-801-60	BOLT/M 8X16	*	1	1	1	1				
28	3737-172-011-00	CLAMP, HARNESS	*	1	1	1	1				

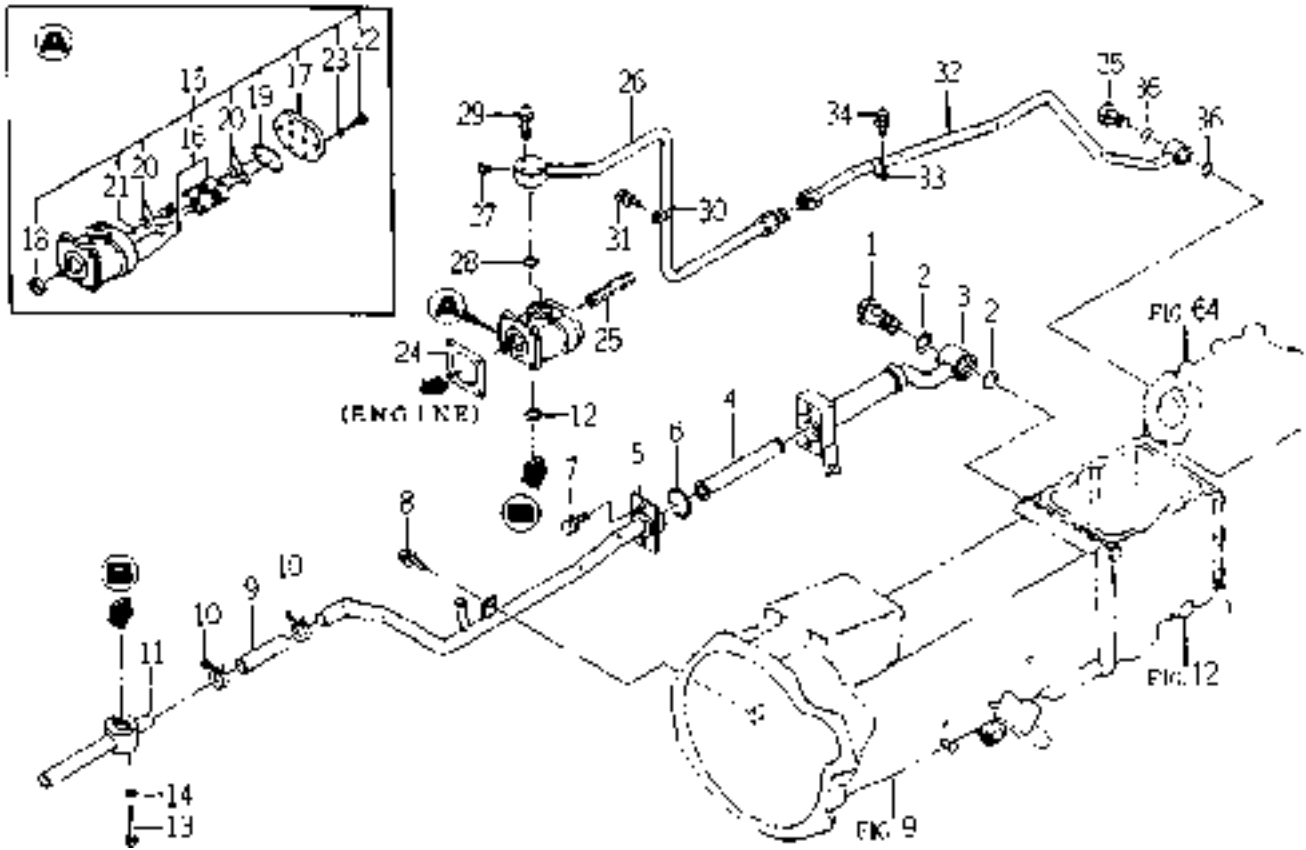
FIG. 66 CYLINDER SYSTEM



1672-503-0100

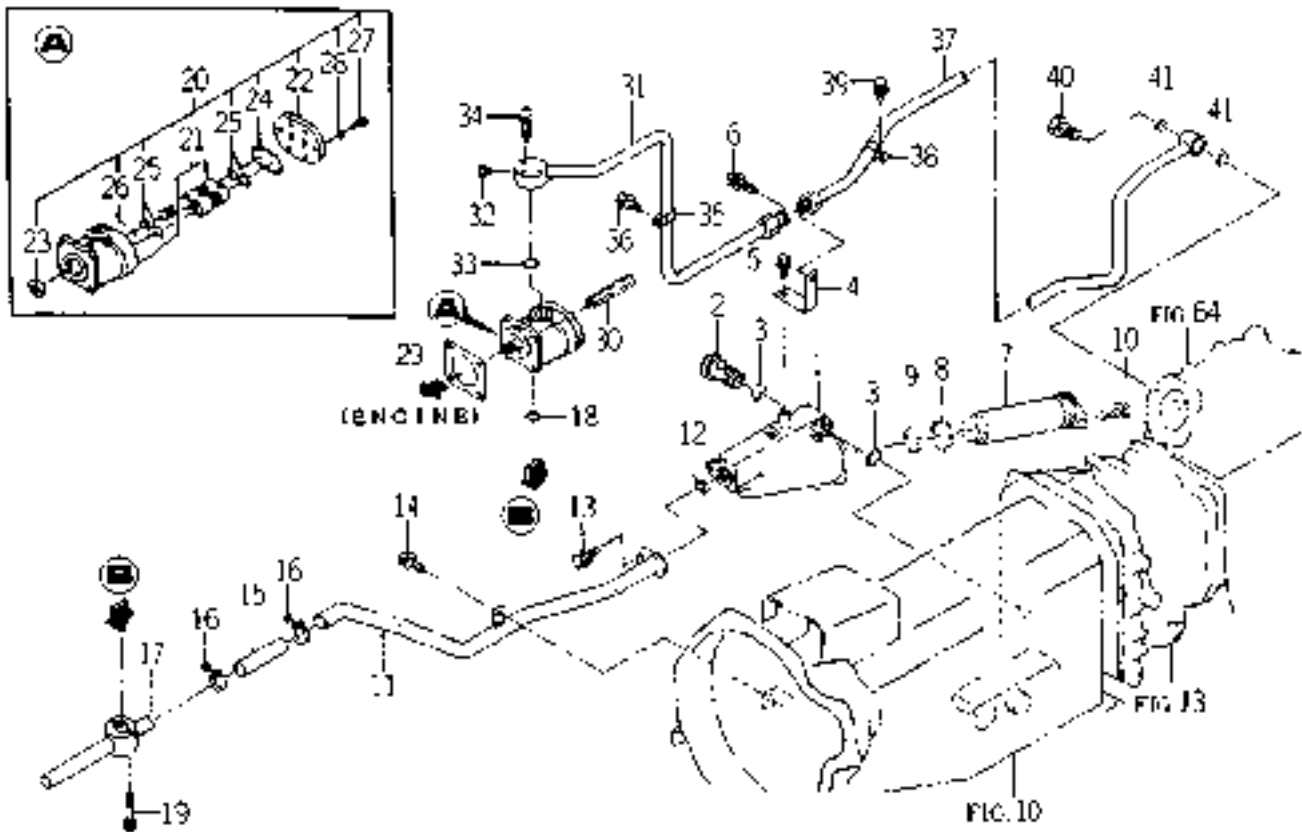
KEY	PART CODE	DESCRIPTION	S P C	TYPE OF MODEL				I T C	C O L	G R P	REMARKS
				TM3200	TM3200H	TM3240	TM3240H				
1	1421-507-002-10	PISTON	*	1	1	1	1				
2	V720-105-705-50	O-RING/P55	*	1	1	1	1				
3	1416-501-011-00	RING, BACKUP	*	1	1	1	1				
4	1544-503-001-20	ROD	*	1	1	1	1				
5	1544-503-200-20	PIN, ROD COMP	*	1	1	1	1				
6	V211-561-001-60	BOLT(S)7	*	1	1	1	1				
7	V411-260-010-00	WASHER/M10	*	1	1	1	1				
8	K211-001-000-00	VALVE CONTROL ASSY	*	1	1	1	1				FIG 109
9	V211-260-805-00	BOLT/M8X50	*	3	3	3	3				
10	1434-501-006-00	SPRING, TENSION/31	*	1	1	1	1				
11	1717-503-200-10	LINK/SPOOL COMP	*	1	1	1	1				
12	1434-503-001-00	LINK, CRANK	*	1	1	1	1				
13	V500-162-001-50	PIN, SPLIT/2 X15	*	2	2	2	2				
14	V411-260-006-00	WASHER / M6	*	2	2	2	2				
15	1434-503-002-00	PIN/5X17	*	1	1	1	1				
16	V500-162-001-50	PIN, SPLIT/2 X15	*	1	1	1	1				
17	V411-260-005-00	WASHER	*	1	1	1	1				
18	1672-503-210-00	LINK/SUPPORT COMP	*	1	1	1	1				
19	1434-503-250-10	PIN/SUPPORT COMP	*	1	1	1	1				
20	V720-101-900-70	O-RING/P 7	*	1	1	1	1				
21	V211-260-801-60	BOLT, SEMS (S) M8X16	*	1	1	1	1				
22	1434-503-260-20	LINK SHIFT ARM	*	1	1	1	1				
23	V720-102-401-00	O-RING/P10A	*	1	1	1	1				

FIG. 68 PIPING (MAIN) SYSTEM (EXCEPT H TYPE)



1750-508-0100

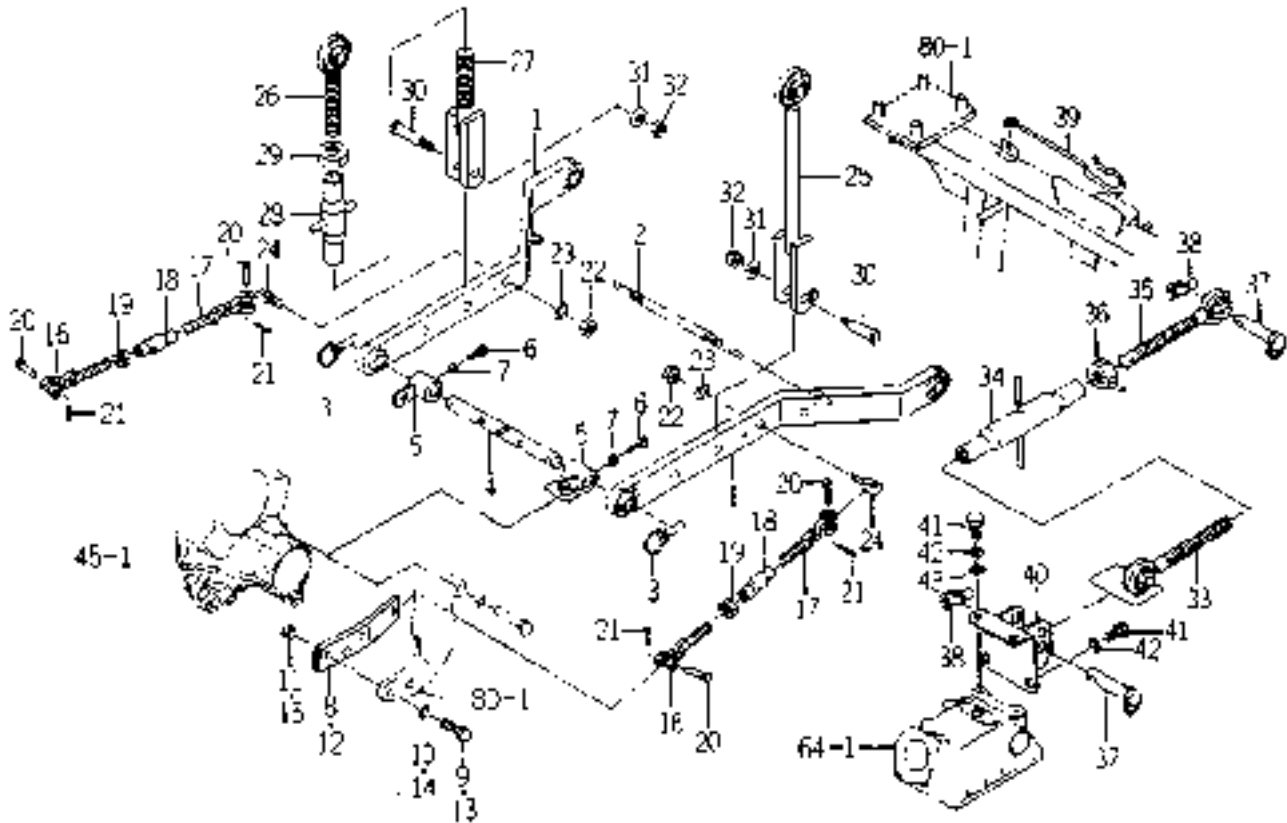
KEY	PART CODE	DESCRIPTION	S P C	TYPE OF MODEL				I T C	C O L	G R P	REMARKS
				TM3200	TM3200H	TM3240	TM3240H				
1	1750-508-001-00	ADAPTER/BOLT/M28X2.0	*	1		1					
2	V720-113-502-80	RING/O	*	2		2					
3	1750-508-210-10	PIPE/SUCTION/REAR	*	1		1					
4	1685-508-220-00	FILTER COMP	*	1		1					
5	1750-508-220-00	PIPE/SUCTION/MI COMP	*	1		1					
6	V721-103-104-50	O-RING/G45	*	1		1					
7	V211-360-802-00	BOLT/SP	*	2		2					
8	V211-360-802-00	BOLT/SP	*	1		1					
9	1550-508-001-10	HOSE/90	*	1		1					
10	J061-228-036-00	CLAMP/WIRE/28-36	*	2		2					
11	1750-508-230-10	PIPE/SUC/FRONT COMP	*	1		1					
12	V720-112-402-00	O-RING/P20	*	1		1					
13	V210-260-605-00	BOLT/S	*	2		2					
14	V401-160-006-00	WASHER,SP/M 6	*	2		2					
15	K135-012-000-00	PUMP,GEAR ASSY	*	1		1					
16	K135-012-100-00	PUMP,GEAR ASSY	*	1		1					
17	K135-017-006-00	COVER,PUMP	*	1		1					
18	V744-114-280-70	SEAL,OIL	*	1		1					
19	V721-113-105-00	O-RING HS90 G50	*	1		1					
20	V720-112-402-20	O-RING/P22	*	4		4					
21	V720-111-900-60	O-RING P6 HS90	*	1		1					
22	K135-002-009-00	BOLT/M8X28 11T	*	6		6					
23	V401-170-008-00	S.W	*	6		6					
24	1404-503-006-00	PACKING,OIL PUMP	*	1		1					
25	1560-515-004-50	NUT/M08	*	2		2					
26	1750-508-240-10	PIPE/DEL/FRONT COMP	*	1		1					
27	V782-160-000-2T	PLUG/SCREW/SEAL	*	1		1					
28	V720-112-402-00	O-RING/P20	*	1		1					
29	V210-560-603-00	BOLT/S	*	4		4					
30	1675-508-003-00	HOLDER/15	*	1		1					

FIG. 69 PIPING SYSTEM (H TYPE)

1750-508A-0100

KEY	PART CODE	DESCRIPTION	S P C	TYPE OF MODEL				I T C	C O L	G R P	REMARKS
				TM3200	TM3200H	TM3240	TM3240H				
1	1750-508-051-00	CASE/FILTER/400	*		1		1				
2	1434-503-330-00	BOLT,SET COMP	*		1		1				
3	V720-113-502-80	RING/O	*		2		2				
4	1750-508-052-00	PLATE/L/25X68	*		1		1				
5	V211-360-801-60	BOLT,SEMS (SP)	*		1		1				
6	V211-361-002-50	BOLT/SP	*		1		1				
7	1675-508-500-00	FILTER/SUCTION/400	*		1		1				
8	V721-103-104-50	O-RING/G45	*		1		1				
9	V720-103-503-50	O-RING/P35	*		1		1				
10	V211-361-002-50	BOLT/SP	*		1		1				
11	1750-508-510-00	PIPE/SUC/REAR COMP	*		1		1				
12	V720-113-502-40	O-RING/P24	*		1		1				
13	V211-360-801-60	BOLT,SEMS (SP)	*		1		1				
14	V211-360-802-00	BOLT/SP	*		1		1				
15	1550-508-001-10	HOSE/90	*		1		1				
16	J061-228-036-00	CLAMP/WIRE/28-36	*		2		2				
17	1750-508-230-10	PIPE/SUC/FRONT COMP	*		1		1				
18	V720-112-402-00	O-RING/P20	*		1		1				
19	V210-560-605-00	BOLT/S	*		2		2				
20	K135-012-000-00	PUMP,GEAR ASSY	*		1		1				
21	K135-012-100-00	PUMP,GEAR ASSY	*		1		1				
22	K135-017-006-00	COVER,PUMP	*		1		1				
23	V744-114-280-70	SEAL,OIL	*		1		1				
24	V721-113-105-00	O-RING HS90 G50	*		1		1				
25	V720-112-402-20	O-RING/P22	*		4		4				
26	V720-111-900-60	O-RING P6 HS90	*		1		1				
27	K135-002-009-00	BOLT/M8X28 11T	*		6		6				
28	V401-170-008-00	S.W	*		6		6				
29	1404-503-006-00	PACKING,OIL PUMP	*		1		1				
30	1560-515-004-50	NUT/M08	*		2		2				

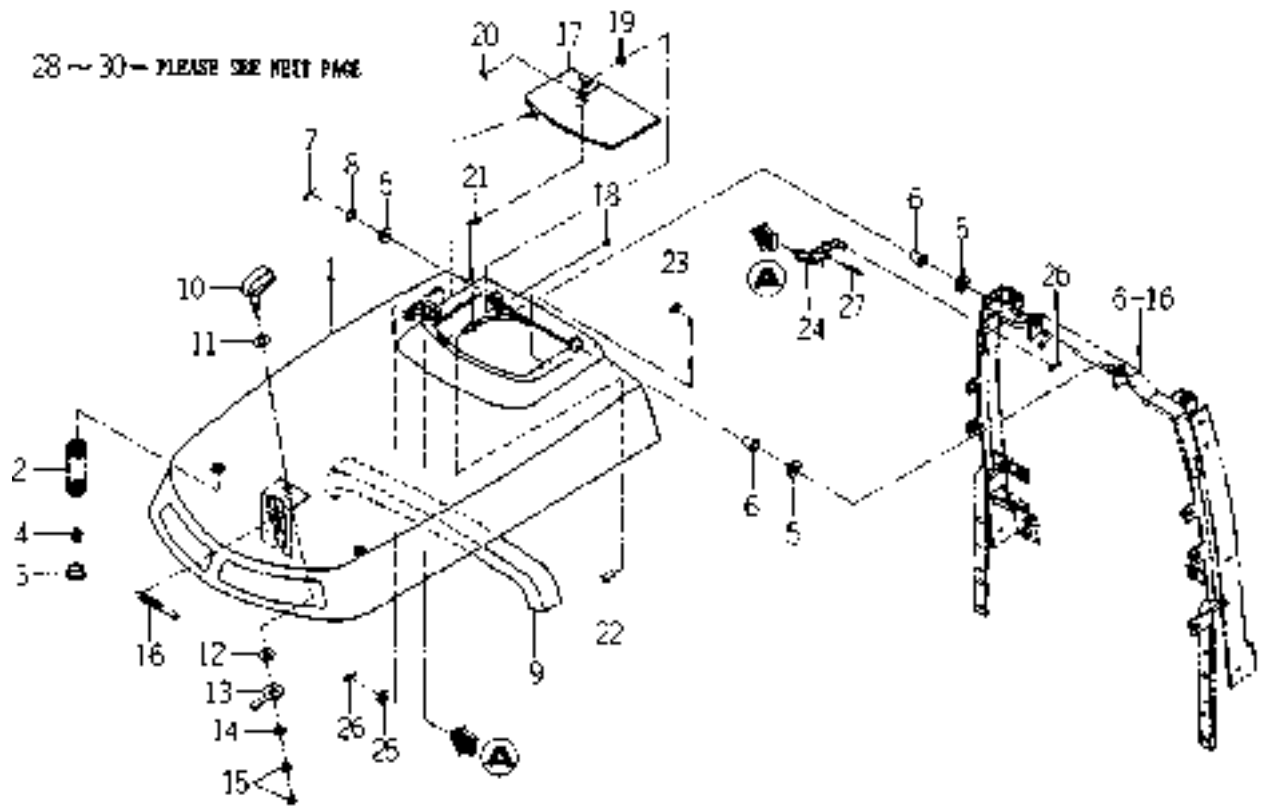
FIG. 70 LINK (3P) SYSTEM



1750-514 -0100

KEY	PART CODE	DESCRIPTION	S P C	TYPE OF MODEL				I T C	C O L	G R P	REMARKS
				TM3200	TM3200H	TM3240	TM3240H				
1	1685-511-210-00	LINK/LOWER COMP	*	2	2	2	2				
2	1560-525-001-40	SPRING	*	1	1	1	1				
3	1673-525-002-20	LINKPIN	*	2	2	2	2				
4	1738-514-001-00	PIN/22X404	*	1	1	1	1				
5	1738-514-210-00	HUB/SPACER COMP	*	2	2	2	2				
6	V201-360-802-50	BOLT/M 8X25	*	2	2	2	2				
7	V305-260-008-00	NUT/M 8	*	2	2	2	2				
8	1750-514-001-10	PLATE/CHAIN/LH	*	1	1	1	1				
9	V201-361-203-50	BOLT/M12X35	*	2	2	2	2				
10	V401-160-012-00	WASHER,SP/M12	*	2	2	2	2				
11	V304-460-012-00	NUT/M12	*	2	2	2	2				
12	1750-514-002-10	PLATE/CHAIN/RH	*	1	1	1	1				
13	V201-361-203-50	BOLT/M12X35	*	2	2	2	2				
14	V401-160-012-00	WASHER,SP/M12	*	2	2	2	2				
15	V304-460-012-00	NUT/M12	*	2	2	2	2				
16	7963-611-230-00	CHAIN,CHECK,A	*	2	2	2	2				
17	7963-611-240-00	CHAIN,CHECK,B COMP	*	2	2	2	2				
18	7963-611-002-00	TURNBUCKLE	*	2	2	2	2				
19	V304-260-016-00	NUT/M16	*	2	2	2	2				
20	7963-611-003-00	PIN/12X48	*	4	4	4	4				
21	V500-163-002-50	PIN,SPLIT/3 X25	*	4	4	4	4				
22	V304-260-016-00	NUT/M16	*	2	2	2	2				
23	V401-160-016-00	WASHER,SP/M16	*	2	2	2	2				
24	7963-611-001-00	PIN,CHAIN	*	2	2	2	2				
25	1685-511-230-00	ROD/LIFT/LH COMP	*	1	1	1	1				
26	1600-515-210-10	SCREW,RH/M24 COMP	*	1	1	1	1				
27	1685-511-220-00	LIFTRD/L COMP	*	1	1	1	1				
28	1600-515-240-00	BUCKLE,TURN/M24 COMP	*	1	1	1	1				
29	V304-460-024-00	NUT	*	1	1	1	1				
30	1600-515-001-00	PIN/16X73	*	2	2	2	2				

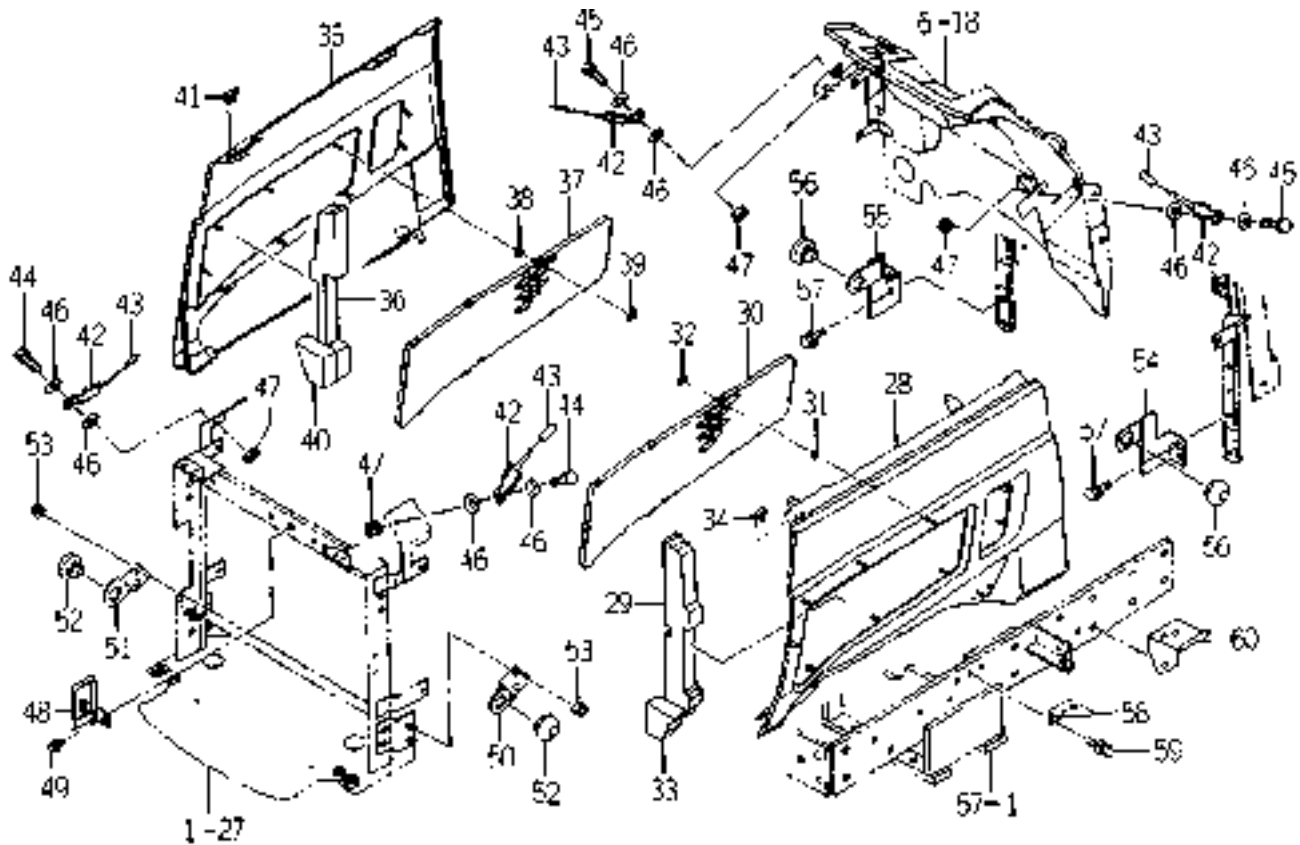
FIG. 72 HOOD SYSTEM(1/2)



1750-601-0100

KEY	PART CODE	DESCRIPTION	S P C	TYPE OF MODEL				I T C	C O L	G R P	REMARKS
				TM3200	TM3200H	TM3240	TM3240H				
1	1750-601-250-10	HOOD COMP	*	1	1	1	1		4L		
2	1716-601-001-00	SPRING/HC090	*	2	2	2	2				
3	7821-501-005-00	BUSH/19X30X14	*	2	2	2	2				
4	V211-360-801-60	BOLT,SEMS (SP)	*	2	2	2	2				
5	1423-616-004-00	CUSHION/RUBBER/10X25	*	3	3	3	3				
6	2150-420-008-00	BUSH/08X15X11	*	2	2	2	2				
7	V560-160-008-00	PIN/SNAP	*	1	1	1	1				
8	V411-260-010-00	WASHER/M10	*	1	1	1	1				
9	1726-601-007-00	INSULATOR	*	1	1	1	1				
10	1675-601-002-00	HANDLE	*	1	1	1	1				
11	1650-601-007-00	WASHER/12X25X02	*	1	1	1	1				
12	3610-440-018-00	WASHER	*	1	1	1	1				
13	1716-601-002-00	ARM/PLATE	*	1	1	1	1				
14	V411-260-008-00	WASHER,PL/M 8	*	1	1	1	1				
15	V304-260-008-00	NUT	*	2	2	2	2				
16	1588-117-001-00	SPRING/HE089	*	1	1	1	1				
17	1716-601-260-10	COVER COMP	*	1	1	1	1		4L		
18	1716-601-021-00	PIN/06X07	*	1	1	1	1				
19	V411-260-006-00	WASHER / M6	*	1	1	1	1				
20	V560-160-006-00	PIN/SNAP	*	1	1	1	1				
21	1716-601-018-00	SPRING/HE036	*	1	1	1	1				
22	1716-601-019-00	TUBE/06X10X20	*	1	1	1	1				
23	1672-601-002-00	TRIM/20	*	1	1	1	1				
24	1716-601-280-20	ROD/70 COMP	*	1	1	1	1				
25	1444-601-011-00	WASHER (9X24X1.6)	*	1	1	1	1				
26	V560-160-008-00	PIN/SNAP	*	2	2	2	2				
27	1588-218-003-00	SPRING/HE044	*	1	1	1	1				
28	1750-601-210-10	COVER/SIDE/LH COMP	*	1	1	1	1		4L		
29	1716-601-006-00	INSULATOR/LH	*	1	1	1	1				
30	1740-601-054-00	NET/SIDE	*	1	1	1	1				

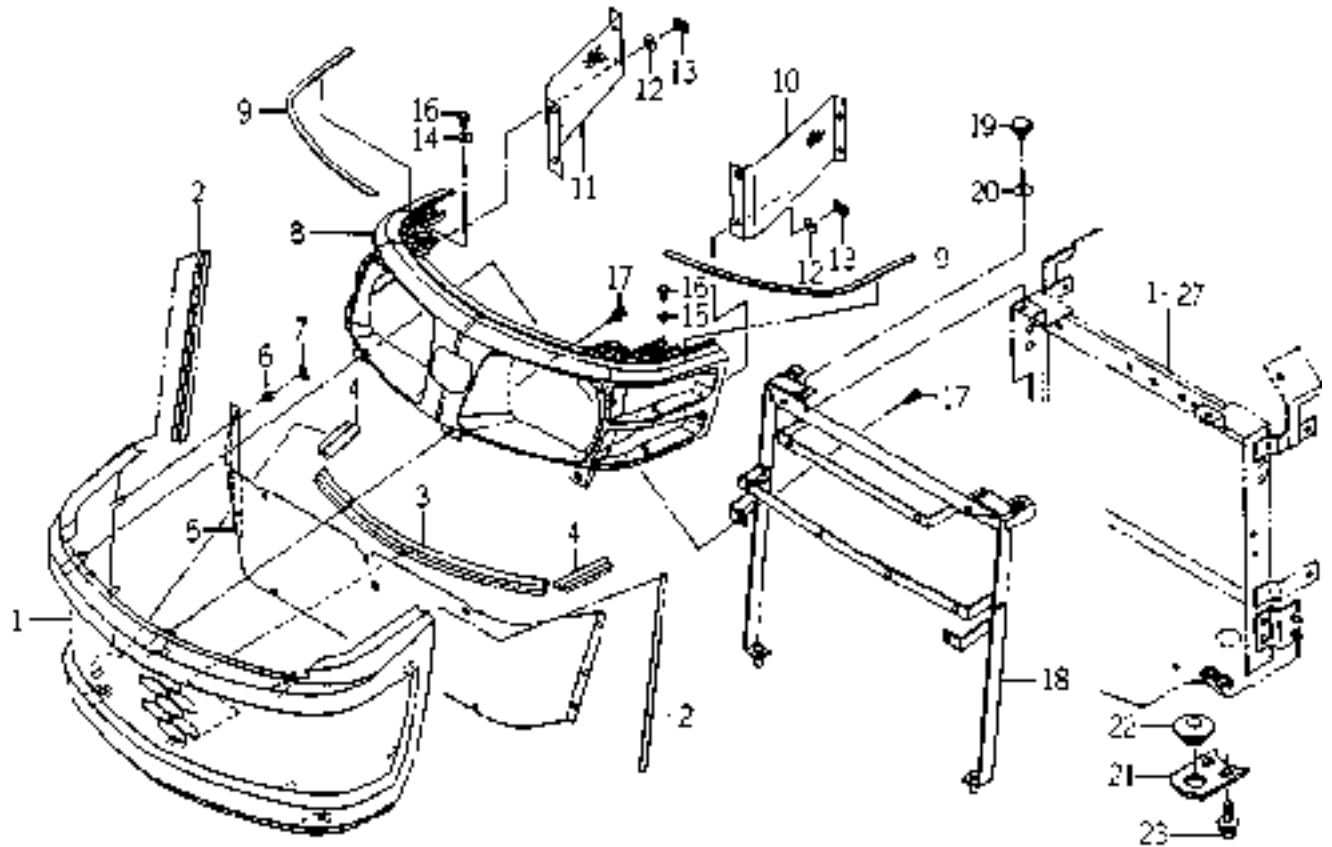
FIG. 72 HOOD SYSTEM(2/2)



1750-601-0100

KEY	PART CODE	DESCRIPTION	S P C	TYPE OF MODEL				I T C	C O L	G R P	REMARKS
				TM3200	TM3200H	TM3240	TM3240H				
31	1444-601-015-00	WASHER/6X14X3	*	9	9	9	9				
32	V350-160-006-00	NUT,SPEED/P6	*	9	9	9	9				
33	1716-601-013-00	INSULATOR	*	1	1	1	1				
34	1716-601-017-00	INSULATOR	*	1	1	1	1				
35	1750-601-220-10	COVER/SIDE/RH COMP	*	1	1	1	1		4L		
36	1716-601-007-00	INSULATOR/RH	*	1	1	1	1				
37	1740-601-054-00	NET/SIDE	*	1	1	1	1				
38	1444-601-015-00	WASHER/6X14X3	*	9	9	9	9				
39	V350-160-006-00	NUT,SPEED/P6	*	9	9	9	9				
40	1716-601-013-00	INSULATOR	*	1	1	1	1				
41	1716-601-017-00	INSULATOR	*	1	1	1	1				
42	1726-601-006-10	HOLDER/COVER	*	4	4	4	4				
43	1703-313-001-10	CAP/PARKING	*	4	4	4	4				
44	V201-260-802-00	BOLT/M 8X20	*	2	2	2	2				
45	V201-260-801-60	BOLT/M 8X16	*	2	2	2	2				
46	V411-260-008-00	WASHER,PL/M 8	*	8	8	8	8				
47	V304-260-008-00	NUT	*	4	4	4	4				
48	1716-601-270-10	PIN COMP	*	1	1	1	1				
49	V211-360-802-00	BOLT/SP	*	2	2	2	2				
50	1750-601-270-00	PLATE/HOLDER/LH/F	*	1	1	1	1				
51	1750-601-280-00	PLATE/HOLDER/RH/F	*	1	1	1	1				
52	1421-603-004-00	BUSH,LEVER	*	2	2	2	2				
53	V362-260-008-00	NUT/WASHER	*	4	4	4	4				
54	1750-601-260-20	PLATE/REAR/LH COMP	*	1	1	1	1				
55	1750-601-290-10	PLATE/REAR/RH COMP	*	1	1	1	1				
56	1421-603-004-00	BUSH,LEVER	*	2	2	2	2				
57	V211-360-801-60	BOLT,SEMS (SP)	*	4	4	4	4				
58	1738-601-002-10	COVER/SAFETY/LH/F	*	1	1	1	1				
59	V211-360-801-60	BOLT,SEMS (SP)	*	2	2	2	2				
60	1738-601-003-20	COVER/SAFETY/LH/R	*	1	1	1	1				

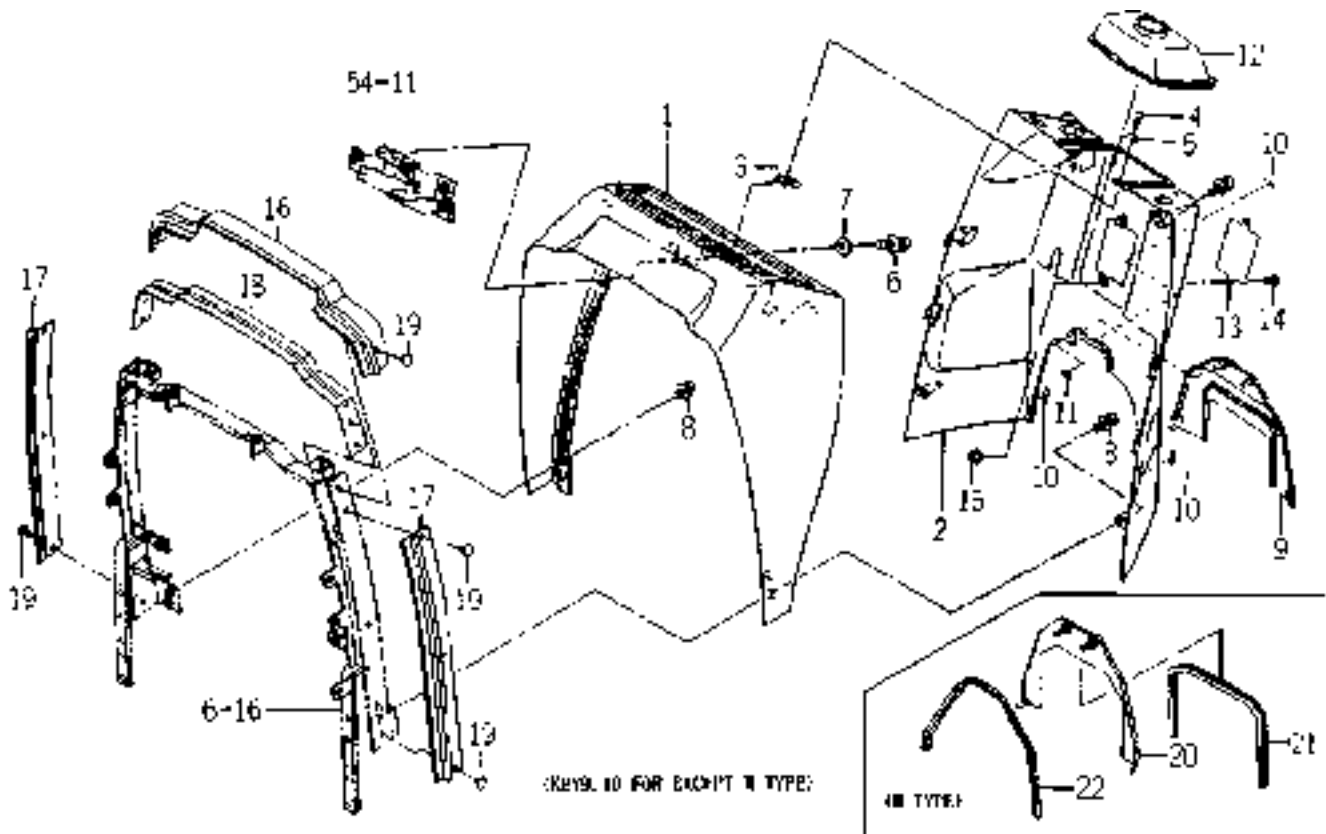
FIG. 73 GRILLE SYSTEM



1740-602 -0100

KEY	PART CODE	DESCRIPTION	S P C	TYPE OF MODEL				I T C	C O L	G R P	REMARKS
				TM3200	TM3200H	TM3240	TM3240H				
1	1740-602-056-00	GRILLE	*	1	1	1	1				
2	1716-602-002-10	TRIM/265	*	2	2	2	2				
3	1740-602-057-00	INSULATOR/380	*	1	1	1	1				
4	1675-601-003-00	TRIM/70	*	2	2	2	2				
5	1740-602-051-00	NET/GURILLE	*	1	1	1	1		7F		
6	1444-601-015-00	WASHER/6X14X3	*	10	10	10	10				
7	V350-160-006-00	NUT,SPEED/P6	*	10	10	10	10				
8	1740-602-052-00	HOOD/LAMP	*	1	1	1	1				
9	1614-630-002-00	INSULATOR	*	2	2	2	2				
10	1740-602-053-00	NET/SIDE/LH	*	1	1	1	1				
11	1740-602-054-00	NET/SIDE/RH	*	1	1	1	1				
12	1444-601-015-00	WASHER/6X14X3	*	8	8	8	8				
13	V350-160-006-00	NUT,SPEED/P6	*	8	8	8	8				
14	3740-162-005-00	WASHER	*	2	2	2	2				
15	V411-260-006-00	WASHER/M6	*	2	2	2	2				
16	V200-260-602-00	BOLT/M 6X20	*	4	4	4	4				
17	V210-360-602-00	BOLT/SP	*	3	3	3	3				
18	1740-602-500-00	BRACKET/GRILLE COMP	*	1	1	1	1				
19	1716-601-003-00	BOLT/KNOB/M06X13	*	2	2	2	2				
20	1421-507-014-00	WASHER/6X24X2	*	2	2	2	2				
21	1716-410-003-00	PLATE/IR/44X60	*	2	2	2	2				
22	1421-603-004-00	BUSH,LEVER	*	2	2	2	2				
23	V211-360-802-00	BOLT/SP	*	4	4	4	4				

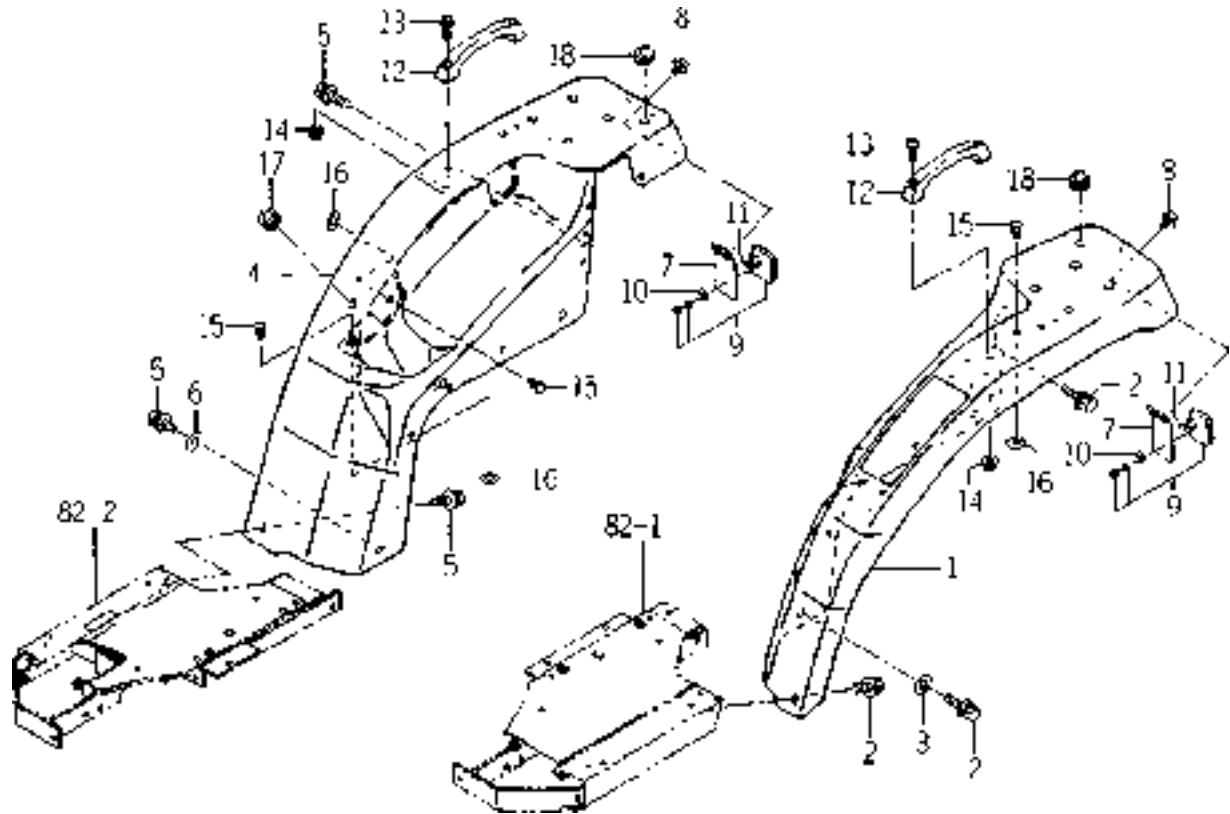
FIG. 74 STEERING COVER SYSTEM



1750-603-0100,1750-603A-0100

KEY	PART CODE	DESCRIPTION	S P C	TYPE OF MODEL				I T C	C O L	G R P	REMARKS
				TM3200	TM3200H	TM3240	TM3240H				
1	1716-603-004-00	COVER/DUSH/F	*	1	1	1	1				
2	1738-603-001-00	COVER/DUSH/R	*	1	1	1	1				
3	1716-603-005-00	NUT/SPRING	*	2	2	2	2				
4	1560-401-004-40	BOLT/M5X16	*	2	2	2	2				
5	V411-260-006-00	WASHER / M6	*	2	2	2	2				
6	V211-360-801-60	BOLT,SEMS (SP)	*	2	2	2	2				
7	4101-102-038-00	WASHER/24X9X3.2	*	2	2	2	2				
8	V120-376-002-00	SCREW/SP	*	6	6	6	6				
9	1717-603-002-00	COVER/DUSH/REAR	*			1					
10	1672-601-001-00	INSULATOR	*			3					
11	V350-160-006-00	NUT,SPEED/P6	*	2	2	2	2				
12	1612-603-002-00	BOOT/STEERING	*	1	1	1	1				
13	1709-603-001-00	COVER/PLATE	*	1	1	1	1		5I		
14	V120-376-001-60	SCREW/SP	*	2	2	2	2				
15	V360-260-006-00	NUT/M6	*	2	2	2	2				
16	1716-603-003-10	INSULATOR	*	1	1	1	1				
17	1614-603-202-00	INSULATOR	*	2	2	2	2				
18	1614-603-008-00	STAY/INSULATOR	*	1	1	1	1				
19	1527-604-002-00	CLIP(B)	*	8	8	8	8				
20	1685-603-510-00	COVER/DUSH/REAR COMP	*			1	1				
21	1685-603-001-00	TRIM/470	*			1	1				
22	1682-603-006-00	TRIM/570	*			1	1				

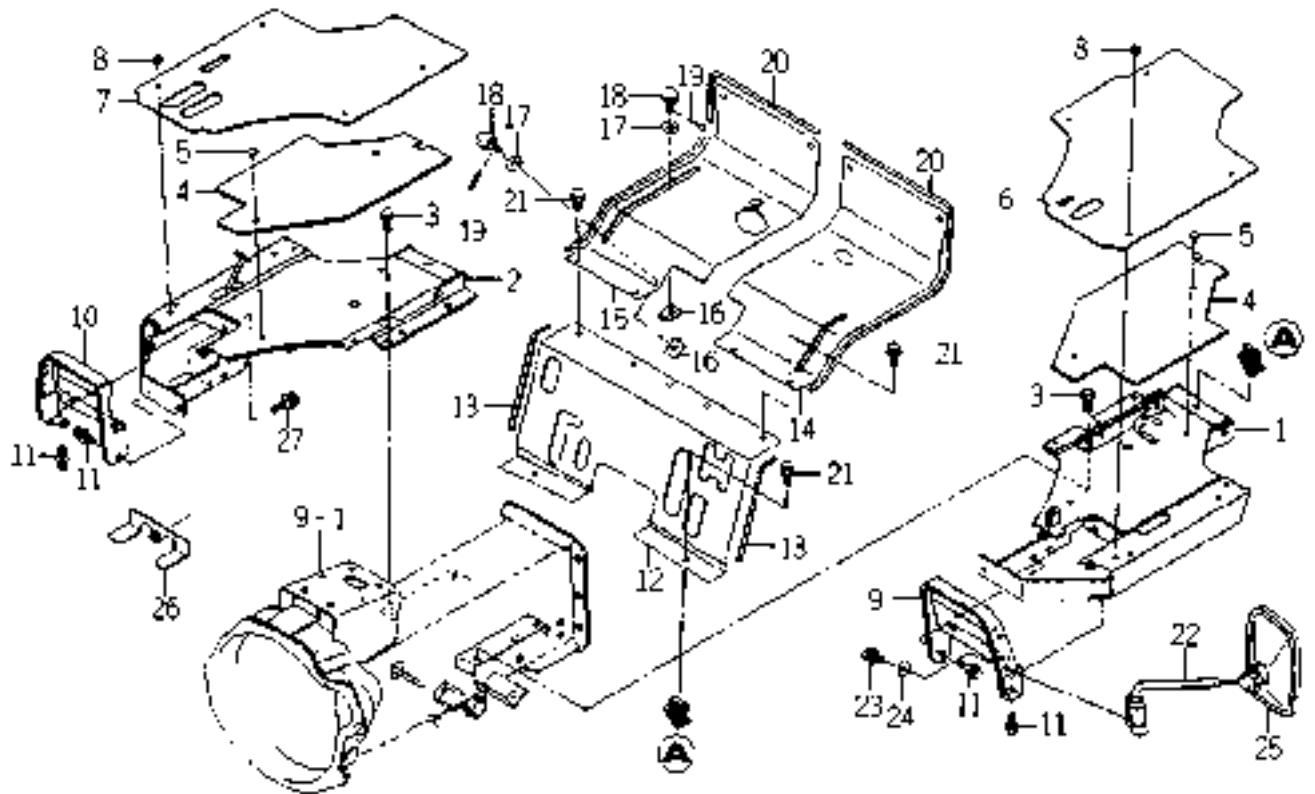
FIG. 77 FENDER SYSTEM (TM3240-H TYPE)



1750-606B-0100

KEY	PART CODE	DESCRIPTION	S P C	TYPE OF MODEL				I T C	C O L	G R P	REMARKS
				TM3200	TM3200H	TM3240	TM3240H				
1	1750-606-210-00	FENDER/LH COMP	*				1	4L			
2	V211-360-802-00	BOLT/SP	*				4				
3	4101-102-038-00	WASHER/24X9X3.2	*				1				
4	1738-606-240-00	FENDER/RH COMP	*				1	4L			
5	V211-360-802-00	BOLT/SP	*				4				
6	4101-102-038-00	WASHER/24X9X3.2	*				1				
7	1738-606-250-00	BRACKET/REFLECTOR	*				2	4L			
8	V120-366-001-60	SCREW	*				4				
9	1674-654-400-00	REFLECTOR ASSY	*				2				
10	V411-260-004-00	WASHER,PL/M 4	*				2				
11	1674-654-004-00	TAPE/10X20	*				2				
12	3670-236-003-00	GRIP	*				2				
13	V120-266-002-00	SCREW,SEMS	*				4				
14	V361-260-006-00	NUT	*				4				
15	1527-604-002-00	CLIP(B)	*				7				
16	V411-260-008-00	WASHER,PL/M 8	*				7				
17	1432-665-014-00	GROMMET/13X17X5	*				1				
18	2142-581-002-00	GROMMET/15	*				2				

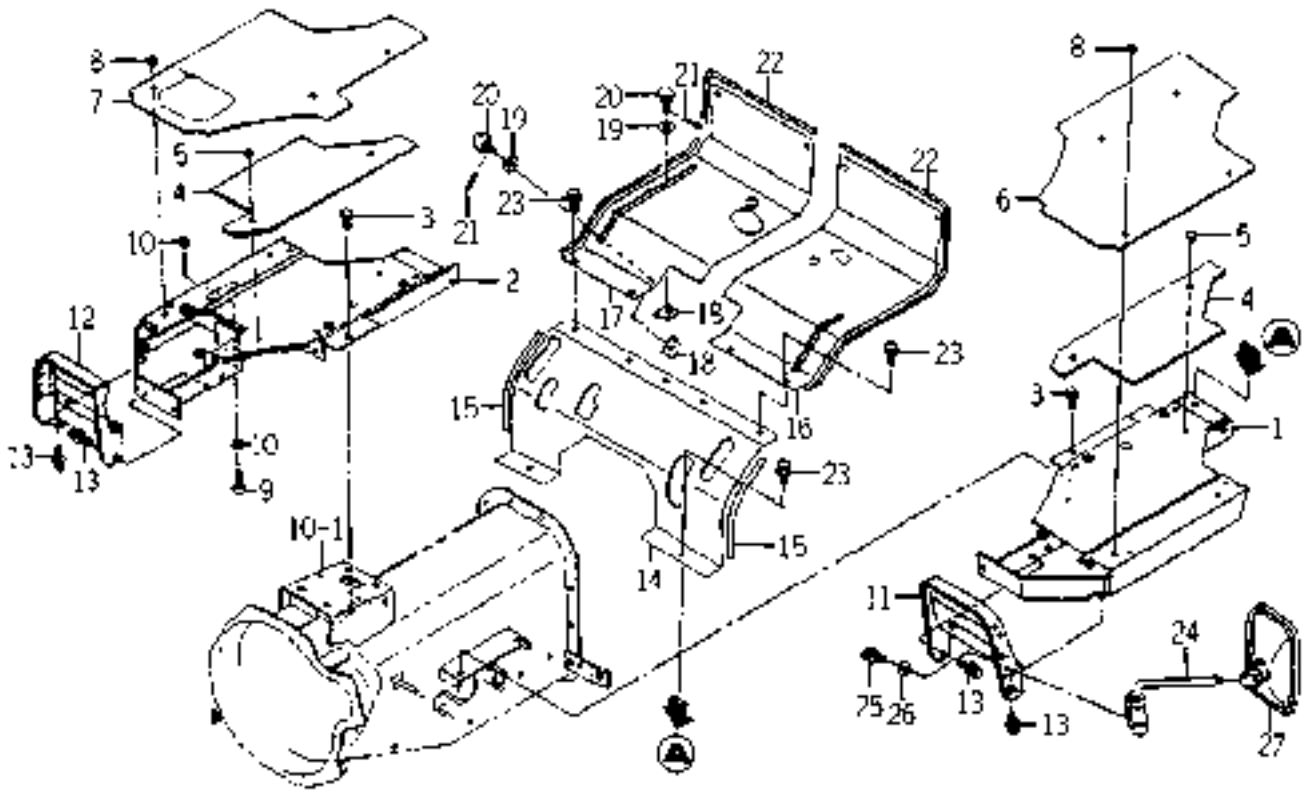
FIG. 81 STEP SYSTEM (EXCEPT H TYPE)



1750-630-0100

KEY	PART CODE	DESCRIPTION	S P C	TYPE OF MODEL				I T C	C O L	G R P	REMARKS
				TM3200	TM3200H	TM3240	TM3240H				
1	1750-630-200-20	STEP/LH COMP	*	1		1			5I		
2	1750-630-210-00	STEP/RH COMP	*	1		1			5I		
3	V211-261-002-50	BOLT(S) M10X25	*	6		6					
4	1717-630-004-00	INSULATOR	*	2		2					
5	1527-604-002-00	CLIP(B)	*	4		4					
6	1717-630-001-30	MAT/FLOOR/LH	*	1		1					
7	1717-630-002-10	MAT/FLOOR/RH	*	1		1					
8	1704-705-003-00	RIVET	*	8		8					
9	1740-630-054-00	HOOD/LH	*	1		1			5I		
10	1740-630-055-00	HOOD/RH	*	1		1			5I		
11	V211-360-802-00	BOLT/SP	*	8		8					
12	1750-630-001-10	COVER/CHANGE	*	1		1			5I		
13	1738-630-012-00	TRIM/290	*	2		2					
14	1750-630-002-10	COVER/LH	*	1		1			5I		
15	1750-630-003-10	COVER/RH	*	1		1			5I		
16	1614-608-220-10	PLATE/STOP COMP	*	2		2					
17	1421-507-014-00	WASHER/6X24X2	*	2		2					
18	1690-608-003-00	BOLT/KNOB/M06X27	*	2		2					
19	V500-161-601-50	PIN,SPLIT/1.6X15	*	2		2					
20	1738-630-011-00	TRIM/715	*	2		2					
21	V211-360-801-60	BOLT,SEMS (SP)	*	11		11					
22	1674-619-310-00	ARM/MIRROR ASSY	*	1		1					
23	V210-360-601-60	BOLT(SP)/M6X16	*	2		2					
24	V411-260-008-00	WASHER,PL/M 8	*	2		2					
25	1674-619-300-10	MIRROR ASSY	*	1		1					
26	1750-630-300-00	PLATE COMP	*	1		1					
27	V211-260-802-00	BOLT/S	*	1		1					

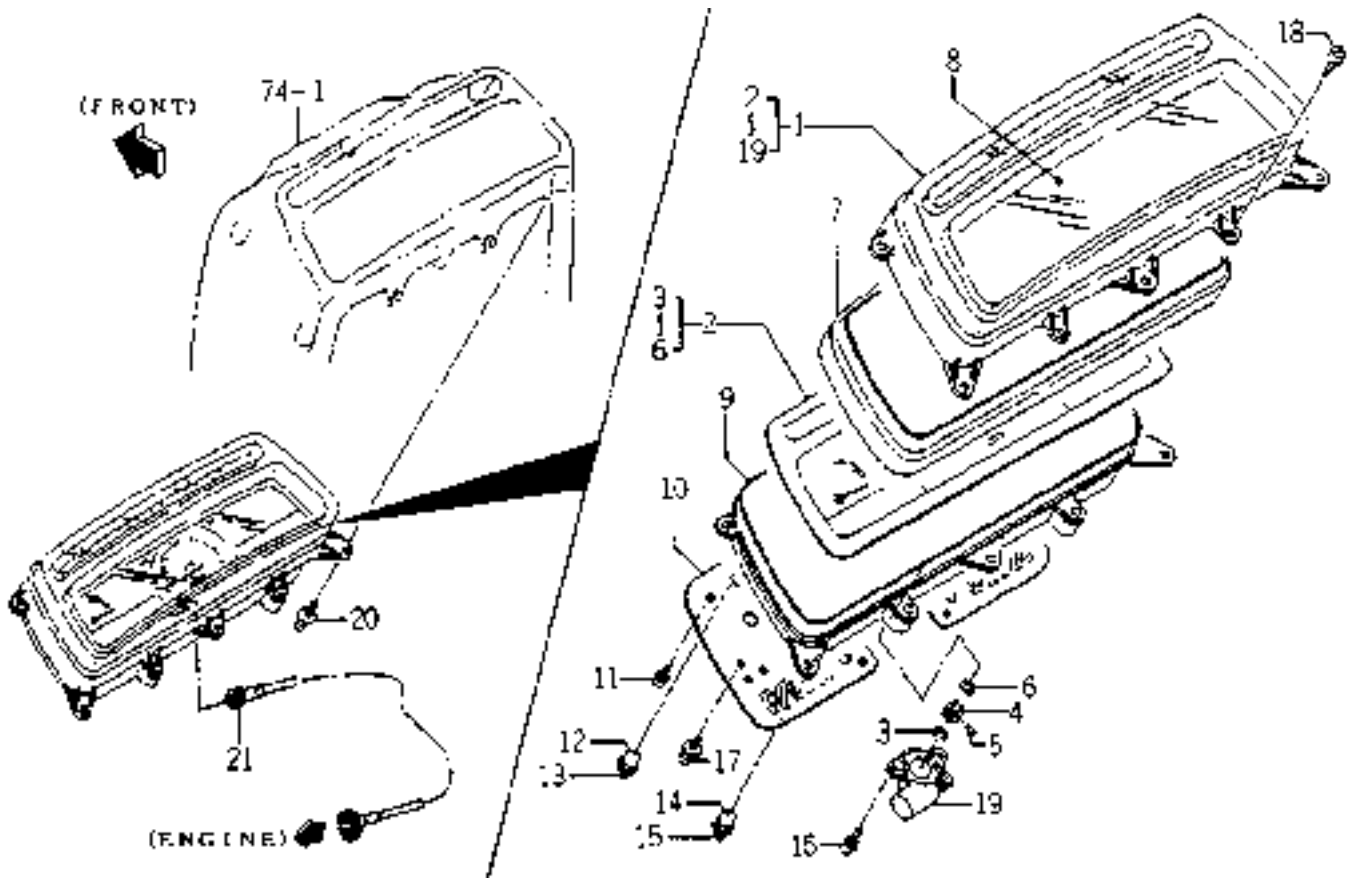
FIG. 82 STEP SYSTEM (H TYPE)



1750-630A-0100

KEY	PART CODE	DESCRIPTION	S P C	TYPE OF MODEL				I T C	C O L	G R P	REMARKS
				TM3200	TM3200H	TM3240	TM3240H				
1	1750-630-500-20	STEP/LH COMP	*		1		1		5I		
2	1750-630-510-10	STEP/RH COMP	*		1		1		5I		
3	V211-261-002-50	BOLT(S) M10X25	*		6		6				
4	1750-630-054-00	INSULATOR	*		2		2				
5	1527-604-002-00	CLIP(B)	*		4		4				
6	1750-630-052-10	MAT/LH	*		1		1				
7	1750-630-053-10	MAT/RH	*		1		1				
8	1704-705-003-00	RIVET	*		8		8				
9	1421-602-005-10	CUSHION,B/ RUBBER	*		1		1				
10	V304-260-008-00	NUT	*		2		2				
11	1740-630-054-00	HOOD/LH	*		1		1		5I		
12	1740-630-055-00	HOOD/RH	*		1		1		5I		
13	V211-360-802-00	BOLT/SP	*		8		8				
14	1750-630-051-10	COVER/CHANGE	*		1		1		5I		
15	1738-630-012-00	TRIM/290	*		2		2				
16	1750-630-002-10	COVER/LH	*		1		1		5I		
17	1750-630-003-10	COVER/RH	*		1		1		5I		
18	1614-608-220-10	PLATE/STOP COMP	*		2		2				
19	1421-507-014-00	WASHER/6X24X2	*		2		2				
20	1690-608-003-00	BOLT/KNOB/M06X27	*		2		2				
21	V500-161-601-50	PIN,SPLIT/1.6X15	*		2		2				
22	1738-630-011-00	TRIM/715	*		2		2				
23	V211-360-802-00	BOLT/SP	*		11		11				
24	1674-619-310-00	ARM/MIRROR ASSY	*		1		1				
25	V210-360-601-60	BOLT(SP)/M6X16	*		2		2				
26	V411-260-008-00	WASHER,PL/M 8	*		2		2				
27	1674-619-300-10	MIRROR ASSY	*		1		1				

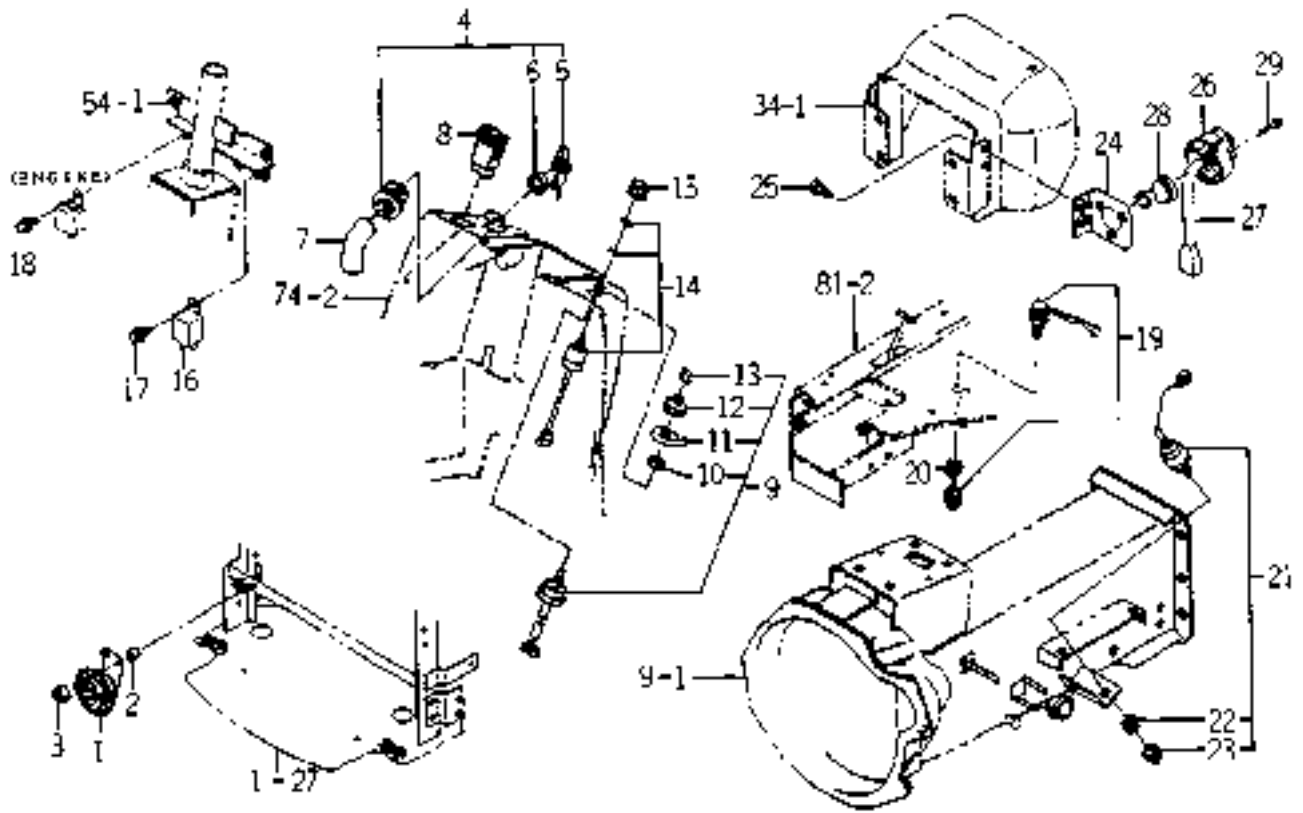
FIG. 84 PANEL SYSTEM



1738-670 -0100

KEY	PART CODE	DESCRIPTION	S P C	TYPE OF MODEL				I T C	C O L	G R P	REMARKS
				TM3200	TM3200H	TM3240	TM3240H				
1	1738-670-210-00	PANEL/INSTRUMEN ASSY	*	1	1	1	1				
2	1738-670-220-00	METER ASSY	*	1	1	1	1				
3	1640-658-322-00	RING/E	*	1	1	1	1				
4	1673-658-214-00	GEAR	*	1	1	1	1				
5	1640-658-324-00	PIN	*	1	1	1	1				
6	1640-658-325-00	WASHER	*	2	2	2	2				
7	1614-670-240-00	ESCUTCHEON	*	1	1	1	1				
8	1614-670-201-00	GLASS	*	1	1	1	1				
9	1614-670-250-00	HOUSING ASSY	*	1	1	1	1				
10	1675-670-220-00	BOARD/WIREING ASSY	*	1	1	1	1				
11	V195-163-010-40	SCREW/TAPPING	*	5	5	5	5				
12	3650-270-214-00	BULB	*	10	10	10	10				
13	1560-658-282-40	SOCKET	*	10	10	10	10				
14	1614-670-281-00	BULB/LAMP/12V/1.7W	*	4	4	4	4				
15	1560-658-282-40	SOCKET	*	4	4	4	4				
16	V120-264-001-20	BOLT/M4X12	*	2	2	2	2				
17	1560-658-202-00	SCREW	*	3	3	3	3				
18	V195-164-016-40	SCREW/4X16	*	4	4	4	4				
19	1675-670-230-00	CASE ASSY	*	1	1	1	1				
20	V120-366-001-60	SCREW	*	4	4	4	4				
21	1614-670-001-10	CABLE ASSY	*	1	1	1	1				

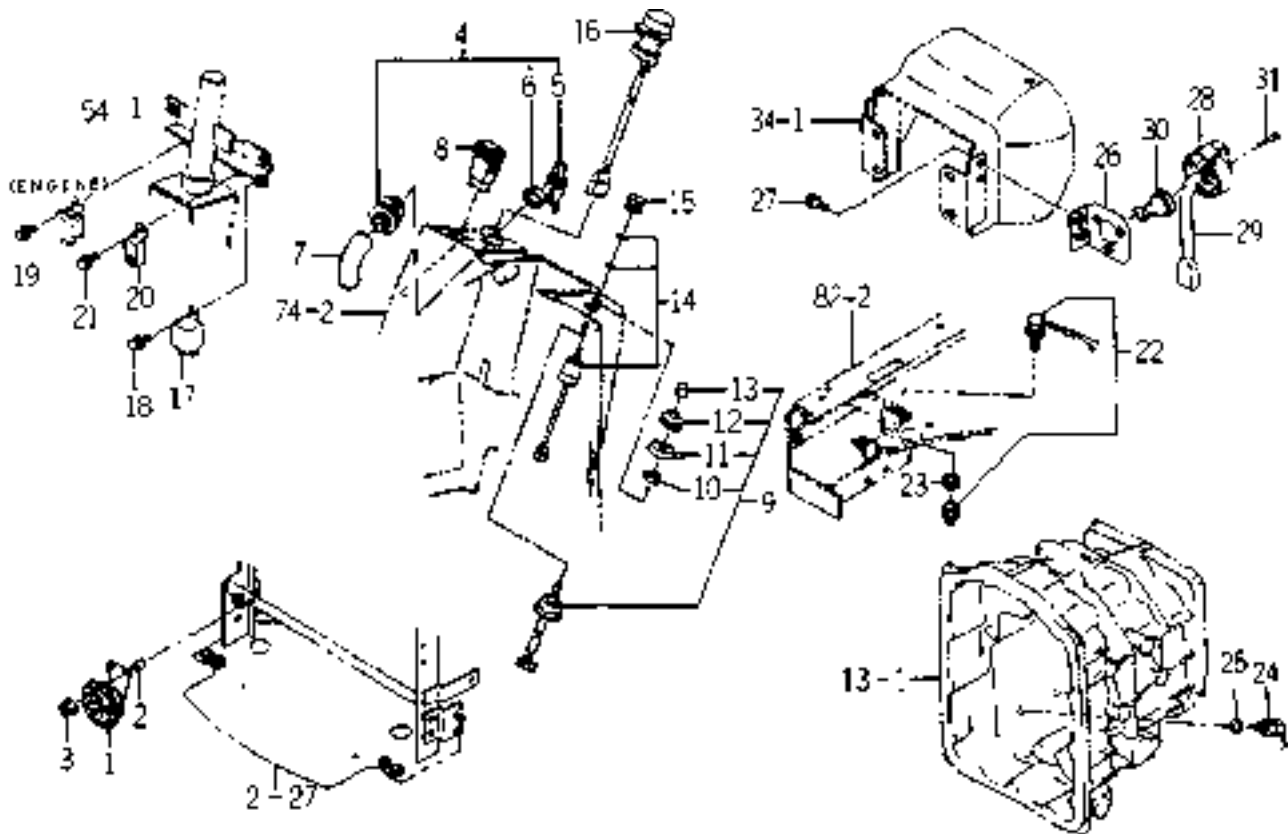
FIG. 85 SWITCH SYSTEM (EXCEPT H TYPE)



1750-680-0100

KEY	PART CODE	DESCRIPTION	S P C	TYPE OF MODEL				I T C	C O L	G R P	REMARKS
				TM3200	TM3200H	TM3240	TM3240H				
1	1740-680-530-00	HORN ASSY	*	1		1					
2	2150-661-002-00	COLLAR	*	2		2					
3	V360-260-006-00	NUT/M6	*	2		2					
4	1716-680-200-10	SWITCH/MAIN ASSY	*	1		1					
5	2186-536-211-00	KEY	*	2		2					
6	2186-536-212-00	NUT/RING	*	1		1					
7	1716-680-006-00	COVER/SWITCH	*	1		1					
8	1740-680-550-00	SWITCH/HAZARD ASSY	*	1		1					
9	1544-623-001-00	SWITCH ASSY	*	1		1					
10	1544-623-232-00	NUT/M22	*	1		1					
11	1544-623-233-00	LEVER	*	1		1					
12	1544-623-234-00	KNOB	*	1		1					
13	1544-623-235-00	BOOT/HORN	*	1		1					
14	1614-680-220-00	SWITCH/ROTARY/2 ASSY	*	1		1					
15	1588-651-205-00	KNOB	*	1		1					
16	1600-623-002-00	FLASHER ASSY	*	1		1				4DM0-033-600-01	
17	V210-360-601-60	BOLT(SP)/M6X16	*	1		1					
18	V210-360-601-60	BOLT(SP)/M6X16	*	1		1					
19	1518-621-320-00	SWITCH,STOP	*	1		1					
20	V335-260-012-00	NUT	*	1		1					
21	1560-664-250-00	SWITCH/PUSH SET	*	1		1					
22	1560-664-252-00	NUT	*	1		1					
23	1560-664-253-00	BOOT	*	1		1					
24	1682-690-370-10	BRACKET/COUPLER/7P	*	1		1					
25	V211-261-003-50	BOLT,SEMS	*	2		2					
26	1600-624-201-00	PLUG/7P	*	1		1				8JB0-019-430-01	
27	1682-690-380-00	HARNES/SOCKET ASSY	*	1		1					
28	1650-654-036-00	GROMMET/10X40X03	*	1		1					
29	V120-265-003-00	BOLT/M5X30	*	3		3					

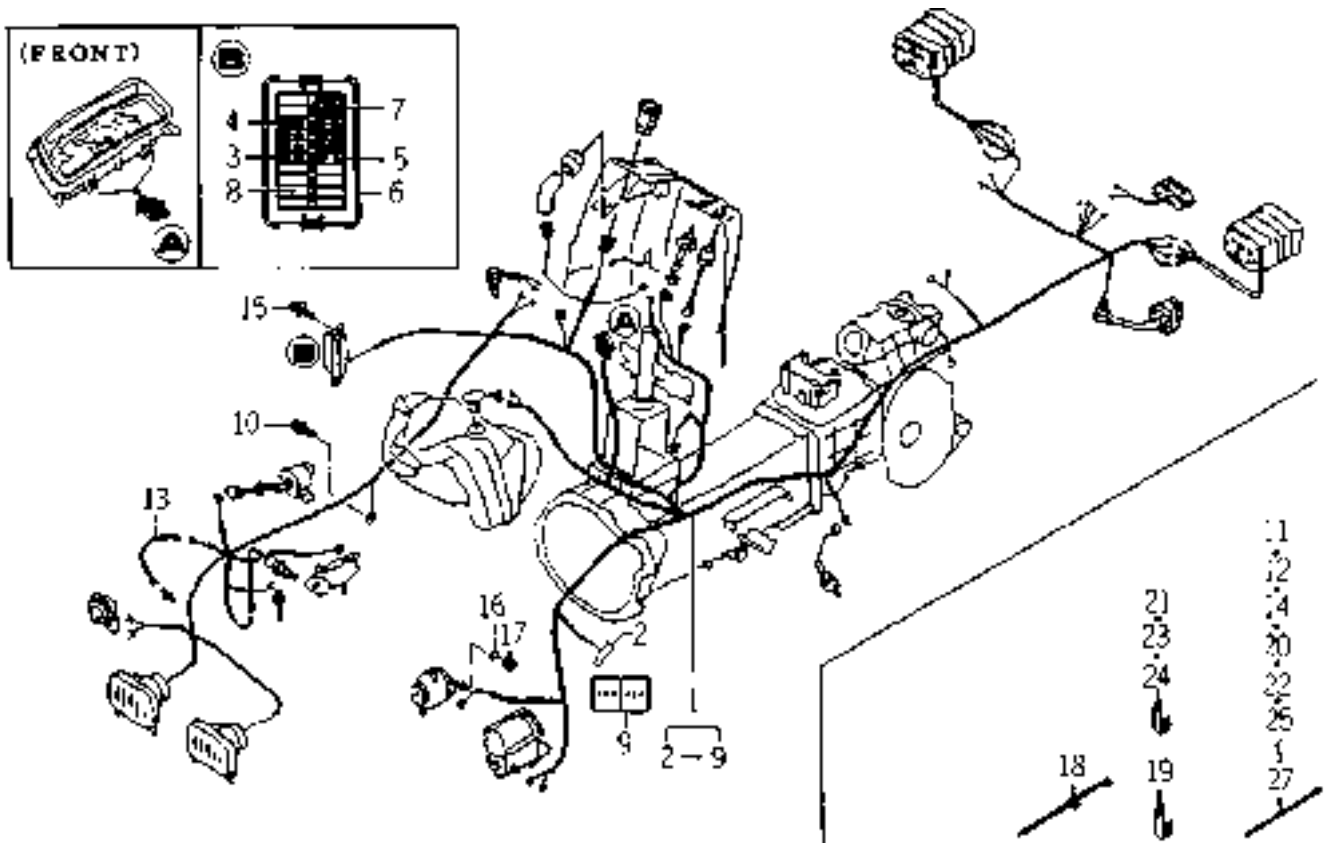
FIG. 86 SWITCH SYSTEM (H TYPE)



1750-680A-0100

KEY	PART CODE	DESCRIPTION	S P C	TYPE OF MODEL				I T C	C O L	G R P	REMARKS
				TM3200	TM3200H	TM3240	TM3240H				
1	1740-680-530-00	HORN ASSY	*		1		1				
2	2150-661-002-00	COLLAR	*		2		2				
3	V360-260-006-00	NUT/M6	*		2		2				
4	1716-680-200-10	SWITCH/MAIN ASSY	*		1		1				
5	2186-536-211-00	KEY	*		2		2				
6	2186-536-212-00	NUT/RING	*		1		1				
7	1716-680-006-00	COVER/SWITCH	*		1		1				
8	1740-680-550-00	SWITCH/HAZARD ASSY	*		1		1				
9	1544-623-001-00	SWITCH ASSY	*		1		1				
10	1544-623-232-00	NUT/M22	*		1		1				
11	1544-623-233-00	LEVER	*		1		1				
12	1544-623-234-00	KNOB	*		1		1				
13	1544-623-235-00	BOOT/HORN	*		1		1				
14	1614-680-220-00	SWITCH/ROTARY/2 ASSY	*		1		1				
15	1588-651-205-00	KNOB	*		1		1				
16	1640-664-320-00	SWITCH/PTO ASSY	*		1		1				
17	1600-623-002-00	FLASHER ASSY	*		1		1				4DM0-033-600-01
18	V210-360-601-60	BOLT(SP)/M6X16	*		1		1				
19	V210-360-601-60	BOLT(SP)/M6X16	*		1		1				
20	1650-658-270-00	RELAY/4P ASSY	*		1		1				
21	V210-360-601-60	BOLT(SP)/M6X16	*		1		1				
22	1518-621-320-00	SWITCH,STOP	*		1		1				
23	V335-260-012-00	NUT	*		1		1				
24	1518-621-320-00	SWITCH,STOP	*		1		1				
25	2137-304-005-00	WASHER/13X24X01	*		2		2				
26	1682-690-370-10	BRACKET/COUPLER/7P	*		1		1				
27	V211-261-003-50	BOLT,SEMS	*		2		2				
28	1600-624-201-00	PLUG/7P	*		1		1				8JB0-019-430-01
29	1682-690-380-00	HARNESS/SOCKET ASSY	*		1		1				
30	1650-654-036-00	GROMMET/10X40X03	*		1		1				

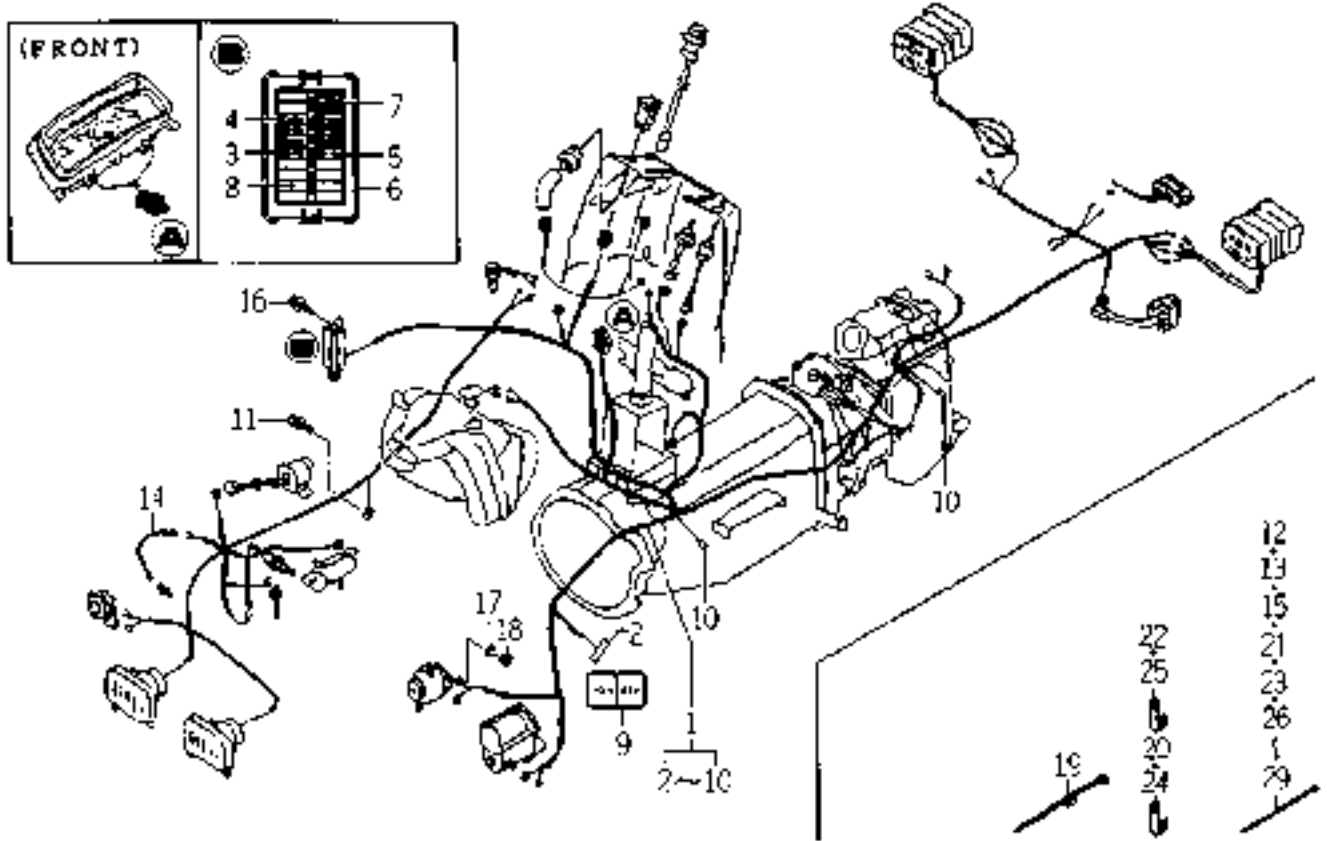
FIG. 87 HARNESS SYSTEM (EXCEPT H TYPE)



1750-690 -0100

KEY	PART CODE	DESCRIPTION	S P C	TYPE OF MODEL				I T C	C O L	G R P	REMARKS
				TM3200	TM3200H	TM3240	TM3240H				
1	1750-690-210-10	HARNESS/MAIN/E4 ASSY	*	1		1					
2	1650-650-222-00	FUSE/SLOWBLOW	*	2		2					
3	3821-262-202-00	FUSE/BLADE/32V10A	*	5		5					
4	3821-262-204-00	FUSE/BLADE/32V20A	*	4		4					
5	1740-690-202-00	FUSE/BLADE/32V05A	*	2		2					
6	3827-270-001-00	COVER/FUSE	*	1		1					
7	3827-270-002-00	TOOL/FUSE	*	1		1					
8	1738-690-203-00	LABEL/FUSE/E4	*	1		1					
9	1750-690-212-00	LABEL/FUSE/SLOWBLOW	*	1		1					
10	V211-360-802-00	BOLT/SP	*	1		1					
11	1342-402-006-00	BAND,WIRE/250	*	1		1					
12	1376-402-003-00	BAND,WIRE/140	*	1		1					
13	1600-624-004-00	HARNESS,OIL PRESSURE	*	1		1					
14	1342-402-006-00	BAND,WIRE/250	*	1		1					
15	V210-360-601-60	BOLT(SP)/M6X16	*	2		2					
16	V401-160-006-00	WASHER,SP/M 6	*	1		1					
17	V301-260-006-00	NUT/M 6	*	1		1					
18	1560-666-004-00	BAND	*	1		1					
19	1425-621-004-00	HOLDER/JE/9-9	*	1		1					
20	1342-402-006-00	BAND,WIRE/250	*	1		1					
21	3737-172-011-00	CLAMP,HARNESS	*	2		2					
22	1376-402-003-00	BAND,WIRE/140	*	1		1					
23	3737-172-011-00	CLAMP,HARNESS	*	1		1					
24	3737-172-011-00	CLAMP,HARNESS	*	1		1					
25	1376-402-003-00	BAND,WIRE/140	*	2		2					
26	1342-402-006-00	BAND,WIRE/250	*	2		2					
27	1376-402-003-00	BAND,WIRE/140	*	1		1					

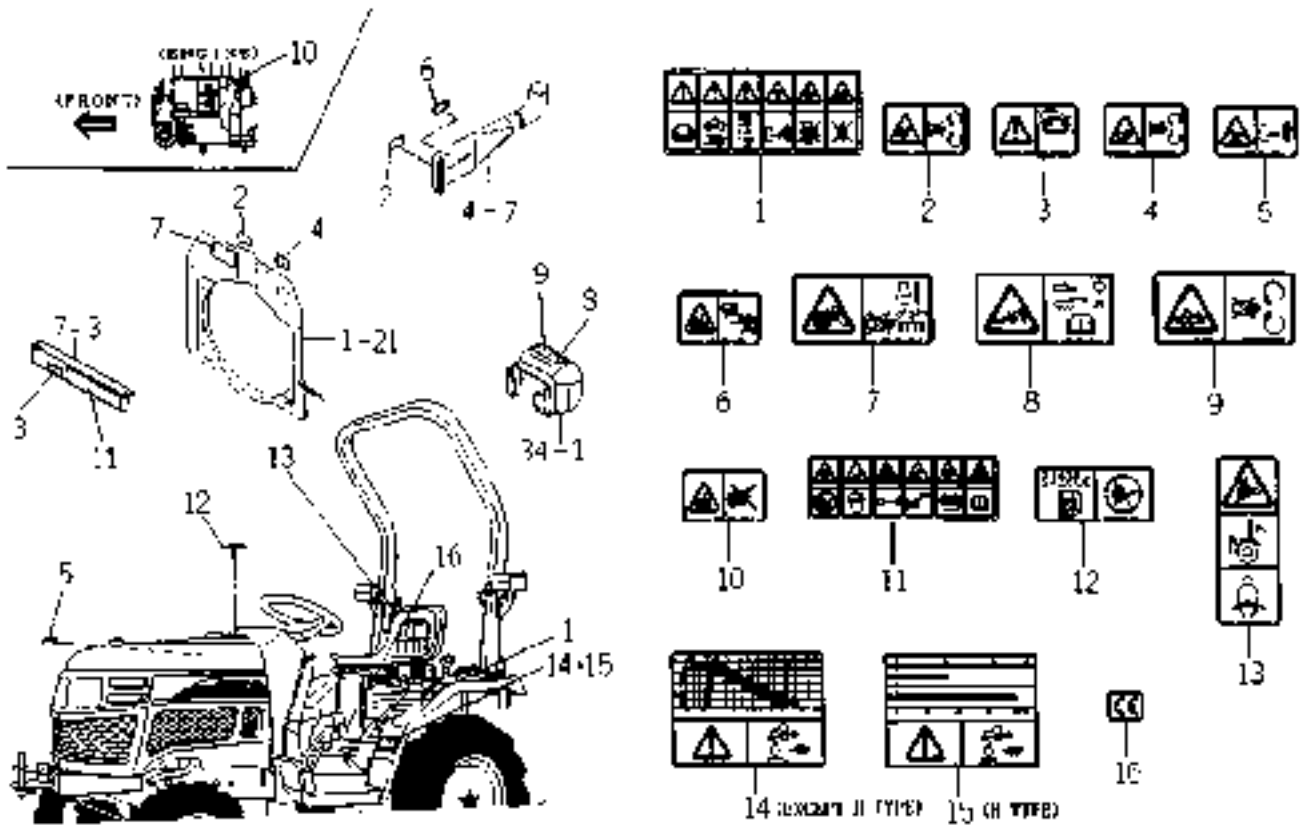
FIG. 88 HARNESS SYSTEM (H TYPE)



1750-690A-0100

KEY	PART CODE	DESCRIPTION	S P C	TYPE OF MODEL				I T C	C O L	G R P	REMARKS
				TM3200	TM3200H	TM3240	TM3240H				
1	1750-690-510-00	HARNESS/MAIN/HE ASSY	*		1		1				
2	1650-650-222-00	FUSE/SLOWBLOW	*		2		2				
3	3821-262-202-00	FUSE/BLADE/32V10A	*		5		5				
4	3821-262-204-00	FUSE/BLADE/32V20A	*		4		4				
5	1740-690-202-00	FUSE/BLADE/32V05A	*		2		2				
6	3827-270-001-00	COVER/FUSE	*		1		1				
7	3827-270-002-00	TOOL/FUSE	*		1		1				
8	1738-690-203-00	LABEL/FUSE/E4	*		1		1				
9	1750-690-212-00	LABEL/FUSE/SLOWBLOW	*		1		1				
10	1560-666-212-00	DIODE	*		2		2				
11	V211-360-802-00	BOLT/SP	*		1		1				
12	1342-402-006-00	BAND,WIRE/250	*		1		1				
13	1376-402-003-00	BAND,WIRE/140	*		1		1				
14	1600-624-004-00	HARNESS,OIL PRESSURE	*		1		1				
15	1342-402-006-00	BAND,WIRE/250	*		1		1				
16	V210-360-601-60	BOLT(SP)/M6X16	*		2		2				
17	V401-160-006-00	WASHER,SP/M 6	*		1		1				
18	V301-260-006-00	NUT/M 6	*		1		1				
19	1560-666-004-00	BAND	*		1		1				
20	1425-621-004-00	HOLDER/JE/9-9	*		1		1				
21	1342-402-006-00	BAND,WIRE/250	*		1		1				
22	3737-172-011-00	CLAMP,HARNESS	*		2		2				
23	1342-402-006-00	BAND,WIRE/250	*		1		1				
24	1425-621-004-00	HOLDER/JE/9-9	*		1		1				
25	3737-172-011-00	CLAMP,HARNESS	*		1		1				
26	1376-402-003-00	BAND,WIRE/140	*		1		1				
27	1376-402-003-00	BAND,WIRE/140	*		2		2				
28	1342-402-006-00	BAND,WIRE/250	*		2		2				
29	1376-402-003-00	BAND,WIRE/140	*		1		1				

FIG. 93 LABEL (CAUTION)

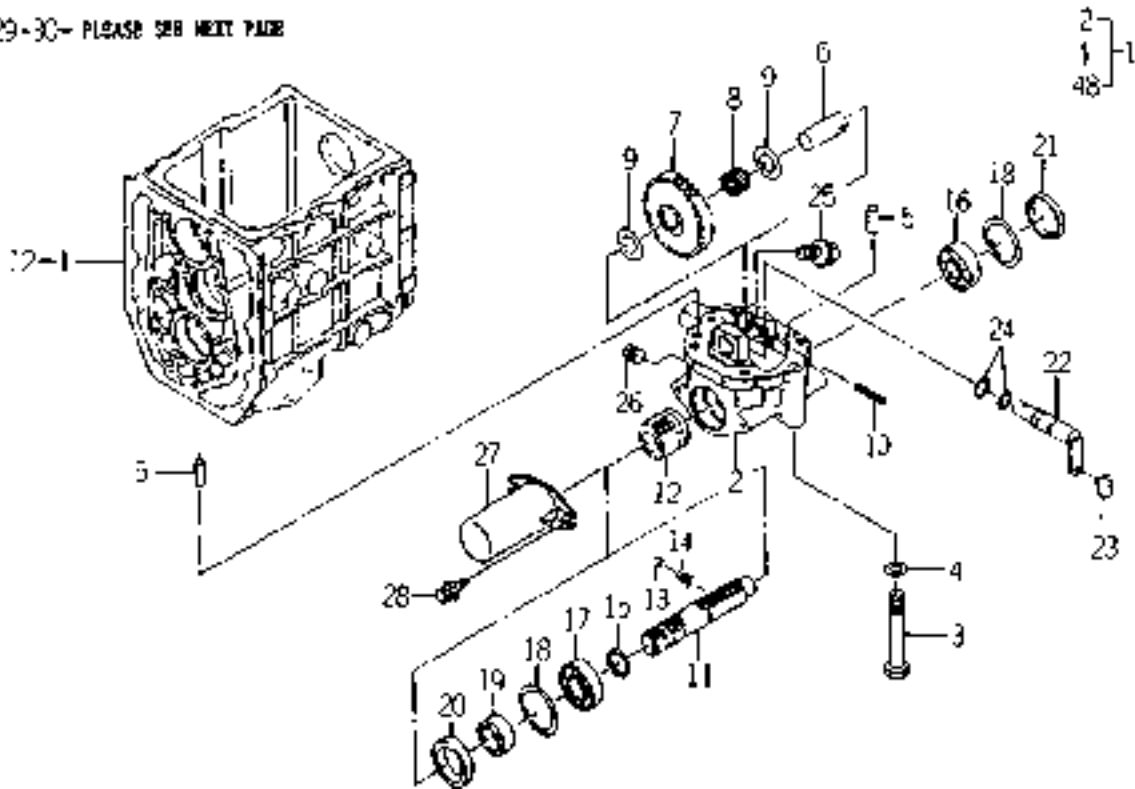


1738-904 -0100,1750-904 -0100,1709-905 -0100

KEY	PART CODE	DESCRIPTION	S P C	TYPE OF MODEL				I T C	C O L	G R P	REMARKS
				TM3200	TM3200H	TM3240	TM3240H				
1	1674-904-001-00	LABEL/DRIVE	*	1	1	1	1				
2	1705-902-006-00	LABEL/W/FAN	*	2	2	2	2				
3	1636-901-022-00	LABEL/CAUTION/BATTER	*	1	1	1	1				
4	1674-904-008-00	LABEL/WARNING/BELT	*	2	2	2	2				
5	1739-904-001-00	LABEL/WARNING/HOT	*	1	1	1	1				
6	1674-904-002-10	LABEL/ETHER	*	1	1	1	1				
7	1674-904-003-00	LABEL/RADIATOR	*	1	1	1	1				
8	1674-904-004-00	LABEL/TRAILER	*	1	1	1	1				
9	8654-901-002-00	LABEL/PTO	*	1	1	1	1				
10	1705-902-007-00	LABEL/W/STARTER	*	1	1	1	1				
11	1705-904-002-00	LABEL/BATTERY	*	1	1	1	1				
12	1705-904-001-00	LABEL/FUEL	*	1	1	1	1				
13	1674-904-005-00	LABEL/ROPS	*	1	1	1	1				
14	1738-904-001-00	LABEL/SPEED	*	1		1					
15	1750-904-051-00	LABEL/SPEED/HST	*		1		1				
16	2500-901-027-00	LABEL/CE	*	1	1	1	1				

FIG. 95 MID PTO SET (EXCEPT M TYPE)(1/2) (OPTION)

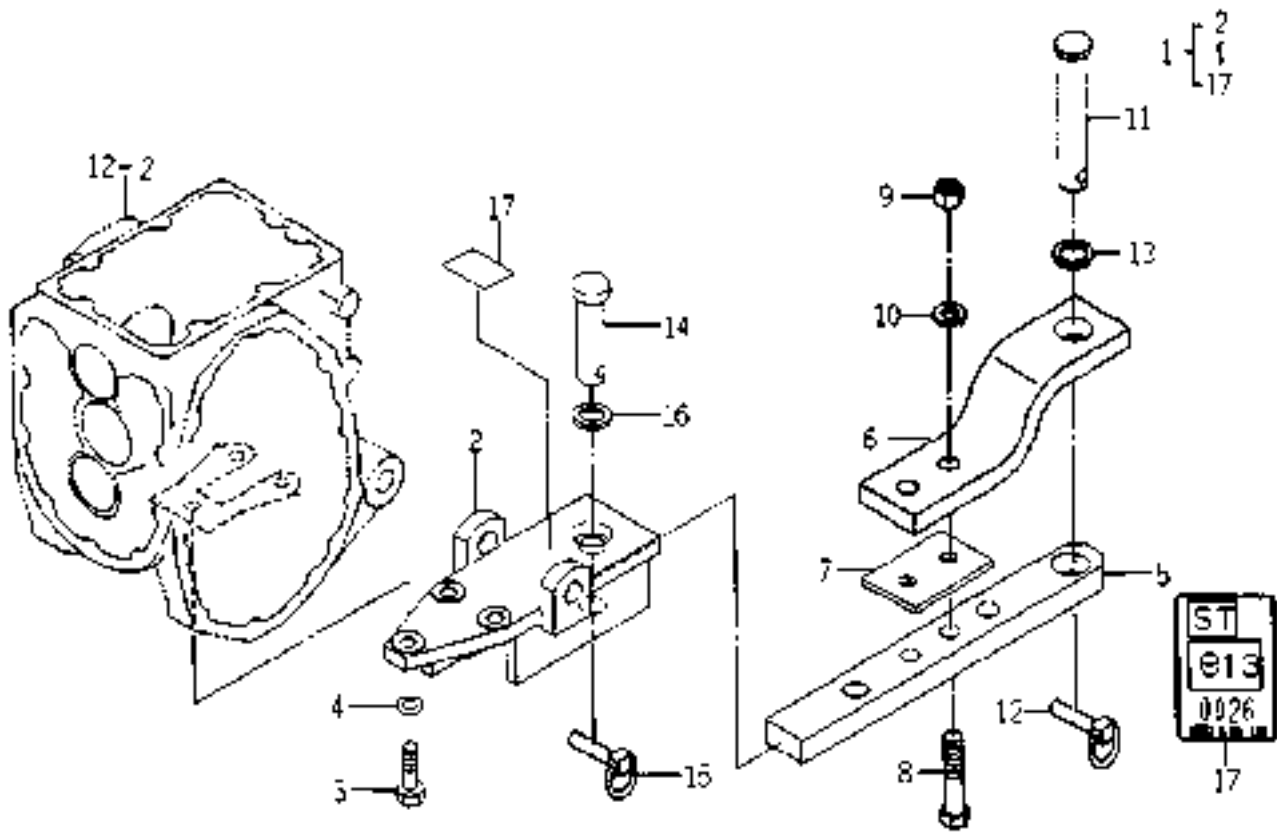
29-30- PLEASE SEE NEXT PAGE



1738-255A-0100

KEY	PART CODE	DESCRIPTION	S P C	TYPE OF MODEL				I T C	C O L	G R P	REMARKS
				TM3200	TM3200H	TM3240	TM3240H				
1	1738-255-200-20	PTO/MID SET	T	1		1					
2	1682-255-201-10	CASE/PTO/MID	T	1		1					
3	V201-361-009-00	BOLT/M10X90	T	6		6					
4	V401-160-010-00	WASHER,SP/M10	T	6		6					
5	V523-101-002-40	PIN	T	2		2					
6	1682-255-203-00	PIN/20X51	T	1		1					
7	1682-255-202-00	GEAR/SPUR/34	T	1		1					
8	1682-255-002-20	BEARING/NEEDLE	T	1		1					
9	1480-212-003-00	COLLAR/21X36X1	T	2		2					
10	V580-140-604-00	PIN,SPRING/6 X40 W	T	1		1					
11	1682-255-204-00	SHAFT/PTO/MID	T	1		1					
12	1682-255-205-10	GEAR/SPUR/15	T	1		1					
13	V682-200-001-00	BALL	T	1		1					
14	1302-225-003-00	SPRING,SHIFTER	T	1		1					
15	V704-140-025-00	RING,SNAP/25 C	T	1		1					
16	V600-110-630-40	BEARING,RB/6304	T	1		1					
17	V600-110-620-50	BEARING,RB/6205	T	1		1					
18	V705-140-052-00	RING,SNAP/52 C	T	2		2					
19	1427-212-003-20	SLEEVE	T	1		1					
20	V744-135-520-80	SEAL,OIL/TC35528	T	1		1					
21	3625-701-003-00	CAP,BLANK/52	T	1		1					
22	1682-255-210-40	ARM/SHIFT/MID COMP	T	1		1					
23	2703-101-020-00	COLLAR,SHIFTER	T	1		1					
24	V720-102-401-40	O-RING/P14	T	2		2					
25	V233-361-201-60	FLANGEBOLT	T	1		1					
26	V781-160-000-6B	PLUG/SCREW/SEAL	T	1		1					
27	1444-314-009-10	CAP,PTO SHAFT	T	1		1					
28	V210-360-602-00	BOLT/SP	T	2		2					
29	1738-255-310-20	LEVER/PTO/MID COMP	T	1		1					
30	3640-585-001-00	GLIP/YELLOW	T	1		1					

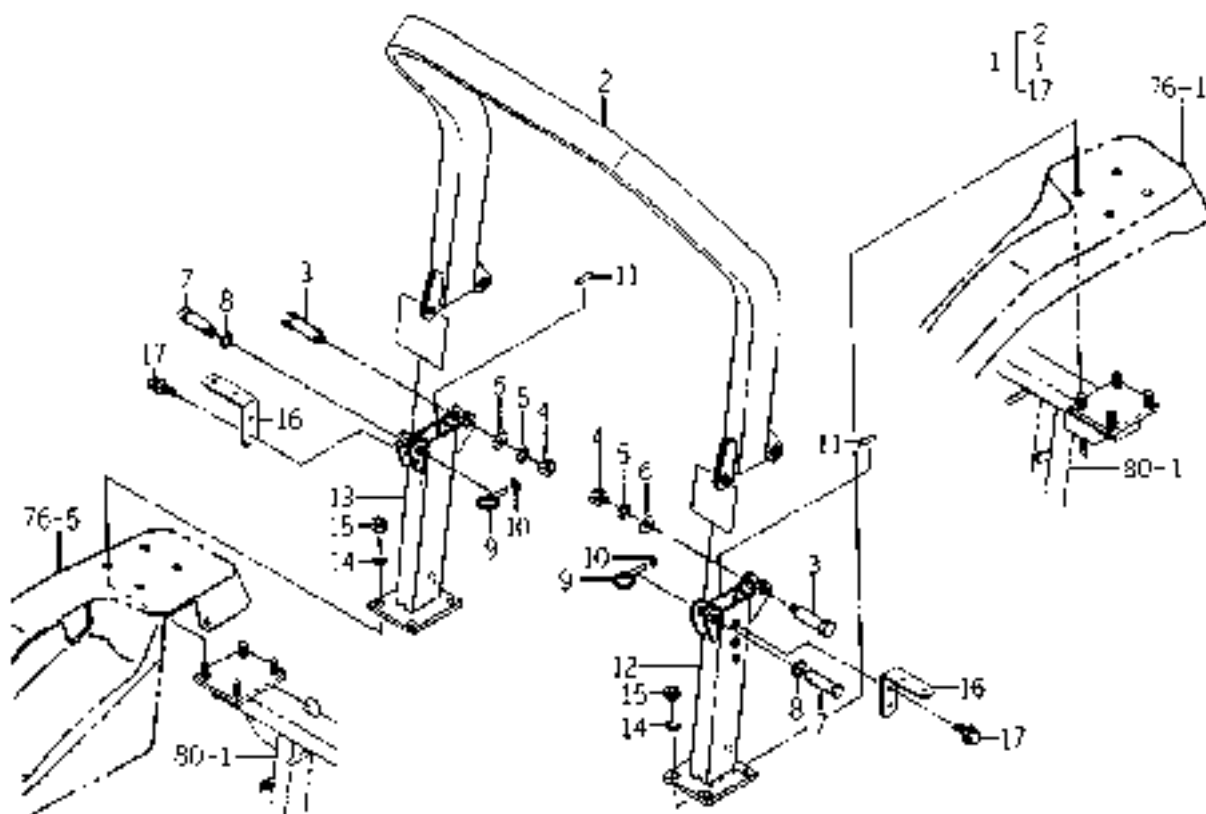
FIG.104 HITCH (CREVICE) SET (R TYPE) (OPTION)



1750-520 -0100

KEY	PART CODE	DESCRIPTION	S P C	TYPE OF MODEL				I T C	C O L	G R P	REMARKS
				TM3200	TM3200H	TM3240	TM3240H				
1	1750-520-200-00	DRAWBAR/CLEVIS SET	T	1	1	1	1				
2	1750-520-210-00	BRACKET/DRAWBAR COMP	T	1	1	1	1				
3	V201-361-204-00	BOLT/M12X40	T	3	3	3	3				
4	V401-160-012-00	WASHER,SP/M12	T	3	3	3	3				
5	1750-520-001-00	DRAWBAR	T	1	1	1	1				
6	1674-520-002-00	LINK/DRAWBAR	T	1	1	1	1				
7	1674-520-003-00	PLATE	T	1	1	1	1				
8	V201-261-608-50	BOLT/M16X85	T	2	2	2	2				
9	1518-924-001-00	NUT,U/M16	T	2	2	2	2				
10	V401-160-016-00	WASHER,SP/M16	T	2	2	2	2				
11	1640-520-005-00	PIN/25X91	T	1	1	1	1				
12	1673-525-002-20	LINKPIN	T	1	1	1	1				
13	1640-520-004-00	INSULATOR	T	1	1	1	1				
14	1674-520-210-00	PIN/30X162 COMP	T	1	1	1	1				
15	1673-525-002-20	LINKPIN	T	1	1	1	1				
16	1674-520-004-00	INSULATOR	T	1	1	1	1				
17	1750-520-002-00	LABEL/TRH1738A	T	1	1	1	1				

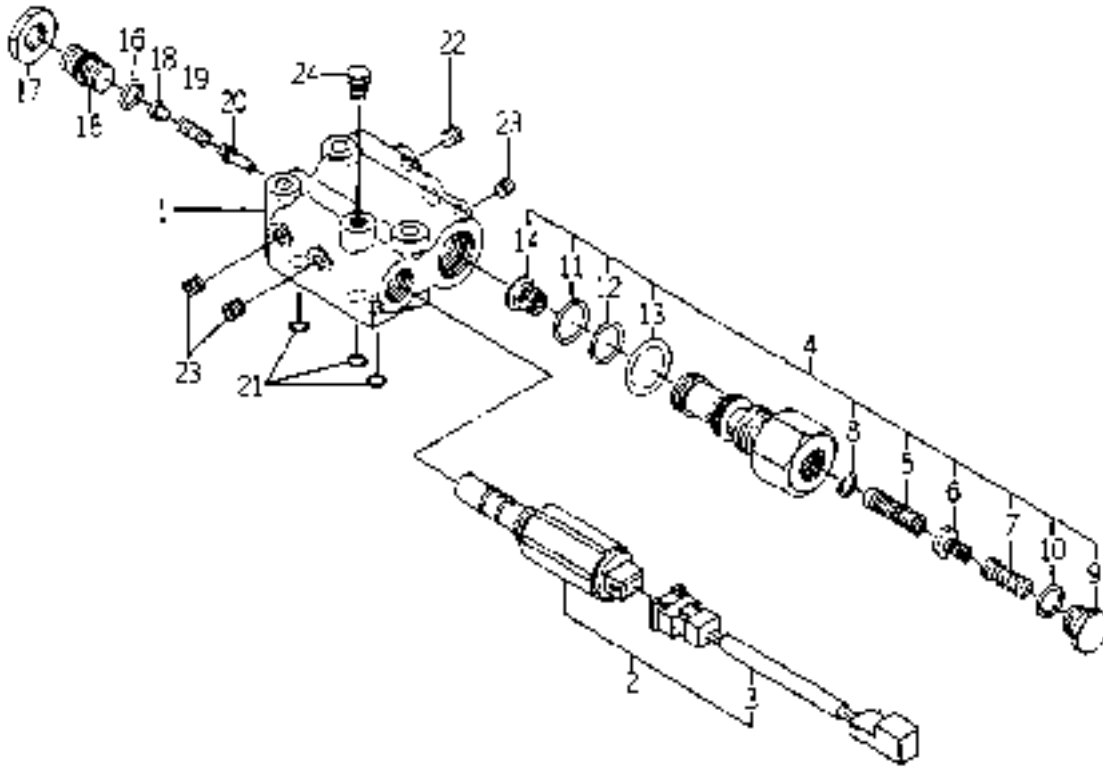
FIG.106 ROPS SET (EXCEPT R TYPE) (OPTION)



1750-702A-0100

KEY	PART CODE	DESCRIPTION	S P C	TYPE OF MODEL				I T C	C O L	G R P	REMARKS
				TM3200	TM3200H	TM3240	TM3240H				
1	1750-702-200-00	FRAME/SF-184 SET	T	1	1	1	1				
2	1738-702-300-00	FRAME/UPPER COMP	T	1	1	1	1		7F		
3	1640-702-003-00	BOLT/SET/M16X60	T	2	2	2	2				
4	V304-260-016-00	NUT/M16	T	2	2	2	2				
5	V401-160-016-00	WASHER,SP/M16	T	2	2	2	2				
6	V411-260-016-00	WASHER / M16	T	2	2	2	2				
7	1640-702-004-00	PIN/20X58	T	2	2	2	2				
8	V720-112-401-80	O-RING/P18	T	2	2	2	2				
9	1673-525-002-20	LINKPIN	T	2	2	2	2				
10	V720-101-900-90	O-RING/P 9	T	2	2	2	2				
11	1560-314-001-00	INSULATOR	T	2	2	2	2				
12	1738-702-310-00	FRAME/LH COMP	T	1	1	1	1		7F		
13	1738-702-320-00	FRAME/RH COMP	T	1	1	1	1		7F		
14	V401-160-014-00	WASHER,SP/M14	T	8	8	8	8				
15	V304-460-014-00	NUT/M14	T	8	8	8	8				
16	1739-702-001-00	PLATE/L/38X114	T	2	2	2	2				
17	V211-360-802-00	BOLT/SP	T	4	4	4	4				

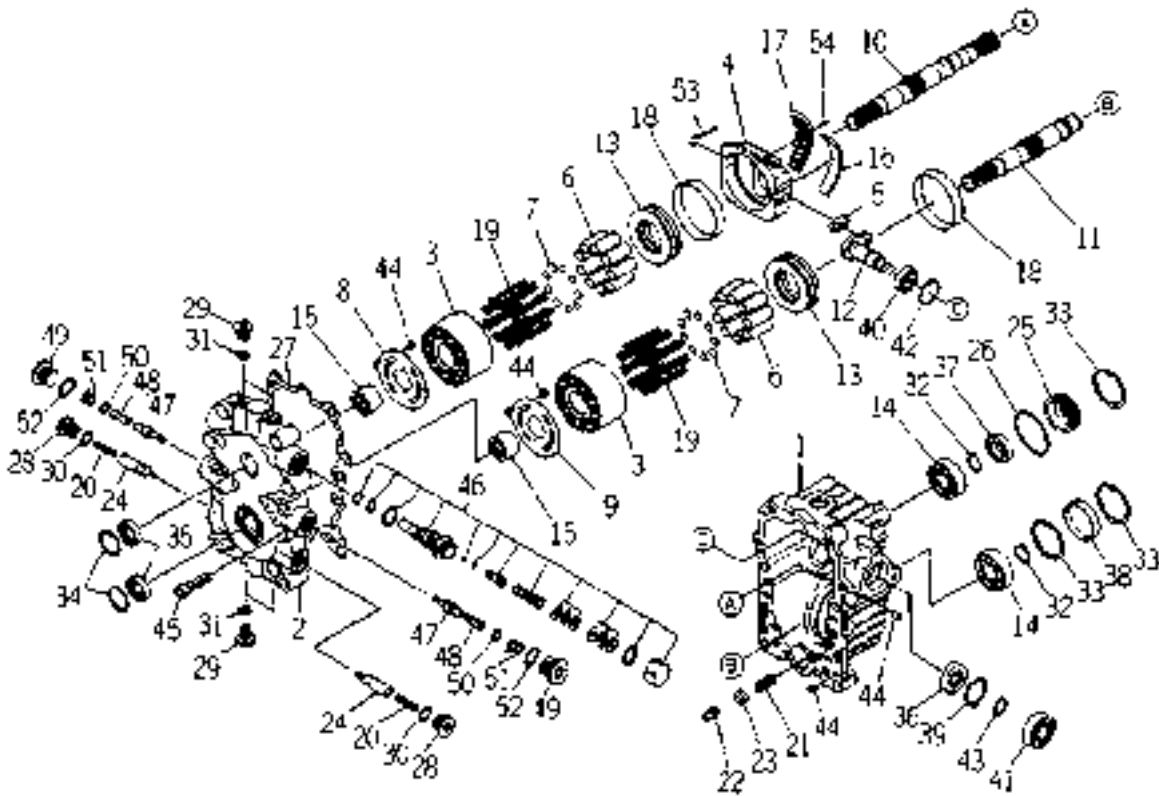
**FIG.108 COMPONENT PARTS
FOR K200-053-000-00 ON Fig.56**



K200-053-000-0C

KEY	PART CODE	DESCRIPTION	S P C	TYPE OF MODEL				I T C	C O L	G R P	REMARKS
				TM3200	TM3200H	TM3240	TM3240H				
1	K200-053-001-00	BODY/HVA1/053	*		1		1				
2	K200-059-100-00	VALUVE,SOLENOID SET	*		1		1				
3	K200-053-102-00	HARNESS/PA/BLUE	*		1		1				
4	K233-005-000-00	VALVE/FLOCON ASSY	*		1		1				
5	K233-005-001-00	SPOOL/FLOCON/1.15	*		1		1				
6	K233-002-003-00	SPRING/GUIDE	*		1		1				
7	K233-002-004-00	SPRING/HC027	*		1		1				
8	K233-002-005-00	SPOOL/STOPPER	*		1		1				
9	K211-008-011-00	PLUG	*		1		1				
10	V720-112-401-40	O-RING/P14	*		1		1				
11	V720-112-401-80	O-RING/P18	*		1		1				
12	V720-112-402-00	O-RING/P20	*		1		1				
13	V720-113-502-50	RING/O	*		1		1				
14	1650-508-002-00	FILTER/LINE/12X18X15	*		1		1				
15	K250-031-005-00	SCREW/F	*		1		1				
16	V720-102-401-20	O-RING/P12	*		1		1				
17	K250-001-007-00	NUT	*		1		1				
18	K200-053-002-00	PLATE/SPRING	*		1		1				
19	K200-035-006-00	SPRING/HC020	*		1		1				
20	K190-001-202-10	POPPET	*		1		1				
21	V720-111-900-70	O-RING/P 7	*		3		3				
22	V780-140-000-2T	PLUG/SCREW/SEAL	*		1		1				
23	V780-140-000-1T	PLUG/SCREW/SEAL	*		3		3				
24	V782-160-000-2T	PLUG/SCREW/SEAL	*		1		1				

**FIG.110 COMPONENT PARTS
FOR K510-008-000-00 ON Fig.14**

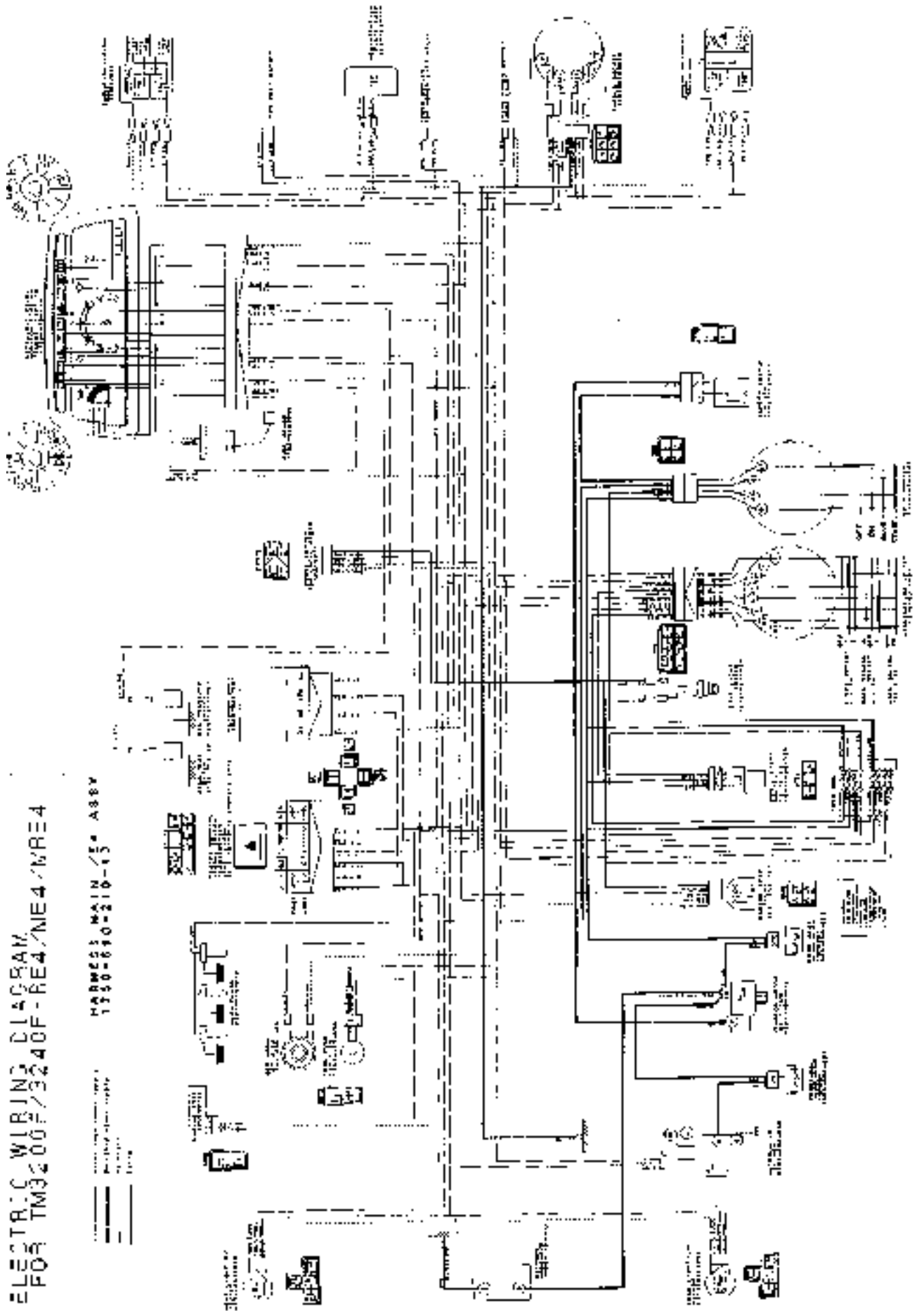


K510-008-000-0A

KEY	PART CODE	DESCRIPTION	S P C	TYPE OF MODEL				I T C	C O L	G R P	REMARKS
				TM3200	TM3200H	TM3240	TM3240H				
1	K 510-008-001-00	CASE	*		1		1				
2	K 510-008-004-00	BLOCK/PORT	*		1		1				
3	K 510-001-005-00	BLOCK/CYLINDER	*		2		2				
4	K 510-003-006-00	PLATE/SWASH	*		1		1				
5	K 510-001-007-00	METAL/SLIDE	*		1		1				
6	K 510-001-008-00	PISTON	*		18		18				
7	K 510-001-009-00	SHIM/0.9	*		18		18				
8	K 510-008-010-00	PLATE/VALVE/PUMP	*		1		1				
9	K 510-001-011-00	PLATE/VALVE/MOTOR	*		1		1				
10	K 510-003-012-00	SHAFT/PUMP	*		1		1				
11	K 510-008-013-00	SHAFT/MOTOR	*		1		1				
12	K 510-008-014-00	ARM/TRUNION	*		1		1				
13	K 510-003-015-00	BEARING/THRUST	*		2		2				
14	V600-110-620-40	BEARING.RB/6204	*		2		2				
15	K 510-001-016-00	NEEDLE	*		2		2				
16	K 510-001-017-00	BUSH/95X100X22	*		1		1				
17	K 510-003-017-00	BEARING/NEEDLE	*		1		1				
18	K 510-001-018-00	BUSH/68X71X14	*		2		2				
19	K 510-001-019-00	SPRING/HCO53	*		18		18				
20	K 510-001-020-00	SPRING/HCO30	*		2		2				
21	K 510-003-021-00	SPRING/HCO21	*		1		1				
22	K 510-003-022-00	POPPET/RELIEF	*		1		1				
23	K 510-003-037-00	PLATE/SPRING	*		1		1				
24	K 510-003-023-00	POPPET/CHECK	*		2		2				
25	K 510-001-025-00	COLLAR/23X47X12	*		1		1				
26	V720-103-504-10	O-RING /P41	*		1		1				
27	K 510-001-026-00	GASKET	*		1		1				
28	K 510-001-029-00	PLUG(G3/8)	*		2		2				
29	K275-001-003-00	PLUG(PF1/4)	*		4		4				
30	V720-112-401-40	O-RING/P14	*		2		2				

ELECTRICAL WIRING DIAGRAM
FOR TM3200F/3240F-RE4/NE4/WRE4

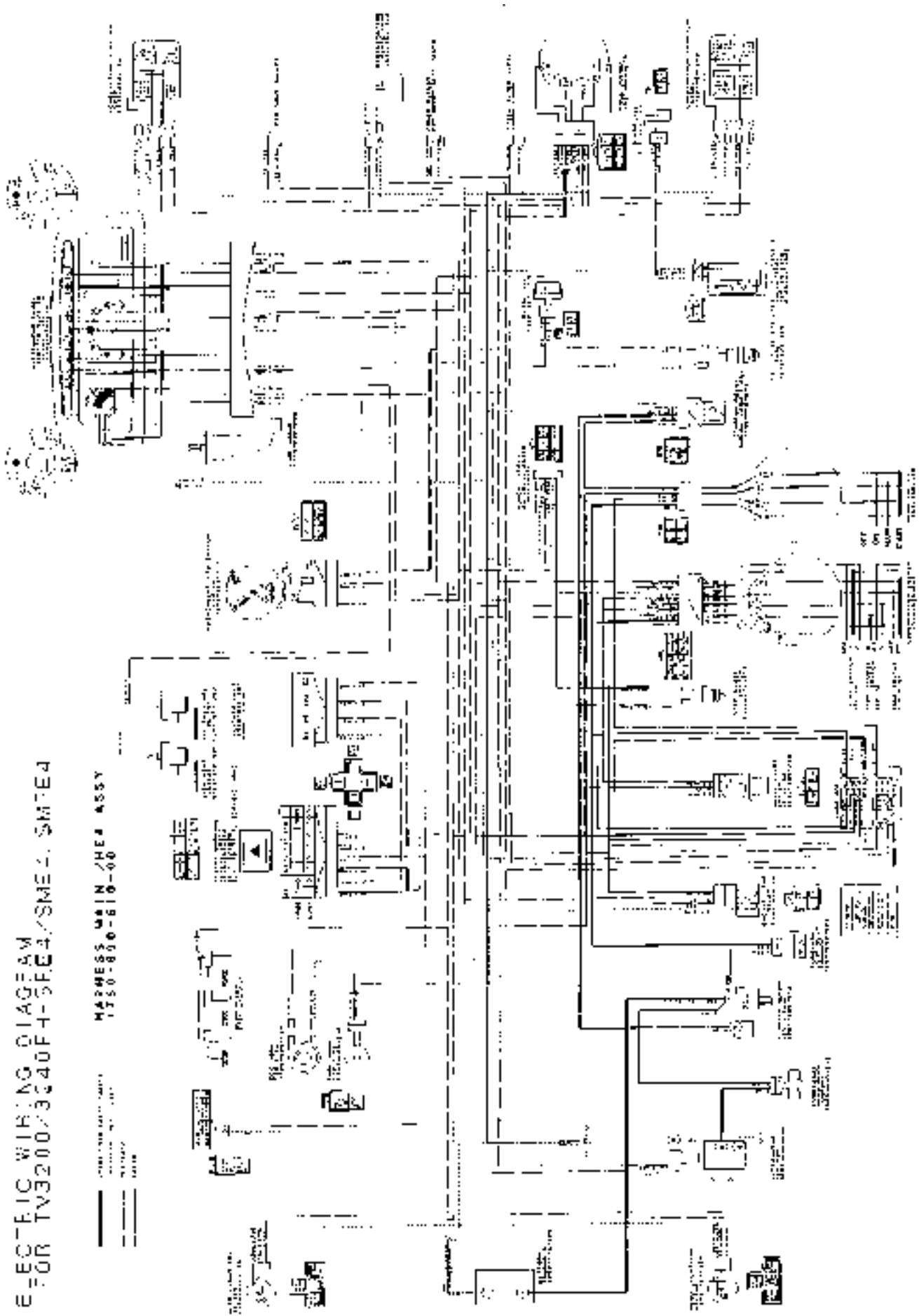
WIRING DIAGRAM
1950-690-210-15



WIRING DIAGRAM (HST)

ELECTRIC WIRING DIAGRAM
FOR TV3200/3040F-H-3FE4/SME4-SMTE4

HARNESS MAIN / HE4 ASSY
1350-800-610-00



Numerical Index

6004-097-330-00

Part Code	Fig.Key	Part Code	Fig.Key	Part Code	Fig.Key
1373-121-001-00	23 4	6209-630-002-10	25 22	6211-751-001-10	2 2
1425-621-004-00	9 14	6209-704-009-00	21 7	6211-760-030-00	5 30
3625-540-004-00	9 38	6209-730-005-00	12 3	6211-766-019-00	5 31
3632-360-036-00	21 6		20 11	6211-777-007-30	10 1
3817-401-001-00	9 10	6209-730-006-00	15 4	6212-111-094-10	13 1
	11 20	6209-740-001-00	9 26	6212-114-094-10	14 1
	17 14	6209-740-005-00	5 18	6212-116-094-10	14 3
	17 19	6209-749-001-20	5 15	6212-121-014-20	13 2
	20 8		9 44	6212-124-014-10	14 2
6209-000-002-00	11 18	6209-920-002-00	9 20	6212-126-014-10	14 4
6209-000-003-00	1 7		16 14	6212-211-001-10	13 3
6209-000-004-10	5 2		25 13	6212-230-004-10	13 5
6209-030-043-00	20 17	6209-940-004-00	11 14	6212-235-005-00	13 6
6209-030-044-00	18 4	6211-110-057-30	1 1	6212-271-006-00	13 7
6209-030-085-00	23 8	6211-141-029-20	1 6	6212-274-006-00	6 5
6209-046-015-00	15 8		25 3	6212-276-006-00	6 6
6209-050-001-00	9 32	6211-170-004-20	2 1	6212-310-009-30	15 1
6209-050-002-00	9 33	6211-173-003-00	2 3	6212-330-051-00	15 5
6209-300-013-00	5 33		25 4	6212-333-003-00	15 6
6209-300-014-00	1 8	6211-210-037-20	5 1	6212-370-011-00	15 9
6209-360-005-00	21 3	6211-258-001-00	5 8	6212-371-009-00	15 10
6209-360-021-00	21 5		25 8	6212-372-002-10	15 11
6209-360-028-10	2 6	6211-258-002-00	5 9	6212-379-001-00	15 14
6209-409-001-00	9 18		25 9	6212-511-002-00	12 1
6209-409-003-00	11 17	6211-291-016-00	5 26	6212-521-008-00	15 3
6209-490-002-10	2 4	6211-292-001-20	5 27	6212-522-010-00	12 2
6209-500-003-00	9 16		25 11	6212-523-023-00	12 6
	9 25	6211-310-012-30	9 1	6212-524-002-20	20 10
	25 23	6211-311-007-40	9 39	6212-530-005-20	9 46
6209-572-003-00	2 5	6211-312-003-20	9 27	6212-531-005-10	5 6
	25 5		25 14	6212-535-001-00	12 4
6209-580-002-10	20 26	6211-312-004-20	9 40	6212-535-002-00	20 14
6209-587-001-00	13 4		25 15	6212-551-001-10	11 1
6209-600-004-00	9 24	6211-319-003-00	9 42	6212-552-001-20	11 2
6209-600-006-00	7 2	6211-341-053-20	8 1	6212-561-001-10	11 3
6209-605-004-10	1 3	6211-342-002-10	8 2	6212-563-001-00	11 4
6209-610-001-10	5 3	6211-361-010-10	7 1	6212-565-001-00	11 5
6209-610-002-10	9 3	6211-510-001-00	5 10	6212-569-002-00	1 4
6209-610-008-00	5 7	6211-511-003-00	5 11		25 2
6209-610-009-00	5 4	6211-511-004-00	5 12	6212-571-006-00	11 6
6209-625-002-00	9 7	6211-540-001-00	6 1	6212-575-002-00	11 7
	25 12	6211-560-001-00	6 3	6212-600-002-10	11 8
6209-625-012-00	5 14	6211-599-001-10	5 13	6212-611-004-10	11 9
	25 10		6 2	6212-616-002-00	11 16
6209-630-002-10	24 6		6 4	6212-620-001-20	11 10

Numerical Index

6004-097-330-00

Part Code	Fig.Key		Part Code	Fig.Key		Part Code	Fig.Key	
6212-626-002-10	11	11	6213-743-002-10	25	20	6215-345-030-00	26	36
6212-628-004-00	11	12	6214-111-011-20	3	1	6215-345-031-00	26	37
6212-628-005-00	11	13	6214-115-001-20	3	2	6215-345-032-00	26	38
6213-100-003-30	16	1		25	6	6215-345-033-00	26	39
6213-111-001-30	16	2	6214-141-010-10	4	1	6215-345-034-00	26	40
6213-119-001-00	16	6	6214-145-001-30	4	2	6215-345-035-00	26	41
6213-120-003-20	16	3		25	7	6215-345-036-00	26	42
6213-125-001-00	16	4	6215-300-036-00	19	1	6215-345-037-00	26	43
6213-129-003-00	16	5	6215-311-027-00	26	52	6215-345-038-00	26	44
6213-129-006-00	5	16	6215-315-002-00	19	2	6215-345-039-00	26	45
	8	3	6215-330-024-00	26	1	6215-345-040-00	26	46
6213-140-008-00	16	8	6215-331-008-00	26	2	6215-345-041-00	26	47
6213-149-002-00	16	10	6215-332-013-00	26	5	6215-345-042-00	26	48
6213-160-002-20	9	28	6215-339-001-00	26	6	6215-345-043-00	26	49
6213-161-001-20	9	29	6215-342-001-00	26	3	6215-359-001-00	26	50
6213-164-001-00	9	30	6215-343-001-00	26	4	6215-359-002-00	26	51
6213-240-002-10	16	15	6215-345-001-00	26	7	6215-411-125-00	21	2
6213-311-006-00	16	12	6215-345-002-00	26	8	6215-411-126-10	19	3
6213-319-001-00	5	25	6215-345-003-00	26	9	6215-411-127-00	19	4
6213-610-005-40	17	1	6215-345-004-00	26	10	6215-411-128-00	19	5
6213-611-003-20	17	2	6215-345-005-00	26	11	6215-412-002-10	21	1
6213-612-004-00	17	9	6215-345-006-00	26	12	6215-419-001-00	21	8
6213-613-002-10	17	8	6215-345-007-00	26	13	6215-520-001-00	20	16
6213-614-003-10	17	12	6215-345-008-00	26	14	6215-526-004-00	20	18
	25	18	6215-345-009-00	26	15	6215-531-019-00	20	23
6213-614-004-10	17	16	6215-345-010-00	26	16	6215-541-001-10	20	19
	25	19	6215-345-011-00	26	17	6215-541-016-30	22	2
6213-619-001-00	17	15	6215-345-012-00	26	18	6215-541-024-30	20	24
6213-619-002-00	17	11	6215-345-013-00	26	19	6215-542-004-20	9	21
6213-619-003-00	17	10	6215-345-014-00	26	20	6215-542-005-10	9	23
6213-621-003-00	17	6	6215-345-015-00	26	21	6215-542-006-00	20	21
6213-622-002-10	17	5	6215-345-016-00	26	22	6215-543-002-10	20	20
6213-631-002-00	17	3	6215-345-017-00	26	23	6215-546-003-10	9	17
6213-631-005-00	17	4	6215-345-018-00	26	24	6215-548-026-00	22	1
6213-641-002-10	18	2	6215-345-019-00	26	25	6215-549-007-10	20	27
6213-642-002-00	17	7	6215-345-020-00	26	26	6215-549-012-00	20	31
6213-660-023-00	18	1	6215-345-021-00	26	27	6215-549-013-00	5	29
6213-669-008-00	18	3	6215-345-022-00	26	28	6215-600-103-10	20	1
6213-671-012-00	18	5	6215-345-023-00	26	29	6215-611-001-00	27	8
6213-674-006-20	23	2	6215-345-024-00	26	30	6215-612-001-00	27	11
6213-711-003-20	17	27	6215-345-025-00	26	31	6215-619-009-00	27	1
6213-716-001-50	17	22	6215-345-026-00	26	32	6215-619-010-00	27	2
6213-721-007-00	5	24	6215-345-027-00	26	33	6215-619-022-00	27	10
6213-729-013-10	17	20	6215-345-028-00	26	34	6215-621-016-20	20	9
6213-743-002-10	17	23	6215-345-029-00	26	35	6215-622-001-00	27	14

Numerical Index

6004-097-330-00

Part Code	Fig.Key	Part Code	Fig.Key	Part Code	Fig.Key
6215-629-001-00	27 12	6281-129-030-00	28 28	6281-229-029-00	29 14
6215-629-002-00	27 13	6281-129-043-00	28 30	6281-229-032-00	29 6
6215-629-003-00	27 20	6281-129-058-00	28 9	6281-229-033-00	29 11
6215-629-004-00	27 21	6281-129-062-00	28 33	6281-271-002-00	29 26
6215-629-005-00	27 22	6281-129-064-00	28 7	6281-410-010-00	24 3
6215-629-006-00	27 23	6281-129-065-00	28 12	6281-910-003-10	24 5
6215-629-007-00	27 24	6281-129-066-00	28 13	6281-920-001-00	24 8
6215-629-008-00	27 25	6281-129-067-00	28 14	6281-971-003-00	24 1
6215-629-009-00	27 26	6281-129-068-00	28 15	6282-450-002-00	24 2
6215-629-010-00	27 27	6281-129-069-00	28 16	6287-810-015-20	25 1
6215-629-011-00	27 28	6281-129-070-00	28 17	6294-453-002-00	5 22
6215-629-012-00	27 29	6281-129-071-00	28 18	6509-605-019-10	5 5
6215-629-013-00	27 30	6281-129-072-00	28 21		9 2
6215-629-014-00	27 31	6281-129-073-00	28 22	6513-770-022-10	17 26
6215-629-015-00	27 32	6281-129-074-00	28 23	6901-066-645-00	15 15
6215-629-016-00	27 33	6281-129-075-00	28 24	6901-910-612-00	12 5
6215-631-019-00	27 9	6281-129-076-00	28 25		20 15
6215-634-001-00	27 18	6281-129-077-00	28 26	6901-910-625-00	16 7
6215-635-001-00	27 16	6281-129-078-00	28 27	6901-910-816-00	5 32
6215-637-001-00	27 15	6281-129-079-00	28 34	6901-911-020-00	8 4
6215-639-004-00	27 17	6281-129-080-00	28 8	6902-050-610-00	15 12
6215-639-005-00	27 19	6281-151-014-00	28 20	6902-050-816-00	9 41
6215-641-006-00	27 7	6281-200-005-00	23 1	6904-110-818-00	5 20
6215-643-006-00	27 3	6281-213-018-00	29 7	6904-110-822-00	5 21
6215-644-007-00	27 4	6281-214-003-00	29 12		9 4
6215-649-001-00	27 5	6281-214-004-00	29 13		9 45
6215-649-002-00	27 6	6281-215-001-00	29 17	6904-110-840-00	5 19
6219-310-003-20	9 35	6281-216-001-00	29 18		17 17
6219-732-016-00	24 4	6281-217-002-00	29 16	6904-110-850-00	9 6
6219-752-006-00	20 2	6281-221-007-00	29 4	6904-110-855-00	9 5
6219-752-007-00	20 3	6281-222-004-00	29 1	6909-110-406-00	9 34
6219-752-008-00	20 4	6281-229-002-00	29 2		20 28
6219-752-009-00	20 5	6281-229-003-00	29 3	6909-110-408-00	9 48
6219-752-010-00	20 6	6281-229-004-00	29 5		9 50
6281-100-014-00	23 7	6281-229-006-00	29 8		28 32
6281-111-009-00	28 1	6281-229-007-00	29 9	6909-110-410-00	23 6
6281-115-017-00	28 10	6281-229-008-00	29 10	6909-150-506-00	15 13
6281-115-018-00	28 11	6281-229-011-00	29 15	6909-150-508-00	28 31
6281-117-003-00	28 4	6281-229-012-00	29 19	6909-902-299-00	5 23
6281-118-007-00	28 3	6281-229-013-00	29 20	6909-906-105-10	16 13
6281-119-009-00	28 2	6281-229-014-00	29 21	6911-129-006-00	1 2
6281-121-010-00	28 5	6281-229-015-00	29 22	J061-210-015-00	17 21
6281-124-011-00	28 6	6281-229-016-00	29 23	J062-076-082-00	21 4
6281-127-003-00	28 19	6281-229-017-00	29 24	J062-087-093-00	21 9
6281-129-029-00	28 29	6281-229-018-00	29 25	P117-303-003-00	9 22

Numerical Index

6004-097-330-00

Part Code	Fig.Key	Part Code	Fig.Key	Part Code	Fig.Key
V211-560-802-50	4 3	V723-102-005-00	25 16		
V230-360-601-00	7 4	V723-102-005-50	17 28		
V230-360-601-20	5 28		25 21		
	24 7				
V230-360-601-60	9 37				
V231-360-801-60	9 11				
	16 11				
V231-360-802-00	3 3				
	17 18				
	17 24				
	20 7				
	23 3				
V231-360-802-50	17 29				
V231-360-803-00	9 15				
V231-360-804-00	3 4				
V231-360-804-50	9 12				
	17 13				
V231-360-805-00	11 19				
V231-360-805-50	9 9				
V231-360-807-50	9 13				
	17 25				
V231-360-808-50	9 8				
V233-361-002-00	10 2				
V233-361-007-00	23 5				
V341-120-008-00	9 19				
V401-160-006-00	20 30				
V401-160-008-00	9 49				
	9 51				
V411-260-006-00	20 29				
V523-100-802-40	5 17				
V523-101-001-80	15 2				
V600-110-600-40	20 13				
V600-110-600-50	9 47				
V600-110-620-30	20 12				
V600-150-600-20	15 7				
V682-200-000-60	1 5				
V704-140-016-00	11 15				
V705-140-012-00	9 31				
V710-140-004-00	20 22				
V720-101-900-80	20 25				
V720-102-401-50	16 9				
	25 17				
V720-102-401-80	7 3				
V723-102-002-40	9 36				
V723-102-005-00	9 43				

Numerical Index

6004-097-340-00

Part Code	Fig.Key	Part Code	Fig.Key	Part Code	Fig.Key
1373-121-001-00	23 4	6209-630-002-10	25 22	6211-751-001-10	2 2
1425-621-004-00	9 14	6209-704-009-00	21 7	6211-760-030-00	5 30
3625-540-004-00	9 38	6209-730-005-00	12 3	6211-766-019-00	5 31
3632-360-036-00	21 6		20 11	6211-777-007-30	10 1
3817-401-001-00	9 10	6209-730-006-00	15 4	6212-111-094-10	13 1
	11 20	6209-740-001-00	9 26	6212-114-094-10	14 1
	17 14	6209-740-005-00	5 18	6212-116-094-10	14 3
	17 19	6209-749-001-20	5 15	6212-121-014-20	13 2
	20 8		9 44	6212-124-014-10	14 2
6209-000-002-00	11 18	6209-920-002-00	9 20	6212-126-014-10	14 4
6209-000-003-00	1 7		16 14	6212-211-001-10	13 3
6209-000-004-10	5 2		25 13	6212-230-004-10	13 5
6209-030-043-00	20 17	6209-940-004-00	11 14	6212-235-005-00	13 6
6209-030-044-00	18 4	6211-110-057-30	1 1	6212-271-006-00	13 7
6209-030-085-00	23 8	6211-141-029-20	1 6	6212-274-006-00	6 5
6209-046-015-00	15 9		25 3	6212-276-006-00	6 6
6209-050-001-00	9 32	6211-170-004-20	2 1	6212-310-009-30	15 1
6209-050-002-00	9 33	6211-173-003-00	2 3	6212-330-049-10	15 5
6209-300-013-00	5 33		25 4	6212-333-003-00	15 6
6209-300-014-00	1 8	6211-210-037-20	5 1	6212-370-011-00	15 10
6209-360-005-00	21 3	6211-258-001-00	5 8	6212-371-009-00	15 11
6209-360-021-00	21 5		25 8	6212-372-002-10	15 12
6209-360-028-10	2 6	6211-258-002-00	5 9	6212-379-001-00	15 15
6209-409-001-00	9 18		25 9	6212-511-002-00	12 1
6209-409-003-00	11 17	6211-291-016-00	5 26	6212-521-008-00	15 3
6209-490-002-10	2 4	6211-292-001-20	5 27	6212-522-010-00	12 2
6209-500-003-00	9 16		25 11	6212-523-023-00	12 6
	9 25	6211-310-012-30	9 1	6212-524-002-20	20 10
	25 23	6211-311-007-40	9 39	6212-530-005-20	9 46
6209-572-003-00	2 5	6211-312-003-20	9 27	6212-531-005-10	5 6
	25 5		25 14	6212-535-001-00	12 4
6209-580-002-10	20 26	6211-312-004-20	9 40	6212-535-002-00	20 14
6209-587-001-00	13 4		25 15	6212-551-001-10	11 1
6209-600-004-00	9 24	6211-319-003-00	9 42	6212-552-001-20	11 2
6209-600-006-00	7 2	6211-341-053-20	8 1	6212-561-001-10	11 3
6209-605-004-10	1 3	6211-342-002-10	8 2	6212-563-001-00	11 4
6209-610-001-10	5 3	6211-361-010-10	7 1	6212-565-001-00	11 5
6209-610-002-10	9 3	6211-510-001-00	5 10	6212-569-002-00	1 4
6209-610-008-00	5 7	6211-511-003-00	5 11		25 2
6209-610-009-00	5 4	6211-511-004-00	5 12	6212-571-006-00	11 6
6209-625-002-00	9 7	6211-540-001-00	6 1	6212-575-002-00	11 7
	25 12	6211-560-001-00	6 3	6212-600-002-10	11 8
6209-625-012-00	5 14	6211-599-001-10	5 13	6212-611-004-10	11 9
	25 10		6 2	6212-616-002-00	11 16
6209-630-002-10	24 6		6 4	6212-620-001-20	11 10

Numerical Index

6004-097-340-00

Part Code	Fig.Key		Part Code	Fig.Key		Part Code	Fig.Key	
6212-626-002-10	11	11	6213-743-002-10	17	23	6215-345-029-00	26	35
6212-628-004-00	11	12		25	20	6215-345-030-00	26	36
6212-628-005-00	11	13	6214-111-011-20	3	1	6215-345-031-00	26	37
6213-100-003-30	16	1	6214-115-001-20	3	2	6215-345-032-00	26	38
6213-111-001-30	16	2		25	6	6215-345-033-00	26	39
6213-119-001-00	16	6	6214-141-010-10	4	1	6215-345-034-00	26	40
6213-120-003-20	16	3	6214-145-001-30	4	2	6215-345-035-00	26	41
6213-125-001-00	16	4		25	7	6215-345-036-00	26	42
6213-129-003-00	16	5	6215-300-036-00	19	1	6215-345-037-00	26	43
6213-129-006-00	5	16	6215-311-027-00	26	52	6215-345-038-00	26	44
	8	3	6215-315-002-00	19	2	6215-345-039-00	26	45
	15	7	6215-330-024-00	26	1	6215-345-040-00	26	46
6213-140-008-00	16	8	6215-331-008-00	26	2	6215-345-041-00	26	47
6213-149-002-00	16	10	6215-332-013-00	26	5	6215-345-042-00	26	48
6213-160-002-20	9	28	6215-339-001-00	26	6	6215-345-043-00	26	49
6213-161-001-20	9	29	6215-342-001-00	26	3	6215-359-001-00	26	50
6213-164-001-00	9	30	6215-343-001-00	26	4	6215-359-002-00	26	51
6213-240-002-10	16	15	6215-345-001-00	26	7	6215-411-125-00	21	2
6213-311-006-00	16	12	6215-345-002-00	26	8	6215-411-126-10	19	3
6213-319-001-00	5	25	6215-345-003-00	26	9	6215-411-127-00	19	4
6213-610-005-40	17	1	6215-345-004-00	26	10	6215-411-128-00	19	5
6213-611-003-20	17	2	6215-345-005-00	26	11	6215-412-002-10	21	1
6213-612-004-00	17	9	6215-345-006-00	26	12	6215-419-001-00	21	8
6213-613-002-10	17	8	6215-345-007-00	26	13	6215-520-001-00	20	16
6213-614-003-10	17	12	6215-345-008-00	26	14	6215-526-004-00	20	18
	25	18	6215-345-009-00	26	15	6215-531-019-00	20	23
6213-614-004-10	17	16	6215-345-010-00	26	16	6215-541-001-10	20	19
	25	19	6215-345-011-00	26	17	6215-541-016-30	22	2
6213-619-001-00	17	15	6215-345-012-00	26	18	6215-541-024-30	20	24
6213-619-002-00	17	11	6215-345-013-00	26	19	6215-542-004-20	9	21
6213-619-003-00	17	10	6215-345-014-00	26	20	6215-542-005-10	9	23
6213-621-003-00	17	6	6215-345-015-00	26	21	6215-542-006-00	20	21
6213-622-002-10	17	5	6215-345-016-00	26	22	6215-543-002-10	20	20
6213-631-002-00	17	3	6215-345-017-00	26	23	6215-546-003-10	9	17
6213-631-005-00	17	4	6215-345-018-00	26	24	6215-548-026-00	22	1
6213-641-002-10	18	2	6215-345-019-00	26	25	6215-549-007-10	20	27
6213-642-002-00	17	7	6215-345-020-00	26	26	6215-549-012-00	20	31
6213-660-023-00	18	1	6215-345-021-00	26	27	6215-549-013-00	5	29
6213-669-008-00	18	3	6215-345-022-00	26	28	6215-600-103-10	20	1
6213-671-012-00	18	5	6215-345-023-00	26	29	6215-611-001-00	27	8
6213-674-006-20	23	2	6215-345-024-00	26	30	6215-612-001-00	27	11
6213-711-003-20	17	27	6215-345-025-00	26	31	6215-619-009-00	27	1
6213-716-001-50	17	22	6215-345-026-00	26	32	6215-619-010-00	27	2
6213-721-007-00	5	24	6215-345-027-00	26	33	6215-619-022-00	27	10
6213-729-013-10	17	20	6215-345-028-00	26	34	6215-621-016-20	20	9

Numerical Index

6004-097-340-00

Part Code	Fig.Key	Part Code	Fig.Key	Part Code	Fig.Key
6215-622-001-00	27 14	6281-129-029-00	28 29	6281-229-018-00	29 25
6215-629-001-00	27 12	6281-129-030-00	28 28	6281-229-029-00	29 14
6215-629-002-00	27 13	6281-129-043-00	28 30	6281-229-032-00	29 6
6215-629-003-00	27 20	6281-129-058-00	28 9	6281-229-033-00	29 11
6215-629-004-00	27 21	6281-129-062-00	28 33	6281-271-002-00	29 26
6215-629-005-00	27 22	6281-129-064-00	28 7	6281-410-010-00	24 3
6215-629-006-00	27 23	6281-129-065-00	28 12	6281-910-003-10	24 5
6215-629-007-00	27 24	6281-129-066-00	28 13	6281-920-001-00	24 8
6215-629-008-00	27 25	6281-129-067-00	28 14	6281-971-003-00	24 1
6215-629-009-00	27 26	6281-129-068-00	28 15	6282-450-002-00	24 2
6215-629-010-00	27 27	6281-129-069-00	28 16	6287-810-015-20	25 1
6215-629-011-00	27 28	6281-129-070-00	28 17	6294-453-002-00	5 22
6215-629-012-00	27 29	6281-129-071-00	28 18	6509-605-019-10	5 5
6215-629-013-00	27 30	6281-129-072-00	28 21		9 2
6215-629-014-00	27 31	6281-129-073-00	28 22	6513-770-022-10	17 26
6215-629-015-00	27 32	6281-129-074-00	28 23	6901-066-645-00	15 16
6215-629-016-00	27 33	6281-129-075-00	28 24	6901-910-612-00	12 5
6215-631-019-00	27 9	6281-129-076-00	28 25		20 15
6215-634-001-00	27 18	6281-129-077-00	28 26	6901-910-625-00	16 7
6215-635-001-00	27 16	6281-129-078-00	28 27	6901-910-816-00	5 32
6215-637-001-00	27 15	6281-129-079-00	28 34	6901-911-020-00	8 4
6215-639-004-00	27 17	6281-129-080-00	28 8	6902-050-610-00	15 13
6215-639-005-00	27 19	6281-151-014-00	28 20	6902-050-816-00	9 41
6215-641-006-00	27 7	6281-200-005-00	23 1	6904-110-818-00	5 20
6215-643-006-00	27 3	6281-213-018-00	29 7	6904-110-822-00	5 21
6215-644-007-00	27 4	6281-214-003-00	29 12		9 4
6215-649-001-00	27 5	6281-214-004-00	29 13		9 45
6215-649-002-00	27 6	6281-215-001-00	29 17	6904-110-840-00	5 19
6219-310-003-20	9 35	6281-216-001-00	29 18		17 17
6219-732-016-00	24 4	6281-217-002-00	29 16	6904-110-850-00	9 6
6219-752-006-00	20 2	6281-221-007-00	29 4	6904-110-855-00	9 5
6219-752-007-00	20 3	6281-222-004-00	29 1	6909-110-406-00	9 34
6219-752-008-00	20 4	6281-229-002-00	29 2		20 28
6219-752-009-00	20 5	6281-229-003-00	29 3	6909-110-408-00	9 48
6219-752-010-00	20 6	6281-229-004-00	29 5		9 50
6281-100-014-00	23 7	6281-229-006-00	29 8		28 32
6281-111-009-00	28 1	6281-229-007-00	29 9	6909-110-410-00	23 6
6281-115-017-00	28 10	6281-229-008-00	29 10	6909-150-506-00	15 14
6281-115-018-00	28 11	6281-229-011-00	29 15	6909-150-508-00	28 31
6281-117-003-00	28 4	6281-229-012-00	29 19	6909-902-299-00	5 23
6281-118-007-00	28 3	6281-229-013-00	29 20	6909-906-105-10	16 13
6281-119-009-00	28 2	6281-229-014-00	29 21	6911-129-006-00	1 2
6281-121-010-00	28 5	6281-229-015-00	29 22	J061-210-015-00	17 21
6281-124-011-00	28 6	6281-229-016-00	29 23	J062-076-082-00	21 4
6281-127-003-00	28 19	6281-229-017-00	29 24	J062-087-093-00	21 9

Numerical Index

6004-097-340-00

Part Code	Fig.Key	Part Code	Fig.Key	Part Code	Fig.Key
P117-303-003-00	9 22	V723-102-005-00	9 43		
V211-560-802-50	4 3		25 16		
V230-360-601-00	7 4	V723-102-005-50	17 28		
V230-360-601-20	5 28		25 21		
	24 7				
V230-360-601-60	9 37				
V231-360-801-60	9 11				
	16 11				
V231-360-802-00	3 3				
	17 18				
	17 24				
	20 7				
	23 3				
V231-360-802-50	17 29				
V231-360-803-00	9 15				
V231-360-804-00	3 4				
V231-360-804-50	9 12				
	17 13				
V231-360-805-00	11 19				
V231-360-805-50	9 9				
V231-360-807-50	9 13				
	17 25				
V231-360-808-50	9 8				
V233-361-002-00	10 2				
V233-361-007-00	23 5				
V341-120-008-00	9 19				
V401-160-006-00	20 30				
V401-160-008-00	9 49				
	9 51				
V411-260-006-00	20 29				
V523-100-802-40	5 17				
V523-101-001-80	15 2				
V600-110-600-40	20 13				
V600-110-600-50	9 47				
V600-110-620-30	20 12				
V600-150-600-20	15 8				
V682-200-000-60	1 5				
V704-140-016-00	11 15				
V705-140-012-00	9 31				
V710-140-004-00	20 22				
V720-101-900-80	20 25				
V720-102-401-50	16 9				
	25 17				
V720-102-401-80	7 3				
V723-102-002-40	9 36				

Numerical Index

6004-097-350-00

Part Code	Fig.Key	Part Code	Fig.Key	Part Code	Fig.Key
1373-121-001-00	23 4	6209-630-002-10	25 22	6211-751-001-10	2 2
1425-621-004-00	9 14	6209-704-009-00	21 7	6211-760-030-00	5 30
3625-540-004-00	9 38	6209-730-005-00	12 3	6211-766-019-00	5 31
3632-360-036-00	21 6		20 11	6211-777-007-30	10 1
3817-401-001-00	9 10	6209-730-006-00	15 4	6212-111-094-10	13 1
	11 20	6209-740-001-00	9 26	6212-114-094-10	14 1
	17 14	6209-740-005-00	5 18	6212-116-094-10	14 3
	17 19	6209-749-001-20	5 15	6212-121-014-20	13 2
	20 8		9 44	6212-124-014-10	14 2
6209-000-002-00	11 18	6209-920-002-00	9 20	6212-126-014-10	14 4
6209-000-003-00	1 7		16 14	6212-211-001-10	13 3
6209-000-004-10	5 2		25 13	6212-230-004-10	13 5
6209-030-043-00	20 17	6209-940-004-00	11 14	6212-235-005-00	13 6
6209-030-044-00	18 4	6211-110-057-30	1 1	6212-271-006-00	13 7
6209-030-085-00	23 8	6211-141-029-20	1 6	6212-274-006-00	6 5
6209-046-015-00	15 8		25 3	6212-276-006-00	6 6
6209-050-001-00	9 32	6211-170-004-20	2 1	6212-310-009-30	15 1
6209-050-002-00	9 33	6211-173-003-00	2 3	6212-330-051-00	15 5
6209-300-013-00	5 33		25 4	6212-333-003-00	15 6
6209-300-014-00	1 8	6211-210-037-20	5 1	6212-370-011-00	15 9
6209-360-005-00	21 3	6211-258-001-00	5 8	6212-371-009-00	15 10
6209-360-021-00	21 5		25 8	6212-372-002-10	15 11
6209-360-028-10	2 6	6211-258-002-00	5 9	6212-379-001-00	15 14
6209-409-001-00	9 18		25 9	6212-511-002-00	12 1
6209-409-003-00	11 17	6211-291-016-00	5 26	6212-521-008-00	15 3
6209-490-002-10	2 4	6211-292-001-20	5 27	6212-522-010-00	12 2
6209-500-003-00	9 16		25 11	6212-523-023-00	12 6
	9 25	6211-310-012-30	9 1	6212-524-002-20	20 10
	25 23	6211-311-007-40	9 39	6212-530-005-20	9 46
6209-572-003-00	2 5	6211-312-003-20	9 27	6212-531-005-10	5 6
	25 5		25 14	6212-535-001-00	12 4
6209-580-002-10	20 26	6211-312-004-20	9 40	6212-535-002-00	20 14
6209-587-001-00	13 4		25 15	6212-551-001-10	11 1
6209-600-004-00	9 24	6211-319-003-00	9 42	6212-552-001-20	11 2
6209-600-006-00	7 2	6211-341-053-20	8 1	6212-561-001-10	11 3
6209-605-004-10	1 3	6211-342-002-10	8 2	6212-563-001-00	11 4
6209-610-001-10	5 3	6211-361-010-10	7 1	6212-565-001-00	11 5
6209-610-002-10	9 3	6211-510-001-00	5 10	6212-569-002-00	1 4
6209-610-008-00	5 7	6211-511-003-00	5 11		25 2
6209-610-009-00	5 4	6211-511-004-00	5 12	6212-571-006-00	11 6
6209-625-002-00	9 7	6211-540-001-00	6 1	6212-575-002-00	11 7
	25 12	6211-560-001-00	6 3	6212-600-002-10	11 8
6209-625-012-00	5 14	6211-599-001-10	5 13	6212-611-004-10	11 9
	25 10		6 2	6212-616-002-00	11 16
6209-630-002-10	24 6		6 4	6212-620-001-20	11 10

Numerical Index

6004-097-350-00

Part Code	Fig.Key		Part Code	Fig.Key		Part Code	Fig.Key	
6212-626-002-10	11	11	6213-743-002-10	25	20	6215-345-030-00	26	36
6212-628-004-00	11	12	6214-111-011-20	3	1	6215-345-031-00	26	37
6212-628-005-00	11	13	6214-115-001-20	3	2	6215-345-032-00	26	38
6213-100-003-30	16	1		25	6	6215-345-033-00	26	39
6213-111-001-30	16	2	6214-141-010-10	4	1	6215-345-034-00	26	40
6213-119-001-00	16	6	6214-145-001-30	4	2	6215-345-035-00	26	41
6213-120-003-20	16	3		25	7	6215-345-036-00	26	42
6213-125-001-00	16	4	6215-300-036-00	19	1	6215-345-037-00	26	43
6213-129-003-00	16	5	6215-311-027-00	26	52	6215-345-038-00	26	44
6213-129-006-00	5	16	6215-315-002-00	19	2	6215-345-039-00	26	45
	8	3	6215-330-024-00	26	1	6215-345-040-00	26	46
6213-140-008-00	16	8	6215-331-008-00	26	2	6215-345-041-00	26	47
6213-149-002-00	16	10	6215-332-013-00	26	5	6215-345-042-00	26	48
6213-160-002-20	9	28	6215-339-001-00	26	6	6215-345-043-00	26	49
6213-161-001-20	9	29	6215-342-001-00	26	3	6215-359-001-00	26	50
6213-164-001-00	9	30	6215-343-001-00	26	4	6215-359-002-00	26	51
6213-240-002-10	16	15	6215-345-001-00	26	7	6215-411-125-00	21	2
6213-311-006-00	16	12	6215-345-002-00	26	8	6215-411-126-10	19	3
6213-319-001-00	5	25	6215-345-003-00	26	9	6215-411-127-00	19	4
6213-610-005-40	17	1	6215-345-004-00	26	10	6215-411-128-00	19	5
6213-611-003-20	17	2	6215-345-005-00	26	11	6215-412-002-10	21	1
6213-612-004-00	17	9	6215-345-006-00	26	12	6215-419-001-00	21	8
6213-613-002-10	17	8	6215-345-007-00	26	13	6215-520-001-00	20	16
6213-614-003-10	17	12	6215-345-008-00	26	14	6215-526-004-00	20	18
	25	18	6215-345-009-00	26	15	6215-531-008-00	20	23
6213-614-004-10	17	16	6215-345-010-00	26	16	6215-541-001-10	20	19
	25	19	6215-345-011-00	26	17	6215-541-016-30	22	2
6213-619-001-00	17	15	6215-345-012-00	26	18	6215-541-024-30	20	24
6213-619-002-00	17	11	6215-345-013-00	26	19	6215-542-004-20	9	21
6213-619-003-00	17	10	6215-345-014-00	26	20	6215-542-005-10	9	23
6213-621-003-00	17	6	6215-345-015-00	26	21	6215-542-006-00	20	21
6213-622-002-10	17	5	6215-345-016-00	26	22	6215-543-002-10	20	20
6213-631-002-00	17	3	6215-345-017-00	26	23	6215-546-003-10	9	17
6213-631-005-00	17	4	6215-345-018-00	26	24	6215-548-029-00	22	1
6213-641-002-10	18	2	6215-345-019-00	26	25	6215-549-007-10	20	27
6213-642-002-00	17	7	6215-345-020-00	26	26	6215-549-012-00	20	31
6213-660-023-00	18	1	6215-345-021-00	26	27	6215-549-013-00	5	29
6213-669-008-00	18	3	6215-345-022-00	26	28	6215-600-103-10	20	1
6213-671-012-00	18	5	6215-345-023-00	26	29	6215-611-001-00	27	8
6213-674-006-20	23	2	6215-345-024-00	26	30	6215-612-001-00	27	11
6213-711-003-20	17	27	6215-345-025-00	26	31	6215-619-009-00	27	1
6213-716-001-50	17	22	6215-345-026-00	26	32	6215-619-010-00	27	2
6213-721-007-00	5	24	6215-345-027-00	26	33	6215-619-022-00	27	10
6213-729-013-10	17	20	6215-345-028-00	26	34	6215-621-016-20	20	9
6213-743-002-10	17	23	6215-345-029-00	26	35	6215-622-001-00	27	14

Numerical Index

6004-097-350-00

Part Code	Fig.Key	Part Code	Fig.Key	Part Code	Fig.Key
6215-629-001-00	27 12	6281-129-030-00	28 28	6281-229-029-00	29 14
6215-629-002-00	27 13	6281-129-043-00	28 30	6281-229-032-00	29 6
6215-629-003-00	27 20	6281-129-058-00	28 9	6281-229-033-00	29 11
6215-629-004-00	27 21	6281-129-062-00	28 33	6281-271-002-00	29 26
6215-629-005-00	27 22	6281-129-064-00	28 7	6281-410-010-00	24 3
6215-629-006-00	27 23	6281-129-065-00	28 12	6281-910-003-10	24 5
6215-629-007-00	27 24	6281-129-066-00	28 13	6281-920-001-00	24 8
6215-629-008-00	27 25	6281-129-067-00	28 14	6281-971-003-00	24 1
6215-629-009-00	27 26	6281-129-068-00	28 15	6282-450-002-00	24 2
6215-629-010-00	27 27	6281-129-069-00	28 16	6287-810-015-20	25 1
6215-629-011-00	27 28	6281-129-070-00	28 17	6294-453-002-00	5 22
6215-629-012-00	27 29	6281-129-071-00	28 18	6509-605-019-10	5 5
6215-629-013-00	27 30	6281-129-072-00	28 21		9 2
6215-629-014-00	27 31	6281-129-073-00	28 22	6513-770-022-10	17 26
6215-629-015-00	27 32	6281-129-074-00	28 23	6901-066-645-00	15 15
6215-629-016-00	27 33	6281-129-075-00	28 24	6901-910-612-00	12 5
6215-631-019-00	27 9	6281-129-076-00	28 25		20 15
6215-634-001-00	27 18	6281-129-077-00	28 26	6901-910-625-00	16 7
6215-635-001-00	27 16	6281-129-078-00	28 27	6901-910-816-00	5 32
6215-637-001-00	27 15	6281-129-079-00	28 34	6901-911-020-00	8 4
6215-639-004-00	27 17	6281-129-080-00	28 8	6902-050-610-00	15 12
6215-639-005-00	27 19	6281-151-014-00	28 20	6902-050-816-00	9 41
6215-641-006-00	27 7	6281-200-005-00	23 1	6904-110-818-00	5 20
6215-643-006-00	27 3	6281-213-018-00	29 7	6904-110-822-00	5 21
6215-644-007-00	27 4	6281-214-003-00	29 12		9 4
6215-649-001-00	27 5	6281-214-004-00	29 13		9 45
6215-649-002-00	27 6	6281-215-001-00	29 17	6904-110-840-00	5 19
6219-310-003-20	9 35	6281-216-001-00	29 18		17 17
6219-732-016-00	24 4	6281-217-002-00	29 16	6904-110-850-00	9 6
6219-752-006-00	20 2	6281-221-007-00	29 4	6904-110-855-00	9 5
6219-752-007-00	20 3	6281-222-004-00	29 1	6909-110-406-00	9 34
6219-752-008-00	20 4	6281-229-002-00	29 2		20 28
6219-752-009-00	20 5	6281-229-003-00	29 3	6909-110-408-00	9 48
6219-752-010-00	20 6	6281-229-004-00	29 5		9 50
6281-100-014-00	23 7	6281-229-006-00	29 8		28 32
6281-111-009-00	28 1	6281-229-007-00	29 9	6909-110-410-00	23 6
6281-115-017-00	28 10	6281-229-008-00	29 10	6909-150-506-00	15 13
6281-115-018-00	28 11	6281-229-011-00	29 15	6909-150-508-00	28 31
6281-117-003-00	28 4	6281-229-012-00	29 19	6909-902-299-00	5 23
6281-118-007-00	28 3	6281-229-013-00	29 20	6909-906-105-10	16 13
6281-119-009-00	28 2	6281-229-014-00	29 21	6911-129-006-00	1 2
6281-121-010-00	28 5	6281-229-015-00	29 22	J061-210-015-00	17 21
6281-124-011-00	28 6	6281-229-016-00	29 23	J062-076-082-00	21 4
6281-127-003-00	28 19	6281-229-017-00	29 24	J062-087-093-00	21 9
6281-129-029-00	28 29	6281-229-018-00	29 25	P117-303-003-00	9 22

Numerical Index

6004-097-350-00

Part Code	Fig.Key	Part Code	Fig.Key	Part Code	Fig.Key
V211-560-802-50	4 3	V723-102-005-00	25 16		
V230-360-601-00	7 4	V723-102-005-50	17 28		
V230-360-601-20	5 28		25 21		
	24 7				
V230-360-601-60	9 37				
V231-360-801-60	9 11				
	16 11				
V231-360-802-00	3 3				
	17 18				
	17 24				
	20 7				
	23 3				
V231-360-802-50	17 29				
V231-360-803-00	9 15				
V231-360-804-00	3 4				
V231-360-804-50	9 12				
	17 13				
V231-360-805-00	11 19				
V231-360-805-50	9 9				
V231-360-807-50	9 13				
	17 25				
V231-360-808-50	9 8				
V233-361-002-00	10 2				
V233-361-007-00	23 5				
V341-120-008-00	9 19				
V401-160-006-00	20 30				
V401-160-008-00	9 49				
	9 51				
V411-260-006-00	20 29				
V523-100-802-40	5 17				
V523-101-001-80	15 2				
V600-110-600-40	20 13				
V600-110-600-50	9 47				
V600-110-620-30	20 12				
V600-150-600-20	15 7				
V682-200-000-60	1 5				
V704-140-016-00	11 15				
V705-140-012-00	9 31				
V710-140-004-00	20 22				
V720-101-900-80	20 25				
V720-102-401-50	16 9				
	25 17				
V720-102-401-80	7 3				
V723-102-002-40	9 36				
V723-102-005-00	9 43				

Numerical Index

6004-097-360-00

Part Code	Fig.Key	Part Code	Fig.Key	Part Code	Fig.Key
1373-121-001-00	23 4	6209-630-002-10	25 22	6211-751-001-10	2 2
1425-621-004-00	9 14	6209-704-009-00	21 7	6211-760-030-00	5 30
3625-540-004-00	9 38	6209-730-005-00	12 3	6211-766-019-00	5 31
3632-360-036-00	21 6		20 11	6211-777-007-30	10 1
3817-401-001-00	9 10	6209-730-006-00	15 4	6212-111-094-10	13 1
	11 20	6209-740-001-00	9 26	6212-114-094-10	14 1
	17 14	6209-740-005-00	5 18	6212-116-094-10	14 3
	17 19	6209-749-001-20	5 15	6212-121-014-20	13 2
	20 8		9 44	6212-124-014-10	14 2
6209-000-002-00	11 18	6209-920-002-00	9 20	6212-126-014-10	14 4
6209-000-003-00	1 7		16 14	6212-211-001-10	13 3
6209-000-004-10	5 2		25 13	6212-230-004-10	13 5
6209-030-043-00	20 17	6209-940-004-00	11 14	6212-235-005-00	13 6
6209-030-085-00	23 8	6211-110-057-30	1 1	6212-271-006-00	13 7
6209-030-092-00	18 4	6211-141-029-20	1 6	6212-274-006-00	6 5
6209-046-015-00	15 9		25 3	6212-276-006-00	6 6
6209-050-001-00	9 32	6211-170-004-20	2 1	6212-310-009-30	15 1
6209-050-002-00	9 33	6211-173-003-00	2 3	6212-330-049-10	15 5
6209-300-013-00	5 33		25 4	6212-333-003-00	15 6
6209-300-014-00	1 8	6211-210-037-20	5 1	6212-370-011-00	15 10
6209-360-005-00	21 3	6211-258-001-00	5 8	6212-371-009-00	15 11
6209-360-021-00	21 5		25 8	6212-372-002-10	15 12
6209-360-028-10	2 6	6211-258-002-00	5 9	6212-379-001-00	15 15
6209-409-001-00	9 18		25 9	6212-511-002-00	12 1
6209-409-003-00	11 17	6211-291-016-00	5 26	6212-521-008-00	15 3
6209-490-002-10	2 4	6211-292-001-20	5 27	6212-522-010-00	12 2
6209-500-003-00	9 16		25 11	6212-523-023-00	12 6
	9 25	6211-310-012-30	9 1	6212-524-002-20	20 10
	25 23	6211-311-007-40	9 39	6212-530-005-20	9 46
6209-572-003-00	2 5	6211-312-003-20	9 27	6212-531-005-10	5 6
	25 5		25 14	6212-535-001-00	12 4
6209-580-002-10	20 26	6211-312-004-20	9 40	6212-535-002-00	20 14
6209-587-001-00	13 4		25 15	6212-551-001-10	11 1
6209-600-004-00	9 24	6211-319-003-00	9 42	6212-552-001-20	11 2
6209-600-006-00	7 2	6211-341-053-20	8 1	6212-561-001-10	11 3
6209-605-004-10	1 3	6211-342-002-10	8 2	6212-563-001-00	11 4
6209-610-001-10	5 3	6211-361-010-10	7 1	6212-565-001-00	11 5
6209-610-002-10	9 3	6211-510-001-00	5 10	6212-569-002-00	1 4
6209-610-008-00	5 7	6211-511-003-00	5 11		25 2
6209-610-009-00	5 4	6211-511-004-00	5 12	6212-571-006-00	11 6
6209-625-002-00	9 7	6211-540-001-00	6 1	6212-575-002-00	11 7
	25 12	6211-560-001-00	6 3	6212-600-002-10	11 8
6209-625-012-00	5 14	6211-599-001-10	5 13	6212-611-004-10	11 9
	25 10		6 2	6212-616-002-00	11 16
6209-630-002-10	24 6		6 4	6212-620-001-20	11 10

Numerical Index

6004-097-360-00

Part Code	Fig.Key		Part Code	Fig.Key		Part Code	Fig.Key	
6212-626-002-10	11	11	6213-743-002-10	17	23	6215-345-029-00	26	35
6212-628-004-00	11	12		25	20	6215-345-030-00	26	36
6212-628-005-00	11	13	6214-111-011-20	3	1	6215-345-031-00	26	37
6213-100-003-30	16	1	6214-115-001-20	3	2	6215-345-032-00	26	38
6213-111-001-30	16	2		25	6	6215-345-033-00	26	39
6213-119-001-00	16	6	6214-141-010-10	4	1	6215-345-034-00	26	40
6213-120-003-20	16	3	6214-145-001-30	4	2	6215-345-035-00	26	41
6213-125-001-00	16	4		25	7	6215-345-036-00	26	42
6213-129-003-00	16	5	6215-300-036-00	19	1	6215-345-037-00	26	43
6213-129-006-00	5	16	6215-311-027-00	26	52	6215-345-038-00	26	44
	8	3	6215-315-002-00	19	2	6215-345-039-00	26	45
	15	7	6215-330-024-00	26	1	6215-345-040-00	26	46
6213-140-008-00	16	8	6215-331-008-00	26	2	6215-345-041-00	26	47
6213-149-002-00	16	10	6215-332-013-00	26	5	6215-345-042-00	26	48
6213-160-002-20	9	28	6215-339-001-00	26	6	6215-345-043-00	26	49
6213-161-001-20	9	29	6215-342-001-00	26	3	6215-359-001-00	26	50
6213-164-001-00	9	30	6215-343-001-00	26	4	6215-359-002-00	26	51
6213-240-002-10	16	15	6215-345-001-00	26	7	6215-411-125-00	21	2
6213-311-006-00	16	12	6215-345-002-00	26	8	6215-411-126-10	19	3
6213-319-001-00	5	25	6215-345-003-00	26	9	6215-411-127-00	19	4
6213-610-005-40	17	1	6215-345-004-00	26	10	6215-411-128-00	19	5
6213-611-003-20	17	2	6215-345-005-00	26	11	6215-412-002-10	21	1
6213-612-004-00	17	9	6215-345-006-00	26	12	6215-419-001-00	21	8
6213-613-002-10	17	8	6215-345-007-00	26	13	6215-520-001-00	20	16
6213-614-003-10	17	12	6215-345-008-00	26	14	6215-526-004-00	20	18
6213-614-004-10	25	18	6215-345-009-00	26	15	6215-531-008-00	20	23
	17	16	6215-345-010-00	26	16	6215-541-001-10	20	19
	25	19	6215-345-011-00	26	17	6215-541-016-30	22	2
6213-619-001-00	17	15	6215-345-012-00	26	18	6215-541-024-30	20	24
6213-619-002-00	17	11	6215-345-013-00	26	19	6215-542-004-20	9	21
6213-619-003-00	17	10	6215-345-014-00	26	20	6215-542-005-10	9	23
6213-621-003-00	17	6	6215-345-015-00	26	21	6215-542-006-00	20	21
6213-622-002-10	17	5	6215-345-016-00	26	22	6215-543-002-10	20	20
6213-631-002-00	17	3	6215-345-017-00	26	23	6215-546-003-10	9	17
6213-631-005-00	17	4	6215-345-018-00	26	24	6215-548-029-00	22	1
6213-641-006-00	18	2	6215-345-019-00	26	25	6215-549-007-10	20	27
6213-642-002-00	17	7	6215-345-020-00	26	26	6215-549-012-00	20	31
6213-660-007-00	18	1	6215-345-021-00	26	27	6215-549-013-00	5	29
6213-669-008-00	18	3	6215-345-022-00	26	28	6215-600-103-10	20	1
6213-671-003-00	18	5	6215-345-023-00	26	29	6215-611-001-00	27	8
6213-674-006-20	23	2	6215-345-024-00	26	30	6215-612-001-00	27	11
6213-711-003-20	17	27	6215-345-025-00	26	31	6215-619-009-00	27	1
6213-716-001-50	17	22	6215-345-026-00	26	32	6215-619-010-00	27	2
6213-721-007-00	5	24	6215-345-027-00	26	33	6215-619-022-00	27	10
6213-729-013-10	17	20	6215-345-028-00	26	34	6215-621-016-20	20	9

Numerical Index

6004-097-360-00

Part Code	Fig.Key	Part Code	Fig.Key	Part Code	Fig.Key
6215-622-001-00	27 14	6281-129-029-00	28 29	6281-229-018-00	29 25
6215-629-001-00	27 12	6281-129-030-00	28 28	6281-229-029-00	29 14
6215-629-002-00	27 13	6281-129-043-00	28 30	6281-229-032-00	29 6
6215-629-003-00	27 20	6281-129-058-00	28 9	6281-229-033-00	29 11
6215-629-004-00	27 21	6281-129-062-00	28 33	6281-271-002-00	29 26
6215-629-005-00	27 22	6281-129-064-00	28 7	6281-410-010-00	24 3
6215-629-006-00	27 23	6281-129-065-00	28 12	6281-910-003-10	24 5
6215-629-007-00	27 24	6281-129-066-00	28 13	6281-920-001-00	24 8
6215-629-008-00	27 25	6281-129-067-00	28 14	6281-971-003-00	24 1
6215-629-009-00	27 26	6281-129-068-00	28 15	6282-450-002-00	24 2
6215-629-010-00	27 27	6281-129-069-00	28 16	6287-810-015-20	25 1
6215-629-011-00	27 28	6281-129-070-00	28 17	6294-453-002-00	5 22
6215-629-012-00	27 29	6281-129-071-00	28 18	6509-605-019-10	5 5
6215-629-013-00	27 30	6281-129-072-00	28 21		9 2
6215-629-014-00	27 31	6281-129-073-00	28 22	6513-770-022-10	17 26
6215-629-015-00	27 32	6281-129-074-00	28 23	6901-066-645-00	15 16
6215-629-016-00	27 33	6281-129-075-00	28 24	6901-910-612-00	12 5
6215-631-019-00	27 9	6281-129-076-00	28 25		20 15
6215-634-001-00	27 18	6281-129-077-00	28 26	6901-910-625-00	16 7
6215-635-001-00	27 16	6281-129-078-00	28 27	6901-910-816-00	5 32
6215-637-001-00	27 15	6281-129-079-00	28 34	6901-911-020-00	8 4
6215-639-004-00	27 17	6281-129-080-00	28 8	6902-050-610-00	15 13
6215-639-005-00	27 19	6281-151-014-00	28 20	6902-050-816-00	9 41
6215-641-006-00	27 7	6281-200-005-00	23 1	6904-110-818-00	5 20
6215-643-006-00	27 3	6281-213-018-00	29 7	6904-110-822-00	5 21
6215-644-007-00	27 4	6281-214-003-00	29 12		9 4
6215-649-001-00	27 5	6281-214-004-00	29 13		9 45
6215-649-002-00	27 6	6281-215-001-00	29 17	6904-110-840-00	5 19
6219-310-003-20	9 35	6281-216-001-00	29 18		17 17
6219-732-016-00	24 4	6281-217-002-00	29 16	6904-110-850-00	9 6
6219-752-006-00	20 2	6281-221-007-00	29 4	6904-110-855-00	9 5
6219-752-007-00	20 3	6281-222-004-00	29 1	6909-110-406-00	9 34
6219-752-008-00	20 4	6281-229-002-00	29 2		20 28
6219-752-009-00	20 5	6281-229-003-00	29 3	6909-110-408-00	9 48
6219-752-010-00	20 6	6281-229-004-00	29 5		9 50
6281-100-014-00	23 7	6281-229-006-00	29 8		28 32
6281-111-009-00	28 1	6281-229-007-00	29 9	6909-110-410-00	23 6
6281-115-017-00	28 10	6281-229-008-00	29 10	6909-150-506-00	15 14
6281-115-018-00	28 11	6281-229-011-00	29 15	6909-150-508-00	28 31
6281-117-003-00	28 4	6281-229-012-00	29 19	6909-902-299-00	5 23
6281-118-007-00	28 3	6281-229-013-00	29 20	6909-906-105-10	16 13
6281-119-009-00	28 2	6281-229-014-00	29 21	6911-129-006-00	1 2
6281-121-010-00	28 5	6281-229-015-00	29 22	J061-210-015-00	17 21
6281-124-011-00	28 6	6281-229-016-00	29 23	J062-076-082-00	21 4
6281-127-003-00	28 19	6281-229-017-00	29 24	J062-087-093-00	21 9

Numerical Index

6004-097-360-00

Part Code	Fig.Key	Part Code	Fig.Key	Part Code	Fig.Key
P117-303-003-00	9 22	V723-102-005-00	9 43		
V211-560-802-50	4 3		25 16		
V230-360-601-00	7 4	V723-102-005-50	17 28		
V230-360-601-20	5 28		25 21		
	24 7				
V230-360-601-60	9 37				
V231-360-801-60	9 11				
	16 11				
V231-360-802-00	3 3				
	17 18				
	17 24				
	20 7				
	23 3				
V231-360-802-50	17 29				
V231-360-803-00	9 15				
V231-360-804-00	3 4				
V231-360-804-50	9 12				
	17 13				
V231-360-805-00	11 19				
V231-360-805-50	9 9				
V231-360-807-50	9 13				
	17 25				
V231-360-808-50	9 8				
V233-361-002-00	10 2				
V233-361-007-00	23 5				
V341-120-008-00	9 19				
V401-160-006-00	20 30				
V401-160-008-00	9 49				
	9 51				
V411-260-006-00	20 29				
V523-100-802-40	5 17				
V523-101-001-80	15 2				
V600-110-600-40	20 13				
V600-110-600-50	9 47				
V600-110-620-30	20 12				
V600-150-600-20	15 8				
V682-200-000-60	1 5				
V704-140-016-00	11 15				
V705-140-012-00	9 31				
V710-140-004-00	20 22				
V720-101-900-80	20 25				
V720-102-401-50	16 9				
	25 17				
V720-102-401-80	7 3				
V723-102-002-40	9 36				

Numerical Index

1750-097-100-00

Part Code	Fig.Key	Part Code	Fig.Key	Part Code	Fig.Key
1105-106-001-00	11 5	1404-312-006-00	51 8	1423-616-004-00	72 5
1108-311-005-00	14 6		51 8	1424-101-203-00	1 16
1118-901-002-00	90 3		51 24		2 16
1302-225-003-00	24 3	1404-402-001-00	53 2	1424-101-204-00	1 17
	32 2		53 8		2 17
	35 12		63 2	1425-621-004-00	1 10
	36 22		63 8		2 10
1305-241-001-00	95 14	1404-402-002-00	53 3		51 20
	78 11		53 9		87 19
	79 11		63 3		88 20
1342-402-006-00	43 16		63 9		88 24
	53 14	1404-402-005-00	53 4	1427-111-229-00	4 15
	55 28		53 10	1427-201-005-00	12 24
	56 37		63 4	1427-201-007-00	12 22
	75 6		63 10		13 17
	75 8	1404-503-006-00	55 10		45 12
	87 11		56 10	1427-201-008-00	12 23
	87 14		68 24		13 18
	87 20		69 29	1427-201-012-00	44 14
	87 26	1414-312-002-00	8 1	1427-201-013-00	44 15
	88 12		41 7	1427-201-014-10	44 16
	88 15		67 10	1427-201-015-10	44 17
	88 21	1415-102-007-00	5 3	1427-203-002-00	16 17
	88 23	1415-102-008-00	5 5		17 4
	88 28	1415-102-013-00	5 11	1427-209-200-00	24 11
1376-402-003-00	7 9	1415-205-013-00	30 23	1427-210-003-00	27 2
	41 37	1415-312-500-00	50 12		27 10
	56 18		51 7	1427-210-008-10	24 1
	56 19	1416-501-011-00	66 3	1427-210-009-00	24 2
	87 12	1416-621-037-00	6 9	1427-210-011-00	24 6
	87 22	1421-122-003-00	11 10	1427-210-200-00	24 8
	87 25	1421-201-002-00	110 38	1427-212-002-00	31 6
	87 27	1421-403-001-00	63 5	1427-212-003-20	31 2
	88 13	1421-403-002-00	63 11		35 18
	88 26	1421-433-004-00	13 27		36 15
	88 27	1421-507-002-10	66 1		95 19
1386-241-002-00	88 29	1421-507-014-00	73 20	1427-251-004-00	25 5
	98 4		81 17	1427-301-002-20	44 1
	102 5		82 19	1427-301-005-00	44 4
	102 10	1421-602-005-10	40 6	1427-301-007-00	44 6
	103 4		82 9	1427-301-009-00	44 7
1402-511-600-00	70 36	1421-603-004-00	6 14	1427-301-013-20	44 22
1404-117-008-00	8 9		72 52	1427-301-014-10	44 23
1404-312-006-00	50 13		72 56	1427-301-015-10	44 24
	50 17		73 22	1427-301-016-00	44 25

Numerical Index

1750-097-100-00

Part Code	Fig.Key	Part Code	Fig.Key	Part Code	Fig.Key
1427-301-018-00	44 27	1434-511-210-00	70 37	1510-328-260-00	50 16
1427-301-019-00	44 29	1435-120-002-30	9 24		51 12
1427-301-021-00	47 6	1435-122-002-00	9 13	1518-306-203-00	61 3
	48 7	1435-203-001-00	30 22	1518-432-250-00	61 2
1427-307-002-10	46 2	1435-317-201-20	97 2	1518-621-320-00	85 19
1427-307-003-00	46 3		97 7		86 22
1427-431-003-00	70 31	1435-317-230-01	97 1		86 24
1427-432-016-00	60 6	1435-317-240-01	97 6	1518-924-001-00	104 9
1427-501-003-00	64 3	1440-103-201-00	5 6	1527-604-002-00	74 19
1427-511-250-10	70 33	1442-313-202-00	50 24		76 17
1427-601-003-00	24 15	1444-101-016-10	43 14		77 15
	32 8		55 27		81 5
1427-611-001-00	78 4		56 35		82 5
	79 4	1444-102-202-00	5 2	1544-104-205-00	4 4
1429-406-205-00	54 17	1444-102-204-00	5 7	1544-215-015-00	21 9
1432-242-001-00	41 15	1444-102-206-00	5 12	1544-215-016-00	21 15
1432-616-002-00	50 51	1444-122-002-00	50 31	1544-219-005-00	23 16
	78 5		51 27	1544-304-006-10	44 10
	79 5		51 38	1544-322-002-00	30 7
1432-665-014-00	76 19	1444-314-009-10	12 33		30 17
	77 17		13 32		30 30
1434-120-005-00	9 17		35 28	1544-503-001-20	66 4
1434-122-005-00	11 15		36 28	1544-503-200-20	66 5
1434-122-230-10	9 12		95 27	1544-623-001-00	85 9
1434-203-002-00	17 11	1444-328-272-00	50 26		86 9
1434-317-280-01	99 1	1444-328-273-00	50 25	1544-623-232-00	85 10
1434-317-281-00	99 3	1444-411-006-00	44 2		86 10
	99 7	1444-601-011-00	72 25	1544-623-233-00	85 11
1434-317-290-01	98 3	1444-601-015-00	72 31		86 11
	99 2		72 38	1544-623-234-00	85 12
	99 6		73 6		86 12
1434-317-300-01	99 5		73 12	1544-623-235-00	85 13
1434-441-201-10	101 3	1480-207-012-00	30 6		86 13
	101 8	1480-212-003-00	35 8	1550-508-001-10	68 9
1434-441-231-00	102 3		36 9		69 15
	102 8		95 9	1550-514-290-00	70 34
1434-501-003-10	64 20	1480-501-003-00	64 2	1560-102-003-20	5 18
1434-501-005-00	64 26	1488-541-021-00	21 21	1560-104-010-40	1 15
1434-501-006-00	66 10	1491-120-001-00	9 18		2 15
1434-503-001-00	66 12	1491-203-006-10	16 16	1560-132-007-30	39 8
1434-503-002-00	66 15		17 3		50 21
1434-503-250-10	66 19	1491-307-201-00	46 4		50 33
1434-503-260-20	66 22	1491-434-017-00	62 24		51 14
1434-503-330-00	69 2	1507-216-004-10	17 5		51 26
1434-511-200-20	70 40		60 3		51 40

Numerical Index

1750-097-100-00

Part Code	Fig.Key	Part Code	Fig.Key	Part Code	Fig.Key
1560-208-018-40	30 29	1588-218-003-00	72 27	1614-102-002-00	1 9
1560-314-001-00	47 2	1588-651-205-00	85 15		2 9
	89 10		86 15	1614-102-213-00	1 3
	106 11	1593-203-058-20	16 13		2 3
1560-401-004-40	74 4		20 3	1614-102-214-00	1 4
1560-511-101-00	67 17	1593-341-006-00	28 6		2 4
1560-515-004-50	68 25	1593-341-014-00	28 7	1614-105-004-00	5 24
	69 30	1593-612-220-10	6 2	1614-215-006-00	21 14
1560-525-001-40	70 2	1594-105-001-00	3 2	1614-432-002-00	60 8
1560-630-024-00	50 52	1594-218-001-00	16 15	1614-432-006-00	60 11
1560-630-029-00	1 29		17 2	1614-433-212-00	61 10
1560-658-202-00	84 17		31 3	1614-435-004-00	62 45
1560-658-282-40	84 13	1594-221-001-00	60 2	1614-437-211-00	101 2
	84 15	1600-112-231-00	7 7		101 7
1560-664-250-00	85 21	1600-112-232-00	7 8	1614-501-006-00	21 19
1560-664-252-00	85 22	1600-117-002-00	8 8	1614-501-015-10	78 3
1560-664-253-00	85 23	1600-202-005-00	15 4		79 3
1560-666-004-00	1 31	1600-203-006-00	17 8	1614-505-002-00	67 5
	2 31	1600-301-004-00	44 12	1614-505-003-00	67 6
	7 10	1600-317-281-00	98 2	1614-505-004-00	67 7
	87 18	1600-502-003-00	21 5	1614-505-007-00	67 15
	88 19		22 4	1614-603-008-00	74 18
1560-666-212-00	88 10		65 7	1614-603-202-00	74 17
1560-695-021-00	39 6	1600-515-001-00	70 30	1614-608-220-10	81 16
1560-695-022-00	39 7	1600-515-210-10	70 26		82 18
1564-201-003-00	62 16	1600-515-240-00	70 28	1614-630-002-00	73 9
1564-434-222-10	61 5	1600-616-006-00	6 21	1614-670-001-10	84 21
1564-667-002-00	21 20	1600-623-002-00	85 16	1614-670-201-00	84 8
1566-525-101-00	70 39		86 17	1614-670-240-00	84 7
1568-525-300-10	70 35	1600-624-004-00	87 13	1614-670-250-00	84 9
1568-650-004-10	7 12		88 14	1614-670-281-00	84 14
1568-650-005-10	7 13	1600-624-201-00	85 26	1614-680-220-00	85 14
1572-102-003-00	5 10		86 28		86 14
1575-261-016-00	111 6	1600-902-002-10	91 3	1617-102-006-00	1 19
1575-261-017-00	111 5		92 2		2 19
1575-261-025-00	111 7	1600-904-051-00	91 7	1617-435-002-00	62 44
1575-261-203-00	58 7		92 6	1617-730-005-00	6 10
	59 7	1608-206-250-00	43 6	1620-255-208-00	25 6
1575-511-001-20	65 9	1608-206-260-00	43 7		33 3
1579-501-002-00	64 11	1612-117-200-20	8 6		35 24
1579-501-200-00	64 1	1612-433-002-00	61 6		36 26
1579-502-001-00	65 3	1612-434-006-00	62 19		95 46
1581-521-642-00	36 37	1612-434-009-00	62 28	1620-410-001-10	107 1
	95 36	1612-505-220-00	67 11	1620-437-210-00	101 1
1588-117-001-00	72 16	1612-603-002-00	74 12	1620-437-220-00	101 6

Numerical Index

1750-097-100-00

Part Code	Fig.Key	Part Code	Fig.Key	Part Code	Fig.Key
1621-317-220-00	96 2	1672-105-211-00	5 9	1673-525-002-20	105 5
	96 7	1672-120-006-00	9 14		106 9
1622-102-520-00	1 2	1672-120-007-00	9 16	1673-658-214-00	84 4
1627-122-008-00	50 48	1672-122-001-20	11 12	1673-730-008-00	50 34
1634-650-200-00	7 11	1672-202-002-20	15 7	1674-410-301-00	57 9
1636-271-013-00	21 7	1672-207-001-10	21 1		100 7
1636-317-201-00	103 2	1672-207-002-10	21 17	1674-410-320-00	57 7
1636-437-210-00	102 2	1672-207-230-00	21 13		100 4
	102 7	1672-207-240-00	21 8	1674-520-002-00	104 6
1636-901-022-00	93 3	1672-208-200-20	22 1	1674-520-003-00	104 7
1639-102-202-00	2 2	1672-210-002-00	27 6	1674-520-004-00	57 10
1640-520-004-00	104 13	1672-210-004-00	27 15		71 6
1640-520-005-00	104 11	1672-210-005-00	27 16		100 6
1640-658-322-00	84 3	1672-216-310-00	32 6		104 16
1640-658-324-00	84 5	1672-301-002-00	44 8		105 6
1640-658-325-00	84 6	1672-301-003-00	44 3	1674-520-210-00	71 4
1640-664-320-00	86 16	1672-301-004-00	44 5		104 14
1640-702-003-00	89 2	1672-307-001-10	46 1		105 4
	106 3	1672-406-005-00	54 2	1674-619-300-10	81 25
1640-702-004-00	89 6	1672-408-002-00	55 22		82 27
	106 7	1672-432-001-00	60 9	1674-619-310-00	81 22
1646-116-051-00	8 7	1672-432-002-10	60 10		82 24
1646-640-059-00	54 3	1672-433-210-10	61 4	1674-652-200-00	83 1
1646-901-061-00	90 7	1672-434-002-00	62 5	1674-652-202-00	83 2
1650-102-006-00	1 23	1672-434-003-00	62 8	1674-654-004-00	76 13
	2 23	1672-434-007-00	62 20		77 11
1650-104-201-00	4 5	1672-434-008-00	62 23	1674-654-211-00	83 4
1650-203-008-00	30 14	1672-434-011-10	62 15		83 6
1650-253-003-00	25 3	1672-502-003-00	65 1	1674-654-212-00	83 5
	26 3	1672-502-004-00	65 4	1674-654-270-00	83 9
	26 6	1672-503-210-00	66 18	1674-654-271-00	83 10
1650-259-010-00	27 7	1672-505-210-10	67 4	1674-654-272-00	83 11
	27 17	1672-601-001-00	74 10	1674-654-400-00	76 11
1650-432-001-00	60 4	1672-601-002-00	72 23		77 9
1650-508-002-00	108 14	1673-314-001-00	50 4	1674-904-001-00	93 1
1650-509-310-00	14 2		50 6	1674-904-002-10	93 6
1650-601-007-00	72 11		51 6	1674-904-003-00	93 7
1650-650-222-00	87 2	1673-525-002-20	57 8	1674-904-004-00	93 8
	88 2		70 3	1674-904-005-00	93 13
1650-654-036-00	85 28		70 38	1674-904-008-00	93 4
	86 30		71 5	1675-102-002-00	1 22
1650-658-270-00	86 20		89 8		2 22
1656-401-220-00	52 1		100 5	1675-102-004-00	1 6
1656-401-222-00	52 2		104 12		2 6
1672-103-001-00	3 5		104 15	1675-104-001-00	4 7

Numerical Index

1750-097-100-00

Part Code	Fig.Key	Part Code	Fig.Key	Part Code	Fig.Key
1675-104-002-00	4 9	1682-255-202-00	35 6	1683-202-051-00	16 1
1675-104-210-10	4 1		36 7	1683-203-051-00	16 2
1675-104-211-00	4 2		95 7	1683-203-052-00	16 4
1675-104-213-00	4 3	1682-255-203-00	35 5	1683-203-053-00	16 5
1675-112-002-00	7 2		36 6	1683-203-054-00	16 6
1675-116-001-00	8 5		95 6	1683-205-051-00	20 1
1675-117-210-20	8 13	1682-255-204-00	35 10	1683-205-052-00	20 6
1675-135-001-00	11 6		36 11	1683-205-053-00	20 7
1675-312-051-00	50 8		95 11	1683-205-055-10	20 13
1675-407-003-00	56 20	1682-255-205-10	35 11	1683-208-500-00	23 1
1675-508-003-00	68 30		36 13		33 1
	68 33		95 12	1683-208-510-00	23 5
	69 35	1682-255-210-40	35 21	1683-209-500-10	25 1
	69 38		36 20	1683-209-520-00	25 8
1675-508-500-00	69 7		95 22	1683-210-051-00	26 1
1675-601-002-00	72 10	1682-255-303-00	32 14	1683-210-052-00	26 2
1675-601-003-00	73 4		36 32	1683-210-053-00	26 5
1675-670-220-00	84 10		48 3	1683-265-510-00	33 6
1675-670-230-00	84 19		95 31		36 44
1681-211-002-00	28 8	1682-403-001-40	53 17		38 1
1682-102-004-00	1 13	1682-407-210-10	54 16		95 43
	2 13	1682-407-220-00	54 13	1683-271-500-40	39 11
1682-112-006-10	7 3	1682-408-220-00	55 26	1683-271-520-10	39 12
1682-201-001-10	12 1		56 34	1683-271-560-00	39 4
1682-202-001-00	15 1	1682-408-230-00	55 20	1683-272-054-10	40 16
1682-203-004-00	17 10	1682-433-001-30	61 1	1683-272-550-00	40 15
1682-205-001-00	19 1	1682-434-006-30	62 31	1683-272-560-00	40 12
1682-208-001-00	23 3	1682-434-007-00	62 22	1683-273-055-00	43 4
1682-211-002-20	28 18	1682-434-011-00	53 19	1683-273-570-10	43 11
	29 11	1682-441-210-00	102 1		56 29
1682-211-007-00	28 17	1682-441-220-00	102 6	1683-273-580-10	43 1
	29 10	1682-603-006-00	74 22	1683-273-610-20	43 5
1682-216-001-10	32 5	1682-690-370-10	85 24	1683-312-570-00	51 13
1682-216-006-00	32 1		86 26	1683-902-001-00	92 3
1682-216-007-10	32 16	1682-690-380-00	85 27	1683-902-004-00	91 5
1682-216-270-10	32 9		86 29		92 5
1682-255-001-00	37 1	1682-902-005-00	91 1	1684-112-300-10	7 1
1682-255-002-20	20 8	1682-902-009-00	92 4	1684-120-001-10	9 23
	30 11	1682-902-013-00	91 8	1684-120-210-00	9 20
	35 7		92 11	1684-120-220-00	9 21
	36 8	1682-902-014-00	91 6	1684-202-002-00	15 10
	95 8		92 7	1684-202-003-00	15 11
1682-255-201-10	35 1	1682-924-220-10	71 1	1684-202-004-00	15 12
	36 1	1683-120-530-20	10 25	1684-203-001-00	17 7
	95 2	1683-201-053-10	13 26	1684-203-002-00	17 9

Numerical Index

1750-097-100-00

Part Code	Fig.Key	Part Code	Fig.Key	Part Code	Fig.Key
1684-203-003-10	17 6	1688-201-051-20	13 1	1703-261-002-00	22 8
1684-203-200-40	17 1	1688-201-052-00	13 19		41 2
1684-204-001-00	18 1	1688-201-055-10	12 2	1703-310-202-00	49 2
1684-204-002-00	18 5		13 2		49 6
1684-204-003-00	18 3	1688-201-056-00	12 30	1703-313-001-10	72 43
1684-204-004-00	18 2		13 29	1703-680-200-10	6 8
1684-210-001-00	27 1	1688-203-055-00	16 11	1704-705-003-00	81 8
1684-210-002-00	27 9	1688-203-500-10	16 10		82 8
1684-211-001-00	28 1	1688-211-051-10	30 5	1705-102-014-00	1 26
1684-211-002-00	29 4	1688-211-052-00	30 10		2 26
1684-211-003-10	28 16	1688-211-053-00	30 9	1705-408-230-00	55 18
	29 9	1688-211-054-00	30 20		56 22
1684-211-004-20	29 1	1688-211-055-10	30 25		56 25
1684-211-200-00	28 4	1688-211-056-20	30 26	1705-902-006-00	93 2
1684-211-201-00	28 5	1688-211-057-00	30 4	1705-902-007-00	93 10
1684-403-200-00	53 1	1688-211-058-00	30 2	1705-904-001-00	93 12
1684-403-300-00	53 7	1688-211-061-10	28 14	1705-904-002-00	93 11
1684-434-011-00	62 32		29 7	1709-407-002-00	55 11
1684-434-012-00	62 33	1688-211-310-00	30 27		56 11
1684-902-003-00	91 4	1688-211-502-10	111 1	1709-407-310-20	55 14
1685-120-061-00	10 24	1688-211-503-00	111 2		56 14
1685-120-062-00	10 15	1688-211-504-00	111 3	1709-603-001-00	74 13
1685-120-310-00	10 14	1688-211-505-00	111 4	1716-102-003-00	1 24
1685-205-001-00	20 5	1688-211-506-00	111 8		2 24
1685-208-051-00	23 8	1688-211-507-00	111 9	1716-102-230-10	1 1
	33 9	1688-211-508-00	111 10	1716-103-200-20	3 1
1685-209-051-00	25 11	1688-211-509-00	111 11	1716-105-001-00	5 16
1685-211-500-10	30 1	1688-211-510-20	30 3		5 22
1685-265-051-00	38 4	1688-211-521-00	111 12	1716-105-200-00	5 1
1685-273-520-00	43 12	1688-211-522-00	111 13	1716-105-210-00	5 27
1685-317-210-00	96 1	1688-211-523-00	111 14	1716-111-001-00	6 1
1685-317-220-00	96 6	1688-211-524-00	111 15	1716-111-004-00	6 5
1685-317-230-00	96 3	1688-212-001-20	31 4	1716-111-005-00	6 13
	96 8	1688-216-500-00	33 12	1716-112-210-00	7 6
1685-317-510-00	98 1	1688-265-001-00	38 14	1716-116-200-00	8 2
1685-434-001-00	62 10	1688-271-510-10	39 1	1716-410-003-00	73 21
1685-441-510-00	103 1	1688-312-001-10	50 10	1716-410-004-10	1 30
1685-441-520-00	103 3		51 4		2 30
1685-508-220-00	68 4	1688-502-210-00	65 13	1716-601-001-00	72 2
1685-511-210-00	70 1	1689-434-001-20	62 1	1716-601-002-00	72 13
1685-511-220-00	70 27	1690-608-003-00	81 18	1716-601-003-00	73 19
1685-511-230-00	70 25		82 20	1716-601-006-00	72 29
1685-603-001-00	74 21	1696-901-006-00	90 5	1716-601-007-00	72 36
1685-603-510-00	74 20	1703-104-003-00	4 6	1716-601-013-00	72 33
1688-120-052-00	10 2	1703-105-210-00	5 20		72 40

Numerical Index

1750-097-100-00

Part Code	Fig.Key	Part Code	Fig.Key	Part Code	Fig.Key
1716-601-017-00	72 34	1725-266-001-00	38 13	1738-508-001-00	69 40
	72 41		67 16	1738-514-001-00	70 4
1716-601-018-00	72 21	1726-104-200-00	4 11	1738-514-210-00	70 5
1716-601-019-00	72 22	1726-505-003-00	41 14	1738-520-001-00	71 7
1716-601-021-00	72 18	1726-601-006-10	72 42		105 7
1716-601-260-10	72 17	1726-601-007-00	72 9	1738-520-200-00	105 1
1716-601-270-10	72 48	1738-122-200-20	11 1	1738-601-002-10	72 58
1716-601-280-20	72 24	1738-205-200-00	19 2	1738-601-003-20	72 60
1716-602-002-10	73 2	1738-212-002-00	31 1	1738-603-001-00	74 2
1716-603-003-10	74 16	1738-216-220-00	32 18	1738-606-230-00	76 1
1716-603-004-00	74 1	1738-218-200-00	34 1	1738-606-240-00	76 5
1716-603-005-00	74 3	1738-255-001-00	36 41		77 4
1716-680-006-00	85 7		95 40	1738-606-250-00	76 9
	86 7	1738-255-002-00	36 40		77 7
1716-680-200-10	85 4		95 39	1738-611-200-00	78 1
	86 4	1738-255-200-20	95 1		79 1
1717-103-001-00	3 7	1738-255-310-20	36 30	1738-611-210-10	78 6
1717-111-001-00	6 20		95 29	1738-611-220-10	78 8
1717-304-001-00	44 19	1738-255-330-00	36 36		79 8
1717-304-002-00	44 20		95 35	1738-630-011-00	81 20
1717-306-001-30	45 1	1738-309-001-10	47 3		82 22
1717-306-002-30	45 2	1738-312-005-00	50 43	1738-630-012-00	81 13
1717-309-002-00	48 4	1738-312-006-00	50 44		82 15
1717-309-200-10	47 1	1738-312-007-00	50 45	1738-660-001-00	83 12
1717-310-001-00	49 11	1738-312-009-00	50 58	1738-670-210-00	84 1
1717-310-002-10	49 1		51 47	1738-670-220-00	84 2
1717-310-003-10	49 5	1738-312-200-00	50 41	1738-690-203-00	87 8
1717-310-004-00	49 3	1738-312-220-10	50 5		88 8
	49 7	1738-312-240-00	50 54	1738-702-300-00	89 1
1717-310-200-00	49 9	1738-312-260-00	50 55		106 2
1717-406-200-00	54 11	1738-312-280-00	50 29	1738-702-310-00	89 11
1717-503-200-10	66 11	1738-312-290-00	50 30		106 12
1717-603-002-00	74 9	1738-312-300-10	50 36	1738-702-320-00	89 12
1717-630-001-30	81 6	1738-312-320-20	50 1		106 13
1717-630-002-10	81 7	1738-312-330-00	51 16	1738-902-003-00	91 2
1717-630-004-00	81 4	1738-411-210-00	57 4	1738-902-006-00	91 11
1725-120-211-00	58 2	1738-411-300-10	100 1	1738-902-007-00	91 12
	59 2	1738-431-200-20	58 9		95 48
1725-120-212-00	58 3		59 9	1738-904-001-00	93 14
	59 3	1738-432-200-00	60 1	1739-660-200-10	83 3
1725-120-213-00	58 4	1738-433-200-10	61 9	1739-660-212-00	83 7
	59 4	1738-501-001-00	64 23	1739-702-001-00	89 15
1725-120-216-00	58 6	1738-505-002-10	67 13		106 16
	59 6	1738-505-200-00	67 1	1739-904-001-00	93 5
1725-266-001-00	22 9	1738-508-001-00	68 35	1740-272-061-00	40 10

Numerical Index

1750-097-100-00

Part Code	Fig.Key	Part Code	Fig.Key	Part Code	Fig.Key
1740-272-062-00	40 11	1750-208-051-10	23 13	1750-312-560-10	51 44
1740-313-300-00	50 23	1750-208-052-00	23 14	1750-312-570-00	51 33
1740-313-301-00	50 27	1750-208-200-00	22 3	1750-312-590-00	51 19
1740-601-054-00	72 30	1750-208-500-10	23 11	1750-312-620-00	51 1
	72 37	1750-209-200-00	24 12	1750-407-001-00	54 6
1740-602-051-00	73 5	1750-209-500-00	25 14	1750-407-210-10	54 1
1740-602-052-00	73 8	1750-211-003-00	30 34	1750-410-200-00	57 1
1740-602-053-00	73 10	1750-212-001-00	31 9	1750-431-051-00	59 10
1740-602-054-00	73 11	1750-216-001-10	32 20	1750-431-200-00	58 1
1740-602-056-00	73 1	1750-216-051-20	33 14	1750-431-201-00	58 5
1740-602-057-00	73 3	1750-216-210-00	32 12	1750-431-220-00	58 10
1740-602-500-00	73 18	1750-216-500-00	33 16	1750-431-500-00	59 1
1740-630-054-00	81 9	1750-265-500-00	38 7	1750-431-501-00	59 5
	82 11	1750-271-001-00	39 24	1750-436-201-00	63 6
1740-630-055-00	81 10	1750-271-210-20	39 17	1750-436-210-00	63 1
	82 12	1750-271-220-00	39 5	1750-436-220-00	63 7
1740-680-530-00	85 1	1750-271-300-00	39 23	1750-508-001-00	68 1
	86 1	1750-272-051-10	41 32	1750-508-051-00	69 1
1740-680-550-00	85 8	1750-272-052-00	41 33	1750-508-052-00	69 4
	86 8	1750-272-053-10	41 34	1750-508-210-10	68 3
1740-690-202-00	87 5	1750-272-054-00	41 18	1750-508-220-00	68 5
	88 5	1750-272-200-10	40 3	1750-508-230-10	68 11
1740-903-053-00	91 10	1750-272-220-20	40 1		69 17
	92 9	1750-272-510-10	41 22	1750-508-240-10	68 26
1740-903-054-10	92 10	1750-272-520-00	41 1		69 31
1740-903-055-10	91 9	1750-272-530-00	41 5	1750-508-250-10	68 32
	92 8	1750-272-550-20	41 8	1750-508-510-00	69 11
1741-112-053-10	2 29	1750-272-560-10	41 30	1750-508-520-00	69 37
1750-102-210-40	1 27	1750-272-570-00	41 26	1750-514-001-10	70 8
	2 27	1750-272-580-00	41 10	1750-514-002-10	70 12
1750-102-220-10	1 21	1750-272-610-10	41 11	1750-520-001-00	104 5
	2 21	1750-272-620-00	41 19	1750-520-002-00	104 17
1750-102-230-00	2 1	1750-273-001-00	43 18	1750-520-200-00	104 1
1750-111-200-20	6 16	1750-273-210-00	43 17	1750-520-210-00	104 2
1750-111-210-00	6 18	1750-273-220-00	43 9	1750-601-210-10	72 28
1750-120-051-20	10 4	1750-309-500-10	48 1	1750-601-220-10	72 35
1750-120-210-30	9 1	1750-312-051-00	51 35	1750-601-250-10	72 1
1750-120-510-30	10 1	1750-312-052-00	51 36	1750-601-260-20	72 54
1750-122-001-00	11 9	1750-312-053-00	51 37	1750-601-270-00	72 50
1750-201-051-00	13 34	1750-312-054-00	51 9	1750-601-280-00	72 51
1750-201-500-00	13 35	1750-312-056-00	51 21	1750-601-290-10	72 55
1750-205-051-00	20 12	1750-312-310-00	50 20	1750-605-001-10	75 1
1750-207-200-10	21 4	1750-312-500-10	51 28	1750-605-002-00	75 2
1750-208-001-10	22 6	1750-312-540-00	51 25	1750-605-003-00	75 3
	38 11	1750-312-550-10	51 43	1750-605-004-10	75 4

Numerical Index

1750-097-100-00

Part Code	Fig.Key	Part Code	Fig.Key	Part Code	Fig.Key
1750-605-005-10	75 5	2149-601-031-00	95 32	3668-612-001-00	51 29
1750-605-006-10	75 7	2150-420-008-00	72 6	3670-236-003-00	76 14
1750-605-007-00	75 9	2150-661-002-00	85 2		77 12
1750-606-210-00	77 1		86 2	3670-520-008-00	36 38
1750-611-500-20	79 6	2161-111-004-00	6 6		95 37
1750-626-200-10	80 1	2173-820-003-00	24 13	3676-374-003-00	56 17
1750-630-001-10	81 12		25 16	3737-172-011-00	64 28
1750-630-002-10	81 14		48 2		87 21
	82 16	2186-536-211-00	85 5		87 23
1750-630-003-10	81 15		86 5		87 24
	82 17	2186-536-212-00	85 6		88 22
1750-630-051-10	82 14		86 6		88 25
1750-630-052-10	82 6	2188-973-200-00	94 1	3740-162-005-00	73 14
1750-630-053-10	82 7	2500-901-027-00	93 16	3747-342-002-00	39 14
1750-630-054-00	82 4	2504-307-273-00	42 1	3768-185-022-10	43 13
1750-630-200-20	81 1	2703-101-020-00	35 22		53 16
1750-630-210-00	81 2		36 23	3801-493-003-00	78 9
1750-630-300-00	81 26		95 23		79 9
1750-630-500-20	82 1	2706-501-003-00	6 3	3814-114-001-00	39 20
1750-630-510-10	82 2	2706-501-004-00	6 4	3814-835-035-00	54 7
1750-690-210-10	87 1	3610-440-018-00	72 12	3817-335-021-00	6 22
1750-690-212-00	87 9	3625-701-003-00	35 20	3821-262-202-00	87 3
	88 9		36 19		88 3
1750-690-510-00	88 1		95 21	3821-262-204-00	87 4
1750-702-200-00	106 1	3640-432-006-00	50 47		88 4
1750-901-001-00	90 1	3640-585-001-00	32 13	3824-222-006-00	41 27
1750-901-002-00	90 2		33 17	3827-270-001-00	87 6
1750-901-003-00	90 6		36 31		88 6
1750-901-004-00	90 4		95 30	3827-270-002-00	87 7
1750-902-051-00	92 1	3643-420-004-00	39 13		88 7
1750-902-052-00	92 12	3650-106-006-00	41 6	4101-102-038-00	6 12
1750-904-051-00	93 15	3650-270-214-00	84 12		74 7
2130-713-002-10	8 10	3650-703-004-00	39 19		76 3
2137-304-005-00	86 25	3656-107-004-00	20 9		76 7
2142-581-002-00	76 20		30 12		77 3
	77 18	3656-212-011-20	41 36		77 6
2144-419-022-00	23 17	3659-480-003-00	50 57	7821-501-005-00	72 3
	25 17		51 46	7955-201-026-00	62 18
	38 9	3664-540-001-00	40 4	7957-501-004-00	78 12
2144-519-007-00	33 19		51 2		79 12
2146-310-005-00	28 11	3668-612-001-00	23 12	7963-611-001-00	70 24
2149-312-015-60	39 22		25 15	7963-611-002-00	70 18
2149-601-031-00	32 15		33 13	7963-611-003-00	70 20
	33 18		38 8	7963-611-230-00	70 16
	36 33		50 37	7963-611-240-00	70 17

Numerical Index

1750-097-100-00

Part Code	Fig.Key	Part Code	Fig.Key	Part Code	Fig.Key
8654-901-002-00	93 9	K200-053-002-00	108 18	K510-003-023-00	110 24
8664-555-330-00	55 17	K200-053-102-00	108 3	K510-003-037-00	110 23
J061-116-025-00	55 23	K200-059-100-00	108 2	K510-003-100-00	110 46
J061-210-015-00	1 14	K211-001-000-00	66 8	K510-003-200-00	110 47
	2 14	K211-001-006-20	109 2	K510-003-204-00	110 48
J061-224-032-00	1 11	K211-001-007-00	109 3	K510-003-205-00	110 49
	2 11	K211-001-008-00	109 4	K510-003-206-00	110 50
J061-228-036-00	68 10	K211-001-009-00	109 5	K510-003-207-00	110 51
	69 16	K211-001-100-10	109 1	K510-003-500-00	110 53
J061-230-038-00	1 8	K211-008-011-00	108 9	K510-008-000-00	14 1
J061-236-044-00	2 8	K233-002-003-00	108 6	K510-008-001-00	110 1
	1 7	K233-002-004-00	108 7	K510-008-004-00	110 2
	1 12	K233-002-005-00	108 8	K510-008-010-00	110 8
	2 7	K233-005-000-00	108 4	K510-008-013-00	110 11
	2 12	K233-005-001-00	108 5	K510-008-014-00	110 12
J061-242-050-00	4 8	K250-001-000-00	64 12	P103-112-003-20	6 7
J061-247-055-00	4 10	K250-001-007-00	108 17	P113-211-300-00	43 2
J062-081-087-00	5 25	K250-001-009-00	64 14		56 30
J062-104-111-00	5 26	K250-019-000-10	109 9	P113-211-330-00	55 24
J062-119-126-00	5 17	K250-031-005-00	108 15		56 32
K135-002-009-00	5 19	K275-001-003-00	110 29	P120-605-031-00	50 9
	5 23	K510-001-005-00	110 3	V120-264-001-20	84 16
	55 8	K510-001-007-00	110 5	V120-265-003-00	85 29
	56 8	K510-001-008-00	110 6		86 31
	68 22	K510-001-009-00	110 7	V120-266-002-00	76 15
K135-012-000-00	69 27	K510-001-011-00	110 9		77 13
	68 15	K510-001-016-00	110 15	V120-366-001-60	77 8
	69 20	K510-001-017-00	110 16		84 20
K135-012-100-00	68 16	K510-001-018-00	110 18	V120-376-001-60	74 14
	69 21	K510-001-019-00	110 19		76 10
K135-015-002-00	55 3	K510-001-020-00	110 20	V120-376-002-00	74 8
	56 3	K510-001-025-00	110 25	V195-163-010-40	84 11
K135-017-006-00	68 17	K510-001-026-00	110 27	V195-164-016-40	84 18
	69 22	K510-001-029-00	110 28	V200-260-602-00	73 16
K135-020-000-00	55 1	K510-001-030-00	110 35	V200-360-604-00	36 34
K135-020-100-10	56 1	K510-001-031-00	110 36		95 33
	55 2	K510-001-032-00	110 37	V201-260-801-60	64 27
	56 2	K510-001-034-00	110 39		72 45
K177-006-203-00	53 11	K510-001-036-00	110 44	V201-260-802-00	72 44
K185-012-003-00	53 5	K510-003-006-00	110 4	V201-260-802-50	40 8
K185-012-004-00	53 6	K510-003-012-00	110 10	V201-260-803-00	40 13
K190-001-202-10	108 20	K510-003-015-00	110 13	V201-260-803-50	11 2
K200-035-006-00	108 19	K510-003-017-00	110 17		12 26
K200-053-000-00	56 24	K510-003-021-00	110 21	V201-260-805-50	56 27
K200-053-001-00	108 1	K510-003-022-00	110 22	V201-260-806-00	12 25

Numerical Index

1750-097-100-00

Part Code	Fig.Key	Part Code	Fig.Key	Part Code	Fig.Key
V201-260-806-50	5 13	V210-360-601-20	1 25	V211-260-802-00	21 12
V201-260-808-00	4 13		2 25		54 12
V201-260-813-00	67 2	V210-360-601-60	5 21		81 27
V201-261-006-00	45 8		12 34	V211-260-802-50	12 32
V201-261-008-00	41 24		32 21		64 22
V201-261-202-50	70 41		39 25	V211-260-803-00	9 6
V201-261-203-50	61 7		81 23		10 8
V201-261-204-00	45 3		82 25		13 31
V201-261-205-50	45 4		85 17	V211-260-805-00	66 9
V201-261-206-00	45 5		85 18	V211-261-002-00	23 15
V201-261-608-50	104 8		86 18		32 19
V201-360-802-50	70 6		86 19		79 7
V201-360-804-50	39 2		86 21	V211-261-002-50	43 10
V201-361-003-5B	62 40		87 15		81 3
V201-361-007-50	14 5		88 16		82 3
V201-361-008-50	53 21	V210-360-602-00	13 33	V211-261-003-50	85 25
V201-361-009-00	35 3		35 29		86 27
	36 2		36 29	V211-360-801-60	6 19
	95 3		73 17		23 4
V201-361-010-00	64 5		95 28		25 7
V201-361-202-50	9 10	V210-560-601-60	41 29		33 4
	10 12	V210-560-603-00	55 16		35 25
	46 9		56 16		36 27
	57 5		68 29		39 15
	62 42		69 34		43 15
V201-361-203-00	61 12	V210-560-604-50	55 13		56 21
	80 5		56 13		56 36
	100 2	V210-560-605-00	69 19		58 11
V201-361-203-50	70 9	V211-260-801-60	1 5		59 11
	70 13		1 28		67 14
	80 3		2 5		68 31
	107 2		2 28		68 34
V201-361-204-00	64 17		3 8		69 5
	71 2		5 28		69 13
	104 3		9 5		69 36
	105 2		9 19		69 39
V201-361-206-00	64 18		10 7		72 4
V201-361-213-00	80 4		43 8		72 57
V203-261-002-00	54 14		66 21		72 59
V203-361-002-00	9 8	V211-260-802-00	6 11		74 6
	10 10		6 15		76 4
V203-361-002-50	54 8		6 17		76 8
	57 2		7 14		81 21
V203-361-003-00	3 3		9 22	V211-360-802-00	3 6
V210-260-605-00	68 13		10 16		4 12

Numerical Index

1750-097-100-00

Part Code	Fig.Key	Part Code	Fig.Key	Part Code	Fig.Key
V211-360-802-00	11 18	V211-561-003-50	53 20	V304-260-008-00	39 21
	13 36		62 39		40 7
	33 15	V211-660-802-00	13 28		40 9
	51 18	V211-660-802-50	49 13		50 11
	68 7	V211-661-003-50	13 24		50 22
	68 8	V211-661-004-00	13 25		50 32
	69 14		64 4		50 53
	72 49	V211-661-004-50	64 6		51 5
	73 23	V211-661-005-00	13 16		51 15
	76 2	V220-541-003-50	110 45		51 39
	76 6	V233-361-201-60	33 5		58 12
	77 2		35 26		59 12
	77 5		36 25		72 15
	78 2		95 25		72 47
	78 7	V251-261-202-5D	12 8		82 10
	79 2		13 8	V304-260-010-00	12 5
	81 11	V251-261-205-50	47 7		12 11
	82 13		48 8		12 15
	82 23	V251-340-802-5D	10 17		13 7
	87 10	V251-341-002-50	13 15		44 30
	88 11	V251-341-003-5D	13 4		67 9
	89 16	V252-261-004-00	13 10	V304-260-012-00	47 8
	95 47	V252-261-005-50	12 10		48 9
	106 17		13 11		50 46
V211-360-802-50	50 28	V252-341-002-00	13 14		61 8
	51 17	V252-341-003-00	12 3		107 4
	62 30		12 14	V304-260-016-00	65 12
V211-360-803-00	21 2		13 13		70 19
	57 11	V252-341-003-50	12 4		70 22
	100 8		13 3		89 3
V211-360-804-00	1 18	V252-341-202-50	12 9		106 4
	2 18		13 9	V304-460-008-00	10 19
V211-361-002-00	22 7	V252-341-203-00	12 18		32 17
	38 12	V252-341-204-50	13 12	V304-460-010-00	10 20
V211-361-002-50	37 2	V300-460-006-00	36 35		64 9
	69 6		95 34	V304-460-012-00	12 19
	69 10	V301-260-006-00	7 5		34 3
V211-361-003-50	12 21		87 17		70 11
V211-560-802-00	21 18		88 18		70 15
	62 36	V304-260-008-00	11 3		70 32
V211-560-802-50	44 18		11 11	V304-460-014-00	83 14
	62 35		11 19		89 14
V211-561-001-60	66 6		21 6		106 15
V211-561-003-00	62 3		22 5	V304-460-024-00	70 29
V211-561-003-50	10 22		39 10	V305-260-008-00	65 8

Numerical Index

1750-097-100-00

Part Code	Fig.Key	Part Code	Fig.Key	Part Code	Fig.Key
V305-260-008-00	70 7	V401-160-008-00	59 13	V401-160-014-00	89 13
V328-262-110-00	8 11		67 3		106 14
	52 3	V401-160-010-00	3 4	V401-160-016-00	65 10
V334-460-010-00	9 7		9 9		70 23
	10 9		10 11		89 4
	54 5		10 21		104 10
V335-260-012-00	85 20		12 6		106 5
	86 23		12 12	V401-170-008-00	55 9
V350-160-006-00	72 32		12 16		56 9
	72 39		13 6		68 23
	73 7		14 7		69 28
	73 13		35 4	V411-260-004-00	76 12
	74 11		36 3		77 10
V360-260-006-00	41 31		41 25	V411-260-005-00	66 17
	74 15		44 31	V411-260-006-00	7 4
	85 3		45 9		8 3
	86 3		53 22		8 14
V361-260-006-00	41 35		54 9		11 7
	76 16		54 15		50 40
	77 14		57 3		51 32
V362-260-008-00	40 14		62 41		66 14
	41 9		64 8		72 19
	72 53		95 4		73 15
	83 8	V401-160-012-00	9 11		74 5
V363-260-008-00	57 12		10 13	V411-260-008-00	1 20
V401-160-006-00	100 9		12 20		2 20
	10 5		34 2		5 15
	50 39		45 6		11 13
	51 31		46 10		12 28
	68 14		53 13		23 9
	87 16		57 6		24 7
	88 17		61 13		25 12
V401-160-008-00	4 14		62 43		27 4
	5 14		63 12		27 12
	10 18		64 19		33 10
	12 27		70 10		36 42
	27 3		70 14		38 5
	27 11		70 42		41 12
	39 3		71 3		41 16
	39 9		80 2		41 20
	44 11		100 3		47 4
	56 28		104 4		48 5
	58 8		105 3		50 14
	58 13		107 3		50 18
	59 8	V401-160-014-00	83 13		51 10

Numerical Index

1750-097-100-00

Part Code	Fig.Key	Part Code	Fig.Key	Part Code	Fig.Key
V411-260-008-00	51 22	V500-162-002-00	41 17	V560-160-006-00	72 20
	51 41		41 21	V560-160-008-00	72 7
	72 14		47 5		72 26
	72 46		48 6	V580-140-403-60	64 25
	76 18		50 15	V580-140-502-00	24 9
V411-260-010-00	77 16		50 19		67 12
	81 24		50 35	V580-140-502-50	32 11
	82 26		51 11		60 12
	95 41		51 23	V580-140-503-20	24 16
	10 23		51 42	V580-140-601-60	18 6
	12 7	V500-162-002-50 V500-162-502-00 V500-162-502-50	52 4	V580-140-602-50	20 11
	12 13		53 15		23 6
	12 17		33 20		25 9
	13 5		50 50		33 7
	14 8		8 12		36 45
	45 10	V500-163-001-50 V500-163-002-00	32 4	V580-140-602-80 V580-140-603-20 V580-140-604-00	38 2
	50 49		11 14		95 44
	52 5		9 15		9 25
	54 4		23 10		10 26
	54 10		25 13		35 9
	64 7	V500-163-002-50 V511-100-805-00	33 11	V600-110-600-50 V600-110-600-80	36 10
	66 7		38 6		95 10
	67 8		63 13		62 9
	72 8		70 21		62 21
	78 10		40 2		62 12
V411-260-012-00	79 10	V522-100-801-80	50 2	V600-110-601-00	44 13
	45 7		50 42		60 14
	47 9		51 34	V600-110-620-40	15 3
	48 10		12 29		19 4
	70 43		21 3		20 14
V411-260-014-00	41 3	V523-100-301-00 V523-100-801-60 V523-101-002-40	45 11		28 15
V411-260-016-00	65 11		64 10		29 8
	89 5		110 54		30 15
	106 6		44 9		30 35
V500-161-601-50	81 19		12 31		110 14
V500-162-001-50	82 21		13 23	V600-110-620-50	30 32
	36 43		13 30		35 16
	66 13		35 2		36 16
	66 16		36 4		62 25
	95 42		53 18		95 17
V500-162-002-00	8 4	V530-240-502-40	62 4	V600-110-620-60	30 16
	8 15		62 29		44 21
	11 8		62 38		62 26
	24 5		95 5	V600-110-620-80	46 6
	41 13		44 26	V600-110-630-40	16 8

Numerical Index

1750-097-100-00

Part Code	Fig.Key	Part Code	Fig.Key	Part Code	Fig.Key	
V600-110-630-40	16 12	V704-140-018-00	25 18	V705-140-052-00	36 17	
	17 12		38 10		60 7	
	19 3		41 28		95 18	
	28 2	V704-140-020-00	42 2	V706-140-040-00	60 16	
	29 2		15 9	65 5		
V600-110-630-50	30 33		16 7	V706-140-055-00	60 15	
	35 15		20 10	V707-140-055-00	62 14	
	36 14		28 19	V707-140-062-00	28 10	
	95 16		29 12		30 19	
	62 6		30 13		62 7	
V600-110-630-60	46 5	V704-140-022-00	31 7	V707-140-080-00	46 8	
V600-110-690-30	110 40		110 32	V720-101-900-70	64 24	
V600-110-690-70	62 11		18 4		66 20	
V600-110-691-10	60 17		50 3	V720-101-900-90	89 9	
V600-111-600-60	16 3		50 56		106 10	
V600-111-600-70	28 9	V704-140-025-00	51 45	V720-102-401-00	5 4	
V600-150-600-30	110 41		15 6		27 5	
V600-150-600-40	41 23		16 14		27 13	
V607-110-620-40	15 8		20 4		44 28	
	16 9		28 13		66 23	
V607-110-620-50	28 12		29 6	V720-102-401-20	108 16	
	29 5		30 24	V720-102-401-40	23 2	
V607-110-630-40	31 5		30 36		24 14	
V654-416-201-70	15 5		35 14		32 7	
V654-425-322-40	20 2		36 12		33 2	
V654-430-382-40	30 21		36 39		35 23	
	30 28		60 5		36 24	
	V682-200-001-00		24 4		62 27	95 24
			25 4		95 15	V720-102-401-50
	26 4		95 38		V720-102-401-60	45 13
	26 7	V704-140-030-00	30 8	V720-102-401-80	49 10	
	27 8		30 18	V720-102-402-00	54 18	
	27 18		30 31	V720-102-402-10	25 2	
	32 3		46 7	V720-103-503-50	69 9	
	35 13		V704-140-035-00	62 13	V720-103-503-60	54 19
V682-200-001-90	36 21		V705-140-028-00	65 6	V720-103-504-10	62 34
	95 13	21 10		110 26		
	49 4	V705-140-030-00		110 42	V720-103-504-40	5 8
	49 8	V705-140-032-00		110 34	V720-105-705-50	66 2
	V704-140-014-00	27 14		V705-140-047-00	62 17	V720-111-900-50
V704-140-015-00	39 16	V705-140-052-00	110 33	V720-111-900-60	55 7	
	39 18		17 13	56 7		
	41 4		28 3	68 21		
V704-140-017-00	110 43		29 3	69 26		
V704-140-018-00	23 18		35 17	109 8		

Numerical Index

1750-097-100-00

Part Code	Fig.Key	Part Code	Fig.Key	Part Code	Fig.Key
V720-111-900-70	13 21	V721-103-109-00	62 2	V888-240-081-80	97 3
	108 21	V721-103-111-50	49 12		97 8
V720-112-401-10	43 3	V721-113-105-00	55 5	V889-000-081-60	96 4
	55 19		56 5		96 9
	55 21		68 19	V889-000-081-80	97 4
	55 25		69 24		97 9
	56 23	V721-113-106-00	64 16	V999-200-003-00	96 5
	56 26	V723-101-501-40	22 2		96 10
	56 31	V723-102-003-00	21 11		97 5
	56 33	V742-135-500-60	65 2		97 10
	110 31	V744-114-280-70	55 4		98 5
V720-112-401-20	64 13		56 4		99 4
	64 15		68 18		99 8
	64 21		69 23		101 5
	109 7	V744-120-350-70	9 2		101 10
V720-112-401-40	14 3		15 2		102 4
	108 10		19 5		102 9
	110 30		20 15		103 5
V720-112-401-60	110 52	V744-135-520-80	35 19		
V720-112-401-80	68 36		36 18		
	69 41		95 20		
	89 7	V744-135-550-80	31 8		
	106 8	V760-150-000-00	10 6		
	108 11		50 38		
V720-112-402-00	55 12		51 30		
	55 15		62 37		
	56 12	V763-150-000-00	9 3		
	56 15		11 4		
	68 12		40 5		
	68 28		50 7		
	69 18		51 3		
	69 33	V780-140-000-1T	108 23		
	108 12		109 6		
V720-112-402-20	55 6	V780-140-000-2T	108 22		
	56 6	V781-160-000-6B	35 27		
	68 20		36 5		
	69 25		95 26		
V720-113-502-40	69 12	V782-160-000-2T	9 4		
V720-113-502-50	108 13		10 3		
V720-113-502-80	68 2		13 20		
	69 3		68 27		
V720-113-503-40	53 12		69 32		
V721-103-104-50	68 6		108 24		
	69 8	V883-005-001-20	101 4		
V721-103-107-00	61 11		101 9		

Alphabetical Index

6004-097-330-00

Description	Fig.Key	Description	Fig.Key	Description	Fig.Key
ADAPTER/220X125 ASSY	22 1	BOLT, JOINT	16 13	CUP/SEALING/12	5 7
ARM/CONTROL	20 27	BOLT, SEMS/M10X20	8 4	CUP/SEALING/16	9 3
ARM/FLOATING COMP	20 19	BOLT, SEMS/M6X12	12 5	CUP/SEALING/28	5 3
ARM/TENSION	22 2	BOLT, SEMS/M6X12	20 15	CUP/SEALING/36	5 4
ARMATURE/STARTE ASSY	28 5	BOLT, SEMS/M6X16	5 32	CUTTER, VALVE	11 5
BALL	1 5	BOLT, SEMS/M6X25 7T	4 3	CYLINDERBLOCK ASSY	5 1
BEARING, RB/6002SS	15 7	BOLT/CONNECTINGROD	13 6	CYLINDERHEAD ASSY	1 1
BEARING, RB/6004	20 13	BOLT/FLANGE	15 8	DOWEL	5 22
BEARING, RB/6005	9 47	BOLT/M10X1.25X82	1 7	DRIVE/TACHOMETE ASSY	9 35
BEARING, RB/6203	20 12	BOLT/M6	9 32	ELEMENT ASSY	27 9
BEARING, THRUST CRANK	5 13	BOLT/M6	9 33	FAN/COOLING	18 1
BEARING, THRUST CRANK	6 2	BOLT/M6X10	20 17	FLANGE BOLT	3 3
BEARING, THRUST CRANK	6 4	BOLT/THROUGH	28 30	FLANGE BOLT	3 4
BEARING/BALL	29 6	BOLT/WASHERHEAD	27 10	FLANGE BOLT	5 28
BEARING/BALL	29 11	BOLT/WS	16 6	FLANGE BOLT	7 4
BEARING/CONNECTING R	6 5	BOLT/WS	18 4	FLANGE BOLT	9 8
BEARING/CONNECTING R	6 6	BOLT/WS	23 8	FLANGE BOLT	9 9
BEARING/CONNECTING R	13 7	BRACKET ROCKER SHAFT	11 12	FLANGE BOLT	9 11
BEARING/CRANK/LOWER	5 12	BRACKET, ROCKER SHAFT	11 13	FLANGE BOLT	9 12
BEARING/CRANK/UPPER	5 11	BRUSH	29 17	FLANGE BOLT	9 13
BEARING/NEEDLE	28 8	BRUSH/STARTER	28 2	FLANGE BOLT	9 15
BEARING/NEEDLE	28 9	BUSH	29 15	FLANGE BOLT	9 37
BEARING/OILLESS	28 12	CAMSHAFT/INJECTION P	20 9	FLANGE BOLT	10 2
BEARING/OILLESS	28 14	CAP, BLANK/30	9 38	FLANGE BOLT	11 19
BEARING/OILLESS	28 16	CAP, OIL FILLER	2 2	FLANGE BOLT	16 11
BEARING/WATER PUMP	17 3	CAP, SEALING	1 2	FLANGE BOLT	17 13
BEARING/WATERPUMP	17 4	CARTRIDGE/OILFILTER	16 15	FLANGE BOLT	17 18
BEARING/WITH SHOCKAB	28 13	CENTER CRANK PULLEY	15 11	FLANGE BOLT	17 24
BELT/VHMB4.5/FAN	18 5	CLAMP, STRAINER	16 10	FLANGE BOLT	17 25
BODY/NOZZLE HOLDER	26 2	CLAMP/WIRE/10-12	21 7	FLANGE BOLT	17 29
BODY/OILPUMP	16 2	CLAMP/WIRE/10-15	17 21	FLANGE BOLT	20 7
BODY/WATERPUMP	17 2	CLIP/HOSE/7.6-8.2	21 4	FLANGE BOLT	23 3
BOLT	5 2	CLIP/HOSE/8.7-9.3	21 9	FLANGE BOLT	23 5
BOLT	9 41	CLUTCH/STARTER ASSY	28 6	FLANGE BOLT	24 7
BOLT	11 18	COLLOR	29 3	FLYWEIGHT	20 16
BOLT	15 12	CONNECTINGROD ASSY	13 5	FLYWHEEL ASSY	15 5
BOLT	15 15	CONNECTOR	21 1	FRAME	29 12
BOLT	16 7	CONNECTOR, OIL FILTER	5 25	FRAME/COMMUTATOR END	28 10
BOLT	29 9	CONNECTOR/GLOWPLUG	24 4	FRAME/DRIVEEND ASSY	29 7
BOLT	29 10	COVER	28 11	GASKET	2 5
BOLT	29 19	COVER	29 13	GASKET	17 8
BOLT	29 20	COVER, BEARING	29 5	GASKET	24 6
BOLT	29 21	COVER/CYLINDER HEAD	2 1	GASKET	25 5
BOLT	29 22	COVER/INJECTIONPUMP	5 26	GASKET	25 22
BOLT	29 24	CRANKSHAFT ASSY	15 1	GASKET, EXH. MANIFOLD	4 2

Alphabetical Index

6004-097-330-00

Description	Fig.Key	Description	Fig.Key	Description	Fig.Key
GASKET, EXH MANIFOLD	25 7	INJECTIONPUMP ASSY	20 1	O-RING/P15	25 17
GASKET, INLET MANIFOLD	3 2	JOINTT-TYPE 2	21 6	O-RING/P18	7 3
GASKET, INLET MANIFOLD	25 6	KEY/07X05X09	12 3	OILPUMP ASSY	16 1
GASKET, NOZZLE	19 2	KEY/07X05X09	20 11	OILSEAL	5 14
GASKET, SPACER	17 16	KEY/07X05X43	15 4	OILSEAL	25 10
GASKET, SPACER	25 19	LEVELGAGE	5 30	ORING	27 5
GASKET/COVER	5 27	LEVER/CONTROL COMP	20 24	PACKING	9 20
GASKET/COVER	25 11	LEVER/PINIONDRIVE	28 19	PACKING	16 14
GASKET/CYLINDERHEAD	1 6	MANIFOLD(INLET) ASSY	3 1	PACKING	25 13
GASKET/CYLINDERHEAD	25 3	MANIFOLD, EXH	4 1	PAN, OIL COMP	7 1
GASKET/DELIVERYVALVE	27 6	METAL, CRANK SET	5 10	PIECE, DISTANCE	26 6
GASKET/GEARCASE	9 27	METAL, CRANK SET	6 1	PIN	5 17
GASKET/GEARCASE	25 14	METAL, CRANK SET	6 3	PIN	5 18
GASKET/HOUSING	17 23	NIPPLE	5 23	PIN	5 29
GASKET/HOUSING	25 20	NOZZLE ASSY	26 52	PIN	9 23
GASKET/PLATE	9 40	NUT	9 34	PIN	15 2
GASKET/PLATE	25 15	NUT	11 17	PIN, CONTROL	20 21
GASKET/WATER PUMP	17 12	NUT	20 28	PIN, GROOVE	9 26
GASKET/WATER PUMP	25 18	NUT	26 51	PIN, NOZZLE HOLDER	26 3
GEAR/CAMSHAFT	12 2	NUT	28 28	PIN, PISTON	13 3
GEAR/CRANK	15 3	NUT	28 29	PIN/ARM	9 21
GEAR/IDLE ASSY	12 6	NUT	28 34	PIN/IDLEGEAR	5 6
GEAR/INJECTIONPUMP	20 10	NUT	29 2	PIN/INJECTIONPUMP	27 12
GEAR/OILPUMP ASSY	16 3	NUT	29 23	PIN/SNAP	9 22
GEAR/STARTER PLANETA	28 17	NUT	29 25	PIN/STRAIGHT	5 16
GEAR/STARTERINTERNAL	28 18	NUT, CAP/M 8	9 19	PIN/STRAIGHT	8 3
GEARCASE ASSY	9 1	NUT/CAP	2 4	PIN/STRAIGHT	16 5
GENERATOR ASSY	23 1	NUT/MD8	9 10	PIN/TUBE	5 15
GLOWPLUG	24 3	NUT/MD8	11 20	PIN/TUBE	9 44
GUIDE/LEVELGAGE COMP	5 31	NUT/MD8	17 14	PIPE, OIL	16 12
HANGER	10 1	NUT/MD8	17 19	PIPE, WATER OUTLET	17 27
HOLDER ASSY	29 14	NUT/MD8	20 8	PIPE/FUEL	21 2
HOLDER/BRUSH ASSY	29 16	NUT/M10	23 6	PIPE/INJECTION ASSY	19 3
HOLDER/DELIVERYVALVE	27 4	NUT/MB	9 18	PIPE/INJECTION ASSY	19 4
HOLDER/JE/9-9	9 14	NUT/MB	9 48	PIPE/INJECTION ASSY	19 5
HOLDER/NOZZLE ASSY	26 1	NUT/MB	9 50	PIPE/WATER PUMP	17 11
HOLDER/STARTER ASSY	28 3	NUT/MB	28 32	PIPE/WATERDRAIN	5 24
HOSE, RUBBER	21 3	NUT/NOZZLERETAINING	26 5	PISTON	13 1
HOSE/RABBER	2 6	NUT/PINIONSTOP	28 23	PISTON(OV)	14 1
HOSE/RUBBER	17 20	O-RING	17 28	PISTON(OV)	14 3
HOSE/RUBBER	21 5	O-RING	25 21	PISTON/VALVE/RELIEF	9 29
HOUSING ASSY	27 8	O-RING 1A S50	9 43	PLATE	27 13
HOUSING/STARTER ASSY	28 7	O-RING 1A S50	25 16	PLATE	28 27
HOUSING/THERMSTAT	17 22	O-RING/P 8	20 25	PLATE	29 8
INJECTIONNOZZLE ASSY	19 1	O-RING/P15	16 9	PLATE, THRUST	12 4

Alphabetical Index

6004-097-330-00

Description	Fig.Key	Description	Fig.Key	Description	Fig.Key
PLATE, THRUST INJPUMP	20 14	RINGGEAR	15 6	SPRING/DELIVERYVALVE	27 3
PLATE/ADJUST	23 2	RINK/CONTROL	20 20	SPRING/GOVERNOR	20 23
PLATE/ADJUSTING	27 11	ROCKERARM	11 9	SPRING/PUMPPLUNGER	27 18
PLATE/FRONT	9 39	ROCKERSHAFT ASSY	11 8	SPRING/RELIEF VALVE	9 30
PLATE/REAR	8 1	ROD, PUSH	11 7	SPRING/STARTERBRUSH	28 4
PLATE/TAPPET/AD 0. 2	27 25	ROTOR ASSY	29 4	SPRING/VALVE	11 3
PLATE/TAPPET/AD 0. 25	27 29	ROTOR/OUTER	16 4	STARTER ASSY	23 7
PLATE/TAPPET/AD 0. 3	27 26	ROTOR/WATERPUMP	17 6	STOPPER/FULLLOAD	9 17
PLATE/TAPPET/AD 0. 35	27 30	SCREW	28 33	STRAINER	16 8
PLATE/TAPPET/AD 0. 4	27 27	SCREW ADJUST	11 16	STUD	1 8
PLATE/TAPPET/AD 0. 45	27 31	SCREW/HOLLOW	27 1	STUD	5 20
PLATE/TAPPET/AD 0. 5	27 28	SCREW/WATER PUMP	17 10	STUD	5 21
PLATE/TAPPET/AD 0. 55	27 32	SEAL SET/WATER PUMP	17 5	STUD	5 33
PLATE/TAPPET/AD 0. 6	27 20	SEAL, BEARING CAP	5 8	STUD	9 4
PLATE/TAPPET/AD 0. 65	27 33	SEAL, BEARING CAP	25 8	STUD	9 5
PLATE/TAPPET/AD 0. 7	27 21	SEAL, BEARING CAP/7	5 9	STUD	9 6
PLATE/TAPPET/AD 0. 8	27 22	SEAL, BEARING CAP/7	25 9	STUD	9 45
PLATE/TAPPET/AD 0. 9	27 23	SEAL, CYL. HEAD COVER	2 3	STUD/MBX40	5 19
PLATE/TAPPET/AD 1. 0	27 24	SEAL, CYL. HEAD COVER	25 4	STUD/MBX40	17 17
PLATE/WATER PUMP	17 9	SEAL, OIL	1 4	SWITCH/MAGNETIC ASSY	28 20
PLUG	5 5	SEAL, OIL	9 7	SWITCH/OILPRESSURE	24 1
PLUG	9 2	SEAL, OIL	25 2	SWITCH/OVERHEAT	24 2
PLUG	11 11	SEAL, OIL	25 12	TAPPET	11 6
PLUG/MI 4X1. 5	7 2	SEAL/WATER PUMPPULE	17 7	TAPPET/INJECTIO ASSY	27 14
PLUG/PT1/2	1 3	SEAT, VALVE SPRING	11 4	THERMSTAT	17 26
PLUG/SCREW	9 24	SEAT/SPRING/LOWER	27 19	THRUSTPIECE	20 18
POINTER	8 2	SEAT/SPRING/UPPER	27 17	TUBE, ORIFICE	21 8
PULLEY	15 10	SHAFT, CAM	12 1	VALVE ASSY	27 7
PULLEY	29 1	SHAFT/HYDRAULIC ASSY	9 46	VALVE/EXHAUST	11 2
PULLEY ASSY	15 9	SHAFT/ROCKERARM ASSY	11 10	VALVE/INTAKE	11 1
PULLEY, WATER PUMP	18 2	SHAFT/STARTER PLANET	28 15	VALVE/RELIEF ASSY	9 28
RACK/CONTROL ASSY	27 15	SHIM/INJECTION P/0. 1	20 3	WASHER	15 14
REGULATOR ASSY	29 26	SHIM/INJECTION P/0. 2	20 4	WASHER	26 4
RELAY, SOLENOID	24 8	SHIM/INJECTION P/0. 3	20 2	WASHER	26 50
REPAIR/ENGINE SET	25 1	SHIM/INJECTION P/0. 4	20 5	WASHER	28 31
RING, SNAP	13 4	SHIM/INJECTION P/0. 5	20 6	WASHER / M6	20 29
RING, SNAP/ 4 E	20 22	SLEEVE/PLUNGER	27 16	WASHER, SP/M 6	20 30
RING, SNAP/12 C	9 31	SOLENOID	24 5	WASHER, SP/M 8	9 49
RING, SNAP/16 C	11 15	SPACER	9 42	WASHER, SP/M 8	9 51
RING/O	9 36	SPACER, PUMP. WATER	17 15	WASHER, SP/M6	15 13
RING/PISTON SET	13 2	SPACER/FAN/48	18 3	WASHER/0. 9	26 7
RING/PISTON/OV SET	14 2	SPRING	11 14	WASHER/0. 925	26 8
RING/PISTON/OV SET	14 4	SPRING	29 18	WASHER/0. 95	26 9
RING/SNAP	28 21	SPRING, RETURN	20 26	WASHER/0. 975	26 10
RING/SNAP	28 22	SPRING, STARTING	20 31	WASHER/08X14X01	9 16

Alphabetical Index

6004-097-330-00

Description	Fig.Key	Description	Fig.Key	Description	Fig.Key
WASHER/08X14X01	9 25	WASHER/SK	28 26		
WASHER/08X14X01	25 23	WATERPUMP ASSY	17 1		
WASHER/1. 0	26 11	YOKE/STARTER ASSY	28 1		
WASHER/1. 025	26 12				
WASHER/1. 05	26 13				
WASHER/1. 075	26 14				
WASHER/1. 1	26 15				
WASHER/1. 125	26 16				
WASHER/1. 15	26 17				
WASHER/1. 175	26 18				
WASHER/1. 2	26 19				
WASHER/1. 225	26 20				
WASHER/1. 25	26 21				
WASHER/1. 275	26 22				
WASHER/1. 3	26 23				
WASHER/1. 325	26 24				
WASHER/1. 35	26 25				
WASHER/1. 375	26 26				
WASHER/1. 4	26 27				
WASHER/1. 425	26 28				
WASHER/1. 45	26 29				
WASHER/1. 475	26 30				
WASHER/1. 5	26 31				
WASHER/1. 525	26 32				
WASHER/1. 55	26 33				
WASHER/1. 575	26 34				
WASHER/1. 6	26 35				
WASHER/1. 625	26 36				
WASHER/1. 65	26 37				
WASHER/1. 675	26 38				
WASHER/1. 7	26 39				
WASHER/1. 725	26 40				
WASHER/1. 75	26 41				
WASHER/1. 775	26 42				
WASHER/1. 8	26 43				
WASHER/1. 825	26 44				
WASHER/1. 85	26 45				
WASHER/1. 875	26 46				
WASHER/1. 9	26 47				
WASHER/1. 925	26 48				
WASHER/1. 95	26 49				
WASHER/9X22X2	23 4				
WASHER/AIR BLEEDER	27 2				
WASHER/SK	28 24				
WASHER/SK	28 25				

Alphabetical Index

6004-097-340-00

Description	Fig.Key	Description	Fig.Key	Description	Fig.Key
ADAPTER/220X125 ASSY	22 1	BOLT, JOINT	16 13	CUP/SEALING/12	5 7
ARM/CONTROL	20 27	BOLT, SEMS/M10X20	8 4	CUP/SEALING/16	9 3
ARM/FLOATING COMP	20 19	BOLT, SEMS/M6X12	12 5	CUP/SEALING/28	5 3
ARM/TENSION	22 2	BOLT, SEMS/M6X12	20 15	CUP/SEALING/36	5 4
ARMATURE/STARTE ASSY	28 5	BOLT, SEMS/M6X16	5 32	CUTTER, VALVE	11 5
BALL	1 5	BOLT, SEMS/M6X25 7T	4 3	CYLINDERBLOCK ASSY	5 1
BEARING, RB/6002SS	15 8	BOLT/CONNECTINGROD	13 6	CYLINDERHEAD ASSY	1 1
BEARING, RB/6004	20 13	BOLT/FLANGE	15 9	DOWEL	5 22
BEARING, RB/6005	9 47	BOLT/M10X1.25X82	1 7	DRIVE/TACHOMETE ASSY	9 35
BEARING, RB/6203	20 12	BOLT/M6	9 32	ELEMENT ASSY	27 9
BEARING, THRUST CRANK	5 13	BOLT/M6	9 33	FAN/COOLING	18 1
BEARING, THRUST CRANK	6 2	BOLT/M6X10	20 17	FLANGE BOLT	3 3
BEARING, THRUST CRANK	6 4	BOLT/THROUGH	28 30	FLANGE BOLT	3 4
BEARING/BALL	29 6	BOLT/WASHERHEAD	27 10	FLANGE BOLT	5 28
BEARING/BALL	29 11	BOLT/WS	16 6	FLANGE BOLT	7 4
BEARING/CONNECTING R	6 5	BOLT/WS	18 4	FLANGE BOLT	9 8
BEARING/CONNECTING R	6 6	BOLT/WS	23 8	FLANGE BOLT	9 9
BEARING/CONNECTING R	13 7	BRACKET ROCKER SHAFT	11 12	FLANGE BOLT	9 11
BEARING/CRANK/LOWER	5 12	BRACKET, ROCKER SHAFT	11 13	FLANGE BOLT	9 12
BEARING/CRANK/UPPER	5 11	BRUSH	29 17	FLANGE BOLT	9 13
BEARING/NEEDLE	28 8	BRUSH/STARTER	28 2	FLANGE BOLT	9 15
BEARING/NEEDLE	28 9	BUSH	29 15	FLANGE BOLT	9 37
BEARING/OILLESS	28 12	CAMSHAFT/INJECTION P	20 9	FLANGE BOLT	10 2
BEARING/OILLESS	28 14	CAP, BLANK/30	9 38	FLANGE BOLT	11 19
BEARING/OILLESS	28 16	CAP, OIL FILLER	2 2	FLANGE BOLT	16 11
BEARING/WATER PUMP	17 3	CAP, SEALING	1 2	FLANGE BOLT	17 13
BEARING/WATERPUMP	17 4	CARTRIDGE/OILFILTER	16 15	FLANGE BOLT	17 18
BEARING/WITH SHOCKAB	28 13	CENTER CRANK PULLEY	15 12	FLANGE BOLT	17 24
BELT/VHMB4.5/FAN	18 5	CLAMP, STRAINER	16 10	FLANGE BOLT	17 25
BODY/NOZZLE HOLDER	26 2	CLAMP/WIRE/10-12	21 7	FLANGE BOLT	17 29
BODY/OILPUMP	16 2	CLAMP/WIRE/10-15	17 21	FLANGE BOLT	20 7
BODY/WATERPUMP	17 2	CLIP/HOSE/7.6-8.2	21 4	FLANGE BOLT	23 3
BOLT	5 2	CLIP/HOSE/8.7-9.3	21 9	FLANGE BOLT	23 5
BOLT	9 41	CLUTCH/STARTER ASSY	28 6	FLANGE BOLT	24 7
BOLT	11 18	COLLOR	29 3	FLYWEIGHT	20 16
BOLT	15 13	CONNECTINGROD ASSY	13 5	FLYWHEEL ASSY	15 5
BOLT	15 16	CONNECTOR	21 1	FRAME	29 12
BOLT	16 7	CONNECTOR, OIL FILTER	5 25	FRAME/COMMUTATOR END	28 10
BOLT	29 9	CONNECTOR/GLOWPLUG	24 4	FRAME/DRIVEEND ASSY	29 7
BOLT	29 10	COVER	28 11	GASKET	2 5
BOLT	29 19	COVER	29 13	GASKET	17 8
BOLT	29 20	COVER, BEARING	29 5	GASKET	24 6
BOLT	29 21	COVER/CYLINDER HEAD	2 1	GASKET	25 5
BOLT	29 22	COVER/INJECTIONPUMP	5 26	GASKET	25 22
BOLT	29 24	CRANKSHAFT ASSY	15 1	GASKET, EXH. MANIFOLD	4 2

Alphabetical Index

6004-097-340-00

Description	Fig.Key	Description	Fig.Key	Description	Fig.Key
GASKET, EXH MANIFOLD	25 7	INJECTIONPUMP ASSY	20 1	O-RING/P15	25 17
GASKET, INLET MANIFOLD	3 2	JOINTT-TYPE 2	21 6	O-RING/P18	7 3
GASKET, INLET MANIFOLD	25 6	KEY/07X05X09	12 3	OILPUMP ASSY	16 1
GASKET, NOZZLE	19 2	KEY/07X05X09	20 11	OILSEAL	5 14
GASKET, SPACER	17 16	KEY/07X05X43	15 4	OILSEAL	25 10
GASKET, SPACER	25 19	LEVELGAGE	5 30	ORING	27 5
GASKET/COVER	5 27	LEVER/CONTROL COMP	20 24	PACKING	9 20
GASKET/COVER	25 11	LEVER/PINIONDRIVE	28 19	PACKING	16 14
GASKET/CYLINDERHEAD	1 6	MANIFOLD(INLET) ASSY	3 1	PACKING	25 13
GASKET/CYLINDERHEAD	25 3	MANIFOLD, EXH	4 1	PAN, OIL COMP	7 1
GASKET/DELIVERYVALVE	27 6	METAL, CRANK SET	5 10	PIECE, DISTANCE	26 6
GASKET/GEARCASE	9 27	METAL, CRANK SET	6 1	PIN	5 17
GASKET/GEARCASE	25 14	METAL, CRANK SET	6 3	PIN	5 18
GASKET/HOUSING	17 23	NIPPLE	5 23	PIN	5 29
GASKET/HOUSING	25 20	NOZZLE ASSY	26 52	PIN	9 23
GASKET/PLATE	9 40	NUT	9 34	PIN	15 2
GASKET/PLATE	25 15	NUT	11 17	PIN, CONTROL	20 21
GASKET/WATER PUMP	17 12	NUT	20 28	PIN, GROOVE	9 26
GASKET/WATER PUMP	25 18	NUT	26 51	PIN, NOZZLE HOLDER	26 3
GEAR/CAMSHAFT	12 2	NUT	28 28	PIN, PISTON	13 3
GEAR/CRANK	15 3	NUT	28 29	PIN/ARM	9 21
GEAR/IDLE ASSY	12 6	NUT	28 34	PIN/IDLEGEAR	5 6
GEAR/INJECTIONPUMP	20 10	NUT	29 2	PIN/INJECTIONPUMP	27 12
GEAR/OILPUMP ASSY	16 3	NUT	29 23	PIN/SNAP	9 22
GEAR/STARTER PLANETA	28 17	NUT	29 25	PIN/STRAIGHT	5 16
GEAR/STARTERINTERNAL	28 18	NUT, CAP/M 8	9 19	PIN/STRAIGHT	8 3
GEARCASE ASSY	9 1	NUT/CAP	2 4	PIN/STRAIGHT	15 7
GENERATOR ASSY	23 1	NUT/M8	9 10	PIN/STRAIGHT	16 5
GLOWPLUG	24 3	NUT/M8	11 20	PIN/TUBE	5 15
GUIDE/LEVELGAGE COMP	5 31	NUT/M8	17 14	PIN/TUBE	9 44
HANGER	10 1	NUT/M8	17 19	PIPE, OIL	16 12
HOLDER ASSY	29 14	NUT/M8	20 8	PIPE, WATER OUTLET	17 27
HOLDER/BRUSH ASSY	29 16	NUT/M10	23 6	PIPE/FUEL	21 2
HOLDER/DELIVERYVALVE	27 4	NUT/MB	9 18	PIPE/INJECTION ASSY	19 3
HOLDER/JE/9-9	9 14	NUT/MB	9 48	PIPE/INJECTION ASSY	19 4
HOLDER/NOZZLE ASSY	26 1	NUT/MB	9 50	PIPE/INJECTION ASSY	19 5
HOLDER/STARTER ASSY	28 3	NUT/MB	28 32	PIPE/WATER PUMP	17 11
HOSE, RUBBER	21 3	NUT/NOZZLERETAINING	26 5	PIPE/WATERDRAIN	5 24
HOSE/RABBER	2 6	NUT/PINIONSTOP	28 23	PISTON	13 1
HOSE/RUBBER	17 20	O-RING	17 28	PISTON(OV)	14 1
HOSE/RUBBER	21 5	O-RING	25 21	PISTON(OV)	14 3
HOUSING ASSY	27 8	O-RING 1A S50	9 43	PISTON/VALVE/RELIEF	9 29
HOUSING/STARTER ASSY	28 7	O-RING 1A S50	25 16	PLATE	27 13
HOUSING/THERMSTAT	17 22	O-RING/P 8	20 25	PLATE	28 27
INJECTIONNOZZLE ASSY	19 1	O-RING/P15	16 9	PLATE	29 8

Alphabetical Index

6004-097-340-00

Description	Fig.Key	Description	Fig.Key	Description	Fig.Key
PLATE, THRUST	12 4	RING/SNAP	28 22	SPRING, STARTING	20 31
PLATE, THRUST INJPUMP	20 14	RINGGEAR	15 6	SPRING/DELIVERYVALVE	27 3
PLATE/ADJUST	23 2	RINK/CONTROL	20 20	SPRING/GOVERNOR	20 23
PLATE/ADJUSTING	27 11	ROCKERARM	11 9	SPRING/PUMPPLUNGER	27 18
PLATE/FRONT	9 39	ROCKERSHAFT ASSY	11 8	SPRING/RELIEF VALVE	9 30
PLATE/REAR	8 1	ROD, PUSH	11 7	SPRING/STARTERBRUSH	28 4
PLATE/TAPPET/AD 0.2	27 25	ROTOR ASSY	29 4	SPRING/VALVE	11 3
PLATE/TAPPET/AD 0.25	27 29	ROTOR/OUTER	16 4	STARTER ASSY	23 7
PLATE/TAPPET/AD 0.3	27 26	ROTOR/WATERPUMP	17 6	STOPPER/FULLLOAD	9 17
PLATE/TAPPET/AD 0.35	27 30	SCREW	28 33	STRAINER	16 8
PLATE/TAPPET/AD 0.4	27 27	SCREW ADJUST	11 16	STUD	1 8
PLATE/TAPPET/AD 0.45	27 31	SCREW/HOLLOW	27 1	STUD	5 20
PLATE/TAPPET/AD 0.5	27 28	SCREW/WATER PUMP	17 10	STUD	5 21
PLATE/TAPPET/AD 0.55	27 32	SEAL SET/WATER PUMP	17 5	STUD	5 33
PLATE/TAPPET/AD 0.6	27 20	SEAL, BEARING CAP	5 8	STUD	9 4
PLATE/TAPPET/AD 0.65	27 33	SEAL, BEARING CAP	25 8	STUD	9 5
PLATE/TAPPET/AD 0.7	27 21	SEAL, BEARING CAP/7	5 9	STUD	9 6
PLATE/TAPPET/AD 0.8	27 22	SEAL, BEARING CAP/7	25 9	STUD	9 45
PLATE/TAPPET/AD 0.9	27 23	SEAL, CYL. HEAD COVER	2 3	STUD/MBX40	5 19
PLATE/TAPPET/AD 1.0	27 24	SEAL, CYL. HEAD COVER	25 4	STUD/MBX40	17 17
PLATE/WATER PUMP	17 9	SEAL, OIL	1 4	SWITCH/MAGNETIC ASSY	28 20
PLUG	5 5	SEAL, OIL	9 7	SWITCH/OILPRESSURE	24 1
PLUG	9 2	SEAL, OIL	25 2	SWITCH/OVERHEAT	24 2
PLUG	11 11	SEAL, OIL	25 12	TAPPET	11 6
PLUG/M4X1.5	7 2	SEAL/WATER PUMPPULLE	17 7	TAPPET/INJECTIO ASSY	27 14
PLUG/PT1/2	1 3	SEAT, VALVE SPRING	11 4	THERMOSTAT	17 26
PLUG/SCREW	9 24	SEAT/SPRING/LOWER	27 19	THRUSTPIECE	20 18
POINTER	8 2	SEAT/SPRING/UPPER	27 17	TUBE, ORIFICE	21 8
PULLEY	15 11	SHAFT, CAM	12 1	VALVE ASSY	27 7
PULLEY	29 1	SHAFT/HYDRAULIC ASSY	9 46	VALVE/EXHAUST	11 2
PULLEY ASSY	15 10	SHAFT/ROCKERARM ASSY	11 10	VALVE/INTAKE	11 1
PULLEY, WATER PUMP	18 2	SHAFT/STARTER PLANET	28 15	VALVE/RELIEF ASSY	9 28
RACK/CONTROL ASSY	27 15	SHIM/INJECTION P/0.1	20 3	WASHER	15 15
REGULATOR ASSY	29 26	SHIM/INJECTION P/0.2	20 4	WASHER	26 4
RELAY, SOLENOID	24 8	SHIM/INJECTION P/0.3	20 2	WASHER	26 50
REPAIR/ENGINE SET	25 1	SHIM/INJECTION P/0.4	20 5	WASHER	28 31
RING, SNAP	13 4	SHIM/INJECTION P/0.5	20 6	WASHER / M6	20 29
RING, SNAP/ 4 E	20 22	SLEEVE/PLUNGER	27 16	WASHER, SP/M 6	20 30
RING, SNAP/12 C	9 31	SOLENOID	24 5	WASHER, SP/M 8	9 49
RING, SNAP/16 C	11 15	SPACER	9 42	WASHER, SP/M 8	9 51
RING/O	9 36	SPACER, PUMP. WATER	17 15	WASHER, SP/M6	15 14
RING/PISTON SET	13 2	SPACER/FAN/48	18 3	WASHER/0.9	26 7
RING/PISTON/OV SET	14 2	SPRING	11 14	WASHER/0.925	26 8
RING/PISTON/OV SET	14 4	SPRING	29 18	WASHER/0.95	26 9
RING/SNAP	28 21	SPRING, RETURN	20 26	WASHER/0.975	26 10

Alphabetical Index

6004-097-340-00

Description	Fig.Key	Description	Fig.Key	Description	Fig.Key
WASHER/08X14X01	9 16	WASHER/SK	28 25		
WASHER/08X14X01	9 25	WASHER/SK	28 26		
WASHER/08X14X01	25 23	WATERPUMP ASSY	17 1		
WASHER/1. 0	26 11	YOKE/STARTER ASSY	28 1		
WASHER/1. 025	26 12				
WASHER/1. 05	26 13				
WASHER/1. 075	26 14				
WASHER/1. 1	26 15				
WASHER/1. 125	26 16				
WASHER/1. 15	26 17				
WASHER/1. 175	26 18				
WASHER/1. 2	26 19				
WASHER/1. 225	26 20				
WASHER/1. 25	26 21				
WASHER/1. 275	26 22				
WASHER/1. 3	26 23				
WASHER/1. 325	26 24				
WASHER/1. 35	26 25				
WASHER/1. 375	26 26				
WASHER/1. 4	26 27				
WASHER/1. 425	26 28				
WASHER/1. 45	26 29				
WASHER/1. 475	26 30				
WASHER/1. 5	26 31				
WASHER/1. 525	26 32				
WASHER/1. 55	26 33				
WASHER/1. 575	26 34				
WASHER/1. 6	26 35				
WASHER/1. 625	26 36				
WASHER/1. 65	26 37				
WASHER/1. 675	26 38				
WASHER/1. 7	26 39				
WASHER/1. 725	26 40				
WASHER/1. 75	26 41				
WASHER/1. 775	26 42				
WASHER/1. 8	26 43				
WASHER/1. 825	26 44				
WASHER/1. 85	26 45				
WASHER/1. 875	26 46				
WASHER/1. 9	26 47				
WASHER/1. 925	26 48				
WASHER/1. 95	26 49				
WASHER/9X22X2	23 4				
WASHER/AIR BLEEDER	27 2				
WASHER/SK	28 24				

Alphabetical Index

6004-097-350-00

Description	Fig.Key	Description	Fig.Key	Description	Fig.Key
ADAPTER/255X065 ASSY	22 1	BOLT, JOINT	16 13	CUP/SEALING/12	5 7
ARM/CONTROL	20 27	BOLT, SEMS/M10X20	8 4	CUP/SEALING/16	9 3
ARM/FLOATING COMP	20 19	BOLT, SEMS/M6X12	12 5	CUP/SEALING/28	5 3
ARM/TENSION	22 2	BOLT, SEMS/M6X12	20 15	CUP/SEALING/36	5 4
ARMATURE/STARTE ASSY	28 5	BOLT, SEMS/M6X16	5 32	CUTTER, VALVE	11 5
BALL	1 5	BOLT, SEMS/M6X25 7T	4 3	CYLINDERBLOCK ASSY	5 1
BEARING, RB/6002SS	15 7	BOLT/CONNECTINGROD	13 6	CYLINDERHEAD ASSY	1 1
BEARING, RB/6004	20 13	BOLT/FLANGE	15 8	DOWEL	5 22
BEARING, RB/6005	9 47	BOLT/M10X1.25X82	1 7	DRIVE/TACHOMETE ASSY	9 35
BEARING, RB/6203	20 12	BOLT/M6	9 32	ELEMENT ASSY	27 9
BEARING, THRUST CRANK	5 13	BOLT/M6	9 33	FAN/COOLING	18 1
BEARING, THRUST CRANK	6 2	BOLT/M6X10	20 17	FLANGE BOLT	3 3
BEARING, THRUST CRANK	6 4	BOLT/THROUGH	28 30	FLANGE BOLT	3 4
BEARING/BALL	29 6	BOLT/WASHERHEAD	27 10	FLANGE BOLT	5 28
BEARING/BALL	29 11	BOLT/WS	16 6	FLANGE BOLT	7 4
BEARING/CONNECTING R	6 5	BOLT/WS	18 4	FLANGE BOLT	9 8
BEARING/CONNECTING R	6 6	BOLT/WS	23 8	FLANGE BOLT	9 9
BEARING/CONNECTING R	13 7	BRACKET ROCKER SHAFT	11 12	FLANGE BOLT	9 11
BEARING/CRANK/LOWER	5 12	BRACKET, ROCKER SHAFT	11 13	FLANGE BOLT	9 12
BEARING/CRANK/UPPER	5 11	BRUSH	29 17	FLANGE BOLT	9 13
BEARING/NEEDLE	28 8	BRUSH/STARTER	28 2	FLANGE BOLT	9 15
BEARING/NEEDLE	28 9	BUSH	29 15	FLANGE BOLT	9 37
BEARING/OILLESS	28 12	CAMSHAFT/INJECTION P	20 9	FLANGE BOLT	10 2
BEARING/OILLESS	28 14	CAP, BLANK/30	9 38	FLANGE BOLT	11 19
BEARING/OILLESS	28 16	CAP, OIL FILLER	2 2	FLANGE BOLT	16 11
BEARING/WATER PUMP	17 3	CAP, SEALING	1 2	FLANGE BOLT	17 13
BEARING/WATERPUMP	17 4	CARTRIDGE/OILFILTER	16 15	FLANGE BOLT	17 18
BEARING/WITH SHOCKAB	28 13	CENTER CRANK PULLEY	15 11	FLANGE BOLT	17 24
BELT/VHMB4.5/FAN	18 5	CLAMP, STRAINER	16 10	FLANGE BOLT	17 25
BODY/NOZZLE HOLDER	26 2	CLAMP/WRE/10-12	21 7	FLANGE BOLT	17 29
BODY/OILPUMP	16 2	CLAMP/WRE/10-15	17 21	FLANGE BOLT	20 7
BODY/WATERPUMP	17 2	CLIP/HOSE/7.6-8.2	21 4	FLANGE BOLT	23 3
BOLT	5 2	CLIP/HOSE/8.7-9.3	21 9	FLANGE BOLT	23 5
BOLT	9 41	CLUTCH/STARTER ASSY	28 6	FLANGE BOLT	24 7
BOLT	11 18	COLLOR	29 3	FLYWEIGHT	20 16
BOLT	15 12	CONNECTINGROD ASSY	13 5	FLYWHEEL ASSY	15 5
BOLT	15 15	CONNECTOR	21 1	FRAME	29 12
BOLT	16 7	CONNECTOR, OIL FILTER	5 25	FRAME/COMMUTATOR END	28 10
BOLT	29 9	CONNECTOR/GLOWPLUG	24 4	FRAME/DRIVEEND ASSY	29 7
BOLT	29 10	COVER	28 11	GASKET	2 5
BOLT	29 19	COVER	29 13	GASKET	17 8
BOLT	29 20	COVER, BEARING	29 5	GASKET	24 6
BOLT	29 21	COVER/CYLINDER HEAD	2 1	GASKET	25 5
BOLT	29 22	COVER/INJECTIONPUMP	5 26	GASKET	25 22
BOLT	29 24	CRANKSHAFT ASSY	15 1	GASKET, EXH. MANIFOLD	4 2

Alphabetical Index

6004-097-350-00

Description	Fig.Key	Description	Fig.Key	Description	Fig.Key
GASKET, EXH MANIFOLD	25 7	INJECTIONPUMP ASSY	20 1	O-RING/P15	25 17
GASKET, INLET MANIFOLD	3 2	JOINTT-TYPE 2	21 6	O-RING/P18	7 3
GASKET, INLET MANIFOLD	25 6	KEY/07X05X09	12 3	OILPUMP ASSY	16 1
GASKET, NOZZLE	19 2	KEY/07X05X09	20 11	OILSEAL	5 14
GASKET, SPACER	17 16	KEY/07X05X43	15 4	OILSEAL	25 10
GASKET, SPACER	25 19	LEVELGAGE	5 30	ORING	27 5
GASKET/COVER	5 27	LEVER/CONTROL COMP	20 24	PACKING	9 20
GASKET/COVER	25 11	LEVER/PINIONDRIVE	28 19	PACKING	16 14
GASKET/CYLINDERHEAD	1 6	MANIFOLD(INLET) ASSY	3 1	PACKING	25 13
GASKET/CYLINDERHEAD	25 3	MANIFOLD, EXH	4 1	PAN, OIL COMP	7 1
GASKET/DELIVERYVALVE	27 6	METAL, CRANK SET	5 10	PIECE, DISTANCE	26 6
GASKET/GEARCASE	9 27	METAL, CRANK SET	6 1	PIN	5 17
GASKET/GEARCASE	25 14	METAL, CRANK SET	6 3	PIN	5 18
GASKET/HOUSING	17 23	NIPPLE	5 23	PIN	5 29
GASKET/HOUSING	25 20	NOZZLE ASSY	26 52	PIN	9 23
GASKET/PLATE	9 40	NUT	9 34	PIN	15 2
GASKET/PLATE	25 15	NUT	11 17	PIN, CONTROL	20 21
GASKET/WATER PUMP	17 12	NUT	20 28	PIN, GROOVE	9 26
GASKET/WATER PUMP	25 18	NUT	26 51	PIN, NOZZLE HOLDER	26 3
GEAR/CAMSHAFT	12 2	NUT	28 28	PIN, PISTON	13 3
GEAR/CRANK	15 3	NUT	28 29	PIN/ARM	9 21
GEAR/IDLE ASSY	12 6	NUT	28 34	PIN/IDLEGEAR	5 6
GEAR/INJECTIONPUMP	20 10	NUT	29 2	PIN/INJECTIONPUMP	27 12
GEAR/OILPUMP ASSY	16 3	NUT	29 23	PIN/SNAP	9 22
GEAR/STARTER PLANETA	28 17	NUT	29 25	PIN/STRAIGHT	5 16
GEAR/STARTERINTERNAL	28 18	NUT, CAP/M 8	9 19	PIN/STRAIGHT	8 3
GEARCASE ASSY	9 1	NUT/CAP	2 4	PIN/STRAIGHT	16 5
GENERATOR ASSY	23 1	NUT/MD8	9 10	PIN/TUBE	5 15
GLOWPLUG	24 3	NUT/MD8	11 20	PIN/TUBE	9 44
GUIDE/LEVELGAGE COMP	5 31	NUT/MD8	17 14	PIPE, OIL	16 12
HANGER	10 1	NUT/MD8	17 19	PIPE, WATER OUTLET	17 27
HOLDER ASSY	29 14	NUT/MD8	20 8	PIPE/FUEL	21 2
HOLDER/BRUSH ASSY	29 16	NUT/M10	23 6	PIPE/INJECTION ASSY	19 3
HOLDER/DELIVERYVALVE	27 4	NUT/MB	9 18	PIPE/INJECTION ASSY	19 4
HOLDER/JE/9-9	9 14	NUT/MB	9 48	PIPE/INJECTION ASSY	19 5
HOLDER/NOZZLE ASSY	26 1	NUT/MB	9 50	PIPE/WATER PUMP	17 11
HOLDER/STARTER ASSY	28 3	NUT/MB	28 32	PIPE/WATERDRAIN	5 24
HOSE, RUBBER	21 3	NUT/NOZZLERETAINING	26 5	PISTON	13 1
HOSE/RABBER	2 6	NUT/PINIONSTOP	28 23	PISTON(OV)	14 1
HOSE/RUBBER	17 20	O-RING	17 28	PISTON(OV)	14 3
HOSE/RUBBER	21 5	O-RING	25 21	PISTON/VALVE/RELIEF	9 29
HOUSING ASSY	27 8	O-RING 1A S50	9 43	PLATE	27 13
HOUSING/STARTER ASSY	28 7	O-RING 1A S50	25 16	PLATE	28 27
HOUSING/THERMSTAT	17 22	O-RING/P 8	20 25	PLATE	29 8
INJECTIONNOZZLE ASSY	19 1	O-RING/P15	16 9	PLATE, THRUST	12 4

Alphabetical Index

6004-097-350-00

Description	Fig.Key	Description	Fig.Key	Description	Fig.Key
PLATE, THRUST INJPUMP	20 14	RINGGEAR	15 6	SPRING/DELIVERYVALVE	27 3
PLATE/ADJUST	23 2	RINK/CONTROL	20 20	SPRING/GOVERNOR	20 23
PLATE/ADJUSTING	27 11	ROCKERARM	11 9	SPRING/PUMPLUNGER	27 18
PLATE/FRONT	9 39	ROCKERSHAFT ASSY	11 8	SPRING/RELIEF VALVE	9 30
PLATE/REAR	8 1	ROD, PUSH	11 7	SPRING/STARTERBRUSH	28 4
PLATE/TAPPET/AD 0. 2	27 25	ROTOR ASSY	29 4	SPRING/VALVE	11 3
PLATE/TAPPET/AD 0. 25	27 29	ROTOR/OUTER	16 4	STARTER ASSY	23 7
PLATE/TAPPET/AD 0. 3	27 26	ROTOR/WATERPUMP	17 6	STOPPER/FULLLOAD	9 17
PLATE/TAPPET/AD 0. 35	27 30	SCREW	28 33	STRAINER	16 8
PLATE/TAPPET/AD 0. 4	27 27	SCREW ADJUST	11 16	STUD	1 8
PLATE/TAPPET/AD 0. 45	27 31	SCREW/HOLLOW	27 1	STUD	5 20
PLATE/TAPPET/AD 0. 5	27 28	SCREW/WATER PUMP	17 10	STUD	5 21
PLATE/TAPPET/AD 0. 55	27 32	SEAL SET/WATER PUMP	17 5	STUD	5 33
PLATE/TAPPET/AD 0. 6	27 20	SEAL, BEARING CAP	5 8	STUD	9 4
PLATE/TAPPET/AD 0. 65	27 33	SEAL, BEARING CAP	25 8	STUD	9 5
PLATE/TAPPET/AD 0. 7	27 21	SEAL, BEARING CAP/7	5 9	STUD	9 6
PLATE/TAPPET/AD 0. 8	27 22	SEAL, BEARING CAP/7	25 9	STUD	9 45
PLATE/TAPPET/AD 0. 9	27 23	SEAL, CYL. HEAD COVER	2 3	STUD/MBX40	5 19
PLATE/TAPPET/AD 1. 0	27 24	SEAL, CYL. HEAD COVER	25 4	STUD/MBX40	17 17
PLATE/WATER PUMP	17 9	SEAL, OIL	1 4	SWITCH/MAGNETIC ASSY	28 20
PLUG	5 5	SEAL, OIL	9 7	SWITCH/OILPRESSURE	24 1
PLUG	9 2	SEAL, OIL	25 2	SWITCH/OVERHEAT	24 2
PLUG	11 11	SEAL, OIL	25 12	TAPPET	11 6
PLUG/MI 4X1. 5	7 2	SEAL/WATER PUMPPULE	17 7	TAPPET/INJECTIO ASSY	27 14
PLUG/PT1/2	1 3	SEAT, VALVE SPRING	11 4	THERMSTAT	17 26
PLUG/SCREW	9 24	SEAT/SPRING/LOWER	27 19	THRUSTPIECE	20 18
POINTER	8 2	SEAT/SPRING/UPPER	27 17	TUBE, ORIFICE	21 8
PULLEY	15 10	SHAFT, CAM	12 1	VALVE ASSY	27 7
PULLEY	29 1	SHAFT/HYDRAULIC ASSY	9 46	VALVE/EXHAUST	11 2
PULLEY ASSY	15 9	SHAFT/ROCKERARM ASSY	11 10	VALVE/INTAKE	11 1
PULLEY, WATER PUMP	18 2	SHAFT/STARTER PLANET	28 15	VALVE/RELIEF ASSY	9 28
RACK/CONTROL ASSY	27 15	SHIM/INJECTION P/0. 1	20 3	WASHER	15 14
REGULATOR ASSY	29 26	SHIM/INJECTION P/0. 2	20 4	WASHER	26 4
RELAY, SOLENOID	24 8	SHIM/INJECTION P/0. 3	20 2	WASHER	26 50
REPAIR/ENGINE SET	25 1	SHIM/INJECTION P/0. 4	20 5	WASHER	28 31
RING, SNAP	13 4	SHIM/INJECTION P/0. 5	20 6	WASHER / M6	20 29
RING, SNAP/ 4 E	20 22	SLEEVE/PLUNGER	27 16	WASHER, SP/M 6	20 30
RING, SNAP/12 C	9 31	SOLENOID	24 5	WASHER, SP/M 8	9 49
RING, SNAP/16 C	11 15	SPACER	9 42	WASHER, SP/M 8	9 51
RING/O	9 36	SPACER, PUMP. WATER	17 15	WASHER, SP/M6	15 13
RING/PISTON SET	13 2	SPACER/FAN/48	18 3	WASHER/0. 9	26 7
RING/PISTON/OV SET	14 2	SPRING	11 14	WASHER/0. 925	26 8
RING/PISTON/OV SET	14 4	SPRING	29 18	WASHER/0. 95	26 9
RING/SNAP	28 21	SPRING, RETURN	20 26	WASHER/0. 975	26 10
RING/SNAP	28 22	SPRING, STARTING	20 31	WASHER/08X14X01	9 16

Alphabetical Index

6004-097-350-00

Description	Fig.Key	Description	Fig.Key	Description	Fig.Key
WASHER/08X14X01	9 25	WASHER/SK	28 26		
WASHER/08X14X01	25 23	WATERPUMP ASSY	17 1		
WASHER/1. 0	26 11	YOKE/STARTER ASSY	28 1		
WASHER/1. 025	26 12				
WASHER/1. 05	26 13				
WASHER/1. 075	26 14				
WASHER/1. 1	26 15				
WASHER/1. 125	26 16				
WASHER/1. 15	26 17				
WASHER/1. 175	26 18				
WASHER/1. 2	26 19				
WASHER/1. 225	26 20				
WASHER/1. 25	26 21				
WASHER/1. 275	26 22				
WASHER/1. 3	26 23				
WASHER/1. 325	26 24				
WASHER/1. 35	26 25				
WASHER/1. 375	26 26				
WASHER/1. 4	26 27				
WASHER/1. 425	26 28				
WASHER/1. 45	26 29				
WASHER/1. 475	26 30				
WASHER/1. 5	26 31				
WASHER/1. 525	26 32				
WASHER/1. 55	26 33				
WASHER/1. 575	26 34				
WASHER/1. 6	26 35				
WASHER/1. 625	26 36				
WASHER/1. 65	26 37				
WASHER/1. 675	26 38				
WASHER/1. 7	26 39				
WASHER/1. 725	26 40				
WASHER/1. 75	26 41				
WASHER/1. 775	26 42				
WASHER/1. 8	26 43				
WASHER/1. 825	26 44				
WASHER/1. 85	26 45				
WASHER/1. 875	26 46				
WASHER/1. 9	26 47				
WASHER/1. 925	26 48				
WASHER/1. 95	26 49				
WASHER/9X22X2	23 4				
WASHER/AIR BLEEDER	27 2				
WASHER/SK	28 24				
WASHER/SK	28 25				

Alphabetical Index

6004-097-360-00

Description	Fig.Key	Description	Fig.Key	Description	Fig.Key
ADAPTER/255X065 ASSY	22 1	BOLT, JOINT	16 13	CUP/SEALING/12	5 7
ARM/CONTROL	20 27	BOLT, SEMS/M10X20	8 4	CUP/SEALING/16	9 3
ARM/FLOATING COMP	20 19	BOLT, SEMS/M6X12	12 5	CUP/SEALING/28	5 3
ARM/TENSION	22 2	BOLT, SEMS/M6X12	20 15	CUP/SEALING/36	5 4
ARMATURE/STARTE ASSY	28 5	BOLT, SEMS/M6X16	5 32	CUTTER, VALVE	11 5
BALL	1 5	BOLT, SEMS/M6X25 7T	4 3	CYLINDERBLOCK ASSY	5 1
BEARING, RB/6002SS	15 8	BOLT/CONNECTINGROD	13 6	CYLINDERHEAD ASSY	1 1
BEARING, RB/6004	20 13	BOLT/FLANGE	15 9	DOWEL	5 22
BEARING, RB/6005	9 47	BOLT/M10X1.25X82	1 7	DRIVE/TACHOMETE ASSY	9 35
BEARING, RB/6203	20 12	BOLT/M6	9 32	ELEMENT ASSY	27 9
BEARING, THRUST CRANK	5 13	BOLT/M6	9 33	FAN/COOLING	18 1
BEARING, THRUST CRANK	6 2	BOLT/M6X10	20 17	FLANGE BOLT	3 3
BEARING, THRUST CRANK	6 4	BOLT/THROUGH	28 30	FLANGE BOLT	3 4
BEARING/BALL	29 6	BOLT/WASHERHEAD	27 10	FLANGE BOLT	5 28
BEARING/BALL	29 11	BOLT/WS	16 6	FLANGE BOLT	7 4
BEARING/CONNECTING R	6 5	BOLT/WS	18 4	FLANGE BOLT	9 8
BEARING/CONNECTING R	6 6	BOLT/WS	23 8	FLANGE BOLT	9 9
BEARING/CONNECTING R	13 7	BRACKET ROCKER SHAFT	11 12	FLANGE BOLT	9 11
BEARING/CRANK/LOWER	5 12	BRACKET, ROCKER SHAFT	11 13	FLANGE BOLT	9 12
BEARING/CRANK/UPPER	5 11	BRUSH	29 17	FLANGE BOLT	9 13
BEARING/NEEDLE	28 8	BRUSH/STARTER	28 2	FLANGE BOLT	9 15
BEARING/NEEDLE	28 9	BUSH	29 15	FLANGE BOLT	9 37
BEARING/OILLESS	28 12	CAMSHAFT/INJECTION P	20 9	FLANGE BOLT	10 2
BEARING/OILLESS	28 14	CAP, BLANK/30	9 38	FLANGE BOLT	11 19
BEARING/OILLESS	28 16	CAP, OIL FILLER	2 2	FLANGE BOLT	16 11
BEARING/WATER PUMP	17 3	CAP, SEALING	1 2	FLANGE BOLT	17 13
BEARING/WATERPUMP	17 4	CARTRIDGE/OILFILTER	16 15	FLANGE BOLT	17 18
BEARING/WITH SHOCKAB	28 13	CENTER CRANK PULLEY	15 12	FLANGE BOLT	17 24
BELT VHM034	18 5	CLAMP, STRAINER	16 10	FLANGE BOLT	17 25
BODY/NOZZLE HOLDER	26 2	CLAMP/WIRE/10-12	21 7	FLANGE BOLT	17 29
BODY/OILPUMP	16 2	CLAMP/WIRE/10-15	17 21	FLANGE BOLT	20 7
BODY/WATERPUMP	17 2	CLIP/HOSE/7.6-8.2	21 4	FLANGE BOLT	23 3
BOLT	5 2	CLIP/HOSE/8.7-9.3	21 9	FLANGE BOLT	23 5
BOLT	9 41	CLUTCH/STARTER ASSY	28 6	FLANGE BOLT	24 7
BOLT	11 18	COLLOR	29 3	FLYWEIGHT	20 16
BOLT	15 13	CONNECTINGROD ASSY	13 5	FLYWHEEL ASSY	15 5
BOLT	15 16	CONNECTOR	21 1	FRAME	29 12
BOLT	16 7	CONNECTOR, OIL FILTER	5 25	FRAME/COMMUTATOR END	28 10
BOLT	29 9	CONNECTOR/GLOWPLUG	24 4	FRAME/DRIVEEND ASSY	29 7
BOLT	29 10	COVER	28 11	GASKET	2 5
BOLT	29 19	COVER	29 13	GASKET	17 8
BOLT	29 20	COVER, BEARING	29 5	GASKET	24 6
BOLT	29 21	COVER/CYLINDER HEAD	2 1	GASKET	25 5
BOLT	29 22	COVER/INJECTIONPUMP	5 26	GASKET	25 22
BOLT	29 24	CRANKSHAFT ASSY	15 1	GASKET, EXH. MANIFOLD	4 2

Alphabetical Index

6004-097-360-00

Description	Fig.Key	Description	Fig.Key	Description	Fig.Key
GASKET, EXH MANIFOLD	25 7	INJECTIONPUMP ASSY	20 1	O-RING/P15	25 17
GASKET, INLET MANIFOLD	3 2	JOINTT-TYPE 2	21 6	O-RING/P18	7 3
GASKET, INLET MANIFOLD	25 6	KEY/07X05X09	12 3	OILPUMP ASSY	16 1
GASKET, NOZZLE	19 2	KEY/07X05X09	20 11	OILSEAL	5 14
GASKET, SPACER	17 16	KEY/07X05X43	15 4	OILSEAL	25 10
GASKET, SPACER	25 19	LEVELGAGE	5 30	ORING	27 5
GASKET/COVER	5 27	LEVER/CONTROL COMP	20 24	PACKING	9 20
GASKET/COVER	25 11	LEVER/PINIONDRIVE	28 19	PACKING	16 14
GASKET/CYLINDERHEAD	1 6	MANIFOLD(INLET) ASSY	3 1	PACKING	25 13
GASKET/CYLINDERHEAD	25 3	MANIFOLD, EXH	4 1	PAN, OIL COMP	7 1
GASKET/DELIVERYVALVE	27 6	METAL, CRANK SET	5 10	PIECE, DISTANCE	26 6
GASKET/GEARCASE	9 27	METAL, CRANK SET	6 1	PIN	5 17
GASKET/GEARCASE	25 14	METAL, CRANK SET	6 3	PIN	5 18
GASKET/HOUSING	17 23	NIPPLE	5 23	PIN	5 29
GASKET/HOUSING	25 20	NOZZLE ASSY	26 52	PIN	9 23
GASKET/PLATE	9 40	NUT	9 34	PIN	15 2
GASKET/PLATE	25 15	NUT	11 17	PIN, CONTROL	20 21
GASKET/WATER PUMP	17 12	NUT	20 28	PIN, GROOVE	9 26
GASKET/WATER PUMP	25 18	NUT	26 51	PIN, NOZZLE HOLDER	26 3
GEAR/CAMSHAFT	12 2	NUT	28 28	PIN, PISTON	13 3
GEAR/CRANK	15 3	NUT	28 29	PIN/ARM	9 21
GEAR/IDLE ASSY	12 6	NUT	28 34	PIN/IDLEGEAR	5 6
GEAR/INJECTIONPUMP	20 10	NUT	29 2	PIN/INJECTIONPUMP	27 12
GEAR/OILPUMP ASSY	16 3	NUT	29 23	PIN/SNAP	9 22
GEAR/STARTER PLANETA	28 17	NUT	29 25	PIN/STRAIGHT	5 16
GEAR/STARTERINTERNAL	28 18	NUT, CAP/M 8	9 19	PIN/STRAIGHT	8 3
GEARCASE ASSY	9 1	NUT/CAP	2 4	PIN/STRAIGHT	15 7
GENERATOR ASSY	23 1	NUT/M8	9 10	PIN/STRAIGHT	16 5
GLOWPLUG	24 3	NUT/M8	11 20	PIN/TUBE	5 15
GUIDE/LEVELGAGE COMP	5 31	NUT/M8	17 14	PIN/TUBE	9 44
HANGER	10 1	NUT/M8	17 19	PIPE, OIL	16 12
HOLDER ASSY	29 14	NUT/M8	20 8	PIPE, WATER OUTLET	17 27
HOLDER/BRUSH ASSY	29 16	NUT/M10	23 6	PIPE/FUEL	21 2
HOLDER/DELIVERYVALVE	27 4	NUT/MB	9 18	PIPE/INJECTION ASSY	19 3
HOLDER/JE/9-9	9 14	NUT/MB	9 48	PIPE/INJECTION ASSY	19 4
HOLDER/NOZZLE ASSY	26 1	NUT/MB	9 50	PIPE/INJECTION ASSY	19 5
HOLDER/STARTER ASSY	28 3	NUT/MB	28 32	PIPE/WATER PUMP	17 11
HOSE, RUBBER	21 3	NUT/NOZZLERETAINING	26 5	PIPE/WATERDRAIN	5 24
HOSE/RABBER	2 6	NUT/PINIONSTOP	28 23	PISTON	13 1
HOSE/RUBBER	17 20	O-RING	17 28	PISTON(OV)	14 1
HOSE/RUBBER	21 5	O-RING	25 21	PISTON(OV)	14 3
HOUSING ASSY	27 8	O-RING 1A S50	9 43	PISTON/VALVE/RELIEF	9 29
HOUSING/STARTER ASSY	28 7	O-RING 1A S50	25 16	PLATE	27 13
HOUSING/THERMSTAT	17 22	O-RING/P 8	20 25	PLATE	28 27
INJECTIONNOZZLE ASSY	19 1	O-RING/P15	16 9	PLATE	29 8

Alphabetical Index

6004-097-360-00

Description	Fig.Key	Description	Fig.Key	Description	Fig.Key
PLATE, THRUST	12 4	RING/SNAP	28 22	SPRING, STARTING	20 31
PLATE, THRUST INJPUMP	20 14	RINGGEAR	15 6	SPRING/DELIVERYVALVE	27 3
PLATE/ADJUST	23 2	RINK/CONTROL	20 20	SPRING/GOVERNOR	20 23
PLATE/ADJUSTING	27 11	ROCKERARM	11 9	SPRING/PUMPPLUNGER	27 18
PLATE/FRONT	9 39	ROCKERSHAFT ASSY	11 8	SPRING/RELIEF VALVE	9 30
PLATE/REAR	8 1	ROD, PUSH	11 7	SPRING/STARTERBRUSH	28 4
PLATE/TAPPET/AD 0.2	27 25	ROTOR ASSY	29 4	SPRING/VALVE	11 3
PLATE/TAPPET/AD 0.25	27 29	ROTOR/OUTER	16 4	STARTER ASSY	23 7
PLATE/TAPPET/AD 0.3	27 26	ROTOR/WATERPUMP	17 6	STOPPER/FULLLOAD	9 17
PLATE/TAPPET/AD 0.35	27 30	SCREW	28 33	STRAINER	16 8
PLATE/TAPPET/AD 0.4	27 27	SCREW ADJUST	11 16	STUD	1 8
PLATE/TAPPET/AD 0.45	27 31	SCREW/HOLLOW	27 1	STUD	5 20
PLATE/TAPPET/AD 0.5	27 28	SCREW/WATER PUMP	17 10	STUD	5 21
PLATE/TAPPET/AD 0.55	27 32	SEAL SET/WATER PUMP	17 5	STUD	5 33
PLATE/TAPPET/AD 0.6	27 20	SEAL, BEARING CAP	5 8	STUD	9 4
PLATE/TAPPET/AD 0.65	27 33	SEAL, BEARING CAP	25 8	STUD	9 5
PLATE/TAPPET/AD 0.7	27 21	SEAL, BEARING CAP/7	5 9	STUD	9 6
PLATE/TAPPET/AD 0.8	27 22	SEAL, BEARING CAP/7	25 9	STUD	9 45
PLATE/TAPPET/AD 0.9	27 23	SEAL, CYL. HEAD COVER	2 3	STUD/MBX40	5 19
PLATE/TAPPET/AD 1.0	27 24	SEAL, CYL. HEAD COVER	25 4	STUD/MBX40	17 17
PLATE/WATER PUMP	17 9	SEAL, OIL	1 4	SWITCH/MAGNETIC ASSY	28 20
PLUG	5 5	SEAL, OIL	9 7	SWITCH/OILPRESSURE	24 1
PLUG	9 2	SEAL, OIL	25 2	SWITCH/OVERHEAT	24 2
PLUG	11 11	SEAL, OIL	25 12	TAPPET	11 6
PLUG/M 4X1.5	7 2	SEAL/WATER PUMPPULLE	17 7	TAPPET/INJECTIO ASSY	27 14
PLUG/PT1/2	1 3	SEAT, VALVE SPRING	11 4	THERMOSTAT	17 26
PLUG/SCREW	9 24	SEAT/SPRING/LOWER	27 19	THRUSTPIECE	20 18
POINTER	8 2	SEAT/SPRING/UPPER	27 17	TUBE, ORIFICE	21 8
PULLEY	15 11	SHAFT, CAM	12 1	VALVE ASSY	27 7
PULLEY	29 1	SHAFT/HYDRAULIC ASSY	9 46	VALVE/EXHAUST	11 2
PULLEY ASSY	15 10	SHAFT/ROCKERARM ASSY	11 10	VALVE/INTAKE	11 1
PULLEY, WATER PUMP	18 2	SHAFT/STARTER PLANET	28 15	VALVE/RELIEF ASSY	9 28
RACK/CONTROL ASSY	27 15	SHIM/INJECTION P/0.1	20 3	WASHER	15 15
REGULATOR ASSY	29 26	SHIM/INJECTION P/0.2	20 4	WASHER	26 4
RELAY, SOLENOID	24 8	SHIM/INJECTION P/0.3	20 2	WASHER	26 50
REPAIR/ENGINE SET	25 1	SHIM/INJECTION P/0.4	20 5	WASHER	28 31
RING, SNAP	13 4	SHIM/INJECTION P/0.5	20 6	WASHER / M6	20 29
RING, SNAP/ 4 E	20 22	SLEEVE/PLUNGER	27 16	WASHER, SP/M 6	20 30
RING, SNAP/12 C	9 31	SOLENOID	24 5	WASHER, SP/M 8	9 49
RING, SNAP/16 C	11 15	SPACER	9 42	WASHER, SP/M 8	9 51
RING/O	9 36	SPACER, PUMP. WATER	17 15	WASHER, SP/M6	15 14
RING/PISTON SET	13 2	SPACER/FAN/48	18 3	WASHER/0.9	26 7
RING/PISTON/OV SET	14 2	SPRING	11 14	WASHER/0.925	26 8
RING/PISTON/OV SET	14 4	SPRING	29 18	WASHER/0.95	26 9
RING/SNAP	28 21	SPRING, RETURN	20 26	WASHER/0.975	26 10

Alphabetical Index

6004-097-360-00

Description	Fig.Key	Description	Fig.Key	Description	Fig.Key
WASHER/08X14X01	9 16	WASHER/SK	28 25		
WASHER/08X14X01	9 25	WASHER/SK	28 26		
WASHER/08X14X01	25 23	WATERPUMP ASSY	17 1		
WASHER/1. 0	26 11	YOKE/STARTER ASSY	28 1		
WASHER/1. 025	26 12				
WASHER/1. 05	26 13				
WASHER/1. 075	26 14				
WASHER/1. 1	26 15				
WASHER/1. 125	26 16				
WASHER/1. 15	26 17				
WASHER/1. 175	26 18				
WASHER/1. 2	26 19				
WASHER/1. 225	26 20				
WASHER/1. 25	26 21				
WASHER/1. 275	26 22				
WASHER/1. 3	26 23				
WASHER/1. 325	26 24				
WASHER/1. 35	26 25				
WASHER/1. 375	26 26				
WASHER/1. 4	26 27				
WASHER/1. 425	26 28				
WASHER/1. 45	26 29				
WASHER/1. 475	26 30				
WASHER/1. 5	26 31				
WASHER/1. 525	26 32				
WASHER/1. 55	26 33				
WASHER/1. 575	26 34				
WASHER/1. 6	26 35				
WASHER/1. 625	26 36				
WASHER/1. 65	26 37				
WASHER/1. 675	26 38				
WASHER/1. 7	26 39				
WASHER/1. 725	26 40				
WASHER/1. 75	26 41				
WASHER/1. 775	26 42				
WASHER/1. 8	26 43				
WASHER/1. 825	26 44				
WASHER/1. 85	26 45				
WASHER/1. 875	26 46				
WASHER/1. 9	26 47				
WASHER/1. 925	26 48				
WASHER/1. 95	26 49				
WASHER/9X22X2	23 4				
WASHER/AIR BLEEDER	27 2				
WASHER/SK	28 24				

Alphabetical Index

1750-097-100-00

Description	Fig.Key	Description	Fig.Key	Description	Fig.Key
ADAPTER (90° /PUMP)	43 13	ARM/SHIFT/MID COMP	95 43	BAND, WIRE/250	87 20
ADAPTER (90° /PUMP)	53 16	ARM/SHIFT/PTO COMP	32 6	BAND, WIRE/250	87 26
ADAPTER/BOLT/G3/8	68 35	ARM/SHIFT/SUB COMP	22 1	BAND, WIRE/250	88 12
ADAPTER/BOLT/G3/8	69 40	ARM/SHIFT/SUB COMP	23 5	BAND, WIRE/250	88 15
ADAPTER/BOLT/M28X2.0	68 1	ARM/SUB ASSY	23 11	BAND, WIRE/250	88 21
ADAPTER/L/G1/4 ASSY	55 18	ARM/SUB COMP	22 3	BAND, WIRE/250	88 23
ADAPTER/L/G1/4 ASSY	56 22	ARM/TRUNION	110 12	BAND, WIRE/250	88 28
ADAPTER/L/G1/4 ASSY	56 25	BACKPLATE	111 7	BAND/CLEANER	4 6
ADAPTER/L/PF3/8 ASSY	14 2	BALL	24 4	BATTERY/55B24R/ ASSY	7 1
ADAPTER/L/PT3/8	43 4	BALL	25 4	BEARING	16 16
ADAPTER/M20-R3/8	43 18	BALL	26 4	BEARING	17 3
ADAPTER/PF1/4 ASSY	55 20	BALL	26 7	BEARING	21 9
ARM COMP	39 17	BALL	27 8	BEARING	28 11
ARM, SHIFT	24 11	BALL	27 18	BEARING	60 17
ARM/BRAKE/LH COMP	50 54	BALL	32 3	BEARING	62 11
ARM/BRAKE/LH COMP	51 43	BALL	35 13	BEARING	110 40
ARM/BRAKE/RH COMP	50 55	BALL	36 21	BEARING KT253224	20 2
ARM/BRAKE/RH COMP	51 44	BALL	49 4	BEARING KT253224	30 21
ARM/CRUISE ASSY	41 5	BALL	49 8	BEARING, CLUTCH RS	9 18
ARM/DANPER COMP	40 15	BALL	95 13	BEARING, NEEDLE	17 8
ARM/DIEF COMP	47 1	BAND	1 31	BEARING, NR/KT162017	15 5
ARM/DIEF COMP	48 1	BAND	2 31	BEARING, NR/KT303824	30 28
ARM/DIFFLOCK	44 29	BAND	7 10	BEARING, RB	16 3
ARM/KNUCKLE/LH	62 32	BAND	87 18	BEARING, RB	28 9
ARM/KNUCKLE/RH	62 33	BAND	88 19	BEARING, RB/6003SS	110 41
ARM/LIFT	65 4	BAND, WIRE/140	7 9	BEARING, RB/6004SS	41 23
ARM/MID ASSY	38 7	BAND, WIRE/140	41 37	BEARING, RB/6005	62 9
ARM/MIRROR ASSY	81 22	BAND, WIRE/140	56 18	BEARING, RB/6005	62 21
ARM/MIRROR ASSY	82 24	BAND, WIRE/140	56 19	BEARING, RB/6008	62 12
ARM/NEUTRAL COMP	39 11	BAND, WIRE/140	87 12	BEARING, RB/6010	44 13
ARM/PLATE	72 13	BAND, WIRE/140	87 22	BEARING, RB/6010	60 14
ARM/POSITION COMP	67 4	BAND, WIRE/140	87 25	BEARING, RB/6204	15 3
ARM/POSITION COMP	67 11	BAND, WIRE/140	87 27	BEARING, RB/6204	19 4
ARM/PTO ASSY	33 12	BAND, WIRE/140	88 13	BEARING, RB/6204	20 14
ARM/PTO COMP	32 9	BAND, WIRE/140	88 26	BEARING, RB/6204	28 15
ARM/PTO/MID ASSY	36 36	BAND, WIRE/140	88 27	BEARING, RB/6204	29 8
ARM/PTO/MID ASSY	95 35	BAND, WIRE/140	88 29	BEARING, RB/6204	30 15
ARM/SHIFT COMP	25 8	BAND, WIRE/250	43 16	BEARING, RB/6204	30 35
ARM/SHIFT/MAIN COMP	21 13	BAND, WIRE/250	53 14	BEARING, RB/6204	110 14
ARM/SHIFT/MID COMP	33 6	BAND, WIRE/250	55 28	BEARING, RB/6204NR	15 8
ARM/SHIFT/MID COMP	35 21	BAND, WIRE/250	56 37	BEARING, RB/6204NR	16 9
ARM/SHIFT/MID COMP	36 20	BAND, WIRE/250	75 6	BEARING, RB/6205	30 32
ARM/SHIFT/MID COMP	36 44	BAND, WIRE/250	75 8	BEARING, RB/6205	35 16
ARM/SHIFT/MID COMP	38 1	BAND, WIRE/250	87 11	BEARING, RB/6205	36 16
ARM/SHIFT/MID COMP	95 22	BAND, WIRE/250	87 14	BEARING, RB/6205	62 25

Alphabetical Index

1750-097-100-00

Description	Fig.Key	Description	Fig.Key	Description	Fig.Key
BEARING, RB/6205	95 17	BOLT	14 5	BOLT, SEMS (SP)	43 15
BEARING, RB/6205NR	28 12	BOLT	14 6	BOLT, SEMS (SP)	56 21
BEARING, RB/6205NR	29 5	BOLT	36 34	BOLT, SEMS (SP)	56 36
BEARING, RB/6206	30 16	BOLT	53 21	BOLT, SEMS (SP)	58 11
BEARING, RB/6206	44 21	BOLT	54 8	BOLT, SEMS (SP)	59 11
BEARING, RB/6206	62 26	BOLT	57 2	BOLT, SEMS (SP)	67 14
BEARING, RB/6208	46 6	BOLT	64 18	BOLT, SEMS (SP)	68 31
BEARING, RB/6304	16 8	BOLT	80 4	BOLT, SEMS (SP)	68 34
BEARING, RB/6304	16 12	BOLT	95 33	BOLT, SEMS (SP)	69 5
BEARING, RB/6304	17 12	BOLT(S) M10X25	43 10	BOLT, SEMS (SP)	69 13
BEARING, RB/6304	19 3	BOLT(S) M10X25	81 3	BOLT, SEMS (SP)	69 36
BEARING, RB/6304	28 2	BOLT(S) M10X25	82 3	BOLT, SEMS (SP)	69 39
BEARING, RB/6304	29 2	BOLT(S) 7	66 6	BOLT, SEMS (SP)	72 4
BEARING, RB/6304	30 33	BOLT(SP)/M6X16	5 21	BOLT, SEMS (SP)	72 57
BEARING, RB/6304	35 15	BOLT(SP)/M6X16	12 34	BOLT, SEMS (SP)	72 59
BEARING, RB/6304	36 14	BOLT(SP)/M6X16	32 21	BOLT, SEMS (SP)	74 6
BEARING, RB/6304	95 16	BOLT(SP)/M6X16	39 25	BOLT, SEMS (SP)	76 4
BEARING, RB/6304NR	31 5	BOLT(SP)/M6X16	81 23	BOLT, SEMS (SP)	76 8
BEARING, RB/6305	62 6	BOLT(SP)/M6X16	82 25	BOLT, SEMS (SP)	81 21
BEARING, RB/6306	46 5	BOLT(SP)/M6X16	85 17	BOLT, SEMS (S) M8X16	1 5
BEARING/BALL	15 4	BOLT(SP)/M6X16	85 18	BOLT, SEMS (S) M8X16	1 28
BEARING/BALL	44 12	BOLT(SP)/M6X16	86 18	BOLT, SEMS (S) M8X16	2 5
BEARING/BALL 6205SH2	60 2	BOLT(SP)/M6X16	86 19	BOLT, SEMS (S) M8X16	2 28
BEARING/BALL 6305SH2	16 15	BOLT(SP)/M6X16	86 21	BOLT, SEMS (S) M8X16	3 8
BEARING/BALL 6305SH2	17 2	BOLT(SP)/M6X16	87 15	BOLT, SEMS (S) M8X16	5 28
BEARING/BALL 6305SH2	31 3	BOLT(SP)/M6X16	88 16	BOLT, SEMS (S) M8X16	9 5
BEARING/NEEDLE	18 2	BOLT, SEMS	1 25	BOLT, SEMS (S) M8X16	9 19
BEARING/NEEDLE	20 8	BOLT, SEMS	2 25	BOLT, SEMS (S) M8X16	10 7
BEARING/NEEDLE	28 17	BOLT, SEMS	9 6	BOLT, SEMS (S) M8X16	43 8
BEARING/NEEDLE	29 10	BOLT, SEMS	10 8	BOLT, SEMS (S) M8X16	66 21
BEARING/NEEDLE	30 11	BOLT, SEMS	13 31	BOLT, SEMS (SP)	95 47
BEARING/NEEDLE	35 7	BOLT, SEMS	22 7	BOLT, SEMS/M8X25 7T	44 18
BEARING/NEEDLE	36 8	BOLT, SEMS	23 15	BOLT, SEMS/M8X25 7T	62 35
BEARING/NEEDLE	95 8	BOLT, SEMS	32 19	BOLT, SET COMP	69 2
BEARING/NEEDLE	110 17	BOLT, SEMS	38 12	BOLT, SM/M08X25	21 5
BEARING/THRUST	110 13	BOLT, SEMS	79 7	BOLT, SM/M08X25	22 4
BLOCK/CYLINDER	110 3	BOLT, SEMS	85 25	BOLT, SM/M08X25	65 7
BLOCK/PORT	110 2	BOLT, SEMS	86 27	BOLT/8X20	13 28
BLOT/M14X10	21 20	BOLT, SEMS (SP)	6 19	BOLT/ADJUST	50 10
BLUB/12V-21/5W	83 7	BOLT, SEMS (SP)	23 4	BOLT/ADJUST	51 4
BOARD/WIREING ASSY	84 10	BOLT, SEMS (SP)	25 7	BOLT/BATTERY	7 2
BODY/HVA1/053	108 1	BOLT, SEMS (SP)	33 4	BOLT/KNOB/M06X13	73 19
BOLT	1 18	BOLT, SEMS (SP)	35 25	BOLT/KNOB/M06X27	81 18
BOLT	2 18	BOLT, SEMS (SP)	36 27	BOLT/KNOB/M06X27	82 20
BOLT	3 3	BOLT, SEMS (SP)	39 15	BOLT/M 6X20	73 16

Alphabetical Index

1750-097-100-00

Description	Fig.Key	Description	Fig.Key	Description	Fig.Key
BOLT/M 8X130	67 2	BOLT/M12X35	107 2	BOLT/S	64 22
BOLT/M 8X16	64 27	BOLT/M12X40	45 3	BOLT/S	68 13
BOLT/M 8X16	72 45	BOLT/M12X40	64 17	BOLT/S	68 29
BOLT/M 8X20	72 44	BOLT/M12X40	71 2	BOLT/S	69 19
BOLT/M 8X25	40 8	BOLT/M12X40	104 3	BOLT/S	69 34
BOLT/M 8X25	70 6	BOLT/M12X40	105 2	BOLT/S	81 27
BOLT/M 8X30	40 13	BOLT/M12X55	45 4	BOLT/SEAL	62 40
BOLT/M 8X35	11 2	BOLT/M12X60	45 5	BOLT/SET/M16X60	89 2
BOLT/M 8X35	12 26	BOLT/M16X85	104 8	BOLT/SET/M16X60	106 3
BOLT/M 8X55	56 27	BOLT/M4X12	84 16	BOLT/SM/M8X1. 25X30	58 7
BOLT/M 8X60	12 25	BOLT/M5X16	74 4	BOLT/SM/M8X1. 25X30	59 7
BOLT/M 8X65	5 13	BOLT/M5X30	85 29	BOLT/SP	3 6
BOLT/M 8X80	4 13	BOLT/M5X30	86 31	BOLT/SP	4 12
BOLT/M06X08/APSET	5 10	BOLT/M8X20	21 18	BOLT/SP	13 16
BOLT/M06X32	7 7	BOLT/M8X20	62 36	BOLT/SP	13 24
BOLT/M08X32	7 12	BOLT/M8X25	27 2	BOLT/SP	13 25
BOLT/M10X1. 25X20	9 8	BOLT/M8X25	27 10	BOLT/SP	13 33
BOLT/M10X1. 25X20	10 10	BOLT/M8X25	44 10	BOLT/SP	13 36
BOLT/M10X100	64 5	BOLT/M8X25	49 13	BOLT/SP	21 2
BOLT/M10X20	54 14	BOLT/M8X28 11T	55 8	BOLT/SP	33 15
BOLT/M10X30	62 3	BOLT/M8X28 11T	56 8	BOLT/SP	35 29
BOLT/M10X35	12 4	BOLT/M8X28 11T	68 22	BOLT/SP	36 29
BOLT/M10X35	12 21	BOLT/M8X28 11T	69 27	BOLT/SP	37 2
BOLT/M10X35	13 3	BOLT/M8X30	24 6	BOLT/SP	50 28
BOLT/M10X55	12 10	BOLT/M8X45	32 16	BOLT/SP	51 17
BOLT/M10X55	13 11	BOLT/M8X45/7T	39 2	BOLT/SP	51 18
BOLT/M10X60	45 8	BOLT/M8X50	66 9	BOLT/SP	57 11
BOLT/M10X80	41 24	BOLT/REAMER/M10X35	53 19	BOLT/SP	62 30
BOLT/M10X90	35 3	BOLT/S	6 11	BOLT/SP	64 4
BOLT/M10X90	36 2	BOLT/S	6 15	BOLT/SP	64 6
BOLT/M10X90	95 3	BOLT/S	6 17	BOLT/SP	68 7
BOLT/M12X25	9 10	BOLT/S	7 14	BOLT/SP	68 8
BOLT/M12X25	10 12	BOLT/S	9 22	BOLT/SP	69 6
BOLT/M12X25	46 9	BOLT/S	10 16	BOLT/SP	69 10
BOLT/M12X25	57 5	BOLT/S	10 22	BOLT/SP	69 14
BOLT/M12X25	62 42	BOLT/S	12 32	BOLT/SP	72 49
BOLT/M12X25	70 41	BOLT/S	21 12	BOLT/SP	73 17
BOLT/M12X30	12 18	BOLT/S	41 29	BOLT/SP	73 23
BOLT/M12X30	61 12	BOLT/S	53 20	BOLT/SP	76 2
BOLT/M12X30	80 5	BOLT/S	54 12	BOLT/SP	76 6
BOLT/M12X30	100 2	BOLT/S	55 13	BOLT/SP	77 2
BOLT/M12X35	61 7	BOLT/S	55 16	BOLT/SP	77 5
BOLT/M12X35	70 9	BOLT/S	56 13	BOLT/SP	78 2
BOLT/M12X35	70 13	BOLT/S	56 16	BOLT/SP	78 7
BOLT/M12X35	80 3	BOLT/S	62 39	BOLT/SP	79 2

Alphabetical Index

1750-097-100-00

Description	Fig.Key	Description	Fig.Key	Description	Fig.Key
BOLT/SP	81 11	BRACKET/LEVER COMP	67 1	BUSH/62X67X30	61 10
BOLT/SP	82 13	BRACKET/RADIATO COMP	1 27	BUSH/68X71X14	110 18
BOLT/SP	82 23	BRACKET/RADIATO COMP	2 27	BUSH/95X100X22	110 16
BOLT/SP	87 10	BRACKET/REFLECTOR	76 9	BUTTON	50 26
BOLT/SP	88 11	BRACKET/REFLECTOR	77 7	CABLE	57 9
BOLT/SP	89 16	BRACKET/SEAT COMP	78 8	CABLE	100 7
BOLT/SP	95 28	BRACKET/SEAT COMP	79 6	CABLE ASSY	84 21
BOLT/SP	100 8	BRACKET/SEAT COMP	79 8	CABLE/ACCELERATOR	8 13
BOLT/SP	106 17	BRACKET/SEAT/F COMP	78 6	CABLE/BATTERY ASSY	7 6
BOLT/SP M8X20	11 18	BRACKET/SEAT/R COMP	78 1	CABLE/CRUISE/A ASSY	41 11
BOLT/STUD	12 3	BRACKET/SEAT/R COMP	79 1	CABLE/CRUISE/B ASSY	41 19
BOLT/STUD	12 9	BRACKET/TANK COMP	6 16	CABLE/PEDAL ASSY	8 2
BOLT/STUD	12 14	BRAKE ASSY	41 26	CABLE/PEDAL ASSY	39 23
BOLT/STUD	13 9	BREATHER, TANK CAP	6 3	CAM, DIFF-LOCK	44 25
BOLT/STUD	13 10	BUCKLE, TURN/M24 COMP	70 28	CAP	1 3
BOLT/STUD	13 12	BULB	84 12	CAP	2 3
BOLT/STUD	13 13	BULB/12V/45/40W	83 2	CAP	5 6
BOLT/STUD	13 14	BULB/12V/5W	83 10	CAP	52 2
BOLT/STUD	13 15	BULB/12V21W	83 4	CAP, BLANK/52	35 20
BOLT/STUD	47 7	BULB/12V21W	83 6	CAP, BLANK/52	36 19
BOLT/STUD	48 8	BULB/12V5W	83 5	CAP, BLANK/52	95 21
BOLT/STUD/M10X35	54 2	BULB/LAMP/12V/1.7W	84 14	CAP, BLANK/M10	25 5
BOLT/STUD/SEAL	10 17	BUSH	23 12	CAP, OIL ASSY	61 2
BOLT/STUD/SEAL	12 8	BUSH	25 15	CAP, PTO SHAFT	12 33
BOLT/STUD/SEAL	13 4	BUSH	33 13	CAP, PTO SHAFT	13 32
BOLT/STUD/SEAL	13 8	BUSH	38 8	CAP, PTO SHAFT	35 28
BOOT	11 15	BUSH	50 37	CAP, PTO SHAFT	36 28
BOOT	85 23	BUSH	51 29	CAP, PTO SHAFT	95 27
BOOT, CHANGE	21 15	BUSH	54 17	CAP, TANK	6 2
BOOT/HORN	85 13	BUSH, LEVER	6 14	CAP, TIRE VALVE	96 5
BOOT/HORN	86 13	BUSH, LEVER	72 52	CAP, TIRE VALVE	96 10
BOOT/STEERING	74 12	BUSH, LEVER	72 56	CAP, TIRE VALVE	97 5
BRACKET COMP	9 12	BUSH, LEVER	73 22	CAP, TIRE VALVE	97 10
BRACKET COMP	58 10	BUSH/08X15X11	72 6	CAP, TIRE VALVE	98 5
BRACKET/AXLE COMP	57 1	BUSH/15X17X10	39 13	CAP, TIRE VALVE	99 4
BRACKET/BRAKE/FILTER	41 22	BUSH/15X17X15	41 6	CAP, TIRE VALVE	99 8
BRACKET/CLEANER COMP	4 11	BUSH/19X30X14	72 3	CAP, TIRE VALVE	101 5
BRACKET/COUPLER/7P	85 24	BUSH/22X25X15	30 2	CAP, TIRE VALVE	101 10
BRACKET/COUPLER/7P	86 26	BUSH/22X25X20	40 4	CAP, TIRE VALVE	102 4
BRACKET/DRAWBAR COMP	104 2	BUSH/22X25X20	51 2	CAP, TIRE VALVE	102 9
BRACKET/FILTER COMP	5 27	BUSH/25X28X27	36 37	CAP, TIRE VALVE	103 5
BRACKET/FILTER COMP	43 9	BUSH/25X28X27	95 36	CAP/30	1 29
BRACKET/FRONT COMP	54 11	BUSH/35X39X26	61 5	CAP/OIL/30	78 3
BRACKET/GRILLE COMP	73 18	BUSH/35X39X30	64 3	CAP/OIL/30	79 3
BRACKET/LAMP	83 12	BUSH/40X43X30	64 2	CAP/PARKING	72 43

Alphabetical Index

1750-097-100-00

Description	Fig.Key	Description	Fig.Key	Description	Fig.Key
CAP/SEAL/47	62 16	CLAMP/WIRE/47-55	4 10	CONECTERRING	111 14
CARTRIDGE ASSY	43 7	CLAMP/WORM/16-25	55 23	CONNECTOR	1 15
CASE	110 1	CLEANER/AIR ASSY	4 1	CONNECTOR	2 15
CASE ASSY	84 19	CLIP	4 5	CONNECTOR/CHECK/2. 5	43 5
CASE, DIFF	44 1	CLIP (B)	74 19	CONTROLLER/STEERING	54 13
CASE, SPRING	24 2	CLIP (B)	76 17	COUPLING/16X27X62	9 24
CASE, SYLINDER	64 1	CLIP (B)	77 15	COUPLING/37X50X35	30 9
CASE/DIFF	60 8	CLIP (B)	81 5	COVER	3 7
CASE/FILTER/400	69 1	CLIP (B)	82 5	COVER	41 34
CASE/FINAL	62 1	CLIP/HOSE/10. 4-11. 1	5 26	COVER ASSY	4 2
CASE/FINAL	62 15	CLIP/HOSE/11. 9-12. 6	5 17	COVER COMP	72 17
CASE/JOINT COMP	58 9	CLIP/HOSE/11. 9-12. 6	5 19	COVER, DUST	53 2
CASE/JOINT COMP	59 9	CLIP/HOSE/11. 9-12. 6	5 23	COVER, DUST	53 8
CASE/PTO/MID	35 1	CLIP/HOSE/8. 1-8. 7	5 25	COVER, DUST	63 2
CASE/PTO/MID	36 1	CLUTCH, ONE-WAY	28 6	COVER, DUST	63 8
CASE/PTO/MID	95 2	CLUTCH/DIFFLOCK	44 22	COVER, PUMP	55 3
CASE/TRANSMISSION/F	12 1	CLUTCH/PTO/3 ASSY	30 1	COVER, PUMP	56 3
CASE/TRANSMISSION/HS	13 1	COLLAR	85 2	COVER, PUMP	68 17
CASE/TRANSMISSION/RE	12 2	COLLAR	86 2	COVER, PUMP	69 22
CASE/TRANSMISSION/RE	13 2	COLLAR 23X34X2	30 6	COVER/CHANGE	81 12
CHAIN, CHECK, B COMP	70 17	COLLAR, PINION THRUST	44 4	COVER/CHANGE	82 14
CHAIN, CHECK/A	70 16	COLLAR, SHIFTER	35 22	COVER/CLUTCH ASSY	9 20
CLAMP, HARNESS	64 28	COLLAR, SHIFTER	36 23	COVER/DUSH/F	74 1
CLAMP, HARNESS	87 21	COLLAR, SHIFTER	95 23	COVER/DUSH/R	74 2
CLAMP, HARNESS	87 23	COLLAR, THRUST	17 11	COVER/DUSH/REAR	74 9
CLAMP, HARNESS	87 24	COLLAR, THRUST	44 6	COVER/DUSH/REAR COMP	74 20
CLAMP, HARNESS	88 22	COLLAR/10X15X07	54 7	COVER/FUSE	87 6
CLAMP, HARNESS	88 25	COLLAR/17X21X11 ASSY	39 12	COVER/FUSE	88 6
CLAMP, RADIATOR HOSE	43 14	COLLAR/18X30X1	41 27	COVER/LH	81 14
CLAMP, RADIATOR HOSE	55 27	COLLAR/21X36X1	35 8	COVER/LH	82 16
CLAMP, RADIATOR HOSE	56 35	COLLAR/21X36X1	36 9	COVER/PLATE	37 1
CLAMP/32	3 5	COLLAR/21X36X1	95 9	COVER/PLATE	74 13
CLAMP/WIRE/10-15	1 14	COLLAR/22X36X02	18 3	COVER/RH	81 15
CLAMP/WIRE/10-15	2 14	COLLAR/23X47X12	110 25	COVER/RH	82 17
CLAMP/WIRE/24-32	1 11	COLLAR/25X32X3	17 5	COVER/SAFETY/LH/F	72 58
CLAMP/WIRE/24-32	2 11	COLLAR/25X32X3	60 3	COVER/SAFETY/LH/R	72 60
CLAMP/WIRE/28-36	68 10	COLLAR/25X35X02	16 13	COVER/SHIELD COMP	34 1
CLAMP/WIRE/28-36	69 16	COLLAR/25X35X02	20 3	COVER/SIDE/LH COMP	72 28
CLAMP/WIRE/30-38	1 8	COLLAR/25X40X25	20 5	COVER/SIDE/RH COMP	72 35
CLAMP/WIRE/30-38	2 8	COLLAR/25X42X4	30 23	COVER/SWITCH	85 7
CLAMP/WIRE/36-44	1 7	COLLAR/25X46X3	30 22	COVER/SWITCH	86 7
CLAMP/WIRE/36-44	1 12	COLLAR/41X55X10	16 1	COVER/SWITCH/SUB	23 3
CLAMP/WIRE/36-44	2 7	COLLAR/48X52X17	60 4	COVER/TANK	75 4
CLAMP/WIRE/36-44	2 12	COLLAR/48X57X3	28 7	COVER/TANK COMP	6 18
CLAMP/WIRE/42-50	4 8	COLUMN/STEERING COMP	54 1	COVER/TRUNNION	39 24

Alphabetical Index

1750-097-100-00

Description	Fig.Key	Description	Fig.Key	Description	Fig.Key
COVER/WHEEL	62 28	FORK/SHIFT/1ST	27 6	GEAR/SPUR/15	36 13
CRANK, LIFT	65 3	FORK/SHIFT/2ND	27 15	GEAR/SPUR/15	95 12
CUM/BRAKE COMP	49 9	FORK/SHIFT/DIFFLOCK	44 23	GEAR/SPUR/16-34	17 6
CUP/FUEL	6 6	FORK/SHIFT/FRONT	24 1	GEAR/SPUR/17	16 5
CUSHION, B/ RUBBER	40 6	FORK/SHIFT/PTO	26 5	GEAR/SPUR/17	20 13
CUSHION, B/ RUBBER	82 9	FORK/SHIFT/SUB	26 2	GEAR/SPUR/17-24	17 7
CUSHION, RUBBER	4 15	FORK/SHIFT/SUB	27 16	GEAR/SPUR/18	30 10
CUSHION/RUBBER/10X25	72 5	FRAME/LH COMP	89 11	GEAR/SPUR/18-20	28 16
CYLINDER ASSY	53 1	FRAME/LH COMP	106 12	GEAR/SPUR/18-20	29 9
DAMPER(OIL) ASSY	40 12	FRAME/REAR COMP	80 1	GEAR/SPUR/18-30	20 1
DIODE	88 10	FRAME/RH COMP	89 12	GEAR/SPUR/19	16 2
DISC/DAMPER ASSY	10 14	FRAME/RH COMP	106 13	GEAR/SPUR/19-25	15 10
DISK/BRAKE	111 11	FRAME/SF-184 SET	106 1	GEAR/SPUR/19-29	16 6
DISK/CLUTCHCONP	9 21	FRAME/UPPER COMP	89 1	GEAR/SPUR/19-29	16 11
DISKPLATE	111 6	FRAME/UPPER COMP	106 2	GEAR/SPUR/20	19 1
DRAWBAR	104 5	FUNNEL ASSY	94 1	GEAR/SPUR/20-23	18 1
DRAWBAR/CLEVIS SET	104 1	FUSE/BLADE/32V05A	87 5	GEAR/SPUR/24	31 9
ELBOW/45° ASSY	43 2	FUSE/BLADE/32V05A	88 5	GEAR/SPUR/25	20 7
ELBOW/45° ASSY	56 30	FUSE/BLADE/32V10A	87 3	GEAR/SPUR/25	31 4
ELBOW/90° /L ASSY	55 24	FUSE/BLADE/32V10A	88 3	GEAR/SPUR/26	28 5
ELBOW/90° /L ASSY	56 32	FUSE/BLADE/32V20A	87 4	GEAR/SPUR/26	29 4
ELEMENT	5 9	FUSE/BLADE/32V20A	88 4	GEAR/SPUR/26 SET	28 4
ELEMENT ASSY	4 3	FUSE/SLOWBLOW	87 2	GEAR/SPUR/30	17 9
ESCUTCHEON	84 7	FUSE/SLOWBLOW	88 2	GEAR/SPUR/30	30 25
FAN/HST COMP	10 25	GASKET	3 2	GEAR/SPUR/31-20	30 20
FENDER/LH COMP	76 1	GASKET	6 4	GEAR/SPUR/32	15 11
FENDER/LH COMP	77 1	GASKET	110 27	GEAR/SPUR/33	17 10
FENDER/RH COMP	76 5	GAUGE/FUEL ASSY	6 8	GEAR/SPUR/33	30 5
FENDER/RH COMP	77 4	GAUGE/OIL	21 19	GEAR/SPUR/34	35 6
FILTER COMP	68 4	GEAR	84 4	GEAR/SPUR/34	36 7
FILTER/FUEL	6 5	GEAR, WHEEL/58	46 2	GEAR/SPUR/34	95 7
FILTER/FUEL ASSY	5 1	GEAR/BEVEL/11	62 5	GLASS	84 8
FILTER/LINE/12X18X15	108 14	GEAR/BEVEL/12	62 20	GLIP/YELLOW	32 13
FILTER/SUCTION/400	69 7	GEAR/BEVEL/14	44 5	GLIP/YELLOW	33 17
FLANGE	55 11	GEAR/BEVEL/15	60 10	GLIP/YELLOW	36 31
FLANGE	56 11	GEAR/BEVEL/15	62 8	GLIP/YELLOW	95 30
FLANGE/DELIVERY COMP	55 14	GEAR/BEVEL/47	62 23	GRILLE	73 1
FLANGE/DELIVERY COMP	56 14	GEAR/SPUR/11/LH	44 19	GRIP	76 14
FLANGEBOLT	33 5	GEAR/SPUR/11/RH	44 20	GRIP	77 12
FLANGEBOLT	35 26	GEAR/SPUR/13	28 14	GRIP/03X17X97	67 15
FLANGEBOLT	36 25	GEAR/SPUR/13	29 7	GRIP/12X50	21 7
FLANGEBOLT	95 25	GEAR/SPUR/14	30 34	GRIP/MAIN	22 8
FLASHER ASSY	85 16	GEAR/SPUR/14-33	15 12	GRIP/MAIN	41 2
FLASHER ASSY	86 17	GEAR/SPUR/15	15 1	GRIP/MID/PTO	38 14
FORK/RELEASE	9 13	GEAR/SPUR/15	35 11	GRIP/ORANGE	50 27

Alphabetical Index

1750-097-100-00

Description	Fig.Key	Description	Fig.Key	Description	Fig.Key
GRIP/ORANGE/10.5	24 13	HOLDER/JE/9-9	88 20	HOUSING/CLUTCH COMP	9 1
GRIP/ORANGE/10.5	25 16	HOLDER/JE/9-9	88 24	HOUSING/CLUTCH COMP	10 1
GRIP/ORANGE/10.5	48 2	HOLDER/SHAFT ASSY	50 36	HST(TM/21) ASSY	14 1
GRIP/THROTTLE	8 7	HOLDER/SHAFT ASSY	51 28	HUB	28 8
GROMMET	6 22	HOOD COMP	72 1	HUB/09X14X20	1 19
GROMMET/10X40X03	85 28	HOOD/LAMP	73 8	HUB/09X14X20	2 19
GROMMET/10X40X03	86 30	HOOD/LH	81 9	HUB/21X27X33	42 1
GROMMET/13X17X5	76 19	HOOD/LH	82 11	HUB/CLUTCH COMP	30 27
GROMMET/13X17X5	77 17	HOOD/RH	81 10	HUB/SPACER COMP	70 5
GROMMET/14X18X06	54 6	HOOD/RH	82 12	INSULATOR	1 22
GROMMET/15	76 20	HOOK	11 6	INSULATOR	1 23
GROMMET/15	77 18	HOOK, SPRING	64 26	INSULATOR	1 30
GROMMET/25X70X03	10 2	HOOK, TOP LINK	70 39	INSULATOR	2 22
GUIDE/CHANGE	32 20	HORN ASSY	85 1	INSULATOR	2 23
GUIDE/CHENGE	33 14	HORN ASSY	86 1	INSULATOR	2 30
GUIDE/CRUISE COMP	41 30	HOSE	1 4	INSULATOR	6 20
GUIDE/LEVELGAUG COMP	13 35	HOSE	2 4	INSULATOR	10 4
GUIDE/PTO/MID	36 40	HOSE/04X08X400	5 24	INSULATOR	47 2
GUIDE/PTO/MID	95 39	HOSE/07X11X20	41 18	INSULATOR	50 52
HANDLE	72 10	HOSE/08X13X300	5 16	INSULATOR	57 10
HARNES, OIL PRESSURE	87 13	HOSE/08X13X300	5 22	INSULATOR	71 6
HARNES, OIL PRESSURE	88 14	HOSE/110	5 18	INSULATOR	72 9
HARNES/LAMP	83 11	HOSE/1100 ASSY	43 12	INSULATOR	72 33
HARNES/MAIN/E4 ASSY	87 1	HOSE/1350 ASSY	43 11	INSULATOR	72 34
HARNES/MAIN/HE ASSY	88 1	HOSE/1350 ASSY	56 29	INSULATOR	72 40
HARNES/PA/BLUE	108 3	HOSE/250	1 13	INSULATOR	72 41
HARNES/SOCKET ASSY	85 27	HOSE/250	2 13	INSULATOR	73 9
HARNES/SOCKET ASSY	86 29	HOSE/650 ASSY	43 1	INSULATOR	74 10
HEAD, SYLINDER	64 11	HOSE/700	6 7	INSULATOR	74 16
HITCH/FRONT COMP	57 4	HOSE/90	68 9	INSULATOR	74 17
HITCH/FRONT SET	100 1	HOSE/90	69 15	INSULATOR	75 2
HITCHI/DRAWBARSET	105 1	HOSE/CLEANER/OUTLET	4 9	INSULATOR	75 3
HOLDER	8 5	HOSE/DERIVERY ASSY	55 26	INSULATOR	75 9
HOLDER, PINION SHAFT	44 7	HOSE/DERIVERY ASSY	56 34	INSULATOR	81 4
HOLDER/15	68 30	HOSE/HYDRO/1700 ASSY	56 17	INSULATOR	82 4
HOLDER/15	68 33	HOSE/HYDRO/750 ASSY	55 17	INSULATOR	89 10
HOLDER/15	69 35	HOSE/RADIATOR/INLET	1 6	INSULATOR	100 6
HOLDER/15	69 38	HOSE/RADIATOR/INLET	2 6	INSULATOR	104 13
HOLDER/19	56 20	HOSE/RADIATOR/OUTLET	1 9	INSULATOR	104 16
HOLDER/2X09	41 36	HOSE/RADIATOR/OUTLET	2 9	INSULATOR	105 6
HOLDER/COVER	72 42	HOSE/TANK	55 22	INSULATOR	106 11
HOLDER/JE/9-9	1 10	HOUSING ASSY	84 9	INSULATOR/120	22 9
HOLDER/JE/9-9	2 10	HOUSING/AXLE	61 1	INSULATOR/120	38 13
HOLDER/JE/9-9	51 20	HOUSING/AXLE/LH	45 1	INSULATOR/120	67 16
HOLDER/JE/9-9	87 19	HOUSING/AXLE/RH	45 2	INSULATOR/380	73 3

Alphabetical Index

1750-097-100-00

Description	Fig.Key	Description	Fig.Key	Description	Fig.Key
INSULATOR/50X50X15	2 29	LABEL/DRAWBAR	105 7	LEVER/SUB	38 11
INSULATOR/550	1 24	LABEL/DRIVE	93 1	LIFTRD/L COMP	70 27
INSULATOR/550	2 24	LABEL/ETHER	93 6	LINING/11X30X02	67 6
INSULATOR/75	6 21	LABEL/FUEL	93 12	LINING/11X40X03	8 8
INSULATOR/DASH	75 5	LABEL/FUSE/E4	87 8	LINK BRACKET	70 40
INSULATOR/HOOD	75 1	LABEL/FUSE/E4	88 8	LINK SHIFT ARM	66 22
INSULATOR/LH	72 29	LABEL/FUSE/SLOWBLOW	87 9	LINK, CRANK	66 12
INSULATOR/RH	72 36	LABEL/FUSE/SLOWBLOW	88 9	LINK, TOP LH COMP	70 33
INSULATOR/TANK	75 7	LABEL/PTO	93 9	LINK/DRAWBAR	104 6
JOINT BALL M08LH	39 7	LABEL/PTO/MID	91 12	LINK/LOWER COMP	70 1
JOINT BALL M08RH	39 6	LABEL/PTO/MID	92 1	LINK/SPOOL COMP	66 11
JOINT, L TYPE	5 12	LABEL/PTO/MID	95 48	LINK/SUPPORT COMP	66 18
KEY	85 5	LABEL/RADIATOR	93 7	LINK/TOP/RH COMP	70 35
KEY	86 5	LABEL/ROPS	93 13	LINKPIN	57 8
KIT/JOINT	58 2	LABEL/SPEED	93 14	LINKPIN	70 3
KIT/JOINT	59 2	LABEL/SPEED/HST	93 15	LINKPIN	70 38
KNOB	85 12	LABEL/SWITCH/MAIN	91 9	LINKPIN	71 5
KNOB	85 15	LABEL/SWITCH/MAIN	92 8	LINKPIN	89 8
KNOB	86 12	LABEL/TRAILER	93 8	LINKPIN	100 5
KNOB	86 15	LABEL/TRH1738A	104 17	LINKPIN	104 12
KNOB, LEVER/12	23 16	LABEL/W/FAN	93 2	LINKPIN	104 15
LABEL, CONTROL	91 3	LABEL/W/STARTER	93 10	LINKPIN	105 5
LABEL, CONTROL	92 2	LABEL/WARNING/BELT	93 4	LINKPIN	106 9
LABEL/4WD	91 7	LABEL/WARNING/HOT	93 5	LOCKPLATE	50 8
LABEL/4WD	92 6	LAMP/COMBINATIO SET	83 3	MAT/FLOOR/LH	81 6
LABEL/BATTERY	93 11	LAMP/HEAD ASSY	83 1	MAT/FLOOR/RH	81 7
LABEL/CAUTION/BATTER	93 3	LAMP/NUMBERPLAT SET	83 9	MAT/LH	82 6
LABEL/CE	93 16	LEVELGAGE	13 34	MAT/RH	82 7
LABEL/COLUMN/LH	91 10	LEVER	5 2	METAL, DIFF-CASE LH	44 14
LABEL/COLUMN/LH	92 9	LEVER	85 11	METAL, DIFF-CASE RH	44 15
LABEL/COLUMN/RH	91 11	LEVER	86 11	METAL/BRAKE	49 11
LABEL/COLUMN/RH	92 10	LEVER COMP	8 6	METAL/HST	13 19
LABEL/CONTROL/ADJUST	91 8	LEVER/4WD ASSY	25 14	METAL/INPUT	12 24
LABEL/CONTROL/ADJUST	92 11	LEVER/4WD COMP	24 12	METAL/PIVOT/FRONT	61 4
LABEL/CONTROL/CRUISE	92 12	LEVER/CRUISE COMP	41 1	METAL/PIVOT/REA ASSY	61 9
LABEL/CONTROL/MAIN	91 1	LEVER/MAIN COMP	21 4	METAL/PTO	12 30
LABEL/CONTROL/PARKIN	91 6	LEVER/PARKING ASSY	50 23	METAL/PTO	13 29
LABEL/CONTROL/PARKIN	92 7	LEVER/PARKING COMP	51 16	METAL/SHIFT	21 1
LABEL/CONTROL/PTO	91 4	LEVER/POSITION	67 13	METAL/SLIDE	110 5
LABEL/CONTROL/PTO	92 4	LEVER/PTO COMP	32 12	METER ASSY	84 2
LABEL/CONTROL/SUB	91 2	LEVER/PTO COMP	33 16	MIRROR ASSY	81 25
LABEL/CONTROL/SUB	92 3	LEVER/PTO/MID COMP	36 30	MIRROR ASSY	82 27
LABEL/DIFF	91 5	LEVER/PTO/MID COMP	95 29	MUFFLER COMP	3 1
LABEL/DIFF	92 5	LEVER/SUB	22 6	NEEDLE	109 5
LABEL/DRAWBAR	71 7	LEVER/SUB	23 13	NEEDLE	110 15

Alphabetical Index

1750-097-100-00

Description	Fig.Key	Description	Fig.Key	Description	Fig.Key
NET/GURILLE	73 5	NUT	63 5	NUT/M12	50 46
NET/SIDE	72 30	NUT	67 9	NUT/M12	61 8
NET/SIDE	72 37	NUT	70 29	NUT/M12	70 11
NET/SIDE/LH	73 10	NUT	72 15	NUT/M12	70 15
NET/SIDE/RH	73 11	NUT	72 47	NUT/M12	70 32
NET/WIRE COMP	1 2	NUT	76 16	NUT/M12	107 4
NET/WIRE COMP	2 2	NUT	77 14	NUT/M12/LH	50 47
NIPPLE, GREASE	10 6	NUT	82 10	NUT/M14	83 14
NIPPLE, GREASE	50 38	NUT	85 20	NUT/M14	89 14
NIPPLE, GREASE	51 30	NUT	85 22	NUT/M14	106 15
NIPPLE, GREASE	53 4	NUT	86 23	NUT/M16	65 12
NIPPLE, GREASE	53 10	NUT	108 17	NUT/M16	70 19
NIPPLE, GREASE	62 37	NUT, LH THREAD/M17	63 11	NUT/M16	70 22
NIPPLE, GREASE	63 4	NUT, RING	5 7	NUT/M16	89 3
NIPPLE, GREASE	63 10	NUT, SLOTTED	53 3	NUT/M16	106 4
NIPPLE, GREASE/PT1/8	9 3	NUT, SLOTTED	53 9	NUT/M22	85 10
NIPPLE, GREASE/PT1/8	11 4	NUT, SLOTTED	63 3	NUT/M22	86 10
NIPPLE, GREASE/PT1/8	40 5	NUT, SLOTTED	63 9	NUT/M6	41 31
NIPPLE, GREASE/PT1/8	50 7	NUT, SPEED/P6	72 32	NUT/M6	74 15
NIPPLE, GREASE/PT1/8	51 3	NUT, SPEED/P6	72 39	NUT/M6	85 3
NUT	8 11	NUT, SPEED/P6	73 7	NUT/M6	86 3
NUT	11 3	NUT, SPEED/P6	73 13	NUT/M8	10 19
NUT	11 11	NUT, SPEED/P6	74 11	NUT/M8	11 19
NUT	12 5	NUT, TOP LINK LOCK	70 36	NUT/M8	32 17
NUT	12 11	NUT, U/M16	104 9	NUT/M8	39 8
NUT	12 15	NUT/M 6	7 5	NUT/M8	50 21
NUT	13 7	NUT/M 6	36 35	NUT/M8	50 33
NUT	21 6	NUT/M 6	87 17	NUT/M8	51 14
NUT	22 5	NUT/M 6	88 18	NUT/M8	51 26
NUT	39 10	NUT/M 6	95 34	NUT/M8	51 40
NUT	39 21	NUT/M 8	65 8	NUT/RING	85 6
NUT	40 7	NUT/M 8	70 7	NUT/RING	86 6
NUT	40 9	NUT/M06	7 8	NUT/SPRING	74 3
NUT	41 35	NUT/M08	7 13	NUT/WASHER	6 10
NUT	44 30	NUT/M08	68 25	NUT/WASHER	40 14
NUT	50 11	NUT/M08	69 30	NUT/WASHER	41 9
NUT	50 22	NUT/M10	10 20	NUT/WASHER	57 12
NUT	50 32	NUT/M10	64 9	NUT/WASHER	72 53
NUT	50 53	NUT/M10 7T P=1.25	9 7	NUT/WASHER	83 8
NUT	51 5	NUT/M10 7T P=1.25	10 9	NUT/WASHER	100 9
NUT	51 15	NUT/M10 7T P=1.25	54 5	O-RING	21 11
NUT	51 39	NUT/M12	12 19	O-RING G60	64 16
NUT	52 3	NUT/M12	34 3	O-RING /P41	62 34
NUT	58 12	NUT/M12	47 8	O-RING /P41	110 26
NUT	59 12	NUT/M12	48 9	O-RING HS90 G50	55 5

Alphabetical Index

1750-097-100-00

Description	Fig.Key	Description	Fig.Key	Description	Fig.Key
0-RING HS90 G50	56 5	0-RING/P18	89 7	PACKING/RUBBER	79 4
0-RING HS90 G50	68 19	0-RING/P18	106 8	PAD/HST/OR	40 10
0-RING HS90 G50	69 24	0-RING/P18	108 11	PAD/OR	40 11
0-RING P6 HS90	55 7	0-RING/P20	54 18	PANEL/INSTRUMEN ASSY	84 1
0-RING P6 HS90	56 7	0-RING/P20	55 12	PEDAL/BRAKE ASSY	51 1
0-RING P6 HS90	68 21	0-RING/P20	55 15	PEDAL/BRAKE/LH SET	50 1
0-RING P6 HS90	69 26	0-RING/P20	56 12	PEDAL/BRAKE/RH COMP	50 5
0-RING P6 HS90	109 8	0-RING/P20	56 15	PEDAL/CLUTCH COMP	11 1
0-RING/G115	49 12	0-RING/P20	68 12	PEDAL/HST/F ASSY	40 3
0-RING/G45	68 6	0-RING/P20	68 28	PEDAL/HST/R SET	40 1
0-RING/G45	69 8	0-RING/P20	69 18	PIN	12 29
0-RING/G70	61 11	0-RING/P20	69 33	PIN	12 31
0-RING/G90	62 2	0-RING/P20	108 12	PIN	13 23
0-RING/P 7	13 21	0-RING/P21	25 2	PIN	13 30
0-RING/P 7	64 24	0-RING/P22	55 6	PIN	21 3
0-RING/P 7	66 20	0-RING/P22	56 6	PIN	35 2
0-RING/P 7	108 21	0-RING/P22	68 20	PIN	36 4
0-RING/P 9	89 9	0-RING/P22	69 25	PIN	40 16
0-RING/P 9	106 10	0-RING/P24	69 12	PIN	41 15
0-RING/P10A	5 4	0-RING/P35	69 9	PIN	44 8
0-RING/P10A	27 5	0-RING/P36	54 19	PIN	44 9
0-RING/P10A	27 13	0-RING/P44	5 8	PIN	45 11
0-RING/P10A	44 28	0-RING/P5 HS90	13 22	PIN	53 18
0-RING/P10A	66 23	0-RING/P55	66 2	PIN	62 4
0-RING/P12	64 13	OIL/FILTER ASSY	43 6	PIN	62 29
0-RING/P12	64 15	ORING	56 26	PIN	62 38
0-RING/P12	64 21	ORNAMENT/3200	90 6	PIN	64 10
0-RING/P12	108 16	ORNAMENT/3240	90 4	PIN	84 5
0-RING/P12	109 7	ORNAMENT/HYDRO	90 7	PIN	95 5
0-RING/P14	14 3	ORNAMENT/I	90 3	PIN	110 53
0-RING/P14	23 2	ORNAMENT/ISEKI/LH	90 1	PIN	110 54
0-RING/P14	24 14	ORNAMENT/ISEKI/RH	90 2	PIN COMP	72 48
0-RING/P14	32 7	ORNAMENT/STEERING	90 5	PIN SPLIT W 6.0X16	18 6
0-RING/P14	33 2	PACKING	1 17	PIN SPLIT W 6.0X16	20 11
0-RING/P14	35 23	PACKING	2 17	PIN, CHAIN	70 24
0-RING/P14	36 24	PACKING	5 11	PIN, HAIR	78 11
0-RING/P14	95 24	PACKING	61 3	PIN, HAIR	78 12
0-RING/P14	108 10	PACKING	64 14	PIN, HAIR	79 11
0-RING/P14	110 30	PACKING, OIL PUMP	55 10	PIN, HAIR	79 12
0-RING/P15	14 4	PACKING, OIL PUMP	56 10	PIN, KNOCK	13 27
0-RING/P16	45 13	PACKING, OIL PUMP	68 24	PIN, ROD COMP	66 5
0-RING/P16	110 52	PACKING, OIL PUMP	69 29	PIN, SPLIT/1.6X15	81 19
0-RING/P18	49 10	PACKING, ROD	53 5	PIN, SPLIT/1.6X15	82 21
0-RING/P18	68 36	PACKING/RUBBER	6 9	PIN, SPLIT/2 X15	36 43
0-RING/P18	69 41	PACKING/RUBBER	78 4	PIN, SPLIT/2 X15	66 13

Alphabetical Index

1750-097-100-00

Description	Fig.Key	Description	Fig.Key	Description	Fig.Key
PIN, SPLIT/2 X15	66 16	PIN, SPRING/6 X40 W	35 9	PIN/SNAP	72 7
PIN, SPLIT/2 X15	95 42	PIN, SPRING/6 X40 W	36 10	PIN/SNAP	72 20
PIN, SPLIT/2 X20	8 4	PIN, SPRING/6 X40 W	95 10	PIN/SNAP	72 26
PIN, SPLIT/2 X20	8 15	PIN, ST	110 44	PIN/SUPPORT COMP	66 19
PIN, SPLIT/2 X20	11 8	PIN, TAPER/8X50	40 2	PINION/BEVEL SET	17 1
PIN, SPLIT/2 X20	24 5	PIN, TAPER/8X50	50 2	PINION/BEVEL SET	60 1
PIN, SPLIT/2 X20	41 13	PIN, TAPER/8X50	50 42	PINION/BEVEL/07 SET	16 10
PIN, SPLIT/2 X20	41 17	PIN, TAPER/8X50	51 34	PINION/BEVEL/11	60 9
PIN, SPLIT/2 X20	41 21	PIN, TOP LINK	70 37	PINION/BEVEL/12	44 3
PIN, SPLIT/2 X20	47 5	PIN, YOKE A	50 13	PIPE/123	46 3
PIN, SPLIT/2 X20	48 6	PIN, YOKE A	50 17	PIPE/CLEANER/INLET	4 7
PIN, SPLIT/2 X20	50 15	PIN, YOKE A	51 8	PIPE/DEL/FRONT COMP	68 26
PIN, SPLIT/2 X20	50 19	PIN, YOKE A	51 8	PIPE/DEL/FRONT COMP	69 31
PIN, SPLIT/2 X20	50 35	PIN, YOKE A	51 24	PIPE/DEL/REAR COMP	68 32
PIN, SPLIT/2 X20	51 11	PIN/06X07	72 18	PIPE/DEL/REAR COMP	69 37
PIN, SPLIT/2 X20	51 23	PIN/06X31	33 19	PIPE/HST COMP	43 17
PIN, SPLIT/2 X20	51 42	PIN/08X19	50 34	PIPE/SUC/FRONT COMP	68 11
PIN, SPLIT/2 X20	52 4	PIN/08X57	51 9	PIPE/SUC/FRONT COMP	69 17
PIN, SPLIT/2 X25	53 15	PIN/10X154	78 9	PIPE/SUC/REAR COMP	69 11
PIN, SPLIT/2. 5X20	33 20	PIN/10X154	79 9	PIPE/SUCTION/MI COMP	68 5
PIN, SPLIT/2. 5X20	50 50	PIN/10X25	50 48	PIPE/SUCTION/REAR	68 3
PIN, SPLIT/2. 5X25	8 12	PIN/12X48	70 20	PISTON	66 1
PIN, SPLIT/2. 5X25	32 4	PIN/12X75	9 14	PISTON	110 6
PIN, SPLIT/3 X15	11 14	PIN/12X75	60 11	PISTON	111 1
PIN, SPLIT/3 X20	9 15	PIN/16X73	70 30	PIVOT/TRUNNION COMP	39 1
PIN, SPLIT/3 X20	23 10	PIN/20X51	35 5	PLATE	67 5
PIN, SPLIT/3 X20	25 13	PIN/20X51	36 6	PLATE	104 7
PIN, SPLIT/3 X20	33 11	PIN/20X51	95 6	PLATE COMP	41 10
PIN, SPLIT/3 X20	38 6	PIN/20X58	89 6	PLATE COMP	51 19
PIN, SPLIT/3 X20	63 13	PIN/20X58	106 7	PLATE COMP	81 26
PIN, SPLIT/3 X25	70 21	PIN/22X404	70 4	PLATE/30X50	95 46
PIN, SPRING 3X32	64 25	PIN/22X86	65 9	PLATE/BATTERY	7 3
PIN, SPRING/5 X20 W	24 9	PIN/25X91	104 11	PLATE/BUMPER	107 1
PIN, SPRING/5 X20 W	67 12	PIN/30X120 COMP	57 7	PLATE/CHAIN/LH	70 8
PIN, SPRING/5 X25 W	32 11	PIN/30X120 COMP	100 4	PLATE/CHAIN/RH	70 12
PIN, SPRING/5 X25 W	60 12	PIN/30X162 COMP	71 4	PLATE/COVER	13 26
PIN, SPRING/5 X32 W	24 16	PIN/30X162 COMP	104 14	PLATE/CRUISE COMP	41 8
PIN, SPRING/6 X25 W	23 6	PIN/30X162 COMP	105 4	PLATE/DAMPER	10 15
PIN, SPRING/6 X25 W	25 9	PIN/47X19	62 31	PLATE/FRICTION	49 3
PIN, SPRING/6 X25 W	33 7	PIN/5X17	66 15	PLATE/FRICTION	49 7
PIN, SPRING/6 X25 W	36 45	PIN/ADJUST	64 23	PLATE/GUIDE	21 17
PIN, SPRING/6 X25 W	38 2	PIN/SHIFT COMP	23 1	PLATE/HITCH COMP	71 1
PIN, SPRING/6 X25 W	95 44	PIN/SHIFT COMP	33 1	PLATE/HOLDER/LH/F	72 50
PIN, SPRING/6 X28 W	9 25	PIN/SHIFT/FRONT COMP	25 1	PLATE/HOLDER/RH/F	72 51
PIN, SPRING/6 X32 W	10 26	PIN/SLITTED	44 26	PLATE/I/19X295	23 8

Alphabetical Index

1750-097-100-00

Description	Fig.Key	Description	Fig.Key	Description	Fig.Key
PLATE/I/19X295	33 9	PLUG/SCREW/SEAL	10 3	RING, SNAP/18 C	38 10
PLATE/I/30X50	25 6	PLUG/SCREW/SEAL	13 20	RING, SNAP/18 C	41 28
PLATE/I/30X50	33 3	PLUG/SCREW/SEAL	35 27	RING, SNAP/18 C	42 2
PLATE/I/30X50	35 24	PLUG/SCREW/SEAL	36 5	RING, SNAP/20C	15 9
PLATE/I/30X50	36 26	PLUG/SCREW/SEAL	68 27	RING, SNAP/20C	16 7
PLATE/IR/16X105	41 14	PLUG/SCREW/SEAL	69 32	RING, SNAP/20C	20 10
PLATE/IR/44X60	73 21	PLUG/SCREW/SEAL	95 26	RING, SNAP/20C	28 19
PLATE/L/25X68	69 4	PLUG/SCREW/SEAL	108 22	RING, SNAP/20C	29 12
PLATE/L/28X28	50 58	PLUG/SCREW/SEAL	108 23	RING, SNAP/20C	30 13
PLATE/L/28X28	51 47	PLUG/SCREW/SEAL	108 24	RING, SNAP/20C	31 7
PLATE/L/38X114	89 15	PLUG/SCREW/SEAL	109 6	RING, SNAP/20C	110 32
PLATE/L/38X114	106 16	POPPET	108 20	RING, SNAP/22 C	18 4
PLATE/L/50X45	6 13	POPPET	110 47	RING, SNAP/22 C	50 3
PLATE/PARKING/A	50 43	POPPET/CHECK	110 24	RING, SNAP/22 C	50 56
PLATE/PARKING/B	50 44	POPPET/RELIEF	110 22	RING, SNAP/22 C	51 45
PLATE/PRESSURE/LH	49 1	PRESSURE/BRAKE	111 12	RING, SNAP/25	16 17
PLATE/PRESSURE/RH	49 5	PROTECTOR	67 17	RING, SNAP/25	17 4
PLATE/REAR/LH COMP	72 54	PTO/MID SET	95 1	RING, SNAP/25 C	15 6
PLATE/REAR/RH COMP	72 55	PUMP SET	55 2	RING, SNAP/25 C	16 14
PLATE/SEPARATER	49 2	PUMP SET	56 2	RING, SNAP/25 C	20 4
PLATE/SEPARATER	49 6	PUMP, GEAR ASSY	68 16	RING, SNAP/25 C	28 13
PLATE/SPRING	108 18	PUMP, GEAR ASSY	69 21	RING, SNAP/25 C	29 6
PLATE/SPRING	110 23	PUMP, GEAR ASSY	55 1	RING, SNAP/25 C	30 24
PLATE/STOP COMP	81 16	PUMP, GEAR ASSY	56 1	RING, SNAP/25 C	30 36
PLATE/STOP COMP	82 18	PUMP, GEAR ASSY	68 15	RING, SNAP/25 C	35 14
PLATE/STOPPER COMP	65 13	PUMP, GEAR ASSY	69 20	RING, SNAP/25 C	36 12
PLATE/SWASH	110 4	PUMP/FUEL ASSY	5 20	RING, SNAP/25 C	36 39
PLATE/VALVE/MOTOR	110 9	RADIATOR ASSY	1 1	RING, SNAP/25 C	60 5
PLATE/VALVE/PUMP	110 8	RADIATOR ASSY	2 1	RING, SNAP/25 C	62 27
PLATE/Z/19X261	25 11	REFLECTOR ASSY	76 11	RING, SNAP/25 C	95 15
PLATE/Z/19X334	38 4	REFLECTOR ASSY	77 9	RING, SNAP/25 C	95 38
PLUG	1 16	RELAY/4P ASSY	86 20	RING, SNAP/28 C	21 10
PLUG	2 16	RIM/WHEEL COMP	96 3	RING, SNAP/30 C	30 8
PLUG	108 9	RIM/WHEEL COMP	96 8	RING, SNAP/30 C	30 18
PLUG	109 4	RIM/WHEEL COMP	102 2	RING, SNAP/30 C	30 31
PLUG (G3/8)	110 28	RIM/WHEEL COMP	102 7	RING, SNAP/30 C	46 7
PLUG (PF1/4)	110 29	RIM/WHEEL COMP	103 3	RING, SNAP/30 C	110 42
PLUG, DRAIN	12 22	RING, BACKUP	66 3	RING, SNAP/32 C	110 34
PLUG, DRAIN	13 17	RING, SNAP/14 C	27 14	RING, SNAP/35 C	62 13
PLUG, DRAIN	45 12	RING, SNAP/15 C	39 16	RING, SNAP/35 C	65 6
PLUG, DRAIN (1/4)	62 18	RING, SNAP/15 C	39 18	RING, SNAP/47 C	62 17
PLUG/7P	85 26	RING, SNAP/15 C	41 4	RING, SNAP/47 C	110 33
PLUG/7P	86 28	RING, SNAP/17 C	110 43	RING, SNAP/52 C	17 13
PLUG/M18	110 49	RING, SNAP/18 C	23 18	RING, SNAP/52 C	28 3
PLUG/SCREW/SEAL	9 4	RING, SNAP/18 C	25 18	RING, SNAP/52 C	29 3

Alphabetical Index

1750-097-100-00

Description	Fig.Key	Description	Fig.Key	Description	Fig.Key
RING, SNAP/52 C	35 17	ROD/BRAKE COMP	51 13	SEAL, OIL/TC35528	35 19
RING, SNAP/52 C	36 17	ROD/CLUTCH/A	11 9	SEAL, OIL/TC35528	36 18
RING, SNAP/52 C	60 7	ROD/CLUTCH/B	11 12	SEAL, OIL/TC35528	95 20
RING, SNAP/52 C	95 18	ROD/LIFT/LH COMP	70 25	SEAL, OIL/TC35558	31 8
RING/22	30 4	ROD/M08X110 COMP	39 4	SEAL, OIL/VC35506	65 2
RING/30	30 14	ROD/M12X66	50 45	SEAL/47	110 38
RING/E	84 3	ROD/M8X65 COMP	39 5	SEAL/OIL	61 6
RING/O	22 2	ROD/M8X92	39 20	SEAL/OIL	110 35
RING/O	43 3	ROD/PISTON SET	53 7	SEAL/OIL	110 36
RING/O	53 12	ROD/TIE	63 6	SEAL/OIL	110 37
RING/O	55 19	ROD/TIE/LH ASSY	63 1	SEAL/OIL ASSY	62 10
RING/O	55 21	ROD/TIE/MID	36 41	SEAL/PISTON	53 11
RING/O	55 25	ROD/TIE/MID	95 40	SEAL/QLNY35571116	62 24
RING/O	56 23	ROD/TIE/RH ASSY	63 7	SEALRING/32	111 3
RING/O	56 31	RUBBER, CUSHIN	78 5	SEALRING/77	111 2
RING/O	56 33	RUBBER, CUSHIN	79 5	SEPARATERPLATE	111 5
RING/O	68 2	RUBBER, CUSHION	50 51	SHAFT	62 19
RING/O	69 3	S. W	55 9	SHAFT	62 44
RING/O	108 13	S. W	56 9	SHAFT	62 45
RING/O	110 31	S. W	68 23	SHAFT, DIFF. PINION	44 2
RING/SNAP	28 10	S. W	69 28	SHAFT/4WD	20 6
RING/SNAP	30 19	SCREW	77 8	SHAFT/4WD ASSY	58 1
RING/SNAP	46 8	SCREW	84 17	SHAFT/4WD ASSY	59 1
RING/SNAP	58 3	SCREW	84 20	SHAFT/BRAKE SET	50 41
RING/SNAP	59 3	SCREW, RH/M24 COMP	70 26	SHAFT/BRAKE SET	51 33
RING/SNAP	60 15	SCREW, SEMS	76 15	SHAFT/CHANGE	15 7
RING/SNAP	60 16	SCREW, SEMS	77 13	SHAFT/DRIVE/PTO	28 1
RING/SNAP	62 7	SCREW/4X16	84 18	SHAFT/DRIVE/PTO	29 1
RING/SNAP	62 14	SCREW/F	108 15	SHAFT/DRIVE/PTO	30 26
RING/SNAP	65 5	SCREW/SOCKET	110 45	SHAFT/FRONT	20 12
RIVET	81 8	SCREW/SP	74 8	SHAFT/FRONT COMP	19 2
RIVET	82 8	SCREW/SP	74 14	SHAFT/INPUT	9 23
ROD	50 24	SCREW/SP	76 10	SHAFT/INPUT	10 24
ROD	66 4	SCREW/TAPPING	84 11	SHAFT/LIFT	65 1
ROD COMP	51 25	SEAL, DUST	53 6	SHAFT/MOTOR	110 11
ROD/111	51 35	SEAL, OIL	55 4	SHAFT/PTO	31 1
ROD/115 COMP	50 29	SEAL, OIL	56 4	SHAFT/PTO COMP	30 3
ROD/175	48 4	SEAL, OIL	68 18	SHAFT/PTO/MID	35 10
ROD/193	47 3	SEAL, OIL	69 23	SHAFT/PTO/MID	36 11
ROD/390 COMP	50 20	SEAL, OIL/21	60 6	SHAFT/PTO/MID	95 11
ROD/41	51 36	SEAL, OIL/QLF488011.5	46 4	SHAFT/PUMP	110 10
ROD/41/LH	51 37	SEAL, OIL/TC20357	9 2	SHAFT/REVERSE	18 5
ROD/42	51 21	SEAL, OIL/TC20357	15 2	SHAFT/STEERING/ COMP	54 16
ROD/70 COMP	50 30	SEAL, OIL/TC20357	19 5	SHAFT/SUB	16 4
ROD/70 COMP	72 24	SEAL, OIL/TC20357	20 15	SHAFT/WHEEL	46 1

Alphabetical Index

1750-097-100-00

Description	Fig.Key	Description	Fig.Key	Description	Fig.Key
SHAFT/WHEEL	62 22	SPRING/HC022	26 3	SWITCH ASSY	86 9
SHIFTER/PTO	32 1	SPRING/HC022	26 6	SWITCH, STOP	85 19
SHIM, DIFF-CASE A	44 16	SPRING/HC023	27 7	SWITCH, STOP	86 22
SHIM, DIFF-CASE B	44 17	SPRING/HC023	27 17	SWITCH, STOP	86 24
SHIM/0. 1	110 51	SPRING/HC024	32 15	SWITCH/HAZARD ASSY	85 8
SHIM/0. 5	110 50	SPRING/HC024	33 18	SWITCH/HAZARD ASSY	86 8
SHIM/0. 9	110 7	SPRING/HC024	36 33	SWITCH/MAIN ASSY	85 4
SHIM/T=0. 7	21 21	SPRING/HC024	95 32	SWITCH/MAIN ASSY	86 4
SHROUD COMP	1 21	SPRING/HC024	110 48	SWITCH/PTO ASSY	86 16
SHROUD COMP	2 21	SPRING/HC027	108 7	SWITCH/PUSH SET	85 21
SLEEVE	9 16	SPRING/HC030	110 20	SWITCH/ROTARY/2 ASSY	85 14
SLEEVE	31 2	SPRING/HC053	110 19	SWITCH/ROTARY/2 ASSY	86 14
SLEEVE	35 18	SPRING/HC060	21 14	TANK/FUEL	6 1
SLEEVE	36 15	SPRING/HC090	72 2	TAPE/10X20	76 13
SLEEVE	95 19	SPRING/HC094	11 5	TAPE/10X20	77 11
SNAPRING	111 8	SPRING/HC50	9 17	TIRE, 315/750-15-4	98 2
SNAPRING/32	111 10	SPRING/HE036	72 21	TIRE, LW-LUG/L ASSY	97 1
SNAPRING/85	111 13	SPRING/HE044	72 27	TIRE, LW-LUG/R ASSY	97 6
SOCKET	84 13	SPRING/HE068	39 22	TIRE, TURF/L ASSY	99 1
SOCKET	84 15	SPRING/HE089	72 16	TIRE, TURF/R ASSY	99 5
SPOOL/FLOCON/1. 15	108 5	SPRING/HE106	50 4	TIRE, TURF20. 5X800-10	102 3
SPOOL/STOPPER	108 8	SPRING/HE106	50 6	TIRE, TURF20. 5X800-10	102 8
SPRING	50 25	SPRING/HE106	51 6	TIRE, TURF29X12. 00X15	99 3
SPRING	70 2	SPRING/HE110	50 57	TIRE, TURF29X12. 00X15	99 7
SPRING	109 2	SPRING/HE110	51 46	TIRE/23X10. 50-12ASSY	103 1
SPRING	109 3	SPRING/HE85	39 19	TIRE/315/75D-15 ASSY	98 1
SPRING	111 4	SPRING/WASHER	67 7	TIRE/4P 500-12	101 3
SPRING, PRESS/22	8 9	SPRING/WAVE	111 15	TIRE/4P 500-12	101 8
SPRING, PRESS/40	44 27	STAY, SHIFTER	24 8	TIRE/4P 8-18	97 3
SPRING, SHIFTER	24 3	STAY, SHIFTER	44 24	TIRE/4P 8-18	97 8
SPRING, SHIFTER	32 2	STAY/CYLINDER	53 17	TIRE/9. 5-16-4	96 2
SPRING, SHIFTER	35 12	STAY/INSULATOR	74 18	TIRE/9. 5-16-4	96 7
SPRING, SHIFTER	36 22	STAY/PLATE	59 10	TIRE/9. 5-16/LH ASSY	96 1
SPRING, SHIFTER	95 14	STAY/PTO/PARKIN COMP	32 18	TIRE/9. 5-16/RH ASSY	96 6
SPRING, TENSION/121	47 6	STAY/SHIFT/1ST	27 1	TIRE/TURF/23-12	103 2
SPRING, TENSION/121	48 7	STAY/SHIFT/2ND	27 9	TIRE/TURF/LH ASSY	102 1
SPRING, TENSION/31	66 10	STAY/SHIFT/HST	26 1	TIRE/TURF/RH ASSY	102 6
SPRING, TENSION/53	8 1	STAY/SHIFT/PTO	32 5	TOOL/FUSE	87 7
SPRING, TENSION/53	41 7	STEP/LH COMP	81 1	TOOL/FUSE	88 7
SPRING, TENSION/53	67 10	STEP/LH COMP	82 1	TRIM/130	1 26
SPRING, VALVE	5 3	STEP/RH COMP	81 2	TRIM/130	2 26
SPRING/GUIDE	108 6	STEP/RH COMP	82 2	TRIM/20	72 23
SPRING/HC020	108 19	STRAP/GROUND ASSY	7 11	TRIM/260	41 33
SPRING/HC021	110 21	SUBCONCOVER	64 20	TRIM/265	73 2
SPRING/HC022	25 3	SWITCH ASSY	85 9	TRIM/290	81 13

Alphabetical Index

1750-097-100-00

Description	Fig.Key	Description	Fig.Key	Description	Fig.Key
TRIM/290	82 15	WASHER	73 14	WASHER, PL/M 8	72 14
TRIM/295	41 32	WASHER	84 6	WASHER, PL/M 8	72 46
TRIM/470	74 21	WASHER	111 9	WASHER, PL/M 8	76 18
TRIM/570	74 22	WASHER (9X24X1.6)	72 25	WASHER, PL/M 8	77 16
TRIM/70	73 4	WASHER / M16	65 11	WASHER, PL/M 8	81 24
TRIM/715	81 20	WASHER / M16	89 5	WASHER, PL/M 8	82 26
TRIM/715	82 22	WASHER / M16	106 6	WASHER, PL/M 8	95 41
TUBE/ 8-16	96 4	WASHER / M6	7 4	WASHER, PL/M14	41 3
TUBE/ 8-16	96 9	WASHER / M6	8 3	WASHER, SEAL/16	12 23
TUBE/ 8-18	97 4	WASHER / M6	8 14	WASHER, SEAL/16	13 18
TUBE/ 8-18	97 9	WASHER / M6	11 7	WASHER, SP/M 6	10 5
TUBE/06X10X20	72 22	WASHER / M6	50 40	WASHER, SP/M 6	50 39
TUBE/10X12X50	32 14	WASHER / M6	51 32	WASHER, SP/M 6	51 31
TUBE/10X12X50	36 32	WASHER / M6	66 14	WASHER, SP/M 6	68 14
TUBE/10X12X50	48 3	WASHER / M6	72 19	WASHER, SP/M 6	87 16
TUBE/10X12X50	95 31	WASHER / M6	74 5	WASHER, SP/M 6	88 17
TUBE/12X15X80	23 14	WASHER /M12	45 7	WASHER, SP/M 8	4 14
TUBE/500-12	101 4	WASHER /M12	47 9	WASHER, SP/M 8	5 14
TUBE/500-12	101 9	WASHER /M12	48 10	WASHER, SP/M 8	10 18
TUBE/SHIFT/MAIN COMP	21 8	WASHER /M12	70 43	WASHER, SP/M 8	12 27
TURNBUCKLE	11 10	WASHER, PL/M 4	76 12	WASHER, SP/M 8	27 3
TURNBUCKLE	70 18	WASHER, PL/M 4	77 10	WASHER, SP/M 8	27 11
TURNBUCKLE/M8	50 31	WASHER, PL/M 8	1 20	WASHER, SP/M 8	39 3
TURNBUCKLE/M8	51 27	WASHER, PL/M 8	2 20	WASHER, SP/M 8	39 9
TURNBUCKLE/M8	51 38	WASHER, PL/M 8	5 15	WASHER, SP/M 8	44 11
TURNBUCKLE COMP	70 34	WASHER, PL/M 8	11 13	WASHER, SP/M 8	56 28
U-NUT	50 9	WASHER, PL/M 8	12 28	WASHER, SP/M 8	58 8
VALVE, SOLENOID SET	108 2	WASHER, PL/M 8	23 9	WASHER, SP/M 8	58 13
VALVE	4 4	WASHER, PL/M 8	24 7	WASHER, SP/M 8	59 8
VALVE SET	109 1	WASHER, PL/M 8	25 12	WASHER, SP/M 8	59 13
VALVE ASSY	56 24	WASHER, PL/M 8	27 4	WASHER, SP/M 8	67 3
VALVE CONTROL ASSY	66 8	WASHER, PL/M 8	27 12	WASHER, SP/M10	3 4
VALVE, RELIEF ASSY	64 12	WASHER, PL/M 8	33 10	WASHER, SP/M10	9 9
VALVE/FLOCON ASSY	108 4	WASHER, PL/M 8	36 42	WASHER, SP/M10	10 11
VALVE/RELIEF ASSY	109 9	WASHER, PL/M 8	38 5	WASHER, SP/M10	10 21
VALVE/RELIEF SET	110 46	WASHER, PL/M 8	41 12	WASHER, SP/M10	12 6
VALVE/RIM	98 4	WASHER, PL/M 8	41 16	WASHER, SP/M10	12 12
VALVE/RIM	102 5	WASHER, PL/M 8	41 20	WASHER, SP/M10	12 16
VALVE/RIM	102 10	WASHER, PL/M 8	47 4	WASHER, SP/M10	13 6
VALVE/RIM	103 4	WASHER, PL/M 8	48 5	WASHER, SP/M10	14 7
VIS	5 5	WASHER, PL/M 8	50 14	WASHER, SP/M10	35 4
WASHER	8 10	WASHER, PL/M 8	50 18	WASHER, SP/M10	36 3
WASHER	39 14	WASHER, PL/M 8	51 10	WASHER, SP/M10	41 25
WASHER	66 17	WASHER, PL/M 8	51 22	WASHER, SP/M10	44 31
WASHER	72 12	WASHER, PL/M 8	51 41	WASHER, SP/M10	45 9

Alphabetical Index

1750-097-100-00

Description	Fig.Key	Description	Fig.Key	Description	Fig.Key
WASHER, SP/M10	53 22	WASHER/20X28X2	31 6	WHEEL/15X10LB COMP	98 3
WASHER, SP/M10	54 9	WASHER/20X32X02	28 18	WHEEL/15X10LB COMP	99 2
WASHER, SP/M10	54 15	WASHER/20X32X02	29 11	WHEEL/15X10LB COMP	99 6
WASHER, SP/M10	57 3	WASHER/21X38X02	20 9	WHEEL/18XW6 COMP	97 2
WASHER, SP/M10	62 41	WASHER/21X38X02	30 12	WHEEL/18XW6 COMP	97 7
WASHER, SP/M10	64 8	WASHER/24X9X3. 2	6 12	WHEEL/FRONT/LH ASSY	101 1
WASHER, SP/M10	95 4	WASHER/24X9X3. 2	74 7	WHEEL/FRONT/RH ASSY	101 6
WASHER, SP/M12	9 11	WASHER/24X9X3. 2	76 3	WHEEL/STEERING ASSY	52 1
WASHER, SP/M12	10 13	WASHER/24X9X3. 2	76 7	YOKE COMP	50 16
WASHER, SP/M12	12 20	WASHER/24X9X3. 2	77 3	YOKE COMP	51 12
WASHER, SP/M12	34 2	WASHER/24X9X3. 2	77 6	YOKE, LH	50 12
WASHER, SP/M12	45 6	WASHER/25X30X1	110 39	YOKE, LH	51 7
WASHER, SP/M12	46 10	WASHER/25X34X02	36 38	YOKE/CLAMP	58 4
WASHER, SP/M12	53 13	WASHER/25X34X02	95 37	YOKE/CLAMP	59 4
WASHER, SP/M12	57 6	WASHER/30X40X2	30 7	YOKE/SHAFT	58 5
WASHER, SP/M12	61 13	WASHER/30X40X2	30 17	YOKE/SHAFT	59 5
WASHER, SP/M12	62 43	WASHER/30X40X2	30 30	YOKE/SLEEVE	58 6
WASHER, SP/M12	63 12	WASHER/30X46X2	30 29	YOKE/SLEEVE	59 6
WASHER, SP/M12	64 19	WASHER/6X14X3	72 31		
WASHER, SP/M12	70 10	WASHER/6X14X3	72 38		
WASHER, SP/M12	70 14	WASHER/6X14X3	73 6		
WASHER, SP/M12	70 42	WASHER/6X14X3	73 12		
WASHER, SP/M12	71 3	WASHER/6X24X2	73 20		
WASHER, SP/M12	80 2	WASHER/6X24X2	81 17		
WASHER, SP/M12	100 3	WASHER/6X24X2	82 19		
WASHER, SP/M12	104 4	WASHER/M10	10 23		
WASHER, SP/M12	105 3	WASHER/M10	12 7		
WASHER, SP/M12	107 3	WASHER/M10	12 13		
WASHER, SP/M14	83 13	WASHER/M10	12 17		
WASHER, SP/M14	89 13	WASHER/M10	13 5		
WASHER, SP/M14	106 14	WASHER/M10	14 8		
WASHER, SP/M16	65 10	WASHER/M10	45 10		
WASHER, SP/M16	70 23	WASHER/M10	50 49		
WASHER, SP/M16	89 4	WASHER/M10	52 5		
WASHER, SP/M16	104 10	WASHER/M10	54 4		
WASHER, SP/M16	106 5	WASHER/M10	54 10		
WASHER/12X25X02	72 11	WASHER/M10	64 7		
WASHER/12X26X06	54 3	WASHER/M10	66 7		
WASHER/13X24X01	86 25	WASHER/M10	67 8		
WASHER/13X32X3	70 31	WASHER/M10	72 8		
WASHER/15X24X2	24 15	WASHER/M10	78 10		
WASHER/15X24X2	32 8	WASHER/M10	79 10		
WASHER/18X26X02	23 17	WASHER/M6	73 15		
WASHER/18X26X02	25 17	WHEEL COMP	101 2		
WASHER/18X26X02	38 9	WHEEL COMP	101 7		