

## Directions for use of Parts Catalogue

### 1. Applicable model of machines

All component and option parts used for TH4260, TH4290, TH4330 tractors are listed in this parts catalogue.

#### 1) MODEL TYPE

- F..... FOUR WHEEL DRIVE
- H..... HST
- M..... MID PTO.
- D..... DOUBLE CLUTCH
- R..... FRONT/REAR HITCH & ROPS

#### 2) AREA CODE

- E4..... EUROPE

### 2. Explanation for head paragraph

KEY	PART CODE	DESCRIPTION	S P C	TYPE OF MODEL						F T C	C O L	G R P	REMARKS
				354400	35440F	35440G	35440H	35440P	35440G				
1	2595-211-001-70	CASE/10720	4										
2	4597-293-001-90	CASE/10720	4										
3	4596-211-002-10	CASE/10720	4										
3	1522-100-001-90	PLH	4										
4	1211-250-002-90	ENCL SEMS	4										

- ① KEY shows the location of parts diagramed in the illustration.
- ② Parts numbers begin with `V` and `W` are standard parts of the market.
- ③ `LH` and `RH` on the parts name are described against the moving direction of the machine or are described on the condition how to install parts on the machines.

- ④ SPC : The following symbol classifies parts to be used for machines.
- `\*` means standard parts.
  - `T` shows that the parts can be installed as optional parts.
  - `R` shows that the parts can be used as applicable parts to replace originally equipped parts.
- ⑤ Upper column : QTY shows the number of parts to be used for one unit of machine.
- `M` is indicated for parts supplied by a meter long.
  - `l` is indicated for parts supplied by liter.
  - `AR` is indicated for parts need to be adjusted or regulated.
- Lower column : serial number
- 229 means serial number up to 229.
  - 230— means serial number 230 and after.
- ⑥ ITC : Interchangeability
- `1`...OLD ← NEW  
New parts can be used in place of the old parts.
  - `2`...OLD → NEW  
Old parts can be used in place of the new parts.
  - `3`...OLD →← NEW  
Old parts and new parts can not be replaced each other.
- ⑦ COL : Color code
- Color is signified with color code number for colored parts.  
Please see the color list shown in the next page.
- ⑧ GRP : Parts shown in this column can be replaced by SET parts.
- Example : Parts marked ① can be replaced by parts marked ②, and ③ for ④, so the rest follow in the same alphabetical order.
- ⑨ Remarks
- \* Other maker's part code number is shown in this column.
  - \* When Fig. No. is shown in the Remark column of SET parts or ASSY parts, each of their component parts are listed in said Fig. No.

### 3. Color :

The following colors are used color parts.

COLOR CODE	COLOR	SPRAY TYPE CODE NUMBER	PAINTS 4K DRUM	PAINTS 16K DRUM
4 L	NEO BLUE	1300-985-001-10	1300-985-003-00	—————
5 I	SUNSET GRAY	1300-959-001-10	1300-959-003-00	1300-959-004-00
6 G	SUMMER WHITE	1300-958-001-10	1300-958-003-00	1300-958-004-00
7 F	MIRROR BLACK	1300-954-001-10	1300-954-003-00	1300-954-004-00

NOTE : Color code is signified only for the parts assigned by the maker as color parts.

### 4. Serial Numbers :

1) For engines serial number is stamped on CYLINDER BLOCK ASSY.

Please see Fig. No. 5-1.

2) For chassies serial number is shown on the LABEL.

Please see



### 5. Parts Order

1) Parts numbers listed in the parts catalogue are all registered in “ISEKI on-line computer”.

2) When you order parts, please make sure of correct numbers.

3) When substitute parts is available, the part number ordered will be automatically turned to a new part number.

4) Please be sure to use “ISEKI GENUINE PARTS”.

Any other similar parts other than ISEKI parts when used may cause a trouble that makes us unable to repair or guarantee the warrant.

\*\*\* Structure Table of Model \*\*\*

M O D E L	T H	T H	T H	T H	T H
	4 F F F 4 F F 4 F F F 4 F F 4 F F 2 D M M 2 H H 2 D M M 2 H H 3 H H 6 R D D 6 M M 9 R D D 9 M M 3 M M 0 E E R 0 E R 0 E E R 0 E R 0 E R 4 4 E H 4 E 4 4 E H 4 E H 4 E 4 4				
FIG.					
1	***	**	**	*	**
2	***	**	**	*	**
3	***	**	**	*	**
4			**	*	**
5	***	**			
6			**	*	**
7			**	*	**
8	***	**			
9		**		*	**
10	***		**	*	**
11	***	**	**	*	**
12		**		*	**
13	***		**	*	**
14	***		**	*	**
15		**		*	**
16	***		**	*	**
17		**		*	**
18	***		**	*	**
19		**		*	**
20	***		**	*	**
21	***		**	*	**
22	***		**	*	**
23		**		*	**
24	***		**	*	**
25		**		*	**
26	***		**	*	**
27	***		**	*	**
28		**		*	**
29		**		*	**
30	***		**	*	**
31		**		*	**
32	***		**	*	**
33	***	**	**	*	**
34		**		*	**
35	***		**	*	**
36		**		*	**
37	*		*		
38	T **		T **		
39	***		***		
40	***	**	**	*	**
41		**		*	**
42	***		**	*	**
43	***	**	**	*	**
44		**		*	**
45	T **		T **		

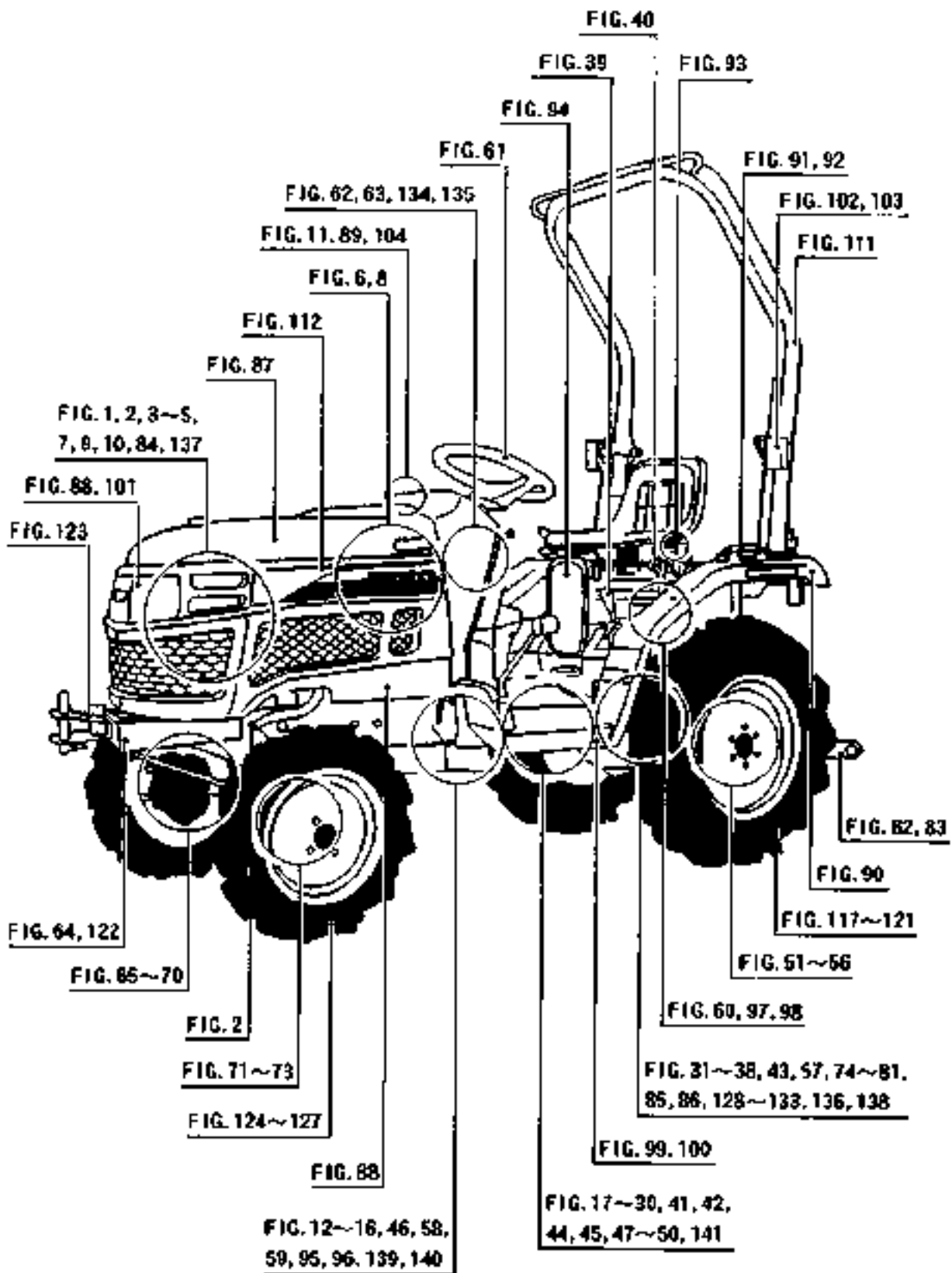
\*\*\* Structure Table of Model \*\*\*

MODEL	T	T	T	T	T							
	H	H	H	H	H							
	4	4	4	4	4	4						
	2	2	2	2	2	3						
	6	6	6	6	6	3						
	0	0	0	0	0	0						
	4	4	4	4	4	4						
		4	4	4	4	4						
FIG.												
46			**		**	**						
47					**	**						
48			**		**	**						
49	**	*	*	*	*	*						
50			**		**	**						
51			**		**	**						
52	**	*	*	*	*	*						
53			**		**	**						
54	**	*	*	*	*	*						
55	**	*	*	*	*	*						
56	**	*	*	*	*	*						
57	**	*	*	*	*	*						
58			**		**	**						
59	**	*	*	*	*	*						
60	**	*	*	*	*	*						
61	**	*	*	*	*	*						
62			**		**	**						
63	**	*	*	*	*	*						
64	**	*	*	*	*	*						
65			**		**	**						
66	**	*	*	*	*	*						
67	**	*	*	*	*	*						
68			**		**	**						
69	**	*	*	*	*	*						
70			**		**	**						
71	**	*	*	*	*	*						
72			**		**	**						
73	**	*	*	*	*	*						
74	**	*	*	*	*	*						
75	**	*	*	*	*	*						
76	**	*	*	*	*	*						
77	**	*	*	*	*	*						
78	**	*	*	*	*	*						
79	**	*	*	*	*	*						
80			**		**	**						
81	**	*	*	*	*	*						
82			**		**	**						
83	**	*	*	*	*	*						
84			**		**	**						
85			T*		T*	T*						
86	*T*				T*	T*						
87	**	*	*	*	*	*						
88	**	*	*	*	*	*						
89	**	*	*	*	*	*						
90	**	*	*	*	*	*						

## \*\*\* Structure Table of Model \*\*\*

M O D E L	T H	T H	T H	T H	T H								
	4 F F F 4 2 D M M 2 6 R D D 6 0 E E R 0 4 4 E H 4	4 F F 4 H H 2 M M 9 E R 0 4 E 4	4 F F F 2 D M M 9 R D D 0 E E R 4 4 E H 4	4 F F F 2 D M M 9 R D D 0 E E R 4 4 E H 4	4 F F F 2 D M M 9 R D D 0 E E R 4 4 E H 4	4 F F F 2 D M M 9 R D D 0 E E R 4 4 E H 4							
FIG.													
91		**			**	**							
92	***			**	*								
93	***	**		**	*	**						**	
94	***	**		**	*	**						**	
95		**				**						**	
96	***			**	*								
97	TTT	TT	TT	TT	TT	TT							
98	***			**	*	**						**	
99		**				**						**	
100	***			**	*								
101	***	**		**	*	**						**	
102		**				**						**	
103	***			**	*	**						**	
104	***	**		**	*	**						**	
105		**				**						**	
106	***			**	*								
107		**											
108						**						**	
109	***												
110				**	*								
111	**	*		*	*	*						*	
112	***	**		**	*	**						**	
113		**				**						**	
114	***			**	*	**						**	
115	***	**		**	*	**						**	
116	***	**		**	*	**						**	
117	TTT			TTT									
118	TTT			TTT									
119	TTT			TTT									
120	TTT	TT	TTT	TT	TT	TT						TT	
121	TTT	TT	TTT	TT	TT	TT						TT	
122	TTT	T	TTT	T	T	T						TT	
123	T	T	T	T	T	T						TT	
124	TTT	TT	TTT	TT	TT	TT						TT	
125	TTT		TTT										
126	TTT	TT	TTT	TT	TT	TT						TT	
127	TTT		TTT										
128	TTT	TT	TTT	TT	TT	TT						TT	
129	TTT	TT	TTT	TT	TT	TT						TT	
130		TT				TT						TT	
131	TTT		TTT										
132	TTT	TT	TTT	TT	TT	TT						TT	
133	TTT	TT	TTT	TT	TT	TT						TT	
134	***	**		**	*	**						**	
135		**				**						**	







# Contents

## TH4260

### ENGINE(E3CEVB12)

CYLINDER HEAD.....	Fig. 1
CYLINDER HEAD COVER.....	Fig. 2
INLET MANIFOLD.....	Fig. 3
EXHAUST MANIFOLD.....	Fig. 4
CYLINDER BLOCK.....	Fig. 5
BEARING/UNDER SIZE (OPTION).....	Fig. 6
OIL PAN.....	Fig. 7
REAR PLATE.....	Fig. 8
TIMING GEAR CASE.....	Fig. 9
HANGER.....	Fig. 10
VALVE.....	Fig. 11
CAM SHAFT.....	Fig. 12
PISTON.....	Fig. 13
PISTON/OVER SIZE (OPTION).....	Fig. 14
CRANK SHAFT.....	Fig. 15
OIL PUMP.....	Fig. 16
WATER PUMP.....	Fig. 17
COOLING FAN.....	Fig. 18
INJECTION NOZZLE.....	Fig. 19
INJECTION PUMP.....	Fig. 20
FUEL PIPE.....	Fig. 21
ADAPTER.....	Fig. 22
ELECTRIC (1).....	Fig. 23
ELECTRIC (2).....	Fig. 24

LABEL.....	Fig. 25
REPAIR PARTS (OPTION).....	Fig. 26
COMPONENT PARTS	
FOR 6215-300-037-00 ON Fig.19.....	Fig. 27
COMPONENT PARTS	
FOR 6215-600-078-10 ON Fig.20.....	Fig. 28
COMPONENT PARTS	
FOR 6281-100-002-30 ON Fig.23.....	Fig. 29
COMPONENT PARTS	
FOR 6281-200-021-00 ON Fig.23.....	Fig. 30

# Contents

## TH4260H

### ENGINE(E3CEVB11)

CYLINDER HEAD	Fig. 1
CYLINDER HEAD COVER	Fig. 2
INLET MANIFOLD	Fig. 3
EXHAUST MANIFOLD	Fig. 4
CYLINDER BLOCK	Fig. 5
BEARING/UNDER SIZE (OPTION)	Fig. 6
OIL PAN	Fig. 7
REAR PLATE	Fig. 8
TIMING GEAR CASE	Fig. 9
HANGER	Fig. 10
VALVE	Fig. 11
CAM SHAFT	Fig. 12
PISTON	Fig. 13
PISTON/OVER SIZE (OPTION)	Fig. 14
CRANK SHAFT	Fig. 15
OIL PUMP	Fig. 16
WATER PUMP	Fig. 17
COOLING FAN	Fig. 18
INJECTION NOZZLE	Fig. 19
INJECTION PUMP	Fig. 20
FUEL PIPE	Fig. 21
ADAPTER	Fig. 22
ELECTRIC (1)	Fig. 23
ELECTRIC (2)	Fig. 24

LABEL.....	Fig. 25
REPAIR PARTS (OPTION).....	Fig. 26
COMPONENT PARTS	
FOR 6215-300-037-00 ON Fig.19.....	Fig. 27
COMPONENT PARTS	
FOR 6215-600-078-10 ON Fig.20.....	Fig. 28
COMPONENT PARTS	
FOR 6281-100-002-30 ON Fig.23.....	Fig. 29
COMPONENT PARTS	
FOR 6281-200-021-00 ON Fig.23.....	Fig. 30

# Contents

## TH4290

### ENGINE(E3CFVB24)

CYLINDER HEAD.....	Fig. 1
CYLINDER HEAD COVER.....	Fig. 2
INLET MANIFOLD.....	Fig. 3
EXHAUST MANIFOLD.....	Fig. 4
CYLINDER BLOCK.....	Fig. 5
BEARING/UNDER SIZE (OPTION).....	Fig. 6
OIL PAN.....	Fig. 7
REAR PLATE.....	Fig. 8
TIMING GEAR CASE.....	Fig. 9
HANGER.....	Fig. 10
VALVE.....	Fig. 11
CAM SHAFT.....	Fig. 12
PISTON.....	Fig. 13
PISTON/OVER SIZE (OPTION).....	Fig. 14
CRANK SHAFT.....	Fig. 15
OIL PUMP.....	Fig. 16
WATER PUMP.....	Fig. 17
COOLING FAN.....	Fig. 18
INJECTION NOZZLE.....	Fig. 19
INJECTION PUMP.....	Fig. 20
FUEL PIPE.....	Fig. 21
ADAPTER.....	Fig. 22
ELECTRIC (1).....	Fig. 23
ELECTRIC (2).....	Fig. 24

LABEL.....	Fig. 25
REPAIR PARTS (OPTION).....	Fig. 26
COMPONENT PARTS	
FOR 6215-300-037-00 ON Fig.19.....	Fig. 27
COMPONENT PARTS	
FOR 6215-600-078-10 ON Fig.20.....	Fig. 28
COMPONENT PARTS	
FOR 6281-100-002-30 ON Fig.23.....	Fig. 29
COMPONENT PARTS	
FOR 6281-200-021-00 ON Fig.23.....	Fig. 30

# Contents

## TH4290H

### ENGINE(E3CFVB22)

CYLINDER HEAD.....	Fig. 1
CYLINDER HEAD COVER.....	Fig. 2
INLET MANIFOLD.....	Fig. 3
EXHAUST MANIFOLD.....	Fig. 4
CYLINDER BLOCK.....	Fig. 5
BEARING/UNDER SIZE (OPTION).....	Fig. 6
OIL PAN.....	Fig. 7
REAR PLATE.....	Fig. 8
TIMING GEAR CASE.....	Fig. 9
HANGER.....	Fig. 10
VALVE.....	Fig. 11
CAM SHAFT.....	Fig. 12
PISTON.....	Fig. 13
PISTON/OVER SIZE (OPTION).....	Fig. 14
CRANK SHAFT.....	Fig. 15
OIL PUMP.....	Fig. 16
WATER PUMP.....	Fig. 17
COOLING FAN.....	Fig. 18
INJECTION NOZZLE.....	Fig. 19
INJECTION PUMP.....	Fig. 20
FUEL PIPE.....	Fig. 21
ADAPTER.....	Fig. 22
ELECTRIC (1).....	Fig. 23
ELECTRIC (2).....	Fig. 24

LABEL.....	Fig. 25
LABEL.....	Fig. 26
REPAIR PARTS (OPTION).....	Fig. 27
COMPONENT PARTS	
FOR 6215-300-037-00 ON Fig.19.....	Fig. 28
COMPONENT PARTS	
FOR 6215-600-078-10 ON Fig.20.....	Fig. 29
COMPONENT PARTS	
FOR 6281-100-002-30 ON Fig.23.....	Fig. 30
COMPONENT PARTS	
FOR 6281-200-021-00 ON Fig.23.....	Fig. 31



# Contents

## TH4330H

### ENGINE(E3CDVB32)

CYLINDER HEAD.....	Fig. 1
CYLINDER HEAD COVER.....	Fig. 2
INLET MANIFOLD.....	Fig. 3
EXHAUST MANIFOLD.....	Fig. 4
CYLINDER BLOCK.....	Fig. 5
BEARING/UNDER SIZE (OPTION).....	Fig. 6
OIL PAN.....	Fig. 7
REAR PLATE.....	Fig. 8
TIMING GEAR CASE.....	Fig. 9
HANGER.....	Fig. 10
VALVE.....	Fig. 11
CAM SHAFT.....	Fig. 12
PISTON.....	Fig. 13
PISTON/OVER SIZE (OPTION).....	Fig. 14
CRANK SHAFT.....	Fig. 15
OIL PUMP.....	Fig. 16
WATER PUMP.....	Fig. 17
COOLING FAN.....	Fig. 18
INJECTION NOZZLE.....	Fig. 19
INJECTION PUMP.....	Fig. 20
FUEL PIPE.....	Fig. 21
ADAPTER.....	Fig. 22
ELECTRIC (1).....	Fig. 23
ELECTRIC (2).....	Fig. 24

LABEL.....	Fig. 25
LABEL.....	Fig. 26
REPAIR PARTS (OPTION).....	Fig. 27
COMPONENT PARTS	
FOR 6215-300-031-00 ON Fig.19.....	Fig. 28
COMPONENT PARTS	
FOR 6215-600-104-20 ON Fig.20.....	Fig. 29
COMPONENT PARTS	
FOR 6281-100-002-30 ON Fig.23.....	Fig. 30
COMPONENT PARTS	
FOR 6281-200-021-00 ON Fig.23.....	Fig. 31

# Contents

## CHASSIS

RADIATOR SYSTEM.....	Fig. 1
MUFFLER SYSTEM.....	Fig. 2
AIR CLEANER SYSTEM.....	Fig. 3
FILTER (FUEL) SYSTEM (TH4290,4330).....	Fig. 4
FILTER (FUEL) SYSTEM (TH4260).....	Fig. 5
TANK (FUEL/MAIN) SYSTEM (TH4290,4330).....	Fig. 6
TANK (FUEL/SUB) SYSTEM (TH4290,4330).....	Fig. 7
TANK (FUEL) SYSTEM (TH4260).....	Fig. 8
BATTERY SYSTEM (H TYPE).....	Fig. 9
BATTERY SYSTEM (EXCEPT H TYPE).....	Fig. 10
ACCELERATOR SYSTEM.....	Fig. 11
FRONT MISSION CASE SYSTEM (H TYPE).....	Fig. 12
DUAL CLUTCH SYSTEM (EXCEPT H TYPE).....	Fig. 13
INPUT GEAR SYSTEM (EXCEPT H TYPE).....	Fig. 14
INPUT GEAR,PTO GEAR,DRIVE GEAR, PTO DRIVE GEAR SYSTEM (H TYPE).....	Fig. 15
CLUTCH SYSTEM (EXCEPT H TYPE).....	Fig. 16
MID MISSION CASE SYSTEM (H TYPE).....	Fig. 17
FRONT MISSION CASE SYSTEM (EXCEPT H TYPE).....	Fig. 18
HST UNIT,INPUT GEAR SYSTEM (H TYPE).....	Fig. 19
INPUT METAL, MAIN CHANGE GEAR SYSTEM (EXCEPT H TYPE).....	Fig. 20
MAIN COUNTER GEAR SYSTEM (EXCEPT H TYPE).....	Fig. 21
SUB CHANGE GEAR,SUB COUNTER GEAR, BACK GEAR SYSTEM (EXCEPT H TYPE).....	Fig. 22

SUB COUNTER GEAR SYSTEM (H TYPE).....	Fig. 23
MAIN CHANGE SYSTEM (EXCEPT H TYPE).....	Fig. 24
SUB CHANGE SYSTEM (H TYPE).....	Fig. 25
SUB CHANGE SYSTEM (EXCEPT H TYPE).....	Fig. 26
4WD GEAR SYSTEM (EXCEPT H TYPE).....	Fig. 27
4WD GEAR SYSTEM (H TYPE).....	Fig. 28
4WD CHANGE SYSTEM (H TYPE).....	Fig. 29
4WD CHANGE SYSTEM (EXCEPT H TYPE).....	Fig. 30
REAR MISSION CASE SYSTEM (H TYPE).....	Fig. 31
REAR MISSION CASE SYSTEM (EXCEPT H TYPE).....	Fig. 32
PTO COUNTER GEAR,PTO SHAFT SYSTEM.....	Fig. 33
PTO CHANGE SYSTEM (H TYPE).....	Fig. 34
PTO CHANGE SYSTEM (EXCEPT H TYPE).....	Fig. 35
MID PTO SYSTEM (H TYPE).....	Fig. 36
MID PTO COVER SYSTEM (EXCEPT H,M TYPE).....	Fig. 37
MID PTO SET (M TYPE EXCEPT H-STANDARD/ EXCEPT H,M TYPE-OPTION).....	Fig. 38
CHANGE LEVER (MAIN) SYSTEM (EXCEPT H TYPE).....	Fig. 39
CHANGE LEVER (SUB) SYSTEM.....	Fig. 40
CHANGE LEVER (4WD) SYSTEM (H TYPE).....	Fig. 41
CHANGE LEVER (4WD) SYSTEM (EXCEPT H TYPE).....	Fig. 42
CHANGE LEVER (PTO) SYSTEM.....	Fig. 43
CHANGE LEVER (MID PTO) SYSTEM (H TYPE).....	Fig. 44
CHANGE LEVER (MID PTO) SYSTEM (M TYPE EXCEPT H-STANDARD/ EXCEPT H,M TYPE-OPTION).....	Fig. 45
LINK (HST) SYSTEM (H TYPE).....	Fig. 46

LEVER (HST) SYSTEM (TH4330-H TYPE).....	Fig. 47
PEDAL (HST) SYSTEM (H TYPE).....	Fig. 48
DRIVE PINION SYSTEM (EXCEPT H TYPE).....	Fig. 49
DRIVE PINION SYSTEM (H TYPE).....	Fig. 50
DIFFERENTIAL CASE SYSTEM (H TYPE).....	Fig. 51
DIFFERENTIAL CASE SYSTEM (EXCEPT H TYPE).....	Fig. 52
REAR AXLE HOUSING SYSTEM (H TYPE).....	Fig. 53
REAR AXLE HOUSING SYSTEM (EXCEPT H TYPE).....	Fig. 54
WHEEL SHAFT SYSTEM.....	Fig. 55
DIFF-LOCK SYSTEM.....	Fig. 56
BRAKE SYSTEM.....	Fig. 57
PEDAL (BRAKE) SYSTEM (H TYPE).....	Fig. 58
PEDAL (BRAKE) SYSTEM (EXCEPT H TYPE).....	Fig. 59
BRAKE (PARKING) SYSTEM.....	Fig. 60
WHEEL (STEERING) SYSTEM.....	Fig. 61
STEERING (ORBIT) SYSTEM (H TYPE)(1/2)(2/2).....	Fig. 62
STEERING (ORBIT) SYSTEM (EXCEPT H TYPE)(1/2)(2/2).....	Fig. 63
BRACKET (AXLE), HITCH (FRONT/R TYPE) SYSTEM.....	Fig. 64
SHAFT (DRIVE) SYSTEM (H TYPE).....	Fig. 65
SHAFT (DRIVE) SYSTEM (EXCEPT H TYPE).....	Fig. 66
BEVEL CASE SYSTEM (EXCEPT H TYPE).....	Fig. 67
BEVEL CASE SYSTEM (H TYPE).....	Fig. 68
HOUSING (AXLE) SYSTEM (EXCEPT H TYPE).....	Fig. 69
HOUSING (AXLE) SYSTEM (H TYPE).....	Fig. 70
FINAL GEAR CASE SYSTEM.....	Fig. 71
TIE ROD SYSTEM (H TYPE).....	Fig. 72
TIE ROD SYSTEM (EXCEPT H TYPE).....	Fig. 73
SHAFT (SLOW RETURN) SYSTEM.....	Fig. 74
CYLINDER CASE SYSTEM.....	Fig. 75

LIFT ARM SYSTEM.....	Fig. 76
CYLINDER SYSTEM.....	Fig. 77
LINK (POSITION) SYSTEM.....	Fig. 78
LEVER (POSITION),COVER (VALVE) SYSTEM.....	Fig. 79
PIPING SYSTEM (H TYPE)(1/2)(2/2).....	Fig. 80
PIPING SYSTEM (EXCEPT H TYPE)(1/2)(2/2).....	Fig. 81
LINK (3P) SYSTEM (H TYPE).....	Fig. 82
LINK (3P) SYSTEM (EXCEPT H TYPE).....	Fig. 83
PIPING (COOLER) SYSTEM (H TYPE).....	Fig. 84
HITCH (TRAILER) SET (HR TYPE-STANDARD/ H TYPE EXCEPT R-OPTION).....	Fig. 85
HITCH (DRAW BAR) SET (R TYPE EXCEPT H-STANDARD/ EXCEPT H,R-OPTION).....	Fig. 86
HOOD SYSTEM(1/2)(2/2).....	Fig. 87
GRILLE SYSTEM.....	Fig. 88
COVER (STEERING) SYSTEM.....	Fig. 89
FENDER SYSTEM.....	Fig. 90
GUIDE (LEVER) SYSTEM (H TYPE).....	Fig. 91
GUIDE (LEVER) SYSTEM (EXCEPT H TYPE).....	Fig. 92
SEAT SYSTEM.....	Fig. 93
MIRROR SYSTEM.....	Fig. 94
MOUNT (FRONT) SYSTEM (H TYPE).....	Fig. 95
MOUNT (FRONT) SYSTEM (EXCEPT H TYPE).....	Fig. 96
MOUNT (REAR/H TYPE), STEP (SUB/OPTION) SYSTEM.....	Fig. 97
MOUNT (REAR) SYSTEM (EXCEPT H TYPE).....	Fig. 98
FLOOR SYSTEM (H TYPE).....	Fig. 99
FLOOR SYSTEM (EXCEPT H TYPE).....	Fig.100
HEAD LAMP SYSTEM.....	Fig.101
LAMP SYSTEM (H TYPE).....	Fig.102
LAMP SYSTEM (EXCEPT H TYPE).....	Fig.103

PANEL SYSTEM.....	Fig.104
SWITCH SYSTEM (H TYPE).....	Fig.105
SWITCH SYSTEM (EXCEPT H TYPE).....	Fig.106
HARNESS SYSTEM (TH4260-H TYPE).....	Fig.107
HARNESS SYSTEM (TH4290,4330-H TYPE).....	Fig.108
HARNESS SYSTEM (TH4260-EXCEPT H TYPE).....	Fig.109
HARNESS SYSTEM (TH4290-EXCEPT H TYPE).....	Fig.110
ROPS SYSTEM (R TYPE).....	Fig.111
ORNAMENT.....	Fig.112
LABEL (H TYPE).....	Fig.113
LABEL (EXCEPT H TYPE).....	Fig.114
LABEL (CAUTION).....	Fig.115
TOOLS.....	Fig.116

## OPTIONAL PARTS

REAR WHEEL (12.4-16) SYSTEM (EXCEPT H TYPE) (OPTION).....	Fig.117
REAR WHEEL (TURF/OVER SIZE) SYSTEM (EXCEPT H TYPE) (OPTION).....	Fig.118
REAR WHEEL (9.5-24) SYSTEM (EXCEPT H TYPE) (OPTION).....	Fig.119
REAR WHEEL (TURF) SYSTEM (OPTION).....	Fig.120
REAR WHEEL (9.5-22) SYSTEM (OPTION).....	Fig.121
BUMPER SYSTEM (EXCEPT H TYPE/TH4260,4290-HR TYPE) (OPTION).....	Fig.122
HITCH (FRONT) SET (EXCEPT R TYPE) (OPTION).....	Fig.123
FRONT WHEEL SYSTEM (OPTION).....	Fig.124
FRONT WHEEL (TURF/9.75I-12) SYSTEM (EXCEPT H TYPE) (OPTION).....	Fig.125

FRONT WHEEL (TURF) SYSTEM (OPTION).....	Fig.126
FRONT WHEEL SYSTEM	
(EXCEPT H TYPE) (OPTION).....	Fig.127
VALVE (STACK/R1) SET (OPTION).....	Fig.128
VALVE (STACK/R2) SET (OPTION).....	Fig.129
HITCH (DRAW BAR) SET (H TYPE) (OPTION).....	Fig.130
HITCH (TRAILER) SET	
(EXCEPT H TYPE) (OPTION).....	Fig.131
CREVICE (DRAW BAR) SYSTEM (OPTION).....	Fig.132
DRAFT SET (OPTION).....	Fig.133

## COMPONENT PARTS

COMPONENT PARTS	
FOR K177-006-000-50 ON Fig.62,63.....	Fig.134
COMPONENT PARTS	
FOR K256-001-000-00 ON Fig.62.....	Fig.135
COMPONENT PARTS	
FOR K275-001-000-00 ON Fig.80.....	Fig.136
COMPONENT PARTS	
FOR 1588-105-220-00 ON Fig.4,5.....	Fig.137
COMPONENT PARTS	
FOR 1640-530-600-10 ON Fig.128,129.....	Fig.138
COMPONENT PARTS	
FOR 1709-121-310-00 ON Fig.13.....	Fig.139
COMPONENT PARTS	
FOR 1740-128-500-00 ON Fig.15.....	Fig.140
COMPONENT PARTS	
FOR 1740-202-500-00 ON Fig.19.....	Fig.141
WIRING DIAGRAM (TH4260)	
WIRING DIAGRAM (TH4260) (HST)	
WIRING DIAGRAM (TH4290)	



## WIRING DIAGRAM (TH4290,4330) (HST)



# ENGINE

E3CEVB12...TH4260





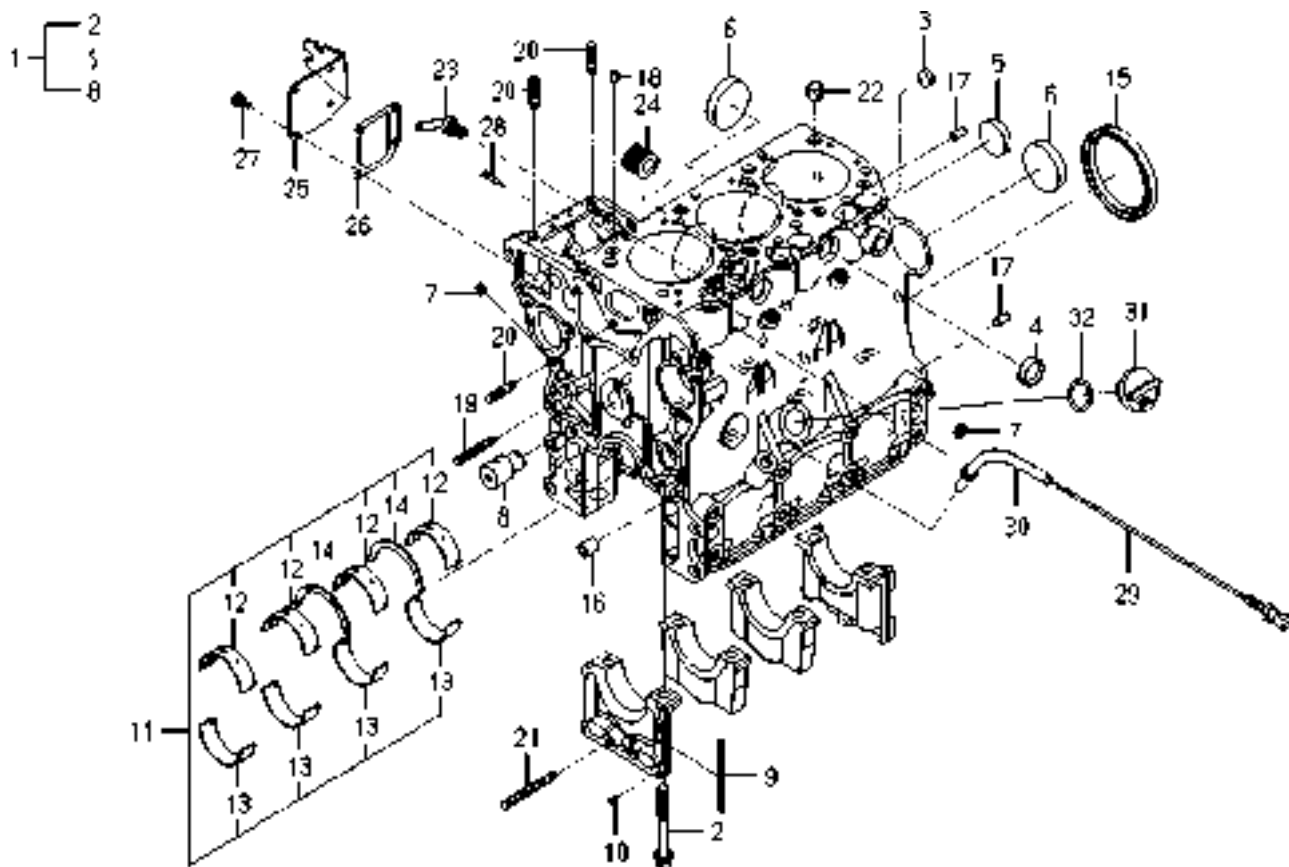








FIG. 5 CYLINDER BLOCK



6005-2020-0100

KEY	PART CODE	DESCRIPTION	S P C	TYPE OF MODEL		I T C	C O L	G R P	REMARKS
				E3CE	VB12				
1	6211-210-057-50	CYLINDERBLOCK ASSY	*	1					
2	6209-000-006-00	BOLT	*	8					
3	6209-610-007-00	CUP/SEALING/16	*	2					
4	6209-610-001-10	CUP/SEALING/28	*	2					
5	6209-610-009-00	CUP/SEALING/36	*	1					
6	6209-610-003-00	CUP/SEALING/50	*	3					
7	6509-605-019-10	PLUG	*	8					
8	6212-531-008-20	PIN/IDLEGEAR	*	1					
9	6211-258-001-00	SEAL,BEARING CAP	*	4					
10	6211-258-002-00	SEAL,BEARING CAP/7	*	2					
11	6211-510-008-00	BEARING/CRANK SET	*	1					
12	6211-511-007-00	BEARING/CRANK/UPPER	*	4					
13	6211-511-008-00	BEARING/CRANK/LOWER	*	4					
14	6211-599-004-00	BEARING/THRUST/CRANK	*	2					
15	6209-625-003-20	OILSEAL	*	1					
16	6209-749-001-20	PIN/TUBE	*	2					
17	6213-129-006-00	PIN/STRAIGHT	*	2					
18	6209-740-005-00	PIN	*	2					
19	6904-110-840-00	STUD/M8X40	*	1					
20	6904-110-822-00	STUD	*	3					
21	V251-340-806-00	BOLT/STUD	*	1					
22	6294-453-002-00	DOWEL	*	2					
23	6213-721-007-00	PIPE/WATERDRAIN	*	1					
24	6213-319-001-00	CONNECTOR,OIL FILTER	*	1					
25	6211-291-013-10	COVER/INJECTIONPUMP	*	1					
26	6211-292-001-20	GASKET/COVER	*	1					
27	V230-360-601-20	FLANGE BOLT	*	4					
28	6215-549-013-00	PIN	*	1					
29	6211-760-032-00	LEVELGAGE	*	1					
30	6211-766-025-00	GUIDE/LEVELGAGE COMP	*	1					

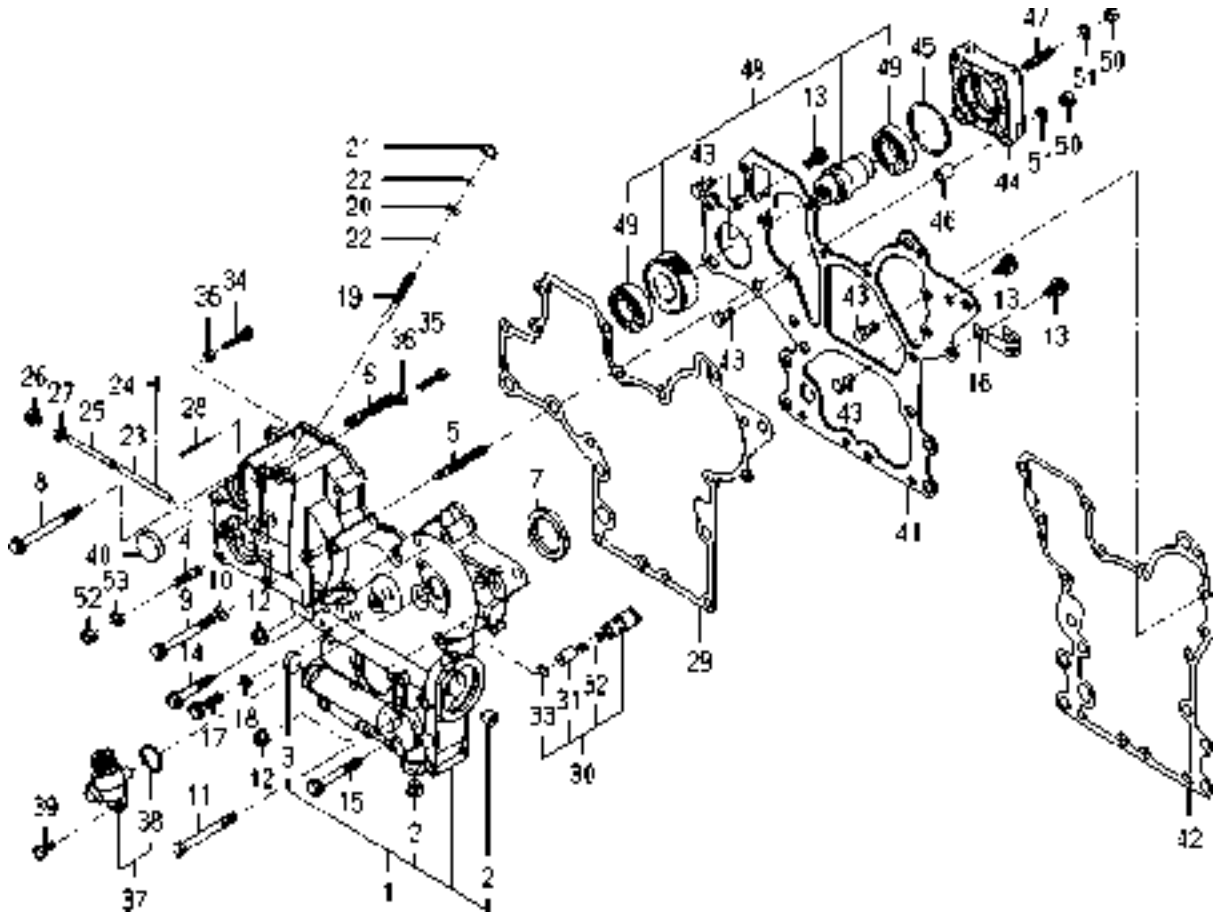








FIG. 9 TIMING GEAR CASE



6005-240Q-0100,6005-240Q-0200

KEY	PART CODE	DESCRIPTION	S P C	TYPE OF MODEL		I T C	C O L	G R P	REMARKS
				E3CE	VB12				
1	6211-310-009-60	GEARCASE ASSY	*	1					
2	6209-605-003-00	PLUG/PT1/4	*	2					
3	6209-610-004-00	CUP/SEALING/20	*	1					
4	6904-110-822-00	STUD	*	4					
5	6904-110-855-00	STUD	*	2					
6	6904-110-850-00	STUD	*	1					
7	6209-625-002-00	SEAL,OIL	*	1					
8	V231-360-808-50	FLANGE BOLT	*	1					
9	V231-360-807-50	FLANGE BOLT	*	1					
10	6209-500-006-00	WASHER/08X16X1.2	*	1					
11	V201-360-807-50	BOLT	*	1					
12	3817-401-001-00	NUT/M08	*	2					
13	V231-360-801-60	FLANGE BOLT	*	3					
14	V231-360-805-00	FLANGE BOLT	*	3					
15	V231-360-806-00	FLANGE BOLT	*	4					
16	1425-621-004-00	HOLDER/JE/9-9	*	1					
17	V231-360-803-00	FLANGE BOLT	*	1					
18	6209-500-003-00	WASHER/08X14X01	*	1					
19	6215-546-003-10	STOPPER/FULLLOAD	*	1					
20	6209-409-001-00	NUT/M8	*	1					
21	V341-120-008-00	NUT,CAP/M 8	*	1					
22	6209-920-002-00	PACKING	*	2					
23	6215-542-004-20	PIN/ARM	*	1					
24	P117-303-003-00	PIN/SNAP	*	2					
25	6215-542-005-10	PIN	*	1					
26	6209-600-004-00	PLUG/SCREW	*	1					
27	6209-500-003-00	WASHER/08X14X01	*	1					
28	6209-740-001-00	PIN,GROOVE	*	1					
29	6211-312-005-10	GASKET/GEARCASE	*	1					
30	6213-160-003-10	VALVE/RELIEF ASSY	*	1					











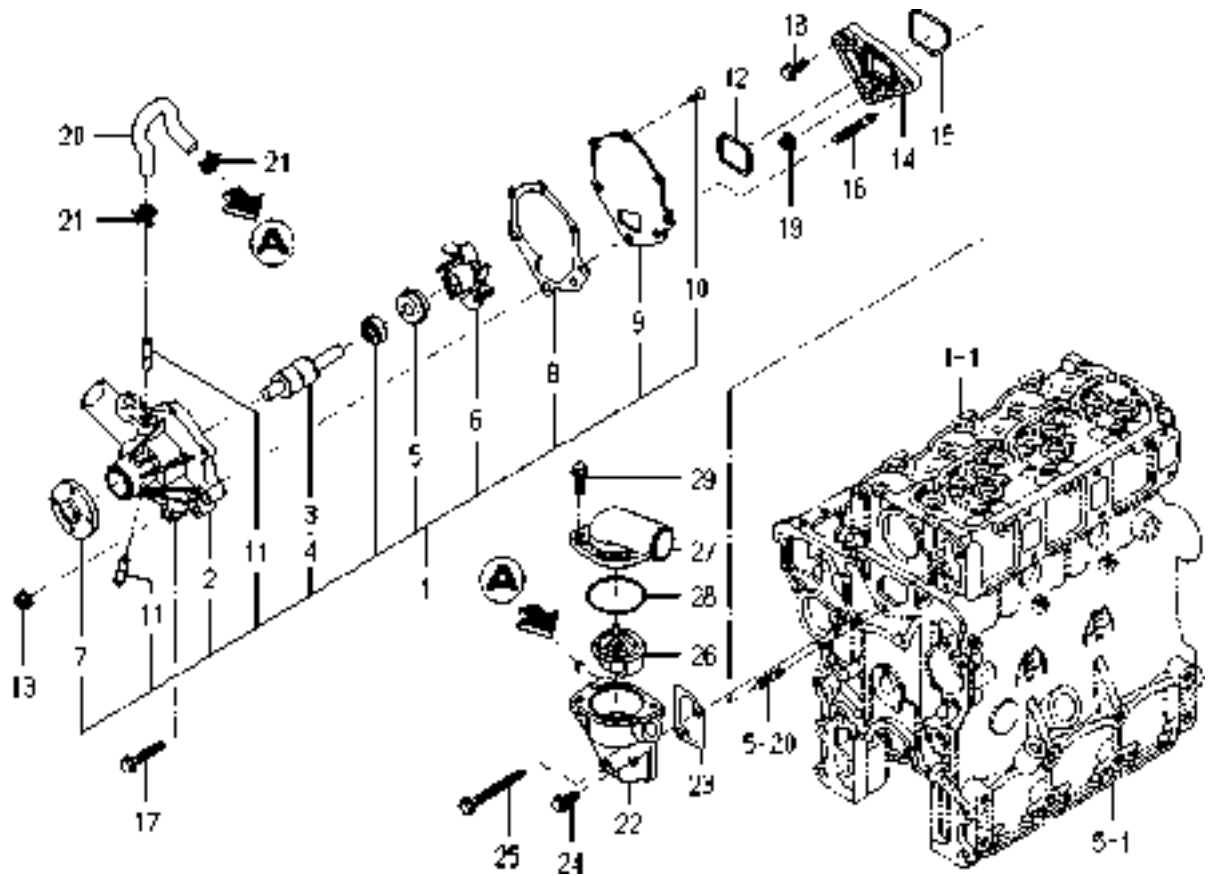








**FIG. 17 WATER PUMP**



6005-420 -0100

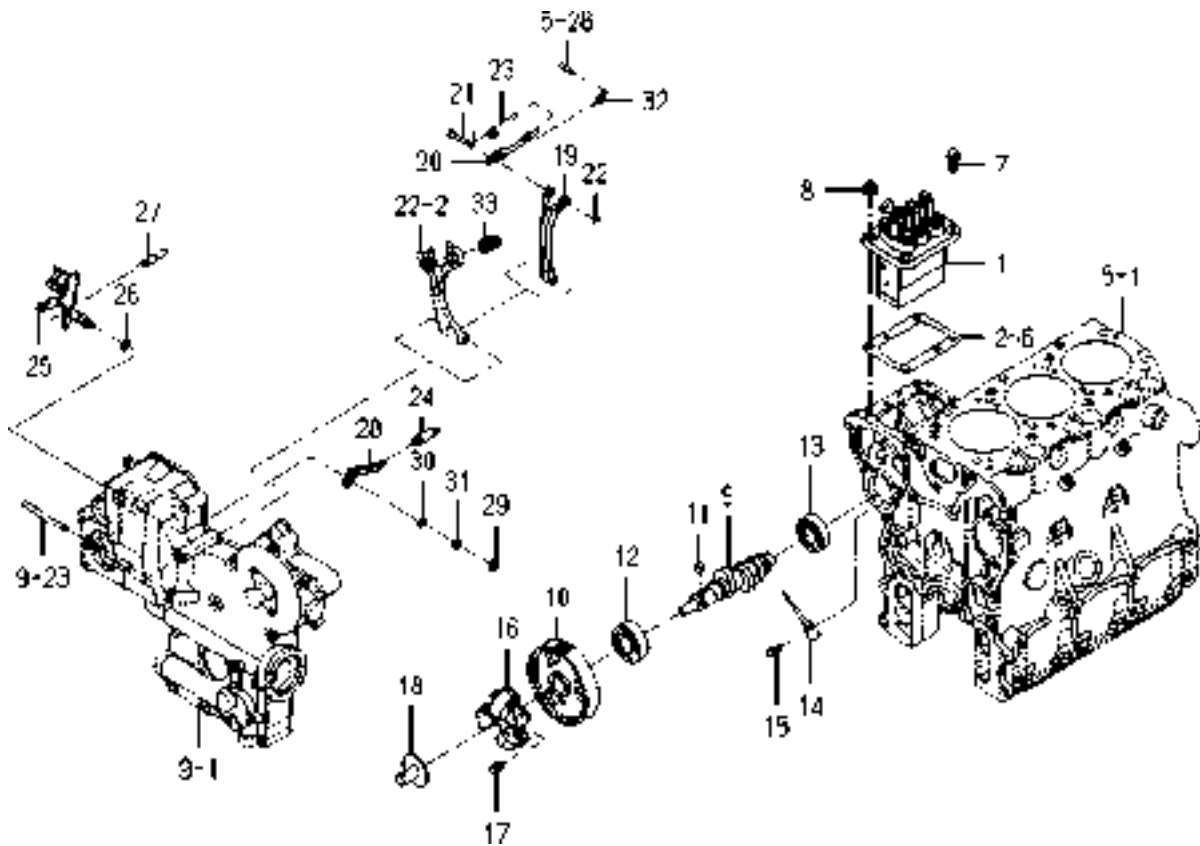
KEY	PART CODE	DESCRIPTION	S P C	TYPE OF MODEL		I T C	C O L	G R P	REMARKS
				E3CE	VB12				
1	6213-610-005-40	WATERPUMP ASSY	*	1					
2	6213-611-003-20	BODY/WATERPUMP	*	1					
3	6213-631-002-00	BEARING/WATER PUMP	*	1					
4	6213-631-005-00	BEARING/WATERPUMP	*	1					
5	6213-622-002-10	SEAL SET/WATER PUMP	*	1					
6	6213-621-003-00	ROTOR/WATERPUMP	*	1					
7	6213-642-002-00	SEAL/WATER PUMPPULLE	*	1					
8	6213-613-002-10	GASKET	*	1					
9	6213-612-004-00	PLATE/WATER PUMP	*	1					
10	6213-619-003-00	SCREW/WATER PUMP	*	3					
11	6213-619-002-00	PIPE/WATER PUMP	*	2					
12	V721-103-104-00	O-RING/G40	*	1					
13	3817-401-001-00	NUT/M08	*	2					
14	6213-619-006-00	SPACER/WATERPUMP	*	1					
15	V721-113-105-00	O-RING HS90 G50	*	1					
16	6904-110-840-00	STUD/M8X40	*	2					
17	V231-360-804-50	FLANGE BOLT	*	1					
18	V231-360-802-00	FLANGE BOLT	*	1					
19	3817-401-001-00	NUT/M08	*	1					
20	6213-729-013-10	HOSE/RUBBER	*	1					
21	J061-210-015-00	CLAMP/WIRE/10-15	*	2					
22	6213-716-001-50	HOUSING/THERMOSTAT	*	1					
23	6213-743-002-10	GASKET/HOUSING	*	1					
24	V231-360-802-00	FLANGE BOLT	*	1					
25	V231-360-807-50	FLANGE BOLT	*	1					
26	6513-770-022-10	THERMOSTAT	*	1					
27	6213-711-004-00	PIPE/WATEROUTLET	*	1					
28	V723-102-005-50	O-RING	*	1					
29	V231-360-802-50	FLANGE BOLT	*	2					







## FIG. 20 INJECTION PUMP



6005-510Y-0100

KEY	PART CODE	DESCRIPTION	S P C	TYPE OF MODEL		I T C	C O L	G R P	REMARKS
				E3CE	VB12				
1	6215-600-078-10	INJECTIONPUMP ASSY	*	1					FIG 028
2	6219-752-006-00	SHIM/INJECTION P/0.3	*	1					
3	6219-752-007-00	SHIM/INJECTION P/0.1	*	1					
4	6219-752-008-00	SHIM/INJECTION P/0.2	*	1					
5	6219-752-009-00	SHIM/INJECTION P/0.4	*	1					
6	6219-752-010-00	SHIM/INJECTION P/0.5	*	1					
7	V231-360-802-00	FLANGE BOLT	*	2					
8	3817-401-001-00	NUT/M08	*	2					
9	6215-621-018-10	CAMSHAFT/INJPUMP	*	1					
10	6212-524-012-30	GEAR/INJECTIONPUMP	*	1					
11	6209-730-005-00	KEY/07X05X09	*	1					
12	V600-110-620-30	BEARING,RB/6203	*	1					
13	V600-110-600-40	BEARING,RB/6004	*	1					
14	6212-535-009-00	PLATE/THRUST/INJPUMP	*	1					
15	6901-910-612-00	BOLT,SEMS/M6X12	*	1					
16	6215-520-007-10	FLYWEIGHT ASSY	*	1					
17	6209-030-043-00	BOLT/M6X10	*	3					
18	6215-526-004-00	THRUSTPIECE	*	1					
19	6215-541-001-10	ARM/FLOATING COMP	*	1					
20	6215-543-002-10	RINK/CONTROL	*	1					
21	6215-542-006-00	PIN,CONTROL	*	1					
22	V710-140-004-00	RING,SNAP/4 E	*	1					
23	6215-549-031-10	SPRING/SETTING	*	1					
24	6215-531-006-10	SPRING/GOVERNOR	*	1					
25	6215-541-040-00	LEVER/CONTROL COMP	*	1					
26	V720-101-900-80	O-RING/P 8	*	1					
27	6209-580-002-10	SPRING,RETURN	*	1					
28	6215-549-007-10	ARM/CONTROL	*	1					
29	6909-110-406-00	NUT	*	1					
30	V411-260-006-00	WASHER / M6	*	1					









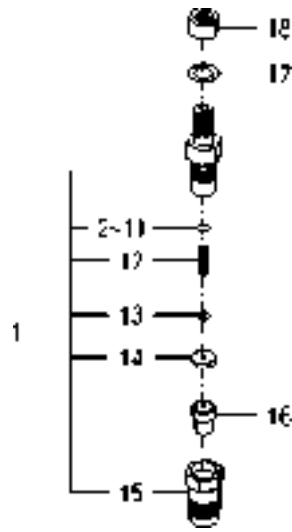








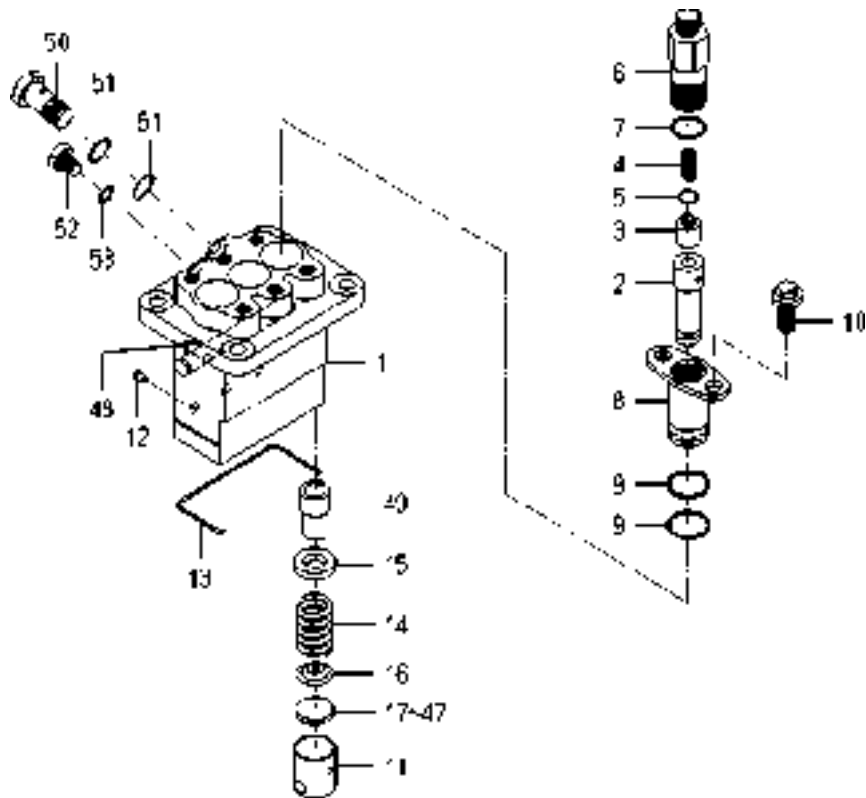
### FIG. 27 COMPONENT PARTS FOR 6215-300-037-00 ON Fig.19



6215-300-037-0E

KEY	PART CODE	DESCRIPTION	S P C	TYPE OF MODEL		I T C	C O L	G R P	REMARKS
				E3CE	VB12				
1	6215-330-022-00	HOLDER/NOZZLE ASSY	*	3					
2	6215-345-044-00	SHIM/0.10	*	3					
3	6215-345-045-00	SHIM/0.20	*	3					
4	6215-345-046-00	SHIM/0.30	*	3					
5	6215-345-047-00	SHIM/0.40	*	3					
6	6215-345-048-00	SHIM/0.50	*	3					
7	6215-345-049-00	SHIM/0.52	*	3					
8	6215-345-050-00	SHIM/0.54	*	3					
9	6215-345-051-00	SHIM/0.56	*	3					
10	6215-345-052-00	SHIM/0.58	*	3					
11	6215-345-053-00	SHIM/0.80	*	3					
12	6215-343-002-00	SPRING,NOZZLE	*	3					
13	6215-342-002-00	SEAT,SPRING	*	3					
14	6215-339-004-00	SPACER	*	3					
15	6215-332-006-00	NUT/NOZZLERETAINING	*	3					
16	6215-311-005-00	NOZZLE	*	3					
17	6215-359-003-00	GASKET	*	3					
18	6215-359-004-00	NUT	*	3					

**FIG. 28 COMPONENT PARTS  
FOR 6215-600-078-10 ON Fig.20**



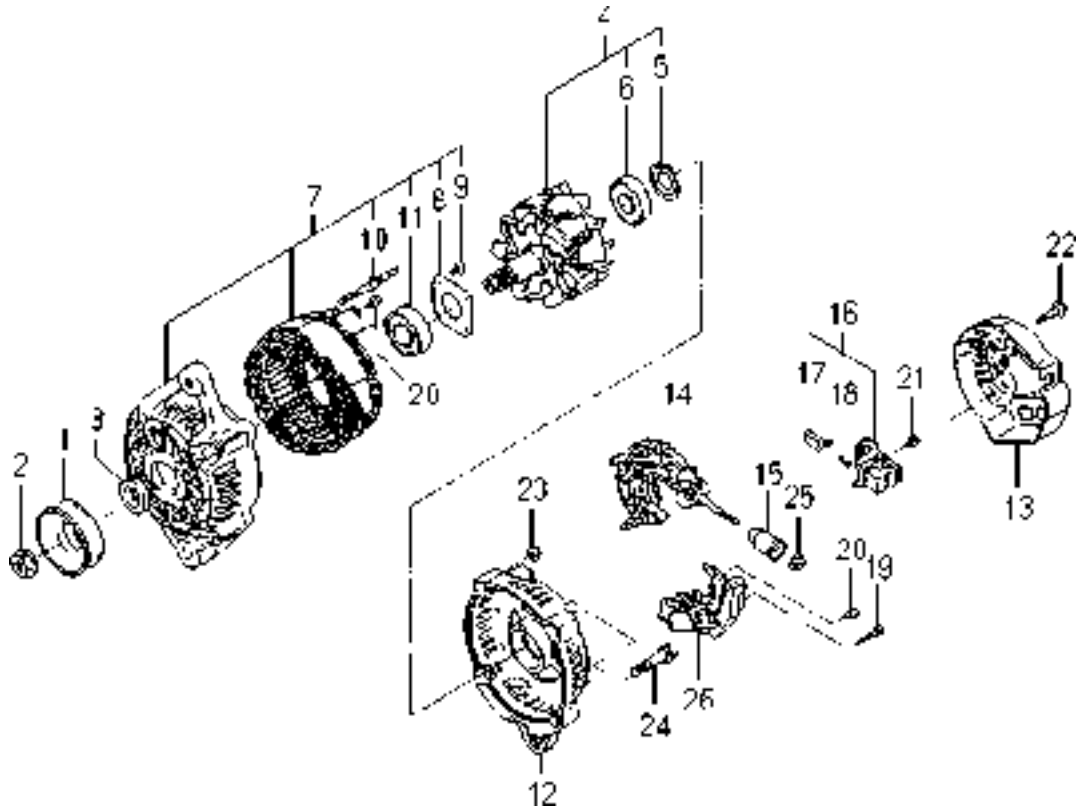
6215-600-078-1G

KEY	PART CODE	DESCRIPTION	S P C	TYPE OF MODEL		I T C	C O L	G R P	REMARKS
				E3CE VB12					
1	6215-611-015-00	HOUSING/PUMP	*	1					
2	6215-631-008-00	PLUNGER ASSY	*	3					
3	6215-641-002-00	VALVE,DELIVERY	*	3					
4	6215-643-005-00	SPRING/DELIVERYVALVE	*	3					
5	6215-649-008-00	GASKET	*	3					
6	6215-644-009-00	HOLDER/DELIVERYVALVE	*	3					
7	6215-649-014-00	ORING	*	3					
8	6215-635-004-00	SLEEVEFLANGE	*	3					
9	6215-649-013-00	ORING	*	6					
10	6215-649-011-00	BOLT	*	6					
11	6215-622-003-00	TAPPET	*	3					
12	6215-629-017-00	PIN	*	3					
13	6215-629-035-00	SNAPRING	*	1					
14	6215-634-003-00	SPRING/PLUNGER	*	3					
15	6215-639-008-00	SPRINGSEAT	*	3					
16	6215-639-009-00	SPRINGSEAT	*	3					
17	6215-629-060-00	PLATE/T=2.60	*	1					
18	6215-629-061-00	PLATE/T=2.65	*	1					
19	6215-629-062-00	PLATE/T=2.70	*	1					
20	6215-629-063-00	PLATE/T=2.75	*	1					
21	6215-629-064-00	PLATE/T=2.80	*	1					
22	6215-629-065-00	PLATE/T=2.85	*	1					
23	6215-629-066-00	PLATE/T=2.90	*	1					
24	6215-629-067-00	PLATE/T=2.95	*	1					
25	6215-629-036-00	PLATE/T=3.00	*	1					
26	6215-629-037-00	PLATE/T=3.05	*	1					
27	6215-629-038-00	PLATE/T=3.10	*	1					
28	6215-629-039-00	PLATE/T=3.15	*	1					
29	6215-629-040-00	PLATE/T=3.20	*	1					
30	6215-629-041-00	PLATE/T=3.25	*	1					





**FIG. 30 COMPONENT PARTS  
FOR 6281-200-021-00 ON Fig.23**



6281-200-021-0A

KEY	PART CODE	DESCRIPTION	S P C	TYPE OF MODEL		I T C	C O L	G R P	REMARKS
				E3CE	VB12				
1	6281-222-012-00	PULLEY	*	1					
2	6281-229-002-00	NUT	*	1					
3	6281-229-003-00	COLLOR	*	1					
4	6281-221-007-00	ROTOR ASSY	*	1					
5	6281-229-004-00	COVER,BEARING	*	1					
6	6281-229-032-00	BEARING/BALL	*	1					
7	6281-213-018-00	FRAME/DRIVEEND ASSY	*	1					
8	6281-229-006-00	PLATE	*	1					
9	6281-229-007-00	BOLT	*	4					
10	6281-229-008-00	BOLT	*	2					
11	6281-229-033-00	BEARING/BALL	*	1					
12	6281-214-003-00	FRAME	*	1					
13	6281-214-004-00	COVER	*	1					
14	6281-229-029-00	HOLDER ASSY	*	1					
15	6281-229-011-00	BUSH	*	1					
16	6281-217-002-00	HOLDER/BRUSH ASSY	*	1					
17	6281-215-001-00	BRUSH	*	2					
18	6281-216-001-00	SPRING	*	2					
19	6281-229-012-00	BOLT	*	2					
20	6281-229-013-00	BOLT	*	6					
21	6281-229-014-00	BOLT	*	1					
22	6281-229-015-00	BOLT	*	3					
23	6281-229-016-00	NUT	*	2					
24	6281-229-017-00	BOLT	*	2					
25	6281-229-018-00	NUT	*	1					
26	6281-271-002-00	REGULATOR ASSY	*	1					

# ENGINE

E3CEVB11...TH4260H

ENGINE





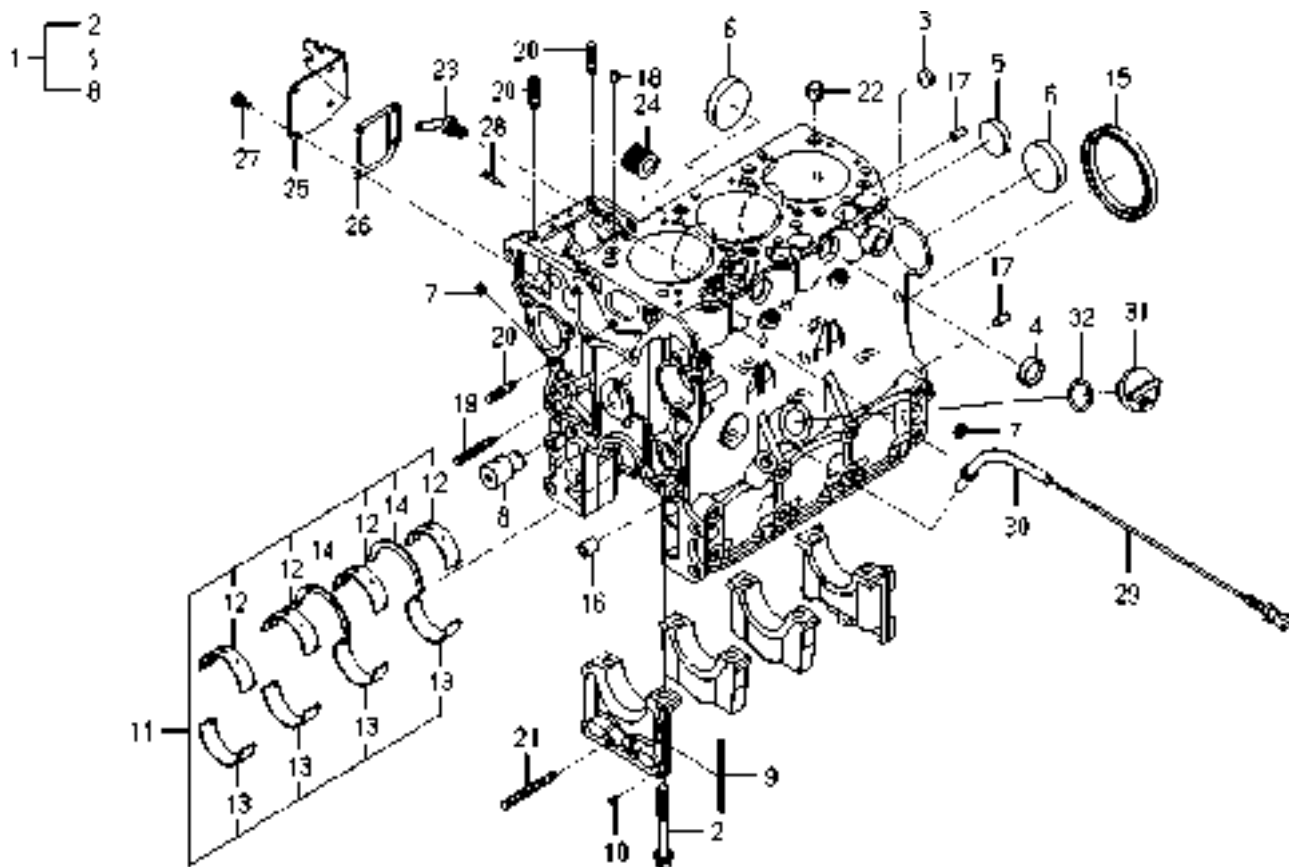








**FIG. 5 CYLINDER BLOCK**



6005-2020-0100

KEY	PART CODE	DESCRIPTION	S P C	TYPE OF MODEL		I T C	C O L	G R P	REMARKS
				E3CE	VB11				
1	6211-210-057-50	CYLINDERBLOCK ASSY	*	1					
2	6209-000-006-00	BOLT	*	8					
3	6209-610-007-00	CUP/SEALING/16	*	2					
4	6209-610-001-10	CUP/SEALING/28	*	2					
5	6209-610-009-00	CUP/SEALING/36	*	1					
6	6209-610-003-00	CUP/SEALING/50	*	3					
7	6509-605-019-10	PLUG	*	8					
8	6212-531-008-20	PIN/IDLEGEAR	*	1					
9	6211-258-001-00	SEAL,BEARING CAP	*	4					
10	6211-258-002-00	SEAL,BEARING CAP/7	*	2					
11	6211-510-008-00	BEARING/CRANK SET	*	1					
12	6211-511-007-00	BEARING/CRANK/UPPER	*	4					
13	6211-511-008-00	BEARING/CRANK/LOWER	*	4					
14	6211-599-004-00	BEARING/THRUST/CRANK	*	2					
15	6209-625-003-20	OILSEAL	*	1					
16	6209-749-001-20	PIN/TUBE	*	2					
17	6213-129-006-00	PIN/STRAIGHT	*	2					
18	6209-740-005-00	PIN	*	2					
19	6904-110-840-00	STUD/M8X40	*	1					
20	6904-110-822-00	STUD	*	3					
21	V251-340-806-00	BOLT/STUD	*	1					
22	6294-453-002-00	DOWEL	*	2					
23	6213-721-007-00	PIPE/WATERDRAIN	*	1					
24	6213-319-001-00	CONNECTOR,OIL FILTER	*	1					
25	6211-291-013-10	COVER/INJECTIONPUMP	*	1					
26	6211-292-001-20	GASKET/COVER	*	1					
27	V230-360-601-20	FLANGE BOLT	*	4					
28	6215-549-013-00	PIN	*	1					
29	6211-760-032-00	LEVELGAGE	*	1					
30	6211-766-025-00	GUIDE/LEVELGAGE COMP	*	1					



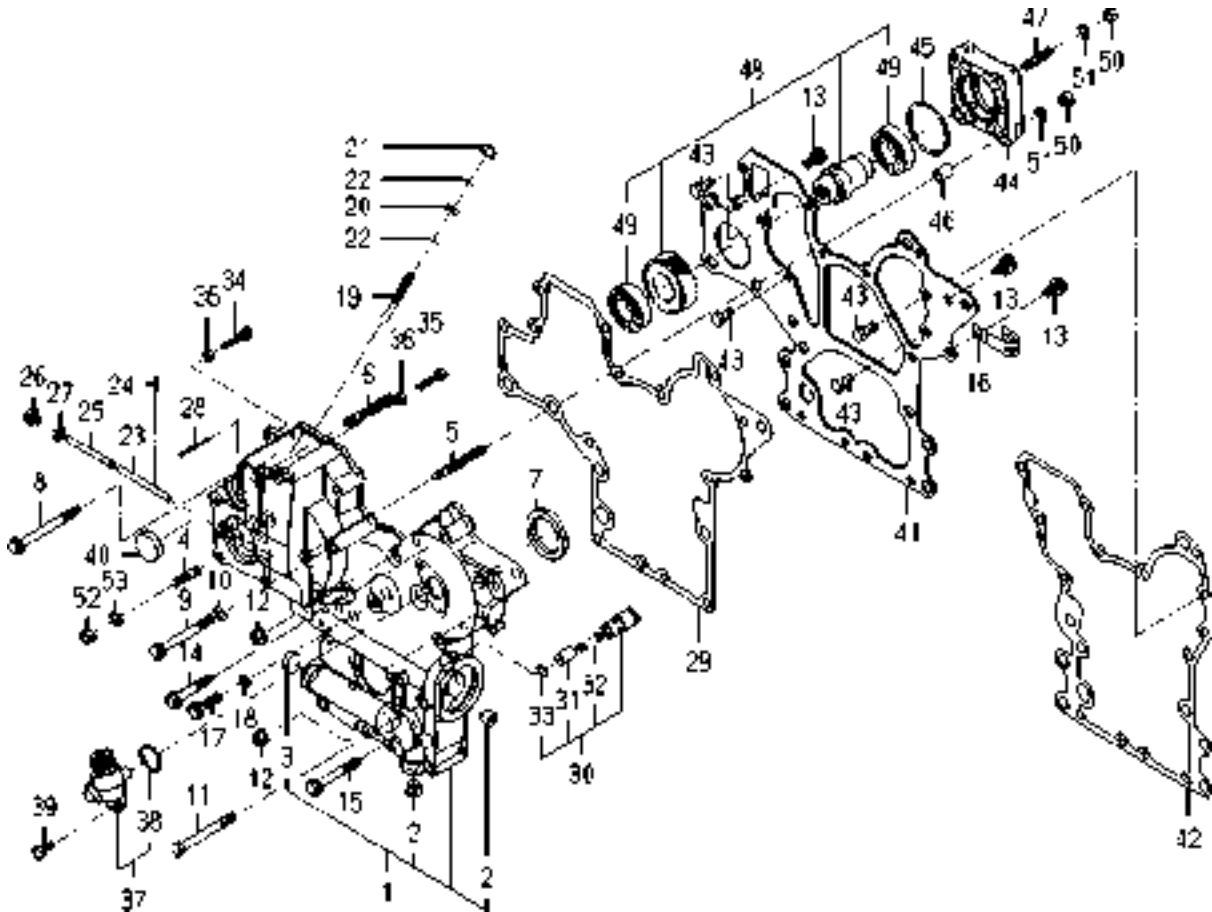








FIG. 9 TIMING GEAR CASE



6005-240Q-0100,6005-240Q-0200

KEY	PART CODE	DESCRIPTION	S P C	TYPE OF MODEL		I T C	C O L	G R P	REMARKS
				E3CE VB11					
1	6211-310-009-60	GEARCASE ASSY	*	1					
2	6209-605-003-00	PLUG/PT1/4	*	2					
3	6209-610-004-00	CUP/SEALING/20	*	1					
4	6904-110-822-00	STUD	*	4					
5	6904-110-855-00	STUD	*	2					
6	6904-110-850-00	STUD	*	1					
7	6209-625-002-00	SEAL,OIL	*	1					
8	V231-360-808-50	FLANGEBOLT	*	1					
9	V231-360-807-50	FLANGEBOLT	*	1					
10	6209-500-006-00	WASHER/08X16X1.2	*	1					
11	V201-360-807-50	BOLT	*	1					
12	3817-401-001-00	NUT/M08	*	2					
13	V231-360-801-60	FLANGEBOLT	*	3					
14	V231-360-805-00	FLANGEBOLT	*	3					
15	V231-360-806-00	FLANGEBOLT	*	4					
16	1425-621-004-00	HOLDER/JE/9-9	*	1					
17	V231-360-803-00	FLANGEBOLT	*	1					
18	6209-500-003-00	WASHER/08X14X01	*	1					
19	6215-546-003-10	STOPPER/FULLLOAD	*	1					
20	6209-409-001-00	NUT/M8	*	1					
21	V341-120-008-00	NUT,CAP/M 8	*	1					
22	6209-920-002-00	PACKING	*	2					
23	6215-542-004-20	PIN/ARM	*	1					
24	P117-303-003-00	PIN/SNAP	*	2					
25	6215-542-005-10	PIN	*	1					
26	6209-600-004-00	PLUG/SCREW	*	1					
27	6209-500-003-00	WASHER/08X14X01	*	1					
28	6209-740-001-00	PIN,GROOVE	*	1					
29	6211-312-005-10	GASKET/GEARCASE	*	1					
30	6213-160-003-10	VALVE/RELIEF ASSY	*	1					







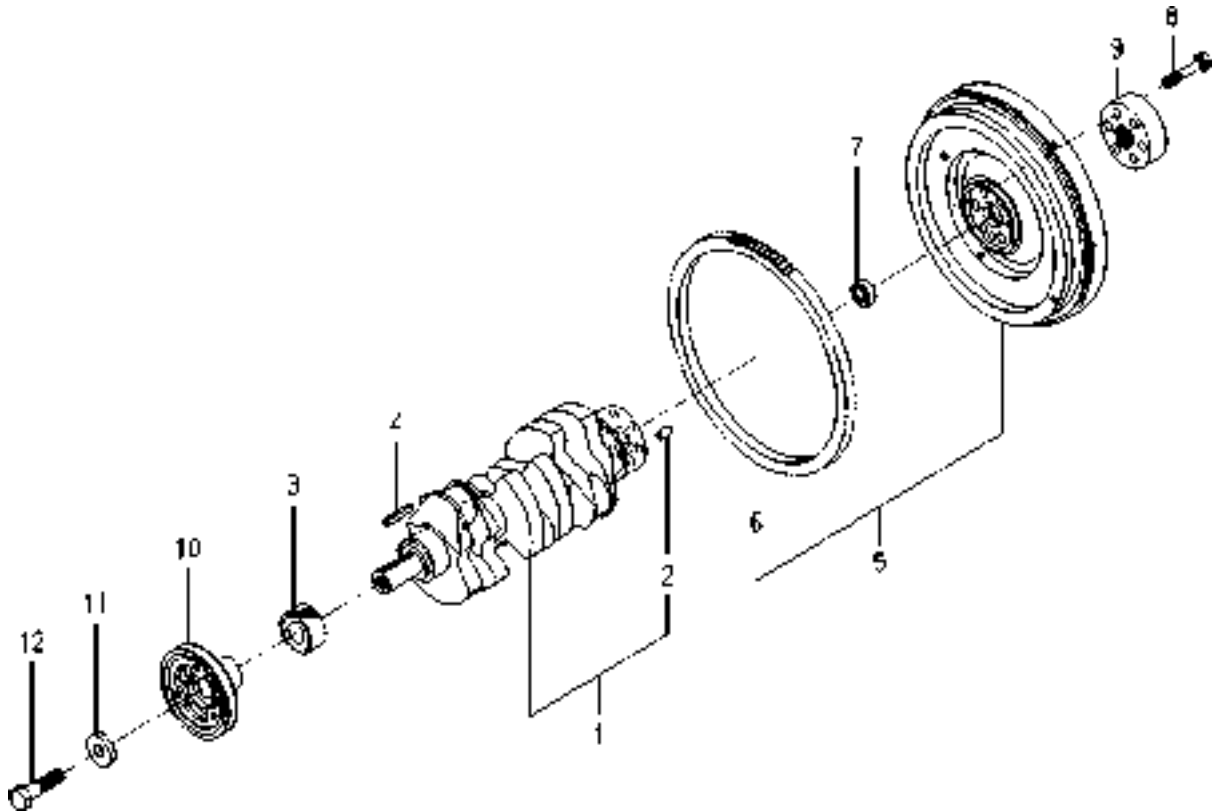








**FIG. 15 CRANK SHAFT**

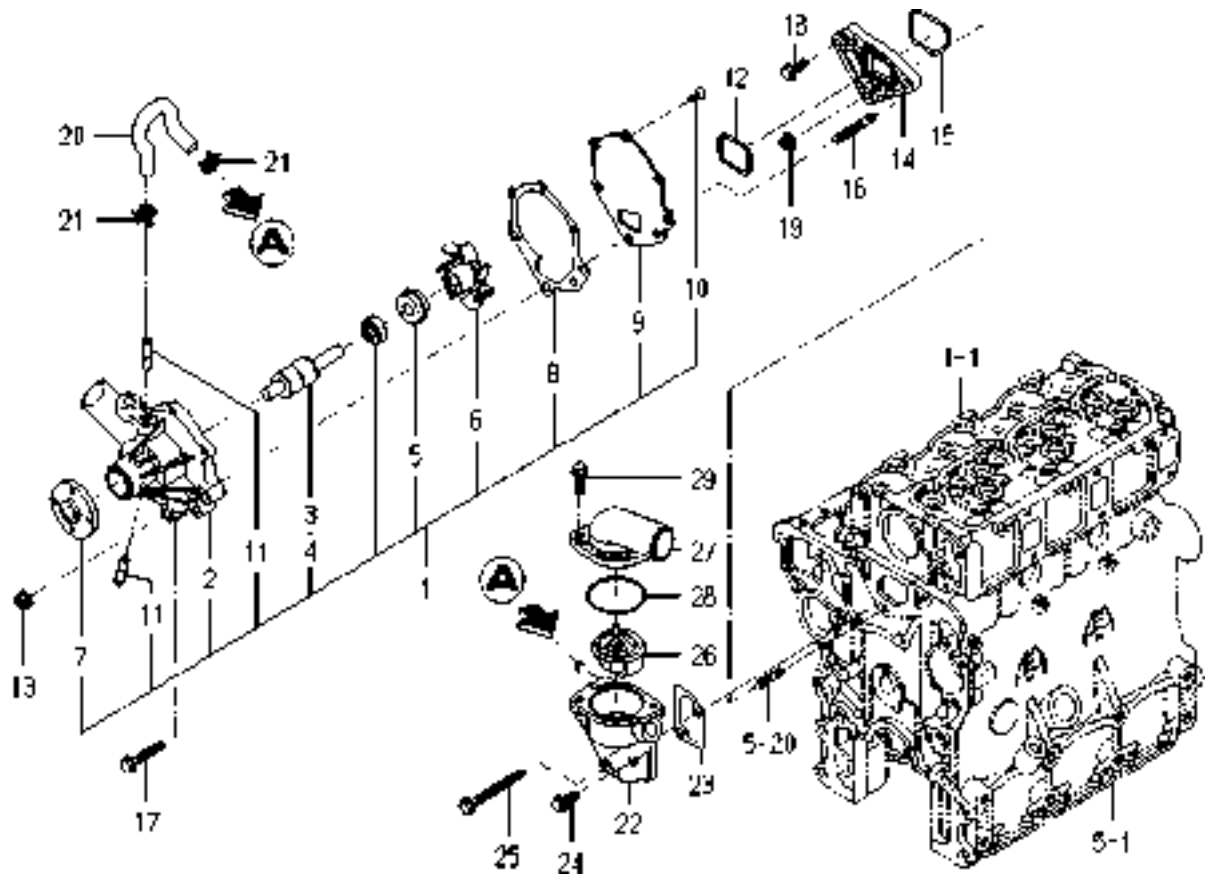


6005-351B-0100

KEY	PART CODE	DESCRIPTION	S P C	TYPE OF MODEL		I T C	C O L	G R P	REMARKS
				E3CE	VB11				
1	6212-310-011-40	CRANKSHAFT ASSY	*	1					
2	V523-101-001-80	PIN	*	1					
3	6212-521-008-00	GEAR/CRANK	*	1					
4	6209-730-006-00	KEY/07X05X43	*	1					
5	6212-330-040-50	FLYWHEEL ASSY	*	1					
6	6212-333-002-00	RINGGEAR	*	1					
7	V600-150-600-20	BEARING,RB/6002SS	*	1					
8	6209-000-023-00	BOLT	*	6					
9	6212-339-009-00	BOSS/SPLINE	*	1					
10	6212-371-034-10	PULLEY/CRANK	*	1					
11	6212-379-001-00	WASHER	*	1					
12	6901-066-645-00	BOLT	*	1					



**FIG. 17 WATER PUMP**



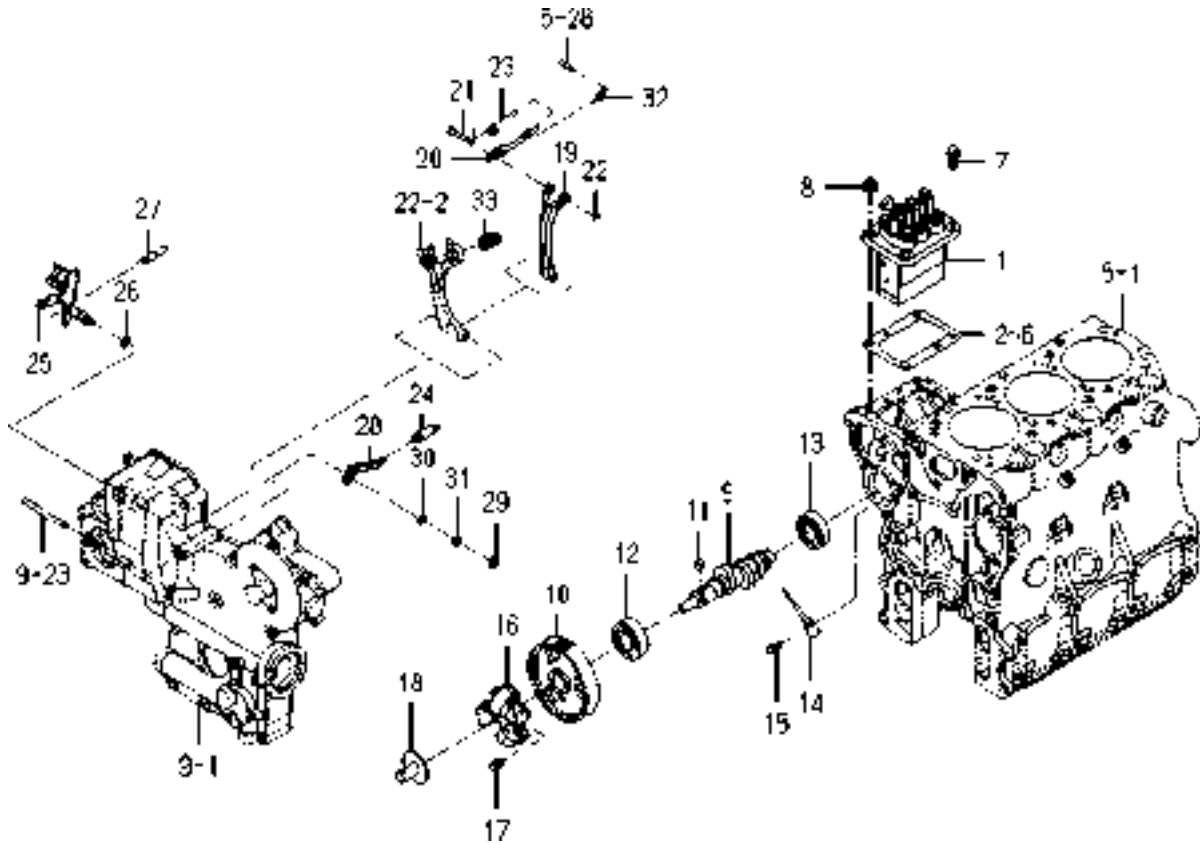
6005-420 -0100

KEY	PART CODE	DESCRIPTION	S P C	TYPE OF MODEL		I T C	C O L	G R P	REMARKS
				E3CE	VB11				
1	6213-610-005-40	WATERPUMP ASSY	*	1					
2	6213-611-003-20	BODY/WATERPUMP	*	1					
3	6213-631-002-00	BEARING/WATER PUMP	*	1					
4	6213-631-005-00	BEARING/WATERPUMP	*	1					
5	6213-622-002-10	SEAL SET/WATER PUMP	*	1					
6	6213-621-003-00	ROTOR/WATERPUMP	*	1					
7	6213-642-002-00	SEAL/WATER PUMPPULLE	*	1					
8	6213-613-002-10	GASKET	*	1					
9	6213-612-004-00	PLATE/WATER PUMP	*	1					
10	6213-619-003-00	SCREW/WATER PUMP	*	3					
11	6213-619-002-00	PIPE/WATER PUMP	*	2					
12	V721-103-104-00	O-RING/G40	*	1					
13	3817-401-001-00	NUT/M08	*	2					
14	6213-619-006-00	SPACER/WATERPUMP	*	1					
15	V721-113-105-00	O-RING HS90 G50	*	1					
16	6904-110-840-00	STUD/M8X40	*	2					
17	V231-360-804-50	FLANGE BOLT	*	1					
18	V231-360-802-00	FLANGE BOLT	*	1					
19	3817-401-001-00	NUT/M08	*	1					
20	6213-729-013-10	HOSE/RUBBER	*	1					
21	J061-210-015-00	CLAMP/WIRE/10-15	*	2					
22	6213-716-001-50	HOUSING/THERMOSTAT	*	1					
23	6213-743-002-10	GASKET/HOUSING	*	1					
24	V231-360-802-00	FLANGE BOLT	*	1					
25	V231-360-807-50	FLANGE BOLT	*	1					
26	6513-770-022-10	THERMOSTAT	*	1					
27	6213-711-004-00	PIPE/WATEROUTLET	*	1					
28	V723-102-005-50	O-RING	*	1					
29	V231-360-802-50	FLANGE BOLT	*	2					





FIG. 20 INJECTION PUMP



6005-510Y-0100

KEY	PART CODE	DESCRIPTION	S P C	TYPE OF MODEL		I T C	C O L	G R P	REMARKS
				E3CE	VB11				
1	6215-600-078-10	INJECTIONPUMP ASSY	*	1					FIG 028
2	6219-752-006-00	SHIM/INJECTION P/0.3	*	1					
3	6219-752-007-00	SHIM/INJECTION P/0.1	*	1					
4	6219-752-008-00	SHIM/INJECTION P/0.2	*	1					
5	6219-752-009-00	SHIM/INJECTION P/0.4	*	1					
6	6219-752-010-00	SHIM/INJECTION P/0.5	*	1					
7	V231-360-802-00	FLANGE BOLT	*	2					
8	3817-401-001-00	NUT/M08	*	2					
9	6215-621-018-10	CAMSHAFT/INJPUMP	*	1					
10	6212-524-012-30	GEAR/INJECTIONPUMP	*	1					
11	6209-730-005-00	KEY/07X05X09	*	1					
12	V600-110-620-30	BEARING,RB/6203	*	1					
13	V600-110-600-40	BEARING,RB/6004	*	1					
14	6212-535-009-00	PLATE/THRUST/INJPUMP	*	1					
15	6901-910-612-00	BOLT,SEMS/M6X12	*	1					
16	6215-520-007-10	FLYWEIGHT ASSY	*	1					
17	6209-030-043-00	BOLT/M6X10	*	3					
18	6215-526-004-00	THRUSTPIECE	*	1					
19	6215-541-001-10	ARM/FLOATING COMP	*	1					
20	6215-543-002-10	RINK/CONTROL	*	1					
21	6215-542-006-00	PIN,CONTROL	*	1					
22	V710-140-004-00	RING,SNAP/4 E	*	1					
23	6215-549-031-10	SPRING/SETTING	*	1					
24	6215-531-006-10	SPRING/GOVERNOR	*	1					
25	6215-541-040-00	LEVER/CONTROL COMP	*	1					
26	V720-101-900-80	O-RING/P 8	*	1					
27	6209-580-002-10	SPRING,RETURN	*	1					
28	6215-549-007-10	ARM/CONTROL	*	1					
29	6909-110-406-00	NUT	*	1					
30	V411-260-006-00	WASHER / M6	*	1					











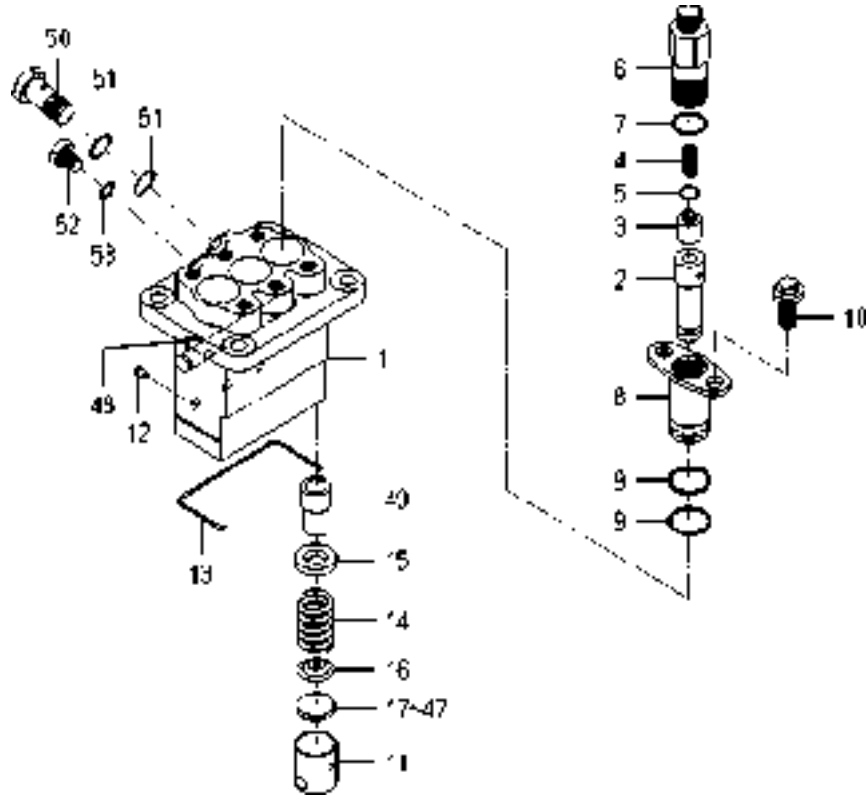








**FIG. 28 COMPONENT PARTS  
FOR 6215-600-078-10 ON Fig.20**



6215-600-078-1G

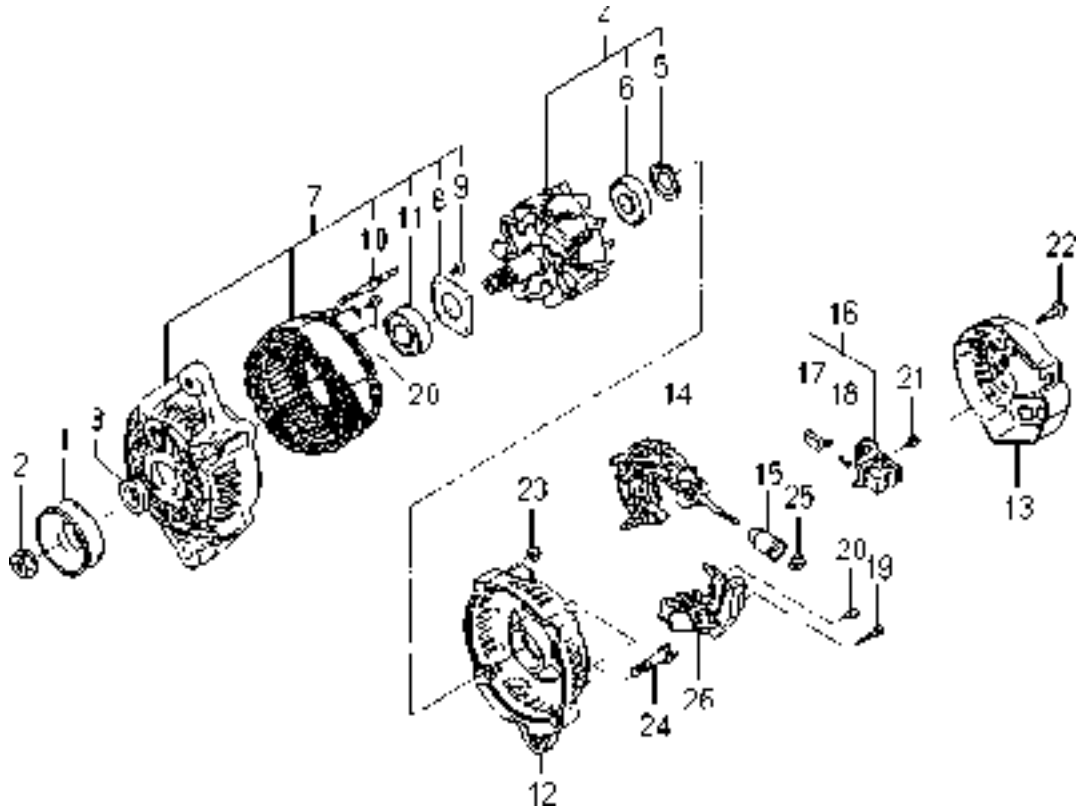
KEY	PART CODE	DESCRIPTION	S P C	TYPE OF MODEL		I T C	C O L	G R P	REMARKS
				E3CE VB11					
1	6215-611-015-00	HOUSING/PUMP	*	1					
2	6215-631-008-00	PLUNGER ASSY	*	3					
3	6215-641-002-00	VALVE,DELIVERY	*	3					
4	6215-643-005-00	SPRING/DELIVERYVALVE	*	3					
5	6215-649-008-00	GASKET	*	3					
6	6215-644-009-00	HOLDER/DELIVERYVALVE	*	3					
7	6215-649-014-00	ORING	*	3					
8	6215-635-004-00	SLEEVEFLANGE	*	3					
9	6215-649-013-00	ORING	*	6					
10	6215-649-011-00	BOLT	*	6					
11	6215-622-003-00	TAPPET	*	3					
12	6215-629-017-00	PIN	*	3					
13	6215-629-035-00	SNAPRING	*	1					
14	6215-634-003-00	SPRING/PLUNGER	*	3					
15	6215-639-008-00	SPRINGSEAT	*	3					
16	6215-639-009-00	SPRINGSEAT	*	3					
17	6215-629-060-00	PLATE/T=2.60	*	1					
18	6215-629-061-00	PLATE/T=2.65	*	1					
19	6215-629-062-00	PLATE/T=2.70	*	1					
20	6215-629-063-00	PLATE/T=2.75	*	1					
21	6215-629-064-00	PLATE/T=2.80	*	1					
22	6215-629-065-00	PLATE/T=2.85	*	1					
23	6215-629-066-00	PLATE/T=2.90	*	1					
24	6215-629-067-00	PLATE/T=2.95	*	1					
25	6215-629-036-00	PLATE/T=3.00	*	1					
26	6215-629-037-00	PLATE/T=3.05	*	1					
27	6215-629-038-00	PLATE/T=3.10	*	1					
28	6215-629-039-00	PLATE/T=3.15	*	1					
29	6215-629-040-00	PLATE/T=3.20	*	1					
30	6215-629-041-00	PLATE/T=3.25	*	1					







**FIG. 30 COMPONENT PARTS  
FOR 6281-200-021-00 ON Fig.23**



6281-200-021-0A

KEY	PART CODE	DESCRIPTION	S P C	TYPE OF MODEL		I T C	C O L	G R P	REMARKS
				E3CE	VB11				
1	6281-222-012-00	PULLEY	*	1					
2	6281-229-002-00	NUT	*	1					
3	6281-229-003-00	COLLOR	*	1					
4	6281-221-007-00	ROTOR ASSY	*	1					
5	6281-229-004-00	COVER, BEARING	*	1					
6	6281-229-032-00	BEARING/BALL	*	1					
7	6281-213-018-00	FRAME/DRIVEEND ASSY	*	1					
8	6281-229-006-00	PLATE	*	1					
9	6281-229-007-00	BOLT	*	4					
10	6281-229-008-00	BOLT	*	2					
11	6281-229-033-00	BEARING/BALL	*	1					
12	6281-214-003-00	FRAME	*	1					
13	6281-214-004-00	COVER	*	1					
14	6281-229-029-00	HOLDER ASSY	*	1					
15	6281-229-011-00	BUSH	*	1					
16	6281-217-002-00	HOLDER/BRUSH ASSY	*	1					
17	6281-215-001-00	BRUSH	*	2					
18	6281-216-001-00	SPRING	*	2					
19	6281-229-012-00	BOLT	*	2					
20	6281-229-013-00	BOLT	*	6					
21	6281-229-014-00	BOLT	*	1					
22	6281-229-015-00	BOLT	*	3					
23	6281-229-016-00	NUT	*	2					
24	6281-229-017-00	BOLT	*	2					
25	6281-229-018-00	NUT	*	1					
26	6281-271-002-00	REGULATOR ASSY	*	1					

# ENGINE

E3CFVB24...TH4290

ENGINE





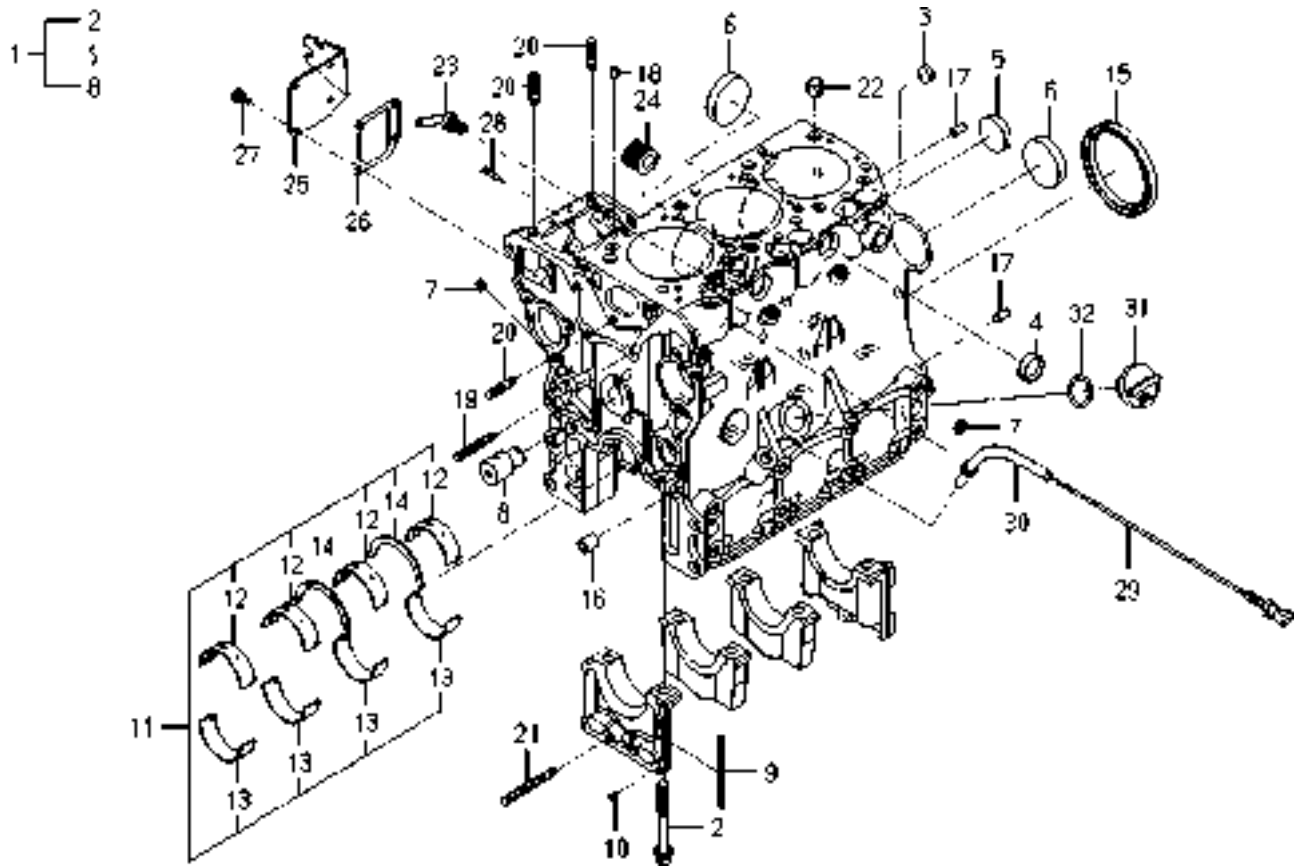








FIG. 5 CYLINDER BLOCK



6005-202F-0100

KEY	PART CODE	DESCRIPTION	S P C	TYPE OF MODEL		I T C	C O L	G R P	REMARKS
				E3CF	VB24				
1	6211-210-065-20	CYLINDERBLOCK ASSY	*	1					
2	6209-000-006-00	BOLT	*	8					
3	6209-610-007-00	CUP/SEALING/16	*	2					
4	6209-610-001-10	CUP/SEALING/28	*	2					
5	6209-610-009-00	CUP/SEALING/36	*	1					
6	6209-610-003-00	CUP/SEALING/50	*	3					
7	6509-605-019-10	PLUG	*	8					
8	6212-531-008-20	PIN/IDLEGEAR	*	1					
9	6211-258-001-00	SEAL, BEARING CAP	*	4					
10	6211-258-002-00	SEAL, BEARING CAP/7	*	2					
11	6211-510-008-00	BEARING/CRANK SET	*	1					
12	6211-511-007-00	BEARING/CRANK/UPPER	*	4					
13	6211-511-008-00	BEARING/CRANK/LOWER	*	4					
14	6211-599-004-00	BEARING/THRUST/CRANK	*	2					
15	6209-625-003-20	OILSEAL	*	1					
16	6209-749-001-20	PIN/TUBE	*	2					
17	6213-129-006-00	PIN/STRAIGHT	*	2					
18	6209-740-005-00	PIN	*	2					
19	6904-110-840-00	STUD/M8X40	*	1					
20	6904-110-822-00	STUD	*	3					
21	V251-340-806-00	BOLT/STUD	*	1					
22	6294-453-002-00	DOWEL	*	2					
23	6213-721-007-00	PIPE/WATERDRAIN	*	1					
24	6213-319-001-00	CONNECTOR, OIL FILTER	*	1					
25	6211-291-013-10	COVER/INJECTIONPUMP	*	1					
26	6211-292-001-20	GASKET/COVER	*	1					
27	V230-360-601-20	FLANGE BOLT	*	4					
28	6215-549-013-00	PIN	*	1					
29	6211-760-032-00	LEVELGAGE	*	1					
30	6211-766-025-00	GUIDE/LEVELGAGE COMP	*	1					

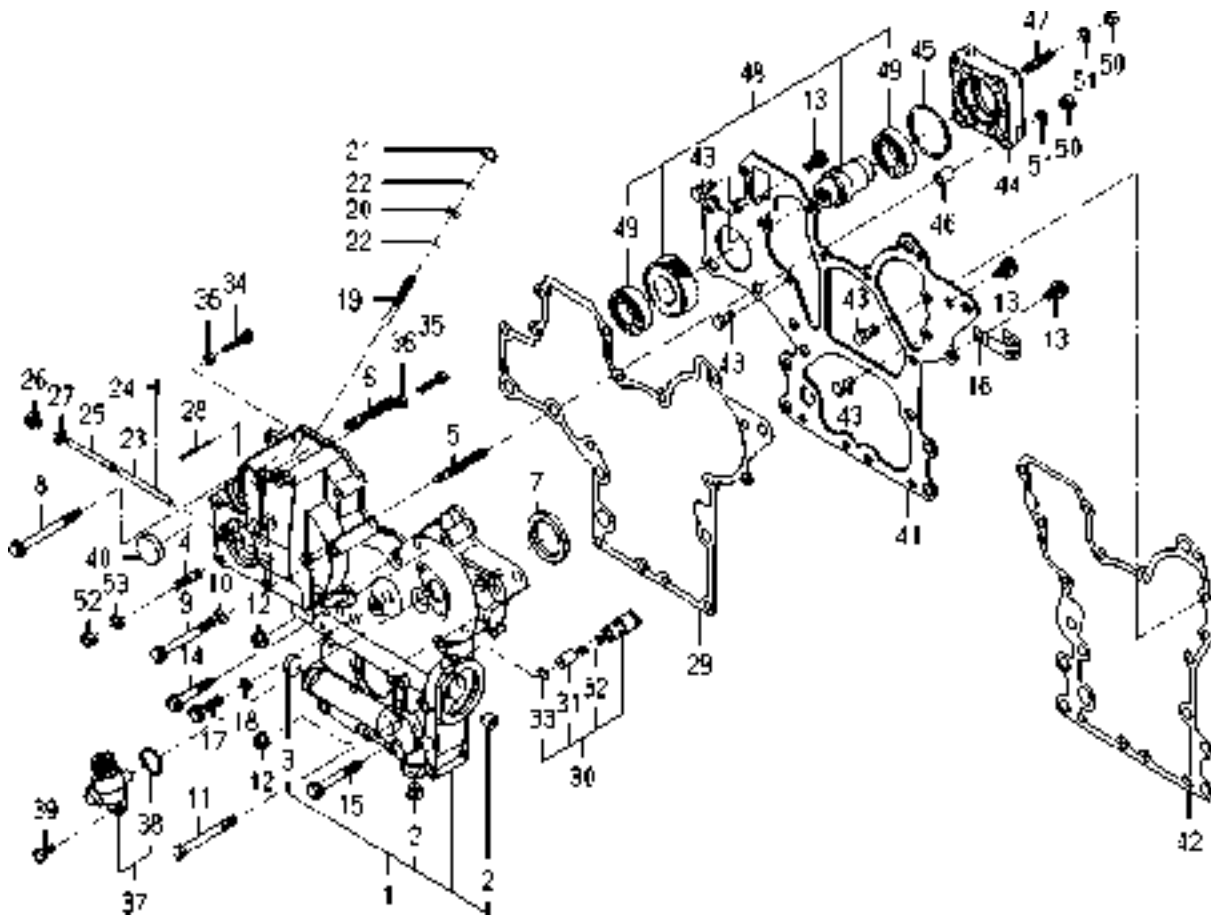








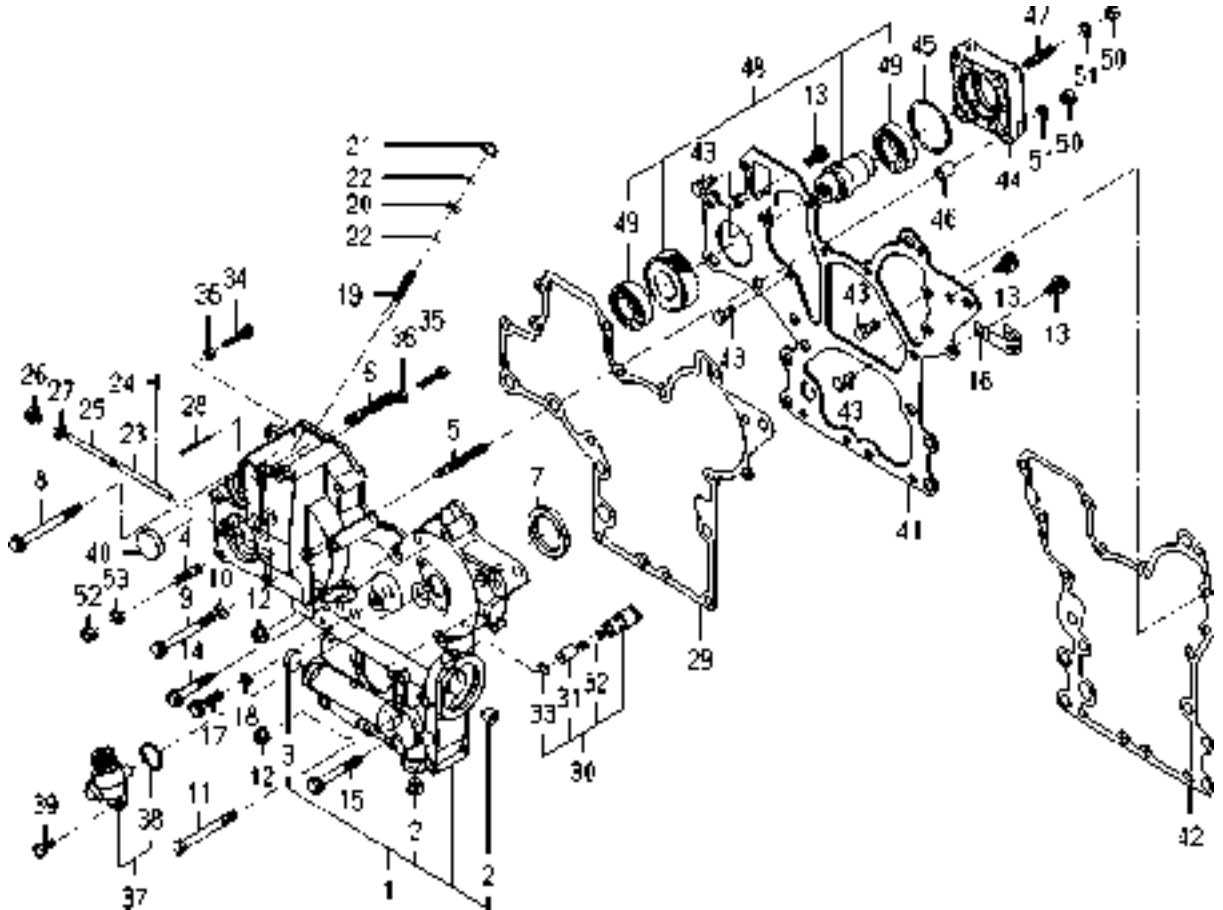
FIG. 9 TIMING GEAR CASE



6005-240Q-0100,6005-240Q-0200

KEY	PART CODE	DESCRIPTION	S P C	TYPE OF MODEL		I T C	C O L	G R P	REMARKS
				E3CF	VB24				
1	6211-310-009-60	GEARCASE ASSY	*	1					
2	6209-605-003-00	PLUG/PT1/4	*	2					
3	6209-610-004-00	CUP/SEALING/20	*	1					
4	6904-110-822-00	STUD	*	4					
5	6904-110-855-00	STUD	*	2					
6	6904-110-850-00	STUD	*	1					
7	6209-625-002-00	SEAL,OIL	*	1					
8	V231-360-808-50	FLANGEBOLT	*	1					
9	V231-360-807-50	FLANGEBOLT	*	1					
10	6209-500-006-00	WASHER/08X16X1.2	*	1					
11	V201-360-807-50	BOLT	*	1					
12	3817-401-001-00	NUT/M08	*	2					
13	V231-360-801-60	FLANGEBOLT	*	3					
14	V231-360-805-00	FLANGEBOLT	*	3					
15	V231-360-806-00	FLANGEBOLT	*	4					
16	1425-621-004-00	HOLDER/JE/9-9	*	1					
17	V231-360-803-00	FLANGEBOLT	*	1					
18	6209-500-003-00	WASHER/08X14X01	*	1					
19	6215-546-003-10	STOPPER/FULLLOAD	*	1					
20	6209-409-001-00	NUT/M8	*	1					
21	V341-120-008-00	NUT,CAP/M 8	*	1					
22	6209-920-002-00	PACKING	*	2					
23	6215-542-004-20	PIN/ARM	*	1					
24	P117-303-003-00	PIN/SNAP	*	2					
25	6215-542-005-10	PIN	*	1					
26	6209-600-004-00	PLUG/SCREW	*	1					
27	6209-500-003-00	WASHER/08X14X01	*	1					
28	6209-740-001-00	PIN,GROOVE	*	1					
29	6211-312-005-10	GASKET/GEARCASE	*	1					
30	6213-160-003-10	VALVE/RELIEF ASSY	*	1					

**FIG. 9 TIMING GEAR CASE**



6005-240Q-0100,6005-240Q-0200

KEY	PART CODE	DESCRIPTION	S P C	TYPE OF MODEL		I T C	C O L	G R P	REMARKS
				E3CF	VB24				
31	6213-161-003-10	PISTON/VALVE/RELIEF	*	1					
32	6213-164-001-00	SPRING/RELIEF VALVE	*	1					
33	V705-140-012-00	RING,SNAP/12 C	*	1					
34	6209-050-001-00	BOLT/M6	*	1					
35	6209-050-002-00	BOLT/M6	*	1					
36	6909-110-406-00	NUT	*	2					
37	6219-310-003-20	DRIVE/TACHOMETE ASSY	*	1					
38	V723-102-002-40	RING/O	*	1					
39	V230-360-601-60	FLANGEBOLT	*	2					
40	3625-540-004-00	CAP,BLANK/30	*	1					
41	6211-311-013-20	PLATE/FRONT	*	1					
42	6211-312-006-10	GASKET/PLATE	*	1					
43	6902-050-816-00	BOLT	*	4					
44	6211-319-003-00	SPACER	*	1					
45	V723-102-005-00	O-RING 1A S50	*	1					
46	6209-749-001-20	PIN/TUBE	*	2					
47	6904-110-822-00	STUD	*	1					
48	6212-530-008-10	SHAFT/HYDRAULIC ASSY	*	1					
49	V600-110-600-50	BEARING,RB/6005	*	2					
50	6909-110-408-00	NUT/M8	*	4					
51	V401-160-008-00	WASHER,SP/M 8	*	4					
52	6909-110-408-00	NUT/M8	*	4					
53	V401-160-008-00	WASHER,SP/M 8	*	4					





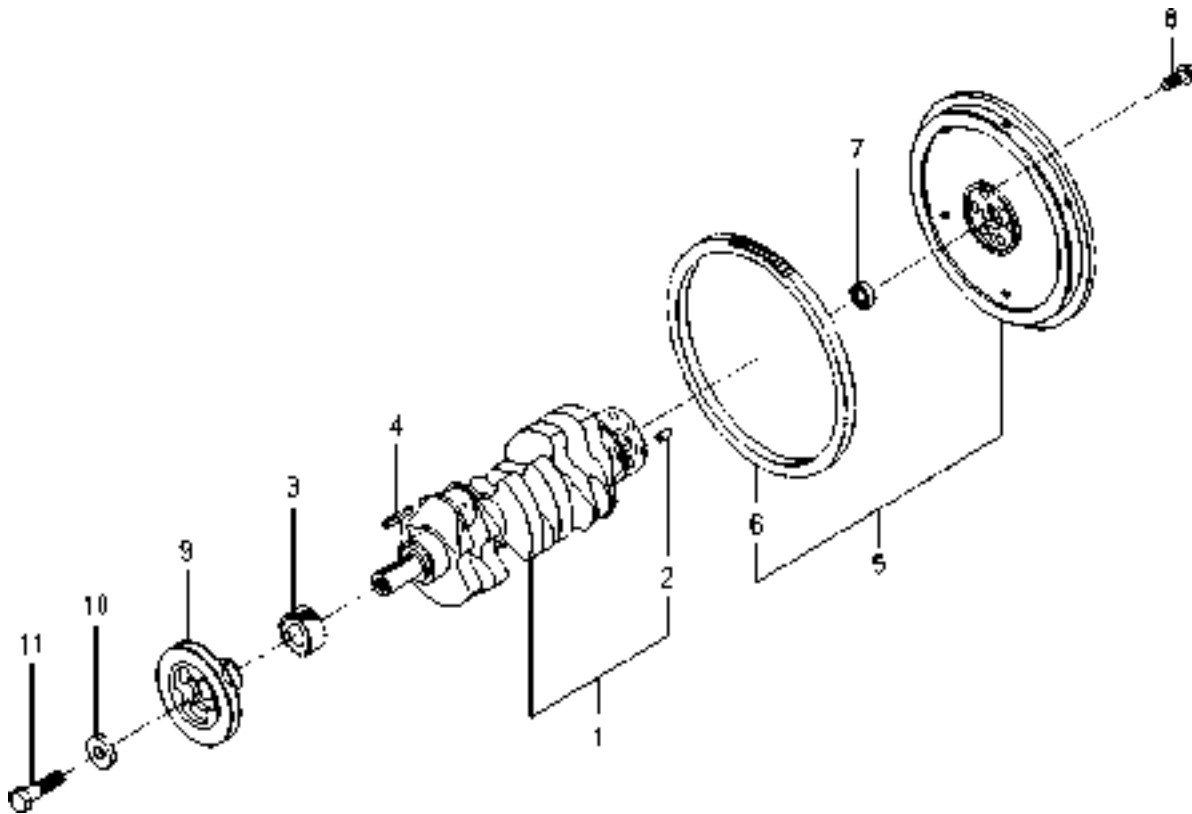








# FIG. 15 CRANK SHAFT

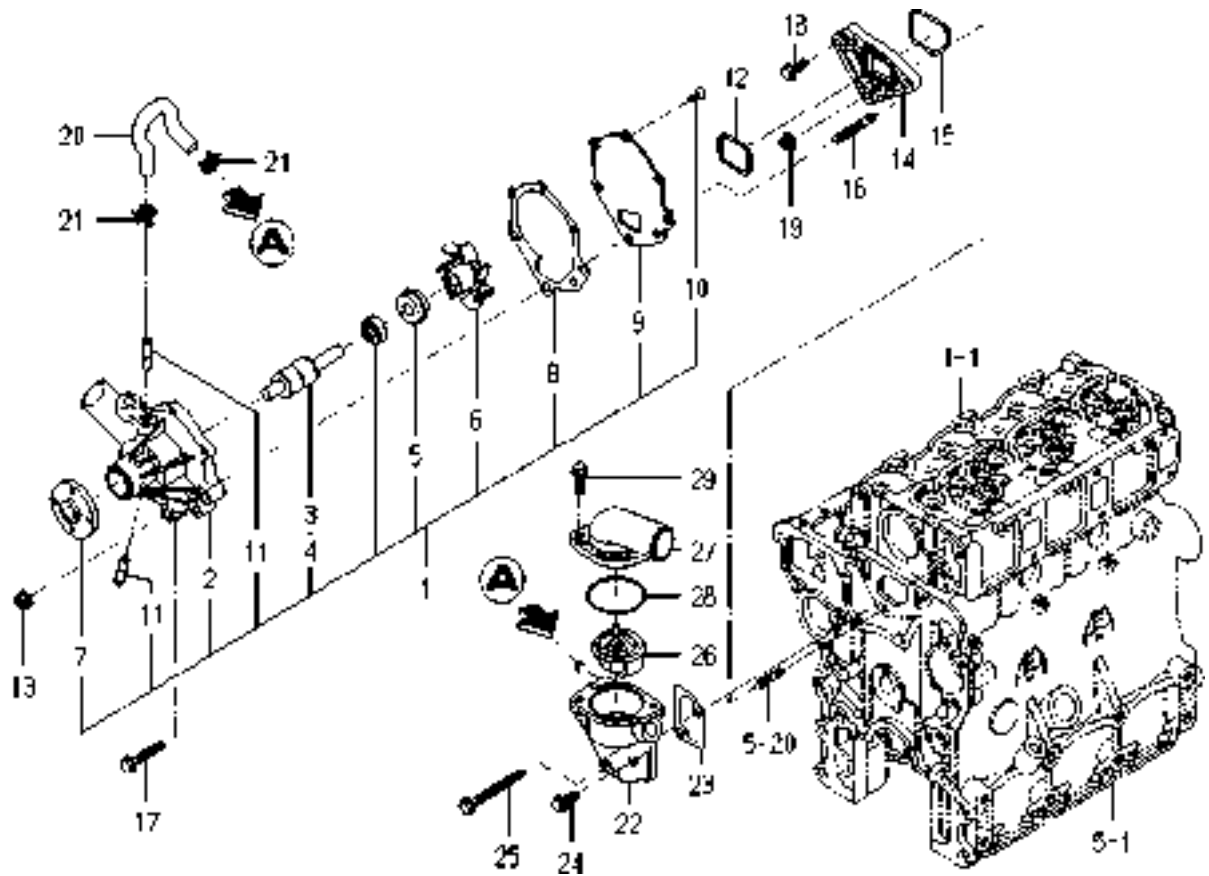


6005-351-0100

KEY	PART CODE	DESCRIPTION	S P C	TYPE OF MODEL		I T C	C O L	G R P	REMARKS
				E3CF	VB24				
1	6212-310-011-40	CRANKSHAFT ASSY	*	1					
2	V523-101-001-80	PIN	*	1					
3	6212-521-008-00	GEAR/CRANK	*	1					
4	6209-730-006-00	KEY/07X05X43	*	1					
5	6212-330-025-20	FLYWHEEL ASSY	*	1					
6	6212-333-002-00	RINGGEAR	*	1					
7	V600-150-600-20	BEARING,RB/6002SS	*	1					
8	6209-046-015-00	BOLT/FLANGE	*	6					
9	6212-371-041-10	PULLEY/CRANK	*	1					
10	6212-379-001-00	WASHER	*	1					
11	6901-066-645-00	BOLT	*	1					



**FIG. 17 WATER PUMP**



6005-420 -0100

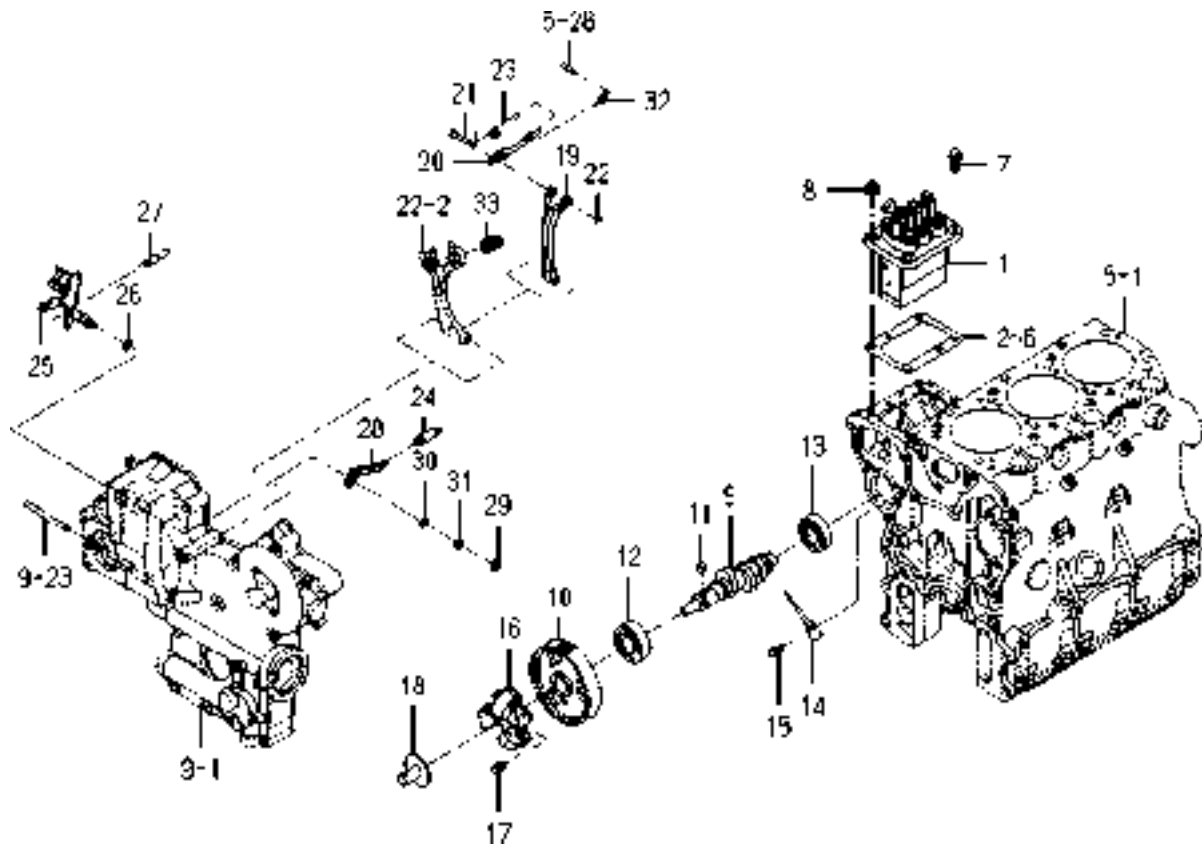
KEY	PART CODE	DESCRIPTION	S P C	TYPE OF MODEL		I T C	C O L	G R P	REMARKS
				E3CF	VB24				
1	6213-610-005-40	WATERPUMP ASSY	*	1					
2	6213-611-003-20	BODY/WATERPUMP	*	1					
3	6213-631-002-00	BEARING/WATER PUMP	*	1					
4	6213-631-005-00	BEARING/WATERPUMP	*	1					
5	6213-622-002-10	SEAL SET/WATER PUMP	*	1					
6	6213-621-003-00	ROTOR/WATERPUMP	*	1					
7	6213-642-002-00	SEAL/WATER PUMPPULLE	*	1					
8	6213-613-002-10	GASKET	*	1					
9	6213-612-004-00	PLATE/WATER PUMP	*	1					
10	6213-619-003-00	SCREW/WATER PUMP	*	3					
11	6213-619-002-00	PIPE/WATER PUMP	*	2					
12	V721-103-104-00	O-RING/G40	*	1					
13	3817-401-001-00	NUT/M08	*	2					
14	6213-619-006-00	SPACER/WATERPUMP	*	1					
15	V721-113-105-00	O-RING HS90 G50	*	1					
16	6904-110-840-00	STUD/M8X40	*	2					
17	V231-360-804-50	FLANGE BOLT	*	1					
18	V231-360-802-00	FLANGE BOLT	*	1					
19	3817-401-001-00	NUT/M08	*	1					
20	6213-729-013-10	HOSE/RUBBER	*	1					
21	J061-210-015-00	CLAMP/WIRE/10-15	*	2					
22	6213-716-001-50	HOUSING/THERMOSTAT	*	1					
23	6213-743-002-10	GASKET/HOUSING	*	1					
24	V231-360-802-00	FLANGE BOLT	*	1					
25	V231-360-807-50	FLANGE BOLT	*	1					
26	6513-770-022-10	THERMOSTAT	*	1					
27	6213-711-004-00	PIPE/WATEROUTLET	*	1					
28	V723-102-005-50	O-RING	*	1					
29	V231-360-802-50	FLANGE BOLT	*	2					







FIG. 20 INJECTION PUMP



6005-510Y-0100

KEY	PART CODE	DESCRIPTION	S P C	TYPE OF MODEL		I T C	C O L	G R P	REMARKS
				E3CF	VB24				
1	6215-600-078-10	INJECTIONPUMP ASSY	*	1					FIG 028
2	6219-752-006-00	SHIM/INJECTION P/0.3	*	1					
3	6219-752-007-00	SHIM/INJECTION P/0.1	*	1					
4	6219-752-008-00	SHIM/INJECTION P/0.2	*	1					
5	6219-752-009-00	SHIM/INJECTION P/0.4	*	1					
6	6219-752-010-00	SHIM/INJECTION P/0.5	*	1					
7	V231-360-802-00	FLANGEBOLT	*	2					
8	3817-401-001-00	NUT/M08	*	2					
9	6215-621-018-10	CAMSHAFT/INJPUMP	*	1					
10	6212-524-012-30	GEAR/INJECTIONPUMP	*	1					
11	6209-730-005-00	KEY/07X05X09	*	1					
12	V600-110-620-30	BEARING,RB/6203	*	1					
13	V600-110-600-40	BEARING,RB/6004	*	1					
14	6212-535-009-00	PLATE/THRUST/INJPUMP	*	1					
15	6901-910-612-00	BOLT,SEMS/M6X12	*	1					
16	6215-520-007-10	FLYWEIGHT ASSY	*	1					
17	6209-030-043-00	BOLT/M6X10	*	3					
18	6215-526-004-00	THRUSTPIECE	*	1					
19	6215-541-001-10	ARM/FLOATING COMP	*	1					
20	6215-543-002-10	RINK/CONTROL	*	1					
21	6215-542-006-00	PIN,CONTROL	*	1					
22	V710-140-004-00	RING,SNAP/4 E	*	1					
23	6215-549-031-10	SPRING/SETTING	*	1					
24	6215-531-006-10	SPRING/GOVERNOR	*	1					
25	6215-541-040-00	LEVER/CONTROL COMP	*	1					
26	V720-101-900-80	O-RING/P 8	*	1					
27	6209-580-002-10	SPRING,RETURN	*	1					
28	6215-549-007-10	ARM/CONTROL	*	1					
29	6909-110-406-00	NUT	*	1					
30	V411-260-006-00	WASHER / M6	*	1					







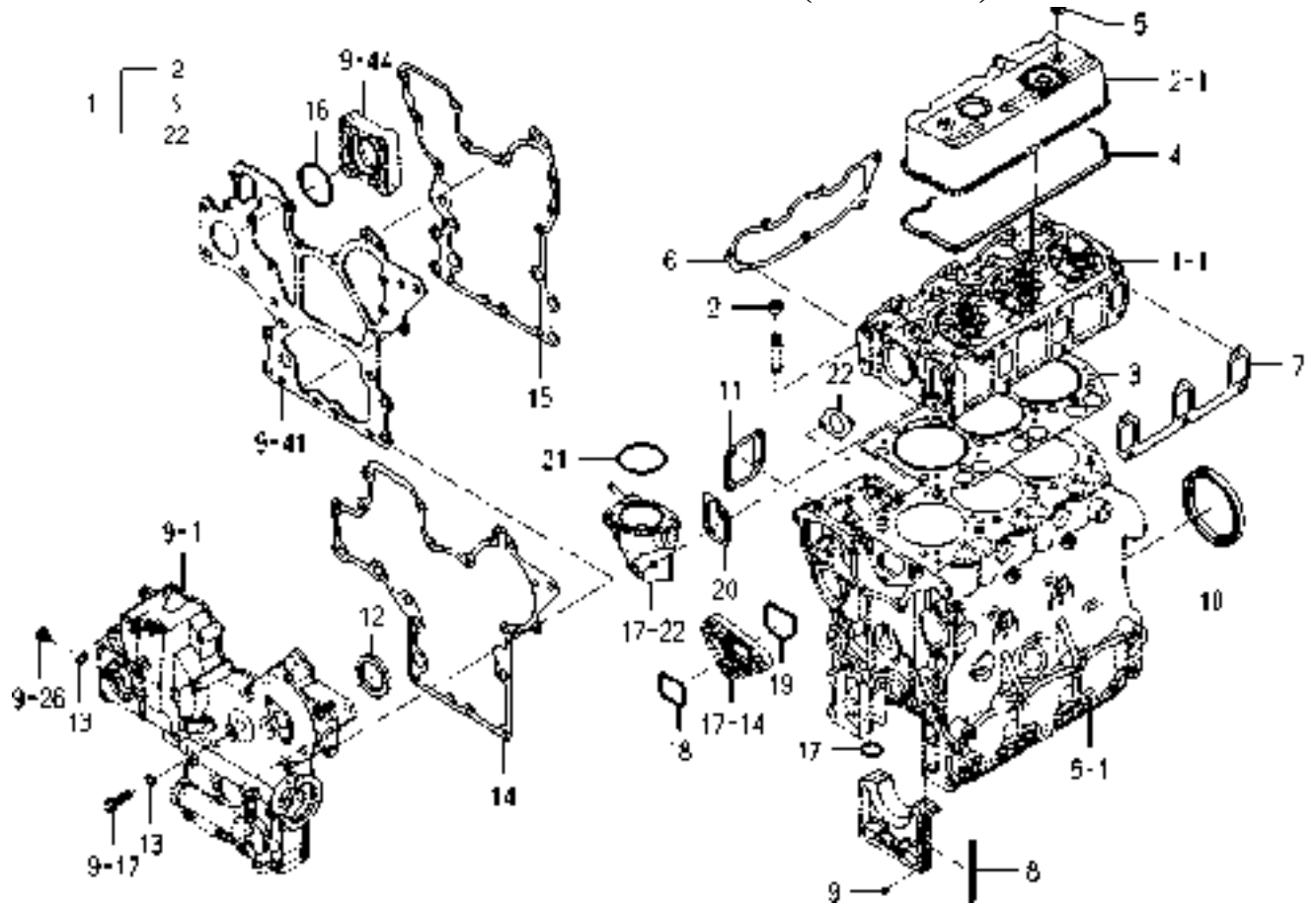








**FIG. 26 REPAIR PARTS (OPTION)**

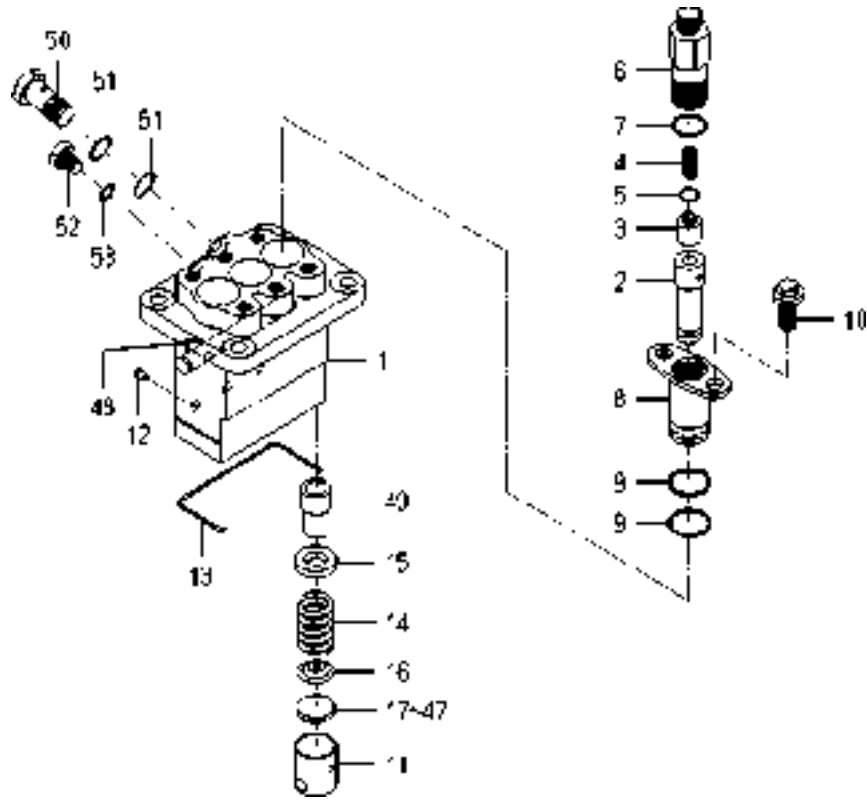


6005-999G-0100

KEY	PART CODE	DESCRIPTION	S P C	TYPE OF MODEL		I T C	C O L	G R P	REMARKS
				E3CF	VB24				
1	6287-810-028-00	REPAIR/ENGINE SET	T	1					
2	6212-569-002-00	SEAL,OIL	T	6					
3	6211-141-023-50	GASKET/CYLINDERHEAD	T	1					
4	6211-173-005-00	SEAL/CYL HEAD/UNDER	T	1					
5	6209-572-003-00	GASKET	T	2					
6	6214-115-003-10	GASKET/INLETMANIFOLD	T	1					
7	6214-145-004-20	GASKET/EXH MANIFOLD	T	1					
8	6211-258-001-00	SEAL, BEARING CAP	T	4					
9	6211-258-002-00	SEAL, BEARING CAP/7	T	2					
10	6209-625-003-20	OILSEAL	T	1					
11	6211-292-001-20	GASKET/COVER	T	1					
12	6209-625-002-00	SEAL,OIL	T	1					
13	6209-500-003-00	WASHER/08X14X01	T	2					
14	6211-312-005-10	GASKET/GEARCASE	T	1					
15	6211-312-006-10	GASKET/PLATE	T	1					
16	V723-102-005-00	O-RING 1A S50	T	1					
17	V720-103-502-20	O-RING/P22	T	1					
18	V721-103-104-00	O-RING/G40	T	1					
19	V721-113-105-00	O-RING HS90 G50	T	1					
20	6213-743-002-10	GASKET/HOUSING	T	1					
21	V723-102-005-50	O-RING	T	1					
22	6209-630-002-10	GASKET	T	1					



**FIG. 28 COMPONENT PARTS  
FOR 6215-600-078-10 ON Fig.20**



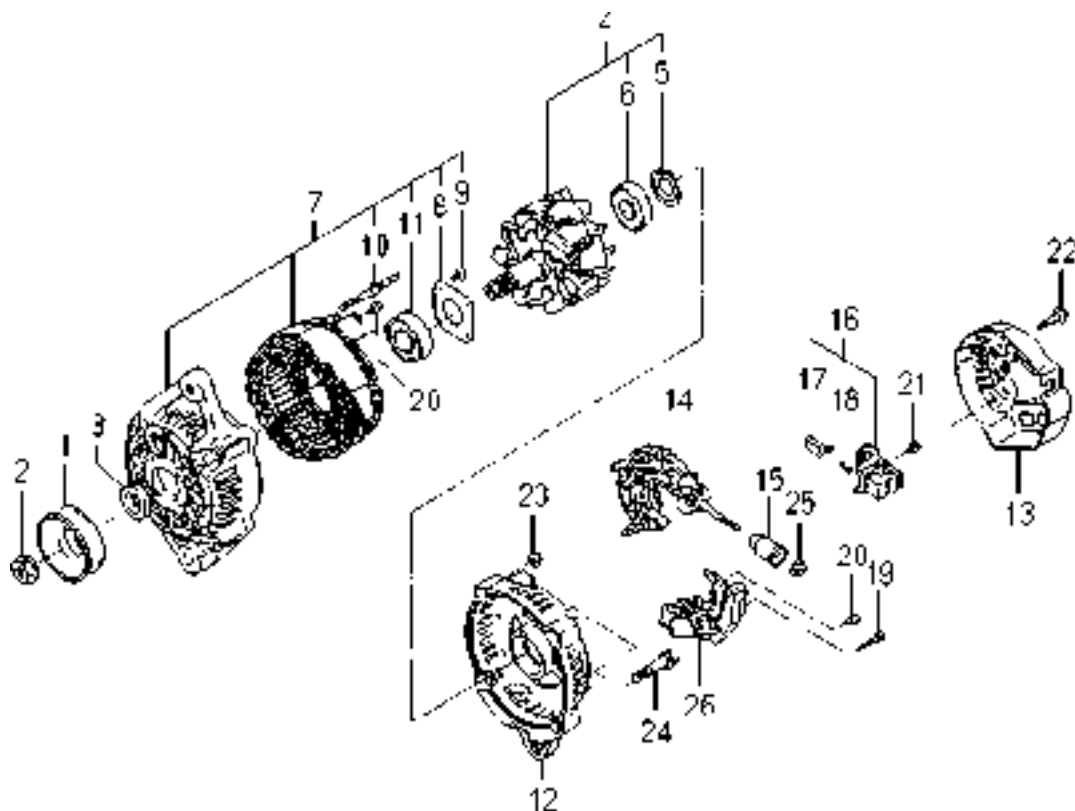
6215-600-078-1G

KEY	PART CODE	DESCRIPTION	S P C	TYPE OF MODEL		I T C	C O L	G R P	REMARKS
				E3CF VB24					
1	6215-611-015-00	HOUSING/PUMP	*	1					
2	6215-631-008-00	PLUNGER ASSY	*	3					
3	6215-641-002-00	VALVE,DELIVERY	*	3					
4	6215-643-005-00	SPRING/DELIVERYVALVE	*	3					
5	6215-649-008-00	GASKET	*	3					
6	6215-644-009-00	HOLDER/DELIVERYVALVE	*	3					
7	6215-649-014-00	ORING	*	3					
8	6215-635-004-00	SLEEVEFLANGE	*	3					
9	6215-649-013-00	ORING	*	6					
10	6215-649-011-00	BOLT	*	6					
11	6215-622-003-00	TAPPET	*	3					
12	6215-629-017-00	PIN	*	3					
13	6215-629-035-00	SNAPRING	*	1					
14	6215-634-003-00	SPRING/PLUNGER	*	3					
15	6215-639-008-00	SPRINGSEAT	*	3					
16	6215-639-009-00	SPRINGSEAT	*	3					
17	6215-629-060-00	PLATE/T=2.60	*	1					
18	6215-629-061-00	PLATE/T=2.65	*	1					
19	6215-629-062-00	PLATE/T=2.70	*	1					
20	6215-629-063-00	PLATE/T=2.75	*	1					
21	6215-629-064-00	PLATE/T=2.80	*	1					
22	6215-629-065-00	PLATE/T=2.85	*	1					
23	6215-629-066-00	PLATE/T=2.90	*	1					
24	6215-629-067-00	PLATE/T=2.95	*	1					
25	6215-629-036-00	PLATE/T=3.00	*	1					
26	6215-629-037-00	PLATE/T=3.05	*	1					
27	6215-629-038-00	PLATE/T=3.10	*	1					
28	6215-629-039-00	PLATE/T=3.15	*	1					
29	6215-629-040-00	PLATE/T=3.20	*	1					
30	6215-629-041-00	PLATE/T=3.25	*	1					





**FIG. 30 COMPONENT PARTS  
FOR 6281-200-021-00 ON Fig.23**



6281-200-021-0A

KEY	PART CODE	DESCRIPTION	S P C	TYPE OF MODEL		I T C	C O L	G R P	REMARKS
				E3CF	VB24				
1	6281-222-012-00	PULLEY	*	1					
2	6281-229-002-00	NUT	*	1					
3	6281-229-003-00	COLLOR	*	1					
4	6281-221-007-00	ROTOR ASSY	*	1					
5	6281-229-004-00	COVER, BEARING	*	1					
6	6281-229-032-00	BEARING/BALL	*	1					
7	6281-213-018-00	FRAME/DRIVEEND ASSY	*	1					
8	6281-229-006-00	PLATE	*	1					
9	6281-229-007-00	BOLT	*	4					
10	6281-229-008-00	BOLT	*	2					
11	6281-229-033-00	BEARING/BALL	*	1					
12	6281-214-003-00	FRAME	*	1					
13	6281-214-004-00	COVER	*	1					
14	6281-229-029-00	HOLDER ASSY	*	1					
15	6281-229-011-00	BUSH	*	1					
16	6281-217-002-00	HOLDER/BRUSH ASSY	*	1					
17	6281-215-001-00	BRUSH	*	2					
18	6281-216-001-00	SPRING	*	2					
19	6281-229-012-00	BOLT	*	2					
20	6281-229-013-00	BOLT	*	6					
21	6281-229-014-00	BOLT	*	1					
22	6281-229-015-00	BOLT	*	3					
23	6281-229-016-00	NUT	*	2					
24	6281-229-017-00	BOLT	*	2					
25	6281-229-018-00	NUT	*	1					
26	6281-271-002-00	REGULATOR ASSY	*	1					

# ENGINE

E3CFVB22...TH4290H

ENGINE





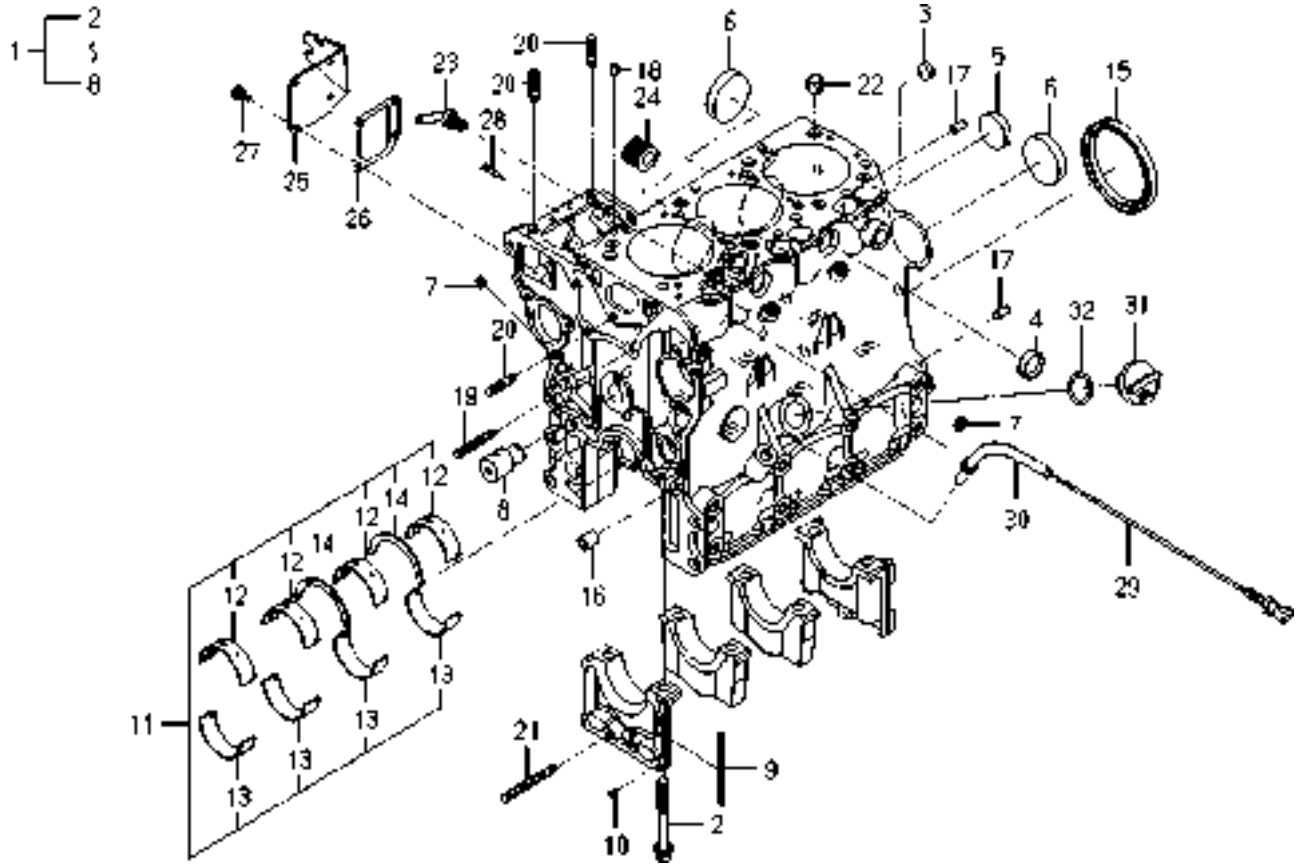








FIG. 5 CYLINDER BLOCK



6005-202F-0100

KEY	PART CODE	DESCRIPTION	S P C	TYPE OF MODEL		I T C	C O L	G R P	REMARKS
				E3CF	VB22				
1	6211-210-065-20	CYLINDERBLOCK ASSY	*	1					
2	6209-000-006-00	BOLT	*	8					
3	6209-610-007-00	CUP/SEALING/16	*	2					
4	6209-610-001-10	CUP/SEALING/28	*	2					
5	6209-610-009-00	CUP/SEALING/36	*	1					
6	6209-610-003-00	CUP/SEALING/50	*	3					
7	6509-605-019-10	PLUG	*	8					
8	6212-531-008-20	PIN/IDLEGEAR	*	1					
9	6211-258-001-00	SEAL, BEARING CAP	*	4					
10	6211-258-002-00	SEAL, BEARING CAP/7	*	2					
11	6211-510-008-00	BEARING/CRANK SET	*	1					
12	6211-511-007-00	BEARING/CRANK/UPPER	*	4					
13	6211-511-008-00	BEARING/CRANK/LOWER	*	4					
14	6211-599-004-00	BEARING/THRUST/CRANK	*	2					
15	6209-625-003-20	OILSEAL	*	1					
16	6209-749-001-20	PIN/TUBE	*	2					
17	6213-129-006-00	PIN/STRAIGHT	*	2					
18	6209-740-005-00	PIN	*	2					
19	6904-110-840-00	STUD/M8X40	*	1					
20	6904-110-822-00	STUD	*	3					
21	V251-340-806-00	BOLT/STUD	*	1					
22	6294-453-002-00	DOWEL	*	2					
23	6213-721-007-00	PIPE/WATERDRAIN	*	1					
24	6213-319-001-00	CONNECTOR, OIL FILTER	*	1					
25	6211-291-013-10	COVER/INJECTIONPUMP	*	1					
26	6211-292-001-20	GASKET/COVER	*	1					
27	V230-360-601-20	FLANGE BOLT	*	4					
28	6215-549-013-00	PIN	*	1					
29	6211-760-032-00	LEVELGAGE	*	1					
30	6211-766-025-00	GUIDE/LEVELGAGE COMP	*	1					



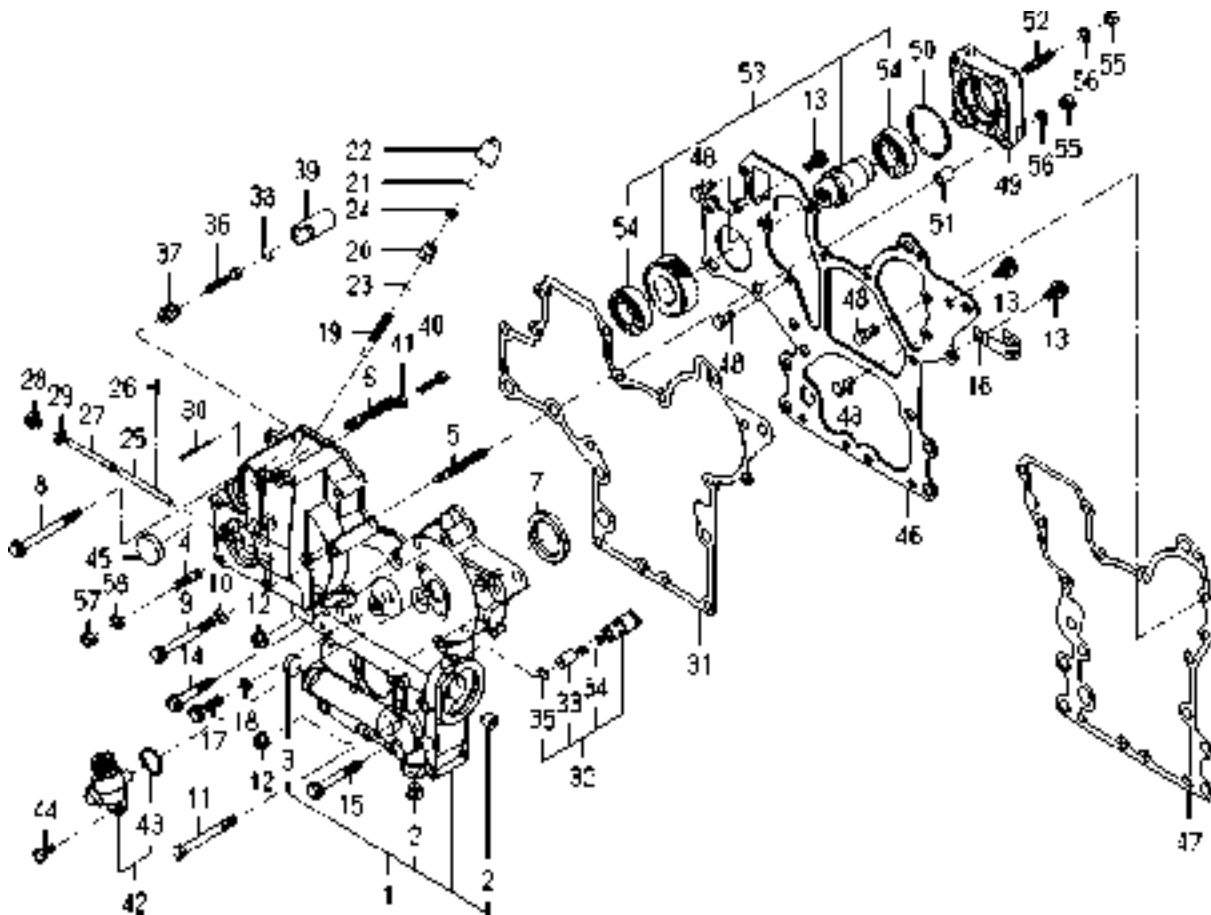








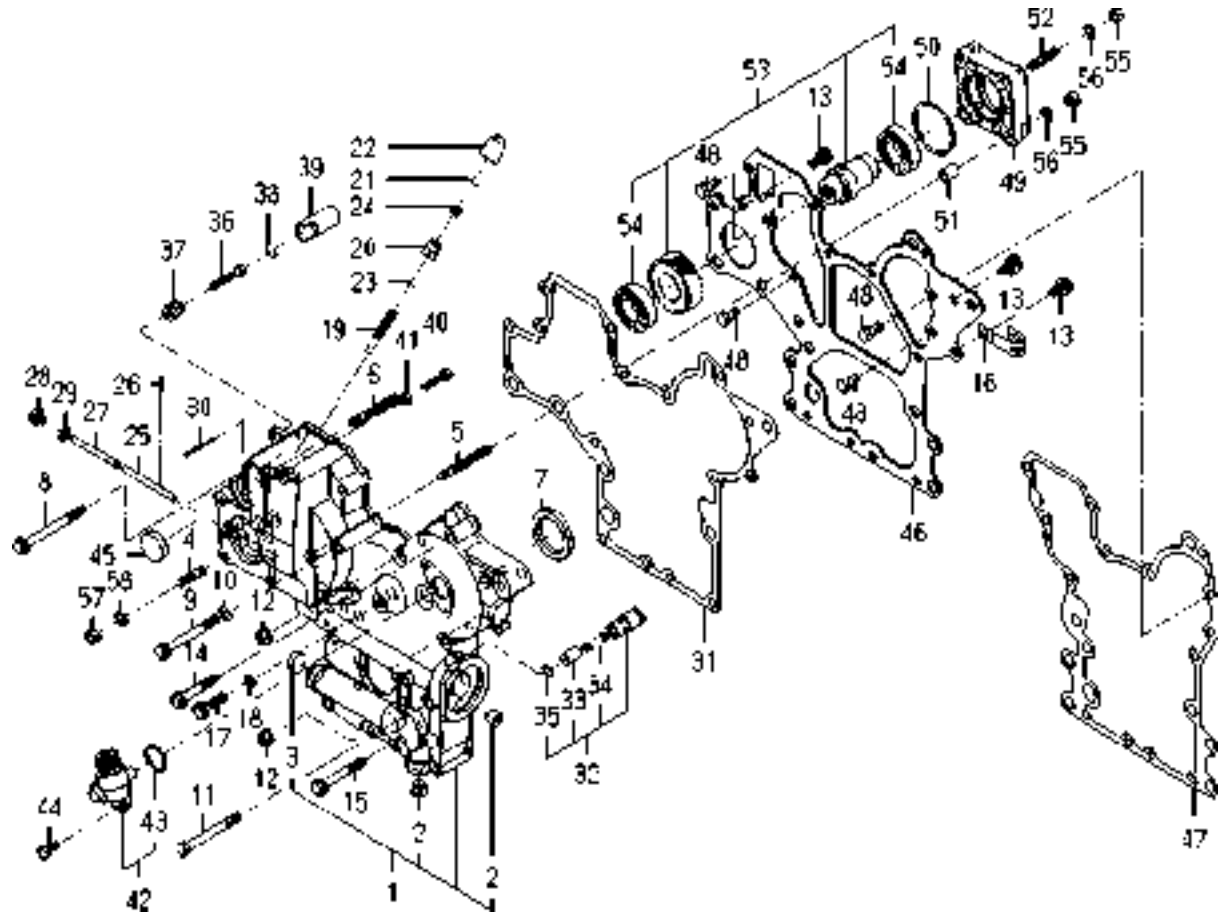
FIG. 9 TIMING GEAR CASE



6005-240L-0100,6005-240L-0200

KEY	PART CODE	DESCRIPTION	S P C	TYPE OF MODEL		I T C	C O L	G R P	REMARKS
				E3CF	VB22				
1	6211-310-009-60	GEARCASE ASSY	*	1					
2	6209-605-003-00	PLUG/PT1/4	*	2					
3	6209-610-004-00	CUP/SEALING/20	*	1					
4	6904-110-822-00	STUD	*	4					
5	6904-110-855-00	STUD	*	2					
6	6904-110-850-00	STUD	*	1					
7	6209-625-002-00	SEAL,OIL	*	1					
8	V231-360-808-50	FLANGEBOLT	*	1					
9	V231-360-807-50	FLANGEBOLT	*	1					
10	6209-500-006-00	WASHER/08X16X1.2	*	1					
11	V201-360-807-50	BOLT	*	1					
12	3817-401-001-00	NUT/M08	*	2					
13	V231-360-801-60	FLANGEBOLT	*	3					
14	V231-360-805-00	FLANGEBOLT	*	3					
15	V231-360-806-00	FLANGEBOLT	*	4					
16	1425-621-004-00	HOLDER/JE/9-9	*	1					
17	V231-360-803-00	FLANGEBOLT	*	1					
18	6209-500-003-00	WASHER/08X14X01	*	1					
19	6215-546-006-00	STOPPER/MAX POWER ST	*	1					
20	6215-549-057-00	NUT/MAXPOWERSTOPPER	*	1					
21	6209-587-006-10	RING/TAMPER REGISTAN	*	1					
22	6215-549-058-10	CAP/MAXPOWERSTOPPER	*	1					
23	6209-920-002-00	PACKING	*	1					
24	6509-605-019-10	PLUG	*	1					
25	6215-542-004-20	PIN/ARM	*	1					
26	P117-303-003-00	PIN/SNAP	*	2					
27	6215-542-005-10	PIN	*	1					
28	6209-600-004-00	PLUG/SCREW	*	1					
29	6209-500-003-00	WASHER/08X14X01	*	1					
30	6209-740-001-00	PIN,GROOVE	*	1					

FIG. 9 TIMING GEAR CASE



6005-240L-0100,6005-240L-0200

KEY	PART CODE	DESCRIPTION	S P C	TYPE OF MODEL		I T C	C O L	G R P	REMARKS
				E3CF	VB22				
31	6211-312-005-10	GASKET/GEARCASE	*	1					
32	6213-160-003-10	VALVE/RELIEF ASSY	*	1					
33	6213-161-003-10	PISTON/VALVE/RELIEF	*	1					
34	6213-164-001-00	SPRING/RELIEF VALVE	*	1					
35	V705-140-012-00	RING,SNAP/12 C	*	1					
36	6209-050-003-00	BOLT/HI-IDLESTOPPER	*	1					
37	6215-549-059-00	NUT/HI-IDLESTOPPER	*	1					
38	6209-587-006-10	RING/TAMPER REGISTRAN	*	1					
39	6215-549-067-00	CAP/HI-IDLESTOPPER	*	1					
40	6209-050-002-00	BOLT/M6	*	1					
41	6909-110-406-00	NUT	*	1					
42	6219-310-003-20	DRIVE/TACHOMETE ASSY	*	1					
43	V723-102-002-40	RING/O	*	1					
44	V230-360-601-60	FLANGE BOLT	*	2					
45	3625-540-004-00	CAP,BLANK/30	*	1					
46	6211-311-013-20	PLATE/FRONT	*	1					
47	6211-312-006-10	GASKET/PLATE	*	1					
48	6902-050-816-00	BOLT	*	4					
49	6211-319-003-00	SPACER	*	1					
50	V723-102-005-00	O-RING 1A S50	*	1					
51	6209-749-001-20	PIN/TUBE	*	2					
52	6904-110-822-00	STUD	*	1					
53	6212-530-008-10	SHAFT/HYDRAULIC ASSY	*	1					
54	V600-110-600-50	BEARING,RB/6005	*	2					
55	6909-110-408-00	NUT/M8	*	4					
56	V401-160-008-00	WASHER,SP/M 8	*	4					
57	6909-110-408-00	NUT/M8	*	4					
58	V401-160-008-00	WASHER,SP/M 8	*	4					









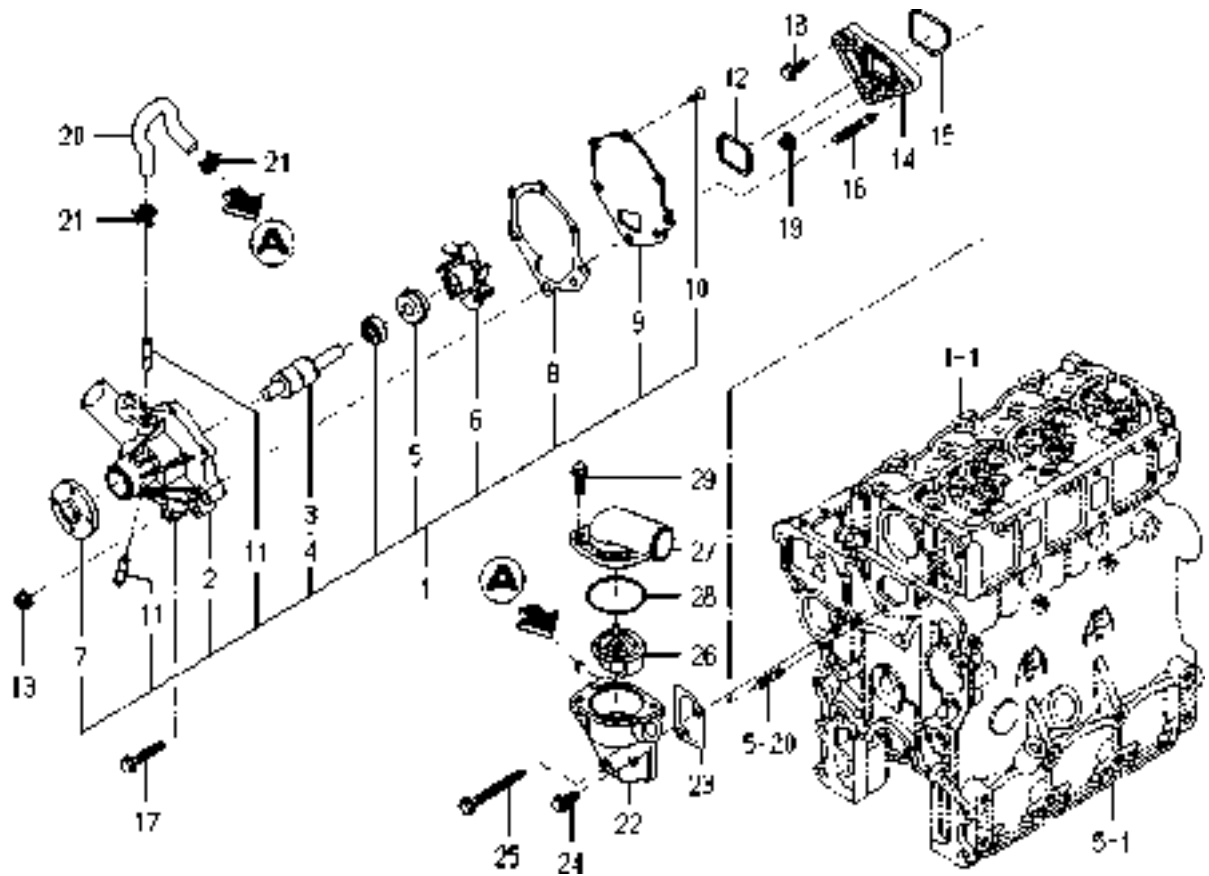








**FIG. 17 WATER PUMP**



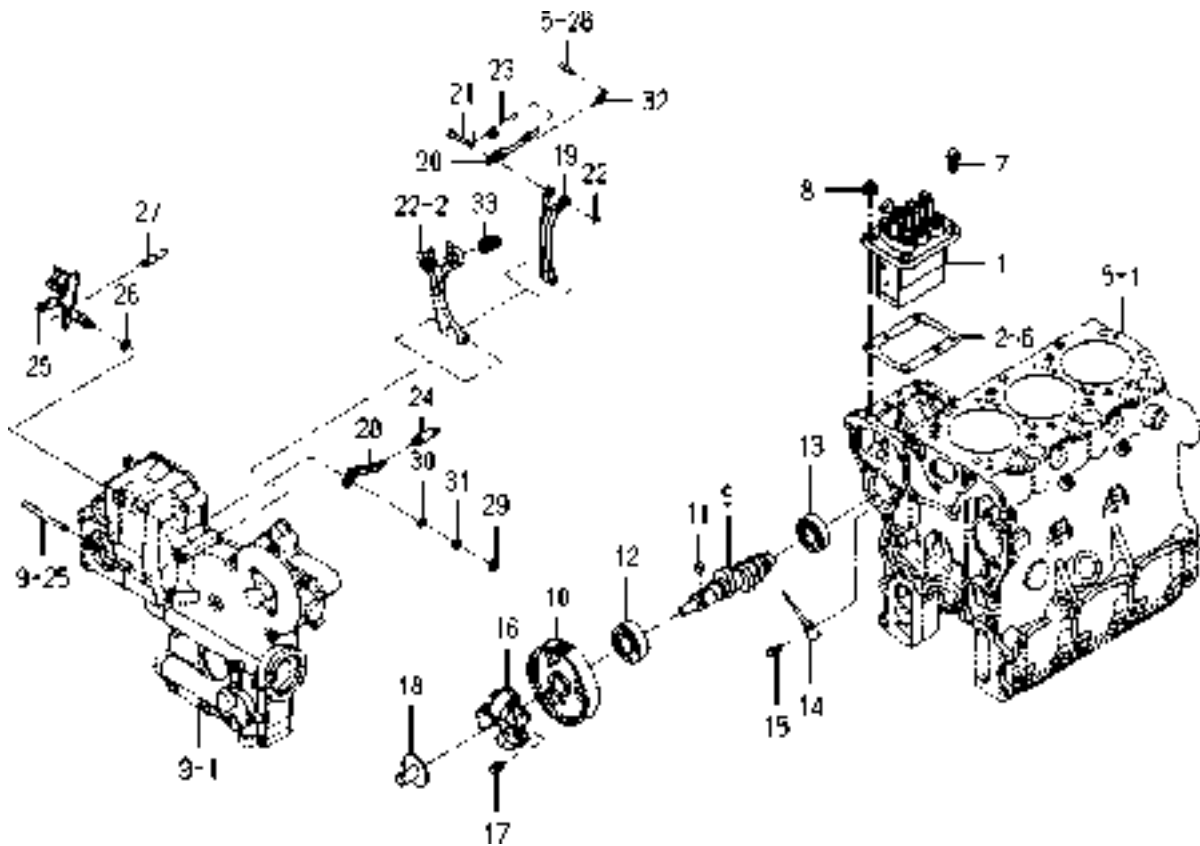
6005-420 -0100

KEY	PART CODE	DESCRIPTION	S P C	TYPE OF MODEL		I T C	C O L	G R P	REMARKS
				E3CF	VB22				
1	6213-610-005-40	WATERPUMP ASSY	*	1					
2	6213-611-003-20	BODY/WATERPUMP	*	1					
3	6213-631-002-00	BEARING/WATER PUMP	*	1					
4	6213-631-005-00	BEARING/WATERPUMP	*	1					
5	6213-622-002-10	SEAL SET/WATER PUMP	*	1					
6	6213-621-003-00	ROTOR/WATERPUMP	*	1					
7	6213-642-002-00	SEAL/WATER PUMPPULLE	*	1					
8	6213-613-002-10	GASKET	*	1					
9	6213-612-004-00	PLATE/WATER PUMP	*	1					
10	6213-619-003-00	SCREW/WATER PUMP	*	3					
11	6213-619-002-00	PIPE/WATER PUMP	*	2					
12	V721-103-104-00	O-RING/G40	*	1					
13	3817-401-001-00	NUT/M08	*	2					
14	6213-619-006-00	SPACER/WATERPUMP	*	1					
15	V721-113-105-00	O-RING HS90 G50	*	1					
16	6904-110-840-00	STUD/M8X40	*	2					
17	V231-360-804-50	FLANGE BOLT	*	1					
18	V231-360-802-00	FLANGE BOLT	*	1					
19	3817-401-001-00	NUT/M08	*	1					
20	6213-729-013-10	HOSE/RUBBER	*	1					
21	J061-210-015-00	CLAMP/WIRE/10-15	*	2					
22	6213-716-001-50	HOUSING/THERMOSTAT	*	1					
23	6213-743-002-10	GASKET/HOUSING	*	1					
24	V231-360-802-00	FLANGE BOLT	*	1					
25	V231-360-807-50	FLANGE BOLT	*	1					
26	6513-770-022-10	THERMOSTAT	*	1					
27	6213-711-004-00	PIPE/WATEROUTLET	*	1					
28	V723-102-005-50	O-RING	*	1					
29	V231-360-802-50	FLANGE BOLT	*	2					





## FIG. 20 INJECTION PUMP



6005-510Y-0100

KEY	PART CODE	DESCRIPTION	S P C	TYPE OF MODEL		I T C	C O L	G R P	REMARKS
				E3CF	VB22				
1	6215-600-078-10	INJECTIONPUMP ASSY	*	1					FIG 029
2	6219-752-006-00	SHIM/INJECTION P/0.3	*	1					
3	6219-752-007-00	SHIM/INJECTION P/0.1	*	1					
4	6219-752-008-00	SHIM/INJECTION P/0.2	*	1					
5	6219-752-009-00	SHIM/INJECTION P/0.4	*	1					
6	6219-752-010-00	SHIM/INJECTION P/0.5	*	1					
7	V231-360-802-00	FLANGE BOLT	*	2					
8	3817-401-001-00	NUT/M08	*	2					
9	6215-621-018-10	CAMSHAFT/INJPUMP	*	1					
10	6212-524-012-30	GEAR/INJECTIONPUMP	*	1					
11	6209-730-005-00	KEY/07X05X09	*	1					
12	V600-110-620-30	BEARING,RB/6203	*	1					
13	V600-110-600-40	BEARING,RB/6004	*	1					
14	6212-535-009-00	PLATE/THRUST/INJPUMP	*	1					
15	6901-910-612-00	BOLT,SEMS/M6X12	*	1					
16	6215-520-007-10	FLYWEIGHT ASSY	*	1					
17	6209-030-043-00	BOLT/M6X10	*	3					
18	6215-526-004-00	THRUSTPIECE	*	1					
19	6215-541-001-10	ARM/FLOATING COMP	*	1					
20	6215-543-002-10	RINK/CONTROL	*	1					
21	6215-542-006-00	PIN,CONTROL	*	1					
22	V710-140-004-00	RING,SNAP/4 E	*	1					
23	6215-549-031-10	SPRING/SETTING	*	1					
24	6215-531-006-10	SPRING/GOVERNOR	*	1					
25	6215-541-040-00	LEVER/CONTROL COMP	*	1					
26	V720-101-900-80	O-RING/P 8	*	1					
27	6209-580-002-10	SPRING,RETURN	*	1					
28	6215-549-007-10	ARM/CONTROL	*	1					
29	6909-110-406-00	NUT	*	1					
30	V411-260-006-00	WASHER / M6	*	1					









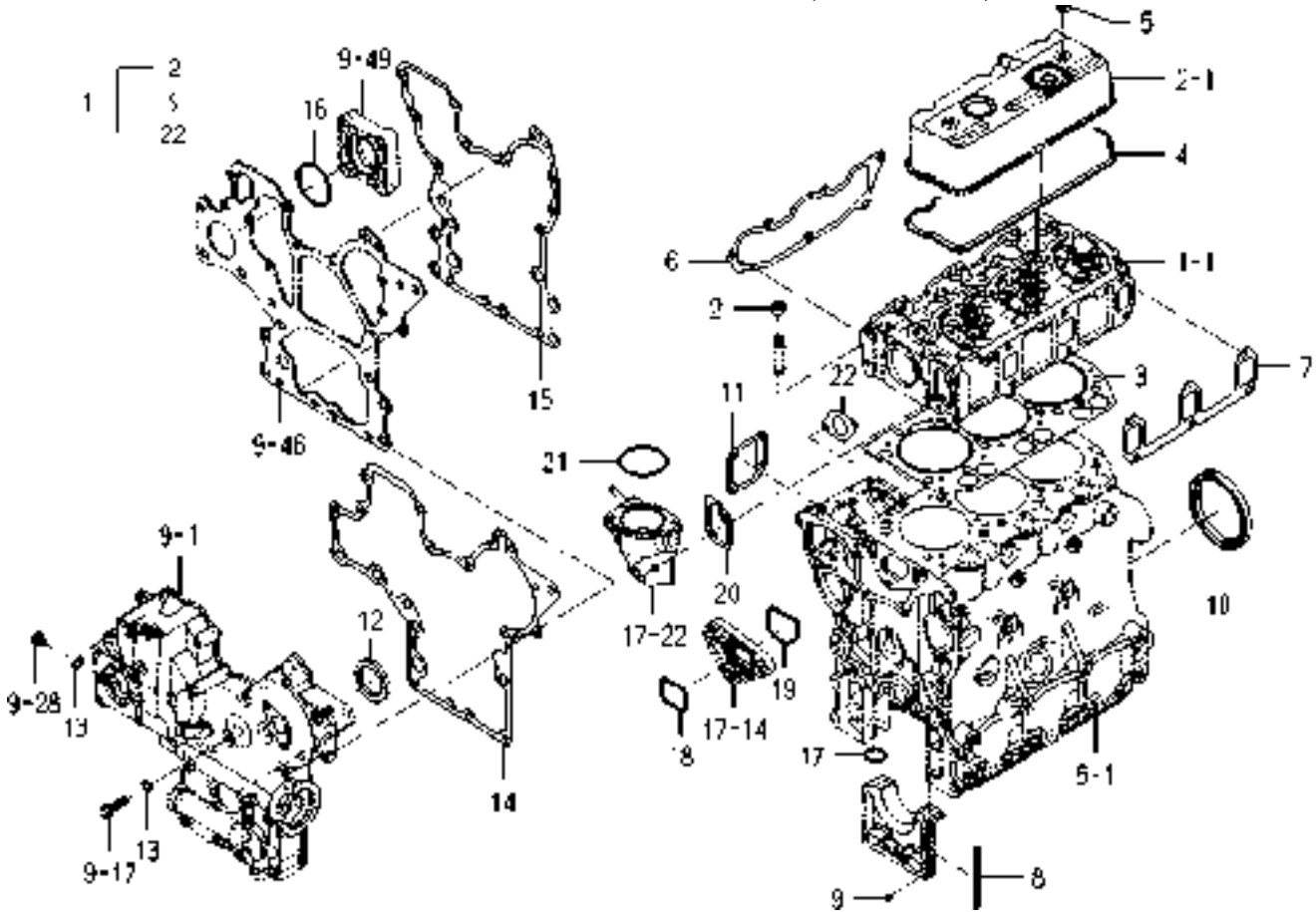








**FIG. 27 REPAIR PARTS (OPTION)**

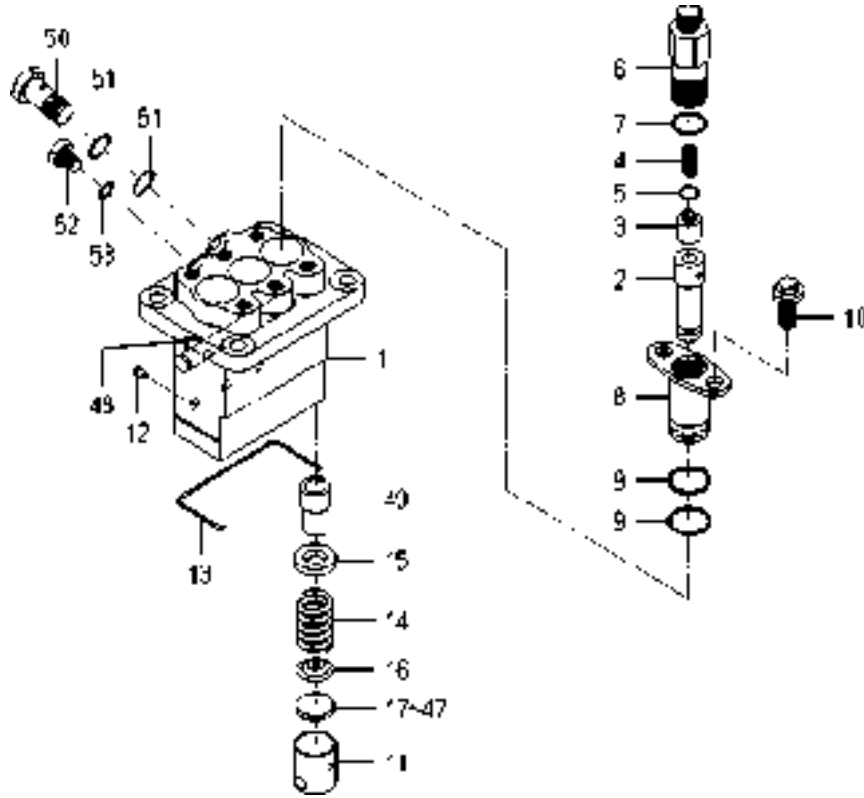


6005-999G-0100

KEY	PART CODE	DESCRIPTION	S P C	TYPE OF MODEL		I T C	C O L	G R P	REMARKS
				E3CF	VB22				
1	6287-810-028-00	REPAIR/ENGINE SET	T	1					
2	6212-569-002-00	SEAL,OIL	T	6					
3	6211-141-023-50	GASKET/CYLINDERHEAD	T	1					
4	6211-173-005-00	SEAL/CYL HEAD/UNDER	T	1					
5	6209-572-003-00	GASKET	T	2					
6	6214-115-003-10	GASKET/INLETMANIFOLD	T	1					
7	6214-145-004-20	GASHET/EXH MANIFOLD	T	1					
8	6211-258-001-00	SEAL, BEARING CAP	T	4					
9	6211-258-002-00	SEAL, BEARING CAP/7	T	2					
10	6209-625-003-20	OILSEAL	T	1					
11	6211-292-001-20	GASKET/COVER	T	1					
12	6209-625-002-00	SEAL,OIL	T	1					
13	6209-500-003-00	WASHER/08X14X01	T	2					
14	6211-312-005-10	GASKET/GEARCASE	T	1					
15	6211-312-006-10	GASKET/PLATE	T	1					
16	V723-102-005-00	O-RING 1A S50	T	1					
17	V720-103-502-20	O-RING/P22	T	1					
18	V721-103-104-00	O-RING/G40	T	1					
19	V721-113-105-00	O-RING HS90 G50	T	1					
20	6213-743-002-10	GASKET/HOUSING	T	1					
21	V723-102-005-50	O-RING	T	1					
22	6209-630-002-10	GASKET	T	1					



**FIG. 29 COMPONENT PARTS  
FOR 6215-600-078-10 ON Fig.20**



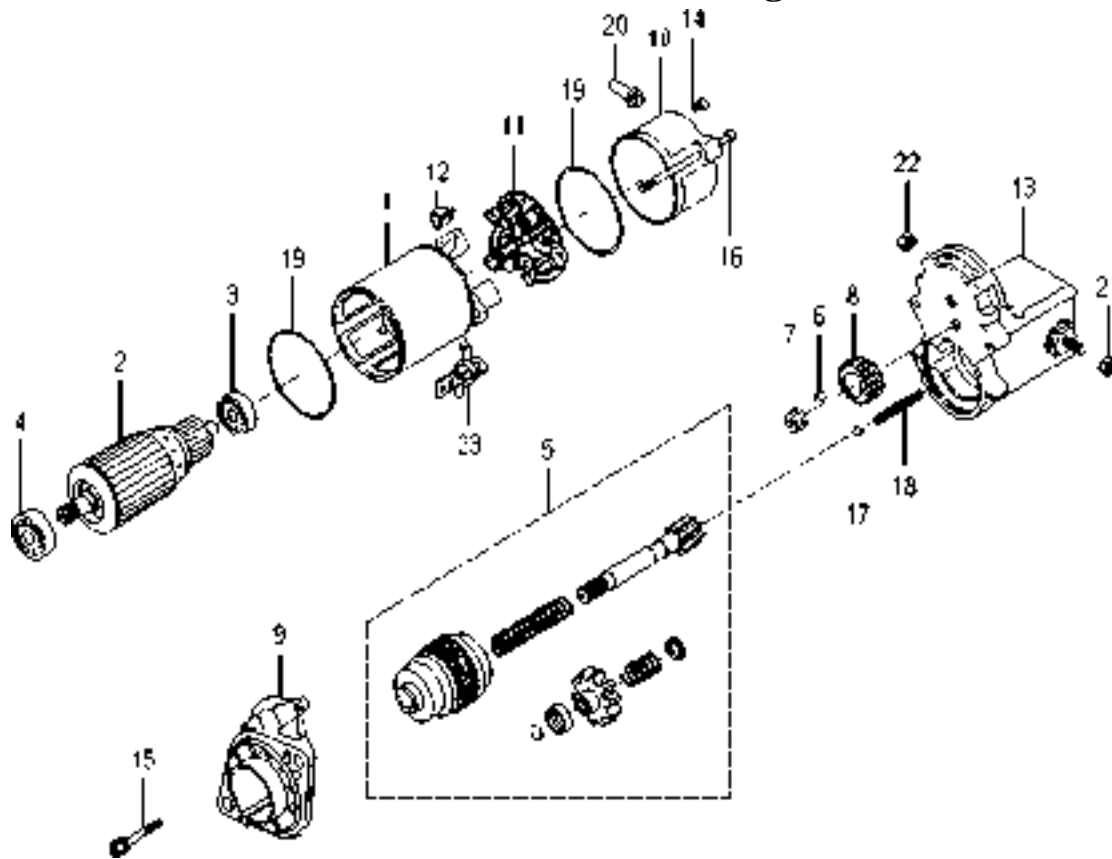
6215-600-078-1G

KEY	PART CODE	DESCRIPTION	S P C	TYPE OF MODEL		I T C	C O L	G R P	REMARKS
				E3CF	VB22				
1	6215-611-015-00	HOUSING/PUMP	*	1					
2	6215-631-008-00	PLUNGER ASSY	*	3					
3	6215-641-002-00	VALVE,DELIVERY	*	3					
4	6215-643-005-00	SPRING/DELIVERYVALVE	*	3					
5	6215-649-008-00	GASKET	*	3					
6	6215-644-009-00	HOLDER/DELIVERYVALVE	*	3					
7	6215-649-014-00	ORING	*	3					
8	6215-635-004-00	SLEEVEFLANGE	*	3					
9	6215-649-013-00	ORING	*	6					
10	6215-649-011-00	BOLT	*	6					
11	6215-622-003-00	TAPPET	*	3					
12	6215-629-017-00	PIN	*	3					
13	6215-629-035-00	SNAPRING	*	1					
14	6215-634-003-00	SPRING/PLUNGER	*	3					
15	6215-639-008-00	SPRINGSEAT	*	3					
16	6215-639-009-00	SPRINGSEAT	*	3					
17	6215-629-060-00	PLATE/T=2.60	*	1					
18	6215-629-061-00	PLATE/T=2.65	*	1					
19	6215-629-062-00	PLATE/T=2.70	*	1					
20	6215-629-063-00	PLATE/T=2.75	*	1					
21	6215-629-064-00	PLATE/T=2.80	*	1					
22	6215-629-065-00	PLATE/T=2.85	*	1					
23	6215-629-066-00	PLATE/T=2.90	*	1					
24	6215-629-067-00	PLATE/T=2.95	*	1					
25	6215-629-036-00	PLATE/T=3.00	*	1					
26	6215-629-037-00	PLATE/T=3.05	*	1					
27	6215-629-038-00	PLATE/T=3.10	*	1					
28	6215-629-039-00	PLATE/T=3.15	*	1					
29	6215-629-040-00	PLATE/T=3.20	*	1					
30	6215-629-041-00	PLATE/T=3.25	*	1					





**FIG. 30 COMPONENT PARTS  
FOR 6281-100-002-30 ON Fig.23**



6281-100-002-3H

KEY	PART CODE	DESCRIPTION	S P C	TYPE OF MODEL		I T C	C O L	G R P	REMARKS
				E3CF	VB22				
1	6281-111-005-00	YOKE/STARTER ASSY	*	1					
2	6281-121-006-00	ARMATURE/STARTE ASSY	*	1					
3	6281-129-038-00	BEARING	*	1					
4	6281-129-039-00	BEARING	*	1					
5	6281-124-007-10	CLUTCH/STARTER ASSY	*	1					
6	6581-129-099-00	RORA	*	5					
7	6281-129-040-00	RETAINER	*	1					
8	6281-123-005-00	PINION/STARTER	*	1					
9	6281-129-041-10	HOUSING/STARTER ASSY	*	1					
10	6281-115-008-00	FRAME/STARTEREND	*	1					
11	6281-116-004-00	HOLDER/STARTER ASSY	*	1					
12	6581-117-007-00	SPRING,BRUSH	*	4					
13	6281-151-015-00	SWITCH/MAGNETIC ASSY	*	1					
14	6281-129-062-00	SCREW	*	2					
15	6281-129-042-00	BOLT/WS	*	2					
16	6281-129-043-00	BOLT/THROUGH	*	2					
17	6581-129-092-00	BALL	*	1					
18	6281-129-044-00	SPRING/RETURN	*	1					
19	6281-129-003-00	O-RING	*	2					
20	6281-115-016-00	BUSHING/DRAIN	*	1					
21	6909-111-508-00	NUT	*	1					
22	6281-229-041-00	NUT	*	1					
23	6281-115-010-00	COVER	*	1					





# ENGINE

E3CDVB32...TH4330H

ENGINE





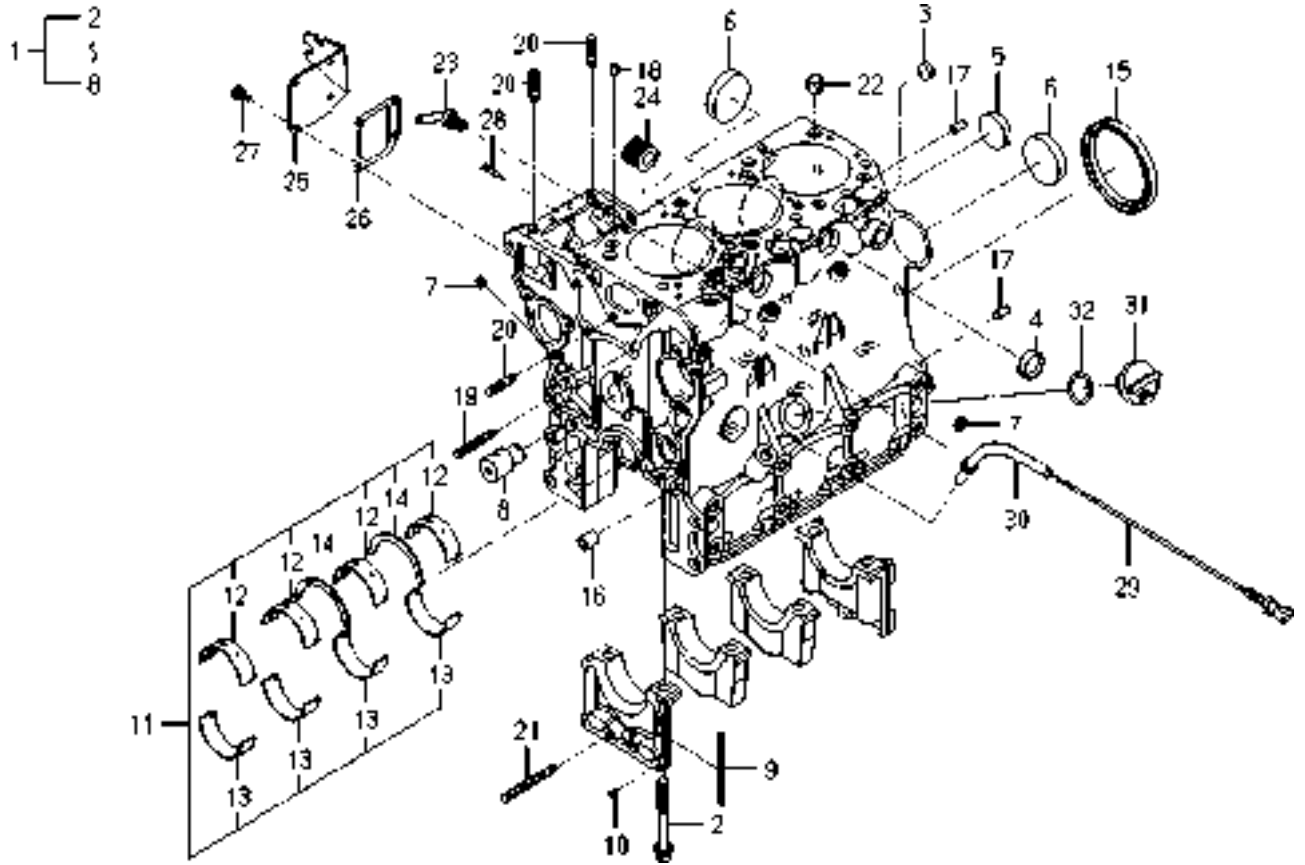








**FIG. 5 CYLINDER BLOCK**



6005-202I-0100

KEY	PART CODE	DESCRIPTION	S P C	TYPE OF MODEL		I T C	C O L	G R P	REMARKS
				E3CD	VB32				
1	6211-210-056-70	CYLINDERBLOCK ASSY	*	1					
2	6209-000-006-00	BOLT	*	8					
3	6209-610-007-00	CUP/SEALING/16	*	2					
4	6209-610-001-10	CUP/SEALING/28	*	2					
5	6209-610-009-00	CUP/SEALING/36	*	1					
6	6209-610-003-00	CUP/SEALING/50	*	3					
7	6509-605-019-10	PLUG	*	8					
8	6212-531-008-20	PIN/IDLEGEAR	*	1					
9	6211-258-001-00	SEAL, BEARING CAP	*	4					
10	6211-258-002-00	SEAL, BEARING CAP/7	*	2					
11	6211-510-008-00	BEARING/CRANK SET	*	1					
12	6211-511-007-00	BEARING/CRANK/UPPER	*	4					
13	6211-511-008-00	BEARING/CRANK/LOWER	*	4					
14	6211-599-004-00	BEARING/THRUST/CRANK	*	2					
15	6209-625-003-20	OILSEAL	*	1					
16	6209-749-001-20	PIN/TUBE	*	2					
17	6213-129-006-00	PIN/STRAIGHT	*	2					
18	6209-740-005-00	PIN	*	2					
19	6904-110-840-00	STUD/M8X40	*	1					
20	6904-110-822-00	STUD	*	3					
21	V251-340-806-00	BOLT/STUD	*	1					
22	6294-453-002-00	DOWEL	*	2					
23	6213-721-007-00	PIPE/WATERDRAIN	*	1					
24	6213-319-001-00	CONNECTOR, OIL FILTER	*	1					
25	6211-291-013-10	COVER/INJECTIONPUMP	*	1					
26	6211-292-001-20	GASKET/COVER	*	1					
27	V230-360-601-20	FLANGE BOLT	*	4					
28	6215-549-013-00	PIN	*	1					
29	6211-760-032-00	LEVELGAGE	*	1					
30	6211-766-025-00	GUIDE/LEVELGAGE COMP	*	1					

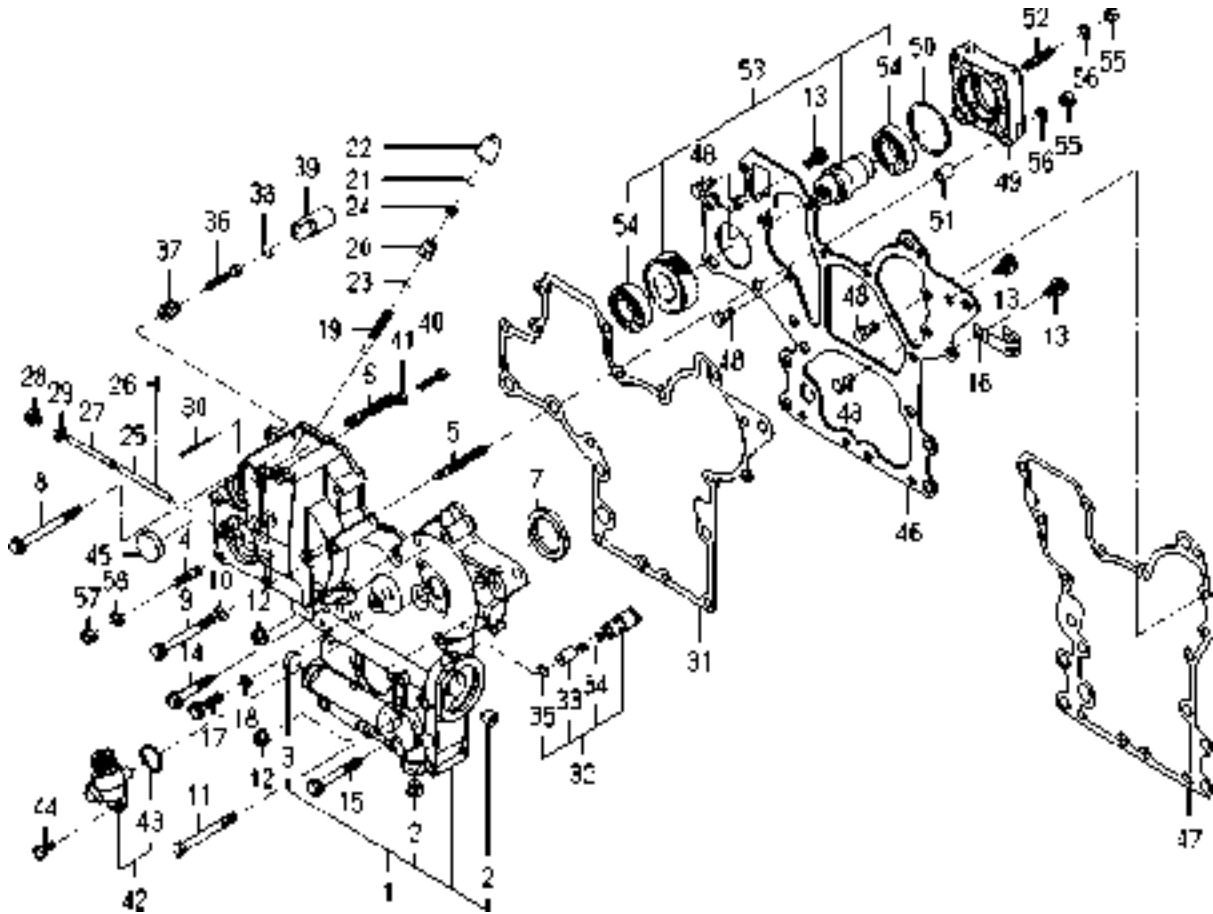








FIG. 9 TIMING GEAR CASE

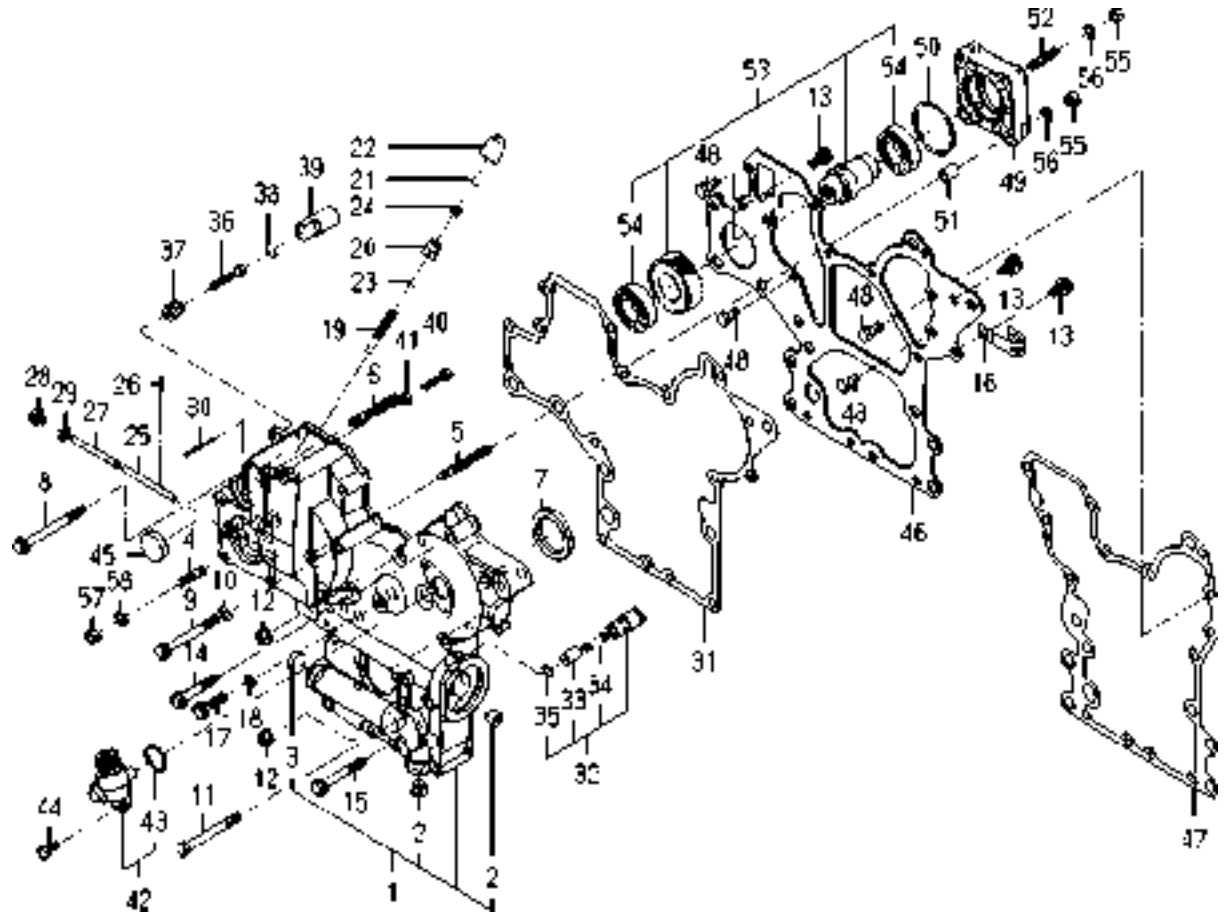


6005-240X-0100,6005-240X-0200

KEY	PART CODE	DESCRIPTION	S P C	TYPE OF MODEL		I T C	C O L	G R P	REMARKS
				E3CD	VB32				
1	6211-310-009-60	GEARCASE ASSY	*	1					
2	6209-605-003-00	PLUG/PT1/4	*	2					
3	6209-610-004-00	CUP/SEALING/20	*	1					
4	6904-110-822-00	STUD	*	4					
5	6904-110-855-00	STUD	*	2					
6	6904-110-850-00	STUD	*	1					
7	6209-625-002-00	SEAL,OIL	*	1					
8	V231-360-808-50	FLANGEBOLT	*	1					
9	V231-360-807-50	FLANGEBOLT	*	1					
10	6209-500-006-00	WASHER/08X16X1.2	*	1					
11	V201-360-807-50	BOLT	*	1					
12	3817-401-001-00	NUT/M08	*	2					
13	V231-360-801-60	FLANGEBOLT	*	3					
14	V231-360-805-00	FLANGEBOLT	*	3					
15	V231-360-806-00	FLANGEBOLT	*	4					
16	1425-621-004-00	HOLDER/JE/9-9	*	1					
17	V231-360-803-00	FLANGEBOLT	*	1					
18	6209-500-003-00	WASHER/08X14X01	*	1					
19	6215-546-006-00	STOPPER/MAX POWER ST	*	1					
20	6215-549-057-00	NUT/MAXPOWERSTOPPER	*	1					
21	6209-587-006-10	RING/TAMPER REGISTAN	*	1					
22	6215-549-058-10	CAP/MAXPOWERSTOPPER	*	1					
23	6209-920-002-00	PACKING	*	1					
24	6509-605-019-10	PLUG	*	1					
25	6215-542-004-20	PIN/ARM	*	1					
26	P117-303-003-00	PIN/SNAP	*	2					
27	6215-542-005-10	PIN	*	1					
28	6209-600-004-00	PLUG/SCREW	*	1					
29	6209-500-003-00	WASHER/08X14X01	*	1					
30	6209-740-001-00	PIN,GROOVE	*	1					



**FIG. 9 TIMING GEAR CASE**



6005-240X-0100,6005-240X-0200

KEY	PART CODE	DESCRIPTION	S P C	TYPE OF MODEL		I T C	C O L	G R P	REMARKS
				E3CD	VB32				
31	6211-312-005-10	GASKET/GEARCASE	*	1					
32	6213-160-003-10	VALVE/RELIEF ASSY	*	1					
33	6213-161-003-10	PISTON/VALVE/RELIEF	*	1					
34	6213-164-001-00	SPRING/RELIEF VALVE	*	1					
35	V705-140-012-00	RING,SNAP/12 C	*	1					
36	6209-050-003-00	BOLT/HI-IDLESTOPPER	*	1					
37	6215-549-059-00	NUT/HI-IDLESTOPPER	*	1					
38	6209-587-006-10	RING/TAMPER REGISTRAN	*	1					
39	6215-549-068-10	CAP/HI-IDLESTOPPER	*	1					
40	6209-050-002-00	BOLT/M6	*	1					
41	6909-110-406-00	NUT	*	1					
42	6219-310-003-20	DRIVE/TACHOMETE ASSY	*	1					
43	V723-102-002-40	RING/O	*	1					
44	V230-360-601-60	FLANGE BOLT	*	2					
45	3625-540-004-00	CAP,BLANK/30	*	1					
46	6211-311-013-20	PLATE/FRONT	*	1					
47	6211-312-006-10	GASKET/PLATE	*	1					
48	6902-050-816-00	BOLT	*	4					
49	6211-319-003-00	SPACER	*	1					
50	V723-102-005-00	O-RING 1A S50	*	1					
51	6209-749-001-20	PIN/TUBE	*	2					
52	6904-110-822-00	STUD	*	1					
53	6212-530-008-10	SHAFT/HYDRAULIC ASSY	*	1					
54	V600-110-600-50	BEARING,RB/6005	*	2					
55	6909-110-408-00	NUT/M8	*	4					
56	V401-160-008-00	WASHER,SP/M 8	*	4					
57	6909-110-408-00	NUT/M8	*	4					
58	V401-160-008-00	WASHER,SP/M 8	*	4					









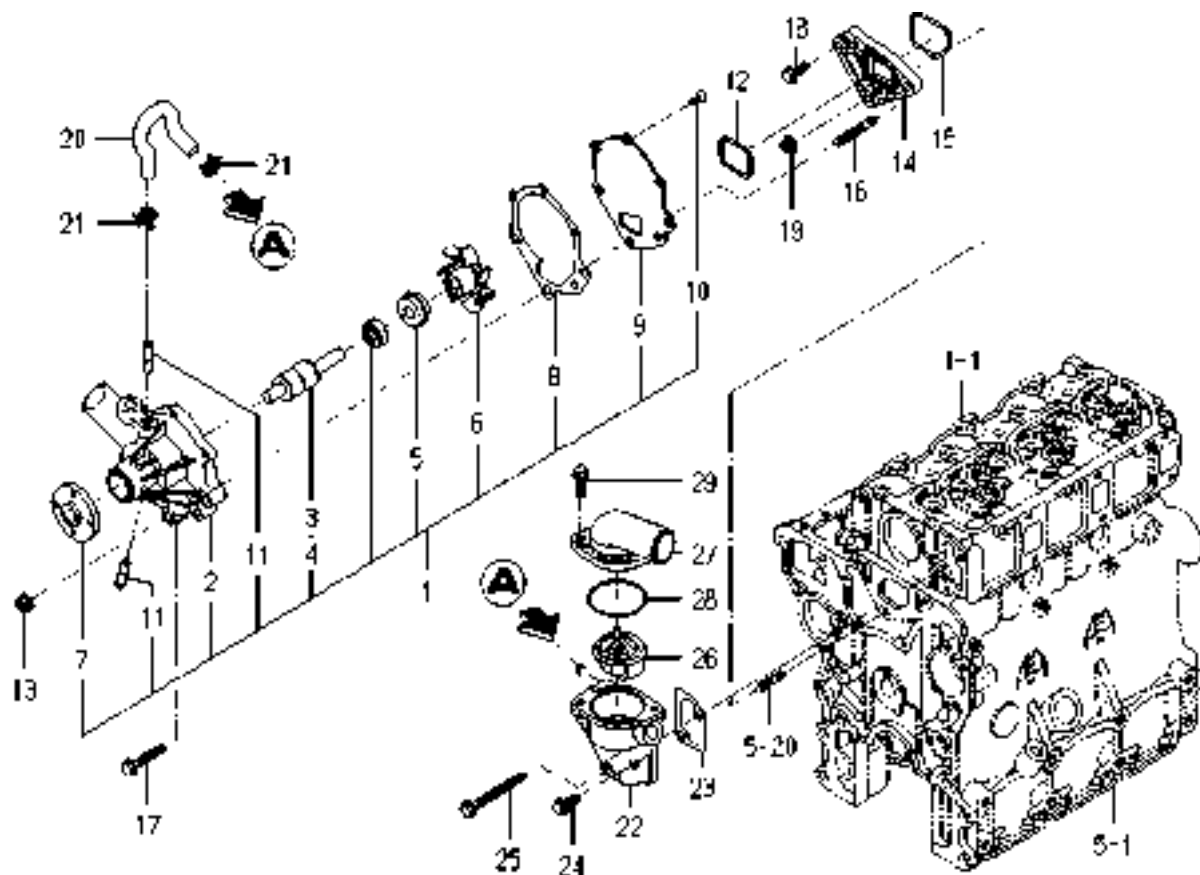








**FIG. 17 WATER PUMP**



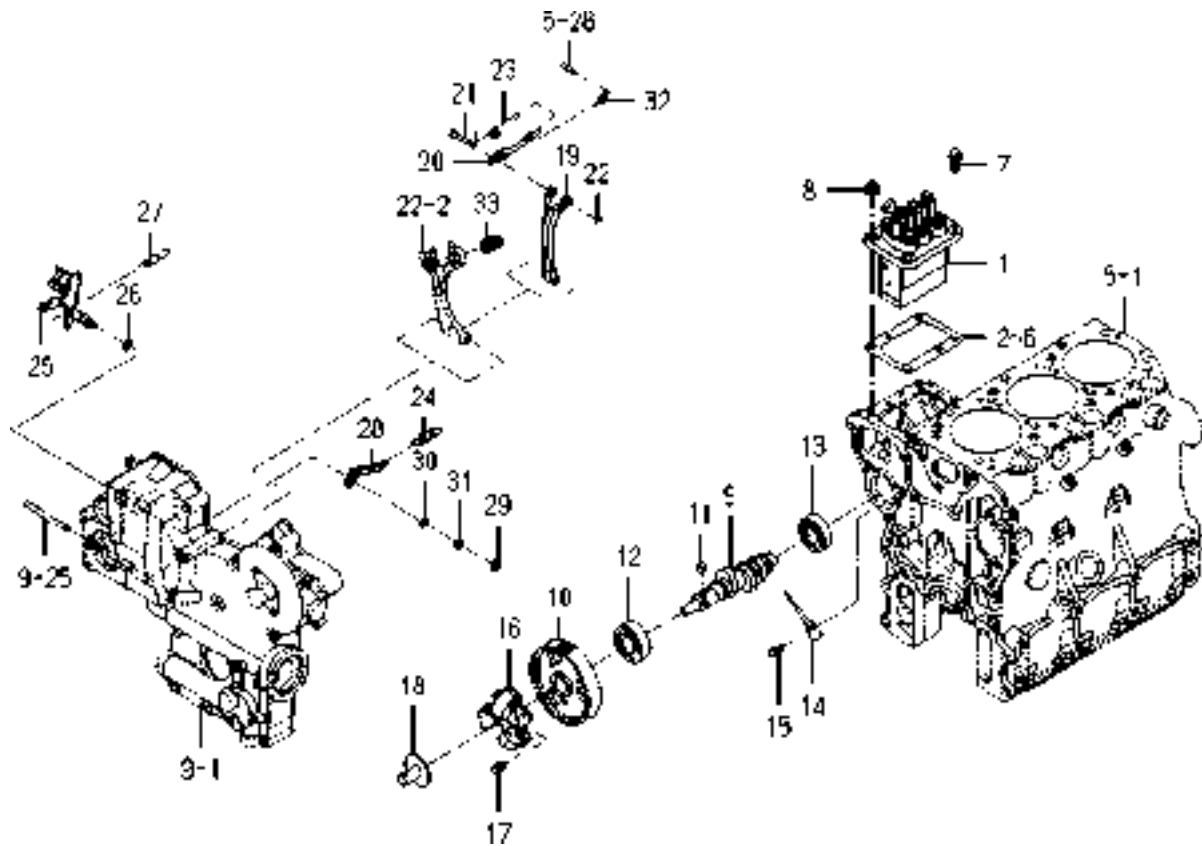
6005-420 -0100

KEY	PART CODE	DESCRIPTION	S P C	TYPE OF MODEL		I T C	C O L	G R P	REMARKS
				E3CD	VB32				
1	6213-610-005-40	WATERPUMP ASSY	*	1					
2	6213-611-003-20	BODY/WATERPUMP	*	1					
3	6213-631-002-00	BEARING/WATER PUMP	*	1					
4	6213-631-005-00	BEARING/WATERPUMP	*	1					
5	6213-622-002-10	SEAL SET/WATER PUMP	*	1					
6	6213-621-003-00	ROTOR/WATERPUMP	*	1					
7	6213-642-002-00	SEAL/WATER PUMPPULLE	*	1					
8	6213-613-002-10	GASKET	*	1					
9	6213-612-004-00	PLATE/WATER PUMP	*	1					
10	6213-619-003-00	SCREW/WATER PUMP	*	3					
11	6213-619-002-00	PIPE/WATER PUMP	*	2					
12	V721-103-104-00	O-RING/G40	*	1					
13	3817-401-001-00	NUT/M08	*	2					
14	6213-619-006-00	SPACER/WATERPUMP	*	1					
15	V721-113-105-00	O-RING HS90 G50	*	1					
16	6904-110-840-00	STUD/M8X40	*	2					
17	V231-360-804-50	FLANGE BOLT	*	1					
18	V231-360-802-00	FLANGE BOLT	*	1					
19	3817-401-001-00	NUT/M08	*	1					
20	6213-729-013-10	HOSE/RUBBER	*	1					
21	J061-210-015-00	CLAMP/WIRE/10-15	*	2					
22	6213-716-001-50	HOUSING/THERMOSTAT	*	1					
23	6213-743-002-10	GASKET/HOUSING	*	1					
24	V231-360-802-00	FLANGE BOLT	*	1					
25	V231-360-807-50	FLANGE BOLT	*	1					
26	6513-770-022-10	THERMOSTAT	*	1					
27	6213-711-004-00	PIPE/WATEROUTLET	*	1					
28	V723-102-005-50	O-RING	*	1					
29	V231-360-802-50	FLANGE BOLT	*	2					





## FIG. 20 INJECTION PUMP



6005-511 -0100

KEY	PART CODE	DESCRIPTION	S P C	TYPE OF MODEL		I T C	C O L	G R P	REMARKS
				E3CD	VB32				
1	6215-600-104-20	INJECTIONPUMP ASSY	*	1					FIG 029
2	6219-752-006-00	SHIM/INJECTION P/0.3	*	1					
3	6219-752-007-00	SHIM/INJECTION P/0.1	*	1					
4	6219-752-008-00	SHIM/INJECTION P/0.2	*	1					
5	6219-752-009-00	SHIM/INJECTION P/0.4	*	1					
6	6219-752-010-00	SHIM/INJECTION P/0.5	*	1					
7	V231-360-802-00	FLANGEBOLT	*	2					
8	3817-401-001-00	NUT/M08	*	2					
9	6215-621-017-10	CAMSHAFT/INJPUMP	*	1					
10	6212-524-012-30	GEAR/INJECTIONPUMP	*	1					
11	6209-730-005-00	KEY/07X05X09	*	1					
12	V600-110-620-30	BEARING,RB/6203	*	1					
13	V600-110-600-40	BEARING,RB/6004	*	1					
14	6212-535-009-00	PLATE/THRUST/INJPUMP	*	1					
15	6901-910-612-00	BOLT,SEMS/M6X12	*	1					
16	6215-520-007-10	FLYWEIGHT ASSY	*	1					
17	6209-030-043-00	BOLT/M6X10	*	3					
18	6215-526-004-00	THRUSTPIECE	*	1					
19	6215-541-001-10	ARM/FLOATING COMP	*	1					
20	6215-543-002-10	RINK/CONTROL	*	1					
21	6215-542-006-00	PIN,CONTROL	*	1					
22	V710-140-004-00	RING,SNAP/4 E	*	1					
23	6215-549-031-10	SPRING/SETTING	*	1					
24	6215-531-010-00	SPRING/GOVERNOR	*	1					
25	6215-541-040-00	LEVER/CONTROL COMP	*	1					
26	V720-101-900-80	O-RING/P 8	*	1					
27	6209-580-002-10	SPRING,RETURN	*	1					
28	6215-549-007-10	ARM/CONTROL	*	1					
29	6909-110-406-00	NUT	*	1					
30	V411-260-006-00	WASHER / M6	*	1					









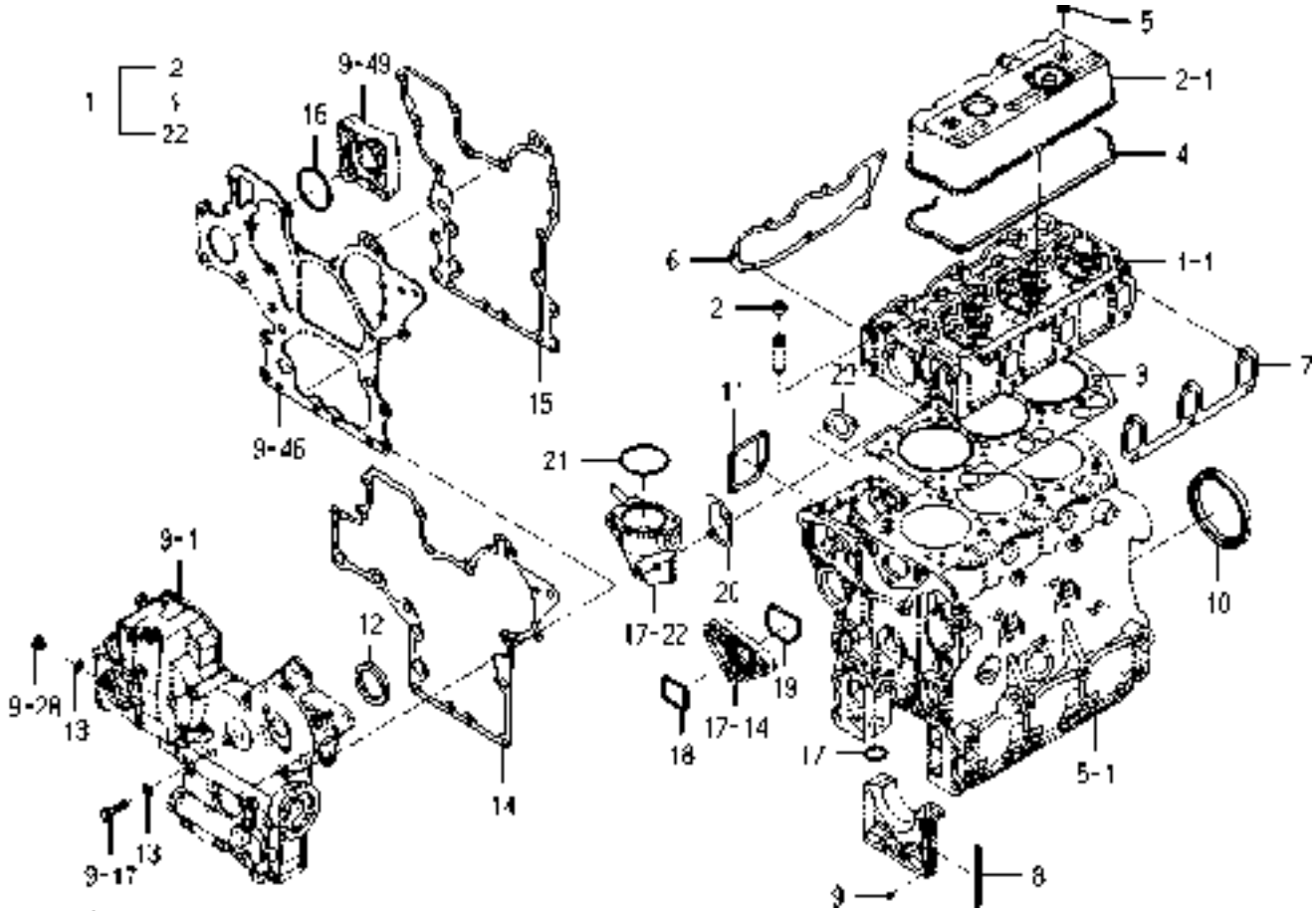








**FIG. 27 REPAIR PARTS (OPTION)**

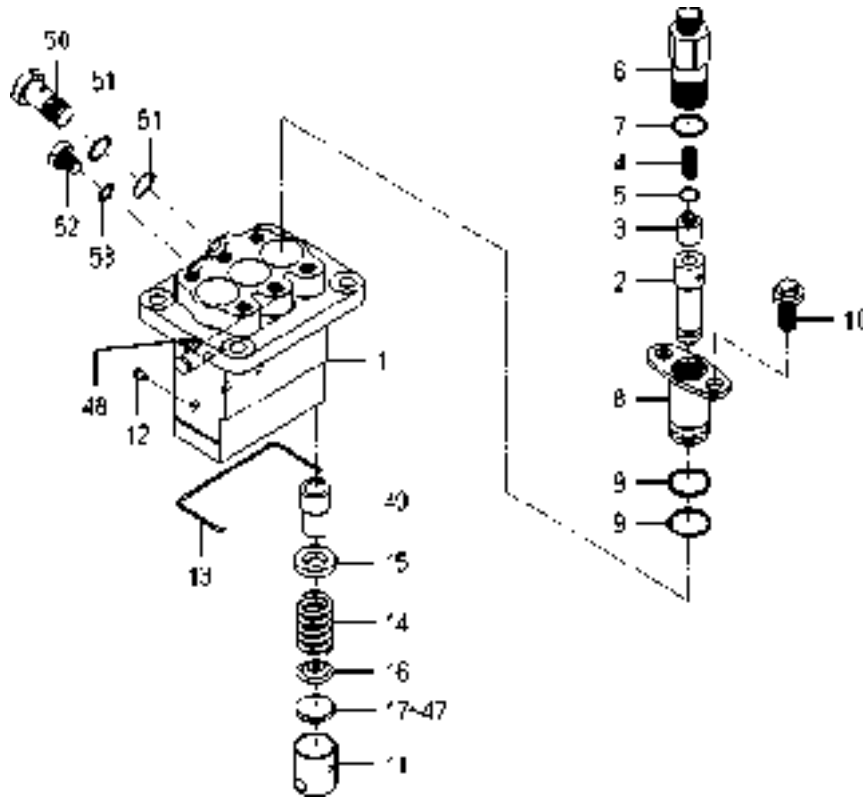


6005-999G-0100

KEY	PART CODE	DESCRIPTION	S P C	TYPE OF MODEL		I T C	C O L	G R P	REMARKS
				E3CD	VB32				
1	6287-810-028-00	REPAIR/ENGINE SET	T	1					
2	6212-569-002-00	SEAL,OIL	T	6					
3	6211-141-023-50	GASKET/CYLINDERHEAD	T	1					
4	6211-173-005-00	SEAL/CYL HEAD/UNDER	T	1					
5	6209-572-003-00	GASKET	T	2					
6	6214-115-003-10	GASKET/INLETMANIFOLD	T	1					
7	6214-145-004-20	GASHET/EXH MANIFOLD	T	1					
8	6211-258-001-00	SEAL, BEARING CAP	T	4					
9	6211-258-002-00	SEAL, BEARING CAP/7	T	2					
10	6209-625-003-20	OILSEAL	T	1					
11	6211-292-001-20	GASKET/COVER	T	1					
12	6209-625-002-00	SEAL,OIL	T	1					
13	6209-500-003-00	WASHER/08X14X01	T	2					
14	6211-312-005-10	GASKET/GEARCASE	T	1					
15	6211-312-006-10	GASKET/PLATE	T	1					
16	V723-102-005-00	O-RING 1A S50	T	1					
17	V720-103-502-20	O-RING/P22	T	1					
18	V721-103-104-00	O-RING/G40	T	1					
19	V721-113-105-00	O-RING HS90 G50	T	1					
20	6213-743-002-10	GASKET/HOUSING	T	1					
21	V723-102-005-50	O-RING	T	1					
22	6209-630-002-10	GASKET	T	1					



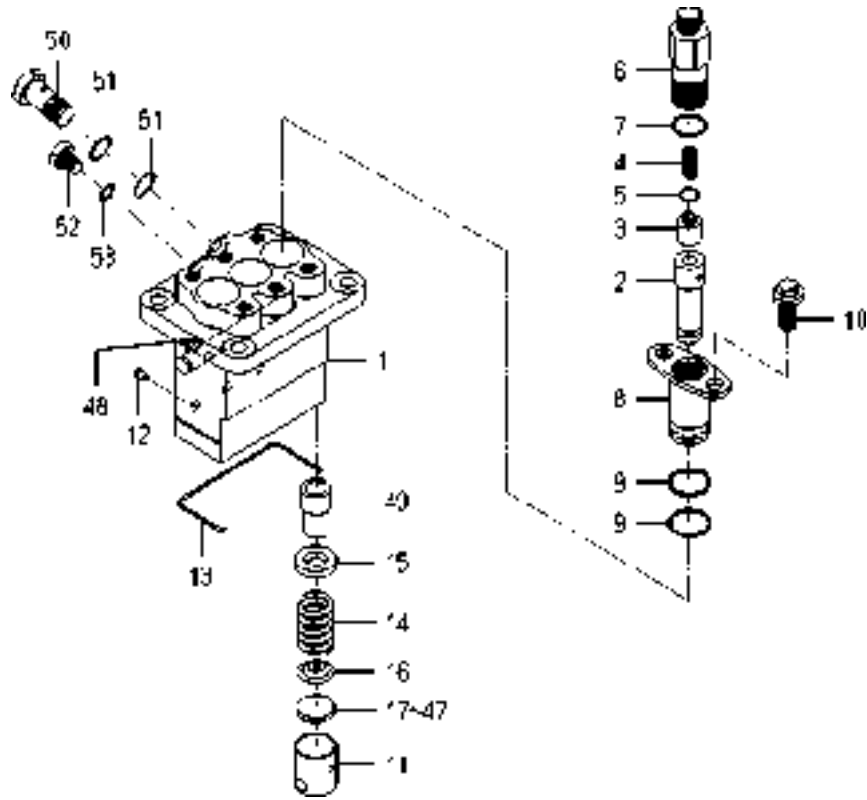
**FIG. 29 COMPONENT PARTS  
FOR 6215-600-104-20 ON Fig.20**



6215-600-104-2D

KEY	PART CODE	DESCRIPTION	S P C	TYPE OF MODEL		I T C	C O L	G R P	REMARKS
				E3CD	VB32				
1	6215-611-015-00	HOUSING/PUMP	*	1					
2	6215-631-015-00	PLUNGER ASSY	*	3					
3	6215-641-002-00	VALVE,DELIVERY	*	3					
4	6215-643-005-00	SPRING/DELIVERYVALVE	*	3					
5	6215-649-008-00	GASKET	*	3					
6	6215-644-009-00	HOLDER/DELIVERYVALVE	*	3					
7	6215-649-014-00	ORING	*	3					
8	6215-635-004-00	SLEEVEFLANGE	*	3					
9	6215-649-013-00	ORING	*	6					
10	6215-649-011-00	BOLT	*	6					
11	6215-622-003-00	TAPPET	*	3					
12	6215-629-017-00	PIN	*	3					
13	6215-629-035-00	SNAPRING	*	1					
14	6215-634-003-00	SPRING/PLUNGER	*	3					
15	6215-639-008-00	SPRINGSEAT	*	3					
16	6215-639-009-00	SPRINGSEAT	*	3					
17	6215-629-060-00	PLATE/T=2.60	*	1					
18	6215-629-061-00	PLATE/T=2.65	*	1					
19	6215-629-062-00	PLATE/T=2.70	*	1					
20	6215-629-063-00	PLATE/T=2.75	*	1					
21	6215-629-064-00	PLATE/T=2.80	*	1					
22	6215-629-065-00	PLATE/T=2.85	*	1					
23	6215-629-066-00	PLATE/T=2.90	*	1					
24	6215-629-067-00	PLATE/T=2.95	*	1					
25	6215-629-036-00	PLATE/T=3.00	*	1					
26	6215-629-037-00	PLATE/T=3.05	*	1					
27	6215-629-038-00	PLATE/T=3.10	*	1					
28	6215-629-039-00	PLATE/T=3.15	*	1					
29	6215-629-040-00	PLATE/T=3.20	*	1					
30	6215-629-041-00	PLATE/T=3.25	*	1					

**FIG. 29 COMPONENT PARTS FOR 6215-600-104-20 ON Fig.20**



6215-600-104-2D

KEY	PART CODE	DESCRIPTION	S P C	TYPE OF MODEL		I T C	C O L	G R P	REMARKS
				E3CD VB32					
31	6215-629-042-00	PLATE/T=3.30	*	1					
32	6215-629-043-00	PLATE/T=3.35	*	3					
33	6215-629-044-00	PLATE/T=3.40	*	1					
34	6215-629-045-00	PLATE/T=3.45	*	1					
35	6215-629-046-00	PLATE/T=3.50	*	1					
36	6215-629-047-00	PLATE/T=3.55	*	1					
37	6215-629-048-00	PLATE/T=3.60	*	1					
38	6215-629-049-00	PLATE/T=3.65	*	1					
39	6215-629-050-00	PLATE/T=3.70	*	1					
40	6215-629-051-00	PLATE/T=3.75	*	1					
41	6215-629-052-00	PLATE/T=3.80	*	1					
42	6215-629-053-00	PLATE/T=3.85	*	1					
43	6215-629-054-00	PLATE/T=3.90	*	1					
44	6215-629-055-00	PLATE/T=3.95	*	1					
45	6215-629-056-00	PLATE/T=4.00	*	1					
46	6215-629-058-00	PLATE/T=4.05	*	1					
47	6215-629-059-00	PLATE/T=4.10	*	1					
48	6215-637-004-00	CONTROL RACK	*	1					
49	6215-635-005-00	CONTROLSLEEVE	*	3					
50	6215-619-023-00	EYEBOLT	*	1					
51	6115-639-008-00	GASKET	*	2					
52	6215-619-024-00	BOLT	*	1					
53	6215-359-006-00	GASKET	*	1					







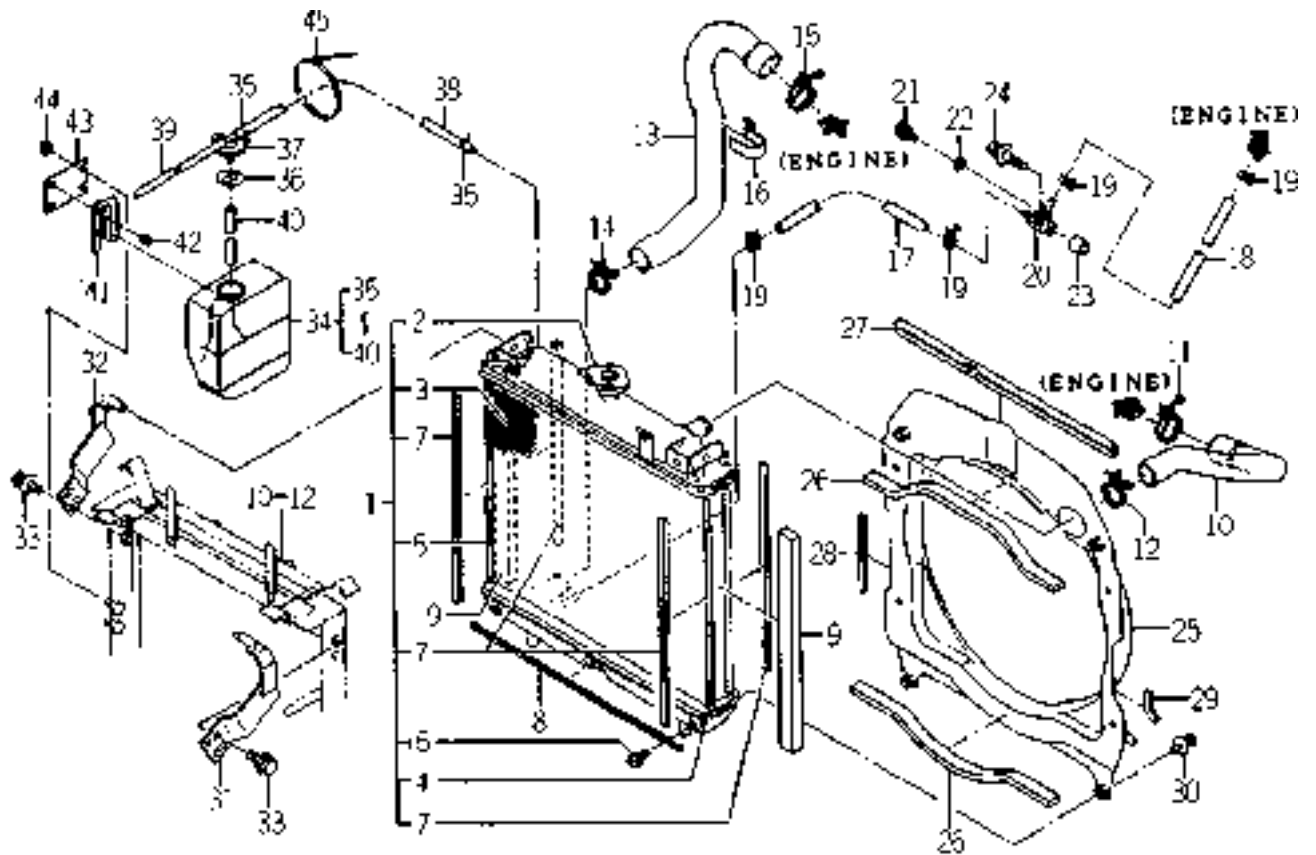


# CHASSIS

CHASSIS



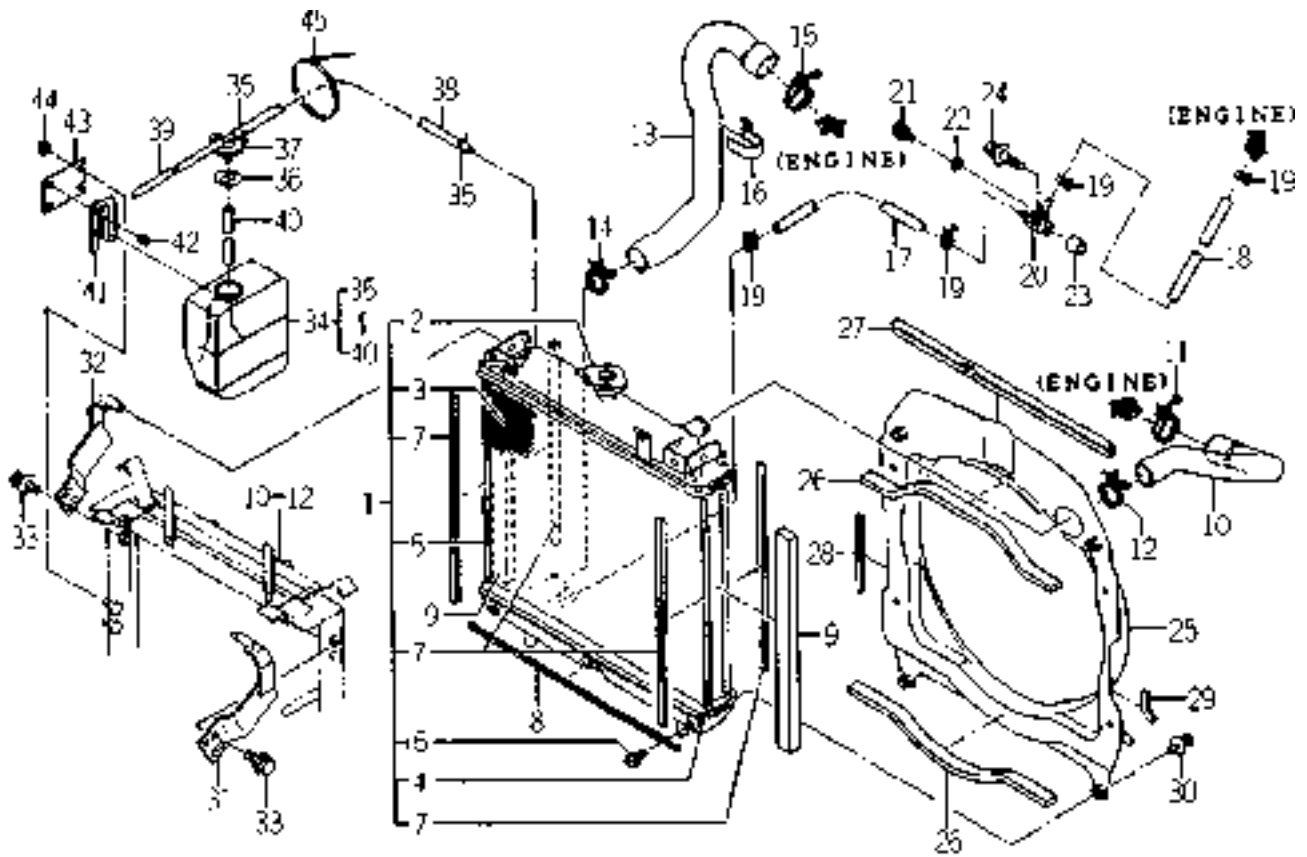
FIG. 1 RADIATOR SYSTEM



1740-102-0100

KEY	PART CODE	DESCRIPTION	S P C	TYPE OF MODEL					I T C	C O L	G R P	REMARKS
				TH4260 VB24	TH4260H	TH4290	TH4290H	TH4330H				
1	1740-102-500-00	RADIATOR/390X350ASSY	*	1	1	1	1	1				
2	1650-102-202-10	CAP	*	1	1	1	1	1				
3	1740-102-502-00	PROTECTOR	*	1	1	1	1	1				
4	1740-102-503-00	GUIDE/LH	*	1	1	1	1	1				
5	1740-102-504-00	GUIDE/RH	*	1	1	1	1	1				
6	1703-102-203-00	SCREW/P	*	4	4	4	4	4				
7	1740-102-505-00	PACKING	*	4	4	4	4	4				
8	1650-102-006-00	INSULATOR	*	1	1	1	1	1				
9	3834-336-051-00	INSULATOR/20X350	*	2	2	2	2	2				
10	1678-102-002-00	HOSE/RADIATOR/INLET	*	1	1	1	1	1				
11	J061-234-042-00	CLAMP/WIRE/34-42	*	1	1	1	1	1				
12	J061-230-038-00	CLAMP/WIRE/30-38	*	1	1	1	1	1				
13	1740-102-051-00	HOSE/RADIATOR/OUTLET	*	1	1	1	1	1				
14	J061-230-038-00	CLAMP/WIRE/30-38	*	1	1	1	1	1				
15	J061-234-042-00	CLAMP/WIRE/34-42	*	1	1	1	1	1				
16	1617-102-007-00	CLAMP	*	1	1	1	1	1				
17	1614-102-003-00	HOSE/205	*	1	1	1	1	1				
18	1560-104-006-60	HOSE/290	*	1	1	1	1	1				
19	J061-210-015-00	CLAMP/WIRE/10-15	*	4	4	4	4	4				
20	1560-104-010-40	CONNECTOR	*	1	1	1	1	1				
21	1424-101-203-00	PLUG	*	1	1	1	1	1				
22	1424-101-204-00	PACKING	*	1	1	1	1	1				
23	1636-102-012-00	COLLAR/09X13X28	*	1	1	1	1	1				
24	V211-360-804-50	BOLT/SP	*	1	1	1	1	1				
25	1740-102-510-00	SHROUD COMP	*	1	1	1	1	1				
26	1675-102-002-00	INSULATOR	*	2	2	2	2	2				
27	1716-102-003-00	INSULATOR/550	*	1	1	1	1	1				
28	1705-102-014-00	TRIM/130	*	1	1	1	1	1				
29	1564-630-012-00	INSULATOR	*	1	1	1	1	1				
30	V210-360-602-00	BOLT/SP	*	4	4	4	4	4				

FIG. 1 RADIATOR SYSTEM



1740-102 -0100

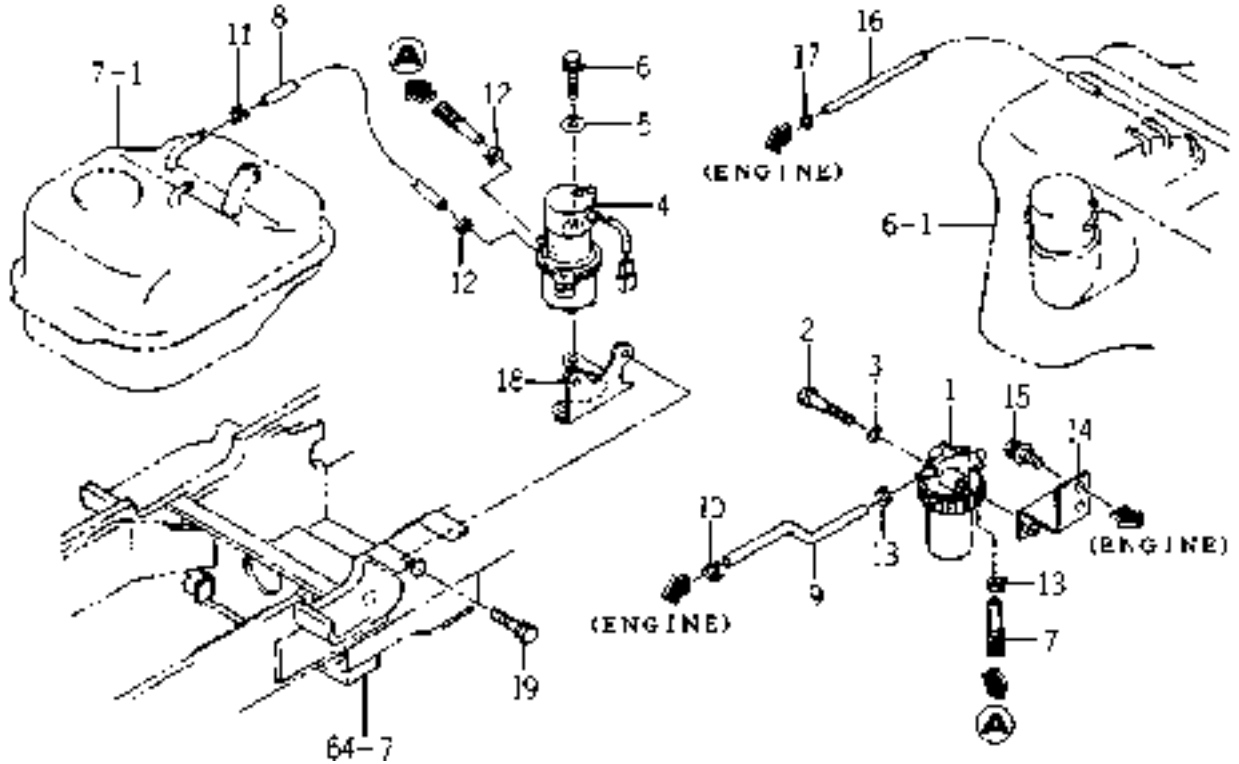
KEY	PART CODE	DESCRIPTION	S P C	TYPE OF MODEL					I T C	C O L	G R P	REMARKS
				TH4260 VB24	TH4260H	TH4290	TH4290H	TH4330H				
31	1740-102-520-10	STAY/PLATE/LH	COMP	*	1	1	1	1	1			
32	1740-102-530-10	STAY/PLATE/RH	COMP	*	1	1	1	1	1			
33	V211-360-802-00	BOLT/SP		*	4	4	4	4	4			
34	1716-102-270-00	RESERVETANK	ASSY	*	1	1	1	1	1			
35	6221-408-013-00	CLAMP		*	2	2	2	2	2			
36	6221-408-009-00	PACKING		*	1	1	1	1	1			
37	6221-408-008-00	CAP		*	1	1	1	1	1			
38	1716-102-281-00	HOSE/RUBBER		*	1	1	1	1	1			
39	1716-102-282-00	HOSE/RUBBER		*	1	1	1	1	1			
40	6221-408-011-00	PIPE		*	1	1	1	1	1			
41	6221-408-003-00	BRACKET/RESERVETANK		*	1	1	1	1	1			
42	V210-360-601-20	BOLT, SEMS		*	2	2	2	2	2			
43	1716-102-290-00	STAY	COMP	*	1	1	1	1	1			
44	V362-260-008-00	NUT/WASHER		*	2	2	2	2	2			
45	1342-402-006-00	BAND, WIRE/250		*	1	1	1	1	1			







**FIG. 4 FILTER (FUEL) SYSTEM (TH4290,4330)**



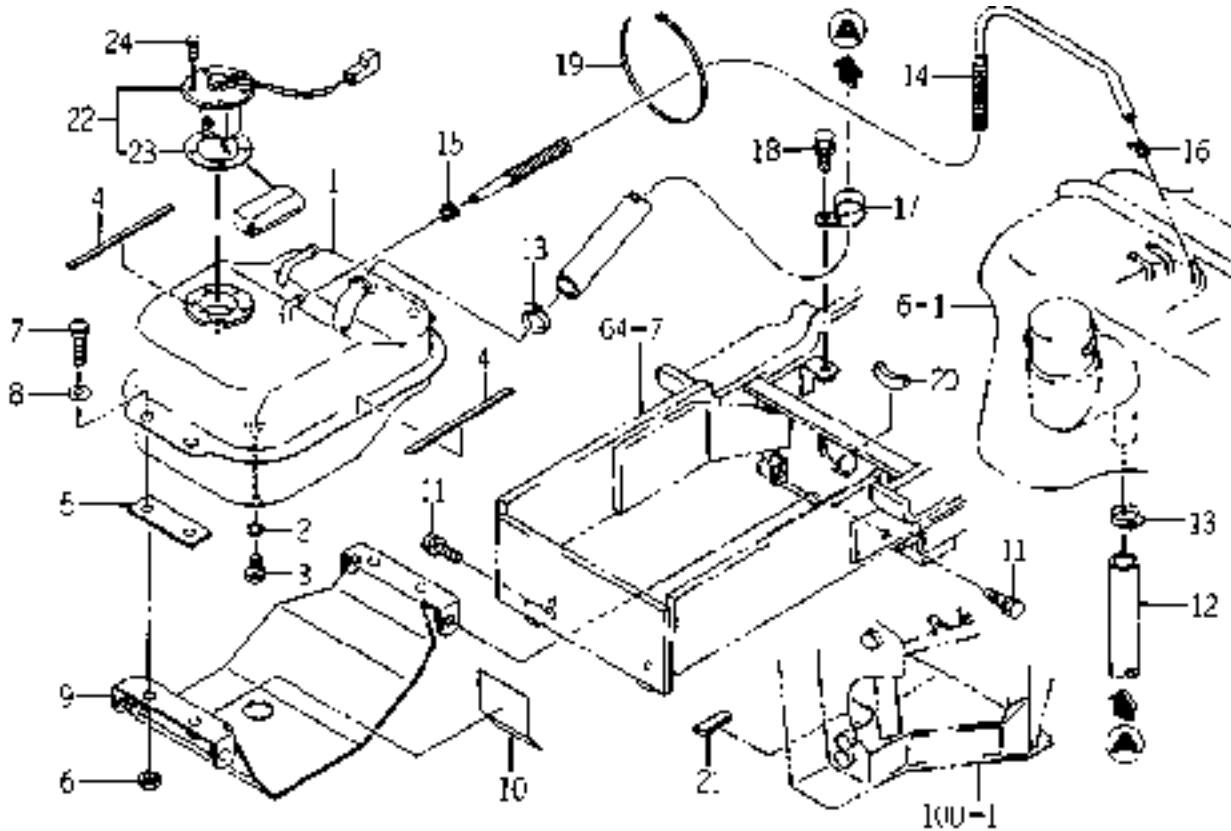
1740-105-0100

KEY	PART CODE	DESCRIPTION	S P C	TYPE OF MODEL					I T C	C O L	G R P	REMARKS
				TH4260 VB24	TH4260H	TH4290	TH4290H	TH4330H				
1	1588-105-220-00	FILTER ASSY	*			1	1	1				FIG 137
2	V201-260-806-50	BOLT/M 8X65	*			1	1	1				
3	V401-160-008-00	WASHER, SP/M 8	*			1	1	1				
4	3676-311-005-00	PUMP/FUEL ASSY	*			1	1	1				
5	3560-503-302-00	WASHER, WIRE TENSION	*			2	2	2				
6	V210-360-603-00	BOLT/SP	*			2	2	2				
7	1740-111-590-00	HOSE/FUEL/850 ASSY	*			1	1	1				
8	1427-111-006-00	HOSE/270 ASSY	*			1	1	1				
9	1427-111-007-00	HOSE/220 ASSY	*			1	1	1				
10	JO61-210-012-00	CLAMP/WIRE/10-12	*			1	1	1				
11	JO61-211-013-00	CLAMP/WIRE/11-13	*			1	1	1				
12	JO62-104-111-00	CLIP/HOSE/10. 4-11. 1	*			2	2	2				
13	JO62-111-120-00	CLIP/HOSE/11. 1-12	*			2	2	2				
14	1740-105-510-00	PLATE/FILTER COMP	*			1	1	1				
15	V211-360-801-60	BOLT, SEMS (SP)	*			2	2	2				
16	1612-105-002-00	HOSE/650	*			1	1	1				
17	JO62-087-093-00	CLIP/HOSE/8. 7-9. 3	*			1	1	1				
18	1740-111-570-10	BRACKET/PUMP COMP	*			1	1	1				
19	V211-260-803-50	BOLT(S) MBX35	*			2	2	2				





**FIG. 7 TANK (FUEL/SUB) SYSTEM (TH4290,4330)**

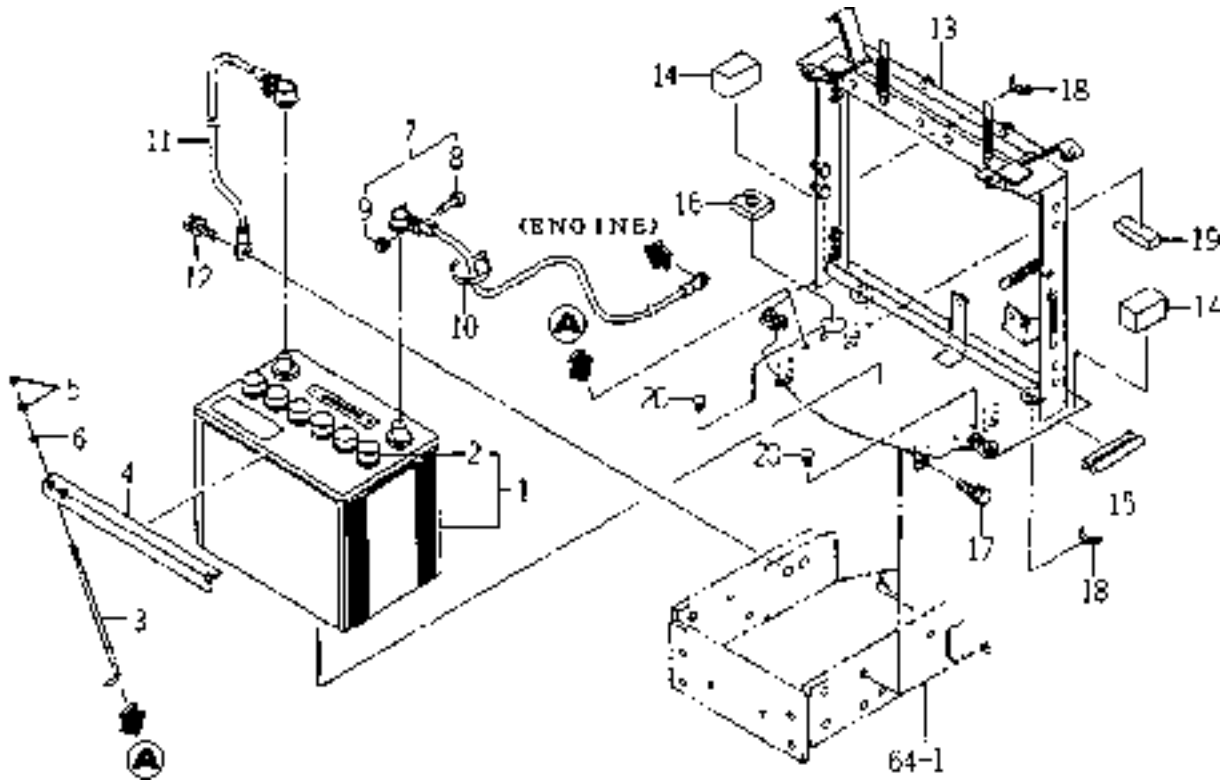


1740-111A-0100

KEY	PART CODE	DESCRIPTION	S P C	TYPE OF MODEL					I T C	C O L	G R P	REMARKS
				TH4260 VB24	TH4260H	TH4290	TH4290H	TH4330H				
1	1740-111-510-00	TANK/FUEL/SUB COMP	*			1	1	1				
2	1407-111-001-00	WASHER/8X12X2	*			1	1	1				
3	V201-260-801-20	BOLT/M 8X12	*			1	1	1				
4	1740-111-059-00	INSULATOR	*			2	2	2				
5	1568-111-003-20	INSULATOR	*			2	2	2				
6	V304-260-008-00	NUT	*			4	4	4				
7	V201-260-802-50	BOLT/M 8X25	*			4	4	4				
8	V411-260-008-00	WASHER, PL/M 8	*			4	4	4				
9	1740-111-540-10	COVER/FUEL/SUB COMP	*			1	1	1				
10	1684-701-001-00	PLATE/I/70X70	*			1	1	1				
11	V211-260-802-00	BOLT/S	*			4	4	4				
12	1740-111-056-00	HOSE/FUEL	*			1	1	1				
13	JO61-116-025-00	CLAMP/WORM/16-25	*			2	2	2				
14	1740-111-520-00	HOSE/FUEL/1500 ASSY	*			1	1	1				
15	JO61-208-010-00	CLAMP/WIRE/08-10	*			1	1	1				
16	JO62-104-111-00	CLIP/HOSE/10. 4-11. 1	*			1	1	1				
17	1518-786-508-00	CLIP B	*			1	1	1				
18	V211-360-802-00	BOLT/SP	*			1	1	1				
19	1342-402-006-00	BAND, WRE/250	*			3	3	3				
20	3666-202-005-00	PROTECTOR	*			1	1	1				
21	3680-155-005-00	PROTECTOR/040	*			1	1	1				
22	1568-665-210-10	GAUGE/FUEL/SUB ASSY	*			1	1	1				
23	1416-621-037-00	PACKING/RUBBER	*			1	1	1				
24	V200-260-501-00	BOLT/M 5X10	*			5	5	5				



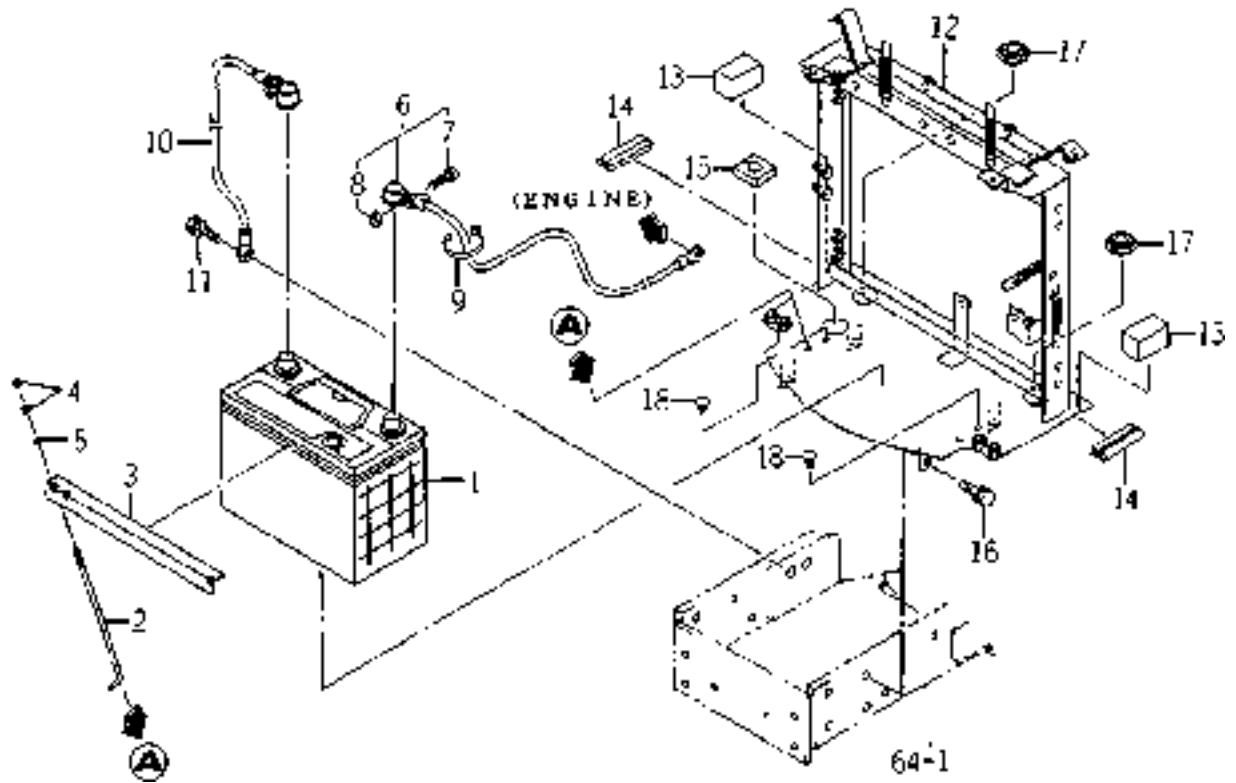
FIG. 9 BATTERY SYSTEM (H TYPE)



1740-112 -0100

KEY	PART CODE	DESCRIPTION	S P C	TYPE OF MODEL					I T C	C O L	G R P	REMARKS
				TH4260 VB24	TH4260H	TH4290	TH4290H	TH4330H				
1	1659-650-200-00	BATTERY/80D26R-MF	*		1		1	1				
2	1617-112-213-00	CAP	*		6		6	6				
3	1675-112-002-00	BOLT/BATTERY	*		2		2	2				
4	1716-112-001-00	PLATE/BATTERY	*		1		1	1				
5	V301-260-006-00	NUT/M 6	*		4		4	4				
6	V411-260-006-00	WASHER / MB	*		2		2	2				
7	1723-666-350-00	CABLE/BATTERY ASSY	*		1		1	1				
8	1568-650-004-10	BOLT/M8X32	*		1		1	1				
9	1568-650-005-10	NUT/M8	*		1		1	1				
10	1342-402-006-00	BAND, WIRE/250	*		1		1	1				
11	1740-112-550-00	CABLE/EARTH ASSY	*		1		1	1				
12	V211-361-002-00	BOLT, SEMS	*		1		1	1				
13	1740-112-510-20	BASE/BATTERY COMP	*		1		1	1				
14	1593-406-008-00	SEAL/30X30X50	*		2		2	2				
15	1650-601-009-00	TRIM/90	*		1		1	1				
16	1741-112-053-10	INSULATOR/50X50X15	*		1		1	1				
17	V211-261-002-00	BOLT, SEMS	*		4		4	4				
18	1564-630-012-00	INSULATOR	*		2		2	2				
19	1640-604-011-10	SEAL	*		1		1	1				
20	1560-606-008-00	CAP/07	*		2		2	2				

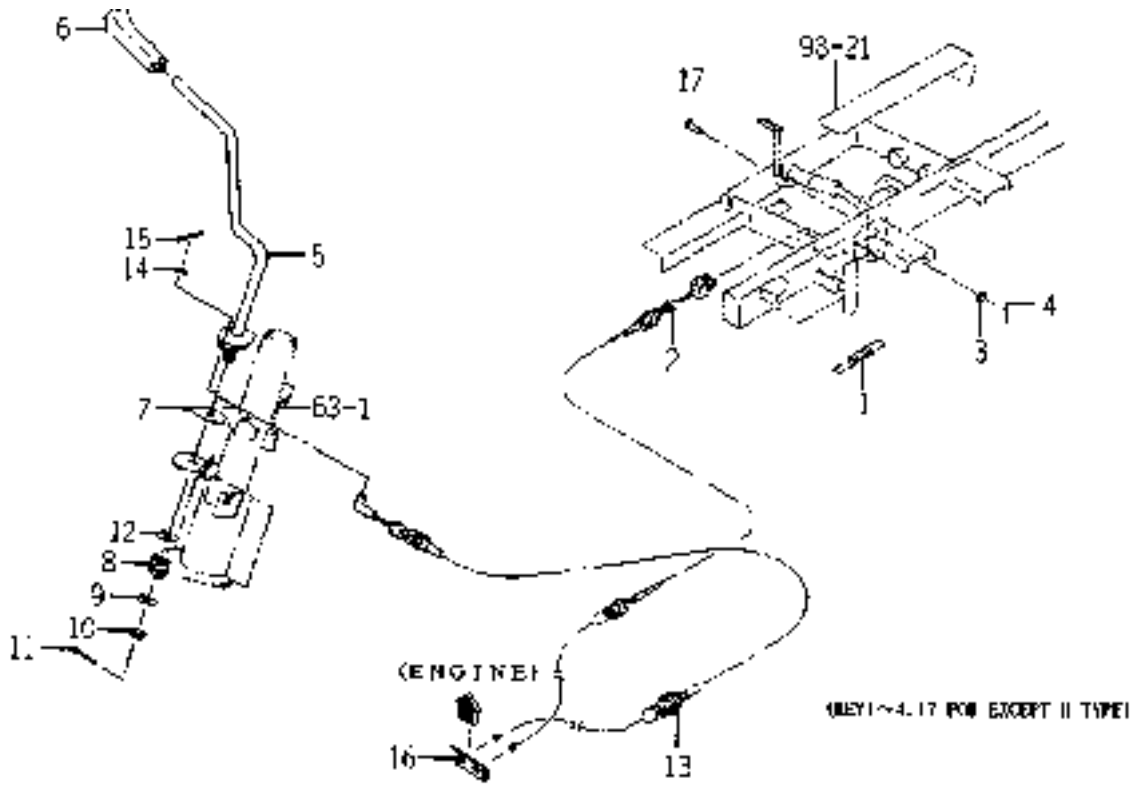
**FIG. 10 BATTERY SYSTEM (EXCEPT H TYPE)**



1740-112A-0100

KEY	PART CODE	DESCRIPTION	S P C	TYPE OF MODEL					I T C	C O L	G R P	REMARKS
				TH4260 VB24	TH4260H	TH4290	TH4290H	TH4330H				
1	1684-112-300-10	BATTERY/55B24R/ ASSY	*	1		1						
2	1675-112-002-00	BOLT/BATTERY	*	2		2						
3	1716-112-001-00	PLATE/BATTERY	*	1		1						
4	V301-260-006-00	NUT/M 6	*	4		4						
5	V411-260-006-00	WASHER / M6	*	2		2						
6	1723-666-350-00	CABLE/BATTERY ASSY	*	1		1						
7	1568-650-004-10	BOLT/M08X32	*	1		1						
8	1568-650-005-10	NUT/M08	*	1		1						
9	1342-402-006-00	BAND, WIRE/250	*	1		1						
10	1740-112-550-00	CABLE/EARTH ASSY	*	1		1						
11	V211-261-002-00	BOLT, SEMS	*	1		1						
12	1740-112-510-20	BASE/BATTERY COMP	*	1		1						
13	1593-406-008-00	SEAL/30X30X50	*	2		2						
14	1675-801-003-00	TRIM/70	*	2		2						
15	1741-112-053-10	INSULATOR/50X50X15	*	1		1						
16	V211-261-002-00	BOLT, SEMS	*	4		4						
17	1560-630-028-00	CAP/30	*	2		2						
18	1560-606-008-00	CAP/07	*	2		2						

FIG. 11 ACCELERATOR SYSTEM

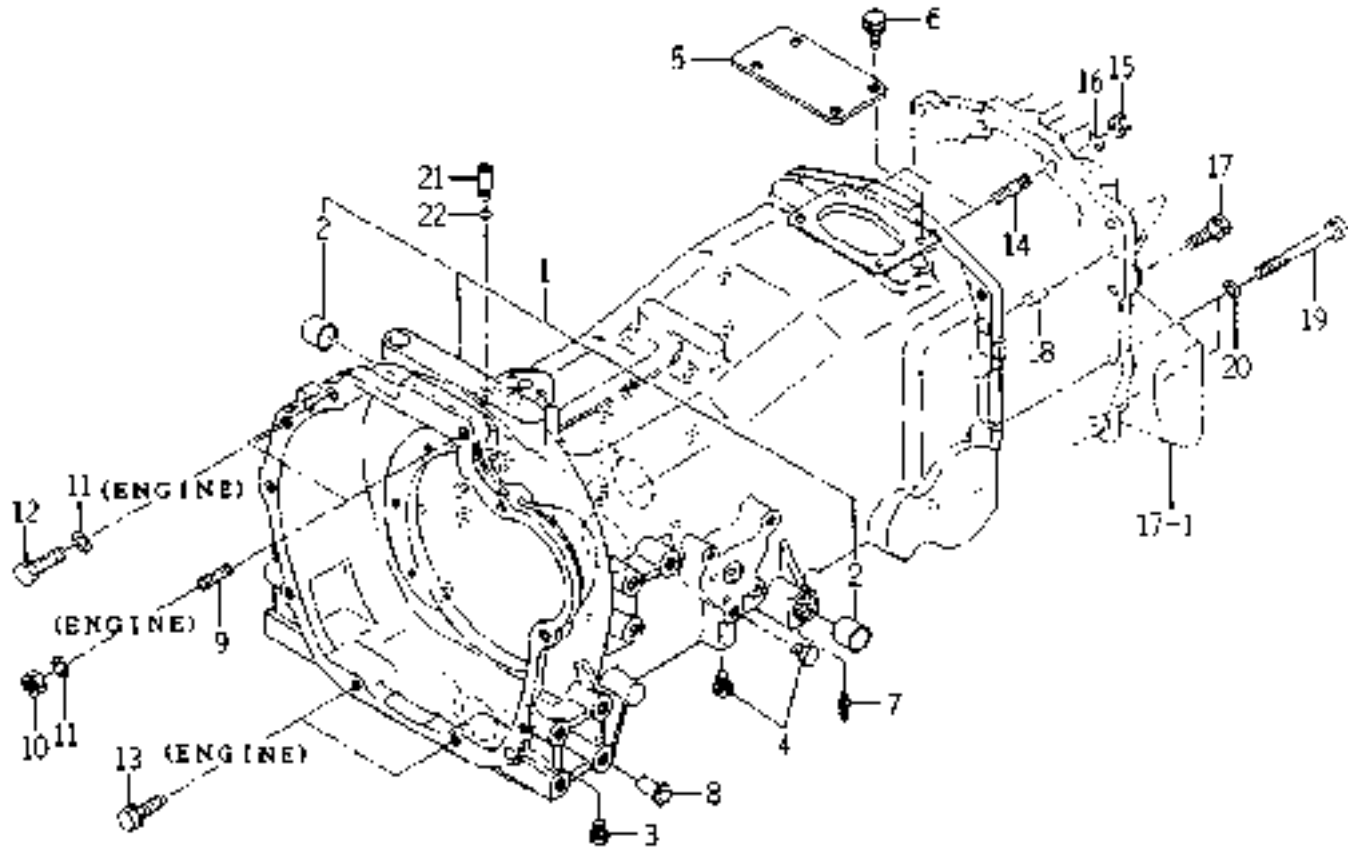


1740-116 -0100,1709-117 -0100

KEY	PART CODE	DESCRIPTION	S P C	TYPE OF MODEL					I T C	C O L	G R P	REMARKS
				TH4260 VB24	TH4260H	TH4290	TH4290H	TH4330H				
1	1414-312-002-00	SPRING, TENSION/53	*	1		1						
2	1709-116-210-00	CABLE/ACCELERATOR	*	1		1						
3	V411-260-006-00	WASHER / MB	*	2		2						
4	V500-162-002-00	PIN, SPLIT/2 X20	*	2		2						
5	1620-117-200-10	LEVER COMP	*	1	1	1	1	1				
6	1646-116-051-00	GRIP/THROTTLE	*	1	1	1	1	1				
7	1600-117-002-00	LINING/11X40X03	*	1	1	1	1	1				
8	1404-117-008-00	SPRING, PRESS/22	*	1	1	1	1	1				
9	V411-260-010-00	WASHER/M10	*	1	1	1	1	1				
10	V328-262-110-00	NUT	*	1	1	1	1	1				
11	V500-162-502-50	PIN, SPLIT/2. 5X25	*	1	1	1	1	1				
12	3610-440-018-00	WASHER	*	1	1	1	1	1				
13	1675-117-210-20	CABLE/ACCELERATOR	*	1	1	1	1	1				
14	V411-260-006-00	WASHER / MB	*	1	1	1	1	1				
15	V500-162-002-00	PIN, SPLIT/2 X20	*	1	1	1	1	1				
16	1703-117-004-00	HOLDER	*	1	1	1	1	1				
17	1560-116-008-30	PIN/06X16	*	1		1						



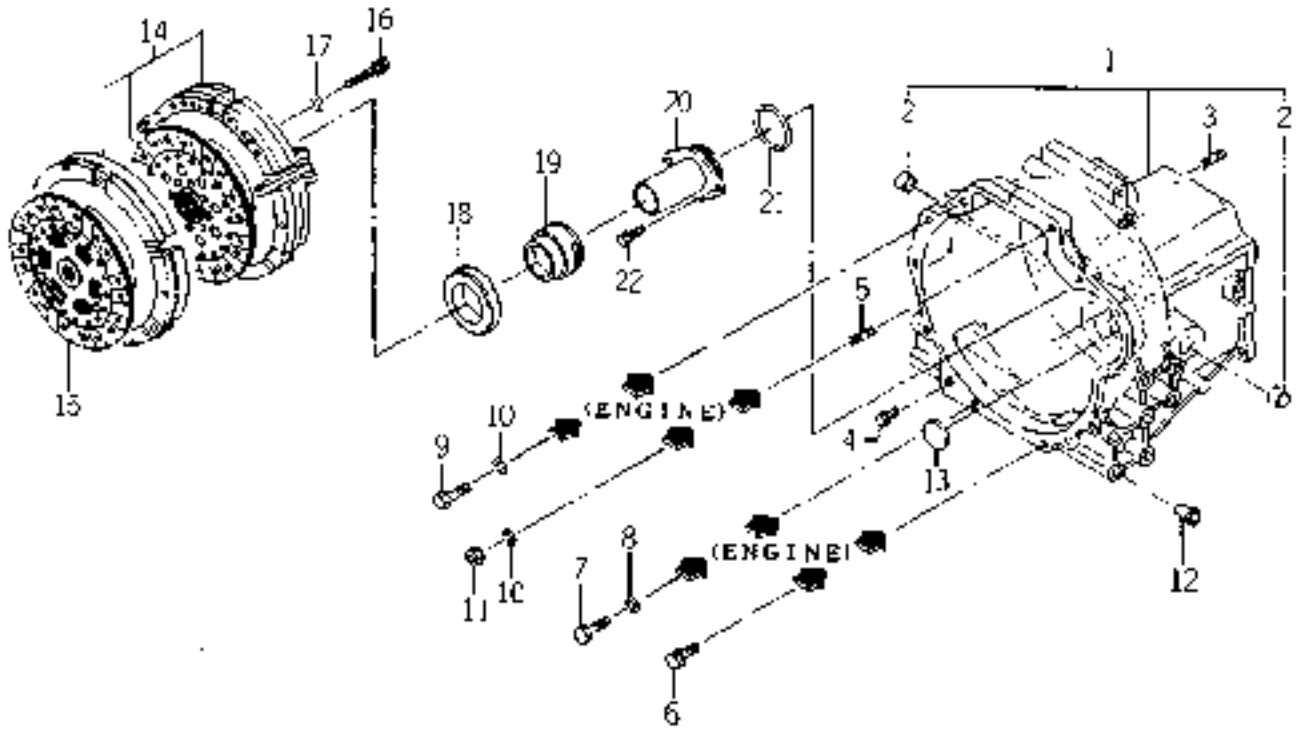
**FIG. 12 FRONT MISSION CASE SYSTEM (H TYPE)**



1740-120-0100

KEY	PART CODE	DESCRIPTION	S P C	TYPE OF MODEL					I T C	C O L	G R P	REMARKS
				TH4260 VB24	TH4260H	TH4290	TH4290H	TH4330H				
1	1740-120-500-20	CASE/TRANSMISSION/F	*		1		1	1				
2	3664-540-001-00	BUSH/22X25X20	*		2		2	2				
3	V782-160-000-2B	PLUG/SCREW/SEAL	*		1		1	1				
4	V782-160-000-2T	PLUG/SCREW/SEAL	*		2		2	2				
5	1740-120-051-00	PLATE/I/70X135	*		1		1	1				
6	V211-260-801-60	BOLT, SEMS (S) MBX16	*		4		4	4				
7	V760-150-000-00	NIPPLE, GREASE	*		2		2	2				
8	1427-201-016-00	CAP, BLANK/M12	*		8		8	8				
9	V251-341-203-00	BOLT/STUD	*		2		2	2				
10	V304-460-012-00	NUT/M12	*		2		2	2				
11	V401-160-012-00	WASHER, SP/M12	*		3		3	3				
12	V201-361-203-00	BOLT/M12X30	*		1		1	1				
13	V211-561-003-00	BOLT/M10X30	*		5		5	5				
14	V251-341-203-00	BOLT/STUD	*		2		2	2				
15	V304-460-012-00	NUT/M12	*		2		2	2				
16	V401-160-012-00	WASHER, SP/M12	*		2		2	2				
17	V211-561-003-50	BOLT/S	*		8		8	8				
18	V523-101-002-40	PIN	*		2		2	2				
19	V201-361-009-00	BOLT/M10X90	*		2		2	2				
20	V401-160-010-00	WASHER, SP/M10	*		2		2	2				
21	1650-501-006-00	PIPE/30	*		1		1	1				
22	V723-101-500-80	RING/O	*		1		1	1				

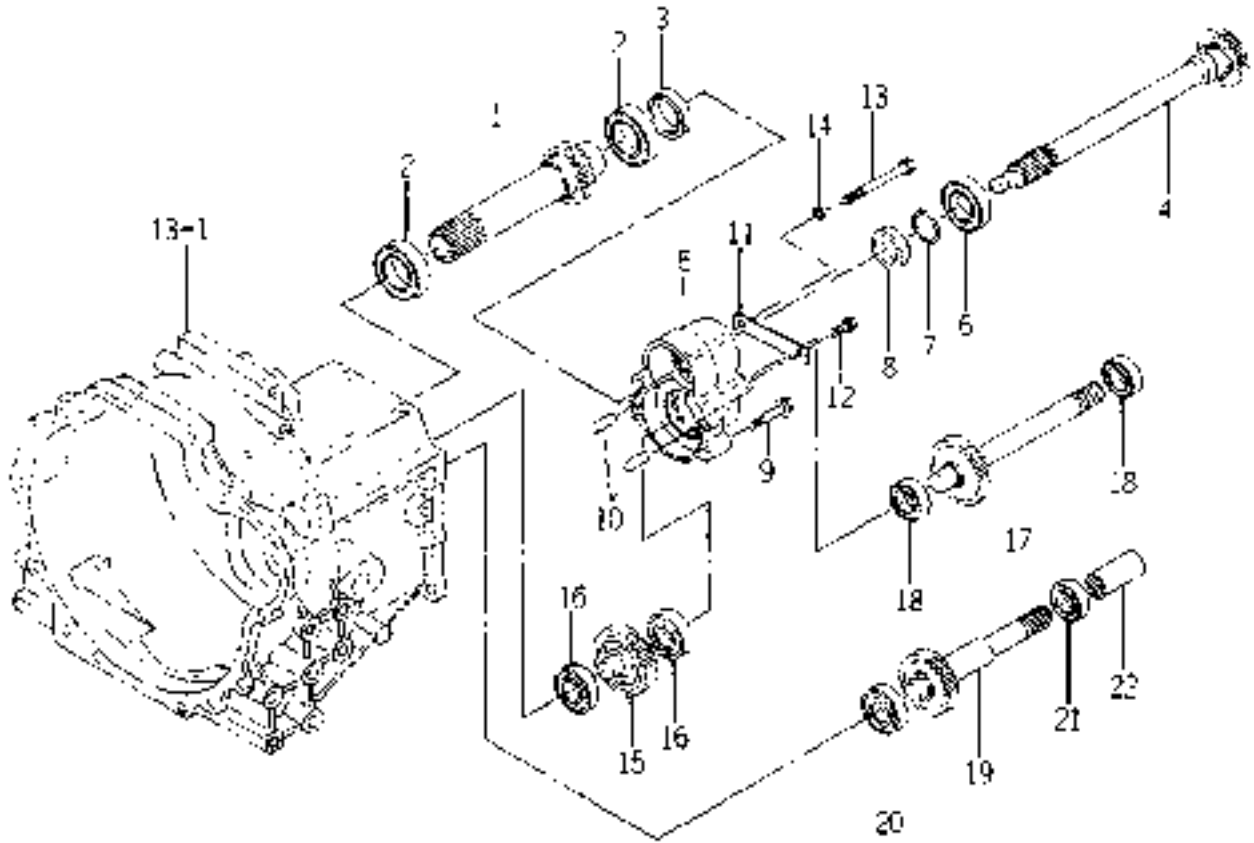
**FIG. 13 DUAL CLUTCH SYSTEM (EXCEPT H TYPE)**



1740-121 -0100

KEY	PART CODE	DESCRIPTION	S P C	TYPE OF MODEL					I T C	C O L	G R P	REMARKS
				TH4260 VB24	TH4260H	TH4290	TH4290H	TH4330H				
1	1709-121-200-40	HOUSING/CLUTCH/ ASSY	*	1		1						
2	1650-201-202-00	BUSH/19X22X15	*	2		2						
3	V251-341-003-00	BOLT/STUD	*	2		2						
4	V782-160-000-4B	PLUG/SCREW/SEAL	*	1		1						
5	V251-341-203-00	BOLT/STUD	*	2		2						
6	V211-561-003-00	BOLT/MOX30	*	4		4						
7	V201-361-003-0B	BOLT/SEAL	*	1		1						
8	V401-160-010-00	WASHER, SP/M10	*	1		1						
9	V201-361-203-00	BOLT/M2X30	*	1		1						
10	V401-160-012-00	WASHER, SP/M2	*	3		3						
11	V304-460-012-00	NUT/M2	*	2		2						
12	1427-201-016-00	CAP, BLANK/M2	*	8		8						
13	3640-561-003-00	PLUG/52X8	*	2		2						
14	1709-121-310-00	COVER/CLUTCH/21 ASSY	*	1		1					FIG 139	
15	1709-121-320-00	DISK/CLUTCH/215 COMP	*	1		1						
16	6209-037-012-00	BOLT	*	6		6						
17	V401-160-008-00	WASHER, SP/M 8	*	6		6						
18	1415-120-004-00	BEARING, CT55BL1	*	1		1						
19	1620-121-001-00	SLEEVE/RELEASE	*	1		1						
20	1620-121-002-00	GUIDE/SLEEVE/RELEASE	*	1		1						
21	V721-103-106-00	O-RING/G60	*	1		1						
22	V211-260-802-00	BOLT/S	*	2		2						

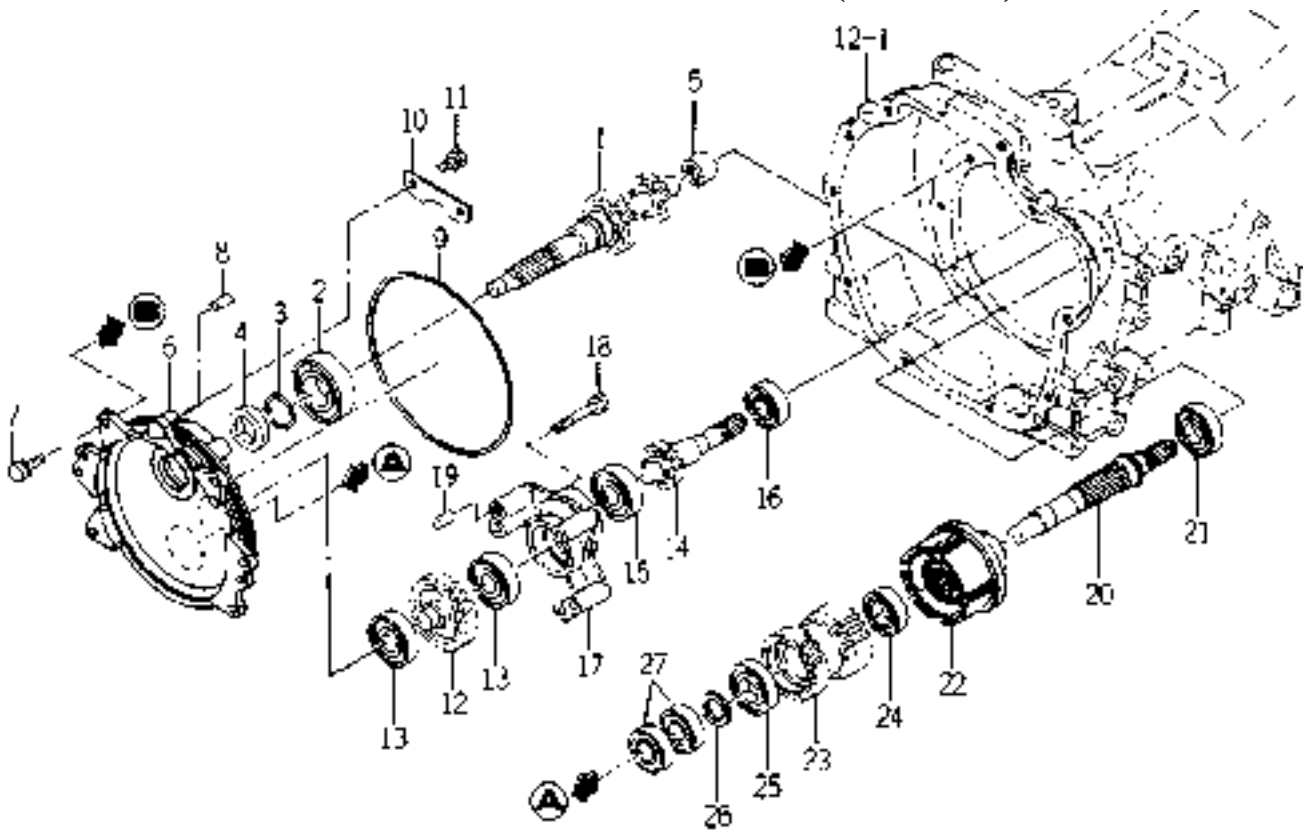
**FIG. 14 INPUT GEAR SYSTEM (EXCEPT H TYPE)**



1709-125-0100

KEY	PART CODE	DESCRIPTION	S P C	TYPE OF MODEL					I T C	C O L	G R P	REMARKS
				TH4260 VB24	TH4260H	TH4290	TH4290H	TH4330H				
1	1709-125-001-00	GEAR/SPUR/21	*	1		1						
2	1617-244-004-00	BEARING/BALL	*	2		2						
3	V744-135-500-80	SEAL, OIL/TC355008	*	2		2						
4	1709-125-002-00	GEAR/SPUR/21	*	1		1						
5	1620-125-003-00	METAL	*	1		1						
6	2144-307-003-00	BEARING, 6006SH2	*	1		1						
7	V704-140-030-00	RING, SNAP/30 C	*	1		1						
8	V744-130-450-80	SEAL, OIL/TC30458	*	1		1						
9	V211-360-804-50	BOLT/SP	*	2		2						
10	V523-101-002-40	PIN	*	2		2						
11	1620-125-004-00	PLATE/I/19X97	*	1		1						
12	V211-260-801-60	BOLT, SEMS (S) MBX16	*	1		1						
13	V201-260-808-50	BOLT/M 8X85	*	1		1						
14	V401-160-008-00	WASHER, SP/M 8	*	1		1						
15	1709-125-003-00	GEAR/SPUR/27	*	1		1						
16	1560-214-003-00	BEARING/BALL/6304SH2	*	2		2						
17	1709-125-004-00	GEAR/SPUR/27	*	1		1						
18	V600-110-620-40	BEARING, RB/6204	*	2		2						
19	1709-125-005-00	GEAR/SPUR/25	*	1		1						
20	V600-110-630-40	BEARING, RB/6304	*	1		1						
21	V600-110-620-40	BEARING, RB/6204	*	1		1						
22	1673-431-001-10	COUPRING/16X27X55	*	2		2						

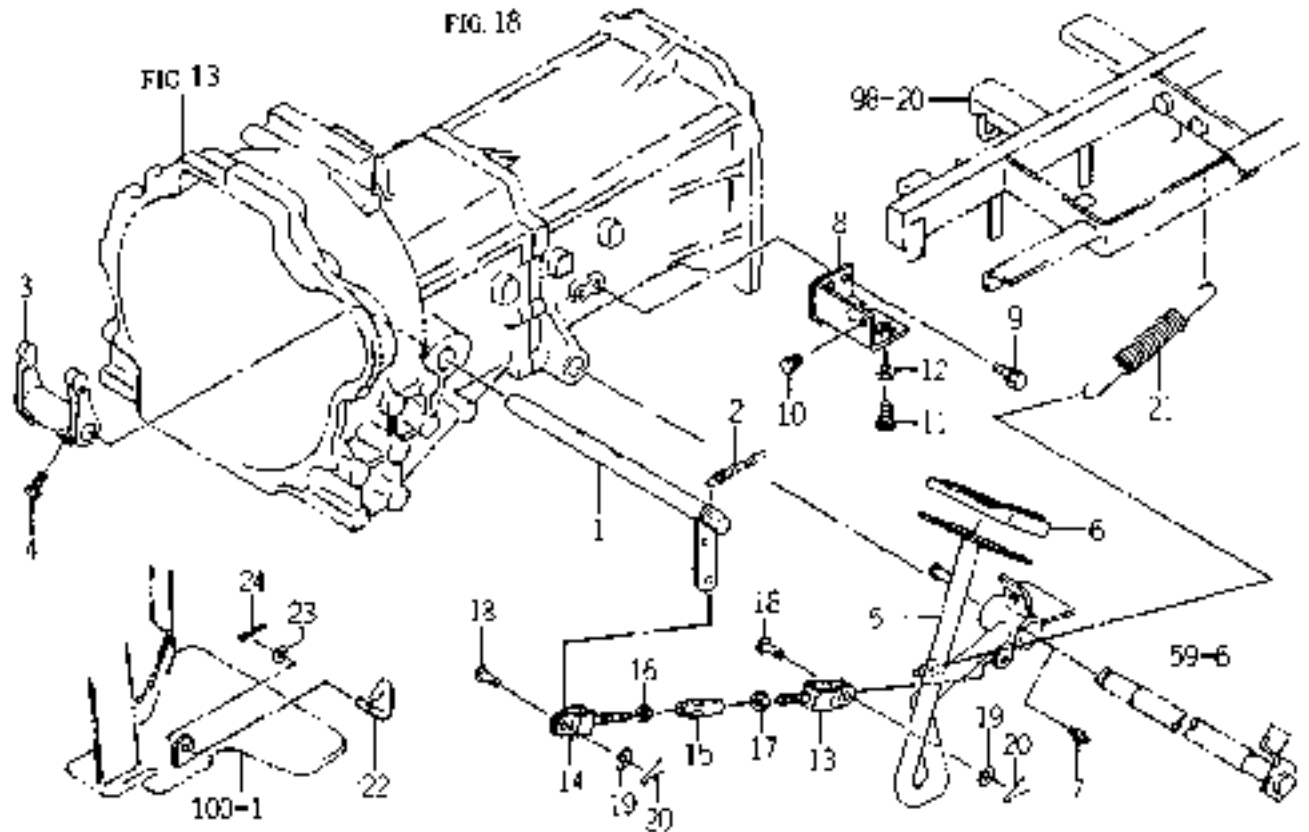
**FIG. 15 INPUT GEAR,PTO GEAR,DRIVE GEAR,  
PTO DRIVE GEAR SYSTEM (H TYPE)**



1740-125 -0100,1740-126 -0100,1740-127 -0100,1740-128 -0100

KEY	PART CODE	DESCRIPTION	S P C	TYPE OF MODEL					I T C	C O L	G R P	REMARKS
				TH4260 VB24	TH4260H	TH4290	TH4290H	TH4330H				
1	1740-125-051-00	GEAR/HELICAL/21-17	*		1		1	1				
2	V600-110-620-70	BEARING, RB/6207	*		1		1	1				
3	V704-140-035-00	RING, SNAP/35 C	*		1		1	1				
4	V744-130-500-80	SEAL, OIL/TC30508	*		1		1	1				
5	1740-125-053-00	BEARING/NEEDLE	*		1		1	1				
6	1740-125-052-00	METAL/INPUT/FROMT	*		1		1	1				
7	V211-560-802-00	BOLT/MBX20	*		6		6	6				
8	V523-101-002-40	PIN	*		1		1	1				
9	V721-105-720-00	RING/O	*		1		1	1				
10	1560-206-002-40	PLATE	*		1		1	1				
11	V211-560-801-60	BOLT, SEMS	*		2		2	2				
12	1740-126-051-00	GEAR/HELICAL/29	*		1		1	1				
13	1650-209-005-00	BEARING/BALL	*		2		2	2				
14	1740-127-051-00	GEAR/HELICAL/15	*		1		1	1				
15	V600-110-630-40	BEARING, RB/6304	*		1		1	1				
16	V600-110-620-40	BEARING, RB/6204	*		1		1	1				
17	1740-127-052-00	METAL/INPUT/REAR	*		1		1	1				
18	V211-260-806-00	BOLT, SEMS (S)	*		3		3	3				
19	V523-101-002-40	PIN	*		2		2	2				
20	1740-128-051-00	SHAFT/PTO	*		1		1	1				
21	V600-110-620-50	BEARING, RB/6205	*		1		1	1				
22	1740-128-500-00	CLUTCH/PTO ASSY	*		1		1	1				FIG 140
23	1740-128-052-00	GEAR/HELICAL/25	*		1		1	1				
24	V600-110-600-50	BEARING, RB/6005	*		1		1	1				
25	V600-110-620-50	BEARING, RB/6205	*		1		1	1				
26	1593-307-052-10	COLLAR/26X35X03	*		1		1	1				
27	V600-110-620-40	BEARING, RB/6204	*		2		2	2				

**FIG. 16 CLUTCH SYSTEM (EXCEPT H TYPE)**



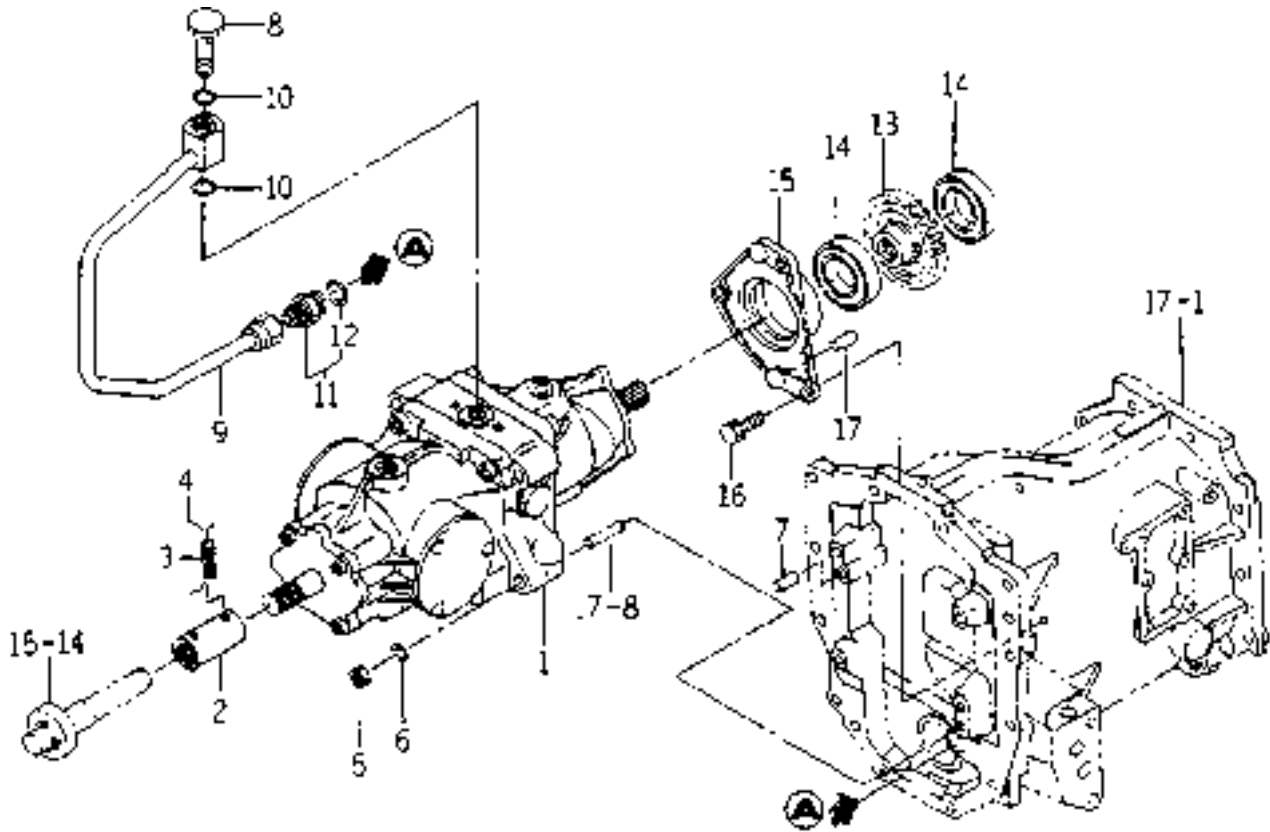
1740-133 -0100,1740-135 -0100

KEY	PART CODE	DESCRIPTION	S P C	TYPE OF MODEL					I T C	C O L	G R P	REMARKS
				TH4260 VB24	TH4260H	TH4290	TH4290H	TH4330H				
1	1740-133-200-10	ARM/CLUTCH/D	COMP	*	1		1					
2	1414-312-002-00	SPRING, TENSION/53		*	1		1					
3	1620-133-001-00	YOKE/CLUTCH		*	1		1					
4	V201-460-802-50	BOLT/M 8X25		*	1		1					
5	1740-135-200-20	PEDAL/CLUTCH	COMP	*	1		1					
6	1636-313-011-10	PAD/BRAKE		*	1		1					
7	V761-150-000-00	NIPPLE/GREASE		*	1		1					
8	1709-135-210-10	STOPPER	COMP	*	1		1					
9	V211-260-802-00	BOLT/S		*	2		2					
10	1432-616-002-00	RUBBER, CUSHION		*	1		1					
11	V201-260-803-50	BOLT/M 8X35		*	1		1					
12	V304-260-008-00	NUT		*	1		1					
13	1444-122-230-10	ROD, CLUTCH A	COMP	*	1		1					
14	1600-123-210-10	ROD/055	COMP	*	1		1					
15	1444-122-002-00	TURNBUCKLE/M6		*	1		1					
16	V304-260-008-00	NUT		*	1		1					
17	1560-132-007-30	NUT/M6		*	1		1					
18	1432-242-001-00	PIN		*	2		2					
19	V411-260-008-00	WASHER, PL/M 8		*	2		2					
20	V500-162-002-00	PIN, SPLIT/2	X20	*	2		2					
21	1709-135-002-00	SPRING/HE170		*	1		1					
22	1622-135-001-00	ROD/CUTOFF		*	1		1					
23	V411-260-006-00	WASHER / M6		*	1		1					
24	V500-162-002-00	PIN, SPLIT/2	X20	*	1		1					





**FIG. 19 HST UNIT,INPUT GEAR SYSTEM (H TYPE)**



1740-202 -0100,1740-203 -0100

KEY	PART CODE	DESCRIPTION	S P C	TYPE OF MODEL					I T C	C O L	G R P	REMARKS
				TH4260 VB24	TH4260H	TH4290	TH4290H	TH4330H				
1	1740-202-500-00	HST ASSY	*		1		1	1				FIG 141
2	1435-120-002-30	COUPLING/16X27X62	*		1		1	1				
3	V580-140-602-80	PIN, SPRING/6 X28 W	*		1		1	1				
4		WIRE	*		1		1	1				
5	V304-460-010-00	NUT/M10	*		4		4	4				
6	V401-160-010-00	WASHER, SP/M10	*		4		4	4				
7	V523-101-002-40	PIN	*		2		2	2				
8	1600-243-051-00	BOLT, CONNECTOR/M6	*		1		1	1				
9	1740-202-510-10	PIPE/HST COMP	*		1		1	1				
10	V720-102-401-80	O-RING/P18	*		2		2	2				
11	1650-509-300-00	ADAPTER/PF3/8 ASSY	*		1		1	1				
12	V720-112-401-40	O-RING/P14	*		1		1	1				
13	1740-203-051-00	GEAR/SPUR/33	*		1		1	1				
14	V600-110-600-70	BEARING, RB/6007	*		2		2	2				
15	1740-203-052-00	METAL/HST	*		1		1	1				
16	V211-260-802-00	BOLT/S	*		3		3	3				
17	V523-101-002-40	PIN	*		2		2	2				

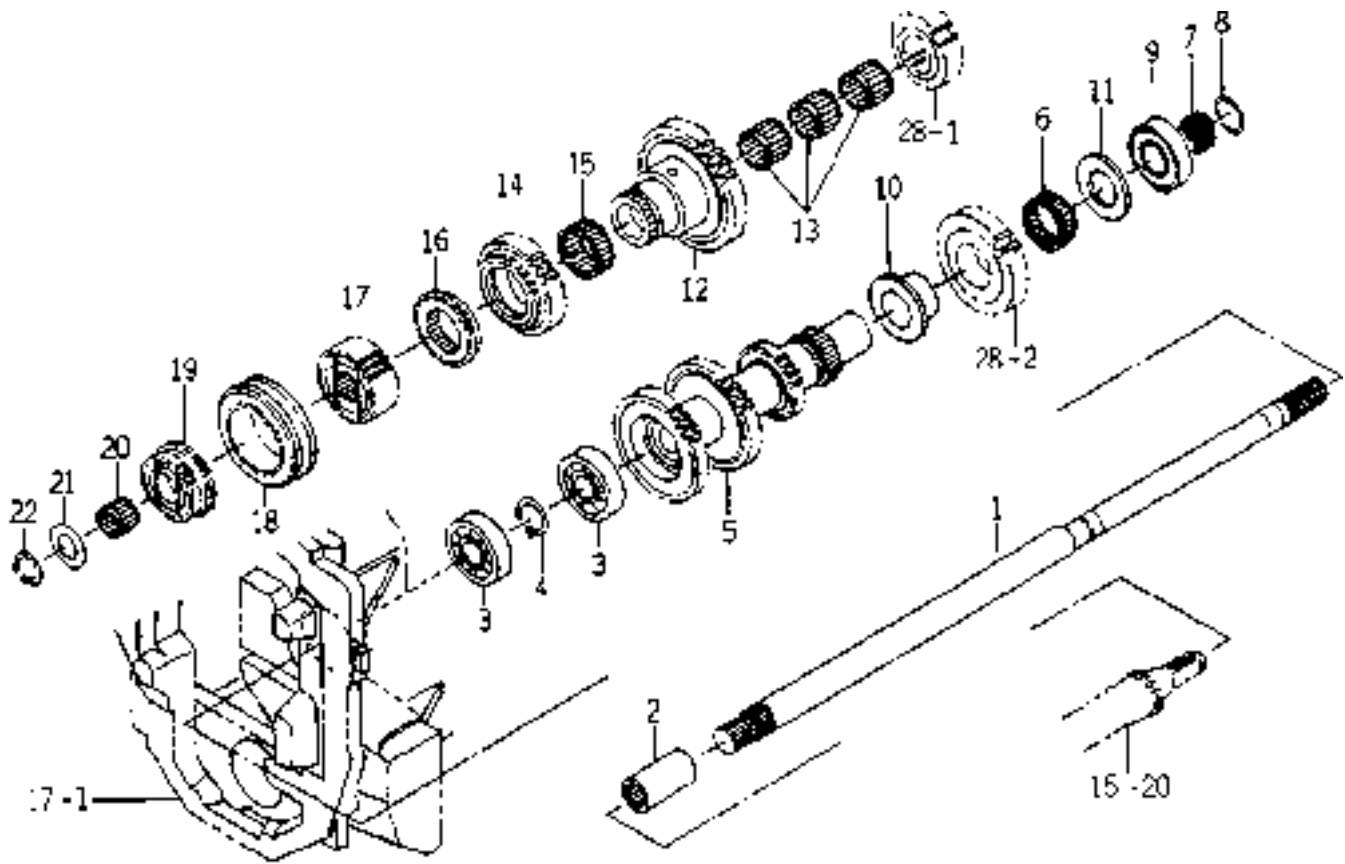








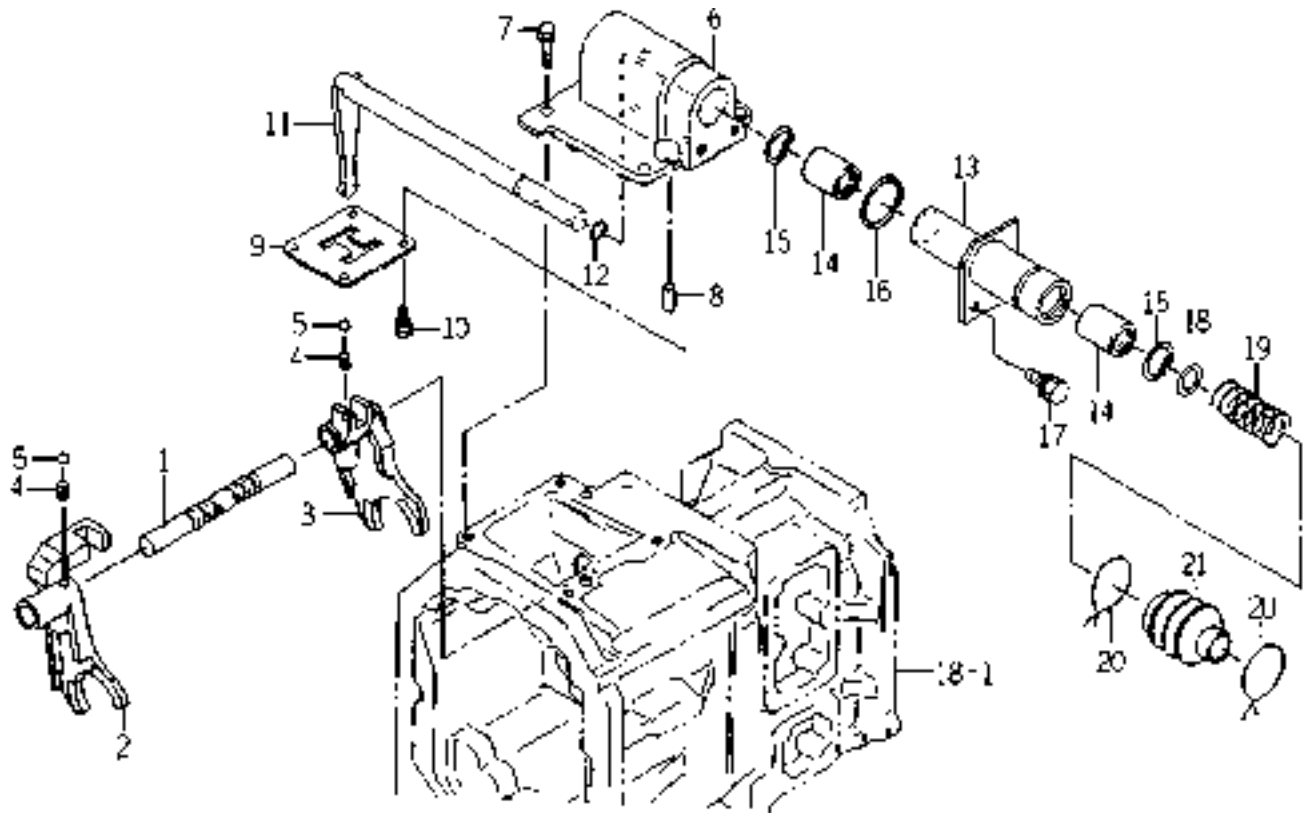
**FIG. 23 SUB COUNTER GEAR SYSTEM (H TYPE)**



1740-208 -0100

KEY	PART CODE	DESCRIPTION	S P C	TYPE OF MODEL					I T C	C O L	G R P	REMARKS
				TH4260 VB24	TH4260H	TH4290	TH4290H	TH4330H				
1	1740-208-057-00	SHAFT/PTO	*		1		1	1				
2	1673-431-001-10	COUPLING/16X27X55	*		1		1	1				
3	V600-110-630-40	BEARING, RB/6304	*		2		2	2				
4	V704-140-020-00	RING, SNAP/20C	*		1		1	1				
5	1740-208-051-00	GEAR/35-34-23-14	*		1		1	1				
6	1716-221-011-00	BEARING/NEEDLE	*		1		1	1				
7	1716-205-022-00	BEARING/NEEDLE	*		1		1	1				
8	1622-208-055-00	RING/SNAP	*		1		1	1				
9	2144-307-003-00	BEARING, 6006SH2	*		1		1	1				
10	1617-208-002-00	BUSH	*		1		1	1				
11	1560-208-018-40	WASHER/30X46X2	*		1		1	1				
12	1740-208-052-00	GEAR/SPUR/38	*		1		1	1				
13	1740-208-058-00	BEARING/NEEDLE	*		3		3	3				
14	1740-208-053-00	GEAR/SPUR/29	*		1		1	1				
15	1740-208-059-00	BEARING/NEEDLE	*		1		1	1				
16	1740-208-056-00	HUB	*		1		1	1				
17	1740-208-055-00	HUB/23X62X27	*		1		1	1				
18	1716-205-016-00	COUPLING	*		1		1	1				
19	1740-208-054-00	GEAR/SPUR/18	*		1		1	1				
20	1716-205-021-00	BEARING/NEEDLE	*		1		1	1				
21	1614-203-005-00	WASHER/20X36X02	*		1		1	1				
22	V704-140-020-00	RING, SNAP/20C	*		1		1	1				

**FIG. 24 MAIN CHANGE SYSTEM (EXCEPT H TYPE)**



1740-215 -0100

KEY	PART CODE	DESCRIPTION	S P C	TYPE OF MODEL					I T C	C O L	G R P	REMARKS
				TH4260 VB24	TH4260H	TH4290	TH4290H	TH4330H				
1	1709-215-001-00	STAY/SHIFT/MAIN	*	1		1						
2	1709-215-002-00	FORK/SHIFT/1ST	*	1		1						
3	1709-215-003-10	FORK/SHIFT/2ND	*	1		1						
4	1650-253-003-00	SPRING/HCO22	*	2		2						
5	V682-200-001-00	BALL	*	2		2						
6	1740-215-001-20	METAL/SHIFT/MAIN	*	1		1						
7	V211-260-802-00	BOLT/S	*	4		4						
8	V523-101-002-40	PIN	*	2		2						
9	1740-215-002-10	GUIDE/SHIFT/MAIN	*	1		1						
10	V210-560-601-60	BOLT/S	*	4		4						
11	1740-215-200-10	ARM/SHIFT/MAIN COMP	*	1		1						
12	V723-101-501-40	RING/O	*	1		1						
13	1740-215-220-00	PIPE/SHIFT/MAIN COMP	*	1		1						
14	1544-215-015-00	BEARING	*	2		2						
15	V705-140-028-00	RING, SNAP/28 C	*	2		2						
16	V723-102-003-00	O-RING	*	1		1						
17	V211-560-802-00	BOLT/MBX20	*	2		2						
18	1719-256-003-00	COLLAR/17X28X05	*	1		1						
19	1560-601-028-00	SPRING/HCO42	*	1		1						
20		WIRE	*	2		2						
21	1544-215-016-00	BOOT, CHANGE	*	1		1						







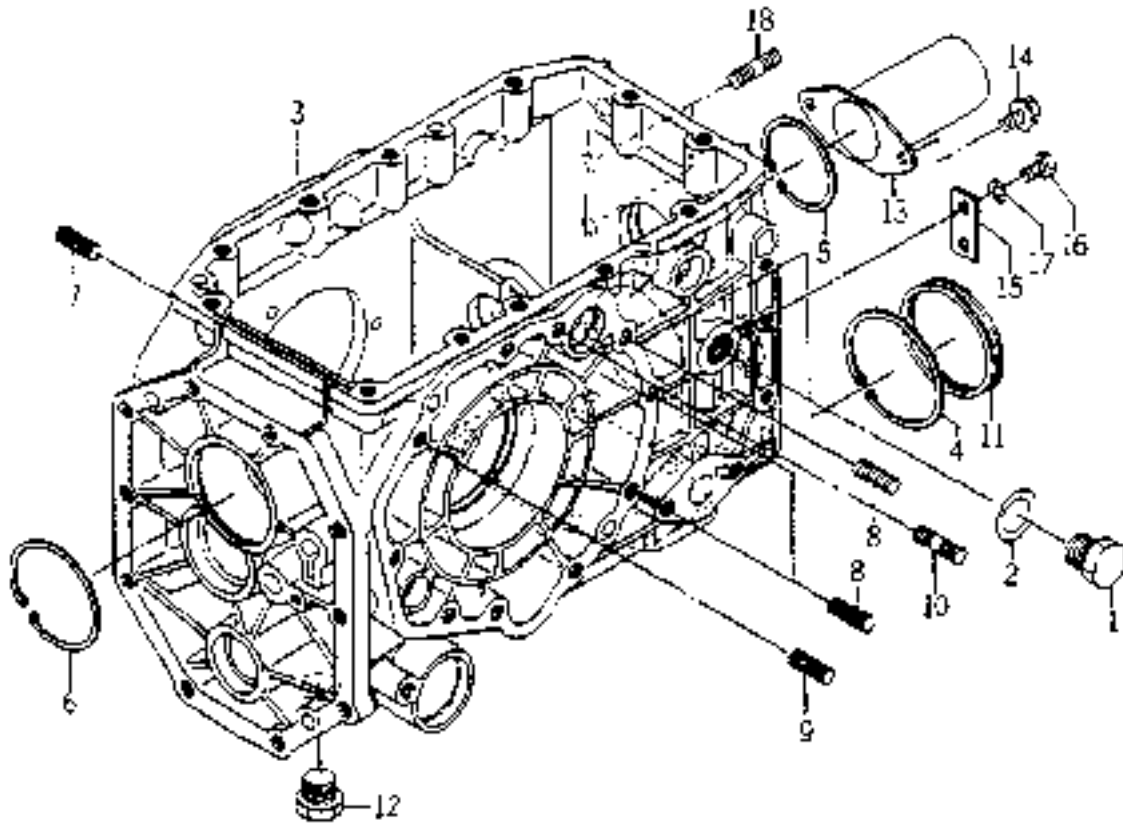








**FIG. 31 REAR MISSION CASE SYSTEM (H TYPE)**

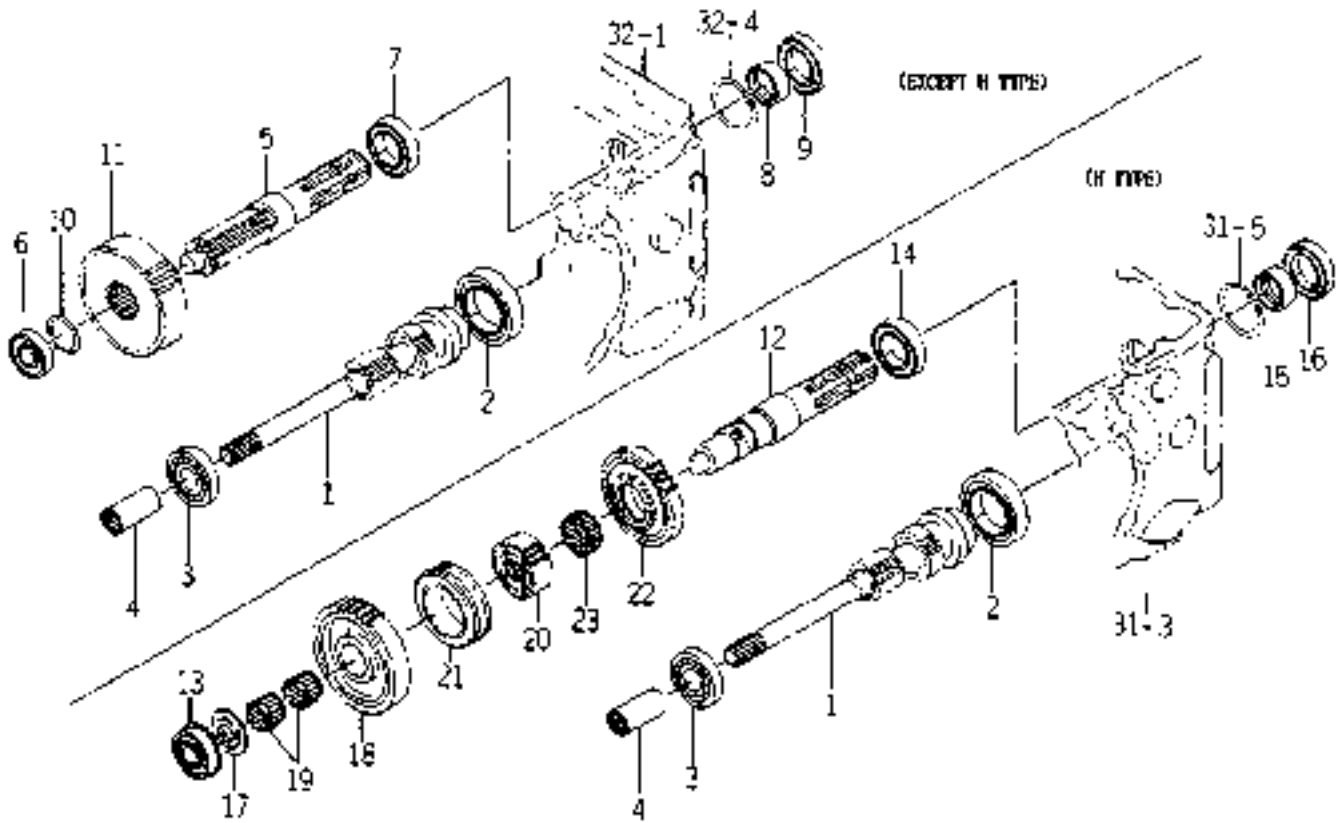


1740-241 -0100,1740-241C-0100

KEY	PART CODE	DESCRIPTION	S P C	TYPE OF MODEL					I T C	C O L	G R P	REMARKS
				TH4260 VB24	TH4260H	TH4290	TH4290H	TH4330H				
1	1444-503-006-00	PLUG/M22	*		1		1	1				
2	1518-621-007-00	WASHER/23X35X2	*		1		1	1				
3	1622-241-001-70	CASE/TRANSMSSION/RE	*		1		1	1				
4	V707-140-080-00	RING/SNAP	*		1		1	1				
5	V707-140-062-00	RING/SNAP	*		1		1	1				
6	V707-140-072-00	RING/SNAP	*		1		1	1				
7	V251-341-003-00	BOLT/STUD	*		2		2	2				
8	V251-341-003-0D	BOLT/STUD/SEAL	*		3		3	3				
9	V251-341-003-00	BOLT/STUD	*		1		1	1				
10	V251-341-005-0D	BOLT/STUD/SEAL	*		1		1	1				
11	1617-241-003-00	PLUG/SEAL/80	*		1		1	1				
12	V782-160-000-8B	PLUG/SCREW/SEAL	*		1		1	1				
13	1444-314-009-10	CAP, PTO SHAFT	*		1		1	1				
14	V211-360-802-00	BOLT/SP	*		2		2	2				
15	1614-241-003-00	PLATE/I/19X50	*		1		1	1				
16	V201-260-801-60	BOLT/M 8X16	*		2		2	2				
17	V401-160-008-00	WASHER, SP/M 8	*		2		2	2				
18	V251-341-203-00	BOLT/STUD	*		4		4	4				



**FIG. 33 PTO COUNTER GEAR,PTO SHAFT SYSTEM**



1709-243 -0100,1709-244 -0100,1740-244 -0100

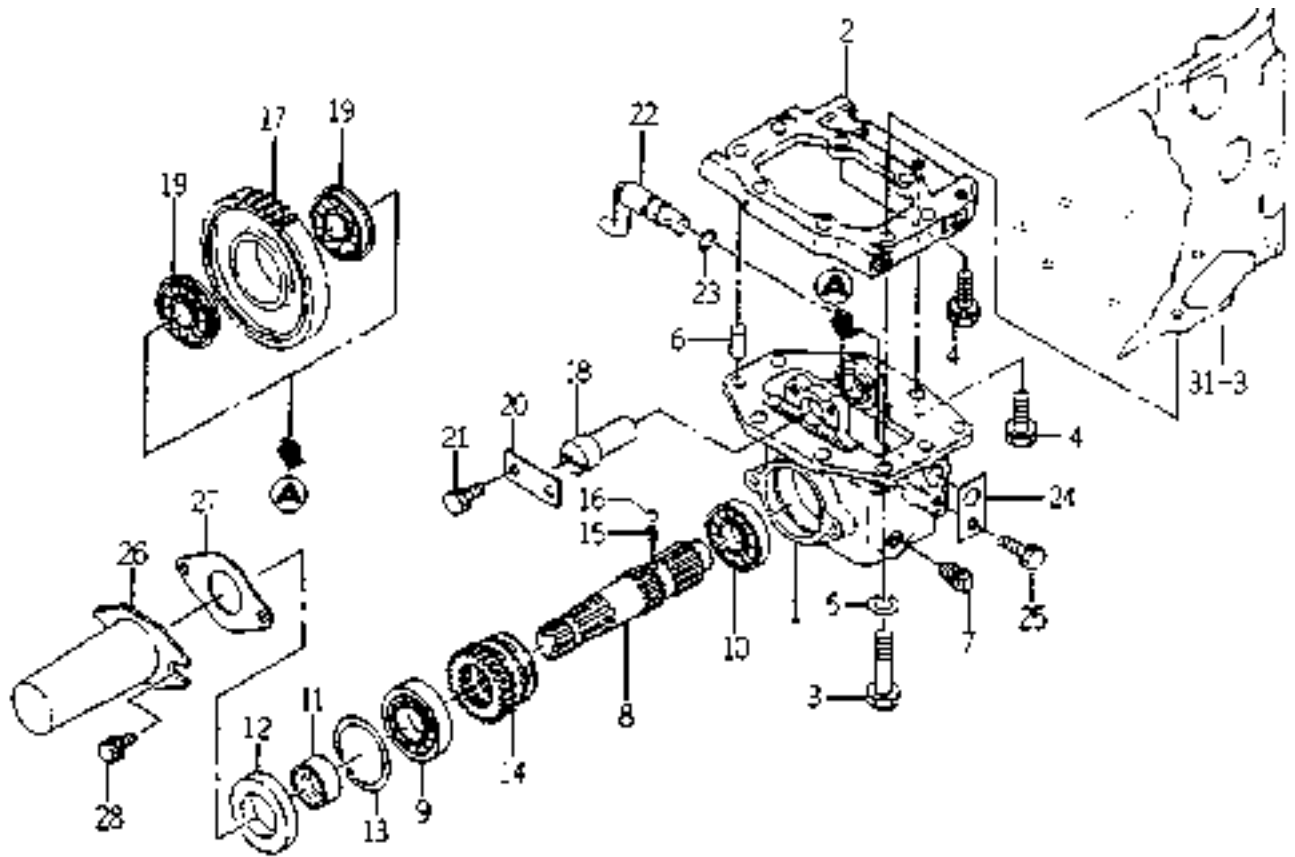
KEY	PART CODE	DESCRIPTION	S P C	TYPE OF MODEL					I T C	C O L	G R P	REMARKS
				TH4260 VB24	TH4260H	TH4290	TH4290H	TH4330H				
1	1709-243-001-00	GEAR/SPUR/20-13	*	1	1	1	1	1				
2	1594-218-001-00	BEARING/BALL 6305SH2	*	1	1	1	1	1				
3	V600-110-601-00	BEARING, RB/6010	*	1	1	1	1	1				
4	1673-431-001-10	COUPLING/16X27X55	*	1	1	1	1	1				
5	1709-244-001-00	SHAFT/PTO/REAR	*	1		1						
6	1678-244-003-00	BEARING/BALL	*	1		1						
7	1617-244-004-00	BEARING/BALL	*	1		1						
8	1602-322-003-00	SLEEVE 35X40X17	*	1		1						
9	1678-244-002-00	SEAL/OIL	*	1		1						
10	V706-140-040-00	RING/SNAP	*	1		1						
11	1709-244-002-00	GEAR/SPUR/47	*	1		1						
12	1740-244-051-00	SHAFT/PTO/REAR	*		1		1	1				
13	1678-244-003-00	BEARING/BALL	*		1		1	1				
14	1617-244-004-00	BEARING/BALL	*		1		1	1				
15	1602-322-003-00	SLEEVE 35X40X17	*		1		1	1				
16	1678-244-002-00	SEAL/OIL	*		1		1	1				
17	1507-304-002-00	COLLAR, THRUST	*		1		1	1				
18	1740-244-052-00	GEAR/SPUR/47	*		1		1	1				
19	1716-222-013-00	BEARING/NEEDLE	*		2		2	2				
20	1716-244-006-00	HUB/35X62X23	*		1		1	1				
21	1716-205-016-00	COUPLING	*		1		1	1				
22	1740-244-053-00	GEAR/SPUR/40	*		1		1	1				
23	1716-221-011-00	BEARING/NEEDLE	*		1		1	1				







**FIG. 36 MID PTO SYSTEM (H TYPE)**

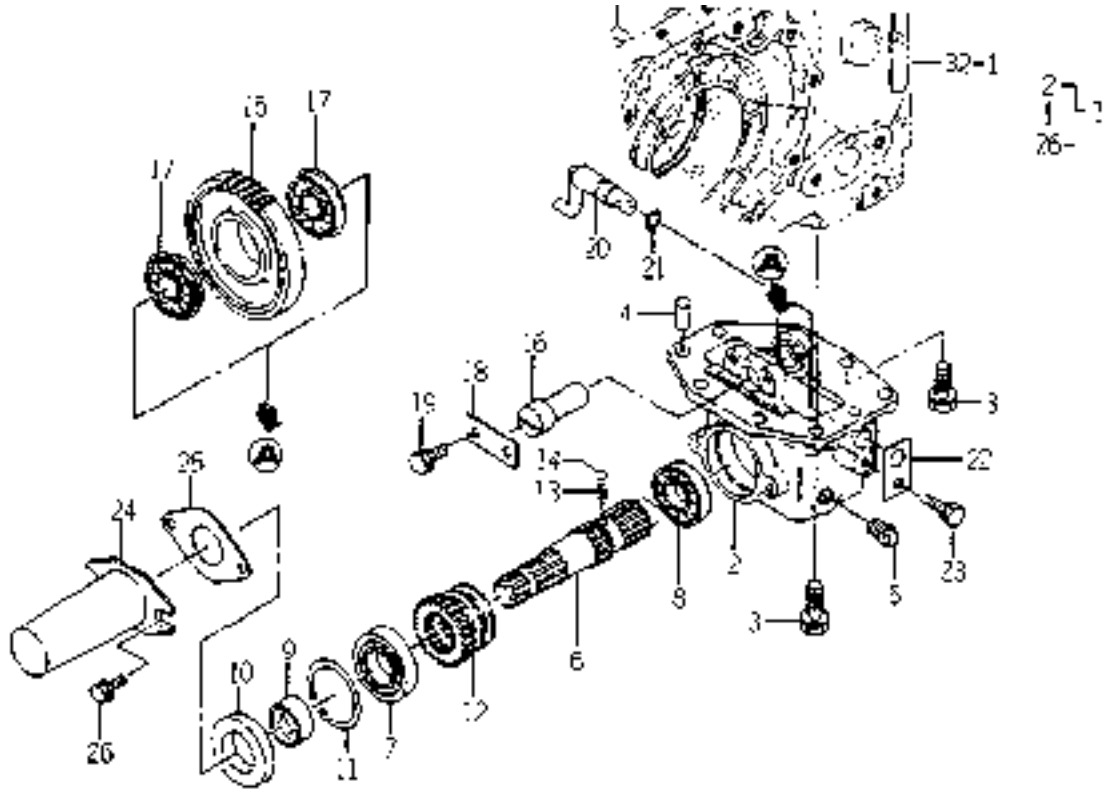


1687-255-0100

KEY	PART CODE	DESCRIPTION	S P C	TYPE OF MODEL					I T C	C O L	G R P	REMARKS
				TH4260 VB24	TH4260H	TH4290	TH4290H	TH4330H				
1	1620-255-201-00	CASE/PTO/MID	*		1		1	1				
2	1620-255-202-00	METAL/SPACER	*		1		1	1				
3	V201-361-005-00	BOLT/M10X50	*		4		4	4				
4	V211-561-003-00	BOLT/M10X30	*		5		5	5				
5	V401-160-010-00	WASHER, SP/M10	*		4		4	4				
6	V523-101-004-00	PIN	*		2		2	2				
7	V781-160-000-6B	PLUG/SCREW/SEAL	*		1		1	1				
8	1687-255-001-00	SHAFT/PTO/MID	*		1		1	1				
9	V600-110-620-60	BEARING, RB/6206	*		1		1	1				
10	V600-110-620-50	BEARING, RB/6205	*		1		1	1				
11	1480-212-004-10	SLEEVE	*		1		1	1				
12	1687-255-005-00	SEAL/OIL	*		1		1	1				
13	V707-140-062-00	RING/SNAP	*		1		1	1				
14	1687-255-002-00	GERA/SPUR/21	*		1		1	1				
15	1302-225-003-00	SPRING, SHIFTER	*		1		1	1				
16	V682-200-001-00	BALL	*		1		1	1				
17	1687-255-003-00	GEAR/SPUR/49	*		1		1	1				
18	1620-255-207-00	SHAFT	*		1		1	1				
19	1603-322-003-00	BEARING, BALL	*		2		2	2				
20	1568-731-103-00	PLATE/I 25X60	*		1		1	1				
21	V211-260-801-60	BOLT, SEMS (S) MBX16	*		2		2	2				
22	1620-255-220-00	ARM/SHIFT/MID COMP	*		1		1	1				
23	V720-102-401-40	O-RING/P14	*		1		1	1				
24	1620-255-208-00	PLATE/I/30X50	*		1		1	1				
25	V211-260-801-60	BOLT, SEMS (S) MBX16	*		1		1	1				
26	1444-314-009-10	CAP, PTO SHAFT	*		1		1	1				
27	1687-255-004-00	PLATE	*		1		1	1				
28	V211-360-802-00	BOLT/SP	*		2		2	2				



**FIG. 38 MID PTO SET  
(M TYPE EXCEPT H-STANDARD/  
EXCEPT H,M TYPE-OPTION)**

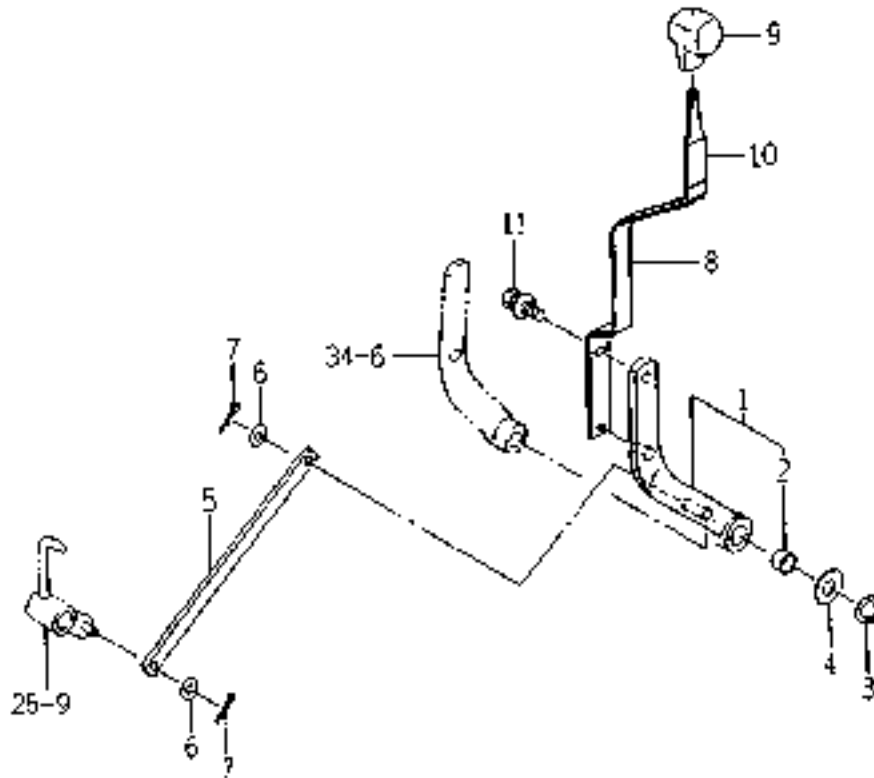


1740-255B-0100

KEY	PART CODE	DESCRIPTION	S P C	TYPE OF MODEL					I T C	C O L	G R P	REMARKS
				TH4260 VB24	TH4260H	TH4290	TH4290H	TH4330H				
1	1740-255-200-00	PTO/M/D SET	*	1		1						
2	1620-255-201-00	CASE/PTO/M/D	*	1		1						
3	V211-561-003-00	BOLT/M10X30	*	7		7						
4	V523-101-004-00	PIN	*	2		2						
5	V781-160-000-6B	PLUG/SCREW/SEAL	*	1		1						
6	1687-255-001-00	SHAFT/PTO/M/D	*	1		1						
7	V600-110-620-60	BEARING, RB/6206	*	1		1						
8	V600-110-620-50	BEARING, RB/6205	*	1		1						
9	1480-212-004-10	SLEEVE	*	1		1						
10	1687-255-005-00	SEAL/OIL	*	1		1						
11	V707-140-062-00	RING/SNAP	*	1		1						
12	1687-255-002-00	GERA/SPUR/21	*	1		1						
13	1302-225-003-00	SPRING, SHIFTER	*	1		1						
14	V682-200-001-00	BALL	*	1		1						
15	1687-255-003-00	GEAR/SPUR/49	*	1		1						
16	1620-255-207-00	SHAFT	*	1		1						
17	1603-322-003-00	BEARING, BALL	*	2		2						
18	1568-731-103-00	PLATE/I 25X60	*	1		1						
19	V211-260-801-60	BOLT, SEMS (S) MBX16	*	2		2						
20	1620-255-220-00	ARM/SHIFT/M/D COMP	*	1		1						
21	V720-102-401-40	O-RING/P14	*	1		1						
22	1620-255-208-00	PLATE/I/30X50	*	1		1						
23	V211-260-801-60	BOLT, SEMS (S) MBX16	*	1		1						
24	1444-314-009-10	CAP, PTO SHAFT	*	1		1						
25	1687-255-004-00	PLATE	*	1		1						
26	V211-360-802-00	BOLT/SP	*	2		2						



**FIG. 40 CHANGE LEVER (SUB) SYSTEM**



1740-262 -0100

KEY	PART CODE	DESCRIPTION	S P C	TYPE OF MODEL					I T C	C O L	G R P	REMARKS
				TH4260 VB24	TH4260H	TH4290	TH4290H	TH4330H				
1	1740-262-500-00	ARM/SUB ASSY	*	1	1	1	1	1				
2	2149-858-007-00	BUSH/18X20X20	*	1	1	1	1	1				
3	V704-140-018-00	RING, SNAP/18 C	*	1	1	1	1	1				
4	V411-260-018-00	WASHER, PL/M 8	*	1	1	1	1	1				
5	1709-255-005-10	PLATE/I/16X280	*	1	1	1	1	1				
6	V411-260-008-00	WASHER, PL/M 8	*	2	2	2	2	2				
7	V500-162-502-00	PIN, SPLIT/2. 5X20	*	2	2	2	2	2				
8	1617-262-210-10	LEVER/SUB COMP	*	1	1	1	1	1				
9	1703-261-002-00	GRIP/MAIN	*	1	1	1	1	1				
10	1675-262-002-00	INSULATOR/LEVER/SUB	*	1	1	1	1	1				
11	V211-361-002-00	BOLT, SEMS	*	1	1	1	1	1				

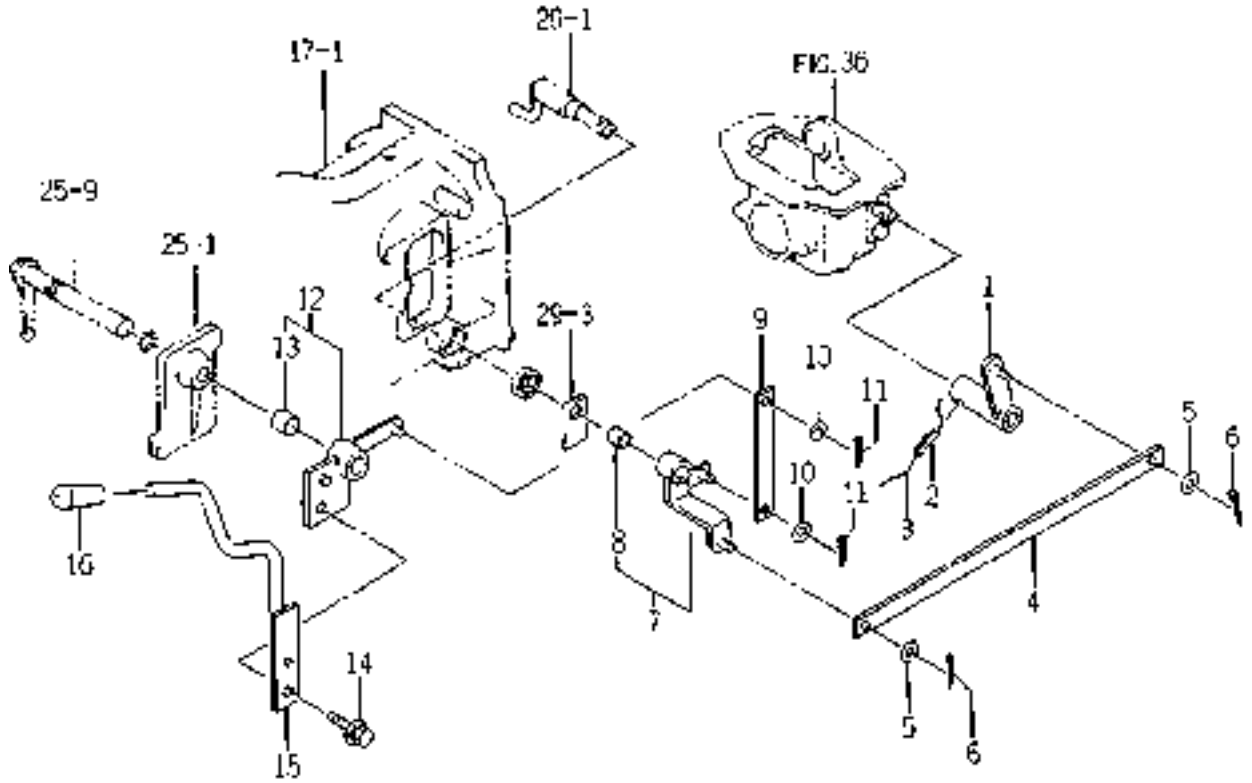








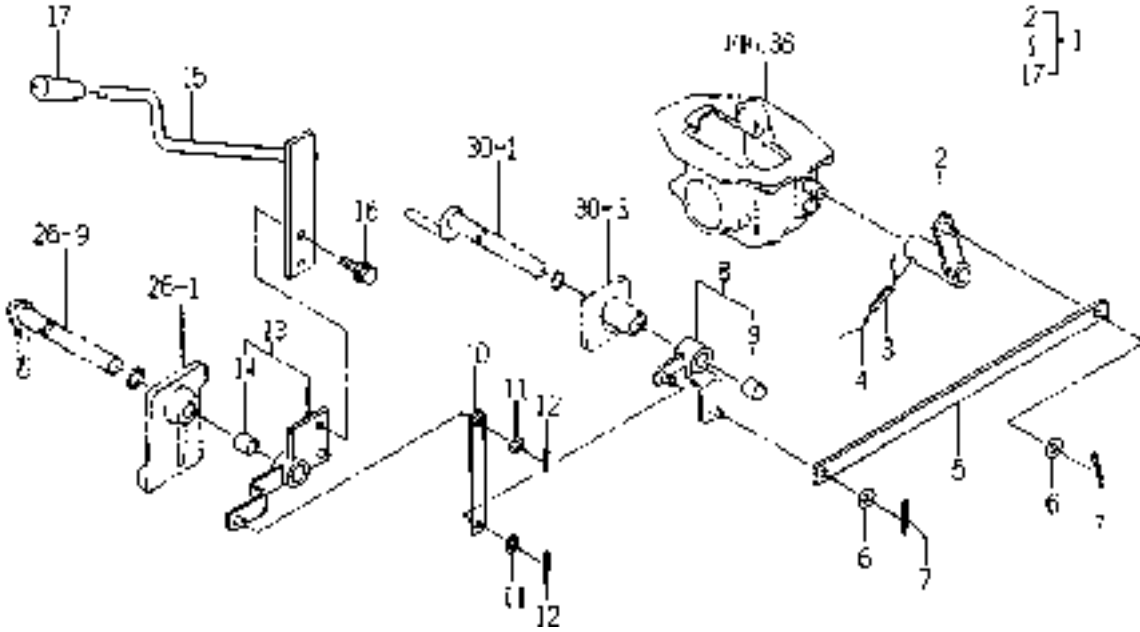
**FIG. 44 CHANGE LEVER (MID PTO) SYSTEM (H TYPE)**



1740-265-0100

KEY	PART CODE	DESCRIPTION	S P C	TYPE OF MODEL					I T C	C O L	G R P	REMARKS
				TH4260 VB24	TH4260H	TH4290	TH4290H	TH4330H				
1	1620-265-300-00	ARM/PTO/MD COMP	*		1		1	1				
2	V580-140-602-80	PIN, SPRING/6 X28 W	*		1		1	1				
3		WIRE	*		1		1	1				
4	1622-265-011-00	PLATE/I/16X435	*		1		1	1				
5	V411-260-008-00	WASHER, PL/M 8	*		2		2	2				
6	V500-162-002-00	PIN, SPLIT/2 X20	*		2		2	2				
7	1740-265-510-10	ARM/MD ASSY	*		1		1	1				
8	3646-102-011-10	BUSH/14X16X20	*		1		1	1				
9	1650-256-013-00	PLATE/I/16X148	*		1		1	1				
10	V411-260-008-00	WASHER, PL/M 8	*		2		2	2				
11	V500-162-002-00	PIN, SPLIT/2 X20	*		2		2	2				
12	1740-265-530-10	ARM/MD ASSY	*		1		1	1				
13	2149-858-007-00	BUSH/18X20X20	*		1		1	1				
14	V211-360-802-50	BOLT/SP	*		1		1	1				
15	1740-265-550-00	LEVER/MD COMP	*		1		1	1				
16	7830-602-003-00	KNOB/12X60	*		1		1	1				

# FIG. 45 CHANGE LEVER (MID PTO) SYSTEM (M TYPE EXCEPT H-STANDARD/ EXCEPT H,M TYPE-OPTION)

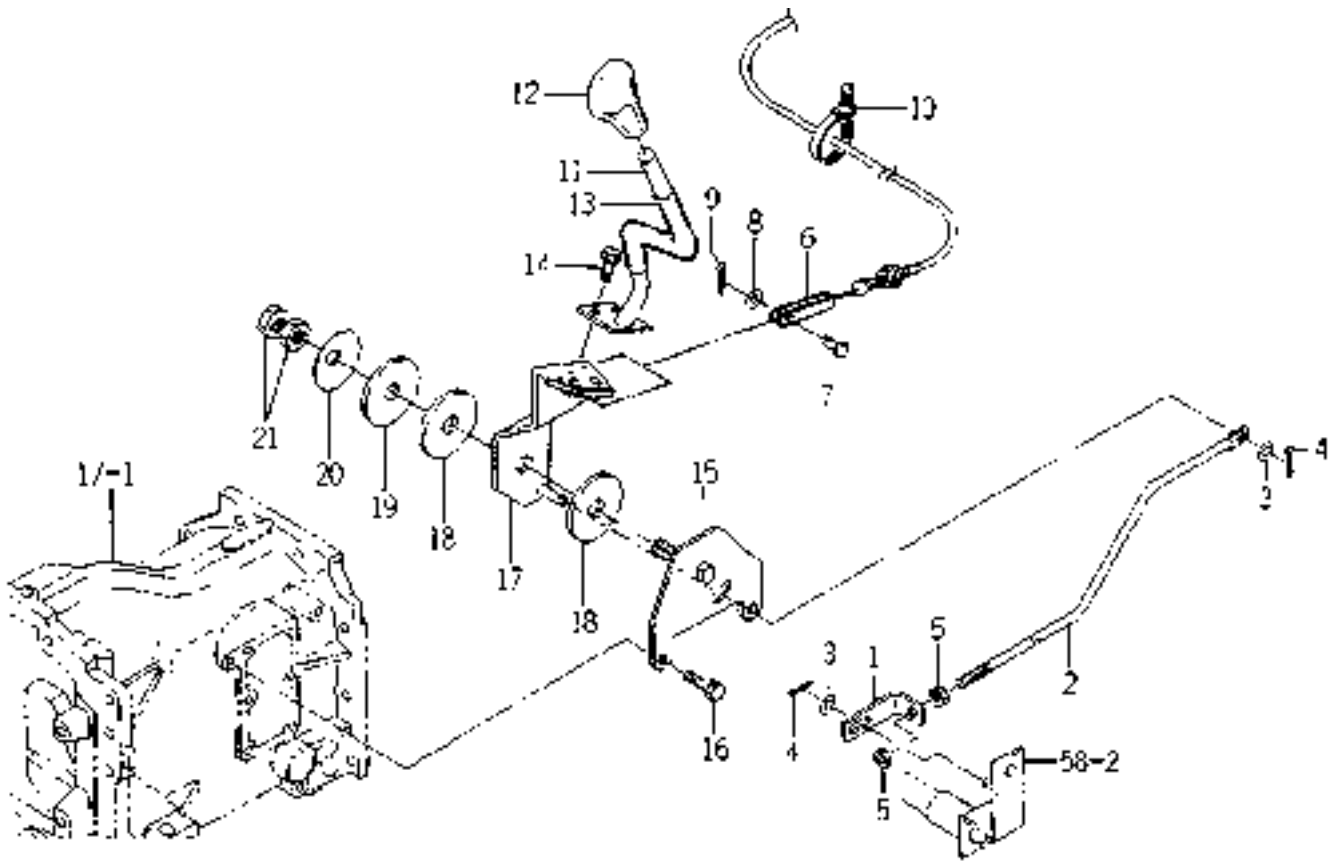


1740-265A-0100

KEY	PART CODE	DESCRIPTION	S P C	TYPE OF MODEL					I T C	C O L	G R P	REMARKS
				TH4260 VB24	TH4260H	TH4290	TH4290H	TH4330H				
1	1740-265-250-00	LEVER/M D SET	*	1		1						
2	1620-265-300-00	ARM/PTO/M D COMP	*	1		1						
3	V580-140-603-20	PIN, SPRING/6 X32 W	*	1		1						
4		WIRE	*	1		1						
5	1622-265-011-00	PLATE/I/16X435	*	1		1						
6	V411-260-008-00	WASHER, PL/M 8	*	2		2						
7	V500-162-002-00	PIN, SPLIT/2 X20	*	2		2						
8	1740-265-200-00	ARM/M D ASSY	*	1		1						
9	2149-858-007-00	BUSH/18X20X20	*	1		1						
10	1650-256-013-00	PLATE/I/16X148	*	1		1						
11	V411-260-008-00	WASHER, PL/M 8	*	2		2						
12	V500-162-002-00	PIN, SPLIT/2 X20	*	2		2						
13	1740-265-220-00	ARM/M D ASSY	*	1		1						
14	2149-858-007-00	BUSH/18X20X20	*	1		1						
15	1740-265-240-10	LEVER/M D COMP	*	1		1						
16	V211-360-802-50	BOLT/SP	*	1		1						
17	7830-602-003-00	KNOB/12X60	*	1		1						



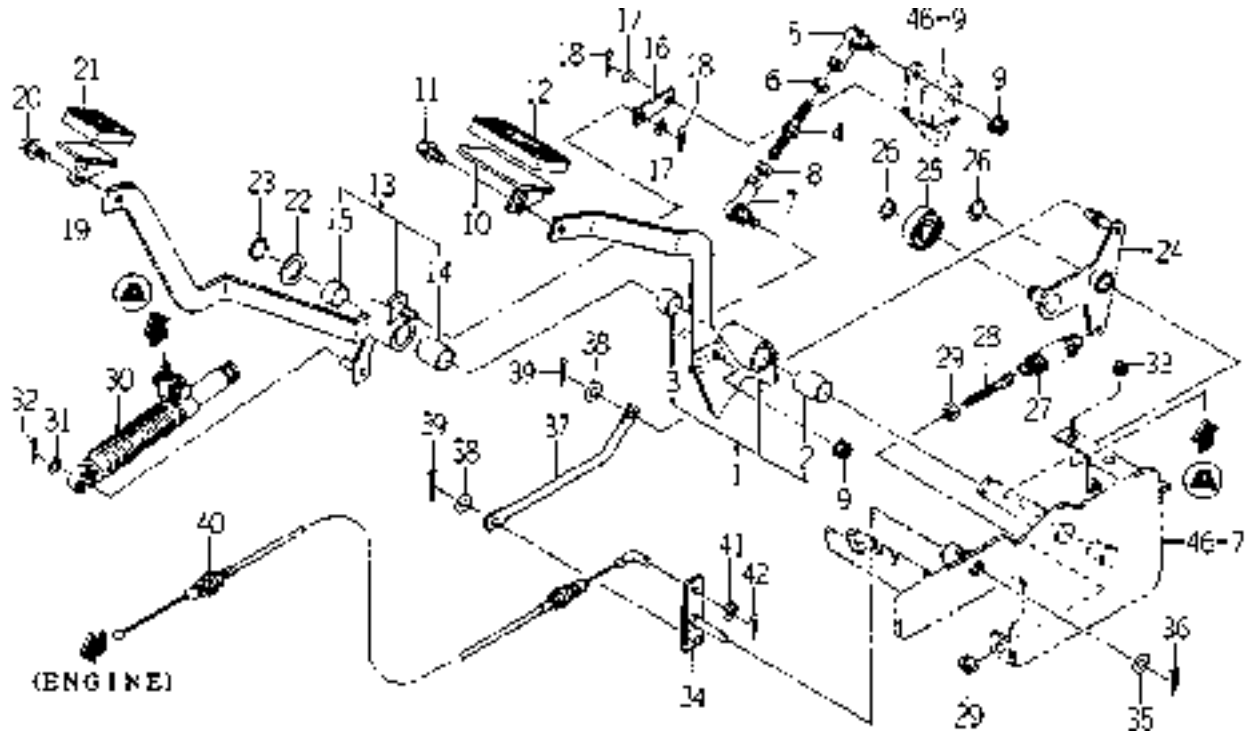
**FIG. 47 LEVER (HST) SYSTEM (TH4330-H TYPE)**



1740-272A-0100

KEY	PART CODE	DESCRIPTION	S P C	TYPE OF MODEL					I T C	C O L	G R P	REMARKS
				TH4260 VB24	TH4260H	TH4290	TH4290H	TH4330H				
1	1740-272-052-00	PLATE/L/19X68	*				1	1				
2	1740-272-053-00	ROD/CRUISE	*				1	1				
3	V411-260-008-00	WASHER, PL/M 8	*				2	2				
4	V500-162-502-00	PIN, SPLIT/2. 5X20	*				2	2				
5	V304-260-008-00	NUT	*				2	2				
6	1620-272-052-10	CABLE/HST	*				1	1				
7	1620-313-004-00	PIN/08X19	*				2	2				
8	V411-260-008-00	WASHER, PL/M 8	*				2	2				
9	V500-162-502-00	PIN, SPLIT/2. 5X20	*				2	2				
10	1376-402-003-00	BAND, WIRE/140	*				1	1				
11	1620-261-200-10	LEVER/BAR/14 COMP	*				1	1				
12	1690-264-001-00	GRIP/MAIN	*				1	1				
13	1614-261-006-00	TUBE/14X17X90	*				1	1				
14	V211-260-802-00	BOLT/S	*				2	2				
15	1740-272-550-10	STAY/CRUISE COMP	*				1	1				
16	V211-260-802-00	BOLT/S	*				2	2				
17	1740-272-560-00	STAY/LEVER/CRUISE	*				1	1				
18	1636-271-006-00	LINING/17X64X05	*				2	2				
19	3747-155-013-00	SLIPPER, BRAKE B	*				1	1				
20	3650-212-001-00	ARM HST LEVER	*				1	1				
21	V304-260-014-00	NUT/M4	*				2	2				

**FIG. 48 PEDAL (HST) SYSTEM (H TYPE)**



1740-272B-0100

KEY	PART CODE	DESCRIPTION	S P C	TYPE OF MODEL					I T C	C O L	G R P	REMARKS
				TH4260 VB24	TH4260H	TH4290	TH4290H	TH4330H				
1	1740-272-500-10	PEDAL/HST/F ASSY	*		1		1	1				
2	P112-301-202-00	BUSH/20X23X30	*		1		1	1				
3	1740-272-059-00	BUSH/20X23X15	*		1		1	1				
4	1646-640-002-00	ROD/MØ8X64	*		1		1	1				
5	1560-695-021-00	JOINT BALL MØ8RH	*		1		1	1				
6	V304-260-008-00	NUT	*		1		1	1				
7	1560-695-022-00	JOINT BALL MØ8LH	*		1		1	1				
8	1560-132-007-30	NUT/MB	*		1		1	1				
9	V362-260-008-00	NUT/WASHER	*		2		2	2				
10	1740-272-540-00	PEDAL/HST COMP	*		1		1	1				
11	V211-360-801-60	BOLT, SEMS (SP)	*		1		1	1				
12	1740-272-061-00	PAD/HST/OR	*		1		1	1				
13	1740-272-520-10	PEDAL/HST/R ASSY	*		1		1	1				
14	P112-301-202-00	BUSH/20X23X30	*		1		1	1				
15	1740-272-059-00	BUSH/20X23X15	*		1		1	1				
16	1740-272-054-00	PLATE/I/16X56	*		1		1	1				
17	V411-260-008-00	WASHER, PL/M 8	*		2		2	2				
18	V500-162-502-00	PIN, SPLIT/2. 5X20	*		2		2	2				
19	1740-272-620-00	PEDAL/HST/R COMP	*		1		1	1				
20	V211-360-801-60	BOLT, SEMS (SP)	*		1		1	1				
21	1740-272-062-00	PAD/OR	*		1		1	1				
22	2151-602-006-00	WASHER/21X32X03	*		1		1	1				
23	V704-140-020-00	RING, SNAP/20C	*		1		1	1				
24	1740-272-710-10	ARM/NEUTRAL COMP	*		1		1	1				
25	1620-272-053-00	BEARING/BALL	*		1		1	1				
26	V704-140-015-00	RING, SNAP/15 C	*		2		2	2				
27	1560-404-002-30	SPRING	*		1		1	1				
28	3838-203-001-00	ROD/Ø8X057	*		1		1	1				
29	V304-260-008-00	NUT	*		2		2	2				
30	1646-640-580-00	DAMPER/OIL ASSY	*		1		1	1				

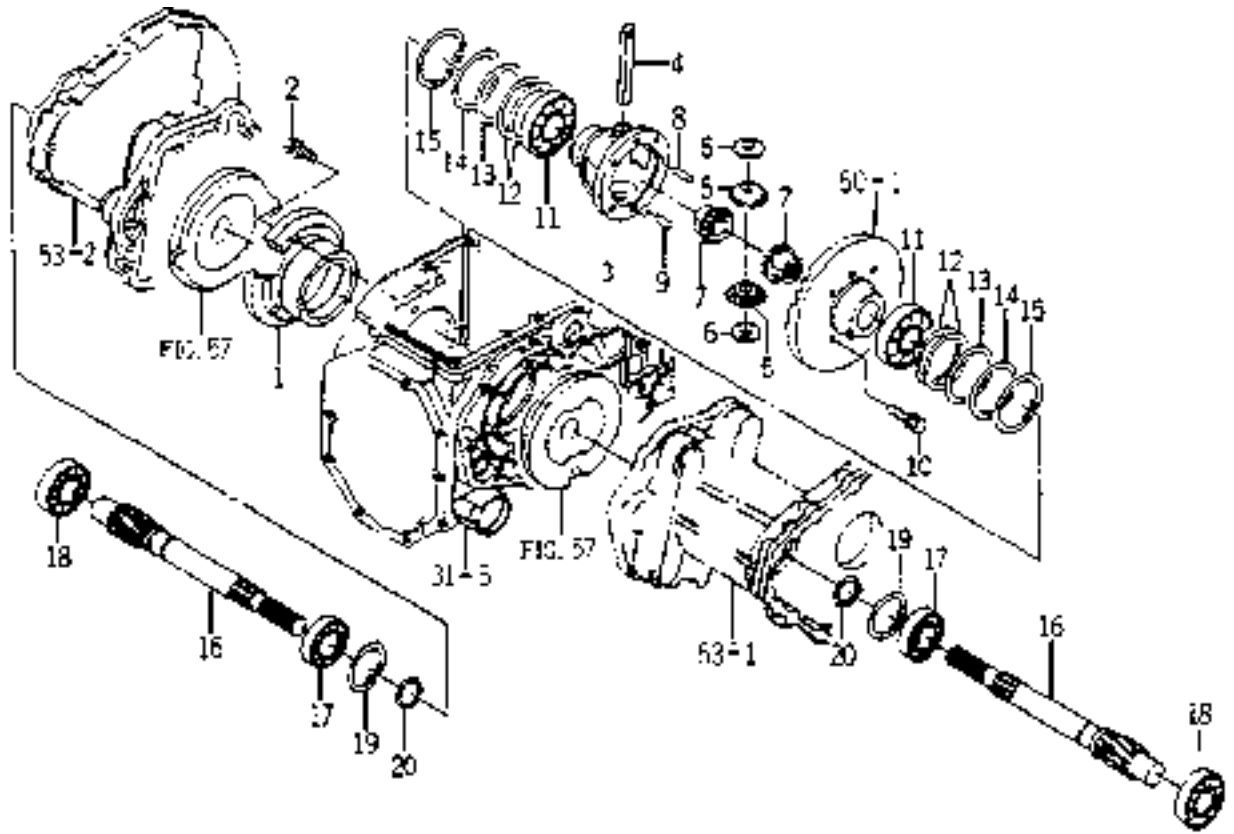








**FIG. 51 DIFFERENTIAL CASE SYSTEM (H TYPE)**



1617-304-0100

KEY	PART CODE	DESCRIPTION	S P C	TYPE OF MODEL					I T C	C O L	G R P	REMARKS
				TH4260 VB24	TH4260H	TH4290	TH4290H	TH4330H				
1	1617-304-001-00	METAL/DIFF	*		1		1	1				
2	V211-360-802-50	BOLT/SP	*		4		4	4				
3	1617-304-002-00	CASE/DIFF	*		1		1	1				
4	1617-304-003-00	PIN/14X115	*		1		1	1				
5	1617-304-004-00	GEAR/BEVEL/12	*		2		2	2				
6	1617-304-018-00	WASHER	*		2		2	2				
7	1617-304-006-00	GEAR/BEVEL/14	*		2		2	2				
8	1672-301-002-00	PIN	*		1		1	1				
9	V523-100-801-60	PIN	*		1		1	1				
10	V211-561-002-50	BOLT/M10X25	*		4		4	4				
11	V600-110-601-10	BEARING, RB/6011	*		2		2	2				
12	1617-304-008-00	SHIM/0.2	*		4		4	4				
13	1617-304-009-00	SHIM/0.1	*		2		2	2				
14	1617-304-011-00	WASHER/75X90X03	*		2		2	2				
15	V707-140-090-00	RING/SNAP	*		2		2	2				
16	1617-304-012-00	GEAR/HELICAL/11	*		2		2	2				
17	V600-110-620-70	BEARING, RB/6207	*		2		2	2				
18	V600-110-630-70	BEARING, RB/6307	*		2		2	2				
19	V707-140-072-00	RING/SNAP	*		2		2	2				
20	V704-140-035-00	RING, SNAP/35 C	*		2		2	2				

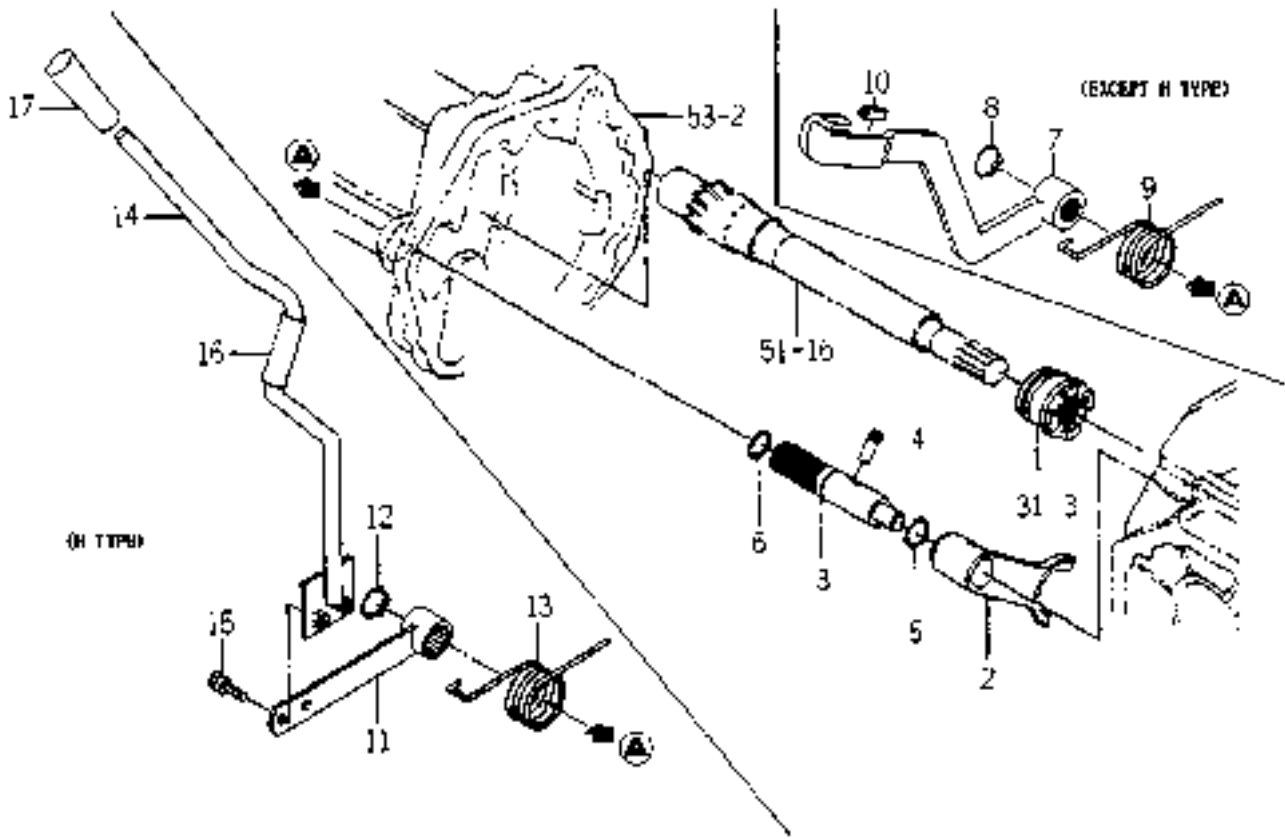








**FIG. 56 DIFF-LOCK SYSTEM**

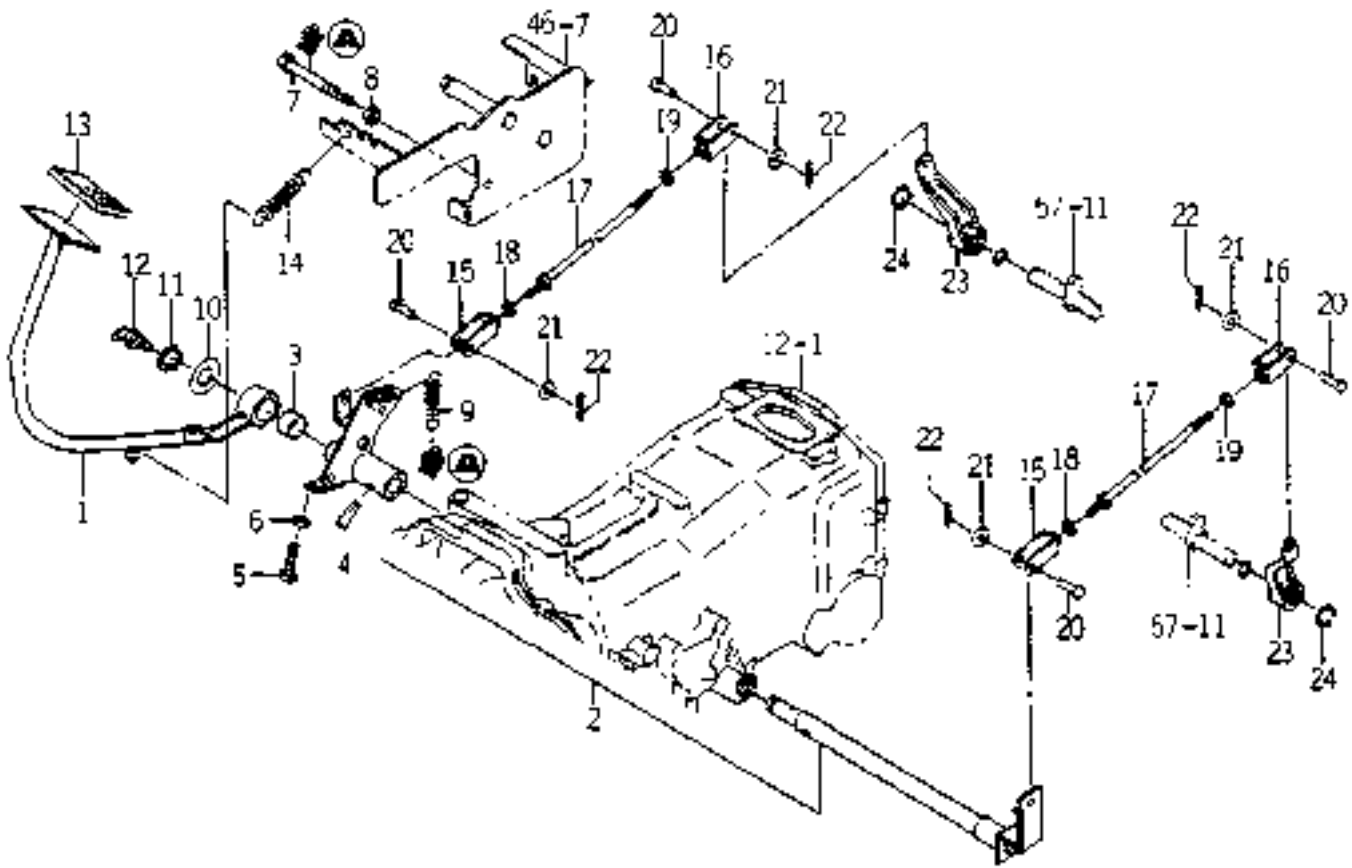


1617-308 -0100,1622-309 -0100,1740-309 -0100

KEY	PART CODE	DESCRIPTION	S P C	TYPE OF MODEL					I T C	C O L	G R P	REMARKS
				TH4260 VB24	TH4260H	TH4290	TH4290H	TH4330H				
1	1617-308-001-00	CLUCH/DIFF	*	1	1	1	1	1				
2	1614-308-003-00	FORK/SHIFT/DIFFLOCK	*	1	1	1	1	1				
3	1614-308-002-10	PIN/SHIFT/DIFFROCK	*	1	1	1	1	1				
4	1614-308-004-10	PIN/Ø8X25	*	1	1	1	1	1				
5	V704-140-022-00	RING, SNAP/22 C	*	1	1	1	1	1				
6	V720-102-401-80	O-RING/P18	*	1	1	1	1	1				
7	1622-309-200-00	ARM/DIFF COMP	*	1		1						
8	V704-140-022-00	RING, SNAP/22 C	*	1		1						
9	1620-309-001-00	SPRING/HT043	*	1		1						
10	1560-314-001-00	INSULATOR	*	1		1						
11	1740-309-520-00	ARM/DIFF COMP	*		1		1	1				
12	V704-140-022-00	RING, SNAP/22 C	*		1		1	1				
13	1620-309-001-00	SPRING/HT043	*		1		1	1				
14	1740-309-510-10	LEVER/DIFF COMP	*		1		1	1				
15	V211-260-802-00	BOLT/S	*		2		2	2				
16	1560-511-001-00	HOSE/80	*		1		1	1				
17	1636-271-011-00	GRIP/12X60	*		1		1	1				



**FIG. 58 PEDAL (BRAKE) SYSTEM (H TYPE)**

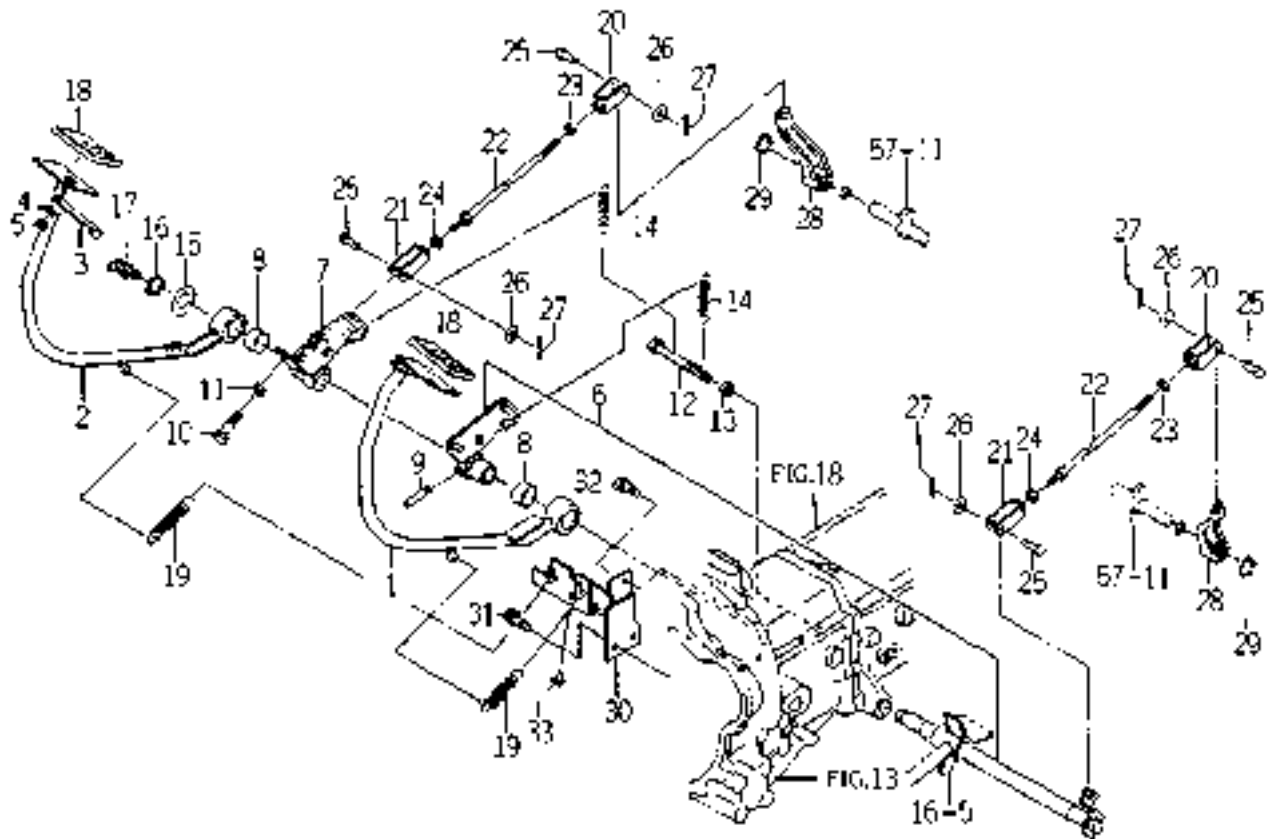


1740-312 -0100

KEY	PART CODE	DESCRIPTION	S P C	TYPE OF MODEL					I T C	C O L	G R P	REMARKS
				TH4260 VB24	TH4260H	TH4290	TH4290H	TH4330H				
1	1687-312-510-00	PEDAL/BRAKE/RH COMP	*		1		1	1				
2	1740-312-500-20	ARM/BRAKESSET	*		1		1	1				
3	3650-835-009-00	BUSH/30X34X30	*		1		1	1				
4	V511-100-805-00	PIN, TAPER/8X50	*		1		1	1				
5	V201-261-004-00	BOLT/M10X40	*		1		1	1				
6	V304-260-010-00	NUT	*		1		1	1				
7	V201-360-808-00	BOLT/M8X80	*		1		1	1				
8	V304-260-008-00	NUT	*		1		1	1				
9	3656-565-006-00	SPRING/HE066	*		1		1	1				
10	V411-260-022-00	WASHER, PL/M22	*		1		1	1				
11	V704-140-022-00	RING, SNAP/22 C	*		1		1	1				
12	V760-150-000-00	NIPPLE, GREASE	*		1		1	1				
13	1636-313-011-10	PAD/BRAKE	*		1		1	1				
14	3768-112-001-00	SPRING, CLUTCH RETURN	*		1		1	1				
15	1415-312-500-00	YOKE, LH	*		2		2	2				
16	1415-312-600-00	YOKE, RH	*		2		2	2				
17	1427-312-230-00	ROD, BRAKE	*		2		2	2				
18	1560-132-007-30	NUT/M8	*		2		2	2				
19	V304-260-008-00	NUT	*		2		2	2				
20	1404-312-006-00	PIN, YOKE A	*		4		4	4				
21	V411-260-008-00	WASHER, PL/M 8	*		4		4	4				
22	V500-162-002-00	PIN, SPLIT/2 X20	*		4		4	4				
23	1617-312-001-00	ARM/BRAKE	*		2		2	2				
24	V704-140-022-00	RING, SNAP/22 C	*		2		2	2				



**FIG. 59 PEDAL (BRAKE) SYSTEM (EXCEPT H TYPE)**



1740-312B-0100

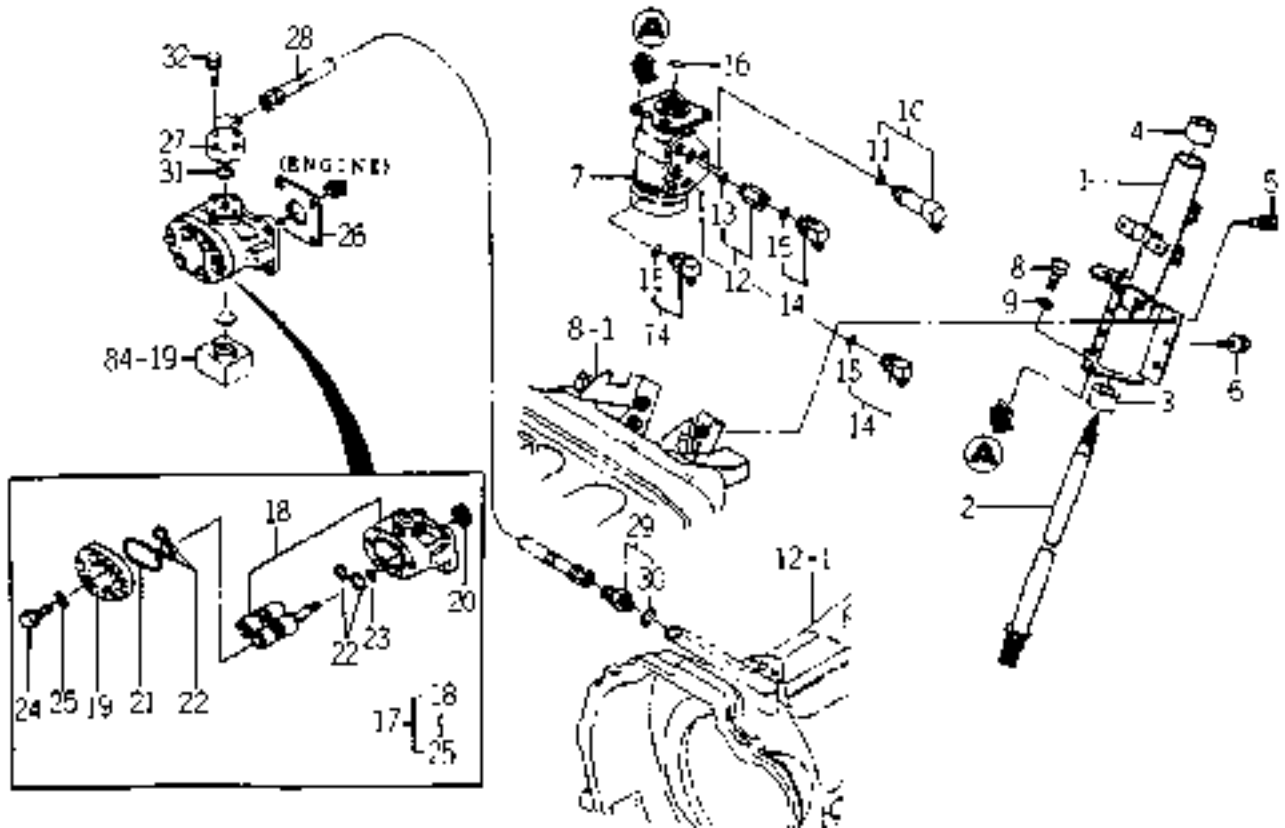
KEY	PART CODE	DESCRIPTION	S P C	TYPE OF MODEL					I T C	C O L	G R P	REMARKS
				TH4260 VB24	TH4260H	TH4290	TH4290H	TH4330H				
1	1622-312-200-10	PEDAL/BRAKE/LH COMP	*	1		1						
2	1622-312-210-30	PEDAL/BRAKE/RH COMP	*	1		1						
3	1675-312-051-00	LOCKPLATE	*	1		1						
4	3560-203-004-00	SPRING, CONE	*	1		1						
5	P120-605-031-00	U-NUT	*	1		1						
6	1620-312-240-00	HUB/BRAKE/LH SET	*	1		1						
7	1620-312-260-00	HUB/BRAKE/RH COMP	*	1		1						
8	3650-835-009-00	BUSH/30X34X30	*	2		2						
9	V511-100-805-00	PIN, TAPER/8X50	*	1		1						
10	V201-261-004-00	BOLT/M10X40	*	1		1						
11	V304-260-010-00	NUT	*	1		1						
12	V201-360-813-00	BOLT	*	1		1						
13	V304-260-008-00	NUT	*	1		1						
14	3656-565-006-00	SPRING/HE066	*	2		2						
15	V411-260-022-00	WASHER, PL/M22	*	1		1						
16	V704-140-022-00	RING, SNAP/22 C	*	1		1						
17	V760-150-000-00	NIPPLE, GREASE	*	1		1						
18	1636-313-011-10	PAD/BRAKE	*	2		2						
19	3768-112-001-00	SPRING, CLUTCH RETURN	*	2		2						
20	1415-312-500-00	YOKE, LH	*	2		2						
21	1415-312-600-00	YOKE, RH	*	2		2						
22	1427-312-230-00	ROD, BRAKE	*	2		2						
23	1560-132-007-30	NUT/M8	*	2		2						
24	V304-260-008-00	NUT	*	2		2						
25	1404-312-006-00	PIN, YOKE A	*	4		4						
26	V411-260-008-00	WASHER, PL/M 8	*	4		4						
27	V500-162-002-00	PIN, SPLIT/2 X20	*	4		4						
28	1617-312-001-00	ARM/BRAKE	*	2		2						
29	V704-140-022-00	RING, SNAP/22 C	*	2		2						
30	1740-312-200-10	BRACKET/BRAKE COMP	*	1		1						







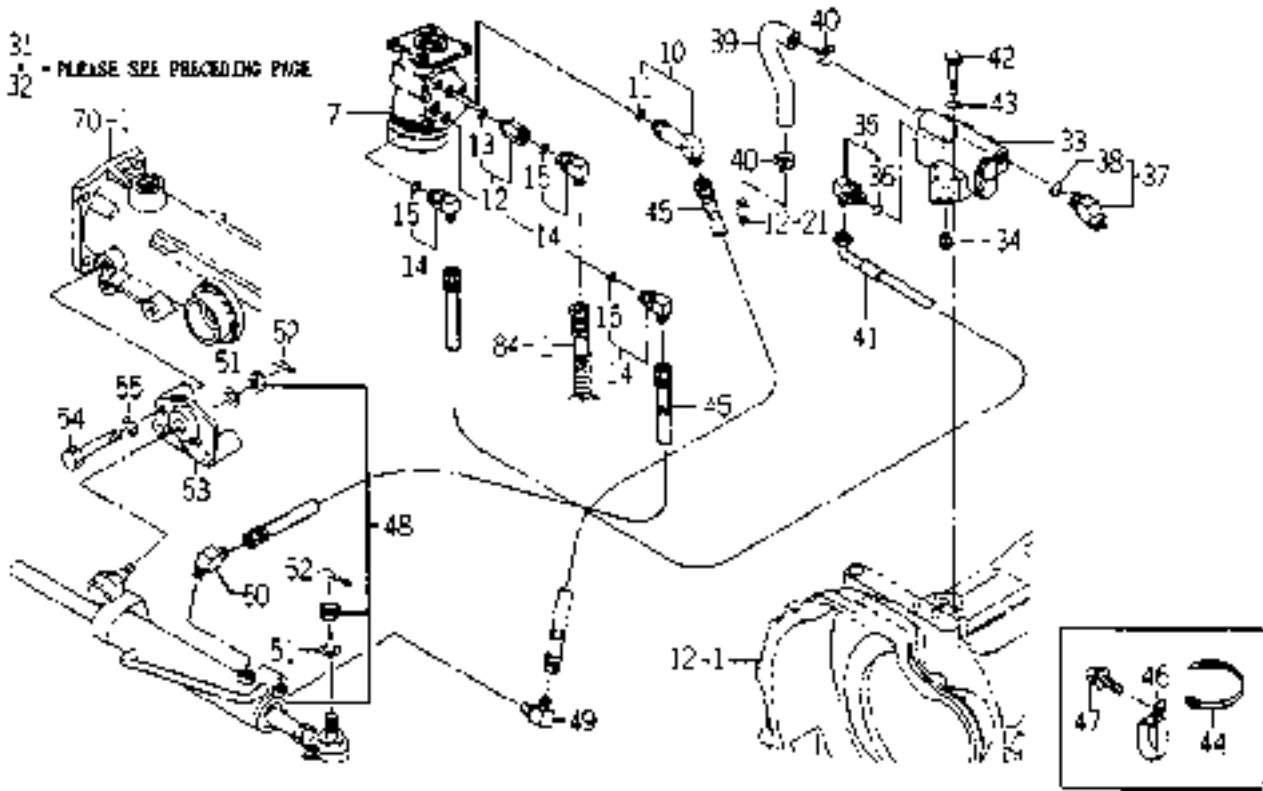
FIG. 62 STEERING (ORBIT) SYSTEM (H TYPE)(1/2)



1740-407 -0100

KEY	PART CODE	DESCRIPTION	S P C	TYPE OF MODEL					I T C	C O L	G R P	REMARKS
				TH4260 VB24	TH4260H	TH4290	TH4290H	TH4330H				
1	1740-407-560-20	COLUMN/UPPER COMP	*		1		1	1				
2	1740-407-570-00	SHAFT/STEERING COMP	*		1		1	1				
3	1429-406-205-00	BUSH	*		1		1	1				
4	1429-406-205-00	BUSH	*		1		1	1				
5	V211-260-802-00	BOLT/S	*		4		4	4				
6	V211-360-802-00	BOLT/SP	*		2		2	2				
7	1682-407-220-00	CONTROLLER/STEERING	*		1		1	1				
8	V203-261-002-00	BOLT/M10X20	*		3		3	3				
9	V401-160-010-00	WASHER, SP/M10	*		3		3	3				
10	P113-211-330-00	ELBOW/90° /L ASSY	*		1		1	1				
11	V720-112-401-10	RING/O	*		1		1	1				
12	1740-407-520-00	ADAPTER/G1/4 ASSY	*		1		1	1				
13	V720-112-401-10	RING/O	*		1		1	1				
14	1705-408-230-00	ADAPTER/L/G1/4 ASSY	*		3		3	3				
15	V720-112-401-10	RING/O	*		3		3	3				
16	V720-102-401-20	O-RING/P12	*		1		1	1				
17	K135-020-000-00	PUMP, GEAR ASSY	*		1		1	1				
18	K135-020-100-10	PUMP SET	*		1		1	1				
19	K135-015-002-00	COVER, PUMP	*		1		1	1				
20	V744-114-280-70	SEAL, OIL	*		1		1	1				
21	V721-113-105-00	O-RING HS90 G50	*		1		1	1				
22	V720-112-402-20	O-RING/P22	*		4		4	4				
23	V720-111-900-60	O-RING P6 HS90	*		1		1	1				
24	K135-002-009-00	BOLT/M8X28 11T	*		6		6	6				
25	V401-170-008-00	S. W	*		6		6	6				
26	1404-503-006-00	PACKING, OIL PUMP	*		1		1	1				
27	1709-407-310-20	FLANGE/DELIVERY COMP	*		1		1	1				
28	3650-380-230-00	HOSE/HYDRO/750 ASSY	*		1		1	1				
29	1656-509-290-00	ADAPTER/PF3/8 ASSY	*		1		1	1				
30	V720-112-401-40	O-RING/P14	*		1		1	1				

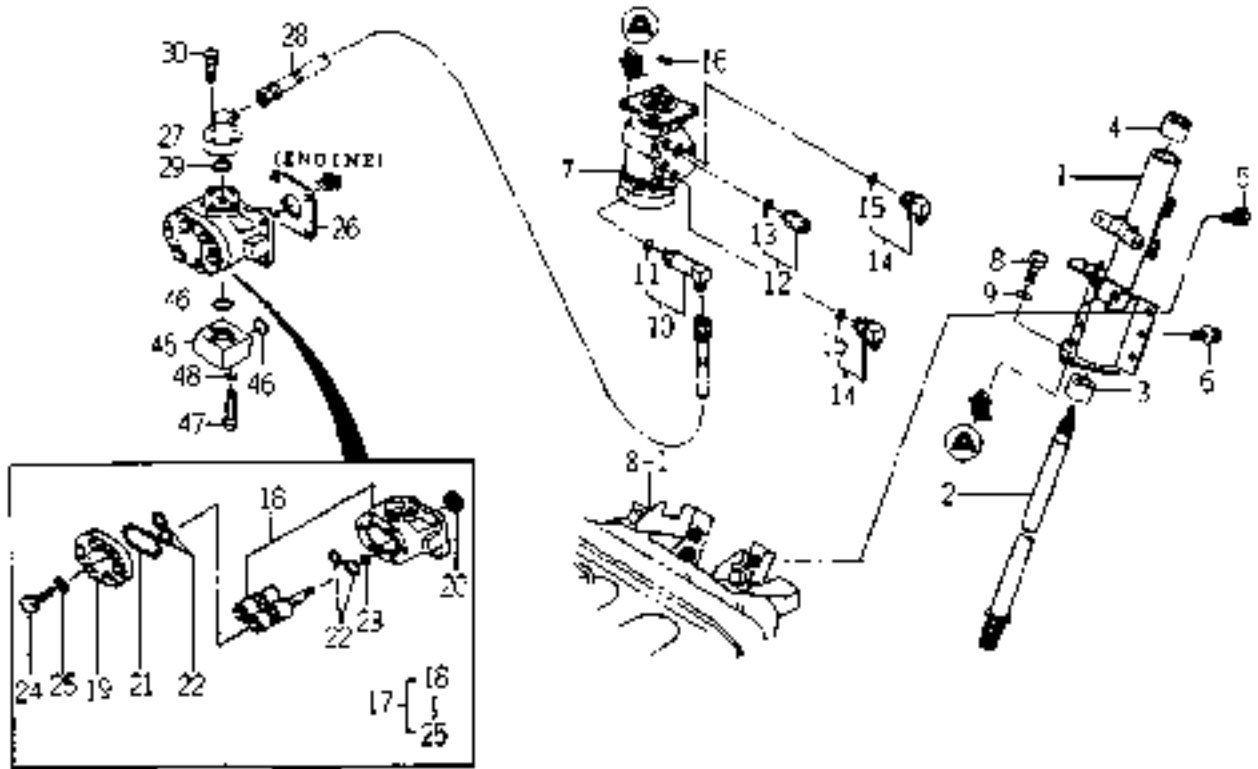
**FIG. 62 STEERING (ORBIT) SYSTEM (H TYPE)(2/2)**



1740-407 -0100

KEY	PART CODE	DESCRIPTION	S P C	TYPE OF MODEL					I T C	C O L	G R P	REMARKS
				TH4260 VB24	TH4260H	TH4290	TH4290H	TH4330H				
31	V720-112-402-00	O-RING/P20	*		1		1	1				
32	V210-560-603-00	BOLT/S	*		4		4	4				
33	K256-001-000-00	REDUCE VALVE ASSY	*		1		1	1				FIG 135
34	1650-508-002-00	FILTER/LINE/12X18X15	*		1		1	1				
35	P103-521-006-10	ELBOW/90° ASSY	*		1		1	1				
36	V720-112-401-40	O-RING/P14	*		1		1	1				
37	1740-407-530-00	ADAPTER/G1/4-M1 ASSY	*		1		1	1				
38	V720-112-401-10	RING/O	*		1		1	1				
39	1740-407-052-00	HOSE/OIL	*		1		1	1				
40	1673-782-016-10	CLIP/HOSE/17-20	*		2		2	2				
41	1740-407-510-10	HOSE/550/L90ASSY	*		1		1	1				
42	V200-360-604-50	BOLT	*		3		3	3				
43	V401-160-006-00	WASHER, SP/M 6	*		3		3	3				
44	1421-621-038-00	BAND, WIRE/170	*		2		2	2				
45	1740-407-220-10	HOSE/1200 ASSY	*		2		2	2				
46	3650-261-001-00	CLAMP/25X50	*		2		2	2				
47	V211-361-001-60	BOLT, SP/M10X16	*		2		2	2				
48	K177-006-000-50	CYLINDER ASSY	*		1		1	1				FIG 134
49	3768-185-022-10	ADAPTER (90° /PUMP)	*		1		1	1				
50	3631-350-201-10	ADAPTER/45°	*		1		1	1				
51	V401-160-012-00	WASHER, SP/M12	*		2		2	2				
52	V500-162-002-50	PIN, SPLIT/2 X25	*		2		2	2				
53	1709-407-001-20	METAL/SYLINDER	*		1		1	1				
54	V201-361-207-00	BOLT/M12X70	*		3		3	3				
55	V401-160-012-00	WASHER, SP/M12	*		3		3	3				

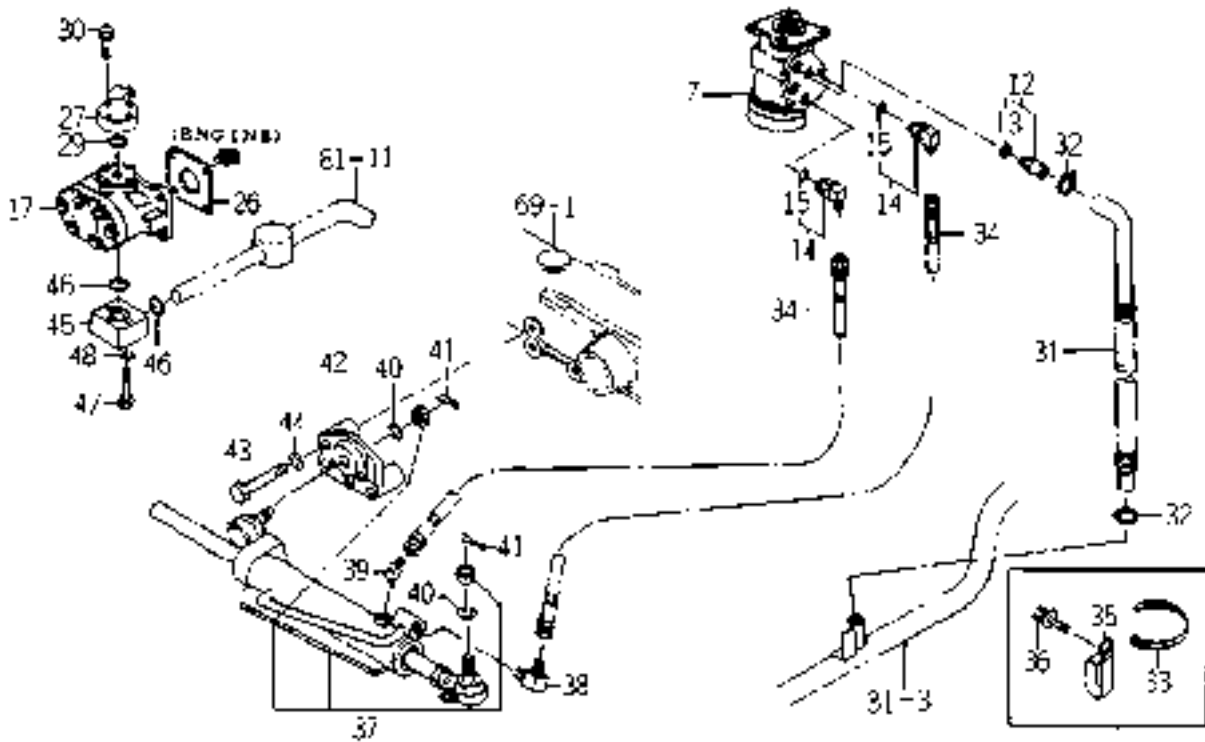
**FIG. 63 STEERING (ORBIT) SYSTEM(1/2)  
(EXCEPT H TYPE)**



1741-407 -0100

KEY	PART CODE	DESCRIPTION	S P C	TYPE OF MODEL					I T C	C O L	G R P	REMARKS
				TH4260 VB24	TH4260H	TH4290	TH4290H	TH4330H				
1	1740-407-560-20	COLUMN/UPPER COMP	*	1		1						
2	1740-407-570-00	SHAFT/STEERING COMP	*	1		1						
3	1429-406-205-00	BUSH	*	1		1						
4	1429-406-205-00	BUSH	*	1		1						
5	V211-260-802-00	BOLT/S	*	4		4						
6	V211-360-802-00	BOLT/SP	*	2		2						
7	1682-407-220-00	CONTROLLER/STEERING	*	1		1						
8	V203-261-002-00	BOLT/M10X20	*	3		3						
9	V401-160-010-00	WASHER, SP/M10	*	3		3						
10	P113-211-330-00	ELBOW/90° /L ASSY	*	1		1						
11	V720-112-401-10	RING/O	*	1		1						
12	1709-407-340-00	ADAPTER/PF1/4 ASSY	*	1		1						
13	V720-112-401-10	RING/O	*	1		1						
14	1705-408-230-00	ADAPTER/L/G1/4 ASSY	*	2		2						
15	V720-112-401-10	RING/O	*	2		2						
16	V720-102-401-20	O-RING/P12	*	1		1						
17	K135-020-000-00	PUMP, GEAR ASSY	*	1		1						
18	K135-020-100-10	PUMP SET	*	1		1						
19	K135-015-002-00	COVER, PUMP	*	1		1						
20	V744-114-280-70	SEAL, OIL	*	1		1						
21	V721-113-105-00	O-RING HS90 G50	*	1		1						
22	V720-112-402-20	O-RING/P22	*	4		4						
23	V720-111-900-60	O-RING P6 HS90	*	1		1						
24	K135-002-009-00	BOLT/M8X28 11T	*	6		6						
25	V401-170-008-00	S. W	*	6		6						
26	1404-503-006-00	PACKING, OIL PUMP	*	1		1						
27	1709-407-310-20	FLANGE/DELIVERY COMP	*	1		1						
28	2137-223-001-00	HOSE/DELIVERY	*	1		1						
29	V720-112-402-00	O-RING/P20	*	1		1						
30	V210-560-603-00	BOLT/S	*	4		4						

**FIG. 63 STEERING (ORBIT) SYSTEM(2/2)  
(EXCEPT H TYPE)**

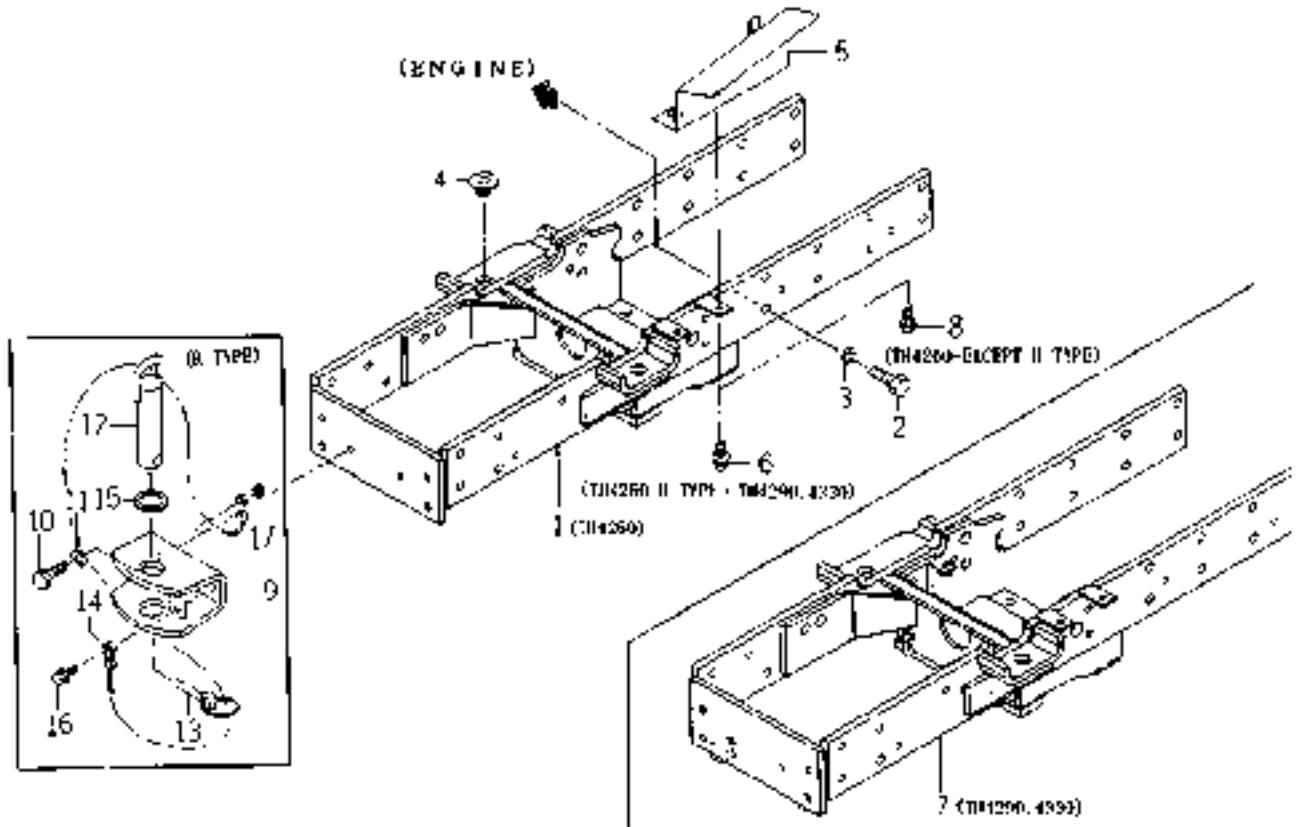


1741-407 -0100

KEY	PART CODE	DESCRIPTION	S P C	TYPE OF MODEL					I T C	C O L	G R P	REMARKS
				TH4260 VB24	TH4260H	TH4290	TH4290H	TH4330H				
31	1741-407-210-10	HOSE/TANK/L ASSY	*	1		1						
32	J061-116-025-00	CLAMP/WORM/16-25	*	2		2						
33	1421-621-038-00	BAND, WIRE/170	*	2		2						
34	1740-407-220-10	HOSE/1200 ASSY	*	2		2						
35	3650-261-001-00	CLAMP/25X50	*	2		2						
36	V211-361-001-60	BOLT, SP/M10X16	*	2		2						
37	K177-006-000-50	CYLINDER ASSY	*	1		1					FIG 134	
38	3768-185-022-10	ADAPTER (90° /PUMP)	*	1		1						
39	3631-350-201-10	ADAPTER/45°	*	1		1						
40	V401-160-012-00	WASHER, SP/M12	*	2		2						
41	V500-162-002-50	PIN, SPLIT/2 X25	*	2		2						
42	1709-407-001-20	METAL/SYLINDER	*	1		1						
43	V201-361-207-00	BOLT/M12X70	*	3		3						
44	V401-160-012-00	WASHER, SP/M12	*	3		3						
45	1709-407-002-00	FLANGE	*	1		1						
46	V720-112-402-00	O-RING/P20	*	2		2						
47	V200-260-604-50	BOLT/M 6X45	*	3		3						
48	V401-160-006-00	WASHER, SP/M 6	*	3		3						



**FIG. 64 BRACKET (AXLE),  
HITCH (FRONT/R TYPE) SYSTEM**



1740-410-0100,1740-410B-0100,1740-410C-0100,1738-411-0100

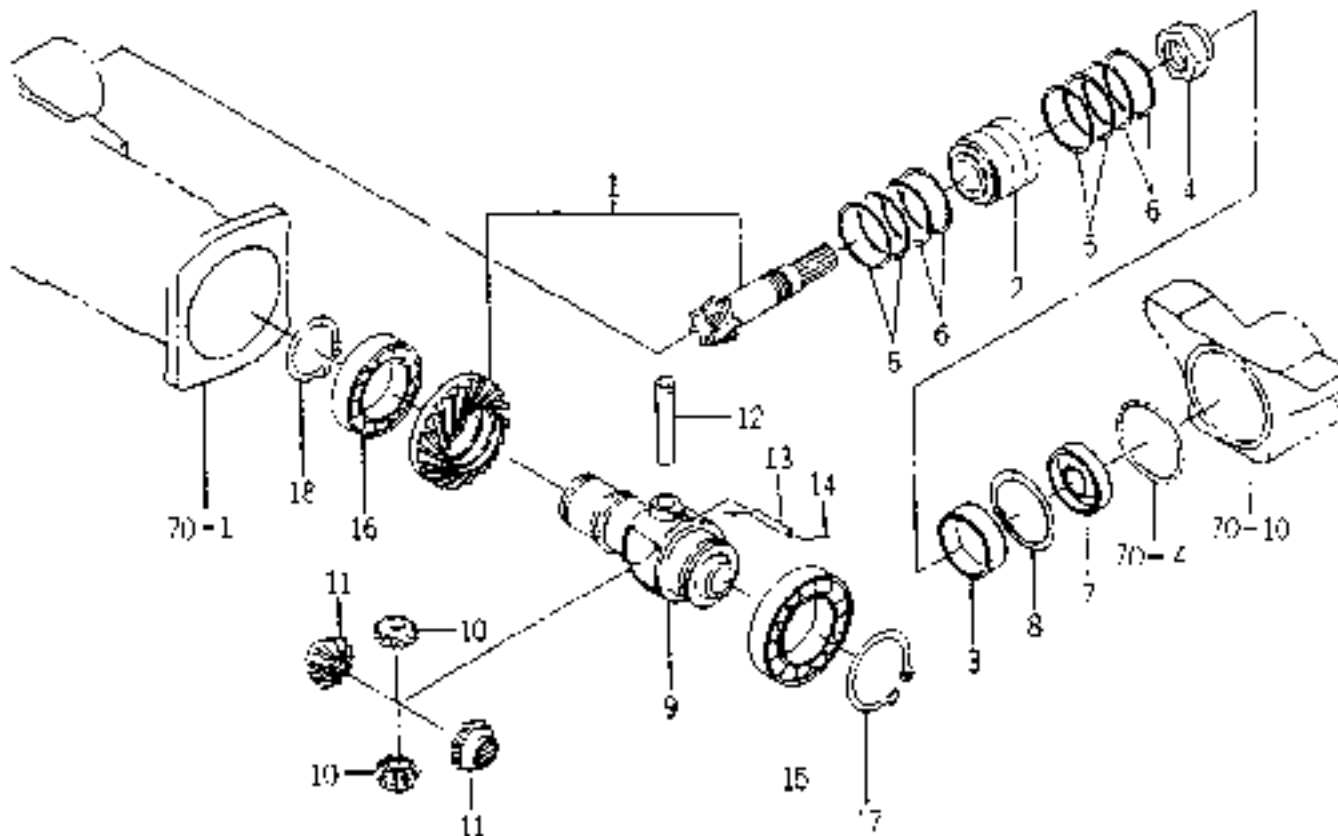
KEY	PART CODE	DESCRIPTION	S P C	TYPE OF MODEL					I T C	C O L	G R P	REMARKS
				TH4260 VB24	TH4260H	TH4290	TH4290H	TH4330H				
1	1740-410-500-40	BRACKET/AXLE	COMP	*	1	1						
2	V201-361-203-00	BOLT/M12X30		*	16	16	16	16	16			
3	V401-160-012-00	WASHER, SP/M12		*	16	16	16	16	16			
4	3817-330-202-00	INSULATOR		*	2	2	2	2	2			
5	1740-410-510-10	COVER/SAFETY/LH	COMP	*	1	1	1	1	1			
6	V211-360-801-60	BOLT, SEMS (SP)		*		2	2	2	2			
7	1740-410-550-20	BRACKET/AXLE	COMP	*			1	1	1			
8	V211-260-801-60	BOLT, SEMS (S) M8X16		*	2							
9	1738-411-210-00	HITCH/FRONT	COMP	*	1	1	1	1	1			
10	V201-361-202-50	BOLT/M12X25		*	2	2	2	2	2			
11	V401-160-012-00	WASHER, SP/M12		*	2	2	2	2	2			
12	1674-410-320-00	PIN/30X120	COMP	*	1	1	1	1	1			
13	1673-525-002-20	LINKPIN		*	1	1	1	1	1			
14	1674-410-301-00	CABLE		*	1	1	1	1	1			
15	1674-520-004-00	INSULATOR		*	1	1	1	1	1			
16	V211-360-803-00	BOLT/SP		*	1	1	1	1	1			
17	V363-260-008-00	NUT/WASHER		*	1	1	1	1	1			







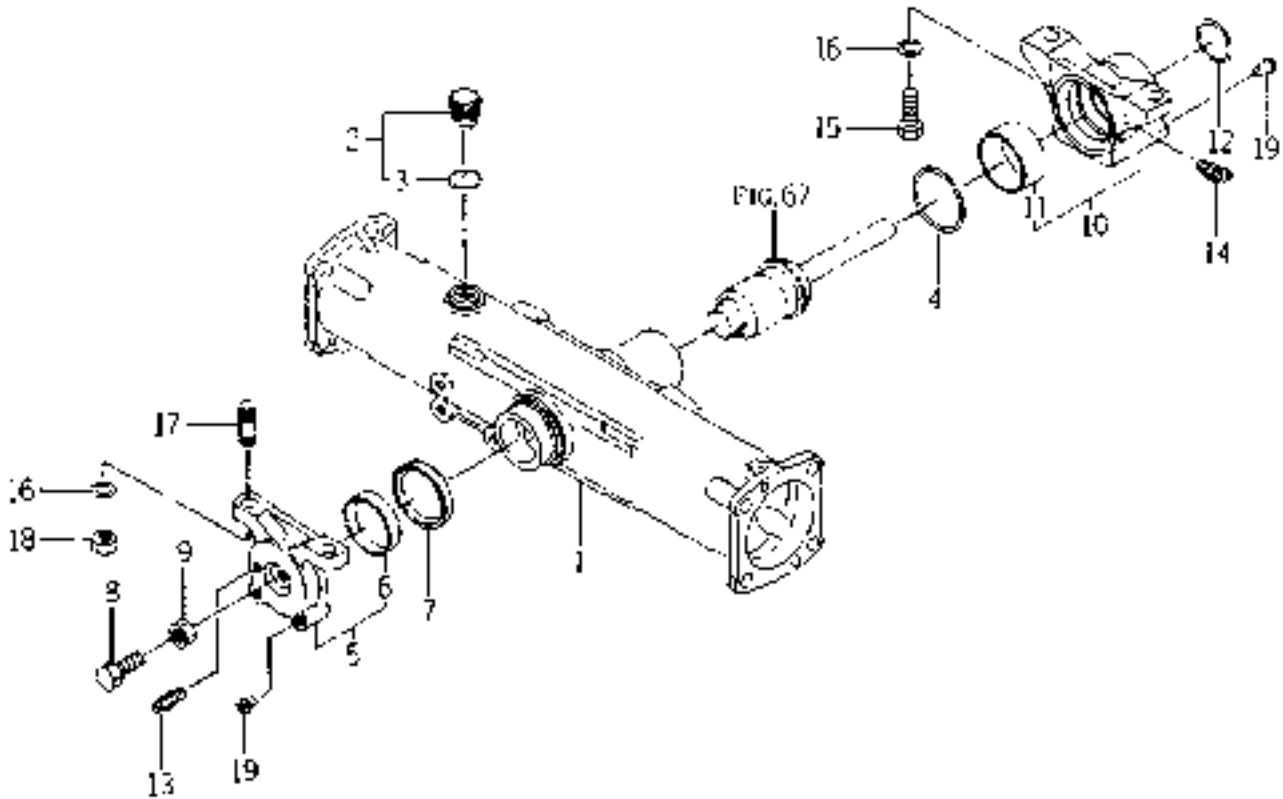
**FIG. 68 BEVEL CASE SYSTEM (H TYPE)**



1716-432-0100

KEY	PART CODE	DESCRIPTION	S P C	TYPE OF MODEL					I T C	C O L	G R P	REMARKS
				TH4260 VB24	TH4260H	TH4290	TH4290H	TH4330H				
1	1716-432-200-00	PINION/BEVEL SET	*		1		1	1				
2	1614-432-210-10	BEARING/TAPER ROLLER	*		1		1	1				
3	1650-432-001-00	COLLAR/48X52X17	*		1		1	1				
4	1614-432-001-00	NUT/M25	*		1		1	1				
5	1444-411-012-00	SHIM (C)	*		4		4	4				
6	1444-411-013-00	SHIM D T=0.1	*		4		4	4				
7	1427-432-016-00	SEAL, OIL/21	*		1		1	1				
8	V705-140-052-00	RING, SNAP/52 C	*		1		1	1				
9	1614-432-002-00	CASE/DIFF	*		1		1	1				
10	1614-432-003-00	PINION/BEVEL/11	*		2		2	2				
11	1675-432-001-00	GEAR/BEVEL/15	*		2		2	2				
12	1614-432-006-00	PIN/12X75	*		1		1	1				
13	V580-140-502-50	PIN, SPRING/5 X25 W	*		1		1	1				
14		WIRE	*		1		1	1				
15	V600-110-601-10	BEARING, RB/6011	*		1		1	1				
16	V600-110-601-00	BEARING, RB/6010	*		1		1	1				
17	V706-140-055-00	RING/SNAP	*		1		1	1				
18	V706-140-040-00	RING/SNAP	*		1		1	1				

# FIG. 69 HOUSING (AXLE) SYSTEM (EXCEPT H TYPE)

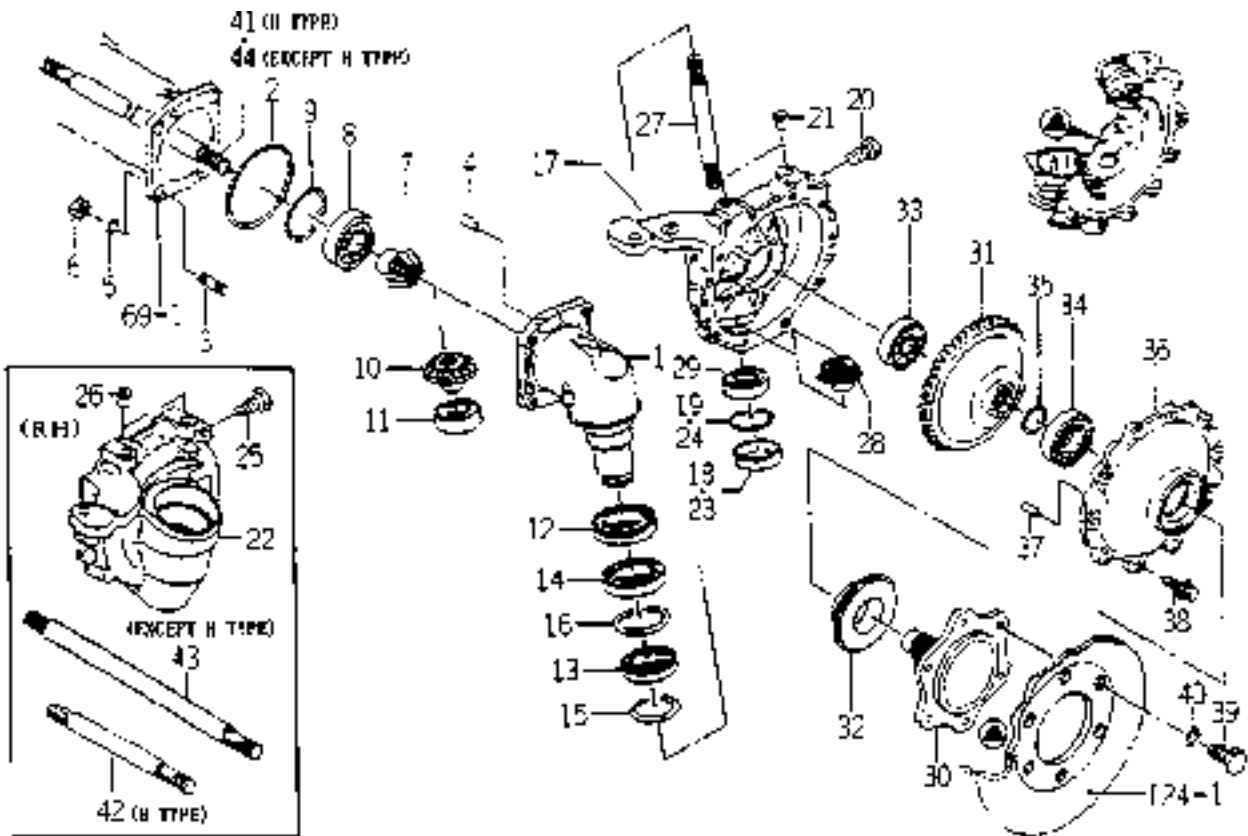


1709-433-0100

KEY	PART CODE	DESCRIPTION	S P C	TYPE OF MODEL					I T C	C O L	G R P	REMARKS
				TH4260 VB24	TH4260H	TH4290	TH4290H	TH4330H				
1	1709-433-001-10	HOUSING/AXLE	*	1		1						
2	1518-432-250-00	CAP, OIL ASSY	*	1		1						
3	1518-306-203-00	PACKING	*	1		1						
4	V721-103-107-00	O-RING/G70	*	1		1						
5	1620-433-200-00	METAL/PIVOT/FRONT	*	1		1						
6	1614-433-202-00	BUSH/62X67X15	*	1		1						
7	1614-433-002-00	SEAL/OIL	*	1		1						
8	V201-261-203-50	BOLT/M12X35	*	1		1						
9	V304-460-012-00	NUT/M12	*	1		1						
10	1620-433-210-00	METAL/PIVOT/REA ASSY	*	1		1						
11	1614-433-212-00	BUSH/62X67X30	*	1		1						
12	V720-103-503-80	O-RING/P38	*	1		1						
13	V761-150-000-00	NIPPLE/GREASE	*	1		1						
14	V763-150-000-00	NIPPLE, GREASE/PT1/8	*	1		1						
15	V201-361-403-50	BOLT	*	2		2						
16	V401-160-014-00	WASHER, SP/M14	*	4		4						
17	V251-441-403-50	STUD/M14X35	*	2		2						
18	V304-460-014-00	NUT/M14	*	2		2						
19	1427-120-002-00	CAP, BLANK/M10	*	4		4						



FIG. 71 FINAL GEAR CASE SYSTEM

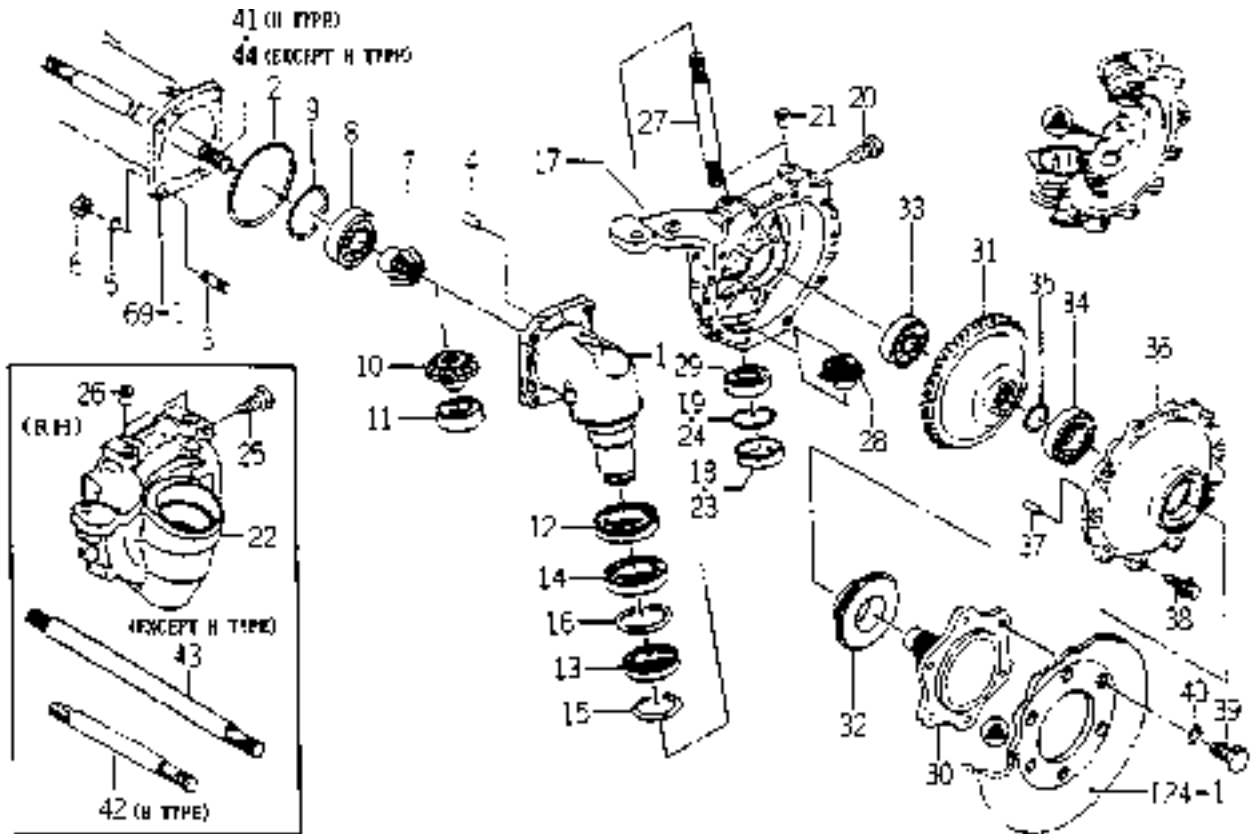


1622-434 -0100,1616-435 -0100,1617-435 -0100

KEY	PART CODE	DESCRIPTION	S P C	TYPE OF MODEL					I T C	C O L	G R P	REMARKS
				TH4260 VB24	TH4260H	TH4290	TH4290H	TH4330H				
1	1614-434-001-00	CASE/FINAL	*	2	2	2	2	2				
2	V721-103-110-00	O-RING/G100	*	2	2	2	2	2				
3	V251-441-202-80	STUD/M12X28	*	8	8	8	8	8				
4	V523-101-002-40	PIN	*	4	4	4	4	4				
5	V401-160-012-00	WASHER, SP/M12	*	8	8	8	8	8				
6	V304-460-012-00	NUT/M12	*	8	8	8	8	8				
7	1614-434-002-10	GEAR/BEVEL/12	*	2	2	2	2	2				
8	V600-110-630-60	BEARING, RB/6306	*	2	2	2	2	2				
9	V707-140-072-00	RING/SNAP	*	2	2	2	2	2				
10	1614-434-003-10	GEAR/BEVEL/17	*	2	2	2	2	2				
11	1594-221-001-00	BEARING/BALL 6205SH2	*	2	2	2	2	2				
12	1709-434-001-00	SEAL/OIL ASSY	*	2	2	2	2	2				
13	V600-110-690-90	BEARING	*	2	2	2	2	2				
14	V600-110-691-10	BEARING	*	2	2	2	2	2				
15	V706-140-045-00	RING/SNAP	*	2	2	2	2	2				
16	V707-140-068-00	RING/SNAP	*	2	2	2	2	2				
17	1620-434-003-00	CASE/FINAL/LH	*	1	1	1	1	1				
18	1421-201-003-00	SEAL/52	*	1	1	1	1	1				
19	V705-140-052-00	RING, SNAP/52 C	*	1	1	1	1	1				
20	V782-160-000-4B	PLUG/SCREW/SEAL	*	2	2	2	2	2				
21	1427-120-002-00	CAP, BLANK/M10	*	2	2	2	2	2				
22	1620-434-004-00	CASE/FINAL/RH	*	1	1	1	1	1				
23	1421-201-003-00	SEAL/52	*	1	1	1	1	1				
24	V705-140-052-00	RING, SNAP/52 C	*	1	1	1	1	1				
25	V782-160-000-4B	PLUG/SCREW/SEAL	*	2	2	2	2	2				
26	1427-120-002-00	CAP, BLANK/M10	*	2	2	2	2	2				
27	1614-434-007-00	SHAFT	*	2	2	2	2	2				
28	1614-434-008-10	GEAR/BEVEL/10	*	2	2	2	2	2				
29	1594-221-001-00	BEARING/BALL 6205SH2	*	2	2	2	2	2				
30	1617-434-001-00	SHAFT/WHEEL	*	2	2	2	2	2				



FIG. 71 FINAL GEAR CASE SYSTEM



1622-434 -0100,1616-435 -0100,1617-435 -0100

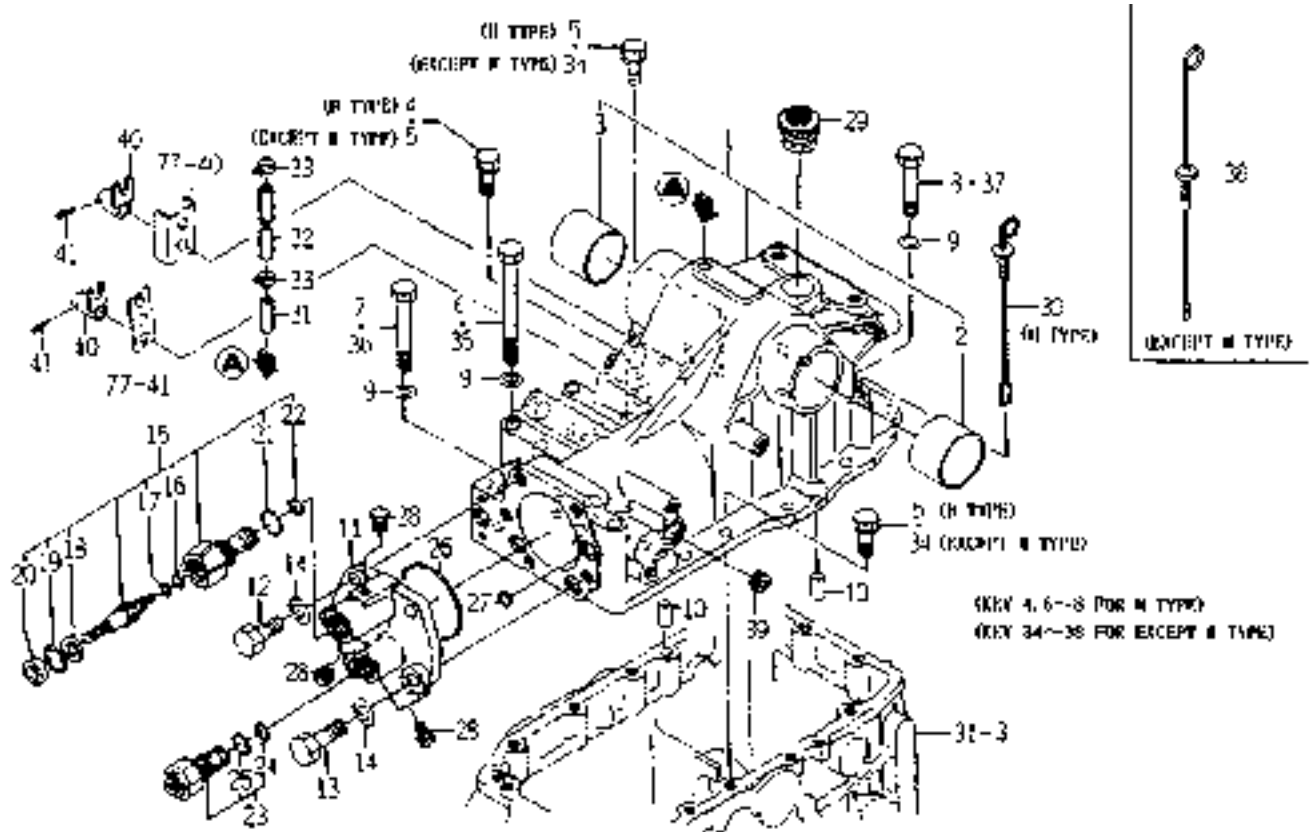
KEY	PART CODE	DESCRIPTION	S P C	TYPE OF MODEL					I T C	C O L	G R P	REMARKS
				TH4260 VB24	TH4260H	TH4290	TH4290H	TH4330H				
31	1614-434-011-10	GEAR/BEVEL/48	*	2	2	2	2	2				
32	1480-434-011-10	SEAL, OIL	*	2	2	2	2	2				
33	V600-110-620-60	BEARING, RB/6206	*	2	2	2	2	2				
34	V600-110-620-70	BEARING, RB/6207	*	2	2	2	2	2				
35	1614-434-013-00	RING/SNAP/CS	*	2	2	2	2	2				
36	1614-434-012-00	COVER/WHEEL	*	2	2	2	2	2				
37	V523-101-002-40	PIN	*	4	4	4	4	4				
38	V211-361-003-00	BOLT/M10X30	*	20	20	20	20	20				
39	V201-361-202-50	BOLT/M12X25	*	12	12	12	12	12				
40	V401-160-012-00	WASHER, SP/M12	*	12	12	12	12	12				
41	1616-435-001-00	SHAFT	*		1		1	1				
42	1616-435-002-00	SHAFT	*		1		1	1				
43	1617-435-001-00	SHAFT	*	1		1						
44	1617-435-002-00	SHAFT	*	1		1						







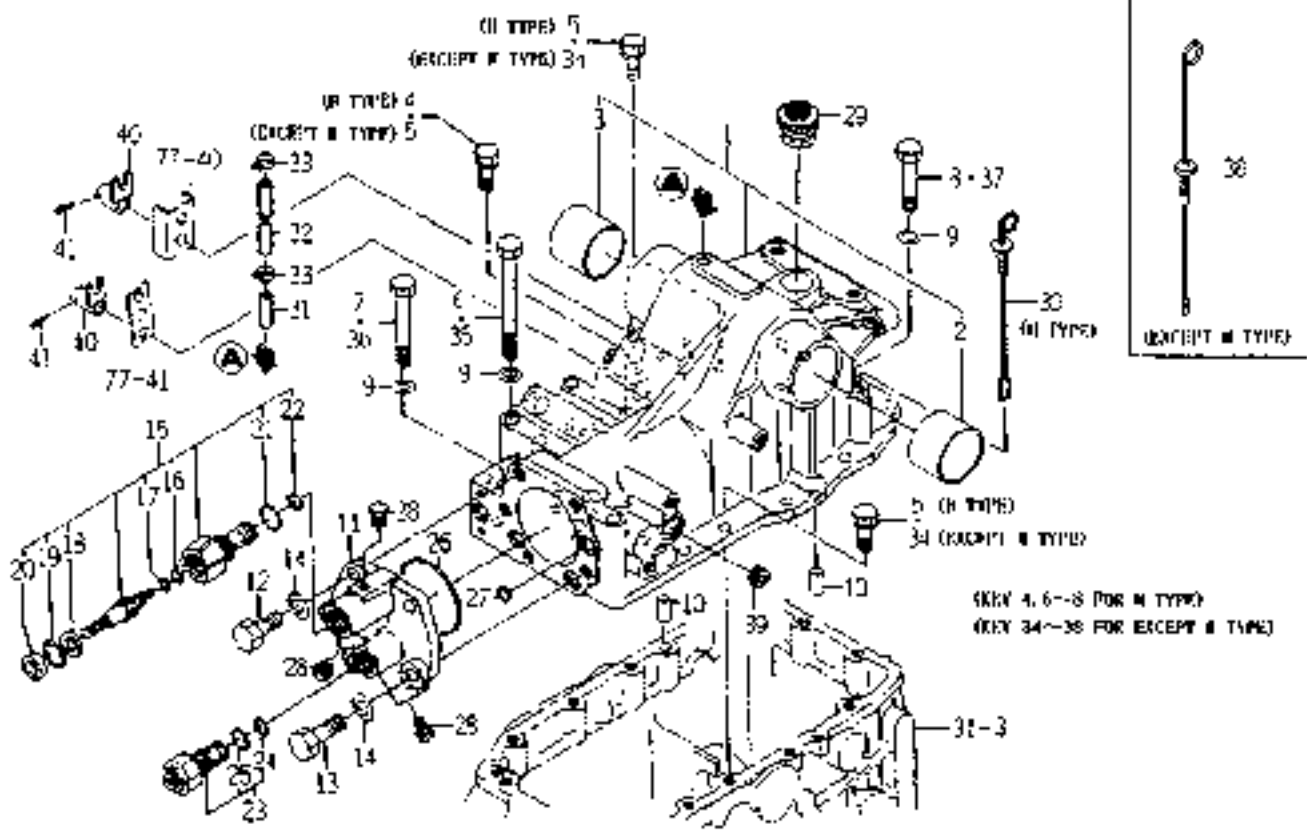
FIG. 75 CYLINDER CASE SYSTEM



1740-501-0100,1740-501A-0100,1622-501A-0100

KEY	PART CODE	DESCRIPTION	S P C	TYPE OF MODEL					I T C	C O L	G R P	REMARKS
				TH4260 VB24	TH4260H	TH4290	TH4290H	TH4330H				
1	1678-501-200-40	CASE/CYLINDER ASSY	*	1	1	1	1	1				
2	1588-501-002-00	BUSH/50X50X37	*	1	1	1	1	1				
3	1560-501-202-00	BUSH/45X50X42	*	1	1	1	1	1				
4	V211-561-003-50	BOLT/S	*		1		1	1				
5	V211-561-003-00	BOLT/M10X30	*	1		1						
5	V211-561-003-00	BOLT/M10X30	*		5		5	5				
6	V201-361-011-00	BOLT	*		3		3	3				
7	V201-361-008-00	BOLT	*		1		1	1				
8	V201-361-005-50	BOLT	*		2		2	2				
9	V401-160-010-00	WASHER, SP/M10	*	6	6	6	6	6				
10	V523-101-002-40	PIN	*	2	2	2	2	2				
11	1622-501-001-00	HEAD/CYLINDER	*	1	1	1	1	1				
12	V201-361-203-00	BOLT/M12X30	*	2	2	2	2	2				
13	V201-361-204-00	BOLT/M12X40	*	3	3	3	3	3				
14	V401-160-012-00	WASHER, SP/M12	*	5	5	5	5	5				
15	K231-006-000-10	VALVE ASSY	*	1	1	1	1	1				
16	V720-111-900-90	O-RING/P 9	*	1	1	1	1	1				
17	V730-101-200-90	RING/BACKUP	*	1	1	1	1	1				
18	K231-004-006-00	COLLAR/11X21X3	*	1	1	1	1	1				
19	V705-140-021-00	RING, SNAP/21 C	*	1	1	1	1	1				
20	K231-004-007-00	SEAL, DUST	*	1	1	1	1	1				
21	V720-112-402-00	O-RING/P20	*	1	1	1	1	1				
22	V720-112-401-40	O-RING/P14	*	1	1	1	1	1				
23	K250-015-000-00	VALVE	*	1	1	1	1	1				
24	V720-112-401-20	O-RING/P12	*	1	1	1	1	1				
25	V720-112-401-80	O-RING/P18	*	1	1	1	1	1				
26	V721-113-107-00	O-RING/G70	*	1	1	1	1	1				
27	V720-112-401-40	O-RING/P14	*	3	3	3	3	3				
28	V782-160-000-2T	PLUG/SCREW/SEAL	*	3	3	3	3	3				
29	7956-205-016-00	CAP, OIL/30	*	1	1	1	1	1				

# FIG. 75 CYLINDER CASE SYSTEM

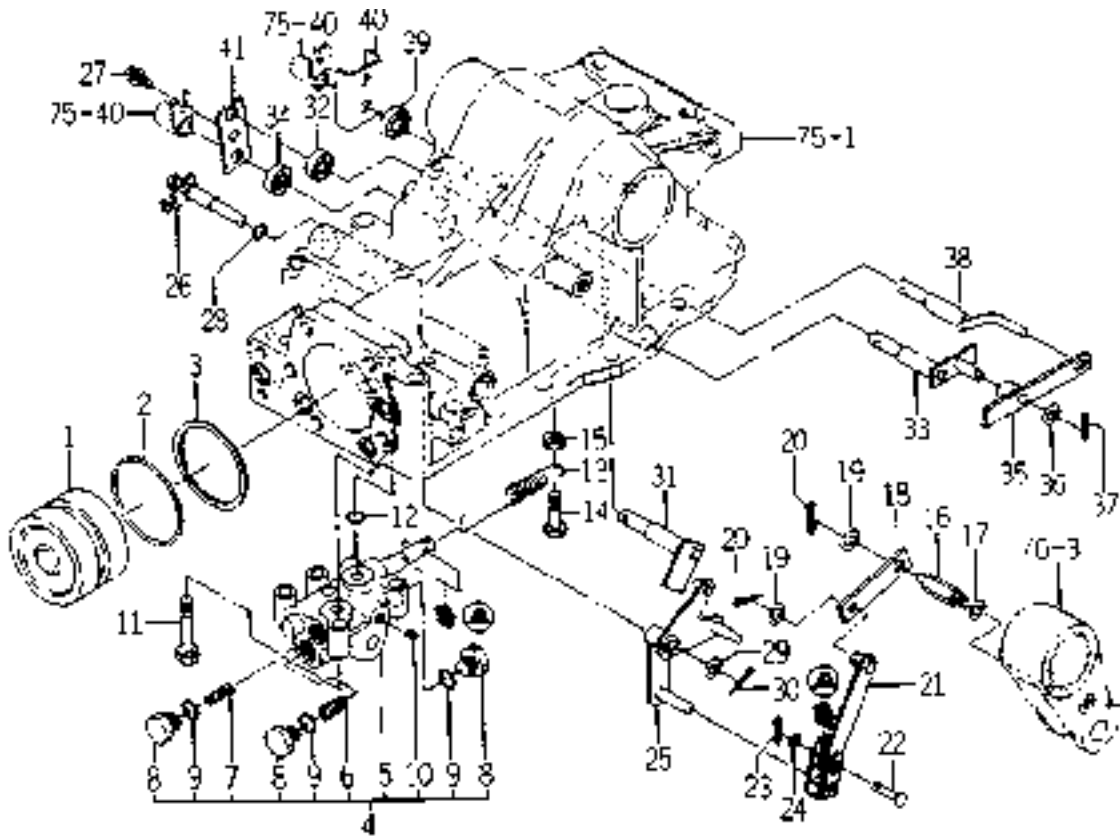


1740-501-0100,1740-501A-0100,1622-501A-0100

KEY	PART CODE	DESCRIPTION	S P C	TYPE OF MODEL					I T C	C O L	G R P	REMARKS
				TH4260 VB24	TH4260H	TH4290	TH4290H	TH4330H				
30	1632-304-002-00	GAUGE/OIL	*		1		1	1				
31	1544-120-008-10	PIPE, BREATHER	*	1	1	1	1	1				
32	3653-311-055-00	HOSE/FUEL	*	1	1	1	1	1				
33	1650-111-032-00	CLIP/HOSE/15-16.8	*	2	2	2	2	2				
34	V211-561-002-50	BOLT/M10X25	*	5		5						
35	V201-461-010-50	BOLT/M10X105 9T	*	3		3						
36	V201-361-007-50	BOLT	*	1		1						
37	V201-361-005-00	BOLT/M10X50	*	2		2						
38	1675-501-003-00	GAUGE/OIL	*	1		1						
39	V780-140-000-6T	PLUG/SCREW/SEAL	*	1	1	1	1	1				
40	1614-501-230-00	COLLAR COMP	*	2	2	2	2	2				
41	V500-163-003-50	PIN, SPLIT/3 X35	*	2	2	2	2	2				



### FIG. 77 CYLINDER SYSTEM



1622-503 -0100

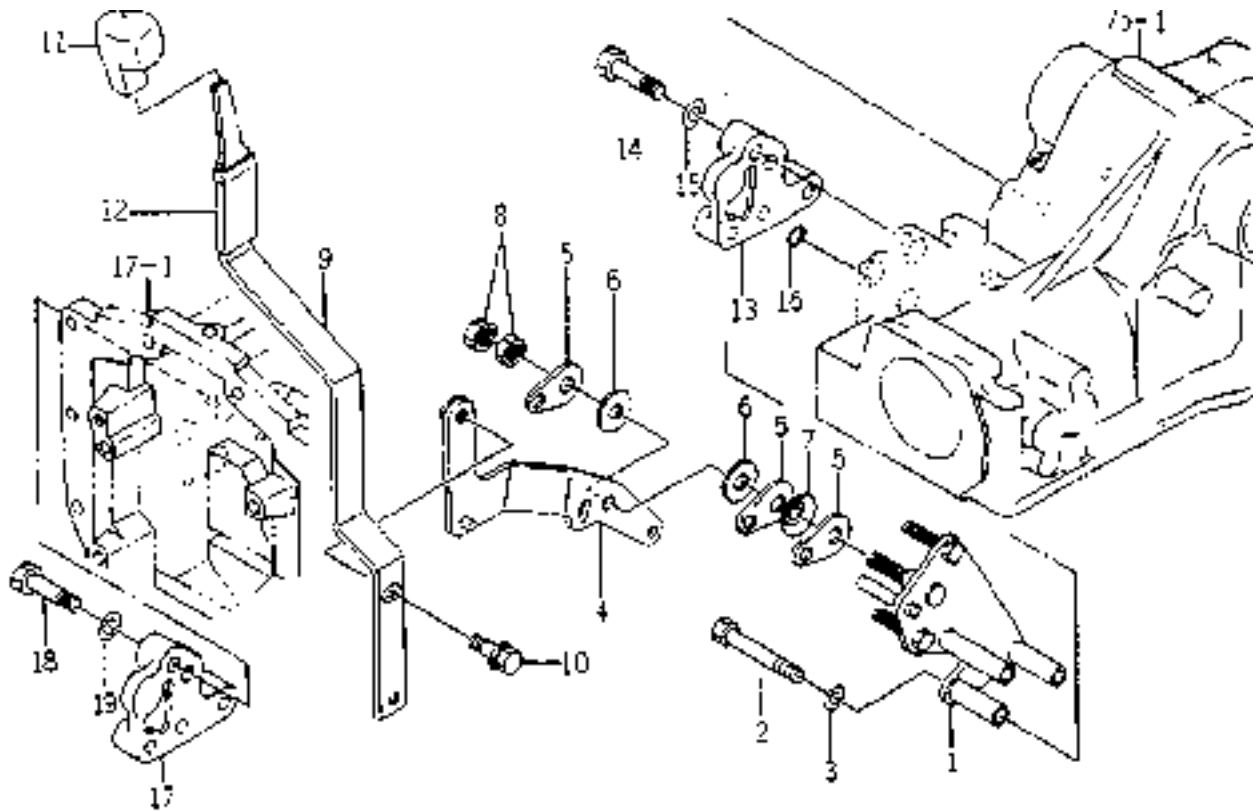
KEY	PART CODE	DESCRIPTION	S P C	TYPE OF MODEL					I T C	C O L	G R P	REMARKS
				TH4260 VB24	TH4260H	TH4290	TH4290H	TH4330H				
1	1444-503-001-20	PISTON	*	1	1	1	1	1				
2	V720-115-706-50	O-RING/P65 HS90	*	1	1	1	1	1				
3	1415-505-006-00	RING, BACK UP	*	1	1	1	1	1				
4	K211-026-000-00	CONTROL VALVE ASSY	*	1	1	1	1	1				
5	K211-026-100-00	VALVE SET	*	1	1	1	1	1				
6	K211-001-006-20	SPRING	*	1	1	1	1	1				
7	K211-001-007-00	SPRING	*	1	1	1	1	1				
8	K211-001-008-00	PLUG	*	3	3	3	3	3				
9	V720-112-401-20	O-RING/P12	*	3	3	3	3	3				
10	V780-140-000-2T	PLUG/SCREW/SEAL	*	2	2	2	2	2				
11	V211-260-804-00	BOLT, SEMS	*	3	3	3	3	3				
12	V720-112-401-40	O-RING/P14	*	2	2	2	2	2				
13	1617-503-001-00	SPRING/HE123	*	1	1	1	1	1				
14	V201-260-802-50	BOLT/M 8X25	*	1	1	1	1	1				
15	V304-260-008-00	NUT	*	1	1	1	1	1				
16	1617-503-002-00	PIN	*	1	1	1	1	1				
17	V401-160-008-00	WASHER, SP/M 8	*	1	1	1	1	1				
18	1617-503-003-00	PLATE/I/19X75	*	1	1	1	1	1				
19	V411-260-008-00	WASHER, PL/M 8	*	2	2	2	2	2				
20	V500-162-002-00	PIN, SPLIT/2 X20	*	2	2	2	2	2				
21	1617-503-210-00	LINK/SPOOL COMP	*	1	1	1	1	1				
22	1614-503-005-00	PIN/05X23	*	1	1	1	1	1				
23	V500-162-002-00	PIN, SPLIT/2 X20	*	1	1	1	1	1				
24	V411-260-005-00	WASHER	*	1	1	1	1	1				
25	1614-503-270-10	LINK/SUPPORT COMP	*	1	1	1	1	1				
26	1614-503-280-00	PIN/SUPPORT COMP	*	1	1	1	1	1				
27	V211-360-801-60	BOLT, SEMS (SP)	*	1	1	1	1	1				
28	V720-101-900-70	O-RING/P 7	*	1	1	1	1	1				
29	V411-260-008-00	WASHER, PL/M 8	*	1	1	1	1	1				
30	V500-162-002-00	PIN, SPLIT/2 X20	*	1	1	1	1	1				







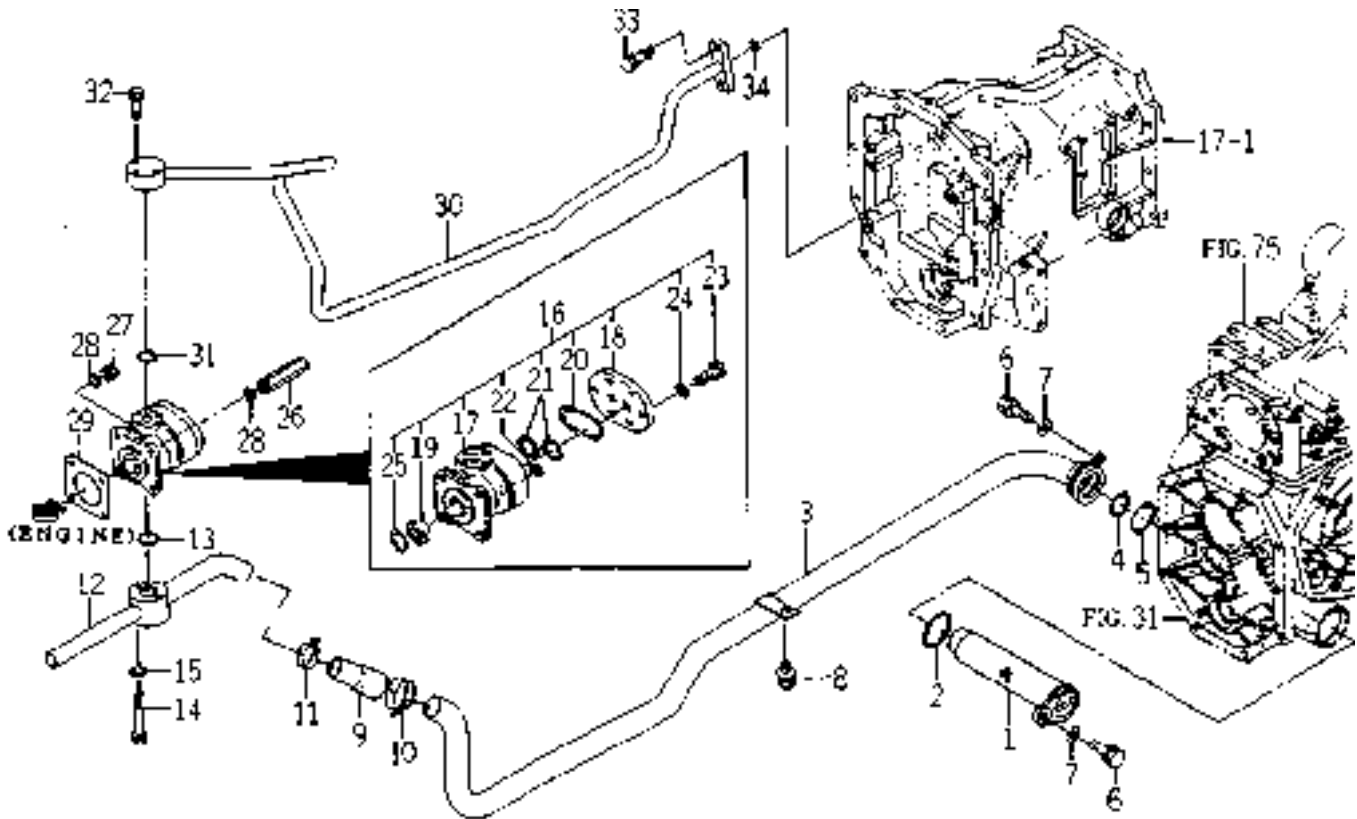
**FIG. 79 LEVER (POSITION),COVER (VALVE) SYSTEM**



1622-505 -0100,1614-506A-0100,1614-509 -0100

KEY	PART CODE	DESCRIPTION	S P C	TYPE OF MODEL					I T C	C O L	G R P	REMARKS
				TH4260 VB24	TH4260H	TH4290	TH4290H	TH4330H				
1	1622-505-200-00	BRACKET/LEVER	COMP	*	1	1	1	1	1			
2	V201-260-807-00	BOLT/M 8X70		*	3	3	3	3	3			
3	V401-160-008-00	WASHER, SP/M 8		*	3	3	3	3	3			
4	1622-505-210-20	ARM/POSITION	COMP	*	1	1	1	1	1			
5	1614-505-002-00	PLATE		*	3	3	3	3	3			
6	1614-505-003-00	LINING/11X30X02		*	2	2	2	2	2			
7	1614-505-004-00	SPRING/WASHER		*	1	1	1	1	1			
8	V304-260-010-00	NUT		*	2	2	2	2	2			
9	1620-262-001-10	LEVER/SUB		*	1	1	1	1	1			
10	V211-361-002-00	BOLT, SEMS		*	1	1	1	1	1			
11	1614-262-003-00	GRIP/SUB		*	1	1	1	1	1			
12	1614-262-006-00	INSULATOR/LEVER/SUB		*	1	1	1	1	1			
13	1614-501-003-10	COVER		*	1	1	1	1	1			
14	V201-261-004-00	BOLT/M10X40		*	3	3	3	3	3			
15	V401-160-010-00	WASHER, SP/M10		*	3	3	3	3	3			
16	V720-112-401-40	O-RING/P14		*	3	3	3	3	3			
17	1614-501-003-10	COVER		*	1	1	1	1	1			
18	V201-261-004-00	BOLT/M10X40		*	3	3	3	3	3			
19	V401-160-010-00	WASHER, SP/M10		*	3	3	3	3	3			

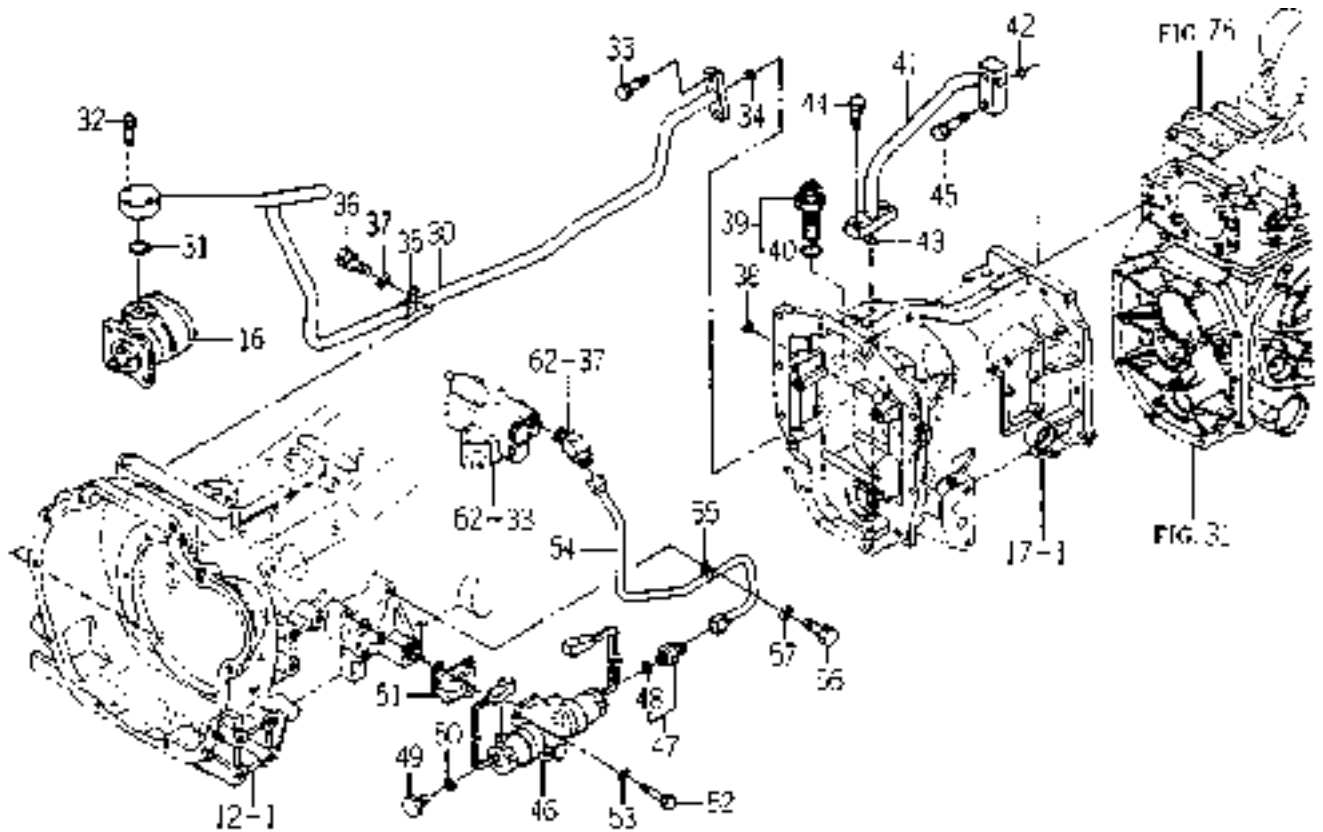
FIG. 80 PIPING SYSTEM (H TYPE)(1/2)



1740-508 -0100

KEY	PART CODE	DESCRIPTION	S P C	TYPE OF MODEL					I T C	C O L	G R P	REMARKS
				TH4260 VB24	TH4260H	TH4290	TH4290H	TH4330H				
1	1675-508-500-00	FILTER/SUCTION/400	*		1		1	1				
2	V721-103-104-50	O-RING/G45	*		1		1	1				
3	1740-508-520-30	PIPE/SUC/R COMP	*		1		1	1				
4	V721-103-103-50	O-RING/G35	*		1		1	1				
5	V721-103-104-50	O-RING/G45	*		1		1	1				
6	V211-261-002-50	BOLT(S) M10X25	*		2		2	2				
7	V411-260-010-00	WASHER/M10	*		2		2	2				
8	V211-360-802-00	BOLT/SP	*		1		1	1				
9	1617-508-001-00	HOSE/SUCTION	*		1		1	1				
10	J061-232-040-00	CLAMP/WIRE/32-40	*		1		1	1				
11	J061-228-036-00	CLAMP/WIRE/28-36	*		1		1	1				
12	1740-508-530-40	PIPE/SUC/F COMP	*		1		1	1				
13	V720-112-402-00	O-RING/P20	*		1		1	1				
14	V200-260-605-00	BOLT/M 6X50	*		2		2	2				
15	V401-160-006-00	WASHER, SP/M 6	*		2		2	2				
16	K135-028-000-00	PUMP/GEAR ASSY	*		1		1	1				
17	K135-028-100-10	PUMP SET	*		1		1	1				
18	K135-017-006-00	COVER, PUMP	*		1		1	1				
19	V744-114-280-70	SEAL, OIL	*		1		1	1				
20	V721-113-105-00	O-RING HS90 G50	*		1		1	1				
21	V720-112-402-20	O-RING/P22	*		4		4	4				
22	V720-111-900-60	O-RING P6 HS90	*		1		1	1				
23	K135-002-009-00	BOLT/M8X28 11T	*		6		6	6				
24	V401-170-008-00	S. W	*		6		6	6				
25	V705-140-028-00	RING, SNAP/28 C	*		1		1	1				
26	1723-508-002-00	NUT/M08	*		2		2	2				
27	V304-260-008-00	NUT	*		2		2	2				
28	V401-160-008-00	WASHER, SP/M 8	*		4		4	4				
29	1404-503-006-00	PACKING, OIL PUMP	*		1		1	1				
30	1740-508-510-20	PIPE/DELIVERY COMP	*		1		1	1				

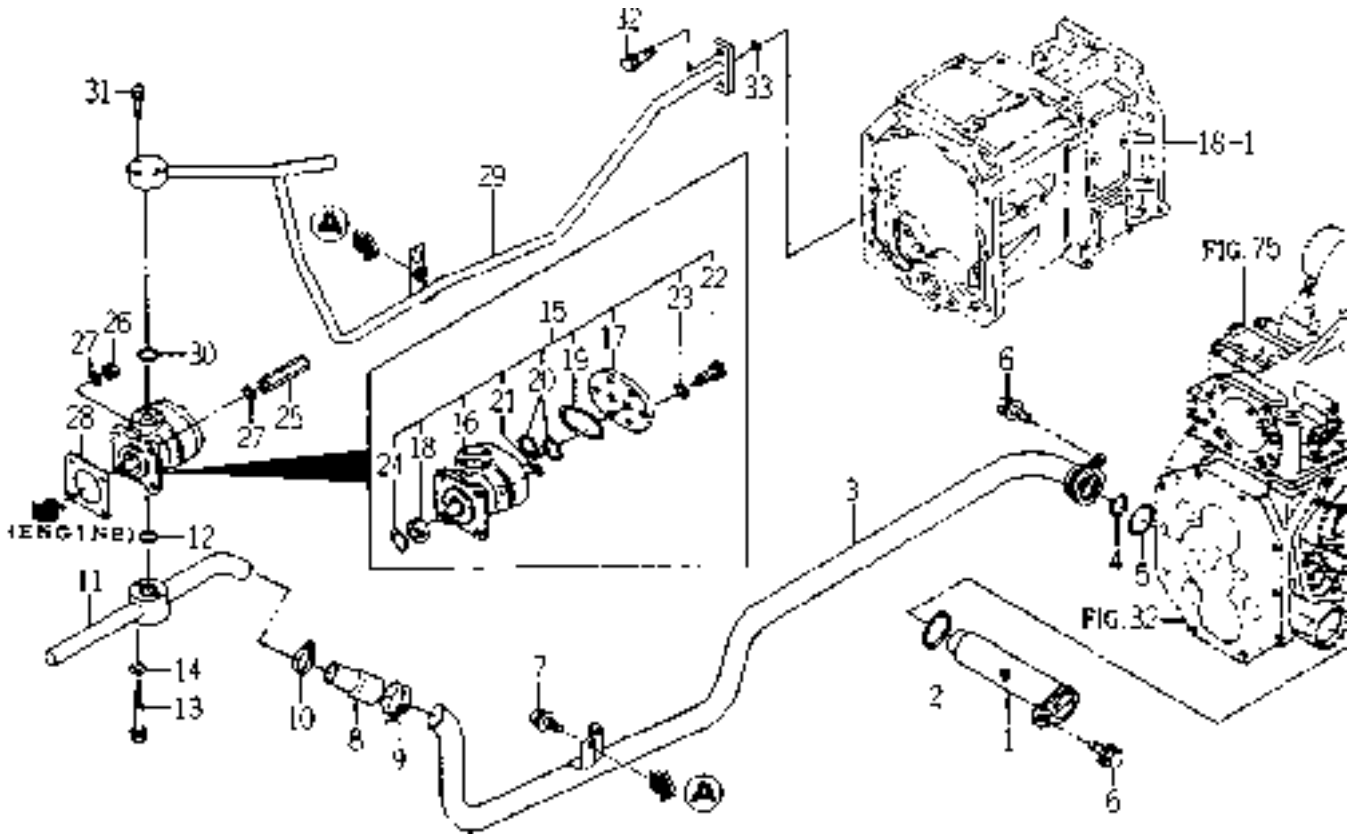
# FIG. 80 PIPING SYSTEM (H TYPE)(2/2)



1740-508-0100

KEY	PART CODE	DESCRIPTION	S P C	TYPE OF MODEL					I T C	C O L	G R P	REMARKS
				TH4260 VB24	TH4260H	TH4290	TH4290H	TH4330H				
31	V720-112-402-00	O-RING/P20	*		1		1	1				
32	V210-560-603-00	BOLT/S	*		3		3	3				
33	V211-260-802-50	BOLT/S	*		2		2	2				
34	V720-112-401-20	O-RING/P12	*		1		1	1				
35	1675-508-003-00	HOLDER/15	*		1		1	1				
36	V211-260-801-60	BOLT, SEMS (S) M8X16	*		1		1	1				
37	V411-260-008-00	WASHER, PL/M 8	*		1		1	1				
38	V720-112-401-40	O-RING/P14	*		3		3	3				
39	K250-035-000-10	VALVE/RELIEF ASSY	*		1		1	1				
40	V720-112-402-00	O-RING/P20	*		1		1	1				
41	1622-508-230-00	PIPE/DELIVERY COMP	*		1		1	1				
42	V720-112-401-40	O-RING/P14	*		1		1	1				
43	V720-112-401-20	O-RING/P12	*		1		1	1				
44	V211-260-802-50	BOLT/S	*		2		2	2				
45	V211-260-803-50	BOLT (S) M8X35	*		2		2	2				
46	K275-001-000-00	SOLINOID VALVE ASSY	*		1		1	1				FIG 136
47	1650-509-280-00	ADAPTER/PF1/4 ASSY	*		1		1	1				
48	V720-112-401-10	RING/O	*		1		1	1				
49	K275-001-003-00	PLUG (PF1/4)	*		1		1	1				
50	V720-102-401-10	O-RING/P11	*		1		1	1				
51	1650-509-004-00	GASKET/4WD/PTO	*		1		1	1				
52	V201-260-804-50	BOLT/M 8X45	*		2		2	2				
53	V401-160-008-00	WASHER, SP/M 8	*		2		2	2				
54	1740-508-560-00	PIPE/PTO COMP	*		1		1	1				
55	1650-509-003-10	HOLDER/10	*		1		1	1				
56	V211-260-801-60	BOLT, SEMS (S) M8X16	*		1		1	1				
57	V411-260-008-00	WASHER, PL/M 8	*		1		1	1				

**FIG. 81 PIPING SYSTEM (EXCEPT H TYPE)(1/2)**

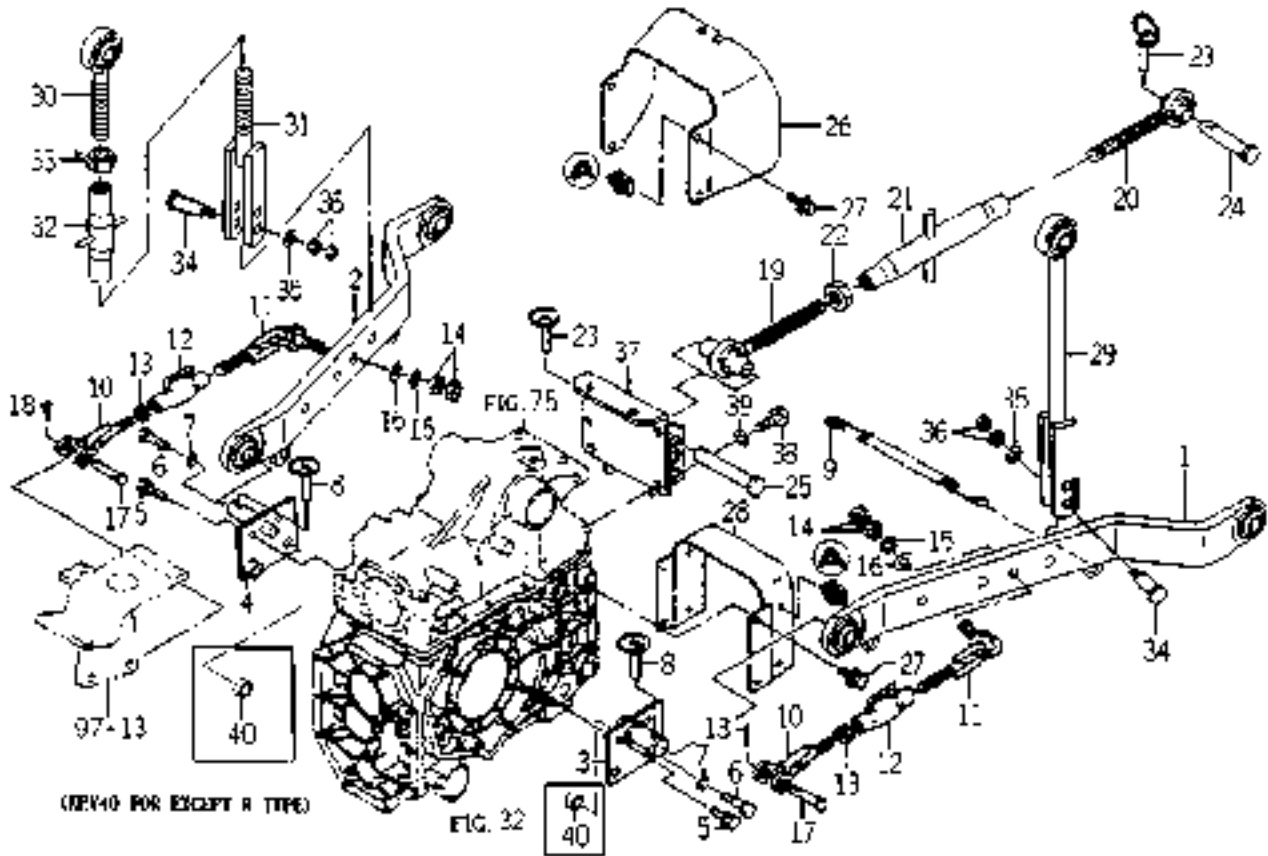


1741-508-0100

KEY	PART CODE	DESCRIPTION	S P C	TYPE OF MODEL					I T C	C O L	G R P	REMARKS
				TH4260 VB24	TH4260H	TH4290	TH4290H	TH4330H				
1	1620-508-230-00	FILTER/SUCTION ASSY	*	1		1						
2	V721-103-104-50	O-RING/G45	*	1		1						
3	1740-508-320-10	PIPE/SUC/R COMP	*	1		1						
4	V721-103-103-50	O-RING/G35	*	1		1						
5	V721-103-104-50	O-RING/G45	*	1		1						
6	V211-361-002-00	BOLT, SEMS	*	2		2						
7	V211-360-802-00	BOLT/SP	*	1		1						
8	1617-508-001-00	HOSE/SUCTION	*	1		1						
9	J061-232-040-00	CLAMP/WIRE/32-40	*	1		1						
10	J061-228-036-00	CLAMP/WIRE/28-36	*	1		1						
11	1740-508-530-40	PIPE/SUC/F COMP	*	1		1						
12	V720-112-402-00	O-RING/P20	*	1		1						
13	V200-260-605-00	BOLT/M 6X50	*	2		2						
14	V401-160-006-00	WASHER, SP/M 6	*	2		2						
15	K135-028-000-00	PUMP/GEAR ASSY	*	1		1						
16	K135-028-100-10	PUMP SET	*	1		1						
17	K135-017-006-00	COVER, PUMP	*	1		1						
18	V744-114-280-70	SEAL, OIL	*	1		1						
19	V721-113-105-00	O-RING HS90 G50	*	1		1						
20	V720-112-402-20	O-RING/P22	*	4		4						
21	V720-111-900-60	O-RING P6 HS90	*	1		1						
22	K135-002-009-00	BOLT/M8X28 11T	*	6		6						
23	V401-170-008-00	S. W	*	6		6						
24	V705-140-028-00	RING, SNAP/28 C	*	1		1						
25	1723-508-002-00	NUT/M08	*	2		2						
26	V304-260-008-00	NUT	*	2		2						
27	V401-160-008-00	WASHER, SP/M 8	*	4		4						
28	1404-503-006-00	PACKING, OIL PUMP	*	1		1						
29	1740-508-310-10	PIPE/DELIVERY COMP	*	1		1						
30	V720-112-402-00	O-RING/P20	*	1		1						



**FIG. 82 LINK (3P) SYSTEM (H TYPE)**



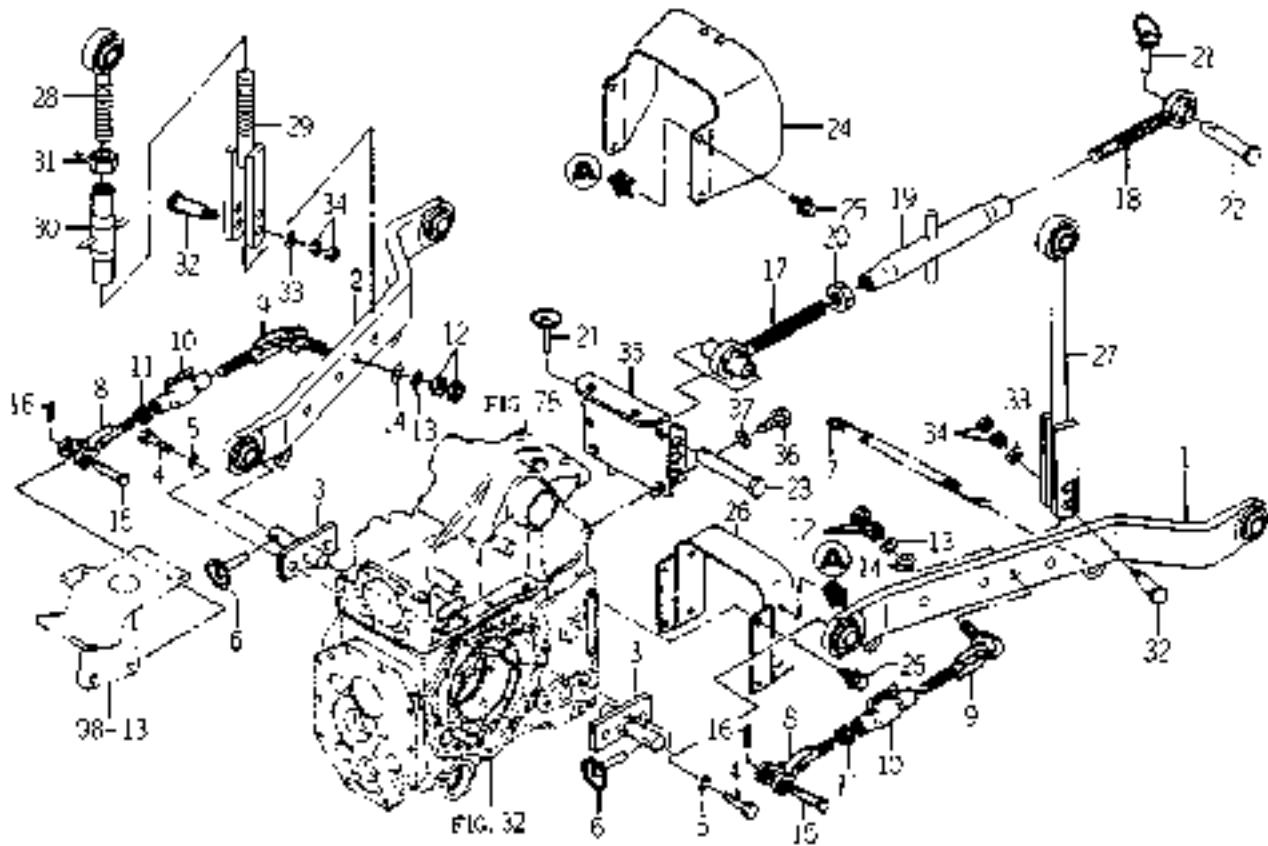
1740-514 -0100,1740-520 -0100

KEY	PART CODE	DESCRIPTION	S P C	TYPE OF MODEL					I T C	C O L	G R P	REMARKS
				TH4260 VB24	TH4260H	TH4290	TH4290H	TH4330H				
1	1740-514-200-10	LINK/LOWER/LH	COMP	*		1		1	1			
2	1740-514-210-20	LINK/LOWER/RH	COMP	*		1		1	1			
3	1622-514-500-00	PIN/LH	COMP	*		1		1	1			
4	1622-514-510-00	PIN/RH	COMP	*		1		1	1			
5	V211-561-002-50	BOLT/M10X25		*		4		4	4			
6	V201-361-204-00	BOLT/M12X40		*		2		2	2			
7	V401-160-012-00	WASHER, SP/M12		*		4		4	4			
8	1673-525-002-20	LINKPIN		*		2		2	2			
9	1560-525-001-40	SPRING		*		1		1	1			
10	1740-514-310-00	CHAIN/CHECK/A	COMP	*		2		2	2			
11	1740-514-320-00	CHAIN/CHECK	COMP	*		2		2	2			
12	1740-514-330-00	BACKLE/TURN/A	COMP	*		2		2	2			
13	V304-260-016-00	NUT/M16		*		2		2	2			
14	V304-260-016-00	NUT/M16		*		4		4	4			
15	V401-160-016-00	WASHER, SP/M16		*		2		2	2			
16	V411-260-016-00	WASHER / M16		*		2		2	2			
17	7963-611-003-00	PIN/12X48		*		2		2	2			
18	V500-163-002-00	PIN, SPLIT/3 X20		*		2		2	2			
19	1614-514-300-00	SCREW/RH	COMP	*		1		1	1			
20	1614-514-310-00	SCREW/LH	COMP	*		1		1	1			
21	1614-514-320-00	BUCKLE/TURN	COMP	*		1		1	1			
22	V304-260-020-00	NUT/M20		*		1		1	1			
23	1673-525-002-20	LINKPIN		*		2		2	2			
24	1620-514-005-00	PIN/19X94		*		1		1	1			
25	1640-525-001-00	PIN 19X132		*		1		1	1			
26	1594-520-240-00	COVER/SHIELD	COMP	*		1		1	1			
27	V211-360-801-60	BOLT, SEMS (SP)		*		8		8	8			
28	1620-514-280-00	BRACKET	COMP	*		1		1	1			
29	1740-514-220-00	ROD/FORK/LH	COMP	*		1		1	1			
30	1740-514-410-00	SCREW/RH/M24	COMP	*		1		1	1			





### FIG. 83 LINK (3P) SYSTEM (EXCEPT H TYPE)

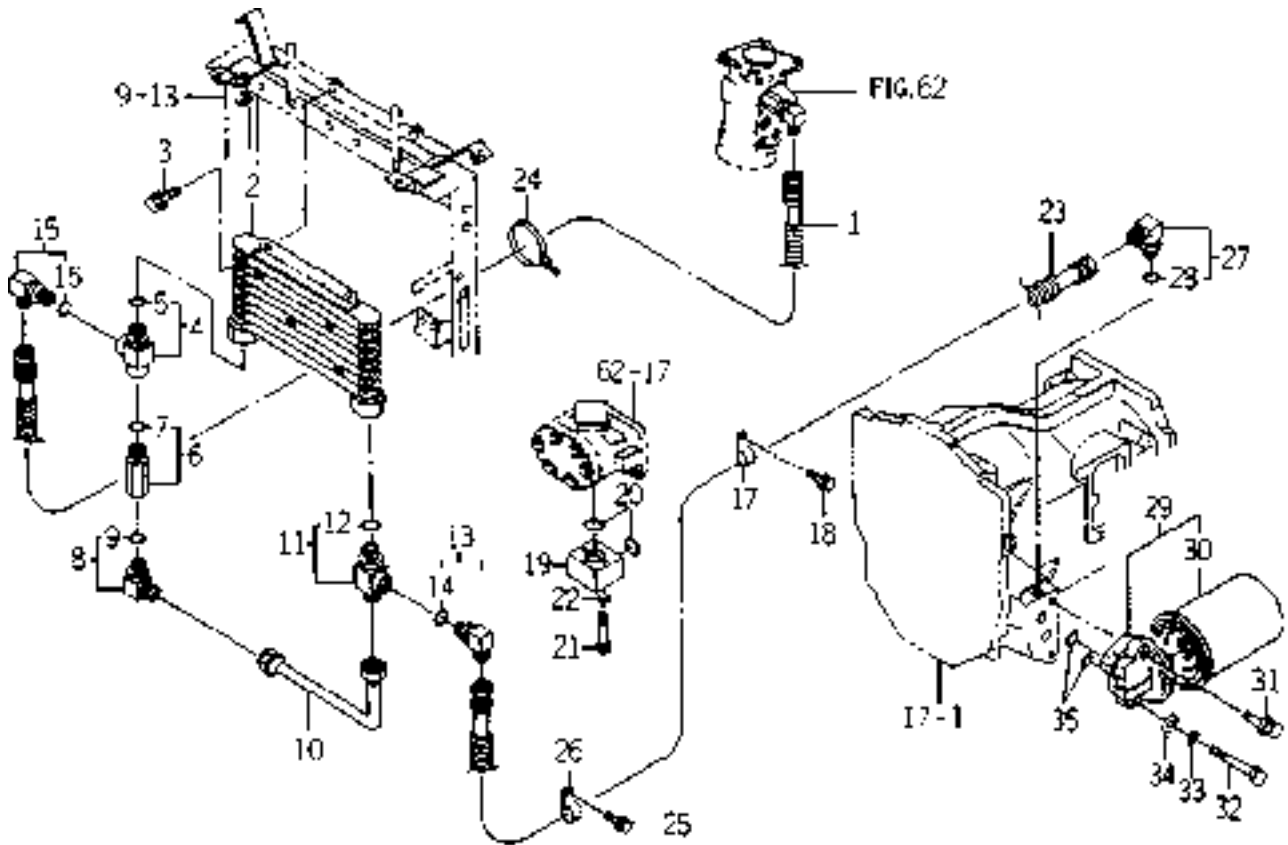


1740-514A-0100

KEY	PART CODE	DESCRIPTION	S P C	TYPE OF MODEL					I T C	C O L	G R P	REMARKS
				TH4260 VB24	TH4260H	TH4290	TH4290H	TH4330H				
1	1740-514-200-10	LINK/LOWER/LH	COMP	*	1		1					
2	1740-514-210-20	LINK/LOWER/RH	COMP	*	1		1					
3	1710-514-540-00	PIN	COMP	*	2		2					
4	V201-361-203-00	BOLT/M12X30		*	4		4					
5	V401-160-012-00	WASHER, SP/M12		*	4		4					
6	1673-525-002-20	LINKPIN		*	2		2					
7	1560-525-001-40	SPRING		*	1		1					
8	1740-514-310-00	CHAIN/CHECK/A	COMP	*	2		2					
9	1740-514-320-00	CHAIN/CHECK	COMP	*	2		2					
10	1740-514-330-00	BUCKLE/TURN/A	COMP	*	2		2					
11	V304-260-016-00	NUT/M16		*	2		2					
12	V304-260-016-00	NUT/M16		*	4		4					
13	V401-160-016-00	WASHER, SP/M16		*	2		2					
14	V411-260-016-00	WASHER / M16		*	2		2					
15	7963-611-003-00	PIN/12X48		*	2		2					
16	V500-163-002-00	PIN, SPLIT/3 X20		*	2		2					
17	1614-514-300-00	SCREW/RH	COMP	*	1		1					
18	1614-514-310-00	SCREW/LH	COMP	*	1		1					
19	1614-514-320-00	BUCKLE/TURN	COMP	*	1		1					
20	V304-260-020-00	NUT/M20		*	1		1					
21	1673-525-002-20	LINKPIN		*	2		2					
22	1620-514-005-00	PIN/19X94		*	1		1					
23	1640-525-001-00	PIN 19X132		*	1		1					
24	1594-520-240-00	COVER/SHIELD	COMP	*	1		1					
25	V211-360-801-60	BOLT, SEMS (SP)		*	8		8					
26	1620-514-280-00	BRACKET	COMP	*	1		1					
27	1740-514-220-00	ROD/FORK/LH	COMP	*	1		1					
28	1740-514-410-00	SCREW/RH/M24	COMP	*	1		1					
29	1740-514-230-00	SCREW/M24/LH	COMP	*	1		1					
30	1740-514-420-00	BUCKLE/TURN/M24	COMP	*	1		1					



**FIG. 84 PIPING (COOLER) SYSTEM (H TYPE)**



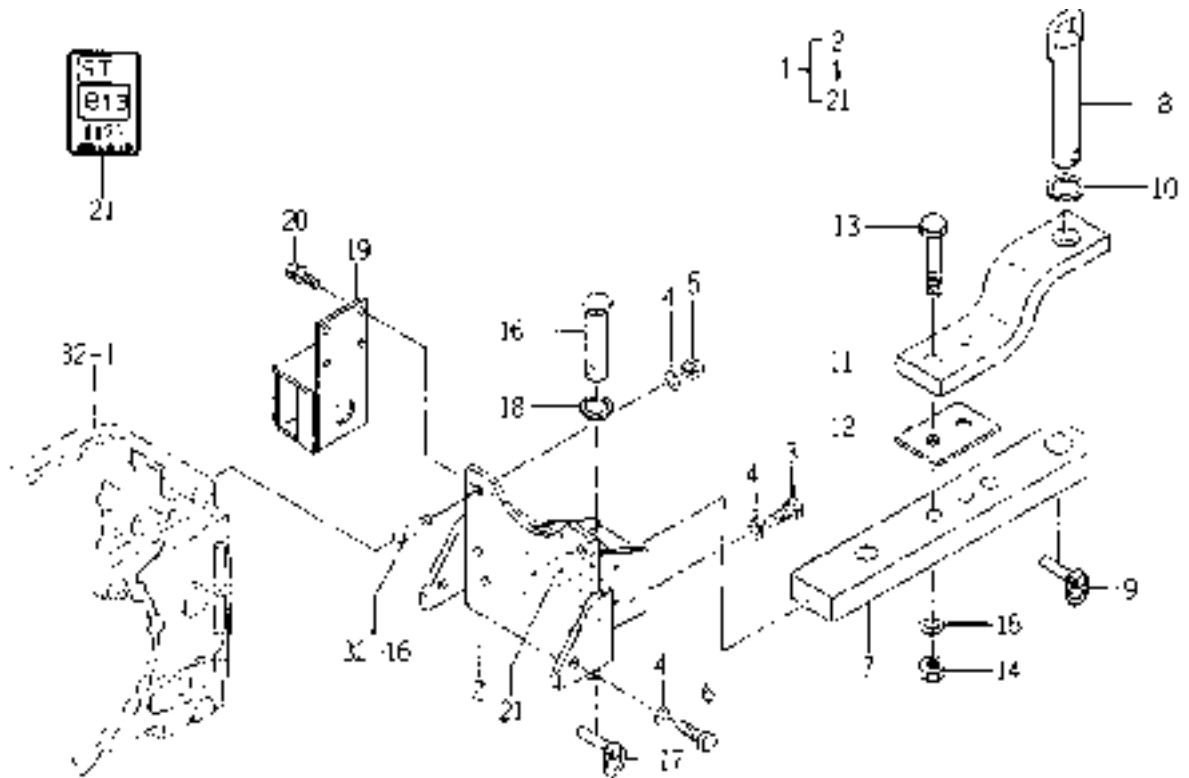
1740-517-0100

KEY	PART CODE	DESCRIPTION	S P C	TYPE OF MODEL					I T C	C O L	G R P	REMARKS
				TH4260 VB24	TH4260H	TH4290	TH4290H	TH4330H				
1	1740-517-580-10	HOSE/1500 ASSY	*		1		1	1				
2	1646-407-560-00	COOLER/OIL ASSY	*		1		1	1				
3	V211-360-801-60	BOLT, SEMS (SP)	*		2		2	2				
4	1740-517-600-00	ADAPTER/G3/8ASSY	*		1		1	1				
5	V720-112-401-40	O-RING/P14	*		1		1	1				
6	K220-002-000-00	VALVE/CHECK ASSY	*		1		1	1				
7	V720-112-401-40	O-RING/P14	*		1		1	1				
8	1650-509-310-00	ADAPTER/L/PF3/8 ASSY	*		1		1	1				
9	V720-112-401-40	O-RING/P14	*		1		1	1				
10	1641-517-540-00	PIPE/CHECKVALVE COMP	*		1		1	1				
11	1740-517-610-00	ADAPTER/G3/8ASSY	*		1		1	1				
12	V720-112-401-40	O-RING/P14	*		1		1	1				
13	P117-501-250-00	ELBOW ASSY	*		1		1	1				
14	V720-112-401-40	O-RING/P14	*		1		1	1				
15	P103-521-006-10	ELBOW/90° ASSY	*		1		1	1				
16	V720-112-401-40	O-RING/P14	*		1		1	1				
17	1650-509-012-00	HOLDER/12	*		1		1	1				
18	V210-360-601-60	BOLT (SP) /M6X16	*		1		1	1				
19	1709-407-002-00	FLANGE	*		1		1	1				
20	V720-112-402-00	O-RING/P20	*		2		2	2				
21	V200-260-604-50	BOLT/M 6X45	*		3		3	3				
22	V401-160-006-00	WASHER, SP/M 6	*		3		3	3				
23	1740-517-630-00	HOSE/1600 ASSY	*		1		1	1				
24	1421-621-038-00	BAND, WIRE/170	*		2		2	2				
25	V211-360-801-60	BOLT, SEMS (SP)	*		1		1	1				
26	1518-786-508-00	CLIP B	*		1		1	1				
27	P117-501-230-00	ELBOW/90° ASSY	*		1		1	1				
28	V720-112-401-10	RING/O	*		1		1	1				
29	1594-515-200-20	FILTER ASSY	*		1		1	1				
30	1560-515-272-00	CARTRIDGE	*		1		1	1				





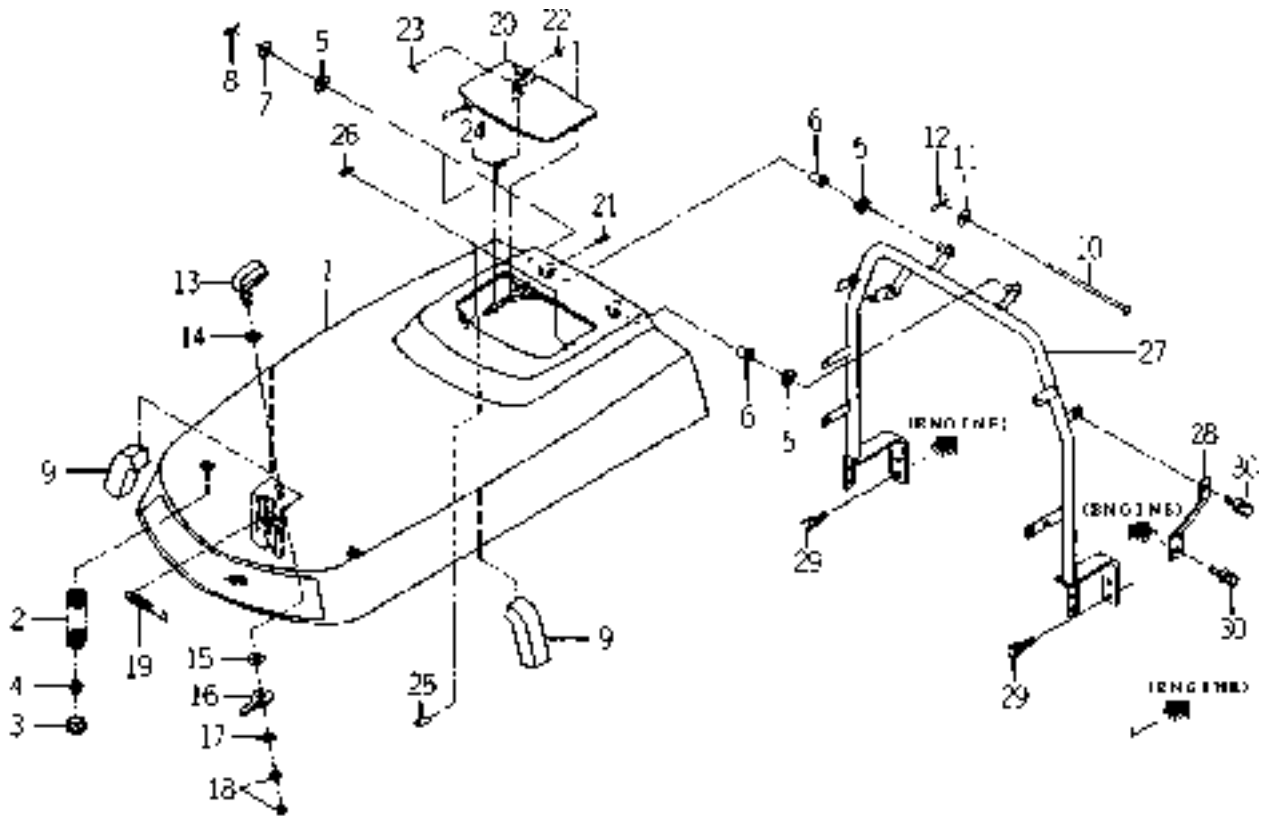
**FIG. 86 HITCH (DRAW BAR) SET  
(R TYPE EXCEPT H-STANDARD/  
EXCEPT H,R-OPTION)**



1740-520D-0100

KEY	PART CODE	DESCRIPTION	S P C	TYPE OF MODEL					I T C	C O L	G R P	REMARKS
				TH4260 VB24	TH4260H	TH4290	TH4290H	TH4330H				
1	1740-520-250-00	HITCH/DRAWBAR/E SET	*	1		1						
2	1740-520-210-00	BRACKET/DRAWBAR COMP	*	1		1						
3	V201-361-203-00	BOLT/M12X30	*	2		2						
4	V401-160-012-00	WASHER, SP/M12	*	8		8						
5	V304-460-012-00	NUT/M12	*	4		4						
6	V201-361-203-50	BOLT/M12X35	*	2		2						
7	1740-520-001-00	DRAWBAR	*	1		1						
8	1674-520-210-00	PIN/30X162 COMP	*	1		1						
9	1673-525-002-20	LINKPIN	*	1		1						
10	1674-520-004-00	INSULATOR	*	1		1						
11	1674-520-002-00	LINK/DRAWBAR	*	1		1						
12	1674-520-003-00	PLATE	*	1		1						
13	V201-261-608-50	BOLT/M16X85	*	2		2						
14	1518-924-001-00	NUT, U/M16	*	2		2						
15	V401-160-016-00	WASHER, SP/M16	*	2		2						
16	1640-520-005-00	PIN/25X91	*	1		1						
17	1673-525-002-20	LINKPIN	*	1		1						
18	1640-520-004-00	INSULATOR	*	1		1						
19	1740-520-220-00	HOLDER/DRAWBAR COMP	*	1		1						
20	V211-360-802-00	BOLT/SP	*	4		4						
21	1740-520-002-00	LABEL/TRH1740A	*	1		1						

FIG. 87 HOOD SYSTEM(1/2)

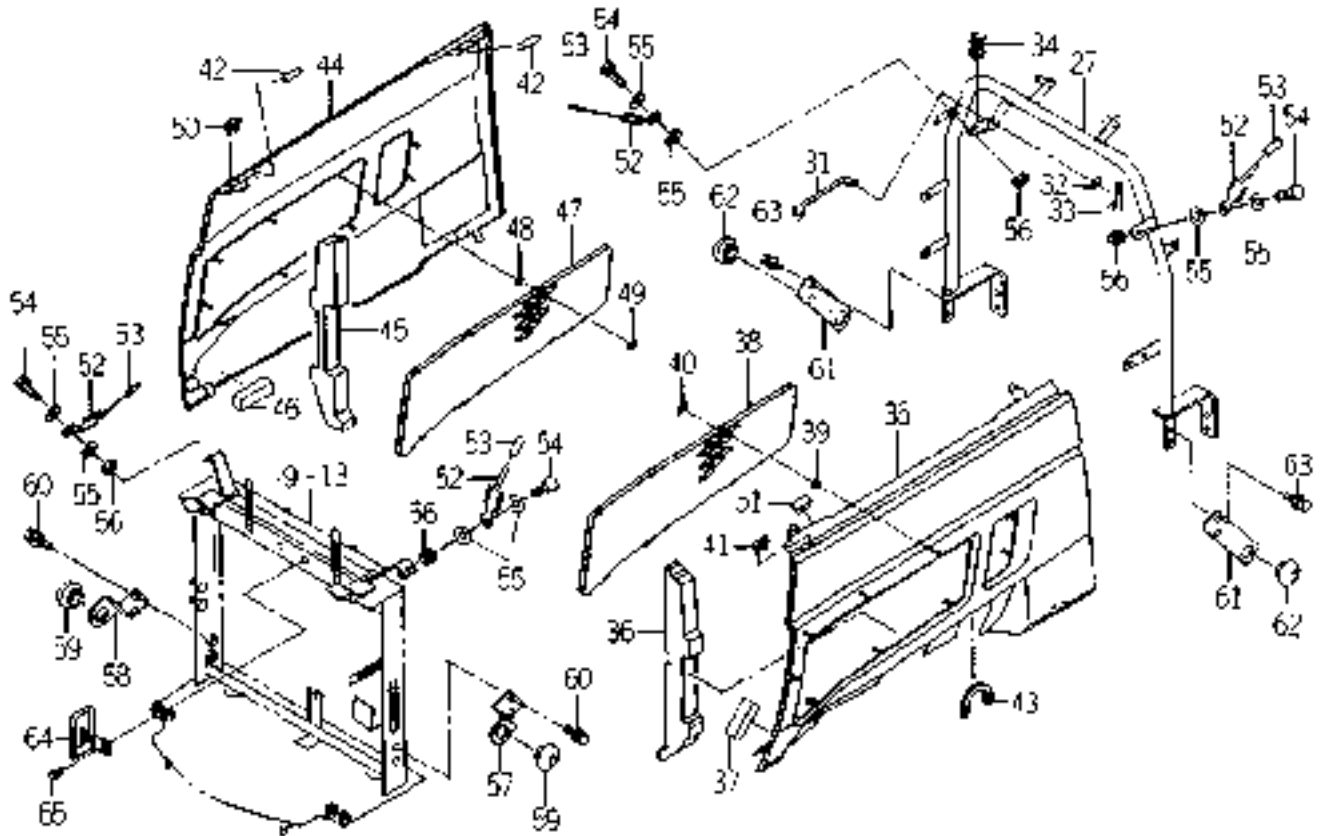


1740-601-0100

KEY	PART CODE	DESCRIPTION	S P C	TYPE OF MODEL					I T C	C O L	G R P	REMARKS
				TH4260 VB24	TH4260H	TH4290	TH4290H	TH4330H				
1	1740-601-500-20	HOOD COMP	*	1	1	1	1	1			4L	
2	1716-601-001-00	SPRING/HC090	*	2	2	2	2	2				
3	7821-501-005-00	BUSH/19X30X14	*	2	2	2	2	2				
4	V211-360-801-60	BOLT, SEMS (SP)	*	2	2	2	2	2				
5	1423-616-004-00	CUSHION/RUBBER/10X25	*	3	3	3	3	3				
6	2150-420-008-00	BUSH/08X15X11	*	2	2	2	2	2				
7	V411-260-010-00	WASHER/M10	*	1	1	1	1	1				
8	V560-160-008-00	PIN/SNAP	*	1	1	1	1	1				
9	1672-102-004-00	INSULATOR	*	2	2	2	2	2				
10	1105-311-001-00	PIN/08X161	*	1	1	1	1	1				
11	V411-260-008-00	WASHER, PL/M 8	*	1	1	1	1	1				
12	1301-411-005-00	PIN, HAIR	*	1	1	1	1	1				
13	1675-601-002-00	HANDLE	*	1	1	1	1	1				
14	1650-601-007-00	WASHER/12X25X02	*	1	1	1	1	1				
15	3610-440-018-00	WASHER	*	1	1	1	1	1				
16	1716-601-002-00	ARM/PLATE	*	1	1	1	1	1				
17	V411-260-008-00	WASHER, PL/M 8	*	1	1	1	1	1				
18	V304-260-008-00	NUT	*	2	2	2	2	2				
19	1588-117-001-00	SPRING/HE089	*	1	1	1	1	1				
20	1716-601-260-10	COVER COMP	*	1	1	1	1	1			4L	
21	1716-601-021-00	PIN/06X07	*	1	1	1	1	1				
22	V411-260-006-00	WASHER / M6	*	1	1	1	1	1				
23	V560-160-006-00	PIN/SNAP	*	1	1	1	1	1				
24	1716-601-018-00	SPRING/HE036	*	1	1	1	1	1				
25	1716-601-019-00	TUBE/06X10X20	*	1	1	1	1	1				
26	1672-601-002-00	TRIM/20	*	1	1	1	1	1				
27	1740-601-510-20	BRACKET/FOOD COMP	*	1	1	1	1	1				
28	1740-601-051-00	STAY/PLATE	*	1	1	1	1	1				
29	V211-560-802-50	BOLT, SEMS/M8X25 7T	*	4	4	4	4	4				
30	V211-360-802-00	BOLT/SP	*	2	2	2	2	2				



FIG. 87 HOOD SYSTEM(2/2)

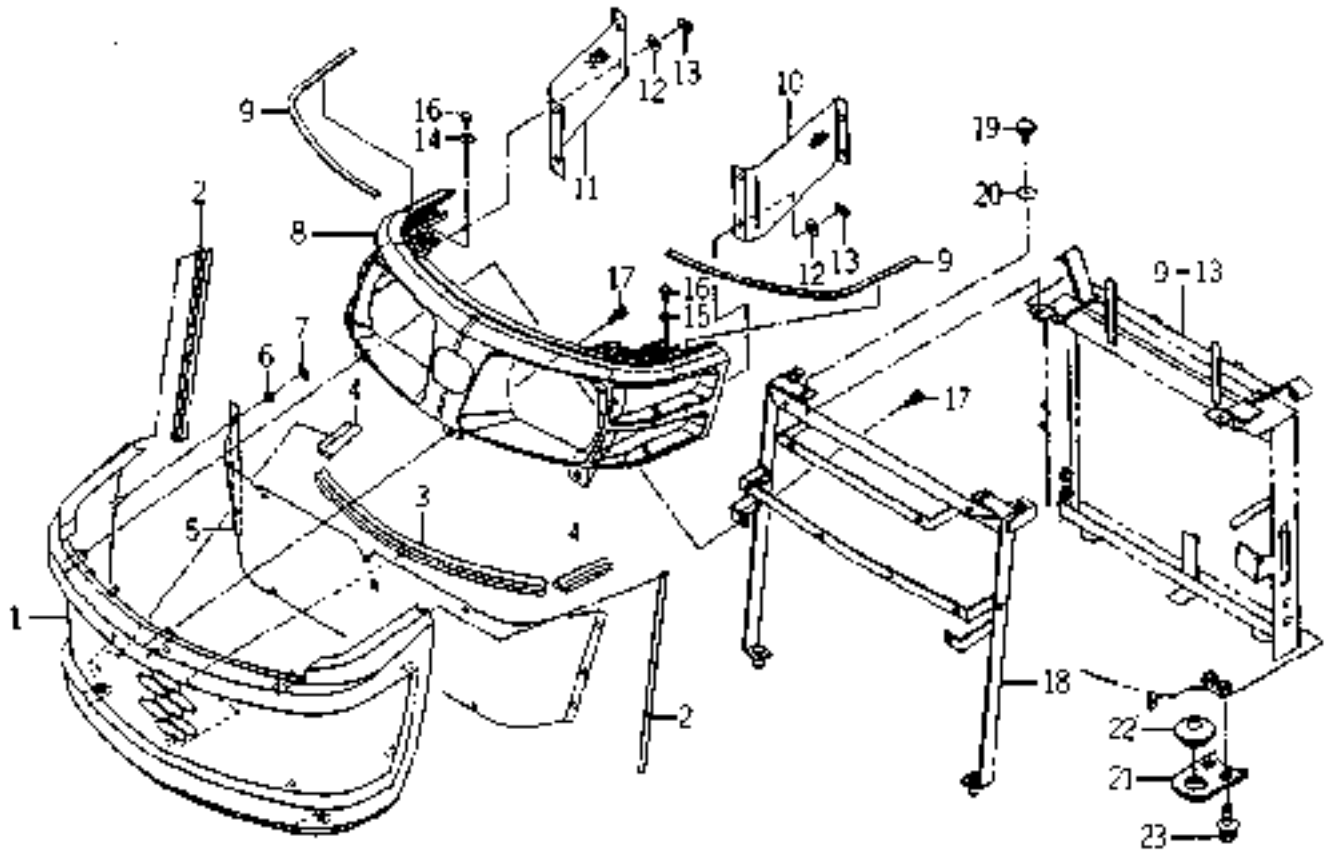


1740-601-0100

KEY	PART CODE	DESCRIPTION	S P C	TYPE OF MODEL					I T C	C O L	G R P	REMARKS
				TH4260 VB24	TH4260H	TH4290	TH4290H	TH4330H				
31	1740-601-053-10	ROD/HOOD/110	*	1	1	1	1	1				
32	V411-260-006-00	WASHER / M6	*	1	1	1	1	1				
33	V500-162-002-00	PIN, SPLIT/2 X20	*	1	1	1	1	1				
34	P103-601-005-00	HOLDER/ROD	*	1	1	1	1	1				
35	1740-601-530-10	COVER/SIDE/LH COMP	*	1	1	1	1	1		4L		
36	1716-601-031-00	INSULATOR/LH	*	1	1	1	1	1				
37	1596-669-108-00	INSULATOR	*	1	1	1	1	1				
38	1740-601-054-00	NET/SIDE	*	1	1	1	1	1				
39	1444-601-015-00	WASHER/6X14X3	*	9	9	9	9	9				
40	V350-160-006-00	NUT, SPEED/P6	*	9	9	9	9	9				
41	1716-601-017-00	INSULATOR	*	1	1	1	1	1				
42	3689-582-001-00	INSULATOR/30	*	2	2	2	2	2				
43	1684-604-006-00	TRIM/170	*	1	1	1	1	1				
44	1740-601-540-10	COVER/SIDE/RH COMP	*	1	1	1	1	1		4L		
45	1716-601-032-00	INSULATOR/RH	*	1	1	1	1	1				
46	1596-669-108-00	INSULATOR	*	1	1	1	1	1				
47	1740-601-054-00	NET/SIDE	*	1	1	1	1	1				
48	1444-601-015-00	WASHER/6X14X3	*	9	9	9	9	9				
49	V350-160-006-00	NUT, SPEED/P6	*	9	9	9	9	9				
50	1716-601-017-00	INSULATOR	*	1	1	1	1	1				
51	3689-582-001-00	INSULATOR/30	*	1	1	1	1	1				
52	1726-601-006-10	HOLDER/COVER	*	4	4	4	4	4				
53	1703-313-001-10	CAP/PARKING	*	4	4	4	4	4				
54	V201-260-802-00	BOLT/M 8X20	*	4	4	4	4	4				
55	V411-260-008-00	WASHER, PL/M 8	*	8	8	8	8	8				
56	V304-260-008-00	NUT	*	4	4	4	4	4				
57	1740-601-550-00	PLATE/HOLDER/LH/F	*	1	1	1	1	1				
58	1740-601-560-00	PLATE/HOLDER/RH/F	*	1	1	1	1	1				
59	1421-603-004-00	BUSH, LEVER	*	2	2	2	2	2				
60	V211-360-802-00	BOLT/SP	*	4	4	4	4	4				



FIG. 88 GRILLE SYSTEM



1740-602 -0100

KEY	PART CODE	DESCRIPTION	S P C	TYPE OF MODEL					I T C	C O L	G R P	REMARKS
				TH4260 VB24	TH4260H	TH4290	TH4290H	TH4330H				
1	1740-602-056-00	GRILLE	*	1	1	1	1	1				
2	1716-602-002-10	TRIM/265	*	2	2	2	2	2				
3	1740-602-057-00	INSULATOR/380	*	1	1	1	1	1				
4	1675-601-003-00	TRIM/70	*	2	2	2	2	2				
5	1740-602-051-00	NET/GURILLE	*	1	1	1	1	1		7F		
6	1444-601-015-00	WASHER/6X14X3	*	10	10	10	10	10				
7	V350-160-006-00	NUT, SPEED/P6	*	10	10	10	10	10				
8	1740-602-052-00	HOOD/LAMP	*	1	1	1	1	1				
9	1614-630-002-00	INSULATOR	*	2	2	2	2	2				
10	1740-602-053-00	NET/SIDE/LH	*	1	1	1	1	1				
11	1740-602-054-00	NET/SIDE/RH	*	1	1	1	1	1				
12	1444-601-015-00	WASHER/6X14X3	*	8	8	8	8	8				
13	V350-160-006-00	NUT, SPEED/P6	*	8	8	8	8	8				
14	3740-162-005-00	WASHER	*	2	2	2	2	2				
15	V411-260-006-00	WASHER / MB	*	2	2	2	2	2				
16	V200-260-602-00	BOLT/M 6X20	*	4	4	4	4	4				
17	V210-360-602-00	BOLT/SP	*	3	3	3	3	3				
18	1740-602-500-00	BRACKET/GRILLE COMP	*	1	1	1	1	1				
19	1716-601-003-00	BOLT/KNOB/MD6X13	*	2	2	2	2	2				
20	1421-507-014-00	WASHER/6X24X2	*	2	2	2	2	2				
21	1716-410-003-00	PLATE/IR/44X60	*	2	2	2	2	2				
22	1421-603-004-00	BUSH, LEVER	*	2	2	2	2	2				
23	V211-360-802-00	BOLT/SP	*	4	4	4	4	4				











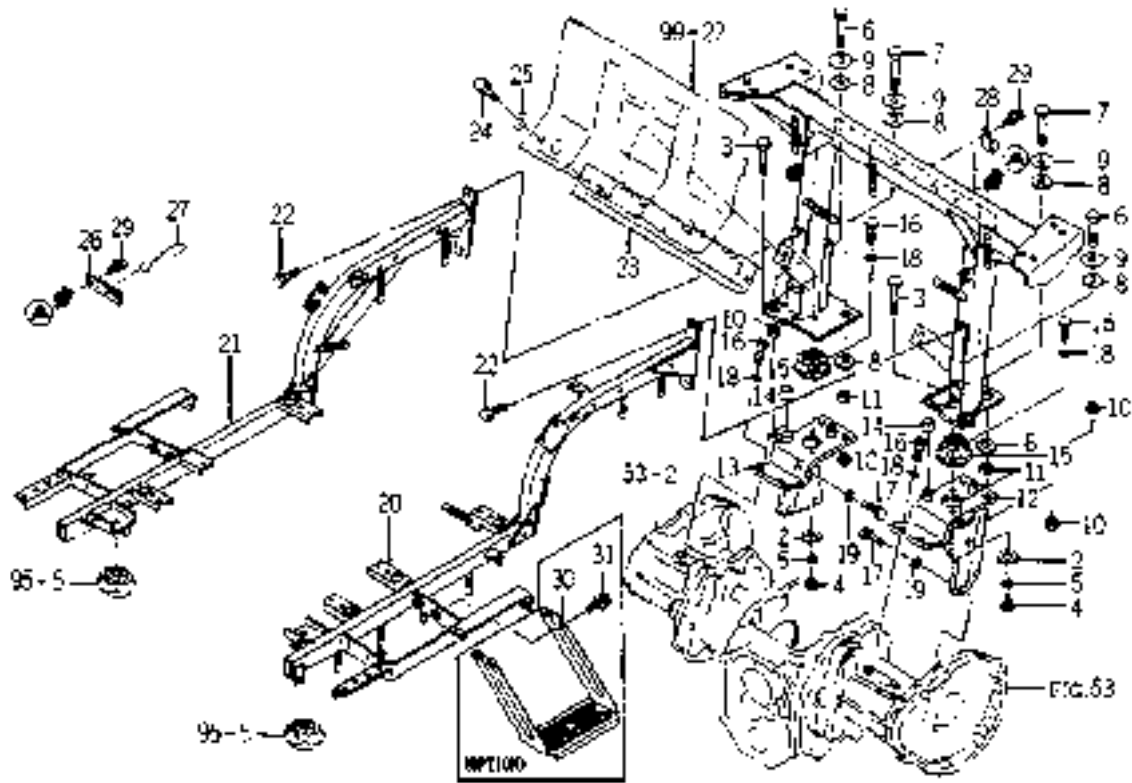








**FIG. 97 MOUNT (REAR/H TYPE),  
STEP (SUB/OPTION) SYSTEM**

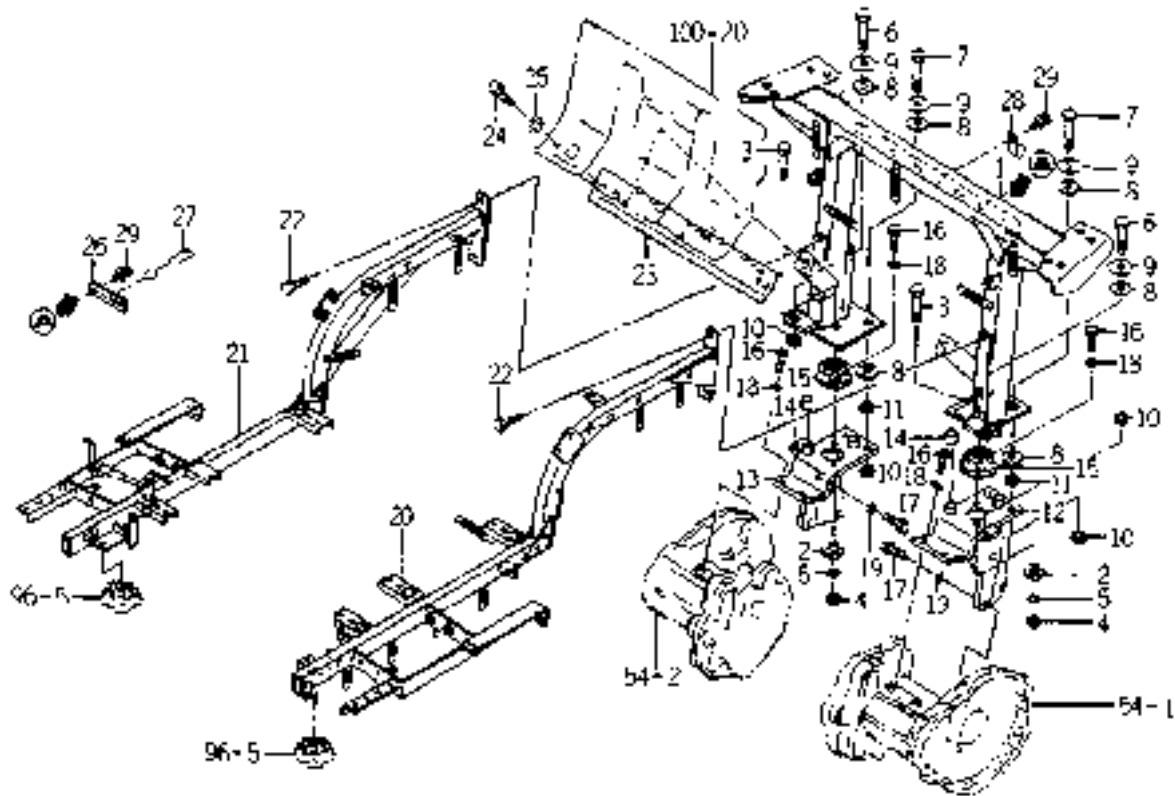


1740-626 -0100,1709-631 -0100

KEY	PART CODE	DESCRIPTION	S P C	TYPE OF MODEL					I T C	C O L	G R P	REMARKS
				TH4260 VB24	TH4260H	TH4290	TH4290H	TH4330H				
1	1740-626-530-10	FRAME/REAR	COMP	*	1		1	1				
2	1614-626-400-00	WASHER	COMP	*	2		2	2				
3	V201-461-207-50	BOLT/M2X75		*	2		2	2				
4	1640-626-001-00	NUT		*	2		2	2				
5	V401-160-012-00	WASHER, SP/M2		*	2		2	2				
6	V201-461-206-50	BOLT/M2X65		*	2		2	2				
7	V201-461-207-50	BOLT/M2X75		*	4		4	4				
8	1594-715-002-00	INSULATOR		*	10		10	10				
9	2101-221-004-00	WASHER		*	6		6	6				
10	1640-626-001-00	NUT		*	6		6	6				
11	1687-626-001-10	COLLAR/12X38X20		*	4		4	4				
12	1740-626-540-00	BRACKET/REAR/LH	COMP	*	1		1	1				
13	1740-626-550-00	BRACKET/REAR/RH	COMP	*	1		1	1				
14	1566-701-102-00	INSULATOR		*	2		2	2				
15	1622-625-001-00	INSULATOR		*	2		2	2				
16	V201-461-002-50	BOLT/M10X25		*	8		8	8				
17	V201-461-203-00	BOLT/M2X30		*	4		4	4				
18	V401-160-010-00	WASHER, SP/M10		*	8		8	8				
19	V401-160-012-00	WASHER, SP/M2		*	4		4	4				
20	1740-626-500-10	FRAME/SIDE/LH	COMP	*	1		1	1				
21	1740-626-510-20	FRAME/SIDE/RH	COMP	*	1		1	1				
22	V211-561-002-50	BOLT/M10X25		*	4		4	4				
23	1620-626-230-10	BRACKET/REAR	COMP	*	1		1	1				
24	V211-561-002-50	BOLT/M10X25		*	2		2	2				
25	V411-260-010-00	WASHER/M10		*	2		2	2				
26	1620-626-600-00	PLATE	COMP	*	1		1	1				
27	1566-525-101-00	HOOK, TOP LINK		*	1		1	1				
28	1425-621-004-00	HOLDER/JE/9-9		*	1		1	1				
29	V211-360-802-50	BOLT/SP		*	3		3	3				
30	1716-631-201-10	STEP/SUB		T	1	1	1	1				



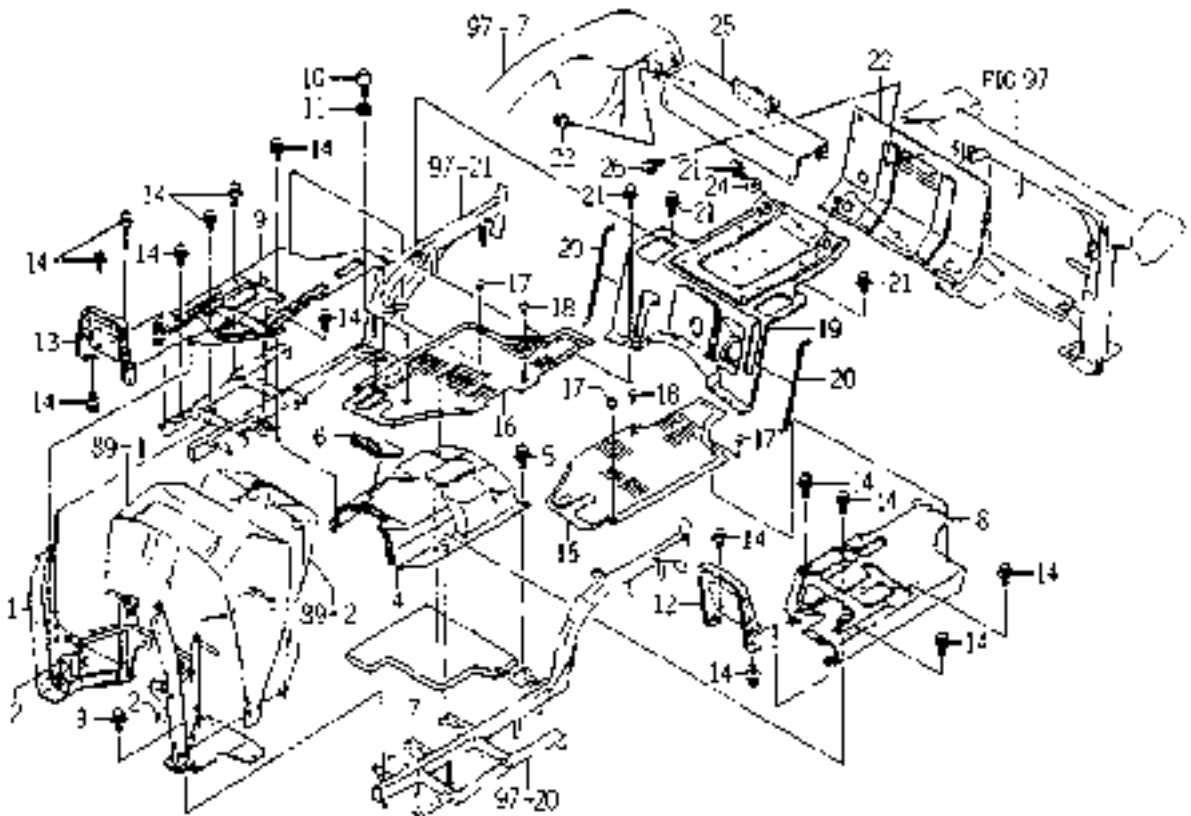
# FIG. 98 MOUNT (REAR) SYSTEM (EXCEPT H TYPE)



1740-626A-0100

KEY	PART CODE	DESCRIPTION	S P C	TYPE OF MODEL					I T C	C O L	G R P	REMARKS
				TH4260 VB24	TH4260H	TH4290	TH4290H	TH4330H				
1	1740-626-530-10	FRAME/REAR	COMP	*	1		1					
2	1614-626-400-00	WASHER	COMP	*	2		2					
3	V201-461-207-50	BOLT/M 2X75		*	2		2					
4	1640-626-001-00	NUT		*	2		2					
5	V401-160-012-00	WASHER, SP/M 2		*	2		2					
6	V201-461-206-50	BOLT/M 2X65		*	2		2					
7	V201-461-207-50	BOLT/M 2X75		*	4		4					
8	1594-715-002-00	INSULATOR		*	10		10					
9	2101-221-004-00	WASHER		*	6		6					
10	1640-626-001-00	NUT		*	6		6					
11	1687-626-001-10	COLLAR/12X38X20		*	4		4					
12	1740-626-540-00	BRACKET/REAR/LH	COMP	*	1		1					
13	1740-626-550-00	BRACKET/REAR/RH	COMP	*	1		1					
14	1566-701-102-00	INSULATOR		*	2		2					
15	1622-625-001-00	INSULATOR		*	2		2					
16	V201-461-002-50	BOLT/M OX25		*	8		8					
17	V201-461-203-00	BOLT/M 2X30		*	4		4					
18	V401-160-010-00	WASHER, SP/M O		*	8		8					
19	V401-160-012-00	WASHER, SP/M 2		*	4		4					
20	1740-626-200-00	FRAME/SIDE/LH	COMP	*	1		1					
21	1740-626-210-00	FRAME/SIDE/RH	COMP	*	1		1					
22	V211-561-002-50	BOLT/M OX25		*	4		4					
23	1620-626-230-10	BRACKET/REAR	COMP	*	1		1					
24	V211-561-002-50	BOLT/M OX25		*	2		2					
25	V411-260-010-00	WASHER/M O		*	2		2					
26	1620-626-600-00	PLATE	COMP	*	1		1					
27	1566-525-101-00	HOOK, TOP LINK		*	1		1					
28	1425-621-004-00	HOLDER/JE/9-9		*	1		1					
29	V211-360-802-50	BOLT/SP		*	3		3					

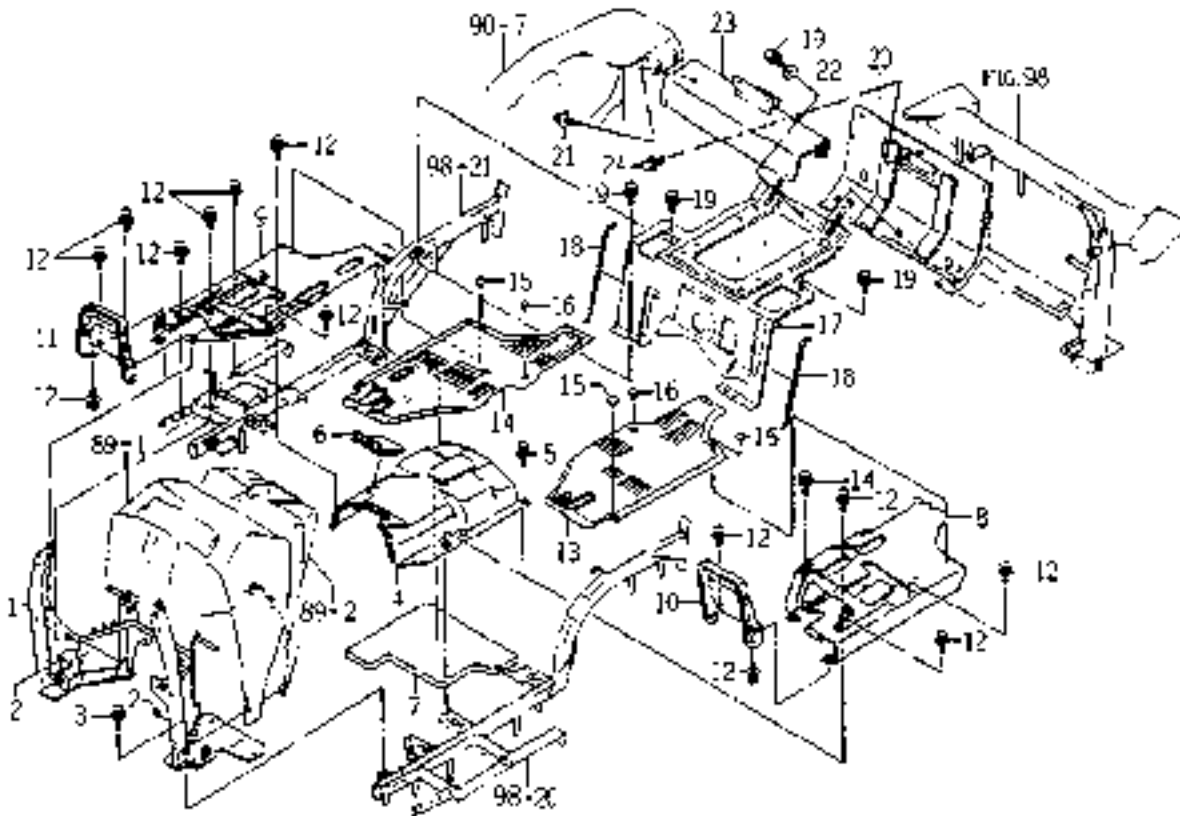
**FIG. 99 FLOOR SYSTEM (H TYPE)**



1740-630 -0100

KEY	PART CODE	DESCRIPTION	S P C	TYPE OF MODEL					I T C	C O L	G R P	REMARKS
				TH4260 VB24	TH4260H	TH4290	TH4290H	TH4330H				
1	1740-630-500-20	FRAME/DUSH COMP	*		1		1	1				
2	1640-654-001-00	INSULATOR	*		2		2	2				
3	V211-360-802-00	BOLT/SP	*		4		4	4				
4	1620-630-053-00	PANEL/CENTER	*		1		1	1		5I		
5	V211-360-801-60	BOLT, SEMS (SP)	*		4		4	4				
6	1614-630-007-00	INSULATOR	*		1		1	1				
7	1614-630-008-00	INSULATOR	*		1		1	1				
8	1620-630-210-11	PANEL/FLOOR/LH COMP	*		1		1	1		5I		
9	1740-630-520-30	PANEL/FLOOR/RH COMP	*		1		1	1		5I		
10	1740-630-053-00	INSULATOR/MB	*		2		2	2				
11	V304-260-008-00	NUT	*		2		2	2				
12	1740-630-054-00	HOOD/LH	*		1		1	1		5I		
13	1740-630-055-00	HOOD/RH	*		1		1	1		5I		
14	V211-360-801-60	BOLT, SEMS (SP)	*		18		18	18				
15	1740-630-051-00	MAT/FLOOR/LH	*		1		1	1				
16	1740-630-052-20	MAT/FLOOR/RH	*		1		1	1				
17	1560-606-008-00	CAP/07	*		4		4	4				
18	1620-630-008-00	CLIP/08	*		1		1	1				
19	1687-630-500-00	PANEL/SEAT COMP	*		1		1	1		5I		
20	1614-630-002-00	INSULATOR	*		2		2	2				
21	V211-360-801-60	BOLT, SEMS (SP)	*		6		6	6				
22	1678-630-210-00	PANEL/REAR COMP	*		1		1	1		5I		
23	V211-360-801-60	BOLT, SEMS (SP)	*		2		2	2				
24	3220-402-003-00	WASHER, HOLDING BLOCK	*		1		1	1				
25	1740-630-530-00	PANEL/BACK COMP	*		1		1	1		4L		
26	V211-360-801-60	BOLT, SEMS (SP)	*		3		3	3				

**FIG.100 FLOOR SYSTEM (EXCEPT H TYPE)**



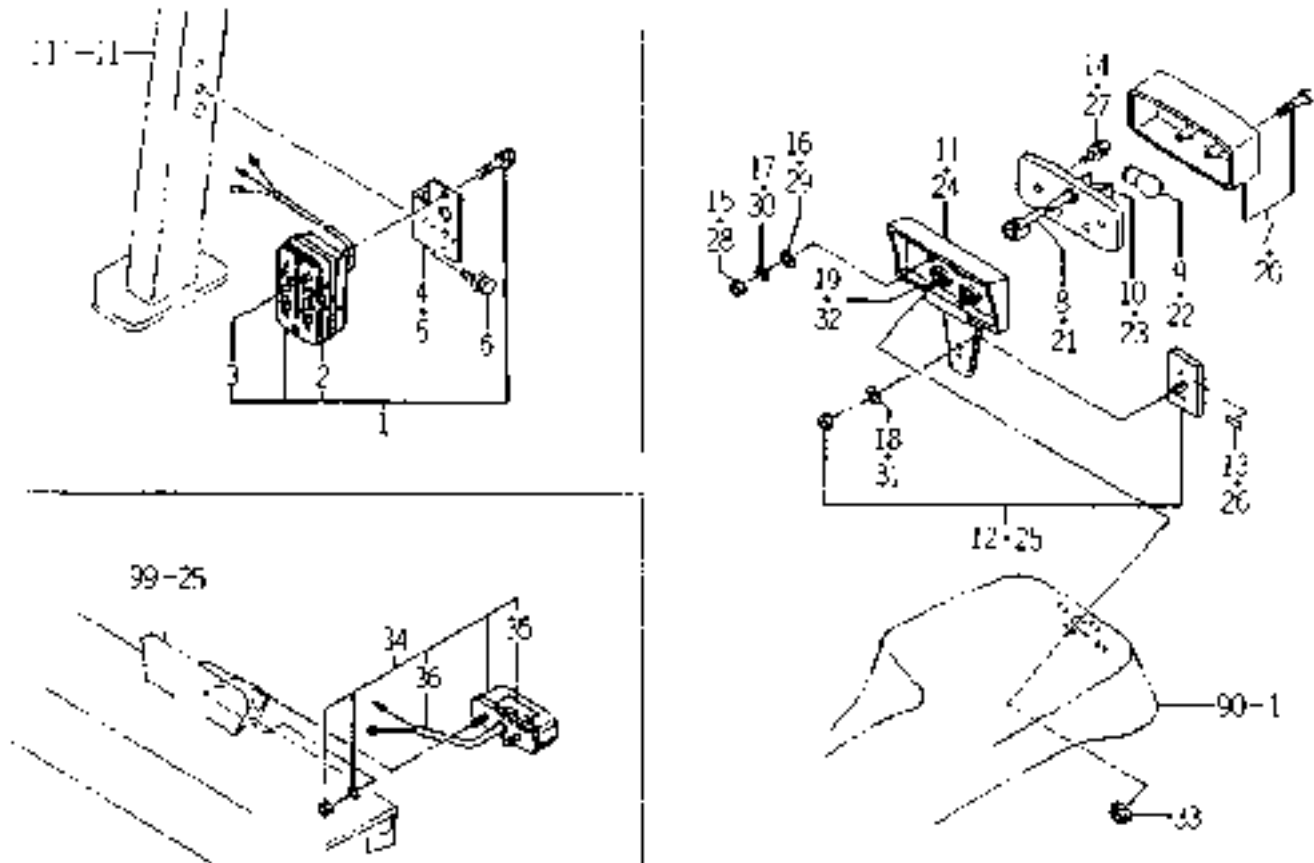
1740-630A-0100

KEY	PART CODE	DESCRIPTION	S P C	TYPE OF MODEL					I T C	C O L	G R P	REMARKS
				TH4260 VB24	TH4260H	TH4290	TH4290H	TH4330H				
1	1740-630-200-10	FRAME/DUSH COMP	*	1		1						
2	1640-654-001-00	INSULATOR	*	2		2						
3	V211-360-802-00	BOLT/SP	*	4		4						
4	1620-630-053-00	PANEL/CENTER	*	1		1				5I		
5	V211-360-801-60	BOLT, SEMS (SP)	*	4		4						
6	1614-630-007-00	INSULATOR	*	1		1						
7	1614-630-008-00	INSULATOR	*	1		1						
8	1620-630-210-11	PANEL/FLOOR/LH COMP	*	1		1				5I		
9	1620-630-220-11	PANEL/FLOOR/RH COMP	*	1		1				5I		
10	1740-630-054-00	HOOD/LH	*	1		1				5I		
11	1740-630-055-00	HOOD/RH	*	1		1				5I		
12	V211-360-801-60	BOLT, SEMS (SP)	*	18		18						
13	1740-630-001-00	MAT/FLOOR/LH	*	1		1						
14	1740-630-002-00	MAT/FLOOR/RH	*	1		1						
15	1560-606-008-00	CAP/07	*	4		4						
16	1620-630-008-00	CLIP/08	*	1		1						
17	1740-630-210-00	PANEL/SEAT COMP	*	1		1				5I		
18	1614-630-002-00	INSULATOR	*	2		2						
19	V211-360-801-60	BOLT, SEMS (SP)	*	6		6						
20	1678-630-210-00	PANEL/REAR COMP	*	1		1				5I		
21	V211-360-801-60	BOLT, SEMS (SP)	*	2		2						
22	3220-402-003-00	WASHER, HOLDING BLOCK	*	1		1						
23	1740-630-530-00	PANEL/BACK COMP	*	1		1				4L		
24	V211-360-801-60	BOLT, SEMS (SP)	*	3		3						





FIG.102 LAMP SYSTEM (H TYPE)

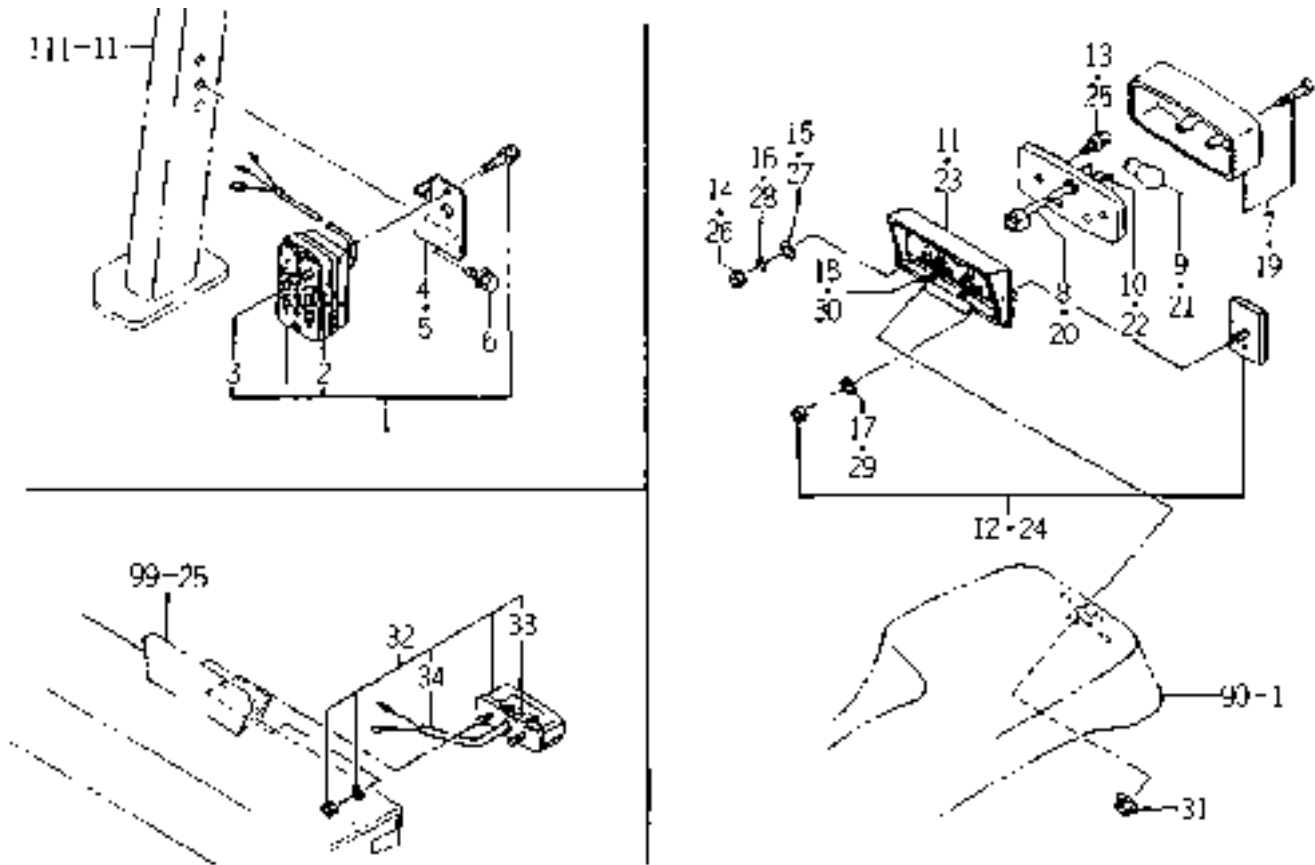


1740-660 -0100

KEY	PART CODE	DESCRIPTION	S P C	TYPE OF MODEL					I T C	C O L	G R P	REMARKS
				TH4260 VB24	TH4260H	TH4290	TH4290H	TH4330H				
1	1674-654-200-00	LAMP/FRONT SET	*		2		2	2				
2	1674-654-211-00	BULB/12V21W	*		2		2	2				
3	1674-654-212-00	BULB/12V5W	*		2		2	2				
4	1740-660-002-00	STAY/LAMP/LH	*		1		1	1				
5	1740-660-003-00	STAY/LAMP/RH	*		1		1	1				
6	V211-360-801-60	BOLT, SEMS (SP)	*		4		4	4				
7	1600-622-260-00	LAMP, COMBI/REAR/LH	*		1		1	1				2SD0-031-840-31
8	1600-622-251-00	HARNES, LAMP/REAR	*		1		1	1				
9	1674-654-211-00	BULB/12V21W	*		2		2	2				
10	1600-622-252-00	BULB/LAMP/12V10W	*		1		1	1				8GA0-020-711-31
11	1600-622-003-00	COVER, LAMP/REAR	*		1		1	1				
12	1674-654-400-00	REFLECTOR ASSY	*		1		1	1				
13	1674-654-004-00	TAPE/10X20	*		1		1	1				
14	V120-365-002-00	SCREW SEMS	*		2		2	2				
15	V301-260-005-00	NUT/M5	*		2		2	2				
16	V411-260-005-00	WASHER	*		2		2	2				
17	V401-160-005-00	WASHER, SP/M 5	*		2		2	2				
18	V411-260-004-00	WASHER, PL/M 4	*		1		1	1				
19	V201-260-801-60	BOLT/M 8X16	*		2		2	2				
20	1600-622-280-00	LAMP, COMBI/REAR/RH	*		1		1	1				2SD0-031-840-41
21	1600-622-251-00	HARNES, LAMP/REAR	*		1		1	1				
22	1674-654-211-00	BULB/12V21W	*		2		2	2				
23	1600-622-252-00	BULB/LAMP/12V10W	*		1		1	1				8GA0-020-711-31
24	1600-622-003-00	COVER, LAMP/REAR	*		1		1	1				
25	1674-654-400-00	REFLECTOR ASSY	*		1		1	1				
26	1674-654-004-00	TAPE/10X20	*		1		1	1				
27	V120-365-002-00	SCREW SEMS	*		2		2	2				
28	V301-260-005-00	NUT/M5	*		2		2	2				
29	V411-260-005-00	WASHER	*		2		2	2				
30	V401-160-005-00	WASHER, SP/M 5	*		2		2	2				



FIG.103 LAMP SYSTEM (EXCEPT H TYPE)

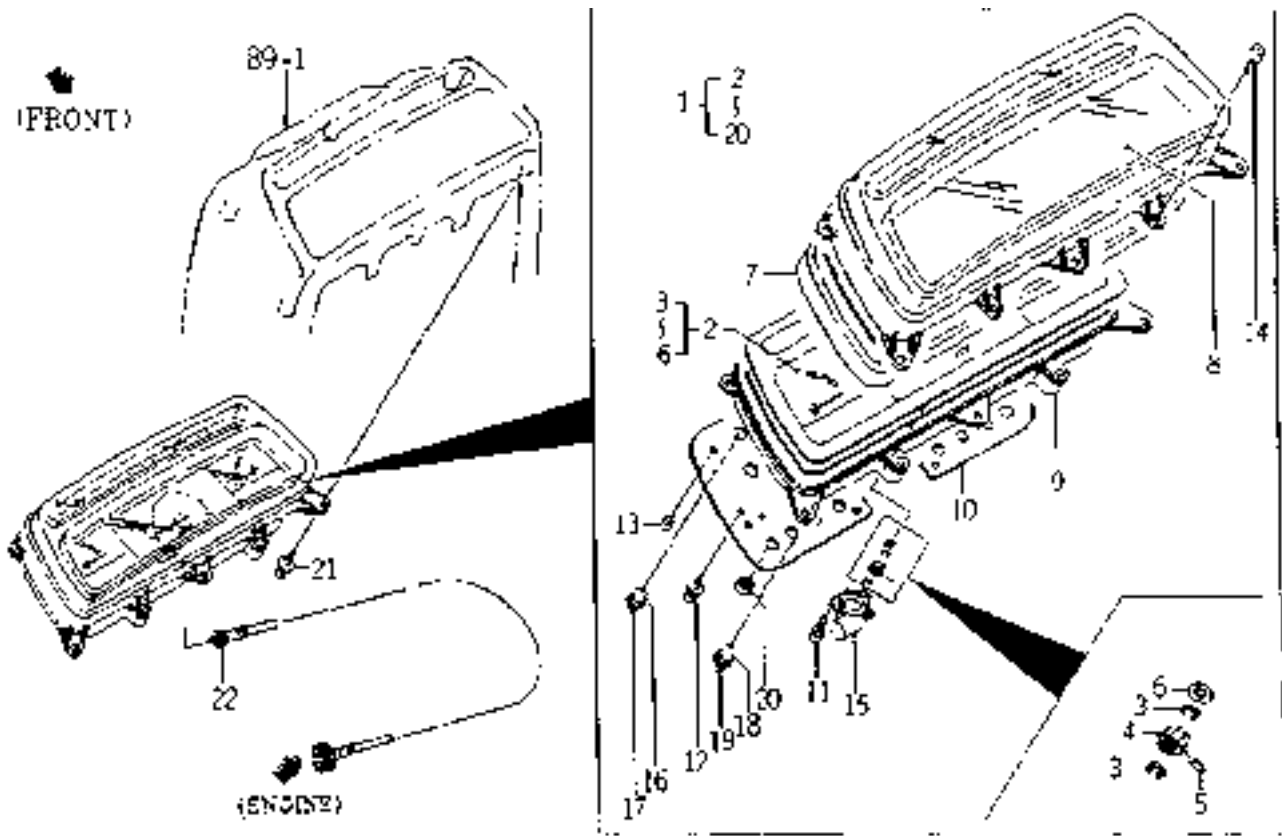


1740-660A-0100

KEY	PART CODE	DESCRIPTION	S P C	TYPE OF MODEL					I T C	C O L	G R P	REMARKS
				TH4260 VB24	TH4260H	TH4290	TH4290H	TH4330H				
1	1674-654-200-00	LAMP/FRONT SET	*	2		2						
2	1674-654-211-00	BULB/12V21W	*	2		2						
3	1674-654-212-00	BULB/12V5W	*	2		2						
4	1740-660-002-00	STAY/LAMP/LH	*	1		1						
5	1740-660-003-00	STAY/LAMP/RH	*	1		1						
6	V211-360-801-60	BOLT, SEMS (SP)	*	4		4						
7	1600-622-260-00	LAMP, COMBI/REAR/LH	*	1		1					2SD0-031-840-31	
8	1600-622-251-00	HARNESS, LAMP/REAR	*	1		1						
9	1674-654-211-00	BULB/12V21W	*	2		2						
10	1600-622-252-00	BULB/LAMP/12V10W	*	1		1					8GA0-020-711-31	
11	1740-660-001-00	COVER/LAMP/REAR	*	1		1						
12	1674-654-400-00	REFLECTOR ASSY	*	1		1						
13	V120-365-002-00	SCREW SEMS	*	2		2						
14	V301-260-005-00	NUT/M5	*	2		2						
15	V411-260-005-00	WASHER	*	2		2						
16	V401-160-005-00	WASHER, SP/M 5	*	2		2						
17	V411-260-004-00	WASHER, PL/M 4	*	1		1						
18	1740-660-201-00	BOLT/M8X16	*	2		2						
19	1600-622-280-00	LAMP, COMBI/REAR/RH	*	1		1					2SD0-031-840-41	
20	1600-622-251-00	HARNESS, LAMP/REAR	*	1		1						
21	1674-654-211-00	BULB/12V21W	*	2		2						
22	1600-622-252-00	BULB/LAMP/12V10W	*	1		1					8GA0-020-711-31	
23	1740-660-001-00	COVER/LAMP/REAR	*	1		1						
24	1674-654-400-00	REFLECTOR ASSY	*	1		1						
25	V120-365-002-00	SCREW SEMS	*	2		2						
26	V301-260-005-00	NUT/M5	*	2		2						
27	V411-260-005-00	WASHER	*	2		2						
28	V401-160-005-00	WASHER, SP/M 5	*	2		2						
29	V411-260-004-00	WASHER, PL/M 4	*	1		1						
30	1740-660-201-00	BOLT/M8X16	*	2		2						



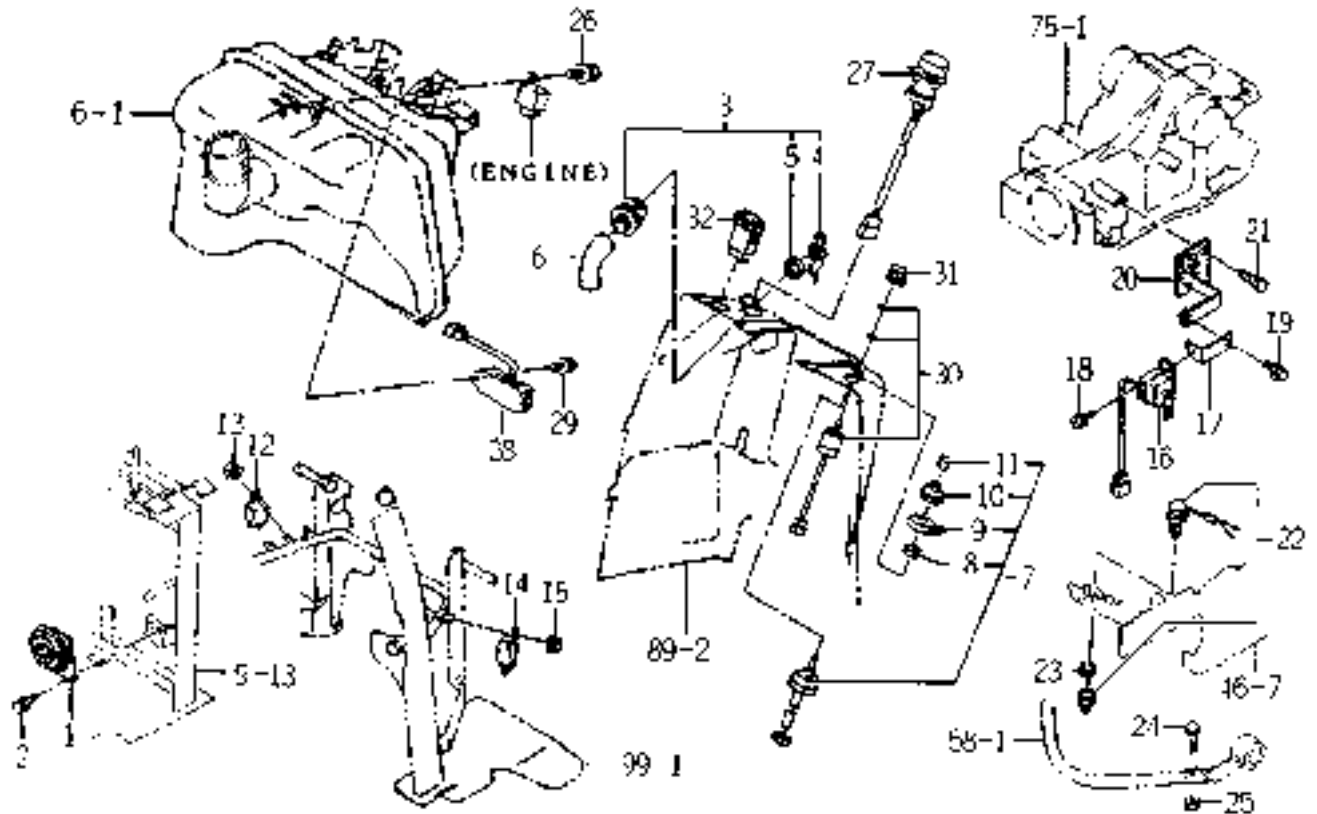
# FIG.104 PANEL SYSTEM



1620-670 -0100

KEY	PART CODE	DESCRIPTION	S P C	TYPE OF MODEL					I T C	C O L	G R P	REMARKS
				TH4260 VB24	TH4260H	TH4290	TH4290H	TH4330H				
1	1620-670-200-40	PANEL/INSTRUMEN ASSY	*	1	1	1	1	1				
2	1620-670-210-40	METER/HM/F/T SET	*	1	1	1	1	1				
3	1640-658-322-00	RING/E	*	2	2	2	2	2				
4	1673-658-214-00	GEAR	*	1	1	1	1	1				
5	1640-658-324-00	PIN	*	1	1	1	1	1				
6	1640-658-325-00	WASHER	*	1	1	1	1	1				
7	1614-670-240-00	ESCUTCHEON	*	1	1	1	1	1				
8	1614-670-201-00	GLASS	*	1	1	1	1	1				
9	1614-670-250-00	HOUSING ASSY	*	1	1	1	1	1				
10	1614-670-260-00	BOARD/WREING ASSY	*	1	1	1	1	1				
11	V120-264-001-20	BOLT/MX12	*	2	2	2	2	2				
12	1560-658-202-00	SCREW	*	6	6	6	6	6				
13	V195-163-010-40	SCREW/TAPPING	*	5	5	5	5	5				
14	V195-164-016-40	SCREW/4X16	*	4	4	4	4	4				
15	1675-670-230-00	CASE ASSY	*	1	1	1	1	1				
16	3650-270-214-00	BULB	*	9	9	9	9	9				
17	1560-658-282-40	SOCKET	*	9	9	9	9	9				
18	1614-670-281-00	BULB/LAMP/12V/1.7W	*	4	4	4	4	4				
19	1560-658-282-40	SOCKET	*	4	4	4	4	4				
20	1614-670-202-00	CAP	*	9	9	9	9	9				
21	V120-366-001-60	SCREW	*	4	4	4	4	4				
22	1614-670-001-10	CABLE ASSY	*	1	1	1	1	1				

FIG.105 SWITCH SYSTEM (H TYPE)



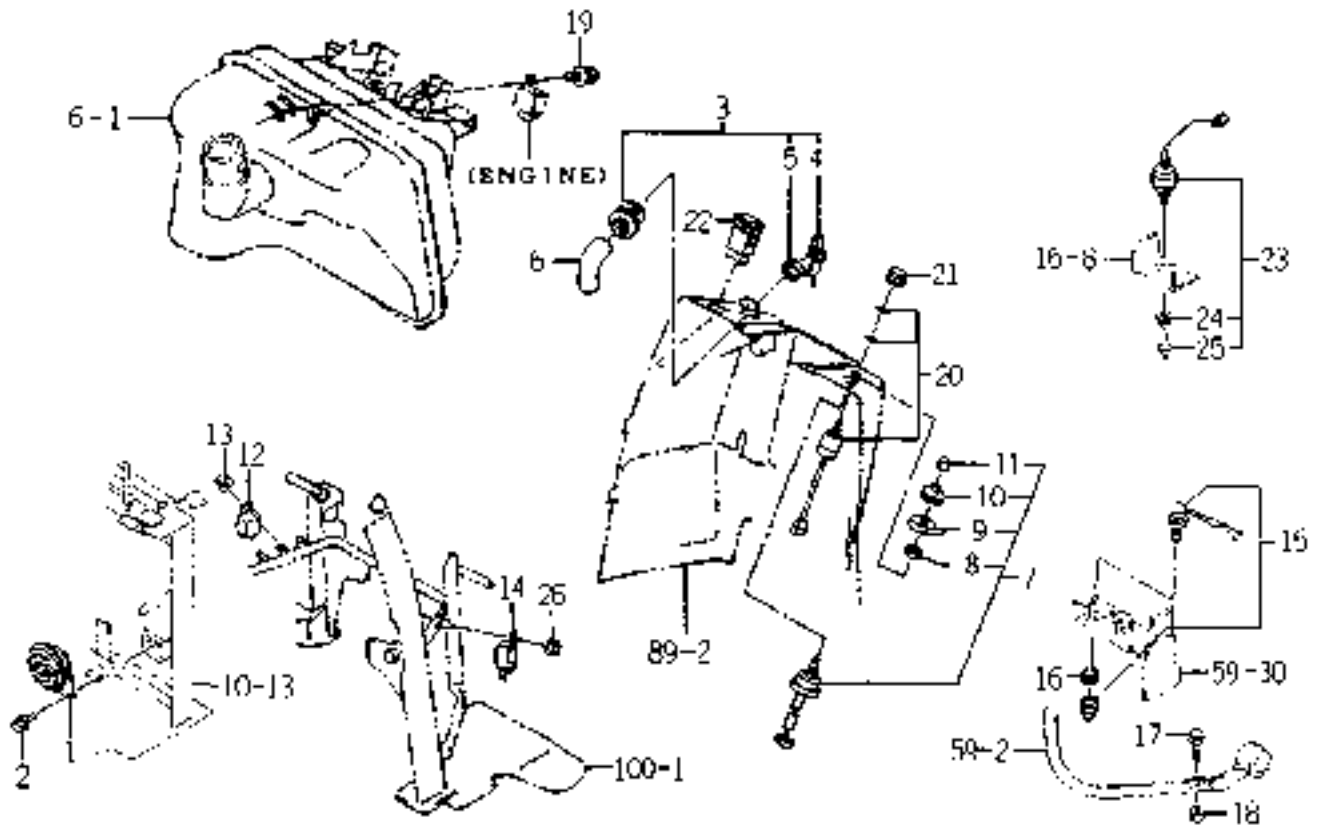
1740-680A-0100

KEY	PART CODE	DESCRIPTION	S P C	TYPE OF MODEL					I T C	C O L	G R P	REMARKS
				TH4260 VB24	TH4260H	TH4290	TH4290H	TH4330H				
1	1740-680-530-00	HORN ASSY	*		1		1	1				
2	V210-360-601-60	BOLT (SP) /MX16	*		2		2	2				
3	1716-680-200-10	SWTCH/MAIN ASSY	*		1		1	1				
4	2186-536-211-00	KEY	*		2		2	2				
5	2186-536-212-00	NUT/RING	*		1		1	1				
6	1716-680-006-00	COVER/SWTCH	*		1		1	1				
7	1544-623-001-00	SWTCH ASSY	*		1		1	1				
8	1544-623-232-00	NUT/M2	*		1		1	1				
9	1544-623-233-00	LEVER	*		1		1	1				
10	1544-623-234-00	KNOB	*		1		1	1				
11	1544-623-235-00	BOOT/HORN	*		1		1	1				
12	1600-623-002-00	FLASHER ASSY	*		1		1	1				4DM0-033-600-01
13	V360-260-006-00	NUT/M6	*		1		1	1				
14	1690-658-370-00	RELAY/4P ASSY	*		1		1	1				
15	V360-260-006-00	NUT/M6	*		1		1	1				
16	1740-680-520-00	SWTCH/SENSOR ASSY	*		1		1	1				
17	1740-680-051-00	PLATE/L/25X63	*		1		1	1				
18	V120-366-001-60	SCREW	*		1		1	1				
19	V211-360-801-60	BOLT, SEMS (SP)	*		1		1	1				
20	1740-680-500-00	BRACKET/SWTCH COMP	*		1		1	1				
21	V211-261-002-00	BOLT, SEMS	*		2		2	2				
22	1518-621-320-00	SWTCH, STOP	*		1		1	1				
23	1432-621-006-10	NUT, LOCK	*		2		2	2				
24	1620-680-003-00	BOLT/MX28	*		1		1	1				
25	V304-260-008-00	NUT	*		1		1	1				
26	V210-360-601-60	BOLT (SP) /MX16	*		1		1	1				
27	1640-664-320-00	SWTCH/PTO ASSY	*		1		1	1				
28	1652-652-260-00	CONTROLLER/G ASSY	*		1		1	1				
29	V210-360-602-50	BOLT/SP	*		2		2	2				
30	1614-680-220-00	SWTCH/ROTARY/2 ASSY	*		1		1	1				





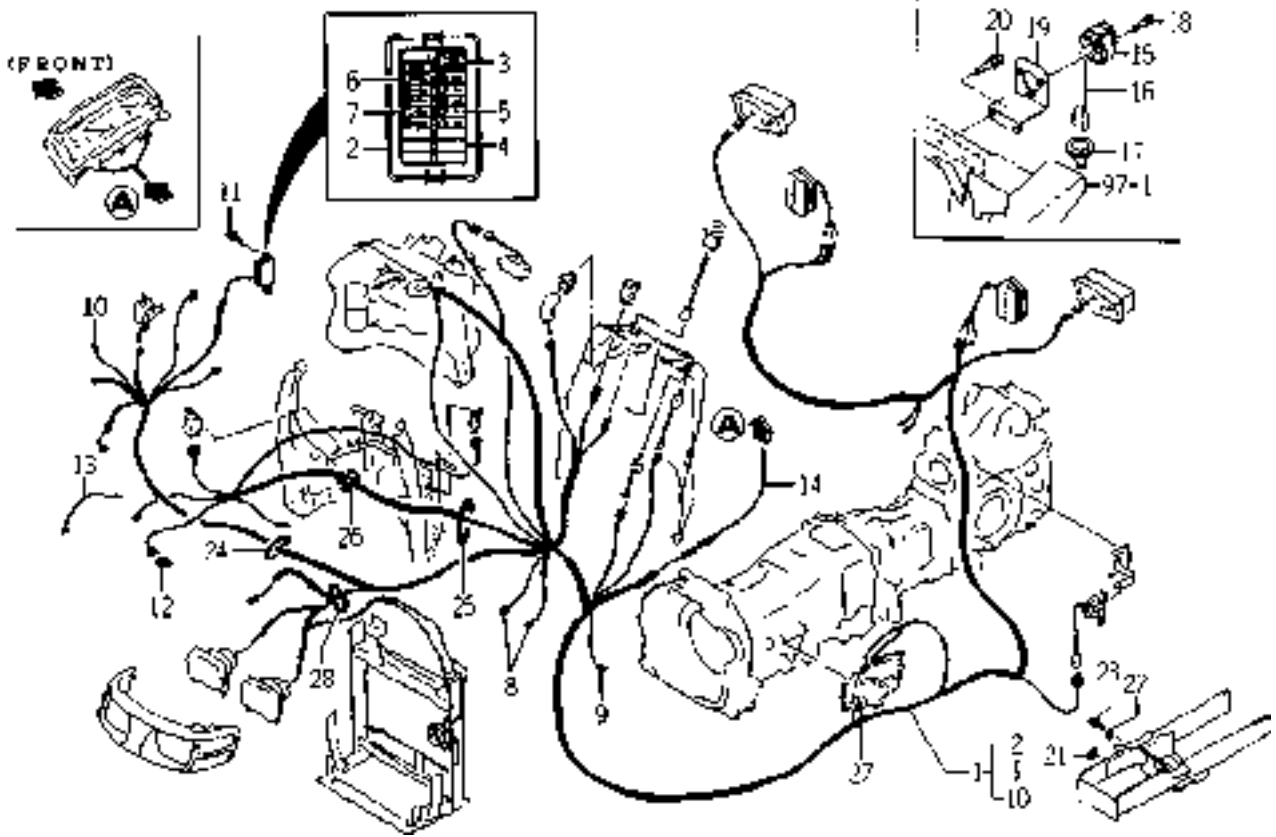
**FIG.106 SWITCH SYSTEM (EXCEPT H TYPE)**



1740-680B-0100

KEY	PART CODE	DESCRIPTION	S P C	TYPE OF MODEL					I T C	C O L	G R P	REMARKS
				TH4260 VB24	TH4260H	TH4290	TH4290H	TH4330H				
1	1740-680-530-00	HORN ASSY	*	1		1						
2	V210-360-601-60	BOLT (SP) /MX16	*	2		2						
3	1716-680-200-10	SWTCH/MAIN ASSY	*	1		1						
4	2186-536-211-00	KEY	*	2		2						
5	2186-536-212-00	NUT/RING	*	1		1						
6	1716-680-006-00	COVER/SWTCH	*	1		1						
7	1544-623-001-00	SWTCH ASSY	*	1		1						
8	1544-623-232-00	NUT/M2	*	1		1						
9	1544-623-233-00	LEVER	*	1		1						
10	1544-623-234-00	KNOB	*	1		1						
11	1544-623-235-00	BOOT/HORN	*	1		1						
12	1600-623-002-00	FLASHER ASSY	*	1		1					4DM0-033-600-01	
13	V360-260-006-00	NUT/M6	*	1		1						
14	1690-658-370-00	RELAY/4P ASSY	*	1		1						
15	1518-621-320-00	SWTCH, STOP	*	1		1						
16	1432-621-006-10	NUT, LOCK	*	2		2						
17	1620-680-003-00	BOLT/MX28	*	1		1						
18	V304-260-008-00	NUT	*	1		1						
19	V210-360-601-60	BOLT (SP) /MX16	*	1		1						
20	1614-680-220-00	SWTCH/ROTARY/2 ASSY	*	1		1						
21	1588-651-205-00	KNOB	*	1		1						
22	1740-680-550-00	SWTCH/HAZARD ASSY	*	1		1						
23	1560-664-250-00	SWTCH/PUSH SET	*	1		1						
24	1560-664-252-00	NUT	*	1		1						
25	1560-664-253-00	BOOT	*	1		1						
26	V360-260-006-00	NUT/M6	*	1		1						

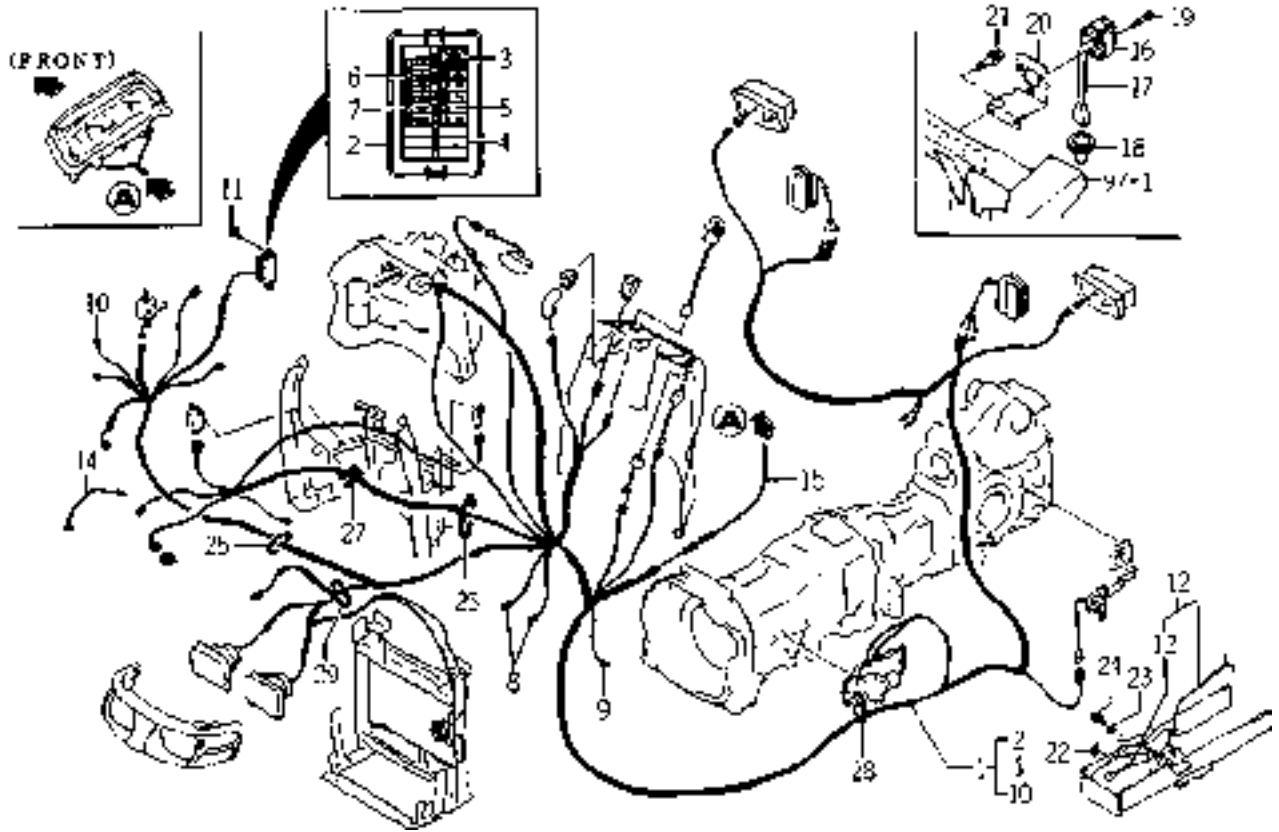
FIG.107 HARNESS SYSTEM (TH4260-H TYPE)



1740-690 -0100

KEY	PART CODE	DESCRIPTION	S P C	TYPE OF MODEL					I T C	C O L	G R P	REMARKS
				TH4260 VB24	TH4260H	TH4290	TH4290H	TH4330H				
1	1740-690-500-40	HARNESS/MAIN/H/E4	*		1							
2	3827-270-001-00	COVER/FUSE	*		1							
3	3827-270-002-00	TOOL/FUSE	*		1							
4	1740-690-502-00	LABEL/FUSE/E4	*		1							
5	1740-690-202-00	FUSE/BLADE/32V05A	*		5							
6	3821-262-202-00	FUSE/BLADE/32V10A	*		5							
7	3821-262-204-00	FUSE/BLADE/32V20A	*		4							
8	1650-650-222-00	FUSE/SLOWBLOW	*		2							
9	1560-666-212-00	DIODE	*		1							
10	1652-654-212-00	DIOD	*		1							
11	V210-360-601-60	BOLT (SP) /MX16	*		2							
12	1740-690-510-10	HARNESS ASSY	*		1							
13	1600-624-004-00	HARNESS, OIL PRESSURE	*		1							
14	1620-690-240-00	HARNESS/PANEL ASSY	*		1							
15	1600-624-201-00	PLUG/7P	*		1							8JB0-019-430-01
16	1682-690-380-00	HARNESS/SOCKET ASSY	*		1							
17	1650-654-036-00	GROMMET/10X40X03	*		1							
18	V120-265-003-00	BOLT/M5X30	*		3							
19	1637-690-260-00	PLATE/SOCKET COMP	*		1							
20	V211-360-802-00	BOLT/SP	*		2							
21	1425-621-004-00	HOLDER/JE/9-9	*		1							
22	1425-621-004-00	HOLDER/JE/9-9	*		1							
23	V211-360-802-00	BOLT/SP	*		1							
24	1376-402-003-00	BAND, WIRE/140	*		1							
25	1560-695-015-00	CLAMP	*		1							
26	1425-621-004-00	HOLDER/JE/9-9	*		1							
27	1342-402-006-00	BAND, WIRE/250	*		1							
28	1376-402-003-00	BAND, WIRE/140	*		1							

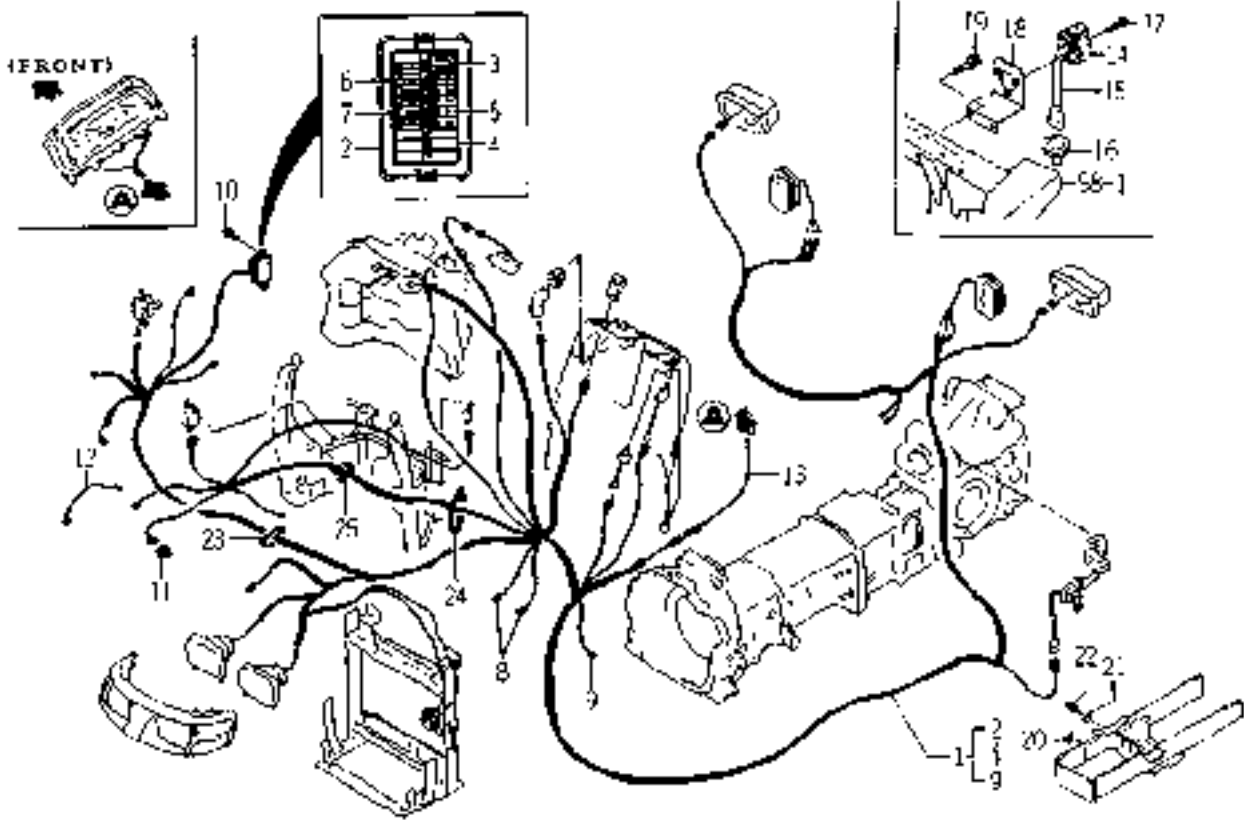
FIG.108 HARNESS SYSTEM (TH4290,4330-H TYPE)



1740-690A-0100

KEY	PART CODE	DESCRIPTION	S P C	TYPE OF MODEL					I T C	C O L	G R P	REMARKS
				TH4260 VB24	TH4260H	TH4290	TH4290H	TH4330H				
1	1740-690-500-40	HARNESS/MAIN/H/E4	*				1	1				
2	3827-270-001-00	COVER/FUSE	*				1	1				
3	3827-270-002-00	TOOL/FUSE	*				1	1				
4	1740-690-502-00	LABEL/FUSE/E4	*				1	1				
5	1740-690-202-00	FUSE/BLADE/32V05A	*				5	5				
6	3821-262-202-00	FUSE/BLADE/32V10A	*				5	5				
7	3821-262-204-00	FUSE/BLADE/32V20A	*				4	4				
8	1650-650-222-00	FUSE/SLOWBLOW	*				2	2				
9	1560-666-212-00	DIODE	*				1	1				
10	1652-654-212-00	DIOD	*				1	1				
11	V210-360-601-60	BOLT (SP) /MX16	*				2	2				
12	1740-690-520-00	HARNESS/TANK/SU ASSY	*				1	1				
13	1581-111-001-00	HARNESS	*				1	1				
14	1600-624-004-00	HARNESS, OIL PRESSURE	*				1	1				
15	1620-690-240-00	HARNESS/PANEL ASSY	*				1	1				
16	1600-624-201-00	PLUG/7P	*				1	1				8JB0-019-430-01
17	1682-690-380-00	HARNESS/SOCKET ASSY	*				1	1				
18	1650-654-036-00	GROMMET/10X40X03	*				1	1				
19	V120-265-003-00	BOLT/M5X30	*				3	3				
20	1637-690-260-00	PLATE/SOCKET COMP	*				1	1				
21	V211-360-802-00	BOLT/SP	*				2	2				
22	1425-621-004-00	HOLDER/JE/9-9	*				1	1				
23	1425-621-004-00	HOLDER/JE/9-9	*				1	1				
24	V211-360-802-00	BOLT/SP	*				1	1				
25	1376-402-003-00	BAND, WIRE/140	*				1	1				
26	1560-695-015-00	CLAMP	*				1	1				
27	1425-621-004-00	HOLDER/JE/9-9	*				1	1				
28	1342-402-006-00	BAND, WIRE/250	*				1	1				
29	1376-402-003-00	BAND, WIRE/140	*				1	1				

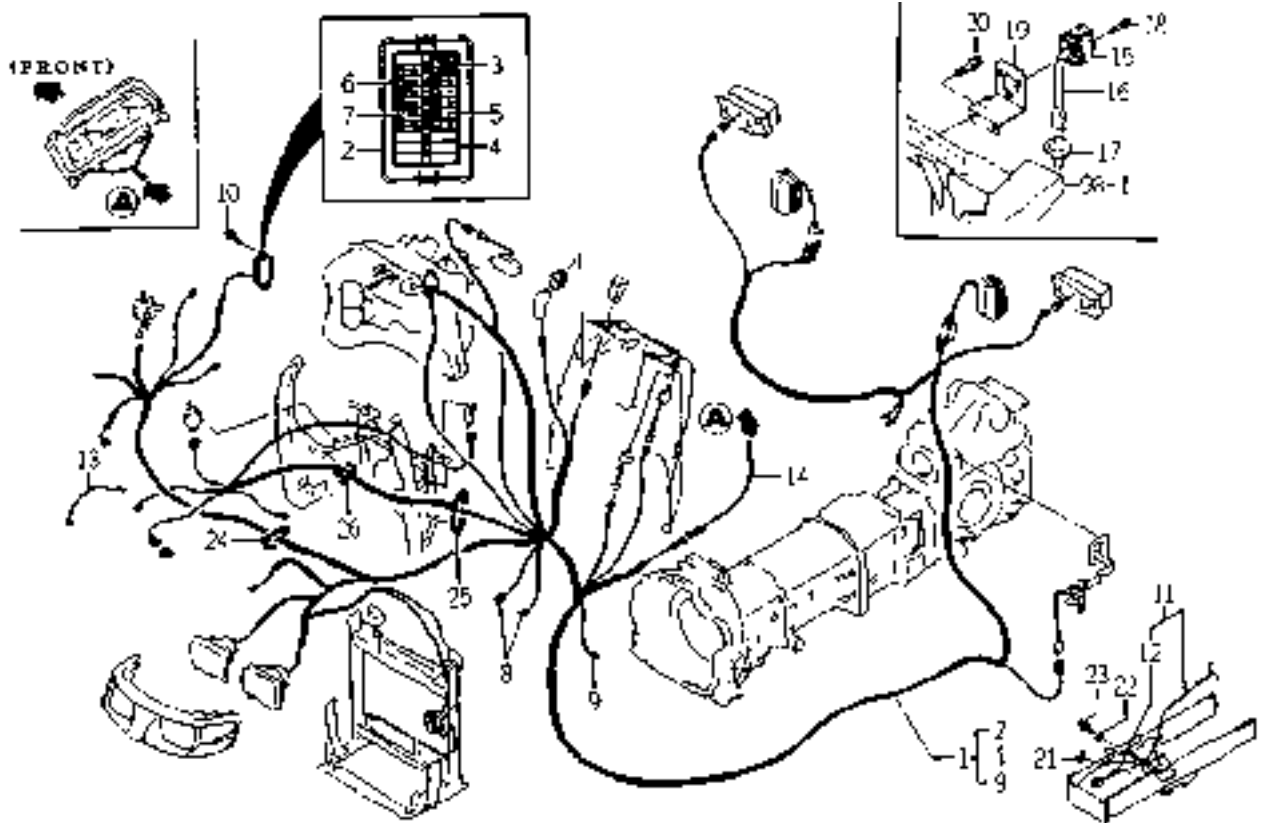
**FIG.109 HARNESS SYSTEM  
(TH4260-EXCEPT H TYPE)**



1740-690B-0100

KEY	PART CODE	DESCRIPTION	S P C	TYPE OF MODEL					I T C	C O L	G R P	REMARKS
				TH4260 VB24	TH4260H	TH4290	TH4290H	TH4330H				
1	1740-690-200-00	HARNESS/MAIN/S/E4	*	1								
2	3827-270-001-00	COVER/FUSE	*	1								
3	3827-270-002-00	TOOL/FUSE	*	1								
4	1740-690-502-00	LABEL/FUSE/E4	*	1								
5	1740-690-202-00	FUSE/BLADE/32V05A	*	5								
6	3821-262-202-00	FUSE/BLADE/32V10A	*	5								
7	3821-262-204-00	FUSE/BLADE/32V20A	*	4								
8	1650-650-222-00	FUSE/SLOWBLOW	*	2								
9	1560-666-212-00	DIODE	*	1								
10	V210-360-601-60	BOLT (SP) /M5X16	*	2								
11	1740-690-510-10	HARNESS ASSY	*	1								
12	1600-624-004-00	HARNESS, OIL PRESSURE	*	1								
13	1620-690-240-00	HARNESS/PANEL ASSY	*	1								
14	1600-624-201-00	PLUG/7P	*	1							8JB0-019-430-01	
15	1682-690-380-00	HARNESS/SOCKET ASSY	*	1								
16	1650-654-036-00	GROMMET/10X40X03	*	1								
17	V120-265-003-00	BOLT/M5X30	*	3								
18	1637-690-260-00	PLATE/SOCKET COMP	*	1								
19	V211-360-802-00	BOLT/SP	*	2								
20	1425-621-004-00	HOLDER/JE/9-9	*	1								
21	1425-621-004-00	HOLDER/JE/9-9	*	1								
22	V211-360-802-00	BOLT/SP	*	1								
23	1376-402-003-00	BAND, WIRE/140	*	1								
24	1560-695-015-00	CLAMP	*	1								
25	1425-621-004-00	HOLDER/JE/9-9	*	1								

**FIG.110 HARNESS SYSTEM  
(TH4290-EXCEPT H TYPE)**

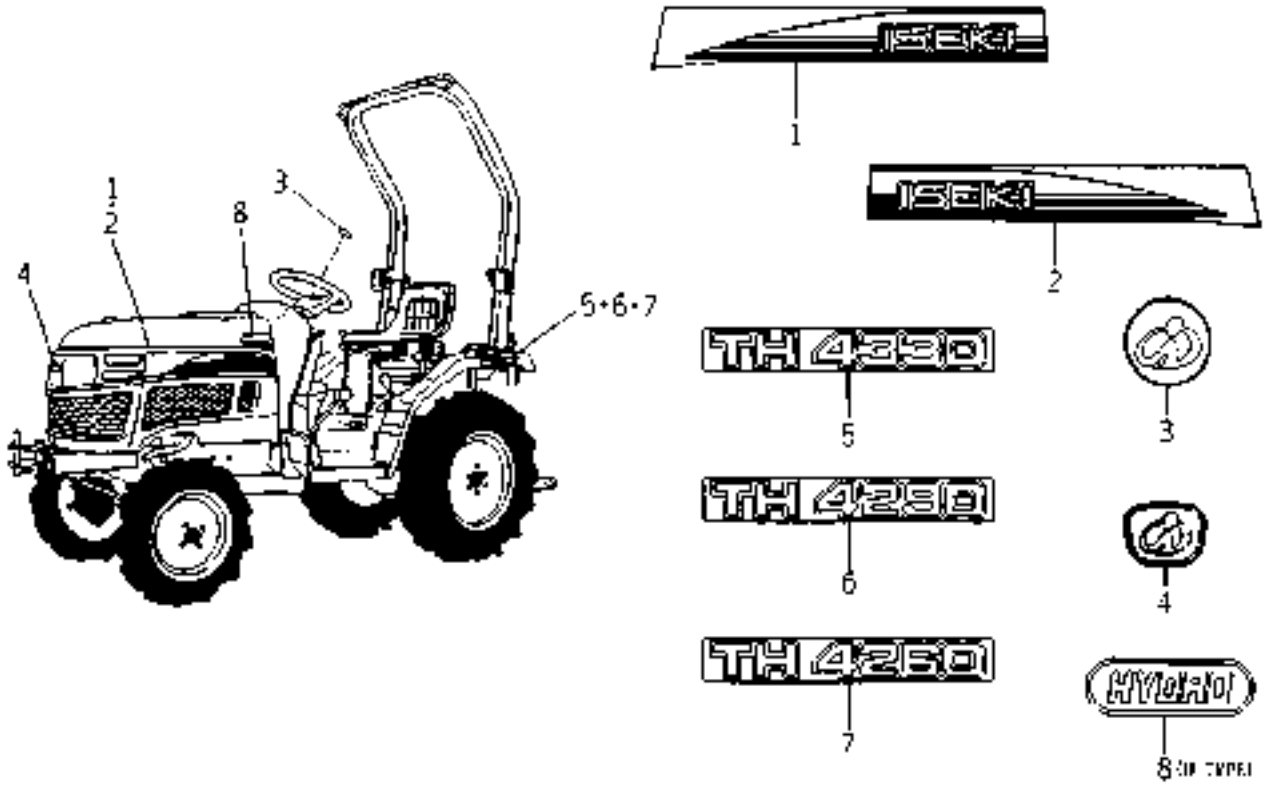


1740-690C-0100

KEY	PART CODE	DESCRIPTION	S P C	TYPE OF MODEL					I T C	C O L	G R P	REMARKS
				TH4260 VB24	TH4260H	TH4290	TH4290H	TH4330H				
1	1740-690-200-00	HARNESS/MAIN/S/E4	*			1						
2	3827-270-001-00	COVER/FUSE	*			1						
3	3827-270-002-00	TOOL/FUSE	*			1						
4	1740-690-502-00	LABEL/FUSE/E4	*			1						
5	1740-690-202-00	FUSE/BLADE/32V05A	*			5						
6	3821-262-202-00	FUSE/BLADE/32V10A	*			5						
7	3821-262-204-00	FUSE/BLADE/32V20A	*			4						
8	1650-650-222-00	FUSE/SLOWBLOW	*			2						
9	1560-666-212-00	DIODE	*			1						
10	V210-360-601-60	BOLT (SP) /M5X16	*			2						
11	1740-690-520-00	HARNESS/TANK/SU ASSY	*			1						
12	1581-111-001-00	HARNESS	*			1						
13	1600-624-004-00	HARNESS, OIL PRESSURE	*			1						
14	1620-690-240-00	HARNESS/PANEL ASSY	*			1						
15	1600-624-201-00	PLUG/7P	*			1					8JB0-019-430-01	
16	1682-690-380-00	HARNESS/SOCKET ASSY	*			1						
17	1650-654-036-00	GROMMET/10X40X03	*			1						
18	V120-265-003-00	BOLT/M5X30	*			3						
19	1637-690-260-00	PLATE/SOCKET COMP	*			1						
20	V211-360-802-00	BOLT/SP	*			2						
21	1425-621-004-00	HOLDER/ JE/9-9	*			1						
22	1425-621-004-00	HOLDER/ JE/9-9	*			1						
23	V211-360-802-00	BOLT/SP	*			1						
24	1376-402-003-00	BAND, WIRE/140	*			1						
25	1560-695-015-00	CLAMP	*			1						
26	1425-621-004-00	HOLDER/ JE/9-9	*			1						



FIG.112 ORNAMENT



1740-901-0100,1740-901A-0100,1740-901B-0100,1646-901E-0100

KEY	PART CODE	DESCRIPTION	S P C	TYPE OF MODEL					I T C	C O L	G R P	REMARKS
				TH4260 VB24	TH4260H	TH4290	TH4290H	TH4330H				
1	1740-901-055-00	ORNAMENT/ISEKI /LH	*	1	1	1	1	1				
2	1740-901-056-00	ORNAMENT/ISEKI /RH	*	1	1	1	1	1				
3	1696-901-006-00	ORNAMENT/STEERING	*	1	1	1	1	1				
4	1118-901-002-00	ORNAMENT/I	*	1	1	1	1	1				
5	1740-901-062-00	ORNAMENT/4330	*					2				
6	1740-901-063-00	ORNAMENT/4290	*			2	2					
7	1740-901-064-00	ORNAMENT/4260	*	2	2							
8	1646-901-061-00	ORNAMENT/HYDRO	*		2		2	2				



























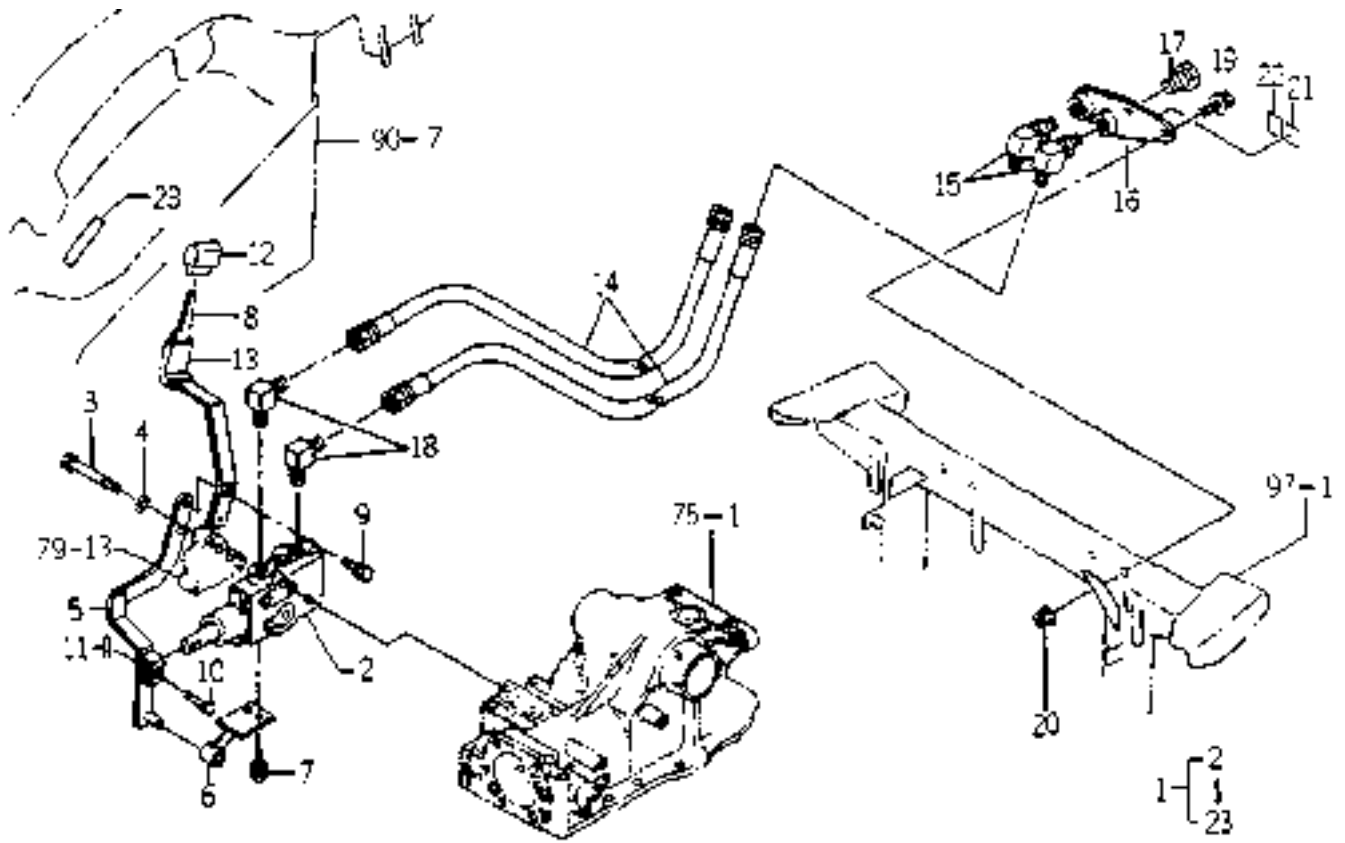








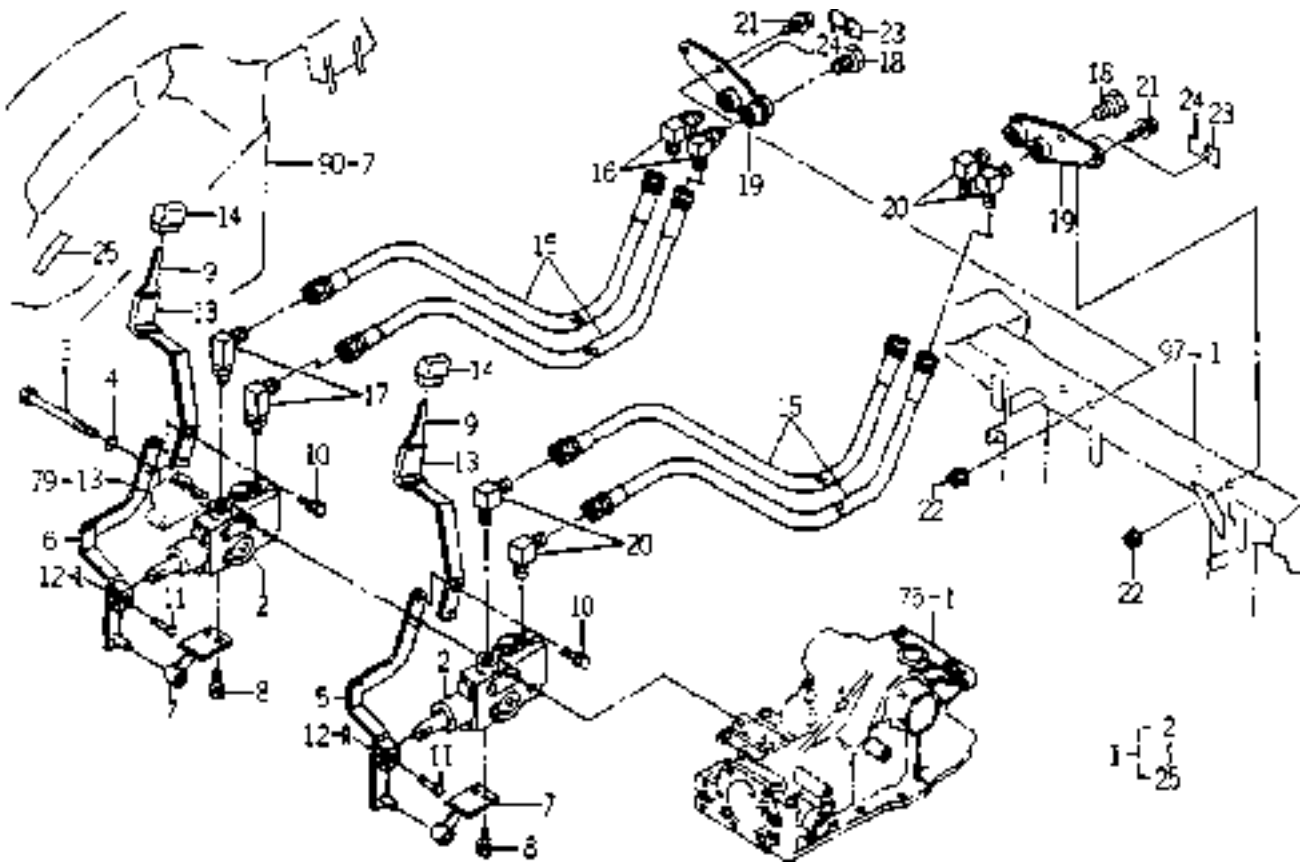
**FIG.128 VALVE (STACK/R1) SET (OPTION)**



1622-507-0100

KEY	PART CODE	DESCRIPTION	S P C	TYPE OF MODEL					I T C	C O L	G R P	REMARKS
				TH4260 VB24	TH4260H	TH4290	TH4290H	TH4330H				
1	1622-507-200-00	VALVE/CONTROL/SUB/R1	T	1	1	1	1	1				
2	1640-530-600-10	VALVE/CONTROL ASSY	T	1	1	1	1	1				FIG 138
3	V201-261-008-00	BOLT/M10X80	T	3	3	3	3	3				
4	V401-160-010-00	WASHER, SP/M10	T	3	3	3	3	3				
5	1622-507-410-10	ARM/1ST COMP	T	1	1	1	1	1				
6	1640-530-260-00	HOLDER COMP	T	1	1	1	1	1				
7	V211-260-801-60	BOLT, SEMS (S) M8X16	T	2	2	2	2	2				
8	1620-507-006-10	LEBER/SUBCON	T	1	1	1	1	1				
9	V211-260-801-60	BOLT, SEMS (S) M8X16	T	1	1	1	1	1				
10	2144-519-007-00	PIN/06X31	T	1	1	1	1	1				
11	2130-601-018-00	PIN, SNAP/6	T	1	1	1	1	1				
12	1612-531-003-00	GRIP	T	1	1	1	1	1				
13	1614-262-006-00	INSULATOR/LEVER/SUB	T	1	1	1	1	1				
14	1620-507-450-10	HOSE/500 COMP	T	2	2	2	2	2				
15	1640-530-003-00	CONNECTOR	T	2	2	2	2	2				
16	1620-507-460-00	STAY/PIPE COMP	T	1	1	1	1	1				
17	V782-160-000-6T	PLUG/SCREW/SEAL	T	2	2	2	2	2				
18	1584-522-001-00	ADAPTER/90°	T	2	2	2	2	2				
19	V211-360-802-00	BOLT/SP	T	2	2	2	2	2				
20	V362-260-008-00	NUT/WASHER	T	2	2	2	2	2				
21	1518-903-006-00	MARK/PORT/A	T	1	1	1	1	1				
22	1518-903-007-00	MARK/PORT/B	T	1	1	1	1	1				
23	1640-530-007-00	LABEL/CONTROL/SUBCON	T	1	1	1	1	1				

**FIG.129 VALVE (STACK/R2) SET (OPTION)**

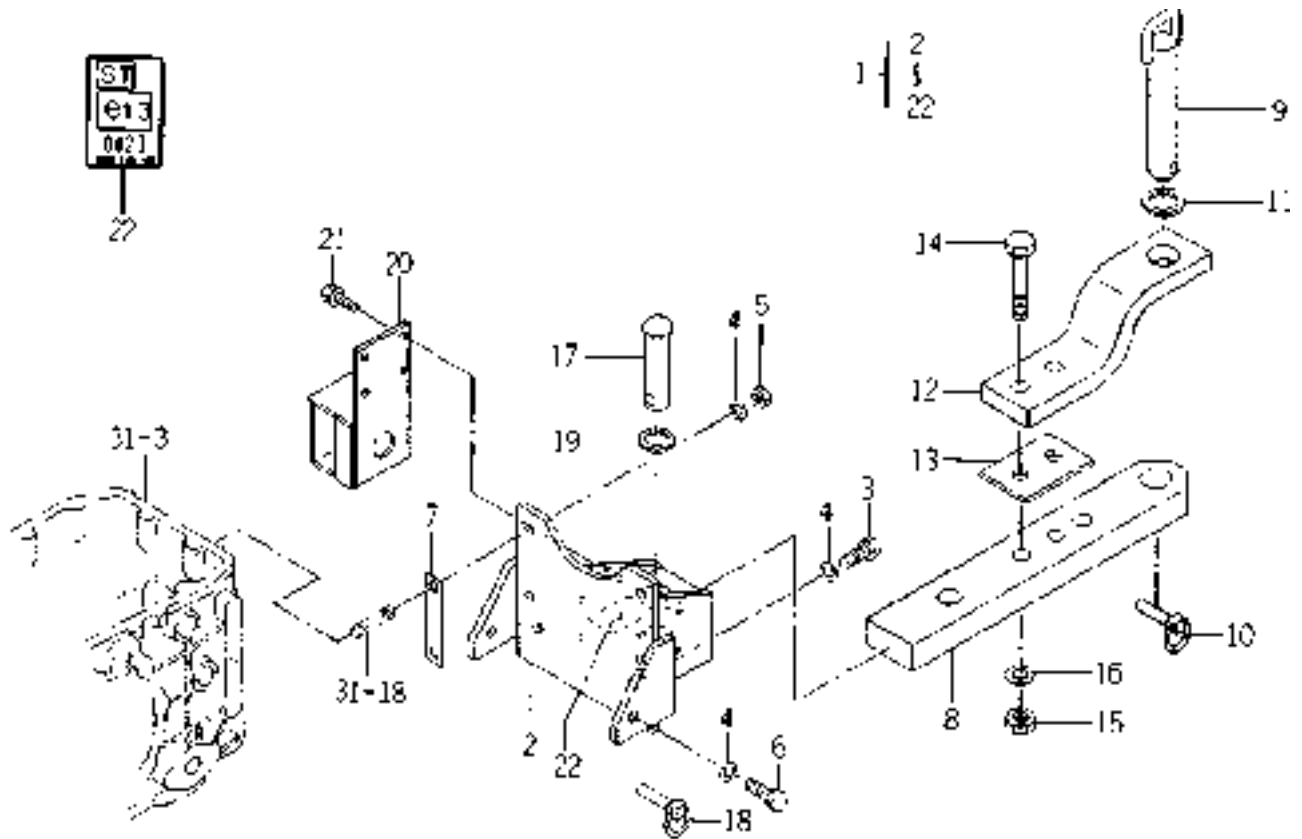


1622-507A-0100

KEY	PART CODE	DESCRIPTION	S P C	TYPE OF MODEL					I T C	C O L	G R P	REMARKS
				TH4260 VB24	TH4260H	TH4290	TH4290H	TH4330H				
1	1622-507-210-00	VALVE/CONTROL/SUB/R2	T	1	1	1	1	1				
2	1640-530-600-10	VALVE/CONTROL ASSY	T	2	2	2	2	2				FIG 138
3	V201-261-012-00	BOLT/M10X120	T	3	3	3	3	3				
4	V401-160-010-00	WASHER, SP/M10	T	3	3	3	3	3				
5	1622-507-410-10	ARM/1ST COMP	T	1	1	1	1	1				
6	1622-507-420-10	ARM/2ND COMP	T	1	1	1	1	1				
7	1640-530-260-00	HOLDER COMP	T	2	2	2	2	2				
8	V211-260-801-60	BOLT, SEMS (S) M8X16	T	2	2	2	2	2				
9	1620-507-006-10	LEBER/SUBCON	T	2	2	2	2	2				
10	V211-260-801-60	BOLT, SEMS (S) M8X16	T	2	2	2	2	2				
11	2144-519-007-00	PIN/06X31	T	2	2	2	2	2				
12	2130-601-018-00	PIN, SNAP/6	T	2	2	2	2	2				
13	1614-262-006-00	INSULATOR/LEVER/SUB	T	2	2	2	2	2				
14	1612-531-003-00	GRIP	T	2	2	2	2	2				
15	1620-507-450-10	HOSE/500 COMP	T	4	4	4	4	4				
16	1640-530-003-00	CONNECTOR	T	2	2	2	2	2				
17	1640-530-009-00	CONNECTOR/L	T	2	2	2	2	2				
18	V782-160-000-6T	PLUG/SCREW/SEAL	T	4	4	4	4	4				
19	1620-507-460-00	STAY/PIPE COMP	T	2	2	2	2	2				
20	1584-522-001-00	ADAPTER/90°	T	4	4	4	4	4				
21	V211-360-802-00	BOLT/SP	T	4	4	4	4	4				
22	V362-260-008-00	NUT/WASHER	T	4	4	4	4	4				
23	1518-903-006-00	MARK/PORT/A	T	2	2	2	2	2				
24	1518-903-007-00	MARK/PORT/B	T	2	2	2	2	2				
25	1640-530-007-00	LABEL/CONTROL/SUBCON	T	1	1	1	1	1				



**FIG.130 HITCH (DRAW BAR) SET (H TYPE) (OPTION)**



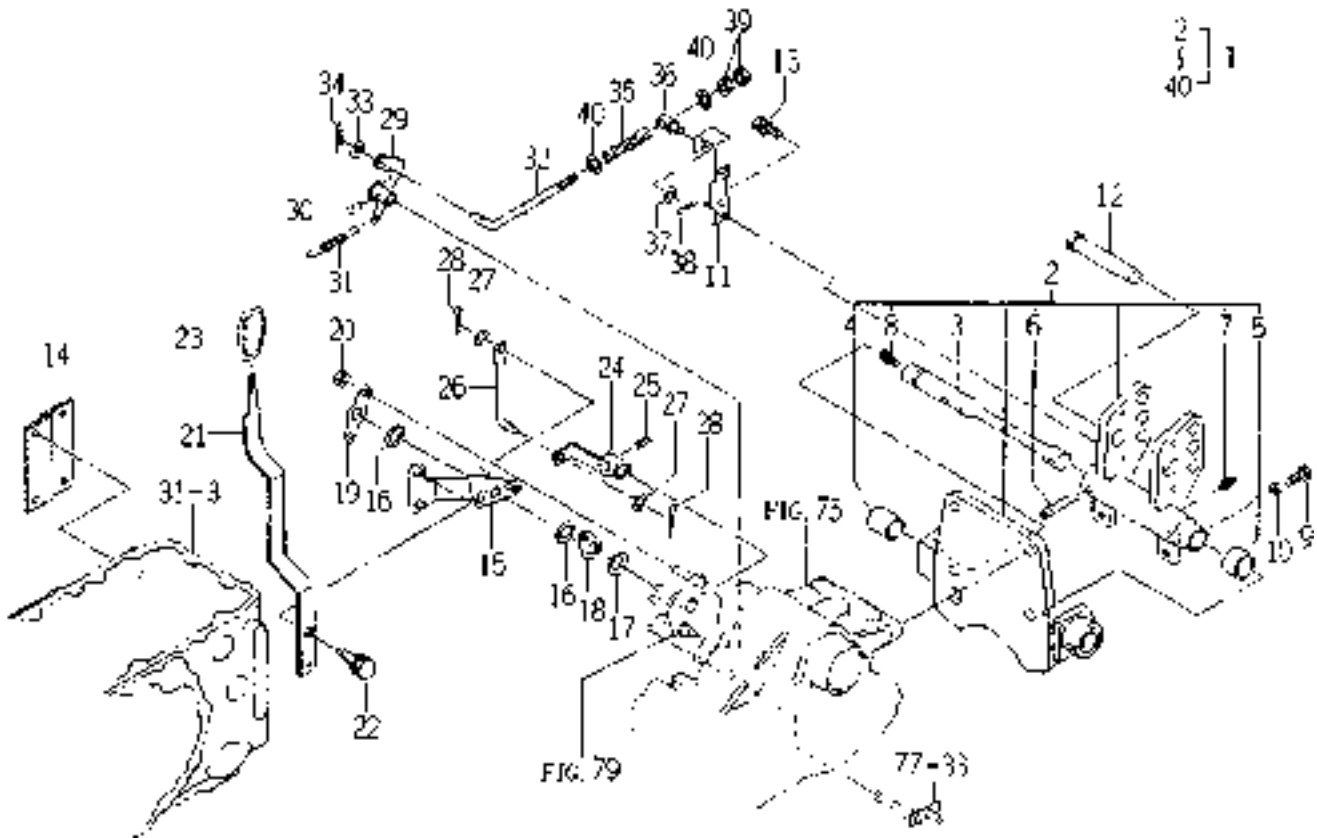
1740-520A-0100

KEY	PART CODE	DESCRIPTION	S P C	TYPE OF MODEL					I T C	C O L	G R P	REMARKS
				TH4260 VB24	TH4260H	TH4290	TH4290H	TH4330H				
1	1740-520-200-00	HITCH/DRAWBAR/E SET	T		1		1	1				
2	1740-520-210-00	BRACKET/DRAWBAR COMP	T		1		1	1				
3	V201-361-203-00	BOLT/M12X30	T		2		2	2				
4	V401-160-012-00	WASHER, SP/M12	T		8		8	8				
5	V304-460-012-00	NUT/M12	T		4		4	4				
6	V201-361-203-50	BOLT/M12X35	T		2		2	2				
7	1639-520-003-00	PLATE/I/22X104	T		2		2	2				
8	1740-520-001-00	DRAWBAR	T		1		1	1				
9	1674-520-210-00	PIN/30X162 COMP	T		1		1	1				
10	1673-525-002-20	LINKPIN	T		1		1	1				
11	1674-520-004-00	INSULATOR	T		1		1	1				
12	1674-520-002-00	LINK/DRAWBAR	T		1		1	1				
13	1674-520-003-00	PLATE	T		1		1	1				
14	V201-261-608-50	BOLT/M16X85	T		2		2	2				
15	1518-924-001-00	NUT, U/M16	T		2		2	2				
16	V401-160-016-00	WASHER, SP/M16	T		2		2	2				
17	1640-520-005-00	PIN/25X91	T		1		1	1				
18	1673-525-002-20	LINKPIN	T		1		1	1				
19	1640-520-004-00	INSULATOR	T		1		1	1				
20	1740-520-220-00	HOLDER/DRAWBAR COMP	T		1		1	1				
21	V211-360-802-00	BOLT/SP	T		4		4	4				
22	1740-520-002-00	LABEL/TRH1740A	T		1		1	1				





**FIG.133 DRAFT SET (OPTION)**



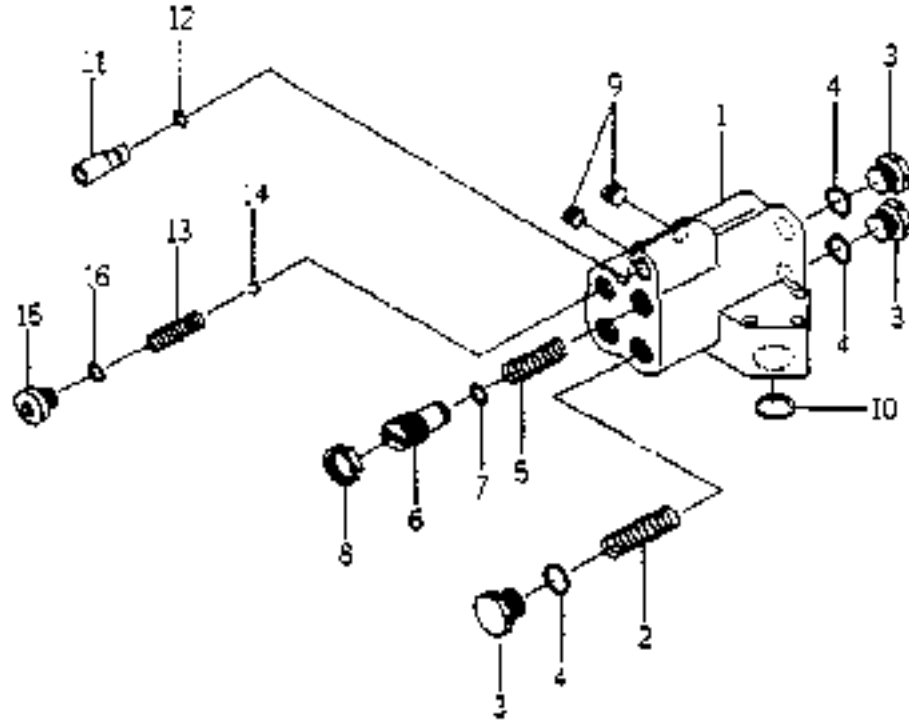
1622-535 -0100

KEY	PART CODE	DESCRIPTION	S P C	TYPE OF MODEL					I T C	C O L	G R P	REMARKS
				TH4260 VB24	TH4260H	TH4290	TH4290H	TH4330H				
1	1622-535-200-00	CONTROLLER/DRAF SET	T	1	1	1	1	1				
2	1622-535-300-00	HITCH/LINK ASSY	T	1	1	1	1	1				
3	1509-535-009-00	BAR/TORSION	T	1	1	1	1	1				
4	1509-535-002-00	BUSH 25X30X35	T	1	1	1	1	1				
5	1509-535-003-10	BUSH 33X38X20	T	1	1	1	1	1				
6	V511-101-006-00	PIN, TAPER	T	2	2	2	2	2				
7	V761-150-000-00	NIPPLE/GREASE	T	1	1	1	1	1				
8	V763-150-000-00	NIPPLE, GREASE/PT1/8	T	1	1	1	1	1				
9	V201-261-004-50	BOLT/M10X45	T	2	2	2	2	2				
10	V304-260-010-00	NUT	T	2	2	2	2	2				
11	1622-535-003-00	PLATE/U/122. 5X25	T	1	1	1	1	1				
12	1560-522-007-40	PIN/19X110	T	1	1	1	1	1				
13	V211-360-801-60	BOLT, SEMS (SP)	T	2	2	2	2	2				
14	1622-535-230-00	BRACKET COMP	T	2	2	2	2	2				
15	1622-535-240-10	ARM/DRAFT COMP	T	1	1	1	1	1				
16	1614-531-002-00	LINING/16X30X02	T	2	2	2	2	2				
17	1614-531-004-00	SPRING/WASHER	T	1	1	1	1	1				
18	1614-531-003-00	PLATE	T	1	1	1	1	1				
19	1614-531-013-00	PLATE	T	1	1	1	1	1				
20	V304-260-008-00	NUT	T	2	2	2	2	2				
21	1622-535-001-10	LEVER/DRAFT	T	1	1	1	1	1				
22	V211-261-001-60	BOLT(S) M10X16	T	1	1	1	1	1				
23	1432-242-004-00	GRIP, B	T	1	1	1	1	1				
24	1622-535-250-10	ARM/AUTO COMP	T	1	1	1	1	1				
25	V580-140-502-00	PIN, SPRING/5 X20 W	T	1	1	1	1	1				
26	1622-535-004-10	ROD	T	1	1	1	1	1				
27	V411-260-008-00	WASHER, PL/M 8	T	2	2	2	2	2				
28	V500-162-502-00	PIN, SPLIT/2. 5X20	T	2	2	2	2	2				
29	1622-535-260-00	ARM COMP	T	1	1	1	1	1				
30	V580-140-502-00	PIN, SPRING/5 X20 W	T	1	1	1	1	1				





**FIG.135 COMPONENT PARTS  
FOR K256-001-000-00 ON Fig.62**



K256-001-000-0G

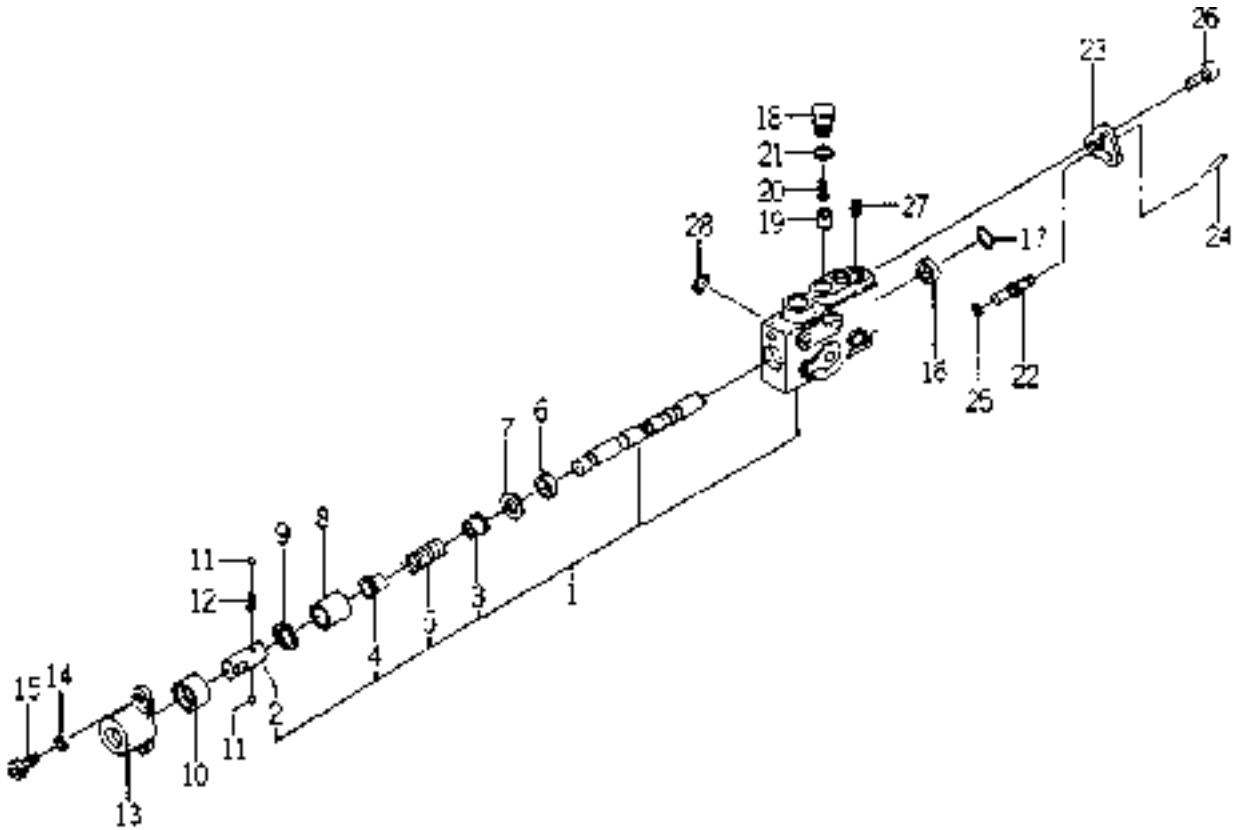
KEY	PART CODE	DESCRIPTION	S P C	TYPE OF MODEL					I T C	C O L	G R P	REMARKS
				TH4260 VB24	TH4260H	TH4290	TH4290H	TH4330H				
1	K256-001-100-00	VALVE SET	*		1		1	1				
2	K256-001-004-10	SPRING (HC054)	*		1		1	1				
3	K211-008-011-00	PLUG	*		3		3	3				
4	V720-112-401-40	O-RING/P14	*		3		3	3				
5	K256-001-005-00	SPRING (HC042)	*		1		1	1				
6	K256-001-006-00	ADJUST SCREW (F)	*		1		1	1				
7	V720-112-401-00	O-RING/P10	*		1		1	1				
8	K250-008-005-00	LOCK-NUT	*		1		1	1				
9	V780-140-000-2T	PLUG/SCREW/SEAL	*		3		3	3				
10	V720-112-402-00	O-RING/P20	*		1		1	1				
11	K256-001-007-10	PIPE (30)	*		1		1	1				
12	V723-101-500-80	RING/O	*		1		1	1				
13	K234-001-004-00	SPRING/HC040	*		1		1	1				
14	V682-200-001-00	BALL	*		1		1	1				
15	K275-001-003-00	PLUG (PF1/4)	*		1		1	1				
16	V720-102-401-10	O-RING/P11	*		1		1	1				







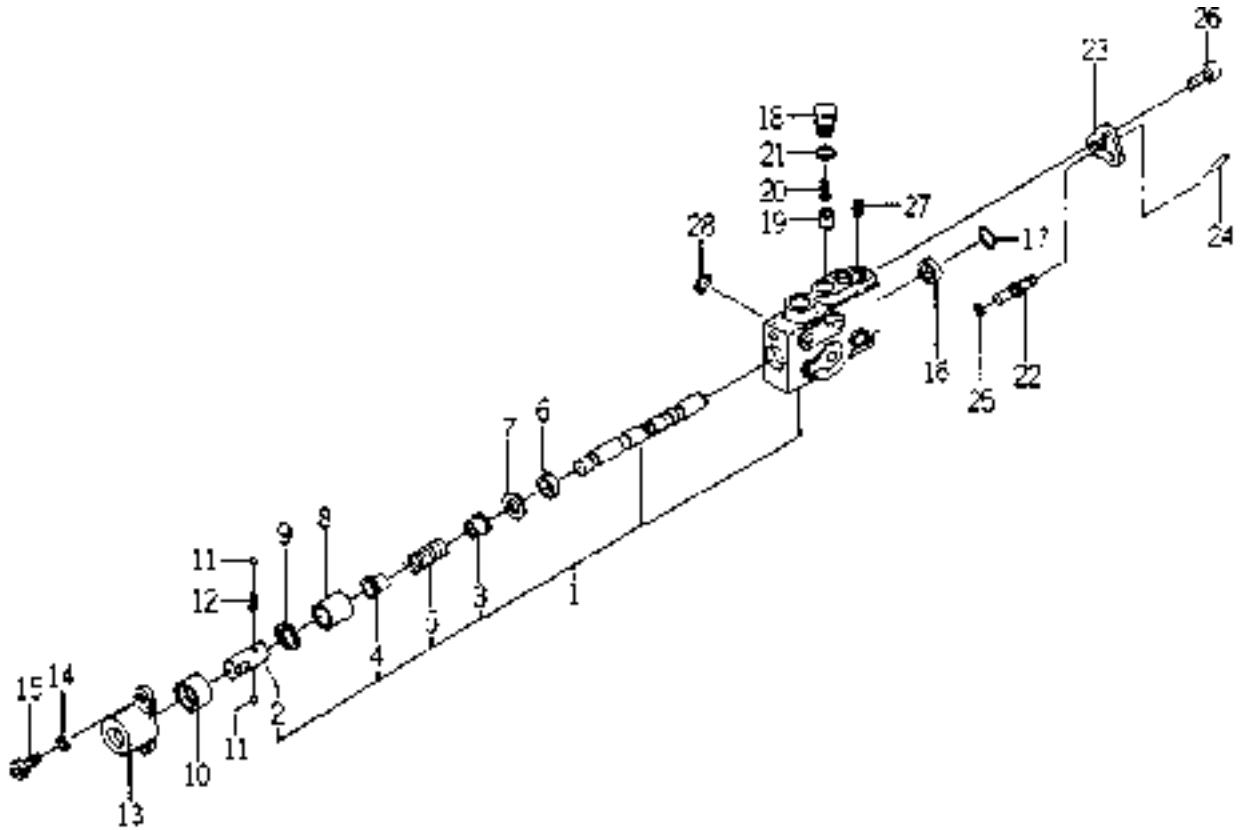
## FIG.138 COMPONENT PARTS FOR 1640-530-600-10 ON Fig.128,129



1640-530-600-1C

KEY	PART CODE	DESCRIPTION	S P C	TYPE OF MODEL					I T C	C O L	G R P	REMARKS
				TH4260 VB24	TH4260H	TH4290	TH4290H	TH4330H				
1	1640-530-610-10	VALVE SET	T	1	1	1	1	1				
1	1640-530-610-10	VALVE SET	T	2	2	2	2	2				
2	1640-530-613-00	HEAD/SPOOL	T	1	1	1	1	1				
2	1640-530-613-00	HEAD/SPOOL	T	2	2	2	2	2				
3	1640-530-614-00	STOPPER/SPRING/A	T	1	1	1	1	1				
3	1640-530-614-00	STOPPER/SPRING/A	T	2	2	2	2	2				
4	1640-530-615-00	STOPPER/SPRING/B	T	1	1	1	1	1				
4	1640-530-615-00	STOPPER/SPRING/B	T	2	2	2	2	2				
5	K211-012-006-00	SPRING/HCO42	T	1	1	1	1	1				
5	K211-012-006-00	SPRING/HCO42	T	2	2	2	2	2				
6	K211-004-007-00	SEAL, OIL/TC4, 14247	T	1	1	1	1	1				
6	K211-004-007-00	SEAL, OIL/TC4, 14247	T	2	2	2	2	2				
7	K211-004-006-00	COLLAR	T	1	1	1	1	1				
7	K211-004-006-00	COLLAR	T	2	2	2	2	2				
8	1640-530-622-00	SLEEVE	T	1	1	1	1	1				
8	1640-530-622-00	SLEEVE	T	2	2	2	2	2				
9	1640-530-623-00	COLLAR/19X28X02	T	1	1	1	1	1				
9	1640-530-623-00	COLLAR/19X28X02	T	2	2	2	2	2				
10	1640-530-624-00	SLEEVE/DETENT	T	1	1	1	1	1				
10	1640-530-624-00	SLEEVE/DETENT	T	2	2	2	2	2				
11	V682-200-000-60	BALL	T	2	2	2	2	2				
11	V682-200-000-60	BALL	T	4	4	4	4	4				
12	1640-530-625-00	SPRING/HCO15	T	1	1	1	1	1				
12	1640-530-625-00	SPRING/HCO15	T	2	2	2	2	2				
13	1640-530-626-00	COVER	T	1	1	1	1	1				
13	1640-530-626-00	COVER	T	2	2	2	2	2				
14	V401-160-008-00	WASHER, SP/M 8	T	2	2	2	2	2				
14	V401-160-008-00	WASHER, SP/M 8	T	4	4	4	4	4				
15	V220-540-802-00	SCREW/SOCKET	T	2	2	2	2	2				
15	V220-540-802-00	SCREW/SOCKET	T	4	4	4	4	4				

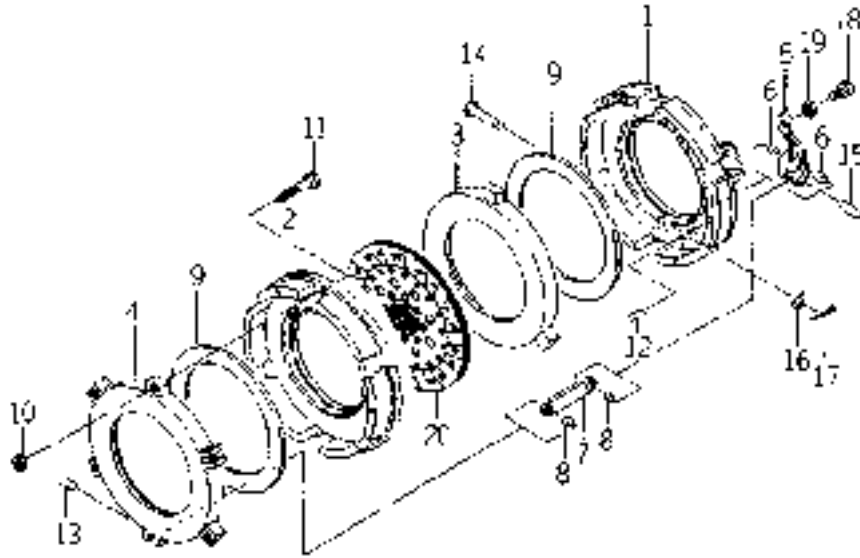
## FIG.138 COMPONENT PARTS FOR 1640-530-600-10 ON Fig.128,129



1640-530-600-1C

KEY	PART CODE	DESCRIPTION	S P C	TYPE OF MODEL					I T C	C O L	G R P	REMARKS
				TH4260 VB24	TH4260H	TH4290	TH4290H	TH4330H				
16	K211-004-007-00	SEAL, OIL/TC4, 14247	T	1	1	1	1	1				
16	K211-004-007-00	SEAL, OIL/TC4, 14247	T	2	2	2	2	2				
17	V705-140-024-00	RING, SNAP	T	1	1	1	1	1				
17	V705-140-024-00	RING, SNAP	T	2	2	2	2	2				
18	1640-530-628-00	PLUG/M4	T	1	1	1	1	1				
18	1640-530-628-00	PLUG/M4	T	2	2	2	2	2				
19	1640-530-629-00	POPPET	T	1	1	1	1	1				
19	1640-530-629-00	POPPET	T	2	2	2	2	2				
20	K110-001-106-00	SPRING	T	1	1	1	1	1				
20	K110-001-106-00	SPRING	T	2	2	2	2	2				
21	V720-112-401-20	O- RING/P12	T	1	1	1	1	1				
21	V720-112-401-20	O- RING/P12	T	2	2	2	2	2				
22	1640-530-631-00	SPOOL/DELECT	T	1	1	1	1	1				
22	1640-530-631-00	SPOOL/DELECT	T	2	2	2	2	2				
23	1640-530-632-00	PLATE	T	1	1	1	1	1				
23	1640-530-632-00	PLATE	T	2	2	2	2	2				
24	V580-140-302-50	SPRING PIN (W)	T	1	1	1	1	1				
24	V580-140-302-50	SPRING PIN (W)	T	2	2	2	2	2				
25	V720-111-900-70	O- RING/P 7	T	1	1	1	1	1				
25	V720-111-900-70	O- RING/P 7	T	2	2	2	2	2				
26	V220-540-601-00	BOLT	T	3	3	3	3	3				
26	V220-540-601-00	BOLT	T	6	6	6	6	6				
27	K200-014-007-00	PLUG/SEAL	T	3	3	3	3	3				
27	K200-014-007-00	PLUG/SEAL	T	6	6	6	6	6				
28	V720-112-401-40	O- RING/P14	T	3	3	3	3	3				
28	V720-112-401-40	O- RING/P14	T	6	6	6	6	6				

### FIG.139 COMPONENT PARTS FOR 1709-121-310-00 ON Fig.13

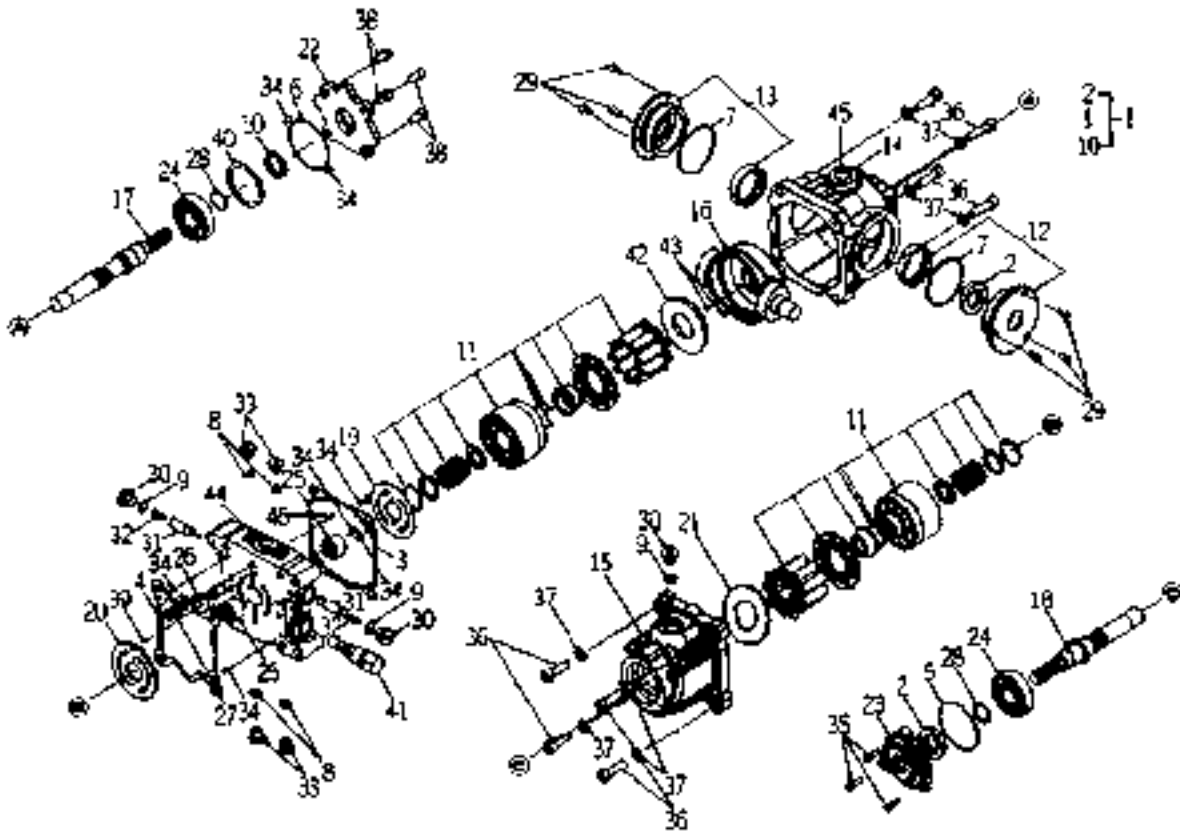


1709-121-310-0

KEY	PART CODE	DESCRIPTION	S P C	TYPE OF MODEL					I T C	C O L	G R P	REMARKS
				TH4260 VB24	TH4260H	TH4290	TH4290H	TH4330H				
1	1620-121-006-00	COVER/CLUTCH	*	1		1						
2	1620-121-007-00	COVER/CLUTCH	*	1		1						
3	1622-121-001-00	PLATE/PRESSURE	*	1		1						
4	1622-121-002-00	PLATE/PRESSURE	*	1		1						
5	1620-121-011-00	LEVER/RELEASE	*	3		3						
6	1620-121-012-00	BUSH	*	6		6						
7	1620-121-013-00	ROD/RELEASE	*	3		3						
8	1620-121-014-00	BUSH	*	6		6						
9	1709-121-311-00	SPRING	*	2		2						
10	V334-460-010-00	NUT/M10 7T P=1.25	*	3		3						
11	1620-121-016-00	BOLT	*	3		3						
12	1620-121-017-00	PIN/KNOCK	*	3		3						
13	1620-121-018-00	PIN	*	3		3						
14	1620-121-019-00	PIN	*	3		3						
15	1620-121-021-00	PIN	*	3		3						
16	1620-121-022-00	WASHER	*	3		3						
17	V500-162-501-50	PIN, SPLIT/2. 5X15	*	3		3						
18	1620-121-023-00	BOLT/ADJUST	*	3		3						
19	1620-121-024-00	NUT	*	3		3						
20	1709-121-330-00	DISK/CLUTCH/215 COMP	*	1		1						



**FIG.141 COMPONENT PARTS  
FOR 1740-202-500-00 ON Fig.19**

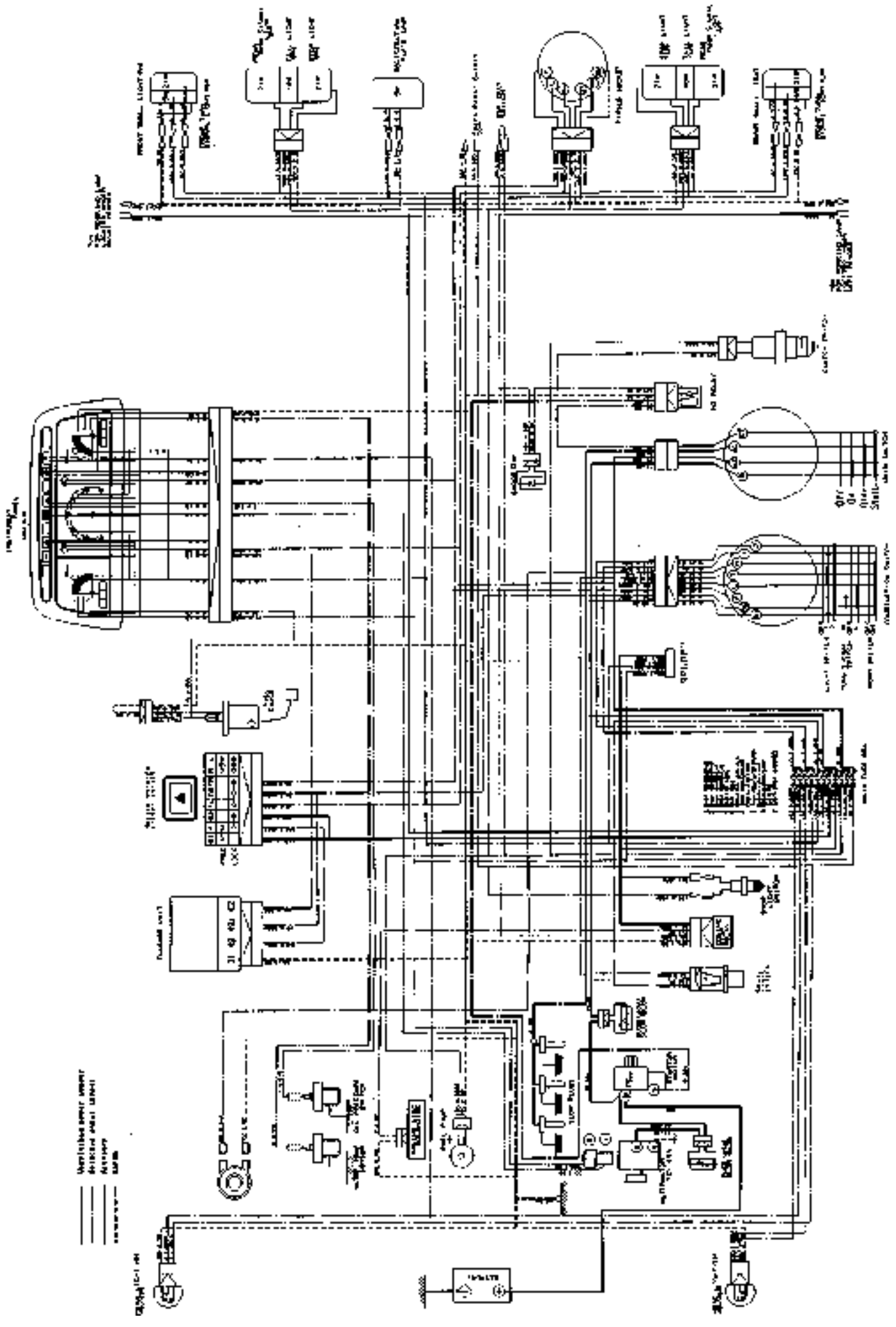


1740-202-500-0C

KEY	PART CODE	DESCRIPTION	S P C	TYPE OF MODEL					I T C	C O L	G R P	REMARKS
				TH4260 VB24	TH4260H	TH4290	TH4290H	TH4330H				
1	1740-202-520-00	KIT/REPAIR SET	*		1		1	1				
2	1622-202-517-00	SEAL/OIL	*		2		2	2				
3	1740-202-521-00	GASKET	*		1		1	1				
4	1622-202-519-00	GASKET	*		1		1	1				
5	V723-102-007-00	RING/O	*		1		1	1				
6	V723-102-007-10	RING/O	*		1		1	1				
7	V721-103-106-50	O-RING/G65	*		2		2	2				
8	V720-112-401-10	RING/O	*		4		4	4				
9	V720-112-401-40	O-RING/P14	*		3		3	3				
10	1720-202-203-00	SEAL/OIL	*		1		1	1				
11	1740-202-530-00	BLOCK/CYLINDER ASSY	*		2		2	2				
12	1622-202-560-00	COVER/A ASSY	*		1		1	1				
13	1740-202-540-00	COVER/B ASSY	*		1		1	1				
14	1740-202-501-00	CASE	*		1		1	1				
15	1622-202-502-00	CASE	*		1		1	1				
16	1740-202-502-00	PLATE/SWASH	*		1		1	1				
17	1720-202-202-00	SHAFT	*		1		1	1				
18	1622-202-506-10	SHAFT	*		1		1	1				
19	1740-202-503-00	PLATE/VALVE	*		1		1	1				
20	1622-202-508-00	PLATE/VALVE	*		1		1	1				
21	1622-202-509-00	PLATE/THRUST	*		1		1	1				
22	1720-202-201-00	COVER	*		1		1	1				
23	1740-202-504-00	COVER	*		1		1	1				
24	1622-202-515-00	BEARING/BALL	*		2		2	2				
25	1622-202-516-00	BEARING/NEEDLE	*		2		2	2				
26	1620-202-517-00	VALVE	*		1		1	1				
27	1620-202-518-00	SPRING	*		1		1	1				
28	V704-140-025-00	RING, SNAP/25 C	*		2		2	2				
29	1740-202-509-00	SCREW/FLAT	*		6		6	6				
30	1620-202-536-00	PLUG	*		2		2	2				



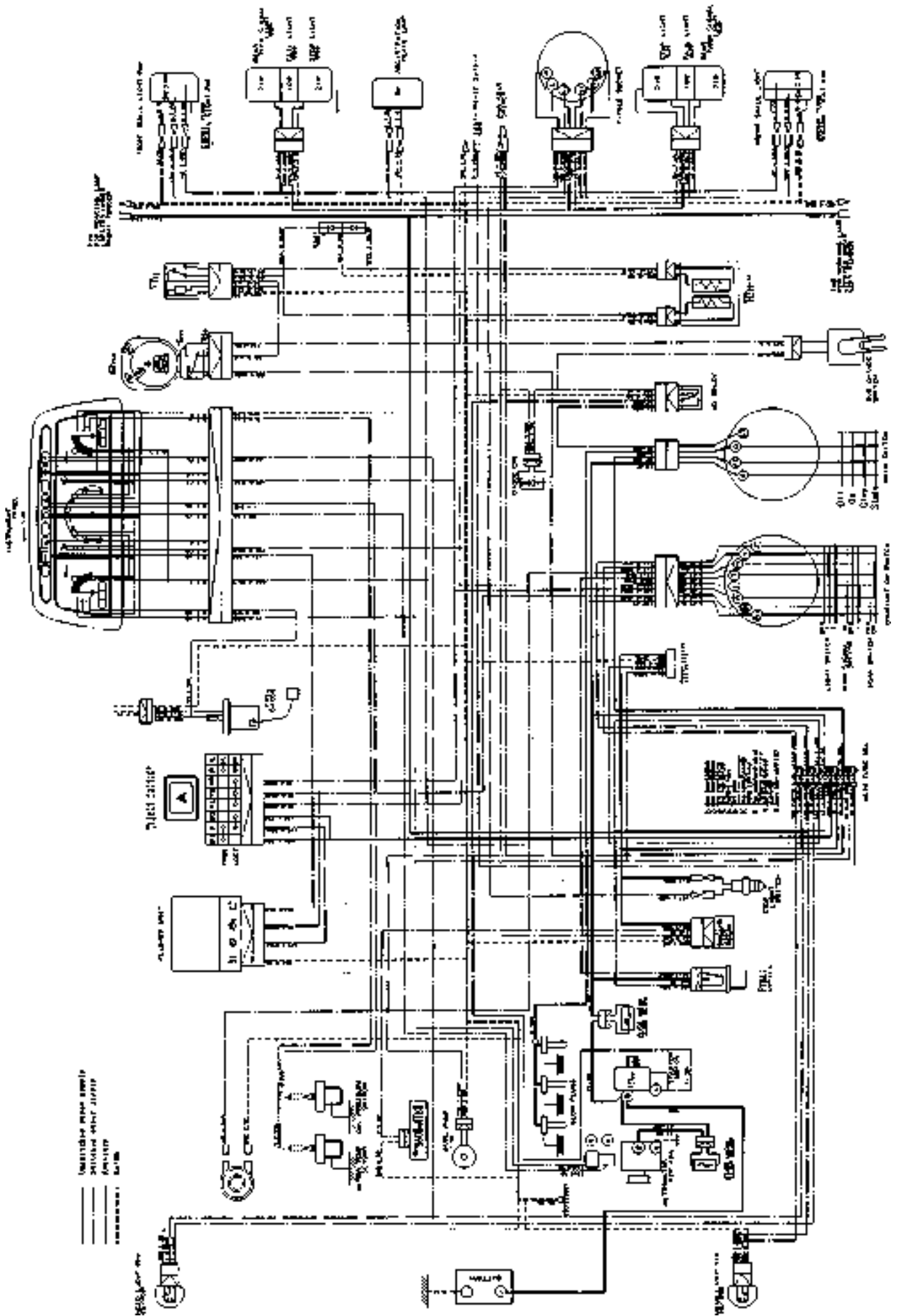
# WIRING DIAGRAM (TH4260)



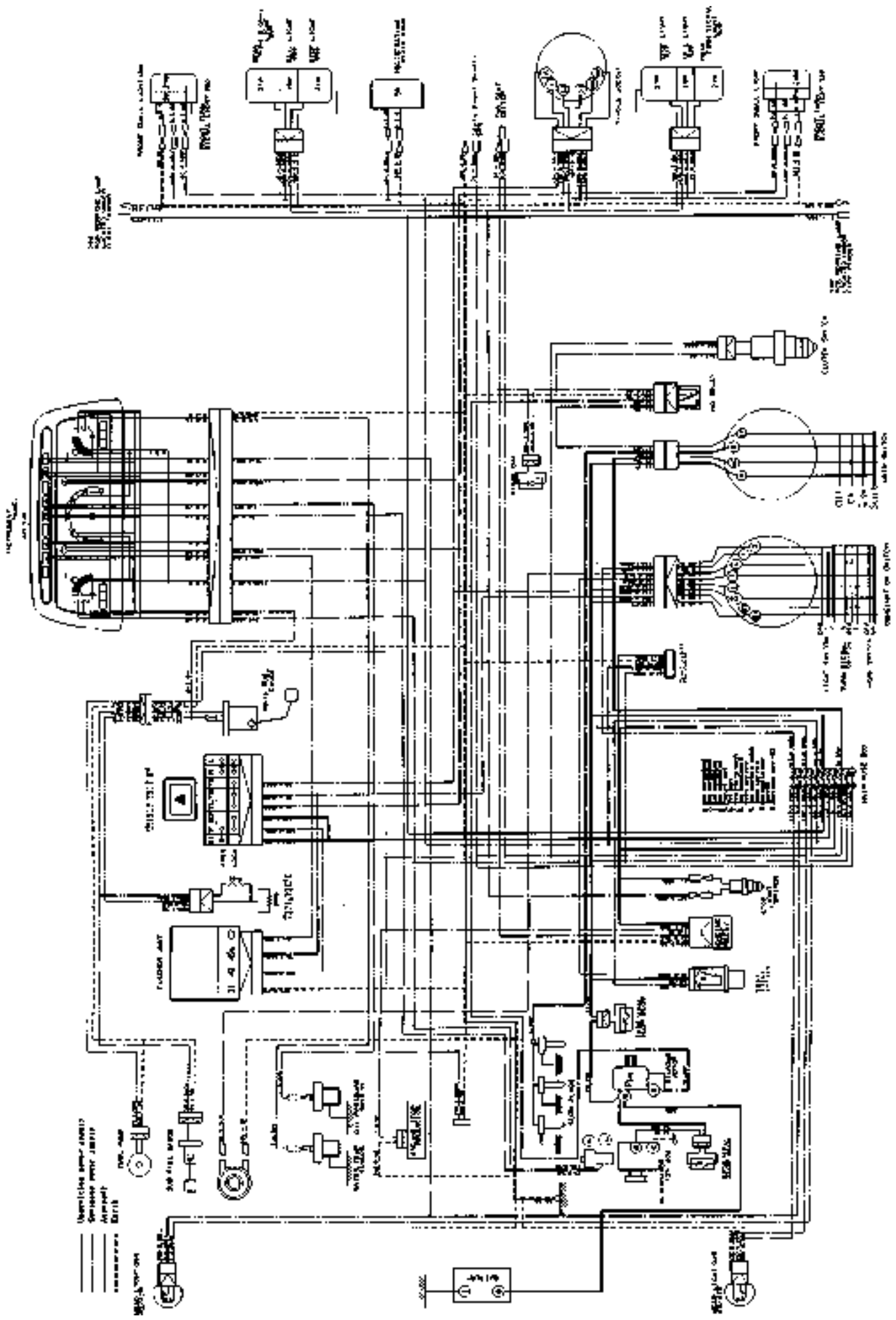
———— Unshielded power wires  
 ———— Shielded power cables  
 - - - - - Accessory  
 - - - - - Signal



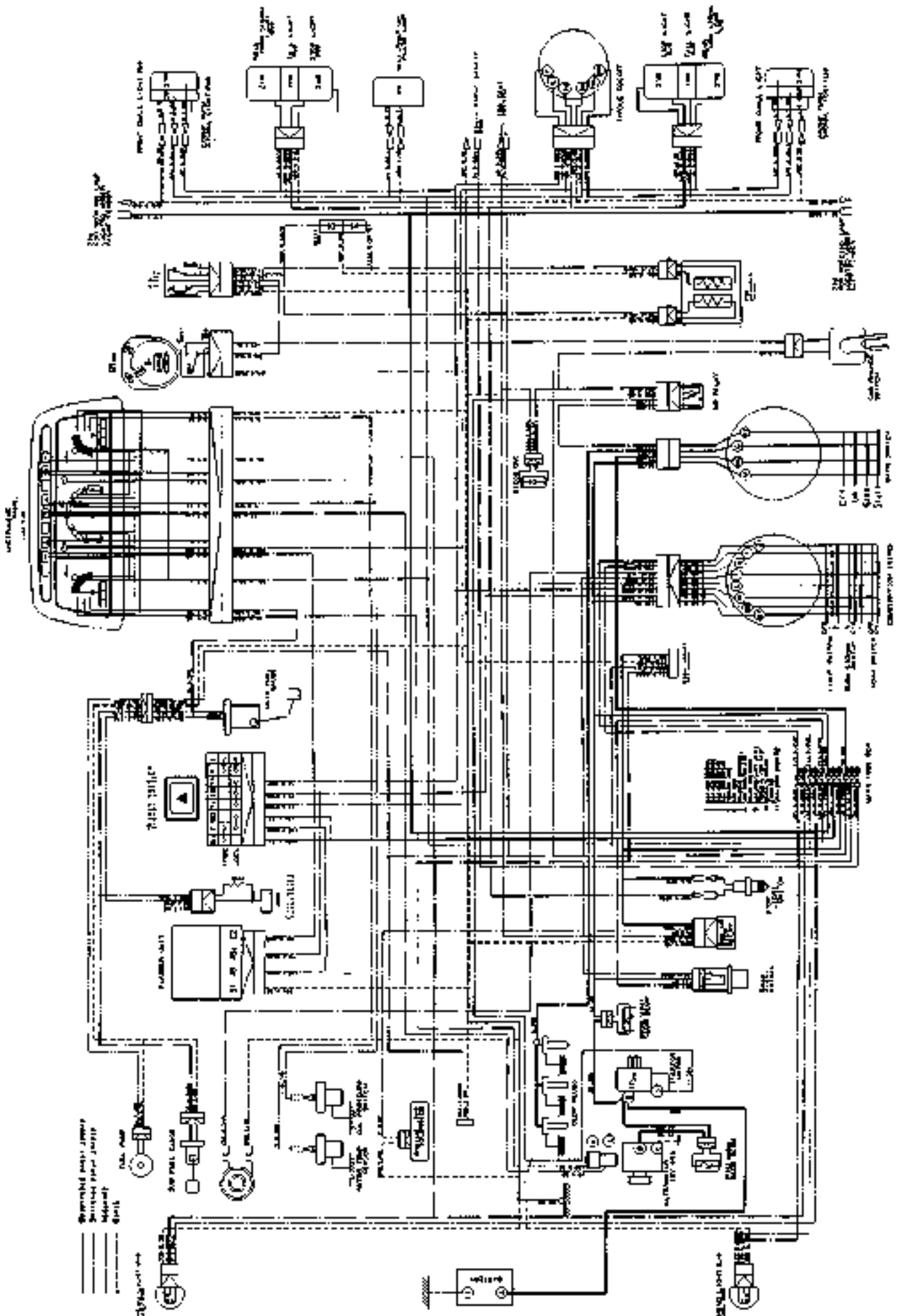
# WIRING DIAGRAM (TH4260) (HST)



# WIRING DIAGRAM (TH4290)



# WIRING DIAGRAM (TH4290,4330) (HST)



## Numerical Index

6005-097-530-00

Part Code	Fig.Key	Part Code	Fig.Key	Part Code	Fig.Key
1373-121-001-00	23 4	6209-625-003-20	26 10	6211-599-004-00	6 4
1425-621-004-00	9 16	6209-630-002-10	24 6	6211-751-001-10	2 5
3625-540-004-00	9 40		26 22	6211-751-002-00	5 31
3640-586-004-00	21 5	6209-730-005-00	12 3	6211-760-032-00	5 29
3817-401-001-00	9 12		20 11	6211-766-025-00	5 30
	11 20	6209-730-006-00	15 4	6211-777-007-30	10 1
	17 13	6209-740-001-00	9 28	6212-111-043-30	13 1
	17 19	6209-740-005-00	5 18	6212-114-043-30	14 1
	20 8	6209-749-001-20	5 16	6212-116-043-30	14 3
6115-639-008-00	28 51		9 46	6212-121-015-20	13 2
6209-000-002-00	11 18	6209-920-002-00	9 22	6212-124-015-20	14 2
6209-000-005-00	1 7	6209-940-004-00	11 14	6212-126-015-20	14 4
6209-000-006-00	5 2	6211-110-032-90	1 1	6212-230-011-10	13 5
6209-030-043-00	20 17	6211-141-024-40	1 6	6212-235-004-00	13 6
6209-030-091-00	8 4		26 3	6212-271-009-00	13 7
6209-030-092-00	18 4	6211-170-007-30	2 1	6212-273-009-00	6 5
6209-046-015-00	15 8	6211-173-005-00	2 6	6212-274-009-00	6 6
6209-050-001-00	9 34		26 4	6212-310-011-40	15 1
6209-050-002-00	9 35	6211-179-011-20	2 2	6212-330-025-20	15 5
6209-300-014-00	1 8	6211-210-057-50	5 1	6212-333-002-00	15 6
6209-360-011-00	21 3	6211-258-001-00	5 9	6212-371-034-10	15 9
6209-360-031-00	2 9		26 8	6212-379-001-00	15 10
6209-409-001-00	9 20	6211-258-002-00	5 10	6212-511-005-00	12 1
6209-409-003-00	11 17		26 9	6212-521-008-00	15 3
6209-490-002-10	2 7	6211-291-010-00	2 3	6212-522-004-10	12 2
6209-500-003-00	9 18	6211-291-013-10	5 25	6212-523-006-50	12 6
	9 27	6211-292-001-20	5 26	6212-524-012-30	20 10
	26 13		26 11	6212-530-008-10	9 48
6209-500-006-00	9 10	6211-310-009-60	9 1	6212-531-008-20	5 8
6209-572-003-00	2 8	6211-311-013-20	9 41	6212-535-007-00	12 4
	26 5	6211-312-005-10	9 29	6212-535-009-00	20 14
6209-580-002-10	20 27		26 14	6212-551-020-10	11 1
6209-600-004-00	9 26	6211-312-006-10	9 42	6212-552-008-00	11 2
6209-600-006-00	7 2		26 15	6212-561-003-00	11 3
6209-605-003-00	9 2	6211-319-003-00	9 44	6212-563-001-00	11 4
6209-605-004-10	1 3	6211-341-058-20	8 1	6212-565-001-00	11 5
6209-610-001-10	5 4	6211-342-003-10	8 2	6212-569-002-00	1 4
6209-610-003-00	1 2	6211-361-022-20	7 1		26 2
	5 6	6211-510-008-00	5 11	6212-571-002-30	11 6
6209-610-004-00	9 3	6211-511-007-00	5 12	6212-575-003-00	11 7
6209-610-007-00	5 3	6211-511-008-00	5 13	6212-600-009-20	11 8
6209-610-009-00	5 5	6211-530-008-00	6 1	6212-611-004-10	11 9
6209-625-002-00	9 7	6211-540-008-00	6 3	6212-616-002-00	11 16
	26 12	6211-599-004-00	5 14	6212-620-008-20	11 10
6209-625-003-20	5 15		6 2	6212-626-002-10	11 11

## Numerical Index

6005-097-530-00

Part Code	Fig.Key	Part Code	Fig.Key	Part Code	Fig.Key
6212-628-010-10	11 12	6215-300-037-00	19 1	6215-549-039-00	20 32
6212-628-011-10	11 13	6215-311-005-00	27 16	6215-600-078-10	20 1
6213-100-004-30	16 1	6215-315-002-00	19 2	6215-611-015-00	28 1
6213-111-002-20	16 2	6215-315-005-00	19 4	6215-619-023-00	28 50
6213-119-001-00	16 6	6215-315-006-00	19 3	6215-619-024-00	28 52
6213-120-002-30	16 3	6215-315-007-00	19 5	6215-621-018-10	20 9
6213-125-002-10	16 4	6215-330-022-00	27 1	6215-622-003-00	28 11
6213-129-003-00	16 5	6215-332-006-00	27 15	6215-629-017-00	28 12
6213-129-006-00	5 17	6215-339-004-00	27 14	6215-629-035-00	28 13
6213-140-012-00	16 8	6215-342-002-00	27 13	6215-629-036-00	28 25
6213-149-003-20	16 10	6215-343-002-00	27 12	6215-629-037-00	28 26
6213-160-003-10	9 30	6215-345-044-00	27 2	6215-629-038-00	28 27
6213-161-003-10	9 31	6215-345-045-00	27 3	6215-629-039-00	28 28
6213-164-001-00	9 32	6215-345-046-00	27 4	6215-629-040-00	28 29
6213-240-002-10	16 12	6215-345-047-00	27 5	6215-629-041-00	28 30
6213-319-001-00	5 24	6215-345-048-00	27 6	6215-629-042-00	28 31
6213-610-005-40	17 1	6215-345-049-00	27 7	6215-629-043-00	28 32
6213-611-003-20	17 2	6215-345-050-00	27 8	6215-629-044-00	28 33
6213-612-004-00	17 9	6215-345-051-00	27 9	6215-629-045-00	28 34
6213-613-002-10	17 8	6215-345-052-00	27 10	6215-629-046-00	28 35
6213-619-002-00	17 11	6215-345-053-00	27 11	6215-629-047-00	28 36
6213-619-003-00	17 10	6215-359-003-00	27 17	6215-629-048-00	28 37
6213-619-006-00	17 14	6215-359-004-00	27 18	6215-629-049-00	28 38
6213-621-003-00	17 6	6215-359-006-00	28 53	6215-629-050-00	28 39
6213-622-002-10	17 5	6215-411-052-00	19 6	6215-629-051-00	28 40
6213-631-002-00	17 3	6215-411-053-10	19 7	6215-629-052-00	28 41
6213-631-005-00	17 4	6215-411-054-00	19 8	6215-629-053-00	28 42
6213-641-022-10	18 2	6215-411-080-10	21 2	6215-629-054-00	28 43
6213-642-002-00	17 7	6215-412-004-00	21 1	6215-629-055-00	28 44
6213-660-016-00	18 1	6215-520-007-10	20 16	6215-629-056-00	28 45
6213-669-012-00	18 3	6215-526-004-00	20 18	6215-629-058-00	28 46
6213-671-029-00	18 5	6215-531-006-10	20 24	6215-629-059-00	28 47
6213-674-006-20	23 2	6215-537-002-10	20 33	6215-629-060-00	28 17
6213-711-004-00	17 27	6215-541-001-10	20 19	6215-629-061-00	28 18
6213-716-001-50	17 22	6215-541-016-30	22 2	6215-629-062-00	28 19
6213-721-007-00	5 23	6215-541-040-00	20 25	6215-629-063-00	28 20
6213-729-013-10	17 20	6215-542-004-20	9 23	6215-629-064-00	28 21
6213-743-002-10	17 23	6215-542-005-10	9 25	6215-629-065-00	28 22
	26 20	6215-542-006-00	20 21	6215-629-066-00	28 23
6214-110-003-00	3 1	6215-543-002-10	20 20	6215-629-067-00	28 24
6214-115-003-10	3 2	6215-546-003-10	9 19	6215-631-008-00	28 2
	26 6	6215-548-025-00	22 1	6215-634-003-00	28 14
6214-141-023-00	4 1	6215-549-007-10	20 28	6215-635-004-00	28 8
6214-145-004-20	4 2	6215-549-013-00	5 28	6215-635-005-00	28 49
	26 7	6215-549-031-10	20 23	6215-637-004-00	28 48

## Numerical Index

6005-097-530-00

Part Code	Fig.Key	Part Code	Fig.Key	Part Code	Fig.Key
6215-639-008-00	28 15	6281-229-003-00	30 3	6909-110-406-00	9 36
6215-639-009-00	28 16	6281-229-004-00	30 5		20 29
6215-641-002-00	28 3	6281-229-006-00	30 8	6909-110-408-00	9 50
6215-643-005-00	28 4	6281-229-007-00	30 9		9 52
6215-644-009-00	28 6	6281-229-008-00	30 10	6909-110-410-00	23 6
6215-649-008-00	28 5	6281-229-011-00	30 15	6909-111-508-00	29 21
6215-649-011-00	28 10	6281-229-012-00	30 19	6909-950-115-00	13 4
6215-649-013-00	28 9	6281-229-013-00	30 20	J061-210-015-00	17 21
6215-649-014-00	28 7	6281-229-014-00	30 21	J062-076-082-00	21 4
6219-310-003-20	9 37	6281-229-015-00	30 22	P117-303-003-00	9 24
6219-732-012-00	24 4	6281-229-016-00	30 23	V195-164-008-30	2 4
6219-752-006-00	20 2	6281-229-017-00	30 24	V201-360-807-50	9 11
6219-752-007-00	20 3	6281-229-018-00	30 25	V201-361-204-00	23 8
6219-752-008-00	20 4	6281-229-029-00	30 14	V211-560-802-50	4 3
6219-752-009-00	20 5	6281-229-032-00	30 6	V220-540-602-00	16 7
6219-752-010-00	20 6	6281-229-033-00	30 11	V230-360-601-00	7 4
6281-100-002-30	23 7	6281-229-041-00	29 22	V230-360-601-20	5 27
6281-111-005-00	29 1	6281-271-002-00	30 26		24 7
6281-115-008-00	29 10	6281-410-010-00	24 3	V230-360-601-60	9 39
6281-115-010-00	29 23	6281-910-003-10	24 5	V231-360-801-60	9 13
6281-115-016-00	29 20	6281-920-001-00	24 8		16 11
6281-116-004-00	29 11	6281-971-003-00	24 1	V231-360-802-00	17 18
6281-121-006-00	29 2	6282-450-006-00	24 2		17 24
6281-123-005-00	29 8	6285-885-122-10	25 1		20 7
6281-124-007-10	29 5	6287-810-014-20	26 1		23 3
6281-129-003-00	29 19	6294-453-002-00	5 22	V231-360-802-50	3 3
6281-129-038-00	29 3	6509-605-019-10	5 7		17 29
6281-129-039-00	29 4	6512-211-018-00	13 3	V231-360-803-00	9 17
6281-129-040-00	29 7	6513-770-022-10	17 26	V231-360-804-50	17 17
6281-129-041-10	29 9	6581-117-007-00	29 12	V231-360-805-00	9 14
6281-129-042-00	29 15	6581-129-092-00	29 17	V231-360-805-50	11 19
6281-129-043-00	29 16	6581-129-099-00	29 6	V231-360-806-00	9 15
6281-129-044-00	29 18	6901-066-645-00	15 11	V231-360-807-50	9 9
6281-129-062-00	29 14	6901-910-612-00	12 5		17 25
6281-151-015-00	29 13		20 15	V231-360-808-50	9 8
6281-200-021-00	23 1	6901-911-020-00	10 2	V233-361-002-00	10 3
6281-213-018-00	30 7	6901-911-025-00	8 5	V233-361-007-00	23 5
6281-214-003-00	30 12	6902-050-816-00	9 43	V251-340-806-00	5 21
6281-214-004-00	30 13	6904-110-822-00	5 20	V341-120-008-00	9 21
6281-215-001-00	30 17		9 4	V401-160-006-00	20 31
6281-216-001-00	30 18		9 47	V401-160-008-00	9 51
6281-217-002-00	30 16	6904-110-840-00	5 19		9 53
6281-221-007-00	30 4		17 16	V401-160-012-00	23 9
6281-222-012-00	30 1	6904-110-850-00	9 6	V411-260-006-00	20 30
6281-229-002-00	30 2	6904-110-855-00	9 5	V523-101-001-80	8 3



## Numerical Index

6005-097-510-00

Part Code	Fig.Key	Part Code	Fig.Key	Part Code	Fig.Key
1373-121-001-00	23 4	6209-625-003-20	26 10	6211-599-004-00	6 4
1425-621-004-00	9 16	6209-630-002-10	24 6	6211-751-001-10	2 5
3625-540-004-00	9 40		26 22	6211-751-002-00	5 31
3640-586-004-00	21 5	6209-730-005-00	12 3	6211-760-032-00	5 29
3817-401-001-00	9 12		20 11	6211-766-025-00	5 30
	11 20	6209-730-006-00	15 4	6211-777-007-30	10 1
	17 13	6209-740-001-00	9 28	6212-111-043-30	13 1
	17 19	6209-740-005-00	5 18	6212-114-043-30	14 1
	20 8	6209-749-001-20	5 16	6212-116-043-30	14 3
6115-639-008-00	28 51		9 46	6212-121-015-20	13 2
6209-000-002-00	11 18	6209-920-002-00	9 22	6212-124-015-20	14 2
6209-000-005-00	1 7	6209-940-004-00	11 14	6212-126-015-20	14 4
6209-000-006-00	5 2	6211-110-032-90	1 1	6212-230-011-10	13 5
6209-000-023-00	15 8	6211-141-024-40	1 6	6212-235-004-00	13 6
6209-030-043-00	20 17		26 3	6212-271-009-00	13 7
6209-030-091-00	8 4	6211-170-007-30	2 1	6212-273-009-00	6 5
6209-030-092-00	18 4	6211-173-005-00	2 6	6212-274-009-00	6 6
6209-050-001-00	9 34		26 4	6212-310-011-40	15 1
6209-050-002-00	9 35	6211-179-011-20	2 2	6212-330-040-50	15 5
6209-300-014-00	1 8	6211-210-057-50	5 1	6212-333-002-00	15 6
6209-360-011-00	21 3	6211-258-001-00	5 9	6212-339-009-00	15 9
6209-360-031-00	2 9		26 8	6212-371-034-10	15 10
6209-409-001-00	9 20	6211-258-002-00	5 10	6212-379-001-00	15 11
6209-409-003-00	11 17		26 9	6212-511-005-00	12 1
6209-490-002-10	2 7	6211-291-010-00	2 3	6212-521-008-00	15 3
6209-500-003-00	9 18	6211-291-013-10	5 25	6212-522-004-10	12 2
	9 27	6211-292-001-20	5 26	6212-523-006-50	12 6
	26 13		26 11	6212-524-012-30	20 10
6209-500-006-00	9 10	6211-310-009-60	9 1	6212-530-008-10	9 48
6209-572-003-00	2 8	6211-311-013-20	9 41	6212-531-008-20	5 8
	26 5	6211-312-005-10	9 29	6212-535-007-00	12 4
6209-580-002-10	20 27		26 14	6212-535-009-00	20 14
6209-600-004-00	9 26	6211-312-006-10	9 42	6212-551-020-10	11 1
6209-600-006-00	7 2		26 15	6212-552-008-00	11 2
6209-605-003-00	9 2	6211-319-003-00	9 44	6212-561-003-00	11 3
6209-605-004-10	1 3	6211-341-072-00	8 1	6212-563-001-00	11 4
6209-610-001-10	5 4	6211-342-003-10	8 2	6212-565-001-00	11 5
6209-610-003-00	1 2	6211-361-022-20	7 1	6212-569-002-00	1 4
	5 6	6211-510-008-00	5 11		26 2
6209-610-004-00	9 3	6211-511-007-00	5 12	6212-571-002-30	11 6
6209-610-007-00	5 3	6211-511-008-00	5 13	6212-575-003-00	11 7
6209-610-009-00	5 5	6211-530-008-00	6 1	6212-600-009-20	11 8
6209-625-002-00	9 7	6211-540-008-00	6 3	6212-611-004-10	11 9
	26 12	6211-599-004-00	5 14	6212-616-002-00	11 16
6209-625-003-20	5 15		6 2	6212-620-008-20	11 10



## Numerical Index

6005-097-510-00

Part Code	Fig.Key		Part Code	Fig.Key		Part Code	Fig.Key	
6212-626-002-10	11	11	6214-145-004-20	26	7	6215-549-031-10	20	23
6212-628-010-10	11	12	6215-300-037-00	19	1	6215-549-039-00	20	32
6212-628-011-10	11	13	6215-311-005-00	27	16	6215-600-078-10	20	1
6213-100-004-30	16	1	6215-315-002-00	19	2	6215-611-015-00	28	1
6213-111-002-20	16	2	6215-315-005-00	19	4	6215-619-023-00	28	50
6213-119-001-00	16	6	6215-315-006-00	19	3	6215-619-024-00	28	52
6213-120-002-30	16	3	6215-315-007-00	19	5	6215-621-018-10	20	9
6213-125-002-10	16	4	6215-330-022-00	27	1	6215-622-003-00	28	11
6213-129-003-00	16	5	6215-332-006-00	27	15	6215-629-017-00	28	12
6213-129-006-00	5	17	6215-339-004-00	27	14	6215-629-035-00	28	13
6213-140-012-00	16	8	6215-342-002-00	27	13	6215-629-036-00	28	25
6213-149-003-20	16	10	6215-343-002-00	27	12	6215-629-037-00	28	26
6213-160-003-10	9	30	6215-345-044-00	27	2	6215-629-038-00	28	27
6213-161-003-10	9	31	6215-345-045-00	27	3	6215-629-039-00	28	28
6213-164-001-00	9	32	6215-345-046-00	27	4	6215-629-040-00	28	29
6213-240-002-10	16	12	6215-345-047-00	27	5	6215-629-041-00	28	30
6213-319-001-00	5	24	6215-345-048-00	27	6	6215-629-042-00	28	31
6213-610-005-40	17	1	6215-345-049-00	27	7	6215-629-043-00	28	32
6213-611-003-20	17	2	6215-345-050-00	27	8	6215-629-044-00	28	33
6213-612-004-00	17	9	6215-345-051-00	27	9	6215-629-045-00	28	34
6213-613-002-10	17	8	6215-345-052-00	27	10	6215-629-046-00	28	35
6213-619-002-00	17	11	6215-345-053-00	27	11	6215-629-047-00	28	36
6213-619-003-00	17	10	6215-359-003-00	27	17	6215-629-048-00	28	37
6213-619-006-00	17	14	6215-359-004-00	27	18	6215-629-049-00	28	38
6213-621-003-00	17	6	6215-359-006-00	28	53	6215-629-050-00	28	39
6213-622-002-10	17	5	6215-411-052-00	19	6	6215-629-051-00	28	40
6213-631-002-00	17	3	6215-411-053-10	19	7	6215-629-052-00	28	41
6213-631-005-00	17	4	6215-411-054-00	19	8	6215-629-053-00	28	42
6213-641-022-10	18	2	6215-411-080-10	21	2	6215-629-054-00	28	43
6213-642-002-00	17	7	6215-412-004-00	21	1	6215-629-055-00	28	44
6213-660-016-00	18	1	6215-520-007-10	20	16	6215-629-056-00	28	45
6213-669-012-00	18	3	6215-526-004-00	20	18	6215-629-058-00	28	46
6213-671-029-00	18	5	6215-531-006-10	20	24	6215-629-059-00	28	47
6213-674-006-20	23	2	6215-537-002-10	20	33	6215-629-060-00	28	17
6213-711-004-00	17	27	6215-541-001-10	20	19	6215-629-061-00	28	18
6213-716-001-50	17	22	6215-541-016-30	22	2	6215-629-062-00	28	19
6213-721-007-00	5	23	6215-541-040-00	20	25	6215-629-063-00	28	20
6213-729-013-10	17	20	6215-542-004-20	9	23	6215-629-064-00	28	21
6213-743-002-10	17	23	6215-542-005-10	9	25	6215-629-065-00	28	22
	26	20	6215-542-006-00	20	21	6215-629-066-00	28	23
6214-110-003-00	3	1	6215-543-002-10	20	20	6215-629-067-00	28	24
6214-115-003-10	3	2	6215-546-003-10	9	19	6215-631-008-00	28	2
	26	6	6215-548-025-00	22	1	6215-634-003-00	28	14
6214-141-023-00	4	1	6215-549-007-10	20	28	6215-635-004-00	28	8
6214-145-004-20	4	2	6215-549-013-00	5	28	6215-635-005-00	28	49

## Numerical Index

6005-097-510-00

Part Code	Fig.Key	Part Code	Fig.Key	Part Code	Fig.Key
6215-637-004-00	28 48	6281-229-002-00	30 2	6904-110-855-00	9 5
6215-639-008-00	28 15	6281-229-003-00	30 3	6909-110-406-00	9 36
6215-639-009-00	28 16	6281-229-004-00	30 5		20 29
6215-641-002-00	28 3	6281-229-006-00	30 8	6909-110-408-00	9 50
6215-643-005-00	28 4	6281-229-007-00	30 9		9 52
6215-644-009-00	28 6	6281-229-008-00	30 10	6909-110-410-00	23 6
6215-649-008-00	28 5	6281-229-011-00	30 15	6909-111-508-00	29 21
6215-649-011-00	28 10	6281-229-012-00	30 19	6909-950-115-00	13 4
6215-649-013-00	28 9	6281-229-013-00	30 20	J061-210-015-00	17 21
6215-649-014-00	28 7	6281-229-014-00	30 21	J062-076-082-00	21 4
6219-310-003-20	9 37	6281-229-015-00	30 22	P117-303-003-00	9 24
6219-732-012-00	24 4	6281-229-016-00	30 23	V195-164-008-30	2 4
6219-752-006-00	20 2	6281-229-017-00	30 24	V201-360-807-50	9 11
6219-752-007-00	20 3	6281-229-018-00	30 25	V201-361-204-00	23 8
6219-752-008-00	20 4	6281-229-029-00	30 14	V211-560-802-50	4 3
6219-752-009-00	20 5	6281-229-032-00	30 6	V220-540-602-00	16 7
6219-752-010-00	20 6	6281-229-033-00	30 11	V230-360-601-00	7 4
6281-100-002-30	23 7	6281-229-041-00	29 22	V230-360-601-20	5 27
6281-111-005-00	29 1	6281-271-002-00	30 26		24 7
6281-115-008-00	29 10	6281-410-010-00	24 3	V230-360-601-60	9 39
6281-115-010-00	29 23	6281-910-003-10	24 5	V231-360-801-60	9 13
6281-115-016-00	29 20	6281-920-001-00	24 8		16 11
6281-116-004-00	29 11	6281-971-003-00	24 1	V231-360-802-00	17 18
6281-121-006-00	29 2	6282-450-006-00	24 2		17 24
6281-123-005-00	29 8	6285-885-122-10	25 1		20 7
6281-124-007-10	29 5	6287-810-014-20	26 1		23 3
6281-129-003-00	29 19	6294-453-002-00	5 22	V231-360-802-50	3 3
6281-129-038-00	29 3	6509-605-019-10	5 7		17 29
6281-129-039-00	29 4	6512-211-018-00	13 3	V231-360-803-00	9 17
6281-129-040-00	29 7	6513-770-022-10	17 26	V231-360-804-50	17 17
6281-129-041-10	29 9	6581-117-007-00	29 12	V231-360-805-00	9 14
6281-129-042-00	29 15	6581-129-092-00	29 17	V231-360-805-50	11 19
6281-129-043-00	29 16	6581-129-099-00	29 6	V231-360-806-00	9 15
6281-129-044-00	29 18	6901-066-645-00	15 12	V231-360-807-50	9 9
6281-129-062-00	29 14	6901-910-612-00	12 5		17 25
6281-151-015-00	29 13		20 15	V231-360-808-50	9 8
6281-200-021-00	23 1	6901-911-020-00	10 2	V233-361-002-00	10 3
6281-213-018-00	30 7	6901-911-025-00	8 5	V233-361-007-00	23 5
6281-214-003-00	30 12	6902-050-816-00	9 43	V251-340-806-00	5 21
6281-214-004-00	30 13	6904-110-822-00	5 20	V341-120-008-00	9 21
6281-215-001-00	30 17		9 4	V401-160-006-00	20 31
6281-216-001-00	30 18		9 47	V401-160-008-00	9 51
6281-217-002-00	30 16	6904-110-840-00	5 19		9 53
6281-221-007-00	30 4		17 16	V401-160-012-00	23 9
6281-222-012-00	30 1	6904-110-850-00	9 6	V411-260-006-00	20 30



## Numerical Index

6005-097-520-00

Part Code	Fig.Key	Part Code	Fig.Key	Part Code	Fig.Key
1373-121-001-00	23 4	6209-625-003-20	26 10	6211-599-004-00	6 4
1425-621-004-00	9 16	6209-630-002-10	24 6	6211-751-001-10	2 5
3625-540-004-00	9 40		26 22	6211-751-002-00	5 31
3640-586-004-00	21 5	6209-730-005-00	12 3	6211-760-032-00	5 29
3817-401-001-00	9 12		20 11	6211-766-025-00	5 30
	11 20	6209-730-006-00	15 4	6211-777-007-30	10 1
	17 13	6209-740-001-00	9 28	6212-111-061-50	13 1
	17 19	6209-740-005-00	5 18	6212-114-061-50	14 1
	20 8	6209-749-001-20	5 16	6212-116-061-50	14 3
6115-639-008-00	28 51		9 46	6212-121-020-20	13 2
6209-000-002-00	11 18	6209-920-002-00	9 22	6212-124-020-20	14 2
6209-000-005-00	1 7	6209-940-004-00	11 14	6212-126-020-20	14 4
6209-000-006-00	5 2	6211-110-070-40	1 1	6212-230-011-10	13 5
6209-030-043-00	20 17	6211-141-023-50	1 6	6212-235-004-00	13 6
6209-030-091-00	8 4		26 3	6212-271-009-00	13 7
6209-030-092-00	18 4	6211-170-007-30	2 1	6212-273-009-00	6 5
6209-046-015-00	15 8	6211-173-005-00	2 6	6212-274-009-00	6 6
6209-050-001-00	9 34		26 4	6212-310-011-40	15 1
6209-050-002-00	9 35	6211-179-011-20	2 2	6212-330-025-20	15 5
6209-300-014-00	1 8	6211-210-065-20	5 1	6212-333-002-00	15 6
6209-360-011-00	21 3	6211-258-001-00	5 9	6212-371-041-10	15 9
6209-360-031-00	2 9		26 8	6212-379-001-00	15 10
6209-409-001-00	9 20	6211-258-002-00	5 10	6212-511-005-00	12 1
6209-409-003-00	11 17		26 9	6212-521-008-00	15 3
6209-490-002-10	2 7	6211-291-010-00	2 3	6212-522-004-10	12 2
6209-500-003-00	9 18	6211-291-013-10	5 25	6212-523-006-50	12 6
	9 27	6211-292-001-20	5 26	6212-524-012-30	20 10
	26 13		26 11	6212-530-008-10	9 48
6209-500-006-00	9 10	6211-310-009-60	9 1	6212-531-008-20	5 8
6209-572-003-00	2 8	6211-311-013-20	9 41	6212-535-007-00	12 4
	26 5	6211-312-005-10	9 29	6212-535-009-00	20 14
6209-580-002-10	20 27		26 14	6212-551-020-10	11 1
6209-600-004-00	9 26	6211-312-006-10	9 42	6212-552-008-00	11 2
6209-600-006-00	7 2		26 15	6212-561-003-00	11 3
6209-605-003-00	9 2	6211-319-003-00	9 44	6212-563-001-00	11 4
6209-605-004-10	1 3	6211-341-058-20	8 1	6212-565-001-00	11 5
6209-610-001-10	5 4	6211-342-003-10	8 2	6212-569-002-00	1 4
6209-610-003-00	1 2	6211-361-022-20	7 1		26 2
	5 6	6211-510-008-00	5 11	6212-571-002-30	11 6
6209-610-004-00	9 3	6211-511-007-00	5 12	6212-575-003-00	11 7
6209-610-007-00	5 3	6211-511-008-00	5 13	6212-600-009-20	11 8
6209-610-009-00	5 5	6211-530-008-00	6 1	6212-611-004-10	11 9
6209-625-002-00	9 7	6211-540-008-00	6 3	6212-616-002-00	11 16
	26 12	6211-599-004-00	5 14	6212-620-008-20	11 10
6209-625-003-20	5 15		6 2	6212-626-002-10	11 11

## Numerical Index

6005-097-520-00

Part Code	Fig.Key	Part Code	Fig.Key	Part Code	Fig.Key
6212-628-010-10	11 12	6215-300-037-00	19 1	6215-549-039-00	20 32
6212-628-011-10	11 13	6215-311-005-00	27 16	6215-600-078-10	20 1
6213-100-004-30	16 1	6215-315-002-00	19 2	6215-611-015-00	28 1
6213-111-002-20	16 2	6215-315-005-00	19 4	6215-619-023-00	28 50
6213-119-001-00	16 6	6215-315-006-00	19 3	6215-619-024-00	28 52
6213-120-002-30	16 3	6215-315-007-00	19 5	6215-621-018-10	20 9
6213-125-002-10	16 4	6215-330-022-00	27 1	6215-622-003-00	28 11
6213-129-003-00	16 5	6215-332-006-00	27 15	6215-629-017-00	28 12
6213-129-006-00	5 17	6215-339-004-00	27 14	6215-629-035-00	28 13
6213-140-012-00	16 8	6215-342-002-00	27 13	6215-629-036-00	28 25
6213-149-003-20	16 10	6215-343-002-00	27 12	6215-629-037-00	28 26
6213-160-003-10	9 30	6215-345-044-00	27 2	6215-629-038-00	28 27
6213-161-003-10	9 31	6215-345-045-00	27 3	6215-629-039-00	28 28
6213-164-001-00	9 32	6215-345-046-00	27 4	6215-629-040-00	28 29
6213-240-002-10	16 12	6215-345-047-00	27 5	6215-629-041-00	28 30
6213-319-001-00	5 24	6215-345-048-00	27 6	6215-629-042-00	28 31
6213-610-005-40	17 1	6215-345-049-00	27 7	6215-629-043-00	28 32
6213-611-003-20	17 2	6215-345-050-00	27 8	6215-629-044-00	28 33
6213-612-004-00	17 9	6215-345-051-00	27 9	6215-629-045-00	28 34
6213-613-002-10	17 8	6215-345-052-00	27 10	6215-629-046-00	28 35
6213-619-002-00	17 11	6215-345-053-00	27 11	6215-629-047-00	28 36
6213-619-003-00	17 10	6215-359-003-00	27 17	6215-629-048-00	28 37
6213-619-006-00	17 14	6215-359-004-00	27 18	6215-629-049-00	28 38
6213-621-003-00	17 6	6215-359-006-00	28 53	6215-629-050-00	28 39
6213-622-002-10	17 5	6215-411-052-00	19 6	6215-629-051-00	28 40
6213-631-002-00	17 3	6215-411-053-10	19 7	6215-629-052-00	28 41
6213-631-005-00	17 4	6215-411-054-00	19 8	6215-629-053-00	28 42
6213-641-022-10	18 2	6215-411-080-10	21 2	6215-629-054-00	28 43
6213-642-002-00	17 7	6215-412-004-00	21 1	6215-629-055-00	28 44
6213-660-016-00	18 1	6215-520-007-10	20 16	6215-629-056-00	28 45
6213-669-012-00	18 3	6215-526-004-00	20 18	6215-629-058-00	28 46
6213-671-030-00	18 5	6215-531-006-10	20 24	6215-629-059-00	28 47
6213-674-006-20	23 2	6215-537-002-10	20 33	6215-629-060-00	28 17
6213-711-004-00	17 27	6215-541-001-10	20 19	6215-629-061-00	28 18
6213-716-001-50	17 22	6215-541-016-30	22 2	6215-629-062-00	28 19
6213-721-007-00	5 23	6215-541-040-00	20 25	6215-629-063-00	28 20
6213-729-013-10	17 20	6215-542-004-20	9 23	6215-629-064-00	28 21
6213-743-002-10	17 23	6215-542-005-10	9 25	6215-629-065-00	28 22
	26 20	6215-542-006-00	20 21	6215-629-066-00	28 23
6214-110-003-00	3 1	6215-543-002-10	20 20	6215-629-067-00	28 24
6214-115-003-10	3 2	6215-546-003-10	9 19	6215-631-008-00	28 2
	26 6	6215-548-025-00	22 1	6215-634-003-00	28 14
6214-141-023-00	4 1	6215-549-007-10	20 28	6215-635-004-00	28 8
6214-145-004-20	4 2	6215-549-013-00	5 28	6215-635-005-00	28 49
	26 7	6215-549-031-10	20 23	6215-637-004-00	28 48

## Numerical Index

6005-097-520-00

Part Code	Fig.Key	Part Code	Fig.Key	Part Code	Fig.Key
6215-639-008-00	28 15	6281-229-003-00	30 3	6909-110-406-00	9 36
6215-639-009-00	28 16	6281-229-004-00	30 5		20 29
6215-641-002-00	28 3	6281-229-006-00	30 8	6909-110-408-00	9 50
6215-643-005-00	28 4	6281-229-007-00	30 9		9 52
6215-644-009-00	28 6	6281-229-008-00	30 10	6909-110-410-00	23 6
6215-649-008-00	28 5	6281-229-011-00	30 15	6909-111-508-00	29 21
6215-649-011-00	28 10	6281-229-012-00	30 19	6909-950-115-00	13 4
6215-649-013-00	28 9	6281-229-013-00	30 20	J061-210-015-00	17 21
6215-649-014-00	28 7	6281-229-014-00	30 21	J062-076-082-00	21 4
6219-310-003-20	9 37	6281-229-015-00	30 22	P117-303-003-00	9 24
6219-732-012-00	24 4	6281-229-016-00	30 23	V195-164-008-30	2 4
6219-752-006-00	20 2	6281-229-017-00	30 24	V201-360-807-50	9 11
6219-752-007-00	20 3	6281-229-018-00	30 25	V201-361-204-00	23 8
6219-752-008-00	20 4	6281-229-029-00	30 14	V211-560-802-50	4 3
6219-752-009-00	20 5	6281-229-032-00	30 6	V220-540-602-00	16 7
6219-752-010-00	20 6	6281-229-033-00	30 11	V230-360-601-00	7 4
6281-100-002-30	23 7	6281-229-041-00	29 22	V230-360-601-20	5 27
6281-111-005-00	29 1	6281-271-002-00	30 26		24 7
6281-115-008-00	29 10	6281-410-010-00	24 3	V230-360-601-60	9 39
6281-115-010-00	29 23	6281-910-003-10	24 5	V231-360-801-60	9 13
6281-115-016-00	29 20	6281-920-001-00	24 8		16 11
6281-116-004-00	29 11	6281-971-003-00	24 1	V231-360-802-00	17 18
6281-121-006-00	29 2	6282-450-006-00	24 2		17 24
6281-123-005-00	29 8	6285-885-122-10	25 1		20 7
6281-124-007-10	29 5	6287-810-028-00	26 1		23 3
6281-129-003-00	29 19	6294-453-002-00	5 22	V231-360-802-50	3 3
6281-129-038-00	29 3	6509-605-019-10	5 7		17 29
6281-129-039-00	29 4	6512-211-018-00	13 3	V231-360-803-00	9 17
6281-129-040-00	29 7	6513-770-022-10	17 26	V231-360-804-50	17 17
6281-129-041-10	29 9	6581-117-007-00	29 12	V231-360-805-00	9 14
6281-129-042-00	29 15	6581-129-092-00	29 17	V231-360-805-50	11 19
6281-129-043-00	29 16	6581-129-099-00	29 6	V231-360-806-00	9 15
6281-129-044-00	29 18	6901-066-645-00	15 11	V231-360-807-50	9 9
6281-129-062-00	29 14	6901-910-612-00	12 5		17 25
6281-151-015-00	29 13		20 15	V231-360-808-50	9 8
6281-200-021-00	23 1	6901-911-020-00	10 2	V233-361-002-00	10 3
6281-213-018-00	30 7	6901-911-025-00	8 5	V233-361-007-00	23 5
6281-214-003-00	30 12	6902-050-816-00	9 43	V251-340-806-00	5 21
6281-214-004-00	30 13	6904-110-822-00	5 20	V341-120-008-00	9 21
6281-215-001-00	30 17		9 4	V401-160-006-00	20 31
6281-216-001-00	30 18		9 47	V401-160-008-00	9 51
6281-217-002-00	30 16	6904-110-840-00	5 19		9 53
6281-221-007-00	30 4		17 16	V401-160-012-00	23 9
6281-222-012-00	30 1	6904-110-850-00	9 6	V411-260-006-00	20 30
6281-229-002-00	30 2	6904-110-855-00	9 5	V523-101-001-80	8 3



## Numerical Index

6005-097-481-00

Part Code	Fig.Key	Part Code	Fig.Key	Part Code	Fig.Key
1373-121-001-00	23 4	6209-625-002-00	9 7	6211-540-008-00	6 3
1425-621-004-00	9 16		27 12	6211-599-004-00	5 14
3625-540-004-00	9 45	6209-625-003-20	5 15		6 2
3640-586-004-00	21 5		27 10		6 4
3817-401-001-00	9 12	6209-630-002-10	24 6	6211-751-001-10	2 5
	11 20		27 22	6211-751-002-00	5 31
	17 13	6209-730-005-00	12 3	6211-760-032-00	5 29
	17 19		20 11	6211-766-025-00	5 30
	20 8	6209-730-006-00	15 4	6211-777-007-30	10 1
6115-639-008-00	29 51	6209-740-001-00	9 30	6212-111-061-50	13 1
6209-000-002-00	11 18	6209-740-005-00	5 18	6212-114-061-50	14 1
6209-000-005-00	1 7	6209-749-001-20	5 16	6212-116-061-50	14 3
6209-000-006-00	5 2		9 51	6212-121-020-20	13 2
6209-000-023-00	15 8	6209-920-002-00	9 23	6212-124-020-20	14 2
6209-030-043-00	20 17	6209-940-004-00	11 14	6212-126-020-20	14 4
6209-030-091-00	8 4	6211-110-070-40	1 1	6212-230-011-10	13 5
6209-030-092-00	18 4	6211-141-023-50	1 6	6212-235-004-00	13 6
6209-046-044-00	10 3		27 3	6212-271-009-00	13 7
6209-046-058-00	23 5	6211-170-007-30	2 1	6212-273-009-00	6 5
6209-050-002-00	9 40	6211-173-005-00	2 6	6212-274-009-00	6 6
6209-050-003-00	9 36		27 4	6212-310-011-40	15 1
6209-300-014-00	1 8	6211-179-011-20	2 2	6212-330-040-50	15 5
6209-360-011-00	21 3	6211-210-065-20	5 1	6212-333-002-00	15 6
6209-360-031-00	2 9	6211-258-001-00	5 9	6212-339-009-00	15 9
6209-409-003-00	11 17		27 8	6212-371-041-10	15 10
6209-490-002-10	2 7	6211-258-002-00	5 10	6212-379-001-00	15 11
6209-500-003-00	9 18		27 9	6212-511-005-00	12 1
	9 29	6211-291-010-00	2 3	6212-521-008-00	15 3
	27 13	6211-291-013-10	5 25	6212-522-004-10	12 2
6209-500-006-00	9 10	6211-292-001-20	5 26	6212-523-006-50	12 6
6209-572-003-00	2 8		27 11	6212-524-012-30	20 10
	27 5	6211-310-009-60	9 1	6212-530-008-10	9 53
6209-580-002-10	20 27	6211-311-013-20	9 46	6212-531-008-20	5 8
6209-587-006-10	9 21	6211-312-005-10	9 31	6212-535-007-00	12 4
	9 38		27 14	6212-535-009-00	20 14
6209-600-004-00	9 28	6211-312-006-10	9 47	6212-551-020-10	11 1
6209-600-006-00	7 2		27 15	6212-552-008-00	11 2
6209-605-003-00	9 2	6211-319-003-00	9 49	6212-561-003-00	11 3
6209-605-004-10	1 3	6211-341-072-00	8 1	6212-563-001-00	11 4
6209-610-001-10	5 4	6211-342-003-10	8 2	6212-565-001-00	11 5
6209-610-003-00	1 2	6211-361-022-20	7 1	6212-569-002-00	1 4
	5 6	6211-510-008-00	5 11		27 2
6209-610-004-00	9 3	6211-511-007-00	5 12	6212-571-002-30	11 6
6209-610-007-00	5 3	6211-511-008-00	5 13	6212-575-003-00	11 7
6209-610-009-00	5 5	6211-530-008-00	6 1	6212-600-009-20	11 8



## Numerical Index

6005-097-481-00

Part Code	Fig.Key	Part Code	Fig.Key	Part Code	Fig.Key
6212-611-004-10	11 9	6214-115-003-10	27 6	6215-548-025-00	22 1
6212-616-002-00	11 16	6214-141-023-00	4 1	6215-549-007-10	20 28
6212-620-008-20	11 10	6214-145-004-20	4 2	6215-549-013-00	5 28
6212-626-002-10	11 11		27 7	6215-549-031-10	20 23
6212-628-010-10	11 12	6215-300-037-00	19 1	6215-549-039-00	20 32
6212-628-011-10	11 13	6215-311-005-00	28 16	6215-549-057-00	9 20
6213-100-004-30	16 1	6215-315-002-00	19 2	6215-549-058-10	9 22
6213-111-002-20	16 2	6215-315-005-00	19 4	6215-549-059-00	9 37
6213-119-001-00	16 6	6215-315-006-00	19 3	6215-549-067-00	9 39
6213-120-002-30	16 3	6215-315-007-00	19 5	6215-600-078-10	20 1
6213-125-002-10	16 4	6215-330-022-00	28 1	6215-611-015-00	29 1
6213-129-003-00	16 5	6215-332-006-00	28 15	6215-619-023-00	29 50
6213-129-006-00	5 17	6215-339-004-00	28 14	6215-619-024-00	29 52
6213-140-012-00	16 8	6215-342-002-00	28 13	6215-621-018-10	20 9
6213-149-003-20	16 10	6215-343-002-00	28 12	6215-622-003-00	29 11
6213-160-003-10	9 32	6215-345-044-00	28 2	6215-629-017-00	29 12
6213-161-003-10	9 33	6215-345-045-00	28 3	6215-629-035-00	29 13
6213-164-001-00	9 34	6215-345-046-00	28 4	6215-629-036-00	29 25
6213-240-002-10	16 12	6215-345-047-00	28 5	6215-629-037-00	29 26
6213-319-001-00	5 24	6215-345-048-00	28 6	6215-629-038-00	29 27
6213-610-005-40	17 1	6215-345-049-00	28 7	6215-629-039-00	29 28
6213-611-003-20	17 2	6215-345-050-00	28 8	6215-629-040-00	29 29
6213-612-004-00	17 9	6215-345-051-00	28 9	6215-629-041-00	29 30
6213-613-002-10	17 8	6215-345-052-00	28 10	6215-629-042-00	29 31
6213-619-002-00	17 11	6215-345-053-00	28 11	6215-629-043-00	29 32
6213-619-003-00	17 10	6215-359-003-00	28 17	6215-629-044-00	29 33
6213-619-006-00	17 14	6215-359-004-00	28 18	6215-629-045-00	29 34
6213-621-003-00	17 6	6215-359-006-00	29 53	6215-629-046-00	29 35
6213-622-002-10	17 5	6215-411-052-00	19 6	6215-629-047-00	29 36
6213-631-002-00	17 3	6215-411-053-10	19 7	6215-629-048-00	29 37
6213-631-005-00	17 4	6215-411-054-00	19 8	6215-629-049-00	29 38
6213-641-022-10	18 2	6215-411-080-10	21 2	6215-629-050-00	29 39
6213-642-002-00	17 7	6215-412-004-00	21 1	6215-629-051-00	29 40
6213-660-016-00	18 1	6215-520-007-10	20 16	6215-629-052-00	29 41
6213-669-012-00	18 3	6215-526-004-00	20 18	6215-629-053-00	29 42
6213-671-030-00	18 5	6215-531-006-10	20 24	6215-629-054-00	29 43
6213-674-006-20	23 2	6215-537-002-10	20 33	6215-629-055-00	29 44
6213-711-004-00	17 27	6215-541-001-10	20 19	6215-629-056-00	29 45
6213-716-001-50	17 22	6215-541-016-30	22 2	6215-629-058-00	29 46
6213-721-007-00	5 23	6215-541-040-00	20 25	6215-629-059-00	29 47
6213-729-013-10	17 20	6215-542-004-20	9 25	6215-629-060-00	29 17
6213-743-002-10	17 23	6215-542-005-10	9 27	6215-629-061-00	29 18
	27 20	6215-542-006-00	20 21	6215-629-062-00	29 19
6214-110-003-00	3 1	6215-543-002-10	20 20	6215-629-063-00	29 20
6214-115-003-10	3 2	6215-546-006-00	9 19	6215-629-064-00	29 21

## Numerical Index

6005-097-481-00

Part Code	Fig.Key	Part Code	Fig.Key	Part Code	Fig.Key
6215-629-065-00	29 22	6281-214-003-00	31 12	6901-911-020-00	10 2
6215-629-066-00	29 23	6281-214-004-00	31 13	6901-911-025-00	8 5
6215-629-067-00	29 24	6281-215-001-00	31 17	6902-050-816-00	9 48
6215-631-008-00	29 2	6281-216-001-00	31 18	6904-110-822-00	5 20
6215-634-003-00	29 14	6281-217-002-00	31 16		9 4
6215-635-004-00	29 8	6281-221-007-00	31 4		9 52
6215-635-005-00	29 49	6281-222-012-00	31 1	6904-110-840-00	5 19
6215-637-004-00	29 48	6281-229-002-00	31 2		17 16
6215-639-008-00	29 15	6281-229-003-00	31 3	6904-110-850-00	9 6
6215-639-009-00	29 16	6281-229-004-00	31 5	6904-110-855-00	9 5
6215-641-002-00	29 3	6281-229-006-00	31 8	6909-110-406-00	9 41
6215-643-005-00	29 4	6281-229-007-00	31 9		20 29
6215-644-009-00	29 6	6281-229-008-00	31 10	6909-110-408-00	9 55
6215-649-008-00	29 5	6281-229-011-00	31 15		9 57
6215-649-011-00	29 10	6281-229-012-00	31 19	6909-110-410-00	23 6
6215-649-013-00	29 9	6281-229-013-00	31 20	6909-111-508-00	30 21
6215-649-014-00	29 7	6281-229-014-00	31 21	6909-950-115-00	13 4
6219-310-003-20	9 42	6281-229-015-00	31 22	J061-210-015-00	17 21
6219-732-012-00	24 4	6281-229-016-00	31 23	J062-076-082-00	21 4
6219-752-006-00	20 2	6281-229-017-00	31 24	P117-303-003-00	9 26
6219-752-007-00	20 3	6281-229-018-00	31 25	V195-164-008-30	2 4
6219-752-008-00	20 4	6281-229-029-00	31 14	V201-360-807-50	9 11
6219-752-009-00	20 5	6281-229-032-00	31 6	V201-361-204-00	23 8
6219-752-010-00	20 6	6281-229-033-00	31 11	V211-560-802-50	4 3
6281-100-002-30	23 7	6281-229-041-00	30 22	V220-540-602-00	16 7
6281-111-005-00	30 1	6281-271-002-00	31 26	V230-360-601-00	7 4
6281-115-008-00	30 10	6281-410-010-00	24 3	V230-360-601-20	5 27
6281-115-010-00	30 23	6281-910-003-10	24 5		24 7
6281-115-016-00	30 20	6281-920-001-00	24 8	V230-360-601-60	9 44
6281-116-004-00	30 11	6281-971-003-00	24 1	V231-360-801-60	9 13
6281-121-006-00	30 2	6282-450-006-00	24 2		16 11
6281-123-005-00	30 8	6285-885-121-50	26 1	V231-360-802-00	17 18
6281-124-007-10	30 5	6285-885-122-10	25 1		17 24
6281-129-003-00	30 19	6287-810-028-00	27 1		20 7
6281-129-038-00	30 3	6294-453-002-00	5 22		23 3
6281-129-039-00	30 4	6509-605-019-10	5 7	V231-360-802-50	3 3
6281-129-040-00	30 7		9 24		17 29
6281-129-041-10	30 9	6512-211-018-00	13 3	V231-360-803-00	9 17
6281-129-042-00	30 15	6513-770-022-10	17 26	V231-360-804-50	17 17
6281-129-043-00	30 16	6581-117-007-00	30 12	V231-360-805-00	9 14
6281-129-044-00	30 18	6581-129-092-00	30 17	V231-360-805-50	11 19
6281-129-062-00	30 14	6581-129-099-00	30 6	V231-360-806-00	9 15
6281-151-015-00	30 13	6901-066-645-00	15 12	V231-360-807-50	9 9
6281-200-021-00	23 1	6901-910-612-00	12 5		17 25
6281-213-018-00	31 7		20 15	V231-360-808-50	9 8

# Numerical Index

6005-097-481-00

Part Code	Fig.Key	Part Code	Fig.Key	Part Code	Fig.Key
V251-340-806-00	5 21				
V401-160-006-00	20 31				
V401-160-008-00	9 56				
	9 58				
V401-160-012-00	23 9				
V411-260-006-00	20 30				
V523-101-001-80	8 3				
	15 2				
V600-110-600-40	20 13				
V600-110-600-50	9 54				
V600-110-620-30	20 12				
V600-150-600-20	15 7				
V682-200-000-60	1 5				
V704-140-016-00	11 15				
V705-140-012-00	9 35				
V710-140-004-00	20 22				
V720-101-900-80	20 26				
V720-102-401-80	7 3				
V720-103-502-20	16 9				
	27 17				
V720-103-502-50	5 32				
V721-103-104-00	17 12				
	27 18				
V721-113-105-00	17 15				
	27 19				
V723-102-002-40	9 43				
V723-102-005-00	9 50				
	27 16				
V723-102-005-50	17 28				
	27 21				

## Numerical Index

6005-097-491-00

Part Code	Fig.Key	Part Code	Fig.Key	Part Code	Fig.Key
1373-121-001-00	23 4	6209-625-002-00	9 7	6211-540-008-00	6 3
1425-621-004-00	9 16		27 12	6211-599-004-00	5 14
3625-540-004-00	9 45	6209-625-003-20	5 15		6 2
3640-586-004-00	21 5		27 10		6 4
3805-355-002-20	7 2	6209-630-002-10	24 6	6211-751-001-10	2 5
3817-401-001-00	9 12		27 22	6211-751-002-00	5 31
	11 20	6209-730-005-00	12 3	6211-760-032-00	5 29
	17 13		20 11	6211-766-025-00	5 30
	17 19	6209-730-006-00	15 4	6211-777-007-30	10 1
	20 8	6209-740-001-00	9 30	6212-111-039-90	13 1
6115-639-008-00	29 51	6209-740-005-00	5 18	6212-114-039-90	14 1
6209-000-002-00	11 18	6209-749-001-20	5 16	6212-116-039-90	14 3
6209-000-005-00	1 7		9 51	6212-121-027-00	13 2
6209-000-006-00	5 2	6209-920-002-00	9 23	6212-124-027-00	14 2
6209-000-023-00	15 8	6209-940-004-00	11 14	6212-126-027-00	14 4
6209-030-043-00	20 17	6211-110-073-40	1 1	6212-230-011-10	13 5
6209-030-091-00	8 4	6211-141-023-50	1 6	6212-235-004-00	13 6
6209-030-092-00	18 4		27 3	6212-271-009-00	13 7
6209-046-044-00	10 3	6211-170-007-30	2 1	6212-273-009-00	6 5
6209-046-058-00	23 5	6211-173-005-00	2 6	6212-274-009-00	6 6
6209-050-002-00	9 40		27 4	6212-310-011-40	15 1
6209-050-003-00	9 36	6211-179-011-20	2 2	6212-330-040-50	15 5
6209-300-014-00	1 8	6211-210-056-70	5 1	6212-333-002-00	15 6
6209-360-011-00	21 3	6211-258-001-00	5 9	6212-339-009-00	15 9
6209-360-031-00	2 9		27 8	6212-371-041-10	15 10
6209-409-003-00	11 17	6211-258-002-00	5 10	6212-379-001-00	15 11
6209-490-002-10	2 7		27 9	6212-511-005-00	12 1
6209-500-003-00	9 18	6211-291-010-00	2 3	6212-521-008-00	15 3
	9 29	6211-291-013-10	5 25	6212-522-004-10	12 2
	27 13	6211-292-001-20	5 26	6212-523-006-50	12 6
6209-500-006-00	9 10		27 11	6212-524-012-30	20 10
6209-572-003-00	2 8	6211-310-009-60	9 1	6212-530-008-10	9 53
	27 5	6211-311-013-20	9 46	6212-531-008-20	5 8
6209-580-002-10	20 27	6211-312-005-10	9 31	6212-535-007-00	12 4
6209-587-006-10	9 21		27 14	6212-535-009-00	20 14
	9 38	6211-312-006-10	9 47	6212-551-020-10	11 1
6209-600-004-00	9 28		27 15	6212-552-008-00	11 2
6209-605-003-00	9 2	6211-319-003-00	9 49	6212-561-003-00	11 3
6209-605-004-10	1 3	6211-341-072-00	8 1	6212-563-001-00	11 4
6209-610-001-10	5 4	6211-342-003-10	8 2	6212-565-001-00	11 5
6209-610-003-00	1 2	6211-361-038-10	7 1	6212-569-002-00	1 4
	5 6	6211-510-008-00	5 11		27 2
6209-610-004-00	9 3	6211-511-007-00	5 12	6212-571-002-30	11 6
6209-610-007-00	5 3	6211-511-008-00	5 13	6212-575-003-00	11 7
6209-610-009-00	5 5	6211-530-008-00	6 1	6212-600-009-20	11 8

## Numerical Index

6005-097-491-00

Part Code	Fig.Key	Part Code	Fig.Key	Part Code	Fig.Key
6212-611-004-10	11 9	6214-115-003-10	27 6	6215-548-043-00	22 1
6212-616-002-00	11 16	6214-141-023-00	4 1	6215-549-007-10	20 28
6212-620-008-20	11 10	6214-145-004-20	4 2	6215-549-013-00	5 28
6212-626-002-10	11 11		27 7	6215-549-031-10	20 23
6212-628-010-10	11 12	6215-300-031-00	19 1	6215-549-039-00	20 32
6212-628-011-10	11 13	6215-311-028-00	28 16	6215-549-057-00	9 20
6213-100-004-30	16 1	6215-315-002-00	19 2	6215-549-058-10	9 22
6213-111-002-20	16 2	6215-315-005-00	19 4	6215-549-059-00	9 37
6213-119-001-00	16 6	6215-315-006-00	19 3	6215-549-068-10	9 39
6213-120-002-30	16 3	6215-315-007-00	19 5	6215-600-104-20	20 1
6213-125-002-10	16 4	6215-330-022-00	28 1	6215-611-015-00	29 1
6213-129-003-00	16 5	6215-332-006-00	28 15	6215-619-023-00	29 50
6213-129-006-00	5 17	6215-339-004-00	28 14	6215-619-024-00	29 52
6213-140-013-00	16 8	6215-342-002-00	28 13	6215-621-017-10	20 9
6213-149-003-20	16 10	6215-343-002-00	28 12	6215-622-003-00	29 11
6213-160-003-10	9 32	6215-345-044-00	28 2	6215-629-017-00	29 12
6213-161-003-10	9 33	6215-345-045-00	28 3	6215-629-035-00	29 13
6213-164-001-00	9 34	6215-345-046-00	28 4	6215-629-036-00	29 25
6213-240-002-10	16 12	6215-345-047-00	28 5	6215-629-037-00	29 26
6213-319-001-00	5 24	6215-345-048-00	28 6	6215-629-038-00	29 27
6213-610-005-40	17 1	6215-345-049-00	28 7	6215-629-039-00	29 28
6213-611-003-20	17 2	6215-345-050-00	28 8	6215-629-040-00	29 29
6213-612-004-00	17 9	6215-345-051-00	28 9	6215-629-041-00	29 30
6213-613-002-10	17 8	6215-345-052-00	28 10	6215-629-042-00	29 31
6213-619-002-00	17 11	6215-345-053-00	28 11	6215-629-043-00	29 32
6213-619-003-00	17 10	6215-359-003-00	28 17	6215-629-044-00	29 33
6213-619-006-00	17 14	6215-359-004-00	28 18	6215-629-045-00	29 34
6213-621-003-00	17 6	6215-359-006-00	29 53	6215-629-046-00	29 35
6213-622-002-10	17 5	6215-411-067-00	19 6	6215-629-047-00	29 36
6213-631-002-00	17 3	6215-411-068-00	19 7	6215-629-048-00	29 37
6213-631-005-00	17 4	6215-411-069-00	19 8	6215-629-049-00	29 38
6213-641-022-10	18 2	6215-411-080-10	21 2	6215-629-050-00	29 39
6213-642-002-00	17 7	6215-412-004-00	21 1	6215-629-051-00	29 40
6213-660-016-00	18 1	6215-520-007-10	20 16	6215-629-052-00	29 41
6213-669-012-00	18 3	6215-526-004-00	20 18	6215-629-053-00	29 42
6213-671-030-00	18 5	6215-531-010-00	20 24	6215-629-054-00	29 43
6213-674-006-20	23 2	6215-537-002-10	20 33	6215-629-055-00	29 44
6213-711-004-00	17 27	6215-541-001-10	20 19	6215-629-056-00	29 45
6213-716-001-50	17 22	6215-541-016-30	22 2	6215-629-058-00	29 46
6213-721-007-00	5 23	6215-541-040-00	20 25	6215-629-059-00	29 47
6213-729-013-10	17 20	6215-542-004-20	9 25	6215-629-060-00	29 17
6213-743-002-10	17 23	6215-542-005-10	9 27	6215-629-061-00	29 18
	27 20	6215-542-006-00	20 21	6215-629-062-00	29 19
6214-110-003-00	3 1	6215-543-002-10	20 20	6215-629-063-00	29 20
6214-115-003-10	3 2	6215-546-006-00	9 19	6215-629-064-00	29 21

## Numerical Index

6005-097-491-00

Part Code	Fig.Key	Part Code	Fig.Key	Part Code	Fig.Key
6215-629-065-00	29 22	6281-214-003-00	31 12	6901-910-635-00	7 4
6215-629-066-00	29 23	6281-214-004-00	31 13	6901-911-020-00	10 2
6215-629-067-00	29 24	6281-215-001-00	31 17	6901-911-025-00	8 5
6215-631-015-00	29 2	6281-216-001-00	31 18	6902-050-816-00	9 48
6215-634-003-00	29 14	6281-217-002-00	31 16	6904-110-822-00	5 20
6215-635-004-00	29 8	6281-221-007-00	31 4		9 4
6215-635-005-00	29 49	6281-222-012-00	31 1		9 52
6215-637-004-00	29 48	6281-229-002-00	31 2	6904-110-840-00	5 19
6215-639-008-00	29 15	6281-229-003-00	31 3		17 16
6215-639-009-00	29 16	6281-229-004-00	31 5	6904-110-850-00	9 6
6215-641-002-00	29 3	6281-229-006-00	31 8	6904-110-855-00	9 5
6215-643-005-00	29 4	6281-229-007-00	31 9	6909-110-406-00	9 41
6215-644-009-00	29 6	6281-229-008-00	31 10		20 29
6215-649-008-00	29 5	6281-229-011-00	31 15	6909-110-408-00	9 55
6215-649-011-00	29 10	6281-229-012-00	31 19		9 57
6215-649-013-00	29 9	6281-229-013-00	31 20	6909-110-410-00	23 6
6215-649-014-00	29 7	6281-229-014-00	31 21	6909-111-508-00	30 21
6219-310-003-20	9 42	6281-229-015-00	31 22	6909-950-115-00	13 4
6219-732-012-00	24 4	6281-229-016-00	31 23	J061-210-015-00	17 21
6219-752-006-00	20 2	6281-229-017-00	31 24	J062-076-082-00	21 4
6219-752-007-00	20 3	6281-229-018-00	31 25	P117-303-003-00	9 26
6219-752-008-00	20 4	6281-229-029-00	31 14	V195-164-008-30	2 4
6219-752-009-00	20 5	6281-229-032-00	31 6	V201-360-807-50	9 11
6219-752-010-00	20 6	6281-229-033-00	31 11	V201-361-204-00	23 8
6281-100-002-30	23 7	6281-229-041-00	30 22	V211-560-802-50	4 3
6281-111-005-00	30 1	6281-271-002-00	31 26	V220-540-602-00	16 7
6281-115-008-00	30 10	6281-410-010-00	24 3	V230-360-601-20	5 27
6281-115-010-00	30 23	6281-910-003-10	24 5		24 7
6281-115-016-00	30 20	6281-920-001-00	24 8	V230-360-601-60	9 44
6281-116-004-00	30 11	6281-971-003-00	24 1	V231-360-801-60	9 13
6281-121-006-00	30 2	6282-450-006-00	24 2		16 11
6281-123-005-00	30 8	6285-885-112-60	25 1	V231-360-802-00	17 18
6281-124-007-10	30 5	6285-885-122-10	26 1		17 24
6281-129-003-00	30 19	6287-810-028-00	27 1		20 7
6281-129-038-00	30 3	6294-453-002-00	5 22		23 3
6281-129-039-00	30 4	6509-605-019-10	5 7	V231-360-802-50	3 3
6281-129-040-00	30 7		9 24		17 29
6281-129-041-10	30 9	6512-211-018-00	13 3	V231-360-803-00	9 17
6281-129-042-00	30 15	6513-770-022-10	17 26	V231-360-804-50	17 17
6281-129-043-00	30 16	6581-117-007-00	30 12	V231-360-805-00	9 14
6281-129-044-00	30 18	6581-129-092-00	30 17	V231-360-805-50	11 19
6281-129-062-00	30 14	6581-129-099-00	30 6	V231-360-806-00	9 15
6281-151-015-00	30 13	6901-066-645-00	15 12	V231-360-807-50	9 9
6281-200-021-00	23 1	6901-910-612-00	12 5		17 25
6281-213-018-00	31 7		20 15	V231-360-808-50	9 8

# Numerical Index

6005-097-491-00

Part Code	Fig.Key	Part Code	Fig.Key	Part Code	Fig.Key
V251-340-806-00	5 21				
V401-160-006-00	20 31				
V401-160-008-00	9 56				
	9 58				
V401-160-012-00	23 9				
V411-260-006-00	20 30				
V523-101-001-80	8 3				
	15 2				
V600-110-600-40	20 13				
V600-110-600-50	9 54				
V600-110-620-30	20 12				
V600-150-600-20	15 7				
V682-200-000-60	1 5				
V704-140-016-00	11 15				
V705-140-012-00	9 35				
V710-140-004-00	20 22				
V720-101-900-80	20 26				
V720-102-401-80	7 3				
V720-103-502-20	16 9				
	27 17				
V720-103-502-50	5 32				
V721-103-104-00	17 12				
	27 18				
V721-113-105-00	17 15				
	27 19				
V723-102-002-40	9 43				
V723-102-005-00	9 50				
	27 16				
V723-102-005-50	17 28				
	27 21				

## Numerical Index

1740-097-110-00

Part Code	Fig.Key	Part Code	Fig.Key	Part Code	Fig.Key
1105-311-001-00	87 10	1404-503-006-00	63 26	1422-362-213-00	118 9
1118-901-002-00	112 4		80 29	1423-616-004-00	87 5
1301-411-005-00	87 12		81 28	1424-101-203-00	1 21
1302-225-003-00	30 4	1407-111-001-00	7 2	1424-101-204-00	1 22
	36 15	1414-312-002-00	11 1	1425-621-004-00	97 28
	38 13		16 2		98 28
1342-402-006-00	1 45	1415-102-007-00	137 2		107 21
	7 19	1415-102-008-00	137 4		107 22
	9 10	1415-102-009-00	137 5		107 26
	10 9	1415-102-013-00	137 10		108 22
	107 27	1415-120-004-00	13 18		108 23
	108 28	1415-120-006-00	133 31		108 27
1376-402-003-00	47 10	1415-312-500-00	58 15		109 20
	107 24		59 20		109 21
	107 28	1415-312-600-00	58 16		109 25
	108 25		59 21		110 21
	108 29	1415-505-006-00	77 3		110 22
	109 23	1416-621-037-00	7 23		110 26
	110 24		8 4	1427-111-006-00	4 8
1386-241-002-00	120 4	1421-201-003-00	71 18	1427-111-007-00	4 9
	120 9		71 23		5 9
	125 4	1421-400-054-10	72 3	1427-111-229-00	3 13
	125 9		73 2	1427-120-002-00	53 5
	126 4	1421-400-055-00	72 8		69 19
	126 9		73 7		70 19
1401-906-005-00	116 2	1421-403-001-00	72 13		71 21
1404-117-008-00	11 8		73 12		71 26
1404-312-006-00	58 20	1421-403-002-00	72 14	1427-201-016-00	12 8
	59 25		73 13		13 12
	60 14	1421-403-003-00	72 5	1427-312-230-00	58 17
1404-402-001-00	72 4		72 10		59 22
	72 9		73 4	1427-431-003-00	82 35
	73 3		73 9		83 33
	73 8	1421-507-014-00	88 20	1427-432-016-00	67 7
	134 1		91 7		68 7
	134 7		92 7	1427-621-012-00	90 4
1404-402-002-00	134 2	1421-602-008-00	89 16		90 12
	134 8	1421-603-004-00	87 59	1429-406-205-00	62 3
1404-402-005-00	72 7		87 62		62 4
	72 12		88 22		63 3
	73 6	1421-621-038-00	62 44		63 4
	73 11		63 33	1432-242-001-00	16 18
	134 3		84 24	1432-242-004-00	133 23
	134 9	1421-906-001-00	116 1	1432-616-002-00	16 10
1404-503-006-00	62 26	1422-362-213-00	118 4		46 13



## Numerical Index

1740-097-110-00

Part Code	Fig.Key	Part Code	Fig.Key	Part Code	Fig.Key
1432-616-002-00	59 33	1509-317-341-00	117 8	1560-116-008-30	11 17
1432-621-006-10	105 23	1509-317-342-00	117 4	1560-132-007-30	16 17
	106 16		117 9		48 8
1432-665-014-00	90 3	1509-535-002-00	133 4		58 18
	90 11	1509-535-003-10	133 5		59 23
1435-120-002-30	19 2	1509-535-009-00	133 3	1560-206-002-40	15 10
1435-905-008-10	113 7	1518-111-007-00	5 16	1560-208-018-40	22 9
1442-313-202-00	60 2	1518-306-203-00	69 3		23 11
1444-102-202-00	137 1		70 3		49 3
1444-102-204-00	137 6	1518-432-250-00	69 2		50 3
1444-122-002-00	16 15		70 2	1560-214-003-00	14 16
1444-122-230-10	16 13	1518-621-007-00	31 2		20 5
1444-314-004-10	55 5	1518-621-320-00	105 22	1560-265-002-20	30 3
1444-314-009-10	31 13		106 15	1560-314-001-00	56 10
	32 14	1518-786-508-00	7 17		111 10
	36 26		84 26	1560-401-004-40	89 4
	38 24	1518-903-006-00	128 21	1560-404-002-30	48 27
1444-328-272-00	60 4		129 23	1560-437-341-00	124 3
1444-328-273-00	60 3	1518-903-007-00	128 22		124 8
1444-410-002-10	65 8		129 24	1560-501-202-00	75 3
	66 9	1518-924-001-00	86 14	1560-507-007-00	74 1
1444-411-012-00	67 5		130 15	1560-511-001-00	56 16
	68 5		132 3	1560-515-272-00	84 30
1444-411-013-00	67 6	1527-604-002-00	6 12	1560-522-007-40	133 12
	68 6		8 12	1560-522-008-30	133 36
1444-501-004-10	76 2		89 15	1560-522-009-30	133 35
1444-503-001-20	77 1		90 5	1560-525-001-40	82 9
1444-503-006-00	31 1		90 9		83 7
1444-601-015-00	87 39	1544-104-205-00	3 5	1560-601-028-00	24 19
	87 48	1544-120-008-10	75 31	1560-606-008-00	9 20
	88 6	1544-215-015-00	24 14		10 18
	88 12	1544-215-016-00	24 21		99 17
1446-417-211-00	127 3	1544-623-001-00	105 7		100 15
	127 8		106 7	1560-630-028-00	10 17
1480-211-005-00	21 7	1544-623-232-00	105 8	1560-658-202-00	104 12
1480-212-004-10	36 11		106 8	1560-658-282-40	104 17
	38 9	1544-623-233-00	105 9		104 19
1480-301-002-10	52 4		106 9	1560-664-250-00	106 23
1480-301-003-10	52 5	1544-623-234-00	105 10	1560-664-252-00	106 24
1480-434-011-10	71 32		106 10	1560-664-253-00	106 25
1480-503-200-00	76 10	1544-623-235-00	105 11	1560-666-212-00	107 9
1507-304-002-00	33 17		106 11		108 9
1509-317-311-00	118 3	1550-307-005-00	55 11		109 9
	118 8	1560-104-006-60	1 18		110 9
1509-317-341-00	117 3	1560-104-010-40	1 20	1560-695-015-00	107 25

## Numerical Index

1740-097-110-00

Part Code	Fig.Key	Part Code	Fig.Key	Part Code	Fig.Key
1560-695-015-00	108 26	1588-651-205-00	105 31	1600-623-002-00	105 12
	109 24		106 21		106 12
	110 25	1590-441-200-00	127 1	1600-624-004-00	107 13
1560-695-021-00	48 5	1590-441-210-00	124 2		108 14
1560-695-022-00	48 7		124 7		109 12
1560-702-102-20	111 13		127 2		110 13
1561-221-503-00	140 2		127 7	1600-624-201-00	107 15
1561-221-504-00	140 3	1590-441-220-00	127 6		108 16
1561-221-505-00	140 4	1593-307-052-10	15 26		109 14
1561-221-506-00	140 12	1593-406-008-00	9 14		110 15
1561-221-507-00	140 13		10 13	1600-902-002-10	113 3
1561-221-508-00	140 14	1594-105-001-00	2 2		114 3
1561-221-509-00	140 10		2 6	1600-904-003-00	113 6
1561-221-511-00	140 8	1594-218-001-00	33 2		114 6
1564-507-230-10	74 4	1594-221-001-00	21 5	1602-310-202-00	57 5
1564-630-012-00	1 29		71 11		57 10
	9 18		71 29	1602-317-231-00	120 3
	91 2	1594-515-200-20	84 29		120 8
	92 2	1594-520-240-00	82 26	1602-322-003-00	33 8
1564-664-003-00	6 6		83 24		33 15
1566-525-101-00	97 27	1594-715-002-00	97 8	1602-441-201-00	126 3
	98 27		98 8		126 8
1566-701-102-00	97 14	1596-669-108-00	87 37	1602-902-061-00	113 8
	98 14		87 46		114 9
1568-111-003-20	7 5	1600-117-002-00	11 7	1603-322-003-00	36 19
1568-650-004-10	9 8	1600-123-210-10	16 14		38 17
	10 7	1600-243-051-00	19 8	1612-105-002-00	4 16
1568-650-005-10	9 9	1600-502-003-00	39 2		5 17
	10 8		76 7	1612-531-003-00	128 12
1568-665-210-10	7 22	1600-515-001-00	82 34		129 14
1568-731-103-00	36 20		83 32	1614-102-003-00	1 17
	38 18	1600-622-003-00	102 11	1614-105-004-00	6 14
1572-102-003-00	137 9		102 24		8 14
1575-105-001-00	5 7	1600-622-251-00	102 8	1614-111-210-00	8 3
1575-511-001-20	76 12		102 21	1614-203-005-00	22 13
1581-111-001-00	108 13		103 8		23 21
	110 12		103 20	1614-203-014-00	18 3
1584-522-001-00	128 18	1600-622-252-00	102 10	1614-203-015-00	21 12
	129 20		102 23	1614-205-016-00	20 10
1588-105-003-00	5 8		103 10	1614-216-003-00	25 10
1588-105-220-00	4 1		103 22		26 10
	5 1	1600-622-260-00	102 7		34 7
1588-117-001-00	87 19		103 7		35 7
1588-501-002-00	75 2	1600-622-280-00	102 20	1614-222-007-00	27 6
1588-502-003-00	76 4		103 19	1614-241-003-00	31 15

## Numerical Index

1740-097-110-00

Part Code	Fig.Key	Part Code	Fig.Key	Part Code	Fig.Key
1614-241-003-00	32 17	1614-503-270-10	77 25	1614-680-220-00	106 20
1614-261-006-00	39 7	1614-503-280-00	77 26	1615-317-210-00	121 2
	47 13	1614-503-290-00	77 31		121 7
1614-262-003-00	79 11	1614-503-300-10	77 33	1616-435-001-00	71 41
1614-262-006-00	79 12	1614-503-310-00	77 35	1616-435-002-00	71 42
	128 13	1614-503-320-00	77 38	1617-102-007-00	1 16
	129 13	1614-505-002-00	79 5	1617-112-213-00	9 2
1614-308-002-10	56 3	1614-505-003-00	79 6	1617-206-003-00	21 6
1614-308-003-00	56 2	1614-505-004-00	79 7	1617-206-004-00	21 3
1614-308-004-10	56 4	1614-514-300-00	82 19	1617-208-002-00	22 7
1614-310-201-20	57 1		83 17		23 10
1614-310-211-20	57 6	1614-514-310-00	82 20	1617-221-001-10	27 1
1614-310-220-10	57 11		83 18		28 1
1614-432-001-00	67 4	1614-514-320-00	82 21	1617-221-002-10	27 2
	68 4		83 19		28 2
1614-432-002-00	67 9	1614-531-002-00	133 16	1617-221-003-00	27 3
	68 9	1614-531-003-00	133 18	1617-221-004-00	27 4
1614-432-003-00	67 10	1614-531-004-00	133 17		28 4
	68 10	1614-531-013-00	133 19	1617-221-005-00	27 7
1614-432-004-00	67 11	1614-603-008-00	89 14		28 6
1614-432-005-00	67 12	1614-603-017-00	89 11	1617-241-003-00	31 11
1614-432-006-00	67 13	1614-603-021-00	89 8		32 10
	68 12	1614-603-022-00	89 9	1617-244-004-00	14 2
1614-432-210-10	67 2	1614-603-202-00	89 13		33 7
	68 2	1614-608-220-10	91 6		33 14
1614-433-002-00	69 7		92 6	1617-262-210-10	40 8
	70 7	1614-626-400-00	95 10	1617-301-002-00	49 5
1614-433-202-00	69 6		96 10		50 4
	70 6		97 2	1617-304-001-00	51 1
1614-433-212-00	69 11		98 2		52 1
	70 11	1614-630-002-00	88 9	1617-304-002-00	51 3
1614-434-001-00	71 1		99 20	1617-304-003-00	51 4
1614-434-002-10	71 7		100 18	1617-304-004-00	51 5
1614-434-003-10	71 10	1614-630-007-00	99 6	1617-304-006-00	51 7
1614-434-007-00	71 27		100 6	1617-304-008-00	51 12
1614-434-008-10	71 28	1614-630-008-00	99 7		52 13
1614-434-011-10	71 31		100 7	1617-304-009-00	51 13
1614-434-012-00	71 36	1614-670-001-10	104 22		52 14
1614-434-013-00	71 35	1614-670-201-00	104 8	1617-304-011-00	51 14
1614-501-003-10	79 13	1614-670-202-00	104 20		52 15
	79 17	1614-670-240-00	104 7	1617-304-012-00	51 16
1614-501-230-00	75 40	1614-670-250-00	104 9		52 17
1614-503-003-00	77 40	1614-670-260-00	104 10	1617-304-018-00	51 6
1614-503-005-00	77 22	1614-670-281-00	104 18		52 7
1614-503-006-00	77 41	1614-680-220-00	105 30	1617-306-009-00	53 12

## Numerical Index

1740-097-110-00

Part Code	Fig.Key	Part Code	Fig.Key	Part Code	Fig.Key
1617-306-009-00	54 11	1620-125-003-00	14 5	1620-507-006-10	128 8
1617-307-001-00	55 1	1620-125-004-00	14 11		129 9
1617-307-003-00	55 8	1620-133-001-00	16 3	1620-507-450-10	128 14
1617-308-001-00	56 1	1620-202-517-00	141 26		129 15
1617-312-001-00	58 23	1620-202-518-00	141 27	1620-507-460-00	128 16
	59 28	1620-202-524-00	141 39		129 19
1617-317-230-00	119 2	1620-202-531-00	141 34	1620-508-230-00	81 1
	119 7	1620-202-533-00	141 33	1620-514-005-00	82 24
1617-434-001-00	71 30	1620-202-534-00	141 43		83 22
1617-435-001-00	71 43	1620-202-535-00	141 44	1620-514-280-00	82 28
1617-435-002-00	71 44	1620-202-536-00	141 30		83 26
1617-437-210-10	124 1	1620-202-537-00	141 45	1620-606-200-42	90 1
1617-437-220-10	124 6	1620-255-201-00	36 1	1620-606-210-42	90 7
1617-502-001-10	76 1		38 2	1620-608-210-00	91 3
1617-502-002-00	76 3	1620-255-202-00	36 2		92 3
1617-502-004-00	76 9	1620-255-207-00	36 18	1620-611-210-00	93 1
1617-503-001-00	77 13		38 16	1620-626-230-10	97 23
1617-503-002-00	77 16	1620-255-208-00	29 3		98 23
1617-503-003-00	77 18		36 24	1620-626-600-00	97 26
1617-503-210-00	77 21		38 22		98 26
1617-508-001-00	80 9	1620-255-220-00	36 22	1620-630-008-00	99 18
	81 8		38 20		100 16
1617-514-270-00	82 37	1620-261-200-10	47 11	1620-630-053-00	99 4
	83 35	1620-262-001-10	79 9		100 4
1617-722-212-00	91 5	1620-265-300-00	44 1	1620-630-210-11	99 8
	92 5		45 2		100 8
1620-111-004-00	6 9	1620-272-052-10	47 6	1620-630-220-11	100 9
	8 9	1620-272-053-00	48 25	1620-670-200-40	104 1
1620-117-200-10	11 5	1620-309-001-00	56 9	1620-670-210-40	104 2
1620-121-001-00	13 19		56 13	1620-680-003-00	105 24
1620-121-002-00	13 20	1620-312-240-00	59 6		106 17
1620-121-006-00	139 1	1620-312-260-00	59 7	1620-690-240-00	107 14
1620-121-007-00	139 2	1620-313-001-10	60 9		108 15
1620-121-011-00	139 5	1620-313-002-10	60 10		109 13
1620-121-012-00	139 6	1620-313-004-00	47 7		110 14
1620-121-013-00	139 7		60 13	1620-903-005-00	114 7
1620-121-014-00	139 8	1620-313-210-20	60 7	1620-903-006-00	114 8
1620-121-016-00	139 11	1620-431-200-00	66 6	1622-121-001-00	139 3
1620-121-017-00	139 12	1620-432-200-00	67 1	1622-121-002-00	139 4
1620-121-018-00	139 13	1620-433-200-00	69 5	1622-135-001-00	16 22
1620-121-019-00	139 14		70 5	1622-202-502-00	141 15
1620-121-021-00	139 15	1620-433-210-00	69 10	1622-202-506-10	141 18
1620-121-022-00	139 16	1620-434-003-00	71 17	1622-202-508-00	141 20
1620-121-023-00	139 18	1620-434-004-00	71 22	1622-202-509-00	141 21
1620-121-024-00	139 19	1620-504-001-00	78 6	1622-202-511-00	141 42

## Numerical Index

1740-097-110-00

Part Code	Fig.Key	Part Code	Fig.Key	Part Code	Fig.Key
1622-202-515-00	141 24	1622-535-004-10	133 26	1640-525-001-00	83 23
1622-202-516-00	141 25	1622-535-200-00	133 1	1640-530-003-00	128 15
1622-202-517-00	141 2	1622-535-230-00	133 14		129 16
1622-202-519-00	141 4	1622-535-240-10	133 15	1640-530-007-00	128 23
1622-202-524-00	141 40	1622-535-250-10	133 24		129 25
1622-202-560-00	141 12	1622-535-260-00	133 29	1640-530-009-00	129 17
1622-208-055-00	23 8	1622-535-300-00	133 2	1640-530-260-00	128 6
1622-241-001-70	31 3	1622-603-001-00	89 1		129 7
1622-264-210-00	43 4	1622-625-001-00	95 5	1640-530-600-10	128 2
1622-265-011-00	44 4		96 5		129 2
	45 5		97 15	1640-530-610-10	138 1
1622-309-200-00	56 7		98 15		138 1
1622-312-200-10	59 1	1632-304-002-00	75 30	1640-530-613-00	138 2
1622-312-210-30	59 2	1636-102-012-00	1 23		138 2
1622-317-260-00	120 1	1636-271-006-00	47 18	1640-530-614-00	138 3
1622-317-270-00	120 2	1636-271-011-00	41 9		138 3
	120 7		42 9	1640-530-615-00	138 4
1622-317-280-00	120 6		56 17		138 4
1622-317-310-00	121 1	1636-313-011-10	16 6	1640-530-622-00	138 8
1622-317-311-00	121 3		58 13		138 8
	121 8		59 18	1640-530-623-00	138 9
1622-317-320-00	121 6	1636-901-022-00	115 3		138 9
1622-436-201-00	73 1	1637-690-260-00	107 19	1640-530-624-00	138 10
1622-436-211-00	72 2		108 20		138 10
1622-437-250-00	126 1		109 18	1640-530-625-00	138 12
1622-437-260-00	126 2		110 19		138 12
	126 7	1639-307-001-00	55 4	1640-530-626-00	138 13
1622-437-270-00	126 6	1639-317-210-00	117 1		138 13
1622-501-001-00	75 11	1639-317-220-00	117 6	1640-530-628-00	138 18
1622-504-200-00	78 1	1639-317-230-00	117 2		138 18
1622-505-200-00	79 1		117 7	1640-530-629-00	138 19
1622-505-210-20	79 4	1639-520-003-00	85 6		138 19
1622-507-200-00	128 1		130 7	1640-530-631-00	138 22
1622-507-210-00	129 1	1640-111-200-00	6 7		138 22
1622-507-410-10	128 5		8 7	1640-530-632-00	138 23
	129 5	1640-111-202-00	6 8		138 23
1622-507-420-10	129 6		8 8	1640-604-011-10	9 19
1622-508-230-00	80 41	1640-520-002-00	132 1	1640-604-012-00	91 4
	81 39	1640-520-003-00	132 5		92 4
1622-514-500-00	82 3	1640-520-004-00	86 18	1640-626-001-00	97 4
1622-514-502-00	82 40		130 19		97 10
1622-514-510-00	82 4		132 6		98 4
1622-535-001-10	133 21	1640-520-005-00	86 16		98 10
1622-535-002-00	133 32		130 17		111 14
1622-535-003-00	133 11	1640-525-001-00	82 25	1640-654-001-00	99 2

## Numerical Index

1740-097-110-00

Part Code	Fig.Key	Part Code	Fig.Key	Part Code	Fig.Key
1640-654-001-00	100 2	1650-509-004-00	80 51	1673-525-002-20	130 18
1640-658-322-00	104 3	1650-509-012-00	84 17		131 7
1640-658-324-00	104 5	1650-509-280-00	80 47		132 7
1640-658-325-00	104 6	1650-509-300-00	19 11	1673-565-003-00	78 3
1640-664-320-00	105 27	1650-509-310-00	84 8	1673-658-214-00	104 4
1640-702-003-00	111 2	1650-601-007-00	87 14	1673-782-016-10	62 40
1640-702-004-00	111 6	1650-601-009-00	9 15	1674-410-301-00	64 14
1641-517-540-00	84 10	1650-650-222-00	107 8		123 7
1642-105-005-00	78 10		108 8	1674-410-320-00	64 12
1646-116-051-00	11 6		109 8		123 4
1646-226-053-00	46 2		110 8	1674-520-002-00	86 11
1646-407-560-00	84 2	1650-654-036-00	107 17		130 12
1646-640-002-00	48 4		108 18	1674-520-003-00	86 12
1646-640-580-00	48 30		109 16		130 13
1646-901-061-00	112 8		110 17	1674-520-004-00	64 15
1650-102-006-00	1 8	1652-652-260-00	105 28		85 9
1650-102-202-10	1 2	1652-654-212-00	107 10		86 10
1650-104-200-00	3 1		108 10		123 6
1650-104-201-00	3 3	1656-401-220-00	61 1		130 11
1650-104-203-00	3 4	1656-401-222-00	61 2		131 8
1650-104-210-00	3 2	1656-432-003-00	52 9	1674-520-210-00	85 7
1650-111-032-00	75 33	1656-509-290-00	62 29		86 8
1650-201-202-00	13 2	1659-650-200-00	9 1		130 9
1650-203-214-00	140 5	1672-102-004-00	87 9		131 6
1650-203-217-00	140 11	1672-105-211-00	137 8	1674-619-300-10	94 4
1650-203-218-00	140 7	1672-301-002-00	51 8	1674-619-310-00	94 1
1650-203-219-00	140 6		52 10	1674-652-200-00	101 1
1650-203-222-00	140 9	1672-601-002-00	87 26	1674-652-202-00	101 2
1650-209-005-00	15 13	1673-431-001-10	14 22	1674-654-004-00	102 13
1650-241-002-00	32 2		23 2		102 26
1650-253-003-00	24 4		28 8	1674-654-200-00	102 1
	25 7		33 4		103 1
	26 7		65 3	1674-654-211-00	102 2
	29 5		66 3		102 9
	34 4	1673-525-002-20	64 13		102 22
	35 4		82 8		103 2
1650-256-013-00	41 4		82 23		103 9
	42 4		83 6		103 21
	44 9		83 21	1674-654-212-00	102 3
	45 10		85 8		103 3
1650-432-001-00	67 3		86 9	1674-654-270-00	102 34
	68 3		86 17		103 32
1650-501-006-00	12 21		111 8	1674-654-271-00	102 35
1650-508-002-00	62 34		123 5		103 33
1650-509-003-10	80 55		130 10	1674-654-272-00	102 36

## Numerical Index

1740-097-110-00

Part Code	Fig.Key	Part Code	Fig.Key	Part Code	Fig.Key
1674-654-272-00	103 34	1682-690-380-00	107 16	1705-408-230-00	62 14
1674-654-400-00	102 12		108 17		63 14
	102 25		109 15	1705-902-006-00	115 2
	103 12		110 16	1705-902-007-00	115 10
	103 24	1682-902-014-00	113 12	1705-902-008-00	115 7
1674-904-001-00	115 1		114 13	1705-904-001-00	115 12
1674-904-002-10	115 6	1683-902-004-00	113 11	1705-904-002-00	115 11
1674-904-004-00	115 8		114 12	1709-103-200-00	2 1
1674-904-005-00	115 14	1684-112-300-10	10 1		2 5
1674-904-007-10	115 13	1684-604-006-00	87 43	1709-116-210-00	11 2
1674-904-008-00	115 4	1684-701-001-00	7 10	1709-121-200-40	13 1
1675-102-002-00	1 26	1686-317-200-10	118 1	1709-121-310-00	13 14
1675-111-001-00	6 13	1686-317-220-10	118 6	1709-121-311-00	139 9
	8 13	1686-317-230-00	118 2	1709-121-320-00	13 15
1675-112-002-00	9 3		118 7	1709-121-330-00	139 20
	10 2	1687-255-001-00	36 8	1709-125-001-00	14 1
1675-116-210-00	48 40		38 6	1709-125-002-00	14 4
1675-117-210-20	11 13	1687-255-002-00	36 14	1709-125-003-00	14 15
1675-262-002-00	40 10		38 12	1709-125-004-00	14 17
	43 2	1687-255-003-00	36 17	1709-125-005-00	14 19
1675-312-051-00	59 3		38 15	1709-135-002-00	16 21
1675-432-001-00	68 11	1687-255-004-00	36 27	1709-135-210-10	16 8
1675-501-003-00	75 38		38 25	1709-201-001-00	18 1
1675-508-003-00	80 35	1687-255-005-00	36 12	1709-201-200-10	18 12
1675-508-500-00	80 1		38 10	1709-203-001-00	20 1
1675-601-002-00	87 13	1687-312-510-00	58 1	1709-203-011-00	20 7
1675-601-003-00	10 14	1687-608-500-10	91 1	1709-205-002-00	20 9
	88 4	1687-626-001-10	97 11	1709-205-003-00	20 11
1675-670-230-00	104 15		98 11	1709-205-004-00	20 12
1677-104-001-00	3 7	1687-630-500-00	99 19	1709-205-005-10	20 13
1678-102-002-00	1 10	1687-903-001-00	113 2	1709-205-011-10	20 4
1678-104-002-00	3 9	1688-265-001-00	43 1	1709-206-001-00	21 1
1678-244-002-00	33 9	1690-264-001-00	39 8	1709-206-002-10	21 10
	33 16		47 12	1709-206-004-00	21 2
1678-244-003-00	33 6	1690-658-370-00	105 14	1709-206-005-00	21 4
	33 13		106 14	1709-206-006-10	21 8
1678-306-001-00	53 1	1692-209-202-00	140 1	1709-206-011-00	21 11
	54 1	1692-209-203-00	140 15	1709-207-001-00	22 1
1678-306-002-00	53 2	1696-901-006-00	112 3	1709-207-002-00	22 3
	54 2	1703-102-203-00	1 6	1709-207-003-10	22 2
1678-501-200-40	75 1	1703-104-003-00	3 6	1709-208-001-00	22 4
1678-630-210-00	99 22	1703-117-004-00	11 16	1709-209-001-10	22 12
	100 20	1703-261-002-00	40 9	1709-209-002-00	22 10
1682-407-220-00	62 7	1703-313-001-10	87 53	1709-209-003-00	22 11
	63 7	1705-102-014-00	1 28	1709-215-001-00	24 1

## Numerical Index

1740-097-110-00

Part Code	Fig.Key	Part Code	Fig.Key	Part Code	Fig.Key
1709-215-002-00	24 2	1716-221-011-00	23 6	1740-102-051-00	1 13
1709-215-003-10	24 3		33 23	1740-102-500-00	1 1
1709-216-001-00	26 5	1716-222-013-00	33 19	1740-102-502-00	1 3
1709-216-002-10	26 6	1716-244-006-00	33 20	1740-102-503-00	1 4
1709-216-004-00	25 1	1716-304-081-00	52 3	1740-102-504-00	1 5
	26 1	1716-304-082-00	52 8	1740-102-505-00	1 7
1709-243-001-00	33 1	1716-304-084-00	52 6	1740-102-510-00	1 25
1709-244-001-00	33 5	1716-310-202-00	57 3	1740-102-520-10	1 31
1709-244-002-00	33 11		57 8	1740-102-530-10	1 32
1709-245-002-10	35 3	1716-410-003-00	88 21	1740-103-500-00	2 9
1709-255-002-00	37 3	1716-432-200-00	68 1	1740-105-510-00	4 14
1709-255-005-10	40 5	1716-601-001-00	87 2	1740-111-051-00	6 10
1709-301-001-00	49 6	1716-601-002-00	87 16		8 10
1709-310-201-00	57 2	1716-601-003-00	88 19	1740-111-056-00	7 12
	57 7	1716-601-017-00	87 41	1740-111-059-00	7 4
1709-407-001-20	62 53		87 50	1740-111-500-30	8 1
	63 42	1716-601-018-00	87 24	1740-111-510-00	7 1
1709-407-002-00	63 45	1716-601-019-00	87 25	1740-111-520-00	7 14
	84 19	1716-601-021-00	87 21	1740-111-540-10	7 9
1709-407-310-20	62 27	1716-601-031-00	87 36	1740-111-550-00	6 3
	63 27	1716-601-032-00	87 45	1740-111-551-00	6 4
1709-407-340-00	63 12	1716-601-260-10	87 20	1740-111-560-30	6 1
1709-433-001-10	69 1	1716-601-270-10	87 64	1740-111-570-10	4 18
1709-434-001-00	71 12	1716-602-002-10	88 2	1740-111-590-00	4 7
1709-603-001-00	89 17	1716-603-003-10	89 12	1740-112-510-20	9 13
1709-903-001-00	114 10	1716-603-005-00	89 3		10 12
1710-241-051-50	32 1	1716-631-201-10	97 30	1740-112-550-00	9 11
1710-255-051-00	37 1	1716-680-006-00	105 6		10 10
1710-301-500-00	49 1		106 6	1740-120-051-00	12 5
1710-410-001-00	122 1	1716-680-200-10	105 3	1740-120-500-20	12 1
1710-433-001-10	70 1		106 3	1740-125-051-00	15 1
1710-514-540-00	83 3	1719-256-003-00	24 18	1740-125-052-00	15 6
1716-102-003-00	1 27	1720-202-201-00	141 22	1740-125-053-00	15 5
1716-102-270-00	1 34	1720-202-202-00	141 17	1740-126-051-00	15 12
1716-102-281-00	1 38	1720-202-203-00	141 10	1740-127-051-00	15 14
1716-102-282-00	1 39	1723-508-002-00	80 26	1740-127-052-00	15 17
1716-102-290-00	1 43		81 25	1740-128-051-00	15 20
1716-104-210-20	3 12	1723-666-350-00	9 7	1740-128-052-00	15 23
1716-112-001-00	9 4		10 6	1740-128-500-00	15 22
	10 3	1725-203-210-00	32 12	1740-133-200-10	16 1
1716-205-016-00	23 18	1726-601-006-10	87 52	1740-135-200-20	16 5
	33 21	1738-411-210-00	64 9	1740-201-051-10	17 1
1716-205-021-00	23 20	1738-411-300-10	123 1	1740-202-500-00	19 1
1716-205-022-00	23 7	1738-902-006-00	114 5	1740-202-501-00	141 14
1716-221-011-00	22 8	1739-904-001-00	115 5	1740-202-502-00	141 16



## Numerical Index

1740-097-110-00

Part Code	Fig.Key	Part Code	Fig.Key	Part Code	Fig.Key
1740-202-503-00	141 19	1740-262-500-00	40 1	1740-407-052-00	62 39
1740-202-504-00	141 23	1740-263-200-00	42 1	1740-407-220-10	62 45
1740-202-505-00	141 31	1740-263-210-10	42 7		63 34
1740-202-506-00	141 32	1740-263-500-00	41 1	1740-407-510-10	62 41
1740-202-507-00	141 41	1740-263-510-00	41 7	1740-407-520-00	62 12
1740-202-508-00	141 46	1740-265-200-00	45 8	1740-407-530-00	62 37
1740-202-509-00	141 29	1740-265-220-00	45 13	1740-407-560-20	62 1
1740-202-510-10	19 9	1740-265-240-10	45 15		63 1
1740-202-520-00	141 1	1740-265-250-00	45 1	1740-407-570-00	62 2
1740-202-521-00	141 3	1740-265-510-10	44 7		63 2
1740-202-530-00	141 11	1740-265-530-10	44 12	1740-410-500-40	64 1
1740-202-540-00	141 13	1740-265-550-00	44 15	1740-410-510-10	64 5
1740-203-051-00	19 13	1740-271-051-10	46 1	1740-410-550-20	64 7
1740-203-052-00	19 15	1740-271-052-00	46 3	1740-431-001-10	66 1
1740-208-051-00	23 5	1740-271-520-10	46 9	1740-431-051-00	65 1
1740-208-052-00	23 12	1740-271-710-40	46 7	1740-431-200-00	66 4
1740-208-053-00	23 14	1740-272-052-00	47 1	1740-431-500-00	65 4
1740-208-054-00	23 19	1740-272-053-00	47 2	1740-431-510-00	65 6
1740-208-055-00	23 17	1740-272-054-00	48 16	1740-433-510-00	70 10
1740-208-056-00	23 16	1740-272-059-00	48 3	1740-437-210-00	125 1
1740-208-057-00	23 1		48 15	1740-437-211-00	125 3
1740-208-058-00	23 13	1740-272-061-00	48 12		125 8
1740-208-059-00	23 15	1740-272-062-00	48 21	1740-437-220-00	125 2
1740-215-001-20	24 6	1740-272-063-00	48 37		125 7
1740-215-002-10	24 9	1740-272-500-10	48 1	1740-437-230-00	125 6
1740-215-200-10	24 11	1740-272-520-10	48 13	1740-508-310-10	81 29
1740-215-220-00	24 13	1740-272-540-00	48 10	1740-508-320-10	81 3
1740-216-051-00	25 5	1740-272-550-10	47 15	1740-508-510-20	80 30
1740-216-052-20	25 6	1740-272-560-00	47 17	1740-508-520-30	80 3
1740-216-200-00	26 9	1740-272-590-10	48 34	1740-508-530-40	80 12
1740-216-500-00	25 9	1740-272-620-00	48 19		81 11
1740-221-051-00	28 3	1740-272-710-10	48 24	1740-508-560-00	80 54
1740-221-052-00	28 7	1740-301-051-00	50 5	1740-514-200-10	82 1
1740-225-200-00	30 1	1740-301-500-00	50 1		83 1
1740-225-500-00	29 1	1740-309-510-10	56 14	1740-514-210-20	82 2
1740-244-051-00	33 12	1740-309-520-00	56 11		83 2
1740-244-052-00	33 18	1740-312-200-10	59 30	1740-514-220-00	82 29
1740-244-053-00	33 22	1740-312-500-20	58 2		83 27
1740-245-001-10	35 1	1740-313-051-00	60 11	1740-514-230-00	82 31
1740-245-051-00	34 1	1740-313-300-00	60 1		83 29
1740-245-052-00	34 3	1740-313-301-00	60 5	1740-514-310-00	82 10
1740-245-500-00	34 6	1740-317-200-00	119 1		83 8
1740-255-200-00	38 1	1740-317-201-00	119 3	1740-514-320-00	82 11
1740-261-200-10	39 1		119 8		83 9
1740-261-210-20	39 4	1740-317-210-00	119 6	1740-514-330-00	82 12

## Numerical Index

1740-097-110-00

Part Code	Fig.Key	Part Code	Fig.Key	Part Code	Fig.Key
1740-514-330-00	83 10	1740-625-200-00	96 1	1740-690-200-00	110 1
1740-514-410-00	82 30	1740-625-210-10	96 2	1740-690-202-00	107 5
	83 28	1740-625-500-00	95 1		108 5
1740-514-420-00	82 32	1740-625-510-00	95 2		109 5
	83 30	1740-626-200-00	98 20		110 5
1740-514-430-00	82 33	1740-626-210-00	98 21	1740-690-500-40	107 1
	83 31	1740-626-500-10	97 20		108 1
1740-517-580-10	84 1	1740-626-510-20	97 21	1740-690-502-00	107 4
1740-517-600-00	84 4	1740-626-530-10	97 1		108 4
1740-517-610-00	84 11		98 1		109 4
1740-517-630-00	84 23	1740-626-540-00	97 12		110 4
1740-520-001-00	86 7		98 12	1740-690-510-10	107 12
	130 8	1740-626-550-00	97 13		109 11
1740-520-002-00	86 21		98 13	1740-690-520-00	108 12
	130 22	1740-630-001-00	100 13		110 11
1740-520-003-00	85 10	1740-630-002-00	100 14	1740-702-510-00	111 11
	131 9	1740-630-051-00	99 15	1740-702-520-00	111 12
1740-520-200-00	130 1	1740-630-052-20	99 16	1740-702-530-10	111 1
1740-520-210-00	86 2	1740-630-053-00	99 10	1740-901-055-00	112 1
	130 2	1740-630-054-00	99 12	1740-901-056-00	112 2
1740-520-220-00	86 19		100 10	1740-901-062-00	112 5
	130 20	1740-630-055-00	99 13	1740-901-063-00	112 6
1740-520-250-00	86 1		100 11	1740-901-064-00	112 7
1740-520-300-00	85 1	1740-630-200-10	100 1	1740-903-002-00	114 1
1740-520-350-00	131 1	1740-630-210-00	100 17	1740-903-051-00	113 9
1740-601-051-00	87 28	1740-630-500-20	99 1	1740-903-052-00	113 1
1740-601-053-10	87 31	1740-630-520-30	99 9	1740-903-053-00	113 4
1740-601-054-00	87 38	1740-630-530-00	99 25		114 4
	87 47		100 23	1740-903-054-10	113 5
1740-601-055-00	87 61	1740-660-001-00	103 11	1740-903-055-10	113 10
1740-601-500-20	87 1		103 23		114 11
1740-601-510-20	87 27	1740-660-002-00	102 4	1741-105-500-00	5 14
1740-601-530-10	87 35		103 4	1741-112-053-10	9 16
1740-601-540-10	87 44	1740-660-003-00	102 5		10 15
1740-601-550-00	87 57		103 5	1741-245-500-00	35 6
1740-601-560-00	87 58	1740-660-201-00	103 18	1741-407-210-10	63 31
1740-602-051-00	88 5		103 30	1741-611-051-00	93 3
1740-602-052-00	88 8	1740-680-051-00	105 17	1741-903-051-00	114 2
1740-602-053-00	88 10	1740-680-500-00	105 20	2101-221-004-00	97 9
1740-602-054-00	88 11	1740-680-520-00	105 16		98 9
1740-602-056-00	88 1	1740-680-530-00	105 1	2130-601-018-00	128 11
1740-602-057-00	88 3		106 1		129 12
1740-602-500-00	88 18	1740-680-550-00	105 32	2130-931-210-00	116 4
1740-603-051-00	89 2		106 22	2137-223-001-00	63 28
1740-608-200-10	92 1	1740-690-200-00	109 1	2144-307-003-00	14 6

## Numerical Index

1740-097-110-00

Part Code	Fig.Key	Part Code	Fig.Key	Part Code	Fig.Key
2144-307-003-00	23 9	3676-311-005-00	4 4	7956-205-016-00	75 29
2144-519-007-00	128 10	3680-155-005-00	7 21	7963-611-003-00	82 17
	129 11	3689-582-001-00	87 42		83 15
2149-858-006-00	46 5		87 51	8654-901-002-00	115 9
2149-858-007-00	40 2	3737-172-009-00	5 5	J061-116-025-00	7 13
	41 8	3740-162-005-00	88 14		63 32
	42 8	3747-155-013-00	47 19	J061-208-010-00	7 15
	44 13	3756-361-002-00	133 40	J061-210-012-00	4 10
	45 9	3768-112-001-00	58 14		5 10
	45 14		59 19	J061-210-015-00	1 19
2150-420-008-00	87 6	3768-185-022-10	62 49	J061-211-013-00	4 11
2151-602-006-00	48 22		63 38		5 11
2186-536-211-00	105 4	3805-311-210-10	5 4	J061-228-036-00	80 11
	106 4	3817-330-202-00	64 4		81 10
2186-536-212-00	105 5	3821-262-202-00	107 6	J061-230-038-00	1 12
	106 5		108 6		1 14
2500-901-027-00	115 15		109 6	J061-232-040-00	80 10
3220-402-003-00	99 24		110 6		81 9
	100 22	3821-262-204-00	107 7	J061-234-042-00	1 11
3256-702-004-00	91 8		108 7		1 15
	92 8		109 7	J061-247-055-00	3 8
3560-203-004-00	59 4		110 7	J061-249-060-00	3 11
3560-503-302-00	4 5	3827-270-001-00	107 2	J061-252-063-00	3 10
3610-440-018-00	11 12		108 2	J062-087-093-00	4 17
	87 15		109 2		5 18
3631-350-201-10	62 50		110 2	J062-104-111-00	4 12
	63 39	3827-270-002-00	107 3		7 16
3640-561-003-00	13 13		108 3	J062-111-120-00	4 13
3646-102-011-10	44 8		109 3		5 12
3650-212-001-00	47 20		110 3		5 13
3650-261-001-00	62 46	3834-336-051-00	1 9	K110-001-106-00	136 9
	63 35	3838-203-001-00	48 28		138 20
3650-270-214-00	104 16	4101-102-038-00	39 6		138 20
3650-380-230-00	62 28		89 6	K135-002-009-00	62 24
3650-835-009-00	58 3	6209-037-012-00	13 16		63 24
	59 8	6221-408-003-00	1 41		80 23
3653-311-055-00	75 32	6221-408-008-00	1 37		81 22
3656-565-006-00	58 9	6221-408-009-00	1 36	K135-015-002-00	62 19
	59 14	6221-408-011-00	1 40		63 19
3659-221-223-00	60 12	6221-408-013-00	1 35	K135-017-006-00	80 18
3664-540-001-00	12 2	7821-501-005-00	87 3		81 17
	18 13	7830-602-003-00	44 16	K135-020-000-00	62 17
3666-202-005-00	7 20		45 17		63 17
3670-236-003-00	91 10	7932-201-002-00	49 2	K135-020-100-10	62 18
	92 10		50 2		63 18

## Numerical Index

1740-097-110-00

Part Code	Fig.Key	Part Code	Fig.Key	Part Code	Fig.Key
K135-028-000-00	80 16	K275-001-000-00	80 46	V200-260-604-50	84 21
	81 15	K275-001-001-00	136 1	V200-260-605-00	80 14
K135-028-100-10	80 17	K275-001-002-00	136 7		81 13
	81 16	K275-001-003-00	80 49	V200-360-604-50	62 42
K177-006-000-50	62 48		135 15	V201-260-801-20	7 3
	63 37		136 13	V201-260-801-60	31 16
K177-006-200-10	134 6	K275-001-100-00	136 2		32 18
K177-006-203-00	134 10	K275-001-300-00	136 5		102 19
K177-006-204-10	134 11	P103-112-003-20	6 11		102 32
K185-012-003-00	134 4		8 11	V201-260-802-00	87 54
K185-012-004-00	134 5	P103-521-006-10	62 35	V201-260-802-50	7 7
K200-014-007-00	138 27		84 15		77 14
	138 27	P103-601-005-00	87 34	V201-260-803-50	16 11
K200-016-300-00	136 6	P103-931-004-00	116 10		65 9
K211-001-006-20	77 6	P112-301-202-00	48 2		66 10
K211-001-007-00	77 7		48 14	V201-260-804-50	80 52
K211-001-008-00	77 8	P113-211-330-00	62 10	V201-260-806-50	4 2
K211-004-006-00	138 7		63 10		5 2
	138 7	P117-501-230-00	84 27	V201-260-807-00	79 2
K211-004-007-00	138 6	P117-501-250-00	84 13	V201-260-808-50	14 13
	138 6	P120-605-031-00	59 5	V201-261-004-00	58 5
	138 16	V111-166-004-00	74 2		59 10
	138 16	V120-264-001-20	104 11		79 14
K211-008-011-00	135 3	V120-265-003-00	107 18		79 18
K211-012-006-00	138 5		108 19	V201-261-004-50	133 9
	138 5		109 17	V201-261-005-00	84 32
K211-026-000-00	77 4		110 18	V201-261-008-00	128 3
K211-026-100-00	77 5	V120-266-002-00	91 11	V201-261-012-00	129 3
K220-002-000-00	84 6		92 11	V201-261-202-00	81 34
K231-004-006-00	75 18	V120-365-002-00	102 14	V201-261-202-50	122 2
K231-004-007-00	75 20		102 27	V201-261-203-00	82 38
K231-006-000-10	75 15		103 13		83 36
K234-001-004-00	135 13		103 25	V201-261-203-50	69 8
K250-008-005-00	135 8	V120-366-001-60	89 10		70 8
K250-015-000-00	75 23		104 21	V201-261-607-50	132 2
K250-035-000-10	80 39		105 18	V201-261-608-50	86 13
	81 37	V120-376-001-20	89 19		130 14
K256-001-000-00	62 33	V120-376-002-00	89 7	V201-360-808-00	58 7
K256-001-004-10	135 2	V195-163-010-40	104 13	V201-360-813-00	59 12
K256-001-005-00	135 5	V195-164-016-40	104 14	V201-361-003-0B	13 7
K256-001-006-00	135 6	V200-260-501-00	7 24	V201-361-005-00	36 3
K256-001-007-10	135 11	V200-260-501-0B	6 5		75 37
K256-001-100-00	135 1		8 5	V201-361-005-50	54 7
K270-001-003-10	136 3	V200-260-602-00	88 16		75 8
K270-001-004-10	136 4	V200-260-604-50	63 47	V201-361-006-00	53 8

# Numerical Index

1740-097-110-00

Part Code	Fig.Key	Part Code	Fig.Key	Part Code	Fig.Key
V201-361-006-00	54 8	V201-461-207-50	97 7	V211-260-801-60	129 8
V201-361-006-50	53 9		98 3		129 10
V201-361-007-50	75 36		98 7	V211-260-802-00	2 10
V201-361-008-00	75 7	V203-261-002-00	62 8		7 11
V201-361-009-00	12 19		63 8		13 22
V201-361-011-00	75 6	V203-361-003-00	2 7		16 9
V201-361-202-50	64 10	V203-361-003-50	2 3		19 16
	71 39	V210-260-601-20	53 14		24 7
V201-361-203-00	12 12		54 13		25 2
	13 9	V210-360-601-20	1 42		26 2
	64 2		5 6		46 6
	75 12	V210-360-601-60	84 18		46 8
	83 4		91 9		47 14
	85 2		92 9		47 16
	86 3		94 2		56 15
	123 2		105 2		59 31
	130 3		105 26		62 5
	131 2		106 2		63 5
V201-361-203-50	85 5		106 19		93 2
	86 6		107 11	V211-260-802-50	30 6
	130 6		108 11		39 5
	131 5		109 10		80 33
V201-361-204-00	75 13		110 10		80 44
	82 6	V210-360-602-00	1 30		81 32
V201-361-207-00	62 54		88 17		81 42
	63 43	V210-360-602-50	105 29	V211-260-803-00	60 6
V201-361-403-50	69 15	V210-360-603-00	4 6	V211-260-803-50	4 19
	70 15	V210-560-601-60	24 10		80 45
V201-361-603-00	55 12	V210-560-603-00	62 32		81 43
V201-460-802-50	16 4		63 30	V211-260-804-00	77 11
V201-461-002-50	95 6		80 32	V211-260-806-00	15 18
	96 6		81 31	V211-261-001-60	133 22
	97 16	V211-260-801-60	12 6	V211-261-002-00	9 17
	98 16		14 12		10 11
V201-461-010-50	75 35		29 4		10 16
V201-461-202-00	95 3		36 21		59 32
	96 3		36 25		105 21
	111 16		38 19	V211-261-002-50	80 6
V201-461-203-00	97 17		38 23	V211-360-801-60	4 15
	98 17		64 8		5 15
V201-461-206-50	95 8		66 8		6 2
	96 8		80 36		8 2
	97 6		80 56		48 11
	98 6		128 7		48 20
V201-461-207-50	97 3		128 9		64 6

## Numerical Index

1740-097-110-00

Part Code	Fig.Key	Part Code	Fig.Key	Part Code	Fig.Key
V211-360-801-60	77 27	V211-360-802-00	108 24	V211-561-003-00	18 5
	82 27		109 19		20 2
	83 25		109 22		36 4
	84 3		110 20		38 3
	84 25		110 23		54 6
	87 4		128 19		55 2
	89 5		129 21		75 5
	90 2		130 21		75 5
	90 8	V211-360-802-50	44 14	V211-561-003-50	12 17
	99 5		45 16		17 5
	99 14		51 2		18 8
	99 21		52 2		18 17
	99 23		60 8		53 7
	99 26		97 29		75 4
	100 5		98 29	V211-561-004-00	18 9
	100 12	V211-360-803-00	64 16		18 18
	100 19		123 8	V220-540-601-00	138 26
	100 21	V211-360-804-50	1 24		138 26
	100 24		14 9	V220-540-602-00	141 35
	102 6	V211-361-001-60	62 47	V220-540-802-00	138 15
	103 6		63 36		138 15
	105 19	V211-361-002-00	9 12		141 38
	133 13		37 2	V220-541-003-50	141 36
V211-360-802-00	1 33		40 11	V251-260-802-0D	17 7
	7 18		43 3		18 2
	31 14		79 10	V251-341-003-00	13 3
	32 15		81 6		17 2
	36 28	V211-361-003-00	71 38		18 4
	38 26		84 31		31 7
	62 6	V211-560-801-60	15 11		31 9
	63 6	V211-560-802-00	15 7		32 6
	80 8		24 17		32 8
	81 7	V211-560-802-50	87 29	V251-341-003-0D	31 8
	86 20	V211-560-804-50	46 10		32 7
	87 30	V211-561-002-00	76 11	V251-341-005-0D	31 10
	87 60	V211-561-002-50	51 10		32 9
	87 63		52 11	V251-341-005-50	17 8
	87 65		75 34	V251-341-203-00	12 9
	88 23		82 5		12 14
	97 31		97 22		13 5
	99 3		97 24		18 15
	100 3		98 22		31 18
	107 20		98 24		32 16
	107 23	V211-561-003-00	12 13	V251-441-202-80	71 3
	108 21		13 6	V251-441-403-50	69 17

## Numerical Index

1740-097-110-00

Part Code	Fig.Key	Part Code	Fig.Key	Part Code	Fig.Key
V251-441-403-50	70 17	V304-260-016-00	111 3	V362-260-008-00	129 22
V301-260-005-00	102 15	V304-260-020-00	82 22	V363-260-008-00	64 17
	102 28		83 20		123 9
	103 14	V304-460-010-00	17 3	V401-160-005-00	102 17
	103 26		18 6		102 30
V301-260-006-00	9 5		18 19		103 16
	10 4		19 5		103 28
V304-260-008-00	7 6	V304-460-012-00	12 10	V401-160-006-00	62 43
	16 12		12 15		63 48
	16 16		13 11		74 3
	25 3		18 10		80 15
	26 3		69 9		81 14
	30 7		70 9		84 22
	39 3		71 6	V401-160-008-00	4 3
	47 5		82 36		5 3
	48 6		83 34		13 17
	48 29		85 4		14 14
	58 8		86 5		25 4
	58 19		130 5		26 4
	59 13		131 4		30 8
	59 24	V304-460-014-00	69 18		31 17
	74 5		70 18		32 19
	77 15	V305-260-008-00	76 8		77 17
	78 9	V328-262-110-00	11 10		79 3
	80 27		61 3		80 28
	81 26	V334-460-010-00	139 10		80 53
	87 18	V350-160-006-00	87 40		81 27
	87 56		87 49		138 14
	99 11		88 7		138 14
	105 25		88 13	V401-160-010-00	2 4
	106 18	V360-260-006-00	89 18		2 8
	133 20		105 13		12 20
	133 39		105 15		13 8
V304-260-010-00	53 10		106 13		17 4
	54 9		106 26		18 7
	58 6	V361-260-006-00	91 12		18 20
	59 11		92 12		19 6
	79 8	V362-260-008-00	1 44		36 5
	133 10		48 9		53 11
V304-260-014-00	47 21		48 33		54 10
V304-260-016-00	76 13		65 10		62 9
	82 13		66 11		63 9
	82 14		102 33		75 9
	83 11		103 31		79 15
	83 12		128 20		79 19

## Numerical Index

1740-097-110-00

Part Code	Fig.Key	Part Code	Fig.Key	Part Code	Fig.Key
V401-160-010-00	84 33	V401-160-016-00	55 13	V411-260-008-00	48 38
	95 7		76 14		58 21
	96 7		82 15		59 26
	97 18		83 13		60 15
	98 18		86 15		65 11
V401-160-012-00	128 4	V401-170-008-00	111 4		66 12
	129 4		130 16		77 19
	12 11		132 4		77 29
	12 16		62 25		77 36
	13 10		63 25		78 4
	18 11	V411-260-004-00	80 24		78 7
	62 51		81 23		80 37
	62 55		102 18		80 57
	63 40		102 31		87 11
	63 44		103 17		87 17
	64 3	V411-260-005-00	103 29		87 55
	64 11		8 6		90 6
	71 5		77 24		90 10
	71 40		102 16		94 3
	72 1		102 29		133 27
	73 14	V411-260-006-00	103 15	V411-260-010-00	133 33
	75 14		103 27		133 37
	81 35		9 6		11 9
	82 7		10 5		61 5
	82 39		11 3		80 7
	83 5		11 14		84 34
	83 37		16 23		87 7
	85 3		48 41		97 25
	86 4		87 22		98 25
	95 4		87 32		141 37
	95 9	V411-260-008-00	88 15	V411-260-012-00	122 4
	96 4		7 8	V411-260-016-00	82 16
	96 9		16 19		83 14
	97 5		40 6		111 5
	97 19		41 5	V411-260-018-00	40 4
	98 5		42 5	V411-260-022-00	58 10
	98 19		44 5		59 15
	111 15		44 10	V500-162-002-00	11 4
	111 17		45 6		11 15
	122 3		45 11		16 20
V401-160-014-00	123 3		47 3		16 24
	130 4		47 8		44 6
	131 3		48 17		44 11
	69 16		48 31		45 7
	70 16		48 35		45 12



# Numerical Index

1740-097-110-00

Part Code	Fig.Key	Part Code	Fig.Key	Part Code	Fig.Key
V500-162-002-00	58 22	V523-101-002-40	19 7	V600-110-620-40	15 16
	59 27		19 17		15 27
	60 16		20 3		21 13
	61 4		24 8	V600-110-620-50	15 21
	77 20		53 6		15 25
	77 23		54 5		36 10
	77 30		55 3		38 8
	77 37		71 4	V600-110-620-60	36 9
	78 5		71 37		38 7
	78 8		75 10		71 33
V500-162-002-50	87 33	V523-101-004-00	36 6	V600-110-620-70	15 2
	62 52		38 4		51 17
	63 41	V560-160-006-00	87 23		52 18
V500-162-501-50	139 17	V560-160-008-00	87 8		71 34
V500-162-502-00	40 7	V580-140-302-50	138 24	V600-110-620-90	55 9
	41 6		138 24	V600-110-630-40	14 20
	42 6	V580-140-501-60	53 13		15 15
	47 4		54 12		23 3
	47 9	V580-140-502-00	78 2	V600-110-630-60	71 8
	48 18		133 25	V600-110-630-70	51 18
	48 32		133 30		52 19
	133 28	V580-140-502-50	67 14		55 7
	133 34		68 13	V600-110-690-90	71 13
	133 38	V580-140-601-60	136 12	V600-110-691-10	71 14
V500-162-502-50	11 11	V580-140-602-80	19 3	V682-200-000-60	138 11
V500-163-002-00	48 42		41 2		138 11
	48 39		44 2	V682-200-001-00	24 5
	72 6	V580-140-603-20	42 2		25 8
	72 11		45 3		26 8
	73 5	V600-110-600-40	27 5		29 6
	73 10		28 5		30 5
	82 18		28 9		34 5
	83 16	V600-110-600-50	15 24		35 5
V500-163-002-50	48 36	V600-110-600-60	22 6		36 16
V500-163-003-50	75 41	V600-110-600-70	19 14		38 14
V511-100-805-00	58 4	V600-110-600-90	22 5		135 14
	59 9	V600-110-601-00	33 3		136 11
V511-101-006-00	133 6		67 17	V682-200-001-90	57 4
V523-100-801-60	51 9		68 16		57 9
V523-101-002-40	12 18	V600-110-601-10	51 11	V704-140-015-00	48 26
	14 10		52 12	V704-140-018-00	40 3
	15 8		67 16	V704-140-020-00	20 8
	15 19		68 15		22 14
	17 6	V600-110-620-40	14 18		23 4
	18 16		14 21		23 22

## Numerical Index

1740-097-110-00

Part Code	Fig.Key	Part Code	Fig.Key	Part Code	Fig.Key
V704-140-020-00	48 23	V707-140-068-00	71 16	V720-111-900-90	75 16
	65 2	V707-140-072-00	31 6	V720-112-401-00	135 7
	66 2		32 5	V720-112-401-10	62 11
V704-140-022-00	56 5		51 19		62 13
	56 8		52 20		62 15
	56 12		71 9		62 38
	58 11	V707-140-080-00	31 4		63 11
	58 24		32 3		63 13
	59 16		53 3		63 15
	59 29		54 3		80 48
V704-140-025-00	21 9	V707-140-085-00	55 10		84 28
	49 4	V707-140-090-00	51 15		141 8
	141 28		52 16	V720-112-401-20	75 24
V704-140-030-00	14 7	V720-101-900-70	77 28		77 9
	21 14	V720-101-900-90	111 9		80 34
V704-140-035-00	15 3	V720-101-901-00	136 8		80 43
	20 14	V720-102-401-00	34 2		81 33
	51 20		35 2		81 41
	52 21		137 3		138 21
	55 6	V720-102-401-10	80 50		138 21
V705-140-021-00	75 19		135 16	V720-112-401-40	19 12
V705-140-024-00	138 17		136 14		32 13
	138 17	V720-102-401-20	62 16		62 30
V705-140-028-00	24 15		63 16		62 36
	80 25	V720-102-401-40	25 11		75 22
	81 24		26 11		75 27
V705-140-042-00	28 10		30 2		77 12
V705-140-052-00	20 6		36 23		79 16
	67 8		38 21		80 38
	68 8	V720-102-401-80	19 10		80 42
	71 19		56 6		81 36
	71 24		57 12		81 40
V706-140-040-00	33 10	V720-102-402-00	84 35		84 5
	67 19	V720-103-503-40	65 7		84 7
	68 18		66 7		84 9
V706-140-045-00	71 15		70 12		84 12
	76 5	V720-103-503-60	65 5		84 14
V706-140-050-00	76 6	V720-103-503-80	69 12		84 16
V706-140-055-00	67 18	V720-103-504-40	137 7		135 4
	68 17	V720-111-900-60	62 23		138 28
V707-140-062-00	21 15		63 23		138 28
	31 5		80 22		141 9
	32 4		81 21	V720-112-401-80	75 25
	36 13	V720-111-900-70	138 25		111 7
	38 11		138 25	V720-112-402-00	62 31

## Numerical Index

1740-097-110-00

Part Code	Fig.Key	Part Code	Fig.Key	Part Code	Fig.Key	
V720-112-402-00	63 29	V742-112-220-40	77 34	V883-000-061-40	124 4	
	63 46		77 39		124 9	
	75 21	V744-114-280-70	62 20	V883-000-071-40	127 4	
	80 13		63 20		127 9	
	80 31		80 19	V889-000-092-20	121 4	
	80 40	V744-118-300-80	81 18	V889-000-092-40	121 9	
	81 12		29 2		119 4	
	81 30		28 11		119 9	
	81 38		46 4		V920-550-801-00	116 5
	84 20		14 8		V920-551-201-40	116 6
V720-112-402-20	135 10	V744-130-500-80	15 4	V920-551-301-70	116 7	
	62 22	V744-135-500-80	14 3	V920-551-902-20	116 8	
	63 22	V760-150-000-00	12 7	V920-552-402-70	116 9	
	80 21		46 11	V936-150-015-00	116 3	
	81 20		46 12	V999-200-003-00	117 5	
V720-113-503-40	134 12	V761-150-000-00	58 12		117 10	
V720-115-706-50	77 2		59 17		118 5	
V721-103-103-50	80 4		16 7		118 10	
	81 4		69 13		119 5	
V721-103-104-50	80 2		70 13		119 10	
V721-103-106-00	80 5	V762-150-000-00	133 7		120 5	
	81 2		18 14		120 10	
	81 5		69 14		121 5	
	13 21		70 14		121 10	
	V721-103-106-50		141 7		133 8	124 5
V721-103-107-00	69 4	V780-140-000-1T	136 10		124 10	
	70 4	V780-140-000-2T	77 10		125 5	
V721-103-110-00	71 2		135 9		125 10	
V721-105-720-00	15 9	V780-140-000-6T	75 39		126 5	
V721-113-105-00	62 21	V781-160-000-6B	36 7		126 10	
V721-113-107-00	63 21	V782-160-000-2B	38 5		127 5	
	80 20		12 3		127 10	
	81 19		12 4			
	75 26		17 9			
V723-101-500-80	12 22		75 28			
V723-101-501-40	135 12	V782-160-000-4B	13 4			
	24 12		53 4			
	34 8		54 4			
	35 8		71 20			
V723-102-003-00	24 16		71 25			
V723-102-003-40	66 5	V782-160-000-6T	128 17			
V723-102-007-00	141 5		129 18			
V723-102-007-10	141 6	V782-160-000-8B	17 10			
V730-101-200-90	75 17		31 12			
V742-112-220-40	77 32		32 11			

## Alphabetical Index

6005-097-530-00

Description	Fig.Key	Description	Fig.Key	Description	Fig.Key
ADAPTER/225X125 ASSY	22 1	BOLT	30 22	COVER/INJECTIONPUMP	5 25
ARM/CONTROL	20 28	BOLT	30 24	CRANKSHAFT ASSY	15 1
ARM/FLOATING COMP	20 19	BOLT, SEMS/M10X20	10 2	CUP/SEALING/16	5 3
ARM/TENSION	22 2	BOLT, SEMS/M6X12	12 5	CUP/SEALING/20	9 3
ARMATURE/STARTE ASSY	29 2	BOLT, SEMS/M6X12	20 15	CUP/SEALING/28	5 4
BALL	1 5	BOLT, SEMS/M6X25 7T	4 3	CUP/SEALING/36	5 5
BALL	29 17	BOLT/CONNECTINGROD	13 6	CUP/SEALING/50	1 2
BEARING	29 3	BOLT/FLANGE	15 8	CUP/SEALING/50	5 6
BEARING	29 4	BOLT/M2X40	23 8	CUTTER, VALVE	11 5
BEARING, RB/6002SS	15 7	BOLT/M6	9 34	CYLINDERBLOCK ASSY	5 1
BEARING, RB/6004	20 13	BOLT/M6	9 35	CYLINDERHEAD ASSY	1 1
BEARING, RB/6005	9 49	BOLT/M6X10	20 17	DOWEL	5 22
BEARING, RB/6203	20 12	BOLT/STUD	5 21	DRIVE/TACHOMETE ASSY	9 37
BEARING/BALL	30 6	BOLT/THROUGH	29 16	EYEBOLT	28 50
BEARING/BALL	30 11	BOLT/WS	8 4	FAN/COOLING	18 1
BEARING/CONNECTING R	6 5	BOLT/WS	16 6	FLANGEBOLT	3 3
BEARING/CONNECTING R	6 6	BOLT/WS	18 4	FLANGEBOLT	5 27
BEARING/CONNECTING R	13 7	BOLT/WS	29 15	FLANGEBOLT	7 4
BEARING/CRANK SET	5 11	BRACKET/ROCKERSHAFT	11 12	FLANGEBOLT	9 8
BEARING/CRANK/LOWER	5 13	BRACKET/ROCKERSHAFT	11 13	FLANGEBOLT	9 9
BEARING/CRANK/UNDER	6 1	BRUSH	30 17	FLANGEBOLT	9 13
BEARING/CRANK/UNDER	6 3	BUSH	30 15	FLANGEBOLT	9 14
BEARING/CRANK/UPPER	5 12	BUSHING/DRAIN	29 20	FLANGEBOLT	9 15
BEARING/THRUST/CRANK	5 14	CAMSHAFT	12 1	FLANGEBOLT	9 17
BEARING/THRUST/CRANK	6 2	CAMSHAFT/INJPUMP	20 9	FLANGEBOLT	9 39
BEARING/THRUST/CRANK	6 4	CAP, BLANK/30	9 40	FLANGEBOLT	10 3
BEARING/WATER PUMP	17 3	CAP, OIL FILLER	2 5	FLANGEBOLT	11 19
BEARING/WATERPUMP	17 4	CAP/OILFILLER	5 31	FLANGEBOLT	16 11
BELT/VR5A38. 5	18 5	CARTRIDGE/OILFILTER	16 12	FLANGEBOLT	17 17
BODY/OILPUMP	16 2	CLAMP/STRAINER	16 10	FLANGEBOLT	17 18
BODY/WATERPUMP	17 2	CLAMP/WIRE/10-15	17 21	FLANGEBOLT	17 24
BOLT	1 7	CLIP/HOSE/7. 6-8. 2	21 4	FLANGEBOLT	17 25
BOLT	5 2	CLUTCH/STARTER ASSY	29 5	FLANGEBOLT	17 29
BOLT	8 5	COLLOR	30 3	FLANGEBOLT	20 7
BOLT	9 11	CONNECTINGROD ASSY	13 5	FLANGEBOLT	23 3
BOLT	9 43	CONNECTOR, OIL FILTER	5 24	FLANGEBOLT	23 5
BOLT	11 18	CONNECTOR/FUEL	21 1	FLANGEBOLT	24 7
BOLT	15 11	CONNECTOR/GLOWPLUG	24 4	FLYWEIGHT ASSY	20 16
BOLT	28 10	CONTROLRACK	28 48	FLYWHEEL ASSY	15 5
BOLT	28 52	CONTROLSLEEVE	28 49	FRAME	30 12
BOLT	30 9	COVER	29 23	FRAME/DRIVEEND ASSY	30 7
BOLT	30 10	COVER	30 13	FRAME/STARTEREND	29 10
BOLT	30 19	COVER, BEARING	30 5	GASHET/EXH MANIFOLD	4 2
BOLT	30 20	COVER/BLOWBY	2 3	GASHET/EXH MANIFOLD	26 7
BOLT	30 21	COVER/CYLINDER HEAD	2 1	GASKET	2 8

## Alphabetical Index

6005-097-530-00

Description	Fig.Key	Description	Fig.Key	Description	Fig.Key
GASKET	17 8	INJECTIONNOZZLE ASSY	19 1	O- RING/P25	5 32
GASKET	19 5	INJECTIONPUMP ASSY	20 1	OILPAN COMP	7 1
GASKET	24 6	KEY/07X05X09	12 3	OILPUMP ASSY	16 1
GASKET	26 5	KEY/07X05X09	20 11	OILSEAL	5 15
GASKET	26 22	KEY/07X05X43	15 4	OILSEAL	26 10
GASKET	27 17	LABELSF330	25 1	ORING	28 7
GASKET	28 5	LEVELGAGE	5 29	ORING	28 9
GASKET	28 51	LEVER/CONTROL COMP	20 25	PACKING	9 22
GASKET	28 53	MANIFOLD/EXHAUST	4 1	PIN	5 18
GASKET, NOZZLE	19 2	MANIFOLD/INLET ASSY	3 1	PIN	5 28
GASKET/COVER	5 26	NOZZLE	27 16	PIN	8 3
GASKET/COVER	26 11	NUT	9 36	PIN	9 25
GASKET/CYLINDERHEAD	1 6	NUT	11 17	PIN	15 2
GASKET/CYLINDERHEAD	26 3	NUT	20 29	PIN	28 12
GASKET/GEARCASE	9 29	NUT	27 18	PIN, CONTROL	20 21
GASKET/GEARCASE	26 14	NUT	29 21	PIN, GROOVE	9 28
GASKET/HOUSING	17 23	NUT	29 22	PIN, PISTON	13 3
GASKET/HOUSING	26 20	NUT	30 2	PIN/ARM	9 23
GASKET/INLETMANIFOLD	3 2	NUT	30 23	PIN/IDLEGEAR	5 8
GASKET/INLETMANIFOLD	26 6	NUT	30 25	PIN/SNAP	9 24
GASKET/PLATE	9 42	NUT, CAP/M 8	9 21	PIN/STRAIGHT	5 17
GASKET/PLATE	26 15	NUT/CAP	2 7	PIN/STRAIGHT	16 5
GEAR/CAMSHAFT	12 2	NUT/MD8	9 12	PIN/TUBE	5 16
GEAR/CRANK	15 3	NUT/MD8	11 20	PIN/TUBE	9 46
GEAR/IDLE ASSY	12 6	NUT/MD8	17 13	PINION/STARTER	29 8
GEAR/INJECTIONPUMP	20 10	NUT/MD8	17 19	PIPE/FUEL	21 2
GEAR/OILPUMP ASSY	16 3	NUT/MD8	20 8	PIPE/INJECTION ASSY	19 6
GEARCASE ASSY	9 1	NUT/M10	23 6	PIPE/INJECTION ASSY	19 7
GENERATOR ASSY	23 1	NUT/MB	9 20	PIPE/INJECTION ASSY	19 8
GLOWPLUG	24 3	NUT/MB	9 50	PIPE/WATER PUMP	17 11
GUIDE/LEVELGAGE COMP	5 30	NUT/MB	9 52	PIPE/WATERDRAIN	5 23
HANGER	10 1	NUT/NOZZLERETAINING	27 15	PIPE/WATEROUTLET	17 27
HEATSHILD/NOZZLE	19 3	O- RING	17 28	PISTON	13 1
HOLDER ASSY	30 14	O- RING	26 21	PISTON/OV	14 1
HOLDER/BRUSH ASSY	30 16	O- RING	29 19	PISTON/OV	14 3
HOLDER/DELIVERYVALVE	28 6	O- RING 1A S50	9 45	PISTON/VALVE/RELIEF	9 31
HOLDER/JE/9-9	9 16	O- RING 1A S50	26 16	PLATE	30 8
HOLDER/NOZZLE ASSY	27 1	O- RING HS90 G50	17 15	PLATE/ADJUST	23 2
HOLDER/STARTER ASSY	29 11	O- RING HS90 G50	26 19	PLATE/FRONT	9 41
HOSE/RUBBER	2 9	O- RING/G40	17 12	PLATE/REAR	8 1
HOSE/RUBBER	17 20	O- RING/G40	26 18	PLATE/T=2. 60	28 17
HOSE/RUBBER	21 3	O- RING/P 8	20 26	PLATE/T=2. 65	28 18
HOUSING/PUMP	28 1	O- RING/P18	7 3	PLATE/T=2. 70	28 19
HOUSING/STARTER ASSY	29 9	O- RING/P22	16 9	PLATE/T=2. 75	28 20
HOUSING/THERMOSTAT	17 22	O- RING/P22	26 17	PLATE/T=2. 80	28 21

## Alphabetical Index

6005-097-530-00

Description	Fig.Key	Description	Fig.Key	Description	Fig.Key
PLATE/T=2. 85	28 22	RETAINER	29 7	SHIM/0. 54	27 8
PLATE/T=2. 90	28 23	RING SNAP	13 4	SHIM/0. 56	27 9
PLATE/T=2. 95	28 24	RING, SNAP/ 4 E	20 22	SHIM/0. 58	27 10
PLATE/T=3. 00	28 25	RING, SNAP/12 C	9 33	SHIM/0. 80	27 11
PLATE/T=3. 05	28 26	RING, SNAP/16 C	11 15	SHIM/INJECTION P/0. 1	20 3
PLATE/T=3. 10	28 27	RING/O	9 38	SHIM/INJECTION P/0. 2	20 4
PLATE/T=3. 15	28 28	RING/PISTON SET	13 2	SHIM/INJECTION P/0. 3	20 2
PLATE/T=3. 20	28 29	RING/PISTON/OV SET	14 2	SHIM/INJECTION P/0. 4	20 5
PLATE/T=3. 25	28 30	RING/PISTON/OV SET	14 4	SHIM/INJECTION P/0. 5	20 6
PLATE/T=3. 30	28 31	RINGGEAR	15 6	SLEEVEFLANGE	28 8
PLATE/T=3. 35	28 32	RINK/CONTROL	20 20	SNAPRING	28 13
PLATE/T=3. 40	28 33	ROCKERARM	11 9	SOLENOID	24 5
PLATE/T=3. 45	28 34	ROCKERSHAFT ASSY	11 8	SPACER	9 44
PLATE/T=3. 50	28 35	RORA	29 6	SPACER	27 14
PLATE/T=3. 55	28 36	ROTOR ASSY	30 4	SPACER/FAN/53	18 3
PLATE/T=3. 60	28 37	ROTOR/OUTER	16 4	SPACER/WATERPUMP	17 14
PLATE/T=3. 65	28 38	ROTOR/WATERPUMP	17 6	SPRING	11 14
PLATE/T=3. 70	28 39	RUBBERFLANGE	2 2	SPRING	30 18
PLATE/T=3. 75	28 40	SCREW	29 14	SPRING, BRUSH	29 12
PLATE/T=3. 80	28 41	SCREW ADJUST	11 16	SPRING, NOZZLE	27 12
PLATE/T=3. 85	28 42	SCREW/SOCKET	16 7	SPRING, RETURN	20 27
PLATE/T=3. 90	28 43	SCREW/TAPPING	2 4	SPRING/DELIVERYVALVE	28 4
PLATE/T=3. 95	28 44	SCREW/WATER PUMP	17 10	SPRING/GOVERNOR	20 24
PLATE/T=4. 00	28 45	SEAL SET/WATER PUMP	17 5	SPRING/IDLE	20 33
PLATE/T=4. 05	28 46	SEAL, BEARING CAP	5 9	SPRING/PLUNGER	28 14
PLATE/T=4. 10	28 47	SEAL, BEARING CAP	26 8	SPRING/RELIEF VALVE	9 32
PLATE/THRUST	12 4	SEAL, BEARING CAP/7	5 10	SPRING/RETURN	29 18
PLATE/THRUST/INJPUMP	20 14	SEAL, BEARING CAP/7	26 9	SPRING/SETTING	20 23
PLATE/WATER PUMP	17 9	SEAL, OIL	1 4	SPRING/STARTING	20 32
PLUG	5 7	SEAL, OIL	9 7	SPRING/VALVE	11 3
PLUG	11 11	SEAL, OIL	26 2	SPRINGSEAT	28 15
PLUG/M14X1. 5	7 2	SEAL, OIL	26 12	SPRINGSEAT	28 16
PLUG/PT1/2	1 3	SEAL/CYL HEAD/UNDER	2 6	STARTER ASSY	23 7
PLUG/PT1/4	9 2	SEAL/CYL HEAD/UNDER	26 4	STOPPER/FULLLOAD	9 19
PLUG/SCREW	9 26	SEAL/WATER PUMPPULLE	17 7	STRAINER COMP	16 8
PLUNGER ASSY	28 2	SEAT, SPRING	27 13	STUD	1 8
POINTER	8 2	SEAT, VALVE SPRING	11 4	STUD	5 20
PULLEY	30 1	SHAFT/HYDRAULIC ASSY	9 48	STUD	9 4
PULLEY/CRANK	15 9	SHAFT/ROCKERARM ASSY	11 10	STUD	9 5
PULLEY/WATERPUMP	18 2	SHIM/0. 10	27 2	STUD	9 6
PUSHROD	11 7	SHIM/0. 20	27 3	STUD	9 47
REGULATOR ASSY	30 26	SHIM/0. 30	27 4	STUD/MBX40	5 19
RELAY, SOLENOID	24 8	SHIM/0. 40	27 5	STUD/MBX40	17 16
REPAIR/ENGINE SET	26 1	SHIM/0. 50	27 6	SWITCH/MAGNETIC ASSY	29 13
RESISTANCE/1. 0	21 5	SHIM/0. 52	27 7	SWITCH/OILPRESSURE	24 1



## Alphabetical Index

6005-097-510-00

Description	Fig.Key	Description	Fig.Key	Description	Fig.Key
ADAPTER/225X125 ASSY	22 1	BOLT	30 21	COVER/CYLINDER HEAD	2 1
ARM/CONTROL	20 28	BOLT	30 22	COVER/INJECTIONPUMP	5 25
ARM/FLOATING COMP	20 19	BOLT	30 24	CRANKSHAFT ASSY	15 1
ARM/TENSION	22 2	BOLT, SEMS/M10X20	10 2	CUP/SEALING/16	5 3
ARMATURE/STARTE ASSY	29 2	BOLT, SEMS/M6X12	12 5	CUP/SEALING/20	9 3
BALL	1 5	BOLT, SEMS/M6X12	20 15	CUP/SEALING/28	5 4
BALL	29 17	BOLT, SEMS/M6X25 7T	4 3	CUP/SEALING/36	5 5
BEARING	29 3	BOLT/CONNECTINGROD	13 6	CUP/SEALING/50	1 2
BEARING	29 4	BOLT/M2X40	23 8	CUP/SEALING/50	5 6
BEARING, RB/6002SS	15 7	BOLT/M6	9 34	CUTTER, VALVE	11 5
BEARING, RB/6004	20 13	BOLT/M6	9 35	CYLINDERBLOCK ASSY	5 1
BEARING, RB/6005	9 49	BOLT/M6X10	20 17	CYLINDERHEAD ASSY	1 1
BEARING, RB/6203	20 12	BOLT/STUD	5 21	DOWEL	5 22
BEARING/BALL	30 6	BOLT/THROUGH	29 16	DRIVE/TACHOMETE ASSY	9 37
BEARING/BALL	30 11	BOLT/WS	8 4	EYEBOLT	28 50
BEARING/CONNECTING R	6 5	BOLT/WS	16 6	FAN/COOLING	18 1
BEARING/CONNECTING R	6 6	BOLT/WS	18 4	FLANGEBOLT	3 3
BEARING/CONNECTING R	13 7	BOLT/WS	29 15	FLANGEBOLT	5 27
BEARING/CRANK SET	5 11	BOSS/SPLINE	15 9	FLANGEBOLT	7 4
BEARING/CRANK/LOWER	5 13	BRACKET/ROCKERSHAFT	11 12	FLANGEBOLT	9 8
BEARING/CRANK/UNDER	6 1	BRACKET/ROCKERSHAFT	11 13	FLANGEBOLT	9 9
BEARING/CRANK/UNDER	6 3	BRUSH	30 17	FLANGEBOLT	9 13
BEARING/CRANK/UPPER	5 12	BUSH	30 15	FLANGEBOLT	9 14
BEARING/THRUST/CRANK	5 14	BUSHING/DRAIN	29 20	FLANGEBOLT	9 15
BEARING/THRUST/CRANK	6 2	CAMSHAFT	12 1	FLANGEBOLT	9 17
BEARING/THRUST/CRANK	6 4	CAMSHAFT/INJPUMP	20 9	FLANGEBOLT	9 39
BEARING/WATER PUMP	17 3	CAP, BLANK/30	9 40	FLANGEBOLT	10 3
BEARING/WATERPUMP	17 4	CAP, OIL FILLER	2 5	FLANGEBOLT	11 19
BELT/VR5A38. 5	18 5	CAP/OILFILLER	5 31	FLANGEBOLT	16 11
BODY/OILPUMP	16 2	CARTRIDGE/OILFILTER	16 12	FLANGEBOLT	17 17
BODY/WATERPUMP	17 2	CLAMP/STRAINER	16 10	FLANGEBOLT	17 18
BOLT	1 7	CLAMP/WIRE/10-15	17 21	FLANGEBOLT	17 24
BOLT	5 2	CLIP/HOSE/7. 6-8. 2	21 4	FLANGEBOLT	17 25
BOLT	8 5	CLUTCH/STARTER ASSY	29 5	FLANGEBOLT	17 29
BOLT	9 11	COLLOR	30 3	FLANGEBOLT	20 7
BOLT	9 43	CONNECTINGROD ASSY	13 5	FLANGEBOLT	23 3
BOLT	11 18	CONNECTOR, OIL FILTER	5 24	FLANGEBOLT	23 5
BOLT	15 8	CONNECTOR/FUEL	21 1	FLANGEBOLT	24 7
BOLT	15 12	CONNECTOR/GLOWPLUG	24 4	FLYWEIGHT ASSY	20 16
BOLT	28 10	CONTROLRACK	28 48	FLYWHEEL ASSY	15 5
BOLT	28 52	CONTROLSLEEVE	28 49	FRAME	30 12
BOLT	30 9	COVER	29 23	FRAME/DRIVEEND ASSY	30 7
BOLT	30 10	COVER	30 13	FRAME/STARTEREND	29 10
BOLT	30 19	COVER, BEARING	30 5	GASHET/EXH MANIFOLD	4 2
BOLT	30 20	COVER/BLOWBY	2 3	GASHET/EXH MANIFOLD	26 7



## Alphabetical Index

6005-097-510-00

Description	Fig.Key	Description	Fig.Key	Description	Fig.Key
GASKET	2 8	HOUSING/THERMSTAT	17 22	O- RING/P22	26 17
GASKET	17 8	INJECTIONNOZZLE ASSY	19 1	O- RING/P25	5 32
GASKET	19 5	INJECTIONPUMP ASSY	20 1	OILPAN COMP	7 1
GASKET	24 6	KEY/07X05X09	12 3	OILPUMP ASSY	16 1
GASKET	26 5	KEY/07X05X09	20 11	OILSEAL	5 15
GASKET	26 22	KEY/07X05X43	15 4	OILSEAL	26 10
GASKET	27 17	LABELSF330	25 1	ORING	28 7
GASKET	28 5	LEVELGAGE	5 29	ORING	28 9
GASKET	28 51	LEVER/CONTROL COMP	20 25	PACKING	9 22
GASKET	28 53	MANIFOLD/EXHAUST	4 1	PIN	5 18
GASKET, NOZZLE	19 2	MANIFOLD/INLET ASSY	3 1	PIN	5 28
GASKET/COVER	5 26	NOZZLE	27 16	PIN	8 3
GASKET/COVER	26 11	NUT	9 36	PIN	9 25
GASKET/CYLINDERHEAD	1 6	NUT	11 17	PIN	15 2
GASKET/CYLINDERHEAD	26 3	NUT	20 29	PIN	28 12
GASKET/GEARCASE	9 29	NUT	27 18	PIN, CONTROL	20 21
GASKET/GEARCASE	26 14	NUT	29 21	PIN, GROOVE	9 28
GASKET/HOUSING	17 23	NUT	29 22	PIN, PISTON	13 3
GASKET/HOUSING	26 20	NUT	30 2	PIN/ARM	9 23
GASKET/INLETMANIFOLD	3 2	NUT	30 23	PIN/IDLEGEAR	5 8
GASKET/INLETMANIFOLD	26 6	NUT	30 25	PIN/SNAP	9 24
GASKET/PLATE	9 42	NUT, CAP/M 8	9 21	PIN/STRAIGHT	5 17
GASKET/PLATE	26 15	NUT/CAP	2 7	PIN/STRAIGHT	16 5
GEAR/CAMSHAFT	12 2	NUT/MD8	9 12	PIN/TUBE	5 16
GEAR/CRANK	15 3	NUT/MD8	11 20	PIN/TUBE	9 46
GEAR/IDLE ASSY	12 6	NUT/MD8	17 13	PINION/STARTER	29 8
GEAR/INJECTIONPUMP	20 10	NUT/MD8	17 19	PIPE/FUEL	21 2
GEAR/OILPUMP ASSY	16 3	NUT/MD8	20 8	PIPE/INJECTION ASSY	19 6
GEARCASE ASSY	9 1	NUT/M10	23 6	PIPE/INJECTION ASSY	19 7
GENERATOR ASSY	23 1	NUT/M8	9 20	PIPE/INJECTION ASSY	19 8
GLOWPLUG	24 3	NUT/M8	9 50	PIPE/WATER PUMP	17 11
GUIDE/LEVELGAGE COMP	5 30	NUT/M8	9 52	PIPE/WATERDRAIN	5 23
HANGER	10 1	NUT/NOZZLERETAINING	27 15	PIPE/WATEROUTLET	17 27
HEATSHIELD/NOZZLE	19 3	O- RING	17 28	PISTON	13 1
HOLDER ASSY	30 14	O- RING	26 21	PISTON/OV	14 1
HOLDER/BRUSH ASSY	30 16	O- RING	29 19	PISTON/OV	14 3
HOLDER/DELIVERYVALVE	28 6	O- RING 1A S50	9 45	PISTON/VALVE/RELIEF	9 31
HOLDER/JE/9-9	9 16	O- RING 1A S50	26 16	PLATE	30 8
HOLDER/NOZZLE ASSY	27 1	O- RING HS90 G50	17 15	PLATE/ADJUST	23 2
HOLDER/STARTER ASSY	29 11	O- RING HS90 G50	26 19	PLATE/FRONT	9 41
HOSE/RUBBER	2 9	O- RING/G40	17 12	PLATE/REAR	8 1
HOSE/RUBBER	17 20	O- RING/G40	26 18	PLATE/T=2. 60	28 17
HOSE/RUBBER	21 3	O- RING/P 8	20 26	PLATE/T=2. 65	28 18
HOUSING/PUMP	28 1	O- RING/P18	7 3	PLATE/T=2. 70	28 19
HOUSING/STARTER ASSY	29 9	O- RING/P22	16 9	PLATE/T=2. 75	28 20

## Alphabetical Index

6005-097-510-00

Description	Fig.Key	Description	Fig.Key	Description	Fig.Key
PLATE/T=2. 80	28 21	RESISTANCE/1. 0	21 5	SHIM/0. 52	27 7
PLATE/T=2. 85	28 22	RETAINER	29 7	SHIM/0. 54	27 8
PLATE/T=2. 90	28 23	RING SNAP	13 4	SHIM/0. 56	27 9
PLATE/T=2. 95	28 24	RING, SNAP/ 4 E	20 22	SHIM/0. 58	27 10
PLATE/T=3. 00	28 25	RING, SNAP/12 C	9 33	SHIM/0. 80	27 11
PLATE/T=3. 05	28 26	RING, SNAP/16 C	11 15	SHIM/INJECTION P/0. 1	20 3
PLATE/T=3. 10	28 27	RING/0	9 38	SHIM/INJECTION P/0. 2	20 4
PLATE/T=3. 15	28 28	RING/PISTON SET	13 2	SHIM/INJECTION P/0. 3	20 2
PLATE/T=3. 20	28 29	RING/PISTON/OV SET	14 2	SHIM/INJECTION P/0. 4	20 5
PLATE/T=3. 25	28 30	RING/PISTON/OV SET	14 4	SHIM/INJECTION P/0. 5	20 6
PLATE/T=3. 30	28 31	RINGGEAR	15 6	SLEEVEFLANGE	28 8
PLATE/T=3. 35	28 32	RINK/CONTROL	20 20	SNAPRING	28 13
PLATE/T=3. 40	28 33	ROCKERARM	11 9	SOLENOID	24 5
PLATE/T=3. 45	28 34	ROCKERSHAFT ASSY	11 8	SPACER	9 44
PLATE/T=3. 50	28 35	RORA	29 6	SPACER	27 14
PLATE/T=3. 55	28 36	ROTOR ASSY	30 4	SPACER/FAN/53	18 3
PLATE/T=3. 60	28 37	ROTOR/OUTER	16 4	SPACER/WATERPUMP	17 14
PLATE/T=3. 65	28 38	ROTOR/WATERPUMP	17 6	SPRING	11 14
PLATE/T=3. 70	28 39	RUBBERFLANGE	2 2	SPRING	30 18
PLATE/T=3. 75	28 40	SCREW	29 14	SPRING, BRUSH	29 12
PLATE/T=3. 80	28 41	SCREW ADJUST	11 16	SPRING, NOZZLE	27 12
PLATE/T=3. 85	28 42	SCREW/SOCKET	16 7	SPRING, RETURN	20 27
PLATE/T=3. 90	28 43	SCREW/TAPPING	2 4	SPRING/DELIVERYVALVE	28 4
PLATE/T=3. 95	28 44	SCREW/WATER PUMP	17 10	SPRING/GOVERNOR	20 24
PLATE/T=4. 00	28 45	SEAL SET/WATER PUMP	17 5	SPRING/IDLE	20 33
PLATE/T=4. 05	28 46	SEAL, BEARING CAP	5 9	SPRING/PLUNGER	28 14
PLATE/T=4. 10	28 47	SEAL, BEARING CAP	26 8	SPRING/RELIEF VALVE	9 32
PLATE/THRUST	12 4	SEAL, BEARING CAP/7	5 10	SPRING/RETURN	29 18
PLATE/THRUST/INJPUMP	20 14	SEAL, BEARING CAP/7	26 9	SPRING/SETTING	20 23
PLATE/WATER PUMP	17 9	SEAL, OIL	1 4	SPRING/STARTING	20 32
PLUG	5 7	SEAL, OIL	9 7	SPRING/VALVE	11 3
PLUG	11 11	SEAL, OIL	26 2	SPRINGSEAT	28 15
PLUG/M1 4X1. 5	7 2	SEAL, OIL	26 12	SPRINGSEAT	28 16
PLUG/PT1/2	1 3	SEAL/CYL HEAD/UNDER	2 6	STARTER ASSY	23 7
PLUG/PT1/4	9 2	SEAL/CYL HEAD/UNDER	26 4	STOPPER/FULLLOAD	9 19
PLUG/SCREW	9 26	SEAL/WATER PUMP/PULLE	17 7	STRAINER COMP	16 8
PLUNGER ASSY	28 2	SEAT, SPRING	27 13	STUD	1 8
POINTER	8 2	SEAT, VALVE SPRING	11 4	STUD	5 20
PULLEY	30 1	SHAFT/HYDRAULIC ASSY	9 48	STUD	9 4
PULLEY/CRANK	15 10	SHAFT/ROCKERARM ASSY	11 10	STUD	9 5
PULLEY/WATERPUMP	18 2	SHIM/0. 10	27 2	STUD	9 6
PUSHROD	11 7	SHIM/0. 20	27 3	STUD	9 47
REGULATOR ASSY	30 26	SHIM/0. 30	27 4	STUD/MBX40	5 19
RELAY, SOLENOID	24 8	SHIM/0. 40	27 5	STUD/MBX40	17 16
REPAIR/ENGINE SET	26 1	SHIM/0. 50	27 6	SWITCH/MAGNETIC ASSY	29 13

# Alphabetical Index

6005-097-510-00

Description	Fig.Key	Description	Fig.Key	Description	Fig.Key
SW TCH/OILPRESSURE	24 1				
TAPPET	11 6				
TAPPET	28 11				
THERMMETER	24 2				
THERMSTAT	17 26				
THRUSTPIECE	20 18				
VALVE, DELIVERY	28 3				
VALVE/EXHAUST	11 2				
VALVE/INTAKE	11 1				
VALVE/RELIEF ASSY	9 30				
WASHER	15 11				
WASHER / M6	20 30				
WASHER, SP/M 6	20 31				
WASHER, SP/M 8	9 51				
WASHER, SP/M 8	9 53				
WASHER, SP/M 2	23 9				
WASHER/08X14X01	9 18				
WASHER/08X14X01	9 27				
WASHER/08X14X01	26 13				
WASHER/08X16X1.2	9 10				
WASHER/9X22X2	23 4				
WASHER/CORRUGATE	19 4				
WATERPUMP ASSY	17 1				
YOKE/STARTER ASSY	29 1				

## Alphabetical Index

6005-097-520-00

Description	Fig.Key	Description	Fig.Key	Description	Fig.Key
ADAPTER/225X125 ASSY	22 1	BOLT	30 22	COVER/INJECTIONPUMP	5 25
ARM/CONTROL	20 28	BOLT	30 24	CRANKSHAFT ASSY	15 1
ARM/FLOATING COMP	20 19	BOLT, SEMS/M10X20	10 2	CUP/SEALING/16	5 3
ARM/TENSION	22 2	BOLT, SEMS/M6X12	12 5	CUP/SEALING/20	9 3
ARMATURE/STARTE ASSY	29 2	BOLT, SEMS/M6X12	20 15	CUP/SEALING/28	5 4
BALL	1 5	BOLT, SEMS/M6X25 7T	4 3	CUP/SEALING/36	5 5
BALL	29 17	BOLT/CONNECTINGROD	13 6	CUP/SEALING/50	1 2
BEARING	29 3	BOLT/FLANGE	15 8	CUP/SEALING/50	5 6
BEARING	29 4	BOLT/M2X40	23 8	CUTTER, VALVE	11 5
BEARING, RB/6002SS	15 7	BOLT/M6	9 34	CYLINDERBLOCK ASSY	5 1
BEARING, RB/6004	20 13	BOLT/M6	9 35	CYLINDERHEAD ASSY	1 1
BEARING, RB/6005	9 49	BOLT/M6X10	20 17	DOWEL	5 22
BEARING, RB/6203	20 12	BOLT/STUD	5 21	DRIVE/TACHOMETE ASSY	9 37
BEARING/BALL	30 6	BOLT/THROUGH	29 16	EYEBOLT	28 50
BEARING/BALL	30 11	BOLT/WS	8 4	FAN/COOLING	18 1
BEARING/CONNECTING R	6 5	BOLT/WS	16 6	FLANGEBOLT	3 3
BEARING/CONNECTING R	6 6	BOLT/WS	18 4	FLANGEBOLT	5 27
BEARING/CONNECTING R	13 7	BOLT/WS	29 15	FLANGEBOLT	7 4
BEARING/CRANK SET	5 11	BRACKET/ROCKERSHAFT	11 12	FLANGEBOLT	9 8
BEARING/CRANK/LOWER	5 13	BRACKET/ROCKERSHAFT	11 13	FLANGEBOLT	9 9
BEARING/CRANK/UNDER	6 1	BRUSH	30 17	FLANGEBOLT	9 13
BEARING/CRANK/UNDER	6 3	BUSH	30 15	FLANGEBOLT	9 14
BEARING/CRANK/UPPER	5 12	BUSHING/DRAIN	29 20	FLANGEBOLT	9 15
BEARING/THRUST/CRANK	5 14	CAMSHAFT	12 1	FLANGEBOLT	9 17
BEARING/THRUST/CRANK	6 2	CAMSHAFT/INJPUMP	20 9	FLANGEBOLT	9 39
BEARING/THRUST/CRANK	6 4	CAP, BLANK/30	9 40	FLANGEBOLT	10 3
BEARING/WATER PUMP	17 3	CAP, OIL FILLER	2 5	FLANGEBOLT	11 19
BEARING/WATERPUMP	17 4	CAP/OILFILLER	5 31	FLANGEBOLT	16 11
BELT/VR5A39.0	18 5	CARTRIDGE/OILFILTER	16 12	FLANGEBOLT	17 17
BODY/OILPUMP	16 2	CLAMP/STRAINER	16 10	FLANGEBOLT	17 18
BODY/WATERPUMP	17 2	CLAMP/WIRE/10-15	17 21	FLANGEBOLT	17 24
BOLT	1 7	CLIP/HOSE/7.6-8.2	21 4	FLANGEBOLT	17 25
BOLT	5 2	CLUTCH/STARTER ASSY	29 5	FLANGEBOLT	17 29
BOLT	8 5	COLLOR	30 3	FLANGEBOLT	20 7
BOLT	9 11	CONNECTINGROD ASSY	13 5	FLANGEBOLT	23 3
BOLT	9 43	CONNECTOR, OIL FILTER	5 24	FLANGEBOLT	23 5
BOLT	11 18	CONNECTOR/FUEL	21 1	FLANGEBOLT	24 7
BOLT	15 11	CONNECTOR/GLOWPLUG	24 4	FLYWEIGHT ASSY	20 16
BOLT	28 10	CONTROLRACK	28 48	FLYWHEEL ASSY	15 5
BOLT	28 52	CONTROLSLEEVE	28 49	FRAME	30 12
BOLT	30 9	COVER	29 23	FRAME/DRIVEEND ASSY	30 7
BOLT	30 10	COVER	30 13	FRAME/STARTEREND	29 10
BOLT	30 19	COVER, BEARING	30 5	GASHET/EXH MANIFOLD	4 2
BOLT	30 20	COVER/BLOWBY	2 3	GASHET/EXH MANIFOLD	26 7
BOLT	30 21	COVER/CYLINDER HEAD	2 1	GASKET	2 8

## Alphabetical Index

6005-097-520-00

Description	Fig.Key	Description	Fig.Key	Description	Fig.Key
GASKET	17 8	INJECTIONNOZZLE ASSY	19 1	O- RING/P25	5 32
GASKET	19 5	INJECTIONPUMP ASSY	20 1	OILPAN COMP	7 1
GASKET	24 6	KEY/07X05X09	12 3	OILPUMP ASSY	16 1
GASKET	26 5	KEY/07X05X09	20 11	OILSEAL	5 15
GASKET	26 22	KEY/07X05X43	15 4	OILSEAL	26 10
GASKET	27 17	LABELSF330	25 1	ORING	28 7
GASKET	28 5	LEVELGAGE	5 29	ORING	28 9
GASKET	28 51	LEVER/CONTROL COMP	20 25	PACKING	9 22
GASKET	28 53	MANIFOLD/EXHAUST	4 1	PIN	5 18
GASKET, NOZZLE	19 2	MANIFOLD/INLET ASSY	3 1	PIN	5 28
GASKET/COVER	5 26	NOZZLE	27 16	PIN	8 3
GASKET/COVER	26 11	NUT	9 36	PIN	9 25
GASKET/CYLINDERHEAD	1 6	NUT	11 17	PIN	15 2
GASKET/CYLINDERHEAD	26 3	NUT	20 29	PIN	28 12
GASKET/GEARCASE	9 29	NUT	27 18	PIN, CONTROL	20 21
GASKET/GEARCASE	26 14	NUT	29 21	PIN, GROOVE	9 28
GASKET/HOUSING	17 23	NUT	29 22	PIN, PISTON	13 3
GASKET/HOUSING	26 20	NUT	30 2	PIN/ARM	9 23
GASKET/INLETMANIFOLD	3 2	NUT	30 23	PIN/IDLEGEAR	5 8
GASKET/INLETMANIFOLD	26 6	NUT	30 25	PIN/SNAP	9 24
GASKET/PLATE	9 42	NUT, CAP/M 8	9 21	PIN/STRAIGHT	5 17
GASKET/PLATE	26 15	NUT/CAP	2 7	PIN/STRAIGHT	16 5
GEAR/CAMSHAFT	12 2	NUT/MD8	9 12	PIN/TUBE	5 16
GEAR/CRANK	15 3	NUT/MD8	11 20	PIN/TUBE	9 46
GEAR/IDLE ASSY	12 6	NUT/MD8	17 13	PINION/STARTER	29 8
GEAR/INJECTIONPUMP	20 10	NUT/MD8	17 19	PIPE/FUEL	21 2
GEAR/OILPUMP ASSY	16 3	NUT/MD8	20 8	PIPE/INJECTION ASSY	19 6
GEARCASE ASSY	9 1	NUT/M10	23 6	PIPE/INJECTION ASSY	19 7
GENERATOR ASSY	23 1	NUT/MB	9 20	PIPE/INJECTION ASSY	19 8
GLOWPLUG	24 3	NUT/MB	9 50	PIPE/WATER PUMP	17 11
GUIDE/LEVELGAGE COMP	5 30	NUT/MB	9 52	PIPE/WATERDRAIN	5 23
HANGER	10 1	NUT/NOZZLERETAINING	27 15	PIPE/WATEROUTLET	17 27
HEATSHILD/NOZZLE	19 3	O- RING	17 28	PISTON	13 1
HOLDER ASSY	30 14	O- RING	26 21	PISTON/OV	14 1
HOLDER/BRUSH ASSY	30 16	O- RING	29 19	PISTON/OV	14 3
HOLDER/DELIVERYVALVE	28 6	O- RING 1A S50	9 45	PISTON/VALVE/RELIEF	9 31
HOLDER/JE/9-9	9 16	O- RING 1A S50	26 16	PLATE	30 8
HOLDER/NOZZLE ASSY	27 1	O- RING HS90 G50	17 15	PLATE/ADJUST	23 2
HOLDER/STARTER ASSY	29 11	O- RING HS90 G50	26 19	PLATE/FRONT	9 41
HOSE/RUBBER	2 9	O- RING/G40	17 12	PLATE/REAR	8 1
HOSE/RUBBER	17 20	O- RING/G40	26 18	PLATE/T=2. 60	28 17
HOSE/RUBBER	21 3	O- RING/P 8	20 26	PLATE/T=2. 65	28 18
HOUSING/PUMP	28 1	O- RING/P18	7 3	PLATE/T=2. 70	28 19
HOUSING/STARTER ASSY	29 9	O- RING/P22	16 9	PLATE/T=2. 75	28 20
HOUSING/THERMOSTAT	17 22	O- RING/P22	26 17	PLATE/T=2. 80	28 21

## Alphabetical Index

6005-097-520-00

Description	Fig.Key	Description	Fig.Key	Description	Fig.Key
PLATE/T=2. 85	28 22	RETAINER	29 7	SHIM/0. 54	27 8
PLATE/T=2. 90	28 23	RING SNAP	13 4	SHIM/0. 56	27 9
PLATE/T=2. 95	28 24	RING, SNAP/ 4 E	20 22	SHIM/0. 58	27 10
PLATE/T=3. 00	28 25	RING, SNAP/12 C	9 33	SHIM/0. 80	27 11
PLATE/T=3. 05	28 26	RING, SNAP/16 C	11 15	SHIM/INJECTION P/0. 1	20 3
PLATE/T=3. 10	28 27	RING/O	9 38	SHIM/INJECTION P/0. 2	20 4
PLATE/T=3. 15	28 28	RING/PISTON SET	13 2	SHIM/INJECTION P/0. 3	20 2
PLATE/T=3. 20	28 29	RING/PISTON/OV SET	14 2	SHIM/INJECTION P/0. 4	20 5
PLATE/T=3. 25	28 30	RING/PISTON/OV SET	14 4	SHIM/INJECTION P/0. 5	20 6
PLATE/T=3. 30	28 31	RINGGEAR	15 6	SLEEVEFLANGE	28 8
PLATE/T=3. 35	28 32	RINK/CONTROL	20 20	SNAPRING	28 13
PLATE/T=3. 40	28 33	ROCKERARM	11 9	SOLENOID	24 5
PLATE/T=3. 45	28 34	ROCKERSHAFT ASSY	11 8	SPACER	9 44
PLATE/T=3. 50	28 35	RORA	29 6	SPACER	27 14
PLATE/T=3. 55	28 36	ROTOR ASSY	30 4	SPACER/FAN/53	18 3
PLATE/T=3. 60	28 37	ROTOR/OUTER	16 4	SPACER/WATERPUMP	17 14
PLATE/T=3. 65	28 38	ROTOR/WATERPUMP	17 6	SPRING	11 14
PLATE/T=3. 70	28 39	RUBBERFLANGE	2 2	SPRING	30 18
PLATE/T=3. 75	28 40	SCREW	29 14	SPRING, BRUSH	29 12
PLATE/T=3. 80	28 41	SCREW ADJUST	11 16	SPRING, NOZZLE	27 12
PLATE/T=3. 85	28 42	SCREW/SOCKET	16 7	SPRING, RETURN	20 27
PLATE/T=3. 90	28 43	SCREW/TAPPING	2 4	SPRING/DELIVERYVALVE	28 4
PLATE/T=3. 95	28 44	SCREW/WATER PUMP	17 10	SPRING/GOVERNOR	20 24
PLATE/T=4. 00	28 45	SEAL SET/WATER PUMP	17 5	SPRING/IDLE	20 33
PLATE/T=4. 05	28 46	SEAL, BEARING CAP	5 9	SPRING/PLUNGER	28 14
PLATE/T=4. 10	28 47	SEAL, BEARING CAP	26 8	SPRING/RELIEF VALVE	9 32
PLATE/THRUST	12 4	SEAL, BEARING CAP/7	5 10	SPRING/RETURN	29 18
PLATE/THRUST/INJPUMP	20 14	SEAL, BEARING CAP/7	26 9	SPRING/SETTING	20 23
PLATE/WATER PUMP	17 9	SEAL, OIL	1 4	SPRING/STARTING	20 32
PLUG	5 7	SEAL, OIL	9 7	SPRING/VALVE	11 3
PLUG	11 11	SEAL, OIL	26 2	SPRINGSEAT	28 15
PLUG/M14X1. 5	7 2	SEAL, OIL	26 12	SPRINGSEAT	28 16
PLUG/PT1/2	1 3	SEAL/CYL HEAD/UNDER	2 6	STARTER ASSY	23 7
PLUG/PT1/4	9 2	SEAL/CYL HEAD/UNDER	26 4	STOPPER/FULLLOAD	9 19
PLUG/SCREW	9 26	SEAL/WATER PUMPPULLE	17 7	STRAINER COMP	16 8
PLUNGER ASSY	28 2	SEAT, SPRING	27 13	STUD	1 8
POINTER	8 2	SEAT, VALVE SPRING	11 4	STUD	5 20
PULLEY	30 1	SHAFT/HYDRAULIC ASSY	9 48	STUD	9 4
PULLEY/CRANK	15 9	SHAFT/ROCKERARM ASSY	11 10	STUD	9 5
PULLEY/WATERPUMP	18 2	SHIM/0. 10	27 2	STUD	9 6
PUSHROD	11 7	SHIM/0. 20	27 3	STUD	9 47
REGULATOR ASSY	30 26	SHIM/0. 30	27 4	STUD/MBX40	5 19
RELAY, SOLENOID	24 8	SHIM/0. 40	27 5	STUD/MBX40	17 16
REPAIR/ENGINE SET	26 1	SHIM/0. 50	27 6	SWITCH/MAGNETIC ASSY	29 13
RESISTANCE/1. 0	21 5	SHIM/0. 52	27 7	SWITCH/OILPRESSURE	24 1

# Alphabetical Index

6005-097-520-00

Description	Fig.Key	Description	Fig.Key	Description	Fig.Key
TAPPET	11 6				
TAPPET	28 11				
THERMOMETER	24 2				
THERMSTAT	17 26				
THRUSTPIECE	20 18				
<hr style="border-top: 1px dashed black;"/>					
VALVE, DELIVERY	28 3				
VALVE/EXHAUST	11 2				
VALVE/INTAKE	11 1				
VALVE/RELIEF ASSY	9 30				
WASHER	15 10				
<hr style="border-top: 1px dashed black;"/>					
WASHER / M6	20 30				
WASHER, SP/M 6	20 31				
WASHER, SP/M 8	9 51				
WASHER, SP/M 8	9 53				
WASHER, SP/M12	23 9				
<hr style="border-top: 1px dashed black;"/>					
WASHER/08X14X01	9 18				
WASHER/08X14X01	9 27				
WASHER/08X14X01	26 13				
WASHER/08X16X1.2	9 10				
WASHER/9X22X2	23 4				
<hr style="border-top: 1px dashed black;"/>					
WASHER/CORRUGATE	19 4				
WATERPUMP ASSY	17 1				
YOKE/STARTER ASSY	29 1				
<hr style="border-top: 1px dashed black;"/>					
<hr style="border-top: 1px dashed black;"/>					
<hr style="border-top: 1px dashed black;"/>					
<hr style="border-top: 1px dashed black;"/>					
<hr style="border-top: 1px dashed black;"/>					

## Alphabetical Index

6005-097-481-00

Description	Fig.Key	Description	Fig.Key	Description	Fig.Key
ADAPTER/225X125 ASSY	22 1	BOLT	31 21	COVER	30 23
ARM/CONTROL	20 28	BOLT	31 22	COVER	31 13
ARM/FLOATING COMP	20 19	BOLT	31 24	COVER, BEARING	31 5
ARM/TENSION	22 2	BOLT, SEMS/M10X20	10 2	COVER/BLOWBY	2 3
ARMATURE/STARTE ASSY	30 2	BOLT, SEMS/M6X12	12 5	COVER/CYLINDER HEAD	2 1
BALL	1 5	BOLT, SEMS/M6X12	20 15	COVER/INJECTIONPUMP	5 25
BALL	30 17	BOLT, SEMS/M6X25 7T	4 3	CRANKSHAFT ASSY	15 1
BEARING	30 3	BOLT/CONNECTINGROD	13 6	CUP/SEALING/16	5 3
BEARING	30 4	BOLT/FLANGE	10 3	CUP/SEALING/20	9 3
BEARING, RB/6002SS	15 7	BOLT/FLANGE	23 5	CUP/SEALING/28	5 4
BEARING, RB/6004	20 13	BOLT/HI - IDLESTOPPER	9 36	CUP/SEALING/36	5 5
BEARING, RB/6005	9 54	BOLT/M2X40	23 8	CUP/SEALING/50	1 2
BEARING, RB/6203	20 12	BOLT/M6	9 40	CUP/SEALING/50	5 6
BEARING/BALL	31 6	BOLT/M6X10	20 17	CUTTER, VALVE	11 5
BEARING/BALL	31 11	BOLT/STUD	5 21	CYLINDERBLOCK ASSY	5 1
BEARING/CONNECTING R	6 5	BOLT/THROUGH	30 16	CYLINDERHEAD ASSY	1 1
BEARING/CONNECTING R	6 6	BOLT/WS	8 4	DOWEL	5 22
BEARING/CONNECTING R	13 7	BOLT/WS	16 6	DRIVE/TACHOMETE ASSY	9 42
BEARING/CRANK SET	5 11	BOLT/WS	18 4	EYEBOLT	29 50
BEARING/CRANK/LOWER	5 13	BOLT/WS	30 15	FAN/COOLING	18 1
BEARING/CRANK/UNDER	6 1	BOSS/SPLINE	15 9	FLANGEBOLT	3 3
BEARING/CRANK/UNDER	6 3	BRACKET/ROCKERSHAFT	11 12	FLANGEBOLT	5 27
BEARING/CRANK/UPPER	5 12	BRACKET/ROCKERSHAFT	11 13	FLANGEBOLT	7 4
BEARING/THRUST/CRANK	5 14	BRUSH	31 17	FLANGEBOLT	9 8
BEARING/THRUST/CRANK	6 2	BUSH	31 15	FLANGEBOLT	9 9
BEARING/THRUST/CRANK	6 4	BUSHING/DRAIN	30 20	FLANGEBOLT	9 13
BEARING/WATER PUMP	17 3	CAMSHAFT	12 1	FLANGEBOLT	9 14
BEARING/WATERPUMP	17 4	CAMSHAFT/INJPUMP	20 9	FLANGEBOLT	9 15
BELT/VR5A39.0	18 5	CAP, BLANK/30	9 45	FLANGEBOLT	9 17
BODY/OILPUMP	16 2	CAP, OIL FILLER	2 5	FLANGEBOLT	9 44
BODY/WATERPUMP	17 2	CAP/HI - IDLESTOPPER	9 39	FLANGEBOLT	11 19
BOLT	1 7	CAP/MAXPOWERSTOPPER	9 22	FLANGEBOLT	16 11
BOLT	5 2	CAP/OILFILLER	5 31	FLANGEBOLT	17 17
BOLT	8 5	CARTRIDGE/OILFILTER	16 12	FLANGEBOLT	17 18
BOLT	9 11	CLAMP/STRAINER	16 10	FLANGEBOLT	17 24
BOLT	9 48	CLAMP/WIRE/10-15	17 21	FLANGEBOLT	17 25
BOLT	11 18	CLIP/HOSE/7.6-8.2	21 4	FLANGEBOLT	17 29
BOLT	15 8	CLUTCH/STARTER ASSY	30 5	FLANGEBOLT	20 7
BOLT	15 12	COLLOR	31 3	FLANGEBOLT	23 3
BOLT	29 10	CONNECTINGROD ASSY	13 5	FLANGEBOLT	24 7
BOLT	29 52	CONNECTOR, OIL FILTER	5 24	FLYWEIGHT ASSY	20 16
BOLT	31 9	CONNECTOR/FUEL	21 1	FLYWHEEL ASSY	15 5
BOLT	31 10	CONNECTOR/GLOWPLUG	24 4	FRAME	31 12
BOLT	31 19	CONTROLRACK	29 48	FRAME/DRIVEEND ASSY	31 7
BOLT	31 20	CONTROLSLEEVE	29 49	FRAME/STARTEREND	30 10



Alphabetical Index

6005-097-481-00

Description	Fig.Key	Description	Fig.Key	Description	Fig.Key
GASHET/EXH MANIFOLD	4 2	HOUSING/PUMP	29 1	O- RING/P 8	20 26
GASHET/EXH MANIFOLD	27 7	HOUSING/STARTER ASSY	30 9	O- RING/P18	7 3
GASKET	2 8	HOUSING/THERMSTAT	17 22	O- RING/P22	16 9
GASKET	17 8	INJECTIONNOZZLE ASSY	19 1	O- RING/P22	27 17
GASKET	19 5	INJECTIONPUMP ASSY	20 1	O- RING/P25	5 32
GASKET	24 6	KEY/07X05X09	12 3	OILPAN COMP	7 1
GASKET	27 5	KEY/07X05X09	20 11	OILPUMP ASSY	16 1
GASKET	27 22	KEY/07X05X43	15 4	OILSEAL	5 15
GASKET	28 17	LABELMF1233/2004	26 1	OILSEAL	27 10
GASKET	29 5	LABELSF330	25 1	ORING	29 7
GASKET	29 51	LEVELGAGE	5 29	ORING	29 9
GASKET	29 53	LEVER/CONTROL COMP	20 25	PACKING	9 23
GASKET, NOZZLE	19 2	MANIFOLD/EXHAUST	4 1	PIN	5 18
GASKET/COVER	5 26	MANIFOLD/INLET ASSY	3 1	PIN	5 28
GASKET/COVER	27 11	NOZZLE	28 16	PIN	8 3
GASKET/CYLINDERHEAD	1 6	NUT	9 41	PIN	9 27
GASKET/CYLINDERHEAD	27 3	NUT	11 17	PIN	15 2
GASKET/GEARCASE	9 31	NUT	20 29	PIN	29 12
GASKET/GEARCASE	27 14	NUT	28 18	PIN, CONTROL	20 21
GASKET/HOUSING	17 23	NUT	30 21	PIN, GROOVE	9 30
GASKET/HOUSING	27 20	NUT	30 22	PIN, PISTON	13 3
GASKET/INLETMANIFOLD	3 2	NUT	31 2	PIN/ARM	9 25
GASKET/INLETMANIFOLD	27 6	NUT	31 23	PIN/IDLEGEAR	5 8
GASKET/PLATE	9 47	NUT	31 25	PIN/SNAP	9 26
GASKET/PLATE	27 15	NUT/CAP	2 7	PIN/STRAIGHT	5 17
GEAR/CAMSHAFT	12 2	NUT/HI - IDLESTOPPER	9 37	PIN/STRAIGHT	16 5
GEAR/CRANK	15 3	NUT/M8	9 12	PIN/TUBE	5 16
GEAR/IDLE ASSY	12 6	NUT/M8	11 20	PIN/TUBE	9 51
GEAR/INJECTIONPUMP	20 10	NUT/M8	17 13	PINION/STARTER	30 8
GEAR/OILPUMP ASSY	16 3	NUT/M8	17 19	PIPE/FUEL	21 2
GEARCASE ASSY	9 1	NUT/M8	20 8	PIPE/INJECTION ASSY	19 6
GENERATOR ASSY	23 1	NUT/M10	23 6	PIPE/INJECTION ASSY	19 7
GLOWPLUG	24 3	NUT/M8	9 55	PIPE/INJECTION ASSY	19 8
GUIDE/LEVELGAGE COMP	5 30	NUT/M8	9 57	PIPE/WATER PUMP	17 11
HANGER	10 1	NUT/MAXPOWERSTOPPER	9 20	PIPE/WATERDRAIN	5 23
HEATSHIELD/NOZZLE	19 3	NUT/NOZZLERETAINING	28 15	PIPE/WATEROUTLET	17 27
HOLDER ASSY	31 14	O- RING	17 28	PISTON	13 1
HOLDER/BRUSH ASSY	31 16	O- RING	27 21	PISTON/OV	14 1
HOLDER/DELIVERYVALVE	29 6	O- RING	30 19	PISTON/OV	14 3
HOLDER/JE/9-9	9 16	O- RING 1A S50	9 50	PISTON/VALVE/RELIEF	9 33
HOLDER/NOZZLE ASSY	28 1	O- RING 1A S50	27 16	PLATE	31 8
HOLDER/STARTER ASSY	30 11	O- RING HS90 G50	17 15	PLATE/ADJUST	23 2
HOSE/RUBBER	2 9	O- RING HS90 G50	27 19	PLATE/FRONT	9 46
HOSE/RUBBER	17 20	O- RING/G40	17 12	PLATE/REAR	8 1
HOSE/RUBBER	21 3	O- RING/G40	27 18	PLATE/T=2. 60	29 17

## Alphabetical Index

6005-097-481-00

Description	Fig.Key	Description	Fig.Key	Description	Fig.Key
PLATE/T=2. 65	29 18	PUSHROD	11 7	SHAFT/ROCKERARM ASSY	11 10
PLATE/T=2. 70	29 19	REGULATOR ASSY	31 26	SHIM/0. 10	28 2
PLATE/T=2. 75	29 20	RELAY, SOLENOID	24 8	SHIM/0. 20	28 3
PLATE/T=2. 80	29 21	REPAIR/ENGINE SET	27 1	SHIM/0. 30	28 4
PLATE/T=2. 85	29 22	RESISTANCE/1. 0	21 5	SHIM/0. 40	28 5
PLATE/T=2. 90	29 23	RETAINER	30 7	SHIM/0. 50	28 6
PLATE/T=2. 95	29 24	RING SNAP	13 4	SHIM/0. 52	28 7
PLATE/T=3. 00	29 25	RING, SNAP/ 4 E	20 22	SHIM/0. 54	28 8
PLATE/T=3. 05	29 26	RING, SNAP/12 C	9 35	SHIM/0. 56	28 9
PLATE/T=3. 10	29 27	RING, SNAP/16 C	11 15	SHIM/0. 58	28 10
PLATE/T=3. 15	29 28	RING/0	9 43	SHIM/0. 80	28 11
PLATE/T=3. 20	29 29	RING/PISTON SET	13 2	SHIM/INJECTION P/0. 1	20 3
PLATE/T=3. 25	29 30	RING/PISTON/OV SET	14 2	SHIM/INJECTION P/0. 2	20 4
PLATE/T=3. 30	29 31	RING/PISTON/OV SET	14 4	SHIM/INJECTION P/0. 3	20 2
PLATE/T=3. 35	29 32	RING/TAMPER REGISTAN	9 21	SHIM/INJECTION P/0. 4	20 5
PLATE/T=3. 40	29 33	RING/TAMPER REGISTAN	9 38	SHIM/INJECTION P/0. 5	20 6
PLATE/T=3. 45	29 34	RINGGEAR	15 6	SLEEVEFLANGE	29 8
PLATE/T=3. 50	29 35	RINK/CONTROL	20 20	SNAPRING	29 13
PLATE/T=3. 55	29 36	ROCKERARM	11 9	SOLENOID	24 5
PLATE/T=3. 60	29 37	ROCKERSHAFT ASSY	11 8	SPACER	9 49
PLATE/T=3. 65	29 38	RORA	30 6	SPACER	28 14
PLATE/T=3. 70	29 39	ROTOR ASSY	31 4	SPACER/FAN/53	18 3
PLATE/T=3. 75	29 40	ROTOR/OUTER	16 4	SPACER/WATERPUMP	17 14
PLATE/T=3. 80	29 41	ROTOR/WATERPUMP	17 6	SPRING	11 14
PLATE/T=3. 85	29 42	RUBBERFLANGE	2 2	SPRING	31 18
PLATE/T=3. 90	29 43	SCREW	30 14	SPRING, BRUSH	30 12
PLATE/T=3. 95	29 44	SCREW ADJUST	11 16	SPRING, NOZZLE	28 12
PLATE/T=4. 00	29 45	SCREW/SOCKET	16 7	SPRING, RETURN	20 27
PLATE/T=4. 05	29 46	SCREW/TAPPING	2 4	SPRING/DELIVERYVALVE	29 4
PLATE/T=4. 10	29 47	SCREW/WATER PUMP	17 10	SPRING/GOVERNOR	20 24
PLATE/THRUST	12 4	SEAL SET/WATER PUMP	17 5	SPRING/IDLE	20 33
PLATE/THRUST/INJPUMP	20 14	SEAL, BEARING CAP	5 9	SPRING/PLUNGER	29 14
PLATE/WATER PUMP	17 9	SEAL, BEARING CAP	27 8	SPRING/RELIEF VALVE	9 34
PLUG	5 7	SEAL, BEARING CAP/7	5 10	SPRING/RETURN	30 18
PLUG	9 24	SEAL, BEARING CAP/7	27 9	SPRING/SETTING	20 23
PLUG	11 11	SEAL, OIL	1 4	SPRING/STARTING	20 32
PLUG/M14X1. 5	7 2	SEAL, OIL	9 7	SPRING/VALVE	11 3
PLUG/PT1/2	1 3	SEAL, OIL	27 2	SPRINGSEAT	29 15
PLUG/PT1/4	9 2	SEAL, OIL	27 12	SPRINGSEAT	29 16
PLUG/SCREW	9 28	SEAL/CYL HEAD/UNDER	2 6	STARTER ASSY	23 7
PLUNGER ASSY	29 2	SEAL/CYL HEAD/UNDER	27 4	STOPPER/MAX POWER ST	9 19
POINTER	8 2	SEAL/WATER PUMPPULLE	17 7	STRAINER COMP	16 8
PULLEY	31 1	SEAT, SPRING	28 13	STUD	1 8
PULLEY/CRANK	15 10	SEAT, VALVE SPRING	11 4	STUD	5 20
PULLEY/WATERPUMP	18 2	SHAFT/HYDRAULIC ASSY	9 53	STUD	9 4

# Alphabetical Index

6005-097-481-00

Description	Fig.Key	Description	Fig.Key	Description	Fig.Key
STUD	9 5				
STUD	9 6				
STUD	9 52				
STUD/MBX40	5 19				
STUD/MBX40	17 16				
SWITCH/MAGNETIC ASSY	30 13				
SWITCH/OILPRESSURE	24 1				
TAPPET	11 6				
TAPPET	29 11				
THERMOMETER	24 2				
THERMSTAT	17 26				
THRUSTPIECE	20 18				
VALVE, DELIVERY	29 3				
VALVE/EXHAUST	11 2				
VALVE/INTAKE	11 1				
VALVE/RELIEF ASSY	9 32				
WASHER	15 11				
WASHER / M6	20 30				
WASHER, SP/M 6	20 31				
WASHER, SP/M 8	9 56				
WASHER, SP/M 8	9 58				
WASHER, SP/M12	23 9				
WASHER/08X14X01	9 18				
WASHER/08X14X01	9 29				
WASHER/08X14X01	27 13				
WASHER/08X16X1.2	9 10				
WASHER/9X22X2	23 4				
WASHER/CORRUGATE	19 4				
WATERPUMP ASSY	17 1				
YOKE/STARTER ASSY	30 1				

## Alphabetical Index

6005-097-491-00

Description	Fig.Key	Description	Fig.Key	Description	Fig.Key
ADAPTER/260X135 ASSY	22 1	BOLT	31 20	CONTROLSLEEVE	29 49
ARM/CONTROL	20 28	BOLT	31 21	COVER	30 23
ARM/FLOATING COMP	20 19	BOLT	31 22	COVER	31 13
ARM/TENSION	22 2	BOLT	31 24	COVER, BEARING	31 5
ARMATURE/STARTE ASSY	30 2	BOLT, SEMS/MOX20	10 2	COVER/BLOWBY	2 3
BALL	1 5	BOLT, SEMS/MX12	12 5	COVER/CYLINDER HEAD	2 1
BALL	30 17	BOLT, SEMS/MX12	20 15	COVER/INJECTIONPUMP	5 25
BEARING	30 3	BOLT, SEMS/MX25 7T	4 3	CRANKSHAFT ASSY	15 1
BEARING	30 4	BOLT/CONNECTINGROD	13 6	CUP/SEALING/16	5 3
BEARING, RB/6002SS	15 7	BOLT/FLANGE	10 3	CUP/SEALING/20	9 3
BEARING, RB/6004	20 13	BOLT/FLANGE	23 5	CUP/SEALING/28	5 4
BEARING, RB/6005	9 54	BOLT/HI - IDLESTOPPER	9 36	CUP/SEALING/36	5 5
BEARING, RB/6203	20 12	BOLT/M12X40	23 8	CUP/SEALING/50	1 2
BEARING/BALL	31 6	BOLT/M6	9 40	CUP/SEALING/50	5 6
BEARING/BALL	31 11	BOLT/MX10	20 17	CUTTER, VALVE	11 5
BEARING/CONNECTING R	6 5	BOLT/STUD	5 21	CYLINDERBLOCK ASSY	5 1
BEARING/CONNECTING R	6 6	BOLT/THROUGH	30 16	CYLINDERHEAD ASSY	1 1
BEARING/CONNECTING R	13 7	BOLT/WS	8 4	DOWEL	5 22
BEARING/CRANK SET	5 11	BOLT/WS	16 6	DRIVE/TACHOMETE ASSY	9 42
BEARING/CRANK/LOWER	5 13	BOLT/WS	18 4	EYEBOLT	29 50
BEARING/CRANK/UNDER	6 1	BOLT/WS	30 15	FAN/COOLING	18 1
BEARING/CRANK/UNDER	6 3	BOSS/SPLINE	15 9	FLANGEBOLT	3 3
BEARING/CRANK/UPPER	5 12	BRACKET/ROCKERSHAFT	11 12	FLANGEBOLT	5 27
BEARING/THRUST/CRANK	5 14	BRACKET/ROCKERSHAFT	11 13	FLANGEBOLT	9 8
BEARING/THRUST/CRANK	6 2	BRUSH	31 17	FLANGEBOLT	9 9
BEARING/THRUST/CRANK	6 4	BUSH	31 15	FLANGEBOLT	9 13
BEARING/WATER PUMP	17 3	BUSHING/DRAIN	30 20	FLANGEBOLT	9 14
BEARING/WATERPUMP	17 4	CAMSHAFT	12 1	FLANGEBOLT	9 15
BELT/VR5A39.0	18 5	CAMSHAFT/INJPUMP	20 9	FLANGEBOLT	9 17
BODY/OILPUMP	16 2	CAP, BLANK/30	9 45	FLANGEBOLT	9 44
BODY/WATERPUMP	17 2	CAP, OIL FILLER	2 5	FLANGEBOLT	11 19
BOLT	1 7	CAP/HI - IDLESTOPPER	9 39	FLANGEBOLT	16 11
BOLT	5 2	CAP/MAXPOWERSTOPPER	9 22	FLANGEBOLT	17 17
BOLT	7 4	CAP/OILFILLER	5 31	FLANGEBOLT	17 18
BOLT	8 5	CARTRIDGE/OILFILTER	16 12	FLANGEBOLT	17 24
BOLT	9 11	CLAMP/STRAINER	16 10	FLANGEBOLT	17 25
BOLT	9 48	CLAMP/WIRE/10-15	17 21	FLANGEBOLT	17 29
BOLT	11 18	CLIP/HOSE/7.6-8.2	21 4	FLANGEBOLT	20 7
BOLT	15 8	CLUTCH/STARTER ASSY	30 5	FLANGEBOLT	23 3
BOLT	15 12	COLLOR	31 3	FLANGEBOLT	24 7
BOLT	29 10	CONNECTINGROD ASSY	13 5	FLYWEIGHT ASSY	20 16
BOLT	29 52	CONNECTOR, OIL FILTER	5 24	FLYWHEEL ASSY	15 5
BOLT	31 9	CONNECTOR/FUEL	21 1	FRAME	31 12
BOLT	31 10	CONNECTOR/GLOWPLUG	24 4	FRAME/DRIVEEND ASSY	31 7
BOLT	31 19	CONTROLRACK	29 48	FRAME/STARTEREND	30 10

# Alphabetical Index

Description	Fig.Key	Description	Fig.Key	Description	Fig.Key
GASHET/EXH MANIFOLD	4 2	HOUSING/PUMP	29 1	O- RING/P 8	20 26
GASHET/EXH MANIFOLD	27 7	HOUSING/STARTER ASSY	30 9	O- RING/P18	7 3
GASKET	2 8	HOUSING/THERMSTAT	17 22	O- RING/P22	16 9
GASKET	17 8	INJECTIONNOZZLE ASSY	19 1	O- RING/P22	27 17
GASKET	19 5	INJECTIONPUMP ASSY	20 1	O- RING/P25	5 32
GASKET	24 6	KEY/07X05X09	12 3	OILPAN	7 1
GASKET	27 5	KEY/07X05X09	20 11	OILPUMP ASSY	16 1
GASKET	27 22	KEY/07X05X43	15 4	OILSEAL	5 15
GASKET	28 17	LABELMF1250/2004	25 1	OILSEAL	27 10
GASKET	29 5	LABELSF330	26 1	ORING	29 7
GASKET	29 51	LEVELGAGE	5 29	ORING	29 9
GASKET	29 53	LEVER/CONTROL COMP	20 25	PACKING	9 23
GASKET, NOZZLE	19 2	MANIFOLD/EXHAUST	4 1	PIN	5 18
GASKET/COVER	5 26	MANIFOLD/INLET ASSY	3 1	PIN	5 28
GASKET/COVER	27 11	NOZZLE ASSY	28 16	PIN	8 3
GASKET/CYLINDERHEAD	1 6	NUT	9 41	PIN	9 27
GASKET/CYLINDERHEAD	27 3	NUT	11 17	PIN	15 2
GASKET/GEARCASE	9 31	NUT	20 29	PIN	29 12
GASKET/GEARCASE	27 14	NUT	28 18	PIN, CONTROL	20 21
GASKET/HOUSING	17 23	NUT	30 21	PIN, GROOVE	9 30
GASKET/HOUSING	27 20	NUT	30 22	PIN, PISTON	13 3
GASKET/INLETMANIFOLD	3 2	NUT	31 2	PIN/ARM	9 25
GASKET/INLETMANIFOLD	27 6	NUT	31 23	PIN/IDLEGEAR	5 8
GASKET/PLATE	9 47	NUT	31 25	PIN/SNAP	9 26
GASKET/PLATE	27 15	NUT/CAP	2 7	PIN/STRAIGHT	5 17
GEAR/CAMSHAFT	12 2	NUT/HI - IDLESTOPPER	9 37	PIN/STRAIGHT	16 5
GEAR/CRANK	15 3	NUT/M08	9 12	PIN/TUBE	5 16
GEAR/IDLE ASSY	12 6	NUT/M08	11 20	PIN/TUBE	9 51
GEAR/INJECTIONPUMP	20 10	NUT/M08	17 13	PINION/STARTER	30 8
GEAR/OILPUMP ASSY	16 3	NUT/M08	17 19	PIPE/FUEL	21 2
GEARCASE ASSY	9 1	NUT/M08	20 8	PIPE/INJECTION ASSY	19 6
GENERATOR ASSY	23 1	NUT/M10	23 6	PIPE/INJECTION ASSY	19 7
GLOWPLUG	24 3	NUT/M8	9 55	PIPE/INJECTION ASSY	19 8
GUIDE/LEVELGAGE COMP	5 30	NUT/M8	9 57	PIPE/WATER PUMP	17 11
HANGER	10 1	NUT/MAXPOWERSTOPPER	9 20	PIPE/WATERDRAIN	5 23
HEATSHIELD/NOZZLE	19 3	NUT/NOZZLERETAINING	28 15	PIPE/WATEROUTLET	17 27
HOLDER ASSY	31 14	O- RING	17 28	PISTON	13 1
HOLDER/BRUSH ASSY	31 16	O- RING	27 21	PISTON/OV	14 1
HOLDER/DELIVERYVALVE	29 6	O- RING	30 19	PISTON/OV	14 3
HOLDER/JE/9-9	9 16	O- RING 1A S50	9 50	PISTON/VALVE/RELIEF	9 33
HOLDER/NOZZLE ASSY	28 1	O- RING 1A S50	27 16	PLATE	31 8
HOLDER/STARTER ASSY	30 11	O- RING HS90 G50	17 15	PLATE/ADJUST	23 2
HOSE/RUBBER	2 9	O- RING HS90 G50	27 19	PLATE/FRONT	9 46
HOSE/RUBBER	17 20	O- RING/G40	17 12	PLATE/REAR	8 1
HOSE/RUBBER	21 3	O- RING/G40	27 18	PLATE/T=2. 60	29 17

## Alphabetical Index

6005-097-491-00

Description	Fig.Key	Description	Fig.Key	Description	Fig.Key
PLATE/T=2. 65	29 18	PUSHROD	11 7	SHAFT/ROCKERARM ASSY	11 10
PLATE/T=2. 70	29 19	REGULATOR ASSY	31 26	SHIM/0. 10	28 2
PLATE/T=2. 75	29 20	RELAY, SOLENOID	24 8	SHIM/0. 20	28 3
PLATE/T=2. 80	29 21	REPAIR/ENGINE SET	27 1	SHIM/0. 30	28 4
PLATE/T=2. 85	29 22	RESISTANCE/1. 0	21 5	SHIM/0. 40	28 5
PLATE/T=2. 90	29 23	RETAINER	30 7	SHIM/0. 50	28 6
PLATE/T=2. 95	29 24	RING SNAP	13 4	SHIM/0. 52	28 7
PLATE/T=3. 00	29 25	RING, SNAP/ 4 E	20 22	SHIM/0. 54	28 8
PLATE/T=3. 05	29 26	RING, SNAP/12 C	9 35	SHIM/0. 56	28 9
PLATE/T=3. 10	29 27	RING, SNAP/16 C	11 15	SHIM/0. 58	28 10
PLATE/T=3. 15	29 28	RING/0	9 43	SHIM/0. 80	28 11
PLATE/T=3. 20	29 29	RING/PISTON/OVSET	14 2	SHIM/INJECTION P/0. 1	20 3
PLATE/T=3. 25	29 30	RING/PISTON/OVSET	14 4	SHIM/INJECTION P/0. 2	20 4
PLATE/T=3. 30	29 31	RING/PISTONSET	13 2	SHIM/INJECTION P/0. 3	20 2
PLATE/T=3. 35	29 32	RING/TAMPER REGISTAN	9 21	SHIM/INJECTION P/0. 4	20 5
PLATE/T=3. 40	29 33	RING/TAMPER REGISTAN	9 38	SHIM/INJECTION P/0. 5	20 6
PLATE/T=3. 45	29 34	RINGGEAR	15 6	SLEEVEFLANGE	29 8
PLATE/T=3. 50	29 35	RINK/CONTROL	20 20	SNAPRING	29 13
PLATE/T=3. 55	29 36	ROCKERARM	11 9	SOLENOID	24 5
PLATE/T=3. 60	29 37	ROCKERSHAFT ASSY	11 8	SPACER	9 49
PLATE/T=3. 65	29 38	RORA	30 6	SPACER	28 14
PLATE/T=3. 70	29 39	ROTOR ASSY	31 4	SPACER/FAN/53	18 3
PLATE/T=3. 75	29 40	ROTOR/OUTER	16 4	SPACER/WATERPUMP	17 14
PLATE/T=3. 80	29 41	ROTOR/WATERPUMP	17 6	SPRING	11 14
PLATE/T=3. 85	29 42	RUBBERFLANGE	2 2	SPRING	31 18
PLATE/T=3. 90	29 43	SCREW	30 14	SPRING, BRUSH	30 12
PLATE/T=3. 95	29 44	SCREW ADJUST	11 16	SPRING, NOZZLE	28 12
PLATE/T=4. 00	29 45	SCREW/SOCKET	16 7	SPRING, RETURN	20 27
PLATE/T=4. 05	29 46	SCREW/TAPPING	2 4	SPRING/DELIVERYVALVE	29 4
PLATE/T=4. 10	29 47	SCREW/WATER PUMP	17 10	SPRING/GOVERNOR	20 24
PLATE/THRUST	12 4	SEAL SET/WATER PUMP	17 5	SPRING/IDLE	20 33
PLATE/THRUST/INJPUMP	20 14	SEAL, BEARING CAP	5 9	SPRING/PLUNGER	29 14
PLATE/WATER PUMP	17 9	SEAL, BEARING CAP	27 8	SPRING/RELIEF VALVE	9 34
PLUG	5 7	SEAL, BEARING CAP/7	5 10	SPRING/RETURN	30 18
PLUG	9 24	SEAL, BEARING CAP/7	27 9	SPRING/SETTING	20 23
PLUG	11 11	SEAL, OIL	1 4	SPRING/STARTING	20 32
PLUG/M14X1. 5	7 2	SEAL, OIL	9 7	SPRING/VALVE	11 3
PLUG/PT1/2	1 3	SEAL, OIL	27 2	SPRINGSEAT	29 15
PLUG/PT1/4	9 2	SEAL, OIL	27 12	SPRINGSEAT	29 16
PLUG/SCREW	9 28	SEAL/CYL HEAD/UNDER	2 6	STARTER ASSY	23 7
PLUNGER ASSY	29 2	SEAL/CYL HEAD/UNDER	27 4	STOPPER/MAX POWER ST	9 19
POINTER	8 2	SEAL/WATER PUMPPULLE	17 7	STRAINER	16 8
PULLEY	31 1	SEAT, SPRING	28 13	STUD	1 8
PULLEY/CRANK	15 10	SEAT, VALVE SPRING	11 4	STUD	5 20
PULLEY/WATERPUMP	18 2	SHAFT/HYDRAULIC ASSY	9 53	STUD	9 4

# Alphabetical Index

6005-097-491-00

Description	Fig.Key	Description	Fig.Key	Description	Fig.Key
STUD	9 5				
STUD	9 6				
STUD	9 52				
STUD/MBX40	5 19				
STUD/MBX40	17 16				
SWITCH/MAGNETIC ASSY	30 13				
SWITCH/OILPRESSURE	24 1				
TAPPET	11 6				
TAPPET	29 11				
THERMOMETER	24 2				
THERMSTAT	17 26				
THRUSTPIECE	20 18				
VALVE, DELIVERY	29 3				
VALVE/EXHAUST	11 2				
VALVE/INTAKE	11 1				
VALVE/RELIEF ASSY	9 32				
WASHER	15 11				
WASHER / M6	20 30				
WASHER, SP/M 6	20 31				
WASHER, SP/M 8	9 56				
WASHER, SP/M 8	9 58				
WASHER, SP/M12	23 9				
WASHER/08X14X01	9 18				
WASHER/08X14X01	9 29				
WASHER/08X14X01	27 13				
WASHER/08X16X1.2	9 10				
WASHER/9X22X2	23 4				
WASHER/CORRUGATE	19 4				
WATERPUMP ASSY	17 1				
YOKE/STARTER ASSY	30 1				

## Alphabetical Index

1740-097-110-00

Description	Fig.Key	Description	Fig.Key	Description	Fig.Key
ADAPTER (90° /PUMP)	62 49	ARM/POSITION COMP	77 31	BAND, WIRE/250	7 19
ADAPTER (90° /PUMP)	63 38	ARM/POSITION COMP	78 1	BAND, WIRE/250	9 10
ADAPTER/45°	62 50	ARM/POSITION COMP	79 4	BAND, WIRE/250	10 9
ADAPTER/45°	63 39	ARM/PTO/MID COMP	44 1	BAND, WIRE/250	107 27
ADAPTER/90°	128 18	ARM/PTO/MID COMP	45 2	BAND, WIRE/250	108 28
ADAPTER/90°	129 20	ARM/SHIFT/4WD COMP	29 1	BAND/CLEANER	3 6
ADAPTER/G1/4 ASSY	62 12	ARM/SHIFT/4WD COMP	30 1	BAR	76 1
ADAPTER/G1/4-M1 ASSY	62 37	ARM/SHIFT/MAIN COMP	24 11	BAR/TORSION	133 3
ADAPTER/G3/8ASSY	84 4	ARM/SHIFT/MID COMP	36 22	BASE/BATTERY COMP	9 13
ADAPTER/G3/8ASSY	84 11	ARM/SHIFT/MID COMP	38 20	BASE/BATTERY COMP	10 12
ADAPTER/L/G1/4 ASSY	62 14	ARM/SHIFT/PTO SET	34 6	BASE/LINKAGE/HS COMP	46 7
ADAPTER/L/G1/4 ASSY	63 14	ARM/SHIFT/PTO SET	35 6	BASE/SPRING	136 4
ADAPTER/L/PF3/8 ASSY	84 8	ARM/SHIFT/SUB SET	25 9	BATTERY/55B24R/ ASSY	10 1
ADAPTER/PF1/4 ASSY	63 12	ARM/SHIFT/SUB SET	26 9	BATTERY/80D26R-MF	9 1
ADAPTER/PF1/4 ASSY	80 47	ARM/SUB ASSY	40 1	BEARING	24 14
ADAPTER/PF3/8 ASSY	19 11	ARM/TRUNNION COMP	46 9	BEARING	71 13
ADAPTER/PF3/8 ASSY	62 29	BACKLE/TURN/A COMP	82 12	BEARING	71 14
ADJUST SCREW (F)	135 6	BACKLE/TURN/A COMP	83 10	BEARING, 6006SH2	14 6
ARM COMP	133 29	BAG/TOOL	116 10	BEARING, 6006SH2	23 9
ARM, HST LEVER	47 20	BALL	24 5	BEARING, BALL	36 19
ARM, LIFT	76 4	BALL	25 8	BEARING, BALL	38 17
ARM/1ST COMP	128 5	BALL	26 8	BEARING, CT55BL1	13 18
ARM/1ST COMP	129 5	BALL	29 6	BEARING, RB 6006	22 6
ARM/2ND COMP	129 6	BALL	30 5	BEARING, RB/6004	27 5
ARM/4WD COMP	41 1	BALL	34 5	BEARING, RB/6004	28 5
ARM/4WD COMP	42 1	BALL	35 5	BEARING, RB/6004	28 9
ARM/AUTO COMP	77 33	BALL	36 16	BEARING, RB/6005	15 24
ARM/AUTO COMP	77 38	BALL	38 14	BEARING, RB/6007	19 14
ARM/AUTO COMP	133 24	BALL	57 4	BEARING, RB/6009	22 5
ARM/BRAKE	58 23	BALL	57 9	BEARING, RB/6010	33 3
ARM/BRAKE	59 28	BALL	135 14	BEARING, RB/6010	67 17
ARM/BRAKESET	58 2	BALL	136 11	BEARING, RB/6010	68 16
ARM/CLUTCH/D COMP	16 1	BALL	138 11	BEARING, RB/6011	51 11
ARM/COUNTER COMP	48 34	BALL	138 11	BEARING, RB/6011	52 12
ARM/DIFF COMP	56 7	BAND, WIRE/140	47 10	BEARING, RB/6011	67 16
ARM/DIFF COMP	56 11	BAND, WIRE/140	107 24	BEARING, RB/6011	68 15
ARM/DRAFT COMP	133 15	BAND, WIRE/140	107 28	BEARING, RB/6204	14 18
ARM/MAIN COMP	39 1	BAND, WIRE/140	108 25	BEARING, RB/6204	14 21
ARM/MID ASSY	44 7	BAND, WIRE/140	108 29	BEARING, RB/6204	15 16
ARM/MID ASSY	44 12	BAND, WIRE/140	109 23	BEARING, RB/6204	15 27
ARM/MID ASSY	45 8	BAND, WIRE/140	110 24	BEARING, RB/6204	21 13
ARM/MID ASSY	45 13	BAND, WIRE/170	62 44	BEARING, RB/6205	15 21
ARM/MIRROR ASSY	94 1	BAND, WIRE/170	63 33	BEARING, RB/6205	15 25
ARM/NEUTRAL COMP	48 24	BAND, WIRE/170	84 24	BEARING, RB/6205	36 10
ARM/PLATE	87 16	BAND, WIRE/250	1 45	BEARING, RB/6205	38 8



# Alphabetical Index

1740-097-110-00

Description	Fig.Key	Description	Fig.Key	Description	Fig.Key
BEARING, RB/6206	36 9	BEARING/NEEDLE	33 19	BOLT (SP) /M6X16	110 10
BEARING, RB/6206	38 7	BEARING/NEEDLE	33 23	BOLT, CONNECTOR/M16	19 8
BEARING, RB/6206	71 33	BEARING/NEEDLE	49 6	BOLT, KNOB (M6)	91 8
BEARING, RB/6207	15 2	BEARING/NEEDLE	50 5	BOLT, KNOB (M6)	92 8
BEARING, RB/6207	51 17	BEARING/NEEDLE	141 25	BOLT, SEMS	1 42
BEARING, RB/6207	52 18	BEARING/TAPERROLLER	67 2	BOLT, SEMS	5 6
BEARING, RB/6207	71 34	BEARING/TAPERROLLER	68 2	BOLT, SEMS	9 12
BEARING, RB/6209	55 9	BLOCK/CYLINDER ASSY	141 11	BOLT, SEMS	9 17
BEARING, RB/6304	14 20	BOARD/WIREING ASSY	104 10	BOLT, SEMS	10 11
BEARING, RB/6304	15 15	BODY/EDW3	136 1	BOLT, SEMS	10 16
BEARING, RB/6304	23 3	BOLT	2 3	BOLT, SEMS	15 11
BEARING, RB/6306	71 8	BOLT	2 7	BOLT, SEMS	37 2
BEARING, RB/6306SH2	49 2	BOLT	13 16	BOLT, SEMS	40 11
BEARING, RB/6306SH2	50 2	BOLT	53 8	BOLT, SEMS	43 3
BEARING, RB/6307	51 18	BOLT	53 9	BOLT, SEMS	59 32
BEARING, RB/6307	52 19	BOLT	54 7	BOLT, SEMS	60 6
BEARING, RB/6307	55 7	BOLT	54 8	BOLT, SEMS	77 11
BEARING/BALL	14 2	BOLT	55 12	BOLT, SEMS	79 10
BEARING/BALL	15 13	BOLT	59 12	BOLT, SEMS	81 6
BEARING/BALL	21 12	BOLT	62 42	BOLT, SEMS	105 21
BEARING/BALL	27 4	BOLT	69 15	BOLT, SEMS (SP)	4 15
BEARING/BALL	28 4	BOLT	70 15	BOLT, SEMS (SP)	5 15
BEARING/BALL	33 6	BOLT	75 6	BOLT, SEMS (SP)	6 2
BEARING/BALL	33 7	BOLT	75 7	BOLT, SEMS (SP)	8 2
BEARING/BALL	33 13	BOLT	75 8	BOLT, SEMS (SP)	48 11
BEARING/BALL	33 14	BOLT	75 36	BOLT, SEMS (SP)	48 20
BEARING/BALL	48 25	BOLT	138 26	BOLT, SEMS (SP)	64 6
BEARING/BALL	141 24	BOLT	138 26	BOLT, SEMS (SP)	77 27
BEARING/BALL 6205SH2	21 5	BOLT	139 11	BOLT, SEMS (SP)	82 27
BEARING/BALL 6205SH2	71 11	BOLT (S) M10X16	133 22	BOLT, SEMS (SP)	83 25
BEARING/BALL 6205SH2	71 29	BOLT (S) M10X25	80 6	BOLT, SEMS (SP)	84 3
BEARING/BALL 6305SH2	33 2	BOLT (S) M8X35	4 19	BOLT, SEMS (SP)	84 25
BEARING/BALL/6304SH2	14 16	BOLT (S) M8X35	80 45	BOLT, SEMS (SP)	87 4
BEARING/BALL/6304SH2	20 5	BOLT (S) M8X35	81 43	BOLT, SEMS (SP)	89 5
BEARING/NEEDLE	15 5	BOLT (SP) /M6X16	84 18	BOLT, SEMS (SP)	90 2
BEARING/NEEDLE	20 7	BOLT (SP) /M6X16	91 9	BOLT, SEMS (SP)	90 8
BEARING/NEEDLE	21 2	BOLT (SP) /M6X16	92 9	BOLT, SEMS (SP)	99 5
BEARING/NEEDLE	21 4	BOLT (SP) /M6X16	94 2	BOLT, SEMS (SP)	99 14
BEARING/NEEDLE	22 8	BOLT (SP) /M6X16	105 2	BOLT, SEMS (SP)	99 21
BEARING/NEEDLE	22 11	BOLT (SP) /M6X16	105 26	BOLT, SEMS (SP)	99 23
BEARING/NEEDLE	23 6	BOLT (SP) /M6X16	106 2	BOLT, SEMS (SP)	99 26
BEARING/NEEDLE	23 7	BOLT (SP) /M6X16	106 19	BOLT, SEMS (SP)	100 5
BEARING/NEEDLE	23 13	BOLT (SP) /M6X16	107 11	BOLT, SEMS (SP)	100 12
BEARING/NEEDLE	23 15	BOLT (SP) /M6X16	108 11	BOLT, SEMS (SP)	100 19
BEARING/NEEDLE	23 20	BOLT (SP) /M6X16	109 10	BOLT, SEMS (SP)	100 21

## Alphabetical Index

1740-097-110-00

Description	Fig.Key	Description	Fig.Key	Description	Fig.Key
BOLT, SEMS (SP)	100 24	BOLT/M 8X25	77 14	BOLT/M10X40	18 18
BOLT, SEMS (SP)	102 6	BOLT/M 8X35	16 11	BOLT/M10X40	58 5
BOLT, SEMS (SP)	103 6	BOLT/M 8X35	65 9	BOLT/M10X40	59 10
BOLT, SEMS (SP)	105 19	BOLT/M 8X35	66 10	BOLT/M10X40	79 14
BOLT, SEMS (SP)	133 13	BOLT/M 8X45	80 52	BOLT/M10X40	79 18
BOLT, SEMS (S)	15 18	BOLT/M 8X65	4 2	BOLT/M10X45	133 9
BOLT, SEMS (S) M8X16	12 6	BOLT/M 8X65	5 2	BOLT/M10X50	36 3
BOLT, SEMS (S) M8X16	14 12	BOLT/M 8X70	79 2	BOLT/M10X50	75 37
BOLT, SEMS (S) M8X16	29 4	BOLT/M 8X85	14 13	BOLT/M10X50	84 32
BOLT, SEMS (S) M8X16	36 21	BOLT/M06X08/APSET	137 9	BOLT/M10X80	128 3
BOLT, SEMS (S) M8X16	36 25	BOLT/M08X16	103 18	BOLT/M10X90	12 19
BOLT, SEMS (S) M8X16	38 19	BOLT/M08X16	103 30	BOLT/M12X20	81 34
BOLT, SEMS (S) M8X16	38 23	BOLT/M08X32	9 8	BOLT/M12X20	95 3
BOLT, SEMS (S) M8X16	64 8	BOLT/M08X32	10 7	BOLT/M12X20	96 3
BOLT, SEMS (S) M8X16	66 8	BOLT/M10X105 9T	75 35	BOLT/M12X20	111 16
BOLT, SEMS (S) M8X16	80 36	BOLT/M10X120	129 3	BOLT/M12X25	64 10
BOLT, SEMS (S) M8X16	80 56	BOLT/M10X20	62 8	BOLT/M12X25	71 39
BOLT, SEMS (S) M8X16	128 7	BOLT/M10X20	63 8	BOLT/M12X25	122 2
BOLT, SEMS (S) M8X16	128 9	BOLT/M10X20	76 11	BOLT/M12X30	12 12
BOLT, SEMS (S) M8X16	129 8	BOLT/M10X25	51 10	BOLT/M12X30	13 9
BOLT, SEMS (S) M8X16	129 10	BOLT/M10X25	52 11	BOLT/M12X30	64 2
BOLT, SEMS/M8X25 7T	87 29	BOLT/M10X25	75 34	BOLT/M12X30	75 12
BOLT, SEMS/M8X45 7T	46 10	BOLT/M10X25	82 5	BOLT/M12X30	82 38
BOLT, SM/M08X25	39 2	BOLT/M10X25	95 6	BOLT/M12X30	83 4
BOLT, SM/M08X25	76 7	BOLT/M10X25	96 6	BOLT/M12X30	83 36
BOLT, SP/M10X16	62 47	BOLT/M10X25	97 16	BOLT/M12X30	85 2
BOLT, SP/M10X16	63 36	BOLT/M10X25	97 22	BOLT/M12X30	86 3
BOLT/ADJUST	139 18	BOLT/M10X25	97 24	BOLT/M12X30	97 17
BOLT/BATTERY	9 3	BOLT/M10X25	98 16	BOLT/M12X30	98 17
BOLT/BATTERY	10 2	BOLT/M10X25	98 22	BOLT/M12X30	123 2
BOLT/KNOB/M06X13	88 19	BOLT/M10X25	98 24	BOLT/M12X30	130 3
BOLT/M 5X10	7 24	BOLT/M10X29	60 11	BOLT/M12X30	131 2
BOLT/M 6X20	88 16	BOLT/M10X30	12 13	BOLT/M12X35	69 8
BOLT/M 6X45	63 47	BOLT/M10X30	13 6	BOLT/M12X35	70 8
BOLT/M 6X45	84 21	BOLT/M10X30	18 5	BOLT/M12X35	85 5
BOLT/M 6X50	80 14	BOLT/M10X30	20 2	BOLT/M12X35	86 6
BOLT/M 6X50	81 13	BOLT/M10X30	36 4	BOLT/M12X35	130 6
BOLT/M 8X12	7 3	BOLT/M10X30	38 3	BOLT/M12X35	131 5
BOLT/M 8X16	31 16	BOLT/M10X30	54 6	BOLT/M12X40	75 13
BOLT/M 8X16	32 18	BOLT/M10X30	55 2	BOLT/M12X40	82 6
BOLT/M 8X16	102 19	BOLT/M10X30	71 38	BOLT/M12X65	95 8
BOLT/M 8X16	102 32	BOLT/M10X30	75 5	BOLT/M12X65	96 8
BOLT/M 8X20	87 54	BOLT/M10X30	75 5	BOLT/M12X65	97 6
BOLT/M 8X25	7 7	BOLT/M10X30	84 31	BOLT/M12X65	98 6
BOLT/M 8X25	16 4	BOLT/M10X40	18 9	BOLT/M12X70	62 54

# Alphabetical Index

Description	Fig.Key	Description	Fig.Key	Description	Fig.Key
BOLT/M12X70	63 43	BOLT/S	56 15	BOLT/SP	88 23
BOLT/M12X75	97 3	BOLT/S	59 31	BOLT/SP	97 29
BOLT/M12X75	97 7	BOLT/S	62 5	BOLT/SP	97 31
BOLT/M12X75	98 3	BOLT/S	62 32	BOLT/SP	98 29
BOLT/M12X75	98 7	BOLT/S	63 5	BOLT/SP	99 3
BOLT/M16X75	132 2	BOLT/S	63 30	BOLT/SP	100 3
BOLT/M16X85	86 13	BOLT/S	75 4	BOLT/SP	105 29
BOLT/M16X85	130 14	BOLT/S	80 32	BOLT/SP	107 20
BOLT/M4X12	104 11	BOLT/S	80 33	BOLT/SP	107 23
BOLT/M5X16	89 4	BOLT/S	80 44	BOLT/SP	108 21
BOLT/M5X30	107 18	BOLT/S	81 31	BOLT/SP	108 24
BOLT/M5X30	108 19	BOLT/S	81 32	BOLT/SP	109 19
BOLT/M5X30	109 17	BOLT/S	81 42	BOLT/SP	109 22
BOLT/M5X30	110 18	BOLT/S	93 2	BOLT/SP	110 20
BOLT/M8X20	15 7	BOLT/SEAL	6 5	BOLT/SP	110 23
BOLT/M8X20	24 17	BOLT/SEAL	8 5	BOLT/SP	123 8
BOLT/M8X28	105 24	BOLT/SEAL	13 7	BOLT/SP	128 19
BOLT/M8X28	106 17	BOLT/SET/M16X60	111 2	BOLT/SP	129 21
BOLT/M8X28 11T	62 24	BOLT/SM/M10X23	46 2	BOLT/SP	130 21
BOLT/M8X28 11T	63 24	BOLT/SP	1 24	BOLT/STUD	12 9
BOLT/M8X28 11T	80 23	BOLT/SP	1 30	BOLT/STUD	12 14
BOLT/M8X28 11T	81 22	BOLT/SP	1 33	BOLT/STUD	13 3
BOLT/M8X80	58 7	BOLT/SP	4 6	BOLT/STUD	13 5
BOLT/S	2 10	BOLT/SP	7 18	BOLT/STUD	17 2
BOLT/S	7 11	BOLT/SP	14 9	BOLT/STUD	17 8
BOLT/S	12 17	BOLT/SP	31 14	BOLT/STUD	18 4
BOLT/S	13 22	BOLT/SP	32 15	BOLT/STUD	18 15
BOLT/S	16 9	BOLT/SP	36 28	BOLT/STUD	31 7
BOLT/S	17 5	BOLT/SP	38 26	BOLT/STUD	31 9
BOLT/S	18 8	BOLT/SP	44 14	BOLT/STUD	31 18
BOLT/S	18 17	BOLT/SP	45 16	BOLT/STUD	32 6
BOLT/S	19 16	BOLT/SP	51 2	BOLT/STUD	32 8
BOLT/S	24 7	BOLT/SP	52 2	BOLT/STUD	32 16
BOLT/S	24 10	BOLT/SP	60 8	BOLT/STUD/M12X40	111 13
BOLT/S	25 2	BOLT/SP	62 6	BOLT/STUD/SEAL	17 7
BOLT/S	26 2	BOLT/SP	63 6	BOLT/STUD/SEAL	18 2
BOLT/S	30 6	BOLT/SP	64 16	BOLT/STUD/SEAL	31 8
BOLT/S	39 5	BOLT/SP	80 8	BOLT/STUD/SEAL	31 10
BOLT/S	46 6	BOLT/SP	81 7	BOLT/STUD/SEAL	32 7
BOLT/S	46 8	BOLT/SP	86 20	BOLT/STUD/SEAL	32 9
BOLT/S	47 14	BOLT/SP	87 30	BOOT	106 25
BOLT/S	47 16	BOLT/SP	87 60	BOOT, CHANGE	24 21
BOLT/S	53 7	BOLT/SP	87 63	BOOT/HORN	105 11
BOLT/S	53 14	BOLT/SP	87 65	BOOT/HORN	106 11
BOLT/S	54 13	BOLT/SP	88 17	BRACKET COMP	82 28

## Alphabetical Index

1740-097-110-00

Description	Fig.Key	Description	Fig.Key	Description	Fig.Key
BRACKET COMP	82 37	BULB/12V5W	103 3	CABLE	64 14
BRACKET COMP	83 26	BULB/LAMP/12V/1.7W	104 18	CABLE	123 7
BRACKET COMP	83 35	BULB/LAMP/12V10W	102 10	CABLE ASSY	104 22
BRACKET COMP	133 14	BULB/LAMP/12V10W	102 23	CABLE/ACCELERATOR	11 2
BRACKET (SEAT) COMP	93 1	BULB/LAMP/12V10W	103 10	CABLE/ACCELERATOR	11 13
BRACKET/AXLE COMP	64 1	BULB/LAMP/12V10W	103 22	CABLE/BATTERY ASSY	9 7
BRACKET/AXLE COMP	64 7	BUSH	22 7	CABLE/BATTERY ASSY	10 6
BRACKET/BRAKE COMP	59 30	BUSH	23 10	CABLE/EARTH ASSY	9 11
BRACKET/BRAKE COMP	60 7	BUSH	62 3	CABLE/EARTH ASSY	10 10
BRACKET/CLEANER COMP	3 12	BUSH	62 4	CABLE/HST	47 6
BRACKET/DRAWBAR COMP	86 2	BUSH	63 3	CABLE/PARKING	60 9
BRACKET/DRAWBAR COMP	130 2	BUSH	63 4	CABLE/PEDAL ASSY	48 40
BRACKET/FOOD COMP	87 27	BUSH	139 6	CAM/BRAKE COMP	57 11
BRACKET/GRILLE COMP	88 18	BUSH	139 8	CAP	1 2
BRACKET/LEVER COMP	79 1	BUSH 25X30X35	133 4	CAP	1 37
BRACKET/MOUNT/F/L	96 1	BUSH 33X38X20	133 5	CAP	9 2
BRACKET/MOUNT/F/R	96 2	BUSH, LEVER	87 59	CAP	61 2
BRACKET/MOUNT/L COMP	95 1	BUSH, LEVER	87 62	CAP	104 20
BRACKET/MOUNT/R COMP	95 2	BUSH, LEVER	88 22	CAP (6)	5 16
BRACKET/PUMP COMP	4 18	BUSH/08X15X11	87 6	CAP, BLANK/M10	53 5
BRACKET/REAR COMP	97 23	BUSH/14X16X20	44 8	CAP, BLANK/M10	69 19
BRACKET/REAR COMP	98 23	BUSH/18X20X20	40 2	CAP, BLANK/M10	70 19
BRACKET/REAR/LH COMP	97 12	BUSH/18X20X20	41 8	CAP, BLANK/M10	71 21
BRACKET/REAR/LH COMP	98 12	BUSH/18X20X20	42 8	CAP, BLANK/M10	71 26
BRACKET/REAR/RH COMP	97 13	BUSH/18X20X20	44 13	CAP, BLANK/M12	12 8
BRACKET/REAR/RH COMP	98 13	BUSH/18X20X20	45 9	CAP, BLANK/M12	13 12
BRACKET/RESERVETANK	1 41	BUSH/18X20X20	45 14	CAP, OIL ASSY	69 2
BRACKET/SWITCH COMP	105 20	BUSH/19X22X15	13 2	CAP, OIL ASSY	70 2
BRAKE/DISK	140 12	BUSH/19X30X14	87 3	CAP, OIL/30	75 29
BRAKE/PRESSURE	140 13	BUSH/20X23X15	48 3	CAP, PTO SHAFT	31 13
BUCKLE/TURN COMP	82 21	BUSH/20X23X15	48 15	CAP, PTO SHAFT	32 14
BUCKLE/TURN COMP	83 19	BUSH/20X23X30	48 2	CAP, PTO SHAFT	36 26
BUCKLE/TURN/M24 COMP	82 32	BUSH/20X23X30	48 14	CAP, PTO SHAFT	38 24
BUCKLE/TURN/M24 COMP	83 30	BUSH/22X25X20	12 2	CAP, TIRE VALVE	117 5
BULB	104 16	BUSH/22X25X20	18 13	CAP, TIRE VALVE	117 10
BULB/12V/45/40W	101 2	BUSH/25X28X10	46 5	CAP, TIRE VALVE	118 5
BULB/12V/5W	102 35	BUSH/30X34X30	58 3	CAP, TIRE VALVE	118 10
BULB/12V/5W	103 33	BUSH/30X34X30	59 8	CAP, TIRE VALVE	119 5
BULB/12V21W	102 2	BUSH/45X50X42	75 3	CAP, TIRE VALVE	119 10
BULB/12V21W	102 9	BUSH/50X50X37	75 2	CAP, TIRE VALVE	120 5
BULB/12V21W	102 22	BUSH/62X67X15	69 6	CAP, TIRE VALVE	120 10
BULB/12V21W	103 2	BUSH/62X67X15	70 6	CAP, TIRE VALVE	121 5
BULB/12V21W	103 9	BUSH/62X67X30	69 11	CAP, TIRE VALVE	121 10
BULB/12V21W	103 21	BUSH/62X67X30	70 11	CAP, TIRE VALVE	124 5
BULB/12V5W	102 3	BUTTON	60 4	CAP, TIRE VALVE	124 10

# Alphabetical Index

1740-097-110-00

Description	Fig.Key	Description	Fig.Key	Description	Fig.Key
CAP, TIRE VALVE	125 5	CLAMP	108 26	CLUCH/DIFF	56 1
CAP, TIRE VALVE	125 10	CLAMP	109 24	CLUTCH/PTO ASSY	15 22
CAP, TIRE VALVE	126 5	CLAMP	110 25	COLLAR	138 7
CAP, TIRE VALVE	126 10	CLAMP, MAIN HARNESS	5 5	COLLAR	138 7
CAP, TIRE VALVE	127 5	CLAMP/25X50	62 46	COLLAR COMP	75 40
CAP, TIRE VALVE	127 10	CLAMP/25X50	63 35	COLLAR(35X50X2)	55 5
CAP/07	9 20	CLAMP/WIRE/08-10	7 15	COLLAR, THRUST	33 17
CAP/07	10 18	CLAMP/WIRE/10-12	4 10	COLLAR/09X13X28	1 23
CAP/07	99 17	CLAMP/WIRE/10-12	5 10	COLLAR/11X21X3	75 18
CAP/07	100 15	CLAMP/WIRE/10-15	1 19	COLLAR/12X38X20	97 11
CAP/30	10 17	CLAMP/WIRE/11-13	4 11	COLLAR/12X38X20	98 11
CAP/PARKING	87 53	CLAMP/WIRE/11-13	5 11	COLLAR/14X25X10	82 40
CAP/TANC ASSY	6 7	CLAMP/WIRE/28-36	80 11	COLLAR/17X28X05	24 18
CAP/TANC ASSY	8 7	CLAMP/WIRE/28-36	81 10	COLLAR/19X27X27	37 3
CARTRIDGE	84 30	CLAMP/WIRE/30-38	1 12	COLLAR/19X28X02	138 9
CASE	141 14	CLAMP/WIRE/30-38	1 14	COLLAR/19X28X02	138 9
CASE	141 15	CLAMP/WIRE/32-40	80 10	COLLAR/20X42X07	20 10
CASE ASSY	104 15	CLAMP/WIRE/32-40	81 9	COLLAR/25X34X26	21 8
CASE/CYLINDER ASSY	75 1	CLAMP/WIRE/34-42	1 11	COLLAR/25X38X2	21 7
CASE/DIFF	51 3	CLAMP/WIRE/34-42	1 15	COLLAR/26X35X03	15 26
CASE/DIFF	52 3	CLAMP/WIRE/47-55	3 8	COLLAR/48X52X17	67 3
CASE/DIFF	67 9	CLAMP/WIRE/49-60	3 11	COLLAR/48X52X17	68 3
CASE/DIFF	68 9	CLAMP/WIRE/52-63	3 10	COLUMN/UPPER COMP	62 1
CASE/FINAL	71 1	CLAMP/WORM/16-25	7 13	COLUMN/UPPER COMP	63 1
CASE/FINAL/LH	71 17	CLAMP/WORM/16-25	63 32	CONNECTOR	1 20
CASE/FINAL/RH	71 22	CLEANER AIR ASSY	3 1	CONNECTOR	128 15
CASE/INPUT ASSY	18 12	CLIP	3 3	CONNECTOR	129 16
CASE/PTO/MID	36 1	CLIP B	7 17	CONNECTOR/L	129 17
CASE/PTO/MID	38 2	CLIP B	84 26	CONTROL VALVE ASSY	77 4
CASE/TRANSMISSION/F	12 1	CLIP (B)	6 12	CONTROLLER/DRAF SET	133 1
CASE/TRANSMISSION/FR	18 1	CLIP (B)	8 12	CONTROLLER/G ASSY	105 28
CASE/TRANSMISSION/MI	17 1	CLIP (B)	89 15	CONTROLLER/STEERING	62 7
CASE/TRANSMISSION/RE	31 3	CLIP (B)	90 5	CONTROLLER/STEERING	63 7
CASE/TRANSMISSION/RE	32 1	CLIP (B)	90 9	COOLER/OIL ASSY	84 2
CHAIN/CHECK COMP	82 11	CLIP/08	99 18	COUPLING	23 18
CHAIN/CHECK COMP	83 9	CLIP/08	100 16	COUPLING	33 21
CHAIN/CHECK/A COMP	82 10	CLIP/HOSE/10. 4-11. 1	4 12	COUPLING/16X27X62	19 2
CHAIN/CHECK/A COMP	83 8	CLIP/HOSE/10. 4-11. 1	7 16	COUPRING/16X27X55	14 22
CIRCLIP/30	49 5	CLIP/HOSE/11. 1-12	4 13	COUPRING/16X27X55	23 2
CIRCLIP/30	50 4	CLIP/HOSE/11. 1-12	5 12	COUPRING/16X27X55	28 8
CLAMP	1 16	CLIP/HOSE/11. 1-12	5 13	COUPRING/16X27X55	33 4
CLAMP	1 35	CLIP/HOSE/15-16. 8	75 33	COUPRING/16X27X55	65 3
CLAMP	65 8	CLIP/HOSE/17-20	62 40	COUPRING/16X27X55	66 3
CLAMP	66 9	CLIP/HOSE/8. 7-9. 3	4 17	COVER	79 13
CLAMP	107 25	CLIP/HOSE/8. 7-9. 3	5 18	COVER	79 17

## Alphabetical Index

1740-097-110-00

Description	Fig.Key	Description	Fig.Key	Description	Fig.Key
COVER	138 13	CRANK/LIFT	76 3	FLANGE/DELIVERY COMP	62 27
COVER	138 13	CUP	137 5	FLANGE/DELIVERY COMP	63 27
COVER	141 22	CUP/FUEL	6 10	FLASHER ASSY	105 12
COVER	141 23	CUP/FUEL	8 10	FLASHER ASSY	106 12
COVER ASSY	3 2	CUSHION, C/RUBBER	89 16	FORK/SHIFT/1ST	24 2
COVER COMP	87 20	CUSHION, RUBBER	3 13	FORK/SHIFT/2ND	24 3
COVER, DUST	72 4	CUSHION/RUBBER/10X25	87 5	FORK/SHIFT/DIFFLOCK	56 2
COVER, DUST	72 9	CYLINDER ASSY	62 48	FORK/SHIFT/PTO	34 3
COVER, DUST	73 3	CYLINDER ASSY	63 37	FORK/SHIFT/PTO	35 3
COVER, DUST	73 8	DAMPER/OIL ASSY	48 30	FORK/SHIFT/SUB	25 6
COVER, DUST	134 1	DIOD	107 10	FORK/SHIFT/SUB	26 6
COVER, DUST	134 7	DIOD	108 10	FRAME/DUSH COMP	99 1
COVER, LAMP/REAR	102 11	DIODE	107 9	FRAME/DUSH COMP	100 1
COVER, LAMP/REAR	102 24	DIODE	108 9	FRAME/LH COMP	111 11
COVER, PUMP	62 19	DIODE	109 9	FRAME/REAR COMP	97 1
COVER, PUMP	63 19	DIODE	110 9	FRAME/REAR COMP	98 1
COVER, PUMP	80 18	DISK/CLUTCH/215 COMP	13 15	FRAME/RH COMP	111 12
COVER, PUMP	81 17	DISK/CLUTCH/215 COMP	139 20	FRAME/SIDE/LH COMP	97 20
COVER/A ASSY	141 12	DRAWBAR	86 7	FRAME/SIDE/LH COMP	98 20
COVER/B ASSY	141 13	DRAWBAR	130 8	FRAME/SIDE/RH COMP	97 21
COVER/CLUTCH	139 1	ELBOW ASSY	84 13	FRAME/SIDE/RH COMP	98 21
COVER/CLUTCH	139 2	ELBOW/90° ASSY	62 35	FRAME/UPPER COMP	111 1
COVER/CLUTCH/21 ASSY	13 14	ELBOW/90° ASSY	84 15	FUSE/BLADE/32V05A	107 5
COVER/DUSH/F	89 1	ELBOW/90° ASSY	84 27	FUSE/BLADE/32V05A	108 5
COVER/DUSH/R	89 2	ELBOW/90° /L ASSY	62 10	FUSE/BLADE/32V05A	109 5
COVER/EXHAUST COMP	2 9	ELBOW/90° /L ASSY	63 10	FUSE/BLADE/32V05A	110 5
COVER/FUEL/SUB COMP	7 9	ELEMENT	137 8	FUSE/BLADE/32V10A	107 6
COVER/FUSE	107 2	ELEMENT ASSY	3 4	FUSE/BLADE/32V10A	108 6
COVER/FUSE	108 2	END, ROD RH ASSY	72 8	FUSE/BLADE/32V10A	109 6
COVER/FUSE	109 2	END, ROD RH ASSY	73 7	FUSE/BLADE/32V10A	110 6
COVER/FUSE	110 2	END, ROD/L·R ASSY	72 3	FUSE/BLADE/32V20A	107 7
COVER/LAMP/REAR	103 11	END, ROD/L·R ASSY	73 2	FUSE/BLADE/32V20A	108 7
COVER/LAMP/REAR	103 23	ESCUTCHEON	104 7	FUSE/BLADE/32V20A	109 7
COVER/PLATE	89 17	FENDER/LH COMP	90 1	FUSE/BLADE/32V20A	110 7
COVER/SAFETY/LH COMP	64 5	FENDER/RH COMP	90 7	FUSE/SLOWBLOW	107 8
COVER/SHIELD COMP	82 26	FILTER ASSY	84 29	FUSE/SLOWBLOW	108 8
COVER/SHIELD COMP	83 24	FILTER ASSY	4 1	FUSE/SLOWBLOW	109 8
COVER/SIDE/LH COMP	87 35	FILTER ASSY	5 1	FUSE/SLOWBLOW	110 8
COVER/SIDE/RH COMP	87 44	FILTER/FUEL	6 9	GASKET	2 2
COVER/STEERING/F	89 8	FILTER/FUEL	8 9	GASKET	2 6
COVER/STEERING/R	89 9	FILTER/LINE/12X18X15	62 34	GASKET	6 8
COVER/SWITCH	105 6	FILTER/SUCTION ASSY	81 1	GASKET	8 8
COVER/SWITCH	106 6	FILTER/SUCTION/400	80 1	GASKET	141 3
COVER/TRUNNION	46 3	FLANGE	63 45	GASKET	141 4
COVER/WHEEL	71 36	FLANGE	84 19	GASKET/4WD/PTO	80 51

# Alphabetical Index

Description	Fig.Key	Description	Fig.Key	Description	Fig.Key
GAUGE/FUEL ASSY	8 3	GEAR/SPUR/27	28 2	GUIDE/LH	1 4
GAUGE/FUEL/MAIN ASSY	6 3	GEAR/SPUR/27-22	21 10	GUIDE/RH	1 5
GAUGE/FUEL/SUB ASSY	7 22	GEAR/SPUR/28	22 1	GUIDE/SHIFT/MAIN	24 9
GAUGE/LEVEL	32 2	GEAR/SPUR/29	23 14	GUIDE/SLEEVE/RELEASE	13 20
GAUGE/OIL	75 30	GEAR/SPUR/30	20 13	HANDLE	87 13
GAUGE/OIL	75 38	GEAR/SPUR/33	19 13	HARNESS	108 13
GEAR	104 4	GEAR/SPUR/34-24-13	22 4	HARNESS	110 12
GEAR/08-47 SET	49 1	GEAR/SPUR/38	22 3	HARNESS ASSY	107 12
GEAR/08-47 SET	50 1	GEAR/SPUR/38	23 12	HARNESS ASSY	109 11
GEAR/09-20 SET	67 1	GEAR/SPUR/40	33 22	HARNESS, LAMP/REAR	102 8
GEAR/35-34-23-14	23 5	GEAR/SPUR/47	33 11	HARNESS, LAMP/REAR	102 21
GEAR/BEVEL/10	71 28	GEAR/SPUR/47	33 18	HARNESS, LAMP/REAR	103 8
GEAR/BEVEL/11	52 6	GEAR/SPUR/49	36 17	HARNESS, LAMP/REAR	103 20
GEAR/BEVEL/12	51 5	GEAR/SPUR/49	38 15	HARNESS, OIL PRESSURE	107 13
GEAR/BEVEL/12	71 7	GERA/SPUR/21	36 14	HARNESS, OIL PRESSURE	108 14
GEAR/BEVEL/14	51 7	GERA/SPUR/21	38 12	HARNESS, OIL PRESSURE	109 12
GEAR/BEVEL/15	67 11	GLASS	104 8	HARNESS, OIL PRESSURE	110 13
GEAR/BEVEL/15	68 11	GRILLE	88 1	HARNESS/LAMP	102 36
GEAR/BEVEL/16	52 8	GRIP	91 10	HARNESS/LAMP	103 34
GEAR/BEVEL/17	71 10	GRIP	92 10	HARNESS/MAIN/H/E4	107 1
GEAR/BEVEL/48	71 31	GRIP	128 12	HARNESS/MAIN/H/E4	108 1
GEAR/HELICAL/11	51 16	GRIP	129 14	HARNESS/MAIN/S/E4	109 1
GEAR/HELICAL/11	52 17	GRIP, B	133 23	HARNESS/MAIN/S/E4	110 1
GEAR/HELICAL/15	15 14	GRIP/12X60	41 9	HARNESS/PANEL ASSY	107 14
GEAR/HELICAL/21-17	15 1	GRIP/12X60	42 9	HARNESS/PANEL ASSY	108 15
GEAR/HELICAL/25	15 23	GRIP/12X60	56 17	HARNESS/PANEL ASSY	109 13
GEAR/HELICAL/29	15 12	GRIP/MAIN	39 8	HARNESS/PANEL ASSY	110 14
GEAR/HELICAL/62	55 8	GRIP/MAIN	40 9	HARNESS/SOCKET ASSY	107 16
GEAR/SPUR/16	27 1	GRIP/MAIN	47 12	HARNESS/SOCKET ASSY	108 17
GEAR/SPUR/16	28 1	GRIP/MID/PTO	43 1	HARNESS/SOCKET ASSY	109 15
GEAR/SPUR/18	21 1	GRIP/ORANGE	60 5	HARNESS/SOCKET ASSY	110 16
GEAR/SPUR/18	23 19	GRIP/SUB	79 11	HARNESS/TANK/SU ASSY	108 12
GEAR/SPUR/20-13	33 1	GRIP/THROTTLE	11 6	HARNESS/TANK/SU ASSY	110 11
GEAR/SPUR/21	14 1	GROMMET	90 4	HEAD/CYLINDER	75 11
GEAR/SPUR/21	14 4	GROMMET	90 12	HEAD/SPOOL	138 2
GEAR/SPUR/21	27 7	GROMMET/10X40X03	107 17	HEAD/SPOOL	138 2
GEAR/SPUR/21	28 6	GROMMET/10X40X03	108 18	HITCH/DRAWBAR/E SET	86 1
GEAR/SPUR/25	14 19	GROMMET/10X40X03	109 16	HITCH/DRAWBAR/E SET	130 1
GEAR/SPUR/25	20 11	GROMMET/10X40X03	110 17	HITCH/FRONT COMP	64 9
GEAR/SPUR/25-21	20 12	GROMMET/13X17X5	90 3	HITCH/FRONT SET	123 1
GEAR/SPUR/27	14 15	GROMMET/13X17X5	90 11	HITCH/LINK ASSY	133 2
GEAR/SPUR/27	14 17	GUIDE/CHANGE/LH COMP	91 1	HITCH/TRAILER/E SET	85 1
GEAR/SPUR/27	21 11	GUIDE/CHANGE/LH COMP	92 1	HITCH/TRAILER/E SET	131 1
GEAR/SPUR/27	22 10	GUIDE/CHANGE/RH COMP	91 3	HOLDER	11 16
GEAR/SPUR/27	27 2	GUIDE/CHANGE/RH COMP	92 3	HOLDER COMP	128 6

## Alphabetical Index

1740-097-110-00

Description	Fig.Key	Description	Fig.Key	Description	Fig.Key
HOLDER COMP	129 7	HOSE/290	1 18	INSULATOR	7 5
HOLDER/10	80 55	HOSE/500 COMP	128 14	INSULATOR	8 13
HOLDER/12	84 17	HOSE/500 COMP	129 15	INSULATOR	9 18
HOLDER/15	80 35	HOSE/550/L90ASSY	62 41	INSULATOR	56 10
HOLDER/COVER	87 52	HOSE/650	4 16	INSULATOR	64 4
HOLDER/DRAWBAR COMP	86 19	HOSE/650	5 17	INSULATOR	64 15
HOLDER/DRAWBAR COMP	130 20	HOSE/700	6 11	INSULATOR	85 9
HOLDER/JE/9-9	97 28	HOSE/700	8 11	INSULATOR	86 10
HOLDER/JE/9-9	98 28	HOSE/80	56 16	INSULATOR	86 18
HOLDER/JE/9-9	107 21	HOSE/CLEANER/OUTLET	3 9	INSULATOR	87 9
HOLDER/JE/9-9	107 22	HOSE/DELIVERY	63 28	INSULATOR	87 37
HOLDER/JE/9-9	107 26	HOSE/FUEL	7 12	INSULATOR	87 41
HOLDER/JE/9-9	108 22	HOSE/FUEL	75 32	INSULATOR	87 46
HOLDER/JE/9-9	108 23	HOSE/FUEL/1500 ASSY	7 14	INSULATOR	87 50
HOLDER/JE/9-9	108 27	HOSE/FUEL/850 ASSY	4 7	INSULATOR	88 9
HOLDER/JE/9-9	109 20	HOSE/HYDRO/750 ASSY	62 28	INSULATOR	89 11
HOLDER/JE/9-9	109 21	HOSE/OIL	62 39	INSULATOR	89 12
HOLDER/JE/9-9	109 25	HOSE/RADIATOR/INLET	1 10	INSULATOR	89 13
HOLDER/JE/9-9	110 21	HOSE/RADIATOR/OUTLET	1 13	INSULATOR	91 2
HOLDER/JE/9-9	110 22	HOSE/RUBBER	1 38	INSULATOR	91 4
HOLDER/JE/9-9	110 26	HOSE/RUBBER	1 39	INSULATOR	91 5
HOLDER/ROD	87 34	HOSE/SUCTION	80 9	INSULATOR	92 2
HOLDER/SHAFT/DIFF	52 9	HOSE/SUCTION	81 8	INSULATOR	92 4
HOOD COMP	87 1	HOSE/TANK/L ASSY	63 31	INSULATOR	92 5
HOOD/LAMP	88 8	HOUSING ASSY	104 9	INSULATOR	95 5
HOOD/LH	99 12	HOUSING/AXLE	69 1	INSULATOR	96 5
HOOD/LH	100 10	HOUSING/AXLE	70 1	INSULATOR	97 8
HOOD/RH	99 13	HOUSING/AXLE/LH	53 1	INSULATOR	97 14
HOOD/RH	100 11	HOUSING/AXLE/LH	54 1	INSULATOR	97 15
HOOK, TOP LINK	97 27	HOUSING/AXLE/RH	53 2	INSULATOR	98 8
HOOK, TOP LINK	98 27	HOUSING/AXLE/RH	54 2	INSULATOR	98 14
HORN ASSY	105 1	HOUSING/CLUTCH/ ASSY	13 1	INSULATOR	98 15
HORN ASSY	106 1	HST ASSY	19 1	INSULATOR	99 2
HOSE	5 7	HUB	23 16	INSULATOR	99 6
HOSE/04X08X400	6 14	HUB/23X62X27	23 17	INSULATOR	99 7
HOSE/04X08X400	8 14	HUB/25X40X66	22 2	INSULATOR	99 20
HOSE/06X10X340	5 8	HUB/35X62X23	33 20	INSULATOR	100 2
HOSE/1200 ASSY	62 45	HUB/BRAKE/LH SET	59 6	INSULATOR	100 6
HOSE/1200 ASSY	63 34	HUB/BRAKE/RH COMP	59 7	INSULATOR	100 7
HOSE/1500 ASSY	84 1	INSULATOR	1 8	INSULATOR	100 18
HOSE/1600 ASSY	84 23	INSULATOR	1 26	INSULATOR	111 10
HOSE/205	1 17	INSULATOR	1 29	INSULATOR	123 6
HOSE/220 ASSY	4 9	INSULATOR	6 6	INSULATOR	130 11
HOSE/220 ASSY	5 9	INSULATOR	6 13	INSULATOR	130 19
HOSE/270 ASSY	4 8	INSULATOR	7 4	INSULATOR	131 8



# Alphabetical Index

1740-097-110-00

Description	Fig.Key	Description	Fig.Key	Description	Fig.Key
INSULATOR	132 6	LABEL/CONTROL/SUB/HS	113 1	LEVER	106 9
INSULATOR/20X350	1 9	LABEL/CONTROL/SUBCON	128 23	LEVER	137 1
INSULATOR/30	87 42	LABEL/CONTROL/SUBCON	129 25	LEVER COMP	11 5
INSULATOR/30	87 51	LABEL/DIFF	113 11	LEVER/4WD ASSY	41 7
INSULATOR/380	88 3	LABEL/DIFF	114 12	LEVER/4WD ASSY	42 7
INSULATOR/50X50X15	9 16	LABEL/DRIVE	115 1	LEVER/BAR/14 COMP	47 11
INSULATOR/50X50X15	10 15	LABEL/ETHER	115 6	LEVER/DIFF COMP	56 14
INSULATOR/550	1 27	LABEL/FUEL	115 12	LEVER/DRAFT	133 21
INSULATOR/LEVER/SUB	40 10	LABEL/FUSE/E4	107 4	LEVER/MAIN COMP	39 4
INSULATOR/LEVER/SUB	43 2	LABEL/FUSE/E4	108 4	LEVER/MID COMP	44 15
INSULATOR/LEVER/SUB	79 12	LABEL/FUSE/E4	109 4	LEVER/MID COMP	45 15
INSULATOR/LEVER/SUB	128 13	LABEL/FUSE/E4	110 4	LEVER/MIDSET	45 1
INSULATOR/LEVER/SUB	129 13	LABEL/MAIN/A	114 7	LEVER/PARKING ASSY	60 1
INSULATOR/LH	87 36	LABEL/MAIN/B	114 8	LEVER/PTO COMP	43 4
INSULATOR/M8	99 10	LABEL/MID	113 8	LEVER/RELEASE	139 5
INSULATOR/RH	87 45	LABEL/MID	114 9	LEVER/SUB	79 9
JOINT	133 36	LABEL/PTO	115 9	LEVER/SUB COMP	40 8
JOINT BALL M08LH	48 7	LABEL/ROPS	115 14	LINING/11X30X02	79 6
JOINT BALL M08RH	48 5	LABEL/SHIFT	115 13	LINING/11X40X03	11 7
KEY	105 4	LABEL/SPEED	114 10	LINING/16X30X02	133 16
KEY	106 4	LABEL/SPEED/HST	113 9	LINING/17X64X05	47 18
KIT/REPAIR SET	141 1	LABEL/SWITCH/MAIN	113 10	LINK/AUTO COMP	77 35
KNOB	74 1	LABEL/SWITCH/MAIN	114 11	LINK/DRAWBAR	86 11
KNOB	105 10	LABEL/TRAILER	115 8	LINK/DRAWBAR	130 12
KNOB	105 31	LABEL/TRH1740A	86 21	LINK/DRAWBAR	132 1
KNOB	106 10	LABEL/TRH1740A	130 22	LINK/LOWER/LH COMP	82 1
KNOB	106 21	LABEL/TRH1740B	85 10	LINK/LOWER/LH COMP	83 1
KNOB/12X60	44 16	LABEL/TRH1740B	131 9	LINK/LOWER/RH COMP	82 2
KNOB/12X60	45 17	LABEL/W/FAN	115 2	LINK/LOWER/RH COMP	83 2
LABEL, 4WD	113 6	LABEL/W/RADIATOR	115 7	LINK/SPOOL COMP	77 21
LABEL, 4WD	114 6	LABEL/W/STARTER	115 10	LINK/SUPPORT COMP	77 25
LABEL, CONTROL	113 3	LABEL/WARNING/BELT	115 4	LINKPIN	64 13
LABEL, CONTROL	114 3	LABEL/WARNING/HOT	115 5	LINKPIN	82 8
LABEL/BATTERY	115 11	LAMP, COMBI/REAR/LH	102 7	LINKPIN	82 23
LABEL/CAUTION/BATTER	115 3	LAMP, COMBI/REAR/LH	103 7	LINKPIN	83 6
LABEL/CE	115 15	LAMP, COMBI/REAR/RH	102 20	LINKPIN	83 21
LABEL/COLUMN/LH	113 4	LAMP, COMBI/REAR/RH	103 19	LINKPIN	85 8
LABEL/COLUMN/LH	114 4	LAMP/FRONT SET	102 1	LINKPIN	86 9
LABEL/COLUMN/RH	113 5	LAMP/FRONT SET	103 1	LINKPIN	86 17
LABEL/COLUMN/RH	114 5	LAMP/HEAD ASSY	101 1	LINKPIN	111 8
LABEL/CONTROL/PARKIN	113 12	LAMP/NUMBERPLAT SET	102 34	LINKPIN	123 5
LABEL/CONTROL/PARKIN	114 13	LAMP/NUMBERPLAT SET	103 32	LINKPIN	130 10
LABEL/CONTROL/PTO	113 2	LEBER/SUBCON	128 8	LINKPIN	130 18
LABEL/CONTROL/PTO	114 2	LEBER/SUBCON	129 9	LINKPIN	131 7
LABEL/CONTROL/SUB	114 1	LEVER	105 9	LINKPIN	132 7

## Alphabetical Index

1740-097-110-00

Description	Fig.Key	Description	Fig.Key	Description	Fig.Key
LOCK-NUT	135 8	NIPPLE, GREASE	72 12	NUT	97 4
LOCKPLATE	59 3	NIPPLE, GREASE	73 6	NUT	97 10
MARK, HST LEVER	113 7	NIPPLE, GREASE	73 11	NUT	98 4
MARK/PORT/A	128 21	NIPPLE, GREASE	134 3	NUT	98 10
MARK/PORT/A	129 23	NIPPLE, GREASE	134 9	NUT	99 11
MARK/PORT/B	128 22	NIPPLE, GREASE/B-M6F	18 14	NUT	105 25
MARK/PORT/B	129 24	NIPPLE, GREASE/PT1/8	69 14	NUT	106 18
MAT/FLOOR/LH	99 15	NIPPLE, GREASE/PT1/8	70 14	NUT	106 24
MAT/FLOOR/LH	100 13	NIPPLE, GREASE/PT1/8	133 8	NUT	111 14
MAT/FLOOR/RH	99 16	NIPPLE/GREASE	16 7	NUT	133 10
MAT/FLOOR/RH	100 14	NIPPLE/GREASE	69 13	NUT	133 20
METAL	14 5	NIPPLE/GREASE	70 13	NUT	133 39
METAL/DIFF	51 1	NIPPLE/GREASE	133 7	NUT	139 19
METAL/DIFF	52 1	NUT	7 6	NUT, LH THREAD/M17	72 14
METAL/HST	19 15	NUT	11 10	NUT, LH THREAD/M17	73 13
METAL/INPUT	20 1	NUT	16 12	NUT, LOCK	105 23
METAL/INPUT/FROMT	15 6	NUT	16 16	NUT, LOCK	106 16
METAL/INPUT/REAR	15 17	NUT	25 3	NUT, RING	137 6
METAL/PIVOT/FRONT	69 5	NUT	26 3	NUT, SLOTTED	134 2
METAL/PIVOT/FRONT	70 5	NUT	30 7	NUT, SLOTTED	134 8
METAL/PIVOT/REA ASSY	69 10	NUT	39 3	NUT, SLOTTED/M12P1. 25	72 5
METAL/PIVOT/REA ASSY	70 10	NUT	47 5	NUT, SLOTTED/M12P1. 25	72 10
METAL/SHIFT	30 3	NUT	48 6	NUT, SLOTTED/M12P1. 25	73 4
METAL/SHIFT/MAIN	24 6	NUT	48 29	NUT, SLOTTED/M12P1. 25	73 9
METAL/SHIFT/SUB	25 1	NUT	53 10	NUT, SPEED/P6	87 40
METAL/SHIFT/SUB	26 1	NUT	54 9	NUT, SPEED/P6	87 49
METAL/SPACER	36 2	NUT	58 6	NUT, SPEED/P6	88 7
METAL/SYLINDER	62 53	NUT	58 8	NUT, SPEED/P6	88 13
METAL/SYLINDER	63 42	NUT	58 19	NUT, U/M16	86 14
METAL/WHEEL	55 1	NUT	59 11	NUT, U/M16	130 15
METER/HM/F/T SET	104 2	NUT	59 13	NUT, U/M16	132 3
MIRROR ASSY	94 4	NUT	59 24	NUT/LOCK COMP	82 33
MUFFLER COMP	2 1	NUT	61 3	NUT/LOCK COMP	83 31
MUFFLER COMP	2 5	NUT	72 13	NUT/M 6	9 5
NET/GURILLE	88 5	NUT	73 12	NUT/M 6	10 4
NET/SIDE	87 38	NUT	74 5	NUT/M 8	76 8
NET/SIDE	87 47	NUT	77 15	NUT/M08	9 9
NET/SIDE/LH	88 10	NUT	78 9	NUT/M08	10 8
NET/SIDE/RH	88 11	NUT	79 8	NUT/M08	80 26
NIPPLE, GREASE	12 7	NUT	80 27	NUT/M08	81 25
NIPPLE, GREASE	46 11	NUT	81 26	NUT/M10	17 3
NIPPLE, GREASE	46 12	NUT	87 18	NUT/M10	18 6
NIPPLE, GREASE	58 12	NUT	87 56	NUT/M10	18 19
NIPPLE, GREASE	59 17	NUT	91 12	NUT/M10	19 5
NIPPLE, GREASE	72 7	NUT	92 12	NUT/M10 7T P=1. 25	139 10

# Alphabetical Index

1740-097-110-00

Description	Fig.Key	Description	Fig.Key	Description	Fig.Key
NUT/M12	12 10	NUT/WASHER	1 44	O-RING/P11	135 16
NUT/M12	12 15	NUT/WASHER	48 9	O-RING/P11	136 14
NUT/M12	13 11	NUT/WASHER	48 33	O-RING/P12	62 16
NUT/M12	18 10	NUT/WASHER	64 17	O-RING/P12	63 16
NUT/M12	69 9	NUT/WASHER	65 10	O-RING/P12	75 24
NUT/M12	70 9	NUT/WASHER	66 11	O-RING/P12	77 9
NUT/M12	71 6	NUT/WASHER	102 33	O-RING/P12	80 34
NUT/M12	82 36	NUT/WASHER	103 31	O-RING/P12	80 43
NUT/M12	83 34	NUT/WASHER	123 9	O-RING/P12	81 33
NUT/M12	85 4	NUT/WASHER	128 20	O-RING/P12	81 41
NUT/M12	86 5	NUT/WASHER	129 22	O-RING/P12	138 21
NUT/M12	130 5	O-RING	24 16	O-RING/P12	138 21
NUT/M12	131 4	O-RING	34 8	O-RING/P14	19 12
NUT/M14	47 21	O-RING	35 8	O-RING/P14	25 11
NUT/M14	69 18	O-RING	136 8	O-RING/P14	26 11
NUT/M14	70 18	O-RING HS90 G50	62 21	O-RING/P14	30 2
NUT/M16	76 13	O-RING HS90 G50	63 21	O-RING/P14	32 13
NUT/M16	82 13	O-RING HS90 G50	80 20	O-RING/P14	36 23
NUT/M16	82 14	O-RING HS90 G50	81 19	O-RING/P14	38 21
NUT/M16	83 11	O-RING P6 HS90	62 23	O-RING/P14	62 30
NUT/M16	83 12	O-RING P6 HS90	63 23	O-RING/P14	62 36
NUT/M16	111 3	O-RING P6 HS90	80 22	O-RING/P14	75 22
NUT/M20	82 22	O-RING P6 HS90	81 21	O-RING/P14	75 27
NUT/M20	83 20	O-RING/G100	71 2	O-RING/P14	77 12
NUT/M22	105 8	O-RING/G35	80 4	O-RING/P14	79 16
NUT/M22	106 8	O-RING/G35	81 4	O-RING/P14	80 38
NUT/M25	67 4	O-RING/G45	80 2	O-RING/P14	80 42
NUT/M25	68 4	O-RING/G45	80 5	O-RING/P14	81 36
NUT/M5	102 15	O-RING/G45	81 2	O-RING/P14	81 40
NUT/M5	102 28	O-RING/G45	81 5	O-RING/P14	84 5
NUT/M5	103 14	O-RING/G60	13 21	O-RING/P14	84 7
NUT/M5	103 26	O-RING/G65	141 7	O-RING/P14	84 9
NUT/M6	89 18	O-RING/G70	69 4	O-RING/P14	84 12
NUT/M6	105 13	O-RING/G70	70 4	O-RING/P14	84 14
NUT/M6	105 15	O-RING/G70	75 26	O-RING/P14	84 16
NUT/M6	106 13	O-RING/P 7	77 28	O-RING/P14	135 4
NUT/M6	106 26	O-RING/P 7	138 25	O-RING/P14	138 28
NUT/M8	16 17	O-RING/P 7	138 25	O-RING/P14	138 28
NUT/M8	48 8	O-RING/P 9	75 16	O-RING/P14	141 9
NUT/M8	58 18	O-RING/P 9	111 9	O-RING/P18	19 10
NUT/M8	59 23	O-RING/P10	135 7	O-RING/P18	56 6
NUT/RING	105 5	O-RING/P10A	34 2	O-RING/P18	57 12
NUT/RING	106 5	O-RING/P10A	35 2	O-RING/P18	75 25
NUT/SM/08	78 10	O-RING/P10A	137 3	O-RING/P18	111 7
NUT/SPRING	89 3	O-RING/P11	80 50	O-RING/P20	62 31

## Alphabetical Index

1740-097-110-00

Description	Fig.Key	Description	Fig.Key	Description	Fig.Key
0-RING/P20	63 29	PAD/BRAKE	16 6	PIN	71 4
0-RING/P20	63 46	PAD/BRAKE	58 13	PIN	71 37
0-RING/P20	75 21	PAD/BRAKE	59 18	PIN	75 10
0-RING/P20	80 13	PAD/HST/OR	48 12	PIN	77 16
0-RING/P20	80 31	PAD/OR	48 21	PIN	78 3
0-RING/P20	80 40	PANEL/BACK COMP	99 25	PIN	104 5
0-RING/P20	81 12	PANEL/BACK COMP	100 23	PIN	139 13
0-RING/P20	81 30	PANEL/CENTER	99 4	PIN	139 14
0-RING/P20	81 38	PANEL/CENTER	100 4	PIN	139 15
0-RING/P20	84 20	PANEL/FLOOR/LH COMP	99 8	PIN	141 34
0-RING/P20	84 35	PANEL/FLOOR/LH COMP	100 8	PIN	141 39
0-RING/P20	135 10	PANEL/FLOOR/RH COMP	99 9	PIN	141 43
0-RING/P22	62 22	PANEL/FLOOR/RH COMP	100 9	PIN	141 46
0-RING/P22	63 22	PANEL/INSTRUMEN ASSY	104 1	PIN COMP	83 3
0-RING/P22	80 21	PANEL/REAR COMP	99 22	PIN COMP	87 64
0-RING/P22	81 20	PANEL/REAR COMP	100 20	PIN 19X132	82 25
0-RING/P34	65 7	PANEL/SEAT COMP	99 19	PIN 19X132	83 23
0-RING/P34	66 7	PANEL/SEAT COMP	100 17	PIN SPLIT W 6.0X16	136 12
0-RING/P34	70 12	PEDAL/BRAKE/LH COMP	59 1	PIN, HAIR	87 12
0-RING/P36	65 5	PEDAL/BRAKE/RH COMP	58 1	PIN, ROD COMP	76 10
0-RING/P38	69 12	PEDAL/BRAKE/RH COMP	59 2	PIN, SNAP/6	128 11
0-RING/P44	137 7	PEDAL/CLUTCH COMP	16 5	PIN, SNAP/6	129 12
0-RING/P65 HS90	77 2	PEDAL/HST COMP	48 10	PIN, SP. (W)/5.0X16	53 13
ORNAMENT/4260	112 7	PEDAL/HST/F ASSY	48 1	PIN, SP. (W)/5.0X16	54 12
ORNAMENT/4290	112 6	PEDAL/HST/R ASSY	48 13	PIN, SPLIT/2 X20	11 4
ORNAMENT/4330	112 5	PEDAL/HST/R COMP	48 19	PIN, SPLIT/2 X20	11 15
ORNAMENT/HYDRO	112 8	PIN	12 18	PIN, SPLIT/2 X20	16 20
ORNAMENT/I	112 4	PIN	14 10	PIN, SPLIT/2 X20	16 24
ORNAMENT/ISEKI/LH	112 1	PIN	15 8	PIN, SPLIT/2 X20	44 6
ORNAMENT/ISEKI/RH	112 2	PIN	15 19	PIN, SPLIT/2 X20	44 11
ORNAMENT/STEERING	112 3	PIN	16 18	PIN, SPLIT/2 X20	45 7
PACKING	1 7	PIN	17 6	PIN, SPLIT/2 X20	45 12
PACKING	1 22	PIN	18 16	PIN, SPLIT/2 X20	58 22
PACKING	1 36	PIN	19 7	PIN, SPLIT/2 X20	59 27
PACKING	6 4	PIN	19 17	PIN, SPLIT/2 X20	60 16
PACKING	69 3	PIN	20 3	PIN, SPLIT/2 X20	61 4
PACKING	70 3	PIN	24 8	PIN, SPLIT/2 X20	77 20
PACKING	137 10	PIN	36 6	PIN, SPLIT/2 X20	77 23
PACKING, OIL PUMP	62 26	PIN	38 4	PIN, SPLIT/2 X20	77 30
PACKING, OIL PUMP	63 26	PIN	51 8	PIN, SPLIT/2 X20	77 37
PACKING, OIL PUMP	80 29	PIN	51 9	PIN, SPLIT/2 X20	78 5
PACKING, OIL PUMP	81 28	PIN	52 10	PIN, SPLIT/2 X20	78 8
PACKING, ROD	134 4	PIN	53 6	PIN, SPLIT/2 X20	87 33
PACKING/RUBBER	7 23	PIN	54 5	PIN, SPLIT/2 X25	62 52
PACKING/RUBBER	8 4	PIN	55 3	PIN, SPLIT/2 X25	63 41

## Alphabetical Index

1740-097-110-00

Description	Fig.Key	Description	Fig.Key	Description	Fig.Key
PIN, SPLIT/2. 5X15	139 17	PIN/08X19	60 13	PIPE/DELIVERY COMP	81 29
PIN, SPLIT/2. 5X20	40 7	PIN/08X25	56 4	PIPE/DELIVERY COMP	81 39
PIN, SPLIT/2. 5X20	41 6	PIN/12X48	82 17	PIPE/HST COMP	19 9
PIN, SPLIT/2. 5X20	42 6	PIN/12X48	83 15	PIPE/PTO COMP	80 54
PIN, SPLIT/2. 5X20	47 4	PIN/12X75	67 13	PIPE/SHIFT/MAIN COMP	24 13
PIN, SPLIT/2. 5X20	47 9	PIN/12X75	68 12	PIPE/SUC/F COMP	80 12
PIN, SPLIT/2. 5X20	48 18	PIN/14X115	51 4	PIPE/SUC/F COMP	81 11
PIN, SPLIT/2. 5X20	48 32	PIN/16X73	82 34	PIPE/SUC/R COMP	80 3
PIN, SPLIT/2. 5X20	133 28	PIN/16X73	83 32	PIPE/SUC/R COMP	81 3
PIN, SPLIT/2. 5X20	133 34	PIN/19X110	133 12	PISTON	77 1
PIN, SPLIT/2. 5X20	133 38	PIN/19X94	82 24	PISTON	140 1
PIN, SPLIT/2. 5X25	11 11	PIN/19X94	83 22	PLATE	15 10
PIN, SPLIT/2. 5X25	48 42	PIN/20X58	111 6	PLATE	36 27
PIN, SPLIT/3 X20	48 39	PIN/22X86	76 12	PLATE	37 1
PIN, SPLIT/3 X20	72 6	PIN/25X136	132 5	PLATE	38 25
PIN, SPLIT/3 X20	72 11	PIN/25X91	86 16	PLATE	53 12
PIN, SPLIT/3 X20	73 5	PIN/25X91	130 17	PLATE	54 11
PIN, SPLIT/3 X20	73 10	PIN/30X120 COMP	64 12	PLATE	60 10
PIN, SPLIT/3 X20	82 18	PIN/30X120 COMP	123 4	PLATE	79 5
PIN, SPLIT/3 X20	83 16	PIN/30X162 COMP	85 7	PLATE	86 12
PIN, SPLIT/3 X25	48 36	PIN/30X162 COMP	86 8	PLATE	130 13
PIN, SPLIT/3 X35	75 41	PIN/30X162 COMP	130 9	PLATE	133 18
PIN, SPRING/5 X20 W	78 2	PIN/30X162 COMP	131 6	PLATE	133 19
PIN, SPRING/5 X20 W	133 25	PIN/KNOCK	139 12	PLATE	138 23
PIN, SPRING/5 X20 W	133 30	PIN/LH COMP	82 3	PLATE	138 23
PIN, SPRING/5 X25 W	67 14	PIN/RH COMP	82 4	PLATE COMP	97 26
PIN, SPRING/5 X25 W	68 13	PIN/SHIFT/DIFFROCK	56 3	PLATE COMP	98 26
PIN, SPRING/6 X28 W	19 3	PIN/SNAP	87 8	PLATE/BACK	140 8
PIN, SPRING/6 X28 W	41 2	PIN/SNAP	87 23	PLATE/BATTERY	9 4
PIN, SPRING/6 X28 W	44 2	PIN/SUPPORT COMP	77 26	PLATE/BATTERY	10 3
PIN, SPRING/6 X32 W	42 2	PIN/TAPER/06X45	25 10	PLATE/BUMPER	122 1
PIN, SPRING/6 X32 W	45 3	PIN/TAPER/06X45	26 10	PLATE/FILTER COMP	4 14
PIN, TAPER	133 6	PIN/TAPER/06X45	34 7	PLATE/FRICTION	57 2
PIN, TAPER/8X50	58 4	PIN/TAPER/06X45	35 7	PLATE/FRICTION	57 7
PIN, TAPER/8X50	59 9	PINION/BEVEL SET	68 1	PLATE/FRICTION	140 7
PIN, YOKE A	58 20	PINION/BEVEL/11	67 10	PLATE/HOLDER/LH/F	87 57
PIN, YOKE A	59 25	PINION/BEVEL/11	68 10	PLATE/HOLDER/RH/F	87 58
PIN, YOKE A	60 14	PIPE	1 40	PLATE/I 25X60	36 20
PIN/05X23	77 22	PIPE (30)	135 11	PLATE/I 25X60	38 18
PIN/06X07	87 21	PIPE, BREATHER	75 31	PLATE/I/16X148	41 4
PIN/06X16	11 17	PIPE/30	12 21	PLATE/I/16X148	42 4
PIN/06X31	128 10	PIPE/CHECKVALVE COMP	84 10	PLATE/I/16X148	44 9
PIN/06X31	129 11	PIPE/CLEANER/INLET	3 7	PLATE/I/16X148	45 10
PIN/08X161	87 10	PIPE/DELIVERY COMP	80 30	PLATE/I/16X280	40 5
PIN/08X19	47 7	PIPE/DELIVERY COMP	80 41	PLATE/I/16X435	44 4

## Alphabetical Index

1740-097-110-00

Description	Fig.Key	Description	Fig.Key	Description	Fig.Key
PLATE/I/16X435	45 5	PLUG	141 33	PUMP SET	62 18
PLATE/I/16X56	48 16	PLUG (M12)	136 7	PUMP SET	63 18
PLATE/I/19X50	31 15	PLUG (PF1/4)	80 49	PUMP SET	80 17
PLATE/I/19X50	32 17	PLUG (PF1/4)	135 15	PUMP SET	81 16
PLATE/I/19X75	77 18	PLUG (PF1/4)	136 13	PUMP, GEAR ASSY	62 17
PLATE/I/19X97	14 11	PLUG/52X8	13 13	PUMP, GEAR ASSY	63 17
PLATE/I/22X104	85 6	PLUG/7P	107 15	PUMP/FUEL ASSY	4 4
PLATE/I/22X104	130 7	PLUG/7P	108 16	PUMP/FUEL ASSY	5 4
PLATE/I/25X62	77 41	PLUG/7P	109 14	PUMP/GEAR ASSY	80 16
PLATE/I/262X306	93 3	PLUG/7P	110 15	PUMP/GEAR ASSY	81 15
PLATE/I/30X50	29 3	PLUG/G3/8 ASSY	32 12	RADIATOR/390X350ASSY	1 1
PLATE/I/30X50	36 24	PLUG/M14	138 18	REDUCE VALVE ASSY	62 33
PLATE/I/30X50	38 22	PLUG/M14	138 18	REFLECTOR ASSY	102 12
PLATE/I/70X135	12 5	PLUG/M22	31 1	REFLECTOR ASSY	102 25
PLATE/I/70X70	7 10	PLUG/SCREW/SEAL	12 3	REFLECTOR ASSY	103 12
PLATE/IR/38X107	87 61	PLUG/SCREW/SEAL	12 4	REFLECTOR ASSY	103 24
PLATE/IR/44X60	88 21	PLUG/SCREW/SEAL	13 4	RELAY/4P ASSY	105 14
PLATE/L/19X68	47 1	PLUG/SCREW/SEAL	17 9	RELAY/4P ASSY	106 14
PLATE/L/25X63	105 17	PLUG/SCREW/SEAL	17 10	RESERVETANK ASSY	1 34
PLATE/PRESSURE	139 3	PLUG/SCREW/SEAL	31 12	RING, BACK UP	77 3
PLATE/PRESSURE	139 4	PLUG/SCREW/SEAL	32 11	RING, SNAP	138 17
PLATE/PRESSURE/LH	57 1	PLUG/SCREW/SEAL	36 7	RING, SNAP	138 17
PLATE/PRESSURE/RH	57 6	PLUG/SCREW/SEAL	38 5	RING, SNAP/15 C	48 26
PLATE/PUMP COMP	5 14	PLUG/SCREW/SEAL	53 4	RING, SNAP/18 C	40 3
PLATE/SEPARATER	57 3	PLUG/SCREW/SEAL	54 4	RING, SNAP/20C	20 8
PLATE/SEPARATER	57 8	PLUG/SCREW/SEAL	71 20	RING, SNAP/20C	22 14
PLATE/SEPARATER	140 6	PLUG/SCREW/SEAL	71 25	RING, SNAP/20C	23 4
PLATE/SOCKET COMP	107 19	PLUG/SCREW/SEAL	75 28	RING, SNAP/20C	23 22
PLATE/SOCKET COMP	108 20	PLUG/SCREW/SEAL	75 39	RING, SNAP/20C	48 23
PLATE/SOCKET COMP	109 18	PLUG/SCREW/SEAL	77 10	RING, SNAP/20C	65 2
PLATE/SOCKET COMP	110 19	PLUG/SCREW/SEAL	128 17	RING, SNAP/20C	66 2
PLATE/STOP COMP	91 6	PLUG/SCREW/SEAL	129 18	RING, SNAP/21 C	75 19
PLATE/STOP COMP	92 6	PLUG/SCREW/SEAL	135 9	RING, SNAP/22 C	56 5
PLATE/SWASH	141 16	PLUG/SCREW/SEAL	136 10	RING, SNAP/22 C	56 8
PLATE/THRUST	141 21	PLUG/SEAL	138 27	RING, SNAP/22 C	56 12
PLATE/THRUST	141 42	PLUG/SEAL	138 27	RING, SNAP/22 C	58 11
PLATE/U/122.5X25	133 11	PLUG/SEAL/80	31 11	RING, SNAP/22 C	58 24
PLATE/U/30X50	77 40	PLUG/SEAL/80	32 10	RING, SNAP/22 C	59 16
PLATE/VALVE	141 19	POPPET	138 19	RING, SNAP/22 C	59 29
PLATE/VALVE	141 20	POPPET	138 19	RING, SNAP/25 C	21 9
PLIERS/G150	116 3	POPPET	141 31	RING, SNAP/25 C	49 4
PLUG	1 21	PROTECTOR	1 3	RING, SNAP/25 C	141 28
PLUG	77 8	PROTECTOR	7 20	RING, SNAP/28 C	24 15
PLUG	135 3	PROTECTOR/040	7 21	RING, SNAP/28 C	80 25
PLUG	141 30	PTO/MID SET	38 1	RING, SNAP/28 C	81 24

## Alphabetical Index

1740-097-110-00

Description	Fig.Key	Description	Fig.Key	Description	Fig.Key
RING, SNAP/30 C	14 7	RING/SNAP	36 13	ROD/TIE	73 1
RING, SNAP/30 C	21 14	RING/SNAP	38 11	RUBBER, CUSHION	16 10
RING, SNAP/35 C	15 3	RING/SNAP	51 15	RUBBER, CUSHION	46 13
RING, SNAP/35 C	20 14	RING/SNAP	51 19	RUBBER, CUSHION	59 33
RING, SNAP/35 C	51 20	RING/SNAP	52 16	S. W	62 25
RING, SNAP/35 C	52 21	RING/SNAP	52 20	S. W	63 25
RING, SNAP/35 C	55 6	RING/SNAP	53 3	S. W	80 24
RING, SNAP/42 C	28 10	RING/SNAP	54 3	S. W	81 23
RING, SNAP/52 C	20 6	RING/SNAP	55 10	SCREW	89 10
RING, SNAP/52 C	67 8	RING/SNAP	67 18	SCREW	104 12
RING, SNAP/52 C	68 8	RING/SNAP	67 19	SCREW	104 21
RING, SNAP/52 C	71 19	RING/SNAP	68 17	SCREW	105 18
RING, SNAP/52 C	71 24	RING/SNAP	68 18	SCREW, SEMS	91 11
RING/40	140 5	RING/SNAP	71 9	SCREW, SEMS	92 11
RING/BACKUP	75 17	RING/SNAP	71 15	SCREW, SEMS	102 14
RING/E	104 3	RING/SNAP	71 16	SCREW, SEMS	102 27
RING/O	12 22	RING/SNAP	76 5	SCREW, SEMS	103 13
RING/O	15 9	RING/SNAP	76 6	SCREW, SEMS	103 25
RING/O	24 12	RING/SNAP/CH	18 3	SCREW/4X16	104 14
RING/O	62 11	RING/SNAP/CH100	140 9	SCREW/FLAT	141 29
RING/O	62 13	RING/SNAP/CS	71 35	SCREW/LH COMP	82 20
RING/O	62 15	RING/SNAP/CS105	140 14	SCREW/LH COMP	83 18
RING/O	62 38	RING/SNAP/CS40	140 11	SCREW/M24/LH COMP	82 31
RING/O	63 11	RING/SNAP/INNER	141 40	SCREW/M24/LH COMP	83 29
RING/O	63 13	ROD	60 2	SCREW/M6X40	74 2
RING/O	63 15	ROD	76 9	SCREW/P	1 6
RING/O	66 5	ROD	133 26	SCREW/RH COMP	82 19
RING/O	80 48	ROD, BRAKE	58 17	SCREW/RH COMP	83 17
RING/O	84 28	ROD, BRAKE	59 22	SCREW/RH/M24 COMP	82 30
RING/O	134 12	ROD, CLUTCH A COMP	16 13	SCREW/RH/M24 COMP	83 28
RING/O	135 12	ROD/055 COMP	16 14	SCREW/SOCKET	138 15
RING/O	141 5	ROD/08X057	48 28	SCREW/SOCKET	138 15
RING/O	141 6	ROD/08X110	60 12	SCREW/SOCKET	141 35
RING/O	141 8	ROD/CABLE	48 37	SCREW/SOCKET	141 36
RING/SNAP	21 3	ROD/CRUISE	47 2	SCREW/SOCKET	141 38
RING/SNAP	21 6	ROD/CUTOFF	16 22	SCREW/SP	89 7
RING/SNAP	21 15	ROD/DRAFT	133 32	SCREW/SP	89 19
RING/SNAP	23 8	ROD/FORK/LH COMP	82 29	SCREW/TAPPING	104 13
RING/SNAP	31 4	ROD/FORK/LH COMP	83 27	SCREWDRIVER ASSY	116 4
RING/SNAP	31 5	ROD/HOOD/110	87 31	SEAL	9 19
RING/SNAP	31 6	ROD/M08X64	48 4	SEAL, DUST	75 20
RING/SNAP	32 3	ROD/M08X70	78 6	SEAL, DUST	134 5
RING/SNAP	32 4	ROD/PISTON SET	134 6	SEAL, OIL	55 11
RING/SNAP	32 5	ROD/RELEASE	139 7	SEAL, OIL	62 20
RING/SNAP	33 10	ROD/TIE	72 2	SEAL, OIL	63 20

## Alphabetical Index

1740-097-110-00

Description	Fig.Key	Description	Fig.Key	Description	Fig.Key
SEAL, OIL	71 32	SHAFT	141 18	SOLENOID (PA/BL350) SE	136 6
SEAL, OIL	80 19	SHAFT, DIFF PINION A	52 4	SOLENOID (PA/G350) SET	136 5
SEAL, OIL	81 18	SHAFT, DIFF PINION B	52 5	SOLINOID VALVE ASSY	80 46
SEAL, OIL/21	67 7	SHAFT/4WD	65 1	SPANNER, BOX/22	116 1
SEAL, OIL/21	68 7	SHAFT/4WD	66 1	SPANNER/ 8X10	116 5
SEAL, OIL/OS45554	76 2	SHAFT/4WD/F	28 7	SPANNER/12X14	116 6
SEAL, OIL/TC18308	29 2	SHAFT/4WD/R	28 3	SPANNER/13X17	116 7
SEAL, OIL/TC20428	28 11	SHAFT/BACK	22 12	SPANNER/19X22	116 8
SEAL, OIL/TC25478	46 4	SHAFT/FRONT	27 3	SPANNER/24X27	116 9
SEAL, OIL/TC30458	14 8	SHAFT/PTO	15 20	SPOOL SET	136 2
SEAL, OIL/TC30508	15 4	SHAFT/PTO	20 4	SPOOL/DELECT	138 22
SEAL, OIL/TC355008	14 3	SHAFT/PTO	23 1	SPOOL/DELECT	138 22
SEAL, OIL/TC4, 14247	138 6	SHAFT/PTO/MID	36 8	SPRING	48 27
SEAL, OIL/TC4, 14247	138 6	SHAFT/PTO/MID	38 6	SPRING	60 3
SEAL, OIL/TC4, 14247	138 16	SHAFT/PTO/REAR	33 5	SPRING	77 6
SEAL, OIL/TC4, 14247	138 16	SHAFT/PTO/REAR	33 12	SPRING	77 7
SEAL, OIL/VC122204	77 32	SHAFT/SLOW RETURN	74 4	SPRING	82 9
SEAL, OIL/VC122204	77 34	SHAFT/STEERING COMP	62 2	SPRING	83 7
SEAL, OIL/VC122204	77 39	SHAFT/STEERING COMP	63 2	SPRING	136 9
SEAL/30X30X50	9 14	SHAFT/TRUNNION	46 1	SPRING	138 20
SEAL/30X30X50	10 13	SHAFT/WHEEL	55 4	SPRING	138 20
SEAL/52	71 18	SHAFT/WHEEL	71 30	SPRING	139 9
SEAL/52	71 23	SHIM (C)	67 5	SPRING	140 4
SEAL/OIL	27 6	SHIM (C)	68 5	SPRING	141 27
SEAL/OIL	33 9	SHIM D T=0.1	67 6	SPRING	141 32
SEAL/OIL	33 16	SHIM D T=0.1	68 6	SPRING PIN (W)	138 24
SEAL/OIL	36 12	SHIM/0.1	51 13	SPRING PIN (W)	138 24
SEAL/OIL	38 10	SHIM/0.1	52 14	SPRING (HC042)	135 5
SEAL/OIL	69 7	SHIM/0.2	51 12	SPRING (HC054)	135 2
SEAL/OIL	70 7	SHIM/0.2	52 13	SPRING, CLUTCH RETURN	58 14
SEAL/OIL	141 2	SHIPPINGPLUG	141 44	SPRING, CLUTCH RETURN	59 19
SEAL/OIL	141 10	SHIPPINGPLUG	141 45	SPRING, CONE	59 4
SEAL/OIL ASSY	71 12	SHROUD COMP	1 25	SPRING, PRESS/22	11 8
SEAL/PISTON	134 10	SLEEVE	36 11	SPRING, SHIFTER	30 4
SEALRING	140 2	SLEEVE	38 9	SPRING, SHIFTER	36 15
SEALRING	140 3	SLEEVE	138 8	SPRING, SHIFTER	38 13
SHAFT	20 9	SLEEVE	138 8	SPRING, TENSION/53	11 1
SHAFT	36 18	SLEEVE 35X40X17	33 8	SPRING, TENSION/53	16 2
SHAFT	38 16	SLEEVE 35X40X17	33 15	SPRING, TENSION/86	133 31
SHAFT	71 27	SLEEVE/DETENT	138 10	SPRING, VALVE	137 2
SHAFT	71 41	SLEEVE/DETENT	138 10	SPRING/HC012	136 3
SHAFT	71 42	SLEEVE/RELEASE	13 19	SPRING/HC015	138 12
SHAFT	71 43	SLIPPER, BRAKE B	47 19	SPRING/HC015	138 12
SHAFT	71 44	SOCKET	104 17	SPRING/HC022	24 4
SHAFT	141 17	SOCKET	104 19	SPRING/HC022	25 7



## Alphabetical Index

1740-097-110-00

Description	Fig.Key	Description	Fig.Key	Description	Fig.Key
SPRING/HC022	26 7	STOPPER/SPRING/B	138 4	TIRE/FRONT/LHASSY	125 1
SPRING/HC022	29 5	STOPPER/SPRING/B	138 4	TIRE/FRONT/RH ASSY	125 6
SPRING/HC022	34 4	STUD/M12X28	71 3	TIRE/FRONT/RH ASSY	126 6
SPRING/HC022	35 4	STUD/M14X35	69 17	TIRE/FRONT/RH ASSY	127 6
SPRING/HC040	135 13	STUD/M14X35	70 17	TIRE/LH ASSY	120 1
SPRING/HC042	24 19	SWITCH ASSY	105 7	TIRE/REAR/LH ASSY	117 1
SPRING/HC042	138 5	SWITCH ASSY	106 7	TIRE/REAR/RH ASSY	117 6
SPRING/HC042	138 5	SWITCH, STOP	105 22	TIRE/RH ASSY	120 6
SPRING/HC076	133 35	SWITCH, STOP	106 15	TIRE/TURF/26X12-2	125 3
SPRING/HC090	87 2	SWITCH/HAZARD ASSY	105 32	TIRE/TURF/26X12-2	125 8
SPRING/HE023	57 5	SWITCH/HAZARD ASSY	106 22	TIRE/TURF/LH ASSY	118 1
SPRING/HE023	57 10	SWITCH/MAIN ASSY	105 3	TIRE/TURF/RH ASSY	118 6
SPRING/HE036	87 24	SWITCH/MAIN ASSY	106 3	TOOL/FUSE	107 3
SPRING/HE066	58 9	SWITCH/PTO ASSY	105 27	TOOL/FUSE	108 3
SPRING/HE066	59 14	SWITCH/PUSH SET	106 23	TOOL/FUSE	109 3
SPRING/HE089	87 19	SWITCH/ROTARY/2 ASSY	105 30	TOOL/FUSE	110 3
SPRING/HE123	77 13	SWITCH/ROTARY/2 ASSY	106 20	TRIM/130	1 28
SPRING/HE170	16 21	SWITCH/SENSOR ASSY	105 16	TRIM/170	87 43
SPRING/HT043	56 9	TANK/FUEL COMP	6 1	TRIM/20	87 26
SPRING/HT043	56 13	TANK/FUEL COMP	8 1	TRIM/265	88 2
SPRING/WASHER	79 7	TANK/FUEL/SUB COMP	7 1	TRIM/70	10 14
SPRING/WASHER	133 17	TAPE/10X20	102 13	TRIM/70	88 4
SPRING/WAVE	140 15	TAPE/10X20	102 26	TRIM/90	9 15
STAY COMP	1 43	TIRE	124 3	TUBE	118 4
STAY/CRUISE COMP	47 15	TIRE	124 8	TUBE	118 9
STAY/INSULATOR	89 14	TIRE (9. 5-24)	119 3	TUBE/ 6-14	124 4
STAY/LAMP/LH	102 4	TIRE (9. 5-24)	119 8	TUBE/ 6-14	124 9
STAY/LAMP/LH	103 4	TIRE (9. 5-24/LH) ASSY	119 1	TUBE/ 6-14	127 4
STAY/LAMP/RH	102 5	TIRE (9. 5-24/RH) ASSY	119 6	TUBE/ 6-14	127 9
STAY/LAMP/RH	103 5	TIRE, R. TURF/13. 6-6	118 3	TUBE/ 8-18	121 4
STAY/LEVER/CRUISE	47 17	TIRE, R. TURF/13. 6-6	118 8	TUBE/ 8-18	121 9
STAY/PIPE COMP	128 16	TIRE/12. 4-16 4PR	117 3	TUBE/ 9-24	119 4
STAY/PIPE COMP	129 19	TIRE/12. 4-16 4PR	117 8	TUBE/ 9-24	119 9
STAY/PLATE	87 28	TIRE/24X8. 50-12-4	126 3	TUBE/06X10X20	87 25
STAY/PLATE/LH COMP	1 31	TIRE/24X8. 50-12-4	126 8	TUBE/12. 4-16	117 4
STAY/PLATE/RH COMP	1 32	TIRE/315/80D-16-4	120 3	TUBE/12. 4-16	117 9
STAY/SHIFT/MAIN	24 1	TIRE/315/80D-16-4	120 8	TUBE/14X17X90	39 7
STAY/SHIFT/PTO	34 1	TIRE/7-14-4	127 3	TUBE/14X17X90	47 13
STAY/SHIFT/PTO	35 1	TIRE/7-14-4	127 8	TUBE/165 COMP	65 4
STAY/SHIFT/SUB	25 5	TIRE/9. 5-22-4	121 3	TUBE/300 COMP	66 6
STAY/SHIFT/SUB	26 5	TIRE/9. 5-22-4	121 8	TUBE/313 COMP	65 6
STEP/SUB	97 30	TIRE/9. 5-22-4/L ASSY	121 1	TUBE/725 COMP	66 4
STOPPER COMP	16 8	TIRE/9. 5-22-4/R ASSY	121 6	TURNBUCKLE/M8	16 15
STOPPER/SPRING/A	138 3	TIRE/FRONT/LH ASSY	126 1	U-NUT	59 5
STOPPER/SPRING/A	138 3	TIRE/FRONT/LH ASSY	127 1	VALVE	3 5

## Alphabetical Index

1740-097-110-00

Description	Fig.Key	Description	Fig.Key	Description	Fig.Key
VALVE	75 23	WASHER / M16	83 14	WASHER, PL/M 8	87 11
VALVE	141 26	WASHER / M16	111 5	WASHER, PL/M 8	87 17
VALVE SET	77 5	WASHER / M6	9 6	WASHER, PL/M 8	87 55
VALVE ASSY	75 15	WASHER / M6	10 5	WASHER, PL/M 8	90 6
VALVE SET	135 1	WASHER / M6	11 3	WASHER, PL/M 8	90 10
VALVE SET	138 1	WASHER / M6	11 14	WASHER, PL/M 8	94 3
VALVE SET	138 1	WASHER / M6	16 23	WASHER, PL/M 8	133 27
VALVE/CHECK ASSY	84 6	WASHER / M6	48 41	WASHER, PL/M 8	133 33
VALVE/CONTROL ASSY	128 2	WASHER / M6	87 22	WASHER, PL/M 8	133 37
VALVE/CONTROL ASSY	129 2	WASHER / M6	87 32	WASHER, PL/M18	40 4
VALVE/CONTROL/SUB/R1	128 1	WASHER / M6	88 15	WASHER, PL/M22	58 10
VALVE/CONTROL/SUB/R2	129 1	WASHER /M12	122 4	WASHER, PL/M22	59 15
VALVE/RELIEF ASSY	80 39	WASHER, HOLDING BLOCK	99 24	WASHER, SP/M 5	102 17
VALVE/RELIEF ASSY	81 37	WASHER, HOLDING BLOCK	100 22	WASHER, SP/M 5	102 30
VALVE/RIM	120 4	WASHER, PL/M 4	102 18	WASHER, SP/M 5	103 16
VALVE/RIM	120 9	WASHER, PL/M 4	102 31	WASHER, SP/M 5	103 28
VALVE/RIM	125 4	WASHER, PL/M 4	103 17	WASHER, SP/M 6	62 43
VALVE/RIM	125 9	WASHER, PL/M 4	103 29	WASHER, SP/M 6	63 48
VALVE/RIM	126 4	WASHER, PL/M 8	7 8	WASHER, SP/M 6	74 3
VALVE/RIM	126 9	WASHER, PL/M 8	16 19	WASHER, SP/M 6	80 15
VALVE/S/A	141 41	WASHER, PL/M 8	40 6	WASHER, SP/M 6	81 14
VIS	137 4	WASHER, PL/M 8	41 5	WASHER, SP/M 6	84 22
WASH	140 10	WASHER, PL/M 8	42 5	WASHER, SP/M 8	4 3
WASHER	8 6	WASHER, PL/M 8	44 5	WASHER, SP/M 8	5 3
WASHER	11 12	WASHER, PL/M 8	44 10	WASHER, SP/M 8	13 17
WASHER	51 6	WASHER, PL/M 8	45 6	WASHER, SP/M 8	14 14
WASHER	52 7	WASHER, PL/M 8	45 11	WASHER, SP/M 8	25 4
WASHER	67 12	WASHER, PL/M 8	47 3	WASHER, SP/M 8	26 4
WASHER	77 24	WASHER, PL/M 8	47 8	WASHER, SP/M 8	30 8
WASHER	87 15	WASHER, PL/M 8	48 17	WASHER, SP/M 8	31 17
WASHER	88 14	WASHER, PL/M 8	48 31	WASHER, SP/M 8	32 19
WASHER	97 9	WASHER, PL/M 8	48 35	WASHER, SP/M 8	77 17
WASHER	98 9	WASHER, PL/M 8	48 38	WASHER, SP/M 8	79 3
WASHER	102 16	WASHER, PL/M 8	58 21	WASHER, SP/M 8	80 28
WASHER	102 29	WASHER, PL/M 8	59 26	WASHER, SP/M 8	80 53
WASHER	103 15	WASHER, PL/M 8	60 15	WASHER, SP/M 8	81 27
WASHER	103 27	WASHER, PL/M 8	65 11	WASHER, SP/M 8	138 14
WASHER	104 6	WASHER, PL/M 8	66 12	WASHER, SP/M 8	138 14
WASHER	133 40	WASHER, PL/M 8	77 19	WASHER, SP/M10	2 4
WASHER	139 16	WASHER, PL/M 8	77 29	WASHER, SP/M10	2 8
WASHER COMP	95 10	WASHER, PL/M 8	77 36	WASHER, SP/M10	12 20
WASHER COMP	96 10	WASHER, PL/M 8	78 4	WASHER, SP/M10	13 8
WASHER COMP	97 2	WASHER, PL/M 8	78 7	WASHER, SP/M10	17 4
WASHER COMP	98 2	WASHER, PL/M 8	80 37	WASHER, SP/M10	18 7
WASHER / M16	82 16	WASHER, PL/M 8	80 57	WASHER, SP/M10	18 20

## Alphabetical Index

1740-097-110-00

Description	Fig.Key	Description	Fig.Key	Description	Fig.Key
WASHER, SP/M10	19 6	WASHER, SP/M12	98 19	WASHER/M10	87 7
WASHER, SP/M10	36 5	WASHER, SP/M12	111 15	WASHER/M10	97 25
WASHER, SP/M10	53 11	WASHER, SP/M12	111 17	WASHER/M10	98 25
WASHER, SP/M10	54 10	WASHER, SP/M12	122 3	WASHER/M10	141 37
WASHER, SP/M10	62 9	WASHER, SP/M12	123 3	WEARING	134 11
WASHER, SP/M10	63 9	WASHER, SP/M12	130 4	WHEEL COMP	119 2
WASHER, SP/M10	75 9	WASHER, SP/M12	131 3	WHEEL COMP	119 7
WASHER, SP/M10	79 15	WASHER, SP/M14	69 16	WHEEL COMP	121 2
WASHER, SP/M10	79 19	WASHER, SP/M14	70 16	WHEEL COMP	121 7
WASHER, SP/M10	84 33	WASHER, SP/M16	55 13	WHEEL/12-7JA COMP	126 2
WASHER, SP/M10	95 7	WASHER, SP/M16	76 14	WHEEL/12-7JA COMP	126 7
WASHER, SP/M10	96 7	WASHER, SP/M16	82 15	WHEEL/14X5J COMP	124 2
WASHER, SP/M10	97 18	WASHER, SP/M16	83 13	WHEEL/14X5J COMP	124 7
WASHER, SP/M10	98 18	WASHER, SP/M16	86 15	WHEEL/14X5J COMP	127 2
WASHER, SP/M10	128 4	WASHER, SP/M16	111 4	WHEEL/14X5J COMP	127 7
WASHER, SP/M10	129 4	WASHER, SP/M16	130 16	WHEEL/16-10LB COMP	120 2
WASHER, SP/M12	12 11	WASHER, SP/M16	132 4	WHEEL/16-10LB COMP	120 7
WASHER, SP/M12	12 16	WASHER, WIRE TENSION	4 5	WHEEL/16XW11 COMP	117 2
WASHER, SP/M12	13 10	WASHER/12X25X02	87 14	WHEEL/16XW11 COMP	117 7
WASHER, SP/M12	18 11	WASHER/13X32X3	82 35	WHEEL/16XW11 COMP	118 2
WASHER, SP/M12	62 51	WASHER/13X32X3	83 33	WHEEL/16XW11 COMP	118 7
WASHER, SP/M12	62 55	WASHER/20X36X02	22 13	WHEEL/9.75I-12COMP	125 2
WASHER, SP/M12	63 40	WASHER/20X36X02	23 21	WHEEL/9.75I-12COMP	125 7
WASHER, SP/M12	63 44	WASHER/21X32X03	48 22	WHEEL/FRONT/LH ASSY	124 1
WASHER, SP/M12	64 3	WASHER/23X35X2	31 2	WHEEL/FRONT/RH ASSY	124 6
WASHER, SP/M12	64 11	WASHER/24X9X3.2	39 6	WHEEL/STEERING ASSY	61 1
WASHER, SP/M12	71 5	WASHER/24X9X3.2	89 6	WRENCH, SOCKET/17X19	116 2
WASHER, SP/M12	71 40	WASHER/30X46X2	22 9	YOKE, LH	58 15
WASHER, SP/M12	72 1	WASHER/30X46X2	23 11	YOKE, LH	59 20
WASHER, SP/M12	73 14	WASHER/30X46X2	49 3	YOKE, RH	58 16
WASHER, SP/M12	75 14	WASHER/30X46X2	50 3	YOKE, RH	59 21
WASHER, SP/M12	81 35	WASHER/6X14X3	87 39	YOKE/CLUTCH	16 3
WASHER, SP/M12	82 7	WASHER/6X14X3	87 48		
WASHER, SP/M12	82 39	WASHER/6X14X3	88 6		
WASHER, SP/M12	83 5	WASHER/6X14X3	88 12		
WASHER, SP/M12	83 37	WASHER/6X24X2	88 20		
WASHER, SP/M12	85 3	WASHER/6X24X2	91 7		
WASHER, SP/M12	86 4	WASHER/6X24X2	92 7		
WASHER, SP/M12	95 4	WASHER/75X90X03	51 14		
WASHER, SP/M12	95 9	WASHER/75X90X03	52 15		
WASHER, SP/M12	96 4	WASHER/8X12X2	7 2		
WASHER, SP/M12	96 9	WASHER/M10	11 9		
WASHER, SP/M12	97 5	WASHER/M10	61 5		
WASHER, SP/M12	97 19	WASHER/M10	80 7		
WASHER, SP/M12	98 5	WASHER/M10	84 34		