

- ② Parts numbers begin with `V` and `W` are standard parts of the market.
- ③ `LH` and `RH` on the parts name are described against the moving direction of the machine or are described on the condition how to install parts on the machines.
- ④ QTY shows the number of parts to be used for one unit of machine.
 `M` is indicated for parts supplied by a meter long.
 `ℓ` is indicated for parts supplied by liter.
 `AR` is indicated for parts need to be adjusted or regulated.
- ⑤ The following symbol classifies parts to be used for machines.
 `*` means standard parts.
 `T` shows that the parts can be installed as optional parts.
 `R` shows that the parts can be used as applicable parts to replace originally equipped parts.
- ⑥ Serial number : upper row shows the serial number for the first product and lower row for the last product.
 Example : Serial no. 1 through to serial no. 1999.
- ⑦ ITC : Interchangeability
 `1` ... OLD ← NEW
 New parts can be used in place of the old parts.
 `2` ... OLD → NEW
 Old parts can be used in place of the new parts.
 `3` ... OLD →← NEW
 Old parts and new parts can not be replaced each other.
- ⑧ COL : Color code
 Color is signified with color code number for colored parts.
 Please see the color list shown in the next page.
- ⑨ GRP : Parts shown in this column can be replaced by SET parts.
 Exsample : Parts marked Ⓐ can be replaced by parts marked Ⓑ, and Ⓓ for Ⓒ, so the rest follow in the same alphabetical order.
- ⑩ Remarks
 * Other maker's part code number is shown in this column.
 * When Fig. No. is shown in the Remark column of SET parts or ASSY parts, each of their component parts are listed in said Fig. No.

3. Color :

The following colors are used for color parts.

COLOR CODE	C O L O R	SPRAY TYPE CODE NUMBER	PAINTS 4K DRUM	PAINTS 16K DRUM
4 F	COSMO BLUE	1300-952-001-10	1300-952-003-00	1300-952-004-00
6 F	FLASH WITE	1300-953-001-10	1300-953-003-00	1300-953-004-00
7 F	MIRROR BLACK	1300-954-001-10	1300-954-003-00	1300-954-004-00

NOTE : Color code is signified only for the parts assigned by the maker as color parts.

4. Serial Numbers :

1) For engines serial number is stamped on CYLINDER BODY ASSY.

Please see Fig. No. 2-1.

2) For chassies serial number is shown on the LABEL.

Please see



5. Parts Order

1) Parts numbers listed in the parts catalogue are all registered in "ISEKI on-line computer".

2) When you order parts, please make sure of correct numbers.

3) When substitute parts is available, the part number ordered will be automatically turned to a new part number.

4) Please be sure to use "ISEKI GENUINE PARTS".

Any other similar parts other than ISEKI parts when used may cause a trouble that makes us unable to repair or guarantee the warrant.

*** STRUCTURE TABLE OF MODEL ***

MODEL	T	U											
	3	FFFFF	FFFFF	FFFFF	FFFFF	FFFFF	FFFFF	FFFFF	FFFFF	FFFFF	FFFFF	FFFFF	FFFTT
	2	BEEEE	EEEEEE	EHHHH	HHHHH	HHHHH	HHHHH	HMMMM	MMMMM	UUUUU	UUUUU	UUHH	
	0	E2244	44556	6EEEE	EEUUU	UUUUU	UUUUU	UHHHH	HHHHH	1BEEEE	EEEEEE	EEEE	
	2	12121	22121	22244	66BEE	EEEEEE	EEEEEE	EUUUU	UUUUU	5E224	44455	6666	
	2		S	12121	2E22	22444	444456	6BBEE	EEEEEE	41211	11212	1212	
				SS	411	22111	22221	2EE22	24455	2	GSG		
					2	C	CGS	GS	2412	22212	G		
					G				22C	C	G		
									G				
FIG													
1		*****	*****	*****	*****	*****	*****	*****	*****	*****	*****	*****	*****
2		*****	*****	*****	*****	*****	*****	*****	*****	*****	*****	*****	*****
3		*****	*****	*****	*****	*****	*****	*****	*****	*****	*****	*****	*****
4		*****	*****	*****	*****	*****	*****	*****	*****	*****	*****	*****	*****
5		*****	*****	*****	*****	*****	*****	*****	*****	*****	*****	*****	*****
6		*****	*****	*****	*****	*****	*****	*****	*****	*****	*****	*****	*****
7		*****	*****	*****	*****	*****	*****	*****	*****	*****	*****	*****	*****
8		*****	*****	*****	*****	*****	*****	*****	*****	*****	*****	*****	*****
9		*****	*****	*****	*****	*****	*****	*****	*****	*****	*****	*****	*****
10		TTT		TT	TTT	TT		T	TT	T	TT		
11		TTTT	TTTT	TTTT	TTTT	TTTT	TTTT	TTTT	TTTT	TTTT	TTTT	TTTT	TTTT
12		TTTT	TTTT	TTTT	TTTT	TTTT	TTTT	TTTT	TTTT	TTTT	TTTT	TTTT	TTTT
13					TT			TTTT	TTTT				TT
14					TT			TTTT	TTTT				TT
15					TT			TTTT	TTTT				TT
16					TT			TTTT	TTTT				TT
17		TTTT	TTTT	TTTT	TTT	TTTT	TTTT	TTTT	TTTT	TTTT	TTTT	TTTT	TTTT
18		TTTT	TTTT	TTTT	TTTT	TTTT	TTTT	TTTT	TTTT	TTTT	TTTT	TTTT	TTTT
19		*****	*****	*						*****	*****	**	
20				*****	*****	*****	*****						
21		*****	*****	*						*****	*****	**	
22				*****	*****	*****	*****	*****	*****			**	
23		*****	*****	*						*****	*****	**	
24				*****	*****	*****	*****						
25					*			*****	*****			**	
26		*****	*****	*						*****	*****	**	
27				*****	*****	*****	*****	*****	*****			**	
28		*****	*****	*						*****	*****	**	
29				*****	*****	*****	*****					**	
30					*			*****	*****			**	
31		*****	*****	*						*****	*****	*****	
32				*****	*****	*****	*****	*****	*****				
33					*			*****	*****			**	
34				*****	*****	*****	*****	*****	*****			**	
35				*****	*****	*****	*****	*****	*****			**	
36				*****	*****	*****	*****	*****	*****			**	
37		*****	*****	*****	*****	*****	*****	*****	*****	*****	*****	*****	*****
38		*****	*****	*****	*****	*****	*****	*****	*****	*****	*****	*****	*****
39		*****	*****	*****	*****	*****	*****	*****	*****	*****	*****	*****	*****
40		*****	*****	*****	*****	*****	*****	*****	*****	*****	*****	*****	*****
41		***		**	**	**		**	**	**		**	
42		*	*****	*	*****	*	*****	*	*	*****	*	*****	*****
43		***	*****	*****	*****	*****	*****	*****	*****	*****	*****	*****	*****
44		***		**	**	**		**	**	**		**	
45		*	*****	*	*****	*	*****	*	*	*****	*	*****	*****

*** STRUCTURE TABLE OF MODEL ***

MODEL	T												
	U												
	3	FFFF	FFFFF	FFFFF	FFFFF	FFFFF	FFFFF	FFFFF	FFFFF	FFFFF	FFFFF	FFFFF	FFTT
	2	BEEE	EEEE	EHHHH	HHHHH	HHHHH	HHHHH	HMMMM	MMMMM	UUUUU	UUUUU	UUHH	
	0	E224	4456	6EEEE	EEUUU	UUUUU	UUUUU	UHHHH	HHHHH	1BEEEE	EEEE	EEEE	
	2	121	22121	22244	66BEE	EEEE	EEEE	EUUUU	UUUUU	5E224	44455	6666	
	2	S		1212	12E22	22444	44456	6BBEE	EEEE	4121	11212	1212	
				SS	411	22111	22221	2EE22	24455	2	GSG		
					2	C	C GS GS		24122	2212			
					G			22C	C G				
								G					
FIG													
89		*****	*****	*****	*****	*****	*****	*****	*****	*****	*****	*****	*****
90		*****	*****	*****	*****	*****	*****	*****	*****	*****	*****	*****	*****
91			**	**			**		*			*****	
92		*****	*****	*****	*****	*****	*****	*****	*****	*****	*****	*****	*****
93		*****	*****	*****	*****	*****	*****	*****	*****	*****	*****	*****	*****
94			**	**			**		*			*****	
95		*****	*****	*****	*****	*****	*****	*****	*****	*****	*****	*****	*****
96		*****	*****	*****	*****	*****	*****	*****	*****	*****	*****	*****	*****
97		TTTT	TTTTT							TTTTT	TTTTT	T	
98			*	**	T	T		*	T	T		*****	
99		TTTT	TTTTT							T*TTT	*T*TT	T	
100			TTTT	*TT	TTT*TT	T*TT	TT*TT	T*TT	TT*TT	T*TTT	*T*TT	T	
101		TTTT	TTTTT	TTTT	*TT	TTT*TT	T*TT	T*TT	TT*TT	T*TTT	*T*TT	T	
102		TTTT	TTTTT	TTTT	TTT	TTTTT	TTTT	TTTT	TTTTT	TTTTT	TTTTT	T	
103		TTTT	TTTTT	TTTTT	TTTTT	TTTTT	TTTTT	TTTTT	T	T	TTTTT	TTTT	
104		TTTT	TTTTT	TTTTT	TTTTT	TTTTT	TTTTT	T		T	TT	TTTTT	TTTT
105		TTTT	TTTTT	TTTTT	TTTTT	TTTTT	TTTTT	TT		T	TT	TTTTT	TTTTT

CONTENTS

T U 3 2 0

ENGINE (E 3 A F 1 - B 0 1 K)

CYLINDER HEAD AND OTHER PARTS	Fig. 1
HEAD COVER AND OTHER PARTS	Fig. 2
INLET MANIFOLD AND OTHER PARTS	Fig. 3
EXH MANIFOLD AND OTHER PARTS	Fig. 4
CYLINDER BODY AND OTHER PARTS	Fig. 5
CRANK BEARING SYSTEM	Fig. 6
OIL PAN AND OTHER PARTS	Fig. 7
REAR PLATE SYSTEM	Fig. 8
TIMING GEAR CASE AND OTHER PARTS	Fig. 9
ENGINE, HANGER AND FIXING PARTS	Fig. 10
VALVE MECHANISM	Fig. 11
CAM SHAFT AND OTHER PARTS	Fig. 12
PISTON, CONN, ROD AND OTHER PARTS	Fig. 13
PISTON AND PISTON RING (OPTION)	Fig. 14
CRANK SHAFT AND FLY WHEEL	Fig. 15
OIL FILTER AND OIL PUMP	Fig. 16
COOLING SYSTEM	Fig. 17
WATER PIPE AND THERMOSTAT	Fig. 18
COOLING FAN AND PULLEY	Fig. 19
NOZZLE AND FUEL PIPE	Fig. 20
INJECTION PUMP AND OTHER PARTS	Fig. 21
RUBBER HOSE AND OTHER PARTS	Fig. 22
GENERATOR, STARTER AND OTHER PARTS	Fig. 23
ELECTRICAL PARTS	Fig. 24
COMPONENT PARTS FOR 6215 - 300 - 110 - 00 ON FIG.20	Fig. 25
COMPONENT PARTS FOR 6281 - 200 - 004 - 00 ON FIG.23	Fig. 26
COMPONENT PARTS FOR 6281 - 100 - 009 - 10 ON FIG.23	Fig. 27

CONTENTS

CHASSIS

ENGINE STOP AND FILTER SYSTEM	Fig. 1
RADIATOR SYSTEM	Fig. 2
MUFFLER SYSTEM	Fig. 3
AIR CLEANER SYSTEM	Fig. 4
BATTERY SYSTEM	Fig. 5
ACCELE SYSTEM	Fig. 6
CLUTCH HOUSING SYSTEM	Fig. 7
CLUTCH GEAR AND DRIVE GEAR SYSTEM	Fig. 8
CLUTCH PEDAL SYSTEM	Fig. 9
FRONT P.T.O. SYSTEM (20) (OPTION)	Fig. 10
FRONT P.T.O. SYSTEM (B) (OPTION)	Fig. 11
FRONT P.T.O. SYSTEM (C) (OPTION)	Fig. 12
P.T.O.(FRONT/MID/E20) (OPTION)	Fig. 13
JOINT (MID/E20) (OPTION)	Fig. 14
P.T.O.(FRONT/MID/E40) (OPTION)	Fig. 15
JOINT (MID/E40) (OPTION)	Fig. 16
FRONT 3P SYSTEM (1) (OPTION)	Fig. 17
FRONT 3P SYSTEM (2) (OPTION)	Fig. 18
FRONT TRANSMISSION CASE SYSTEM	Fig. 19
FRONT TRANSMISSION CASE SYSTEM (HST)	Fig. 20
INPUT GEAR AND CHANGE GEAR SYSTEM	Fig. 21
INPUT GEAR AND CHANGE GEAR SYSTEM (HST)	Fig. 22
FRONT TRANSMISSION GEAR SYSTEM	Fig. 23
FRONT TRANSMISSION GEAR SYSTEM (HST) (1)	Fig. 24
FRONT TRANSMISSION GEAR SYSTEM (HST) (2)	Fig. 25
MAIN LEVER SYSTEM	Fig. 26
COVER METAL SYSTEM (HST)	Fig. 27
CHANGE SHIFTER SYSTEM	Fig. 28
SUB CHANGE SHIFTER SYSTEM (HST) (1)	Fig. 29
SUB CHANGE SHIFTER SYSTEM (HST) (2)	Fig. 30

FRONT SHIFTER SYSTEM	Fig. 31
FRONT SHIFTER SYSTEM (HST)	Fig. 32
FRONT DRIVE SYSTEM (HST)	Fig. 33
UNIT SYSTEM (HST)	Fig. 34
PEDAL SYSTEM (HST)	Fig. 35
PIE SYSTEM (HST)	Fig. 36
REAR TRANSMISSION CASE SYSTEM	Fig. 37
DFF CASE SYSTEM	Fig. 38
REAR AXLE HOUSING SYSTEM	Fig. 39
DFF LOCK SYSTEM	Fig. 40
BRAKE SYSTEM (E20)	Fig. 1
BRAKE SYSTEM	Fig. 12
BRAKE PEDAL SYSTEM	Fig. 13
PARKING BRAKE SYSTEM (E20)	Fig. 14
PARKING BRAKE SYSTEM	Fig. 17
REAR WHEEL SYSTEM	Fig. 16
P.T.O. DRIVE SHAFT SYSTEM	Fig. 17
P.T.O. DRIVE SHAFT SYSTEM (HST)	Fig. 18
P.T.O. LEVER SYSTEM	Fig. 19
REAR HITCH SYSTEM	Fig. 50
FRAME SYSTEM	Fig. 51
FRAME SYSTEM (BE)	Fig. 52
FRONT AXLE SYSTEM (T80)	Fig. 53
STEERING WHEEL SYSTEM	Fig. 54
STEERING CASE SYSTEM	Fig. 55
LOWER STEERING ASSY (Q)	Fig. 56
STEERING CASE SYSTEM (U)	Fig. 57
DRIVE SHAFT SYSTEM	Fig. 58
DEVL. CASE SYSTEM	Fig. 59
FRONT AXLE SYSTEM	Fig. 60
FRONT GEAR CASE SYSTEM (1)	Fig. 61
FRONT GEAR CASE SYSTEM (2)	Fig. 62
FRONT WHEEL SYSTEM	Fig. 63
DRIVE SHAFT SYSTEM (C TYPE)	Fig. 64

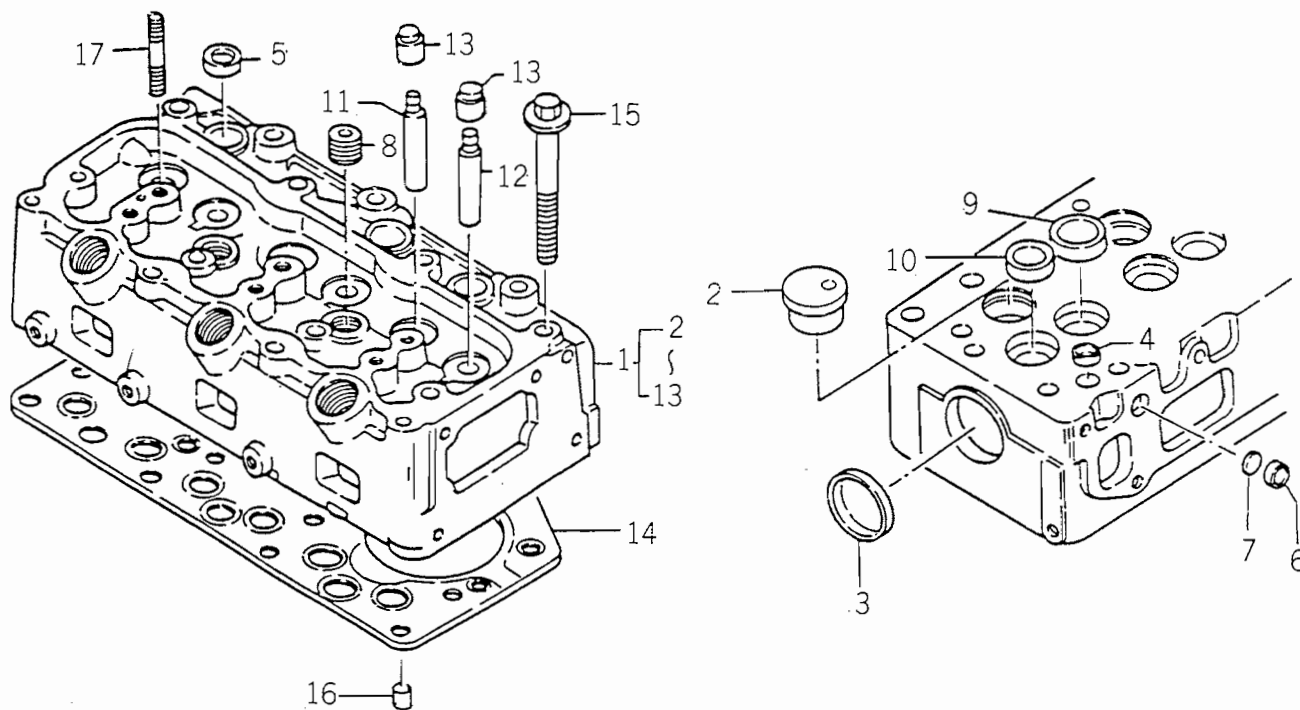
CYLINDER CASE SYSTEM	Fig. 65
LIFT ARM AND CYLINDER SYSTEM	Fig. 66
VALVE COVER SYSTEM	Fig. 67
POSITION LEVER SYSTEM	Fig. 68
HYDRAULIC PIPING SYSTEM (1)	Fig. 69
HYDRAULIC PIPING SYSTEM (2)	Fig. 70
LOWER LINK SYSTEM	Fig. 71
LIFT ROD SYSTEM	Fig. 72
HOOD SYSTEM	Fig. 73
GRILLE AND STEERING COVER SYSTEM	Fig. 74
SIDE COVER SYSTEM	Fig. 75
SIDE COVER SYSTEM (MUFFLER, LENGTH TYPE)	Fig. 76
FENDER SYSTEM (E20, E60)	Fig. 77
FENDER SYSTEM (B)	Fig. 78
FENDER SYSTEM (E40, E50, E60)	Fig. 79
FRONT COVER SYSTEM (E20)	Fig. 80
FRONT COVER SYSTEM (B)	Fig. 81
FRONT COVER SYSTEM (E40, E50, E60)	Fig. 82
SEAT SYSTEM	Fig. 83
SEAT SYSTEM (E61, E62)	Fig. 84
FUEL TANK SYSTEM	Fig. 85
STEP SYSTEM	Fig. 86
STEP SYSTEM (HST)	Fig. 87
STEP SYSTEM (C TYPE)	Fig. 88
METER SYSTEM	Fig. 89
BULB SYSTEM	Fig. 90
BULB SYSTEM (E61, E62)	Fig. 91
SWITCH SYSTEM	Fig. 92
WIRE HARNESS SYSTEM	Fig. 93
WIRE HARNESS SYSTEM (E61, E62, U15)	Fig. 94
MARKS	Fig. 95
TOOL	Fig. 96
CREEP MISSION SYSTEM (OPTION) (EXCEPT H • M)	Fig. 97
TRAILER HITCH SYSTEM	Fig. 98

VALVE (SUB/1) SET SYSTEM (EXCEPT H·M)	Fig. 99
VALVE (SUB/1/H) SET SYSTEM (H·M)	Fig. 100
METAL COVER SYSTEM (G)	Fig. 101
VALVE (SUB/2) SET SYSTEM (OPTION)	Fig. 102
VALVE (SUB/1) SET SYSTEM (OPTION)	Fig. 103
CONTROL VALVE SYSTEM (OPTION)	Fig. 104
VALVE (SUB/1/H) SET SYSTEM (OPTION)	Fig. 105
WIRING DIAGRAM	

ENGINE

E3AF1 – B01K...TU320

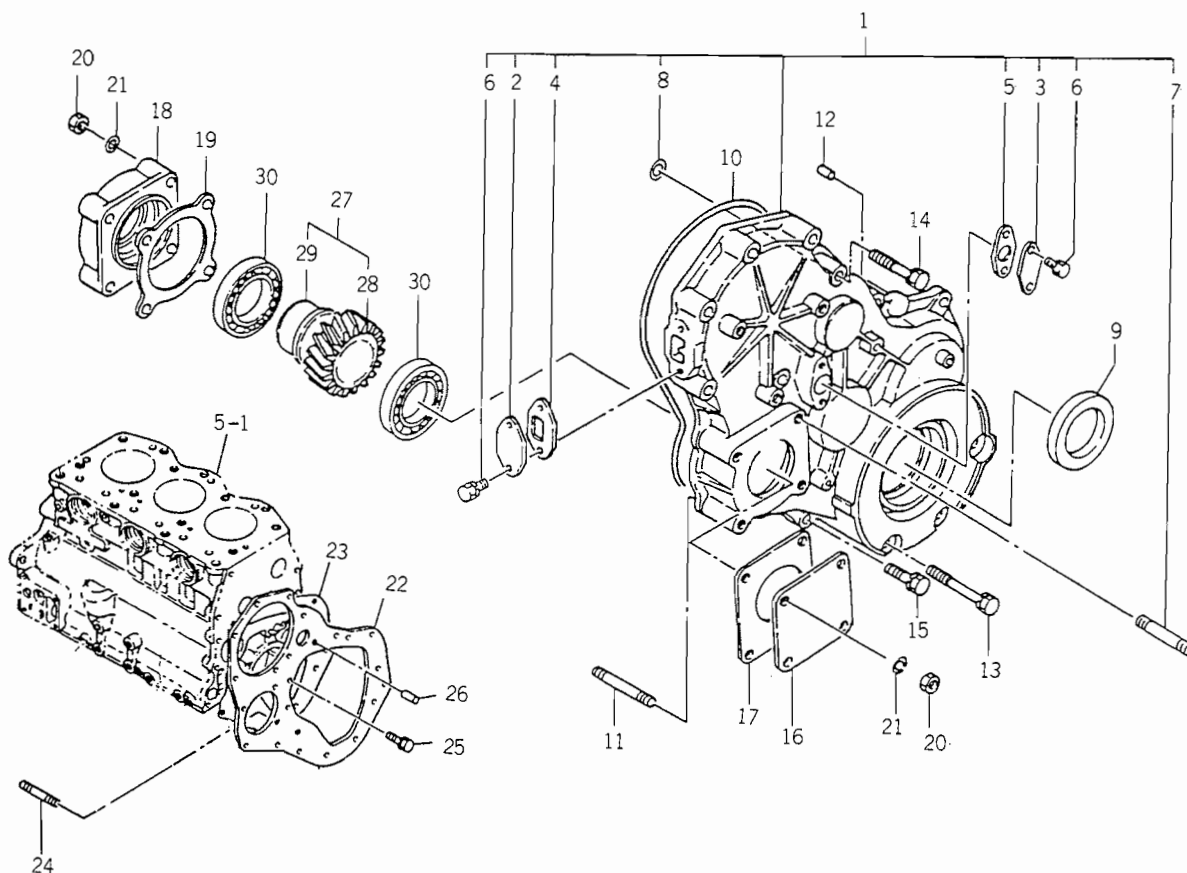
FIG. 1 CYLINDER HEAD AND OTHER PARTS



6002-101A

KEY	PART CODE	DESCRIPTION	QTY	TYPE OF MODEL		I T C	C O L	G R P	REMARKS
				E3AF1 B01K					
1	6211 - 110 - 004 - 10	HEAD,CYLINDER ASSY	1	*					
2	6211 - 150 - 004 - 00	PLUG,HOT ASSY	3	*					
3	6911 - 129 - 006 - 00	CAP,SEALING	1	*					
4	6911 - 129 - 081 - 00	CAP,SEALING	3	*					
5	6911 - 129 - 082 - 00	CAP,SEALING	3	*					
6	6911 - 129 - 083 - 00	CAP,SEALING	3	*					
7	6909 - 860 - 522 - 00	PLUG	3	*					
8	6209 - 605 - 004 - 00	PLUG,PT1/2	2	*					
9	6511 - 715 - 020 - 00	SEAT,VALVE	3	*					
10	6511 - 711 - 023 - 00	SEAT,VALVE	3	*					
11	6911 - 721 - 113 - 00	GUIDE,VALVE	3	*					
12	6511 - 721 - 013 - 00	GUIDE,VALVE	3	*					
13	6512 - 569 - 004 - 00	SEAL,VALVE	6	*					
14	6211 - 141 - 044 - 00	GASKET,HEAD,CYLINDER	1	*					
15	6209 - 000 - 010 - 00	BOLT	15	*					
16	6894 - 453 - 344 - 00	DOWEL	2	*					
17	6909 - 830 - 212 - 00	STUD,HEAD COVER	2	*					

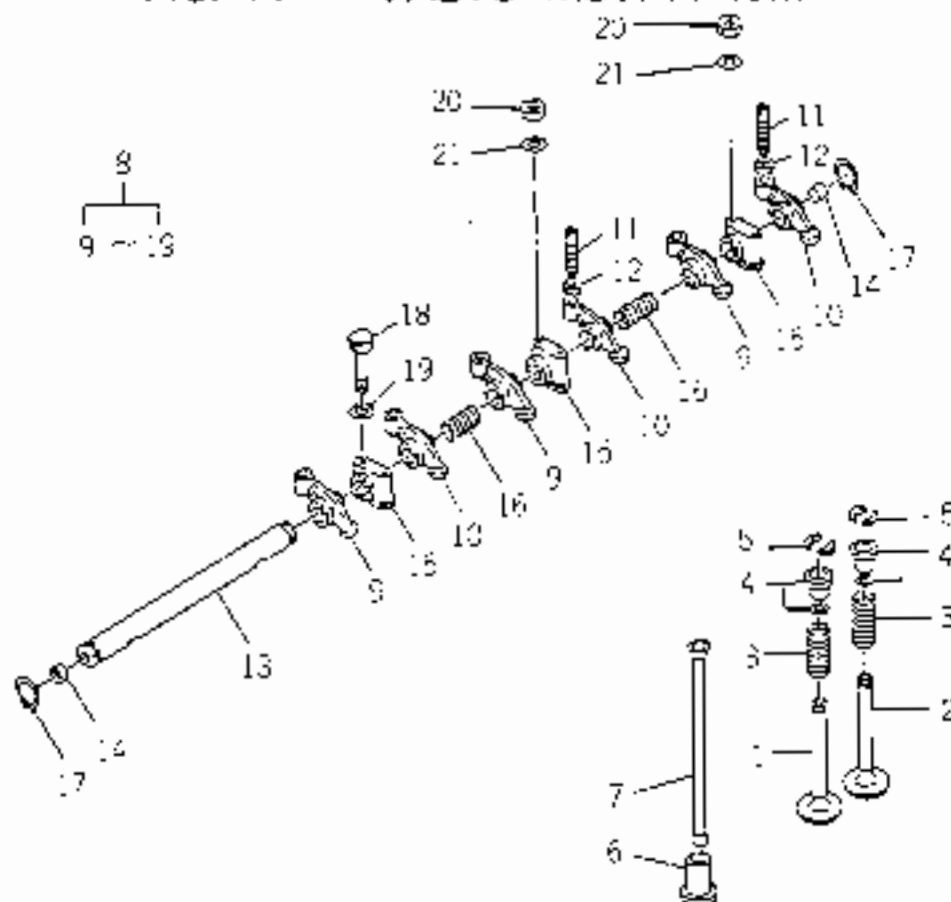
FIG. 9 TIMING GEAR CASE AND OTHER PARTS



5002-240

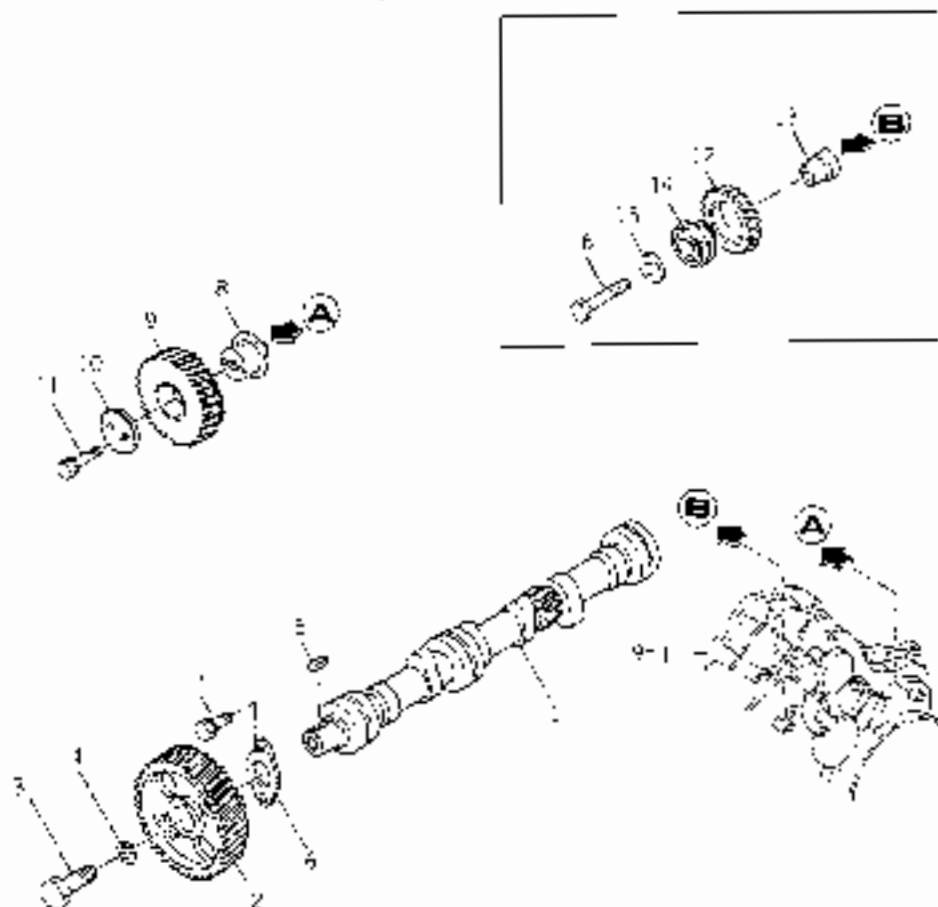
KEY	PART CODE	DESCRIPTION	QTY	TYPE OF MODEL		I T C	C O L	G R P	REMARKS
				E3AF1 B01K					
1	6211 - 310 - 001 - 10	CASE,GEAR ASSY	1	*					
2	6511 - 321 - 054 - 00	COVER,GEAR CASE	1	*					
3	6511 - 321 - 059 - 00	COVER	1	*					
4	6211 - 322 - 005 - 00	GASKET,COVER	1	*					
5	6211 - 322 - 006 - 00	GASKET,COVER	1	*					
6	V210 - 260 - 601 - 20	BOLT	4	*					
7	6904 - 110 - 822 - 00	STUD	4	*					
8	6911 - 312 - 046 - 00	PACKING,GEAR CASE	2	*					
9	6509 - 625 - 079 - 00	SEAL,OIL	1	*					
10	6509 - 623 - 073 - 00	PACKING	1	*					
11	6904 - 110 - 855 - 00	STUD	2	*					
12	6509 - 740 - 015 - 00	PIN	1	*					
13	6209 - 030 - 001 - 00	BOLT	3	*					
14	6509 - 030 - 037 - 00	BOLT	6	*					
15	6901 - 910 - 830 - 00	BOLT	5	*					
16	6511 - 321 - 083 - 00	COVER	1	*					
17	6211 - 322 - 002 - 00	GASKET,COVER	1	*					
18	6211 - 319 - 001 - 00	SPACER	1	*					
19	6211 - 322 - 004 - 00	GASKET,HYDRIC	1	*					
20	6909 - 110 - 408 - 00	NUT,/M8	8	*					
21	6909 - 150 - 508 - 00	WASHER	8	*					
22	6211 - 311 - 002 - 00	PLATE (F)	1	*					
23	6211 - 312 - 010 - 00	GASKET,PLATE	1	*					
24	6509 - 300 - 043 - 00	STUD	2	*					
25	6901 - 900 - 822 - 00	BOLT,SEMS,/M8X22	4	*					

FIG. 11 VALVE MECHANISM



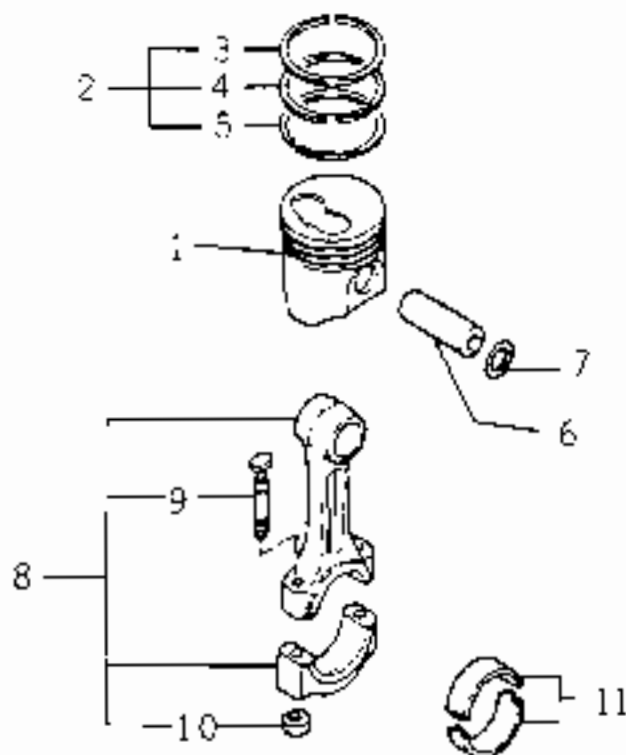
KEY	PART CODE	DESCRIPTION	QTY	TYPE OF HOLES			REMARKS
				1 C	2 C	3 C	
1	5512 551 020 10	VALVE INLET	3				
2	6512 552 006 20	VALVE BODY	3				
3	6512 551 037 00	SPRING VALVE	6				
4	6904 753 555 00	SEAT SPRING	6				
5	6512 555 004 00	COLLAR/SPIN	3				
6	6512 571 801 00	TAPPET	7				
7	6512 575 014 00	ROLLER	6				
8	6512 610 127 10	SHAFT/ROLLER ASSY	1				
9	6012 911 247 00	ARM/ROCKER ASSY	3				
10	6912 511 749 00	ARM/ROCKER ASSY	3				
11	5212 616 001 00	SCREW/ADJUST	6				
12	5905 111 505 00	NUD	6				
13	6512 621 127 10	SHAFT	1				
14	6512 626 005 00	PLUG	2				
15	6512 628 003 00	SPRINGER	3				
16	6512 630 517 00	SPRING	2				
17	6505 130 013 00	HINGE/SHAP	2				
18	6501 050 150 00	BOLT 7/8x45	4				
19	6506 154 005 00	WASHER	4				
20	6505 110 505 00	NUD/MB	2				
21	6505 154 505 00	WASHER/FL/MB	2				

FIG. 12 CAM SHAFT AND OTHER PARTS



KEY	PART CODE	DESCRIPTION	QTY	TYPE OF MODEL	I C D			G H P	REMARKS
					I	C	D		
1	0212-51-005-00	SHAFT,CAM	1	.					
2	6212-522-000-00	GEAR,CAM	1	.					
3	0500-000-069-00	BUL.	.	.					
4	6512-519-000-10	WASHER	.	.					
5	0908-000-716-00	KEY	1	.					
6	0212-535-003-00	PLATE/THRUST,CAM	1	.					
7	5001-010-016-00	BOLTS/SH/KEY/II	2	.					
8	0212-54-001-00	SHAFT	.	.					
9	0212-520-001-00	GEAR,ASB	.	.					
10	6212-555-006-00	PLATE	.	.					
11	0505-050-057-00	BOLT	.	.					
12	6010-523-002-00	GEAR	.	.					
13	6212-551-002-00	SHAFT	.	.					
14	6209-600-001-00	BEARING	.	.					
15	6500-500-000-00	WASHER	.	.					
16	6500-000-162-10	BOLT	.	.					

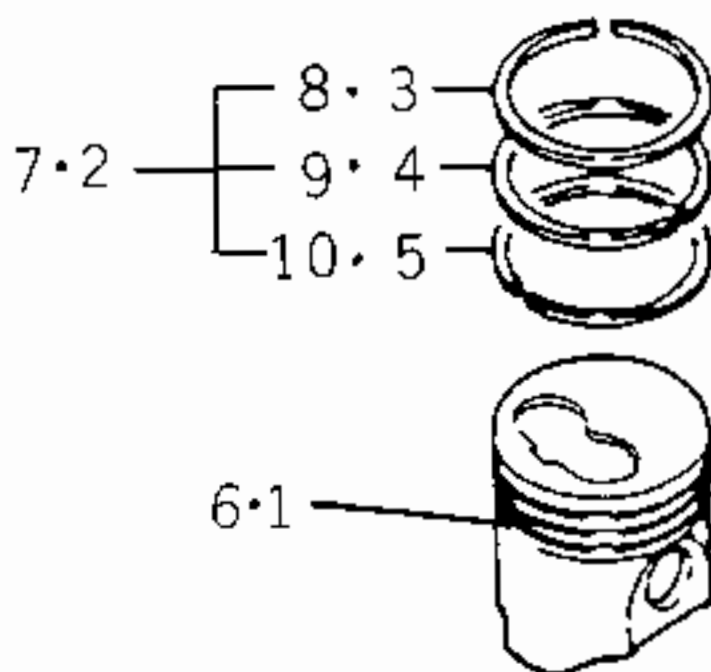
FIG. 13 PISTON, CONN. ROD AND OTHER PARTS



L.P. 101

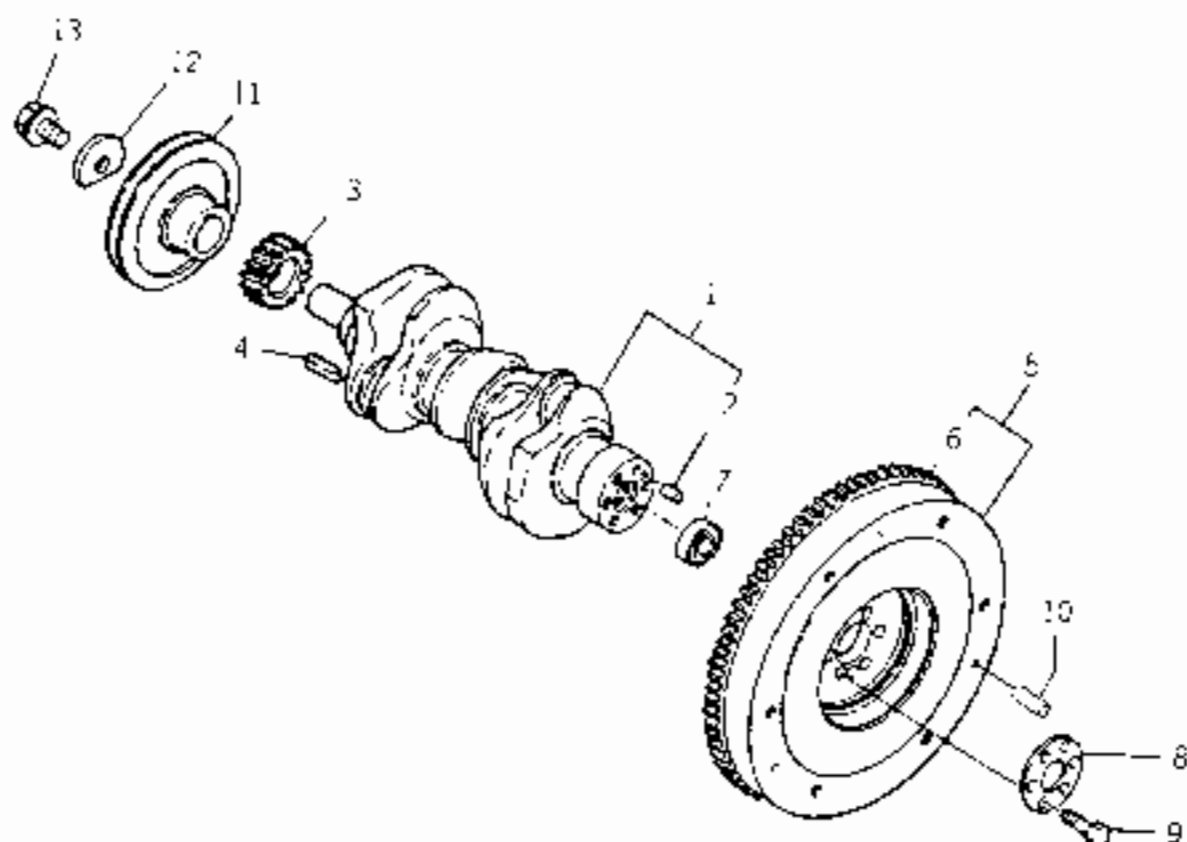
KEY	PART CODE	DESCRIPTION	QTY	TYPE OF MODEL			REMARKS
				TYPE	CON	CON	
1	6212 - 111 - 075 - 00	PISTON	3				
2	6212 - 121 - 009 - 00	RING-PISTON SET	3				
3	6212 - 141 - 004 - 00	COMPRESSION RING	3				
4	6212 - 141 - 005 - 00	COMPRESSION RING	3				
5	6512 - 161 - 052 - 00	RING-OIL	3				
6	6512 - 211 - 071 - 00	PIR-PISTON	3				
7	6500 - 060 - 115 - 00	RING SNAP	6				
8	6212 - 230 - 007 - 00	PLC, CONN. ASSY	3				
9	6612 - 235 - 008 - 00	BOLT	6				
10	6000 - 840 - 128 - 00	NUT	6				
11	6884 - 221 - 108 - 00	METAL CONN. ROD	6				

FIG. 14 PISTON AND PISTON RING (OPTION)



KEY	PART CODE	DESCRIPTION	QT ^y	TYPE OF MODEL	I T C	C O L	C R P	REMARKS
1	5212 - 14 - 025 - 00	PISTON	3	T				
2	5212 - 14 - 003 - 00	RING-PISTON SET/OV	3	T				
3	5212 - 14 - 004 - 00	COMPRESSION RING	3	T				
4	5212 - 14 - 005 - 00	COMPRESSION RING	3	T				
5	5212 - 14 - 052 - 00	RING/OV	3	T				
6	5212 - 18 - 025 - 00	PISTON/OV	3	-				
7	5212 - 18 - 003 - 00	RING-PISTON SET/OV	3	-				
8	5212 - 18 - 004 - 00	COMPRESSION RING	3	-				
9	5212 - 18 - 005 - 00	COMPRESSION RING	3	-				
10	5212 - 18 - 052 - 00	RING/OV	3	-				

FIG. 15 CRANK SHAFT AND FLY WHEEL



KEY	PART CODE	DESCRIPTION	QTY	TYPE OF MODEL			REMARKS
				142	C	C/P	
1	62 2 - 300 - 002 - 00	SHAFT, CRANK ASSY	1				
2	6008 161 222 00	PN	1				
3	62 2 - 52 - 001 - 10	GEAR	1				
4	0200 - 730 - 001 - 00	KEY / 07X07X45	1				
5	62 2 - 330 - 012 - 00	FLY WHEEL ASSY	1				
6	62 2 - 300 - 005 - 10	BEARINGS	1				
7	6000 090 070 00	BEARING	1				
8	6512 - 336 - 002 - 00	WASHER FL WHEEL	1				
9	0700 300 015 10	BOLT	5				
10	6202 150 514 00	NUT	3				
11	6212 370 002 00	ROLLER ASSY	1				
12	6100 090 002 00	WASHER	1				
13	6205 202 002 00	BOLT	1				

FIG. 16 OIL FILTER AND OIL PUMP

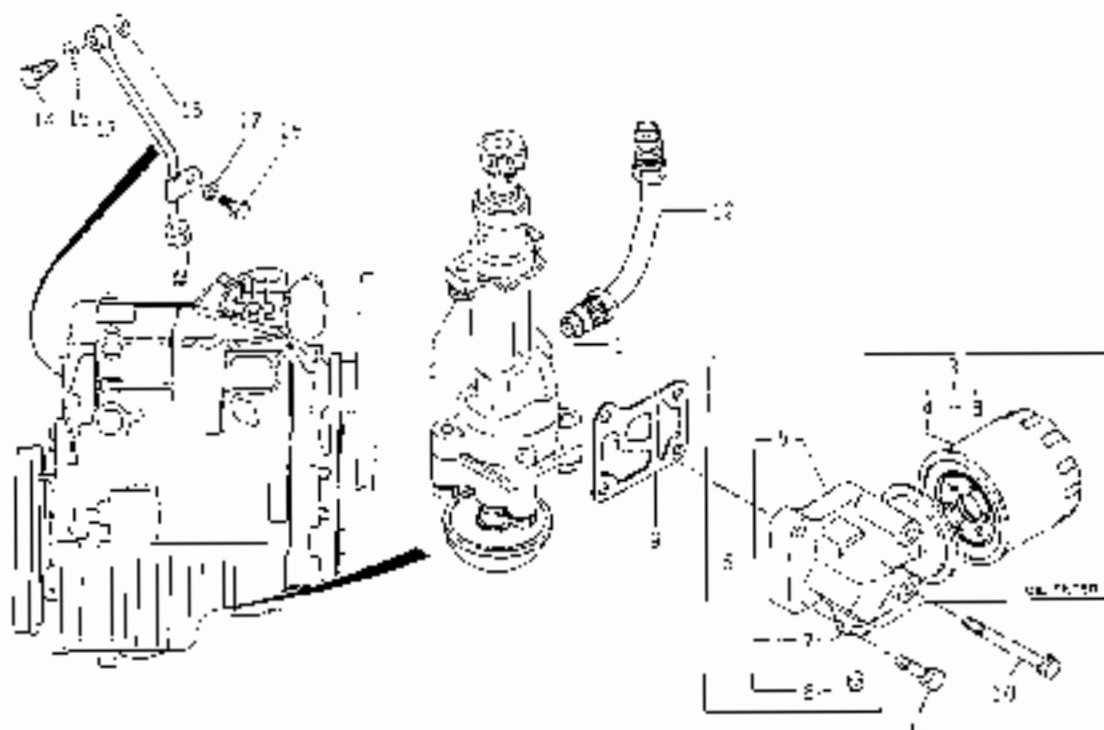
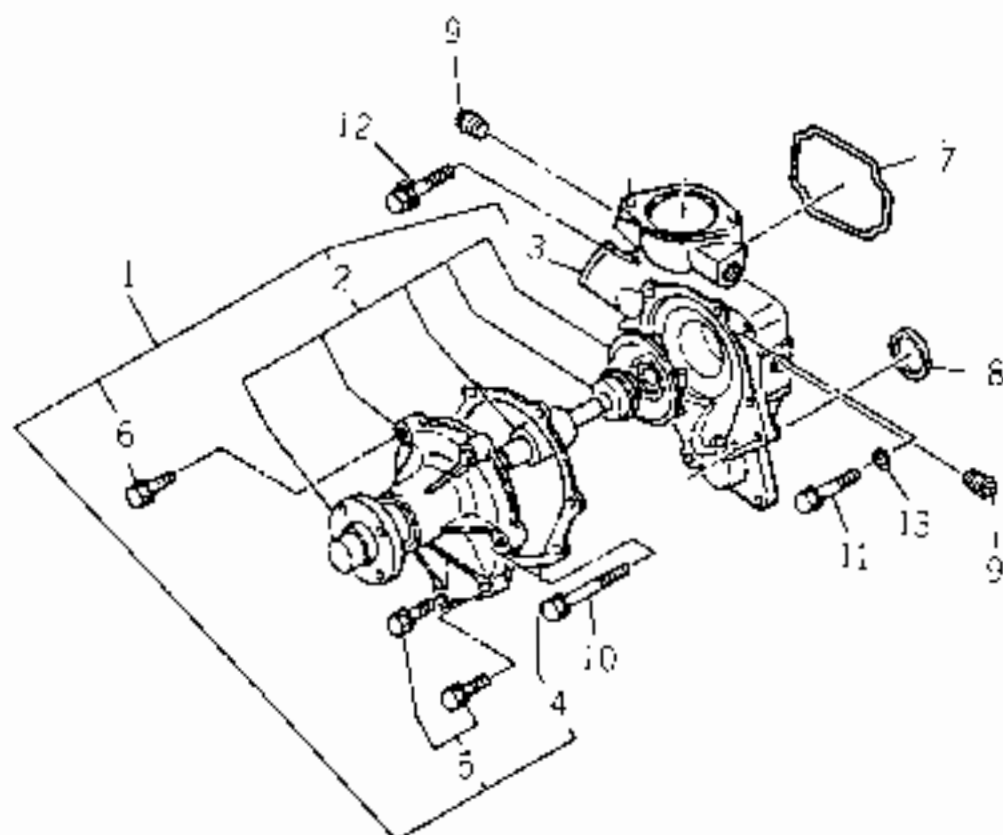


FIG. 16

KEY	PART CODE	DESCRIPTION	QTY	TYPE OF WDG.		I C	C O L	G R F	REMARKS
				ESHT BSE					
1	6212 100 001 - 00	PUMP ASSY	1	.					
2	6501 - 970 - 825 - 00	ROTTSCHE/MX25	2	.					
3	6513 200 - 196 - 40	FILTER ASSY	.	.					
4	6713 - 240 - 00 00	CARTRIDGE	.	.					
5	5513 - 210 - 019 - 00	BODY ASSY	.	.					
6	5713 - 212 - 00 - 00	BODY	1	.					
7	3513 - 180 - 003 00	VALVE ASSY	1	.					
8	5239 505 - 601 - 00	PLUG	.	.					
9	6713 - 215 001 00	GASKET FLTR BODY	1	.					
10	6206 032 - 001 - 00	BOLT	2	.					
11	7211 260 - 503 - 00	BOLT	2	.					
12	6013 312 505 00	PIPE G. ASSY	1	.					
13	5713 - 311 002 - 00	PISTON ASSY	.	.					
14	5909 - 305 - 105 - 10	BOLT JOINT	.	.					
15	6900 920 842 00	PACKING	2	.					
16	7209 250 - 601 - 00	BOLT	2	.					
17	6908 150 - 500 - 00	WASHER S. MS	2	.					

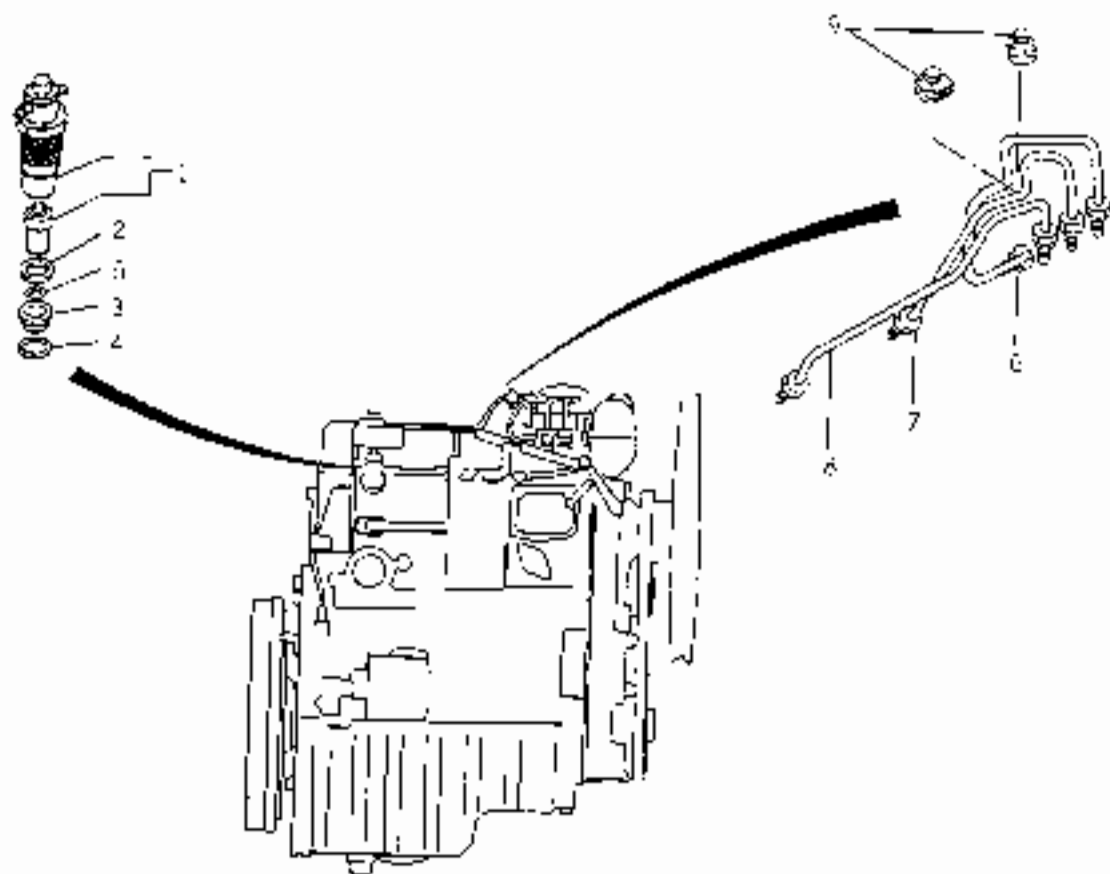
FIG. 17 COOLING SYSTEM



A714

KEY	PART CODE	DESCRIPTION	QTY	TYPE OF MODEL		C	O	G	P	REMARKS
				SHAFT	SOLE					
1	8212 - 010 - 003 - 10	FLY/WATER ASSEY	1							
2	8212 - 011 - 001 - 00	BODY	1							
3	8212 - 012 - 003 - 10	COVER/WATER PUMP	1							
4	8212 - 013 - 001 - 00	PACKING	1							
5	V211 - 260 - 503 - 00	BOL	3							
6	0001 - 000 - 428 - 00	BOLT	1							
7	8502 - 572 - 031 - 00	PACKING	1							
8	0215 - 014 - 002 - 00	GASKET	1							
9	V701 - 130 - 000 - 80	PLUG	2							
10	8874 - 701 - 986 - 00	SCREW	2							
11	8509 - 030 - 037 - 00	BOLT	1							
12	8901 - 670 - 845 - 00	SCREW/COVER/AS	2							
13	8009 - 100 - 508 - 00	WASHER/PL/WB	1							

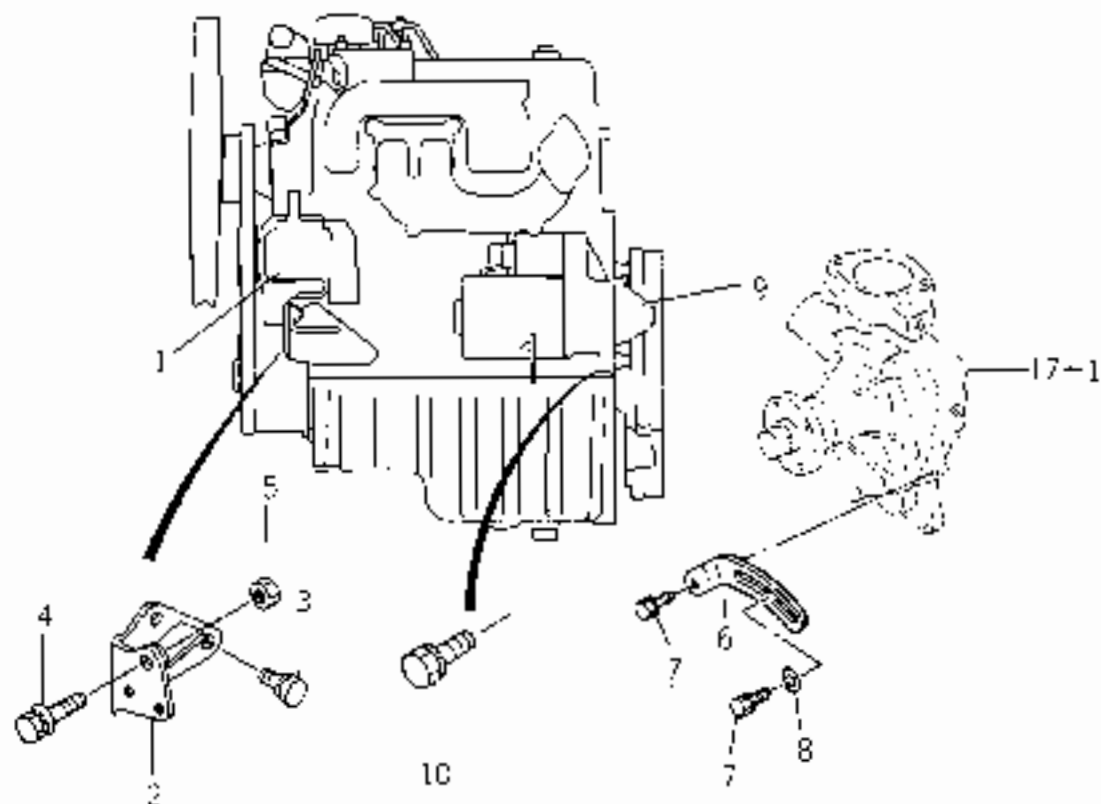
FIG. 20 NOZZLE AND FUEL PIPE



MC 120

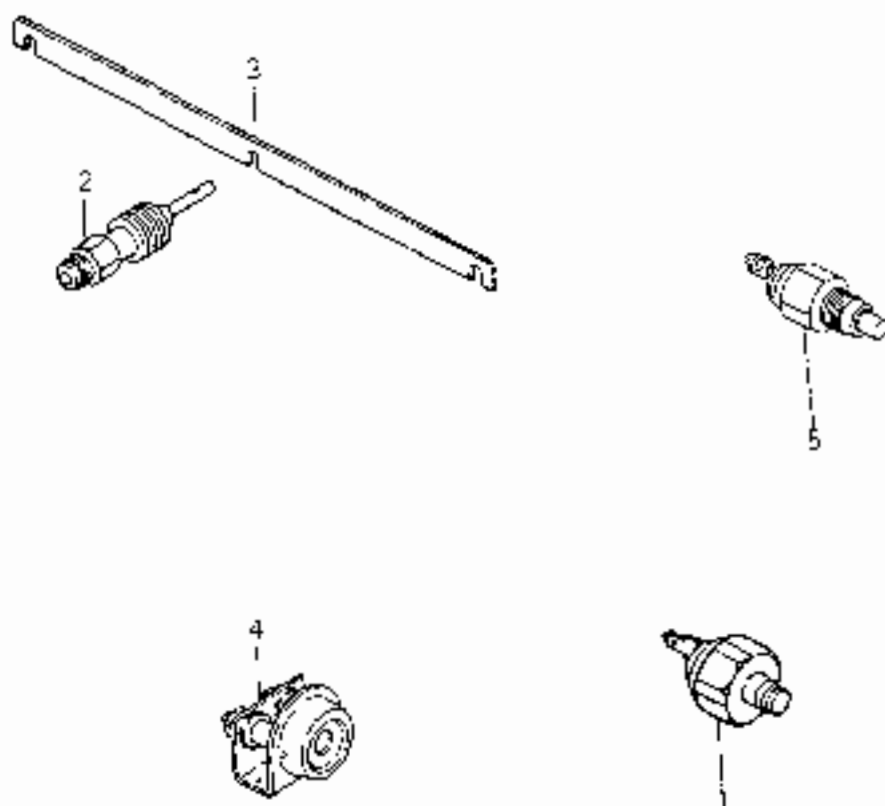
KEY	PART CODE	DESCRIPTION	QTY	TYPE OF NOZZLE PART 6210	I T C	C O	P R E	REMARKS
1	3515-300-110-00	NOZZLE,IN.	3					
2	6915-315-028-00	WASHER,NOZZLE HEAT SHIELD	3					
3	6915-315-027-00	SHIELD,NOZZLE HEAT	3					
4	6915-315-028-00	WASHER,HEAT SHIELD	3					
5	6915-315-074-00	WASHER,DIFFERENTIAL	3					
6	6515-411-509-00	PIPE,FUEL ASSY	1					
7	6615-411-510-10	PIPE,FUEL ASSY	1					
8	6515-411-511-10	PIPE,FUEL ASSY	1					
9	6915-419-072-00	CUP ASSY	2					

FIG. 23 GENERATOR, STARTER AND OTHER PARTS



KEY	PART CODE	DESCRIPTION	QTY	TYPE OF WOPF.	C			REMARKS
					C	L	G	
1	6261 - 200 - 004 - 00	GENERATOR ASSY	1					
2	6213 - 711 - 004 - 00	BRACKET GENERATOR	1					
3	6501 - 911 - 070 - 00	BOLT, BENS. 1/4" DIA.	3					
4	6501 - 971 - 045 - 00	BOLT	1					
5	5502 - 110 - 410 - 00	NUT, 1/4"	1					
6	6213 - 674 - 005 - 00	PLATE, ALU.	1					
7	6211 - 550 - 307 - 00	BOLT	2					
8	1318 - 121 - 001 - 00	WASHER, BRASS	1					
9	6781 - 100 - 000 - 10	STARTER	1					
10	6501 - 931 - 240 - 00	BOLT	2					

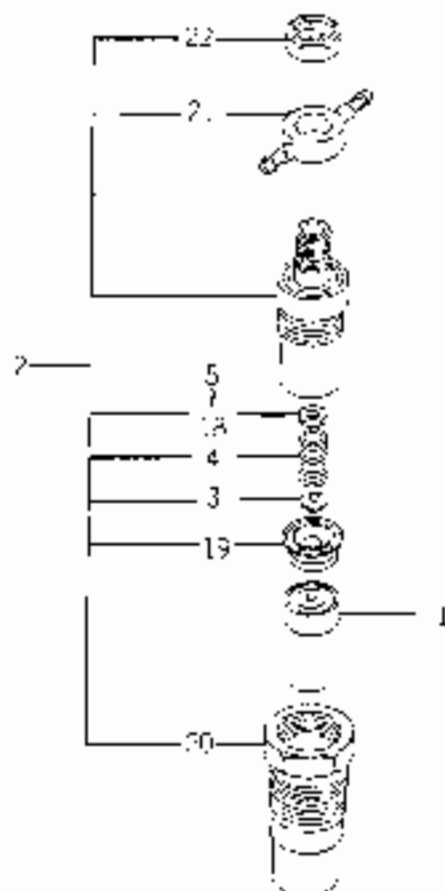
FIG. 24 ELECTRICAL PARTS



02400

KEY	PART CODE	DESCRIPTION	QTY	TYPE OF MODE.		C	D	REMARKS
				PRE	FOR			
1	0281 971 001 - 10	SWITCH-PLUNGER, 10	1	.	.			
2	5281 - 410 - 001 - 20	PLUG, 20	2	.	.			
3	5018 732 075 00	CONDUCTOR	1	.	.			
4	553 - 420 - 033 - 00	RESISTANCE CONTROL	1	.	.			
5	5082 400 014 00	SWITCH-HERMETER	1	.	.			

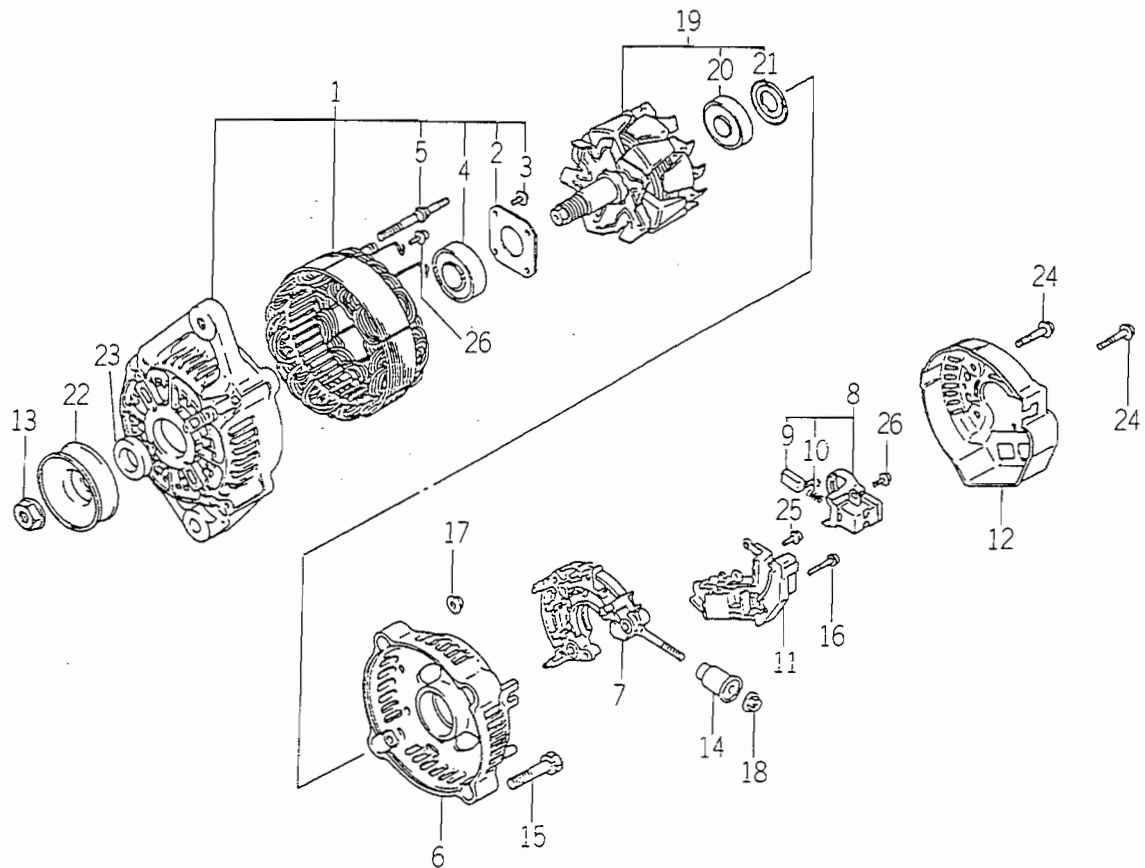
FIG. 25 COMPONENT PARTS FOR 6215 - 300 - 110 - 00 FIG.20



Key

KEY	PART CODE	DESCRIPTION	QTY	TYPE OF MODEL			REMARKS
				1 C C	2 C I	3 C P	
1	6215 - 311 - 010 - 00	NEEDLE	3				
2	6215 - 330 - 017 - 00	NOZ OFF. NOZZLE ASSEMBLY	3				
3	6215 - 347 - 003 - 00	ROD PUSHER	3				
4	6215 - 343 - 003 - 00	SPRING, NOZZLE	3				
5	6215 - 345 - 054 - 00	SHIM	3				
6	6215 - 345 - 055 - 00	SHIM	3				
7	6215 - 345 - 056 - 00	SHIM	3				
8	6215 - 345 - 057 - 00	SHIM	3				
9	6215 - 345 - 058 - 00	SHIM	3				
10	6215 - 345 - 059 - 00	SHIM	3				
11	6215 - 345 - 060 - 00	SHIM	3				
12	6215 - 345 - 061 - 00	SHIM	3				
13	6215 - 345 - 062 - 00	SHIM	3				
14	6215 - 345 - 063 - 00	SHIM	3				
15	6215 - 345 - 064 - 00	SHIM	3				
16	6215 - 345 - 065 - 00	SHIM	3				
17	6215 - 345 - 066 - 00	SHIM	3				
18	6215 - 345 - 067 - 00	SHIM	3				
19	6215 - 330 - 003 - 00	SPACER	3				
20	6215 - 332 - 003 - 00	NUT	3				
21	6215 - 355 - 004 - 00	WASHER	3				
22	6215 - 359 - 004 - 00	NUT	3				

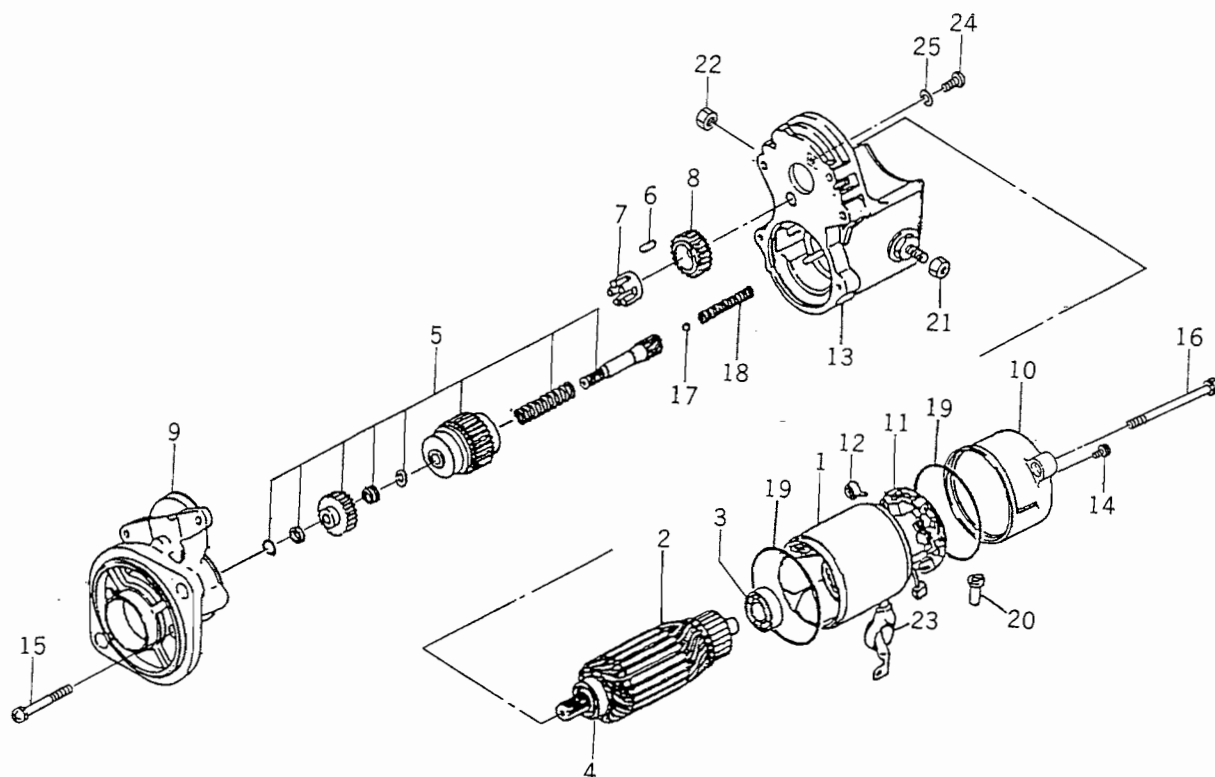
FIG. 26 COMPONENT PARTS FOR 6281 - 200 - 004 - 00 ON FIG.23



5002-8011

KEY	PART CODE	DESCRIPTION	QTY	TYPE OF MODEL		I T C	C O L	G R P	REMARKS
				E3AF1 B01K					
1	6281 - 213 - 006 - 00	FRAME ASSY	1	*					
2	6281 - 229 - 006 - 00	PLATE	1	*					
3	6281 - 229 - 007 - 00	BOLT	4	*					
4	6281 - 229 - 009 - 00	BEARING	1	*					
5	6281 - 229 - 008 - 00	BOLT	2	*					
6	6281 - 214 - 003 - 00	FRAME	1	*					
7	6281 - 229 - 029 - 00	HOLDER ASSY	1	*					
8	6281 - 217 - 001 - 00	HOLDER,BRUSH ASSY	1	*					
9	6281 - 215 - 001 - 00	BRUSH	2	*					
10	6281 - 216 - 001 - 00	SPRING	2	*					
11	6281 - 271 - 002 - 00	REGULATOR ASSY	1	*					
12	6281 - 214 - 004 - 00	COVER	1	*					
13	6281 - 229 - 002 - 00	NUT	1	*					
14	6281 - 229 - 011 - 00	BUSH	1	*					
15	6281 - 229 - 017 - 00	BOLT	2	*					
16	6281 - 229 - 012 - 00	BOLT	2	*					
17	6281 - 229 - 016 - 00	NUT	2	*					
18	6281 - 229 - 018 - 00	NUT	1	*					
19	6281 - 221 - 001 - 00	ROTOR ASSY	1	*					
20	6281 - 229 - 005 - 00	BEARING	1	*					
21	6281 - 229 - 004 - 00	COVER,BEARING	1	*					
22	6281 - 222 - 002 - 00	PULLEY	1	*					
23	6281 - 229 - 003 - 00	COLLOR	1	*					
24	6281 - 229 - 015 - 00	BOLT	3	*					
25	6281 - 229 - 014 - 00	BOLT	1	*					

FIG. 27 COMPONENT PARTS FOR 6281 - 100 - 009 - 10 ON FIG.23

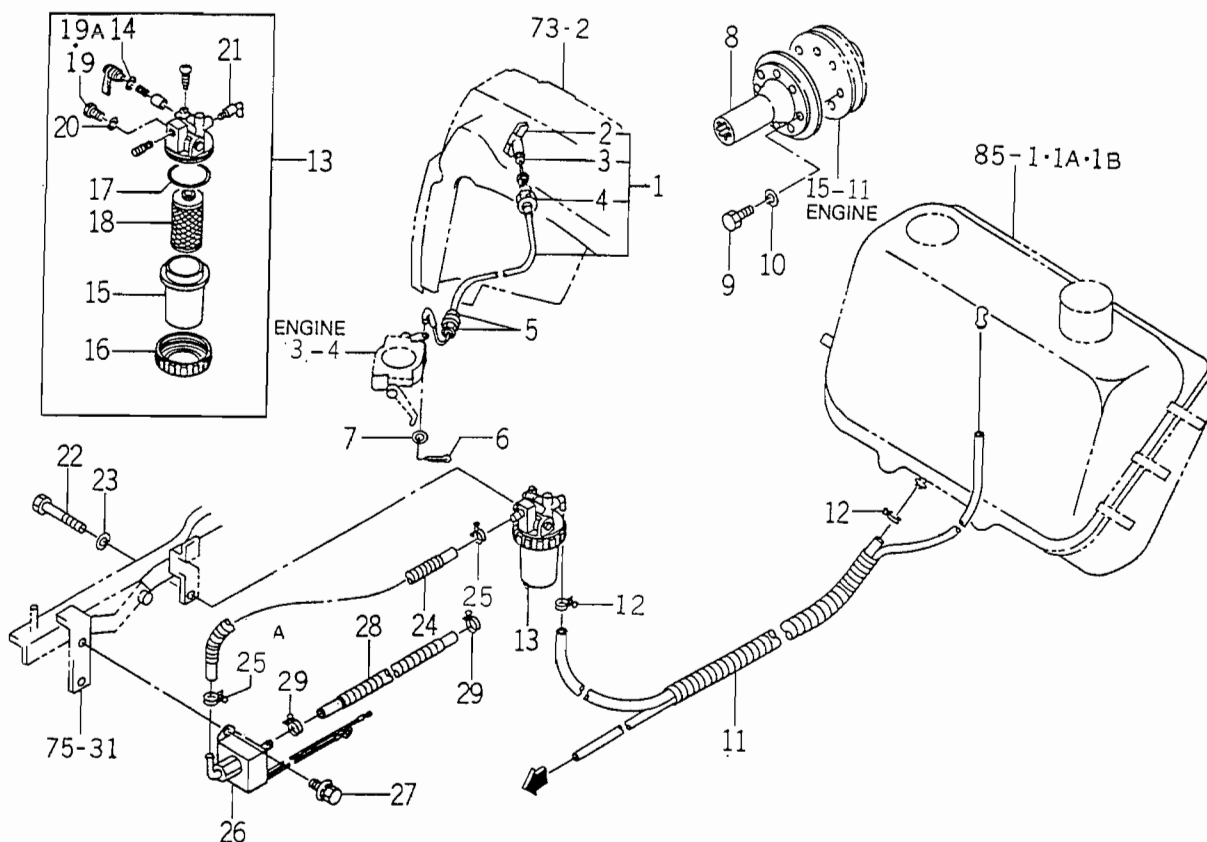


6002-8011

KEY	PART CODE	DESCRIPTION	QTY	TYPE OF MODEL		I T C	C O L	G R P	REMARKS
				E3AF1 B01K					
1	6281 - 111 - 007 - 00	YORK,STARTOR ASSY	1	*					
2	6281 - 121 - 008 - 00	ARMATURE,STARTERASSY	1	*					
3	6281 - 129 - 038 - 00	BEARING	1	*					
4	6281 - 129 - 039 - 00	BEARING	1	*					
5	6281 - 124 - 007 - 00	CLUTCH,STARTER ASSY	1	*					
6	6581 - 129 - 099 - 00	ROLLER,CLUTCH	5	*					
7	6281 - 129 - 040 - 00	RETAINER	1	*					
8	6281 - 123 - 005 - 00	PINION,STARTER	1	*					
9	6281 - 129 - 041 - 00	HOUSING,STARTER ASSY	1	*					
10	6281 - 115 - 013 - 00	FRAME	1	*					
11	6281 - 116 - 006 - 00	HOLDER,STARTER ASSY	1	*					
12	6281 - 129 - 056 - 00	SPRING,BRUSH	4	*					
13	6281 - 151 - 013 - 00	SWITCH,MAGNETIC ASSY	1	*					
14	6281 - 129 - 005 - 00	SCREW	2	*					
15	6281 - 129 - 042 - 00	BOLT,WS	2	*					
16	6281 - 129 - 055 - 00	BOLT	2	*					
17	6581 - 129 - 092 - 00	BALL,STEEL	1	*					
18	6281 - 129 - 044 - 00	SPRING,RETURN	1	*					
19	6281 - 129 - 003 - 00	O - RING	2	*					
20	6281 - 115 - 009 - 00	BUSH,DRAIN	1	*					
21	6909 - 111 - 508 - 00	NUT	1	*					
22	6281 - 229 - 041 - 00	NUT	1	*					
23	6281 - 115 - 010 - 00	COVER	1	*					
24	6281 - 129 - 054 - 00	SCREW	1	*					
25	6281 - 129 - 053 - 00	WASHER,SPRING	1	*					

CHASSIS

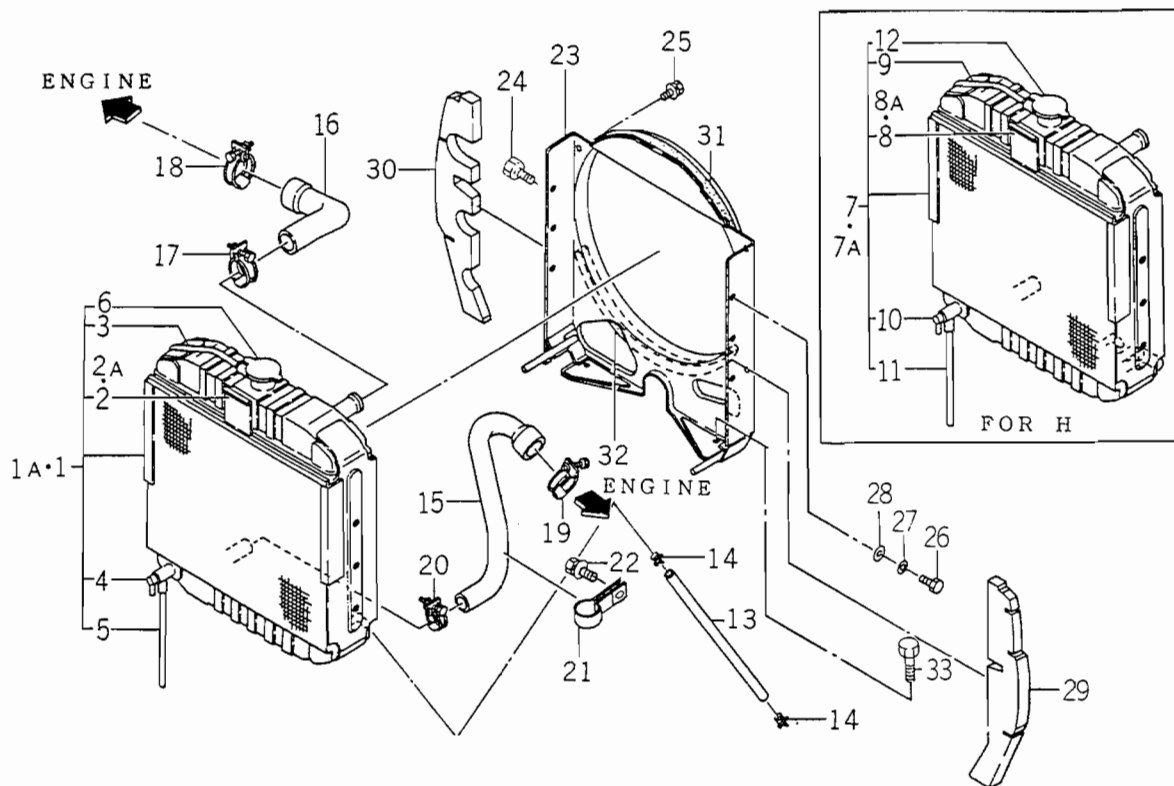
FIG. 1 ENGINE STOP AND FILTER SYSTEM



1603-101

KEY	PART CODE	DESCRIPTION	QTY	TYPE OF MODEL		I T C	C O L	G R P	REMARKS
				TU320	TU320F				
1	1603 - 101 - 200 - 00	CABLE,STOP/700 ASSY	1	*	*				
2	1515 - 623 - 201 - 00	KNOB	1	*	*				
3	V301 - 260 - 005 - 00	NUT/M5	1	*	*				
4	1421 - 621 - 007 - 00	NUT/M14	1	*	*				
5	V363 - 260 - 008 - 00	NUT,LOCK/M8	2	*	*				
6	V500 - 161 - 601 - 00	PIN,SPLIT/1.6X10	1	*	*				
7	V411 - 260 - 005 - 00	WASHER,PL/M 5	1	*	*				
8	1509 - 101 - 001 - 00	BOSS,PTO SPLINE	1	*	*				
9	V201 - 360 - 802 - 50	BOLT/M 8X25	4	*	*				
10	V401 - 160 - 008 - 00	WASHER,SP/M 8	4	*	*				
11	1588 - 105 - 200 - 00	HOSE,FUEL ASSY	1	*	*				
12	J061 - 210 - 012 - 00	CLAMP/WIRE/10 - 12	2	*	*				
13	1588 - 105 - 220 - 00	FILTER ASSY	1	*	*				
14	V720 - 102 - 401 - 00	O - RING/P10A	1	*	*				
15	1415 - 102 - 009 - 00	CUP	1	*	*				
16	1444 - 102 - 204 - 00	NUT,RING	1	*	*				
17	V720 - 101 - 004 - 40	O - RING/P44	1	*	*				
18	1415 - 102 - 011 - 00	ELEMENT	1	*	*				
19	1415 - 102 - 012 - 00	PLUG,BREATHING	2	1- -10	1- -1252				
19A	1572 - 102 - 003 - 00	BOLT/M06X08/UPSET	2	11-	1253-				
20	1415 - 102 - 013 - 00	PACKING	2	*	*				
21	1444 - 102 - 206 - 00	JOINT,L TYPE	1	*	*				
22	V201 - 260 - 807 - 00	BOLT/M 8X70	1	*	*				
23	V401 - 160 - 008 - 00	WASHER,SP/M 8	1	*	*				
24	1575 - 105 - 001 - 00	HOSE	1	*	*				

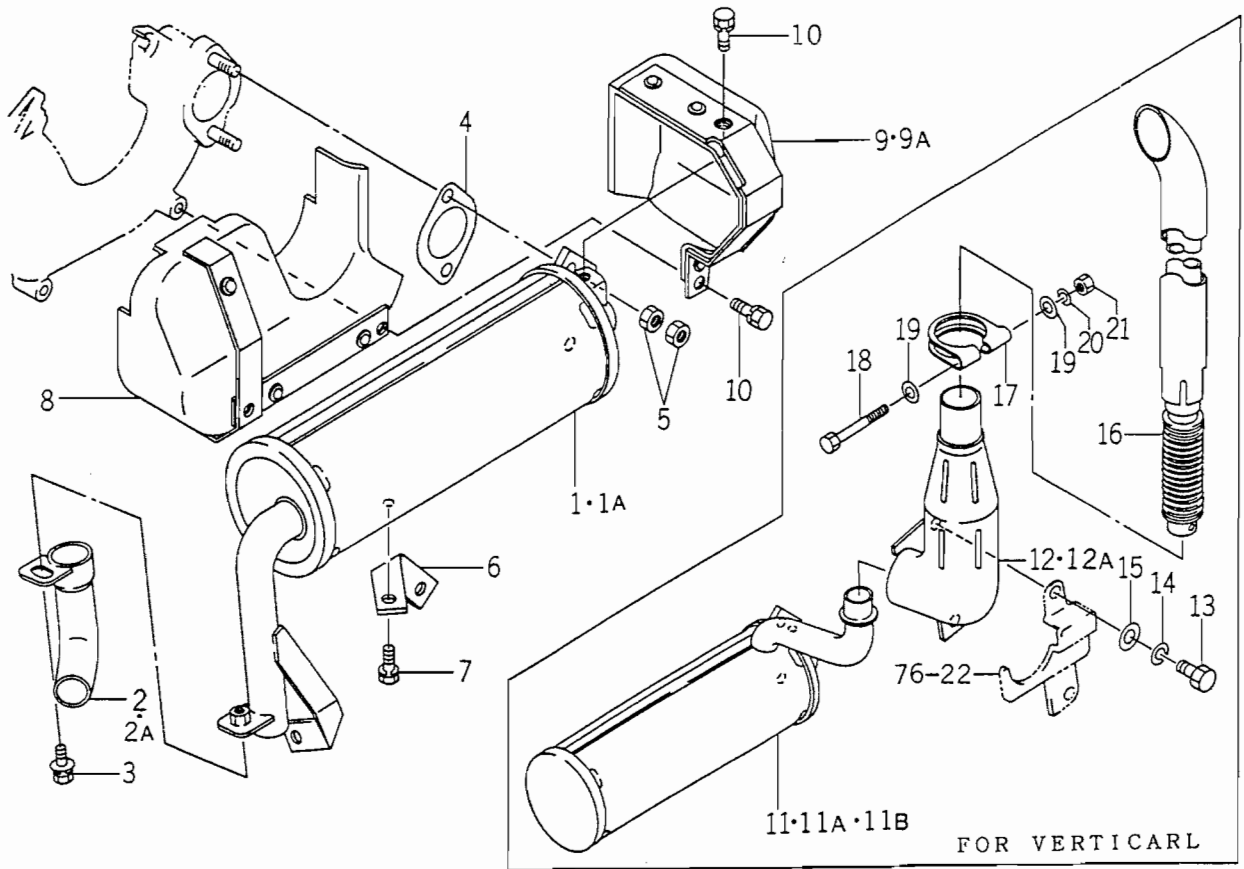
FIG. 2 RADIATOR SYSTEM



1605-101

KEY	PART CODE	DESCRIPTION	QTY	TYPE OF MODEL		I T C	C O L	G R P	REMARKS
				TU320	TU320F				
1	1603 - 102 - 200 - 00	RADIATOR ASSY	1		1- -1150 1151-				
1A	1603 - 102 - 200 - 10	RADIATOR ASSY	1						
2	1588 - 102 - 202 - 00	GOUZE,WIRE COMP	1		1- -1150 1151-				
2A	1603 - 102 - 202 - 00	NET,WIRE COMP	1						
3	1588 - 102 - 203 - 00	HOSE	1		*				
4	1575 - 102 - 203 - 00	PLUG ASSY	1		*				
5	1588 - 102 - 204 - 00	HOSE	1		*				
6	1421 - 101 - 313 - 00	CAP	1		*				
7	1603 - 102 - 500 - 00	RADIATOR ASSY	1	1- -10 11-	1- -1150 1151-				
7A	1603 - 102 - 500 - 10	RADIATOR ASSY	1						
8	1588 - 102 - 202 - 00	GOUZE,WIRE COMP	1	1- -10 11-	1- -1150 1151-				
8A	1603 - 102 - 202 - 00	NET,WIRE COMP	1						
9	1588 - 102 - 203 - 00	HOSE	1	*	*				
10	1575 - 102 - 203 - 00	PLUG ASSY	1	*	*				
11	1588 - 102 - 204 - 00	HOSE	1	*	*				
12	1421 - 101 - 313 - 00	CAP	1	*	*				
13	1588 - 102 - 005 - 00	HOSE/08X15X400	1	*	*				
14	J061 - 210 - 015 - 00	CLAMP/WIRE/10 - 15	2	*	*				
15	1588 - 102 - 001 - 00	HOSE,RADIATOR/OUTLET	1	*	*				
16	1588 - 102 - 002 - 00	HOSE,RADIATOR/INLET	1	*	*				
17	J061 - 230 - 038 - 00	CLAMP/WIRE/30 - 38	1	*	*				
18	J061 - 238 - 046 - 00	CLAMP/WIRE/38 - 46	1	*	*				
19	J061 - 238 - 046 - 00	CLAMP/WIRE/38 - 46	1	*	*				
20	J061 - 224 - 032 - 00	CLAMP/WIRE/24 - 32	1	*	*				
21	1560 - 104 - 009 - 00	CLIP	1	*	*				

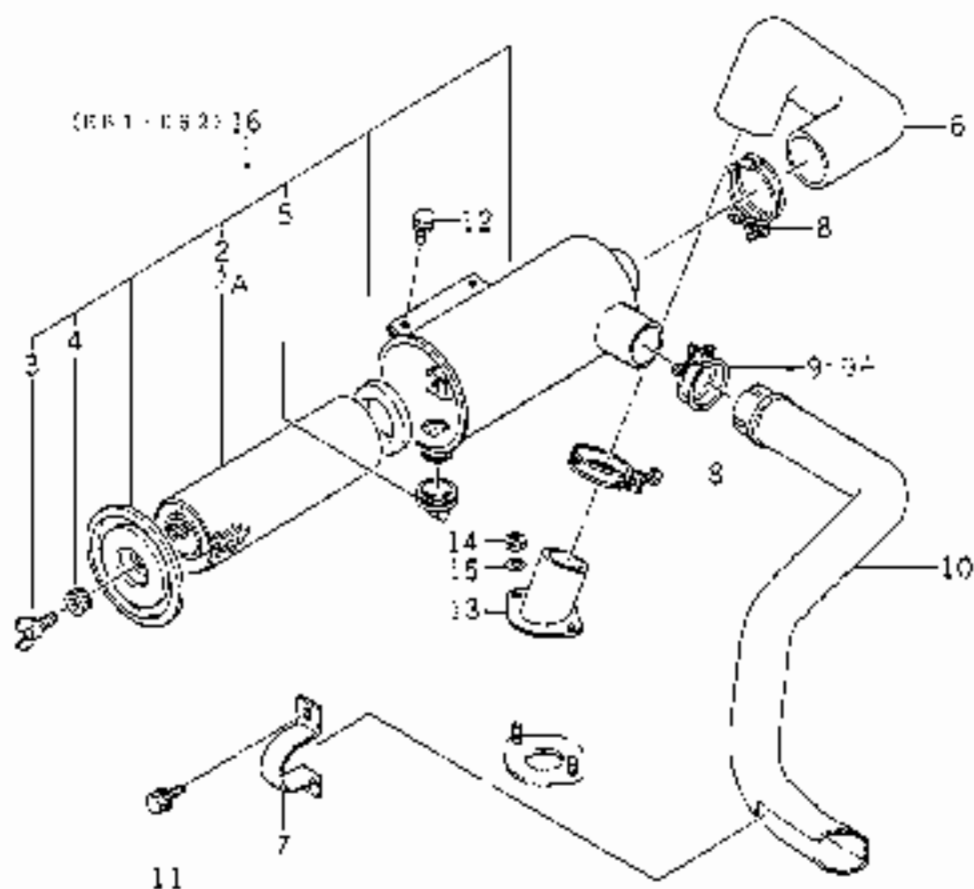
FIG. 3 MUFFLER SYSTEM



1603-103

KEY	PART CODE	DESCRIPTION	QTY	TYPE OF MODEL		I T C	C O L	G R P	REMARKS
				TU320	TU320F				
1	1603 - 103 - 210 - 00	MUFFLER COMP	1		1- -689				
1A	1588 - 103 - 310 - 10	MUFFLER COMP	1		690-				
2	1603 - 103 - 220 - 00	PIPE, TAIL COMP	1		1- -694				
2A	1588 - 103 - 220 - 00	PIPE/TAIL COMP	1		695-				
3	V211 - 360 - 801 - 60	BOLT, SP/M8X16	1		*				
4	1594 - 105 - 001 - 00	GASKET	1	*	*				
5	V333 - 500 - 010 - 00	NUT/M10	4	*	*				
6	1603 - 103 - 001 - 00	PLATE	1	*	*				
7	1600 - 103 - 006 - 00	BOLT, SP/M8X1.25X25	2	*	*				
8	1603 - 103 - 240 - 00	INSULATOR/F COMP	1	*	*				
9	1603 - 103 - 260 - 00	INSULATOR/R COMP	1		1- -32				
9A	1603 - 103 - 260 - 10	INSULATOR/R COMP	1		33-				
10	1600 - 103 - 006 - 00	BOLT, SP/M8X1.25X25	4	*	*				
11	1603 - 103 - 310 - 00	MUFFLER	1		1- -14				
11A	1603 - 103 - 310 - 10	MUFFLER COMP	1		15- -106				
11B	1603 - 103 - 310 - 20	MUFFLER COMP	1		107-				
12	1600 - 103 - 310 - 00	COVER, TAIL COMP	1		1- -77				
12A	1600 - 103 - 310 - 10	COVER, TAIL COMP	1		78-				
13	V201 - 261 - 202 - 50	BOLT/M12X25	2	*	*				
14	V401 - 160 - 012 - 00	WASHER, SP/M12	2	*	*				
15	V411 - 260 - 012 - 00	WASHER/M12	2	*	*				
16	1600 - 103 - 320 - 00	PIPE, TAIL COMP	1	*	*				
17	1560 - 105 - 251 - 00	CLAMP	1	*	*				
18	V201 - 260 - 808 - 00	BOLT/M 8X80	1	*	*				
19	V411 - 260 - 008 - 00	WASHER, PL/M8	2	*	*				

FIG. 4 AIR CLEANER SYSTEM



KEY	PART CODE	DESCRIPTION	QTY	TYPE OF MODEL		C	C	G	R	REMARKS
				"U323	"L32CF					
1	1566 - 104 - 200 - 00	CLEANER, AIR ASSY	1	
2	1550 - 104 - 202 - 00	ELEMENT, PAPER	1	
2A	1510 - 103 - 360 - 00	ELEMENT, PAPER ASSY	1	II	452	
3	V271 - 150 - 602 - 60	BOLT, HEX/CS	1	
4	1540 - 104 - 204 - 00	PACKING ASSY	1	
5	1544 - 104 - 205 - 00	VALVE	1	
6	1588 - 104 - 001 - 00	PIPE, OUTLET	1	
7	1599 - 104 - 002 - 00	CLIP	1	
8	J081 - 252 - 053 - 00	CLAMP, WIRE/CS	1	
9	3021 - 304 - 003 - 00	CUP/SS	1	II	452	
10	J061 - 247 - 055 - 00	CLAMP, WIRE/CS	1	II	452	
11	1555 - 104 - 003 - 00	PRE-FILTER	1	
12	V271 - 280 - 601 - 60	BOLT, SP/MS/15	1	
13	V271 - 280 - 601 - 60	BOLT, SP/MS/15	1	
14	1566 - 104 - 210 - 00	PRE-FILTER COND	1	
14	V304 - 250 - 008 - 00	DIPPER	2	
15	V401 - 150 - 006 - 00	WASH BRUSH, MB	2	
15	1603 - 104 - 210 - 00	CLEANER, AIR/BRG ASSY	1	

FIG. 5 BATTERY SYSTEM

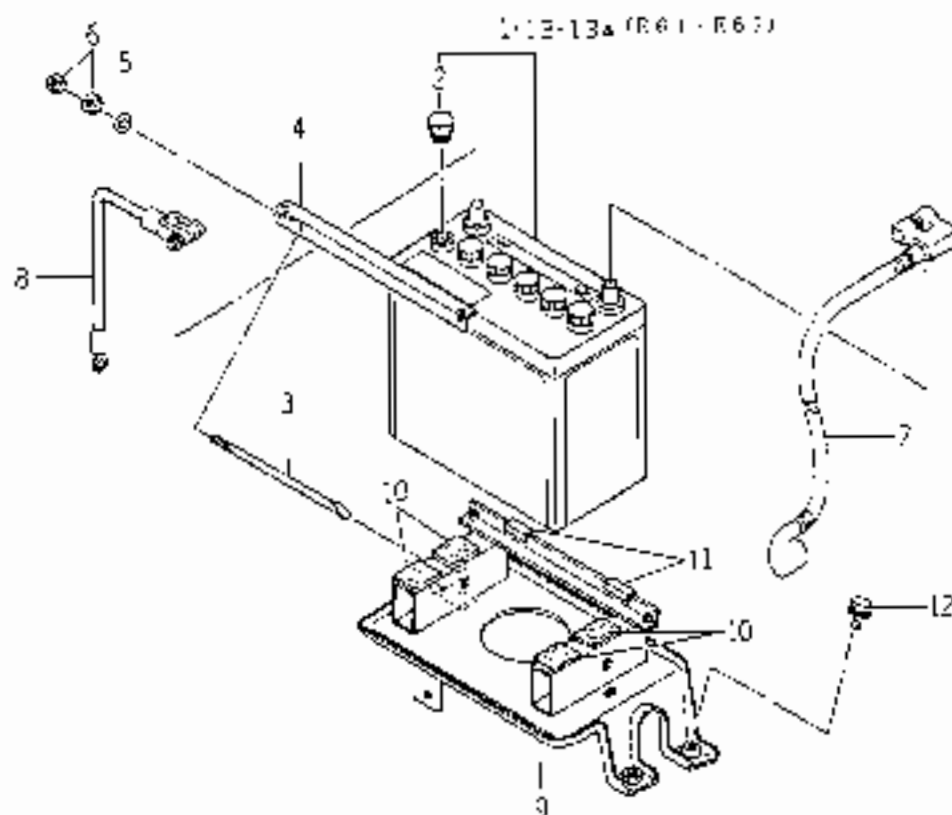
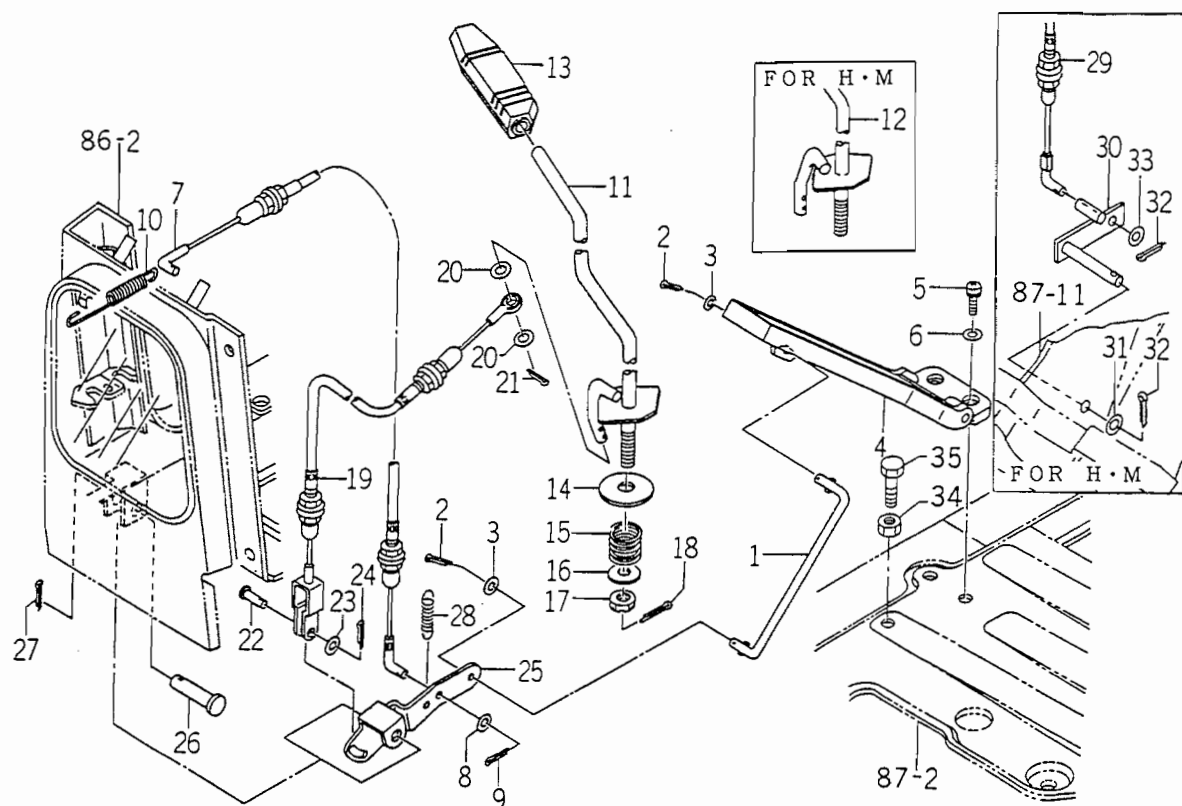


FIG. 5

KEY	PART CODE	DESCRIPTION	QTY	TYPE OF MODEL		C	S	REMARKS
				TIC20	T.320F			
1	1134-621-210-20	BATTERY ASSY	1					
2	427-621-002-10	CABLE BAY	1					
3	1570-112-003-00	DO T/V5Y201 BATTERY PLATE	2					
4	1570-112-004-00	PLATE	1					
5	V411-260-006-00	WASHER-V5	2					
6	V301-260-006-00	NJ/NL	2					
7	1480-111-003-10	CAR BATTERY	1					
8	1549-112-230-10	CABLE EARTH ASSY	1					
9	1503-111-200-10	BRACKET BATTERY COMP	1					
10	1427-111-229-00	CUSHION RUBBER	2					
11	1575-112-007-00	INSULATOR	2					
12	V211-360-801-00	ROU T.57-M6X15	4					
13	1480-112-200-10	BATTERY/45H244 ASSY	1					
14	1575-112-210-00	BATTERY/45H244 ASSY	1					

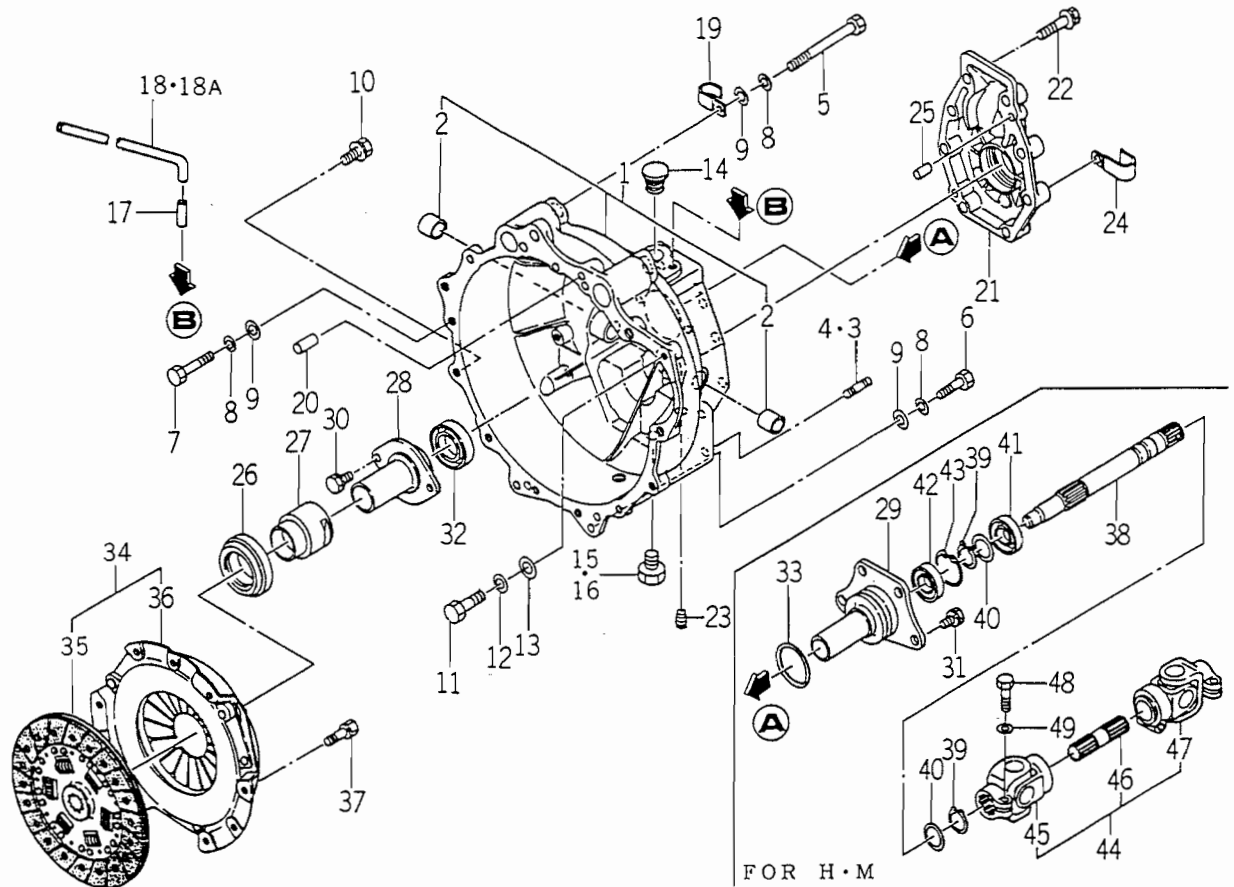
FIG. 6 ACCELE SYSTEM



1603-116

KEY	PART CODE	DESCRIPTION	QTY	TYPE OF MODEL		I T C	C O L	G R P	REMARKS
				TU320	TU320F				
1	1544 - 116 - 001 - 30	ROD,ACCLE	1		*				
2	V500 - 162 - 501 - 50	PIN,SPLIT/2.5X15	2		*				
3	V411 - 260 - 006 - 00	WASHER/M6	2		*				
4	1568 - 116 - 210 - 00	PEDAL ASSY	1		*				
5	V120 - 266 - 001 - 60	SCREW SEEMS/M6X16	2		*				
6	V411 - 260 - 006 - 00	WASHER/M6	2		*				
7	1603 - 116 - 200 - 00	CABLE,AXLE ASSY	1		*				
8	V411 - 260 - 006 - 00	WASHER/M6	2		*				
9	V500 - 162 - 501 - 50	PIN,SPLIT/2.5X15	2		*				
10	1588 - 117 - 001 - 00	SPRING/HE089	1		*				
11	1600 - 117 - 200 - 00	LEVER,AXLE COMP	1		*				
12	1603 - 117 - 200 - 00	LEVER,AXLE COMP	1	*	*				
13	1544 - 117 - 005 - 10	CRIP/10X115	1	*	*				
14	1600 - 117 - 002 - 00	LINING/11X40X03	1	*	*				
15	1404 - 117 - 008 - 00	SPRING,PRESS/22	1	*	*				
16	V411 - 260 - 010 - 00	WASHER/M10	1	*	*				
17	V328 - 262 - 110 - 00	NUT/M10X1.25	1	*	*				
18	V500 - 162 - 502 - 50	PIN,SPLIT/2.5X25	1	*	*				
19	1575 - 117 - 220 - 00	CABLE ASSY	1		*				
20	V411 - 260 - 008 - 00	WASHER,PL/M8	2		*				
21	V500 - 162 - 502 - 00	PIN,SPLIT/2.5X20	1		*				
22	1326 - 401 - 007 - 00	PIN,MAIN CLUTCH CAM	1		*				
23	V411 - 260 - 006 - 00	WASHER/M6	1		*				
24	V500 - 162 - 001 - 50	PIN,SPLIT/2 X15	1		*				
25	1575 - 117 - 001 - 00	ARM,AXLE	1		*				

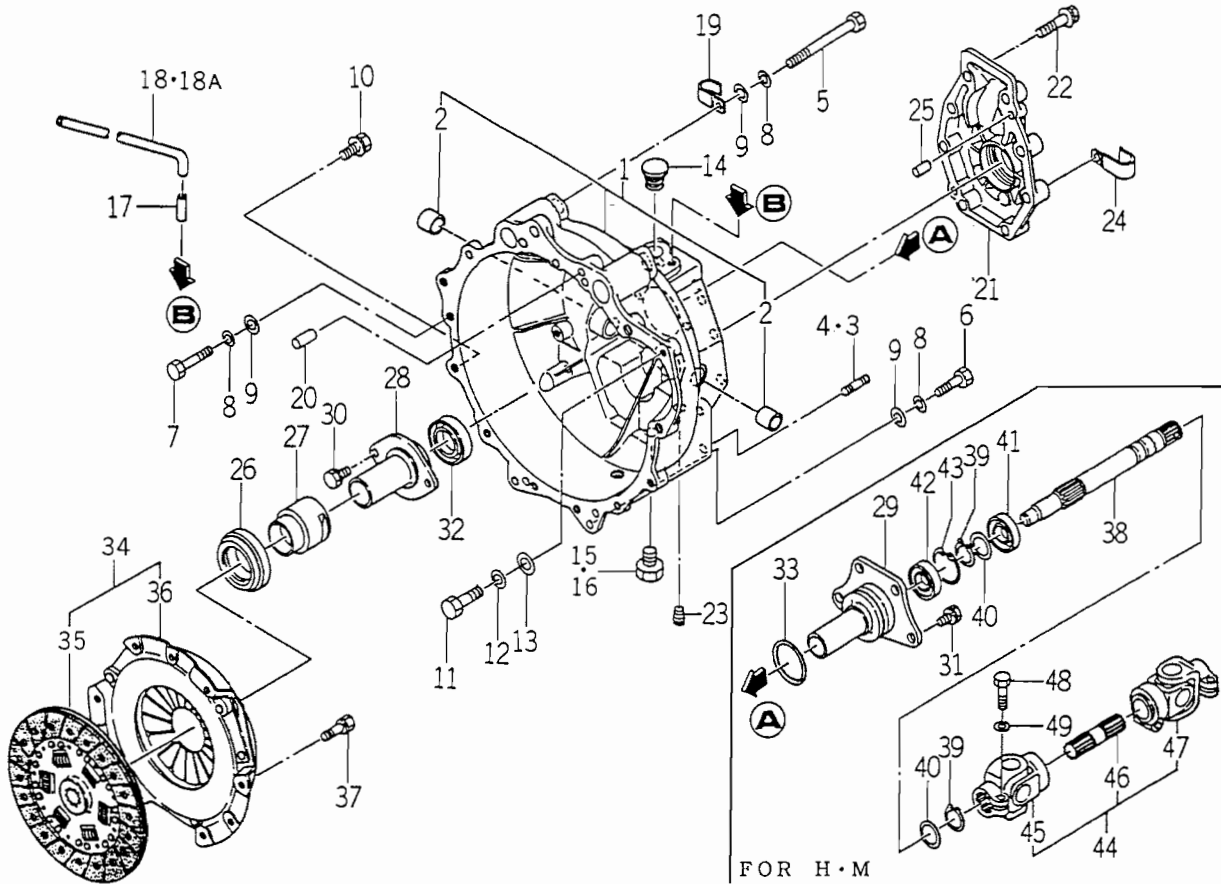
FIG. 7 CLUTCH HOUSING SYSTEM



1603-120

KEY	PART CODE	DESCRIPTION	QTY	TYPE OF MODEL		I T C	C O L	G R P	REMARKS
				TU320	TU320F				
1	1575 - 120 - 200 - 00	HOUSING,CLUTCH SET	1	*	*				
2	1544 - 120 - 007 - 10	BUSH/19X22X20	2	*	*				
3	V252 - 261 - 002 - 50	BOLT,STUD/M10X25	4	*	*				
4	V252 - 261 - 002 - 00	BOLT,STUD/M10X20	1	*	*				
5	V203 - 261 - 010 - 00	BOLT/M10X1.25X100	2	*	*				
6	V203 - 261 - 003 - 50	BOLT/M10X1.25X35	2	*	*				
7	V201 - 261 - 004 - 50	BOLT/M10X45	1	*	*				
8	V401 - 160 - 010 - 00	WASHER,SP/M10	5	*	*				
9	V411 - 260 - 010 - 00	WASHER/M10	4	*	*				
10	V211 - 361 - 002 - 00	BOLT,SEMS	3	*	*				
11	V201 - 261 - 203 - 50	BOLT/M12X35	3	*	*				
12	V401 - 160 - 012 - 00	WASHER,SP/M12	3	*	*				
13	V411 - 260 - 012 - 00	WASHER /M12	1	*	*				
14	7963 - 208 - 004 - 00	CAP,OIL/23	1		*				
15	7955 - 201 - 026 - 00	PLUG,DRAIN (1/4)	1	*	*				
16	V780 - 140 - 000 - 40	PLUG PT1/4	1	*	*				
17	1544 - 120 - 008 - 10	PIPE,BREATHER	1		*				
18	1544 - 120 - 009 - 00	TUBE/300	1		1- 511				
18A	1575 - 120 - 003 - 10	TUBE/650	1		512-				
19	3737 - 172 - 011 - 00	CLAMP,HARNESS	1		*				
20	V520 - 101 - 001 - 80	PIN,ST/10X18	1	*	*				
21	1575 - 120 - 002 - 10	METAL,CLUTCH	1		*				
22	V211 - 361 - 004 - 50	BOLT/M10X45	8		*				
23	V781 - 160 - 000 - 20	PLUG/PT1/8	1		*				
24	3737 - 172 - 011 - 00	CLAMP,HARNESS	1		*				

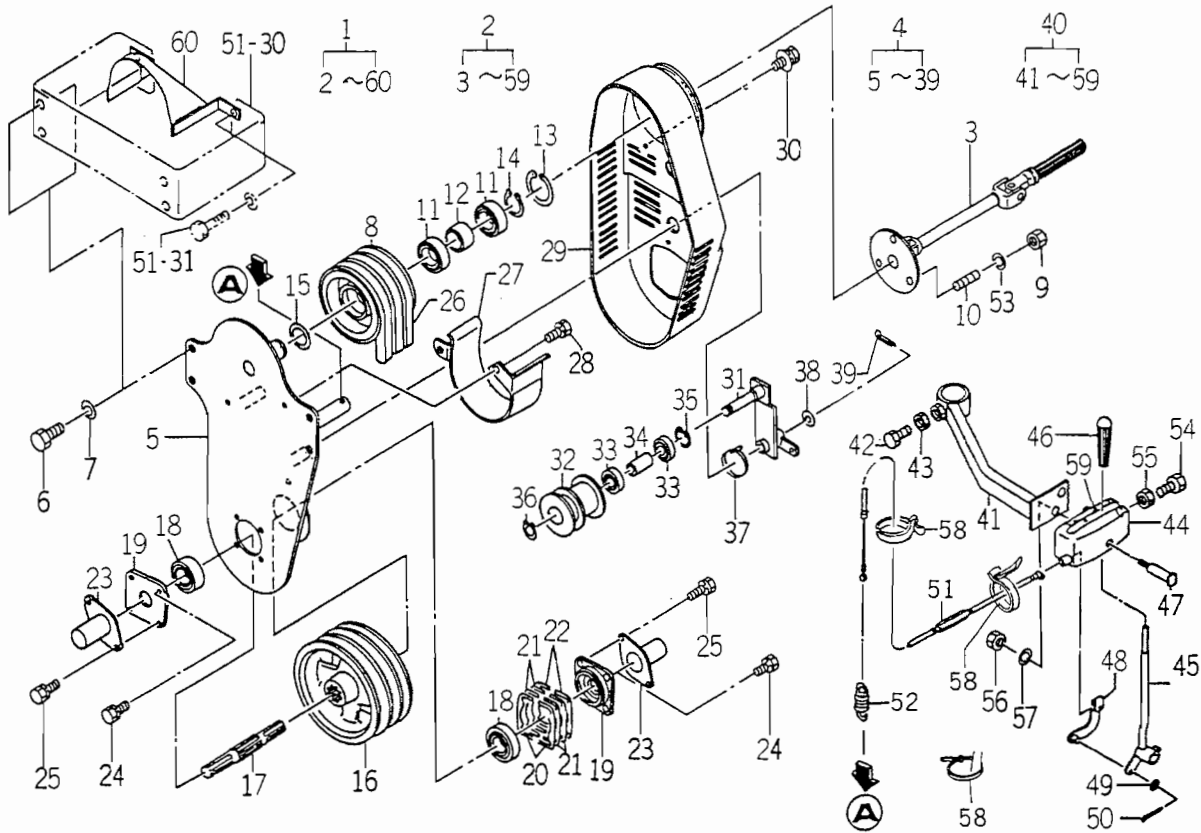
FIG. 7 CLUTCH HOUSING SYSTEM



1603-120

KEY	PART CODE	DESCRIPTION	QTY	TYPE OF MODEL		I T C	C O L	G R P	REMARKS
				TU320	TU320F				
25	V520 - 100 - 801 - 60	PIN,ST/8X16	2		*				
26	1444 - 120 - 002 - 00	BEARING,CLUTCH RS.	1	*	*				
27	1550 - 120 - 001 - 00	SLEEVE	1	*	*				
28	1550 - 120 - 002 - 00	GUIDE,SLEEVE	1		*				
29	1603 - 120 - 052 - 00	GUIDE,SLEEVE	1	*	*				
30	V211 - 260 - 802 - 00	BOLT,S/M8X20	2		*				
31	V211 - 261 - 002 - 50	BOLT,S/M10X25	4	*	*				
32	V744 - 125 - 470 - 80	SEAL,OIL/TC25478	1		*				
33	V720 - 105 - 705 - 20	O - RING/P52	1	*	*				
34	1603 - 120 - 200 - 10	CLUTCH/200 ASSY	1	*	*				
35	1603 - 120 - 210 - 10	CLUTCH,DISK/200 COMP	1	*	*				
36	1444 - 120 - 202 - 00	COVER,CLUTCH	1	*	*				
37	V211 - 260 - 802 - 50	BOLT,S/M8X25	6	*	*				
38	1603 - 120 - 053 - 00	SHAFT,INPUT	1	*	*				
39	V704 - 140 - 020 - 00	RING,SNAP/20 C	2	*	*				
40	1427 - 212 - 002 - 00	WASHER/20X28X2	2	*	*				
41	V744 - 120 - 420 - 80	SEAL,OIL/TC20428	1	*	*				
42	V600 - 150 - 600 - 40	BEARING,RB/6004SS	1	*	*				
43	V705 - 140 - 042 - 00	RING,SNAP/42 C	1	*	*				
44	1600 - 120 - 500 - 00	JOINT,UNIVERSAL ASSY	1	*	*				
45	1548 - 120 - 302 - 10	JOINT,UNIVERSAL,F	1	*	*				
46	1600 - 120 - 501 - 00	SHAFT,JOINT	1	*	*				
47	1548 - 120 - 303 - 10	JOINT,UNIVERSAL,R	1	*	*				
48	1544 - 122 - 004 - 10	BOLT/M8X30	3	*	*				
49	V401 - 160 - 008 - 00	WASHER,SP/M 8	3	*	*				

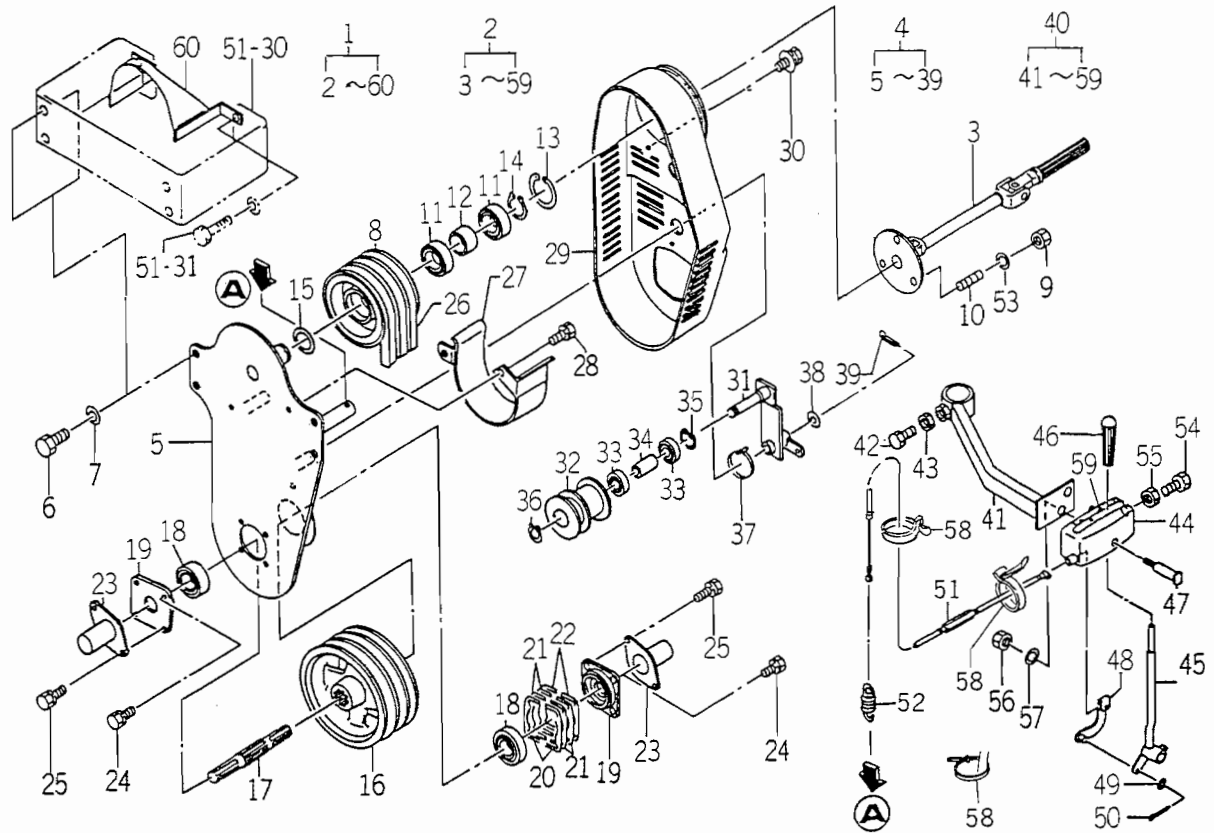
FIG. 10 FRONT P.T.O. SYSTEM (20) (OPTION)



1603-130Y

KEY	PART CODE	DESCRIPTION	QTY	TYPE OF MODEL		I T C	C O L	G R P	REMARKS
				TU320	TU320F				
1	1603 - 130 - 270 - 10	PTO,FRONT/A20 SET	1		T				
2	1603 - 130 - 200 - 10	PTO,FLONT/A SET	1		T				
3	1603 - 130 - 220 - 00	JOINT,UNIVERSAL ASSY	1		T				
4	1603 - 130 - 230 - 00	PTO,FRONT/A ASSY	1		T				
5	1603 - 130 - 240 - 00	BRACKET,PTO/A COMP	1		T				
6	V201 - 261 - 202 - 50	BOLT/M12X25	4		T				
7	V401 - 160 - 012 - 00	WASHER,SP/M12	4		T				
8	1509 - 130 - 001 - 00	PULLEY,V/121	1		T				
9	V304 - 460 - 012 - 00	NUT/M12	3		T				
10	V251 - 341 - 202 - 80	BOLT,STUD/M12X28	3		T				
11	1603 - 130 - 002 - 00	BEARING,RB/60062RDC3	2		T				
12	1422 - 181 - 019 - 00	COLLAR 30X38X17	1		T				
13	V707 - 140 - 055 - 00	RING,SNAP	1		T				
14	V704 - 140 - 030 - 00	RING,SNAP/30 C	1		T				
15	1422 - 181 - 020 - 00	SHIM,PULLEY PIN	1		T				
16	1422 - 181 - 022 - 00	PULLEY,V 158	1		T				
17	1422 - 181 - 023 - 00	SHAFT,PTO (DN)	1		T				
18	1600 - 130 - 003 - 00	BEARING, RB62052RDC3	2		T				
19	1427 - 130 - 224 - 00	METAL,PTO SHAFT	2		T				
20	1422 - 180 - 207 - 00	SHIM,PTO SHAFT A	4		T				
21	1422 - 180 - 208 - 00	SHIM,PTO SHAFT B	4		T				
22	1422 - 180 - 209 - 00	SHIM,PTO SHAFT C	4		T				
23	1427 - 130 - 270 - 00	CAP,SHAFT (B) COMP	2		T				
24	V211 - 260 - 802 - 00	BOLT,S/M8X20	4		T				
25	V211 - 260 - 802 - 50	BOLT,S/M8X25	4		T				

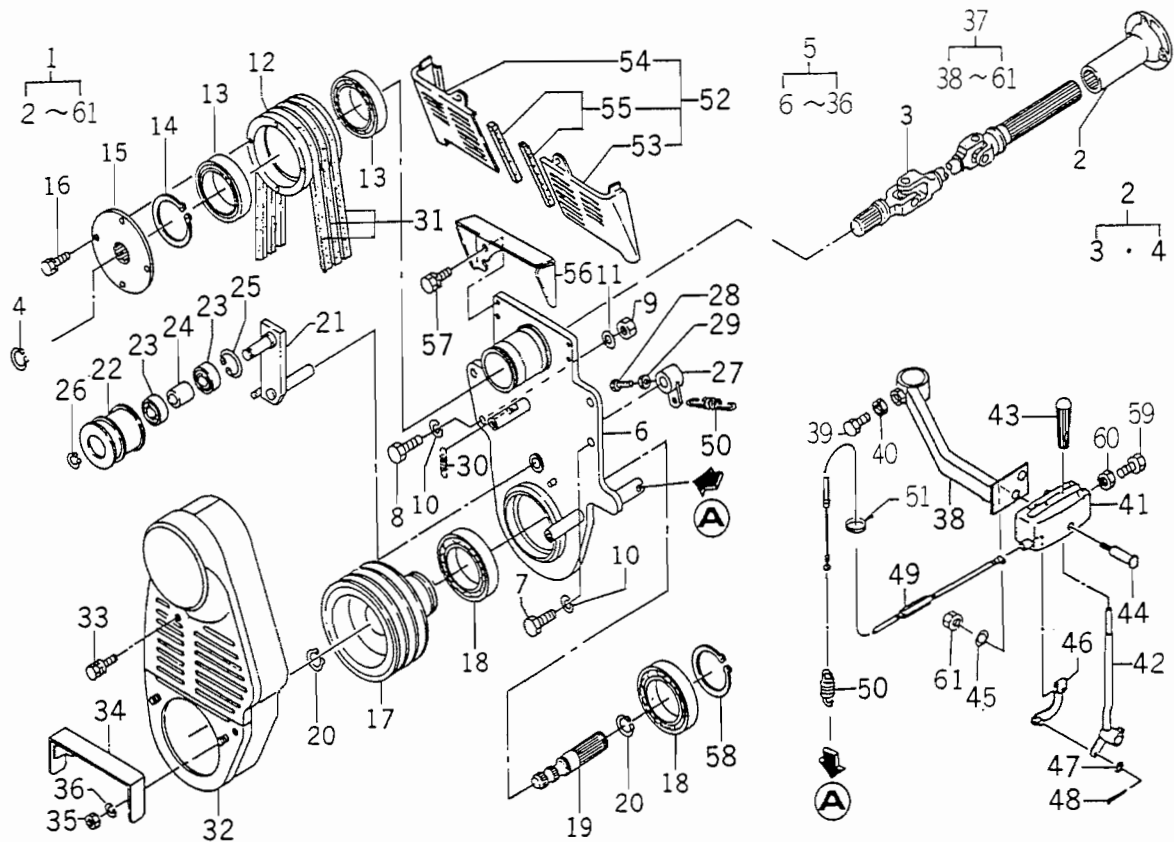
FIG. 10 FRONT P.T.O. SYSTEM (20) (OPTION)



1603-130Y

KEY	PART CODE	DESCRIPTION	QTY	TYPE OF MODEL		I T C	C O L	G R P	REMARKS
				TU320	TU320F				
26	1603-130-001-00	BELT,VB044	3		T				
27	1509-130-250-00	STOPPER,BELT	1		T				
28	V211-260-801-20	BOLT,S/M8X12	2		T				
29	1603-130-250-00	CASE,PTO/A COMP	1		T				
30	V211-361-001-60	BOLT,SP/M10X16	2		T				
31	1509-130-260-00	ARM,TENSION COMP	1		T				
32	1422-181-039-00	PULLEY,TENSION	1		T				
33	1603-130-003-00	BEARING,RB/62022RDC3	2		T				
34	1422-181-040-00	COLLAR 15X22X35	1		T				
35	V705-140-035-00	RING,CIRCLIP	1		T				
36	V704-140-015-00	RING,SNAP/15 C	1		T				
37	1509-130-003-00	SPRING,TORQUE (48)	1		T				
38	V411-260-016-00	WASHER / M16	1		T				
39	V500-163-002-50	PIN,SPLIT/3 X25	1		T				
40	1600-130-240-10	LEVER,CLUTCH/PTOASSY	1		T				
41	1600-130-250-10	STAY,CLUTCH COMP	1		T				
42	V201-261-003-00	BOLT/M10X30	2		T				
43	V305-260-010-00	NUT/M10	2		T				
44	1600-130-260-10	CASE,CLUTCH COMP	1		T				
45	1600-130-270-10	LEVER,CLUTCH COMP	1		T				
46	2101-230-001-00	KNOB	1		T				
47	1422-180-331-00	PIN,LEVER	1		T				
48	1600-130-280-10	TENSIONER,WIRE COMP	1		T				
49	V411-260-008-00	WASHER,PL/M8	1		T				
50	V500-152-501-50	PIN,SPLIT/2.5X15	1		T				

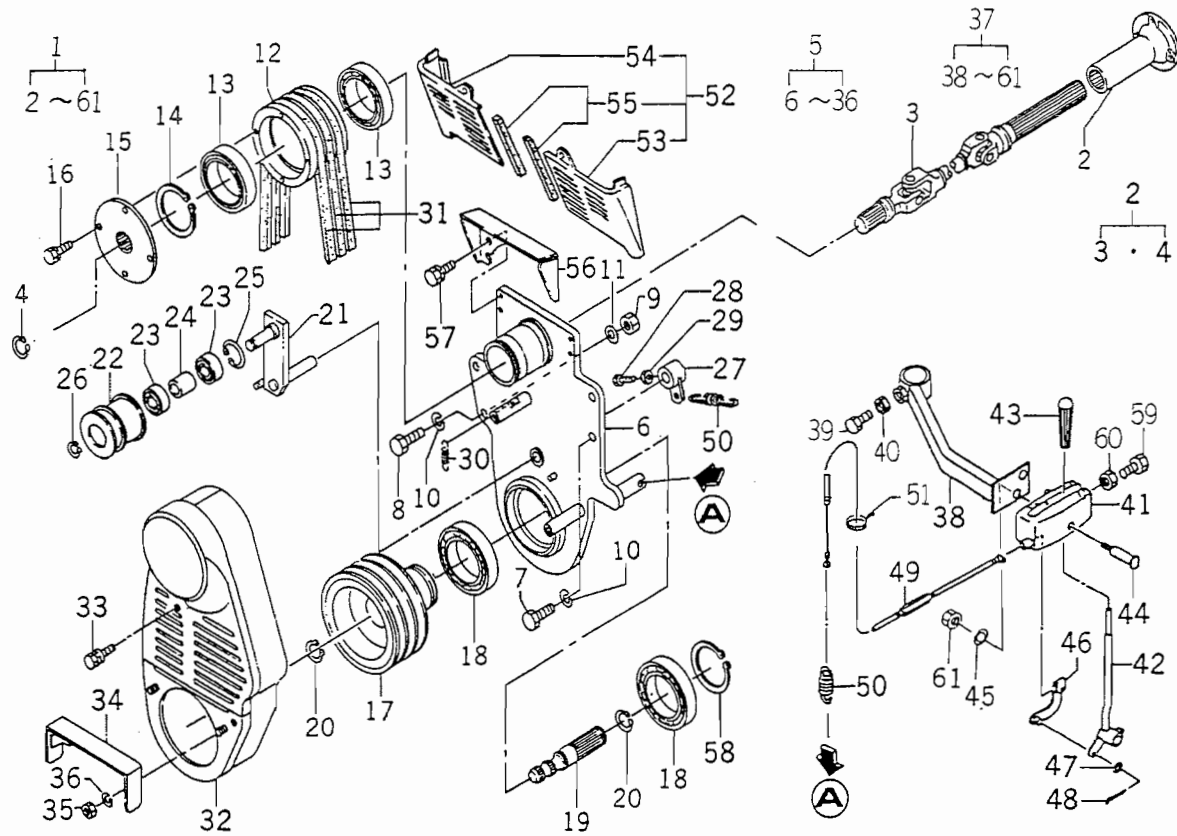
FIG. 11 FRONT P.T.O. SYSTEM (B) (OPTION)



1603-135Z

KEY	PART CODE	DESCRIPTION	QTY	TYPE OF MODEL		I T C	C O L	G R P	REMARKS
				TU320	TU320F				
1	1603 - 135 - 300 - 10	PTO,FRONT/B SET	1	T	T				
2	1603 - 135 - 310 - 00	JOINT ASSY	1	T	T				
3	1603 - 135 - 200 - 00	JOINT,UNIVERSAL ASSY	1	T	T				
4	V704 - 140 - 025 - 00	RING,SNAP/25 C	1	T	T				
5	1603 - 135 - 320 - 00	PTO,FRONT/B ASSY	1	T	T				
6	1603 - 135 - 210 - 00	BRACKET,PTO/B COMP	1	T	T				
7	V201 - 261 - 204 - 00	BOLT/M12X40	3	T	T				
8	V201 - 261 - 203 - 50	BOLT/M12X35	1	T	T				
9	V303 - 260 - 012 - 00	NUT/M12	1	T	T				
10	V401 - 160 - 012 - 00	WASHER,SP/M12	4	T	T				
11	V411 - 260 - 012 - 00	WASHER /M12	1	T	T				
12	1603 - 135 - 001 - 00	PULLEY/V3B109	1	T	T				
13	1600 - 135 - 004 - 00	BEARING,RB/6912VV	2	T	T				
14	V706 - 140 - 060 - 00	RING,SNAP	1	T	T				
15	1600 - 135 - 250 - 00	FRANGE COMP	1	T	T				
16	V211 - 260 - 802 - 00	BOLT,S/M8X20	4	T	T				
17	1603 - 135 - 002 - 00	PULLEY,V3B141	1	T	T				
18	1600 - 135 - 006 - 00	BEARING,RB/60122RS	2	T	T				
19	1600 - 135 - 005 - 00	SHAFT,PTO	1	T	T				
20	V704 - 140 - 030 - 00	RING,SNAP/30 C	2	T	T				
21	1603 - 135 - 230 - 00	ARM,TENSION COMP	1	T	T				
22	1422 - 181 - 039 - 00	PULLEY,TENSION	1	T	T				
23	1603 - 130 - 003 - 00	BEARING,RB/62022RDC3	2	T	T				
24	1422 - 181 - 040 - 00	COLLAR 15X22X35	1	T	T				
25	V705 - 140 - 035 - 00	RING,CIRCLIP	1	T	T				

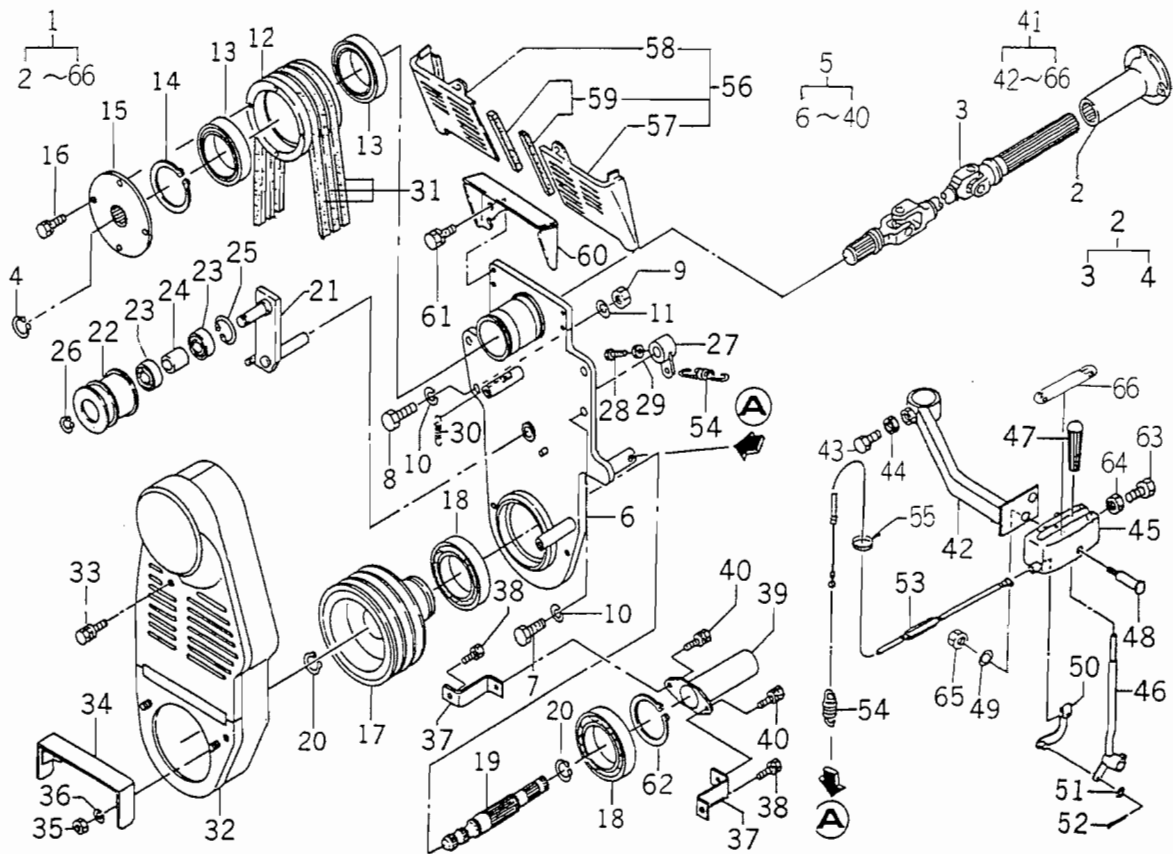
FIG. 11 FRONT P.T.O. SYSTEM (B) (OPTION)



1603-135Z

KEY	PART CODE	DESCRIPTION	QTY	TYPE OF MODEL		I T C	C O L	G R P	REMARKS
				TU320	TU320F				
26	V704 - 140 - 015 - 00	RING,SNAP/15 C	1	T	T				
27	1600 - 135 - 240 - 00	ARM COMP	1	T	T				
28	1404 - 502 - 013 - 00	BOLT/M8X25	1	T	T				
29	V304 - 260 - 008 - 00	NUT/M 8	1	T	T				
30	1422 - 181 - 038 - 00	SPRING,TENSION	1	T	T				
31	1603 - 135 - 260 - 00	BELT,VB038X3 SET	1	T	T				
32	1603 - 135 - 220 - 00	CASE,PTO/B COMP	1	T	T				
33	V211 - 361 - 001 - 60	BOLT,SP/M10X16	2	T	T				
34	1600 - 135 - 280 - 00	COVER,SEALED COMP	1	T	T				
35	V303 - 260 - 008 - 00	NUT/M8	2	T	T				
36	V401 - 160 - 008 - 00	WASHER,SP/M 8	2	T	T				
37	1603 - 135 - 330 - 10	LEVER,CLUTCH/PTOASSY	1	T	T				
38	1600 - 130 - 250 - 10	STAY,CLUTCH COMP	1	T	T				
39	V201 - 261 - 003 - 00	BOLT/M10X30	2	T	T				
40	V305 - 260 - 010 - 00	NUT/M10	2	T	T				
41	1600 - 130 - 260 - 10	CASE,CLUTCH COMP	1	T	T				
42	1600 - 130 - 270 - 10	LEVER,CLUTCH COMP	1	T	T				
43	2101 - 230 - 001 - 00	KNOB	1	T	T				
44	1422 - 180 - 331 - 00	PIN,LEVER	1	T	T				
45	V401 - 160 - 010 - 00	WASHER,SP/M10	2	T	T				
46	1600 - 130 - 280 - 10	TENSIONER,WIRE COMP	1	T	T				
47	V411 - 260 - 008 - 00	WASHER,PL/M8	1	T	T				
48	V500 - 152 - 501 - 50	PIN,SPLIT/2.5X15	1	T	T				
49	1603 - 135 - 003 - 00	WIRE,CLUTCH/PTO	1	T	T				
50	1422 - 180 - 332 - 00	SPRING,TENSION/70	1	T	T				

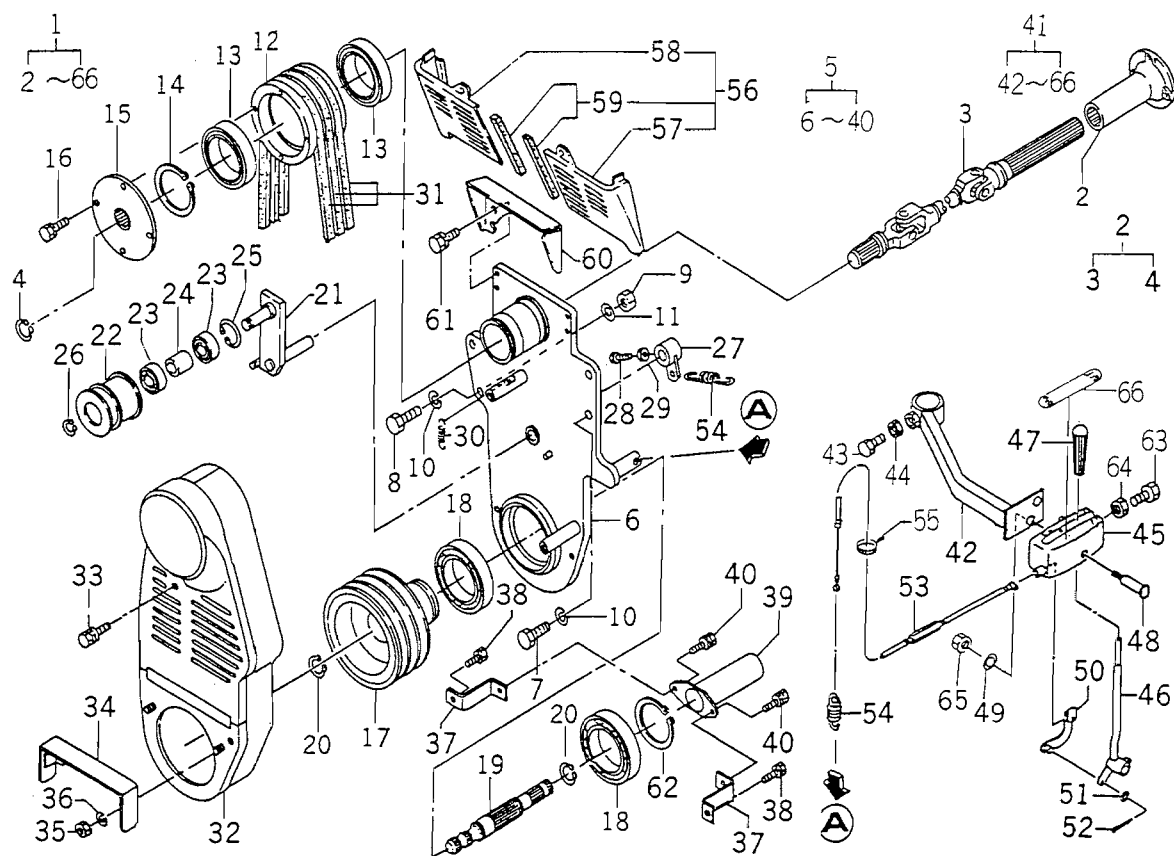
FIG. 12 FRONT P.T.O. SYSTEM (C)(OPTION)



1603-138Z

KEY	PART CODE	DESCRIPTION	QTY	TYPE OF MODEL		I T C	C O L	G R P	REMARKS
				TU320	TU320F				
1	1603 - 138 - 200 - 10	PTO,FRONT/C SET	1	T	T				
2	1603 - 135 - 310 - 00	JOINT ASSY	1	T	T				
3	1603 - 135 - 200 - 00	JOINT,UNIVERSAL ASSY	1	T	T				
4	V704 - 140 - 025 - 00	RING,SNAP/25 C	1	T	T				
5	1603 - 138 - 210 - 00	PTO,FRONT/C ASSY	1	T	T				
6	1603 - 138 - 220 - 00	BRACKET,PTO/C COMP	1	T	T				
7	V201 - 261 - 204 - 00	BOLT/M12X40	3	T	T				
8	V201 - 261 - 203 - 50	BOLT/M12X35	1	T	T				
9	V303 - 260 - 012 - 00	NUT/M12	1	T	T				
10	V401 - 160 - 012 - 00	WASHER,SP/M12	4	T	T				
11	V411 - 260 - 012 - 00	WASHER /M12	1	T	T				
12	1603 - 135 - 001 - 00	PULLEY/V3B109	1	T	T				
13	1600 - 135 - 004 - 00	BEARING,RB/6912VV	2	T	T				
14	V706 - 140 - 060 - 00	RING,SNAP	1	T	T				
15	1600 - 135 - 250 - 00	FRANGE COMP	1	T	T				
16	V211 - 260 - 802 - 00	BOLT,S/M8X20	4	T	T				
17	1603 - 135 - 002 - 00	PULLEY,V3B141	1	T	T				
18	1600 - 135 - 006 - 00	BEARING,RB/60122RS	2	T	T				
19	1600 - 138 - 001 - 00	SHAFT,PTO/C	1	T	T				
20	V704 - 140 - 030 - 00	RING,SNAP/30 C	2	T	T				
21	1603 - 135 - 230 - 00	ARM,TENSION COMP	1	T	T				
22	1422 - 181 - 039 - 00	PULLEY,TENSION	1	T	T				
23	1603 - 130 - 003 - 00	BEARING,RB/62022RDC3	2	T	T				
24	1422 - 181 - 040 - 00	COLLAR 15X22X35	1	T	T				
25	V705 - 140 - 035 - 00	RING,CIRCLIP	1	T	T				

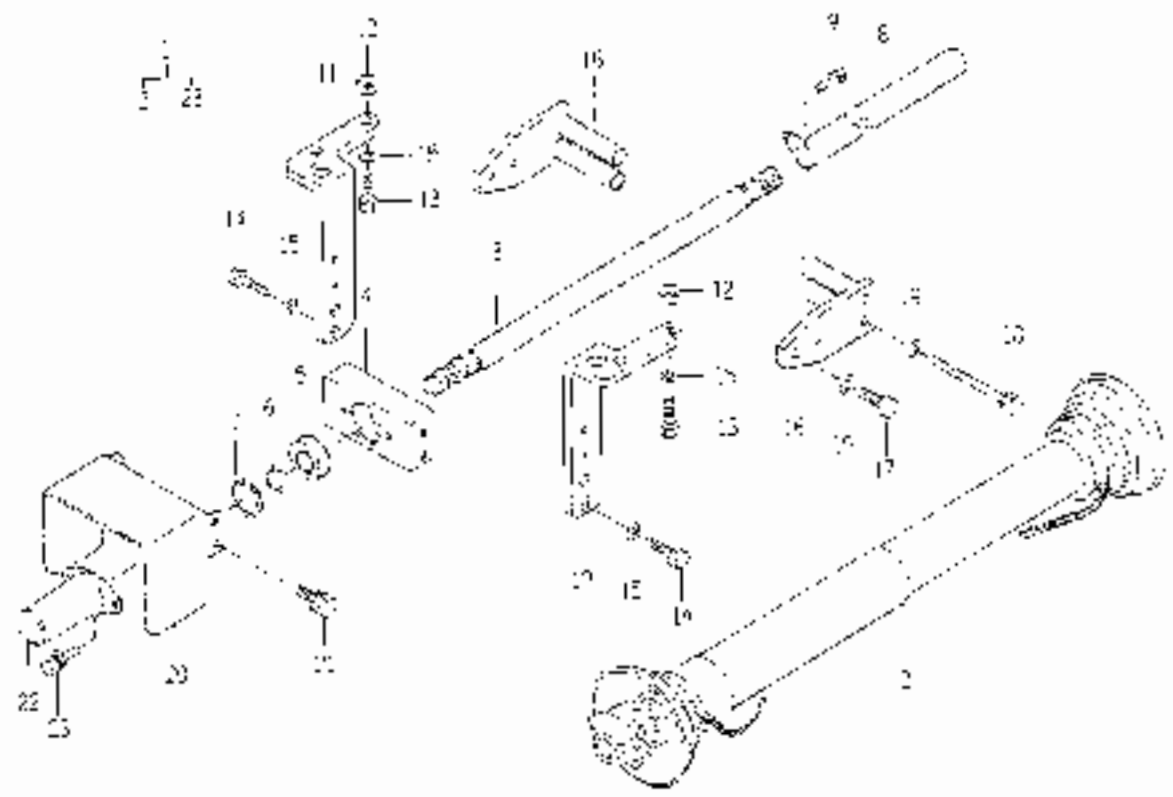
FIG. 12 FRONT P.T.O. SYSTEM (C) (OPTION)



1603-138Z

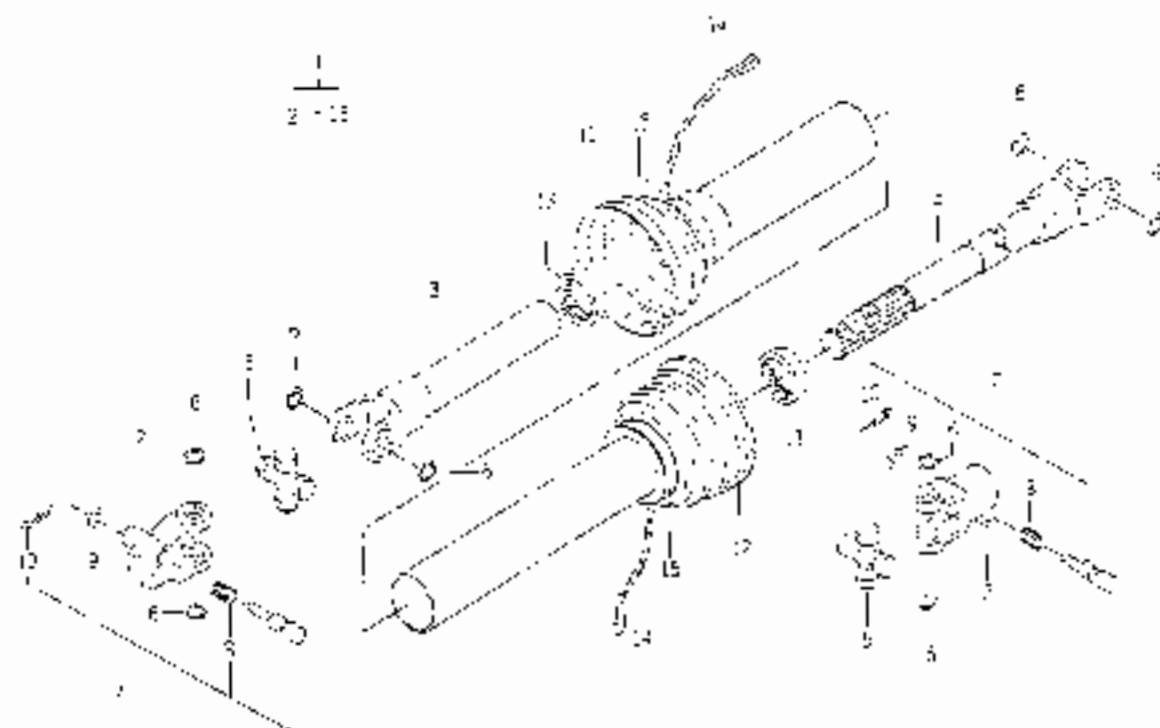
KEY	PART CODE	DESCRIPTION	QTY	TYPE OF MODEL		I T C	C O L	G R P	REMARKS
				TU320	TU320F				
26	V704 - 140 - 015 - 00	RING,SNAP/15 C	1	T	T				
27	1600 - 135 - 240 - 00	ARM COMP	1	T	T				
28	1404 - 502 - 013 - 00	BOLT/M8X25	1	T	T				
29	V304 - 260 - 008 - 00	NUT/M 8	1	T	T				
30	1422 - 181 - 038 - 00	SPRING,TENSION	1	T	T				
31	1600 - 130 - 002 - 00	BERT/VB044	3	T	T				
32	1603 - 138 - 230 - 00	CASE,PTO/C COMP	1	T	T				
33	V211 - 361 - 001 - 60	BOLT,SP/M10X16	2	T	T				
34	1600 - 135 - 280 - 00	COVER,SEALED COMP	1	T	T				
35	V303 - 260 - 008 - 00	NUT/M8	2	T	T				
36	V401 - 160 - 008 - 00	WASHER,SP/M 8	2	T	T				
37	1600 - 138 - 002 - 00	PLATE	2	T	T				
38	V211 - 260 - 801 - 20	BOLT,S/M8X12	2	T	T				
39	1444 - 314 - 009 - 10	CAP,PTO SHAFT	1	T	T				
40	V210 - 360 - 601 - 20	BOLT,SEMS/M6X12	2	T	T				
41	1603 - 135 - 330 - 10	LEVER,CLUTCH/PTOASSY	1	T	T				
42	1600 - 130 - 250 - 10	STAY,CLUTCH COMP	1	T	T				
43	V201 - 261 - 003 - 00	BOLT/M10X30	2	T	T				
44	V305 - 260 - 010 - 00	NUT/M10	2	T	T				
45	1600 - 130 - 260 - 10	CASE,CLUTCH COMP	1	T	T				
46	1600 - 130 - 270 - 10	LEVER,CLUTCH COMP	1	T	T				
47	2101 - 230 - 001 - 00	KNOB	1	T	T				
48	1422 - 180 - 331 - 00	PIN,LEVER	1	T	T				
49	V401 - 160 - 010 - 00	WASHER,SP/M10	2	T	T				
50	1600 - 130 - 280 - 10	TENSIONER,WIRE COMP	1	T	T				

FIG. 13 P.T.O.(FRONT/MID/E20) (OPTION)



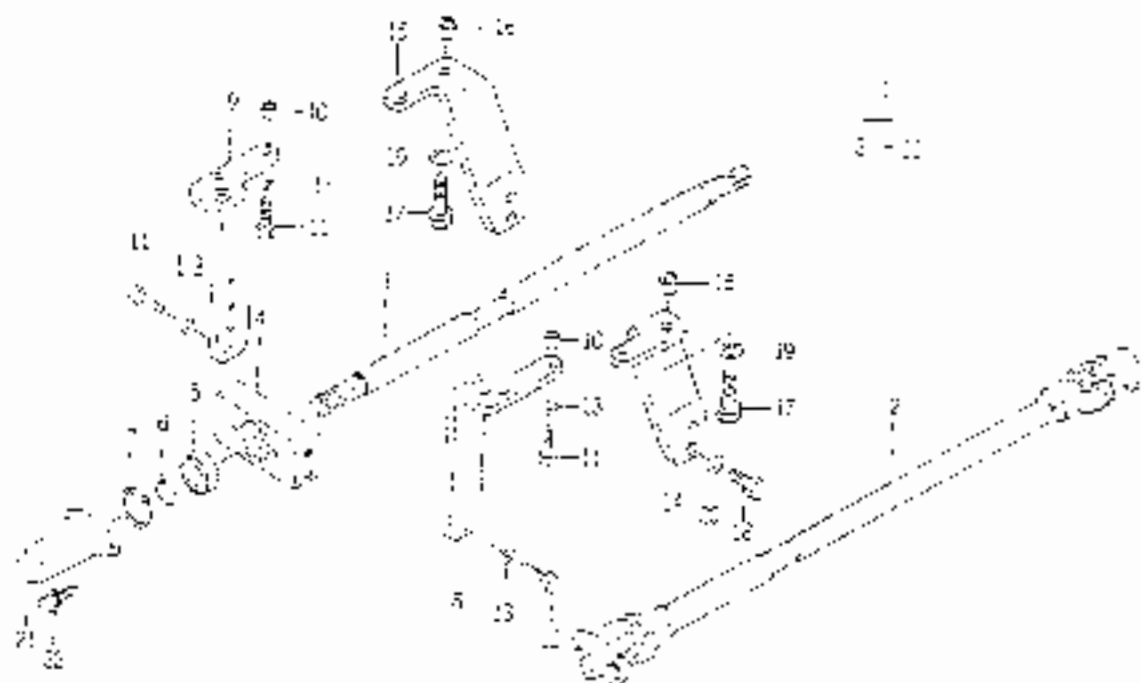
KEY	PART CODE	DESCRIPTION	QTY	TYPE OF MODEL		C	G	R	REMARKS
				TJ527	TU227F				
1	1803 - 140 - 200 - 00	FRONT/MID/LEU SL	1	-	-				REF FIG.14
2	1803 - 140 - 210 - 00	FRONT/MID-LEU ACPT	1	T	-				
3	1804 - 140 - 001 - 00	SHAFT/PTO MID	1	I	-				
4	1300 - 140 - 002 - 00	WFLTAI	2	-	-				
5	1500 - 130 - 003 - 00	GEARING 1802302400	2	T	T				
6	1704 - 140 - 043 - 00	HINGE SHAFT/25.0	4	T	T				
7	1705 - 140 - 052 - 00	HINGE SHAFT/25.0	2	T	T				
8	1505 - 140 - 120 - 00	GEAR SHAFT COMP	1	I	I				
9	1210 - 150 - 601 - 20	BOLT/5MM/MIX12	1	-	T				
10	1000 - 140 - 003 - 00	BRACKET/ADN/LE	1	-	T				
11	1000 - 140 - 004 - 00	BRACKET/ADN/RE	1	-	T				
12	1504 - 525 - 002 - 00	COLLAR/14X25X21	4	-	T				
13	1701 - 261 - 205 - 50	BOLT/M12X55	4	I	I				
14	1701 - 261 - 100 - 00	BOLT/M12X50	4	T	T				
15	1401 - 100 - 012 - 00	WASHER/20/14/2	8	T	T				
16	1600 - 140 - 030 - 00	BRACKET/REAR COMP	2	T	T				
17	1201 - 201 - 203 - 00	BOLT/M12X30	4	T	-				
18	1701 - 261 - 212 - 50	BOLT/M12X125	4	-	-				
19	1401 - 150 - 012 - 00	WASHER/20/14/2	6	T	-				
20	800 - 40 - 005 - 00	COVERS LLD	1	T	T				
21	1211 - 260 - 801 - 20	BOLT/5MM/MIX12	4	T	T				
22	1222 - 314 - 009 - 10	SHAFT SHAFT	1	I	T				
23	1210 - 350 - 001 - 20	BOLT/5MM/MIX12	2	I	I				

FIG. 14 JOINT (MID/E20) (OPTION)



KEY	PART CODE	DESCRIPTION	QTY	TYPE OF JOEL		C	G	G	P	REMARKS
				1320	1320-					
1	1800 - 140 - 210 - 00	JOINT/MID/E20 ASBY	1	T	T					
2	8587 - 101 - 201 - 00	DISC/BEAR/A	2	T	-					
3	1800 - 140 - 211 - 00	SLEEVE/JOINT	1	T	-					
4	1800 - 140 - 212 - 00	SHAFT/JOINT	1	T	-					
5	8582 - 101 - 204 - 00	JOURNAL SET	1	T	T					
6	8500 - 140 - 220 - 00	REG.SNAP/200	8	T	T					
7	7518 - 101 - 240 - 00	FR/14X75	2	T	T					
8	7518 - 101 - 242 - 00	SPRING/R/12X75	2	-	T					
9	8411 - 250 - 300 - 00	WASHER/1/18	2	-	T					
10	8500 - 132 - 501 - 50	FR.SPLIT 25X.5	2	-	T					
11	1800 - 140 - 213 - 00	COVER/CLIP	1	T	T					
12	1800 - 140 - 214 - 00	COVER/JOINT	1	T	-					
13	7927 - 101 - 205 - 00	SHARRE	2	T	-					
14	7982 - 101 - 230 - 00	CHAIN	3	T	-					ASBY
15	7927 - 101 - 204 - 00	BAND COVER	3	T	-					

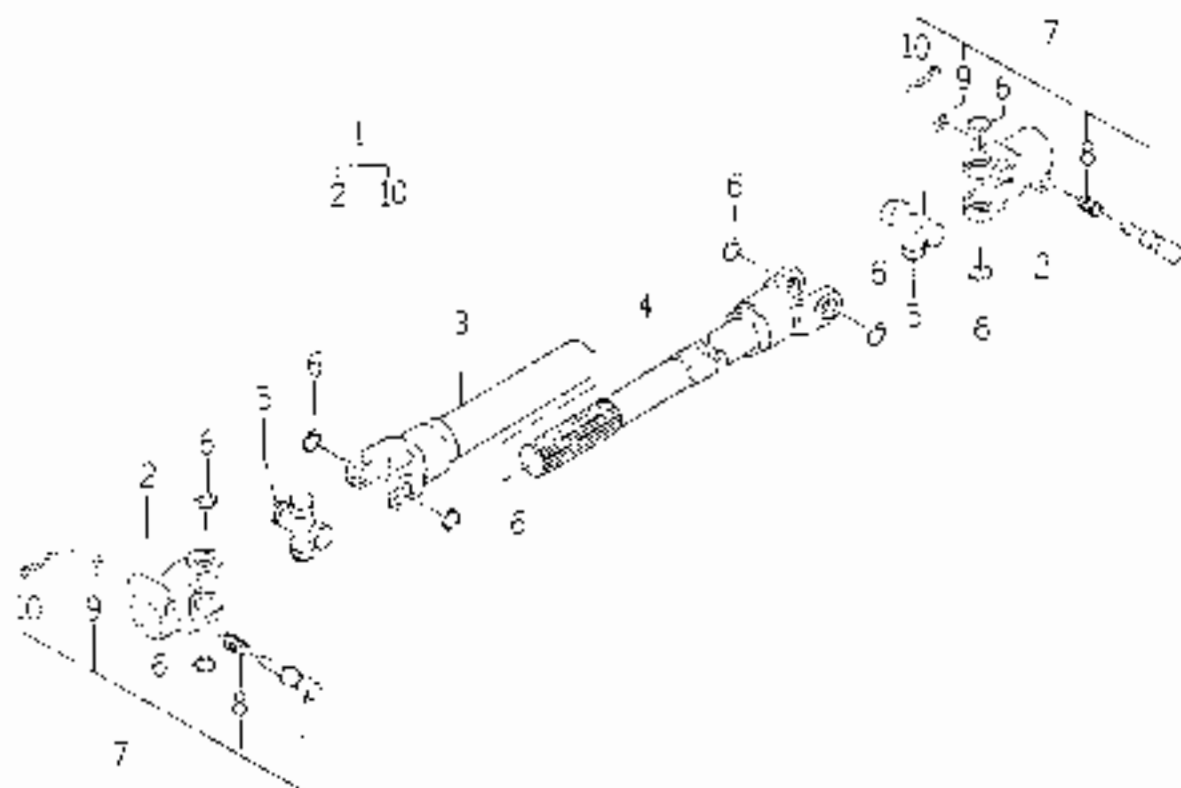
FIG. 15 P.T.O.(FRONT/MID/E40) (OPTION)



M 107

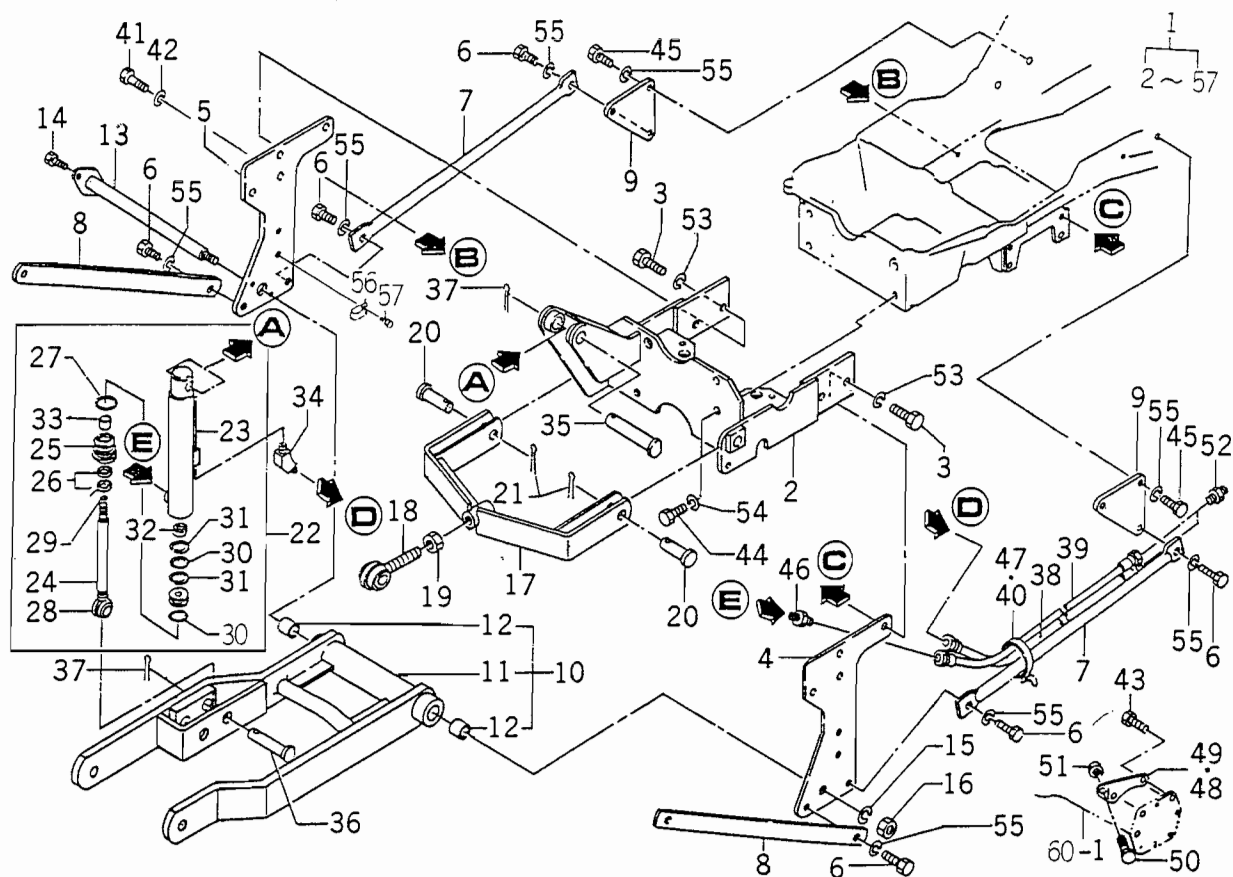
KEY	PART CODE	DESCRIPTION	QTY	TYPE OF MODEL		I T C	C O L	S P L	REMARKS
				1.320	1.320*				
1	1600 - 140 - 400 - 00	PTO (FRONT/MID) SET	1						
2	1600 - 140 - 410 - 00	JOINT UJ/SHAL. ASSY	1						FOR E40 15
3	1600 - 140 - 001 - 00	SHAFT PTO MID	1						
4	1600 - 140 - 002 - 00	WAL	2						
5	1600 - 130 - 003 - 00	SLA INCL. RBG000000Y 1	2						
6	V704 - 140 - 005 - 00	RING,SNAP/25 C	1						
7	V705 - 140 - 002 - 00	RING,SNAP/52 C	2						
8	1500 - 140 - 003 - 00	BRACKET,FRONT/11-	1						
9	1800 - 140 - 004 - 00	BRACKET,FRONT/11H-	1						
10	1440 - 500 - 002 - 00	COLLAR/18X18X12	2						
11	V201 - 251 - 205 - 00	BOLT/M10X55	4						
12	V201 - 201 - 203 - 00	BOLT/M10X30	4						
13	V401 - 150 - 012 - 00	WASHER,SP./M12	8						
14	1603 - 140 - 007 - 00	BRACKET,FRONT/11H/14	1						
15	1603 - 140 - 005 - 00	BRACKET,FRONT/11/14	1						
16	1500 - 140 - 004 - 00	COLLAR/18X22X15	2						
17	V201 - 261 - 405 - 00	BOLT/M10X50	4						
18	V201 - 261 - 203 - 00	BOLT/M10X30	4						
19	V401 - 150 - 014 - 00	WASHER,SP./M14	4						
20	V401 - 150 - 012 - 00	WASHER,SP./M12	4						
21	1444 - 314 - 008 - 0	SAMPLE SHAFT	1						
22	V210 - 300 - 001 - 20	BOLT,SOVS/M6X2	2						

FIG. 16 JOINT (MID/E40) (OPTION)



KEY	PART CODE	DESCRIPTION	QTY	TYPE OF MODEL				REMARKS
				.320	.320	C	R	
1	1600 140 410 00	JOINT/MID/E40 ASY	1	-	T			
2	B592 - 011 - 201 - 00	WAS. SPR. NUT/A	2	-	T			
3	1600 140 211 - 00	SLEEVE JOINT	1	-	-			
4	1600 140 212 - 00	SHAFT JOINT	1	-	T			
5	A592 - 011 - 204 - 00	JOURNAL KIT	1	-	T			
6	V700 - 140 - 020 - 00	RING IN A/R 20 C	2	-	T			
7	7910 - 101 - 210 - 00	RN. / 2X/25	2	T	T			SET
8	7918 - 101 - 242 - 00	SPRING / 2 X/25	2	T	T			
9	V411 280 008 00	WAS. SPR. / M6	2	-	-			
10	V500 162 501 - 00	RN. SPR. T / 2 X/25	2	-	-			

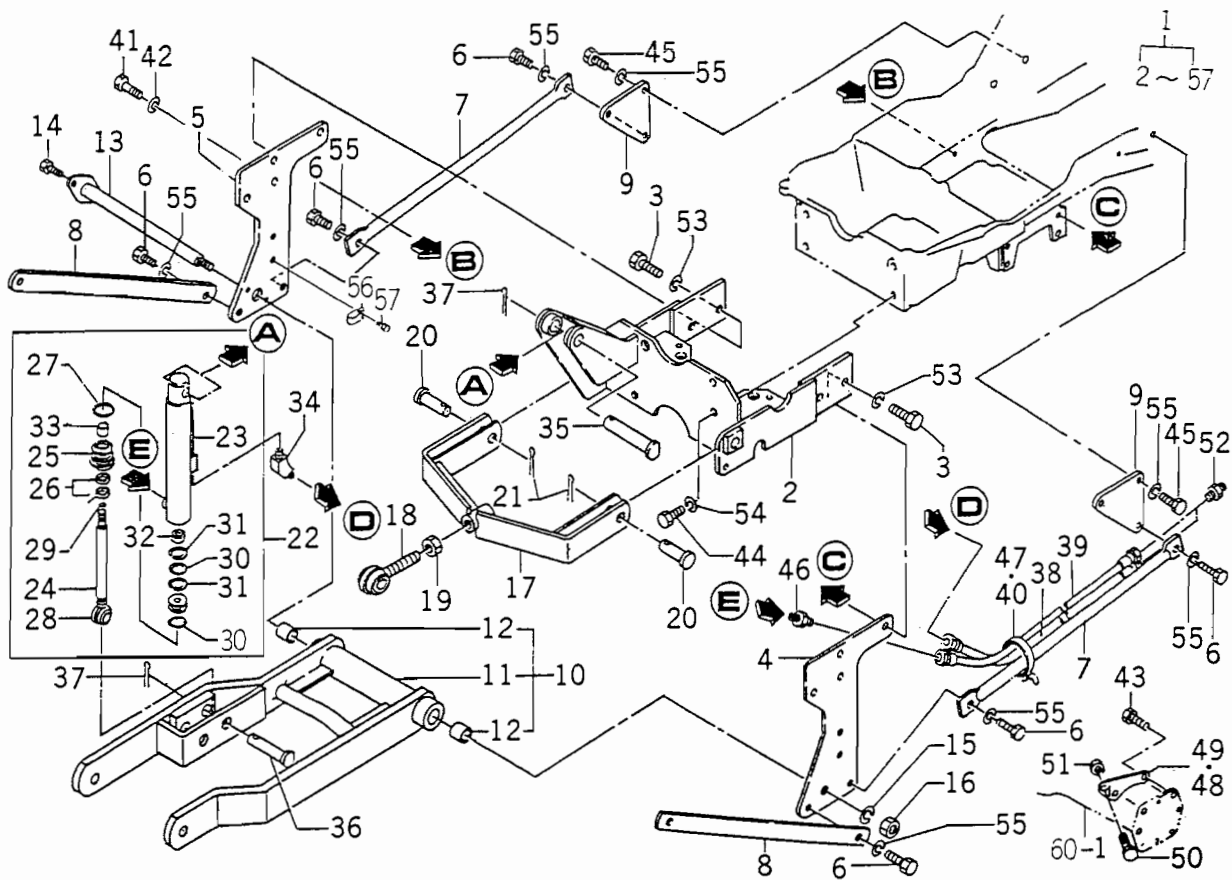
FIG. 17 FRONT 3P SYSTEM (1)(OPTION)



1603-145Z

KEY	PART CODE	DESCRIPTION	QTY	TYPE OF MODEL		I T C	C O L	G R P	REMARKS
				TU320	TU320F				
1	1603 - 145 - 410 - 00	LINK,3P/Front SET	1		T				
2	1603 - 145 - 400 - 00	BRACKET,LINK/Front	1		T				
3	V201 - 261 - 203 - 00	BOLT/M12X30	8		T				
4	1603 - 145 - 043 - 00	BRACKET,LINK/LH	1		T				
5	1603 - 145 - 044 - 00	BRACKET,LINK/RH	1		T				
6	V201 - 261 - 204 - 00	BOLT/M12X40	6		T				
7	1603 - 145 - 042 - 00	STAY,BRACKET	2		T				
8	1600 - 145 - 045 - 00	PLATE	2		T				
9	1600 - 145 - 046 - 00	PLATE	2		T				
10	1600 - 145 - 490 - 00	LINK,LOWER ASSY	1		T				
11	1600 - 145 - 430 - 00	LINK,LOWER COMP	1		T				
12	1600 - 145 - 049 - 00	BUSH/25X28X25	2		T				
13	1600 - 145 - 440 - 00	PIN COMP	1		T				
14	V211 - 260 - 802 - 00	BOLT,S/M8X20	2		T				
15	V401 - 160 - 016 - 00	WASHER,SP/M16	1		T				
16	V304 - 260 - 016 - 00	NUT/M16	1		T				
17	1600 - 145 - 450 - 00	LINK,Top/A COMP	1		T				
18	1600 - 145 - 460 - 00	LINK,Top/B COMP	1		T				
19	V304 - 260 - 020 - 00	NUT/M20	1		T				
20	1568 - 541 - 901 - 00	PIN/19X50	2		T				
21	V500 - 163 - 003 - 50	PIN,SPLIT/3X35	2		T				
22	K185 - 012 - 000 - 00	CYLINDER ASSY	1		T				
23	K185 - 012 - 100 - 00	CYLINDER COMP	1		T				
24	K185 - 012 - 200 - 00	ROD,PISTON COMP	1		T				
25	K185 - 012 - 001 - 00	PISTON	1		T				

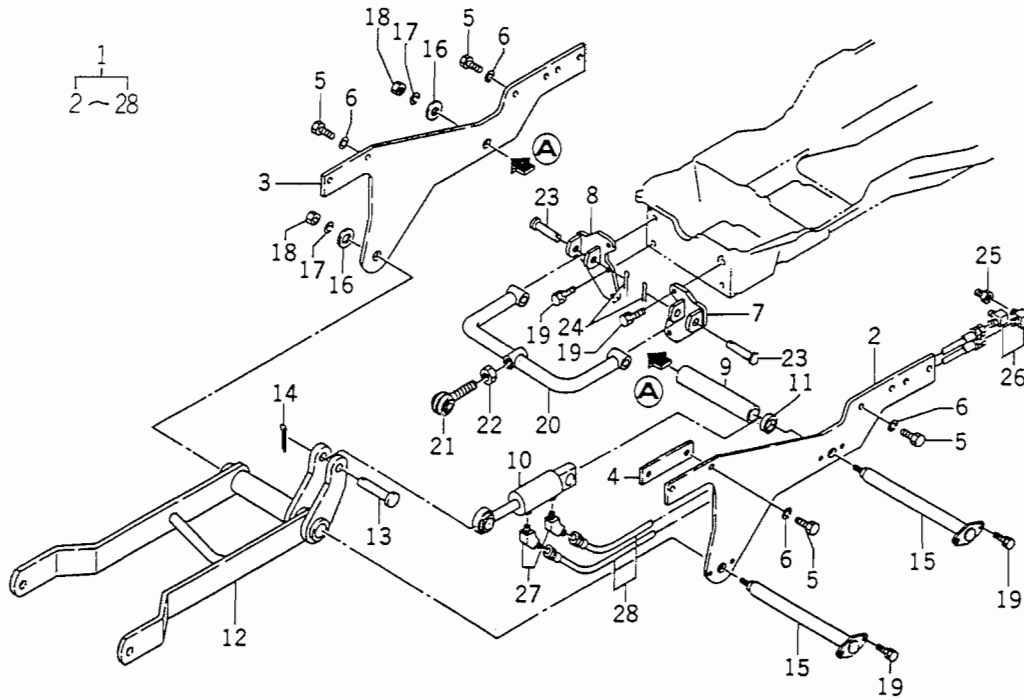
FIG. 17 FRONT 3P SYSTEM (1)(OPTION)



1503-145Z

KEY	PART CODE	DESCRIPTION	QTY	TYPE OF MODEL		I T C	C O L	G R P	REMARKS
				TU320	TU320F				
26	K185 - 012 - 300 - 00	COVER,ROD SET	1		T				
27	V723 - 102 - 003 - 80	O - RING	1		T				
28	1594 - 147 - 270 - 00	JOINT,BALL COMP	1		T				
29	V723 - 111 - 501 - 20	O - RING	1		T				
30	V720 - 113 - 502 - 90	O - RING	2		T				
31	V730 - 103 - 502 - 90	RING,BACKUP	2		T				
32	K186 - 003 - 003 - 00	U - NUT/M14X1.5	1		T				
33	K186 - 003 - 005 - 00	BUSH	1		T				
34	1564 - 141 - 002 - 00	CONNECTOR,HOSE ELBOW	1		T				
35	1600 - 145 - 041 - 00	PIN/22X106	1		T				
36	1600 - 145 - 042 - 00	PIN/22X91	1		T				
37	V500 - 165 - 004 - 00	PIN,SPLIT	2		T				
38	1600 - 145 - 047 - 00	HOSE,DELIVERY COMP	1		T				
39	1603 - 145 - 045 - 00	HOSE,DELIVERY COMP	1		T				
40	1342 - 402 - 006 - 00	BAND,WIRE/250	2		T				
41	1603 - 434 - 002 - 00	BOLT	4		T				
42	V401 - 160 - 010 - 00	WASHER,SP/M10	4		T				
43	V201 - 261 - 203 - 00	BOLT/M12X30	2		T				
44	V201 - 361 - 202 - 50	BOLT/M12X25	8		T				
45	V201 - 361 - 203 - 50	BOLT/M12X35	4		T				
46	1548 - 503 - 005 - 00	CONNECTOR,B	1		T				
47	1444 - 101 - 016 - 10	CLAMP,RADIATOR HOSE	1		T				
48	1603 - 145 - 004 - 10	PLATE,STOPPER/LH	1		T				
49	1603 - 145 - 005 - 10	PLATE,STOPPER/RH	1		T				
50	V201 - 361 - 204 - 00	BOLT/M12X40	2		T				

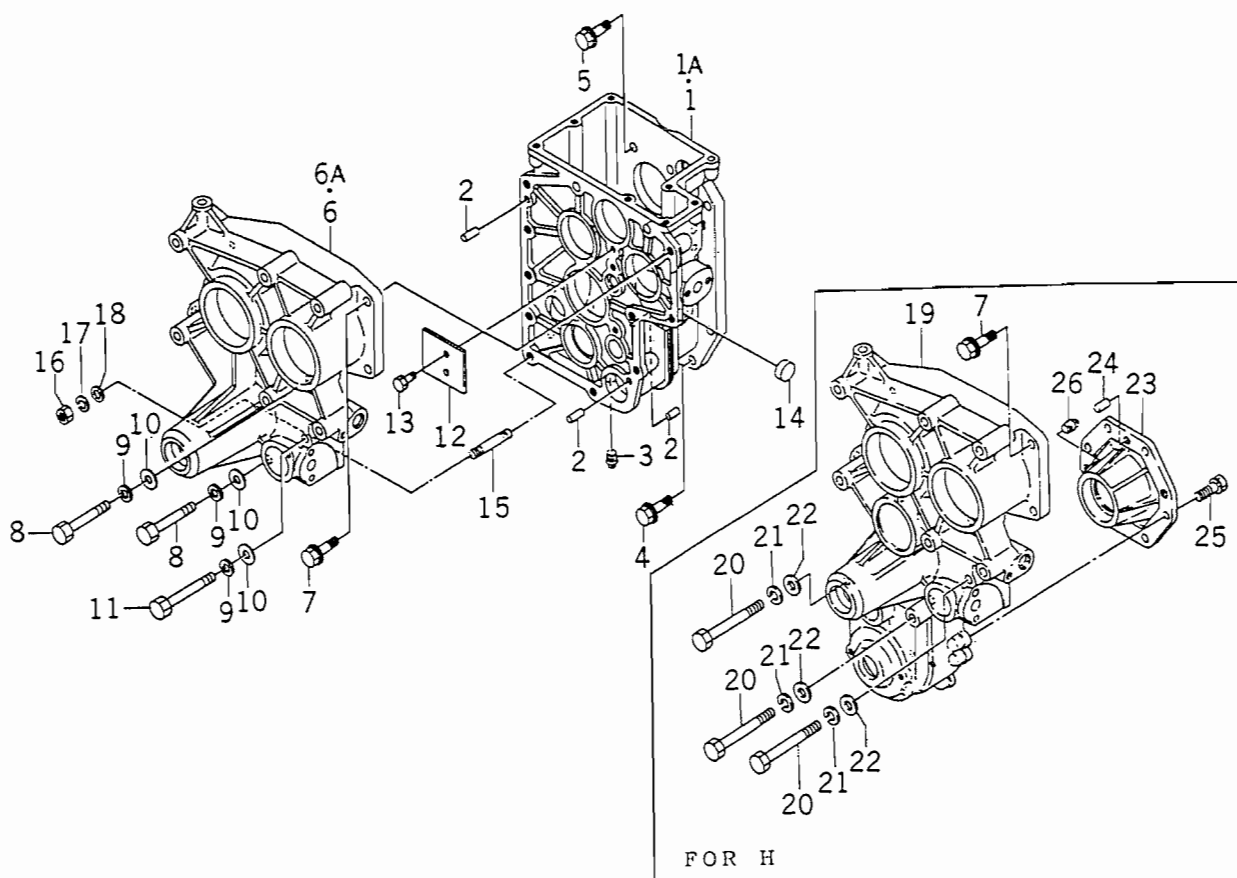
FIG. 18 FRONT 3P SYSTEM (2) (OPTION)



1603-148Z

KEY	PART CODE	DESCRIPTION	QTY	TYPE OF MODEL		I T C	C O L	G R P	REMARKS
				TU320	TU320F				
1	1603 - 148 - 200 - 00	LINK,3P/FRONT SET	1	T	T				
2	1603 - 148 - 001 - 00	BRACKET,SIDE/LH	1	T	T				
3	1603 - 148 - 002 - 00	BRACKET,SIDE/RH	1	T	T				
4	1603 - 148 - 003 - 00	PLATE	2	T	T				
5	V201 - 261 - 203 - 50	BOLT/M12X35	12	T	T				
6	V401 - 160 - 012 - 00	WASHER,SP/M12	12	T	T				
7	1600 - 148 - 210 - 00	BRACKET,FRONT/LHCOMP	1	T	T				
8	1600 - 148 - 220 - 00	BRACKET,FRONT/RHCOMP	1	T	T				
9	1600 - 148 - 004 - 00	COLLAR/31X38X229	1	T	T				
10	K185 - 013 - 000 - 00	CYLINDER ASSY	1	T	T				
11	1600 - 148 - 005 - 00	COLLAR/31X38X11	1	T	T				
12	1603 - 148 - 220 - 00	LINK,LOWER ASSY	1	T	T				
13	1510 - 317 - 005 - 10	PIN/25X77	1	T	T				
14	V500 - 163 - 003 - 50	PIN,SPLIT/3X35	1	T	T				
15	1600 - 148 - 250 - 00	PIN/30X319 COMP	2	T	T				
16	3631 - 170 - 006 - 10	WASHER	2	T	T				
17	V401 - 160 - 016 - 00	WASHER,SP/M16	2	T	T				
18	V304 - 260 - 016 - 00	NUT/M16	2	T	T				
19	V211 - 561 - 002 - 00	BOLT/M10X20	4	T	T				
20	1600 - 148 - 260 - 10	LINK,TOP/A COMP	1	T	T				
21	1600 - 148 - 270 - 00	LINK,TOP/B COMP	1	T	T				
22	V304 - 260 - 020 - 00	NUT/M20	1	T	T				
23	7927 - 601 - 001 - 00	PIN/19X77	2	T	T				
24	V500 - 165 - 003 - 50	PIN,SPLIT	2	T	T				
25	1564 - 141 - 001 - 00	CONNECTOR	1	T	T				

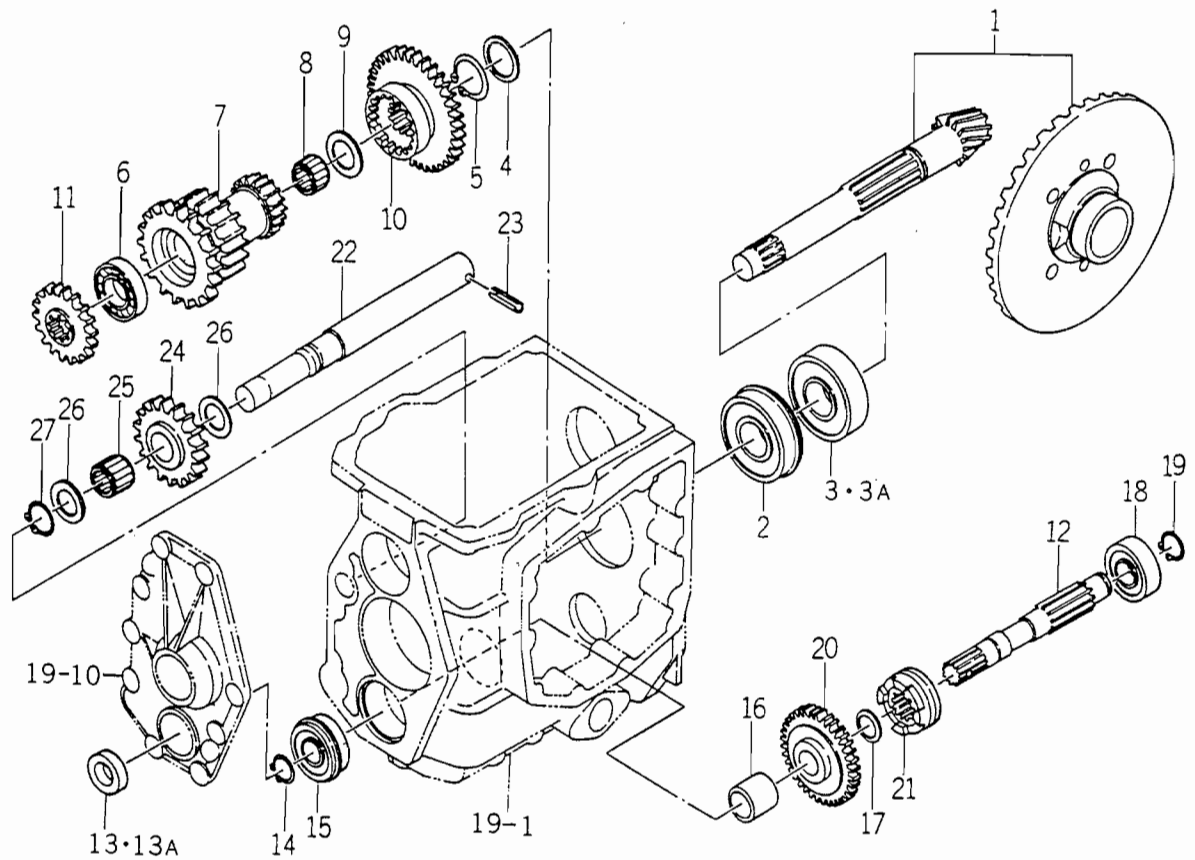
FIG. 20 FRONT TRANSMISSION CASE SYSTEM (HST)



1602-201

KEY	PART CODE	DESCRIPTION	QTY	TYPE OF MODEL		I T C	C O L	G R P	REMARKS
				TU320	TU320F				
1	1602 - 201 - 051 - 00	CASE,TRANSMISSION	1		1- -60 61-				
1A	1602 - 201 - 051 - 10	CASE,TRANSMISSION	1						
2	V520 - 100 - 801 - 60	PIN,ST/8X16	3	*	*				
3	V781 - 160 - 000 - 60	NIPPLE/PT3/8	1	*	*				
4	V211 - 361 - 003 - 50	BOLT/M10X35	7	*	*				
5	V211 - 361 - 003 - 00	BOLT/M10X30	2	*	*				
6	1602 - 201 - 052 - 00	CASE,SPACER/HST	1		1- -60 61-				
6A	1602 - 201 - 052 - 10	CASE,SPACER/HST	1						
7	V211 - 361 - 003 - 50	BOLT/M10X35	7	*	*				
8	V201 - 261 - 006 - 50	BOLT/M10X65	2		*				
9	V401 - 160 - 010 - 00	WASHER,SP/M10	3		*				
10	V411 - 260 - 010 - 00	WASHER/M10	3		*				
11	V201 - 261 - 008 - 00	BOLT/M10X80	1		*				
12	1602 - 201 - 053 - 00	PLATE	1	*	*				
13	V211 - 260 - 801 - 60	BOLT,S/M8X16	2	*	*				
14	1427 - 210 - 004 - 00	CAP,BLANK	1	*	*				
15	V252 - 261 - 003 - 20	STUD/M10X32	4	*	*				
16	V304 - 260 - 010 - 00	NUT	4	*	*				
17	V401 - 160 - 010 - 00	WASHER,SP/M10	4	*	*				
18	V411 - 260 - 010 - 00	WASHER/M10	4	*	*				
19	1602 - 201 - 061 - 00	CASE,MID/HST	1	*	*				
20	V201 - 261 - 009 - 00	BOLT/M10X90	3	*	*				
21	V401 - 160 - 010 - 00	WASHER,SP/M10	3	*	*				
22	V411 - 260 - 010 - 00	WASHER/M10	3	*	*				
23	1602 - 201 - 062 - 00	METAL,MID/HST	1	*	*				

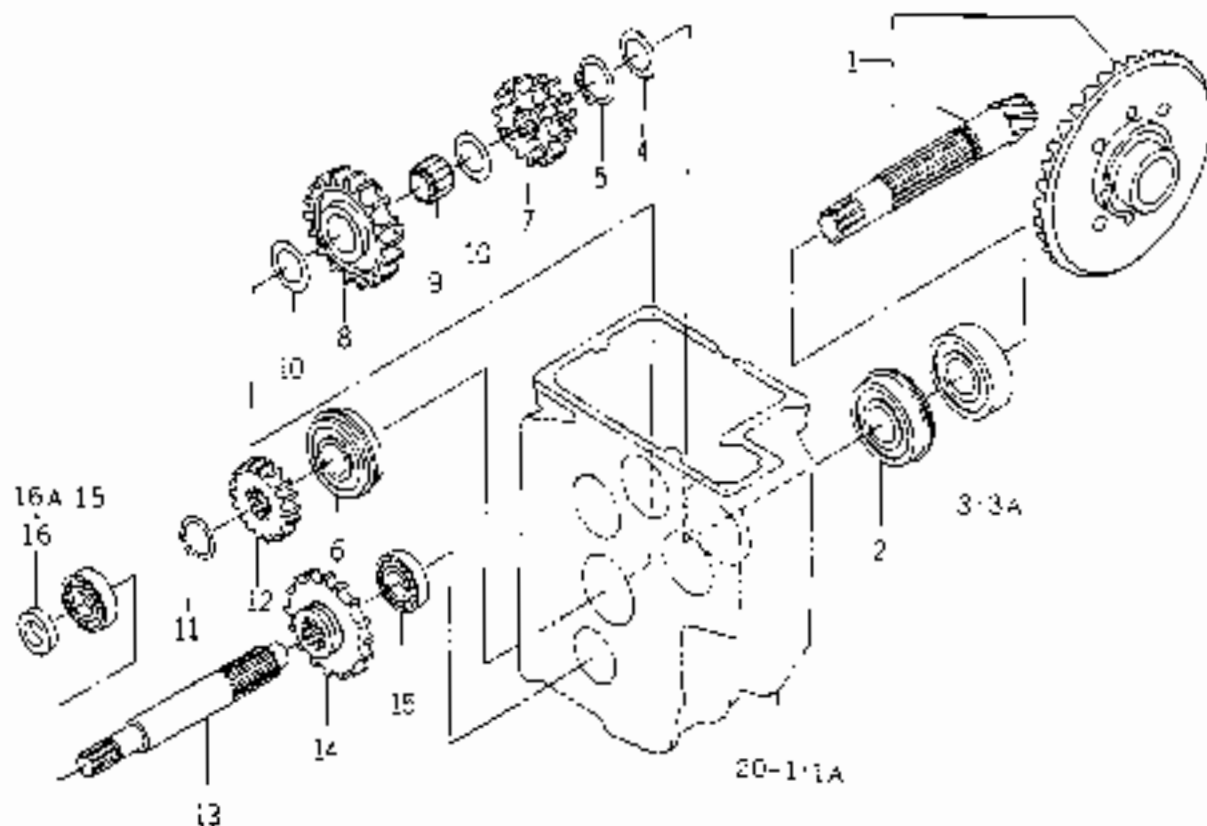
FIG. 23 FRONT TRANSMISSION GEAR SYSTEM



1603-207

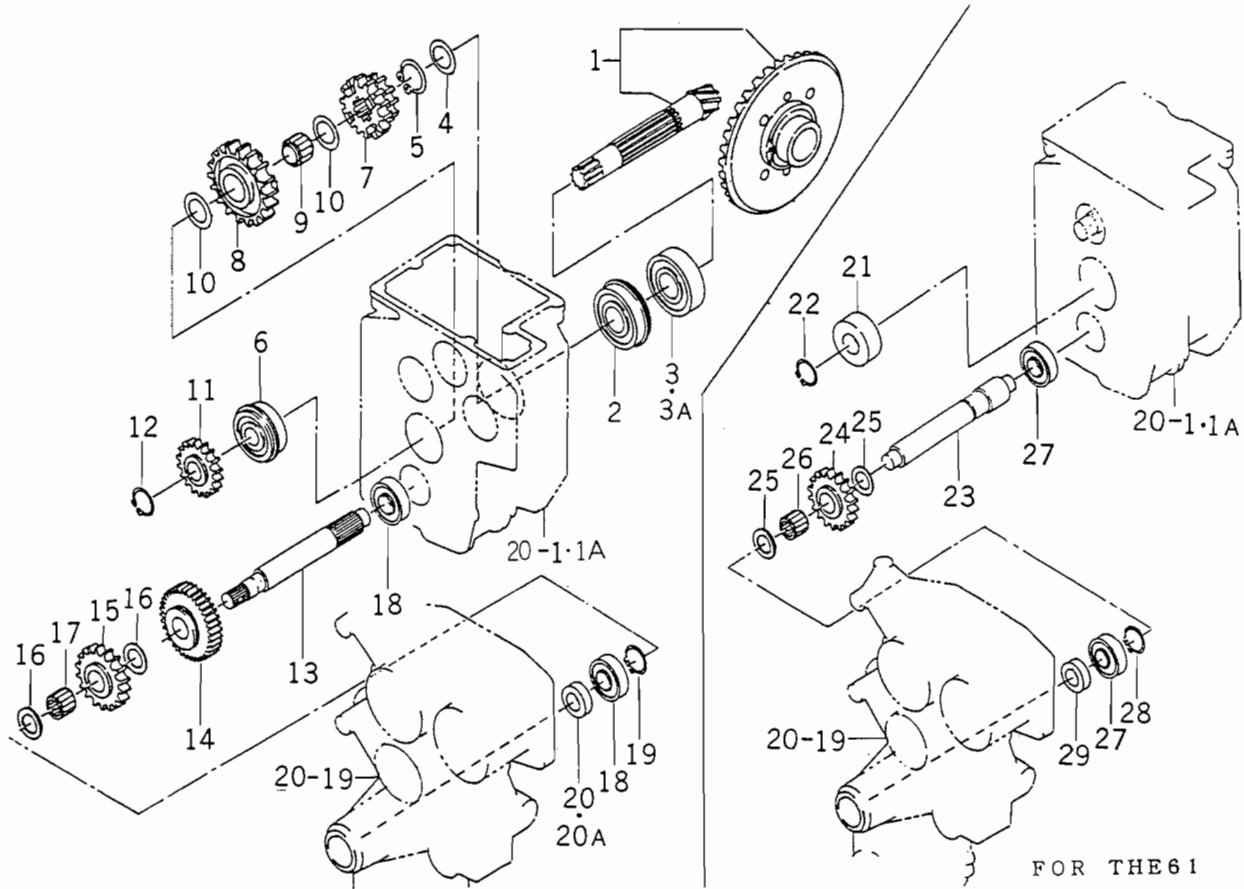
KEY	PART CODE	DESCRIPTION	QTY	TYPE OF MODEL		I T C	C O L	G R P	REMARKS
				TU320	TU320F				
1	1603 - 207 - 200 - 00	PINION, BEVEL SET	1		*				
2	1603 - 207 - 001 - 00	BEARING, RB	1		*				
3	1602 - 207 - 003 - 00	BEARING, RB	1		1- -1245				
3A	1568 - 270 - 002 - 00	BEARING, RB/6306	1		1246-				
4	1544 - 322 - 002 - 00	WASHER/30X40X2	1		*				
5	V704 - 140 - 030 - 00	RING, SNAP/30 C	1		*				
6	V600 - 110 - 600 - 50	BEARING, RB/6005	1		*				
7	1602 - 207 - 001 - 00	GEAR/35 - 24 - 18T	1		*				
8	V654 - 425 - 301 - 70	BEARING, NR/KT253017	1		*				
9	1480 - 211 - 005 - 00	COLLAR/25X38X2	1		*				
10	1602 - 207 - 002 - 00	GEAR/39T	1		*				
11	1603 - 208 - 001 - 00	GEAR/25T	1		*				
12	1544 - 208 - 002 - 00	SHAFT, FRONT DRIVE	1		*				
13	V744 - 120 - 350 - 80	SEAL, OIL/TC20358	1		1- -1187				
13A	V744 - 120 - 350 - 70	SEAL, OIL	1		1188-				
14	V704 - 140 - 020 - 00	RING, SNAP/20 C	1		*				
15	V607 - 110 - 620 - 40	BEARING, RB/6204NR	1		*				
16	1575 - 208 - 001 - 00	COLLAR/21X27X25	1		*				
17	1544 - 208 - 004 - 00	COLLAR, THRUST 20X28X2	1		*				
18	V600 - 110 - 620 - 40	BEARING, RB/6204	1		*				
19	V704 - 140 - 020 - 00	RING, SNAP/20 C	1		*				
20	1603 - 208 - 002 - 00	GEAR/31T	1		*				
21	1544 - 208 - 005 - 00	CAM, FRONT CHANGE	1		*				
22	1544 - 209 - 001 - 20	PIN, BACK GEAR	1		*				
23	V580 - 140 - 601 - 60	PIN SPRING W 6.0X16	1		*				

FIG. 24 FRONT TRANSMISSION GEAR SYSTEM (HST)(1)



KEY	PART CODE	DESCRIPTION	TYPE OF MODEL					REMARKS
			7070	7071	T	C	AREA	
1	1602 207 500 00	GEAR 17-42T OPT	1					
2	1603 207 001 00	FRAMING						
3	1802 207 003 00	FRAMING						
3a	1588 270 000 00	BEARING 301506						
4	1344 322 000 00	WASHER 20X40X2						
5	V704 140 000 00	RING SHAFT 20 0						
6	V607 110 630 50	BEARING BR 6305ND						
7	1303 207 051 10	GEAR 18-18T						
8	1607 207 052 00	SCAP 061						
9	V604 425 001 50	BEARING BR YT250716						
10	1490 211 005 00	COLLAR 20X30X	2					
11	V704 140 075 00	RING SHAFT 105 0	2					
12	1503 208 051 00	GEAR 24T						
13	1507 208 052 00	SHAFT OR VLT 1-0N						
14	1602 208 052 00	GEAR 18T						
15	V600 110 020 40	BEARING BR 1004	2					
16	V744 120 050 80	SEAL O 10X20X8	1					
16a	V744 120 050 70	SEAL O 10	1					

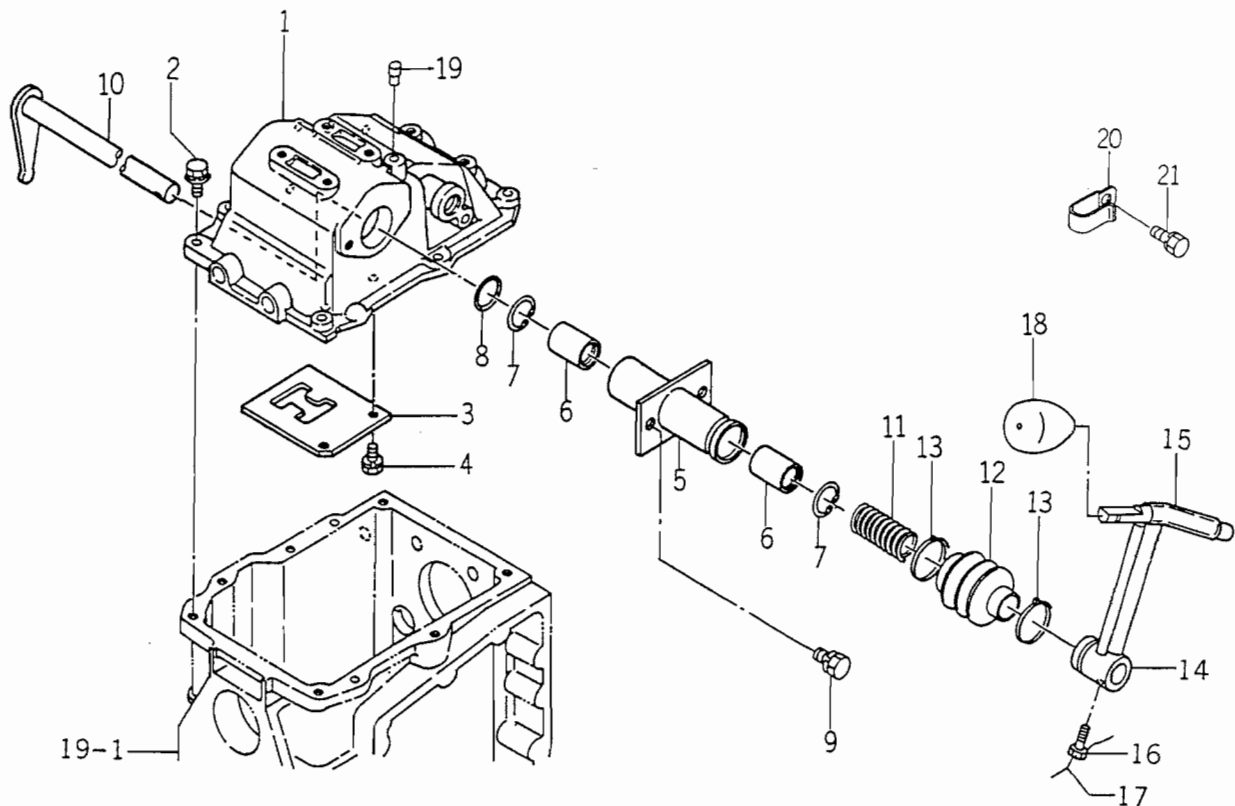
FIG. 25 FRONT TRANSMISSION GEAR SYSTEM (HST) (2)



1603-207B

KEY	PART CODE	DESCRIPTION	QTY	TYPE OF MODEL		I T C	C O L	G R P	REMARKS
				TU320	TU320F				
1	1603 - 207 - 600 - 00	GEAR/7 - 42T SET	1	*	*				
2	1603 - 207 - 001 - 00	BEARING,RB	1	*	*				
3	1602 - 207 - 003 - 00	BEARING,RB	1	1- -10	1- -1245				
3A	1568 - 270 - 002 - 00	BEARING,RB/6306	1	11-	1246-				
4	1544 - 322 - 002 - 00	WASHER/30X40X2	1	*	*				
5	V704 - 140 - 030 - 00	RING,SNAP/30 C	1	*	*				
6	V607 - 110 - 630 - 50	BEARING,RB/6305NR	1	*	*				
7	1603 - 207 - 051 - 10	GEAR/26 - 18T	1	*	*				
8	1602 - 207 - 052 - 00	GEAR/36T	1	*	*				
9	V654 - 425 - 321 - 60	BEARING,NR/KT253216	1	*	*				
10	1480 - 211 - 005 - 00	COLLAR/25X38X2	2	*	*				
11	1603 - 208 - 051 - 00	GEAR/24T	1	*	*				
12	V704 - 140 - 025 - 00	RING,SNAP/25 C	1	*	*				
13	1602 - 208 - 061 - 00	SHAFT,DRIVE/FRONT	1	*	*				
14	1603 - 208 - 061 - 00	GEAR/34T	1	*	*				
15	1602 - 208 - 063 - 00	GEAR/25T	1	*	*				
16	1480 - 211 - 005 - 00	COLLAR/25X38X2	2	*	*				
17	V654 - 425 - 312 - 00	BEARING,NR/KT253120	1	*	*				
18	V600 - 110 - 620 - 40	BEARING,RB/6204	2	*	*				
19	V704 - 140 - 025 - 00	RING,SNAP/25 C	1	*	*				
20	V744 - 120 - 350 - 80	SEAL,OIL/TC20358	1	*	1- -1187				
20A	V744 - 120 - 350 - 70	SEAL,OIL	1	*	1188-				
21	1395 - 224 - 002 - 00	COLLAR/25X32X14	1	*	*				
22	V704 - 140 - 025 - 00	RING,SNAP/25 C	1	*	*				
23	1603 - 208 - 063 - 00	SHAFT	1	*	*				

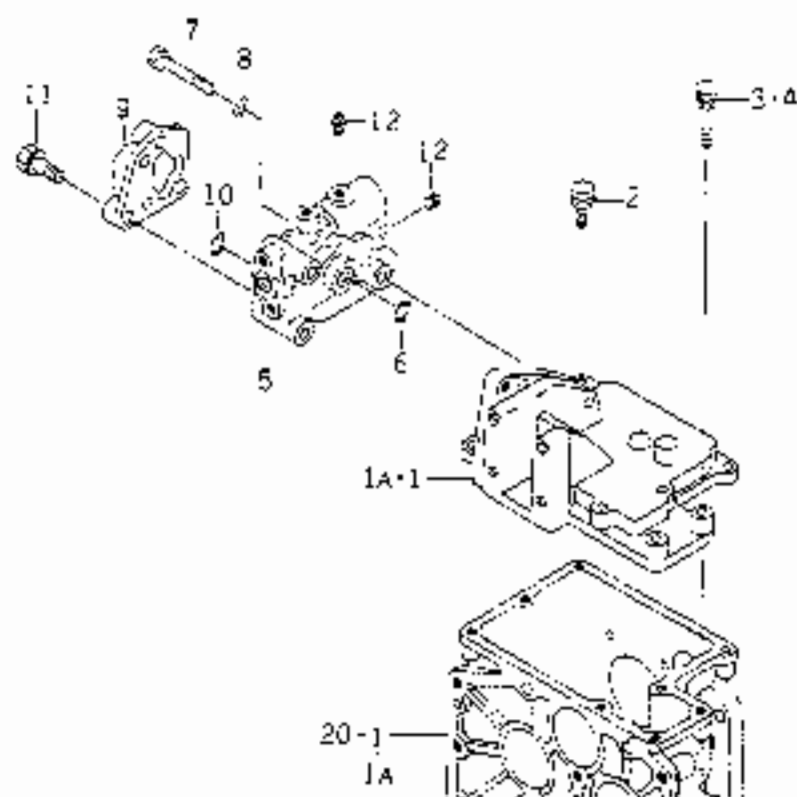
FIG. 26 MAIN LEVER SYSTEM



1603-215

KEY	PART CODE	DESCRIPTION	QTY	TYPE OF MODEL		I T C	C O L	G R P	REMARKS
				TU320	TU320F				
1	1544 - 215 - 001 - 20	METAL,CHANGE	1		*				
2	V211 - 360 - 803 - 00	BOLT/M8X30	7		*				
3	1544 - 215 - 013 - 00	GUIDE,CHANGE	1		*				
4	V211 - 260 - 802 - 00	BOLT,S/M8X20	2		*				
5	1544 - 215 - 260 - 20	PIPE,MAIN SHIFT ARM	1		*				
6	1544 - 215 - 015 - 00	BEARING	2		*				
7	V705 - 140 - 028 - 00	RING,SNAP/28 C	2		*				
8	V723 - 102 - 003 - 00	O - RING	1		*				
9	V211 - 260 - 801 - 60	BOLT,S/M8X16	2		*				
10	1544 - 215 - 270 - 00	ARM,MAIN SHIFT COMP	1		*				
11	1544 - 215 - 014 - 00	SPRING,PRESSURE/60	1		*				
12	1544 - 215 - 016 - 00	BOOT,CHANGE	1		*				
13	1376 - 402 - 003 - 00	BAND,WIRE/140	2		*				
14	1550 - 215 - 200 - 20	LEVER,MAIN SHIFTCOMP	1		*				
15	1544 - 215 - 004 - 00	TUBE/14X130	1		*				
16	1404 - 502 - 013 - 00	BOLT/M8X25	1		*				
17	V590 - 131 - 012 - 00	WIRE/1.0X120	1		*				
18	1602 - 215 - 001 - 00	KNOB	1		*				
19	1602 - 215 - 002 - 00	PIN/7X10	1		*				
20	1425 - 621 - 004 - 00	CLAMP,HARNESS	1		*				
21	V211 - 360 - 801 - 60	BOLT,SP/M8X16	1		*				

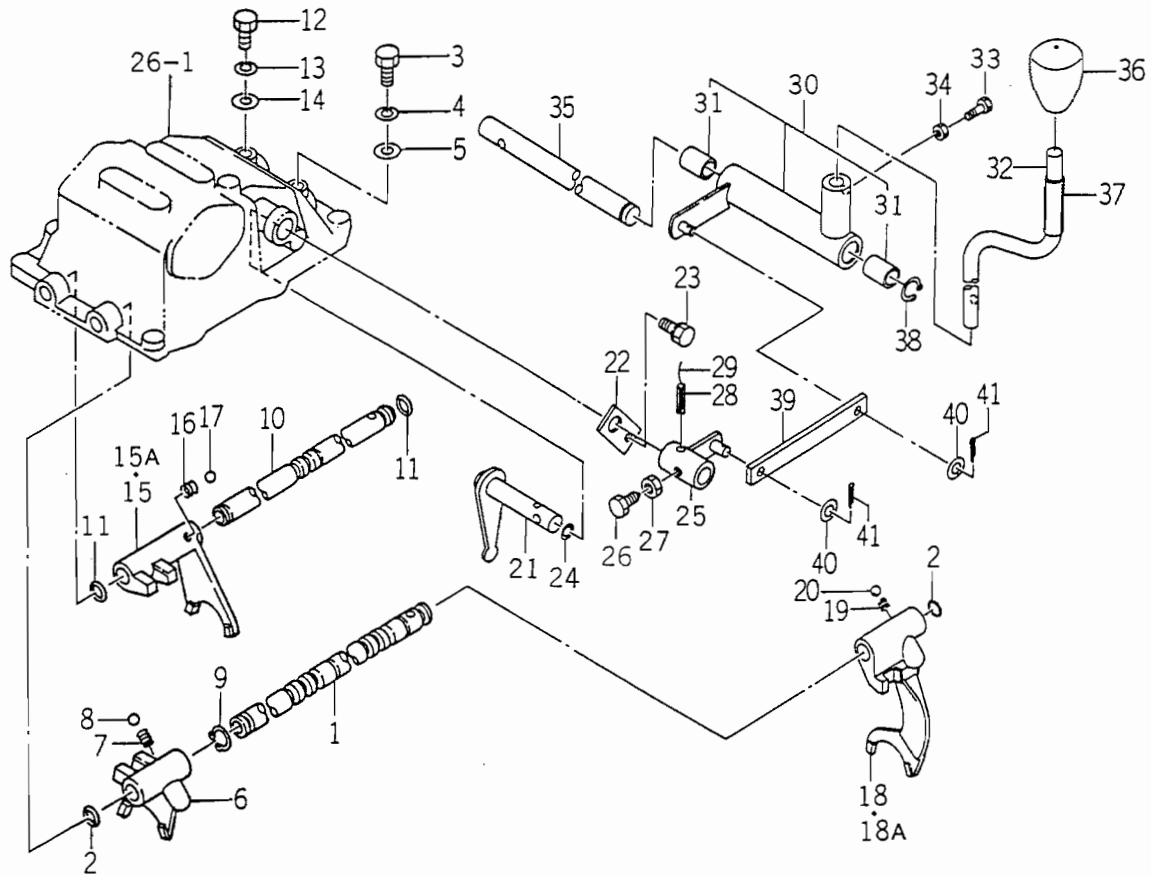
FIG. 27 COVER METAL SYSTEM (HST)



360 204

KEY	PART CODE	DESCRIPTION	QTY	TYPE OF QUOTE		I	C	G	REMARKS
				FIXED	FLUCT				
1	1602-215-051-00	METAL COVER-45"	1						
4	1602-215-051-10	METAL COVER-45"	1						
2	V211-350-902-50	BOLT-30MS	4						
3	V211-350-804-00	BOLT-30MSX40	4						
4	V211-350-904-50	BOLT-30MSX40	4						
5	1502-504-001-00	METAL COVER	1						
6	V700-112-401-40	O-RING-114	1						
7	V201-200-906-50	BOLT-30MSX65	3						
8	V401-140-008-00	WASHER-114	1						
9	1602-504-002-00	METAL COVER SUB-AS	1						
10	V700-112-401-40	O-RING-114	2						
11	V211-350-804-00	BOLT-30MSX40	3						
12	V701-100-600-20	PLUG-PT-3	3						

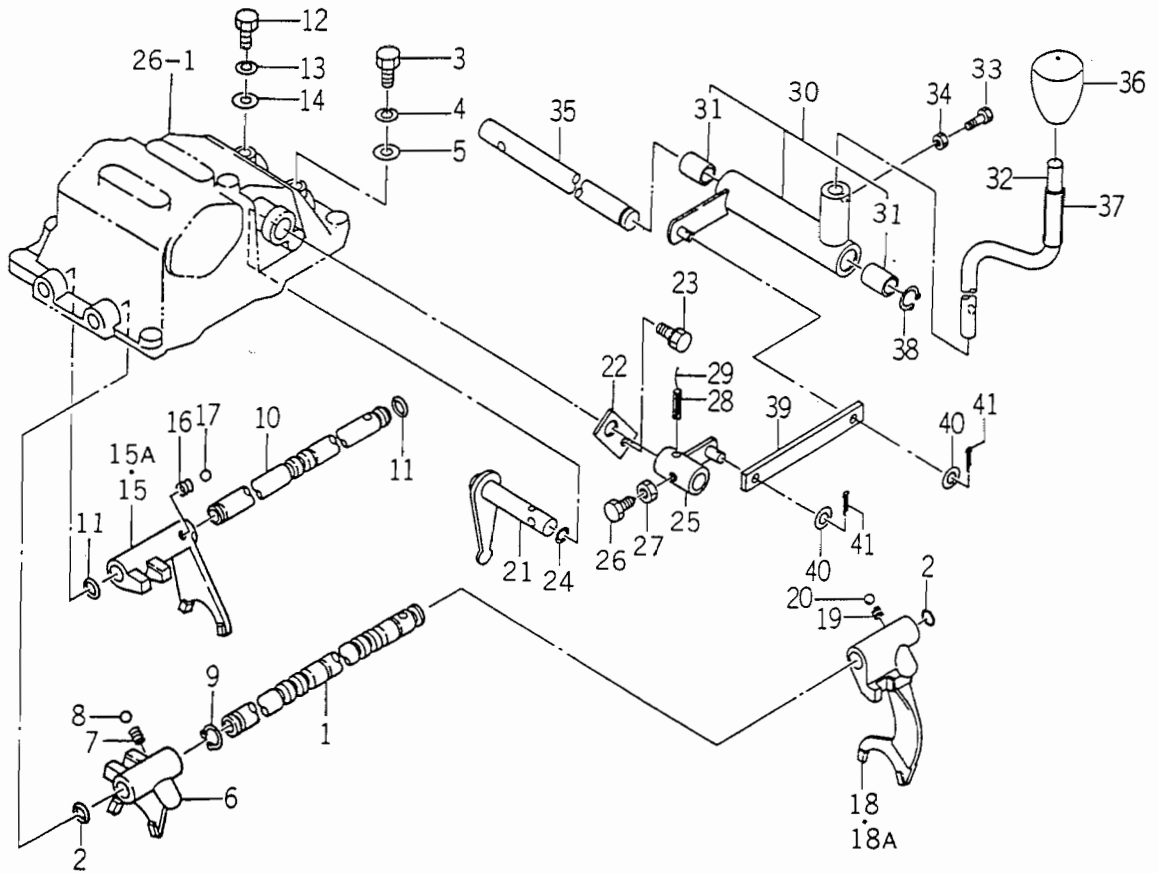
FIG. 28 CHANGE SHIFTER SYSTEM



1602-216

KEY	PART CODE	DESCRIPTION	QTY	TYPE OF MODEL		I T C	C O L	G R P	REMARKS
				TU320	TU320F				
1	1602 - 216 - 001 - 00	STAY,SHIFT/1ST	1		*				
2	V720 - 102 - 401 - 00	O - RING/P10A	2		*				
3	1427 - 210 - 003 - 00	BOLT/M8X25	1		*				
4	V401 - 160 - 008 - 00	WASHER,SP/M 8	1		*				
5	V411 - 260 - 008 - 00	WASHER,PL/M8	1		*				
6	1544 - 216 - 002 - 20	SIFTER,LOWER	1		*				
7	1507 - 307 - 003 - 00	SPRING,SHIFTER	1		*				
8	V682 - 200 - 001 - 00	BALL,STEEL	1		*				
9	V704 - 140 - 014 - 00	RING,SNAP/14 C	2		*				
10	1544 - 216 - 003 - 10	STAY,HIGH SHIFTER	1		*				
11	V720 - 102 - 401 - 00	O - RING/P10A	2		*				
12	1427 - 210 - 003 - 00	BOLT/M8X25	1		*				
13	V401 - 160 - 008 - 00	WASHER,SP/M 8	1		*				
14	V411 - 260 - 008 - 00	WASHER,PL/M8	1		*				
15	1544 - 216 - 004 - 20	SHIFTER,HIGH	1		1- 694				
15A	1588 - 216 - 002 - 00	SHIFTER,HIGH	1		695-				
16	1507 - 307 - 003 - 00	SPRING,SHIFTER	1		*				
17	V682 - 200 - 001 - 00	BALL,STEEL	1		*				
18	1544 - 218 - 001 - 10	SHIFT,SUB	1		1- 19				
18A	1544 - 218 - 001 - 20	FORK,SHIFT/SUB	1		20-				
19	1302 - 225 - 003 - 00	SPRING,SHIFTER	1		*				
20	V682 - 200 - 001 - 00	BALL,STEEL	1		*				
21	1575 - 218 - 230 - 10	ARM,SUB	1		*				COMP
22	1544 - 218 - 002 - 00	PLATE	1		*				
23	V211 - 260 - 801 - 60	BOLT,S/M8X16	1		*				

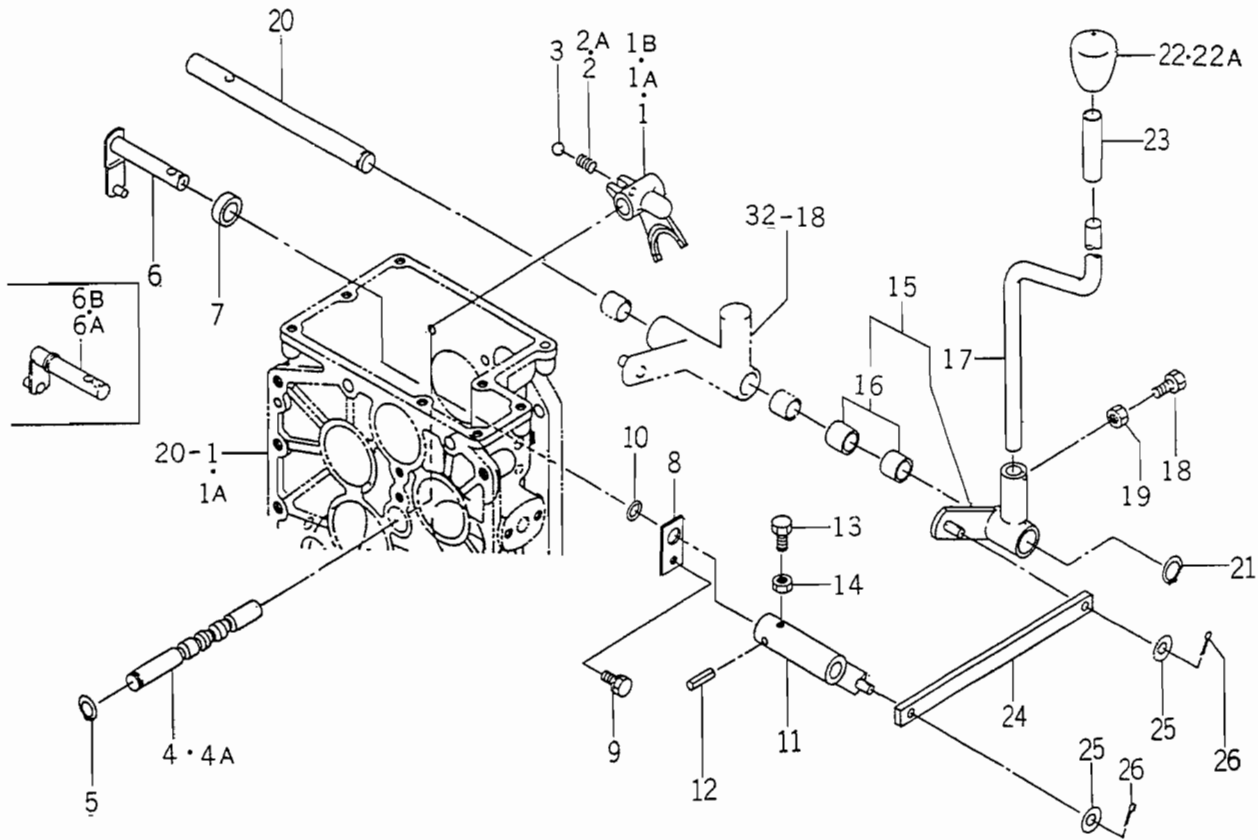
FIG. 28 CHANGE SHIFTER SYSTEM



1603-218

KEY	PART CODE	DESCRIPTION	QTY	TYPE OF MODEL		I T C	C O L	G R P	REMARKS
				TU320	TU320F				
24	V720 - 102 - 401 - 40	O - RING/P14	1		*				
25	1602 - 218 - 200 - 10	ARM,SHIFT/SUB COMP	1		*				
26	1404 - 502 - 013 - 00	BOLT/M8X25	1		*				
27	V304 - 260 - 008 - 00	NUT/M 8	1		*				
28	V580 - 140 - 502 - 50	PIN,SPRING/5X25 W	1		*				
29	V590 - 131 - 007 - 00	WIRE/1.0X70	1		*				
30	1577 - 218 - 200 - 10	PIVOT,SHIFT/SUB SET	1		*				
31	3662 - 223 - 005 - 00	BUSH/16X18X25	2		*				
32	1577 - 218 - 001 - 00	LEVER,SUB	1		*				
33	1404 - 502 - 013 - 00	BOLT/M8X25	2		*				
34	V304 - 260 - 008 - 00	NUT/M 8	2		*				
35	1575 - 218 - 002 - 00	SHAFT,SHIFT	1		*				
36	1544 - 219 - 005 - 00	KNOB,LEVER/12	1		*				
37	1544 - 218 - 005 - 00	TUBE/60	1		*				
38	V704 - 140 - 016 - 00	RING,SNAP/16 C	1		*				
39	1575 - 218 - 001 - 00	ROD,SUB	1		*				
40	V411 - 260 - 008 - 00	WASHER,PL/M8	2		*				
41	V500 - 162 - 502 - 00	PIN,SPLIT/2.5X20	2		*				

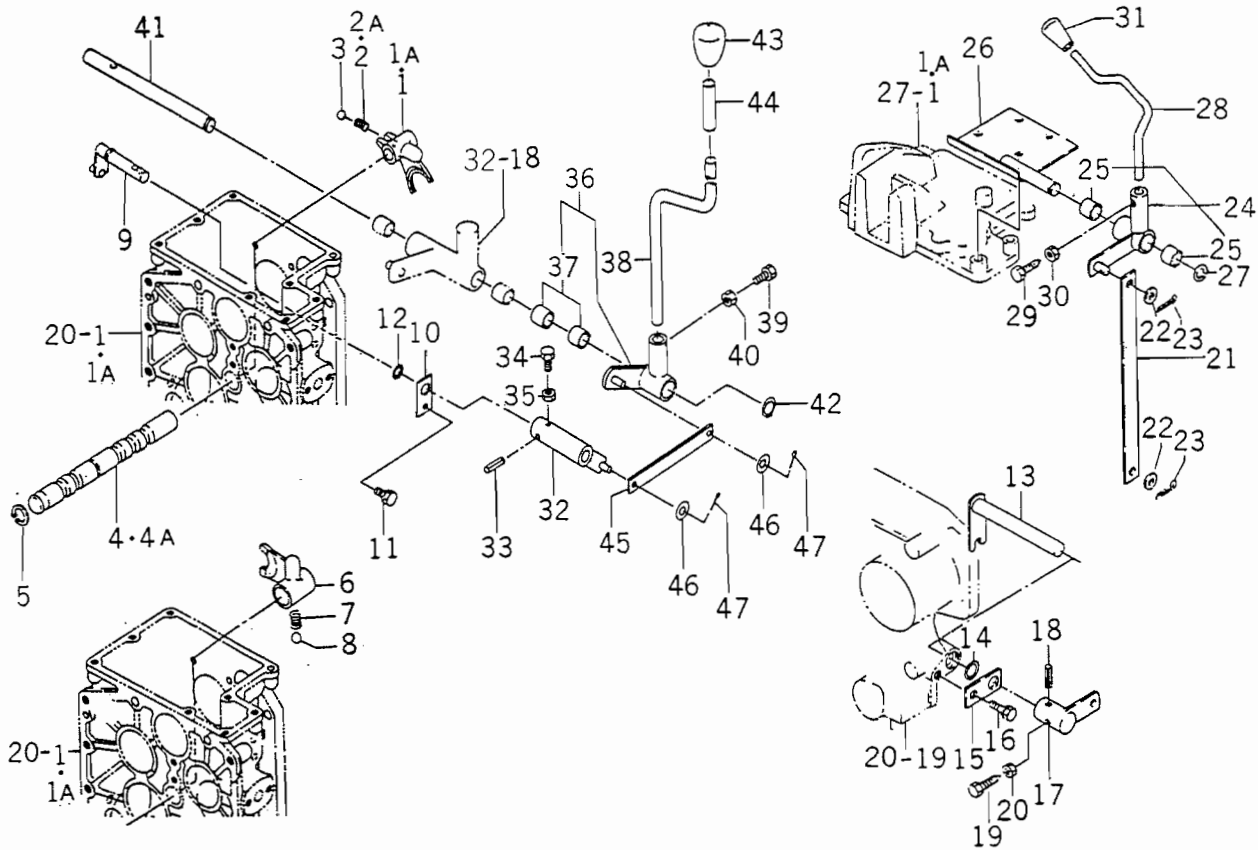
FIG. 29 SUB CHANGE SHIFTER SYSTEM (HST) (1)



1603-218A

KEY	PART CODE	DESCRIPTION	QTY	TYPE OF MODEL		I T C	C O L	G R P	REMARKS
				TU320	TU320F				
1	1602 - 218 - 051 - 10	FORK,SHIFT/SUB	1		1- -140				
1A	1602 - 218 - 051 - 20	FORK,SHIFT/SUB	1		141- -758				
1B	1602 - 218 - 051 - 30	FORK,SHIFT/SUB	1		759-				
2	1302 - 225 - 003 - 00	SPRING,SHIFTER	1		1- -758				
2A	1507 - 307 - 003 - 00	SPRING,SHIFTER	1		759-				
3	V682 - 200 - 001 - 00	BALL,STEEL	1		*				
4	1602 - 218 - 052 - 00	STAY,SHIFT/SUB	1		1- -758				
4A	1602 - 218 - 052 - 10	STAY,SHIFT/SUB	1		759-				
5	V704 - 140 - 014 - 00	RING,SNAP/14 C	1		*				
6	1602 - 218 - 500 - 00	ARM,SUB	1		1- -60				
6A	1602 - 218 - 500 - 10	ARM,SUB	1		61- -140				
6B	1602 - 218 - 500 - 20	ARM,SUB	1		141-				
7	1602 - 218 - 056 - 00	COLLAR/15X25X10	1		*				
8	1544 - 218 - 002 - 00	PLATE	1		*				
9	V211 - 260 - 801 - 60	BOLT,S/M8X16	1		*				
10	V720 - 102 - 401 - 40	O - RING/P14	1		*				
11	1600 - 216 - 510 - 00	ARM,PTO COMP	1		*				
12	V580 - 140 - 502 - 50	PIN,SPRING/5X25 W	1		*				
13	1404 - 502 - 013 - 00	BOLT/M8X25	1		*				
14	V304 - 260 - 008 - 00	NUT/M 8	1		*				
15	1602 - 218 - 520 - 00	PIVOT,SHIFT/SUB SET	1		*				
16	3640 - 111 - 001 - 10	BUSH/16X18X15	2		*				
17	1603 - 218 - 054 - 00	LEVER,SUB	1		*				
18	1404 - 502 - 013 - 00	BOLT/M8X25	2		*				
19	V304 - 260 - 008 - 00	NUT/M 8	2		*				

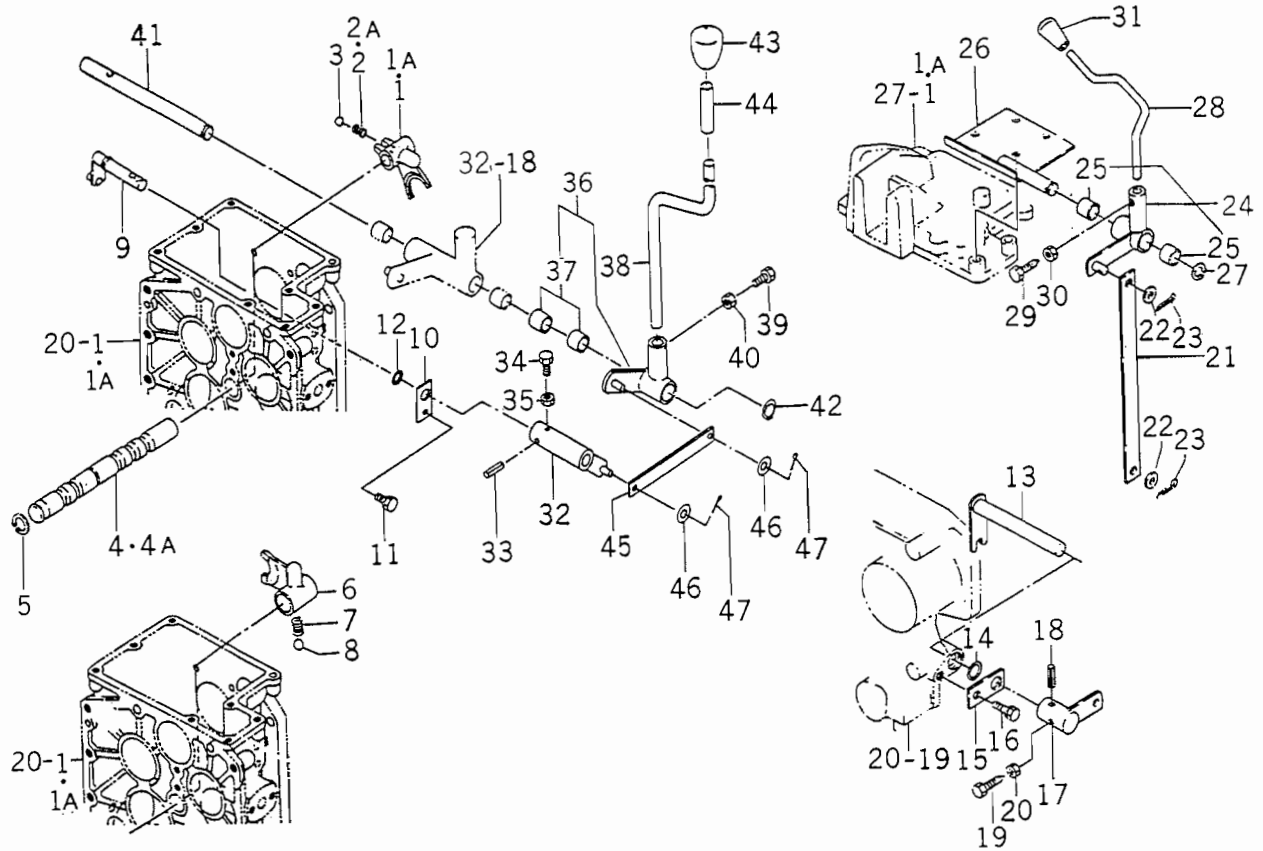
FIG. 30 SUB CHANGE SHIFTER SYSTEM (HST) (2)



1603-218B

KEY	PART CODE	DESCRIPTION	QTY	TYPE OF MODEL		I T C	C O L	G R P	REMARKS
				TU320	TU320F				
1	1602 - 218 - 051 - 20	FORK,SHIFT/SUB	1	1- -10 11-	1- -758 759-				
1A	1602 - 218 - 051 - 30	FORK,SHIFT/SUB	1						
2	1302 - 225 - 003 - 00	SPRING,SHIFTER	1	1- -10 11-	1- -758 759-				
2A	1507 - 307 - 003 - 00	SPRING,SHIFTER	1						
3	V682 - 200 - 001 - 00	BALL,STEEL	1	*	*				
4	1602 - 218 - 061 - 00	STAY,SHIFT/MID	1	1- -10 11-	1- -758 759-				
4A	1602 - 218 - 061 - 10	STAY,SHIFT/MID	1						
5	V704 - 140 - 014 - 00	RING,SNAP/14 C	1	*	*				
6	1602 - 218 - 062 - 00	FORK,SHIFT/MID	1	*	*				
7	1302 - 225 - 003 - 00	SPRING,SHIFTER	1	*	*				
8	V682 - 200 - 001 - 00	BALL,STEEL	1	*	*				
9	1602 - 218 - 500 - 20	ARM,SUB COMP	1	*	*				
10	1544 - 218 - 002 - 00	PLATE	1	*	*				
11	V211 - 260 - 801 - 60	BOLT,S/M8X16	1	*	*				
12	V720 - 102 - 401 - 40	O - RING/P14	1	*	*				
13	1602 - 218 - 600 - 00	ARM,SHIFT/MID COMP	1	*	*				
14	V720 - 102 - 401 - 40	O - RING/P14	1	*	*				
15	1544 - 218 - 002 - 00	PLATE	1	*	*				
16	V211 - 260 - 801 - 60	BOLT,S/M8X16	1	*	*				
17	1602 - 218 - 610 - 00	ARM,MID COMP	1	*	*				
18	V580 - 140 - 502 - 50	PIN,SPRING/5X25 W	1	*	*				
19	1404 - 502 - 013 - 00	BOLT/M8X25	1	*	*				
20	V304 - 260 - 008 - 00	NUT/M 8	1	*	*				
21	1603 - 218 - 053 - 00	PLATE	1	*	*				
22	V411 - 260 - 008 - 00	WASHER,PL/M8	2	*	*				

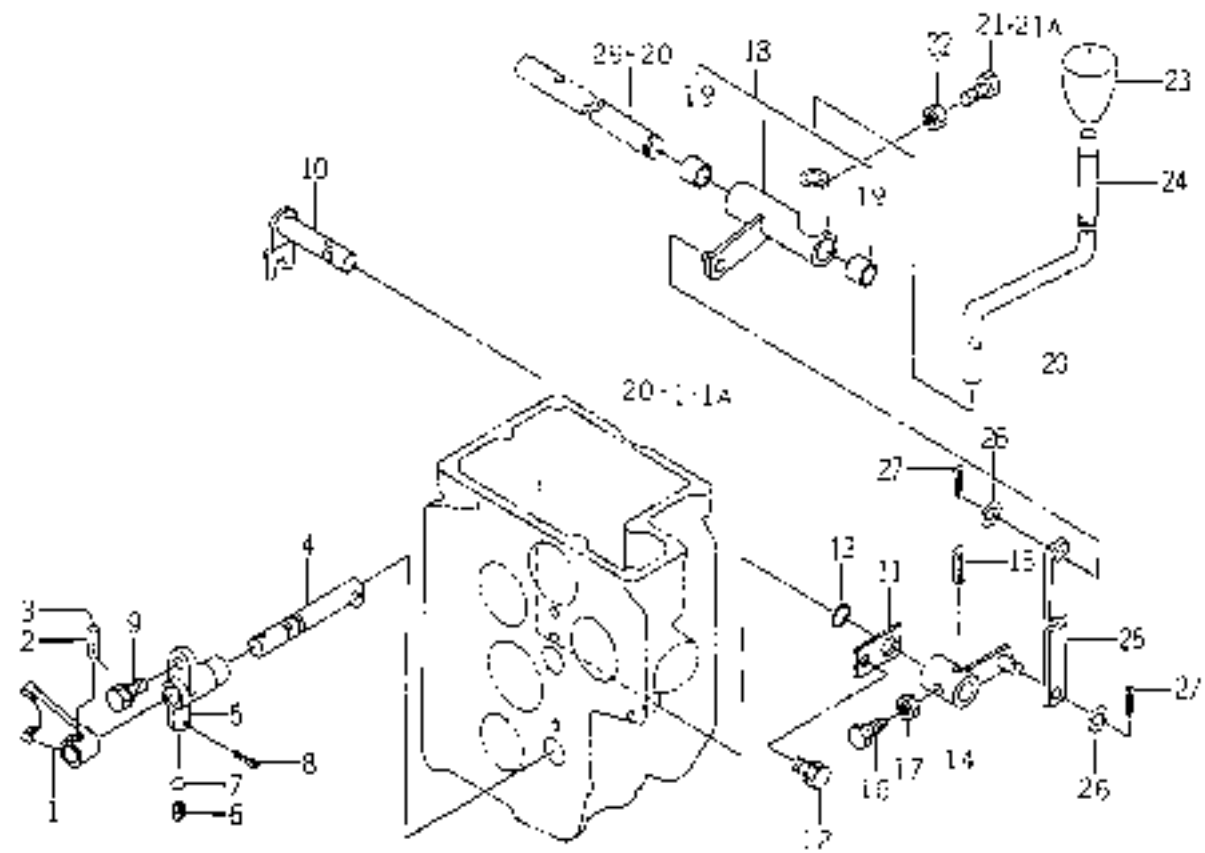
FIG. 30 SUB CHANGE SHIFTER SYSTEM (HST) (2)



1603-218B

KEY	PART CODE	DESCRIPTION	QTY	TYPE OF MODEL		I T C	C O L	G R P	REMARKS
				TU320	TU320F				
23	V500 - 162 - 002 - 00	PIN,SPLIT/2 X20	2	*	*				
24	1602 - 218 - 620 - 00	PIVOT,SHIFT/SUB SET	1	*	*				
25	3640 - 111 - 001 - 10	BUSH/16X18X15	2	*	*				
26	1602 - 218 - 640 - 00	BRACKET,MID COMP	1	*	*				
27	V704 - 140 - 016 - 00	RING,SNAP/16 C	1	*	*				
28	1603 - 218 - 061 - 10	LEVER,MID	1	*	*				
29	1404 - 502 - 013 - 00	BOLT/M8X25	1	*	*				
30	V304 - 260 - 008 - 00	NUT/M 8	1	*	*				
31	1544 - 219 - 005 - 00	KNOB,LEVER/12	1	*	*				
32	1600 - 216 - 510 - 00	ARM,PTO COMP	1	*	*				
33	V580 - 140 - 502 - 50	PIN,SPRING/5X25 W	1	*	*				
34	1404 - 502 - 013 - 00	BOLT/M8X25	1	*	*				
35	V304 - 260 - 008 - 00	NUT/M 8	1	*	*				
36	1602 - 218 - 520 - 00	PIVOT,SHIFT/SUB SET	1	*	*				
37	3640 - 111 - 001 - 10	BUSH/16X18X15	2	*	*				
38	1603 - 218 - 054 - 00	LEVER,SUB	1	*	*				
39	1404 - 502 - 013 - 00	BOLT/M8X25	2	*	*				
40	V304 - 260 - 008 - 00	NUT/M 8	2	*	*				
41	1575 - 218 - 002 - 00	SHAFT,SHIFT	1	*	*				
42	V704 - 140 - 016 - 00	RING,SNAP/16 C	1	*	*				
43	1544 - 219 - 006 - 00	KNOB/12	1	*	*				
44	1544 - 218 - 005 - 00	TUBE/60	1	*	*				
45	1603 - 218 - 053 - 00	PLATE	1	*	*				
46	V411 - 260 - 008 - 00	WASHER,PL/M8	2	*	*				
47	V500 - 162 - 002 - 00	PIN,SPLIT/2 X20	2	*	*				

FIG. 32 FRONT SHIFTER SYSTEM (HST)



REF. 4

KEY	PART CODE	DESCRIPTION	QTY	TYPE OF MODIF.		I	C	S	REMARKS
				1057	103207				
1	1602 318 051 00	FORK SHIF./FRONT							
2	V580 140 507 50	PIK.SPRING/EX25 W							
3	V590 131 007 00	WHL. UXYO							
4	1602 210 500 00	STAY SHIF./FRONT COMP							
5	1602 219 051 00	HOUS. SHIF. FRONT							
6	1302 225 003 00	SPRING LITTE.							
7	V582 200 001 00	BALL/STEEL	1						
8	V500 102 002 50	KNUCKL. EX25							
9	V211 280 002 00	BUSH/16X25	1						
10	1602 219 510 00	ARM FRONT COMP							
11	1644 215 002 00	PLATE							
12	V211 250 501 50	BOLTS 16X 5							
13	V120 103 401 40	G-RING/P14							
14	1602 218 520 10	ARM SHIF./FRONT COMP							
15	V580 140 502 50	PIK.SPRING/EX25 W							
16	1602 502 013 00	SHIF./16X25							
17	V304 260 008 00	NUT/M 8							
18	1603 210 500 10	FRONT FRONT SFT							
19	1640 111 001 10	BUSH/16X25							
20	603 210 052 00	COVER FRONT							
21	V03 200 005 00	DOT							
21A	1604 502 013 00	DOT/16X25							
27	V304 260 008 00	NUT/M 8							
28	1644 219 005 00	KNUCK. EX25 W							
24	1644 215 005 00	TUBE/STEEL							

FIG. 33 FRONT DRIVE SYSTEM (HST)

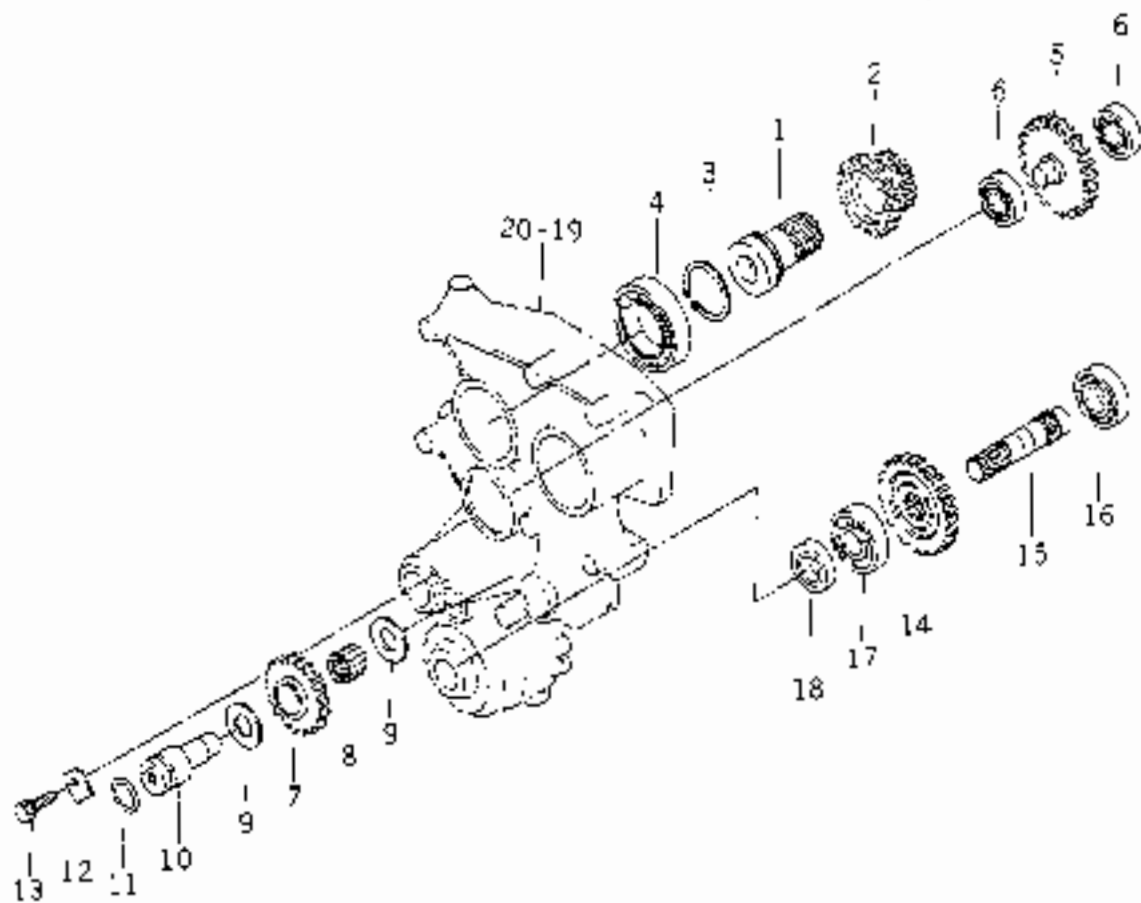
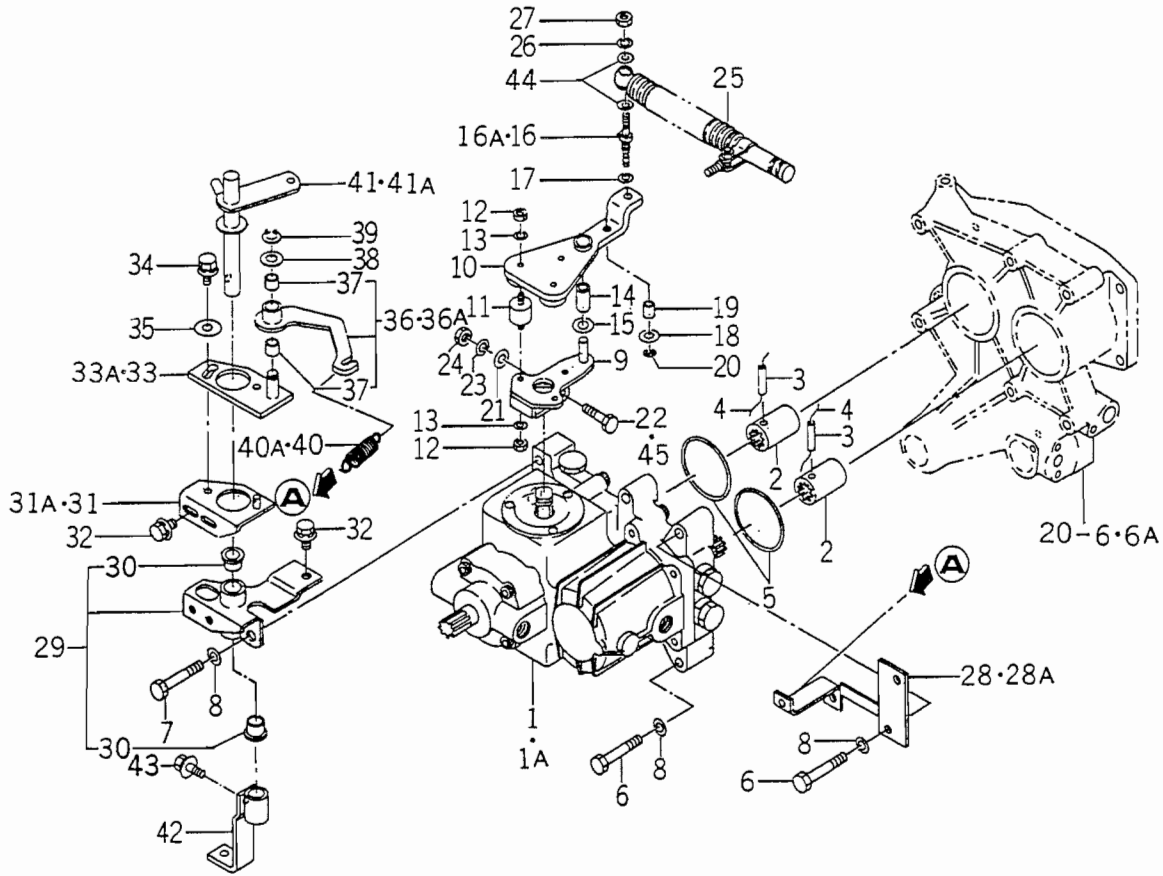


FIG. 33

KEY	PART CODE	DESCRIPTION	QTY	TYPE OF MODEL		I	C	G	REMARKS
				TJ320	IL320*				
1	1502 230 061 00	COUPLING 16x45x72	1	
2	1507 230 082 00	GEAR/25T	1	
3	V700 140 045 00	SHAFTING	
4	V800 110 800 00	BEARING BR/5109	
5	1002 330 003 00	GEAR 15Z1	
6	V200 110 520 40	BEARING BR 8204	2	
7	1602 230 054 00	GEAR/26T	1	
8	V854 430 383 40	BEARING BR/KT22024	1	
9	1502 230 065 00	WASHER 20x18x3	2	
10	1002 230 066 00	SHAFT	
11	V721 108 101 00	O-RING 33x3	1	
12	1432 217 002 00	STOPPER/STA	1	
13	V211 250 801 60	BOLT 3/8x3x6	1	
14	1602 230 057 00	GEAR/30T	1	
15	1002 230 068 00	SHAFTING	1	
16	V800 110 620 50	BEARING BR 1225	
17	V800 110 630 50	BEARING BR/E315	
18	V704 108 410 80	BEARING BR/102547F	

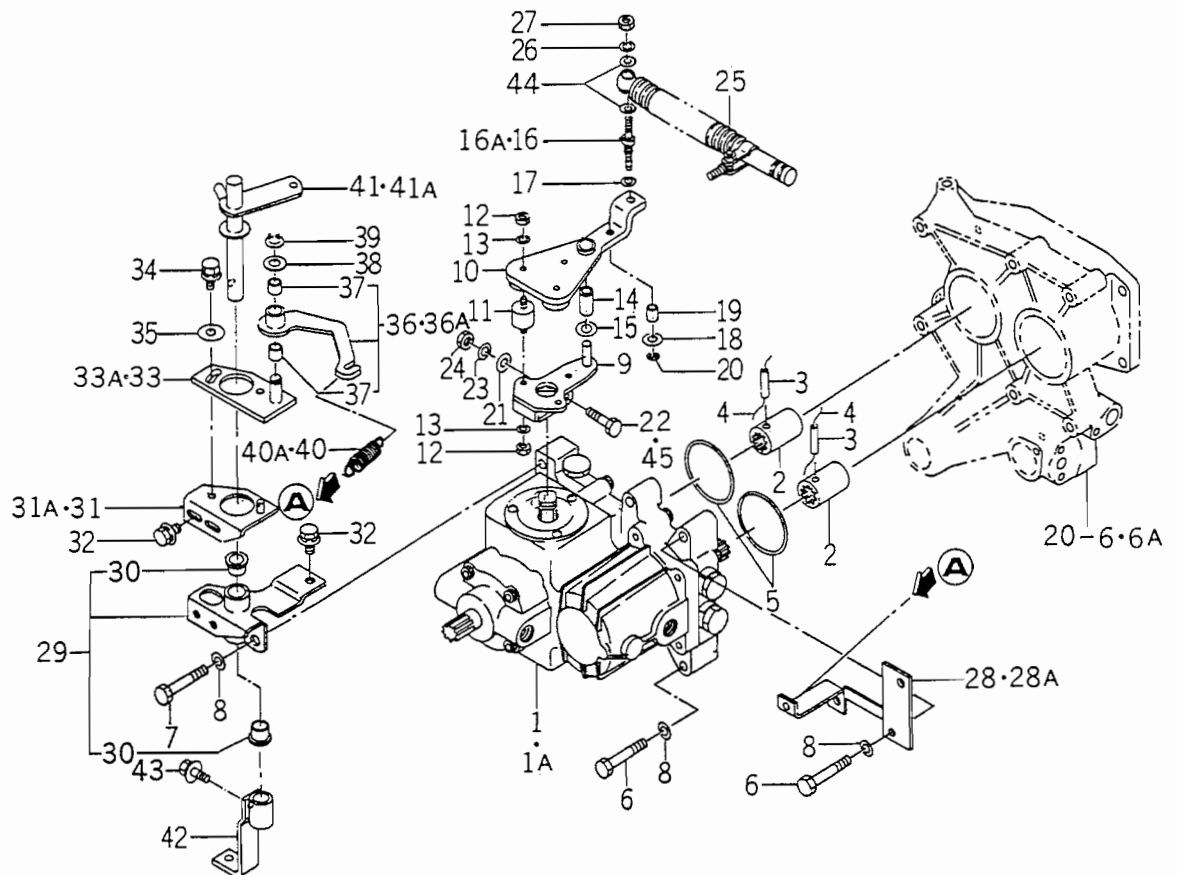
FIG. 34 UNIT SYSTEM (HST)



1602-240

KEY	PART CODE	DESCRIPTION	QTY	TYPE OF MODEL		I T C	C O L	G R P	REMARKS
				TU320	TU320F				
1	1602 - 240 - 500 - 00	HST ASSY	1	1- -10 11-	1- -949 950-				
1A	1602 - 240 - 500 - 20	HST ASSY	1						
2	1602 - 240 - 051 - 00	COUPLING	2		*				
3	V580 - 140 - 603 - 20	PIN,SPRING/6 X32 W	2		*				
4	V590 - 131 - 007 - 00	WIRE/1.0X70	2		*				
5	V721 - 103 - 106 - 50	O - RING/G65	2	*	*				
6	V201 - 261 - 005 - 50	BOLT/M10X55	3	*	*				
7	V201 - 261 - 006 - 00	BOLT/M10X60	3	*	*				
8	V401 - 160 - 010 - 00	WASHER,SP/M10	6	*	*				
9	1602 - 240 - 540 - 10	ARM,TRANION/UNDER	1	*	*				
10	1602 - 240 - 510 - 10	ARM,TRANION/UPPER	1	*	*				
11	1600 - 240 - 053 - 00	INSULATOR	3	*	*				
12	V301 - 260 - 006 - 00	NUT/M6	6	*	*				
13	V401 - 160 - 006 - 00	WASHER,SP/M 6	6	*	*				
14	1600 - 240 - 054 - 00	HOSE/10X15X27	1	*	*				
15	1600 - 240 - 055 - 00	INSULATOR/11X25X02	1	*	*				
16	1600 - 240 - 051 - 00	PIN,ROLLER	1		1- -90 91-				
16A	1600 - 240 - 051 - 10	PIN,ROLLER	1	*					
17	V401 - 160 - 010 - 00	WASHER,SP/M10	1	*	*				
18	V411 - 260 - 010 - 00	WASHER/M10	1	*	*				
19	1600 - 240 - 052 - 00	ROLLER/08X12X15	1	*	*				
20	V710 - 140 - 007 - 00	RING,SNAP/7 E	1	*	*				
21	V411 - 260 - 008 - 00	WASHER,PL/M8	1	*	*				
22	V201 - 360 - 804 - 50	BOLT/M8X45/7T	1		*				
23	V401 - 160 - 008 - 00	WASHER,SP/M 8	1	*	*				

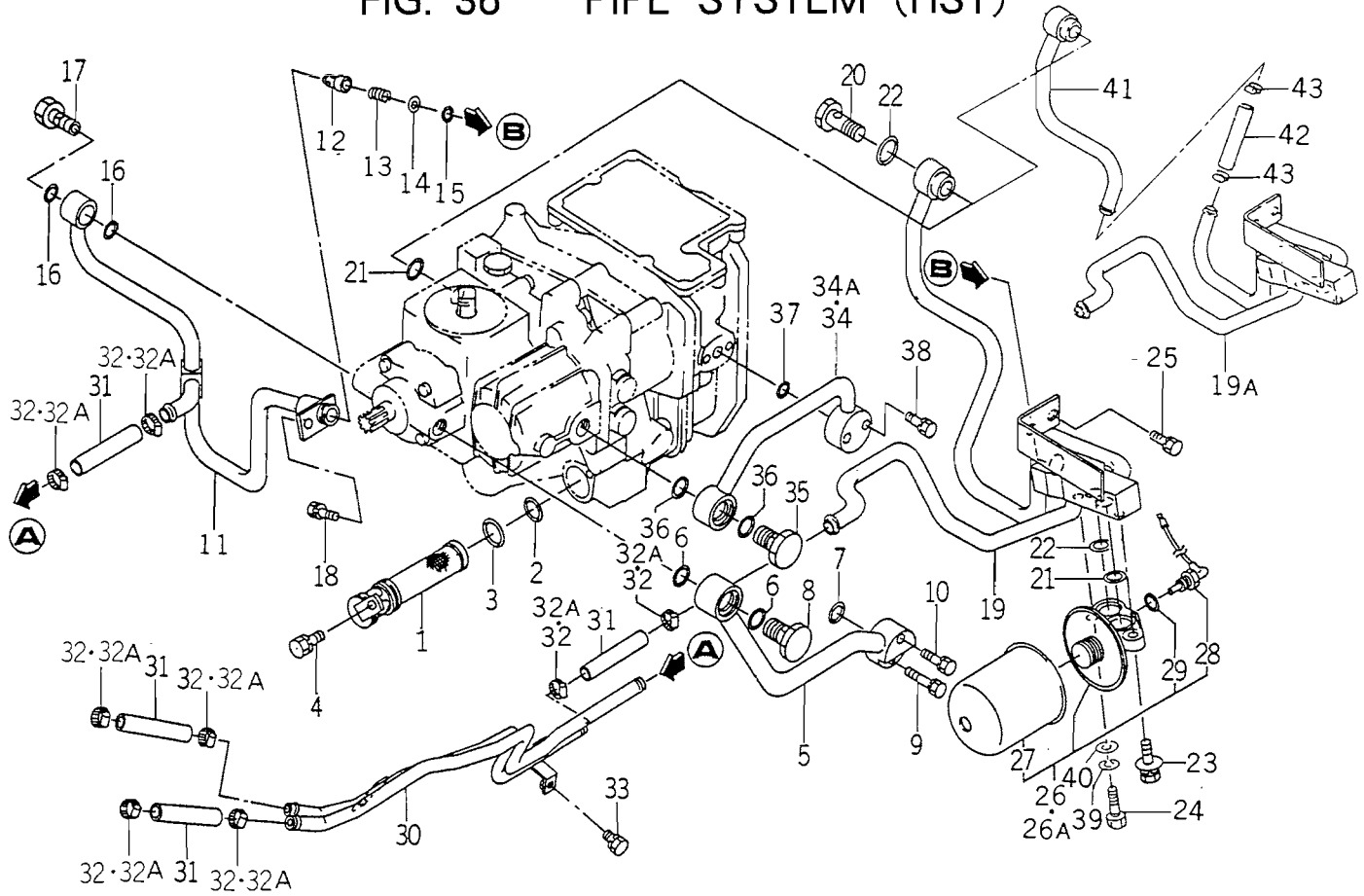
FIG. 34 UNIT SYSTEM (HST)



1602-240

KEY	PART CODE	DESCRIPTION	QTY	TYPE OF MODEL		I T C	C O L	G R P	REMARKS
				TU320	TU320F				
24	V304 - 460 - 008 - 00	NUT	1	*	*				
25	1600 - 240 - 550 - 10	DAMPER,OIL ASSY	1	*	*				
26	V401 - 160 - 008 - 00	WASHER,SP/M 8	2	*	*				
27	V304 - 260 - 008 - 00	NUT/M 8	2	*	*				
28	1602 - 240 - 520 - 10	BRACKET,DAMPER COMP	1		1- -90				
28A	1602 - 240 - 520 - 20	BRACKET,DAMPER COMP	1	*	91-				
29	1602 - 240 - 550 - 00	BRACKET,LINK SET	1	*	*				
30	1560 - 287 - 002 - 30	BUSH/16X24X16	2	*	*				
31	1602 - 240 - 530 - 30	BRACKET,ADJUST COMP	1		1- -20				
31A	1602 - 240 - 530 - 40	BRACKET,ADJUST/NCOMP	1	*	21-				
32	V211 - 360 - 801 - 60	BOLT,SP/M8X16	1	*	*				
33	1602 - 241 - 500 - 20	PLATE,ADJUST COMP	1		1- -20				
33A	1602 - 241 - 500 - 30	PLATE,ADJUST COMP	1	*	21-				
34	V211 - 360 - 802 - 00	BOLT (SP) M8X20	1	*	*				
35	1444 - 601 - 011 - 00	WASHER/9X24X1.6	1	*	*				
36	1600 - 241 - 550 - 10	ARM NEUTRAL SET	1		1- -32				
36A	1600 - 241 - 550 - 20	ARM,NEUTRAL SET	1	*	33-				
37	4335 - 121 - 245 - 00	BUSH/12X14X12	2	*	*				
38	V411 - 260 - 012 - 00	WASHER /M12	1	*	*				
39	V704 - 140 - 012 - 00	RING,SNAP/12 C	1	*	*				
40	1329 - 203 - 005 - 00	SPRING,BRAKE	1		1- -32				
40A	3656 - 565 - 006 - 00	SPRING/HE066	1	*	33-				
41	1603 - 241 - 510 - 00	ARM,UPPER COMP	1	1- -10	1- -284				
41A	1603 - 241 - 510 - 10	ARM,UPPER COMP	1	11-	285-				
42	1602 - 241 - 580 - 00	ARM,LOWER COMP	1	*	*				

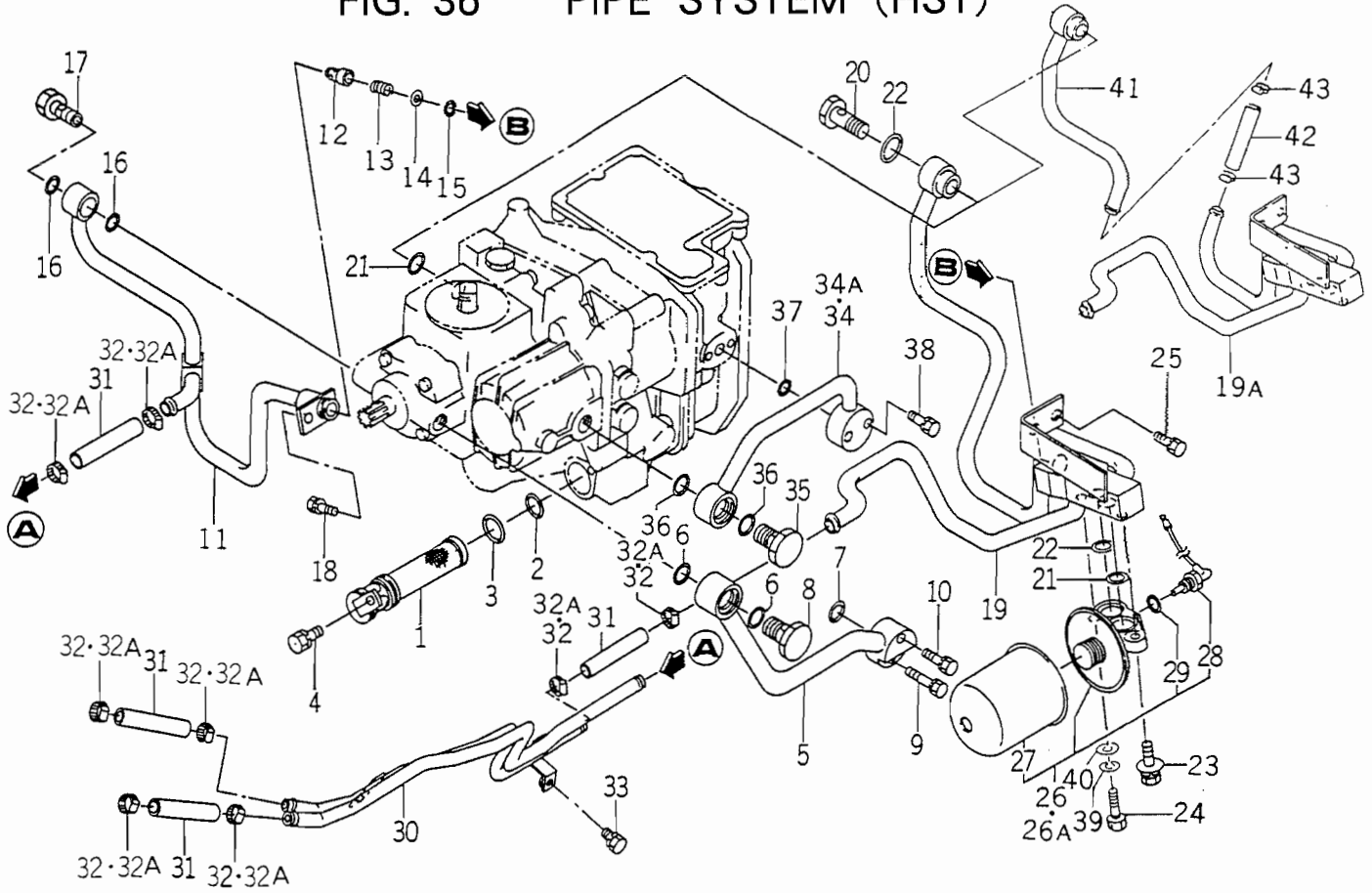
FIG. 36 PIPE SYSTEM (HST)



1603-243

KEY	PART CODE	DESCRIPTION	QTY	TYPE OF MODEL		I T C	C O L	G R P	REMARKS
				TU320	TU320F				
1	1600 - 243 - 500 - 00	FILTER,SUCTION ASSY	1	*	*				
2	V720 - 103 - 502 - 80	O - RING/P28	1	*	*				
3	V720 - 103 - 503 - 00	O - RING/P30	1	*	*				
4	V211 - 260 - 801 - 60	BOLT,S/M8X16	1	*	*				
5	1602 - 243 - 510 - 10	PIPE,SUCTION COMP	1	*	*				
6	V720 - 103 - 502 - 40	O - RING/P24	2	*	*				
7	V720 - 102 - 401 - 80	O - RING/P18	1	*	*				
8	1602 - 243 - 051 - 10	ADAPTER,PF1/2	1	*	*				
9	V211 - 260 - 804 - 00	BOLT,SEMS/M8X40	1	*	*				
10	V211 - 260 - 803 - 00	BOLT,SEMS/M8X30	1	*	*				
11	1603 - 243 - 520 - 30	PIPE,BUST COMP	1	*	*				
12	1600 - 243 - 055 - 10	POPPET	1	*	*				
13	1600 - 243 - 056 - 10	SPRING/HC25	1	*	*				
14	1600 - 243 - 057 - 10	SHIM/08X14X01	1	*	*				
15	V705 - 140 - 015 - 00	RING,SNAP/15 C	1	*	*				
16	V720 - 102 - 401 - 80	O - RING/P18	2	*	*				
17	1435 - 201 - 004 - 00	BOLT,CONNECTOR/38	1	*	*				
18	V211 - 260 - 801 - 60	BOLT,S/M8X16	1	*	*				
19	1603 - 243 - 530 - 10	PIPE,RETURN COMP	1	1- -10	1- -514				
19A	1602 - 243 - 530 - 20	PIPE,RETURN COMP	1	11-	515-				
20	1600 - 243 - 051 - 00	BOLT,CONNECTOR/M16	1	*	*				
21	V720 - 102 - 402 - 00	O - RING/P20	2	*	*				
22	V720 - 103 - 502 - 20	O - RING/P22	2	*	*				
23	V211 - 361 - 003 - 00	BOLT/M10X30	1	*	*				
24	V201 - 261 - 005 - 00	BOLT	1	*	*				

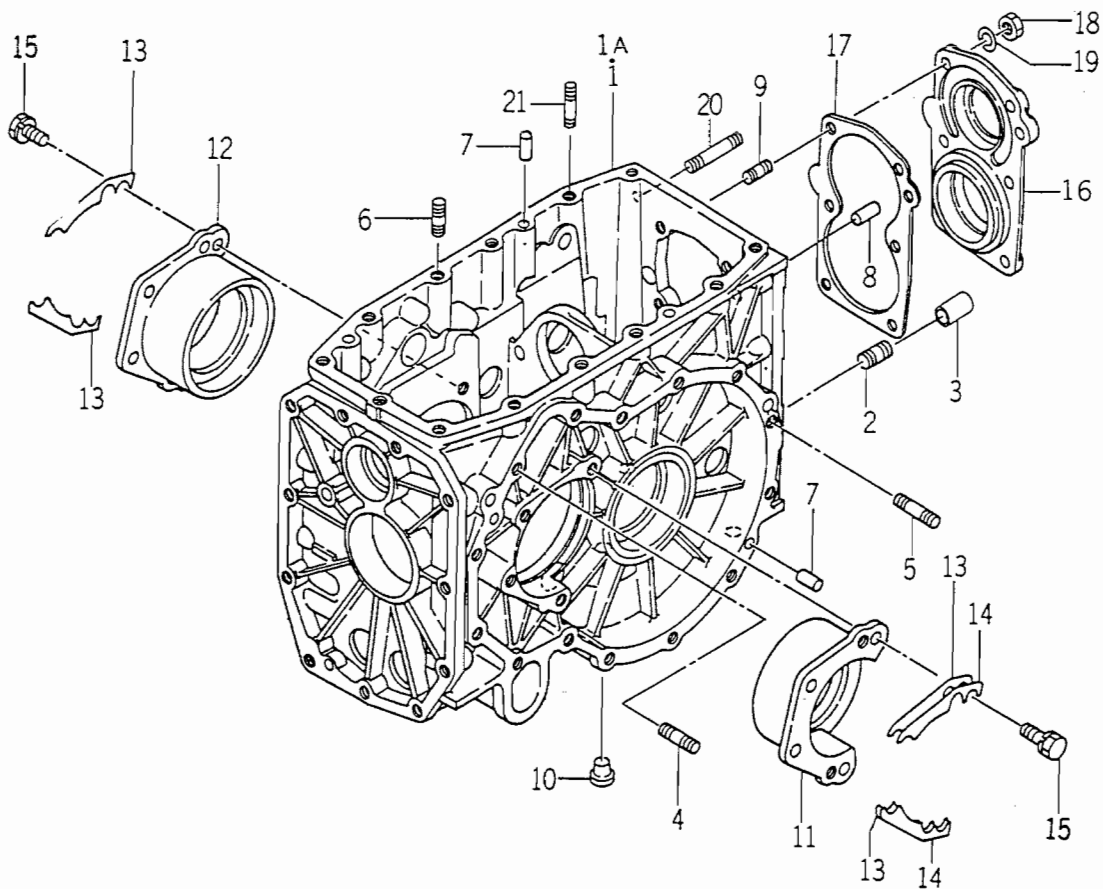
FIG. 36 PIPE SYSTEM (HST)



1603-243

KEY	PART CODE	DESCRIPTION	QTY	TYPE OF MODEL		I T C	C O L	G R P	REMARKS
				TU320	TU320F				
25	V211 - 260 - 802 - 00	BOLT,S/M8X20	2	*	*				
26	1560 - 515 - 270 - 00	FILTER ASSY	1	1- -10	1- -315				
26A	1560 - 515 - 270 - 20	FILTER ASSY	1	11-	316-				
27	1560 - 515 - 272 - 00	CARTRIDGE	1	*	*				
28	1560 - 515 - 273 - 00	SENSOR	1	*	*				
29	V720 - 102 - 401 - 00	O - RING/P10A	1	*	*				
30	1603 - 243 - 560 - 20	PIPE,COOLER COMP	1	*	*				
31	1435 - 201 - 012 - 10	HOSE/70	4	*	*				
32	3768 - 185 - 016 - 00	BAND/22	8	1- -10	1- -1264				
32A	J061 - 114 - 024 - 00	CLAMP,WORM/14 - 24	8	11-	1265-				
33	V211 - 260 - 801 - 60	BOLT,S/M8X16	2	*	*				
34	1602 - 243 - 590 - 10	PIPE,DRAIN COMP	1		1- -1142				
34A	1602 - 243 - 590 - 10	PIPE,DRAIN COMP	1		1143-				
35	1602 - 243 - 051 - 10	ADAPTER,PF1/2	1	*	*				
36	V720 - 103 - 502 - 40	O - RING/P24	2	*	*				
37	V720 - 102 - 401 - 80	O - RING/P18	1	*	*				
38	V211 - 260 - 803 - 50	BOLT (S) M8X35	2	*	*				
39	V401 - 160 - 010 - 00	WASHER,SP/M10	1	*	*				
40	V411 - 260 - 010 - 00	WASHER/M10	1	*	*				
41	1602 - 243 - 610 - 00	PIPE,RETURN COMP	1	*	*				
42	1603 - 243 - 052 - 00	HOSE/14X22X90	1	*	*				
43	J061 - 114 - 024 - 00	CLAMP,WORM/14 - 24	2	*	*				

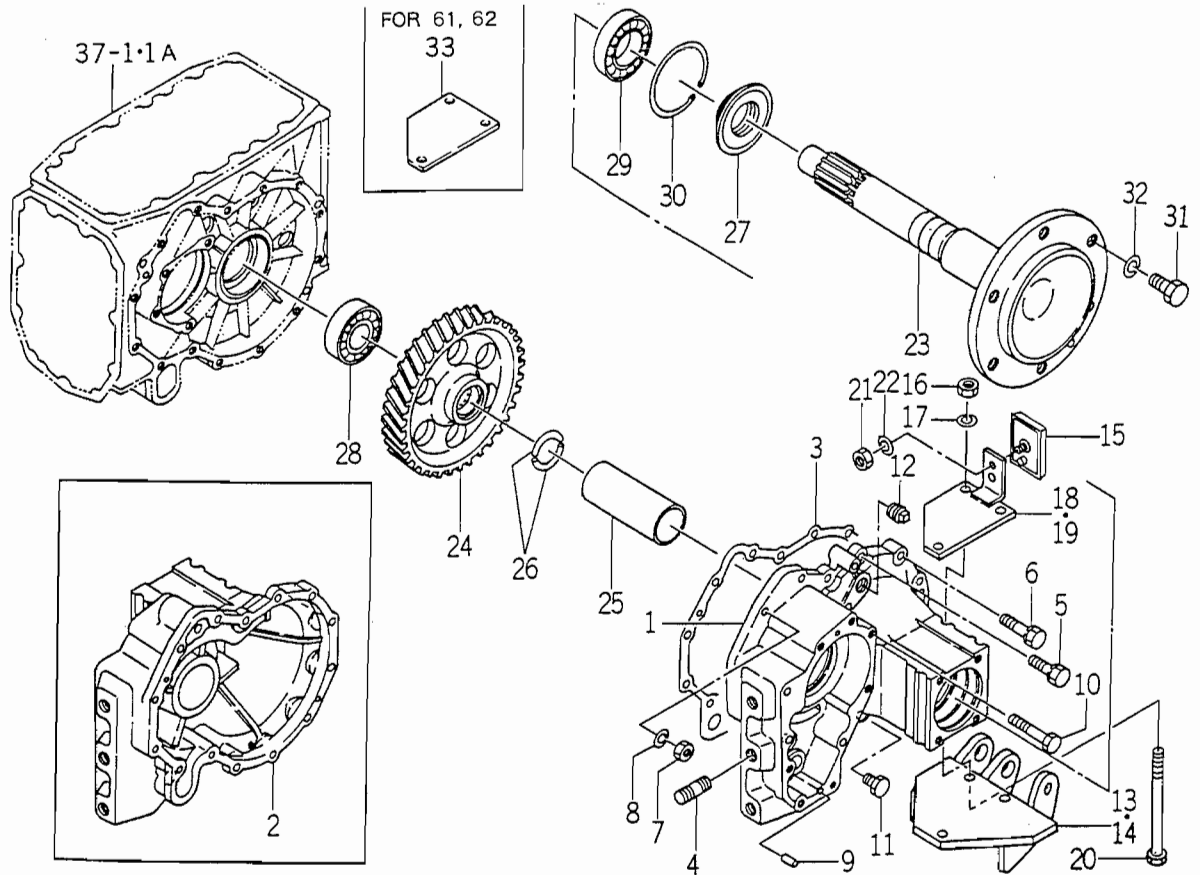
FIG. 37 REAR TRANSMISSION CASE SYSTEM



1588-301

KEY	PART CODE	DESCRIPTION	QTY	TYPE OF MODEL		I T C	C O L	G R P	REMARKS
				TU320	TU320F				
1	1588 - 301 - 001 - 10	CASE,TRANSMISSION	1	1- -10	1- -1138				
1A	1588 - 301 - 001 - 20	CASE,TRANSMISSION	1	11-	1139-				
2	V252 - 261 - 202 - 50	STUD/M12X25	2	*	*				
3	1600 - 201 - 004 - 00	TUBE/Ø30	2	*	*				
4	V251 - 261 - 003 - 50	STUD/M10X 35	2	*	*				
5	V251 - 261 - 004 - 50	BOLT,STUD (SEAL)	2	*	*				
6	V251 - 261 - 002 - 80	BOLT,STUD/M10X28	4	*	*				
7	V520 - 100 - 801 - 60	PIN,ST/8X16	6	*	*				
8	1421 - 433 - 004 - 00	PIN,KNOCK	1	*	*				
9	1575 - 301 - 007 - 00	BOLT,C - LOCK	6	*	*				
10	1427 - 201 - 016 - 00	CAP,BLANK/M12	1	*	*				
11	1550 - 301 - 002 - 00	METAL,DIFF CASE/L	1	*	*				
12	1550 - 301 - 003 - 00	METAL,DIFF CASE/R	1	*	*				
13	1550 - 301 - 004 - 00	SHIM,DIFF CASE METAL	4	*	*				
14	1550 - 301 - 005 - 00	SHIM,DIFF CASE METAL	2	*	*				
15	V211 - 261 - 002 - 50	BOLT,S/M10X25	8	*	*				
16	1550 - 301 - 006 - 30	METAL/PTO	1	*	*				
17	1550 - 301 - 007 - 00	GASKET,PTO METAL	1	*	*				
18	V304 - 260 - 010 - 00	NUT	6	*	*				
19	V401 - 160 - 010 - 00	WASHER,SP/M10	6	*	*				
20	V252 - 261 - 205 - 50	BOLT,STUD/M12X55	4	*	*				
21	V251 - 261 - 003 - 50	STUD/M10X 35	4	*	*				

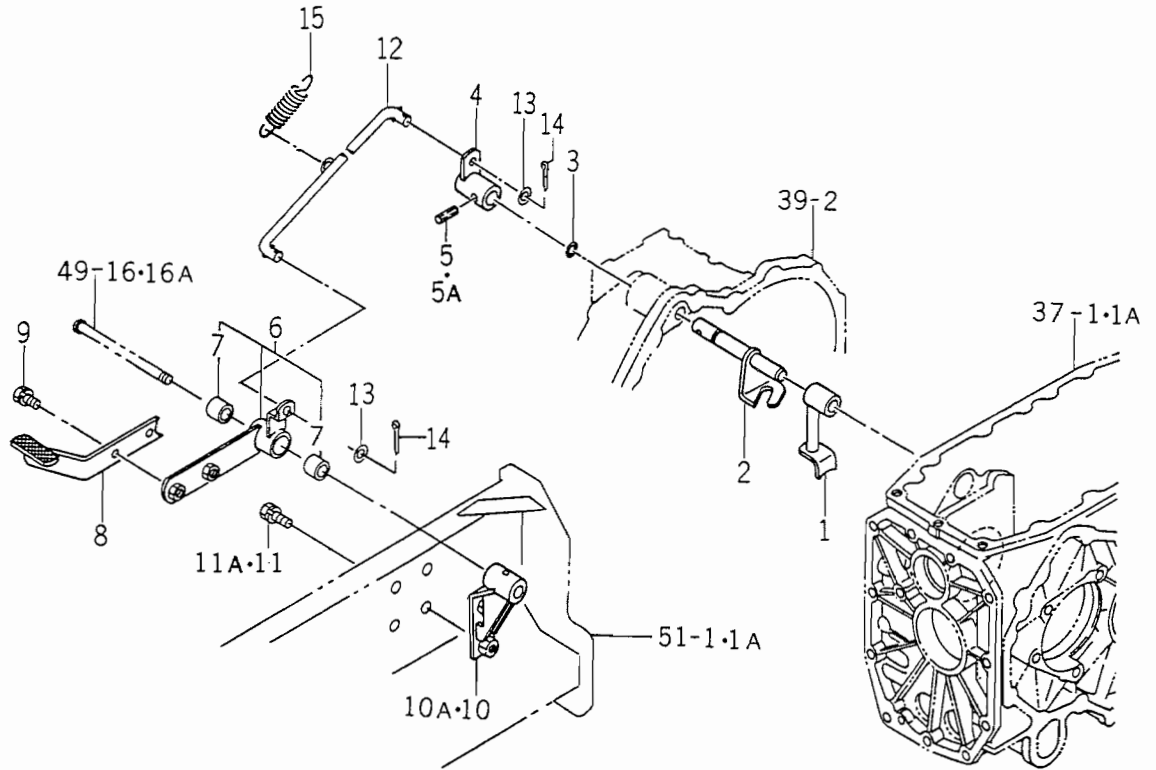
FIG. 39 REAR AXLE HOUSING SYSTEM



1603-306

KEY	PART CODE	DESCRIPTION	QTY	TYPE OF MODEL		I T C	C O L	G R P	REMARKS
				TU320	TU320F				
1	1588 - 306 - 001 - 20	HOUSING,AXLE/REAR/LH	1	*	*				
2	1588 - 306 - 002 - 10	HOUSING,AXLE/REAR/RH	1	*	*				
3	1550 - 306 - 003 - 00	GASKET,REAR AXLE	2	*	*				
4	V251 - 341 - 604 - 00	BOLT,STUD/M16X40	2	*	*				
5	V211 - 261 - 003 - 50	BOLT,S/M10X35	6	*	*				
6	V211 - 261 - 004 - 50	BOLT,S/M10X45	14	*	*				
7	V304 - 260 - 010 - 00	NUT	4	*	*				
8	V401 - 160 - 010 - 00	WASHER,SP/M10	4	*	*				
9	V520 - 100 - 801 - 60	PIN,ST/8X16	4	*	*				
10	V201 - 261 - 007 - 00	BOLT/M10X70	2	*	*				
11	7955 - 201 - 026 - 00	PLUG,DRAIN (1/4)	2	*	*				
12	V781 - 160 - 000 - 80	PLUG	1	*	*				
13	1603 - 306 - 220 - 00	BRACKET,LOWER LINK	1	*	*				
14	1603 - 306 - 230 - 00	BRACKRT,LOWER LINK	1	*	*				
15	1518 - 621 - 560 - 00	REFLECTOR ASSY	2	*	*				
16	V301 - 260 - 006 - 00	NUT/M6	2	*	*				
17	V401 - 160 - 006 - 00	WASHER,SP/M 6	2	*	*				
18	1603 - 306 - 200 - 00	BRACKET/LH COMP	1	*	*				
19	1603 - 306 - 210 - 00	BRACKET/RH COMP	1	*	*				
20	V201 - 361 - 216 - 00	BOLT/M12X160	6	*	*				
21	V304 - 460 - 012 - 00	NUT/M12	6	*	*				
22	V401 - 160 - 012 - 00	WASHER,SP/M12	6	*	*				
23	1552 - 307 - 001 - 00	SHAFT,WHEEL	2	*	*				
24	1550 - 307 - 002 - 00	GEAR,WHEEL/62	2	*	*				
25	1550 - 307 - 003 - 00	PIPE/139	2	*	*				

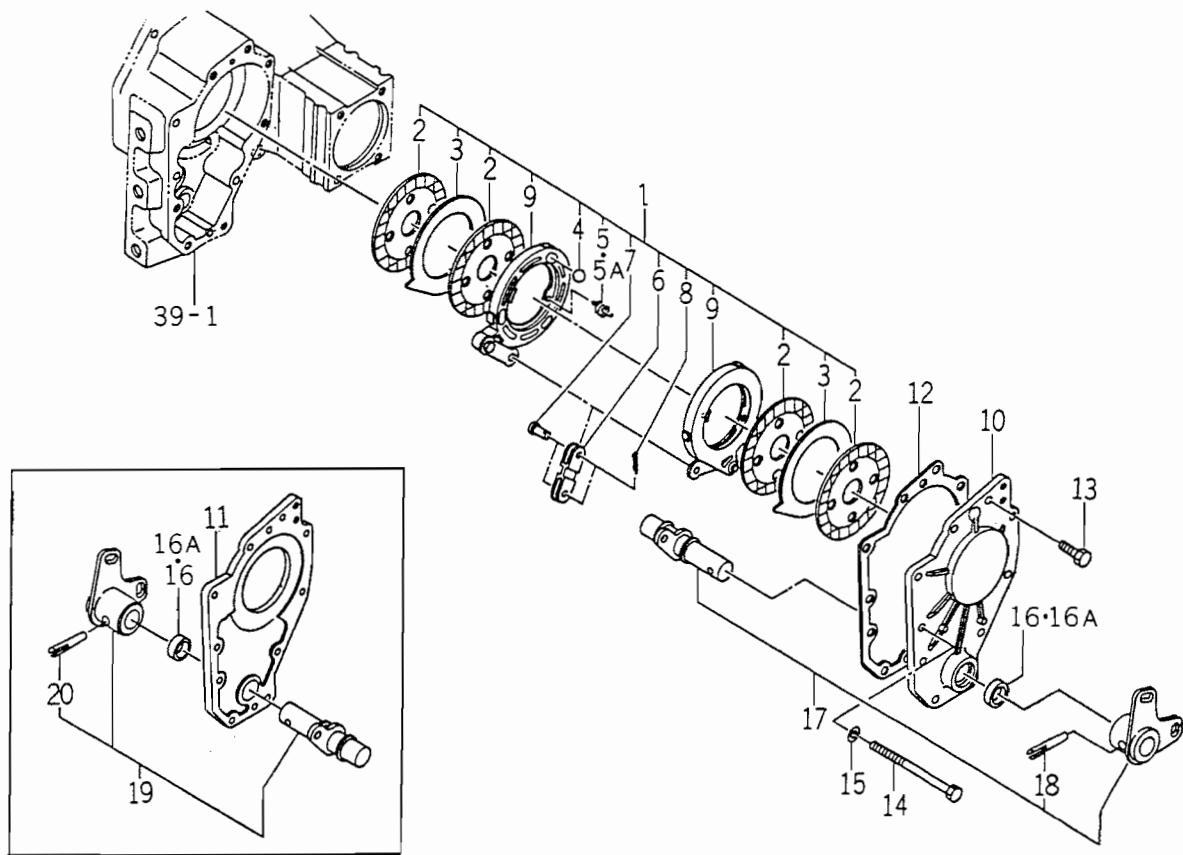
FIG. 40 DIFF – LOCK SYSTEM



1588-308

KEY	PART CODE	DESCRIPTION	QTY	TYPE OF MODEL		I T C	C O L	G R P	REMARKS
				TU320	TU320F				
1	1550 - 308 - 200 - 00	SHIFTER,DIFF LOCK	1	*	*				
2	1588 - 308 - 200 - 00	PIN,SHIFT/DIFF LOCK	1	*	*				
3	V723 - 101 - 501 - 20	O - RING	1	*	*				
4	1550 - 308 - 220 - 00	ARM,DIFF LOCK COMP	1	*	*				
5	1480 - 304 - 002 - 00	PIN/6X28	1		1- -121				
5A	V530 - 240 - 602 - 80	PIN/6X28	1	*	122-				
6	1575 - 308 - 230 - 10	ARM,DIFF LOCK SET	1	*	*				
7	3640 - 111 - 001 - 10	BUSH/16X18X15	2	*	*				
8	1575 - 308 - 250 - 10	PEDAL,DIFF LOCK COMP	1	*	*				
9	V211 - 260 - 801 - 60	BOLT,S/M8X16	2	*	*				
10	1575 - 308 - 200 - 00	PIVOT,DIFF LOCK COMP	1	1- -10	1- -523				
10A	1578 - 308 - 240 - 00	BRACKET,LEVER COMP	1	11-	524-				
11	V211 - 260 - 802 - 50	BOLT,S/M8X25	2	1- -10	1- -639				
11A	V211 - 560 - 802 - 50	BOLT,SEMS/M8X25 7T	2	11-	640-				
12	1588 - 308 - 210 - 00	ROD/260 COMP	1	*	*				
13	V411 - 260 - 008 - 00	WASHER,PL/M8	2	*	*				
14	V500 - 162 - 502 - 50	PIN,SPLIT/2.5X25	2	*	*				
15	1427 - 301 - 021 - 00	SPRING,TENSION/121	1	*	*				

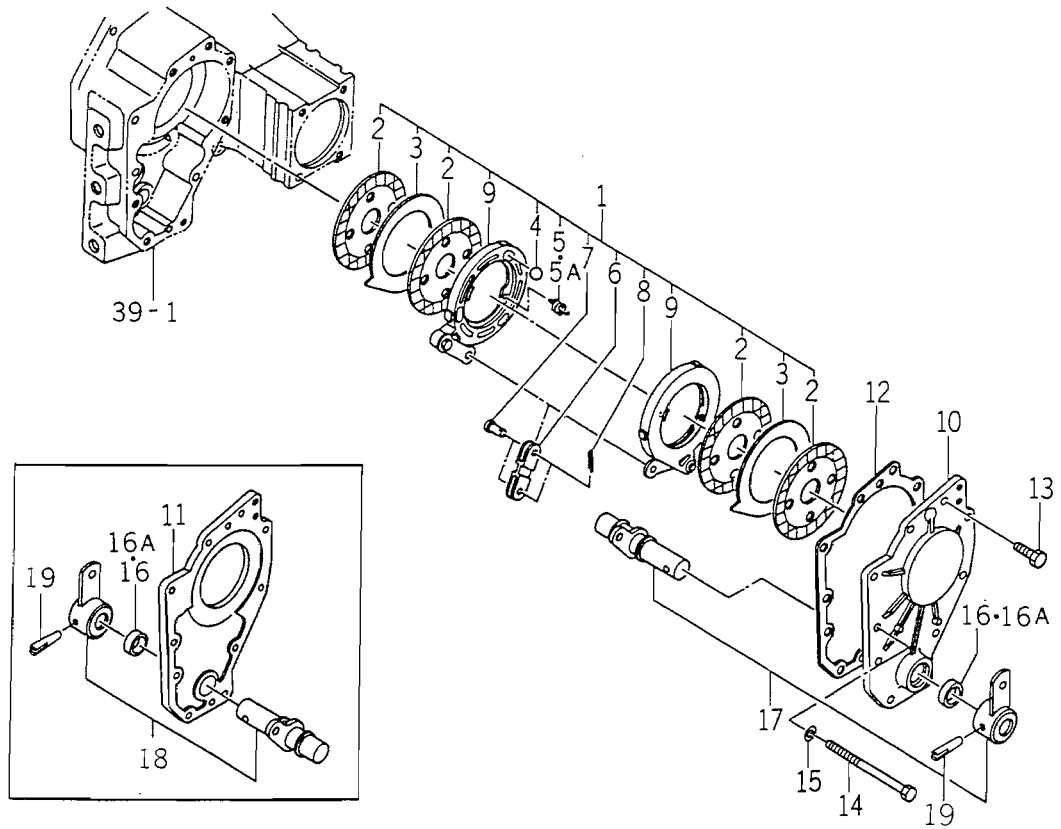
FIG. 41 BRAKE SYSTEM (E20)



1603-310A

KEY	PART CODE	DESCRIPTION	QTY	TYPE OF MODEL		I T C	C O L	G R P	REMARKS
				TU320	TU320F				
1	1603 - 310 - 200 - 00	BRAKE,DISC ASSY	2		*				
2	1602 - 310 - 201 - 00	PLATE,FRICTION	8		*				
3	1544 - 310 - 282 - 00	STATOR	4		*				
4	1544 - 310 - 283 - 00	BALL,STEEL	6		*				
5	1544 - 310 - 284 - 00	SPRING/HE023	4		1- -1244				
5A	1602 - 310 - 202 - 00	SPRING/HE023	4		1245-				
6	1544 - 310 - 285 - 00	CONNECTOR,LINK	2		*				
7	1544 - 310 - 286 - 00	PIN,/10X18	4		*				
8	V500 - 162 - 002 - 00	PIN,SPLIT/2 X20	4		*				
9	1544 - 310 - 290 - 00	ACTUATOR ASSY	2		*				
10	1588 - 310 - 001 - 00	COVER,BRAKE/LH	1		*				
11	1588 - 310 - 002 - 00	COVER,BRAKE/RH	1		*				
12	1550 - 310 - 003 - 10	GASKET,BRAKE COVER	2		*				
13	V211 - 261 - 003 - 00	BOLT (S) M10X30	14		*				
14	V201 - 261 - 013 - 50	BOLT/M10X135	6		*				
15	V401 - 160 - 010 - 00	WASHER,SP/M10	6		*				
16	V744 - 125 - 350 - 70	SEAL,OIL/TC25357	2		1- -1220				
16A	V744 - 125 - 350 - 60	SEAL,OIL	2		1221-				
17	1603 - 310 - 210 - 00	ARM,BRAKE/LH SET	1		*				
18	V511 - 100 - 805 - 00	PIN,TAPER/8X50	1		*				
19	1603 - 310 - 220 - 00	ARM,BRAKE/RH SET	1		*				
20	V511 - 100 - 805 - 00	PIN,TAPER/8X50	1		*				

FIG. 42 BRAKE SYSTEM



1603-310

KEY	PART CODE	DESCRIPTION	QTY	TYPE OF MODEL		I T C	C O L	G R P	REMARKS
				TU320	TU320F				
1	1603 - 310 - 200 - 00	BRAKE,DISC ASSY	2	*	*				
2	1602 - 310 - 201 - 00	PLATE,FRICITION	8	*	*				
3	1544 - 310 - 282 - 00	STATOR	4	*	*				
4	1544 - 310 - 283 - 00	BALL,STEEL	6	*	*				
5	1544 - 310 - 284 - 00	SPRING/HE023	4	1- -10	1- -1244				
5A	1602 - 310 - 202 - 00	SPRING/HE023	4	11-	1245-				
6	1544 - 310 - 285 - 00	CONNECTOR,LINK	2	*	*				
7	1544 - 310 - 286 - 00	PIN/10X18	4	*	*				
8	V500 - 162 - 002 - 00	PIN,SPLIT/2 X20	4	*	*				
9	1544 - 310 - 290 - 00	ACTUATOR ASSY	2	*	*				
10	1588 - 310 - 001 - 00	COVER,BRAKE/LH	1	*	*				
11	1588 - 310 - 002 - 00	COVER,BRAKE/RH	1	*	*				
12	1550 - 310 - 003 - 10	GASKET,BRAKE COVER	2	*	*				
13	V211 - 261 - 003 - 00	BOLT (S) M10X30	14	*	*				
14	V201 - 261 - 013 - 50	BOLT/M10X135	6	*	*				
15	V401 - 160 - 010 - 00	WASHER,SP/M10	6	*	*				
16	V744 - 125 - 350 - 70	SEAL,OIL/TC25357	2	1- -10	1- -1220				
16A	V744 - 125 - 350 - 60	SEAL,OIL	2	11-	1221-				
17	1588 - 310 - 220 - 00	CAM,BRAKE/LH SET	1	*	*				
18	1588 - 310 - 230 - 00	CAM,BRAKE/RH SET	1	*	*				
19	V511 - 100 - 805 - 00	PIN,TAPER/8X50	2	*	*				

FIG. 43 BRAKE PEDAL SYSTEM

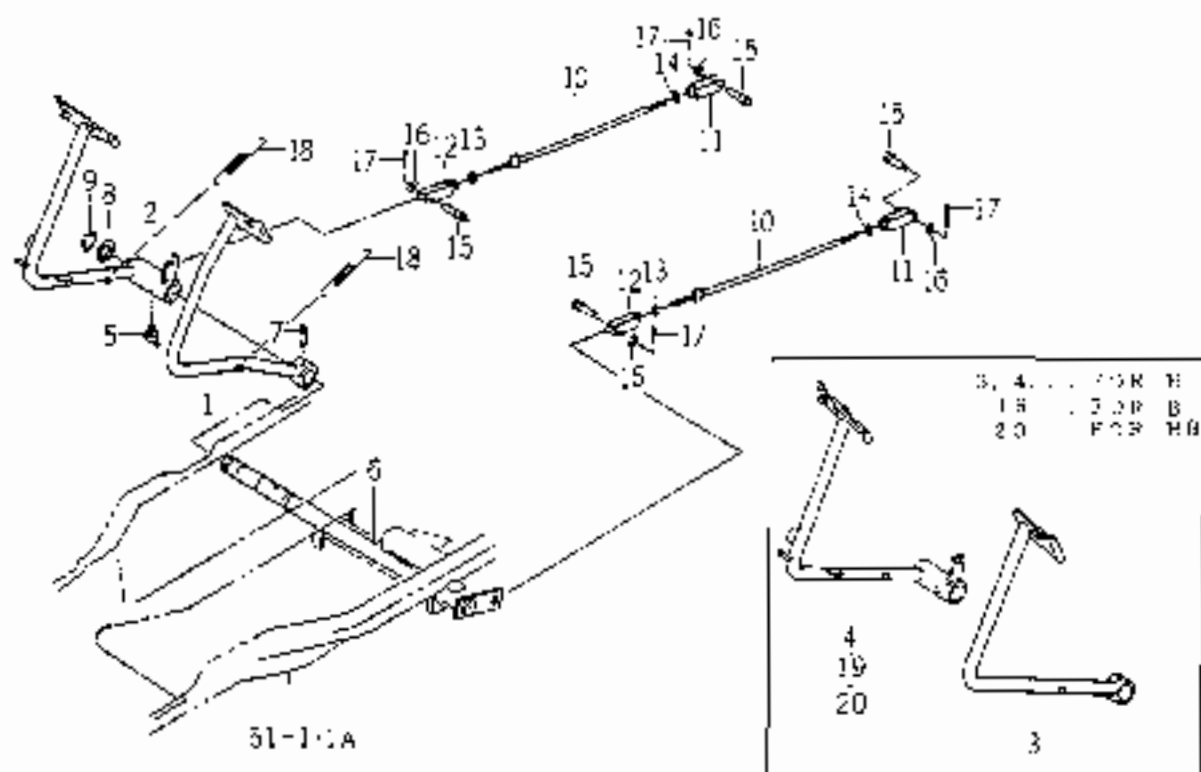
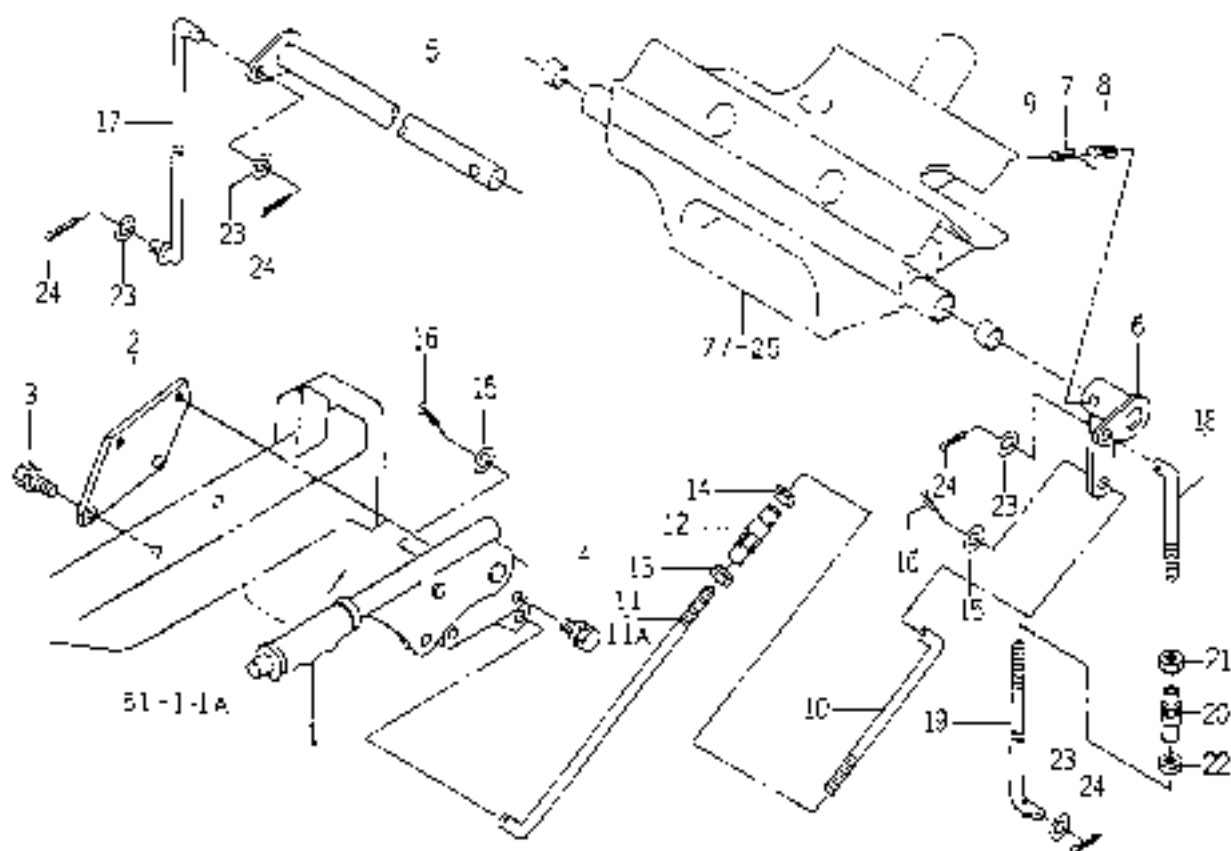


FIG. 43

KEY	PART CODE	DESCRIPTION	QTY	TYPE OF MODEL		I T C	C O I	G R P	REMARKS
				TJ20	TJ26				
1	1575 312 700 00	PEDAL L/R COMP	1						
2	1600 312 200 00	PEDAL R COMP	1						
3	1600 317 500 00	PEDAL RST/LR UNIT							
4	1600 312 610 00	PEDAL RST/RH COMP							
5	V752 150 000 00	NUT/BUSH/R-125F							
6	1575 312 770 00	SHAF	COMP						
7	V530 100 604 00	PN. (9X4)							
8	1540 312 001 00	WASHER. 2FX30X3							
9	V704 140 025 00	PLUG/SLIP/25.0							
10	1600 312 001 00	ROD/STL	2						
11	1410 312 500 00	YOKER LH	2						
12	1415 312 500 00	YOKER R	2						
13	V804 250 003 00	NUT/R R	2						
14	1550 132 007 00	NUT ME	2						
15	1404 312 005 00	FRANKL A	2						
16	V411 260 004 00	WASHER/PL/MP	4						
17	V500 107 002 00	FIN. SPL T/2 120	4						
18	1575 123 002 00	BRONZ HF130	2						
19	1600 312 700 00	PEDAL L/R COMP	1						
20	1600 312 720 00	PEDAL R/R COMP	1						

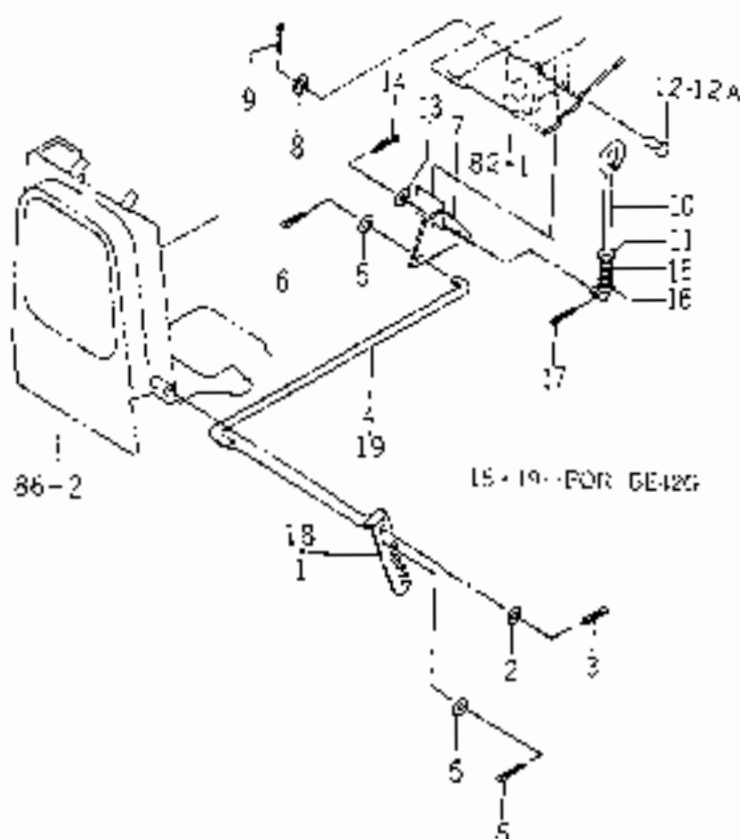
FIG. 44 PARKING BRAKE SYSTEM (E20)



KEY

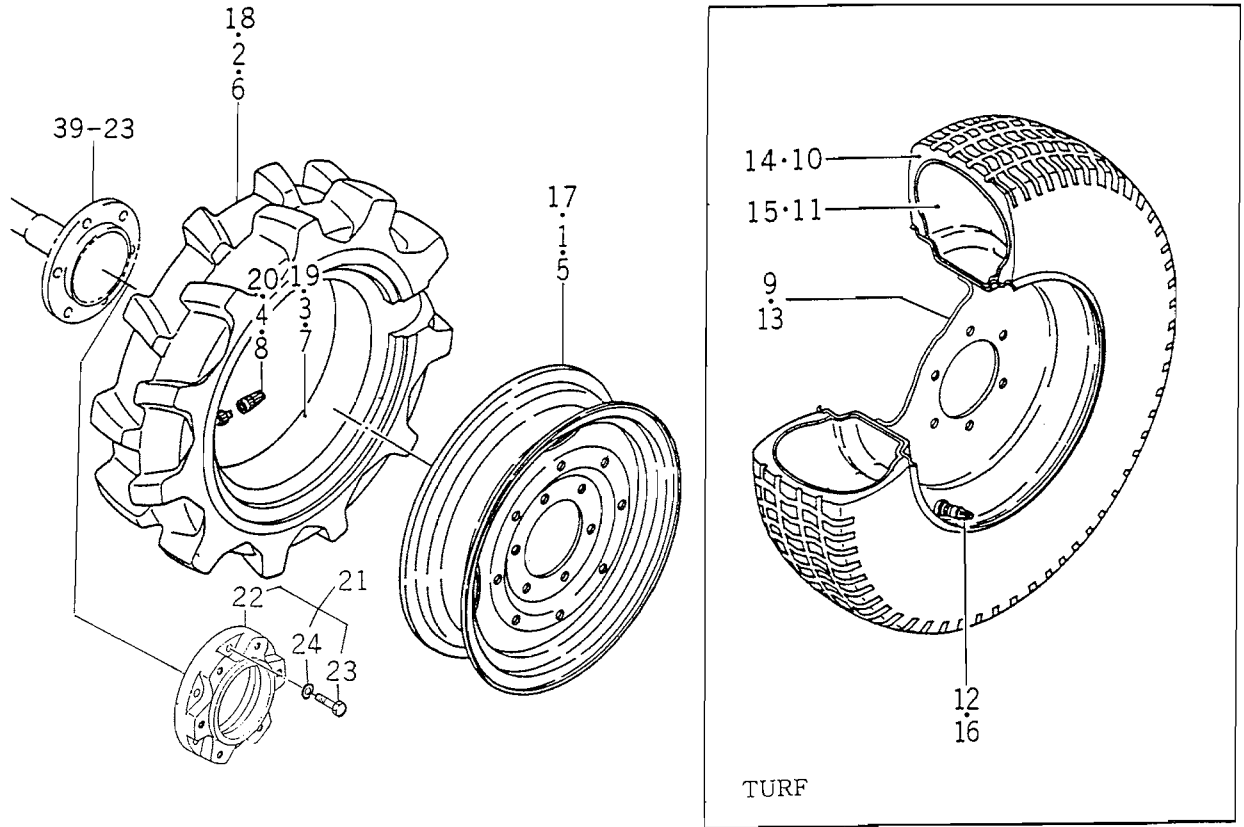
KEY	PART CODE	DESCRIPTION	QTY	TYPE OF MODEL			G	P	REMARKS
				T	C	C			
1	1000 - 313 - 220 - 00	BRAKE PADING ASSY							
2	1602 - 313 - 002 - 00	BRACKET PARKING							
3	9211 - 530 - 802 - 00	BOLT, HEX HD	2						
4	9211 - 350 - 801 - 00	BOLT, SP. HEX HD	2						
5	1422 - 260 - 260 - 00	SHAFT, PARKING	1						
6	1000 - 313 - 260 - 00	ARM COMP	1						
7	9590 - 140 - 002 - 00	FLANGE NO. 15X25 W	1						
8	9550 - 140 - 002 - 50	FLANGE NO. 15X25 W	1						
9	9590 - 13 - 001 - 00	WHEEL LOCK	1						
10	1000 - 313 - 001 - 00	ROD 1250	1						
11	1603 - 313 - 001 - 10	ROD 1240	1						
12	1444 - 122 - 002 - 00	TURNBUCKLE 1/4"	1						
13	9304 - 200 - 008 - 00	NUT, 1/4"	1						
14	1560 - 132 - 007 - 30	NUT, 1/4"	1						
15	9411 - 260 - 000 - 00	WASHER, 1/4"	2						
16	9500 - 182 - 502 - 00	FLANGE, 1/2"X20"	2						
17	1603 - 313 - 200 - 00	ROD 1262 COMP							
18	1000 - 313 - 004 - 00	ROD 1260	1						
19	1502 - 313 - 211 - 00	ROD 1260	1						
20	1444 - 122 - 002 - 00	TURNBUCKLE 1/4"	1						
21	9304 - 200 - 008 - 00	NUT, 1/4"	1						
22	1550 - 132 - 007 - 30	NUT, 1/4"	1						
23	9411 - 260 - 000 - 00	WASHER, 1/4"	2						
24	9500 - 182 - 502 - 00	FLANGE, 1/2"X20"	2						

FIG. 45 PARKING BRAKE SYSTEM



KEY	PART CODE	DESCRIPTION	QTY	TYPE OF NUTS		I	C	P	REMARKS
				TJ320	TJ320F				
1	1575 - 313 - 001 - 00	WASHER	1						
2	7411 - 260 - 008 - 00	WASHER PLATE	1						
3	7500 - 162 - 002 - 00	PL. SPL. 1/2 X20	1						
4	1600 - 313 - 001 - 00	ROD 400	1						
5	7411 - 260 - 005 - 00	WASHER ME	2						
6	7500 - 152 - 002 - 00	PL. SPL. 1/2 X20	2						
7	1600 - 313 - 200 - 00	ROT. PARTING COMP	1						
8	7411 - 260 - 008 - 00	WASHER PLATE	1						
9	7500 - 162 - 002 - 00	PL. SPL. 1/2 X20	1						
10	1575 - 313 - 201 - 00	ROT. PARTING	1						
11	1550 - 503 - 002 - 00	WASHER W/IF TENSION	1						
12	1000 - 200 - 002 - 00	PL. TRIP - 400X 200	1						
12A	2504 - 135 - 003 - 00	PL. LOCK	1		600				
13	7411 - 260 - 008 - 00	WASHER PLATE	1						
14	7500 - 152 - 002 - 00	PL. SPL. 1/2 X20	1						
15	1600 - 313 - 002 - 00	SPRING HOOK	1						
16	7411 - 260 - 005 - 00	WASHER/ME	1						
17	7500 - 162 - 002 - 00	PL. SPL. 1/2 X20	1						
18	1600 - 414 - 011 - 00	PLATE STOPPER	1						
19	1600 - 313 - 070 - 00	ROD 400	1						

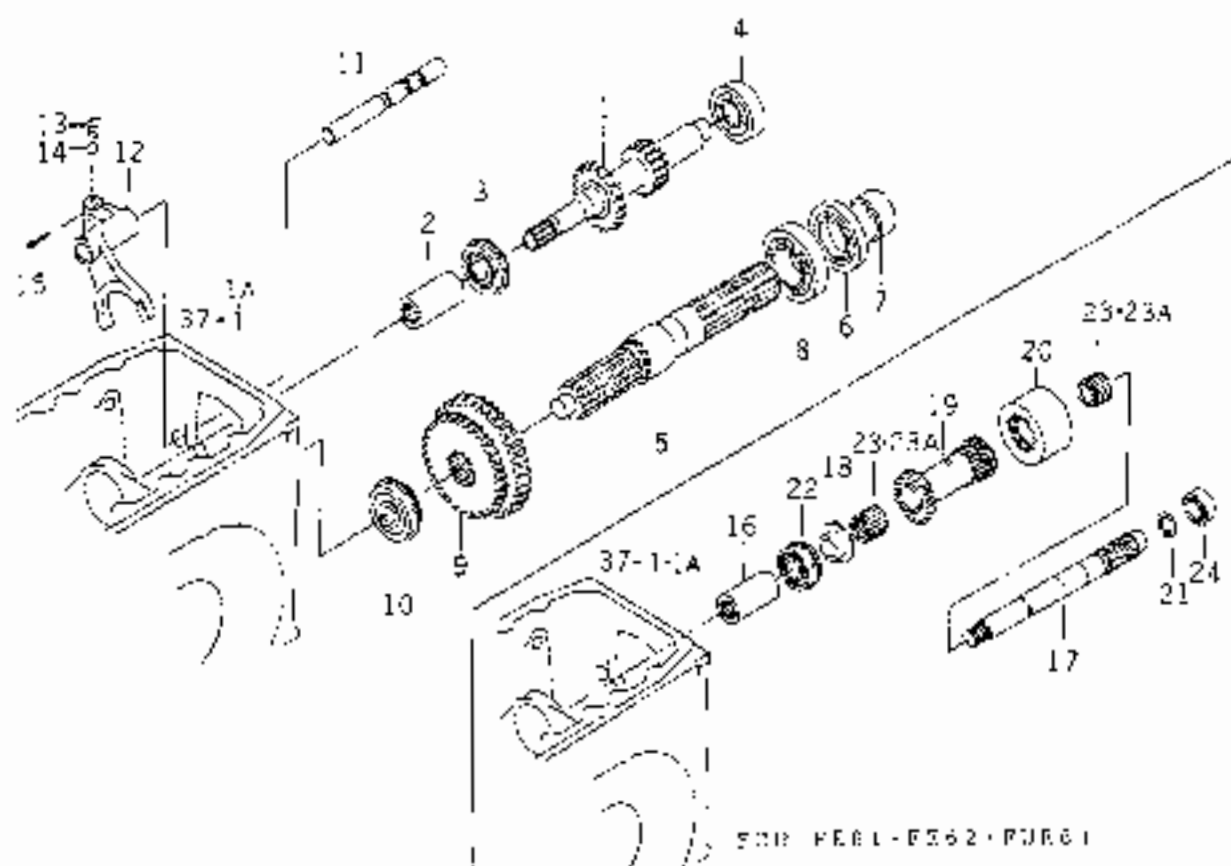
FIG. 46 REAR WHEEL SYSTEM



1509-317

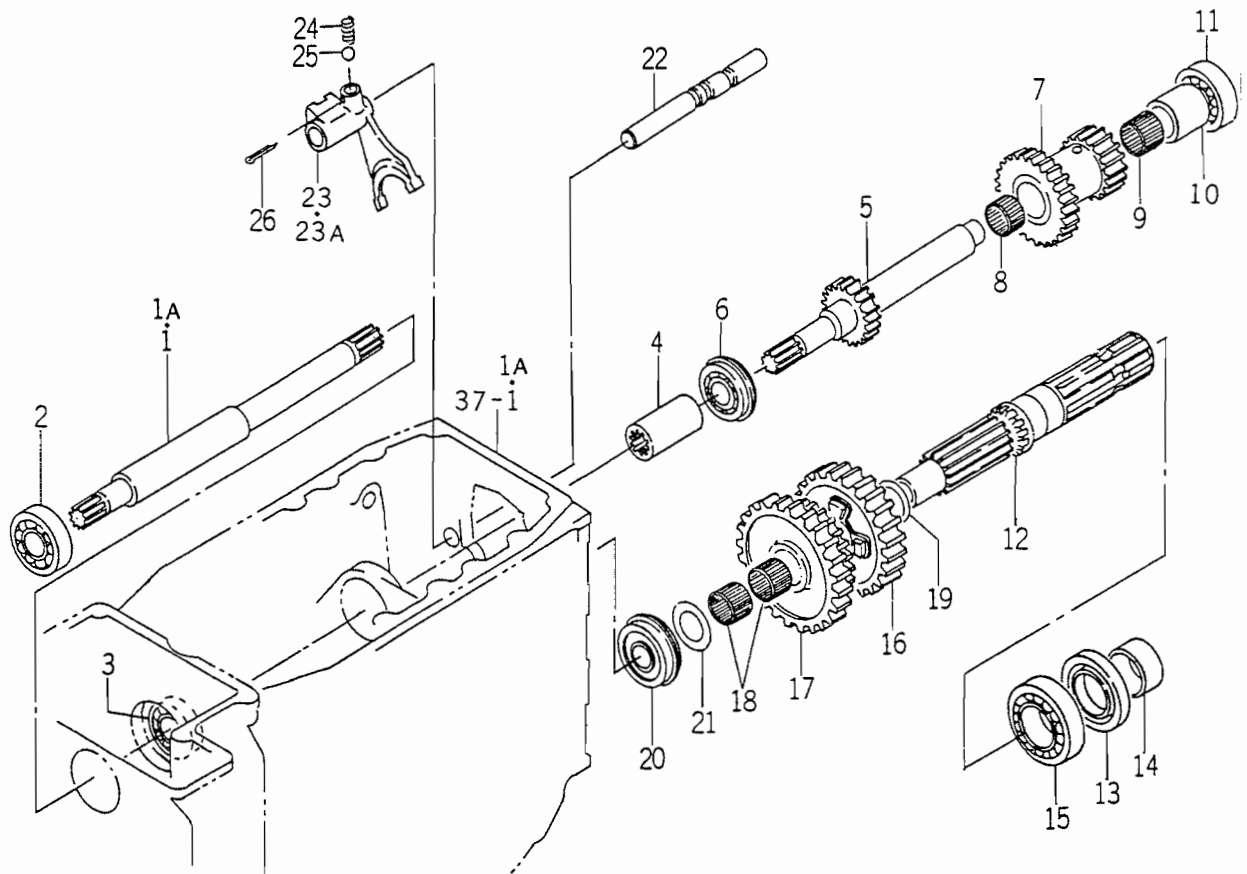
KEY	PART CODE	DESCRIPTION	QTY	TYPE OF MODEL		I T C	C O L	G R P	REMARKS
				TU320	TU320F				
1	1444 - 331 - 220 - 10	RIM,WHEEL W7 - 24 COMP	1		*				
2	1422 - 361 - 211 - 00	TIRE/8.3/8 - 24 4PR	1		*				
3	V889 - 000 - 832 - 40	TUBE/8.3/8 - 24	1		*				
4	V999 - 300 - 001 - 00	CAP,TIRE VALVE	1		*				
5	1444 - 331 - 220 - 10	RIM,WHEEL W7 - 24 COMP	1		*				
6	1422 - 361 - 211 - 00	TIRE/8.3/8 - 24 4PR	1		*				
7	V889 - 000 - 832 - 40	TUBE/8.3/8 - 24	1		*				
8	V999 - 300 - 001 - 00	CAP,TIRE VALVE	1		*				
9	1603 - 317 - 230 - 00	WHEEL COMP	1	*	*				
10	1509 - 317 - 311 - 00	TIRE,R,TURF/13.6 - 6	1	*	*				
11	1422 - 362 - 213 - 00	TUBE	1	*	*				
12	V999 - 200 - 003 - 00	CAP,TIRE VALVE	1	*	*				
13	1603 - 317 - 230 - 00	WHEEL COMP	1	*	*				
14	1509 - 317 - 311 - 00	TIRE,R,TURF/13.6 - 6	1	*	*				
15	1422 - 362 - 213 - 00	TUBE	1	*	*				
16	V999 - 200 - 003 - 00	CAP,TIRE VALVE	1	*	*				
17	1603 - 317 - 230 - 00	WHEEL COMP	2	*	*				
18	1509 - 317 - 341 - 00	TIRE/12.4 - 16 4PR	2	*	*				
19	1509 - 317 - 342 - 00	TUBE/12.4 - 16	2	*	*				
20	V999 - 300 - 001 - 00	CAP,TIRE VALVE	2	*	*				
21	1602 - 317 - 250 - 00	SPACER,WHEEL/50 SET	1		T				
22		SPACER,WHEEL	2		T				
23	V201 - 361 - 605 - 00	BOLT	12		T				
24	V401 - 160 - 016 - 00	WASHER,SP/M16	12		T				

FIG. 47 P.T.O. DRIVE SHAFT SYSTEM



KEY	PART CODE	DESCRIPTION	QTY	TYPE OF HOLES		I C	O P	G R P	REMARKS
				1322	1323				
1	1603 - 321 - 001 - 00	GEAR/4E - 03T	1						
2	1544 - 321 - 002 - 00	COUPLING	1						
3	1607 - 110 - 630 - 00	BEARING,RS/630303	1						
4	1600 - 110 - 630 - 40	BEARING,RS/6304	1						
5	1600 - 322 - 001 - 00	SHAFT P.T.O.	1						
6	1744 - 140 - 550 - 30	GEAR, 1/10x0320	1						
7	1607 - 307 - 003 - 00	SHANG,SHIFTER	1						
8	1600 - 110 - 620 - 70	BEARING,RS/6207	1						
9	1603 - 322 - 002 - 00	GEAR/M - 24T	1						
10	1603 - 322 - 003 - 00	BEARING,RS	1						
11	1603 - 325 - 001 - 00	STAR-SHIFT P.T.O.	1						
12	1603 - 325 - 002 - 00	FOUR-SHIFT P.T.O.	1						
13	1607 - 307 - 003 - 00	SHANG,SHIFTER	1						
14	1607 - 200 - 001 - 00	SA - LUTED	1						
15	1607 - 162 - 002 - 50	PHL,SPH/25x2 -	1						
16	1544 - 321 - 002 - 00	COUPLING	1						
17	1603 - 321 - 002 - 00	SHAFT P.T.O.	1						
18	1603 - 321 - 003 - 00	COLLAR	1						
19	1603 - 321 - 004 - 00	GEAR, 1/10 - 10T	1						
20	1602 - 321 - 200 - 00	CLUTCH CAM ASSY	1						
21	1604 - 140 - 025 - 00	PHL,SNAP/25 - 0	1						
22	1607 - 110 - 620 - 00	BEARING,RS/620303	1						
23	1604 - 122 - 272 - 60	BEARING,RS FT220726	2						
23A	1600 - 203 - 006 - 00	BEARING,RS	2						
24	1600 - 110 - 630 - 40	BEARING,RS/6304	1						

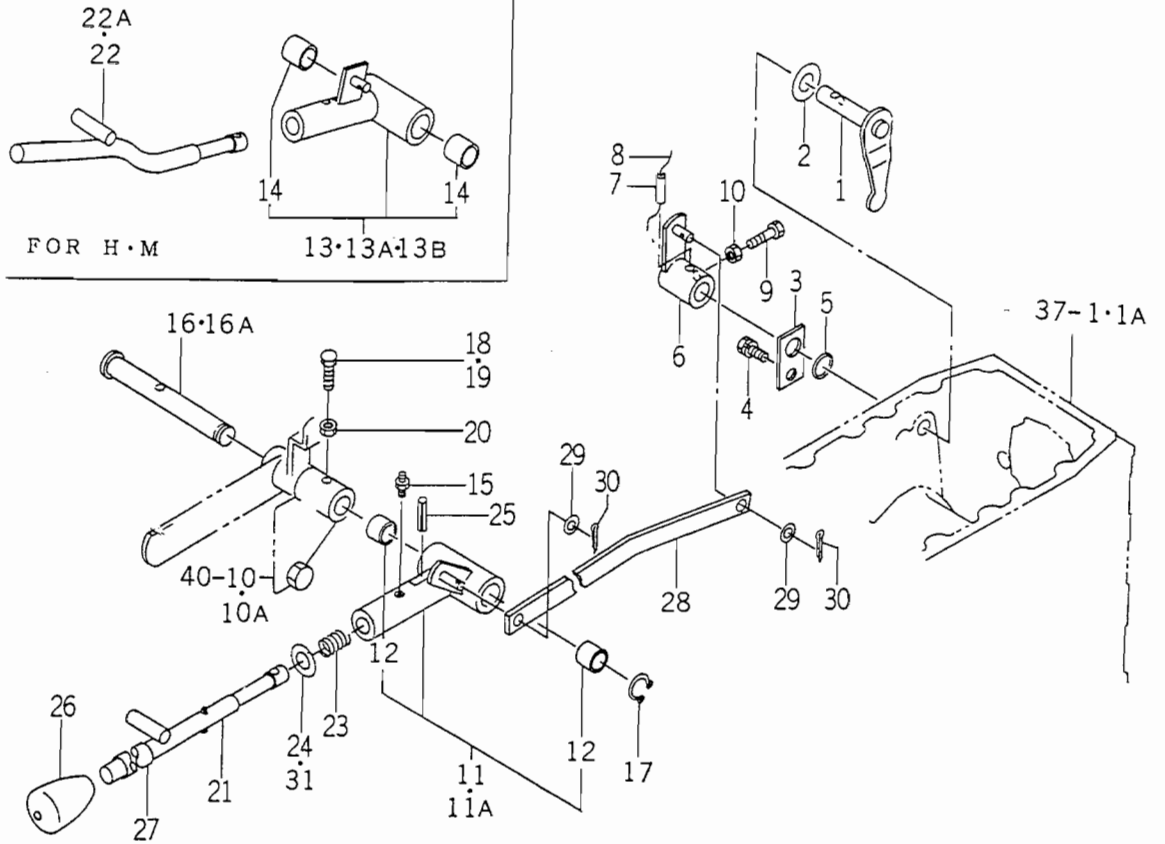
FIG. 48 P.T.O. DRIVE SHAFT SYSTEM (HST)



1603-321A

KEY	PART CODE	DESCRIPTION	QTY	TYPE OF MODEL		I T C	C O L	G R P	REMARKS
				TU320	TU320F				
1	1602-321-051-00	SHAFT,PTO	1		1- -121				
1A	1602-321-051-10	SHAFT,PTO	1	*	122-				
2	V600-110-630-40	BEARING,RB/6304	1	*	*				
3	V600-110-620-40	BEARING,RB/6204	1	*	*				
4	1544-321-002-00	COUPLING	1	*	*				
5	1603-321-051-00	GEAR/18T	1	*	*				
6	V607-110-630-50	BEARING,RB/6305NR	1	*	*				
7	1603-321-052-00	GEAR/28-19T	1	*	*				
8	1603-321-053-00	BEARING,NR	1	*	*				
9	1568-302-001-00	BEARING,NR/KT253224E	1	*	*				
10	1602-321-054-10	COLLAR/25X38X36	1	*	*				
11	V600-110-630-40	BEARING,RB/6304	1	*	*				
12	1603-322-051-00	SHAFT,PTO	1	*	*				
13	V744-140-550-80	SEAL,OIL/TC40558	1	*	*				
14	1602-322-003-00	SLEEVE/35X40X17	1	*	*				
15	V600-110-620-70	BEARING,RB/6207	1	*	*				
16	1603-322-052-00	GEAR/42T	1	*	*				
17	1603-322-053-00	GEAR/43-33T	1	*	*				
18	1603-321-053-00	BEARING,NR	2	*	*				
19	1480-211-005-00	COLLAR/25X38X2	1	*	*				
20	1603-322-003-00	BEARING,RB	1	*	*				
21	1602-205-056-00	COLLAR/20X39X02	1	*	*				
22	1603-325-051-00	STAY,SHIFT/PTO	1	*	*				
23	1550-325-002-20	FORK,SHIFT/PTO	1	1- -10	1- -395				
23A	1550-325-002-30	FORK,SHIFT/PTO	1	11-	396-				

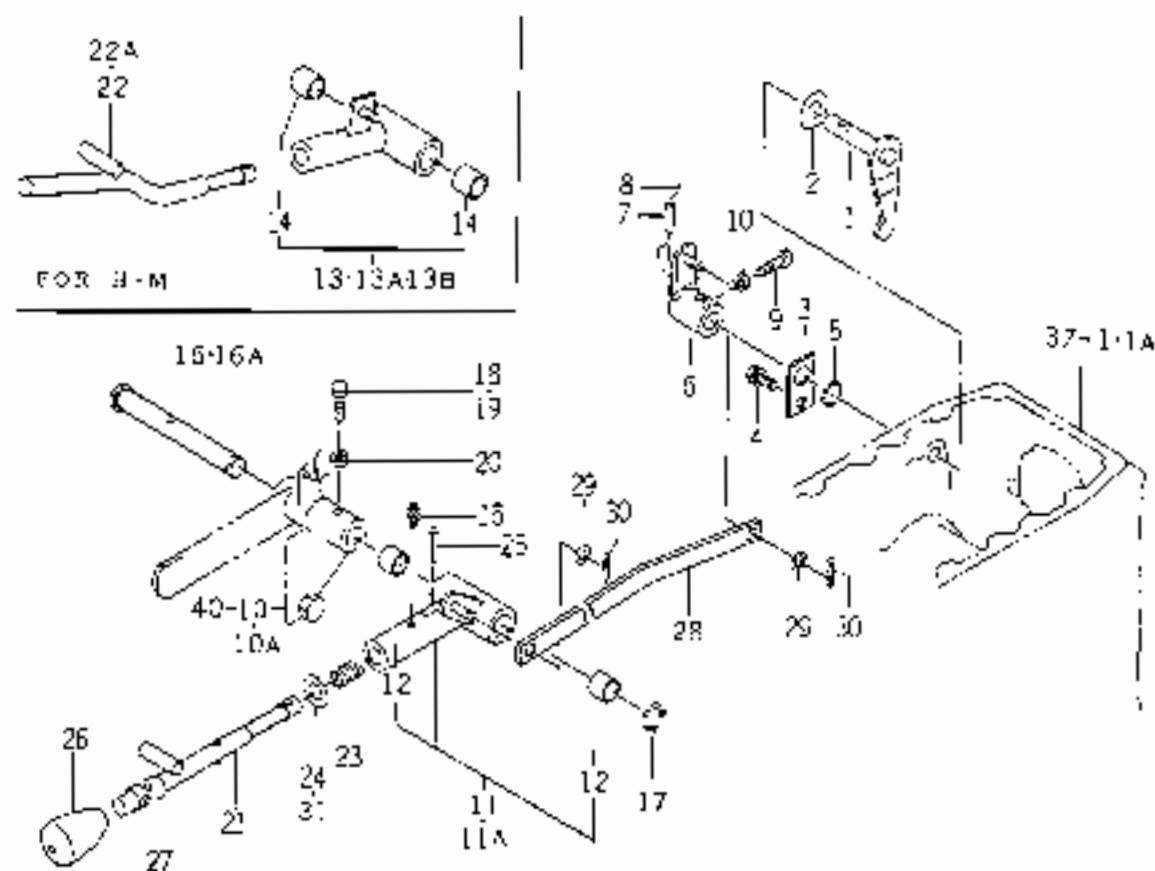
FIG. 49 P.T.O. LEVER SYSTEM



1603-326

KEY	PART CODE	DESCRIPTION	QTY	TYPE OF MODEL		I T C	C O L	G R P	REMARKS
				TU320	TU320F				
1	1602 - 326 - 200 - 00	ARM,SHIFT/PTO COMP	1	*	*				
2	V411 - 260 - 014 - 00	WASHER,PL/M14	1	*	*				
3	1544 - 218 - 002 - 00	PLATE	1	*	*				
4	V211 - 260 - 801 - 60	BOLT,S/M8X16	1	*	*				
5	V720 - 102 - 401 - 40	O - RING/P14	1	*	*				
6	1602 - 326 - 230 - 00	ARM COMP	1	*	*				
7	V580 - 140 - 502 - 50	PIN,SPRING/5X25 W	1	*	*				
8	V590 - 131 - 007 - 00	WIRE/1.0X70	1		*				
9	1404 - 502 - 013 - 00	BOLT/M8X25	1	*	*				
10	V304 - 260 - 008 - 00	NUT/M 8	1	*	*				
11	1602 - 326 - 210 - 00	ARM,PTO SET	1		1- -78				
11A	1602 - 326 - 210 - 40	ARM,PTO SET	1		79-				
12	3640 - 111 - 001 - 10	BUSH/16X18X15	2		*				
13	1602 - 326 - 580 - 00	ARM,PTO SET	1	1- -10	1- -77				
13A	1602 - 326 - 580 - 10	ARM,PTO SET	1	11-	78- -638				
13B	1602 - 326 - 580 - 30	ARM/PTO SET	1		639-				
14	3640 - 111 - 001 - 00	METAL,TENSION ARM	2	*	*				
15	V762 - 150 - 000 - 00	NIPPLE,GREASE/B - M6F	1	*	*				
16	1575 - 326 - 001 - 00	PIN/6X134	1	1- -10	1- -627				
16A	1578 - 326 - 002 - 10	PIN/16X129	1	11-	628-				
17	V704 - 140 - 016 - 00	RING,SNAP/16 C	1	*	*				
18	1404 - 502 - 013 - 00	BOLT/M8X25	1		*				
19	1404 - 502 - 013 - 00	BOLT/M8X25	1	*	*				
20	V304 - 260 - 008 - 00	NUT/M 8	1	*	*				
21	1603 - 326 - 220 - 10	LEVER,PTO COMP	1		*				

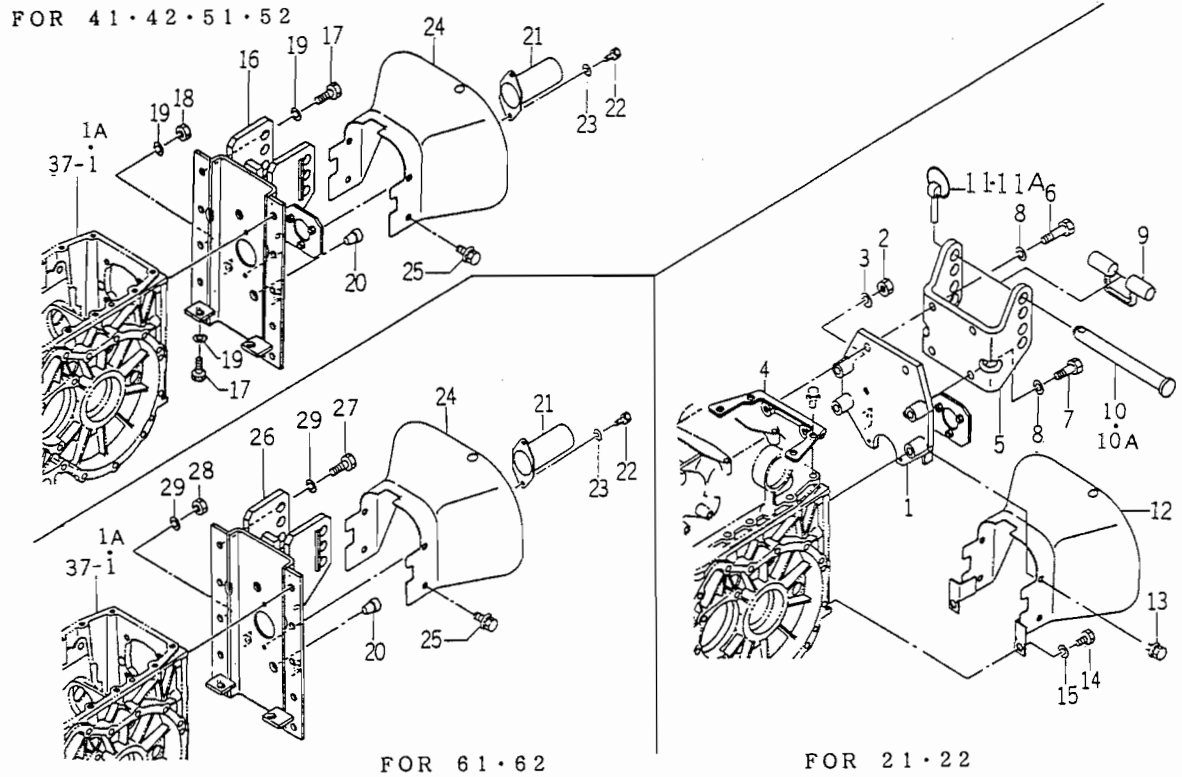
FIG. 49 P.T.O. LEVER SYSTEM



P.T.O.

KEY	PART CODE	DESCRIPTION	QTY	TYPE OF WHEEL		I T C	C O L	G R P	REMARKS
				130°	132°				
22	1608 320 - 520 - 20	LEVER/PTO COMP	1	1	1				
22A	1608 320 - 520 - 30	LEVER/PTO COMP	1	1	1				
23	1334 408 005 10	SPRING PRESSURE 32	1						
24	7411 200 012 00	WASHER /M2	1						
27	9530 - 140 - 502 - 00	FRUSTRANT 5X25 W	1						
26	1544 219 005 00	KNIB/LEVER 110	1						
27	1544 218 005 00	KNIB/460	1						
28	1608 526 001 10	ROD/470	1						
29	7411 200 008 00	WASHER PL/M8	2						
31	9530 - 52 - 502 - 00	FRUSTRANT 2/25X30	1						
31	7411 200 012 00	WASHER /M2	1						

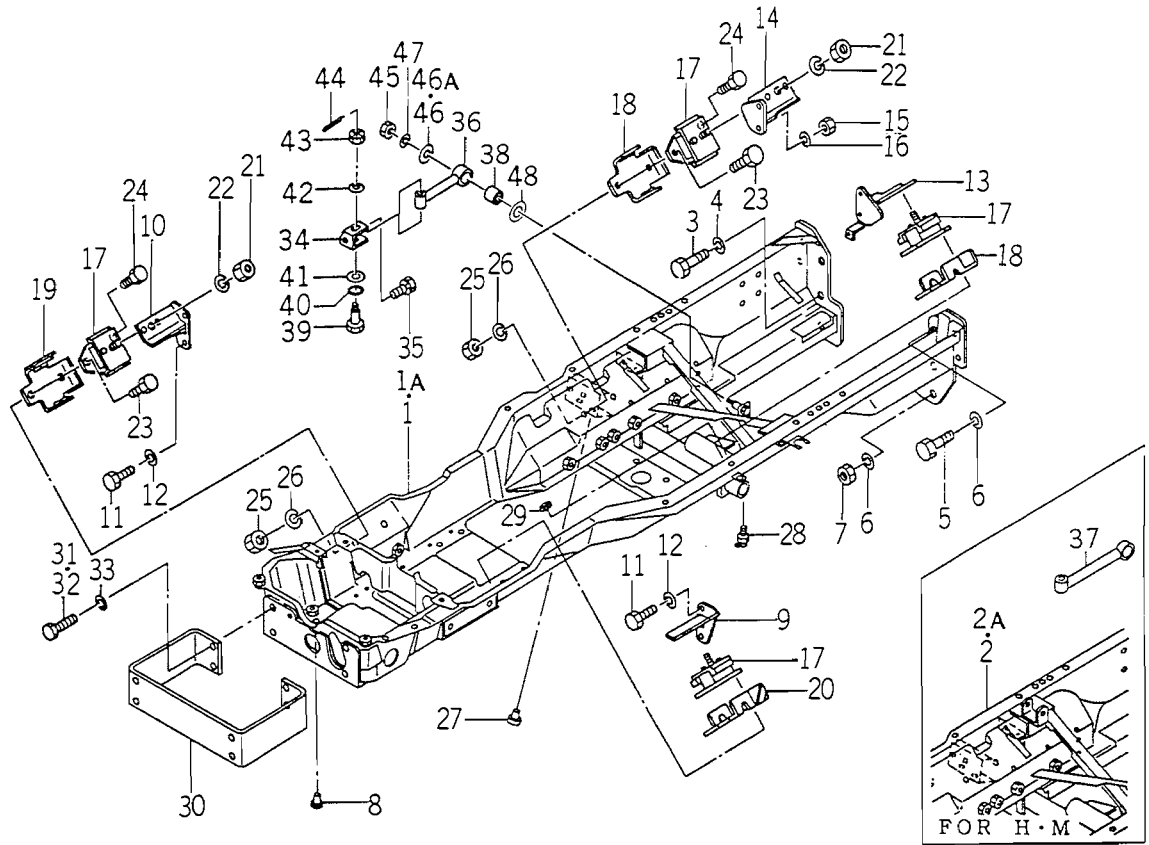
FIG. 50 REAR HITCH SYSTEM



1603-335A

KEY	PART CODE	DESCRIPTION	QTY	TYPE OF MODEL		I T C	C O L	G R P	REMARKS
				TU320	TU320F				
1	1603 - 335 - 220 - 00	PLATE COMP	1		*				
2	V304 - 260 - 012 - 00	NUT/M12	4		*				
3	V401 - 160 - 012 - 00	WASHER,SP/M12	4		*				
4	1603 - 335 - 230 - 00	STAY,PLATE COMP	1		*				
5	1603 - 335 - 002 - 00	BRACKET	1		*				
6	V201 - 361 - 203 - 00	BOLT/M12X30	2		*				
7	V201 - 361 - 204 - 50	BOLT/M12X45	2		*				
8	V401 - 160 - 012 - 00	WASHER,SP/M12	4		*				
9	1403 - 511 - 500 - 0C	PLATE,BUSH	1		*				
10	1431 - 566 - 001 - 00	PIN/19X220	2		1- -1060				
10A	1514 - 248 - 002 - 00	PIN/19X172	2		1061-				
11	1421 - 502 - 002 - 00	PIN,LINK	2		1- -1060				
11A	1444 - 514 - 005 - 10	PIN,HAIR/19	2		1061-				
12	1603 - 335 - 240 - 00	COVER,SEALED/E20COMP	1		*				
13	V211 - 360 - 801 - 60	BOLT,SP/M8X16	2		*				
14	V201 - 261 - 202 - 00	BOLT/M12X20	2		*				
15	V401 - 160 - 012 - 00	WASHER,SP/M12	2		*				
16	1603 - 335 - 200 - 00	HITCHI,REAR COMP	1	*	*				
17	V201 - 261 - 203 - 00	BOLT/M12X30	8	*	*				
18	V304 - 260 - 012 - 00	NUT/M12	2	*	*				
19	V401 - 160 - 012 - 00	WASHER,SP/M12	10	*	*				
20	1427 - 317 - 004 - 00	CAP,BLANK/M14	2	*	*				
21	1444 - 314 - 009 - 10	CAP,PTO SHAFT	1	*	*				
22	V210 - 260 - 601 - 20	BOLT,SEMS/M6X12	2	*	*				
23	V411 - 260 - 006 - 00	WASHER/M6	2	*	*				

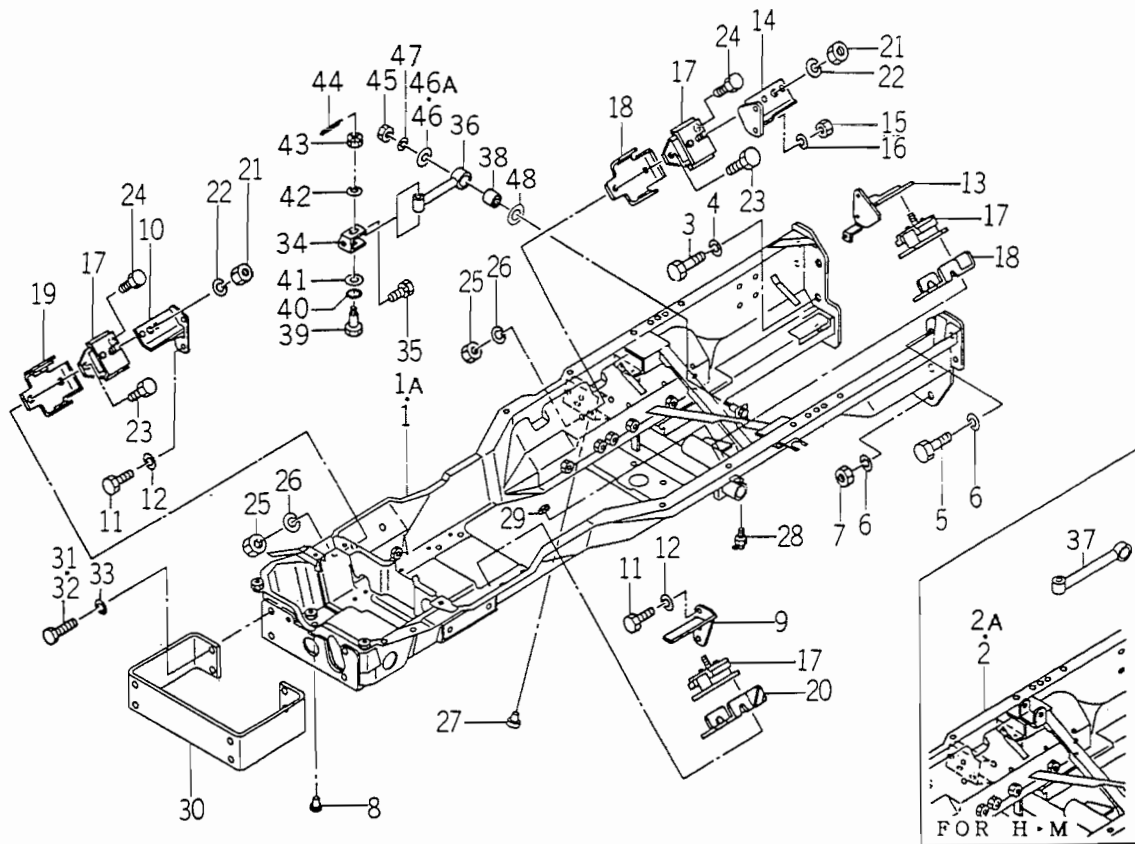
FIG. 51 FRAME SYSTEM



1603-401

KEY	PART CODE	DESCRIPTION	QTY	TYPE OF MODEL		I T C	C O L	G R P	REMARKS
				TU320	TU320F				
1	1603 - 401 - 210 - 10	FLAME COMP	1		1-113				
1A	1603 - 401 - 210 - 20	FLAME COMP	1		114-				
2	1603 - 401 - 510 - 10	FLAME,HST COMP	1		1-113				
2A	1603 - 401 - 510 - 20	FLAME,HST COMP	1	*	114-				
3	1602 - 401 - 001 - 00	BOLT,SM/M18X45	2	*	*				
4	V401 - 160 - 018 - 00	WASHER,SP/M18	2	*	*				
5	1602 - 401 - 002 - 00	BOLT,SM/M16X40	2	*	*				
6	V401 - 160 - 016 - 00	WASHER,SP/M16	4	*	*				
7	V304 - 260 - 016 - 00	NUT/M16	2	*	*				
8	1427 - 201 - 016 - 00	CAP,BLANK/M12	8	*	*				
9	1588 - 401 - 230 - 00	BRACKET,FLH COMP	1	*	*				
10	1588 - 401 - 240 - 00	BRACKET,FRH COMP	1	*	*				
11	V203 - 461 - 002 - 50	BOLT/M10X25	4	*	*				
12	V401 - 160 - 010 - 00	WASHER,SP/M10	4	*	*				
13	1575 - 401 - 270 - 00	BRACKET,RLH COMP	1	*	*				
14	1575 - 401 - 280 - 00	BRACKET,RRH COMP	1	*	*				
15	V304 - 260 - 010 - 00	NUT	4	*	*				
16	V401 - 160 - 010 - 00	WASHER,SP/M10	4	*	*				
17	1544 - 401 - 001 - 00	GUM,MOUNT	4	*	*				
18	1575 - 401 - 330 - 00	PLATE,STOPPER COMP	2	*	*				
19	1575 - 401 - 320 - 00	PLATE,STOPPER COMP	1	*	*				
20	1575 - 401 - 340 - 00	PLATE,STOPPER COMP	1	*	*				
21	V334 - 260 - 012 - 00	NUT/M12	4	*	*				
22	V401 - 160 - 012 - 00	WASHER,SP/M12	4	*	*				
23	V201 - 361 - 002 - 50	BOLT/M10X25	4	*	*				

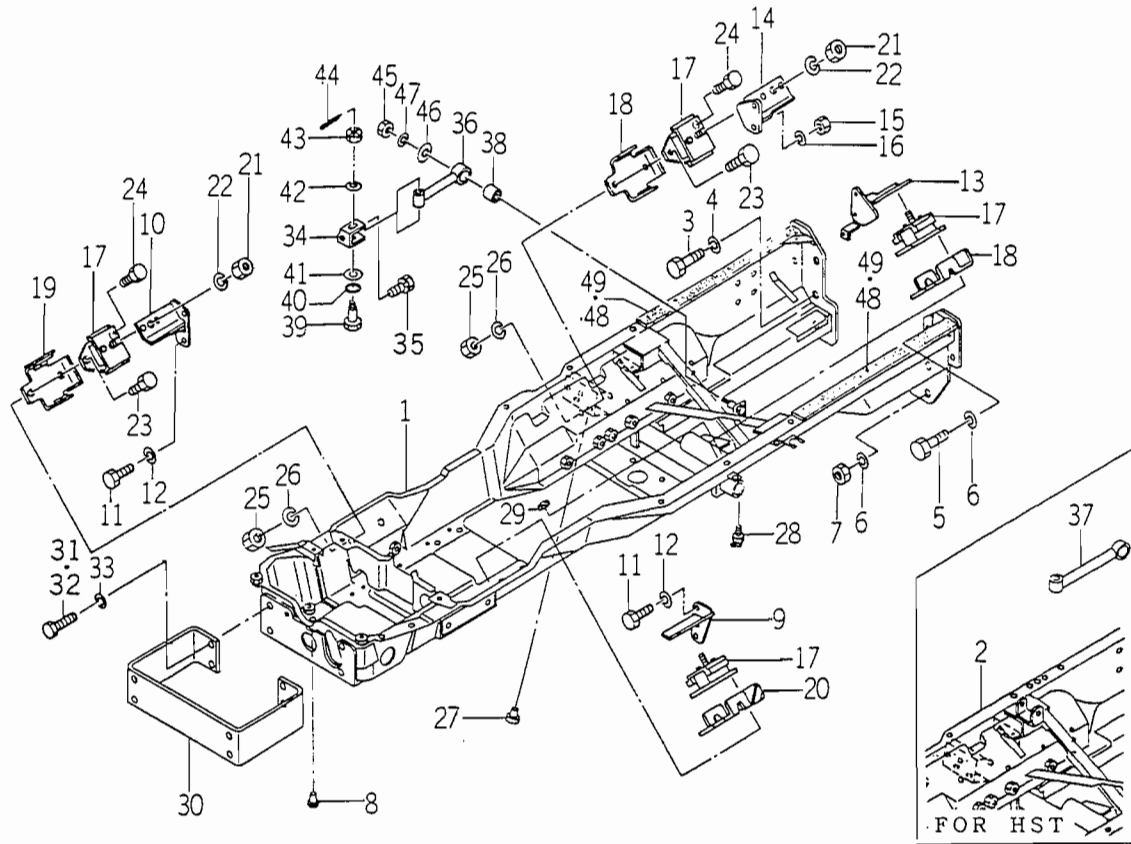
FIG. 51 FRAME SYSTEM



1603-401

KEY	PART CODE	DESCRIPTION	QTY	TYPE OF MODEL		I T C	C O L	G R P	REMARKS
				TU320	TU320F				
24	V201 - 361 - 003 - 00	BOLT/M10X30	4	*	*				
25	V304 - 260 - 010 - 00	NUT	8	*	*				
26	V401 - 160 - 010 - 00	WASHER,SP/M10	8	*	*				
27	1432 - 616 - 002 - 00	RUBBER,CUSHION	3	*	*				
28	V762 - 150 - 000 - 00	NIPPLE,GREASE/B - M6F	3	*	*				
29	1427 - 621 - 012 - 00	GROMMET	1	*	*				
30	1603 - 401 - 001 - 00	BUMPER	1	*	*				
31	V201 - 261 - 202 - 50	BOLT/M12X25	4	*	*				
32	V201 - 261 - 203 - 00	BOLT/M12X30	4	*	*				
33	V401 - 160 - 012 - 00	WASHER,SP/M12	4	*	*				
34	1579 - 401 - 272 - 10	HOLDER,ENGINE	1	*	*				
35	V211 - 261 - 002 - 00	BOLT,SEMS/M10X20	1	*	*				
36	1575 - 401 - 290 - 10	STAY,ENGINE COMP	1	*	*				
37	1600 - 401 - 270 - 10	STAY,ENGINE COMP	1	*	*				
38	1575 - 401 - 005 - 00	INSULATOR	1	*	*				
39	1575 - 401 - 003 - 00	BOLT/08X46	1	*	*				
40	V720 - 112 - 401 - 20	O - RING/P12	1	*	*				
41	V411 - 260 - 012 - 00	WASHER /M12	1	*	*				
42	V411 - 260 - 008 - 00	WASHER,PL/M8	1	*	*				
43	V326 - 262 - 108 - 00	NUT/M8	1	*	*				
44	V500 - 162 - 001 - 50	PIN,SPLIT/2 X15	1	*	*				
45	V304 - 260 - 008 - 00	NUT/M 8	1	*	*				
46	V411 - 260 - 008 - 00	WASHER,PL/M8	1	*	1- 76				
46A	1488 - 607 - 003 - 00	WASHER/9X40X3	1	*	77-				
47	V401 - 160 - 008 - 00	WASHER,SP/M 8	1	*	*				

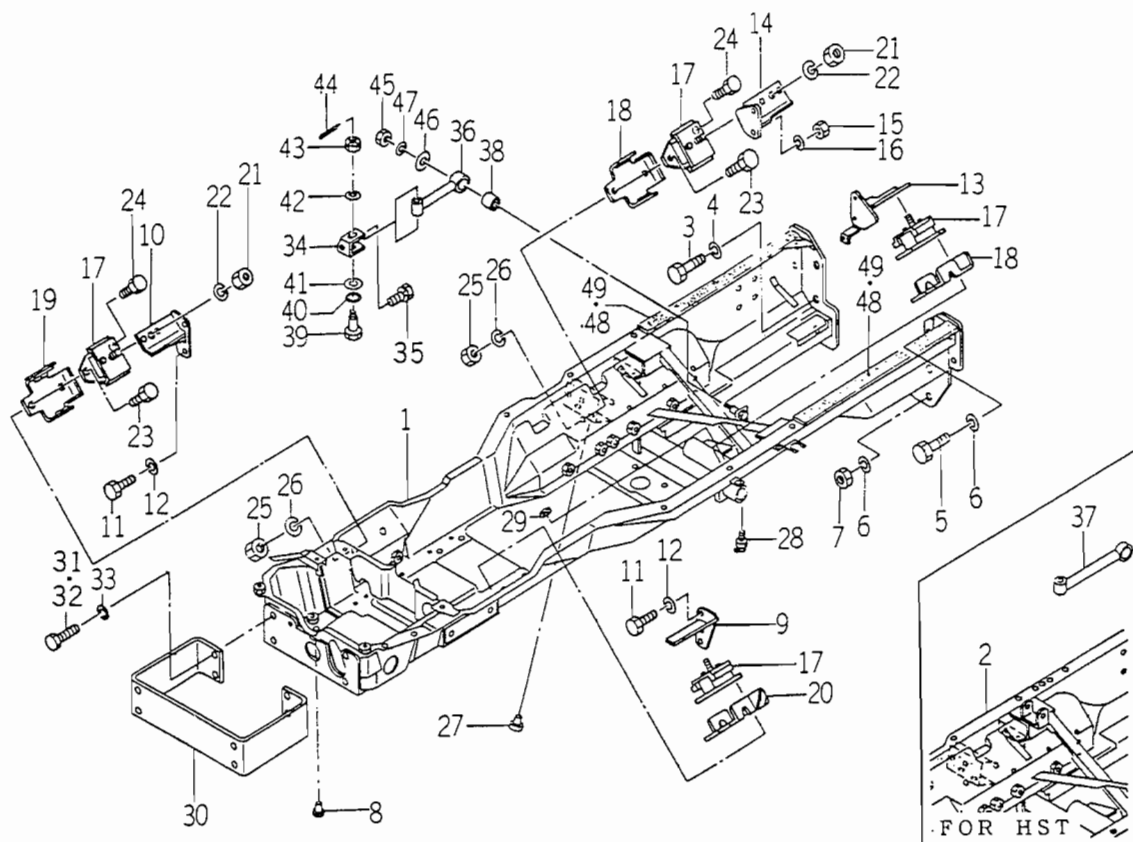
FIG. 52 FRAME SYSTEM (BE)



1603-401B

KEY	PART CODE	DESCRIPTION	QTY	TYPE OF MODEL		I T C	C O L	G R P	REMARKS
				TU320	TU320F				
1	1603 - 401 - 700 - 10	FLAME,B COMP	1		*				
2	1603 - 401 - 720 - 10	FLAME,HST/B COMP	1		*				
3	1602 - 401 - 001 - 00	BOLT,SM/M18X45	2		*				
4	V401 - 160 - 018 - 00	WASHER,SP/M18	2		*				
5	1602 - 401 - 002 - 00	BOLT,SM/M16X40	2		*				
6	V401 - 160 - 016 - 00	WASHER,SP/M16	4		*				
7	V304 - 260 - 016 - 00	NUT/M16	2		*				
8	1427 - 201 - 016 - 00	CAP,BLANK/M12	8		*				
9	1588 - 401 - 230 - 00	BRACKET,FLH COMP	1		*				
10	1588 - 401 - 240 - 00	BRACKET,FRH COMP	1		*				
11	V203 - 461 - 002 - 50	BOLT/M10X25	4		*				
12	V401 - 160 - 010 - 00	WASHER,SP/M10	4		*				
13	1575 - 401 - 270 - 00	BRACKET,RLH COMP	1		*				
14	1575 - 401 - 280 - 00	BRACKET,RRH COMP	1		*				
15	V304 - 260 - 010 - 00	NUT	4		*				
16	V401 - 160 - 010 - 00	WASHER,SP/M10	4		*				
17	1544 - 401 - 001 - 00	GUM,MOUNT	4		*				
18	1575 - 401 - 330 - 00	PLATE,STOPPER COMP	2		*				
19	1575 - 401 - 320 - 00	PLATE,STOPPER COMP	1		*				
20	1575 - 401 - 340 - 00	PLATE,STOPPER COMP	1		*				
21	V334 - 260 - 012 - 00	NUT/M12	4		*				
22	V401 - 160 - 012 - 00	WASHER,SP/M12	4		*				
23	V201 - 361 - 002 - 50	BOLT/M10X25	4		*				
24	V201 - 361 - 003 - 00	BOLT/M10X30	4		*				
25	V304 - 260 - 010 - 00	NUT	8		*				

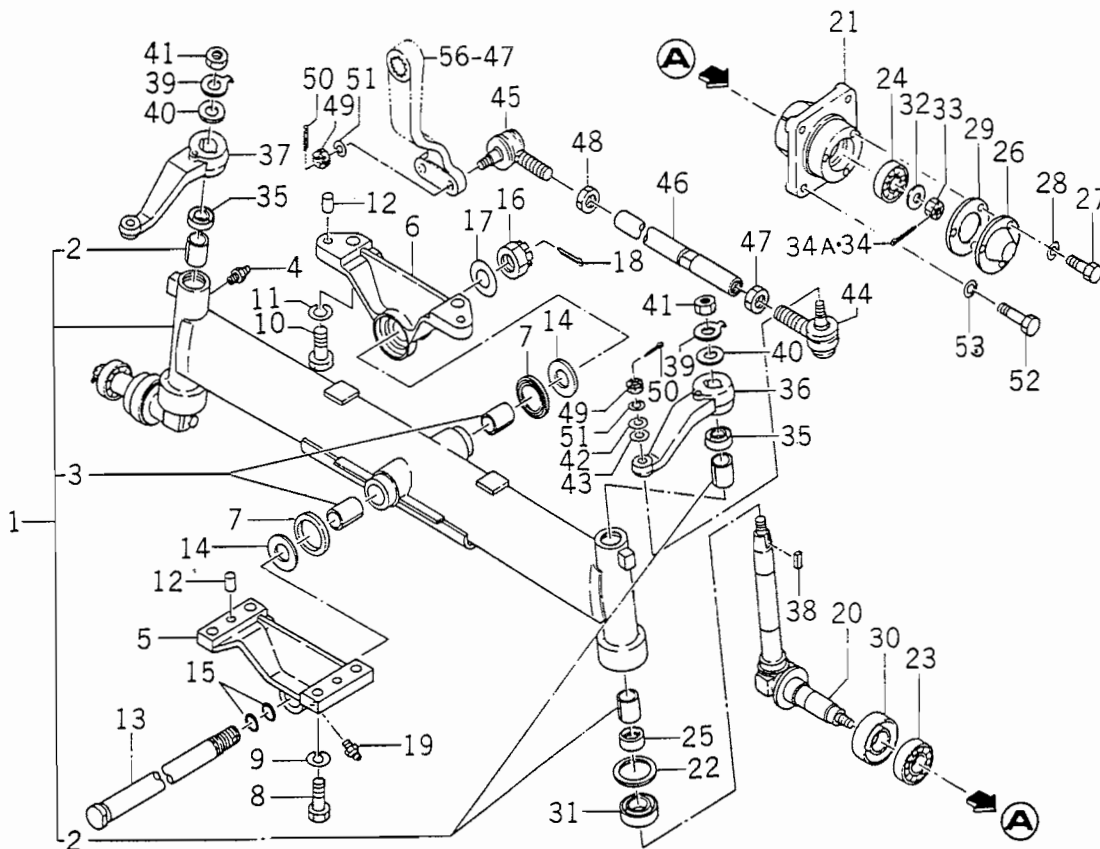
FIG. 52 FRAME SYSTEM (BE)



1603-401B

KEY	PART CODE	DESCRIPTION	QTY	TYPE OF MODEL		I T C	C O L	G R P	REMARKS
				TU320	TU320F				
26	V401 - 160 - 010 - 00	WASHER,SP/M10	8		*				
27	1432 - 616 - 002 - 00	RUBBER,CUSHION	3		*				
28	V762 - 150 - 000 - 00	NIPPLE,GREASE/B - M6F	3		*				
29	1427 - 621 - 012 - 00	GROMMET	1		*				
30	1603 - 401 - 001 - 00	BUMPER	1		*				
31	V201 - 261 - 202 - 50	BOLT/M12X25	4		*				
32	V201 - 261 - 203 - 00	BOLT/M12X30	4		*				
33	V401 - 160 - 012 - 00	WASHER,SP/M12	4		*				
34	1579 - 401 - 272 - 10	HOLDER,ENGINE	1		*				
35	V211 - 261 - 002 - 00	BOLT,SEMS/M10X20	1		*				
36	1575 - 401 - 290 - 10	STAY,ENGINE COMP	1		*				
37	1600 - 401 - 270 - 10	SYAY,ENGINE COMP	1		*				
38	1575 - 401 - 005 - 00	INSULATOR	1		*				
39	1575 - 401 - 003 - 00	BOLT/08X46	1		*				
40	V720 - 112 - 401 - 20	O - RING/P12	1		*				
41	V411 - 260 - 012 - 00	WASHER /M12	1		*				
42	V411 - 260 - 008 - 00	WASHER,PL/M8	1		*				
43	V326 - 262 - 108 - 00	NUT/M8	1		*				
44	V500 - 162 - 001 - 50	PIN,SPLIT/2 X15	1		*				
45	V304 - 260 - 008 - 00	NUT/M 8	1		*				
46	1488 - 607 - 003 - 00	WASHER/9X40X3	1		*				
47	V401 - 160 - 008 - 00	WASHER,SP/M 8	1		*				
48	1600 - 401 - 070 - 00	INSULATOR,FLAME/A	2		*				
49	1602 - 401 - 070 - 00	INSULATOR,FLAME/A	2		*				

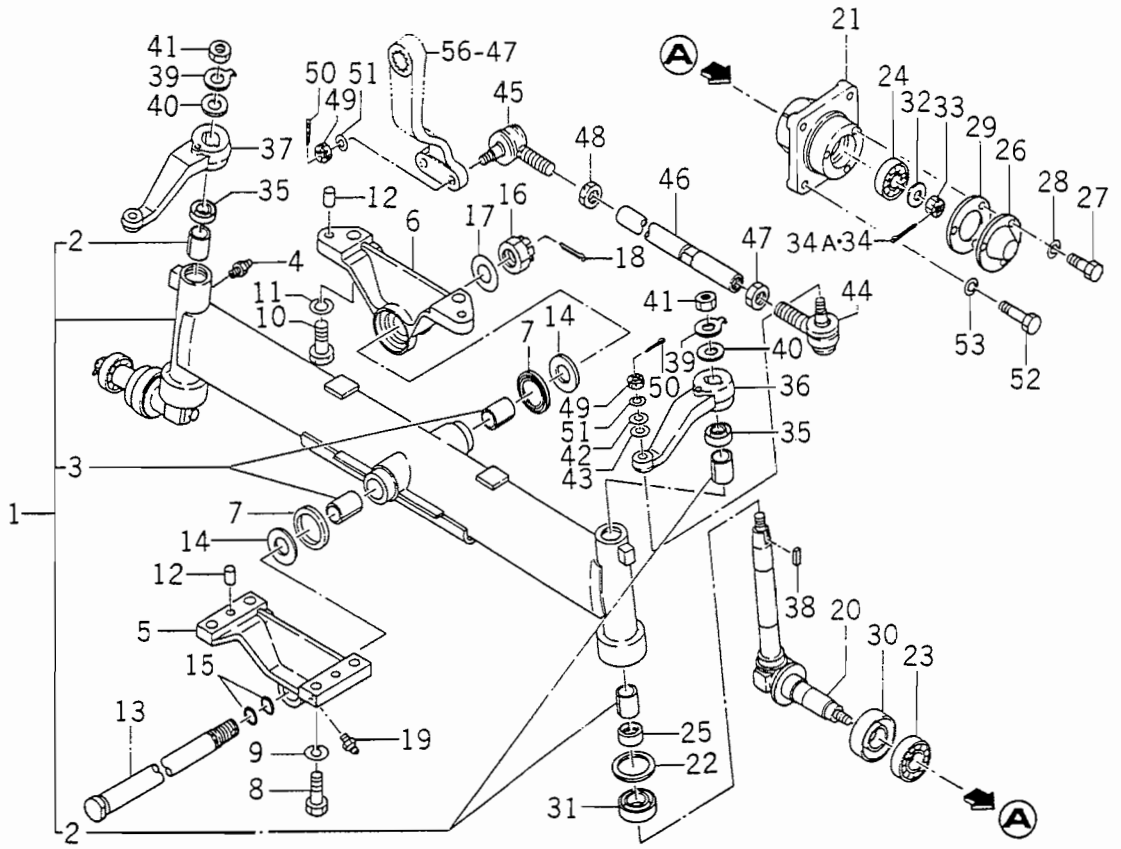
FIG. 53 FRONT AXLE SYSTEM (T60)



1588-402A

KEY	PART CODE	DESCRIPTION	QTY	TYPE OF MODEL		I T C	C O L	G R P	REMARKS
				TU320	TU320F				
1	1550 - 402 - 200 - 00	AXLE,FRONT ASSY	1	*					
2	1411 - 401 - 001 - 00	BUSH/25X29X30	4	*					
3	1412 - 401 - 004 - 00	BUSH/252940	2	*					
4	V761 - 150 - 000 - 00	NIPPLE,GREASE	2	*					
5	1588 - 402 - 001 - 00	METAL,PIVOT/F	1	*					
6	1550 - 402 - 002 - 00	METAL,PIVOT/R	1	*					
7	V742 - 140 - 550 - 50	SEAL,OIL/VC40555	2	*					
8	V201 - 461 - 203 - 50	BOLT/M12X35	4	*					
9	V401 - 160 - 012 - 00	WASHER,SP/M12	4	*					
10	V201 - 461 - 403 - 50	BOLT/M14X35	2	*					
11	V401 - 160 - 016 - 00	WASHER,SP/M16	2	*					
12	V520 - 101 - 001 - 60	PIN,ST/A	4	*					
13	1550 - 402 - 003 - 00	PIVOT,CENTER	1	*					
14	1444 - 402 - 004 - 00	COLLAR,PIVOT	2	*					
15	V720 - 102 - 402 - 10	O - RING/P21	2	*					
16	V327 - 261 - 220 - 00	NUT/M20X1.5	1	*					
17	V411 - 260 - 020 - 00	WASHER/M20	1	*					
18	V500 - 164 - 004 - 00	PIN	1	*					
19	V761 - 150 - 000 - 00	NIPPLE,GREASE	2	*					
20	1444 - 404 - 200 - 00	SPINDLE, KNUCKLE COMP	2	*					
21	1412 - 411 - 001 - 00	BOSS,F WHEEL	2	*					
22	1419 - 403 - 001 - 00	COLLAR/25X42X4	2	*					
23	V600 - 110 - 620 - 50	BEARING,RB/6205	2	*					
24	V600 - 110 - 620 - 40	BEARING,RB/6204	2	*					
25	1414 - 403 - 004 - 00	BEARING,TB/27TAG801	2	*					

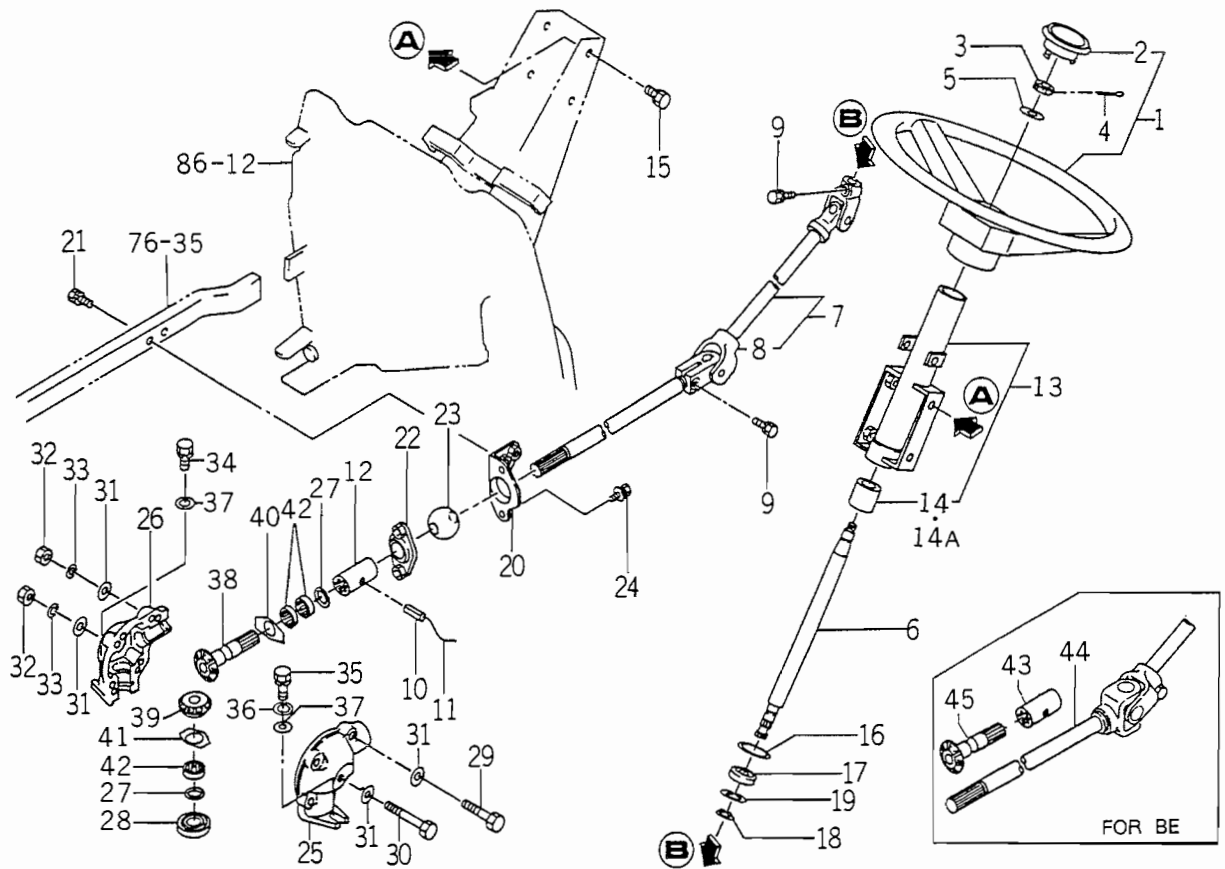
FIG. 53 FRONT AXLE SYSTEM (T60)



1550-403

KEY	PART CODE	DESCRIPTION	QTY	TYPE OF MODEL		I T C	C O L	G R P	REMARKS
				TU320	TU320F				
26	1411 - 411 - 002 - 00	CAP,WHEEL	2	*					
27	V200 - 260 - 601 - 20	BOLT/M 6X12	6	*					
28	V401 - 160 - 006 - 00	WASHER,SP/M 6	6	*					
29	1411 - 411 - 003 - 00	PACKING	2	*					
30	1407 - 403 - 002 - 00	SEAL,WATER	2	*					
31	V744 - 134 - 480 - 80	SEAL,OIL/TC34488	2	*					
32	1325 - 930 - 105 - 00	COLLAR,REAR HITCH	2	*					
33	V327 - 262 - 112 - 00	NUT,CASTTLE/M12X1.25	2	*					
34	V500 - 153 - 002 - 50	PIN,SPLIT/3 X25	2	1- -10					
34A	V500 - 163 - 002 - 00	PIN,SPLIT/3 X20	2	11-					
35	1444 - 404 - 001 - 00	SEAL,OIL	2	*					
36	1550 - 403 - 001 - 00	ARM,DRAG/L	1	*					
37	1550 - 403 - 002 - 00	ARM,DRAG/R	1	*					
38	1326 - 708 - 005 - 00	KEY,ROTARY TOP SHAFT	2	*					
39	1421 - 403 - 007 - 00	WASHER,LOCK/M12	2	*					
40	1421 - 403 - 008 - 00	WASHER/13X35X5	2	*					
41	V300 - 260 - 012 - 00	NUT/M12	2	*					
42	1421 - 951 - 006 - 00	SHIM,A/0.5	4	*					
43	1421 - 951 - 007 - 00	SHIM,A/1.0	4	*					
44	1550 - 403 - 210 - 00	END,TIE ROD L ASSY	2	*					
45	1550 - 403 - 220 - 00	END,TIE ROD,R ASSY	2	*					
46	1550 - 403 - 201 - 00	ROD,TIE	2	*					
47	1550 - 403 - 202 - 00	NUT/M17	2	*					
48	1550 - 403 - 203 - 00	NUT/M17	2	*					
49	V328 - 262 - 112 - 00	NUT/M12X1.25	4	*					

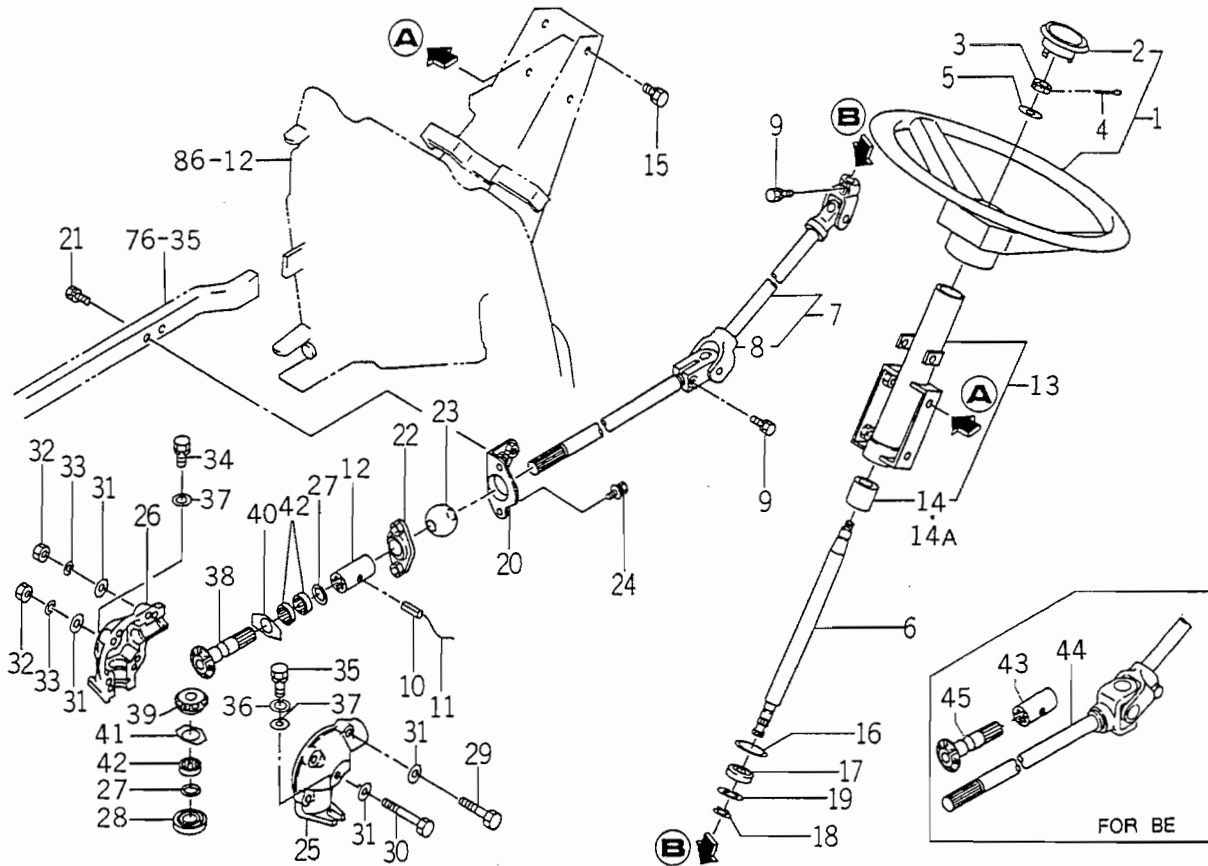
FIG. 54 STEERING WHEEL SYSTEM



1603-405

KEY	PART CODE	DESCRIPTION	QTY	TYPE OF MODEL		I T C	C O L	G R P	REMARKS
				TU320	TU320F				
1	2142 - 331 - 210 - 00	STEERING,WHEEL ASSY	1	*	*				
2	2142 - 331 - 212 - 00	CAP,STEERING	1	*	*				
3	V328 - 262 - 110 - 00	NUT/M10X1.25	1	*	*				
4	V500 - 162 - 002 - 50	PIN,SPLIT/2X25	1	*	*				
5	V411 - 260 - 010 - 00	WASHER/M10	1	*	*				
6	1600 - 406 - 001 - 00	SHAFT,STEERING	1	*	*				
7	1588 - 406 - 200 - 10	SHAFT,STEERING ASSY	1	*	*				
8	1588 - 406 - 201 - 00	YOKE COMP	1	*	*				
9	V211 - 560 - 803 - 00	BOLT/M8X30	2	*	*				
10	V580 - 140 - 602 - 50	PIN,SPRING/6 X25 W	1	*	*				
11	V590 - 131 - 012 - 00	WIRE/1.0X120	1	*	*				
12	1575 - 406 - 001 - 10	RING,CUP/16X24X56	1	*	*				
13	1600 - 406 - 230 - 00	HOLDER,SHAFT ASSY	1	*	*				
14	1429 - 406 - 205 - 00	BUSH	1	1- -10	1- -1279				
14A	1432 - 406 - 007 - 00	STEERING,BUSH	1	11-	1280-				
15	V211 - 260 - 802 - 00	BOLT,S/M8X20	4	*	*				
16	1600 - 406 - 002 - 00	COLLAR	1	*	*				
17	V600 - 130 - 600 - 30	BEARING,RB	1	*	*				
18	V704 - 140 - 017 - 00	RING,SNAP/17 C	1	*	*				
19	V705 - 140 - 035 - 00	RING,CIRCLIP	1	*	*				
20	1575 - 406 - 230 - 00	BRACKET COMP	1	*	*				
21	V211 - 260 - 801 - 60	BOLT,S/M8X16	2	*	*				
22	1432 - 406 - 330 - 00	BALL CAP COMP	1	*	*				
23	1432 - 406 - 008 - 00	BALL	1	*	*				
24	V211 - 360 - 801 - 60	BOLT,SP/M8X16	2	*	*				

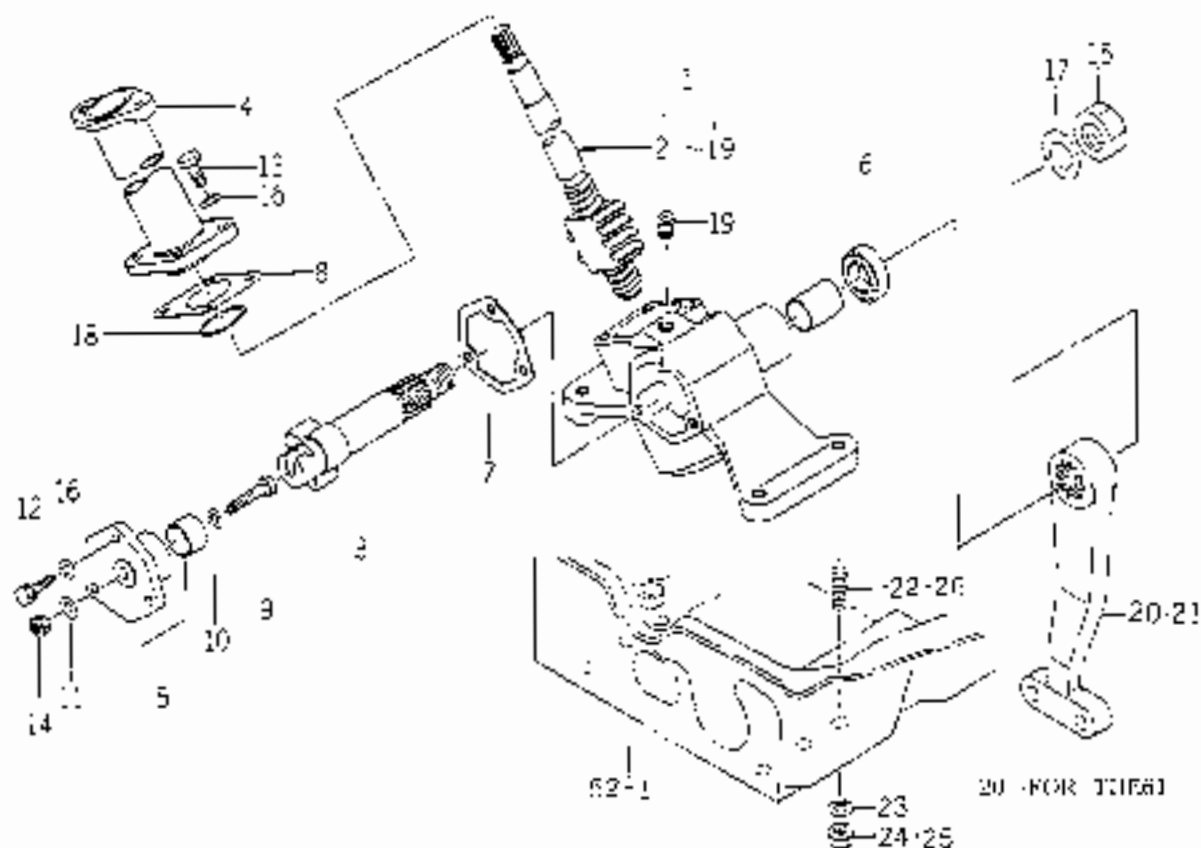
FIG. 54 STEERING WHEEL SYSTEM



1603-406

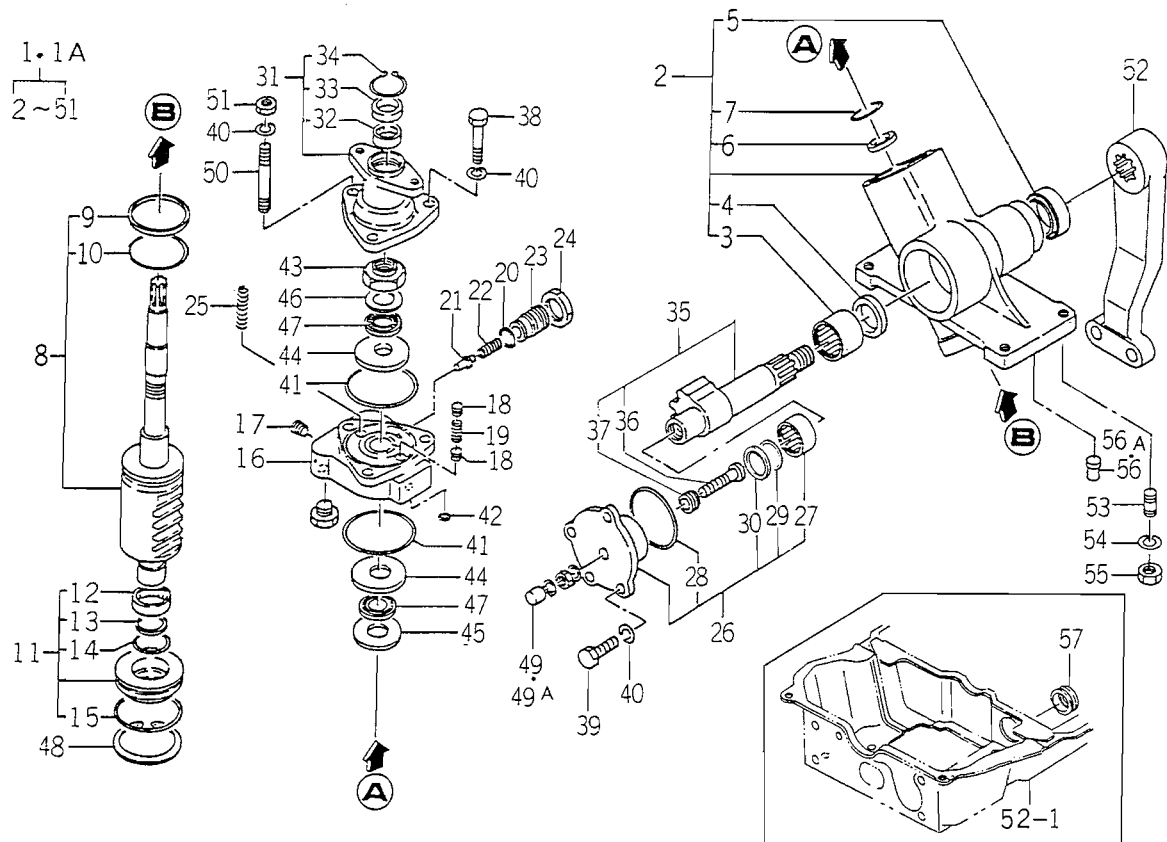
KEY	PART CODE	DESCRIPTION	QTY	TYPE OF MODEL		I T C	C O L	G R P	REMARKS
				TU320	TU320F				
25	1544 - 406 - 002 - 00	CASE,BEVEL L	1	*	*				
26	1544 - 406 - 003 - 00	CASE,BEVEL R	1	*	*				
27	V720 - 102 - 401 - 80	O - RING/P18	1	*	*				
28	1550 - 406 - 004 - 00	SEAL,OIL	1	*	*				
29	V201 - 260 - 804 - 50	BOLT/M 8X45	3	*	*				
30	V201 - 260 - 807 - 00	BOLT/M 8X70	1	*	*				
31	V411 - 260 - 008 - 00	WASHER,PL/M8	8	*	*				
32	V304 - 260 - 008 - 00	NUT/M 8	4	*	*				
33	V401 - 160 - 008 - 00	WASHER,SP/M 8	4	*	*				
34	V211 - 560 - 802 - 50	BOLT,SEMS/M8X25 7T	1	*	*				
35	V201 - 360 - 803 - 50	BOLT	1	*	*				
36	V401 - 160 - 008 - 00	WASHER,SP/M 8	1	*	*				
37	4101 - 102 - 038 - 00	WASHER/24X9X3.2	2	*	*				
38	1550 - 406 - 220 - 10	GEAR,BEVEL/14	1	*	*				
39	1544 - 406 - 005 - 00	GEAR,BEVEL/16	1	*	*				
40	1600 - 406 - 003 - 00	PLATE	1	*	*				
41	1544 - 406 - 007 - 00	COLLAR,THRUST/B	1	*	*				
42	V653 - 418 - 241 - 20	NEEDLE	3	*	*				
43	1600 - 406 - 070 - 00	COUPLING/16X24X56	1	*	*				
44	1603 - 406 - 700 - 10	SHAFT,STEERING/BASSY	1	*	*				
45	1600 - 406 - 071 - 00	GEAR/14T	1	*	*				

FIG. 55 STEERING CASE SYSTEM



KEY	PART CODE	DESCRIPTION	TYPE OF MODEL		I	C	G	REMARKS
			300	TL300				
1	1544-407-260-00	STEERING ARM						
2	1544-407-219-00	NUT/ARM						
3	1544-407-281-00	SHAFT CENTER						
4	1544-407-252-00	CONTROL GEAR						
5	1544-407-200-00	LOWER SIDE ASSY						
6	1429-406-207-00	SEAL/OIL						
7	1429-406-206-00	MACHINE SIDE COVER						
8	1429-406-209-00	ARM COVER SET						
9	1429-406-211-00	SCREWS						
10	1429-406-212-00	SHIM/ASCREW SET						
11	1544-407-263-00	WASHER/FLAT						
12	1429-406-213-00	BOLT						
13	1429-406-214-00	BOLT						
14	1544-407-264-00	NUT						
15	V352-400-020-00	NUT/MISC						
16	V401-160-000-00	WASHER/FLAT						
17	V401-160-020-00	WASHER/FLAT						
18	1429-406-216-00	O-RING						
19	1429-406-202-00	PLUG/FLAT						
20	1552-407-201-00	ARM/FLAT						
21	1552-407-201-00	ARM/FLAT						
22	V251-341-002-00	BOLT M10X20						
23	V401-160-010-00	WASHER/FLAT						
24	V303-400-010-00	NUT/MISC						
25	V303-400-010-00	NUT/MISC						

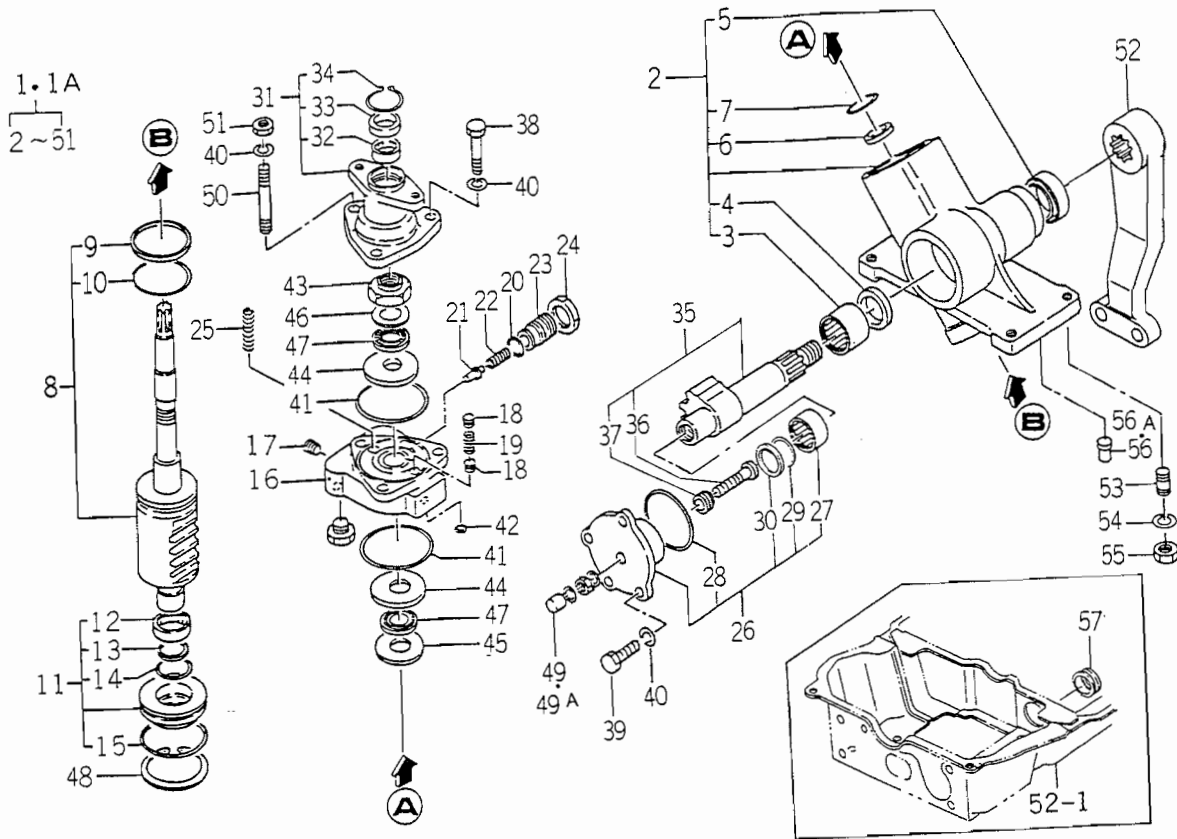
FIG. 56 POWER STEERING ASSY (U)



1590-408

KEY	PART CODE	DESCRIPTION	QTY	TYPE OF MODEL		I T C	C O L	G R P	REMARKS
				TU320	TU320F				
1	1588 - 408 - 210 - 00	STEERING,POWER ASSY	1		1- -1023				
1A	1588 - 408 - 210 - 10	STEERING,POWER ASSY	1		1024-				
2	1550 - 408 - 230 - 00	CASE,GEAR ASSY	1		*				
3	1550 - 408 - 232 - 00	BEARING,NR	1		*				
4	1550 - 408 - 233 - 00	PACKING,U	1		*				
5	1550 - 408 - 234 - 00	SEAL,OIL	1		*				
6	1550 - 408 - 235 - 00	RING	1		*				
7	1550 - 408 - 236 - 00	O - RING	1		*				
8	1550 - 408 - 300 - 00	NUT,BALL ASSY	1		*				
9	1550 - 408 - 301 - 00	SEAL,SLIPPER	1		*				
10	1550 - 408 - 302 - 00	O - RING	1		*				
11	1550 - 408 - 310 - 00	COVER,FRONT ASSY	1		*				
12	1550 - 408 - 312 - 00	BEARING,NR	1		*				
13	1550 - 408 - 235 - 00	RING	1		*				
14	1550 - 408 - 236 - 00	O - RING	1		*				
15	1550 - 408 - 313 - 00	O - RING	1		*				
16	1550 - 408 - 320 - 10	HOUSING,VALVE ASSY	1		*				
17	1550 - 408 - 321 - 00	PLUG,PT1/8	2		*				
18	1550 - 408 - 322 - 00	PISTON	4		*				
19	1550 - 408 - 323 - 00	SPRING,COIL	2		*				
20	1550 - 408 - 324 - 00	O - RING	1		*				
21	1513 - 408 - 217 - 00	POPPET	1		*				
22	1444 - 408 - 312 - 00	SPRING,COIL	1		*				
23	1550 - 408 - 325 - 00	BOLT	1		*				
24	1550 - 408 - 326 - 00	NUT	1		*				

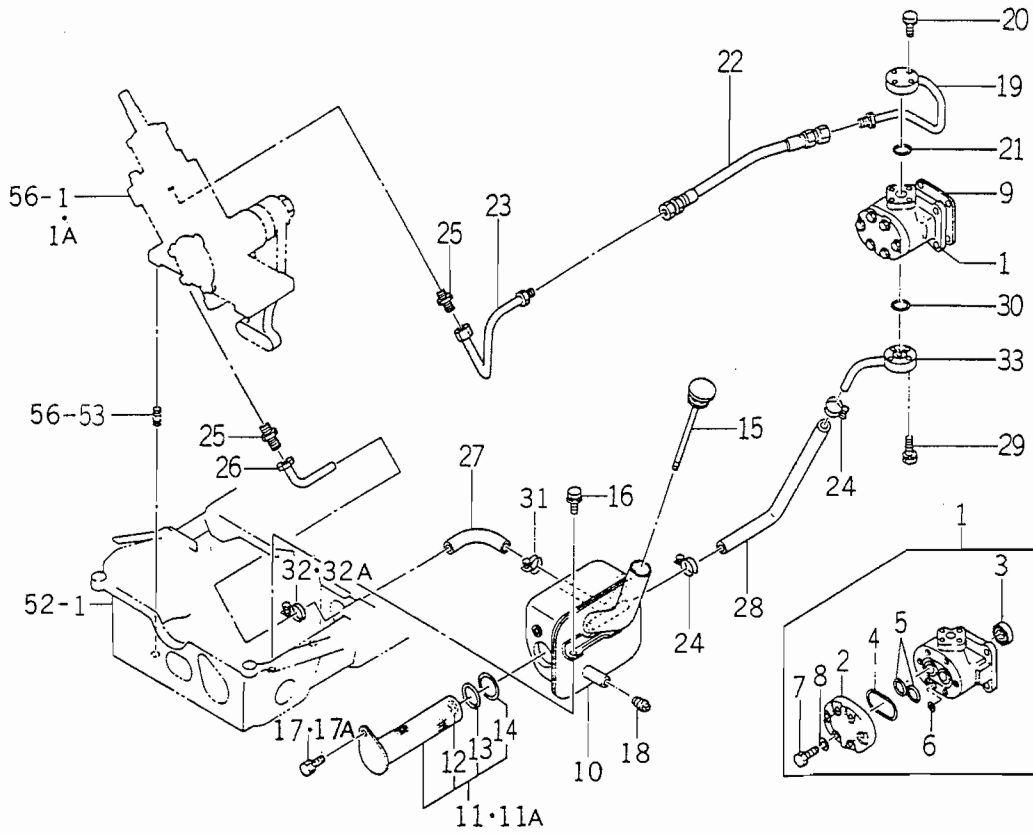
FIG. 56 POWER STEERING ASSY (U)



1590-408

KEY	PART CODE	DESCRIPTION	QTY	TYPE OF MODEL		I T C	C O L	G R P	REMARKS
				TU320	TU320F				
25	1550 - 408 - 327 - 00	SPRING,COIL	2		*				
26	1588 - 408 - 230 - 00	COVER,SIDE ASSY	1		*				
27	1588 - 408 - 232 - 00	BEARING,NR	1		*				
28	1550 - 408 - 333 - 00	O - RING	1		*				
29	1588 - 408 - 233 - 00	RING	1		*				
30	1550 - 408 - 236 - 00	O - RING	1		*				
31	1550 - 408 - 340 - 00	COVER,REAR ASSY	1		*				
32	1550 - 408 - 342 - 00	BEARING,NR	1		*				
33	1550 - 408 - 343 - 00	SEAL,OIL	1		*				
34	1550 - 408 - 344 - 00	RING,SNAP	1		*				
35	1550 - 408 - 350 - 00	SHAFT,SECTOR ASSY	1		*				
36	1550 - 408 - 352 - 00	SCREW,ADJUST	1		*				
37	1550 - 408 - 353 - 00	ADJUSTER	1		*				
38	1550 - 408 - 211 - 00	BOLT	2		*				
39	1550 - 408 - 212 - 00	BOLT	4		*				
40	V401 - 160 - 010 - 00	WASHER,SP/M10	7		*				
41	1550 - 408 - 213 - 00	O - RING	2		*				
42	V720 - 101 - 900 - 80	O - RING/P 8	2		*				
43	1426 - 426 - 306 - 00	NUT,LOCK	1		*				
44	1550 - 408 - 214 - 00	COLLAR	2		*				
45	1444 - 408 - 325 - 00	COLLAR	1		*				
46	1550 - 408 - 215 - 00	COLLAR	1		*				
47	1550 - 408 - 216 - 00	BEARING,TB	1		*				
48	1550 - 408 - 217 - 00	RING,SNAP	1		*				
49	1500 - 408 - 218 - 00	NUT	1		1- -425				

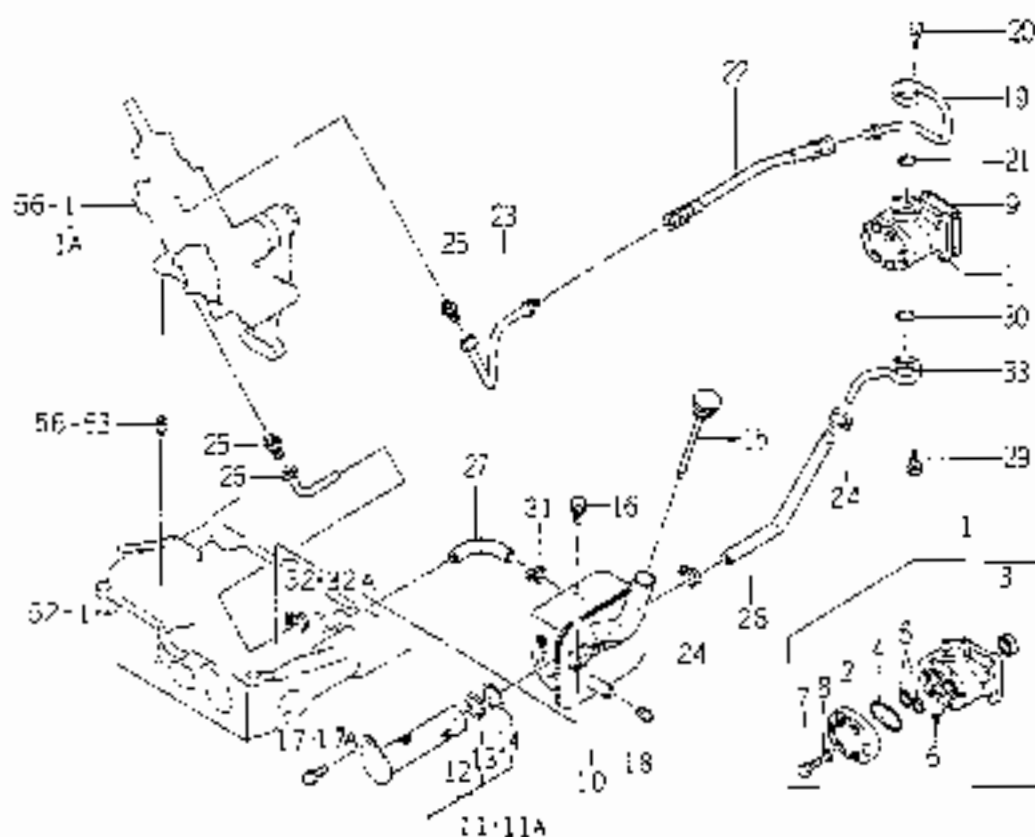
FIG. 57 STEERING CASE SYSTEM (U)



1590-408

KEY	PART CODE	DESCRIPTION	QTY	TYPE OF MODEL		I T C	C O L	G R P	REMARKS
				TU320	TU320F				
1	K135 - 020 - 000 - 00	PUMP,GEAR ASSY	1		*				
2	K135 - 017 - 006 - 00	COVER,PUMP	1		*				
3	V744 - 114 - 280 - 70	SEAL,OIL	1		*				
4	V721 - 113 - 105 - 00	O - RING HS90 G50	1		*				
5	V720 - 112 - 402 - 20	O - RING/P22	4		*				
6	V720 - 111 - 900 - 60	O - RING P6 HS90	1		*				
7	K135 - 002 - 009 - 00	BOLT/M8X28 11T	6		*				
8	V401 - 170 - 008 - 00	WASHER,SP/M8	6		*				
9	1404 - 503 - 006 - 00	PACKING,OIL PUMP	1		*				
10	1588 - 408 - 240 - 10	TANK,OIL COMP	1		*				
11	1488 - 408 - 330 - 10	FILTER,SUCTION ASSY	1		1- -116				
11A	1564 - 407 - 220 - 00	FILTER,SUCTION ASSY	1		117-				
12	V720 - 102 - 401 - 20	O - RING/P12	1		*				
13	V720 - 103 - 503 - 10	O - RING P31	1		*				
14	V730 - 103 - 703 - 10	RING/P31	1		*				
15	1444 - 408 - 005 - 10	GAUGE,LEVEL/POWER ST	1		*				
16	V211 - 360 - 801 - 60	BOLT,SP/M8X16	2		*				
17	V210 - 260 - 601 - 20	BOLT,SEMS/M6X12	1		1- -116				
17A	V210 - 360 - 601 - 60	BOLT,SP/M6X16	1		117-				
18	V781 - 160 - 000 - 4B	PLUG,SEAL	1		*				
19	1588 - 408 - 260 - 00	PIPE,OIL COMP	1		*				
20	V210 - 260 - 602 - 50	BOLT,S/M6X25	4		*				
21	V720 - 112 - 402 - 00	O - RING/P20	1		*				
22	1588 - 408 - 220 - 00	HOSE,OIL ASSY	1		*				
23	1588 - 408 - 270 - 00	PIPE,OIL COMP	1		*				

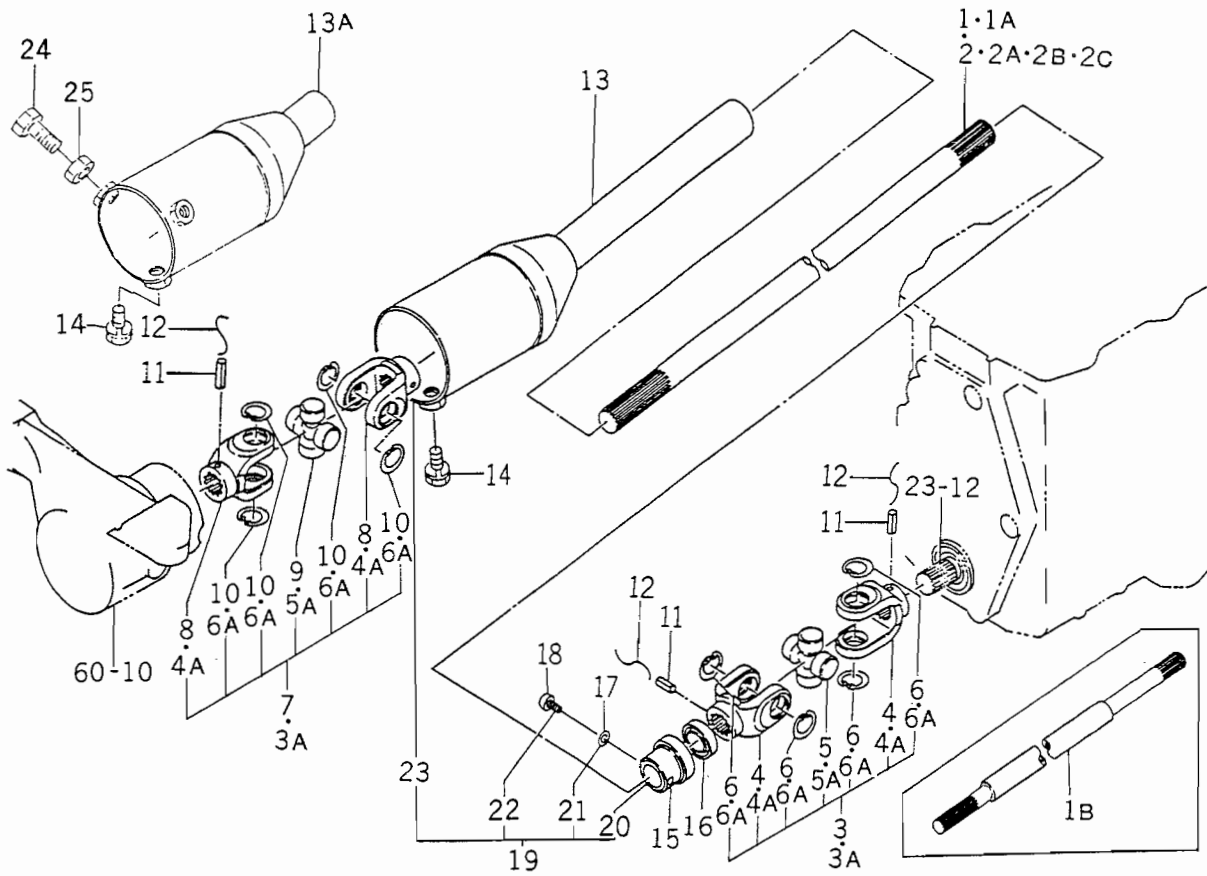
FIG. 57 STERING CASE SYSTEM (U)



PART

KEY	PART CODE	DESCRIPTION	QTY	TYPE OF MODEL				REMARKS
				TJ-77	10773r	C	G R P	
24	J001-114-J24-00	CLAMPWORK/16 23	2					
25	1422 508 002-00	CONNECTOR	2					
26	1592 402-250 00	HOSE END	1					
27	15111 403 001 00	HOSE END	1					
28	1592-402-002 00	HOSE END	1					
29	4210 250-502 00	BULBS/16425	4					
30	4720 112 402 00	BAND/1620	1					
31	1051-114-074-00	CLAMPWORK/16-74	1					
32	3748 185 007 00	BAND/185-185	1					
32A	J001-113-025 00	CLAMPWORK/16 25	1					
33	1592-402-240 00	HOSE END	1					

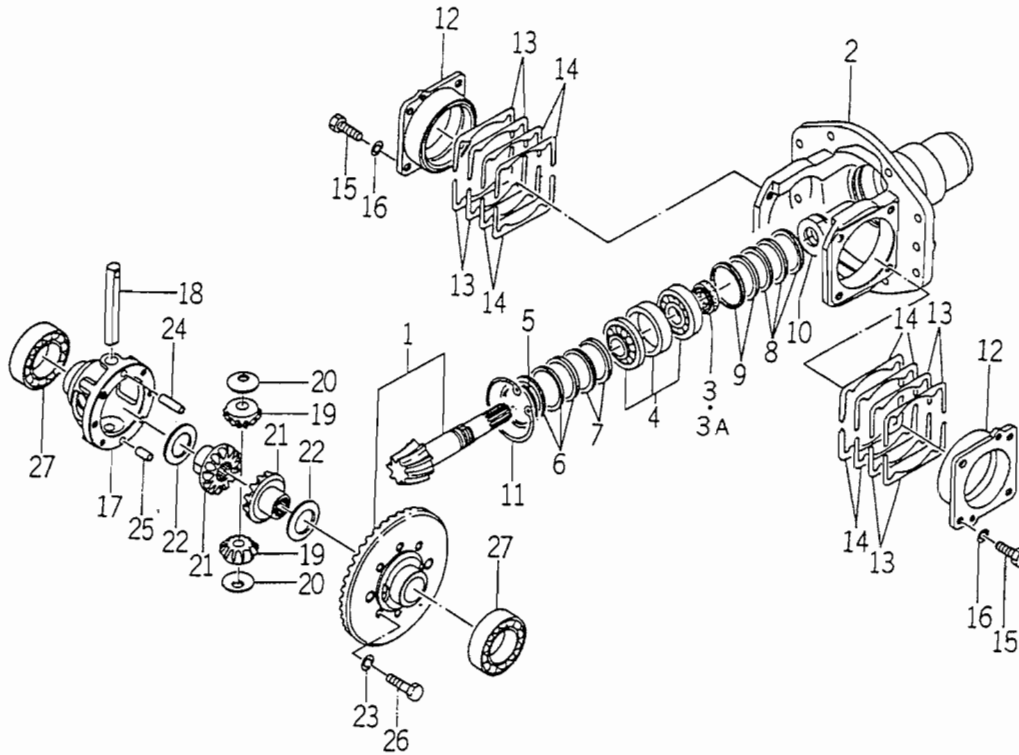
FIG. 58 DRIVE SHAFT SYSTEM



1603-431

KEY	PART CODE	DESCRIPTION	QTY	TYPE OF MODEL		I T C	C O L	G R P	REMARKS
				TU320	TU320F				
1	1603 - 431 - 001 - 00	SHAFT,DRIVE	1		1-77				
1A	1600 - 431 - 001 - 00	SHAFT,DRIVE	1		78-115				
1B	1600 - 431 - 230 - 00	SHAFT,DRIVE/703 COMP	1		116-				
2	1603 - 431 - 051 - 00	SHAFT,DRIVE/FRONT	1		1-77				
2A	1552 - 431 - 001 - 00	SHAFT,DRIVE/A	1		78-729				
2B	1603 - 431 - 002 - 00	SHAFT,DRIVE	1		730-1115				
2C	1603 - 431 - 230 - 00	SHAFT,DRIVE/651 COMP	1		1116-				
3	1427 - 431 - 220 - 00	JOINT,B ASSY	1		1-1280				
3A	1427 - 431 - 220 - 00	JOINT,B ASSY	2		1281-				
4	1427 - 431 - 011 - 00	YOKE,SPLINE B	2		1-1280				
4A	1427 - 431 - 011 - 00	YOKE,SPLINE B	4		1281-				
5	1427 - 431 - 009 - 00	JOINT,CROSS	1		1-1280				
5A	1427 - 433 - 201 - 00	JOINT,CROSS	2		1281-				
6	V705 - 140 - 020 - 00	RING,SNAP/20 C	4		1-1280				
6A	V705 - 140 - 020 - 00	RING,SNAP/20 C	8		1281-				
7	1427 - 431 - 210 - 00	JOINT ASSY	1		*				
8	1427 - 431 - 011 - 00	YOKE,SPLINE B	2		*				
9	1427 - 431 - 009 - 00	JOINT,CROSS	1		*				
10	V705 - 140 - 020 - 00	RING,SNAP/20 C	4		*				
11	V580 - 140 - 603 - 20	PIN,SPRING/6 X32 W	3		*				
12		WIRE/1.0X120	3		*				
13	1603 - 431 - 200 - 00	CASE,JOINT COMP	1		1-1115				
13A	1603 - 431 - 200 - 10	CASE,JOINT COMP	1		1116-				
14	V211 - 260 - 802 - 00	BOLT,S/M8X20	1		*				
15	1600 - 431 - 002 - 00	BUSH/20X38X26	1		*				

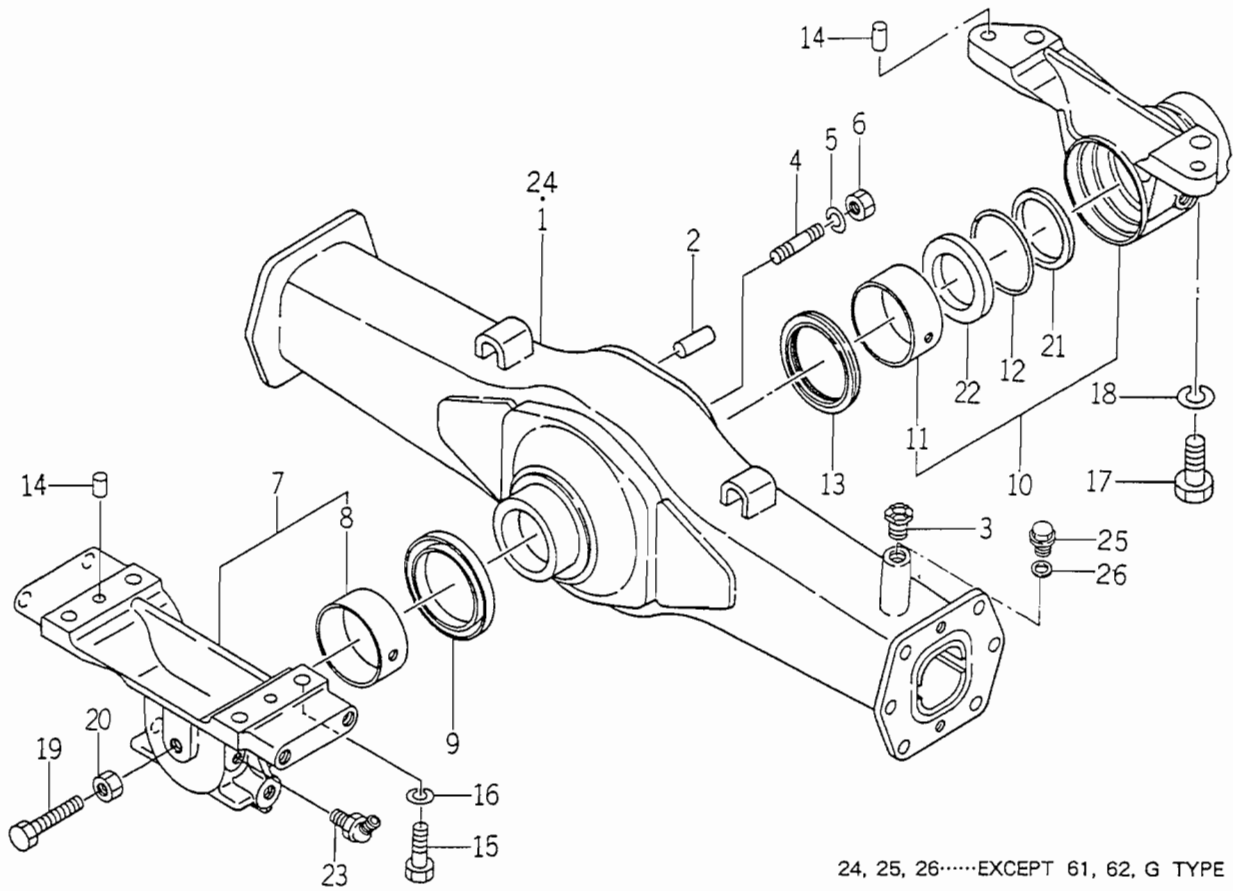
FIG. 59 BEVEL CASE SYSTEM



1550-432

KEY	PART CODE	DESCRIPTION	QTY	TYPE OF MODEL		I T C	C O L	G R P	REMARKS
				TU320	TU320F				
1	1550 - 432 - 200 - 00	PINION,VEVEL SET	1		*				
2	1550 - 432 - 001 - 20	CASE,VEVEL	1		*				
3	V744 - 120 - 350 - 80	SEAL,OIL/TC20358	1		1- -1187				
3A	V744 - 120 - 350 - 70	SEAL,OIL	1		1188-				
4	1444 - 411 - 210 - 00	BEARING,THRUST ASSY	1		*				
5	1444 - 411 - 008 - 00	COLLAR 48X56X4	1		*				
6	1444 - 411 - 009 - 00	SHIM A T = 0.2	3		*				
7	1444 - 411 - 011 - 00	SHIM B T = 0.1	2		*				
8	1444 - 411 - 012 - 00	SHIM (C)	3		*				
9	1444 - 411 - 013 - 00	SHIM D T = 0.1	2		*				
10	1444 - 411 - 014 - 00	NUT,LOCK	1		*				
11	V707 - 140 - 056 - 00	RING,SNAP	1		*				
12	1444 - 411 - 003 - 00	METAL,DIFFERENTIAL	2		*				
13	1444 - 411 - 004 - 00	SHIM (A)	8		*				
14	1444 - 411 - 005 - 00	SHIM (B)	8		*				
15	V201 - 260 - 802 - 00	BOLT/M 8X20	8		*				
16	V401 - 160 - 008 - 00	WASHER,SP/M 8	8		*				
17	1550 - 432 - 002 - 00	CASE,FRONT DIFF	1		*				
18	1444 - 411 - 006 - 00	SHAFT,DIFF. PINION	1		*				
19	1560 - 432 - 002 - 30	PINION,BEVEL/11	2		*				
20	1427 - 301 - 005 - 00	COLLAR,PINION THRUST	2		*				
21	1560 - 432 - 003 - 30	GEAR,BEVEL/16	2		*				
22	1427 - 432 - 005 - 00	COLLAR,THRUST	2		*				
23	V401 - 160 - 008 - 00	WASHER,SP/M 8	6		*				
24	1550 - 432 - 004 - 00	PIN,ST A/8X28	1		*				

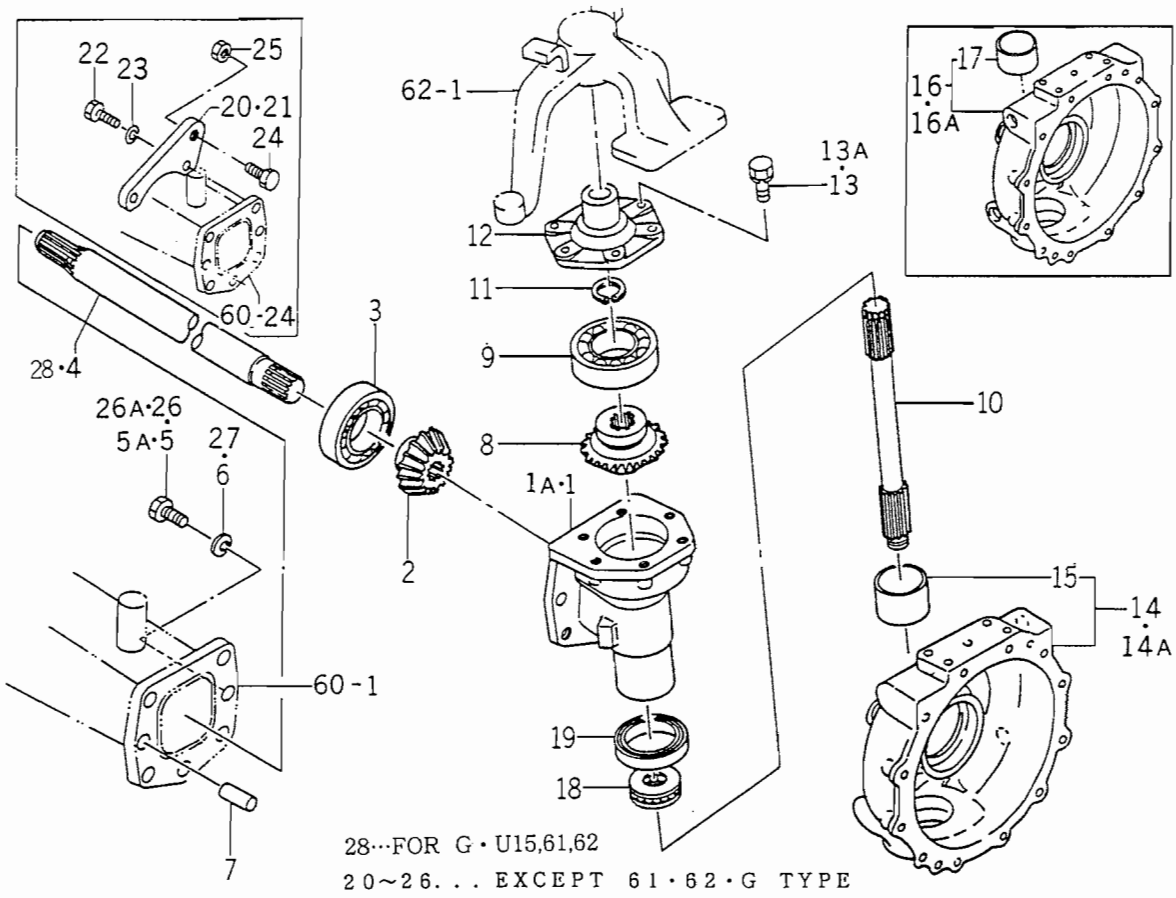
FIG. 60 FRONT AXLE SYSTEM



1503-433

KEY	PART CODE	DESCRIPTION	QTY	TYPE OF MODEL		I T C	C O L	G R P	REMARKS
				TU320	TU320F				
1	1550 - 433 - 200 - 10	HOUSING,AXLE COMP	1		*				
2	V521 - 101 - 002 - 00	PIN,ST B/10X20	2		*				
3	1444 - 412 - 001 - 00	PLUG,BREATHER	1		*				
4	1480 - 433 - 001 - 00	BULT,STUD	8		*				
5	V401 - 160 - 010 - 00	WASHER,SP/M10	8		*				
6	V304 - 260 - 010 - 00	NUT	8		*				
7	1603 - 433 - 210 - 00	METAL,PIVOT/FRONTSET	1		*				
8	1550 - 433 - 212 - 00	BUSH/70X75X25	1		*				
9	V742 - 170 - 950 - 70	SEAL,OIL	1		*				
10	1550 - 433 - 220 - 00	METAL,PIVOT/R SET	1		*				
11	1550 - 433 - 222 - 00	BUSH/70X75X30	1		*				
12	V720 - 105 - 707 - 00	O - RING	1		*				
13	1488 - 412 - 006 - 00	X - RING	1		*				
14	V520 - 101 - 001 - 60	PIN,ST/A	4		*				
15	V201 - 461 - 204 - 00	BOLT/M12X40	4		*				
16	V401 - 160 - 012 - 00	WASHER,SP/M12	4		*				
17	V201 - 361 - 403 - 50	BOLT/M14X35	2		*				
18	V401 - 160 - 014 - 00	WASHER,SP/M14	2		*				
19	W201 - 461 - 205 - 50	BOLT/M12X55	1		*				
20	V305 - 260 - 012 - 00	NUT/M12	1		*				
21	1550 - 433 - 004 - 00	COLLAR,THRUST57X69X5	1		*				
22	V742 - 150 - 720 - 60	SEAL,OIL/VC50726	1		*				
23	V763 - 150 - 000 - 00	NIPPLE,GREASE/PT1/8	2		*				
24	1603 - 433 - 220 - 00	HOUSING,AXLE COMP	1		*				
25	1518 - 306 - 200 - 00	CAP,OIL ASSY	1		*				

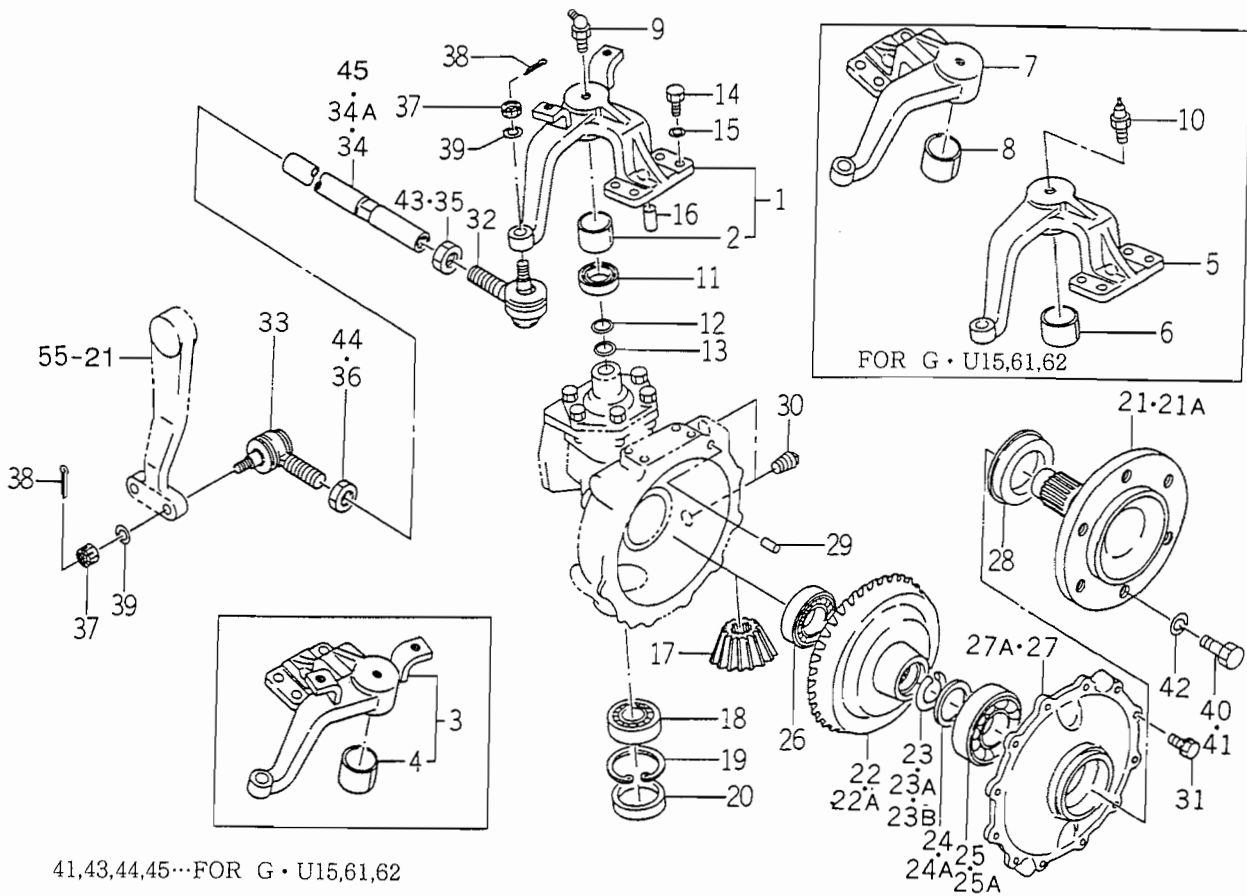
FIG. 61 FRONT GEAR CASE SYSTEM (1)



1550-434

KEY	PART CODE	DESCRIPTION	QTY	TYPE OF MODEL		I T C	C O L	G R P	REMARKS
				TU320	TU320F				
1	1421 - 433 - 001 - 30	CASE,FINAL/A	2		1- -1247				
1A	1603 - 434 - 003 - 00	CASE,FINAL	2		1248-				
2	1444 - 413 - 002 - 10	GEAR,BEVEL/13T	2		*				
3	V600 - 110 - 620 - 70	BEARING,RB/6207	2		*				
4	1560 - 435 - 001 - 30	SHAFT	2		*				
5	V201 - 361 - 002 - 50	BOLT/M10X25	12		1- -1296				
5A	V201 - 461 - 002 - 50	BOLT/M10X25	12		1297-				
6	V401 - 160 - 010 - 00	WASHER,SP/M10	12		*				
7	1421 - 433 - 004 - 00	PIN,KNOCK	4		*				
8	1444 - 413 - 004 - 10	GEAR,BEVEL /17T	2		*				
9	V600 - 110 - 601 - 00	BEARING,RB/6010	2		*				
10	1444 - 413 - 005 - 10	SHAFT,COUNTER	2		*				
11	V704 - 140 - 025 - 00	RING,SNAP/25 C	2		*				
12	1421 - 433 - 009 - 10	COVER,BEARING	2		*				
13	V211 - 260 - 802 - 50	BOLT,S/M8X25	12		1- -60				
13A	V211 - 260 - 802 - 00	BOLT,S/M8X20	12		61-				
14	1444 - 413 - 210 - 30	CASE,FINAL B LH ASSY	1		1- -60				
14A	1533 - 413 - 200 - 00	CASE,FINAL B/LH ASSY	1		61-				
15	1421 - 433 - 014 - 10	BUSH/50X55X30	1		*				
16	1444 - 413 - 240 - 00	CASE,FINALB ASSY	1		1- -60				
16A	1533 - 413 - 210 - 00	CASE,FINAL B/RH ASSY	1		61-				
17	1421 - 433 - 014 - 10	BUSH/50X55X30	1		*				
18	V610 - 115 - 110 - 60	BEARING,TB/51106	2		*				
19	1488 - 413 - 023 - 10	SEAL,OIL	2		*				
20	1603 - 145 - 004 - 10	PLATE,STOPPER/LH	1		*				

FIG. 62 FRONT GEAR CASE SYSTEM (2)

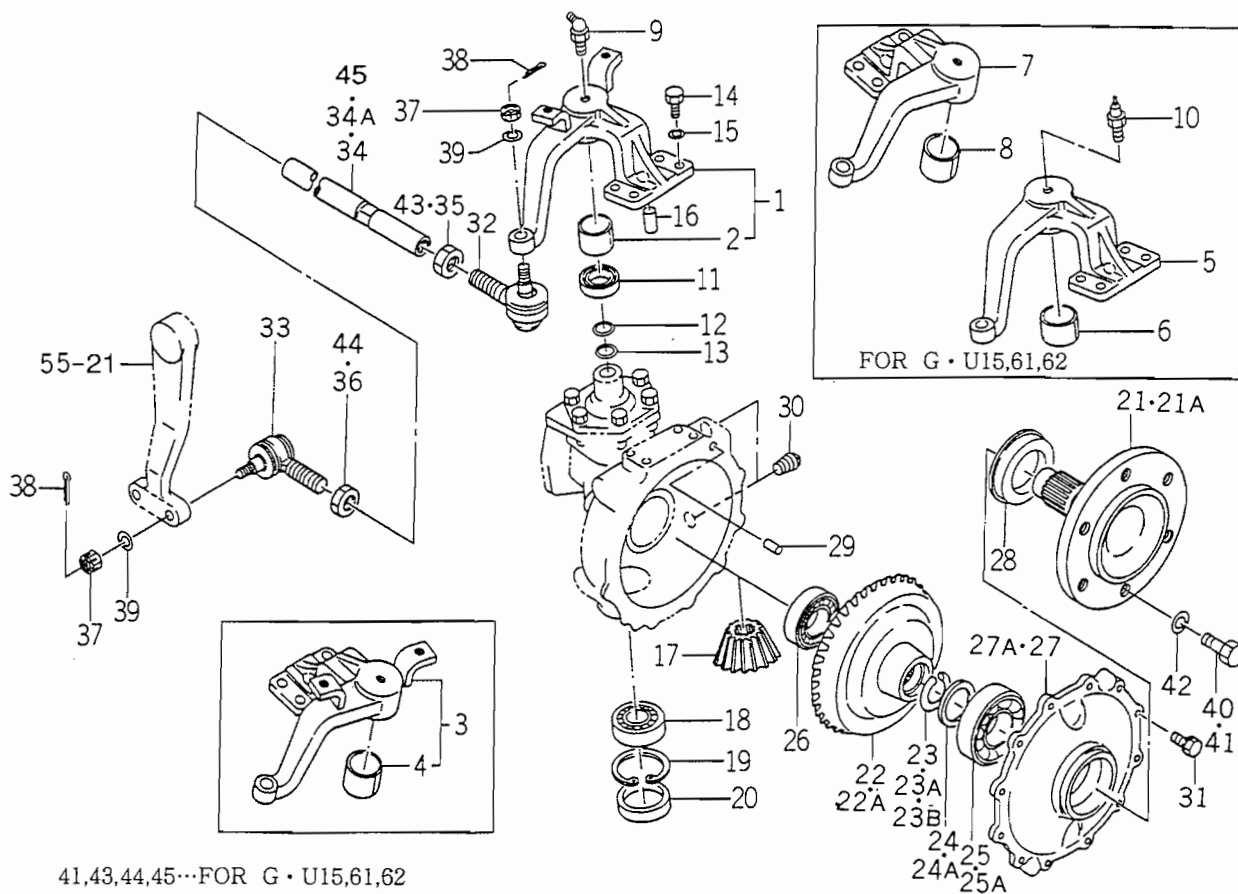


41,43,44,45...FOR G • U15,61,62

1603-434

KEY	PART CODE	DESCRIPTION	QTY	TYPE OF MODEL		I T C	C O L	G R P	REMARKS
				TU320	TU320F				
1	1603 - 434 - 200 - 00	ARM,KNUCKLE/LH SET	1		*				
2	1421 - 433 - 016 - 10	BUSH/30X34X20	1		*				
3	1603 - 434 - 220 - 00	ARM,KNUCKLE/LH SET	1		*				
4	1421 - 433 - 016 - 10	BUSH/30X34X20	1		*				
5	1550 - 434 - 200 - 00	ARM,DRAG/L COMP	1		*				
6	1421 - 433 - 016 - 10	BUSH/30X34X20	1		*				
7	1550 - 434 - 210 - 00	ARM,DRAG/R COMP	1		*				
8	1421 - 433 - 016 - 10	BUSH/30X34X20	1		*				
9	V763 - 150 - 000 - 00	NIPPLE,GREASE/PT1/8	2		*				
10	V761 - 150 - 000 - 00	NIPPLE,GREASE	2		*				
11	1421 - 433 - 031 - 00	SEAL,OIL/OS30374	2		*				
12	1421 - 951 - 008 - 00	SHIM,B/0.5	2		*				
13	1421 - 951 - 009 - 00	SHIM,B/1.0	2		*				
14	V201 - 361 - 002 - 50	BOLT/M10X25	8		*				
15	V401 - 160 - 010 - 00	WASHER,SP/M10	8		*				
16	V520 - 101 - 002 - 20	PIN,ST/10X22	2		*				
17	1444 - 413 - 013 - 10	GEAR,BEVEL 16T	2		*				
18	V600 - 110 - 620 - 50	BEARING,RB/6205	2		*				
19	V705 - 140 - 052 - 00	RING,SNAP/52 C	2		*				
20	3625 - 701 - 003 - 00	CAP,BLANK/52	2		*				
21	1444 - 413 - 014 - 20	SHAFT,WHEEL	2		1- 592				
21A	1504 - 413 - 002 - 00	SHAFT,WHEEL	2		593-				
22	1444 - 413 - 015 - 10	GEAR,BEVEL (44)	2		1- 592				
22A	1504 - 413 - 003 - 00	GEAR,BEVEL/44	2		593-				
23	1504 - 413 - 001 - 00	RING,STOP	2		1- 592				

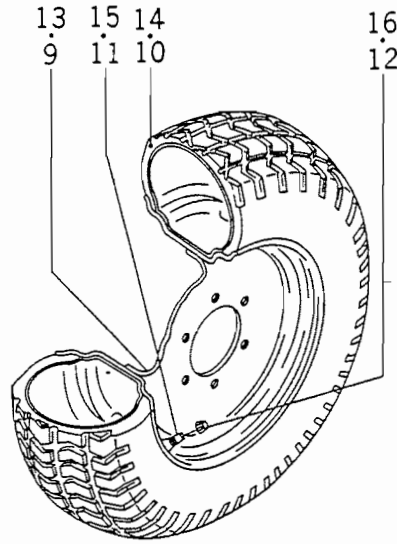
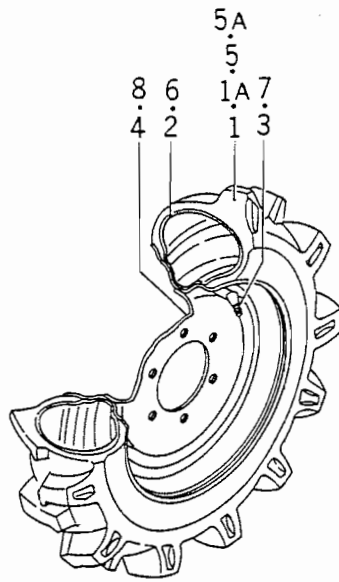
FIG. 62 FRONT GEAR CASE SYSTEM (2)



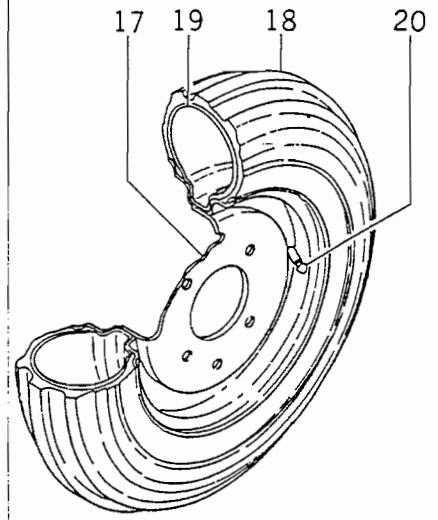
1550-434

KEY	PART CODE	DESCRIPTION	QTY	TYPE OF MODEL		I T C	C O L	G R P	REMARKS
				TU320	TU320F				
23A	1560 - 434 - 009 - 40	RING	2		593- -1190				
23B	1560 - 434 - 017 - 00	RING	4		1191-				
24	1421 - 433 - 023 - 00	COLLAR,THRUST	2		1- -592				
24A	1560 - 434 - 011 - 40	COLLAR,/41X55X04	2		593-				
25	V600 - 110 - 630 - 70	BEARING,RB/6307	2		1- -592				
25A	V600 - 110 - 630 - 80	BEARING,RB	2		593-				
26	V600 - 110 - 620 - 60	BEARING,RB/6206	2		*				
27	1444 - 413 - 022 - 00	COVER,WHEEL SHAFT	2		1- -592				
27A	1504 - 413 - 004 - 00	COVER	2		593-				
28	1444 - 413 - 023 - 00	SEAL,OIL	2		*				
29	V520 - 100 - 802 - 20	PIN,ST/ 8X22	4		*				
30	V781 - 160 - 000 - 6B	NIPPLE/PT3/8	4		*				
31	V211 - 261 - 002 - 50	BOLT,S/M10X25	24		*				
32	1550 - 403 - 210 - 00	END,TIE ROD L ASSY	2		*				
33	1550 - 403 - 220 - 00	END,TIE ROD,R ASSY	2		*				
34	1603 - 434 - 241 - 00	ROD,TIE	2		1- -1247				
34A	1561 - 436 - 003 - 00	ROD,TIE/LH	2		1248-				
35	1421 - 403 - 001 - 00	NUT/M17P1.5	2		*				
36	1421 - 403 - 002 - 00	NUT/M17P1.5	2		*				
37	V328 - 262 - 112 - 00	NUT/M12X1.25	4		*				
38	V500 - 163 - 002 - 00	PIN,SPLIT/3 X20	4		*				
39	V401 - 160 - 012 - 00	WASHER,SP/M12	4		*				
40	V201 - 361 - 202 - 00	BOLT/M12X20	12		*				
41	V201 - 461 - 202 - 00	BOLT/M12X20	12		*				
42	V401 - 160 - 012 - 00	WASHER,SP/M12	12		*				

FIG. 63 FRONT WHEEL SYSTEM



TURF TYRE



2WD

1603-441

KEY	PART CODE	DESCRIPTION	QTY	TYPE OF MODEL		I T C	C O L	G R P	REMARKS
				TU320	TU320F				
1	1481 - 441 - 211 - 00	TIRE 600 - 12 - 4P	1		1- -106				
1A	1603 - 441 - 201 - 00	TIRE/6.00 - 12 - 4	1		107-				
2	V883 - 000 - 061 - 20	TUBE/6 - 12	1		*				
3	V999 - 200 - 003 - 00	CAP,TIRE VALVE	1		*				
4	1603 - 441 - 210 - 00	WHEEL COMP	1		*				
5	1481 - 441 - 211 - 00	TIRE 600 - 12 - 4P	1		1- -106				
5A	1603 - 441 - 201 - 00	TIRE/6.00 - 12 - 4	1		107-				
6	V883 - 000 - 061 - 20	TUBE/6 - 12	1		*				
7	V999 - 200 - 003 - 00	CAP,TIRE VALVE	1		*				
8	1603 - 441 - 210 - 00	WHEEL COMP	1		*				
9	1603 - 441 - 260 - 00	WHEEL COMP	1		*				
10	1603 - 441 - 241 - 00	TIRE/25X8.50 - 14 - 4	1		*				
11	1386 - 241 - 002 - 00	BULB	1		*				
12	V999 - 200 - 003 - 00	CAP,TIRE VALVE	1		*				
13	1603 - 441 - 260 - 00	WHEEL COMP	1		*				
14	1603 - 441 - 241 - 00	TIRE/25X8.50 - 14 - 4	1		*				
15	1386 - 241 - 002 - 00	BULB	1		*				
16	V999 - 200 - 003 - 00	CAP,TIRE VALVE	1		*				
17	1545 - 411 - 210 - 00	RIM,WHEEL/300DX12	2	*					
18	V888 - 145 - 001 - 20	TIRE	2	*					
19	V889 - 005 - 001 - 20	TUBE	2	*					
20	V999 - 200 - 003 - 00	CAP,TIRE VALVE	2	*					

FIG. 64 DRIVE SHAFT SYSTEM (C TYPE)

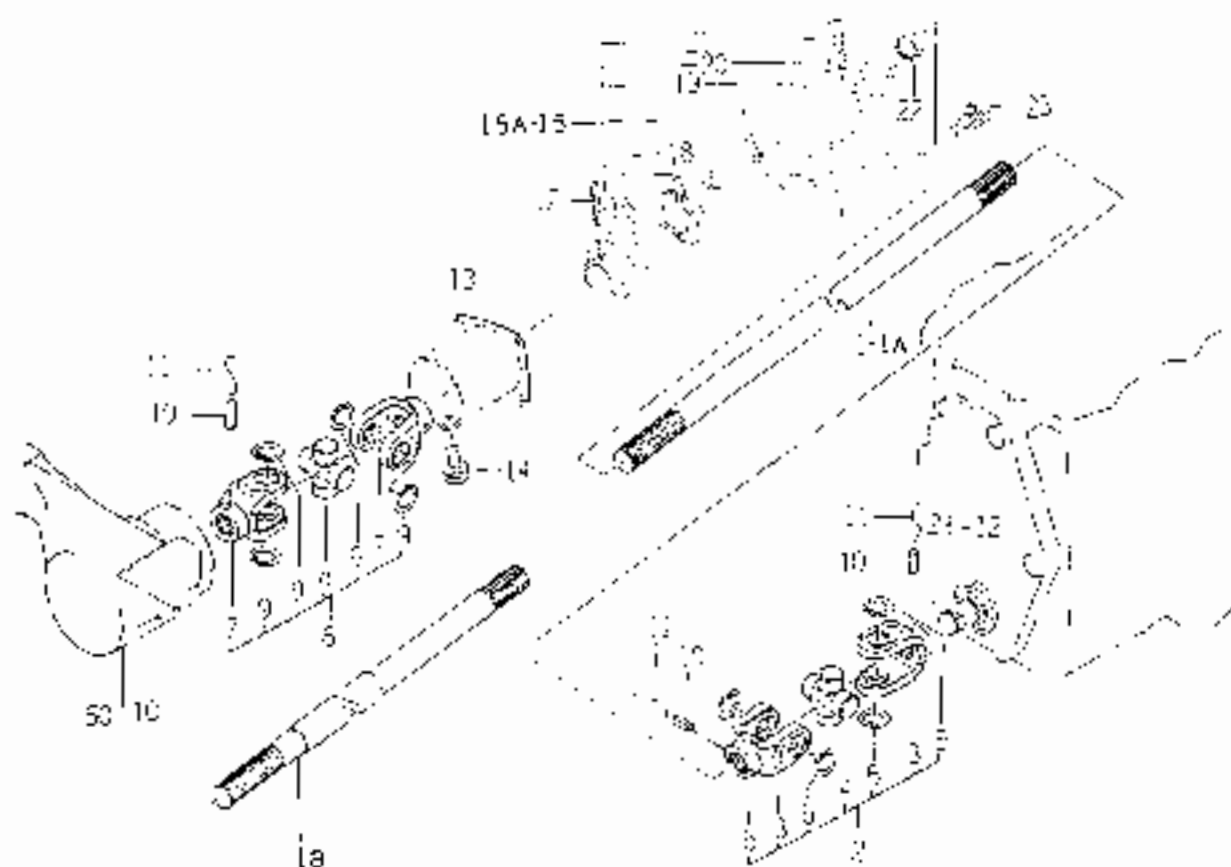
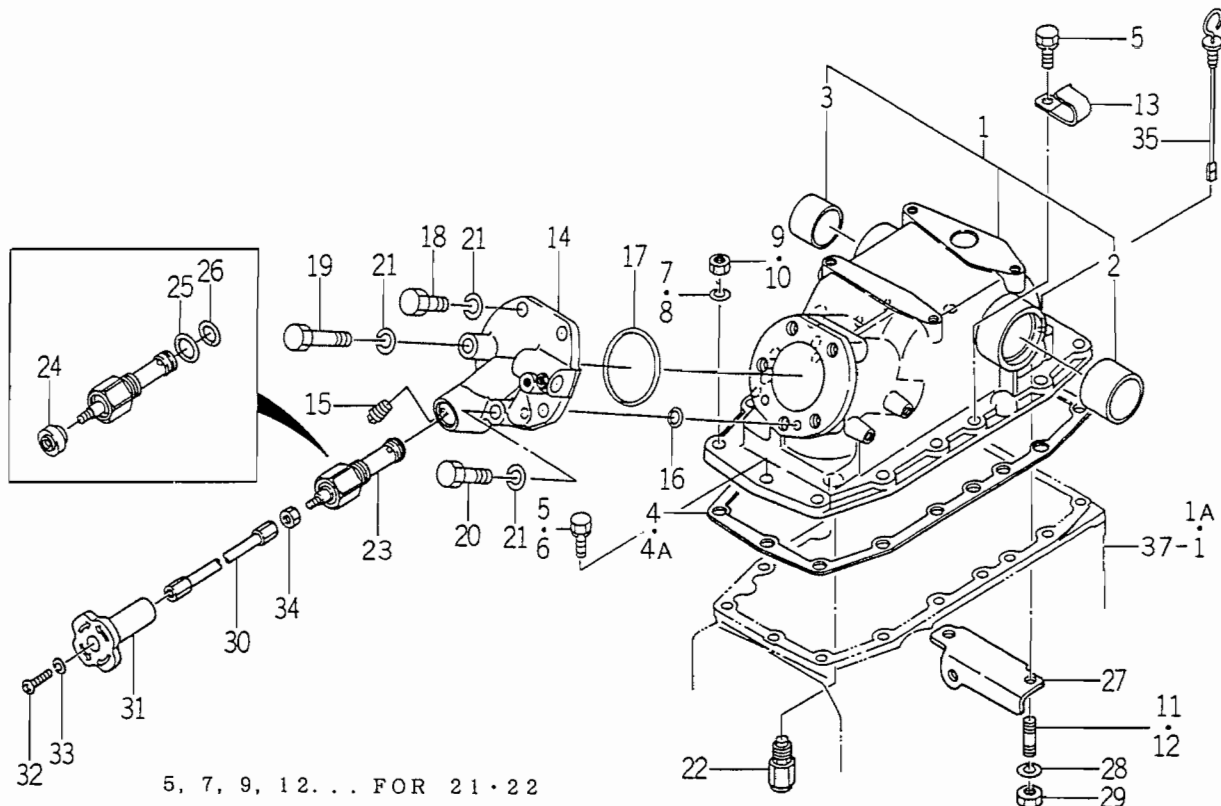


FIG. 64

KEY	PART CODE	DESCRIPTION	QTY	TYPE OF MODEL		I T C	C O L	P A G	REMARKS
				T. 320	T. 320*				
1	1552-431-001-00	SHAFT, DRIVE YK	1		1				
14	1613-431-002-00	SHAFT, DRIVL	1		1				
19	1103-431-233-00	SHAFT, DRIVE (50) COMP	1		1				
2	1427-431-773-00	JOINT'S ASSY	2		1241				
3	1427-431-011-00	YOKESPLINE B	4		1241				
4	1427-433-201-00	JOINT CROSS	2		1231				
5	V705-140-023-00	RINGSNAP/20 C	8		1241				
6	1427-431-213-00	JOINT ASSY	1		1241				
7	1427-431-011-00	YOKESPLINE B	2		1241				
8	1427-433-201-00	JOINT CROSS	1		1231				
9	V705-140-023-00	RINGSNAP/20 C	4		1241				
10	V580-140-503-20	PNLSPRING/5 AX2 W	2						
11	V590-131-012-00	WIRE LUBICL	3						
12	V580-140-004-50	PNLSPRING/5 AX2	1						
13	1203-431-300-00	CASE, JOINT - COMP	1						
14	V211-260-002-00	BOLT - M8X20	1						
15	1503-431-010-00	BRAKE, PARKING ASSY	1		1241				
16	1603-431-010-10	BRAKE, PARKING ASSY	1		1241				
17	1503-431-011-00	DRUM COMP	1						
18	1526-220-713-00	SH-DRUM	1						
19	1526-220-204-00	SPRNG	2						
20	1600-431-002-00	WASHER, PLATE	1						
21	V211-260-014-00	WASHER, PLATE	1						
22	1600-431-003-00	SCREW, TAPPIN	1						
23	V749-120-173-50	SCAL/OIL VC27305	1						

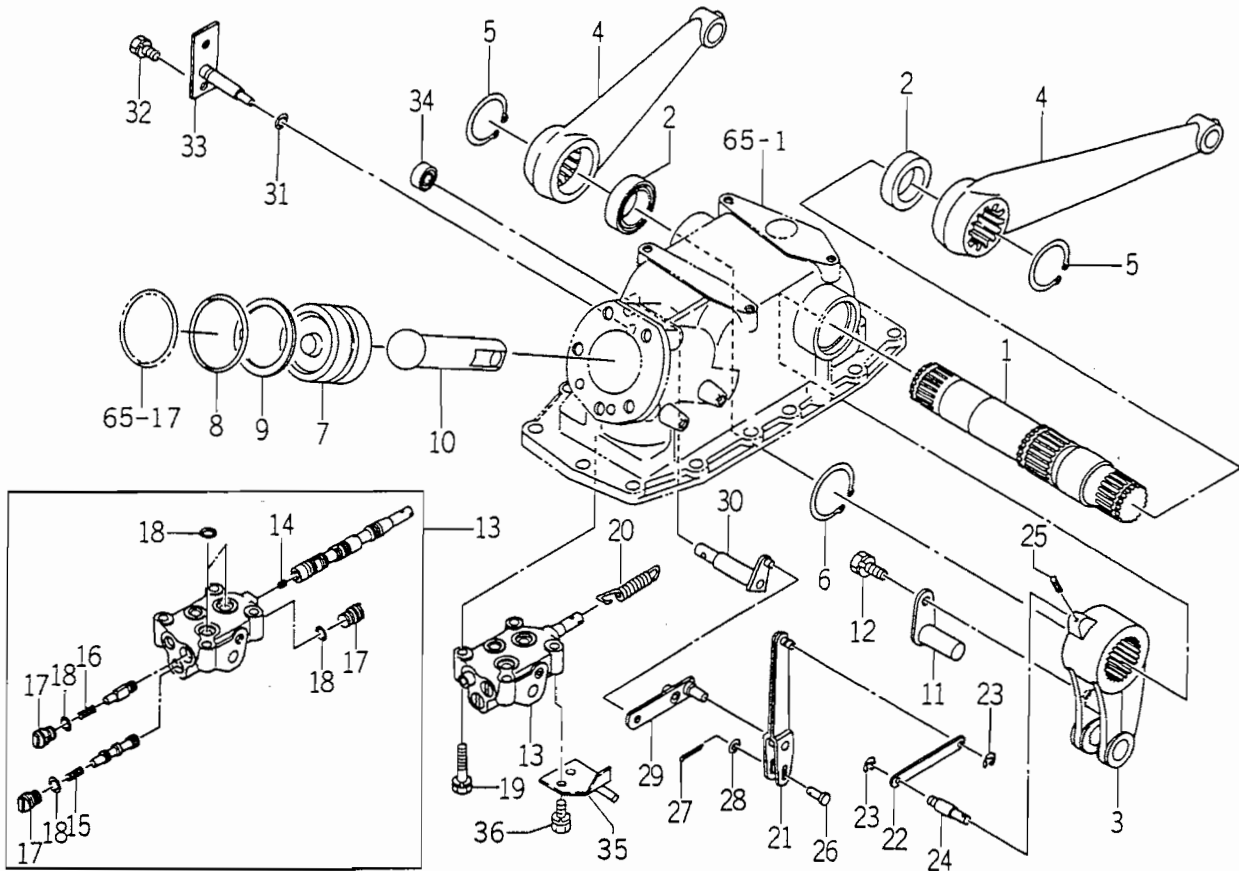
FIG. 65 CYLINDER CASE SYSTEM



1603-501

KEY	PART CODE	DESCRIPTION	QTY	TYPE OF MODEL		I T C	C O L	G R P	REMARKS
				TU320	TU320F				
1	1588 - 501 - 200 - 10	CASE,CYLINDER SET	1	*	*				
2	1588 - 501 - 002 - 00	BUSH/50X55X37	1	*	*				
3	1560 - 501 - 202 - 00	BUSH/45X50X42	1	*	*				
4	1588 - 501 - 003 - 00	GASKET,CYLINDER	1		1- -758				
4A	1588 - 501 - 003 - 10	GASKET,CYLINDER	1		759-				
5	V211 - 261 - 003 - 50	BOLT,S/M10X35	3	*	*				
6	V211 - 261 - 003 - 50	BOLT,S/M10X35	7	*	*				
7	V401 - 160 - 010 - 00	WASHER,SP/M10	8	*	*				
8	V401 - 160 - 010 - 00	WASHER,SP/M10	4	*	*				
9	V304 - 260 - 010 - 00	NUT	8	*	*				
10	V304 - 260 - 010 - 00	NUT	4	*	*				
11	V251 - 341 - 002 - 50	BOLT/M12X25	2	*	*				
12	V251 - 341 - 002 - 50	BOLT/M12X25	4	*	*				
13	3737 - 172 - 011 - 00	CLAMP,HARNESS	2	*	*				
14	1603 - 501 - 001 - 10	HEAD,CYLINDER	1	*	*				
15	V781 - 160 - 000 - 20	PLUG	1	*	*				
16	V720 - 112 - 401 - 20	O - RING/P12	2	*	*				
17	V721 - 113 - 107 - 00	O - RING/G70	1	*	*				
18	V201 - 461 - 203 - 50	BOLT/M12X35	3	*	*				
19	V201 - 361 - 207 - 00	BOLT/M12X70	1	*	*				
20	V201 - 361 - 205 - 50	BOLT/M12X55	1	*	*				
21	V401 - 160 - 012 - 00	WASHER,SP/M12	5	*	*				
22	K250 - 007 - 000 - 00	VALVE,RELIEF ASSY	1	*	*				
23	K231 - 004 - 000 - 20	VALVE,FROCON ASSY	1	*	*				
24	K231 - 004 - 007 - 00	SEAL,DUST	1	*	*				

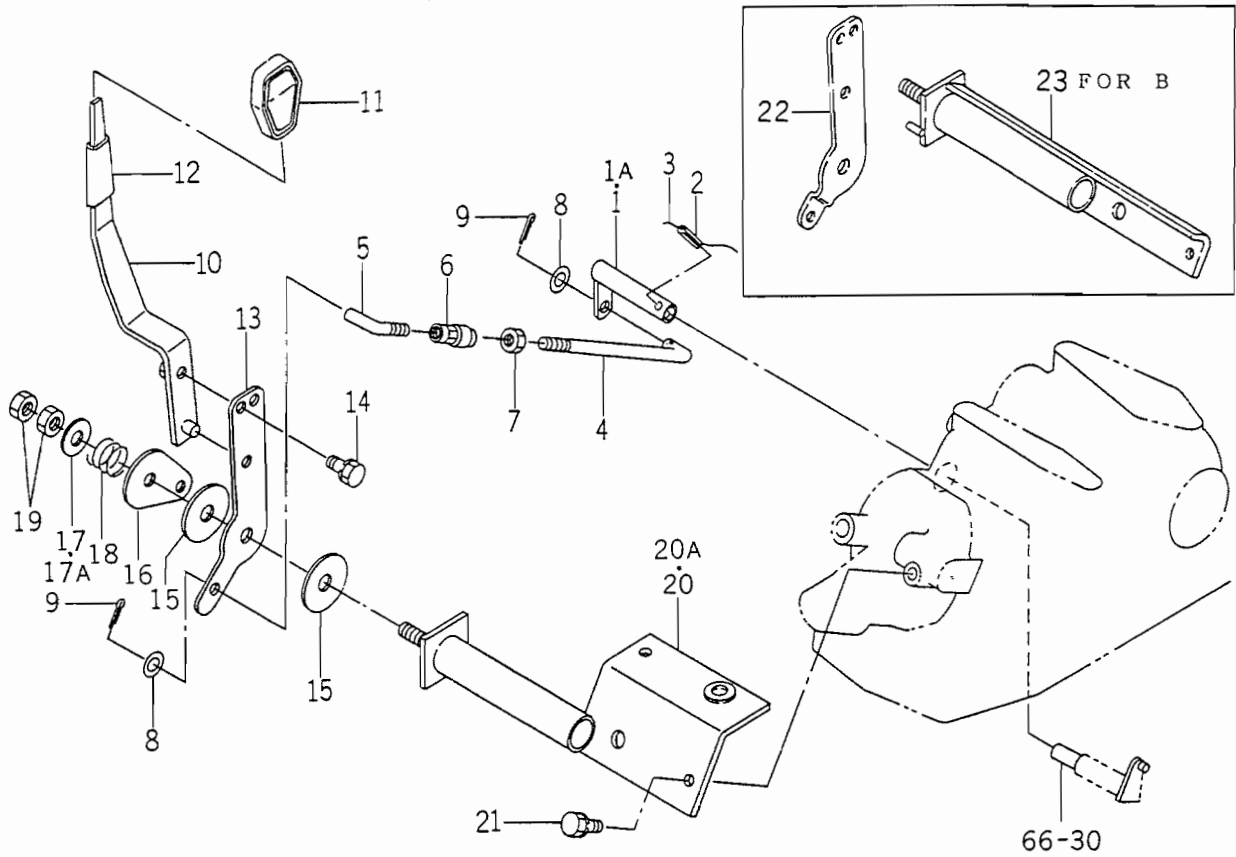
FIG. 66 LIFT ARM AND CYLINDER SYSTEM



1588-502

KEY	PART CODE	DESCRIPTION	QTY	TYPE OF MODEL		I T C	C O L	G R P	REMARKS
				TU320	TU320F				
1	1588 - 502 - 006 - 00	SHAFT,LIFT	1	*	*				
2	1444 - 501 - 004 - 10	SEAL,OIL/OS45554	2	*	*				
3	1588 - 502 - 002 - 00	CRANK,LIFT	1	*	*				
4	1588 - 502 - 003 - 00	ARM,LIFT	2	*	*				
5	V706 - 140 - 045 - 00	RING,SNAP	2	*	*				
6	V706 - 140 - 050 - 00	RING,SNAP	1	*	*				
7	1444 - 503 - 001 - 20	PISTON	1	*	*				
8	V720 - 115 - 706 - 50	O - RING/P65 HS90	1	*	*				
9	1415 - 505 - 006 - 00	RING,BACK UP	1	*	*				
10	1550 - 503 - 003 - 20	ROD	1	*	*				
11	1480 - 503 - 200 - 00	PIN,ROD COMP	1	*	*				
12	V211 - 561 - 002 - 00	BOLT,/M10X20	1	*	*				
13	K211 - 003 - 000 - 00	VALVE,CONTROL ASSY	1	*	*				
14	K211 - 001 - 006 - 20	SPRING	1	*	*				
15	K211 - 003 - 002 - 00	BOLT,/M4X5	1	*	*				
16	K211 - 001 - 007 - 00	SPRING	1	*	*				
17	K211 - 003 - 005 - 00	PLUG	3	*	*				
18	V720 - 112 - 401 - 20	O - RING/P12	5	*	*				
19	V211 - 260 - 804 - 00	BOLT,SEMS/M8X40	4	*	*				
20	1550 - 503 - 004 - 00	SPRING,TENSION/84	1	*	*				
21	1588 - 503 - 200 - 00	LINK,SPOOL COMP	1	*	*				
22	1550 - 503 - 005 - 00	LINK,FEED BACK	1	*	*				
23	V710 - 140 - 004 - 00	RING,SNAP/4 E	2	*	*				
24	1550 - 503 - 006 - 00	PIN,FEED BACK	1	*	*				
25	V580 - 140 - 301 - 60	PIN,SPRING/3X16 W	1	*	*				

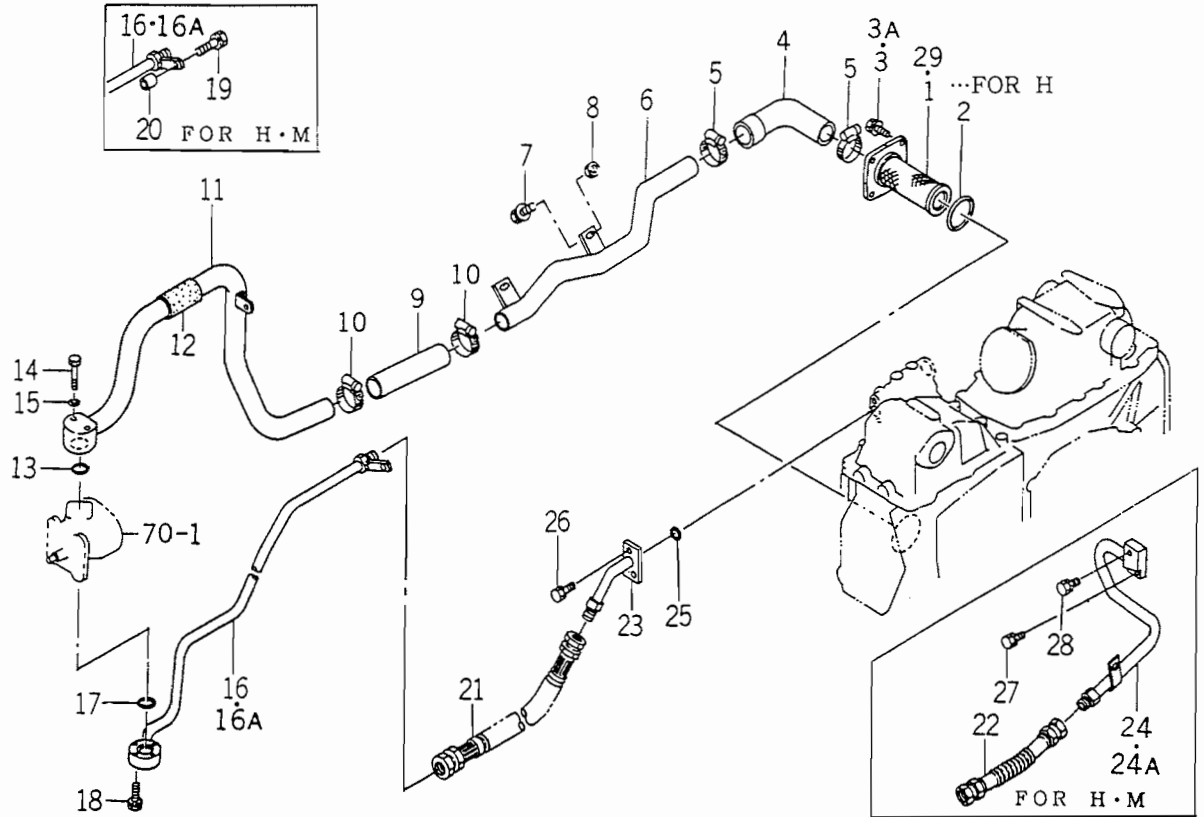
FIG. 68 POSITION LEVER SYSTEM



1603-505

KEY	PART CODE	DESCRIPTION	QTY	TYPE OF MODEL		I T C	C O L	G R P	REMARKS
				TU320	TU320F				
1	1602 - 505 - 230 - 00	ARM,POSITION COMP	1		1- -77				
1A	1603 - 505 - 220 - 00	ARM,POSITION COMP	1	*	78-				
2	V580 - 140 - 502 - 50	PIN,SPRING/5X25 W	1	*	*				
3	V590 - 131 - 007 - 00	WIRE/1.0X70	1	*	*				
4	1603 - 505 - 001 - 00	ROD/180	1	*	*				
5	1544 - 505 - 004 - 00	ROD/42	1	*	*				
6	1444 - 122 - 002 - 00	TURNBUCKLE/M8	1	*	*				
7	V305 - 260 - 008 - 00	NUT/M8	1	*	*				
8	V411 - 260 - 008 - 00	WASHER,PL/M8	2	*	*				
9	V500 - 162 - 002 - 00	PIN,SPLIT/2 X20	2	*	*				
10	1603 - 505 - 200 - 00	LEVER,POSITION COMP	1	*	*				
11	1432 - 242 - 004 - 00	GRIP,B	1	*	*				
12	1560 - 316 - 002 - 40	TUBE,STRAIGHT/50	1	*	*				
13	1575 - 505 - 201 - 00	LEVER	1		1- -77				
14	V211 - 260 - 801 - 60	BOLT,S/M8X16	1	*	*				
15	1600 - 505 - 007 - 00	LINING/13X50X3	2	*	*				
16	1560 - 511 - 012 - 00	PLATE	1	*	*				
17	1444 - 116 - 007 - 00	WASHER (11X30X2)	1	*	1- -469				
17A	V411 - 260 - 010 - 00	WASHER/M10	1	*	470-				
18	1404 - 117 - 008 - 00	SPRING,PRESS/22	1	*	*				
19	V304 - 260 - 010 - 00	NUT	2	*	*				
20	1603 - 505 - 210 - 10	HOLDER,LEVER COMP	1	*	1- -178				
20A	1603 - 505 - 210 - 20	HOLDER,LEVER COMP	1		179-				
21	V211 - 260 - 802 - 00	BOLT,S/M8X20	1	*	*				
22	1603 - 505 - 002 - 00	ARM,POSITION	1	*	78-				

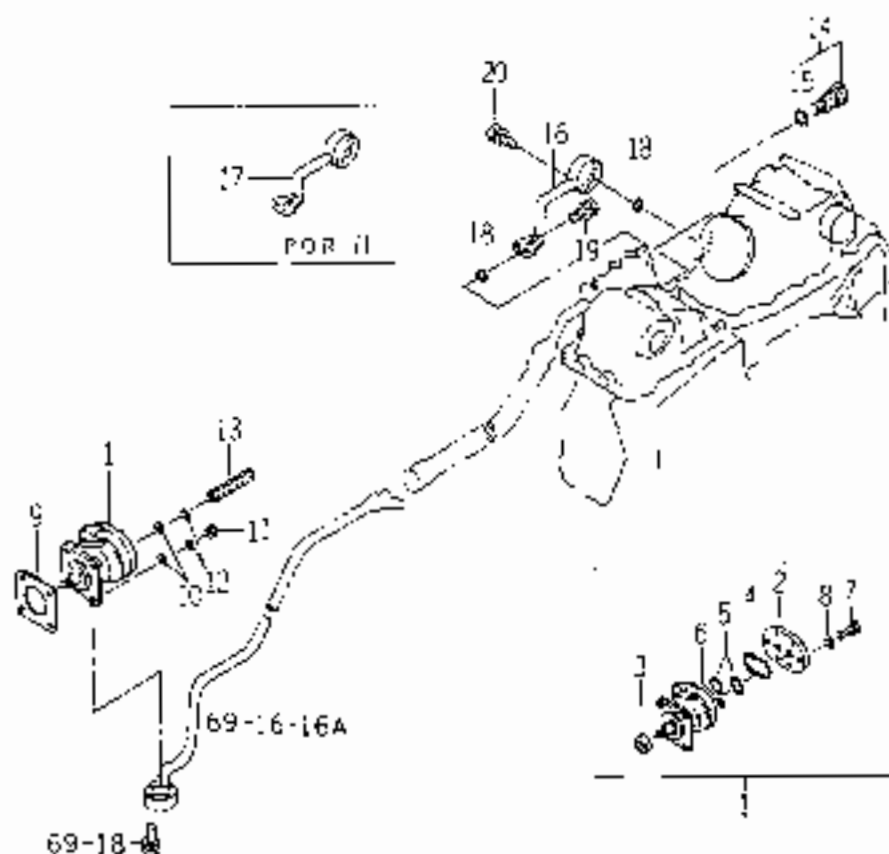
FIG. 69 HYDRAULIC PIPING SYSTEM (1)



1603-508A

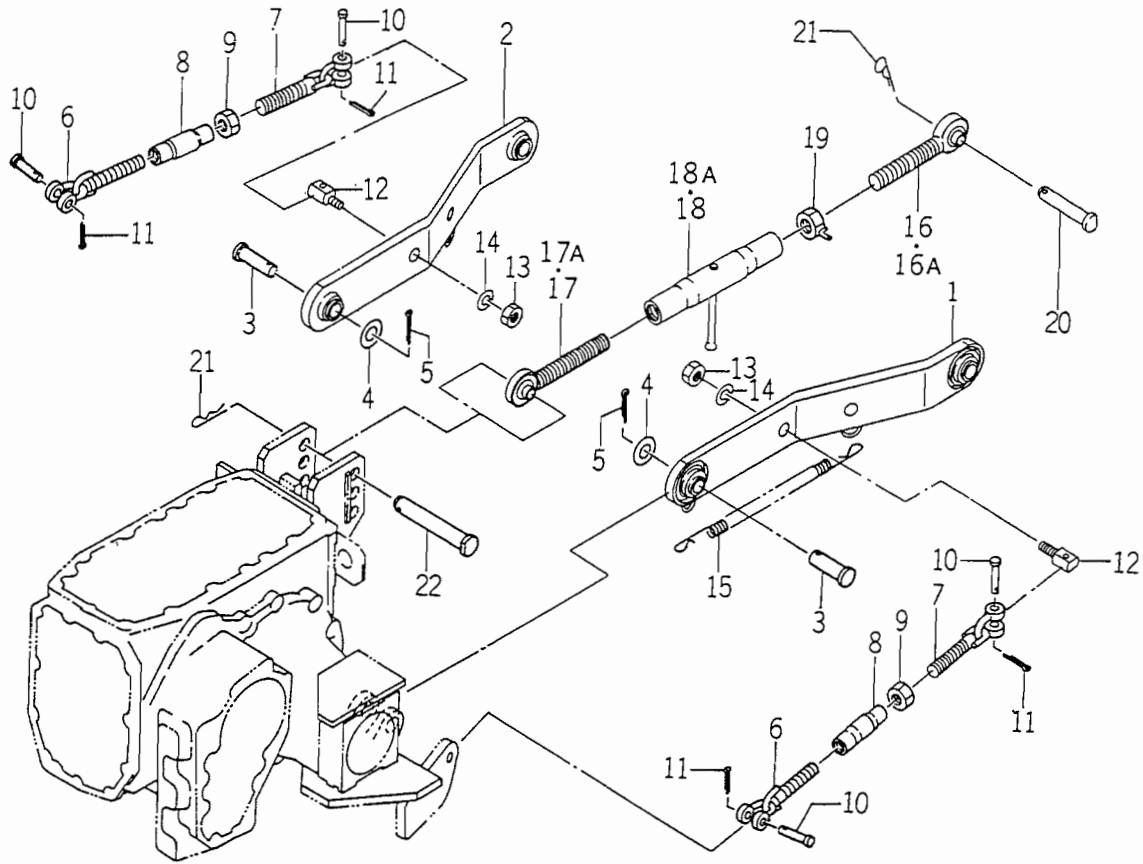
KEY	PART CODE	DESCRIPTION	QTY	TYPE OF MODEL		I T C	C O L	G R P	REMARKS
				TU320	TU320F				
1	1602 - 508 - 530 - 00	FILTER,SUCTION ASSY	1	*	*				
2	V721 - 103 - 107 - 00	O - RING/G70	1	*	*				
3	V211 - 360 - 802 - 50	BOLT,SEMS	4	1- -10	1- -710				
3A	V211 - 360 - 803 - 0B	BOLT/M8X30	4	11-	711-				
4	1603 - 508 - 001 - 00	HOSE,SUCTION	1	*	*				
5	J061 - 125 - 040 - 00	CLAMP,WORM./25 - 40	2	*	*				
6	1603 - 508 - 200 - 10	PIPE,SUCTION COMP	1	*	*				
7	V211 - 360 - 802 - 00	BOLT (SP) M8X20	2	*	*				
8	V304 - 260 - 008 - 00	NUT/M 8	2	*	*				
9	1588 - 508 - 002 - 00	HOSE/140	1	*	*				
10	J061 - 125 - 040 - 00	CLAMP,WORM./25 - 40	2	*	*				
11	1588 - 508 - 210 - 10	PIPE,SUCTION COMP	1	*	*				
12	1444 - 510 - 006 - 00	RUBBER,B	1	*	*				
13	V720 - 112 - 402 - 00	O - RING/P20	1	*	*				
14	V200 - 260 - 605 - 00	BOLT/M6X50	2	*	*				
15	V401 - 160 - 006 - 00	WASHER,SP/M 6	2	*	*				
16	1588 - 508 - 220 - 10	PIPE,DELIVERY COMP	1		1- -76				
16A	1588 - 508 - 220 - 20	PIPE,DELIVERY COMP	1	*	77-				
17	V720 - 112 - 402 - 00	O - RING/P20	1	*	*				
18	V210 - 260 - 603 - 00	BOLT,S/M6X30	4	*	*				
19	V211 - 261 - 004 - 50	BOLT,S/M10X45	1	*	*				
20	1548 - 503 - 003 - 00	COLLAR/12 - 20 - 25	1	*	*				
21	1550 - 508 - 260 - 10	HOSE,DELIVERY COMP	1		*				
22	1575 - 508 - 240 - 00	HOSE,DELIVERY COMP	1	*	*				
23	1602 - 508 - 250 - 00	PIPE,DELIVERY/A COMP	1		*				

FIG. 70 HYDRAULIC PIPING SYSTEM (2)



KEY	PART	QTY	DESCRIPTION	TYPE OF MODEL		C	G	S	REMARKS
				1	2				
1	K135 012 000 00	1	PUMP GEAR ASSEMBLY						
2	K135 017 000 00	1	COVER PUMP						
3	V744 114 280 70	1	SEAL OIL						
4	V771 3 00 00	1	O-RING #450 500						
5	V720 112 407 70	4	O-RING #27						
6	V720 111 900 50	1	O-RING #6 4550						
7	K135 000 000 00	1	WALL BRACKET II						
8	V431 170 000 00	1	WASHER SP. 1/8						
9	V404 503 000 00	1	RECOIL SPRING						
10	V411 260 000 00	4	WASHER SP. 1/8						
11	V404 250 000 00	3	NUT 1/8						
12	V431 160 000 00	2	WASHER SP. 1/8						
13	1950 515 004 40	1	NUT 1/8						
14	K750 012 000 00	1	VALVE 1/2" ASSEMBLY						
16	V730 112 407 00	1	O-RING 1/2"						
15	1603 508 000 00	1	RECOIL SPRING COMP						
17	1603 508 500 00	1	RECOIL SPRING B COMP						
18	V770 112 401 40	2	O-RING 1/2"						
19	V211 260 502 50	2	BOLT 1/2" X 2 1/2"						
20	V211 260 503 50	2	BOLT 1/2" X 3"						

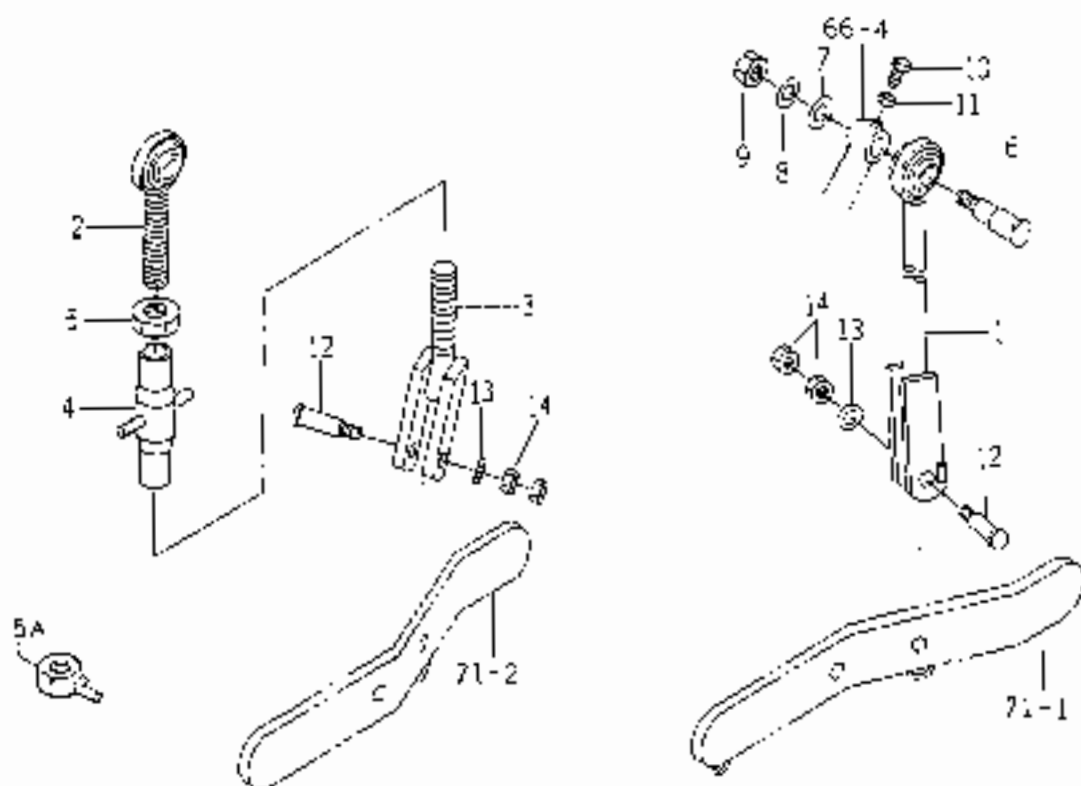
FIG. 71 LOWER LINK SYSTEM



1603-514

KEY	PART CODE	DESCRIPTION	QTY	TYPE OF MODEL		I T C	C O L	G R P	REMARKS
				TU320	TU320F				
1	1603 - 514 - 200 - 00	LINK,LOWER/LH COMP	1	*	*				
2	1603 - 514 - 210 - 00	LINK,LOWER/RH COMP	1	*	*				
3	1444 - 514 - 002 - 00	PIN,LOWER LINK	2	*	*				
4	V411 - 260 - 022 - 00	WASHER,PL/M22	2	*	*				
5	V500 - 164 - 003 - 50	PIN,SPLIT/4X35	2	*	*				
6	7963 - 611 - 230 - 00	CHAIN,CHECK/A COMP	2	*	*				
7	1603 - 514 - 220 - 00	CHAIN,CHECK COMP	2	*	*				
8	7963 - 611 - 002 - 00	BUCKLE,TURN	2	*	*				
9	V304 - 260 - 016 - 00	NUT/M16	2	*	*				
10	7963 - 611 - 003 - 00	PIN/12X48	4	*	*				
11	V500 - 163 - 002 - 50	PIN,SPLIT/3 X25	4	*	*				
12	7963 - 611 - 001 - 00	PIN,CHAIN	2	*	*				
13	V304 - 260 - 016 - 00	NUT/M16	2	*	*				
14	V401 - 160 - 016 - 00	WASHER,SP/M16	2	*	*				
15	1560 - 525 - 001 - 40	SPRING	1	*	*				
16	1600 - 514 - 220 - 00	LINK,RH COMP	1	*	1- -116				
16A	1444 - 514 - 300 - 00	LINK,TOP (R) COMP	1	*	117-				
17	1600 - 514 - 230 - 00	LINK,LH COMP	1	*	1- -116				
17A	1421 - 511 - 300 - 10	LINK,TOP LH COMP	1	*	117-				
18	1600 - 514 - 240 - 00	BUCKLE,TURN/M24 COMP	1	*	1- -116				
18A	1550 - 514 - 290 - 00	TURN - BUCKLE COMP	1	*	117-				
19	1402 - 511 - 600 - 00	NUT,TOP LINK LOCK	1	*	*				
20	1564 - 522 - 001 - 10	PIN/19X86	1	*	*				
21	1444 - 514 - 005 - 10	PIN,HAIR/19	2	*	*				
22	1564 - 525 - 001 - 00	PIN/19X122	1	*	*				

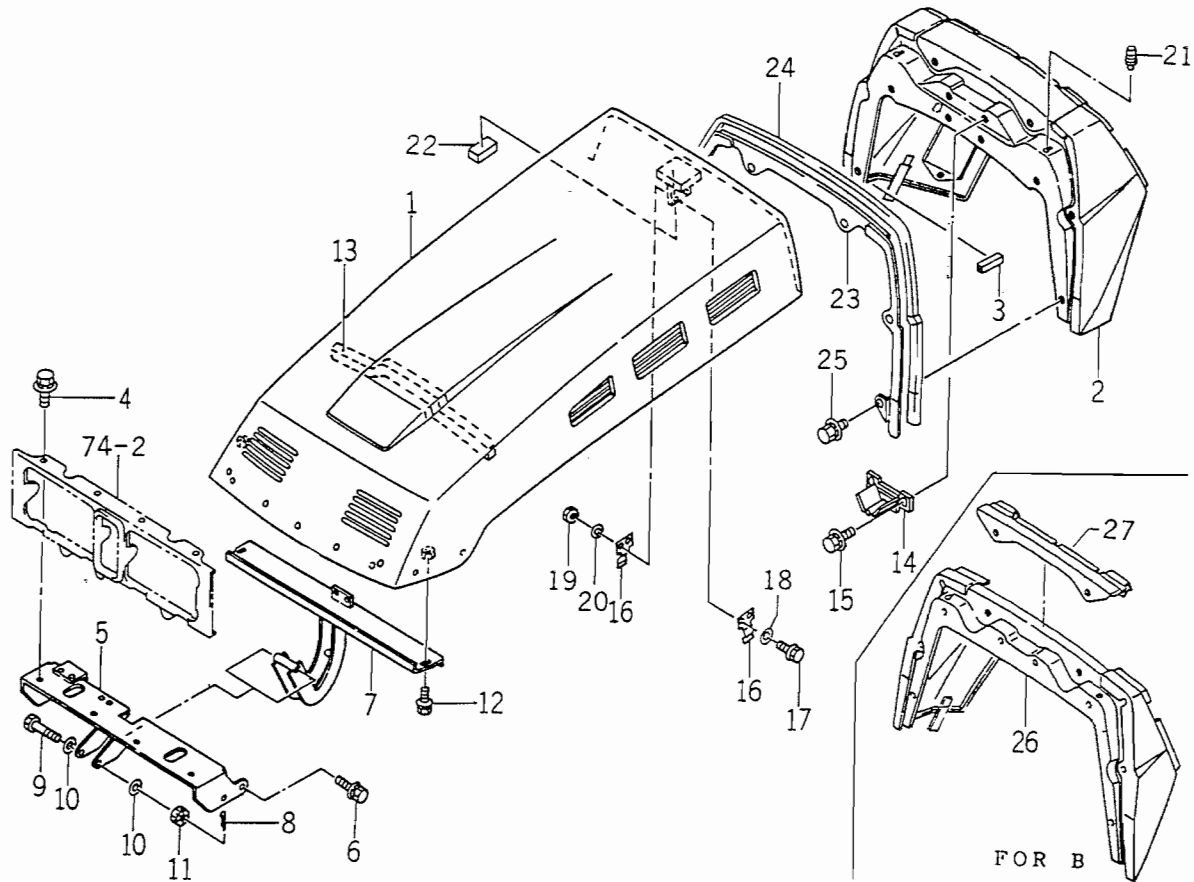
FIG. 72 LIFT ROD SYSTEM



A.1.1

KEY	PART CODE	DESCRIPTION	QTY	TYPE OF MODEL		C	L	P	REMARKS
				1553	TL20F				
1	1803 - 515 - 200 - 10	SPRING/1/16 COMP	1	
2	1600 - 515 - 210 - 10	SCREW/PH M24 COMP	1	
3	1603 - 515 - 219 - 10	SCREW/PH M24 COMP	1	
4	1600 - 515 - 240 - 00	BLOCK/TUBS/M24 COMP	1	
5	V303 - 250 - 024 - 00	NUT/M24	1	-1	-1	.	.	.	
5A	1402 - 511 - 500 - 00	NUT/1/8 IN. GSK	1	11	11.3	.	.	.	
6	1575 - 511 - 001 - 00	FIN/22X32	2	.	4	.	.	.	
7	V411 - 250 - 010 - 00	WASHER M16	3	
8	V401 - 150 - 010 - 00	WASHER/PH M16	2	
9	V304 - 250 - 015 - 00	NUT/M16	2	
10	1000 - 502 - 003 - 00	SCREW/1/4X3/8X25	2	
11	V301 - 250 - 003 - 00	NUT/M 8	2	
12	1500 - 515 - 00 - 00	FIN/16X75	2	
13	1427 - 031 - 001 - 00	WASHER 13X32X3	2	.	4	.	.	.	
14	V300 - 450 - 012 - 00	NUT/M12	4	

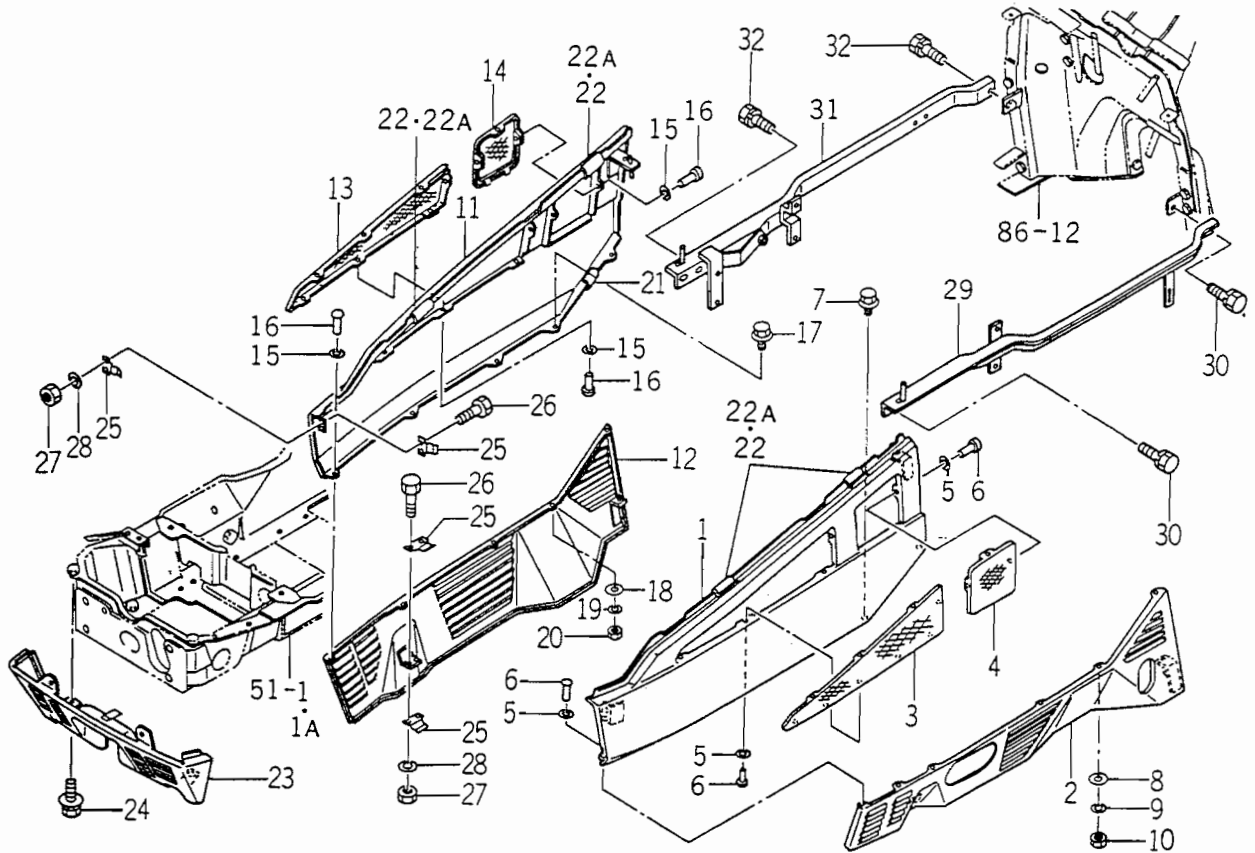
FIG. 73 HOOD SYSTEM



1603-601

KEY	PART CODE	DESCRIPTION	QTY	TYPE OF MODEL		I T C	C O L	G R P	REMARKS
				TU320	TU320F				
1	1588 - 601 - 200 - 20	HOOD COMP	1	*	*				
2	1603 - 601 - 210 - 00	COVER COMP	1	*	*				
3	1600 - 601 - 002 - 00	INSULATOR	1	*	*				
4	V211 - 360 - 801 - 60	BOLT,SP/M8X16	5	*	*				
5	1603 - 601 - 200 - 00	BRACKET COMP	1	*	*				
6	V211 - 360 - 802 - 00	BOLT (SP) M8X20	4	*	*				
7	1575 - 601 - 230 - 00	HINGE,HOOD COMP	1	*	*				
8	V500 - 162 - 002 - 50	PIN,SPLIT/2X25	1	*	*				
9	1575 - 601 - 001 - 00	BOLT	1	*	*				
10	V411 - 260 - 010 - 00	WASHER/M10	2	*	*				
11	V328 - 262 - 110 - 00	NUT/M10X1.25	1	*	*				
12	V211 - 360 - 801 - 60	BOLT,SP/M8X16	2	*	*				
13	1575 - 601 - 003 - 00	SEAL/30X30X550	1	*	*				
14	1588 - 601 - 320 - 10	HOLDER,HOOD COMP	1	*	*				
15	V211 - 360 - 801 - 60	BOLT,SP/M8X16	2	*	*				
16	1575 - 601 - 002 - 00	SPRING	2	*	*				
17	V201 - 260 - 801 - 60	BOLT/M8X16	2	*	*				
18	V411 - 260 - 008 - 00	WASHER,PL/M8	2	*	*				
19	V304 - 260 - 008 - 00	NUT/M 8	2	*	*				
20	V401 - 160 - 008 - 00	WASHER,SP/M 8	2	*	*				
21	1575 - 601 - 007 - 00	INSULATOR	2	*	*				
22	1575 - 601 - 008 - 00	INSULATOR	1	*	*				
23	1603 - 601 - 220 - 10	PLATE,SEAL COMP	1	*	1- -23				
24	1603 - 601 - 001 - 00	INSULATOR,SEAL/HOOD	1	*	1- -23				
25	V210 - 360 - 601 - 60	BOLT,SP/M6X16	4	*	1- -23				

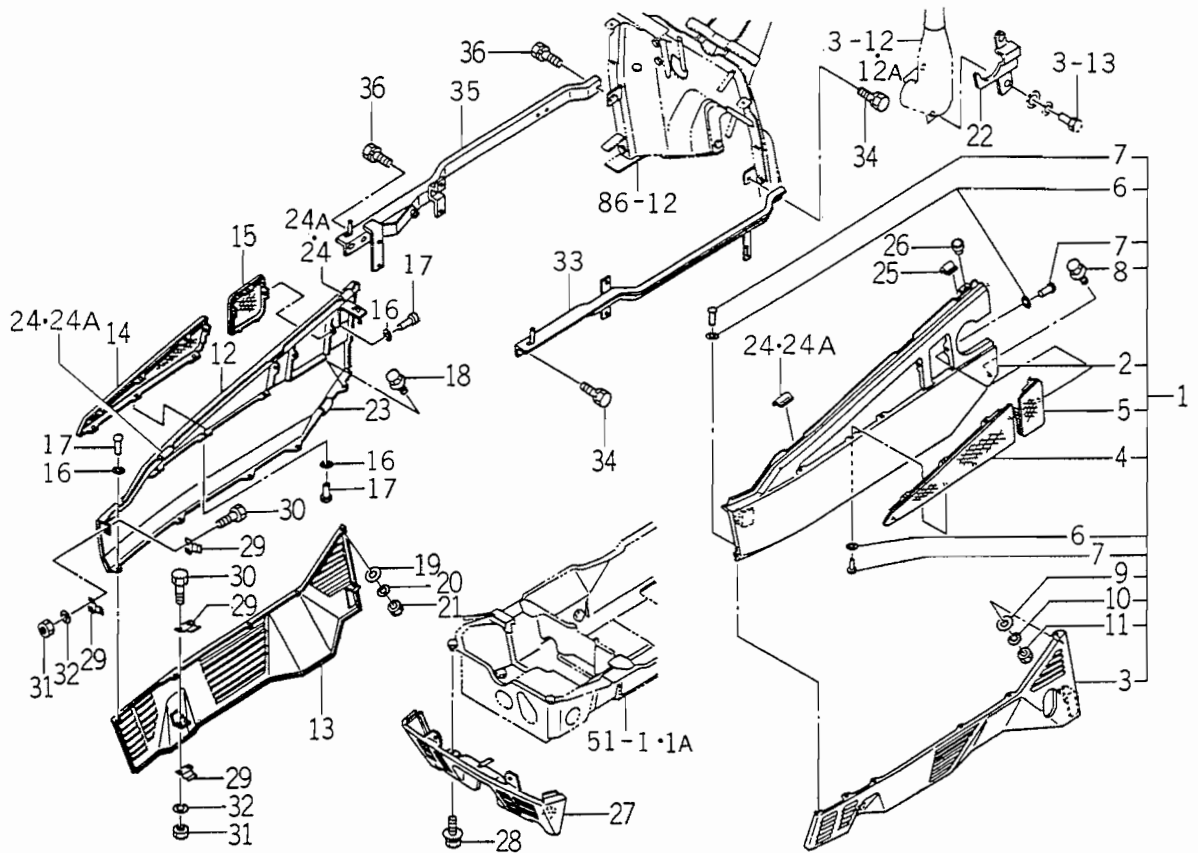
FIG. 75 SIDE COVER SYSTEM



1588-604

KEY	PART CODE	DESCRIPTION	QTY	TYPE OF MODEL		I T C	C O L	G R P	REMARKS
				TU320	TU320F				
1	1588 - 604 - 200 - 10	COVER,SIDE/LH COMP	1		*				
2	1588 - 604 - 210 - 20	COVER,UNDER/LH COMP	1		*				
3	1575 - 604 - 250 - 20	NET/LH COMP	1		*				
4	1588 - 604 - 250 - 20	NET/LH COMP	1		*				
5	V411 - 260 - 008 - 00	WASHER,PL/M8	14		*				
6	W296 - 204 - 007 - 40	RIVET,BLIND/4X7.5	14		*				
7	V210 - 360 - 601 - 20	BOLT,SEMS/M6X12	2		*				
8	V411 - 260 - 006 - 00	WASHER/M6	2		*				
9	V401 - 160 - 006 - 00	WASHER,SP/M 6	2		*				
10	V301 - 260 - 006 - 00	NUT/M6	2		*				
11	1588 - 604 - 220 - 10	COVER,SIDE/RH COMP	1		*				
12	1588 - 604 - 230 - 20	COVER,UNDER/RH COMP	1		*				
13	1575 - 604 - 260 - 20	NET/RH COMP	1		*				
14	1588 - 604 - 260 - 20	NET/RH COMP	1		*				
15	V411 - 260 - 004 - 00	WASHER,PL/M4	13		*				
16	W296 - 204 - 007 - 40	RIVET,BLIND/4X7.5	13		*				
17	V210 - 360 - 601 - 20	BOLT,SEMS/M6X12	2		*				
18	V411 - 260 - 006 - 00	WASHER/M6	2		*				
19	V401 - 160 - 006 - 00	WASHER,SP/M 6	2		*				
20	V301 - 260 - 006 - 00	NUT/M6	2		*				
21	1575 - 112 - 007 - 00	INSULATOR	2		*				
22	1544 - 604 - 208 - 00	GUM,FAN COVER	4		1- -26 27-				
22A	1600 - 604 - 002 - 00	INSULATOR	4						
23	1588 - 604 - 240 - 10	COVER COMP	1		*				
24	V211 - 360 - 801 - 60	BOLT,SP/M8X16	4		*				

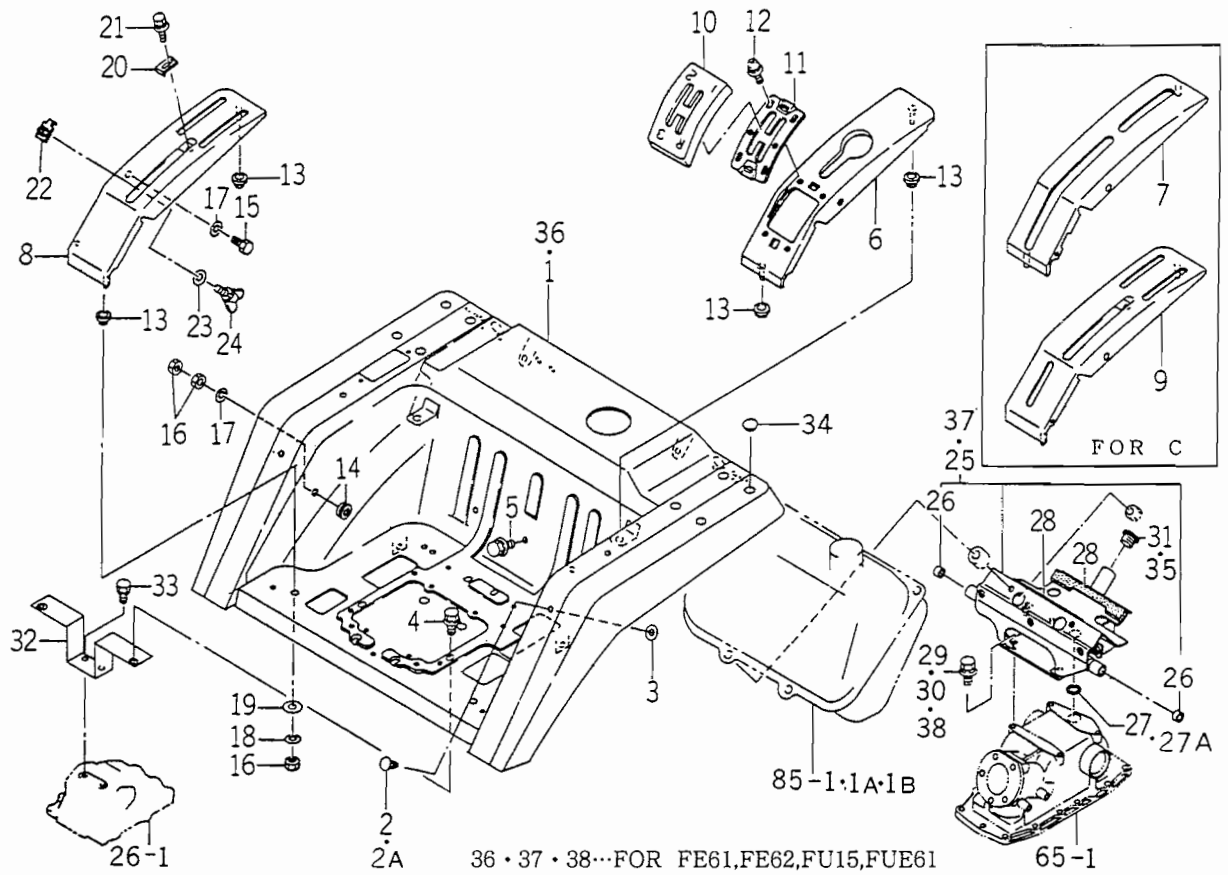
FIG. 76 SIDE COVER SYSTEM (MUFFLER,LENGTH TYPE)



1603-604

KEY	PART CODE	DESCRIPTION	QTY	TYPE OF MODEL		I T C	C O L	G R P	REMARKS
				TU320	TU320F				
1	1603 - 604 - 200 - 10	COVER,SIDE/LH SET	1	*	*				
2	1603 - 604 - 210 - 10	COVER,SIDE/LH COMP	1	*	*				
3	1603 - 604 - 220 - 00	COVER,UNDER/LH COMP	1	*	*				
4	1575 - 604 - 250 - 20	NET/LH COMP	1	*	*				
5	1603 - 604 - 230 - 00	NET/LH COMP	1	*	*				
6	V411 - 260 - 004 - 00	WASHER,PL/M4	14	*	*				
7	W296 - 204 - 008 - 60	RIVET	14	*	*				
8	V210 - 360 - 601 - 20	BOLT,SEMS/M6X12	2	*	*				
9	V411 - 260 - 006 - 00	WASHER/M6	2	*	*				
10	V401 - 160 - 006 - 00	WASHER,SP/M 6	2	*	*				
11	V301 - 260 - 006 - 00	NUT/M6	2	*	*				
12	1588 - 604 - 220 - 10	COVER,SIDE/RH COMP	1	*	*				
13	1588 - 604 - 230 - 20	COVER,UNDER/RH COMP	1	*	*				
14	1575 - 604 - 260 - 20	NET/RH COMP	1	*	*				
15	1588 - 604 - 260 - 20	NET/RH COMP	1	*	*				
16	V411 - 260 - 004 - 00	WASHER,PL/M4	13	*	*				
17	W296 - 204 - 007 - 40	RIVET,BLIND/4X7.5	13	*	*				
18	V210 - 360 - 601 - 20	BOLT,SEMS/M6X12	2	*	*				
19	V411 - 260 - 006 - 00	WASHER/M6	2	*	*				
20	V401 - 160 - 006 - 00	WASHER,SP/M 6	2	*	*				
21	V301 - 260 - 006 - 00	NUT/M6	2	*	*				
22	1600 - 604 - 001 - 00	COVER	1	*	*				
23	1575 - 112 - 007 - 00	INSULATOR	2	*	*				
24	1544 - 604 - 208 - 00	GUM,FAN COVER	3	*	1- -26				
24A	1600 - 604 - 002 - 00	INSULATOR	4	*	27-				

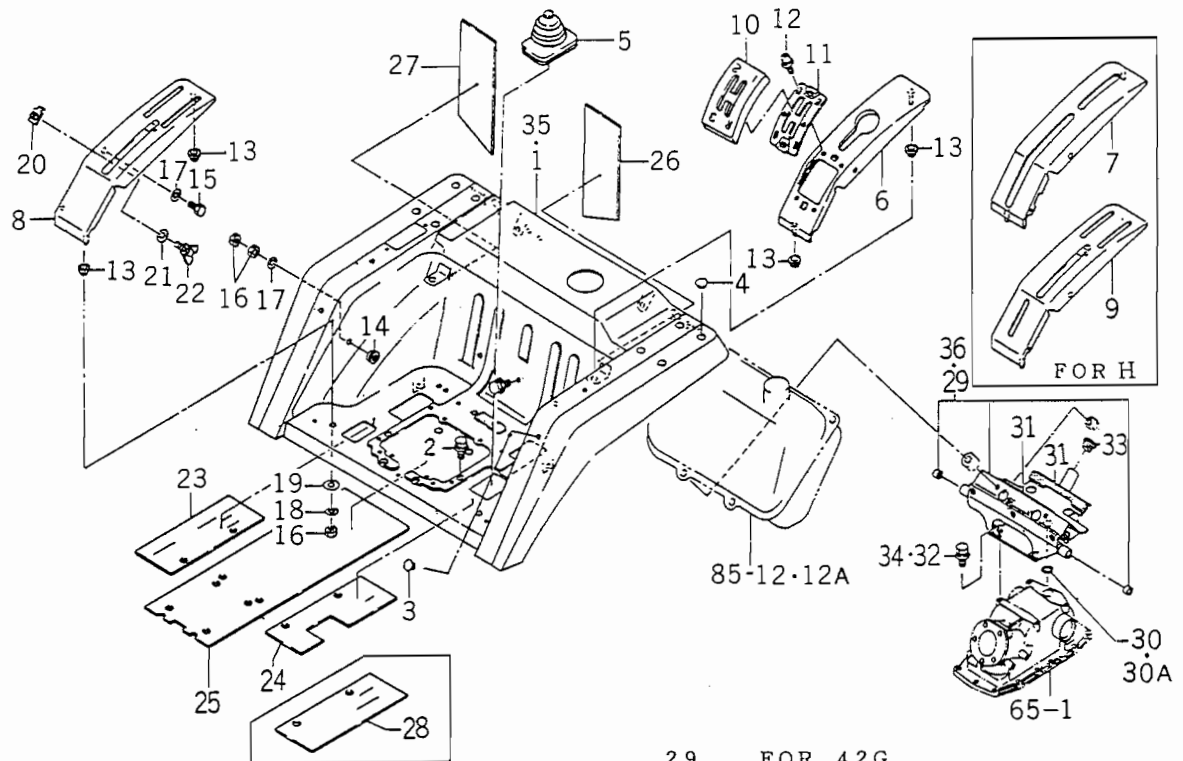
FIG. 77 FENDER SYSTEM (E20,E60)



1603-606A

KEY	PART CODE	DESCRIPTION	QTY	TYPE OF MODEL		I T C	C O L	G R P	REMARKS
				TU320	TU320F				
1	1603 - 606 - 300 - 10	FENDER/E20 COMP	1		*				
2	1527 - 604 - 002 - 00	CLIP,B	4		1- -76 77-				
2A	1444 - 621 - 016 - 00	CAP,RUBBER/9	4		*				
3	V411 - 260 - 008 - 00	WASHER,PL/M8	4		*				
4	V211 - 360 - 801 - 60	BOLT,SP/M8X16	7		*				
5	V211 - 361 - 002 - 00	BOLT,SEMS	3		*				
6	1575 - 606 - 220 - 00	GUIDE/LH COMP	1		*				
7	1603 - 606 - 530 - 00	GUIDE,CHANGE/LH COMP	1		*				
8	1603 - 606 - 230 - 00	GUIDE,CHANGE/RH COMP	1		*				
9	1603 - 606 - 540 - 10	GUIDE,CHANGE/RH COMP	1		*				
10	1575 - 606 - 001 - 00	GUIDE,MAIN	1		*				
11	1575 - 606 - 002 - 00	PLATE,GUIDE	1		*				
12	V120 - 366 - 001 - 60	SCREW/M6X16	4		*				
13	3614 - 321 - 001 - 00	RUBBER,LOCK	4		*				
14	1544 - 606 - 018 - 00	GROMMET/8X13X2	2		*				
15	V200 - 260 - 602 - 50	BOLT/M6X25	2		*				
16	V301 - 260 - 006 - 00	NUT/M6	6		*				
17	3560 - 503 - 302 - 00	WASHER,WIRE TENSION	4		*				
18	V401 - 160 - 006 - 00	WASHER,SP/M 6	2		*				
19	V411 - 260 - 006 - 00	WASHER/M6	2		*				
20	1544 - 606 - 005 - 10	STOPPER	1		*				
21	V211 - 360 - 801 - 60	BOLT,SP/M8X16	1		*				
22	1544 - 606 - 280 - 10	STOPPER,A COMP	1		*				
23	2701 - 101 - 052 - 00	WASHER	1		*				
24	V273 - 260 - 601 - 50	BOLT,S	1		*				

FIG. 78 FENDER SYSTEM (B)



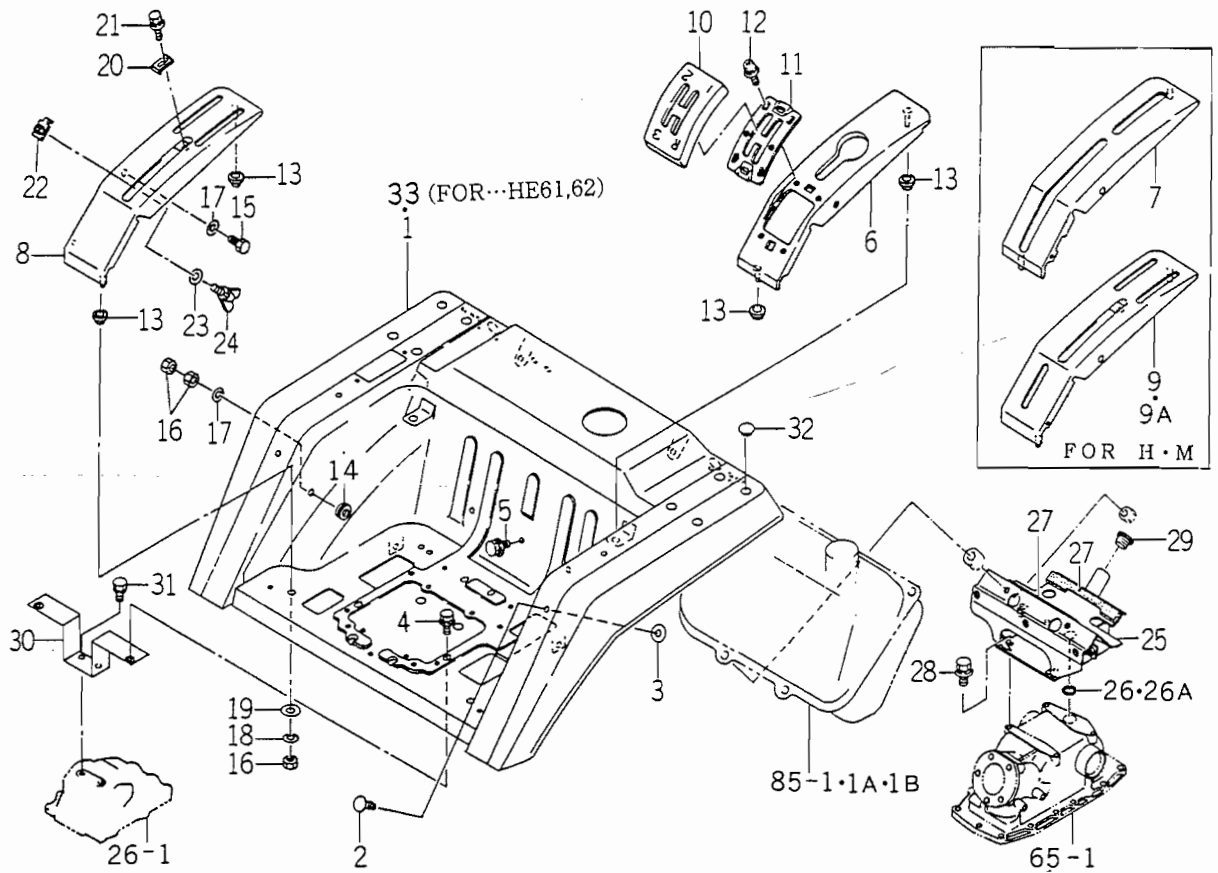
29... FOR 42G

35 • 36... FOR BE22

1603-606D

KEY	PART CODE	DESCRIPTION	QTY	TYPE OF MODEL		I T C	C O L	G R P	REMARKS
				TU320	TU320F				
1	1603 - 606 - 700 - 00	FENDER,B COMP	1		*				
2	V211 - 360 - 802 - 00	BOLT (SP) M8X20	3		*				
3	1444 - 621 - 016 - 00	CAP,RUBBER/9	4		*				
4	2144 - 501 - 008 - 10	CAP/18	4		*				
5	1600 - 606 - 002 - 00	BOOT	1		*				
6	1575 - 606 - 220 - 00	GUIDE/LH COMP	1		*				
7	1603 - 606 - 530 - 00	GUIDE,CHANGE/LH COMP	1		*				
8	1603 - 606 - 230 - 00	GUIDE,CHANGE/RH COMP	1		*				
9	1603 - 606 - 540 - 10	GUIDE,CHANGE/RH COMP	1		*				
10	1575 - 606 - 001 - 00	GUIDE,MAIN	1		*				
11	1575 - 606 - 002 - 00	PLATE,GUIDE	1		*				
12	V120 - 366 - 001 - 60	SCREW/M6X16	4		*				
13	3614 - 321 - 001 - 00	RUBBER,LOCK	4		*				
14	1544 - 606 - 018 - 00	GROMMET/8X13X2	2		*				
15	V200 - 260 - 602 - 50	BOLT/M6X25	2		*				
16	V301 - 260 - 006 - 00	NUT/M6	6		*				
17	3560 - 503 - 302 - 00	WASHER,WIRE TENSION	4		*				
18	V401 - 160 - 006 - 00	WASHER,SP/M 6	2		*				
19	V411 - 260 - 006 - 00	WASHER/M6	2		*				
20	1544 - 606 - 280 - 10	STOPPER,A COMP	1		*				
21	2701 - 101 - 052 - 00	WASHER	1		*				
22	V273 - 260 - 601 - 50	BOLT,S	1		*				
23	1603 - 606 - 070 - 00	INSULATOR,FENDER A	1		*				
24	1603 - 606 - 071 - 00	INSULATOR,FENDER B	1		*				
25	1603 - 606 - 073 - 00	INSULATOR,FENDER D	1		*				

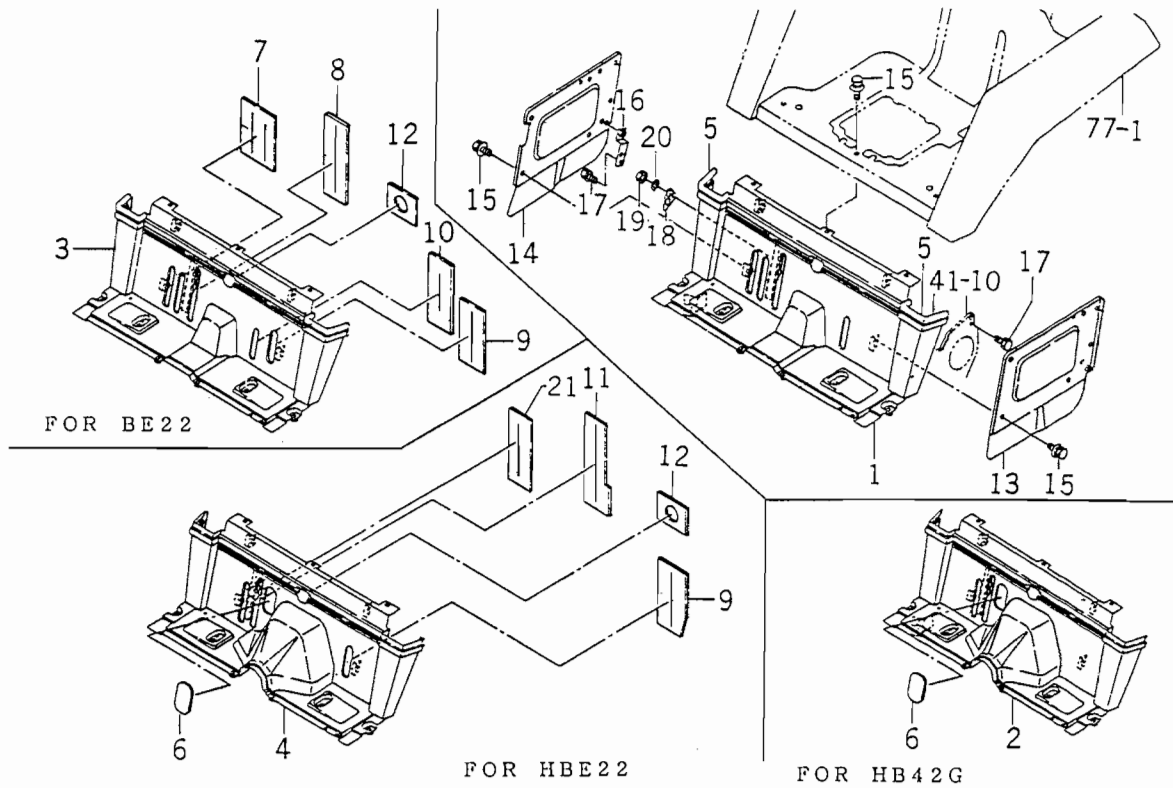
FIG. 79 FENDER SYSTEM (E40,E50,E60)



1603-606

KEY	PART CODE	DESCRIPTION	QTY	TYPE OF MODEL		I T C	C O L	G R P	REMARKS
				TU320	TU320F				
1	1603 - 606 - 200 - 10	FENDER COMP	1	*	*				
2	1444 - 621 - 016 - 00	CAP,RUBBER/9	4	*	*				
3	V411 - 260 - 008 - 00	WASHER,PL/M8	4		*				
4	V211 - 360 - 801 - 60	BOLT,SP/M8X16	7	*	*				
5	V211 - 361 - 002 - 00	BOLT,SEMS	3	*	*				
6	1575 - 606 - 220 - 00	GUIDE/LH COMP	1		*				
7	1603 - 606 - 530 - 00	GUIDE,CHANGE/LH COMP	1	*	*				
8	1603 - 606 - 230 - 00	GUIDE,CHANGE/RH COMP	1		*				
9	1603 - 606 - 540 - 00	GUIDE,CHANGE/RH COMP	1	1- -10	1- -948				
9A	1603 - 606 - 540 - 10	GUIDE,CHANGE/RH COMP	1	11-	949-				
10	1575 - 606 - 001 - 00	GUIDE,MAIN	1		*				
11	1575 - 606 - 002 - 00	PLATE,GUIDE	1		*				
12	V120 - 366 - 001 - 60	SCREW/M6X16	4		*				
13	3614 - 321 - 001 - 00	RUBBER,LOCK	4	*	*				
14	1544 - 606 - 018 - 00	GROMMET/8X13X2	2	*	*				
15	V200 - 260 - 602 - 50	BOLT/M6X25	2	*	*				
16	V301 - 260 - 006 - 00	NUT/M6	6	*	*				
17	3560 - 503 - 302 - 00	WASHER,WIRE TENSION	4	*	*				
18	V401 - 160 - 006 - 00	WASHER,SP/M 6	2	*	*				
19	V411 - 260 - 006 - 00	WASHER/M6	2	*	*				
20	1544 - 606 - 005 - 10	STOPPER	1	*	*				
21	V211 - 360 - 801 - 60	BOLT,SP/M8X16	1	*	*				
22	1544 - 606 - 280 - 10	STOPPER,A COMP	1	*	*				
23	2701 - 101 - 052 - 00	WASHER	1	*	*				
24	V273 - 260 - 601 - 50	BOLT,S	1	*	*				

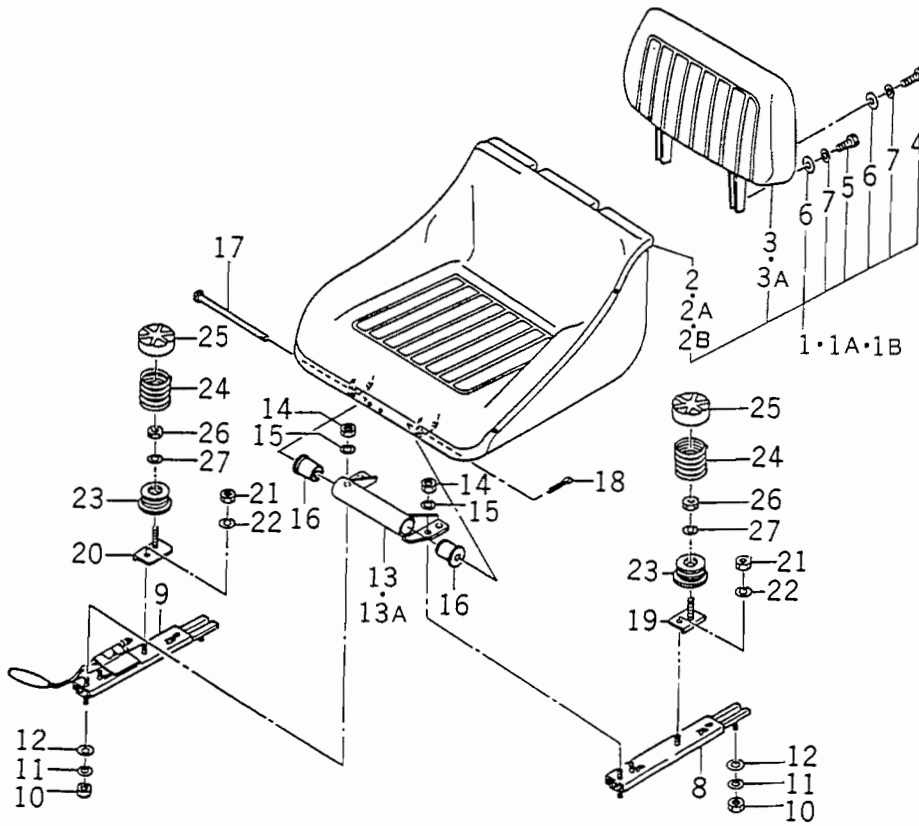
FIG. 81 FRONT COVER SYSTEM (B)



1603-607D

KEY	PART CODE	DESCRIPTION	QTY	TYPE OF MODEL		I T C	C O L	G R P	REMARKS
				TU320	TU320F				
1	1603 - 607 - 700 - 10	COVER,FRONT/B COMP	1		*				
2	1603 - 607 - 720 - 10	COVER,FRONT/HB COMP	1		*				
3	1603 - 607 - 710 - 10	COVER,FRONT/BE20COMP	1		*				
4	1603 - 607 - 730 - 10	COVER,FRONT/BE20COMP	1		*				
5	1550 - 607 - 003 - 00	TRIM,FENDER	2		*				
6	1600 - 607 - 053 - 00	INSULATOR,COVER/FRON	1		*				
7	1602 - 607 - 070 - 00	INSULATOR,COVER A	1		*				
8	1602 - 607 - 071 - 00	INSULATOR,COVER/B	1		*				
9	1602 - 607 - 072 - 00	INSULATOR,COVER/C	1		*				
10	1602 - 607 - 073 - 00	INSULATOR,COVER/D	1		*				
11	1602 - 607 - 074 - 00	INSULATOR,COVER/E	1		*				
12	1602 - 607 - 075 - 00	INSULATOR,COVER/F	1		*				
13	1575 - 607 - 001 - 10	COVER/LH	1		*				
14	1603 - 607 - 001 - 00	COVER,SIDE/RH	1		*				
15	V211 - 360 - 801 - 20	BOLT,SEMS/M8X12	6		*				
16	1603 - 607 - 230 - 00	PLATE/RH COMP	1		*				
17	V211 - 260 - 801 - 60	BOLT,S/M8X16	2		*				
18	1600 - 607 - 003 - 20	PLATE,LOCK	1		*				
19	V304 - 260 - 008 - 00	NUT/M 8	2		*				
20	V401 - 160 - 008 - 00	WASHER,SP/M 8	2		*				
21	1600 - 607 - 073 - 00	INSULATOR,COVER D	1		*				

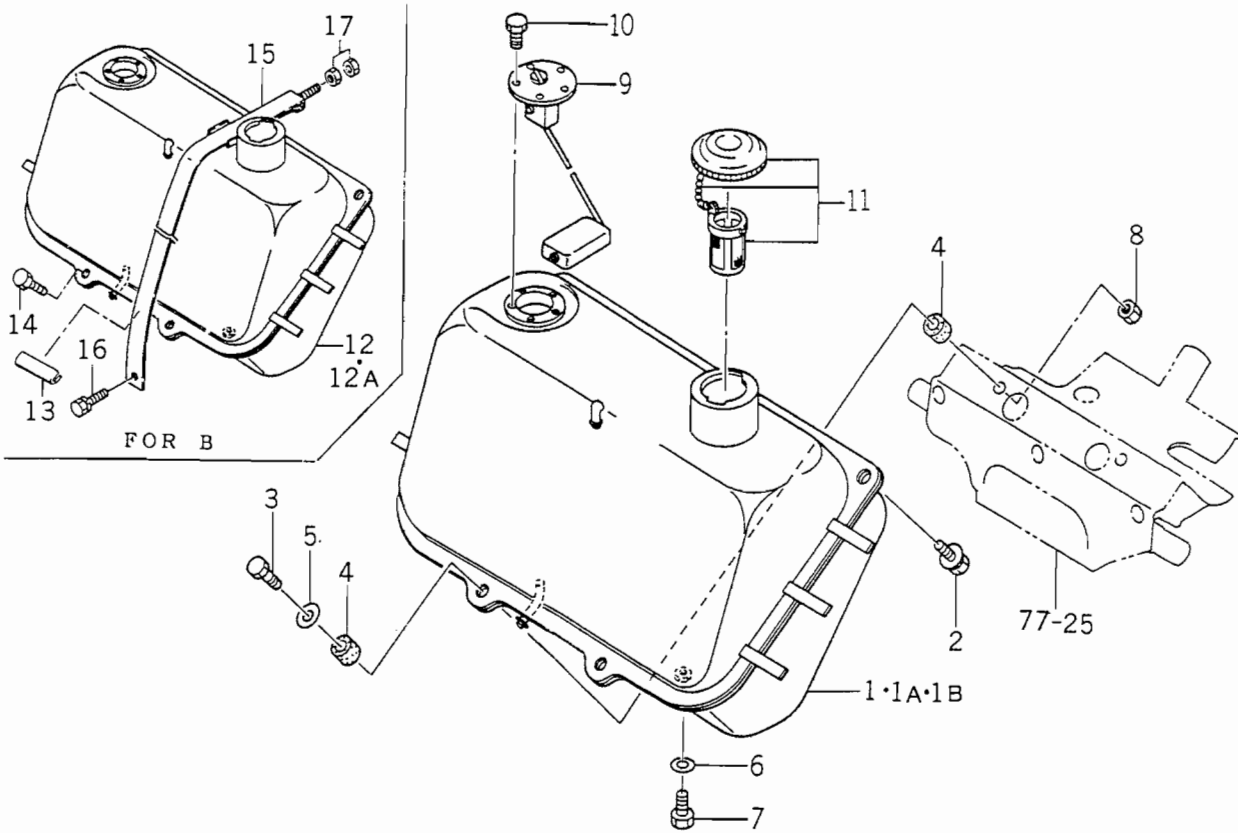
FIG. 84 SEAT SYSTEM (E61,E62)



1603-611C

KEY	PART CODE	DESCRIPTION	QTY	TYPE OF MODEL		I T C	C O L	G R P	REMARKS
				TU320	TU320F				
1	1427 - 611 - 200 - 00	SEAT ASSY	1	*	1- -1182				
1A	1427 - 611 - 200 - 10	SEAT ASSY	1	*	1183- -1187				
1B	1560 - 611 - 240 - 10	SEAT ASSY	1	*	1188-				
2	1427 - 611 - 201 - 00	SEAT, A	1	*	1- -1182				
2A	1427 - 611 - 201 - 10	SEAT/A	1	*	1183- -1187				
2B	1560 - 611 - 241 - 10	SEAT, LOWER	1	*	1188-				
3	1427 - 611 - 202 - 00	SEAT, B	1	*	1- -1187				
3A	3650 - 204 - 412 - 00	SEAT/B	1	*	1188-				
4	V200 - 260 - 603 - 00	BOLT/M 6X30	2	*	*				
5	V200 - 260 - 602 - 00	BOLT/M 6X20	2	*	*				
6	V411 - 260 - 006 - 00	WASHER/M6	4	*	*				
7	V401 - 160 - 006 - 00	WASHER, SP/M 6	4	*	*				
8	1544 - 611 - 210 - 00	ADJUSTER, SEAT/L ASSY	1	*	*				
9	1544 - 611 - 220 - 00	ADJUSTER, SEAT/R ASSY	1	*	*				
10	V304 - 260 - 008 - 00	NUT/M 8	4	*	*				
11	V401 - 160 - 008 - 00	WASHER, SP/M 8	4	*	*				
12	V411 - 260 - 008 - 00	WASHER, PL/M8	4	*	*				
13	1544 - 611 - 200 - 00	BRACKET, SEAT COMP	1	*	1- -1247				
13A	1600 - 611 - 210 - 00	BRACKET, SEAT COMP	1	*	1248-				
14	V304 - 260 - 008 - 00	NUT/M 8	4	*	*				
15	V401 - 160 - 008 - 00	WASHER, SP/M 8	4	*	*				
16	1488 - 611 - 001 - 00	RUBBER, CUSHION (A)	2	*	*				
17	1488 - 611 - 003 - 10	PIN, SEAT SET	1	*	*				
18	V500 - 162 - 502 - 00	PIN, SPLIT/2.5X20	1	*	*				
19	1516 - 611 - 200 - 00	PLATE, SET LH COMP	1	*	*				

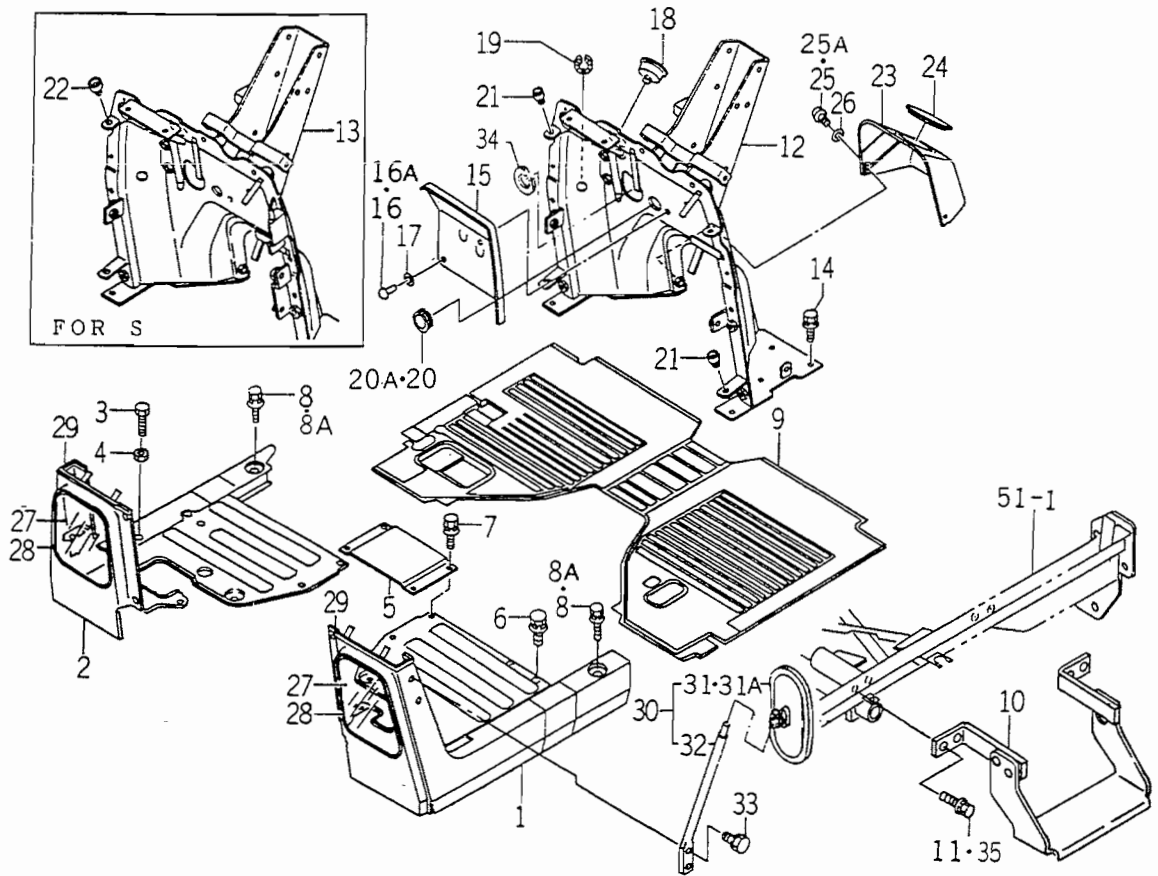
FIG. 85 FUEL TANK SYSTEM



1588-612

KEY	PART CODE	DESCRIPTION	QTY	TYPE OF MODEL		I T C	C O L	G R P	REMARKS
				TU320	TU320F				
1	1588 - 612 - 200 - 30	TANK,FUEL COMP	1	1- -10	1- -117				
1A	1588 - 612 - 200 - 40	TANK,FUEL COMP	1		118- -1222				
1B	1588 - 612 - 200 - 50	TANK,FUEL COMP	1	11-	1223-				
2	V211 - 361 - 002 - 00	BOLT,SEMS	2	*	*				
3	V201 - 260 - 803 - 00	BOLT/M 8X30	1	*	*				
4	1432 - 621 - 012 - 00	RUBBER,BUFFER	4	*	*				
5	1376 - 606 - 005 - 00	WASHER/9X32X2	2	*	*				
6	1407 - 111 - 001 - 00	WASHER/8X12X2	1	*	*				
7	V201 - 260 - 801 - 20	BOLT/M 8X12	1	*	*				
8	V304 - 260 - 008 - 00	NUT/M 8	2	*	*				
9	1518 - 621 - 310 - 00	SWITCH,FUEL ASSY	1	*	*				
10	V200 - 260 - 501 - 0B	BOLT/M 5X10	5	*	*				
11	1575 - 612 - 220 - 00	CAP ASSY	1	*	*				
12	1603 - 612 - 700 - 10	TANK,FUEL/B COMP	1	1- -10	1- -1221				
12A	1603 - 612 - 700 - 20	TANK,FUEL/B COMP	1	11-	1222-				
13	1575 - 112 - 007 - 00	INSULATOR	1		*				
14	V201 - 260 - 803 - 00	BOLT/M 8X30	2		*				
15	1603 - 612 - 710 - 00	BAND,TANK COMP	1		*				
16	V211 - 260 - 801 - 60	BOLT,S/M8X16	1		*				
17	V304 - 260 - 008 - 00	NUT/M 8	2		*				

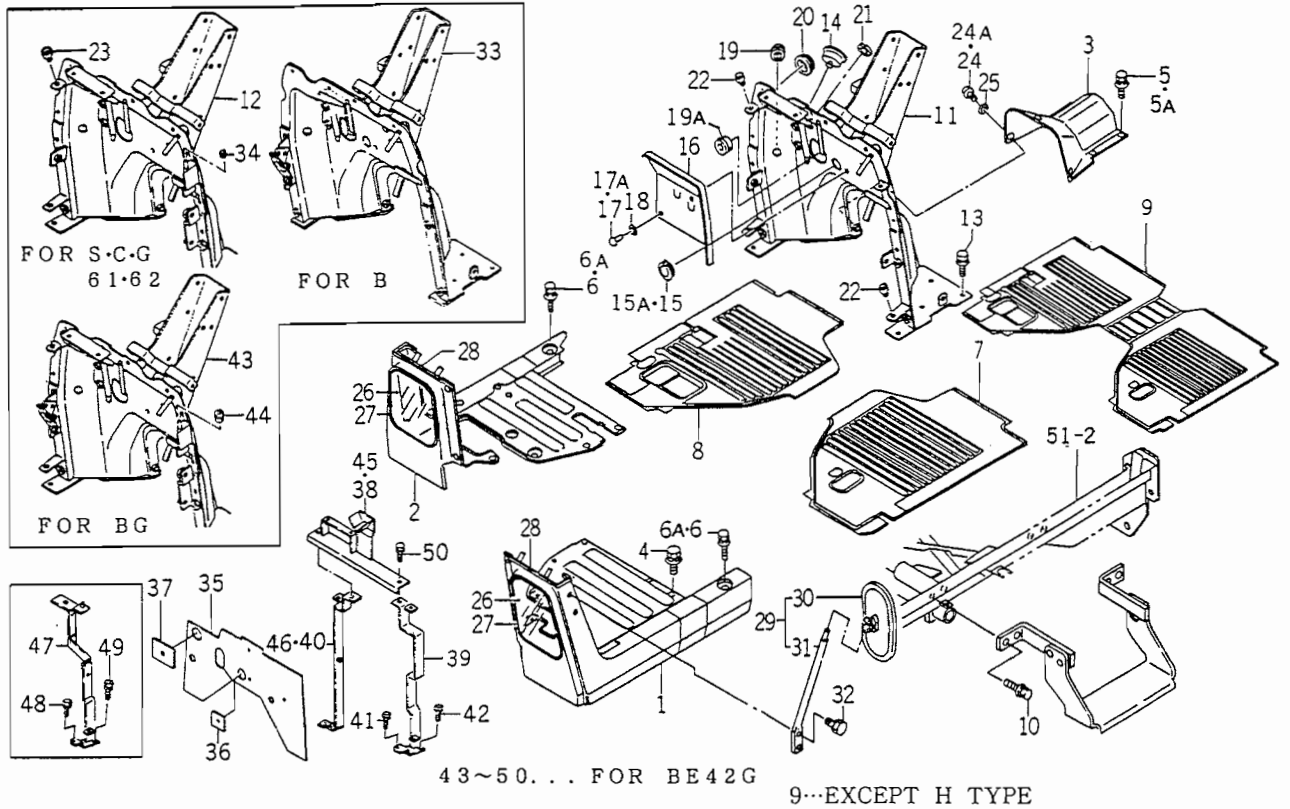
FIG. 86 STEP SYSTEM



1600-616

KEY	PART CODE	DESCRIPTION	QTY	TYPE OF MODEL		I T C	C O L	G R P	REMARKS
				TU320	TU320F				
1	1600-616-200-00	STEP,LH COMP	1		*				
2	1600-616-210-00	STEP,RH COMP	1		*				
3	W201-260-805-50	BOLT/M8XX55	1		*				
4	V304-200-008-00	NUT/M8	1		*				
5	1544-616-001-00	FLOOR,CENTER	1		*				
6	V210-360-601-60	BOLT,SP/M6X16	4		*				
7	V211-360-801-60	BOLT,SP/M8X16	4		*				
8	V211-360-801-60	BOLT,SP/M8X16	6		1- -113 114-				
8A	V211-660-801-60	BOLT/M8X16	4						
9	1602-616-001-10	MAT,FLOOR	1		*				
10	1603-616-210-10	STEP,SUB COMP	1		*				
11	V211-660-802-50	BOLT/M8X25	4		*				
12	1603-616-200-00	PANEL,DASH COMP	1		*				
13	1603-616-300-00	PANEL,DASH COMP	1		*				
14	V211-660-802-00	BOLT/8X20	4		*				
15	1575-616-004-00	INSULATOR	1		*				
16	W296-204-008-60	RIVET	5		1- -113 114-				
16A	W296-134-007-00	RIVET,BLIND	5						
17	1480-604-204-00	WASHER	5		*				
18	1544-616-013-00	GROMMET,MATER CABLE	1		*				
19	1600-616-006-00	INSULATOR/75	2		*				
20	1488-541-015-00	GROMMET 14X28X2	1		*				
20A	1560-630-029-00	CAP/30	1		*				
21	1544-616-011-00	GUM,CUSHION	4		*				
22	1544-616-011-00	GUM,CUSHION	3		*				

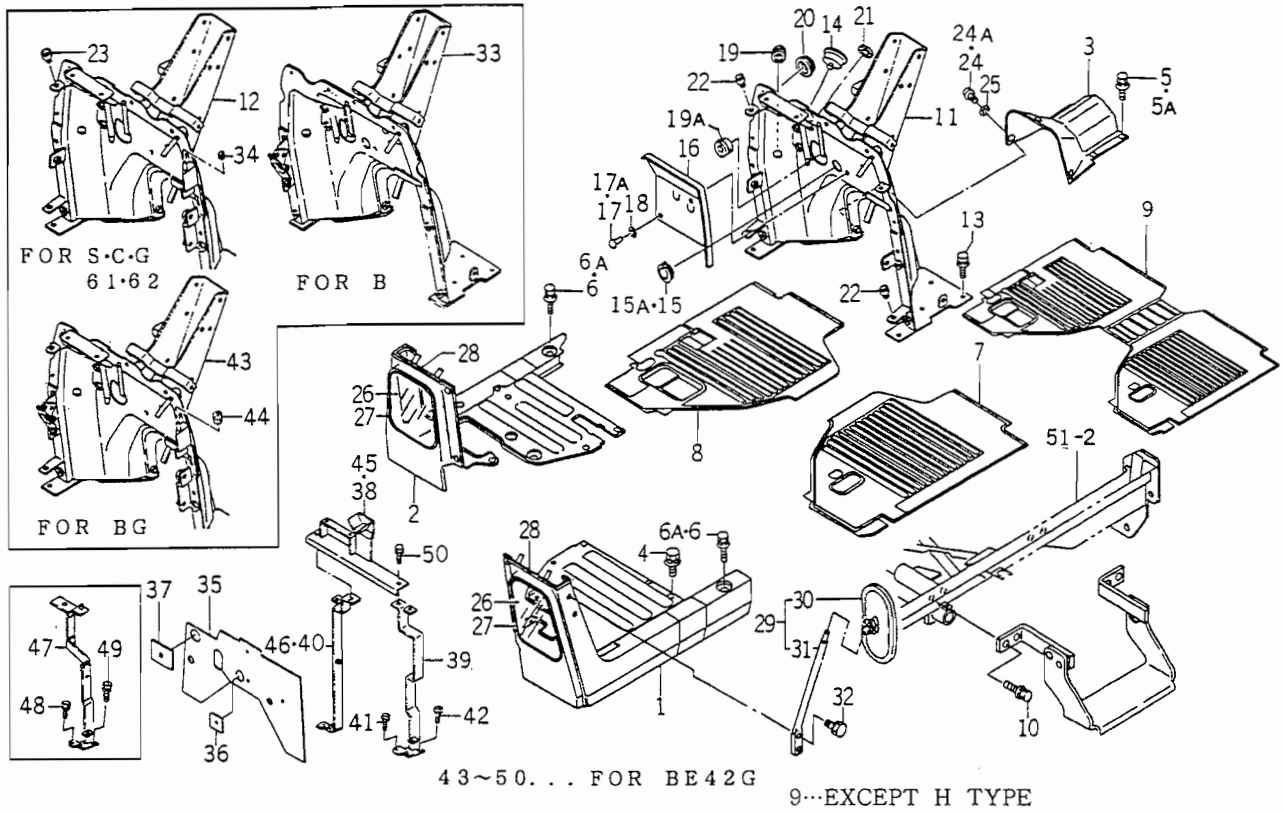
FIG. 87 STEP SYSTEM (HST)



160C-616A

KEY	PART CODE	DESCRIPTION	QTY	TYPE OF MODEL		I T C	C O L	G R P	REMARKS
				TU320	TU320F				
1	1600-616-200-00	STEP,LH COMP	1	*	*				
2	1600-616-510-00	STEP/RH COMP	1	*	*				
3	1548-616-210-00	CENTER,FLOOR COMP	1	*	*				
4	V210-360-601-60	BOLT,SP/M6X16	4		*				
5	V211-660-801-60	BOLT/M8X16	4		1- -113				
5A	V211-360-801-60	BOLT,SP/M8X16	4	*	114-				
6	V211-360-801-60	BOLT,SP/M8X16	6		1- -113				
6A	V211-660-801-60	BOLT/M8X16	6	*	114-				
7	1600-616-051-00	MAT,FLOOR/HST/LH	1	*	*				
8	1600-616-052-10	MAT,FLOOR/HST/RH	1	*	*				
9	1602-616-001-10	MAT,FLOOR	1		*				
10	V211-660-802-50	BOLT/M8X25	4		*				
11	1603-616-200-00	PANEL,DASH COMP	1		*				
12	1603-616-300-00	PANEL,DASH COMP	1	*	*				
13	V211-660-802-00	BOLT/8X20	4	*	*				
14	1544-616-013-00	GROMMET,MATER CABLE	1	*	*				
15	1488-541-015-00	GROMMET 14X28X2	1	1- -10	1- -1244				
15A	1560-630-029-00	CAP/30	1	11-	1245-				
16	1575-616-004-00	INSULATOR	1	*	*				
17	W296-204-008-60	RIVET	5		1- -114				
17A	W296-134-007-00	RIVET,BLIND	5	*	115-				
18	1480-604-204-00	WASHER	5	*	*				
19	1575-616-005-00	GROMMET/20X25X3	1		*				
18A	1600-616-007-00	GROMMET	1	*	*				
20	1560-630-021-50	INSULATOR	1		*				

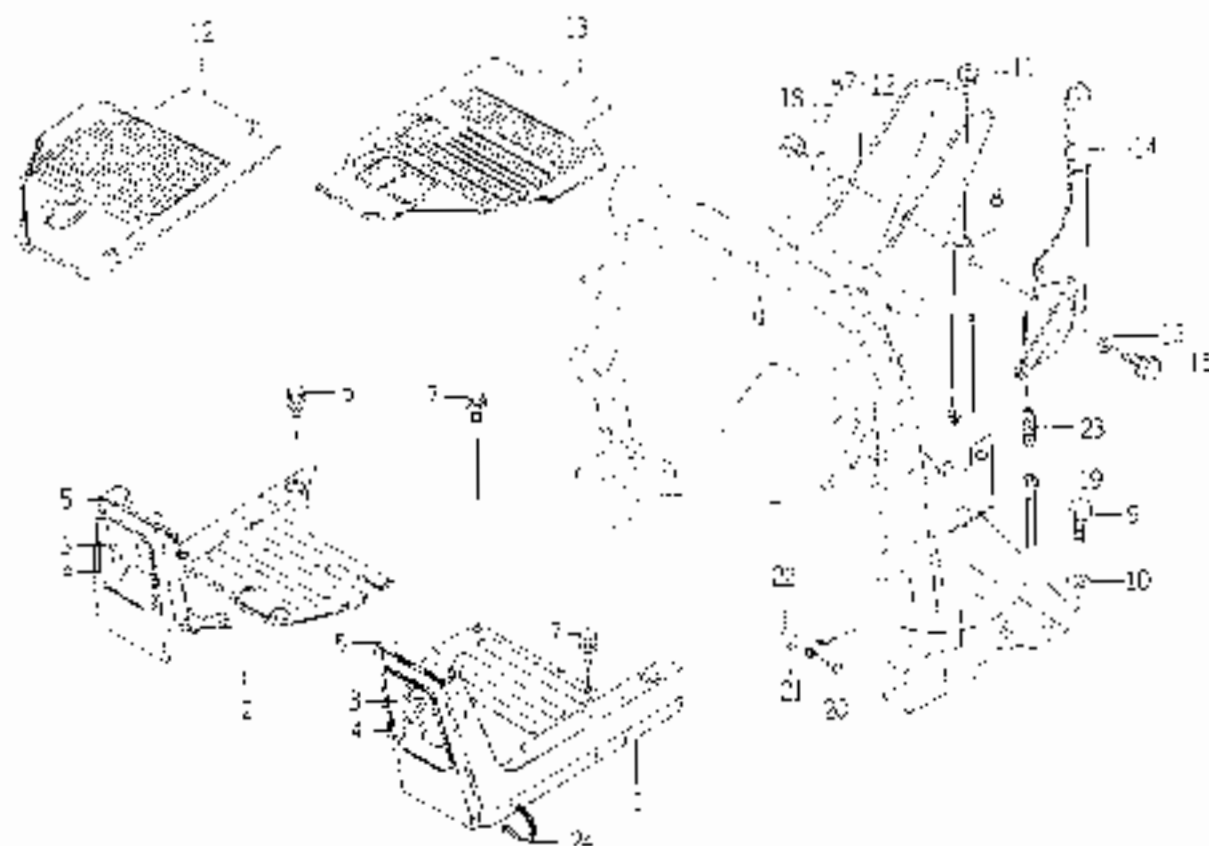
FIG. 87 STEP SYSTEM (HST)



1603-616A

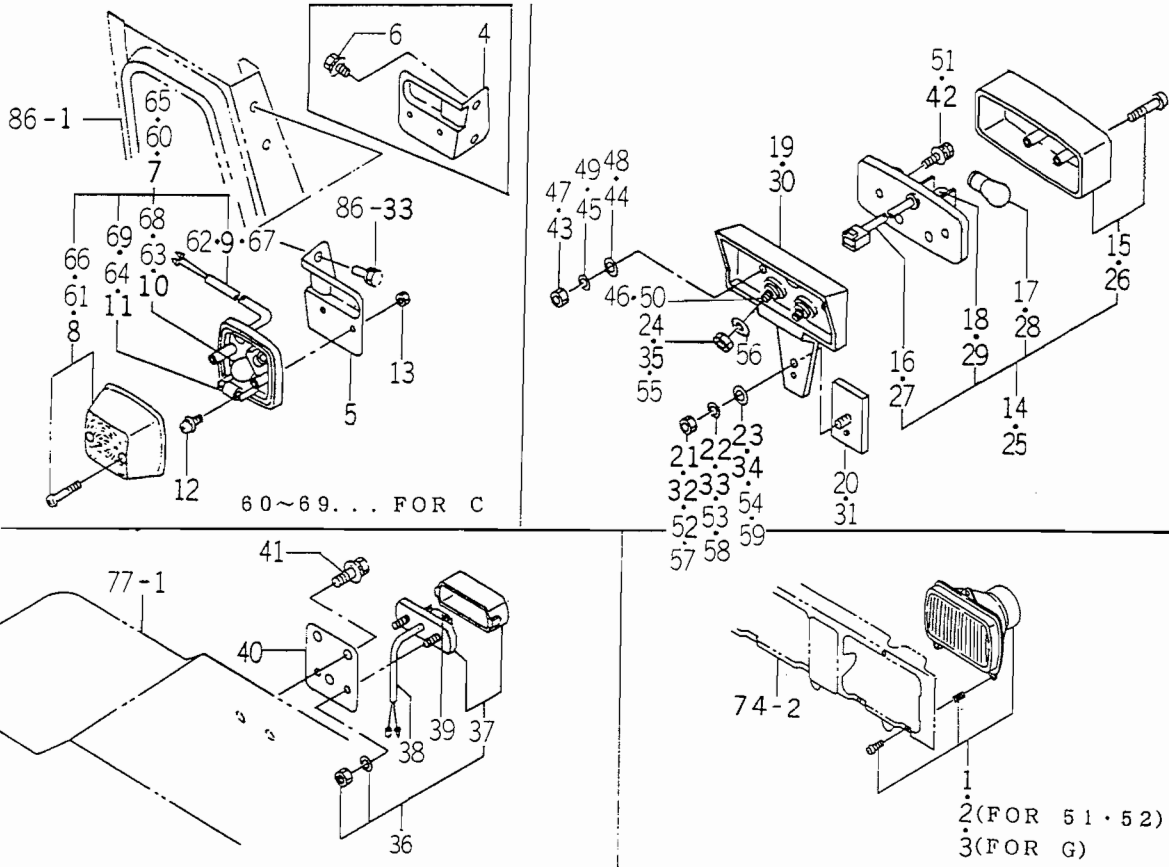
KEY	PART CODE	DESCRIPTION	QTY	TYPE OF MODEL		I T C	C O L	G R P	REMARKS
				TU320	TU320F				
21	1600 - 616 - 006 - 00	INSULATOR/75	2	*	*				
22	1544 - 616 - 011 - 00	GUM,CUSHION	4		*				
23	1544 - 616 - 011 - 00	GUM,CUSHION	3	*	*				
24	1444 - 621 - 017 - 00	SCREW M612	3	1- -10	1- -1296				
24A	V120 - 376 - 001 - 60	SCREW/SP/M6X16	3	11-	1297-				
25	1480 - 603 - 002 - 00	WASHER M6	3	*	*				
26	1600 - 616 - 001 - 00	GLASS,STEP	2	*	*				
27	1544 - 616 - 005 - 00	GUM,SEAL STEP	2	*	*				
28	1600 - 616 - 005 - 00	INSULATOR,STEP FOOD	2	*	*				
29	1600 - 619 - 200 - 10	MIRROR SET	1	*	*				
30	1600 - 619 - 210 - 00	MIRROR ASSY	1	*	*				
31	1600 - 619 - 001 - 10	STAY,MIRROR	1	*	*				
32	V211 - 260 - 802 - 00	BOLT,S/M8X20	2	*	*				
33	1603 - 616 - 700 - 10	PANEL,DASH/B COMP	1		*				
34	1600 - 616 - 007 - 00	GROMMET	1		*				
35	1600 - 616 - 070 - 10	INSULATOR,PANEL/A	1		*				
36	1600 - 616 - 071 - 00	INSULATOR,PANEL/B	1		*				
37	1600 - 616 - 072 - 00	INSULATOR,PANEL/C	1		*				
38	1603 - 616 - 800 - 10	BRACKET,HOOD COMP	1		*				
39	1603 - 616 - 810 - 10	BRACKET,HOOD/LH COMP	1		*				
40	1603 - 616 - 820 - 10	BRACKET/RH COMP	1		*				
41	V211 - 261 - 002 - 50	BOLT,S/M10X25	2		*				
42	V211 - 261 - 002 - 00	BOLT,SEMS/M10X20	2		*				
43	1603 - 616 - 720 - 10	PANEL,DASH/B COMP	1		*				
44	1544 - 616 - 011 - 00	GUM,CUSHION	3		*				

FIG. 88 STEP SYSTEM (C TYPE)



KEY	PART CODE	DESCRIPTION	QTY	TYPE OF MODEL		I T C	C O C I	C U C	REMARKS
				TL32C	TL32F				
1	1500 516 200 00	STEP, COMP	1						
2	1500 516 510 00	STEP/HS COMP	1						
3	1000 516 001 00	GLASS/STEP	2						
4	1544 516 005 00	GLASS/BL. HIEP	2						
6	1600 510 000 00	INSULATOR, STEP FOOD	2						
8	V211 360 801 50	BOLT, 1/8X1 1/2	2						
7	V211 360 501 50	BUSHING, 1/8X1 1/2	2						
9	1600 515 520 00	BRACKET, LEVER COMP	1						
9	V101 360 304 00	BOLT	2						
10	V401 160 008 00	WASHER, 1/8X1 1/2	2						
11	5126 704 001 00	CAP	1						
12	1600 513 053 00	MAT. FLOOR, EST/STEP	1						
13	1600 513 052 00	MAT. TOP, EST/STEP	1						
14	1600 431 590 00	LEVER, HANDLE ASSY	1						
15	V201 270 805 00	BOLT, 1/8X1 1/2	2						
15	V401 150 005 00	WASHER, 1/8X1 1/2	2						
17	V411 250 008 00	WASHER, 1/8X1 1/2	2						
8	V365 200 008 00	NUT, LOCK/1/8	2						
19	1500 401 500 10	CABLE, BRACE ASSY	1						
20	1580 115 008 00	DR./1/8X1 1/2	1						
21	V411 250 009 00	WASHER, 1/8X1 1/2	1						
22	V500 182 001 50	WASHER, 1/2 X1 1/2	1						
22	1337 40 006 00	SPRING, MAIN SLITCH	1						
24	1047 407 006 00	BAND, WRE 150	1						

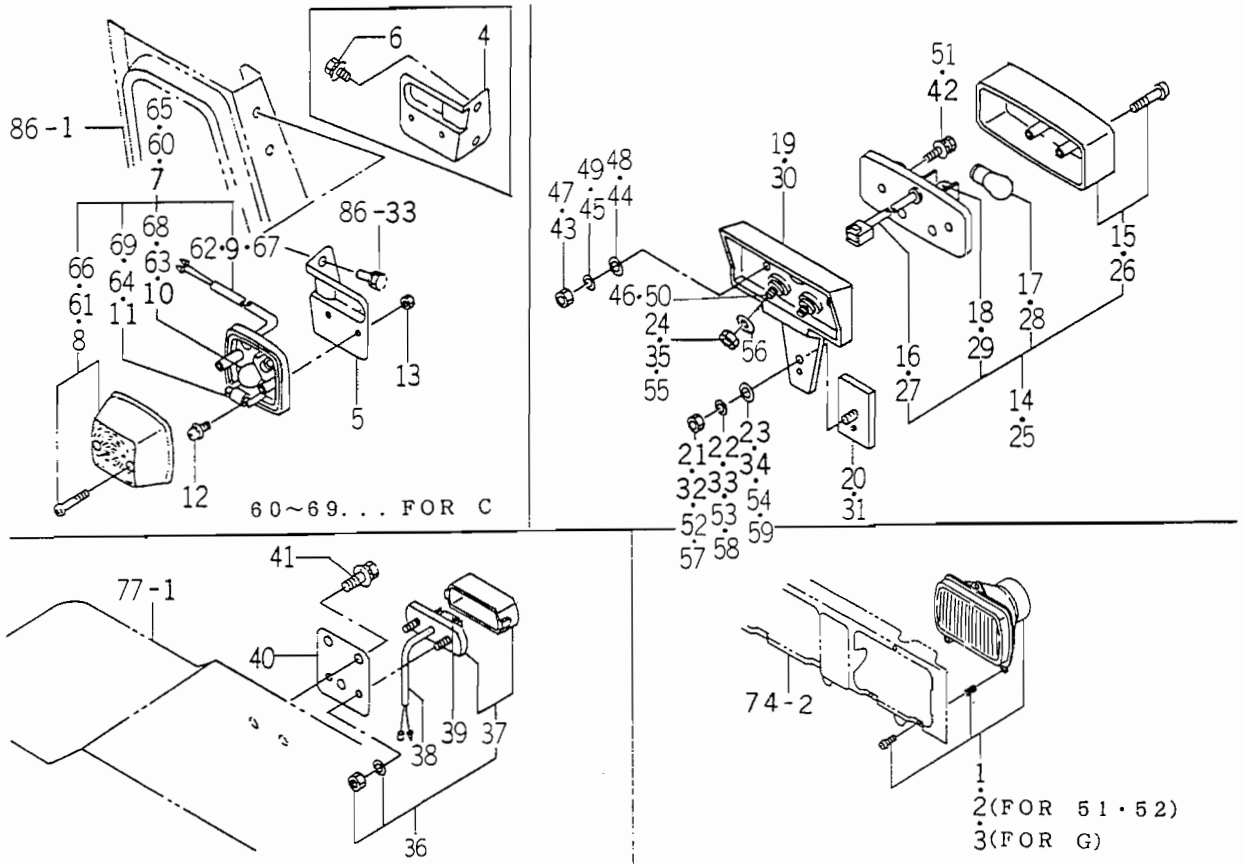
FIG. 90 BULE SYSTEM



1600-622

KEY	PART CODE	DESCRIPTION	QTY	TYPE OF MODEL		I T C	C O L	G R P	REMARKS
				TU320	TU320F				
1	1594 - 652 - 200 - 10	LAMP,HEAD ASSY	2		*				A248604
2	1594 - 652 - 230 - 00	LAMP,HEAD/F	2		*				A1916
3	1594 - 652 - 220 - 00	LAMP,HEAD/G ASSY	2		*				A292804
4	1600 - 622 - 004 - 10	COVER,LAMP/FRONT/LH	1		*				
5	1600 - 622 - 005 - 10	COVER,LAMP/FRONT/RH	1		*				
6	V211 - 360 - 801 - 60	BOLT,SP/M8X16	2		*				
7	1600 - 622 - 230 - 00	LAMP SET	2		*				
8	1600 - 622 - 240 - 00	LAMP ASSY	2		*				2BE003014251
9	1600 - 622 - 231 - 00	HARNESS,LAMP/FRONT	2		*				
10	1600 - 622 - 232 - 00	BULB/12V.21W	2		*				8GA002073121
11	1600 - 622 - 233 - 00	BULB/12V.5W	2		*				8GM002092121
12	V120 - 364 - 001 - 20	SCREW,SP/M4X12	4		*				
13	V300 - 260 - 004 - 00	NUT/M4	4		*				
14	1600 - 622 - 250 - 00	LAMP LH SET	1		*				
15	1600 - 622 - 260 - 00	LAMP LH ASSY	1		*				2SD003184031
16	1600 - 622 - 251 - 00	HARNESS,LAMP/REAR	1		*				
17	1600 - 622 - 232 - 00	BULB/12V.21W	2		*				8GA002073121
18	1600 - 622 - 252 - 00	BULB/12V10W	1		*				8GA002071131
19	1600 - 622 - 003 - 00	COVER,LAMP/REAR	1		*				
20	1600 - 622 - 321 - 00	REFLECTOR	1		*				
21	V301 - 260 - 006 - 00	NUT/M6	3		*				
22	V401 - 160 - 006 - 00	WASHER,SP/M 6	3		*				
23	V411 - 260 - 006 - 00	WASHER/M6	3		*				
24	V304 - 260 - 008 - 00	NUT/M 8	2		*				
25	1600 - 622 - 270 - 00	LAMP RH SET	1		*				

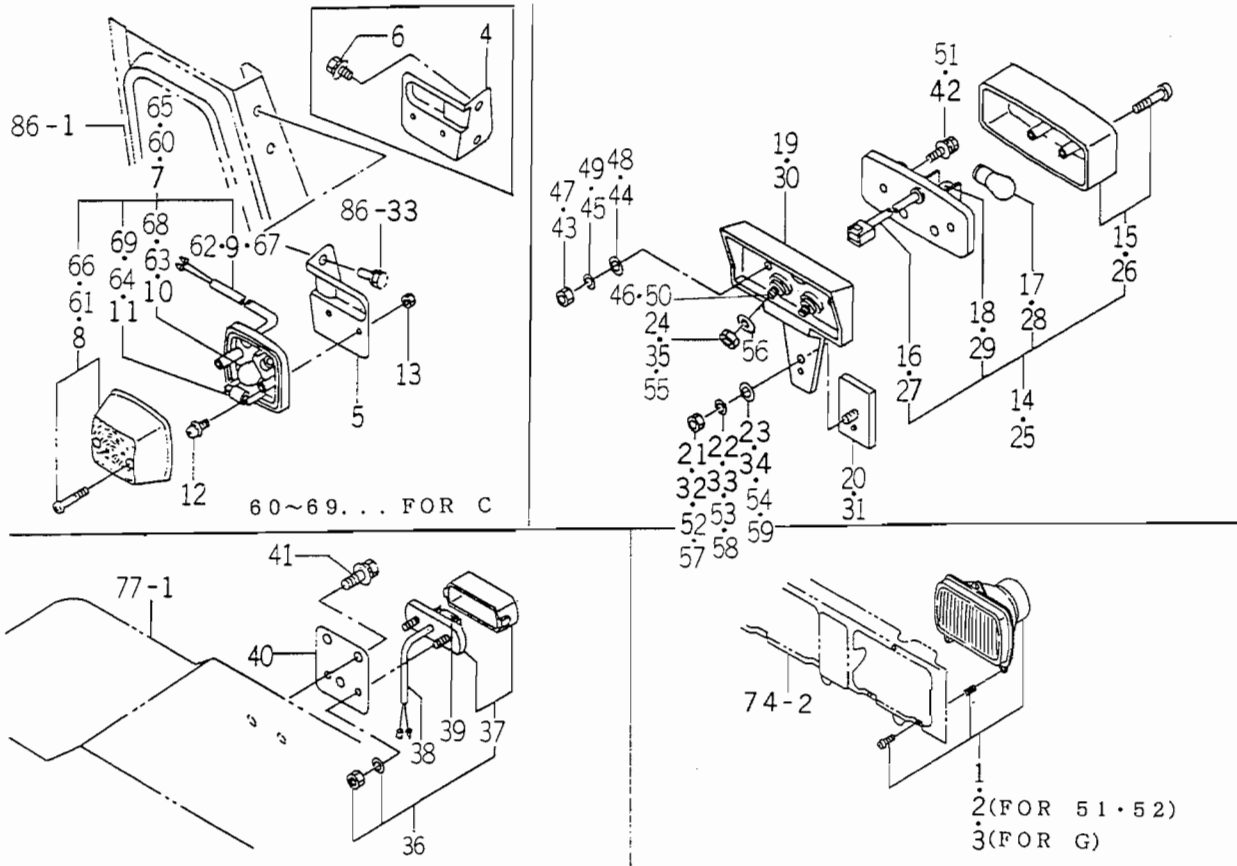
FIG. 90 BULB SYSTEM



1600-622

KEY	PART CODE	DESCRIPTION	QTY	TYPE OF MODEL		I T C	C O L	G R P	REMARKS
				TU320	TU320F				
26	1600 - 622 - 280 - 00	LAMP RH ASSY	1		*				2SD003184041
27	1600 - 622 - 251 - 00	HARNES,LAMP/REAR	1		*				
28	1600 - 622 - 232 - 00	BULB/12V.21W	2		*				8GA002073121
29	1600 - 622 - 252 - 00	BULB/12V10W	1		*				8GA002071131
30	1600 - 622 - 003 - 00	COVER,LAMP/REAR	1		*				
31	1600 - 622 - 321 - 00	REFLECTOR	1		*				
32	V301 - 260 - 006 - 00	NUT/M6	3		*				
33	V401 - 160 - 006 - 00	WASHER,SP/M 6	3		*				
34	V411 - 260 - 006 - 00	WASHER/M6	3		*				
35	V304 - 260 - 008 - 00	NUT/M 8	2		*				
36	1600 - 622 - 290 - 00	LAMP,NO PLATE SET	1		*				
37	1600 - 622 - 300 - 00	LAMP,NO PLATE ASSY	1		*				2KA001389101
38	1600 - 622 - 291 - 00	HARNES,NUMBER PLATE	1		*				
39	1600 - 622 - 233 - 00	BULB/12V.5W	1		*				8GA002071131
40	1600 - 622 - 006 - 00	BRACKET.LAMP/NO - PLAT	1		*				
41	V211 - 360 - 801 - 60	BOLT,SP/M8X16	2		*				
42	V120 - 365 - 002 - 00	SCREW,SEMS	2		*				
43	V301 - 260 - 005 - 00	NUT/M5	2		*				
44	V411 - 260 - 005 - 00	WASHER,PL/M 5	2		*				
45	V401 - 160 - 005 - 00	WASHER,SP/M 5	2		*				
46	V200 - 260 - 801 - 60	BOLT/M8X16	2		*				
47	V301 - 260 - 005 - 00	NUT/M5	2		*				
48	V411 - 260 - 005 - 00	WASHER,PL/M 5	2		*				
49	V401 - 160 - 005 - 00	WASHER,SP/M 5	2		*				
50	V200 - 260 - 801 - 60	BOLT/M8X16	2		*				

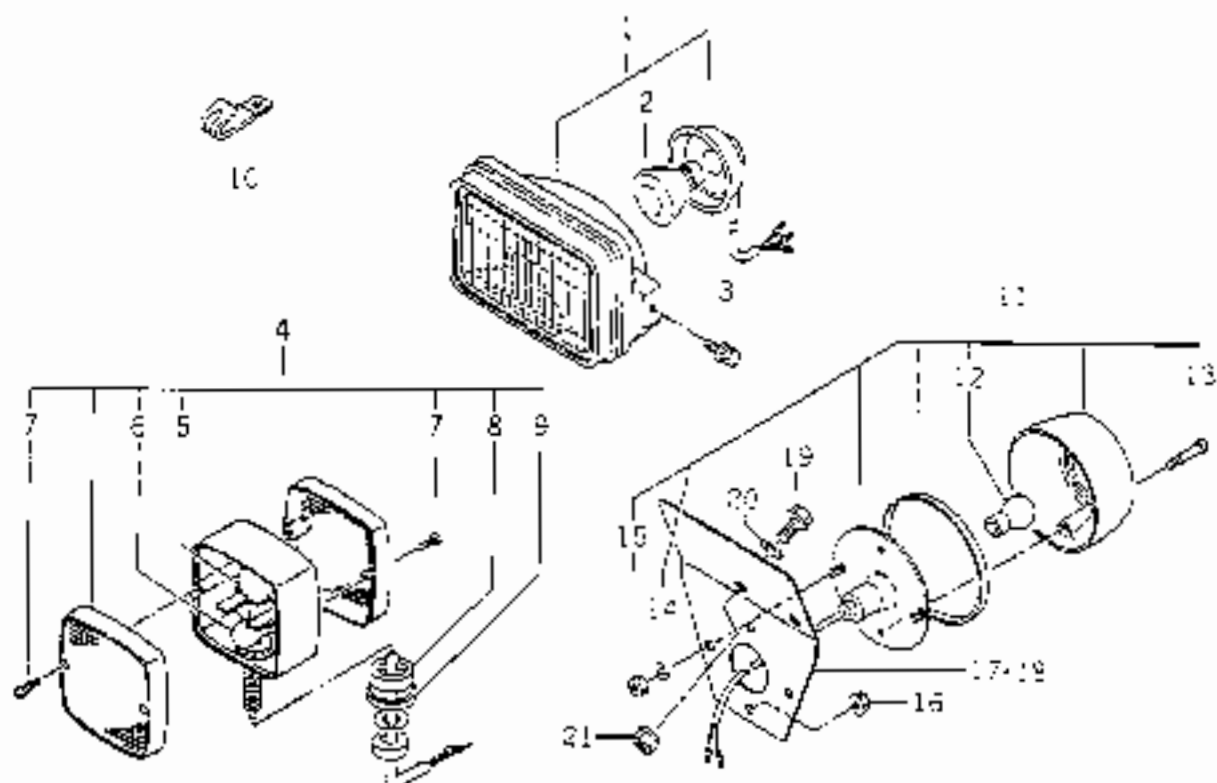
FIG. 90 BULB SYSTEM



1600-622

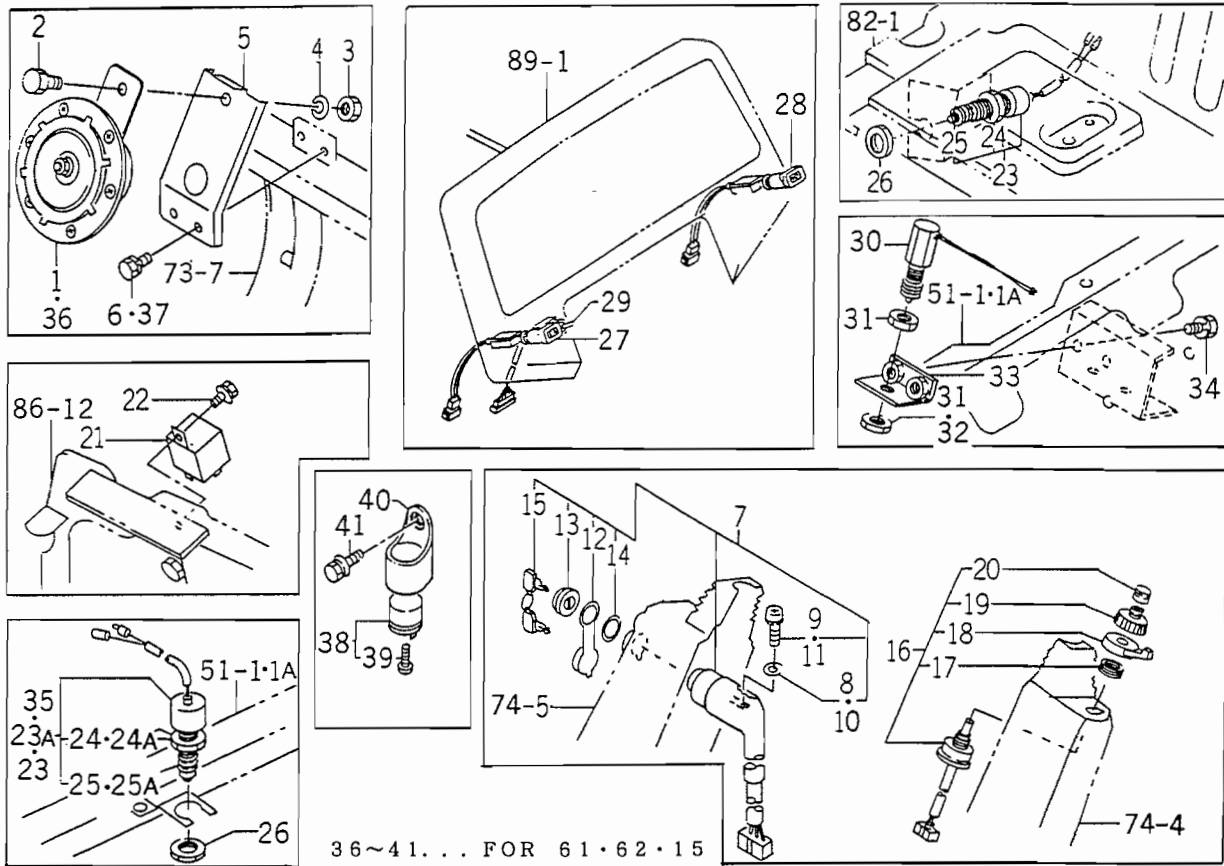
KEY	PART CODE	DESCRIPTION	QTY	TYPE OF MODEL		I T C	C O L	G R P	REMARKS
				TU320	TU320F				
51	V120 - 365 - 002 - 00	SCREW,SEMS	2		*				
52	V301 - 260 - 006 - 00	NUT/M6	1		*				
53	V401 - 160 - 006 - 00	WASHER,SP/M 6	1		*				
54	V411 - 260 - 006 - 00	WASHER/M6	1		*				
55	V304 - 260 - 008 - 00	NUT/M 8	4		*				
56	V401 - 160 - 008 - 00	WASHER,SP/M 8	4		*				
57	V301 - 260 - 006 - 00	NUT/M6	1		*				
58	V401 - 160 - 006 - 00	WASHER,SP/M 6	1		*				
59	V411 - 260 - 006 - 00	WASHER/M6	1		*				
60	1600 - 622 - 350 - 00	LAMP,FRONT/LH C SET	1		*				
61	1600 - 622 - 360 - 00	LAMP,FRONT/LH C ASSY	1		*				
62	1600 - 622 - 231 - 00	HARNES,LAMP/FRONT	1		*				
63	1600 - 622 - 232 - 00	BULB/12V.21W	1		*				
64	1600 - 622 - 233 - 00	BULB/12V.5W	1		*				
65	1600 - 622 - 370 - 00	LAMP,FRONT/RH C SET	1		*				
66	1600 - 622 - 380 - 00	LAMP,FRONT/RH C ASSY	1		*				
67	1600 - 622 - 231 - 00	HARNES,LAMP/FRONT	1		*				
68	1600 - 622 - 232 - 00	BULB/12V.21W	1		*				
69	1600 - 622 - 233 - 00	BULB/12V.5W	1		*				

FIG. 91 BULB SYSTEM (E61,E62)



KEY	PART CODE	DESCRIPTION	QTY	TYPE OF MODEL		C	L	S	REMARKS
				E61	E62				
1	1433-021-170-20	LAMP HEAD ASBY	2	.	.				
2	1434-571-277-00	BULB 12W 45/45V	2	.	.				
3	V211-390-801-60	BULB SOCKET	2	.	.				
4	1556-656-200-30	LAMP SOCKET MOUNTING ASBY	1	.	.				
5	1554-654-213-00	BULB LAMP/ 2721W	1	.	.				
6	1556-656-204-00	BULB LAMP/ 12/25V	2	.	.				
7	V135-164-025-30	SCREW/4X2	6	.	.				
8	1555-050-103-00	CASE/CT	2	.	.				
9	1555-555-206-00	COVER	2	.	.				
10	3737-177-0-00	CLAMP HARNESS	2	.	.				
11	1426-600-055-00	LAMP TAIL ASBY	2	.	.				
12	1505-02-227-00	BULB 2V 13/3W	1	.	.				
13	V113-163-003-00	SCREW	4	.	.				
14	V401-160-005-00	WASHER, SP/2.5	4	.	.				
15	V306-200-005-00	NUT 1/8	4	.	.				
16	V360-260-005-00	NUT 1/8	4	.	.				
17	1602-077-081-00	STAY LAMP LH	1	.	.				
18	1602-022-152-00	STAY LAMP/RH	1	.	.				
19	V20-260-501-60	SOUL/VAXID	2	.	.				
20	V411-260-006-00	WASHER, 1/8	2	.	.				
21	V362-260-006-00	NUT 1/8	4	.	.				

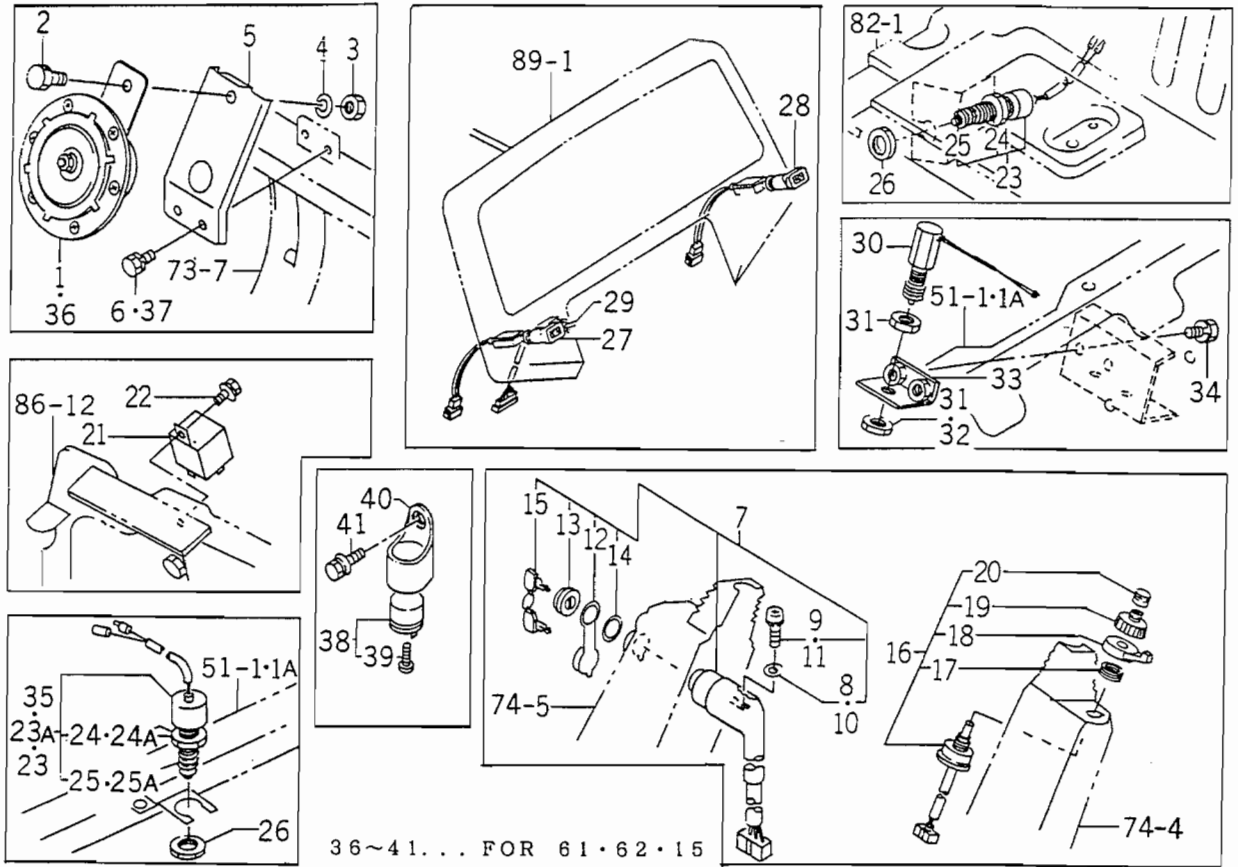
FIG. 92 SWITCH SYSTEM



1600-623

KEY	PART CODE	DESCRIPTION	QTY	TYPE OF MODEL		I T C	C O L	G R P	REMARKS
				TU320	TU320F				
1	1509 - 623 - 001 - 00	HORN	1		*				
2	V201 - 260 - 801 - 60	BOLT/M8X16	1		*				
3	V304 - 260 - 008 - 00	NUT/M 8	1		*				
4	V401 - 160 - 008 - 00	WASHER,SP/M 8	1		*				
5	1600 - 623 - 001 - 00	STAY,HORN	1		*				
6	V210 - 260 - 601 - 60	BOLT,SEMS (S)	2		*				
7	1575 - 623 - 210 - 00	SWITCH,STARTER ASSY	1	*	*				
8	V411 - 150 - 004 - 00	WASHER,PL/M4	3	*	*				
9	V120 - 264 - 000 - 80	SCREW,PLUS/M4X8	3	*	*				
10	V411 - 150 - 005 - 00	WASHER,PL/M 5	3	*	*				
11	V120 - 265 - 000 - 80	SCREW,PLUS/M5X0.8X8	3	*	*				
12	1444 - 621 - 311 - 00	CAP	1	*	*				
13	1444 - 621 - 312 - 00	NUT,RING/M28X1.0	1	*	*				
14	1444 - 621 - 313 - 00	WASHER	1	*	*				
15	1444 - 621 - 320 - 00	KEY ASSY	1	*	*				
16	1544 - 623 - 001 - 00	SWITCH ASSY	1	*	*				
17	1544 - 623 - 232 - 00	NUT/M22	1	*	*				
18	1544 - 623 - 233 - 00	LEVER	1	*	*				
19	1544 - 623 - 234 - 00	KNOB	1	*	*				
20	1544 - 623 - 235 - 00	BOOT	1	*	*				
21	1600 - 623 - 002 - 00	FLASHER ASSY	1		*				4DM003360001
22	V210 - 360 - 601 - 60	BOLT,SP/M6X16	1		*				
23	1491 - 623 - 220 - 10	SWITCH,SAFETY ASSY	2		1- -113				
23A	1491 - 623 - 220 - 10	SWITCH,SAFETY ASSY	1	*	114-				
24	1491 - 623 - 222 - 00	NUT/M20	2		1- -113				

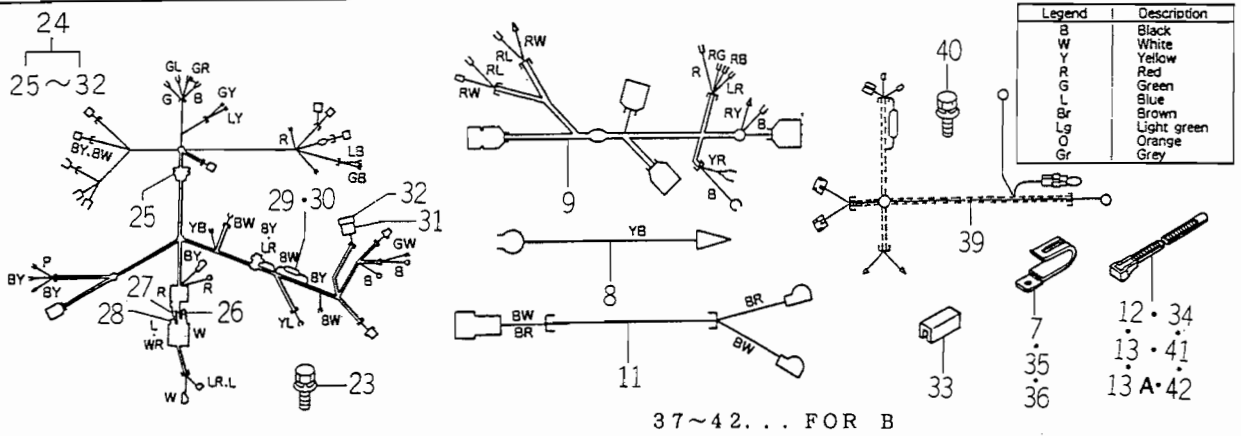
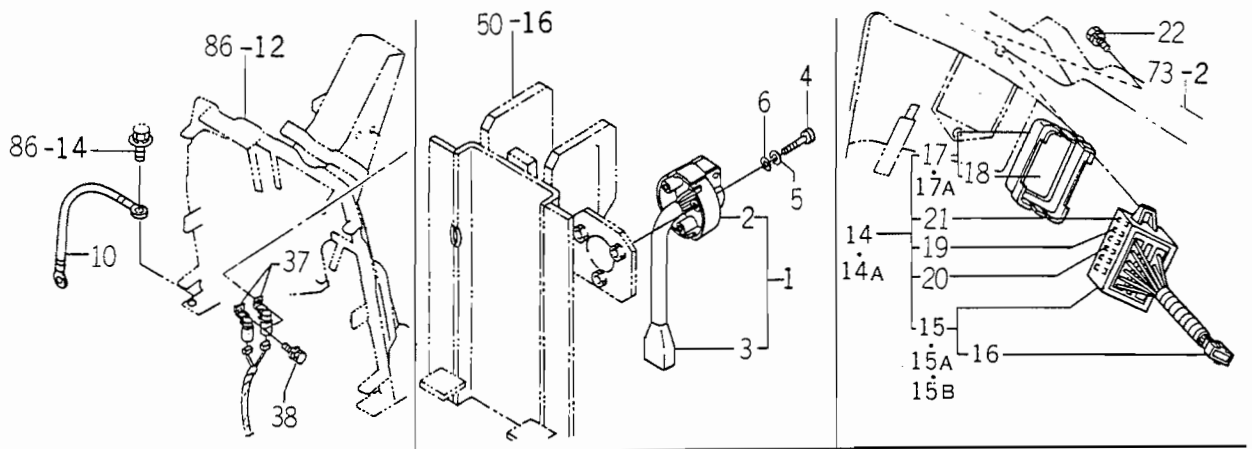
FIG. 92 SWITCH SYSTEM



1600-623

KEY	PART CODE	DESCRIPTION	QTY	TYPE OF MODEL		I T C	C O L	G R P	REMARKS
				TU320	TU320F				
24A	1491 - 623 - 222 - 00	NUT/M20	1	*	114-				
25	1491 - 623 - 223 - 00	BOOT	2		1- -113				
25A	1491 - 623 - 223 - 00	BOOT	1	*	114-				
26	1491 - 623 - 222 - 00	NUT/M20	1	*	*				
27	1600 - 623 - 200 - 00	SWITCH ASSY	1	*	*				
28	1600 - 623 - 210 - 00	SWITCH,LAMP ASSY	1		*				
29	1600 - 623 - 220 - 00	SWITCH,HAZARD ASSY	1		*				
30	1432 - 621 - 330 - 10	SWITCH,STOP LIGHT	1	*	*				
31	1432 - 621 - 006 - 10	NUT,LOCK	2	*	*				
32	1432 - 621 - 006 - 10	NUT,LOCK	1		*				
33	1600 - 623 - 230 - 00	STAY,SWITCH COMP	1	*	*				
34	V211 - 260 - 801 - 60	BOLT,S/M8X16	2	*	*				
35	1444 - 621 - 260 - 00	SWITCH,SAFETY ASSY	1	*	*				
36	1427 - 621 - 008 - 00	HORN	1	*	*				
37	V210 - 260 - 601 - 60	BOLT,SEMS (S)	2	*	*				
38	1426 - 621 - 035 - 00	FLASHER UNIT	1	*	*				
39	V111 - 164 - 000 - 60	SCREW M4X6	2	*	*				
40	1426 - 621 - 036 - 00	BASE,FLASHER	1	*	*				
41	V210 - 360 - 601 - 60	BOLT,SP/M6X16	1	*	*				

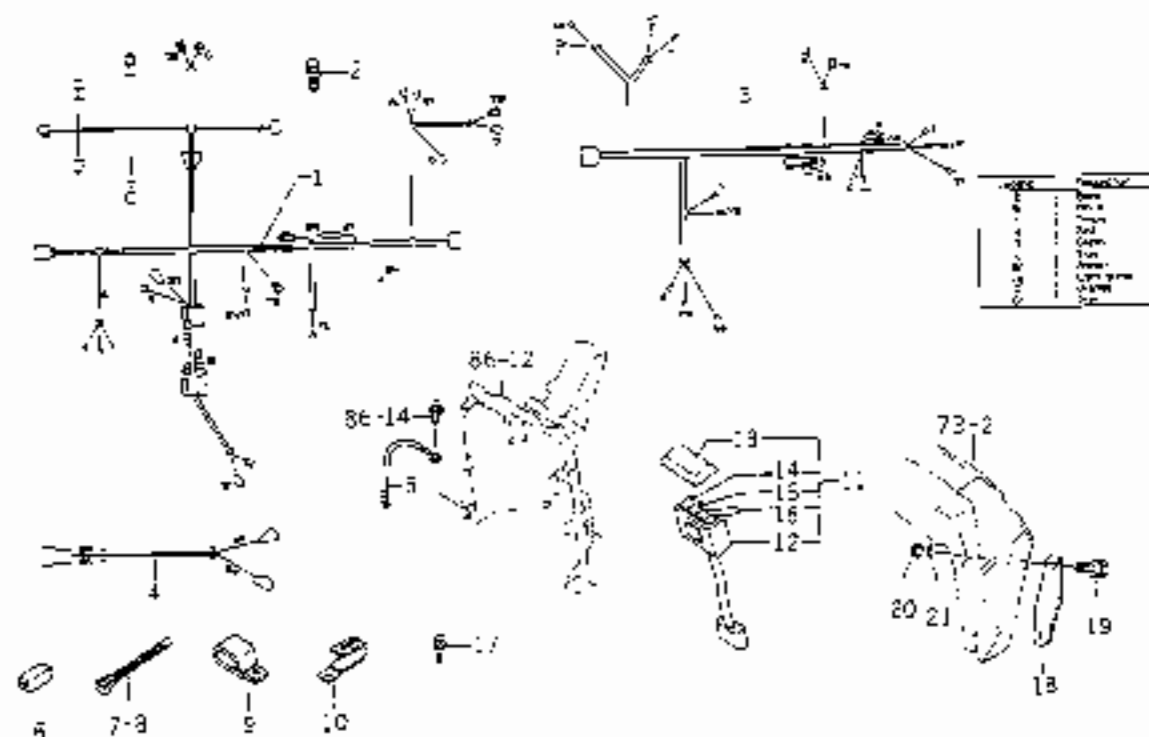
FIG. 93 WIRE HARNESS SYSTEM



1603-624

KEY	PART CODE	DESCRIPTION	QTY	TYPE OF MODEL		I T C	C O L	G R P	REMARKS
				TU320	TU320F				
21	1575 - 623 - 011 - 00	FUSE/15A	2		*				
22	V210 - 260 - 602 - 00	BOLT,SEMS (S)	2		*				
23	V210 - 360 - 601 - 20	BOLT,SEMS/M6X12	1		*				
24	1603 - 624 - 200 - 00	HARNESS/NO.1 ASSY	1		*				
25	1544 - 616 - 014 - 00	GROMMET,HARNESS	1		*				
26	3650 - 261 - 261 - 00	LINK,FUSIBLE	1		*				
27	3652 - 261 - 202 - 00	LINK,FUSIBLE	1		*				
28	3650 - 262 - 202 - 00	DIODE/3.0A	2		*				
29	4319 - 601 - 004 - 00	FUSE/250V - 2A	1		*				
30	1509 - 623 - 242 - 00	BOX,FUSE	1		*				
31	1593 - 623 - 503 - 00	CAP,FUSE BOX	1		*				
32	1560 - 664 - 264 - 00	FUSE,BLADE/32V05A	4		*				
33	1575 - 112 - 007 - 00	INSULATOR	1		*				
34	1376 - 402 - 003 - 00	BAND,WIRE/140	7		*				
35	1425 - 621 - 004 - 00	CLAMP,HARNESS	1		*				
36	3737 - 172 - 011 - 00	CLAMP,HARNESS	1		*				
37	1581 - 621 - 290 - 00	RELAY/4P ASSY	2		*				
38	V210 - 360 - 601 - 20	BOLT,SEMS/M6X12	1		*				
39	1600 - 624 - 280 - 00	HARNESS/NO.3 ASSY	1		*				
40	V211 - 360 - 801 - 20	BOLT,SEMS/M8X12	1		*				
41	1342 - 402 - 006 - 00	BAND,WIRE/250	1		*				
42	1376 - 402 - 003 - 00	BAND,WIRE/140	2		*				

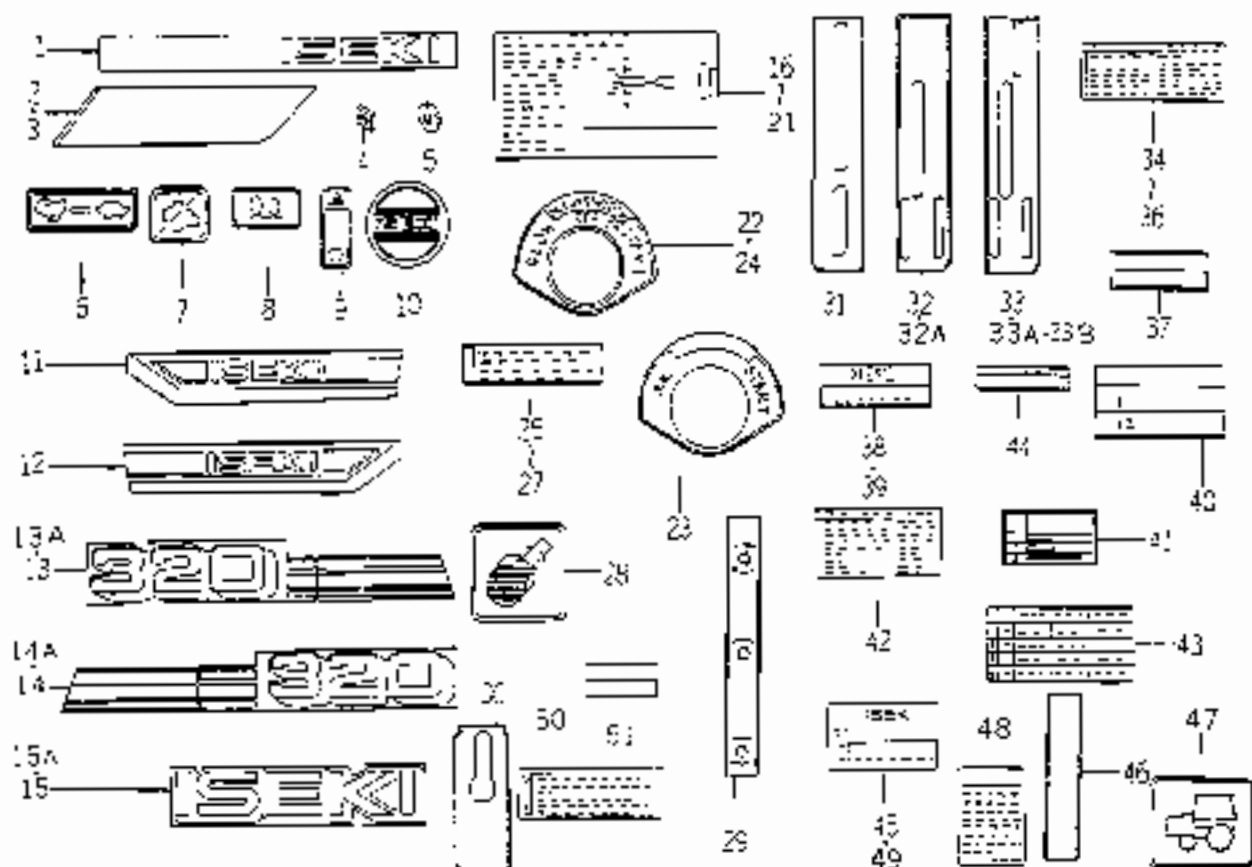
FIG. 94 WIRE HARNESS SYSTEM (E61,E62,U15)



IN 3 577

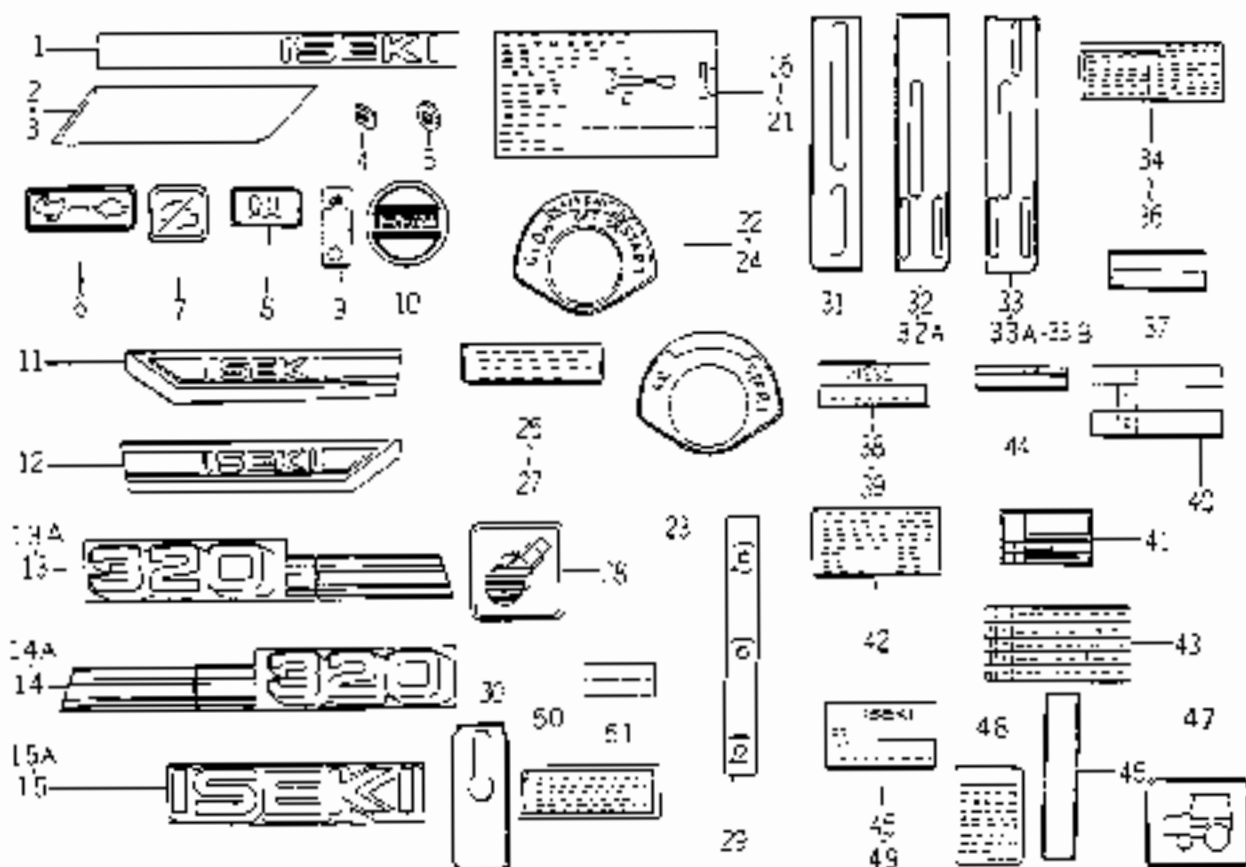
KEY	PART CODE	DESCRIPTION	QTY	TYPE OF MODEL		I C	C O L	C R P	H-MARKS
				TE20	TH202				
1	1003 - 624 - 600 - 00	HARNESS/NO. 1/ E60 ASSY	1	.	.				
2	1010 - 660 - 601 - 20	BOLT/SOME/NO. 10	1	.	.				
3	1003 - 624 - 610 - 00	HARNESS/NO. 2/ E60 ASSY	1	.	.				
4	1544 - 621 - 008 - 10	HARNESS WIRE/NO. 1	1	.	.				
5	545 - 673 - 003 - 00	HARNESS WIRE/NO. 9	1	.	.				
6	1575 - 112 - 007 - 00	INSULATOR	1	.	.				
7	1376 - 402 - 003 - 00	BAND WIRE/140	7	.	.				
8	347 - 407 - 005 - 00	BAND WIRE/250	1	.	.				
9	426 - 621 - 004 - 00	CLAMP HARNESS	1	.	.				
10	3737 - 172 - 011 - 00	CLAMP HARNESS	1	.	.				
11	1550 - 004 - 200 - 00	CASE, FUSE - 4	1	.	.				
12	1550 - 004 - 210 - 00	CASE, FUSE - 1	1	.	.				
13	1555 - 664 - 213 - 00	COVER, FUSE - 4	1	.	.				
14	1575 - 673 - 200 - 00	FUSE, 102V/5A	1	.	.				
15	1595 - 623 - 203 - 00	FUSE, 102V/5A	2	.	.				
16	1500 - 624 - 271 - 00	FUSE, 102V/5A	1	.	.				
17	1010 - 660 - 802 - 00	RO. TRIP/S (S)	2	.	.				
18	1603 - 624 - 001 - 00	COVER, PANEL	1	.	.				
19	1010 - 660 - 801 - 20	RO. TRIP/S (S)	2	.	.				
20	1000 - 600 - 006 - 00	NUT, ME	7	.	.				
21	1001 - 150 - 006 - 00	WASHER, SP. M. L.	7	.	.				

FIG. 95 MARKS



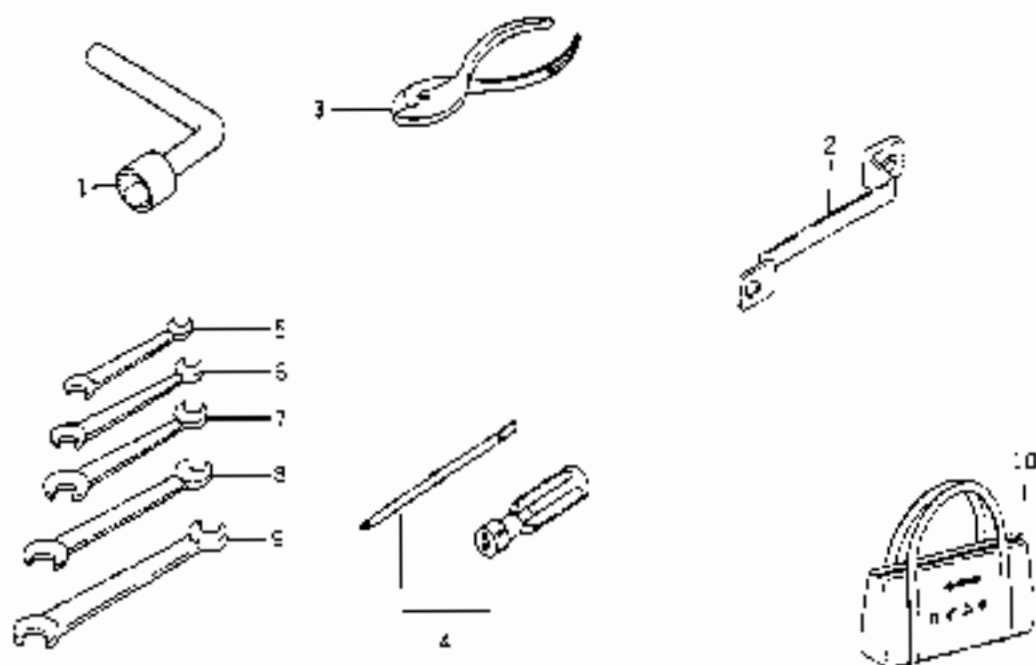
KEY	PART CODE	DESCRIPTION	QTY	TYPE OF MODEL		C	O	P	REMARKS
				TYPE	TYPE				
1	1575-901-004-00	ORNAMENT, LF	1						
2	1575-901-005-00	LABEL, TYPE 11	1						
3	1575-901-006-00	LABEL, TYPE 12	1						
4	1350-100-008-00	M.T. SPEED, TS	9						
5	1444-501-015-00	WASHER, GA/4X3	3						
6	1575-901-000-00	ORNAMENT	1						
7	1509-901-003-00	MARKER, ONE SIDE /-	1						
8	1000-901-002-00	LABEL	1						
9	1600-901-003-00	LABEL, HAZARD	1						
10	2132-901-001-00	MARK, CAP	1						
11	1588-901-002-00	ORNAMENT, LF	1						
12	1588-901-001-00	ORNAMENT, LF	1						
13	1603-902-00-00	ORNAMENT, 320 / R	1						
13A	1603-902-00-00	ORNAMENT, 320 / R	1						
14	1000-902-002-00	ORNAMENT, 320 / R	1						
14A	003-902-002-00	ORNAMENT, 320 / R	1						
15	1000-902-000-00	ORNAMENT, REAR	1						
15A	1610-902-000-00	ORNAMENT, REAR	1						
16	1000-902-011-00	LABEL, CAUTION, DANGER	1						
17	1600-902-017-00	LABEL, CAUTION, DANGER	1						
18	1600-902-018-00	LABEL, CAUTION, DANGER	1						
19	1600-902-051-00	LABEL, DANGER	1						
20	1600-902-053-00	LABEL, DANGER	1						
20A	1000-902-053-10	LABEL, DANGER	1						
21	1600-902-054-10	LABEL, DANGER	1						

FIG. 95 MARKS



KEY	PART CODE	DESCRIPTION	QTY	TYPE OF MODEL			REMARKS
				TYPE	C	C	
41	435 - 005 - 015 - 00	MARK, 1ST DUMNUMBER, E	1				
45	3910 - 000 - 200 - 00	LABEL, MODEL ASSY	1				
46	1000 - 004 - 051 - 00	LABEL, FWD	1				
47	1602 - 902 - 051 - 00	LABEL, MFL	1				
48	1002 - 901 - 012 - 00	LABEL, FUEL/4/560	1				
49	1003 - 904 - 002 - 00	LABEL, MODEL/320T	1				
50	1414 - 904 - 012 - 00	VAR, DRIVE	1				
51	1421 - 903 - 010 - 00	MARK, FUEL	1				

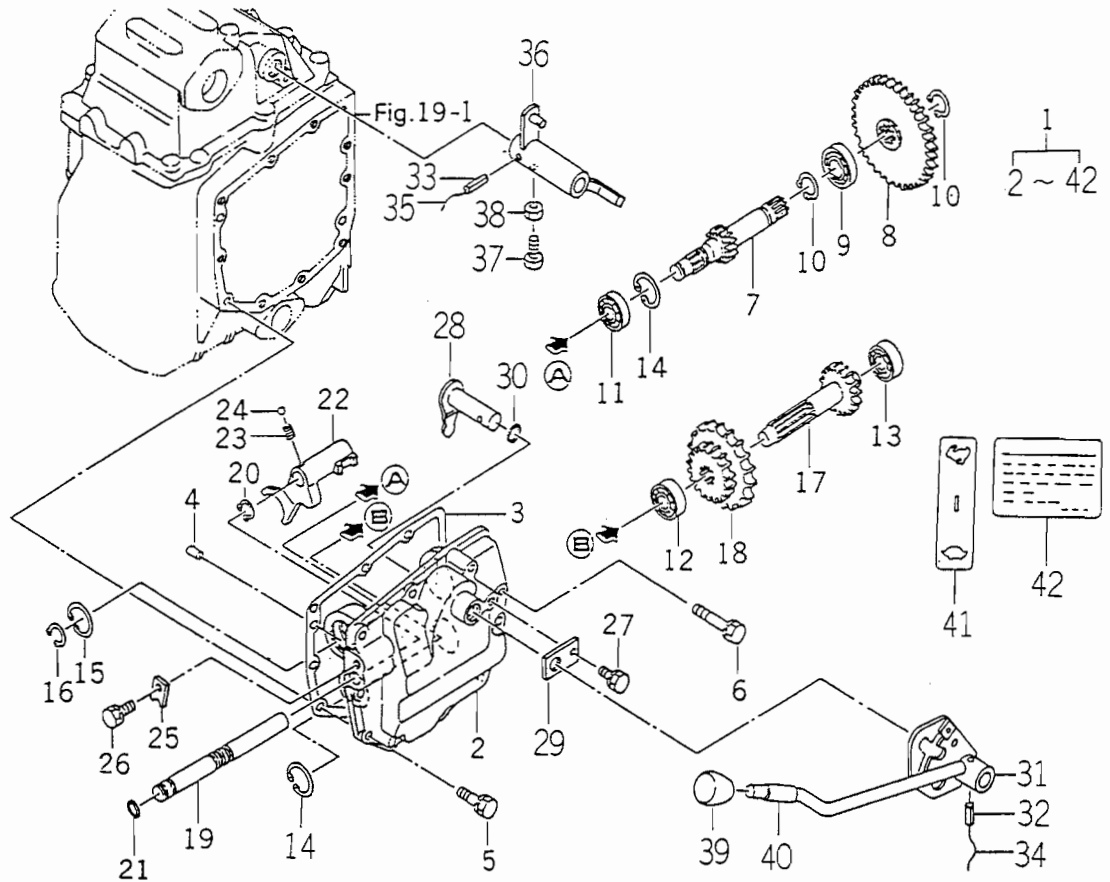
FIG. 96 TOOL



D. 1.

KEY	PART CODE	DESCRIPTION	TYPE OF MODEL		I C	C L	G P F	REMARKS
			T.020	T.020F				
1	1421 906 001 00	SPANNER, BOX 22	.	.				
2	140 - 906 - 006 - 00	WRENCH SOCKET 12X19	.	.				
3	1936 150 015 00	PLIERS 160	.	.				
4	2130 - 031 - 310 - 00	SCREWDRIVER ASSEMBLY	.	.				
5	V920 550 801 00	SPANNER 12X10	.	.				
6	V920 551 801 40	SPANNER 12X14	.	.				
7	V920 551 801 70	SPANNER 12X17	.	.				
8	V920 551 802 20	SPANNER 12X22	.	.				
9	V920 552 402 70	SPANNER 12X27	.	.				
10	9800 - 702 - 001 10	BAG, TOOL	.	.				

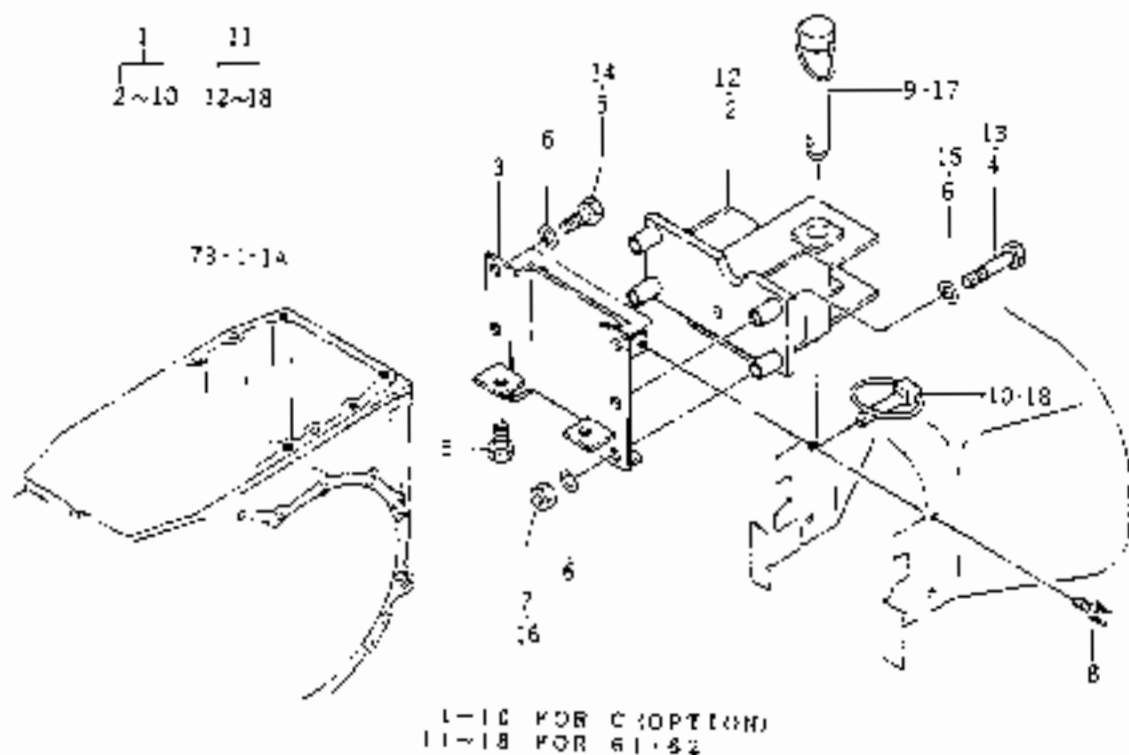
FIG. 97 CREEP MISSION SYSTEM (OPTION) (EXCEPT H • M)



1603-251

KEY	PART CODE	DESCRIPTION	QTY	TYPE OF MODEL		I T C	C O L	G R P	REMARKS
				TU320	TU320F				
1	1603 - 251 - 200 - 00	MISSION,CLEAP SET	1		T				
2	1550 - 251 - 001 - 00	METAL,CLEAP	1		T				
3	1550 - 201 - 001 - 00	GASKET,CLEAP	1		T				
4	V520 - 100 - 801 - 60	PIN,ST/8X16	2		T				
5	V211 - 260 - 802 - 50	BOLT,S/M8X25	7		T				
6	V211 - 260 - 805 - 00	BOLT/M8X50	3		T				
7	1550 - 251 - 002 - 10	GEAR,CLEAP COUNTER	1		T				
8	1550 - 251 - 004 - 00	GEAR,CLEAP COUNTER	1		T				
9	V600 - 110 - 600 - 40	BEARING,RB/6004	1		T				
10	V704 - 140 - 020 - 00	RING,SNAP/20 C	2		T				
11	V600 - 110 - 620 - 20	BEARING,RB/6202	1		T				
12	V600 - 110 - 620 - 20	BEARING,RB/6202	1		T				
13	V600 - 110 - 620 - 20	BEARING,RB/6202	1		T				
14	V705 - 140 - 035 - 00	RING,CIRCLIP	2		T				
15	V705 - 140 - 035 - 00	RING,CIRCLIP	1		T				
16	V704 - 140 - 015 - 00	RING,SNAP/15 C	1		T				
17	1602 - 251 - 001 - 00	GEAR/20T	1		T				
18	1544 - 251 - 001 - 00	GEAR,CLEAP/34T	1		T				
19	1544 - 251 - 002 - 00	STAY,CLEAP SHIFT	1		T				
20	V704 - 140 - 014 - 00	RING,SNAP/14 C	1		T				
21	V720 - 102 - 401 - 00	O - RING/P10A	1		T				
22	1550 - 251 - 013 - 00	SHIFT,CLEAP	1		T				
23	1302 - 225 - 003 - 00	SPRING,SHIFTER	1		T				
24	V682 - 200 - 001 - 00	BALL,STEEL	1		T				
25	1550 - 251 - 009 - 00	PLATE,STOPPER	1		T				

FIG. 98 TRAILER HITCH SYSTEM



KEY	PART CODE	DESCRIPTION	QTY	TYPE OF WHEEL		I T C	C O I	C R B	REMARKS
				1.30	1.30+				
1	1603-336-300-00	HITCH TRAILER EFF	1		T				
2	1558-335-210-10	HITCH TRAILER COMP			T				
3	1603-333-310-10	BRACKET HITCH COMP			T				
4	V201-261-205-00	BOLT/M15X102	4		T				
5	V201-301-203-00	BOLT/M12X80	3		T				
6	V401-150-012-00	NUT/M12	3		T				
7	V304-250-012-00	NUT/M12	5		T				
8	V211-950-901-20	BOLT/SEMS M8X12	2		T				
9	1408-247-250-00	PN	1		T				ASSY
10	1421-502-002-00	PIN LINK	1		T				
11	1553-335-600-00	HITCH TRAILER EFF	1		T				
12	1553-335-210-10	HITCH TRAILER COMP	1		T				
13	V201-261-205-00	BOLT/M15X102	4		T				
14	V201-301-203-00	BOLT/M12X80	3		T				
15	V401-150-012-00	NUT/M12	5		T				
16	V304-250-012-00	NUT/M12	3		T				
17	1408-247-250-00	PN	1		T				ASSY
18	1421-502-002-00	PIN LINK	1		T				

FIG. 99 VALVE (SUB/1) SET SYSTEM (EXCEPT H·M)

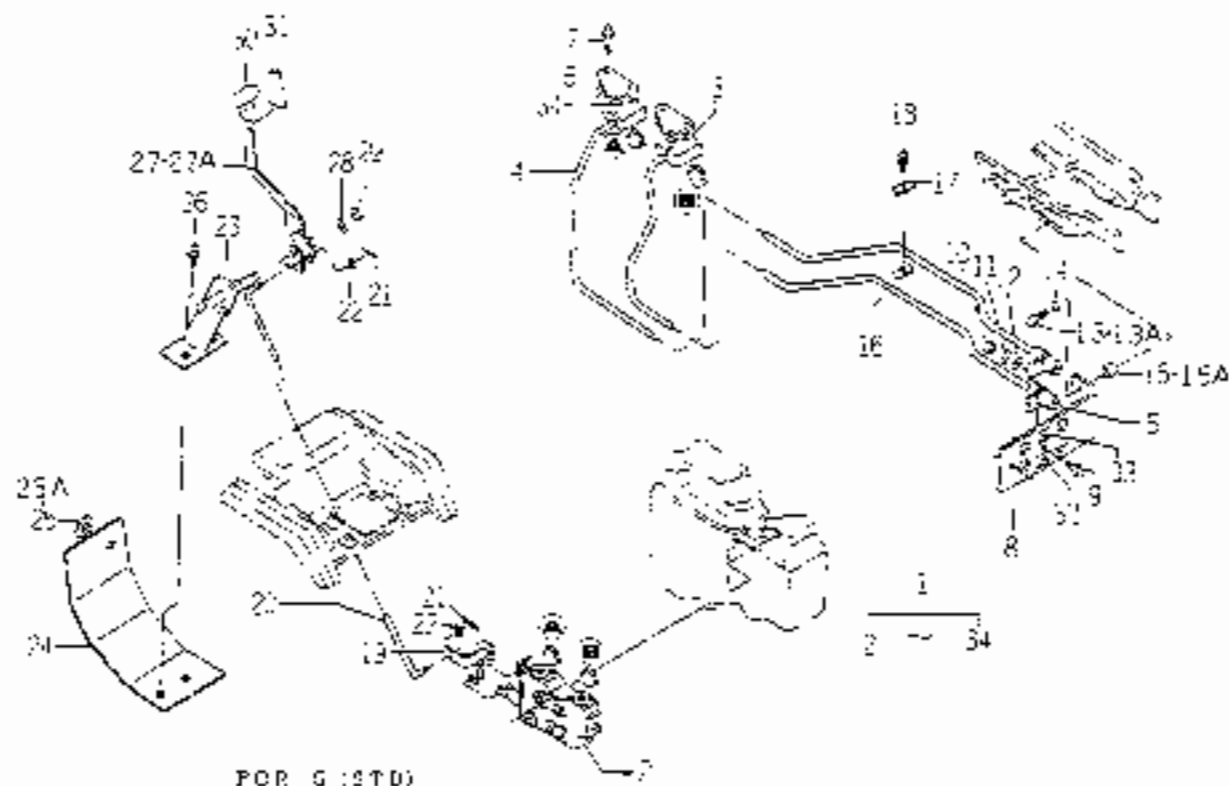
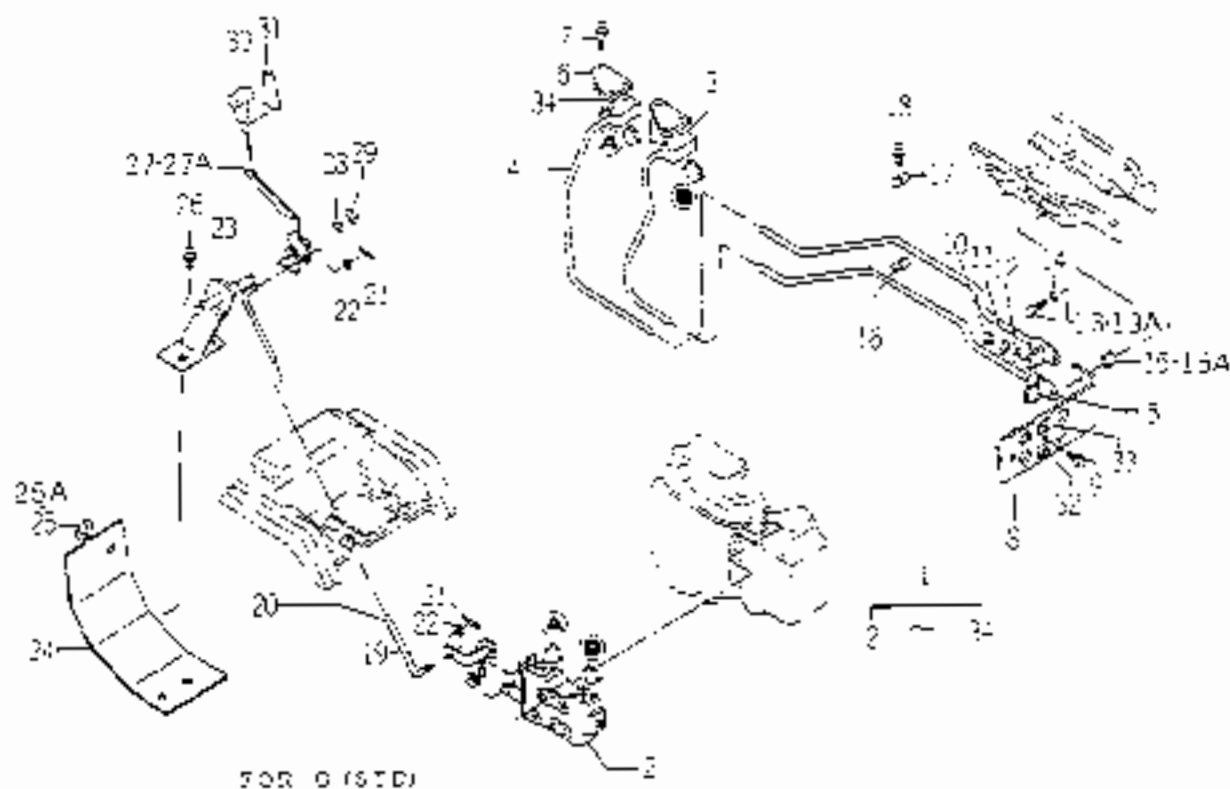


FIG. 99A

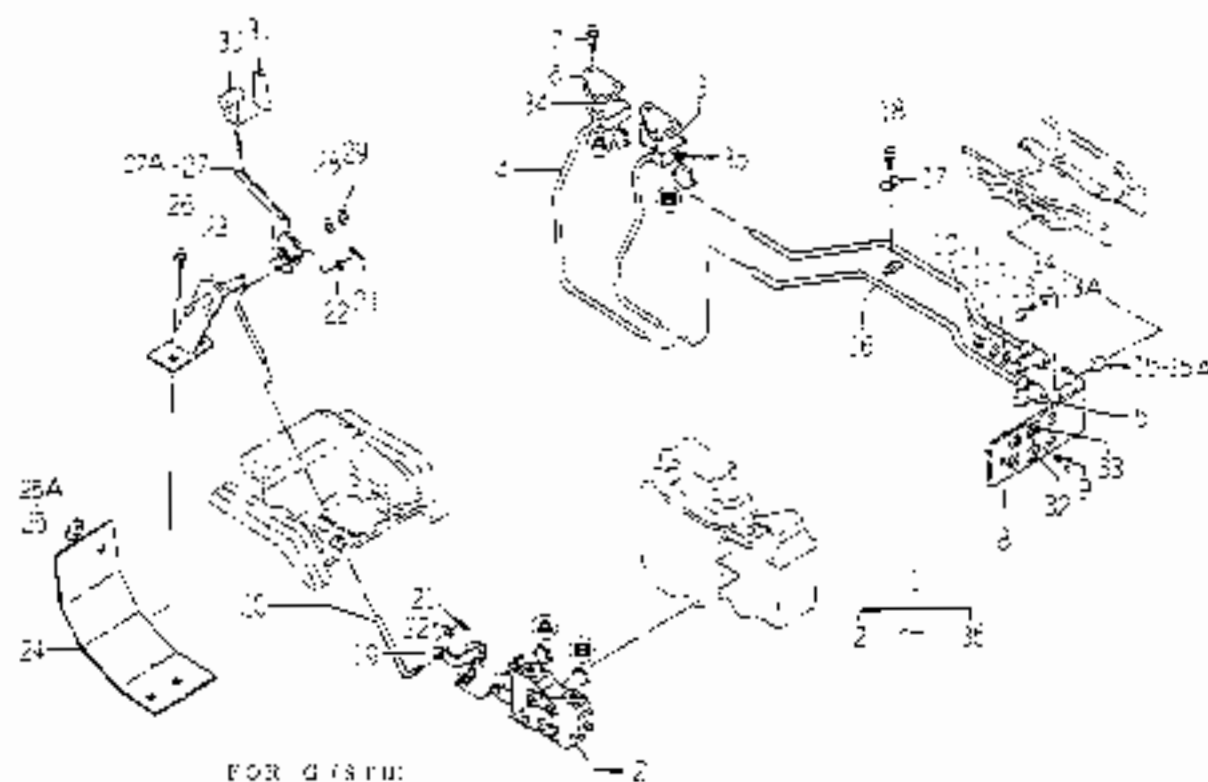
KEY	PART CODE	DESCRIPTION	QTY	TYPE OF MODEL		I T C	U C I	G R F	REMARKS
				1952	1952 ¹				
1	1603 505 200 10	VALVE, COMP. 1/2" 3/4"	1		*				
2	1711 - 017 - 000 - 00	VALVE, EXTERN. ASSY	1		*				
3	1603 505 210 00	PIPE, ST. A COMP	1		*				
4	503 - 500 - 220 - 00	PIPE, ST. B COMP	1		*				
5	V751 160 000 6B	NOBLE, TYP. B	2		*				
6	1500 509 002 00	COVER, A	2		*				
	V21 200 803 50	SCREW, M8X20	6		*				
8	503 500 001 00	STAY, PLATE	1		*				
9	V211 - 150 - 1007 - 00	SCREW, M8X20	1		*				
10	V304 - 250 - 003 - 00	NUT, M 8	1		*				
11	V401 160 008 00	WASHER, SH. M8	1		*				
12	V411 260 008 00	WASHER, PL. M8	1		*				
13	V201 261 003 00	BOLT, M 7X30	1		1 -563 551				
13A	V201 261 - 204 - 50	BOLT, M 2X30	1						
14	V401 160 - 012 - 00	WASHER, SH. M12	1		*				
15	1500 525 203 00	COLLAR, 17X26X30	1		1 -563 551				
16	557 - 570 - 04 00	COLLAR, 15X25X15	1						
16	1554 - 517 - 003 - 00	CLIP, 19X3	1		*				
17	554 517 001 00	CLIP, 19X3	1		*				
18	V211 - 250 - 504 - 00	BOLTS, M8X40	1		*				
19	1603 505 230 10	ARM, 1ST COMP	1		*				
20	1802 - 508 - 001 - 00	PISTON	1		*				
21	2130 501 018 00	PIN, SPR. 2	1		*				
22	V411 - 200 - 000 - 00	WASHER, M5	2		*				
23	1503 509 250 00	HOLDER, COVER COMP	1		*				

FIG. 99 VALVE (SUB/1) SET SYSTEM (EXCEPT H • M)



KEY	PART CODE	DESCRIPTION	TYPE OF NEEDLE		1	0	C	P	REMARKS
			1	ILM					
24	1003 - 009 - 009 - 00	PLATE	1						
25	1007 - 771 - 000 - 00	WASHER/142X5							
25A	V411 - 200 - 012 - 00	WASHER MID	1						
26	V211 - 280 - 800 - 00	BOLTS-MEX20	2						
27	1603 - 509 - 240 - 00	LEVER/ST COMP	1						
27A	1603 - 509 - 200 - 00	LEVER/ST SET							
28	V411 - 200 - 010 - 00	WASHER-MID							
29	V704 - 140 - 010 - 00	REGULATOR							
30	1444 - 307 - 007 - 00	GHP							
31	1550 - 318 - 007 - 00	TUBETRAIGHT 1/2"	1						
32	1518 - 903 - 006 - 00	MARK-PORT 1/4"	1						
33	1515 - 003 - 007 - 00	MARK-PORT 1/4"	1						
34	V710 - 112 - 407 - 00	O-RING 1/2"	2						

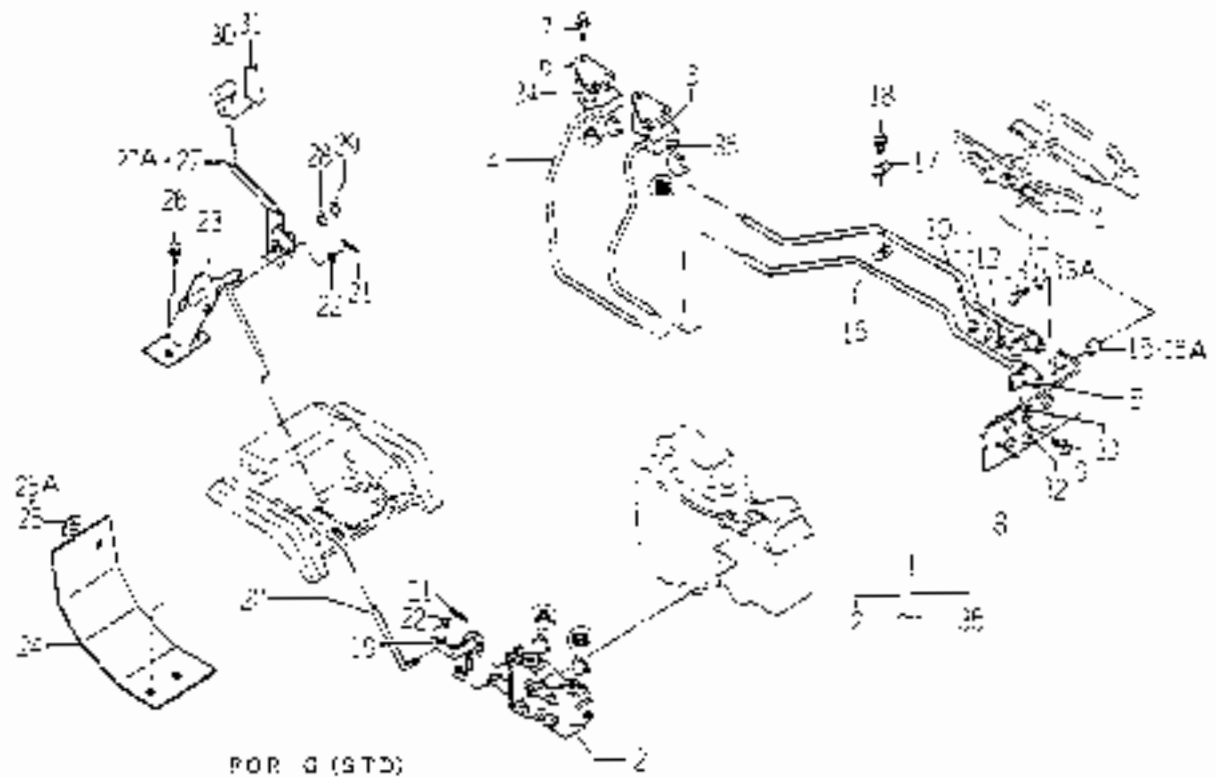
FIG.100 VALVE (SUB/1/H) SET SYSTEM (H · M)



FOR G 13111

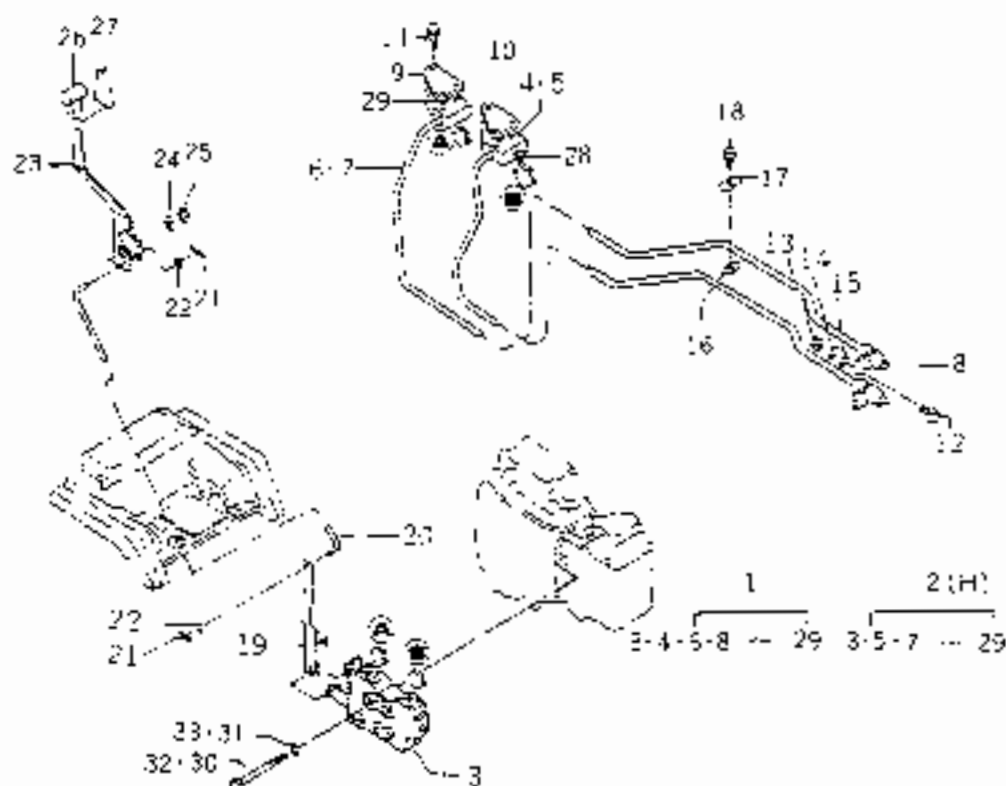
KEY	PART CODE	DESCRIPTION	QTY	TYPE OF MODEL		I T C	C O L	G R P	REMARKS
				TISSO	CLERIF				
1	1603 - 509 - 500 - 00	VALVE SUB. 1574 P. EFF.	1						
2	K211 - 016 - 000 - 00	VALVE CONTROL ASSY	1						
3	1603 - 509 - 510 - 00	OPER. 1574 COMP.	1						
4	1603 - 509 - 520 - 00	OPER. 1574 COMP.	1						
5	V781 - 180 - 000 - 60	NUT. M 8	2						
6	1500 - 509 - 000 - 00	COVER/A	2						
7	V211 - 200 - 300 - 50	BOLT. 1574 M8X35	6						
8	003 - 509 - 001 - 00	STAY PLATE	1						
9	V211 - 250 - 400 - 00	BOLT. 1574 M8X40	1						
10	V304 - 280 - 005 - 00	NUT. M 8	1						
11	V401 - 100 - 005 - 00	WASHER. 1574 M 8	1						
12	V411 - 250 - 005 - 00	WASHER. 1574 M 8	1						
13	V201 - 200 - 005 - 00	BOLT. 1574 M8X30	1						
13A	V201 - 200 - 004 - 50	BOLT. 1574 M8X30	1						
14	V401 - 100 - 012 - 00	WASHER. 1574 M 8	1						
15	1500 - 025 - 203 - 00	COLLAR. 15X25X05	1						
15A	1500 - 025 - 101 - 00	COLLAR. 15X25X15	1						
16	1504 - 517 - 005 - 00	W. 1574 M 8	1						
17	1504 - 517 - 004 - 00	W. 1574 M 8	1						
18	V210 - 280 - 504 - 00	BOLT. 1574 M8X40	1						
19	1603 - 509 - 200 - 10	OPER. 1574 COMP.	1						
20	1602 - 509 - 000 - 00	OPER. 1574	1						
21	0130 - 001 - 010 - 00	WASHER. 1574 M 8	2						
22	V411 - 280 - 006 - 00	WASHER. 1574 M 8	3						
23	1503 - 509 - 250 - 00	OPER. 1574 COMP.	1						

FIG.100 VALVE (SUB/1/H) SET SYSTEM (H • M)



KEY	PART CODE	DESCRIPTION	QTY	TYPE OF MODEL		C	C	C	P	REMARKS
				1330	1335					
24	1603 - 509 - 009 - 00	PLATE	1							
25	V411 - 201 - 002 - 00	WASHER 1X/2X	1							
25A	V411 - 260 - 010 - 00	WASHER 1/2	1							
26	V01 - 480 - 802 - 00	BO 1.5/MR21	2							
27	1603 - 509 - 240 - 00	LEVER 151	1							
27A	1603 - 509 - 200 - 00	LEVER 151	1							
30	V411 - 200 - 010 - 00	WASHER 1/2	1							
29	V101 - 110 - 010 - 00	RING SEAL 10 C	1							
30	1444 - 307 - 007 - 00	ORIP	1							
31	1560 - 315 - 002 - 00	LUBRIFRAG IT 50	1							
32	1518 - 501 - 005 - 00	MARK PORT/A	1							
33	1518 - 503 - 007 - 00	MARK PORT/B	1							
34	V770 - 112 - 001 - 00	O-RING R12	2							
35	V780 - 140 - 002 - 00	PLUG SEAL	1							

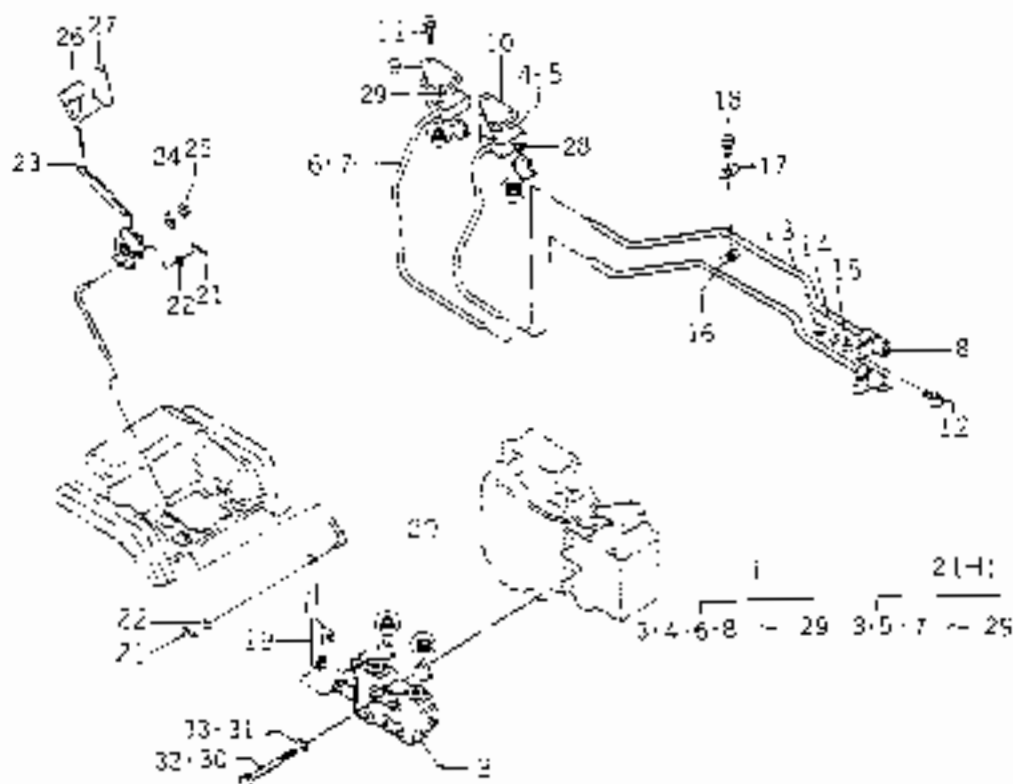
FIG.102 VALVE (SUB/2) SET SYSTEM (OPTION)



VALVE

KEY	PART CODE	DESCRIPTION	QTY	TYPE OF MODEL		I T C	C O L	G R F	REMARKS
				1 USE	1.3 USE				
1	1503 509 300 10	VALVE, SUB. 2ND SET	1						
2	1503 509 300 00	VALVE, SUB. 2ND SET	1						
3	6211 010 000 00	VALVE CONTROL ASSY	1						
4	1603 509 310 00	P.F. 2ND. A COMP	1		T				
5	1603 509 320 00	P.F. 2ND. B COMP	1		T				
6	1603 509 320 00	P.F. 2ND. B COMP	1		T				
7	1603 509 310 00	P.F. 2ND. U COMP	1		T				
8	4781 160 000 00	NIPPLE, 1/2\"/>							

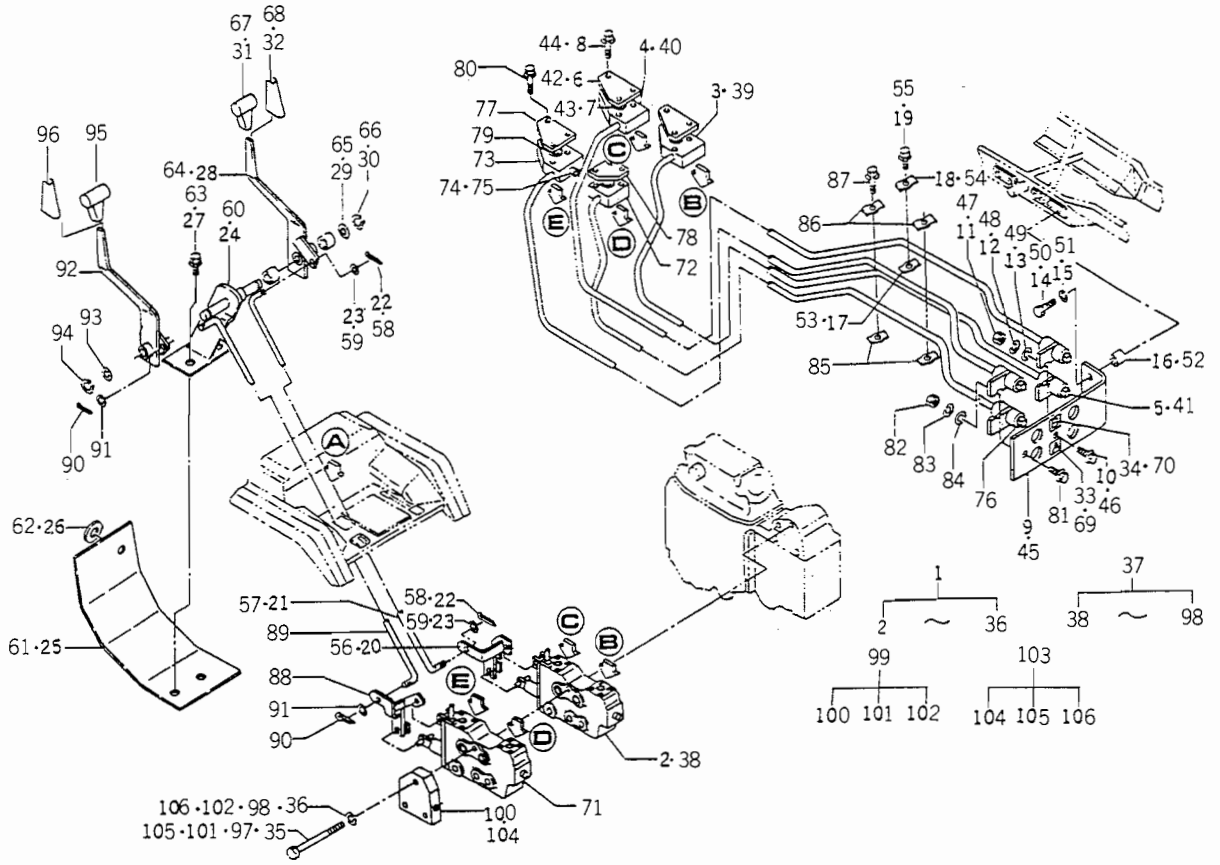
FIG.102 VALVE (SUB/2) SET SYSTEM (OPTION)



02/01

KEY	PART CODE	DESCRIPTION	QTY	TYPE OF WOOD		I T C	O O C	D C P	REMARKS
				T929	FL02F				
26	1444 507 007 00	GRIP	1		1				
27	1566 - 016 - 002 - 40	LUBE OIL FA 6-1/20	1						
28	V180 140 000 27	FLUG SEAL	1						
29	V170 - 115 - 401 - 20	O-RING/F 2	1		1				
30	V207 261 013 00	BOLT/M10X100	1						
31	V407 160 010 00	WAS-SEAL/W10	3						
32	V207 261 014 00	BOL /M10X140	3						
33	V407 160 010 00	WASHER/30 M10	3						

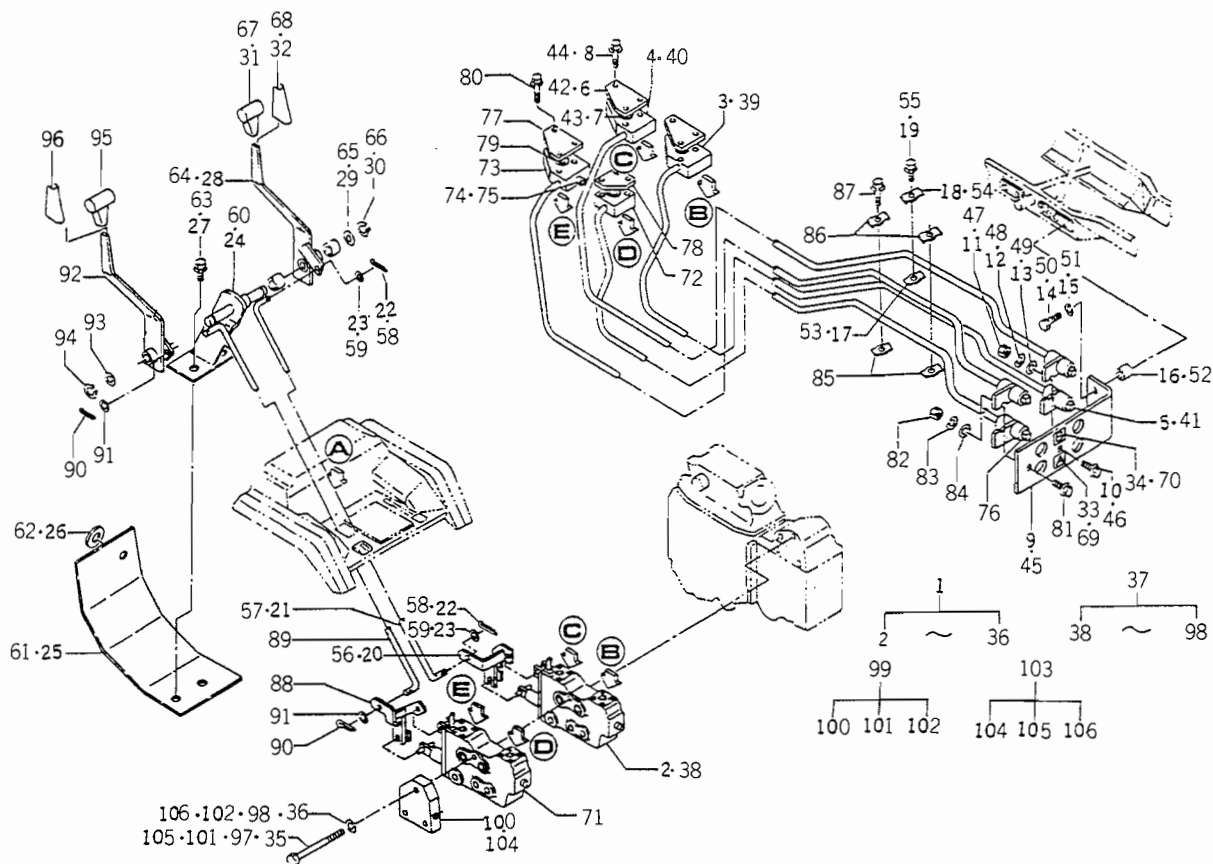
FIG.103 VALVE (SUB/1) SET SYSTEM (OPTION)



16C3-509R

KEY	PART CODE	DESCRIPTION	QTY	TYPE OF MODEL		I T C	C O L	G R P	REMARKS
				TU320	TU320F				
1	1603-509-700-10	VALVE,SUB/1 SET	1	T	T				
2	K211-016-000-00	VALVE,CONTROL ASSY	1	T	T				
3	1603-509-210-00	PIPE,1ST/A COMP	1	T	T				
4	1603-509-220-00	PIPE,1ST/B COMP	1	T	T				
5	V781-160-000-6B	NIPPLE/PT3/8	2	T	T				
6	1600-509-002-00	COVER/A	2	T	T				
7	V720-112-401-20	O-RING/P12	2	T	T				
8	V211-260-803-50	BOLT (S) M8X35	6	T	T				
9	1603-509-001-00	STAY,PLATE	1	T	T				
10	V211-360-802-00	BOLT (SP) M8X20	1	T	T				
11	V304-260-008-00	NUT/M 8	1	T	T				
12	V401-160-008-00	WASHER,SP/M 8	1	T	T				
13	V411-260-008-00	WASHER,PL/M8	1	T	T				
14	V201-261-204-50	BOLT/M12X45	1	T	T				
15	V401-160-012-00	WASHER,SP/M12	1	T	T				
16	1560-625-104-00	COLLAR/15X25X19	1	T	T				
17	1594-517-003-00	CLIP/19X3	1	T	T				
18	1594-517-004-00	CLIP/19X3	1	T	T				
19	V210-260-604-00	BOLT,S/M6X40	1	T	T				
20	1603-509-230-10	ARM/1ST COMP	1	T	T				
21	1602-509-001-00	ROD/88	1	T	T				
22	2130-601-018-00	PIN,SNAP/6	2	T	T				
23	V411-260-006-00	WASHER/M6	2	T	T				
24	1603-509-250-00	HOLDER,LEVER COMP	1	T	T				
25	1603-509-003-00	PLATE	1	T	T				

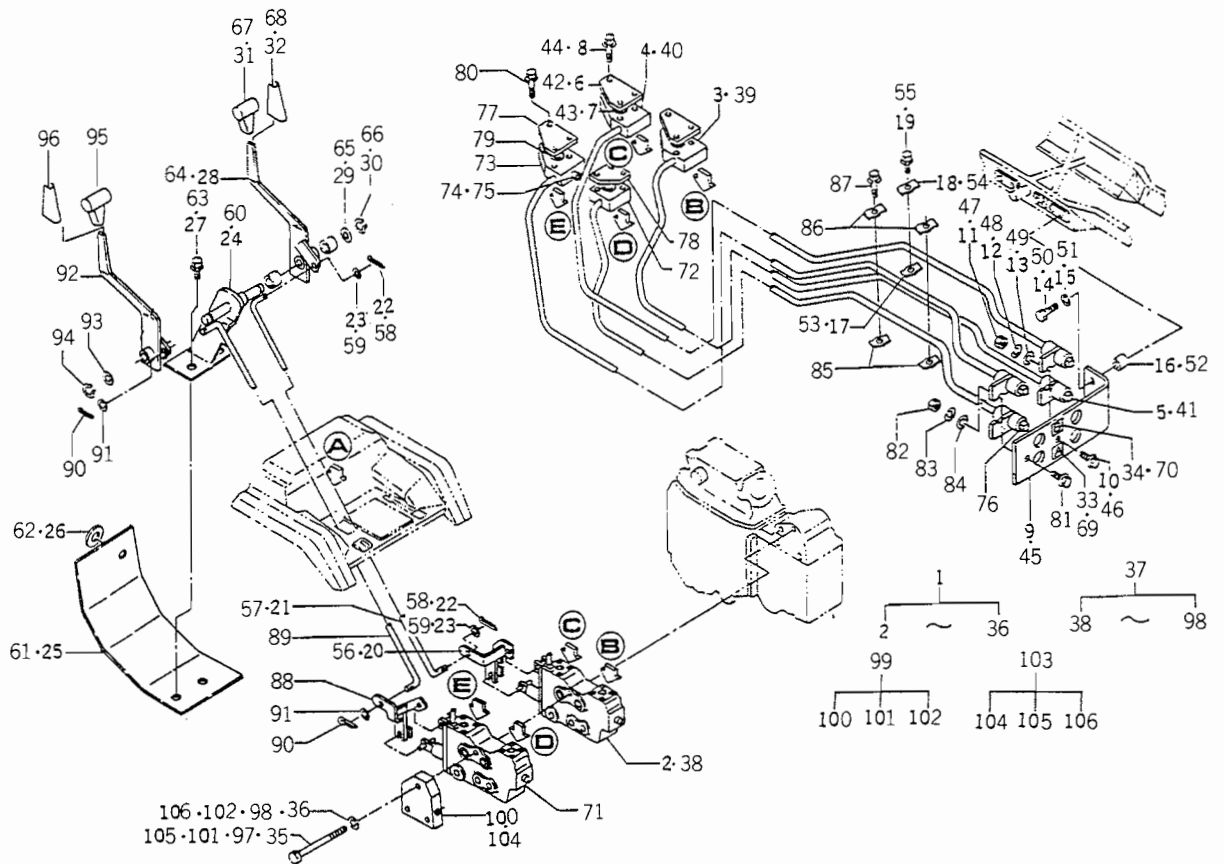
FIG.103 VALVE (SUB/1) SET SYSTEM (OPTION)



1603-509Z

KEY	PART CODE	DESCRIPTION	QTY	TYPE OF MODEL		I T C	C O L	G R P	REMARKS
				TU320	TU320F				
26	V411 - 260 - 012 - 00	WASHER /M12	1	T	T				
27	V211 - 260 - 802 - 00	BOLT,S/M8X20	2	T	T				
28	1603 - 509 - 260 - 00	LEVER/1ST SET	1	T	T				
29	V411 - 260 - 010 - 00	WASHER/M10	1	T	T				
30	V704 - 140 - 010 - 00	RING,SNAP/10 C	1	T	T				
31	1444 - 307 - 007 - 00	GRIP	1	T	T				
32	1560 - 316 - 002 - 40	TUBE,STRAIGHT/50	1	T	T				
33	1518 - 903 - 006 - 00	MARK,PORT/A	1	T	T				
34	1518 - 903 - 007 - 00	MARK,PORT/B	1	T	T				
35	V201 - 261 - 008 - 00	BOLT/M10X80	3	T	T				
36	V401 - 160 - 010 - 00	WASHER,SP/M10	3	T	T				
37	1603 - 509 - 200 - 10	VALVE,SUB/1ST SET	1	T	T				
38	K211 - 016 - 000 - 00	VALVE,CONTROL ASSY	1	T	T				
39	1603 - 509 - 210 - 00	PIPE,1ST/A COMP	1	T	T				
40	1603 - 509 - 220 - 00	PIPE,1ST/B COMP	1	T	T				
41	V781 - 160 - 000 - 6B	NIPPLE/PT3/8	2	T	T				
42	1600 - 509 - 002 - 00	COVER/A	2	T	T				
43	V720 - 112 - 401 - 20	O - RING/P12	2	T	T				
44	V211 - 260 - 803 - 50	BOLT (S) M8X35	6	T	T				
45	5603 - 509 - 001 - 00	STAY,PLATE	1	T	T				
46	V211 - 360 - 802 - 00	BOLT (SP) M8X20	1	T	T				
47	V304 - 260 - 008 - 00	NUT/M 8	1	T	T				
48	V401 - 160 - 008 - 00	WASHER,SP/M 8	1	T	T				
49	V411 - 260 - 008 - 00	WASHER,PL/M8	1	T	T				
50	V201 - 261 - 204 - 50	BOLT/M12X45	1	T	T				

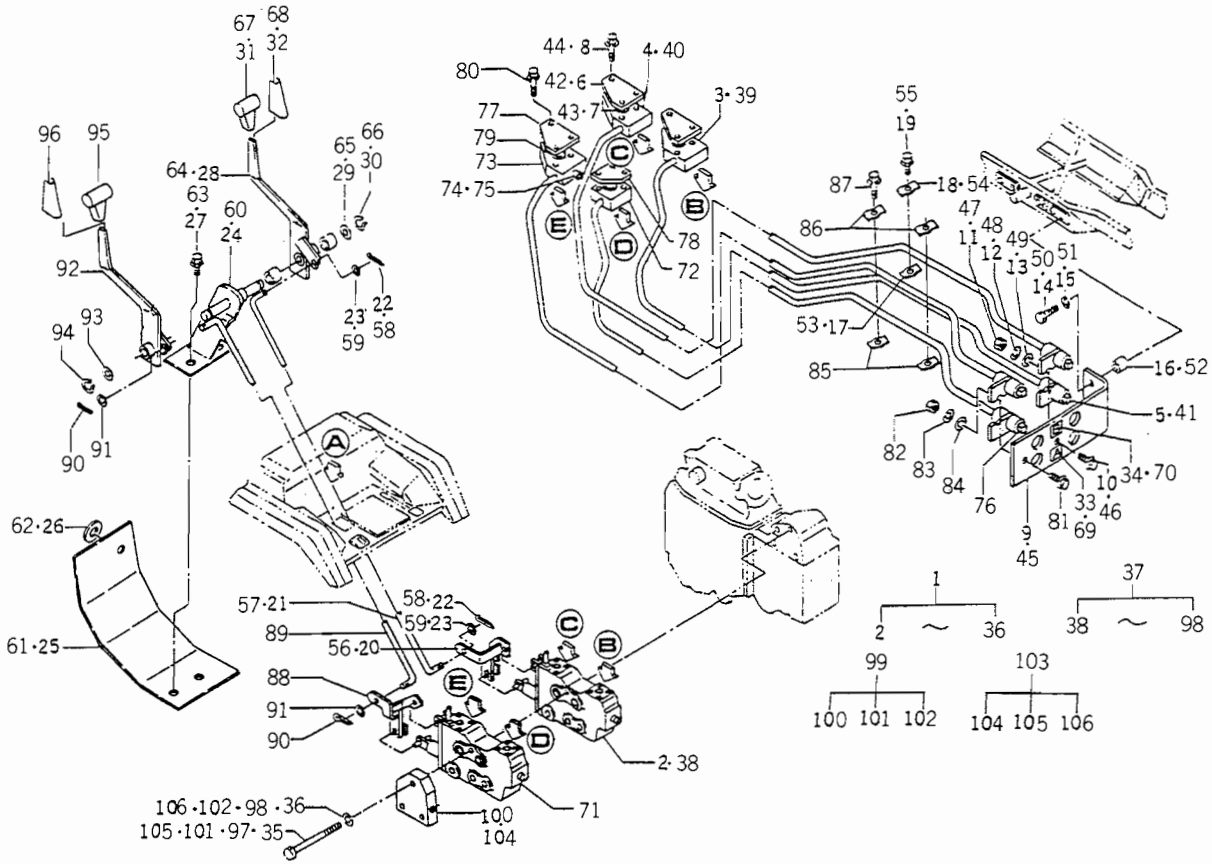
FIG.103 VALVE (SUB/1) SET SYSTEM (OPTION)



1603-509R

KEY	PART CODE	DESCRIPTION	QTY	TYPE OF MODEL		I T C	C O L	G R P	REMARKS
				TU320	TU320F				
51	V401 - 160 - 012 - 00	WASHER,SP/M12	1	T	T				
52	1560 - 625 - 104 - 00	COLLAR/15X25X19	1	T	T				
53	1594 - 517 - 003 - 00	CLIP/19X3	1	T	T				
54	1594 - 517 - 004 - 00	CLIP/19X3	1	T	T				
55	V210 - 260 - 604 - 00	BOLT,S/M6X40	1	T	T				
56	1603 - 509 - 230 - 10	ARM/1ST COMP	1	T	T				
57	1602 - 509 - 001 - 00	ROD/88	1	T	T				
58	2130 - 601 - 018 - 00	PIN,SNAP/6	2	T	T				
59	V411 - 260 - 006 - 00	WASHER/M6	2	T	T				
60	1603 - 509 - 250 - 00	HOLDER,LEVER COMP	1	T	T				
61	1603 - 509 - 003 - 00	PLATE	1	T	T				
62	V411 - 260 - 012 - 00	WASHER /M12	1	T	T				
63	V211 - 260 - 802 - 00	BOLT,S/M8X20	2	T	T				
64	1603 - 509 - 260 - 00	LEVER/1ST SET	1	T	T				
65	V411 - 260 - 010 - 00	WASHER/M10	1	T	T				
66	V704 - 140 - 010 - 00	RING,SNAP/10 C	1	T	T				
67	1444 - 307 - 007 - 00	GRIP	1	T	T				
68	1560 - 316 - 002 - 40	TUBE,STRAIGHT/50	1	T	T				
69	1518 - 903 - 006 - 00	MARK,PORT/A	1	T	T				
70	1518 - 903 - 007 - 00	MARK,PORT/B	1	T	T				
71	K211 - 016 - 000 - 00	VALVE,CONTROL ASSY	1	T	T				
72	1603 - 509 - 310 - 00	PIPE,2ND/A COMP	1	T	T				
73	1603 - 509 - 320 - 00	PIPE,2ND/B COMP	1	T	T				
74	V780 - 100 - 000 - 20	PLUG/PT1/8	1	T	T				
75	V780 - 100 - 000 - 20	PLUG/PT1/8	7	T	T				

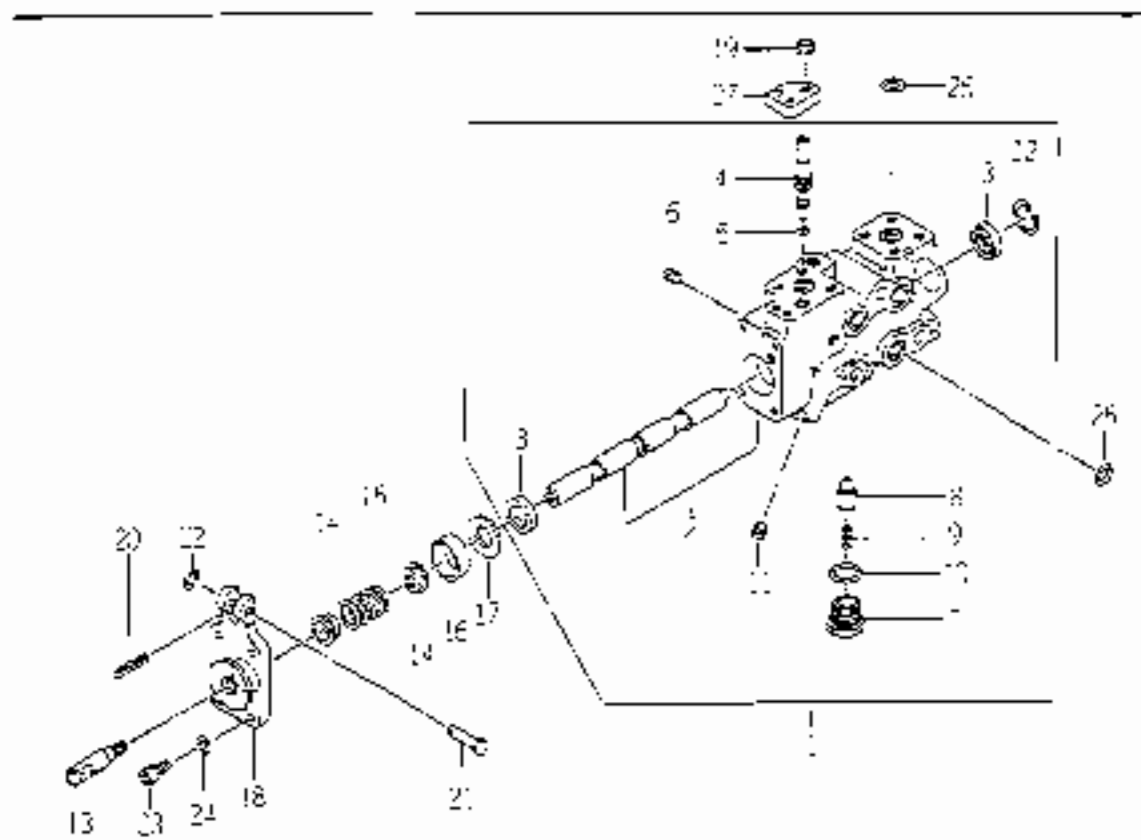
FIG.103 VALVE (SUB/1) SET SYSTEM (OPTION)



1603-509R

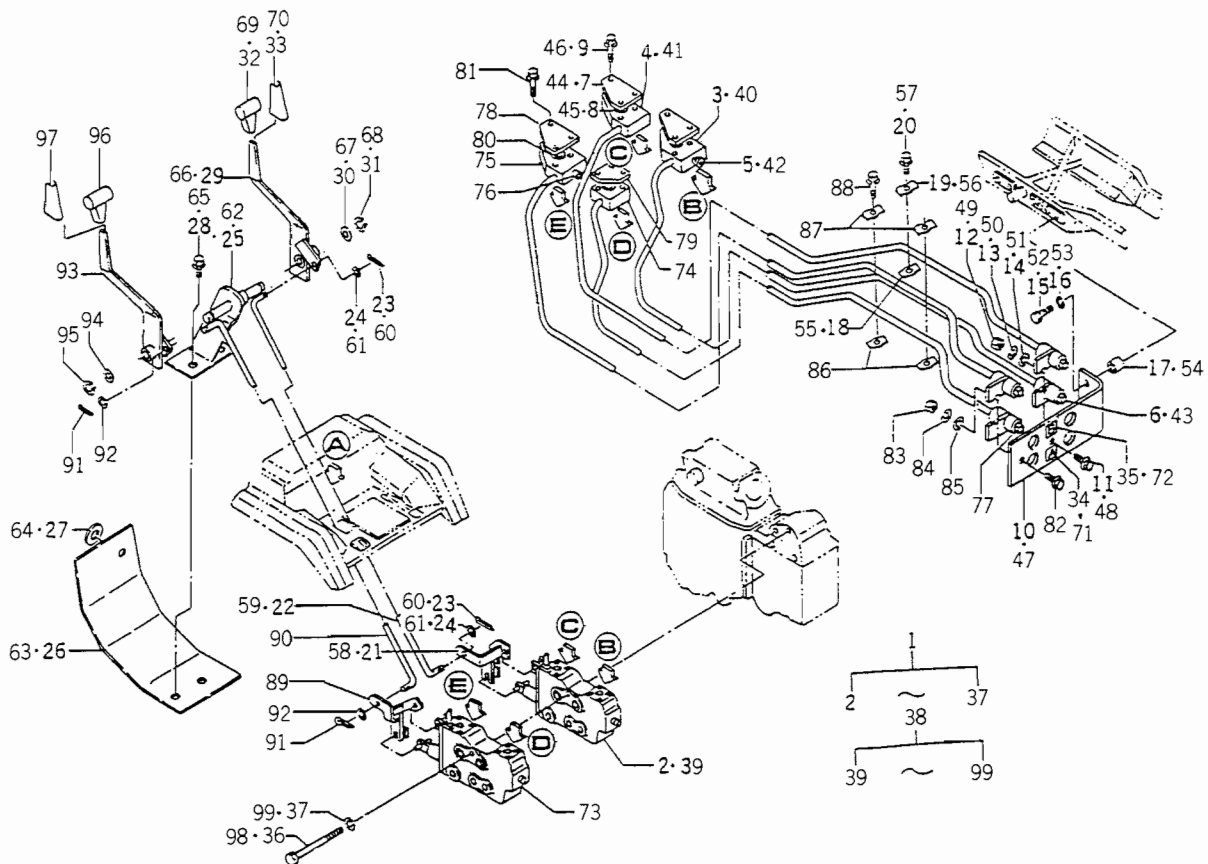
KEY	PART CODE	DESCRIPTION	QTY	TYPE OF MODEL		I T C	C O L	G R P	REMARKS
				TU320	TU320F				
76	V781 - 160 - 000 - 60	NIPPLE/PT3/8	2	T	T				
77	1600 - 509 - 002 - 00	COVER/A	1	T	T				
78	1600 - 509 - 003 - 00	COVER/B	1	T	T				
79	V720 - 112 - 401 - 20	O - RING/P12	2	T	T				
80	V211 - 260 - 803 - 50	BOLT (S) M8X35	6	T	T				
81	V211 - 360 - 802 - 00	BOLT (SP) M8X20	1	T	T				
82	V304 - 260 - 008 - 00	NUT/M 8	1	T	T				
83	V401 - 160 - 008 - 00	WASHER,SP/M 8	1	T	T				
84	V411 - 260 - 008 - 00	WASHER,PL/M8	1	T	T				
85	1594 - 517 - 003 - 00	CLIP/19X3	2	T	T				
86	1594 - 517 - 004 - 00	CLIP/19X3	2	T	T				
87	V210 - 260 - 604 - 00	BOLT,S/M6X40	2	T	T				
88	1603 - 509 - 330 - 10	ARM/2ND COMP	1	T	T				
89	1602 - 509 - 001 - 00	ROD/88	1	T	T				
90	2130 - 601 - 018 - 00	PIN,SNAP/6	2	T	T				
91	V411 - 260 - 006 - 00	WASHER/M6	2	T	T				
92	1603 - 509 - 350 - 00	LEVER/2ND SET	1	T	T				
93	V411 - 260 - 010 - 00	WASHER/M10	1	T	T				
94	V704 - 140 - 010 - 00	RING,SNAP/10 C	1	T	T				
95	1444 - 307 - 007 - 00	GRIP	1	T	T				
96	1560 - 316 - 002 - 40	TUBE,STRAIGHT/50	1	T	T				
97	V201 - 261 - 013 - 00	BOLT/M10X130	3	T	T				
98	V401 - 160 - 010 - 00	WASHER,SP/M10	3	T	T				
99	1602 - 509 - 740 - 00	METL,B/1 SET	1	T	T				
100	1600 - 509 - 004 - 00	METAL,COVER	1	T	T				

FIG.104 CONTROL VALVE SYSTEM (OPTION)



KEY	PART CODE	DESCRIPTION	QTY	TYPE OF MODEL		I T C	C O I	G R P	REMARKS
				T.320	T.320F				
1	K211-005-500-10	VALVE BODY ASSY	1	-	-	-	-	-	
2	K211-005-100-20	VALVE GCT	1	-	-	-	-	-	
3	K211-004-007-00	SEALING TORQUE	2	-	-	-	-	-	
4	K211-005-003-10	BOLT CONTROL	1	-	T	-	-	-	
5	V720-111-500-50	O-RING PS 105C	1	-	T	-	-	-	
6	K211-001-011-00	PLUG	4	T	-	-	-	-	
7	K211-005-004-00	PLUG	1	T	-	-	-	-	
8	K211-005-005-00	POCKET	-	T	T	-	-	-	
9	K110-001-105-00	SPRING	-	T	T	-	-	-	
10	V770-112-401-00	O-RING/PS	-	-	T	-	-	-	
11	V720-110-000-10	FLANG SEAL	1	T	-	-	-	-	
12	V700-130-024-00	RINGSNAP	-	T	-	-	-	-	
13	K211-005-006-00	HEAD	-	T	-	-	-	-	
14	K211-005-007-00	GUIDE PIN	2	T	-	-	-	-	
15	V211-114-001-00	SPRING/PS	1	T	T	-	-	-	
16	K211-005-008-00	COLLAR/20X28X10	1	-	T	-	-	-	
17	K211-004-008-00	COLLAR	1	-	-	-	-	-	
18	K211-005-010-00	COVER	1	-	T	-	-	-	
19	V703-108-110-30	SCALE	1	-	T	-	-	-	
20	V580-140-502-00	HINGSNAP	1	T	T	-	-	-	
21	K211-005-012-00	PIN GX20	1	T	T	-	-	-	
22	V710-140-004-00	HINGSNAP/4 P	-	T	T	-	-	-	
23	V220-040-501-50	BOLT/M6X5	5	T	T	-	-	-	
24	V401-00-002-00	WASHER/10X10	6	T	-	-	-	-	
25	V720-112-401-40	O-RING/PS	3	T	-	-	-	-	

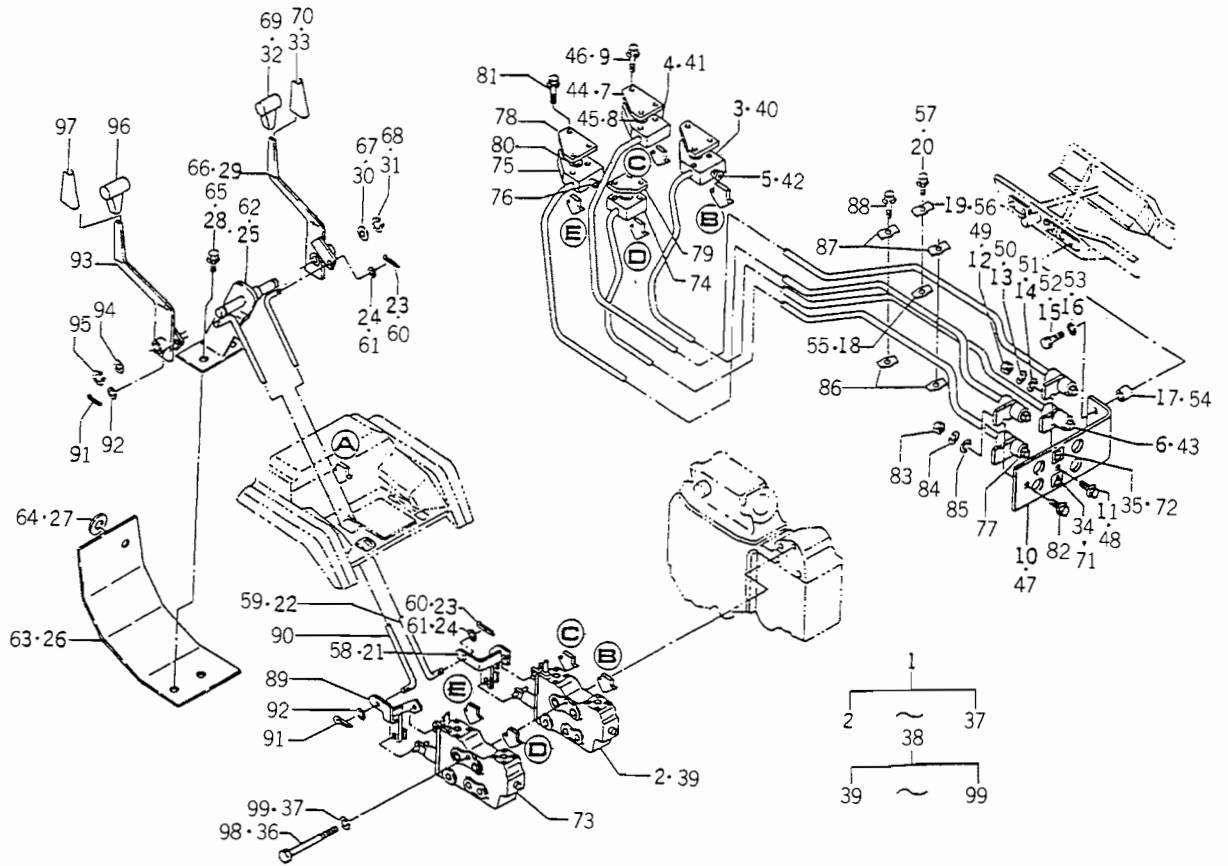
FIG.105 VALVE (SUB/1/H) SET SYSTEM (OPTION)



1603-505R

KEY	PART CODE	DESCRIPTION	QTY	TYPE OF MODEL		I T C	C O L	G R P	REMARKS
				TU320	TU320F				
1	1603 - 509 - 720 - 00	VALVE,SUB/1/H SET	1	T	T				
2	K211 - 016 - 000 - 00	VALVE,CONTROL ASSY	1	T	T				
3	1603 - 509 - 510 - 00	PIPE,1ST/A COMP	1	T	T				
4	1603 - 509 - 520 - 00	PIPE,1ST/B COMP	1	T	T				
5	V780 - 100 - 000 - 20	PLUG/PT1/8	1	T	T				
6	V781 - 160 - 000 - 6B	NIPPLE/PT3/8	2	T	T				
7	1600 - 509 - 002 - 00	COVER/A	2	T	T				
8	V720 - 112 - 401 - 20	O - RING/P12	2	T	T				
9	V211 - 260 - 803 - 50	BOLT (S) M8X35	6	T	T				
10	1603 - 509 - 001 - 00	STAY,PLATE	1	T	T				
11	V211 - 360 - 802 - 00	BOLT (SP) M8X20	1	T	T				
12	V304 - 260 - 008 - 00	NUT/M 8	1	T	T				
13	V401 - 160 - 008 - 00	WASHER,SP/M 8	1	T	T				
14	V411 - 260 - 008 - 00	WASHER,PL/M8	1	T	T				
15	V201 - 261 - 204 - 50	BOLT/M12X45	1	T	T				
16	V401 - 160 - 012 - 00	WASHER,SP/M12	1	T	T				
17	1560 - 625 - 104 - 00	COLLAR/15X25X19	1	T	T				
18	1594 - 517 - 003 - 00	CLIP/19X3	1	T	T				
19	1594 - 517 - 004 - 00	CLIP/19X3	1	T	T				
20	V210 - 260 - 604 - 00	BOLT,S/M6X40	1	T	T				
21	1603 - 509 - 230 - 10	ARM/1ST COMP	1	T	T				
22	1602 - 509 - 001 - 00	ROD/88	1	T	T				
23	2130 - 601 - 018 - 00	PIN,SNAP/6	2	T	T				
24	V411 - 260 - 006 - 00	WASHER/M6	2	T	T				
25	1603 - 509 - 250 - 00	HOLDER,LEVER COMP	1	T	T				

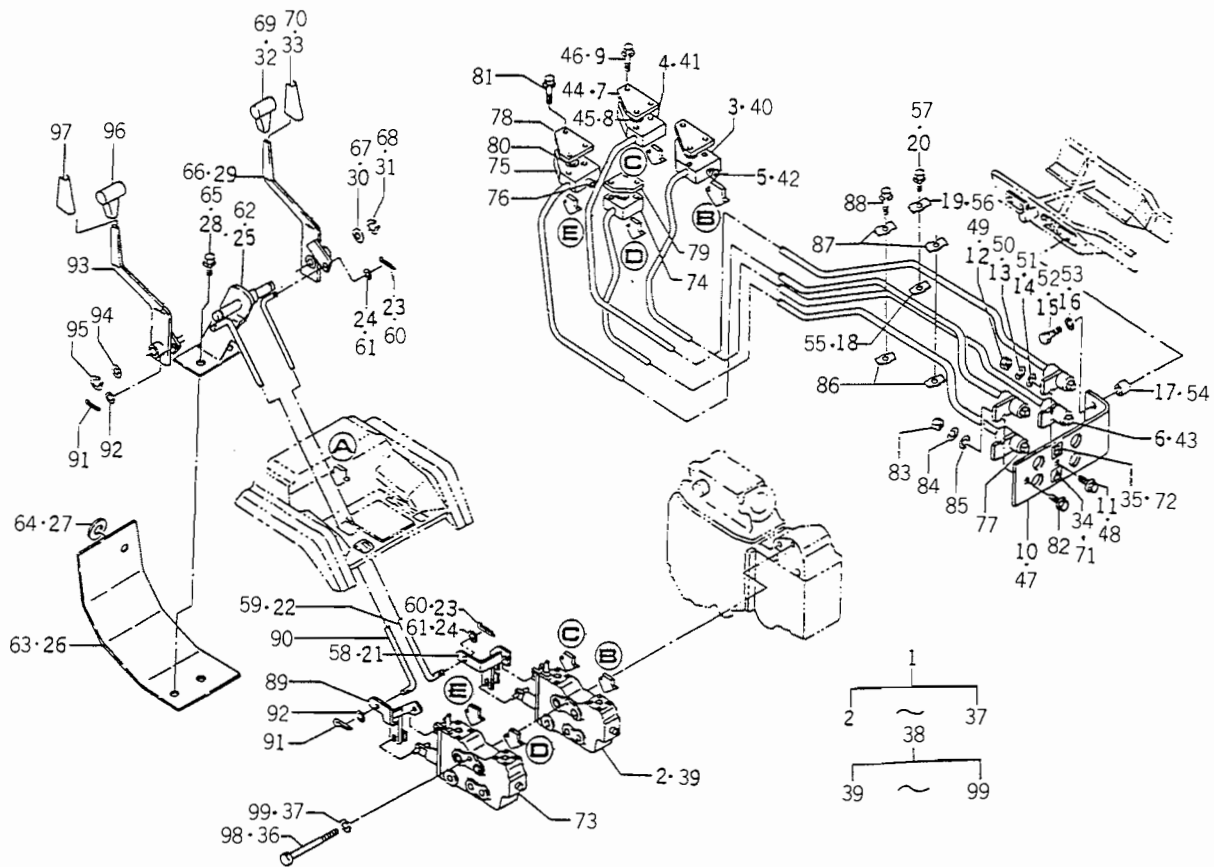
FIG.105 VALVE (SUB/1/H) SET SYSTEM (OPTION)



1603-509R

KEY	PART CODE	DESCRIPTION	QTY	TYPE OF MODEL		I T C	C O L	G R P	REMARKS
				TU320	TU320F				
26	1603 - 509 - 003 - 00	PLATE	1	T	T				
27	V411 - 260 - 012 - 00	WASHER /M12	1	T	T				
28	V211 - 260 - 802 - 00	BOLT,S/M8X20	2	T	T				
29	1603 - 509 - 260 - 00	LEVER/1ST SET	1	T	T				
30	V411 - 260 - 010 - 00	WASHER/M10	1	T	T				
31	V704 - 140 - 010 - 00	RING,SNAP/10 C	1	T	T				
32	1444 - 307 - 007 - 00	GRIP	1	T	T				
33	1560 - 316 - 002 - 40	TUBE,STRAIGHT/50	1	T	T				
34	1518 - 903 - 006 - 00	MARK,PORT/A	1	T	T				
35	1518 - 903 - 007 - 00	MARK,PORT/B	1	T	T				
36	V201 - 261 - 008 - 00	BOLT/M10X80	3	T	T				
37	V401 - 160 - 010 - 00	WASHER,SP/M10	3	T	T				
38	1603 - 509 - 730 - 00	VALVE,SUB/2/H SET	1	T	T				
39	K211 - 016 - 000 - 00	VALVE,CONTROL ASSY	1	T	T				
40	1603 - 509 - 510 - 00	PIPE,1ST/A COMP	1	T	T				
41	1603 - 509 - 520 - 00	PIPE,1ST/B COMP	1	T	T				
42	V780 - 100 - 000 - 20	PLUG/PT1/8	1	T	T				
43	V781 - 160 - 000 - 60	NIPPLE/PT3/8	2	T	T				
44	1600 - 509 - 002 - 00	COVER/A	2	T	T				
45	V720 - 112 - 401 - 20	O - RING/P12	2	T	T				
46	V211 - 260 - 803 - 50	BOLT (S) M8X35	6	T	T				
47	1603 - 509 - 001 - 00	STAY,PLATE	1	T	T				
48	V211 - 360 - 802 - 00	BOLT (SP) M8X20	1	T	T				
49	V304 - 260 - 008 - 00	NUT/M 8	1	T	T				
50	V401 - 160 - 008 - 00	WASHER,SP/M 8	1	T	T				

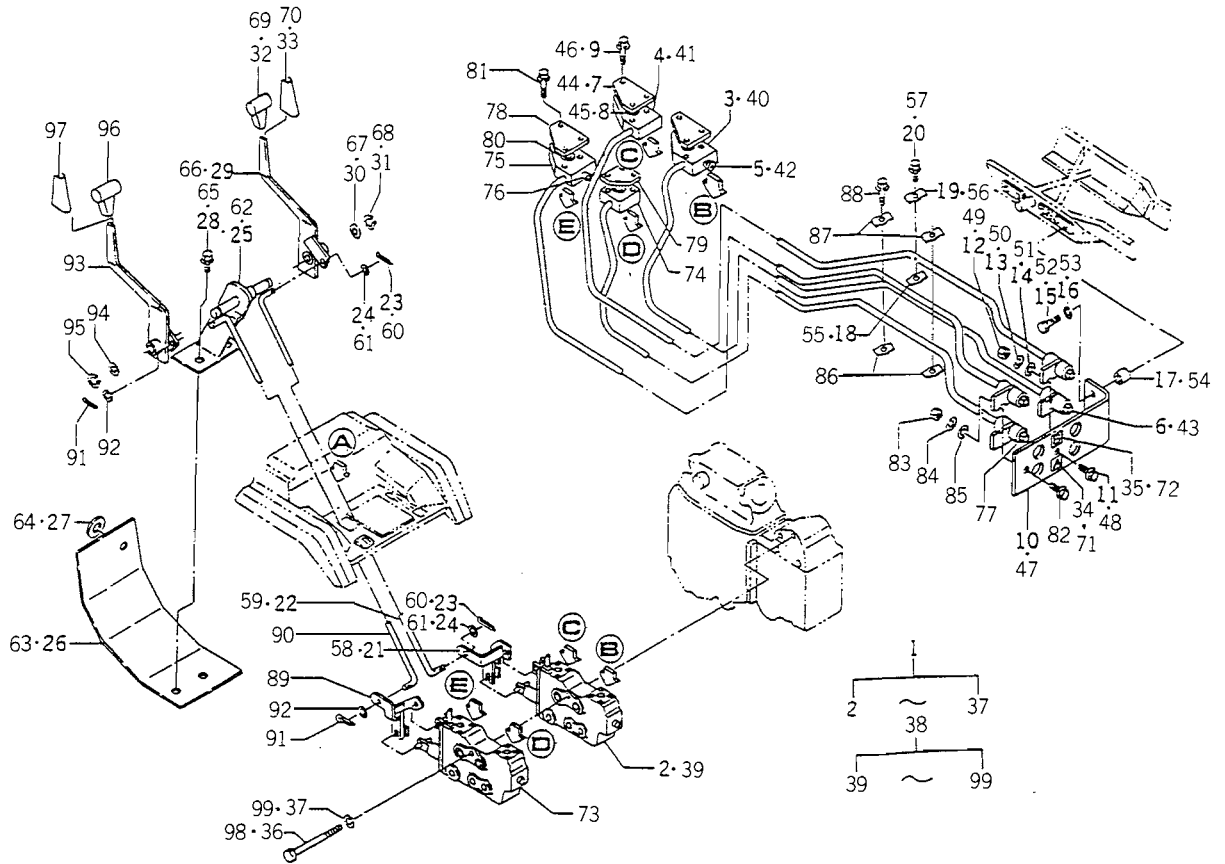
FIG.105 VALVE (SUB/1H) SET SYSTEM (OPTION)



1603-509R

KEY	PART CODE	DESCRIPTION	QTY	TYPE OF MODEL		I T C	C O L	G R P	REMARKS
				TU320	TU320F				
51	V411 - 260 - 008 - 00	WASHER,PL/M8	1	T	T				
52	V201 - 261 - 204 - 50	BOLT/M12X45	1	T	T				
53	V401 - 160 - 012 - 00	WASHER,SP/M12	1	T	T				
54	1560 - 625 - 104 - 00	COLLAR/15X25X19	1	T	T				
55	1594 - 517 - 003 - 00	CLIP/19X3	1	T	T				
56	1594 - 517 - 004 - 00	CLIP/19X3	1	T	T				
57	V210 - 260 - 604 - 00	BOLT,S/M6X40	1	T	T				
58	1603 - 509 - 230 - 10	ARM/1ST	1	T	T				COMP
59	1602 - 509 - 001 - 00	ROD/88	1	T	T				
60	2130 - 601 - 018 - 00	PIN,SNAP/6	2	T	T				
61	V411 - 260 - 006 - 00	WASHER/M6	2	T	T				
62	1603 - 509 - 250 - 00	HOLDER,LEVER	1	T	T				COMP
63	1603 - 509 - 003 - 00	PLATE	1	T	T				
64	V411 - 260 - 012 - 00	WASHER /M12	1	T	T				
65	V211 - 260 - 802 - 00	BOLT,S/M8X20	2	T	T				
66	1603 - 509 - 260 - 00	LEVER/1ST	1	T	T				SET
67	V411 - 260 - 010 - 00	WASHER/M10	1	T	T				
68	V704 - 140 - 010 - 00	RING,SNAP/10 C	1	T	T				
69	1444 - 307 - 007 - 00	GRIP	1	T	T				
70	1560 - 316 - 002 - 40	TUBE,STRAIGHT/50	1	T	T				
71	1518 - 903 - 006 - 00	MARK,PORT/A	1	T	T				
72	1518 - 903 - 007 - 00	MARK,PORT/B	1	T	T				
73	K211 - 016 - 000 - 00	VALVE,CONTROL	1	T	T				ASSY
74	1603 - 509 - 560 - 00	PIPE,2ND/A	1	T	T				COMP
75	1603 - 509 - 570 - 00	PIPE,2ND/B	1	T	T				COMP

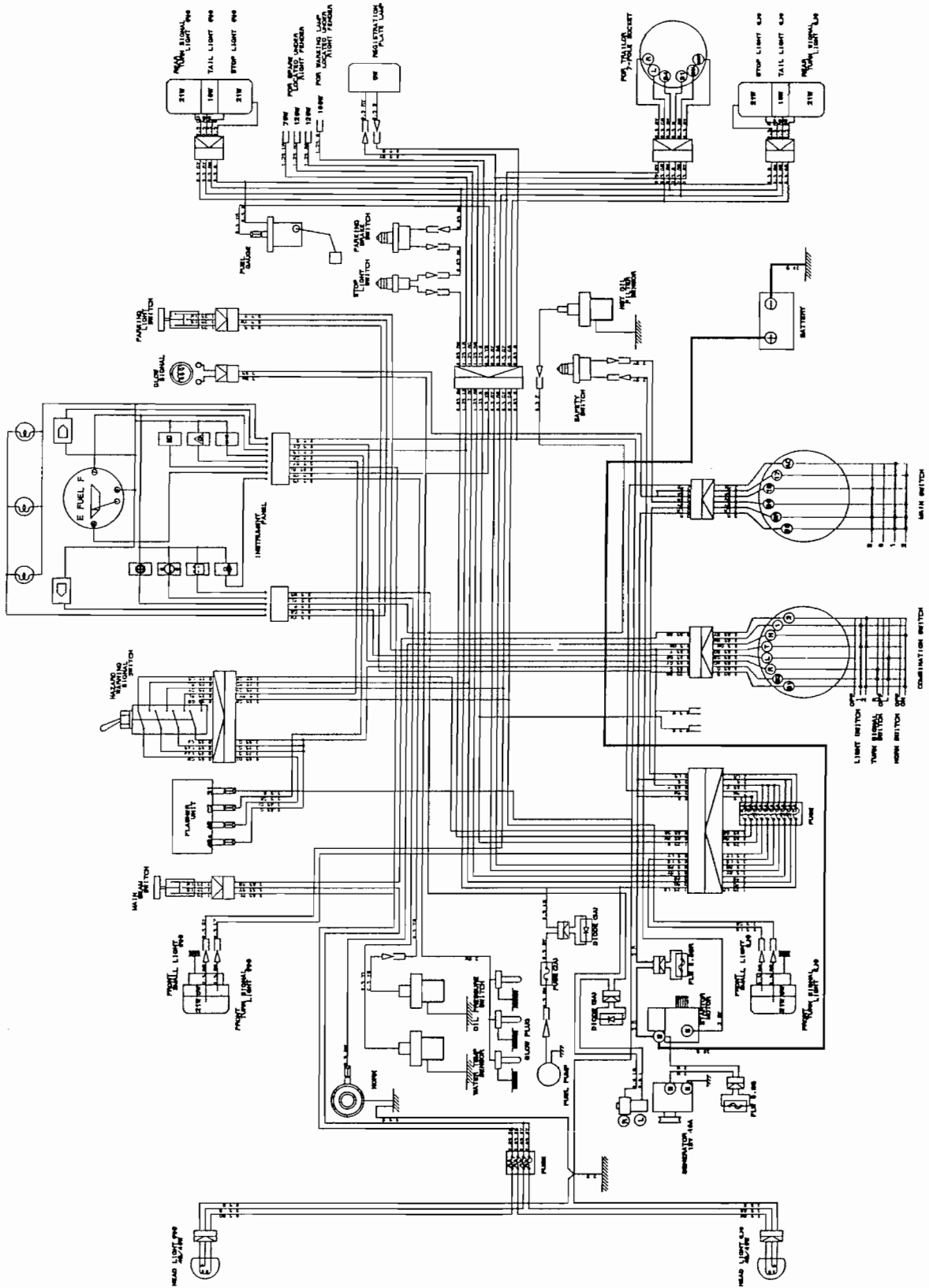
FIG.105 VALVE (SUB/1/H) SET SYSTEM (OPTION)



1603-509R

KEY	PART CODE	DESCRIPTION	QTY	TYPE OF MODEL		I T C	C O L	G R P	REMARKS
				TU320	TU320F				
76	V780 - 100 - 000 - 20	PLUG/PT1/8	1	T	T				
77	V781 - 160 - 000 - 60	NIPPLE/PT3/8	2	T	T				
78	1600 - 509 - 002 - 00	COVER/A	1	T	T				
79	1600 - 509 - 003 - 00	COVER/B	1	T	T				
80	V720 - 112 - 401 - 20	O - RING/P12	2	T	T				
81	V211 - 260 - 803 - 50	BOLT (S) M8X35	6	T	T				
82	V211 - 360 - 802 - 00	BOLT (SP) M8X20	1	T	T				
83	V304 - 260 - 008 - 00	NUT/M 8	1	T	T				
84	V401 - 160 - 008 - 00	WASHER,SP/M 8	1	T	T				
85	V411 - 260 - 008 - 00	WASHER,PL/M8	1	T	T				
86	1594 - 517 - 003 - 00	CLIP/19X3	2	T	T				
87	1594 - 517 - 004 - 00	CLIP/19X3	2	T	T				
88	V210 - 260 - 604 - 00	BOLT,S/M6X40	2	T	T				
89	1603 - 509 - 330 - 10	ARM/2ND	1	T	T				COMP
90	1602 - 509 - 001 - 00	ROD/88	1	T	T				
91	2130 - 601 - 018 - 00	PIN,SNAP/6	2	T	T				
92	V411 - 260 - 006 - 00	WASHER/M6	2	T	T				
93	1603 - 509 - 350 - 00	LEVER/2ND	1	T	T				SET
94	V411 - 260 - 010 - 00	WASHER/M10	1	T	T				
95	V704 - 140 - 010 - 00	RING,SNAP/10 C	1	T	T				
96	1444 - 307 - 007 - 00	GRIP	1	T	T				
97	1560 - 316 - 002 - 40	TUBE,STRAIGHT/50	1	T	T				
98	V201 - 261 - 013 - 00	BOLT/M10X130	3	T	T				
99	V401 - 160 - 010 - 00	WASHER,SP/M10	3	T	T				

WIRING DIAGRAM



NUMERICAL INDEX

ENGINE

PART CODE	FIG. KEY	PART CODE	FIG. KEY	PART CODE	FIG. KEY
1373-121-001-00	23 8	6211-777-004-20	10 2	6213-641-001-00	19 2
6109-503-003-00	15 12	6211-777-005-10	10 1	6213-660-014-00	19 1
6115-639-008-00	21 6	6212-111-025-00	13 1	6213-669-006-00	19 3
	21 9	6212-114-025-00	14 1	6213-671-007-00	19 4
6209-000-010-00	1 15	6212-116-025-00	14 6	6213-674-005-00	23 6
6209-000-011-00	5 2	6212-121-003-00	13 2	6213-711-004-00	18 1
6209-030-001-00	9 13	6212-124-003-00	14 2	6213-721-007-00	5 15
6209-030-002-00	4 5	6212-126-003-00	14 7	6214-111-005-00	3 1
6209-030-004-00	7 4	6212-141-004-00	13 3	6214-141-009-00	4 1
6209-032-001-00	16 10	6212-141-005-00	13 4	6214-146-001-00	4 2
6209-360-011-00	22 1	6212-144-004-00	14 3	6214-310-003-00	3 4
6209-580-006-00	21 13	6212-144-005-00	14 4	6214-319-001-00	3 5
6209-600-002-00	7 5	6212-146-004-00	14 8	6215-311-018-00	25 1
6209-605-001-00	16 8	6212-146-005-00	14 9	6215-330-012-00	25 2
6209-605-002-10	5 16	6212-230-002-00	13 8	6215-332-003-00	25 20
6209-605-004-00	1 8	6212-264-001-00	6 10	6215-339-003-00	25 19
	5 5	6212-266-001-00	6 9	6215-342-003-00	25 3
6209-623-001-00	7 6	6212-300-002-00	15 1	6215-343-003-00	25 4
6209-630-005-00	3 6	6212-330-012-00	15 5	6215-345-054-00	25 5
6209-730-001-00	15 4	6212-363-001-00	8 8	6215-345-055-00	25 6
6209-800-001-00	12 14	6212-370-002-00	15 11	6215-345-056-00	25 7
6209-802-002-00	15 13	6212-511-003-00	12 1	6215-345-057-00	25 8
6211-110-004-10	1 1	6212-520-001-00	12 9	6215-345-058-00	25 9
6211-141-044-00	1 14	6212-521-001-10	15 3	6215-345-059-00	25 10
6211-150-004-00	1 2	6212-522-002-00	12 2	6215-345-060-00	25 11
6211-170-002-00	2 1	6212-523-002-00	12 12	6215-345-061-00	25 12
6211-173-001-00	2 3	6212-524-001-00	21 4	6215-345-062-00	25 13
6211-210-005-10	5 1	6212-525-001-00	9 28	6215-345-063-00	25 14
6211-310-001-10	9 1	6212-530-003-00	9 27	6215-345-064-00	25 15
6211-311-002-00	9 22	6212-531-001-00	12 8	6215-345-065-00	25 16
6211-312-010-00	9 23	6212-531-002-00	12 13	6215-345-066-00	25 17
6211-319-001-00	9 18	6212-533-001-10	9 29	6215-345-067-00	25 18
6211-322-002-00	9 17	6212-535-003-00	12 6	6215-355-004-00	25 21
6211-322-004-00	9 19	6212-535-006-00	12 10	6215-359-004-00	25 22
6211-322-005-00	9 4	6212-616-001-00	11 11	6215-600-056-00	21 1
6211-322-006-00	9 5	6213-100-001-00	16 1	6215-619-008-00	21 10
6211-341-004-10	8 1	6213-212-001-00	16 6	6219-711-002-00	23 2
6211-361-005-30	7 1	6213-213-001-00	16 9	6223-336-001-00	21 14
6211-510-004-00	5 10	6213-240-001-00	16 4	6281-100-009-10	23 9
6211-540-004-00	6 1	6213-311-002-00	16 13	6281-111-007-00	27 1
6211-560-004-00	6 5	6213-610-003-10	17 1	6281-115-009-00	27 20
6211-599-002-00	5 13	6213-611-001-00	17 2	6281-115-010-00	27 23
	6 4	6213-612-003-10	17 3	6281-115-013-00	27 10
	6 8	6213-613-001-00	17 4	6281-116-006-00	27 11
6211-760-001-20	7 7	6213-614-002-00	17 8	6281-121-008-00	27 2

PART CODE	FIG. KEY	PART CODE	FIG. KEY	PART CODE	FIG. KEY
6281-123-005-00	27 8	6509-000-018-10	15 9	6514-319-314-00	3 11
6281-124-007-00	27 5	6509-000-069-00	12 3	6515-300-110-00	20 1
6281-129-003-00	27 19	6509-000-162-10	12 16	6515-411-809-00	20 6
6281-129-005-00	27 14	6509-000-227-00	8 3	6515-411-810-10	20 7
6281-129-038-00	27 3	6509-030-037-00	9 14	6515-411-811-10	20 8
6281-129-039-00	27 4		12 11	6515-411-812-00	21 7
6281-129-040-00	27 7		17 11	6515-619-061-00	21 3
6281-129-041-00	27 9	6509-300-043-00	9 24	6519-751-039-00	21 2
6281-129-042-00	27 15	6509-360-912-10	22 2	6581-129-092-00	27 17
6281-129-044-00	27 18	6509-503-059-00	12 15	6581-129-099-00	27 6
6281-129-053-00	27 25	6509-605-019-10	5 6	6581-420-033-00	24 4
6281-129-054-00	27 24	6509-623-031-00	17 7	6582-450-014-00	24 5
6281-129-055-00	27 16	6509-623-073-00	9 10	6894-205-986-00	17 10
6281-129-056-00	27 12	6509-625-036-00	8 7	6894-221-168-00	13 11
6281-151-013-00	27 13	6509-625-079-00	9 9	6894-253-556-00	11 4
6281-200-004-00	23 1	6509-740-015-00	9 12	6894-453-344-00	1 16
6281-213-006-00	26 1	6511-319-077-00	21 11	6900-090-679-00	15 7
6281-214-003-00	26 6	6511-321-054-00	9 2	6901-050-850-00	11 18
6281-214-004-00	26 12	6511-321-059-00	9 3	6901-900-822-00	9 25
6281-215-001-00	26 9	6511-321-083-00	9 16	6901-900-828-00	17 6
6281-216-001-00	26 10	6511-511-033-00	5 11	6901-910-635-00	19 5
6281-217-001-00	26 8	6511-514-022-00	5 12	6901-910-816-00	12 7
6281-221-001-00	26 19	6511-541-033-00	6 2	6901-910-818-00	10 3
6281-222-002-00	26 22	6511-544-022-00	6 3	6901-910-825-00	7 2
6281-229-002-00	26 13	6511-561-033-00	6 6	6901-910-828-00	18 4
6281-229-003-00	26 23	6511-564-022-00	6 7	6901-910-830-00	9 15
6281-229-004-00	26 21	6511-711-023-00	1 10	6901-910-845-00	7 3
6281-229-005-00	26 20	6511-715-020-00	1 9	6901-911-020-00	8 5
6281-229-006-00	26 2	6511-721-013-00	1 12		23 3
6281-229-007-00	26 3	6512-161-052-00	13 5	6901-931-240-00	23 10
6281-229-008-00	26 5	6512-164-052-00	14 5	6901-970-825-00	16 2
6281-229-009-00	26 4	6512-166-052-00	14 10	6901-970-832-00	3 3
6281-229-011-00	26 14	6512-211-021-00	13 6		4 4
6281-229-012-00	26 16	6512-235-008-00	13 9	6901-970-845-00	17 12
6281-229-013-00	26 26	6512-336-002-00	15 8	6901-971-045-00	23 4
6281-229-014-00	26 25	6512-519-002-10	12 4	6904-110-822-00	9 7
6281-229-015-00	26 24	6512-551-020-10	11 1	6904-110-845-00	3 2
6281-229-016-00	26 17	6512-552-028-20	11 2	6904-110-855-00	9 11
6281-229-017-00	26 15	6512-565-004-00	11 5	6904-411-025-00	4 3
6281-229-018-00	26 18	6512-569-004-00	1 13	6908-000-716-00	12 5
6281-229-029-00	26 7	6512-575-014-00	11 7	6908-150-614-00	15 10
6281-229-041-00	27 22	6513-160-003-00	16 7	6908-151-222-00	15 2
6281-271-002-00	26 11	6513-200-196-40	16 3	6908-161-022-00	8 2
6281-410-001-20	24 2	6513-210-019-30	16 5	6909-110-408-00	3 7
6281-971-001-10	24 1	6513-770-022-10	18 2		9 20

ENGINE

PART CODE	FIG. KEY	PART CODE	FIG. KEY	PART CODE	FIG. KEY
6909-110-410-00	8 6	6912-621-127-10	11 13		
	23 5	6912-626-005-00	11 14		
6909-110-508-00	11 20	6912-628-093-00	11 15		
6909-111-508-00	11 12	6913-312-325-00	16 12		
	27 21	6915-315-026-00	20 2		
6909-150-506-00	16 17	6915-315-027-00	20 3		
6909-150-508-00	3 8	6915-315-028-00	20 4		
	9 21	6915-315-074-00	20 5		
6909-160-508-00	17 13	6915-419-072-00	20 9		
6909-164-008-00	11 19	6919-732-075-00	24 3		
6909-164-508-00	3 9	6981-325-466-00	21 5		
	11 21		21 8		
6909-180-019-00	11 17	6989-112-911-00	8 4		
6909-201-318-00	5 8	J062-076-082-00	22 3		
6909-201-356-00	5 7	V200-260-601-00	16 16		
6909-742-063-00	3 10	V210-260-601-20	9 6		
6909-830-212-00	1 17	V211-260-803-00	16 11		
6909-840-238-00	13 10		17 5		
6909-860-522-00	1 7	V211-560-802-00	23 7		
6909-902-299-00	5 14	V520-101-002-20	9 26		
6909-906-105-10	16 14	V600-110-600-70	9 30		
6909-913-849-00	21 12	V723-102-005-50	18 3		
6909-920-843-00	16 15	V781-160-000-60	17 9		
6909-940-607-00	11 16				
6909-950-115-00	13 7				
6911-129-006-00	1 3				
	5 4				
	5 17				
6911-129-081-00	1 4				
6911-129-082-00	1 5				
6911-129-083-00	1 6				
6911-175-011-00	2 4				
6911-179-030-00	2 6				
6911-179-105-00	2 5				
6911-219-195-00	5 3				
6911-258-108-00	5 9				
6911-312-046-00	9 8				
6911-721-113-00	1 11				
6911-750-602-00	2 2				
6912-333-036-10	15 6				
6912-561-037-00	11 3				
6912-571-801-00	11 6				
6912-600-127-10	11 8				
6912-611-347-00	11 9				
6912-611-349-00	11 10				

NUMERICAL INDEX

1603-098-100-10

PART CODE	FIG. KEY	PART CODE	FIG. KEY	PART CODE	FIG. KEY
1302-225-003-00	28 19 29 2 30 2 30 7 31 4	1404-117-008-00 1404-312-006-00 1404-502-013-00	6 15 35 16 68 18 43 15 11 28	1421-403-008-00 1421-433-001-30 1421-433-004-00 1421-433-009-10	53 40 61 1 37 8 61 7 61 12
1305-241-001-00 1325-930-105-00 1326-401-007-00	32 6 97 23 35 3 53 32 6 22		12 28 26 16 28 26 28 33 29 13	1421-433-014-10 1421-433-016-10	61 15 61 17 62 2 62 4 62 6
1326-708-005-00 1329-203-005-00 1330-726-013-00 1337-401-006-00 1337-721-002-00	53 38 34 40 35 2A 88 23 99 25		29 18 30 19 30 29 30 34 30 39	1421-433-023-00 1421-433-031-00 1421-502-002-00	62 8 62 24 62 11 50 11 98 10
1340-253-002-00 1342-402-006-00	100 25 25 29 17 40 88 24 93 13		32 16 32 21A 49 9 49 18 49 19	1421-511-300-10 1421-621-007-00 1421-903-010-00 1421-906-001-00	98 18 71 17A 1 4 95 51 96 1
1364-403-005-10 1365-601-104-00	93 13A 93 41 94 8 49 23 11 55	1404-503-006-00 1407-111-001-00 1407-403-002-00 1411-401-001-00	57 9 70 9 85 6 53 30 53 2	1421-951-006-00 1421-951-007-00 1421-951-008-00 1421-951-009-00 1422-180-207-00	53 42 53 43 62 12 62 13 10 20
1376-402-003-00	12 59 10 58 11 51 12 55 26 13	1411-411-002-00 1411-411-003-00 1412-401-004-00 1412-411-001-00 1414-403-004-00	53 26 53 29 53 3 53 21 53 25	1422-180-208-00 1422-180-209-00 1422-180-331-00	10 21 10 22 10 47 11 44 12 48
1376-606-005-00	93 12 93 34 93 42 94 7 85 5	1415-102-009-00 1415-102-011-00 1415-102-012-00 1415-102-013-00 1415-125-025-00	1 15 1 18 1 19 1 20 9 24	1422-180-332-00 1422-181-019-00 1422-181-020-00	10 52 11 50 12 54 10 12 10 15
1386-220-204-00 1386-220-210-00 1386-241-002-00 1395-224-002-00	64 18 64 17 63 11 63 15 25 21	1415-312-500-00 1415-312-600-00 1415-505-006-00 1419-403-001-00 1421-101-313-00	43 11 43 12 66 9 53 22 2 6	1422-181-022-00 1422-181-023-00 1422-181-038-00 1422-181-039-00	10 16 10 17 11 30 12 30 10 32
1401-906-005-00 1402-511-600-00 1403-209-006-00 1403-511-500-00	96 2 71 19 72 5A 32 21 50 9	1421-301-012-00 1421-403-001-00 1421-403-002-00 1421-403-007-00	2 12 38 7 62 35 62 36 53 39	1422-181-040-00	11 22 12 22 10 34 11 24 12 24

1603-098-100-10

PART CODE	FIG. KEY	PART CODE	FIG. KEY	PART CODE	FIG. KEY
1422-355-260-00	44 5	1427-432-005-00	59 22		92 32
1422-361-211-00	46 2	1427-433-201-00	58 5A	1432-621-012-00	85 4
	46 6		64 4	1432-621-330-10	92 30
1422-362-213-00	46 11		64 8	1432-654-007-00	86 24
	46 15	1427-611-001-00	77 27A	1434-503-002-00	66 26
1425-431-015-00	38 4		78 30A	1434-621-210-20	5 1
1425-431-021-00	38 8		79 26A	1435-201-004-00	36 17
1425-621-004-00	17 56	1427-611-200-00	83 1	1435-201-012-10	36 31
	19 9		84 1	1435-905-015-00	95 44
	26 20	1427-611-200-10	84 1A	1440-508-002-00	15 10
	93 35	1427-611-201-00	83 2	1444-101-016-10	17 47
	94 9		84 2	1444-102-204-00	1 16
1426-426-306-00	56 43	1427-611-201-10	84 2A	1444-102-206-00	1 21
1426-506-002-00	57 25	1427-611-202-00	83 3	1444-116-007-00	35 17
1426-600-055-00	91 11		84 3		68 17
1426-621-035-00	92 38	1427-621-002-10	5 2	1444-120-002-00	7 26
1426-621-036-00	92 40	1427-621-008-00	92 36	1444-120-202-00	7 36
1427-111-229-00	5 10	1427-621-012-00	51 29	1444-122-002-00	9 13
1427-130-224-00	10 19		52 29		44 12
1427-130-270-00	10 23	1427-932-012-10	10 59		44 20
1427-201-016-00	37 10		12 66		68 6
	51 8	1427-934-013-00	95 39	1444-307-007-00	99 30
	52 8	1427-941-016-00	95 37		100 30
1427-204-003-10	23 26	1429-406-202-00	55 19		102 26
1427-210-003-00	28 3	1429-406-205-00	54 14		103 31
	28 12	1429-406-207-00	55 6		103 67
1427-210-004-00	20 14	1429-406-208-00	55 7		103 95
1427-212-002-00	7 40	1429-406-209-00	55 8		105 32
1427-301-005-00	38 5	1429-406-211-00	55 9		105 69
	59 20	1429-406-212-00	55 10		105 96
1427-301-021-00	40 15	1429-406-213-00	55 12	1444-314-009-10	12 39
1427-317-004-00	50 20	1429-406-214-00	55 13		13 22
1427-431-003-00	72 13	1429-406-216-00	55 18		15 21
1427-431-009-00	58 5	1431-566-001-00	50 10		50 21
	58 9	1432-217-002-00	33 12	1444-331-220-10	46 1
1427-431-011-00	58 4	1432-242-001-00	9 10		46 5
	58 4A	1432-242-003-00	35 27	1444-402-004-00	53 14
	58 8	1432-242-004-00	68 11	1444-404-001-00	53 35
	64 3	1432-406-007-00	54 14A	1444-404-200-00	53 20
	64 7	1432-406-008-00	54 23	1444-408-005-10	57 15
1427-431-210-00	58 7	1432-406-330-00	54 22	1444-408-312-00	56 22
	64 6	1432-616-002-00	9 19	1444-408-323-00	56 49A
1427-431-220-00	58 3		51 27	1444-408-325-00	56 45
	58 3A		52 27	1444-411-003-00	59 12
	64 2	1432-621-006-10	92 31	1444-411-004-00	59 13

PART CODE	FIG. KEY	PART CODE	FIG. KEY	PART CODE	FIG. KEY
1444-411-005-00	59 14	1480-122-001-10	9 20	1491-623-223-00	92 25
1444-411-006-00	59 18	1480-211-005-00	23 9		92 25A
1444-411-008-00	59 5		24 10	1504-413-001-00	62 23
1444-411-009-00	59 6		25 10	1504-413-002-00	62 21A
1444-411-011-00	59 7		25 16	1504-413-003-00	62 22A
1444-411-012-00	59 8		25 25	1504-413-004-00	62 27A
1444-411-013-00	59 9		48 19	1505-621-224-00	91 12
1444-411-014-00	59 10	1480-301-002-10	38 2	1507-307-003-00	28 7
1444-411-210-00	59 4	1480-301-003-10	38 3		28 16
1444-412-001-00	60 3	1480-304-002-00	40 5		29 2A
1444-413-002-10	61 2	1480-433-001-00	60 4		30 2A
1444-413-004-10	61 8	1480-503-200-00	66 11		47 13
1444-413-005-10	61 10	1480-601-008-00	79 32		48 24
1444-413-013-10	62 17	1480-603-001-00	74 6	1509-101-001-00	1 8
1444-413-014-20	62 21		89 3	1509-130-001-00	10 8
1444-413-015-10	62 22	1480-603-002-00	74 7	1509-130-003-00	10 37
1444-413-022-00	62 27		86 26	1509-130-005-00	10 51
1444-413-023-00	62 28		87 25	1509-130-250-00	10 27
1444-413-210-30	61 14		89 4	1509-130-260-00	10 31
1444-413-240-00	61 16	1480-604-204-00	86 17	1509-317-311-00	46 10
1444-501-004-10	66 2		87 18		46 14
1444-503-001-20	66 7	1481-441-211-00	63 1	1509-317-341-00	46 18
1444-510-006-00	69 12		63 5	1509-317-342-00	46 19
1444-514-002-00	71 3	1488-247-250-00	98 9	1509-623-001-00	92 1
1444-514-005-10	50 11A		98 17	1509-623-242-00	93 30
	71 21	1488-408-330-10	57 11	1509-901-003-00	95 7
1444-514-300-00	71 16A	1488-412-006-00	60 13	1509-901-008-00	95 22
1444-601-011-00	34 35	1488-413-023-10	61 19	1509-901-014-00	95 24
	34 44	1488-541-015-00	86 20	1510-103-360-00	4 2A
1444-601-015-00	95 5		87 15	1510-317-005-10	18 13
1444-621-016-00	77 2A	1488-607-003-00	51 46A	1513-408-217-00	56 21
	78 3		51 48	1514-248-002-00	50 10A
	79 2		52 46	1515-623-201-00	1 2
1444-621-017-00	86 25	1488-611-001-00	83 19	1516-611-001-00	84 23
	87 24		84 16	1516-611-002-00	84 24
1444-621-260-00	92 35	1488-611-003-10	83 20	1516-611-004-00	84 25
1444-621-311-00	92 12		84 17	1516-611-200-00	84 19
1444-621-312-00	92 13	1488-621-270-20	91 1	1516-611-210-00	84 20
1444-621-313-00	92 14	1488-621-272-00	91 2	1518-306-200-00	60 25
1444-621-320-00	92 15	1491-203-006-10	8 2	1518-306-203-00	60 26
1444-904-012-00	95 50	1491-623-220-10	92 23	1518-621-310-00	85 9
1444-952-201-00	46 22		92 23A	1518-621-560-00	39 15
1480-112-003-10	5 7	1491-623-222-00	92 24	1518-903-006-00	99 32
1480-112-200-10	5 13		92 24A		100 32
1480-117-002-00	6 28		92 26		103 33

1603-098-100-10

PART CODE	FIG. KEY	PART CODE	FIG. KEY	PART CODE	FIG. KEY
1518-903-007-00	103 69	1544-218-001-10	28 18	1544-321-002-00	47 2
	105 34	1544-218-001-20	28 18A		47 16
	105 71	1544-218-002-00	28 22		48 4
	99 33		29 8	1544-322-002-00	23 4
	100 33		30 10		24 4
1518-938-018-00	103 34		30 15		25 4
	103 70		31 7	1544-401-001-00	51 17
	105 35		32 11		52 17
	105 72		49 3	1544-406-002-00	54 25
	18 26		97 29	1544-406-003-00	54 26
1527-604-002-00	77 2	1544-218-005-00	28 37	1544-406-005-00	54 39
1533-413-200-00	61 14A		29 23	1544-406-007-00	54 41
1533-413-210-00	61 16A		30 44	1544-407-260-00	55 1
1541-621-210-00	86 31		31 14	1544-407-261-00	55 3
	87 30		32 24	1544-407-262-00	55 4
1544-104-204-00	4 4		49 27	1544-407-263-00	55 11
1544-104-205-00	4 5		97 40	1544-407-264-00	55 14
1544-116-001-30	6 1	1544-219-001-00	31 1	1544-407-270-00	55 2
1544-117-005-10	6 13	1544-219-002-00	31 3	1544-407-280-00	55 5
1544-120-007-10	7 2	1544-219-005-00	28 36	1544-505-004-00	68 5
1544-120-008-10	7 17		29 22A	1544-603-004-00	74 8
1544-120-009-00	7 18		30 31	1544-604-208-00	75 22
1544-122-004-10	7 48		31 13		76 24
	8 11		32 23	1544-606-005-10	77 20
1544-123-003-00	9 21		49 26		79 20
1544-123-005-00	9 16		97 39	1544-606-018-00	77 14
1544-201-002-00	19 6	1544-219-006-00	29 22		78 14
1544-201-003-00	19 7		30 43		79 14
1544-201-004-10	19 10	1544-219-200-20	31 6	1544-606-280-10	77 22
1544-205-001-00	21 8	1544-251-001-00	97 18		78 20
1544-208-002-00	23 12	1544-251-002-00	97 19		79 22
1544-208-004-00	23 17	1544-304-006-10	59 26	1544-611-200-00	83 16
1544-208-005-00	23 21	1544-304-007-00	38 10		84 13
1544-209-001-20	23 22	1544-310-282-00	41 3	1544-611-210-00	83 8
1544-215-001-20	26 1		42 3		84 8
1544-215-004-00	26 15	1544-310-283-00	41 4	1544-611-220-00	83 12
1544-215-013-00	26 3		42 4		84 9
1544-215-014-00	26 11	1544-310-284-00	41 5	1544-616-001-00	86 5
1544-215-015-00	26 6		42 5	1544-616-003-10	86 23
1544-215-016-00	26 12	1544-310-285-00	41 6	1544-616-005-00	86 28
1544-215-260-20	26 5		42 6		87 27
1544-215-270-00	26 10	1544-310-286-00	41 7		88 4
1544-216-002-20	28 6		42 7	1544-616-011-00	76 26
1544-216-003-10	28 10	1544-310-290-00	41 9		86 21
1544-216-004-20	28 15		42 9		86 22

PART CODE	FIG. KEY	PART CODE	FIG. KEY	PART CODE	FIG. KEY
1544-616-013-00	87 22	1550-307-002-00	39 24	1550-408-300-00	56 8
	87 23	1550-307-003-00	39 25	1550-408-301-00	56 9
	87 44	1550-307-004-10	39 26	1550-408-302-00	56 10
	86 18	1550-307-005-00	39 27	1550-408-310-00	56 11
	87 14	1550-308-200-00	40 1	1550-408-312-00	56 12
1544-616-014-00	93 25	1550-308-220-00	40 4	1550-408-313-00	56 15
1544-623-001-00	92 16	1550-310-003-10	41 12	1550-408-320-10	56 16
1544-623-008-10	93 10		42 12	1550-408-321-00	56 17
	94 4	1550-325-002-20	48 23	1550-408-322-00	56 18
1544-623-232-00	92 17	1550-325-002-30	48 23A	1550-408-323-00	56 19
1544-623-233-00	92 18	1550-402-002-00	53 6	1550-408-324-00	56 20
1544-623-234-00	92 19	1550-402-003-00	53 13	1550-408-325-00	56 23
1544-623-235-00	92 20	1550-402-200-00	53 1	1550-408-326-00	56 24
1545-411-210-00	63 17	1550-403-001-00	53 36	1550-408-327-00	56 25
1545-623-003-00	93 11	1550-403-002-00	53 37	1550-408-333-00	56 28
	94 5	1550-403-201-00	53 46	1550-408-340-00	56 31
1548-120-302-10	7 45	1550-403-202-00	53 47	1550-408-342-00	56 32
1548-120-303-10	7 47		62 43	1550-408-343-00	56 33
1548-312-001-00	43 8	1550-403-203-00	53 48	1550-408-344-00	56 34
1548-503-003-00	69 20		62 44	1550-408-350-00	56 35
1548-503-005-00	17 46	1550-403-210-00	53 44	1550-408-352-00	56 36
	17 52		62 32	1550-408-353-00	56 37
1548-616-210-00	87 3	1550-403-220-00	53 45	1550-432-001-20	59 2
1550-104-202-00	4 2		62 33	1550-432-002-00	59 17
1550-120-001-00	7 27	1550-406-004-00	54 28	1550-432-003-00	59 25
1550-120-002-00	7 28	1550-406-220-10	54 38	1550-432-004-00	59 24
1550-122-203-10	8 10	1550-408-211-00	56 38	1550-432-200-00	59 1
1550-201-001-00	19 7A	1550-408-212-00	56 39	1550-433-004-00	60 21
	97 3	1550-408-213-00	56 41	1550-433-200-10	60 1
1550-215-200-20	26 14	1550-408-214-00	56 44	1550-433-212-00	60 8
1550-251-001-00	97 2	1550-408-215-00	56 46	1550-433-220-00	60 10
1550-251-002-10	97 7	1550-408-216-00	56 47	1550-433-222-00	60 11
1550-251-004-00	97 8	1550-408-217-00	56 48	1550-434-200-00	62 5
1550-251-009-00	97 25	1550-408-218-00	56 49	1550-434-210-00	62 7
1550-251-013-00	97 22	1550-408-221-00	56 50	1550-434-221-00	62 45
1550-301-002-00	37 11	1550-408-222-00	56 51	1550-501-210-10	65 27
1550-301-003-00	37 12	1550-408-230-00	56 2	1550-503-003-20	66 10
1550-301-004-00	37 13	1550-408-232-00	56 3	1550-503-004-00	66 20
1550-301-005-00	37 14	1550-408-233-00	56 4	1550-503-005-00	66 22
1550-301-006-30	37 16	1550-408-234-00	56 5	1550-503-006-00	66 24
1550-301-007-00	37 17	1550-408-235-00	56 6	1550-503-220-00	66 29
1550-304-001-10	38 1		56 13	1550-503-230-00	66 30
1550-304-002-00	38 6	1550-408-236-00	56 7	1550-503-240-10	66 33
1550-304-007-00	38 11		56 14	1550-508-260-10	69 21
1550-306-003-00	39 3		56 30	1550-514-290-00	71 18A

1603-098-100-10

PART CODE	FIG. KEY	PART CODE	FIG. KEY	PART CODE	FIG. KEY
1550-607-003-00	80 4	1560-611-240-10	84 1B	1575-112-004-00	5 4
	81 5	1560-611-241-10	84 2B	1575-112-007-00	5 11
	82 4	1560-625-104-00	99 15A		75 21
1550-621-001-10	89 5		100 15A		76 23
1552-307-001-00	39 23		103 16		85 13
1552-407-201-00	55 20		103 52		93 33
1552-431-001-00	58 2A		105 17		94 6
	64 1		105 54	1575-112-210-00	5 13A
1560-104-009-00	2 21	1560-625-203-00	99 15	1575-117-001-00	6 25
1560-105-251-00	3 17		100 15	1575-117-220-00	6 19
1560-116-008-30	88 20	1560-630-021-50	87 20	1575-120-002-10	7 21
1560-132-007-30	9 14	1560-630-029-00	86 20A	1575-120-003-10	7 18A
	35 7		87 15A	1575-120-200-00	7 1
	35 24	1560-664-264-00	93 32	1575-123-002-00	9 5
	43 14	1560-695-021-00	35 8A		43 18
1560-287-002-30	44 14	1560-695-022-00	35 20A	1575-123-200-10	9 1
1560-316-002-40	44 22		35 9A	1575-123-230-00	9 23
	34 30	1561-436-003-00	35 21A	1575-201-001-20	19 1
	35 28	1563-507-221-10	62 34A	1575-208-001-00	23 16
	68 12		65 30	1575-218-001-00	28 39
	99 31	1564-141-001-00	18 25	1575-218-002-00	28 35
	100 31	1564-141-002-00	17 34		29 20
	102 27		18 27		30 41
	103 32	1564-304-003-00	65 35	1575-218-230-10	28 21
	103 68	1564-407-220-00	57 11A	1575-301-007-00	37 9
1560-432-002-30	103 96	1564-522-001-10	71 20	1575-308-200-00	40 10
	105 33	1564-525-001-00	71 22	1575-308-230-10	40 6
	105 70	1564-525-002-00	13 12	1575-308-250-10	40 8
	105 97	1564-654-213-00	91 5	1575-312-200-00	43 1
	59 19	1566-656-200-30	91 4	1575-312-220-00	43 6
1560-432-003-30	59 21	1566-656-204-00	91 6	1575-313-001-10	45 1
1560-434-009-40	62 23A	1566-656-205-00	91 8	1575-313-201-00	45 10
1560-434-011-40	62 24A	1566-656-206-00	91 9	1575-326-001-00	49 16
1560-434-017-00	62 23B	1568-116-210-00	6 4	1575-401-003-00	51 39
1560-435-001-30	61 4	1568-270-002-00	23 3A		52 39
1560-501-202-00	65 3		24 3A	1575-401-005-00	51 38
1560-507-007-00	65 31		25 3A		52 38
1560-511-012-00	35 15	1568-302-001-00	48 9	1575-401-270-00	51 13
	68 16	1568-541-901-00	17 20		52 13
1560-515-004-40	70 13	1572-102-003-00	1 19A	1575-401-280-00	51 14
1560-515-270-00	36 26	1575-102-006-00	2 32		52 14
1560-515-270-20	36 26A	1575-102-203-00	2 4	1575-401-290-10	51 36
1560-515-272-00	36 27		2 10		52 36
1560-515-273-00	36 28	1575-105-001-00	1 24	1575-401-320-00	51 19
1560-525-001-40	71 15	1575-105-002-00	1 28		52 19

PART CODE	FIG. KEY	PART CODE	FIG. KEY	PART CODE	FIG. KEY
1575-401-330-00	51 18	1575-623-010-00	93 20	1588-301-001-20	37 1A
	52 18	1575-623-011-00	93 21	1588-304-001-00	38 14
1575-401-340-00	51 20	1575-623-210-00	92 7	1588-304-002-00	38 15
	52 20	1575-901-004-10	95 1	1588-304-003-00	38 16
1575-406-001-10	54 12	1575-901-005-00	95 2	1588-304-004-00	38 19
1575-406-230-00	54 20	1575-901-006-00	95 3	1588-306-001-20	39 1
1575-505-201-00	68 13	1575-901-008-00	95 6	1588-306-002-10	39 2
1575-508-200-00	69 29	1576-408-003-00	56 56A	1588-308-200-00	40 2
1575-508-240-00	69 22	1577-218-001-00	28 32	1588-308-210-00	40 12
1575-511-001-00	72 6	1577-218-200-10	28 30	1588-310-001-00	41 10
1575-601-001-00	73 9	1578-308-240-00	40 10A		42 10
1575-601-002-00	73 16	1578-326-002-10	49 16A	1588-310-002-00	41 11
	75 25	1579-112-003-00	5 3		42 11
	76 29	1579-112-230-00	5 8	1588-310-220-00	42 17
1575-601-003-00	73 13	1579-401-272-10	51 34	1588-310-230-00	42 18
1575-601-007-00	73 21		52 34	1588-335-210-10	98 2
1575-601-008-00	73 22	1581-621-290-00	93 37		98 12
1575-601-230-00	73 7	1588-102-001-00	2 15	1588-401-002-00	56 57
1575-603-001-00	74 4	1588-102-002-00	2 16	1588-401-230-00	51 9
1575-603-002-00	74 5	1588-102-003-00	2 29		52 9
1575-604-250-20	75 3	1588-102-004-00	2 30	1588-401-240-00	51 10
	76 4	1588-102-005-00	2 13		52 10
1575-604-260-20	75 13	1588-102-006-00	2 31	1588-402-001-00	53 5
	76 14	1588-102-202-00	2 2	1588-406-200-10	54 7
1575-606-001-00	77 10		2 8	1588-406-201-00	54 8
	78 10	1588-102-203-00	2 3	1588-408-001-00	57 27
	79 10		2 9	1588-408-002-00	57 28
1575-606-002-00	77 11	1588-102-204-00	2 5	1588-408-210-00	56 1
	78 11		2 11	1588-408-210-10	56 1A
	79 11	1588-103-220-00	3 2A	1588-408-220-00	57 22
1575-606-220-00	77 6	1588-103-310-10	3 1A	1588-408-230-00	56 26
	78 6	1588-104-001-00	4 6	1588-408-232-00	56 27
	79 6	1588-104-002-00	4 7	1588-408-233-00	56 29
1575-607-001-10	80 6	1588-104-003-00	4 10	1588-408-240-10	57 10
	81 13	1588-104-200-10	4 1	1588-408-260-00	57 19
1575-607-002-00	82 6	1588-104-210-20	4 13	1588-408-270-00	57 23
	80 7	1588-105-200-00	1 11	1588-408-280-00	57 26
	82 7	1588-105-210-00	1 26	1588-408-290-00	57 33
1575-611-001-00	83 22	1588-105-220-00	1 13	1588-408-330-00	56 16A
1575-612-220-00	85 11	1588-117-001-00	6 10	1588-501-002-00	65 2
1575-616-004-00	86 15	1588-123-200-00	9 2	1588-501-003-00	65 4
	87 16	1588-216-002-00	28 15A	1588-501-003-10	65 4A
1575-616-005-00	77 35	1588-219-200-00	31 10	1588-501-200-10	65 1
	87 19	1588-251-230-10	97 28	1588-502-002-00	66 3
1575-623-009-00	94 14	1588-301-001-10	37 1	1588-502-003-00	66 4

1603-098-100-10

PART CODE	FIG. KEY	PART CODE	FIG. KEY	PART CODE	FIG. KEY
1588-502-006-00	66 1		102 16	1600-130-240-10	10 40
1588-503-200-00	66 21		103 17	1600-130-250-10	10 41
1588-508-002-00	69 9		103 53		11 38
1588-508-210-10	69 11		103 85		12 42
1588-508-220-10	69 16		105 18	1600-130-260-10	10 44
1588-508-220-20	69 16A		105 55		11 41
1588-601-200-20	73 1		105 86		12 45
1588-601-320-10	73 14	1594-517-004-00	99 17	1600-130-270-10	10 45
1588-604-200-10	75 1		100 17		11 42
1588-604-210-20	75 2		102 17		12 46
1588-604-220-10	75 11		103 18	1600-130-280-10	10 48
	76 12		103 54		11 46
1588-604-230-20	75 12		103 86		12 50
	76 13		105 19	1600-135-004-00	11 13
1588-604-240-10	75 23		105 56		12 13
	76 27		105 87	1600-135-005-00	11 19
1588-604-250-20	75 4	1594-652-200-10	90 1	1600-135-006-00	11 18
1588-604-260-20	75 14	1594-652-220-00	90 3		12 18
	76 15	1594-652-230-00	90 2	1600-135-240-00	11 27
1588-604-300-20	75 29	1594-904-015-00	95 26		12 27
	76 33	1594-904-016-00	95 35	1600-135-250-00	11 15
1588-604-310-20	75 31	1594-904-017-00	95 34		12 15
	76 35	1594-904-018-00	95 36	1600-135-280-00	11 34
1588-606-001-00	77 27	1594-904-021-00	95 25		12 34
	78 30	1594-904-022-00	95 27	1600-138-001-00	12 19
	79 26	1594-904-024-00	95 42	1600-138-002-00	12 37
1588-606-220-00	77 37	1594-904-025-00	95 43	1600-140-002-00	13 4
	79 25	1596-664-200-00	94 11		15 4
1588-607-230-10	80 10	1596-664-210-00	94 12	1600-140-003-00	13 10
	82 10	1596-664-213-00	94 13		15 8
1588-612-200-30	85 1	1600-103-006-00	3 7	1600-140-004-00	13 11
1588-612-200-40	85 1A		3 10		15 9
1588-612-200-50	85 1B	1600-103-310-00	3 12	1600-140-005-00	13 20
1588-901-001-00	95 12	1600-103-310-10	3 12A	1600-140-210-00	13 2
1588-901-002-00	95 11	1600-103-320-00	3 16		14 1
1590-407-201-00	55 21	1600-117-002-00	6 14	1600-140-211-00	14 3
1590-408-201-00	56 52	1600-117-200-00	6 11		16 3
1593-623-203-00	94 15	1600-120-500-00	7 44	1600-140-212-00	14 4
1593-623-503-00	93 31	1600-120-501-00	7 46		16 4
1594-105-001-00	3 4	1600-123-210-10	9 8	1600-140-213-00	14 11
1594-147-270-00	17 28	1600-123-220-10	9 9	1600-140-214-00	14 12
1594-221-001-00	21 3	1600-130-002-00	12 31	1600-140-230-00	13 16
	21 9	1600-130-003-00	10 18	1600-140-410-00	15 2
1594-517-003-00	99 16		13 5		16 1
	100 16		15 5	1600-145-041-00	17 35

PART CODE	FIG. KEY	PART CODE	FIG. KEY	PART CODE	FIG. KEY
1600-145-042-00	17 36	1600-313-004-00	44 18	1600-514-240-00	71 18
1600-145-045-00	17 8	1600-313-070-00	45 19	1600-515-001-00	72 12
1600-145-046-00	17 9	1600-313-071-00	45 18	1600-515-210-10	72 2
1600-145-047-00	17 38	1600-313-200-00	45 7	1600-515-240-00	72 4
1600-145-049-00	17 12	1600-313-220-00	44 1	1600-601-002-00	73 3
1600-145-430-00	17 11	1600-313-260-00	44 6	1600-602-210-00	74 1
1600-145-440-00	17 13	1600-401-070-00	52 48	1600-602-210-10	74 1A
1600-145-450-00	17 17	1600-401-270-10	51 37	1600-602-220-10	74 2
1600-145-460-00	17 18		52 37	1600-604-001-00	76 22
1600-145-490-00	17 10	1600-406-001-00	54 6	1600-604-002-00	75 22A
1600-148-004-00	18 9	1600-406-002-00	54 16		76 24A
1600-148-005-00	18 11	1600-406-003-00	54 40		76 25
1600-148-006-00	18 28	1600-406-070-00	54 43	1600-606-002-00	78 5
1600-148-210-00	18 7	1600-406-071-00	54 45	1600-606-003-00	77 28
1600-148-220-00	18 8	1600-406-230-00	54 13		78 31
1600-148-250-00	18 15	1600-431-001-00	58 1A		79 27
1600-148-260-10	18 20	1600-431-002-00	58 15	1600-607-003-20	80 15
1600-148-270-00	18 21		58 20		81 18
1600-201-004-00	37 3		64 19		82 15
1600-203-006-00	47 23A	1600-431-003-00	58 18	1600-607-053-00	80 5
1600-216-510-00	29 11		58 22		81 6
	30 32		64 21		82 5
1600-240-051-00	34 16	1600-431-230-00	58 1B	1600-607-073-00	81 21
1600-240-051-10	34 16A	1600-431-580-10	88 19	1600-611-004-20	83 30
1600-240-052-00	34 19	1600-431-590-00	88 14	1600-611-210-00	83 16A
1600-240-053-00	34 11	1600-502-003-00	72 10		84 13A
1600-240-054-00	34 14	1600-505-007-00	35 14	1600-616-001-00	86 27
1600-240-055-00	34 15		68 15		87 26
1600-240-550-10	34 25	1600-509-002-00	99 6		88 3
1600-241-550-10	34 36		100 6	1600-616-005-00	86 29
1600-241-550-20	34 36A		102 9		87 28
1600-242-051-00	35 1		103 6		88 5
1600-243-051-00	36 20		103 42	1600-616-006-00	86 19
1600-243-055-10	36 12		103 77		87 21
1600-243-056-10	36 13		105 7	1600-616-007-00	86 34
1600-243-057-10	36 14		105 44		87 19A
1600-243-500-00	36 1		105 78		87 34
1600-312-200-00	43 2	1600-509-003-00	102 10	1600-616-051-00	87 7
1600-312-500-00	43 3		103 78	1600-616-052-10	87 8
1600-312-510-00	43 4		105 79		88 13
1600-312-700-00	43 19	1600-509-004-00	101 1	1600-616-053-00	88 12
1600-312-720-00	43 20		103 100	1600-616-070-10	87 35
1600-313-001-00	45 4		103 104	1600-616-071-00	87 36
1600-313-002-00	45 15	1600-514-220-00	71 16	1600-616-072-00	87 37
1600-313-003-00	44 10	1600-514-230-00	71 17	1600-616-200-00	86 1

1603-098-100-10

PART CODE	FIG. KEY	PART CODE	FIG. KEY	PART CODE	FIG. KEY
1600-616-210-00 1600-616-510-00	87 1	1600-622-370-00	90 65	1602-201-053-00	20 12
	88 1	1600-622-380-00	90 66	1602-201-061-00	20 19
	86 2	1600-623-001-00	92 5	1602-201-062-00	20 23
	87 2	1600-623-002-00	92 21	1602-203-003-00	21 7
	88 2	1600-623-200-00	92 27	1602-203-051-00	22 1
1600-616-520-00 1600-619-001-10 1600-619-200-10	88 8	1600-623-210-00	92 28	1602-205-002-00	21 12
	86 32	1600-623-220-00	92 29	1602-205-003-00	21 13
	87 31	1600-623-230-00	92 33	1602-205-004-00	21 14
	86 30	1600-624-004-00	93 8	1602-205-051-00	22 4
	87 29	1600-624-200-00	93 1	1602-205-052-00	22 9
1600-619-210-00 1600-622-003-00 1600-622-004-10 1600-622-005-10	86 31A	1600-624-201-00	93 2	1602-205-054-00	22 11
	90 19	1600-624-202-00	93 3	1602-205-055-00	22 5
	90 30	1600-624-270-10	93 14	1602-205-056-00	22 15
	90 4	1600-624-270-20	93 14A		48 21
	90 5	1600-624-271-00	93 19	1602-207-001-00	23 7
1600-622-006-00 1600-622-230-00 1600-622-231-00	90 40		94 16	1602-207-002-00	23 10
	90 7	1600-624-280-00	93 39	1602-207-003-00	23 3
	90 9	1600-624-290-00	93 15		24 3
	90 62	1600-624-290-10	93 15A		25 3
	90 67	1600-624-290-20	93 15B	1602-207-052-00	24 8
1600-622-232-00	90 10	1600-624-291-00	93 16		25 8
	90 17	1600-624-300-00	93 17	1602-208-052-00	24 13
	90 28	1600-624-300-10	93 17A	1602-208-061-00	25 13
	90 63	1600-624-301-00	93 18	1602-208-063-00	25 15
	90 68	1600-901-002-00	95 8		25 24
1600-622-233-00 1600-622-240-00	90 11	1600-901-003-00	95 9	1602-209-001-00	23 24
	90 39	1600-902-009-00	95 15	1602-215-001-00	26 18
	90 64	1600-902-009-10	95 15A	1602-215-002-00	26 19
	90 69	1600-902-011-00	95 16	1602-215-051-00	27 1
	90 8	1600-902-015-00	95 23	1602-215-051-10	27 1A
1600-622-250-00 1600-622-251-00 1600-622-252-00	90 14	1600-902-017-00	95 17	1602-216-001-00	28 1
	90 16	1600-902-018-00	95 18	1602-218-051-10	29 1
	90 27	1600-902-019-00	95 29	1602-218-051-20	29 1A
	90 18	1600-902-023-00	95 38		30 1
	90 29	1600-902-029-00	95 28	1602-218-051-30	29 1B
1600-622-260-00 1600-622-270-00 1600-622-280-00 1600-622-290-00 1600-622-291-00	90 15	1600-902-051-00	95 19		30 1A
	90 25	1600-902-053-00	95 20	1602-218-052-00	29 4
	90 26	1600-902-053-10	95 20A	1602-218-052-10	29 4A
	90 36	1600-902-054-10	95 21	1602-218-056-00	29 7
	90 38	1600-904-051-00	95 46	1602-218-061-00	30 4
1600-622-300-00 1600-622-321-00 1600-622-350-00 1600-622-360-00	90 37	1602-122-001-10	8 4	1602-218-061-10	30 4A
	90 20	1602-201-051-00	20 1	1602-218-062-00	30 6
	90 31	1602-201-051-10	20 1A	1602-218-200-10	28 25
	90 60	1602-201-052-00	20 6	1602-218-500-00	29 6
	90 61	1602-201-052-10	20 6A	1602-218-500-10	29 6A

PART CODE	FIG. KEY	PART CODE	FIG. KEY	PART CODE	FIG. KEY
1602-218-500-20	29 6B	1602-251-001-00	97 17		105 59
	30 9	1602-251-002-00	97 41		105 90
1602-218-520-00	29 15	1602-251-003-00	97 42	1602-509-740-00	103 99
	30 36	1602-251-220-00	97 36	1602-509-750-00	103 103
1602-218-600-00	30 13	1602-310-201-00	41 2	1602-607-070-00	81 7
1602-218-610-00	30 17		42 2	1602-607-071-00	81 8
1602-218-620-00	30 24	1602-310-202-00	41 5A	1602-607-072-00	81 9
1602-218-640-00	30 26		42 5A	1602-607-073-00	81 10
1602-219-051-00	32 1	1602-313-002-00	44 2	1602-607-074-00	81 11
1602-219-052-00	32 5	1602-313-211-00	44 19	1602-607-075-00	81 12
1602-219-500-00	32 4	1602-317-250-00	46 21	1602-616-001-10	86 9
1602-219-510-00	32 10	1602-321-051-00	48 1		87 9
1602-219-520-10	32 14	1602-321-051-10	48 1A	1602-621-500-00	89 2
1602-219-561-00	31 15	1602-321-054-10	48 10	1602-621-600-00	89 8
1602-230-061-00	33 1	1602-321-200-00	47 20	1602-622-061-00	91 17
1602-230-062-10	33 2	1602-322-003-00	47 7	1602-622-062-00	91 18
1602-230-063-00	33 5		48 14	1602-902-007-00	95 30
1602-230-064-00	33 7	1602-326-200-00	49 1	1602-902-008-00	95 32
1602-230-065-00	33 9	1602-326-210-00	49 11	1602-902-008-10	95 32A
1602-230-066-00	33 10	1602-326-210-40	49 11A	1602-902-011-00	95 33
1602-230-067-00	33 14	1602-326-230-00	49 6	1602-902-011-10	95 33A
1602-230-068-00	33 15	1602-326-580-00	49 13	1602-902-011-20	95 33B
1602-240-051-00	34 2	1602-326-580-10	49 13A	1602-902-012-00	95 48
1602-240-500-00	34 1	1602-326-580-30	49 13B	1602-902-061-00	95 47
1602-240-500-20	34 1A	1602-401-001-00	51 3	1603-101-200-00	1 1
1602-240-510-10	34 10		52 3	1603-102-200-00	2 1
1602-240-520-10	34 28	1602-401-002-00	51 5	1603-102-200-10	2 1A
1602-240-520-20	34 28A		52 5	1603-102-202-00	2 2A
1602-240-530-30	34 31	1602-401-070-00	52 49		2 8A
1602-240-530-40	34 31A	1602-504-001-00	27 5	1603-102-500-00	2 7
1602-240-540-10	34 9		67 1	1603-102-500-10	2 7A
1602-240-550-00	34 29	1602-504-002-00	27 9	1603-102-510-20	2 23
1602-241-500-20	34 33		67 5	1603-103-001-00	3 6
1602-241-500-30	34 33A	1602-505-230-00	68 1	1603-103-210-00	3 1
1602-241-580-00	34 42	1602-508-250-00	69 23	1603-103-220-00	3 2
1602-242-052-10	35 31	1602-508-510-20	69 24	1603-103-240-00	3 8
1602-242-500-10	35 29	1602-508-510-30	69 24A	1603-103-260-00	3 9
1602-242-551-10	35 19	1602-508-530-00	69 1	1603-103-260-10	3 9A
1602-243-051-10	36 8	1602-509-001-00	99 20	1603-103-310-00	3 11
	36 35		100 20	1603-103-310-10	3 11A
1602-243-510-10	36 5		102 20	1603-103-310-20	3 11B
1602-243-530-20	36 19A		103 21	1603-104-210-00	4 16
1602-243-590-10	36 34		103 57	1603-112-200-10	5 9
	36 34A		103 89	1603-116-200-00	6 7
1602-243-610-00	36 41		105 22	1603-117-200-00	6 12

1603-098-100-10

PART CODE	FIG. KEY	PART CODE	FIG. KEY	PART CODE	FIG. KEY
1603-117-210-00	6 30		12 41		25 11
1603-117-220-00	6 29	1603-135-340-00	11 52	1603-208-052-00	24 14
1603-120-052-00	7 29		12 56	1603-208-061-00	25 14
1603-120-053-00	7 38	1603-138-200-10	12 1	1603-208-063-00	25 23
1603-120-200-10	7 34	1603-138-210-00	12 5	1603-218-053-00	29 24
1603-120-210-10	7 35	1603-138-220-00	12 6		30 21
1603-121-001-10	8 1	1603-138-230-00	12 32		30 45
1603-122-200-00	8 8	1603-140-001-00	13 3	1603-218-054-00	29 17
1603-122-210-00	8 9		15 3		30 38
1603-130-001-00	10 26	1603-140-002-00	15 14	1603-218-061-10	30 28
1603-130-002-00	10 11	1603-140-003-00	15 15	1603-219-051-00	32 25
1603-130-003-00	10 33	1603-140-004-00	15 16	1603-219-052-00	32 20
	11 23	1603-140-200-00	13 1	1603-219-500-10	32 18
	12 23	1603-140-220-00	13 8	1603-241-510-00	34 41
1603-130-200-10	10 2	1603-140-400-00	15 1	1603-241-510-10	34 41A
1603-130-220-00	10 3	1603-145-004-10	17 48	1603-242-500-10	35 12
1603-130-230-00	10 4		61 20	1603-242-500-20	35 12A
1603-130-240-00	10 5	1603-145-005-10	17 49	1603-242-511-10	35 6
1603-130-250-00	10 29		61 21	1603-242-520-10	35 32
1603-130-260-00	10 60	1603-145-042-00	17 7	1603-242-520-30	35 32A
1603-130-270-10	10 1	1603-145-043-00	17 4	1603-242-700-00	35 30
1603-135-001-00	11 12	1603-145-044-00	17 5	1603-243-052-00	36 42
	12 12	1603-145-045-00	17 39	1603-243-520-30	36 11
1603-135-002-00	11 17	1603-145-400-00	17 2	1603-243-530-10	36 19
	12 17	1603-145-410-00	17 1	1603-243-560-20	36 30
1603-135-003-00	11 49	1603-148-001-00	18 2	1603-251-200-00	97 1
	12 53	1603-148-002-00	18 3	1603-251-210-00	97 31
1603-135-004-00	11 56	1603-148-003-00	18 4	1603-304-001-00	38 13
	12 60	1603-148-200-00	18 1	1603-306-200-00	39 18
1603-135-200-00	11 3	1603-148-220-00	18 12	1603-306-202-00	39 33
	12 3	1603-203-001-00	21 1	1603-306-210-00	39 19
1603-135-210-00	11 6	1603-205-001-00	21 10	1603-306-220-00	39 13
1603-135-220-00	11 32	1603-205-051-00	22 10	1603-306-230-00	39 14
1603-135-230-00	11 21	1603-207-001-00	21 5	1603-310-200-00	41 1
	12 21		23 2		42 1
1603-135-240-00	11 53		24 2	1603-310-210-00	41 17
	12 57		25 2	1603-310-220-00	41 19
1603-135-250-00	11 54	1603-207-051-10	24 7	1603-312-001-00	43 10
	12 58		25 7	1603-313-001-00	44 11
1603-135-260-00	11 31	1603-207-200-00	23 1	1603-313-001-10	44 11A
1603-135-300-10	11 1	1603-207-500-00	24 1	1603-313-200-00	44 17
1603-135-310-00	11 2	1603-207-600-00	25 1	1603-317-230-00	46 9
	12 2	1603-208-001-00	23 11		46 13
1603-135-320-00	11 5	1603-208-002-00	23 20		46 17
1603-135-330-10	11 37	1603-208-051-00	24 12	1603-321-001-00	47 1

PART CODE	FIG. KEY	PART CODE	FIG. KEY	PART CODE	FIG. KEY
1603-321-002-00	47 17		58 23		100 24
1603-321-003-00	47 18	1603-431-200-10	58 13A		103 25
1603-321-004-00	47 19	1603-431-210-00	58 19		103 61
1603-321-051-00	48 5	1603-431-230-00	58 2C		105 26
1603-321-052-00	48 7		64 1B		105 63
1603-321-053-00	48 8	1603-431-500-00	64 13	1603-509-200-10	99 1
	48 18	1603-431-510-00	64 15		103 37
1603-322-001-00	47 5	1603-431-510-10	64 15A	1603-509-210-00	99 3
1603-322-002-00	47 9	1603-431-511-00	64 16		103 3
1603-322-003-00	47 10	1603-433-210-00	60 7		103 39
	48 20	1603-433-220-00	60 24	1603-509-220-00	99 4
1603-322-051-00	48 12	1603-434-001-00	61 28		103 4
1603-322-052-00	48 16	1603-434-002-00	17 41		103 40
1603-322-053-00	48 17		61 22	1603-509-230-10	99 19
1603-325-001-00	47 11	1603-434-003-00	61 1A		100 19
1603-325-002-00	47 12	1603-434-200-00	62 1		103 20
1603-325-051-00	48 22	1603-434-220-00	62 3		103 56
1603-326-001-10	49 28	1603-434-241-00	62 34		105 21
1603-326-220-10	49 21	1603-441-201-00	63 1A		105 58
1603-326-520-20	49 22		63 5A	1603-509-240-00	99 27
1603-326-520-30	49 22A	1603-441-210-00	63 4		100 27
1603-335-002-00	50 5		63 8	1603-509-250-00	99 23
1603-335-200-00	50 16	1603-441-241-00	63 10		100 23
1603-335-211-00	50 24		63 14		103 24
1603-335-220-00	50 1	1603-441-260-00	63 9		103 60
1603-335-230-00	50 4		63 13		105 25
1603-335-240-00	50 12	1603-501-001-10	65 14		105 62
1603-335-250-00	50 26	1603-503-200-00	66 35	1603-509-260-00	99 27A
1603-336-300-00	98 1	1603-505-001-00	68 4		100 27A
1603-336-310-10	98 3	1603-505-002-00	68 22		103 28
1603-336-600-00	98 11	1603-505-200-00	68 10		103 64
1603-401-001-00	51 30	1603-505-210-10	68 20		105 29
	52 30	1603-505-210-20	68 20A		105 66
1603-401-210-10	51 1	1603-505-220-00	68 1A	1603-509-300-10	102 1
1603-401-210-20	51 1A	1603-505-700-10	68 23	1603-509-310-00	102 4
1603-401-510-10	51 2	1603-508-001-00	69 4		103 72
1603-401-510-20	51 2A	1603-508-200-10	69 6	1603-509-320-00	102 6
1603-401-700-10	52 1	1603-508-220-00	70 16		103 73
1603-401-720-10	52 2	1603-508-500-00	70 17	1603-509-330-10	102 19
1603-406-700-10	54 44	1603-509-001-00	99 8		103 88
1603-431-001-00	58 1		100 8		105 89
1603-431-002-00	58 2B		103 9	1603-509-350-00	102 23
	64 1A		105 10		103 92
1603-431-051-00	58 2		105 47		105 93
1603-431-200-00	58 13	1603-509-003-00	99 24	1603-509-500-00	100 1

1603-098-100-10

PART CODE	FIG. KEY	PART CODE	FIG. KEY	PART CODE	FIG. KEY
1603-509-510-00	100 3 105 3 105 40	1603-606-540-00 1603-606-540-10	79 7 79 9 77 9	1603-616-830-10 1603-621-200-00 1603-621-300-00 1603-624-001-00	87 46 87 47 89 1 89 9 94 18
1603-509-520-00	100 4 105 4		78 9 79 9A		
1603-509-550-00	105 41 102 2	1603-606-600-00	77 36 79 33	1603-624-200-00 1603-624-210-00	93 24 93 9
1603-509-560-00	102 5 105 74	1603-606-700-00 1603-606-720-00	78 1 78 35	1603-624-600-00 1603-624-610-00	94 1 94 3
1603-509-570-00	102 7	1603-606-730-00	78 29	1603-902-001-00	95 13
1603-509-700-10	105 75 103 1	1603-606-740-00 1603-607-001-00	78 36 80 7A	1603-902-001-10 1603-902-002-00	95 13A 95 14
1603-509-720-00	105 1		81 14	1603-902-002-10	95 14A
1603-509-730-00	105 38		82 7A	1603-902-004-00	95 40
1603-514-200-00	71 1	1603-607-200-20	82 1	1603-902-005-00	95 31
1603-514-210-00	71 2	1603-607-210-00	80 9	1603-902-051-00	95 41
1603-514-220-00	71 7		82 9	1603-904-002-00	95 49
1603-515-200-10	72 1	1603-607-220-00	80 11	2100-217-002-00	6 26
1603-515-210-10	72 3		82 11	2101-230-001-00	10 46
1603-601-001-00	73 24	1603-607-230-00	80 12		11 43
1603-601-200-00	73 5		81 16		12 47
1603-601-210-00	73 2		82 12	2130-601-018-00	99 21
1603-601-220-10	73 23	1603-607-300-20	80 1		100 21
1603-601-230-10	73 26	1603-607-500-20	82 2		102 21
1603-601-240-00	73 27	1603-607-510-20	80 2		103 22
1603-604-200-10	76 1	1603-607-700-10	81 1		103 58
1603-604-210-10	76 2	1603-607-710-10	81 3		103 90
1603-604-220-00	76 3	1603-607-720-10	81 2		105 23
1603-604-230-00	76 5	1603-607-730-10	81 4		105 60
1603-606-070-00	78 23	1603-611-071-00	83 27		105 91
1603-606-071-00	78 24	1603-611-200-00	83 25	2130-931-210-00	96 4
1603-606-072-00	78 28	1603-612-700-10	85 12	2132-901-007-10	95 10
1603-606-073-00	78 25	1603-612-700-20	85 12A	2142-331-210-00	54 1
1603-606-074-00	78 26	1603-612-710-00	85 15	2142-331-212-00	54 2
1603-606-075-00	78 27	1603-616-200-00	86 12	2144-501-008-10	77 34
1603-606-200-10	79 1		87 11		78 4
1603-606-210-10	77 32 79 30	1603-616-210-10 1603-616-300-00	86 10 86 13	2504-135-006-00 2701-101-052-00	45 12A 77 23
1603-606-230-00	77 8 78 8	1603-616-700-10	87 12 87 33		78 21 79 23
1603-606-300-10	79 8 77 1	1603-616-720-10 1603-616-800-10	87 43 87 38	3526-704-001-00 3560-203-002-00	88 11 45 12
1603-606-510-00	77 25		87 45	3560-503-302-00	45 11
1603-606-530-00	77 7 78 7	1603-616-810-10 1603-616-820-10	87 39 87 40		77 17 78 17

PART CODE	FIG. KEY	PART CODE	FIG. KEY	PART CODE	FIG. KEY
3560-702-001-10	79 17		16 8	K185-012-000-00	17 22
3614-321-001-00	96 10	7927-101-204-00	14 15	K185-012-001-00	17 25
	77 13	7927-101-205-00	14 13	K185-012-100-00	17 23
	78 13	7927-601-001-00	18 23	K185-012-200-00	17 24
	79 13	7954-205-101-00	77 31	K185-012-300-00	17 26
3621-304-003-00	4 9		78 33	K185-013-000-00	18 10
3625-701-003-00	62 20		79 29	K186-003-003-00	17 32
3631-170-006-10	18 16	7955-201-026-00	7 15	K186-003-005-00	17 33
3640-111-001-00	49 14		39 11	K211-001-006-20	66 14
3640-111-001-10	29 16	7963-201-003-00	56 56	K211-001-007-00	66 16
	30 25	7963-208-004-00	7 14	K211-001-011-00	104 6
	30 37	7963-611-001-00	71 12	K211-003-000-00	66 13
	32 19	7963-611-002-00	71 8	K211-003-002-00	66 15
	40 7	7963-611-003-00	71 10	K211-003-005-00	66 17
	49 12	7963-611-230-00	71 6	K211-004-006-00	104 17
3640-220-004-00	77 26	7982-101-230-00	14 14	K211-004-007-00	104 3
	35 8	8592-011-201-00	14 2	K211-005-003-10	104 4
	35 20		16 2	K211-005-004-00	104 7
3640-220-005-00	35 9	8592-011-204-00	14 5	K211-005-005-00	104 8
	35 21		16 5	K211-005-006-00	104 13
3650-204-412-00	83 3A	J061-114-024-00	36 32A	K211-005-007-00	104 14
	84 3A		36 43	K211-005-009-00	104 16
3650-261-261-00	93 26		57 24	K211-005-010-10	104 18
3650-262-202-00	93 28		57 31	K211-005-012-00	104 21
3652-261-202-00	93 27	J061-116-025-00	57 32A	K211-005-013-00	104 27
3656-565-006-00	34 40A	J061-125-040-00	69 5	K211-005-100-20	104 2
3662-223-005-00	28 31		69 10	K211-005-800-10	104 1
3728-173-003-00	89 6	J061-210-012-00	1 12	K211-016-000-00	99 2
3728-173-005-00	89 7		1 29		100 2
3737-172-011-00	7 19	J061-210-015-00	2 14		102 3
	7 24	J061-224-032-00	2 20		103 2
	65 13	J061-230-038-00	2 17		103 38
	91 10	J061-238-046-00	2 18		103 71
	93 7		2 19		105 2
	93 36	J061-247-055-00	4 9A		105 39
3748-185-003-00	94 10	J061-252-063-00	4 8		105 73
3768-185-016-00	57 32	J062-111-120-00	1 25	K211-016-001-00	104 15
4101-102-038-00	36 32	J910-000-200-00	95 45	K231-004-000-20	65 23
4319-601-004-00	54 37	K110-001-106-00	104 9	K231-004-007-00	65 24
	93 29	K135-002-009-00	57 7	K250-007-000-00	65 22
4335-121-245-00	34 37		70 7	K250-018-000-00	70 14
5603-509-001-00	103 45	K135-012-000-00	70 1	V111-164-000-60	92 39
7918-101-240-00	14 7	K135-017-006-00	57 2	V111-165-003-00	93 4
	16 7		70 2	V111-166-004-00	65 32
7918-101-242-00	14 8	K135-020-000-00	57 1	V113-163-003-00	91 13

1603-098-100-10

PART CODE	FIG. KEY	PART CODE	FIG. KEY	PART CODE	FIG. KEY
V120-264-000-80	92 9		11 39		18 5
V120-265-000-80	92 11		11 59	V201-261-204-00	11 7
V120-266-001-60	6 5		12 43		12 7
V120-364-001-20	90 12		12 63		17 6
V120-365-002-00	90 42	V201-261-004-50	7 7	V201-261-204-50	99 13A
	90 51	V201-261-005-00	36 24		100 13A
V120-366-001-60	77 12	V201-261-005-50	34 6		103 14
	78 12	V201-261-006-00	34 7		103 50
	79 12	V201-261-006-50	20 8		105 15
V120-376-001-60	86 25A	V201-261-007-00	39 10		105 52
	87 24A	V201-261-008-00	20 11	V201-261-205-50	13 13
V195-164-025-30	91 7		101 2		15 11
V200-260-501-0B	85 10		103 35	V201-261-206-00	98 4
V200-260-601-20	53 27		105 36		98 13
V200-260-602-00	83 5	V201-261-009-00	20 20	V201-261-212-50	13 18
	84 5		101 4	V201-261-405-00	15 17
V200-260-602-50	77 15		103 101	V201-261-603-00	39 31
	78 15	V201-261-013-00	102 30	V201-360-801-20	2 26
	79 15		103 97	V201-360-802-50	1 9
V200-260-603-00	83 4		105 98	V201-360-803-50	54 35
	84 4	V201-261-013-50	41 14	V201-360-804-00	34 45
V200-260-605-00	69 14		42 14		88 9
V200-260-801-60	90 46	V201-261-014-00	102 32	V201-360-804-50	34 22
	90 50		103 105	V201-361-002-50	51 23
V201-260-801-20	85 7	V201-261-202-00	50 14		52 23
V201-260-801-60	73 17	V201-261-202-50	3 13		61 5
	75 26		10 6		61 26
	76 30		51 31		62 14
	91 19		52 31	V201-361-003-00	51 24
	92 2		53 52		52 24
V201-260-802-00	59 15	V201-261-203-00	13 14	V201-361-202-00	62 40
	97 37		13 17	V201-361-202-50	17 44
V201-260-802-50	9 6		15 12	V201-361-203-00	50 6
V201-260-803-00	58 24		15 18		98 5
	85 3		17 3		98 14
	85 14		17 43	V201-361-203-50	17 45
V201-260-804-50	54 29		50 17	V201-361-204-00	17 50
V201-260-805-00	88 15		50 27		61 24
V201-260-806-50	27 7		51 32	V201-361-204-50	50 7
	67 3		52 32	V201-361-205-50	65 20
V201-260-807-00	1 22		99 13	V201-361-207-00	65 19
	54 30		100 13	V201-361-216-00	39 20
V201-260-808-00	3 18	V201-261-203-50	7 11	V201-361-403-50	60 17
V201-261-003-00	10 42		11 8	V201-361-605-00	46 23
	10 54		12 8	V201-461-002-50	61 5A

PART CODE	FIG. KEY	PART CODE	FIG. KEY	PART CODE	FIG. KEY
V201-461-202-00	61 26A 62 41		2 22 57 17A		20 25 26 4
V201-461-203-50	53 8 65 18		73 25 86 6		32 9 36 25
V201-461-204-00	60 15		87 4		54 15
V201-461-403-50	53 10		92 22		58 14
V203-261-003-50	7 6		92 41		61 13A
V203-261-010-00	7 5	V211-260-801-20	10 28		64 14
V203-461-002-50	51 11 52 11		12 38 13 21		68 21 77 33
V210-260-601-20	11 57 12 61		66 36 4 12		79 31 86 33
	50 22	V211-260-801-60	19 8		87 32
V210-260-601-60	57 17 92 6		20 13 26 9		87 50 99 26
	92 37		28 23		100 26
V210-260-602-00	93 22		29 9		103 27
	94 17		30 11		103 63
V210-260-602-50	57 20 57 29		30 16 31 8		105 28 105 65
V210-260-603-00	69 18		32 12	V211-260-802-50	7 37
V210-260-604-00	99 18 100 18 102 18 103 19		33 13 35 13 36 4 36 18		10 25 40 11 61 13 69 26
	103 55 103 87		36 33 40 9		69 27 70 19
	105 20		49 4		83 28
	105 57		54 21		97 5
	105 88		64 23	V211-260-803-00	36 10
V210-360-601-20	2 25 12 40 13 9		66 32 68 14 80 14	V211-260-803-50	83 29 36 38 70 20
	13 23 15 22		81 17 82 14		99 7 100 7
	74 3 75 7		83 26 85 16		102 11 103 8
	75 17		92 34		103 44
	76 8		97 26		103 80
	76 18		97 27		105 9
	93 23 93 38	V211-260-802-00	7 30 10 24		105 46 105 81
	94 2		11 16	V211-260-804-00	36 9
	94 19		12 16		66 19
V210-360-601-60	1 27		17 14		69 28

1603-098-100-10

PART CODE	FIG. KEY	PART CODE	FIG. KEY	PART CODE	FIG. KEY
V211-260-805-00	97 6		79 4	V211-361-004-50	7 22
V211-261-002-00	51 35		79 21	V211-560-802-00	44 3
	52 35		86 7	V211-560-802-50	9 21A
	87 42		86 8		40 11A
	87 49		87 5A		54 34
V211-261-002-50	7 31		87 6	V211-560-803-00	54 9
	37 15		88 7	V211-561-002-00	18 19
	62 31		90 6		66 12
	87 41		90 41	V211-660-801-60	2 24
	87 48		91 3		75 30
V211-261-003-00	41 13	V211-360-802-00	34 34		75 32
	42 13		69 7		76 34
V211-261-003-50	39 5		73 6		76 36
	65 5		78 2		77 30
	65 6		99 9		77 38
V211-261-004-00	67 7		100 9		78 32
	27 11		102 12		79 28
V211-261-004-50	39 6		103 10		80 3
	69 19		103 46		82 3
V211-360-801-20	80 8		103 81		86 8A
	80 13		105 11		86 35
	81 15		105 48		87 5
	82 8		105 82		87 6A
	82 13	V211-360-802-50	19 11		88 6
	93 40		27 2	V211-660-802-00	2 33
V211-360-801-60	98 8		34 43		86 14
	3 3		69 3		87 13
	4 11	V211-360-803-00	26 2	V211-660-802-50	86 11
	5 12	V211-360-803-0B	69 3A		87 10
	26 21	V211-360-804-00	27 3	V220-540-601-50	104 23
	34 32	V211-360-804-50	27 4	V251-261-002-80	37 6
	44 4	V211-361-001-60	10 30	V251-261-003-50	37 4
	50 13		11 33		37 21
	50 25		12 33	V251-261-004-50	37 5
	54 24	V211-361-002-00	7 10	V251-341-002-00	55 22
	57 16		17 57		56 53
	73 4		77 5	V251-341-002-50	65 11
	73 12		79 5		65 12
	73 15		85 2	V251-341-202-80	10 10
	75 24	V211-361-003-00	19 5	V251-341-604-00	39 4
	76 28		20 5	V252-261-002-00	7 4
	77 4		36 23	V252-261-002-50	7 3
	77 21	V211-361-003-50	19 4	V252-261-003-20	20 15
	77 29		20 4	V252-261-202-5C	37 2
	78 34		20 7	V252-261-205-50	37 20

PART CODE	FIG. KEY	PART CODE	FIG. KEY	PART CODE	FIG. KEY
V252-341-003-20	55 26		28 34		97 38
V271-160-602-50	4 3		29 14		99 10
V273-260-601-50	77 24		29 19		100 10
	78 22		30 20		102 13
	79 24		30 30		103 11
V300-260-004-00	90 13		30 35		103 47
V300-260-005-00	91 15		30 40		103 82
V300-260-006-00	94 20		32 17		105 12
V300-260-012-00	53 41		32 22		105 49
V301-260-005-00	1 3		34 27		105 83
V301-260-006-00	90 43		35 10	V304-260-010-00	10 56
	90 47		35 22		11 61
	5 6		35 25		12 65
	34 12		43 13		20 16
	39 16		44 13		35 18
	75 10		44 21		37 18
	75 20		49 10		39 7
	76 11		49 20		51 15
	76 21		51 45		51 25
	77 16		52 45		52 15
	78 16		54 32		52 25
	79 16		58 25		60 6
	90 21		69 8		65 9
	90 32		70 11		65 10
	90 52		72 11		65 34
V303-260-008-00	90 57		73 19	V304-260-012-00	68 19
	11 35		75 27		50 2
	12 35		76 31		50 18
V303-260-012-00	11 9		80 16		50 28
	12 9		81 19		98 7
V303-260-024-00	98 16		82 16	V304-260-016-00	17 16
	72 5		83 9		18 18
V303-400-010-00	55 24		83 13		51 7
V303-460-010-00	55 25		83 17		52 7
V303-460-012-00	72 14		83 23		71 9
V304-200-008-00	35 5		84 10		71 13
	86 4		84 14		72 9
V304-260-008-00	3 21		84 21	V304-260-020-00	17 19
	4 14		84 26		18 22
	6 34		85 8	V304-460-008-00	34 24
	9 7		85 17	V304-460-010-00	56 55
	9 15		90 24		65 29
	11 29		90 35	V304-460-012-00	10 9
	12 29		90 55		17 51
	28 27		92 3		39 21

1603-098-100-10

PART CODE	FIG. KEY	PART CODE	FIG. KEY	PART CODE	FIG. KEY
V305-260-008-00 V305-260-010-00	61 25 68 7 10 43 10 55 11 40		90 22 90 33 90 53 90 58 94 21		88 10 88 16 90 56 92 4 99 11
V305-260-012-00 V326-262-108-00	11 60 12 44 12 64 60 20 51 43	V401-160-008-00	104 24 1 10 1 23 2 27 3 20		100 11 102 14 103 12 103 48 103 83
V327-261-220-00 V327-262-112-00 V328-262-110-00	52 43 53 16 53 33 6 17 54 3		4 15 7 49 8 12 11 36 12 36	V401-160-010-00	105 13 105 50 105 84 7 8 10 57
V328-262-112-00 V332-460-020-00 V333-500-010-00	73 11 53 49 62 37 55 15 3 5		27 8 28 4 28 13 34 23 34 26		11 45 12 49 17 42 20 9 20 17
V334-260-012-00 V350-160-006-00 V360-260-005-00 V362-260-008-00	51 21 52 21 95 4 91 16 91 21		35 11 35 23 35 26 51 47 52 47		20 21 34 8 34 17 36 39 37 19
V363-260-008-00 V401-160-005-00	1 5 88 18 90 45 90 49 91 14		54 33 54 36 55 16 59 16 59 23		38 12 39 8 41 15 42 15 51 12
V401-160-006-00	93 5 34 13 39 17 53 28 65 33		67 4 70 12 73 20 75 28 76 32		51 16 51 26 52 12 52 16 52 26
	69 15 75 9 75 19 76 10 76 20		80 17 81 20 82 17 83 10 83 14		55 23 56 40 56 54 60 5 61 6
	77 18 78 18 79 18 83 7 84 7		83 18 84 11 84 15 84 22 84 27		61 23 61 27 62 15 65 7 65 8

PART CODE	FIG. KEY	PART CODE	FIG. KEY	PART CODE	FIG. KEY
	65 28 101 3 101 5 102 31 102 33		100 14 103 15 103 51 105 16 105 53		75 18 76 9 76 19 77 19 78 19
	103 36 103 98 103 102 103 106 105 37	V401-160-014-00 V401-160-016-00	15 19 60 18 17 15 18 17 39 32		79 19 84 6 88 21 90 23 90 34
V401-160-012-00	105 99 3 14 7 12 10 7 10 53		46 24 51 6 52 6 53 11 71 14		90 54 90 59 99 22 100 22 102 22
	11 10 12 10 13 15 13 19 15 13	V401-160-018-00 V401-160-020-00 V401-170-008-00	72 8 51 4 52 4 55 17 57 8		103 23 103 59 103 91 105 24 105 61
	15 20 17 53 17 54 17 55 18 6	V411-150-004-00 V411-150-005-00 V411-260-004-00	70 8 92 8 92 10 58 17 58 21	V411-260-008-00	105 92 2 28 3 19 6 20 6 31
	39 22 50 3 50 8 50 15 50 19	V411-260-005-00	64 20 75 15 76 6 76 16 1 7		9 11 10 49 11 47 12 51 14 9
	50 29 51 22 51 33 52 22 52 33	V411-260-006-00	66 28 90 44 90 48 93 6 5 5		16 9 28 5 28 14 28 40 29 25
	53 9 53 51 53 53 60 16 62 39		6 3 6 6 6 8 6 23 6 33		30 22 30 46 32 26 34 21 40 13
	62 42 65 21 98 6 98 15 99 14		9 17 45 5 45 16 50 23 75 8		43 16 44 15 44 23 45 2 45 8

1603-098-100-10

PART CODE	FIG. KEY	PART CODE	FIG. KEY	PART CODE	FIG. KEY
	45 13 49 29 51 42 51 46 52 42	V411-260-012-00	105 94 3 15 7 13 11 11 12 11	V500-162-002-50	45 9 45 14 45 17 68 9 32 8
	54 31 68 8 70 10 73 18 75 5		34 38 35 2 49 24 49 31 51 41	V500-162-501-50	47 15 54 4 73 8 6 2 6 9
	77 3 79 3 83 11 83 15 83 24		52 41 99 25A 100 25A 103 26 103 62	V500-162-502-00	14 10 16 10 6 21 6 27 28 41
	84 12 88 17 91 20 99 12 100 12	V411-260-014-00 V411-260-016-00	105 27 105 64 49 2 10 38 72 7		44 16 44 24 49 30 83 21 84 18
	102 15 103 13 103 49 103 84 105 14	V411-260-020-00 V411-260-022-00 V413-160-006-00 V500-152-501-50	53 17 71 4 83 6 10 50 11 48	V500-162-502-50 V500-163-002-00	6 18 40 14 48 26 53 34A 53 50
V411-260-010-00	105 51 105 85 6 16 7 9 20 10	V500-153-002-50 V500-161-601-00 V500-162-001-50	12 52 53 34 1 6 6 24 9 18	V500-163-002-50 V500-163-003-50	62 38 10 39 71 11 17 21 18 14
	20 18 20 22 34 18 36 40 54 5	V500-162-002-00	51 44 52 44 66 27 88 22 6 32	V500-164-003-50 V500-164-004-00 V500-165-003-50 V500-165-004-00 V511-100-805-00	71 5 53 18 18 24 17 37 41 18
	68 17A 73 10 99 28 100 28 102 24		9 12 29 26 30 23 30 47 32 27	V520-100-801-60	41 20 42 19 7 25 19 2 20 2
	103 29 103 65 103 93 105 30 105 67		41 8 42 8 43 17 45 3 45 6		20 24 37 7 38 9 39 9 97 4

PART CODE	FIG. KEY	PART CODE	FIG. KEY	PART CODE	FIG. KEY
V520-100-802-20	62 29	V600-110-600-20	22 8	V607-110-620-40	23 15
V520-101-001-60	53 12	V600-110-600-40	8 5	V607-110-620-60	47 22
	60 14		22 3	V607-110-630-50	24 6
V520-101-001-80	7 20		97 9		25 6
V520-101-002-20	62 16	V600-110-600-50	23 6		47 3
V521-101-002-00	60 2	V600-110-600-70	21 16		48 6
V530-160-804-00	9 3		22 13	V610-115-110-60	61 18
	43 7	V600-110-600-80	59 27	V653-418-241-20	54 42
V530-240-602-80	40 5A	V600-110-600-90	33 4	V654-420-262-40	33 8
V580-140-301-60	66 25	V600-110-601-00	61 9	V654-422-272-00	23 25
V580-140-502-50	28 28	V600-110-620-20	97 11	V654-422-272-60	47 23
	29 12		97 12	V654-425-301-70	23 8
	30 18		97 13	V654-425-312-00	25 17
	30 33	V600-110-620-40	21 4		25 26
	31 11		21 17	V654-425-321-60	24 9
	32 2		23 18		25 9
	32 15		24 15	V654-425-352-50	22 14
	44 7		25 18	V682-200-001-00	28 8
	49 7		25 27		28 17
	49 25		33 6		28 20
	68 2		48 3		29 3
	97 32		53 24		30 3
V580-140-601-60	97 33	V600-110-620-50	8 6		30 8
V580-140-602-00	23 23		21 15		31 5
	104 20		22 7		32 7
V580-140-602-50	54 10		33 16		47 14
V580-140-603-20	34 3		53 23		48 25
	58 11		62 18		97 24
	64 10	V600-110-620-60	62 26	V704-140-010-00	99 29
V580-140-604-50	64 12	V600-110-620-70	47 8		100 29
V580-140-802-50	44 8		48 15		102 25
V590-131-007-00	28 29		61 3		103 30
	31 12	V600-110-620-90	39 29		103 66
	32 3	V600-110-630-40	22 2		103 94
	34 4		47 4		105 31
	44 9		47 24		105 68
	49 8		48 2		105 95
	68 3		48 11	V704-140-012-00	34 39
	97 34	V600-110-630-50	33 17	V704-140-014-00	28 9
	97 35	V600-110-630-70	38 17		29 5
V590-131-012-00	26 17		39 28		30 5
	54 11		62 25		31 2
	58 12	V600-110-630-80	62 25A		97 20
	64 11	V600-130-600-30	54 17	V704-140-015-00	10 36
V590-131-015-00	9 22	V600-150-600-40	7 42		11 26

1603-098-100-10

PART CODE	FIG. KEY	PART CODE	FIG. KEY	PART CODE	FIG. KEY
V704-140-016-00	12 26	V705-140-028-00	26 7	V720-102-402-00 V720-102-402-10 V720-103-502-20	36 37
	97 16	V705-140-035-00	10 35		54 27
	28 38		11 25		36 21
	29 21		12 25		53 15
	30 27		54 19		36 22
V704-140-017-00 V704-140-020-00	30 42	V705-140-042-00 V705-140-052-00	97 14	V720-103-502-40	36 6
	49 17		97 15		36 36
	54 18		7 43	V720-103-502-80	36 2
	7 39		13 7	V720-103-503-00	36 3
	23 14		15 7	V720-103-503-10	57 13
V704-140-022-00 V704-140-025-00	23 19	V706-140-045-00 V706-140-050-00	62 19	V720-105-705-20	7 33
	97 10		22 12	V720-105-707-00	60 12
	23 27		33 3	V720-111-900-60	57 6
	8 3		66 5		70 6
	11 4		66 6		104 5
	12 4	V706-140-060-00	11 14	V720-112-401-20	51 40
	13 6		11 58		52 40
	15 6		12 14		65 16
	24 11		12 62		66 18
	25 12	V707-140-055-00	10 13		99 34
	25 19	V707-140-056-00	59 11		100 34
	25 22	V707-140-080-00	38 18		102 29
	25 28	V707-140-085-00	39 30		103 7
	43 9	V710-140-004-00	66 23		103 43
	47 21		104 22		103 79
V704-140-030-00	61 11	V710-140-007-00	34 20	V720-112-401-40	104 26
	10 14	V720-101-004-40	1 17		105 8
	11 20	V720-101-900-70	66 31		105 45
	12 20	V720-101-900-80	56 42		105 80
	21 6	V720-102-401-00	1 14		27 6
	21 11	V720-102-401-20	28 2		27 10
	22 6		28 11		67 2
	23 5		36 29		67 6
	24 5		97 21		69 25
	25 5		57 12		70 18
V705-140-015-00 V705-140-020-00	38 20	V720-102-401-40	28 24	V720-112-401-60 V720-112-402-00	104 25
	36 15		29 10		65 26
	14 6		30 12		104 10
	16 6		30 14		57 21
	58 6		31 9		57 30
V705-140-024-00	58 6A	V720-102-401-80	32 13	V720-112-402-20	69 13
	58 10		49 5		69 17
	64 5		97 30		70 15
	64 9		36 7		57 5
	104 12		36 16		65 25

PART CODE	FIG. KEY	PART CODE	FIG. KEY	PART CODE	FIG. KEY
V720-113-502-90	70 5 17 30	V761-150-000-00	53 4 53 19	V889-005-001-20	63 19
V720-115-706-50	66 8		62 10	V920-550-801-00	96 5
V721-103-103-00	33 11	V762-150-000-00	9 4	V920-551-201-40	96 6
V721-103-106-50	34 5		9 25	V920-551-301-70	96 7
				V920-551-902-20	96 8
V721-103-107-00	69 2		43 5	V920-552-402-70	96 9
V721-113-105-00	57 4 70 4		49 15 51 28	V936-150-015-00	96 3
V721-113-107-00	65 17		52 28	V999-200-003-00	46 12
V723-101-501-20	40 3	V763-150-000-00	60 23		46 16
					63 3
V723-102-003-00	26 8		62 9		63 7
V723-102-003-80	17 27	V780-100-000-20	103 74		63 12
V723-111-501-20	17 29		103 75		63 16
V730-103-502-90	17 31		105 5		63 20
V730-103-703-10	57 14		105 42	V999-300-001-00	46 4
V742-114-240-60	66 34		105 76		46 8
V742-120-320-50	58 16 64 22	V780-140-000-2T	100 35 102 28	W201-260-805-50	46 20 6 35
V742-140-550-50	53 7		104 11		35 4
V742-150-720-60	60 22	V780-140-000-40	7 16		86 3
V742-170-950-70	60 9	V781-100-000-20	27 12	W201-461-205-50	60 19
V744-114-280-70	57 3 70 3	V781-160-000-20	7 23 65 15	W296-134-007-00	86 16A 87 17A
V744-120-350-70	23 13A 24 16A	V781-160-000-4B	67 8 57 18	W296-204-007-40	75 6 75 16
V744-120-350-80	25 20A 59 3A 23 13 24 16 25 20	V781-160-000-60	20 3 20 26 103 76 105 43 105 77	W296-204-008-60	76 17 76 7 86 16 87 17
V744-120-420-80	59 3 7 41	V781-160-000-6B	62 30 99 5		
V744-125-350-60	41 16A 42 16A		100 5 102 8		
V744-125-350-70	41 16		103 5		
V744-125-400-70	42 16 8 7A 21 2A	V781-160-000-80	103 41 105 6 19 3		
V744-125-400-80	8 7 21 2	V793-108-110-30	39 12 104 19		
V744-125-470-80	7 32 33 18	V883-000-061-20	63 2 63 6		
V744-134-480-80	53 31	V888-145-001-20	63 18		
V744-140-550-80	47 6 48 13	V889-000-832-40	46 3 46 7		

ALPHABETICAL INDEX

ENGINE

DESCRIPTION	FIG. KEY	DESCRIPTION	FIG. KEY
O-RING/S55	18 3	BOLT	17 11
ARM, ROCKER ASSY	11 9	BOLT	19 5
ARM. ROCKER ASSY	11 10	BOLT	21 5
ARMATURE, STARTER ASSY	27 2	BOLT	21 8
BALL, STEEL	27 17	BOLT	23 4
BEARING	5 13	BOLT	23 7
BEARING	6 4	BOLT	23 10
BEARING	6 8	BOLT	26 3
BEARING	12 14	BOLT	26 5
BEARING	15 7	BOLT	26 15
BEARING	26 4	BOLT	26 16
BEARING	26 20	BOLT	26 24
BEARING	27 3	BOLT	26 25
BEARING	27 4	BOLT	26 26
BEARING, CRANK SET	5 10	BOLT	27 16
BEARING, CRANK/UN/SET	6 1	BOLT, JOINT	16 14
BEARING, CRANK/UN/SET	6 5	BOLT, REAMER	8 4
BEARING/6077	9 30	BOLT, SEMS	17 10
BELT, VA38. 5/FAN	19 4	BOLT, SEMS	18 4
BODY	16 6	BOLT, SEMS/M10X20	8 5
BODY	17 2	BOLT, SEMS/M10X20	23 3
BODY ASSY	16 5	BOLT, SEMS/M8X16	12 7
BODY, CYL. ASSY	5 1	BOLT, SEMS/M8X22	9 25
BOLT	1 15	BOLT, SEMS/M8X25	16 2
BOLT	3 3	BOLT, SEMS/M8X45	7 3
BOLT	4 4	BOLT, SEMS/M8X45	17 12
BOLT	4 5	BOLT, WS	7 2
BOLT	5 2	BOLT, WS	7 4
BOLT	8 3	BOLT, WS	27 15
BOLT	9 6	BOLT/M8X45	11 18
BOLT	9 13	BRACKET	11 15
BOLT	9 14	BRACKET	21 2
BOLT	9 15	BRACKET, GENERATOR	23 2
BOLT	10 3	BRUSH	26 9
BOLT	12 3	BUSH	26 14
BOLT	12 11	BUSH, DRAIN	27 20
BOLT	12 16	CAP ASSY	2 2
BOLT	13 9	CAP, SEALING	1 3
BOLT	15 9	CAP, SEALING	1 4
BOLT	15 13	CAP, SEALING	1 5
BOLT	16 10	CAP, SEALING	1 6
BOLT	16 11	CAP, SEALING	5 3
BOLT	16 16	CAP, SEALING	5 4
BOLT	17 5	CAP, SEALING	5 17
BOLT	17 6	CARTRIDGE	16 4

DESCRIPTION	FIG. KEY	DESCRIPTION	FIG. KEY
CASE, GEAR ASSY	9 1	GEAR	12 12
CLIP	3 5	GEAR	15 3
CLIP ASSY	20 9	GEAR ASSY	12 9
CLIP, HOSE/7. 6-8. 2	22 3	GEAR, CAM	12 2
CLUTCH, STARTER ASSY	27 5	GEAR, PUMP, INJ.	21 4
COLLAR, SPLIT	11 5	GEAR, RING	15 6
COLLOR	26 23	GENERATOR ASSY	23 1
COMPRESSION RING	13 3	GUIDE, VALVE	1 11
COMPRESSION RING	13 4	GUIDE, VALVE	1 12
COMPRESSION RING	14 3	HANGER	10 2
COMPRESSION RING	14 4	HANGER, F	10 1
COMPRESSION RING	14 8	HEAD, CYLINDER ASSY	1 1
COMPRESSION RING	14 9	HOLDER ASSY	26 7
CONNECTOR	24 3	HOLDER, BRUSH ASSY	26 8
COVER	9 3	HOLDER, NOZZLE ASSY	25 2
COVER	9 16	HOLDER, STARTER ASSY	27 11
COVER	26 12	HOSE, RUBBER	22 1
COVER	27 23	HOSE, RUBBER	22 2
COVER, BEARING	26 21	HOUSING, STARTER ASSY	27 9
COVER, CYL. HEAD ASSY	2 1	KEY	12 5
COVER, GEAR CASE	9 2	KEY/07X07X45	15 4
COVER, WATER PUMP	17 3	MANIFOLD, EXH	4 1
DOWEL	1 16	MANIFOLD, IN	3 1
EYE	21 10	METAL, CONN ROD	6 10
EYE	25 21	METAL, CONN ROD	13 11
FAN, COOLING	19 1	METAL, CONN ROD/1. 0	6 9
FILTER, OIL ASSY	16 3	METAL, CRANK	5 11
FLYWHEEL ASSY	15 5	METAL, CRANK	5 12
FRAME	26 6	METAL, CRANK	6 2
FRAME	27 10	METAL, CRANK	6 3
FRAME ASSY	26 1	METAL, CRANK	6 6
GASKET	3 6	METAL, CRANK	6 7
GASKET	17 8	NIPPLE	5 14
GASKET	21 6	NOZZLE	25 1
GASKET	21 9	NOZZLE, INJ	20 1
GASKET, COVER	9 4	NUT	11 12
GASKET, COVER	9 5	NUT	13 10
GASKET, COVER	9 17	NUT	25 20
GASKET, FILTER, BODY	16 9	NUT	25 22
GASKET, HEAD, CYLINDER	1 14	NUT	26 13
GASKET, HYDRIC	9 19	NUT	26 17
GASKET, MANIFOLD	4 2	NUT	26 18
GASKET, PLATE	9 23	NUT	27 21
GAUGE, LEVEL	7 7	NUT	27 22
GEAR	9 28	NUT, HEAD COVER	2 4

ENGINE

DESCRIPTION	FIG. KEY	DESCRIPTION	FIG. KEY
NUT/M10	8 6	PLUG	11 14
NUT/M10	23 5	PLUG	16 8
NUT/M8	3 7	PLUG	17 9
NUT/M8	9 20	PLUG, GLOW	24 2
NUT/M8	11 20	PLUG, HOT ASSY	1 2
O-RING	21 3	PLUG, PLATE	5 8
O-RING	27 19	PLUG, PLATE CAM BRG	5 7
O-RING/G25	7 6	PLUG, PT1/2	1 8
PACKING	5 9	PLUG, PT1/2	5 5
PACKING	9 10	PLUG/1	5 16
PACKING	16 15	PLUG/20	7 5
PACKING	17 4	PULLEY	19 2
PACKING	17 7	PULLEY	26 22
PACKING	21 11	PULLEY ASSY	15 11
PACKING, COVER NUT	2 6	PUMP, IJNJ. ASSY	21 1
PACKING, GEAR CASE	9 8	PUMP, OIL ASSY	16 1
PACKING, HEAD COVER	2 3	PUMP, WATER ASSY	17 1
PAN, OIL	7 1	REGULATOR ASSY	26 11
PIN	9 12	RESISTANCE, CONTROL	24 4
PIN	9 26	RETAINER	27 7
PIN	15 2	RING SNAP	13 7
PIN	15 10	RING, OIL	13 5
PIN, PISTON	13 6	RING, OIL/OV	14 5
PIN, STRAIGHT	8 2	RING, OIL/OV	14 10
PINION, STARTER	27 8	RING, PISTON SET	13 2
PIPE	21 12	RING, PISTON SET/OV	14 2
PIPE, FUEL ASSY	20 6	RING, PISTON SET/OV	14 7
PIPE, FUEL ASSY	20 7	RING, SNAP	11 17
PIPE, FUEL ASSY	20 8	ROD, CONN. ASSY	13 8
PIPE, FUEL ASSY	21 7	ROD, PUSH	11 7
PIPE, OIL ASSY	16 12	ROD, PUSH	25 3
PIPE, OIL ASSY	16 13	ROLLER, CLUTCH	27 6
PIPE, WATER DRAIN	5 15	ROTOR ASSY	26 19
PIPE, WATER OUTLET	18 1	SCREW	27 14
PISTON	13 1	SCREW	27 24
PISTON	14 1	SCREW, ADJUST	11 11
PISTON/OV	14 6	SEAL, OIL	8 7
PLATE	12 10	SEAL, OIL	9 9
PLATE	26 2	SEAL, VALVE	1 13
PLATE(F)	9 22	SEAT, SPRING	11 4
PLATE, ADJ	23 6	SEAT, VALVE	1 9
PLATE, REAR	8 1	SEAT, VALVE	1 10
PLATE/THRUST/CAM	12 6	SHAFT	9 29
PLUG	1 7	SHAFT	11 13
PLUG	5 6	SHAFT	12 8

DESCRIPTION	FIG. KEY	DESCRIPTION	FIG. KEY
SHAFT	12 13	TAPPET	11 6
SHAFT, CAM	12 1	THERMOSTAT	18 2
SHAFT, CRANK ASSY	15 1	VALVE ASSY	16 7
SHAFT, HYD. ASSY	9 27	VALVE, EXH	11 2
SHAFT, ROCKER ASSY	11 8	VALVE, INLET	11 1
<hr/>			
SHIELD, NOZZLE HEAT	20 3	WASHER	2 5
SHIM	25 5	WASHER	3 8
SHIM	25 6	WASHER	9 21
SHIM	25 7	WASHER	11 19
SHIM	25 8	WASHER	12 4
<hr/>			
SHIM	25 9	WASHER	12 15
SHIM	25 10	WASHER	15 12
SHIM	25 11	WASHER, CORRUGATED	20 5
SHIM	25 12	WASHER, FLYWHEEL	15 8
SHIM	25 13	WASHER, HEAT SHIELD	20 4
<hr/>			
SHIM	25 14	WASHER, NOZZLE HOLDER	20 2
SHIM	25 15	WASHER, PL/M8	3 9
SHIM	25 16	WASHER, PL/M8	11 21
SHIM	25 17	WASHER, PL/M8	17 13
SHIM	25 18	WASHER, SP/M6	16 17
<hr/>			
SHUTTER, INTAKE ASSY	3 4	WASHER, SPRING	27 25
SPACER	9 18	WASHER/9X22X2	23 8
SPACER	25 19	YORK, STARTOR ASSY	27 1
SPACER, FAN	19 3		
SPACER, SEAL OIL	8 8		
<hr/>			
SPRING	3 10		
SPRING	11 16		
SPRING	21 14		
SPRING	26 10		
SPRING, BRUSH	27 12		
<hr/>			
SPRING, EYE	3 11		
SPRING, HE/87	21 13		
SPRING, NOZZLE	25 4		
SPRING, RETURN	27 18		
SPRING, VALVE	11 3		
<hr/>			
STARTER ASSY	23 9		
STUD	3 2		
STUD	4 3		
STUD	9 7		
STUD	9 11		
<hr/>			
STUD	9 24		
STUD, HEAD COVER	1 17		
SWITCH, MAGNETIC ASSY	27 13		
SWITCH, PLESSURE, OIL	24 1		
SWITCH, THERMETER	24 5		

ALPHABETICAL INDEX

CHASSIS

DESCRIPTION	FIG. KEY	DESCRIPTION	FIG. KEY
ACTUATOR ASSY	41 9	ARM, PTO SET	49 13
ACTUATOR ASSY	42 9	ARM, PTO SET	49 13A
ADAPTER, PF1/2	36 8	ARM, PTO SET	49 11A
ADAPTER, PF1/2	36 35	ARM, PTO COMP	29 11
ADJUSTER	56 37	ARM, PTO COMP	30 32
ADJUSTER, SEAT/L ASSY	83 8	ARM, SHIFT/FRONT COMP	32 14
ADJUSTER, SEAT/L ASSY	84 8	ARM, SHIFT/MID COMP	30 13
ADJUSTER, SEAT/R ASSY	83 12	ARM, SHIFT/PTO COMP	49 1
ADJUSTER, SEAT/R ASSY	84 9	ARM, SHIFT/SUB COMP	28 25
ARM COMP	9 2	ARM, SUB COMP	28 21
ARM COMP	11 27	ARM, SUB COMP	29 6
ARM COMP	12 27	ARM, SUB COMP	29 6A
ARM COMP	44 6	ARM, SUB COMP	29 6B
ARM COMP	49 6	ARM, SUB COMP	30 9
ARM COMP	6 30	ARM, TENSION COMP	10 31
ARM NEUTRAL SET	34 36	ARM, TENSION COMP	11 21
ARM, AXLE	6 25	ARM, TENSION COMP	12 21
ARM, BRAKE/LH SET	41 17	ARM, TRANION/UNDER	34 9
ARM, BRAKE/RH SET	41 19	ARM, TRANION/UPPER	34 10
ARM, CLEAP SHIFT COMP	97 28	ARM, UPPER COMP	34 41
ARM, CLLTCH COMP	9 1	ARM, UPPER COMP	34 41A
ARM, DIFF LOCK COMP	40 4	ARM/1ST COMP	99 19
ARM, DIFF LOCK SET	40 6	ARM/1ST COMP	100 19
ARM, DRAG/L	53 36	ARM/1ST COMP	103 20
ARM, DRAG/L COMP	62 5	ARM/1ST COMP	103 56
ARM, DRAG/R	53 37	ARM/1ST COMP	105 21
ARM, DRAG/R COMP	62 7	ARM/1ST COMP	105 58
ARM, FRONT COMP	32 10	ARM/2ND COMP	102 19
ARM, FRONT SHIFT COMP	31 6	ARM/2ND COMP	103 88
ARM, KNUCKLE/LH SET	62 1	ARM/2ND COMP	105 89
ARM, KNUCKLE/LH SET	62 3	ARM/PTO SET	49 13B
ARM, LIFT	66 4	AXLE, FRONT ASSY	53 1
ARM, LINK SHIFT COMP	66 33	BAG, TOOL	96 10
ARM, LOCK COMP	97 36	BALL	54 23
ARM, LOWER COMP	34 42	BALL CAP COMP	54 22
ARM, MAIN SHIFT COMP	26 10	BALL, STEEL	41 4
ARM, MID COMP	30 17	BALL, STEEL	42 4
ARM, NEUTRAL SET	34 36A	BALL, STEEL	28 8
ARM, PITMAN	55 20	BALL, STEEL	28 17
ARM, PITMAN	55 21	BALL, STEEL	28 20
ARM, PITMAN	56 52	BALL, STEEL	29 3
ARM, POSITION	68 22	BALL, STEEL	30 3
ARM, POSITION COMP	68 1	BALL, STEEL	30 8
ARM, POSITION COMP	68 1A	BALL, STEEL	31 5
ARM, PTO SET	49 11	BALL, STEEL	32 7

DESCRIPTION	FIG. KEY	DESCRIPTION	FIG. KEY
BALL, STEEL	47 14	BEARING, NR/KT253120	25 17
BALL, STEEL	48 25	BEARING, NR/KT253120	25 26
BALL, STEEL	97 24	BEARING, NR/KT253216	24 9
BAND, COVER	14 15	BEARING, NR/KT253216	25 9
BAND, JUBLEE/18.5	57 32	BEARING, NR/KT253224E	48 9
BAND, TANK COMP	85 15	BEARING, NR/KT253525	22 14
BAND, WIRE/140	10 58	BEARING, RB	21 3
BAND, WIRE/140	11 51	BEARING, RB	21 9
BAND, WIRE/140	12 55	BEARING, RB	23 3
BAND, WIRE/140	26 13	BEARING, RB	24 3
BAND, WIRE/140	93 12	BEARING, RB	25 3
BAND, WIRE/140	93 34	BEARING, RB	21 5
BAND, WIRE/140	93 42	BEARING, RB	23 2
BAND, WIRE/140	94 7	BEARING, RB	24 2
BAND, WIRE/250	17 40	BEARING, RB	25 2
BAND, WIRE/250	88 24	BEARING, RB	38 13
BAND, WIRE/250	93 13	BEARING, RB	47 10
BAND, WIRE/250	93 13A	BEARING, RB	48 20
BAND, WIRE/250	93 41	BEARING, RB	62 25A
BAND, WIRE/250	94 8	BEARING, RB	54 17
BAND/22	36 32	BEARING, RB/6002	22 8
BASE, FLASHER	92 40	BEARING, RB/6004	8 5
BASE, FUSE SET	93 15A	BEARING, RB/6004	22 3
BASE, FUSE SET	93 15B	BEARING, RB/6004	97 9
BATTERY ASSY	5 1	BEARING, RB/6004SS	7 42
BATTERY/46B24R ASSY	5 13	BEARING, RB/6005	23 6
BATTERY/46B24R ASSY	5 13A	BEARING, RB/60062RDC3	10 11
BEARING	8 2	BEARING, RB/6007	21 16
BEARING	26 6	BEARING, RB/6007	22 13
BEARING	14 13	BEARING, RB/6008	59 27
BEARING, RB62052RDC3	10 18	BEARING, RB/6009	33 4
BEARING, RB62052RDC3	13 5	BEARING, RB/6010	61 9
BEARING, RB62052RDC3	15 5	BEARING, RB/60122RS	11 18
BEARING, CLUTCH RS.	7 26	BEARING, RB/60122RS	12 18
BEARING, NR	56 47	BEARING, RB/6202	97 11
BEARING, NR	56 3	BEARING, RB/6202	97 12
BEARING, NR	56 12	BEARING, RB/6202	97 13
BEARING, NR	56 32	BEARING, RB/62022RDC3	10 33
BEARING, NR	56 27	BEARING, RB/62022RDC3	11 23
BEARING, NR	48 8	BEARING, RB/62022RDC3	12 23
BEARING, NR	48 18	BEARING, RB/6204	21 4
BEARING, NR/KT202624	33 8	BEARING, RB/6204	21 17
BEARING, NR/KT222720	23 25	BEARING, RB/6204	23 18
BEARING, NR/KT222726	47 23	BEARING, RB/6204	24 15
BEARING, NR/KT253017	23 8	BEARING, RB/6204	25 18

CHASSIS

DESCRIPTION	FIG. KEY	DESCRIPTION	FIG. KEY
BEARING, RB/6204	25 27	BOLT	38 11
BEARING, RB/6204	33 6	BOLT	56 38
BEARING, RB/6204	48 3	BOLT	56 39
BEARING, RB/6204	53 24	BOLT	56 23
BEARING, RB/6204NR	23 15	BOLT	73 9
BEARING, RB/6205	8 6	BOLT	17 41
BEARING, RB/6205	21 15	BOLT	61 22
BEARING, RB/6205	22 7	BOLT	36 24
BEARING, RB/6205	33 16	BOLT	54 35
BEARING, RB/6205	53 23	BOLT	34 45
BEARING, RB/6205	62 18	BOLT	88 9
BEARING, RB/6206	62 26	BOLT	46 23
BEARING, RB/6206NR	47 22	BOLT M16X30	39 31
BEARING, RB/6207	47 8	BOLT(S) M10X30	41 13
BEARING, RB/6207	48 15	BOLT(S) M10X30	42 13
BEARING, RB/6207	61 3	BOLT(S) M8X35	36 38
BEARING, RB/6209	39 29	BOLT(S) M8X35	70 20
BEARING, RB/6304	22 2	BOLT(S) M8X35	99 7
BEARING, RB/6304	47 4	BOLT(S) M8X35	100 7
BEARING, RB/6304	47 24	BOLT(S) M8X35	102 11
BEARING, RB/6304	48 2	BOLT(S) M8X35	103 8
BEARING, RB/6304	48 11	BOLT(S) M8X35	103 44
BEARING, RB/6305	33 17	BOLT(S) M8X35	103 80
BEARING, RB/6305NR	24 6	BOLT(S) M8X35	105 9
BEARING, RB/6305NR	25 6	BOLT(S) M8X35	105 46
BEARING, RB/6305NR	47 3	BOLT(S) M8X35	105 81
BEARING, RB/6305NR	48 6	BOLT(SP) M8X20	34 34
BEARING, RB/6306	23 3A	BOLT(SP) M8X20	69 7
BEARING, RB/6306	24 3A	BOLT(SP) M8X20	73 6
BEARING, RB/6306	25 3A	BOLT(SP) M8X20	78 2
BEARING, RB/6307	38 17	BOLT(SP) M8X20	99 9
BEARING, RB/6307	39 28	BOLT(SP) M8X20	100 9
BEARING, RB/6307	62 25	BOLT(SP) M8X20	102 12
BEARING, RB/6912VV	11 13	BOLT(SP) M8X20	103 10
BEARING, RB/6912VV	12 13	BOLT(SP) M8X20	103 46
BEARING, TB/27TAG801	53 25	BOLT(SP) M8X20	103 81
BEARING, TB/51106	61 18	BOLT(SP) M8X20	105 11
BEARING, THRUST ASSY	59 4	BOLT(SP) M8X20	105 48
BEARING/NR	47 23A	BOLT(SP) M8X20	105 82
BELT, VB038X3 SET	11 31	BOLT, C-LOCK	37 9
BELT, VB044	10 26	BOLT, CONNECTOR/38	36 17
BERT/VB044	12 31	BOLT, CONNECTOR/M16	36 20
BOLT	32 21	BOLT, CONTROL	104 4
BOLT	55 12	BOLT, S	77 24
BOLT	55 13	BOLT, S	78 22

DESCRIPTION	FIG. KEY	DESCRIPTION	FIG. KEY
BOLT, S	79 24	BOLT, S/M8X16	54 21
BOLT, S/M10X25	7 31	BOLT, S/M8X16	64 23
BOLT, S/M10X25	37 15	BOLT, S/M8X16	66 32
BOLT, S/M10X25	62 31	BOLT, S/M8X16	68 14
BOLT, S/M10X25	87 41	BOLT, S/M8X16	80 14
BOLT, S/M10X25	87 48	BOLT, S/M8X16	81 17
BOLT, S/M10X35	39 5	BOLT, S/M8X16	82 14
BOLT, S/M10X35	65 5	BOLT, S/M8X16	83 26
BOLT, S/M10X35	65 6	BOLT, S/M8X16	85 16
BOLT, S/M10X35	67 7	BOLT, S/M8X16	92 34
BOLT, S/M10X45	39 6	BOLT, S/M8X16	97 26
BOLT, S/M10X45	69 19	BOLT, S/M8X16	97 27
BOLT, S/M6X25	57 20	BOLT, S/M8X20	7 30
BOLT, S/M6X25	57 29	BOLT, S/M8X20	10 24
BOLT, S/M6X30	69 18	BOLT, S/M8X20	11 16
BOLT, S/M6X40	99 18	BOLT, S/M8X20	12 16
BOLT, S/M6X40	100 18	BOLT, S/M8X20	17 14
BOLT, S/M6X40	102 18	BOLT, S/M8X20	20 25
BOLT, S/M6X40	103 19	BOLT, S/M8X20	26 4
BOLT, S/M6X40	103 55	BOLT, S/M8X20	32 9
BOLT, S/M6X40	103 87	BOLT, S/M8X20	36 25
BOLT, S/M6X40	105 20	BOLT, S/M8X20	54 15
BOLT, S/M6X40	105 57	BOLT, S/M8X20	58 14
BOLT, S/M6X40	105 88	BOLT, S/M8X20	61 13A
BOLT, S/M8X12	10 28	BOLT, S/M8X20	64 14
BOLT, S/M8X12	12 38	BOLT, S/M8X20	68 21
BOLT, S/M8X12	13 21	BOLT, S/M8X20	77 33
BOLT, S/M8X12	66 36	BOLT, S/M8X20	79 31
BOLT, S/M8X16	4 12	BOLT, S/M8X20	86 33
BOLT, S/M8X16	19 8	BOLT, S/M8X20	87 32
BOLT, S/M8X16	20 13	BOLT, S/M8X20	87 50
BOLT, S/M8X16	26 9	BOLT, S/M8X20	99 26
BOLT, S/M8X16	28 23	BOLT, S/M8X20	100 26
BOLT, S/M8X16	29 9	BOLT, S/M8X20	103 27
BOLT, S/M8X16	30 11	BOLT, S/M8X20	103 63
BOLT, S/M8X16	30 16	BOLT, S/M8X20	105 28
BOLT, S/M8X16	31 8	BOLT, S/M8X20	105 65
BOLT, S/M8X16	32 12	BOLT, S/M8X25	7 37
BOLT, S/M8X16	33 13	BOLT, S/M8X25	10 25
BOLT, S/M8X16	35 13	BOLT, S/M8X25	40 11
BOLT, S/M8X16	36 4	BOLT, S/M8X25	61 13
BOLT, S/M8X16	36 18	BOLT, S/M8X25	69 26
BOLT, S/M8X16	36 33	BOLT, S/M8X25	69 27
BOLT, S/M8X16	40 9	BOLT, S/M8X25	70 19
BOLT, S/M8X16	49 4	BOLT, S/M8X25	83 28

CHASSIS

DESCRIPTION	FIG. KEY	DESCRIPTION	FIG. KEY
BOLT, S/M8X25	97 5	BOLT, SEMS/M8X25 7T	54 34
BOLT, SEMS	19 11	BOLT, SEMS/M8X30	36 10
BOLT, SEMS	27 2	BOLT, SEMS/M8X30	83 29
BOLT, SEMS	34 43	BOLT, SEMS/M8X40	36 9
BOLT, SEMS	69 3	BOLT, SEMS/M8X40	66 19
BOLT, SEMS	7 10	BOLT, SEMS/M8X40	69 28
BOLT, SEMS	17 57	BOLT, SM/M08X25	72 10
BOLT, SEMS	77 5	BOLT, SM/M16X40	51 5
BOLT, SEMS	79 5	BOLT, SM/M16X40	52 5
BOLT, SEMS	85 2	BOLT, SM/M18X45	51 3
BOLT, SEMS (S)	92 6	BOLT, SM/M18X45	52 3
BOLT, SEMS (S)	92 37	BOLT, SP/M10X16	10 30
BOLT, SEMS (S)	93 22	BOLT, SP/M10X16	11 33
BOLT, SEMS (S)	94 17	BOLT, SP/M10X16	12 33
BOLT, SEMS/M10X20	51 35	BOLT, SP/M6X16	1 27
BOLT, SEMS/M10X20	52 35	BOLT, SP/M6X16	2 22
BOLT, SEMS/M10X20	87 42	BOLT, SP/M6X16	57 17A
BOLT, SEMS/M10X20	87 49	BOLT, SP/M6X16	73 25
BOLT, SEMS/M6X12	11 57	BOLT, SP/M6X16	86 6
BOLT, SEMS/M6X12	12 61	BOLT, SP/M6X16	87 4
BOLT, SEMS/M6X12	50 22	BOLT, SP/M6X16	92 22
BOLT, SEMS/M6X12	57 17	BOLT, SP/M6X16	92 41
BOLT, SEMS/M6X12	2 25	BOLT, SP/M8X1. 25X25	3 7
BOLT, SEMS/M6X12	12 40	BOLT, SP/M8X1. 25X25	3 10
BOLT, SEMS/M6X12	13 9	BOLT, SP/M8X16	3 3
BOLT, SEMS/M6X12	13 23	BOLT, SP/M8X16	4 11
BOLT, SEMS/M6X12	15 22	BOLT, SP/M8X16	5 12
BOLT, SEMS/M6X12	74 3	BOLT, SP/M8X16	26 21
BOLT, SEMS/M6X12	75 7	BOLT, SP/M8X16	34 32
BOLT, SEMS/M6X12	75 17	BOLT, SP/M8X16	44 4
BOLT, SEMS/M6X12	76 8	BOLT, SP/M8X16	50 13
BOLT, SEMS/M6X12	76 18	BOLT, SP/M8X16	50 25
BOLT, SEMS/M6X12	93 23	BOLT, SP/M8X16	54 24
BOLT, SEMS/M6X12	93 38	BOLT, SP/M8X16	57 16
BOLT, SEMS/M6X12	94 2	BOLT, SP/M8X16	73 4
BOLT, SEMS/M6X12	94 19	BOLT, SP/M8X16	73 12
BOLT, SEMS/M8X12	80 8	BOLT, SP/M8X16	73 15
BOLT, SEMS/M8X12	80 13	BOLT, SP/M8X16	75 24
BOLT, SEMS/M8X12	81 15	BOLT, SP/M8X16	76 28
BOLT, SEMS/M8X12	82 8	BOLT, SP/M8X16	77 4
BOLT, SEMS/M8X12	82 13	BOLT, SP/M8X16	77 21
BOLT, SEMS/M8X12	93 40	BOLT, SP/M8X16	77 29
BOLT, SEMS/M8X12	98 8	BOLT, SP/M8X16	78 34
BOLT, SEMS/M8X25 7T	9 21A	BOLT, SP/M8X16	79 4
BOLT, SEMS/M8X25 7T	40 11A	BOLT, SP/M8X16	79 21

DESCRIPTION	FIG. KEY	DESCRIPTION	FIG. KEY
BOLT, SP/M8X16	86 7	BOLT/M10X130	105 98
BOLT, SP/M8X16	86 8	BOLT/M10X135	41 14
BOLT, SP/M8X16	87 5A	BOLT/M10X135	42 14
BOLT, SP/M8X16	87 6	BOLT/M10X140	102 32
BOLT, SP/M8X16	88 7	BOLT/M10X140	103 105
BOLT, SP/M8X16	90 6	BOLT/M10X20	18 19
BOLT, SP/M8X16	90 41	BOLT/M10X20	66 12
BOLT, SP/M8X16	91 3	BOLT/M10X20	55 22
BOLT, SP/M8X40	27 3	BOLT/M10X20	56 53
BOLT, STUD	56 50	BOLT/M10X25	51 23
BOLT, STUD (SEAL)	37 5	BOLT/M10X25	52 23
BOLT, STUD/M10X20	7 4	BOLT/M10X25	61 5
BOLT, STUD/M10X25	7 3	BOLT/M10X25	61 26
BOLT, STUD/M10X28	37 6	BOLT/M10X25	62 14
BOLT, STUD/M12X28	10 10	BOLT/M10X25	61 5A
BOLT, STUD/M12X55	37 20	BOLT/M10X25	61 26A
BOLT, STUD/M16X40	39 4	BOLT/M10X25	51 11
BOLT/O8X46	51 39	BOLT/M10X25	52 11
BOLT/O8X46	52 39	BOLT/M10X30	10 42
BOLT/8X20	2 33	BOLT/M10X30	10 54
BOLT/8X20	86 14	BOLT/M10X30	11 39
BOLT/8X20	87 13	BOLT/M10X30	11 59
BOLT/M 5X10	85 10	BOLT/M10X30	12 43
BOLT/M 6X12	53 27	BOLT/M10X30	12 63
BOLT/M 6X20	83 5	BOLT/M10X30	51 24
BOLT/M 6X20	84 5	BOLT/M10X30	52 24
BOLT/M 6X30	83 4	BOLT/M10X30	19 5
BOLT/M 6X30	84 4	BOLT/M10X30	20 5
BOLT/M 8X12	85 7	BOLT/M10X30	36 23
BOLT/M 8X20	59 15	BOLT/M10X32	55 26
BOLT/M 8X20	97 37	BOLT/M10X35	19 4
BOLT/M 8X25	9 6	BOLT/M10X35	20 4
BOLT/M 8X25	1 9	BOLT/M10X35	20 7
BOLT/M 8X30	58 24	BOLT/M10X45	7 7
BOLT/M 8X30	85 3	BOLT/M10X45	7 22
BOLT/M 8X30	85 14	BOLT/M10X55	34 6
BOLT/M 8X45	54 29	BOLT/M10X60	34 7
BOLT/M 8X70	1 22	BOLT/M10X65	20 8
BOLT/M 8X70	54 30	BOLT/M10X70	39 10
BOLT/M 8X80	3 18	BOLT/M10X80	20 11
BOLT/M06X08/UPSET	1 19A	BOLT/M10X80	101 2
BOLT/M10X1.25X100	7 5	BOLT/M10X80	103 35
BOLT/M10X1.25X35	7 6	BOLT/M10X80	105 36
BOLT/M10X130	102 30	BOLT/M10X90	20 20
BOLT/M10X130	103 97	BOLT/M10X90	101 4

CHASSIS

DESCRIPTION	FIG. KEY	DESCRIPTION	FIG. KEY
BOLT/M10X90	103 101	BOLT/M12X45	103 50
BOLT/M12X125	13 18	BOLT/M12X45	105 15
BOLT/M12X160	39 20	BOLT/M12X45	105 52
BOLT/M12X20	50 14	BOLT/M12X45	50 7
BOLT/M12X20	62 40	BOLT/M12X55	13 13
BOLT/M12X20	62 41	BOLT/M12X55	15 11
BOLT/M12X25	3 13	BOLT/M12X55	65 20
BOLT/M12X25	10 6	BOLT/M12X55	60 19
BOLT/M12X25	51 31	BOLT/M12X60	98 4
BOLT/M12X25	52 31	BOLT/M12X60	98 13
BOLT/M12X25	53 52	BOLT/M12X70	65 19
BOLT/M12X25	17 44	BOLT/M14X35	60 17
BOLT/M12X25	65 11	BOLT/M14X35	53 10
BOLT/M12X25	65 12	BOLT/M14X50	15 17
BOLT/M12X30	13 14	BOLT/M4X5	66 15
BOLT/M12X30	13 17	BOLT/M6X15	104 23
BOLT/M12X30	15 12	BOLT/M6X25	77 15
BOLT/M12X30	15 18	BOLT/M6X25	78 15
BOLT/M12X30	17 3	BOLT/M6X25	79 15
BOLT/M12X30	17 43	BOLT/M6X25	4 3
BOLT/M12X30	50 17	BOLT/M6X250/BATTERY	5 3
BOLT/M12X30	50 27	BOLT/M6X50	69 14
BOLT/M12X30	51 32	BOLT/M8X12	2 26
BOLT/M12X30	52 32	BOLT/M8X16	90 46
BOLT/M12X30	99 13	BOLT/M8X16	90 50
BOLT/M12X30	100 13	BOLT/M8X16	73 17
BOLT/M12X30	50 6	BOLT/M8X16	75 26
BOLT/M12X30	98 5	BOLT/M8X16	76 30
BOLT/M12X30	98 14	BOLT/M8X16	91 19
BOLT/M12X35	7 11	BOLT/M8X16	92 2
BOLT/M12X35	11 8	BOLT/M8X16	2 24
BOLT/M12X35	12 8	BOLT/M8X16	75 30
BOLT/M12X35	18 5	BOLT/M8X16	75 32
BOLT/M12X35	17 45	BOLT/M8X16	76 34
BOLT/M12X35	53 8	BOLT/M8X16	76 36
BOLT/M12X35	65 18	BOLT/M8X16	77 30
BOLT/M12X40	11 7	BOLT/M8X16	77 38
BOLT/M12X40	12 7	BOLT/M8X16	78 32
BOLT/M12X40	17 6	BOLT/M8X16	79 28
BOLT/M12X40	17 50	BOLT/M8X16	80 3
BOLT/M12X40	61 24	BOLT/M8X16	82 3
BOLT/M12X40	60 15	BOLT/M8X16	86 8A
BOLT/M12X45	99 13A	BOLT/M8X16	86 35
BOLT/M12X45	100 13A	BOLT/M8X16	87 5
BOLT/M12X45	103 14	BOLT/M8X16	87 6A

DESCRIPTION	FIG. KEY	DESCRIPTION	FIG. KEY
BOLT/M8X16	88 6	BOOT, CHANGE	26 12
BOLT/M8X20	9 21	BOSS, F WHEEL	53 21
BOLT/M8X20	44 3	BOSS, PTO SPLINE	1 8
BOLT/M8X25	11 28	BOX, FUSE	93 30
BOLT/M8X25	12 28	BOX, FUSE SET	93 15
BOLT/M8X25	26 16	BOX, GEAR ASSY	89 6
BOLT/M8X25	28 26	BRACKET	39 33
BOLT/M8X25	28 33	BRACKET	50 5
BOLT/M8X25	29 13	BRACKET COMP	54 20
BOLT/M8X25	29 18	BRACKET COMP	73 5
BOLT/M8X25	30 19	BRACKET, ADJUST COMP	34 31
BOLT/M8X25	30 29	BRACKET, ADJUST/NCOMP	34 31A
BOLT/M8X25	30 34	BRACKET, BATTERY COMP	5 9
BOLT/M8X25	30 39	BRACKET, DAMPER COMP	34 28
BOLT/M8X25	32 16	BRACKET, DAMPER COMP	34 28A
BOLT/M8X25	32 21A	BRACKET, FLH COMP	51 9
BOLT/M8X25	49 9	BRACKET, FLH COMP	52 9
BOLT/M8X25	49 18	BRACKET, FRH COMP	51 10
BOLT/M8X25	49 19	BRACKET, FRH COMP	52 10
BOLT/M8X25	28 3	BRACKET, FRONT COMP	77 32
BOLT/M8X25	28 12	BRACKET, FRONT COMP	79 30
BOLT/M8X25	59 26	BRACKET, FRONT/LH	13 10
BOLT/M8X25	86 11	BRACKET, FRONT/LH	15 8
BOLT/M8X25	87 10	BRACKET, FRONT/LHCOMP	18 7
BOLT/M8X28 11T	57 7	BRACKET, FRONT/RH	13 11
BOLT/M8X28 11T	70 7	BRACKET, FRONT/RH	15 9
BOLT/M8X30	7 48	BRACKET, FRONT/RHCOMP	18 8
BOLT/M8X30	8 11	BRACKET, HITCHI COMP	98 3
BOLT/M8X30	26 2	BRACKET, HOOD COMP	87 38
BOLT/M8X30	69 3A	BRACKET, HOOD COMP	87 45
BOLT/M8X30	54 9	BRACKET, HOOD/LH COMP	87 39
BOLT/M8X45	27 4	BRACKET, HOOD/LH COMP	87 47
BOLT/M8X45/7T	34 22	BRACKET, LEVER COMP	40 10A
BOLT/M8X50	88 15	BRACKET, LEVER COMP	88 8
BOLT/M8X50	97 6	BRACKET, LINK SET	34 29
BOLT/M8X65	27 7	BRACKET, LINK/FRONT	17 2
BOLT/M8X65	67 3	BRACKET, LINK/LH	17 4
BOLT/M8XX55	6 35	BRACKET, LINK/RH	17 5
BOLT/M8XX55	35 4	BRACKET, LOWER LINK	39 13
BOLT/M8XX55	86 3	BRACKET, MID COMP	30 26
BOLT/S M10X40	27 11	BRACKET, PARKING	44 2
BOOT	92 25	BRACKET, PTO/A COMP	10 5
BOOT	92 25A	BRACKET, PTO/B COMP	11 6
BOOT	92 20	BRACKET, PTO/C COMP	12 6
BOOT	78 5	BRACKET, REAR/E20COMP	13 16

CHASSIS

DESCRIPTION	FIG. KEY	DESCRIPTION	FIG. KEY
BRACKET, REAR/LH/E4	15 14	BULB/12V. 5W	90 39
BRACKET, REAR/RH/E4	15 15	BULB/12V. 5W	90 64
BRACKET, RLH COMP	51 13	BULB/12V. 5W	90 69
BRACKET, RLH COMP	52 13	BULB/12V10W	90 18
BRACKET, RRH COMP	51 14	BULB/12V10W	90 29
BRACKET, RRH COMP	52 14	BULT, STUD	60 4
BRACKET, SEAT	83 30	BUMPER	51 30
BRACKET, SEAT COMP	83 16A	BUMPER	52 30
BRACKET, SEAT COMP	84 13A	BUSH	54 14
BRACKET, SEAT COMP	83 25	BUSH	17 33
BRACKET, SEAT COMP	83 16	BUSH/12X14X12	34 37
BRACKET, SEAT COMP	84 13	BUSH/16X18X15	29 16
BRACKET, SIDE/LH	18 2	BUSH/16X18X15	30 25
BRACKET, SIDE/RH	18 3	BUSH/16X18X15	30 37
BRACKET, TANK SET	77 25	BUSH/16X18X15	32 19
BRACKET, TANK COMP	77 37	BUSH/16X18X15	40 7
BRACKET, TANK COMP	79 25	BUSH/16X18X15	49 12
BRACKET, TANK B COMP	78 29	BUSH/16X18X15	77 26
BRACKET, TANK/BE20SET	78 36	BUSH/16X18X25	28 31
BRACKET. LAMP/NO-PLAT	90 40	BUSH/16X24X16	34 30
BRACKET/LH COMP	39 18	BUSH/19X22X20	7 2
BRACKET/RH COMP	39 19	BUSH/20X38X26	58 15
BRACKET/RH COMP	87 40	BUSH/20X38X26	58 20
BRACKET/RH COMP	87 46	BUSH/20X38X26	64 19
BRACKRT, LOWER LINK	39 14	BUSH/252940	53 3
BRAKE PAKING ASSY	44 1	BUSH/25X28X25	17 12
BRAKE, DISC ASSY	41 1	BUSH/25X29X30	53 2
BRAKE, DISC ASSY	42 1	BUSH/30X34X20	62 2
BRAKE, PARKING ASSY	64 15A	BUSH/30X34X20	62 4
BRAKE, PARKING ASSY	64 15	BUSH/30X34X20	62 6
BUCKLE, TURN	71 8	BUSH/30X34X20	62 8
BUCKLE, TURN/M24 COMP	71 18	BUSH/45X50X42	65 3
BUCKLE, TURN/M24 COMP	72 4	BUSH/50	84 23
BULB	63 11	BUSH/50X55X30	61 15
BULB	63 15	BUSH/50X55X30	61 17
BULB, LAMP/12V21W	91 5	BUSH/50X55X37	65 2
BULB, LAMP/12V5W	91 6	BUSH/70X75X25	60 8
BULB/12V 23/8W	91 12	BUSH/70X75X30	60 11
BULB/12V 45/45W	91 2	CABLE ASSY	6 19
BULB/12V. 21W	90 10	CABLE, AXLE ASSY	6 7
BULB/12V. 21W	90 17	CABLE, AXLE ASSY	6 29
BULB/12V. 21W	90 28	CABLE, BATTERY	5 7
BULB/12V. 21W	90 63	CABLE, BRAKE ASSY	88 19
BULB/12V. 21W	90 68	CABLE, EARTH ASSY	5 8
BULB/12V. 5W	90 11	CABLE, METER	89 5

DESCRIPTION	FIG. KEY	DESCRIPTION	FIG. KEY
CABLE, STOP/700 ASSY	1 1	CAP/18	77 34
CAM, BRAKE/LH SET	42 17	CAP/18	78 4
CAM, BRAKE/RH SET	42 18	CAP/30	86 20A
CAM, FRONT CHANGE	23 21	CAP/30	87 15A
CAP	2 6	CARTRIDGE	36 27
<hr/>			
CAP	2 12	CASE, BEVEL L	54 25
CAP	92 12	CASE, BEVEL R	54 26
CAP	88 11	CASE, CLUTCH COMP	10 44
CAP ASSY	85 11	CASE, CLUTCH COMP	11 41
CAP, BATTERY	5 2	CASE, CLUTCH COMP	12 45
<hr/>			
CAP, BLANK	20 14	CASE, CYLINDER SET	65 1
CAP, BLANK/52	62 20	CASE, DIFF	38 1
CAP, BLANK/M12	37 10	CASE, FINAL	61 1A
CAP, BLANK/M12	51 8	CASE, FINAL B LH ASSY	61 14
CAP, BLANK/M12	52 8	CASE, FINAL B/LH ASSY	61 14A
<hr/>			
CAP, BLANK/M14	50 20	CASE, FINAL B/RH ASSY	61 16A
CAP, FUSE BOX	93 31	CASE, FINAL/A	61 1
CAP, OIL ASSY	60 25	CASE, FINALB ASSY	61 16
CAP, OIL/23	7 14	CASE, FRONT DIFF	59 17
CAP, OIL/30	77 31	CASE, FUSE ASSY	93 14
<hr/>			
CAP, OIL/30	78 33	CASE, FUSE/11 ASSY	93 14A
CAP, OIL/30	79 29	CASE, FUSE/4 SET	94 11
CAP, PTO SHAFT	12 39	CASE, FUSE/4 ASSY	94 12
CAP, PTO SHAFT	13 22	CASE, GEAR ASSY	56 2
CAP, PTO SHAFT	15 21	CASE, JOINT ASSY	58 19
<hr/>			
CAP, PTO SHAFT	50 21	CASE, JOINT COMP	58 13
CAP, RUBBER	79 32	CASE, JOINT COMP	58 23
CAP, RUBBER (80)	86 24	CASE, JOINT COMP	58 13A
CAP, RUBBER/9	77 2A	CASE, JOINT/F COMP	64 13
CAP, RUBBER/9	78 3	CASE, MID/HST	20 19
<hr/>			
CAP, RUBBER/9	79 2	CASE, PTO/A COMP	10 29
CAP, SEAL/35	25 29	CASE, PTO/B COMP	11 32
CAP, SHAFT(B)COMP	10 23	CASE, PTO/C COMP	12 32
CAP, STEERING	54 2	CASE, SPACER/HST	20 6
CAP, TIRE VALVE	46 12	CASE, SPACER/HST	20 6A
<hr/>			
CAP, TIRE VALVE	46 16	CASE, TRANSMISSION	37 1
CAP, TIRE VALVE	63 3	CASE, TRANSMISSION	37 1A
CAP, TIRE VALVE	63 7	CASE, TRANSMISSION	20 1A
CAP, TIRE VALVE	63 12	CASE, TRANSMISSION/F	19 1
CAP, TIRE VALVE	63 16	CASE, TRANSMISSION	20 1
<hr/>			
CAP, TIRE VALVE	63 20	CASE, VEVEL	59 2
CAP, TIRE VALVE	46 4	CENTER, FLOOR COMP	87 3
CAP, TIRE VALVE	46 8	CHAIN ASSY	14 14
CAP, TIRE VALVE	46 20	CHAIN, CHECK COMP	71 7
CAP, WHEEL	53 26	CHAIN, CHECK/A COMP	71 6

CHASSIS

DESCRIPTION	FIG. KEY	DESCRIPTION	FIG. KEY
CLAMP	3 17	CLIP/19X3	100 17
CLAMP, HARNESS	17 56	CLIP/19X3	102 17
CLAMP, HARNESS	19 9	CLIP/19X3	103 18
CLAMP, HARNESS	26 20	CLIP/19X3	103 54
CLAMP, HARNESS	93 35	CLIP/19X3	103 86
CLAMP, HARNESS	94 9	CLIP/19X3	105 19
CLAMP, HARNESS	7 19	CLIP/19X3	105 56
CLAMP, HARNESS	7 24	CLIP/19X3	105 87
CLAMP, HARNESS	65 13	CLIP/56	4 9
CLAMP, HARNESS	91 10	CLIP/HOSE/11. 1-12	1 25
CLAMP, HARNESS	93 7	CLUTCH, CAM ASSY	47 20
CLAMP, HARNESS	93 36	CLUTCH, DIFF LOCK	38 16
CLAMP, HARNESS	94 10	CLUTCH, DISK/200 COMP	7 35
CLAMP, RADIATOR HOSE	17 47	CLUTCH/200 ASSY	7 34
CLAMP, WORM/14-24	36 32A	COLLAR	56 45
CLAMP, WORM/14-24	36 43	COLLAR	56 44
CLAMP, WORM/14-24	57 24	COLLAR	56 46
CLAMP, WORM/14-24	57 31	COLLAR	54 16
CLAMP, WORM/16-25	57 32A	COLLAR	47 18
CLAMP, WORM/25-40	69 5	COLLAR	104 17
CLAMP, WORM/25-40	69 10	COLLAR 15X22X35	10 34
CLAMP/WIRE/10-12	1 12	COLLAR 15X22X35	11 24
CLAMP/WIRE/10-12	1 29	COLLAR 15X22X35	12 24
CLAMP/WIRE/10-15	2 14	COLLAR 30X38X17	10 12
CLAMP/WIRE/24-32	2 20	COLLAR 48X56X4	59 5
CLAMP/WIRE/30-38	2 17	COLLAR, PINION THRUST	38 5
CLAMP/WIRE/38-46	2 18	COLLAR, PINION THRUST	59 20
CLAMP/WIRE/38-46	2 19	COLLAR, PIVOT	53 14
CLAMP/WIRE/47-55	4 9A	COLLAR, REAR HITCH	53 32
CLAMP/WIRE/52-63	4 8	COLLAR, THRUST	62 24
CLEANER, AIR ASSY	4 1	COLLAR, THRUST	59 22
CLEANER, AIR/E60 ASSY	4 16	COLLAR, THRUST/B	54 41
CLIP	2 21	COLLAR, THRUST20X28X2	23 17
CLIP	4 7	COLLAR, THRUST57X69X5	60 21
CLIP, B	77 2	COLLAR/12-20-25	69 20
CLIP/19X3	99 16	COLLAR/14X25X21	13 12
CLIP/19X3	100 16	COLLAR/15X19X12	15 10
CLIP/19X3	102 16	COLLAR/15X25X10	29 7
CLIP/19X3	103 17	COLLAR/15X25X19	99 15A
CLIP/19X3	103 53	COLLAR/15X25X19	100 15A
CLIP/19X3	103 85	COLLAR/15X25X19	103 16
CLIP/19X3	105 18	COLLAR/15X25X19	103 52
CLIP/19X3	105 55	COLLAR/15X25X19	105 17
CLIP/19X3	105 86	COLLAR/15X25X19	105 54
CLIP/19X3	99 17	COLLAR/16X22X18	15 16

DESCRIPTION	FIG. KEY	DESCRIPTION	FIG. KEY
COLLAR/17X26X09	99 15	COVER ASSY	11 52
COLLAR/17X26X09	100 15	COVER ASSY	12 56
COLLAR/20X39X02	22 15	COVER COMP	75 23
COLLAR/20X39X02	48 21	COVER COMP	76 27
COLLAR/21X27X25	23 16	COVER COMP	73 2
COLLAR/22X34X2	23 26	COVER, BEARING	61 12
COLLAR/25X28X10	104 16	COVER, BRAKE/LH	41 10
COLLAR/25X32X14	25 21	COVER, BRAKE/LH	42 10
COLLAR/25X38X2	23 9	COVER, BRAKE/RH	41 11
COLLAR/25X38X2	24 10	COVER, BRAKE/RH	42 11
COLLAR/25X38X2	25 10	COVER, CENTER	86 23
COLLAR/25X38X2	25 16	COVER, CLUTCH	7 36
COLLAR/25X38X2	25 25	COVER, COLUMN, L	74 4
COLLAR/25X38X2	48 19	COVER, COLUMN, R	74 5
COLLAR/25X38X36	48 10	COVER, FRONT COMP	82 1
COLLAR/25X42X4	53 22	COVER, FRONT ASSY	56 11
COLLAR/30X40X5	21 7	COVER, FRONT/B COMP	81 1
COLLAR/31X38X11	18 11	COVER, FRONT/BE20COMP	81 3
COLLAR/31X38X229	18 9	COVER, FRONT/BE20COMP	81 4
COLLAR/36X50X02	22 11	COVER, FRONT/E20 COMP	80 1
COLLAR/41X55X04	62 24A	COVER, FRONT/HB COMP	81 2
COLLAR/43X58X1	38 7	COVER, FRONT/HE20COMP	80 2
CONNECTOR	57 25	COVER, FRONT/HST COMP	82 2
CONNECTOR	18 25	COVER, FRONT/LH COMP	11 53
CONNECTOR, A	18 26	COVER, FRONT/LH COMP	12 57
CONNECTOR, B	17 46	COVER, FRONT/RH COMP	11 54
CONNECTOR, B	17 52	COVER, FRONT/RH COMP	12 58
CONNECTOR, HOSE ELBOW	17 34	COVER, FUSE SET	93 17A
CONNECTOR, HOSE ELBOW	18 27	COVER, FUSE SET	93 17
CONNECTOR, LINK	41 6	COVER, FUSE/4	94 13
CONNECTOR, LINK	42 6	COVER, INNER	14 12
COUPLING	47 2	COVER, JOINT COMP	10 60
COUPLING	47 16	COVER, LAMP/FRONT/LH	90 4
COUPLING	48 4	COVER, LAMP/FRONT/RH	90 5
COUPLING	34 2	COVER, LAMP/REAR	90 19
COUPLING/16X24X56	54 43	COVER, LAMP/REAR	90 30
COUPLING/18X45X72	33 1	COVER, LOWER COMP	73 26
COVER	62 27A	COVER, OUTER	14 11
COVER	19 6	COVER, PANEL	94 18
COVER	91 9	COVER, PUMP	57 2
COVER	76 22	COVER, PUMP	70 2
COVER	11 56	COVER, REAR	55 4
COVER	12 60	COVER, REAR ASSY	56 31
COVER	104 18	COVER, REAR/LH COMP	80 9
COVER	104 27	COVER, REAR/LH COMP	82 9

CHASSIS

DESCRIPTION	FIG. KEY	DESCRIPTION	FIG. KEY
COVER, REAR/RH COMP	80 10	CRANK, LIFT	66 3
COVER, REAR/RH COMP	82 10	CRIP/10X115	6 13
COVER, ROD SET	17 26	CUP	1 15
COVER, RUBBER	84 25	CUSHION, RUBBER	5 10
COVER, SEALED	50 24	CYLINDER ASSY	17 22
COVER, SEALED COMP	11 34	CYLINDER ASSY	18 10
COVER, SEALED COMP	12 34	CYLINDER COMP	17 23
COVER, SEALED/E20COMP	50 12	DAMPER, OIL ASSY	34 25
COVER, SHAFT COMP	13 8	DIODE/3.0A	93 28
COVER, SHIELD	13 20	DRAM COMP	64 16
COVER, SIDE ASSY	55 5	ELEMENT	1 18
COVER, SIDE ASSY	56 26	ELEMENT, PAPER	4 2
COVER, SIDE/LH SET	76 1	ELEMENT, PAPER ASSY	4 2A
COVER, SIDE/LH COMP	75 1	END, TIE ROD L ASSY	53 44
COVER, SIDE/LH COMP	76 2	END, TIE ROD L ASSY	62 32
COVER, SIDE/RH	80 7A	END, TIE ROD, R ASSY	53 45
COVER, SIDE/RH	81 14	END, TIE ROD, R ASSY	62 33
COVER, SIDE/RH	82 7A	FENDER COMP	79 1
COVER, SIDE/RH COMP	75 11	FENDER, B COMP	78 1
COVER, SIDE/RH COMP	76 12	FENDER/BE20 COMP	78 35
COVER, TAIL COMP	3 12	FENDER/E20 COMP	77 1
COVER, TAIL COMP	3 12A	FENDER/E60 COMP	77 36
COVER, UNDER/LH COMP	75 2	FENDER/E60 COMP	79 33
COVER, UNDER/LH COMP	76 3	FILTER ASSY	36 26A
COVER, UNDER/RH COMP	75 12	FILTER ASSY	1 13
COVER, UNDER/RH COMP	76 13	FILTER ASSY	36 26
COVER, UPPER COMP	73 27	FILTER, SUCTION ASSY	57 11A
COVER, WHEEL SHAFT	62 27	FILTER, SUCTION ASSY	69 29
COVER/A	99 6	FILTER, SUCTION ASSY	69 1
COVER/A	100 6	FILTER, SUCTION ASSY	57 11
COVER/A	102 9	FILTER, SUCTION ASSY	36 1
COVER/A	103 6	FLAME COMP	51 1
COVER/A	103 42	FLAME COMP	51 1A
COVER/A	103 77	FLAME, B COMP	52 1
COVER/A	105 7	FLAME, HST COMP	51 2
COVER/A	105 44	FLAME, HST COMP	51 2A
COVER/A	105 78	FLAME, HST/B COMP	52 2
COVER/B	102 10	FLASHER ASSY	92 21
COVER/B	103 78	FLASHER UNIT	92 38
COVER/B	105 79	FLOOR, CENTER	86 5
COVER/LH	80 6	FORK, SHIFT/FRONT	32 1
COVER/LH	81 13	FORK, SHIFT/MID	30 6
COVER/LH	82 6	FORK, SHIFT/PTO	48 23
COVER/RH	80 7	FORK, SHIFT/PTO	48 23A
COVER/RH	82 7	FORK, SHIFT/PTO	47 12

DESCRIPTION	FIG. KEY	DESCRIPTION	FIG. KEY
FORK, SHIFT/SUB	28 18A	GEAR/14T	54 45
FORK, SHIFT/SUB	29 1	GEAR/15-23T	47 1
FORK, SHIFT/SUB	29 1A	GEAR/15-23T	47 19
FORK, SHIFT/SUB	30 1	GEAR/17T	22 1
FORK, SHIFT/SUB	29 1B	GEAR/18T	48 5
FORK, SHIFT/SUB	30 1A	GEAR/20T	97 17
FRANGE COMP	11 15	GEAR/21T	8 1
FRANGE COMP	12 15	GEAR/22T	21 12
FUSE	93 19	GEAR/24T	24 12
FUSE, BLADE/32V05A	93 32	GEAR/24T	25 11
FUSE/15A	93 21	GEAR/25T	25 15
FUSE/250V-2A	93 29	GEAR/25T	25 24
FUSE/32V03A	94 14	GEAR/25T	33 2
FUSE/32V10A	93 20	GEAR/25T	33 7
FUSE/32V20A	94 15	GEAR/25T	23 11
FUSE/32V30A	94 16	GEAR/26-18T	24 7
GASKET	91 8	GEAR/26-18T	25 7
GASKET	3 4	GEAR/26T	21 10
GASKET, BRAKE COVER	41 12	GEAR/28-19T	48 7
GASKET, BRAKE COVER	42 12	GEAR/28T	23 24
GASKET, CLEAP	19 7A	GEAR/28T	21 1
GASKET, CLEAP	97 3	GEAR/31-21T	22 9
GASKET, COVER	19 7	GEAR/31T	23 20
GASKET, CYLINDER	65 4	GEAR/32T	33 5
GASKET, CYLINDER	65 4A	GEAR/32T	33 14
GASKET, PTO METAL	37 17	GEAR/33-24T	21 13
GASKET, REAR AXLE	39 3	GEAR/33T	8 4
GASKET/26X40X0.5	77 27	GEAR/34T	24 14
GASKET/26X40X0.5	78 30	GEAR/34T	25 14
GASKET/26X40X0.5	79 26	GEAR/35-24-18T	23 7
GAUGE, LEVEL/POWER ST	57 15	GEAR/36T	24 8
GAUGE, OIL LEVEL	65 35	GEAR/36T	25 8
GEAR, BEVEL (44)	62 22	GEAR/37T	22 4
GEAR, BEVEL /17T	61 8	GEAR/39T	23 10
GEAR, BEVEL 16T	62 17	GEAR/39T	22 10
GEAR, BEVEL/13T	61 2	GEAR/40-18-19T	21 14
GEAR, BEVEL/14	54 38	GEAR/42T	48 16
GEAR, BEVEL/16	54 39	GEAR/43-33T	48 17
GEAR, BEVEL/16	59 21	GEAR/45-38T	47 9
GEAR, BEVEL/20T	38 6	GEAR/7-42T SET	24 1
GEAR, BEVEL/44	62 22A	GEAR/7-42T SET	25 1
GEAR, CLEAP COUNTER	97 7	GLASS, STEP	86 27
GEAR, CLEAP COUNTER	97 8	GLASS, STEP	87 26
GEAR, CLEAP/34T	97 18	GLASS, STEP	88 3
GEAR, WHEEL/62	39 24	GOUZE, WIRE COMP	2 2

CHASSIS

DESCRIPTION	FIG. KEY	DESCRIPTION	FIG. KEY
GOUZE, WIRE COMP	2 8	GUIDE, SPRING	104 14
GRILLE ASSY	74 1A	GUIDE/LH COMP	77 6
GRILLE ASSY	74 1	GUIDE/LH COMP	78 6
GRIP	99 30	GUIDE/LH COMP	79 6
GRIP	100 30	GUM, CUSHION	76 26
GRIP	102 26	GUM, CUSHION	86 21
GRIP	103 31	GUM, CUSHION	86 22
GRIP	103 67	GUM, CUSHION	87 22
GRIP	103 95	GUM, CUSHION	87 23
GRIP	105 32	GUM, CUSHION	87 44
GRIP	105 69	GUM, FAN COVER	75 22
GRIP	105 96	GUM, FAN COVER	76 24
GRIP, A	35 27	GUM, MOUNT	51 17
GRIP, B	68 11	GUM, MOUNT	52 17
GROMMET	51 29	GUM, SEAL STEP	86 28
GROMMET	52 29	GUM, SEAL STEP	87 27
GROMMET	86 34	GUM, SEAL STEP	88 4
GROMMET	87 19A	GUM, CUSHION/8X23X3	74 8
GROMMET	87 34	HARNESS, FUSE	93 16
GROMMET 14X28X2	86 20	HARNESS, LAMP/FRONT	90 9
GROMMET 14X28X2	87 15	HARNESS, LAMP/FRONT	90 62
GROMMET, HARNESS	93 25	HARNESS, LAMP/FRONT	90 67
GROMMET, MATER CABLE	86 18	HARNESS, LAMP/REAR	90 16
GROMMET, MATER CABLE	87 14	HARNESS, LAMP/REAR	90 27
GROMMET/20X25X3	77 35	HARNESS, NUMBER PLATE	90 38
GROMMET/20X25X3	87 19	HARNESS, OIL PRESSURE	93 8
GROMMET/8X13X2	77 14	HARNESS, SOCKET	93 3
GROMMET/8X13X2	78 14	HARNESS, WIRE/NO. 8	93 10
GROMMET/8X13X2	79 14	HARNESS, WIRE/NO. 8	94 4
GUIDE, CHANGE	26 3	HARNESS, WIRE/NO. 9	93 11
GUIDE, CHANGE/LH COMP	77 7	HARNESS, WIRE/NO. 9	94 5
GUIDE, CHANGE/LH COMP	78 7	HARNESS/NO. 1 ASSY	93 24
GUIDE, CHANGE/LH COMP	79 7	HARNESS/NO. 1/E60ASSY	94 1
GUIDE, CHANGE/RH COMP	77 8	HARNESS/NO. 2/E60ASSY	94 3
GUIDE, CHANGE/RH COMP	78 8	HARNESS/NO. 3 ASSY	93 39
GUIDE, CHANGE/RH COMP	79 8	HARNESS/O. 2 ASSY	93 9
GUIDE, CHANGE/RH COMP	79 9	HEAD	104 13
GUIDE, CHANGE/RH COMP	77 9	HEAD, CYLINDER	65 14
GUIDE, CHANGE/RH COMP	78 9	HINGE, HOOD COMP	73 7
GUIDE, CHANGE/RH COMP	79 9A	HITCHI, REAR COMP	50 16
GUIDE, MAIN	77 10	HITCHI, REAR/E60 COMP	50 26
GUIDE, MAIN	78 10	HITCHI, TRAILER SET	98 1
GUIDE, MAIN	79 10	HITCHI, TRAILER SET	98 11
GUIDE, SLEEVE	7 28	HITCHI, TRAILER COMP	98 2
GUIDE, SLEEVE	7 29	HITCHI, TRAILER COMP	98 12

DESCRIPTION	FIG. KEY	DESCRIPTION	FIG. KEY
HOLDER, ENGINE	51 34	HOUSING, AXLE COMP	60 24
HOLDER, ENGINE	52 34	HOUSING, AXLE/REAR/LH	39 1
HOLDER, HOOD COMP	73 14	HOUSING, AXLE/REAR/RH	39 2
HOLDER, LAMP COMP	74 2	HOUSING, CLUTCH SET	7 1
HOLDER, LEVER COMP	68 20	HOUSING, VALVE ASSY	56 16
HOLDER, LEVER COMP	68 20A	HOUSING, VALVE ASSY	56 16A
HOLDER, LEVER COMP	99 23	HST ASSY	34 1
HOLDER, LEVER COMP	100 23	HST ASSY	34 1A
HOLDER, LEVER COMP	103 24	HUB/18X27X100	31 15
HOLDER, LEVER COMP	103 60	INSULATOR	87 20
HOLDER, LEVER COMP	105 25	INSULATOR	5 11
HOLDER, LEVER COMP	105 62	INSULATOR	75 21
HOLDER, LEVER/B COMP	68 23	INSULATOR	76 23
HOLDER, LEVER/HB COMP	35 30	INSULATOR	85 13
HOLDER, LEVER/HSTCOMP	35 12	INSULATOR	93 33
HOLDER, LEVER/HSTCOMP	35 12A	INSULATOR	94 6
HOLDER, PINION SHAFT	38 8	INSULATOR	51 38
HOLDER, SHAFT ASSY	54 13	INSULATOR	52 38
HOOD COMP	73 1	INSULATOR	73 21
HORN	92 36	INSULATOR	73 22
HORN	92 1	INSULATOR	83 22
HOSE	1 24	INSULATOR	86 15
HOSE	1 28	INSULATOR	87 16
HOSE	2 3	INSULATOR	56 57
HOSE	2 9	INSULATOR	34 11
HOSE	2 5	INSULATOR	73 3
HOSE	2 11	INSULATOR	75 22A
HOSE, DELIVERY COMP	69 21	INSULATOR	76 24A
HOSE, DELIVERY COMP	69 22	INSULATOR	76 25
HOSE, DELIVERY COMP	17 38	INSULATOR, COVER A	81 7
HOSE, DELIVERY COMP	18 28	INSULATOR, COVER D	81 21
HOSE, DELIVERY COMP	17 39	INSULATOR, COVER/B	81 8
HOSE, FUEL ASSY	1 11	INSULATOR, COVER/C	81 9
HOSE, OIL	57 27	INSULATOR, COVER/D	81 10
HOSE, OIL	57 28	INSULATOR, COVER/E	81 11
HOSE, OIL ASSY	57 22	INSULATOR, COVER/F	81 12
HOSE, RADIATOR/INLET	2 16	INSULATOR, COVER/FRON	80 5
HOSE, RADIATOR/OUTLET	2 15	INSULATOR, COVER/FRON	81 6
HOSE, SUCTION	69 4	INSULATOR, COVER/FRON	82 5
HOSE/08X15X400	2 13	INSULATOR, FENDER A	78 23
HOSE/10X15X27	34 14	INSULATOR, FENDER B	78 24
HOSE/140	69 9	INSULATOR, FENDER C	78 28
HOSE/14X22X90	36 42	INSULATOR, FENDER D	78 25
HOSE/70	36 31	INSULATOR, FENDER E	78 26
HOUSING, AXLE COMP	60 1	INSULATOR, FENDER F	78 27

CHASSIS

DESCRIPTION	FIG. KEY	DESCRIPTION	FIG. KEY
INSULATOR, FLAME/A	52 48	JOINT, UNIVERSAL, F	7 45
INSULATOR, FLAME/A	52 49	JOINT, UNIVERSAL, R	7 47
INSULATOR, PANEL/A	87 35	JOINT, UNIVERSAL/F	8 10
INSULATOR, PANEL/B	87 36	JOINT/R ASSY	8 9
INSULATOR, PANEL/C	87 37	JOURNAL KIT	14 5
INSULATOR, SEAL/HOOD	73 24	JOURNAL KIT	16 5
INSULATOR, STEP FOOD	86 29	KEY	89 7
INSULATOR, STEP FOOD	87 28	KEY ASSY	92 15
INSULATOR, STEP FOOD	88 5	KEY, ROTARY TOP SHAFT	53 38
INSULATOR, TANK	77 28	KNOB	1 2
INSULATOR, TANK	78 31	KNOB	92 19
INSULATOR, TANK	79 27	KNOB	65 31
INSULATOR/11X25X02	34 15	KNOB	26 18
INSULATOR/75	86 19	KNOB	10 46
INSULATOR/75	87 21	KNOB	11 43
INSULATOR/F COMP	3 8	KNOB	12 47
INSULATOR/R COMP	3 9	KNOB, LEVER/12	28 36
INSULATOR/R COMP	3 9A	KNOB, LEVER/12	29 22A
JOINT ASSY	11 2	KNOB, LEVER/12	30 31
JOINT ASSY	12 2	KNOB, LEVER/12	31 13
JOINT ASSY	58 7	KNOB, LEVER/12	32 23
JOINT ASSY	64 6	KNOB, LEVER/12	49 26
JOINT, B ASSY	58 3	KNOB, LEVER/12	97 39
JOINT, B ASSY	58 3A	KNOB/12	29 22
JOINT, B ASSY	64 2	KNOB/12	30 43
JOINT, BALL COMP	17 28	L-BAAL LH	35 9
JOINT, BALL/M08/LH	35 9A	L-BAAL LH	35 21
JOINT, BALL/M08/LH	35 21A	L-BALL RH	35 8
JOINT, BALL/M08/RH	35 8A	L-BALL RH	35 20
JOINT, BALL/M08/RH	35 20A	LABEL	95 8
JOINT, CROSS	58 5	LABEL TYPE/LH	95 2
JOINT, CROSS	58 9	LABEL TYPE/RH	95 3
JOINT, CROSS	58 5A	LABEL, OIL/HST/F	95 21
JOINT, CROSS	64 4	LABEL, CAUTION CLEAP	97 42
JOINT, CROSS	64 8	LABEL, CAUTION/OIL/D	95 17
JOINT, L TYPE	1 21	LABEL, CAUTION/OIL/E	95 16
JOINT, MID/E20 ASSY	13 2	LABEL, CAUTION/OIL/F	95 18
JOINT, MID/E20 ASSY	14 1	LABEL, CLEAP	97 41
JOINT, MID/E40 ASSY	15 2	LABEL, FUEL/D	95 38
JOINT, MID/E40 ASSY	16 1	LABEL, FUSE	93 18
JOINT, UNIVERSAL ASSY	7 44	LABEL, FUSE/4/E60	95 48
JOINT, UNIVERSAL ASSY	8 8	LABEL, GUIDE/LH	95 30
JOINT, UNIVERSAL ASSY	10 3	LABEL, GUIDE/LH	95 31
JOINT, UNIVERSAL ASSY	11 3	LABEL, GUIDE/RH	95 32
JOINT, UNIVERSAL ASSY	12 3	LABEL, GUIDE/RH	95 32A

DESCRIPTION	FIG. KEY	DESCRIPTION	FIG. KEY
LABEL, GUIDE/RH	95 33	LEVER, CLUTCH/PTOASSY	11 37
LABEL, GUIDE/RH	95 33A	LEVER, CLUTCH/PTOASSY	12 41
LABEL, GUIDE/RH	95 33B	LEVER, CREAP COMP	97 31
LABEL, HAZARD	95 9	LEVER, FRONT	32 20
LABEL, MID	95 47	LEVER, FRONT COMP	31 10
LABEL, MODEL ASSY	95 45	LEVER, HST COMP	35 32
LABEL, MODEL/320T	95 49	LEVER, HST COMP	35 32A
LABEL, OIL/HST/D	95 20	LEVER, MAIN SHIFTCOMP	26 14
LABEL, OIL/HST/D	95 20A	LEVER, MID	30 28
LABEL, OIL/HST/E	95 19	LEVER, POSITION COMP	68 10
LABEL, PTO	95 29	LEVER, PTO COMP	49 21
LABEL, PTO	95 28	LEVER, PTO COMP	49 22
LABEL, SPEED	95 40	LEVER, SUB	28 32
LABEL, SPEED	95 41	LEVER, SUB	29 17
LABEL, SWITCH/D	95 23	LEVER, SUB	30 38
LABEL/4WD	95 46	LEVER/1ST SET	99 27A
LAMP SET	90 7	LEVER/1ST SET	100 27A
LAMP ASSY	90 8	LEVER/1ST SET	103 28
LAMP LH ASSY	90 15	LEVER/1ST SET	103 64
LAMP LH SET	90 14	LEVER/1ST SET	105 29
LAMP RH ASSY	90 26	LEVER/1ST SET	105 66
LAMP RH SET	90 25	LEVER/2ND SET	102 23
LAMP, COMBINATION ASM	91 4	LEVER/2ND SET	103 92
LAMP, FRONT/LH C SET	90 60	LEVER/2ND SET	105 93
LAMP, FRONT/LH C ASSY	90 61	LEVER/PTO COMP	49 22A
LAMP, FRONT/RH C SET	90 65	LINING/11X40X03	6 14
LAMP, FRONT/RH C ASSY	90 66	LINING/13X50X3	35 14
LAMP, HEAD ASSY	91 1	LINING/13X50X3	68 15
LAMP, HEAD ASSY	90 1	LINK, 3P/FRONT SET	17 1
LAMP, HEAD/F	90 2	LINK, 3P/FRONT SET	18 1
LAMP, HEAD/G ASSY	90 3	LINK, FEED BACK	66 22
LAMP, NO PLATE ASSY	90 37	LINK, FUSIBLE	93 26
LAMP, NO PLATE SET	90 36	LINK, FUSIBLE	93 27
LAMP, TAIL ASSY	91 11	LINK, LH COMP	71 17
LEVER	92 18	LINK, LOWER ASSY	17 10
LEVER	68 13	LINK, LOWER ASSY	18 12
LEVER, 1ST COMP	99 27	LINK, LOWER COMP	17 11
LEVER, 1ST COMP	100 27	LINK, LOWER/LH COMP	71 1
LEVER, AXLE COMP	6 11	LINK, LOWER/RH COMP	71 2
LEVER, AXLE COMP	6 12	LINK, RH COMP	71 16
LEVER, BRAKE ASSY	88 14	LINK, SPOOL COMP	66 21
LEVER, CLUTCH COMP	10 45	LINK, SUPPORT COMP	66 29
LEVER, CLUTCH COMP	11 42	LINK, TOP (R) COMP	71 16A
LEVER, CLUTCH COMP	12 46	LINK, TOP LH COMP	71 17A
LEVER, CLUTCH/PTOASSY	10 40	LINK, TOP/A COMP	17 17

CHASSIS

DESCRIPTION	FIG. KEY	DESCRIPTION	FIG. KEY
LINK, TOP/A COMP	18 20	METAL, CHANGE	26 1
LINK, TOP/B COMP	17 18	METAL, CLEAP	97 2
LINK, TOP/B COMP	18 21	METAL, CLUTCH	7 21
MARK	95 26	METAL, COVER	101 1
MARK	95 25	METAL, COVER	103 100
MARK	95 27	METAL, COVER	103 104
MARK, CAP	95 10	METAL, COVER/HST	27 1
MARK, CLUTCH	10 59	METAL, COVER/HST	27 1A
MARK, CLUTCH	12 66	METAL, COVER/SUBCON	27 9
MARK, DRIVE	95 50	METAL, COVER/SUBCON	67 5
MARK, DRIVE	95 36	METAL, DIFF CASE/L	37 11
MARK, DRIVE/D	95 35	METAL, DIFF CASE/R	37 12
MARK, DRIVE/U	95 34	METAL, DIFFERENTIAL	59 12
MARK, ENGINE STOP/E	95 7	METAL, INPUT	19 10
MARK, FUEL	95 51	METAL, MID/HST	20 23
MARK, FUEL	95 37	METAL, PIVOT/F	53 5
MARK, FUEL/FR	95 39	METAL, PIVOT/FRONTSET	60 7
MARK, FUSE/11	95 42	METAL, PIVOT/R	53 6
MARK, FUSE/4	95 43	METAL, PIVOT/R SET	60 10
MARK, HST OILNUMBER/E	95 44	METAL, PTO SHAFT	10 19
MARK, KEY SWITCH (E)	95 22	METAL, SHHIFT, SPRING	32 5
MARK, KEY SWITCH (F)	95 24	METAL, TENSION ARM	49 14
MARK, PORT/A	99 32	METAL/PTO	37 16
MARK, PORT/A	100 32	METL, B/1 SET	103 99
MARK, PORT/A	103 33	MIRROR ASSY	86 31A
MARK, PORT/A	103 69	MIRROR ASSY	86 31
MARK, PORT/A	105 34	MIRROR ASSY	87 30
MARK, PORT/A	105 71	MIRROR SET	86 30
MARK, PORT/B	99 33	MIRROR SET	87 29
MARK, PORT/B	100 33	MISSION, CLEAP SET	97 1
MARK, PORT/B	103 34	MUFFLER	3 11
MARK, PORT/B	103 70	MUFFLER COMP	3 1A
MARK, PORT/B	105 35	MUFFLER COMP	3 1
MARK, PORT/B	105 72	MUFFLER COMP	3 11A
MAT, FLOOR	86 9	MUFFLER COMP	3 11B
MAT, FLOOR	87 9	NEEDLE	54 42
MAT, FLOOR/HST/C/LH	88 12	NET, WIRE COMP	2 2A
MAT, FLOOR/HST/LH	87 7	NET, WIRE COMP	2 8A
MAT, FLOOR/HST/RH	87 8	NET/LH COMP	75 3
MAT, FLOOR/HST/RH	88 13	NET/LH COMP	76 4
METAL	13 4	NET/LH COMP	75 4
METAL	15 4	NET/LH COMP	76 5
METAL, B/2 SET	103 103	NET/RH COMP	75 13
METAL, BYPASS	27 5	NET/RH COMP	76 14
METAL, BYPASS	67 1	NET/RH COMP	75 14

DESCRIPTION	FIG. KEY	DESCRIPTION	FIG. KEY
NET/RH COMP	76 15	NUT, BALL ASSY	55 2
NIPPLE, GREASE	53 4	NUT, BALL ASSY	56 8
NIPPLE, GREASE	53 19	NUT, CASTTLE/M12X1.25	53 33
NIPPLE, GREASE	62 10	NUT, LOCK	56 43
NIPPLE, GREASE/B-M6F	9 4	NUT, LOCK	92 31
NIPPLE, GREASE/B-M6F	9 25	NUT, LOCK	92 32
NIPPLE, GREASE/B-M6F	43 5	NUT, LOCK	59 10
NIPPLE, GREASE/B-M6F	49 15	NUT, LOCK/M8	1 5
NIPPLE, GREASE/B-M6F	51 28	NUT, LOCK/M8	88 18
NIPPLE, GREASE/B-M6F	52 28	NUT, RING	1 16
NIPPLE, GREASE/PT1/8	60 23	NUT, RING/M28X1.0	92 13
NIPPLE, GREASE/PT1/8	62 9	NUT, SEAL	56 49A
NIPPLE/PT3/8	20 3	NUT, SPEED/P6	95 4
NIPPLE/PT3/8	20 26	NUT, TOP LINK LOCK	71 19
NIPPLE/PT3/8	103 76	NUT, TOP LINK LOCK	72 5A
NIPPLE/PT3/8	105 43	NUT/M 5	91 15
NIPPLE/PT3/8	105 77	NUT/M 8	3 21
NIPPLE/PT3/8	62 30	NUT/M 8	4 14
NIPPLE/PT3/8	99 5	NUT/M 8	6 34
NIPPLE/PT3/8	100 5	NUT/M 8	9 7
NIPPLE/PT3/8	102 8	NUT/M 8	9 15
NIPPLE/PT3/8	103 5	NUT/M 8	11 29
NIPPLE/PT3/8	103 41	NUT/M 8	12 29
NIPPLE/PT3/8	105 6	NUT/M 8	28 27
NUT	55 14	NUT/M 8	28 34
NUT	56 49	NUT/M 8	29 14
NUT	56 51	NUT/M 8	29 19
NUT	56 24	NUT/M 8	30 20
NUT	10 56	NUT/M 8	30 30
NUT	11 61	NUT/M 8	30 35
NUT	12 65	NUT/M 8	30 40
NUT	20 16	NUT/M 8	32 17
NUT	35 18	NUT/M 8	32 22
NUT	37 18	NUT/M 8	34 27
NUT	39 7	NUT/M 8	35 10
NUT	51 15	NUT/M 8	35 22
NUT	51 25	NUT/M 8	35 25
NUT	52 15	NUT/M 8	43 13
NUT	52 25	NUT/M 8	44 13
NUT	60 6	NUT/M 8	44 21
NUT	65 9	NUT/M 8	49 10
NUT	65 10	NUT/M 8	49 20
NUT	65 34	NUT/M 8	51 45
NUT	68 19	NUT/M 8	52 45
NUT	34 24	NUT/M 8	54 32

CHASSIS

DESCRIPTION	FIG. KEY	DESCRIPTION	FIG. KEY
NUT/M 8	58 25	NUT/M10X1.25	6 17
NUT/M 8	69 8	NUT/M10X1.25	54 3
NUT/M 8	70 11	NUT/M10X1.25	73 11
NUT/M 8	72 11	NUT/M12	53 41
NUT/M 8	73 19	NUT/M12	11 9
NUT/M 8	75 27	NUT/M12	12 9
NUT/M 8	76 31	NUT/M12	98 16
NUT/M 8	80 16	NUT/M12	72 14
NUT/M 8	81 19	NUT/M12	50 2
NUT/M 8	82 16	NUT/M12	50 18
NUT/M 8	83 9	NUT/M12	50 28
NUT/M 8	83 13	NUT/M12	98 7
NUT/M 8	83 17	NUT/M12	10 9
NUT/M 8	83 23	NUT/M12	17 51
NUT/M 8	84 10	NUT/M12	39 21
NUT/M 8	84 14	NUT/M12	61 25
NUT/M 8	84 21	NUT/M12	60 20
NUT/M 8	84 26	NUT/M12	51 21
NUT/M 8	85 8	NUT/M12	52 21
NUT/M 8	85 17	NUT/M12X1.25	53 49
NUT/M 8	90 24	NUT/M12X1.25	62 37
NUT/M 8	90 35	NUT/M14	1 4
NUT/M 8	90 55	NUT/M16	17 16
NUT/M 8	92 3	NUT/M16	18 18
NUT/M 8	97 38	NUT/M16	51 7
NUT/M 8	99 10	NUT/M16	52 7
NUT/M 8	100 10	NUT/M16	71 9
NUT/M 8	102 13	NUT/M16	71 13
NUT/M 8	103 11	NUT/M16	72 9
NUT/M 8	103 47	NUT/M17	53 47
NUT/M 8	103 82	NUT/M17	62 43
NUT/M 8	105 12	NUT/M17	53 48
NUT/M 8	105 49	NUT/M17	62 44
NUT/M 8	105 83	NUT/M17P1.5	62 35
NUT/M10	55 24	NUT/M17P1.5	62 36
NUT/M10	55 25	NUT/M20	92 24
NUT/M10	56 55	NUT/M20	92 24A
NUT/M10	65 29	NUT/M20	92 26
NUT/M10	10 43	NUT/M20	17 19
NUT/M10	10 55	NUT/M20	18 22
NUT/M10	11 40	NUT/M20 7T	55 15
NUT/M10	11 60	NUT/M20X1.5	53 16
NUT/M10	12 44	NUT/M22	92 17
NUT/M10	12 64	NUT/M24	72 5
NUT/M10	3 5	NUT/M4	90 13

DESCRIPTION	FIG. KEY	DESCRIPTION	FIG. KEY
NUT/M5	1 3	O-RING	40 3
NUT/M5	90 43	O-RING	26 8
NUT/M5	90 47	O-RING	17 27
NUT/M5	91 16	O-RING	17 29
NUT/M6	94 20	O-RING HS90 G50	57 4
NUT/M6	5 6	O-RING HS90 G50	70 4
NUT/M6	34 12	O-RING P31	57 13
NUT/M6	39 16	O-RING P6 HS90	57 6
NUT/M6	75 10	O-RING P6 HS90	70 6
NUT/M6	75 20	O-RING P6 HS90	104 5
NUT/M6	76 11	O-RING/G30	33 11
NUT/M6	76 21	O-RING/G65	34 5
NUT/M6	77 16	O-RING/G70	69 2
NUT/M6	78 16	O-RING/G70	65 17
NUT/M6	79 16	O-RING/P 7	66 31
NUT/M6	90 21	O-RING/P 8	56 42
NUT/M6	90 32	O-RING/P10A	1 14
NUT/M6	90 52	O-RING/P10A	28 2
NUT/M6	90 57	O-RING/P10A	28 11
NUT/M8	9 14	O-RING/P10A	36 29
NUT/M8	35 7	O-RING/P10A	97 21
NUT/M8	35 24	O-RING/P12	57 12
NUT/M8	43 14	O-RING/P12	51 40
NUT/M8	44 14	O-RING/P12	52 40
NUT/M8	44 22	O-RING/P12	65 16
NUT/M8	70 13	O-RING/P12	66 18
NUT/M8	11 35	O-RING/P12	99 34
NUT/M8	12 35	O-RING/P12	100 34
NUT/M8	35 5	O-RING/P12	102 29
NUT/M8	86 4	O-RING/P12	103 7
NUT/M8	68 7	O-RING/P12	103 43
NUT/M8	51 43	O-RING/P12	103 79
NUT/M8	52 43	O-RING/P12	104 26
NUT/M8	91 21	O-RING/P12	105 8
O-RING	55 18	O-RING/P12	105 45
O-RING	56 41	O-RING/P12	105 80
O-RING	56 7	O-RING/P14	28 24
O-RING	56 14	O-RING/P14	29 10
O-RING	56 30	O-RING/P14	30 12
O-RING	56 10	O-RING/P14	30 14
O-RING	56 15	O-RING/P14	31 9
O-RING	56 20	O-RING/P14	32 13
O-RING	56 28	O-RING/P14	49 5
O-RING	60 12	O-RING/P14	97 30
O-RING	17 30	O-RING/P14	27 6

CHASSIS

DESCRIPTION	FIG. KEY	DESCRIPTION	FIG. KEY
O-RING/P14	27 10	PACKING, OIL PUMP	70 9
O-RING/P14	67 2	PACKING, RUBBER	77 27A
O-RING/P14	67 6	PACKING, RUBBER	78 30A
O-RING/P14	69 25	PACKING, RUBBER	79 26A
O-RING/P14	70 18	PACKING, SIDE COVER	55 7
O-RING/P14	104 25	PACKING, U	56 4
O-RING/P16	65 26	PANEL, DASH COMP	86 12
O-RING/P16	104 10	PANEL, DASH COMP	87 11
O-RING/P18	36 7	PANEL, DASH COMP	86 13
O-RING/P18	36 16	PANEL, DASH COMP	87 12
O-RING/P18	36 37	PANEL, DASH/B COMP	87 33
O-RING/P18	54 27	PANEL, DASH/B COMP	87 43
O-RING/P20	36 21	PANEL, INSTRUMENTASSY	89 2
O-RING/P20	57 21	PANEL, INSTRUMENTASSY	89 1
O-RING/P20	57 30	PANEL/E60 ASSY	89 9
O-RING/P20	69 13	PANEL/HE60 ASSY	89 8
O-RING/P20	69 17	PEDAL ASSY	6 4
O-RING/P20	70 15	PEDAL, B/RH COMP	43 19
O-RING/P21	53 15	PEDAL, DIFF LOCK COMP	40 8
O-RING/P22	36 22	PEDAL, HB/RH COMP	43 20
O-RING/P22	57 5	PEDAL, HST COMP	35 29
O-RING/P22	65 25	PEDAL, HST/LH COMP	43 3
O-RING/P22	70 5	PEDAL, HST/RH COMP	43 4
O-RING/P24	36 6	PEDAL, LH COMP	43 1
O-RING/P24	36 36	PEDAL, RH COMP	43 2
O-RING/P28	36 2	PIN	9 10
O-RING/P30	36 3	PIN	53 18
O-RING/P44	1 17	PIN ASSY	98 9
O-RING/P52	7 33	PIN ASSY	98 17
O-RING/P65 HS90	66 8	PIN COMP	17 13
ORNAMENT	95 6	PIN SPRING W 6.0X16	23 23
ORNAMENT, GRILLE	95 1	PIN, BACK GEAR	23 22
ORNAMENT, REAR	95 15A	PIN, CHAIN	71 12
ORNAMENT/320/LH	95 13	PIN, FEED BACK	66 24
ORNAMENT/320/LH	95 13A	PIN, HAIR	35 3
ORNAMENT/320/RH	95 14	PIN, HAIR/19	50 11A
ORNAMENT/320/RH	95 14A	PIN, HAIR/19	71 21
ORNAMENT/LH	95 12	PIN, KNOCK	37 8
ORNAMENT/REAR	95 15	PIN, KNOCK	61 7
ORNAMENT/RH	95 11	PIN, KNOCK	56 56A
PACKING	53 29	PIN, KNOCK	56 56
PACKING	1 20	PIN, LEVER	10 47
PACKING	60 26	PIN, LEVER	11 44
PACKING ASSY	4 4	PIN, LEVER	12 48
PACKING, OIL PUMP	57 9	PIN, LINK	50 11

DESCRIPTION	FIG. KEY	DESCRIPTION	FIG. KEY
PIN, LINK	98 10	PIN, SPLIT/2. 5X15	12 52
PIN, LINK	98 18	PIN, SPLIT/2. 5X15	6 2
PIN, LOWER LINK	71 3	PIN, SPLIT/2. 5X15	6 9
PIN, MAIN CLUTCH CAM	6 22	PIN, SPLIT/2. 5X15	14 10
PIN, ROD COMP	66 11	PIN, SPLIT/2. 5X15	16 10
PIN, ROLLER	34 16	PIN, SPLIT/2. 5X20	6 21
PIN, ROLLER	34 16A	PIN, SPLIT/2. 5X20	6 27
PIN, SEAT SET	83 20	PIN, SPLIT/2. 5X20	28 41
PIN, SEAT SET	84 17	PIN, SPLIT/2. 5X20	44 16
PIN, SHIFT/DIFF LOCK	40 2	PIN, SPLIT/2. 5X20	44 24
PIN, SNAP/6	99 21	PIN, SPLIT/2. 5X20	49 30
PIN, SNAP/6	100 21	PIN, SPLIT/2. 5X20	83 21
PIN, SNAP/6	102 21	PIN, SPLIT/2. 5X20	84 18
PIN, SNAP/6	103 22	PIN, SPLIT/2. 5X25	6 18
PIN, SNAP/6	103 58	PIN, SPLIT/2. 5X25	40 14
PIN, SNAP/6	103 90	PIN, SPLIT/2. 5X25	48 26
PIN, SNAP/6	105 23	PIN, SPLIT/2X25	32 8
PIN, SNAP/6	105 60	PIN, SPLIT/2X25	47 15
PIN, SNAP/6	105 91	PIN, SPLIT/2X25	54 4
PIN, SPLIT	18 24	PIN, SPLIT/2X25	73 8
PIN, SPLIT	17 37	PIN, SPLIT/3 X20	53 34A
PIN, SPLIT/1. 6X10	1 6	PIN, SPLIT/3 X20	53 50
PIN, SPLIT/2 X15	6 24	PIN, SPLIT/3 X20	62 38
PIN, SPLIT/2 X15	9 18	PIN, SPLIT/3 X25	53 34
PIN, SPLIT/2 X15	51 44	PIN, SPLIT/3 X25	10 39
PIN, SPLIT/2 X15	52 44	PIN, SPLIT/3 X25	71 11
PIN, SPLIT/2 X15	66 27	PIN, SPLIT/3X35	17 21
PIN, SPLIT/2 X15	88 22	PIN, SPLIT/3X35	18 14
PIN, SPLIT/2 X20	6 32	PIN, SPLIT/4X35	71 5
PIN, SPLIT/2 X20	9 12	PIN, SPRING	104 20
PIN, SPLIT/2 X20	29 26	PIN, SPRING/3X16 W	66 25
PIN, SPLIT/2 X20	30 23	PIN, SPRING/5X25 W	28 28
PIN, SPLIT/2 X20	30 47	PIN, SPRING/5X25 W	29 12
PIN, SPLIT/2 X20	32 27	PIN, SPRING/5X25 W	30 18
PIN, SPLIT/2 X20	41 8	PIN, SPRING/5X25 W	30 33
PIN, SPLIT/2 X20	42 8	PIN, SPRING/5X25 W	31 11
PIN, SPLIT/2 X20	43 17	PIN, SPRING/5X25 W	32 2
PIN, SPLIT/2 X20	45 3	PIN, SPRING/5X25 W	32 15
PIN, SPLIT/2 X20	45 6	PIN, SPRING/5X25 W	44 7
PIN, SPLIT/2 X20	45 9	PIN, SPRING/5X25 W	49 7
PIN, SPLIT/2 X20	45 14	PIN, SPRING/5X25 W	49 25
PIN, SPLIT/2 X20	45 17	PIN, SPRING/5X25 W	68 2
PIN, SPLIT/2 X20	68 9	PIN, SPRING/5X25 W	97 32
PIN, SPLIT/2. 5X15	10 50	PIN, SPRING/5X25 W	97 33
PIN, SPLIT/2. 5X15	11 48	PIN, SPRING/6 X25 W	54 10

CHASSIS

DESCRIPTION	FIG. KEY	DESCRIPTION	FIG. KEY
PIN, SPRING/6 X32 W	34 3	PIN/19X86	71 20
PIN, SPRING/6 X32 W	58 11	PIN/22X106	17 35
PIN, SPRING/6 X32 W	64 10	PIN/22X83	72 6
PIN, SPRING/6X45	64 12	PIN/22X91	17 36
PIN, SPRING/8X25 W	44 8	PIN/25X77	18 13
PIN, ST A/8X14	59 25	PIN/30X319 COMP	18 15
PIN, ST A/8X28	59 24	PIN/5X17	66 26
PIN, ST B/10X20	60 2	PIN/6X134	49 16
PIN, ST/ 8X22	62 29	PIN/6X20	104 21
PIN, ST/10X18	7 20	PIN/6X28	40 5
PIN, ST/10X22	62 16	PIN/6X28	40 5A
PIN, ST/8X16	7 25	PIN/7X10	26 19
PIN, ST/8X16	19 2	PIN/8X40	9 3
PIN, ST/8X16	20 2	PIN/8X40	43 7
PIN, ST/8X16	20 24	PINION, 11/LH	38 14
PIN, ST/8X16	37 7	PINION, 11/RH	38 15
PIN, ST/8X16	38 9	PINION, BEVEL SET	23 1
PIN, ST/8X16	39 9	PINION, BEVEL/11	59 19
PIN, ST/8X16	97 4	PINION, DIFF/11T	38 4
PIN, ST/A	38 10	PINION, VEVEL SET	59 1
PIN, ST/A	53 12	PIPE, 1ST/A COMP	99 3
PIN, ST/A	60 14	PIPE, 1ST/A COMP	103 3
PIN, SUPPORT COMP	66 30	PIPE, 1ST/A COMP	103 39
PIN, TAPER/8X50	41 18	PIPE, 1ST/A COMP	100 3
PIN, TAPER/8X50	41 20	PIPE, 1ST/A COMP	105 3
PIN, TAPER/8X50	42 19	PIPE, 1ST/A COMP	105 40
PIN, TRIP-HOOK ROD	45 12	PIPE, 1ST/B COMP	99 4
PIN, VALVE ARM	6 26	PIPE, 1ST/B COMP	103 4
PIN, YOKE A	43 15	PIPE, 1ST/B COMP	103 40
PIN/06X16	88 20	PIPE, 1ST/B COMP	100 4
PIN/08X19	45 12A	PIPE, 1ST/B COMP	105 4
PIN/10X18	41 7	PIPE, 1ST/B COMP	105 41
PIN/10X18	42 7	PIPE, 2ND/A COMP	102 4
PIN/12X48	71 10	PIPE, 2ND/A COMP	103 72
PIN/12X78	35 1	PIPE, 2ND/A COMP	102 5
PIN/14X38 COMP	9 9	PIPE, 2ND/A COMP	105 74
PIN/14X73 SET	14 7	PIPE, 2ND/B COMP	102 6
PIN/14X73 SET	16 7	PIPE, 2ND/B COMP	103 73
PIN/16X129	49 16A	PIPE, 2ND/B COMP	102 7
PIN/16X73	72 12	PIPE, 2ND/B COMP	105 75
PIN/19X122	71 22	PIPE, BREATHER	7 17
PIN/19X172	50 10A	PIPE, BUST COMP	36 11
PIN/19X220	50 10	PIPE, COOLER COMP	36 30
PIN/19X50	17 20	PIPE, DELIVERY COMP	69 16
PIN/19X77	18 23	PIPE, DELIVERY COMP	69 16A

CHASSIS

DESCRIPTION	FIG. KEY	DESCRIPTION	FIG. KEY
PIPE, DELIVERY COMP	66 35	PLATE	35 15
PIPE, DELIVERY/A COMP	69 23	PLATE	68 16
PIPE, DELIVERY/A COMP	69 24	PLATE	5 4
PIPE, DELIVERY/A COMP	69 24A	PLATE	12 37
PIPE, DELIVERY/B COMP	70 16	PLATE	17 8
PIPE, DELIVERY/B COMP	70 17	PLATE	17 9
PIPE, DRAIN COMP	36 34	PLATE	54 40
PIPE, DRAIN COMP	36 34A	PLATE	20 12
PIPE, INLET	4 10	PLATE	3 6
PIPE, INLET COMP	4 13	PLATE	18 4
PIPE, MAIN SHIFT ARM	26 5	PLATE	29 24
PIPE, OIL COMP	57 19	PLATE	30 21
PIPE, OIL COMP	57 23	PLATE	30 45
PIPE, OIL COMP	57 26	PLATE	32 25
PIPE, OIL COMP	57 33	PLATE	99 24
PIPE, OUTLET	4 6	PLATE	100 24
PIPE, RETURN COMP	36 19A	PLATE	103 25
PIPE, RETURN COMP	36 41	PLATE	103 61
PIPE, RETURN COMP	36 19	PLATE	105 26
PIPE, SUCTION COMP	69 11	PLATE	105 63
PIPE, SUCTION COMP	36 5	PLATE	83 27
PIPE, SUCTION COMP	69 6	PLATE COMP	50 1
PIPE, TAIL COMP	3 16	PLATE, ADJUST COMP	34 33
PIPE, TAIL COMP	3 2	PLATE, ADJUST COMP	34 33A
PIPE/139	39 25	PLATE, ARM	35 31
PIPE/TAIL COMP	3 2A	PLATE, BUSH	50 9
PISTON	66 7	PLATE, FRICTION	41 2
PISTON	56 18	PLATE, FRICTION	42 2
PISTON	17 25	PLATE, GUIDE	77 11
PIVOT, CENTER	53 13	PLATE, GUIDE	78 11
PIVOT, DIFF LOCK COMP	40 10	PLATE, GUIDE	79 11
PIVOT, FRONT SET	32 18	PLATE, LOCK	80 15
PIVOT, PARKING COMP	45 7	PLATE, LOCK	81 18
PIVOT, SHIFT/SUB SET	29 15	PLATE, LOCK	82 15
PIVOT, SHIFT/SUB SET	30 36	PLATE, SEAL COMP	73 23
PIVOT, SHIFT/SUB SET	30 24	PLATE, SET LH COMP	84 19
PIVOT, SHIFT/SUB SET	28 30	PLATE, SET RH COMP	84 20
PLATE	28 22	PLATE, STOPPER	97 25
PLATE	29 8	PLATE, STOPPER	45 18
PLATE	30 10	PLATE, STOPPER COMP	65 27
PLATE	30 15	PLATE, STOPPER COMP	51 19
PLATE	31 7	PLATE, STOPPER COMP	52 19
PLATE	32 11	PLATE, STOPPER COMP	51 18
PLATE	49 3	PLATE, STOPPER COMP	52 18
PLATE	97 29	PLATE, STOPPER COMP	51 20

CHASSIS

DESCRIPTION	FIG. KEY	DESCRIPTION	FIG. KEY
PLATE, STOPPER COMP	52 20	PTO, FLONT/A SET	10 2
PLATE, STOPPER/LH	17 48	PTO, FRONT/A ASSY	10 4
PLATE, STOPPER/LH	61 20	PTO, FRONT/A20 SET	10 1
PLATE, STOPPER/RH	17 49	PTO, FRONT/B ASSY	11 5
PLATE, STOPPER/RH	61 21	PTO, FRONT/B SET	11 1
PLATE/LH COMP	80 11	PTO, FRONT/C ASSY	12 5
PLATE/LH COMP	82 11	PTO, FRONT/C SET	12 1
PLATE/RH COMP	80 12	PULLEY, TENSION	10 32
PLATE/RH COMP	81 16	PULLEY, TENSION	11 22
PLATE/RH COMP	82 12	PULLEY, TENSION	12 22
PLIERS/G150	96 3	PULLEY, V 158	10 16
PLUG	104 6	PULLEY, V/121	10 8
PLUG	66 17	PULLEY, V3B141	11 17
PLUG	104 7	PULLEY, V3B141	12 17
PLUG	65 15	PULLEY/V3B109	11 12
PLUG	67 8	PULLEY/V3B109	12 12
PLUG	39 12	PUMP, FUEL ASSY	1 26
PLUG ASSY	2 4	PUMP, GEAR ASSY	70 1
PLUG ASSY	2 10	PUMP, GEAR ASSY	57 1
PLUG PT1/4	7 16	RADIATOR ASSY	2 1
PLUG, BREATHER	60 3	RADIATOR ASSY	2 1A
PLUG, BREATHING	1 19	RADIATOR ASSY	2 7
PLUG, DRAIN (1/4)	7 15	RADIATOR ASSY	2 7A
PLUG, DRAIN (1/4)	39 11	REFLECTOR	90 20
PLUG, PT1/8	56 17	REFLECTOR	90 31
PLUG, SEAL	100 35	REFLECTOR ASSY	39 15
PLUG, SEAL	102 28	RELAY/4P ASSY	93 37
PLUG, SEAL	104 11	RIM, WHEEL W7-24 COMP	46 1
PLUG, SEAL	57 18	RIM, WHEEL W7-24 COMP	46 5
PLUG/7P	93 2	RIM, WHEEL/300DX12	63 17
PLUG/7P SET	93 1	RING	56 6
PLUG/PT1/4	55 19	RING	56 13
PLUG/PT1/8	103 74	RING	62 23A
PLUG/PT1/8	103 75	RING	62 23B
PLUG/PT1/8	105 5	RING	56 29
PLUG/PT1/8	105 42	RING SNAP	11 58
PLUG/PT1/8	105 76	RING, BACK UP	66 9
PLUG/PT1/8	27 12	RING, BACKUP	17 31
PLUG/PT1/8	7 23	RING, CIRCLIP	10 35
PLUG/PT1/8	19 3	RING, CIRCLIP	11 25
POPPET	56 21	RING, CIRCLIP	12 25
POPPET	36 12	RING, CIRCLIP	54 19
POPPET	104 8	RING, CIRCLIP	97 14
PTO(F/MID/E20) SET	13 1	RING, CIRCLIP	97 15
PTO(F/MID/E40) SET	15 1	RING, CUP/16X24X56	54 12

DESCRIPTION	FIG. KEY	DESCRIPTION	FIG. KEY
RING, SNAP	56 48	RING, SNAP/20 C	58 6A
RING, SNAP	56 34	RING, SNAP/20 C	58 10
RING, SNAP	104 12	RING, SNAP/20 C	64 5
RING, SNAP	66 5	RING, SNAP/20 C	64 9
RING, SNAP	66 6	RING, SNAP/22 C	23 27
RING, SNAP	11 14	RING, SNAP/25 C	8 3
RING, SNAP	12 14	RING, SNAP/25 C	11 4
RING, SNAP	12 62	RING, SNAP/25 C	12 4
RING, SNAP	10 13	RING, SNAP/25 C	13 6
RING, SNAP	59 11	RING, SNAP/25 C	15 6
RING, SNAP	38 18	RING, SNAP/25 C	24 11
RING, SNAP	39 30	RING, SNAP/25 C	25 12
RING, SNAP/10 C	99 29	RING, SNAP/25 C	25 19
RING, SNAP/10 C	100 29	RING, SNAP/25 C	25 22
RING, SNAP/10 C	102 25	RING, SNAP/25 C	25 28
RING, SNAP/10 C	103 30	RING, SNAP/25 C	43 9
RING, SNAP/10 C	103 66	RING, SNAP/25 C	47 21
RING, SNAP/10 C	103 94	RING, SNAP/25 C	61 11
RING, SNAP/10 C	105 31	RING, SNAP/28 C	26 7
RING, SNAP/10 C	105 68	RING, SNAP/30 C	10 14
RING, SNAP/10 C	105 95	RING, SNAP/30 C	11 20
RING, SNAP/12 C	34 39	RING, SNAP/30 C	12 20
RING, SNAP/14 C	28 9	RING, SNAP/30 C	21 6
RING, SNAP/14 C	29 5	RING, SNAP/30 C	21 11
RING, SNAP/14 C	30 5	RING, SNAP/30 C	22 6
RING, SNAP/14 C	31 2	RING, SNAP/30 C	23 5
RING, SNAP/14 C	97 20	RING, SNAP/30 C	24 5
RING, SNAP/15 C	10 36	RING, SNAP/30 C	25 5
RING, SNAP/15 C	11 26	RING, SNAP/30 C	38 20
RING, SNAP/15 C	12 26	RING, SNAP/4 E	66 23
RING, SNAP/15 C	97 16	RING, SNAP/4 E	104 22
RING, SNAP/15 C	36 15	RING, SNAP/42 C	7 43
RING, SNAP/16 C	28 38	RING, SNAP/52 C	13 7
RING, SNAP/16 C	29 21	RING, SNAP/52 C	15 7
RING, SNAP/16 C	30 27	RING, SNAP/52 C	62 19
RING, SNAP/16 C	30 42	RING, SNAP/7 E	34 20
RING, SNAP/16 C	49 17	RING, STOP	62 23
RING, SNAP/17 C	54 18	RING, STOP	39 26
RING, SNAP/20 C	7 39	RING/P31	57 14
RING, SNAP/20 C	23 14	RIVET	76 7
RING, SNAP/20 C	23 19	RIVET	86 16
RING, SNAP/20 C	97 10	RIVET	87 17
RING, SNAP/20 C	14 6	RIVET, BLIND	86 16A
RING, SNAP/20 C	16 6	RIVET, BLIND	87 17A
RING, SNAP/20 C	58 6	RIVET, BLIND/4X7.5	75 6

CHASSIS

DESCRIPTION	FIG. KEY	DESCRIPTION	FIG. KEY
RIVET, BLIND/4X7.5	75 16	RUBBER, CUSHION	52 27
RIVET, BLIND/4X7.5	76 17	RUBBER, CUSHION (A)	83 19
ROD	9 16	RUBBER, CUSHION (A)	84 16
ROD	66 10	RUBBER, LOCK	77 13
ROD, ACCLE	6 1	RUBBER, LOCK	78 13
ROD, LIFT/LH COMP	72 1	RUBBER, LOCK	79 13
ROD, PARKING	45 10	SCREW	74 6
ROD, PISTON COMP	17 24	SCREW	89 3
ROD, SUB	28 39	SCREW	91 13
ROD, TIE	53 46	SCREW M4X6	92 39
ROD, TIE	62 45	SCREW M612	86 25
ROD, TIE	62 34	SCREW M612	87 24
ROD, TIE/LH	62 34A	SCREW SEEMS/M6X16	6 5
ROD/055 COMP	9 8	SCREW, ADJ	55 9
ROD/100	44 18	SCREW, ADJUST	56 36
ROD/150	44 10	SCREW, PLUS/M4X8	92 9
ROD/180	68 4	SCREW, PLUS/M5X0.8X8	92 11
ROD/239	35 6	SCREW, RH/M24 COMP	72 2
ROD/240	44 11A	SCREW, SEMS	90 42
ROD/250	44 11	SCREW, SEMS	90 51
ROD/260 COMP	40 12	SCREW, SP/M4X12	90 12
ROD/320	44 19	SCREW, TAPPING	58 18
ROD/406	45 19	SCREW, TAPPING	58 22
ROD/42	68 5	SCREW, TAPPING	64 21
ROD/425	45 4	SCREW/4X25	91 7
ROD/452 COMP	44 17	SCREW/LH/M24 COMP	72 3
ROD/470	49 28	SCREW/M5X30	93 4
ROD/570	43 10	SCREW/M6X16	77 12
ROD/65	35 19	SCREW/M6X16	78 12
ROD/88	99 20	SCREW/M6X16	79 12
ROD/88	100 20	SCREW/M6X40	65 32
ROD/88	102 20	SCREW/SP/M6X16	86 25A
ROD/88	103 21	SCREW/SP/M6X16	87 24A
ROD/88	103 57	SCREWDRIVER ASSY	96 4
ROD/88	103 89	SEAL	2 32
ROD/88	105 22	SEAL	2 29
ROD/88	105 59	SEAL	2 30
ROD/88	105 90	SEAL	104 19
ROLLER/08X12X15	34 19	SEAL, DUST	65 24
RUBBER	11 55	SEAL, OIL	55 6
RUBBER	12 59	SEAL, OIL	53 35
RUBBER, B	69 12	SEAL, OIL	61 19
RUBBER, BUFFER	85 4	SEAL, OIL	39 27
RUBBER, CUSHION	9 19	SEAL, OIL	54 28
RUBBER, CUSHION	51 27	SEAL, OIL	56 5

DESCRIPTION	FIG. KEY	DESCRIPTION	FIG. KEY
SEAL, OIL	56 33	SEAT, B	83 3
SEAL, OIL	60 9	SEAT, B	84 3
SEAL, OIL	57 3	SEAT, B	83 3A
SEAL, OIL	70 3	SEAT, LOWER	84 2B
SEAL, OIL	23 13A	SEAT/A	84 2A
SEAL, OIL	24 16A	SEAT/B	84 3A
SEAL, OIL	25 20A	SENSOR	36 28
SEAL, OIL	59 3A	SHAFT	61 4
SEAL, OIL	41 16A	SHAFT	22 5
SEAL, OIL	42 16A	SHAFT	33 10
SEAL, OIL	8 7A	SHAFT	25 23
SEAL, OIL	21 2A	SHAFT	61 28
SEAL, OIL/OS30374	62 11	SHAFT COMP	43 6
SEAL, OIL/OS45554	66 2	SHAFT, CENTER	55 3
SEAL, OIL/TC20358	23 13	SHAFT, CHANGE	21 8
SEAL, OIL/TC20358	24 16	SHAFT, COUNTER	61 10
SEAL, OIL/TC20358	25 20	SHAFT, DIFF PINION A	38 2
SEAL, OIL/TC20358	59 3	SHAFT, DIFF PINION B	38 3
SEAL, OIL/TC20428	7 41	SHAFT, DIFF. PINION	59 18
SEAL, OIL/TC25357	41 16	SHAFT, DRIVE	58 1A
SEAL, OIL/TC25357	42 16	SHAFT, DRIVE	58 1
SEAL, OIL/TC25408	8 7	SHAFT, DRIVE	58 2B
SEAL, OIL/TC25408	21 2	SHAFT, DRIVE	64 1A
SEAL, OIL/TC25478	7 32	SHAFT, DRIVE/651 COMP	58 2C
SEAL, OIL/TC25478	33 18	SHAFT, DRIVE/651 COMP	64 1B
SEAL, OIL/TC34488	53 31	SHAFT, DRIVE/703 COMP	58 1B
SEAL, OIL/TC4, 14247	104 3	SHAFT, DRIVE/A	58 2A
SEAL, OIL/TC40558	47 6	SHAFT, DRIVE/A	64 1
SEAL, OIL/TC40558	48 13	SHAFT, DRIVE/FRONT	24 13
SEAL, OIL/VC142406	66 34	SHAFT, DRIVE/FRONT	25 13
SEAL, OIL/VC20325	58 16	SHAFT, DRIVE/FRONT	58 2
SEAL, OIL/VC20325	64 22	SHAFT, FRONT DRIVE	23 12
SEAL, OIL/VC40555	53 7	SHAFT, INPUT	7 38
SEAL, OIL/VC50726	60 22	SHAFT, JOINT	7 46
SEAL, SLIPPER	56 9	SHAFT, JOINT	14 4
SEAL, WATER	53 30	SHAFT, JOINT	16 4
SEAL, OIL	62 28	SHAFT, LIFT	66 1
SEAL/15X20X300	2 31	SHAFT, MID	33 15
SEAL/30X30X550	73 13	SHAFT, PARKING	44 5
SEAT ASSY	83 1	SHAFT, PTO	11 19
SEAT ASSY	84 1	SHAFT, PTO	48 1
SEAT ASSY	84 1A	SHAFT, PTO	48 1A
SEAT ASSY	84 1B	SHAFT, PTO	47 17
SEAT, A	83 2	SHAFT, PTO	47 5
SEAT, A	84 2	SHAFT, PTO	48 12

CHASSIS

DESCRIPTION	FIG. KEY	DESCRIPTION	FIG. KEY
SHAFT, PTO (DN)	10 17	SLEEVE, JOINT	14 3
SHAFT, PTO MID	13 3	SLEEVE, JOINT	16 3
SHAFT, PTO MID	15 3	SLEEVE/35X40X17	47 7
SHAFT, PTO/C	12 19	SLEEVE/35X40X17	48 14
SHAFT, SECTOR ASSY	56 35	SNAP, RING	22 12
SHAFT, SHIFT	28 35	SNAP, RING	33 3
SHAFT, SHIFT	29 20	SPACER, WHEEL	46 22
SHAFT, SHIFT	30 41	SPACER, WHEEL/50 SET	46 21
SHAFT, SLOW RETURN	65 30	SPANNER, BOX/22	96 1
SHAFT, STEERING	54 6	SPANNER/ 8X10	96 5
SHAFT, STEERING ASSY	54 7	SPANNER/12X14	96 6
SHAFT, STEERING/BASSY	54 44	SPANNER/13X17	96 7
SHAFT, WHEEL	62 21	SPANNER/19X22	96 8
SHAFT, WHEEL	62 21A	SPANNER/24X27	96 9
SHAFT, WHEEL	39 23	SPINDLE, KNUCKLE COMP	53 20
SHAFT, YOKE COMP	9 23	SPRING	64 18
SHIFT, CLEAP	97 22	SPRING	71 15
SHIFT, FRONT CHANGE	31 3	SPRING	73 16
SHIFT, SUB	28 18	SPRING	75 25
SHIFTER, DIFF LOCK	40 1	SPRING	76 29
SHIFTER, HIGH	28 15	SPRING	104 9
SHIFTER, HIGH	28 15A	SPRING	66 14
SHIM (C)	59 8	SPRING	66 16
SHIM A T=0.2	59 6	SPRING, BRAKE	34 40
SHIM B T=0.1	59 7	SPRING, COIL	56 22
SHIM D T=0.1	59 9	SPRING, COIL	56 19
SHIM(A)	59 13	SPRING, COIL	56 25
SHIM(B)	59 14	SPRING, MAIN CLUTCH	88 23
SHIM, A/0.5	53 42	SPRING, PRESS/22	6 15
SHIM, A/1.0	53 43	SPRING, PRESS/22	35 16
SHIM, ADJ, SCREW SET	55 10	SPRING, PRESS/22	68 18
SHIM, B/0.5	62 12	SPRING, PRESSURE/32	49 23
SHIM, B/1.0	62 13	SPRING, PRESSURE/60	26 11
SHIM, COVER SET	55 8	SPRING, PRESSURE/65	84 24
SHIM, DIFF CASE METAL	37 13	SPRING, SHIFTER	28 19
SHIM, DIFF CASE METAL	37 14	SPRING, SHIFTER	29 2
SHIM, PTO SHAFT A	10 20	SPRING, SHIFTER	30 2
SHIM, PTO SHAFT B	10 21	SPRING, SHIFTER	30 7
SHIM, PTO SHAFT C	10 22	SPRING, SHIFTER	31 4
SHIM, PULLEY PIN	10 15	SPRING, SHIFTER	32 6
SHIM/08X14X01	36 14	SPRING, SHIFTER	97 23
SHOE, BRAKE ASSY	64 17	SPRING, SHIFTER	28 7
SHROUD COMP	2 23	SPRING, SHIFTER	28 16
SIFTER, LOWER	28 6	SPRING, SHIFTER	29 2A
SLEEVE	7 27	SPRING, SHIFTER	30 2A

DESCRIPTION	FIG. KEY	DESCRIPTION	FIG. KEY
SPRING, SHIFTER	47 13	STAY, PLATE	105 10
SPRING, SHIFTER	48 24	STAY, PLATE	105 47
SPRING, TENSION	11 30	STAY, PLATE	103 45
SPRING, TENSION	12 30	STAY, PLATE COMP	50 4
SPRING, TENSION (52)	6 28	STAY, SHIFT/1ST	28 1
<hr/>			
SPRING, TENSION/121	40 15	STAY, SHIFT/FRONTCOMP	32 4
SPRING, TENSION/41	9 24	STAY, SHIFT/MID	30 4
SPRING, TENSION/70	10 52	STAY, SHIFT/MID	30 4A
SPRING, TENSION/70	11 50	STAY, SHIFT/PTO	47 11
SPRING, TENSION/70	12 54	STAY, SHIFT/PTO	48 22
<hr/>			
SPRING, TENSION/84	66 20	STAY, SHIFT/SUB	29 4
SPRING, TORQUE (48)	10 37	STAY, SHIFT/SUB	29 4A
SPRING/HCO26	104 15	STAY, SWITCH COMP	92 33
SPRING/HCO55	45 15	STAY/LH COMP	75 29
SPRING/HC12X38	14 8	STAY/LH COMP	76 33
<hr/>			
SPRING/HC12X38	16 8	STAY/RH COMP	75 31
SPRING/HC25	36 13	STAY/RH COMP	76 35
SPRING/HE023	41 5	STEERING ASSY	55 1
SPRING/HE023	42 5	STEERING, BUSH	54 14A
SPRING/HE023	41 5A	STEERING, POWER ASSY	56 1A
<hr/>			
SPRING/HE023	42 5A	STEERING, POWER ASSY	56 1
SPRING/HE066	34 40A	STEERING, WHEEL ASSY	54 1
SPRING/HE089	6 10	STEP, LH COMP	86 1
SPRING/HE130	9 5	STEP, LH COMP	87 1
SPRING/HE130	43 18	STEP, LH COMP	88 1
<hr/>			
STATOR	41 3	STEP, RH COMP	86 2
STATOR	42 3	STEP, SUB COMP	86 10
STAY, BRACKET	17 7	STEP/RH COMP	87 2
STAY, CLEAP SHIFT	97 19	STEP/RH COMP	88 2
STAY, CLUTCH COMP	10 41	STOPPER	77 20
<hr/>			
STAY, CLUTCH COMP	11 38	STOPPER	79 20
STAY, CLUTCH COMP	12 42	STOPPER	45 1
STAY, ENGINE COMP	51 36	STOPPER, A COMP	77 22
STAY, ENGINE COMP	52 36	STOPPER, A COMP	78 20
STAY, ENGINE COMP	51 37	STOPPER, A COMP	79 22
<hr/>			
STAY, FRONT SHIFT	31 1	STOPPER, BELT	10 27
STAY, HIGH SHIFTER	28 10	STOPPER, STAY	33 12
STAY, HORN	92 5	STUD/M10X 35	37 4
STAY, LAMP/LH	91 17	STUD/M10X 35	37 21
STAY, LAMP/RH	91 18	STUD/M10X32	20 15
<hr/>			
STAY, MIRROR	86 32	STUD/M12X25	37 2
STAY, MIRROR	87 31	SWITCH ASSY	92 27
STAY, PLATE	99 8	SWITCH ASSY	92 16
STAY, PLATE	100 8	SWITCH, FUEL ASSY	85 9
STAY, PLATE	103 9	SWITCH, HAZARD ASSY	92 29

CHASSIS

DESCRIPTION	FIG. KEY	DESCRIPTION	FIG. KEY
SWITCH, LAMP ASSY	92 28	TUBE/030	37 3
SWITCH, SAFETY ASSY	92 35	TUBE/12. 4-16	46 19
SWITCH, SAFETY ASSY	92 23	TUBE/14X130	26 15
SWITCH, SAFETY ASSY	92 23A	TUBE/300	7 18
SWITCH, STARTER ASSY	92 7	TUBE/6-12	63 2
SWITCH, STOP LIGHT	92 30	TUBE/6-12	63 6
SYAY, ENGINE COMP	52 37	TUBE/60	28 37
TANK, FUEL COMP	85 1	TUBE/60	29 23
TANK, FUEL COMP	85 1A	TUBE/60	30 44
TANK, FUEL COMP	85 1B	TUBE/60	31 14
TANK, FUEL/B COMP	85 12	TUBE/60	32 24
TANK, FUEL/B COMP	85 12A	TUBE/60	49 27
TANK, OIL COMP	57 10	TUBE/60	97 40
TENSIONER, WIRE COMP	10 48	TUBE/650	7 18A
TENSIONER, WIRE COMP	11 46	TUBE/8. 3/8-24	46 3
TENSIONER, WIRE COMP	12 50	TUBE/8. 3/8-24	46 7
TIRE	63 18	TURN-BUCKLE COMP	71 18A
TIRE 600-12-4P	63 1	TURNBUCKLE/M8	9 13
TIRE 600-12-4P	63 5	TURNBUCKLE/M8	44 12
TIRE, R. TURF/13. 6-6	46 10	TURNBUCKLE/M8	44 20
TIRE, R. TURF/13. 6-6	46 14	TURNBUCKLE/M8	68 6
TIRE/12. 4-16 4PR	46 18	U-NUT/M14X1. 5	17 32
TIRE/25X8. 50-14-4	63 10	VALVE	4 5
TIRE/25X8. 50-14-4	63 14	VALVE SET	104 2
TIRE/6. 00-12-4	63 1A	VALVE, CONTROL ASSY	66 13
TIRE/6. 00-12-4	63 5A	VALVE, CONTROL ASSY	104 1
TIRE/8. 3/8-24 4PR	46 2	VALVE, CONTROL ASSY	99 2
TIRE/8. 3/8-24 4PR	46 6	VALVE, CONTROL ASSY	100 2
TRIM, FENDER	80 4	VALVE, CONTROL ASSY	102 3
TRIM, FENDER	81 5	VALVE, CONTROL ASSY	103 2
TRIM, FENDER	82 4	VALVE, CONTROL ASSY	103 38
TUBE	46 11	VALVE, CONTROL ASSY	103 71
TUBE	46 15	VALVE, CONTROL ASSY	105 2
TUBE	63 19	VALVE, CONTROL ASSY	105 39
TUBE, STRAIGHT/50	35 28	VALVE, CONTROL ASSY	105 73
TUBE, STRAIGHT/50	68 12	VALVE, FROCON ASSY	65 23
TUBE, STRAIGHT/50	99 31	VALVE, RELIEF ASSY	65 22
TUBE, STRAIGHT/50	100 31	VALVE, RELIEF ASSY	70 14
TUBE, STRAIGHT/50	102 27	VALVE, SUB/1 SET	103 1
TUBE, STRAIGHT/50	103 32	VALVE, SUB/1/H SET	105 1
TUBE, STRAIGHT/50	103 68	VALVE, SUB/1ST SET	99 1
TUBE, STRAIGHT/50	103 96	VALVE, SUB/1ST SET	103 37
TUBE, STRAIGHT/50	105 33	VALVE, SUB/1ST/H SET	100 1
TUBE, STRAIGHT/50	105 70	VALVE, SUB/2/H SET	105 38
TUBE, STRAIGHT/50	105 97	VALVE, SUB/2ND SET	102 1

DESCRIPTION	FIG. KEY	DESCRIPTION	FIG. KEY
VALVE, SUB/2ND/H SET	102 2	WASHER, PL/M4	58 21
WASHER	35 2A	WASHER, PL/M4	64 20
WASHER	92 14	WASHER, PL/M4	75 15
WASHER	86 17	WASHER, PL/M4	76 6
WASHER	87 18	WASHER, PL/M4	76 16
WASHER	77 23	WASHER, PL/M8	2 28
WASHER	78 21	WASHER, PL/M8	3 19
WASHER	79 23	WASHER, PL/M8	6 20
WASHER	18 16	WASHER, PL/M8	6 31
WASHER / M16	10 38	WASHER, PL/M8	9 11
WASHER / M16	72 7	WASHER, PL/M8	10 49
WASHER /M12	3 15	WASHER, PL/M8	11 47
WASHER /M12	7 13	WASHER, PL/M8	12 51
WASHER /M12	11 11	WASHER, PL/M8	14 9
WASHER /M12	12 11	WASHER, PL/M8	16 9
WASHER /M12	34 38	WASHER, PL/M8	28 5
WASHER /M12	35 2	WASHER, PL/M8	28 14
WASHER /M12	49 24	WASHER, PL/M8	28 40
WASHER /M12	49 31	WASHER, PL/M8	29 25
WASHER /M12	51 41	WASHER, PL/M8	30 22
WASHER /M12	52 41	WASHER, PL/M8	30 46
WASHER /M12	99 25A	WASHER, PL/M8	32 26
WASHER /M12	100 25A	WASHER, PL/M8	34 21
WASHER /M12	103 26	WASHER, PL/M8	40 13
WASHER /M12	103 62	WASHER, PL/M8	43 16
WASHER /M12	105 27	WASHER, PL/M8	44 15
WASHER /M12	105 64	WASHER, PL/M8	44 23
WASHER M6	74 7	WASHER, PL/M8	45 2
WASHER M6	86 26	WASHER, PL/M8	45 8
WASHER M6	87 25	WASHER, PL/M8	45 13
WASHER M6	89 4	WASHER, PL/M8	49 29
WASHER (11X30X2)	35 17	WASHER, PL/M8	51 42
WASHER (11X30X2)	68 17	WASHER, PL/M8	51 46
WASHER, LOCK/M12	53 39	WASHER, PL/M8	52 42
WASHER, PL/M 5	92 10	WASHER, PL/M8	54 31
WASHER, PL/M 5	1 7	WASHER, PL/M8	68 8
WASHER, PL/M 5	66 28	WASHER, PL/M8	70 10
WASHER, PL/M 5	90 44	WASHER, PL/M8	73 18
WASHER, PL/M 5	90 48	WASHER, PL/M8	75 5
WASHER, PL/M 5	93 6	WASHER, PL/M8	77 3
WASHER, PL/M 6	83 6	WASHER, PL/M8	79 3
WASHER, PL/M14	49 2	WASHER, PL/M8	83 11
WASHER, PL/M22	71 4	WASHER, PL/M8	83 15
WASHER, PL/M4	92 8	WASHER, PL/M8	83 24
WASHER, PL/M4	58 17	WASHER, PL/M8	84 12

CHASSIS

DESCRIPTION	FIG. KEY	DESCRIPTION	FIG. KEY
WASHER, PL/M8	88 17	WASHER, SP/M 8	27 8
WASHER, PL/M8	91 20	WASHER, SP/M 8	28 4
WASHER, PL/M8	99 12	WASHER, SP/M 8	28 13
WASHER, PL/M8	100 12	WASHER, SP/M 8	34 23
WASHER, PL/M8	102 15	WASHER, SP/M 8	34 26
WASHER, PL/M8	103 13	WASHER, SP/M 8	35 11
WASHER, PL/M8	103 49	WASHER, SP/M 8	35 23
WASHER, PL/M8	103 84	WASHER, SP/M 8	35 26
WASHER, PL/M8	105 14	WASHER, SP/M 8	51 47
WASHER, PL/M8	105 51	WASHER, SP/M 8	52 47
WASHER, PL/M8	105 85	WASHER, SP/M 8	54 33
WASHER, SEAL	55 11	WASHER, SP/M 8	54 36
WASHER, SP/M 5	90 45	WASHER, SP/M 8	55 16
WASHER, SP/M 5	90 49	WASHER, SP/M 8	59 16
WASHER, SP/M 5	91 14	WASHER, SP/M 8	59 23
WASHER, SP/M 5	93 5	WASHER, SP/M 8	67 4
WASHER, SP/M 6	34 13	WASHER, SP/M 8	70 12
WASHER, SP/M 6	39 17	WASHER, SP/M 8	73 20
WASHER, SP/M 6	53 28	WASHER, SP/M 8	75 28
WASHER, SP/M 6	65 33	WASHER, SP/M 8	76 32
WASHER, SP/M 6	69 15	WASHER, SP/M 8	80 17
WASHER, SP/M 6	75 9	WASHER, SP/M 8	81 20
WASHER, SP/M 6	75 19	WASHER, SP/M 8	82 17
WASHER, SP/M 6	76 10	WASHER, SP/M 8	83 10
WASHER, SP/M 6	76 20	WASHER, SP/M 8	83 14
WASHER, SP/M 6	77 18	WASHER, SP/M 8	83 18
WASHER, SP/M 6	78 18	WASHER, SP/M 8	84 11
WASHER, SP/M 6	79 18	WASHER, SP/M 8	84 15
WASHER, SP/M 6	83 7	WASHER, SP/M 8	84 22
WASHER, SP/M 6	84 7	WASHER, SP/M 8	84 27
WASHER, SP/M 6	90 22	WASHER, SP/M 8	88 10
WASHER, SP/M 6	90 33	WASHER, SP/M 8	88 16
WASHER, SP/M 6	90 53	WASHER, SP/M 8	90 56
WASHER, SP/M 6	90 58	WASHER, SP/M 8	92 4
WASHER, SP/M 6	94 21	WASHER, SP/M 8	99 11
WASHER, SP/M 6	104 24	WASHER, SP/M 8	100 11
WASHER, SP/M 8	1 10	WASHER, SP/M 8	102 14
WASHER, SP/M 8	1 23	WASHER, SP/M 8	103 12
WASHER, SP/M 8	2 27	WASHER, SP/M 8	103 48
WASHER, SP/M 8	3 20	WASHER, SP/M 8	103 83
WASHER, SP/M 8	4 15	WASHER, SP/M 8	105 13
WASHER, SP/M 8	7 49	WASHER, SP/M 8	105 50
WASHER, SP/M 8	8 12	WASHER, SP/M 8	105 84
WASHER, SP/M 8	11 36	WASHER, SP/M10	7 8
WASHER, SP/M 8	12 36	WASHER, SP/M10	10 57

DESCRIPTION	FIG. KEY	DESCRIPTION	FIG. KEY
WASHER, SP/M10	11 45	WASHER, SP/M12	11 10
WASHER, SP/M10	12 49	WASHER, SP/M12	12 10
WASHER, SP/M10	17 42	WASHER, SP/M12	13 15
WASHER, SP/M10	20 9	WASHER, SP/M12	13 19
WASHER, SP/M10	20 17	WASHER, SP/M12	15 13
WASHER, SP/M10	20 21	WASHER, SP/M12	15 20
WASHER, SP/M10	34 8	WASHER, SP/M12	17 53
WASHER, SP/M10	34 17	WASHER, SP/M12	17 54
WASHER, SP/M10	36 39	WASHER, SP/M12	17 55
WASHER, SP/M10	37 19	WASHER, SP/M12	18 6
WASHER, SP/M10	38 12	WASHER, SP/M12	39 22
WASHER, SP/M10	39 8	WASHER, SP/M12	50 3
WASHER, SP/M10	41 15	WASHER, SP/M12	50 8
WASHER, SP/M10	42 15	WASHER, SP/M12	50 15
WASHER, SP/M10	51 12	WASHER, SP/M12	50 19
WASHER, SP/M10	51 16	WASHER, SP/M12	50 29
WASHER, SP/M10	51 26	WASHER, SP/M12	51 22
WASHER, SP/M10	52 12	WASHER, SP/M12	51 33
WASHER, SP/M10	52 16	WASHER, SP/M12	52 22
WASHER, SP/M10	52 26	WASHER, SP/M12	52 33
WASHER, SP/M10	55 23	WASHER, SP/M12	53 9
WASHER, SP/M10	56 40	WASHER, SP/M12	53 51
WASHER, SP/M10	56 54	WASHER, SP/M12	53 53
WASHER, SP/M10	60 5	WASHER, SP/M12	60 16
WASHER, SP/M10	61 6	WASHER, SP/M12	62 39
WASHER, SP/M10	61 23	WASHER, SP/M12	62 42
WASHER, SP/M10	61 27	WASHER, SP/M12	65 21
WASHER, SP/M10	62 15	WASHER, SP/M12	98 6
WASHER, SP/M10	65 7	WASHER, SP/M12	98 15
WASHER, SP/M10	65 8	WASHER, SP/M12	99 14
WASHER, SP/M10	65 28	WASHER, SP/M12	100 14
WASHER, SP/M10	101 3	WASHER, SP/M12	103 15
WASHER, SP/M10	101 5	WASHER, SP/M12	103 51
WASHER, SP/M10	102 31	WASHER, SP/M12	105 16
WASHER, SP/M10	102 33	WASHER, SP/M12	105 53
WASHER, SP/M10	103 36	WASHER, SP/M14	15 19
WASHER, SP/M10	103 98	WASHER, SP/M14	60 18
WASHER, SP/M10	103 102	WASHER, SP/M16	17 15
WASHER, SP/M10	103 106	WASHER, SP/M16	18 17
WASHER, SP/M10	105 37	WASHER, SP/M16	39 32
WASHER, SP/M10	105 99	WASHER, SP/M16	46 24
WASHER, SP/M12	3 14	WASHER, SP/M16	51 6
WASHER, SP/M12	7 12	WASHER, SP/M16	52 6
WASHER, SP/M12	10 7	WASHER, SP/M16	53 11
WASHER, SP/M12	10 53	WASHER, SP/M16	71 14