

## Directions for use of Parts Catalogue

### 1. Applicable model of machines

All component and option parts used for TMG18 tractors are listed in this parts catalogue.

NOTES : H.....HST

S.....INDEPENDENT PTO CLUTCH

V.....AUX VALVE

M.....MID PTO

U.....POWER STEERING

E42.....EUROPE AND OCEANIA WITH TURF TYPE

### 2. Explanation for head paragraph

KEY	PART CODE	DESCRIPTION	QTY	TYPE OF MODEL						I T C	C O L	G R P	REMARKS
				TF15	TF17	TF19							
126	1614-508-200-00	FILTER(SUCTION) ASSY	1		*							4E	
127	V721-103-103-50	O-RING	1		*								
128	1614-508-260-00	FILTER(SUCTION) ASSY	1		*	981- -1799							
129	1614-508-262-00	FILTER(LH)	1	*	*	*							FIG. 164
		ASSY	1	*	*	*						4E	A
			1	*	*	*							
						1- -1999						3	
						*							
												1	
												4E	
												A	

- ① KEY shows the location of parts diagramed in the illustration.
- ② Parts numbers begin with `V` and `W` are standard parts of the market.
- ③ `LH` and `RH` on the parts name are described against the moving direction of the machine or are described on the condition how to install parts on the machines.
- ④ QTY shows the number of parts to be used for one unit of machine.  
 `M` is indicated for parts supplied by a meter long.  
 `ℓ` is indicated for parts supplied by liter.  
 `AR` is indicated for parts need to be adjusted or regulated.
- ⑤ The following symbol classifies parts to be used for machines.  
 `\*` means standard parts.

`T` shows that the parts can be installed as optional parts.

`R` shows that the parts can be used as applicable parts to replace originally equipped parts.

- ⑥ Serial number : upper row shows the serial number for the first product and lower row for the last product.

Example : Serial no. 1 through to serial no. 1999.

- ⑦ ITC : Interchangeability

`1`...OLD ← NEW

New parts can be used in place of the old parts.

`2`...OLD → NEW

Old parts can be used in place of the new parts.

`3`...OLD →← NEW

Old parts and new parts can not be replaced each other.

- ⑧ COL : Color code

Color is signified with color code number for colored parts.

Please see the color list shown in the next page.

- ⑨ GRP : Parts shown in this column can be replaced by SET parts.

Exsample : Parts marked Ⓐ can be replaced by parts marked Ⓑ, and Ⓓ for Ⓒ, so the rest follow in the same alphabetical order.

- ⑩ Remarks

\* Other maker's part code number is shown in this column.

\* When Fig. No. is shown in the Remark column of SET parts or ASSY parts, each of their component parts are listed in said Fig. No.

### 3. Color :

The following colors are used for color parts.

COLOR CODE	COLOR	SPRAY TYPE CODE NUMBER	PAINTS 4K DRUM	PAINTS 16K DRUM
4 G	CRYSTAL BLUE	1300-957-001-10	1300-957-003-00	1300-957-004-00
5 I	SUNSET GRAY	1300-959-001-10	1300-959-003-00	1300-959-004-00
6 G	SUMMER WHITE	1300-958-001-10	1300-958-003-00	1300-958-004-00
7 F	MIRROR BLACK	1300-954-001-10	1300-954-003-00	1300-954-004-00
8 F	BRILLIANT BROWN METALLIC	1300-972-001-10	1300-972-003-00	1300-972-004-00

NOTE : Color code is signified only for the parts assigned by the maker as color parts.

#### 4. Serial Numbers:

- 1) For engines serial number is stamped on CYLINDER BLOCK ASSY.  
Please see Fig.No. 5-1.
- 2) For chassies serial number is shown on the LABEL.  
Please see



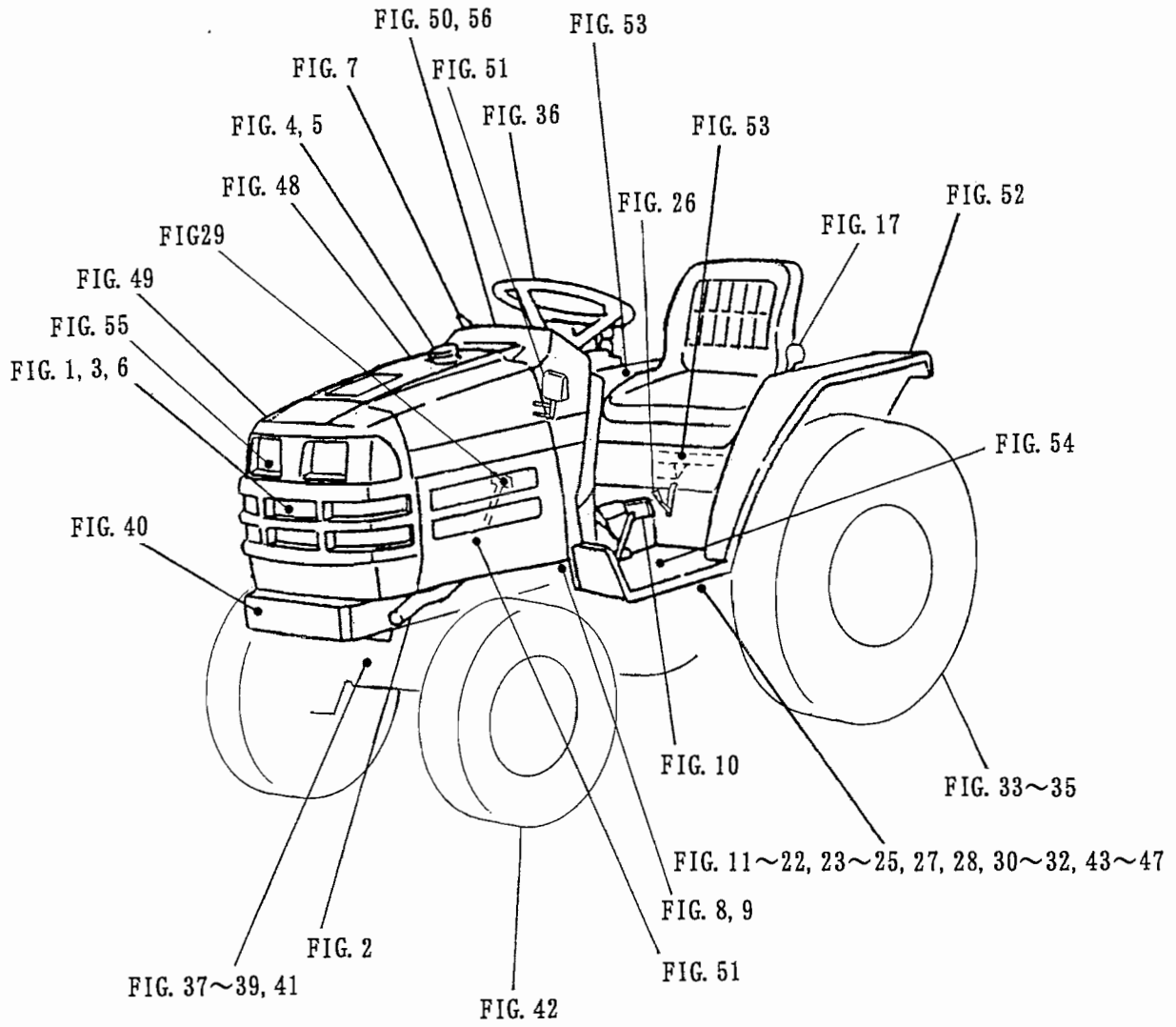
#### 5. Parts Order

- 1) Parts numbers listed in the parts catalogue are all registered in "ISEKI on-line computer".
- 2) When you order parts, please make sure of correct numbers.
- 3) When substitute parts is available, the part number ordered will be automatically turned to a new part number.
- 4) Please be sure to use "ISEKI GENUINE PARTS".

Any other similar parts other than ISEKI parts when used may cause a trouble that makes us unable to repair or guarantee the warrant.







# CONTENTS

## TMG18-EXCEPT S TYPE ENGINE (E393-G)

CYLINDER HEAD .....	Fig. 1
CYLINDER HEAD COVER .....	Fig. 2
INLET MANIFOLD .....	Fig. 3
EXHAUST MANIFOLD .....	Fig. 4
CYLINDER BLOCK .....	Fig. 5
BEARING UNDER SIZE (OPTION) .....	Fig. 6
OIL FAN .....	Fig. 7
REAR PLATE .....	Fig. 8
TIMING GEAR CASE .....	Fig. 9
HANGER .....	Fig. 10
VALVE .....	Fig. 11
CAM SHAFT .....	Fig. 12
PISTON .....	Fig. 13
PISTON OVER SIZE (OPTION) .....	Fig. 14
CRANK SHAFT .....	Fig. 15
OIL PUMP .....	Fig. 16
WATER PUMP .....	Fig. 17
COOLING FAN .....	Fig. 18
INJECTION NOZZLE .....	Fig. 19
INJECTION PUMP .....	Fig. 20
F. EL. PIPE .....	Fig. 21
ELECTRIC (1) .....	Fig. 22
ELECTRIC (2) .....	Fig. 23
COMPONENT PARTS FOR 6215 300 - 037 - 00 ON Fig.19 .....	Fig. 24
COMPONENT PARTS FOR 6215 600 - 129 - 10 ON Fig.20 .....	Fig. 25
COMPONENT PARTS FOR 6261 150 - 035 - 00 ON Fig.22 .....	Fig. 26
COMPONENT PARTS FOR 6261 200 - 035 - 00 ON Fig.22 .....	Fig. 27

## CONTENTS

## TMG18 S TYPE

## ENGINE (E393-G01)

CYLINDER HEAD .....	Fig. 1
CYLINDER HEAD COVER .....	Fig. 2
INLET MANIFOLD .....	Fig. 3
EXHAUST MANIFOLD .....	Fig. 4
CYLINDER BLOCK .....	Fig. 5
BEARING UNDER SIZE (OPTION) .....	Fig. 6
OIL PAN .....	Fig. 7
REAR PLATE .....	Fig. 8
TIMING GEAR CASE .....	Fig. 9
HANGER .....	Fig. 10
VALVE .....	Fig. 11
CAM SHAFT .....	Fig. 12
PISTON .....	Fig. 13
PISTON OVER SIZE (OPTION) .....	Fig. 14
CRANK SHAFT .....	Fig. 15
OIL PUMP .....	Fig. 16
WATER PUMP .....	Fig. 17
COOLING FAN .....	Fig. 18
INJECTION NOZZLE .....	Fig. 19
INJECTION PUMP .....	Fig. 20
FUEL PIPE .....	Fig. 21
ELECTRIC (1) .....	Fig. 22
ELECTRIC (2) .....	Fig. 23
COMPONENT PARTS FOR 6215-300-037-00 ON Fig.19 .....	Fig. 24
COMPONENT PARTS FOR 6215-600-109-10 ON Fig.20 .....	Fig. 25
COMPONENT PARTS FOR 6281-130-005-00 ON Fig.22 .....	Fig. 26
COMPONENT PARTS FOR 6281-200-005-00 ON Fig.23 .....	Fig. 27



# CONTENTS

## CHASSIS

RADIATOR SYSTEM .....	Fig. 1
MUFFLER SYSTEM .....	Fig. 2
AIR CLEANER SYSTEM .....	Fig. 3
FILTER SYSTEM .....	Fig. 4
FUEL TANK SYSTEM .....	Fig. 5
BATTERY SYSTEM .....	Fig. 6
ACCELERATOR SYSTEM .....	Fig. 7
CLUTCH SYSTEM (EXCEPT S TYPE) .....	Fig. 8
CLUTCH SYSTEM (S TYPE) .....	Fig. 9
CLUTCH PEDAL SYSTEM (EXCEPT S TYPE) .....	Fig. 10
TRANSMISSION CASE SYSTEM (EXCEPT S TYPE) .....	Fig. 11
TRANSMISSION CASE SYSTEM (S TYPE) .....	Fig. 12
HST SYSTEM .....	Fig. 13
DRIVE GEAR SYSTEM (EXCEPT S TYPE) .....	Fig. 14
DRIVE GEAR SYSTEM (S TYPE) .....	Fig. 15
2WD GEAR SYSTEM .....	Fig. 16
SUB LEVER SYSTEM .....	Fig. 17
SUB CHANGE SYSTEM .....	Fig. 18
PTO GEAR SYSTEM (EXCEPT S TYPE) .....	Fig. 19
PTO GEAR SYSTEM (S TYPE) .....	Fig. 20
PTO SHAFT SYSTEM (EXCEPT S TYPE) .....	Fig. 21
PTO SHAFT SYSTEM (S TYPE) .....	Fig. 22
PTO LEVER SYSTEM (EXCEPT S TYPE) .....	Fig. 23
PTO LEVER SYSTEM (S TYPE) .....	Fig. 24
MID PTO SYSTEM .....	Fig. 25
MID PTO LEVER SYSTEM .....	Fig. 26
LINK SYSTEM (EXCEPT S TYPE) .....	Fig. 27
LINK SYSTEM (S TYPE) .....	Fig. 28
PEDAL SYSTEM .....	Fig. 29
PIPING SYSTEM .....	Fig. 30

DIFFERENTIAL GEAR SYSTEM .....	Fig. 31
REAR AXLE SYSTEM .....	Fig. 32
WHEEL SHAFT AND REAR WHEEL (TURF) SYSTEM .....	Fig. 33
HST BRAKE SYSTEM .....	Fig. 34
BRAKE SYSTEM .....	Fig. 35
STEERING SYSTEM .....	Fig. 36
CYLINDER SYSTEM .....	Fig. 37
PIPING SYSTEM (EXCEPT S TYPE) .....	Fig. 38
PIPING SYSTEM (S TYPE) .....	Fig. 39
AXLE BRACKET AND BUMPER SYSTEM .....	Fig. 40
2WD AXLE SYSTEM .....	Fig. 41
FRONT TIRE SYSTEM .....	Fig. 42
PLATE CASE SYSTEM (EXCEPT V TYPE) .....	Fig. 43
PLATE CASE SYSTEM (V TYPE) .....	Fig. 44
VALVE SYSTEM (S TYPE) .....	Fig. 45
STACK VALVE SYSTEM (V TYPE) .....	Fig. 46
MAIN PIPING SYSTEM .....	Fig. 47
HOOD SYSTEM .....	Fig. 48
GRILLE SYSTEM .....	Fig. 49
DASH COVER SYSTEM .....	Fig. 50
SIDE COVER AND MIRROR SYSTEM .....	Fig. 51
FENDER SYSTEM .....	Fig. 52
LEVER GUIDE AND SEAT BRACKET SYSTEM .....	Fig. 53
STEP SYSTEM .....	Fig. 54
LAMP SYSTEM .....	Fig. 55
PANEL SYSTEM .....	Fig. 56
SWITCH SYSTEM .....	Fig. 57
SWITCH SYSTEM (EXCEPT S,V TYPE) .....	Fig. 58
SWITCH SYSTEM (V TYPE EXCEPT S) .....	Fig. 59
SWITCH SYSTEM (S TYPE EXCEPT V) .....	Fig. 60
SWITCH SYSTEM (SV TYPE) .....	Fig. 61
HARNES SYSTEM (S,V TYPE) .....	Fig. 62
HARNES SYSTEM (EXCEPT S,V TYPE) .....	Fig. 63
ORNAVENT LABEL .....	Fig. 64

LABEL (CONTROL) (EXCEPT S,V TYPE) ..... Fig. 65  
 LABEL (CONTROL) (V TYPE EXCEPT S) ..... Fig. 66  
 LABEL (CONTROL) (S TYPE) ..... Fig. 67  
 LABEL (ENGLISH) (OPTION) ..... Fig. 68  
 LABEL (FRENCH) (OPTION) ..... Fig. 69  
 LABEL (GERMAN) (OPTION) ..... Fig. 70  
 LABEL (PORTUGAL) (OPTION) ..... Fig. 71  
 LABEL (E40A) (OPTION) ..... Fig. 72  
 LABEL (E40T) (OPTION) ..... Fig. 73  
 LABEL (DUTCH) (OPTION) ..... Fig. 74  
 LABEL (E40V) (OPTION) ..... Fig. 75  
 TOOL ..... Fig. 76

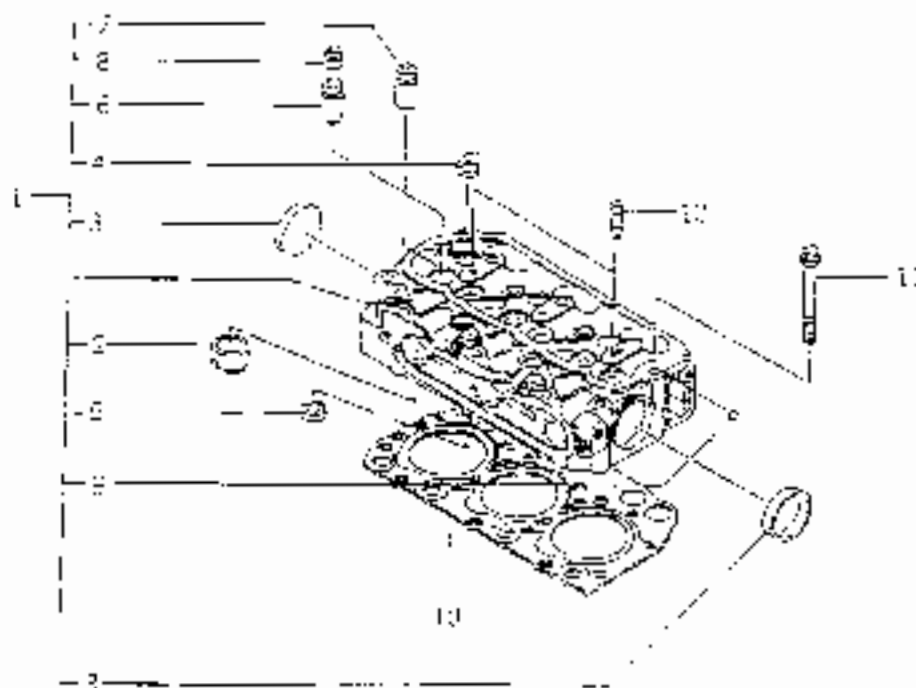
COMPONENT PARTS

COMPONENT PARTS FOR K200 - 053 - 000 - 00 ON ..... Fig. 45 ..... Fig. 77  
 COMPONENT PARTS FOR K233 - 003 - 000 - 00 ON ..... Fig. 38 ..... Fig. 78  
 COMPONENT PARTS FOR K233 - 006 - 000 - 00 ON ..... Fig. 39 ..... Fig. 79  
 COMPONENT PARTS FOR 1688 - 211 - 500 - 00 ON ..... Fig. 20 ..... Fig. 80

WIRING DIAGRAM (E4) (1)  
 WIRING DIAGRAM (E4) (2)  
 WIRING DIAGRAM (E4) (3)  
 WIRING DIAGRAM (E4/G/SV) (1)  
 WIRING DIAGRAM (E4/G/SV) (2)  
 WIRING DIAGRAM (E4/G/SV) (3)

**ENGINE**  
**E393 - G...TMG18**  
**(EXCEPT S )**

FIG. 1 CYLINDER HEAD



562100

KEY	PART CODE	DESCRIPTION	QTY	TYPE OF MODEL	I	C	G	R	REMARKS
				E3930					
1	6211-110-000-20	CYLINDERHEAD ASSY	1						
2	6211-150-008-00	PLUG (HOT) ASSY	3						
3	6811-129-005-00	CAP SEALING	2						
4	6708-605-004-00	PLUG/PISTON	5						
5	6211-715-002-00	SEAT VALVE	2						
6	5711-721-001-00	GUIDE GUIDE	3						
7	6211-721-002-00	GUIDE VALVE	3						
8	6211-508-001-00	SEAL RING	5						
9	6080-200-000-00	BALL	1						
10	6211-141-008-00	GASKET CYLINDER HEAD	1						
11	5209-000-000-00	BALL/MICRO BALL	14						
12	6909-230-212-00	STUD HEAD COVER	2						

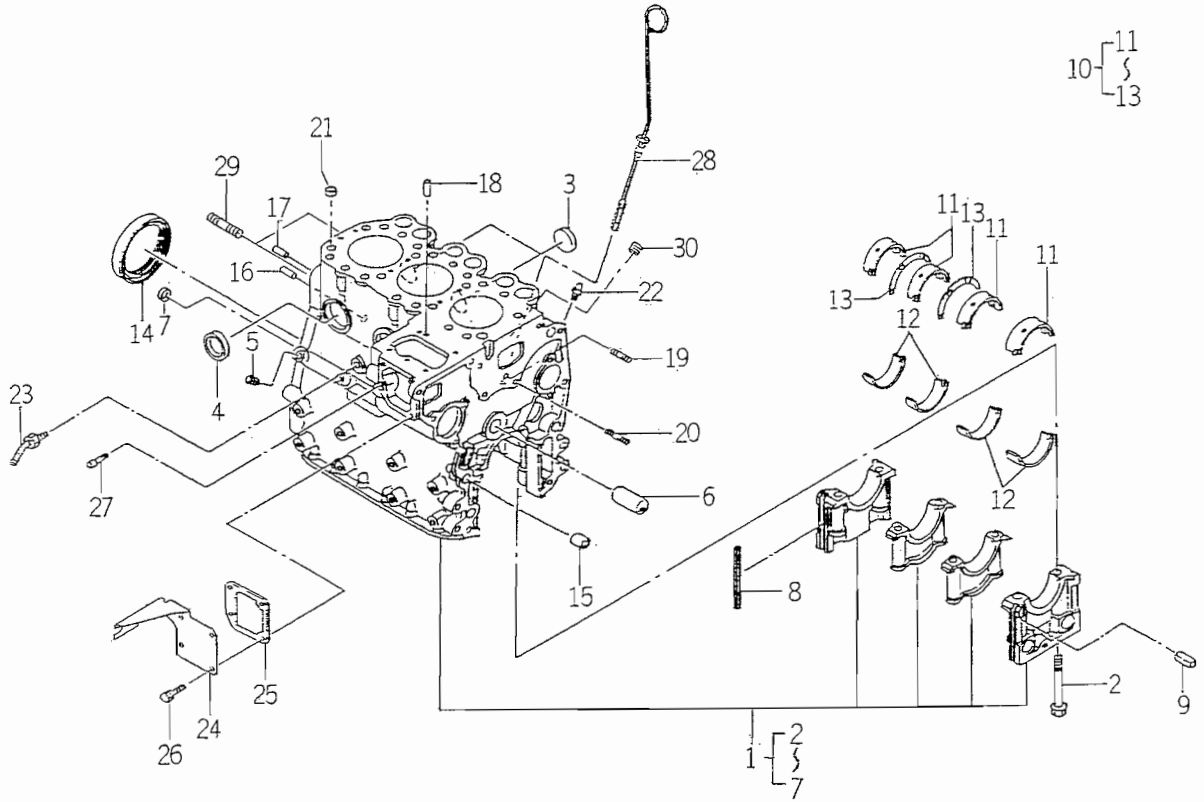








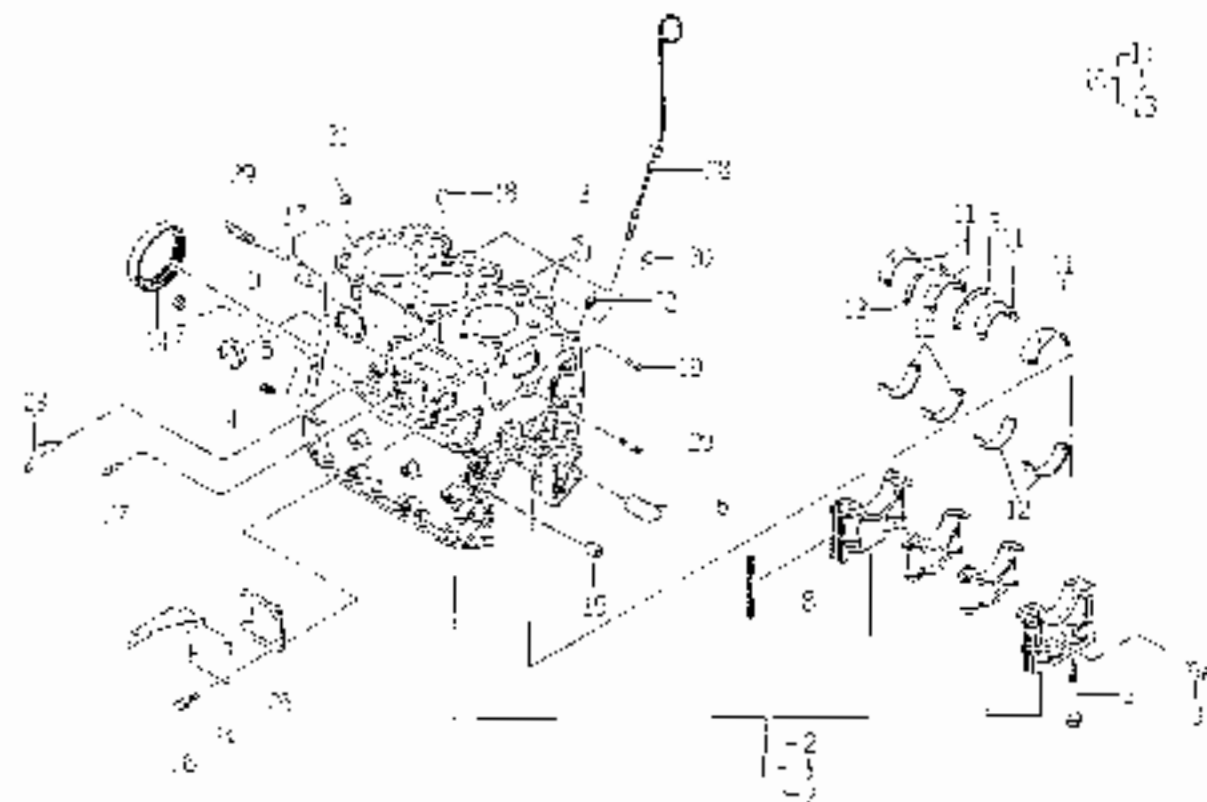
FIG. 5 CYLINDER BLOCK



6003-201Y

KEY	PART CODE	DESCRIPTION	QTY	TYPE OF MODEL		I T C	C O L	G R P	REMARKS.
				E393G					
1	6211 - 210 - 050 - 10	CYLINDERBLOCK ASSY	1	*					
2	6209 - 000 - 004 - 10	BOLT	8	*					
3	6209 - 610 - 001 - 00	CAP,SEALING	2	*					
4	6911 - 219 - 195 - 00	CAP,SEALING	4	*					
5	6509 - 605 - 019 - 10	PLUG	3	*					
6	6212 - 531 - 005 - 10	PIN/IDLEGEAR	1	*					
7	6911 - 129 - 083 - 00	CAP,SEALING	1	*					
8	6211 - 258 - 001 - 00	SEAL,BEARING CAP	4	*					
9	6211 - 258 - 002 - 00	SEAL,BEARING CAP/7	2	*					
10	6211 - 510 - 001 - 00	METAL,CRANK SET	1	*					
11	6211 - 511 - 003 - 00	BEARING/CRANK/UPPER	4	*					
12	6211 - 511 - 004 - 00	BEARING/CRANK/LOWER	4	*					
13	6211 - 599 - 001 - 10	BEARING,THRUST CRANK	2	*					
14	6209 - 625 - 001 - 00	SEAL,OIL	1	*					
15	6209 - 749 - 001 - 10	PIN,TUBE	2	*					
16	6908 - 160 - 816 - 00	PIN	1	*					
17	V523 - 100 - 802 - 40	PIN	1	*					
18	6908 - 160 - 510 - 00	PIN	2	*					
19	6904 - 110 - 818 - 00	STUD	1	*					
20	6904 - 110 - 840 - 00	STUD/M8X40	1	*					
21	6294 - 453 - 002 - 00	DOWEL	2	*					
22	6909 - 902 - 299 - 00	NIPPLE	1	*					
23	6213 - 721 - 007 - 00	PIPE/WATERDRAIN	1	*					
24	6211 - 291 - 016 - 00	COVER/INJECTIONPUMP	1	*					
25	6211 - 292 - 001 - 20	GASKET/COVER	1	*					

FIG. 5 CYLINDER BLOCK



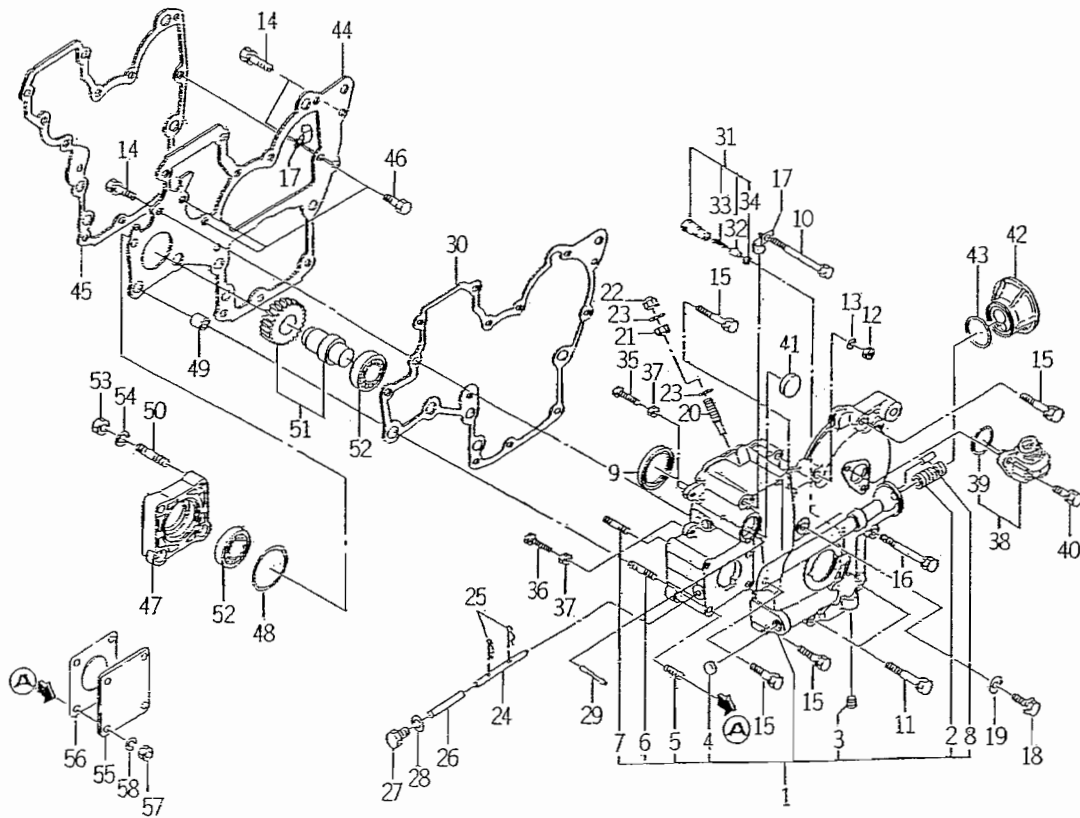
KEY	PART CODE	DESCRIPTION	QTY	TYPE OF MODEL	I	C	G	REMARKS
				ENGINE				
76	P901 910 - 014 - 00	ROD	4					
27	8210 - 549 301 - 10	FIX STARTING SPRING	1					
28	8211 - 750 012 - 20	TRIP GAGE	1					
29	8205 - 300 - 013 - 00	STUD	2					
30	8200 903 - 903 - 0	PLUG P13/4	1					







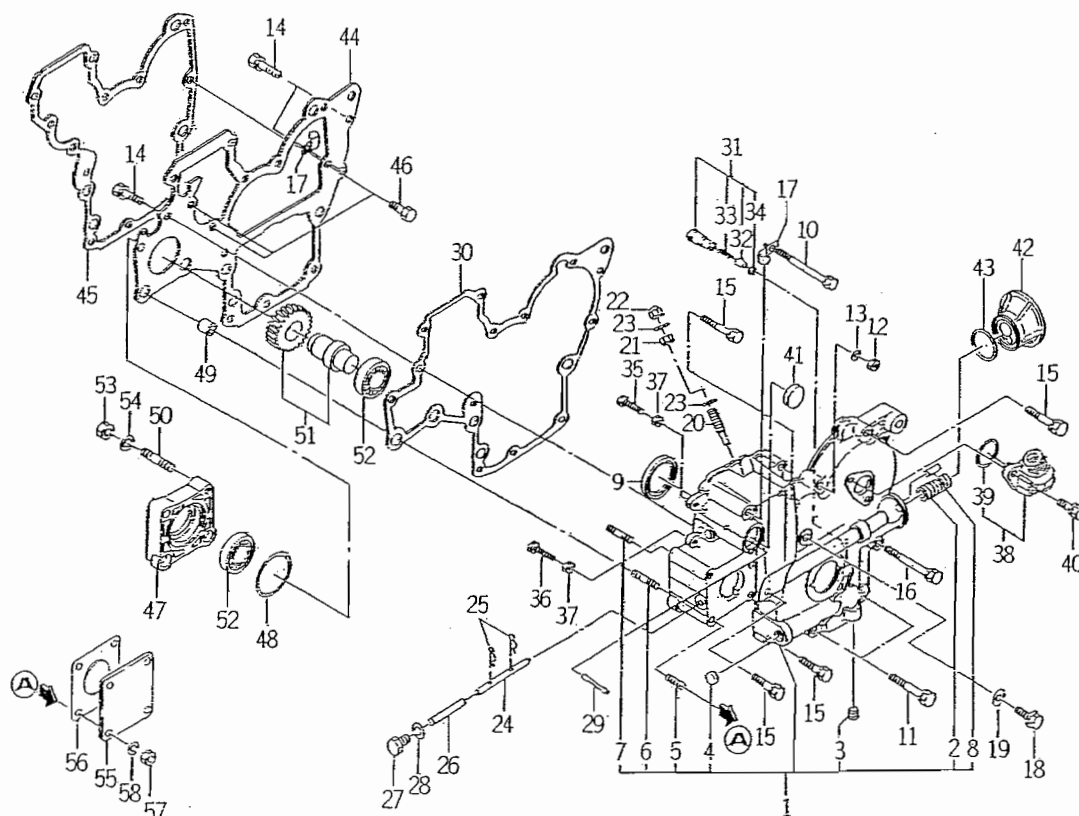
FIG. 9 TIMING GEAR CASE



6003-240H

KEY	PART CODE	DESCRIPTION	QTY	TYPE OF MODEL		I T C	C O L	G R P	REMARKS
				E393G					
1	6211 - 310 - 021 - 00	GEARCASE ASSY	1	*					
2	6213 - 319 - 004 - 00	CONNECTOR/OILFILTER	1	*					
3	6509 - 605 - 019 - 10	PLUG	1	*					
4	6209 - 610 - 002 - 10	CUP/SEALING/16	1	*					
5	6904 - 110 - 822 - 00	STUD	4	*					
6	6904 - 110 - 855 - 00	STUD	2	*					
7	6904 - 110 - 850 - 00	STUD	1	*					
8	6908 - 160 - 510 - 00	PIN	1	*					
9	6209 - 625 - 002 - 00	SEAL,OIL	1	*					
10	6209 - 030 - 005 - 00	BOLT/M8X85	1	*					
11	6509 - 000 - 084 - 00	BOLT/L = 55	2	*					
12	6909 - 110 - 508 - 00	NUT/M8	1	*					
13	6909 - 150 - 508 - 00	WASHER	1	*					
14	V211 - 560 - 802 - 00	BOLT/M8X20	3	*					
15	6901 - 910 - 845 - 00	BOLT,SEMS/M8X45	5	*					
16	6209 - 030 - 006 - 00	BOLT/M8X75	1	*					
17	1425 - 621 - 004 - 00	CLAMP,HARNESS	2	*					
18	6209 - 046 - 001 - 00	BOLT/M8X30	1	*					
19	6209 - 500 - 003 - 00	WASHER/08X14X01	1	*					
20	6215 - 546 - 003 - 00	STOPPER/FULLLOAD	1	*					
21	6209 - 409 - 001 - 00	NUT/M8	1	*					
22	V341 - 120 - 008 - 00	NUT,CAP/M 8	1	*					
23	6909 - 920 - 843 - 00	PACKING	2	*					
24	6215 - 542 - 004 - 20	PIN/ARM	1	*					
25	P117 - 303 - 003 - 00	PIN/SNAP	2	*					

FIG. 9 TIMING GEAR CASE



60C3-240H

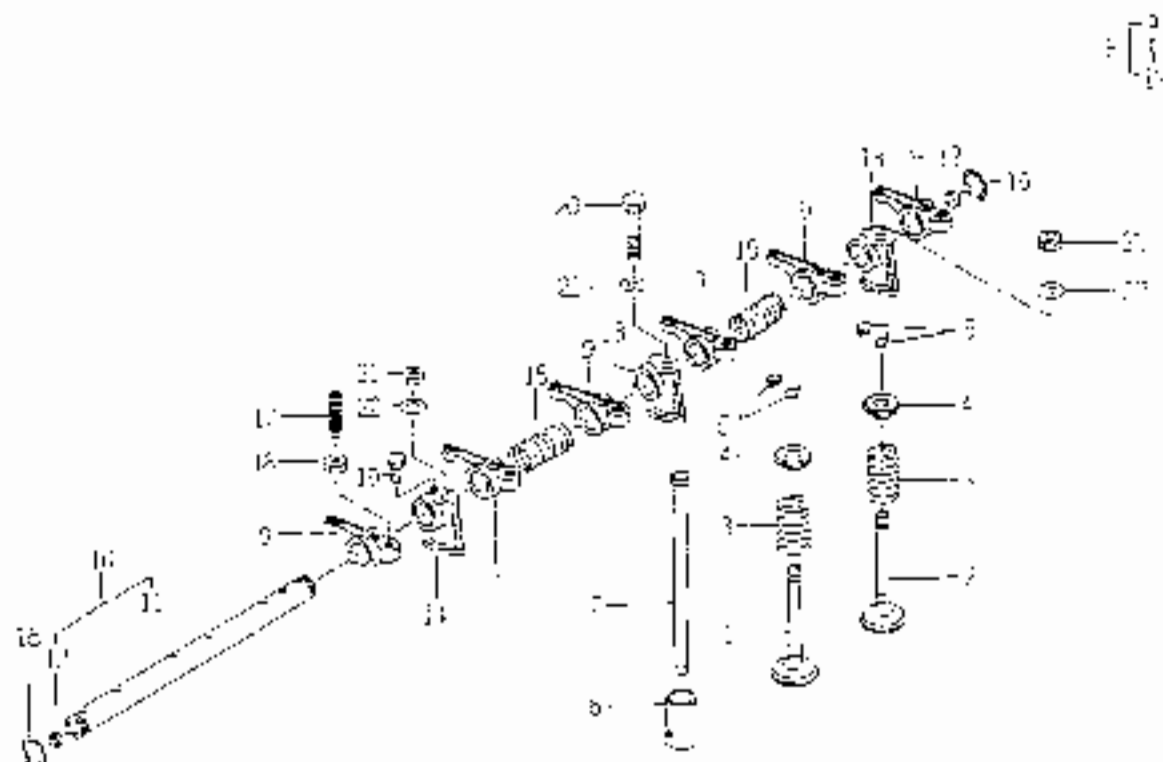
KEY	PART CODE	DESCRIPTION	QTY	TYPE OF MODEL		I T C	C O L	G R P	REMARKS
				E393G					
26	6215 - 542 - 005 - 00	PIN	1	*					
27	6909 - 202 - 308 - 00	PLUG	1	*					
28	6209 - 500 - 003 - 00	WASHER/08X14X01	1	*					
29	6209 - 740 - 001 - 00	PIN,GROOVE	1	*					
30	6211 - 312 - 003 - 10	GASKET,GEAR CASE	1	*					
31	6213 - 160 - 002 - 00	VALVE/RELIEF ASSY	1	*					
32	6213 - 161 - 001 - 00	PISTON/RELIEF VALVE	1	*					
33	6213 - 164 - 001 - 00	SPRING/RELIEF VALVE	1	*					
34	V705 - 140 - 012 - 00	RING,SNAP/12 C	1	*					
35	6209 - 050 - 001 - 00	BOLT/M6	1	*					
36	6209 - 050 - 002 - 00	BOLT/M6	1	*					
37	6909 - 110 - 406 - 00	NUT	2	*					
38	6219 - 310 - 003 - 10	DRIVE/TACHOMETE ASSY	1	*					
39	V723 - 102 - 002 - 40	RING/O	1	*					
40	6901 - 910 - 616 - 00	BOLT,SEMS/M6X16	2	*					
41	3625 - 540 - 004 - 00	CAP,BLANK/30	1	*					
42	6213 - 211 - 001 - 10	SPACER,OIL FILTER	1	*					
43	V723 - 102 - 003 - 60	O - RING	1	*					
44	6211 - 311 - 011 - 00	PLATE FRONT	1	*					
45	6211 - 312 - 002 - 20	GASKET/PLATE	1	*					
46	6902 - 050 - 816 - 00	BOLT	3	*					
47	6211 - 319 - 003 - 00	SPACER	1	*					
48	V723 - 102 - 005 - 00	O - RING 1A S50	1	*					
49	6209 - 749 - 001 - 10	PIN,TUBE	2	*					
50	6904 - 110 - 822 - 00	STUD	1	*					







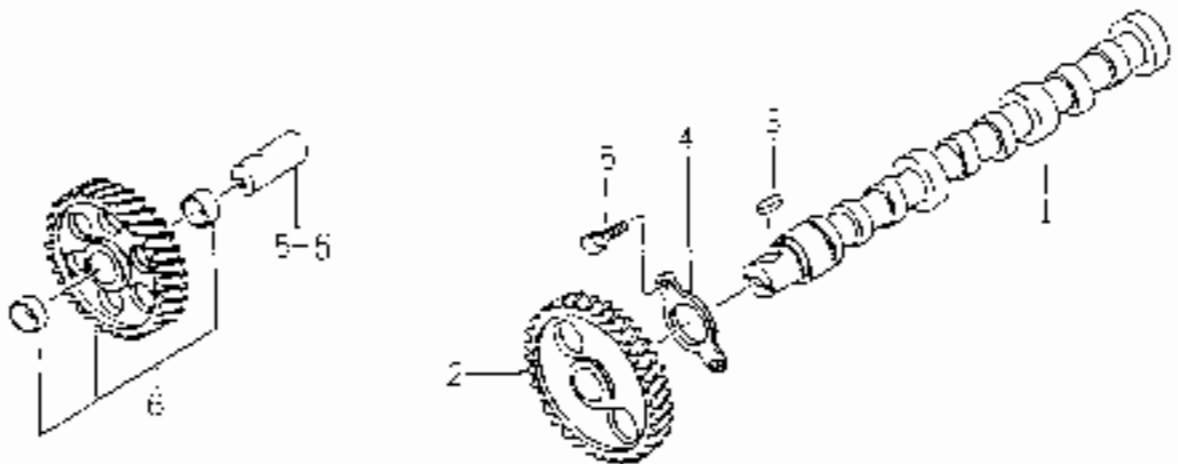
FIG. 11 VALVE



M 20

KEY	PART CODE	DESCRIPTION	QTY	TYPE OF MODEL		I	C	D	P	REMARKS
				F3036						
1	6212-551-001-00	VALVE INLET	1							
2	6212-552-001-00	VALVE IN ADJUST	1							
3	6212-561-001-00	SPRING VALVE	6							
4	6212-005-001-00	SEAT VALVE SPRING	6							
5	6212-565-001-00	CUTTER VALVE	2							
6	6212-571-001-10	TARGET	6							
7	6212-575-001-00	ROCK PUSH	6							
8	6212-000-002-00	SHAFT/ROCKER ASSEMBLY	1							
9	6210-011-004-10	ROCKER ARM	6							
10	6212-570-001-10	SHAFT/ROCKER ASSEMBLY	1							
11	6212-521-002-10	SHAFT/ROCKER ARM	1							
12	6212-526-002-10	PLUG	2							
13	6212-628-004-00	BRACKET/ROCKER SHAFT	2							
14	6212-620-005-00	BRACKET/ROCKER SHAFT	1							
15	6208-440-004-00	SPRING	2							
16	1704-140-015-00	RING SHAFT 150	2							
17	6212-616-002-00	SCREW ADJUST	6							
18	6209-408-003-00	NUT	6							
19	6705-000-002-00	BUSH	1							
20	1901-050-450-00	BUSH/16X45	1							
21	6209-110-500-00	NUT/16	2							
22	6705-500-005-00	WASHER/16X5X1.6	3							

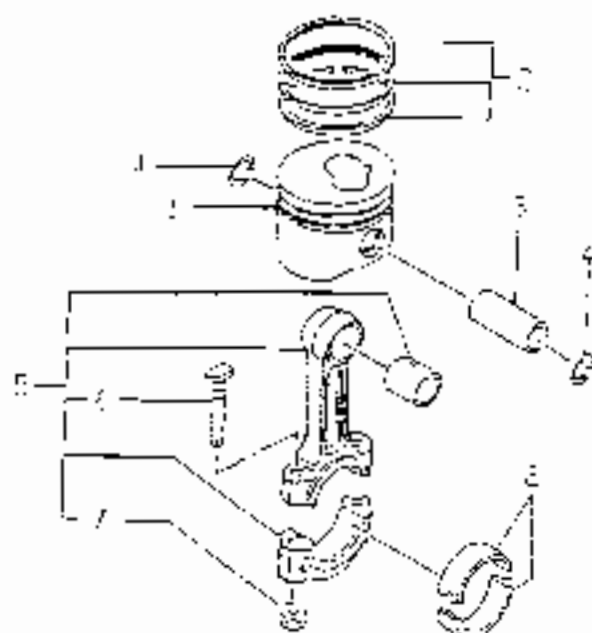
FIG. 12 CAM SHAFT



REV.

KEY	PART CODE	DESCRIPTION	QTY	TYPE OF MODEL			C O	P R G	REMARKS
				E 330	I T C				
1	6010 - 511 - 002 - 00	SHAFT CAM							
2	6212 - 522 - 003 - 00	GEAR CAM SHAFT							
3	UN06 - 000 - 018 - 00	KEY							
4	0717 - 535 - 001 - 00	PLATE THRUST							
5	0901 - 910 - 012 - 00	ROD T.S.F. V5/V6 X 12							
6	0012 - 003 - 003 - 00	GEAR ID: F							

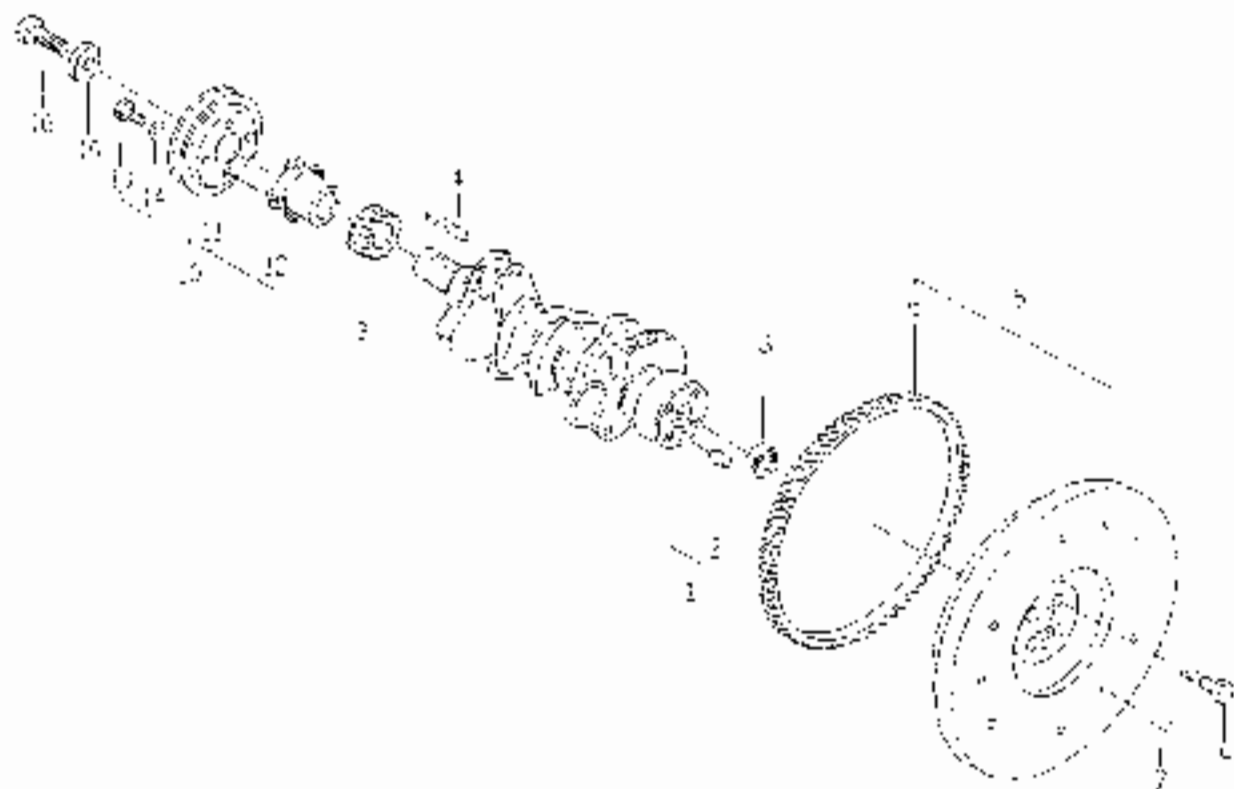
FIG. 13 PISTON



KEY	PART CODE	DESCRIPTION	QTY	TYPE OF MODEL			REMARKS
				E2000	T C	O L	
1	6212-111-015-10	PISTON	3				
2	6212-121-001-00	RING (PISTON) SET	3				
3	6212-211-001-10	PISTON PIN	3				
4	5308-067-001-00	RING SNAP	6				
5	6212-220-005-00	RECONNECTING	3				
6	6212-295-001-00	SOCKET PIN END	6				
7	6200-440-001-00	NUT / FLANGIF	6				
8	6212-221-005-00	BEARING / DOWN END	6				



FIG. 15 CRANK SHAFT

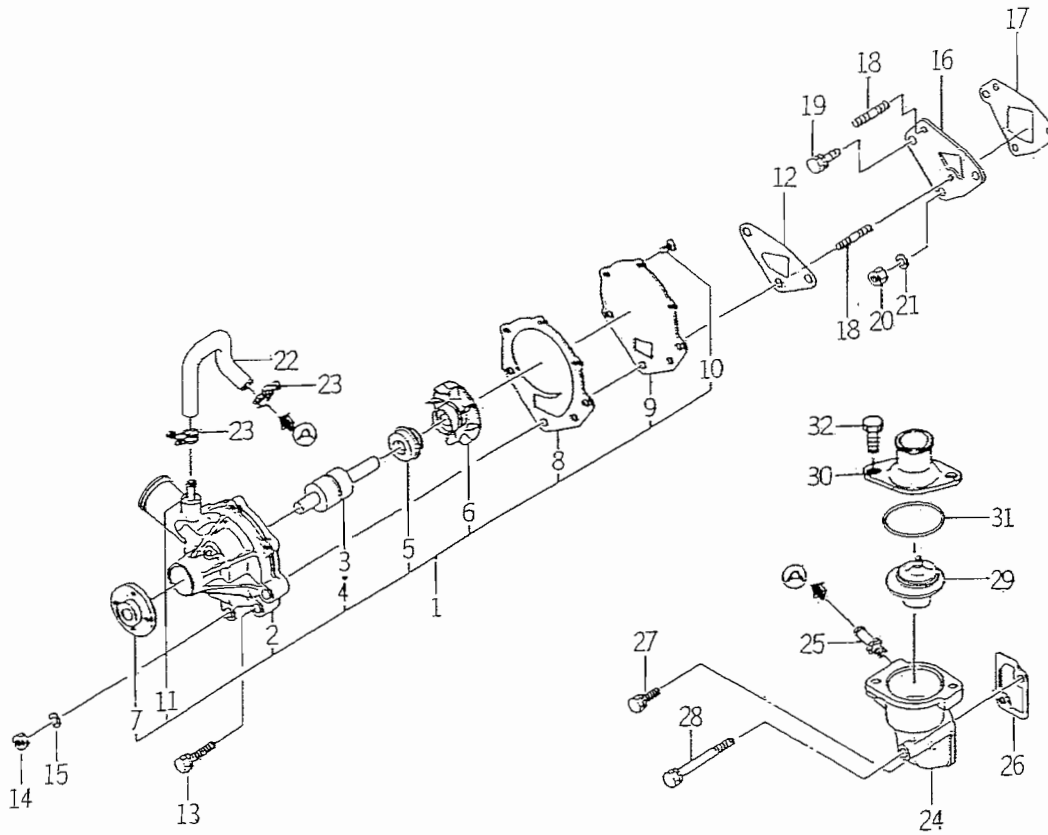


K0137

KEY	PART CODE	DESCR PT ON	QTY	TYPE OF MODEL			REMARKS
				E	C	G	
1	8012 217 008 10	CRANKSHAFT 452	1				
2	8023 101 001 00	PIN	2				
3	8012 021 002 00	GEAR/CRANK SHAFT	1				
4	8900 000 700 00	KEY	1				
5	8012 230 017 20	FLYWHEEL 452	1				
6	8012 000 000 00	PISTON	1				
7	8000 100 010 00	PIN	2				
8	8000 100 000 00	GEAR/CRANK SHAFT	1				
9	1208 000 010 00	BOLT	4				
10	8012 370 011 00	PULLEY 452	1				
11	8012 371 009 00	PULLEY	1				
12	8012 372 002 10	CENTER CRANK PULLEY	1				
13	8902 050 610 00	BOLT	4				
14	8900 150 508 00	WASHER 22% NI	4				
15	8012 378 001 00	WASHER	1				
16	8901 000 040 00	BOLT	1				



FIG. 17 WATER PUMP



6003-420B

KEY	PART CODE	DESCRIPTION	QTY	TYPE OF MODEL		I T C	C O L	G R P	REMARKS
				E393G					
1	6213 - 610 - 005 - 40	WATERPUMP ASSY	1	*					
2	6213 - 611 - 003 - 20	BODY/WATERPUMP	1	*					
3	6213 - 631 - 002 - 00	BEARING/WATER PUMP	1	*					
4	6213 - 631 - 005 - 00	BEARING/WATERPUMP	1	*					
5	6213 - 622 - 002 - 10	SEAL SET/WATER PUMP	1	*					
6	6213 - 621 - 003 - 00	ROTOR/WATERPUMP	1	*					
7	6213 - 642 - 002 - 00	SEAL/WATER PUMPPULLE	1	*					
8	6213 - 613 - 002 - 10	GASKET	1	*					
9	6213 - 612 - 004 - 00	PLATE/WATER PUMP	1	*					
10	6213 - 619 - 003 - 00	SCREW/WATER PUMP	3	*					
11	6213 - 619 - 002 - 00	PIPE/WATER PUMP	2	*					
12	6213 - 614 - 003 - 10	GASKET/WATER PUMP	1	*					
13	6901 - 910 - 845 - 00	BOLT,SEMS/M8X45	1	*					
14	6909 - 110 - 508 - 00	NUT/M8	2	*					
15	6909 - 150 - 508 - 00	WASHER	2	*					
16	6213 - 619 - 005 - 00	SPACER,WATER PUMP	1	*					
17	6213 - 614 - 006 - 10	GASKET/SPACER	1	*					
18	6209 - 300 - 002 - 00	STUD	2	*					
19	V211 - 560 - 802 - 00	BOLT/M8X20	1	*					
20	6909 - 110 - 508 - 00	NUT/M8	1	*					
21	6909 - 150 - 508 - 00	WASHER	1	*					
22	6213 - 729 - 013 - 10	HOSE/RUBBER	1	*					
23	J061 - 210 - 015 - 00	CLAMP/WIRE/10 - 15	2	*					
24	6213 - 716 - 001 - 40	HOUSING/THERMOSTAT	1	*					
25	6213 - 721 - 003 - 00	PIPE,PUMP HOUSING	1	*					

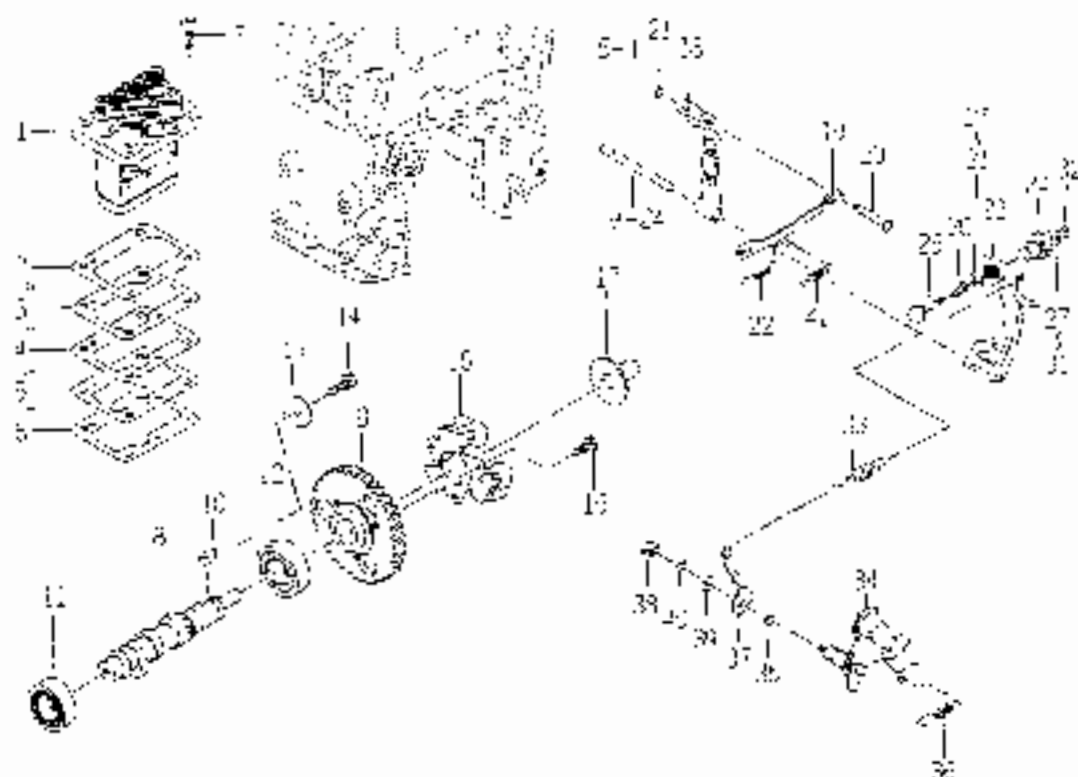








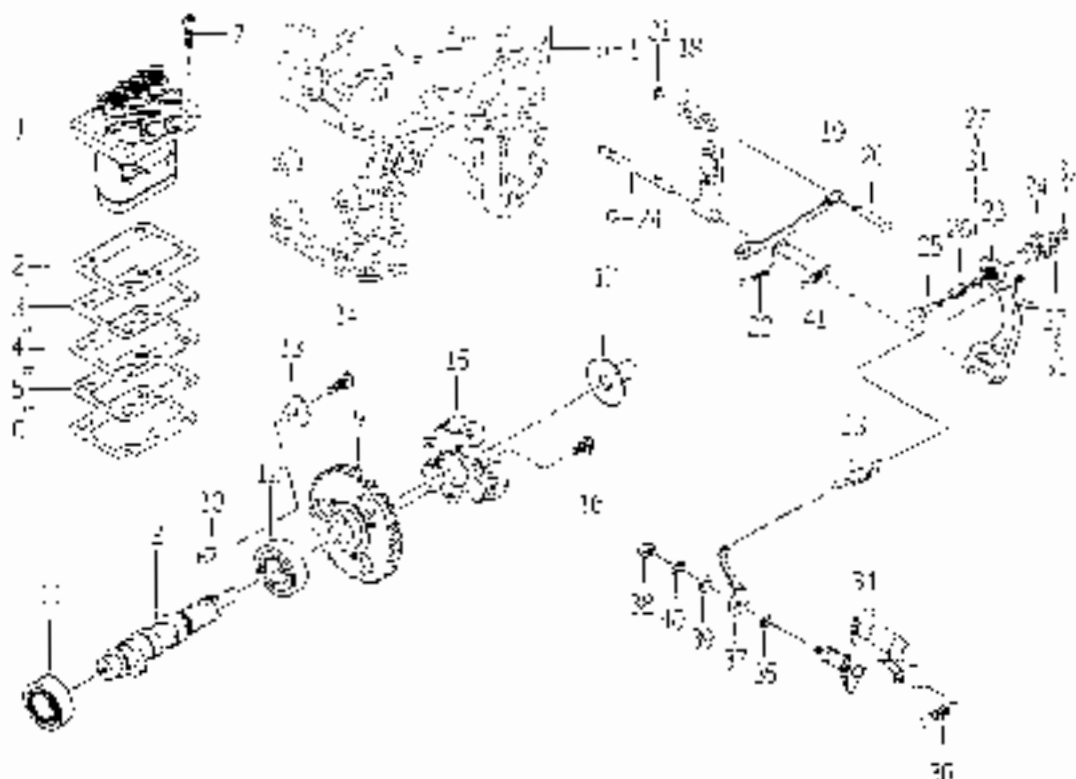
FIG. 20 INJECTION PUMP



20-704

KEY	PART CODE	DESCRIPTION	QTY	TYPE OF NGJEL			REMARKS
				T	C	L	
1	6215 - 600 - 109 - 10	INJECTION PUMP ASSY	1				NO. 204
2	6215 - 752 - 001 - 00	DI-INJECTION PUMP	1				
3	6219 - 702 - 002 - 00	DI-INJECTION PUMP	1				
4	6218 - 752 - 003 - 00	DI-INJECTION PUMP	1				
5	6219 - 702 - 004 - 00	DI-INJECTION PUMP	1				
6	6219 - 752 - 005 - 00	DI-INJECTION PUMP	1				
7	6209 - 053 - 001 - 00	BOLT NUTS	4				
8	6215 - 521 - 001 - 30	CAMSHAFT / INJECTION	1				
9	6212 - 524 - 002 - 00	GEAR IN PUMP	1				
10	6506 - 000 - 115 - 00	KEY	1				
11	V300 - 110 - 370 - 30	BEARING 60/62	1				
12	V600 - 110 - 600 - 70	BEARING 60/60X	1				
13	6212 - 535 - 002 - 00	PLATE HOUSING PUMP	1				
14	6301 - 510 - 612 - 00	BOLT NUTS MAY 12	1				
15	6215 - 620 - 00 - 00	FLYWHEEL	1				
16	6200 - 000 - 040 - 00	BOLT NUTS	2				
17	6215 - 525 - 001 - 10	BEARING 10	1				
18	6215 - 541 - 001 - 00	ADJUSTING NUT	1				
19	6215 - 547 - 001 - 10	NUT CONTROL	1				
20	6215 - 540 - 000 - 00	PIN CONTROL	1				
21	V710 - 110 - 004 - 00	RING NUT 1/4 F	1				
22	6215 - 640 - 002 - 00	SPRING SETTING	1				
23	6215 - 641 - 015 - 30	NUT 1/4 INCH	1				
24	6215 - 640 - 015 - 00	CASE / ADAPTER	1				
25	6215 - 640 - 027 - 10	PN ADAPTER	1				

FIG. 20 INJECTION PUMP



60230

KEY	PART CODE	DESCRIPTION	QTY	TYPE OF MODEL			REMARKS
				E300	ITC	COL	
25	6215-549-005-10	SPRING ADAPTER	1				
27	6215-549-006-00	SHIM ADAPTER	2				
28	6215-549-009-00	SHIM ADAPTER	2				
29	6215-549-010-00	SHIM ADAPTER	2				
30	6215-549-021-00	SHIM ADAPTER	1				
31	6215-549-024-00	SHIM ADAPTER	1				
32	6215-140-004-00	INJECTION PUMP	1				
33	6215-549-001-00	SPRING ADAPTER	1				
34	6215-549-074-10	LEVER CONTROL COMP	1				
35	6215-100-600-80	CONTROL LEVER	1				
36	6206-550-007-0	SPRING RETURN	1				
37	6215-549-007-10	ARM/CONTROL	1				
38	0909-110-406-37	NUT	1				
39	6215-280-006-07	WASHER/SPRING	1				
40	6215-150-100-00	WASHER/SPRING	1				
41	6215-549-008-00	SPRING STARTING	1				

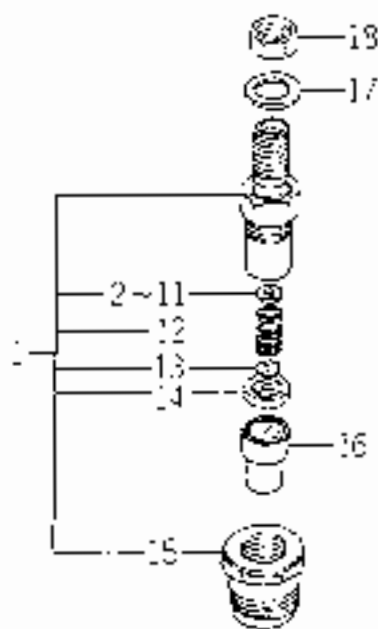








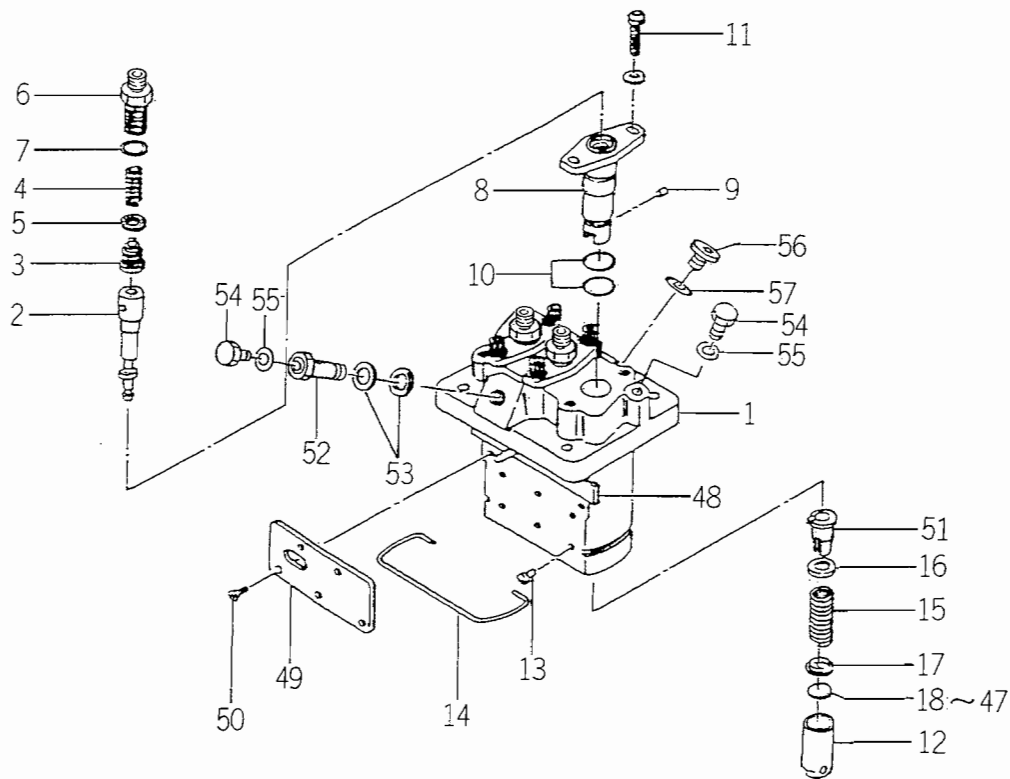
FIG. 24 COMPONENT PARTS FOR 6215 - 300 - 037 - 00 ON Fig.19



REV. 01

KEY	PART CODE	DESCRIPTION	QTY	TYPE OF M315				REMARKS
				C7916	Y G	C L	G R P	
	6215 - 300 - 021 - 00	HOLDER/NOZZLE ASSY	3					
1	6215 - 342 - 007 - 00	SEAT SPRING	3					
2	6215 - 343 - 003 - 00	SPRING/NOZZLE	3					
3	6215 - 345 - 044 - 00	SHIM/T-01	3					
4	6215 - 345 - 045 - 00	SHIM/T-02	3					
5	6215 - 340 - 046 - 00	SHIM/T-03	3					
6	6215 - 340 - 047 - 00	SHIM/T-04	3					
7	6215 - 345 - 048 - 00	SHIM/T-05	3					
8	6215 - 345 - 049 - 00	SHIM/T-06	3					
9	6215 - 345 - 050 - 00	SHIM/T-07	3					
10	6215 - 345 - 051 - 00	SHIM/T-08	3					
11	6215 - 345 - 052 - 00	SHIM/T-09	3					
12	6215 - 345 - 053 - 00	SHIM/T-10	3					
13	6215 - 309 - 002 - 00	SPACER	3					
14	6215 - 302 - 002 - 00	SLIP RETAINING	3					
15	6215 - 353 - 003 - 00	TASKET	3					
16	6215 - 354 - 004 - 00	SLIP	3					
17	6215 - 311 - 005 - 00	NOZZLE	3					

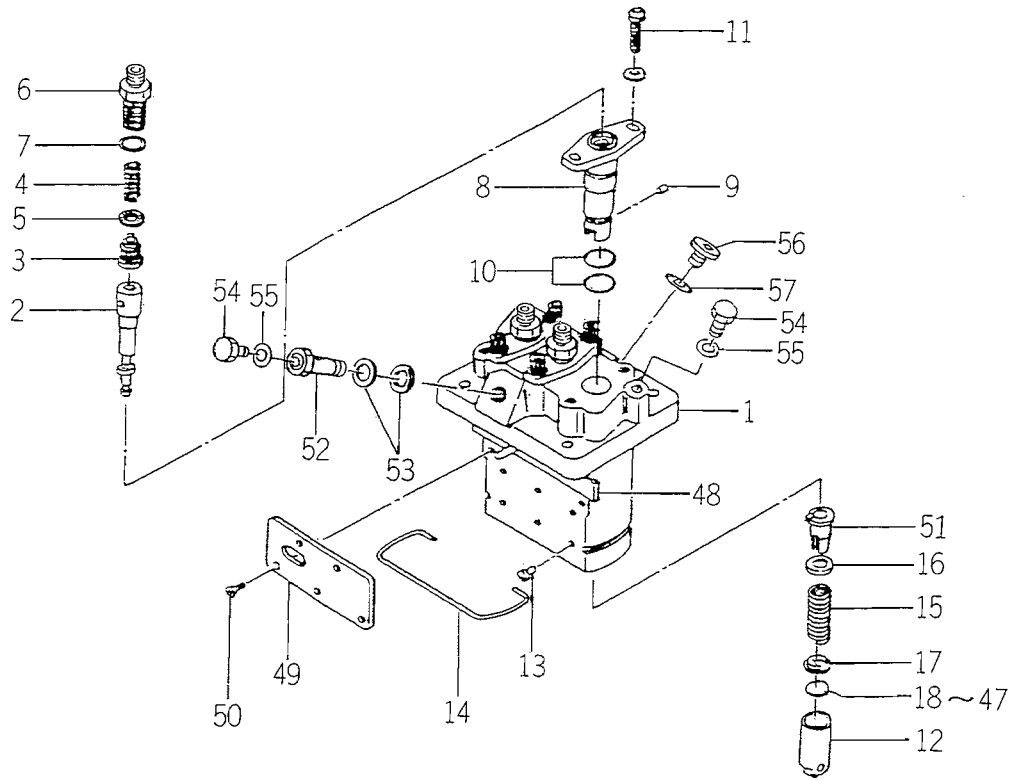
FIG. 25 COMPONENT PARTS FOR 6215 - 600 - 109 - 10 ON Fig.20



6215-6001

KEY	PART CODE	DESCRIPTION	QTY	TYPE OF MODEL		I T C	C O L	G R P	REMARKS
				E393G					
1	6215 - 611 - 002 - 00	HOUSING,PUMP	1	*					
2	6215 - 631 - 017 - 00	PLUNGER ASSY	3	*					
3	6215 - 641 - 007 - 00	DELIVERYVALVE	3	*					
4	6215 - 643 - 002 - 00	SPRING DELIVERY VALV	3	*					
5	6215 - 649 - 003 - 00	GASKET	3	*					
6	6215 - 644 - 002 - 00	HOLDER DELIVERY VALV	3	*					
7	6215 - 649 - 004 - 00	O - RING	3	*					
8	6215 - 635 - 002 - 00	SLEEVE,FRANGE	3	*					
9	6215 - 649 - 005 - 00	PIN	3	*					
10	6215 - 649 - 006 - 00	O - RING	6	*					
11	6215 - 649 - 007 - 00	SCREW	6	*					
12	6215 - 622 - 002 - 00	TAPPET	3	*					
13	6215 - 629 - 017 - 00	PIN	3	*					
14	6215 - 629 - 018 - 00	RING,SNAP	1	*					
15	6215 - 634 - 002 - 00	SPRING,PLUNGER	3	*					
16	6215 - 639 - 006 - 00	SEAT,SPRING	3	*					
17	6215 - 639 - 007 - 00	SEAT,SPRING	3	*					
18	6215 - 629 - 020 - 00	PLATE/T = 1.80	3	*					
19	6215 - 629 - 021 - 00	PLATE/T = 1.85	3	*					
20	6215 - 629 - 022 - 00	PLATE/T = 1.90	3	*					
21	6215 - 629 - 023 - 00	PLATE/T = 1.95	3	*					
22	6215 - 629 - 024 - 00	PLATE/T = 2.00	3	*					
23	6215 - 629 - 025 - 00	PLATE/T = 2.05	3	*					
24	6215 - 629 - 026 - 00	PLATE/T = 2.10	3	*					
25	6215 - 629 - 027 - 00	PLATE/T = 2.15	3	*					

FIG. 25 COMPONENT PARTS FOR 6215 - 600 - 109 - 10 ON Fig.20

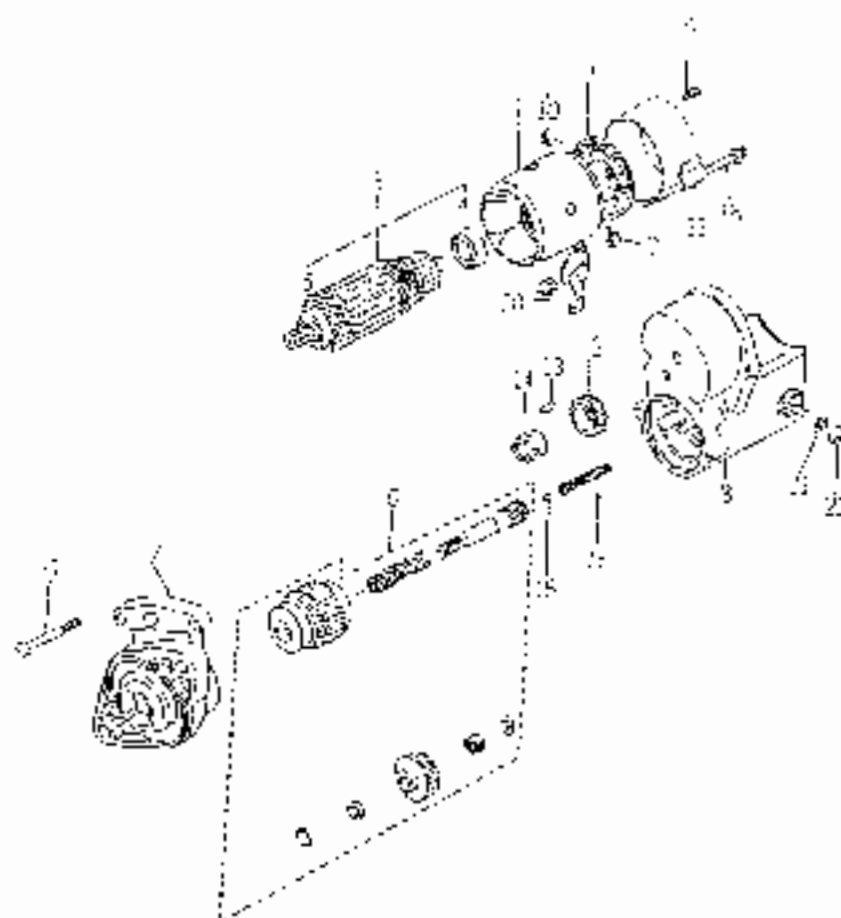


6215-6001

KEY	PART CODE	DESCRIPTION	QTY	TYPE OF MODEL		I T C	C O L	G R P	REMARKS
				E393G					
26	6215 - 629 - 028 - 00	PLATE/T = 2.20	3	*					
27	6215 - 629 - 029 - 00	PLATE/T = 2.25	3	*					
28	6215 - 629 - 030 - 00	PLATE/T = 2.30	3	*					
29	6215 - 629 - 031 - 00	PLATE/T = 2.35	3	*					
30	6215 - 629 - 032 - 00	PLATE/T = 2.40	3	*					
31	6215 - 629 - 033 - 00	PLATE/T = 2.45	3	*					
32	6215 - 629 - 034 - 00	PLATE/T = 2.50	3	*					
33	6215 - 629 - 068 - 00	PLATE	3	*					
34	6215 - 629 - 069 - 00	PLATE	3	*					
35	6215 - 629 - 070 - 00	PLATE	3	*					
36	6215 - 629 - 071 - 00	PLATE	3	*					
37	6215 - 629 - 072 - 00	PLATE	3	*					
38	6215 - 629 - 073 - 00	PLATE	3	*					
39	6215 - 629 - 074 - 00	PLATE	3	*					
40	6215 - 629 - 075 - 00	PLATE	3	*					
41	6215 - 629 - 076 - 00	PLATE	3	*					
42	6215 - 629 - 077 - 00	PLATE	3	*					
43	6215 - 629 - 078 - 00	PLATE	3	*					
44	6215 - 629 - 079 - 00	PLATE	3	*					
45	6215 - 629 - 080 - 00	PLATE	3	*					
46	6215 - 629 - 081 - 00	PLATE	3	*					
47	6215 - 629 - 082 - 00	PLATE	3	*					
48	6215 - 637 - 002 - 00	ROD,CONTROL	1	*					
49	6215 - 612 - 002 - 00	PLATE	1	*					
50	6215 - 619 - 012 - 00	SCREW	4	*					



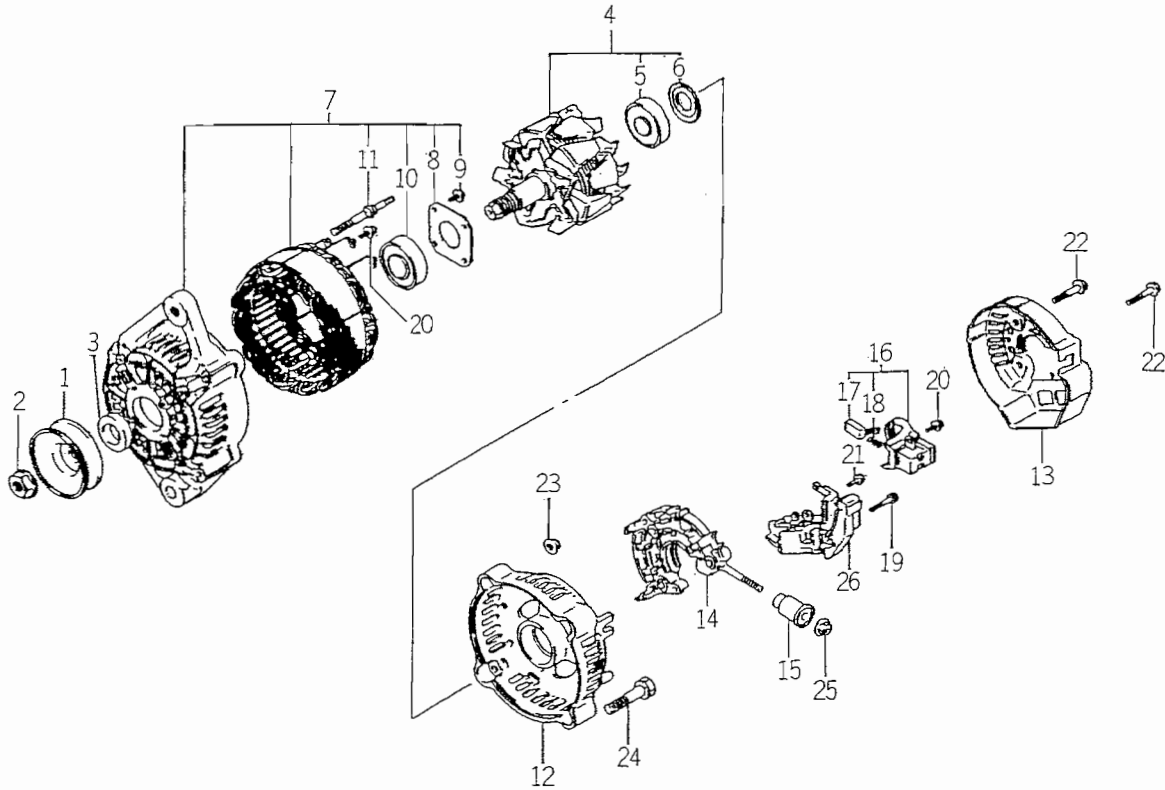
FIG. 26 COMPONENT PARTS FOR 6281 - 100 - 005 - 00 ON Fig.22



SEE 2ND

KEY	PART CODE	DESCRIPTION	QTY	TYPE OF MODEL			REMARKS
				17915	C	C	
1	6281 - 100 - 007 - 00	YOLK/STARTER	1				
2	6281 - 100 - 002 - 00	STARTER M	2				
3	6281 - 100 - 003 - 00	ARMATURE	1				
4	6251 - 129 - 010 - 00	BEARING/BALL	1				
5	6251 - 129 - 011 - 00	REAR B/BALL	1				
6	6281 - 174 - 001 - 00	STARTER KIT	1				
7	6281 - 129 - 020 - 00	HOUSING/STARTER ASSY	1				
8	6281 - 151 - 008 - 00	SWITCH/STARTER ASSY	1				
9	6281 - 118 - 002 - 00	HOLDER BRUSH ASSY	1				
10	6541 - 117 - 007 - 00	SPRING/BRUSH	4				
11	6281 - 115 - 005 - 00	FRAME/STARTER P.M.	1				
12	6561 - 133 - 011 - 00	PIVOT/STARTER	1				
13	6581 - 128 - 009 - 00	ROCK	5				
14	6561 - 120 - 100 - 00	RETAINER	1				
15	6501 - 128 - 097 - 00	SA I	1				
16	6531 - 128 - 006 - 00	SPRING	1				
17	6281 - 129 - 008 - 00	SCREW	2				
18	6281 - 129 - 008 - 00	RO T WAS	2				
19	6281 - 129 - 009 - 00	SCREW/WAS	2				
20	6201 - 111 - 008 - 00	NUT	1				
21	6201 - 110 - 008 - 00	WASHER	1				
22	6201 - 110 - 408 - 00	NUT/V6	1				

FIG. 27 COMPONENT PARTS FOR 6281 - 200 - 005 - 00 ON Fig.22



6281-2000

KEY	PART CODE	DESCRIPTION	QTY	TYPE OF MODEL		I T C	C O L	G R P	REMARKS
				E393G					
1	6281 - 222 - 004 - 00	PULLEY	1	*					
2	6281 - 229 - 002 - 00	NUT	1	*					
3	6281 - 229 - 003 - 00	COLLOR	1	*					
4	6281 - 221 - 001 - 00	ROTOR ASSY	1	*					
5	6281 - 229 - 005 - 00	BEARING	1	*					
6	6281 - 229 - 004 - 00	COVER,BEARING	1	*					
7	6281 - 213 - 006 - 00	FRAME ASSY	1	*					
8	6281 - 229 - 006 - 00	PLATE	1	*					
9	6281 - 229 - 007 - 00	BOLT	4	*					
10	6281 - 229 - 009 - 00	BEARING	1	*					
11	6281 - 229 - 008 - 00	BOLT	2	*					
12	6281 - 214 - 003 - 00	FRAME	1	*					
13	6281 - 214 - 004 - 00	COVER	1	*					
14	6281 - 229 - 029 - 00	HOLDER ASSY	1	*					
15	6281 - 229 - 011 - 00	BUSH	1	*					
16	6281 - 217 - 001 - 00	HOLDER,BRUSH ASSY	1	*				-	
17	6281 - 215 - 001 - 00	BRUSH	2	*					
18	6281 - 216 - 001 - 00	SPRING	2	*					
19	6281 - 229 - 012 - 00	BOLT	2	*					
20	6281 - 229 - 013 - 00	BOLT	6	*					
21	6281 - 229 - 014 - 00	BOLT	1	*					
22	6281 - 229 - 015 - 00	BOLT	3	*					
23	6281 - 229 - 016 - 00	NUT	2	*					
24	6281 - 229 - 017 - 00	BOLT	2	*					
25	6281 - 229 - 018 - 00	NUT	1	*					



# ENGINE

E393 – G01...TMG18 – S



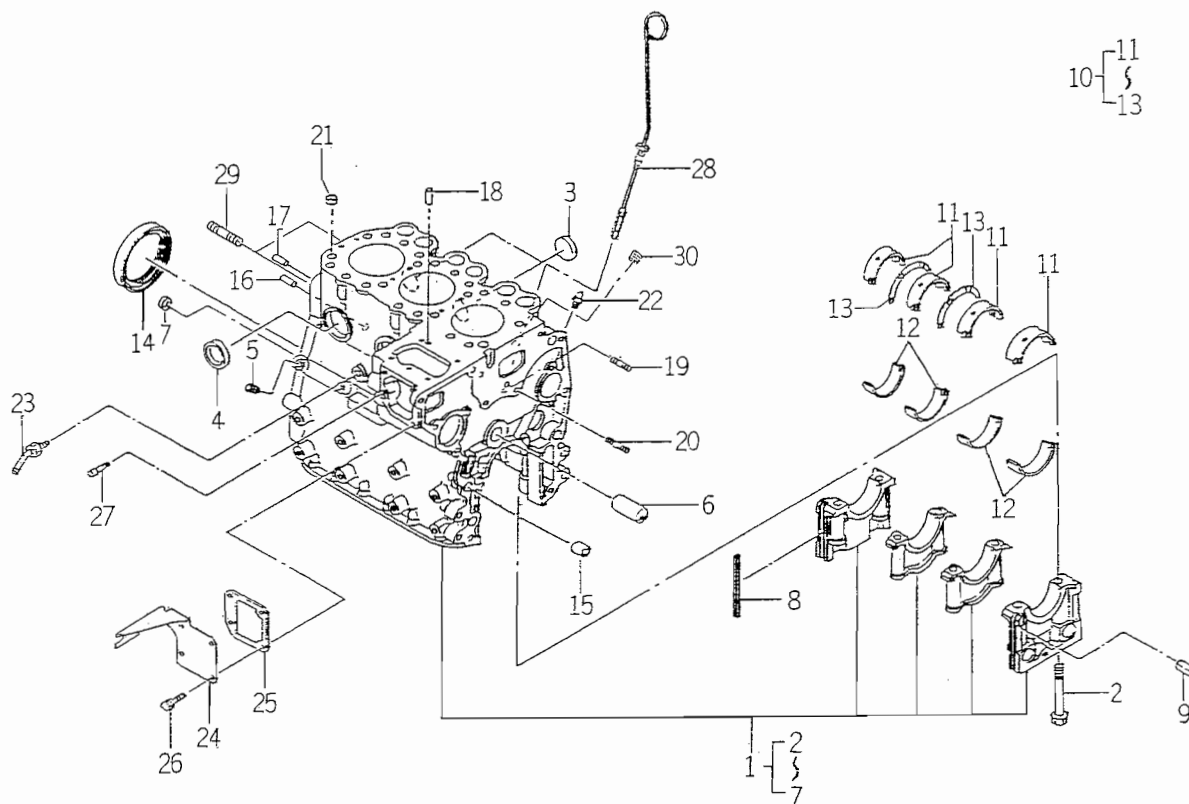








FIG. 5 CYLINDER BLOCK



6003-201Y

KEY	PART CODE	DESCRIPTION	QTY	TYPE OF MODEL		I T C	C O L	G R P	REMARKS
				E393G01					
1	6211 - 210 - 050 - 10	CYLINDERBLOCK ASSY	1	*					
2	6209 - 000 - 004 - 10	BOLT	8	*					
3	6209 - 610 - 001 - 00	CAP,SEALING	2	*					
4	6911 - 219 - 195 - 00	CAP,SEALING	4	*					
5	6509 - 605 - 019 - 10	PLUG	3	*					
6	6212 - 531 - 005 - 10	PIN/IDLEGEAR	1	*					
7	6911 - 129 - 083 - 00	CAP,SEALING	1	*					
8	6211 - 258 - 001 - 00	SEAL,BEARING CAP	4	*					
9	6211 - 258 - 002 - 00	SEAL,BEARING CAP/7	2	*					
10	6211 - 510 - 001 - 00	METAL,CRANK SET	1	*					
11	6211 - 511 - 003 - 00	BEARING/CRANK/UPPER	4	*					
12	6211 - 511 - 004 - 00	BEARING/CRANK/LOWER	4	*					
13	6211 - 599 - 001 - 10	BEARING,THRUST CRANK	2	*					
14	6209 - 625 - 001 - 00	SEAL,OIL	1	*					
15	6209 - 749 - 001 - 20	PIN/TUBE	2	*					
16	6908 - 160 - 816 - 00	PIN	1	*					
17	V523 - 100 - 802 - 40	PIN	1	*					
18	6908 - 160 - 510 - 00	PIN	2	*					
19	6904 - 110 - 818 - 00	STUD	1	*					
20	6904 - 110 - 840 - 00	STUD/M8X40	1	*					
21	6294 - 453 - 002 - 00	DOWEL	2	*					
22	6909 - 902 - 299 - 00	NIPPLE	1	*					
23	6213 - 721 - 007 - 00	PIPE/WATERDRAIN	1	*					
24	6211 - 291 - 016 - 00	COVER/INJECTIONPUMP	1	*					
25	6211 - 292 - 001 - 20	GASKET/COVER	1	*					



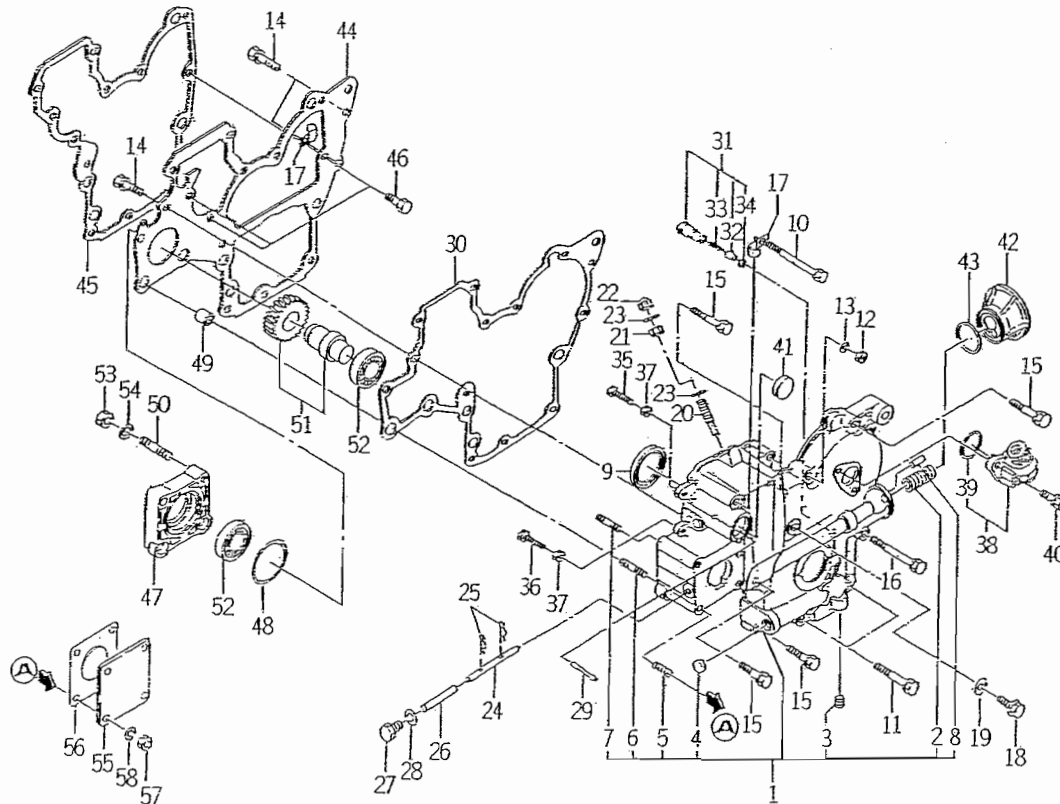








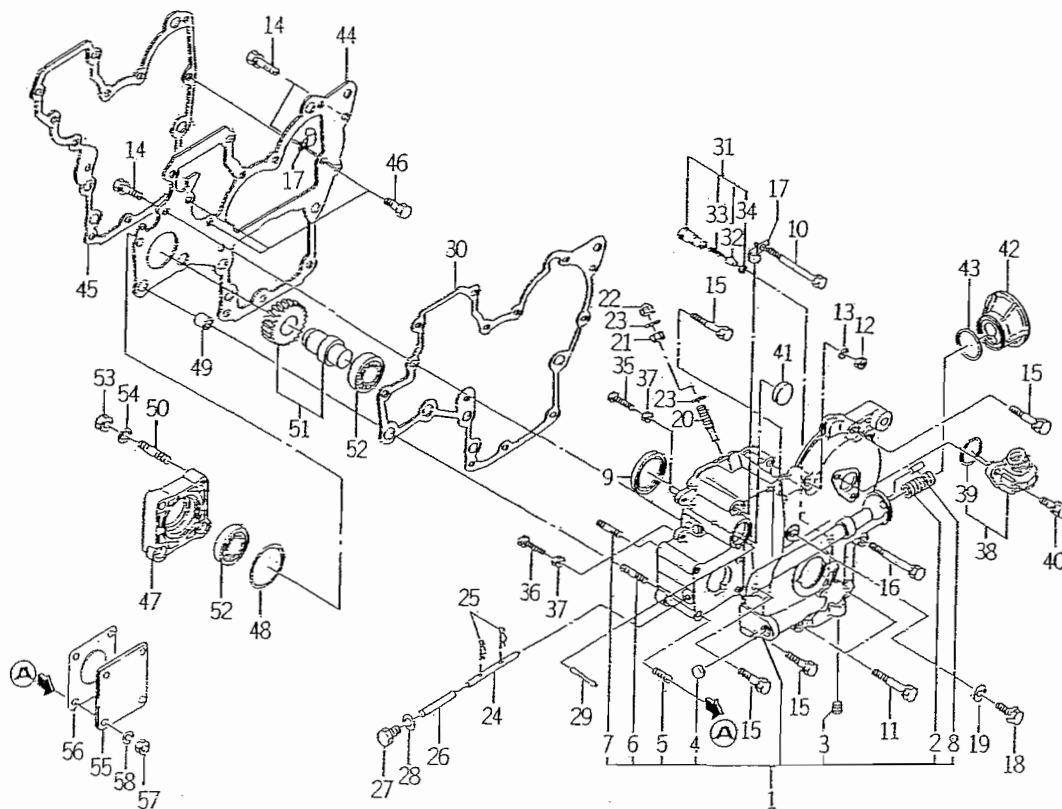
FIG. 9 TIMING GEAR CASE



6003-240R

KEY	PART CODE	DESCRIPTION	QTY	TYPE OF MODEL		I T C	C O L	G R P	REMARKS
				E393G01					
1	6211 - 310 - 021 - 00	GEARCASE ASSY	1	*					
2	6213 - 319 - 004 - 00	CONNECTOR/OILFILTER	1	*					
3	6509 - 605 - 019 - 10	PLUG	1	*					
4	6209 - 610 - 002 - 10	CUP/SEALING/16	1	*					
5	6904 - 110 - 822 - 00	STUD	4	*					
6	6904 - 110 - 855 - 00	STUD	2	*					
7	6904 - 110 - 850 - 00	STUD	1	*					
8	6908 - 160 - 510 - 00	PIN	1	*					
9	6209 - 625 - 002 - 00	SEAL,OIL	1	*					
10	6209 - 030 - 005 - 00	BOLT/M8X85	1	*					
11	6509 - 000 - 084 - 00	BOLT/L = 55	2	*					
12	6909 - 110 - 508 - 00	NUT/M8	1	*					
13	6909 - 150 - 508 - 00	WASHER	1	*					
14	V211 - 560 - 802 - 00	BOLT/M8X20	3	*					
15	6901 - 910 - 845 - 00	BOLT,SEMS/M8X45	5	*					
16	6209 - 030 - 006 - 00	BOLT/M8X75	1	*					
17	1425 - 621 - 004 - 00	CLAMP,HARNESS	2	*					
18	6209 - 046 - 001 - 00	BOLT/M8X30	1	*					
19	6209 - 500 - 003 - 00	WASHER/08X14X01	1	*					
20	6215 - 546 - 003 - 00	STOPPER/FULLLOAD	1	*					
21	6209 - 409 - 001 - 00	NUT/M8	1	*					
22	V341 - 120 - 008 - 00	NUT,CAP/M 8	1	*					
23	6209 - 920 - 002 - 00	PACKING	2	*					
24	6215 - 542 - 004 - 20	PIN/ARM	1	*					
25	P117 - 303 - 003 - 00	PIN/SNAP	2	*					

FIG. 9 TIMING GEAR CASE



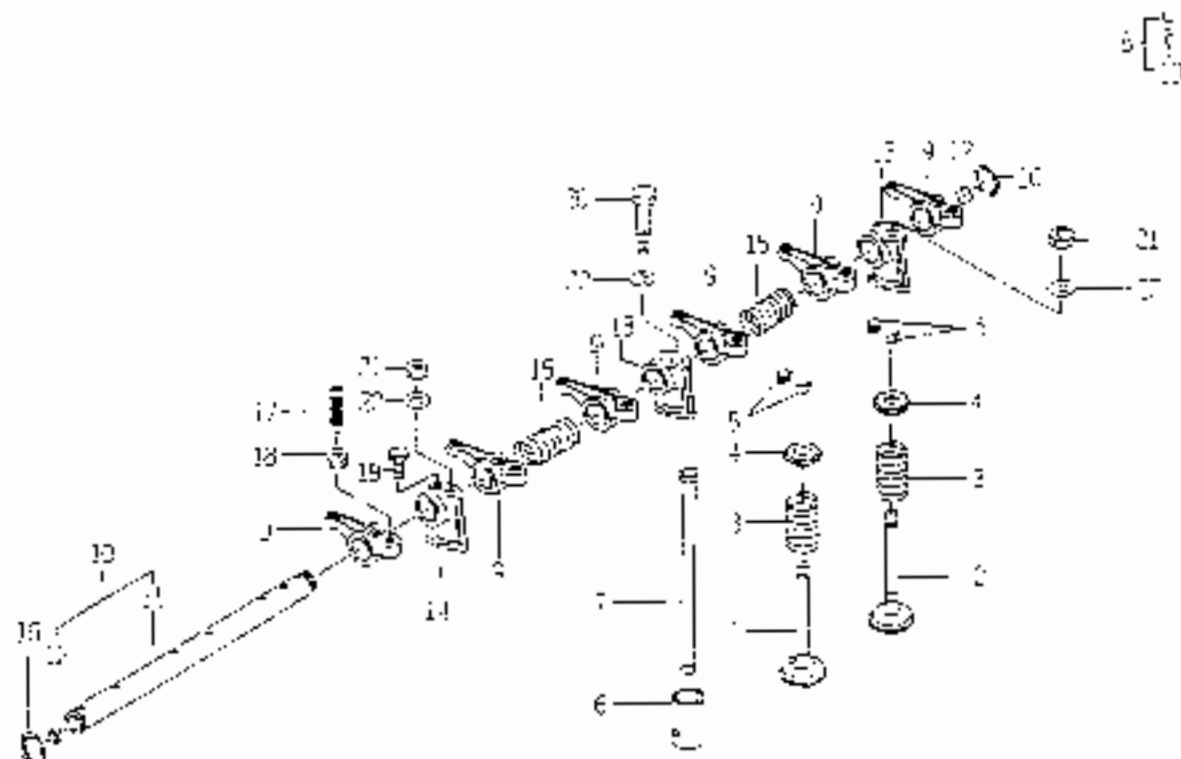
6003-240H

KEY	PART CODE	DESCRIPTION	QTY	TYPE OF MODEL		I T C	C O L	G R P	REMARKS
				E393G01					
26	6215 - 542 - 005 - 00	PIN	1	*					
27	6909 - 202 - 308 - 00	PLUG	1	*					
28	6209 - 500 - 003 - 00	WASHER/08X14X01	1	*					
29	6209 - 740 - 001 - 00	PIN,GROOVE	1	*					
30	6211 - 312 - 003 - 10	GASKET,GEAR CASE	1	*					
31	6213 - 160 - 002 - 00	VALVE/RELIEF ASSY	1	*					
32	6213 - 161 - 001 - 00	PISTON/RELIEF VALVE	1	*					
33	6213 - 164 - 001 - 00	SPRING/RELIEF VALVE	1	*					
34	V705 - 140 - 012 - 00	RING,SNAP/12 C	1	*					
35	6209 - 050 - 001 - 00	BOLT/M6	1	*					
36	6209 - 050 - 002 - 00	BOLT/M6	1	*					
37	6909 - 110 - 406 - 00	NUT	2	*					
38	6219 - 310 - 003 - 10	DRIVE/TACHOMETE ASSY	1	*					
39	V723 - 102 - 002 - 40	RING/O	1	*					
40	6901 - 910 - 616 - 00	BOLT,SEMS/M6X16	2	*					
41	3625 - 540 - 004 - 00	CAP,BLANK/30	1	*					
42	6213 - 211 - 001 - 10	SPACER,OIL FILTER	1	*					
43	V723 - 102 - 003 - 60	O - RING	1	*					
44	6211 - 311 - 011 - 00	PLATE FRONT	1	*					
45	6211 - 312 - 002 - 20	GASKET/PLATE	1	*					
46	6902 - 050 - 816 - 00	BOLT	3	*					
47	6211 - 319 - 003 - 00	SPACER	1	*					
48	V723 - 102 - 005 - 00	O - RING 1A S50	1	*					
49	6209 - 749 - 001 - 20	PIN/TUBE	2	*					
50	6904 - 110 - 822 - 00	STUD	1	*					





FIG. 11 VALVE



MIL-15

KEY	PART CODE	DESCRIPTION	QTY	TYPE OF MODEL			REMARKS
				1	2	3	
				1233331			
1	6212-551-001-00	VALVE INTAKE	3				
2	6212-552-001-00	VALVE EXHAUST	3				
3	6212-551-001-00	SPRING VALVE	6				
4	6212-553-001-00	SEAL VALVE SPRING	6				
5	6212-555-001-00	CUTTER VALVE	2				
6	6212-571-003-00	TAP-61	6				
7	6212-575-001-00	ROD PUSH	6				
8	6212-600-002-00	SHAFT/ROCKER ASSY	1				
9	6212-611-004-00	ROCKER ARM	3				
10	6212-620-001-00	SHAFT/ROCKER ASSY	1				
11	6212-621-002-00	SHAFT/ROCKER ARM	3				
12	6212-620-002-00	PLUG	2				
13	6212-570-004-00	BRACKET/ROCKER 5 INT	2				
14	6212-529-005-00	BRACKET/ROCKER SHAFT	1				
15	6209-340-004-00	SPRING	2				
16	M704-140-010-00	WAS/SNAP/18 C	2				
17	6212-515-002-00	SCREW ADJUST	3				
18	6209-400-003-00	NUT	6				
19	6209-300-002-00	WAS	6				
20	6201-350-800-00	BOL/MEX45	1				
21	6909-110-508-00	NUT/M8	2				
22	6200-300-005-00	WAS 12/026 5X10	3				

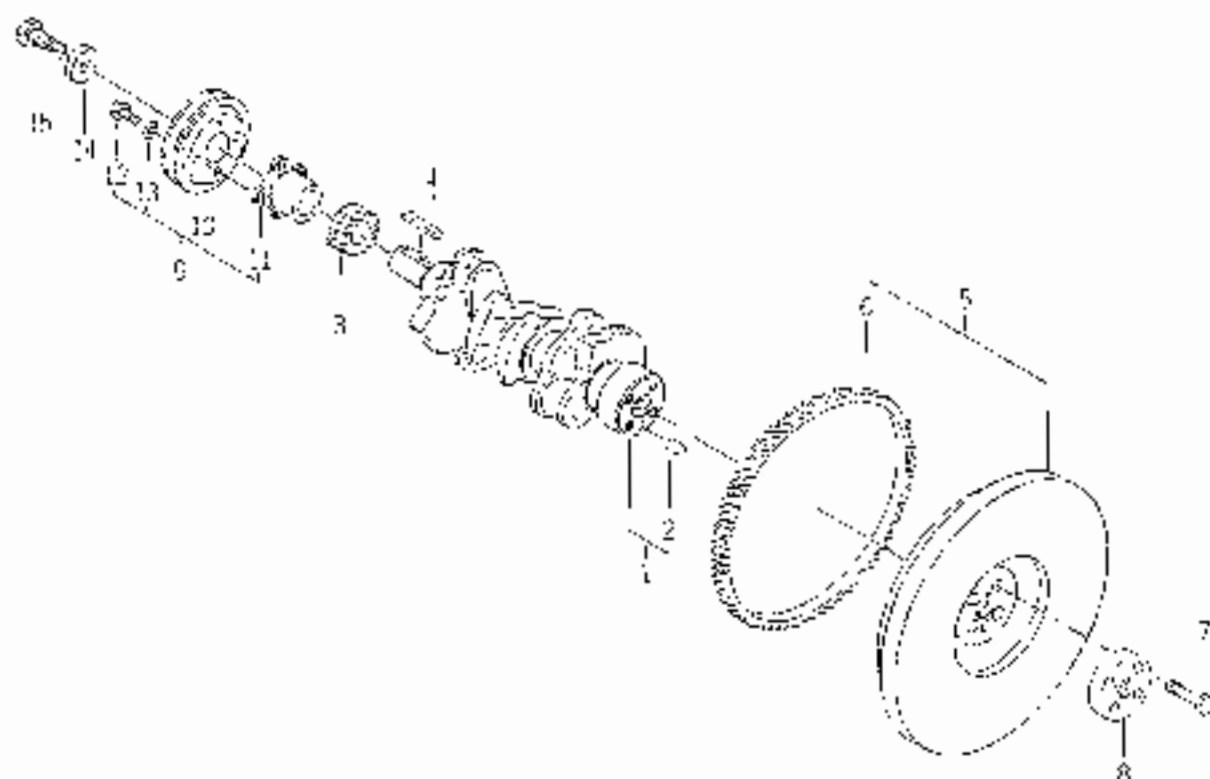








FIG. 15 CRANK SHAFT

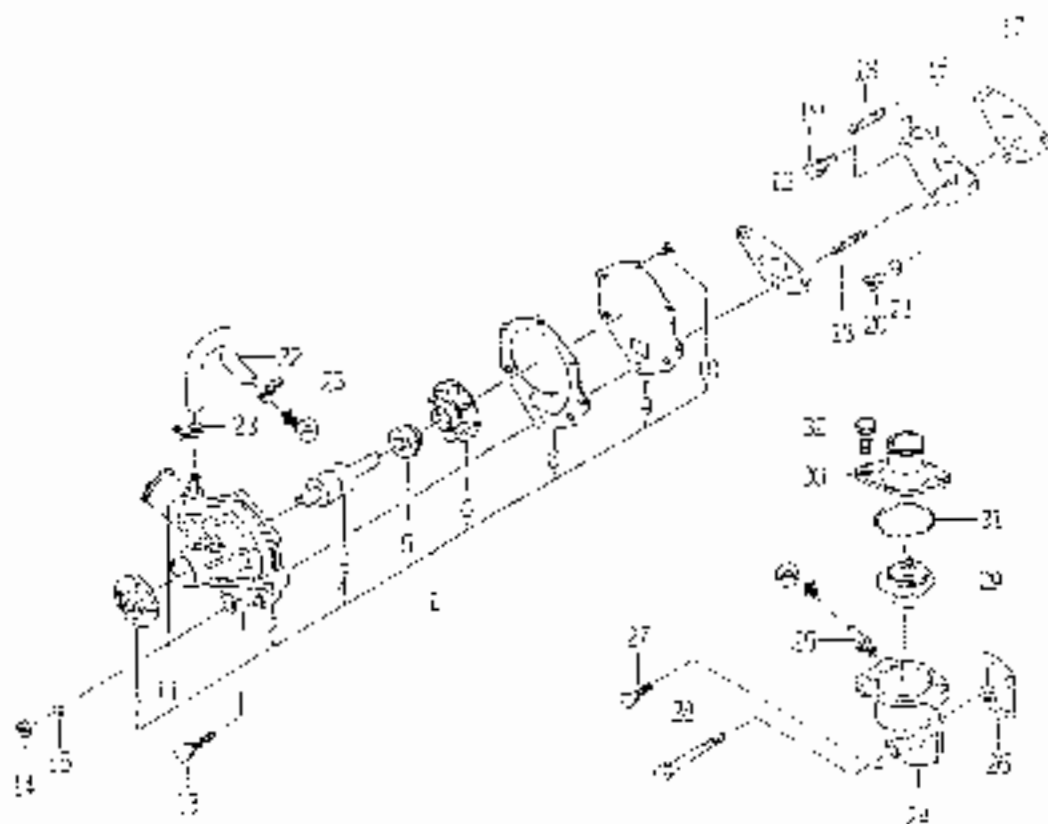


100-10.

KEY	PART CODE	DESCRIPTION	QTY	TYPE C <sup>1</sup> MODEL		I T C	C O L	G R P	REMARKS
				E2932J					
1	6212 - 310 - 006 - 10	CRANKSHAFT ASSY	1						
2	7523 - 101 - 001 - 30	PIN	1						
3	6110 - 521 - 002 - 00	GEAR/CRANK SHAFT	1						
4	6008 - 000 - 750 - 20	KEY	1						
5	6212 - 330 - 046 - 00	FLYWHEEL ASSY	1						
6	6212 - 333 - 003 - 00	HINGEGEAR	1						
7	5209 - 000 - 025 - 00	BOLT	4						
8	6002 - 330 - 004 - 10	BOSS/SPLINE	1						
9	6212 - 370 - 011 - 30	PULLEY ASSY	1						
10	6212 - 371 - 009 - 00	PULLEY	1						
11	6212 - 372 - 002 - 10	CENTER CRANK PULLEY	1						
12	6007 - 050 - 010 - 00	BOLT	4						
13	5909 - 150 - 505 - 00	WASHER/SP/BE	4						
14	6212 - 370 - 001 - 30	WASHER	1						
15	6001 - 066 - 641 - 00	BOLT	1						

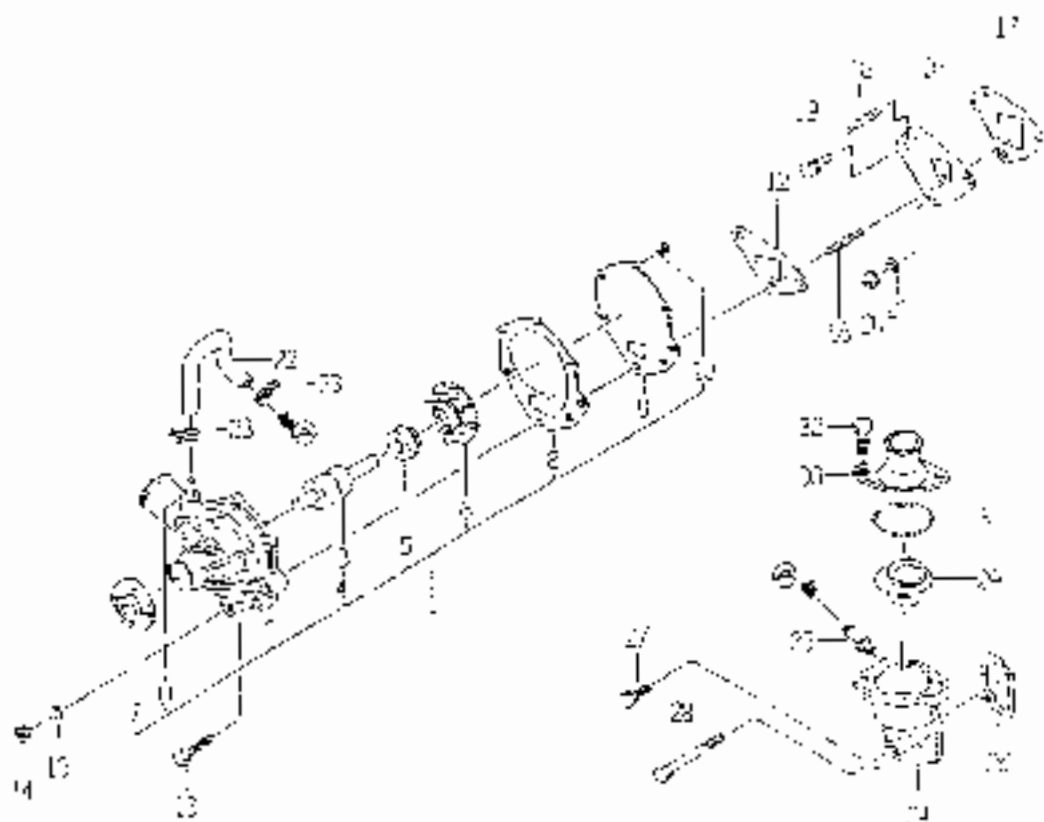


FIG. 17 WATER PUMP



KEY	PART CODE	DESCRIPTION	QTY	TYPE OF VOUEL				REMARKS
				E	C	L	P	
1	6213 - 610 - 005 - 40	WATERPUMP ASSY						
2	6213 - 611 - 005 - 20	BEARING/WATERPUMP						
3	6213 - 631 - 007 - 00	BEARING/WATER PUMP						
4	6213 - 631 - 005 - 00	BEARING/WATERPUMP						
5	6213 - 677 - 002 - 10	SEAL - RPT - WATER PUMP						
6	6213 - 621 - 003 - 00	GASKET/WATERPUMP						
7	6213 - 542 - 002 - 00	SEAL WATER PUMP-PULL						
8	6213 - 513 - 002 - 00	GASKET						
9	6213 - 512 - 004 - 00	FLANGE/WATER PUMP						
10	6213 - 515 - 005 - 00	FORM/WATER PUMP						
11	6213 - 615 - 002 - 00	PIPE/WATER PUMP						
12	6213 - 614 - 003 - 10	GASKET/WATER PUMP						
13	6201 - 910 - 845 - 00	BOLT/SEW/M3x45						
14	5308 - 110 - 508 - 00	NUT M8						
15	5202 - 150 - 508 - 00	WASHER						
16	6213 - 612 - 005 - 00	SPACER/WATER PUMP						
17	6213 - 614 - 006 - 10	GASKET/SPACER						
18	6209 - 300 - 002 - 00	SEAL						
19	6211 - 560 - 802 - 00	BOLT M8x30						
20	5308 - 110 - 500 - 00	NUT M8						
21	6009 - 150 - 508 - 00	WASHER						
22	5213 - 729 - 013 - 10	RING RUBBER						
23	0001 - 210 - 011 - 00	CLAMP WIRE/10-15						
24	6213 - 716 - 001 - 40	HOUSING/THERMOSTAT						
25	6213 - 721 - 003 - 00	PIPE/PUMP HOUSING						

FIG. 17 WATER PUMP



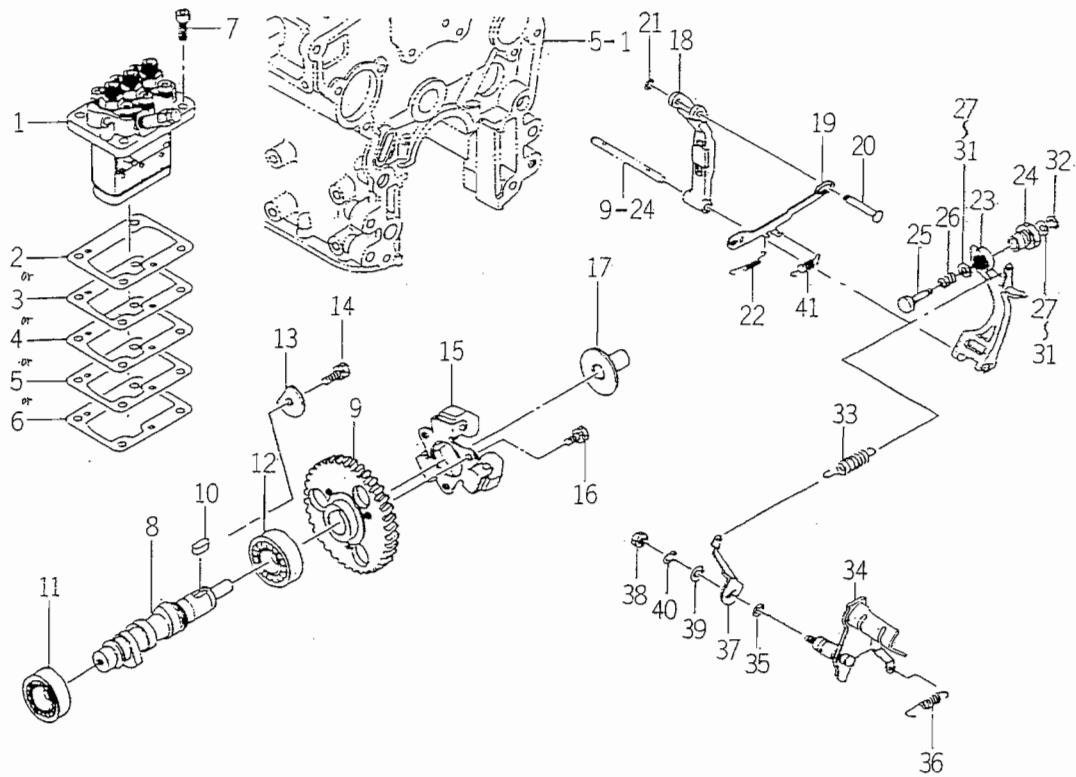
Key No.

KEY	PART CODE	DESCRIPTION	QTY	TYPE OF MODEL			REMARKS
				E393531	C	COL	
26	5213 - 743 - 007 - 10	BARREL/POUNDS	1				
27	V1 - 500 - 802 - 50	BOLT/M8X20	1				
28	8709 - 050 - 000 - 00	BOLT/M8X75	1				
29	6513 - 170 - 012 - 10	WASHER	1				
30	6212 - 711 - 003 - 20	PIPE/WATER OUTLET	1				
31	V723 - 102 - 005 - 50	O-RING	1				
32	6501 - 910 - 850 - 00	BOLT	2				





FIG. 20 INJECTION PUMP



6003-510X

KEY	PART CODE	DESCRIPTION	QTY	TYPE OF MODEL		I T C	C O L	G R P	REMARKS
				E393G01					
1	6215 - 600 - 109 - 10	INJECTIONPUMP ASSY	1	*					FIG 025
2	6219 - 752 - 001 - 00	SHIM,INJECTION PUMP	1	*					
3	6219 - 752 - 002 - 00	SHIM,INJECTION PUMP	1	*					
4	6219 - 752 - 003 - 00	SHIM,INJECTION PUMP	1	*					
5	6219 - 752 - 004 - 00	SHIM,INJECTION PUMP	1	*					
6	6219 - 752 - 005 - 00	SHIM,INJECTION PUMP	1	*					
7	6209 - 056 - 001 - 00	BOLT/M6X18	4	*					
8	6215 - 621 - 001 - 30	CAMSHAFT/INJPUMP	1	*					
9	6212 - 524 - 002 - 00	GEAR,INJ PUMP	1	*					
10	6908 - 000 - 716 - 00	KEY	1	*					
11	V600 - 110 - 620 - 30	BEARING,RB/6203	1	*					
12	V600 - 110 - 600 - 40	BEARING,RB/6004	1	*					
13	6212 - 535 - 002 - 00	PLATE,THRUST INJPUMP	1	*					
14	6901 - 910 - 612 - 00	BOLT,SEMS/M6X12	1	*					
15	6215 - 520 - 001 - 00	FLYWEIGHT	1	*					
16	6209 - 030 - 043 - 00	BOLT/M6X10	3	*					
17	6215 - 526 - 001 - 10	PIECE,THRUST	1	*					
18	6215 - 541 - 001 - 00	ARM,FLOATING	1	*					
19	6215 - 543 - 001 - 10	LINK,CONTROL	1	*					
20	6215 - 542 - 006 - 00	PIN,CONTROL	1	*					
21	V710 - 140 - 004 - 00	RING,SNAP/ 4 E	1	*					
22	6215 - 549 - 003 - 00	SPRING,SETTING	1	*					
23	6215 - 541 - 016 - 30	ARM/TENSION	1	*					
24	6215 - 549 - 028 - 10	CASE/ADAPTER	1	*					
25	6215 - 549 - 027 - 10	PIN/ADAPTER	1	*					



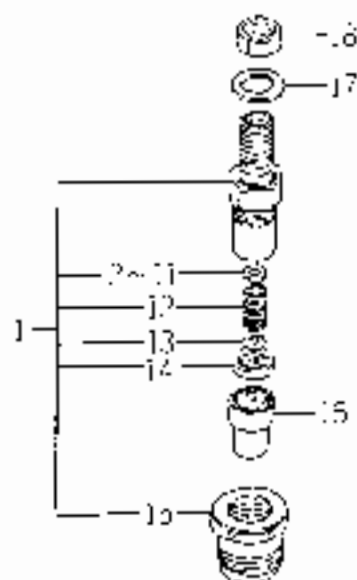








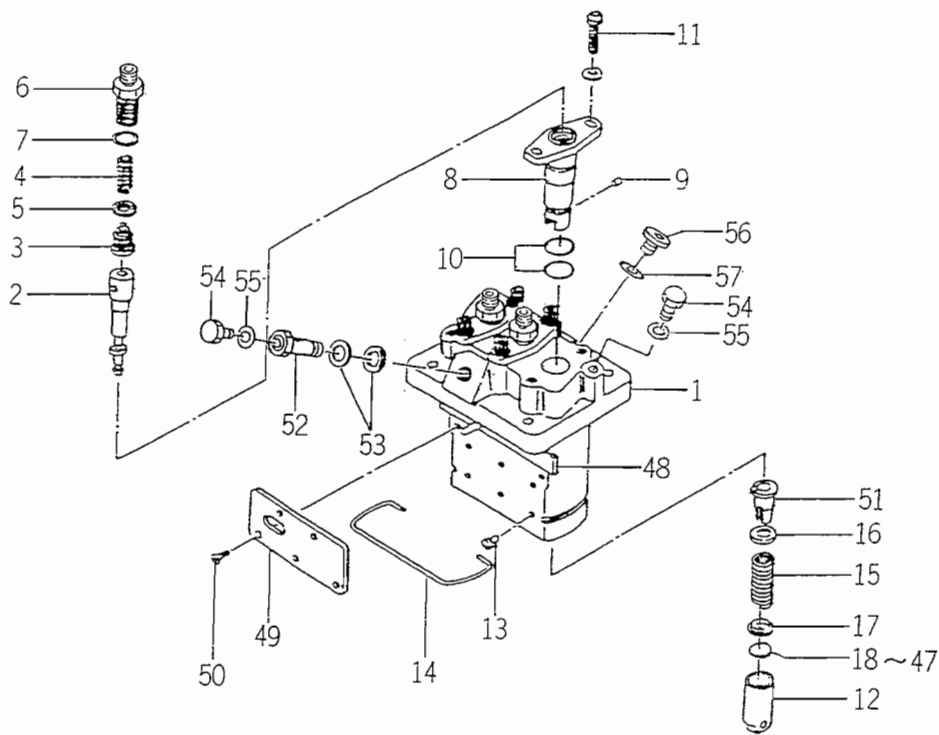
FIG. 24 COMPONENT PARTS FOR 6215 - 300 - 037 - 00 ON Fig.19



00-000

KEY	PART CODE	DESCRIPTION	QTY	TYPE OF MODEL		C	G	R	P	REMARKS
				ES	300					
1	6215 - 300 - 037 - 00	NOZZLE ASSY	1							
2	6215 - 345 - 044 - 00	SHIM/T=0.1	3							
3	6215 - 345 - 045 - 00	SHIM/T=0.2	3							
4	6215 - 345 - 046 - 00	SHIM/T=0.3	3							
5	6215 - 345 - 047 - 00	SHIM/T=0.4	3							
6	6215 - 345 - 048 - 00	SHIM/T=0.5	3							
7	6215 - 345 - 049 - 00	SHIM/T=0.6	3							
8	6215 - 345 - 050 - 00	SHIM/T=0.7	3							
9	6215 - 345 - 051 - 00	SHIM/T=0.8	3							
10	6215 - 345 - 052 - 00	SHIM/T=0.9	3							
11	6215 - 345 - 053 - 00	SHIM/T=1.0	3							
12	6215 - 143 - 002 - 00	SPRING NOZZLE	3							
13	6215 - 342 - 002 - 00	SEAL SPRING	3							
14	6215 - 330 - 004 - 00	SPACER	3							
15	6215 - 300 - 006 - 00	NUT NOZZLE RETAINING	3							
16	6215 - 300 - 005 - 00	NOZZLE	3							
17	6215 - 300 - 003 - 00	GASKET	3							
18	6215 - 355 - 004 - 00	NUT	3							

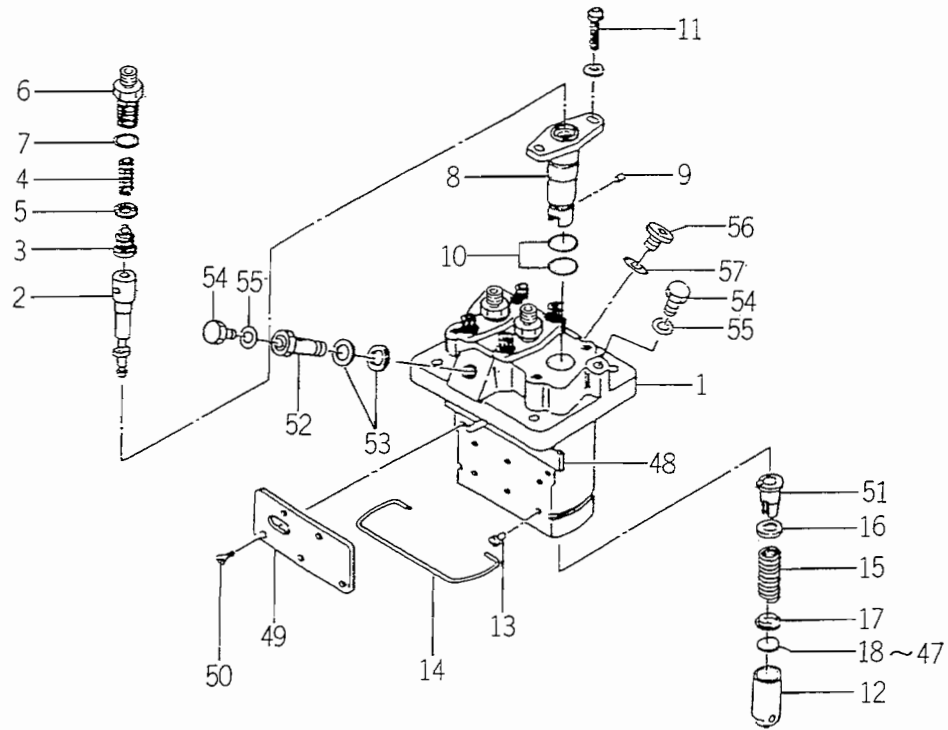
FIG. 25 COMPONENT PARTS FOR 6215 - 600 - 109 - 10 ON Fig.20



6215-6001

KEY	PART CODE	DESCRIPTION	QTY	TYPE OF MODEL		I T C	C O L	G R P	REMARKS
				E393G01					
1	6215 - 611 - 002 - 00	HOUSING,PUMP	1	*					
2	6215 - 631 - 017 - 00	PLUNGER ASSY	3	*					
3	6215 - 641 - 007 - 00	DELIVERYVALVE	3	*					
4	6215 - 643 - 002 - 00	SPRING DELIVERY VALV	3	*					
5	6215 - 649 - 003 - 00	GASKET	3	*					
6	6215 - 644 - 002 - 00	HOLDER DELIVERY VALV	3	*					
7	6215 - 649 - 004 - 00	O - RING	3	*					
8	6215 - 635 - 002 - 00	SLEEVE,FRANGE	3	*					
9	6215 - 649 - 005 - 00	PIN	3	*					
10	6215 - 649 - 006 - 00	O - RING	6	*					
11	6215 - 649 - 007 - 00	SCREW	6	*					
12	6215 - 622 - 002 - 00	TAPPET	3	*					
13	6215 - 629 - 017 - 00	PIN	3	*					
14	6215 - 629 - 018 - 00	RING,SNAP	1	*					
15	6215 - 634 - 002 - 00	SPRING,PLUNGER	3	*					
16	6215 - 639 - 006 - 00	SEAT,SPRING	3	*					
17	6215 - 639 - 007 - 00	SEAT,SPRING	3	*					
18	6215 - 629 - 020 - 00	PLATE/T = 1.80	3	*					
19	6215 - 629 - 021 - 00	PLATE/T = 1.85	3	*					
20	6215 - 629 - 022 - 00	PLATE/T = 1.90	3	*					
21	6215 - 629 - 023 - 00	PLATE/T = 1.95	3	*					
22	6215 - 629 - 024 - 00	PLATE/T = 2.00	3	*					
23	6215 - 629 - 025 - 00	PLATE/T = 2.05	3	*					
24	6215 - 629 - 026 - 00	PLATE/T = 2.10	3	*					
25	6215 - 629 - 027 - 00	PLATE/T = 2.15	3	*					

FIG. 25 COMPONENT PARTS FOR 6215 - 600 - 109 - 10 ON Fig.20



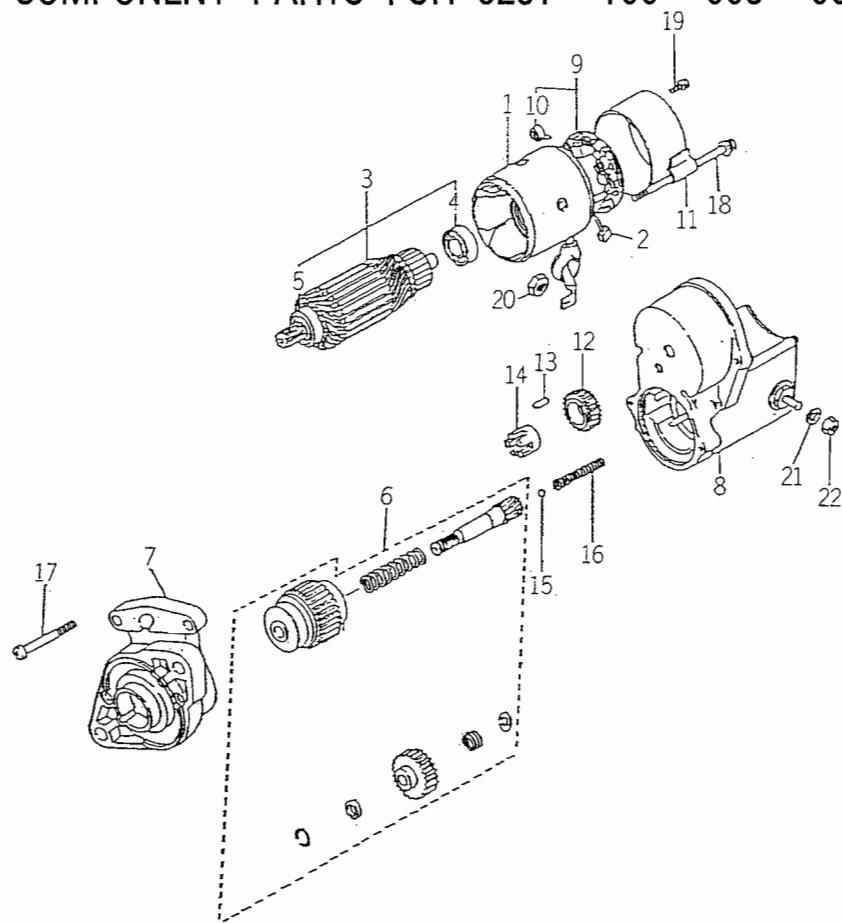
6215-6001

KEY	PART CODE	DESCRIPTION	QTY	TYPE OF MODEL		I T C	C O L	G R P	REMARKS
				E393601					
26	6215 - 629 - 028 - 00	PLATE/T = 2.20	3	*					
27	6215 - 629 - 029 - 00	PLATE/T = 2.25	3	*					
28	6215 - 629 - 030 - 00	PLATE/T = 2.30	3	*					
29	6215 - 629 - 031 - 00	PLATE/T = 2.35	3	*					
30	6215 - 629 - 032 - 00	PLATE/T = 2.40	3	*					
31	6215 - 629 - 033 - 00	PLATE/T = 2.45	3	*					
32	6215 - 629 - 034 - 00	PLATE/T = 2.50	3	*					
33	6215 - 629 - 068 - 00	PLATE/T = 1.825	3	*					
34	6215 - 629 - 069 - 00	PLATE/T = 1.875	3	*					
35	6215 - 629 - 070 - 00	PLATE/T = 1.925	3	*					
36	6215 - 629 - 071 - 00	PLATE/T = 1.975	3	*					
37	6215 - 629 - 072 - 00	PLATE/T = 2.025	3	*					
38	6215 - 629 - 073 - 00	PLATE/T = 2.075	3	*					
39	6215 - 629 - 074 - 00	PLATE/T = 2.125	3	*					
40	6215 - 629 - 075 - 00	PLATE/T = 2.175	3	*					
41	6215 - 629 - 076 - 00	PLATE/T = 2.225	3	*					
42	6215 - 629 - 077 - 00	PLATE/T = 2.275	3	*					
43	6215 - 629 - 078 - 00	PLATE/T = 2.325	3	*					
44	6215 - 629 - 079 - 00	PLATE/T = 2.375	3	*					
45	6215 - 629 - 080 - 00	PLATE/T = 2.425	3	*					
46	6215 - 629 - 081 - 00	PLATE/T = 2.475	3	*					
47	6215 - 629 - 082 - 00	PLATE/T = 2.525	3	*					
48	6215 - 637 - 002 - 00	ROD,CONTROL	1	*					
49	6215 - 612 - 002 - 00	PLATE	1	*					
50	6215 - 619 - 012 - 00	SCREW	4	*					





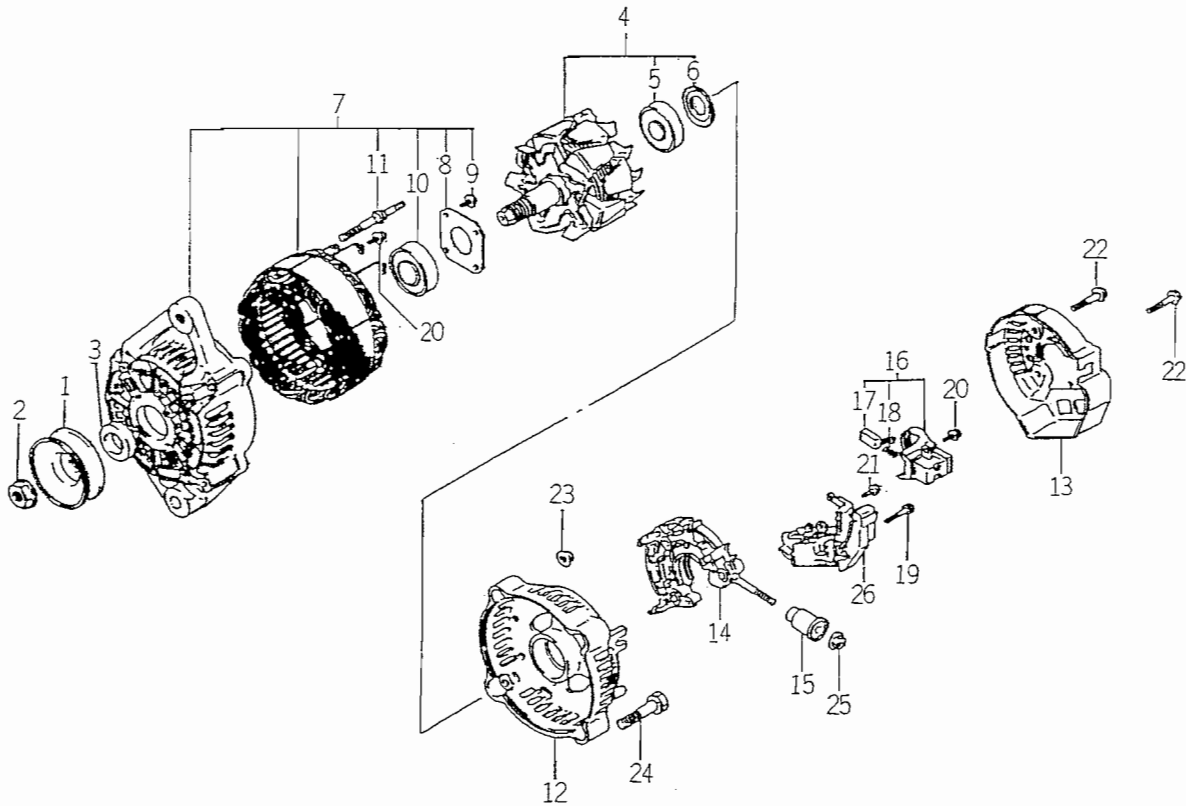
FIG. 26 COMPONENT PARTS FOR 6281 - 100 - 005 - 00 ON Fig.22



6281-1000

KEY	PART CODE	DESCRIPTION	QTY	TYPE OF MODEL		I T C	C O L	G R P	REMARKS
				E393G01					
1	6281 - 111 - 002 - 00	YOKE/STARTER	1	*					
2	6281 - 116 - 002 - 00	STARTER KIT	2	*					
3	6281 - 121 - 003 - 00	ARMATURE	1	*					
4	6281 - 129 - 010 - 00	BEARING,BALL	1	*					
5	6281 - 129 - 011 - 00	BEARING,BALL	1	*					
6	6281 - 124 - 001 - 00	STARTER KIT	1	*					
7	6281 - 129 - 020 - 00	HOUSING,STARTER ASSY	1	*					
8	6281 - 151 - 005 - 00	SWITCH,STARTER ASSY	1	*					
9	6281 - 118 - 002 - 00	HOLDER BRUSH ASSY	1	*					
10	6581 - 117 - 007 - 00	SPRING,BRUSH	4	*					
11	6281 - 115 - 005 - 00	FRAME,STARTER END	1	*					
12	6581 - 123 - 011 - 00	PINION,STARTER	1	*					
13	6581 - 129 - 099 - 00	RORA	5	*					
14	6581 - 129 - 100 - 00	RETAINER	1	*					
15	6581 - 129 - 092 - 00	BALL	1	*					
16	6581 - 129 - 096 - 00	SPRING	1	*					
17	6281 - 129 - 006 - 00	SCREW	2	*					
18	6281 - 129 - 008 - 00	BOLT/WS	2	*					
19	6281 - 129 - 009 - 00	SCREW/WS	2	*					
20	6909 - 111 - 508 - 00	NUT	1	*					
21	6909 - 150 - 508 - 00	WASHER	1	*					
22	6909 - 110 - 408 - 00	NUT/M8	1	*					

FIG. 27 COMPONENT PARTS FOR 6281 - 200 - 005 - 00 ON Fig.22



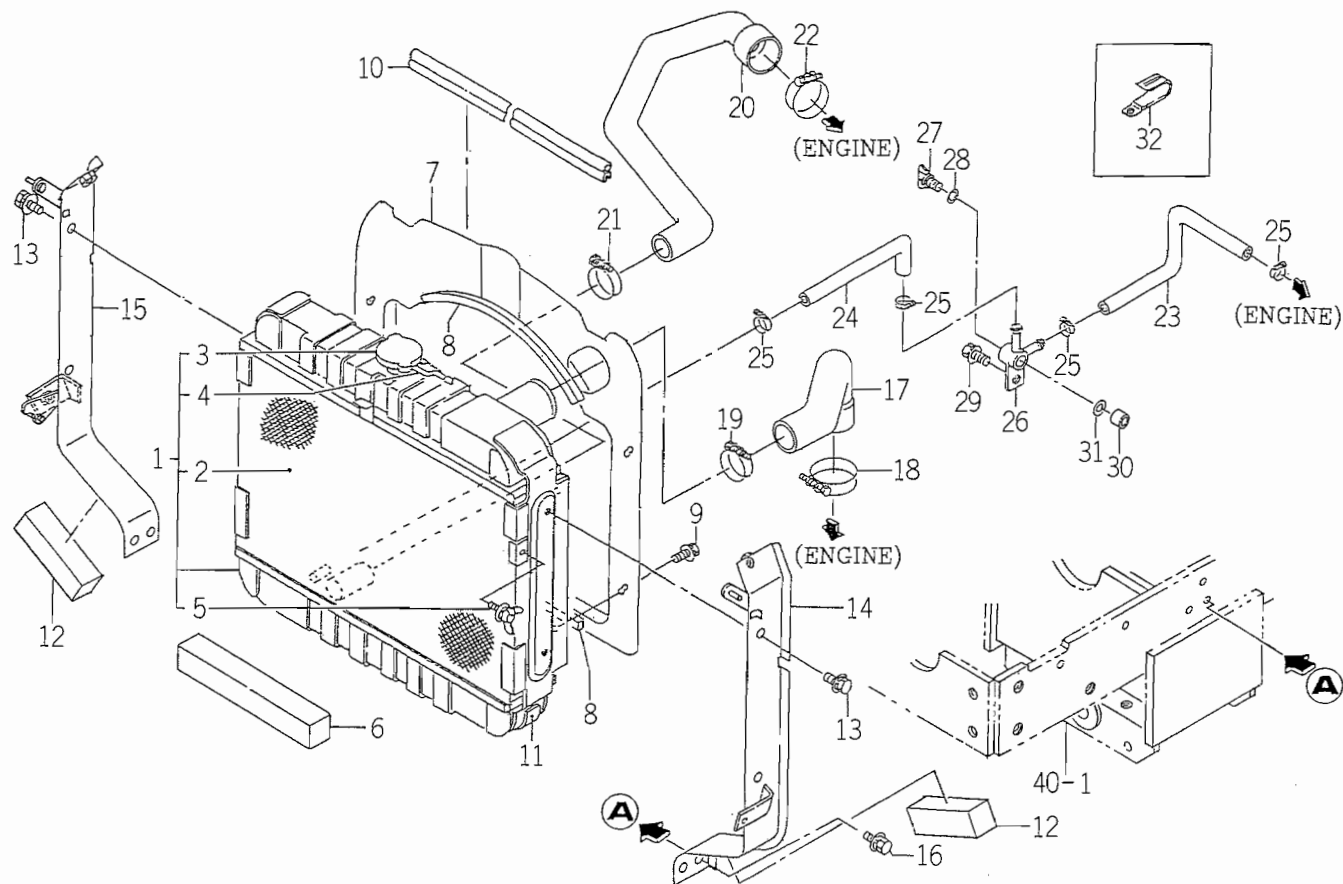
6281-2000

KEY	PART CODE	DESCRIPTION	QTY	TYPE OF MODEL		I T C	C O L	G R P	REMARKS
				E393G01					
1	6281 - 222 - 004 - 00	PULLEY	1	*					
2	6281 - 229 - 002 - 00	NUT	1	*					
3	6281 - 229 - 003 - 00	COLLOR	1	*					
4	6281 - 221 - 001 - 00	ROTOR ASSY	1	*					
5	6281 - 229 - 005 - 00	BEARING	1	*					
6	6281 - 229 - 004 - 00	COVER,BEARING	1	*					
7	6281 - 213 - 006 - 00	FRAME ASSY	1	*					
8	6281 - 229 - 006 - 00	PLATE	1	*					
9	6281 - 229 - 007 - 00	BOLT	4	*					
10	6281 - 229 - 009 - 00	BEARING	1	*					
11	6281 - 229 - 008 - 00	BOLT	2	*					
12	6281 - 214 - 003 - 00	FRAME	1	*					
13	6281 - 214 - 004 - 00	COVER	1	*					
14	6281 - 229 - 029 - 00	HOLDER ASSY	1	*					
15	6281 - 229 - 011 - 00	BUSH	1	*					
16	6281 - 217 - 001 - 00	HOLDER,BRUSH ASSY	1	*					
17	6281 - 215 - 001 - 00	BRUSH	2	*					
18	6281 - 216 - 001 - 00	SPRING	2	*					
19	6281 - 229 - 012 - 00	BOLT	2	*					
20	6281 - 229 - 013 - 00	BOLT	6	*					
21	6281 - 229 - 014 - 00	BOLT	1	*					
22	6281 - 229 - 015 - 00	BOLT	3	*					
23	6281 - 229 - 016 - 00	NUT	2	*					
24	6281 - 229 - 017 - 00	BOLT	2	*					
25	6281 - 229 - 018 - 00	NUT	1	*					



# CHASSIS

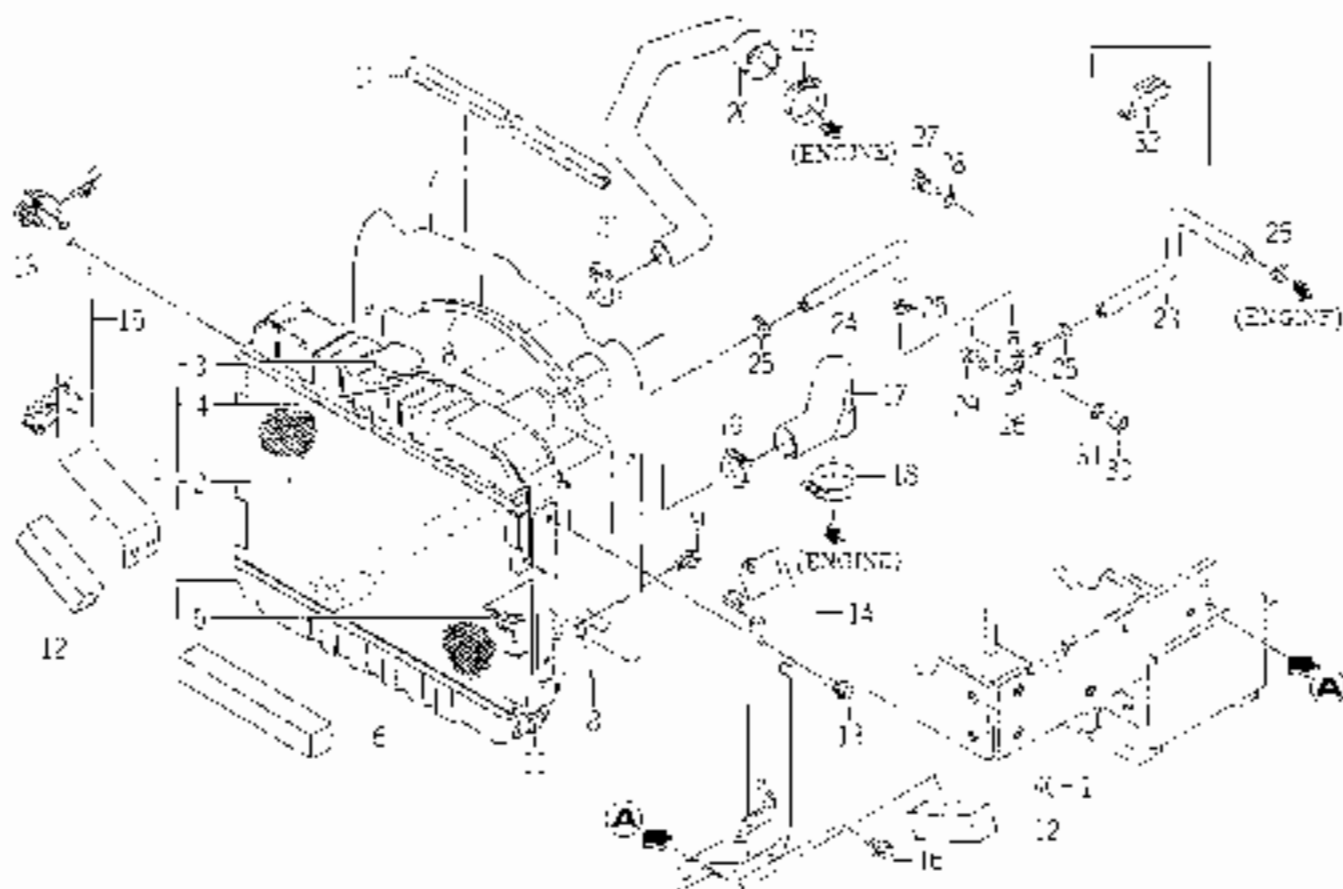
FIG. 1 RADIATOR SYSTEM



1683-102

KEY	PART CODE	DESCRIPTION	QTY	TYPE OF MODEL		I T C	C O L	G R P	REMARKS
				TMG18					
1	1675 - 102 - 200 - 00	RADIATOR ASSY	1	*					
2	1637 - 102 - 202 - 00	NET/WIRE COMP	1	*					
3	1614 - 102 - 213 - 00	CAP	1	*					
4	1614 - 102 - 214 - 00	HOSE	1	*					
5	V273 - 360 - 601 - 20	BOLT/WING/SP	1	*					
6	1682 - 102 - 003 - 00	INSULATOR/15X20X420	1	*					
7	1683 - 102 - 002 - 00	SHROUD	1	*					
8	1675 - 102 - 002 - 00	INSULATOR	2	*					
9	V210 - 360 - 601 - 20	BOLT,SEMS	4	*					
10	1612 - 111 - 001 - 00	INSULATOR	1	*					
11	1612 - 102 - 005 - 00	INSULATOR	1	*					
12	1672 - 102 - 004 - 00	INSULATOR	2	*					
13	V211 - 360 - 801 - 60	BOLT,SEMS (SP)	4	*					
14	1683 - 102 - 200 - 20	PLATE/LH COMP	1	*					
15	1683 - 102 - 210 - 20	PLATE/RH COMP	1	*					
16	V211 - 360 - 801 - 60	BOLT,SEMS (SP)	4	*					
17	1675 - 102 - 004 - 00	HOSE/RADIATOR/INLET	1	*					
18	J061 - 236 - 044 - 00	CLAMP/WIRE/36 - 44	1	*					
19	J061 - 230 - 038 - 00	CLAMP/WIRE/30 - 38	1	*					
20	1675 - 102 - 006 - 00	HOSE/RADIATOR/OUTLET	1	*					
21	J061 - 224 - 032 - 00	CLAMP/WIRE/24 - 32	1	*					
22	J061 - 236 - 044 - 00	CLAMP/WIRE/36 - 44	1	*					
23	1682 - 102 - 004 - 00	HOSE/250	1	*					
24	1593 - 102 - 004 - 20	HOSE/210	1	*					
25	J061 - 210 - 015 - 00	CLAMP/WIRE/10 - 15	4	*					

FIG. 1 RADIATOR SYSTEM



PARTS

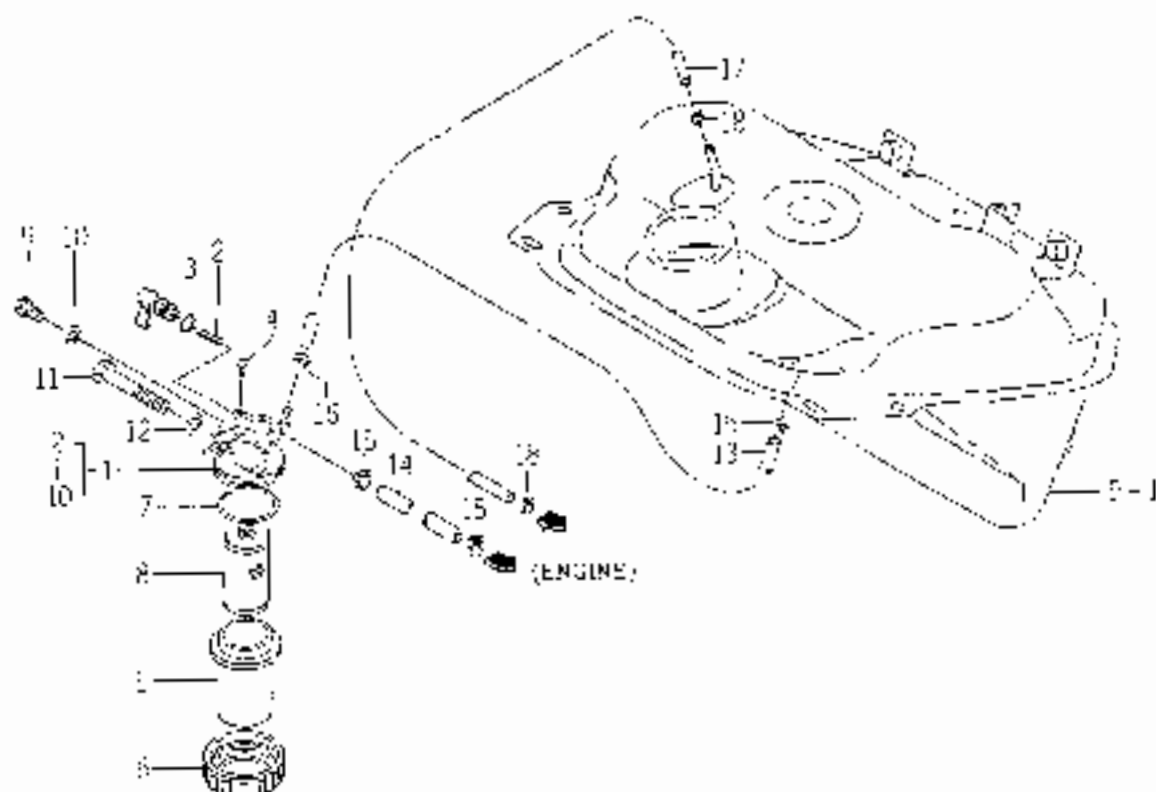
KEY	PART CODE	DESCRIPTION	QTY	TYPE OF MODL		I T C	C O L	H R P	REMARKS
					TYPE				
26	1550 - 104 - 010 - 40	CONNECTOR	1						
27	1424 - 101 - 205 - 00	PLUG	1						
28	1424 - 101 - 204 - 00	PACKING	1						
29	9211 - 330 - 304 - 00	BOLT	1						
30	1017 - 102 - 006 - 00	WASHER/SPACER	1						
31	9211 - 250 - 006 - 00	WASHER/SPACER	1						
32	1425 - 102 - 004 - 00	CLAMP, MANDREL	1						





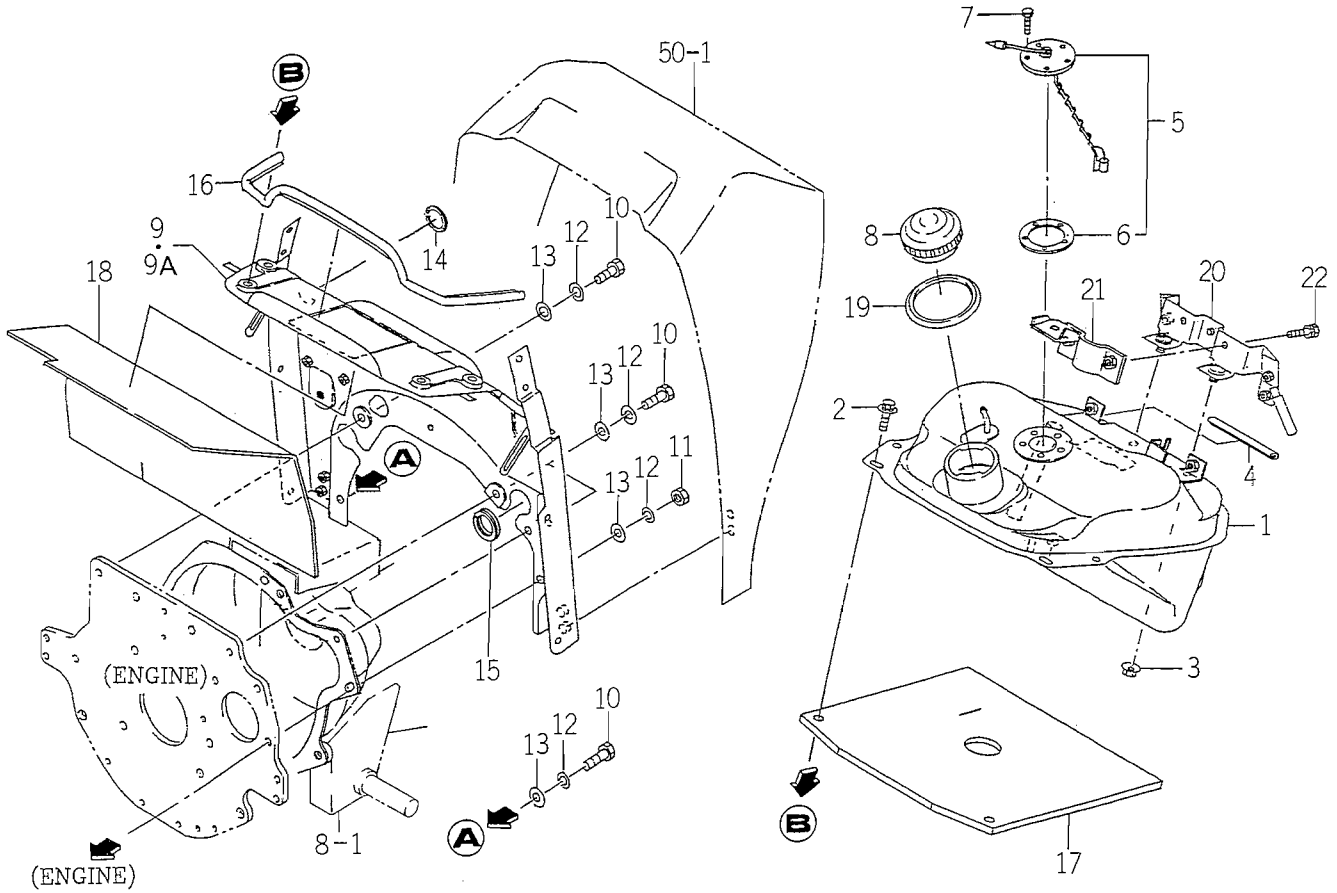


FIG. 4 FILTER SYSTEM



KEY	PART CODE	DESCRIPTION	QTY	TYPE OF MODEL	I T C			REMARKS
					C	L	P	
1	1672 105 - 210 - 00	FILTER/FUEL ASSY	1					
2	1415 - 102 - 007 - 00	SPRING VALVE	1					
3	V770 - 102 - 401 - 00	O-RING/1/4"	1					
4	1415 - 102 - 001 - 00	W/O	1					
5	1415 - 102 - 009 - 00	DIP	1					
6	1444 102 - 204 - 00	NUT/BG	1					
7	V770 - 103 - 504 - 40	O-RING/1/4"	1					
8	1415 - 102 - 011 - 00	ELEMENT	1					
9	1572 102 - 003 - 00	NUT/1/2X3/8" W/SE	2					
10	1415 - 102 - 013 - 00	PACINGS	2					
11	V201 200 - 300 - 00	SCREW/BKLT	1					
12	V401 110 - 005 - 00	WASHER/1/4"	1					
13	1572 105 - 001 - 10	HOSE/6X12X3/8"	1					
14	2500 - 105 - 002 - 00	HOSE/3/8"	1					
15	J051 210 - 017 - 00	CLAMP/WIRE/12-12	2					
16	J002 111 - 120 - 00	CLIP/HOSE/1.1 12	2					
17	1912 105 - 002 - 00	HOSE/5/8"	1					
18	J052 031 - 007 - 00	CLIP/HOSE/6.1 3/8"	1					

FIG. 5 FUEL TANK SYSTEM



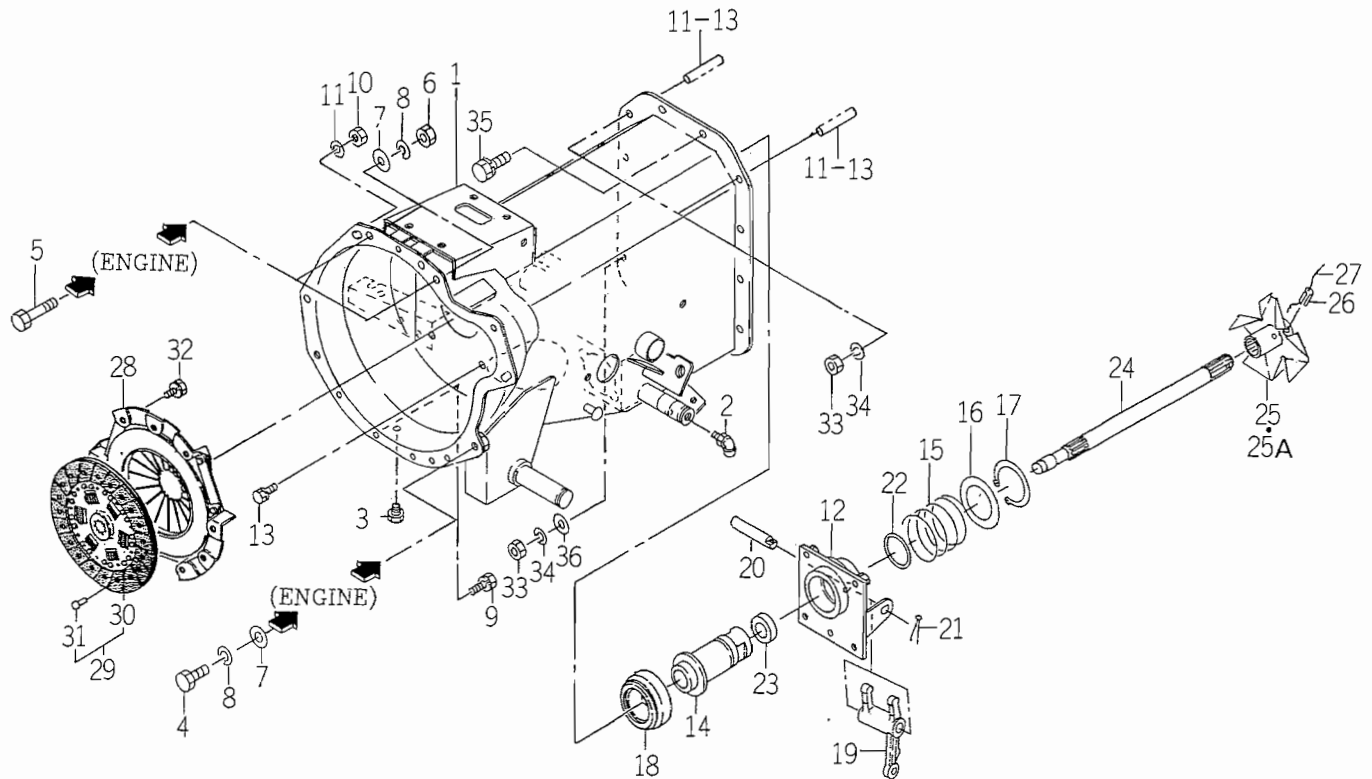
1582-111

KEY	PART CODE	DESCRIPTION	QTY	TYPE OF MODEL		I T C	C O L	G R P	REMARKS
				TMG18					
1	1672 - 111 - 200 - 00	TANK/FUEL COMP	1	*					
2	V211 - 360 - 801 - 60	BOLT,SEMS (SP)	2	*					
3	V363 - 260 - 008 - 00	NUT,LOCK/M8	2	*					
4	1672 - 111 - 002 - 00	PAD/120	1	*					
5	1672 - 111 - 210 - 10	GAUGE/FUEL ASSY	1	*					
6	1416 - 621 - 037 - 00	PACKING/RUBBER	1	*					
7	V200 - 260 - 501 - 0B	BOLT/SEAL	5	*					
8	1682 - 111 - 300 - 00	CAP/FUEL ASSY	1	*					
9	1682 - 111 - 210 - 00	BRACKET/TANK COMP	1	1- -200					
9A	1682 - 111 - 210 - 10	BRACKET/TANK COMP	1	201-		1			
10	V203 - 361 - 002 - 00	BOLT/M10X1.25X20	4	*					
11	V334 - 460 - 010 - 00	NUT/M10 7T P = 1.25	1	*					
12	V401 - 160 - 010 - 00	WASHER,SP/M10	5	*					
13	V411 - 260 - 010 - 00	WASHER/M10	5	*					
14	1600 - 616 - 006 - 00	INSULATOR/75	1	*					
15	1612 - 690 - 001 - 00	INSULATOR/36	2	*					
16	1612 - 111 - 001 - 00	INSULATOR	1	*					
17	1612 - 111 - 002 - 10	INSULATOR	1	*					
18	1672 - 111 - 001 - 00	INSULATOR/TANK	1	*					
19	1560 - 111 - 003 - 20	COVER	1	*					
20	1612 - 111 - 230 - 10	BRACKET/TANK COMP	1	*					
21	1672 - 111 - 230 - 00	BRACKET/LEVER COMP	1	*					
22	V211 - 260 - 802 - 00	BOLT,SEMS (S)	2	*					





FIG. 8 CLUTCH SYSTEM (EXCEPT S TYPE)

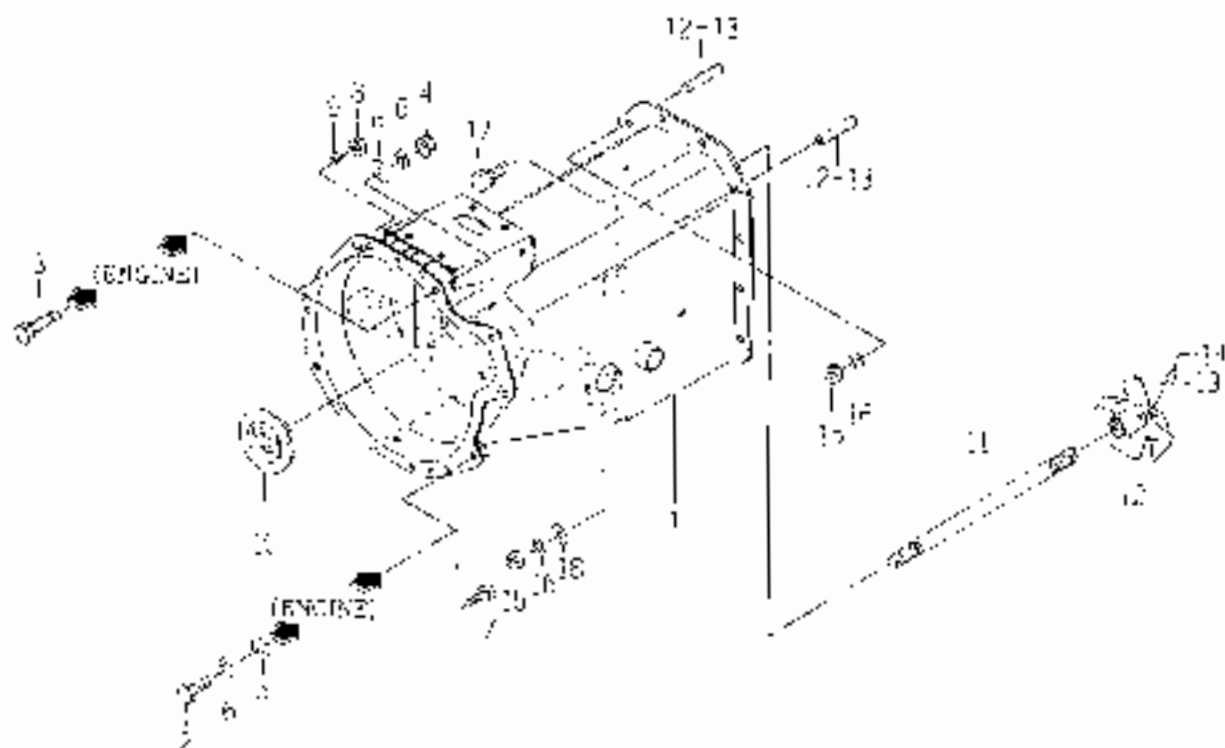


1683-120

KEY	PART CODE	DESCRIPTION	QTY	TYPE OF MODEL		I T C	C O L	G R P	REMARKS
				TMG18					
1	1683 - 120 - 500 - 10	HOUSING/CLUTCH COMP	1	*					
2	V761 - 150 - 000 - 00	NIPPLE/GREASE	1	*					
3	1326 - 706 - 002 - 10	PLUG,DRAIN	1	*					
4	V201 - 361 - 202 - 50	BOLT/M12X25	2	*					
5	V201 - 361 - 204 - 00	BOLT/M12X40	2	*					
6	V304 - 460 - 012 - 00	NUT/M12	2	*					
7	V411 - 260 - 012 - 00	WASHER /M12	4	*					
8	V401 - 160 - 012 - 00	WASHER,SP/M12	4	*					
9	V211 - 260 - 801 - 60	BOLT,SEMS (S) M8X16	4	*					
10	V334 - 460 - 010 - 00	NUT/M10 7T P=1.25	2	*					
11	V401 - 160 - 010 - 00	WASHER,SP/M10	2	*					
12	1672 - 120 - 220 - 00	HOLDER/SLEEVE COMP	1	*					
13	V211 - 260 - 801 - 60	BOLT,SEMS (S) M8X16	4	*					
14	1672 - 120 - 002 - 10	SLEEVE	1	*					
15	1672 - 120 - 003 - 00	SPRING/HC64	1	*					
16	1672 - 120 - 004 - 00	WASHER/46X70X2	1	*					
17	V706 - 140 - 045 - 00	RING/SNAP	1	*					
18	1491 - 120 - 001 - 00	BEARING,CLUTCH RS	1	*					
19	1435 - 122 - 002 - 00	FORK/RELEASE	1	*					
20	1672 - 120 - 006 - 00	PIN/12X75	1	*					
21	V500 - 163 - 002 - 00	PIN,SPLIT/3 X20	1	*					
22	V721 - 103 - 104 - 50	O - RING/G45	1	*					
23	V744 - 120 - 350 - 70	SEAL,OIL/TC20357	1	*					
24	1683 - 120 - 051 - 00	SHAFT/INPUT	1	*					
25	1683 - 120 - 530 - 10	FAN/HST COMP	1	1- -115					

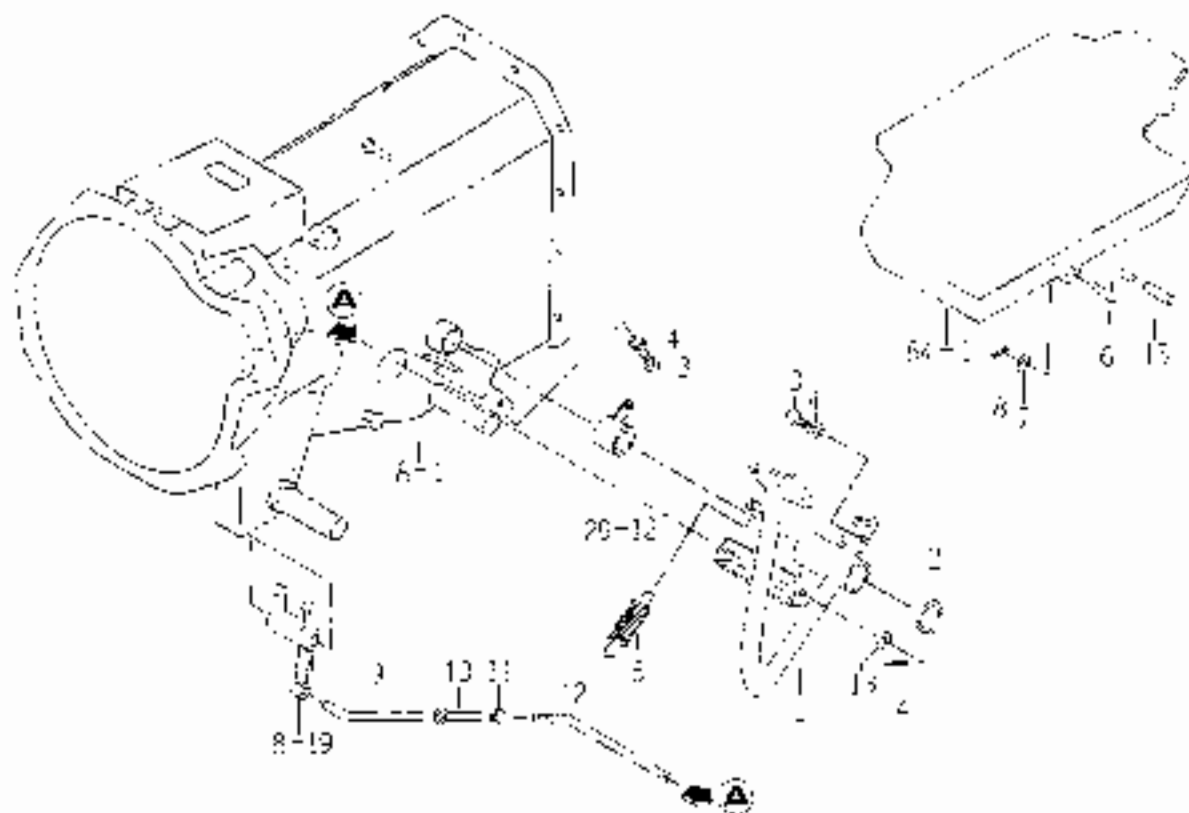


FIG. 9 CLUTCH SYSTEM (S TYPE)



KEY	PART CODE	DESCRIPTION	QTY	TYPE OF MODEL				REMARKS
				1	2	C	PRG	
1	1089 - 120 - 000 - 10	HOUSING/CLUTCH COMP	1					
2	V201 - 361 - 002 - 50	BOLT/M12X25	2					
3	V201 - 351 - 004 - 00	BOLT/M12X40	2					
4	V304 - 450 - 012 - 00	NUT/M12	2					
5	V411 - 290 - 012 - 00	WASHER/M12	2					
6	V401 - 100 - 013 - 00	WASHER/SP/M12	4					
7	V211 - 260 - 801 - 60	BOLT/SPMS (S) M8X5	4					
8	V774 - 400 - 010 - 00	NUT/M10 P=1.25	2					
9	V401 - 100 - 010 - 00	WASHER/SP/M10	2					
10	1688 - 120 - 050 - 00	GRUBSCREW/25X/DAUS	1					
11	1608 - 120 - 051 - 00	SHAFT INPUT	1					
12	1089 - 120 - 000 - 20	FAN/PSI COMP	1					
13	V500 - 140 - 003 - 20	PN SPRING 0.352 W	2					
14		WIRE	2					
15	V304 - 450 - 010 - 00	NUT/M10	3					
16	V401 - 150 - 010 - 00	WASHER/SP/M10	3					
17	V211 - 561 - 003 - 50	BOLT/S	10					
18	V411 - 260 - 010 - 00	WASHER/M10	1					

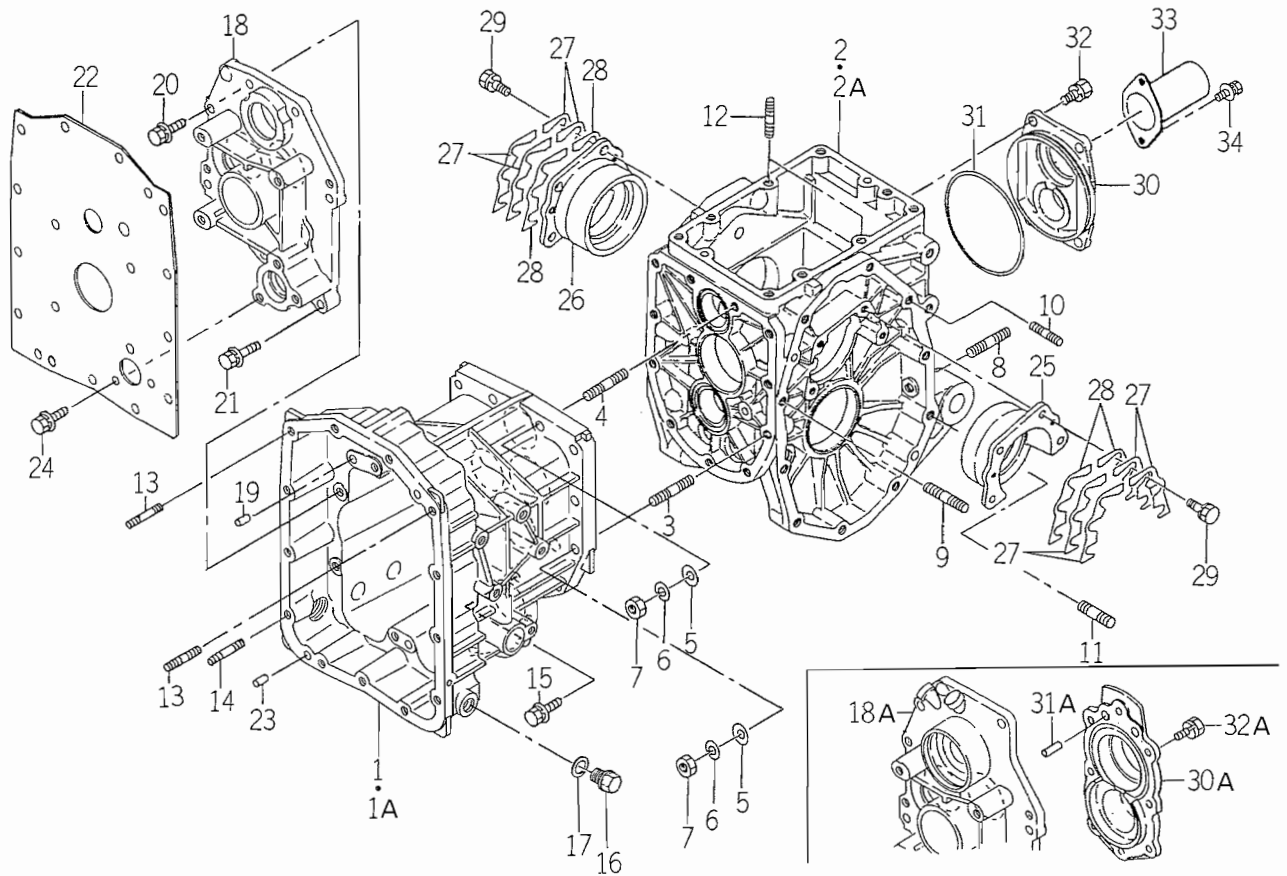
FIG. 10 CLUTCH PEDAL SYSTEM (EXCEPT S TYPE)



KEY	PART CODE	DESCRIPTION	QTY	TYPE OF VOOFPL		I C	C L	C H P	REMARKS
				TVG13					
1	1683 - 177 - 500 - 20	PEDAL CLUTCH COMP	1						
2	1704 - 140 - 322 - 30	PIN,SNAP, 22 C	1						
3	1707 - 260 - 802 - 50	BOLT M 8X25	2						
4	1307 - 200 - 006 - 30	NUT/M 8	2						
5	1105 - 105 - 001 - 00	SPRING/4.3084	1						
6	1544 - 173 - 005 - 00	ROLLER	1						
7	1411 - 200 - 000 - 00	WASHER / M8	1						
8	1500 - 162 - 002 - 00	PIN,SP,17/2 42C	1						
9	1434 - 172 - 007 - 00	ROLLER,CLUTCH (A)	1						
10	1421 - 122 - 003 - 00	ROLLER,CLUTCH	1						
11	1304 - 200 - 008 - 00	NUT/M 8	1						
12	1583 - 172 - 051 - 20	ROLLER,CLUTCH/E	1						
13	1411 - 200 - 003 - 00	WASHER,PL/M 8	2						
14	1500 - 162 - 001 - 50	PIN,SP,17/2 42C	2						
15	1070 - 122 - 001 - 00	TUBE,ROD	1						



FIG. 11 TRANSMISSION CASE SYSTEM (EXCEPT S TYPE)

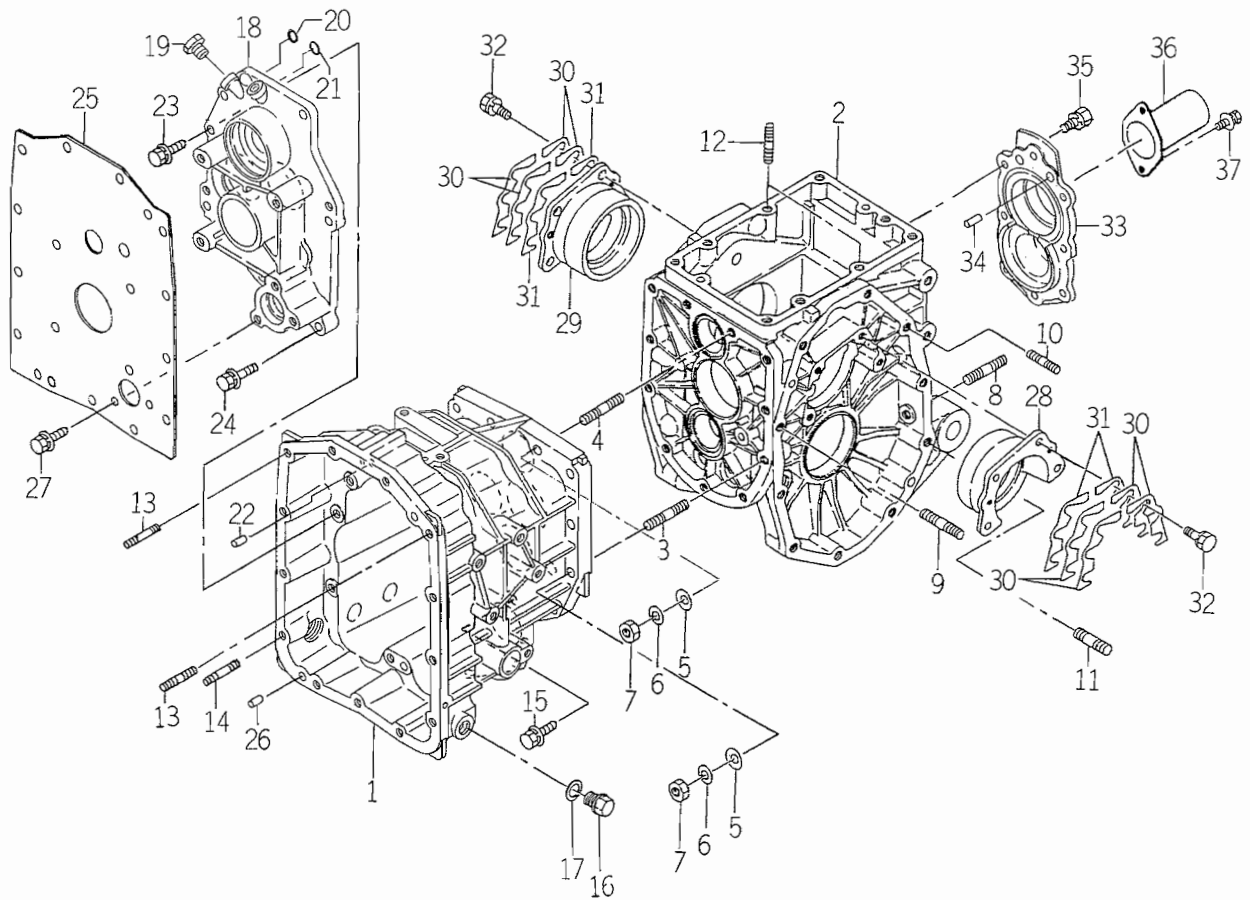


1683-201

KEY	PART CODE	DESCRIPTION	QTY	TYPE OF MODEL		I T C	C O L	G R P	REMARKS
				TMG18					
1	1683 - 201 - 051 - 00	CASE/TRANSMISSION/HS	1	1-					
1A	1683 - 201 - 051 - 10	CASE/TRANSMISSION/HS	1	-200			3		
2	1427 - 201 - 002 - 50	CASE/TRANSMISSION/RE	1	1-					
2A	1688 - 201 - 055 - 00	CASE/TRANSMISSION/RE	1	-200					
3	V252 - 341 - 003 - 50	BOLT/M10X35	8	*					
4	V251 - 341 - 003 - 5D	BOLT/STUD/SEAL	2	*					
5	V411 - 260 - 010 - 00	WASHER/M10	10	*					
6	V401 - 160 - 010 - 00	WASHER,SP/M10	10	*					
7	V304 - 260 - 010 - 00	NUT	10	*					
8	V251 - 261 - 202 - 5D	BOLT/STUD/SEAL	2	*					
9	V252 - 261 - 004 - 00	BOLT/STUD	2	*					
10	V252 - 261 - 005 - 50	BOLT/M10X55	2	*					
11	V252 - 341 - 204 - 50	BOLT/STUD	2	*					
12	V252 - 341 - 003 - 00	BOLT/STUD	2	*					
13	V252 - 341 - 002 - 00	BOLT/STUD	2	*					
14	V251 - 341 - 002 - 50	BOLT/STUD	1	*					
15	V211 - 661 - 005 - 00	BOLT/SP	1	*					
16	1427 - 201 - 007 - 00	PLUG,DRAIN	1	*					
17	1427 - 201 - 008 - 00	WASHER,SEAL/16	1	*					
18	1683 - 201 - 052 - 10	METAL/HST	1	1-					
18A	1683 - 201 - 052 - 20	METAL/HST	1	-200			3		
19	V523 - 101 - 002 - 40	PIN	2	*					
20	V211 - 661 - 003 - 50	BOLT/SP	6	*					
21	V211 - 661 - 004 - 00	BOLT/SP	1	*					
22	1683 - 201 - 053 - 10	PLATE/COVER	1	*					



FIG. 12 TRANSMISSION CASE SYSTEM (S TYPE)

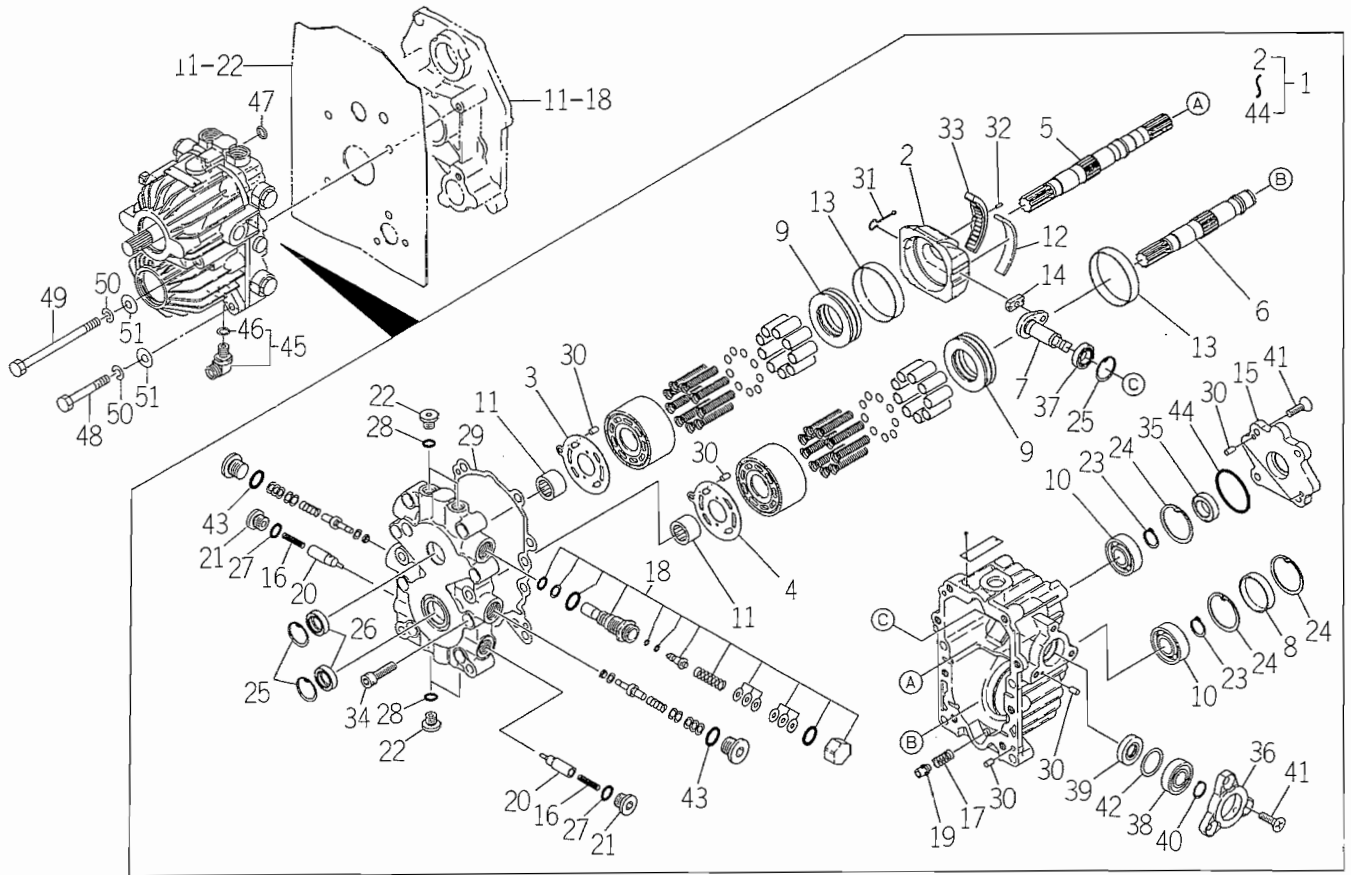


1688-201

KEY	PART CODE	DESCRIPTION	QTY	TYPE OF MODEL		I T C	C O L	G R P	REMARKS
				TMG18					
1	1688 - 201 - 051 - 10	CASE/TRANSMISSION/HS	1	*		1			
2	1688 - 201 - 055 - 00	CASE/TRANSMISSION/RE	1	*					
3	V252 - 341 - 003 - 50	BOLT/M10X35	8	*					
4	V251 - 341 - 003 - 5D	BOLT/STUD/SEAL	2	*					
5	V411 - 260 - 010 - 00	WASHER/M10	10	*					
6	V401 - 160 - 010 - 00	WASHER,SP/M10	10	*					
7	V304 - 260 - 010 - 00	NUT	10	*					
8	V251 - 261 - 202 - 5D	BOLT/STUD/SEAL	2	*					
9	V252 - 261 - 004 - 00	BOLT/STUD	2	*					
10	V252 - 261 - 005 - 50	BOLT/M10X55	2	*					
11	V252 - 341 - 204 - 50	BOLT/STUD	2	*					
12	V252 - 341 - 003 - 00	BOLT/STUD	2	*					
13	V252 - 341 - 002 - 00	BOLT/STUD	2	*					
14	V251 - 341 - 002 - 50	BOLT/STUD	1	*					
15	V211 - 661 - 005 - 00	BOLT/SP	1	*					
16	1427 - 201 - 007 - 00	PLUG,DRAIN	1	*					
17	1427 - 201 - 008 - 00	WASHER,SEAL/16	1	*					
18	1688 - 201 - 052 - 00	METAL/HST	1	*					
19	1326 - 706 - 002 - 10	PLUG,DRAIN	2	*					
20	V720 - 101 - 900 - 70	O - RING/P 7	1	*					
21	V720 - 101 - 900 - 50	O - RING/P 5	1	*					
22	V523 - 101 - 002 - 40	PIN	2	*					
23	V211 - 661 - 003 - 50	BOLT/SP	6	*					
24	V211 - 661 - 004 - 00	BOLT/SP	1	*					
25	1683 - 201 - 053 - 10	PLATE/COVER	1	*					



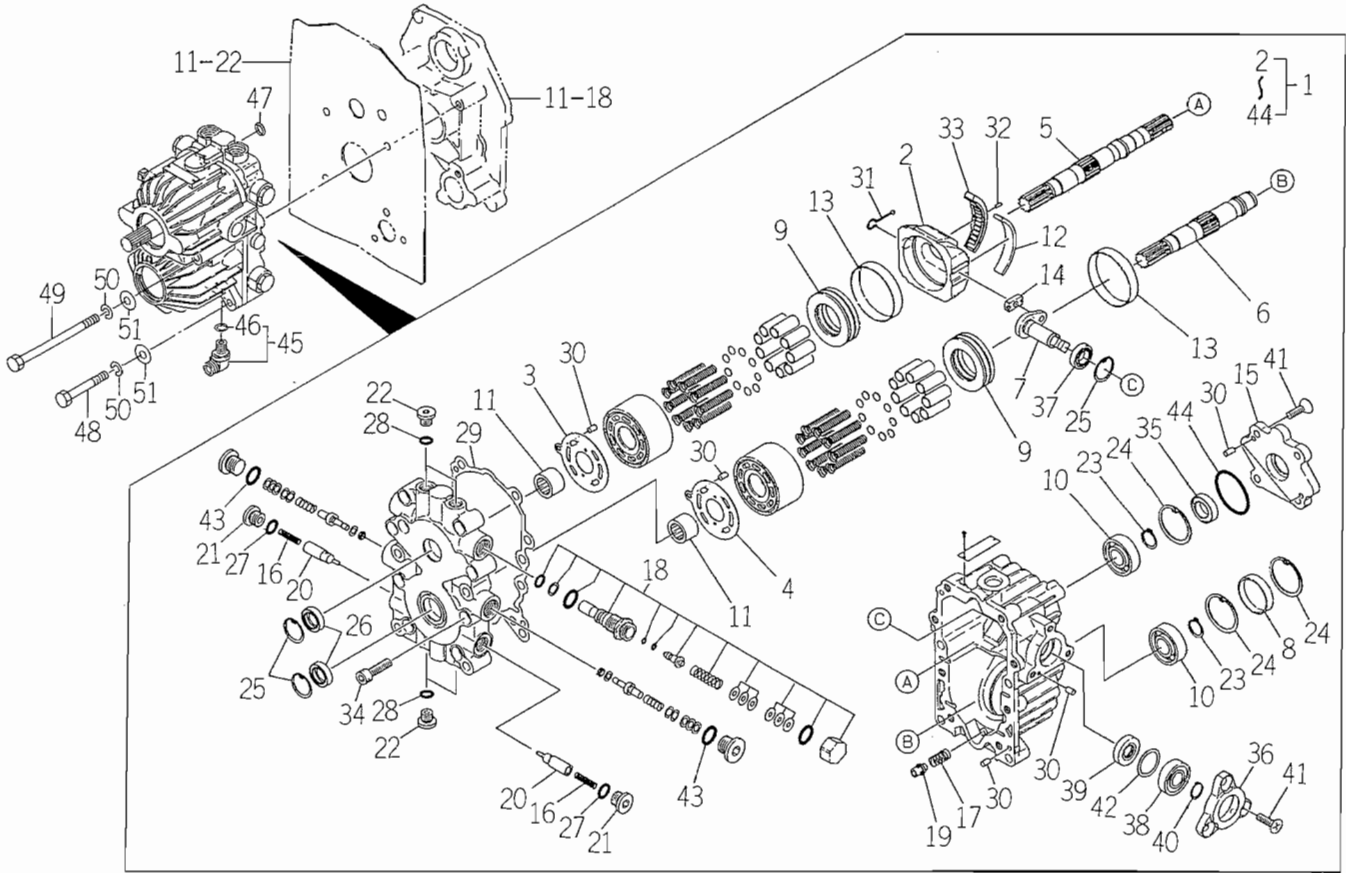
FIG. 13 HST SYSTEM



1683-202

KEY	PART CODE	DESCRIPTION	QTY	TYPE OF MODEL		I T C	C O L	G R P	REMARKS
				TMG18					
1	1683 - 202 - 500 - 00	HST ASSY	1	*					
2	1683 - 202 - 501 - 00	PLATE/SWASH	1	*					
3	1683 - 202 - 502 - 00	PLATE/VALVE	1	*					
4	1683 - 202 - 503 - 00	PLATE/VALVE	1	*					
5	1683 - 202 - 504 - 00	SHAFT/P	1	*					
6	1683 - 202 - 505 - 00	SHAFT/M	1	*					
7	1683 - 202 - 506 - 00	SHAFT/TRUNNION	1	*					
8	1683 - 202 - 507 - 00	PLUG/BOA	1	*					
9	1683 - 202 - 508 - 00	BEARING/THRUST	2	*					
10	1683 - 202 - 509 - 00	BEARING/BALL	2	*					
11	1683 - 202 - 511 - 00	BEARING/NEEDLE	2	*					
12	1683 - 202 - 512 - 00	BUSH	1	*					
13	1683 - 202 - 513 - 00	BUSH	2	*					
14	1683 - 202 - 514 - 00	METAL/SLIDE	1	*					
15	1683 - 202 - 515 - 00	COVER	1	*					
16	1683 - 202 - 516 - 00	SPRING	2	*					
17	1683 - 202 - 517 - 00	SPRING	1	*					
18	1683 - 202 - 518 - 00	VALVE/S/A	1	*					
19	1683 - 202 - 519 - 00	VALVE/S/A	1	*					
20	1683 - 202 - 521 - 00	POPPET	2	*					
21	1683 - 202 - 522 - 00	PLUG	2	*					
22	1683 - 202 - 523 - 00	PLUG	4	*					
23	V704 - 140 - 020 - 00	RING,SNAP/20C	2	*					
24	V705 - 140 - 047 - 00	RING,SNAP/47 C	3	*					
25	V705 - 140 - 030 - 00	RING,SNAP/30 C	3	*					

FIG. 13 HST SYSTEM



1683-202

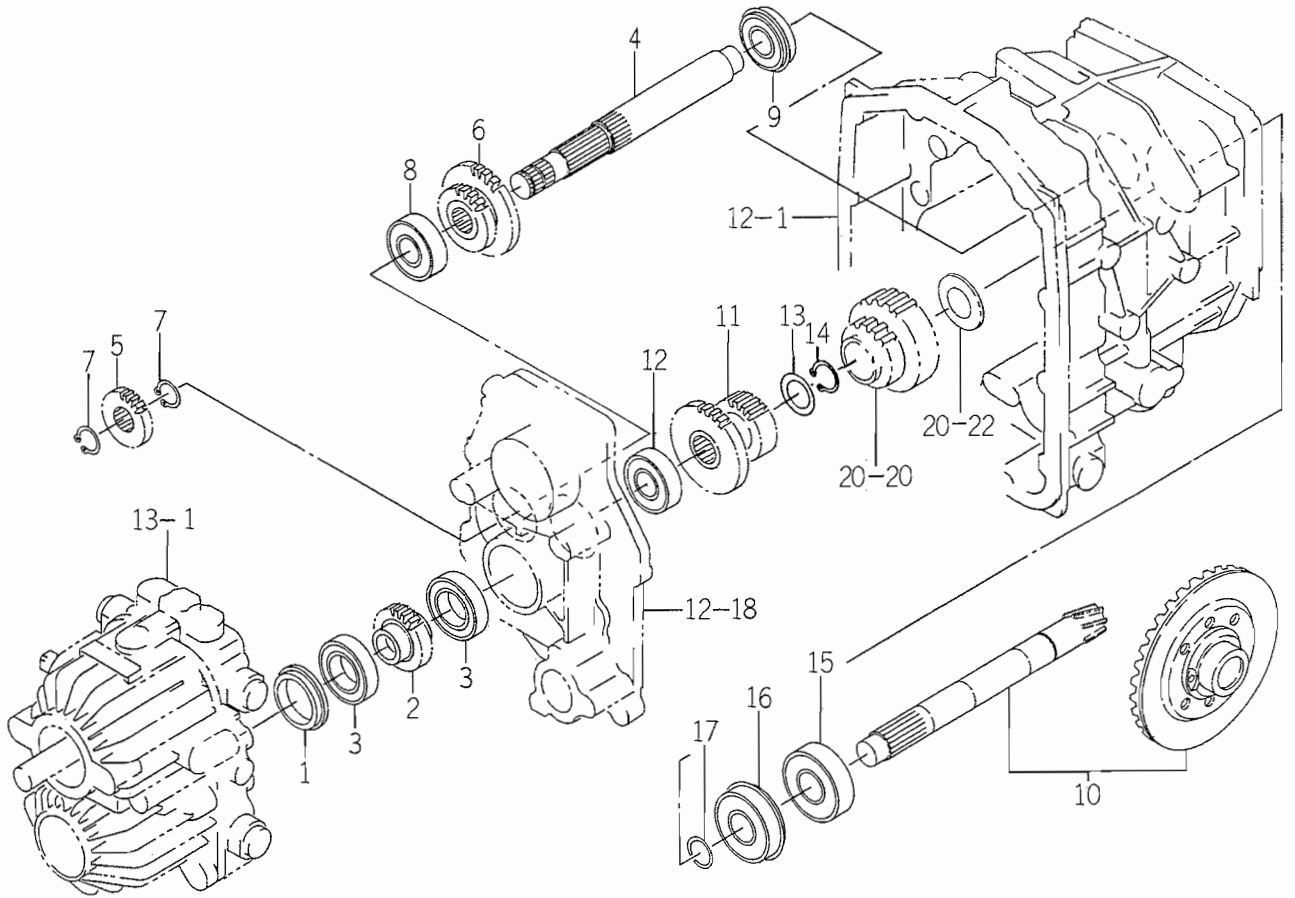
KEY	PART CODE	DESCRIPTION	QTY	TYPE OF MODEL		I T C	C O L	G R P	REMARKS
				TMG18					
26	1683 - 202 - 524 - 00	SEAL/OIL	2	*					
27	V720 - 112 - 401 - 40	O - RING/P14	2	*					
28	V720 - 112 - 401 - 10	RING/O	4	*					
29	1683 - 202 - 525 - 00	GASKET	1	*					
30	1683 - 202 - 526 - 00	PIN	8	*					
31	1683 - 202 - 527 - 00	GUIDE ASSY	1	*					
32	1683 - 202 - 528 - 00	PIN	1	*					
33	1683 - 202 - 519 - 00	VALVE/S/A	1	*					
34	V220 - 541 - 003 - 50	SCREW/SOCKET	8	*					
35	1683 - 202 - 531 - 00	SEAL/OIL	1	*					
36	1683 - 202 - 532 - 00	COVER	1	*					
37	1683 - 202 - 533 - 00	BEARING/BALL	1	*					
38	1683 - 202 - 534 - 00	BEARING/BALL	1	*					
39	1683 - 202 - 535 - 00	SEAL/OIL	1	*					
40	V704 - 140 - 017 - 00	RING,SNAP/17 C	1	*					
41	1683 - 202 - 536 - 00	SCREW	7	*					
42	1683 - 202 - 537 - 00	WASHER	1	*					
43	V720 - 112 - 401 - 80	O - RING/P18	2	*					
44	1683 - 202 - 538 - 00	RING/O	1	*					
45	1683 - 273 - 640 - 00	ADAPTER/L/PF3/8 ASSY	1	*					
46	V720 - 112 - 401 - 40	O - RING/P14	1	*					
47	V720 - 102 - 401 - 40	O - RING/P14	1	*					
48	V201 - 361 - 007 - 50	BOLT	2	*					
49	V201 - 361 - 014 - 00	BOLT	2	*					
50	V401 - 160 - 010 - 00	WASHER,SP/M10	4	*					







FIG. 15 DRIVE GEAR SYSTEM (S TYPE)

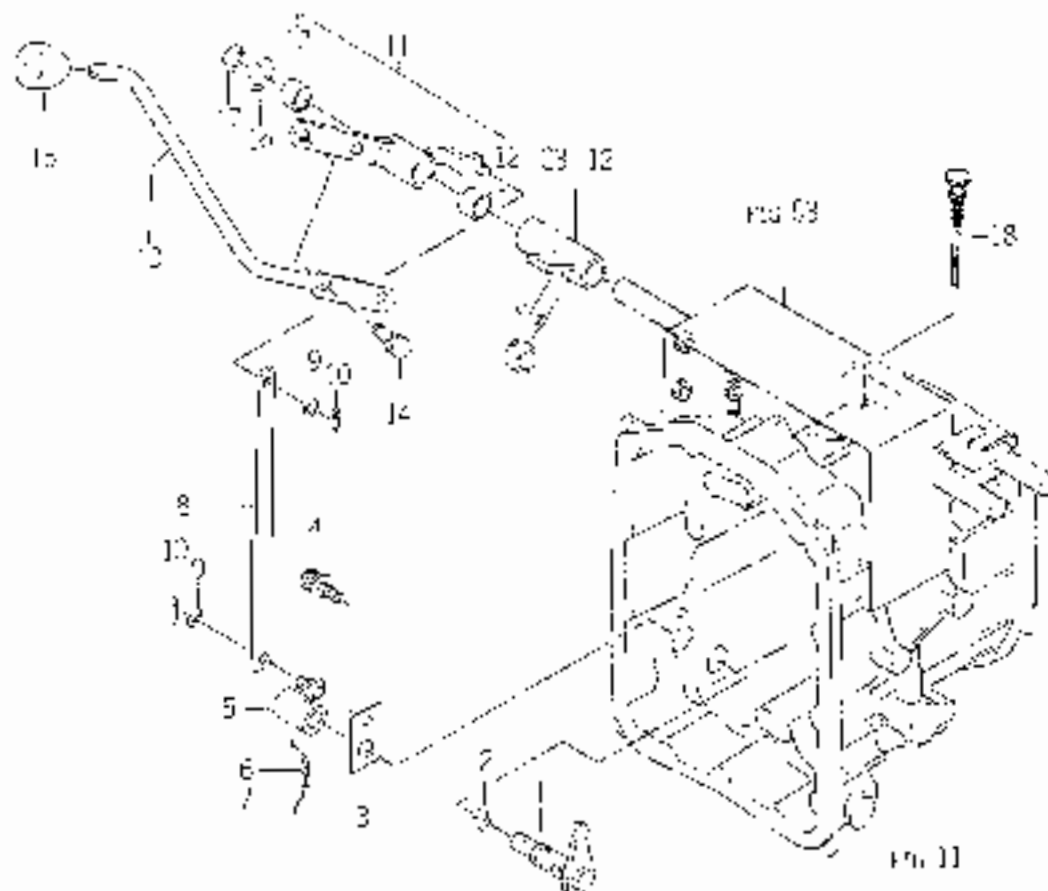


1688-203

KEY	PART CODE	DESCRIPTION	QTY	TYPE OF MODEL		I T C	C O L	G R P	REMARKS
				TMG18					
1	1683 - 202 - 051 - 00	COLLAR/41X55X10	1	*					
2	1683 - 203 - 051 - 00	GEAR/SPUR/19	1	*					
3	V600 - 111 - 600 - 60	BEARING,RB	2	*					
4	1683 - 203 - 052 - 00	SHAFT/SUB	1	*					
5	1683 - 203 - 053 - 00	GEAR/SPUR/17	1	*					
6	1683 - 203 - 054 - 00	GEAR/SPUR/19 - 29	1	*					
7	V704 - 140 - 020 - 00	RING,SNAP/20C	2	*					
8	V600 - 110 - 630 - 40	BEARING,RB/6304	1	*					
9	V607 - 110 - 620 - 40	BEARING,RB/6204NR	1	*					
10	1688 - 203 - 500 - 00	PINION/BEVEL/07 SET	1	*					
11	1688 - 203 - 055 - 00	GEAR/SPUR/19 - 29	1	*					
12	V600 - 110 - 630 - 40	BEARING,RB/6304	1	*					
13	1593 - 203 - 058 - 20	COLLAR/25X35X02	1	*					
14	V704 - 140 - 025 - 00	RING,SNAP/25 C	1	*					
15	1594 - 218 - 001 - 00	BEARING/BALL 6305SH2	1	*					
16	1491 - 203 - 006 - 10	BEARING	1	*					
17	1427 - 203 - 002 - 00	RING,SNAP/25	1	*					



FIG. 17 SUB LEVER SYSTEM



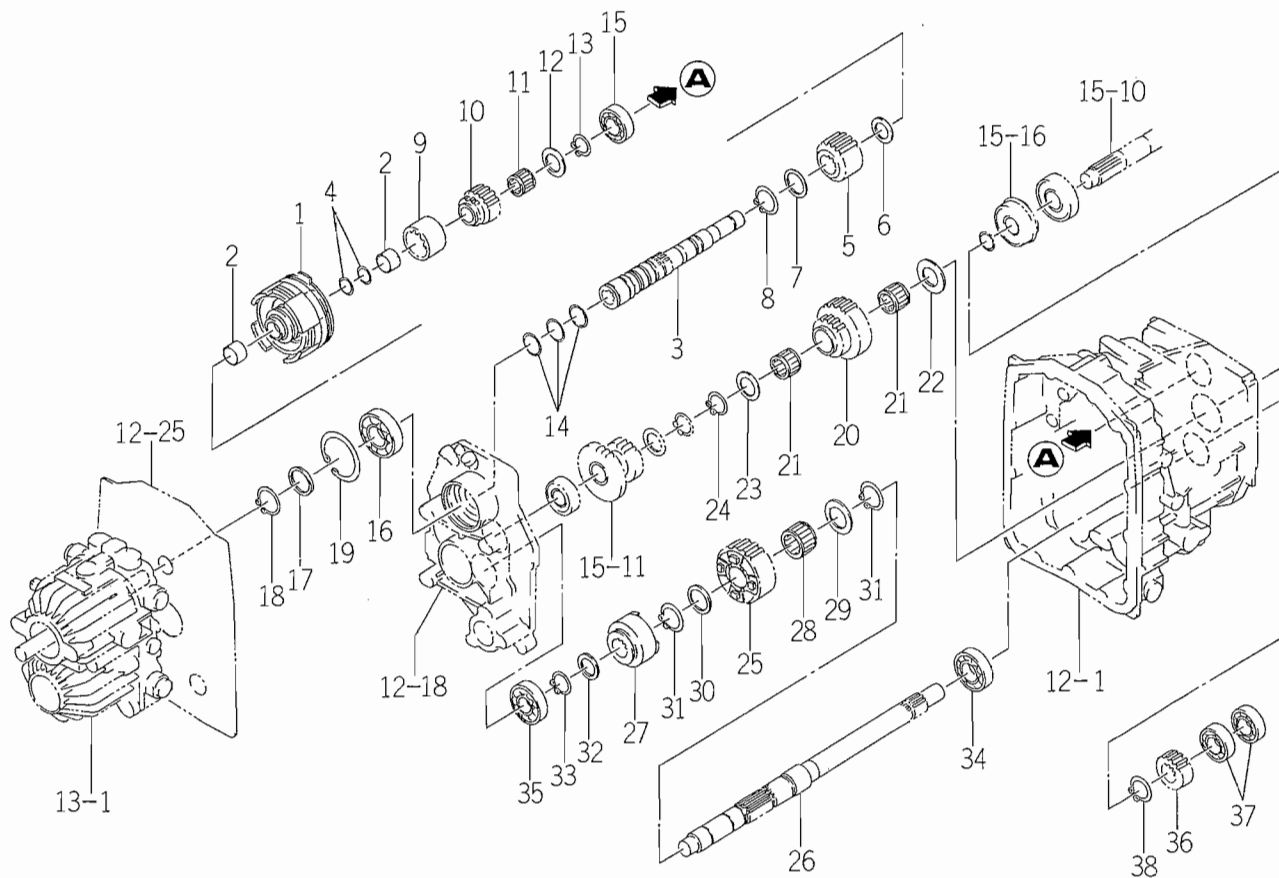
Rev. A

KEY	PART CODE	DESCRIPTION	QTY	TYPE OF MODIF			REMARKS
				W	C	S	
	1083 - 208 - 500 - 00	PIN/CH-1	1				
1	V120 - 102 - 401 - 40	C-RIMS #14	2				
2	V420 - 210 - 208 - 00	PLATE 1/2x3x1/8	1				
3	V211 - 360 - 001 - 00	ROTTSEYS (SP)	1				
4	V563 - 208 - 512 - 00	ARM/SHFL/SUB COMP	1				
5	V080 - 140 - 502 - 50	FINISHING/S A25 W WR	1				
6	1695 - 208 - 051 - 10	PLATE 1/2x3x3/8	1				
9	V411 - 260 - 008 - 00	WASHER/F M 8	2				
10	V500 - 185 - 001 - 00	PLATE IT/3 1/2"	2				
11	1083 - 208 - 510 - 00	LEVER/SUB	1				ASSY
12	3608 - 512 - 001 - 00	BUSH	2				
13	1603 - 308 - 053 - 00	LEVER/SUB	1				
14	V211 - 261 - 002 - 00	SPINDERS	2				
15	1544 - 218 - 003 - 00	SCREW EXTR/3	1				
16	2144 - 410 - 022 - 00	WASHER/F 1/8x3/8	1				
17	V703 - 130 - 013 - 00	RING SNAP 1A C	1				
18	2130 - 208 - 034 - 00	LEVEL GAUGE	1				





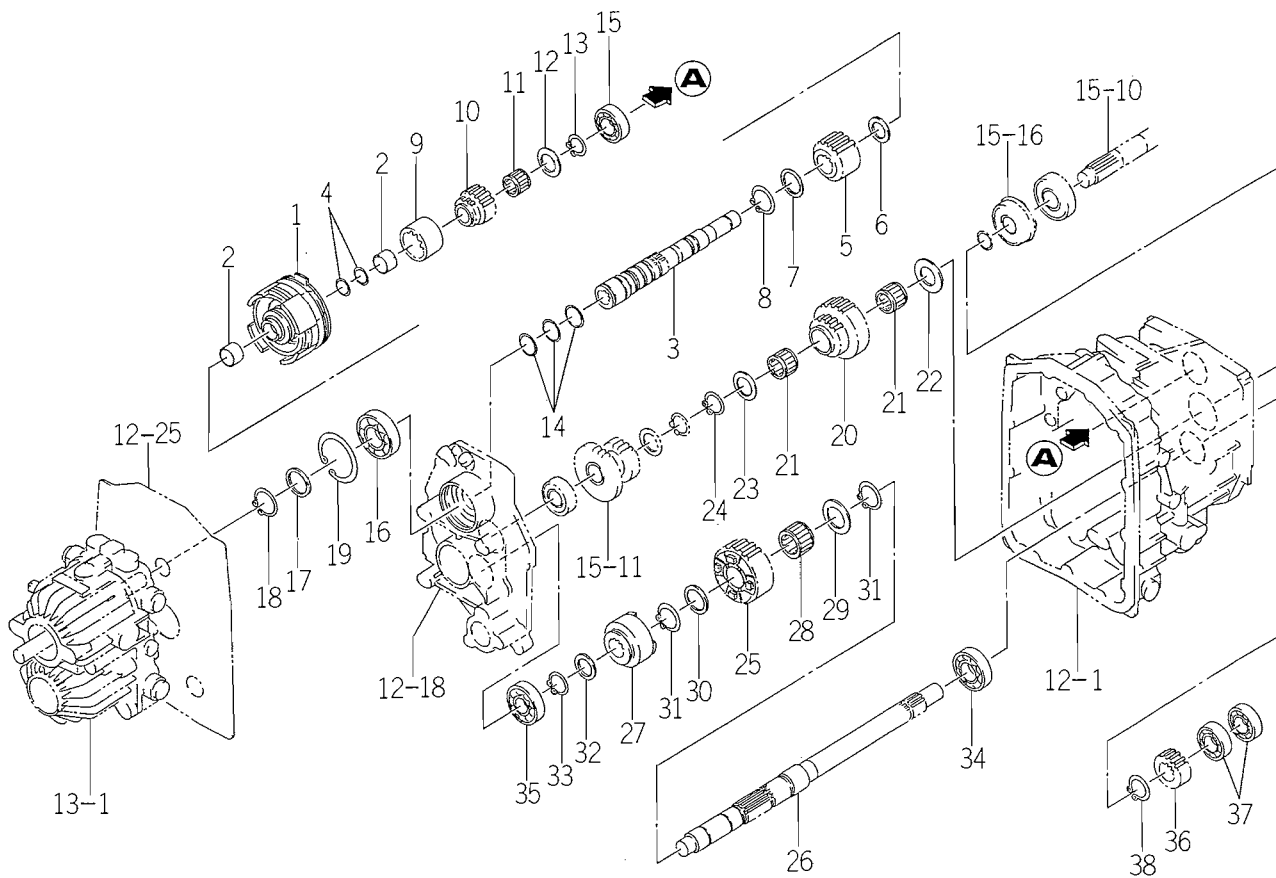
FIG. 20 PTO GEAR SYSTEM (S TYPE)



1688-211A

KEY	PART CODE	DESCRIPTION	QTY	TYPE OF MODEL		I T C	C O L	G R P	REMARKS
				TMG18					
1	1688 - 211 - 500 - 00	CLUTCH/PTO ASSY	1	*					FIG 080
2	1688 - 211 - 058 - 00	BUSH/22X25X15	2	*					
3	1688 - 211 - 510 - 10	SHAFT/PTO COMP	1	*		1			
4	1688 - 211 - 057 - 00	RING/22	2	*					
5	1688 - 211 - 051 - 00	GEAR/SPUR/33	1	*					
6	1480 - 207 - 012 - 00	COLLAR 23X34X2	1	*					
7	1544 - 322 - 002 - 00	WASHER/30X40X2	1	*					
8	V704 - 140 - 030 - 00	RING,SNAP/30 C	1	*					
9	1688 - 211 - 053 - 00	COUPLING/37X50X35	1	*					
10	1688 - 211 - 052 - 00	GEAR/SPUR/18	1	*					
11	V654 - 420 - 262 - 40	BEARING,NR/KT20264	1	*					
12	3656 - 107 - 004 - 00	WASHER/21X38X02	1	*					
13	V704 - 140 - 020 - 00	RING,SNAP/20C	1	*					
14	1650 - 203 - 008 - 00	RING/30	3	*					
15	V600 - 110 - 620 - 40	BEARING,RB/6204	1	*					
16	V600 - 110 - 620 - 60	BEARING,RB/6206	1	*					
17	1544 - 322 - 002 - 00	WASHER/30X40X2	1	*					
18	V704 - 140 - 030 - 00	RING,SNAP/30 C	1	*					
19	V707 - 140 - 062 - 00	RING/SNAP	1	*					
20	1688 - 211 - 054 - 00	GEAR/SPUR/31 - 20	1	*					
21	V654 - 425 - 322 - 40	BEARING KT253224	2	*					
22	1435 - 203 - 001 - 00	COLLAR/25X46X3	1	*					
23	3650 - 106 - 002 - 00	WASHER/25X42X2	1	*					
24	V704 - 140 - 025 - 00	RING,SNAP/25 C	1	*					
25	1688 - 211 - 055 - 00	GEAR/SPUR/30	1	*					

FIG. 20 PTO GEAR SYSTEM (S TYPE)



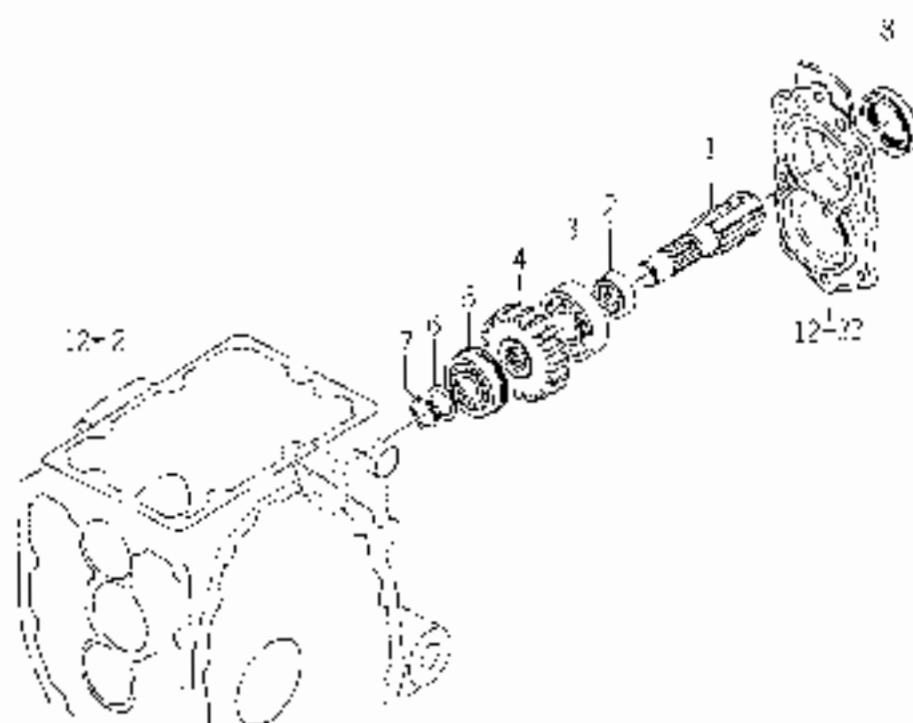
1688-211A

KEY	PART CODE	DESCRIPTION	QTY	TYPE OF MODEL		I T C	C O L	G R P	REMARKS
				TMG18					
26	1688 - 211 - 056 - 10	SHAFT/DRIVE/PTO	1	*					
27	1688 - 211 - 059 - 00	HUB/CLUTCH	1	*					
28	V654 - 430 - 382 - 40	BEARING,NR/KT303824	1	*					
29	1560 - 208 - 018 - 40	WASHER/30X46X2	1	*					
30	1544 - 322 - 002 - 00	WASHER/30X40X2	1	*					
31	V704 - 140 - 030 - 00	RING,SNAP/30 C	2	*					
32	1593 - 203 - 058 - 20	COLLAR/25X35X02	1	*					
33	V704 - 140 - 025 - 00	RING,SNAP/25 C	1	*					
34	V600 - 110 - 620 - 50	BEARING,RB/6205	1	*					
35	V600 - 110 - 630 - 40	BEARING,RB/6304	1	*					
36	1688 - 211 - 061 - 00	GEAR/SPUR/13	1	*					
37	V600 - 110 - 620 - 40	BEARING,RB/6204	2	*					
38	V704 - 140 - 025 - 00	RING,SNAP/25 C	1	*					





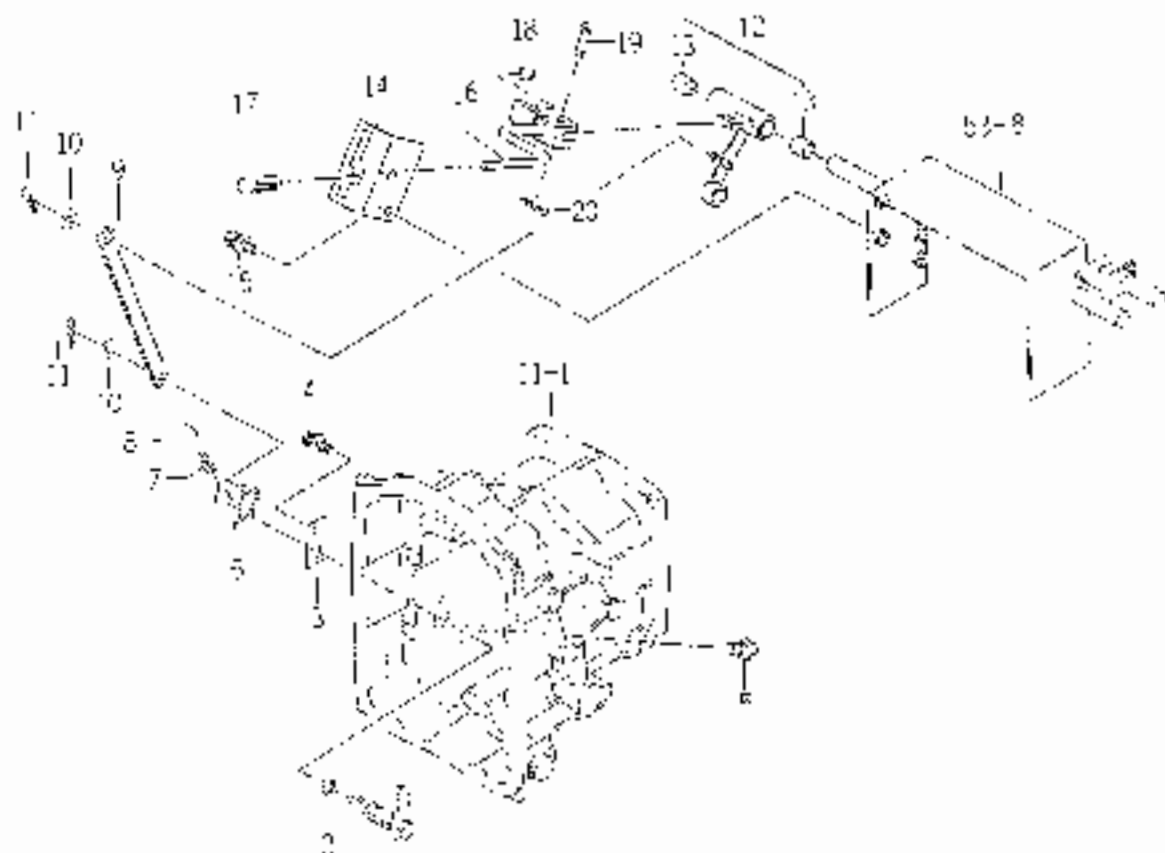
FIG. 22 PTO SHAFT SYSTEM (S TYPE)



198-72

KEY	PART CODE	DESCRIPTION	QTY	TYPE OF MODEL			REMARKS
				TYPE	COL	GRP	
1	1072-212-001-00	SHAFT / 1.0	1				
2	1427-212-003-00	SLEEVE	1				
3	1594-218-001-00	BEARING / 6011-2	1				
4	1688-212-001-10	GEAR / SPLINE / 25	1				
5	V007-110-630-40	GEAR / SPLINE / 40	1				
6	1421-212-002-00	WASHER / 20X28X2	1				
7	V704-140-020-00	RING / 20X	1				
8	V744-135-550-50	SHAFT / 1.0	1				

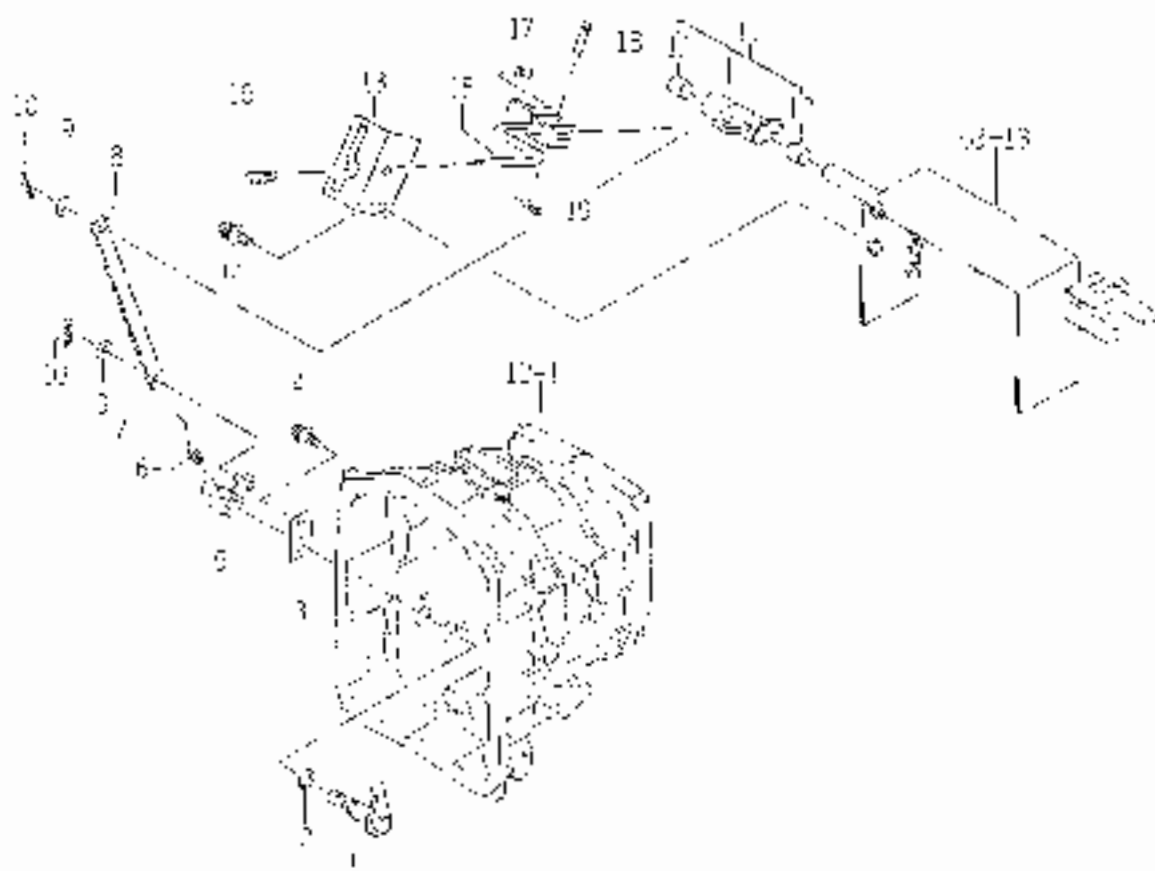
FIG. 23 PTO LEVER SYSTEM (EXCEPT S TYPE)



4-7728

KEY	PART CODE	DESCRIPTION	QTY	TYPE OF NCDEL		I T C	C O D	P R G	REMARKS
				TVS1s					
1	1603 - 200 - 500 - 00	PIN/SHIF COMP	1						
2	V720 - 102 - 401 - 40	O RING/PIA	2						
3	1820 - 255 - 206 - 10	PLATE 1/18X20	1						
4	V211 - 300 - 801 - 50	COLL/SPR/MBZ20	1						
5	V204 - 261 - 207 - 00	BOLT/MIXED	1						
6	1683 - 209 - 520 - 00	ARM/SHIF COMP	1						
7	V530 - 140 - 802 - 50	PN/SRING 1/8 X25 1/4	1						
8		W TC	1						
9	1683 - 216 - 052 - 00	PLATE 1/18X21 1/4	1						
10	V711 - 260 - 008 - 00	WASHER PL/V 8	2						
11	V500 - 165 - 002 - 00	PIN/PL 1/8 X20	2						
12	1884 - 208 - 520 - 00	ARM/PTO ASSY	1						
13	3550 - 017 - 001 - 00	BLUSH	2						
14	1057 - 216 - 051 - 10	GUIDE/SHANGE	1						
15	V211 - 300 - 802 - 00	COLL SPR MBZ20	2						
16	1683 - 216 - 500 - 00	LEVER/PTO COMP	1						
17	3640 - 585 - 001 - 00	SLIP/YELLOW	1						
18	2140 - 601 - 031 - 00	SPRING 1/8X24	1						
19	2144 - 515 - 001 - 00	PIB/GRYAT	1						
20	V500 - 167 - 501 - 00	PIUSH T/25X20	1						

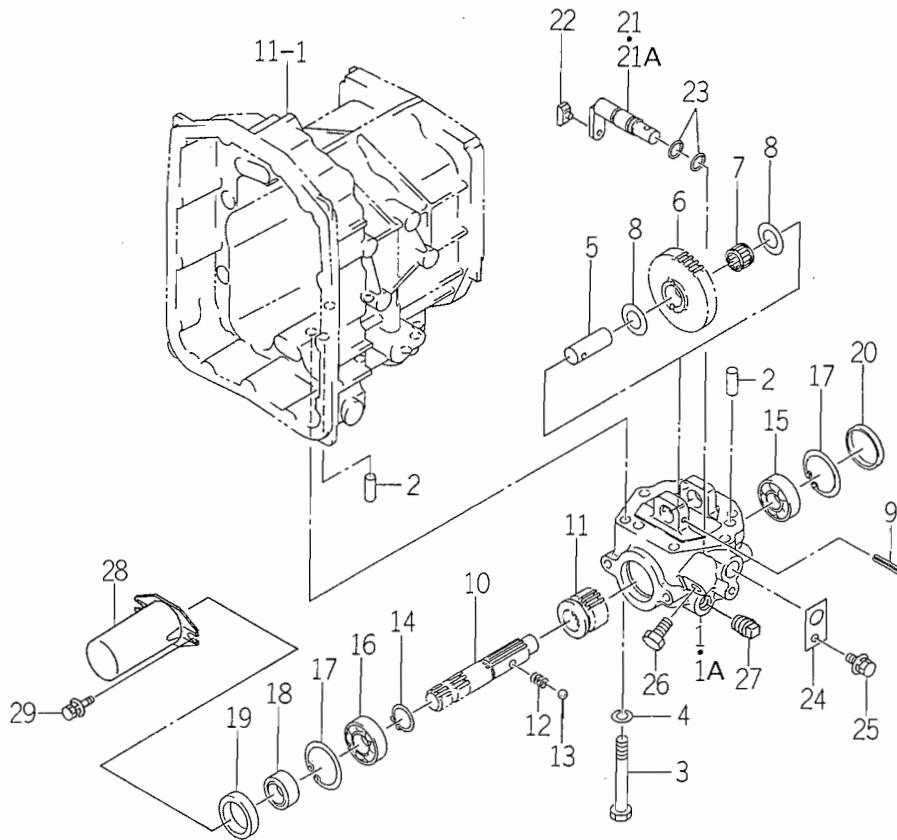
FIG. 24 PTO LEVER SYSTEM (S TYPE)



100-20

KEY	PART CODE	DESCRIPTION	QTY	TYPE OF WJEL.	I	C	G	R	REMARKS
				TYPE					
1	1685 - 205 - 000 - 00	HA/SIST COMP							
2	1730 - 102 - 401 - 40	G. RING/214	2						
3	1670 - 250 - 208 - 00	PLATE/30X50							
4	1211 - 050 - 001 - 00	RO. SPRING (CP)	1						
5	1083 - 265 - 510 - 00	ARM/24-1/MD COMP	1						
6	1580 - 140 - 802 - 50	HA/SFRNC/6 X25 W.	1						
7		WAL	1						
8	1588 - 215 - 051 - 00	PLATE/1 PR273	1						
9	1411 - 260 - 006 - 00	WASHER/1 M 8	2						
10	1630 - 103 - 002 - 00	PLATE/13 X20	2						
11	1688 - 216 - 000 - 00	ARM/PIO ASSY							
12	3668 - 612 - 001 - 00	BUSH	2						
13	1603 - 216 - 051 - 10	SCREW CHARGE							
14	1211 - 360 - 502 - 00	BOLT STD PRX20	2						
15	1500 - 218 - 500 - 10	LEVER/PTO COMP	1						
16	3040 - 583 - 001 - 00	CLIP YELLOW	1						
17	0149 - 601 - 031 - 00	SPRING 1-0024	1						
18	2144 - 519 - 007 - 00	PN 0-XXI	1						
19	1500 - 162 - 502 - 00	TRANSDIT/2 5X20	1						

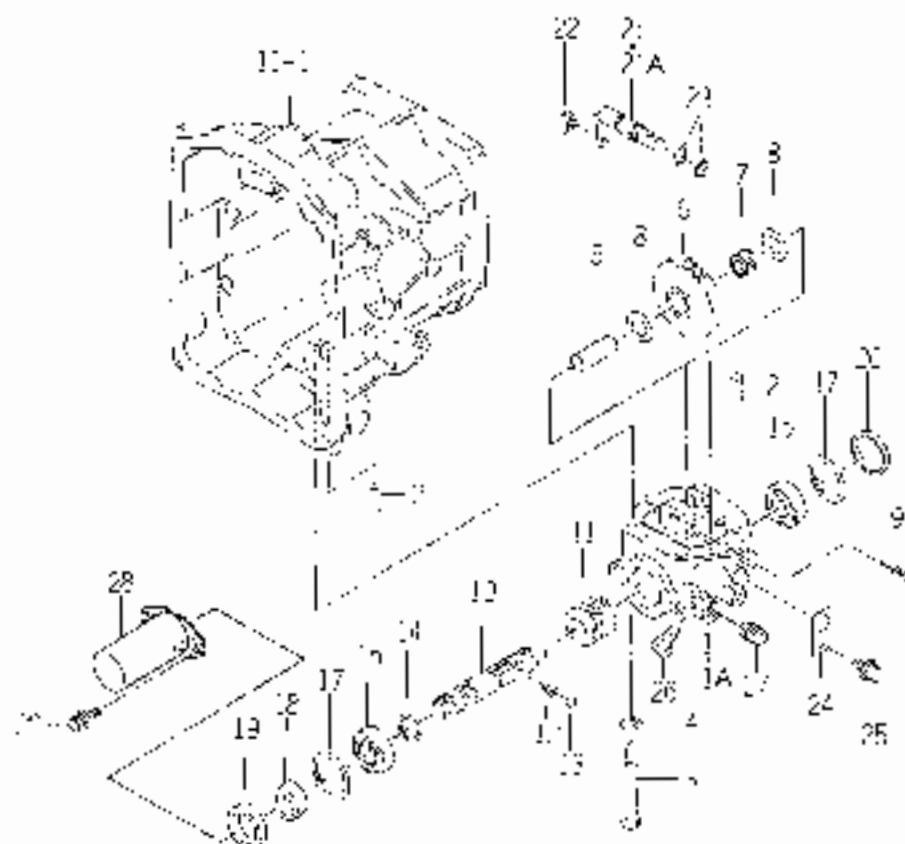
FIG. 25 MID PTO SYSTEM



1683-255

KEY	PART CODE	DESCRIPTION	QTY	TYPE OF MODEL		I T C	C O L	G R P	REMARKS
				TMG18					
1	1682 - 255 - 201 - 00	CASE/PTO/MID	1		1- -209 210-				
1A	1682 - 255 - 201 - 10	CASE/PTO/MID	1			1			
2	V523 - 101 - 002 - 40	PIN	2	*					
3	V201 - 361 - 009 - 00	BOLT/M10X90	6	*					
4	V401 - 160 - 010 - 00	WASHER,SP/M10	6	*					
5	1682 - 255 - 203 - 00	PIN/20X51	1	*					
6	1682 - 255 - 202 - 00	GEAR/SPUR/34	1	*					
7	1682 - 255 - 002 - 10	BEARING/NEEDLE	1	*		1			
8	1480 - 212 - 003 - 00	COLLAR/21X36X1	2	*					
9	V580 - 140 - 604 - 00	PIN,SPRING/6 X40 W	1	*					
10	1682 - 255 - 204 - 00	SHAFT/PTO/MID	1	*					
11	1682 - 255 - 205 - 10	GEAR/SPUR/15	1	*					
12	1302 - 225 - 003 - 00	SPRING,SHIFTER	1	*					
13	V682 - 200 - 001 - 00	BALL	1	*					
14	V704 - 140 - 025 - 00	RING,SNAP/25 C	1	*					
15	V600 - 110 - 630 - 40	BEARING,RB/6304	1	*					
16	V600 - 110 - 620 - 50	BEARING,RB/6205	1	*					
17	V705 - 140 - 052 - 00	RING,SNAP/52 C	2	*					
18	1427 - 212 - 003 - 20	SLEEVE	1	*					
19	V744 - 135 - 520 - 80	SEAL,OIL/TC35528	1	*					
20	3625 - 701 - 003 - 00	CAP,BLANK/52	1	*					
21	1682 - 255 - 210 - 30	ARM/SHIFT/MID COMP	1		1- -209 210-				
21A	1682 - 255 - 210 - 40	ARM/SHIFT/MID COMP	1			1			
22	2703 - 101 - 020 - 00	COLLAR,SHIFTER	1	*					
23	V720 - 102 - 401 - 40	O - RING/P14	2	*					

FIG. 25 MID PTO SYSTEM



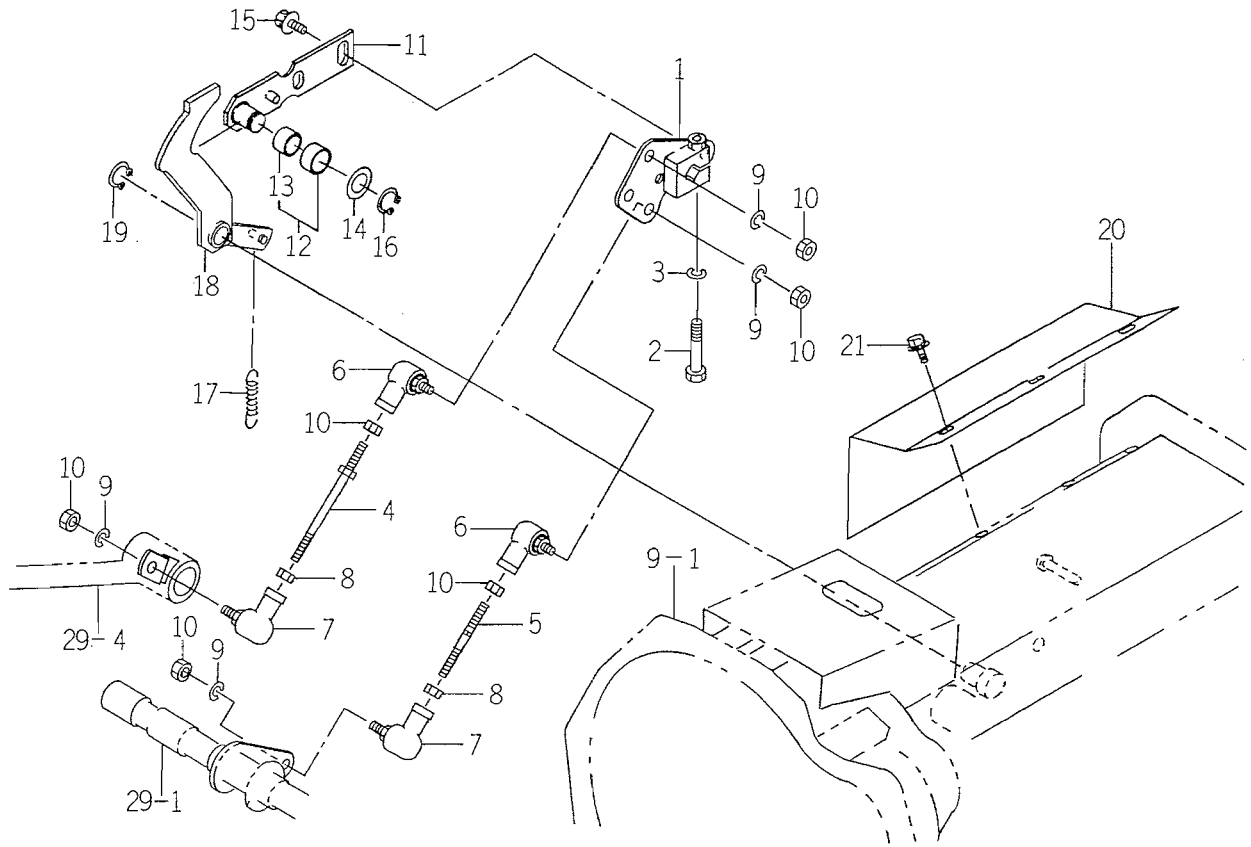
25 24

KEY	PART CODE	DESCRIPTION	QTY	TYPE OF MODEL		I T C	C O I	G R I	REMARKS
				7H12					
24	1820 - 255 - 106 - 00	PLATE/W/SCREWS	1						
25	V211 - 060 - 301 - 00	BOLT/EMG. STD.	1						
26	V203 - 261 - 202 - 00	NUT/W/2X20	1						
27	V761 - 100 - 300 - 09	PLUG/SCREW/SEAL	1						
28	1444 - 314 - 009 - 10	CAP/PTO SHAFT	1						
29	V210 - 300 - 002 - 00	BOLT/SP	2						





FIG. 28 LINK SYSTEM (S TYPE)



1588-271A

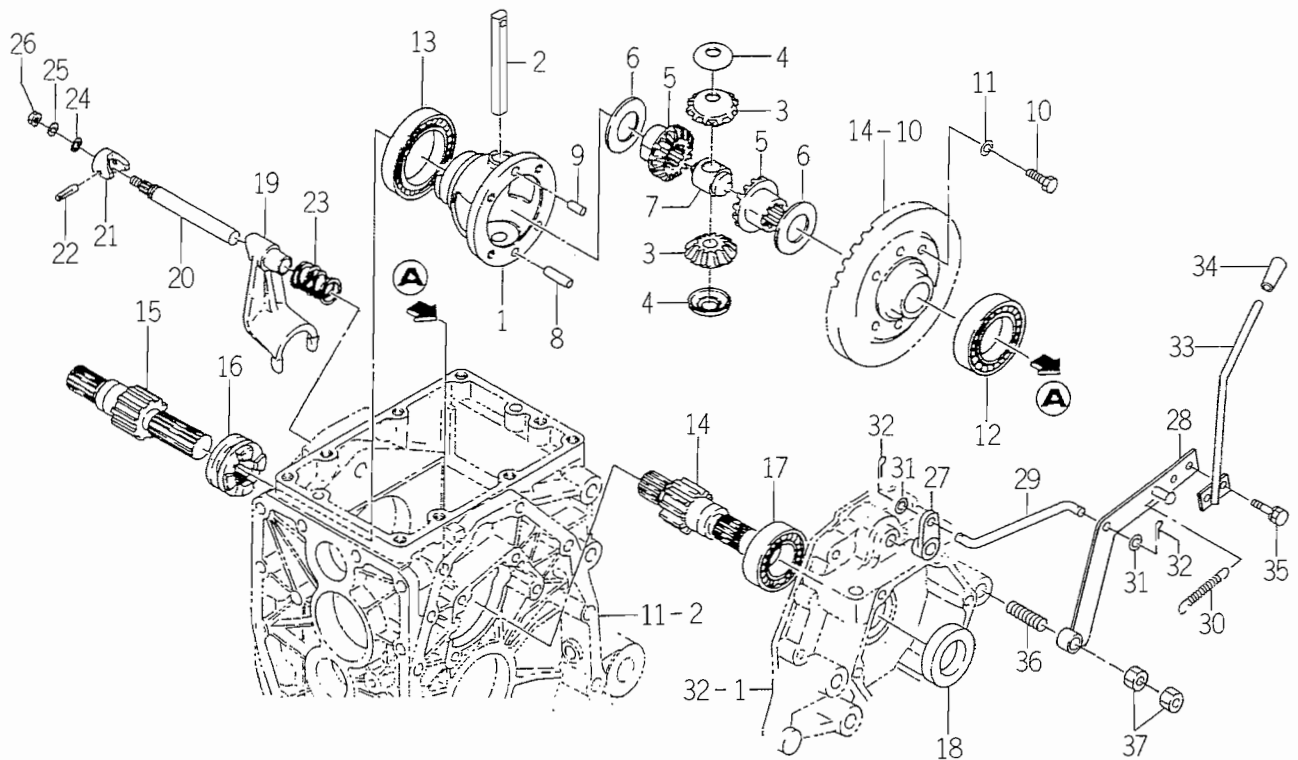
KEY	PART CODE	DESCRIPTION	QTY	TYPE OF MODEL		I T C	C O L	G R P	REMARKS
				TMG18					
1	1688 - 271 - 510 - 00	PIVOT/TRUNNION COMP	1	*					
2	V201 - 360 - 804 - 50	BOLT/M8X45/7T	1	*					
3	V401 - 160 - 008 - 00	WASHER,SP/M 8	1	*					
4	1683 - 271 - 560 - 00	ROD/M08X110 COMP	1	*					
5	1602 - 242 - 551 - 10	ROD/65	1	*					
6	1560 - 695 - 021 - 00	JOINT BALL M08RH	2	*					
7	1560 - 695 - 022 - 00	JOINT BALL M08LH	2	*					
8	1560 - 132 - 007 - 30	NUT/M8	2	*					
9	V401 - 160 - 008 - 00	WASHER,SP/M 8	4	*					
10	V304 - 260 - 008 - 00	NUT/M 8	6	*					
11	1683 - 271 - 500 - 30	ARM/NEUTRAL COMP	1	*					
12	1683 - 271 - 520 - 10	COLLAR/17X21X11 ASSY	1	*					
13	3643 - 420 - 004 - 00	BUSH/15X17X10	1	*					
14	3747 - 342 - 002 - 00	WASHER	1	*					
15	V211 - 360 - 801 - 60	BOLT,SEMS (SP)	2	*					
16	V704 - 140 - 015 - 00	RING,SNAP/15 C	1	*					
17	1105 - 410 - 003 - 00	SPRING/HE067	1	*					
18	1688 - 271 - 580 - 00	ARM COMP	1	*					
19	V704 - 140 - 015 - 00	RING,SNAP/15 C	1	*					
20	1683 - 271 - 001 - 30	COVER/TRUNNION	1	*					
21	V210 - 360 - 601 - 60	BOLT (SP) /M6X16	3	*					







FIG. 31 DIFFERENTIAL GEAR SYSTEM

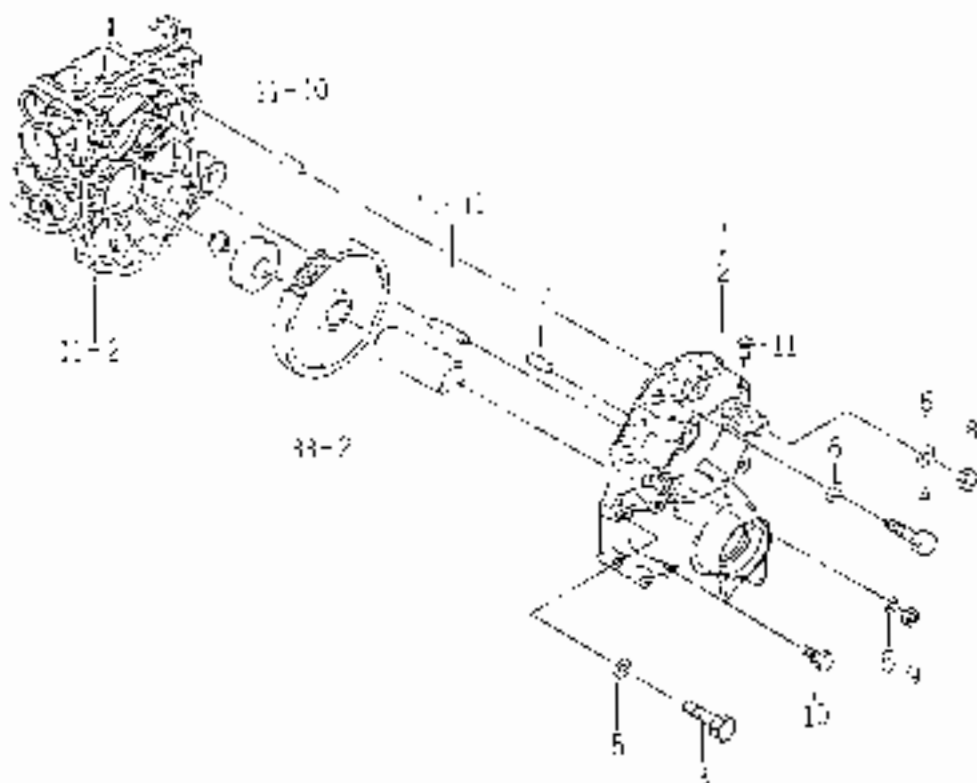


1583-301

KEY	PART CODE	DESCRIPTION	QTY	TYPE OF MODEL		I T C	C O L	G R P	REMARKS
				TMG18					
1	1427 - 301 - 002 - 20	CASE,DIFF	1	*					
2	1444 - 411 - 006 - 00	SHAFT,DIFF. PINION	1	*					
3	1427 - 301 - 004 - 00	PINION,DIFF/12T	2	*					
4	1427 - 301 - 005 - 00	COLLAR,PINION THRUST	2	*					
5	1427 - 301 - 006 - 00	GEAR,DIFF - SIDE/14T	2	*					
6	1427 - 301 - 007 - 00	COLLAR,THRUST	2	*					
7	1427 - 301 - 009 - 00	HOLDER,PINION SHAFT	1	*					
8	1672 - 301 - 002 - 00	PIN	1	*					
9	V522 - 100 - 801 - 60	PIN	1	*					
10	1544 - 304 - 006 - 10	BOLT/M8X25	4	*					
11	V401 - 160 - 008 - 00	WASHER,SP/M 8	4	*					
12	V600 - 110 - 600 - 90	BEARING,RB/6009	1	*					
13	V600 - 110 - 601 - 00	BEARING,RB/6010	1	*					
14	1427 - 301 - 011 - 10	PINION,WHEEL/11.L	1	*					
15	1427 - 301 - 012 - 10	PINION,WHEEL/11.R	1	*					
16	1427 - 301 - 013 - 10	CLUTCH,DIFF - LOCK	1	*					
17	V600 - 110 - 620 - 60	BEARING,RB/6206	2	*					
18	V744 - 130 - 450 - 80	SEAL,OIL/TC30458	2	*					
19	1427 - 301 - 014 - 10	FORK/SHIFT/DIFFLOCK	1	*					
20	1427 - 301 - 015 - 00	STAY,SHIFTER	1	*					
21	1427 - 301 - 016 - 00	CAM,DIFF - LOCK	1	*					
22	V530 - 240 - 502 - 40	PIN/SLITTED	1	*					
23	1427 - 301 - 018 - 00	SPRING,PRESS/40	1	*					
24	V720 - 102 - 401 - 00	O - RING/P10A	1	*					
25	V401 - 160 - 010 - 00	WASHER,SP/M10	1	*					



FIG. 32 REAR AXLE SYSTEM

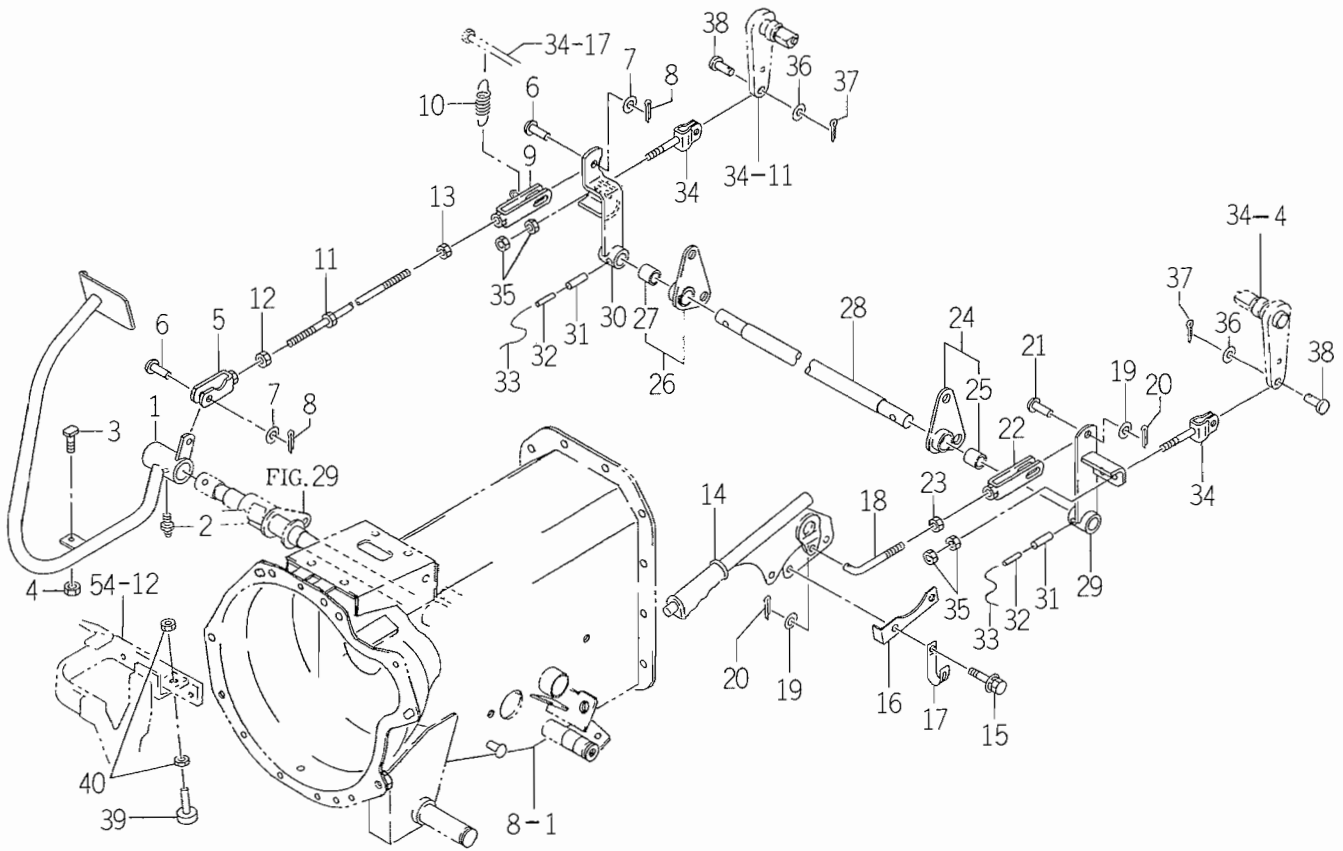


KEY	PART CODE	DESCRIPTION	QTY	TYPE OF MODIF		I T C	C O L	P I C	REMARKS
				ENG	STR				
1	1982-309-001-00	HOUSING/AXLE/REAR/LF	1	*					
2	1587-308-002-00	HOU.SHC. AXLE/REAR/SH	1	*					
3	V201-261-205-00	BE11/41X50	10	*					
4	V201-201-004-00	BE11/41X45	4	*					
5	V401-100-012-00	WAS/CR32/V.2	17	*					
5	V401-100-013-00	WAS/CR32/V.1C	5	*					
7	V522-100-801-00	SH	4	*					
5	V304-260-013-00	PLT	4	*					
9	V304-250-012-00	NUT/V.2	2	*					
2	V955-201-026-00	FL.GIMMAN 11/41	2	*					
11	1427-201-018-00	CAPLANK V.1	2	*					





**FIG. 35 BRAKE SYSTEM**

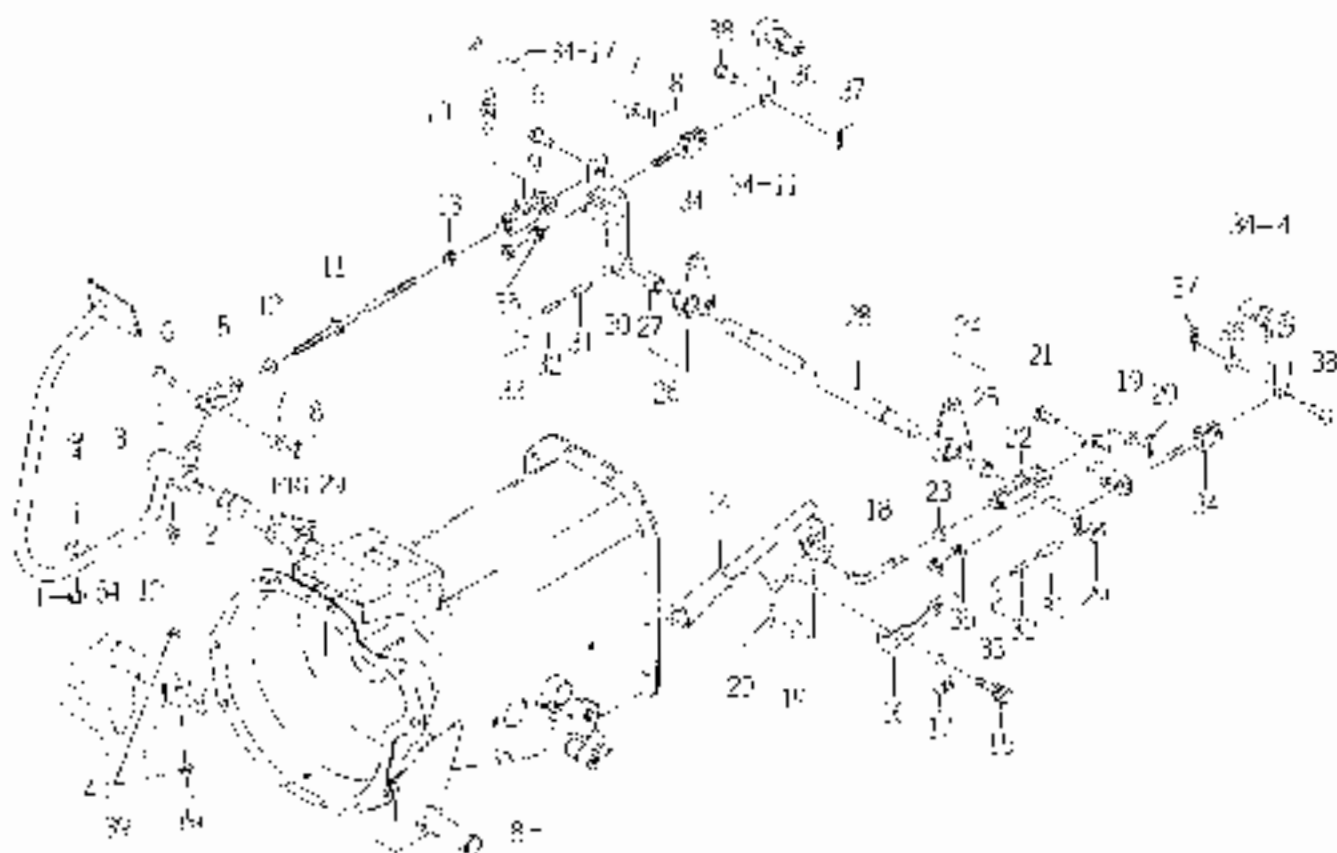


1688-312

KEY	PART CODE	DESCRIPTION	QTY	TYPE OF MODEL		I T C	C O L	G R P	REMARKS
				TMG18					
1	1688 - 312 - 510 - 20	PEDAL/BRAKE COMP	1	*					
2	V763 - 150 - 000 - 00	NIPPLE,GREASE/PT1/8	1	*					
3	1688 - 312 - 001 - 00	BOLT/ADJUST	1	*					
4	V304 - 260 - 008 - 00	NUT/M 8	1	*					
5	1415 - 312 - 500 - 00	YOKE,LH	1	*					
6	1404 - 312 - 006 - 00	PIN,YOKE A	2	*					
7	V411 - 260 - 008 - 00	WASHER,PL/M 8	2	*					
8	V500 - 162 - 002 - 00	PIN,SPLIT/2 X20	2	*					
9	1683 - 312 - 580 - 00	FORK/BRAKE COMP	1	*					
10	1560 - 404 - 002 - 30	SPRING	1	*					
11	1683 - 312 - 570 - 00	ROD/BRAKE COMP	1	*					
12	1560 - 132 - 007 - 30	NUT/M8	1	*					
13	V304 - 260 - 008 - 00	NUT/M 8	1	*					
14	1682 - 312 - 260 - 00	LEVER/PARKING COMP	1	*					
15	V211 - 360 - 802 - 50	BOLT,SEMS	2	*					
16	1683 - 312 - 002 - 00	STOPPER/PARKING	1	*					
17	1425 - 621 - 004 - 00	CLAMP,HARNES	1	*					
18	1683 - 312 - 003 - 00	ROD/80	1	*					
19	V411 - 260 - 008 - 00	WASHER,PL/M 8	2	*					
20	V500 - 162 - 002 - 00	PIN,SPLIT/2 X20	2	*					
21	1404 - 312 - 006 - 00	PIN,YOKE A	1	*					
22	1510 - 328 - 260 - 00	YOKE COMP	1	*					
23	V304 - 260 - 008 - 00	NUT/M 8	1	*					
24	1682 - 312 - 300 - 00	HOLDER/SHAFT/LH ASSY	1	*					
25	3668 - 612 - 001 - 00	BUSH	1	*					



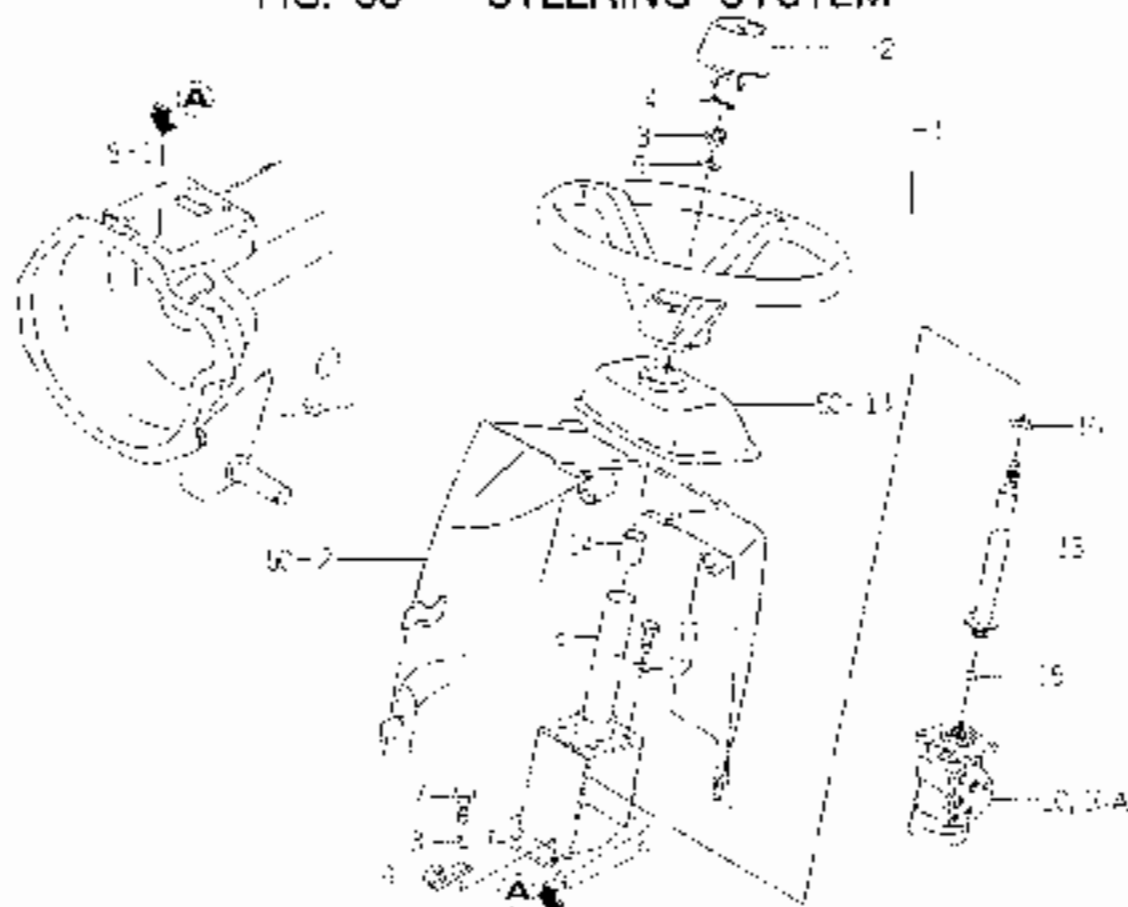
FIG. 35 BRAKE SYSTEM



JAN 62

KEY	PART CODE	DESCRIPTION	QTY	TYPE OF MODEL	I	C	G	REMARKS
				TRCS	T	C	P	
26	1682-312-30-00	HOLOFR/SHAFT/PI ASSY	1					
27	3008-012-001-00	GUSH	1					
28	1682-312-004-00	SHAFT/PARKING	1					
29	1603-312-550-30	ARM/PARKING/PI COMP	1					
30	1083-312-550-10	ARM/PARKING/PI COMP	1					
31	V550-140-802-00	PLUNGER 1/8 X 29 W	2					
32	V550-140-502-00	PLUNGER 1/8 X 29 W	2					
33		WIRE	2					
34	1568-137-200-00	ROD	2					OLVP
35	V304-250-005-00	NUT M 8	4					
36	V411-260-002-00	WASHER/PI M 8	4					
37	V500-162-002-00	FR. SCREW 1/2 X 20	2					
38	1432-242-001-00	PN	2					
39	1421-602-005-10	CLIP-ON/S/ RUS609	1					
40	V304-280-008-00	NUT M 8	2					

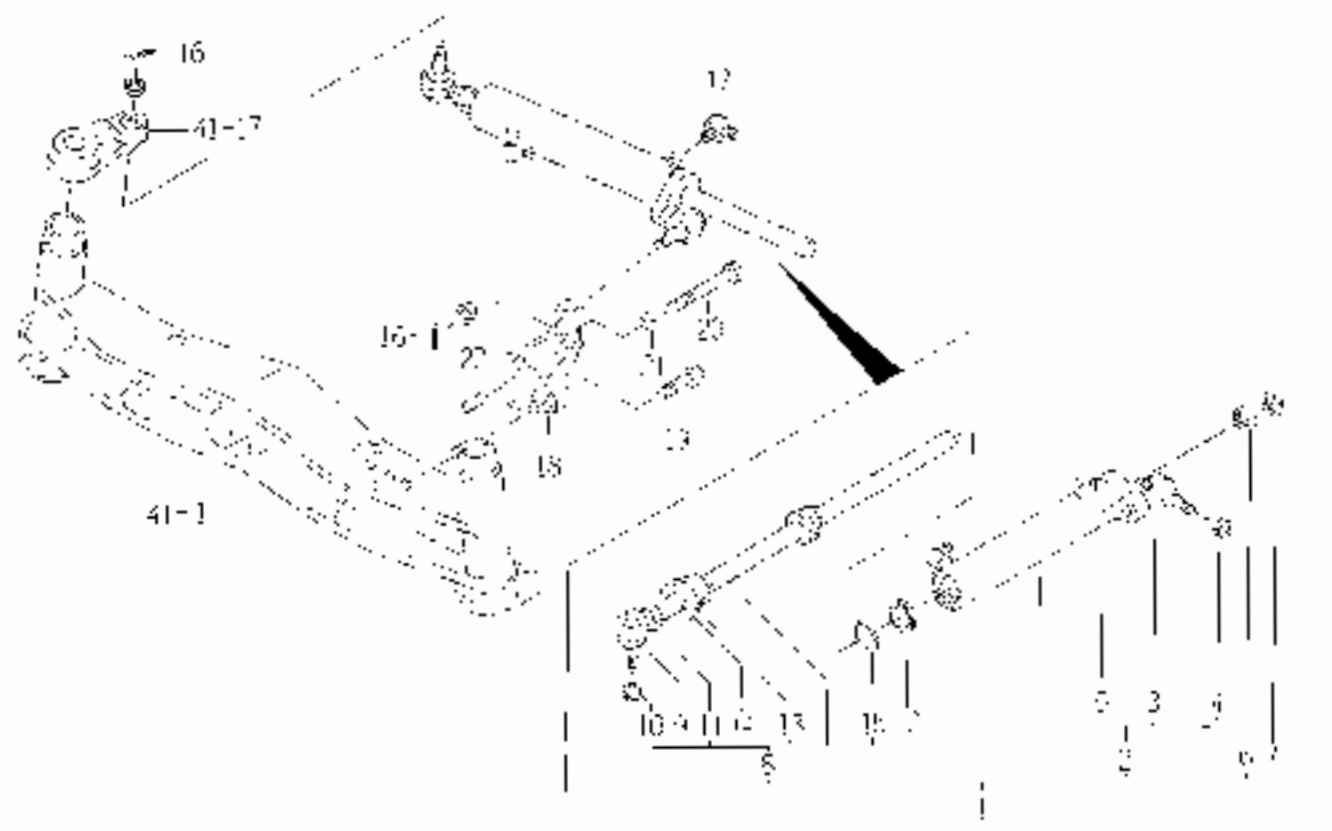
FIG. 36 STEERING SYSTEM



BL-91

KEY	PART CODE	DESCRIPTION	QTY	TYPE OF MODEL		I C	C O L	G L N	REMARKS
				106,12					
1	1653-407-720-00	WHEEL STEERING ASSY	1						
2	1655-407-022-00	CAP	1						
3	V379-160-010-00	NUT	1						
4	V500-162-007-00	PN, SPL./2 X 3/4	1						
5	V411-200-010-00	WASHER/W/O	1						
6	1892-407-200-10	SHAFT/STEERING COMP	1						
7	V203-261-002-00	BOLT - MIXON	2						
8	V401-160-010-00	WASHER/S/W/O	2						
9	3757-173-011-00	O-RING/RUBBER	2						
10	1672-407-720-00	CONTROLLER/STEERING	1						
10A	1032-407-720-00	CONTROLLER/STEERING	1						
11	V203-261-007-00	BOLT - MIXON	3						
12	V401-160-010-00	WASHER/S/W/O	3						
13	1892-407-010-10	SHAFT/STEERING COMP	1						
14	1475-408-200-10	STEERING DAMPER	1						
15	V700-102-402-00	O-RING/RUBBER	1						
16	V720-104-407-00	O-RING/RUBBER	1						

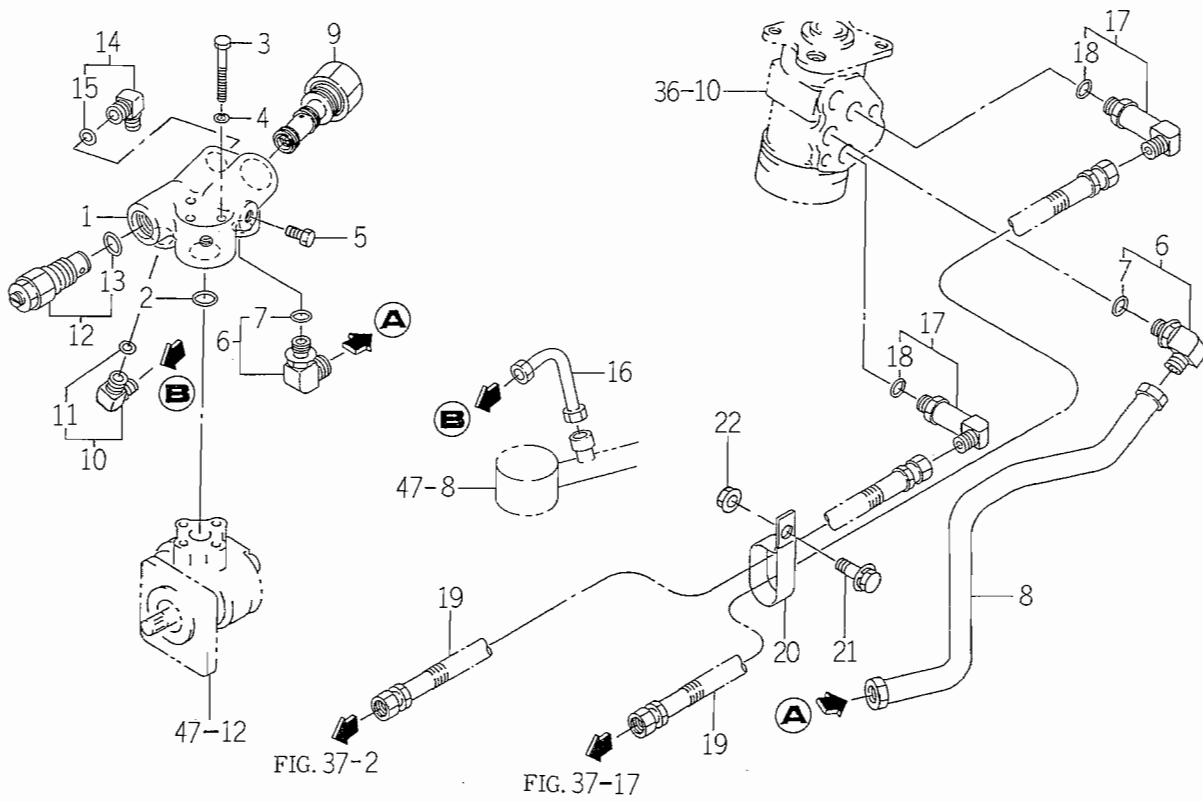
FIG. 37 CYLINDER SYSTEM



REF ID:

KEY	PART CODE	DESCRIPTION	QTY	TYPE OF MODEL		I	C	P	REMARKS
				TRGS					
1	1081 403 200 30	CYLINDER HEAD ASSY							
2	1082 403 220 30	CYLINDER COMP							
3	1404 402 001 00	COVERDUST							
4	1404 402 002 00	NUTSLOTTED							
5	1421 433 241 00	NIPPLE/STRAPE (PT 1/2)							
6	1185 031 302 00	SEAL RING							
7	1185 031 303 00	SEA RING							
8	1082 403 250 30	PISTON/PISTON ASSY							
9	1404 402 001 00	COVERDUST							
10	1404 402 002 00	NUTSLOTTED							
11	1421 433 241 00	NIPPLE/STRAPE (PT 1/2)							
12	1672 403 003 00	PACKING/PISTON							
13	1185 031 302 00	SEAL RING							
14	1185 031 303 00	SEA RING							
15	1120 113 502 00	RING/O							
16	1500 162 002 50	PLATE/1/2 ASS	2						
17	3768 160 002 10	ADAPTER (NO / OMB)	2						
18	1662 403 001 90	STAY CYLINDER	1						
19	3211 531 003 50	SOLETS	2						
20	1501 301 003 50	SOLE							
21	1701 160 010 00	WASHER/SP (M 3)							
22	1523 101 002 40	PIN	2						

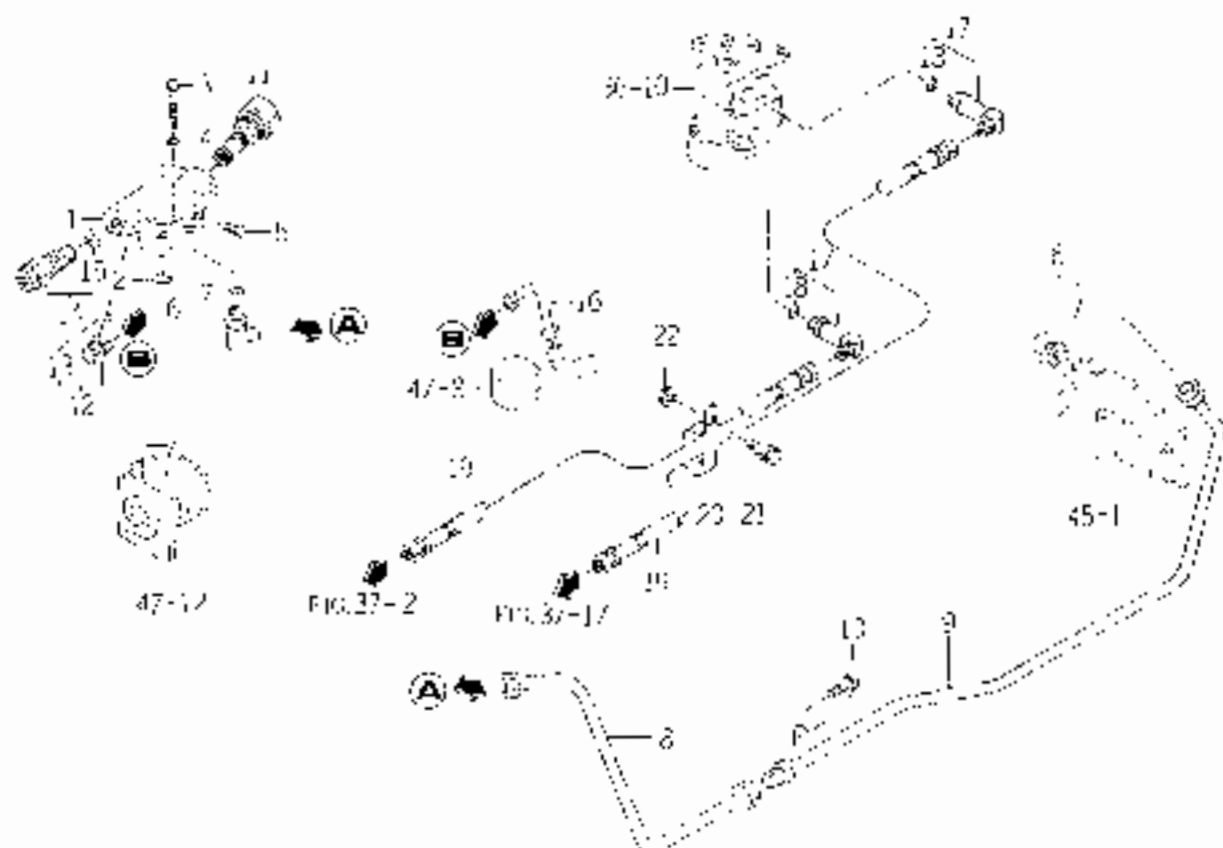
FIG. 38 PIPING SYSTEM (EXCEPT S TYPE)



1688-408

KEY	PART CODE	DESCRIPTION	QTY	TYPE OF MODEL		I T C	C O L	G R P	REMARKS
				TMG18					
1	1688 - 408 - 001 - 00	METAL/U	1	*					
2	V720 - 112 - 402 - 00	O - RING/P20	1	*					
3	V200 - 260 - 605 - 50	BOLT/M 6X55	3	*					
4	V401 - 160 - 006 - 00	WASHER,SP/M 6	3	*					
5	1326 - 706 - 002 - 10	PLUG,DRAIN	2	*					
6	1672 - 408 - 210 - 00	ADAPTER/L/PF1/4 ASSY	2	*					
7	V720 - 112 - 401 - 10	RING/O	2	*					
8	1672 - 408 - 200 - 00	PIPE/U COMP	1	*					
9	K233 - 003 - 000 - 00	VALVE/FLOCON ASSY	1	*					FIG 078
10	1683 - 273 - 640 - 00	ADAPTER/L/PF3/8 ASSY	1	*					
11	V720 - 112 - 401 - 40	O - RING/P14	1	*					
12	K250 - 018 - 000 - 00	VALVE, RELIEF ASSY	1	*					
13	V720 - 112 - 402 - 00	O - RING/P20	1	*					
14	P117 - 501 - 250 - 00	ELBOW ASSY	1	1- -131					
15	V720 - 112 - 401 - 40	O - RING/P14	1	1- -131					
16	1688 - 408 - 200 - 10	PIPE/RELIEF COMP	1	*					
17	P113 - 211 - 330 - 00	ELBOW/90° /L ASSY	2	*					
18	V720 - 112 - 401 - 10	RING/O	2	*					
19	1682 - 408 - 220 - 00	HOSE/DERIVERY ASSY	2	*					
20	1444 - 101 - 016 - 10	CLAMP,RADIATOR HOSE	1	*					
21	V211 - 360 - 802 - 00	BOLT (SP) M8X20	1	*					
22	V362 - 260 - 008 - 00	NUT/WASHER	1	*					

FIG. 39 PIPING SYSTEM (S TYPE)

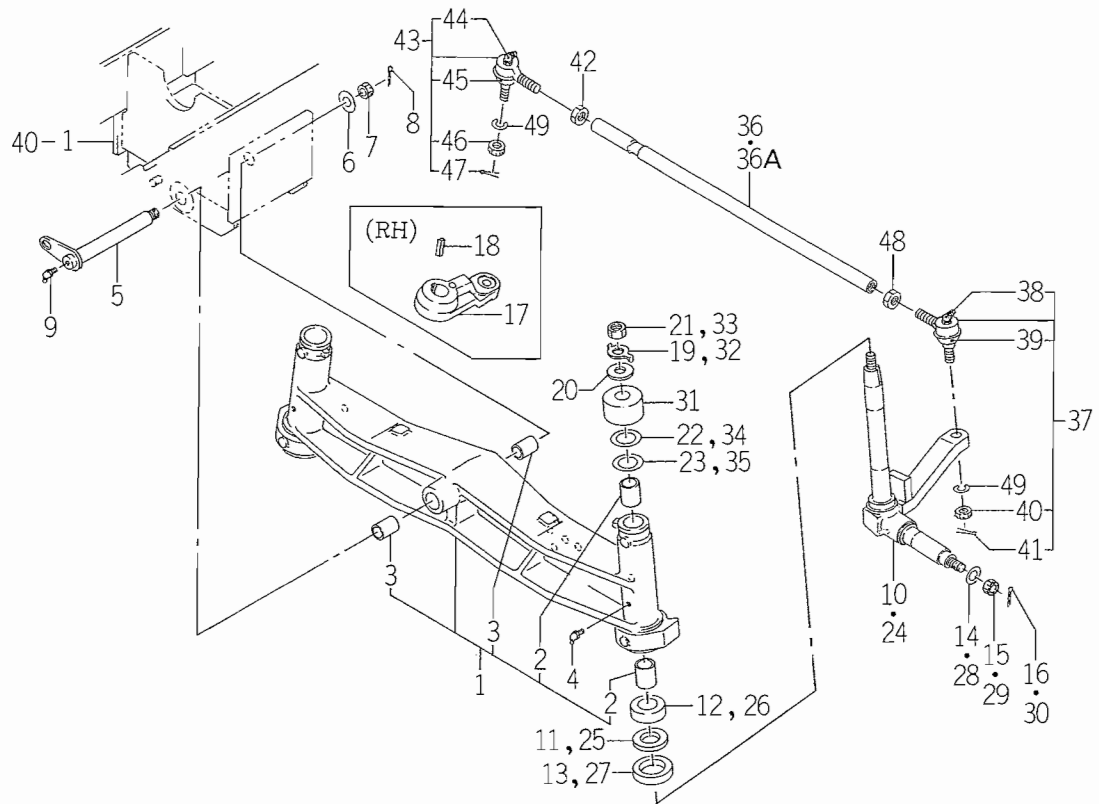


24-05

KEY	PART CODE	DESCRIPTION	QTY	TYPE OF CODE		I T C	C O -	G R P	REMARKS
				TYG18					
1	16111 - 408 - 001 - 00	MF AL/0	1						
2	V720 - 112 - 402 - 00	O-RING/P20	1						
3	V200 - 700 - 005 - 50	EDLT/VALVE	3						
4	V40 - 160 - 006 - 00	WASHER/AL 6	3						
5	1326 - 706 - 002 - 10	WASHER	2						
6	1672 - 407 - 210 - 00	ADAPTER/1/FFL 4 ASSY	2						
7	V720 - 112 - 401 - 10	RING/O	9						
8	1688 - 408 - 210 - 00	PIPE/VALVE/T COMP	1						
9	1688 - 408 - 220 - 00	PIPE/VALVE/T COMP	1						
10	V211 - 300 - 801 - 50	BOLT/SPS 3M	1						
11	K253 - 008 - 000 - 00	VALVE, FLOWM ASSY	1						FIG. 37M
12	1611 - 273 - 640 - 00	ADAPTER/1/FFL 8 ASSY	1						
13	V720 - 112 - 401 - 40	O-RING/P14	1						
14	K250 - 018 - 000 - 00	VALVE, RELIEF ASSY	1						
15	V720 - 112 - 402 - 00	O-RING/P20	1						
16	1688 - 408 - 200 - 10	PIPE/VALVE/T COMP	1						
17	F113 - 211 - 330 - 00	FLOWMETER/1 400	2						
18	V720 - 112 - 401 - 10	RING/O	7						
19	1632 - 408 - 220 - 00	PIPE DERIVAT ASSY	2						
20	444 - 101 - 014 - 10	FLANGE/200 10 400	1						
21	V211 - 300 - 802 - 00	BOLT (SP) M3X20	1						
22	V3E2 - 250 - 001 - 00	NUT/WASHER	1						



FIG. 41 2WD AXLE SYSTEM



1688-433

KEY	PART CODE	DESCRIPTION	QTY	TYPE OF MODEL		I T C	C O L	G R P	REMARKS
				TMG18					
1	1688 - 433 - 240 - 00	AXLE/2WD ASSY	1	*					
2	1411 - 401 - 001 - 00	BUSH/25X29X30	4	*					
3	1427 - 401 - 001 - 00	BUSH/20X24X30	2	*					
4	V760 - 150 - 000 - 00	NIPPLE,GREASE	2	*					
5	1688 - 433 - 200 - 00	PIN/PIVOT COMP	1	*					
6	1427 - 431 - 003 - 00	WASHER/13X32X3	1	*					
7	V327 - 262 - 112 - 00	NUT,CASTTLE/M12X1.25	1	*					
8	V500 - 163 - 002 - 50	PIN,SPLIT/3 X25	1	*					
9	V763 - 150 - 000 - 00	NIPPLE,GREASE/PT1/8	1	*					
10	1688 - 433 - 220 - 10	SPINDLE/RH COMP	1	*					
11	1419 - 403 - 001 - 00	COLLAR/25X42X4	1	*					
12	1681 - 434 - 001 - 00	BEARING/BALL/THRUST	1	*					
13	1682 - 434 - 033 - 00	SEAL/OIL	1	*					
14	3621 - 702 - 003 - 00	WASHER,PULLEY	1	*					
15	V328 - 262 - 112 - 00	NUT/M12X1.25	1	*					
16	V500 - 163 - 002 - 50	PIN,SPLIT/3 X25	1	*					
17	1688 - 433 - 003 - 00	ARM/KNUCKLE/RH	1	*					
18	1326 - 708 - 005 - 00	KEY,ROTARY TOP SHAFT	1	*					
19	1421 - 403 - 007 - 00	WASHER,LOCK/M12	1	*					
20	1421 - 403 - 008 - 00	WASHER/13X35X5	1	*					
21	V304 - 260 - 012 - 00	NUT/M12	1	*					
22	1421 - 951 - 006 - 00	SHIM,A/0.5	2	*					
23	1421 - 951 - 007 - 00	SHIM,A/1.0	2	*					
24	1688 - 433 - 230 - 10	SPINDLE/LH COMP	1	*					
25	1419 - 403 - 001 - 00	COLLAR/25X42X4	1	*					

FIG. 41 2WD AXLE SYSTEM

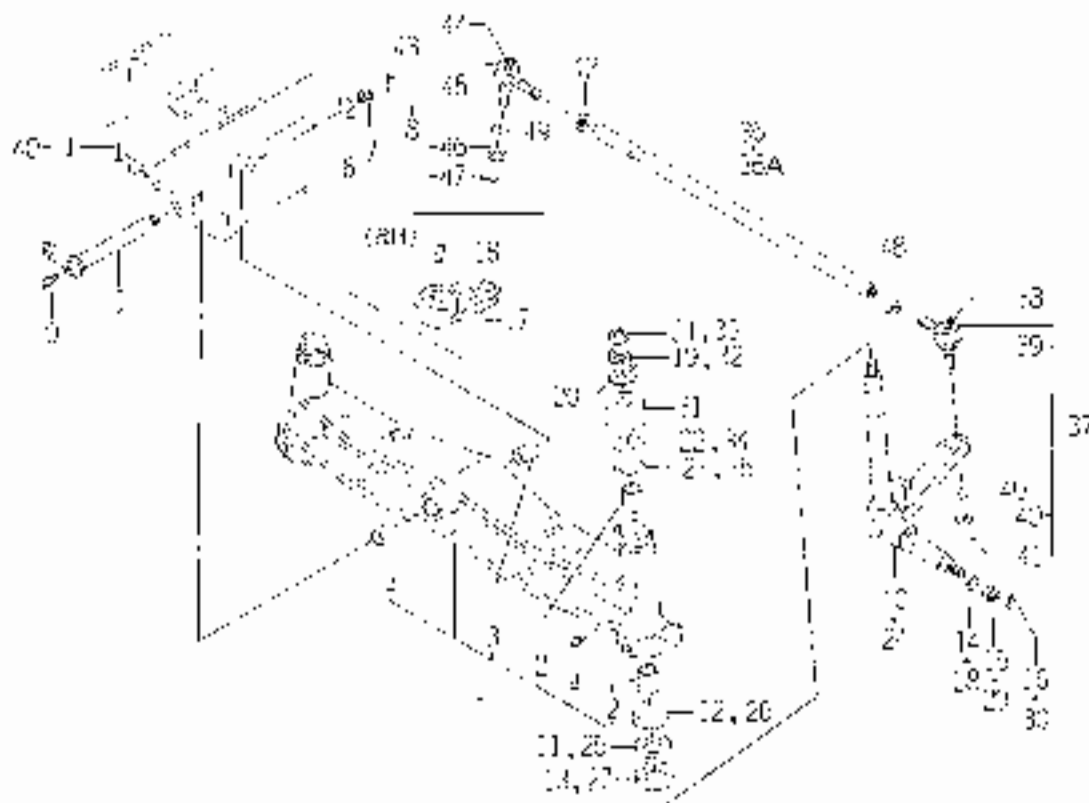


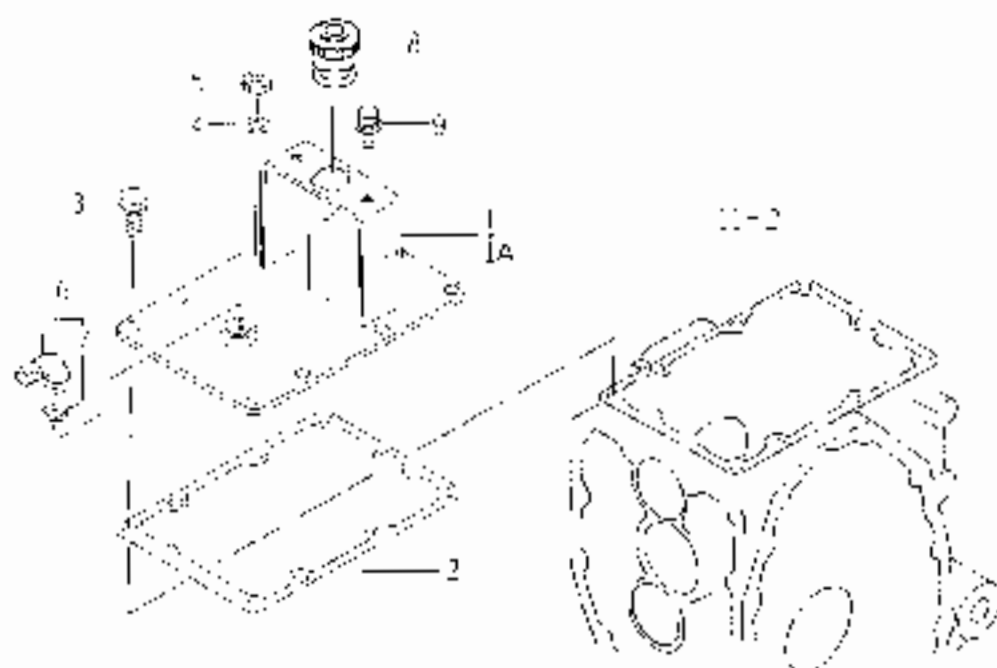
FIG. 41

KEY	PART CODE	DESCRIPTION	QTY	TYPE OF MODEL			FILM MARKS
				TYPE	COL	CHG	
26	681 - 444 - 001 - 00	BEARING /RAI THRST	1				
27	682 - 437 - 033 - 00	SEAL OIL	1				
28	3621 - 702 - 003 - 00	WASHER TH L	1				
29	4328 - 263 - 112 - 00	NUT/M12X1.25	1				
30	4500 - 189 - 002 - 50	FIN SPL T/3 X25	1				
31	1688 - 433 - 002 - 00	HUB KUCKLE	1				
32	1421 - 436 - 007 - 00	WASHER LOCK/V12	1				
33	4304 - 250 - 012 - 00	NUT/M12	1				
34	1427 - 433 - 000 - 00	SHOULDER	2				
35	1427 - 433 - 007 - 00	SHOULDER	2				
36	433 - 433 - 2 - 00	ROD/RE	1	1-131			
36A	433 - 433 - 2 - 10	ROD/RE	1	1-132			
37	1427 - 433 - 240 - 10	JOINT/BALL/LH ASSY	1				
38	1404 - 402 - 005 - 00	NUT/RELEASE	1				
39	1427 - 433 - 025 - 00	COVER/JUST	1				
40	4327 - 252 - 110 - 00	NUT/M12X1.25	1				
41	4500 - 189 - 502 - 50	FIN SPL T/25X25	1				
42	1427 - 433 - 023 - 00	NUT/LH THREAD	1				
43	1427 - 433 - 250 - 10	JOINT/BALL RH ASSY	1				
44	1404 - 402 - 005 - 00	NUT/RELEASE	1				
45	1427 - 433 - 020 - 00	COVER/JUST	1				
46	4327 - 263 - 110 - 00	NUT/M12X1.25	1				
47	4500 - 189 - 502 - 50	FIN SPL T/25X25	1				
48	1427 - 433 - 022 - 00	NUT/M12	1				
49	4211 - 150 - 010 - 00	WASHER SP/W10	2				





FIG. 43 PLATE CASE SYSTEM (EXCEPT V TYPE)

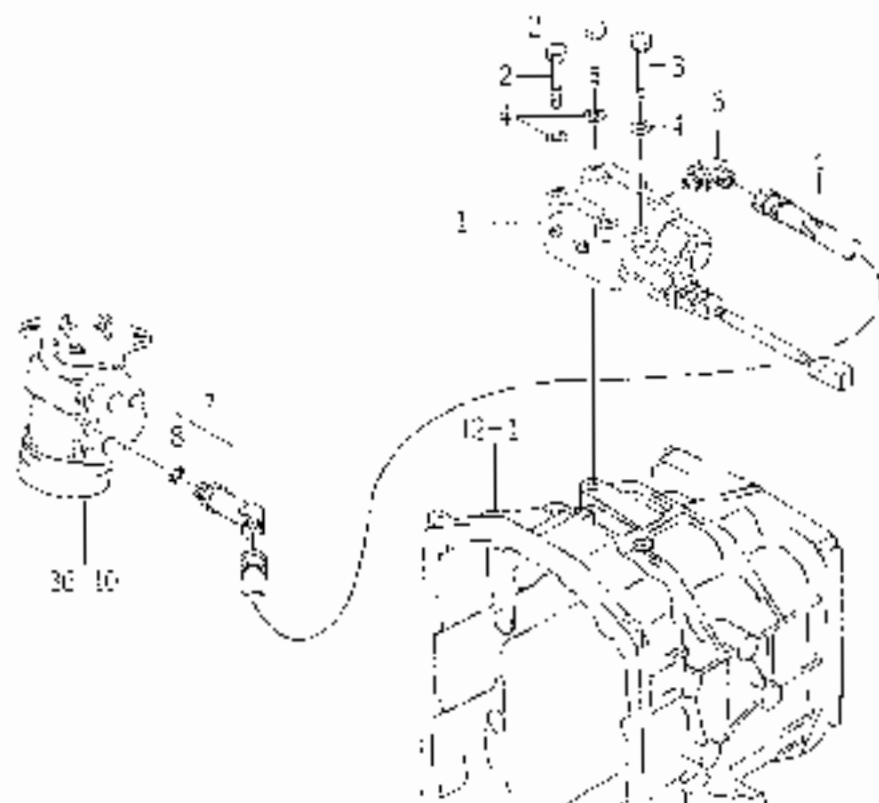


11-2

KEY	PART CODE	DESCRIPTION	QTY	TYPE OF VCOEL			REMARKS
				T	C	P	
1	1688 - 501 - 210 - 00	PLATE CASE/REAR COMP	1				
1A	1688 - 501 - 210 - 10	PLATE/CASE/REAR COMP	1		S		
2	1600 - 501 - 001 - 00	GASKET	1				
3	V211 - 561 - 002 - 50	BOLT/410X28	2				
4	V401 - 160 - 0 - 0 - 00	WASHER/316 M10	2				
5	V304 - 460 - 010 - 00	NUT/M10	2				
6	P117 - 501 - 250 - 00	FLANG	1				
7	V750 - 112 - 401 - 40	O-RING/P116	1				
8	1614 - 501 - 015 - 10	CAM/DL 150	1				
9	V211 - 080 - 001 - 50	BOLT/38X5 (37)	2				

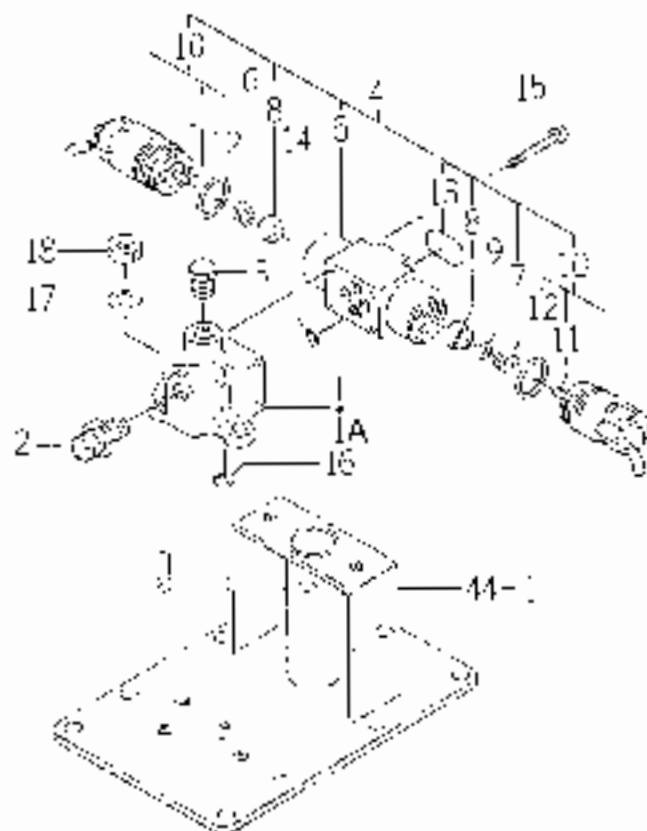


FIG. 45 VALVE SYSTEM (S TYPE)



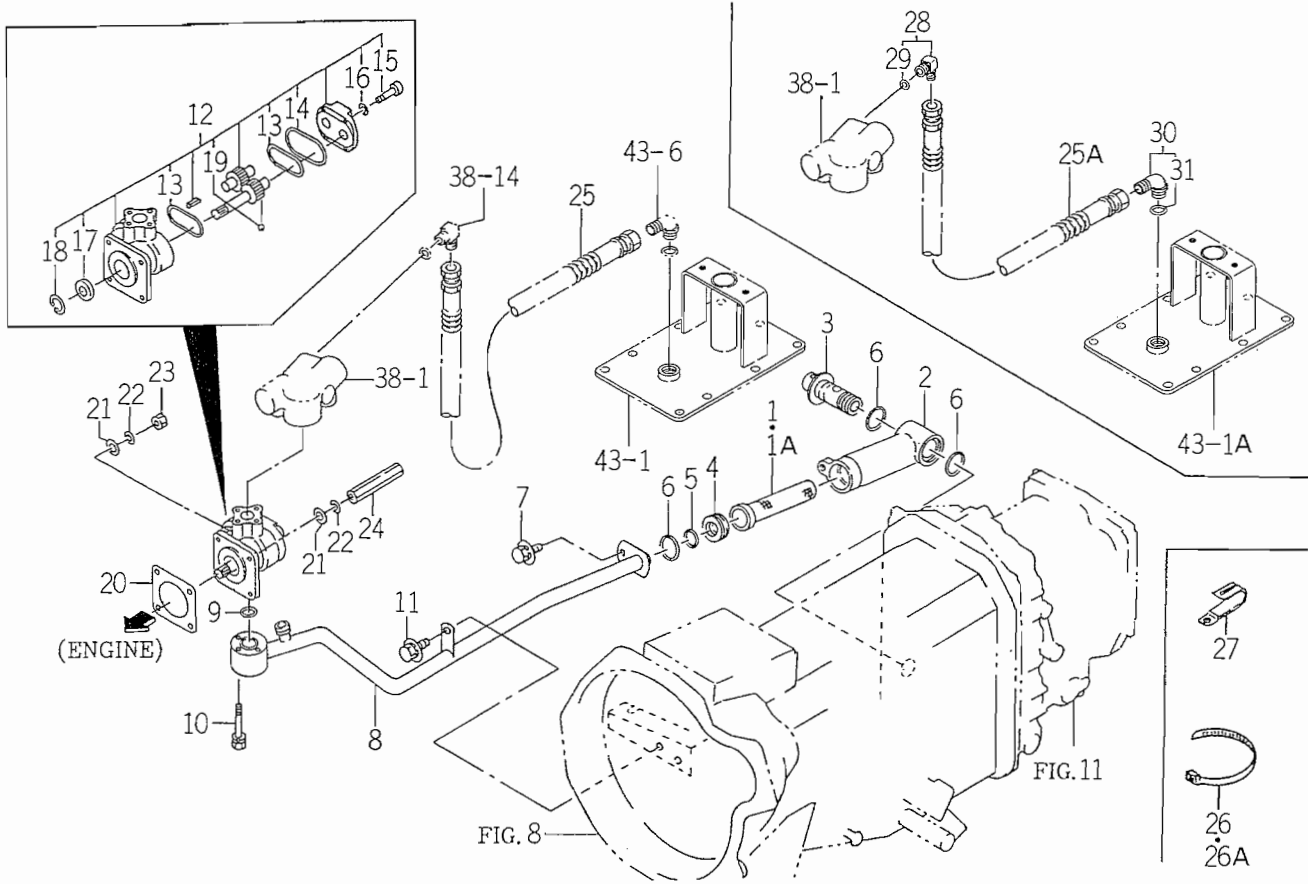
KEY	PAHI CODE	DESCRIPTION	QTY	TYPE OF WDEL.		I T C	C O L	G R P	REMARKS
				TWIG18					
1	K200 053 - 000 - 00	VALVE ASSY	1						#3 (??)
2	V201 200 - 900 - 00	BOLT/M 8x60	2						
3	V201 - 200 - 800 - 00	BOLT/M 8x55	1						
4	V431 100 - 000 - 00	WASHER/SP/M 8	5						
5	1093 - 270 - 070 - 10	HOSE/1050	1						
6	F117 - 202 - 010 - 00	F.ROW	1						
7	F118 - 211 - 300 - 00	F.ROW/45°	1						
8	V120 117 - 401 - 10	HING/G	1						

FIG. 46 STACK VALVE SYSTEM (V TYPE)



KEY	PAR.	CODE	DESCRIPTION	QTY	TYPE OF MODEL		C	O	P	REMARKS
					TYPE	MODEL				
1	1988-507	001-00	ACTAL							
1A	1500-507	001-10	META.							
2	241-420	008-00	ADA-EM/1/43 B							
3	7966	201-026-00	PLUG/DRAIN (1/4)							
4	K273	005-000-00	VALVE SOLENOID ASSY							
5	K275	005-100-00	VALVE SET							
6	K270	001-003-10	SPRING/SCOUT							
7	K273	002-001-00	SPRING/SCOUT 1/2							
8	K270	00-004-00	PLATE/SPRING	2						
9	V4	-200-000-00	WASHER/1/8	1						
11	K270	001-201-00	SOLENOID SET	2						
11	K270	001-201-00	ROD	2						
12	V723	-112-002-00	RING/O	2						
13	K275	005-007-00	LABEL/POB	1						
14	V770	-111-000-70	O-RING/1/4	4						
15	V770	540-504-00	SCREW/SCOUT	4						
16	V720	-101-000-00	O-RING/1/8	2						
17	V401	100-300-00	WASHER/3/16	3						
18	V204	-203-003-00	NUT M 3	3						

FIG. 47 MAIN PIPING SYSTEM

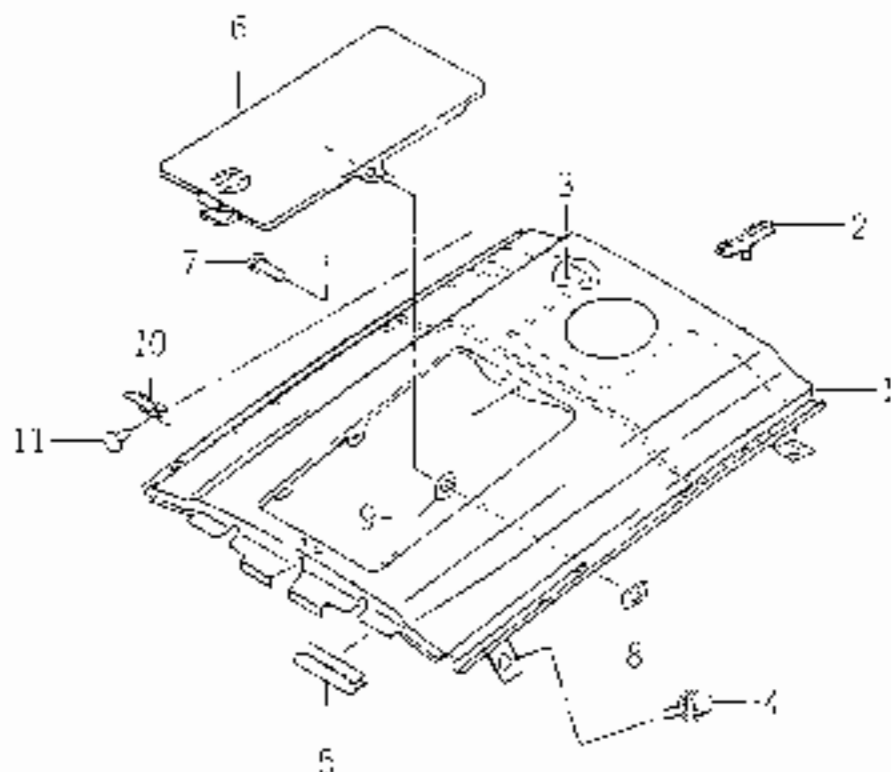


1688-508

KEY	PART CODE	DESCRIPTION	QTY	TYPE OF MODEL		I T C	C O L	G R P	REMARKS
				TMG18					
1	1434 - 503 - 320 - 10	FILTER	1		1- -200 201-				
1A	1682 - 508 - 300 - 00	FILTER COMP	1						
2	1434 - 503 - 004 - 10	CASE,OIL FILTER	1		*				
3	1434 - 503 - 330 - 00	BOLT,SET COMP	1		*				
4	1682 - 508 - 002 - 00	SPACER	1		*				
5	V720 - 102 - 402 - 10	O - RING/P21	1		*				
6	V720 - 103 - 502 - 80	O - RING/P28	3		*				
7	V211 - 360 - 801 - 60	BOLT,SEMS (SP)	1		*				
8	1688 - 508 - 200 - 00	PIPE/SUCTION COMP	1		*				
9	V720 - 112 - 402 - 00	O - RING/P20	1		*				
10	V210 - 260 - 604 - 50	BOLT,SEMS/M64X45	2		*				
11	V211 - 360 - 801 - 60	BOLT,SEMS (SP)	1		*				
12	1672 - 508 - 270 - 10	PUMP/GEAR ASSY	1		*				
13	1672 - 508 - 262 - 00	GASKET	2		*				
14	1672 - 508 - 263 - 00	GASKET	1		*				
15	V220 - 540 - 802 - 50	SCREW/SOCKET	4		*				
16	1672 - 508 - 264 - 00	WASHER	4		*				
17	V744 - 114 - 280 - 70	SEAL,OIL	1		*				
18	V705 - 140 - 028 - 00	RING,SNAP/28 C	1		*				
19	V682 - 200 - 001 - 00	BALL	2		*				
20	1404 - 503 - 006 - 00	PACKING,OIL PUMP	1		*				
21	V411 - 260 - 008 - 00	WASHER,PL/M 8	4		*				
22	V401 - 160 - 008 - 00	WASHER,SP/M 8	4		*				
23	V304 - 260 - 008 - 00	NUT/M 8	2		*				
24	1560 - 515 - 004 - 40	NUT/M8	2		*				



FIG. 48 HOOD SYSTEM

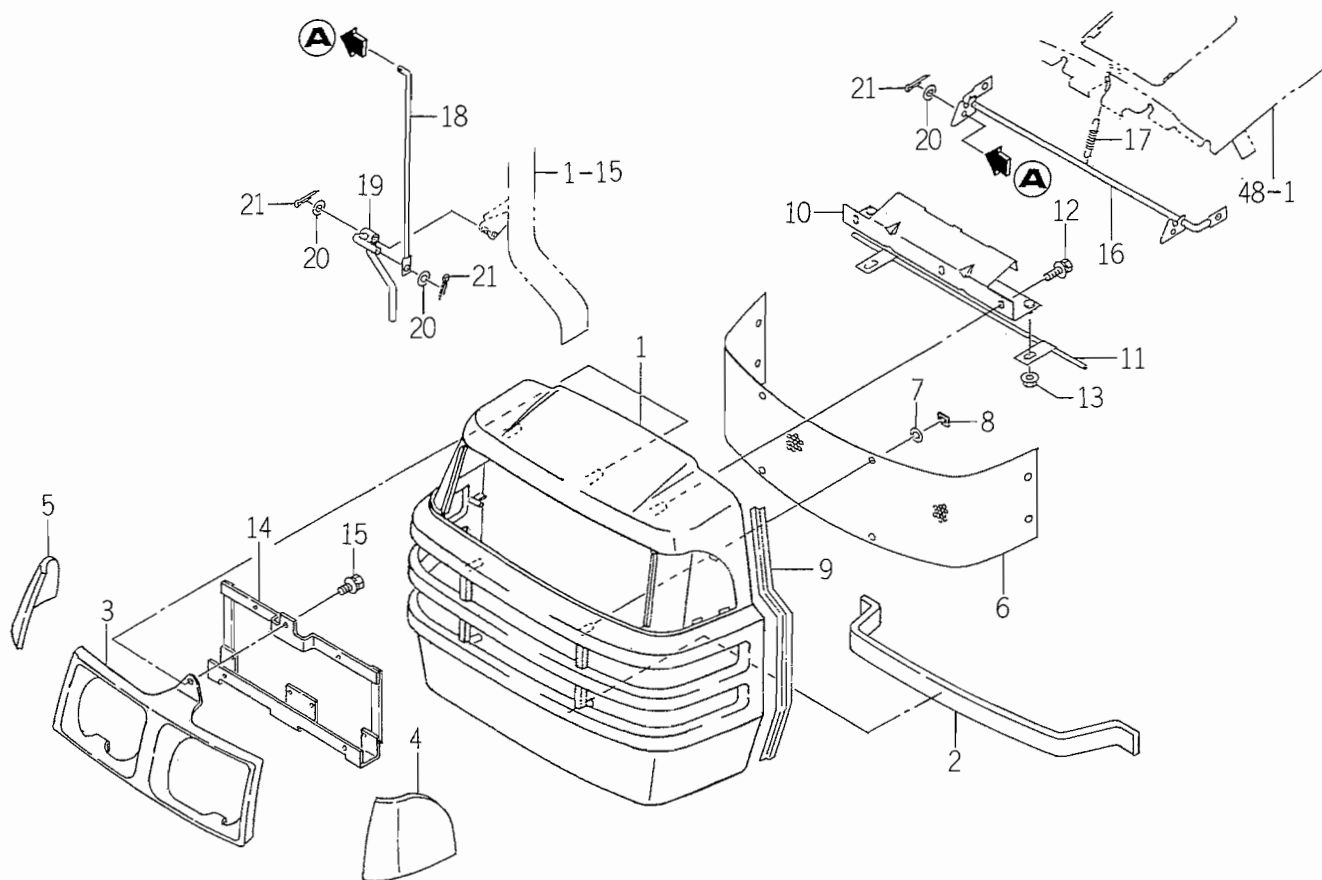


183 351

KEY	PART CODE	DESCRIPTION	QTY	TYPE OF MODEL			REMARKS
				T	C	S	
1	1893 - 601 - 400 - 10	HOOD	1			4.1	
2	1500 - 002 - 001 - 40	INSULATOR	2				
3	1893 - 601 - 002 - 10	INSULATOR - 20X40X36	1				
4	V21 - 360 - 501 - 50	BOLT, 30X10 (3P)	2				
5	1875 - 601 - 003 - 30	TRIM / 10	2				
6	1883 - 601 - 001 - 30	COVER, HEAD	1			4.1	
7	V200 - 108 - 001 - 20	RIVET	2				
8	V350 - 110 - 006 - 00	NUT, 3/8X1/2	2				
9	500 - 801 - 017 - 00	WASHER / EX 14X2	2				
10	1560 - 801 - 014 - 30	SPRING	1				
11	W200 - 134 - 007 - 00	RIVET, 3/16	2				



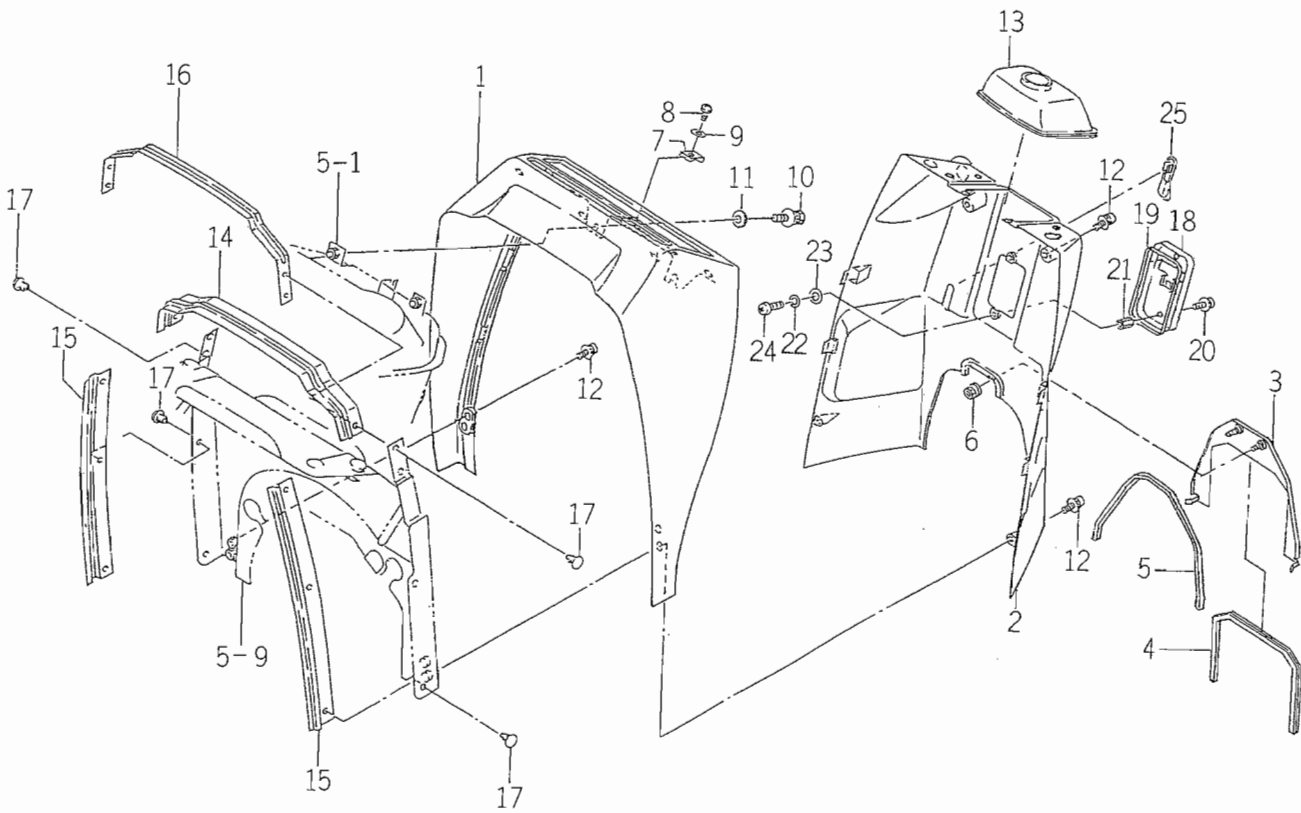
FIG. 49 GRILLE SYSTEM



1683-602

KEY	PART CODE	DESCRIPTION	QTY	TYPE OF MODEL		I T C	C O L	G R P	REMARKS
				TMG18					
1	1675 - 602 - 003 - 00	GRILLE	1	*					
2	1683 - 602 - 002 - 00	INSULATOR/575	1	*					
3	1683 - 602 - 001 - 00	HOOD/LAMP	1	*					
4	1675 - 602 - 004 - 00	MOLDING/GRILLE/LH	1	*					
5	1675 - 602 - 005 - 00	MOLDING/GRILLE/RH	1	*					
6	1683 - 602 - 003 - 00	NET/GRILLE	1	*					
7	1444 - 601 - 015 - 00	WASHER/6X14X3	8	*					
8	V350 - 160 - 006 - 00	NUT,SPEED/P6	8	*					
9	1675 - 602 - 007 - 00	TRIM/420	2	*					
10	1672 - 602 - 210 - 00	PLATE/GRILLE COMP	1	*					
11	1672 - 602 - 240 - 00	PIN COMP	1	*					
12	V210 - 360 - 601 - 60	BOLT (SP) /M6X16	3	*					
13	V363 - 260 - 008 - 00	NUT,LOCK/M8	2	*					
14	1683 - 602 - 220 - 00	BRACKET/LAMP COMP	1	*					
15	V210 - 360 - 601 - 60	BOLT (SP) /M6X16	3	*					
16	1672 - 602 - 230 - 00	PLATE/LOCK COMP	1	*					
17	1414 - 312 - 002 - 00	SPRING,TENSION/53	1	*					
18	1672 - 602 - 002 - 00	ROD	1	*					
19	1672 - 602 - 250 - 10	LEVER COMP	1	*					
20	V411 - 260 - 008 - 00	WASHER,PL/M 8	3	*					
21	V500 - 162 - 002 - 00	PIN,SPLIT/2 X20	3	*					

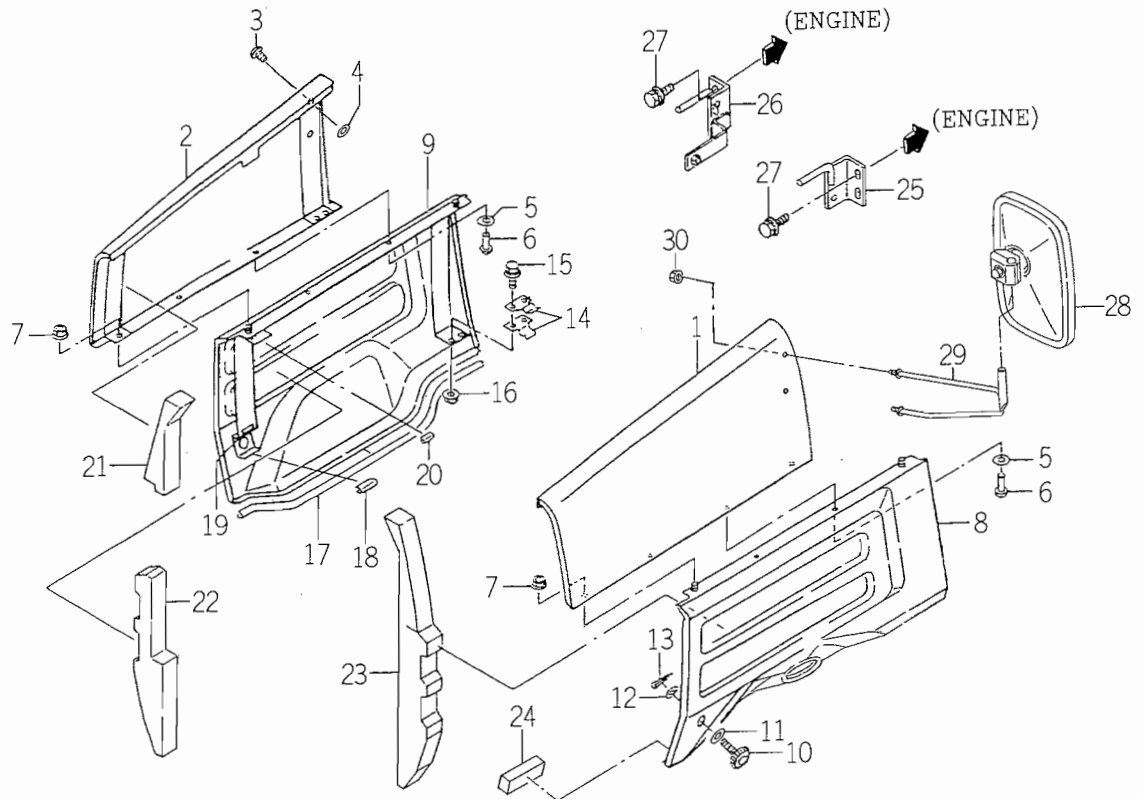
# FIG. 50 DASH COVER SYSTEM



1683-603A

KEY	PART CODE	DESCRIPTION	QTY	TYPE OF MODEL		I T C	C O L	G R P	REMARKS
				TMG18					
1	1614 - 603 - 051 - 00	COVER/DUSH/F	1	*					
2	1614 - 603 - 052 - 00	COVER/DUSH/R	1	*					
3	1683 - 603 - 510 - 00	COVER/DUSH/REAR COMP	1	*					
4	1683 - 603 - 052 - 00	TRIM/490	1	*					
5	1682 - 603 - 006 - 00	TRIM/570	1	*					
6	V350 - 160 - 006 - 00	NUT,SPEED/P6	2	*					
7	1614 - 603 - 018 - 00	NUT/SPRING	2	*					
8	1560 - 401 - 004 - 40	BOLT/M5X16	2	*					
9	V411 - 260 - 006 - 00	WASHER / M6	2	*					
10	V211 - 360 - 801 - 60	BOLT,SEMS (SP)	2	*					
11	4101 - 102 - 038 - 00	WASHER/24X9X3.2	2	*					
12	V120 - 376 - 002 - 00	SCREW/SP	6	*					
13	1612 - 603 - 002 - 00	BOOT/STEERING	1	*					
14	1614 - 603 - 201 - 10	INSULATOR	1	*					
15	1672 - 603 - 006 - 00	INSULATOR	2	*					
16	1614 - 603 - 008 - 00	STAY/INSULATOR	1	*					
17	1527 - 604 - 002 - 00	CLIP (B)	8	*					
18	1672 - 603 - 200 - 00	BRACKET/FUSE COMP	1	*					
19	1672 - 603 - 005 - 00	TRIM/350	1	*					
20	V120 - 376 - 001 - 20	SCREW/SP	2	*					
21	1672 - 603 - 007 - 00	NUT/M6X15	2	*					
22	V401 - 160 - 006 - 00	WASHER,SP/M 6	2	*					
23	V411 - 260 - 006 - 00	WASHER / M6	2	*					
24	V111 - 166 - 001 - 20	SCREW/M6X12	2	*					
25	1612 - 603 - 005 - 00	CAP/PARKING	1	*					

FIG. 51 SIDE COVER AND MIRROR SYSTEM

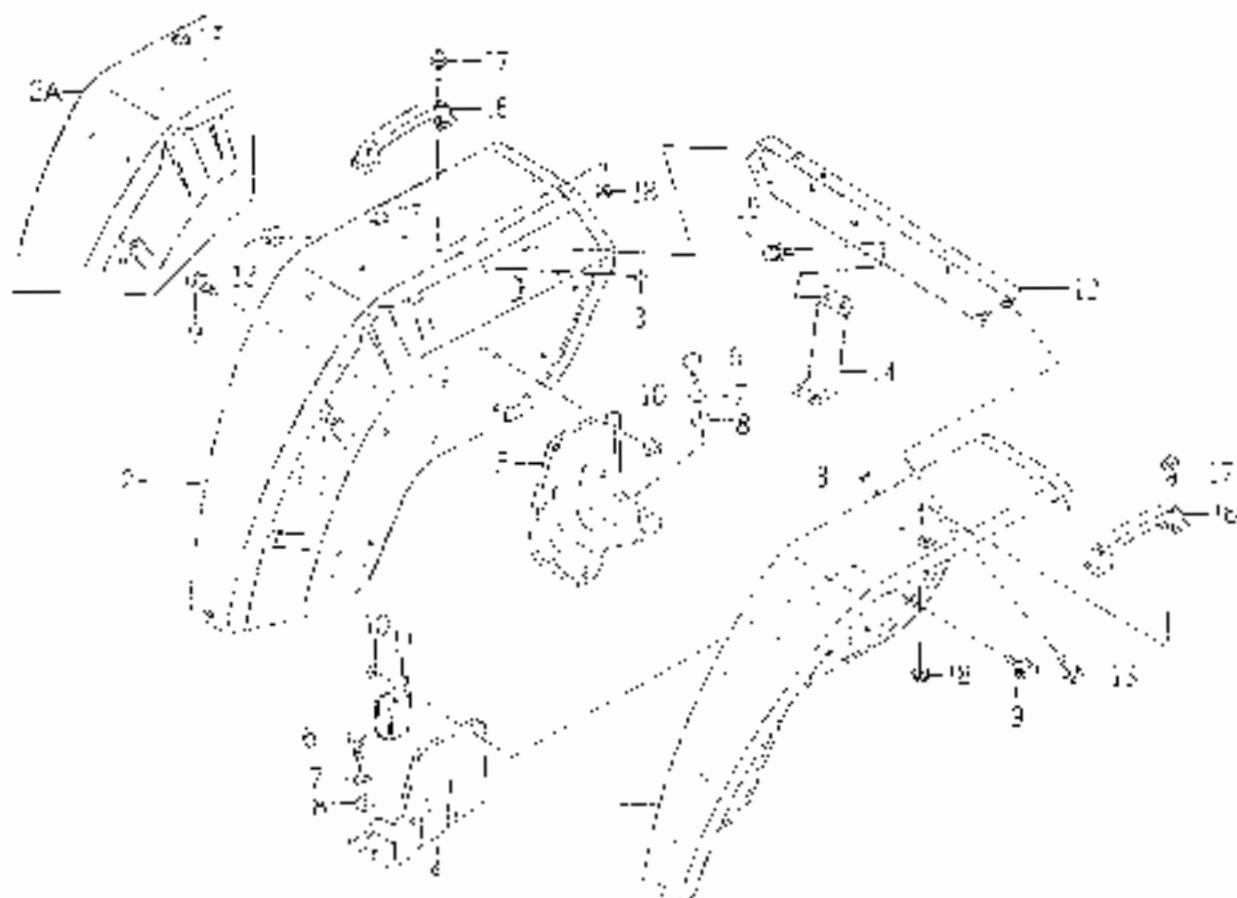


1683-604

KEY	PART CODE	DESCRIPTION	QTY	TYPE OF MODEL		I T C	C O L	G R P	REMARKS
				TMG18					
1	1683 - 604 - 240 - 10	COVER/SIDE/LH COMP	1	*			4G		
2	1683 - 604 - 250 - 10	COVER/SIDE/RH COMP	1	*			4G		
3	1527 - 604 - 002 - 00	CLIP (B)	2	*					
4	V411 - 260 - 008 - 00	WASHER,PL/M 8	2	*					
5	1480 - 604 - 204 - 00	WASHER	12	*					
6	W296 - 134 - 007 - 00	RIVET,BLIND	6	*					
7	V360 - 260 - 006 - 00	NUT/M6	4	*					
8	1683 - 604 - 200 - 20	COVER/UNDER/LH COMP	1	*			8F		
9	1683 - 604 - 210 - 20	COVER/UNDER/RH COMP	1	*			8F		
10	1672 - 604 - 003 - 00	BOLT/KNOB/M08X31	2	*					
11	V411 - 260 - 012 - 00	WASHER /M12	2	*					
12	V411 - 260 - 008 - 00	WASHER,PL/M 8	2	*					
13	V500 - 162 - 001 - 50	PIN,SPLIT/2 X15	2	*					
14	1560 - 604 - 022 - 70	SPRING	4	*					
15	V211 - 360 - 801 - 60	BOLT,SEMS (SP)	4	*					
16	V362 - 260 - 008 - 00	NUT/WASHER	4	*					
17	1683 - 604 - 004 - 00	INSULATOR/565	2	*					
18	1672 - 604 - 005 - 00	INSULATOR	2	*					
19	1672 - 601 - 001 - 00	INSULATOR	2	*					
20	1672 - 601 - 002 - 00	TRIM/20	2	*					
21	1672 - 604 - 008 - 00	INSULATOR/RH	1	*					
22	1672 - 604 - 007 - 00	INSULATOR/RH	1	*					
23	1672 - 604 - 006 - 00	INSULATOR/LH	1	*					
24	1682 - 604 - 007 - 10	INSULATOR/30X30X80	2	*					
25	1672 - 604 - 220 - 00	STAY/COVER/LH COMP	1	*					



FIG. 52 FENDER SYSTEM



KEY	PART CODE	DESCRIPTION	QTY	TYPE OF MODEL	I	C	O	P	REMARKS
				NO					
1	1882-606-250-20	FENDER/H	1	COMP					
2	1882-606-280-20	FENDER/R	1	COMP					
3	662-606-210-30	FENDER/PLATE	1	COMP	132				
4	1444-621-016-00	CARRIER	1						
5	1672-608-011-00	HOLDER/FENDER/H	1						
6	1072-000-003-00	HOLDER/FENDER/SH	1						
7	M031-261-202-50	BOLT/M0300	4						
8	M401-100-012-00	WASHER/M012	4						
9	M411-260-012-00	WASHER/M12	4						
10	M211-300-80-50	BULLDOZER (SP)	8						
11	M082-210-003-00	NUT/WASHER	5						
12	1425-621-004-00	CLAMP/HARNES	1						
13	1082-000-210-10	STAY/FENDER	1	COMP					
14	M011-360-002-00	BOLT (SP) M002	2						
15	1882-608-230-10	STAY/PLATE	1	COMP					
16	M011-360-602-00	BOLT (SP) M002	2						
17	3670-236-003-00	SHIP	2						
18	M120-378-002-00	SCREW 120	4						
19	M061-060-005-00	NUT	4						



FIG. 54 STEP SYSTEM

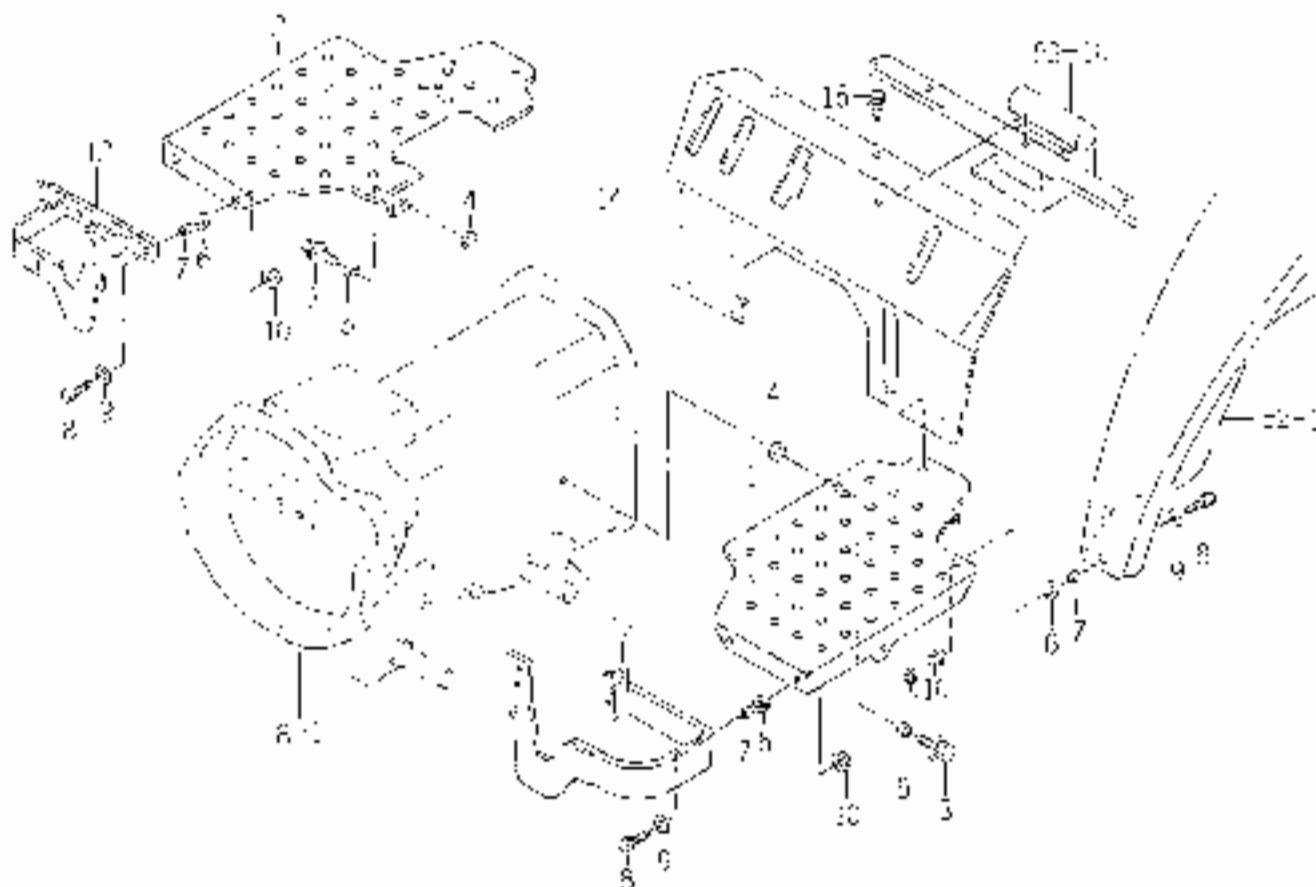
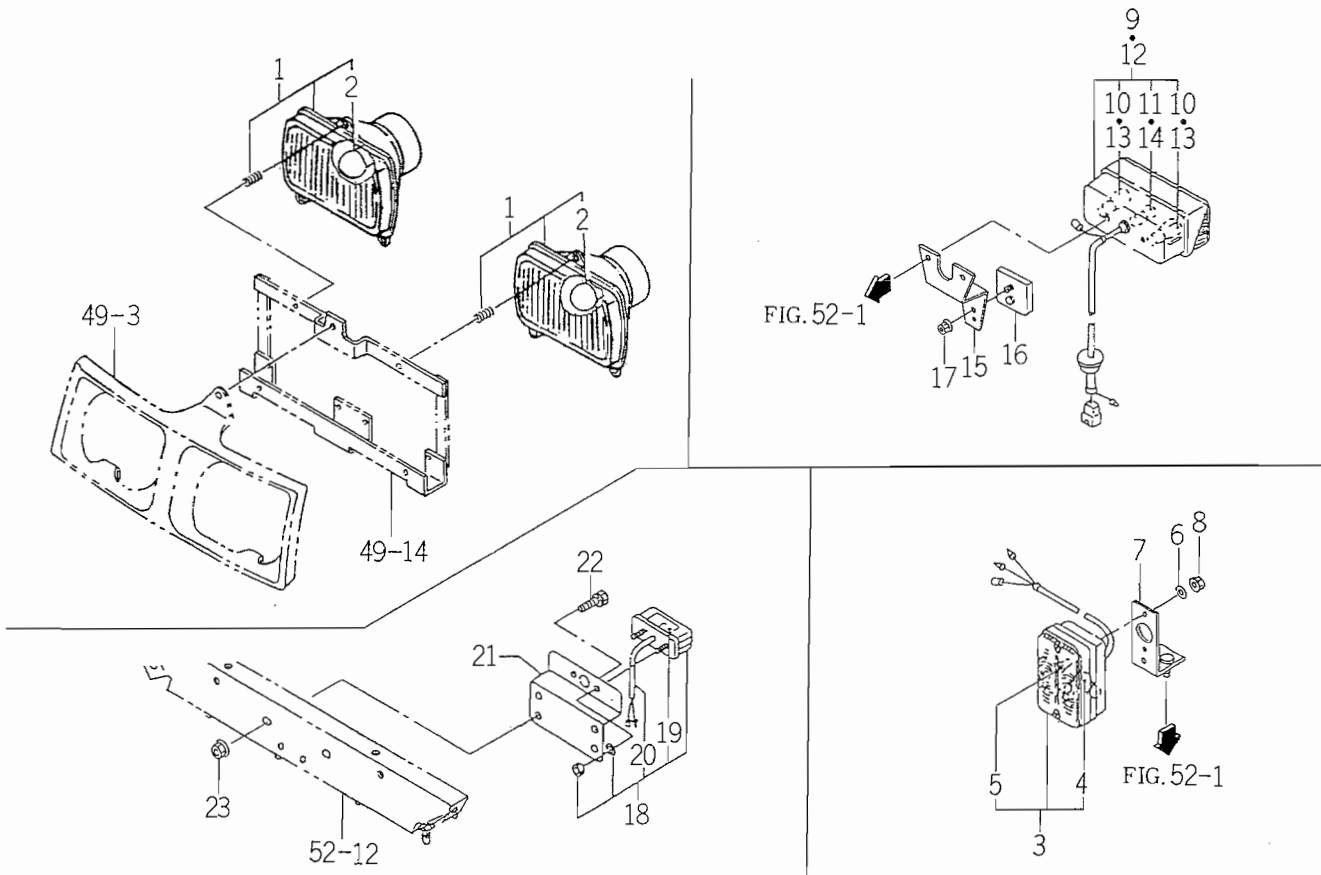


FIG. 54

KEY	PART CODE	DESCRIPTION	QTY	TYPE OF WORK				REMARKS
				TYPE	T	C	P	
1	0883 - 010 - 500 - 70	FLOOR/4 COMP	1					
2	0883 - 010 - 510 - 70	FLOOR/6 COMP	1					
3	0211 - 360 - 007 - 50	BOLT/3P	3					
4	2139 - 505 - 002 - 00	FRAMANT	3					
5	1577 - 515 - 002 - 00	COVER/3X14X08	3					
6	1427 - 521 - 012 - 00	WASHER	8					
7	1677 - 616 - 003 - 00	COVER/07X11X11	3					
8	0211 - 360 - 602 - 00	BOLT/3	8					
9	0500 - 500 - 302 - 00	WASHER/WASHER TENSION	2					
10	0300 - 200 - 000 - 00	NUT/WAS	3					
11	0300 - 200 - 000 - 00	NUT/WAS	2					
12	1666 - 616 - 520 - 10	FLOOR/6/6 COMP	1					
13	1602 - 616 - 520 - 50	STAY FLOOR, LH COMP	1					
14	1683 - 016 - 520 - 70	COVER/016X08 COMP	1					
15	0211 - 360 - 007 - 00	BOLT/3P/16X08	4					

# FIG. 55 LAMP SYSTEM



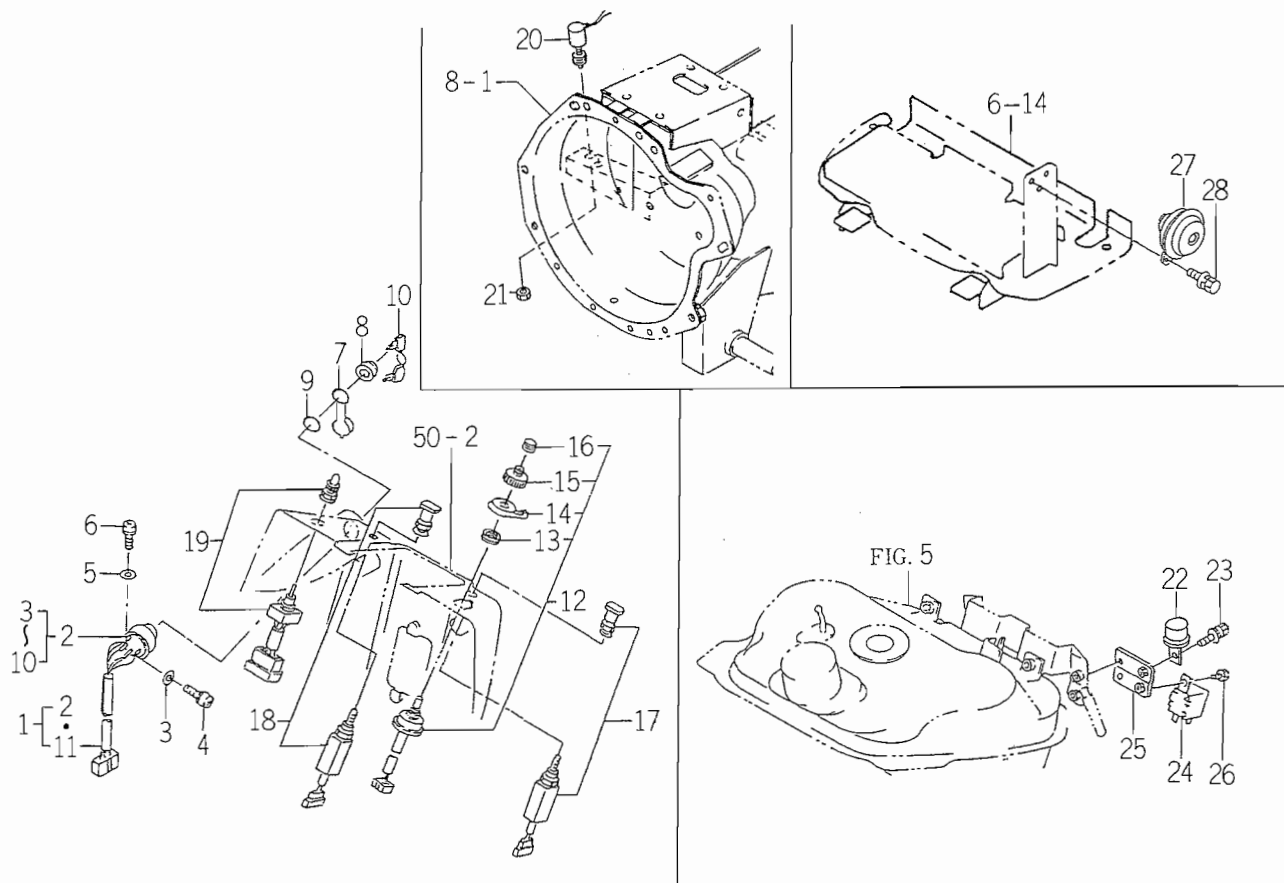
1682-650

KEY	PART CODE	DESCRIPTION	QTY	TYPE OF MODEL		I T C	C O L	G R P	REMARKS
				TMG18					
1	1674 - 652 - 200 - 00	LAMP/HEAD ASSY	2	*					
2	1674 - 652 - 202 - 00	BULB/12V/45/40W	2	*					
3	1674 - 654 - 200 - 00	LAMP/FRONT SET	2	*					
4	1674 - 654 - 211 - 00	BULB/12V21W	2	*					
5	1674 - 654 - 212 - 00	BULB/12V5W	2	*					
6	V411 - 260 - 005 - 00	WASHER,PL/M 5	4	*					
7	1682 - 660 - 220 - 00	PLATE/L/50X117 COMP	2	*					
8	V362 - 260 - 008 - 00	NUT/WASHER	4	*					
9	1674 - 654 - 240 - 00	LAMP/COMBI/REAR/LH	1	*					
10	1674 - 654 - 211 - 00	BULB/12V21W	2	*					
11	1674 - 654 - 212 - 00	BULB/12V5W	1	*					
12	1674 - 654 - 260 - 00	LAMP/COMBI/REAR/RH	1	*					
13	1674 - 654 - 211 - 00	BULB/12V21W	2	*					
14	1674 - 654 - 212 - 00	BULB/12V5W	1	*					
15	1682 - 660 - 003 - 00	BRACKET/REFLECTOR	2	*					
16	1600 - 622 - 321 - 00	REFLECTOR	2	*					
17	V361 - 260 - 006 - 00	NUT	2	*					
18	1674 - 654 - 270 - 00	LAMP/NUMBERPLAT SET	1	*					
19	1674 - 654 - 271 - 00	BULB/12V/5W	1	*					
20	1674 - 654 - 272 - 00	HARNESS/LAMP	1	*					
21	1594 - 654 - 261 - 10	BRACKET/LAMP/NUMBER	1	*					
22	V211 - 260 - 801 - 60	BOLT,SEMS (S) M8X16	2	*					
23	V362 - 260 - 008 - 00	NUT/WASHER	2	*					





FIG. 57 SWITCH SYSTEM



1683-680A

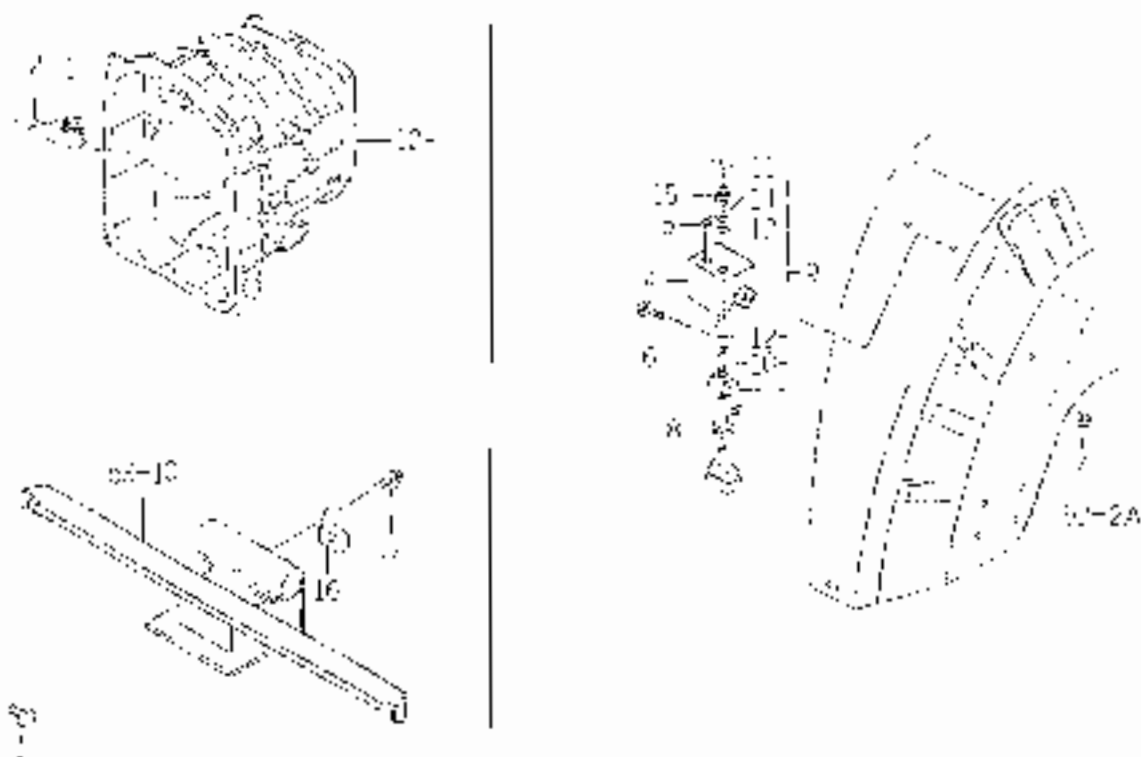
KEY	PART CODE	DESCRIPTION	QTY	TYPE OF MODEL		I T C	C O L	G R P	REMARKS
				TMG18					
1	1575 - 623 - 210 - 00	SWITCH,STARTER ASSY	1	*					
2	1488 - 621 - 220 - 10	SWITCH,STARTER SET	1	*					
3	V411 - 260 - 004 - 00	WASHER,PL/M4	3	*					
4	V120 - 264 - 000 - 80	SCREW,PLUS/M4X8	3	*					
5	V411 - 260 - 005 - 00	WASHER,PL/M 5	3	*					
6	V120 - 265 - 001 - 00	SCREW,PLUS/M5X0.8X8	3	*					
7	1444 - 621 - 311 - 00	CAP	1	*					
8	1444 - 621 - 312 - 00	NUT,RING/M28X1.0	1	*					
9	1444 - 621 - 313 - 00	WASHER	1	*					
10	1444 - 621 - 320 - 00	KEY ASSY	1	*					
11	1575 - 623 - 211 - 00	HARNES/STARTER	1	*					
12	1544 - 623 - 001 - 00	SWITCH ASSY	1	*					
13	1544 - 623 - 232 - 00	NUT/M22	1	*					
14	1544 - 623 - 233 - 00	LEVER	1	*					
15	1544 - 623 - 234 - 00	KNOB	1	*					
16	1544 - 623 - 235 - 00	BOOT/HORN	1	*					
17	1600 - 623 - 200 - 00	SWITCH	1	*					
18	1600 - 623 - 210 - 00	SWITCH,LAMP ASSY	1	*					
19	1600 - 623 - 220 - 00	SWITCH,HAZARD ASSY	1	*					
20	1518 - 621 - 320 - 00	SWITCH,STOP	1	*					
21	V335 - 260 - 012 - 00	NUT	1	*					
22	1600 - 623 - 002 - 00	FLASHER ASSY	1	*					
23	V210 - 360 - 601 - 60	BOLT (SP) /M6X16	1	*					
24	1581 - 621 - 290 - 00	RELAY/4P	1	*					
25	1682 - 690 - 350 - 00	STAY/RELAY COMP	1	*					





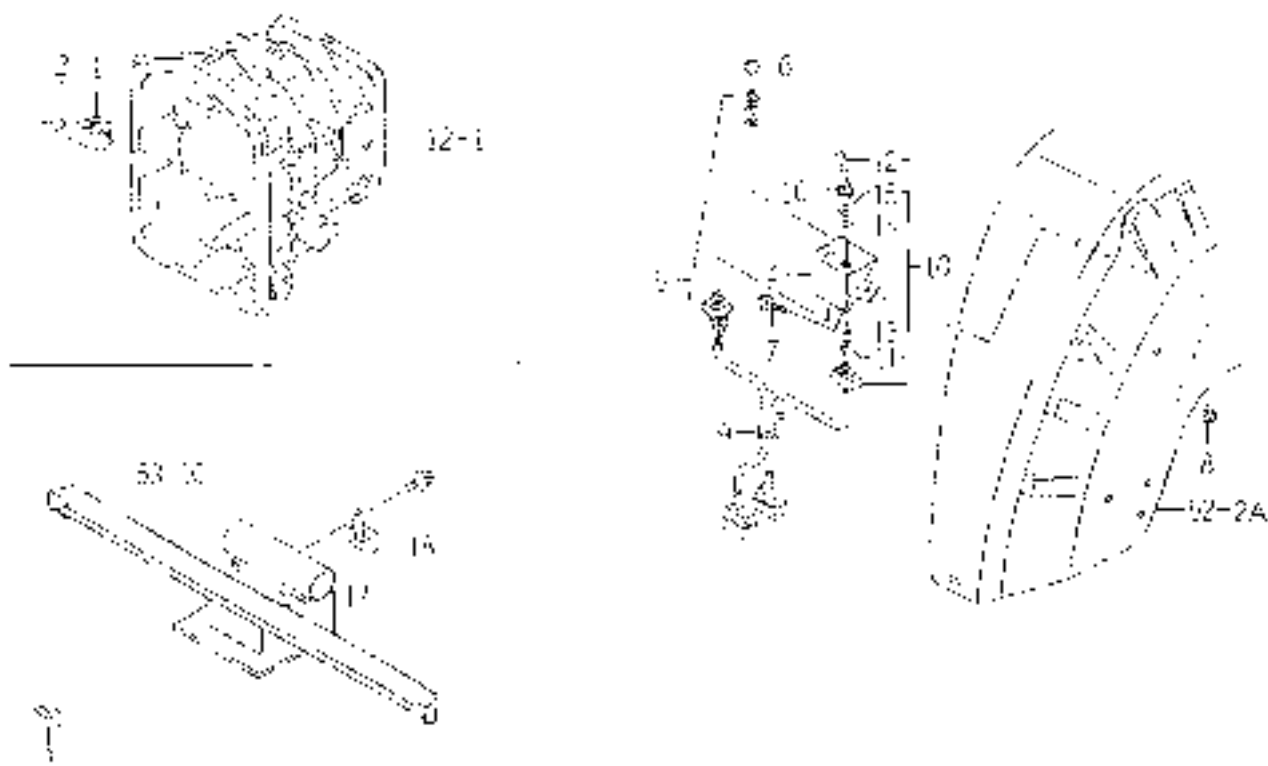


FIG. 60 SWITCH SYSTEM (S TYPE EXCEPT V)



KEY	PART CODE	DESCRIPTION	QTY	TYPE OF VOICE		C O	G R P	REMARKS
				TR	SR			
1	1518 - 671 970 - 00	SWITCH/TP	1					
2	1082 200 001 - 00	BALL	1					
3	1203 - 201 - 202 - 00	BOLT / M3x50	2					
4	1581 630 430 - 00	BRACKET COMP	1					
5	1432 - 651 - 028 - 00	SPRING/9x 3x3	1					
6	1130 - 370 - 001 - 60	SCREW/5P	2					
7	1081 260 606 - 00	NUT	2					
8	1418 671 004 - 00	CLAMP/HARNESS	1					
9	1340 674 - 200 - 00	SWITCH/PTC ASBY	1					
10	1640 - 674 - 201 - 00	NUT	1					
11	1640 - 674 - 205 - 00	WASHER	1					
12	1970 671 204 - 00	KEEPER	1					
13	1540 - 674 - 208 - 00	WASHER	1					
14	1510 671 206 - 00	NUT	1					
15	1640 - 674 - 001 - 00	BOLT/ SWITCH	1					
16	1563 673 530 - 00	RELAY/5P ASBY	1					
17	1210 360 501 - 50	BOLT (SP) 1/8x1/8	1					

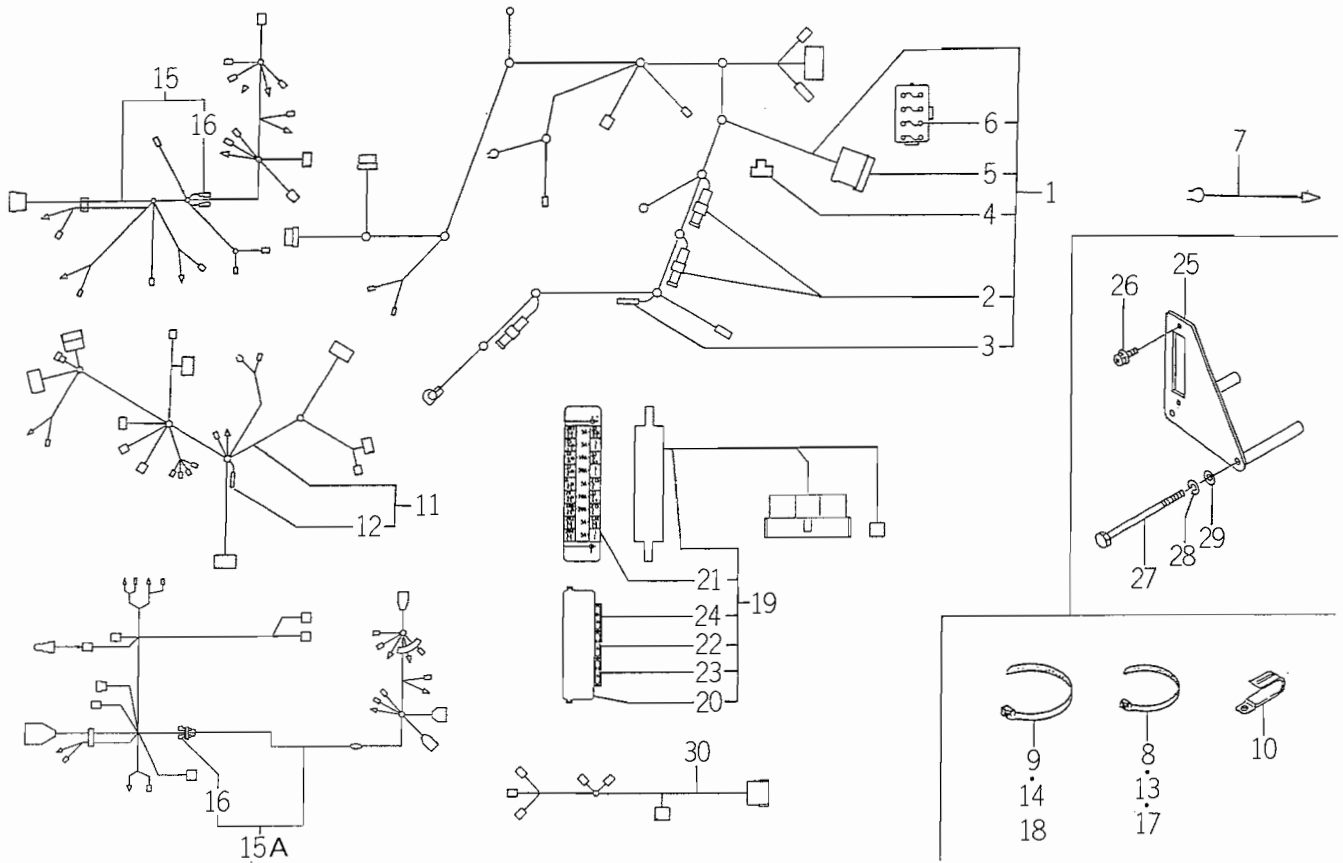
FIG. 61 SWITCH SYSTEM (SV TYPE)



MM-2

KEY	PART CODE	DESCRIPTION	QTY	TYPE OF MODEL		I T C	C O L	P R G	REMARKS
				INCIS					
1	1518-671-323-00	SWITCH/SHIF							
2	1082-200-001-00	BALL							
3	V203 251 202 00	DOCT. MIXER	2						
4	1564-530-400-00	BRACKET							
5	1580 530 250 00	SWITCH/TOGGLE							
6	3645-363-001-00	CAP							
7	V120-376-001 00	SLIP/SHIF							
8	V801 260 006 00	NUT							
9	1475-671 004-00	CLAMP/ARMER							
10	1640 674 200 00	SWITCH/TTC							
11	1630-674-202-00	NUT							
12	1640-674-203-00	WASHER							
13	1670 677 204 00	WASHER							
14	1640-674-205-00	WASHER							
15	1640-674-208-00	NUT							
16	1640 674 001 00	DOCT. SACTION							
17	1583 623 000 00	RELAY/SP							
18	V210 300 001 00	BOLT ISO. HEX/HE							

FIG. 62 HARNESS SYSTEM (S,V TYPE)



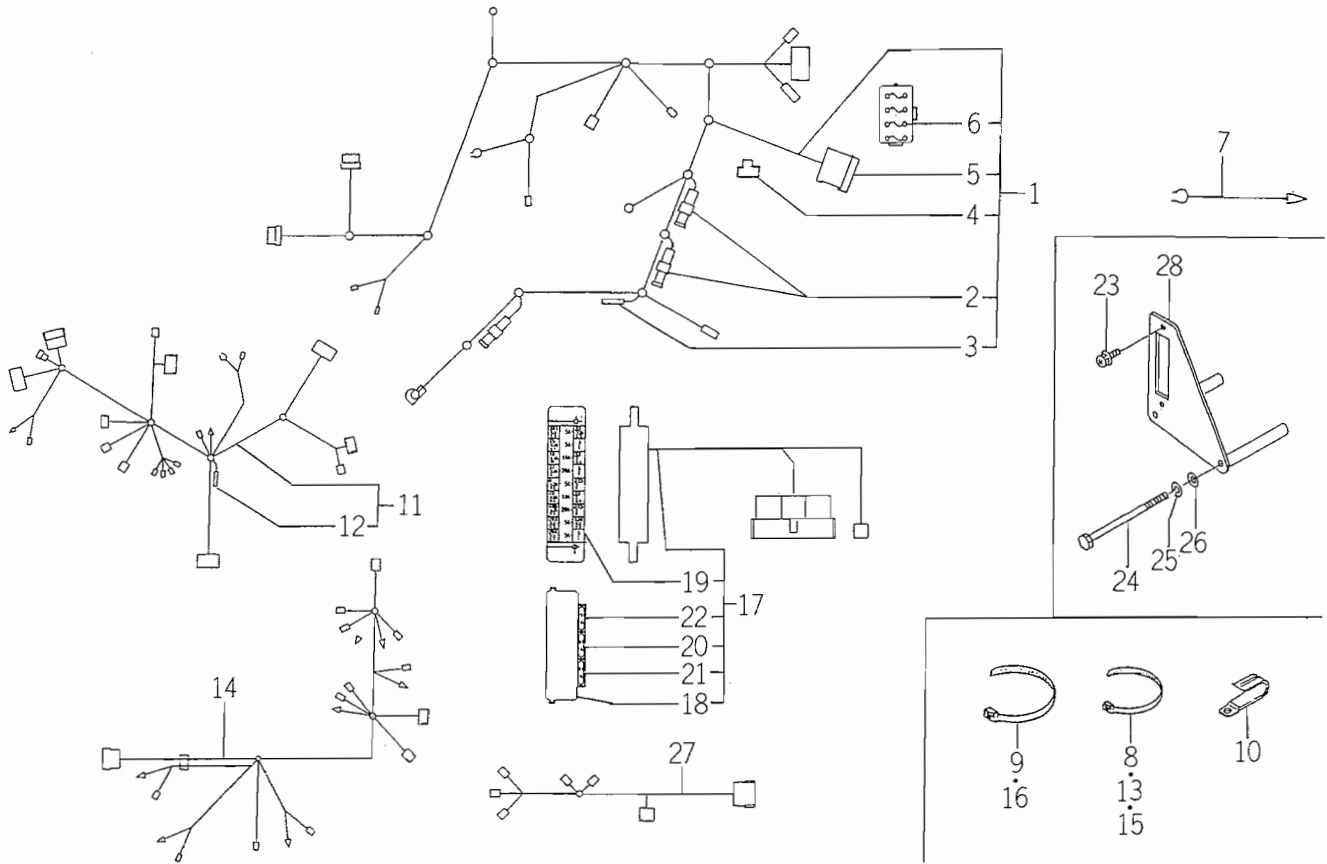
1688-690

KEY	PART CODE	DESCRIPTION	QTY	TYPE OF MODEL		I T C	C O L	G R P	REMARKS
				TMG18					
1	1682 - 690 - 300 - 30	HARNESS/ENGINE/E4	1	*					
2	1614 - 690 - 202 - 00	FUSE/SLOWBLOW	2	*					
3	1560 - 666 - 212 - 00	DIODE	2	*					
4	3650 - 261 - 261 - 00	LINK,FUSIBLE	1	*					
5	1593 - 623 - 503 - 00	CAP,FUSE BOX	1	*					
6	1560 - 664 - 264 - 00	FUSE,BLADE	4	*					
7	1600 - 624 - 004 - 00	HARNESS,OIL PRESSURE	1	*					
8	1376 - 402 - 003 - 00	BAND,WIRE/140	5	*					
9	1342 - 402 - 006 - 00	BAND,WIRE/250	1	*					
10	1425 - 621 - 004 - 00	CLAMP,HARNESS	1	*					
11	1682 - 690 - 310 - 30	HARNESS/MAIN/E4 ASSY	1	*					
12	1560 - 666 - 212 - 00	DIODE	1	*					
13	1376 - 402 - 003 - 00	BAND,WIRE/140	1	*					
14	1342 - 402 - 006 - 00	BAND,WIRE/250	1	*					
15	1688 - 690 - 620 - 00	HARNESS/REAR/VALVE	1	1- -200					
15A	1688 - 690 - 620 - 10	HARNESS/REAR/SV ASSY	1	201-		1			
16	1560 - 666 - 212 - 00	DIODE	2	*					
17	1376 - 402 - 003 - 00	BAND,WIRE/140	1	*					
18	1342 - 402 - 006 - 00	BAND,WIRE/250	2	*					
19	1688 - 690 - 340 - 10	HARNESS/FUSE ASSY	1	*		1			
20	1650 - 650 - 246 - 00	COVER/FUSE	1	*					
21	1650 - 652 - 253 - 20	LABEL/FUSE/MAIN	1	*					
22	1575 - 623 - 010 - 00	FUSE/32V10A	2	*					
23	1593 - 623 - 203 - 00	FUSE/32V20A	4	*					
24	1560 - 664 - 264 - 00	FUSE,BLADE	6	*					





FIG. 63 HARNESS SYSTEM (EXCEPT S,V TYPE)



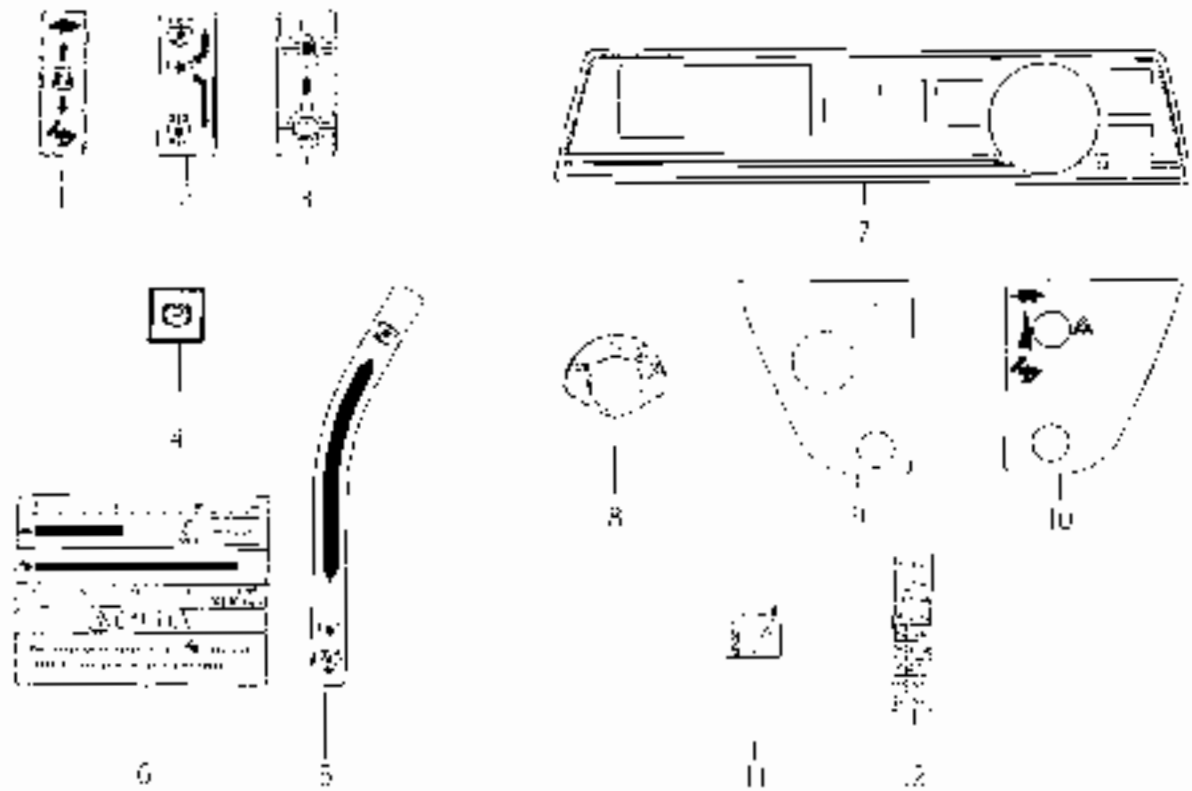
1683-690A

KEY	PART CODE	DESCRIPTION	QTY	TYPE OF MODEL		I T C	C O L	G R P	REMARKS
				TMG18					
1	1682 - 690 - 300 - 30	HARNESS/ENGINE/E4	1	*					
2	1614 - 690 - 202 - 00	FUSE/SLOWBLOW	2	*					
3	1560 - 666 - 212 - 00	DIODE	2	*					
4	3650 - 261 - 261 - 00	LINK,FUSIBLE	1	*					
5	1593 - 623 - 503 - 00	CAP,FUSE BOX	1	*					
6	1560 - 664 - 264 - 00	FUSE,BLADE	4	*					
7	1600 - 624 - 004 - 00	HARNESS,OIL PRESSURE	1	*					
8	1376 - 402 - 003 - 00	BAND,WIRE/140	8	*					
9	1342 - 402 - 006 - 00	BAND,WIRE/250	2	*					
10	1425 - 621 - 004 - 00	CLAMP,HARNESS	1	*					
11	1682 - 690 - 310 - 30	HARNESS/MAIN/E4 ASSY	1	*					
12	1560 - 666 - 212 - 00	DIODE	1	*					
13	1376 - 402 - 003 - 00	BAND,WIRE/140	1	*					
14	1683 - 690 - 620 - 10	HARNESS/REAR/E4 ASSY	1	*					
15	1376 - 402 - 003 - 00	BAND,WIRE/140	5	*					
16	1342 - 402 - 006 - 00	BAND,WIRE/250	1	*					
17	1688 - 690 - 340 - 10	HARNESS/FUSE ASSY	1	*					
18	1650 - 650 - 246 - 00	COVER/FUSE	1	*					
19	1650 - 652 - 253 - 20	LABEL/FUSE/MAIN	1	*					
20	1575 - 623 - 010 - 00	FUSE/32V10A	2	*					
21	1593 - 623 - 203 - 00	FUSE/32V20A	4	*					
22	1560 - 664 - 264 - 00	FUSE,BLADE	6	*					
23	V120 - 366 - 001 - 60	SCREW	2	*					
24	V201 - 260 - 813 - 00	BOLT/M 8X130	2	*					
25	V401 - 160 - 008 - 00	WASHER,SP/M 8	2	*					





FIG. 65 LABEL (CONTROL) (EXCEPT S,V TYPE)

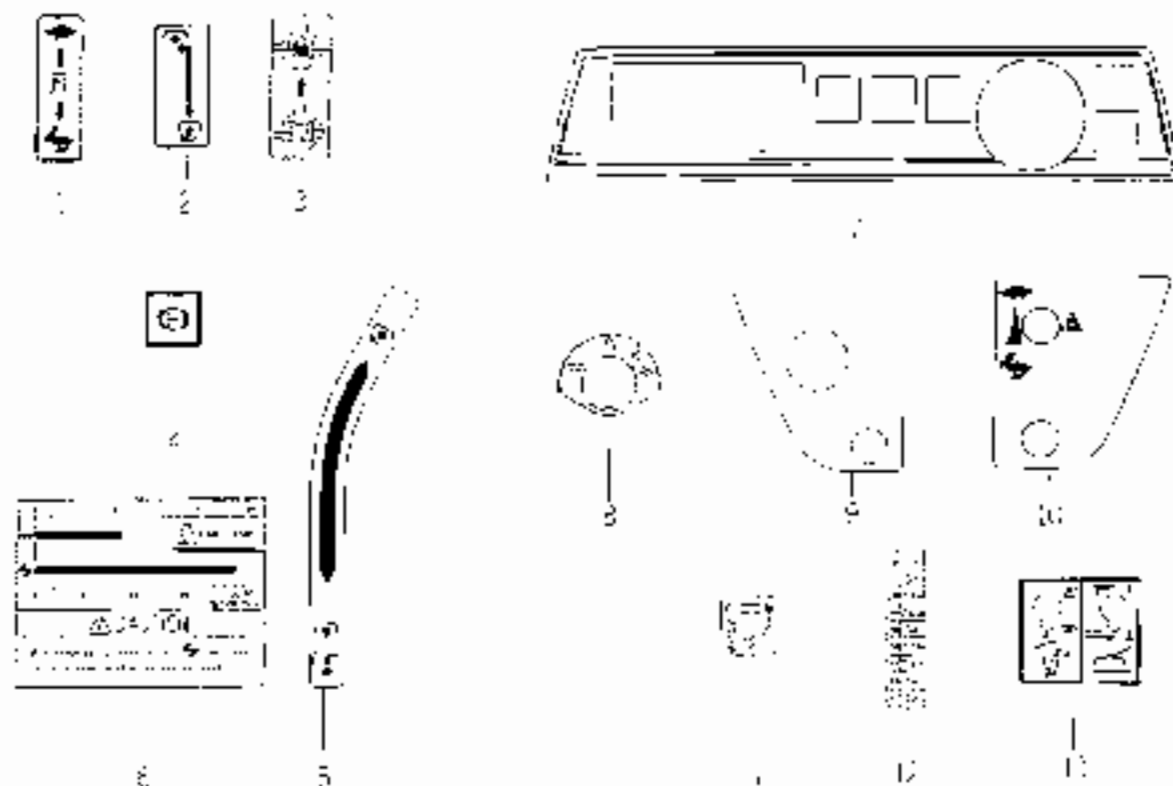


165

KEY	PART CODE	DESCRIPTION	QTY	TYPE OF MODEL			G R P	REMARKS
				NO. 6	I T C	C O L		
1	1683 - 002 - 001 - 00	LABEL / CONTROL / SUR	1					
2	1683 - 002 - 002 - 00	LABEL / CONTROL / STD	1					
3	1683 - 002 - 004 - 00	LABEL / DFR	1					
4	1683 - 002 - 014 - 00	LABEL / CON / JUL / PARKIN	1					
5	1683 - 002 - 003 - 00	LABEL / PTO / MD	1					
6	1683 - 002 - 005 - 00	LABEL / SPEED / PSI	1					
7	1682 - 002 - 006 - 00	VOLUINE / METER	1					
8	1670 - 004 - 011 - 10	LABEL / SAMPLE / P	1					
9	1670 - 003 - 005 - 00	LABEL / COLUMN / R	1					
10	1652 - 002 - 004 - 00	LABEL / COLUMN / R4	1					
11	1640 - 002 - 006 - 00	LABEL / MSD / CRK	1					
12	1693 - 002 - 007 - 20	LABEL / FUSE	1					



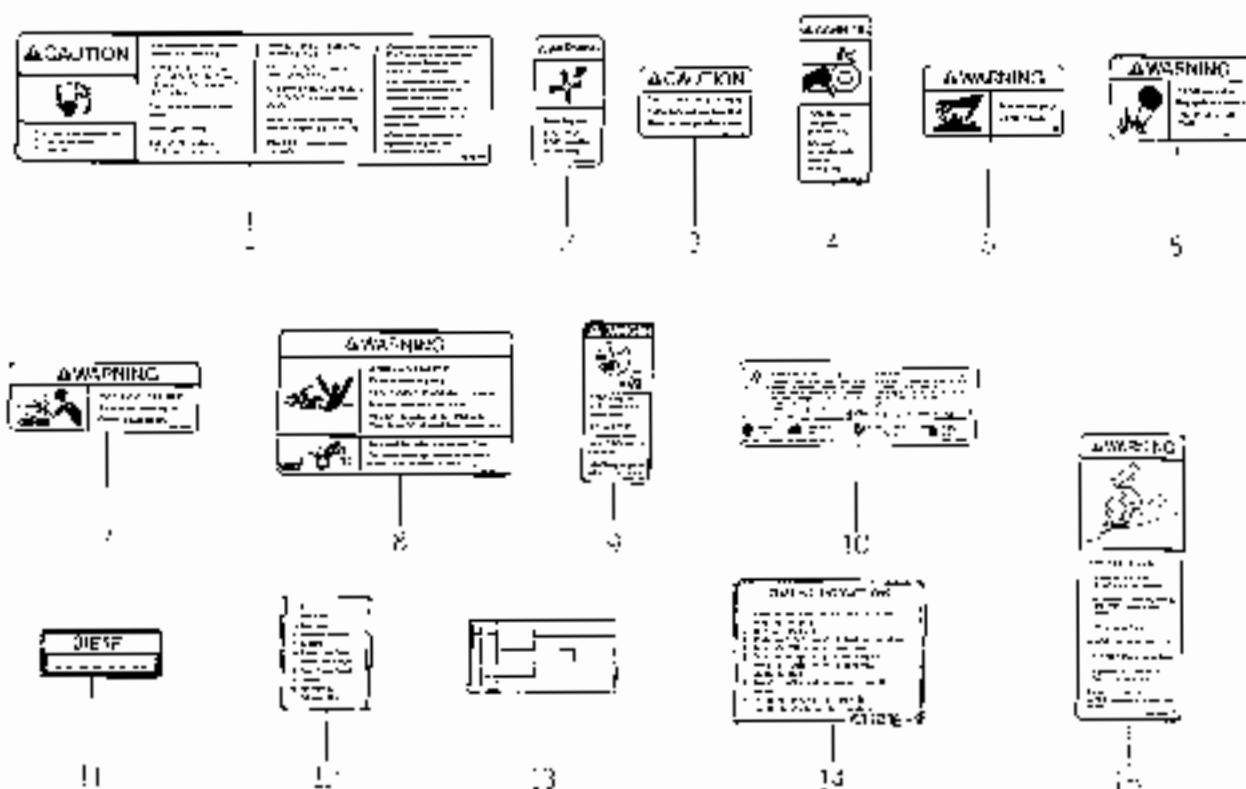
FIG. 67 LABEL (CONTROL) (S TYPE)



CN 102

KEY	PART CODE	DESCRIPTION	QTY	TYPE OF WORK		C	C	R	P	REMARKS
				W	B					
1	1653-902-001-00	LABEL/CONTROL/ARROW	1							
2	1652-902-003-00	LABEL/CONTROL/PTO	1							
3	1653-902-004-00	LABEL/STOP	1							
4	1657-902-014-00	LABEL/CONTROL PAREN	1							
5	1662-902-005-00	LABEL/PTO L&D	1							
6	1688-902-006-00	LABEL/SPEED/151	1							
7	1682-902-006-00	WELDING W/PLATE	1							
8	1676-904-01-00	LABEL/STOP/151	1							
9	1629-905-003-00	LABEL/COLUMB/151	1							
10	1657-902-004-00	LABEL/COLUMB/151	1							
11	643-902-000-00	LABEL/KNOB/OPEN	1							
12	1687-902-007-00	LABEL/FUEL	1							
13	1628-902-007-00	LABEL/SWITCH/151	1							

FIG. 68 LABEL (ENGLISH) (OPTION)

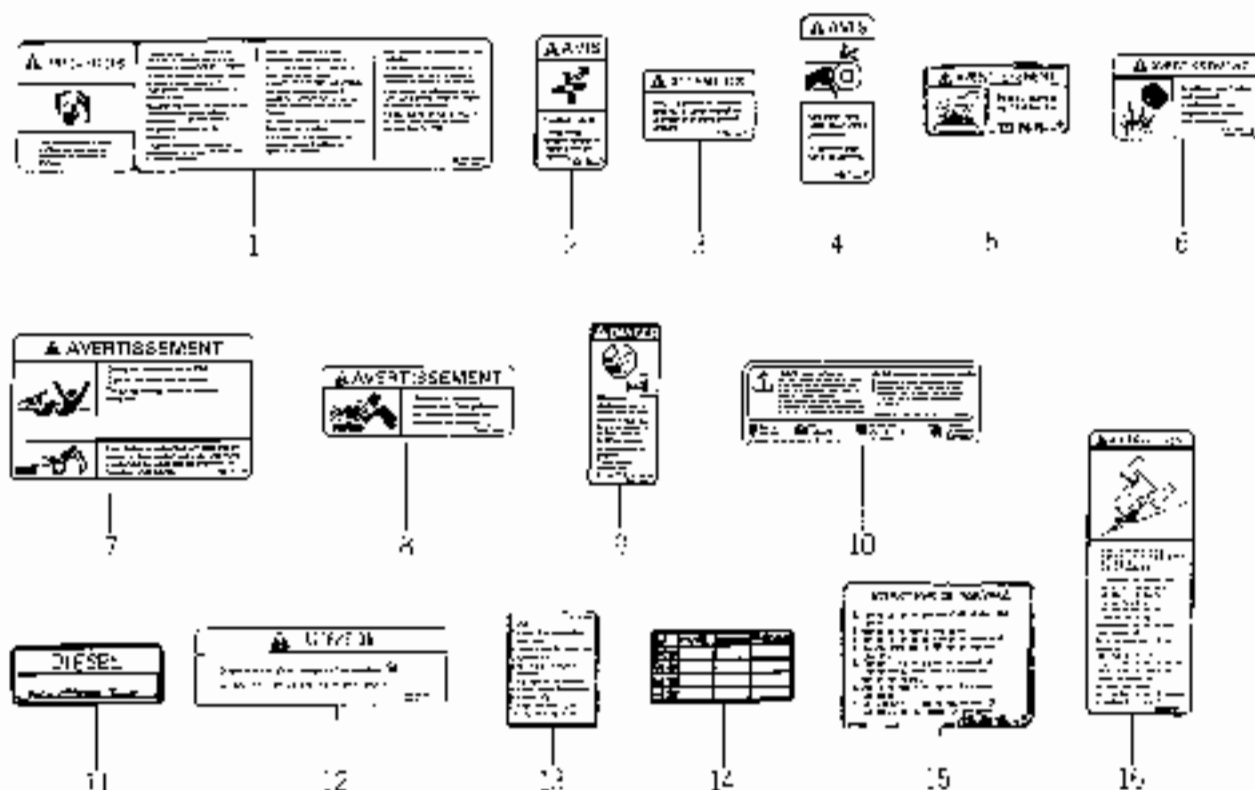


TABLE

KEY	PART CODE	DESCRIPTION	QTY	TYPE OF CODE..		C	O	G	R	REMARKS
				T	V					
1	1540-904-007-00	LAHFI /C/ DRIVE/16	1	T						
2	1540-904-006-00	LADEL/W/FAN	2	T						
3	1540-904-007-00	ARFI /C/ BATTERY	1	T						
4	1540-904-008-00	LADEL/W/SHIELD	2	T						
5	1540-904-008-10	APC /W/MUFFLER	1	T						
6	1540-904-011-00	LADEL/W/ETHER	1							
7	1540-904-010-00	LADEL/W/RADIATOR	1							
8	1540-904-012-00	LADEL/W/SHIELD/PISTON	1							
9	1540-904-015-00	LADEL/D/STARTER	1							
10	1540-904-016-00	ARFI /D/ BATTERY	1							
11	1427-941-010-00	MARK-FUEL	1							
12	1520-904-009-00	LADEL/FUSE/10A	1							
13	1594-904-025-00	MARK-FUEL/10	1							
14	1540-904-005-10	LADEL/STARTER/10	1							
15	1540-903-045-00	LAHFI/W/ROPE 130	1							



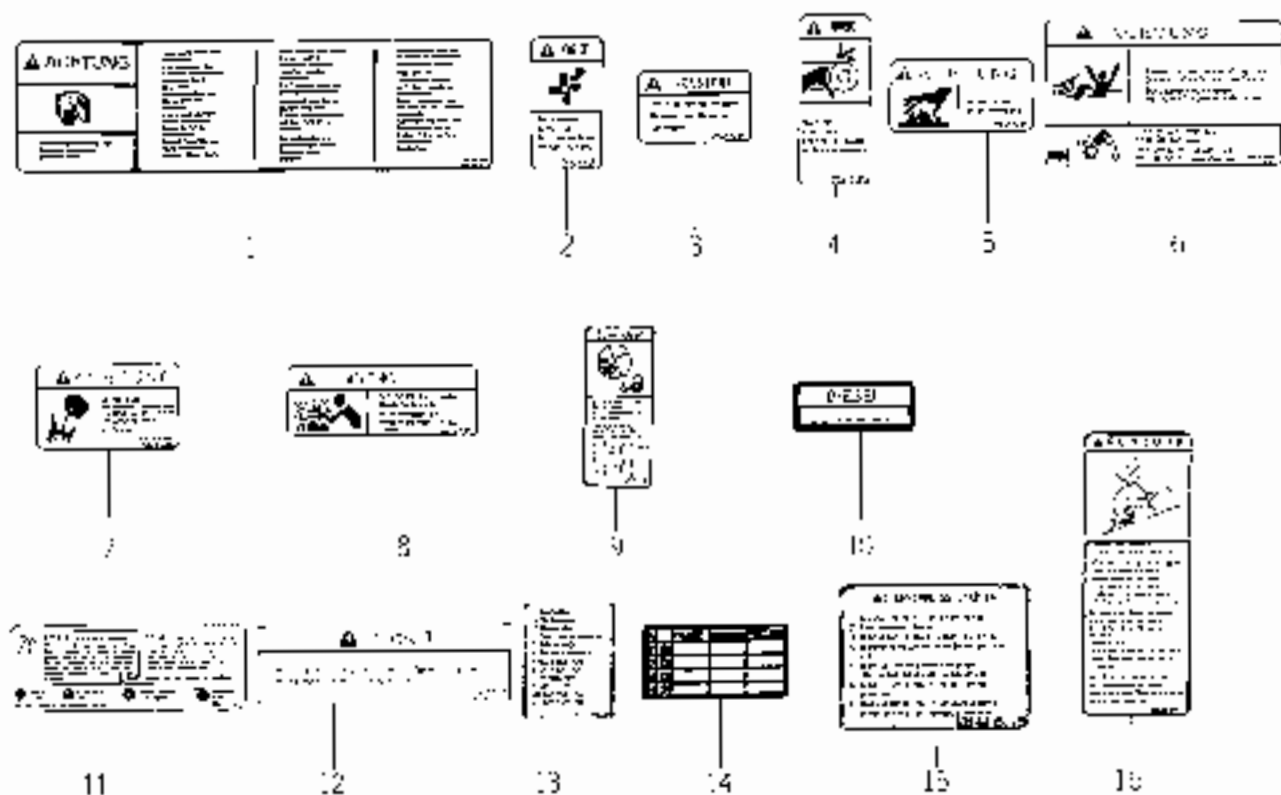
FIG. 69 LABEL (FRENCH) (OPTION)



70-534

KEY	PART CODE	DESCRIPTION	QTY	TYPE OF MODEL				REMARKS
				T/810	C	C	PUG	
1	1640-904-002-10	LABEL C/ENGINE	1					
2	1640-903-000-00	LABEL/W OIL	2					
3	1640-903-007-00	LABEL C/BATTERY	1					
4	1640-903-000-00	LABEL/W SHIELD	2					
5	1640-903-009-00	LABEL/W/MULTILOC	1					
6	1640-903-011-00	LABEL/W/ENGINE	1					
7	1640-903-012-00	LABEL W/SHIELD/MIC	1					
8	1640-903-013-00	LABEL/W RADIATOR	1					
9	1640-903-015-00	LABEL C/STARTER	1					
10	1640-903-016-00	LABEL C/BATTERY	1					
11	1427-937-013-00	MARK/FUEL/13	1					
12	1640-903-019-10	LABEL C/SHIFT	1					
13	1620-904-007-00	LABEL C/FUEL/11	1					
14	1004-004-021-00	MARK/FUEL/14	1					
15	1640-903-005-10	LABEL/START/F	1					
16	1640-903-040-00	LABEL/W FUEL/F50	1					

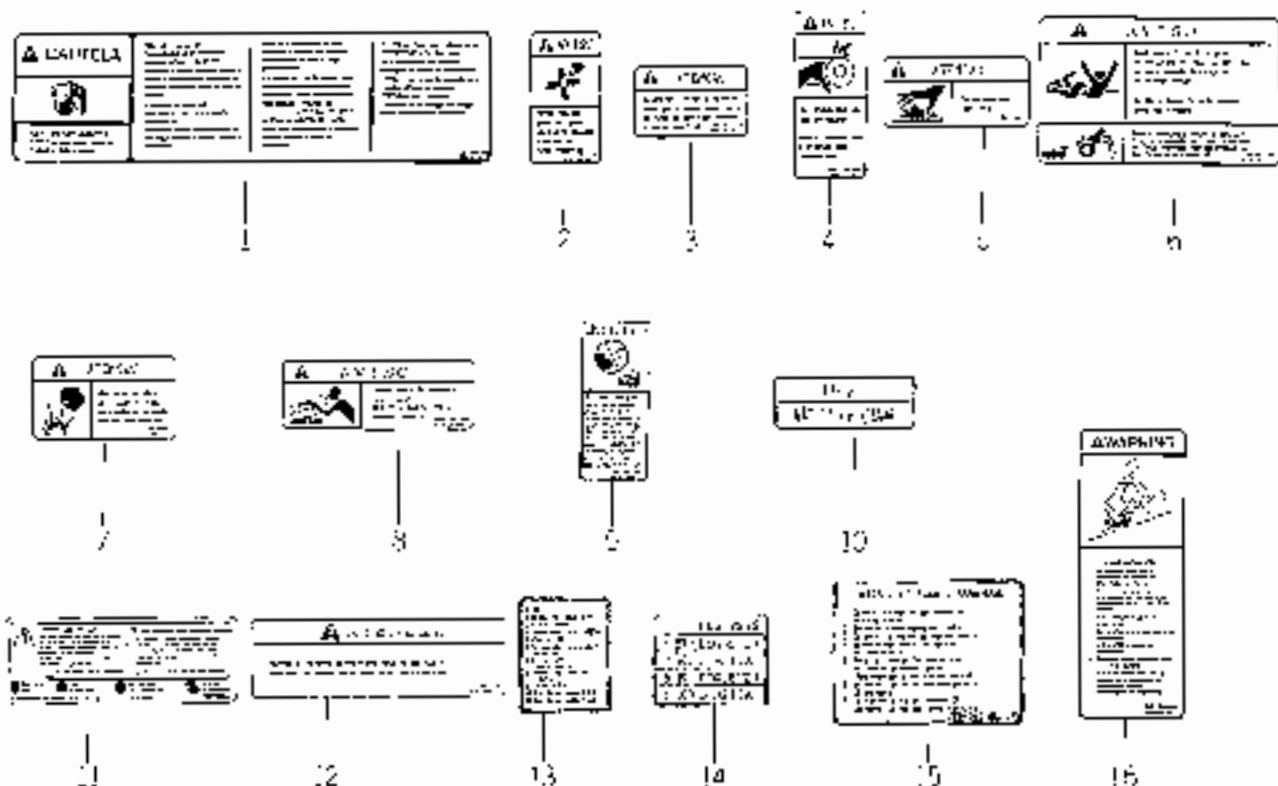
FIG. 70 LABEL (GERMAN) (OPTION)



P. 708

KEY	PART CODE	DESCRIPTION	QTY	TYPE OF WARE			C	G	REMARKS
				TWO'S	C	P			
1	1640 - 904 - 024 - 00	LABEL / W / DRIVE D							
2	1640 - 903 - 025 - 00	LABEL / W / FAN							
3	1640 - 903 - 027 - 00	LABEL / C / BATTERY							
4	1640 - 903 - 028 - 00	LABEL / W / SHIELD							
5	1640 - 903 - 029 - 00	LABEL / W / MULLER							
6	1640 - 903 - 032 - 00	LABEL / W / SHIELD / TO							
7	1640 - 904 - 027 - 00	LABEL / W / OTHER							
8	1640 - 903 - 033 - 00	LABEL / W / RADIATOR							
9	1640 - 903 - 035 - 00	LABEL / C / STARTER							
10	1600 - 902 - 023 - 00	LABEL / E / D							
11	1640 - 903 - 036 - 00	LABEL / C / BATTERY							
12	1640 - 903 - 039 - 00	LABEL / C / SH							
13	1620 - 904 - 008 - 00	LABEL / FACE / H							
14	1607 - 904 - 009 - 00	MARK / H / B / M							
15	1640 - 903 - 025 - 00	LABEL / STARTER / E							
16	1640 - 903 - 047 - 00	LABEL / W / TOPS / 220							

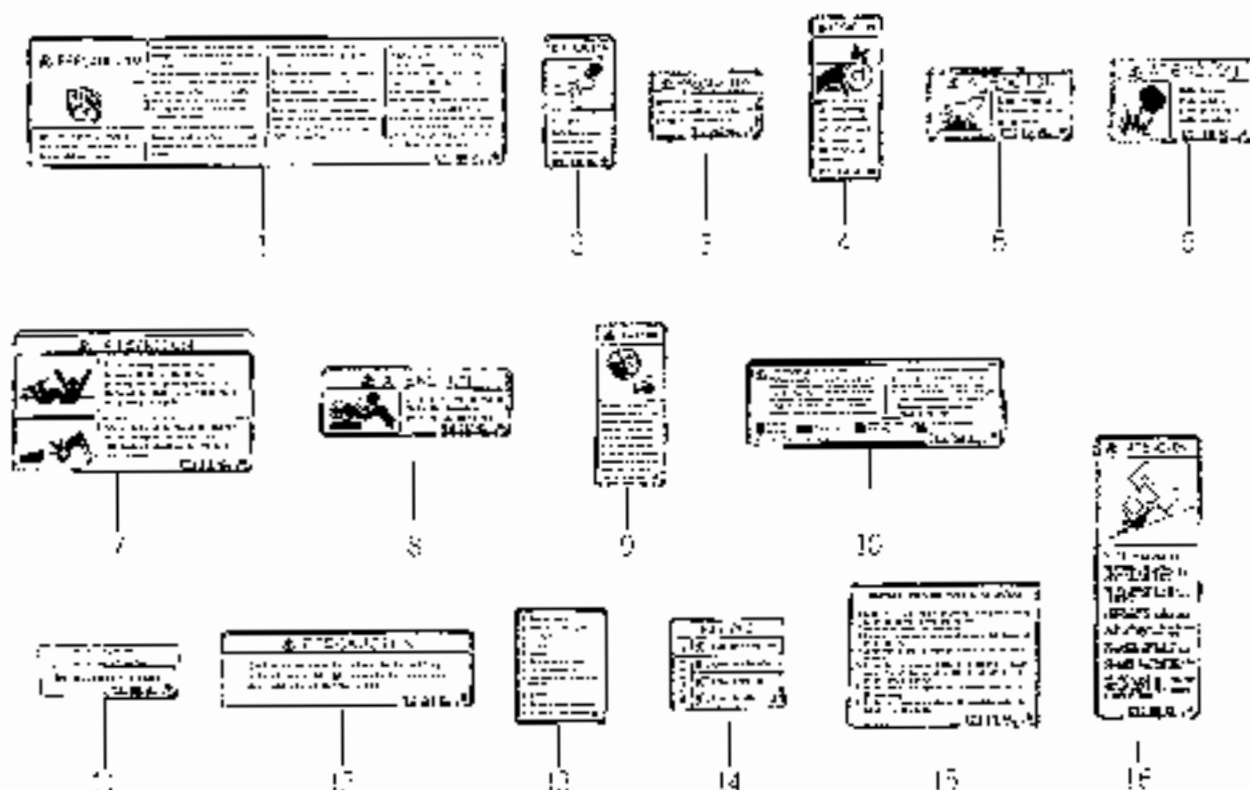
FIG. 71 LABEL (PORTUGAL) (OPTION)



TABLE

KEY	PART CODE	DESCRIPTION	QTY	TYPE OF MODEL		I	C	G	C	REMARKS
				T	M					
1	1640 904 - 025 - 00	LABEL / C/DRIVE / P	1							
2	1640 905 - 055 - 00	LABEL / W/FAN	1							
3	1610 - 903 - 057 - 00	LABEL / C/BATTERY	1							
4	1640 903 - 055 - 00	LABEL / W. SHIELD	2							
5	1610 003 059 00	LABEL W/MC-FLER	1							
6	1640 903 - 062 - 00	LABEL W/SHIELD/PTC	1							
7	1640 903 06 00	LABEL / W. CT-GR	1							
8	1640 - 903 - 063 - 00	LABEL / W/DIAGNOSTIC	1							
9	1640 - 903 - 065 - 00	LABEL / W/STARTER	1							
10	1640 - 903 - 067 - 00	LABEL / FUEL / P	1							
11	1640 903 055 00	LABEL / C/ BATTERY	1							
12	1640 903 080 00	LABEL / C/ SIFT	1							
13	020 - 904 - 009 - 00	LABEL / C/ BATTERY	1							
14	1640 903 - 052 - 00	LABEL / FUSE / 4	1							
15	1640 - 903 - 069 - 00	LABEL / STAR / P	1							
16	070 - 903 - 048 - 00	LABEL / W/ ROPS SHIELD	1							

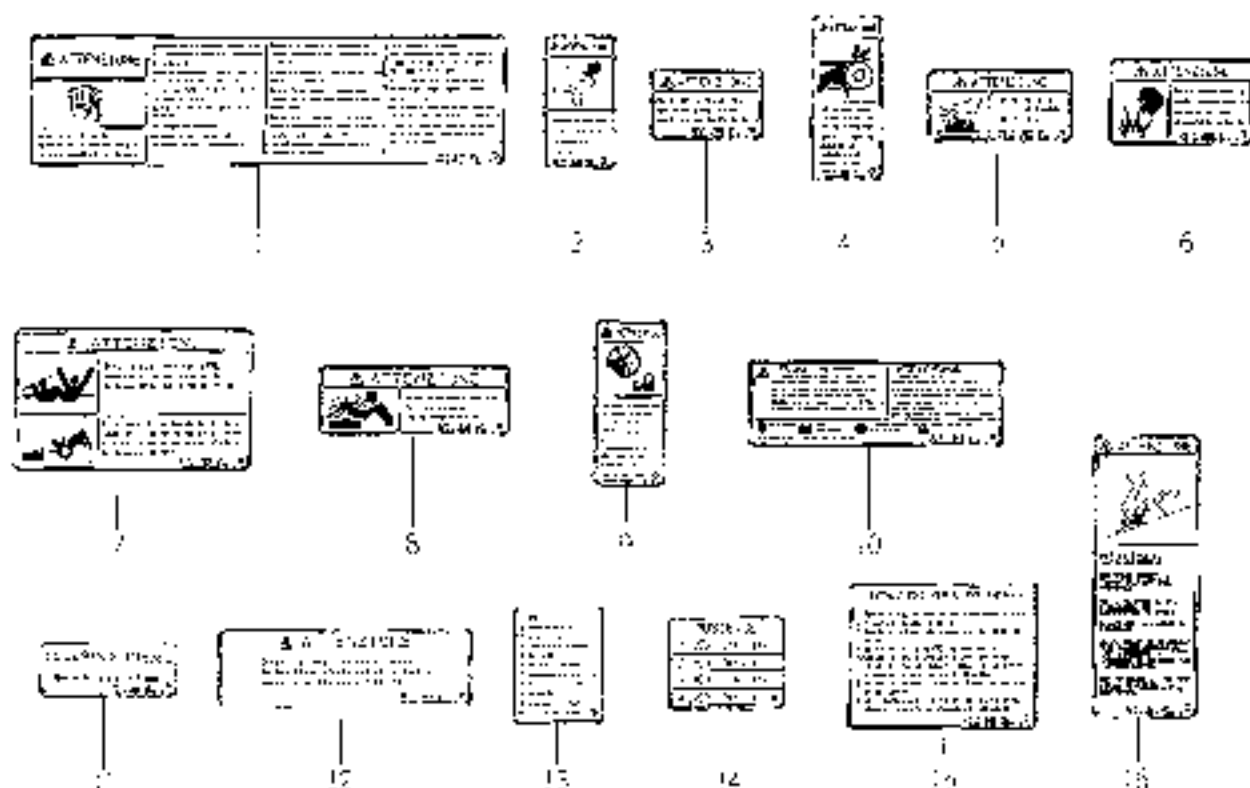
FIG. 72 LABEL (E40A) (OPTION)



REF ID: A6

KEY	PART CODE	DESCRIPTION	QTY	TYPE OF MODEL			REMARKS
				T	C	GRP	
1	1640-904-026-00	LABE./C/DRIVE/A	1				
2	1640-903-076-00	LABE./W/PAL/A	2				
3	1640-903-077-00	LABE./C/BATTERY/A	1				
4	1640-903-078-00	LABE./W/SWITCH/A	2				
5	1640-903-079-00	LABE./W/MUFFLER/A	1				
6	1640-903-081-00	LABE./W/FILTER/A	1				
7	1640-903-082-00	LABE./W/SHIELD/STD/A	1				
8	1640-903-083-00	LABE./W/RADIATOR/A	1				
9	1640-903-083-00	LABE./C/STARTER/A	1				
10	1640-903-084-00	LABE./C/BATTERY/A	1				
11	1640-903-087-00	LABE./FUEL/A	1				
12	1640-903-089-00	LABE./C/SHIELD/A	1				
13	1620-904-017-00	LABE./C/STARTER/A	1				
14	1640-903-073-00	LABE./FUEL/A	1	T			
15	1640-903-075-00	LABE./START/A	1	T			
16	1640-903-001-00	LABE./W/FOSS/A	1	T			

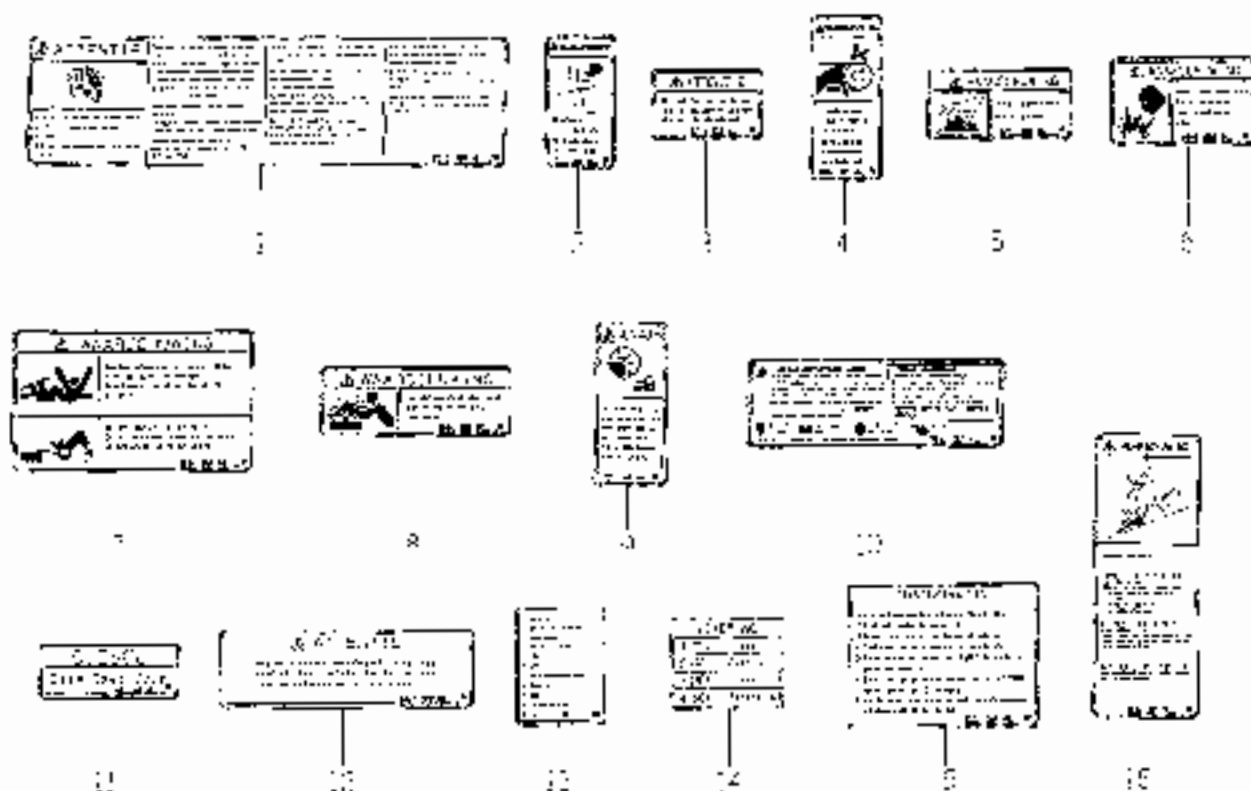
FIG. 73 LABEL (E40T) (OPTION)



REF. NO.

KEY	PART CODE	DESCRIPTION	TYPE OF MODEL		C	G	R	REMARKS
			TVGIB					
1	1840-904-007-00	LABEL W/LEAD/T						
2	1840-905-006-00	LABEL W/TAN/T						
3	1840-905-007-00	LABEL W/BATTERY T						
4	1840-905-008-00	LABEL W/BUILD/I						
5	1840-905-009-00	LABEL W/MULTIPL/T						
6	1840-905-011-00	LABEL W/STEP/H						
7	1840-905-012-00	LABEL W/SHELF/PIC/T						
8	1840-905-013-00	LABEL W/RADIATION/T						
9	1840-905-015-00	LABEL W/STARTER/T						
10	1840-905-016-00	LABEL W/QUALITY I						
11	1840-905-017-00	LABEL W/.../T						
12	1840-905-019-00	LABEL W/FIBER/T						
13	1840-904-013-00	LABEL W/SE/I T						
14	1840-905-002-00	LABEL W/SE/I T						
15	1840-905-005-00	LABEL W/START/T						
16	1840-903-002-00	LABEL W/PORT/T						

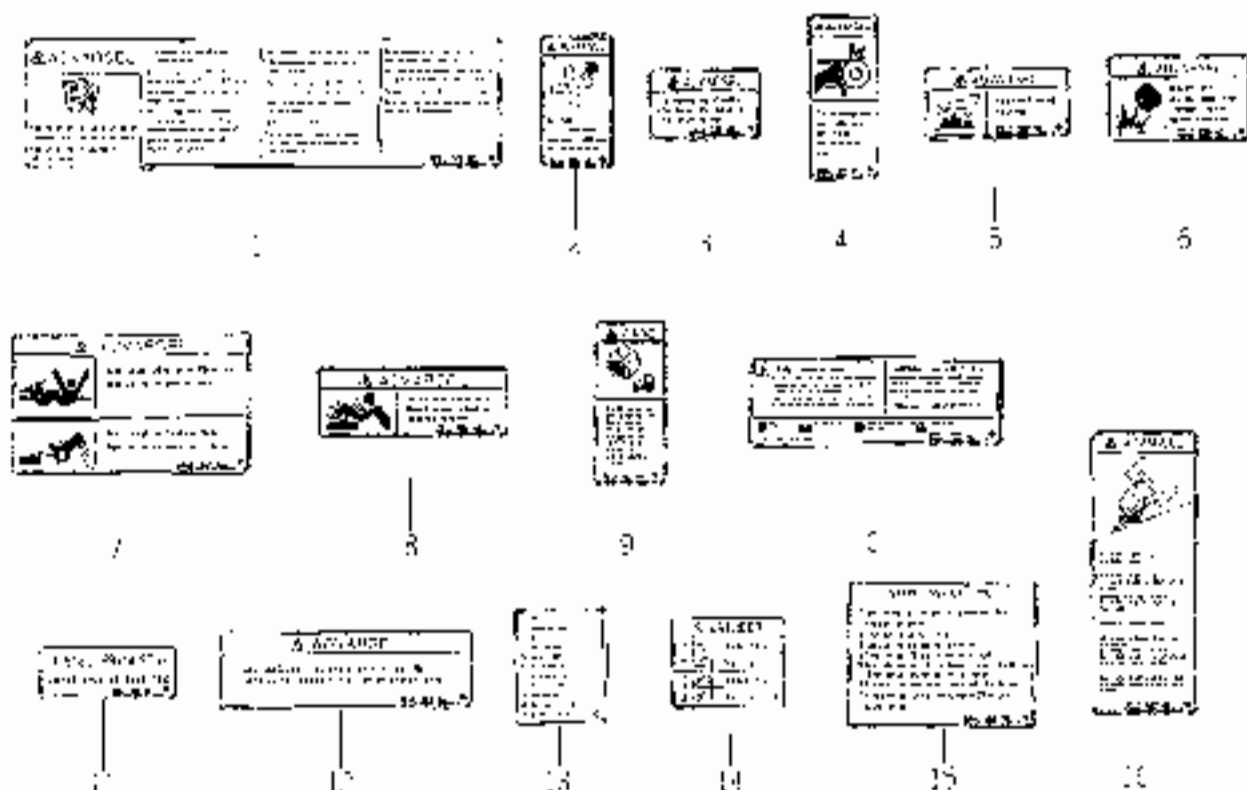
FIG. 74 LABEL (DUTCH) (OPTION)



A3 ed

KEY	PART CODE	DESCRIPTION	QTY	TYPE 3- NODE		T	C	D	G	P	REMARKS
				1	2						
1	1640 - 904 - 026 - 00	LABEL/C/DRIVE/H	1	T							
2	1640 - 905 - 028 - 00	LABEL/W/FAN/H	2	T							
3	1640 - 905 - 027 - 00	LABEL/C/DA 16-7/H	1	T							
4	1640 - 905 - 028 - 00	LABEL/W/SHSD/H	2	T							
5	1640 - 905 - 020 - 00	LABEL/A/MJ-12/H	1	T							
6	1640 - 905 - 031 - 00	LABEL/W/ETHER/H	1	T							
7	1640 - 905 - 047 - 00	LABEL/W/TYPE 3-ETC/H	1	T							
8	1640 - 905 - 033 - 00	LABEL/W/PADLOCK/H	1	T							
9	1640 - 905 - 035 - 00	LABEL/L/S ANTEN/H	1	T							
10	1640 - 905 - 035 - 00	LABEL/C/SA 10-7/H	1	T							
11	1640 - 905 - 037 - 00	LABEL/TUC-1/H	1	T							
12	1640 - 905 - 029 - 00	LABEL/C/3-1/H	1	T							
13	1640 - 904 - 014 - 00	LABEL/TUC-11/H	1	T							
14	1640 - 905 - 037 - 00	LABEL/W/3-1/H	1	T							
15	1640 - 905 - 025 - 10	LABEL/START/H	1	T							
16	1640 - 905 - 033 - 00	LABEL/W/3-1/H	1	T							

FIG. 75 LABEL (E40V) (OPTION)

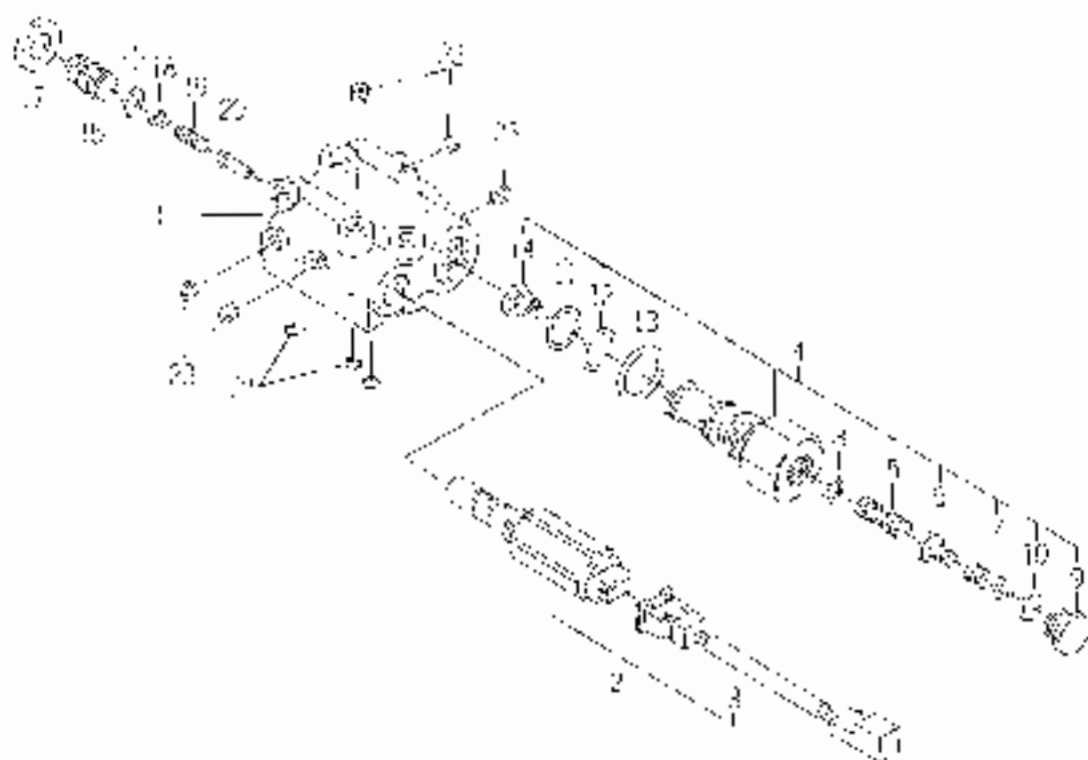


KEY	PART CODE	DESCRIPTION	QTY	TYPE OF MODEL			REMARKS
				TYPE	C	P	
1	1640-904-020-00	LABEL/C DRIVE/V	1	T			
2	1640-905-045-00	LABEL/W/TRAN/V	2	T			
3	1640-905-047-00	LABEL/C/BATTERY/V	1	T			
4	1640-905-048-00	LABEL/W/CHG D/V	2	T			
5	1640-905-049-00	LABEL/W/SPRT/PT/V	1	T			
6	1640-905-051-00	LABEL/W/ST/PT/V	1	T			
7	1640-905-052-00	LABEL/W/SHELD/PT/V	1	T			
8	1640-905-053-00	LABEL/W/FADATOR/V	1	T			
9	1640-905-055-00	LABEL/C/STARTER/V	1	T			
10	1640-905-056-00	LABEL/C/BATTERY/V	1	T			
11	1640-905-057-00	LABEL/DEL/V	1	T			
12	1640-905-058-00	LABEL/C/BATT/V	1	T			
13	1670-904-015-00	LABEL/FUSE/11/V	1	T			
14	1640-905-042-00	LABEL/FUSE/4/V	1	T			
15	1640-905-049-10	LABEL/START/V	1	T			
16	1640-903-004-00	LABEL/W/BORG/V	1	T			





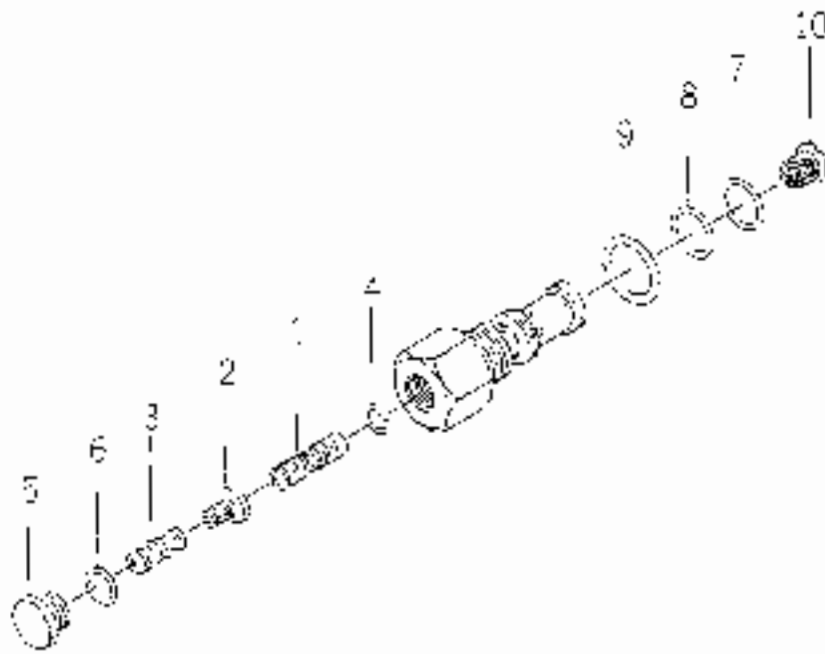
FIG. 77 COMPONENT PARTS FOR K200-053-000-00 ON Fig.45



NO. 001

KEY	PART CODE	DESCRIPTION	QT	TYPE OF MODEL			REMARKS
				I T C	C O L	G R P	
1	K200-053-000-00	BODY/HVAL. 053	1				
2	K200-053-000-00	VALVE SOLENOID, NC SH	1				
3	K200-053-002-00	HARNES 12A/10U2	1				
4	K223-005-000-00	VALVE/FLOWN ASSY	1				
5	K231-005-000-00	SEAL/FLOWN/1.15	1				
6	K733-007-003-00	SPRING/10327	1				
7	K733-007-004-00	SPRING/10327	1				
8	K733-007-005-00	SPRING/10327	1				
9	K711-008-011-00	PLUG	1				
10	V720-112-401-40	O-RING/P14	1				
11	V720-112-401-50	O-RING/P18	1				
12	V720-112-402-00	O-RING/P20	1				
13	V720-113-502-50	PLUG C	1				
14	K050-508-002-00	FITTING/LINE/12A 8X15	1				
15	K200-031-005-00	SCREW/F	1				
16	V720-102-401-20	O-RING/P12	1				
17	K250-001-007-00	NUT	1				
18	K200-053-007-00	FLANGE/SPRING	1				
19	K700-005-006-00	SPRING/10320	1				
20	K150-001-207-10	POCKET	1				
21	V720-111-800-70	O-RING/F 7	3				
22	V780-140-000-27	PLUG/SCREW/SPAL	2				
23	V780-140-000-11	PLUG/SCREW/SPAL	3				

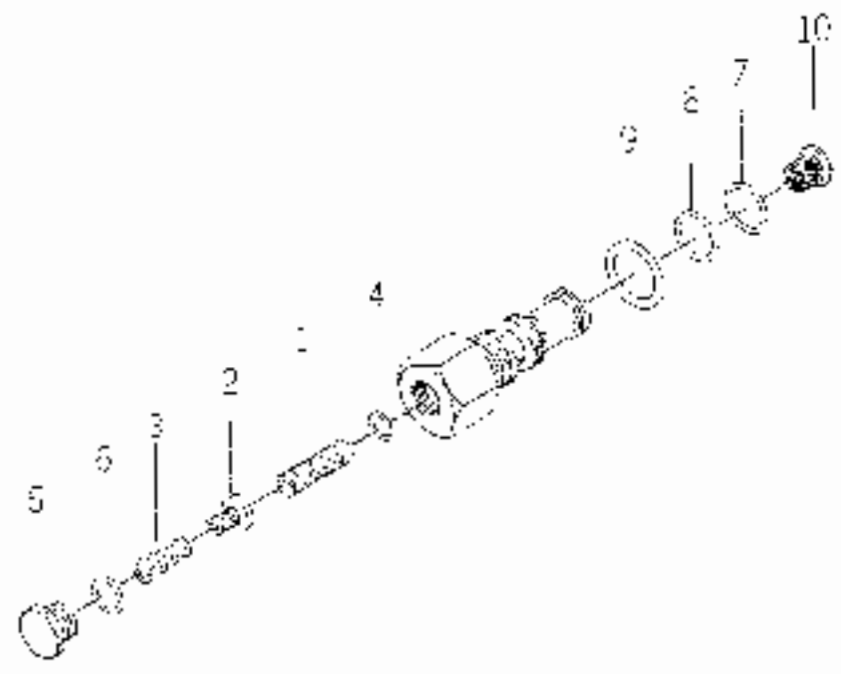
FIG. 78 COMPONENT PARTS FOR K233-003-000-00 ON Fig.38



K 233

KEY	PART CODE	DESCRIPTION	QTY	TYPE OF NGDEL	I C G			REMARKS
					I	C	G	
1	K233-003-001-00	SPRING F100N-118						
2	K233-002-003-00	SPRING/GUIDE						
3	K233-007-004-00	SPRING/H1027						
4	K233-002-005-00	SPROCKET/DRIVER						
5	K211-008-011-00	PLUG						
6	V720-112-401-40	O-RING/114	1					
7	V720-112-401-80	O-RING/118	1					
8	V720-112-402-00	O-RING/120						
9	V720-112-502-00	RING-0						
10	K650-503-007-00	FILTER 100/120/16X15						

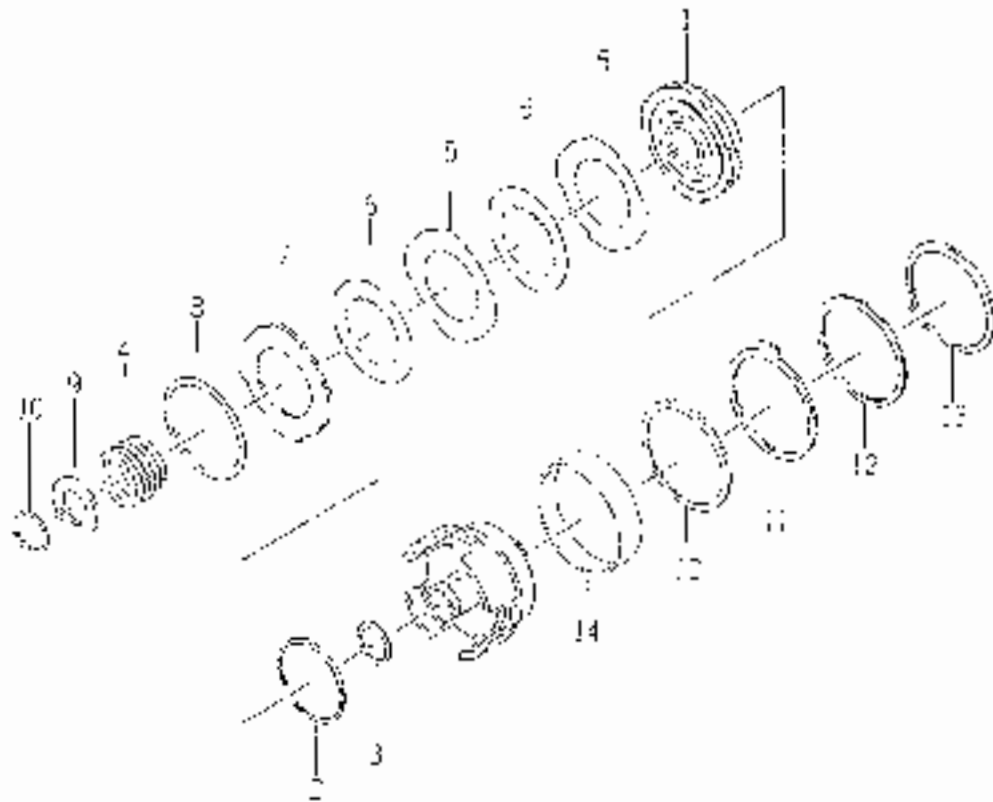
FIG. 79 COMPONENT PARTS FOR K233 - 006 - 000 - 00 ON Fig.39



Notes:

KEY	PART CODE	DESCRIPTION	QTY	TYPE OF WIP.		C	C	C	C	REMARKS
				TYPE	WIP.					
1	K233 - 006 - 001 - 00	50X1L/HOODN/22	1	.	.	.	.	.	.	
2	K233 - 002 - 300 - 00	50X10/3000	1	.	.	.	.	.	.	
3	K233 - 001 - 004 - 00	50X10/4000	1	.	.	.	.	.	.	
4	1285 - 003 - 300 - 00	50X1L/570X10	1	.	.	.	.	.	.	
5	K211 - 008 - 011 - 00	PLUG	1	.	.	.	.	.	.	
6	V720 - 112 - 401 - 00	3-HRS/112	1	.	.	.	.	.	.	
7	V720 - 112 - 401 - 00	3-HRS/112	1	.	.	.	.	.	.	
8	V720 - 112 - 402 - 00	3-HRS/112	1	.	.	.	.	.	.	
9	V720 - 110 - 500 - 00	3-HRS/110	1	.	.	.	.	.	.	
10	1850 - 500 - 002 - 00	3-HRS/110 12X18X15	1	.	.	.	.	.	.	

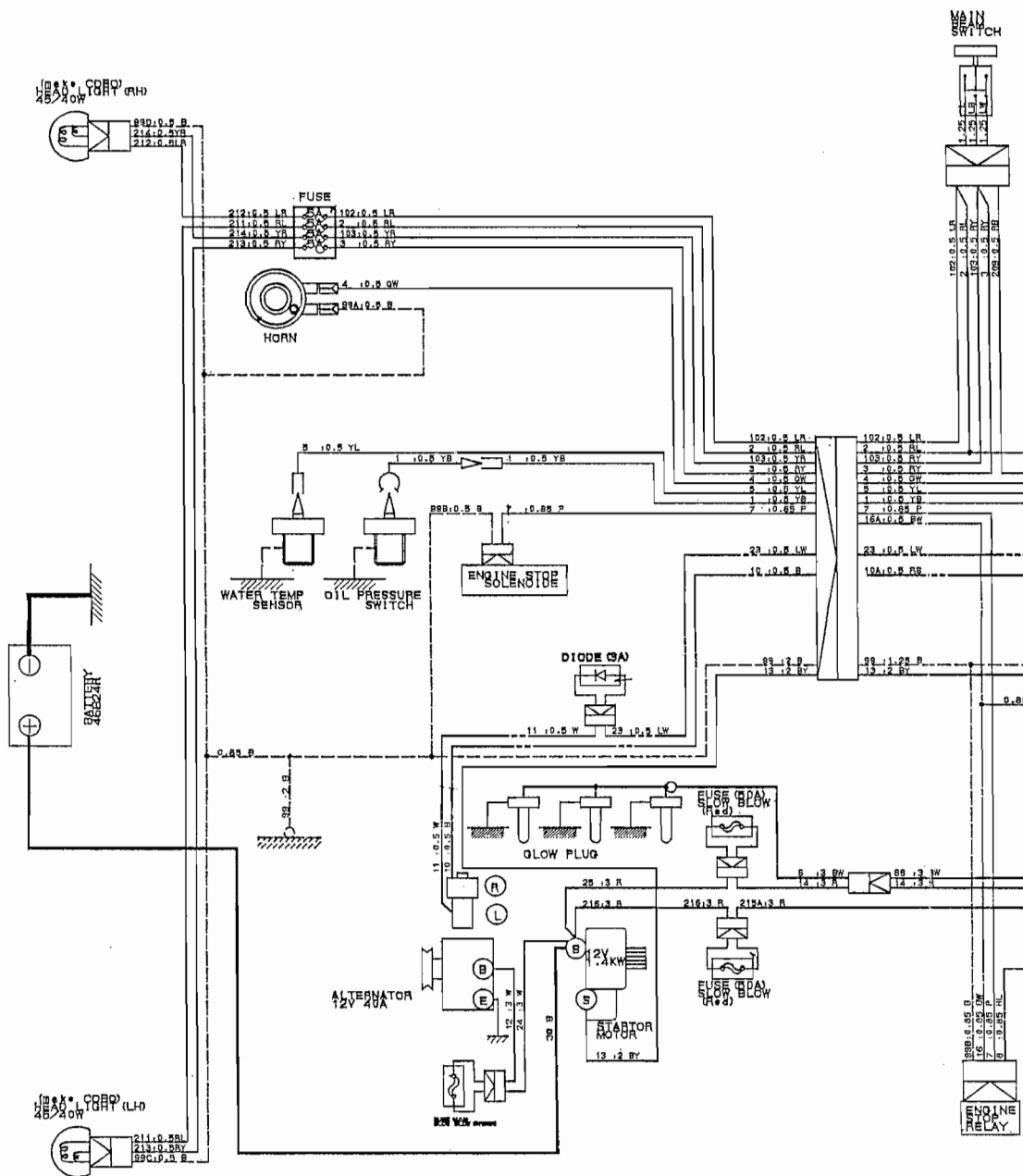
FIG. 80 COMPONENT PARTS FOR 1688-211-500-00 ON Fig.20



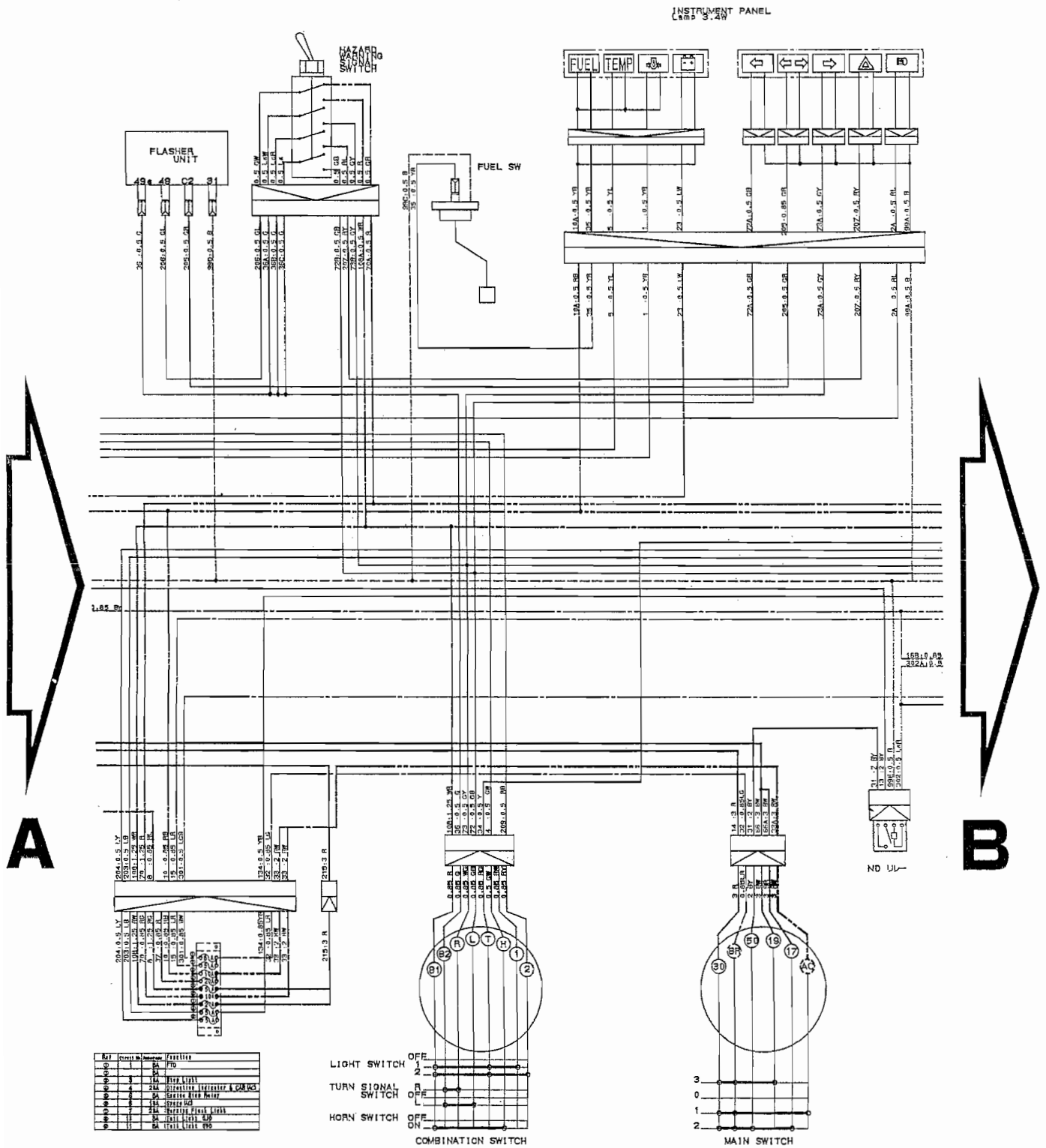
EXC 11

KEY	PART CODE	DESCRIPTION	QTY	TYPE OF MODEL				REMARKS
				TMS	C	C	Q	
1	1688-211-500-00	SHOULDER	1					
2	1688-211-503-00	SEAL RING/72	1					
3	1688-211-504-00	SEAL RING/72	1					
4	1688-211-505-00	SPRING	1					
5	1575-231-017-00	SEPARATOR PLATE	2					
6	1575-231-018-00	DISK PLATE	2					
7	1575-231-026-00	BACK PLATE	2					
8	1688-211-506-00	SNAP RING	1					
9	1688-211-507-00	WASHER	1					
10	1688-211-508-00	SNAP RING/33	1					
11	1688-211-509-00	DISK/BRAKE	1					
12	1688-211-521-00	PRESSURE PLATE	2					
13	1688-211-522-00	SNAP RING 85	1					
14	1688-211-523-00	CONNECTING RING	1					

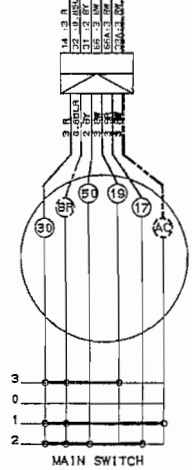
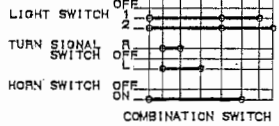
# WIRING DIAGRAM (E4) (1)



# WIRING DIAGRAM (E4) (2)

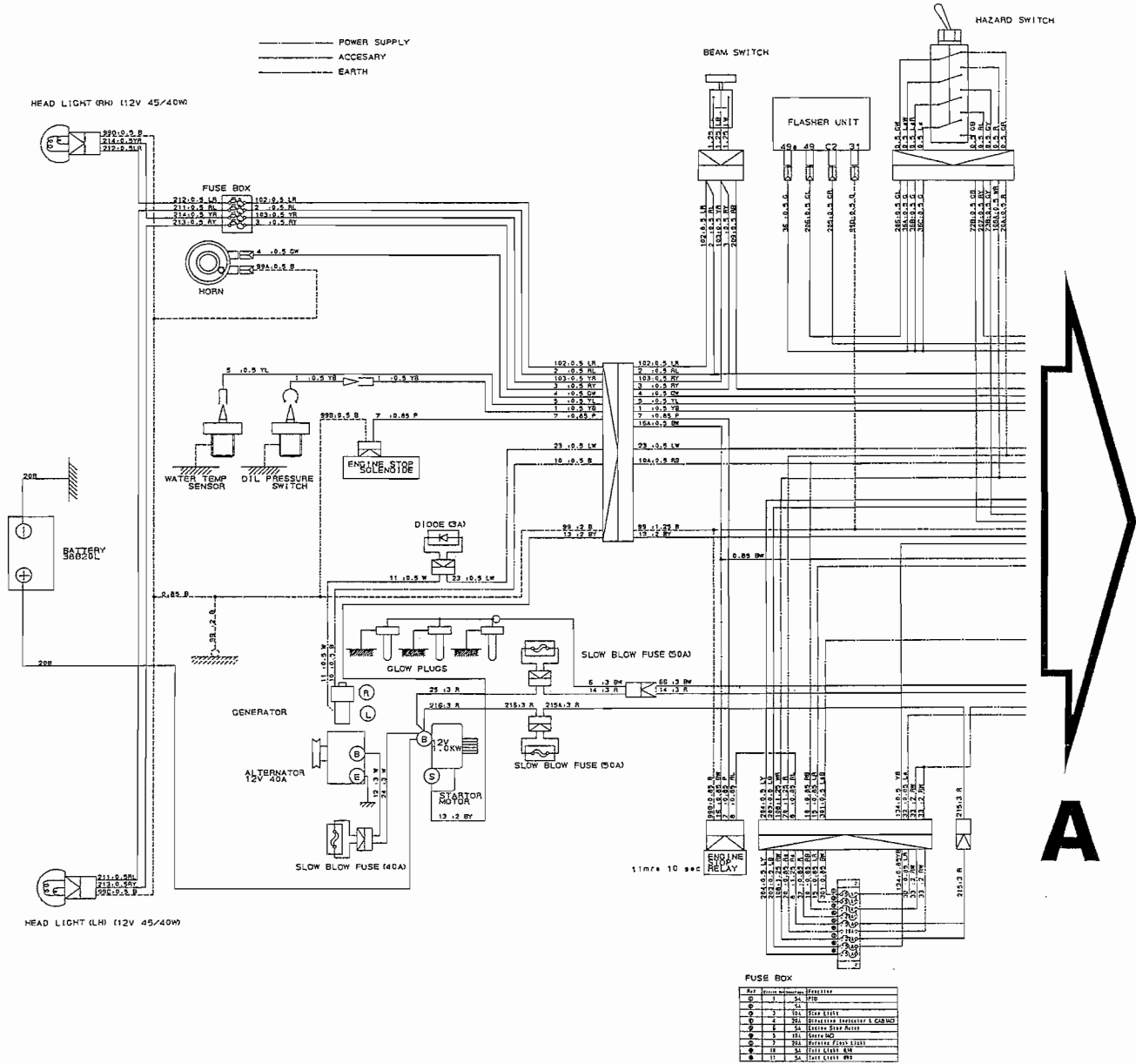


Ref	Pinout No	Function
1	1	IGN
2	2	IGN
3	3	IGN
4	4	IGN
5	5	IGN
6	6	IGN
7	7	IGN
8	8	IGN
9	9	IGN
10	10	IGN
11	11	IGN



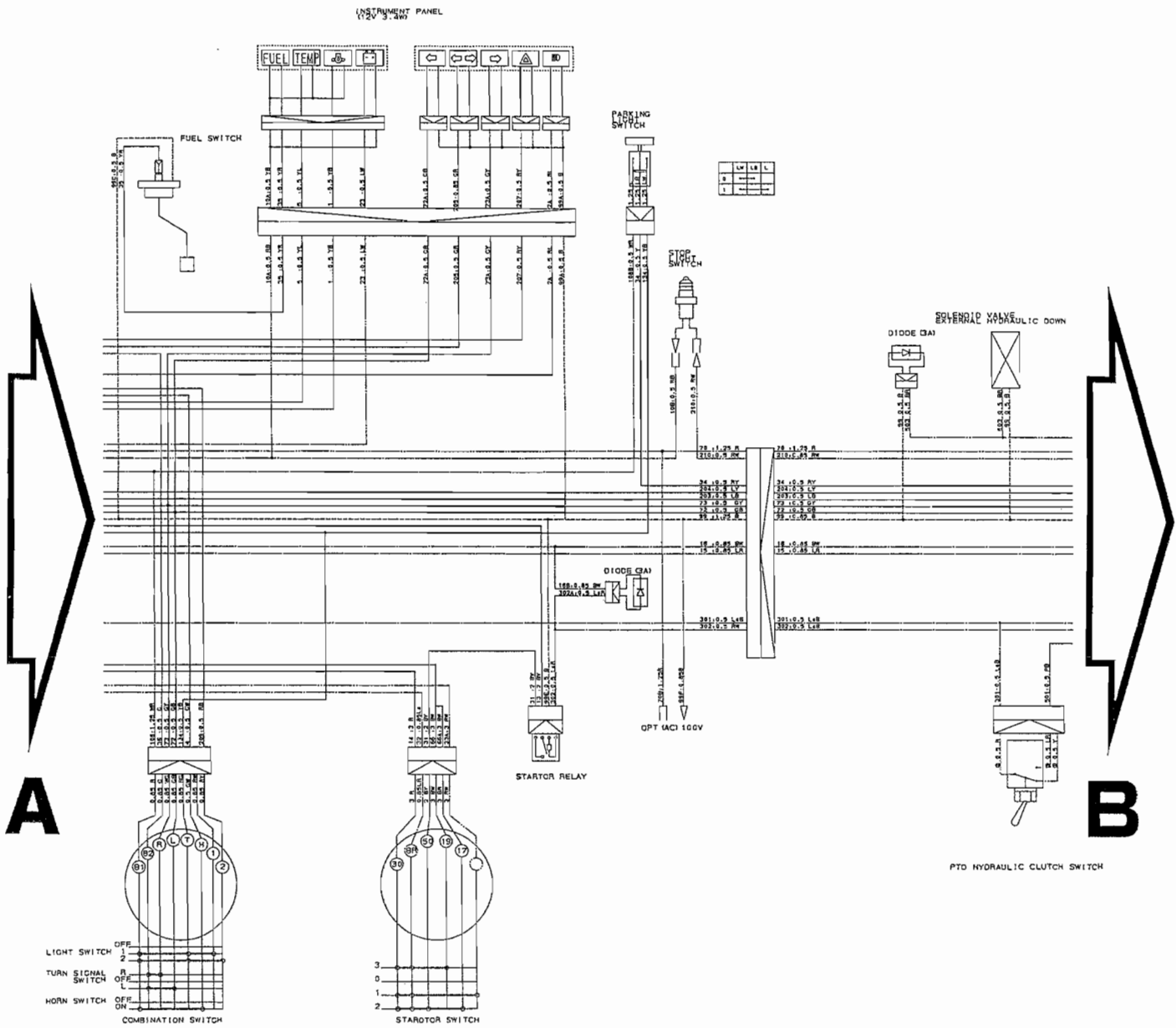


# WIRING DIAGRAM (E4/G/SV) (1)

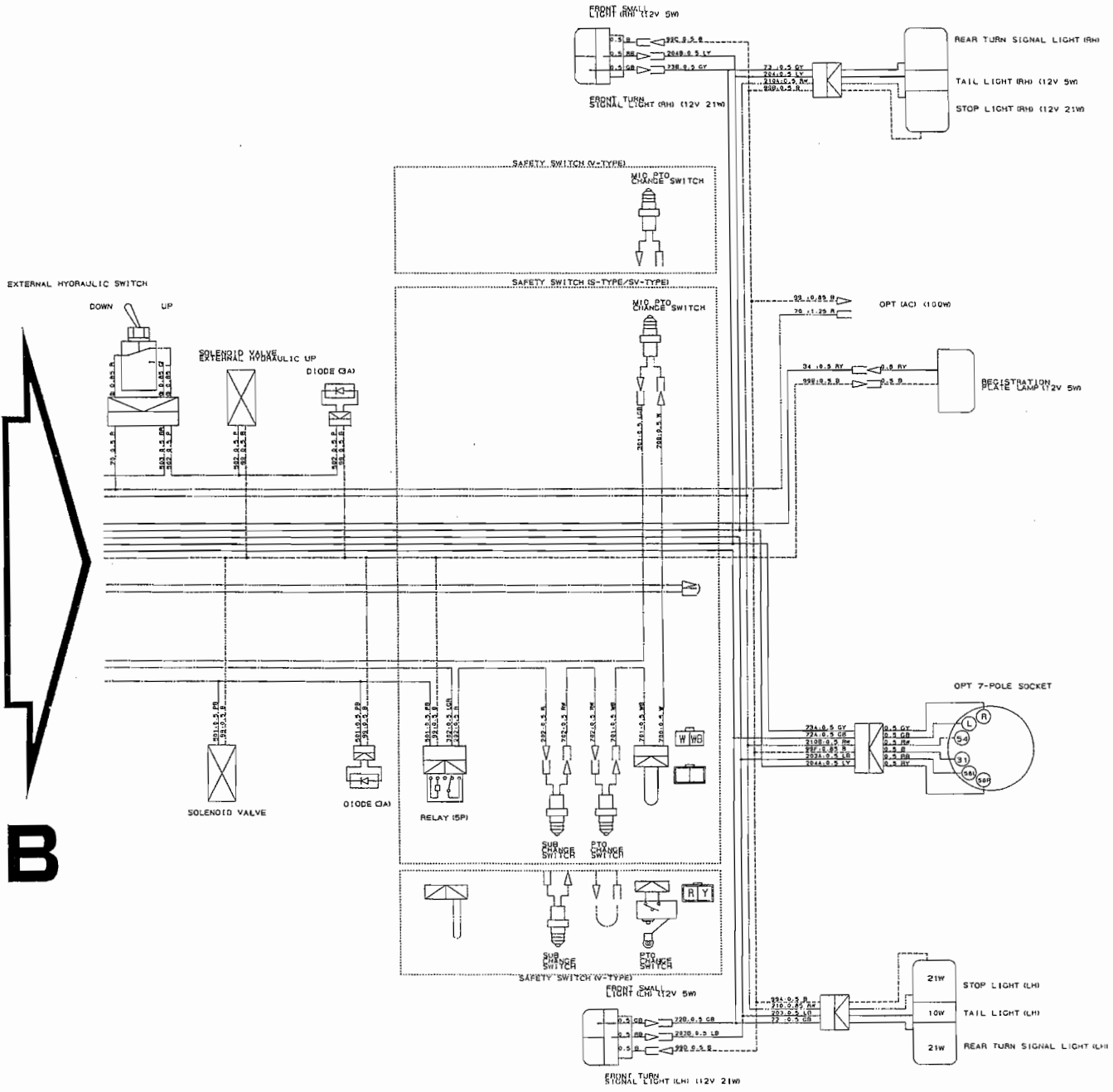




# WIRING DIAGRAM (E4/G/SV) (2)



# WIRING DIAGRAM (E4/G/SV) (3)



## NUMERICAL INDEX

6003-097-180-00

PART CODE	FIG. KEY		PART CODE	FIG. KEY		PART CODE	FIG. KEY	
J061-210-015-00	17	23	6209-050-001-00	9	35	6211-361-010-10	7	1
P117-303-003-00	9	25	6209-050-002-00	9	36	6211-510-001-00	5	10
V203-361-004-50	22	8	6209-056-001-00	20	7	6211-511-003-00	5	11
V211-560-802-00	3	3	6209-300-002-00	17	18	6211-511-004-00	5	12
	9	14	6209-300-004-00	8	5	6211-540-001-00	6	1
	17	19	6209-300-013-00	5	29	6211-560-001-00	6	3
	17	27	6209-360-028-10	2	6	6211-599-001-10	5	13
	22	3	6209-409-001-00	9	21		6	2
V211-560-802-50	4	3	6209-409-003-00	11	18		6	4
V341-120-008-00	9	22	6209-440-003-00	13	7	6211-715-002-00	1	5
V411-260-006-00	20	39	6209-490-002-00	2	4	6211-721-001-00	1	6
V523-100-802-40	5	17	6209-500-003-00	9	19	6211-721-002-00	1	7
V523-101-001-80	15	2		9	28	6211-751-001-10	2	2
V600-110-600-40	20	12	6209-500-005-00	11	22	6211-760-012-20	5	28
V600-110-600-50	9	52	6209-580-002-10	20	36	6211-777-007-20	10	1
V600-110-620-30	20	11	6209-587-001-00	13	4	6212-111-015-10	13	1
V600-150-600-20	15	8	6209-605-004-00	1	4	6212-114-015-10	14	1
V682-200-000-60	1	9	6209-605-005-10	5	30	6212-116-015-10	14	3
V704-140-016-00	11	16	6209-610-001-00	5	3	6212-121-008-00	13	2
V705-140-012-00	9	34	6209-610-002-10	9	4	6212-124-008-00	14	2
V710-140-004-00	20	21	6209-625-001-00	5	14	6212-126-008-00	14	4
	20	32	6209-625-002-00	9	9	6212-211-001-10	13	3
V720-101-900-80	20	35	6209-630-002-10	23	6	6212-230-003-00	13	5
V720-102-401-50	16	9	6209-740-001-00	9	29	6212-235-001-00	13	6
V720-102-401-80	7	3	6209-749-001-10	5	15	6212-261-006-00	13	8
V723-102-002-40	9	39		9	49	6212-264-006-00	6	5
V723-102-003-60	9	43	6209-940-004-00	11	15	6212-266-006-00	6	6
V723-102-005-00	9	48	6211-110-020-20	1	1	6212-310-008-10	15	1
V723-102-005-50	17	31	6211-141-008-20	1	10	6212-330-017-20	15	5
1373-121-001-00	22	4	6211-150-008-00	1	2	6212-333-003-00	15	6
1425-621-004-00	9	17	6211-170-004-10	2	1	6212-370-011-00	15	10
3625-301-002-00	7	2	6211-173-003-00	2	3	6212-371-009-00	15	11
3625-540-004-00	9	41	6211-210-050-10	5	1	6212-372-002-10	15	12
6209-000-002-00	11	19	6211-258-001-00	5	8	6212-379-001-00	15	15
6209-000-003-00	1	11	6211-258-002-00	5	9	6212-511-002-00	12	1
6209-000-004-10	5	2	6211-291-016-00	5	24	6212-521-002-00	15	3
6209-000-013-00	15	9	6211-292-001-20	5	25	6212-522-003-00	12	2
6209-009-001-00	16	6	6211-310-021-00	9	1	6212-523-003-00	12	6
6209-030-005-00	9	10	6211-311-011-00	9	44	6212-524-002-00	20	9
6209-030-006-00	9	16	6211-312-002-20	9	45	6212-530-005-10	9	51
6209-030-043-00	17	28	6211-312-003-10	9	30	6212-531-005-10	5	6
6209-030-044-00	20	16	6211-319-003-00	9	47	6212-535-001-00	12	4
6209-031-083-00	22	5	6211-322-002-00	9	56	6212-535-002-00	20	13
6209-046-001-00	9	18	6211-341-032-00	8	1	6212-551-001-00	11	1
			6211-342-002-10	8	2	6212-552-001-00	11	2

PART CODE	FIG. KEY	PART CODE	FIG. KEY	PART CODE	FIG. KEY
6212-561-001-00	11 3	6213-674-006-10	22 2	6215-543-001-10	20 19
6212-563-001-00	11 4	6213-711-003-20	17 30	6215-546-003-00	9 20
6212-565-001-00	11 5	6213-716-001-40	17 24	6215-549-001-10	5 27
6212-569-002-00	1 8	6213-721-003-00	17 25	6215-549-003-00	20 22
6212-571-001-10	11 6	6213-721-007-00	5 23	6215-549-005-10	20 26
6212-575-001-00	11 7	6213-729-013-10	17 22	6215-549-006-00	20 27
6212-600-002-00	11 8	6213-743-002-10	17 26	6215-549-007-10	20 37
6212-611-004-10	11 9	6214-111-011-20	3 1	6215-549-008-00	20 41
6212-616-002-00	11 17	6214-115-001-20	3 2	6215-549-009-00	20 28
6212-620-001-10	11 10	6214-141-010-10	4 1	6215-549-010-00	20 29
6212-621-002-10	11 11	6214-145-001-30	4 2	6215-549-023-00	20 30
6212-626-002-10	11 12	6215-300-030-00	19 1	6215-549-024-00	20 31
6212-628-004-00	11 13	6215-311-005-00	24 18	6215-549-027-10	20 25
6212-628-005-00	11 14	6215-315-002-00	19 2	6215-549-028-00	20 24
6213-100-003-20	16 1	6215-330-021-00	24 1	6215-600-109-10	20 1
6213-111-001-20	16 2	6215-332-002-00	24 15	6215-611-002-00	25 1
6213-120-003-00	16 3	6215-339-002-00	24 14	6215-612-002-00	25 49
6213-125-001-00	16 4	6215-342-002-00	24 2	6215-619-012-00	25 50
6213-140-008-00	16 8	6215-343-002-00	24 3	6215-619-014-00	25 53
6213-149-002-00	16 10	6215-345-044-00	24 4		25 57
6213-160-002-00	9 31	6215-345-045-00	24 5	6215-619-015-00	25 54
6213-161-001-00	9 32	6215-345-046-00	24 6	6215-619-016-00	25 55
6213-164-001-00	9 33	6215-345-047-00	24 7	6215-619-026-00	25 56
6213-211-001-10	9 42	6215-345-048-00	24 8	6215-619-030-00	25 52
6213-240-002-00	16 15	6215-345-049-00	24 9	6215-621-001-30	20 8
6213-311-003-10	16 12	6215-345-050-00	24 10	6215-622-002-00	25 12
6213-319-004-00	9 2	6215-345-051-00	24 11	6215-629-017-00	25 13
6213-610-005-40	17 1	6215-345-052-00	24 12	6215-629-018-00	25 14
6213-611-003-20	17 2	6215-345-053-00	24 13	6215-629-020-00	25 18
6213-612-004-00	17 9	6215-359-003-00	24 16	6215-629-021-00	25 19
6213-613-002-10	17 8	6215-359-004-00	24 17	6215-629-022-00	25 20
6213-614-003-10	17 12	6215-411-074-10	21 2	6215-629-023-00	25 21
6213-614-006-10	17 17	6215-411-075-00	19 3	6215-629-024-00	25 22
6213-619-002-00	17 11	6215-411-076-00	19 4	6215-629-025-00	25 23
6213-619-003-00	17 10	6215-411-077-00	19 5	6215-629-026-00	25 24
6213-619-005-00	17 16	6215-412-006-00	21 1	6215-629-027-00	25 25
6213-621-003-00	17 6	6215-520-001-00	20 15	6215-629-028-00	25 26
6213-622-002-10	17 5	6215-526-001-10	20 17	6215-629-029-00	25 27
6213-631-002-00	17 3	6215-531-021-00	20 33	6215-629-030-00	25 28
6213-631-005-00	17 4	6215-541-001-00	20 18	6215-629-031-00	25 29
6213-641-004-00	18 2	6215-541-016-30	20 23	6215-629-032-00	25 30
6213-642-002-00	17 7	6215-541-024-10	20 34	6215-629-033-00	25 31
6213-660-007-00	18 1	6215-542-004-20	9 24	6215-629-034-00	25 32
6213-669-008-00	18 3	6215-542-005-00	9 26	6215-629-068-00	25 33
6213-671-012-00	18 5	6215-542-006-00	20 20	6215-629-069-00	25 34

6003-097-180-00

PART CODE	FIG. KEY		PART CODE	FIG. KEY		PART CODE	FIG. KEY	
6215-629-070-00	25	35	6281-129-010-00	26	4	6581-129-096-00	26	16
6215-629-071-00	25	36	6281-129-011-00	26	5	6581-129-099-00	26	13
6215-629-072-00	25	37	6281-129-020-00	26	7	6581-129-100-00	26	14
6215-629-073-00	25	38	6281-151-005-00	26	8	6901-050-850-00	11	20
6215-629-074-00	25	39	6281-200-005-00	22	1	6901-066-645-00	15	16
6215-629-075-00	25	40	6281-213-006-00	27	7	6901-910-612-00	7	4
6215-629-076-00	25	41	6281-214-003-00	27	12		12	5
6215-629-077-00	25	42	6281-214-004-00	27	13		20	14
6215-629-078-00	25	43	6281-215-001-00	27	17		23	7
6215-629-079-00	25	44	6281-216-001-00	27	18	6901-910-614-00	5	26
6215-629-080-00	25	45	6281-217-001-00	27	16	6901-910-616-00	9	40
6215-629-081-00	25	46	6281-221-001-00	27	4	6901-910-625-00	16	7
6215-629-082-00	25	47	6281-222-004-00	27	1	6901-910-816-00	16	11
6215-631-017-00	25	2	6281-229-002-00	27	2	6901-910-830-00	17	32
6215-634-002-00	25	15	6281-229-003-00	27	3	6901-910-840-00	3	4
6215-635-002-00	25	8	6281-229-004-00	27	6	6901-910-845-00	9	15
6215-635-008-00	25	51	6281-229-005-00	27	5		17	13
6215-637-002-00	25	48	6281-229-006-00	27	8	6901-911-020-00	8	3
6215-639-006-00	25	16	6281-229-007-00	27	9		10	2
6215-639-007-00	25	17	6281-229-008-00	27	11	6902-050-610-00	15	13
6215-641-007-00	25	3	6281-229-009-00	27	10	6902-050-816-00	9	46
6215-643-002-00	25	4	6281-229-011-00	27	15	6904-110-818-00	5	19
6215-644-002-00	25	6	6281-229-012-00	27	19	6904-110-822-00	9	5
6215-649-003-00	25	5	6281-229-013-00	27	20		9	50
6215-649-004-00	25	7	6281-229-014-00	27	21	6904-110-840-00	5	20
6215-649-005-00	25	9	6281-229-015-00	27	22	6904-110-850-00	9	7
6215-649-006-00	25	10	6281-229-016-00	27	23	6904-110-855-00	9	6
6215-649-007-00	25	11	6281-229-017-00	27	24	6908-000-716-00	12	3
6219-310-003-10	9	38	6281-229-018-00	27	25		20	10
6219-732-002-00	23	4	6281-229-029-00	27	14	6908-000-750-00	15	4
6219-752-001-00	20	2	6281-271-002-00	27	26	6908-160-408-00	16	5
6219-752-002-00	20	3	6281-410-014-00	23	3	6908-160-510-00	5	18
6219-752-003-00	20	4	6281-910-001-00	23	5		9	8
6219-752-004-00	20	5	6281-920-001-00	23	8	6908-160-816-00	5	16
6219-752-005-00	20	6	6281-971-003-00	23	1		8	4
6281-100-005-00	22	7	6282-450-002-00	23	2		15	7
6281-111-002-00	26	1	6294-453-002-00	5	21	6909-110-406-00	9	37
6281-115-005-00	26	11	6509-000-084-00	9	11		20	38
6281-116-002-00	26	2	6509-605-019-10	5	5	6909-110-408-00	9	53
6281-118-002-00	26	9		9	3		9	57
6281-121-003-00	26	3	6511-321-083-00	9	55		26	22
6281-124-001-00	26	6	6513-770-022-10	17	29	6909-110-410-00	22	6
6281-129-006-00	26	17	6581-117-007-00	26	10		22	9
6281-129-008-00	26	18	6581-123-011-00	26	12	6909-110-508-00	9	12
6281-129-009-00	26	19	6581-129-092-00	26	15		11	21



## NUMERICAL INDEX

6003-097-190-00

PART CODE	FIG. KEY		PART CODE	FIG. KEY		PART CODE	FIG. KEY	
J061-210-015-00	17	23	6209-056-001-00	20	7	6211-361-010-10	7	1
P117-303-003-00	9	25	6209-300-002-00	17	18	6211-510-001-00	5	10
V203-361-004-50	22	8	6209-300-004-00	8	5	6211-511-003-00	5	11
V211-560-802-00	3	3	6209-300-013-00	5	29	6211-511-004-00	5	12
	9	14	6209-360-028-10	2	6	6211-540-001-00	6	1
	17	19	6209-409-001-00	9	21	6211-560-001-00	6	3
	17	27	6209-409-003-00	11	18	6211-599-001-10	5	13
	22	3	6209-440-003-00	13	7		6	2
V211-560-802-50	4	3	6209-490-002-00	2	4		6	4
V341-120-008-00	9	22	6209-500-003-00	9	19	6211-715-002-00	1	5
V411-260-006-00	20	39		9	28	6211-721-001-00	1	6
V523-100-802-40	5	17	6209-500-005-00	11	22	6211-721-002-00	1	7
V523-101-001-80	15	2	6209-580-002-10	20	36	6211-751-001-10	2	2
V600-110-600-40	20	12	6209-587-001-00	13	4	6211-760-012-20	5	28
V600-110-600-50	9	52	6209-605-004-10	1	4	6211-777-007-20	10	1
V600-110-620-30	20	11	6209-605-005-10	5	30	6212-111-015-10	13	1
V682-200-000-60	1	9	6209-610-001-00	5	3	6212-114-015-10	14	1
V704-140-016-00	11	16	6209-610-002-10	9	4	6212-116-015-10	14	3
V705-140-012-00	9	34	6209-625-001-00	5	14	6212-121-008-00	13	2
V710-140-004-00	20	21	6209-625-002-00	9	9	6212-124-008-00	14	2
	20	32	6209-630-002-10	23	6	6212-126-008-00	14	4
V720-101-900-80	20	35	6209-740-001-00	9	29	6212-211-001-10	13	3
V720-102-401-50	16	9	6209-749-001-20	5	15	6212-230-003-00	13	5
V720-102-401-80	7	3		9	49	6212-235-001-00	13	6
V723-102-002-40	9	39	6209-920-002-00	9	23	6212-261-006-00	13	8
V723-102-003-60	9	43		16	14	6212-264-006-00	6	5
V723-102-005-00	9	48	6209-940-004-00	11	15	6212-266-006-00	6	6
V723-102-005-50	17	31	6211-110-020-20	1	1	6212-310-008-10	15	1
1373-121-001-00	22	4	6211-141-008-20	1	10	6212-330-046-00	15	5
1425-621-004-00	9	17	6211-150-008-00	1	2	6212-333-003-00	15	6
3625-301-002-00	7	2	6211-170-004-10	2	1	6212-339-004-10	15	8
3625-540-004-00	9	41	6211-173-003-00	2	3	6212-370-011-00	15	9
6209-000-002-00	11	19	6211-210-050-10	5	1	6212-371-009-00	15	10
6209-000-003-00	1	11	6211-258-001-00	5	8	6212-372-002-10	15	11
6209-000-004-10	5	2	6211-258-002-00	5	9	6212-379-001-00	15	14
6209-000-025-00	15	7	6211-291-016-00	5	24	6212-511-002-00	12	1
6209-030-005-00	9	10	6211-292-001-20	5	25	6212-521-002-00	15	3
6209-030-006-00	9	16	6211-310-021-00	9	1	6212-522-003-00	12	2
	17	28	6211-311-011-00	9	44	6212-523-003-00	12	6
6209-030-043-00	20	16	6211-312-002-20	9	45	6212-524-002-00	20	9
6209-030-044-00	18	4	6211-312-003-10	9	30	6212-530-005-10	9	51
6209-031-083-00	22	5	6211-319-003-00	9	47	6212-531-005-10	5	6
6209-046-001-00	9	18	6211-322-002-00	9	56	6212-535-001-00	12	4
6209-050-001-00	9	35	6211-341-032-00	8	1	6212-535-002-00	20	13
6209-050-002-00	9	36	6211-342-002-10	8	2	6212-551-001-00	11	1

PART CODE	FIG. KEY		PART CODE	FIG. KEY		PART CODE	FIG. KEY	
6212-552-001-00	11	2	6213-660-007-00	18	1	6215-542-006-00	20	20
6212-561-001-00	11	3	6213-669-008-00	18	3	6215-543-001-10	20	19
6212-563-001-00	11	4	6213-671-012-00	18	5	6215-546-003-00	9	20
6212-565-001-00	11	5	6213-674-006-10	22	2	6215-549-001-10	5	27
6212-569-002-00	1	8	6213-711-003-20	17	30	6215-549-003-00	20	22
6212-571-003-00	11	6	6213-716-001-40	17	24	6215-549-005-10	20	26
6212-575-001-00	11	7	6213-721-003-00	17	25	6215-549-006-00	20	27
6212-600-002-00	11	8	6213-721-007-00	5	23	6215-549-007-10	20	37
6212-611-004-10	11	9	6213-729-013-10	17	22	6215-549-008-00	20	41
6212-616-002-00	11	17	6213-743-002-10	17	26	6215-549-009-00	20	28
6212-620-001-10	11	10	6214-111-011-20	3	1	6215-549-010-00	20	29
6212-621-002-10	11	11	6214-115-001-20	3	2	6215-549-023-00	20	30
6212-626-002-10	11	12	6214-141-010-10	4	1	6215-549-024-00	20	31
6212-628-004-00	11	13	6214-145-001-30	4	2	6215-549-027-10	20	25
6212-628-005-00	11	14	6215-300-037-00	19	1	6215-549-028-10	20	24
6213-100-003-20	16	1	6215-311-005-00	24	16	6215-600-109-10	20	1
6213-111-001-30	16	2	6215-315-002-00	19	2	6215-611-002-00	25	1
6213-119-001-00	16	6	6215-330-022-00	24	1	6215-612-002-00	25	49
6213-120-003-10	16	3	6215-332-006-00	24	15	6215-619-012-00	25	50
6213-125-001-00	16	4	6215-339-004-00	24	14	6215-619-014-00	25	53
6213-129-003-00	16	5	6215-342-002-00	24	13		25	57
6213-140-008-00	16	8	6215-343-002-00	24	12	6215-619-015-00	25	54
6213-149-002-00	16	10	6215-345-044-00	24	2	6215-619-016-00	25	55
6213-160-002-00	9	31	6215-345-045-00	24	3	6215-619-026-00	25	56
6213-161-001-00	9	32	6215-345-046-00	24	4	6215-619-030-00	25	52
6213-164-001-00	9	33	6215-345-047-00	24	5	6215-621-001-30	20	8
6213-211-001-10	9	42	6215-345-048-00	24	6	6215-622-002-00	25	12
6213-240-002-00	16	15	6215-345-049-00	24	7	6215-629-017-00	25	13
6213-311-003-10	16	12	6215-345-050-00	24	8	6215-629-018-00	25	14
6213-319-004-00	9	2	6215-345-051-00	24	9	6215-629-020-00	25	18
6213-610-005-40	17	1	6215-345-052-00	24	10	6215-629-021-00	25	19
6213-611-003-20	17	2	6215-345-053-00	24	11	6215-629-022-00	25	20
6213-612-004-00	17	9	6215-411-074-10	21	2	6215-629-023-00	25	21
6213-613-002-10	17	8	6215-411-075-00	19	3	6215-629-024-00	25	22
6213-614-003-10	17	12	6215-411-076-00	19	4	6215-629-025-00	25	23
6213-614-006-10	17	17	6215-411-077-00	19	5	6215-629-026-00	25	24
6213-619-002-00	17	11	6215-412-006-00	21	1	6215-629-027-00	25	25
6213-619-003-00	17	10	6215-520-001-00	20	15	6215-629-028-00	25	26
6213-619-005-00	17	16	6215-526-001-10	20	17	6215-629-029-00	25	27
6213-621-003-00	17	6	6215-531-021-00	20	33	6215-629-030-00	25	28
6213-622-002-10	17	5	6215-541-001-00	20	18	6215-629-031-00	25	29
6213-631-002-00	17	3	6215-541-016-30	20	23	6215-629-032-00	25	30
6213-631-005-00	17	4	6215-541-024-10	20	34	6215-629-033-00	25	31
6213-641-004-00	18	2	6215-542-004-20	9	24	6215-629-034-00	25	32
6213-642-002-00	17	7	6215-542-005-00	9	26	6215-629-068-00	25	33



6003-097-190-00

PART CODE	FIG. KEY	PART CODE	FIG. KEY	PART CODE	FIG. KEY
6215-629-069-00	25 34	6281-129-009-00	26 19	6581-129-092-00	26 15
6215-629-070-00	25 35	6281-129-010-00	26 4	6581-129-096-00	26 16
6215-629-071-00	25 36	6281-129-011-00	26 5	6581-129-099-00	26 13
6215-629-072-00	25 37	6281-129-020-00	26 7	6581-129-100-00	26 14
6215-629-073-00	25 38	6281-151-005-00	26 8	6901-050-850-00	11 20
6215-629-074-00	25 39	6281-200-005-00	22 1	6901-066-645-00	15 15
6215-629-075-00	25 40	6281-213-006-00	27 7	6901-910-612-00	7 4
6215-629-076-00	25 41	6281-214-003-00	27 12		12 5
6215-629-077-00	25 42	6281-214-004-00	27 13		20 14
6215-629-078-00	25 43	6281-215-001-00	27 17		23 7
6215-629-079-00	25 44	6281-216-001-00	27 18	6901-910-614-00	5 26
6215-629-080-00	25 45	6281-217-001-00	27 16	6901-910-616-00	9 40
6215-629-081-00	25 46	6281-221-001-00	27 4	6901-910-625-00	16 7
6215-629-082-00	25 47	6281-222-004-00	27 1	6901-910-816-00	16 11
6215-631-017-00	25 2	6281-229-002-00	27 2	6901-910-830-00	17 32
6215-634-002-00	25 15	6281-229-003-00	27 3	6901-910-840-00	3 4
6215-635-002-00	25 8	6281-229-004-00	27 6	6901-910-845-00	9 15
6215-635-008-00	25 51	6281-229-005-00	27 5		17 13
6215-637-002-00	25 48	6281-229-006-00	27 8	6901-911-020-00	8 3
6215-639-006-00	25 16	6281-229-007-00	27 9		10 2
6215-639-007-00	25 17	6281-229-008-00	27 11	6902-050-610-00	15 12
6215-641-007-00	25 3	6281-229-009-00	27 10	6902-050-816-00	9 46
6215-643-002-00	25 4	6281-229-011-00	27 15	6904-110-818-00	5 19
6215-644-002-00	25 6	6281-229-012-00	27 19	6904-110-822-00	9 5
6215-649-003-00	25 5	6281-229-013-00	27 20		9 50
6215-649-004-00	25 7	6281-229-014-00	27 21	6904-110-840-00	5 20
6215-649-005-00	25 9	6281-229-015-00	27 22	6904-110-850-00	9 7
6215-649-006-00	25 10	6281-229-016-00	27 23	6904-110-855-00	9 6
6215-649-007-00	25 11	6281-229-017-00	27 24	6908-000-716-00	12 3
6219-310-003-10	9 38	6281-229-018-00	27 25		20 10
6219-732-002-00	23 4	6281-229-029-00	27 14	6908-000-750-00	15 4
6219-752-001-00	20 2	6281-271-002-00	27 26	6908-160-510-00	5 18
6219-752-002-00	20 3	6281-410-010-00	23 3		9 8
6219-752-003-00	20 4	6281-910-001-00	23 5	6908-160-816-00	5 16
6219-752-004-00	20 5	6281-920-001-00	23 8		8 4
6219-752-005-00	20 6	6281-971-003-00	23 1	6909-110-406-00	9 37
6281-100-005-00	22 7	6282-450-002-00	23 2		20 38
6281-111-002-00	26 1	6294-453-002-00	5 21	6909-110-408-00	9 53
6281-115-005-00	26 11	6509-000-084-00	9 11		9 57
6281-116-002-00	26 2	6509-605-019-10	5 5		26 22
6281-118-002-00	26 9		9 3	6909-110-410-00	22 6
6281-121-003-00	26 3	6511-321-083-00	9 55		22 9
6281-124-001-00	26 6	6513-770-022-10	17 29	6909-110-508-00	9 12
6281-129-006-00	26 17	6581-117-007-00	26 10		11 21
6281-129-008-00	26 18	6581-123-011-00	26 12		17 14



## NUMERICAL INDEX

1688-097-100-10

PART CODE	FIG. KEY		PART CODE	FIG. KEY		PART CODE	FIG. KEY	
J061-210-012-00	4	15	K270-001-200-00	46	10	V201-361-007-50	13	48
J061-210-015-00	1	25	K270-001-201-00	46	11	V201-361-008-50	37	20
J061-224-032-00	1	21	K273-002-003-00	46	7	V201-361-009-00	25	3
J061-230-038-00	1	19	K273-005-000-00	46	4	V201-361-014-00	13	49
J061-236-044-00	1	18	K273-005-002-00	46	13	V201-361-202-50	8	4
	1	22	K273-005-100-00	46	5		9	2
J061-242-050-00	3	8	P113-211-300-00	45	7		33	9
J061-247-055-00	3	10	P113-211-330-00	38	17	V201-361-204-00	8	5
J062-081-087-00	4	18		39	17		9	3
J062-111-120-00	4	16	P117-202-015-00	45	6	V203-261-002-00	36	11
K185-031-302-00	37	6	P117-501-230-00	47	30	V203-261-202-00	23	5
	37	13	P117-501-250-00	38	14		25	26
K185-031-303-00	37	7		43	6		60	3
	37	14		47	28		61	3
K190-001-202-10	77	20	V111-166-001-20	50	24	V203-361-002-00	5	10
K200-035-006-00	77	19	V120-264-000-80	57	4		36	7
K200-053-000-00	45	1	V120-265-001-00	57	6	V203-361-002-50	40	2
K200-053-001-00	77	1	V120-364-002-50	58	6	V203-361-003-00	2	3
K200-053-002-00	77	18		59	6	V210-260-604-50	47	10
K200-053-100-00	77	2	V120-366-001-60	56	13	V210-360-601-20	1	9
K200-053-102-00	77	3		62	26	V210-360-601-60	27	23
K211-008-011-00	77	9		63	23		28	21
	78	5	V120-376-001-20	50	20		49	12
	79	5	V120-376-001-60	59	14		49	15
K233-002-003-00	77	6		60	6		57	23
	78	2		61	7		57	26
	79	2	V120-376-002-00	50	12		60	17
K233-002-004-00	77	7		52	17		61	18
	78	3	V200-260-501-0B	5	7	V210-360-602-00	11	34
	79	3	V200-260-605-50	38	3		12	37
K233-002-005-00	77	8		39	3		25	29
	78	4	V201-260-802-50	10	3	V210-560-603-00	54	8
	79	4	V201-260-803-00	29	10	V211-260-801-60	8	9
K233-003-000-00	38	9	V201-260-805-50	45	3		8	13
K233-003-001-00	78	1	V201-260-806-00	45	2		9	7
K233-005-000-00	77	4	V201-260-806-50	4	11		55	22
K233-005-001-00	77	5	V201-260-808-00	3	13	V211-260-802-00	5	22
K233-006-000-00	39	11	V201-260-813-00	62	27		8	32
K233-006-001-00	79	1		63	24		31	35
K250-001-007-00	77	17	V201-261-004-50	32	4		34	16
K250-018-000-00	38	12	V201-261-202-50	40	5	V211-260-803-00	12	35
	39	14		52	6	V211-261-002-00	17	14
K250-031-005-00	77	15	V201-261-205-00	32	3		53	9
K270-001-003-10	46	6	V201-360-804-50	27	2		53	14
K270-001-004-00	46	8		28	2	V211-261-003-00	11	32

PART CODE	FIG. KEY	PART CODE	FIG. KEY	PART CODE	FIG. KEY
V211-360-801-60	1 13 1 16 5 2 6 10 6 15	V211-561-003-50  V211-660-802-00	8 35 9 17 37 19 11 24 12 27	V304-260-008-00	35 4 35 13 35 23 35 35 35 40
	17 4 23 4 24 4 25 25 26 13	V211-660-802-50 V211-661-003-50  V211-661-004-00	51 27 11 20 12 23 11 21 12 24	V304-260-010-00	46 18 47 23 11 7 12 7 31 26
	27 15 28 15 30 7 30 13 39 10	V211-661-005-00  V220-540-504-50 V220-540-802-50 V220-541-003-50	11 15 12 15 46 15 47 15 13 34	V304-260-012-00  V304-460-010-00	32 8 32 9 41 21 41 33 8 33
	43 9 44 8 47 7 47 11 48 4	V251-261-202-5D  V251-261-203-50 V251-340-802-5D V251-341-002-50	11 8 12 8 31 36 44 2 11 14	V304-460-012-00	9 15 43 5 44 6 8 6 9 4
V211-360-802-00	50 10 51 15 52 9 57 28 3 12	V251-341-003-5D  V252-261-004-00	12 14 11 4 12 4 11 9 12 9	V305-260-012-00 V327-262-110-00  V327-262-112-00 V328-262-110-00	31 37 41 40 41 46 41 7 7 6
	23 15 24 14 38 21 39 21 52 13	V252-261-005-50  V252-341-002-00  V252-341-003-00	11 10 12 10 11 13 12 13 11 12	V328-262-112-00  V334-460-010-00	36 3 41 15 41 29 5 11 8 10
	52 15 53 2 53 4 53 11 54 15	V252-341-003-50  V252-341-204-50	12 12 11 3 12 3 11 11 12 11	V335-260-012-00 V350-160-006-00	9 8 57 21 48 8 49 8 50 6
V211-360-802-50 V211-360-804-00 V211-361-002-50	58 7 59 7 35 15 1 29 27 21	V273-360-601-20 V290-106-001-20 V301-260-006-00  V304-260-008-00	1 5 48 7 6 6 54 11 10 4	V360-260-006-00  V361-260-006-00	51 7 54 10 52 18 55 17 59 15
V211-560-802-50  V211-561-002-50	54 3 11 29 12 32 43 3 44 4		10 11 27 10 28 10 29 7 34 18	V362-260-008-00	60 7 61 8 29 11 38 22 39 22

1688-097-100-10

PART CODE	FIG. KEY	PART CODE	FIG. KEY	PART CODE	FIG. KEY
V362-260-008-00	51 16 52 10 55 8	V401-160-012-00	33 10 40 6 52 7	V500-162-002-00	35 37 36 4 49 21
V363-260-008-00	55 23 5 3	V411-260-004-00 V411-260-005-00	57 3 55 6	V500-162-002-50 V500-162-501-50	37 16 7 11
V401-160-006-00	49 13 51 30 38 4 39 4 50 22	V411-260-006-00	57 5 6 5 7 10 10 7 46 9	V500-162-502-00 V500-162-502-50	23 20 24 19 7 7 41 41 41 47
V401-160-008-00	3 14 4 12 27 3 27 9 28 3	V411-260-008-00	50 9 50 23 1 31 10 13 17 9	V500-163-001-50 V500-163-002-00	10 14 8 21 17 10 23 11 24 10
	28 9 31 11 34 19 45 4 46 17		23 10 24 9 26 5 31 31 35 7	V500-163-002-50 V511-100-805-00	26 6 41 8 41 16 41 30 29 2
V401-160-010-00	47 22 62 28 63 25 2 4 5 12		35 19 35 36 47 21 49 20 51 4	V522-100-801-60 V522-100-801-80 V523-101-002-40	31 9 32 7 11 19 12 22 12 34
	8 11 8 34 9 9 9 16 11 6	V411-260-010-00	51 12 62 29 63 26 5 13 7 5	V530-240-502-40 V580-140-502-80 V580-140-602-50	25 2 37 22 31 22 35 32 17 6
	12 6 13 50 25 4 31 25 32 6		8 36 9 18 11 5 12 5 13 51	V580-140-603-20	23 7 24 6 26 2 8 26 9 13
	36 8 36 12 37 21 40 3 41 49	V411-260-012-00	36 5 8 7 9 5 51 11 52 8	V580-140-604-00 V580-140-802-80 V600-110-600-90 V600-110-601-00 V600-110-620-40	25 9 35 31 31 12 31 13 19 4
V401-160-012-00	43 4 44 5 8 8 9 6 32 5	V500-162-001-50 V500-162-002-00	51 13 10 8 31 32 35 8 35 20	V600-110-620-50	19 18 20 15 20 37 19 16 20 34

PART CODE	FIG. KEY	PART CODE	FIG. KEY	PART CODE	FIG. KEY
V600-110-620-50	25 16	V704-140-020-00	22 7	V720-112-401-10	38 7
V600-110-620-60	20 16	V704-140-022-00	10 2		38 18
	31 17		34 7		39 7
V600-110-620-80	33 6		34 14		39 18
V600-110-630-40	14 8	V704-140-025-00	15 14		45 8
	14 12		16 2		47 31
	15 8		19 19	V720-112-401-40	13 27
	15 12		20 24		13 46
	19 15		20 33		38 11
	20 35		20 38		38 15
	25 15		25 14		39 13
V600-110-630-60	33 5		34 20		43 7
V600-111-600-60	14 3	V704-140-030-00	19 14		47 29
	15 3		20 8		77 10
V600-150-620-50	42 6		20 18		78 6
	42 5		20 31		79 6
V600-150-630-40	14 9		33 7	V720-112-401-80	13 43
V607-110-620-40	15 9	V705-140-028-00	47 18		77 11
	21 5	V705-140-030-00	13 25		78 7
V607-110-630-40	22 5	V705-140-047-00	13 24		79 7
	20 11	V705-140-052-00	25 17	V720-112-402-00	38 2
V654-420-262-40	19 6	V706-140-045-00	8 17		38 13
V654-425-322-40	20 21	V707-140-062-00	20 19		39 2
	19 11	V707-140-080-00	33 8		39 15
V654-430-382-40	20 28	V720-101-900-50	12 21		47 9
	18 4		46 16		77 12
V682-200-001-00	18 7	V720-101-900-70	12 20		78 8
	25 13	V720-102-401-00	4 3		79 8
	47 19		31 24	V720-113-502-50	77 13
	58 2	V720-102-401-20	77 16		78 9
	59 2	V720-102-401-40	13 47		79 9
	60 2		17 2	V720-113-502-90	37 15
	61 2		23 2	V721-103-104-50	8 22
V704-140-015-00	27 16		24 2	V723-112-002-90	46 12
	27 19		25 23	V744-114-280-70	47 17
	28 16	V720-102-401-80	34 5	V744-120-350-70	8 23
	28 19		34 12	V744-130-450-80	31 18
V704-140-017-00	13 40	V720-102-402-00	36 15	V744-135-520-80	25 19
V704-140-018-00	17 17	V720-102-402-10	47 5	V744-135-550-80	21 8
	26 11	V720-103-502-80	47 6		22 8
	13 23	V720-103-503-60	36 16	V760-150-000-00	41 4
V704-140-020-00	14 7	V720-103-504-40	4 7	V761-150-000-00	8 2
	15 7	V720-111-900-70	46 14	V763-150-000-00	29 5
	20 13		77 21		35 2
	21 7	V720-112-401-10	13 28		41 9

1688-097-100-10

PART CODE	FIG. KEY	PART CODE	FIG. KEY	PART CODE	FIG. KEY
V780-140-000-1T	77 23	1404-312-006-00	35 21	1425-621-004-00	63 10
V780-140-000-2T	77 22	1404-402-001-00	37 3	1426-406-203-00	36 14
V781-160-000-6B	25 27		37 9	1427-111-229-00	3 15
V920-550-801-00	76 5	1404-402-002-00	37 4	1427-201-002-50	11 2
V920-551-201-40	76 6		37 10	1427-201-007-00	11 16
V920-551-301-70	76 7	1404-402-005-00	41 38		12 16
V920-551-902-20	76 8		41 44	1427-201-008-00	11 17
V936-150-015-00	76 3	1404-503-006-00	47 20		12 17
V999-200-003-00	33 13	1411-401-001-00	41 2	1427-201-012-00	11 25
	33 16	1414-312-002-00	49 17		12 28
W296-134-007-00	42 3	1415-102-007-00	4 2	1427-201-013-00	11 26
	48 11	1415-102-008-00	4 4		12 29
	51 6	1415-102-009-00	4 5	1427-201-014-00	11 27
1105-106-001-00	10 5	1415-102-011-00	4 8		12 30
1105-410-003-00	27 17	1415-102-013-00	4 10	1427-201-015-00	11 28
	28 17	1415-312-500-00	35 5		12 31
1118-901-006-00	64 4	1416-621-037-00	5 6	1427-201-016-00	32 11
1302-225-003-00	25 12	1419-403-001-00	41 11	1427-203-002-00	14 15
1326-706-002-10	8 3		41 25		15 17
	12 19	1421-122-003-00	10 10	1427-212-002-00	21 6
	38 5	1421-403-007-00	41 19		22 6
	39 5		41 32	1427-212-003-20	21 2
1326-708-005-00	41 18	1421-403-008-00	41 20		22 2
1342-402-006-00	30 8	1421-433-004-00	11 23		25 18
	47 26A		12 26	1427-251-004-00	16 5
	62 9	1421-602-005-10	29 6	1427-301-002-20	31 1
	62 14		35 39	1427-301-004-00	31 3
	62 18	1421-603-004-00	6 17	1427-301-005-00	31 4
	63 9	1421-906-001-00	76 1	1427-301-006-00	31 5
	63 16	1421-951-006-00	41 22	1427-301-007-00	31 6
1376-402-003-00	47 26		41 34	1427-301-009-00	31 7
	62 8	1421-951-007-00	41 23	1427-301-011-10	31 14
	62 13		41 35	1427-301-012-10	31 15
	62 17	1423-621-003-00	56 14	1427-301-013-10	31 16
	63 8	1424-101-203-00	1 27	1427-301-014-10	31 19
	63 13	1424-101-204-00	1 28	1427-301-015-00	31 20
	63 15	1425-621-004-00	1 32	1427-301-016-00	31 21
1386-241-002-00	42 4		30 9	1427-301-018-00	31 23
1401-906-005-00	76 2		35 17	1427-301-019-00	31 27
1403-621-031-00	56 6		47 27	1427-301-021-00	31 30
	56 8		52 11	1427-307-002-10	33 2
	56 10		59 16	1427-307-003-00	33 3
	56 12		60 8	1427-310-001-00	34 2
1404-117-008-00	7 4		61 9		34 9
1404-312-006-00	35 6		62 10	1427-310-002-10	34 15

PART CODE	FIG. KEY	PART CODE	FIG. KEY	PART CODE	FIG. KEY
1427-310-003-10	34 6	1444-621-016-00	52 3	1560-404-002-30	35 10
	34 13	1444-621-311-00	57 7	1560-515-004-40	47 24
1427-310-220-10	34 3	1444-621-312-00	57 8	1560-530-250-00	59 12
	34 10	1444-621-313-00	57 9		61 5
1427-310-230-00	34 4	1444-621-320-00	57 10	1560-601-014-30	48 10
1427-310-270-00	34 11	1480-207-012-00	20 6	1560-601-017-00	48 9
1427-401-001-00	41 3	1480-212-003-00	25 8	1560-602-001-40	48 2
1427-431-003-00	41 6	1480-604-204-00	51 5	1560-604-022-70	51 14
1427-433-022-00	41 48	1488-611-001-00	53 12	1560-664-264-00	62 6
1427-433-023-00	41 42	1488-621-220-10	57 2		62 24
1427-433-025-00	41 39	1491-120-001-00	8 18		63 6
	41 45	1491-203-006-10	14 14		63 22
1427-433-240-10	41 37		15 16	1560-664-270-00	58 4
1427-433-241-00	37 5	1491-307-201-00	33 4		59 4
	37 11	1491-623-222-00	59 10	1560-666-005-00	6 12
1427-433-250-10	41 43	1491-623-223-00	59 9	1560-666-006-00	6 13
1427-621-002-10	6 2	1510-328-260-00	35 22	1560-666-212-00	62 3
1427-621-012-00	54 6	1518-621-320-00	57 20		62 12
1427-934-013-00	69 11		58 1		62 16
1427-941-016-00	68 11		59 1		63 3
1432-242-001-00	35 38		60 1		63 12
1432-651-028-00	59 17		61 1	1560-695-021-00	27 6
	60 5	1527-604-002-00	50 17		28 6
1434-122-007-00	10 9		51 3	1560-695-022-00	27 7
1434-310-220-00	34 1	1544-104-205-00	3 4		28 7
1434-317-281-00	34 8	1544-123-005-00	10 6	1561-121-212-40	8 31
	33 12	1544-219-005-00	17 15	1564-530-430-00	59 11
	33 15	1544-304-006-10	31 10		60 4
1434-317-290-01	33 11	1544-322-002-00	19 13		61 4
	33 14		20 7	1568-132-200-00	35 34
1434-503-004-10	47 2		20 17	1572-102-003-00	4 9
1434-503-320-10	47 1		20 30	1575-261-016-00	80 6
1434-503-330-00	47 3	1544-623-001-00	57 12	1575-261-017-00	80 5
1435-122-002-00	8 19	1544-623-232-00	57 13	1575-261-025-00	80 7
1435-203-001-00	19 7	1544-623-233-00	57 14	1575-623-010-00	62 22
1444-101-016-10	20 22	1544-623-234-00	57 15		63 20
	30 6	1544-623-235-00	57 16	1575-623-210-00	57 1
	38 20	1560-104-010-40	1 26	1575-623-211-00	57 11
	39 20	1560-111-003-20	5 19	1575-623-250-00	59 8
1444-102-204-00	4 6	1560-132-007-30	27 8	1579-112-230-00	6 7
1444-314-009-10	11 33		28 8	1581-621-290-00	57 24
	12 36		35 12	1593-102-004-20	1 24
	25 28	1560-208-018-40	19 12	1593-112-002-50	6 3
1444-411-006-00	31 2		20 29	1593-112-200-10	6 1
1444-601-015-00	49 7	1560-401-004-40	50 8	1593-203-058-20	15 13



1688-097-100-10

PART CODE	FIG. KEY	PART CODE	FIG. KEY	PART CODE	FIG. KEY
1593-203-058-20	16 1	1612-201-002-00	11 31	1640-674-202-00	60 10
	20 32	1612-603-002-00	50 13		61 11
1593-411-001-10	42 7	1612-603-005-00	50 25	1640-674-203-00	60 11
1593-411-053-20	42 8	1612-690-001-00	5 15		61 12
1593-411-610-10	42 2	1614-102-213-00	1 3	1640-674-204-00	60 12
1593-623-203-00	62 23	1614-102-214-00	1 4		61 13
	63 21	1614-104-001-00	3 6	1640-674-205-00	60 13
1593-623-503-00	62 5	1614-117-001-00	7 2		61 14
	63 5	1614-241-004-00	16 4	1640-674-206-00	60 14
1593-623-530-00	60 16	1614-262-003-00	26 15		61 15
1594-105-001-00	61 17	1614-501-015-10	43 8	1640-902-006-00	65 11
	2 2		44 7		66 11
1594-218-001-00	14 13	1614-603-008-00	50 16		67 11
	15 15	1614-603-018-00	50 7	1640-903-005-10	69 15
	21 3	1614-603-051-00	50 1	1640-903-006-00	69 2
1594-654-261-10	22 3	1614-603-052-00	50 2	1640-903-007-00	69 3
	55 21	1614-603-201-10	50 14	1640-903-008-00	69 4
1594-904-025-00	68 13	1614-690-202-00	62 2	1640-903-009-00	69 5
	69 14		63 2	1640-903-011-00	69 6
	70 14	1617-102-006-00	1 30	1640-903-012-00	69 7
1600-112-231-00	6 8	1620-255-208-00	17 3	1640-903-013-00	69 8
1600-112-232-00	6 9		23 3	1640-903-015-00	69 9
1600-117-002-00	7 3		24 3	1640-903-016-00	69 10
1600-120-220-00	8 29		25 24	1640-903-019-10	69 12
1600-120-222-00	8 30	1620-272-051-00	29 8	1640-903-025-10	70 15
1600-120-230-00	8 28	1620-410-001-10	40 4	1640-903-026-00	70 2
1600-616-006-00	5 14	1620-903-003-00	65 9	1640-903-027-00	70 3
1600-622-321-00	55 16		66 9	1640-903-028-00	70 4
1600-623-002-00	57 22		67 9	1640-903-029-00	70 5
1600-623-200-00	57 17	1620-904-006-00	68 12	1640-903-031-00	70 7
1600-623-210-00	57 18	1620-904-007-00	69 13	1640-903-032-00	70 6
1600-623-220-00	57 19	1620-904-008-00	70 13	1640-903-033-00	70 8
1600-624-004-00	62 7	1620-904-009-00	71 13	1640-903-035-00	70 9
	63 7	1620-904-011-10	65 8	1640-903-036-00	70 11
1600-902-023-00	70 10		66 8	1640-903-039-00	70 12
1602-242-551-10	27 5		67 8	1640-903-045-00	68 15
	28 5	1620-904-012-00	72 13	1640-903-046-00	69 16
1608-901-004-10	64 6	1620-904-013-00	73 13	1640-903-047-00	70 16
1612-102-005-00	1 11	1620-904-014-00	74 13	1640-903-048-00	71 16
1612-105-002-00	4 17	1620-904-015-00	75 13	1640-903-052-00	71 14
1612-111-001-00	1 10	1637-102-202-00	1 2	1640-903-055-10	71 15
	5 16	1640-674-001-00	60 15	1640-903-056-00	71 2
1612-111-002-10	5 17		61 16	1640-903-057-00	71 3
1612-111-230-10	5 20	1640-674-200-00	60 9	1640-903-058-00	71 4
1612-117-200-20	7 1		61 10	1640-903-059-00	71 5

PART CODE	FIG. KEY	PART CODE	FIG. KEY	PART CODE	FIG. KEY
1640-903-061-00	71 7	1640-905-007-00	73 3	1650-652-253-20	62 21
1640-903-062-00	71 6	1640-905-008-00	73 4		63 19
1640-903-063-00	71 8	1640-905-009-00	73 5	1656-401-220-00	36 1
1640-903-065-00	71 9	1640-905-011-00	73 6	1656-401-222-00	36 2
1640-903-066-00	71 11	1640-905-012-00	73 7	1672-102-004-00	1 12
1640-903-067-00	71 10	1640-905-013-00	73 8	1672-105-001-10	4 13
1640-903-069-00	71 12	1640-905-015-00	73 9	1672-105-210-00	4 1
1640-903-072-00	72 14	1640-905-016-00	73 10	1672-111-001-00	5 18
1640-903-075-10	72 15	1640-905-017-00	73 11	1672-111-002-00	5 4
1640-903-076-00	72 2	1640-905-019-00	73 12	1672-111-200-00	5 1
1640-903-077-00	72 3	1640-905-022-00	74 14	1672-111-210-10	5 5
1640-903-078-00	72 4	1640-905-025-10	74 15	1672-111-230-00	5 21
1640-903-079-00	72 5	1640-905-026-00	74 2	1672-112-220-20	6 11
1640-903-081-00	72 6	1640-905-027-00	74 3	1672-120-002-10	8 14
1640-903-082-00	72 7	1640-905-028-00	74 4	1672-120-003-00	8 15
1640-903-083-00	72 8	1640-905-029-00	74 5	1672-120-004-00	8 16
1640-903-085-00	72 9	1640-905-031-00	74 6	1672-120-006-00	8 20
1640-903-086-00	72 10	1640-905-032-00	74 7	1672-120-220-00	8 12
1640-903-087-00	72 11	1640-905-033-00	74 8	1672-122-002-00	10 15
1640-903-089-00	72 12	1640-905-035-00	74 9	1672-201-003-00	11 30
1640-903-091-00	72 16	1640-905-036-00	74 10	1672-208-001-00	26 14
1640-903-092-00	73 16	1640-905-037-00	74 11	1672-208-220-00	26 12
1640-903-093-00	74 16	1640-905-039-00	74 12	1672-211-009-10	19 17
1640-903-094-00	75 16	1640-905-042-00	75 14	1672-212-001-00	21 1
1640-904-005-10	68 14	1640-905-045-10	75 15		22 1
1640-904-006-00	68 2	1640-905-046-00	75 2	1672-212-002-10	21 4
1640-904-007-00	68 3	1640-905-047-00	75 3	1672-301-001-00	31 29
1640-904-008-00	68 4	1640-905-048-00	75 4	1672-301-002-00	31 8
1640-904-009-10	68 5	1640-905-049-00	75 5	1672-403-003-00	37 12
1640-904-011-00	68 6	1640-905-051-00	75 6	1672-407-220-00	36 10
1640-904-012-00	68 8	1640-905-052-00	75 7	1672-408-200-00	38 8
1640-904-013-00	68 7	1640-905-053-00	75 8	1672-408-210-00	38 6
1640-904-016-00	68 10	1640-905-055-00	75 9		39 6
1640-904-019-00	68 9	1640-905-056-00	75 10	1672-508-262-00	47 13
1640-904-022-00	68 1	1640-905-057-00	75 11	1672-508-263-00	47 14
1640-904-023-10	69 1	1640-905-059-00	75 12	1672-508-264-00	47 16
1640-904-024-00	70 1	1650-104-201-00	3 5	1672-508-270-10	47 12
1640-904-025-00	71 1	1650-203-008-00	20 14	1672-601-001-00	51 19
1640-904-026-00	72 1	1650-253-003-00	18 3	1672-601-002-00	51 20
1640-904-027-00	73 1		18 6	1672-602-002-00	49 18
1640-904-028-00	74 1	1650-508-002-00	77 14	1672-602-210-00	49 10
1640-904-029-00	75 1		78 10	1672-602-230-00	49 16
1640-905-002-00	73 14		79 10	1672-602-240-00	49 11
1640-905-005-10	73 15	1650-650-246-00	62 20	1672-602-250-10	49 19
1640-905-006-00	73 2		63 18	1672-603-005-00	50 19

1688-097-100-10

PART CODE	FIG. KEY		PART CODE	FIG. KEY		PART CODE	FIG. KEY	
1672-603-006-00	50	15	1675-602-003-00	49	1	1682-508-300-00	47	1A
1672-603-007-00	50	21	1675-602-004-00	49	4	1682-603-006-00	50	5
1672-603-200-00	50	18	1675-602-005-00	49	5	1682-604-007-10	51	24
1672-604-003-00	51	10	1675-602-007-00	49	9	1682-606-230-10	52	14
1672-604-005-00	51	18	1678-901-004-00	64	5	1682-606-250-20	52	1
1672-604-006-00	51	23	1681-434-001-00	41	12	1682-606-260-20	52	2
1672-604-007-00	51	22		41	26	1682-606-260-30	52	2A
1672-604-008-00	51	21	1682-102-003-00	1	6	1682-606-270-10	52	12
1672-604-220-00	51	25	1682-102-004-00	1	23	1682-616-320-50	54	13
1672-606-001-00	52	4	1682-103-200-00	2	1	1682-640-210-10	51	29
1672-606-002-00	52	5	1682-104-001-00	3	7	1682-660-003-00	55	15
1672-608-003-00	53	7	1682-104-200-00	3	11	1682-660-220-00	55	7
1672-608-200-00	53	5	1682-111-210-00	5	9	1682-670-001-00	56	1
1672-608-210-01	53	1	1682-111-210-10	5	9A	1682-670-210-00	56	7
1672-608-220-01	53	3	1682-111-300-00	5	8	1682-670-220-00	56	9
1672-616-002-00	54	5	1682-112-001-00	6	16	1682-670-230-00	56	11
1672-616-003-00	54	7	1682-112-006-00	6	4	1682-670-250-10	56	2
1672-670-200-00	56	3	1682-255-002-10	25	7	1682-690-240-10	62	30
1674-619-300-10	51	28	1682-255-201-00	25	1		63	27
1674-652-200-00	55	1	1682-255-201-10	25	1A	1682-690-300-30	62	1
1674-652-202-00	55	2	1682-255-202-00	25	6		63	1
1674-654-200-00	55	3	1682-255-203-00	25	5	1682-690-310-30	62	11
1674-654-211-00	55	4	1682-255-204-00	25	10		63	11
	55	10	1682-255-205-10	25	11	1682-690-350-00	57	25
	55	13	1682-255-210-30	25	21	1682-690-360-10	62	25
1674-654-212-00	55	5	1682-255-210-40	25	21A		63	28
	55	11	1682-306-001-00	32	1	1682-902-004-00	65	10
	55	14	1682-306-002-00	32	2		66	10
1674-654-240-00	55	9	1682-307-001-10	33	1		67	10
1674-654-260-00	55	12	1682-312-004-10	35	28	1682-902-006-00	65	7
1674-654-270-00	55	18	1682-312-260-00	35	14		66	7
1674-654-271-00	55	19	1682-312-300-00	35	24		67	7
1674-654-272-00	55	20	1682-312-310-00	35	26	1682-902-007-20	65	12
1674-664-200-00	57	27	1682-403-001-30	37	18		66	12
1675-102-002-00	1	8	1682-403-200-30	37	1		67	12
1675-102-004-00	1	17	1682-403-220-30	37	2	1682-902-009-00	67	2
1675-102-006-00	1	20	1682-403-250-20	37	8	1682-902-014-00	65	4
1675-102-200-00	1	1	1682-407-200-10	36	6		66	4
1675-104-002-00	3	9	1682-407-210-10	36	13		67	4
1675-104-210-00	3	1	1682-407-220-00	36	10A	1683-102-002-00	1	7
1675-104-211-00	3	2	1682-408-220-00	38	19	1683-102-200-20	1	14
1675-104-213-00	3	3		39	19	1683-102-210-20	1	15
1675-116-001-00	7	12	1682-434-033-00	41	13	1683-112-200-20	6	14
1675-117-210-10	7	9		41	27	1683-112-200-30	6	14A
1675-601-003-00	48	5	1682-508-002-00	47	4	1683-120-051-00	8	24

PART CODE	FIG. KEY		PART CODE	FIG. KEY		PART CODE	FIG. KEY	
1683-120-500-10	8	1	1683-202-534-00	13	38	1683-271-001-30	28	20
1683-120-530-10	8	25	1683-202-535-00	13	39	1683-271-500-30	27	11
1683-120-530-20	8	25A	1683-202-536-00	13	41		28	11
	9	12	1683-202-537-00	13	42	1683-271-520-10	27	12
1683-122-051-20	10	12	1683-202-538-00	13	44		28	12
1683-122-500-20	10	1	1683-203-051-00	14	2	1683-271-560-00	27	4
1683-201-051-00	11	1		15	2		28	4
1683-201-051-10	11	1A	1683-203-052-00	14	4	1683-272-052-00	29	3
1683-201-052-10	11	18		15	4	1683-272-053-00	29	14
1683-201-052-20	11	18A	1683-203-053-00	14	5	1683-272-054-10	29	13
1683-201-053-10	11	22		15	5	1683-272-550-00	29	12
	12	25	1683-203-054-00	14	6	1683-272-560-00	29	9
1683-202-051-00	14	1		15	6	1683-273-054-00	30	10
	15	1	1683-203-055-00	14	11	1683-273-057-20	30	15
1683-202-500-00	13	1	1683-203-500-00	14	10	1683-273-058-00	30	4
1683-202-501-00	13	2	1683-208-051-10	17	8	1683-273-520-30	30	14
1683-202-502-00	13	3	1683-208-053-00	17	13	1683-273-570-10	30	2
1683-202-503-00	13	4	1683-208-500-00	17	1		30	5
1683-202-504-00	13	5		23	1		45	5
1683-202-505-00	13	6		24	1	1683-273-590-00	30	1
1683-202-506-00	13	7	1683-208-510-00	17	5	1683-273-630-10	30	3
1683-202-507-00	13	8	1683-208-540-00	17	11	1683-273-640-00	13	45
1683-202-508-00	13	9	1683-209-520-00	23	6		38	10
1683-202-509-00	13	10	1683-210-051-00	18	1		39	12
1683-202-511-00	13	11	1683-210-052-00	18	2	1683-301-500-00	31	28
1683-202-512-00	13	12	1683-210-053-00	18	5	1683-301-510-00	31	33
1683-202-513-00	13	13	1683-211-052-20	19	8	1683-312-002-00	35	16
1683-202-514-00	13	14	1683-211-053-10	19	9	1683-312-003-00	35	18
1683-202-515-00	13	15	1683-211-054-00	19	10	1683-312-530-30	35	29
1683-202-516-00	13	16	1683-211-058-00	19	2	1683-312-560-10	35	30
1683-202-517-00	13	17	1683-211-058-10	19	2A	1683-312-570-00	35	11
1683-202-518-00	13	18	1683-216-051-10	23	14	1683-312-580-00	35	9
1683-202-519-00	13	19		24	13	1683-601-001-00	48	6
	13	33	1683-216-052-00	23	9	1683-601-002-00	48	3
1683-202-521-00	13	20	1683-216-053-00	58	3	1683-601-200-10	48	1
1683-202-522-00	13	21		59	3	1683-602-001-00	49	3
1683-202-523-00	13	22	1683-216-500-00	23	16	1683-602-002-00	49	2
1683-202-524-00	13	26		24	15	1683-602-003-00	49	6
1683-202-525-00	13	29	1683-216-520-00	23	12	1683-602-220-00	49	14
1683-202-526-00	13	30	1683-265-051-00	26	4	1683-603-052-00	50	4
1683-202-527-00	13	31	1683-265-500-20	26	8	1683-603-510-00	50	3
1683-202-528-00	13	32	1683-265-510-00	24	5	1683-604-004-00	51	17
1683-202-531-00	13	35		26	1	1683-604-200-20	51	8
1683-202-532-00	13	36	1683-265-520-00	26	7	1683-604-210-20	51	9
1683-202-533-00	13	37	1683-271-001-30	27	22	1683-604-230-00	51	26

1688-097-100-10

PART CODE	FIG. KEY	PART CODE	FIG. KEY	PART CODE	FIG. KEY
1683-604-240-10	51 1	1688-211-503-00	80 2	1688-501-310-10	44 1
1683-604-250-10	51 2	1688-211-504-00	80 3	1688-507-001-00	46 1
1683-611-500-30	53 8	1688-211-505-00	80 4	1688-507-001-10	46 1A
1683-616-500-20	54 1	1688-211-506-00	80 8	1688-508-200-00	47 8
1683-616-520-10	54 14	1688-211-507-00	80 9	1688-508-210-00	47 25
1683-690-620-10	63 14	1688-211-508-00	80 10	1688-508-210-10	47 25A
1683-902-001-00	65 1	1688-211-509-00	80 11	1688-611-210-20	53 10
	66 1	1688-211-510-10	20 3	1688-611-500-00	53 13
	67 1	1688-211-521-00	80 12	1688-616-510-10	54 2
1683-902-002-00	65 2	1688-211-522-00	80 13	1688-616-520-10	54 12
	66 2	1688-211-523-00	80 14	1688-690-340-10	62 19
1683-902-003-00	65 5	1688-212-001-10	22 4		63 17
	66 5	1688-216-051-00	24 8	1688-690-620-00	62 15
	67 5	1688-216-500-00	24 11	1688-690-620-10	62 15A
1683-902-004-00	65 3	1688-271-510-00	27 1	1688-690-630-00	59 18
	66 3		28 1	1688-901-001-00	64 1
1683-902-005-00	67 3	1688-271-580-00	27 18	1688-901-002-00	64 2
	65 6		28 18	1688-901-003-00	64 3
	66 6	1688-271-590-10	27 20	1688-902-002-00	66 13
	67 6	1688-272-500-10	29 1		67 13
1688-120-051-00	9 11	1688-272-500-20	29 1A	2101-230-001-00	31 34
1688-120-052-00	9 10	1688-272-530-10	29 4	2130-208-004-00	17 18
1688-120-500-10	9 1	1688-310-001-00	34 17	2130-931-200-00	76 9
1688-201-051-10	12 1	1688-312-001-00	35 3	2130-931-210-00	76 4
1688-201-052-00	12 18	1688-312-510-20	35 1	2139-505-002-00	54 4
1688-201-055-00	11 2A	1688-408-001-00	38 1	2142-420-008-00	46 2
	12 2		39 1	2144-419-022-00	17 16
1688-201-056-00	11 30A	1688-408-200-10	38 16		26 10
	12 33		39 16	2144-519-007-00	23 19
1688-203-055-00	15 11	1688-408-210-00	39 8		24 18
1688-203-500-00	15 10	1688-408-220-00	39 9	2149-601-031-00	23 18
1688-211-001-00	19 1	1688-410-200-20	40 1		24 17
1688-211-002-00	19 5	1688-433-002-00	41 31	2500-901-027-00	64 7
1688-211-051-00	20 5	1688-433-003-00	41 17	2502-105-002-00	4 14
1688-211-052-00	20 10	1688-433-200-00	41 5	2703-101-020-00	25 22
1688-211-053-00	20 9	1688-433-211-00	41 36	3505-605-007-00	53 6
1688-211-054-00	20 20	1688-433-211-10	41 36A	3560-503-302-00	54 9
1688-211-055-00	20 25	1688-433-220-10	41 10	3610-440-018-00	7 8
1688-211-056-10	20 26	1688-433-230-10	41 24	3621-702-003-00	41 14
1688-211-057-00	20 4	1688-433-240-00	41 1		41 28
1688-211-058-00	20 2	1688-440-501-00	42 1	3625-701-003-00	25 20
1688-211-059-00	20 27	1688-501-001-00	43 2	3640-585-001-00	23 17
1688-211-061-00	20 36		44 3		24 16
1688-211-500-00	20 1	1688-501-210-00	43 1	3643-420-004-00	27 13
1688-211-502-00	80 1	1688-501-210-10	43 1A		28 13

PART CODE	FIG. KEY	PART CODE	FIG. KEY	PART CODE	FIG. KEY
3645-383-001-00	59 13 61 6				
3650-106-002-00	20 23				
3650-261-261-00	62 4 63 4				
3650-270-214-00	56 4				
3652-271-220-00	56 5				
3656-107-004-00	20 12				
3656-271-001-00	58 5 59 5				
3667-354-220-10	30 11				
3667-354-240-00	30 12				
3668-612-001-00	17 12 23 13 24 12				
	26 9 35 25 35 27				
3670-236-003-00	52 16				
3737-172-011-00	36 9				
3737-211-007-00	16 3				
3747-342-002-00	27 14 28 14				
3768-185-022-10	37 17				
4101-102-038-00	50 11				
7955-201-026-00	32 10 46 3				

DESCRIPTION	REF . NO	DESCRIPTION	REF . NO	DESCRIPTION	REF . NO	DESCRIPTION	REF . NO	DESCRIPTION	REF . NO
ARM/CONTROL	20	BOLT/M6	9	CLAMP, STRAINER	16	GEAR, INJ PUMP	10	GEAR, INJ PUMP	20
ARM/TENSION	20	BOLT/M6X10	9	COLOR	27	GEARCASE	3	GEARCASE	9
ARM, FLOATING	20	BOLT/M6X18	20	CONNECTOR/FUEL	21	GENERATOR ASSY	1	GENERATOR ASSY	22
ARMATURE	26	BOLT/M6X20	20	CONNECTOR/OILFILTER	9	GLOWPLUG	2	GLOWPLUG	23
BALL	1	BOLT/M6X20	3	CONNECTOR, GLOW PLUG	23	GUIDE, VALVE	4	GUIDE, VALVE	1
	26		9	CONTROL SLEEVE	25	HANGER	51	HANGER	10
BEARING	27		17	COVER	9	HOLDER ASSY	27	HOLDER ASSY	14
	27		17	COVER/INJECTIONPUMP	27	HOLDER BRUSH	13	HOLDER BRUSH	9
BEARING/CONN ROD	13		22	COVER, BEARING	5	HOLDER DELIVERY VALV	24	HOLDER DELIVERY VALV	25
BEARING/CONN ROD/UN	6	BOLT/M8X30	9	COVER, CYLINDER HEAD	27	HOLDER/NOZZLE	6	HOLDER/NOZZLE	24
	6	BOLT/M8X45	11	COVER, CYLINDER HEAD	2	HOLDER, BRUSH ASSY	2	HOLDER, BRUSH ASSY	27
BEARING/CRANK/LOWER	5	BOLT/M8X75	9	CRANKSHAFT ASSY	15	HOSE/RUBBER	1	HOSE/RUBBER	2
BEARING/CRANK/UPPER	5		17	CUP/SEALING/16	9	HOSE/RUBBER	4	HOSE/RUBBER	17
BEARING/WATER PUMP	17	BOLT/M8X85	9	CUTTER, VALVE	11	HOUSING/THERMOSTAT	5	HOUSING/THERMOSTAT	17
BEARING/WATERPUMP	17	BOLT/WS	16	CYLINDERBLOCK	5	HOUSING, PUMP	1	HOUSING, PUMP	25
BEARING, BALL	26		18	CYLINDERHEAD	1	HOUSING, STARTER ASSY	26	HOUSING, STARTER ASSY	26
	26		26	DELIVERYVALVE	25	INJECTIONNOZZLE	1	INJECTIONNOZZLE	19
BEARING, RB/6002SS	15	BOLT/WSP	22	DOVEL	5	INJECTIONPUMP	20	INJECTIONPUMP	20
BEARING, RB/6004	20	BOLT, CONN ROD	13	DRIVE/TACHOMETE ASSY	9	KEY	38	KEY	12
BEARING, RB/6005	9	BOLT, JOINT	16	EYEBOLT	25		52		15
BEARING, RB/6203	20	BOLT, SEMS/M10X20	8	FAN/COOLING	18		1		20
BEARING, THRUST CRANK	5	BOLT, SEMS/M6X12	10	FLYWEIGHT	2	LEVELGAGE	5	LEVELGAGE	5
	6		7	FLYWHEEL	15	LEVER/CONTROL	20	LEVER/CONTROL	20
	6		12	FRAME	27	LINK, CONTROL	12	LINK, CONTROL	20
BELT/VH34.5/FAN	18		20	FRAME ASSY	27	MANIFOLD(INLET) ASSY	3	MANIFOLD(INLET) ASSY	3
BODY/OILPUMP	16		23	FRAME, STARTER END	26	MANIFOLD, EXH	4	MANIFOLD, EXH	4
BODY/WATERPUMP	17		9	GASKET	17	METAL, CRANK SET	5	METAL, CRANK SET	5
BOLT	3	BOLT, SEMS/M6X16	16		23		6		6
	5	BOLT, SEMS/M8X16	4		24		16		6
	5	BOLT, SEMS/M8X25 7T	9		25		5		5
	9	BOLT, SEMS/M8X45	17		25		53		24
	11	BRACKET, ROCKER SHAFT	11		25		55		9
	15	BRACKET, ROCKER SHAFT	11		25		57		11
	15	BRUSH	27		5		25		20
	15	BULBE GUIDE	1	GASKET/COVER	9		56		24
	16	BUSH	27		1		10		24
	17	CAMSHAFT/INJPUMP	20	GASKET/CYLINDERHEAD	1		10		26
	22	CAP, BLANK/30	9	GASKET/HOUSING	17		26		27
	25	CAP, OIL FILLER	2	GASKET/PLATE	9		45		27
	27	CAP, SEALING	1	GASKET/SPACER	17		17		27
	27		5	GASKET/WATER PUMP	17		12		13
	27		5	GASKET, EXH. MANIFOLD	4		2		22
	27		5	GASKET, GEAR CASE	9		30		22
	27		5	GASKET, INLET MANIFOL	3		2		9
	27	CARTRIDGE, OIL FILTER	16	GASKET, NOZZLE	19		2		9
	27	CASE/ADAPTER	20	GEAR/OILPUMP	16		3		9
	27	CENTER CRANK PULLEY	15	GEAR, CAMSHAFT	12		2		9
	9	CLAMP/WIRE/10-15	17	GEAR, CRANK SHAFT	15		3		11
BOLT/L=55	1	CLAMP, WIRE/10-15	9	GEAR, IDLE	12		6		17
BOLT/M10X1.25X82	1		17		12		6		17

DESCRIPTION	REF. NO	DESCRIPTION	REF. NO	DESCRIPTION	REF. NO	DESCRIPTION	REF. NO	DESCRIPTION	REF. NO
NUT/M8	17	PIPE, WATER OUTLET	17	PLUG (HOT) ASSY	30	PLUG (M14X15)	1	SEAT, SPRING	25
NUT, CAP	26	PISTON	13	PLUG/PT1/2	1	PLUG/PT3/4	7	SEAT, VALVE	25
NUT, CAP/M 8	2	PISTON/OV	14	PLUNGER	3	POINTNER	1	SEAT, VALVE SPRING	1
NUT, RETAINING	9	PISTON/RELIEF VALVE	14	PLUNGER ASSY	32	PULLEY	5	SHAFT/HYDRAULIC ASSY	11
O-RING	24	PLATE	9	REGULATOR	33	PULLEY	25	SHAFT/ROCKERARM	9
	9		43	RELAY, SOLENOID	25	PULLEY	8	SHAFT, CAM	11
	17		31	RETAINER	25	PULLEY	15	SHAFT, ROCKER ASSY	12
	25		7	RING (PISTON) SET	25	PULLEY, WATER PUMP	27	SHAFT, ROCKER ASSY	11
	25		10	RING (PISTON/OV) SET	35	PUMP, OIL	15	SHAFT, ROCKER ARM ASSY	11
O-RING 1A S50	9		48	RING (PISTON/OV50) SET	36	REGULATOR	10	SHIM/ADAPTER	20
O-RING/P 8	20		35	RING/O	37	SOLENOID	18	SHIM/ADAPTER	20
O-RING/PI15	16		9	ROCKERARM	38	ROTOR ASSY	16	SHIM/T=0.1	20
O-RING/PI18	7		3	ROTOR/OUTER	39	ROTOR/OUTER	27	SHIM/T=0.2	24
PACKING	2		5	ROTOR/WATERPUMP	40	SCREW	23	SHIM/T=0.3	24
	9		23	SCREW/W/S	41	SEAL SET/WATER PUMP	26	SHIM/T=0.4	24
	9		14	SEAL/WATER PUMPPULLE	42	SEAL, BEARING CAP	13	SHIM/T=0.5	24
PAN, OIL COMP	7		1	SEAL, BEARING CAP/7	43	SEAL, CYL. HEAD COVER	14	SHIM/T=0.52	24
PIECE, THRUST	20		17	SEAL, OIL	44	SEAL, OIL	14	SHIM/T=0.54	24
PIN	5		16	SEAT, SPRING	45	SEAT, SPRING	9	SHIM/T=0.56	24
	15		17		46		13	SHIM/T=0.58	24
	15		17		47		25	SHIM/T=0.8	24
	25		18		49		20	SHIM, ADAPTER	20
	25		13		27		9		20
	20		25		8		34		20
PIN, ADAPTER	9	PLATE FRONT	9		44		11		20
PIN/ARM	9	PLATE/ADJUST	22		2		16		20
PIN/IDLEGEAR	5	PLATE/REAR	8		1		6		20
PIN/STRAIGHT	16	PLATE/T=1.80	7		18		9		20
PIN, CONTROL	20	PLATE/T=1.85	9		19		11		20
PIN, GROOVE	9	PLATE/T=1.90	13		20		13		20
PIN, PISTON	13	PLATE/T=1.95	25		21		11		20
	5	PLATE/T=2.00	24		22		26		25
	9	PLATE/T=2.05	6		23		27		23
	9	PLATE/T=2.10	25		24		16		9
	16	PLATE/T=2.15	5		25		4		24
	20	PLATE/T=2.20	20		25		6		18
	9	PLATE/T=2.25	29		26		11		24
	13	PLATE/T=2.30	3		27		25		18
	5	PLATE/T=2.35	27		28		26		17
	5	PLATE/T=2.40	15		29		11		11
	9	PLATE/T=2.45	49		30		17		26
	26	PLATE/T=2.50	12		31		10		26
	21	PLATE/WATER PUMP	2		32		19		27
	19	PLATE, THRUST	3		33		26		27
	19	PLATE, THRUST IN/PUMP	4		12		5		20
	19	PLUG	5		13		9		9
	17		11		5		2		26
	5		23		9		1		24
	16		12		9		5		25
	17		12		11		9		20
	16		12		12		9		20
	17		25		25		24		20



\*\*\* ALPHABETICAL INDEX \*\*\*

BP049 5003-097-180-0A

DESCRIPTION	REF. NO	DESCRIPTION	REF. NO	DESCRIPTION	REF. NO	DESCRIPTION	REF. NO
SPRING, STARTING	20						
SPRING, VALVE	11						
STARTER ASSY	22						
STARTER KIT	26						
STOPPER/FULLLOAD	26						
STRAINER	9						
STUD	16						
	5						
	19						
	5						
	29						
	8						
	5						
	9						
	5						
	9						
	6						
	9						
	7						
	9						
	50						
STUD/M8X40	17						
STUD, HEAD COVER	18						
SWITCH/OILPRESSURE	5						
SWITCH/OILPRESSURE	1						
SWITCH/OVERHEAT	12						
SWITCH, STARTER ASSY	23						
TAPPET	2						
	23						
	26						
	11						
	6						
	12						
	25						
	17						
	29						
THERMOSTAT	9						
VALVE/RELIEF ASSY	31						
VALVE, EXHAUST	1						
VALVE, INTAKE	11						
WASHER	1						
	9						
	13						
	9						
	54						
	9						
	58						
	15						
	15						
	17						
	15						
	17						
	21						
	17						
	21						
	26						
	21						
WASHER / M6	20						
WASHER/08X14X01	39						
	9						
	19						
	9						
	28						
WASHER/08X15.5X1.6	9						
WASHER/9X22X2	11						
WASHER, SP/M10	22						
WASHER, SP/M6	4						
	22						
	10						
	15						
	14						
	20						
	40						
WATERPUMP ASSY	17						
YOKE/STARTER	1						
	26						
	1						

DESCRIPTION	REF . NO	DESCRIPTION	REF . NO	DESCRIPTION	REF . NO	DESCRIPTION	REF . NO	DESCRIPTION	REF . NO
ARM/CONTROL	20	BOLT/M6	37	BOLT/M6	9	CLAMP,STRAINER	36	GEARCASE	10
ARM/TENSION	20	BOLT/M6X10	23	BOLT/M6X10	20	COLLOR	16	GENERATOR ASSY	3
ARM,FLOATING	20	BOLT/M6X18	18	BOLT/M6X18	20	CONNECTOR/FUEL	7	GLOWPLUG	22
ARMATURE	26	BOLT/M8X20	3	BOLT/M8X20	3	CONNECTOR/OILFILTER	9	GUIDE,VALVE	1
BALL	1		9		9	CONNECTOR,GLOW PLUG	14	HANGER	10
BEARING	26		15		17	CONTROL,SLEEVE	19	HOLDER ASSY	27
	27		5		17	COVER	27	HOLDER BRUSH	26
	27		10		22	COVER/INJECTIONPUMP	3	HOLDER DELIVERY VALV	9
BEARING/CONN ROD	13	BOLT/M8X30	8	BOLT/M8X30	9	COVER,INJECTIONPUMP	18	HOLDER/NOZZLE ASSY	24
BEARING/CONN ROD/UN	6	BOLT/M8X45	5	BOLT/M8X45	11	COVER,BEARING	20	HOLDER, BRUSH ASSY	27
	6	BOLT/M8X75	6	BOLT/M8X75	9	COVER,CYLINDER HEAD	16	HOSE/RUBBER	6
BEARING/CRANK/LOWER	5		12		17	CRANKSHAFT	28	HOSE/RUBBER	17
BEARING/CRANK/UPPER	5	BOLT/M8X85	11	BOLT/M8X85	9	CUP/SEALING/16	10	HOUSING/THERMOSTAT	22
BEARING/WATER PUMP	17	BOLT/WS	3	BOLT/WS	16	CUTTER,VALVE	6	HOUSING,PUMP	17
BEARING/WATERPUMP	17		4		18	CYLINDERBLOCK ASSY	4	HOUSING,STARTER ASSY	25
BEARING,BALL	26		4		26	CYLINDERHEAD ASSY	18	INJECTIONNOZZLE ASSY	26
	26		5		22	DELIVERVALVE	5	INJECTIONNOZZLE ASSY	19
BEARING, RB/6004	20	BOLT,CONN ROD	12	BOLT,CONN ROD	13	DOWEL	5	INJECTIONPUMP ASSY	20
BEARING, RB/6005	9	BOLT,JOINT	52	BOLT,JOINT	16	DRIVE/TACHOMETE ASSY	13	KEY	12
BEARING, RB/6203	20	BOLT,SEMS/M10X20	11	BOLT,SEMS/M10X20	8	EYEBOLT	3	LEVELGAGE	15
BEARING, THRUST CRANK	5	BOLT,SEMS/M8X12	13	BOLT,SEMS/M8X12	10	FAN/COOLING	2	LEVER/CONTROL COMP	20
	6		2		7	FLYWRIGHT	4	LINK,CONTROL	34
	6		4		12	FLYWHEEL	5	MANIFOLD(INLET) ASSY	19
BELT/VHM34.5/FAN	18		5		20	FRAME	14	MANIFOLD,EXH	3
BODY/OILPUMP	16		2		23	FRAME ASSY	7	METAL,CRANK SET	4
BODY/WATERPUMP	17	BOLT,SEMS/M8X16	2	BOLT,SEMS/M8X16	9	FRAME,STARTER END	40		10
BOLT	3	BOLT,SEMS/M8X16	4	BOLT,SEMS/M8X16	16	GASKET	11		5
	5	BOLT,SEMS/M8X25 7T	2	BOLT,SEMS/M8X25 7T	4		3		6
	5	BOLT,SEMS/M8X45	26	BOLT,SEMS/M8X45	9		15	NIPPLE	3
	9		46		17		13	NOZZLE	24
	11	BOSS/SPLINE	19	BOSS/SPLINE	15		8	NUT	16
	15	BRACKET,ROCKER SHAFT	7	BRACKET,ROCKER SHAFT	11		13		9
	15	BRACKET,ROCKER SHAFT	12	BRACKET,ROCKER SHAFT	11	GASKET/COVER	13		11
	15	BRUSH	15	BRUSH	27		17		18
	16	BULBE GUIDE	7	BULBE GUIDE	1		6		20
	17	BUSH	32	BUSH	27	GASKET/CYLINDERHEAD	1		26
	22	CAMSHAFT/INJPUMP	8	CAMSHAFT/INJPUMP	20	GASKET/HOUSING	17		2
	25	CAP,BLANK/30	54	CAP,BLANK/30	9	GASKET/PLATE	8		27
	27	CAP,OIL FILLER	9	CAP,OIL FILLER	2	GASKET/SPACER	9	NUT/FLANGE	25
	27	CAP,SEALING	19	CAP,SEALING	5	GASKET/WATER PUMP	17	NUT/M10	13
	27		20		5	GASKET,EXH.MANIFOLD	4	NUT/M8	22
	27		21		5	GASKET,GEAR CASE	3		9
	27		21		5	GASKET,INLET MANIFOLD	3		12
	27	CARTRIDGE,OIL FILTER	22	CARTRIDGE,OIL FILTER	16	GASKET,NOZZLE	7		21
	27	CASE/ADAPTER	24	CASE/ADAPTER	20	GEAR/OILPUMP ASSY	19		9
BOLT/L=55	9	CENTER CRANK PULLEY	11	CENTER CRANK PULLEY	15	GEAR/OILPUMP	16		53
BOLT/M10X1.25X82	1	CLAMP/WIRE/10-15	11	CLAMP/WIRE/10-15	17	GEAR,CAMSHAFT	3		9
BOLT/M6	9	CLAMP,HARNES	35	CLAMP,HARNES	9	GEAR,CRANK SHAFT	15		11
						GEAR,IDLE	12		21
						GEAR,INJ PUMP	17		14
							23		17
							23		20
							9		26

DESCRIPTION	REF . NO	DESCRIPTION	REF . NO	DESCRIPTION	REF . NO	DESCRIPTION	REF . NO	DESCRIPTION	REF . NO
NUT/NOZZLERETAINING	24	PISTON/OV	14	PLUG/PT3/4	3	SEAT, VALVE SPRING	11	SEAT, VALVE SPRING	4
NUT,CAP	2	PISTON/RELIEF VALVE	9	PLUNGER	32	SHAFT/HYDRAULIC ASSY	9	SHAFT/HYDRAULIC ASSY	51
NUT,CAP/M 8	9	PLATE	25	POINTER	49	ASSY	11	SHAFT/ROCKERARM	11
O-RING	9	PLATE FRONT	27	PULLEY	8	SHAFT,CAM	12	SHAFT,CAM	1
	17	PLATE/ADJUST	9	PULLEY	44	ASSY	11	SHAFT,ROCKER ASSY	8
	25	PLATE/REAR	22	PULLEY	2	ASSY	15	SHAFT,ROCKER ARMASSY	10
O-RING 1A S50	9	PLATE/T=1.80	8	PUMP, OIL	1	ASSY	18	SHIM/ADAPTER	30
O-RING/P 8	20	PLATE/T=1.825	25	REGULATOR	18	ASSY	20	SHIM/T=0.1	31
O-RING/P15	16	PLATE/T=1.85	25	RELAY, SOLENOID	33	ASSY	27	SHIM/T=0.2	2
O-RING/P18	7	PLATE/T=1.875	25	RETAINER	19	ASSY	23	SHIM/T=0.2	3
PACKING	2	PLATE/T=1.90	25	RING (PISTON) SET	34	ASSY	26	SHIM/T=0.3	4
	9	PLATE/T=1.925	25	RING (PISTON/OV)SET	20	ASSY	13	SHIM/T=0.4	5
PAN, OIL COMP	16	PLATE/T=1.95	25	RING (PISTON/OV50)SET	35	ASSY	14	SHIM/T=0.5	6
PIECE, THRUST	7	PLATE/T=1.975	25	RING/O	21	ASSY	14	SHIM/T=0.52	7
PIN	20	PLATE/T=2.00	25	RING, SNAP	36	ASSY	9	SHIM/T=0.54	8
	5	PLATE/T=2.025	25	RING, SNAP/ 4 E	22	ASSY	13	SHIM/T=0.56	9
	17	PLATE/T=2.05	25	RING, SNAP/ 4 E	37	ASSY	25	SHIM/T=0.58	10
	5	PLATE/T=2.075	25	RING, SNAP/ 4 E	23	ASSY	20	SHIM/T=0.8	11
	18	PLATE/T=2.10	25	RING, SNAP/12 C	38	ASSY	20	SHIM, ADAPTER	27
	8	PLATE/T=2.125	25	RING, SNAP/16 C	24	ASSY	9	SHIM, INJECTION PUMP	28
	9	PLATE/T=2.15	25	ROCKERARM	39	ASSY	11	SHIM, INJECTION PUMP	29
	26	PLATE/T=2.175	25	ROD, CONTROL	16	ASSY	15	SHIM, INJECTION PUMP	2
	15	PLATE/T=2.20	25	ROD, PUSH	40	ASSY	11	SHIM, INJECTION PUMP	3
	25	PLATE/T=2.225	25	ROTOR ASSY	26	ASSY	13	SHIM, INJECTION PUMP	4
PIN/ADAPTER	20	PLATE/T=2.25	25	ROTOR/OUTER	26	ASSY	17	SHIM, INJECTION PUMP	5
PIN/ARM	9	PLATE/T=2.275	25	ROTOR/WATERPUMP	41	ASSY	25	SHIM, INJECTION PUMP	4
PIN/IDLEGEAR	5	PLATE/T=2.30	25	SCREW	27	ASSY	25	SHIM, INJECTION PUMP	6
PIN/SNAP	9	PLATE/T=2.325	25	SCREW	27	ASSY	26	SHIM, INJECTION PUMP	8
PIN/STRAIGHT	16	PLATE/T=2.35	25	SCREW	43	ASSY	16	SHIM, INJECTION PUMP	5
	5	PLATE/T=2.375	25	SCREW	29	ASSY	17	SHIM, INJECTION PUMP	47
	9	PLATE/T=2.40	25	SCREW	44	ASSY	25	SHIM, INJECTION PUMP	14
	20	PLATE/T=2.425	25	SCREW	30	ASSY	25	SHIM, INJECTION PUMP	3
	9	PLATE/T=2.45	25	SCREW	45	ASSY	25	SHIM, INJECTION PUMP	9
	29	PLATE/T=2.475	25	SCREW	31	ASSY	26	SHIM, INJECTION PUMP	42
PIN, STARTING SPRING	13	PLATE/T=2.50	25	SCREW	46	ASSY	11	SHIM, INJECTION PUMP	16
	5	PLATE/T=2.525	25	SCREW	32	ASSY	17	SHIM, INJECTION PUMP	18
PINION, STARTER	26	PLATE/T=2.55	25	SEAL SET/WATER PUMP	47	ASSY	26	SHIM, INJECTION PUMP	18
PIPE/FUEL	21	PLATE/WATER PUMP	17	SEAL, BEARING CAP	9	ASSY	17	SHIM, INJECTION PUMP	3
PIPE/INJECTION ASSY	19	PLATE, THRUST	12	SEAL, BEARING CAP/7	4	ASSY	5	SHIM, INJECTION PUMP	4
	19	PLUG	20	SEAL, CYL. HEAD COVER	13	ASSY	5	SHIM, INJECTION PUMP	33
	19	PLUG (HOT) ASSY	5	SEAL, OIL	5	ASSY	2	SHIM, INJECTION PUMP	9
	17	PLUG (M14X15)	9	SEAL, OIL	9	ASSY	1	SHIM, INJECTION PUMP	33
PIPE/WATER PUMP	5	PLUG/PT1/2	27	SEAT, SPRING	2	ASSY	5	SHIM, INJECTION PUMP	12
PIPE/WATERDRAIN	16	PLUG/PT1/2	9	SEAT, SPRING	3	ASSY	1	SHIM, INJECTION PUMP	10
PIPE, OIL	17	PLUG (HOT) ASSY	11	SEAT, VALVE	12	ASSY	9	SHIM, INJECTION PUMP	15
PIPE, PUMP HOUSING	17	PLUG (M14X15)	25	SEAT, VALVE	11	ASSY	5	SHIM, INJECTION PUMP	15
PIPE, WATER OUTLET	17	PLUG/PT1/2	2	SEAT, VALVE	12	ASSY	9	SHIM, INJECTION PUMP	36
PISTON	13	PLUG/PT1/2	7	SEAT, VALVE	56	ASSY	24	SHIM, INJECTION PUMP	22
PISTON/OV	14	PLUG/PT1/2	1	SEAT, VALVE	2	ASSY	25	SHIM, INJECTION PUMP	41
	1	PLUG/PT1/2	4	SEAT, VALVE	1	ASSY	1	SHIM, INJECTION PUMP	3

DESCRIPTION	REF . NO	DESCRIPTION	REF . NO	DESCRIPTION	REF . NO	DESCRIPTION	REF . NO
STARTER KIT	26						
	26						
STOPPER/FULLLOAD	9						
STRAINER	16						
	5						
STUD	19						
	29						
	8						
	9						
	5						
	9						
	6						
	9						
	7						
	9						
	50						
	17						
	18						
STUD/M8X40	5						
STUD HEAD COVER	1						
	12						
SWITCH/OILPRESSURE	23						
	1						
SWITCH/OVERHEAT	23						
	2						
SWITCH, STARTER ASSY	26						
	8						
TAPPET	11						
	6						
	25						
TERMOSTAT	17						
	29						
VALVE/RELIEF ASSY	9						
	31						
VALVE, EXHAUST	11						
	2						
VALVE, INTAKE	11						
	1						
WASHER	9						
	13						
	9						
	54						
	9						
	58						
	15						
	14						
	17						
	15						
	17						
	21						
	26						
	21						
WASHER / M6	20						
	39						
WASHER/08X14X01	9						
	19						
	9						
	28						
WASHER/08X15.5X1.6	11						
	22						
WASHER/9X22X2	22						
	4						
WASHER, SP/M10	22						
	10						
WASHER, SP/M6	15						
	13						
	20						
	40						
WATERPUMP ASSY	17						
	1						
YOKE/STARTER	26						
	1						

DESCRIPTION	REF . NO	DESCRIPTION	REF . NO	DESCRIPTION	REF . NO	DESCRIPTION	REF . NO	DESCRIPTION	REF . NO
ADAPTER (90°/PUMP)	37	BAND, WIRE/250	30	BEARING, RB/6304	8	BOLT/M 8X25	10	BOLT/M 8X25	3
ADAPTER/HOSE/L/12	30		47		26A		29	BOLT/M 8X30	10
ADAPTER/HOSE/PF1/4	30		62		9		45	BOLT/M 8X55	3
ADAPTER/L/PF1/4 ASSY	38		62		14		45	BOLT/M 8X60	2
	39		62		18		4	BOLT/M 8X65	11
ADAPTER/L/PF3/8 ASSY	13		63		9		3	BOLT/M 8X80	13
	38		63		16		4	BOLT/M06X08/APSET	9
ADAPTER/PT3/8	39	BASE/BATTERY COMP	6	BEARING, RB/6304NR	21	BOLT/M06X32	6	BOLT/M10X1.25X20	8
ADAPTER/1/4.3/8	30		6		14A		5	BOLT/M10X1.25X20	10
ARM	46	BASE/STEERING COMP	36	BEARING, RB/6304SS	42		36		7
	27	BATTERY/38B20L ASSY	6	BEARING, RB/6306	33	BOLT/M10X20	36		11
	28	BEARING	14	BODY/HVA1/053	77	BOLT/M10X25	43		3
ARM/DAMPER	29		15	BOLT	16		44		4
ARM/DIFFLOCK	31	BEARING KT253224	19		6	BOLT/M10X35	11		3
ARM/DIFFROCK	31		20		21		12		3
ARM/KNUCKLE/RH	41	BEARING/BALL	13		10	BOLT/M10X45	32		4
ARM/MID	26		13		37	BOLT/M10X55	11		10
ARM/MID	26		13		38		12		10
ARM/NEUTRAL	27	BEARING/BALL 6305SH2	14		13	BOLT/M10X90	25		3
	28		15	BOLT(S) M10X30	15	BOLT/M12X20	23		5
ARM/PARKING/RH COMP	35		21	BOLT (SP) M8X20	3		25		26
ARM/PARKING/LH COMP	35		22		3		60		3
ARM/PTO	23	BEARING/BALL/THRUST	41		12		61		3
	24		41		26	BOLT/M12X25	8		4
ARM/SHIFT	23	BEARING/NEEDLE	13		11		9		2
ARM/SHIFT/MID	24		25		7		33		9
	25	BEARING/THRUST	13		9		40		5
	25	BEARING, CLUTCH RS	8		18		52		5
	26	BEARING, NR/KT20264	20		11		53		2
ARM/SHIFT/SUB	17	BEARING, NR/KT303824	19		11	BOLT/M12X40	8		5
AXLE/2WD	41		20		11		9		3
BACKPLATE	80	BEARING, RB	14		3	BOLT/M12X50	32		3
BALL	18		15		3	BOLT/M5X16	50		8
	18	BEARING, RB/6009	31	BOLT (SP)/M6X16	27	BOLT/M8X25	31		10
	25	BEARING, RB/6010	31		13		51		27
	47	BEARING, RB/6204	19		4	BOLT/M8X45/7T	27		2
	58		19		18	BOLT/M8X60	28		2
	59		20		15	BOLT/M8X60	34		17
	60	BEARING, RB/6204NR	14		9	BOLT/S	8		35
	61		14		9		9		17
	3	BEARING, RB/6205	19		9		37		19
BAND/CLEANER	47		20	BOLT/ADJUST	35		54		8
BAND, WIRE/140	62	BEARING, RB/6205SS	42	BOLT/KNOB	53	BOLT/SEAL	5		7
	62	BEARING, RB/6206	20	BOLT/KNOB/M08X31	51	BOLT/SP	11		15
	63		31	BOLT/M 6X55	38		11		20
	63		31	BOLT/M 8X130	39		11		21
	63	BEARING, RB/6208	33		63		12		15
	63		33		6		12		23

DESCRIPTION	REF. NO	DESCRIPTION	REF. NO	DESCRIPTION	REF. NO	DESCRIPTION	REF. NO	DESCRIPTION	REF. NO
BOLT/SP	12	BOLT, SEMS (SP)	47	BULB/12V 3W	11	BULB/12V/45/40W	56	CAP, PTO SHAFT	12
	12		48	BULB/12V/5W	4		55	CAP, RUBBER (9)	2
	25		50	BULB/12V21W	10		55	CAP, TIRE VALVE	19
	27		51		15		55		4
	54		52		9		55		10
	11		57		28		55		13
	11	BOLT, SEMS (S)	5	BULB/12V5W	22		55	CARTRIDGE/80 ASSY	5
	11		8		32		55	CASE/PTO/MID	1
	11		31		35		55	CASE/TRANSMISSION/HS	11
	11		34	BUSH	16		55	CASE/TRANSMISSION/RE	11
12	BOLT, SEMS (S) M8X16	8		13		17		12	
12		12		13		23		11	
12		13		22		24		12	
12		14	BOLT, SEMS/M64X45	10		26		1	
11	BOLT/STUD/SEAL	4	BOLT, SEMS/M8X25 7T	11		35	CASE, DIFF	47	
11		8		12		35	CASE, OIL FILTER	4	
12		4	BOLT, SET COMP	47		27	CLAMP/WIRE/10-12	4	
12		8	BOOT	59		28	CLAMP/WIRE/10-15	1	
44		2	BOOT/HORN	16		41	CLAMP/WIRE/24-32	1	
1	BOLT/WING/SP	5	BOOT/STEERING	13		20	CLAMP/WIRE/30-38	1	
11	BOLT/8X20	24	BOOT/SWITCH	60		41	CLAMP/WIRE/36-44	1	
12		27		61		36	CLAMP/WIRE/42-50	3	
6	BOLT, BATTERY	3	BRACKET COMP	59		6	CLAMP/WIRE/47-55	3	
1	BOLT, SEMS	9		60		7	CLAMP, HARNESS	1	
12		35	BRACKET/AXLE COMP	61		6		30	
17		14	BRACKET/CLEANER COMP	40		6		35	
35		15	BRACKET/FUSE COMP	3		56		36	
53		9		50		31		47	
53		14		62		1		52	
1	BOLT, SEMS (SP)	13		63		28		59	
1		16	BRACKET/LAMP COMP	49		14		60	
5		2	BRACKET/LAMP/NUMBER	55		21		61	
6		10	BRACKET/LEVER COMP	5		21		62	
6		15	BRACKET/REFLECTOR	55		15		63	
17		4	BRACKET/SEAT COMP	53		8		63	
23		4		53		13		30	
24		4	BRACKET/SEAT/F COMP	53		10		38	
25		25	BRACKET/TANK COMP	5		9A		39	
26		13		5		9A		3	
27		15	BRAKE/SHOE ASSY	34		1		3	
28		15		34		1		50	
30		7		34		8		51	
30		13	BULB	42		4		4	
39		10		56		4		4	
43		9	BULB/12V 3W	56		6		8	
44		8		56		8		20	
47		7		56		10		31	
				56		10		36	

BP049 1688-097-100-10

\*\*\* ALPHABETICAL INDEX \*\*\*

97.08.26 P. 3

DESCRIPTION	REF . NO	DESCRIPTION	REF . NO	DESCRIPTION	REF . NO	DESCRIPTION	REF . NO	DESCRIPTION	REF . NO
COLLAR/07X11X11	54	CUP	4	FORK/SHIFT/PTO	5	GRIP	5		52
COLLAR/10X14X09	54	CUSHION,B/ RUBBER	29	FORK/SHIFT/SUB	6	GRIP/SUB	2		16
COLLAR/17X21X11 ASSY	27		35	FUNNEL,PL ASSY	39	GRIP/THROTTLE	9		15
	28	CUSHION,RUBBER	3	FUSE/SLOWBLOW	15	GROMMET	2		7
COLLAR/21X36X1	25	CYLINDER	37	FUSE/32V10A	1		2		54
COLLAR/25X35X02	15	CYLINDER/TIEROD ASSY	37		1		2		4
	16	DAMPER(OIL)	29	FUSE/32V20A	3	GROMMET/25X70X03	22		54
	20	DIODE	62	FUSE/BLADE	16	GROMMET/9X13X2	20		9
COLLAR/25X42X4	41		62		16		20		17
COLLAR/25X46X3	41		62		16		20		5
	19		63		3		23		31
	7		63		3		24		14
	20		63		12		24		13
COLLAR/26X32X53	42	DISK/BRAKE	80	GASKET	11	GUIDE/LEVER/LH COMP	6		1
COLLAR/41X55X10	14	DISK,CLUTCH/184 COMP	8		29	GUIDE/LEVER/RH COMP	22		3
	15	DISKPLATE	80		6	HARNESSE/ENGINE/E4	2		62
COLLAR,PINION THRUST	31	DRUM/BRAKE	34		6	HARNESSE/ENGINE/E4	2		1
COLLAR,SHIFTER	25	ELBOW	45		6	HARNESSE/FUSE	2		63
COLLAR,THRUST	31	ELBOW	38		14	HARNESSE/LAMP	13		62
CONNECTERRING	80	ELBOW	38		14	HARNESSE/MAIN/E4 ASSY	14		63
CONNECTOR	1		43	GAUGE/FUEL ASSY	6		5		62
CONTROLLER/STEERING	36		47	GEAR/SPUR/13	28		1		1
	36	ELBOW/1/4-PT3/8	30	GEAR/SPUR/15	10		36		30
COOLER/OIL COMP	30	ELBOW/45	45	GEAR/SPUR/17	7		11		27
COUPLING/37X50X35	20	ELBOW/90	47		30		5		63
COUPLER/SHORT/RELAV	59	ELBOW/90/L	38		17		5		27
COVER	5	ELEMENT	39	GEAR/SPUR/18	17		15		63
	13	ELEMENT	4	GEAR/SPUR/18-25-35	8		10		62
	13	ELEMENT	3	GEAR/SPUR/19	3		5		15
COVER ASSY	3	FACING	8		30		2		57
COVER/DUSH/F	54	FAN/HST	8		25		2		62
COVER/DUSH/R	50	FILTER	8	GEAR/SPUR/19-29	25A		17		63
COVER/DUSH/REAR COMP	50	FILTER/LH	9		12		4		7
COVER/FUSE	62	FILTER/RH	52		1		4		12
	63	FILTER/LINE/12X18X15	52	GEAR/SPUR/24-30	2A		4		4
	48	FILTER	47	GEAR/SPUR/25	1		4		5
COVER/HOOD	51	FLOOR/LH	30	GEAR/SPUR/30	11		6		52
COVER/SIDE/LH COMP	51	FLOOR/RH	47	GEAR/SPUR/31-20	1A		6		52
COVER/SIDE/RH COMP	27	FLOOR/BRAKE	4	GEAR/SPUR/32	4		11		35
COVER/TRUNNION	28	FLOOR/RELEASE	77	GEAR/SPUR/33	14		6		24
	28	FORK/SHIFT/DIFFLOCK	78	GEAR/SPUR/34	10		11		35
COVER/UNDER/LH COMP	51	FLASHER	79	GEAR,DIFF-SIDE/14T	10		5		8
COVER/UNDER/RH COMP	51	FLOOR/LH COMP	57	GEAR,DIFF-SIDE/14T	22		6		3
COVER, BRAKE	34	FLOOR/RH COMP	54	GLIP/YELLOW	1		5		38
	34	FLOOR/RH COMP	54	GREENCENTIPPLE	19		5		19
	37	FORK/RELEASE	35	GRILLE	19		1		39
	41		8		19		1		19
	41		31		19		1		19
COVER, DUST	41		31		19		1		19

DESCRIPTION	REF . NO	DESCRIPTION	REF . NO	DESCRIPTION	REF . NO	DESCRIPTION	REF . NO	DESCRIPTION	REF . NO
HOSE/1350	45	KEY-ROTARY TOP SHIF	41	LABEL/D/BATTERY	18	LABEL/SP/ED/HST	11	LABEL/START/A	67
ASSY	47	KNOB	31	LABEL/D/BATTERY/A	34	LABEL/START/A	10	LABEL/START/D	72
HOSE/1450	25		57	LABEL/D/BATTERY/H	15	LABEL/START/F	10	LABEL/START/H	70
ASSY	47		60	LABEL/D/BATTERY/T	11	LABEL/START/V	10	LABEL/START/P	74
HOSE/210	1		61	LABEL/D/STARTER	12	LABEL/START/T	9	LABEL/START/U	71
HOSE/250	1	KNOB, LEVER/12	17		15	LABEL/START/V	9	LABEL/START/V	75
HOSE/350	4	LABEL/C/BATTERY	68	LABEL/D/STARTER/A	3	LABEL/SWITCH/P	9	LABEL/START/V	66
HOSE/650	4	LABEL/C/BATTERY/H	69	LABEL/D/STARTER/H	3	LABEL/START/P	9	LABEL/START/V	66
HOUSING/AXLE/REAR/LH	32	LABEL/C/BATTERY/T	68	LABEL/D/STARTER/H	3	LABEL/START/P	9	LABEL/START/V	68
HOUSING/AXLE/REAR/RH	32	LABEL/C/BATTERY/V	70	LABEL/D/STARTER/H	3	LABEL/START/P	9	LABEL/START/V	75
HOUSING/CLUTCH COMP	8	LABEL/C/DRIVE/A	71	LABEL/D/STARTER/T	3	LABEL/START/P	9	LABEL/START/V	65
HST	9	LABEL/C/DRIVE/D	72	LABEL/D/STARTER/V	3	LABEL/START/P	9	LABEL/START/V	66
HUB/CLUTCH	13	LABEL/C/DRIVE/F	74	LABEL/D/STARTER/V	3	LABEL/START/P	9	LABEL/START/V	67
ASSY	20	LABEL/C/DRIVE/G	73	LABEL/D/STARTER/V	3	LABEL/START/P	9	LABEL/START/V	66
HUB/KUCKLE	41	LABEL/C/DRIVE/H	75	LABEL/DIFF	3	LABEL/START/P	9	LABEL/START/V	67
HUB/P10/HST	19	LABEL/C/DRIVE/A	72	LABEL/FUEL/A	1	LABEL/START/P	9	LABEL/START/V	68
HUB/09X14X20	19	LABEL/C/DRIVE/D	70	LABEL/FUEL/H	1	LABEL/START/P	9	LABEL/START/V	69
INSULATOR	1	LABEL/C/DRIVE/F	69	LABEL/FUEL/P	1	LABEL/START/P	9	LABEL/START/V	70
INSULATOR	1	LABEL/C/DRIVE/G	68	LABEL/FUSE/11/A	1	LABEL/START/P	9	LABEL/START/V	71
INSULATOR/LH	1	LABEL/C/DRIVE/H	74	LABEL/FUSE/11/H	1	LABEL/START/P	9	LABEL/START/V	72
INSULATOR/RH	1	LABEL/C/DRIVE/P	71	LABEL/FUSE/11/T	1	LABEL/START/P	9	LABEL/START/V	73
INSULATOR/TANK	1	LABEL/C/DRIVE/T	73	LABEL/FUSE/4/A	1	LABEL/START/P	9	LABEL/START/V	74
INSULATOR/15X20X420	1	LABEL/C/DRIVE/V	75	LABEL/FUSE/4/H	1	LABEL/START/P	9	LABEL/START/V	75
INSULATOR/20X40X36	5	LABEL/C/SHIFT	69	LABEL/FUSE/4/T	12	LABEL/START/P	9	LABEL/START/V	68
INSULATOR/30X30X80	5	LABEL/C/SHIFT/V	70	LABEL/FUSE/4/V	12	LABEL/START/P	9	LABEL/START/V	69
INSULATOR/36	1	LABEL/CE	64	LABEL/FUSE/MAIN	12	LABEL/START/P	9	LABEL/START/V	70
INSULATOR/565	5	LABEL/COLUMN/LH	65	LABEL/FUSE/11	12	LABEL/START/P	9	LABEL/START/V	71
INSULATOR/575	5	LABEL/COLUMN/RH	66	LABEL/FUSE/11	12	LABEL/START/P	9	LABEL/START/V	72
INSULATOR/75	5	LABEL/COLUMN/RH	67	LABEL/FUSE/11/V	12	LABEL/START/P	9	LABEL/START/V	73
JOINT BALL M08LH	27	LABEL/CONTROL/PARKIN	65	LABEL/FUSE/4	10	LABEL/START/P	9	LABEL/START/V	74
JOINT BALL M08RH	27	LABEL/CONTROL/P10	66	LABEL/FUSE/4/H	10	LABEL/START/P	9	LABEL/START/V	75
JOINT BALL M08RH	27	LABEL/CONTROL/P10	67	LABEL/FUSE/4/T	10	LABEL/START/P	9	LABEL/START/V	68
JOINT BALL/LH ASSY	28	LABEL/CONTROL/SUB	65	LABEL/FUSE/4/V	10	LABEL/START/P	9	LABEL/START/V	69
JOINT BALL/RH ASSY	28	LABEL/CONTROL/SUB	66	LABEL/FUSE/4/V	10	LABEL/START/P	9	LABEL/START/V	70
KEY ASSY	57	LABEL/CONTROL/SUB	65	LABEL/FUSE/4/V	10	LABEL/START/P	9	LABEL/START/V	71
	57	LABEL/D/BATTERY	68	LABEL/FUSE/4/V	10	LABEL/START/P	9	LABEL/START/V	72
	41	LABEL/CONTROL/SUB	69	LABEL/FUSE/4/V	10	LABEL/START/P	9	LABEL/START/V	73
	43	LABEL/CONTROL/SUB	68	LABEL/FUSE/4/V	10	LABEL/START/P	9	LABEL/START/V	74
	41	LABEL/CONTROL/SUB	69	LABEL/FUSE/4/V	10	LABEL/START/P	9	LABEL/START/V	75
	43	LABEL/CONTROL/SUB	68	LABEL/FUSE/4/V	10	LABEL/START/P	9	LABEL/START/V	76
	41	LABEL/CONTROL/SUB	69	LABEL/FUSE/4/V	10	LABEL/START/P	9	LABEL/START/V	77
	43	LABEL/CONTROL/SUB	68	LABEL/FUSE/4/V	10	LABEL/START/P	9	LABEL/START/V	78
	41	LABEL/CONTROL/SUB	69	LABEL/FUSE/4/V	10	LABEL/START/P	9	LABEL/START/V	79
	43	LABEL/CONTROL/SUB	68	LABEL/FUSE/4/V	10	LABEL/START/P	9	LABEL/START/V	80
	41	LABEL/CONTROL/SUB	69	LABEL/FUSE/4/V	10	LABEL/START/P	9	LABEL/START/V	81
	43	LABEL/CONTROL/SUB	68	LABEL/FUSE/4/V	10	LABEL/START/P	9	LABEL/START/V	82
	41	LABEL/CONTROL/SUB	69	LABEL/FUSE/4/V	10	LABEL/START/P	9	LABEL/START/V	83
	43	LABEL/CONTROL/SUB	68	LABEL/FUSE/4/V	10	LABEL/START/P	9	LABEL/START/V	84
	41	LABEL/CONTROL/SUB	69	LABEL/FUSE/4/V	10	LABEL/START/P	9	LABEL/START/V	85
	43	LABEL/CONTROL/SUB	68	LABEL/FUSE/4/V	10	LABEL/START/P	9	LABEL/START/V	86
	41	LABEL/CONTROL/SUB	69	LABEL/FUSE/4/V	10	LABEL/START/P	9	LABEL/START/V	87
	43	LABEL/CONTROL/SUB	68	LABEL/FUSE/4/V	10	LABEL/START/P	9	LABEL/START/V	88
	41	LABEL/CONTROL/SUB	69	LABEL/FUSE/4/V	10	LABEL/START/P	9	LABEL/START/V	89
	43	LABEL/CONTROL/SUB	68	LABEL/FUSE/4/V	10	LABEL/START/P	9	LABEL/START/V	90
	41	LABEL/CONTROL/SUB	69	LABEL/FUSE/4/V	10	LABEL/START/P	9	LABEL/START/V	91
	43	LABEL/CONTROL/SUB	68	LABEL/FUSE/4/V	10	LABEL/START/P	9	LABEL/START/V	92
	41	LABEL/CONTROL/SUB	69	LABEL/FUSE/4/V	10	LABEL/START/P	9	LABEL/START/V	93
	43	LABEL/CONTROL/SUB	68	LABEL/FUSE/4/V	10	LABEL/START/P	9	LABEL/START/V	94
	41	LABEL/CONTROL/SUB	69	LABEL/FUSE/4/V	10	LABEL/START/P	9	LABEL/START/V	95
	43	LABEL/CONTROL/SUB	68	LABEL/FUSE/4/V	10	LABEL/START/P	9	LABEL/START/V	96
	41	LABEL/CONTROL/SUB	69	LABEL/FUSE/4/V	10	LABEL/START/P	9	LABEL/START/V	97
	43	LABEL/CONTROL/SUB	68	LABEL/FUSE/4/V	10	LABEL/START/P	9	LABEL/START/V	98
	41	LABEL/CONTROL/SUB	69	LABEL/FUSE/4/V	10	LABEL/START/P	9	LABEL/START/V	99
	43	LABEL/CONTROL/SUB	68	LABEL/FUSE/4/V	10	LABEL/START/P	9	LABEL/START/V	100



DESCRIPTION	REF . NO	DESCRIPTION	REF . NO	DESCRIPTION	REF . NO	DESCRIPTION	REF . NO	DESCRIPTION	REF . NO
LABEL/W/ROPS/E30	68	MARK,FUSE/4	68	NUT	13	NUT/M8	15		27
LABEL/W/ROPS/E40P	71		69		14		7		28
LABEL/W/ROPS/E50	69		70		14		10		35
LABEL/W/ROPS/H	74	METAL	46		1		14		47
LABEL/W/ROPS/T	73		46		14		8		50
LABEL/W/ROPS/V	75	METAL/HST	11		18		11		29
LABEL/W/SHIELD	68		11		18A		15		38
	69		12		18		17		39
	70	METAL/PTO	11		30	NUT/LH THREAD	41		51
LABEL/W/SHIELD/A	71		11		30A	NUT/M 6	6		52
LABEL/W/SHIELD/H	72		12		33		11		55
LABEL/W/SHIELD/PTO	74	METAL/SLIDE	13		14	NUT/M 8	4		55
	68	METAL/U	38		1		11		41
	69		39		1		10		27
	70	METAL,DIFF-CASE LH	11		25		10		5
	71		12		28		10		49
	72	METAL,DIFF-CASE RH	11		26		7		51
	74	METER/HOUR	56		2		4		4
LABEL/W/SHIELD/PTO/H	73	MIRROR	51		28		13		57
LABEL/W/SHIELD/PTO/V	75	MOLDING/GRILLE/LH	49		4		23		37
LABEL/W/SHIELD/T	73	MOLDING/GRILLE/RH	49		5		23		37
LABEL/W/SHIELD/V	75	MOLDING/METER	66		7		40		49
LAMP,FUEL/D	70		66		7		18		50
LAMP/COMBI/REAR/LH	55		67		7	NUT/M06	23		8
LAMP/COMBI/REAR/RH	55		67		7	NUT/M10	9		12
LAMP/FRONT SET	55	MONITOR	56		3		33		46
LAMP/HAZARD	56	MUFFLER	2		1		15		12
LAMP/HEAD	55	NET/GRILLE	49		6		5		20
LAMP/LIGHT	56	NET/WIRE	1		2		6		46
LAMP/NUMBERPLAT SET	55	NIPPLE/GREASE	8		2	NUT/M10 7T P=1.25	11		77
LAMP/TRAILER	56	NIPPLE,GREASE	41		4		4		4
LAMP,WINKER	56		41		38		10		31
LEVEL GAUGE	17	NIPPLE,GREASE/PTI/4	41		44	NUT/M10X1.25	8		77
LEVER	57		37		5		40		13
LEVER	7	NIPPLE,GREASE/PTI/8	37		11	NUT/M12	46		46
LEVER/DIFFLOCK	49		29		5		6		13
LEVER/PARKING	31		35		2		4		17
LEVER/PTO	35	NUT	6		13		37		23
	24		7		6		9		24
LEVER/SUB	17		11		7		21		25
LEVER/SUB	17		12		7	NUT/M12X1.25	48		38
LINKING/11X40X03	26		31		26		15		15
LINK,FUSIBLE	62		32		8	NUT/M20	29		43
MARK,FUEL	68		36		3	NUT/M22	47		29
MARK,FUEL/FR	69		55		17	NUT/M6	10		77
			57		21	NUT/M6X15	13		78
							21		79
							21		6
							21		43

DESCRIPTION	REF . NO	DESCRIPTION	REF . NO	DESCRIPTION	REF . NO	DESCRIPTION	REF . NO	DESCRIPTION	REF . NO
O-RING/P18	34	PIN	35	PIN, SPRING/8 X28 W	38	PIN, SPRING/8 X28 W	35	PLATE/VALVE	13
	34	PIN	37	PIN, TAPER/8X50	22	PIN, TAPER/8X50	29		13
	77	PIN	49	COMP	11	PIN, YOKE A	35	PLATE/Z/19X326	26
	78	PIN/BRAKE CAM/L	34	COMP	4		35	PLATE/Z/53X134	58
	79	PIN/BRAKE CAM/R	34	COMP	11	PINION/BEVEL SET	14		59
	36	PIN/PIVOT	41	COMP	5	PINION/BEVEL/07 SET	15	PLIERS/G150	76
O-RING/P20	38	PIN/SHIFT	17	COMP	1	PINION/DIFFE/12T	31	PLUG	1
	38	PIN	23	PINION, WHEEL/11.L	1	PINION, WHEEL/11.L	31		13
	39	PIN	24	PINION, WHEEL/11.R	1	PINION, WHEEL/11.R	31		13
	39	PIN/SPLITTED	31	PIPE/B2	22	PIPE/B2	30		77
	47	PIN/06X31	23	PIPE/CLEANER/INLET	7	PIPE/CLEANER/INLET	3		78
	77	PIN	24	PIPE/RELIEF	18	PIPE/RELIEF	38		79
	78	PIN/12X75	8	PIPE/SUCTION	20	PIPE/SUCTION	39	PLUG/BOA	13
O-RING/P21	79	PIN/20X51	25	PIPE/U	5	PIPE/U	47	PLUG/SCREW/SEAL	25
O-RING/P28	47	PIN, KNOCK	11	PIPE/VALVE/F	23	PIPE/VALVE/F	38		77
O-RING/P36	47	PIN, SPLIT/2 X15	12	PIPE/VALVE/R	26	PIPE/VALVE/R	39		77
O-RING/P44	36	PIN, SPLIT/2 X20	51	PIPE/123	13	PIPE/123	33	PLUG/SEAL/25	16
ORNAMENT/G18/LH	4	PIN, SPLIT/2 X20	10	PISTON	8	PISTON	33	PLUG, DRAIN	8
ORNAMENT/G18/RH	64	PIN	31	PIVOT/TRUNNION	32	PIVOT/TRUNNION	80		11
ORNAMENT/HYDRO	64	PIN	35	COMP	8	COMP	27		12
ORNAMENT/ISEKI	64	PIN	35	COMP	20	COMP	28		12
ORNAMENT/ISEKI/SYMB0	64	PIN	36	PLATE/BATTERY	37	PLATE/BATTERY	27		19
ORNAMENT/STEERING	64	PIN	49	PLATE/BUMPER	4	PLATE/BUMPER	6		38
PACKING	1	PIN, SPLIT/2 X25	37	PLATE/CASE/REAR	21	PLATE/CASE/REAR	40	PLUG, DRAIN (1/4)	39
	4	PIN, SPLIT/2.5X15	7	PLATE/CASE/V	16	PLATE/CASE/V	43		32
	10	PIN, SPLIT/2.5X20	23	PLATE/COVER	7	PLATE/COVER	43		10
	15	PIN, SPLIT/3 X20	24	PLATE/GRILLE	7	PLATE/GRILLE	49		46
	37	PIN, SPLIT/2.5X25	7	PLATE/I/19X254	41	PLATE/I/19X254	23	POPPET	13
	5	PIN, SPLIT/3 X15	41	PLATE/I/19X273	47	PLATE/I/19X273	23		20
	29	PIN, SPLIT/3 X20	10	PLATE/I/30X50	14	PLATE/I/30X50	24		77
	56	PIN	8	PLATE/RH	21	PLATE/RH	17	PRESSURE/BRAKE	80
	35	PIN	17	PLATE/SPRING	10	PLATE/SPRING	12	PUMP/GEAR	47
	10	PIN	23	PLATE/STOPPER	11	PLATE/STOPPER	23	ASSY	47
	29	PIN	24	PLATE/SWASH	10	PLATE/SWASH	24	ASSY	1
	29	PIN	26	PLATE/VALVE	6	PLATE/VALVE	25	RADIATOR	55
	11	PIN	41	PLATE/WH	8	PLATE/WH	29	REFLECTOR	16
	19	PIN	41	PLATE/Y	16	PLATE/Y	29	RELAY/4P	57
	22	PIN	41	PLATE/Z	30	PLATE/Z	58	RELAY/5P	60
	34	PIN, SPRING/5 X28 W	35	PLATE/L/50X117	32	PLATE/L/50X117	55		61
	13	PIN, SPRING/6 X25 W	17	PLATE/LH	6	PLATE/LH	1		42
	13	PIN, SPRING/6 X25 W	17	PLATE/LH	6	PLATE/LH	1	RIM, WHEEL FRONT	42
	29	PIN	23	PLATE/LOCK	7	PLATE/LOCK	49	RING/O	13
	25	PIN	24	PLATE/RH	6	PLATE/RH	1		13
	13	PIN	26	PLATE/SPRING	2	PLATE/SPRING	46		37
	31	PIN, SPRING/6 X32 W	8	PLATE/VALVE	8	PLATE/VALVE	46		37
	31	PIN, SPRING/6 X40 W	9	PLATE/STOPPER	13	PLATE/STOPPER	53		38
	32	PIN, SPRING/6 X40 W	25	PLATE/SWASH	9	PLATE/SWASH	13		38

DESCRIPTION	REF. NO	DESCRIPTION	REF. NO	DESCRIPTION	REF. NO	DESCRIPTION	REF. NO	DESCRIPTION	REF. NO	DESCRIPTION	REF. NO
RING/SNAP	8	ROD/BRAKE	35	SEAL,OIL/TC35558	21	SPOOL/FLOCON/1.8	8		78		1
	20	ROD/CLUTCH/B	10		22	SPOOL/FLOCON/2.2	8		79		1
RING/22	33	ROD/M08X110	27	COMP	80	SPOOL/STOPPER	3		77		8
RING/30	20		28	COMP	80		2		78		4
RING,SNAP/15 C	27	ROD/PISTON	37	ASSY	80		5		79		4
	27	ROD/TIE	41		19	SPRING	8		13		16
	27		41		20		26		13		17
	28	ROD/130	31		8		24		35		10
RING,SNAP/17 C	28	ROD/65	27		9		11		48		10
RING,SNAP/18 C	13		28		13		6		51		14
	17	ROD/80	35		13		5		80		4
	26	ROD,CLUTCH (A)	10		35		28		77		6
RING,SNAP/20C	13	RUBBER,CUSHION (A)	53		21	SPRING/GUIDE	1		78		2
	14	SCREW	13		22		1		79		2
	15		13		20		3		46		6
	20	SCREW/PTO	56	COMP	25	SPRING/HC012/2	10		46		7
	21	SCREW/PTO/MID	62		13	SPRING/HC020	13		77		19
	22	SCREW/STEERING/COMP	63		14	SPRING/HC022	4		18		3
RING,SNAP/22 C	10	SCREW/F	77		14		4		18		3
	34	SCREW/H6X12	50		15		4		18		6
	34	SCREW/SOCKET	13		13	SPRING/HC024	7		23		18
	34		46		33		1		24		17
RING,SNAP/25	14		47		31		7		77		7
	15	SCREW/SP	50		41		22		78		3
RING,SNAP/25 C	15		50		41		22		78		3
	15		20		41		34		79		3
	16		52		41	SPRING/HC094	3		10		5
	19		17		23	SPRING/HC64	5		8		15
	20		58		41	SPRING/HE067	17		27		17
	20		59		11		27		28		17
	20		59		12		30		28		17
	20		60		11	SPRING,PRESS/22	28		7		4
	25		61		12	SPRING,PRESS/40	31		31		23
	34	SCREW,PLUS/M4X8	57		1	SPRING,SHIFTER	7		25		12
RING,SNAP/28 C	47	SCREW,PLUS/M5X0.8X8	57		8	SPRING,TENSION	14		34		2
RING,SNAP/30 C	13	SCREWDRIVER ASSY	76		21		2		34		9
	19	SEAL/DUST	37		22	SPRING,TENSION/121	2		31		30
	20		37		25	SPRING,TENSION/53	18		49		17
	20	SEAL/OIL	13		80	SPRING,VALVE	8		4		2
	20		13		80	STAY/COVER/LH COMP	10		51		25
RING,SNAP/47 C	33		13		80	STAY/COVER/RH COMP	13		51		26
RING,SNAP/52 C	13	SOLENOID	41	SET	46	STAY/CYLINDER	10		37		18
RIVET	25	SPACER	41		47	STAY/FENDER	4		52		12
	8	SEAL/RING	11		76	STAY/FLOOR/LH COMP	5		54		13
	31	SEAL/ROD	37		76	STAY/INSULATOR	6		50		16
	48		37		76	STAY/MIRROR	7		51		29
RIVET,BLIND	48		37		76	STAY/PLATE	8		52		14
	51	SEAL,OIL	47		76	STAY/RELAY	1		57		25
ROD	10	SEAL,OIL/Q1F488011.5	33		76	STAY/SHIFT/HST	18		18		1
	46	SEAL,OIL/TC20357	8	COMP	41	STAY,SHIFTER	10		31		20
	49	SEAL,OIL/TC30458	31		41	STAY,SHIFTER	10		31		20
ROD	35	SEAL,OIL/TC35528	25		77	STAY/FLOOR/RH COMP	5		54		12

DESCRIPTION	REF. NO	DESCRIPTION	REF. NO	DESCRIPTION	REF. NO	DESCRIPTION	REF. NO	DESCRIPTION	REF. NO
STOPPER COMP	53	WASHER	13	WASHER, LOCK/M12	42	WASHER, SP/M10	32		13
STOPPER/PARKING	35		27	WASHER, PL/M 5	14		55		25
STUD/M12X35	31		28	WASHER, PL/M 8	16		57		31
SWITCH	57		47		9		1		32
SWITCH ASSY	57		51		5		10		36
SWITCH/LIMIT	58		57		9		17		36
SWITCH/PTO	59		60		12		23		37
SWITCH/PUSH	61		60		13		24		40
SWITCH, HAZARD ASSY	59		61		13		26		41
SWITCH, LAMP ASSY	57		61		14		31		43
SWITCH, STARTER ASSY	57		80		9		35		44
SWITCH, STARTER SET	57		6		5		35		8
SWITCH, STOP	57		7		10		36		9
	57		10		7		47		32
	57		46		9		20		33
	58		50		9		4		40
	59		50		23		51		52
	60		8		7		62		54
	61		9		5		63		36
SWITCH, TOGGLE	59		51		11		57		33
TANK/FUEL	61		52		8		41		33
TIRE/TURF/PD	42		5		13		41		8
TIRE, TURF29X12.00X15	33		7		7		11		9
	33		8		36		12		17
	33		9		18		12		17
TRIM/20	51		11		5		38		23
TRIM/350	50		12		5		39		24
TRIM/420	49		13		51		50		26
TRIM/490	50		36		5		3		35
TRIM/570	50		41		6		4		76
TRIM/70	48		41		20		27		35
TUBE/035	10		17		16		28		35
TURNBUCKLE	10		26		10		28		28
VALVE	3		21		6		31		23
VALVE ASSY	45		22		6		34		24
VALVE SET	46		20		12		45		25
VALVE/FLOCON	38		50		11		46		26
	39		20		23		47		27
	77		19		13		62		28
	13		20		7		63		25
	13		20		17		2		4
	13		20		30		5		12
	46		19		12		8		11
VALVE/SOLENOID ASSY	77		20		29		8		34
VALVE/SOLENOID/NC SE	38		8		16		9		9
VALVE, RELIEF ASSY	39		48		9		9		16
VIS	4		49		7		11		6
WASHER	7		41		19		12		6