

- ⑤ Upper column : QTY shows the number of parts to be used for one unit of machine.

˘M˘ is indicated for parts supplied by a meter long.

˘ℓ˘ is indicated for parts supplied by liter.

˘AR˘ is indicated for parts need to be adjusted or regulated.

Lower column : serial number

—229 means serial number up to 229.

230— means serial number 230 and after.

- ⑥ ITC : Interchangeability

˘1˘...OLD ← NEW

New parts can be used in place of the old parts.

˘2˘...OLD → NEW

Old parts can be used in place of the new parts.

˘3˘...OLD →← NEW

Old parts and new parts can not be replaced each other.

- ⑦ COL : Color code

Color is signified with color code number for colored parts.

Please see the color list shown in the next page.

- ⑧ GRP : Parts shown in this column can be replaced by SET parts.

Example : Parts marked (A) can be replaced by parts marked (B), and (D) for

(C), so the rest follow in the same alphabetical order.

- ⑨ Remarks

* Other maker's part code number is shown in this column.

* When Fig. No. is shown in the Remark column of SET parts or ASSY parts, each of their component parts are listed in said Fig. No.

3. Color :

The following colors are used color parts.

COLOR CODE	COLOR	SPRAY TYPE CODE NUMBER	PAINTS 4K DRUM	PAINTS 16K DRUM
4 G	CRYSTAL BLUE	1300-957-001-10	1300-957-003-00	1300-957-004-00
5 I	SUNSET GRAY	1300-959-001-10	1300-959-003-00	1300-959-004-00
6 G	SUMMER WHITE	1300-958-001-10	1300-958-003-00	1300-958-004-00
7 F	MIRROR BLACK	1300-954-001-10	1300-954-003-00	1300-954-004-00
8 E	SILVER MIST	1300-968-001-10	1300-968-003-00	1300-968-004-00
8 F	BRILLIANT BROWN METALLIC	1300-972-001-10	1300-972-003-00	—————

NOTE : Color code is signified only for the parts assigned by the maker as color parts.

4. Serial Numbers :

- 1) For engines serial number is stamped on CYLINDER BLOCK ASSY.
Please see Fig. No. 6-1.
- 2) For chassies serial number is shown on the LABEL.
Please see

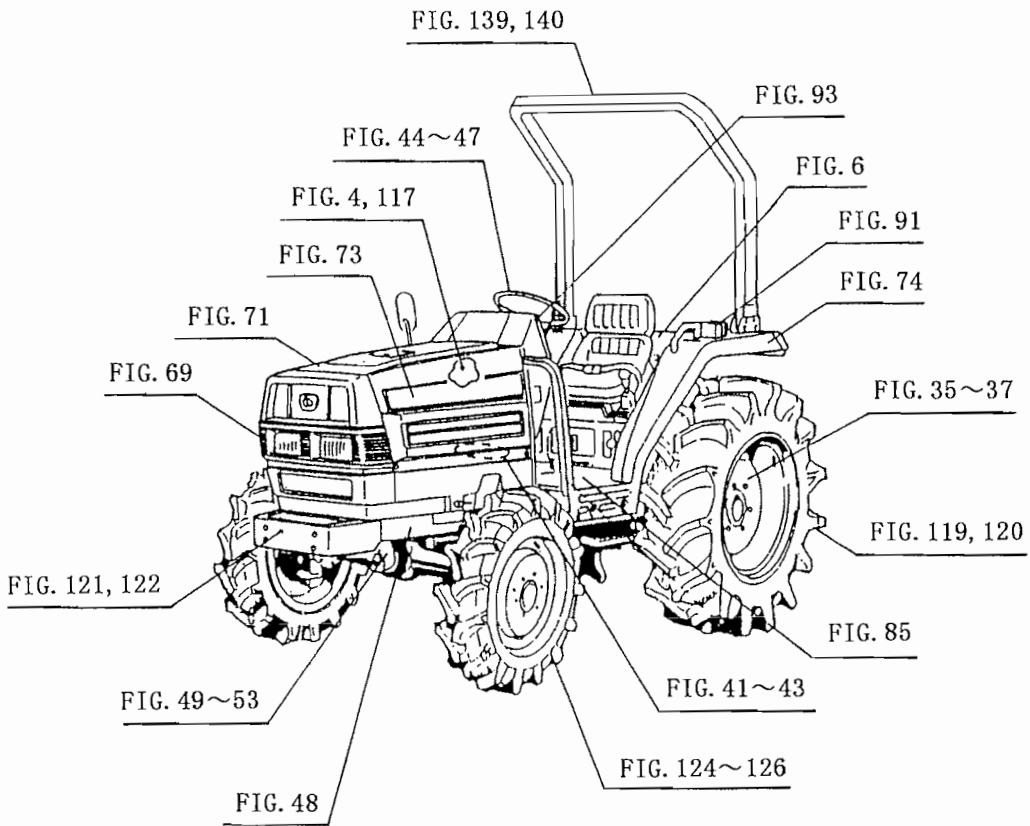
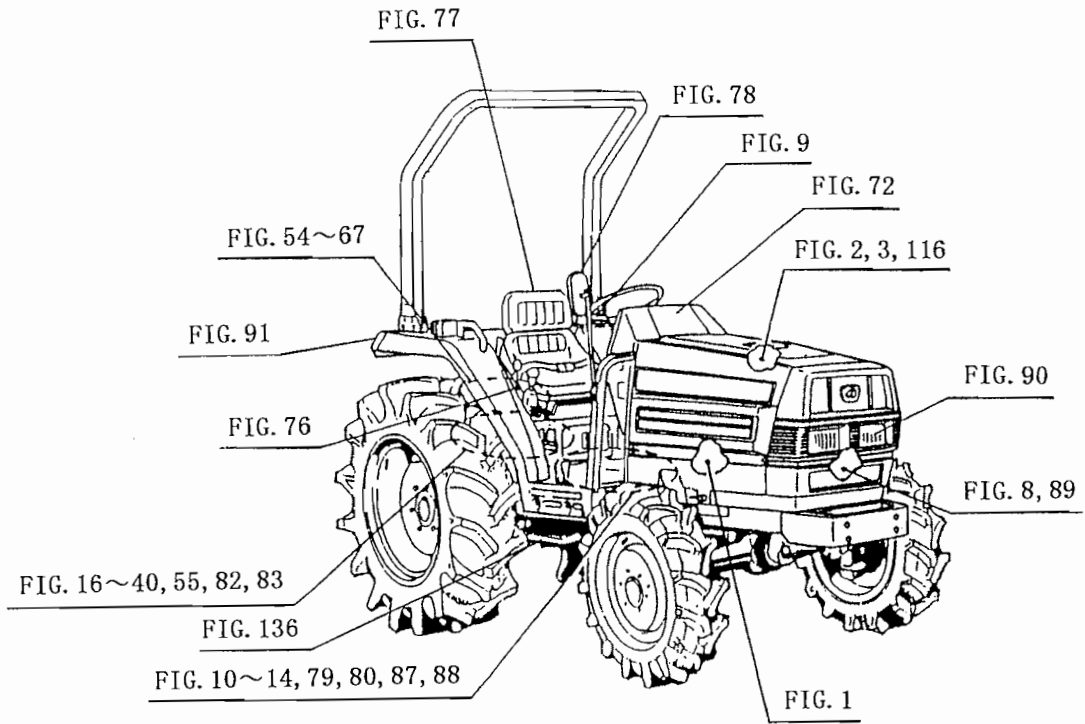


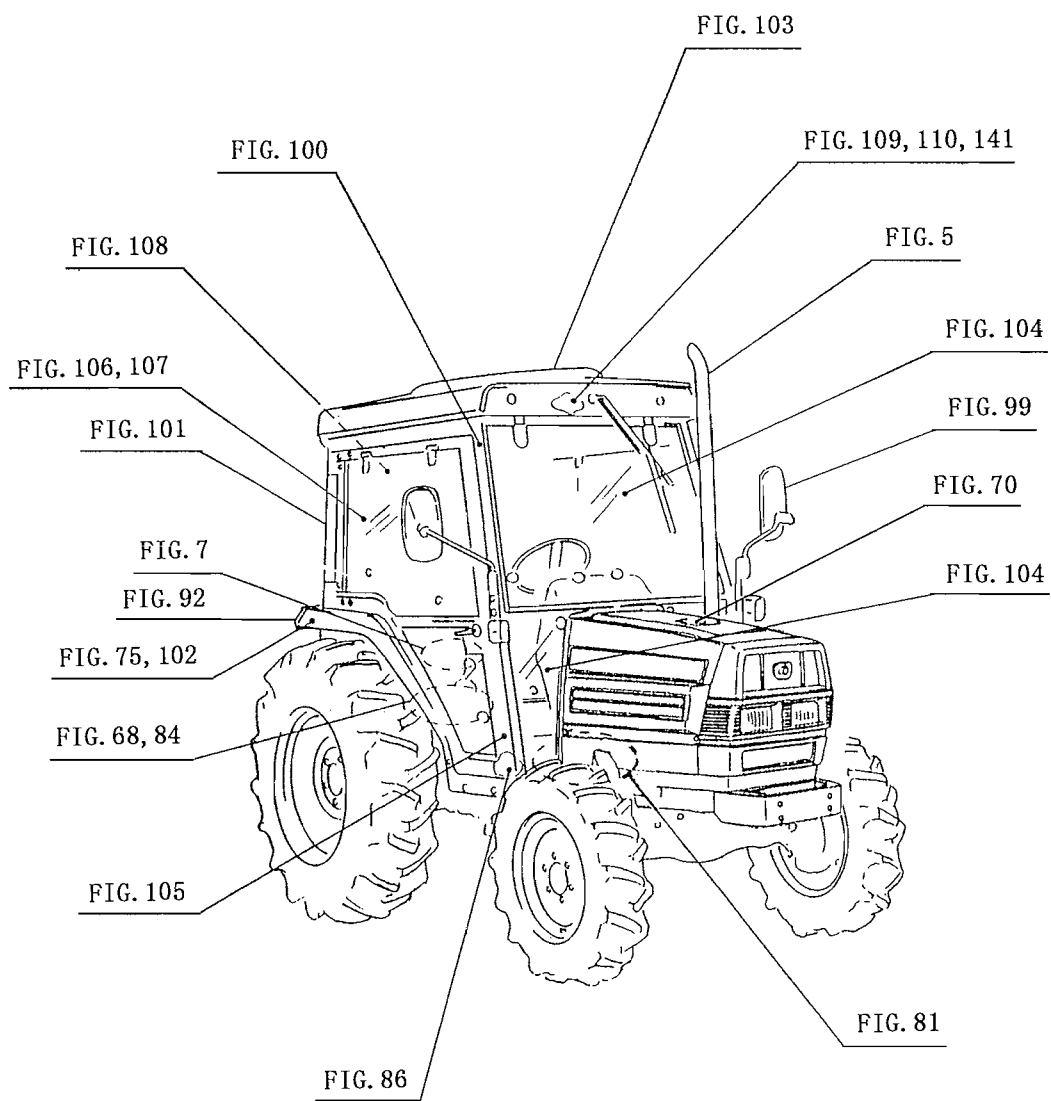
5. Parts Order

- 1) Parts numbers listed in the parts catalogue are all registered in “ISEKI on-line computer”.
 - 2) When you order parts, please make sure of correct numbers.
 - 3) When substitute parts is available, the part number ordered will be automatically turned to a new part number.
 - 4) Please be sure to use “ISEKI GENUINE PARTS”.
- Any other similar parts other than ISEKI parts when used may cause a trouble that makes us unable to repair or guarantee the warrant.

TABLE 1. *Phylogenetic relationships among the 45 species of the genus *Phyllanthus* based on the analysis of the chloroplast DNA sequence data.*

Species	Accession No.	Support Value	Species	Accession No.	Support Value
1	Phyllanthus	1.00	16	Phyllanthus	0.99
2	Phyllanthus	0.99	17	Phyllanthus	0.99
3	Phyllanthus	0.99	18	Phyllanthus	0.99
4	Phyllanthus	0.99	19	Phyllanthus	0.99
5	Phyllanthus	0.99	20	Phyllanthus	0.99
6	Phyllanthus	0.99	21	Phyllanthus	0.99
7	Phyllanthus	0.99	22	Phyllanthus	0.99
8	Phyllanthus	0.99	23	Phyllanthus	0.99
9	Phyllanthus	0.99	24	Phyllanthus	0.99
10	Phyllanthus	0.99	25	Phyllanthus	0.99
11	Phyllanthus	0.99	26	Phyllanthus	0.99
12	Phyllanthus	0.99	27	Phyllanthus	0.99
13	Phyllanthus	0.99	28	Phyllanthus	0.99
14	Phyllanthus	0.99	29	Phyllanthus	0.99
15	Phyllanthus	0.99	30	Phyllanthus	0.99
16	Phyllanthus	0.99	31	Phyllanthus	0.99
17	Phyllanthus	0.99	32	Phyllanthus	0.99
18	Phyllanthus	0.99	33	Phyllanthus	0.99
19	Phyllanthus	0.99	34	Phyllanthus	0.99
20	Phyllanthus	0.99	35	Phyllanthus	0.99
21	Phyllanthus	0.99	36	Phyllanthus	0.99
22	Phyllanthus	0.99	37	Phyllanthus	0.99
23	Phyllanthus	0.99	38	Phyllanthus	0.99
24	Phyllanthus	0.99	39	Phyllanthus	0.99
25	Phyllanthus	0.99	40	Phyllanthus	0.99
26	Phyllanthus	0.99	41	Phyllanthus	0.99
27	Phyllanthus	0.99	42	Phyllanthus	0.99
28	Phyllanthus	0.99	43	Phyllanthus	0.99
29	Phyllanthus	0.99	44	Phyllanthus	0.99
30	Phyllanthus	0.99	45	Phyllanthus	0.99





CONTENTS

TK538H

ENGINE (E3CD-TB05)

CYLINDER HEAD.....	Fig. 1
CYLINDER HEAD COVER.....	Fig. 2
INLET MANIFOLD.....	Fig. 3
EXHAUST MANIFOLD.....	Fig. 4
TURBO CHARGER.....	Fig. 5
CYLINDER BLOCK.....	Fig. 6
BEARING (UNDER SIZE (OPTION)).....	Fig. 7
OIL PAN.....	Fig. 8
REAR PLATE.....	Fig. 9
TIMING GEAR CASE.....	Fig. 10
HANGER.....	Fig. 11
VALVE.....	Fig. 12
CAM SHAFT.....	Fig. 13
PISTON.....	Fig. 14
PISTON/OVER SIZE (OPTION).....	Fig. 15
CRANK SHAFT.....	Fig. 16
OIL PUMP.....	Fig. 17
WATER PUMP.....	Fig. 18
COOLING FAN.....	Fig. 19
INJECTION NOZZLE.....	Fig. 20
INJECTION PUMP.....	Fig. 21
FUEL PIPE.....	Fig. 22
ELECTRIC (1).....	Fig. 23
ELECTRIC (2).....	Fig. 24
REPAIR PARTS (OPTION).....	Fig. 25
COMPONENT PARTS FOR 6215 - 300 - 037 - 00 ON Fig.20.....	Fig. 26
COMPONENT PARTS FOR 6215 - 600 - 078 - 00 ON Fig.21.....	Fig. 27
COMPONENT PARTS FOR 6281 - 100 - 007 - 30 ON Fig.23.....	Fig. 28
COMPONENT PARTS FOR 6281 - 200 - 020 - 00 ON Fig.23.....	Fig. 29

C O N T E N T S

CHASSIS

FUEL SYSTEM.....	Fig. 1
AIR CLEANER SYSTEM.....	Fig. 2
RADIATOR SYSTEM	Fig. 3
MUFFLER SYSTEM (EXCEPT C TYPE)	Fig. 4
MUFFLER (UPPER) SYSTEM (C TYPE).....	Fig. 5
TANK (FUEL) SYSTEM (EXCEPT C TYPE)	Fig. 6
TANK (FUEL) SYSTEM (C TYPE)	Fig. 7
BATTERY BASE SYSTEM.....	Fig. 8
ACCELERATOR SYSTEM.....	Fig. 9
CASE (FRONT) SYSTEM.....	Fig. 10
INPUT SHAFT SYSTEM.....	Fig. 11
MAIN GEAR SYSTEM.....	Fig. 12
HST UNIT SYSTEM.....	Fig. 13
GEAR (PTO) SYSTEM.....	Fig. 14
METAL (TRUNNION) SYSTEM.....	Fig. 15
CASE (MIDDLE) SYSTEM.....	Fig. 16
CASE (SPACER) SYSTEM.....	Fig. 17
METAL (HST) SYSTEM	Fig. 18
REAR MISSION CASE SYSTEM.....	Fig. 19
COVER HOLDER, COVER (BOTTOM) SYSTEM.....	Fig. 20
SUB CHANGE GEAR SYSTEM.....	Fig. 21
SUB CHANGE SYSTEM.....	Fig. 22
4WD DRIVE GEAR SYSTEM.....	Fig. 23
4WD CHANGE SYSTEM.....	Fig. 24
PTO COUNTER SYSTEM	Fig. 25
PTO CHANGE GEAR SYSTEM.....	Fig. 26
PTO CHANGE SYSTEM	Fig. 27
SUB CHANGE SYSTEM.....	Fig. 28
LEVER (SUB) SYSTEM	Fig. 29
LEVER (PTO) SYSTEM (A)	Fig. 30

LEVER (PTO) SYSTEM (B).....	Fig. 31
LEVER (4WD), ROD (4WD) SYSTEM	Fig. 32
DRIVE PINION SYSTEM.....	Fig. 33
DIFFERENTIAL GEAR SYSTEM.....	Fig. 34
REAR AXLE HOUSING SYSTEM.....	Fig. 35
WHEEL PINION SYSTEM.....	Fig. 36
REAR WHEEL SHAFT SYSTEM.....	Fig. 37
BRAKE SYSTEM	Fig. 38
ROD (BRAKE) SYSTEM.....	Fig. 39
BRAKE (ARM) SYSTEM.....	Fig. 40
BRAKE PEDAL SYSTEM.....	Fig. 41
PARKING BRAKE SYSTEM.....	Fig. 42
DIFF – LOCK PEDAL SYSTEM.....	Fig. 43
STEERING WHEEL SYSTEM	Fig. 44
STEERING SHAFT SYSTEM.....	Fig. 45
TILT HANDLE SYSTEM	Fig. 46
POWER STEERING SYSTEM	Fig. 47
AXLE BRACKET SYSTEM	Fig. 48
DRIVE SHAFT SYSTEM.....	Fig. 49
BEVEL CASE SYSTEM.....	Fig. 50
AXLE HOUSING SYSTEM	Fig. 51
FRONT GEAR CASE SYSTEM	Fig. 52
TIE ROD SYSTEM	Fig. 53
CYLINDER CASE SYSTEM.....	Fig. 54
LIFT ARM SYSTEM.....	Fig. 55
CYLINDER SYSTEM.....	Fig. 56
SLOW RETURN SHAFT SYSTEM	Fig. 57
LINK (POSITION) SYSTEM.....	Fig. 58
BRACKET (POSITION) SYSTEM	Fig. 59
LEVER (POSITION), ROD (POSITION) SYSTEM.....	Fig. 60
PIPING (MAIN) SYSTEM (1/3) (2/3) (3/3)	Fig. 61
PIPING (SUB) SYSTEM	Fig. 62
STACK SYSTEM (EXCEPT C TYPE)	Fig. 63
PIPING (COOLER) SYSTEM.....	Fig. 64

COVER (SHIELD), REAR HITCH SYSTEM.....	Fig. 65
3P LINK SYSTEM.....	Fig. 66
LOWER LINK, LIFT ROD SYSTEM.....	Fig. 67
VALVE (REMOTE/2R) SYSTEM (C TYPE).....	Fig. 68
GRILLE SYSTEM.....	Fig. 69
HOOD SYSTEM (C TYPE).....	Fig. 70
HOOD SYSTEM (EXCEPT C TYPE).....	Fig. 71
FRAME (HOOD), DASH – BOARD SYSTEM.....	Fig. 72
FAN COVER SYSTEM.....	Fig. 73
FENDER SYSTEM (EXCEPT C TYPE).....	Fig. 74
FENDER SYSTEM (C TYPE).....	Fig. 75
LEVER GUIDE, LEVER STOPPER SYSTEM.....	Fig. 76
SEAT SYSTEM.....	Fig. 77
BACK MIRROR SYSTEM (EXCEPT C TYPE).....	Fig. 78
FRONT MOUNT SYSTEM (R TYPE).....	Fig. 79
FRONT MOUNT SYSTEM (EXCEPT C, R TYPE).....	Fig. 80
FRONT MOUNT SYSTEM (C TYPE).....	Fig. 81
REAR MOUNT SYSTEM (EXCEPT C, R TYPE).....	Fig. 82
REAR MOUNT SYSTEM (R TYPE).....	Fig. 83
REAR MOUNT SYSTEM (C TYPE).....	Fig. 84
FLOOR SYSTEM (EXCEPT C TYPE).....	Fig. 85
FLOOR SYSTEM (C TYPE).....	Fig. 86
PEDAL (HST) SYSTEM.....	Fig. 87
CRUISE CONTROL SYSTEM.....	Fig. 88
BATTERY (DELKOR) SYSTEM.....	Fig. 89
HEAD LAMP SYSTEM.....	Fig. 90
LAMP SYSTEM (EXCEPT C TYPE).....	Fig. 91
LAMP SYSTEM (C TYPE).....	Fig. 92
PANEL SYSTEM.....	Fig. 93
SWITCH SYSTEM.....	Fig. 94
HARNESS SYSTEM (EXCEPT C TYPE).....	Fig. 95
HARNESS SYSTEM (C TYPE).....	Fig. 96
HARNESS (CAB) SYSTEM (C TYPE).....	Fig. 97
SWITCH (PTO) SYSTEM (S, P TYPE).....	Fig. 98

MIRROR SYSTEM (C TYPE).....	Fig. 99
FRAME (FRONT) SYSTEM (C TYPE).....	Fig. 100
FRAME (REAR) SYSTEM (C TYPE).....	Fig. 101
FRAME (ACCESSORY) SYSTEM (C TYPE).....	Fig. 102
CANOPY SYSTEM (C TYPE).....	Fig. 103
CAB GLASS SYSTEM (C TYPE).....	Fig. 104
DOOR SYSTEM (C TYPE).....	Fig. 105
DOOR GLASS SYSTEM (C TYPE).....	Fig. 106
DOOR SEAL, DOOR LOCK SYSTEM (C TYPE).....	Fig. 107
REAR GLASS, SEAL SYSTEM (C TYPE).....	Fig. 108
COCKPIT SYSTEM (C TYPE).....	Fig. 109
HEATER SYSTEM (C TYPE) (1/2) (2/2).....	Fig. 110
ORNAMENT.....	Fig. 111
LABEL (CONTROL).....	Fig. 112
LABEL (ENGLISH).....	Fig. 113
LABEL.....	Fig. 114
TOOL.....	Fig. 115
OPTIONAL PARTS	
AIR CLEANER ASSY (OPTION).....	Fig. 116
MUFFLER (TAIL/UPPER) SYSTEM (EXCEPT C TYPE) (OPTION).....	Fig. 117
PTO (MIDDLE) SET (OPTION).....	Fig. 118
REAR WHEEL SYSTEM (OPTION).....	Fig. 119
REAR WHEEL (TURF) SYSTEM (OPTION).....	Fig. 120
FRONT HITCH SET (OPTION).....	Fig. 121
FRONT HITCH (EEC) SET (OPTION).....	Fig. 122
SPACER (AXLE) SET (OPTION).....	Fig. 123
FRONT WHEEL SYSTEM (OPTION).....	Fig. 124
HUB RING SYSTEM (OPTION).....	Fig. 125
FRONT WHEEL (TURF) SYSTEM (OPTION).....	Fig. 126
DRAFT SET (OPTION).....	Fig. 127
VALVE (REMOTE/1) SET (OPTION).....	Fig. 128
DRAW BAR SET (OPTION).....	Fig. 129
TRAILER HITCH SET (OPTION).....	Fig. 130

CREVICE (DRAW BAR) SYSTEM (OPTION)	Fig. 131
HIGH HITCH SET (OPTION)	Fig. 132
VALVE (REMOTE/1R) SET (OPTION)	Fig. 133
VALVE (REMOTE/2R) SET (EXCEPT C TYPE) (OPTION)	Fig. 134
VALVE (REMOTE/2) SET (OPTION)	Fig. 135
SUB STEP (R) SYSTEM (OPTION)	Fig. 136
SOCKET (7P) SYSTEM (OPTION)	Fig. 137
SWITCH (SAFETY/REPAIR) SET (OPTION)	Fig. 138
2 ROPS SYSTEM (R TYPE) (OPTION)	Fig. 139
ROPS SET (EXCEPT C, R TYPE) (OPTION) (1/2) (2/2)	Fig. 140
INTERIOR SYSTEM (C TYPE) (OPTION)	Fig. 141

COMPONENT PARTS

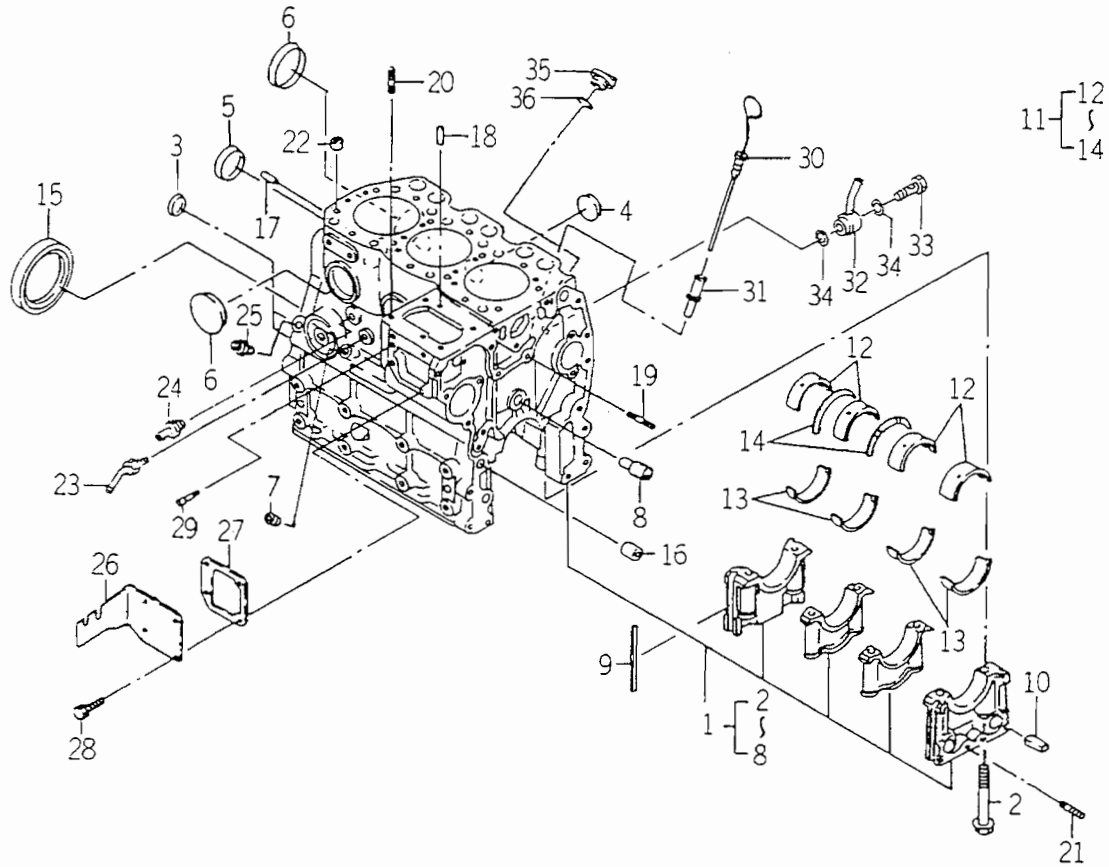
COMPONENT PARTS FOR K211 - 005 - 000 - 10 ON Fig.128, 135	Fig. 142
COMPONENT PARTS FOR K211 - 008 - 000 - 10 ON Fig.56	Fig. 143
COMPONENT PARTS FOR K256 - 001 - 000 - 00 ON Fig.62	Fig. 144
COMPONENT PARTS FOR K275 - 001 - 000 - 00 ON Fig.62	Fig. 145
COMPONENT PARTS FOR 1561 - 221 - 500 - 10 ON Fig.14	Fig. 146
COMPONENT PARTS FOR 1581 - 621 - 530 - 00 ON Fig.97	Fig. 147
COMPONENT PARTS FOR 1640 - 530 - 600 - 10 ON Fig.68, 133, 134	Fig. 148
COMPONENT PARTS FOR 1673 - 407 - 550 - 00 ON Fig.47	Fig. 149
COMPONENT PARTS FOR 1674 - 658 - 220 - 00 ON Fig.93	Fig. 150

WIRING DIAGRAM

ENGINE

E3CD – TB05...TK538H

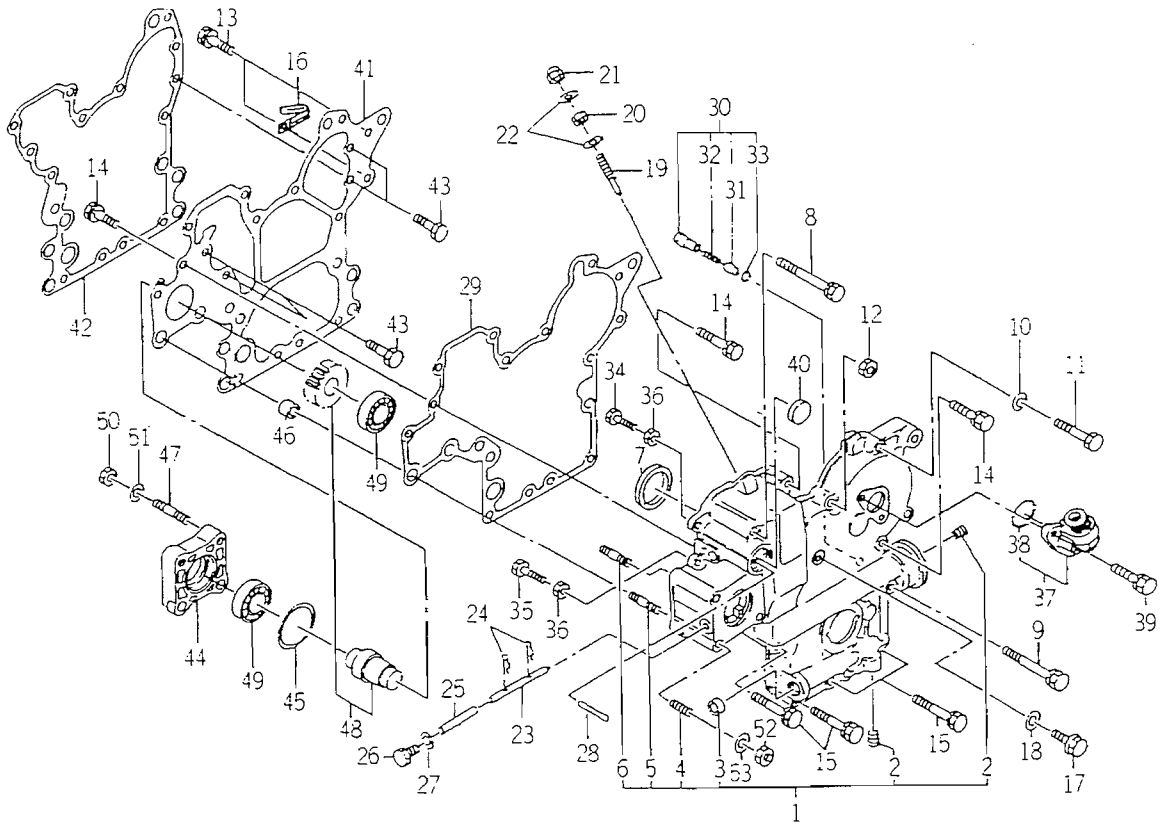
FIG. 6 CYLINDER BLOCK



6005-201V

KEY	PART CODE	DESCRIPTION	S P C	TYPE OF MODEL		I T C	C O L	G R P	REMARKS
				E3CD TB05					
1	6211-210-055-70	CYLINDERBLOCK ASSY	*	1					
2	6209-000-006-00	BOLT	*	8					
3	6911-129-081-00	CAP, SEALING	*	2					
4	6209-610-001-00	CAP, SEALING	*	2					
5	6911-219-195-00	CAP, SEALING	*	1					
6	6209-610-003-00	CUP/SEALING/50	*	3					
7	6509-605-019-10	PLUG	*	7					
8	6212-531-008-20	PIN/IDLEGEAR	*	1					
9	6211-258-001-00	SEAL, BEARING CAP	*	4					
10	6211-258-002-00	SEAL, BEARING CAP/7	*	2					
11	6211-510-008-00	BEARING/CRANK SET	*	1					
12	6211-511-007-00	BEARING/CRANK/UPPER	*	4					
13	6211-511-008-00	BEARING/CRANK/LOWER	*	4					
14	6211-599-004-00	BEARING/THRUST/CRANK	*	2					
15	6209-625-003-20	OILSEAL	*	1					
16	6209-749-001-20	PIN/TUBE	*	2					
17	6908-160-816-00	PIN	*	2					
18	6209-740-005-00	PIN	*	2					
19	6904-110-840-00	STUD/M8X40	*	1					
20	6904-110-822-00	STUD	*	3					
21	V251-340-806-00	BOLT/STUD	*	1					
22	6294-453-002-00	DOWEL	*	2					
23	6213-721-007-00	PIPE/WATERDRAIN	*	1					
24	6213-721-005-00	PIPE/WATER/HOUSING	*	1					
25	6909-902-299-00	NIPPLE	*	1					
26	6211-291-015-10	COVER/INJECTIONPUMP	*	1					
27	6211-292-001-20	GASKET/COVER	*	1					
28	6209-030-097-00	BOLT/WS	*	4					
29	6215-549-013-00	PIN	*	1					
30	6211-760-020-10	LEVELGAGE	*	1					

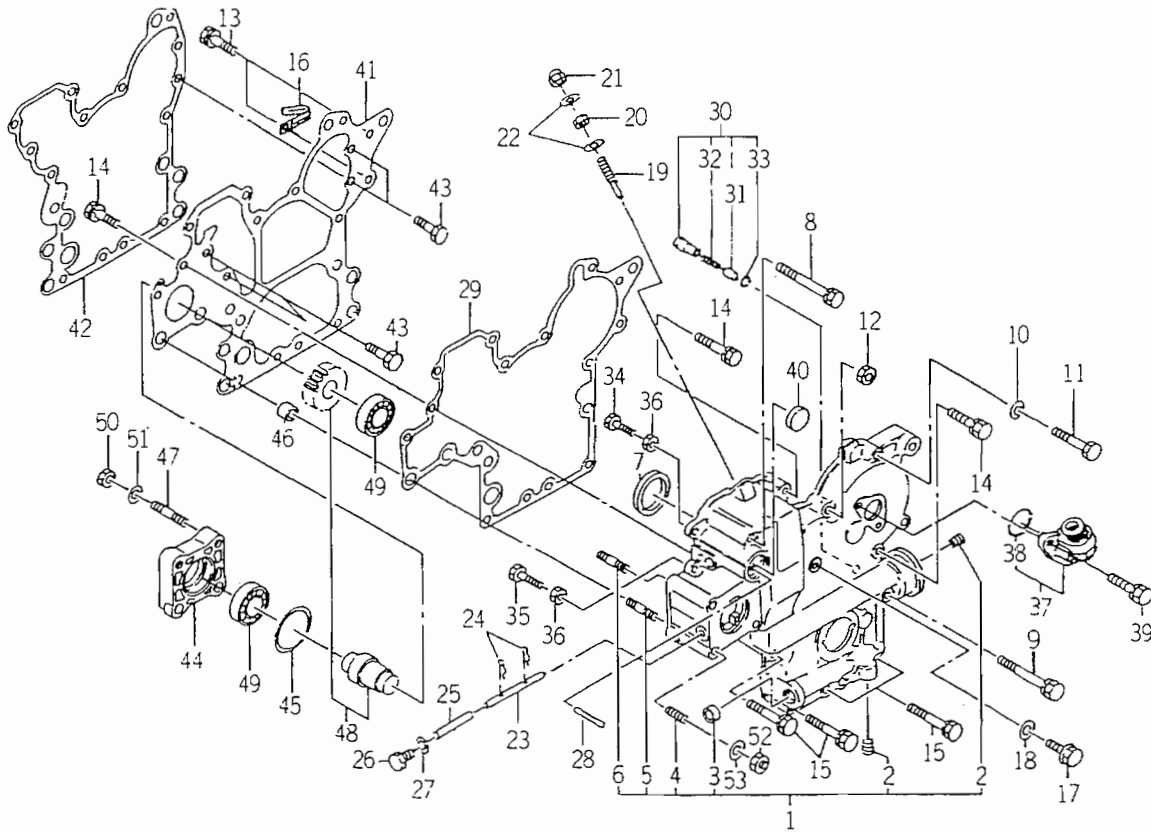
FIG. 10 TIMING GEAR CASE



6005-240B

KEY	PART CODE	DESCRIPTION	S P C	TYPE OF MODEL		I T C	C O L	G R P	REMARKS
				E3CD TB05					
1	6211-310-009-50	GEARCASE ASSY	*	1					
2	6209-605-003-00	PLUG/PT1/4	*	2					
3	6209-610-004-00	CUP/SEALING/20	*	1					
4	6904-110-822-00	STUD	*	4					
5	6904-110-855-00	STUD	*	2					
6	6904-110-850-00	STUD	*	1					
7	6209-625-002-00	SEAL, OIL	*	1					
8	6209-030-005-00	BOLT/M8X85	*	1					
9	6209-030-006-00	BOLT/M8X75	*	1					
10	6909-160-508-00	WASHER, PL/M8	*	1					
11	V201-360-807-50	BOLT	*	1					
12	3817-401-001-00	NUT/M08	*	2					
13	V211-560-802-00	BOLT/M8X20	*	3					
14	6509-030-037-00	BOLT	*	3					
15	6209-030-095-00	BOLT/WS	*	4					
16	1650-650-015-00	CLAMP	*	1					
17	6209-046-001-00	BOLT/M8X30	*	1					
18	6209-500-003-00	WASHER/08X14X01	*	1					
19	6215-546-003-10	STOPPER/FULLLOAD	*	1					
20	6209-409-001-00	NUT/M8	*	1					
21	V341-120-008-00	NUT, CAP/M 8	*	1					
22	6209-920-002-00	PACKING	*	2					
23	6215-542-004-20	PIN/ARM	*	1					
24	P117-303-003-00	PIN/SNAP	*	2					
25	6215-542-005-00	PIN	*	1					
26	6909-202-308-00	PLUG	*	1					
27	6209-500-003-00	WASHER/08X14X01	*	1					
28	6209-740-001-00	PIN, GROOVE	*	1					
29	6211-312-005-10	GASKET/GEARCASE	*	1					
30	6213-160-003-10	VALVE/RELIEF ASSY	*	1					

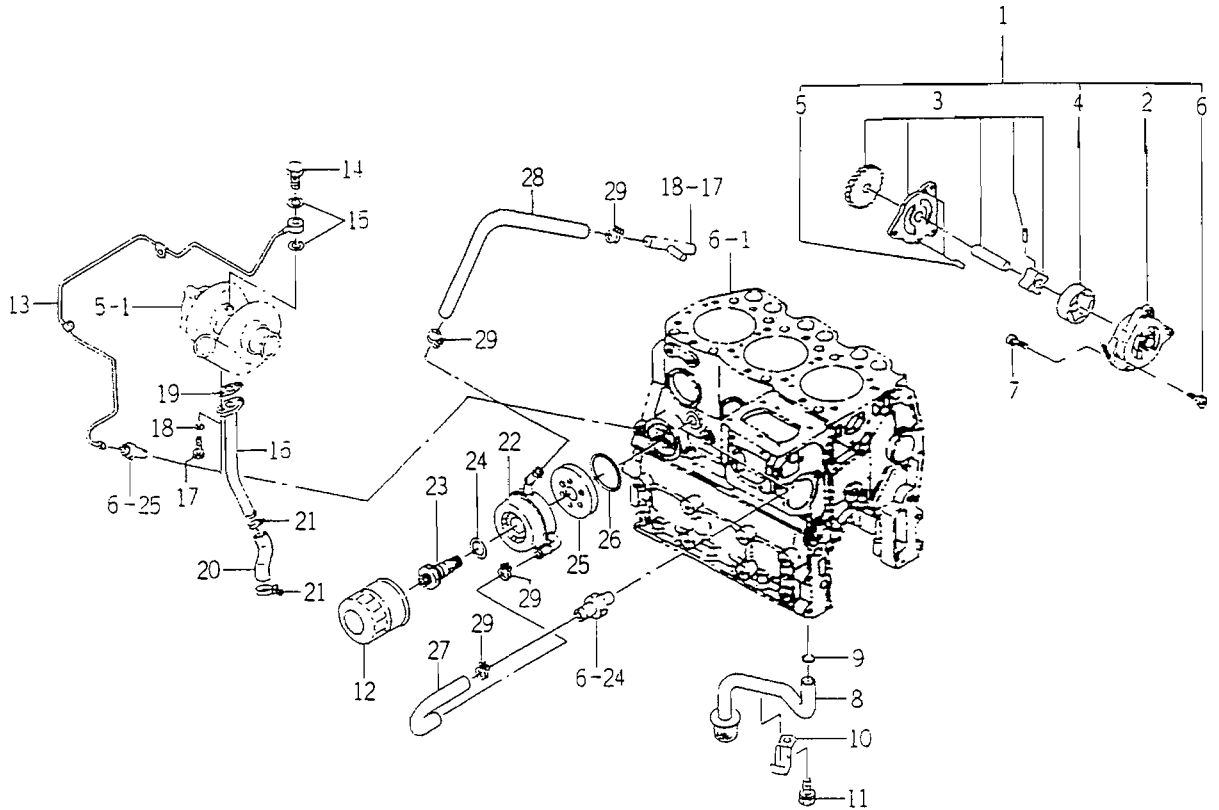
FIG. 10 TIMING GEAR CASE



6005-240B

KEY	PART CODE	DESCRIPTION	S P C	TYPE OF MODEL		I T C	C O L	G R P	REMARKS
				E3CD	TB05				
31	6213-161-003-10	PISTON/VALVE/RELIEF	*	1					
32	6213-164-001-00	SPRING/RELIEF VALVE	*	1					
33	V705-140-012-00	RING, SNAP/12 C	*	1					
34	6209-050-001-00	BOLT/M6	*	1					
35	6209-050-002-00	BOLT/M6	*	1					
36	6909-110-406-00	NUT	*	2					
37	6219-310-003-20	DRIVE/TACHOMETE ASSY	*	1					
38	V723-102-002-40	RING/O	*	1					
39	6901-910-616-00	BOLT, SEMS/M6X16	*	2					
40	3625-540-004-00	CAP, BLANK/30	*	1					
41	6211-311-013-00	PLATE/FRONT	*	1					
42	6211-312-006-10	GASKET/PLATE	*	1					
43	6902-050-816-00	BOLT	*	4					
44	6211-319-003-00	SPACER	*	1					
45	V723-102-005-00	O-RING 1A S50	*	1					
46	6209-749-001-20	PIN/TUBE	*	2					
47	6904-110-822-00	STUD	*	1					
48	6212-530-005-10	SHAFT/HYDRAULIC ASSY	*	1					
49	V600-110-600-50	BEARING, RB/6005	*	2					
50	6909-110-408-00	NUT/M8	*	4					
51	6909-150-508-00	WASHER	*	4					
52	6909-110-408-00	NUT/M8	*	4					
53	6909-150-508-00	WASHER	*	4					

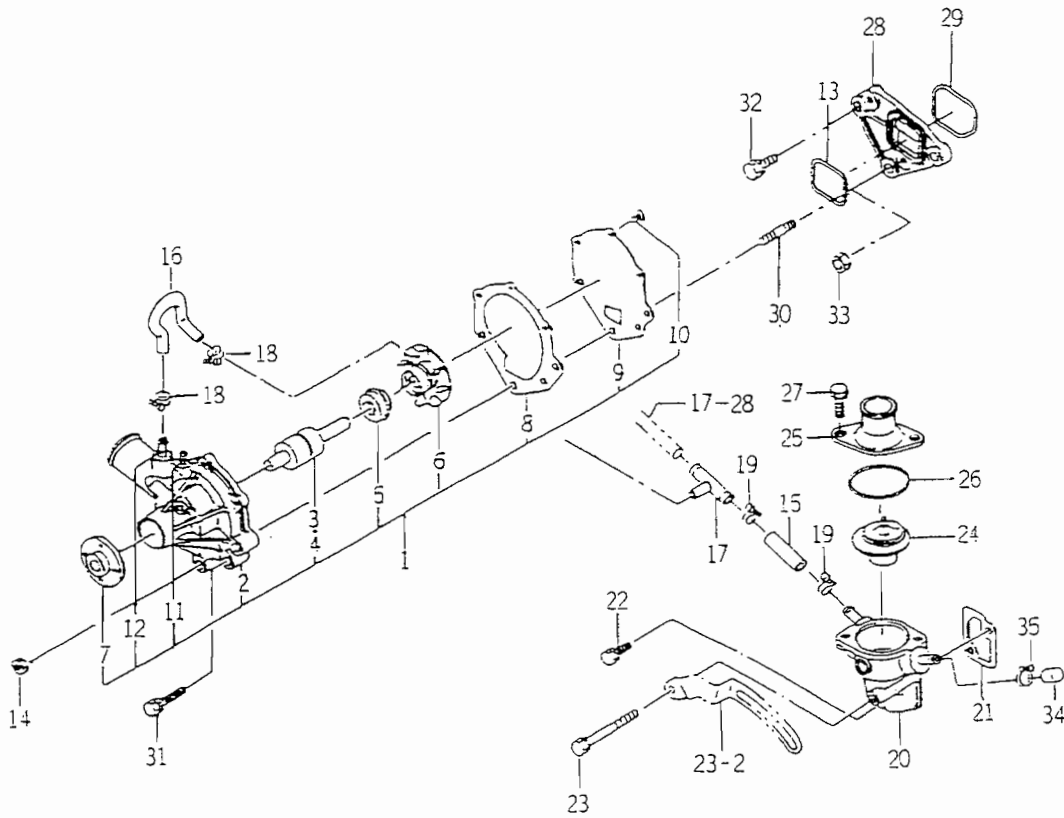
FIG. 17 OIL PUMP



6005-401F

KEY	PART CODE	DESCRIPTION	S P C	TYPE OF MODEL		I T C	C O L	G R P	REMARKS
				E3CD TB05					
1	6213-100-004-30	OILPUMP ASSY	*	1					
2	6213-111-002-20	BODY/OILPUMP	*	1					
3	6213-120-002-30	GEAR/OILPUMP ASSY	*	1					
4	6213-125-002-10	ROTOR/OUTER	*	1					
5	6213-129-003-00	PIN/STRAIGHT	*	2					
6	6213-119-001-00	BOLT/WS	*	3					
7	V220-540-602-00	SCREW/SOCKET	*	3					
8	6213-140-013-00	STRAINER	*	1					
9	V720-113-502-20	RING/O	*	1					
10	6213-149-003-20	CLAMP/STRAINER	*	1					
11	6901-910-816-00	BOLT, SEMS/M8X16	*	1					
12	6213-240-005-10	CARTRIDGE/OILFILTER	*	1					
13	6213-311-041-10	PIPE/OIL ASSY	*	1					
14	6209-060-001-00	BOLT/EYE	*	1					
15	6909-571-410-00	PACKING	*	2					
16	6213-311-026-10	PIPE/OIL COMP	*	1					
17	6209-030-094-00	BOLT	*	2					
18	V401-160-006-00	WASHER, SP/M 6	*	2					
19	6209-630-004-10	GASKET	*	1					
20	6209-360-076-10	HOSE/RUBBER	*	1					
21	J061-116-025-00	CLAMP/WORM/16-25	*	2					
22	6221-700-002-10	OILCOOLER	*	1					
23	6221-726-002-10	CONNECTOR/OILCOOLER	*	1					
24	6221-726-004-00	WASHER/OILCOOLER	*	1					
25	6221-726-003-00	SPACER/OILCOOLER	*	1					
26	V723-102-006-00	RING/O	*	1					
27	6209-360-071-10	HOSE/OILCOOLER/IN	*	1					
28	6209-360-072-10	HOSE/OILCOOLER/OUT	*	1					
29	J061-216-020-00	CLAMP/WIRE/16-20	*	4					

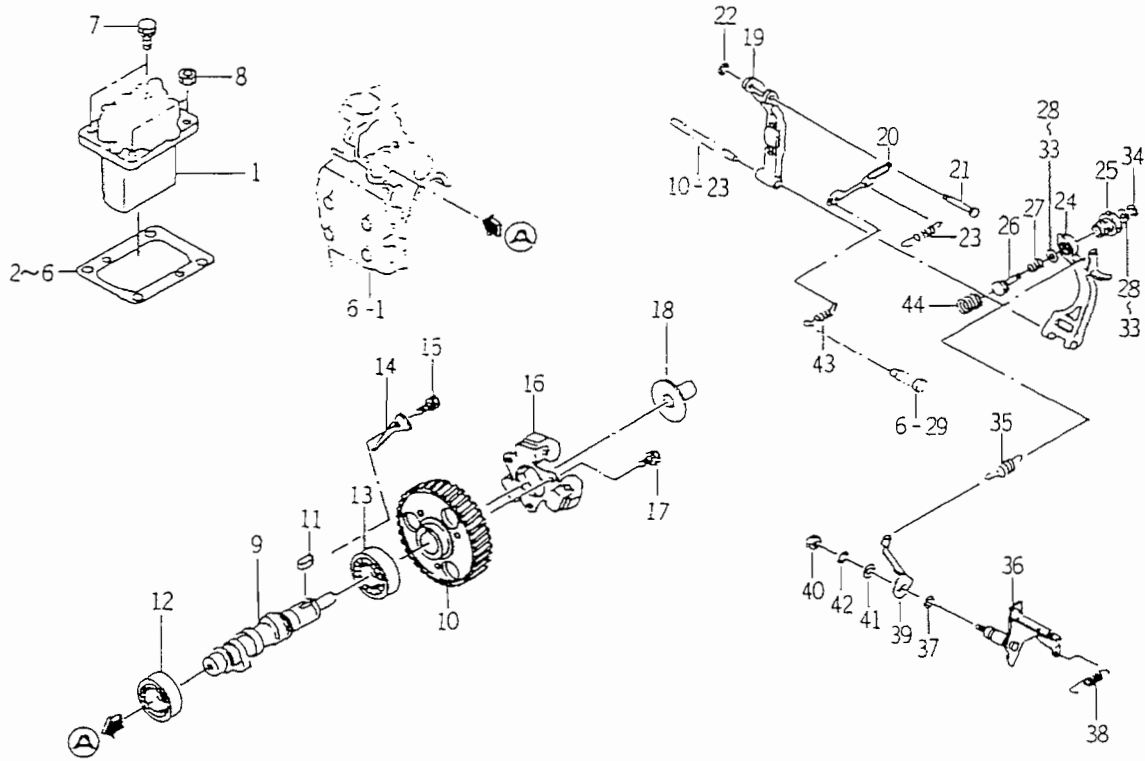
FIG. 18 WATER PUMP



6005-420G

KEY	PART CODE	DESCRIPTION	S P C	TYPE OF MODEL		I T C	C O L	G R P	REMARKS
				E3CD T805					
1	6213-610-011-10	WATERPUMP ASSY	*	1					
2	6213-611-006-00	BODY/WATERPUMP	*	1					
3	6213-631-002-00	BEARING/WATER PUMP	*	1					
4	6213-631-005-00	BEARING/WATERPUMP	*	1					
5	6213-622-002-10	SEAL SET/WATER PUMP	*	1					
6	6213-621-003-00	ROTOR/WATERPUMP	*	1					
7	6213-642-002-00	SEAL/WATER PUMPPULLE	*	1					
8	6213-613-002-10	GASKET	*	1					
9	6213-612-004-00	PLATE/WATER PUMP	*	1					
10	6213-619-003-00	SCREW/WATER PUMP	*	3					
11	6213-619-002-00	PIPE/WATER PUMP	*	2					
12	6213-619-009-00	PIPE/WATERPUMP	*	1					
13	V721-103-104-00	O-RING/G40	*	1					
14	3817-401-001-00	NUT/M08	*	2					
15	6213-729-004-10	HOSE/RUBBER	*	1					
16	6213-729-013-10	HOSE/RUBBER	*	1					
17	6213-719-002-00	JOINT	*	1					
18	J061-210-015-00	CLAMP/WIRE/10-15	*	2					
19	J061-216-020-00	CLAMP/WIRE/16-20	*	2					
20	6213-716-003-10	HOUSING/THERMOSTAT	*	1					
21	6213-743-002-10	GASKET/HOUSING	*	1					
22	V211-560-802-00	BOLT/M8X20	*	1					
23	6209-030-006-00	BOLT/M8X75	*	1					
24	6513-770-022-10	THERMOSTAT	*	1					
25	6213-711-003-20	PIPE, WATER OUTLET	*	1					
26	V723-102-005-50	O-RING	*	1					
27	6901-910-828-00	BOLT, SEMS	*	2					
28	6213-619-006-00	SPACER/WATERPUMP	*	1					
29	V721-113-105-00	O-RING HS90 G50	*	1					
30	6904-110-840-00	STUD/M8X40	*	2					

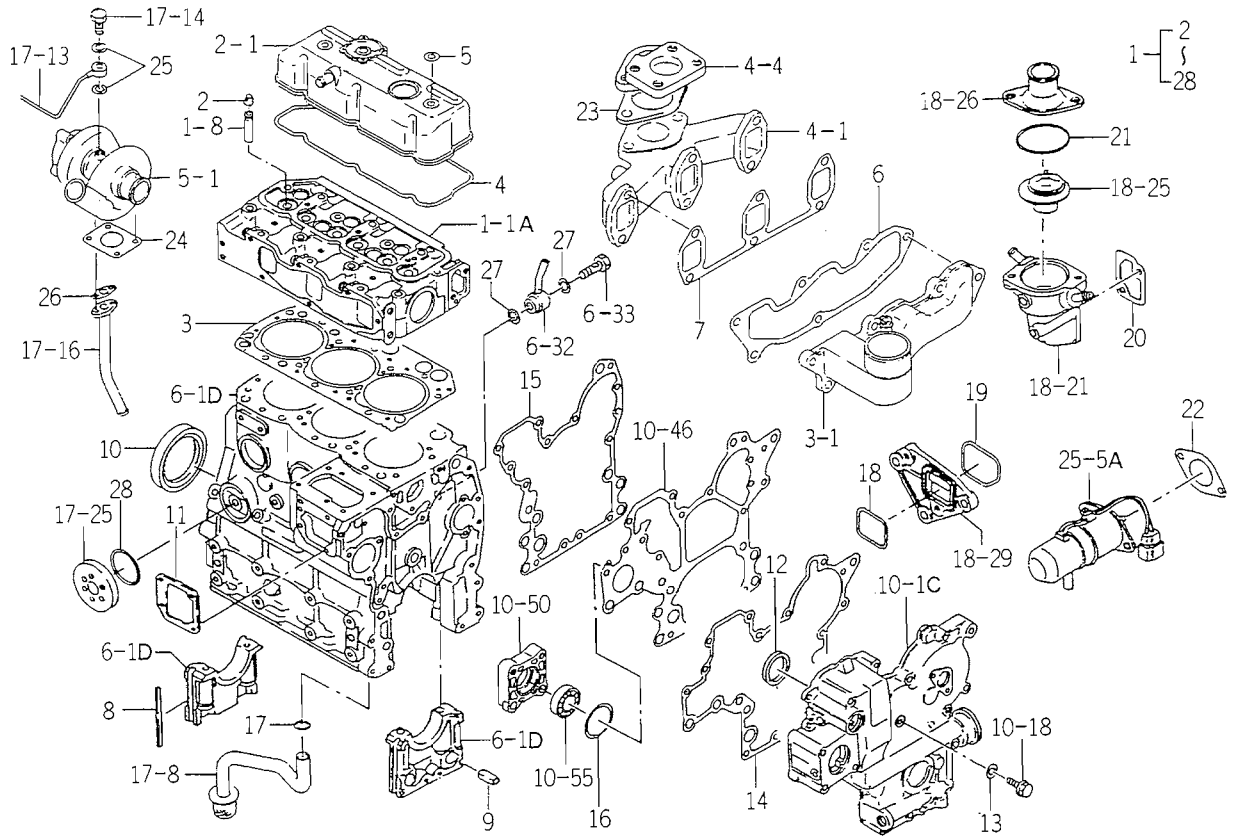
FIG. 21 INJECTION PUMP



6005-510L

KEY	PART CODE	DESCRIPTION	S P C	TYPE OF MODEL		I T C	C O L	G R P	REMARKS
				E3CD TB05					
1	6215-600-078-00	INJECTIONPUMP ASSY	*	1					FIG 027
2	6219-752-006-00	SHIM/INJECTION P/0.3	*	1					
3	6219-752-007-00	SHIM/INJECTION P/0.1	*	1					
4	6219-752-008-00	SHIM/INJECTION P/0.2	*	1					
5	6219-752-009-00	SHIM/INJECTION P/0.4	*	1					
6	6219-752-010-00	SHIM/INJECTION P/0.5	*	1					
7	V211-560-802-00	BOLT/M8X20	*	2					
8	3817-401-001-00	NUT/M08	*	2					
9	6215-621-018-00	CAMSHAFT/INJ PUMP	*	1					
10	6212-524-006-10	GEAR/INJECTIONPUMP	*	1					
11	6908-000-716-00	KEY	*	1					
12	V600-110-620-30	BEARING, RB/6203	*	1					
13	V600-110-600-40	BEARING, RB/6004	*	1					
14	6212-535-009-00	PLATE/THRUST/INJPUMP	*	1					
15	6901-910-612-00	BOLT, SEMS/M6X12	*	1					
16	6215-520-007-10	FLYWEIGHT ASSY	*	1					
17	6209-030-043-00	BOLT/M6X10	*	3					
18	6215-526-001-10	PIECE, THRUST	*	1					
19	6215-541-001-10	ARM/FLOATING COMP	*	1					
20	6215-543-002-10	RINK/CONTROL	*	1					
21	6215-542-006-00	PIN, CONTROL	*	1					
22	V710-140-004-00	RING, SNAP/ 4 E	*	1					
23	6215-549-031-10	SPRING/SETTING	*	1					
24	6215-541-016-30	ARM/TENSION	*	1					
25	6215-549-038-00	CASE/ADAPTER	*	1					
26	6215-549-037-00	PIN/ADAPTER	*	1					
27	6215-549-005-10	SPRING ADAPTER	*	1					
28	6215-549-063-00	SHIM/ADAPTER/0.05	*	2					
29	6215-549-006-00	SHIM, ADAPTER/0.1	*	2					
30	6215-549-009-00	SHIM, ADAPTER/0.15	*	2					

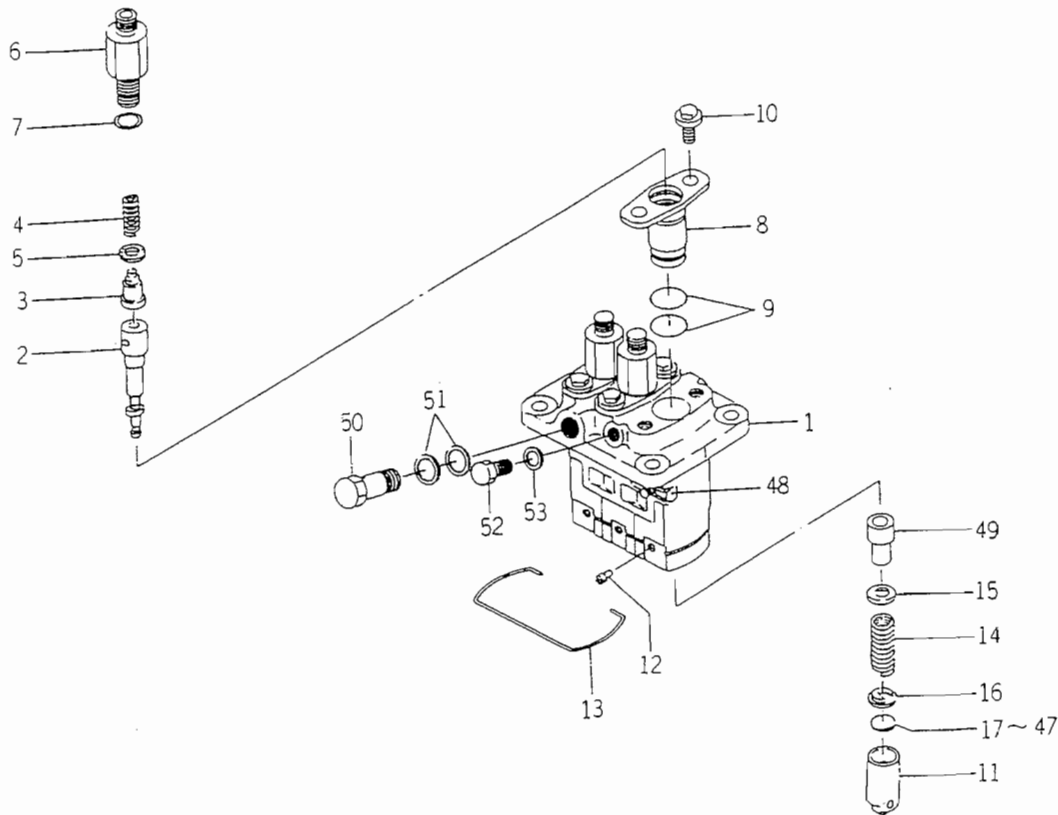
FIG. 25 REPAIR PARTS (OPTION)



6005-999E

KEY	PART CODE	DESCRIPTION	S P C	TYPE OF MODEL		I T C	C O L	G R P	REMARKS
				E3CD T805					
1	6287-810-029-00	REPAIR/ENGINE SET	T	1					
2	6212-569-002-00	SEAL, OIL	T	6					
3	6211-141-023-50	GASKET/CYLINDERHEAD	T	1					
4	6211-173-005-00	SEAL/CYL HEAD/UNDER	T	1					
5	6909-572-008-00	PACKING	T	2					
6	6214-115-003-10	GASKET/INLETMANIFOLD	T	1					
7	6214-145-004-20	GASHET/EXH MANIFOLD	T	1					
8	6211-258-001-00	SEAL, BEARING CAP	T	4					
9	6211-258-002-00	SEAL, BEARING CAP/7	T	2					
10	6209-625-003-20	OILSEAL	T	1					
11	6211-292-001-20	GASKET/COVER	T	1					
12	6209-625-002-00	SEAL, OIL	T	1					
13	6209-500-003-00	WASHER/08X14X01	T	2					
14	6211-312-005-10	GASKET/GEARCASE	T	1					
15	6211-312-006-10	GASKET/PLATE	T	1					
16	V723-102-005-00	O-RING 1A S50	T	1					
17	V720-113-502-20	RING/O	T	1					
18	V721-103-104-00	O-RING/G40	T	1					
19	V721-103-105-00	O-RING/G50	T	1					
20	6213-743-002-10	GASKET/HOUSING	T	1					
21	V723-102-005-50	O-RING	T	1					
22	6209-630-002-10	GASKET	T	1					
23	1594-105-001-00	GASKET	T	1					
24	6214-145-009-00	GASKET	T	1					
25	6909-571-410-00	PACKING	T	2					
26	6209-630-004-10	GASKET	T	1					
27	6213-319-011-00	GASKET	T	2					
28	V723-102-006-00	RING/O	T	1					

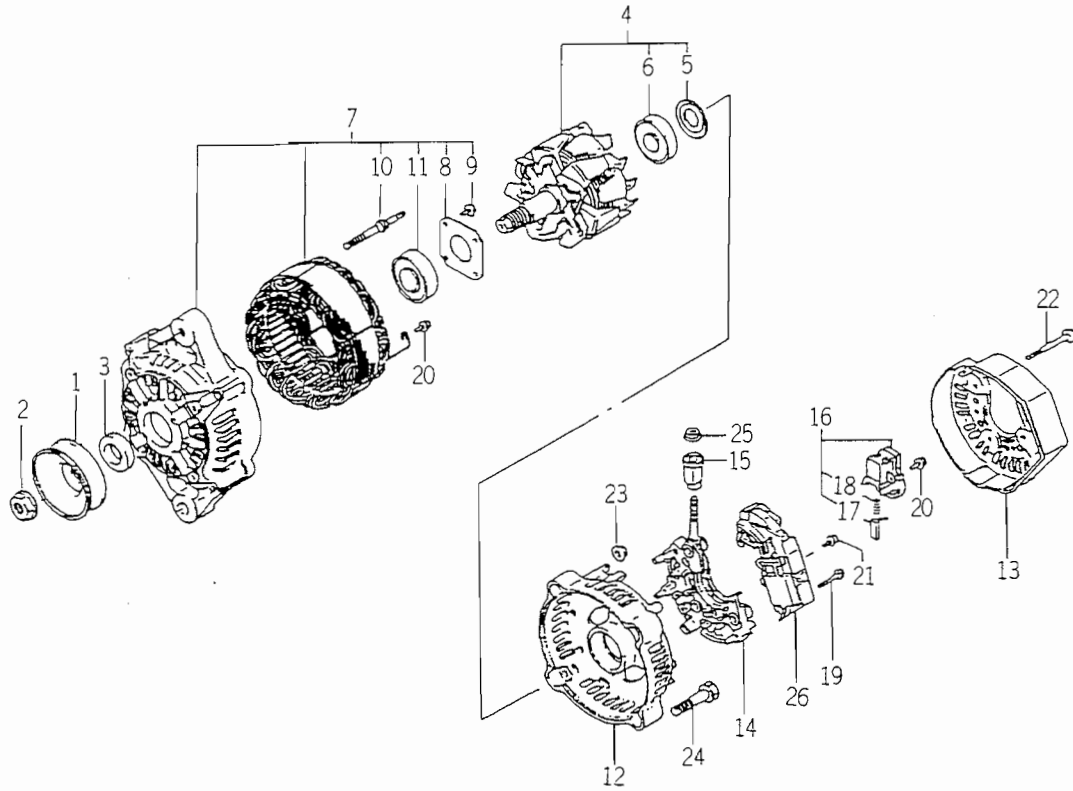
FIG. 27 COMPONENT PARTS FOR 6215 - 600 - 078 - 00 ON Fig.21



6215-6000

KEY	PART CODE	DESCRIPTION	S P C	TYPE OF MODEL		I T C	C O L	G R P	REMARKS
				E3CD TB05					
1	6215-611-015-00	HOUSING/PUMP	*	1					
2	6215-631-008-00	PLUNGER ASSY	*	3					
3	6215-641-002-00	VALVE, DELIVERY	*	3					
4	6215-643-005-00	SPRING/DELIVERYVALVE	*	3					
5	6215-649-008-00	GASKET	*	3					
6	6215-644-006-00	HOLDER/DELIVERYVALVE	*	3					
7	6215-649-009-00	O-RING	*	3					
8	6215-635-004-00	SLEEVEFLANGE	*	3					
9	6215-649-010-00	ORING	*	6					
10	6215-649-011-00	BOLT	*	6					
11	6215-622-003-00	TAPPET	*	3					
12	6215-629-017-00	PIN	*	3					
13	6215-629-035-00	SNAPRING	*	1					
14	6215-634-003-00	SPRING/PLUNGER	*	3					
15	6215-639-008-00	SPRINGSEAT	*	3					
16	6215-639-009-00	SPRINGSEAT	*	3					
17	6215-629-060-00	PLATE/T=2.60	*	1					
18	6215-629-061-00	PLATE/T=2.65	*	1					
19	6215-629-062-00	PLATE/T=2.70	*	1					
20	6215-629-063-00	PLATE/T=2.75	*	1					
21	6215-629-064-00	PLATE/T=2.80	*	1					
22	6215-629-065-00	PLATE/T=2.85	*	1					
23	6215-629-066-00	PLATE/T=2.90	*	1					
24	6215-629-067-00	PLATE/T=2.95	*	1					
25	6215-629-036-00	PLATE/T=3.00	*	1					
26	6215-629-037-00	PLATE/T=3.05	*	1					
27	6215-629-038-00	PLATE/T=3.10	*	1					
28	6215-629-039-00	PLATE/T=3.15	*	1					
29	6215-629-040-00	PLATE/T=3.20	*	1					
30	6215-629-041-00	PLATE/T=3.25	*	1					

FIG. 29 COMPONENT PARTS FOR 6281 - 200 - 020 - 00 ON Fig.23

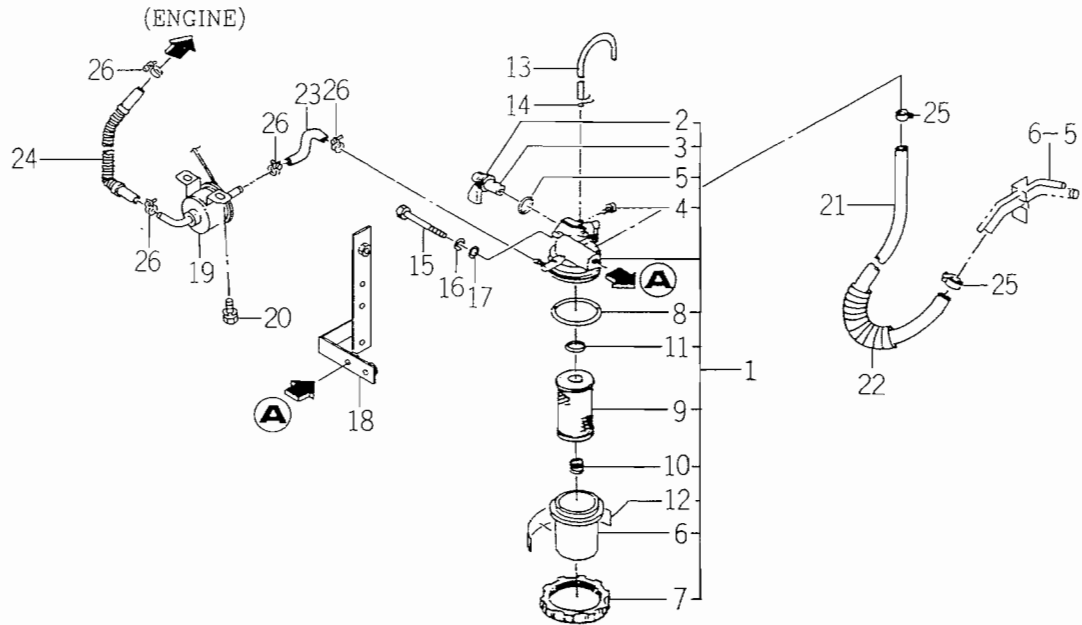


6281-2000

KEY	PART CODE	DESCRIPTION	S P C	TYPE OF MODEL		I T C	C O L	G R P	REMARKS
				E3CD TB05					
1	6281-222-012-00	PULLEY	*	1					
2	6281-229-002-00	NUT	*	1					
3	6281-229-003-00	COLLOR	*	1					
4	6281-221-007-00	ROTOR ASSY	*	1					
5	6281-229-004-00	COVER, BEARING	*	1					
6	6281-229-032-00	BEARING/BALL	*	1					
7	6281-213-017-00	FRAME/DRIVEEND ASSY	*	1					
8	6281-229-006-00	PLATE	*	1					
9	6281-229-007-00	BOLT	*	4					
10	6281-229-008-00	BOLT	*	2					
11	6281-229-033-00	BEARING/BALL	*	1					
12	6281-214-003-00	FRAME	*	1					
13	6281-214-004-00	COVER	*	1					
14	6281-229-029-00	HOLDER ASSY	*	1					
15	6281-229-011-00	BUSH	*	1					
16	6281-217-003-00	HOLDER/BRUSH ASSY	*	1					
17	6281-215-001-00	BRUSH	*	2					
18	6281-216-001-00	SPRING	*	2					
19	6281-229-012-00	BOLT	*	2					
20	6281-229-013-00	BOLT	*	6					
21	6281-229-014-00	BOLT	*	1					
22	6281-229-015-00	BOLT	*	3					
23	6281-229-016-00	NUT	*	2					
24	6281-229-017-00	BOLT	*	2					
25	6281-229-018-00	NUT	*	1					
26	6281-271-002-00	REGULATOR ASSY	*	1					

CHASSIS

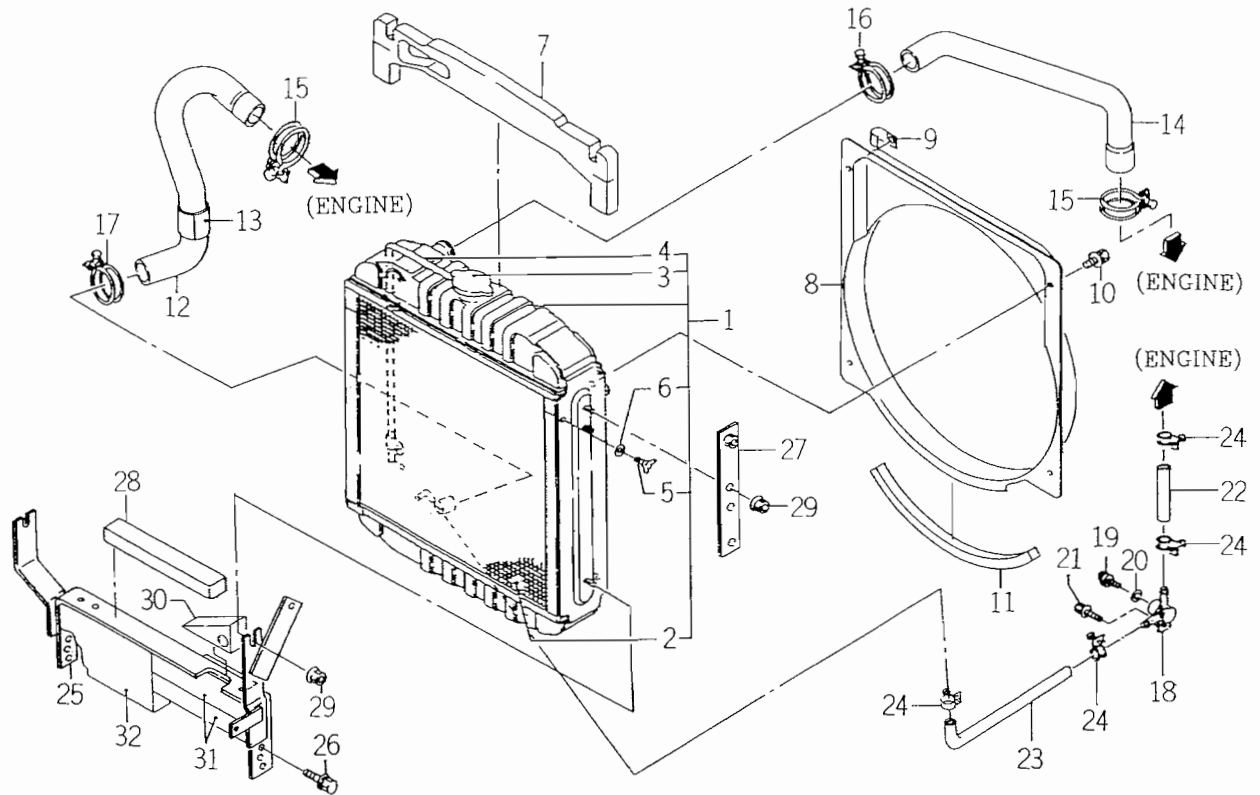
FIG. 1 FUEL SYSTEM



1641-102

KEY	PART CODE	DESCRIPTION	S P C	TYPE OF MODEL		I T C	C O L	G R P	REMARKS
				TK538H					
1	1650-111-220-00	FILTER/FUEL ASSY	*	1					
2	1560-102-202-50	LEVER	*	1					
3	1560-102-203-50	SEAL	*	1					
4	1560-102-204-40	SCREW	*	1					
5	V720-102-402-10	O-RING/P21	*	1					
6	1560-102-205-40	CUP	*	1					
7	1426-160-207-00	NUT, RING	*	1					
8	V721-103-106-50	O-RING/G65	*	1					
9	1513-102-329-00	ELEMENT	*	1					
10	1426-160-209-00	SPRING	*	1					
11	V720-102-401-60	O-RING/P16	*	1					
12	1513-102-332-00	PLATE, CAUTION	*	1					
13	1673-102-005-00	HOSE/RETURN	*	1					
14		WIRE	*	1					
15	V201-260-808-00	BOLT/M 8X80	*	1					
16	V401-160-008-00	WASHER, SP/M 8	*	1					
17	V411-260-008-00	WASHER, PL/M 8	*	1					
18	1641-102-500-00	STAY/PLATE/FILTER	*	1					
19	1703-105-210-00	PUMP/FUEL ASSY	*	1					
20	V210-260-601-20	BOLT, SEMS	*	2					
21	1560-102-002-30	HOSE/1150	*	1					
22	1673-102-004-10	INSULATOR/CORRUGATE/	*	1					
23	1650-111-006-00	HOSE/FUEL	*	1					
24	1673-102-001-10	HOSE/08X13X1250	*	1					
25	J061-112-022-00	CLAMP/WORM/12-22	*	2					
26	J061-211-013-00	CLAMP/WIRE/11-13	*	4					

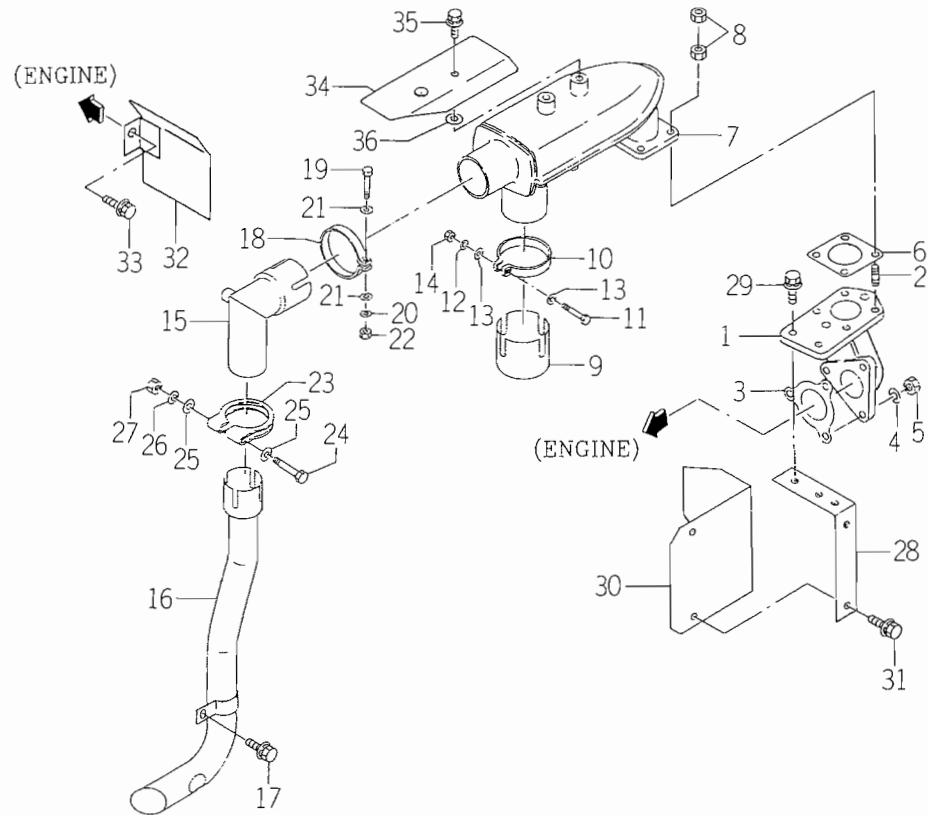
FIG. 3 RADIATOR SYSTEM



1641-104A

KEY	PART CODE	DESCRIPTION	S P C	TYPE OF MODEL		I T C	C O L	G R P	REMARKS
				TK538H					
1	1673-104-300-10	RADIATOR ASSY	*	1					
2	1673-104-302-00	NET/WIRE COMP	*	1					
3	1421-101-313-00	CAP	*	1					
4	1513-102-205-00	HOSE, UP/RUBBER	*	1					
5	V271-160-601-20	BOLT/WING/M6X12	*	1					
6	1560-104-206-40	WASHER	*	1					
7	1560-104-003-60	INSULATOR	*	1					
8	1673-104-004-00	SHROUD	*	1					
9	3737-172-009-00	CLAMP, MAIN HARNESS	*	2					
10	V210-360-601-20	BOLT, SEMS	*	4					
11	1650-102-006-00	INSULATOR	*	1					
12	1673-104-001-00	HOSE/RADIATOR/OUTLET	*	1					
13	1444-510-006-00	RUBBER B	*	1					
14	1673-104-002-10	HOSE/RADIATOR/INLET	*	1					
15	J061-234-042-00	CLAMP/WIRE/34-42	*	2					
16	J061-232-040-00	CLAMP/WIRE/32-40	*	1					
17	J061-230-038-00	CLAMP/WIRE/30-38	*	1					
18	1560-104-010-40	CONNECTOR	*	1					
19	1424-101-203-00	PLUG	*	1					
20	1424-101-204-00	PACKING	*	1					
21	V211-360-802-00	BOLT (SP) M8X20	*	1					
22	1673-104-009-00	HOSE/180	*	1					
23	1673-104-010-10	HOSE	*	1					
24	J061-210-015-00	CLAMP/WIRE/10-15	*	4					
25	1641-104-510-10	BRACKET/RADIATO COMP	*	1					
26	V211-660-802-50	BOLT/M8X25	*	4					
27	1560-104-220-60	STAY/PLATE COMP	*	1					
28	1427-111-244-10	SEAL/30X20X215	*	1					
29	V362-260-008-00	NUT/WASHER	*	6					
30	1674-104-001-00	INSULATOR	*	1					

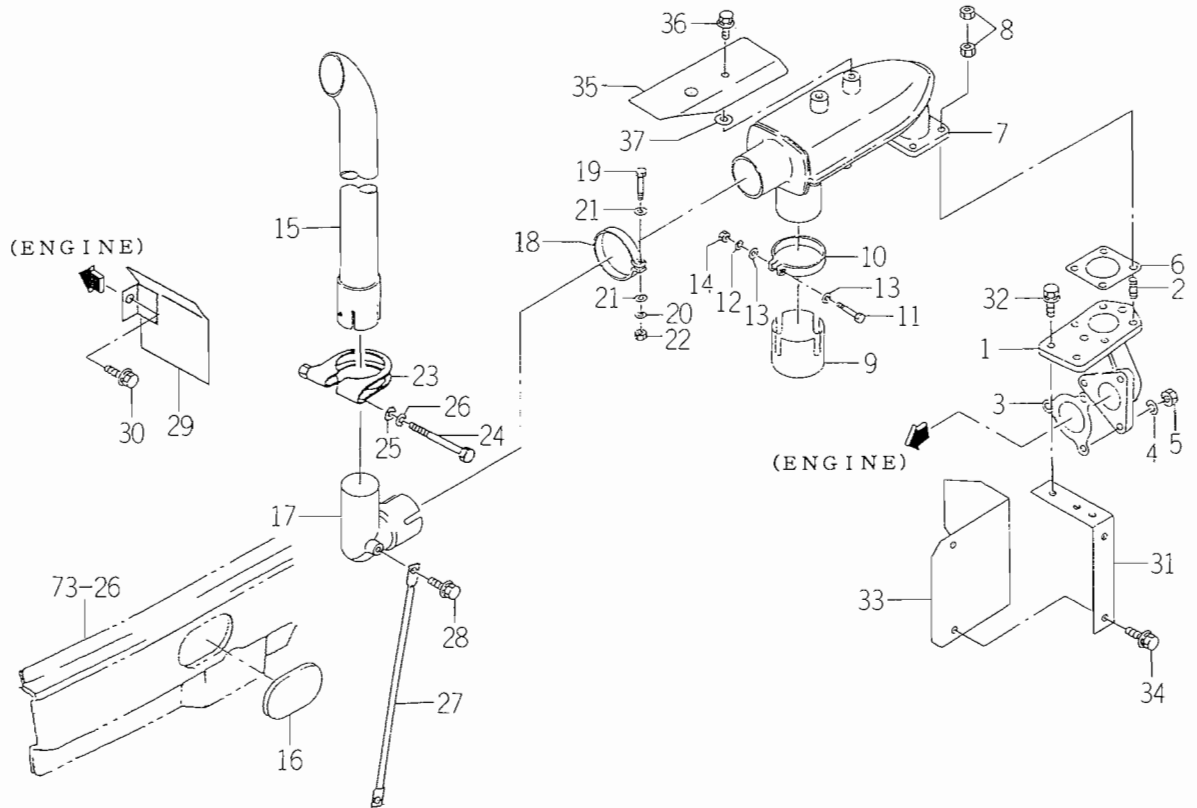
FIG. 4 MUFFLER SYSTEM (EXCEPT C TYPE)



1674-105

KEY	PART CODE	DESCRIPTION	S P C	TYPE OF MODEL		I T C	C O L	G R P	REMARKS
				TK538H					
1	1674-105-001-00	ADAPTER/EXHAUST	*	1					
2	V251-340-802-50	BOLT/STUD	*	4					
3	3678-332-001-00	GASKET	*	1					
4	V401-160-008-00	WASHER, SP/M 8	*	3					
5	V304-460-008-00	NUT/M8	*	3					
6	6222-147-001-00	GASKET/MUFFLER	*	1					
7	1642-105-300-00	MUFFLER COMP	*	1					
8	1544-103-004-00	NUT/M8	*	8					
9	1642-105-004-00	PIPE	*	1					
10	1444-101-440-00	CLAMP COMP	*	1					
11	V201-261-006-50	BOLT/M10X65	*	1					
12	V401-160-010-00	WASHER, SP/M10	*	1					
13	V411-260-010-00	WASHER/M10	*	2					
14	V304-260-010-00	NUT	*	1					
15	1674-105-240-00	PIPE COMP	*	1					
16	1674-105-220-00	PIPE/TAIL/UNDER COMP	*	1					
17	V211-360-801-60	BOLT, SEMS (SP)	*	1					
18	1444-101-440-00	CLAMP COMP	*	1					
19	V201-261-006-50	BOLT/M10X65	*	1					
20	V401-160-010-00	WASHER, SP/M10	*	1					
21	V411-260-010-00	WASHER/M10	*	2					
22	V304-260-010-00	NUT	*	1					
23	1560-105-251-00	CLAMP	*	1					
24	V201-260-808-00	BOLT/M 8X80	*	1					
25	V411-260-008-00	WASHER, PL/M 8	*	2					
26	V401-160-008-00	WASHER, SP/M 8	*	1					
27	V304-260-008-00	NUT/M 8	*	1					
28	1674-105-250-10	PLATE COMP	*	1					
29	V211-360-802-50	BOLT, SEMS	*	2					
30	1674-105-002-10	PLATE	*	1					

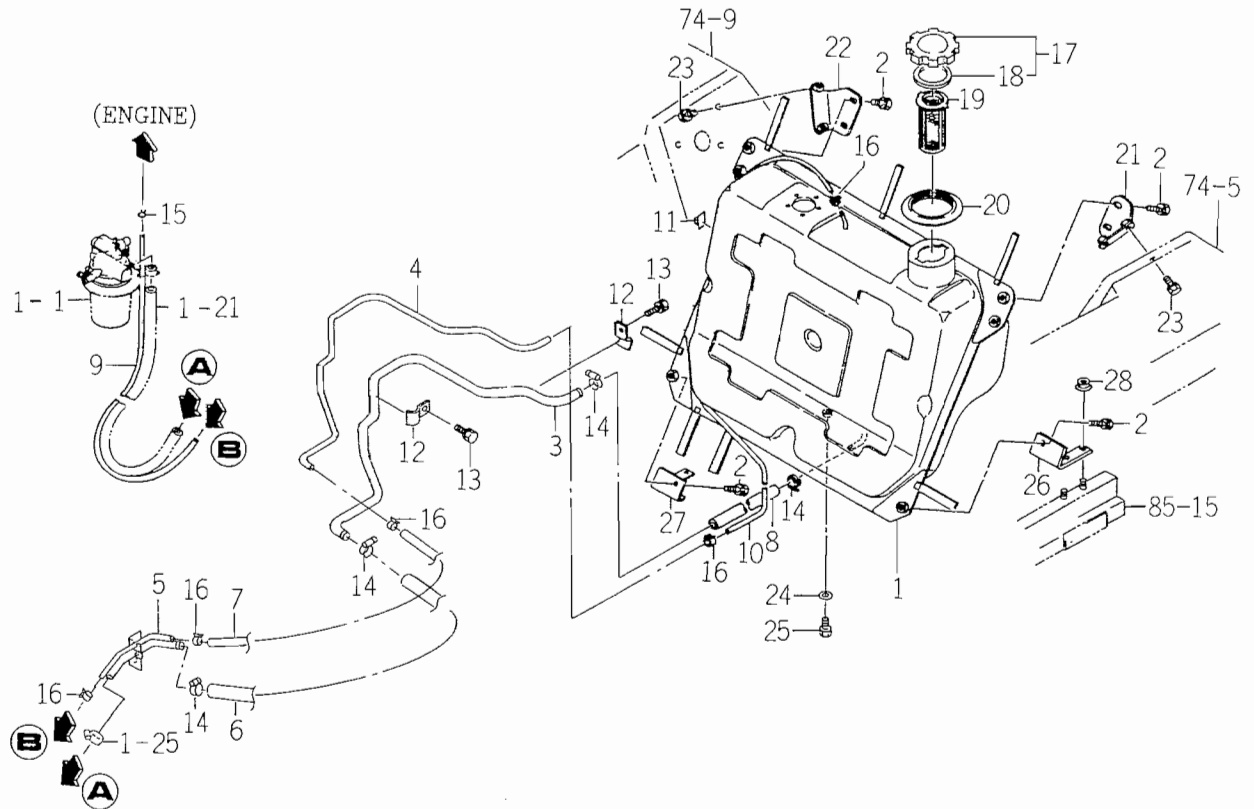
FIG. 5 MUFFLER (UPPER) SYSTEM (C TYPE)



1674-105B

KEY	PART CODE	DESCRIPTION	S P C	TYPE OF MODEL		I T C	C O L	G R P	REMARKS
				TK538H					
1	1674-105-001-00	ADAPTER/EXHAUST	*	1					
2	V251-340-802-50	BOLT/STUD	*	4					
3	3678-332-001-00	GASKET	*	1					
4	V401-160-008-00	WASHER, SP/M 8	*	3					
5	V304-460-008-00	NUT/M8	*	3					
6	6222-147-001-00	GASKET/MUFFLER	*	1					
7	1642-105-300-00	MUFFLER COMP	*	1					
8	1544-103-004-00	NUT/M8	*	8					
9	1642-105-004-00	PIPE	*	1					
10	1444-101-440-00	CLAMP COMP	*	1					
11	V201-261-006-50	BOLT/M10X65	*	1					
12	V401-160-010-00	WASHER, SP/M10	*	1					
13	V411-260-010-00	WASHER/M10	*	2					
14	V304-260-010-00	NUT	*	1					
15	1594-105-230-00	PIPE/TAIL/UPPER	*	1					
16	1594-105-002-00	GROMMET	*	1					
17	1674-105-240-00	PIPE COMP	*	1					
18	1444-101-440-00	CLAMP COMP	*	1					
19	V201-261-006-50	BOLT/M10X65	*	1					
20	V401-160-010-00	WASHER, SP/M10	*	1					
21	V411-260-010-00	WASHER/M10	*	2					
22	V304-260-010-00	NUT	*	1					
23	1673-105-500-00	CLAMP COMP	*	1					
24	V201-260-808-00	BOLT/M 8X80	*	1					
25	V411-260-008-00	WASHER, PL/M 8	*	1					
26	V401-160-008-00	WASHER, SP/M 8	*	1					
27	1674-105-003-00	ROD	*	1					
28	V211-360-802-00	BOLT (SP) M8X20	*	2					
29	1650-601-270-20	COVER COMP	*	1					
30	V211-360-801-60	BOLT, SEMS (SP)	*	1					

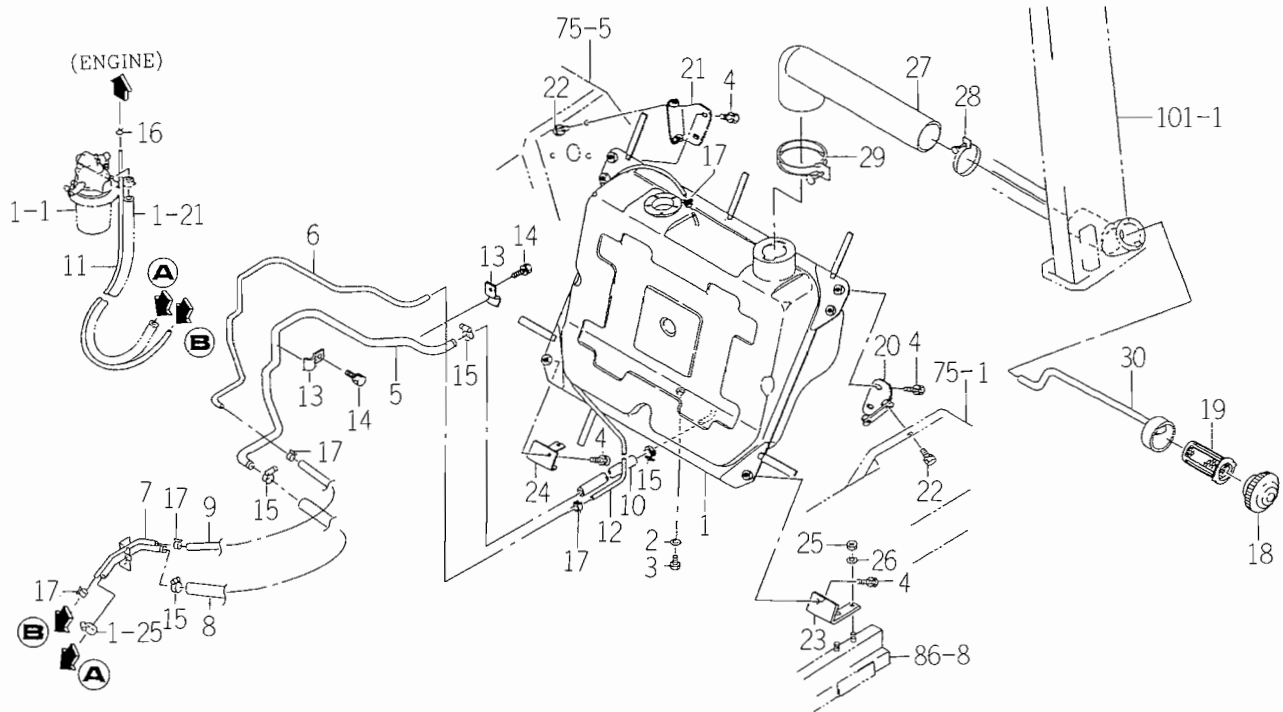
FIG. 6 TANK (FUEL) SYSTEM (EXCEPT C TYPE)



1641-111

KEY	PART CODE	DESCRIPTION	S P C	TYPE OF MODEL		I T C	C O L	G R P	REMARKS
				TK538H					
1	1640-111-210-00	TANK/FUEL COMP	*	1			4G		
2	V211-260-801-60	BOLT, SEMS (S) M8X16	*	6					
3	1641-111-051-00	PIPE/DERIVERY	*	1					
4	1641-111-052-00	PIPE/RETURN	*	1					
5	1641-111-510-00	PIPE/FUEL COMP	*	1					
6	1641-111-053-00	HOSE/600	*	1					
7	1641-111-054-00	HOSE/600	*	1					
8	1561-111-003-00	HOSE/430	*	1					
9	1560-111-007-00	HOSE/500	*	1					
10	1560-111-008-00	HOSE/1050	*	1					
11	1426-621-038-00	CLAMP, HARNESS	*	1					
12	1560-111-009-00	PLATE	*	2					
13	V211-260-801-20	BOLT, SEMS (S) M8X12	*	3					
14	J061-116-025-00	CLAMP/WORM/16-25	*	4					
15	J062-076-082-00	CLIP/HOSE/7.6-8.2	*	1					
16	J062-104-111-00	CLIP/HOSE/10.4-11.1	*	5					
17	1640-111-200-00	CAP/TANC ASSY	*	1					
18	1640-111-202-00	GASKET	*	1					
19	1513-111-009-00	STRAINER	*	1					
20	1640-111-001-00	INSULATOR/TANK	*	1					
21	1560-111-270-50	BRACKET, L COMP	*	1					
22	1560-111-280-50	BRACKET, R COMP	*	1					
23	V211-260-802-00	BOLT, SEMS (S)	*	4					
24	1407-111-001-00	WASHER/8X12X2	*	1					
25	V201-260-801-20	BOLT/M 8X12	*	1					
26	1560-111-001-10	PLATE, L	*	1					
27	1560-111-002-10	PLATE, R	*	1					
28	V363-260-008-00	NUT, LOCK/M8	*	4					

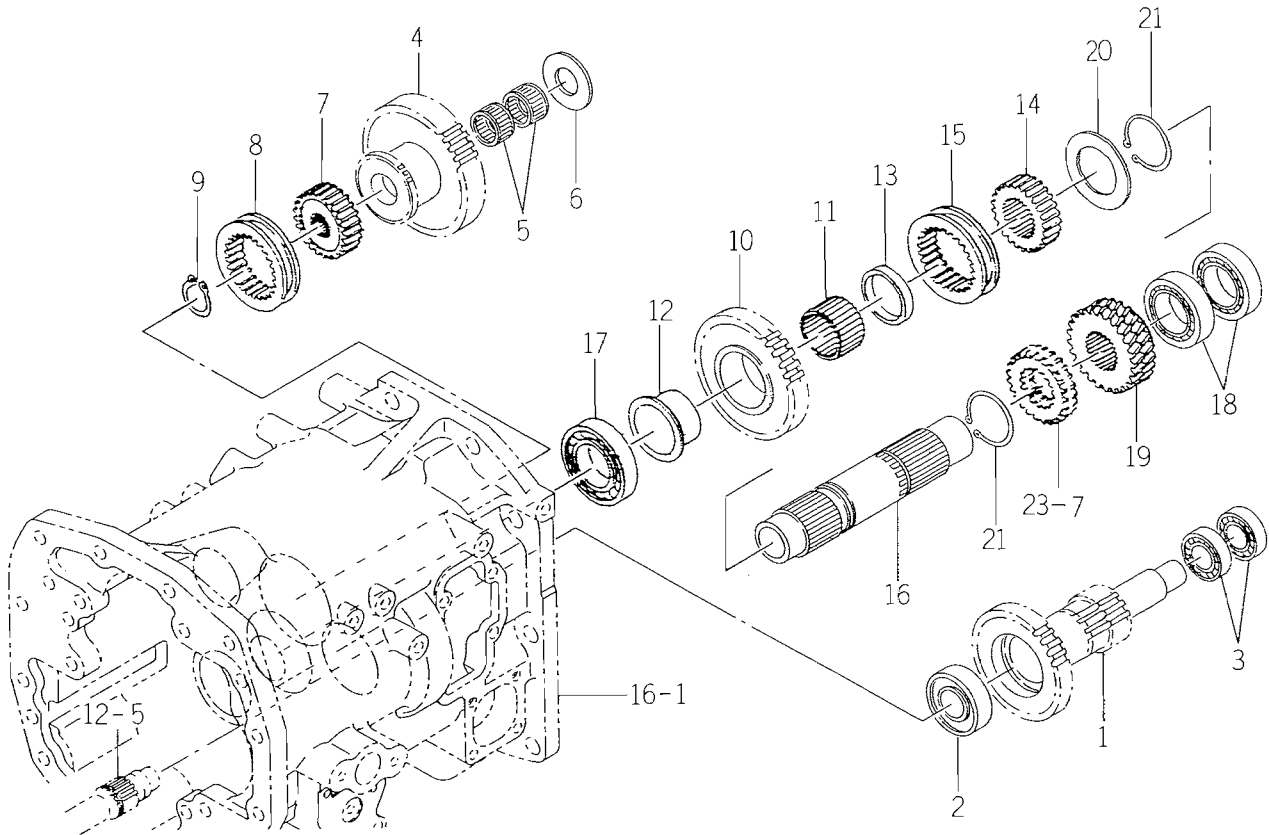
FIG. 7 TANK (FUEL) SYSTEM (C TYPE)



1674-111B

KEY	PART CODE	DESCRIPTION	S P C	TYPE OF MODEL		I T C	C O L	G R P	REMARKS
				TK538H					
1	1561-111-320-22	TANK/FUEL COMP	*	1			4G		
2	1407-111-001-00	WASHER/8X12X2	*	1					
3	V201-260-801-20	BOLT/M 8X12	*	1					
4	V211-260-801-60	BOLT, SEMS (S) M8X16	*	6					
5	1641-111-051-00	PIPE/DERIVERY	*	1					
6	1641-111-052-00	PIPE/RETURN	*	1					
7	1641-111-510-00	PIPE/FUEL COMP	*	1					
8	1641-111-053-00	HOSE/600	*	1					
9	1641-111-054-00	HOSE/600	*	1					
10	1561-111-003-00	HOSE/430	*	1					
11	1560-111-007-00	HOSE/500	*	1					
12	1560-111-008-00	HOSE/1050	*	1					
13	1560-111-009-00	PLATE	*	2					
14	V211-260-801-20	BOLT, SEMS (S) M8X12	*	3					
15	J061-116-025-00	CLAMP/WORM/16-25	*	4					
16	J062-076-082-00	CLIP/HOSE/7.6-8.2	*	1					
17	J062-104-111-00	CLIP/HOSE/10.4-11.1	*	5					
18	1682-111-300-00	CAP/FUEL ASSY	*	1					
19	1513-111-009-00	STRAINER	*	1					
20	1560-111-270-50	BRACKET, L COMP	*	1					
21	1560-111-280-50	BRACKET, R COMP	*	1					
22	V211-260-802-00	BOLT, SEMS (S)	*	4					
23	1560-111-001-10	PLATE, L	*	1					
24	1560-111-002-10	PLATE, R	*	1					
25	V304-260-008-00	NUT/M 8	*	4					
26	V401-160-008-00	WASHER, SP/M 8	*	4					
27	1560-111-101-00	HOSE, FUEL	*	1					
28	J061-140-057-00	CLANP/WORM/40-57	*	1					
29	J061-165-090-00	CLANP/WORM/65-90	*	1					
30	1560-111-360-00	PIPE AIR COMP	*	1					

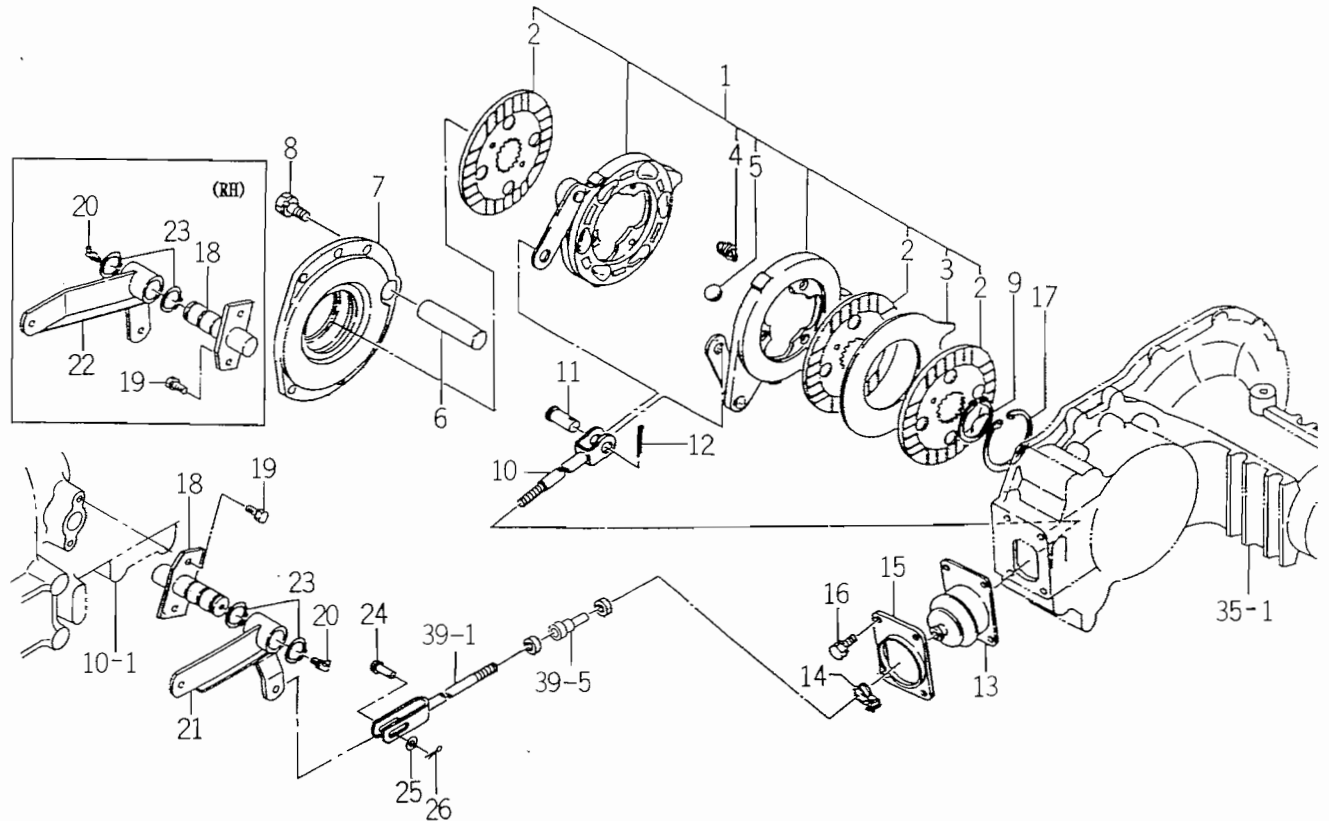
FIG. 21 SUB CHANGE GEAR SYSTEM



1641-243

KEY	PART CODE	DESCRIPTION	S P C	TYPE OF MODEL		I T C	C O L	G R P	REMARKS
				TK538H					
1	1641-243-051-00	GEAR/SPUR/30-14	*	1					
2	1594-221-001-00	BEARING/BALL 6205SH2	*	1					
3	V600-110-600-40	BEARING, RB/6004	*	2					
4	1641-243-052-00	GEAR/SPUR/35	*	1					
5	V654-425-302-00	BEARING	*	2					
6	1560-243-002-30	BEARING/25X50X4	*	1					
7	1560-243-011-40	HUB	*	1					
8	1524-236-005-00	COUPLING, SIDE	*	1					
9	V704-140-025-00	RING, SNAP/25 C	*	1					
10	1641-243-053-00	GEAR/SPUR/34	*	1					
11	V654-445-501-70	BEARING, KT455017	*	1					
12	1560-243-013-40	BUSH/40X58X29	*	1					
13	1560-243-015-40	COLLAR/46X50X8	*	1					
14	1560-243-017-30	HUB	*	1					
15	1524-236-005-00	COUPLING, SIDE	*	1					
16	1641-243-054-00	SHAFT	*	1					
17	V600-110-620-70	BEARING, RB/6207	*	1					
18	V600-110-600-70	BEARING, RB/6007	*	2					
19	1594-243-003-00	GEAR, HERICAL/23	*	1					
20	1641-243-055-00	WASHER/40X65X03	*	1					
21	V706-140-040-00	RING/SNAP	*	2					

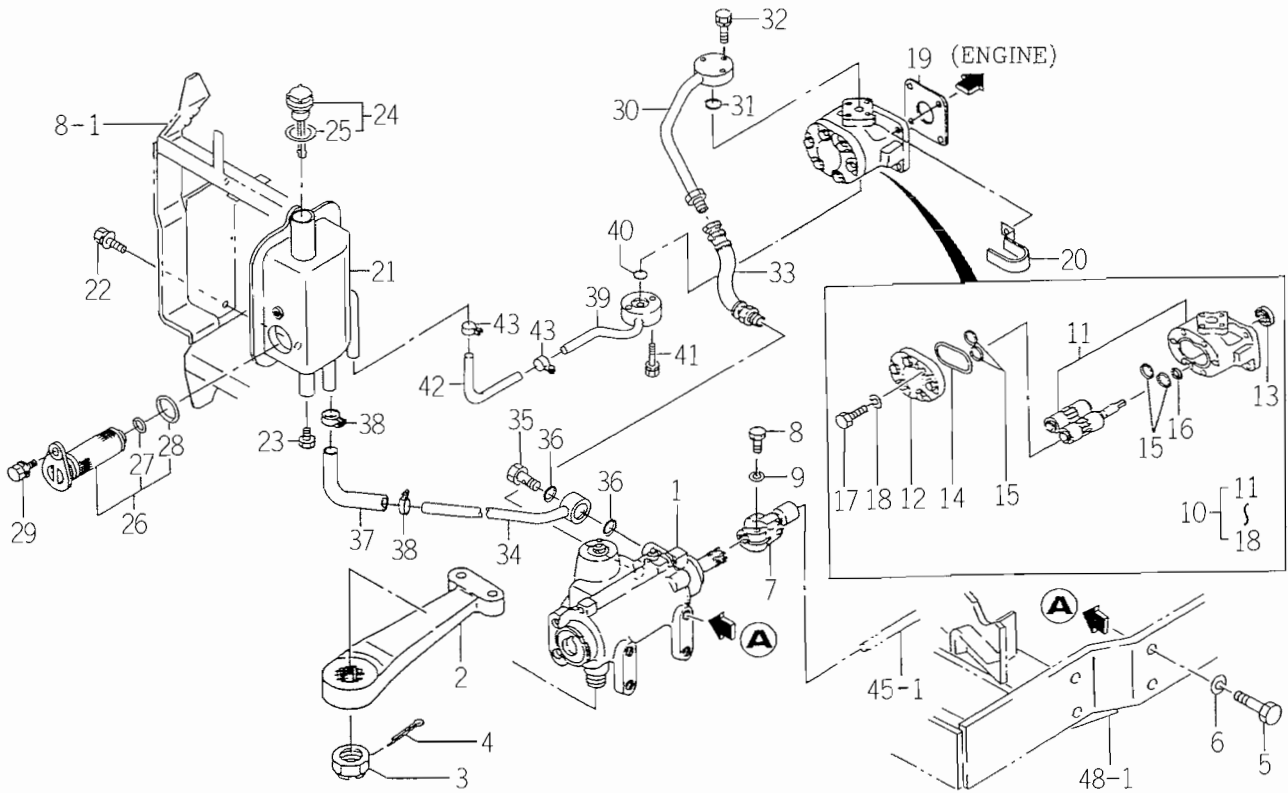
FIG. 38 BRAKE SYSTEM



1641-310A

KEY	PART CODE	DESCRIPTION	S P C	TYPE OF MODEL		I T C	C O L	G R P	REMARKS
				TK538H					
1	1560-310-270-00	BRAKE ASSY	*	2					
2	1560-310-201-10	DISC, BRAKE	*	6					
3	1444-327-202-10	PLATE, SEPARATE	*	2					
4	1444-327-203-00	SPRING, RETURN	*	6					
5	V682-200-001-90	BALL	*	12					
6	1444-327-001-00	PIN, TORQUE	*	2					
7	1560-310-005-00	METAL/BRAKE	*	2					
8	V211-561-002-50	BOLT/M10X25	*	12					
9	V706-140-040-00	RING/SNAP	*	2					
10	1674-310-300-00	ROD/FORK COMP	*	2					
11	1444-327-003-00	PIN (15X30)	*	2					
12	V500-163-002-00	PIN, SPLIT/3 X20	*	2					
13	1560-310-003-40	BOOT	*	2					
14	J061-210-015-00	CLAMP/WIRE/10-15	*	2					
15	1560-310-004-40	PLATE	*	2					
16	V211-260-801-60	BOLT, SEMS (S) M8X16	*	8					
17	V707-140-080-00	RING/SNAP	*	2					
18	1560-310-210-40	PIN COMP	*	2					
19	V211-260-802-00	BOLT, SEMS (S)	*	4					
20	V763-150-000-00	NIPPLE, GREASE/PT1/8	*	2					
21	1641-310-510-00	ARM/BRAKE/LH COMP	*	1					
22	1560-310-260-40	ARM COMP	*	1					
23	V704-140-025-00	RING, SNAP/25 C	*	4					
24	1404-312-006-00	PIN, YOKE A	*	2					
25	V411-260-008-00	WASHER, PL/M 8	*	2					
26	V500-162-002-00	PIN, SPLIT/2 X20	*	2					

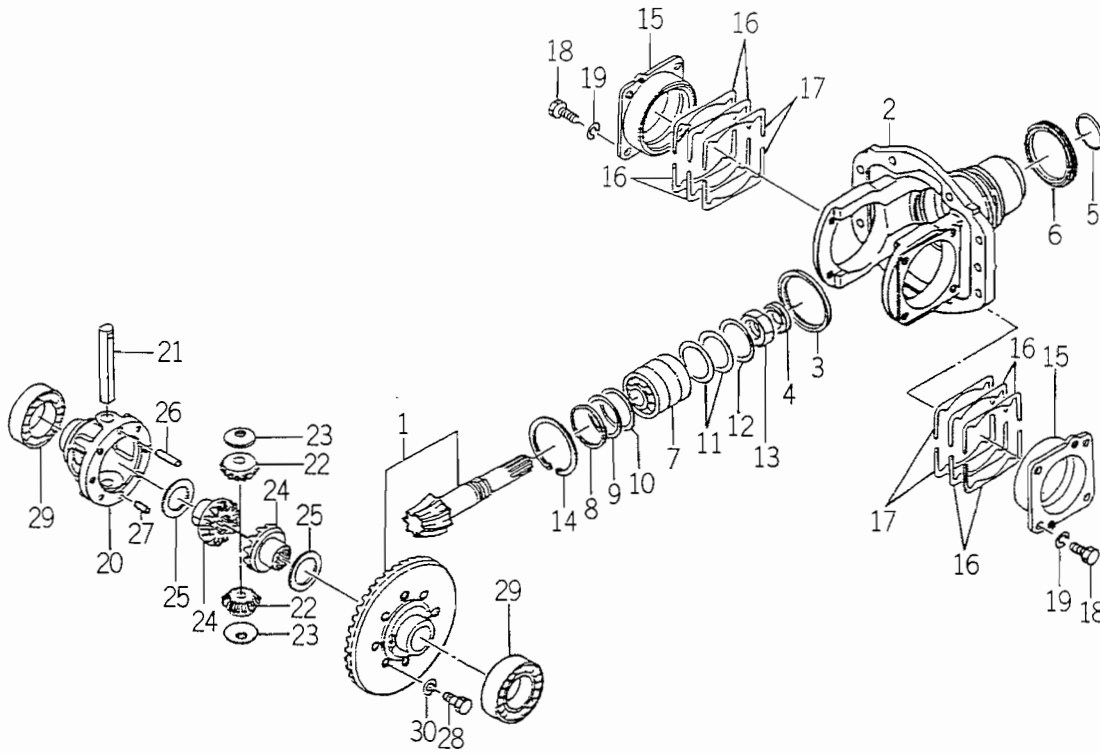
FIG. 47 POWER STEERING SYSTEM



1673-407

KEY	PART CODE	DESCRIPTION	S P C	TYPE OF MODEL		I T C	C O L	G R P	REMARKS
				TK538H					
1	1673-407-550-00	STEERING/POWER/NB	*	1					FIG 149
2	1594-407-201-00	ARM	*	1					
3	1444-408-202-00	NUT, CASTLE/M27X1.5	*	1					
4	V500-165-005-00	PIN, SPLIT/5X50	*	1					
5	1560-406-002-00	BOLT/SM/M14X1.5X35	*	6					
6	1560-406-003-00	WASHER, SP/M14	*	6					
7	1560-406-001-00	JOINT	*	1					
8	1696-401-003-00	BOLT/SM/M08X26	*	1					
9	V401-160-008-00	WASHER, SP/M 8	*	1					
10	K135-013-000-00	PUMP, GEAR ASSY	*	1					
11	K135-013-100-10	PUMP SET	*	1					
12	K135-015-002-00	COVER, PUMP	*	1					
13	V744-114-280-70	SEAL, OIL	*	1					
14	V721-113-105-00	O-RING HS90 G50	*	1					
15	V720-112-402-20	O-RING/P22	*	4					
16	V720-111-900-60	O-RING P6 HS90	*	1					
17	K135-002-009-00	BOLT/M8X28 11T	*	6					
18	V401-170-008-00	S. W	*	6					
19	1404-503-006-00	PACKING, OIL PUMP	*	1					
20	1617-102-007-00	CLAMP	*	1					
21	1673-407-230-10	TANK/OIL COMP	*	1					
22	V211-360-801-60	BOLT, SEMS (SP)	*	2					
23	V782-160-000-4B	PLUG/SCREW/SEAL	*	1					
24	1518-407-240-00	CAP, OIL (B) ASSY	*	1					
25	1518-306-203-00	PACKING	*	1					
26	1614-407-260-00	FILTER/OIL ASSY	*	1					
27	V720-102-401-20	O-RING/P12	*	1					
28	V720-103-503-10	O-RING P31	*	1					
29	V210-360-601-60	BOLT (SP)/M6X16	*	1					
30	1673-407-200-10	PIPE/OIL/DERIVERY	*	1					

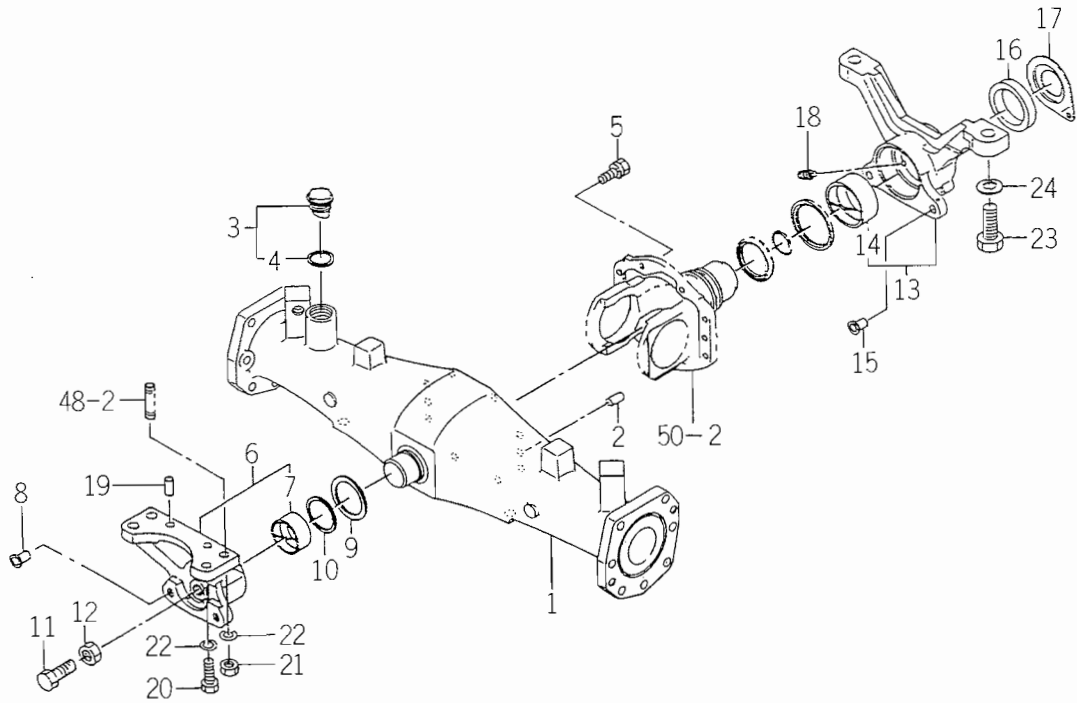
FIG. 50 BEVEL CASE SYSTEM



1560-432

KEY	PART CODE	DESCRIPTION	S P C	TYPE OF MODEL		I T C	C O L	G R P	REMARKS
				TK538H					
1	1560-432-200-40	GEAR/8-38 SET	*	1					
2	1560-432-001-70	CASE	*	1					
3	1444-411-002-00	COLLAR, THRUST (R)	*	1					
4	1614-222-007-00	SEAL/OIL	*	1					
5	V720-103-503-40	O-RING/P34	*	1					
6	1444-412-011-00	X-RING	*	1					
7	1560-432-210-00	BEARING/46CHI-32205R	*	1					
8	1444-411-008-00	COLLAR 48X56X4	*	1					
9	1444-411-009-00	SHIM A T=0.2	*	3					
10	1444-411-011-00	SHIM B T=0.1	*	2					
11	1444-411-012-00	SHIM (C)	*	3					
12	1444-411-013-00	SHIM D T=0.1	*	2					
13	1614-432-001-00	NUT/M25	*	1					
14	V707-140-056-00	RING/SNAP	*	1					
15	1560-432-006-00	METAL/DIFF	*	2					
16	1444-411-004-00	SHIM(A)	*	12					
17	1444-411-005-00	SHIM(B)	*	8					
18	V201-460-802-00	BOLT/M 8X20	*	8					
19	V401-160-008-00	WASHER, SP/M 8	*	8					
20	1673-432-001-00	CASE/DIFF	*	1					
21	1444-411-006-00	SHAFT, DIFF. PINION	*	1					
22	1560-432-002-30	PINION, BEVEL/11	*	2					
23	1427-301-005-00	COLLAR, PINION THRUST	*	2					
24	1560-432-003-30	GEAR, BEVEL/16	*	2					
25	1427-432-005-00	COLLAR, THRUST	*	2					
26	1560-432-005-00	PIN/ST	*	1					
27	1560-432-004-00	PIN/ST	*	1					
28	1544-304-006-10	BOLT/M8X25	*	6					
29	V600-110-600-80	BEARING, RB/6008	*	2					
30	V401-160-008-00	WASHER, SP/M 8	*	6					

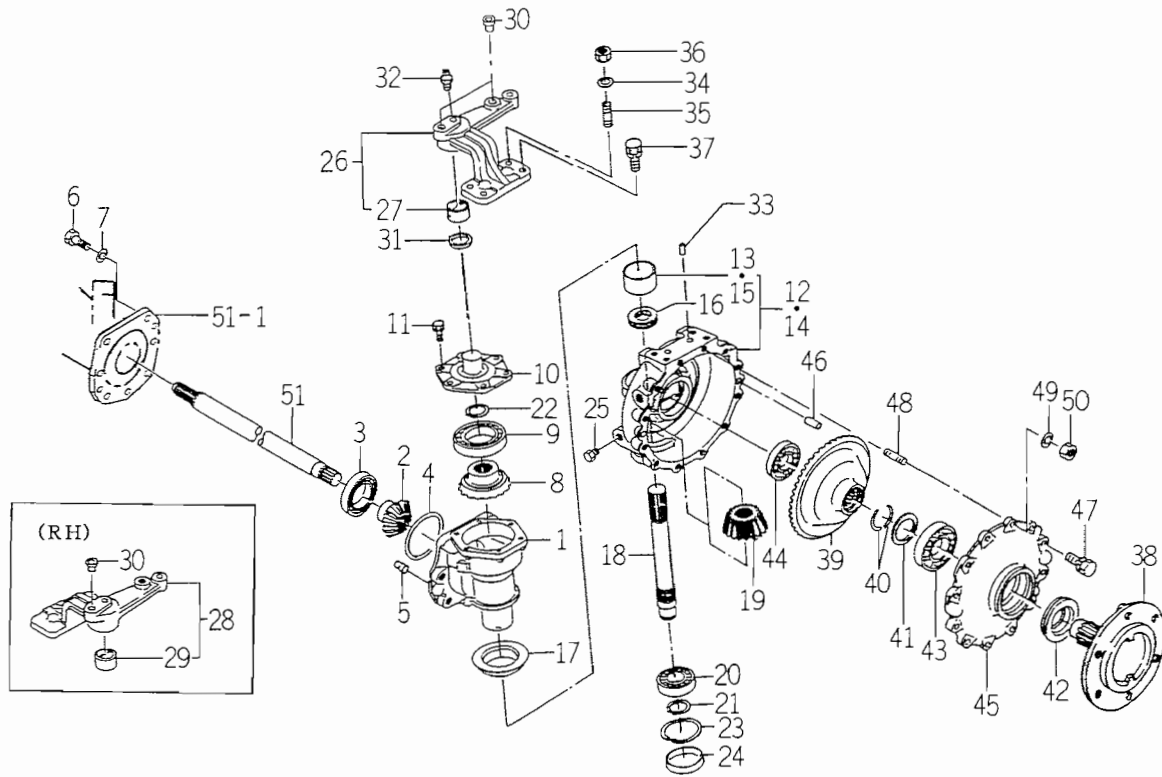
FIG. 51 AXLE HOUSING SYSTEM



1674-433

KEY	PART CODE	DESCRIPTION	S P C	TYPE OF MODEL		I T C	C O L	G R P	REMARKS
				TK538H					
1	1561-433-006-10	HOUSING/AXLE	*	1					
2	V522-101-002-20	PIN	*	2					
3	1518-432-250-00	CAP, OIL ASSY	*	1					
4	1518-306-203-00	PACKING	*	1					
5	V211-561-002-50	BOLT/M10X25	*	8					
6	1594-433-230-00	METAL PIVOT ASSY	*	1					
7	1560-433-212-00	BUSH/45X50X25	*	1					
8	1427-201-016-00	CAP, BLANK/M12	*	2					
9	1560-433-001-40	WASHER/50X65X5	*	1					
10	V742-145-600-60	SEAL, OIL/VC45606	*	1					
11	V201-361-604-50	BOLT	*	1					
12	V304-260-016-00	NUT/M16	*	1					
13	1594-433-240-10	METAL/PIVOT/REA ASSY	*	1					
14	1560-433-222-00	BUSH/60X65X30	*	1					
15	1427-317-004-00	CAP, BLANK/M14	*	2					
16	V742-150-720-60	SEAL, OIL/VC50726	*	1					
17	1560-433-002-40	COVER	*	1					
18	V761-150-000-00	NIPPLE/GREASE	*	2					
19	V523-101-002-40	PIN	*	2					
20	V201-361-203-50	BOLT/M12X35	*	2					
21	V304-460-012-00	NUT/M12	*	2					
22	V401-160-012-00	WASHER, SP/M12	*	4					
23	V203-361-805-00	BOLT/M8X50	*	2					
24	V401-160-018-00	WASHER, SP/M18	*	2					

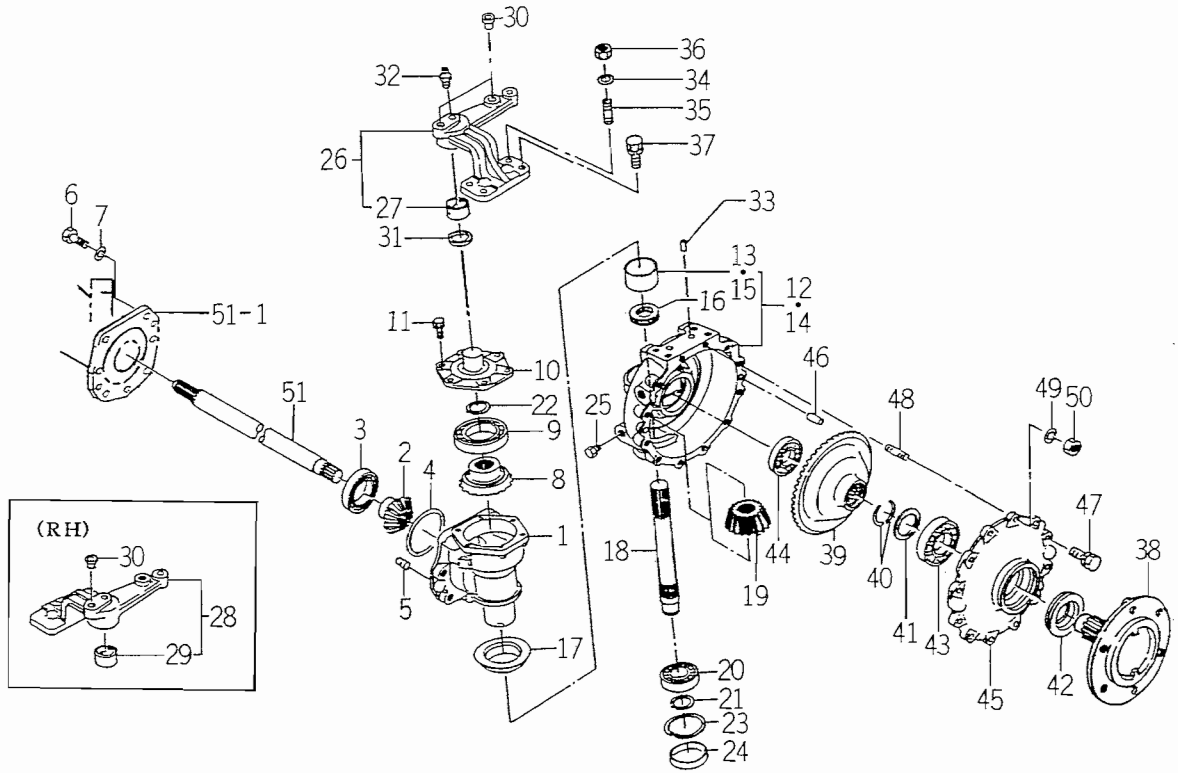
FIG. 52 FRONT GEAR CASE SYSTEM



1574-434

KEY	PART CODE	DESCRIPTION	S P C	TYPE OF MODEL		I T C	C O L	G R P	REMARKS
				TK538H					
1	1560-434-001-40	CASE	*		2				
2	1560-434-002-30	GEAR, BEVEL/12	*		2				
3	V600-110-620-70	BEARING, RB/6207	*		2				
4	V721-103-109-50	O-RING/G95	*		2				
5	7963-201-003-00	PIN, KNOK	*		4				
6	V201-361-203-50	BOLT/M12X35	*		14				
7	V401-160-012-00	WASHER, SP/M12	*		14				
8	1560-434-003-30	GEAR, BEVEL/17	*		2				
9	1594-434-001-00	BEARING/BALL62092RK	*		2				
10	1560-434-004-30	COVER	*		2				
11	V211-260-802-00	BOLT, SEMS (S)	*		12				
12	1560-434-200-60	CASE/L ASSY	*		1				
13	1560-434-202-00	BUSH/50X55X30	*		1				
14	1560-434-210-60	CASE/R ASSY	*		1				
15	1560-434-202-00	BUSH/50X55X30	*		1				
16	V610-115-110-60	BEARING, TB/51106	*		2				
17	1560-434-014-30	SEAL, OIL	*		2				
18	1560-434-005-30	SHAFT	*		2				
19	1560-434-006-40	GEAR/BEVEL/17	*		2				
20	V600-110-630-50	BEARING, RB/6305	*		2				
21	V704-140-025-00	RING, SNAP/25 C	*		2				
22	V704-140-030-00	RING, SNAP/30 C	*		2				
23	V707-140-062-00	RING/SNAP	*		2				
24	1444-314-008-00	SEAL (62)	*		2				
25	V782-160-000-6B	PLUG/SCREW/SEAL	*		4				
26	1594-434-200-00	ARM, LH ASSY	*		1				
27	1560-434-222-00	BUSH	*		1				
28	1594-434-210-00	ARM RH ASSY	*		1				
29	1560-434-222-00	BUSH	*		1				
30	1427-120-002-00	CAP, BLANK/M10	*		4				

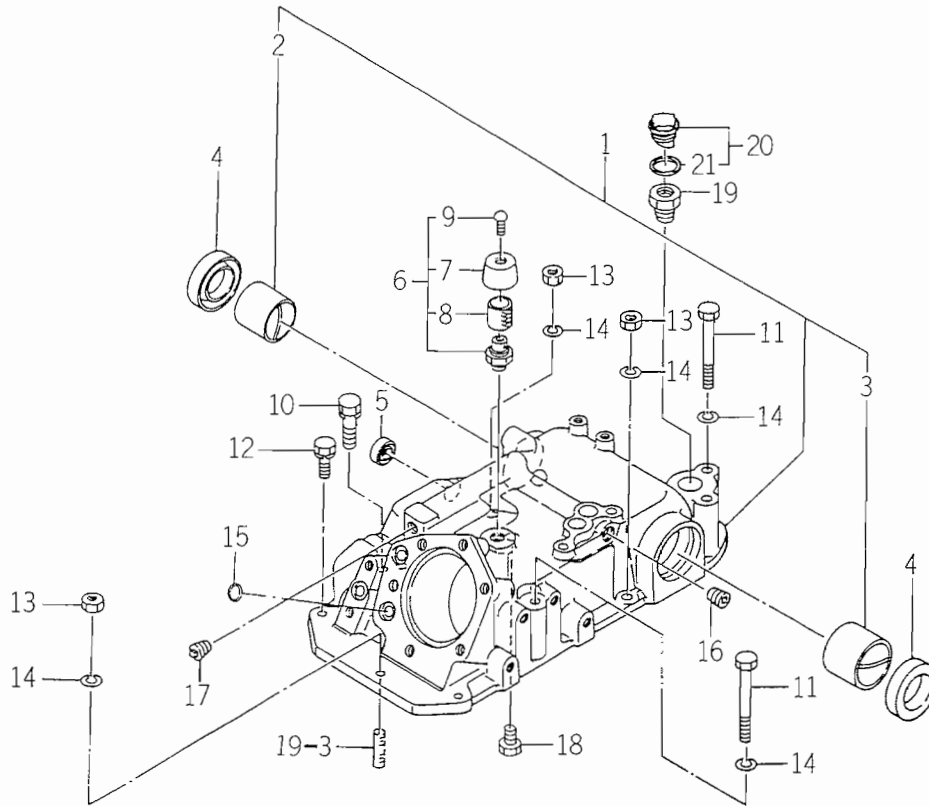
FIG. 52 FRONT GEAR CASE SYSTEM



1674-434

KEY	PART CODE	DESCRIPTION	S P C	TYPE OF MODEL		I T C	C O L	G R P	REMARKS
				TK538H					
31	1421-433-031-00	SEAL, OIL/OS30374	*	2					
32	V761-150-000-00	NIPPLE/GREASE	*	2					
33	V523-101-002-40	PIN	*	4					
34	V401-160-010-00	WASHER, SP/M10	*	4					
35	V251-341-002-5D	BOLT/STUD/SEAL	*	4					
36	V304-460-010-00	NUT/M10	*	4					
37	V211-561-002-50	BOLT/M10X25	*	4					
38	1560-434-007-60	SHAFT/WHEEL	*	2					
39	1560-434-008-40	GEAR/BEVEL/47	*	2					
40	1560-434-017-00	RING	*	4					
41	1560-434-011-40	COLLAR/41X55X4	*	2					
42	1560-434-012-30	SEAL, OIL	*	2					
43	V600-110-620-80	BEARING, RB/6208	*	2					
44	V600-110-620-60	BEARING, RB/6206	*	2					
45	1560-434-013-50	COVER	*	2					
46	V523-101-002-40	PIN	*	4					
47	V211-561-002-50	BOLT/M10X25	*	20					
48	V251-341-002-50	BOLT/STUD	*	4					
49	V401-160-010-00	WASHER, SP/M10	*	4					
50	V304-460-010-00	NUT/M10	*	4					
51	1561-435-001-30	SHAFT	*	2					

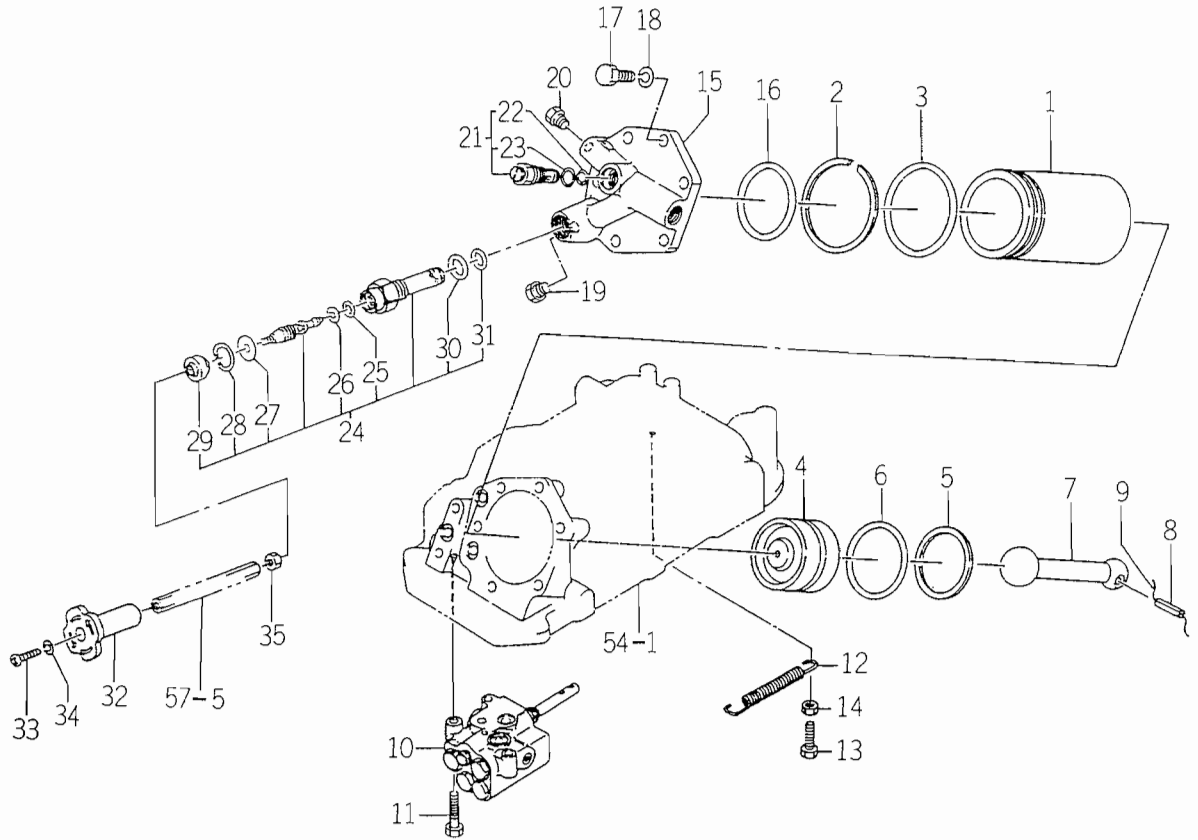
FIG. 54 CYLINDER CASE SYSTEM



1640-501

KEY	PART CODE	DESCRIPTION	S P C	TYPE OF MODEL		I T C	C O L	G R P	REMARKS
				TK538H					
1	1560-501-220-00	CASE, CYLINDER ASSY	*	1					
2	1560-501-202-00	BUSH/45X50X42	*	1					
3	1560-501-203-00	BUSH/50X55X42	*	1					
4	V744-145-600-90	SEAL, OIL/TC45609	*	2					
5	V742-116-240-40	SEAL, OIL/VC16244	*	1					
6	1560-501-230-00	BREATHER ASSY	*	1					
7	1560-501-231-00	COVER	*	1					
8	1500-501-213-00	FILTER	*	1					
9	1500-501-214-00	SCREW/M4X20	*	1					
10	V211-561-004-00	BOLT/M10X40	*	1					
11	V201-361-009-00	BOLT/M10X90	*	3					
12	V211-561-003-00	BOLT/M10X30	*	4					
13	V304-460-010-00	NUT/M10	*	3					
14	V401-160-010-00	WASHER, SP/M10	*	6					
15	V720-112-401-40	O-RING/P14	*	3					
16	V780-140-000-60	PLUG/SCREW	*	1					
17	V781-160-000-60	NIPPLE/PT3/8	*	1					
18	V782-160-000-60	PLUG/SCREW	*	1					
19	1597-501-001-10	COLLAR/24X38X44	*	1			7F		
20	1518-432-250-00	CAP, OIL ASSY	*	1					
21	1518-306-203-00	PACKING	*	1					

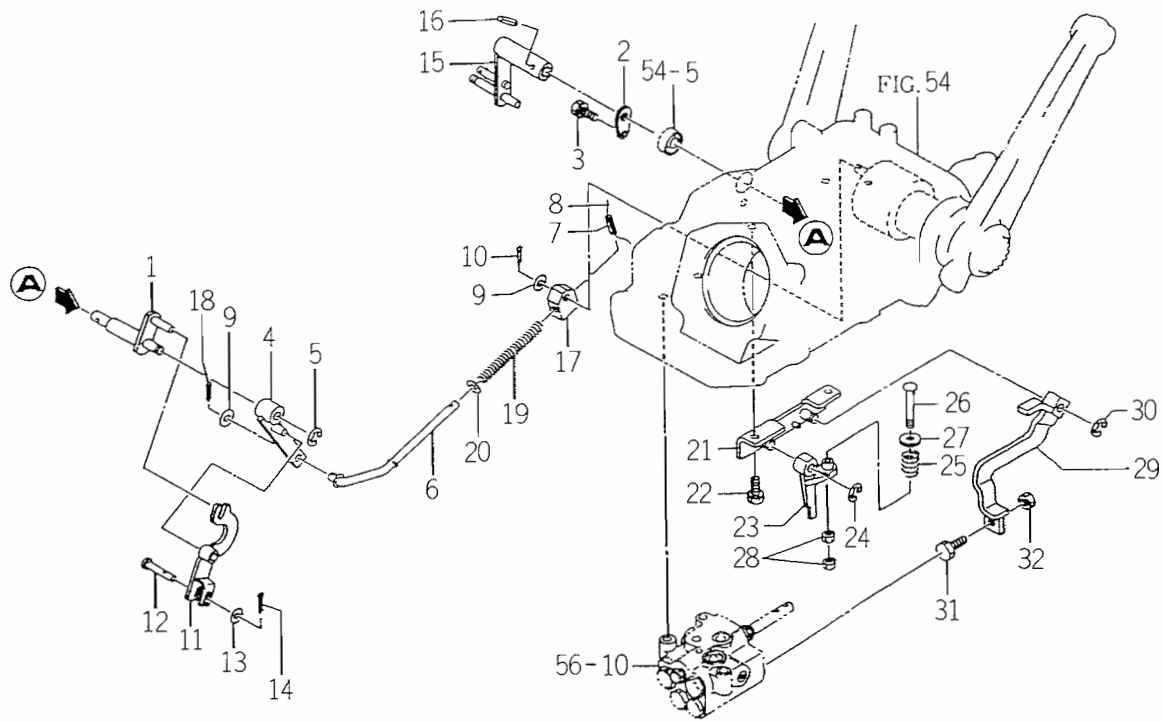
FIG. 56 CYLINDER SYSTEM



1673-507

KEY	PART CODE	DESCRIPTION	S P C	TYPE OF MODEL		I T C	C O L	G R P	REMARKS
				TK538H					
1	1560-507-001-30	CYLINDER	*	1					
2	1560-507-004-30	RING	*	1					
3	V721-113-109-00	O-RING/G90	*	1					
4	1560-507-005-00	PISTON	*	1					
5	1488-503-002-00	RING, BACK-UP	*	1					
6	V720-115-707-00	O-RING/P70 HS90	*	1					
7	1650-501-008-00	ROD	*	1					
8	V580-140-805-00	PIN, SPRING/8 X50 W	*	1					
9		WIRE	*	1					
10	K211-008-000-10	VALVE, CONTROL ASSY	*	1					FIG 143
11	V211-260-804-00	BOLT, SEMS	*	3					
12	1560-507-002-40	SPRING	*	1					
13	V201-260-803-00	BOLT/M 8X30	*	1					
14	V304-260-008-00	NUT/M 8	*	1					
15	1560-507-008-00	HEAD	*	1					
16	V721-113-107-50	O-RING G75 HS90	*	1					
17	V201-361-203-50	BOLT/M12X35	*	6					
18	V401-160-012-00	WASHER, SP/M12	*	6					
19	V782-160-000-4T	PLUG/SCREW/SEAL	*	1					
20	V782-160-000-2T	PLUG/SCREW/SEAL	*	1					
21	K250-015-000-00	VALVE	*	1					
22	V720-112-401-20	O-RING/P12	*	1					
23	V720-112-401-80	O-RING/P18	*	1					
24	K231-004-000-20	VALVE/FRONT ASSY	*	1					
25	V720-112-401-00	O-RING/P10	*	1					
26	V730-101-401-00	RING, BACK UP	*	1					
27	K231-004-006-00	COLLAR/11X21X3	*	1					
28	V705-140-021-00	RING, SNAP/21 C	*	1					
29	K231-004-007-00	SEAL, DUST	*	1					
30	V720-112-402-20	O-RING/P22	*	1					

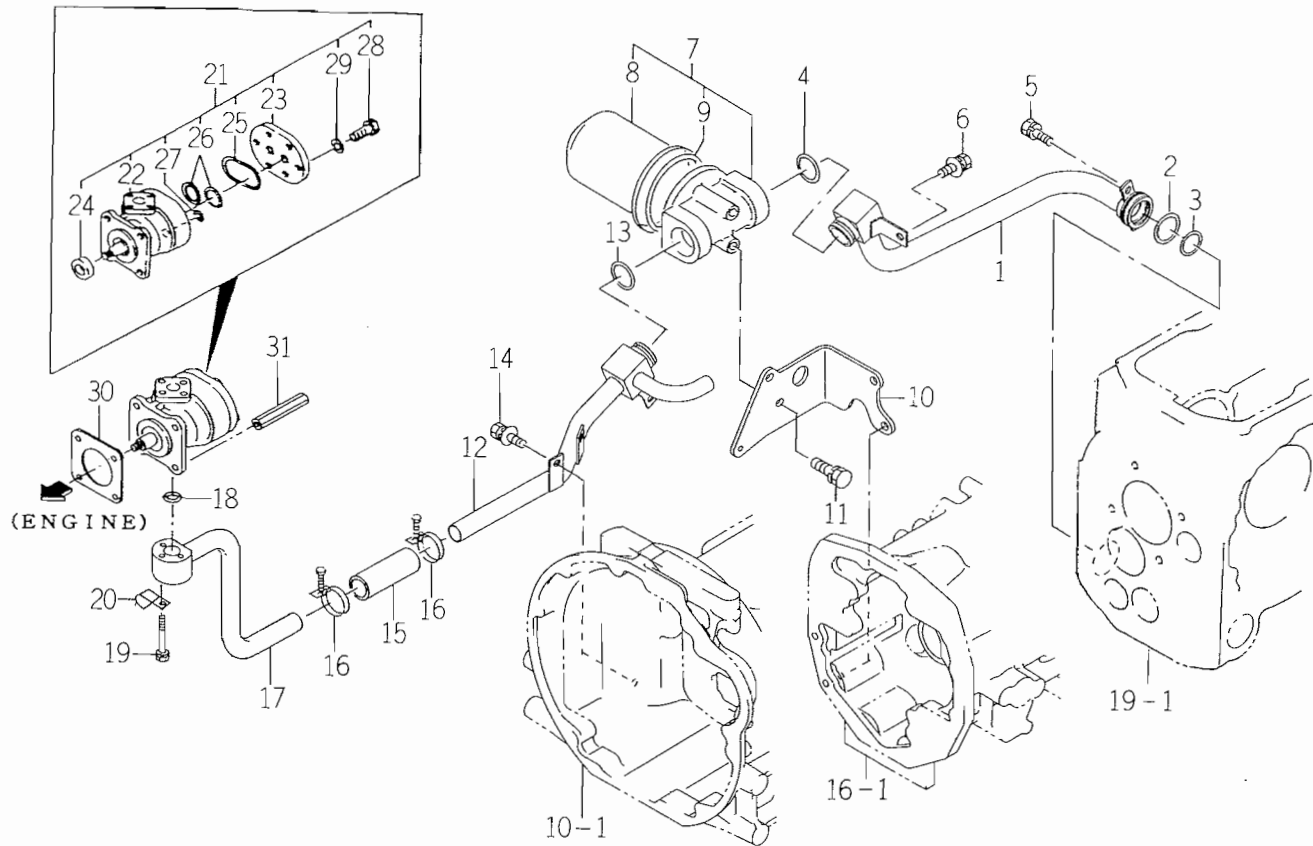
FIG. 58 LINK (POSITION) SYSTEM



1673-509

KEY	PART CODE	DESCRIPTION	S P C	TYPE OF MODEL		I T C	C O L	G R P	REMARKS
				TK538H					
1	1560-509-300-00	ARM COMP	*	1					
2	1421-507-007-00	STOPPER	*	1					
3	V211-260-801-60	BOLT, SEMS (S) M8X16	*	1					
4	1560-509-310-00	ARM COMP	*	1					
5	V710-140-008-00	RING, SNAP/8 E	*	1					
6	1560-509-360-00	ROD	*	1					
7	V580-140-301-60	PIN, SPRING/3 X16 W	*	1					
8		WIRE	*	1					
9	V411-260-008-00	WASHER, PL/M 8	*	1					
10	V500-162-002-00	PIN, SPLIT/2 X20	*	1					
11	1560-509-340-00	ARM	*	1					
12	1560-509-006-40	PIN	*	1					
13	V411-260-006-00	WASHER / M6	*	1					
14	V500-162-002-00	PIN, SPLIT/2 X20	*	1					
15	1673-509-200-10	ARM COMP	*	1					
16	V580-140-402-00	PIN/SPRING	*	1					
17	1560-509-004-50	RING	*	1					
18	V500-162-002-00	PIN, SPLIT/2 X20	*	1					
19	1560-509-005-30	SPRING	*	1					
20	V411-260-008-00	WASHER, PL/M 8	*	1					
21	1560-509-320-10	BRACKET COMP	*	1					
22	V211-260-801-60	BOLT, SEMS (S) M8X16	*	2					
23	1560-509-012-00	ARM	*	1					
24	V710-140-008-00	RING, SNAP/8 E	*	1					
25	1560-509-008-40	SPRING	*	1					
26	1560-509-002-00	PIN/6X49	*	1					
27	1560-509-009-00	WASHER/7X22X3	*	1					
28	V301-260-006-00	NUT/M 6	*	2					
29	1560-509-350-00	ARM	*	1					
30	V710-140-008-00	RING, SNAP/8 E	*	1					

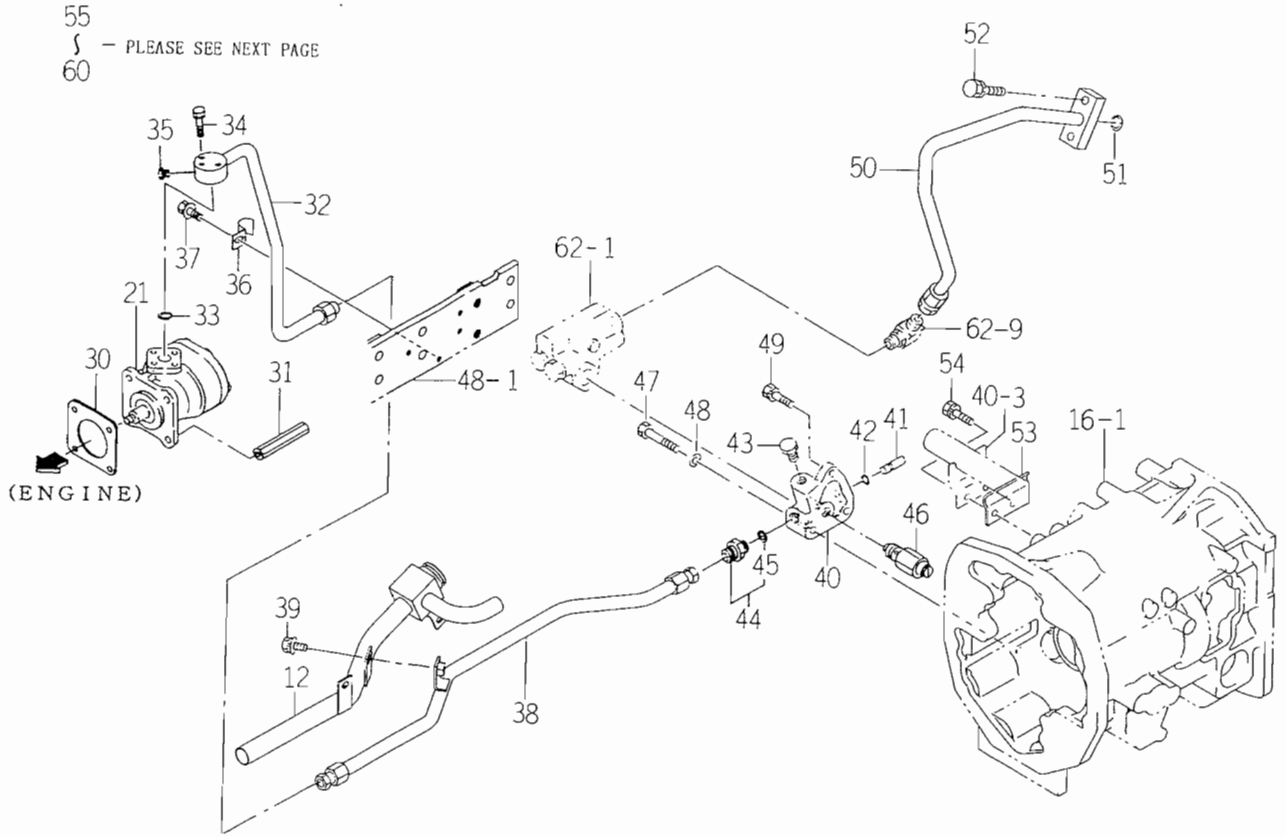
FIG. 61 PIPING (MAIN) SYSTEM (1/3)



1674-515P

KEY	PART CODE	DESCRIPTION	S P C	TYPE OF MODEL		I T C	C O L	G R P	REMARKS
				TK538H					
1	1641-515-510-00	PIPE/SUC/REAR COMP	*	1					
2	V721-103-104-50	O-RING/G45	*	1					
3	V721-103-103-50	O-RING/G35	*	1					
4	V720-113-503-40	RING/O	*	1					
5	V211-261-002-00	BOLT, SEMS	*	1					
6	V211-360-801-60	BOLT, SEMS (SP)	*	1					
7	1641-515-390-00	FILTER/SUCTION/30	*	1					
8	1641-515-391-00	CARTRIDGE (30)	*	1					
9	1643-515-203-00	PACKING	*	1					
10	1641-515-051-00	BRACKET/FILTER	*	1					
11	V211-261-002-50	BOLT(S) M10X25	*	2					
12	1641-515-520-00	PIPE/SUC/MID COMP	*	1					
13	V720-113-503-40	RING/O	*	1					
14	V211-360-801-60	BOLT, SEMS (SP)	*	2					
15	1550-508-001-10	HOSE/90	*	1					
16	J061-228-036-00	CLAMP/WIRE/28-36	*	2					
17	1641-515-340-10	PIPE/SUCTION/F COMP	*	1					
18	V720-112-402-00	O-RING/P20	*	1					
19	V210-560-604-50	BOLT/S	*	3					
20	3737-172-009-00	CLAMP, MAIN HARNESS	*	1					
21	K135-022-000-00	PUMP, GEAR ASSY	*	1					
22	K135-022-100-00	PUMP SET	*	1					
23	K135-017-006-00	COVER, PUMP	*	1					
24	V744-114-280-70	SEAL, OIL	*	1					
25	V721-113-105-00	O-RING HS90 G50	*	1					
26	V720-112-402-20	O-RING/P22	*	4					
27	V720-111-900-60	O-RING P6 HS90	*	1					
28	K135-002-009-00	BOLT/M8X28 11T	*	6					
29	V401-170-008-00	S. W	*	6					
30	1404-503-006-00	PACKING, OIL PUMP	*	1					

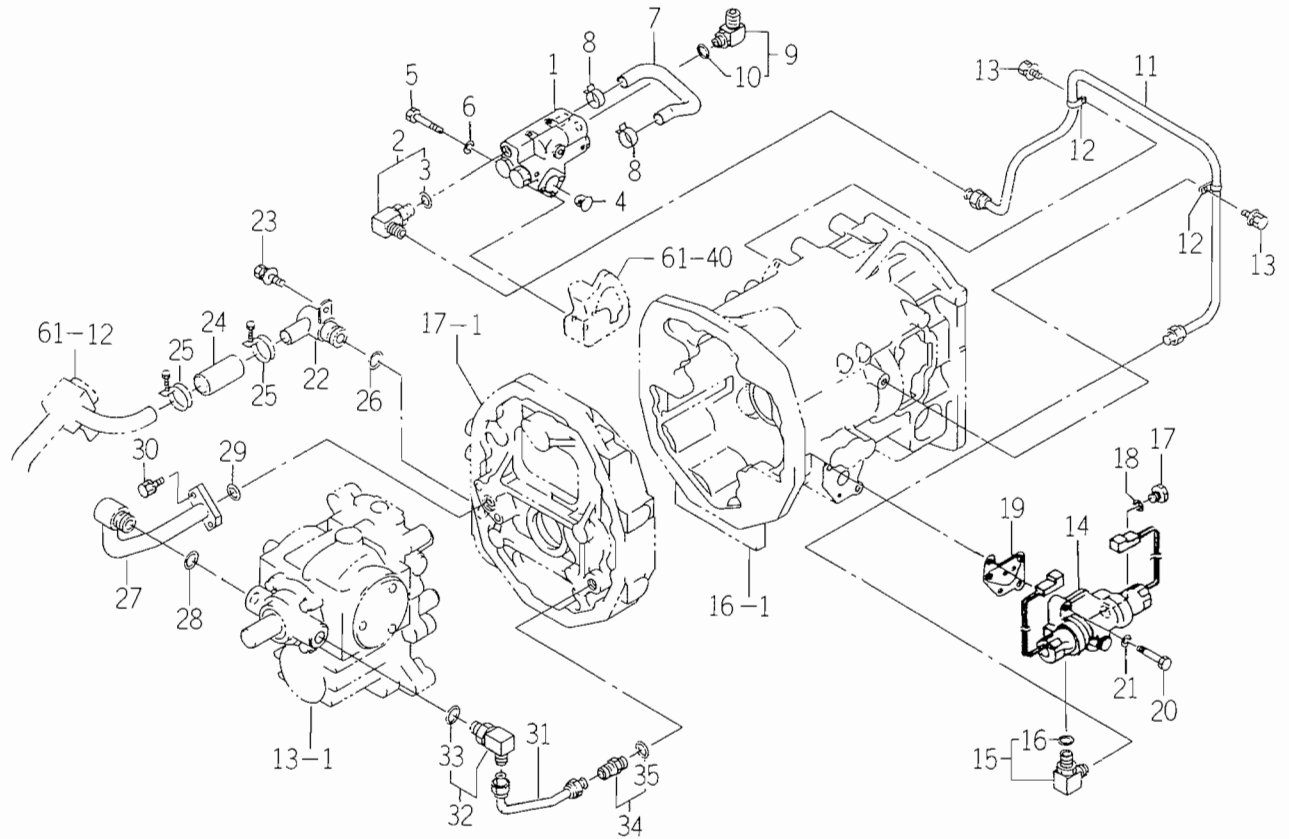
FIG. 61 PIPING (MAIN) SYSTEM (2/3)



1674-515F

KEY	PART CODE	DESCRIPTION	S P C	TYPE OF MODEL		I T C	C O L	G R P	REMARKS
				TK538H					
31	1560-515-004-50	NUT/M08	*	1					
32	1673-515-240-10	PIPE/DERIVERY/E COMP	*	1					
33	V720-112-402-00	O-RING/P20	*	1					
34	V210-560-603-50	BOLT/S	*	3					
35	V782-160-000-2T	PLUG/SCREW/SEAL	*	1					
36	1564-515-001-20	PLATE	*	1					
37	V211-360-801-60	BOLT, SEMS (SP)	*	1					
38	1641-515-530-00	PIPE/DER/MID COMP	*	1					
39	V211-360-801-60	BOLT, SEMS (SP)	*	1					
40	1641-515-032-00	METAL/RELIEF	*	1					
41	1650-501-006-00	PIPE/30	*	1					
42	V723-111-500-80	RING/O	*	1					
43	V782-160-000-6T	PLUG/SCREW/SEAL	*	1					
44	1650-508-320-00	ADAPTER/PF3/8 ASSY	*	1					
45	V720-112-401-40	O-RING/P14	*	1					
46	K250-008-000-00	VALVE, RELIEF ASSY	*	1					
47	V201-260-805-00	BOLT/M 8X50	*	2					
48	V401-160-008-00	WASHER, SP/M 8	*	2					
49	V211-260-802-50	BOLT/S	*	1					
50	1674-515-510-10	PIPE/DER/REAR COMP	*	1					
51	V720-112-401-40	O-RING/P14	*	1					
52	V211-261-003-00	BOLT (S) M10X30	*	2					
53	1674-515-031-00	PLATE	*	1					
54	V211-560-802-00	BOLT/M8X20	*	2					
55	1673-515-002-00	COVER	*	1					
56	V211-261-003-00	BOLT (S) M10X30	*	1					
57	V211-261-002-50	BOLT (S) M10X25	*	1					
58	V720-112-402-00	O-RING/P20	*	2					
59	1641-515-550-00	FILTER/SUCTION ASSY	*	1					
60	V721-103-104-50	O-RING/G45	*	1					

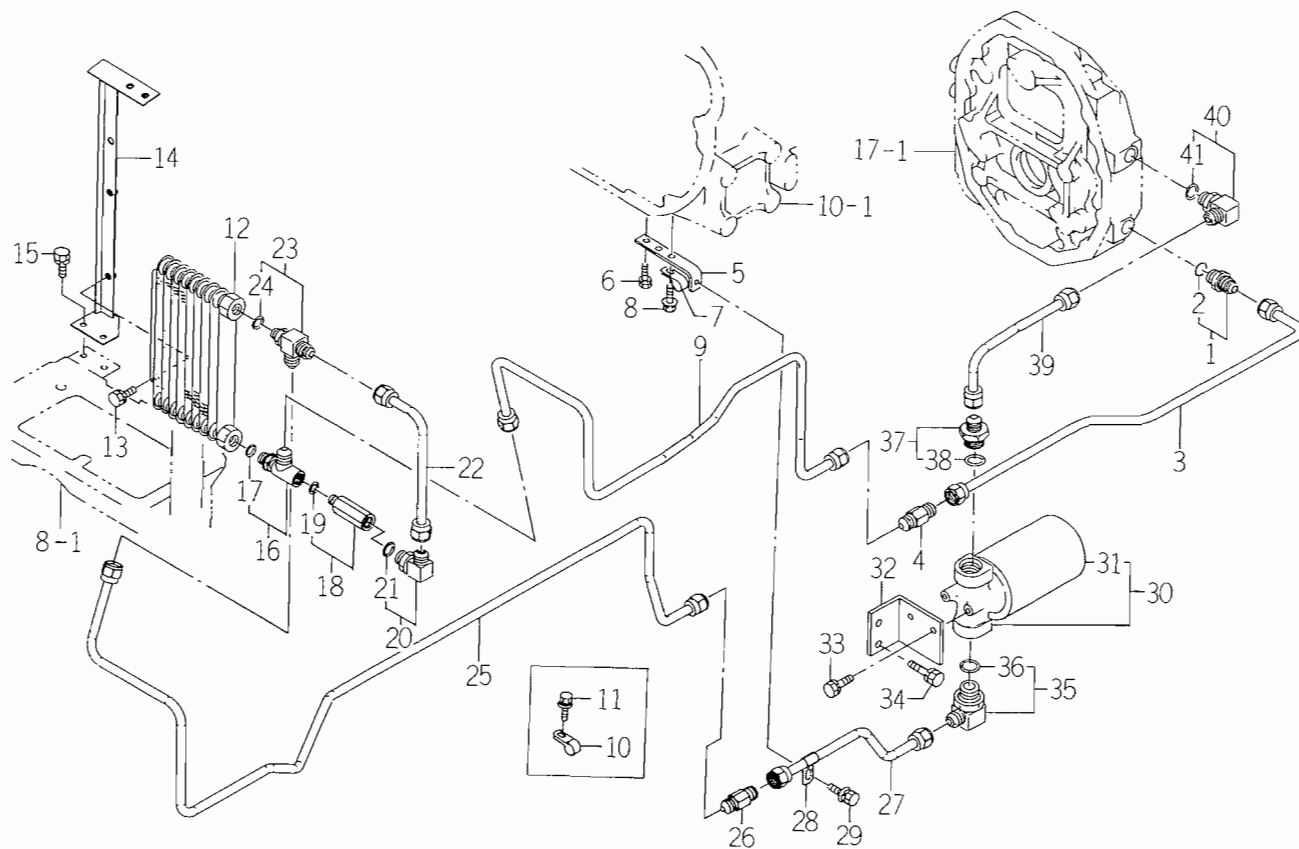
FIG. 62 PIPING (SUB) SYSTEM



1674-516

KEY	PART CODE	DESCRIPTION	S P C	TYPE OF MODEL		I T C	C O L	G R P	REMARKS
				TK538H					
1	K256-001-000-00	REDUCE VALVE ASSY	*	1					FIG 144
2	1701-509-320-10	ADAPTER/L/G1/4 ASSY	*	1					
3	V720-112-401-10	RING/O	*	1					
4	1650-508-002-00	FILTER/LINE/12X18X15	*	1					
5	V200-360-604-50	BOLT	*	3					
6	V401-160-006-00	WASHER, SP/M 6	*	3					
7	1641-516-031-00	HOSE/OIL	*	1					
8	1673-782-016-00	CLIP/HOSE/17-20	*	2					
9	1701-508-320-00	ADAPTER/L/G1/2 ASSY	*	1					
10	V720-112-401-40	O-RING/P14	*	1					
11	1641-516-520-00	PIPE/PTO COMP	*	1					
12	1650-509-003-10	HOLDER/10	*	2					
13	V211-360-801-60	BOLT, SEMS (SP)	*	2					
14	K275-001-000-00	SOLINOID VALVE ASSY	*	1					FIG 145
15	1656-509-310-10	ADAPTER/L/PF1/4 ASSY	*	1					
16	V720-112-401-10	RING/O	*	1					
17	K275-001-003-00	PLUG (PF1/4)	*	1					
18	V720-102-401-10	O-RING/P11	*	1					
19	1650-509-004-00	GASKET/4WD/PTO	*	1					
20	V201-260-804-50	BOLT/M 8X45	*	2					
21	V401-160-008-00	WASHER, SP/M 8	*	2					
22	1641-516-530-00	CONNECTOR/SUC/HST	*	1					
23	V211-260-802-00	BOLT, SEMS (S)	*	1					
24	1641-516-051-00	HOSE/21X31X65	*	1					
25	J061-120-032-00	CLAMP/WORM/20-32	*	2					
26	V720-112-402-00	O-RING/P20	*	1					
27	1641-516-540-00	PIPE/SUC/HST COMP	*	1					
28	V720-112-402-20	O-RING/P22	*	1					
29	V720-112-401-80	O-RING/P18	*	1					
30	V211-560-802-50	BOLT, SEMS/M8X25 7T	*	2					

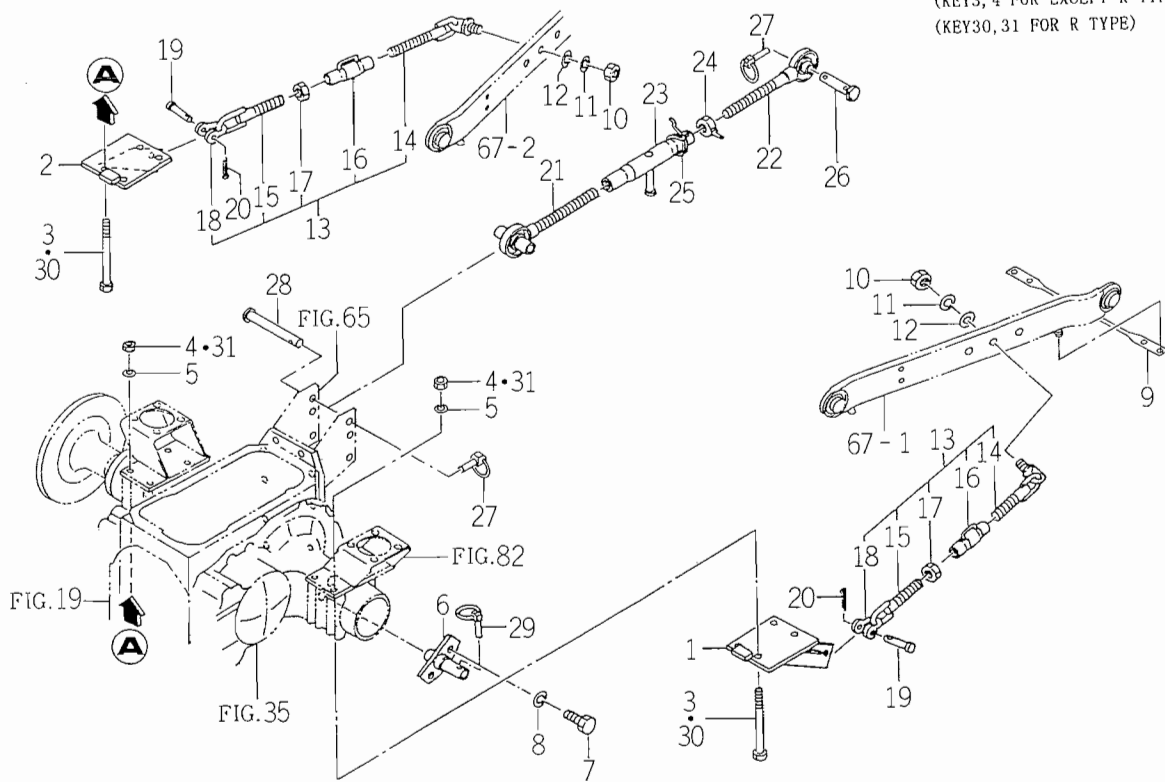
FIG. 64 PIPING (COOLER) SYSTEM



1641-517

KEY	PART CODE	DESCRIPTION	S P C	TYPE OF MODEL		I T C	C O L	G R P	REMARKS
				TK538H					
1	1650-509-300-00	ADAPTER/PF3/8 ASSY	*		1				
2	V720-112-401-40	O-RING/P14	*		1				
3	1641-517-510-00	PIPE/COOLER/REA COMP	*		1				
4	1641-517-057-00	ADAPTER/M20-M20	*		1				
5	1641-517-051-00	PLATE/L/19X112	*		1				
6	V211-260-801-60	BOLT, SEMS (S) M8X16	*		2				
7	1650-509-012-00	HOLDER/12	*		1				
8	V211-360-801-60	BOLT, SEMS (SP)	*		1				
9	1641-517-520-20	PIPE/COOLER/FRONT	*		1				
10	1650-509-012-00	HOLDER/12	*		4				
11	V211-360-801-60	BOLT, SEMS (SP)	*		4				
12	1646-407-560-00	COOLER/OIL ASSY	*		1				
13	V211-260-801-60	BOLT, SEMS (S) M8X16	*		2				
14	1641-517-530-00	BRACKET/COOLER COMP	*		1				
15	V211-260-801-60	BOLT, SEMS (S) M8X16	*		4				
16	1641-517-620-00	ADAPTER/G3/8 ASSY	*		1				
17	V720-112-401-40	O-RING/P14	*		1				
18	K220-002-000-00	VALVE/CHECK ASSY	*		1				
19	V720-112-401-40	O-RING/P14	*		1				
20	1650-509-310-00	ADAPTER/L/PF3/8 ASSY	*		1				
21	V720-112-401-40	O-RING/P14	*		1				
22	1641-517-540-00	PIPE/CHECKVALVE COMP	*		1				
23	1646-407-550-00	ADAPTER/G3/8 ASSY	*		1				
24	V720-112-401-40	O-RING/P14	*		1				
25	1641-517-550-10	PIPE/COOLER/OUT COMP	*		1				
26	1641-517-057-00	ADAPTER/M20-M20	*		1				
27	1641-517-560-00	PIPE/FILTER/IN COMP	*		1				
28	1650-509-012-00	HOLDER/12	*		1				
29	V211-360-801-60	BOLT, SEMS (SP)	*		1				
30	1646-516-690-00	FILTER/CHARGE ASSY	*		1				

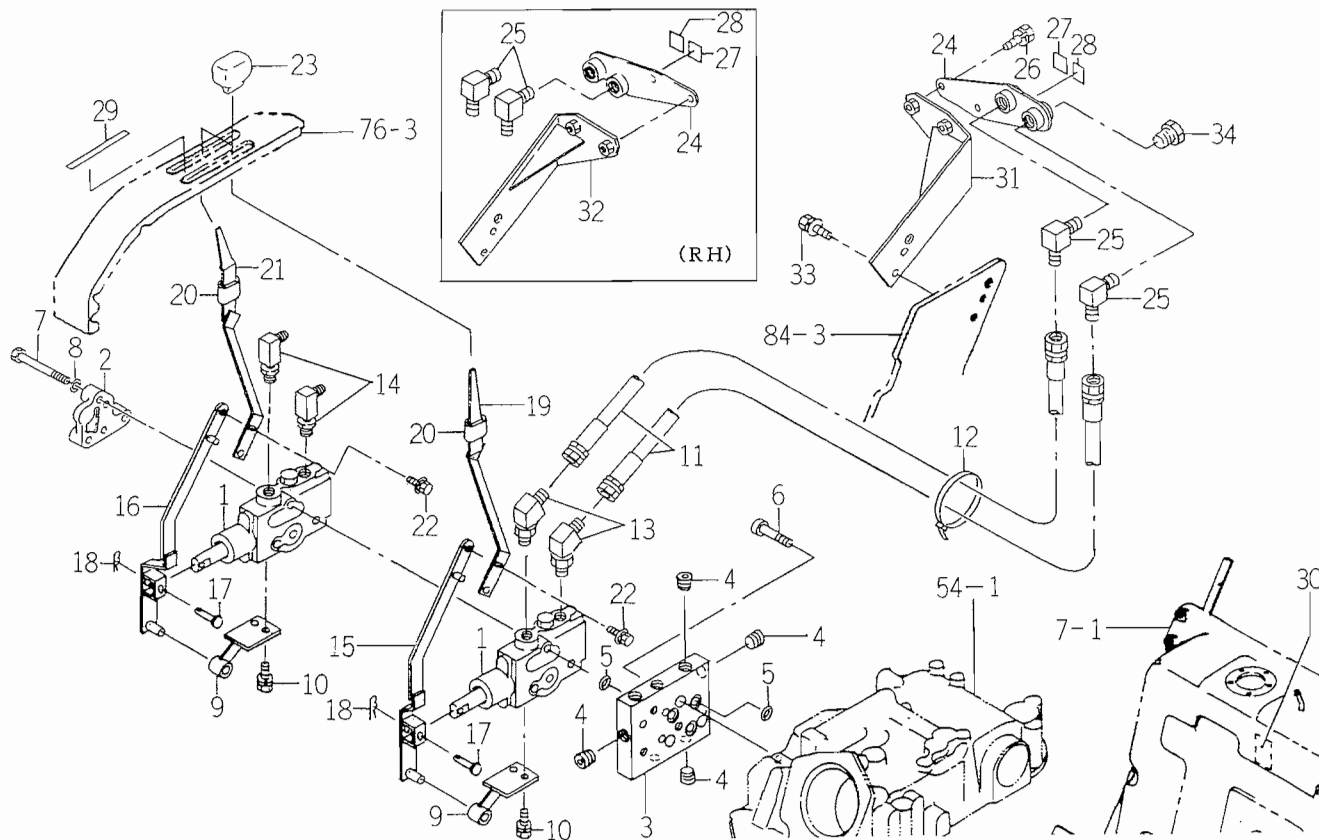
FIG. 66 3P LINK SYSTEM

(KEY3, 4 FOR EXCEPT R TYPE)
(KEY30, 31 FOR R TYPE)

1560-525

KEY	PART CODE	DESCRIPTION	S P C	TYPE OF MODEL		I T C	C O L	G R P	REMARKS
				TK538H					
1	1560-525-200-50	BRACKET L COMP	*	1					
2	1560-525-210-50	BRACKET R COMP	*	1					
3	V201-361-215-50	BOLT	*	8					
4	V304-460-012-00	NUT/M12	*	8					
5	V401-160-012-00	WASHER, SP/M12	*	8					
6	1560-525-260-40	PIN	*	2					
7	V201-361-403-00	BOLT/M14X30	*	4					
8	V401-160-014-00	WASHER, SP/M14	*	4					
9	1560-525-003-00	BAND. 470	*	1					
10	V304-260-016-00	NUT/M16	*	2					
11	V401-160-016-00	WASHER, SP/M16	*	2					
12	V411-260-016-00	WASHER / M16	*	2					
13	1560-525-280-30	CHAIN CHACK ASSY	*	2					
14	1560-525-240-40	CHAIN/CHECK/REA COMP	*	2					
15	1560-525-250-40	CHAIN/CHECK COMP	*	2					
16	1444-514-230-00	TURNBUCKLE/A	*	2					
17	V304-260-016-00	NUT/M16	*	2					
18	1404-511-801-10	SCREW	*	2					
19	7963-611-003-00	PIN/12X48	*	2					
20	V500-163-002-00	PIN, SPLIT/3 X20	*	2					
21	1560-525-290-10	LINK/TOP/LH COMP	*	1					
22	1568-525-300-10	LINK/TOP/RH COMP	*	1					
23	1550-514-290-00	TURNBUCKLE COMP	*	1					
24	1402-511-600-00	NUT, TOP LINK LOCK	*	1					
25	1560-525-002-40	SPRING	*	1					
26	1620-514-005-00	PIN/19X94	*	1					
27	1673-525-002-10	LINKPIN	*	2					
28	1640-525-001-00	PIN 19X132	*	1					
29	1673-525-002-10	LINKPIN	*	2					
30	V201-461-215-50	BOLT/M12X155	*	8					

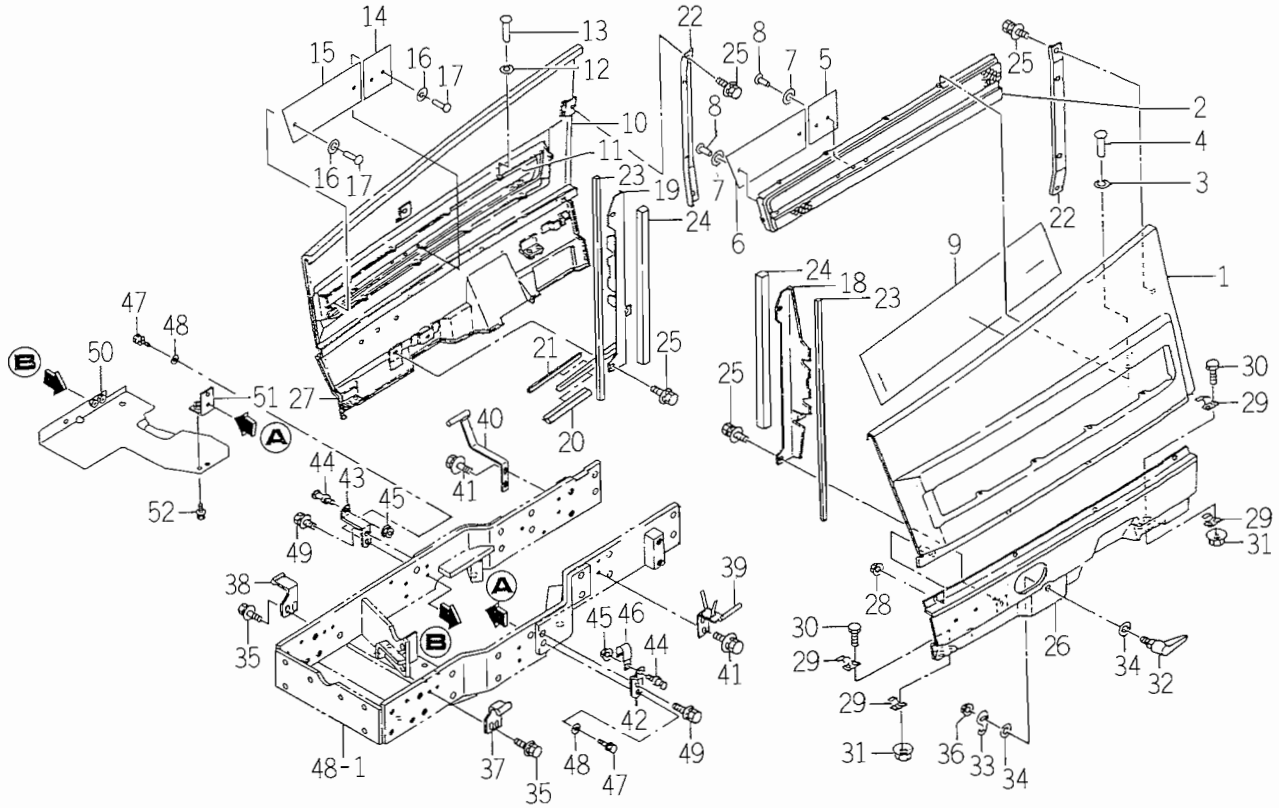
FIG. 68 VALVE (REMOTE/2R) SYSTEM (C TYPE)



1674-530

KEY	PART CODE	DESCRIPTION	S P C	TYPE OF MODEL		I T C	C O L	G R P	REMARKS
				TK538H					
1	1640-530-600-10	VALVE/CONTROL ASSY	*	2					FIG 148
2	1614-501-003-10	COVER	*	1					
3	1640-530-001-10	METAL/BYPASS	*	1					
4	V780-140-000-40	PLUG/SCREW	*	8					
5	V720-112-401-40	O-RING/P14	*	6					
6	V220-541-002-00	SCREW/SOCKET	*	3					
7	V201-261-012-00	BOLT/M10X120	*	3					
8	V401-160-010-00	WASHER, SP/M10	*	3					
9	1640-530-260-00	HOLDER COMP	*	2					
10	V211-260-801-60	BOLT, SEMS (S) M8X16	*	4					
11	1640-530-270-10	HOSE/660 COMP	*	4					
12	1342-402-006-00	BAND, WIRE/250	*	1					
13	1640-530-003-00	CONNECTOR	*	2					
14	1640-530-009-00	CONNECTOR/L	*	2					
15	1640-530-230-00	ARM/1ST COMP	*	1					
16	1640-530-330-00	ARM/2ND COMP	*	1					
17	2144-519-007-00	PIN/06X31	*	2					
18	2130-601-018-00	PIN, SNAP/6	*	2					
19	1640-530-240-10	LEVER/1ST COMP	*	1					
20	1560-511-101-00	PROTECTOR	*	2					
21	1640-530-340-00	LEVER/2ND COMP	*	1					
22	V211-360-801-60	BOLT, SEMS (SP)	*	2					
23	1612-531-003-00	GRIP	*	2					
24	1620-507-460-00	STAY/PIPE COMP	*	2					
25	1584-522-001-00	ADAPTER/90°	*	4					
26	V211-260-802-00	BOLT, SEMS (S)	*	4					
27	1518-903-006-00	MARK, PORT A	*	2					
28	1518-903-007-00	MARK, PORT B	*	2					
29	1640-530-007-00	LABEL/CONTROL/SUBCON	*	1					
30	1640-530-008-00	LABEL/SUBCON	*	1					

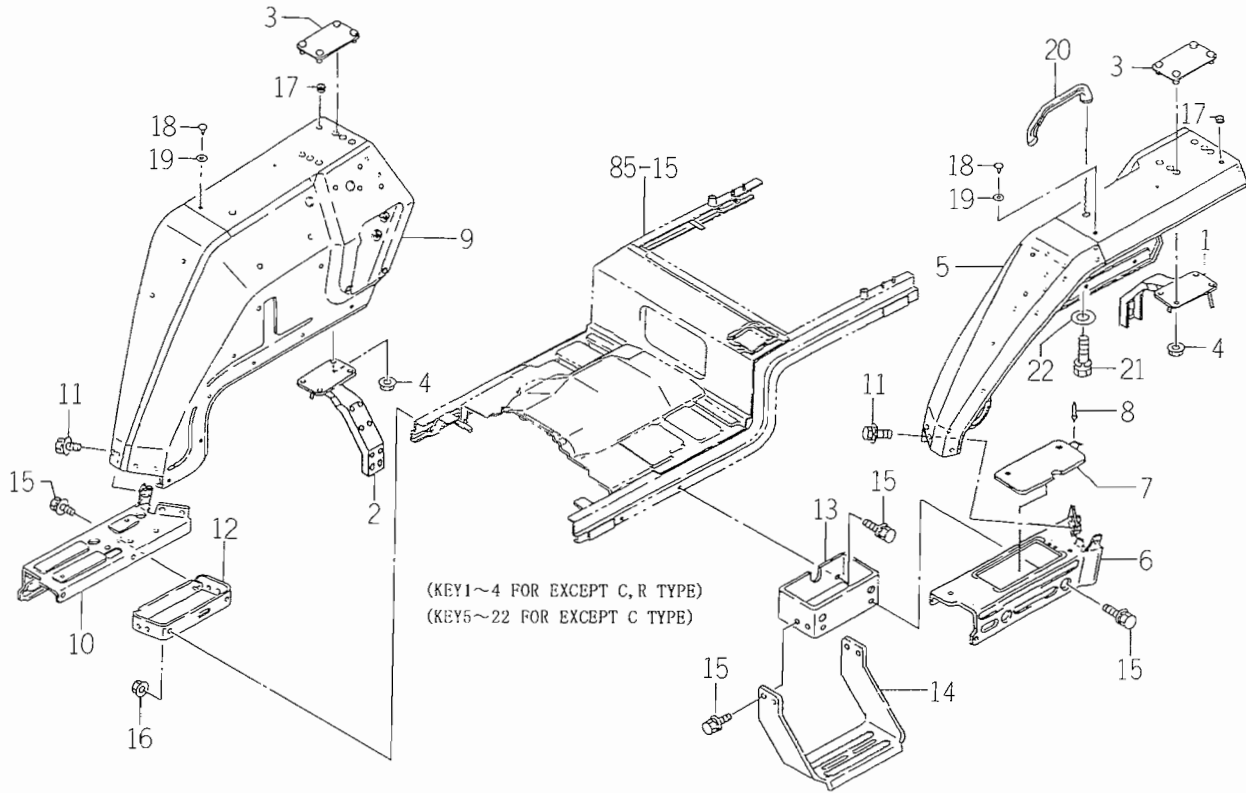
FIG. 73 FAN COVER SYSTEM



1674-604

KEY	PART CODE	DESCRIPTION	S P C	TYPE OF MODEL		I T C	C O L	G R P	REMARKS
				TK538H					
1	1594-604-220-20	COVER/SIDE/LH COMP	*	1			4G		
2	1594-604-001-00	NET LH	*	1			8E		
3	1480-604-204-00	WASHER	*	10					
4	W296-134-007-00	RIVET, BLIND	*	10					
5	1642-104-003-00	PLATE/I/102X80	*	1					
6	1674-604-211-00	PLATE	*	1					
7	1480-604-204-00	WASHER	*	4					
8	W296-134-007-00	RIVET, BLIND	*	4					
9	1611-604-001-00	INSULATOR	*	1					
10	1594-604-230-20	COVER/SIDE/RH COMP	*	1			4G		
11	1594-604-002-00	NET RH	*	1			8E		
12	1480-604-204-00	WASHER	*	10					
13	W296-134-007-00	RIVET, BLIND	*	10					
14	1642-104-003-00	PLATE/I/102X80	*	1					
15	1674-604-211-00	PLATE	*	1					
16	1480-604-204-00	WASHER	*	4					
17	W296-134-007-00	RIVET, BLIND	*	4					
18	1560-604-009-50	STAY/PLATE/LH	*	1					
19	1673-604-280-00	STAY/PLATE/RH COMP	*	1					
20	1673-112-004-00	INSULATOR/140	*	1					
21	4334-311-216-00	SOFT TAPE/10X5X160	*	1					
22	1560-604-024-10	BRACKET/PLATE	*	2					
23	1560-604-005-00	SEAL	*	2					
24	1560-104-004-40	SEAL	*	2					
25	V211-360-801-60	BOLT, SEMS (SP)	*	8					
26	1594-604-260-10	COVER/UNDER/LH COMP	*	1			8F		
27	1594-604-270-10	COVER/UNDER/RH COMP	*	1			8F		
28	V362-260-008-00	NUT/WASHER	*	8					
29	1560-604-022-70	SPRING	*	8					
30	V201-260-801-60	BOLT/M 8X16	*	8					

FIG. 74 FENDER SYSTEM (EXCEPT C TYPE)

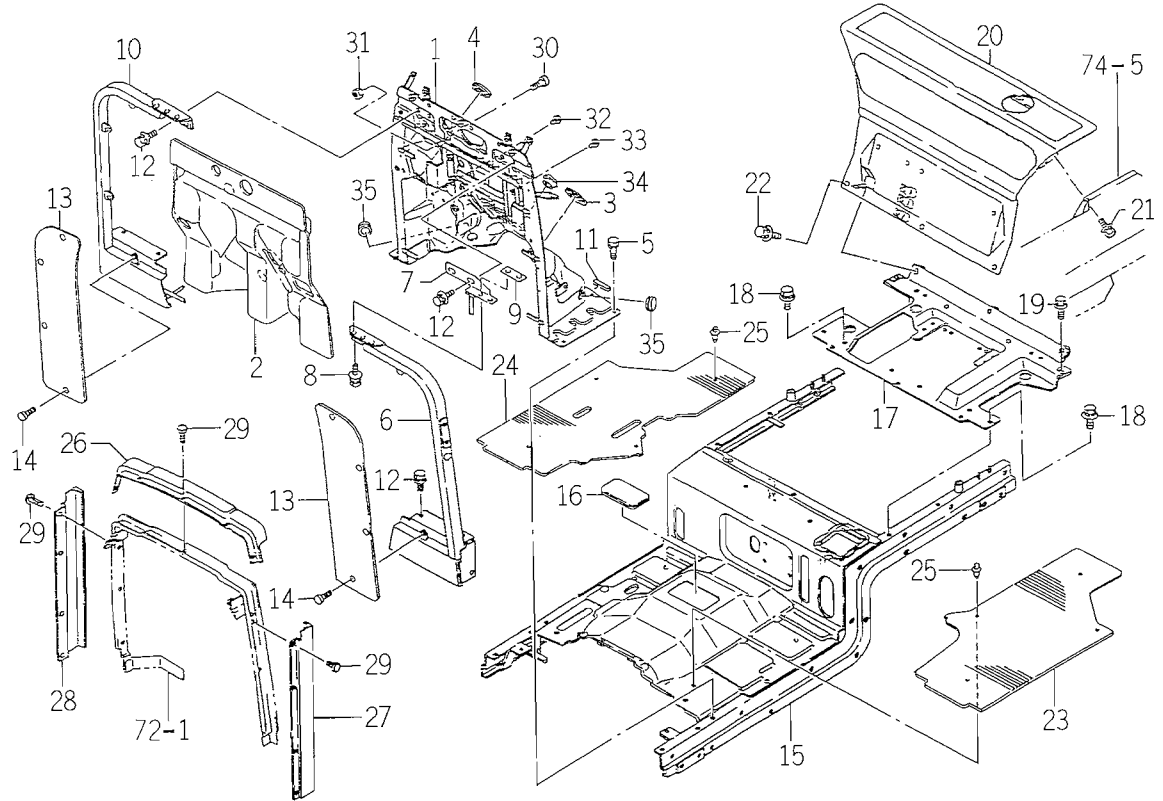


(KEY1~4 FOR EXCEPT C, R TYPE)
(KEY5~22 FOR EXCEPT C TYPE)

1674-606A

KEY	PART CODE	DESCRIPTION	S P C	TYPE OF MODEL		I T C	C O L	G R P	REMARKS
				TK538H					
1	1560-606-280-10	STAY/PLATE/LH COMP	*	1					
2	1560-606-290-10	STAY/PLATE/RH COMP	*	1					
3	1560-606-300-00	COVER COMP	*	2					
4	V362-260-008-00	NUT/WASHER	*	8					
5	1674-606-200-10	FENDER/LH COMP	*	1			4G		
6	1641-606-520-00	PANEL/FLOOR/LH COMP	*	1			4G		
7	1560-606-340-10	PLATE	*	1					
8	W296-203-206-30	RIVET/BLIND	*	2					
9	1674-606-210-10	FENDER/RHCOMP	*	1			4G		
10	1674-606-520-00	PANEL/FLOOR/RH COMP	*	1			4G		
11	V210-360-601-20	BOLT, SEMS	*	6					
12	1560-606-240-40	BRACKET COMP	*	1					
13	1560-606-330-00	BRACKET	*	1					
14	1560-630-321-50	STEP	*	1					
15	V211-360-802-00	BOLT (SP) M8X20	*	18					
16	V362-260-008-00	NUT/WASHER	*	2					
17	1432-651-028-00	GROMMET/9X13X2	*	4					
18	1527-604-002-00	CLIP (B)	*	2					
19	V411-260-008-00	WASHER, PL/M 8	*	2					
20	1612-608-003-00	GRIP/ASSIST	*	2					
21	V211-260-802-00	BOLT, SEMS (S)	*	4					
22	4101-102-038-00	WASHER/24X9X3.2	*	4					

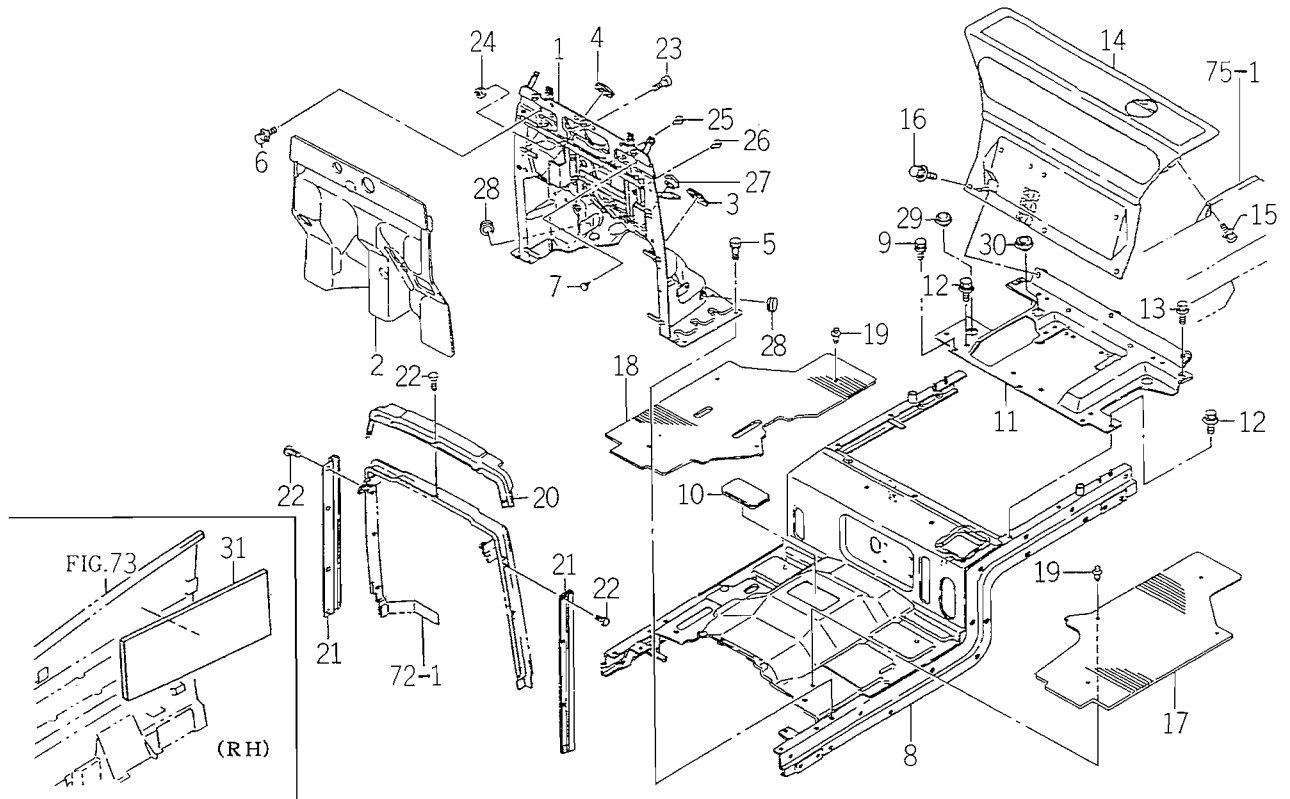
FIG. 85 FLOOR SYSTEM (EXCEPT C TYPE)



1674-630L

KEY	PART CODE	DESCRIPTION	S P C	TYPE OF MODEL		I T C	C O L	G R P	REMARKS
				TK538H					
1	1673-630-200-50	PANEL/DASH COMP	*	1			5I		
2	1674-630-004-00	INSULATOR	*	1					
3	1560-630-020-50	INSULATOR	*	1					
4	1560-630-021-50	INSULATOR	*	1					
5	V211-260-802-00	BOLT, SEMS (S)	*	10					
6	1594-630-220-40	FRAME/LH COMP	*	1			4G		
7	1641-630-300-00	HOLDER/FRAME COMP	*	1					
8	V211-360-802-00	BOLT (SP) M8X20	*	2					
9	1641-630-001-00	PLATE/I/19X50	*	1					
10	1594-630-230-32	FRAME. RH COMP	*	1			4G		
11	1564-630-012-00	INSULATOR	*	1					
12	V211-360-801-60	BOLT, SEMS (SP)	*	8					
13	1560-630-011-20	INSULATOR	*	2					
14	1527-604-002-00	CLIP (B)	*	8					
15	1674-630-510-00	PANEL/FLOOR/HST COMP	*	1			5I		
16	1674-630-053-00	CAP	*	1					
17	1594-630-200-61	PANEL/BACK COMP	*	1			5I		
18	V211-360-801-60	BOLT, SEMS (SP)	*	5					
19	V211-360-803-50	BOLT W SEMS M8X35	*	2					
20	1561-630-200-20	COVER/TANK COMP	*	1			4G		
21	V211-660-801-60	BOLT/M8X16	*	4					
22	V211-360-801-60	BOLT, SEMS (SP)	*	3					
23	1641-630-051-00	MAT/LH	*	1					
24	1674-630-051-00	MAT/RH	*	1					
25	1690-601-056-00	RIVET/PUSH/07	*	8					
26	1560-630-009-50	INSULATOR	*	1					
27	1594-630-001-20	INSULATOR/LH	*	1					
28	1594-630-002-20	INSULATOR/RH	*	1					
29	1527-604-002-00	CLIP (B)	*	13					
30	1421-602-005-10	CUSHION, B/ RUBBER	*	2					

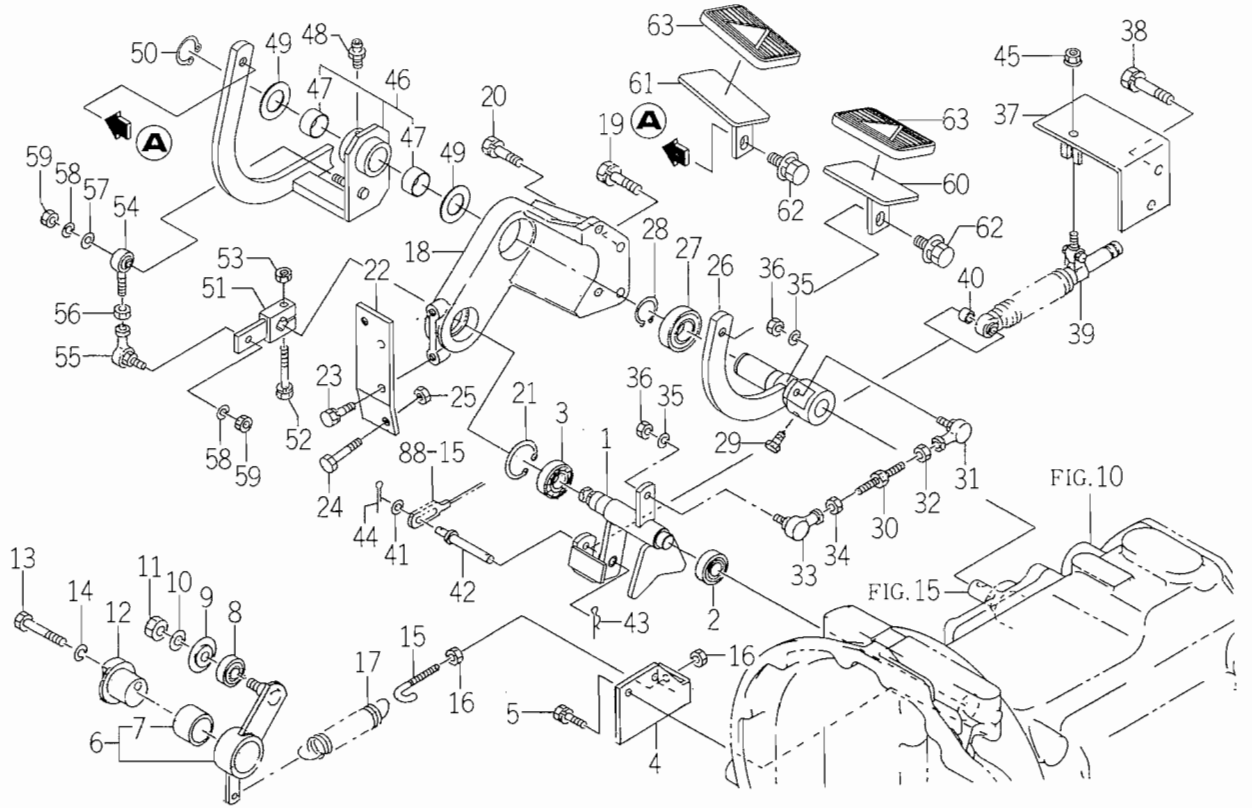
FIG. 86 FLOOR SYSTEM (C TYPE)



1674-630M

KEY	PART CODE	DESCRIPTION	S P C	TYPE OF MODEL		I T C	C O L	G R P	REMARKS
				TK538H					
1	1673-630-200-50	PANEL/DASH COMP	*	1			5I		
2	1674-630-004-00	INSULATOR	*	1					
3	1560-630-020-50	INSULATOR	*	1					
4	1560-630-021-50	INSULATOR	*	1					
5	V211-260-802-00	BOLT, SEMS (S)	*	10					
6	V211-360-801-60	BOLT, SEMS (SP)	*	6					
7	1434-611-002-10	CAP (M8)	*	4					
8	1674-630-510-00	PANEL/FLOOR/HST COMP	*	1			5I		
9	V211-360-801-60	BOLT, SEMS (SP)	*	4					
10	1674-630-053-00	CAP	*	1					
11	1594-630-200-61	PANEL/BACK COMP	*	1			5I		
12	V211-360-801-60	BOLT, SEMS (SP)	*	5					
13	V211-360-803-50	BOLT W SEMS M8X35	*	2					
14	1561-630-200-20	COVER/TANK COMP	*	1			4G		
15	V211-360-801-60	BOLT, SEMS (SP)	*	4					
16	V211-360-801-60	BOLT, SEMS (SP)	*	3					
17	1674-630-055-00	MAT/LH/C	*	1					
18	1674-630-056-00	MAT/RH/C	*	1					
19	1690-601-056-00	RIVET/PUSH/07	*	8					
20	1560-630-103-00	INSULATOR	*	1					
21	1560-630-022-40	INSULATOR	*	2					
22	1527-604-002-00	CLIP (B)	*	13					
23	1421-602-005-10	CUSHION, B/ RUBBER	*	2					
24	V304-260-008-00	NUT/M 8	*	2					
25	1432-616-002-00	RUBBER, CUSHION	*	2					
26	1432-616-002-00	RUBBER, CUSHION	*	1					
27	1560-630-029-00	CAP/30	*	2					
28	1432-651-021-00	CAP, RUBBER (20)	*	2					
29	1560-630-029-00	CAP/30	*	3					
30	1560-630-031-00	CAP/35	*	1					

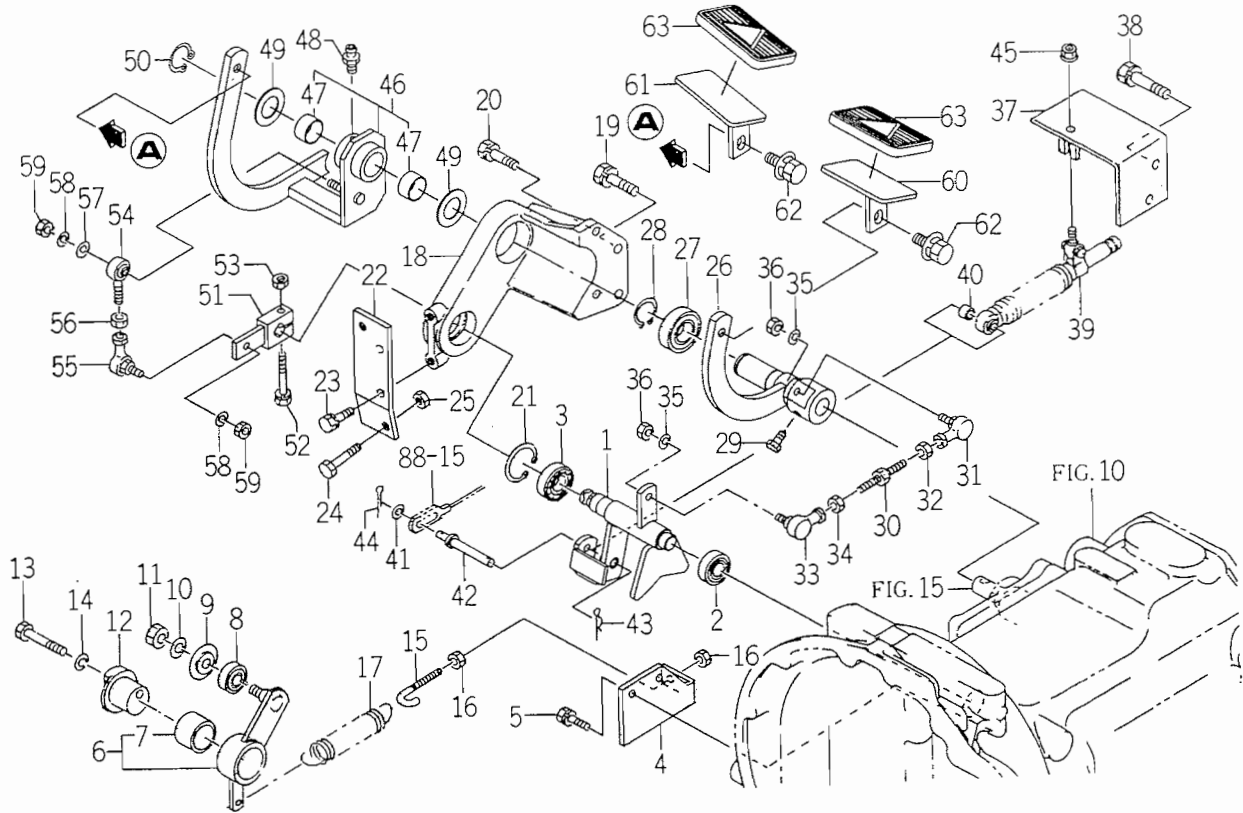
FIG. 87 PEDAL (HST) SYSTEM



1674-640

KEY	PART CODE	DESCRIPTION	S P C	TYPE OF MODEL		I T C	C O L	G R P	REMARKS
				TK538H					
1	1646-640-210-20	SHAFT/COUNTER COMP	*	1					
2	V600-150-600-30	BEARING, RB/6003SS	*	1					
3	V600-150-600-40	BEARING, RB/6004SS	*	1					
4	1646-640-004-10	PLATE/NEUTRAL	*	1					
5	V211-560-802-00	BOLT/M8X20	*	2					
6	1646-640-220-10	ARM/NEUTRAL ASSY	*	1					
7	1646-640-221-00	BUSH/32X36X25	*	1					
8	V600-150-600-20	BEARING, RB/6002SS	*	1					
9	1689-271-006-00	WASHER/38X12X2	*	1					
10	V401-160-012-00	WASHER, SP/M12	*	1					
11	V304-260-012-00	NUT/M12	*	1					
12	1646-640-006-00	PIN/ADJUST	*	1					
13	V201-361-005-00	BOLT/M10X50	*	1					
14	V401-160-010-00	WASHER, SP/M10	*	1					
15	2146-123-002-00	HOOK/TENSION	*	1					
16	V304-260-008-00	NUT/M 8	*	2					
17	4322-131-006-10	SPRING/SAFTY/CLUTCH	*	1					
18	1674-640-001-00	METAL/LINK	*	1					
19	V211-561-002-50	BOLT/M10X25	*	2					
20	V211-560-803-50	BOLT/S	*	2					
21	V705-140-042-00	RING, SNAP/42 C	*	1					
22	1646-640-012-10	PLATE/STOPPER	*	1					
23	V211-560-802-00	BOLT/M8X20	*	2					
24	V201-261-004-00	BOLT/M10X40	*	2					
25	V304-260-010-00	NUT	*	2					
26	1646-640-270-10	ARM/HST/F COMP	*	1					
27	V600-150-600-50	BEARING, RB/6005SS	*	1					
28	V704-140-025-00	RING, SNAP/25 C	*	1					
29	1646-226-053-00	BOLT/SM/M10X23	*	1					
30	1646-640-002-00	ROD/M08X64	*	1					

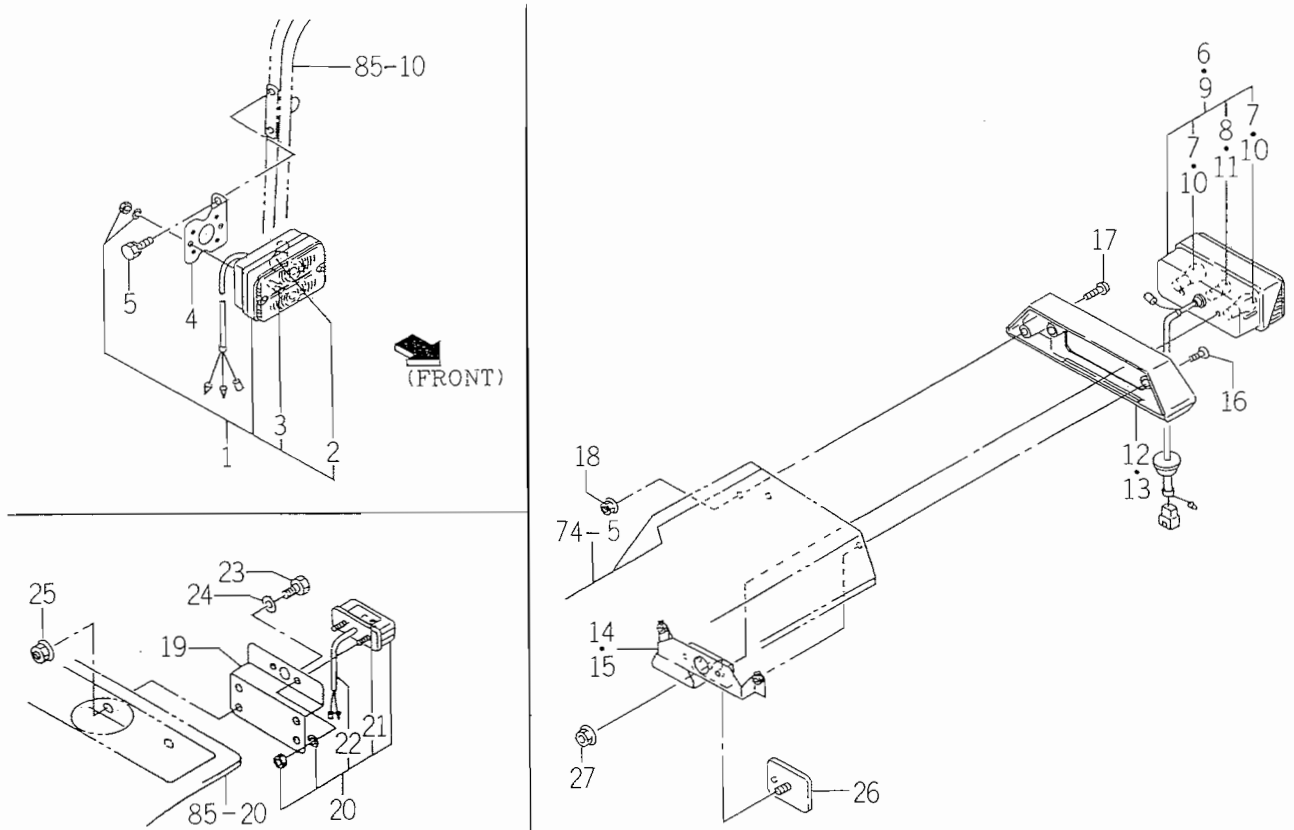
FIG. 87 PEDAL (HST) SYSTEM



1674-640

KEY	PART CODE	DESCRIPTION	S P C	TYPE OF MODEL		I T C	C O L	G R P	REMARKS
				TK538H					
31	1560-695-021-00	JOINT BALL M08RH	*	1					
32	V304-460-008-00	NUT/M8	*	1					
33	1560-695-022-00	JOINT BALL M08LH	*	1					
34	1560-132-007-30	NUT/M8	*	1					
35	V401-160-008-00	WASHER, SP/M 8	*	2					
36	V304-260-008-00	NUT/M 8	*	2					
37	1641-640-240-00	PLATE/HOLDER COMP	*	1					
38	V211-561-002-00	BOLT/M10X20	*	2					
39	1646-640-580-00	DAMPER/OIL ASSY	*	1					
40	1646-640-008-10	COLLAR/09X14X09	*	1					
41	3207-102-103-00	WASHER	*	1					
42	1646-640-009-10	PIN/08X52	*	1					
43	1301-411-005-00	PIN, HAIR	*	1					
44	V500-162-001-50	PIN, SPLIT/2 X15	*	1					
45	V362-260-008-00	NUT/WASHER	*	1					
46	1674-640-200-00	ARM/HST/R ASSY	*	1					
47	8654-203-201-00	BUSH/25X28X15	*	2					
48	V760-150-000-00	NIPPLE, GREASE	*	1					
49	1646-640-001-00	WASHER/25X43X02	*	2					
50	V704-140-025-00	RING, SNAP/25 C	*	1					
51	1646-640-330-00	PIVOT/COUNTER COMP	*	1					
52	V211-560-804-50	BOLT, SEMS/M8X45 7T	*	1					
53	V304-260-008-00	NUT/M 8	*	1					
54	1646-640-003-00	JOINT/BALL/M08	*	1					
55	1560-695-021-00	JOINT BALL M08RH	*	1					
56	V304-260-008-00	NUT/M 8	*	1					
57	6209-500-005-00	WASHER/08X15.5X1.6	*	1					
58	V401-160-008-00	WASHER, SP/M 8	*	2					
59	V304-260-008-00	NUT/M 8	*	2					
60	1674-640-220-00	PEDAL/HST/L COMP	*	1					

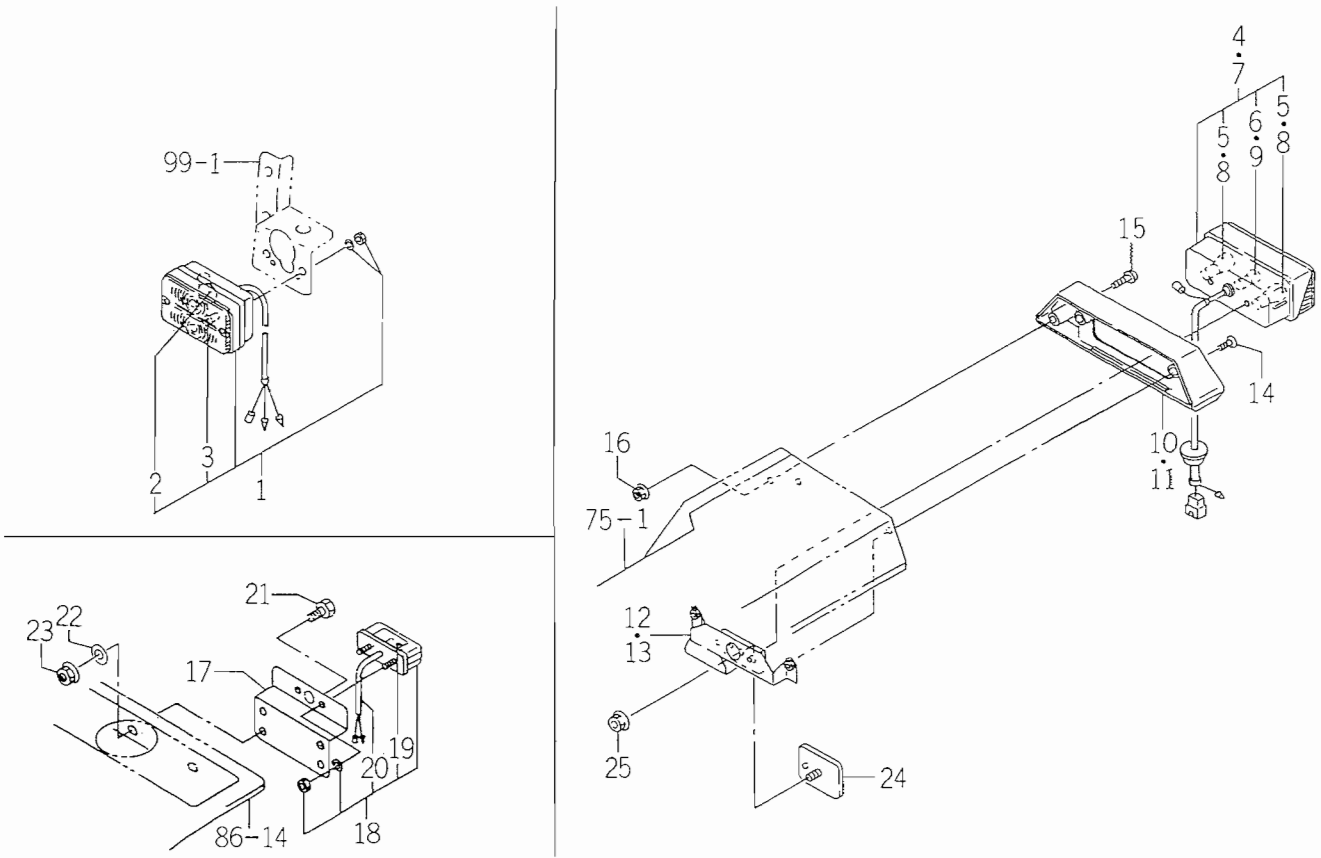
FIG. 91 LAMP SYSTEM (EXCEPT C TYPE)



1674-654

KEY	PART CODE	DESCRIPTION	S P C	TYPE OF MODEL		I T C	C O L	G R P	REMARKS
				TK538H					
1	1674-654-200-00	LAMP/FRONT SET	*	2					
2	1674-654-211-00	BULB/12V21W	*	2					
3	1674-654-212-00	BULB/12V5W	*	2					
4	1594-654-001-20	BRACKET/LAMP/FRONT	*	2					
5	V211-260-801-60	BOLT, SEMS (S) M8X16	*	2					
6	1674-654-240-00	LAMP/COMBI/REAR/LH	*	1					
7	1674-654-211-00	BULB/12V21W	*	2					
8	1674-654-212-00	BULB/12V5W	*	1					
9	1674-654-260-00	LAMP/COMBI/REAR/RH	*	1					
10	1674-654-211-00	BULB/12V21W	*	2					
11	1674-654-212-00	BULB/12V5W	*	1					
12	1674-606-001-00	BRACKET/LH	*	1					
13	1674-606-002-00	BRACKET/RH	*	1					
14	1674-606-220-30	STAY/LAMP/REAR/LH	*	1					
15	1674-606-330-10	STAY/LAMP/REAR/LH	*	1					
16	V112-165-002-50	SCREW/M5X25	*	4					
17	V111-165-001-00	SCREW/M5X10	*	2					
18	V360-260-005-00	NUT/M5	*	2					
19	1594-654-261-10	BRACKET/LAMP/NUMBER	*	1					
20	1674-654-270-00	LAMP/NUMBERPLAT SET	*	1					
21	1674-654-271-00	BULB/12V/5W	*	1					
22	1674-654-272-00	HARNES/LAMP	*	1					
23	V201-260-801-60	BOLT/M 8X16	*	2					
24	V411-260-008-00	WASHER, PL/M 8	*	2					
25	V363-260-008-00	NUT, LOCK/M8	*	2					
26	1600-622-321-00	REFLECTOR	*	2					
27	V361-260-006-00	NUT	*	2					

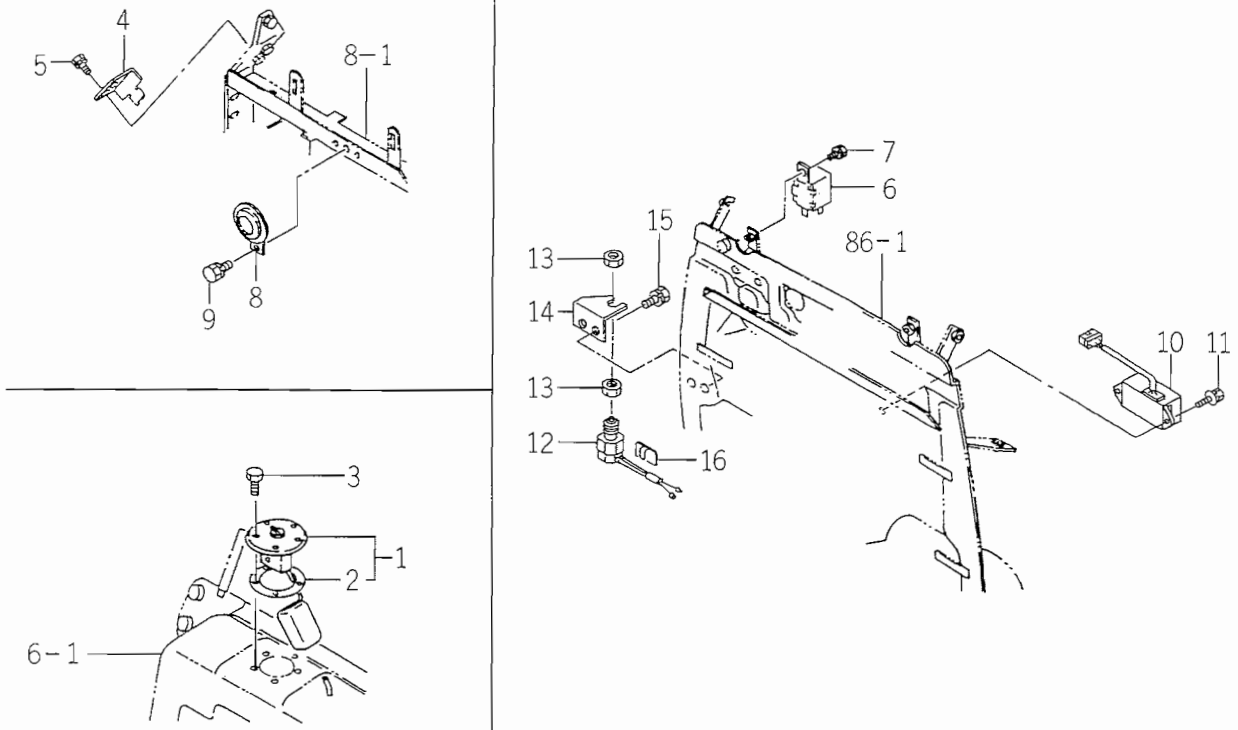
FIG. 92 LAMP SYSTEM (C TYPE)



1674-654A

KEY	PART CODE	DESCRIPTION	S P C	TYPE OF MODEL		I T C	C O L	G R P	REMARKS
				TK538H					
1	1674-654-200-00	LAMP/FRONT SET	*	2					
2	1674-654-211-00	BULB/12V21W	*	2					
3	1674-654-212-00	BULB/12V5W	*	2					
4	1674-654-240-00	LAMP/COMBI/REAR/LH	*	1					
5	1674-654-211-00	BULB/12V21W	*	2					
6	1674-654-212-00	BULB/12V5W	*	1					
7	1674-654-260-00	LAMP/COMBI/REAR/RH	*	1					
8	1674-654-211-00	BULB/12V21W	*	2					
9	1674-654-212-00	BULB/12V5W	*	1					
10	1674-606-001-00	BRACKET/LH	*	1					
11	1674-606-002-00	BRACKET/RH	*	1					
12	1674-606-220-30	STAY/LAMP/REAR/LH	*	1					
13	1674-606-330-10	STAY/LAMP/REAR/LH	*	1					
14	V112-165-002-50	SCREW/M5X25	*	4					
15	V111-165-001-00	SCREW/M5X10	*	2					
16	V360-260-005-00	NUT/M5	*	2					
17	1594-654-261-10	BRACKET/LAMP/NUMBER	*	1					
18	1674-654-270-00	LAMP/NUMBERPLAT SET	*	1					
19	1674-654-271-00	BULB/12V/5W	*	1					
20	1674-654-272-00	HARNES/LAMP	*	1					
21	V201-260-801-60	BOLT/M 8X16	*	2					
22	V411-260-008-00	WASHER, PL/M 8	*	2					
23	V363-260-008-00	NUT, LOCK/M8	*	2					
24	1600-622-321-00	REFLECTOR	*	2					
25	V361-260-006-00	NUT	*	2					

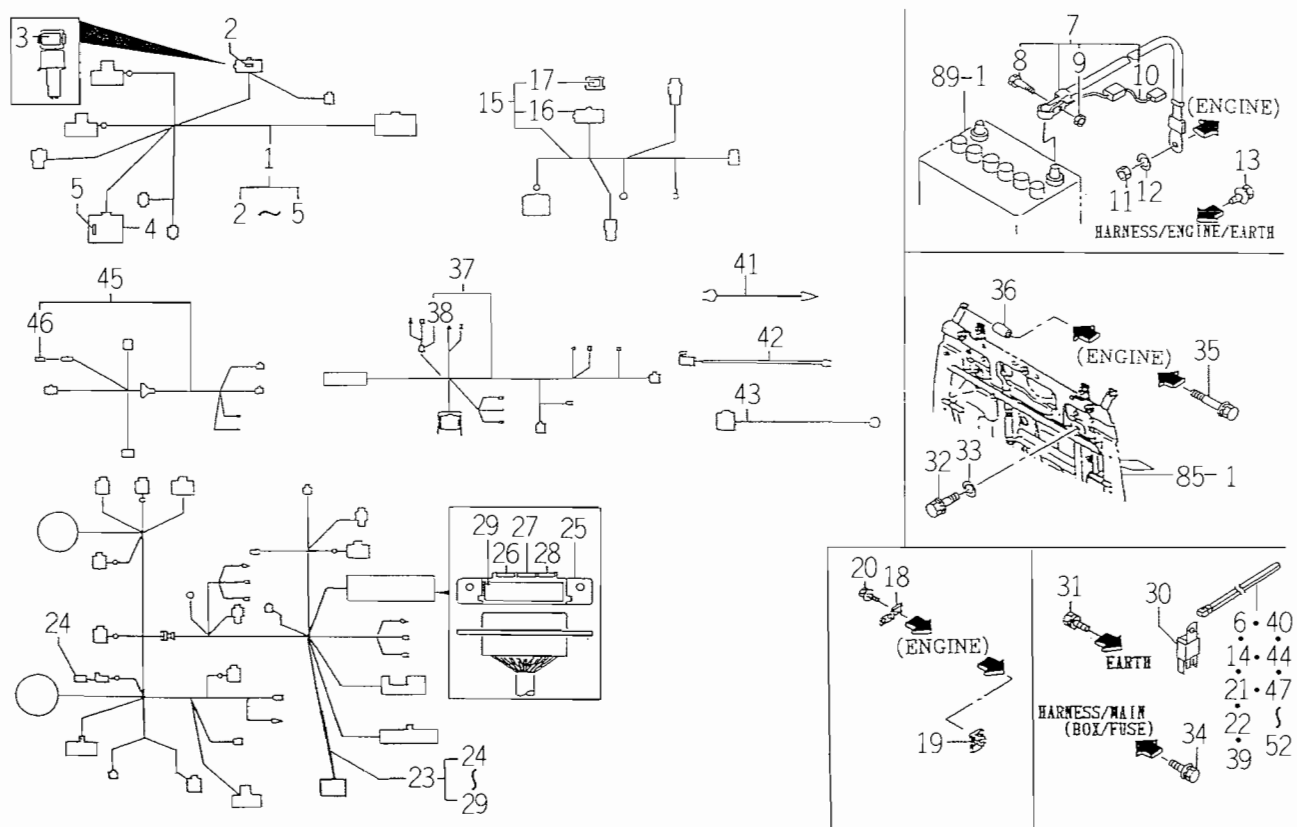
FIG. 94 SWITCH SYSTEM



1674-664D

KEY	PART CODE	DESCRIPTION	S P C	TYPE OF MODEL		I T C	C O L	G R P	REMARKS
				TK538H					
1	1560-664-230-10	GAUGE ASSY	*	1					
2	1416-621-037-00	PACKING/RUBBER	*	1					
3	V200-260-501-0B	BOLT/SEAL	*	5					
4	1600-624-001-00	HOLDER/FUSE	*	1					
5	V211-260-801-60	BOLT, SEMS (S) M8X16	*	2					
6	1600-623-002-00	FLASHER ASSY	*	1					*****
7	V210-260-601-60	BOLT, SEMS (S)	*	1					
8	1674-664-200-00	HORN ASSY	*	1					
9	V211-260-801-60	BOLT, SEMS (S) M8X16	*	1					
10	1652-652-260-00	CONTROLLER/G ASSY	*	1					
11	V210-360-602-00	BOLT/SP	*	2					
12	1518-621-320-00	SWITCH, STOP	*	1					
13	1432-621-006-10	NUT, LOCK	*	2					
14	1594-664-001-20	PLATE	*	1					
15	V211-260-801-60	BOLT, SEMS (S) M8X16	*	2					
16	1426-621-038-00	CLAMP, HARNESS	*	1					

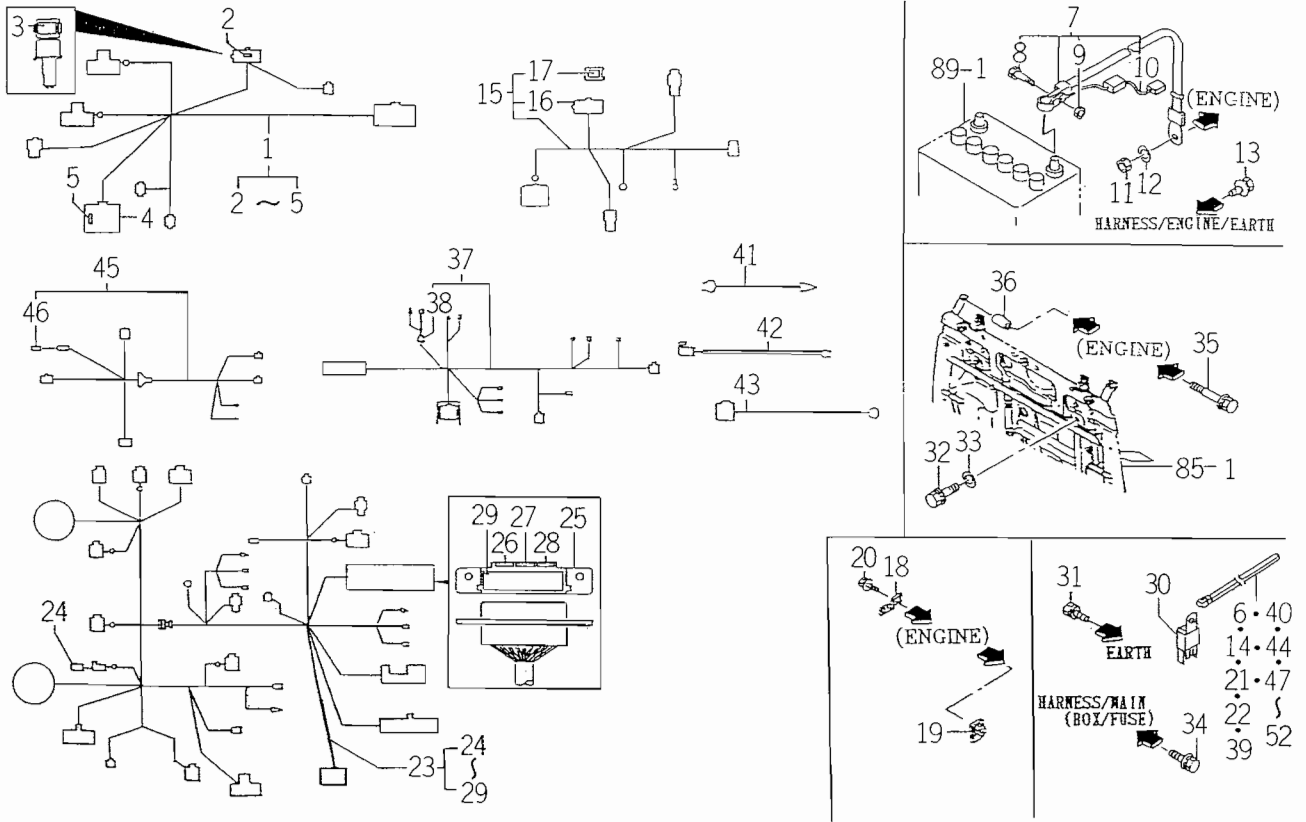
FIG. 95 HARNESS SYSTEM (EXCEPT C TYPE)



1674-666F

KEY	PART CODE	DESCRIPTION	S P C	TYPE OF MODEL		I T C	C O L	G R P	REMARKS
				TK538H					
1	1674-666-200-10	HARNESS/ENGINE/E40/F	*	1					
2	1650-650-222-00	FUSE/SLOWBLOW	*	1					
3	1650-650-223-10	LABEL/SLOWBLOW/MAIN	*	1					
4	1596-664-213-00	COVER/FUSE/4	*	1					
5	1560-664-264-00	FUSE, BLADE	*	4					
6	1376-402-003-00	BAND, WIRE/140	*	1					
7	1673-666-250-00	CABLE/BATTERY ASSY	*	1					
8	1568-650-004-10	BOLT/M08X32	*	1					
9	1568-650-005-10	NUT/M08	*	1					
10	1673-666-252-00	HARNESS/BATTERY	*	1					
11	V304-260-008-00	NUT/M 8	*	1					
12	V401-160-008-00	WASHER, SP/M 8	*	1					
13	V211-360-801-60	BOLT, SEMS (SP)	*	1					
14	1376-402-003-00	BAND, WIRE/140	*	1					
15	1674-666-290-00	HARNESS/ENGINE/LH	*	1					
16	1650-650-243-00	FUSE/SLOWBLOW	*	1					
17	1650-652-252-10	LABEL/SLOW BLOW/ALTE	*	1					
18	1650-102-219-00	PLATE	*	1					
19	1560-603-003-00	NUT/M6	*	1					
20	V210-360-601-60	BOLT (SP) /M6X16	*	1					
21	1376-402-003-00	BAND, WIRE/140	*	2					
22	1376-402-003-00	BAND, WIRE/140	*	1					
23	1674-666-210-40	HARNESS/MAIN/E4 ASSY	*	1					
24	1560-666-212-00	DIODE	*	1					
25	1650-650-246-00	COVER/FUSE	*	1					
26	1575-623-010-00	FUSE/32V10A	*	5					
27	1575-623-011-00	FUSE/15A	*	3					
28	1600-624-271-00	FUSE	*	4					
29	1674-666-212-00	LABEL/FUSE/MAIN/E4	*	1					
30	1690-658-370-00	RELAY/4P ASSY	*	1					

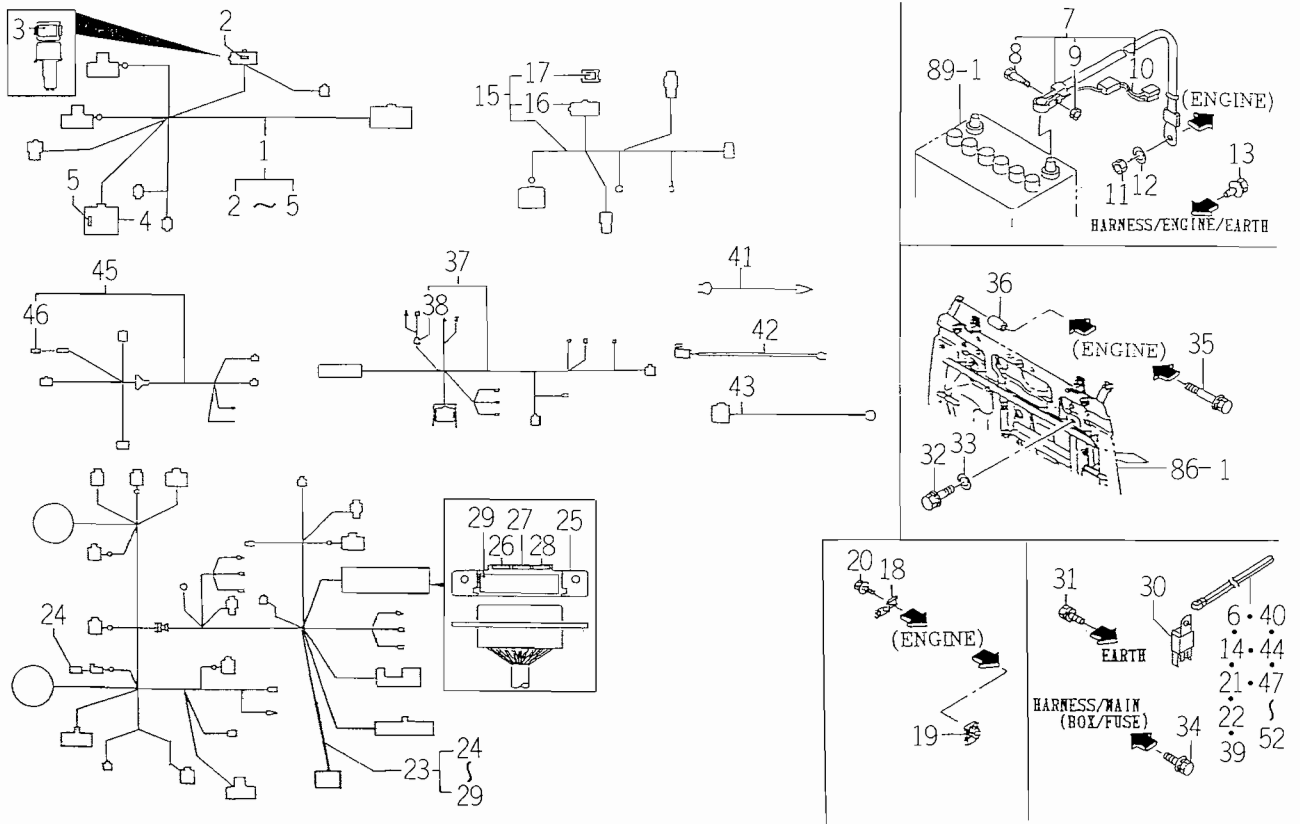
FIG. 95 HARNESS SYSTEM (EXCEPT C TYPE)



1674-666P

KEY	PART CODE	DESCRIPTION	S P C	TYPE OF MODEL		I T C	C O L	G R P	REMARKS
				TK538H					
31	V211-260-801-20	BOLT, SEMS (S) M8X12	*	2					
32	V211-360-801-60	BOLT, SEMS (SP)	*	1					
33	V401-160-008-00	WASHER, SP/M 8	*	1					
34	V210-360-602-50	BOLT/SP	*	2					
35	V210-360-603-50	BOLT/SP	*	1					
36	3676-274-001-00	COLLAR/07X11X20	*	1					
37	1640-666-520-10	HARNESS/REAR/SE ASSY	*	1					
38	1560-666-010-00	GROMMET/30	*	1					
39	1376-402-003-00	BAND, WIRE/140	*	4					
40	1342-402-006-00	BAND, WIRE/250	*	1					
41	1600-624-004-00	HARNESS, OIL PRESSURE	*	1					
42	1568-668-203-00	HARNESS, GLOW	*	1					
43	1650-652-254-00	HARNESS/ENGINE/EARTH	*	1					
44	1376-402-003-00	BAND, WIRE/140	*	1					
45	1641-666-210-00	HARNESS/PTO ASSY	*	1					
46	1652-654-212-00	DIOD	*	1					
47	1342-402-006-00	BAND, WIRE/250	*	3					
48	1342-402-006-00	BAND, WIRE/250	*	1					
49	1376-402-003-00	BAND, WIRE/140	*	1					
50	1342-402-006-00	BAND, WIRE/250	*	2					
51	1342-402-006-00	BAND, WIRE/250	*	2					
52	1376-402-003-00	BAND, WIRE/140	*	1					

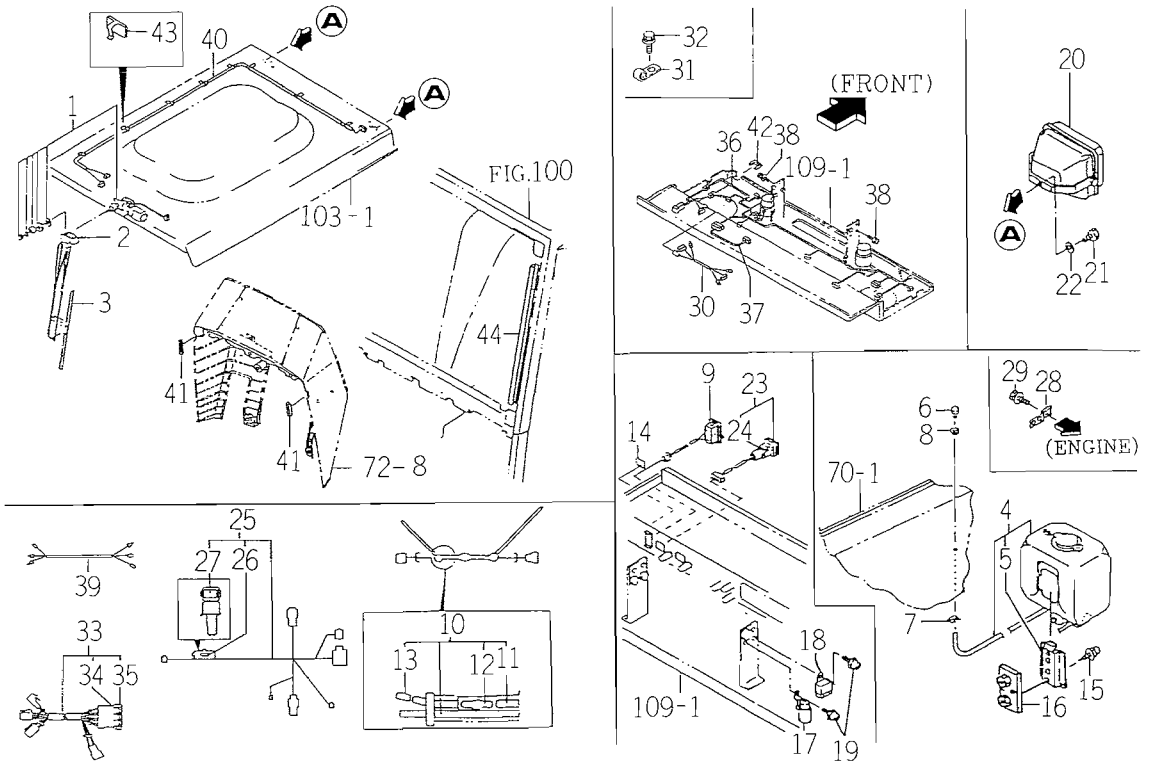
FIG. 96 HARNESS SYSTEM (C TYPE)



1674-6660

KEY	PART CODE	DESCRIPTION	S P C	TYPE OF MODEL		I T C	C O L	G R P	REMARKS
				TK538H					
1	1674-666-200-10	HARNESS/ENGINE/E40/F	*	1					
2	1650-650-222-00	FUSE/SLOWBLOW	*	1					
3	1650-650-223-10	LABEL/SLOWBLOW/MAIN	*	1					
4	1596-664-213-00	COVER/FUSE/4	*	1					
5	1560-664-264-00	FUSE, BLADE	*	4					
6	1376-402-003-00	BAND, WIRE/140	*	1					
7	1674-666-270-10	CABLE/BATTERY/C ASSY	*	1					
8	1568-650-004-10	BOLT/M08X32	*	1					
9	1568-650-005-10	NUT/M08	*	1					
10	1674-666-271-00	HARNESS/BATTERY	*	1					
11	V304-260-008-00	NUT/M 8	*	1					
12	V401-160-008-00	WASHER, SP/M 8	*	1					
13	V211-360-801-60	BOLT, SEMS (SP)	*	1					
14	1376-402-003-00	BAND, WIRE/140	*	1					
15	1674-666-290-00	HARNESS/ENGINE/LH	*	1					
16	1650-650-243-00	FUSE/SLOWBLOW	*	1					
17	1650-652-252-10	LABEL/SLOW BLOW/ALTE	*	1					
18	1650-102-219-00	PLATE	*	1					
19	1560-603-003-00	NUT/M6	*	1					
20	V210-360-601-60	BOLT (SP) /M6X16	*	1					
21	1376-402-003-00	BAND, WIRE/140	*	2					
22	1376-402-003-00	BAND, WIRE/140	*	1					
23	1674-666-210-40	HARNESS/MAIN/E4 ASSY	*	1					
24	1560-666-212-00	DIODE	*	1					
25	1650-650-246-00	COVER/FUSE	*	1					
26	1575-623-010-00	FUSE/32V10A	*	5					
27	1575-623-011-00	FUSE/15A	*	3					
28	1600-624-271-00	FUSE	*	4					
29	1674-666-212-00	LABEL/FUSE/MAIN/E4	*	1					
30	1690-658-370-00	RELAY/4P ASSY	*	1					

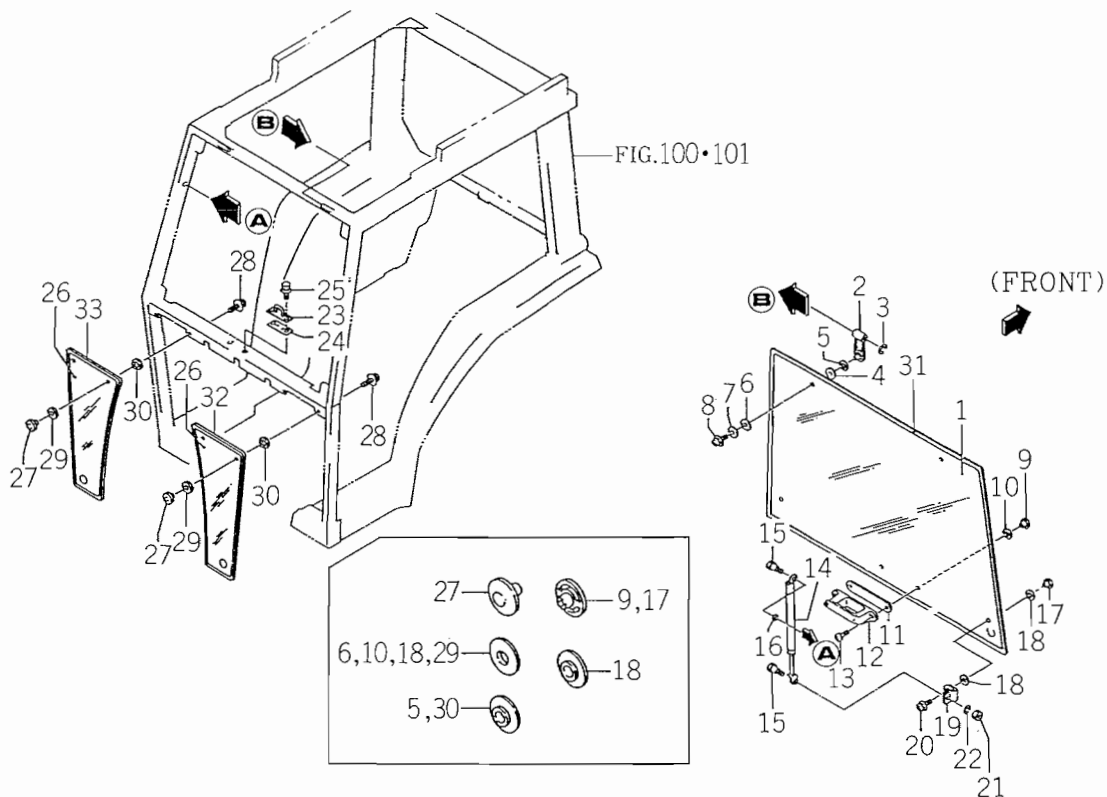
FIG. 97 HARNESS (CAB) SYSTEM (C TYPE)



1674-669K

KEY	PART CODE	DESCRIPTION	S P C	TYPE OF MODEL		I T C	C O L	G R P	REMARKS
				TK538H					
1	1596-669-510-00	MOTOR ASSY	*	1					
2	1594-669-550-00	ARM ASSY	*	1					
3	1596-669-530-00	BLADE ASSY	*	1					
4	1566-669-540-00	TANK, WASHER ASSY	*	1					
5	1518-621-521-00	BRACKET	*	1					
6	1518-621-523-00	NOZZLE, WIPER TANK	*	1					
7	1518-621-524-00	BRACKET, NOZZLE	*	1					
8	1518-621-525-00	PACKING, NOZZLE	*	1					
9	1518-621-540-00	SWITCH, WIPER ASSY	*	1					
10	1566-669-580-20	HARNESS, WASHER ASSY	*	1					
11	1566-669-582-10	HOSE/2840	*	1					
12	1518-621-532-00	VALVE, CHECK	*	1					
13	1566-669-583-00	HOSE/150	*	1					
14	1674-669-002-00	LABEL/CONTROL/SWITCH	*	1					
15	V120-366-001-60	SCREW	*	7					
16	1594-669-530-00	PLATE COMP	*	1					
17	1581-621-290-00	RELAY/4P	*	2					
18	1593-623-530-00	RELAY, 5P ASSY	*	1					
19	V120-366-001-60	SCREW	*	3					
20	1581-621-530-00	LAMP ASSY	*	2					FIG 147
21	V201-261-202-00	BOLT/M12X20	*	2					
22	V401-160-012-00	WASHER, SP/M12	*	2					
23	3652-273-240-00	SWITCH, UP-DOWN	*	1					
24	3652-273-241-00	BULB/12V5W	*	1					
25	1674-669-200-00	HARNESS/CAB/ENGINE	*	1					
26	1650-650-222-00	FUSE/SLOWBLOW	*	1					
27	1650-650-223-10	LABEL/SLOWBLOW/MAIN	*	1					
28	1650-102-219-00	PLATE	*	1					
29	V210-360-601-60	BOLT (SP) /M6X16	*	1					
30	1596-669-571-00	HARNESS/CAB/BYPASS	*	1					

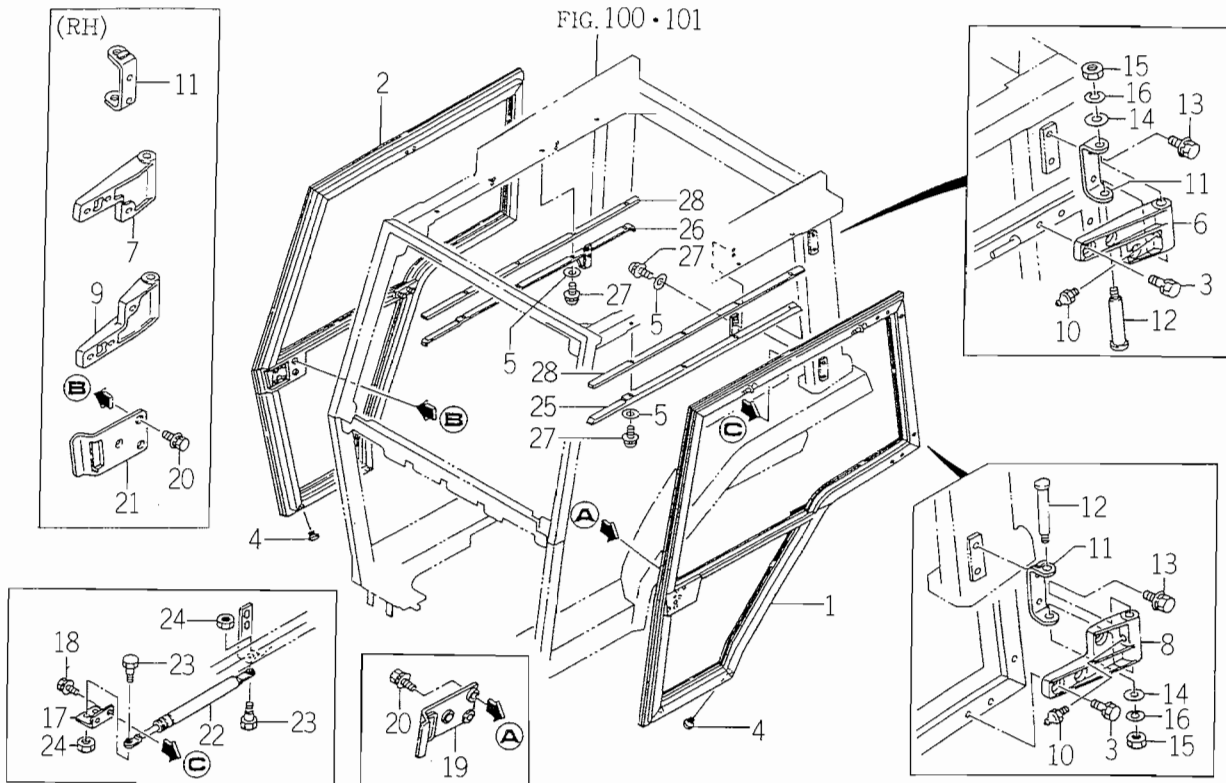
FIG.104 CAB GLASS SYSTEM (C TYPE)



1594-721

KEY	PART CODE	DESCRIPTION	S P C	TYPE OF MODEL		I T C	C O L	G R P	REMARKS
				TK538H					
1	1594-721-101-00	GLASSTFRONT	*	1					
2	1581-740-112-00	HINGE	*	2					
3	1566-731-107-00	RING, RETANING/E07	*	2					
4	V411-260-008-00	WASHER, PL/M 8	*	2					
5	1566-721-103-00	GROMMET/13X17X02	*	2					
6	1581-740-113-00	GROMMET	*	2					
7	1581-740-114-00	WASHER 07X36X02	*	2					
8	V120-366-002-50	SOREN/SP/M6X25	*	2					
9	1581-742-102-00	NUT, GLASS	*	2					
10	1581-740-113-00	GROMMET	*	2					
11	1581-742-582-00	INSULATOR	*	1					
12	1581-742-590-00	HANDLE, WINDOW LOCK	*	1					
13	V120-266-002-00	SCREW, SEMS	*	2					
14	1564-743-102-00	DAMPER, WIND ASSY	*	2					
15	1581-742-105-00	BOLT, SET/M6X14	*	4					
16	1566-743-103-00	COLLAR/06X12X05	*	2					
17	1581-742-102-00	NUT, GLASS	*	2					
18	1581-740-113-00	GROMMET	*	4					
19	1581-742-621-00	PLATE	*	2					
20	V120-376-001-60	SCREW/SP	*	2					
21	V301-260-006-00	NUT/M 6	*	2					
22	V401-160-006-00	WASHER, SP/M 6	*	2					
23	1566-743-520-00	STAY, LOCK COMP	*	1					
24	1518-745-552-00	PLATE, ARM/A	*	1					
25	V210-360-602-00	BOLT/SP	*	2					
26	1594-721-102-00	GLASSTFRONT	*	2					
27	1581-742-102-00	NUT, GLASS	*	4					
28	V120-366-002-50	SOREN/SP/M6X25	*	4					
29	1581-740-113-00	GROMMET	*	4					
30	1566-721-103-00	GROMMET/13X17X02	*	4					

FIG.105 DOOR SYSTEM (C TYPE)



1560-730

KEY	PART CODE	DESCRIPTION	S P C	TYPE OF MODEL		I T C	C O L	G R P	REMARKS
				TK538H					
1	1560-730-500-20	DOOR/LH	*	1					
2	1560-730-520-20	DOOR/RH	*	1			7F		
3	V211-560-802-50	BOLT, SEMS/M8X25 7T	*	12					
4	1560-606-011-00	CAP/13	*	4					
5	1518-730-122-00	WASHER/O.9X18X0.3	*	12					
6	1566-730-101-10	HINGE, DOOR LH	*	1					
7	1566-730-102-10	HINGE, DOOR RH	*	1					
8	1566-730-103-10	HINGE, DOOR LH	*	1					
9	1566-730-104-10	HINGE, DOOR RH	*	1					
10	V760-150-000-00	NIPPLE, GREASE	*	4					
11	1566-730-540-00	BRACKET COMP	*	4					
12	1566-730-105-10	PIN 16X100	*	4					
13	V211-660-802-00	BOLT/8X20	*	8					
14	V411-260-016-00	WASHER / M16	*	4					
15	V305-260-012-00	NUT/M12	*	4					
16	V401-160-012-00	WASHER, SP/M12	*	4					
17	1566-730-106-00	PLATE, L/40X50	*	2					
18	V210-360-601-60	BOLT (SP)/M6X16	*	4					
19	1566-730-107-00	COVER, DOOR LH	*	1					
20	V210-360-601-60	BOLT (SP)/M6X16	*	4					
21	1566-730-113-00	COVER, DOOR/RH	*	1					
22	1566-730-108-00	DAMPER DOOR ASSY	*	2					
23	1427-210-003-00	BOLT/M8X25	*	4					
24	2144-117-002-00	NUT/M8	*	4					
25	1560-730-540-00	STAY, PLATE/41	*	1					
26	1560-730-550-00	STAY/RH	*	1					
27	V120-365-001-20	SCREW/SP	*	12					
28	1560-730-103-00	INSULATOR	*	2					

FIG.106 DOOR GLASS SYSTEM (C TYPE)

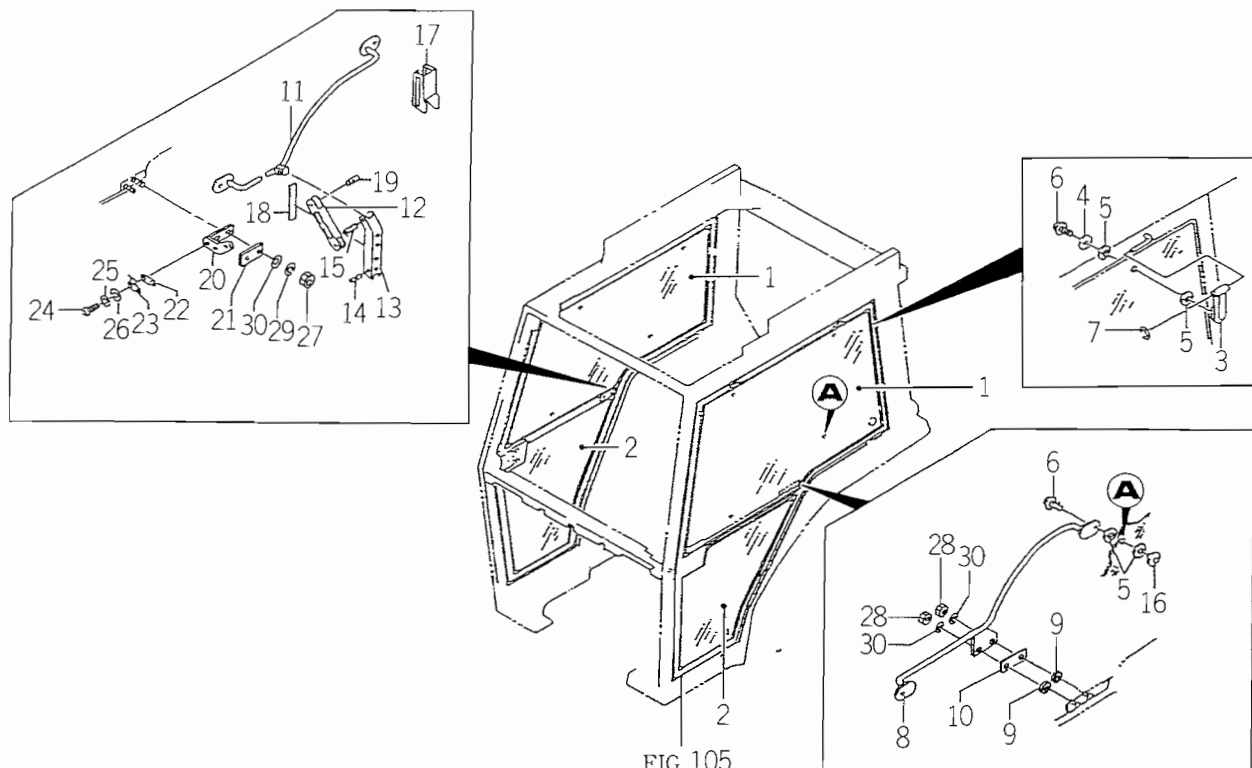
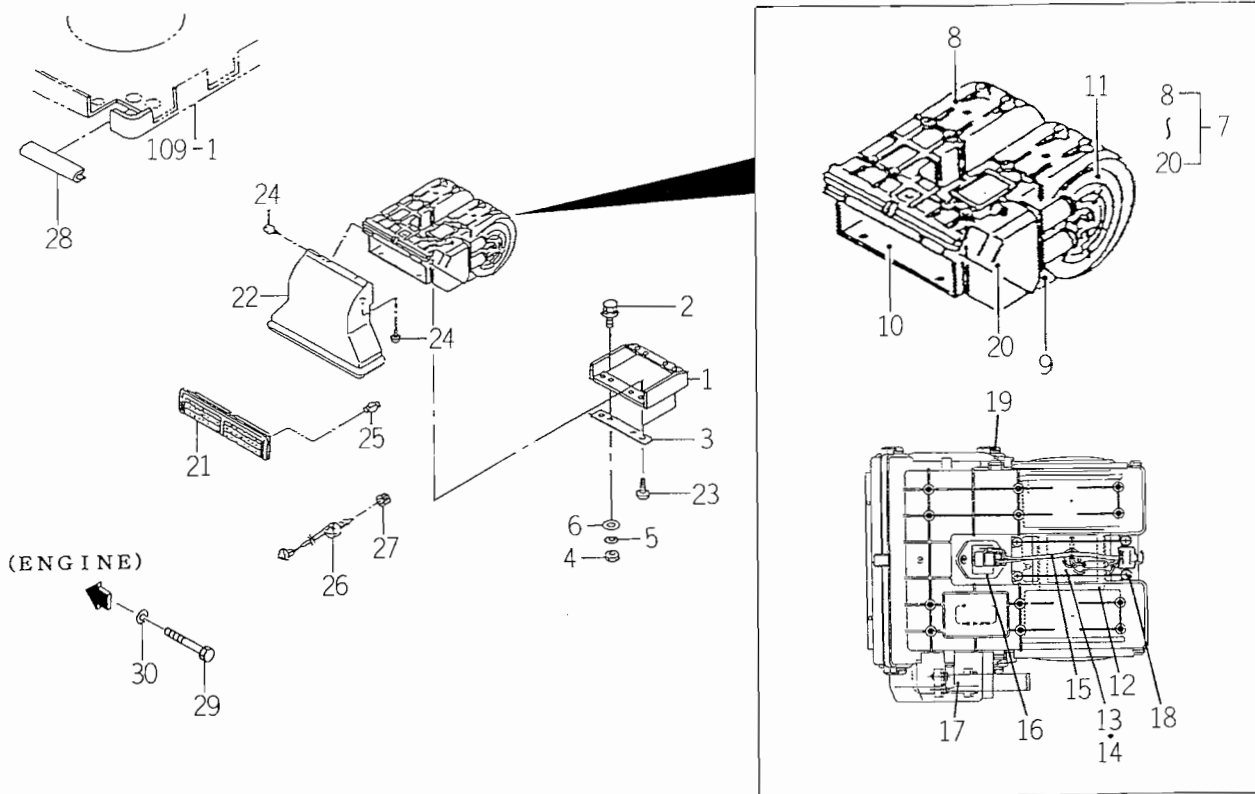


FIG.105

1610-731M

KEY	PART CODE	DESCRIPTION	S P C	TYPE OF MODEL		I T C	C O L	G R P	REMARKS
				TK538H					
1	1594-731-101-00	GLASS/SIDE	*		2				
2	1594-731-102-00	GLASS/SIDE	*		2				
3	1581-740-112-00	HINGE	*		4				
4	1581-740-114-00	WASHER 07X36X02	*		4				
5	1581-740-113-00	GROMMET	*		16				
6	V120-366-001-60	SCREW	*		8				
7	1566-731-107-00	RING, RETANING/E07	*		4				
8	1610-731-200-00	GRIP/LH COMP	*		1				
9	1423-621-018-00	CUSHION/RUBBER	*		2				
10	1568-731-103-00	PLATE/I 25X60	*		1				
11	1560-731-550-00	GRIP/RH	*		1				
12	1581-740-552-10	BAR	*		1				
13	1581-740-553-10	GRIP	*		1				
14	1488-302-003-00	PIN	*		1				
15	1488-302-003-00	PIN	*		1				
16	1581-742-102-00	NUT, GLASS	*		4				
17	1581-740-556-00	GRIP	*		1				
18	1581-740-558-00	INSULATOR	*		1				
19	V580-140-601-60	PIN SPLIT W 6.0X16	*		1				
20	1566-731-550-10	BRACKET/RH COMP	*		1				
21	1568-731-103-00	PLATE/I 25X60	*		1				
22	1566-731-106-00	PLATE	*		1				
23	1560-604-022-70	SPRING	*		1				
24	V111-166-001-00	SCREW/M6X10	*		2				
25	V401-160-006-00	WASHER, SP/M 6	*		2				
26	V411-260-006-00	WASHER / M6	*		2				
27	V304-260-008-00	NUT/M 8	*		2				
28	P120-605-031-00	U-NUT	*		2				
29	V401-160-008-00	WASHER, SP/M 8	*		2				
30	V411-260-008-00	WASHER, PL/M 8	*		4				

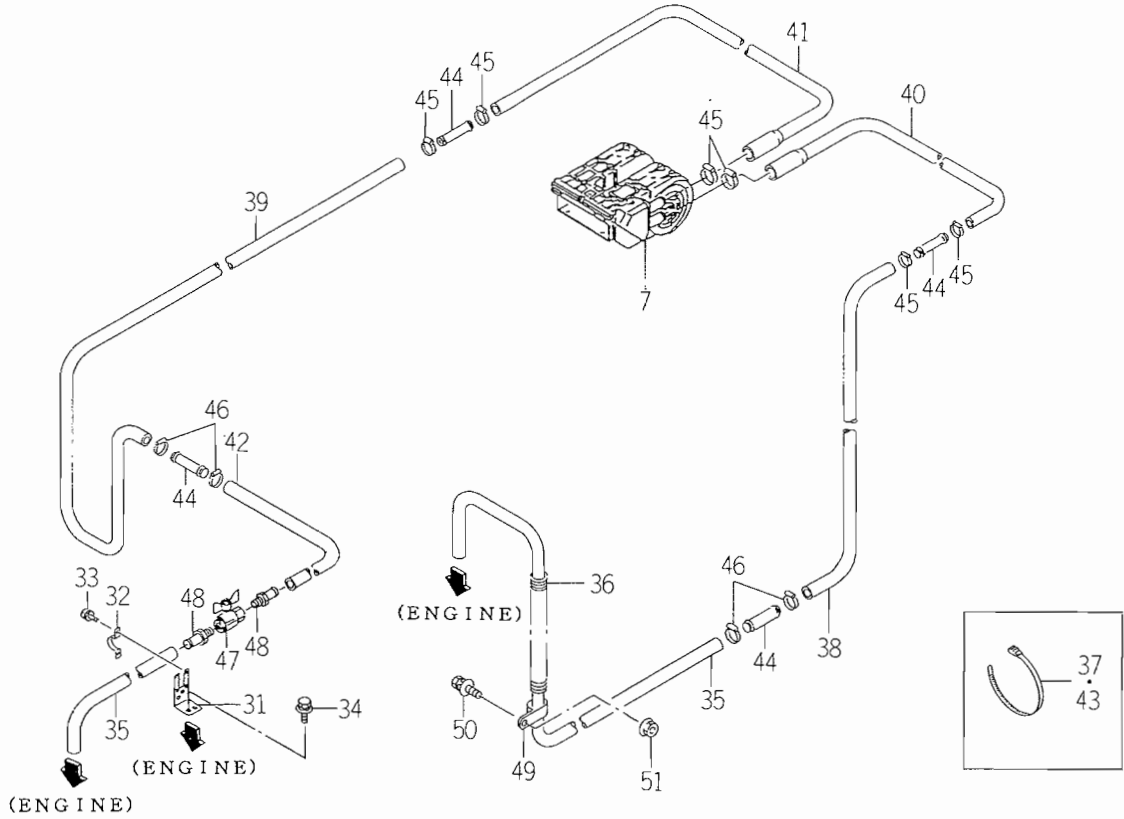
FIG.110 HEATER SYSTEM (C TYPE) (1/2)



1674-786

KEY	PART CODE	DESCRIPTION	S P C	TYPE OF MODEL		I T C	C O L	G R P	REMARKS
				TK538H					
1	1594-780-600-00	BRACKET COMP	*	1					
2	V210-360-601-60	BOLT (SP) /M6X16	*	2					
3	1596-780-101-00	PLATE/I/25X281	*	1					
4	V301-260-006-00	NUT/M 6	*	2					
5	V401-160-006-00	WASHER, SP/M 6	*	2					
6	V411-260-006-00	WASHER / M6	*	2					
7	1596-780-520-00	HEATER	*	1					
8	1596-780-561-00	CASE	*	1					
9	1596-780-562-00	CASE	*	1					
10	1596-780-563-00	CASE	*	1					
11	1596-780-564-00	GRILLE	*	2					
12	1596-780-565-00	FAN/MOTOR	*	1					
13	1596-780-566-00	ISOLATOR	*	2					
14	1596-780-567-00	LINING	*	1					
15	1596-780-568-00	WIRE/HARNESS	*	1					
16	1596-780-569-00	RESISTOR	*	1					
17	1596-780-581-00	HEATER/CORE ASSY	*	1					
18	1596-780-503-00	SCREW/TAPPING/M04	*	1					
19	1596-780-582-00	CLIP	*	10					
20	1596-780-583-00	COVER	*	1					
21	1596-780-530-00	GRILLE	*	1					
22	1596-780-501-00	DUCT	*	1					
23	1596-780-502-00	SCREW/TAPPING/M05	*	4					
24	1596-780-503-00	SCREW/TAPPING/M04	*	4					
25	1596-780-504-00	NUT/SPRING	*	6					
26	1596-780-550-00	SWITCH/HEATER	*	1					
27	1596-780-512-00	KNOB	*	1					
28	1596-669-107-00	TRIM/75	*	1					
29	1560-559-002-00	BOLT/08X121	*	1					
30	V401-160-008-00	WASHER, SP/M 8	*	1					

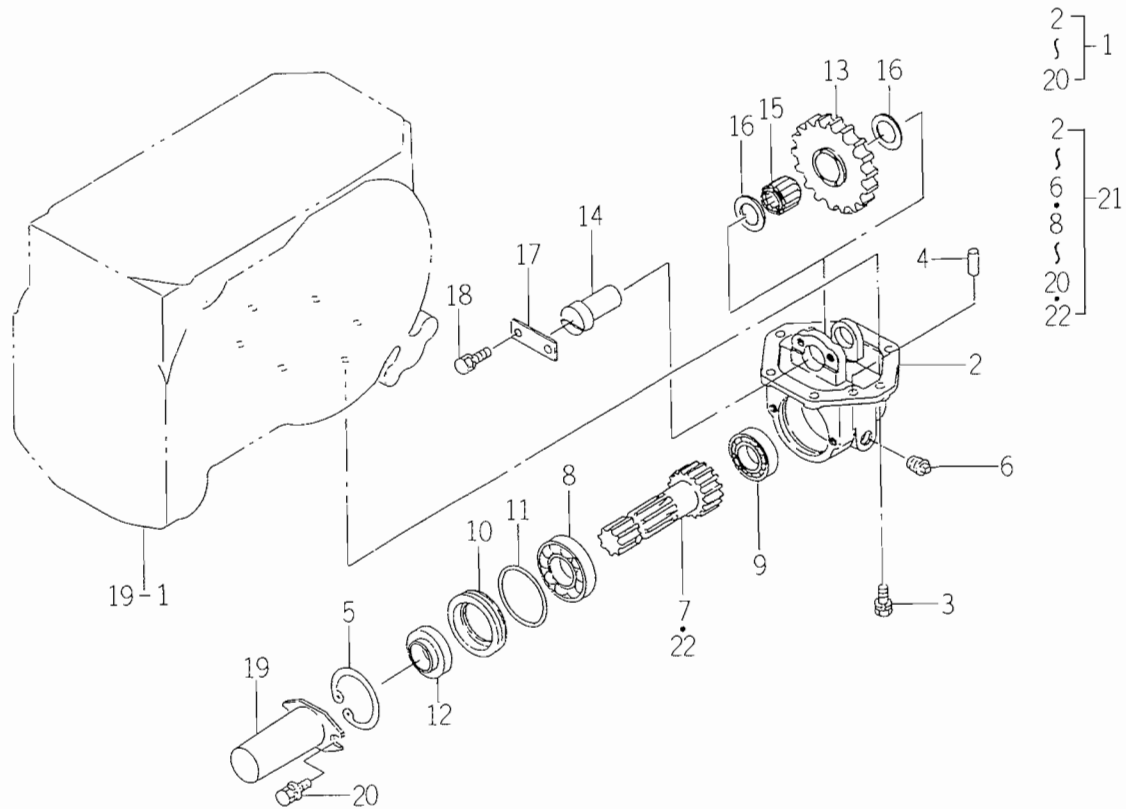
FIG.110 HEATER SYSTEM (C TYPE) (2/2)



1674-780

KEY	PART CODE	DESCRIPTION	S P C	TYPE OF MODEL		I T C	C O L	G R P	REMARKS
				TK538H					
31	1599-780-650-10	BRACKET COMP	*	1					
32	1599-780-109-00	CLIP	*	2					
33	V120-264-001-20	BOLT/M4X12	*	4					
34	V211-360-801-60	BOLT, SEMS (SP)	*	1					
35	1674-780-001-00	HOSE/HEATER/D	*	1					
36	1674-780-011-00	INSULATOR/CORRUGATE/	*	1					
37	1342-402-006-00	BAND, WIRE/250	*	1					
38	1674-780-009-00	HOSE/HEATER	*	1					
39	1674-780-003-00	HOSE/HEATER	*	1					
40	1674-780-004-00	HOSE/HEATER	*	1					
41	1674-780-005-00	HOSE/HEATER	*	1					
42	1674-780-006-00	HOSE/HEATER	*	1					
43	1342-402-006-00	BAND, WIRE/250	*	1					
44	1674-780-007-00	CONNECTOR/STRAIGHT	*	3					
45	1650-780-011-00	CLIP/HOSE/18-22	*	6					
46	J061-116-025-00	CLAMP/WORM/16-25	*	6					
47	1599-780-620-00	COCK ASSY	*	1					
48	1674-780-008-00	JOINT/PT3/8	*	2					
49	1518-786-512-00	CLIP C	*	2					
50	V211-360-802-00	BOLT (SP) M8X20	*	2					
51	V362-260-008-00	NUT/WASHER	*	2					

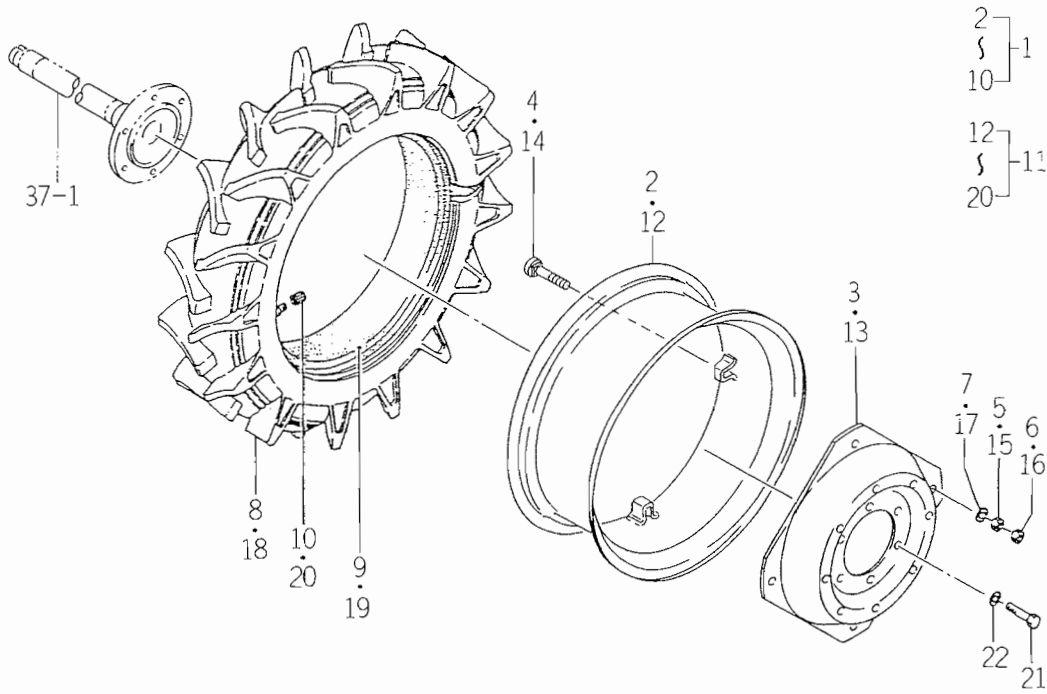
FIG.118 PTO (MIDDLE) SET (OPTION)



1594-272

KEY	PART CODE	DESCRIPTION	S P C	TYPE OF MODEL		I T C	C O L	G R P	REMARKS
				TK538H					
1	1594-272-200-00	PTO/MID SET	T	1					
2	1594-272-001-00	CASE	T	1					
3	V211-261-003-00	BOLT(S) M10X30	T	6					
4	V523-101-002-40	PIN	T	2					
5	V707-140-072-00	RING/ SNAP	T	1					
6	V781-160-000-6B	PLUG/SCREW/SEAL	T	1					
7	1594-272-002-00	SHAFT/PTO, MID	T	1					
8	V600-110-620-60	BEARING, RB/6206	T	1					
9	V600-110-620-70	BEARING, RB/6207	T	1					
10	1560-273-003-00	METAL	T	1					
11	1524-244-005-00	O-RING	T	1					
12	1426-258-200-10	SEAL ASSY	T	1					
13	1594-272-003-00	GEAR/SPUR/37	T	1					
14	1594-272-004-00	SHAFT/IDLE	T	1					
15	V654-425-322-40	BEARING KT253224	T	1					
16	1435-203-001-00	COLLAR/25X46X3	T	2					
17	1594-272-006-00	PLATE	T	1					
18	V211-560-801-60	BOLT, SEMS	T	2					
19	1444-314-009-10	CAP, PTO SHAFT	T	1					
20	V211-360-801-60	BOLT, SEMS (SP)	T	2					
21	1640-272-200-00	PTO/MID SET	T	1					
22	1640-272-001-00	SHAFT/PTO/MID/SAE	T	1					

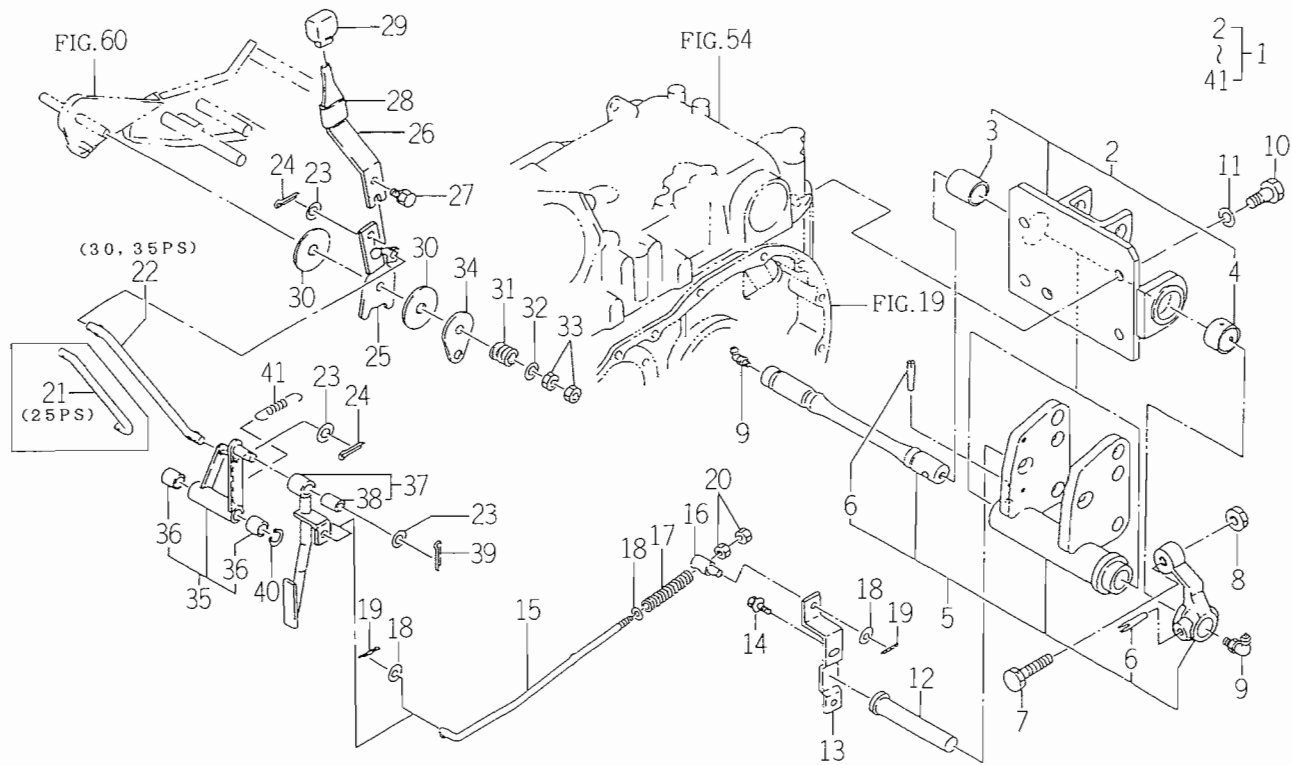
FIG.119 REAR WHEEL SYSTEM (OPTION)



1695-320

KEY	PART CODE	DESCRIPTION	S P C	TYPE OF MODEL		I T C	C O L	G R P	REMARKS
				TK538H					
1	1595-320-210-20	TIRE/LH ASSY	T	1			6G		
2	1640-320-220-02	WHEEL/24XW10 COMP	T	1			6G		
3	1640-320-211-03	DISK	T	1			6G		
4	V240-461-608-50	BOLT/M16X85	T	4					
5	V304-460-016-00	NUT/M16	T	4					
6	V302-460-016-00	NUT/M16	T	4					
7	V401-160-016-00	WASHER, SP/M16	T	4					
8	1431-361-211-00	TIRE/12. 4-24-4PR	T	1					
9	V889-001-242-40	TUBE	T	1					
10	V999-200-003-00	CAP, TIRE VALVE	T	1					
11	1595-320-220-20	TIRE/RH ASSY	T	1			6G		
12	1640-320-220-02	WHEEL/24XW10 COMP	T	1			6G		
13	1640-320-211-03	DISK	T	1			6G		
14	V240-461-608-50	BOLT/M16X85	T	4					
15	V304-460-016-00	NUT/M16	T	4					
16	V302-460-016-00	NUT/M16	T	4					
17	V401-160-016-00	WASHER, SP/M16	T	4					
18	1431-361-211-00	TIRE/12. 4-24-4PR	T	1					
19	V889-001-242-40	TUBE	T	1					
20	V999-200-003-00	CAP, TIRE VALVE	T	1					
21	V201-361-603-00	BOLT	T	12					
22	V401-160-016-00	WASHER, SP/M16	T	12					

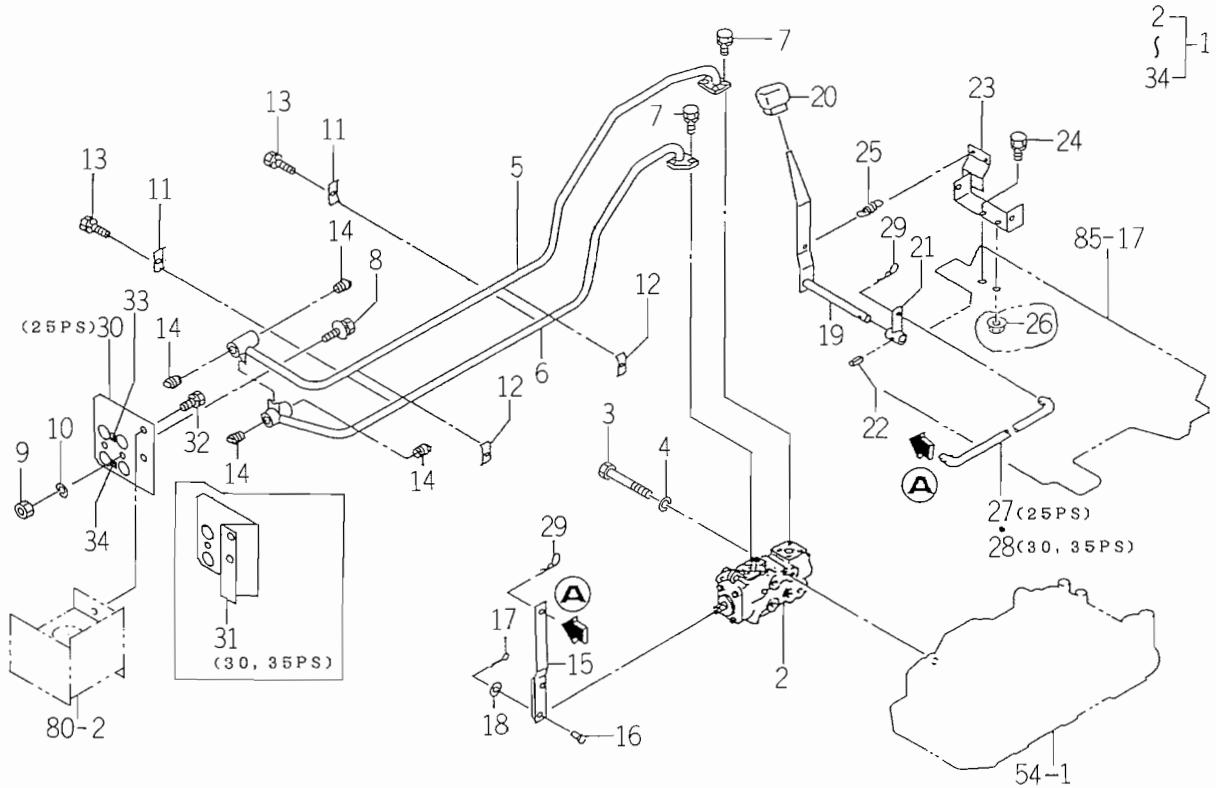
FIG.127 DRAFT SET (OPTION)



1594-512A

KEY	PART CODE	DESCRIPTION	S P C	TYPE OF MODEL		I T C	C O L	G R P	REMARKS
				TK538H					
1	1594-512-910-00	CONTROLLER/DRAF SET	T	1					
2	1594-512-210-10	BRACKET/DRAFT ASSY	T	1					
3	1560-522-002-00	BUSH/25X30X35	T	1					
4	1560-522-003-40	BUSH/33X38X20	T	1					
5	1560-522-230-40	HITCH ASSY	T	1					
6	V511-101-006-00	PIN, TAPER	T	2					
7	1594-512-004-00	BOLT/M14X50	T	1					
8	V304-260-014-00	NUT/M14	T	1					
9	V762-150-000-00	NIPPLE, GREASE/B-M6F	T	2					
10	V201-361-403-50	BOLT	T	4					
11	V401-160-014-00	WASHER, SP/M14	T	4					
12	1560-522-007-40	PIN/19X110	T	1					
13	1560-522-004-30	PLATE	T	1					
14	V211-360-801-60	BOLT, SEMS (SP)	T	2					
15	1594-512-002-00	ROD/DRAFT	T	1					
16	1560-522-008-30	JOINT	T	1					
17	1560-522-009-30	SPRING/HC076	T	1					
18	V411-260-008-00	WASHER, PL/M 8	T	2					
19	V500-162-502-00	PIN, SPLIT/2.5X20	T	2					
20	V304-260-008-00	NUT/M 8	T	2					
21	1561-514-211-40	ROD	T	1					
22	1563-514-211-40	ROD	T	1					
23	V411-260-008-00	WASHER, PL/M 8	T	4					
24	V500-162-002-00	PIN, SPLIT/2 X20	T	2					
25	1594-512-200-00	LEVER/PLATE COMP	T	1					
26	1594-512-001-10	LEVER/PLATE	T	1					
27	V211-260-801-60	BOLT, SEMS (S) M8X16	T	1					
28	1560-316-002-40	TUBE, STRAIGHT	T	1					
29	1415-505-015-00	GRIP	T	1					
30	1600-505-007-00	LINING/13X50X3	T	2					

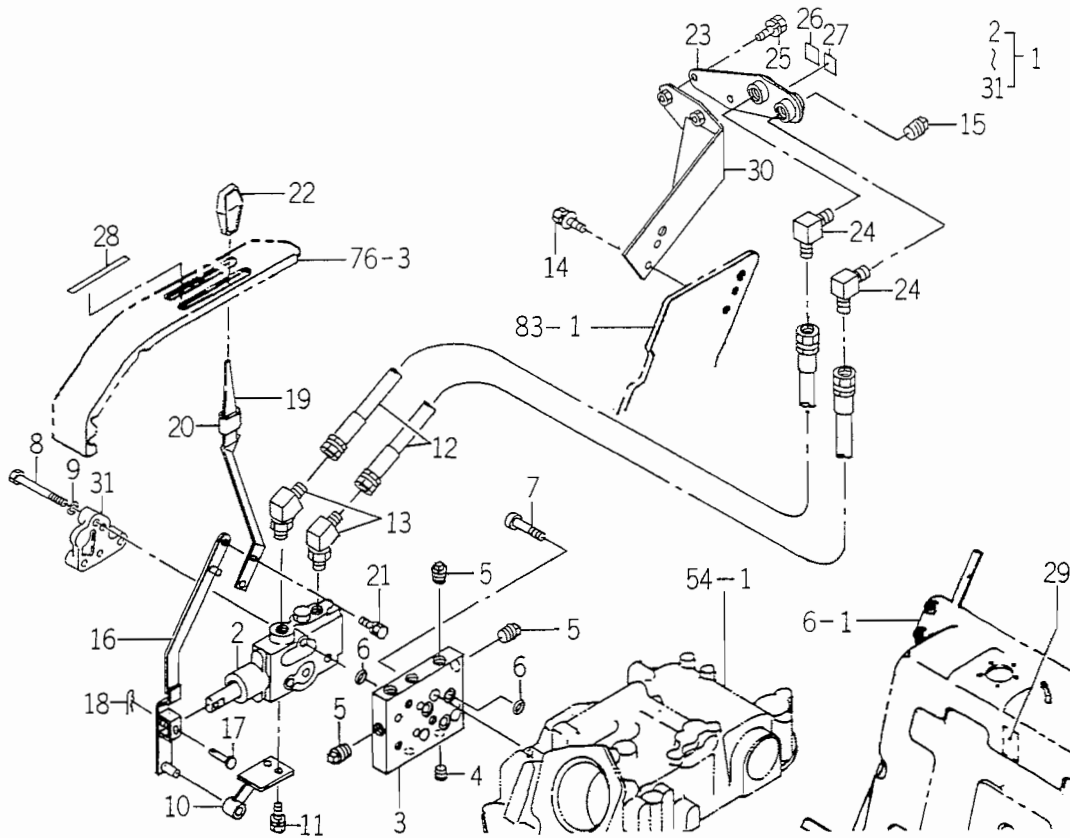
FIG.128 VALVE (REMOTE/1) SET (OPTION)



1594-517Z

KEY	PART CODE	DESCRIPTION	S P C	TYPE OF MODEL		I T C	C O L	G R P	REMARKS
				TK538H					
1	1594-517-910-00	VALVE SET	T	1					
2	K211-005-000-10	VALVE ASSY	T	1					FIG 142
3	V201-261-008-50	BOLT/M10X85	T	3					
4	V401-160-010-00	WASHER, SP/M10	T	3					
5	1594-517-200-20	PIPE/1ST/A COMP	T	1					
6	1594-517-210-20	PIPE/1ST/B COMP	T	1					
7	V211-260-802-50	BOLT/S	T	7					
8	V211-360-801-60	BOLT, SEMS (SP)	T	1					
9	V304-260-008-00	NUT/M 8	T	1					
10	V401-160-008-00	WASHER, SP/M 8	T	1					
11	1594-517-003-00	CLIP/19X3	T	2					
12	1594-517-004-00	CLIP/19X3	T	2					
13	V210-260-602-50	BOLT, S/M6X25	T	2					
14	V781-160-000-6T	PLUG/SCREW/SEAL	T	4					
15	1594-517-220-00	ARM COMP	T	1					
16	3614-725-006-00	PIN, STAY	T	2					
17	V500-162-001-50	PIN, SPLIT/2 X15	T	2					
18	V411-260-006-00	WASHER / M6	T	2					
19	1594-517-230-10	LEVER COMP	T	1					
20	1415-505-015-00	GRIP	T	1					
21	1594-517-240-10	ARM COMP	T	1					
22	V580-140-402-00	PIN/SPRING	T	1					
23	1594-517-250-10	BRACKET COMP	T	1					
24	V211-260-802-50	BOLT/S	T	2					
25	1415-125-021-00	SPRING, TENSION/46	T	1					
26	V363-260-008-00	NUT, LOCK/M8	T	1					
27	1594-517-002-00	ROD/218	T	1					
28	1595-517-002-00	ROD	T	1					
29	2130-601-018-00	PIN, SNAP/6	T	2					
30	1594-517-001-20	BRACKET	T	1					

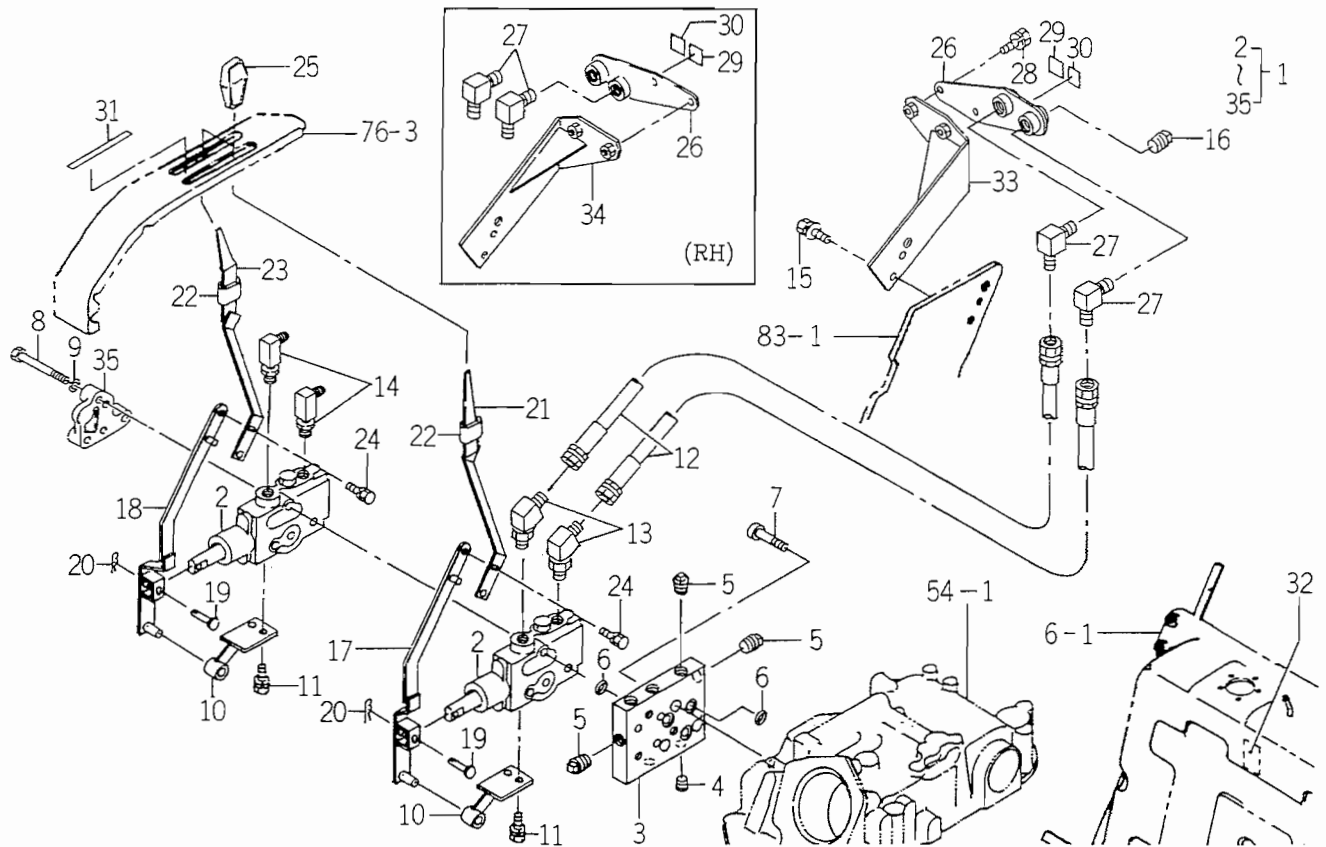
FIG.133 VALVE (REMOTE/1R) SET (OPTION)



1640-530W

KEY	PART CODE	DESCRIPTION	S P C	TYPE OF MODEL		I T C	C O L	G R P	REMARKS
				TK538H					
1	1640-530-200-00	VALVE/REMOTE/1R SET	T	1					
2	1640-530-600-10	VALVE/CONTROL ASSY	T	1					FIG 148
3	1640-530-001-10	METAL/BYPASS	T	1					
4	V780-140-000-40	PLUG/SCREW	T	5					
5	V781-160-000-40	PLUG/SCREW	T	3					
6	V720-112-401-40	O-RING/P14	T	6					
7	V220-541-002-00	SCREW/SOCKET	T	3					
8	V201-261-008-00	BOLT/M10X80	T	3					
9	V401-160-010-00	WASHER, SP/M10	T	3					
10	1640-530-260-00	HOLDER COMP	T	1					
11	V211-260-801-60	BOLT, SEMS (S) M8X16	T	2					
12	1640-530-270-10	HOSE/660 COMP	T	2					
13	1640-530-003-00	CONNECTOR	T	2					
14	V211-360-802-00	BOLT (SP) M8X20	T	2					
15	V781-160-000-6T	PLUG/SCREW/SEAL	T	2					
16	1640-530-230-00	ARM/1ST COMP	T	1					
17	2144-519-007-00	PIN/06X31	T	1					
18	2130-601-018-00	PIN, SNAP/6	T	1					
19	1640-530-240-10	LEVER/1ST COMP	T	1					
20	1560-511-101-00	PROTECTOR	T	1					
21	V211-260-801-20	BOLT, SEMS (S) M8X12	T	1					
22	1432-242-004-00	GRIP, B	T	1					
23	1620-507-460-00	STAY/PIPE COMP	T	1					
24	1584-522-001-00	ADAPTER/90°	T	2					
25	V211-260-802-00	BOLT, SEMS (S)	T	2					
26	1518-903-006-00	MARK, PORT A	T	1					
27	1518-903-007-00	MARK, PORT B	T	1					
28	1640-530-007-00	LABEL/CONTROL/SUBCON	T	1					
29	1640-530-008-00	LABEL/SUBCON	T	1					
30	1640-530-280-00	STAY/HOSE/LH COMP	T	1					

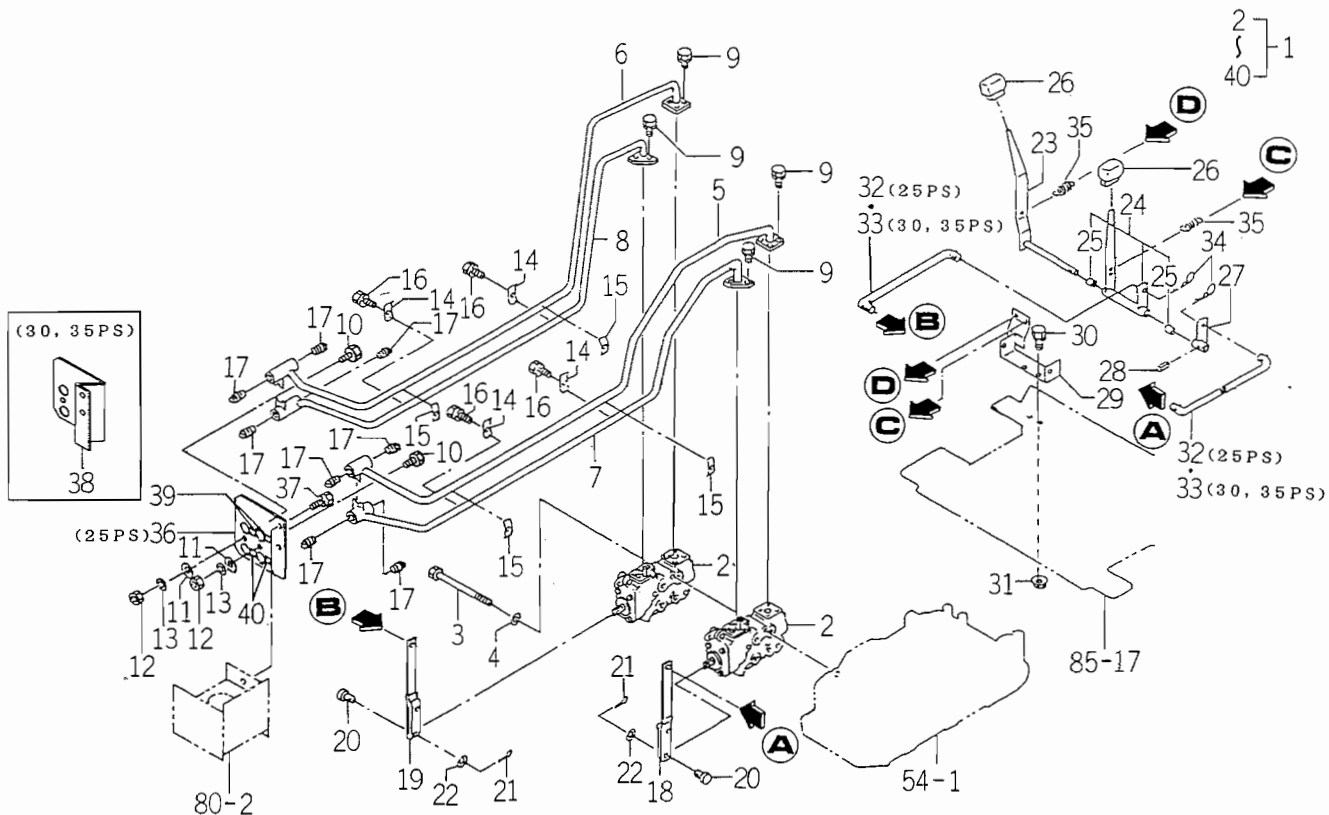
FIG.134 VALVE (REMOTE/2R) SET (EXCEPT C TYPE) (OPTION)



1640-530X

KEY	PART CODE	DESCRIPTION	S P C	TYPE OF MODEL		I T C	C O L	G R P	REMARKS
				TK538H					
1	1640-530-300-10	VALVE/REMOTE/2R SET	T	1					
2	1640-530-600-10	VALVE/CONTROL ASSY	T	2					FIG 148
3	1640-530-001-10	METAL/BYPASS	T	1					
4	V780-140-000-40	PLUG/SCREW	T	5					
5	V781-160-000-40	PLUG/SCREW	T	3					
6	V720-112-401-40	O-RING/P14	T	6					
7	V220-541-002-00	SCREW/SOCKET	T	3					
8	V201-261-012-00	BOLT/M10X120	T	3					
9	V401-160-010-00	WASHER, SP/M10	T	3					
10	1640-530-260-00	HOLDER COMP	T	2					
11	V211-260-801-60	BOLT, SEMS (S) M8X16	T	4					
12	1640-530-270-10	HOSE/660 COMP	T	4					
13	1640-530-003-00	CONNECTOR	T	2					
14	1640-530-009-00	CONNECTOR/L	T	2					
15	V211-360-802-00	BOLT (SP) M8X20	T	4					
16	V781-160-000-6T	PLUG/SCREW/SEAL	T	4					
17	1640-530-230-00	ARM/1ST COMP	T	1					
18	1640-530-330-00	ARM/2ND COMP	T	1					
19	2144-519-007-00	PIN/06X31	T	2					
20	2130-601-018-00	PIN, SNAP/6	T	2					
21	1640-530-240-10	LEVER/1ST COMP	T	1					
22	1560-511-101-00	PROTECTOR	T	2					
23	1640-530-340-00	LEVER/2ND COMP	T	1					
24	V211-260-801-60	BOLT, SEMS (S) M8X16	T	2					
25	1432-242-004-00	GRIP, B	T	2					
26	1620-507-460-00	STAY/PIPE COMP	T	2					
27	1584-522-001-00	ADAPTER/90°	T	4					
28	V211-260-802-00	BOLT, SEMS (S)	T	4					
29	1518-903-006-00	MARK, PORT A	T	2					
30	1518-903-007-00	MARK, PORT B	T	2					

FIG.135 VALVE (REMOTE/2) SET (OPTION)

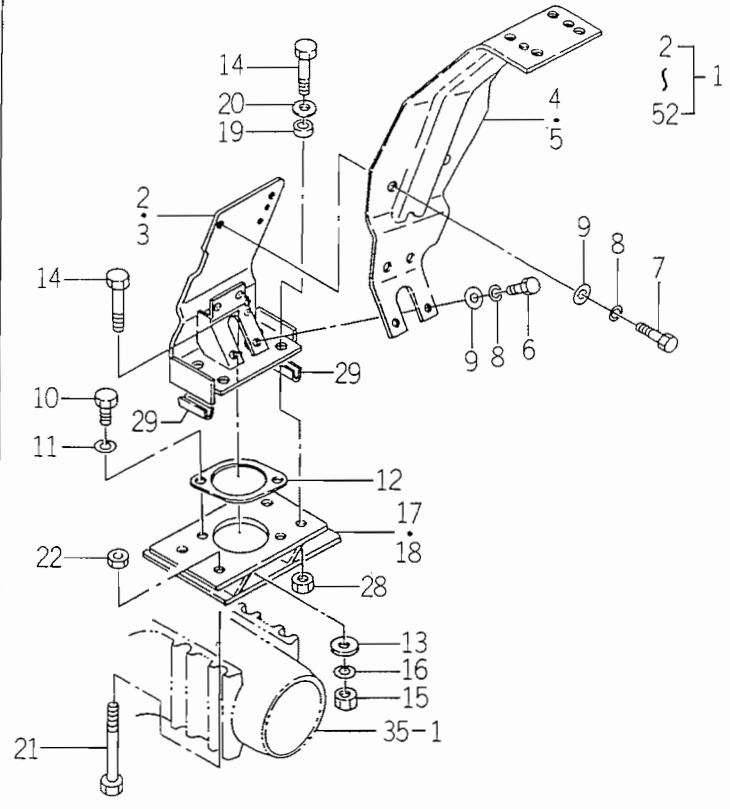
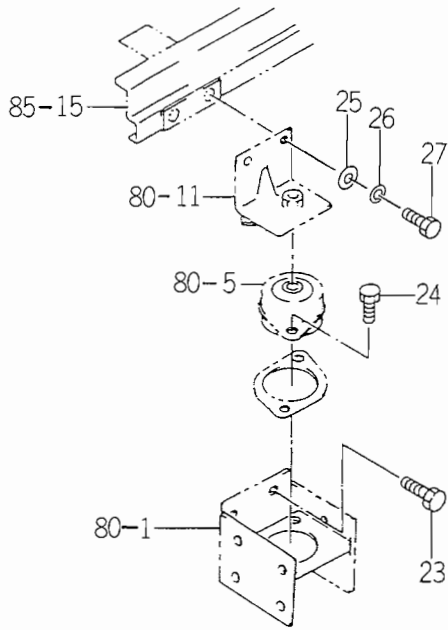


1594-530Y

KEY	PART CODE	DESCRIPTION	SPC	TYPE OF MODEL		I T C	C O L	G R P	REMARKS
				TK538H					
1	1594-530-910-00	VALVE SET	T	1					
2	K211-005-000-10	VALVE ASSY	T	2					FIG 142
3	V201-261-013-50	BOLT/M10X135	T	3					
4	V401-160-010-00	WASHER, SP/M10	T	3					
5	1594-517-200-20	PIPE/1ST/A COMP	T	1					
6	1594-530-200-20	PIPE COMP	T	1					
7	1594-517-210-20	PIPE/1ST/B COMP	T	1					
8	1594-530-210-20	PIPE COMP	T	1					
9	V211-260-802-50	BOLT/S	T	14					
10	V201-260-801-60	BOLT/M 8X16	T	2					
11	V411-260-008-00	WASHER, PL/M 8	T	2					
12	V304-260-008-00	NUT/M 8	T	2					
13	V401-160-008-00	WASHER, SP/M 8	T	2					
14	1594-517-003-00	CLIP/19X3	T	4					
15	1594-517-004-00	CLIP/19X3	T	4					
16	V210-260-604-00	BOLT/S	T	4					
17	V781-160-000-6T	PLUG/SCREW/SEAL	T	8					
18	1594-517-220-00	ARM COMP	T	1					
19	1594-530-220-00	ARM COMP	T	1					
20	3614-725-006-00	PIN, STAY	T	4					
21	V500-162-001-50	PIN, SPLIT/2 X15	T	4					
22	V411-260-006-00	WASHER / M6	T	4					
23	1594-517-230-10	LEVER COMP	T	1					
24	1594-530-230-10	LEVER/PLATE/2ND	T	1					
25	1588-502-007-00	BUSH (10X12X10)	T	2					
26	1415-505-015-00	GRIP	T	2					
27	1594-517-240-10	ARM COMP	T	1					
28	V580-140-402-00	PIN/SPRING	T	1					
29	1594-517-250-10	BRACKET COMP	T	1					
30	V211-260-802-50	BOLT/S	T	2					

FIG.140 ROPS SET (EXCEPT C, R TYPE) (OPTION) (1/2)

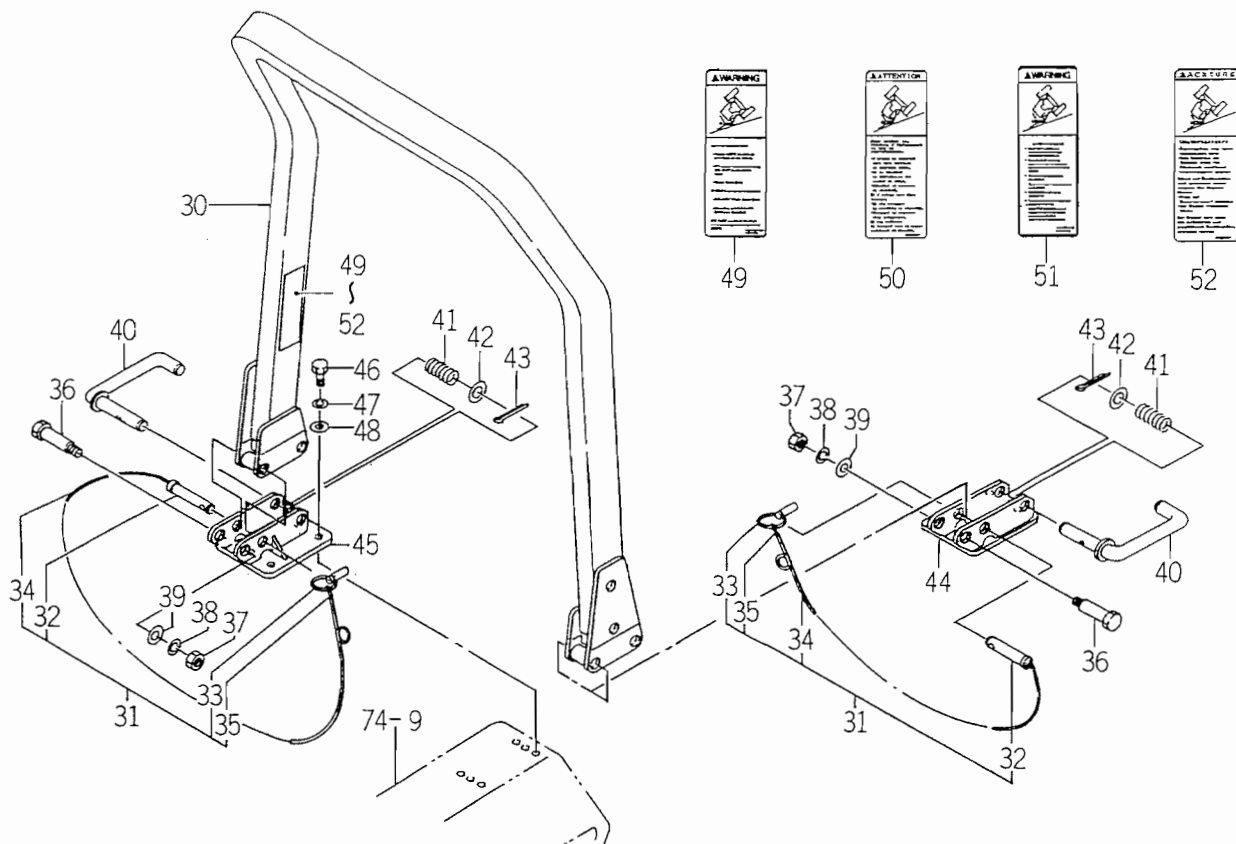
30 - PLEASE SEE NEXT PAGE



1674-702A

KEY	PART CODE	DESCRIPTION	S P C	TYPE OF MODEL		I T C	C O L	G R P	REMARKS
				TK538H					
1	1674-702-200-10	ROPS/SF134 SET	T	1					
2	1640-626-200-10	BRACKET/REAR/LH COMP	T	1					
3	1640-626-230-10	BRACKET/REAR/RH COMP	T	1					
4	1640-626-210-10	FENDER/SAV/LH COMP	T	1			4G		
5	1640-626-220-10	FENDER/SAV/RH COMP	T	1			4G		
6	V201-461-003-50	BOLT/M10X35	T	8					
7	V201-461-006-00	BOLT/M10X60	T	4					
8	V401-160-010-00	WASHER, SP/M10	T	12					
9	V411-260-010-00	WASHER/M10	T	12					
10	V201-461-202-00	BOLT/M12X20	T	4					
11	V401-160-012-00	WASHER, SP/M12	T	4					
12	1594-625-001-00	PLATE	T	2					
13	1427-117-001-00	WASHER/13X50X3	T	2					
14	V201-461-207-50	BOLT/M12X75	T	10					
15	1640-626-001-00	NUT	T	2					
16	V401-160-012-00	WASHER, SP/M12	T	2					
17	1594-715-270-00	BRACKET/REAR/LH	T	1					
18	1594-715-280-00	BRACKET/MOUNT/RH	T	1					
19	1594-715-002-00	INSULATOR	T	8					
20	1427-431-003-00	WASHER/13X32X3	T	8					
21	V201-461-215-50	BOLT/M12X155	T	8					
22	1640-626-001-00	NUT	T	8					
23	V201-461-403-20	BOLT/M14X32	T	8					
24	V201-461-202-00	BOLT/M12X20	T	4					
25	V411-260-010-00	WASHER/M10	T	4					
26	V401-160-010-00	WASHER, SP/M10	T	4					
27	V201-461-002-50	BOLT/M10X25	T	4					
28	1640-626-001-00	NUT	T	8					
29	1594-625-002-00	INSULATOR	T	4					
30	1640-702-200-01	FRAME/REAR COMP	T	1			7F		

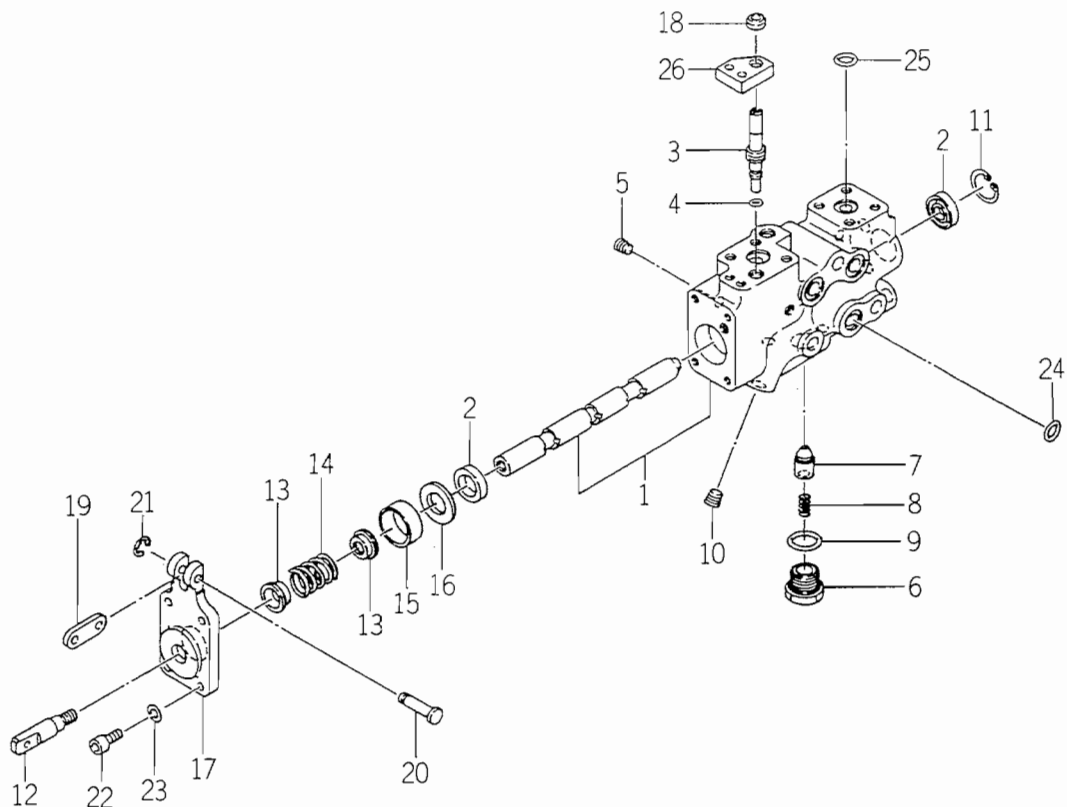
FIG.140 ROPS SET (EXCEPT C, R TYPE) (OPTION) (2/2)



1674-702A

KEY	PART CODE	DESCRIPTION	S P C	TYPE OF MODEL		I T C	C O L	G R P	REMARKS
				TK538H					
31	1614-702-550-00	PIN ASSY	T	2					
32	1614-702-560-00	PIN/19X94 COMP	T	2					
33	1673-525-002-10	LINKPIN	T	2					
34	1614-702-551-00	BAND	T	2					
35	1614-702-552-00	RING	T	6					
36	1614-702-053-00	BOLT/SET/M16X96	T	2					
37	V304-260-016-00	NUT/M16	T	2					
38	V401-160-016-00	WASHER, SP/M16	T	2					
39	V411-260-016-00	WASHER / M16	T	2					
40	1614-702-540-00	STOPPER COMP	T	2					
41	3600-463-006-10	SPRING/A	T	2					
42	V411-260-020-00	WASHER/M20	T	2					
43	V500-163-003-00	PIN, SPLIT/3X30	T	2					
44	1640-702-210-00	BRACKET/LH COMP	T	1					
45	1640-702-220-00	BRACKET/RH COMP	T	1					
46	V201-461-204-00	BOLT/M12X40	T	8					
47	V401-160-012-00	WASHER, SP/M12	T	8					
48	V411-260-012-00	WASHER / M12	T	8					
49	1640-903-045-10	LABEL/W/ROPS/E30	T	1					
50	1640-903-046-00	LABEL/W/ROPS/E50	T	1					
51	1640-903-047-00	LABEL/W/ROPS/E20	T	1					
52	1640-903-048-00	LABEL/W/ROPS/E40P	T	1					

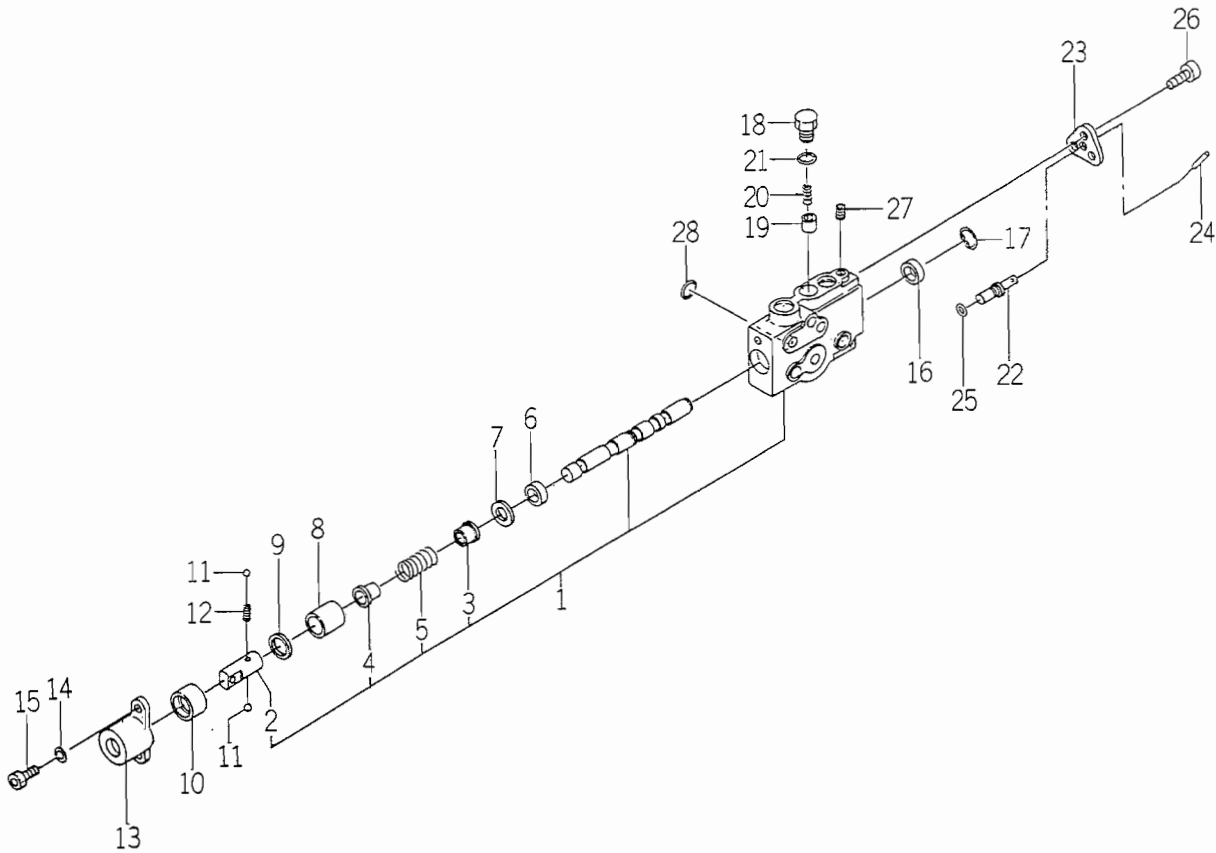
FIG.142 COMPONENT PARTS FOR K211 – 005 – 000 – 10 ON Fig.128,135



K211-0050

KEY	PART CODE	DESCRIPTION	S P C	TYPE OF MODEL		I T C	C O L	G R P	REMARKS
				TK538H					
1	K 2 1 1 - 0 0 5 - 1 0 0 - 2 0	VALVE SET	T	1					
1	K 2 1 1 - 0 0 5 - 1 0 0 - 2 0	VALVE SET	T	2					
2	K 2 1 1 - 0 0 4 - 0 0 7 - 0 0	SEAL, OIL/TC4, 14247	T	2					
2	K 2 1 1 - 0 0 4 - 0 0 7 - 0 0	SEAL, OIL/TC4, 14247	T	4					
3	K 2 1 1 - 0 0 5 - 0 0 3 - 1 0	BOLT, CONTROL	T	1					
3	K 2 1 1 - 0 0 5 - 0 0 3 - 1 0	BOLT, CONTROL	T	2					
4	V 7 2 0 - 1 1 1 - 9 0 0 - 6 0	O-RING P6 HS90	T	1					
4	V 7 2 0 - 1 1 1 - 9 0 0 - 6 0	O-RING P6 HS90	T	2					
5	K 2 1 1 - 0 0 1 - 0 1 1 - 0 0	PLUG	T	4					
5	K 2 1 1 - 0 0 1 - 0 1 1 - 0 0	PLUG	T	8					
6	K 2 1 1 - 0 0 5 - 0 0 4 - 0 0	PLUG	T	1					
6	K 2 1 1 - 0 0 5 - 0 0 4 - 0 0	PLUG	T	2					
7	K 2 1 1 - 0 0 5 - 0 0 5 - 0 0	POPPET	T	1					
7	K 2 1 1 - 0 0 5 - 0 0 5 - 0 0	POPPET	T	2					
8	K 1 1 0 - 0 0 1 - 1 0 6 - 0 0	SPRING	T	1					
8	K 1 1 0 - 0 0 1 - 1 0 6 - 0 0	SPRING	T	2					
9	V 7 2 0 - 1 1 2 - 4 0 1 - 6 0	O-RING/P16	T	1					
9	V 7 2 0 - 1 1 2 - 4 0 1 - 6 0	O-RING/P16	T	2					
10	V 7 8 0 - 1 4 0 - 0 0 0 - 2 T	PLUG/SCREW/SEAL	T	3					
10	V 7 8 0 - 1 4 0 - 0 0 0 - 2 T	PLUG/SCREW/SEAL	T	6					
11	V 7 0 5 - 1 4 0 - 0 2 4 - 0 0	RING, SNAP	T	1					
11	V 7 0 5 - 1 4 0 - 0 2 4 - 0 0	RING, SNAP	T	2					
12	K 2 1 1 - 0 0 5 - 0 0 6 - 0 0	HEAD	T	1					
12	K 2 1 1 - 0 0 5 - 0 0 6 - 0 0	HEAD	T	2					
13	K 2 1 1 - 0 0 5 - 0 0 7 - 0 0	GUIDE, SPRING	T	2					
13	K 2 1 1 - 0 0 5 - 0 0 7 - 0 0	GUIDE, SPRING	T	4					
14	K 2 1 1 - 0 0 5 - 0 0 8 - 0 0	SPRING	T	1					
14	K 2 1 1 - 0 0 5 - 0 0 8 - 0 0	SPRING	T	2					
15	K 2 1 1 - 0 0 5 - 0 0 9 - 0 0	COLLAR/25X28X10	T	1					
15	K 2 1 1 - 0 0 5 - 0 0 9 - 0 0	COLLAR/25X28X10	T	2					

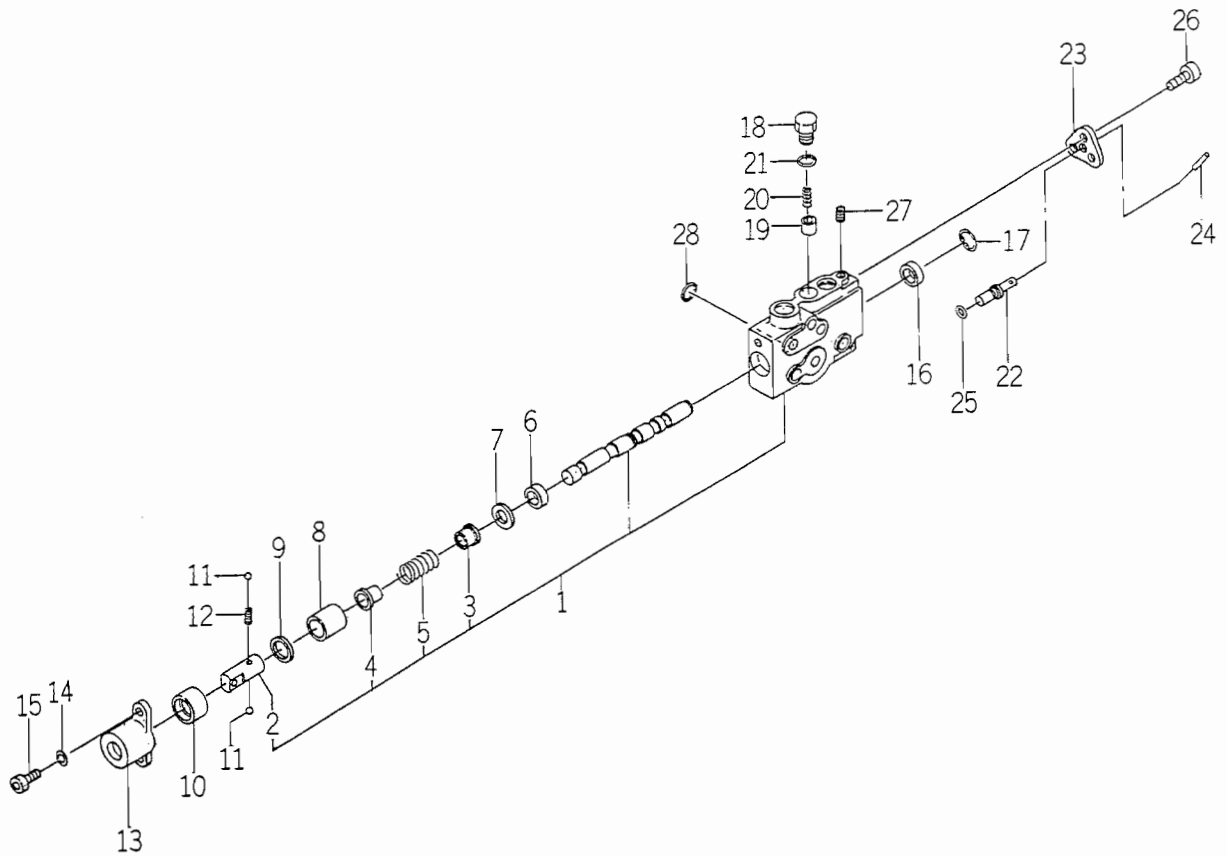
FIG.148 COMPONENT PARTS FOR 1640 – 530 – 600 – 10 ON Fig.68,133,134



1640-5306

KEY	PART CODE	DESCRIPTION	S P C	TYPE OF MODEL		I T C	C O L	G R P	REMARKS
				TK538H					
1	1640-530-610-10	VALVE SET	T	1					
1	1640-530-610-10	VALVE SET	*	2					
2	1640-530-613-00	HEAD/SPOOL	T	1					
2	1640-530-613-00	HEAD/SPOOL	*	2					
3	1640-530-614-00	STOPPER/SPRING/A	T	1					
3	1640-530-614-00	STOPPER/SPRING/A	*	2					
4	1640-530-615-00	STOPPER/SPRING/B	T	1					
4	1640-530-615-00	STOPPER/SPRING/B	*	2					
5	K211-012-006-00	SPRING/HC042	T	1					
5	K211-012-006-00	SPRING/HC042	*	2					
6	K211-004-007-00	SEAL, OIL/TC4, 14247	T	1					
6	K211-004-007-00	SEAL, OIL/TC4, 14247	*	2					
7	K211-004-006-00	COLLAR	T	1					
7	K211-004-006-00	COLLAR	*	2					
8	1640-530-622-00	SLEEVE	T	1					
8	1640-530-622-00	SLEEVE	*	2					
9	1640-530-623-00	COLLAR/19X28X02	T	1					
9	1640-530-623-00	COLLAR/19X28X02	*	2					
10	1640-530-624-00	SLEEVE/DETENT	T	1					
10	1640-530-624-00	SLEEVE/DETENT	*	2					
11	V682-200-000-60	BALL	T	2					
11	V682-200-000-60	BALL	*	4					
12	1640-530-625-00	SPRING/HC015	T	1					
12	1640-530-625-00	SPRING/HC015	*	2					
13	1640-530-626-00	COVER	T	1					
13	1640-530-626-00	COVER	*	2					
14	V401-160-008-00	WASHER, SP/M 8	T	2					
14	V401-160-008-00	WASHER, SP/M 8	*	4					
15	V220-540-802-00	SCREW/SOCKET	T	2					
15	V220-540-802-00	SCREW/SOCKET	*	4					

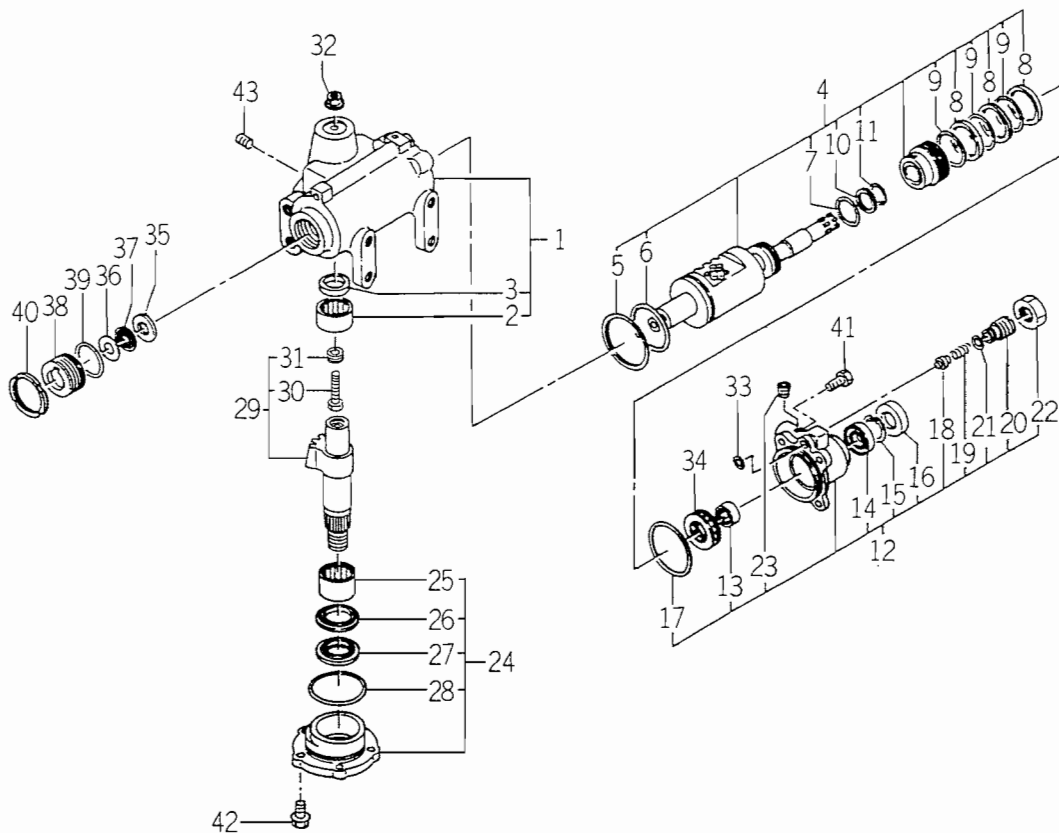
FIG.148 COMPONENT PARTS FOR 1640 – 530 – 600 – 10 ON Fig.68,133,134



1640-5306

KEY	PART CODE	DESCRIPTION	S P C	TYPE OF MODEL		I T C	C O L	G R P	REMARKS
				TK538H					
16	K211-004-007-00	SEAL, OIL/TC4, 14247	T	1					
16	K211-004-007-00	SEAL, OIL/TC4, 14247	*	2					
17	V705-140-024-00	RING, SNAP	T	1					
17	V705-140-024-00	RING, SNAP	*	2					
18	1640-530-628-00	PLUG/M14	T	1					
18	1640-530-628-00	PLUG/M14	*	2					
19	1640-530-629-00	POPPET	T	1					
19	1640-530-629-00	POPPET	*	2					
20	K110-001-106-00	SPRING	T	1					
20	K110-001-106-00	SPRING	*	2					
21	V720-112-401-20	O-RING/P12	T	1					
21	V720-112-401-20	O-RING/P12	*	2					
22	1640-530-631-00	SPOOL/DELECT	T	1					
22	1640-530-631-00	SPOOL/DELECT	*	2					
23	1640-530-632-00	PLATE	T	1					
23	1640-530-632-00	PLATE	*	2					
24	V580-140-302-50	SPRING PIN (W)	T	1					
24	V580-140-302-50	SPRING PIN (W)	*	2					
25	V720-111-900-70	O-RING/P 7	T	1					
25	V720-111-900-70	O-RING/P 7	*	2					
26	V220-540-601-00	BOLT	T	3					
26	V220-540-601-00	BOLT	*	6					
27	K200-014-007-00	PLUG/SEAL	T	1					
27	K200-014-007-00	PLUG/SEAL	*	2					
28	V720-112-401-40	O-RING/P14	T	3					
28	V720-112-401-40	O-RING/P14	*	6					

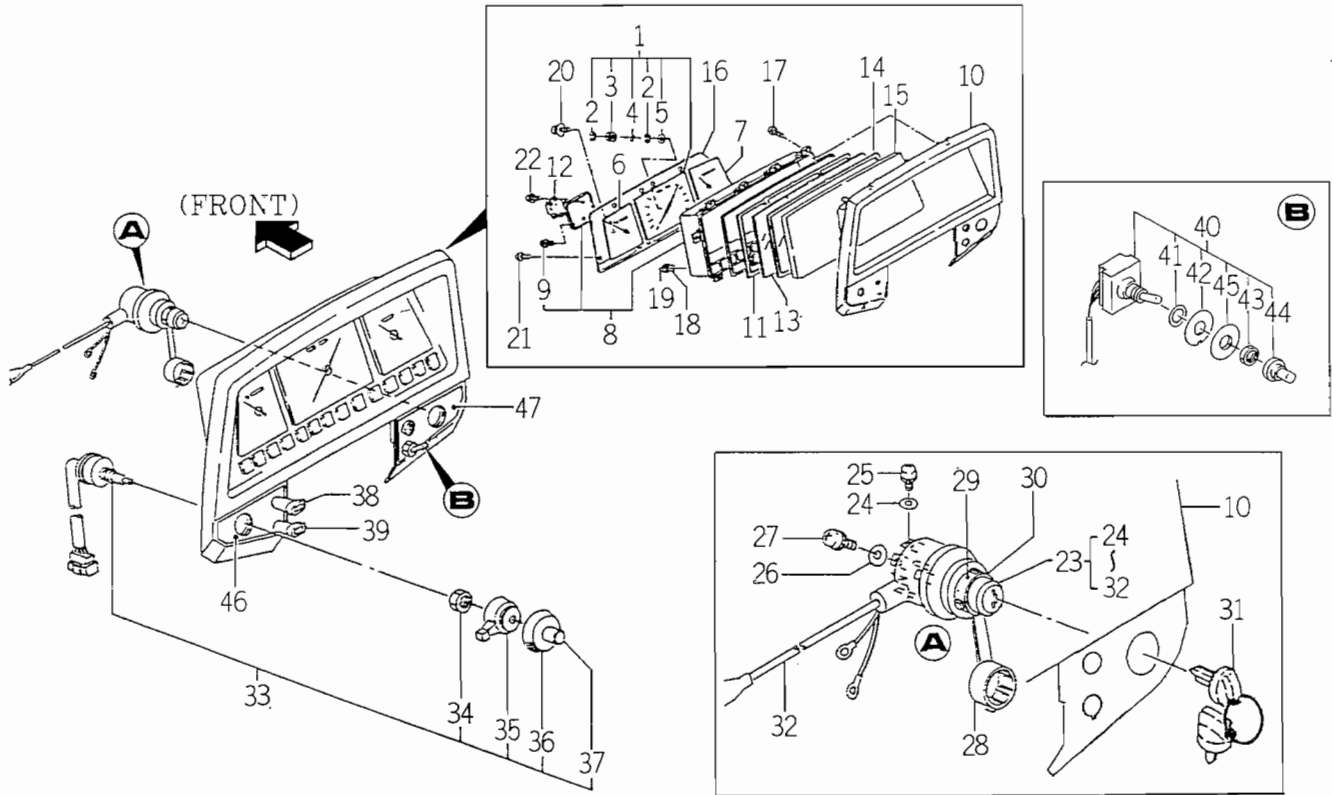
FIG.149 COMPONENT PARTS FOR 1673 - 407 - 550 - 00 ON Fig.47



1673-4075

KEY	PART CODE	DESCRIPTION	S P C	TYPE OF MODEL		I T C	C O L	G R P	REMARKS
				TK538H					
1	1673-407-560-00	CASE/GEAR ASSY	*	1					
2	1444-408-213-00	BEARING, NR/FJL3020	*	1					
3	1444-408-214-00	PACKING, U	*	1					
4	1673-407-570-00	NUT ASSY	*	1					
5	1444-408-217-00	RING	*	1					
6	1444-408-218-00	O-RING	*	1					
7	1444-408-219-00	O-RING	*	1					
8	1444-408-301-00	RING	*	3					
9	1444-408-302-00	O-RING	*	3					
10	1444-408-303-00	RING	*	1					
11	V723-102-002-50	O-RING	*	1					
12	1673-407-580-00	HOUSING/VALVE ASSY	*	1					
13	1444-408-306-00	BEARING, NR	*	1					
14	1560-407-292-40	SEAL, OIL	*	1					
15	V705-140-032-00	RING, SNAP/32 C	*	1					
16	1444-408-308-00	SEAL, OIL	*	1					
17	V721-113-106-50	RING/O	*	1					
18	1513-408-217-00	POPPET	*	1					
19	1560-407-293-40	SPRING	*	1					
20	1550-408-325-00	BOLT	*	1					
21	1550-408-324-00	O-RING	*	1					
22	1550-408-326-00	NUT	*	1					
23	1550-408-321-00	PLUG, PT1/8	*	1					
24	1690-407-550-00	SIDECOVER ASSY	*	1					
25	1444-408-316-00	BEARING, NR/HJ243316	*	1					
26	1444-408-317-00	PACKING, U	*	1					
27	1444-408-318-00	SEAL, OIL	*	1					
28	V721-113-107-00	O-RING/G70	*	1					
29	1673-407-270-00	SHAFT/SECTOR ASSY	*	1					
30	1690-407-352-00	SCREW/ADJUST	*	1					

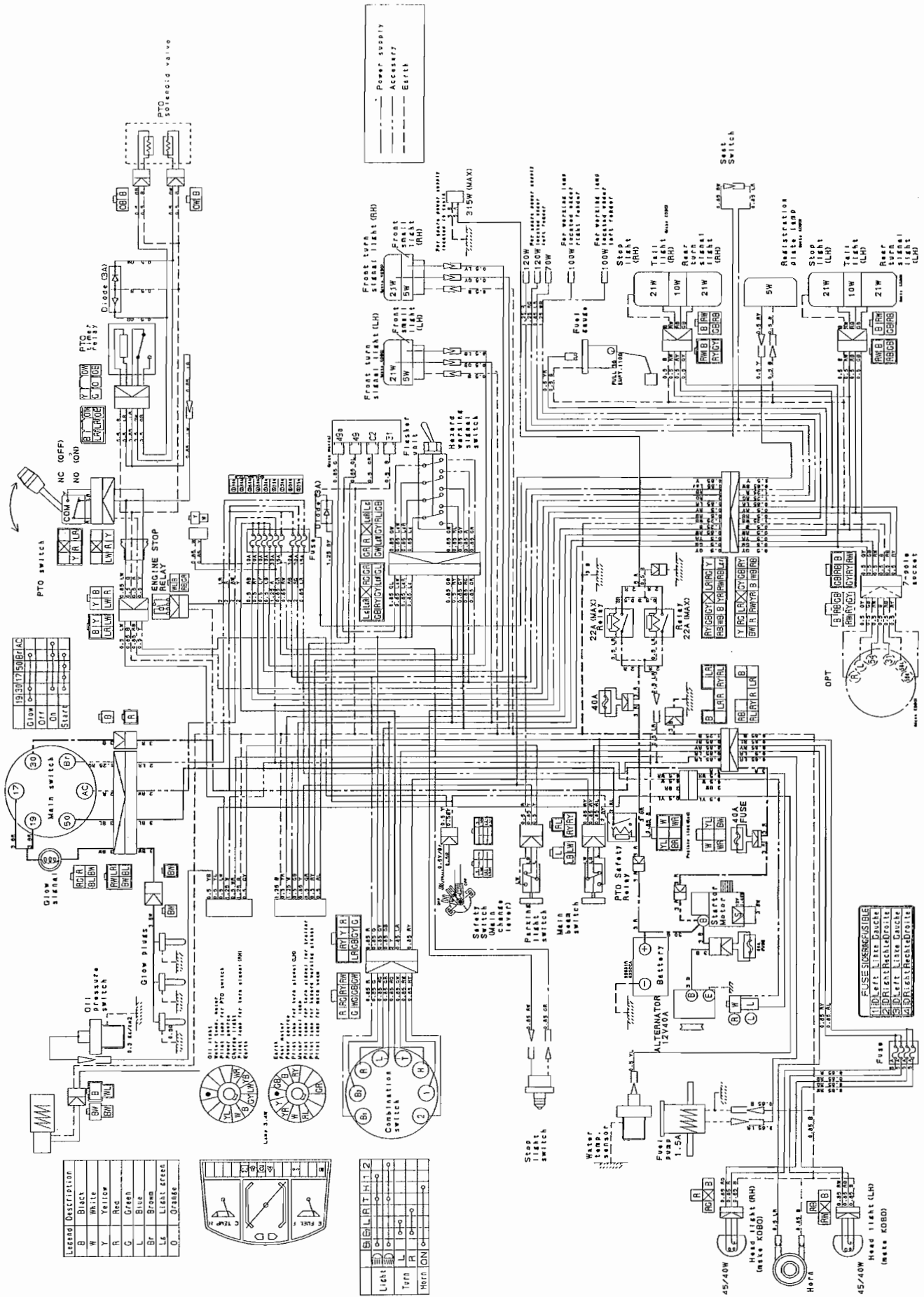
FIG.150 COMPONENT PARTS FOR 1674 - 658 - 220 - 00 ON Fig.93



1674-6582

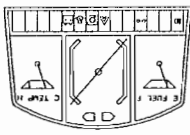
KEY	PART CODE	DESCRIPTION	S P C	TYPE OF MODEL		I T C	C O L	G R P	REMARKS
				TK538H					
1	1640-658-520-10	METER/TACHO ASSY	*	1					
2	1640-658-322-00	RING/E	*	2					
3	1673-658-214-00	GEAR	*	1					
4	1640-658-324-00	PIN	*	1					
5	1640-658-325-00	WASHER	*	1					
6	1650-652-212-00	META/FUEL ASSY	*	1					
7	1650-652-561-00	METER/TEMP	*	1					
8	1560-658-240-70	HOUSING ASSY	*	1					
9	1560-658-242-00	SCREW/TRAS, M04X12	*	3					
10	1673-658-212-00	VISOR	*	1					
11	1650-652-715-00	ESCUTCHEON ASSY	*	1					
12	1650-652-218-00	HOUSING/GEARBOX ASSY	*	1					
13	1518-621-208-00	GLASS	*	1					
14	1518-621-209-00	PACKING (A)	*	1					
15	1518-621-211-00	CASE, GLASS	*	1					
16	1561-660-412-00	BOARD	*	1					
17	V195-164-012-40	BOLT/M4X12	*	10					
18	3650-270-214-00	BULB	*	12					
19	1560-658-282-40	SOCKET	*	12					
20	1560-658-202-00	SCREW	*	6					
21	V195-163-008-30	PIN 3/3X08	*	3					
22	V120-264-001-00	SCREW/S	*	2					
23	1560-658-310-30	SWITCH SET	*	1					
24	V411-260-004-00	WASHER, PL/M 4	*	3					
25	V120-264-000-80	SCREW, PLUS/M4X8	*	3					
26	V411-260-005-00	WASHER, PL/M 5	*	3					
27	V120-265-001-00	SCREW, SEMS/M5X10	*	3					
28	1444-621-311-00	CAP	*	1					
29	1444-621-312-00	NUT, RING/M28X1.0	*	1					
30	1444-621-313-00	WASHER	*	1					

WIRING DIAGRAM



LEGEND DESCRIPTION

B	Black
W	White
Y	Yellow
R	Red
G	Green
L	Blue
BR	Brown
LS	Light Green
O	Orange



NOTATION

1	2	3	4	5	6	7	8	9	10	11	12	13	14	15	16	17	18	19	20	21	22	23	24	25	26	27	28	29	30
1	2	3	4	5	6	7	8	9	10	11	12	13	14	15	16	17	18	19	20	21	22	23	24	25	26	27	28	29	30



SECRET

NUMERICAL INDEX

6005-097-350-00

PART CODE	FIG. KEY	PART CODE	FIG. KEY	PART CODE	FIG. KEY
J061-116-025-00	17 21	V721-103-104-00	18 13	6209-300-012-00	4 6
J061-210-015-00	18 18		25 18	6209-300-014-00	1 13
J061-213-018-00	2 10	V721-103-105-00	25 19	6209-360-018-00	22 3
J061-216-020-00	17 29	V721-113-105-00	18 29	6209-360-047-00	5 15
	18 19	V723-102-002-40	10 38	6209-360-071-10	17 27
J061-220-024-00	18 35	V723-102-005-00	10 45	6209-360-072-10	17 28
J061-238-046-00	5 14		25 16	6209-360-075-10	5 13
J061-252-063-00	5 16	V723-102-005-50	18 26	6209-360-076-10	17 20
J062-076-082-00	22 4		25 21	6209-366-005-10	2 9
P117-303-003-00	10 24	V723-102-006-00	17 26	6209-409-001-00	10 20
V195-164-008-30	2 4		25 28	6209-409-003-00	12 17
V201-360-807-50	10 11	1373-121-001-00	23 4	6209-409-004-00	4 7
V211-560-802-00	10 13	1594-105-001-00	4 5	6209-440-002-10	14 7
	18 22		25 23	6209-490-002-00	2 7
	21 7	1650-650-015-00	10 16	6209-500-003-00	10 18
V211-560-802-50	23 3	3625-540-004-00	5 7		10 27
	3 3		10 40		25 13
	4 3	3640-586-004-00	22 5	6209-500-005-00	12 21
	18 32	3805-355-002-10	8 2	6209-580-002-10	21 38
V220-540-602-00	17 7	3817-401-001-00	10 12	6209-605-003-00	10 2
V251-340-802-50	5 5		12 20	6209-605-004-10	1 4
V251-340-806-00	6 21		18 14	6209-610-001-00	6 4
V304-700-008-00	5 3		18 33	6209-610-003-00	1 3
V341-120-008-00	10 21		21 8		6 6
V401-160-006-00	17 18	6115-639-008-00	27 51	6209-610-004-00	10 3
V411-260-006-00	21 41	6209-000-002-00	12 18	6209-625-002-00	10 7
V411-260-008-00	5 11	6209-000-005-00	1 12		25 12
V411-700-008-00	5 4	6209-000-006-00	6 2	6209-625-003-20	6 15
V411-700-010-00	4 8	6209-000-023-00	16 8		25 10
V523-101-001-80	9 3	6209-030-005-00	10 8	6209-630-002-10	24 6
	16 2	6209-030-006-00	10 9		25 22
V600-110-600-40	21 13		18 23	6209-630-004-10	17 19
V600-110-600-50	10 49	6209-030-043-00	21 17		25 26
V600-110-620-30	21 12	6209-030-091-00	9 4	6209-740-001-00	10 28
V600-150-600-20	16 7	6209-030-092-00	19 4	6209-740-005-00	6 18
V682-200-000-60	1 10	6209-030-094-00	17 17	6209-749-001-20	6 16
V704-140-016-00	12 15	6209-030-095-00	10 15		10 46
V705-140-012-00	10 33	6209-030-097-00	6 28	6209-920-002-00	10 22
V710-140-004-00	21 22	6209-031-083-00	23 5	6209-940-004-00	12 14
	21 34	6209-037-017-10	5 10	6211-110-043-60	1 1
V720-101-900-80	21 37	6209-046-001-00	10 17	6211-141-023-50	1 11
V720-102-401-80	8 3	6209-050-001-00	10 34		25 3
V720-103-502-50	6 36	6209-050-002-00	10 35	6211-150-032-10	1 2
V720-113-502-20	17 9	6209-060-001-00	17 14	6211-170-007-20	2 1
	25 17	6209-060-002-00	6 33	6211-173-005-00	2 6

PART CODE	FIG. KEY	PART CODE	FIG. KEY	PART CODE	FIG. KEY
6211-173-005-00	25 4	6212-230-011-00	14 5	6213-161-003-10	10 31
6211-179-011-20	2 2	6212-235-002-20	14 6	6213-164-001-00	10 32
6211-210-055-70	6 1	6212-261-009-10	14 8	6213-240-005-10	17 12
6211-258-001-00	6 9	6212-263-009-00	7 5	6213-311-026-10	17 16
	25 8	6212-264-009-00	7 6	6213-311-041-10	17 13
6211-258-002-00	6 10	6212-310-011-40	16 1	6213-319-010-00	6 32
	25 9	6212-330-066-00	16 5	6213-319-011-00	6 34
6211-291-010-00	2 3	6212-333-002-00	16 6		25 27
6211-291-015-10	6 26	6212-339-005-00	16 9	6213-610-011-10	18 1
6211-292-001-20	6 27	6212-371-035-00	16 10	6213-611-006-00	18 2
6211-310-009-50	25 11	6212-379-001-00	16 11	6213-612-004-00	18 9
	10 1	6212-511-005-00	13 1	6213-613-002-10	18 8
6211-311-013-00	10 41	6212-521-002-00	16 3	6213-619-002-00	18 11
6211-312-005-10	10 29	6212-522-004-00	13 2	6213-619-003-00	18 10
	25 14	6212-523-006-30	13 6	6213-619-006-00	18 28
6211-312-006-10	10 42	6212-524-006-10	21 10	6213-619-009-00	18 12
	25 15	6212-530-005-10	10 48	6213-621-003-00	18 6
6211-319-003-00	10 44	6212-531-008-20	6 8	6213-622-002-10	18 5
6211-341-030-10	9 1	6212-535-007-00	13 4	6213-631-002-00	18 3
6211-342-003-10	9 2	6212-535-009-00	21 14	6213-631-005-00	18 4
6211-361-038-10	8 1	6212-551-004-00	12 1	6213-641-022-00	19 2
6211-510-008-00	6 11	6212-552-004-00	12 2	6213-642-002-00	18 7
6211-511-007-00	6 12	6212-561-003-00	12 3	6213-660-015-00	19 1
6211-511-008-00	6 13	6212-563-001-00	12 4	6213-669-012-00	19 3
6211-530-008-00	7 1	6212-565-001-00	12 5	6213-671-031-00	19 5
6211-540-008-00	7 3	6212-569-002-00	1 9	6213-674-006-10	23 2
6211-599-004-00	6 14		25 2	6213-711-003-20	18 25
	7 2	6212-571-002-20	12 6	6213-716-003-10	18 20
	7 4	6212-575-003-00	12 7	6213-719-002-00	18 17
6211-711-003-00	1 6	6212-600-009-10	12 8	6213-721-005-00	6 24
6211-715-004-00	1 5	6212-611-004-10	12 9	6213-721-007-00	6 23
6211-721-003-10	1 7	6212-616-002-00	12 16	6213-729-004-10	18 15
6211-721-004-00	1 8	6212-620-008-10	12 10	6213-729-011-00	18 34
6211-751-001-10	2 5	6212-626-002-10	12 11	6213-729-013-10	18 16
6211-751-002-00	6 35	6212-628-010-00	12 12	6213-743-002-10	18 21
6211-760-020-10	6 30	6212-628-011-00	12 13		25 20
6211-766-006-10	6 31	6213-100-004-30	17 1	6214-111-023-00	3 1
6211-777-007-20	11 1	6213-111-002-20	17 2	6214-115-003-10	3 2
6212-111-054-60	14 1	6213-119-001-00	17 6		25 6
6212-114-054-60	15 1	6213-120-002-30	17 3	6214-141-023-00	4 1
6212-116-054-60	15 3	6213-125-002-10	17 4	6214-145-004-20	4 2
6212-121-019-40	14 2	6213-129-003-00	17 5		25 7
6212-124-019-40	15 2	6213-140-013-00	17 8	6214-145-009-00	5 2
6212-126-019-40	15 4	6213-149-003-20	17 10		25 24
6212-211-002-00	14 3	6213-160-003-10	10 30	6214-400-006-00	5 1

6005-097-350-00

PART CODE	FIG. KEY	PART CODE	FIG. KEY	PART CODE	FIG. KEY
6214-435-024-30	5 6	6215-549-006-00	21 29	6215-629-062-00	27 19
6214-439-010-10	5 8	6215-549-007-10	21 39	6215-629-063-00	27 20
6214-439-011-10	5 9	6215-549-009-00	21 30	6215-629-064-00	27 21
6215-300-037-00	20 1	6215-549-010-00	21 31	6215-629-065-00	27 22
6215-311-005-00	26 16	6215-549-012-00	21 43	6215-629-066-00	27 23
6215-315-002-00	20 2	6215-549-013-00	6 29	6215-629-067-00	27 24
6215-315-005-00	20 4	6215-549-023-00	21 32	6215-631-008-00	27 2
6215-315-006-00	20 3	6215-549-024-00	21 33	6215-634-003-00	27 14
6215-315-007-00	20 5	6215-549-031-10	21 23	6215-635-004-00	27 8
6215-330-022-00	26 1	6215-549-037-00	21 26	6215-635-005-00	27 49
6215-332-006-00	26 15	6215-549-038-00	21 25	6215-637-004-00	27 48
6215-339-004-00	26 14	6215-549-063-00	21 28	6215-639-008-00	27 15
6215-342-002-00	26 13	6215-600-078-00	21 1	6215-639-009-00	27 16
6215-343-002-00	26 12	6215-611-015-00	27 1	6215-641-002-00	27 3
6215-345-044-00	26 2	6215-619-023-00	27 50	6215-643-005-00	27 4
6215-345-045-00	26 3	6215-619-024-00	27 52	6215-644-006-00	27 6
6215-345-046-00	26 4	6215-621-018-00	21 9	6215-649-008-00	27 5
6215-345-047-00	26 5	6215-622-003-00	27 11	6215-649-009-00	27 7
6215-345-048-00	26 6	6215-629-017-00	27 12	6215-649-010-00	27 9
6215-345-049-00	26 7	6215-629-035-00	27 13	6215-649-011-00	27 10
6215-345-050-00	26 8	6215-629-036-00	27 25	6219-310-003-20	10 37
6215-345-051-00	26 9	6215-629-037-00	27 26	6219-732-012-00	24 4
6215-345-052-00	26 10	6215-629-038-00	27 27	6219-752-006-00	21 2
6215-345-053-00	26 11	6215-629-039-00	27 28	6219-752-007-00	21 3
6215-359-003-00	26 17	6215-629-040-00	27 29	6219-752-008-00	21 4
6215-359-004-00	26 18	6215-629-041-00	27 30	6219-752-009-00	21 5
6215-359-006-00	27 53	6215-629-042-00	27 31	6219-752-010-00	21 6
6215-411-052-00	20 6	6215-629-043-00	27 32	6221-700-002-10	17 22
6215-411-053-10	20 7	6215-629-044-00	27 33	6221-726-002-10	17 23
6215-411-054-00	20 8	6215-629-045-00	27 34	6221-726-003-00	17 25
6215-411-080-10	22 2	6215-629-046-00	27 35	6221-726-004-00	17 24
6215-412-004-00	22 1	6215-629-047-00	27 36	6222-111-005-10	4 4
6215-520-007-10	21 16	6215-629-048-00	27 37	6281-100-007-20	23 7
6215-526-001-10	21 18	6215-629-049-00	27 38	6281-111-005-00	28 1
6215-531-019-00	21 35	6215-629-050-00	27 39	6281-115-010-00	28 23
6215-537-002-10	21 44	6215-629-051-00	27 40	6281-115-011-00	28 10
6215-541-001-10	21 19	6215-629-052-00	27 41	6281-115-016-00	28 20
6215-541-016-30	21 24	6215-629-053-00	27 42	6281-116-004-00	28 11
6215-541-024-20	21 36	6215-629-054-00	27 43	6281-121-006-00	28 2
6215-542-004-20	10 23	6215-629-055-00	27 44	6281-123-005-00	28 8
6215-542-005-00	10 25	6215-629-056-00	27 45	6281-124-007-10	28 5
6215-542-006-00	21 21	6215-629-058-00	27 46	6281-129-003-00	28 19
6215-543-002-10	21 20	6215-629-059-00	27 47	6281-129-038-00	28 3
6215-546-003-10	10 19	6215-629-060-00	27 17	6281-129-039-00	28 4
6215-549-005-10	21 27	6215-629-061-00	27 18	6281-129-040-00	28 7

PART CODE	FIG. KEY	PART CODE	FIG. KEY	PART CODE	FIG. KEY
6281-129-042-00	28 15	6581-129-092-00	28 17	6909-950-115-00	14 4
6281-129-043-00	28 16	6581-129-099-00	28 6	6911-129-081-00	6 3
6281-129-044-00	28 18	6901-055-855-00	12 19	6911-219-195-00	6 5
6281-129-045-10	28 9	6901-066-645-00	16 12		
6281-129-062-00	28 14	6901-910-612-00	13 5		
6281-151-017-10	28 13		21 15		
6281-200-020-00	23 1		24 7		
6281-213-017-00	29 7	6901-910-616-00	10 39		
6281-214-003-00	29 12	6901-910-635-00	8 4		
6281-214-004-00	29 13	6901-910-816-00	17 11		
6281-215-001-00	29 17	6901-910-828-00	18 27		
6281-216-001-00	29 18	6901-910-845-00	18 31		
6281-217-003-00	29 16	6901-911-020-00	5 12		
6281-221-007-00	29 4		11 2		
6281-222-012-00	29 1	6901-911-025-00	9 5		
6281-229-002-00	29 2	6901-931-240-00	23 8		
6281-229-003-00	29 3	6902-050-816-00	10 43		
6281-229-004-00	29 5	6904-110-822-00	6 20		
6281-229-006-00	29 8		10 4		
6281-229-007-00	29 9		10 47		
6281-229-008-00	29 10	6904-110-840-00	6 19		
6281-229-011-00	29 15		18 30		
6281-229-012-00	29 19	6904-110-850-00	10 6		
6281-229-013-00	29 20	6904-110-855-00	10 5		
6281-229-014-00	29 21	6904-130-825-00	4 9		
6281-229-015-00	29 22	6908-000-716-00	13 3		
6281-229-016-00	29 23		21 11		
6281-229-017-00	29 24	6908-000-750-00	16 4		
6281-229-018-00	29 25	6908-160-816-00	6 17		
6281-229-029-00	29 14	6909-110-406-00	10 36		
6281-229-032-00	29 6		21 40		
6281-229-033-00	29 11	6909-110-408-00	10 50		
6281-229-041-00	28 22		10 52		
6281-271-002-00	29 26	6909-110-410-00	23 6		
6281-410-010-00	24 3	6909-111-508-00	28 21		
6281-910-003-10	24 5	6909-150-506-00	21 42		
6281-920-001-00	24 8	6909-150-508-00	10 51		
6281-971-003-00	24 1		10 53		
6282-450-004-00	24 2	6909-160-508-00	10 10		
6287-810-029-00	25 1	6909-202-308-00	10 26		
6294-453-002-00	6 22	6909-571-410-00	17 15		
6509-030-037-00	10 14		25 25		
6509-605-019-10	6 7	6909-572-008-00	2 8		
6513-770-022-10	18 24		25 5		
6581-117-007-00	28 12	6909-902-299-00	6 25		

NUMERICAL INDEX

1674-097-120-00

PART CODE	FIG. KEY	PART CODE	FIG. KEY	PART CODE	FIG. KEY
A101-251-008-00	41 8	K211-005-000-10	135 2	K275-001-001-00	145 1
J061-112-022-00	1 25	K211-005-003-10	142 3	K275-001-002-00	145 8
	47 38	K211-005-004-00	142 6	K275-001-003-00	62 17
	47 43	K211-005-005-00	142 7		144 15
J061-116-025-00	6 14	K211-005-006-00	142 12		145 14
	7 15	K211-005-007-00	142 13	K275-001-100-00	145 2
	110 46	K211-005-008-00	142 14	K275-001-200-00	145 5
J061-120-032-00	62 25	K211-005-009-00	142 15	P120-605-031-00	41 5
J061-140-057-00	2 14	K211-005-010-10	142 17		106 28
	7 28	K211-005-011-00	142 19	V111-164-002-50	109 13
J061-165-090-00	7 29	K211-005-012-00	142 20	V111-165-001-00	91 17
J061-210-015-00	3 24	K211-005-013-00	142 26		92 15
	38 14	K211-005-100-20	142 1	V111-166-001-00	106 24
J061-211-013-00	1 26	K211-008-000-10	56 10	V111-166-003-00	90 3
J061-228-036-00	61 16	K211-008-003-00	143 2	V111-166-004-00	56 33
J061-230-038-00	3 17	K211-008-010-00	143 6	V112-165-001-60	107 22
J061-232-040-00	3 16		143 16	V112-165-002-50	91 16
J061-234-042-00	3 15	K211-008-011-00	143 7		92 14
J061-252-063-00	2 10		144 3	V120-264-000-80	150 25
	2 13	K211-008-012-00	143 8	V120-264-001-00	150 22
J062-076-082-00	6 15	K211-008-016-00	143 18	V120-264-001-20	110 33
	7 16	K211-008-017-00	143 19	V120-265-001-00	150 27
J062-104-111-00	6 16	K211-008-018-10	143 4	V120-265-003-00	137 5
	7 17	K211-008-100-00	143 1	V120-266-001-60	90 6
K110-001-106-00	142 8	K211-008-200-00	143 13	V120-266-002-00	104 13
	145 10	K211-012-006-00	148 5		108 13
	148 20	K211-013-006-00	143 5	V120-365-001-20	105 27
K135-002-009-00	47 17	K211-013-007-00	143 17	V120-366-001-60	93 4
	61 28	K220-002-000-00	64 18		97 15
K135-013-000-00	47 10	K231-004-000-20	56 24		97 19
K135-013-100-10	47 11	K231-004-006-00	56 27		97 38
K135-015-002-00	47 12	K231-004-007-00	56 29		103 8
K135-017-006-00	61 23	K234-001-004-00	144 13		103 10
K135-022-000-00	61 21	K250-008-000-00	61 46		106 6
K135-022-100-00	61 22	K250-008-005-00	144 8		107 21
K200-014-007-00	148 27	K250-015-000-00	56 21		108 15
K200-016-200-00	145 6	K256-001-000-00	62 1		109 3
K211-001-008-00	143 9	K256-001-004-10	144 2	V120-366-002-50	104 8
K211-001-011-00	142 5	K256-001-005-00	144 5		104 28
K211-004-006-00	142 16	K256-001-006-00	144 6	V120-368-002-00	44 8
	148 7	K256-001-007-10	144 11		72 10
K211-004-007-00	142 2	K256-001-100-00	144 1	V120-376-001-60	29 12
	148 6	K270-001-003-10	145 3		104 20
	148 16	K270-001-004-00	145 4		138 7
K211-005-000-10	128 2	K275-001-000-00	62 14	V195-163-008-30	150 21

PART CODE	FIG. KEY		PART CODE	FIG. KEY		PART CODE	FIG. KEY	
V195-164-012-40	150	17	V201-361-202-00	81	6	V201-461-003-50	83	5
V195-164-020-40	147	8		82	6		140	6
V200-260-501-0B	94	3		84	6	V201-461-006-00	83	6
V200-360-604-50	62	5	V201-361-203-00	10	5		140	7
V201-260-801-20	6	25		18	2	V201-461-202-00	79	6
<hr/>								
	7	3		48	3		83	10
	28	1		100	16		140	10
	57	4		121	3		140	24
V201-260-801-60	73	30		124	11	V201-461-203-00	149	41
	91	23		125	2	V201-461-204-00	139	17
<hr/>								
	92	21		126	11		140	46
	135	10	V201-361-203-50	16	2	V201-461-207-50	79	8
V201-260-803-00	56	13		16	10		80	8
V201-260-803-50	49	9		51	20		81	8
V201-260-804-50	62	20		52	6		82	10
<hr/>								
V201-260-805-00	61	47		56	17		83	14
V201-260-808-00	1	15	V201-361-204-00	10	4		84	8
	4	24		123	4		140	14
	5	24	V201-361-204-50	10	6	V201-461-215-50	66	30
V201-260-814-00	59	3		17	2		140	21
<hr/>								
V201-261-004-00	63	2		48	4	V201-461-403-20	79	3
	87	24		122	2		140	23
V201-261-005-50	31	5	V201-361-206-00	13	4	V203-361-805-00	51	23
V201-261-006-50	4	11	V201-361-206-50	17	3	V210-260-601-20	1	20
	4	19	V201-361-208-00	100	6	V210-260-601-60	94	7
<hr/>								
	5	11		101	7		147	6
	5	19	V201-361-208-50	16	9	V210-260-602-50	128	13
V201-261-008-00	133	8	V201-361-215-50	66	3	V210-260-604-00	73	47
V201-261-008-50	128	3	V201-361-403-00	66	7		135	16
V201-261-012-00	68	7		80	3	V210-360-601-20	3	10
<hr/>								
	134	8		81	3		74	11
V201-261-013-50	135	3		132	3		75	7
V201-261-202-00	97	21		132	6	V210-360-601-60	47	29
V201-261-607-50	131	2	V201-361-403-50	65	4		69	10
V201-360-802-00	136	2		127	10		69	19
<hr/>								
V201-360-802-5B	22	8		129	3		73	52
V201-360-804-00	46	10		129	5		95	20
V201-360-806-50	22	10		130	2		96	20
V201-361-002-50	100	9	V201-361-603-00	99	7		97	29
V201-361-005-00	87	13		119	21		99	11
<hr/>								
V201-361-006-00	102	3		120	11		105	18
V201-361-009-00	54	11	V201-361-604-50	51	11		105	20
V201-361-010-00	35	5	V201-460-802-00	50	18		108	18
V201-361-011-00	35	6	V201-461-002-50	79	12		110	2
V201-361-202-00	80	6		140	27	V210-360-602-00	94	11

1674-097-120-00

PART CODE	FIG. KEY	PART CODE	FIG. KEY	PART CODE	FIG. KEY
V210-360-602-00	104 25	V211-260-802-00	38 19	V211-360-801-60	61 37
V210-360-602-50	95 34		42 8		61 39
	96 34		45 10		62 13
V210-360-603-50	95 35		46 6		64 8
	96 35		52 11		64 11
V210-560-602-50	47 32		62 23		64 29
V210-560-603-00	47 41		68 26		65 2
V210-560-603-50	61 34		72 5		68 22
V210-560-604-50	61 19		74 21		68 33
V211-260-801-20	6 13		78 2		72 7
	7 14		85 5		73 25
	49 12		86 5		73 35
	95 31		133 25		73 41
	96 31		134 28		76 4
	133 21	V211-260-802-50	20 2		85 12
V211-260-801-60	2 16		61 49		85 18
	6 2		128 7		85 22
	7 4		128 24		86 6
	9 10		135 9		86 9
	38 16		135 30		86 12
	41 21	V211-260-804-00	56 11		86 15
	58 3	V211-261-001-60	30 2		86 16
	58 22	V211-261-002-00	22 14		95 13
	60 3		42 7		95 32
	60 10		61 5		96 13
	64 6	V211-261-002-50	64 34		96 32
	64 13		20 6		97 32
	64 15		61 11		110 34
	64 33		61 57		118 20
	68 10	V211-261-003-00	61 52		127 14
	91 5		61 56	V211-360-802-00	128 8
	94 5	V211-360-801-20	118 3		3 21
	94 9		4 35		5 28
	94 15	V211-360-801-60	5 36		41 22
	127 27		2 7		69 15
	128 32		4 17		69 23
	133 11		4 31		70 4
	134 11		4 33		71 3
	134 24		5 30		72 2
	135 37		5 34		72 4
V211-260-802-00	6 23		19 9		74 15
	7 22		30 10		75 9
	10 17		47 22		77 2
	20 3		61 6		85 8
	24 4		61 14		100 14

PART CODE	FIG. KEY		PART CODE	FIG. KEY		PART CODE	FIG. KEY	
V211-360-802-00	110	50	V211-660-802-00	8	2	V301-260-006-00	104	21
	117	4		103	2		107	12
	133	14		105	13		108	7
	134	15	107	15	110		4	
	137	2	V211-660-802-50	3	26	V302-460-016-00	119	6
V211-360-802-50	4	29	V211-661-002-00	22	7	V304-260-008-00	119	16
	5	32		80	14		4	27
V211-360-803-00	69	21		82	4		7	25
	73	49		87	62		24	5
	122	8		99	3		29	4
V211-360-803-50	85	19	V211-661-002-50	100	3	29	6	
V211-360-804-00	86	13		43	7	30	7	
	75	10		102	6	39	3	
V211-360-805-50	77	3		V220-540-601-00	148	26	42	12
V211-361-002-50	61	61		V220-540-601-60	142	22	46	11
V211-560-801-60	43	11	V220-540-802-00	148	15	56	14	
	118	18	V220-541-002-00	68	6	58	32	
V211-560-802-00	11	8	133	7	69	17		
	40	5	134	7	85	31		
	61	54	V240-461-608-50	119	4	86	24	
V211-560-802-50	87	5	V251-260-802-0D	119	14	87	16	
	87	23		16	5	87	36	
	15	4		V251-340-802-50	4	2	87	53
	46	9		5	2	87	56	
	62	30		V251-341-002-5D	52	35	87	59
V211-560-803-50	105	3	V251-341-002-50	52	48	95	11	
	87	20	V251-341-002-8D	19	3	96	11	
	V211-560-804-50	87	52	V251-341-003-5D	19	6	106	27
	V211-561-002-00	40	8	V251-341-202-50	10	2	127	20
	87	38	124	13	128	9		
V211-561-002-50	33	7	V251-341-203-00	126	13	V304-260-010-00	135	12
	34	18		48	2		4	14
	38	8		125	3		4	22
	51	5		19	2		5	14
	52	37		V251-341-203-2D	10		14	5
V211-561-003-00	52	47	V252-341-002-00	102	7	31	7	
	87	19	V271-160-601-20	3	5	56	35	
	35	3	V271-160-602-50	2	4	87	25	
	35	11	V290-106-001-20	70	9	127	33	
	54	12	71	8	V304-260-012-00	82	11	
V211-561-004-00	35	4	V301-260-004-00	109	14	V304-260-014-00	87	11
	54	10	V301-260-006-00	58	28		39	8
V211-660-801-60	85	21	59	11	127	8		
	103	4	60	7	51	12		
	141	2	89	9	V304-260-016-00	66	10	

1674-097-120-00

PART CODE	FIG. KEY	PART CODE	FIG. KEY	PART CODE	FIG. KEY
V304-260-016-00	66 17 99 8 139 8 140 37	V362-260-008-00	3 29 49 10 73 28 73 31 73 36	V401-160-008-00	62 21 87 35 87 58 95 12 95 33
V304-460-008-00	4 5				
V304-460-010-00	5 5 87 32 136 3 52 36 52 50		73 45 74 4 74 16 87 45 100 15		96 12 96 33 106 29 110 30 128 10
V304-460-012-00	54 13 100 10 102 8 123 6 10 3	V363-260-008-00	110 51 6 28 91 25 92 23 122 9	V401-160-010-00	135 13 136 5 148 14 4 12 4 20
	16 3 16 11 51 21 66 4 84 11	V401-160-004-00 V401-160-006-00	128 26 135 31 109 15 56 34 59 10		5 12 5 20 35 7 52 34 52 49
	100 8 100 17 101 3 101 9 122 4		62 6 104 22 106 25 108 8 110 5		54 14 63 3 68 8 79 13 83 7
V304-460-016-00	124 14 126 14 55 12 67 12 119 5	V401-160-008-00	142 23 1 16 4 4 4 26 5 4		87 14 100 12 102 5 128 4 133 9
V305-260-012-00	119 15 101 4 105 15		5 26 7 26 22 11 24 6 27 4		134 9 135 4 140 8 140 26 10 7
V328-261-110-00	9 6 88 13			V401-160-012-00	
V328-262-110-00	44 3		29 7		13 5
V350-160-004-00	69 8		30 8		16 4
V350-160-006-00	69 5 70 10 71 9		34 3 45 6 47 9		16 12 17 4 18 3
V360-260-005-00	91 18 92 16		50 19 50 30		48 5 51 22
V360-260-006-00	109 8		55 3		52 7
V361-260-006-00	91 27 92 25		59 4 61 48		56 18 66 5

PART CODE	FIG. KEY	PART CODE	FIG. KEY	PART CODE	FIG. KEY
V401-160-012-00	79 7	V401-160-018-00	51 24	V411-260-010-00	30 4
	80 7	V401-170-008-00	47 18		32 8
	81 7		61 29		40 15
	82 7	V410-260-010-00	9 12		44 5
	82 12	V411-260-004-00	150 24		59 14
	83 11	V411-260-005-00	150 26		79 14
	83 16	V411-260-006-00	9 16		83 8
	84 7		58 13		88 12
	87 10		89 8		100 13
	97 22		106 26		102 4
	100 7	V411-260-008-00	109 9	V411-260-012-00	127 32
	100 18		110 6		140 9
	101 8		128 18		140 25
	105 16		135 22		100 19
	121 4		1 17		101 2
	122 3		4 25	V411-260-016-00	139 19
	123 5		4 36		140 48
	124 12		5 25		55 11
	126 12		5 37		66 12
	139 18		22 12		67 11
V401-160-014-00	140 11		38 25	V411-260-020-00	99 10
	140 16		41 13		105 14
	140 47		42 14		139 10
	65 5		49 11		140 39
	66 8		58 9		139 13
	79 4		58 20	V500-161-601-50 V500-162-001-50	140 42
	80 4		74 19		76 9
	81 4		75 13		87 44
	127 11		88 6		128 17
	129 4		88 16		135 21
V401-160-016-00	129 6		91 24	V500-162-002-00	9 13
	130 3		92 22		9 17
	132 4		104 4		30 5
	132 7		106 30		32 9
	55 10		107 13		38 26
	66 11		109 11		42 15
	67 10		127 18		44 4
	99 9		127 23		58 10
	119 7		135 11		58 14
	119 17		136 4		58 18
	119 22	V411-260-010-00	4 13	V500-162-502-00	88 7
	120 12		4 21		88 17
	131 4		5 13		127 24
	139 9		5 21		127 39
	140 38		9 4		9 7

1674-097-120-00

PART CODE	FIG. KEY	PART CODE	FIG. KEY	PART CODE	FIG. KEY
V500-162-502-00	27 10 41 14 88 14 127 19	V600-110-600-70 V600-110-600-80	11 2 12 2 21 18 50 29	V704-140-025-00	21 9 23 4 38 23 40 9
V500-163-002-00	38 12	V600-110-601-30	34 20		52 21
V500-163-002-50	53 8 53 13 53 18 66 20 27 9	V600-110-620-50 V600-110-620-60 V600-110-620-70	14 11 52 44 118 8 21 17 26 4	V704-140-028-00 V704-140-030-00 V704-140-035-00	87 28 87 50 27 14 52 22 11 3
V500-163-003-00	40 16 139 14 140 43	V600-110-620-80	52 43	V705-140-021-00	12 6 12 12 26 6 56 28 142 11
V500-165-005-00	47 4	V600-110-621-00	37 8	V705-140-024-00	
V511-100-805-00	40 2	V600-110-621-10	34 19		
V511-101-006-00	41 2 127 6	V600-110-630-50	14 2 52 20	V705-140-032-00	148 17 28 2 149 15 23 6 87 21
V522-101-002-20	51 2	V600-130-600-30	46 4		
V523-100-601-80	28 5	V600-150-600-20	87 8	V705-140-042-00	
V523-100-801-60	13 3	V600-150-600-30	87 2		
V523-101-002-40	10 15 17 5 18 4 19 4 34 7	V600-150-600-40 V600-150-600-50 V607-110-620-70 V610-115-110-60 V654-420-262-00	87 3 87 27 12 10 52 16 12 14	V706-140-040-00 V706-140-045-00 V707-140-056-00	21 21 36 5 38 9 55 8 50 14
V530-160-803-20	51 19 52 33 52 46 118 4 43 6	V654-425-302-00 V654-425-322-40 V654-440-501-70 V654-445-501-70 V670-200-009-00	21 5 118 15 14 5 21 11 37 5	V707-140-062-00 V707-140-072-00 V707-140-080-00	11 6 52 23 26 8 118 5 38 17
V580-140-301-60	58 7	V671-400-009-00	37 6	V707-140-090-00	35 8
V580-140-302-50	148 24	V682-200-000-60	148 11	V710-140-004-00	142 21
V580-140-402-00	58 16 59 6 128 22	V682-200-001-00	22 5 24 3 27 7	V710-140-008-00	58 5 58 24 58 30
V580-140-601-60	135 28 106 19 145 13	V682-200-001-90	38 5	V710-140-009-00	69 12 143 3 30 11 145 9 27 2
V580-140-602-00	28 9	V704-140-012-00	127 40	V720-101-901-00	
V580-140-602-50	24 10	V704-140-014-00	31 14	V720-102-401-00	
V580-140-805-00	56 8	V704-140-016-00	88 3 32 4 45 4 41 10 49 2	V720-102-401-10	62 18 144 16 145 15 47 27 24 8
V600-110-600-40	21 3 23 2	V704-140-017-00		V720-102-401-20	
V600-110-600-50	14 3 14 12	V704-140-020-00		V720-102-401-40	

PART CODE	FIG. KEY		PART CODE	FIG. KEY		PART CODE	FIG. KEY	
V720-102-401-60	1	11	V720-112-401-80	56	23	V744-114-280-70	47	13
	34	24		62	29		61	24
V720-102-402-10	1	5	V720-112-402-00	47	31	V744-120-420-80	23	5
V720-103-502-20	27	16		47	40	V744-125-470-80	15	3
V720-103-503-10	47	28		57	2	V744-135-550-80	11	5
V720-103-503-40	49	7		61	18	V744-145-600-90	54	4
	50	5		61	33	V760-150-000-00	87	48
V720-103-503-60	49	6		61	58		105	10
V720-111-900-60	47	16		62	26	V761-150-000-00	51	18
	61	27		144	10		52	32
V720-111-900-70	142	4	V720-112-402-20	13	2	V762-150-000-00	127	9
V720-112-401-00	148	25		47	15	V763-150-000-00	38	20
	56	25		56	30		40	6
	144	7		61	26		40	10
V720-112-401-10	62	3		62	28	V780-140-000-1T	145	11
V720-112-401-20	62	16	V720-113-502-40	64	36	V780-140-000-2T	16	8
	56	22		64	38		142	10
	142	25	V720-113-502-90	10	11		144	9
	143	12	V720-113-503-40	61	4	V780-140-000-4T	17	8
	148	21		61	13		143	10
V720-112-401-40	54	15	V720-115-707-00	56	6	V780-140-000-40	68	4
	61	45	V721-103-103-50	61	3		133	4
	61	51	V721-103-104-50	61	2		134	4
	62	10		61	60	V780-140-000-60	54	16
	62	33	V721-103-106-50	1	8	V781-160-000-40	133	5
	62	35	V721-103-107-00	11	7		134	5
	63	4	V721-103-108-50	123	7	V781-160-000-6B	118	6
	64	2	V721-103-109-50	52	4	V781-160-000-6T	128	14
	64	17	V721-113-105-00	47	14		133	15
	64	19		61	25		134	16
	64	21	V721-113-106-50	149	17		135	17
	64	24	V721-113-107-00	149	28	V781-160-000-60	54	17
	64	41	V721-113-107-50	56	16	V782-160-000-2B	10	9
	68	5	V721-113-109-00	56	3	V782-160-000-2T	16	7
	133	6	V723-101-500-80	144	12		56	20
	134	6	V723-102-002-50	149	11		61	35
	142	24	V723-102-003-80	149	39	V782-160-000-4B	47	23
	143	11	V723-111-500-80	61	42	V782-160-000-4T	56	19
	143	20	V723-111-501-20	143	15	V782-160-000-6B	52	25
	144	4	V723-111-501-40	143	14	V782-160-000-6T	61	43
V720-112-401-60	148	28	V723-112-002-90	145	7		68	34
	56	31	V730-101-401-00	56	26	V782-160-000-60	54	18
	142	9	V742-116-240-40	54	5	V782-160-000-8B	16	6
V720-112-401-80	17	7	V742-145-600-60	51	10	V793-108-110-30	142	18
	47	36	V742-150-720-60	51	16	V889-001-242-40	119	9

1674-097-120-00

PART CODE	FIG. KEY	PART CODE	FIG. KEY	PART CODE	FIG. KEY
V889-001-242-40	119 19	1376-402-003-00	95 21	1421-403-002-00	53 4
V920-551-001-20	115 5		95 22	1421-403-003-00	53 7
V920-551-401-70	115 6		95 39		53 12
V920-551-902-20	115 7		95 44		53 17
V920-552-402-70	115 8		95 49	1421-433-031-00	52 31
V936-150-015-00	115 3		95 52	1421-507-007-00	58 2
V999-200-003-00	119 10		96 6	1421-507-014-00	76 8
	119 20		96 14	1421-602-005-10	69 16
	120 5		96 21		85 30
	120 10		96 22		86 23
W296-134-007-00	124 5		96 39	1421-906-001-00	115 1
	124 10		96 44	1422-687-001-00	89 6
	126 5		96 49	1423-621-018-00	106 9
	126 10		96 52	1424-101-203-00	3 19
	70 13		98 8	1424-101-204-00	3 20
	71 12	1401-906-005-00	115 2	1425-433-018-00	19 5
	73 4	1402-511-600-00	66 24	1425-621-004-00	73 46
	73 8		67 6	1426-160-207-00	1 7
	73 13	1404-117-008-00	9 5	1426-160-209-00	1 10
	73 17		59 13	1426-258-200-10	118 12
W296-203-206-30	74 8		127 31	1426-621-038-00	6 11
	75 4	1404-312-006-00	38 24		94 16
1118-901-006-00	111 4	1404-402-001-00	53 6		97 43
1301-411-005-00	87 43		53 11	1427-111-244-10	3 28
1302-225-003-00	22 4		53 16	1427-117-001-00	82 9
1305-931-003-00	24 2	1404-402-005-00	53 9		83 13
	27 6		53 14		140 13
1342-402-006-00	67 8	1404-503-006-00	47 19	1427-120-002-00	52 30
	29 13		61 30	1427-201-016-00	51 8
	68 12	1404-511-801-10	66 18	1427-210-003-00	105 23
	95 40	1407-111-001-00	6 24	1427-301-005-00	50 23
	95 47		7 2	1427-317-004-00	10 8
	95 48	1415-125-021-00	128 25		19 7
	95 50		135 35		51 15
	95 51	1415-216-006-00	55 5	1427-431-003-00	83 20
	96 40	1415-505-014-00	47 35		140 20
	96 47	1415-505-015-00	127 29	1427-432-005-00	50 25
	96 48		128 20	1427-601-003-00	31 13
	96 50		135 26		88 4
	96 51	1416-621-037-00	94 2	1427-621-004-00	89 10
1376-402-003-00	110 37	1419-101-010-00	116 5	1427-934-013-00	114 7
	110 43	1421-101-313-00	3 3	1427-941-016-00	114 6
	138 10	1421-400-054-10	53 5	1429-406-205-00	46 3
	95 6	1421-400-055-00	53 10	1431-361-211-00	119 8
	95 14	1421-403-001-00	53 3		119 18

PART CODE	FIG. KEY		PART CODE	FIG. KEY		PART CODE	FIG. KEY	
1432-242-001-00	41	12	1444-408-202-00	47	3	1480-604-204-00	73	16
1432-242-004-00	60	4	1444-408-213-00	149	2	1488-247-250-00	130	4
	133	22	1444-408-214-00	149	3	1488-302-003-00	34	25
	134	25	1444-408-217-00	149	5		106	14
1432-406-212-00	53	19	1444-408-218-00	149	6		106	15
1432-616-002-00	85	32	1444-408-219-00	149	7	1488-411-009-00	33	3
	85	33	1444-408-301-00	149	8	1488-503-002-00	56	5
	86	25	1444-408-302-00	149	9	1491-203-006-10	26	3
	86	26	1444-408-303-00	149	10	1500-501-213-00	54	8
1432-616-004-00	8	3	1444-408-306-00	149	13	1500-501-214-00	54	9
1432-621-006-10	94	13	1444-408-308-00	149	16	1502-211-015-00	37	7
1432-651-021-00	85	35	1444-408-316-00	149	25	1507-323-004-20	36	4
	86	28	1444-408-317-00	149	26	1510-103-201-00	116	8
1432-651-028-00	74	17	1444-408-318-00	149	27	1510-103-250-00	116	6
	75	11	1444-408-323-00	149	32	1510-317-220-00	132	9
1432-665-014-00	108	20	1444-408-332-00	149	43	1510-331-310-00	120	1
1432-665-015-00	100	20	1444-410-002-10	49	8	1510-331-311-00	120	3
	108	21	1444-410-210-00	49	5		120	8
1434-611-002-10	86	7	1444-411-002-00	50	3	1510-331-312-00	120	4
	109	16	1444-411-004-00	50	16		120	9
1435-203-001-00	118	16	1444-411-005-00	50	17	1510-331-320-02	120	2
1442-313-200-10	42	1	1444-411-006-00	50	21		120	7
1442-313-202-00	42	2	1444-411-008-00	50	8	1510-331-330-00	120	6
1442-313-203-00	42	5	1444-411-009-00	50	9	1510-417-310-00	126	1
1443-452-007-00	34	10	1444-411-011-00	50	10	1510-417-311-00	126	3
1444-101-440-00	4	10	1444-411-012-00	50	11		126	8
	4	18	1444-411-013-00	50	12	1510-417-312-00	126	4
	5	10	1444-412-011-00	50	6		126	9
	5	18	1444-503-006-00	57	1	1510-417-320-02	126	2
1444-122-002-00	42	11	1444-510-006-00	3	13		126	7
1444-314-004-10	12	11	1444-514-005-10	132	10	1510-417-330-00	126	6
1444-314-008-00	52	24	1444-514-230-00	66	16	1513-102-205-00	3	4
1444-314-009-10	19	8	1444-601-015-00	69	4	1513-102-329-00	1	9
	118	19		69	7	1513-102-332-00	1	12
1444-318-004-00	34	8	1444-604-009-00	70	5	1513-111-009-00	6	19
1444-318-007-00	34	13		71	4		7	19
1444-318-011-00	34	16	1444-621-002-10	89	7	1513-408-217-00	149	18
1444-318-012-00	34	17	1444-621-008-00	98	9	1513-408-223-00	149	34
1444-327-001-00	38	6	1444-621-311-00	150	28	1514-248-002-00	132	8
1444-327-003-00	38	11	1444-621-312-00	150	29	1518-306-203-00	47	25
1444-327-202-10	38	3	1444-621-313-00	150	30		51	4
1444-327-203-00	38	4	1444-621-320-00	150	31		54	21
1444-328-272-00	42	4	1480-604-204-00	73	3	1518-406-006-00	46	13
1444-328-273-00	42	3		73	7	1518-406-008-00	46	8
1444-404-210-10	53	15		73	12	1518-407-240-00	47	24

1674-097-120-00

PART CODE	FIG. KEY	PART CODE	FIG. KEY	PART CODE	FIG. KEY
1518-432-250-00	51 3	1544-219-005-00	32 5	1560-111-360-00	7 30
	54 20	1544-304-006-10	50 28	1560-116-008-30	9 15
1518-621-111-00	109 4	1544-623-001-00	150 33	1560-116-250-50	9 1
1518-621-112-00	109 5	1544-623-232-00	150 34	1560-132-001-10	41 16
1518-621-208-00	150 13	1544-623-233-00	150 35	1560-132-007-30	39 4
1518-621-209-00	150 14	1544-623-234-00	150 36		42 13
1518-621-211-00	150 15	1544-623-235-00	150 37		87 34
1518-621-320-00	94 12	1550-408-321-00	149 23	1560-206-003-00	12 7
1518-621-521-00	97 5	1550-408-324-00	149 21	1560-208-023-00	12 15
1518-621-523-00	97 6	1550-408-325-00	149 20	1560-220-004-10	14 15
1518-621-524-00	97 7	1550-408-326-00	149 22	1560-223-008-50	22 9
1518-621-525-00	97 8	1550-508-001-10	61 15		28 3
1518-621-532-00	97 12	1550-514-290-00	66 23	1560-223-016-00	27 12
1518-621-540-00	97 9	1560-102-002-30	1 21	1560-240-007-40	35 10
1518-730-122-00	105 5	1560-102-202-50	1 2	1560-243-002-30	21 6
1518-745-552-00	104 24	1560-102-203-50	1 3	1560-243-011-40	21 7
1518-786-512-00	110 49	1560-102-204-40	1 4	1560-243-013-40	21 12
1518-903-006-00	68 27	1560-102-205-40	1 6	1560-243-015-40	21 13
	128 33	1560-103-002-40	2 9	1560-243-017-30	21 14
	133 26	1560-103-202-50	2 2	1560-259-001-40	22 6
1518-903-007-00	134 29	1560-103-240-20	2 15	1560-259-003-40	22 2
	135 39	1560-103-250-10	2 1	1560-259-004-40	22 3
	68 28	1560-103-261-00	2 3	1560-259-012-30	22 13
	128 34		116 3	1560-259-017-00	22 1
	133 27	1560-104-003-60	3 7	1560-265-002-10	24 1
1518-924-001-00	134 30	1560-104-004-40	73 24	1560-265-220-20	24 7
	135 40	1560-104-010-40	3 18	1560-273-003-00	118 10
1524-122-001-00	131 3	1560-104-206-40	3 6	1560-273-007-30	26 5
1524-236-005-00	41 9	1560-104-220-60	3 27	1560-275-013-00	27 15
	21 8	1560-105-251-00	4 23	1560-275-022-00	27 3
1524-244-005-00	21 15	1560-111-001-10	6 26	1560-275-330-10	27 11
1527-604-002-00	118 11		7 23	1560-280-004-40	28 6
	8 6	1560-111-002-10	6 27	1560-285-008-40	31 12
	74 18		7 24	1560-287-002-30	32 2
	75 12	1560-111-007-00	6 9	1560-290-006-30	28 4
	85 14		7 11	1560-301-002-00	33 4
	85 29	1560-111-008-00	6 10	1560-301-003-00	33 5
	86 22		7 12	1560-301-004-30	33 6
	103 6	1560-111-009-00	6 12	1560-301-005-40	33 8
	109 10		7 13	1560-301-006-40	33 9
1544-103-004-00	4 8	1560-111-101-00	7 27	1560-303-001-40	34 15
	5 8	1560-111-270-50	6 21	1560-303-002-00	34 11
1544-104-204-00	2 5		7 20	1560-303-003-40	34 14
1544-104-205-00	2 6	1560-111-280-50	6 22	1560-303-005-50	34 2
	116 7		7 21	1560-303-006-40	34 21

PART CODE	FIG. KEY	PART CODE	FIG. KEY	PART CODE	FIG. KEY
1560-303-007-40	34 22	1560-432-210-00	50 7	1560-509-211-00	127 38
1560-303-200-50	34 23	1560-433-001-40	51 9	1560-509-300-00	58 1
1560-304-001-60	35 1	1560-433-002-40	51 17	1560-509-310-00	58 4
1560-304-002-60	35 2	1560-433-212-00	51 7	1560-509-320-10	58 21
1560-304-003-00	35 9	1560-433-222-00	51 14	1560-509-340-00	58 11
1560-307-003-10	37 3	1560-434-001-40	52 1	1560-509-350-00	58 29
1560-310-003-40	38 13	1560-434-002-30	52 2	1560-509-360-00	58 6
1560-310-004-40	38 15	1560-434-003-30	52 8	1560-511-001-00	31 9
1560-310-005-00	38 7	1560-434-004-30	52 10		32 6
1560-310-201-10	38 2	1560-434-005-30	52 18		57 3
1560-310-210-40	38 18	1560-434-006-40	52 19	1560-511-006-50	59 7
1560-310-260-40	38 22	1560-434-007-60	52 38	1560-511-012-00	59 16
1560-310-270-00	38 1	1560-434-008-40	52 39		127 34
1560-314-002-00	41 20	1560-434-011-40	52 41	1560-511-013-00	59 9
1560-314-250-30	41 11	1560-434-012-30	52 42	1560-511-014-00	59 8
1560-314-291-00	29 9	1560-434-013-50	52 45	1560-511-015-00	59 2
	41 19	1560-434-014-30	52 17		127 36
	138 9	1560-434-017-00	52 40	1560-511-101-00	60 5
1560-316-001-50	43 2	1560-434-200-60	52 12		68 20
1560-316-002-40	127 28	1560-434-202-00	52 13		133 20
1560-402-210-30	45 7		52 15		134 22
1560-402-220-30	45 8	1560-434-210-60	52 14	1560-511-260-50	59 5
1560-404-001-00	46 7	1560-434-222-00	52 27	1560-511-290-50	59 1
1560-404-002-30	46 14		52 29	1560-512-230-60	127 35
1560-404-210-10	46 5	1560-501-202-00	54 2	1560-513-001-30	60 8
1560-404-220-40	46 12	1560-501-203-00	54 3	1560-515-004-50	61 31
1560-406-001-00	47 7	1560-501-220-00	54 1	1560-522-002-00	127 3
1560-406-002-00	47 5	1560-501-230-00	54 6	1560-522-003-40	127 4
1560-406-003-00	47 6	1560-501-231-00	54 7	1560-522-004-30	127 13
1560-407-261-30	149 35	1560-505-001-50	55 1	1560-522-007-40	127 12
1560-407-262-30	149 36	1560-505-003-50	55 4	1560-522-008-30	127 16
1560-407-263-40	149 37	1560-505-004-00	55 2	1560-522-009-30	127 17
1560-407-264-40	149 38	1560-507-001-30	56 1	1560-522-230-40	127 5
1560-407-265-40	149 40	1560-507-002-40	56 12	1560-525-002-40	66 25
1560-407-292-40	149 14	1560-507-004-30	56 2	1560-525-003-00	66 9
1560-407-293-40	149 19	1560-507-005-00	56 4	1560-525-200-50	66 1
1560-407-320-10	47 33	1560-507-007-00	56 32	1560-525-210-50	66 2
1560-410-222-30	121 2	1560-507-008-00	56 15	1560-525-220-80	67 1
1560-432-001-70	50 2	1560-509-002-00	58 26	1560-525-230-80	67 2
1560-432-002-30	50 22	1560-509-004-50	58 17	1560-525-240-40	66 14
1560-432-003-30	50 24	1560-509-005-30	58 19	1560-525-250-40	66 15
1560-432-004-00	50 27	1560-509-006-40	58 12	1560-525-260-40	66 6
1560-432-005-00	50 26	1560-509-008-40	58 25	1560-525-280-30	66 13
1560-432-006-00	50 15	1560-509-009-00	58 27	1560-525-290-10	66 21
1560-432-200-40	50 1	1560-509-012-00	58 23	1560-527-001-70	55 9

1674-097-120-00

PART CODE	FIG. KEY	PART CODE	FIG. KEY	PART CODE	FIG. KEY
1560-527-001-70	67 9	1560-630-020-50	86 3	1560-722-103-00	104 33
1560-531-020-00	127 41	1560-630-021-50	85 4	1560-730-103-00	105 28
1560-559-002-00	110 29		86 4	1560-730-500-20	105 1
1560-601-002-20	71 13	1560-630-022-40	86 21	1560-730-520-20	105 2
1560-601-014-30	70 12	1560-630-029-00	63 5	1560-730-540-00	105 25
	71 11		63 6	1560-730-550-00	105 26
1560-601-015-40	90 4		85 34	1560-731-500-00	107 7
1560-601-017-00	70 11		86 27	1560-731-510-00	107 9
	71 10		86 29	1560-731-512-00	107 8
1560-601-260-40	69 24	1560-630-031-00	63 7		107 10
1560-601-330-20	69 22		86 30	1560-731-550-00	106 11
1560-602-001-40	70 6	1560-630-103-00	86 20	1560-732-101-00	107 1
	71 5	1560-630-321-50	74 14	1560-732-102-00	107 2
1560-602-273-60	72 3		75 8	1560-732-103-00	107 3
1560-603-002-80	72 8		136 1	1560-732-104-00	107 4
1560-603-003-00	72 9	1560-654-911-00	147 1	1560-732-105-00	107 5
	95 19	1560-654-912-00	147 2	1560-732-106-00	107 6
	96 19	1560-654-915-00	147 3	1560-743-500-00	108 16
1560-604-005-00	73 23	1560-654-916-00	147 4	1560-744-101-00	108 22
1560-604-009-50	73 18	1560-654-919-00	147 9	1560-744-102-00	108 23
1560-604-017-40	73 33	1560-654-921-00	147 5	1560-903-004-80	112 2
1560-604-018-40	73 34	1560-658-202-00	150 20	1561-111-003-00	6 8
1560-604-022-70	73 29	1560-658-203-50	150 32		7 10
	106 23	1560-658-240-70	150 8	1561-111-320-22	7 1
1560-604-024-10	73 22	1560-658-242-00	150 9	1561-221-500-10	14 8
1560-604-031-00	73 37	1560-658-282-40	150 19	1561-221-502-10	146 1
1560-604-032-00	73 38	1560-658-310-30	150 23	1561-221-503-00	146 2
1560-604-361-50	73 42	1560-664-230-10	94 1	1561-221-504-00	146 3
1560-604-362-50	73 44	1560-664-264-00	95 5	1561-221-505-00	146 4
1560-604-371-50	73 43		96 5	1561-221-506-00	146 12
1560-604-380-30	73 32	1560-666-010-00	95 38	1561-221-507-00	146 13
1560-606-011-00	105 4		96 38	1561-221-508-00	146 14
1560-606-240-40	74 12	1560-666-212-00	95 24	1561-221-509-00	146 10
1560-606-280-10	74 1		96 24	1561-221-511-00	146 8
1560-606-290-10	74 2	1560-695-021-00	30 6	1561-433-006-10	51 1
1560-606-300-00	74 3		87 31	1561-435-001-30	52 51
1560-606-330-00	74 13		87 55	1561-436-003-00	53 1
1560-606-340-10	74 7	1560-695-022-00	87 33	1561-436-004-00	53 2
	75 3	1560-701-530-11	100 11	1561-514-211-40	127 21
1560-608-220-30	76 2	1560-702-101-00	101 5	1561-626-001-00	82 3
1560-626-320-00	82 1	1560-702-102-20	101 6	1561-630-200-20	85 20
1560-626-330-00	82 2	1560-703-500-10	102 1		86 14
1560-630-009-50	85 26	1560-703-510-10	102 2	1561-660-412-00	150 16
1560-630-011-20	85 13	1560-722-101-00	104 31	1563-507-221-10	57 5
1560-630-020-50	85 3	1560-722-102-00	104 32	1563-513-210-30	60 6

PART CODE	FIG. KEY	PART CODE	FIG. KEY	PART CODE	FIG. KEY
1563-513-220-50	60 9	1568-525-300-10	66 22	1581-742-102-00	104 17
1563-513-230-40	60 11	1568-650-004-10	89 4		104 27
1563-514-211-40	127 22		95 8		106 16
1564-116-001-30	9 9		96 8		108 19
1564-263-002-00	23 3	1568-650-005-10	89 5	1581-742-105-00	104 15
1564-275-007-00	31 6		95 9		108 4
1564-275-270-30	31 2		96 9	1581-742-582-00	104 11
1564-515-001-20	61 36	1568-668-203-00	95 42		108 14
1564-630-012-00	85 11		96 42	1581-742-590-00	104 12
1564-743-102-00	104 14	1568-669-101-00	97 44		108 12
1566-669-112-00	109 7	1568-701-001-00	100 4	1581-742-621-00	104 19
1566-669-540-00	97 4	1568-731-103-00	106 10		108 6
1566-669-580-20	97 10		106 21	1584-522-001-00	68 25
1566-669-582-10	97 11		108 17		133 24
1566-669-583-00	97 13	1572-103-250-00	116 2		134 27
1566-705-005-00	103 11	1572-103-260-00	116 4	1588-502-007-00	135 25
1566-705-102-00	103 16	1572-417-001-02	125 1	1593-307-052-10	14 14
1566-721-103-00	104 5	1574-417-220-03	124 2	1593-623-203-00	97 34
	104 30		124 7	1593-623-503-00	97 35
1566-730-101-10	105 6	1575-616-005-00	88 18	1593-623-530-00	97 18
1566-730-102-10	105 7	1575-623-010-00	95 26	1594-105-002-00	5 16
1566-730-103-10	105 8		96 26		117 2
1566-730-104-10	105 9	1575-623-011-00	95 27	1594-105-230-00	5 15
1566-730-105-10	105 12		96 27		117 1
1566-730-106-00	105 17	1576-408-002-00	47 37	1594-221-001-00	21 2
1566-730-107-00	105 19		47 42	1594-240-001-10	19 1
1566-730-108-00	105 22	1581-621-290-00	97 17	1594-240-002-10	20 4
1566-730-113-00	105 21	1581-621-530-00	97 20	1594-240-003-10	20 5
1566-730-540-00	105 11	1581-740-112-00	104 2	1594-243-003-00	21 19
1566-731-106-00	106 22		106 3	1594-262-001-10	23 7
1566-731-107-00	104 3		108 9	1594-265-210-00	24 9
	106 7	1581-740-113-00	104 6	1594-270-001-20	25 1
	108 11		104 10	1594-272-001-00	118 2
1566-731-550-10	106 20		104 18	1594-272-002-00	118 7
1566-732-113-00	107 11		104 29	1594-272-003-00	118 13
1566-733-101-20	107 14		106 5	1594-272-004-00	118 14
1566-733-102-00	107 16		108 2	1594-272-006-00	118 17
1566-733-510-00	107 17	1581-740-114-00	104 7	1594-272-200-00	118 1
1566-733-520-00	107 18		106 4	1594-273-001-30	26 1
1566-733-530-00	107 19		108 10	1594-273-002-10	26 2
1566-733-550-00	107 20	1581-740-552-10	106 12	1594-275-001-10	27 1
1566-743-102-00	108 3	1581-740-553-10	106 13	1594-275-004-00	27 8
1566-743-103-00	104 16	1581-740-556-00	106 17	1594-275-005-00	27 5
	108 5	1581-740-558-00	106 18	1594-281-210-20	29 2
1566-743-520-00	104 23	1581-742-102-00	104 9	1594-285-001-00	30 1

1674-097-120-00

PART CODE	FIG. KEY	PART CODE	FIG. KEY	PART CODE	FIG. KEY
1594-285-002-10	30 3	1594-517-004-00	128 12	1594-625-220-10	80 11
1594-285-003-00	31 4		135 15	1594-625-230-10	79 11
1594-285-004-00	31 8	1594-517-200-20	128 5		80 12
1594-285-200-30	30 9		135 5	1594-625-500-00	79 1
1594-285-220-10	31 1	1594-517-210-20	128 6		80 1

1594-287-200-00	32 1		135 7		81 1
1594-302-001-00	33 2	1594-517-220-00	128 15	1594-625-510-00	79 2
1594-302-200-10	33 1		135 18		80 2
1594-303-001-00	34 4	1594-517-230-10	128 19		81 2
1594-303-002-00	34 5		135 23	1594-626-500-10	84 3

1594-303-003-00	34 6	1594-517-240-10	128 21	1594-626-510-10	84 4
1594-306-001-00	36 3		135 27	1594-626-520-00	84 1
1594-312-001-10	40 13	1594-517-250-10	128 23	1594-626-530-00	84 2
1594-312-003-20	39 6		135 29	1594-630-001-20	85 27
1594-312-004-00	39 7	1594-517-910-00	128 1	1594-630-002-20	85 28

1594-312-005-00	40 17	1594-520-240-00	65 1	1594-630-200-61	85 17
1594-314-200-00	42 6	1594-521-001-10	132 5		86 11
1594-314-210-20	41 17	1594-521-200-20	132 2	1594-630-220-40	85 6
1594-407-201-00	47 2	1594-521-210-20	65 3	1594-630-230-32	85 10
1594-410-200-00	121 1	1594-521-300-00	132 1	1594-654-001-20	91 4

1594-433-001-00	123 8	1594-530-200-20	135 6	1594-654-261-10	91 19
1594-433-002-00	123 9	1594-530-210-20	135 8		92 17
1594-433-003-00	123 10	1594-530-220-00	135 19	1594-658-201-00	150 46
1594-433-210-00	123 1	1594-530-230-10	135 24	1594-658-202-00	150 47
1594-433-220-00	123 2	1594-530-910-00	135 1	1594-658-240-00	150 40

1594-433-230-00	51 6	1594-604-001-00	73 2	1594-658-242-00	150 41
1594-433-240-10	51 13	1594-604-002-00	73 11	1594-658-243-00	150 42
1594-434-001-00	52 9	1594-604-220-20	73 1	1594-658-244-00	150 43
1594-434-200-00	52 26	1594-604-230-20	73 10	1594-658-245-00	150 44
1594-434-210-00	52 28	1594-604-260-10	73 26	1594-658-247-00	150 45

1594-511-001-10	60 2	1594-604-270-10	73 27	1594-664-001-20	94 14
1594-511-200-20	60 1	1594-608-001-21	76 1	1594-669-530-00	97 16
1594-512-001-10	127 26	1594-608-002-21	76 3	1594-669-550-00	97 2
1594-512-002-00	127 15	1594-609-001-00	76 7	1594-682-500-10	99 1
1594-512-004-00	127 7	1594-609-200-00	76 6	1594-682-510-10	99 2

1594-512-200-00	127 25	1594-611-200-20	77 1	1594-701-500-01	100 1
1594-512-210-10	127 2	1594-625-001-00	80 10	1594-701-510-01	100 2
1594-512-230-00	127 37		82 8	1594-701-520-01	100 5
1594-512-910-00	127 1		83 12	1594-701-530-01	100 21
1594-517-001-20	128 30		140 12	1594-701-540-01	100 22

1594-517-002-00	135 36	1594-625-002-00	43 8	1594-705-101-00	103 7
	128 27		80 13	1594-705-108-00	103 13
	135 32		83 22	1594-705-500-01	103 1
1594-517-003-00	128 11		140 29	1594-705-520-00	103 3
	135 14	1594-625-220-10	79 10	1594-705-530-00	103 5

PART CODE	FIG. KEY	PART CODE	FIG. KEY	PART CODE	FIG. KEY
1594-705-540-00	103 9	1596-664-213-00	96 4	1599-780-620-00	110 47
1594-715-002-00	83 19	1596-669-104-00	97 39	1599-780-650-10	110 31
	140 19	1596-669-105-00	97 40	1600-502-003-00	29 3
1594-715-270-00	83 17	1596-669-106-00	97 37	1600-505-007-00	9 2
	140 17	1596-669-107-00	97 42		59 12
1594-715-280-00	83 18		110 28		127 30
	140 18	1596-669-108-00	97 41	1600-515-210-10	67 3
1594-721-101-00	104 1	1596-669-510-00	97 1	1600-515-230-10	67 4
1594-721-102-00	104 26	1596-669-530-00	97 3	1600-515-240-00	67 5
1594-731-101-00	106 1	1596-669-571-00	97 30	1600-619-001-10	78 1
1594-731-102-00	106 2	1596-669-580-00	97 33	1600-622-321-00	91 26
1594-743-101-00	108 1	1596-669-590-10	97 36		92 24
1594-752-101-00	108 24	1596-705-103-00	103 12	1600-623-002-00	94 6
1594-770-500-20	109 1	1596-705-104-00	103 14	1600-623-200-00	150 38
1594-780-600-00	110 1	1596-705-106-00	103 15	1600-623-210-00	150 39
1594-904-001-10	112 3	1596-760-500-10	141 1	1600-624-001-00	94 4
1595-103-200-00	116 1	1596-770-101-20	109 2	1600-624-004-00	95 41
1595-262-002-10	23 8	1596-770-102-30	109 6		96 41
1595-275-200-10	27 13	1596-780-101-00	110 3	1600-624-201-00	137 3
1595-281-200-20	29 1	1596-780-501-00	110 22	1600-624-271-00	95 28
1595-285-200-00	31 10	1596-780-502-00	110 23		96 28
1595-288-001-20	32 7	1596-780-503-00	110 18	1600-902-023-00	114 8
1595-320-210-20	119 1		110 24	1608-207-014-00	87 63
1595-320-220-20	119 11	1596-780-504-00	110 25	1610-731-200-00	106 8
1595-517-001-20	128 31	1596-780-512-00	110 27	1611-431-001-00	49 1
1595-517-002-00	135 38	1596-780-520-00	110 7	1611-604-001-00	73 9
	128 28	1596-780-530-00	110 21	1612-531-003-00	68 23
	135 33	1596-780-550-00	110 26	1612-608-003-00	74 20
1595-520-230-00	130 1	1596-780-561-00	110 8	1614-117-001-00	88 2
1595-702-500-01	101 1	1596-780-562-00	110 9	1614-203-015-00	12 13
1596-240-200-00	20 1	1596-780-563-00	110 10	1614-222-007-00	50 4
1596-312-003-00	39 5	1596-780-564-00	110 11	1614-407-260-00	47 26
1596-625-001-00	79 5	1596-780-565-00	110 12	1614-432-001-00	50 13
	80 5	1596-780-566-00	110 13	1614-501-003-10	68 2
	81 5	1596-780-567-00	110 14		133 31
	82 5	1596-780-568-00	110 15		134 35
	83 9	1596-780-569-00	110 16	1614-606-003-00	76 5
	84 5	1596-780-581-00	110 17	1614-702-053-00	139 7
1596-625-002-00	81 10	1596-780-582-00	110 19		140 36
	84 10	1596-780-583-00	110 20	1614-702-540-00	139 11
1596-625-003-00	79 9	1597-218-001-00	25 2		140 40
	80 9	1597-501-001-10	54 19	1614-702-550-00	139 2
	81 9	1599-780-109-00	110 32		140 31
	84 9	1599-780-111-00	109 17	1614-702-551-00	139 5
1596-664-213-00	95 4	1599-780-113-00	109 18		140 34

1674-097-120-00

PART CODE	FIG. KEY	PART CODE	FIG. KEY	PART CODE	FIG. KEY
1614-702-552-00	139 6 140 35	1640-530-001-10	133 3 134 3	1640-530-624-00	148 10 148 12
1614-702-560-00	139 3 140 32	1640-530-003-00	68 13 133 13	1640-530-625-00	148 13 148 18
1617-102-007-00	47 20		134 13	1640-530-626-00	148 19
1617-112-213-00	89 2	1640-530-007-00	68 29	1640-530-631-00	148 22
1620-507-460-00	68 24 133 23		133 28 134 31	1640-530-632-00	148 23 69 2
1620-514-005-00	134 26 66 26	1640-530-008-00	68 30 133 29	1640-601-016-00	66 31 83 15
1632-273-200-00	26 7		134 32		83 21
1634-650-200-00	89 3	1640-530-009-00	68 14		140 15
1636-501-231-00	43 10		134 14		140 22
1636-901-022-00	113 4	1640-530-200-00	133 1		140 28
1640-111-001-00	6 20	1640-530-230-00	68 15	1640-626-200-10	83 1
1640-111-200-00	6 17		133 16		140 2
1640-111-202-00	6 18		134 17	1640-626-210-10	83 3
1640-111-210-00	6 1	1640-530-240-10	68 19		140 4
1640-272-001-00	118 22		133 19	1640-626-220-10	83 4
1640-272-200-00	118 21		134 21		140 5
1640-290-003-00	138 6	1640-530-260-00	68 9	1640-626-230-10	83 2
1640-290-210-10	138 8		133 10		140 3
1640-290-230-10	138 5		134 10	1640-654-260-00	137 1
1640-320-211-03	119 3 119 13	1640-530-270-10	68 11 133 12	1640-658-322-00	150 2 150 4
1640-320-220-02	119 2 119 12	1640-530-280-00	134 12 68 31	1640-658-325-00	150 5 150 1
1640-410-200-20	73 50		133 30	1640-658-520-10	95 37
1640-410-210-00	73 51		134 33	1640-666-520-10	96 37
1640-437-210-00	124 1	1640-530-300-10	134 1	1640-666-530-00	138 1
1640-437-211-00	124 3 124 8	1640-530-330-00	68 16 134 18	1640-666-540-00	138 2 98 7
1640-437-212-00	124 4 124 9	1640-530-340-00	68 21 134 23	1640-674-001-00	98 1 98 2
1640-437-220-00	124 6	1640-530-350-00	68 32	1640-674-200-00	98 2 98 3
1640-520-001-00	129 7		134 34	1640-674-202-00	98 4
1640-520-002-00	131 1	1640-530-600-10	68 1	1640-674-204-00	98 5
1640-520-003-00	131 5		133 2	1640-674-205-00	98 6
1640-520-004-00	129 10 131 6	1640-530-610-10	134 2 148 1	1640-674-206-00	139 1 140 30
1640-520-005-00	129 8	1640-530-613-00	148 2	1640-702-200-01	139 1
1640-520-210-20	129 2	1640-530-614-00	148 3	1640-702-210-00	139 15
1640-520-400-10	129 1	1640-530-615-00	148 4	1640-702-220-00	140 44
1640-525-001-00	66 28	1640-530-622-00	148 8		139 16
1640-530-001-10	68 3	1640-530-623-00	148 9	1640-902-005-00	140 45 112 8

PART CODE	FIG. KEY	PART CODE	FIG. KEY	PART CODE	FIG. KEY
1640-902-006-00	112 9	1641-233-051-00	18 1	1641-606-520-00	74 6
1640-903-045-10	114 2	1641-243-051-00	21 1		75 2
	140 49	1641-243-052-00	21 4	1641-630-001-00	85 9
1640-903-046-00	114 3	1641-243-053-00	21 10	1641-630-051-00	85 23
	140 50	1641-243-054-00	21 16	1641-630-300-00	85 7
1640-903-047-00	114 4	1641-243-055-00	21 20	1641-640-240-00	87 37
	140 51	1641-262-051-00	23 1	1641-642-001-00	88 15
1640-903-048-00	114 5	1641-281-051-00	29 5	1641-666-210-00	95 45
	140 52	1641-281-520-10	29 8		96 45
1640-903-067-00	114 9	1641-310-510-00	38 21	1641-902-051-00	112 4
1641-102-500-00	1 18	1641-314-051-00	41 6	1642-103-001-00	2 8
1641-104-510-10	3 25	1641-314-500-00	41 1	1642-104-003-00	73 5
1641-111-051-00	6 3	1641-314-520-00	41 7		73 14
	7 5	1641-316-540-10	43 4	1642-105-004-00	4 9
1641-111-052-00	6 4	1641-316-550-10	43 5		5 9
1641-111-053-00	7 6	1641-404-500-00	46 1	1642-105-300-00	4 7
	6 6	1641-515-032-00	61 40		5 7
	7 8	1641-515-051-00	61 10	1642-306-001-00	36 1
1641-111-054-00	6 7	1641-515-340-10	61 17	1642-306-002-00	36 2
	7 9	1641-515-390-00	61 7	1642-307-001-10	37 2
1641-111-510-00	6 5	1641-515-391-00	61 8	1642-307-002-20	37 1
	7 7	1641-515-510-00	61 1	1643-515-203-00	61 9
1641-112-002-00	8 11	1641-515-520-00	61 12	1646-116-051-00	9 8
1641-112-056-10	8 4	1641-515-530-00	61 38	1646-221-054-10	14 7
1641-112-510-00	8 1	1641-515-550-00	61 59	1646-226-053-00	15 6
1641-201-051-10	10 1	1641-516-031-00	62 7		87 29
1641-207-051-00	11 1	1641-516-051-00	62 24	1646-226-512-00	15 2
1641-207-052-00	11 4	1641-516-520-00	62 11	1646-232-510-00	10 10
1641-209-051-00	12 1	1641-516-530-00	62 22	1646-407-550-00	64 23
1641-209-052-00	12 3	1641-516-540-00	62 27	1646-407-560-00	64 12
1641-209-053-00	12 4	1641-516-550-00	62 31	1646-516-690-00	64 30
1641-209-054-00	12 5	1641-516-560-00	62 32	1646-516-692-00	64 31
1641-209-055-00	12 8	1641-517-051-00	64 5	1646-516-710-00	64 35
1641-209-056-00	12 9	1641-517-053-00	64 32	1646-640-001-00	87 49
1641-217-051-00	13 1	1641-517-057-00	64 4	1646-640-002-00	87 30
1641-221-051-10	14 1		64 26	1646-640-003-00	87 54
1641-221-052-10	14 4	1641-517-510-00	64 3	1646-640-004-10	87 4
1641-221-053-00	14 6	1641-517-520-20	64 9	1646-640-006-00	87 12
1641-221-054-10	14 9	1641-517-530-00	64 14	1646-640-008-10	87 40
1641-221-055-00	14 10	1641-517-540-00	64 22	1646-640-009-10	87 42
1641-226-052-10	15 5	1641-517-550-10	64 25	1646-640-012-10	87 22
1641-226-500-00	15 1	1641-517-560-00	64 27	1646-640-210-20	87 1
1641-230-051-00	16 1	1641-517-580-10	64 37	1646-640-220-10	87 6
1641-232-051-00	17 1	1641-517-590-00	64 39	1646-640-221-00	87 7
1641-232-510-00	17 6	1641-517-620-00	64 16	1646-640-270-10	87 26

1674-097-120-00

PART CODE	FIG. KEY		PART CODE	FIG. KEY		PART CODE	FIG. KEY	
1646-640-330-00	87	51	1650-650-222-00	95	2	1673-116-210-20	9	11
1646-640-580-00	87	39		96	2	1673-280-001-00	28	8
1646-642-001-00	88	5		97	26	1673-314-001-00	41	15
1646-642-210-00	88	8	1650-650-223-10	95	3	1673-314-220-10	41	3
1646-642-220-10	88	1		96	3	1673-402-201-00	45	1

1646-901-061-00	111	1		97	27	1673-402-202-00	45	2
1646-902-054-00	112	1	1650-650-243-00	95	16	1673-407-200-10	47	30
1650-102-006-00	3	11		96	16	1673-407-210-10	47	34
1650-102-219-00	95	18	1650-650-246-00	95	25	1673-407-220-10	47	39
	96	18		96	25	1673-407-230-10	47	21

	97	28	1650-652-212-00	150	6	1673-407-270-00	149	29
1650-111-006-00	1	23	1650-652-218-00	150	12	1673-407-550-00	47	1
1650-111-220-00	1	1	1650-652-252-10	95	17	1673-407-560-00	149	1
1650-201-001-10	10	13		96	17	1673-407-570-00	149	4
1650-203-214-00	146	5	1650-652-254-00	95	43	1673-407-580-00	149	12

1650-203-217-00	146	11		96	43	1673-431-001-10	49	3
1650-203-218-00	146	7	1650-652-561-00	150	7	1673-432-001-00	50	20
1650-203-219-00	146	6	1650-652-715-00	150	11	1673-509-001-00	58	31
1650-203-222-00	146	9	1650-780-011-00	110	45	1673-509-200-10	58	15
1650-209-005-00	14	13	1652-652-260-00	94	10	1673-512-002-00	59	15

1650-304-001-00	34	1	1652-654-212-00	95	46	1673-515-002-00	61	55
1650-304-007-00	34	12		96	46	1673-515-240-10	61	32
1650-304-008-00	34	9	1656-253-004-00	10	16	1673-525-002-10	66	27
1650-306-200-00	37	4	1656-401-220-00	44	1		66	29
1650-431-200-00	49	4	1656-401-222-00	44	2		122	6

1650-501-002-10	55	7	1656-509-310-10	62	15		129	9
1650-501-006-00	61	41	1659-650-200-00	89	1		130	5
1650-501-008-00	56	7	1672-601-002-00	70	7		131	7
1650-508-002-00	62	4		71	6		139	4
1650-508-320-00	61	44	1672-601-210-00	70	8		140	33

1650-509-003-10	62	12		71	7	1673-601-002-00	69	3
	97	31	1673-102-001-10	1	24	1673-601-003-00	69	11
1650-509-004-00	62	19	1673-102-004-10	1	22	1673-601-005-00	69	1
1650-509-012-00	64	7	1673-102-005-00	1	13	1673-601-210-00	69	9
	64	10	1673-104-001-00	3	12	1673-601-220-10	69	18

	64	28	1673-104-002-10	3	14	1673-601-230-10	69	20
1650-509-300-00	62	34	1673-104-004-00	3	8	1673-601-260-00	69	13
	64	1	1673-104-009-00	3	22	1673-601-270-00	69	14
1650-509-310-00	64	20	1673-104-010-10	3	23	1673-601-300-40	70	1
	64	40	1673-104-300-10	3	1	1673-604-220-10	73	39

1650-601-009-00	8	8	1673-104-302-00	3	2	1673-604-280-00	73	19
1650-601-270-20	4	32	1673-105-500-00	5	23	1673-630-200-50	85	1
	5	29	1673-112-003-10	8	5		86	1
1650-650-017-00	70	3	1673-112-004-00	73	20	1673-658-212-00	150	10
	71	2	1673-112-006-00	8	10	1673-658-214-00	150	3

PART CODE	FIG. KEY	PART CODE	FIG. KEY	PART CODE	FIG. KEY
1673-658-400-10	93 5	1674-601-001-10	70 2	1674-654-211-00	91 7
1673-666-250-00	95 7	1674-601-310-00	71 1		91 10
1673-666-252-00	95 10	1674-602-200-00	72 1		92 2
1673-780-011-00	8 9	1674-602-210-00	72 6		92 5
1673-782-016-00	62 8	1674-604-200-10	73 40		92 8
1674-103-001-00	2 11	1674-604-211-00	73 6	1674-654-212-00	91 3
1674-103-002-00	2 12		73 15		91 8
1674-104-001-00	3 30	1674-606-001-00	91 12		91 11
1674-104-002-00	3 31		92 10		92 3
1674-104-003-10	3 32	1674-606-002-00	91 13		92 6
1674-105-001-00	4 1		92 11		92 9
	5 1	1674-606-200-10	74 5	1674-654-240-00	91 6
1674-105-002-10	4 30		75 1		92 4
	5 33	1674-606-210-10	74 9	1674-654-260-00	91 9
1674-105-003-00	5 27		75 5		92 7
	117 3	1674-606-220-30	91 14	1674-654-270-00	91 20
1674-105-220-00	4 16		92 12		92 18
1674-105-240-00	4 15	1674-606-330-10	91 15	1674-654-271-00	91 21
	5 17		92 13		92 19
1674-105-250-10	4 28	1674-606-520-00	74 10	1674-654-272-00	91 22
	5 31		75 6		92 20
1674-105-260-00	4 34	1674-619-300-10	78 3	1674-658-001-10	93 2
	5 35		99 4	1674-658-220-00	93 1
1674-116-200-10	9 14	1674-619-310-00	99 5	1674-664-200-00	94 8
1674-310-300-00	38 10	1674-630-002-00	86 31	1674-666-200-10	95 1
1674-312-300-00	40 1	1674-630-004-00	85 2		96 1
1674-312-330-00	40 3		86 2	1674-666-210-40	95 23
1674-312-350-00	40 11	1674-630-051-00	85 24		96 23
1674-312-360-00	40 12	1674-630-053-00	85 16	1674-666-212-00	95 29
1674-312-370-00	39 1		86 10		96 29
1674-312-380-00	39 2	1674-630-055-00	86 17	1674-666-270-10	96 7
1674-312-390-00	40 7	1674-630-056-00	86 18	1674-666-271-00	96 10
1674-314-031-00	42 9	1674-630-510-00	85 15	1674-666-290-00	95 15
1674-316-210-10	43 1		86 8		96 15
1674-316-220-10	43 3	1674-640-001-00	87 18	1674-669-002-00	97 14
1674-316-230-00	43 9	1674-640-200-00	87 46	1674-669-200-00	97 25
1674-401-051-00	44 6	1674-640-220-00	87 60	1674-682-001-10	99 6
1674-401-052-00	44 7	1674-640-230-00	87 61	1674-702-200-10	140 1
1674-402-001-00	45 3	1674-652-200-00	90 1	1674-770-001-00	109 12
1674-410-200-30	48 1	1674-652-202-00	90 2	1674-780-001-00	110 35
1674-410-300-00	122 1	1674-652-210-00	90 5	1674-780-003-00	110 39
1674-410-301-00	122 7	1674-652-220-00	90 7	1674-780-004-00	110 40
1674-410-320-00	122 5	1674-654-200-00	91 1	1674-780-005-00	110 41
1674-515-031-00	61 53		92 1	1674-780-006-00	110 42
1674-515-510-10	61 50	1674-654-211-00	91 2	1674-780-007-00	110 44

1674-097-120-00

PART CODE	FIG. KEY	PART CODE	FIG. KEY	PART CODE	FIG. KEY
1674-780-008-00	110 48	1705-904-002-00	113 5	3737-211-007-00	10 12
1674-780-009-00	110 38	1711-314-002-00	42 10	4101-102-038-00	74 22
1674-780-011-00	110 36	2120-409-004-00	40 14	4322-131-006-10	87 17
1674-901-007-00	111 2	2130-601-018-00	68 18	4334-311-216-00	73 21
1674-901-008-00	111 3		128 29	6209-500-005-00	87 57
1674-902-005-00	112 7		133 18	6222-147-001-00	4 6
	113 9		134 20		5 6
1674-902-006-00	112 5		135 34	6281-420-001-00	93 3
1674-902-051-00	112 6	2130-931-210-00	115 4	7932-201-002-00	25 3
1674-904-001-00	113 11	2144-117-002-00	105 24	7963-201-003-00	52 5
1674-904-002-00	113 10	2144-519-007-00	68 17		123 3
1674-904-003-00	113 3		133 17	7963-611-003-00	66 19
1674-904-004-00	113 14		134 19	7963-613-005-00	67 7
1674-904-005-00	113 16	2146-123-002-00	87 15	8595-901-006-00	113 2
1674-904-006-00	113 6	2161-506-252-00	29 11	8595-901-007-00	113 7
1674-904-007-00	113 12		138 4	8654-203-201-00	87 47
1675-102-003-00	8 7	2161-506-260-00	29 10	8654-901-002-00	113 15
1675-116-001-00	9 18		138 3		
1682-111-300-00	7 18	2500-901-027-00	114 1		
1682-690-380-00	115 9	3207-102-103-00	87 41		
	137 4	3506-301-311-00	147 7		
1683-902-004-00	112 10	3560-203-004-00	41 4		
1689-271-006-00	87 9	3560-503-302-00	73 48		
1690-401-210-00	45 9	3600-463-006-10	139 12		
1690-407-352-00	149 30		140 41		
1690-407-353-00	149 31	3610-440-018-00	9 3		
1690-407-511-00	149 33		88 10		
1690-407-512-00	149 42	3614-725-006-00	128 16		
1690-407-550-00	149 24		135 20		
1690-601-056-00	85 25	3621-211-003-00	32 3		
	86 19	3646-102-011-10	31 3		
1690-658-370-00	95 30		31 11		
	96 30		46 2		
1696-401-003-00	45 5	3650-270-214-00	150 18		
	47 8	3652-273-240-00	97 23		
1696-901-006-00	111 5	3652-273-241-00	97 24		
1701-508-320-00	62 9	3664-540-001-00	40 4		
1701-509-320-10	62 2	3670-703-008-00	41 18		
1703-105-210-00	1 19	3676-274-001-00	95 36		
1704-116-003-10	88 11		96 36		
1704-116-005-00	88 9	3678-332-001-00	4 3		
1704-519-001-00	63 1		5 3		
1705-902-006-00	113 1	3689-902-019-00	69 6		
1705-902-007-00	113 8	3737-172-009-00	3 9		
1705-904-001-00	113 13		61 20		