

Directions for use of Parts Catalogue

1. Applicable model of machines

All component and option parts used for TH4295, TH4335, TH4365 tractors are listed in this parts catalogue.

1) MODEL TYPE

- F..... FOR WHEEL DRIVE
- S..... SCYNCRO. SHUTTLE
- K..... INDEPENDENT PTO.
- M..... MID PTO.
- W..... DOUBLE SPOOL VALVE
- V..... SINGLE SPOOL VALVE
- R..... ROPS
- A..... CENTER ROPS & DRAFT CONTROL
- J..... JOY STICK VALVE

2) AREA CODE

- E4..... EUROPE
- E4D..... GERMANY
- E6..... OCEANIA

2. Explanation for head paragraph

KEY	PART CODE	DESCRIPTION	S P C	TYPE OF MODEL						I T C	C O L	D H P	REMARKS
				SSM48M	SSM48F	SSM48G	SIM48M	SIM48F	SIM48G				
1	8488-211-001-20	CASE/UPPER	*	✓									
1A	8487-201-001-00	CASE/UPPER	*	✓									
2	8488-211-002-10	CASE/LOWER	*	✓									
3	VS23-100-001-00	PIN	*	✓									
4	V211-260-002-02	BOLT, SEKS	*	✓									

- ① KEY shows the location of parts diagramed in the illustration.
- ② Parts numbers begin with `V` and `W` are standard parts of the market.
- ③ `LH` and `RH` on the parts name are described against the moving direction of the machine or are described on the condition how to install parts on the machines.
- ④ SPC : The following symbol classifies parts to be used for machines.
 `*` means standard parts.
 `T` shows that the parts can be installed as optional parts.
 `R` shows that the parts can be used as applicable parts to replace originally equipped parts.
- ⑤ Upper column : QTY shows the number of parts to be used for one unit of machine.
 `M` is indicated for parts supplied by a meter long.
 `l` is indicated for parts supplied by liter.
 `AR` is indicated for parts need to be adjusted or regulated.
- Lower column : serial number
 -229 means serial number up to 229.
 230- means serial number 230 and after.
- ⑥ ITC : Interchangeability
 `1`...OLD ← NEW
 New parts can be used in place of the old parts.
 `2`...OLD → NEW
 Old parts can be used in place of the new parts.
 `3`...OLD →← NEW
 Old parts and new parts can not be replaced each other.
- ⑦ COL : Color code
 Color is signified with color code number for colored parts.
 Please see the color list shown in the next page.
- ⑧ GRP : Parts shown in this column can be replaced by SET parts.
 Example : Parts marked ① can be replaced by parts marked ②, and ③ for ④, so the rest follow in the same alphabetical order.

⑨ Remarks

- * Other maker's part code number is shown in this column.
- * When Fig. No. is shown in the Remark column of SET parts or ASSY parts, each of their component parts are listed in said Fig. No.

3. Color :

The following colors are used color parts.

COLOR CODE	COLOR	SPRAY TYPE PARTS CODE	PAINTS 4K DRUM PARTS CODE	PAINTS 16K DRUM PARTS CODE
4 L	NEO BLUE	1300-985-001-10	1300-985-003-00	—————
5 I	SUNSET GRAY	1300-959-001-10	1300-959-003-00	1300-959-004-00
6 G	SUMMER WHITE	1300-958-001-10	1300-958-003-00	1300-958-004-00
7 F	MIRROR BLACK	1300-954-001-10	1300-954-003-00	1300-954-004-00

NOTE : Color code is signified only for the parts assigned by the maker as color parts.

4. Serial Numbers :

For chassies serial number is shown on the LABEL.

Please see

5. Parts Order

- 1) When you order parts, please make sure of correct numbers.
- 2) When substitute parts is available, the part number ordered will be automatically turned to a new part number.
- 3) Please be sure to use "ISEKI GENUINE PARTS" .

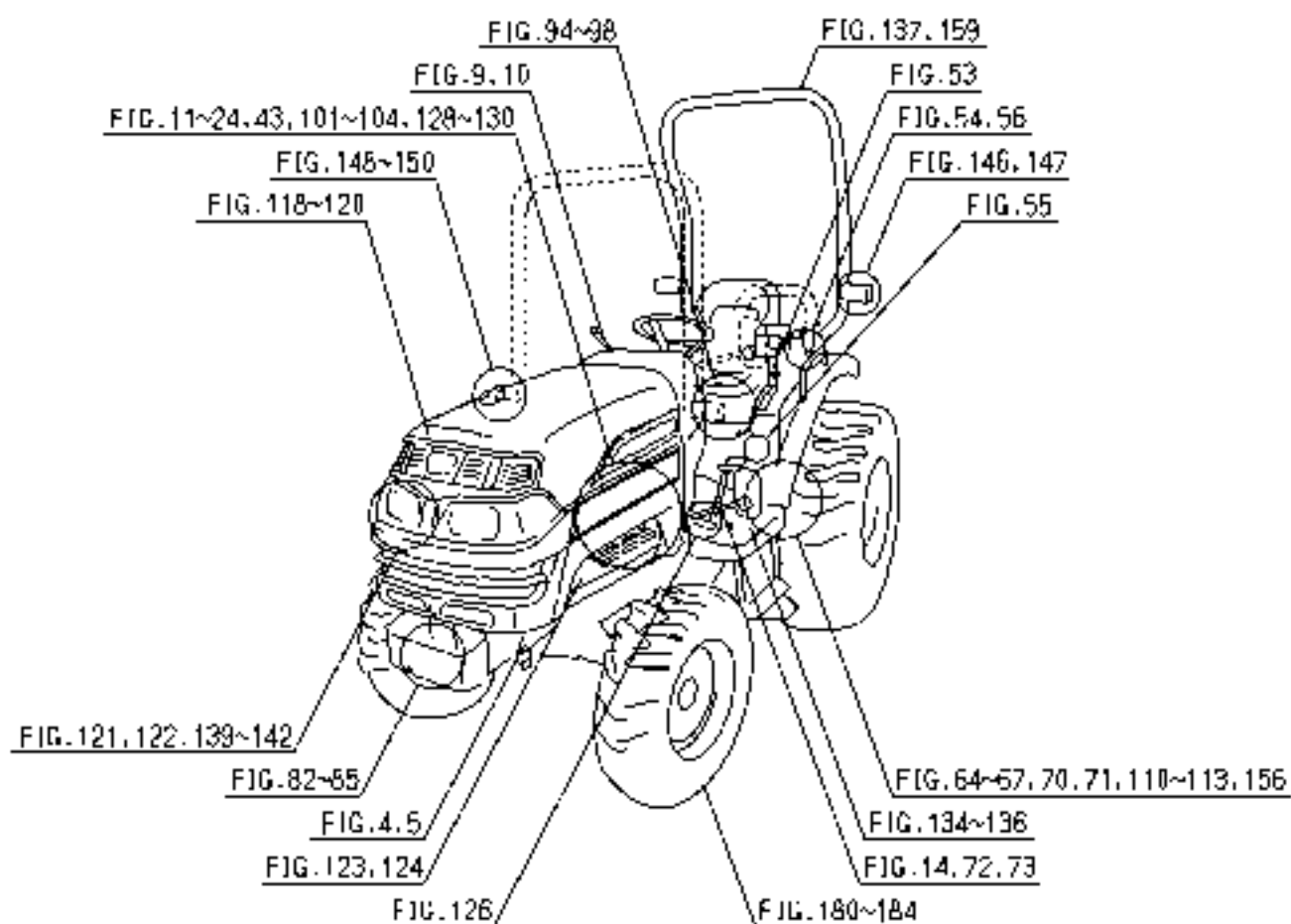
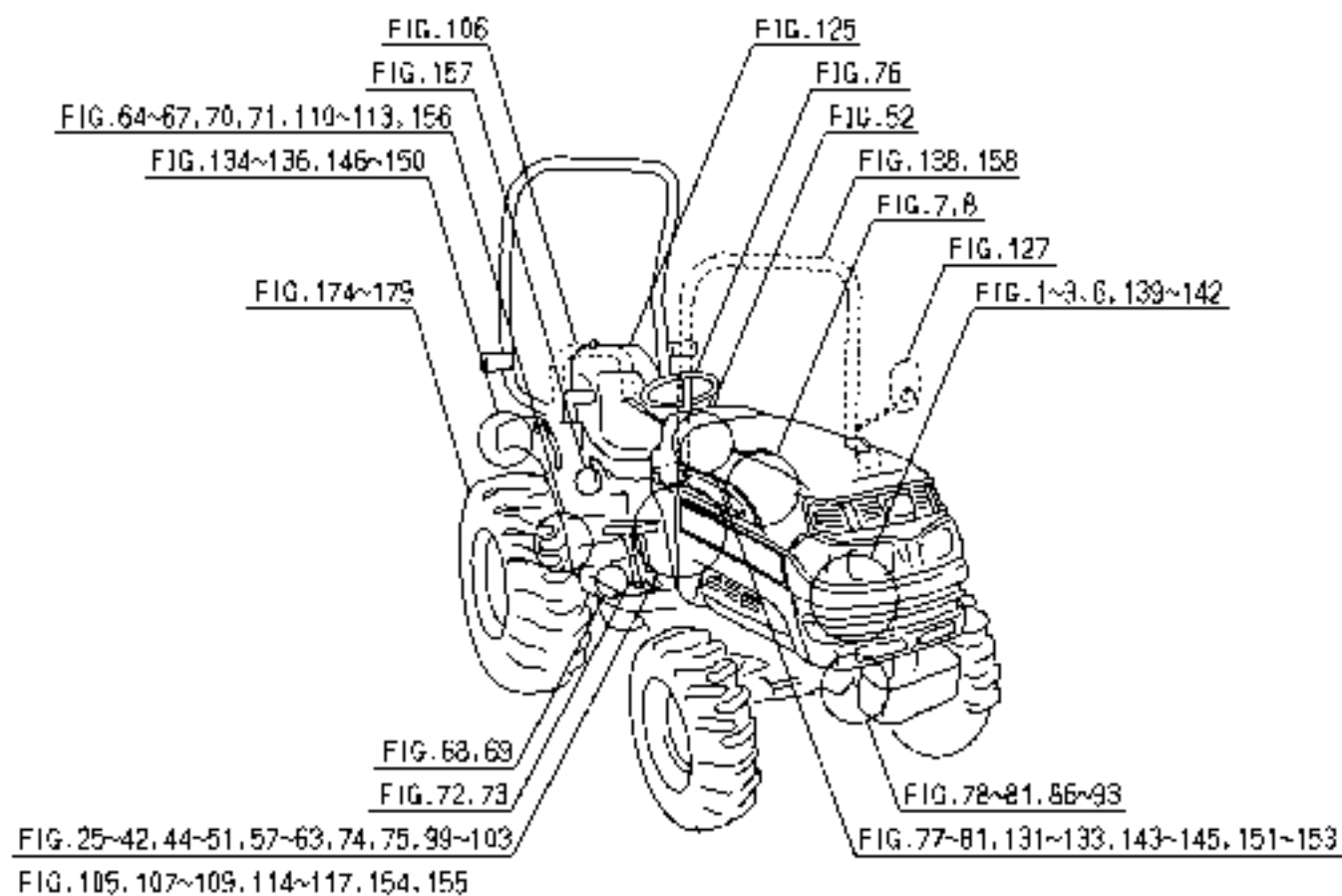
Any other similar parts other than ISEKI parts when used may cause a trouble that makes us unable to repair or guarantee the warrant.

*** Structure Table of Model ***

M O D E L	T H	T H		T H						
	FIG.	4 F F F F F 2 H H K S 9 M M M K 5 E W W M 4 R R E W D E E 4 4 D E 4	F F 4 F F S V 3 H H K R 3 M M M E 5 E J 4 R R R E D E E E E 4 6 4 4 4 4	F F F F F H K S S S M M K K K W W J M M R R R R E E E E 4 R A 4 4 A	F F F F F S S V 3 H K K R 6 M M V E 5 E W R 4 4 R R E A D E E 4 4 A	F F F H H H M M M J W R R R E A 4 6 4				
1		** **		** **						
2									** *	
3	**		** *	*						
4	** **	**	** *	** **	** **					
5									** *	
6	** **	**	** *	** **	** **				** **	
7	**		** *	*						
8		** **	** *	** **	** **				** **	
9	**		** *	*					** **	
10		** **		** **	** **					
11			*		*					
12		**		** **	** **					
13		*		*						
14	** **	** *	** *	** **	** **					
15			*		*					
16	** **	**	** *	** **	** **				** **	
17	**		** *	*					** **	
18		*			*					
19	*			*						
20	**	**		** **	** **					
21	**		** *	*	** **				** **	
22	** **	** *	** *	** **	** **				** **	
23	**		** *	*					** **	
24	**		** *	** **	** **				** **	
25	*			*						
26		**	** *	** **	** **					
27		*			*					
28	**		** *	** **	** **				** **	
29		**	** *	** **	** **					
30	*	*		*	*					
31	**		** *	*	** **				** **	
32	*	**	** *	*	*				** **	
33	** **	** **	** **	** **	** **				** **	
34	** *	*	** *	** **	** **				** **	
35		*		*	*					
36	**		** *	** **	** **				** **	
37	** **	**	** *	** **	** **				** **	
38		*		*	** **				** **	
39	*	**	** *	** **	** **				** **	
40	*		** *	*	** **				** **	
41		*		*						
42	*		*		*				*	
43		**		** **	** **				** **	
44	**		** *	*	** **				** **	
45		**		** **	** **				** **	

*** Structure Table of Model ***

M O D E L	T H	T H		T H								
	4 F F F F 2 H H K S 9 M M M K 5 E W W M 4 R R E W D E E 4 4 4 D E 4	F F 4 F F S V 3 H H K R 3 M M M E 5 E J 4 R R R E W D E E 4 R A D E 6 4 4 4 4	F F F F F H K S S S M M K K K W W J M M 4 R R R R E J E E E E 4 R 6 4 4 4 D E A 4 4 A		F F F F 4 F F F S S V 3 H H H K K R 6 M M M M V E 5 E J W W R 4 4 R R R E A D E E E 4 6 4							
FIG.												
181	T T T T	T T T T	T T T T	T T T T	T T T T	T T T T	T T T T					
182	T T T T	T T T T	T T T T	T T T T	T T T T	T T T T	T T T T					
183		T T	T T	T T	T T	T T	T T					
184	T T T T	T T T T	T T T T	T T T T	T T T T	T T T T	T T T T					
185		T	T	T	T	T	T					
186	T	T T	T	T T T								
187	T		T				T					
188			T T									
189		T		T T								
190		T	T	T			T					
191	T T T T	T T T	T T T	T T T	T T T	T T T	T T T					
192				T	T	T	T					
193	T T	T T	T T	T T	T T	T T	T T					
194	T T T T	T T T T	T T T T	T T T T	T T T T	T T T T	T T T T					
195	* * * * *	* * * * *	* * * * *	* * * * *	* * * * *	* * * * *	* * * * *					
196	* * *	* * *	* * *	* * *	* * *	* * *	* * *					
197	* * * * *	* * * * *	* * * * *	* * * * *	* * * * *	* * * * *	* * * * *					
198	T T	T T	* T T *	* T T T	* T T T	* T T T	* T T T					
199	* *	* *	* *	* *	* *	* *	* *					
200		T	T	T T	T T	T T	T T					
201	* * * * *	* * * * *	* * * * *	* * * * *	* * * * *	* * * * *	* * * * *					
202	* *	* *	* *	* *	* *	* *	* *					
203	* *	* *	* *	* *	* *	* *	* *					
204	* * *	* * *	* * *	* * *	* * *	* * *	* * *					
205	* * * * *	* * * * *	* * * * *	* * * * *	* * * * *	* * * * *	* * * * *					
206	* * * * *	* * * * *	* * * * *	* * * * *	* * * * *	* * * * *	* * * * *					
207		*	*	* *	* *	* *	* *					
208	* * * * *	* * * * *	* * * * *	* * * * *	* * * * *	* * * * *	* * * * *					



Contents

TH4365

ENGINE (E3CG-WB08)

SHORT BLOCK ENGIASSY.....	Fig. 1
CYLINDER HEAD.....	Fig. 2
CYLINDER HEAD COVER.....	Fig. 3
INLET MANIFOLD.....	Fig. 4
EXHAUST MANIFOLD.....	Fig. 5
CYLINDER BLOCK.....	Fig. 6
BEARING/UNDER SIZE (OPTION).....	Fig. 7
OIL PAN.....	Fig. 8
REAR PLATE.....	Fig. 9
TIMING GEAR CASE.....	Fig. 10
HANGER.....	Fig. 11
VALVE.....	Fig. 12
CAM SHAFT.....	Fig. 13
PISTON.....	Fig. 14
PISTON/OVER SIZE (OPTION).....	Fig. 15
CRANK SHAFT.....	Fig. 16
OIL PUMP.....	Fig. 17
WATER PUMP.....	Fig. 18
COOLING FAN.....	Fig. 19
INJECTION NOZZLE.....	Fig. 20
INJECTION PUMP.....	Fig. 21
FUEL PIPE.....	Fig. 22
ADAPTER.....	Fig. 23
ELECTRIC (1).....	Fig. 24

ELECTRIC (2).....	Fig. 25
REPAIR PARTS(OPTION).....	Fig. 26
COMPONENT PARTS	
FOR 6215-300-045-10 ON Fig.20.....	Fig. 27
COMPONENT PARTS	
FOR 6215-600-104-20 ON Fig.21.....	Fig. 28
COMPONENT PARTS	
FOR 6281-100-007-20 ON Fig.24.....	Fig. 29
COMPONENT PARTS	
FOR 6281-200-020-00 ON Fig.24.....	Fig. 30

C o n t e n t s

TH4335,4295(EXCEPT K-TYPE)

ENGINE E3CD-WB25(TH4335),E3CD-WB27(TH4295)

SHORT BLOCK ENGIASSY.....	Fig. 1
CYLINDER HEAD.....	Fig. 2
CYLINDER HEAD COVER.....	Fig. 3
INLET MANIFOLD.....	Fig. 4
EXHAUST MANIFOLD.....	Fig. 5
CYLINDER BLOCK.....	Fig. 6
CYLINDER BLOCK.....	Fig. 7
BEARING/UNDER SIZE (OPTION).....	Fig. 8
OIL PAN.....	Fig. 9
OIL PAN.....	Fig. 10
REAR PLATE.....	Fig. 11
TIMING GEAR CASE.....	Fig. 12
HANGER.....	Fig. 13
VALVE.....	Fig. 14
CAM SHAFT.....	Fig. 15
PISTON.....	Fig. 16
PISTON/OVER SIZE (OPTION).....	Fig. 17
CRANK SHAFT.....	Fig. 18
OIL PUMP.....	Fig. 19
OIL PUMP.....	Fig. 20
WATER PUMP.....	Fig. 21
COOLING FAN.....	Fig. 22
INJECTION NOZZLE.....	Fig. 23
INJECTION PUMP.....	Fig. 24

FUEL PIPE.....	Fig. 25
ADAPTER.....	Fig. 26
ADAPTER.....	Fig. 27
ELECTRIC (1).....	Fig. 28
ELECTRIC (2).....	Fig. 29
REPAIR PARTS(OPTION).....	Fig. 30
COMPONENT PARTS	
FOR 6215-300-045-10 ON Fig.23.....	Fig. 31
COMPONENT PARTS	
FOR 6215-600-104-20 ON Fig.24.....	Fig. 32
COMPONENT PARTS	
FOR 6281-100-007-20 ON Fig.28.....	Fig. 33
COMPONENT PARTS	
FOR 6281-200-020-00 ON Fig.28.....	Fig. 34

Contents

TH4335(K-TYPE)

ENGINE (E3CD-WB)

SHORT BLOCK ENGIASSY.....	Fig. 1
CYLINDER HEAD.....	Fig. 2
CYLINDER HEAD COVER.....	Fig. 3
INLET MANIFOLD.....	Fig. 4
EXHAUST MANIFOLD.....	Fig. 5
CYLINDER BLOCK.....	Fig. 6
BEARING/UNDER SIZE (OPTION).....	Fig. 7
OIL PAN.....	Fig. 8
REAR PLATE.....	Fig. 9
TIMING GEAR CASE.....	Fig. 10
HANGER.....	Fig. 11
VALVE.....	Fig. 12
CAM SHAFT.....	Fig. 13
PISTON.....	Fig. 14
PISTON/OVER SIZE (OPTION).....	Fig. 15
CRANK SHAFT.....	Fig. 16
OIL PUMP.....	Fig. 17
WATER PUMP.....	Fig. 18
COOLING FAN.....	Fig. 19
INJECTION NOZZLE.....	Fig. 20
INJECTION PUMP.....	Fig. 21
FUEL PIPE.....	Fig. 22
ADAPTER.....	Fig. 23
ELECTRIC (1).....	Fig. 24

ELECTRIC (2).....	Fig. 25
REPAIR PARTS(OPTION).....	Fig. 26
COMPONENT PARTS	
FOR 6215-300-045-10 ON Fig.19.....	Fig. 27
COMPONENT PARTS	
FOR 6215-600-104-20 ON Fig.20.....	Fig. 28
COMPONENT PARTS	
FOR 6281-100-007-20 ON Fig.23.....	Fig. 29
COMPONENT PARTS	
FOR 6281-200-020-00 ON Fig.23.....	Fig. 30

C o n t e n t s

TH4295(K-TYPE)

ENGINE (E3CD-WB01)

SHORT BLOCK ENGIASSY.....	Fig. 1
CYLINDER HEAD.....	Fig. 2
CYLINDER HEAD COVER.....	Fig. 3
INLET MANIFOLD.....	Fig. 4
EXHAUST MANIFOLD.....	Fig. 5
CYLINDER BLOCK.....	Fig. 6
BEARING/UNDER SIZE (OPTION).....	Fig. 7
OIL PAN.....	Fig. 8
REAR PLATE.....	Fig. 9
TIMING GEAR CASE.....	Fig. 10
HANGER.....	Fig. 11
VALVE.....	Fig. 12
CAM SHAFT.....	Fig. 13
PISTON.....	Fig. 14
PISTON/OVER SIZE (OPTION).....	Fig. 15
CRANK SHAFT.....	Fig. 16
OIL PUMP.....	Fig. 17
WATER PUMP.....	Fig. 18
COOLING FAN.....	Fig. 19
INJECTION NOZZLE.....	Fig. 20
INJECTION PUMP.....	Fig. 21
FUEL PIPE.....	Fig. 22
ADAPTER.....	Fig. 23
ADAPTER.....	Fig. 24

ELECTRIC (1).....	Fig. 25
ELECTRIC (2).....	Fig. 26
REPAIR PARTS(OPTION).....	Fig. 27
COMPONENT PARTS	
FOR 6215-300-045-10 ON Fig.20.....	Fig. 28
COMPONENT PARTS	
FOR 6215-600-104-20 ON Fig.21.....	Fig. 29
COMPONENT PARTS	
FOR 6281-100-007-20 ON Fig.25.....	Fig. 30
COMPONENT PARTS	
FOR 6281-200-020-00 ON Fig.25.....	Fig. 31

C o n t e n t s

TH4335(EXCEPT K-TYPE)

ENGINE (E3CD-WB02)

SHORT BLOCK ENGIASSY.....	Fig. 1
CYLINDER HEAD.....	Fig. 2
CYLINDER HEAD COVER.....	Fig. 3
INLET MANIFOLD.....	Fig. 4
EXHAUST MANIFOLD.....	Fig. 5
CYLINDER BLOCK.....	Fig. 6
BEARING/UNDER SIZE (OPTION).....	Fig. 7
OIL PAN.....	Fig. 8
REAR PLATE.....	Fig. 9
TIMING GEAR CASE.....	Fig. 10
HANGER.....	Fig. 11
VALVE.....	Fig. 12
CAM SHAFT.....	Fig. 13
PISTON.....	Fig. 14
PISTON/OVER SIZE (OPTION).....	Fig. 15
CRANK SHAFT.....	Fig. 16
OIL PUMP.....	Fig. 17
WATER PUMP.....	Fig. 18
COOLING FAN.....	Fig. 19
INJECTION NOZZLE.....	Fig. 20
INJECTION PUMP.....	Fig. 21
FUEL PIPE.....	Fig. 22
ADAPTER.....	Fig. 23
ELECTRIC (1).....	Fig. 24

ELECTRIC (2).....	Fig. 25
REPAIR PARTS(OPTION).....	Fig. 26
COMPONENT PARTS	
FOR 6215-300-045-10 ON Fig.20.....	Fig. 27
COMPONENT PARTS	
FOR 6215-600-104-20 ON Fig.21.....	Fig. 28
COMPONENT PARTS	
FOR 6281-100-007-20 ON Fig.24.....	Fig. 29
COMPONENT PARTS	
FOR 6281-200-020-00 ON Fig.24.....	Fig. 30

C o n t e n t s

TH4295(EXCEPT K-TYPE)

ENGINE (E3CD-WB03)

SHORT BLOCK ENGIASSY.....	Fig. 1
CYLINDER HEAD.....	Fig. 2
CYLINDER HEAD COVER.....	Fig. 3
INLET MANIFOLD.....	Fig. 4
EXHAUST MANIFOLD.....	Fig. 5
CYLINDER BLOCK.....	Fig. 6
BEARING/UNDER SIZE (OPTION).....	Fig. 7
OIL PAN.....	Fig. 8
REAR PLATE.....	Fig. 9
TIMING GEAR CASE.....	Fig. 10
HANGER.....	Fig. 11
VALVE.....	Fig. 12
CAM SHAFT.....	Fig. 13
PISTON.....	Fig. 14
PISTON/OVER SIZE (OPTION).....	Fig. 15
CRANK SHAFT.....	Fig. 16
OIL PUMP.....	Fig. 17
WATER PUMP.....	Fig. 18
COOLING FAN.....	Fig. 19
INJECTION NOZZLE.....	Fig. 20
INJECTION PUMP.....	Fig. 21
FUEL PIPE.....	Fig. 22
ADAPTER.....	Fig. 23
ADAPTER.....	Fig. 24

ELECTRIC (1).....	Fig. 25
ELECTRIC (2).....	Fig. 26
REPAIR PARTS(OPTION).....	Fig. 27
COMPONENT PARTS	
FOR 6215-300-045-10 ON Fig.20.....	Fig. 28
COMPONENT PARTS	
FOR 6215-600-104-20 ON Fig.21.....	Fig. 29
COMPONENT PARTS	
FOR 6281-100-007-20 ON Fig.25.....	Fig. 30
COMPONENT PARTS	
FOR 6281-200-020-00 ON Fig.25.....	Fig. 31

C o n t e n t s

CHASSIS

RADIATOR SYSTEM(EXCEPT H TYPE)(1/2)(2/2).....	Fig. 1
RADIATOR SYSTEM(TH4365)(1/2)(2/2).....	Fig. 2
RADIATOR SYSTEM	
(H TYPE EXCEPT TH4365)(1/2)(2/2).....	Fig. 3
MUFFLER SYSTEM(EXCEPT TH4365 TYPE).....	Fig. 4
MUFFLER SYSTEM(TH4365 TYPE).....	Fig. 5
CLEANER(AIR)SYSTEM.....	Fig. 6
FUEL SYSTEM(H TYPE ECXEPT TH4365)(1/2)(2/2).....	Fig. 7
FUEL SYSTEM	
(TH4295,4335TYPE EXCEPT H)(1/2)(2/2).....	Fig. 8
THROTTLE SYSTEM(H TYPE).....	Fig. 9
THROTTLE SYSTEM(EXCEPT H TYPE).....	Fig. 10
CLUTCH(MAIN)SYSTEM	
(V TYPE EXCEPT SK).....	Fig. 11
CLUTCH(MAIN)SYSTEM(SK TYPE).....	Fig. 12
CLUTCH(MAIN)SYSTEM(K TYPE).....	Fig. 13
PEDAL(CLUTCH)SYSTEM(EXCEPT H TYPE).....	Fig. 14
CASE(TRANSMISSION/FRONT)SYSTEM	
(V TYPE EXCEPT SK).....	Fig. 15
CASE(TRANSMISSION/FRONT)SYSTEM	
(EXCEPT H,V TYPE).....	Fig. 16
CASE(TRANSMISSION/FRONT)SYSTEM	
(H TYPE).....	Fig. 17
GEAR(INPUT)SYSTEM(V TYPE EXCEPT SK).....	Fig. 18
GEAR(INPUT)SYSTEM(K TYPE).....	Fig. 19
GEAR(INPUT)SYSTEM(SK TYPE).....	Fig. 20
UNIT SYSTEM(H TYPE).....	Fig. 21

GEAR(PTO)SYSTEM(EXCEPT H TYPE).....	Fig. 22
GEAR(PTO)SYSTEM(H TYPE).....	Fig. 23
CASE(TRANSMISSION/MID)SYSTEM(H TYPE).....	Fig. 24
GEAR(MAIN)SYSTEM(K TYPE).....	Fig. 25
GEAR(MAIN)SYSTEM(SK TYPE).....	Fig. 26
GEAR(MAIN)SYSTEM(V TYPE EXCEPT SK).....	Fig. 27
GEAR(MAIN)SYSTEM(H TYPE).....	Fig. 28
GEAR(SUB)SYSTEM(SK TYPE).....	Fig. 29
GEAR(SUB)SYSTEM(V TYPE EXCEPT K,SK).....	Fig. 30
GEAR(SUB)SYSTEM(H TYPE).....	Fig. 31
COVER(CREEP)SYSTEM	
(V TYPE EXCEPT K,SK).....	Fig. 32
GEAR(4WD)SYSTEM.....	Fig. 33
GEAR(PTO)SYSTEM(EXCEPT H TYPE).....	Fig. 34
GEAR(PTO)SYSTEM(V TYPE EXCEPT SK).....	Fig. 35
GEAR(PTO)SYSTEM(H TYPE).....	Fig. 36
MID PTO SYSTEM(EXCEPT E4A TYPE)(1/2)(2/2).....	Fig. 37
COVER(MID PTO)SYSTEM(E4A TYPE).....	Fig. 38
CASE(TRANSMISSION/REAR)SYSTEM	
(EXCEPT H,E4D TYPE).....	Fig. 39
CASE(TRANSMISSION/REAR)SYSTEM	
(H TYPE EXCEPT E4D).....	Fig. 40
CASE(TRANSMISSION/REAR)SYSTEM	
(SK-E4D TYPE).....	Fig. 41
CASE(TRANSMISSION/REAR)SYSTEM	
(H-E4D TYPE).....	Fig. 42
FORK(SHIFT/REVERSE)SYSTEM(SK TYPE).....	Fig. 43
METAL(TRUNNION)SYSTEM(H TYPE).....	Fig. 44
FORK(SHIFT/MAIN)SYSTEM(SK TYPE).....	Fig. 45
FORK(SHIFT/MAIN)SYSTEM	
(K,V TYPE EXCEPT SK).....	Fig. 46
FORK(SHIFT/SUB)SYSTEM(EXCEPT H TYPE).....	Fig. 47
FORK(SHIFT/SUB)SYSTEM(H TYPE).....	Fig. 48

ARM(SHIFT/4WD)SYSTEM	Fig. 49
FORK(SHIFT/PTO)SYSTEM	
(V TYPE EXCEPT SK)	Fig. 50
FORK(SHIFT/PTO)SYSTEM	
(EXCEPT VE4A TYPE)	Fig. 51
LEVER(REVERSE)SYSTEM(SK TYPE)	Fig. 52
LEVER(MAIN)SYSTEM(EXCEPT H TYPE)	Fig. 53
LEVER(SUB)SYSTEM	Fig. 54
LEVER(4WD)SYSTEM	Fig. 55
LEVER(PTO)SYSTEM	Fig. 56
PEDAL SYSTEM(H TYPE)	Fig. 57
AUTO CRUISE SYSTEM(H TYPE)	Fig. 58
AUTO ACCELERATOR SYSTEM(H TYPE)	Fig. 59
PINION(DRIVE)SYSTEM(EXCEPT H TYPE)	Fig. 60
PINION(DRIVE)SYSTEM(H TYPE)	Fig. 61
DIFFERENTIAL GEAR SYSTEM	
(EXCEPT H TYPE)	Fig. 62
DIFFERENTIAL GEAR SYSTEM(H TYPE)	Fig. 63
HOUSING(AXLE)SYSTEM(EXCEPT H TYPE)	
(TH4295-NO.1-55/TH4335-NO.1-343)	Fig. 64
HOUSING(AXLE)SYSTEM	
(H TYPE-TH4295-NO.1-/TH4335-NO.1- /EXCEPT H TYPE-TH4295-NO.56-/TH4335-NO.344-)	Fig. 65
SHAFT(WHEEL/REAR)SYSTEM	
(EXCEPT H TYPE)	Fig. 66
SHAFT(WHEEL/REAR)SYSTEM(H TYPE)	Fig. 67
DIFF-LOCK SYSTEM(EXCEPT H TYPE)	Fig. 68
DIFF-LOCK SYSTEM(H TYPE)	Fig. 69
BRAKE SYSTEM(EXCEPT H TYPE)	Fig. 70
BRAKE SYSTEM(H TYPE)	Fig. 71
PEDAL(BRAKE)SYSTEM(EXCEPT H TYPE)	Fig. 72
PEDAL(BRAKE)SYSTEM(H TYPE)	Fig. 73
BRAKE(PARKING)SYSTEM(EXCEPT H TYPE)	Fig. 74

BRAKE(PARKING)SYSTEM(H TYPE).....	Fig. 75
WHEEL(STEERING)SYSTEM.....	Fig. 76
COLUMN(STEERING)SYSTEM.....	Fig. 77
STEERING(POWER)SYSTEM (V,J TYPE EXCEPT H).....	Fig. 78
STEERING(POWER)SYSTEM (K,SK TYPE EXCEPT J,V).....	Fig. 79
STEERING(POWER)SYSTEM (H TYPE EXCEPT J).....	Fig. 80
STEERING(POWER)SYSTEM(HJ TYPE).....	Fig. 81
BRACKET(AXLE)SYSTEM (EXCEPT TH4365 TYPE).....	Fig. 82
BRACKET(AXLE)SYSTEM(TH4365 TYPE).....	Fig. 83
BUMPER HITCH SYSTEM (EXCEPT H TYPE-STANDARD/H TYPE OPTION).....	Fig. 84
FRONT HITCH(BUMPER)SYSTEM (EXCEPT HJ TYPE).....	Fig. 85
FRONT AXLE SET(V,J TYPE)(1/4)-(4/4).....	Fig. 86
FRONT AXLE SET(EXCEPT V,J TYPE)(1/4)-(4/4).....	Fig. 87
SHAFT(DRIVE)SYSTEM.....	Fig. 88
TIE ROD SYSTEM(EXCEPT V,J TYPE).....	Fig. 89
TIE ROD SYSTEM(V,J TYPE).....	Fig. 90
STOPPER(HOUSING)SYSTEM (EXCEPT V,J TYPE).....	Fig. 91
COVER(CYLINDER)SYSTEM (EXCEPT V,J TYPE) (EXCEPT H TYPE-TH4295-NO.212-/TH4335-NO.540-).....	Fig. 92
COVER(CYLINDER)SYSTEM(V,J TYPE) (V TYPE-TH4295-NO.210-/TH4365-NO.142-/ TH4335-V,J TYPE-NO.542-).....	Fig. 93
CYLINDER CASE SYSTEM(1/3)-(3/3).....	Fig. 94
MECHANICAL LINK(POSITION)SYSTEM (E4A TYPE)(1/2)(2/2).....	Fig. 95

MECHANICAL LINK(PPOSITION)SYSTEM	
(EXCEPT E4A TYPE)(1/2)(2/2).....	Fig. 96
MECHANICAL LINK(DRAFT)SYSTEM	
(E4A TYPE).....	Fig. 97
COVER(VALVE)SYSTEM(J,E4D TYPE).....	Fig. 98
HYD.SYSTEM(MAIN)	
(V TYPE EXCEPT SK)(1/2)(2/2).....	Fig. 99
COVER(RELIEF METAL)SYSTEM	
(EXCEPT J TYPE).....	Fig.100
HYD.SYSTEM(MAIN)(K,SK TYPE)(1/2)(2/2).....	Fig.101
HYD.SYSTEM(MAIN)(TH4365 TYPE)(1/2)(2/2).....	Fig.102
HYD.SYSTEM(MAIN)	
(H TYPE EXCEPT TH4365)(1/2)(2/2).....	Fig.103
HYD.SYSTEM(SUB)(H TYPE).....	Fig.104
JOY STICK SYSTEM(TH4335-J TYPE)(1/2)(2/2).....	Fig.105
COVER(FENDER)SYSTEM(EXCEPT J TYPE).....	Fig.106
JOY STICK SYSTEM(HJ TYPE)(1/2)(2/2).....	Fig.107
VALVE(REMOTE/1R)SYSTEM(V TYPE).....	Fig.108
VALVE(REMOTE/2R)SYSTEM(W TYPE).....	Fig.109
3P LINK SYSTEM(E6 TYPE).....	Fig.110
3P LINK SYSTEM(E4A TYPE).....	Fig.111
3P LINK SYSTEM(E4 TYPE).....	Fig.112
LIFT ROD SYSTEM.....	Fig.113
TOP LINK BRACKET SYSTEM	
(EXCEPT E4A TYPE).....	Fig.114
SHIELD COVER SYSTEM(E4A TYPE).....	Fig.115
HITCH(DRAW BAR)SYSTEM	
(EXCEPT E4D,E6 TYPE).....	Fig.116
DRAW BAR(FIX)SYSTEM(E6 TYPE).....	Fig.117
HOOD SYSTEM(EXCEPT H TYPE).....	Fig.118
HOOD(SLANT) SYSTEM(TH4365 TYPE).....	Fig.119
HOOD(SLANT) SYSTEM	
(H TYPE EXCEPT TH4365).....	Fig.120

GRILLE SYSTEM(EXCEPT H TYPE).....	Fig.121
GRILLE(SLANT)SYSTEM(H TYPE).....	Fig.122
COVER(SIDE)SYSTEM(H TYPE).....	Fig.123
COVER(SIDE)SYSTEM(EXCEPT H TYPE).....	Fig.124
SEAT SYSTEM(HJ TYPE).....	Fig.125
MIRROR SYSTEM(EXCEPT E4A TYPE).....	Fig.126
MIRROR SYSTEM(E4A TYPE).....	Fig.127
MOUNT SYSTEM(E4A TYPE).....	Fig.128
MOUNT SYSTEM(EXCEPT E4D,E4A TYPE).....	Fig.129
MOUNT SYSTEM(E4D TYPE).....	Fig.130
DASHBORD SYSTEM(V TYPE EXCEPT K,SK).....	Fig.131
DASHBORD SYSTEM(SK TYPE).....	Fig.132
DASHBORD SYSTEM(H TYPE).....	Fig.133
FLOOR(REAR)SYSTEM	
(K,V TYPE EXCEPT SK)(1/2)(2/2).....	Fig.134
FLOOR(REAR)SYSTEM(SK TYPE)(1/2)(2/2).....	Fig.135
FLOOR(REAR)SYSTEM(H TYPE).....	Fig.136
NUMBERPLATE SYSTEM(E4 TYPE).....	Fig.137
NUMBERPLATE SYSTEM(E4A TYPE).....	Fig.138
ELC.SYSTEM(FRONT)(K,SK TYPE)(1/2)(2/2).....	Fig.139
ELC.SYSTEM(FRONT)	
(V TYPE EXCEPT SK)(1/2)(2/2).....	Fig.140
ELC.SYSTEM(FRONT)	
(J TYPE EXCEPT H)(1/2)(2/2).....	Fig.141
ELC.SYSTEM(FRONT)(E6 TYPE)(1/2)(2/2).....	Fig.142
ELC.SYSTEM(MAIN)(E4,E4D TYPE)(1/2)(2/2).....	Fig.143
ELC.SYSTEM(MAIN)(E4A TYPE)(1/2)(2/2).....	Fig.144
ELC.SYSTEM(MAIN)(E6 TYPE)(1/2)(2/2).....	Fig.145
ELC.SYSTEM(REAR)(K TYPE).....	Fig.146
ELC.SYSTEM(REAR)(SK TYPE EXCEPT V).....	Fig.147
ELC.SYSTEM(REAR)(V TYPE EXCEPT SK).....	Fig.148
ELC.SYSTEM(REAR)(TH4335-SKE4A TYPE).....	Fig.149
ELC.SYSTEM(REAR)(H TYPE).....	Fig.150

METER PANEL SYSTEM	Fig.151
CONTROL(PTO)SYSTEM (EXCEPT VE4A TYPE)	Fig.152
CONTROL(PTO)SYSTEM (V TYPE EXCEPT SK)	Fig.153
7P SOCKET SYSTEM (TH4335-J TYPE ECXCEPT H)	Fig.154
7P SOCKET SYSTEM (EXCEPT TH4335-J TYPE)	Fig.155
FRAME(REAR)SYSTEM(EXCEPT E4D TYPE)	Fig.156
FRAME(REAR)SYSTEM(E4A TYPE)	Fig.157
FRAME(MID)SYSTEM(E4A TYPE)	Fig.158
FRAME(REAR)SYSTEM (EXCEPT E4D,E4A TYPE)	Fig.159
ORNAMENT(TH4335 TYPE EXCEPT H)	Fig.160
ORNAMENT(TH4295 TYPE EXCEPT H)	Fig.161
ORNAMENT(TH4335-H TYPE)	Fig.162
ORNAMENT(TH4295-H TYPE)	Fig.163
ORNAMENT(TH4365 TYPE)	Fig.164
LABEL(CONTROL)(K TYPE)	Fig.165
LABEL(CONTROL)(SK TYPE EXCEPT V)	Fig.166
LABEL(CONTROL)(V TYPE EXCEPT SK)	Fig.167
LABEL(CONTROL)(TH4335-SKE4A TYPE)	Fig.168
LABEL(CONTROL)(H TYPE)	Fig.169
LABEL(CAUTION)	Fig.170
LABEL(EXCEPT HJ TYPE) (EXCEPT H,D TYPE-TH4295-NO.61-/TH4335-NO.366-)	Fig.171

OPTIONAL PARTS

GEAR(CREEP)SET(OPTION)(SK TYPE)	Fig.172
PTO(MID)SET(OPTION) (TH4335-SKE4A TYPE)(1/2)(2/2)	Fig.173

REAR WHEEL(12.4-16)SET(OPTION).....	Fig.174
REAR WHEEL(TURF/OVER SIZE)SYSTEM (OPTION).....	Fig.175
REAR WHEEL(9.5-24)SYSTEM(OPTION).....	Fig.176
REAR WHEEL SET(OPTION)(V,J TYPE).....	Fig.177
REAR WHEEL(TURF)SYSTEM(OPTION).....	Fig.178
REAR WHEEL(9.5-22)SET(OPTION).....	Fig.179
FRONT WHEEL(4WD)SET(OPTION).....	Fig.180
FRONT WHEEL(TURF/9.75I-12)SET(OPTION).....	Fig.181
FRONT WHEEL(TURF)SET(OPTION).....	Fig.182
FRONT WHEEL(7-16)SET(OPTION)(V,J TYPE).....	Fig.183
FRONT WHEEL(4WD)SYSTEM(OPTION).....	Fig.184
CUT OFF PLUG SYSTEM(OPTION)(E6 TYPE).....	Fig.185
JOY STICK SET (OPTION)(K,SKW,V TYPE)(1/2)(2/2).....	Fig.186
JOY STICK SET(OPTION)(HW TYPE)(1/2)(2/2).....	Fig.187
VALVE(REMOTE/1R)SET (OPTION)(TH4335-J TYPE).....	Fig.188
VALVE(REMOTE/PLUS)SET (OPTION)(V TYPE).....	Fig.189
VALVE(REMOTE/2R)SET(OPTION)(J TYPE).....	Fig.190
HITCH(TRAILER)SET (OPTION)(EXCEPT J TYPE).....	Fig.191
BRACKET(LINK/MORE)SET (OPTION)(TH4335-SKE4A TYPE).....	Fig.192
FRAME(REAR)SET(OPTION)(E4D TYPE).....	Fig.193
WEIGHT(15)SET(OPTION)(EXCEPT H TYPE).....	Fig.194

COMPONENT PARTS

COMPONENT PARTS

FOR K135-028-000-00 ON Fig.99,101,102,103..... Fig.195

COMPONENT PARTS

FOR K200-173-000-20 ON Fig.101..... Fig.196

COMPONENT PARTS

FOR K200-215-000-10 ON Fig.101,102,103..... Fig.197

COMPONENT PARTS

FOR K211-086-000-10 ON Fig.105,107,186,187..... Fig.198

COMPONENT PARTS

FOR K500-001-000-10 ON Fig.21..... Fig.199

COMPONENT PARTS

FOR 1640-530-600-10 ON Fig.188,189,190..... Fig.200

COMPONENT PARTS

FOR 1672-105-210-00 ON Fig.7,8..... Fig.201

COMPONENT PARTS

FOR 1719-511-350-00 ON Fig.108,109..... Fig.202

COMPONENT PARTS

FOR 1729-209-200-00 ON Fig.23..... Fig.203

COMPONENT PARTS

FOR 1740-128-500-10 ON Fig.22..... Fig.204

COMPONENT PARTS

FOR 1772-407-300-10 ON Fig.79,80..... Fig.205

COMPONENT PARTS

FOR 1772-654-210-00 ON Fig.146,147,148,149,150..... Fig.206

COMPONENT PARTS

FOR 1773-407-300-30 ON Fig.78,81..... Fig.207

COMPONENT PARTS

FOR 1773-656-500-00 ON Fig.151..... Fig.208

WIRING DIAGRAM

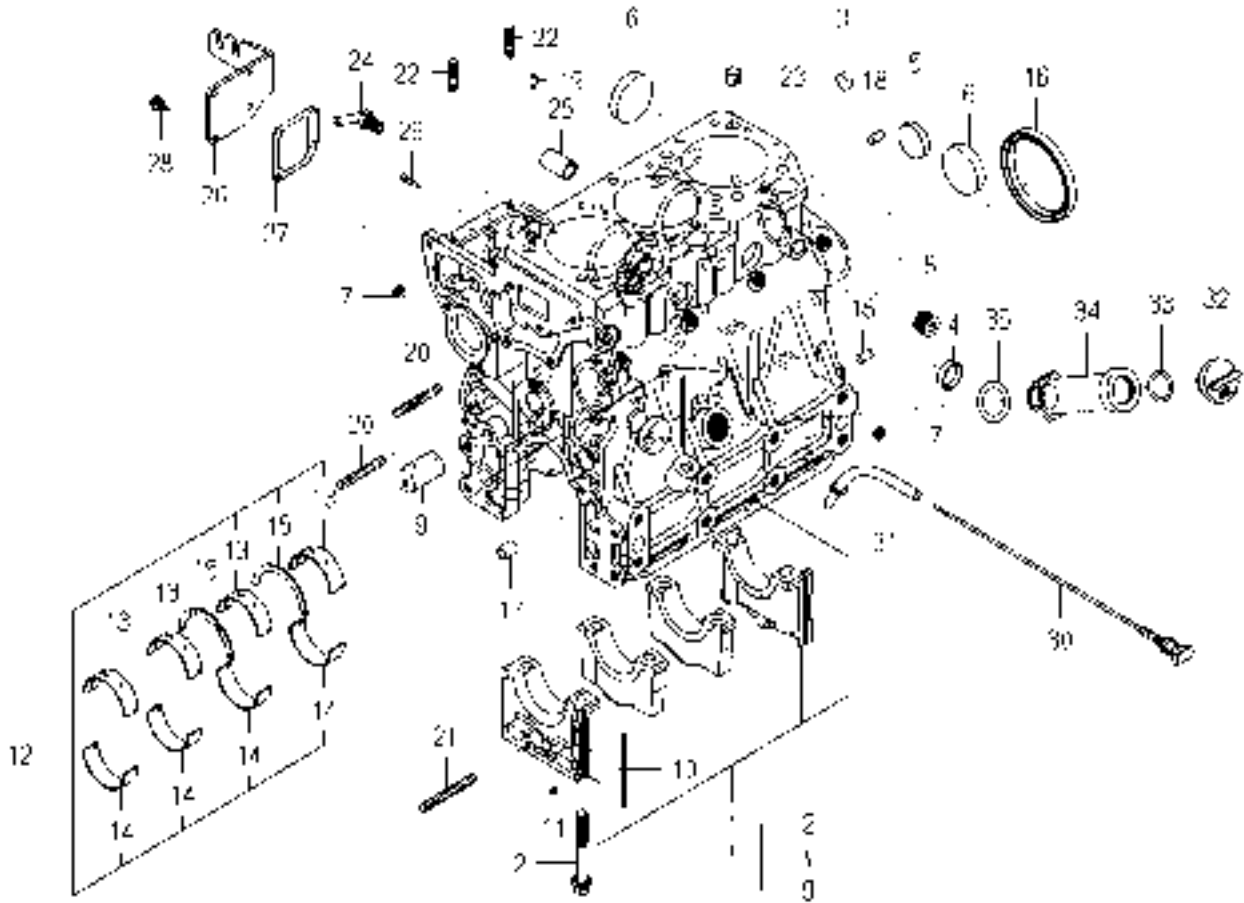
WIRING DIAGRAM(1/2)

WIRING DIAGRAM(2/2)

E N G I N E

E3CGWB08...TH4365

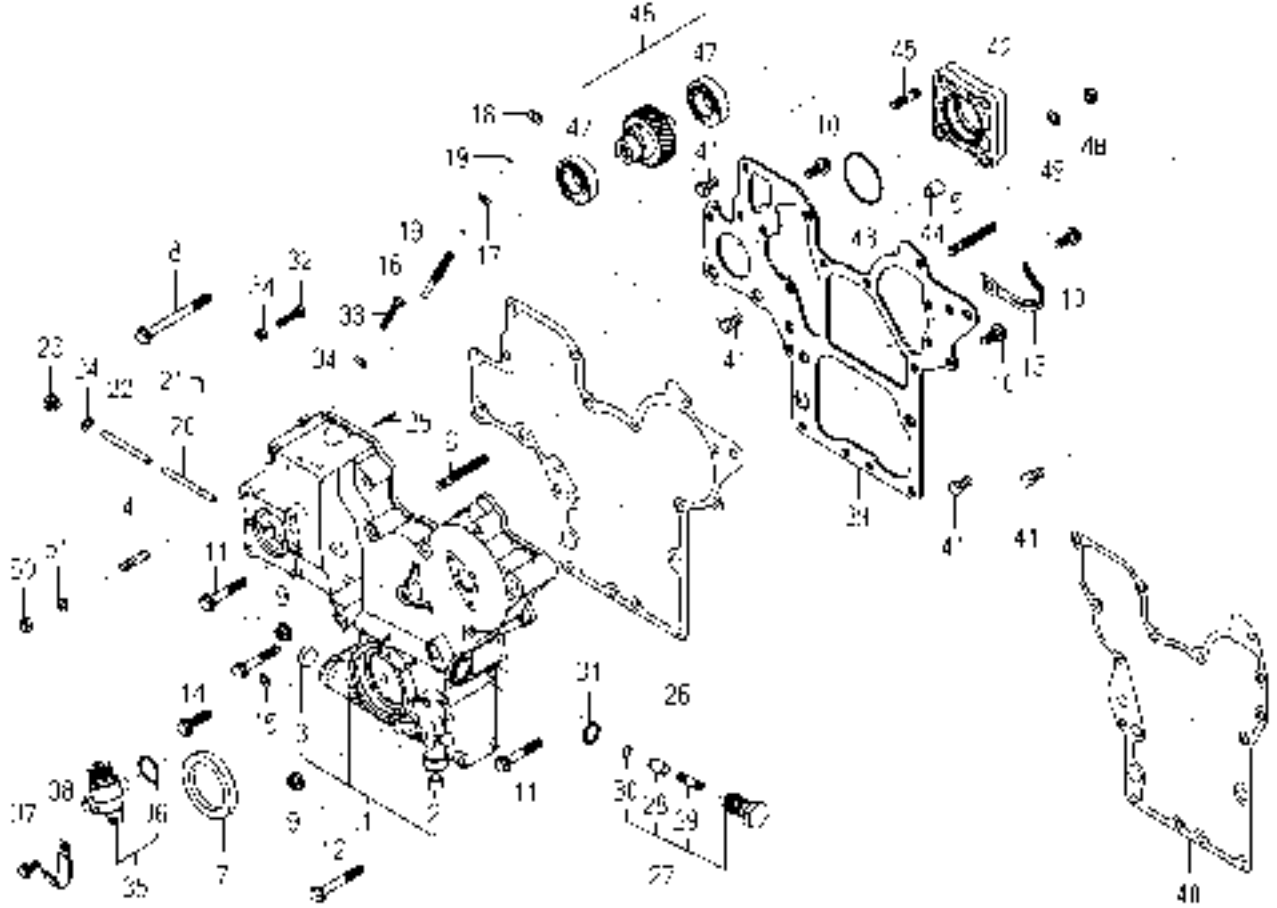
FIG. 6 CYLINDER BLOCK



6008-201L-0100

KEY	PART CODE	DESCRIPTION	S P C	TYPE OF MODEL		I T C	C O L	G R P	REMARKS
				E3CG	WB08				
1	6211-210-087-10	CYLINDERBLOCK ASSY	*	1					
2	6209-000-006-00	BOLT	*	8					
3	6209-610-007-00	CUP/SEALING/16	*	2					
4	6209-610-001-10	CUP/SEALING/28	*	2					
5	6209-610-009-00	CUP/SEALING/36	*	1					
6	6209-610-003-00	CUP/SEALING/50	*	3					
7	6209-605-007-10	PLUG/PT1/8	*	8					
8	6209-605-004-10	PLUG/PT1/2	*	1					
9	6212-531-008-30	PIN/IDLEGEAR	*	1					
10	6211-258-001-00	SEAL, BEARING CAP	*	4					
11	6211-258-002-00	SEAL, BEARING CAP/7	*	2					
12	6211-510-008-00	BEARING/CRANK SET	*	1					
13	6211-511-007-00	BEARING/CRANK/UPPER	*	4					
14	6211-511-008-00	BEARING/CRANK/LOWER	*	4					
15	6211-599-004-00	BEARING/THRUST/CRANK	*	2					
16	6209-625-003-20	OILSEAL	*	1					
17	6209-749-001-20	PIN/TUBE	*	2					
18	6213-129-006-00	PIN/STRAIGHT	*	2					
19	6209-740-005-00	PIN	*	2					
20	6904-110-850-00	STUD	*	2					
21	V251-340-806-00	BOLT/STUD	*	1					
22	6904-110-822-00	STUD	*	2					
23	6294-453-002-00	DOWEL	*	2					
24	6213-721-007-00	PIPE/WATERDRAIN	*	1					
25	6213-319-013-10	CONNECTOR/OILFILTER	*	1					
26	6211-291-015-20	COVER/INJECTIONPUMP	*	1					
27	6211-292-001-20	GASKET/COVER	*	1					
28	V230-360-601-20	FLANGE BOLT	*	4					
29	6215-549-013-00	PIN	*	1					
30	6211-760-057-00	LEVELGAGE	*	1					

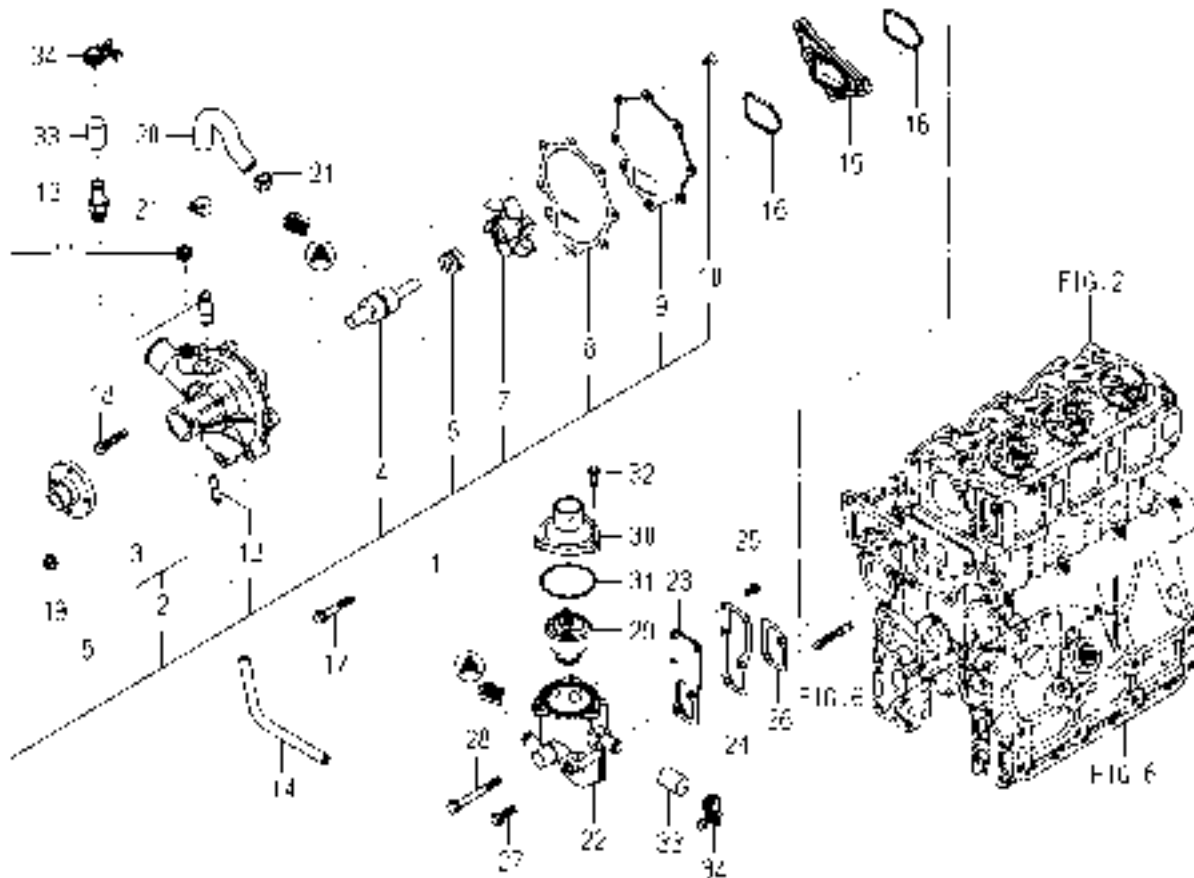
FIG. 10 TIMING GEAR CASE



6008-240P-0100,6008-240P-0200

KEY	PART CODE	DESCRIPTION	S P C	TYPE OF MODEL		I T C	C O L	G R P	REMARKS
				E3CG	WB08				
1	6211-310-028-00	GEARCASE ASSY	*	1					
2	6209-605-003-20	PLUG/PT1/4	*	1					
3	6209-610-004-00	CUP/SEALING/20	*	1					
4	6904-110-822-00	STUD	*	4					
5	6904-110-850-00	STUD	*	1					
6	6904-110-855-00	STUD	*	2					
7	6209-625-006-00	OILSEAL	*	1					
8	V231-360-809-00	FLANGE BOLT	*	2					
9	3817-401-001-00	NUT/M08	*	2					
10	V231-360-801-60	FLANGE BOLT	*	3					
11	V231-360-805-00	FLANGE BOLT	*	3					
12	V231-360-806-00	FLANGE BOLT	*	5					
13	1650-650-015-00	CLAMP	*	1					
14	V231-360-803-00	FLANGE BOLT	*	1					
15	6209-500-003-00	WASHER/08X14X01	*	1					
16	6215-546-003-10	STOPPER/FULLLOAD	*	1					
17	6209-409-001-00	NUT/M8	*	1					
18	V341-120-008-00	NUT,CAP/M 8	*	1					
19	6209-920-002-00	PACKING	*	2					
20	6215-542-004-20	PIN/ARM	*	1					
21	P117-303-003-00	PIN/SNAP	*	2					
22	6215-542-005-20	PIN	*	1					
23	6209-600-004-00	PLUG/SCREW	*	1					
24	6209-500-003-00	WASHER/08X14X01	*	1					
25	6209-740-006-00	PIN/GROOVE	*	1					
26	6211-312-012-10	GASKET/GEARCASE	*	1					
27	6213-160-005-00	VALVE/RELIEF ASSY	*	1					
28	6213-161-003-10	PISTON/VALVE/RELIEF	*	1					
29	6213-164-001-00	SPRING/RELIEF VALVE	*	1					
30	V705-140-012-00	RING,SNAP/12 C	*	1					

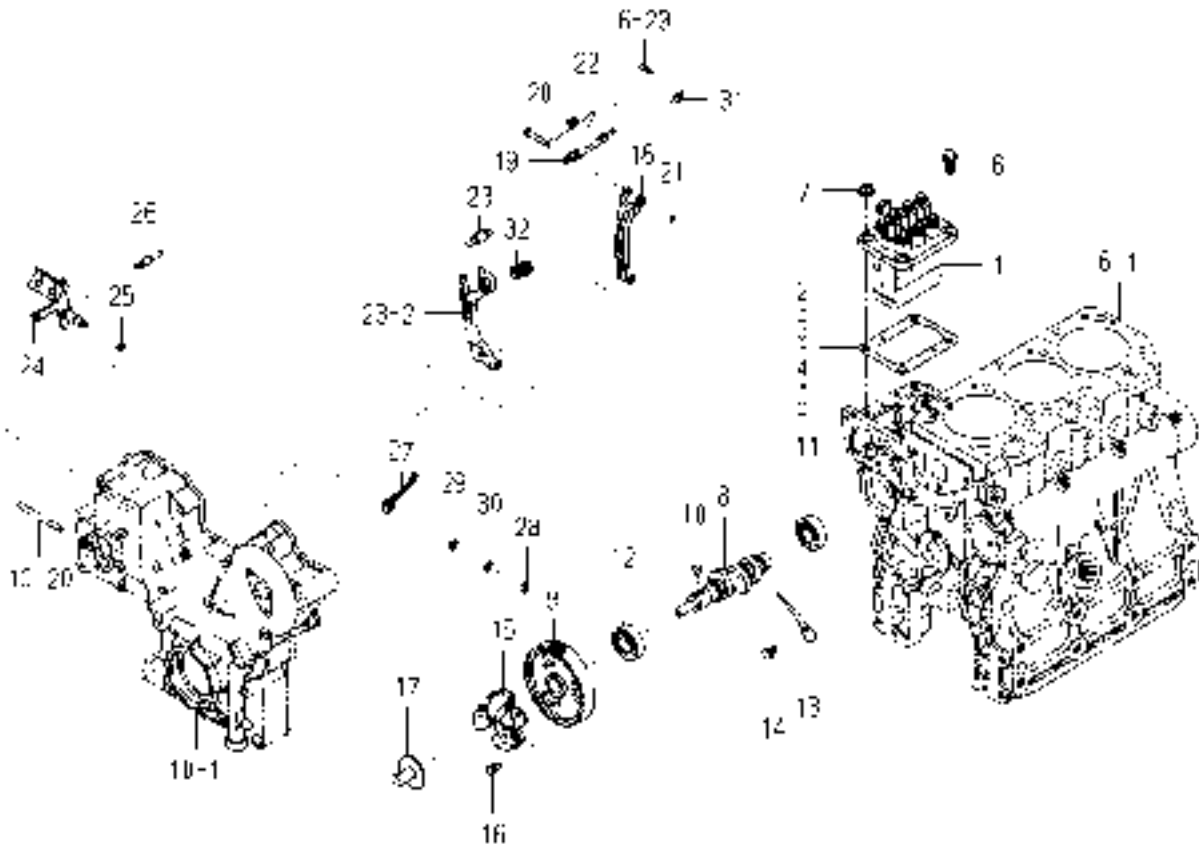
FIG. 18 WATER PUMP



6008-420C-0100

KEY	PART CODE	DESCRIPTION	S P C	TYPE OF MODEL		I T C	C O L	G R P	REMARKS
				E3CG	WB08				
1	6213-610-009-50	WATERPUMP ASSY	*	1					
2	6213-611-004-10	BODY/WATERPUMP ASSY	*	1					
3	6213-619-009-00	PIPE/WATERPUMP	*	1					
4	6213-631-004-10	BEARING/WATERPUMP	*	1					
5	6213-642-001-00	SEAT/WATERPUMPPULLEY	*	1					
6	6213-622-002-10	SEAL SET/WATER PUMP	*	1					
7	6213-621-004-00	ROTOR/WATERPUMP	*	1					
8	6213-613-004-00	GASKET/WATERPUMP	*	1					
9	6213-612-007-00	PLATE/WATERPUMP	*	1					
10	6213-619-003-00	SCREW/WATER PUMP	*	4					
11	6213-619-012-00	PLUG/TAPERSCREW	*	1					
12	6213-619-002-00	PIPE/WATER PUMP	*	1					
13	6213-721-005-00	PIPE/WATER/HOUSING	*	1					
14	6209-360-084-00	HOSE/RUBBER/230	*	1					
15	6213-619-014-00	SPACER/WATERPUMP	*	1					
16	V721-113-105-00	O-RING HS90 G50	*	2					
17	V231-360-805-00	FLANGE BOLT	*	2					
18	6901-910-840-00	BOLT	*	1					
19	3817-401-001-00	NUT/M08	*	1					
20	6213-729-015-40	HOSERUBBER	*	1					
21	1650-780-011-10	CLIP/HOSE/18-22	*	2					
22	6213-716-009-10	HOUSING/THERMOSTAT	*	1					
23	6213-719-005-10	COVER/HOUSING	*	1					
24	6213-743-004-20	GASKET/HOUSING	*	1					
25	6209-030-097-00	BOLT/WS	*	3					
26	6213-743-002-10	GASKET/HOUSING	*	1					
27	V231-360-802-50	FLANGE BOLT	*	1					
28	V231-360-807-50	FLANGE BOLT	*	1					
29	6213-770-002-00	THERMOSTAT	*	1					
30	6213-711-008-00	PIPE/WATEROUTLET	*	1					

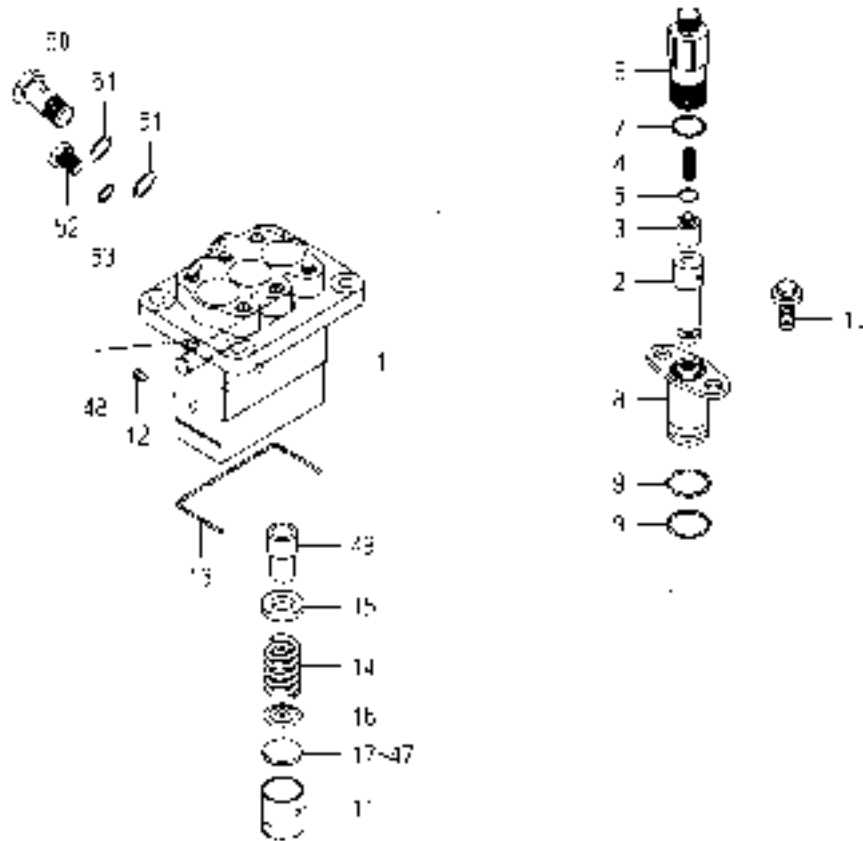
FIG. 21 INJECTION PUMP



6008-510I-0100

KEY	PART CODE	DESCRIPTION	S P C	TYPE OF MODEL		I T C	C O L	G R P	REMARKS
				E3CG	WB08				
1	6215-600-104-20	INJECTIONPUMP ASSY	*	1					FIG 028
2	6219-752-045-00	SHIM/INJECTIONPUMP	*	1					
3	6219-752-044-00	SHIM/INJECTIONPUMP	*	1					
4	6219-752-046-00	SHIM/INJECTIONPUMP	*	1					
5	6219-752-047-00	SHIM/INJECTIONPUMP	*	1					
6	V231-360-802-00	FLANGE BOLT	*	2					
7	3817-401-001-00	NUT/M08	*	2					
8	6215-621-017-10	CAMSHAFT/INJPUMP	*	1					
9	6212-524-012-30	GEAR/INJECTIONPUMP	*	1					
10	6209-730-005-00	KEY/07X05X09	*	1					
11	V600-110-620-30	BEARING,RB/6203	*	1					
12	6209-800-010-00	BEARING	*	1					
13	6212-535-009-00	PLATE/THRUST/INJPUMP	*	1					
14	6901-910-612-00	BOLT,SEMS/M6X12	*	1					
15	6215-520-007-10	FLYWEIGHT ASSY	*	1					
16	6209-030-043-00	BOLT/M6X10	*	3					
17	6215-526-004-00	THRUSTPIECE	*	1					
18	6215-541-001-10	ARM/FLOATING COMP	*	1					
19	6215-543-002-10	RINK/CONTROL	*	1					
20	6215-542-006-00	PIN,CONTROL	*	1					
21	V710-140-004-00	RING,SNAP/ 4 E	*	1					
22	6215-549-031-10	SPRING/SETTING	*	1					
23	6215-531-019-00	SPRING/GOVERNOR	*	1					
24	6215-541-024-50	LEVER/CONTROL COMP	*	1					
25	V720-101-900-80	O-RING/P 8	*	1					
26	6209-580-002-10	SPRING,RETURN	*	1					
27	6215-549-007-10	ARM/CONTROL	*	1					
28	V301-260-006-00	NUT/M6	*	1					
29	V411-260-006-00	WASHER / M6	*	1					
30	V401-160-006-00	WASHER,SP/M 6	*	1					

**FIG. 28 COMPONENT PARTS
FOR 6215-600-104-20 ON Fig.21**



6215-600-104-2E

KEY	PART CODE	DESCRIPTION	S P C	TYPE OF MODEL		I T C	C O L	G R P	REMARKS
				E3CG WB08					
1	6215-611-015-00	HOUSING/PUMP	*	1					
2	6215-631-015-00	PLUNGER ASSY	*	3					
3	6215-641-002-00	VALVE,DELIVERY	*	3					
4	6215-643-005-00	SPRING/DELIVERYVALVE	*	3					
5	6215-649-008-00	GASKET	*	3					
6	6215-644-009-00	HOLDER/DELIVERYVALVE	*	3					
7	6215-649-014-00	ORING	*	3					
8	6215-635-004-00	SLEEVEFLANGE	*	3					
9	6215-649-013-00	ORING	*	6					
10	6215-649-011-00	BOLT	*	6					
11	6215-622-003-00	TAPPET	*	3					
12	6215-629-017-00	PIN	*	3					
13	6215-629-035-00	SNAPRING	*	1					
14	6215-634-003-00	SPRING/PLUNGER	*	3					
15	6215-639-008-00	SPRINGSEAT	*	3					
16	6215-639-009-00	SPRINGSEAT	*	3					
17	6215-629-060-00	PLATE/T=2.60	*	1					
18	6215-629-061-00	PLATE/T=2.65	*	1					
19	6215-629-062-00	PLATE/T=2.70	*	1					
20	6215-629-063-00	PLATE/T=2.75	*	1					
21	6215-629-064-00	PLATE/T=2.80	*	1					
22	6215-629-065-00	PLATE/T=2.85	*	1					
23	6215-629-066-00	PLATE/T=2.90	*	1					
24	6215-629-067-00	PLATE/T=2.95	*	1					
25	6215-629-036-00	PLATE/T=3.00	*	1					
26	6215-629-037-00	PLATE/T=3.05	*	1					
27	6215-629-038-00	PLATE/T=3.10	*	1					
28	6215-629-039-00	PLATE/T=3.15	*	1					
29	6215-629-040-00	PLATE/T=3.20	*	1					
30	6215-629-041-00	PLATE/T=3.25	*	1					

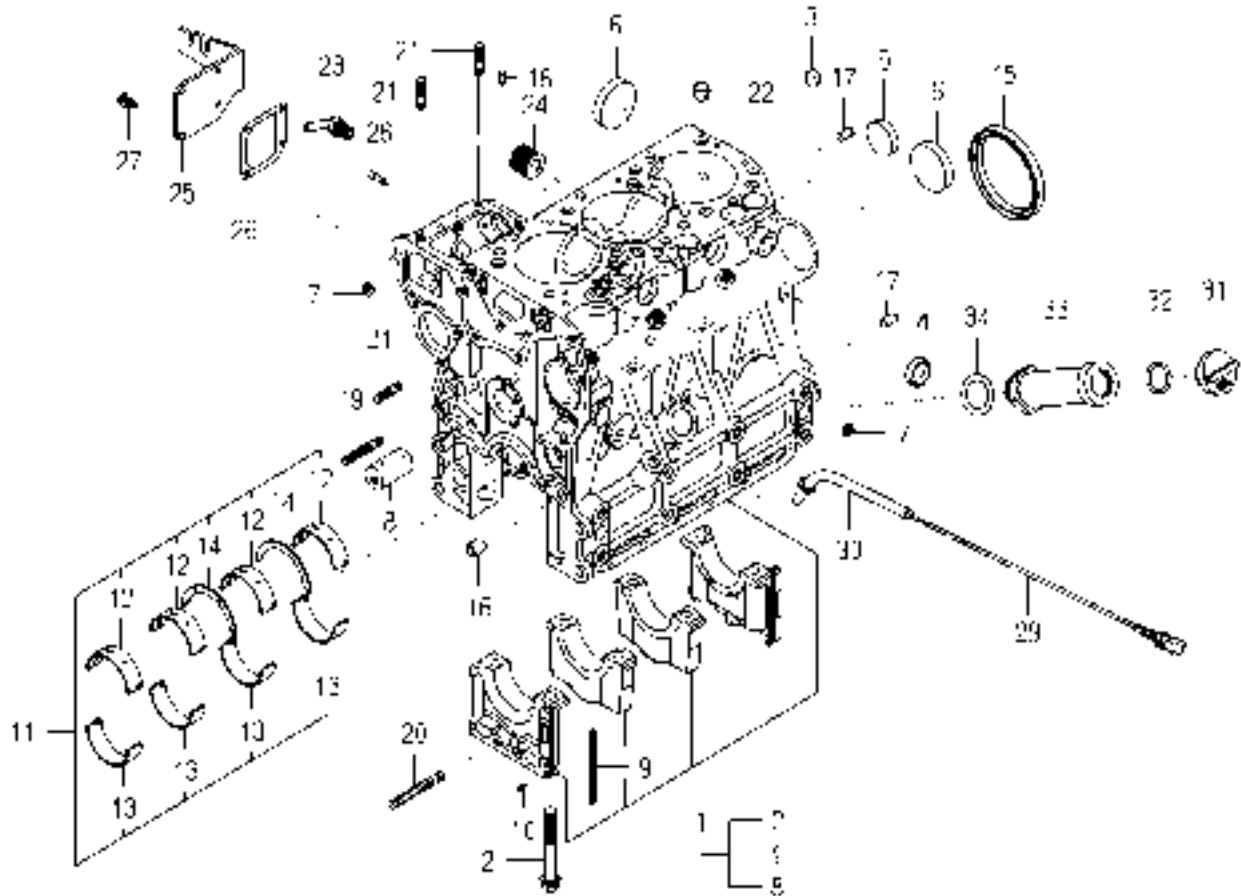
ENGINE

E3CDWB25... TH4335 (EXCEPT K-TYPE)

E3CDWB27... TH4295 (EXCEPT K-TYPE)

ENGINE

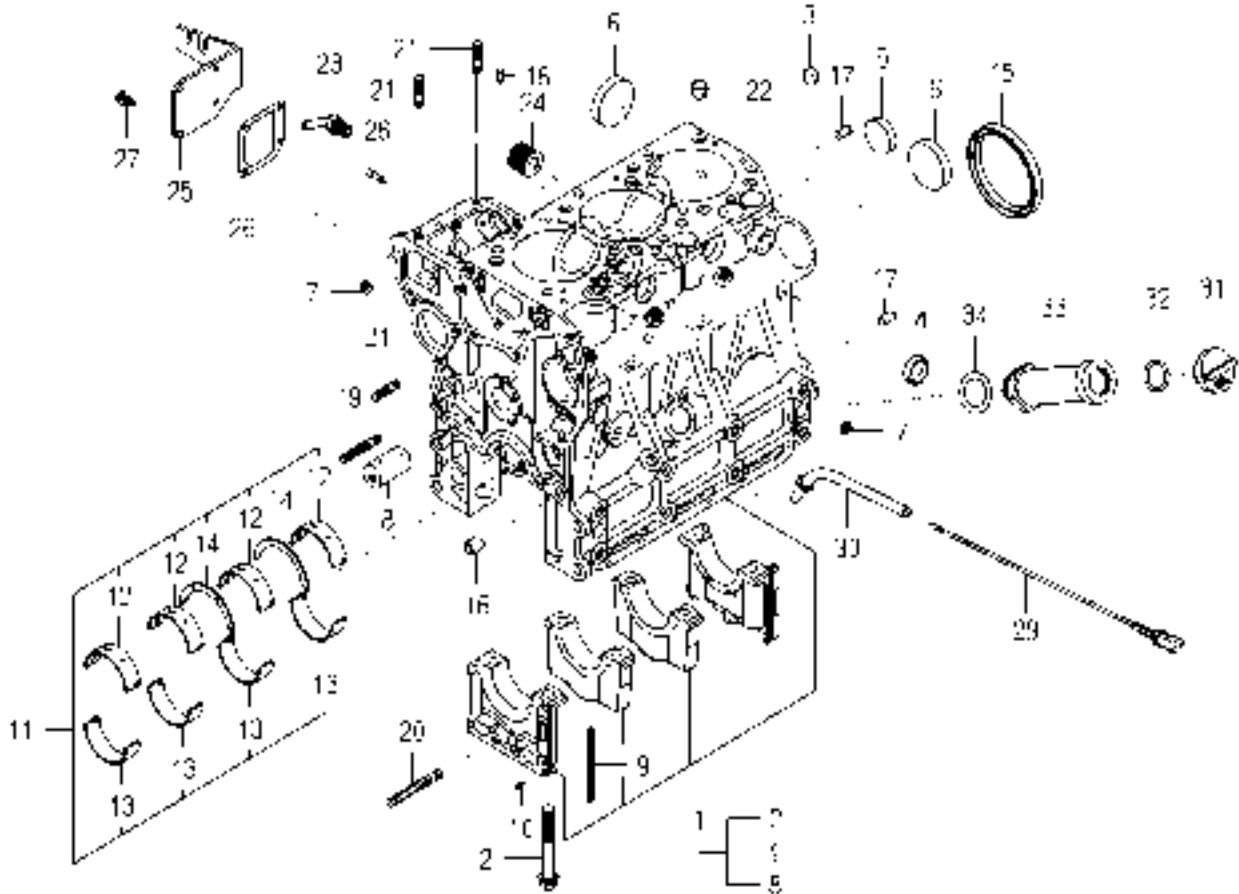
FIG. 6 CYLINDER BLOCK



6005-203M-0100

KEY	PART CODE	DESCRIPTION	S P C	TYPE OF MODEL		I T C	C O L	G R P	REMARKS
				E3CD WB25	E3CD WB27				
1	6211-210-081-10	CYLINDERBLOCK ASSY	*	1					
2	6209-000-006-00	BOLT	*	8					
3	6209-610-007-00	CUP/SEALING/16	*	2					
4	6209-610-001-10	CUP/SEALING/28	*	2					
5	6209-610-009-00	CUP/SEALING/36	*	1					
6	6209-610-003-00	CUP/SEALING/50	*	3					
7	6209-605-007-10	PLUG/PT1/8	*	8					
8	6212-531-008-30	PIN/IDLEGEAR	*	1					
9	6211-258-001-00	SEAL,BEARING CAP	*	4					
10	6211-258-002-00	SEAL,BEARING CAP/7	*	2					
11	6211-510-008-00	BEARING/CRANK SET	*	1					
12	6211-511-007-00	BEARING/CRANK/UPPER	*	4					
13	6211-511-008-00	BEARING/CRANK/LOWER	*	4					
14	6211-599-004-00	BEARING/THRUST/CRANK	*	2					
15	6209-625-003-20	OILSEAL	*	1					
16	6209-749-001-20	PIN/TUBE	*	2					
17	6213-129-006-00	PIN/STRAIGHT	*	2					
18	6209-740-005-00	PIN	*	2					
19	6904-110-840-00	STUD/M8X40	*	1					
20	V251-340-806-00	BOLT/STUD	*	1					
21	6904-110-822-00	STUD	*	3					
22	6294-453-002-00	DOWEL	*	2					
23	6213-721-007-00	PIPE/WATERDRAIN	*	1					
24	6213-319-001-00	CONNECTOR,OIL FILTER	*	1					
25	6211-291-015-20	COVER/INJECTIONPUMP	*	1					
26	6211-292-001-20	GASKET/COVER	*	1					
27	V230-360-601-20	FLANGE BOLT	*	4					
28	6215-549-013-00	PIN	*	1					
29	6211-760-041-20	LEVELGAGE	*	1					
30	6211-766-033-00	GUIDE/LEVELGAGE COMP	*	1					

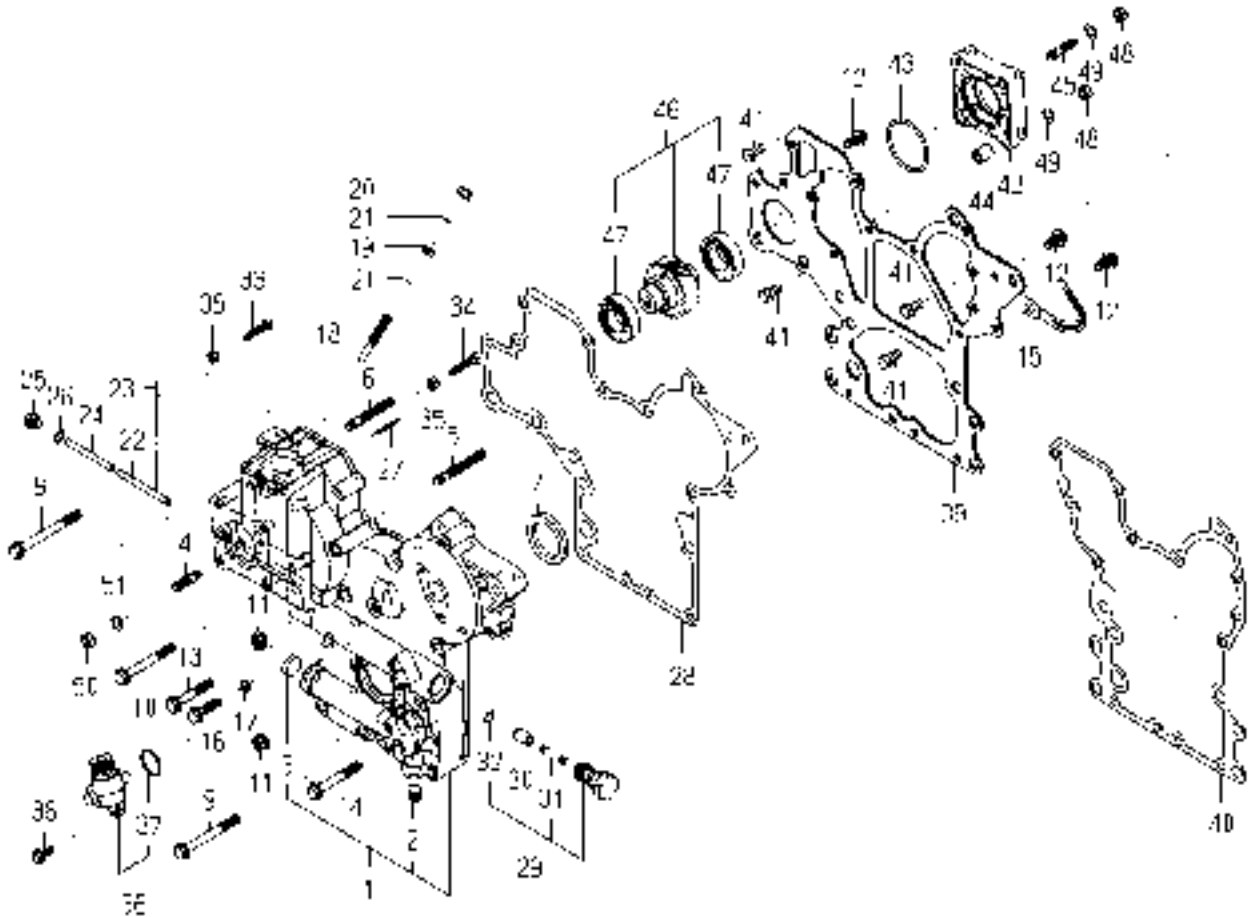
FIG. 7 CYLINDER BLOCK



6005-203U-0100

KEY	PART CODE	DESCRIPTION	S P C	TYPE OF MODEL		I T C	C O L	G R P	REMARKS
				E3CD WB25	E3CD WB27				
1	6211-210-081-10	CYLINDERBLOCK ASSY	*		1				
2	6209-000-006-00	BOLT	*		8				
3	6209-610-007-00	CUP/SEALING/16	*		2				
4	6209-610-001-10	CUP/SEALING/28	*		2				
5	6209-610-009-00	CUP/SEALING/36	*		1				
6	6209-610-003-00	CUP/SEALING/50	*		3				
7	6209-605-007-10	PLUG/PT1/8	*		8				
8	6212-531-008-30	PIN/IDLEGEAR	*		1				
9	6211-258-001-00	SEAL, BEARING CAP	*		4				
10	6211-258-002-00	SEAL, BEARING CAP/7	*		2				
11	6211-510-008-00	BEARING/CRANK SET	*		1				
12	6211-511-007-00	BEARING/CRANK/UPPER	*		4				
13	6211-511-008-00	BEARING/CRANK/LOWER	*		4				
14	6211-599-004-00	BEARING/THRUST/CRANK	*		2				
15	6209-625-003-20	OILSEAL	*		1				
16	6209-749-001-20	PIN/TUBE	*		2				
17	6213-129-006-00	PIN/STRAIGHT	*		2				
18	6209-740-005-00	PIN	*		2				
19	6904-110-840-00	STUD/M8X40	*		1				
20	V251-340-806-00	BOLT/STUD	*		1				
21	6904-110-822-00	STUD	*		3				
22	6294-453-002-00	DOWEL	*		2				
23	6213-721-007-00	PIPE/WATERDRAIN	*		1				
24	6213-319-001-00	CONNECTOR, OIL FILTER	*		1				
25	6211-291-015-20	COVER/INJECTIONPUMP	*		1				
26	6211-292-001-20	GASKET/COVER	*		1				
27	V230-360-601-20	FLANGE BOLT	*		4				
28	6215-549-013-00	PIN	*		1				
29	6211-760-052-10	LEVELGAGE	*		1				
30	6211-766-033-00	GUIDE/LEVELGAGE COMP	*		1				

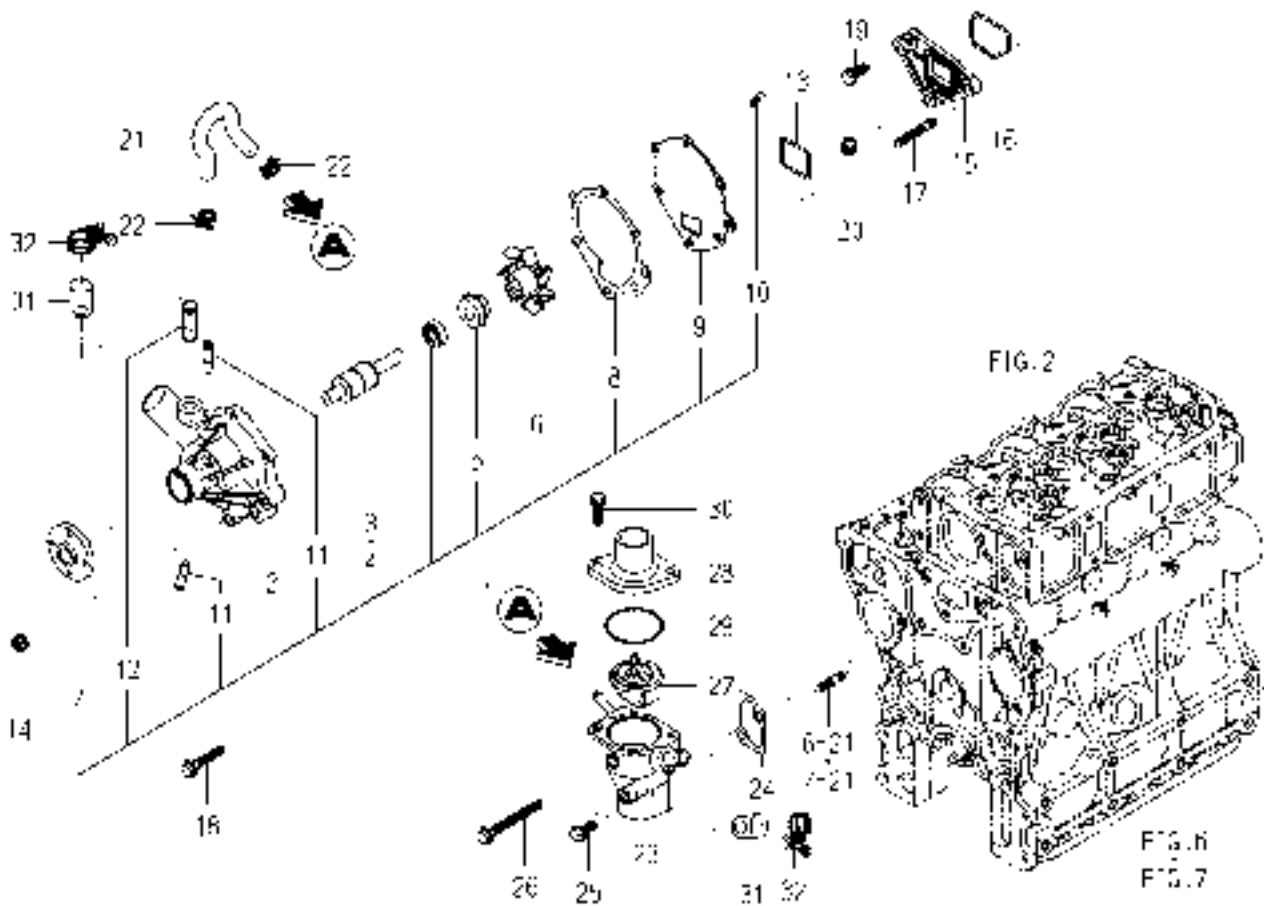
FIG. 12 TIMING GEAR CASE



6005-240Z-0100,6005-240Z-0200

KEY	PART CODE	DESCRIPTION	S P C	TYPE OF MODEL		I T C	C O L	G R P	REMARKS
				E3CD WB25	E3CD WB27				
1	6211-310-063-00	GEARCASE ASSY	*	1	1				
2	6209-605-003-20	PLUG/PT1/4	*	1	1				
3	6209-610-004-00	CUP/SEALING/20	*	1	1				
4	6904-110-822-00	STUD	*	4	4				
5	6904-110-855-00	STUD	*	2	2				
6	6904-110-850-00	STUD	*	1	1				
7	6209-625-002-00	SEAL,OIL	*	1	1				
8	V231-360-808-50	FLANGE BOLT	*	1	1				
9	V231-360-807-50	FLANGE BOLT	*	1	1				
10	V231-360-807-00	FLANGE BOLT	*	1	1				
11	3817-401-001-00	NUT/M08	*	2	2				
12	V231-360-801-60	FLANGE BOLT	*	3	3				
13	V231-360-805-00	FLANGE BOLT	*	3	3				
14	V231-360-806-00	FLANGE BOLT	*	4	4				
15	1650-650-015-00	CLAMP	*	1	1				
16	V231-360-803-00	FLANGE BOLT	*	1	1				
17	6209-500-003-00	WASHER/08X14X01	*	1	1				
18	6215-546-003-10	STOPPER/FULLLOAD	*	1	1				
19	6209-409-001-00	NUT/M8	*	1	1				
20	V341-120-008-00	NUT,CAP/M 8	*	1	1				
21	6209-920-002-00	PACKING	*	2	2				
22	6215-542-004-20	PIN/ARM	*	1	1				
23	P117-303-003-00	PIN/SNAP	*	2	2				
24	6215-542-005-20	PIN	*	1	1				
25	6209-600-004-00	PLUG/SCREW	*	1	1				
26	6209-500-003-00	WASHER/08X14X01	*	1	1				
27	6209-740-006-00	PIN/GROOVE	*	1	1				
28	6211-312-005-10	GASKET/GEARCASE	*	1	1				
29	6213-160-005-00	VALVE/RELIEF ASSY	*	1	1				
30	6213-161-003-10	PISTON/VALVE/RELIEF	*	1	1				

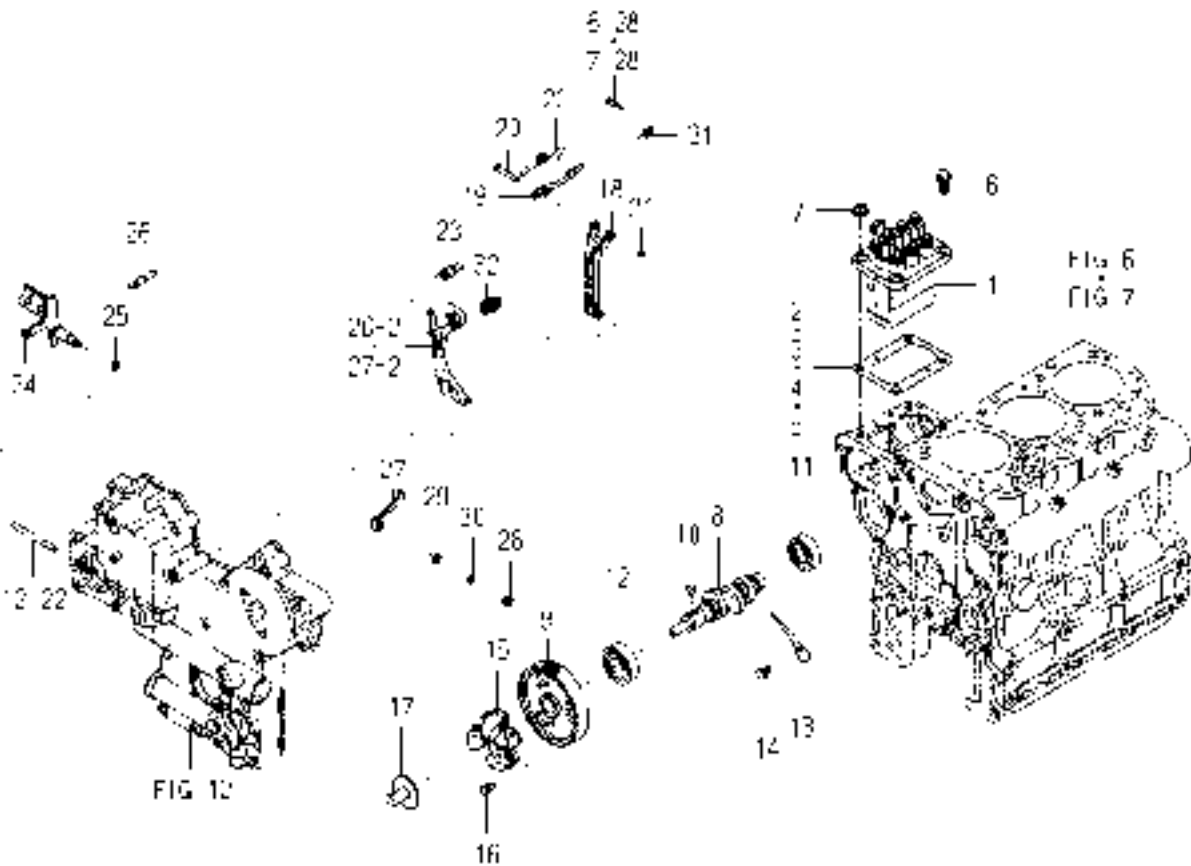
FIG. 21 WATER PUMP



6005-420F-0100

KEY	PART CODE	DESCRIPTION	S P C	TYPE OF MODEL		I T C	C O L	G R P	REMARKS
				E3CD WB25	E3CD WB27				
1	6213-610-011-10	WATERPUMP ASSY	*	1	1				
2	6213-611-006-00	BODY/WATERPUMP	*	1	1				
3	6213-631-002-00	BEARING/WATER PUMP	*	1	1				
4	6213-631-005-00	BEARING/WATERPUMP	*	1	1				
5	6213-622-002-10	SEAL SET/WATER PUMP	*	1	1				
6	6213-621-003-00	ROTOR/WATERPUMP	*	1	1				
7	6213-642-002-00	SEAL/WATER PUMPPULLE	*	1	1				
8	6213-613-002-10	GASKET	*	1	1				
9	6213-612-004-00	PLATE/WATER PUMP	*	1	1				
10	6213-619-003-00	SCREW/WATER PUMP	*	3	3				
11	6213-619-002-00	PIPE/WATER PUMP	*	2	2				
12	6213-619-009-00	PIPE/WATERPUMP	*	1	1				
13	6213-614-013-00	GASKET/WATERPUMP	*	1	1				
14	3817-401-001-00	NUT/M08	*	2	2				
15	6213-619-006-00	SPACER/WATERPUMP	*	1	1				
16	6213-614-014-00	GASKET/SPACER	*	1	1				
17	6904-110-840-00	STUD/M8X40	*	2	2				
18	V231-360-804-50	FLANGE BOLT	*	1	1				
19	V231-360-802-00	FLANGE BOLT	*	1	1				
20	3817-401-001-00	NUT/M08	*	1	1				
21	6213-729-013-10	HOSE/RUBBER	*	1	1				
22	J061-210-015-00	CLAMP/WIRE/10-15	*	2	2				
23	6213-716-004-10	HOUSING/THERMOSTAT	*	1	1				
24	6213-743-002-10	GASKET/HOUSING	*	1	1				
25	V231-360-802-00	FLANGE BOLT	*	1	1				
26	V231-360-807-50	FLANGE BOLT	*	1	1				
27	6513-770-022-10	THERMOSTAT	*	1	1				
28	6213-711-003-20	PIPE, WATER OUTLET	*	1	1				
29	V723-102-005-50	O-RING	*	1	1				
30	V231-360-802-50	FLANGE BOLT	*	2	2				

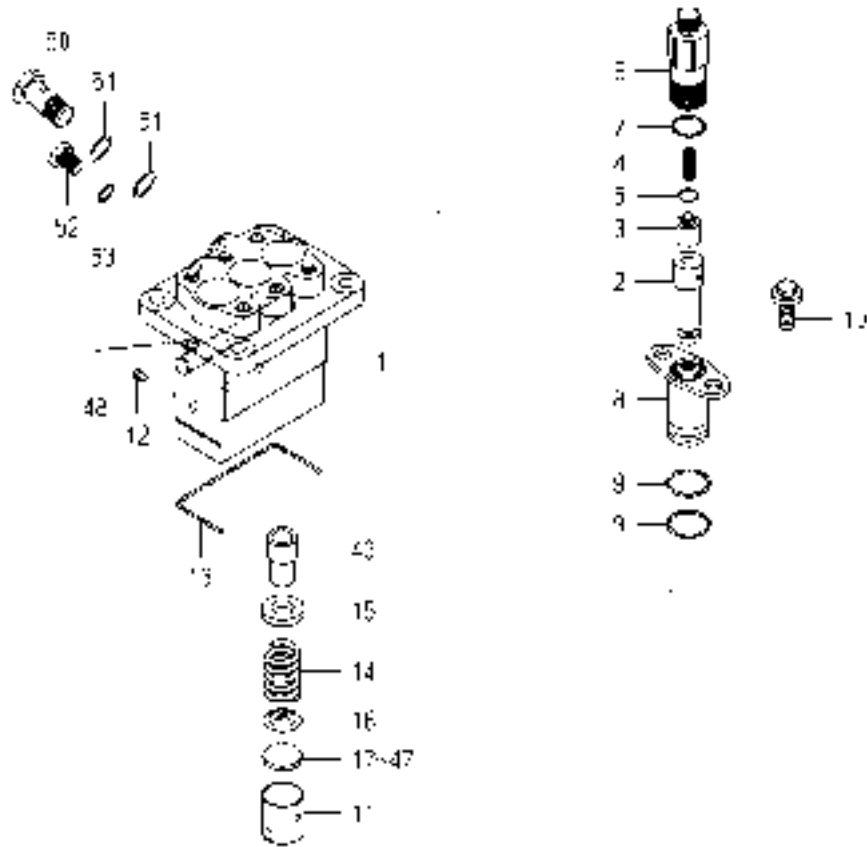
FIG. 24 INJECTION PUMP



6005-511E-0100

KEY	PART CODE	DESCRIPTION	S P C	TYPE OF MODEL		I T C	C O L	G R P	REMARKS
				E3CD WB25	E3CD WB27				
1	6215-600-104-20	INJECTIONPUMP ASSY	*	1	1				FIG 032
2	6219-752-045-00	SHIM/INJECTIONPUMP	*	1	1				
3	6219-752-044-00	SHIM/INJECTIONPUMP	*	1	1				
4	6219-752-046-00	SHIM/INJECTIONPUMP	*	1	1				
5	6219-752-047-00	SHIM/INJECTIONPUMP	*	1	1				
6	V231-360-802-00	FLANGE BOLT	*	2	2				
7	3817-401-001-00	NUT/M08	*	2	2				
8	6215-621-017-10	CAMSHAFT/INJPUMP	*	1	1				
9	6212-524-012-30	GEAR/INJECTIONPUMP	*	1	1				
10	6209-730-005-00	KEY/07X05X09	*	1	1				
11	V600-110-620-30	BEARING,RB/6203	*	1	1				
12	6209-800-010-00	BEARING	*	1	1				
13	6212-535-009-00	PLATE/THRUST/INJPUMP	*	1	1				
14	6901-910-612-00	BOLT,SEMS/M6X12	*	1	1				
15	6215-520-007-10	FLYWEIGHT ASSY	*	1	1				
16	6209-030-043-00	BOLT/M6X10	*	3	3				
17	6215-526-004-00	THRUSTPIECE	*	1	1				
18	6215-541-001-10	ARM/FLOATING COMP	*	1	1				
19	6215-543-002-10	RINK/CONTROL	*	1	1				
20	6215-542-006-00	PIN,CONTROL	*	1	1				
21	V710-140-004-00	RING,SNAP/ 4 E	*	1	1				
22	6215-549-031-10	SPRING/SETTING	*	1	1				
23	6215-531-010-00	SPRING/GOVERNOR	*	1	1				
24	6215-541-045-10	LEVER/CONTROL COMP	*	1	1				
25	V720-101-900-80	O-RING/P 8	*	1	1				
26	6209-580-002-10	SPRING,RETURN	*	1	1				
27	6215-549-076-10	ARM/CONTROL	*	1	1				
28	V301-260-006-00	NUT/M6	*	1	1				
29	V411-260-006-00	WASHER / M6	*	1	1				
30	V401-160-006-00	WASHER,SP/M 6	*	1	1				

**FIG. 32 COMPONENT PARTS
FOR 6215-600-104-20 ON Fig.24**



6215-600-104-2E

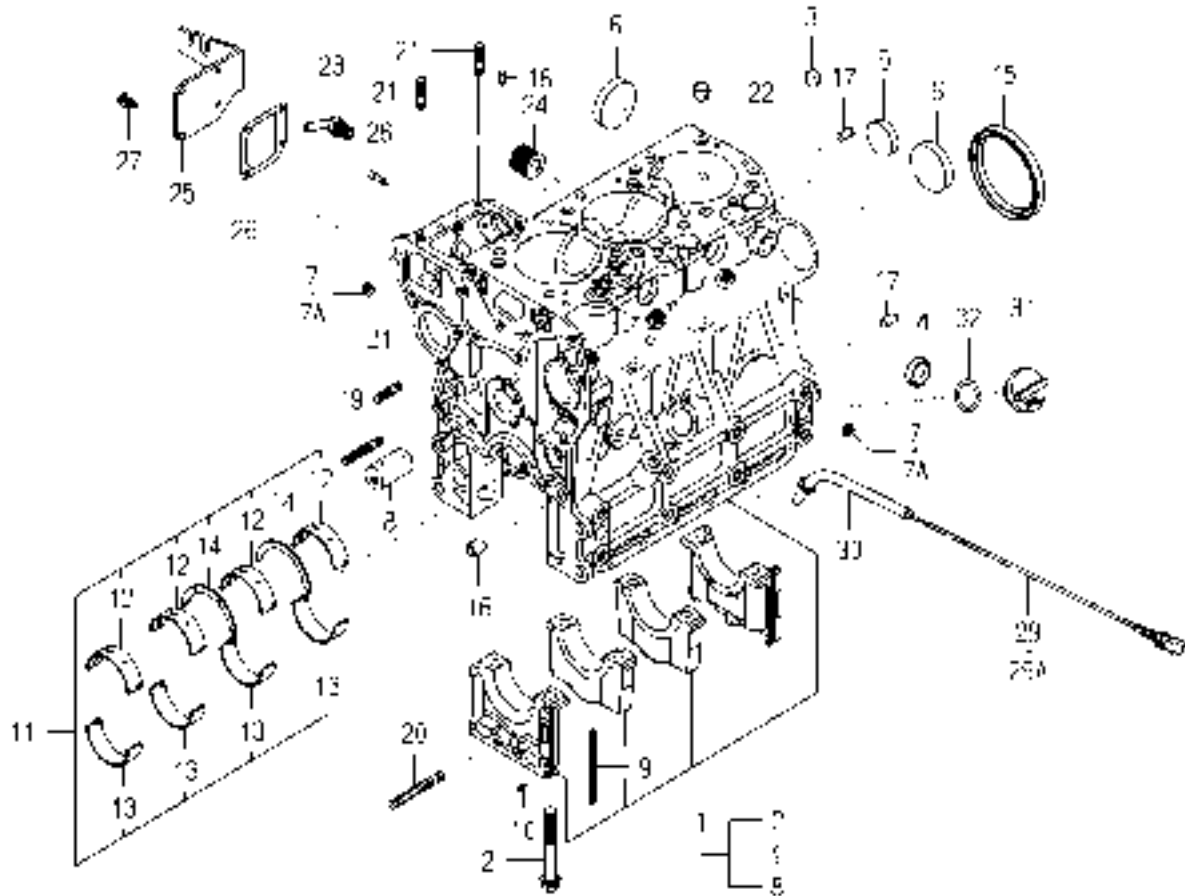
KEY	PART CODE	DESCRIPTION	S P C	TYPE OF MODEL		I T C	C O L	G R P	REMARKS
				E3CD WB25	E3CD WB27				
1	6215-611-015-00	HOUSING/PUMP	*	1	1				
2	6215-631-015-00	PLUNGER ASSY	*	3	3				
3	6215-641-002-00	VALVE,DELIVERY	*	3	3				
4	6215-643-005-00	SPRING/DELIVERYVALVE	*	3	3				
5	6215-649-008-00	GASKET	*	3	3				
6	6215-644-009-00	HOLDER/DELIVERYVALVE	*	3	3				
7	6215-649-014-00	ORING	*	3	3				
8	6215-635-004-00	SLEEVEFLANGE	*	3	3				
9	6215-649-013-00	ORING	*	6	6				
10	6215-649-011-00	BOLT	*	6	6				
11	6215-622-003-00	TAPPET	*	3	3				
12	6215-629-017-00	PIN	*	3	3				
13	6215-629-035-00	SNAPRING	*	1	1				
14	6215-634-003-00	SPRING/PLUNGER	*	3	3				
15	6215-639-008-00	SPRINGSEAT	*	3	3				
16	6215-639-009-00	SPRINGSEAT	*	3	3				
17	6215-629-060-00	PLATE/T=2.60	*	1	1				
18	6215-629-061-00	PLATE/T=2.65	*	1	1				
19	6215-629-062-00	PLATE/T=2.70	*	1	1				
20	6215-629-063-00	PLATE/T=2.75	*	1	1				
21	6215-629-064-00	PLATE/T=2.80	*	1	1				
22	6215-629-065-00	PLATE/T=2.85	*	1	1				
23	6215-629-066-00	PLATE/T=2.90	*	1	1				
24	6215-629-067-00	PLATE/T=2.95	*	1	1				
25	6215-629-036-00	PLATE/T=3.00	*	1	1				
26	6215-629-037-00	PLATE/T=3.05	*	1	1				
27	6215-629-038-00	PLATE/T=3.10	*	1	1				
28	6215-629-039-00	PLATE/T=3.15	*	1	1				
29	6215-629-040-00	PLATE/T=3.20	*	1	1				
30	6215-629-041-00	PLATE/T=3.25	*	1	1				

ENGINE

E3CDWB...TH4335(K-TYPE)

ENGINE

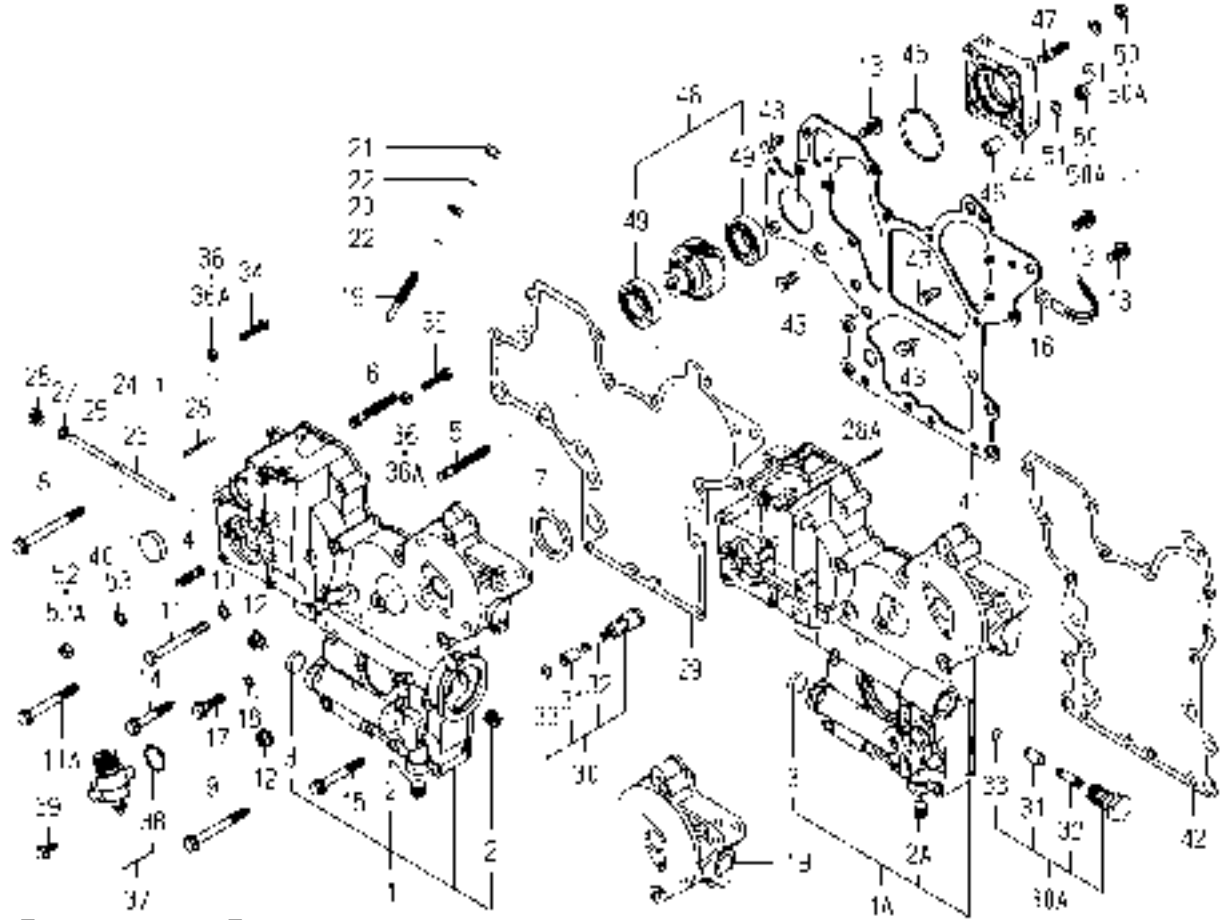
FIG. 6 CYLINDER BLOCK



6005-203A-0100

KEY	PART CODE	DESCRIPTION	S P C	TYPE OF MODEL		I T C	C O L	G R P	REMARKS
				E3CD WB					
1	6211-210-081-00	CYLINDERBLOCK ASSY	*	1					
2	6209-000-006-00	BOLT	*	8					
3	6209-610-007-00	CUP/SEALING/16	*	2					
4	6209-610-001-10	CUP/SEALING/28	*	2					
5	6209-610-009-00	CUP/SEALING/36	*	1					
6	6209-610-003-00	CUP/SEALING/50	*	3					
7	6509-605-019-10	PLUG	*	8					
7A	6209-605-007-00	PLUG/PT1/8	*	8	-199498				
8	6212-531-008-30	PIN/IDLEGEAR	*	1	199499-				
9	6211-258-001-00	SEAL, BEARING CAP	*	4					
10	6211-258-002-00	SEAL, BEARING CAP/7	*	2					
11	6211-510-008-00	BEARING/CRANK SET	*	1					
12	6211-511-007-00	BEARING/CRANK/UPPER	*	4					
13	6211-511-008-00	BEARING/CRANK/LOWER	*	4					
14	6211-599-004-00	BEARING/THRUST/CRANK	*	2					
15	6209-625-003-20	OILSEAL	*	1					
16	6209-749-001-20	PIN/TUBE	*	2					
17	6213-129-006-00	PIN/STRAIGHT	*	2					
18	6209-740-005-00	PIN	*	2					
19	6904-110-840-00	STUD/M8X40	*	1					
20	V251-340-806-00	BOLT/STUD	*	1					
21	6904-110-822-00	STUD	*	3					
22	6294-453-002-00	DOWEL	*	2					
23	6213-721-007-00	PIPE/WATERDRAIN	*	1					
24	6213-319-001-00	CONNECTOR, OIL FILTER	*	1					
25	6211-291-015-20	COVER/INJECTIONPUMP	*	1					
26	6211-292-001-20	GASKET/COVER	*	1					
27	V230-360-601-20	FLANGE BOLT	*	4					
28	6215-549-013-00	PIN	*	1					
29	6211-760-046-10	LEVELGAGE	*	1	-202476				

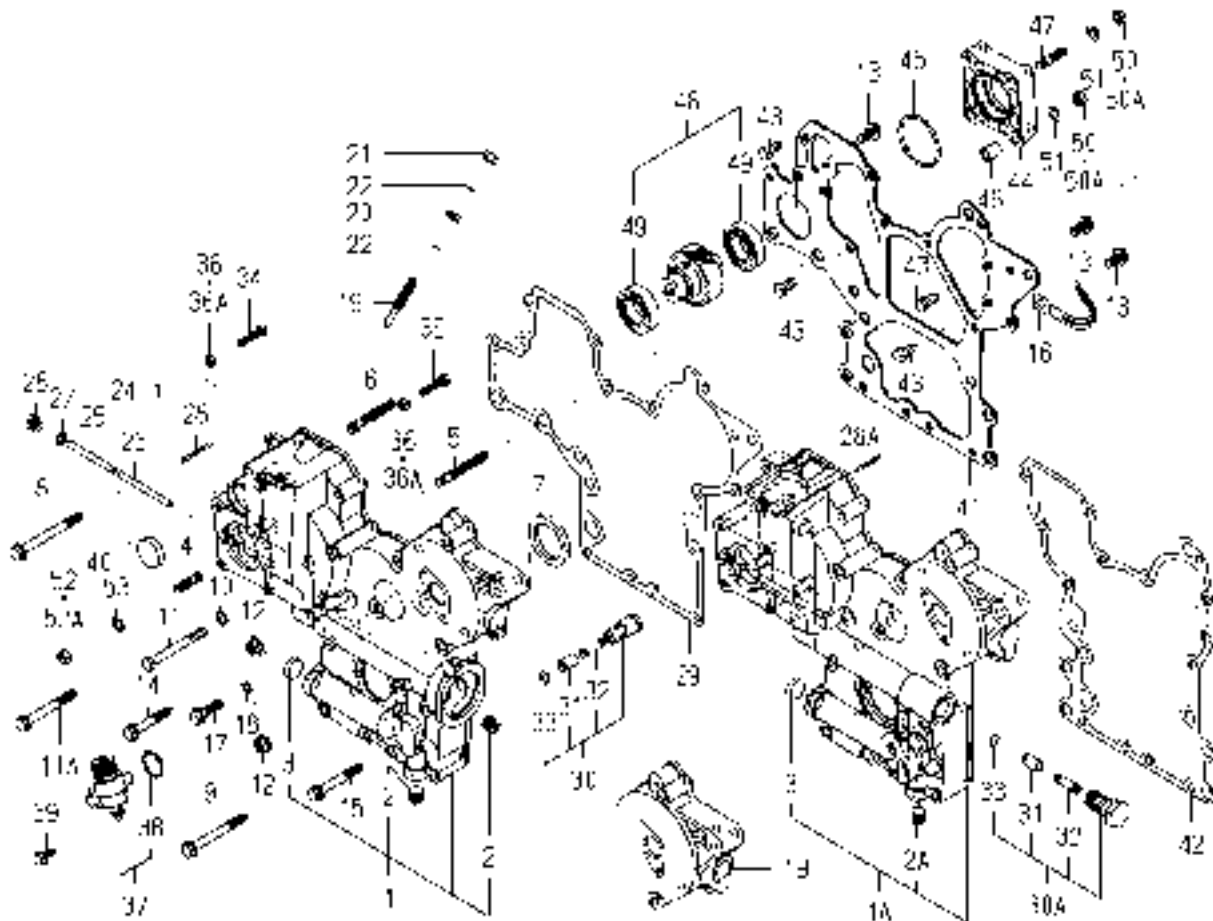
FIG. 10 TIMING GEAR CASE



6005-240Z-0100,6005-240Z-0200

KEY	PART CODE	DESCRIPTION	S P C	TYPE OF MODEL		I T C	C O L	G R P	REMARKS
				E3CD WB					
1	6211-310-009-60	GEARCASE ASSY	*	1	-180883				
1A	6211-310-009-70	GEARCASE ASSY	*	1	-192032	3			
1B	6211-310-009-80	GEARCASE ASSY	*	1	192033-	1			
2	6209-605-003-10	PLUG/PT1/4	*	2	-180883				
2A	6209-605-003-10	PLUG/PT1/4	*	1	180884-				
3	6209-610-004-00	CUP/SEALING/20	*	1					
4	6904-110-822-00	STUD	*	4					
5	6904-110-855-00	STUD	*	2					
6	6904-110-850-00	STUD	*	1					
7	6209-625-002-00	SEAL,OIL	*	1					
8	V231-360-808-50	FLANGE BOLT	*	1					
9	V231-360-807-50	FLANGE BOLT	*	1					
10	6209-500-006-00	WASHER/08X16X1.2	*	1	-181192				
11	V201-360-807-50	BOLT	*	1	-181192				
11A	V231-360-807-00	FLANGE BOLT	*	1	181193-				
12	3817-401-001-00	NUT/M08	*	2					
13	V231-360-801-60	FLANGE BOLT	*	3					
14	V231-360-805-00	FLANGE BOLT	*	3					
15	V231-360-806-00	FLANGE BOLT	*	4					
16	1650-650-015-00	CLAMP	*	1					
17	V231-360-803-00	FLANGE BOLT	*	1					
18	6209-500-003-00	WASHER/08X14X01	*	1					
19	6215-546-003-10	STOPPER/FULLLOAD	*	1					
20	6209-409-001-00	NUT/M8	*	1					
21	V341-120-008-00	NUT,CAP/M 8	*	1					
22	6209-920-002-00	PACKING	*	2					
23	6215-542-004-20	PIN/ARM	*	1					
24	P117-303-003-00	PIN/SNAP	*	2					
25	6215-542-005-10	PIN	*	1					
26	6209-600-004-00	PLUG/SCREW	*	1					

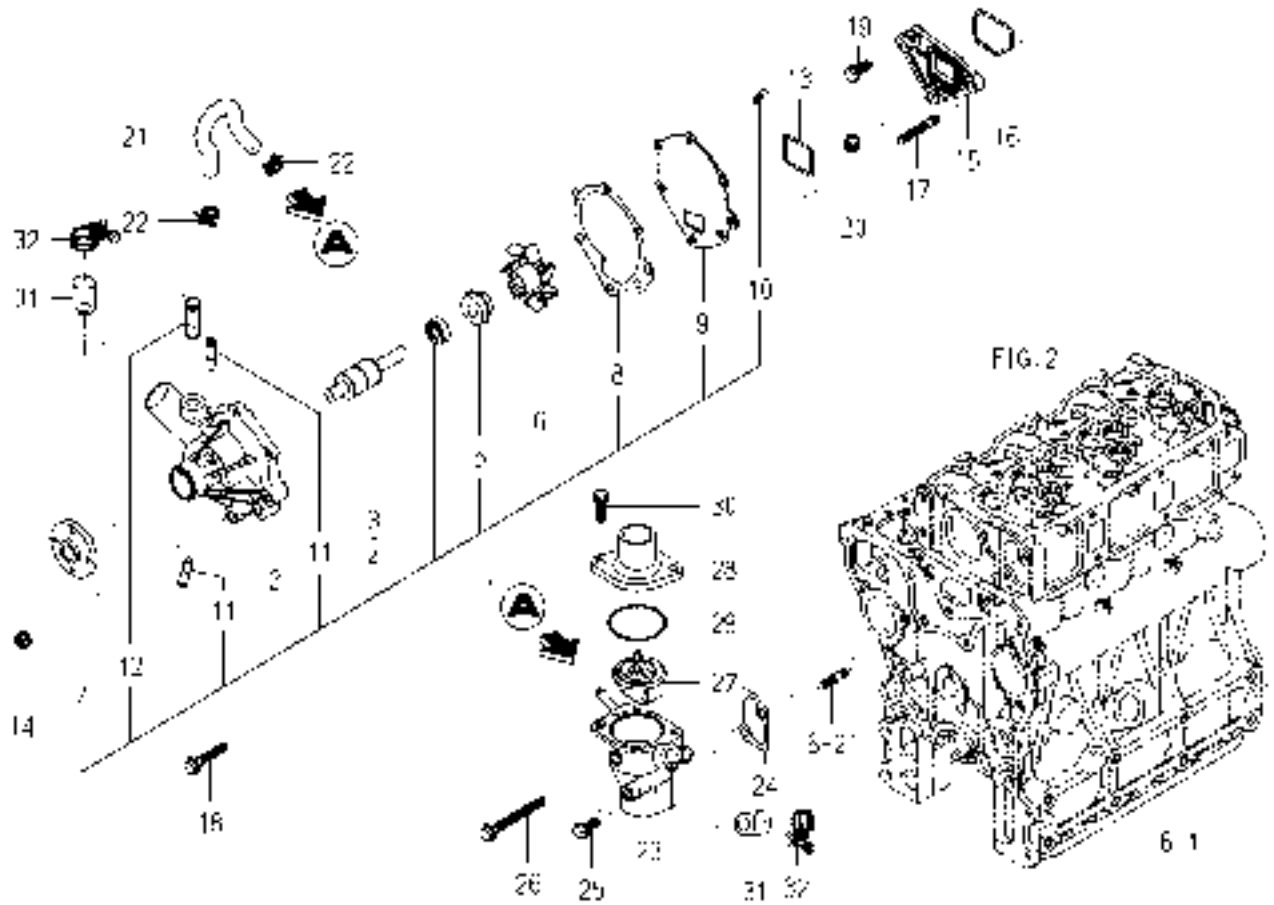
FIG. 10 TIMING GEAR CASE



6005-240Z-0100,6005-240Z-0200

KEY	PART CODE	DESCRIPTION	S P C	TYPE OF MODEL		I T C	C O L	G R P	REMARKS
				E3CD WB					
27	6209-500-003-00	WASHER/08X14X01	*	1					
28	6209-740-001-00	PIN,GROOVE	*	1	-181035				
28A	6209-740-006-00	PIN/GROOVE	*	1	181036-				
29	6211-312-005-10	GASKET/GEARCASE	*	1					
30	6213-160-003-10	VALVE/RELIEF ASSY	*	1	-181192				
30A	6213-160-005-00	VALVE/RELIEF ASSY	*	1	181193-				
31	6213-161-003-10	PISTON/VALVE/RELIEF	*	1					
32	6213-164-001-00	SPRING/RELIEF VALVE	*	1					
33	V705-140-012-00	RING,SNAP/12 C	*	1					
34	6209-050-001-00	BOLT/M6	*	1					
35	6209-050-002-00	BOLT/M6	*	1					
36	6909-110-406-00	NUT	*	2	-178577				
36A	V301-260-006-00	NUT/M6	*	2	178578-				
37	6219-310-003-20	DRIVE/TACHOMETE ASSY	*	1					
38	V723-102-002-40	RING/O	*	1					
39	V230-360-601-60	FLANGEBOLT	*	2					
40	3625-540-004-00	CAP,BLANK/30	*	1	-181192				
41	6211-311-013-20	PLATE/FRONT	*	1					
42	6211-312-006-10	GASKET/PLATE	*	1					
43	6902-050-816-00	BOLT	*	4					
44	6211-319-003-00	SPACER	*	1					
45	V723-102-005-00	O-RING 1A S50	*	1					
46	6209-749-001-20	PIN/TUBE	*	2					
47	6904-110-822-00	STUD	*	1					
48	6212-530-017-00	SHAFT/HYDRAULIC ASSY	*	1					
49	6209-800-011-00	BEARING	*	2					
50	6909-110-408-00	NUT/M8	*	4	-178577				
50A	V304-260-008-00	NUT	*	4	178578-				
51	V401-160-008-00	WASHER,SP/M 8	*	4					
52	6909-110-408-00	NUT/M8	*	4	-178577				

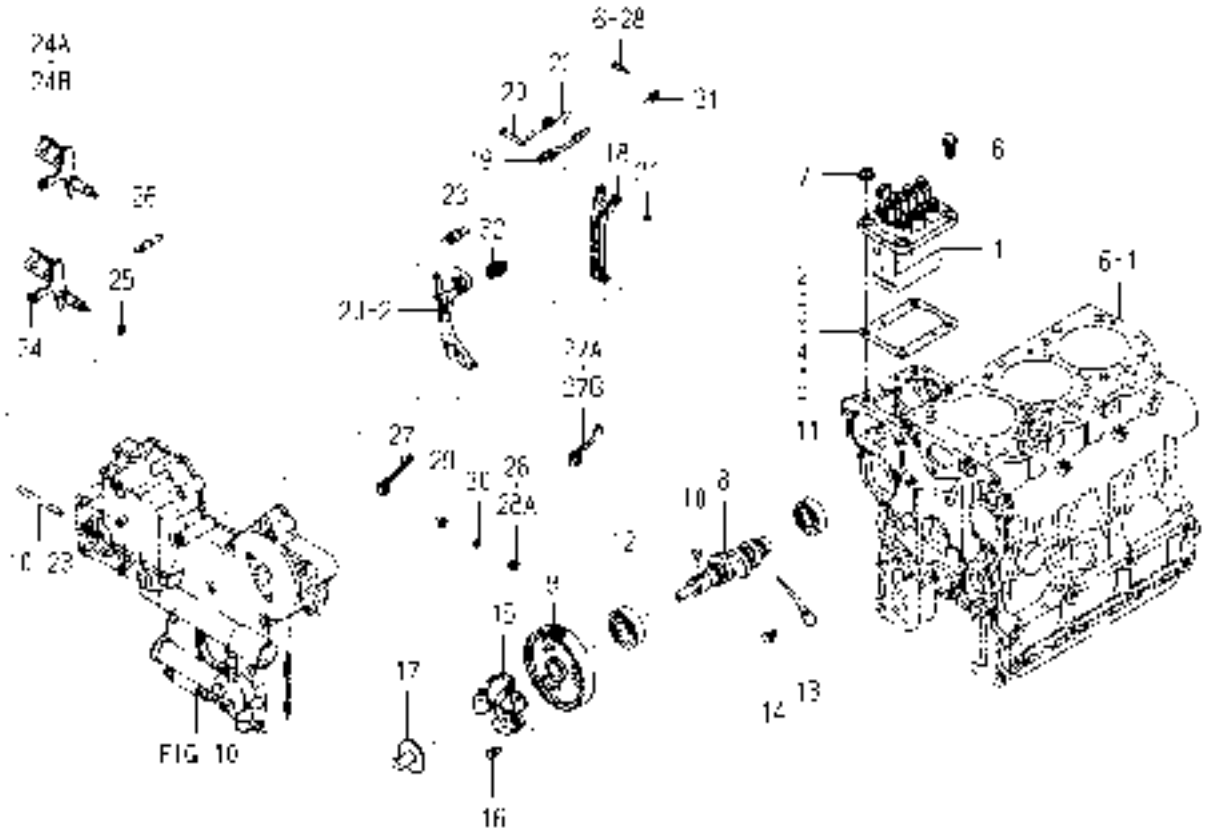
FIG. 18 WATER PUMP



6005-420F-0100

KEY	PART CODE	DESCRIPTION	S P C	TYPE OF MODEL		I T C	C O L	G R P	REMARKS
				E3CD WB					
1	6213-610-011-10	WATERPUMP ASSY	*	1					
2	6213-611-006-00	BODY/WATERPUMP	*	1					
3	6213-631-002-00	BEARING/WATER PUMP	*	1					
4	6213-631-005-00	BEARING/WATERPUMP	*	1					
5	6213-622-002-10	SEAL SET/WATER PUMP	*	1					
6	6213-621-003-00	ROTOR/WATERPUMP	*	1					
7	6213-642-002-00	SEAL/WATER PUMPPULLE	*	1					
8	6213-613-002-10	GASKET	*	1					
9	6213-612-004-00	PLATE/WATER PUMP	*	1					
10	6213-619-003-00	SCREW/WATER PUMP	*	3					
11	6213-619-002-00	PIPE/WATER PUMP	*	2					
12	6213-619-009-00	PIPE/WATERPUMP	*	1					
13	6213-614-013-00	GASKET/WATERPUMP	*	1					
14	3817-401-001-00	NUT/M08	*	2					
15	6213-619-006-00	SPACER/WATERPUMP	*	1					
16	6213-614-014-00	GASKET/SPACER	*	1					
17	6904-110-840-00	STUD/M8X40	*	2					
18	V231-360-804-50	FLANGE BOLT	*	1					
19	V231-360-802-00	FLANGE BOLT	*	1					
20	3817-401-001-00	NUT/M08	*	1					
21	6213-729-013-10	HOSE/RUBBER	*	1					
22	J061-210-015-00	CLAMP/WIRE/10-15	*	2					
23	6213-716-004-10	HOUSING/THERMOSTAT	*	1					
24	6213-743-002-10	GASKET/HOUSING	*	1					
25	V231-360-802-00	FLANGE BOLT	*	1					
26	V231-360-807-50	FLANGE BOLT	*	1					
27	6513-770-022-10	THERMOSTAT	*	1					
28	6213-711-003-20	PIPE, WATER OUTLET	*	1					
29	V723-102-005-50	O-RING	*	1					
30	V231-360-802-50	FLANGE BOLT	*	2					

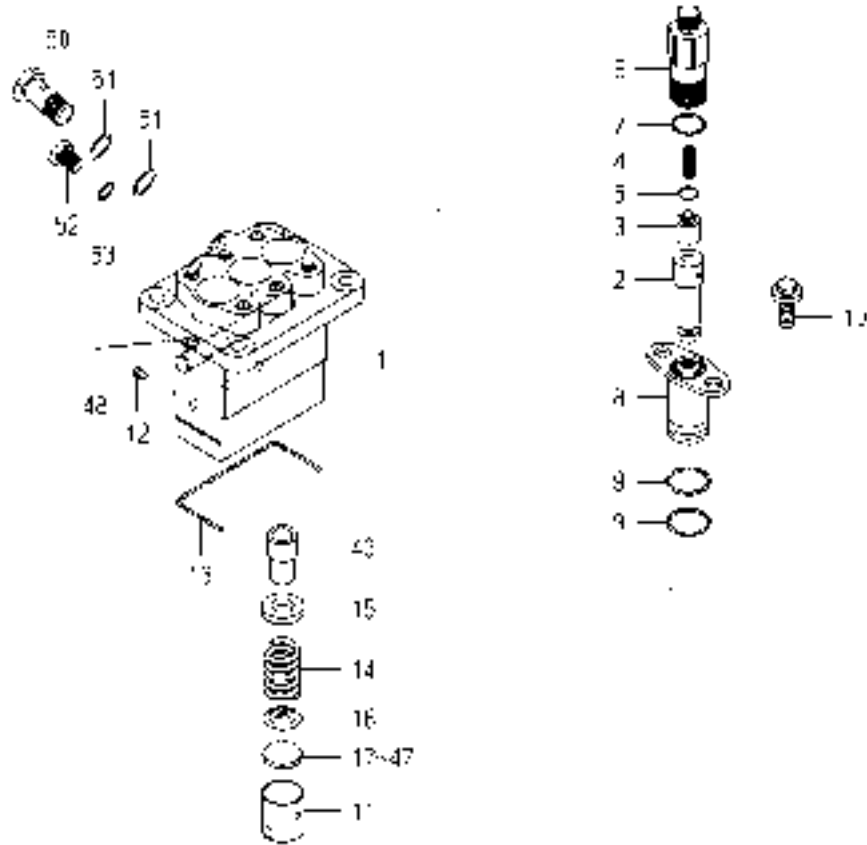
FIG. 21 INJECTION PUMP



6005-511E-0100

KEY	PART CODE	DESCRIPTION	S P C	TYPE OF MODEL		I T C	C O L	G R P	REMARKS
				E3CD WB					
1	6215-600-104-20	INJECTIONPUMP ASSY	*	1					FIG 028
2	6219-752-045-00	SHIM/INJECTIONPUMP	*	1					
3	6219-752-044-00	SHIM/INJECTIONPUMP	*	1					
4	6219-752-046-00	SHIM/INJECTIONPUMP	*	1					
5	6219-752-047-00	SHIM/INJECTIONPUMP	*	1					
6	V231-360-802-00	FLANGE BOLT	*	2					
7	3817-401-001-00	NUT/M08	*	2					
8	6215-621-017-10	CAMSHAFT/INJPUMP	*	1					
9	6212-524-012-30	GEAR/INJECTIONPUMP	*	1					
10	6209-730-005-00	KEY/07X05X09	*	1					
11	V600-110-620-30	BEARING,RB/6203	*	1					
12	6209-800-010-00	BEARING	*	1					
13	6212-535-009-00	PLATE/THRUST/INJPUMP	*	1					
14	6901-910-612-00	BOLT,SEMS/M6X12	*	1					
15	6215-520-007-10	FLYWEIGHT ASSY	*	1					
16	6209-030-043-00	BOLT/M6X10	*	3					
17	6215-526-004-00	THRUSTPIECE	*	1					
18	6215-541-001-10	ARM/FLOATING COMP	*	1					
19	6215-543-002-10	RINK/CONTROL	*	1					
20	6215-542-006-00	PIN,CONTROL	*	1					
21	V710-140-004-00	RING,SNAP/ 4 E	*	1					
22	6215-549-031-10	SPRING/SETTING	*	1					
23	6215-531-010-00	SPRING/GOVERNOR	*	1					
24	6215-541-024-30	LEVER/CONTROL COMP	*	1	-180963				
24A	6215-541-045-00	LEVER/CONTROL COMP	*	1	-191056				
24B	6215-541-045-10	LEVER/CONTROL COMP	*	1	191057-	3			
25	V720-101-900-80	O-RING/P 8	*	1					
26	6209-580-002-10	SPRING,RETURN	*	1					
27	6215-549-007-10	ARM/CONTROL	*	1	-180963				
27A	6215-549-076-00	ARM/CONTROL	*	1	-183522				

**FIG. 28 COMPONENT PARTS
FOR 6215-600-104-20 ON Fig.20**



6215-600-104-2E

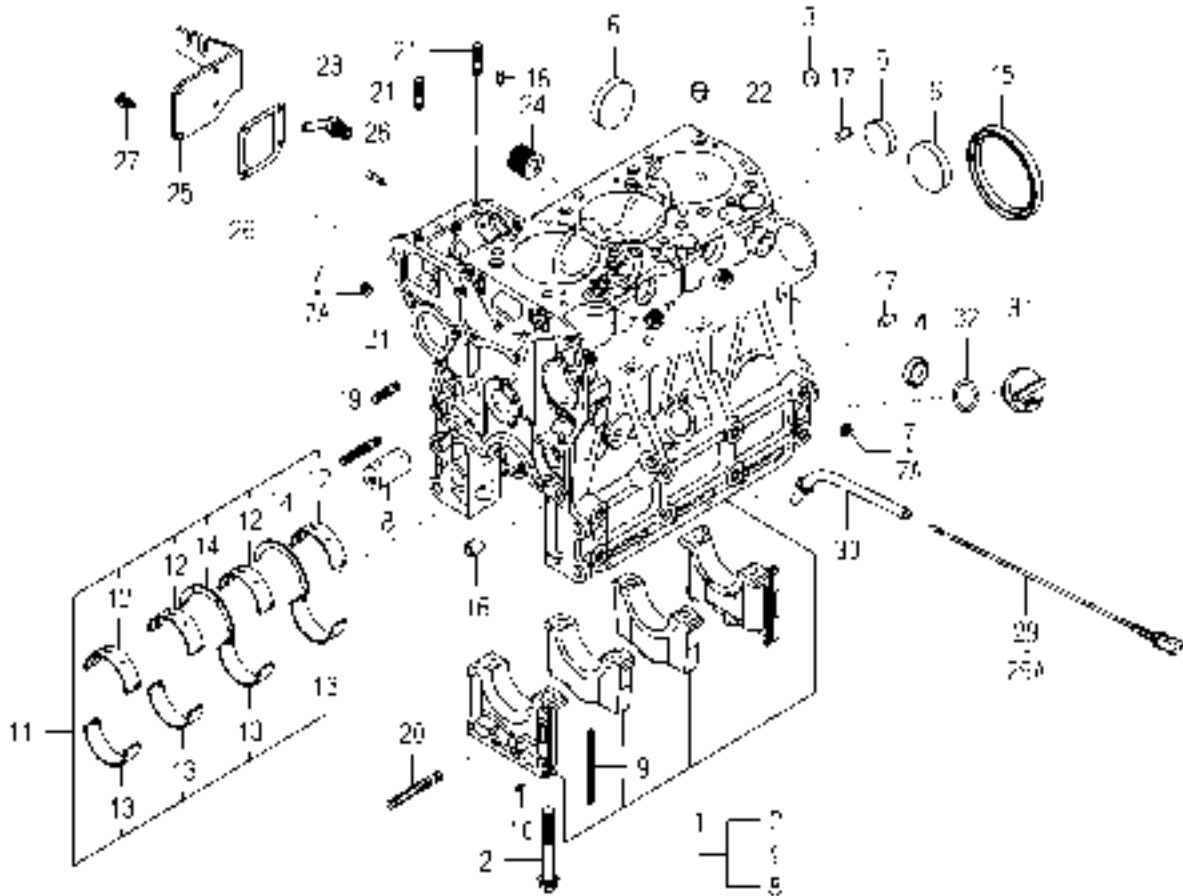
KEY	PART CODE	DESCRIPTION	S P C	TYPE OF MODEL		I T C	C O L	G R P	REMARKS
				E3CD WB					
1	6215-611-015-00	HOUSING/PUMP	*	1					
2	6215-631-015-00	PLUNGER ASSY	*	3					
3	6215-641-002-00	VALVE,DELIVERY	*	3					
4	6215-643-005-00	SPRING/DELIVERYVALVE	*	3					
5	6215-649-008-00	GASKET	*	3					
6	6215-644-009-00	HOLDER/DELIVERYVALVE	*	3					
7	6215-649-014-00	ORING	*	3					
8	6215-635-004-00	SLEEVEFLANGE	*	3					
9	6215-649-013-00	ORING	*	6					
10	6215-649-011-00	BOLT	*	6					
11	6215-622-003-00	TAPPET	*	3					
12	6215-629-017-00	PIN	*	3					
13	6215-629-035-00	SNAPRING	*	1					
14	6215-634-003-00	SPRING/PLUNGER	*	3					
15	6215-639-008-00	SPRINGSEAT	*	3					
16	6215-639-009-00	SPRINGSEAT	*	3					
17	6215-629-060-00	PLATE/T=2.60	*	1					
18	6215-629-061-00	PLATE/T=2.65	*	1					
19	6215-629-062-00	PLATE/T=2.70	*	1					
20	6215-629-063-00	PLATE/T=2.75	*	1					
21	6215-629-064-00	PLATE/T=2.80	*	1					
22	6215-629-065-00	PLATE/T=2.85	*	1					
23	6215-629-066-00	PLATE/T=2.90	*	1					
24	6215-629-067-00	PLATE/T=2.95	*	1					
25	6215-629-036-00	PLATE/T=3.00	*	1					
26	6215-629-037-00	PLATE/T=3.05	*	1					
27	6215-629-038-00	PLATE/T=3.10	*	1					
28	6215-629-039-00	PLATE/T=3.15	*	1					
29	6215-629-040-00	PLATE/T=3.20	*	1					
30	6215-629-041-00	PLATE/T=3.25	*	1					

ENGINE

E3CDWB01...TH4295(K-TYPE)

ENGINE

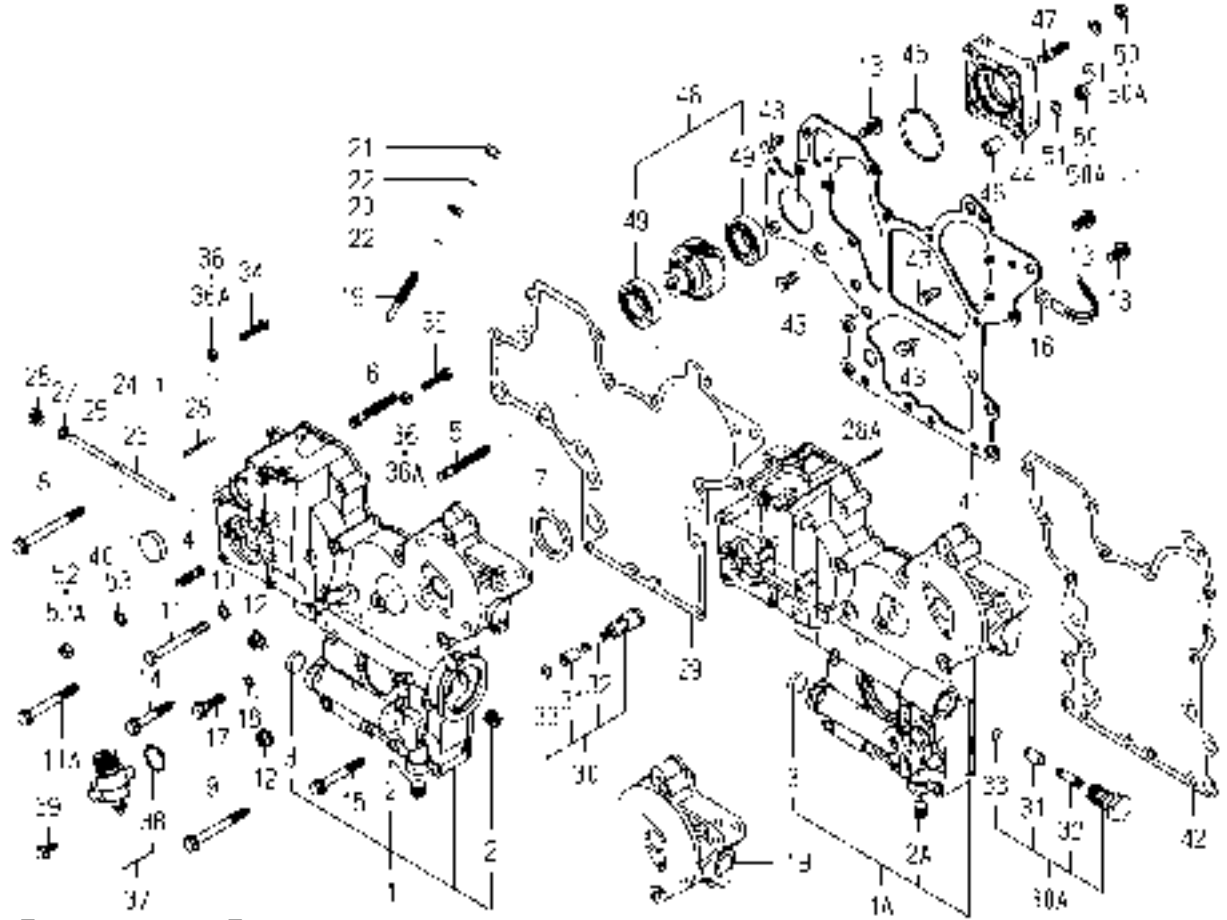
FIG. 6 CYLINDER BLOCK



6005-203V-0100

KEY	PART CODE	DESCRIPTION	S P C	TYPE OF MODEL		I T C	C O L	G R P	REMARKS
				E3CD WB01					
1	6211-210-081-00	CYLINDERBLOCK ASSY	*	1					
2	6209-000-006-00	BOLT	*	8					
3	6209-610-007-00	CUP/SEALING/16	*	2					
4	6209-610-001-10	CUP/SEALING/28	*	2					
5	6209-610-009-00	CUP/SEALING/36	*	1					
6	6209-610-003-00	CUP/SEALING/50	*	3					
7	6509-605-019-10	PLUG	*	8					
7A	6209-605-007-00	PLUG/PT1/8	*	8 -199498 199499-					
8	6212-531-008-30	PIN/IDLEGEAR	*	1					
9	6211-258-001-00	SEAL, BEARING CAP	*	4					
10	6211-258-002-00	SEAL, BEARING CAP/7	*	2					
11	6211-510-008-00	BEARING/CRANK SET	*	1					
12	6211-511-007-00	BEARING/CRANK/UPPER	*	4					
13	6211-511-008-00	BEARING/CRANK/LOWER	*	4					
14	6211-599-004-00	BEARING/THRUST/CRANK	*	2					
15	6209-625-003-20	OILSEAL	*	1					
16	6209-749-001-20	PIN/TUBE	*	2					
17	6213-129-006-00	PIN/STRAIGHT	*	2					
18	6209-740-005-00	PIN	*	2					
19	6904-110-840-00	STUD/M8X40	*	1					
20	V251-340-806-00	BOLT/STUD	*	1					
21	6904-110-822-00	STUD	*	3					
22	6294-453-002-00	DOWEL	*	2					
23	6213-721-007-00	PIPE/WATERDRAIN	*	1					
24	6213-319-001-00	CONNECTOR, OIL FILTER	*	1					
25	6211-291-015-20	COVER/INJECTIONPUMP	*	1					
26	6211-292-001-20	GASKET/COVER	*	1					
27	V230-360-601-20	FLANGE BOLT	*	4					
28	6215-549-013-00	PIN	*	1					
29	6211-760-052-00	LEVELGAGE	*	1 -203254					

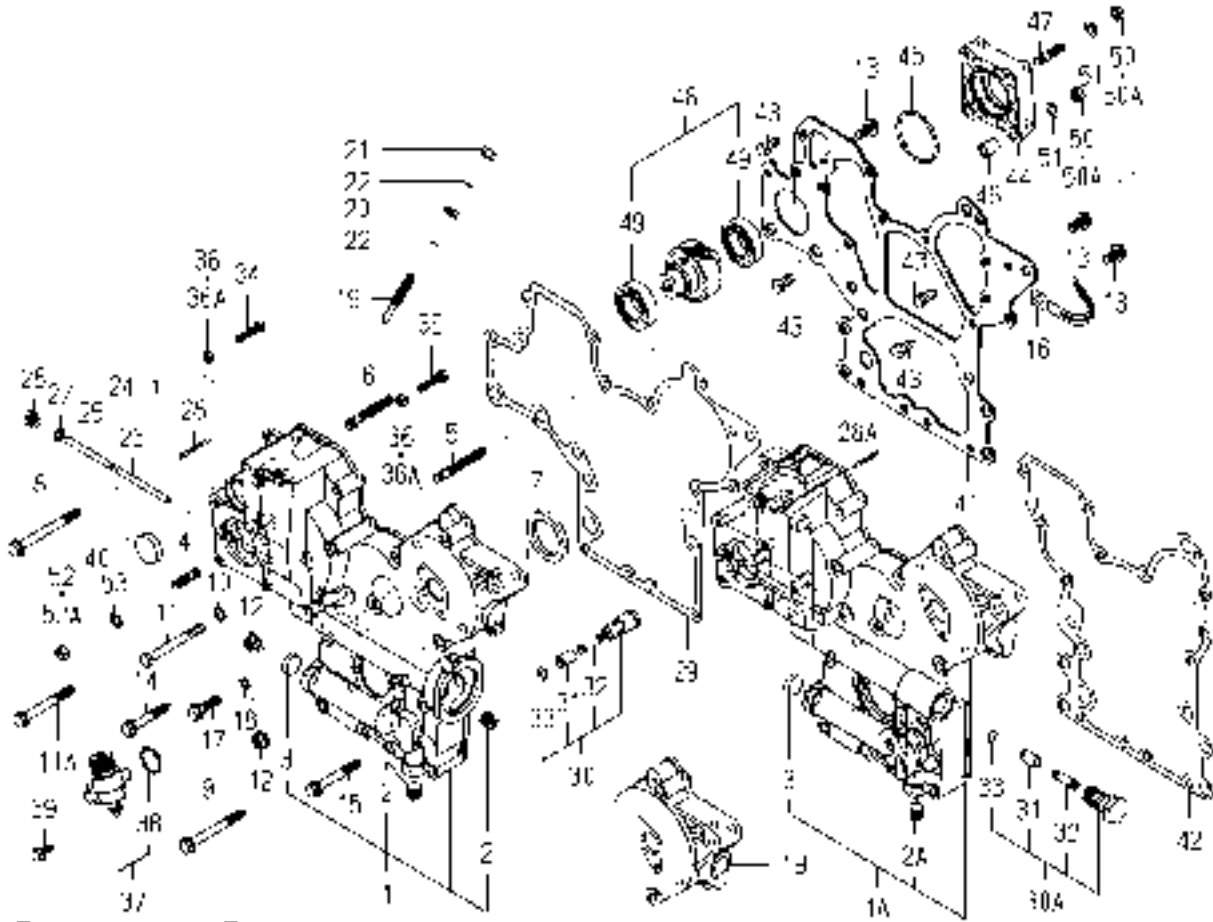
FIG. 10 TIMING GEAR CASE



6005-240Z-0100,6005-240Z-0200

KEY	PART CODE	DESCRIPTION	S P C	TYPE OF MODEL		I T C	C O L	G R P	REMARKS
				E3CD	WB01				
1	6211-310-009-60	GEARCASE ASSY	*	1	-180883				
1A	6211-310-009-70	GEARCASE ASSY	*	1	-192032	3			
1B	6211-310-009-80	GEARCASE ASSY	*	1	192033-	1			
2	6209-605-003-10	PLUG/PT1/4	*	2	-180883				
2A	6209-605-003-10	PLUG/PT1/4	*	1	180884-				
3	6209-610-004-00	CUP/SEALING/20	*	1					
4	6904-110-822-00	STUD	*	4					
5	6904-110-855-00	STUD	*	2					
6	6904-110-850-00	STUD	*	1					
7	6209-625-002-00	SEAL,OIL	*	1					
8	V231-360-808-50	FLANGE BOLT	*	1					
9	V231-360-807-50	FLANGE BOLT	*	1					
10	6209-500-006-00	WASHER/08X16X1.2	*	1	-181192				
11	V201-360-807-50	BOLT	*	1	-181192				
11A	V231-360-807-00	FLANGE BOLT	*	1	181193-				
12	3817-401-001-00	NUT/M08	*	2					
13	V231-360-801-60	FLANGE BOLT	*	3					
14	V231-360-805-00	FLANGE BOLT	*	3					
15	V231-360-806-00	FLANGE BOLT	*	4					
16	1650-650-015-00	CLAMP	*	1					
17	V231-360-803-00	FLANGE BOLT	*	1					
18	6209-500-003-00	WASHER/08X14X01	*	1					
19	6215-546-003-10	STOPPER/FULLLOAD	*	1					
20	6209-409-001-00	NUT/M8	*	1					
21	V341-120-008-00	NUT,CAP/M 8	*	1					
22	6209-920-002-00	PACKING	*	2					
23	6215-542-004-20	PIN/ARM	*	1					
24	P117-303-003-00	PIN/SNAP	*	2					
25	6215-542-005-10	PIN	*	1					
26	6209-600-004-00	PLUG/SCREW	*	1					

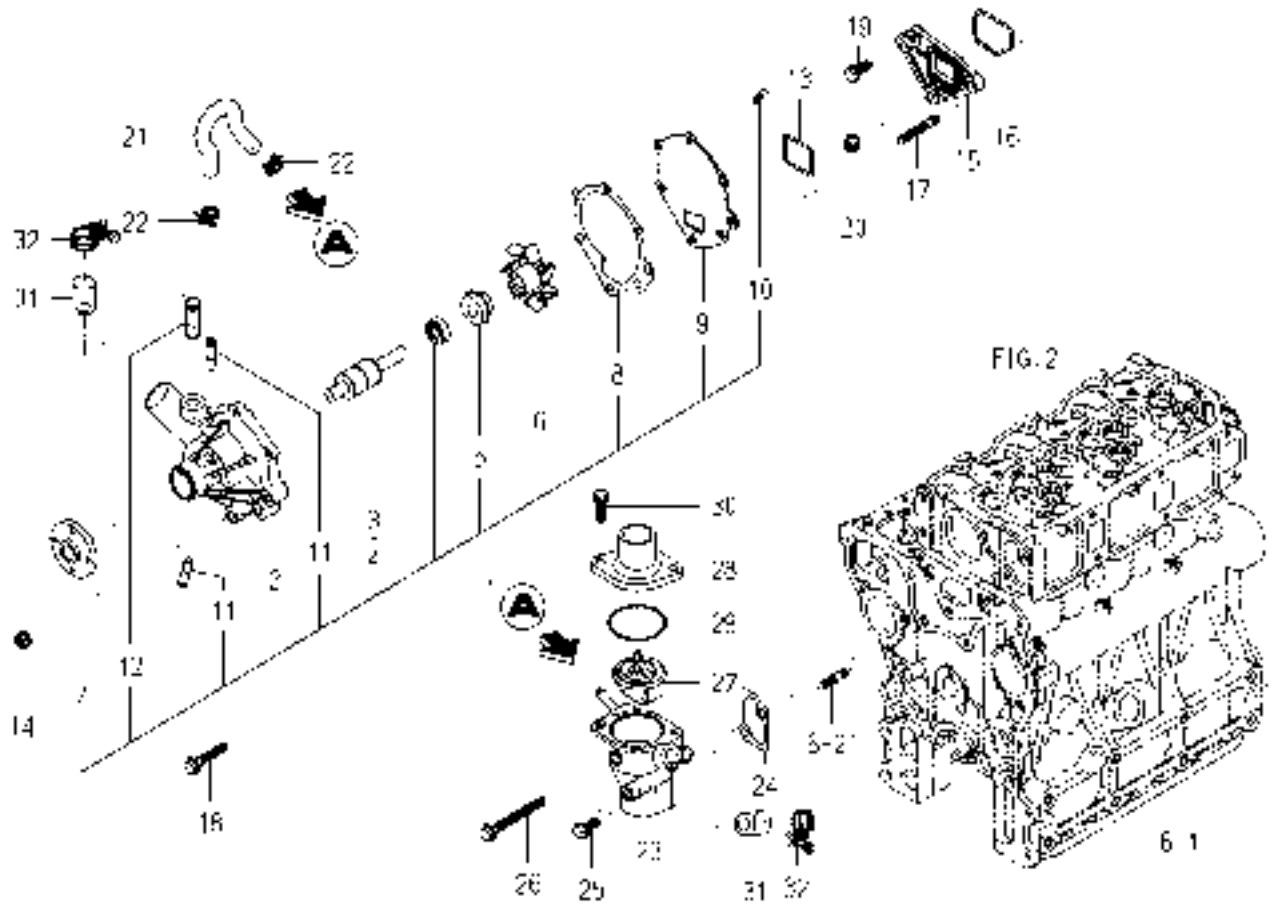
FIG. 10 TIMING GEAR CASE



6005-240Z-0100,6005-240Z-0200

KEY	PART CODE	DESCRIPTION	S P C	TYPE OF MODEL		I T C	C O L	G R P	REMARKS
				E3CD	WB01				
27	6209-500-003-00	WASHER/08X14X01	*	1					
28	6209-740-001-00	PIN,GROOVE	*	1	-181035				
28A	6209-740-006-00	PIN/GROOVE	*	1	181036-				
29	6211-312-005-10	GASKET/GEARCASE	*	1					
30	6213-160-003-10	VALVE/RELIEF ASSY	*	1	-181192				
30A	6213-160-005-00	VALVE/RELIEF ASSY	*	1	181193-				
31	6213-161-003-10	PISTON/VALVE/RELIEF	*	1					
32	6213-164-001-00	SPRING/RELIEF VALVE	*	1					
33	V705-140-012-00	RING,SNAP/12 C	*	1					
34	6209-050-001-00	BOLT/M6	*	1					
35	6209-050-002-00	BOLT/M6	*	1					
36	6909-110-406-00	NUT	*	2	-178577				
36A	V301-260-006-00	NUT/M6	*	2	178578-				
37	6219-310-003-20	DRIVE/TACHOMETE ASSY	*	1					
38	V723-102-002-40	RING/O	*	1					
39	V230-360-601-60	FLANGEBOLT	*	2					
40	3625-540-004-00	CAP,BLANK/30	*	1	-181192				
41	6211-311-013-20	PLATE/FRONT	*	1					
42	6211-312-006-10	GASKET/PLATE	*	1					
43	6902-050-816-00	BOLT	*	4					
44	6211-319-003-00	SPACER	*	1					
45	V723-102-005-00	O-RING 1A S50	*	1					
46	6209-749-001-20	PIN/TUBE	*	2					
47	6904-110-822-00	STUD	*	1					
48	6212-530-017-00	SHAFT/HYDRAULIC ASSY	*	1					
49	6209-800-011-00	BEARING	*	2					
50	6909-110-408-00	NUT/M8	*	4	-178577				
50A	V304-260-008-00	NUT	*	4	178578-				
51	V401-160-008-00	WASHER,SP/M 8	*	4					
52	6909-110-408-00	NUT/M8	*	4	-178577				

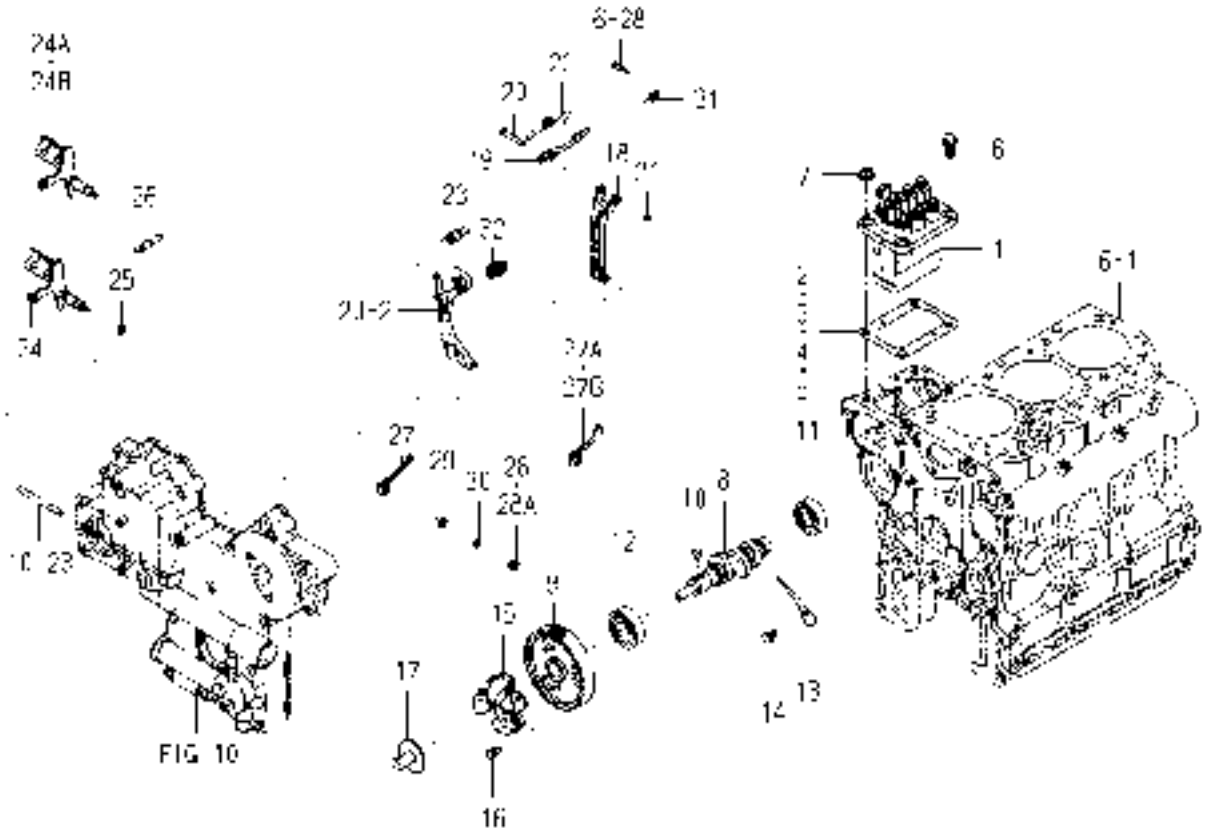
FIG. 18 WATER PUMP



6005-420F-0100

KEY	PART CODE	DESCRIPTION	S P C	TYPE OF MODEL		I T C	C O L	G R P	REMARKS
				E3CD WB01					
1	6213-610-011-10	WATERPUMP ASSY	*	1					
2	6213-611-006-00	BODY/WATERPUMP	*	1					
3	6213-631-002-00	BEARING/WATER PUMP	*	1					
4	6213-631-005-00	BEARING/WATERPUMP	*	1					
5	6213-622-002-10	SEAL SET/WATER PUMP	*	1					
6	6213-621-003-00	ROTOR/WATERPUMP	*	1					
7	6213-642-002-00	SEAL/WATER PUMPPULLE	*	1					
8	6213-613-002-10	GASKET	*	1					
9	6213-612-004-00	PLATE/WATER PUMP	*	1					
10	6213-619-003-00	SCREW/WATER PUMP	*	3					
11	6213-619-002-00	PIPE/WATER PUMP	*	2					
12	6213-619-009-00	PIPE/WATERPUMP	*	1					
13	6213-614-013-00	GASKET/WATERPUMP	*	1					
14	3817-401-001-00	NUT/M08	*	2					
15	6213-619-006-00	SPACER/WATERPUMP	*	1					
16	6213-614-014-00	GASKET/SPACER	*	1					
17	6904-110-840-00	STUD/M8X40	*	2					
18	V231-360-804-50	FLANGE BOLT	*	1					
19	V231-360-802-00	FLANGE BOLT	*	1					
20	3817-401-001-00	NUT/M08	*	1					
21	6213-729-013-10	HOSE/RUBBER	*	1					
22	J061-210-015-00	CLAMP/WIRE/10-15	*	2					
23	6213-716-004-10	HOUSING/THERMOSTAT	*	1					
24	6213-743-002-10	GASKET/HOUSING	*	1					
25	V231-360-802-00	FLANGE BOLT	*	1					
26	V231-360-807-50	FLANGE BOLT	*	1					
27	6513-770-022-10	THERMOSTAT	*	1					
28	6213-711-003-20	PIPE, WATER OUTLET	*	1					
29	V723-102-005-50	O-RING	*	1					
30	V231-360-802-50	FLANGE BOLT	*	2					

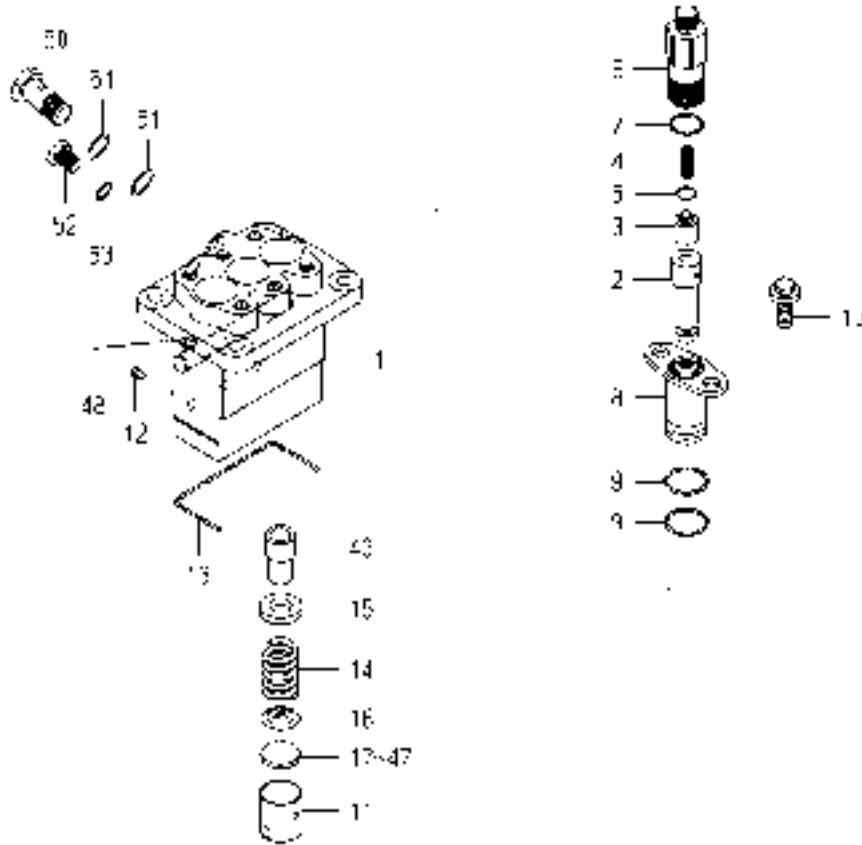
FIG. 21 INJECTION PUMP



6005-511E-0100

KEY	PART CODE	DESCRIPTION	S P C	TYPE OF MODEL		I T C	C O L	G R P	REMARKS
				E3CD WB01					
1	6215-600-104-20	INJECTIONPUMP ASSY	*	1					FIG 029
2	6219-752-045-00	SHIM/INJECTIONPUMP	*	1					
3	6219-752-044-00	SHIM/INJECTIONPUMP	*	1					
4	6219-752-046-00	SHIM/INJECTIONPUMP	*	1					
5	6219-752-047-00	SHIM/INJECTIONPUMP	*	1					
6	V231-360-802-00	FLANGE BOLT	*	2					
7	3817-401-001-00	NUT/M08	*	2					
8	6215-621-017-10	CAMSHAFT/INJPUMP	*	1					
9	6212-524-012-30	GEAR/INJECTIONPUMP	*	1					
10	6209-730-005-00	KEY/07X05X09	*	1					
11	V600-110-620-30	BEARING,RB/6203	*	1					
12	6209-800-010-00	BEARING	*	1					
13	6212-535-009-00	PLATE/THRUST/INJPUMP	*	1					
14	6901-910-612-00	BOLT,SEMS/M6X12	*	1					
15	6215-520-007-10	FLYWEIGHT ASSY	*	1					
16	6209-030-043-00	BOLT/M6X10	*	3					
17	6215-526-004-00	THRUSTPIECE	*	1					
18	6215-541-001-10	ARM/FLOATING COMP	*	1					
19	6215-543-002-10	RINK/CONTROL	*	1					
20	6215-542-006-00	PIN,CONTROL	*	1					
21	V710-140-004-00	RING,SNAP/ 4 E	*	1					
22	6215-549-031-10	SPRING/SETTING	*	1					
23	6215-531-010-00	SPRING/GOVERNOR	*	1					
24	6215-541-024-30	LEVER/CONTROL COMP	*	1	-180963				
24A	6215-541-045-00	LEVER/CONTROL COMP	*	1	-191056				
24B	6215-541-045-10	LEVER/CONTROL COMP	*	1	191057-		3		
25	V720-101-900-80	O-RING/P 8	*	1					
26	6209-580-002-10	SPRING,RETURN	*	1					
27	6215-549-007-10	ARM/CONTROL	*	1	-180963				
27A	6215-549-076-00	ARM/CONTROL	*	1	-183522				

**FIG. 29 COMPONENT PARTS
FOR 6215-600-104-20 ON Fig.21**



6215-600-104-2E

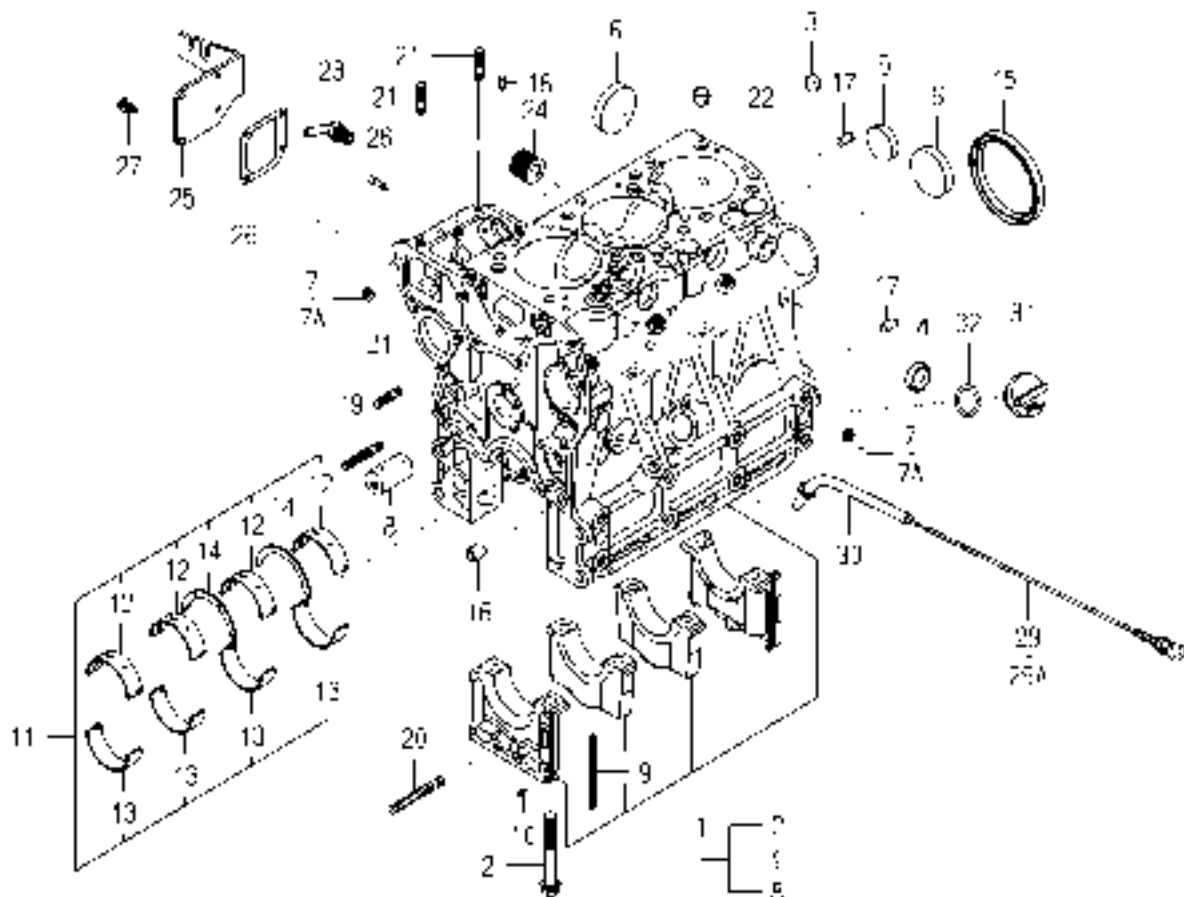
KEY	PART CODE	DESCRIPTION	S P C	TYPE OF MODEL		I T C	C O L	G R P	REMARKS
				E3CD WB01					
1	6215-611-015-00	HOUSING/PUMP	*	1					
2	6215-631-015-00	PLUNGER ASSY	*	3					
3	6215-641-002-00	VALVE,DELIVERY	*	3					
4	6215-643-005-00	SPRING/DELIVERYVALVE	*	3					
5	6215-649-008-00	GASKET	*	3					
6	6215-644-009-00	HOLDER/DELIVERYVALVE	*	3					
7	6215-649-014-00	ORING	*	3					
8	6215-635-004-00	SLEEVEFLANGE	*	3					
9	6215-649-013-00	ORING	*	6					
10	6215-649-011-00	BOLT	*	6					
11	6215-622-003-00	TAPPET	*	3					
12	6215-629-017-00	PIN	*	3					
13	6215-629-035-00	SNAPRING	*	1					
14	6215-634-003-00	SPRING/PLUNGER	*	3					
15	6215-639-008-00	SPRINGSEAT	*	3					
16	6215-639-009-00	SPRINGSEAT	*	3					
17	6215-629-060-00	PLATE/T=2.60	*	1					
18	6215-629-061-00	PLATE/T=2.65	*	1					
19	6215-629-062-00	PLATE/T=2.70	*	1					
20	6215-629-063-00	PLATE/T=2.75	*	1					
21	6215-629-064-00	PLATE/T=2.80	*	1					
22	6215-629-065-00	PLATE/T=2.85	*	1					
23	6215-629-066-00	PLATE/T=2.90	*	1					
24	6215-629-067-00	PLATE/T=2.95	*	1					
25	6215-629-036-00	PLATE/T=3.00	*	1					
26	6215-629-037-00	PLATE/T=3.05	*	1					
27	6215-629-038-00	PLATE/T=3.10	*	1					
28	6215-629-039-00	PLATE/T=3.15	*	1					
29	6215-629-040-00	PLATE/T=3.20	*	1					
30	6215-629-041-00	PLATE/T=3.25	*	1					

ENGINE

E3CDWB02...TH4335(EXCEPT K-TYPE)

ENGINE

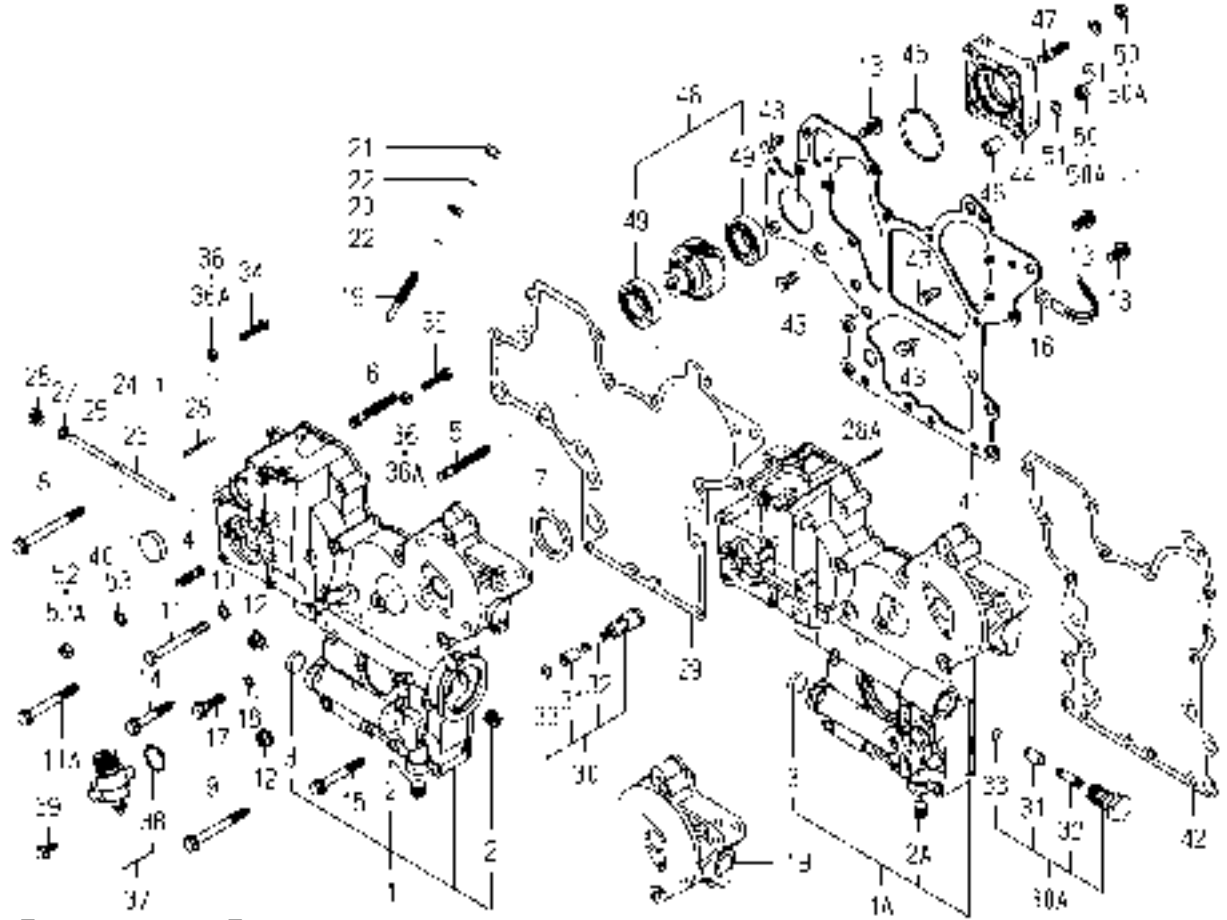
FIG. 6 CYLINDER BLOCK



6005-203A-0100

KEY	PART CODE	DESCRIPTION	S P C	TYPE OF MODEL		I T C	C O L	G R P	REMARKS
				E3CD	WB02				
1	6211-210-081-00	CYLINDERBLOCK ASSY	*	1					
2	6209-000-006-00	BOLT	*	8					
3	6209-610-007-00	CUP/SEALING/16	*	2					
4	6209-610-001-10	CUP/SEALING/28	*	2					
5	6209-610-009-00	CUP/SEALING/36	*	1					
6	6209-610-003-00	CUP/SEALING/50	*	3					
7	6509-605-019-10	PLUG	*	8					
7A	6209-605-007-00	PLUG/PT1/8	*	8	-199498				
8	6212-531-008-30	PIN/IDLEGEAR	*	1	199499-				
9	6211-258-001-00	SEAL, BEARING CAP	*	4					
10	6211-258-002-00	SEAL, BEARING CAP/7	*	2					
11	6211-510-008-00	BEARING/CRANK SET	*	1					
12	6211-511-007-00	BEARING/CRANK/UPPER	*	4					
13	6211-511-008-00	BEARING/CRANK/LOWER	*	4					
14	6211-599-004-00	BEARING/THRUST/CRANK	*	2					
15	6209-625-003-20	OILSEAL	*	1					
16	6209-749-001-20	PIN/TUBE	*	2					
17	6213-129-006-00	PIN/STRAIGHT	*	2					
18	6209-740-005-00	PIN	*	2					
19	6904-110-840-00	STUD/M8X40	*	1					
20	V251-340-806-00	BOLT/STUD	*	1					
21	6904-110-822-00	STUD	*	3					
22	6294-453-002-00	DOWEL	*	2					
23	6213-721-007-00	PIPE/WATERDRAIN	*	1					
24	6213-319-001-00	CONNECTOR, OIL FILTER	*	1					
25	6211-291-015-20	COVER/INJECTIONPUMP	*	1					
26	6211-292-001-20	GASKET/COVER	*	1					
27	V230-360-601-20	FLANGE BOLT	*	4					
28	6215-549-013-00	PIN	*	1					
29	6211-760-046-10	LEVELGAGE	*	1	-202476				

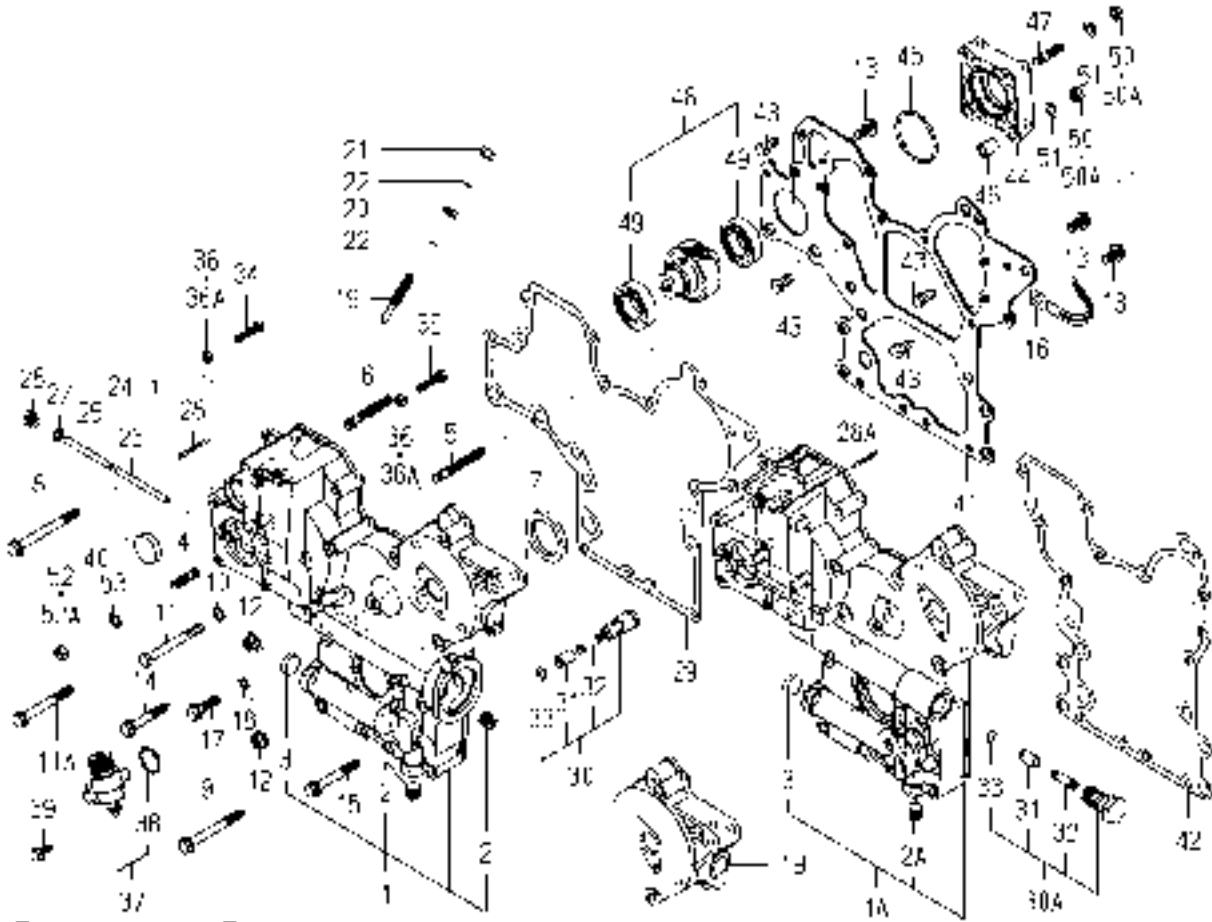
FIG. 10 TIMING GEAR CASE



6005-240Z-0100,6005-240Z-0200

KEY	PART CODE	DESCRIPTION	S P C	TYPE OF MODEL		I T C	C O L	G R P	REMARKS
				E3CD	WB02				
1	6211-310-009-60	GEARCASE ASSY	*	1	-180883				
1A	6211-310-009-70	GEARCASE ASSY	*	1	-192032	3			
1B	6211-310-009-80	GEARCASE ASSY	*	1	192033-	1			
2	6209-605-003-10	PLUG/PT1/4	*	2	-180883				
2A	6209-605-003-10	PLUG/PT1/4	*	1	180884-				
3	6209-610-004-00	CUP/SEALING/20	*	1					
4	6904-110-822-00	STUD	*	4					
5	6904-110-855-00	STUD	*	2					
6	6904-110-850-00	STUD	*	1					
7	6209-625-002-00	SEAL,OIL	*	1					
8	V231-360-808-50	FLANGE BOLT	*	1					
9	V231-360-807-50	FLANGE BOLT	*	1					
10	6209-500-006-00	WASHER/08X16X1.2	*	1	-181192				
11	V201-360-807-50	BOLT	*	1	-181192				
11A	V231-360-807-00	FLANGE BOLT	*	1	181193-				
12	3817-401-001-00	NUT/M08	*	2					
13	V231-360-801-60	FLANGE BOLT	*	3					
14	V231-360-805-00	FLANGE BOLT	*	3					
15	V231-360-806-00	FLANGE BOLT	*	4					
16	1650-650-015-00	CLAMP	*	1					
17	V231-360-803-00	FLANGE BOLT	*	1					
18	6209-500-003-00	WASHER/08X14X01	*	1					
19	6215-546-003-10	STOPPER/FULLLOAD	*	1					
20	6209-409-001-00	NUT/M8	*	1					
21	V341-120-008-00	NUT,CAP/M 8	*	1					
22	6209-920-002-00	PACKING	*	2					
23	6215-542-004-20	PIN/ARM	*	1					
24	P117-303-003-00	PIN/SNAP	*	2					
25	6215-542-005-10	PIN	*	1					
26	6209-600-004-00	PLUG/SCREW	*	1					

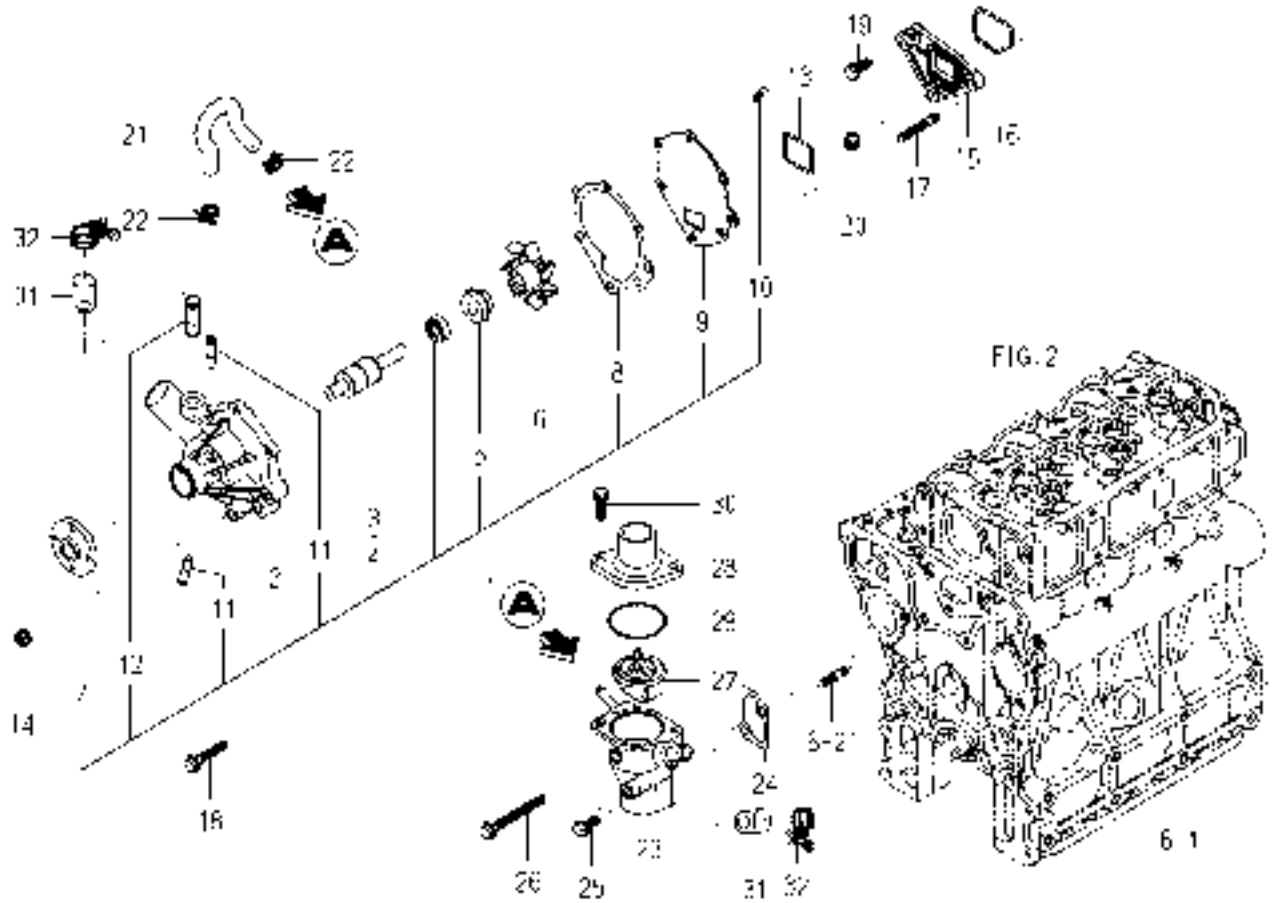
FIG. 10 TIMING GEAR CASE



6005-240Z-0100,6005-240Z-0200

KEY	PART CODE	DESCRIPTION	S P C	TYPE OF MODEL		I T C	C O L	G R P	REMARKS
				E3CD	WB02				
27	6209-500-003-00	WASHER/08X14X01	*	1					
28	6209-740-001-00	PIN,GROOVE	*	1	-181035				
28A	6209-740-006-00	PIN/GROOVE	*	1	181036-				
29	6211-312-005-10	GASKET/GEARCASE	*	1					
30	6213-160-003-10	VALVE/RELIEF ASSY	*	1	-181192				
30A	6213-160-005-00	VALVE/RELIEF ASSY	*	1	181193-				
31	6213-161-003-10	PISTON/VALVE/RELIEF	*	1					
32	6213-164-001-00	SPRING/RELIEF VALVE	*	1					
33	V705-140-012-00	RING,SNAP/12 C	*	1					
34	6209-050-001-00	BOLT/M6	*	1					
35	6209-050-002-00	BOLT/M6	*	1					
36	6909-110-406-00	NUT	*	2	-178577				
36A	V301-260-006-00	NUT/M6	*	2	178578-				
37	6219-310-003-20	DRIVE/TACHOMETE ASSY	*	1					
38	V723-102-002-40	RING/O	*	1					
39	V230-360-601-60	FLANGEBOLT	*	2					
40	3625-540-004-00	CAP,BLANK/30	*	1	-181192				
41	6211-311-013-20	PLATE/FRONT	*	1					
42	6211-312-006-10	GASKET/PLATE	*	1					
43	6902-050-816-00	BOLT	*	4					
44	6211-319-003-00	SPACER	*	1					
45	V723-102-005-00	O-RING 1A S50	*	1					
46	6209-749-001-20	PIN/TUBE	*	2					
47	6904-110-822-00	STUD	*	1					
48	6212-530-017-00	SHAFT/HYDRAULIC ASSY	*	1					
49	6209-800-011-00	BEARING	*	2					
50	6909-110-408-00	NUT/M8	*	4	-178577				
50A	V304-260-008-00	NUT	*	4	178578-				
51	V401-160-008-00	WASHER,SP/M 8	*	4					
52	6909-110-408-00	NUT/M8	*	4	-178577				

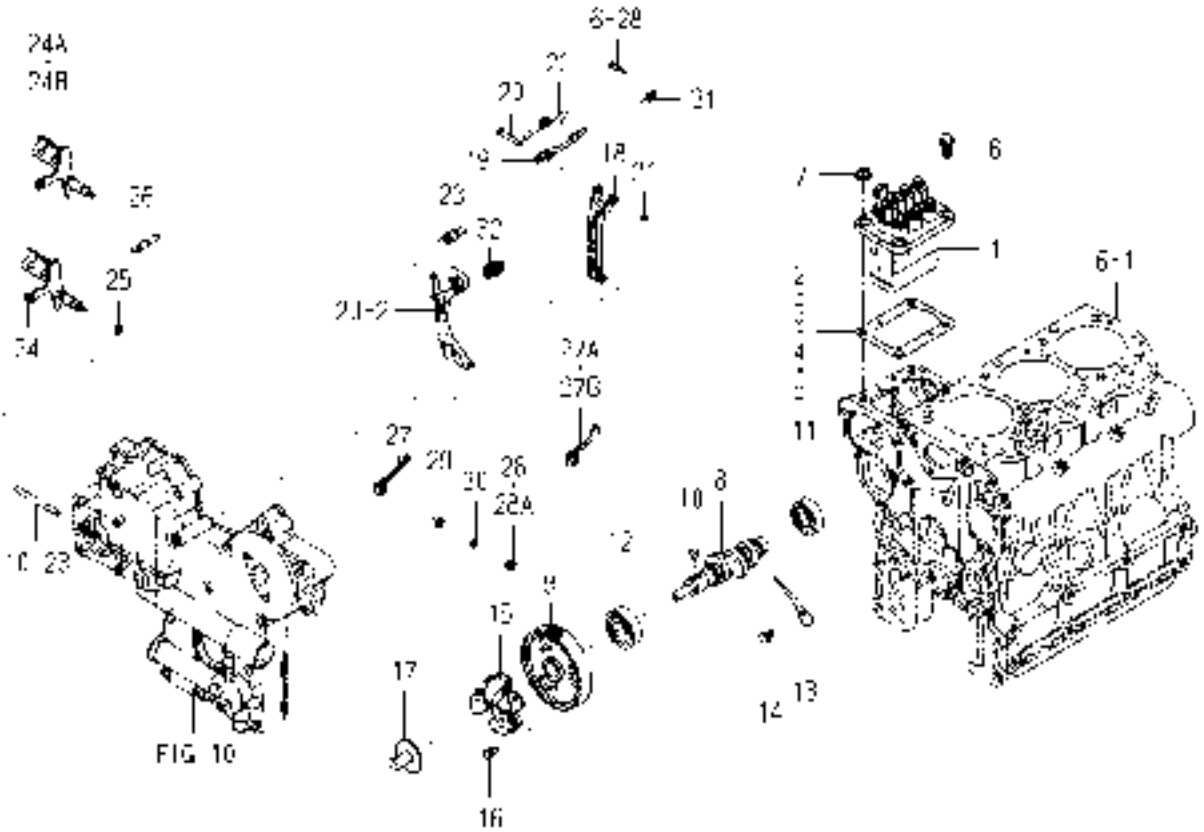
FIG. 18 WATER PUMP



6005-420F-0100

KEY	PART CODE	DESCRIPTION	S P C	TYPE OF MODEL		I T C	C O L	G R P	REMARKS
				E3CD WB02					
1	6213-610-011-10	WATERPUMP ASSY	*	1					
2	6213-611-006-00	BODY/WATERPUMP	*	1					
3	6213-631-002-00	BEARING/WATER PUMP	*	1					
4	6213-631-005-00	BEARING/WATERPUMP	*	1					
5	6213-622-002-10	SEAL SET/WATER PUMP	*	1					
6	6213-621-003-00	ROTOR/WATERPUMP	*	1					
7	6213-642-002-00	SEAL/WATER PUMPPULLE	*	1					
8	6213-613-002-10	GASKET	*	1					
9	6213-612-004-00	PLATE/WATER PUMP	*	1					
10	6213-619-003-00	SCREW/WATER PUMP	*	3					
11	6213-619-002-00	PIPE/WATER PUMP	*	2					
12	6213-619-009-00	PIPE/WATERPUMP	*	1					
13	6213-614-013-00	GASKET/WATERPUMP	*	1					
14	3817-401-001-00	NUT/M08	*	2					
15	6213-619-006-00	SPACER/WATERPUMP	*	1					
16	6213-614-014-00	GASKET/SPACER	*	1					
17	6904-110-840-00	STUD/M8X40	*	2					
18	V231-360-804-50	FLANGE BOLT	*	1					
19	V231-360-802-00	FLANGE BOLT	*	1					
20	3817-401-001-00	NUT/M08	*	1					
21	6213-729-013-10	HOSE/RUBBER	*	1					
22	J061-210-015-00	CLAMP/WIRE/10-15	*	2					
23	6213-716-004-10	HOUSING/THERMOSTAT	*	1					
24	6213-743-002-10	GASKET/HOUSING	*	1					
25	V231-360-802-00	FLANGE BOLT	*	1					
26	V231-360-807-50	FLANGE BOLT	*	1					
27	6513-770-022-10	THERMOSTAT	*	1					
28	6213-711-003-20	PIPE, WATER OUTLET	*	1					
29	V723-102-005-50	O-RING	*	1					
30	V231-360-802-50	FLANGE BOLT	*	2					

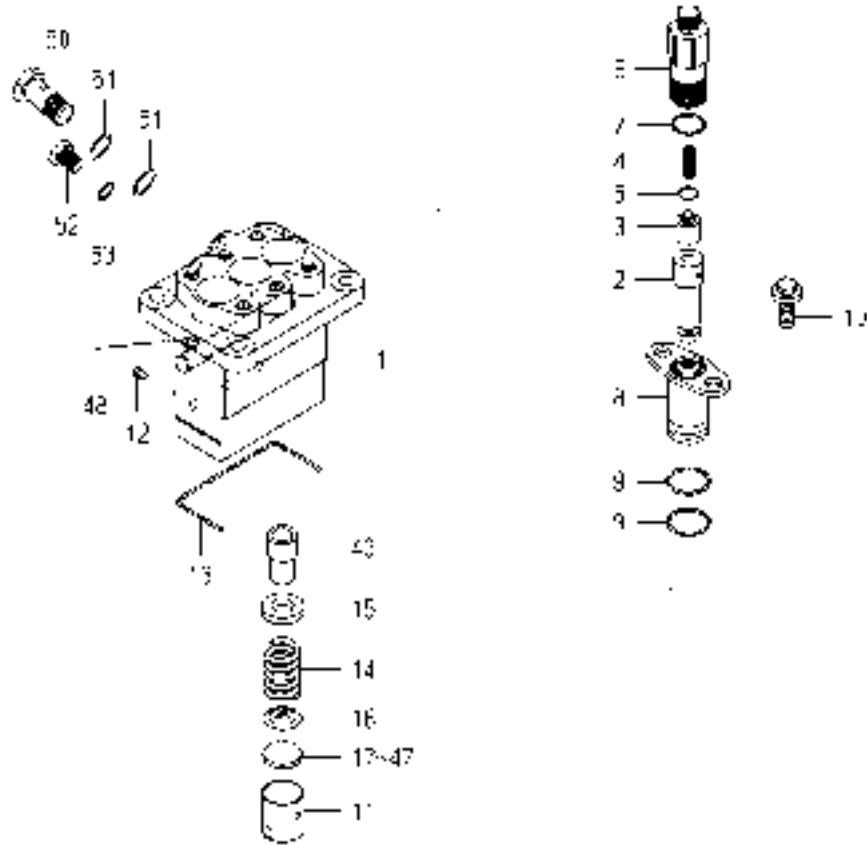
FIG. 21 INJECTION PUMP



6005-511E-0100

KEY	PART CODE	DESCRIPTION	S P C	TYPE OF MODEL		I T C	C O L	G R P	REMARKS
				E3CD WB02					
1	6215-600-104-20	INJECTIONPUMP ASSY	*	1					FIG 028
2	6219-752-045-00	SHIM/INJECTIONPUMP	*	1					
3	6219-752-044-00	SHIM/INJECTIONPUMP	*	1					
4	6219-752-046-00	SHIM/INJECTIONPUMP	*	1					
5	6219-752-047-00	SHIM/INJECTIONPUMP	*	1					
6	V231-360-802-00	FLANGE BOLT	*	2					
7	3817-401-001-00	NUT/M08	*	2					
8	6215-621-017-10	CAMSHAFT/INJPUMP	*	1					
9	6212-524-012-30	GEAR/INJECTIONPUMP	*	1					
10	6209-730-005-00	KEY/07X05X09	*	1					
11	V600-110-620-30	BEARING,RB/6203	*	1					
12	6209-800-010-00	BEARING	*	1					
13	6212-535-009-00	PLATE/THRUST/INJPUMP	*	1					
14	6901-910-612-00	BOLT,SEMS/M6X12	*	1					
15	6215-520-007-10	FLYWEIGHT ASSY	*	1					
16	6209-030-043-00	BOLT/M6X10	*	3					
17	6215-526-004-00	THRUSTPIECE	*	1					
18	6215-541-001-10	ARM/FLOATING COMP	*	1					
19	6215-543-002-10	RINK/CONTROL	*	1					
20	6215-542-006-00	PIN,CONTROL	*	1					
21	V710-140-004-00	RING,SNAP/ 4 E	*	1					
22	6215-549-031-10	SPRING/SETTING	*	1					
23	6215-531-010-00	SPRING/GOVERNOR	*	1					
24	6215-541-024-30	LEVER/CONTROL COMP	*	1	-180963				
24A	6215-541-045-00	LEVER/CONTROL COMP	*	1	-191056				
24B	6215-541-045-10	LEVER/CONTROL COMP	*	1	191057-	3			
25	V720-101-900-80	O-RING/P 8	*	1					
26	6209-580-002-10	SPRING,RETURN	*	1					
27	6215-549-007-10	ARM/CONTROL	*	1	-180963				
27A	6215-549-076-00	ARM/CONTROL	*	1	-183522				

**FIG. 28 COMPONENT PARTS
FOR 6215-600-104-20 ON Fig.21**



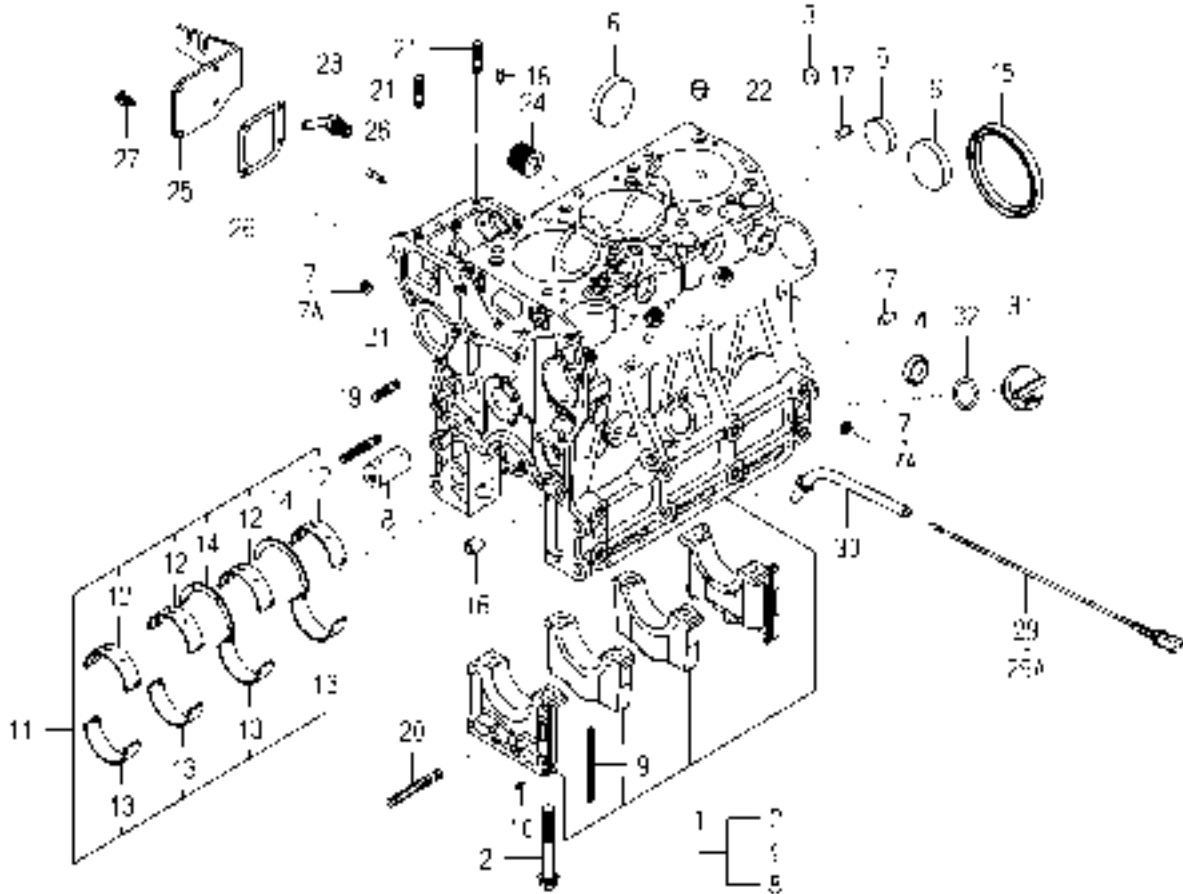
6215-600-104-2E

KEY	PART CODE	DESCRIPTION	S P C	TYPE OF MODEL		I T C	C O L	G R P	REMARKS
				E3CD WB02					
1	6215-611-015-00	HOUSING/PUMP	*	1					
2	6215-631-015-00	PLUNGER ASSY	*	3					
3	6215-641-002-00	VALVE,DELIVERY	*	3					
4	6215-643-005-00	SPRING/DELIVERYVALVE	*	3					
5	6215-649-008-00	GASKET	*	3					
6	6215-644-009-00	HOLDER/DELIVERYVALVE	*	3					
7	6215-649-014-00	ORING	*	3					
8	6215-635-004-00	SLEEVEFLANGE	*	3					
9	6215-649-013-00	ORING	*	6					
10	6215-649-011-00	BOLT	*	6					
11	6215-622-003-00	TAPPET	*	3					
12	6215-629-017-00	PIN	*	3					
13	6215-629-035-00	SNAPRING	*	1					
14	6215-634-003-00	SPRING/PLUNGER	*	3					
15	6215-639-008-00	SPRINGSEAT	*	3					
16	6215-639-009-00	SPRINGSEAT	*	3					
17	6215-629-060-00	PLATE/T=2.60	*	1					
18	6215-629-061-00	PLATE/T=2.65	*	1					
19	6215-629-062-00	PLATE/T=2.70	*	1					
20	6215-629-063-00	PLATE/T=2.75	*	1					
21	6215-629-064-00	PLATE/T=2.80	*	1					
22	6215-629-065-00	PLATE/T=2.85	*	1					
23	6215-629-066-00	PLATE/T=2.90	*	1					
24	6215-629-067-00	PLATE/T=2.95	*	1					
25	6215-629-036-00	PLATE/T=3.00	*	1					
26	6215-629-037-00	PLATE/T=3.05	*	1					
27	6215-629-038-00	PLATE/T=3.10	*	1					
28	6215-629-039-00	PLATE/T=3.15	*	1					
29	6215-629-040-00	PLATE/T=3.20	*	1					
30	6215-629-041-00	PLATE/T=3.25	*	1					

ENGINE

E3CDWB03...TH4295(EXCEPT K-TYPE)

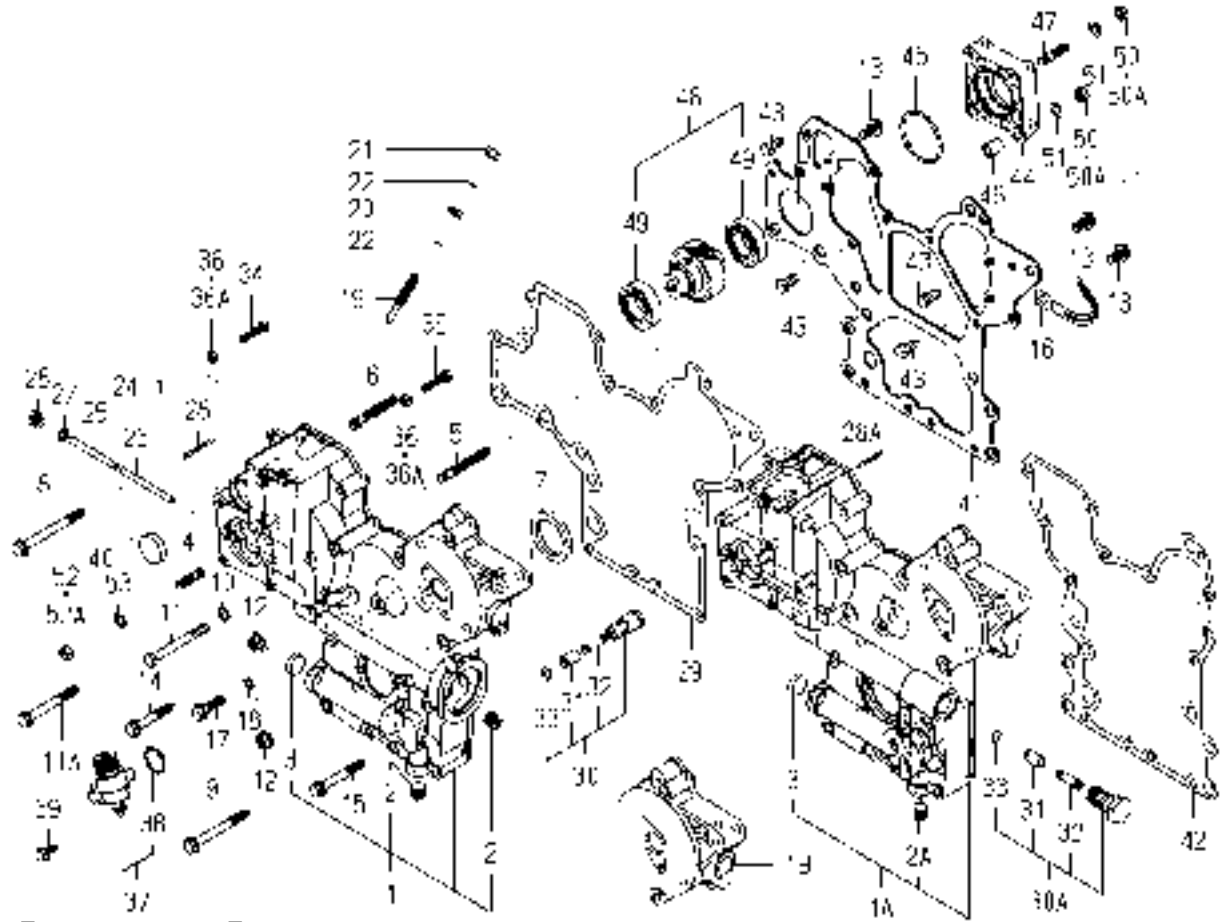
FIG. 6 CYLINDER BLOCK



6005-203V-0100

KEY	PART CODE	DESCRIPTION	S P C	TYPE OF MODEL		I T C	C O L	G R P	REMARKS
				E3CD	WB03				
1	6211-210-081-00	CYLINDERBLOCK ASSY	*	1					
2	6209-000-006-00	BOLT	*	8					
3	6209-610-007-00	CUP/SEALING/16	*	2					
4	6209-610-001-10	CUP/SEALING/28	*	2					
5	6209-610-009-00	CUP/SEALING/36	*	1					
6	6209-610-003-00	CUP/SEALING/50	*	3					
7	6509-605-019-10	PLUG	*	8					
7A	6209-605-007-00	PLUG/PT1/8	*	8	-199498				
8	6212-531-008-30	PIN/IDLEGEAR	*	1	199499-				
9	6211-258-001-00	SEAL, BEARING CAP	*	4					
10	6211-258-002-00	SEAL, BEARING CAP/7	*	2					
11	6211-510-008-00	BEARING/CRANK SET	*	1					
12	6211-511-007-00	BEARING/CRANK/UPPER	*	4					
13	6211-511-008-00	BEARING/CRANK/LOWER	*	4					
14	6211-599-004-00	BEARING/THRUST/CRANK	*	2					
15	6209-625-003-20	OILSEAL	*	1					
16	6209-749-001-20	PIN/TUBE	*	2					
17	6213-129-006-00	PIN/STRAIGHT	*	2					
18	6209-740-005-00	PIN	*	2					
19	6904-110-840-00	STUD/M8X40	*	1					
20	V251-340-806-00	BOLT/STUD	*	1					
21	6904-110-822-00	STUD	*	3					
22	6294-453-002-00	DOWEL	*	2					
23	6213-721-007-00	PIPE/WATERDRAIN	*	1					
24	6213-319-001-00	CONNECTOR, OIL FILTER	*	1					
25	6211-291-015-20	COVER/INJECTIONPUMP	*	1					
26	6211-292-001-20	GASKET/COVER	*	1					
27	V230-360-601-20	FLANGE BOLT	*	4					
28	6215-549-013-00	PIN	*	1					
29	6211-760-052-00	LEVELGAGE	*	1	-203254				

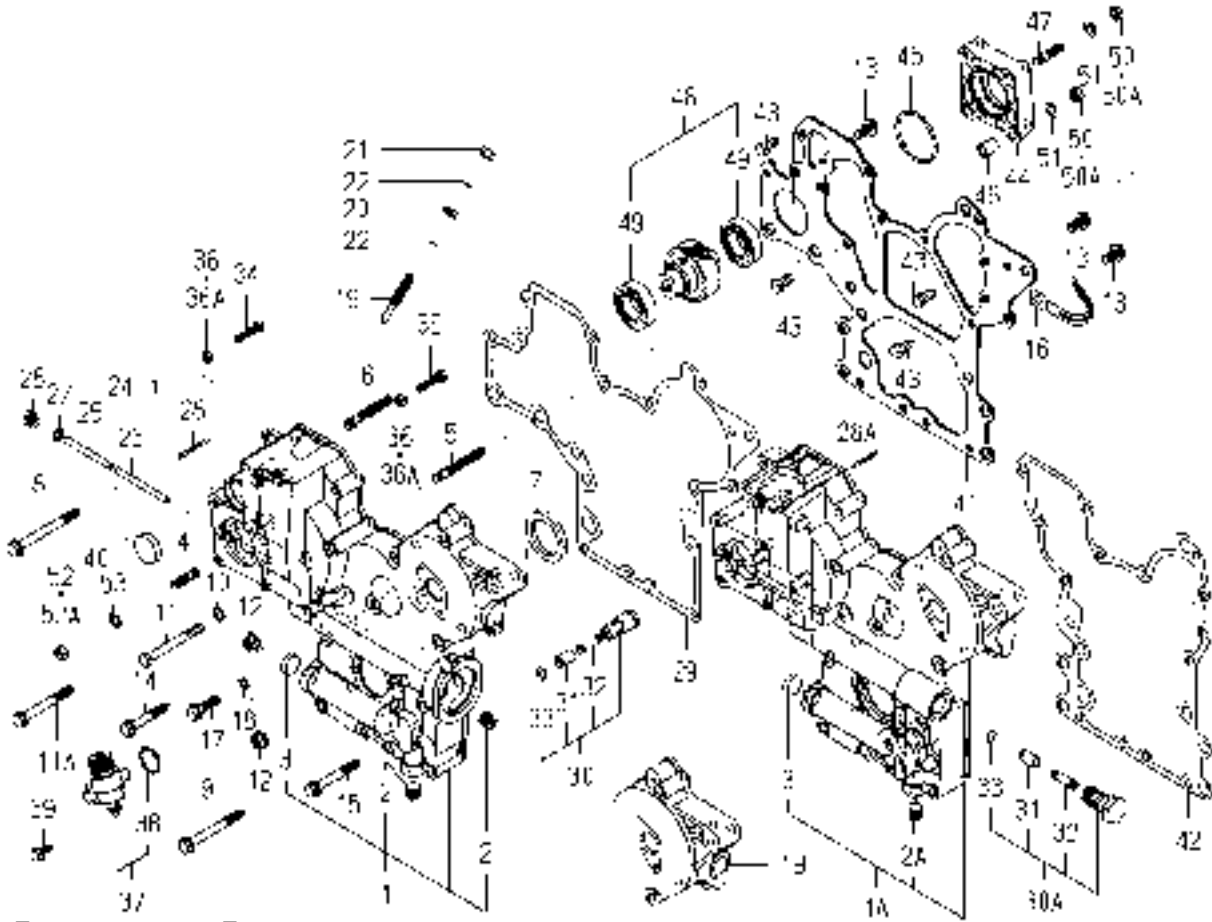
FIG. 10 TIMING GEAR CASE



6005-240Z-0100,6005-240Z-0200

KEY	PART CODE	DESCRIPTION	S P C	TYPE OF MODEL		I T C	C O L	G R P	REMARKS
				E3CD	WB03				
1	6211-310-009-60	GEARCASE ASSY	*	1	-180883				
1A	6211-310-009-70	GEARCASE ASSY	*	1	-192032	3			
1B	6211-310-009-80	GEARCASE ASSY	*	1	192033-	1			
2	6209-605-003-10	PLUG/PT1/4	*	2	-180883				
2A	6209-605-003-10	PLUG/PT1/4	*	1	180884-				
3	6209-610-004-00	CUP/SEALING/20	*	1					
4	6904-110-822-00	STUD	*	4					
5	6904-110-855-00	STUD	*	2					
6	6904-110-850-00	STUD	*	1					
7	6209-625-002-00	SEAL,OIL	*	1					
8	V231-360-808-50	FLANGE BOLT	*	1					
9	V231-360-807-50	FLANGE BOLT	*	1					
10	6209-500-006-00	WASHER/08X16X1.2	*	1	-181192				
11	V201-360-807-50	BOLT	*	1	-181192				
11A	V231-360-807-00	FLANGE BOLT	*	1	181193-				
12	3817-401-001-00	NUT/M08	*	2					
13	V231-360-801-60	FLANGE BOLT	*	3					
14	V231-360-805-00	FLANGE BOLT	*	3					
15	V231-360-806-00	FLANGE BOLT	*	4					
16	1650-650-015-00	CLAMP	*	1					
17	V231-360-803-00	FLANGE BOLT	*	1					
18	6209-500-003-00	WASHER/08X14X01	*	1					
19	6215-546-003-10	STOPPER/FULLLOAD	*	1					
20	6209-409-001-00	NUT/M8	*	1					
21	V341-120-008-00	NUT,CAP/M 8	*	1					
22	6209-920-002-00	PACKING	*	2					
23	6215-542-004-20	PIN/ARM	*	1					
24	P117-303-003-00	PIN/SNAP	*	2					
25	6215-542-005-10	PIN	*	1					
26	6209-600-004-00	PLUG/SCREW	*	1					

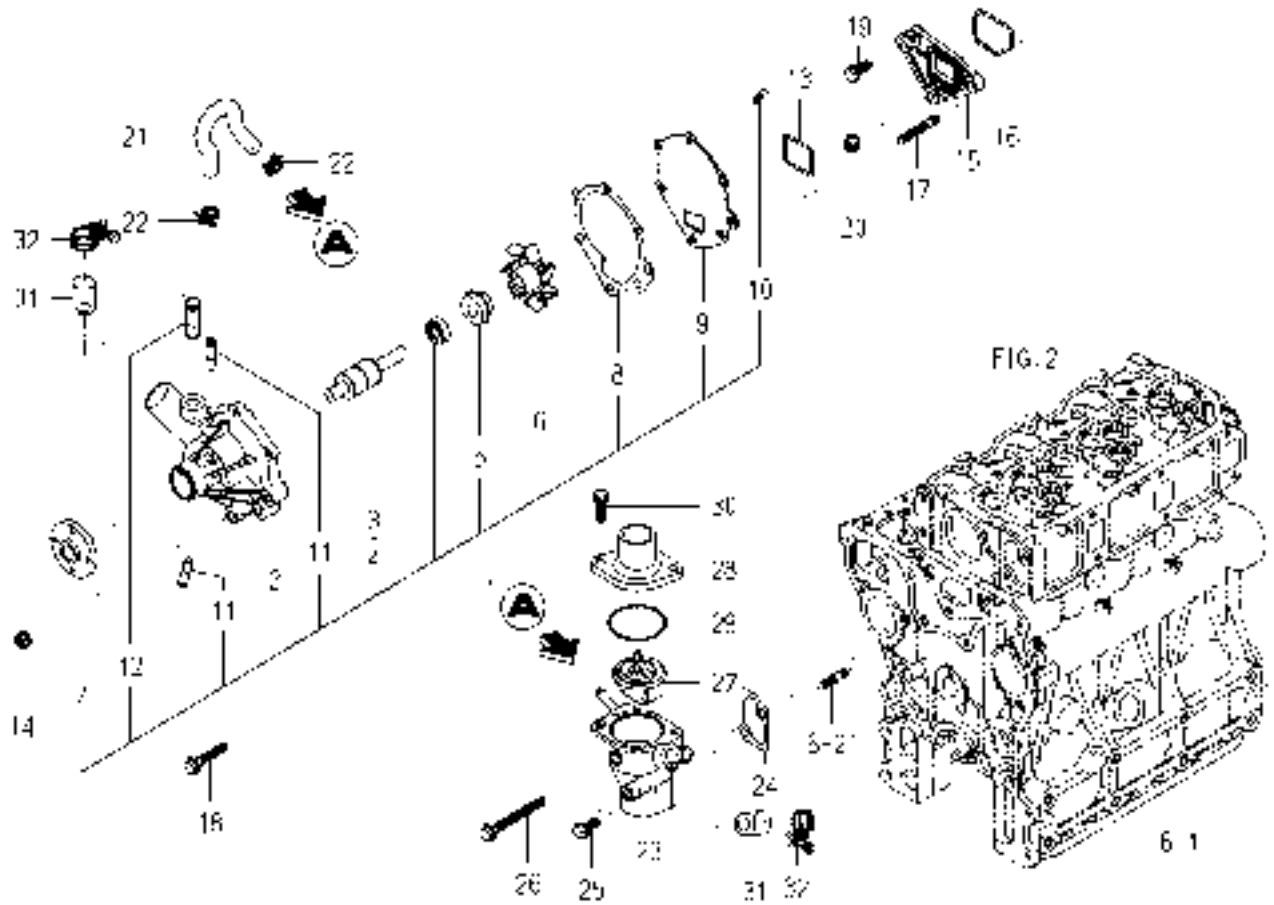
FIG. 10 TIMING GEAR CASE



6005-240Z-0100,6005-240Z-0200

KEY	PART CODE	DESCRIPTION	S P C	TYPE OF MODEL		I T C	C O L	G R P	REMARKS
				E3CD	WB03				
27	6209-500-003-00	WASHER/08X14X01	*	1					
28	6209-740-001-00	PIN,GROOVE	*	1	-181035				
28A	6209-740-006-00	PIN/GROOVE	*	1	181036-				
29	6211-312-005-10	GASKET/GEARCASE	*	1					
30	6213-160-003-10	VALVE/RELIEF ASSY	*	1	-181192				
30A	6213-160-005-00	VALVE/RELIEF ASSY	*	1	181193-				
31	6213-161-003-10	PISTON/VALVE/RELIEF	*	1					
32	6213-164-001-00	SPRING/RELIEF VALVE	*	1					
33	V705-140-012-00	RING,SNAP/12 C	*	1					
34	6209-050-001-00	BOLT/M6	*	1					
35	6209-050-002-00	BOLT/M6	*	1					
36	6909-110-406-00	NUT	*	2	-178577				
36A	V301-260-006-00	NUT/M6	*	2	178578-				
37	6219-310-003-20	DRIVE/TACHOMETE ASSY	*	1					
38	V723-102-002-40	RING/O	*	1					
39	V230-360-601-60	FLANGEBOLT	*	2					
40	3625-540-004-00	CAP,BLANK/30	*	1	-181192				
41	6211-311-013-20	PLATE/FRONT	*	1					
42	6211-312-006-10	GASKET/PLATE	*	1					
43	6902-050-816-00	BOLT	*	4					
44	6211-319-003-00	SPACER	*	1					
45	V723-102-005-00	O-RING 1A S50	*	1					
46	6209-749-001-20	PIN/TUBE	*	2					
47	6904-110-822-00	STUD	*	1					
48	6212-530-017-00	SHAFT/HYDRAULIC ASSY	*	1					
49	6209-800-011-00	BEARING	*	2					
50	6909-110-408-00	NUT/M8	*	4	-178577				
50A	V304-260-008-00	NUT	*	4	178578-				
51	V401-160-008-00	WASHER,SP/M 8	*	4					
52	6909-110-408-00	NUT/M8	*	4	-178577				

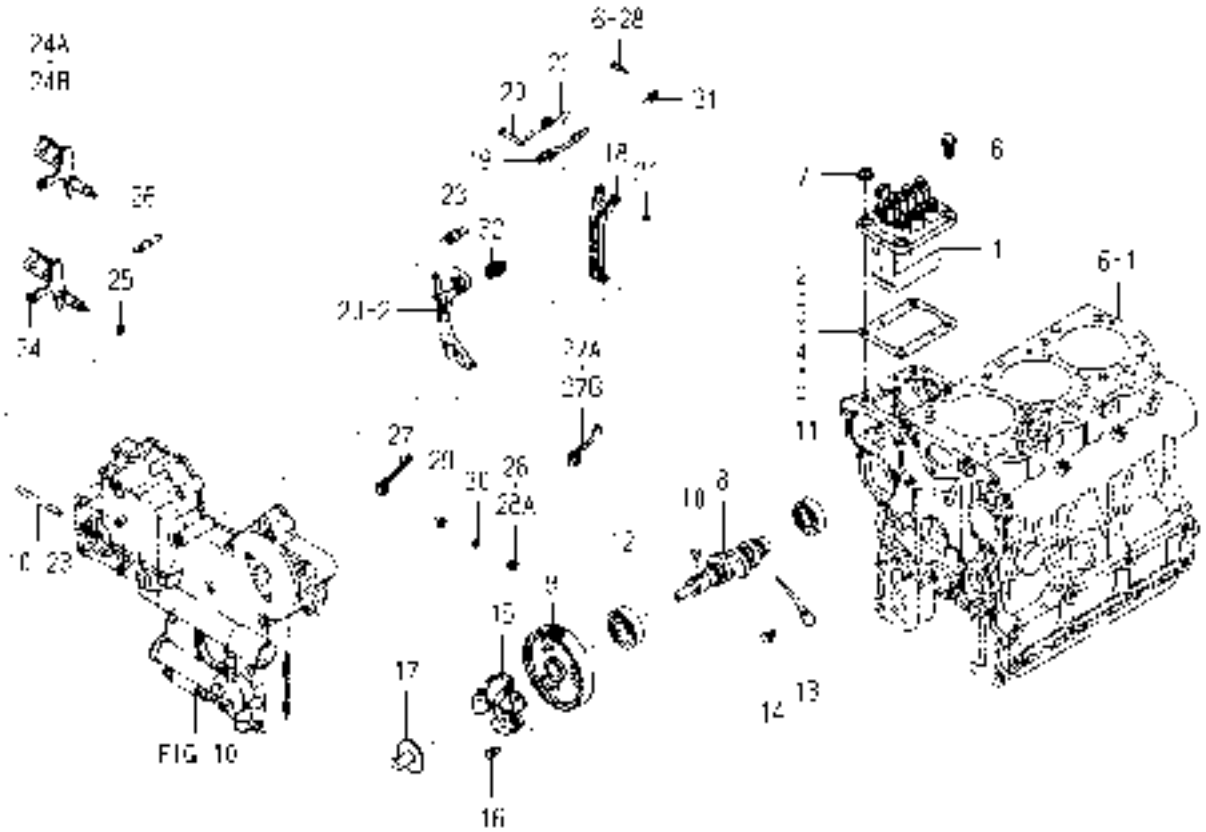
FIG. 18 WATER PUMP



6005-420F-0100

KEY	PART CODE	DESCRIPTION	S P C	TYPE OF MODEL		I T C	C O L	G R P	REMARKS
				E3CD WB03					
1	6213-610-011-10	WATERPUMP ASSY	*	1					
2	6213-611-006-00	BODY/WATERPUMP	*	1					
3	6213-631-002-00	BEARING/WATER PUMP	*	1					
4	6213-631-005-00	BEARING/WATERPUMP	*	1					
5	6213-622-002-10	SEAL SET/WATER PUMP	*	1					
6	6213-621-003-00	ROTOR/WATERPUMP	*	1					
7	6213-642-002-00	SEAL/WATER PUMPPULLE	*	1					
8	6213-613-002-10	GASKET	*	1					
9	6213-612-004-00	PLATE/WATER PUMP	*	1					
10	6213-619-003-00	SCREW/WATER PUMP	*	3					
11	6213-619-002-00	PIPE/WATER PUMP	*	2					
12	6213-619-009-00	PIPE/WATERPUMP	*	1					
13	6213-614-013-00	GASKET/WATERPUMP	*	1					
14	3817-401-001-00	NUT/M08	*	2					
15	6213-619-006-00	SPACER/WATERPUMP	*	1					
16	6213-614-014-00	GASKET/SPACER	*	1					
17	6904-110-840-00	STUD/M8X40	*	2					
18	V231-360-804-50	FLANGE BOLT	*	1					
19	V231-360-802-00	FLANGE BOLT	*	1					
20	3817-401-001-00	NUT/M08	*	1					
21	6213-729-013-10	HOSE/RUBBER	*	1					
22	J061-210-015-00	CLAMP/WIRE/10-15	*	2					
23	6213-716-004-10	HOUSING/THERMOSTAT	*	1					
24	6213-743-002-10	GASKET/HOUSING	*	1					
25	V231-360-802-00	FLANGE BOLT	*	1					
26	V231-360-807-50	FLANGE BOLT	*	1					
27	6513-770-022-10	THERMOSTAT	*	1					
28	6213-711-003-20	PIPE, WATER OUTLET	*	1					
29	V723-102-005-50	O-RING	*	1					
30	V231-360-802-50	FLANGE BOLT	*	2					

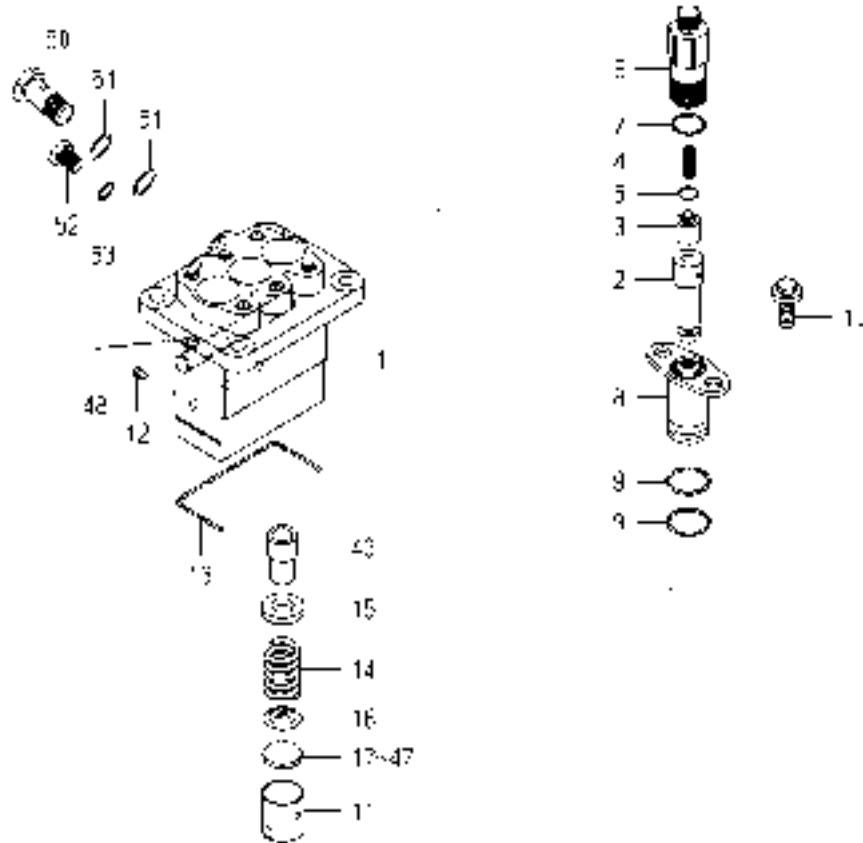
FIG. 21 INJECTION PUMP



6005-511E-0100

KEY	PART CODE	DESCRIPTION	S P C	TYPE OF MODEL		I T C	C O L	G R P	REMARKS
				E3CD WB03					
1	6215-600-104-20	INJECTIONPUMP ASSY	*	1					FIG 029
2	6219-752-045-00	SHIM/INJECTIONPUMP	*	1					
3	6219-752-044-00	SHIM/INJECTIONPUMP	*	1					
4	6219-752-046-00	SHIM/INJECTIONPUMP	*	1					
5	6219-752-047-00	SHIM/INJECTIONPUMP	*	1					
6	V231-360-802-00	FLANGE BOLT	*	2					
7	3817-401-001-00	NUT/M08	*	2					
8	6215-621-017-10	CAMSHAFT/INJPUMP	*	1					
9	6212-524-012-30	GEAR/INJECTIONPUMP	*	1					
10	6209-730-005-00	KEY/07X05X09	*	1					
11	V600-110-620-30	BEARING,RB/6203	*	1					
12	6209-800-010-00	BEARING	*	1					
13	6212-535-009-00	PLATE/THRUST/INJPUMP	*	1					
14	6901-910-612-00	BOLT,SEMS/M6X12	*	1					
15	6215-520-007-10	FLYWEIGHT ASSY	*	1					
16	6209-030-043-00	BOLT/M6X10	*	3					
17	6215-526-004-00	THRUSTPIECE	*	1					
18	6215-541-001-10	ARM/FLOATING COMP	*	1					
19	6215-543-002-10	RINK/CONTROL	*	1					
20	6215-542-006-00	PIN,CONTROL	*	1					
21	V710-140-004-00	RING,SNAP/ 4 E	*	1					
22	6215-549-031-10	SPRING/SETTING	*	1					
23	6215-531-010-00	SPRING/GOVERNOR	*	1					
24	6215-541-024-30	LEVER/CONTROL COMP	*	1	-180963				
24A	6215-541-045-00	LEVER/CONTROL COMP	*	1	-191056				
24B	6215-541-045-10	LEVER/CONTROL COMP	*	1	191057-		3		
25	V720-101-900-80	O-RING/P 8	*	1					
26	6209-580-002-10	SPRING,RETURN	*	1					
27	6215-549-007-10	ARM/CONTROL	*	1	-180963				
27A	6215-549-076-00	ARM/CONTROL	*	1	-183522				

**FIG. 29 COMPONENT PARTS
FOR 6215-600-104-20 ON Fig.21**



6215-600-104-2E

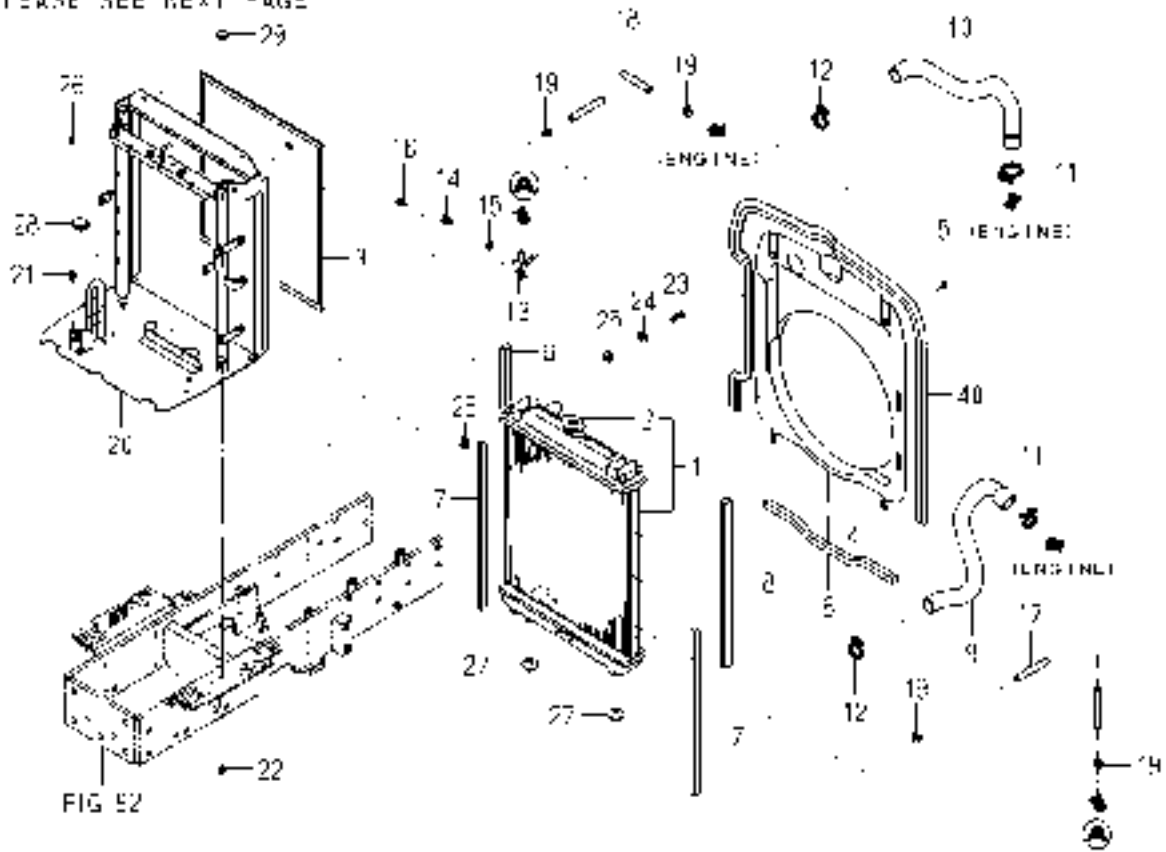
KEY	PART CODE	DESCRIPTION	S P C	TYPE OF MODEL		I T C	C O L	G R P	REMARKS
				E3CD WB03					
1	6215-611-015-00	HOUSING/PUMP	*	1					
2	6215-631-015-00	PLUNGER ASSY	*	3					
3	6215-641-002-00	VALVE,DELIVERY	*	3					
4	6215-643-005-00	SPRING/DELIVERYVALVE	*	3					
5	6215-649-008-00	GASKET	*	3					
6	6215-644-009-00	HOLDER/DELIVERYVALVE	*	3					
7	6215-649-014-00	ORING	*	3					
8	6215-635-004-00	SLEEVEFLANGE	*	3					
9	6215-649-013-00	ORING	*	6					
10	6215-649-011-00	BOLT	*	6					
11	6215-622-003-00	TAPPET	*	3					
12	6215-629-017-00	PIN	*	3					
13	6215-629-035-00	SNAPRING	*	1					
14	6215-634-003-00	SPRING/PLUNGER	*	3					
15	6215-639-008-00	SPRINGSEAT	*	3					
16	6215-639-009-00	SPRINGSEAT	*	3					
17	6215-629-060-00	PLATE/T=2.60	*	1					
18	6215-629-061-00	PLATE/T=2.65	*	1					
19	6215-629-062-00	PLATE/T=2.70	*	1					
20	6215-629-063-00	PLATE/T=2.75	*	1					
21	6215-629-064-00	PLATE/T=2.80	*	1					
22	6215-629-065-00	PLATE/T=2.85	*	1					
23	6215-629-066-00	PLATE/T=2.90	*	1					
24	6215-629-067-00	PLATE/T=2.95	*	1					
25	6215-629-036-00	PLATE/T=3.00	*	1					
26	6215-629-037-00	PLATE/T=3.05	*	1					
27	6215-629-038-00	PLATE/T=3.10	*	1					
28	6215-629-039-00	PLATE/T=3.15	*	1					
29	6215-629-040-00	PLATE/T=3.20	*	1					
30	6215-629-041-00	PLATE/T=3.25	*	1					

CHASSIS

CHASSIS

FIG. 1 RADIATOR SYSTEM(EXCEPT H TYPE)(1/2)

DO-PLEASE SEE NEXT PAGE

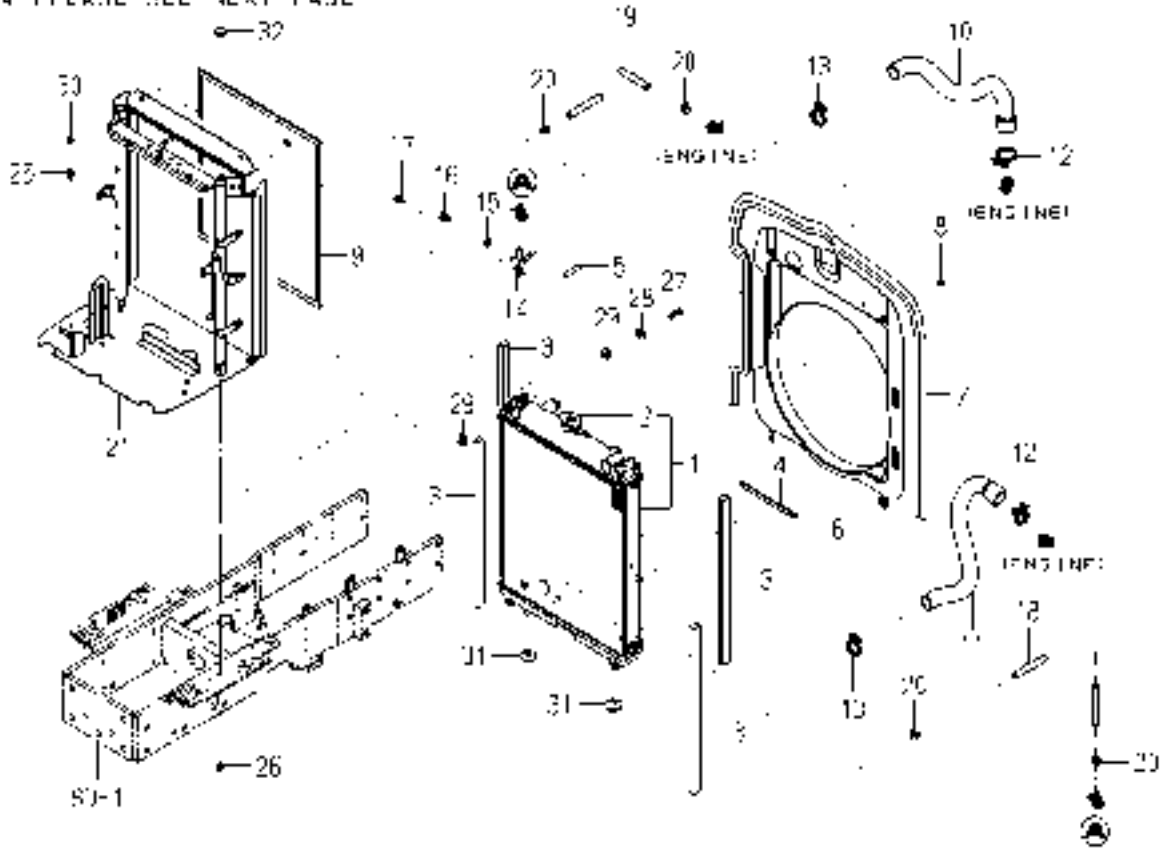


1772-102 -0100

KEY	PART CODE	DESCRIPTION	S P C	TYPE OF MODEL			I T C	C O L	G R P	REMARKS
				TH4295	TH4335	TH4365				
1	1742-102-210-00	RADIATOR ASSY	*	1	1					
2	1650-102-202-10	CAP	*	1	1					
3	1650-102-004-00	NET	*	1	1					
4	1729-102-009-10	SHROUD	*	1	1					
5	V230-360-601-20	FLANGEBOLT	*	4	4					
6	1650-102-006-10	INSULATOR	*	1	1					
7	1650-102-007-10	INSULATOR	*	2	2					
8	1729-102-014-10	INSULATOR	*	2	2					
9	1729-102-015-00	HOSE/RADIATOR/OUTLET	*	1	1					
10	1729-102-002-00	HOSE/RADIATOR/INLET	*	1	1					
11	J061-236-044-00	CLAMP/WIRE/36-44	*	2	2					
12	J061-230-038-00	CLAMP/WIRE/30-38	*	2	2					
13	1560-104-010-40	CONNECTOR	*	1	1					
14	1424-101-203-00	PLUG	*	1	1					
15	1424-101-204-00	PACKING	*	1	1					
16	V231-360-801-60	FLANGEBOLT	*	1	1					
17	1614-102-003-00	HOSE/205	*	1	1					
18	3838-304-001-00	HOSE/350	*	1	1					
19	J062-147-159-00	CLIP/HOSE/14.7-15.9	*	4	4					
20	1729-102-500-40	BRACKET/RADIATOR/CY	*	1	1					
21	V231-360-801-60	FLANGEBOLT	*	1	1					
22	V362-260-008-00	NUT/WASHER	*	2	2					
23	V201-260-802-50	BOLT/M 8X25	*	2	2					
24	4101-102-038-00	WASHER/24X9X3.2	*	2	2					
25	1423-616-004-00	CUSHION/RUBBER/10X25	*	4	4					
26	1719-312-001-00	U-NUT	*	2	2					
27	1421-603-004-00	BUSH,LEVER	*	2	2					
28	1560-630-029-00	CAP/30	*	1	1					
29	2706-301-021-00	CAP,ROCKER ARM	*	2 101-	2 453-					
30	1690-102-210-00	RESERVETANK ASSY	*	1	1					

FIG. 2 RADIATOR SYSTEM(TH4365)(1/2)

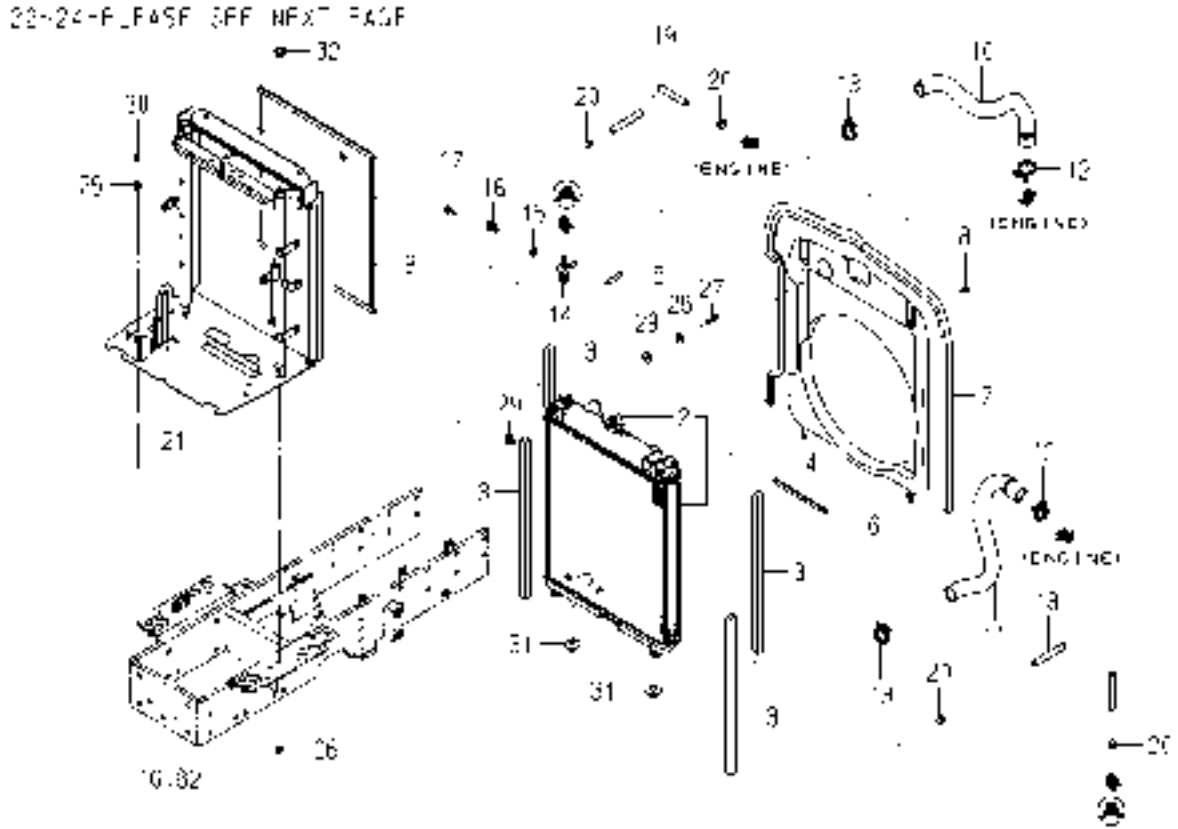
77-74- PLEASE SEE NEXT PAGE



1772-102B-0100

KEY	PART CODE	DESCRIPTION	S P C	TYPE OF MODEL			I T C	C O L	G R P	REMARKS
				TH4295	TH4335	TH4365				
1	3872-301-210-00	RADIATOR ASSY	*			1				
2	1650-102-202-10	CAP	*			1				
3	1729-102-014-10	INSULATOR	*			4				
4	1731-782-009-10	INSULATOR/10X180	*			1				
5	1564-630-012-00	INSULATOR	*			1				
6	1733-102-001-00	SHROUD	*			1				
7	1729-102-013-10	TRIM/1430	*			1				
8	V230-360-601-20	FLANGEBOLT	*			4				
9	1650-102-004-00	NET	*			1				
10	1733-102-002-00	HOSE/RADIATOR/INLET	*			1				
11	1733-102-003-00	HOSE/RADIATOR/OUTLET	*			1				
12	J061-236-044-00	CLAMP/WIRE/36-44	*			2				
13	J061-230-038-00	CLAMP/WIRE/30-38	*			2				
14	1560-104-010-40	CONNECTOR	*			1				
15	1424-101-203-00	PLUG	*			1				
16	1424-101-204-00	PACKING	*			1				
17	V231-360-801-60	FLANGEBOLT	*			1				
18	1614-102-003-00	HOSE/205	*			1				
19	3838-304-001-00	HOSE/350	*			1				
20	J062-147-159-00	CLIP/HOSE/14.7-15.9	*			4				
21	1772-102-300-00	BRACKET/RADIATO COMP	*			1				
22	1719-102-006-00	INSULATOR/280	*			1				
23	1716-111-075-00	INSULATOR/310	*			2				
24	1729-102-012-00	TRIM/420	*			1				
25	V231-360-801-60	FLANGEBOLT	*			1				
26	V362-260-008-00	NUT/WASHER	*			2				
27	V201-260-802-50	BOLT/M 8X25	*			2				
28	4101-102-038-00	WASHER/24X9X3.2	*			2				
29	1423-616-004-00	CUSHION/RUBBER/10X25	*			4				
30	1719-312-001-00	U-NUT	*			2				

**FIG. 3 RADIATOR SYSTEM(1/2)
(H TYPE EXCEPT TH4365)**

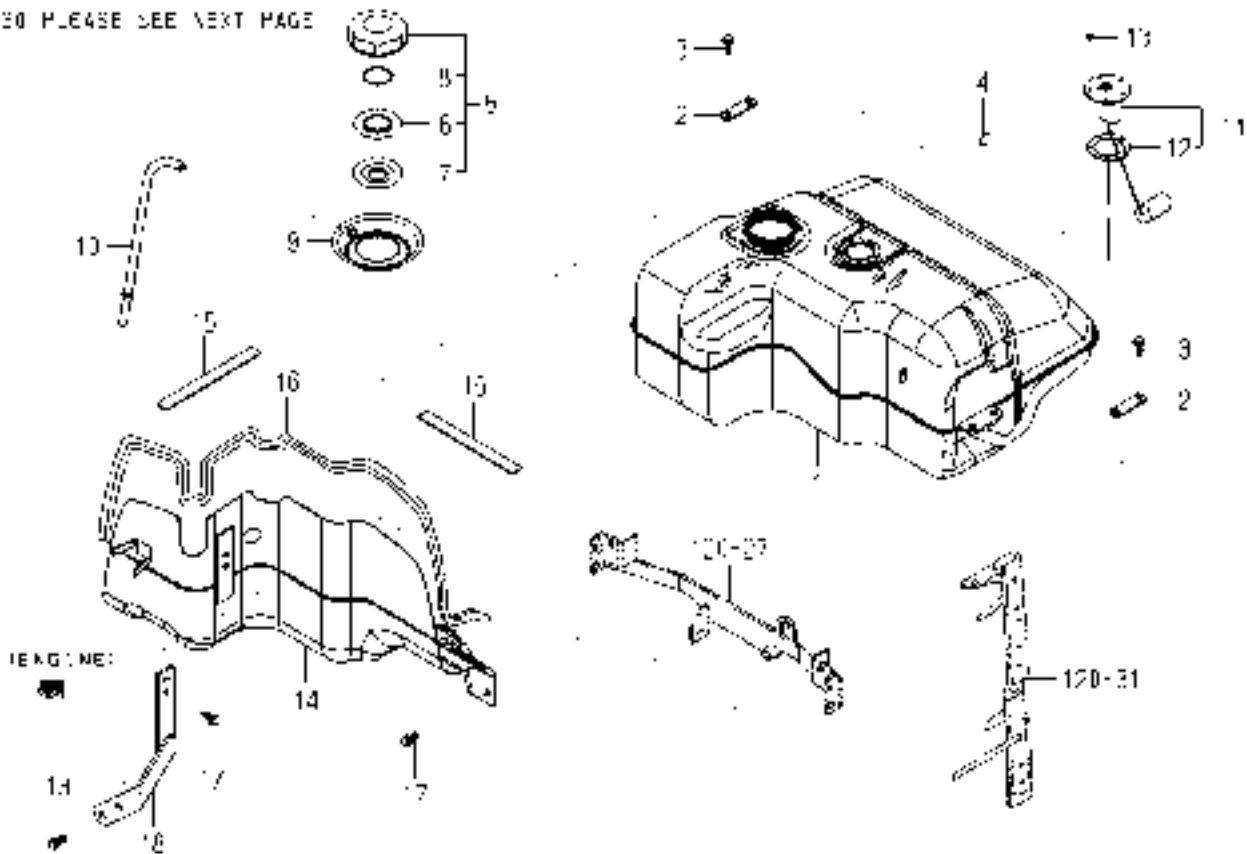


1772-102C-0100

KEY	PART CODE	DESCRIPTION	S P C	TYPE OF MODEL			I T C	C O L	G R P	REMARKS
				TH4295	TH4335	TH4365				
1	3872-301-210-00	RADIATOR ASSY	*	1	1					
2	1650-102-202-10	CAP	*	1	1					
3	1729-102-014-10	INSULATOR	*	4	4					
4	1731-782-009-10	INSULATOR/10X180	*	1	1					
5	1564-630-012-00	INSULATOR	*	1	1					
6	1729-102-009-10	SHROUD	*	1	1					
7	1729-102-013-10	TRIM/1430	*	1	1					
8	V230-360-601-20	FLANGEBOLT	*	4	4					
9	1650-102-004-00	NET	*	1	1					
10	1733-102-002-00	HOSE/RADIATOR/INLET	*	1	1					
11	1733-102-003-00	HOSE/RADIATOR/OUTLET	*	1	1					
12	J061-236-044-00	CLAMP/WIRE/36-44	*	2	2					
13	J061-230-038-00	CLAMP/WIRE/30-38	*	2	2					
14	1560-104-010-40	CONNECTOR	*	1	1					
15	1424-101-203-00	PLUG	*	1	1					
16	1424-101-204-00	PACKING	*	1	1					
17	V231-360-801-60	FLANGEBOLT	*	1	1					
18	1614-102-003-00	HOSE/205	*	1	1					
19	3838-304-001-00	HOSE/350	*	1	1					
20	J062-147-159-00	CLIP/HOSE/14.7-15.9	*	4	4					
21	1772-102-400-00	BRACKET/RADIATO COMP	*	1	1					
22	1719-102-006-00	INSULATOR/280	*	1	1					
23	1716-111-075-00	INSULATOR/310	*	2	2					
24	1729-102-012-00	TRIM/420	*	1	1					
25	V231-360-801-60	FLANGEBOLT	*	1	1					
26	V362-260-008-00	NUT/WASHER	*	2	2					
27	V201-260-802-50	BOLT/M 8X25	*	2	2					
28	4101-102-038-00	WASHER/24X9X3.2	*	2	2					
29	1423-616-004-00	CUSHION/RUBBER/10X25	*	4	4					
30	1719-312-001-00	U-NUT	*	2	2					

FIG. 7 FUEL SYSTEM(H TYPE ECXCEPT TH4365)(1/2)

20-30 PLEASE SEE NEXT PAGE

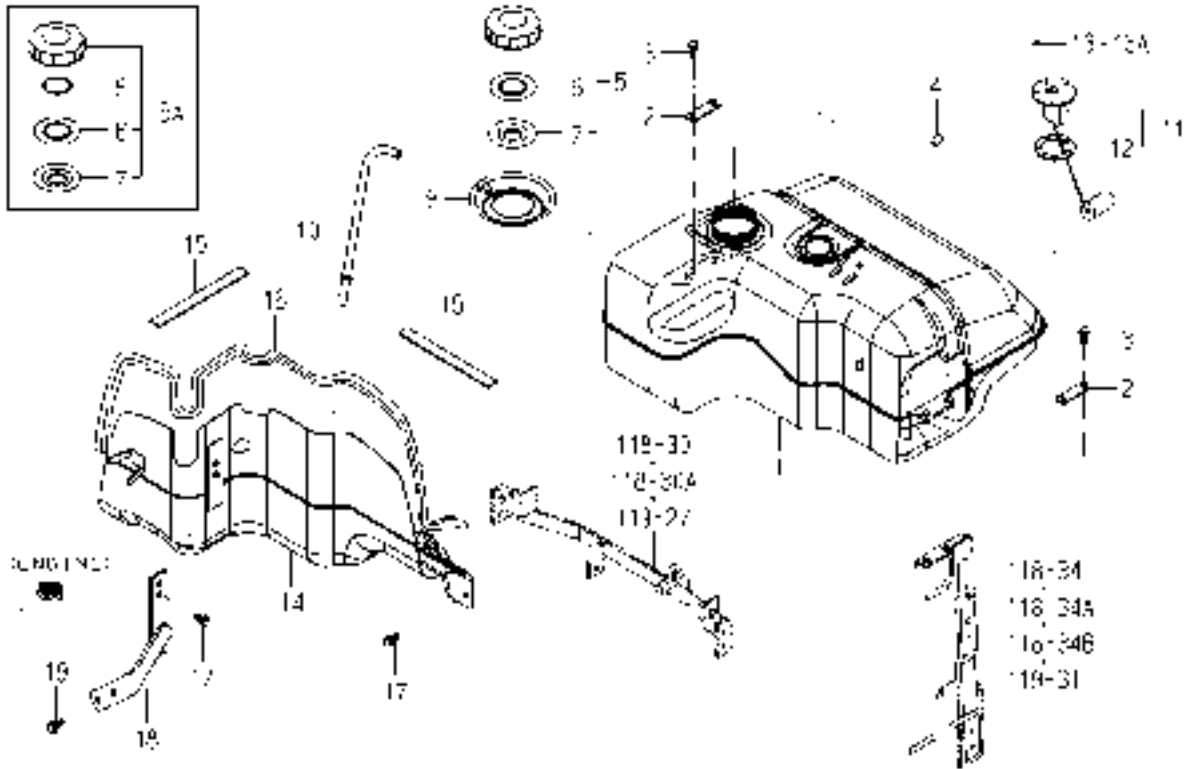


1772-111A-0100

KEY	PART CODE	DESCRIPTION	S P C	TYPE OF MODEL				I T C	C O L	G R P	REMARKS
				TH4295	TH4335	TH4365					
1	1729-111-001-00	TANK/FUEL	*	1	1						
2	1729-111-007-00	PLATE/IR/19X65	*	2	2						
3	V231-360-802-00	FLANGEBOLT	*	4	4						
4	1518-111-007-00	CAP (6)	*	1	1						
5	1774-111-310-00	CAP/NONLEAK ASSY	*	1	1						
6	1729-111-283-00	PLATE	*	1	1						
7	1729-111-284-00	PACKING	*	1	1						
8	1774-111-311-00	PACKINGA	*	1	1						
9	1729-111-005-00	CUP/FUEL	*	1	1						
10	P103-112-003-20	HOSE/700	*	1	1						
11	1729-111-270-00	GAUGE/FUEL ASSY	*	1	1						
12	1416-621-037-00	PACKING/RUBBER	*	1	1						
13	V360-260-004-00	NUT	*	5	5						
14	1729-111-210-30	COVER/TANK COMP	*	1	1						
15	1432-616-004-00	PLATE,RUBBER	*	2	2						
16	1729-111-008-00	TRIM/1600	*	1	1						
17	V231-360-802-00	FLANGEBOLT	*	3	3						
18	1729-111-310-00	STAY/TANK COMP	*	1	1						
19	V231-360-802-00	FLANGEBOLT	*	2	2						
20	1672-105-210-00	FILTER/FUEL ASSY	*	1	1					FIG 201	
21	V201-260-806-50	BOLT/M 8X65	*	1	1						
22	V401-160-008-00	WASHER,SP/M 8	*	1	1						
23	V411-260-008-00	WASHER,PL/M 8	*	1	1						
24	1716-105-001-00	HOSE/08X13X300	*	1	1						
25	1650-111-034-00	CLIP/HOSE/11-13	*	2	2						
26	1716-105-001-00	HOSE/08X13X300	*	1	1						
27	1650-111-034-00	CLIP/HOSE/11-13	*	2	2						
28	1703-105-210-00	PUMP/FUEL ASSY	*	1	1						
29	V230-360-601-60	FLANGEBOLT	*	2	2						
30	1716-105-001-00	HOSE/08X13X300	*	1	1						

FIG. 8 FUEL SYSTEM(1/2) (TH4295,4335TYPE EXCEPT H)

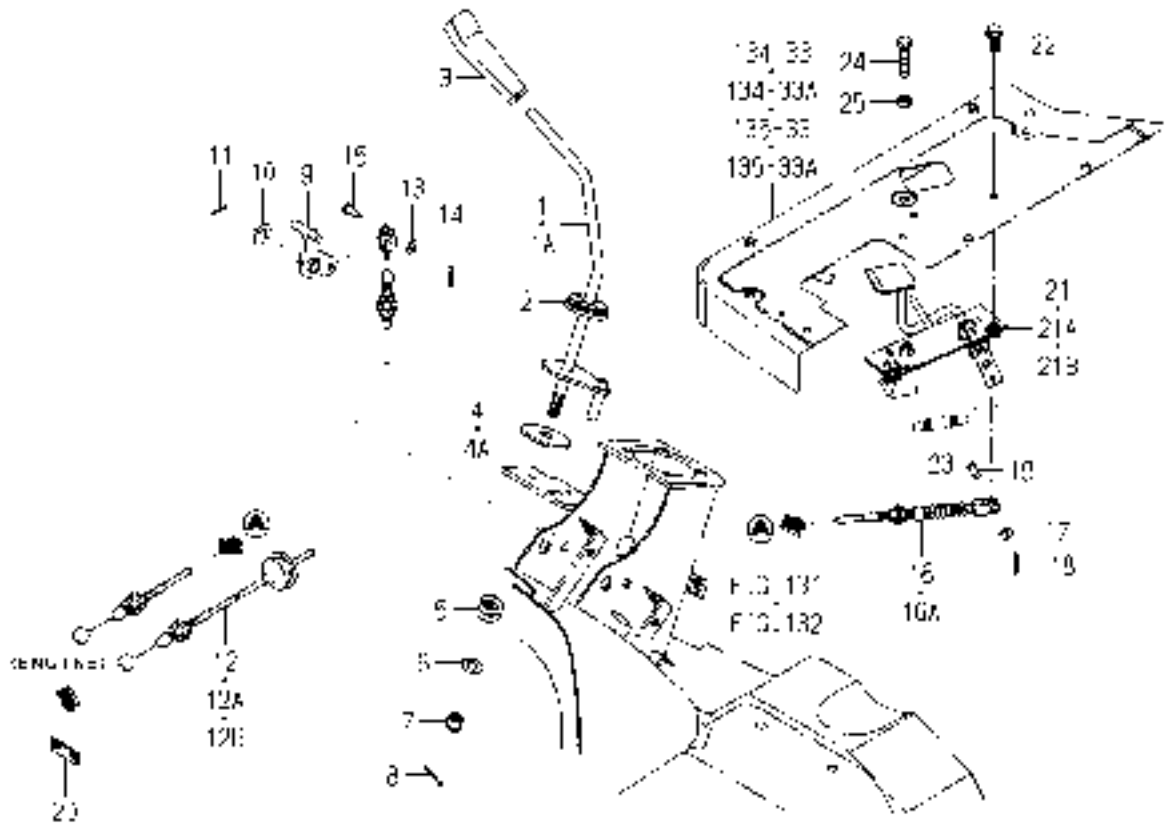
20-30 7 CASE 502 NEXT PAGE



1773-111A-0100

KEY	PART CODE	DESCRIPTION	S P C	TYPE OF MODEL			I T C	C O L	G R P	REMARKS
				TH4295	TH4335	TH4365				
1	1729-111-001-00	TANK/FUEL	*	1	1	1				
2	1729-111-007-00	PLATE/IR/19X65	*	2	2	2				
3	V231-360-802-00	FLANGE BOLT	*	4	4	4				
4	1518-111-007-00	CAP (6)	*	1	1	1				
5	1729-111-280-10	CAP/TANK/NONLEAK ASSY	*	1 -100	1 -452					
5A	1774-111-310-00	CAP/NONLEAK ASSY	*	1 101-	1 453-	1				
6	1729-111-283-00	PLATE	*	1	1	1				
7	1729-111-284-00	PACKING	*	1	1	1				
8	1774-111-311-00	PACKINGA	*	1 101-	1 453-	1				
9	1729-111-005-00	CUP/FUEL	*	1	1	1				
10	P103-112-003-20	HOSE/700	*	1	1	1				
11	1729-111-270-00	GAUGE/FUEL ASSY	*	1	1	1				
12	1416-621-037-00	PACKING/RUBBER	*	1	1	1				
13	1617-730-005-00	NUT/WASHER	*	5 -84	5 -421					
13A	V360-260-004-00	NUT	*	5 85-	5 422-	5				
14	1729-111-210-30	COVER/TANK COMP	*	1	1	1				
15	1432-616-004-00	PLATE,RUBBER	*	2	2	2				
16	1729-111-008-00	TRIM/1600	*	1	1	1				
17	V231-360-802-00	FLANGE BOLT	*	3	3	3				
18	1729-111-290-10	STAY/TANK COMP	*	1	1	1				
19	V231-360-802-00	FLANGE BOLT	*	2	2	2				
20	1672-105-210-00	FILTER/FUEL ASSY	*	1	1	1				FIG 201
21	V201-260-806-50	BOLT/M 8X65	*	1	1	1				
22	V401-160-008-00	WASHER,SP/M 8	*	1	1	1				
23	V411-260-008-00	WASHER,PL/M 8	*	1	1	1				
24	1716-105-001-00	HOSE/08X13X300	*	1	1	1				
25	1650-111-034-00	CLIP/HOSE/11-13	*	2	2	2				
26	1716-105-001-00	HOSE/08X13X300	*	1	1	1				
27	1650-111-034-00	CLIP/HOSE/11-13	*	2	2	2				
28	1703-105-210-00	PUMP/FUEL ASSY	*	1	1	1				

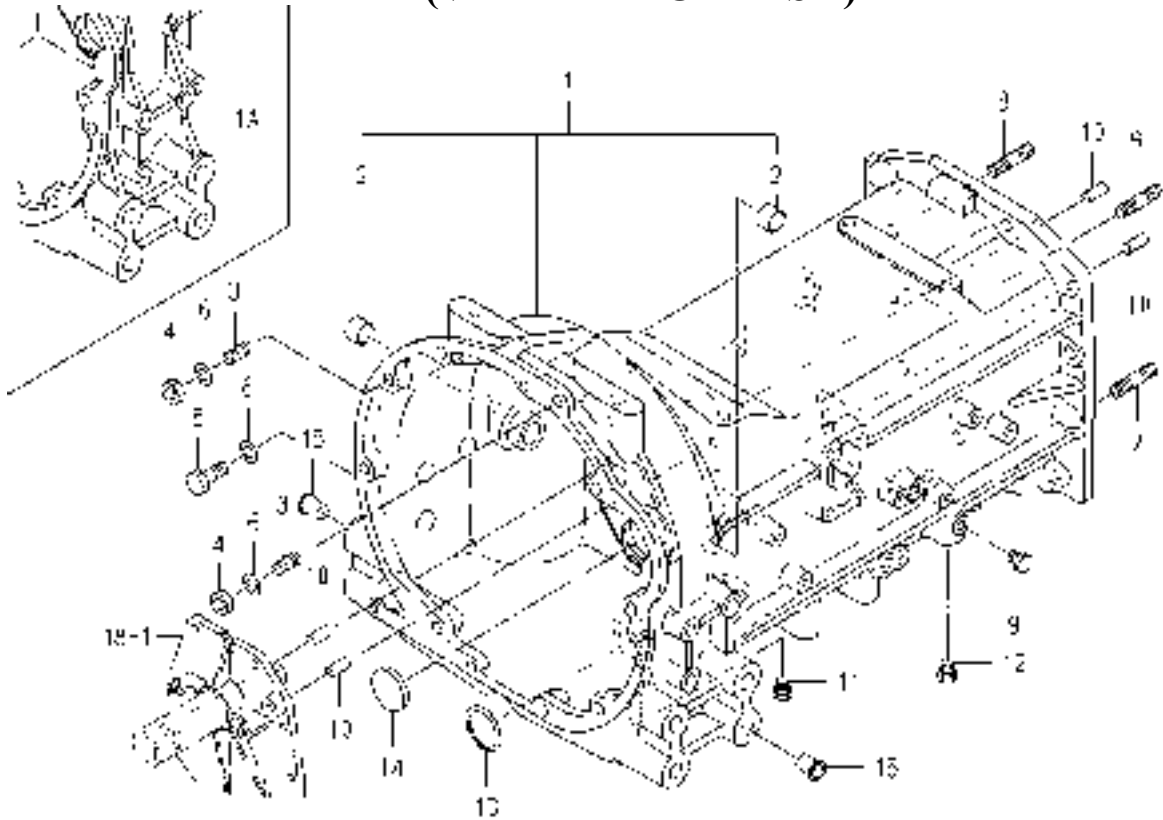
FIG. 10 THROTTLE SYSTEM(EXCEPT H TYPE)



1773-116A-0100

KEY	PART CODE	DESCRIPTION	S P C	TYPE OF MODEL			I T C	C O L	G R P	REMARKS
				TH4295	TH4335	TH4365				
1	1773-116-210-10	LEVER COMP	*	1 -55	1 -342					
1A	1773-116-210-20	LEVER COMP	*	1 56-	1 343-		1			
2	1560-630-021-50	INSULATOR	*	1	1					
3	1646-116-051-10	GRIP/THROTTLE	*	1	1					
4	1600-505-007-00	LINING/13X50X3	*	1 -55	1 -357					
4A	1600-505-007-10	LINING/13X50X03	*	1 56-	1 358-		1			
5	1404-117-008-00	SPRING,PRESS/22	*	1	1					
6	V411-260-010-00	WASHER/M10	*	1	1					
7	V328-261-110-00	NUT/M10X1.25	*	1	1					
8	V500-162-502-50	PIN,SPLIT/2.5X25	*	1	1					
9	1773-116-220-10	ARM COMP	*	1	1					
10	V411-260-010-00	WASHER/M10	*	1	1					
11	V500-162-502-00	PIN,SPLIT/2.5X20	*	1	1					
12	1650-116-220-10	CABLE/ACCELERATOR	*	1 -59	1 -364					
12A	1650-116-220-20	CABLE/ACCELERATOR	*	1 -144	1 -481		1			
12B	1772-116-220-00	CABLE/ACCELERATOR	*	1 145-	1 482-					
13	V411-260-006-00	WASHER / M6	*	1	1					
14	V500-162-001-50	PIN,SPLIT/2 X15	*	1	1					
15	1560-116-008-30	PIN/6X16	*	1	1					
16	1650-116-230-00	CABLE/PEDAL ASSY	*	1 -59	1 -364					
16A	1650-116-230-10	CABLE/PEDAL ASSY	*	1 60-	1 365-		1			
17	V411-260-006-00	WASHER / M6	*	1	1					
18	V500-162-001-50	PIN,SPLIT/2 X15	*	1	1					
19	1560-116-008-30	PIN/6X16	*	1	1					
20	1675-116-001-00	HOLDER	*	1	1					
21	1773-116-230-30	PEDAL COMP	*	1 -31	1 -150					
21A	1773-116-230-40	PEDAL COMP	*	1 -75	1 -377		1			
21B	1773-116-230-50	PEDAL COMP	*	1 76-	1 378-		1			
22	V231-360-802-00	FLANGEBOLT	*	3	3					
23	2143-744-001-00	SPRING/HE060	*	1	1					

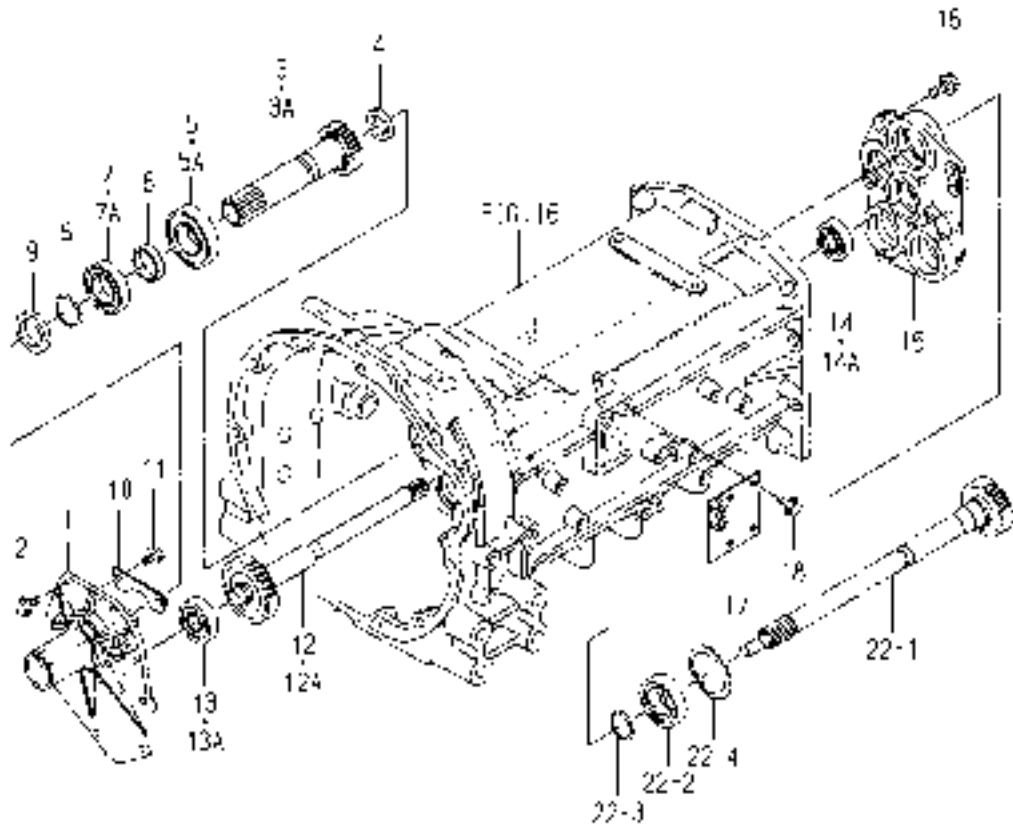
FIG. 15 CASE(TRANSMISSION/FRONT)SYSTEM (V TYPE EXCEPT SK)



1772-201 -0100

KEY	PART CODE	DESCRIPTION	S P C	TYPE OF MODEL			I T C	C O L	G R P	REMARKS
				TH4295	TH4335	TH4365				
1	1773-201-200-00	CASE/TRANSMISSION/F	*	1 -25	1 -39					
1A	1773-201-200-10	CASE/TRANSMISSION/F	*	1 26-	1 40-		1			
2	1650-201-202-00	BUSH/19X22X15	*	2	2					
3	V251-341-202-50	BOLT/M12X25	*	2	2					
4	V304-460-012-00	NUT/M12	*	2	2					
5	V201-361-203-00	BOLT/M12X30	*	6	6					
6	V401-160-012-00	WASHER,SP/M12	*	8	8					
7	V251-341-205-00	BOLT/STUD	*	1	1					
8	V251-341-205-00	BOLT/STUD	*	2	2					
9	V782-160-000-2B	PLUG/SCREW/SEAL	*	1	1					
10	V523-101-002-40	PIN	*	4	4					
11	V782-160-000-2T	PLUG/SCREW/SEAL	*	1	1					
12	P118-702-033-00	PLUG	*	1	1					
13	V705-140-042-00	RING,SNAP/42 C	*	1	1					
14	3640-561-003-00	PLUG/52X8	*	1	1					
15	1432-621-011-00	CAP,BLANK/M16	*	8	8					

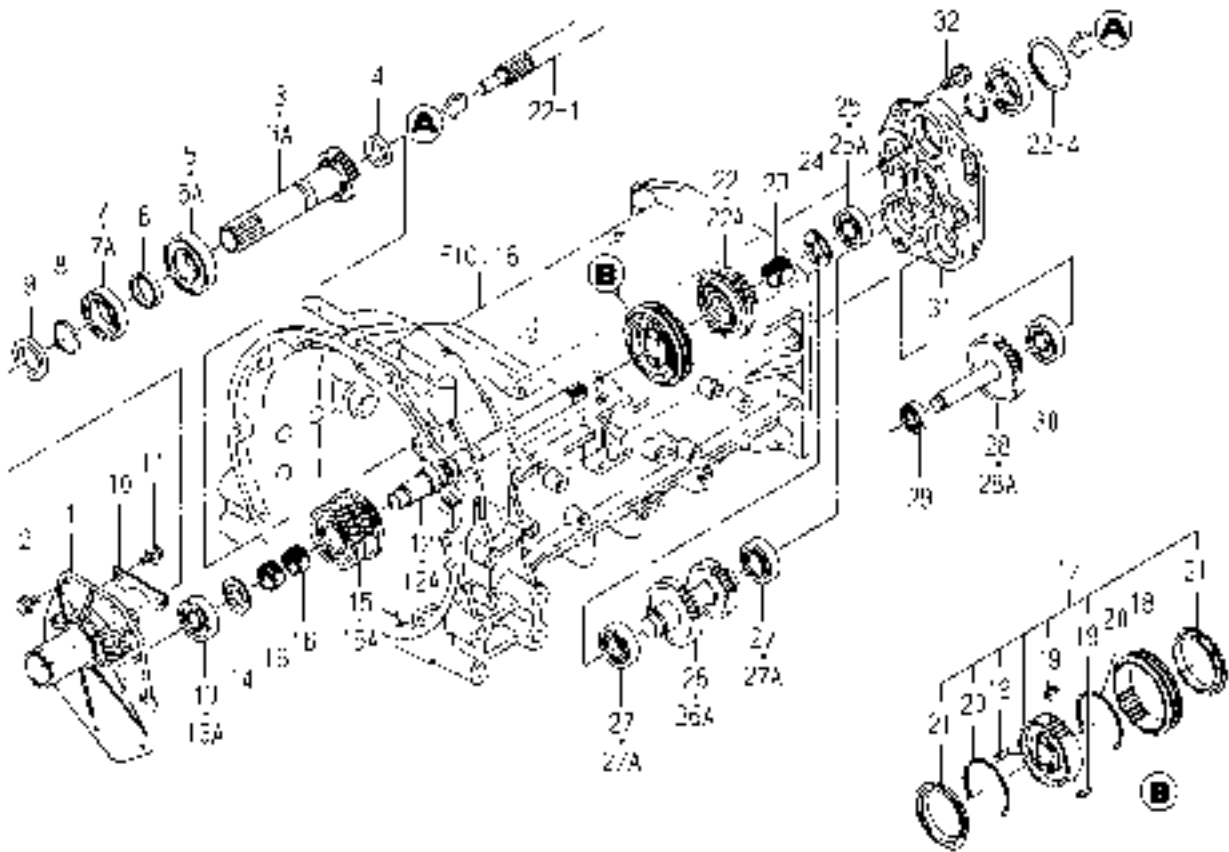
FIG. 19 GEAR(INPUT)SYSTEM(K TYPE)



1772-203A-0100

KEY	PART CODE	DESCRIPTION	S P C	TYPE OF MODEL			I T C	C O L	G R P	REMARKS
				TH4295	TH4335	TH4365				
1	1773-203-001-00	METAL/INPUT	*	1	1					
2	V231-360-802-00	FLANGEBOLT	*	8	8					
3	1773-203-002-00	GEAR/HELICAL/21	*	1 -84	1 -412					
3A	1773-203-002-10	GEAR/HELICAL/21	*	1 85-	1 413-		1			
4	V744-125-380-70	SEAL,OIL/TC25387	*	1	1					
5	V600-410-620-70	BEARING/BALL	*	1 -127	1 -464					
5A	1729-202-007-00	BEARING/BALL	*	1 128-	1 465-					
6	1742-203-002-00	COLLAR/36X43X10	*	1	1					
7	V600-410-600-70	BEARING/BALL	*	1 -127	1 -464					
7A	1729-202-004-00	BEARING/BALL	*	1 128-	1 465-					
8	V704-140-035-00	RING,SNAP/35 C	*	1	1					
9	V744-135-500-80	SEAL,OIL/TC355008	*	1	1					
10	1560-206-002-40	PLATE	*	1	1					
11	V231-360-801-60	FLANGEBOLT	*	2	2					
12	1773-203-003-00	GEAR/HELICAL/28	*	1 -86	1 -432					
12A	1773-203-003-10	GEAR/HELICAL/28	*	1 87-	1 433-		1			
13	V600-410-630-40	BEARING/BALL	*	1 -127	1 -464					
13A	1729-202-011-00	BEARING/BALL	*	1 128-	1 465-					
14	V600-410-620-40	BEARING/BALL	*	1 -127	1 -464					
14A	V600-110-620-40	BEARING,RB/6204	*	1 128-	1 465-					
15	1773-203-005-00	METAL/INPUT/PTO	*	1	1					
16	V231-361-002-50	FLANGEBOLT	*	3	3					
17	1772-203-210-00	COVER/PLATE COMP	*	1	1					
18	V231-360-801-60	FLANGEBOLT	*	4	4					

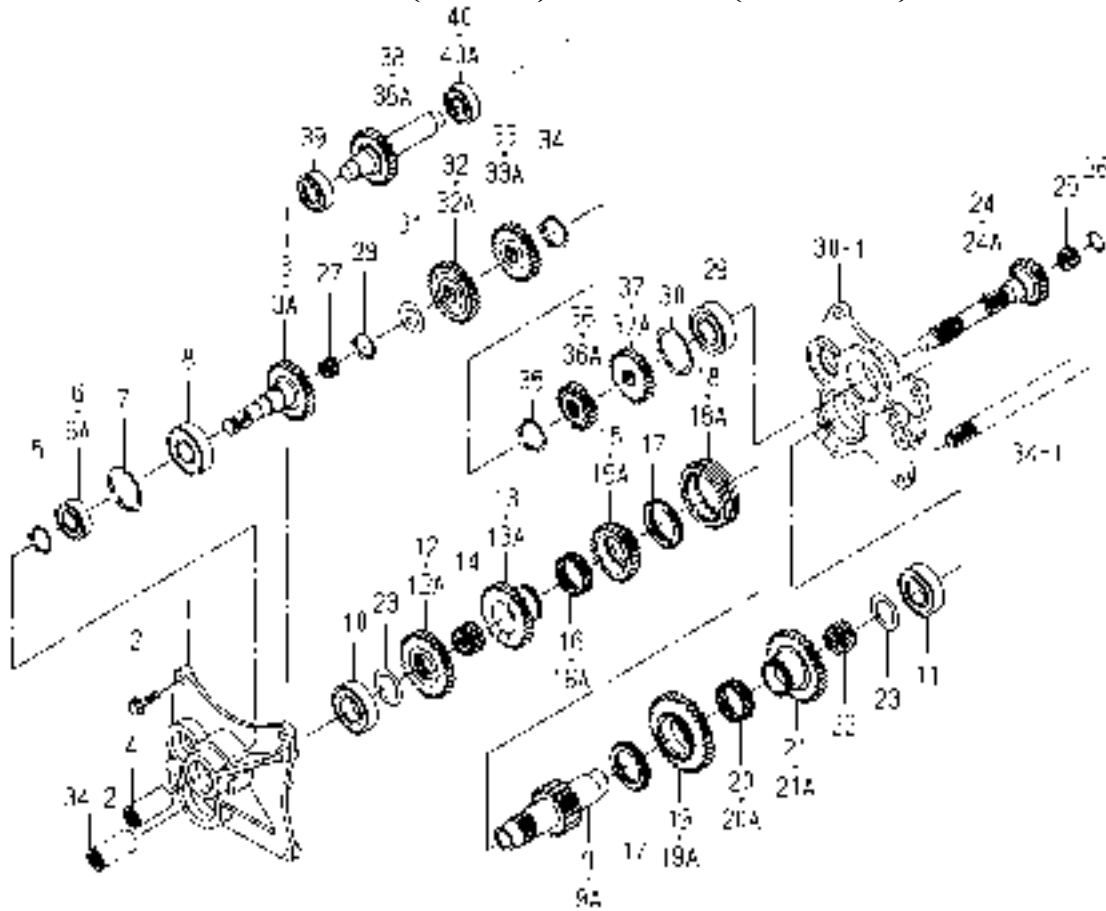
FIG. 20 GEAR(INPUT)SYSTEM(SK TYPE)



1773-203A-0100

KEY	PART CODE	DESCRIPTION	S P C	TYPE OF MODEL			I T C	C O L	G R P	REMARKS
				TH4295	TH4335	TH4365				
1	1773-203-001-00	METAL/INPUT	*	1	1					
2	V231-360-802-00	FLANGEBOLT	*	8	8					
3	1773-203-002-00	GEAR/HELICAL/21	*	1 -84	1 -412					
3A	1773-203-002-10	GEAR/HELICAL/21	*	1 85-	1 413-		1			
4	V744-125-380-70	SEAL,OIL/TC25387	*	1	1					
5	V600-410-620-70	BEARING/BALL	*	1 -147	1 -466					
5A	1729-202-007-00	BEARING/BALL	*	1 148-	1 467-					
6	1742-203-002-00	COLLAR/36X43X10	*	1	1					
7	V600-410-600-70	BEARING/BALL	*	1 -147	1 -466					
7A	1729-202-004-00	BEARING/BALL	*	1 148-	1 467-					
8	V704-140-035-00	RING,SNAP/35 C	*	1	1					
9	V744-135-500-80	SEAL,OIL/TC355008	*	1	1					
10	1560-206-002-40	PLATE	*	1	1					
11	V231-360-801-60	FLANGEBOLT	*	2	2					
12	1773-203-008-00	SHAFT/INPUT	*	1 -82	1 -392					
12A	1773-203-008-10	SHAFT/INPUT	*	1 89-	1 393-		1			
13	V600-410-630-40	BEARING/BALL	*	1 -147	1 -466					
13A	1729-202-011-00	BEARING/BALL	*	1 148-	1 467-					
14	1434-203-002-00	COLLAR,THRUST	*	1	1					
15	1773-203-200-00	GEAR/HELICAL/28-26	*	1 -80	1 -379					
15A	1773-203-200-10	GEAR/HELICAL/28-26	*	1 81-	1 380-		1			
16	1729-203-017-00	BEARING/NEEDLE	*	2	2					
17	1716-126-210-20	SYNCHRONIZER/30 ASSY	*	1	1					
18	1716-126-211-10	SLEEVE	*	1	1					
19	1627-205-223-00	PIN/INSERT	*	3	3					
20	1650-214-203-00	SPRING	*	2	2					
21	1650-214-204-00	RING/SYNCHRONIZER	*	2	2					
22	1773-203-210-00	GEAR/HELICAL/25 COMP	*	1 -80	1 -379					
22A	1773-203-210-10	GEAR/HELICAL/25 COMP	*	1 81-	1 380-		1			
23	1729-216-006-00	BEARING/NEEDLE	*	1	1					

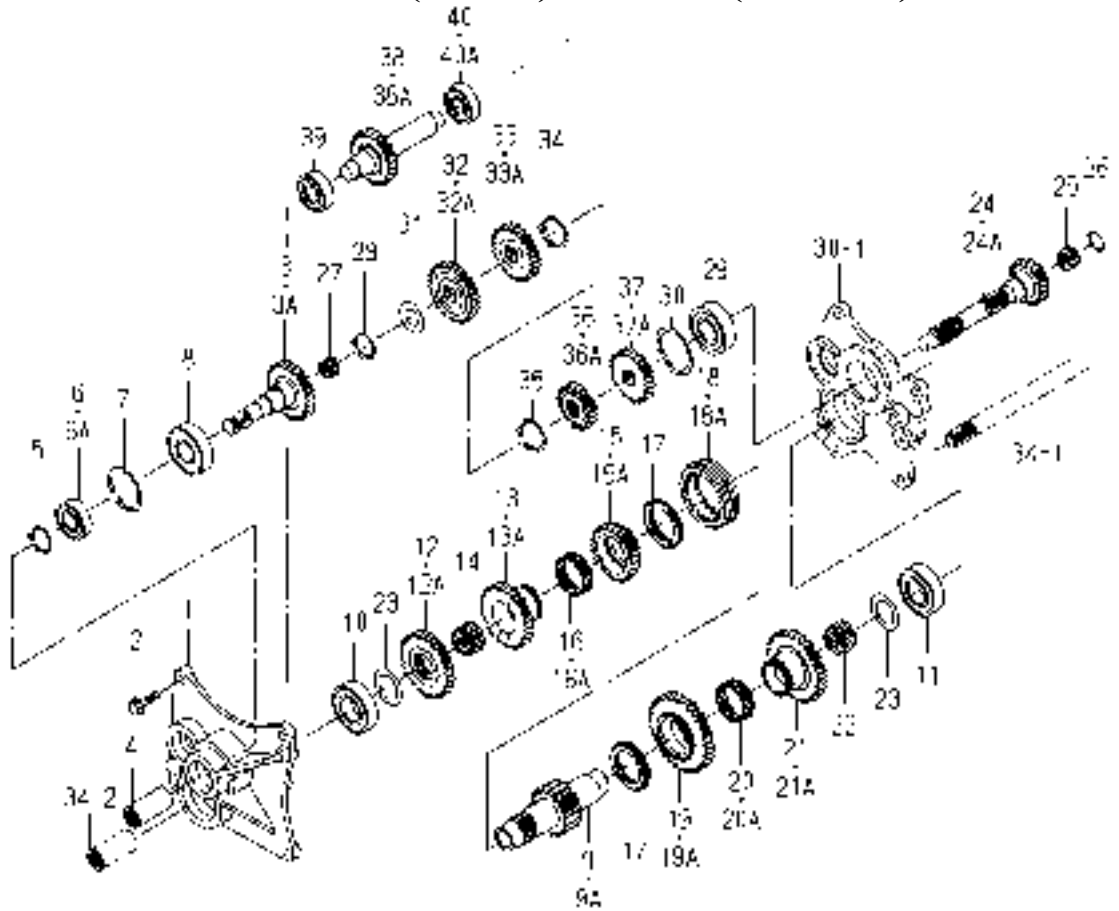
FIG. 25 GEAR(MAIN)SYSTEM(K TYPE)



1772-214A-0100

KEY	PART CODE	DESCRIPTION	S P C	TYPE OF MODEL			I T C	C O L	G R P	REMARKS
				TH4295	TH4335	TH4365				
1	1773-214-015-00	METAL/MAIN	*	1	1					
2	V231-361-002-50	FLANGE BOLT	*	4	4					
3	1772-214-001-00	GEAR/SPUR/30	*	1 -86	1 -432					
3A	1772-214-001-10	GEAR/SPUR/30	*	1 87-	1 433-		1			
4	1602-321-004-00	COUPLING/18X30X55	*	1	1					
5	V704-140-020-00	RING,SNAP/20C	*	1	1					
6	V600-410-620-40	BEARING/BALL	*	1 -127	1 -464					
6A	V600-110-620-40	BEARING,RB/6204	*	1 128-	1 465-					
7	V705-140-047-00	RING,SNAP/47 C	*	1	1					
8	1614-203-015-00	BEARING/BALL	*	1	1					
9	1773-214-006-00	SHAFT/MAIN	*	1 -84	1 -410					
9A	1773-214-006-10	SHAFT/MAIN	*	1 85-	1 411-		1			
10	V600-410-620-60	BEARING/BALL	*	1	1					
11	V600-410-620-60	BEARING/BALL	*	1	1					
12	1772-214-002-00	GEAR/SPUR/28	*	1 -84	1 -422					
12A	1772-214-002-10	GEAR/SPUR/28	*	1 85-	1 423-		1			
13	1773-214-003-00	GEAR/SPUR/30	*	1 -84	1 -417					
13A	1773-214-003-10	GEAR/SPUR/30	*	1 85-	1 418-		1			
14	2512-213-004-00	BEARING/NEEDLE	*	1	1					
15	1773-214-004-00	GEAR/SPUR/26	*	1 -89	1 -433					
15A	1773-214-004-10	GEAR/SPUR/26	*	1 90-	1 434-		1			
16	1716-205-024-00	BEARING/NEEDLE	*	1 -34	1 -230					
16A	1757-216-003-00	BEARING/NEEDLE	*	1 35-	1 231-					
17	1773-214-005-00	HUB	*	2	2					
18	1763-205-007-10	COUPLING	*	1 -48	1 -317					
18A	1763-205-007-20	COUPLING	*	1 49-	1 318-		1			
19	1773-214-023-00	GEAR/SPUR/39	*	1 -84	1 -416					
19A	1773-214-023-10	GEAR/SPUR/39	*	1 85-	1 417-		1			
20	1716-205-024-00	BEARING/NEEDLE	*	1 -34	1 -230					
20A	1757-216-003-00	BEARING/NEEDLE	*	1 35-	1 231-					

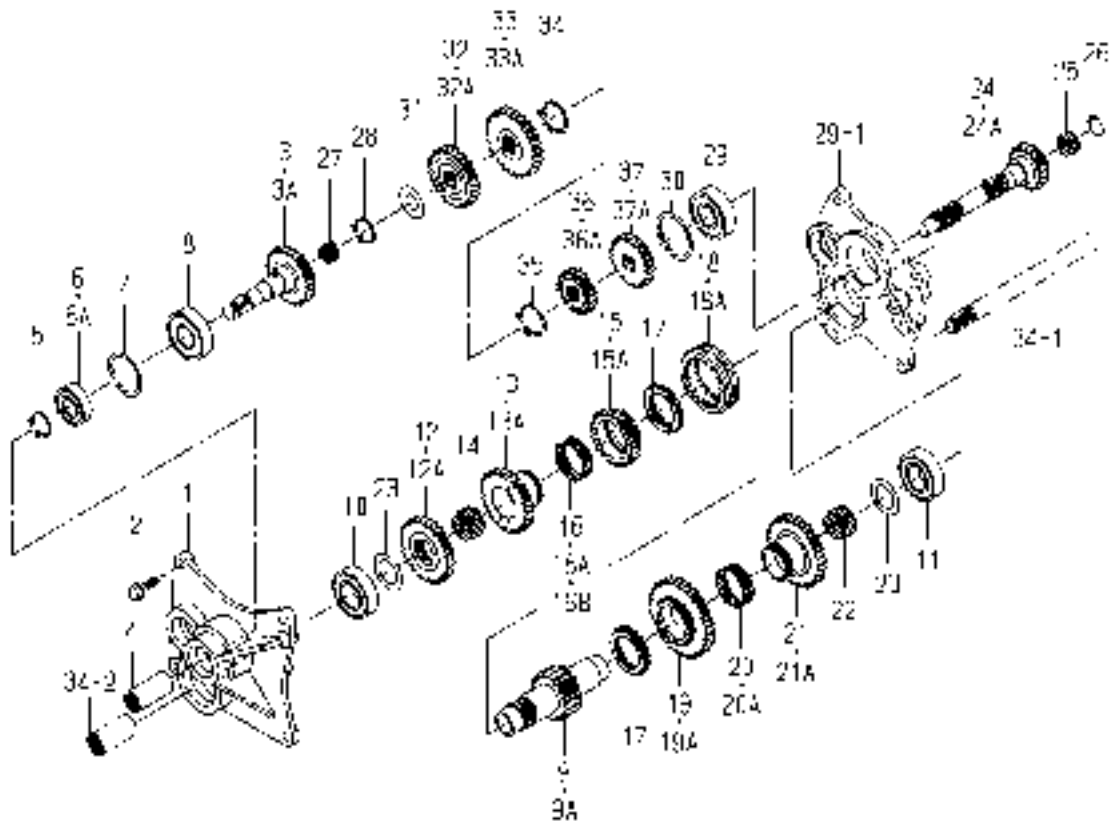
FIG. 25 GEAR(MAIN)SYSTEM(K TYPE)



1772-214A-0100

KEY	PART CODE	DESCRIPTION	S P C	TYPE OF MODEL			I T C	C O L	G R P	REMARKS
				TH4295	TH4335	TH4365				
21	1773-214-008-00	GEAR/SPUR/34	*	1 -84	1 -421					
21A	1773-214-008-10	GEAR/SPUR/34	*	1 85-	1 422-		1			
22	2512-213-004-00	BEARING/NEEDLE	*	1	1					
23	1560-208-018-40	WASHER/30X46X2	*	2	2					
24	1773-214-013-00	GEAR/SPUR/20	*	1 -82	1 -402					
24A	1773-214-013-10	GEAR/SPUR/20	*	1 83-	1 403-		1			
25	1716-127-011-00	BEARING/NEEDLE	*	1	1					
26	1560-208-023-00	RING,SNAP	*	1	1					
27	1709-206-005-00	BEARING/NEEDLE	*	1	1					
28	V704-140-020-00	RING,SNAP/20C	*	1	1					
29	1594-218-001-00	BEARING/BALL 6305SH2	*	1	1					
30	V707-140-062-00	RING/SNAP	*	1	1					
31	1602-205-056-00	COLLAR/20X39X02	*	1	1					
32	1773-214-009-00	GEAR/SPUR/28	*	1 -100	1 -452					
32A	1773-214-009-10	GEAR/SPUR/28	*	1 101-	1 453-		1			
33	1773-214-010-00	GEAR/SPUR/26	*	1 -84	1 -425					
33A	1773-214-010-10	GEAR/SPUR/26	*	1 85-	1 426-		1			
34	V704-140-025-00	RING,SNAP/25 C	*	1	1					
35	V704-140-025-00	RING,SNAP/25 C	*	1	1					
36	1773-214-024-00	GEAR/SPUR/19	*	1 -84	1 -419					
36A	1773-214-024-10	GEAR/SPUR/19	*	1 85-	1 420-		1			
37	1773-214-012-00	GEAR/SPUR/24	*	1 -82	1 -406					
37A	1773-214-012-10	GEAR/SPUR/24	*	1 83-	1 407-		1			
38	1773-214-014-00	GEAR/SPUR/25	*	1 -116	1 -464					
38A	1773-214-014-10	GEAR/SPUR/25	*	1 117-	1 465-		1			
39	1600-211-052-00	BEARING/BALL	*	1	1					
40	V600-410-620-40	BEARING/BALL	*	1 -127	1 -464					
40A	V600-110-620-40	BEARING,RB/6204	*	1 128-	1 465-					

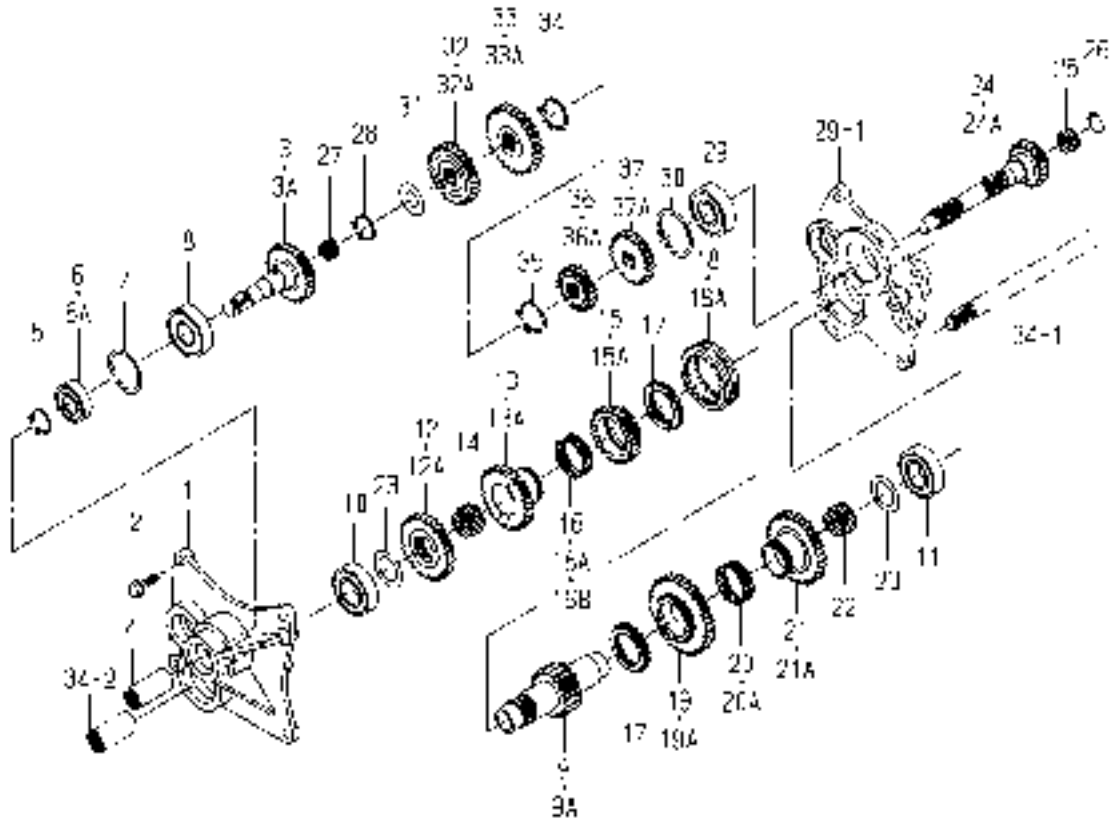
FIG. 26 GEAR(MAIN)SYSTEM(SK TYPE)



1772-214B-0100

KEY	PART CODE	DESCRIPTION	S P C	TYPE OF MODEL				I T C	C O L	G R P	REMARKS
				TH4295	TH4335	TH4365					
1	1773-214-015-00	METAL/MAIN	*	1	1						
2	V231-361-002-50	FLANGE BOLT	*	4	4						
3	1772-214-001-00	GEAR/SPUR/30	*	1 -86	1 -432						
3A	1772-214-001-10	GEAR/SPUR/30	*	1 87-	1 433-		1				
4	1602-321-004-00	COUPLING/18X30X55	*	1	1						
5	V704-140-020-00	RING,SNAP/20C	*	1	1						
6	V600-410-620-40	BEARING/BALL	*	1 -147	1 -466						
6A	V600-110-620-40	BEARING, RB/6204	*	1 148-	1 467-						
7	V705-140-047-00	RING,SNAP/47 C	*	1	1						
8	1614-203-015-00	BEARING/BALL	*	1	1						
9	1773-214-006-00	SHAFT/MAIN	*	1 -84	1 -410						
9A	1773-214-006-10	SHAFT/MAIN	*	1 85-	1 411-		1				
10	V600-410-620-60	BEARING/BALL	*	1	1						
11	V600-410-620-60	BEARING/BALL	*	1	1						
12	1772-214-002-00	GEAR/SPUR/28	*	1 -84	1 -422						
12A	1772-214-002-10	GEAR/SPUR/28	*	1 85-	1 423-		1				
13	1773-214-003-00	GEAR/SPUR/30	*	1 -84	1 -417						
13A	1773-214-003-10	GEAR/SPUR/30	*	1 85-	1 418-		1				
14	2512-213-004-00	BEARING/NEEDLE	*	1	1						
15	1773-214-021-00	GEAR/SPUR/26	*	1 -84	1 -419						
15A	1773-214-021-10	GEAR/SPUR/26	*	1 85-	1 420-		1				
16	1716-205-024-00	BEARING/NEEDLE	*	1 -37	1 -230						
16A	1757-216-003-00	BEARING/NEEDLE	*	1 -55	1 -343						
16B	V654-445-501-70	BEARING,KT455017	*	1 56-	1 344-						
17	1773-214-005-00	HUB	*	2	2						
18	1763-205-007-10	COUPLING	*	1 -48	1 -317						
18A	1763-205-007-20	COUPLING	*	1 49-	1 318-		1				
19	1773-214-023-00	GEAR/SPUR/39	*	1 -84	1 -416						
19A	1773-214-023-10	GEAR/SPUR/39	*	1 85-	1 417-		1				
20	1716-205-024-00	BEARING/NEEDLE	*	1 -37	1 -230						

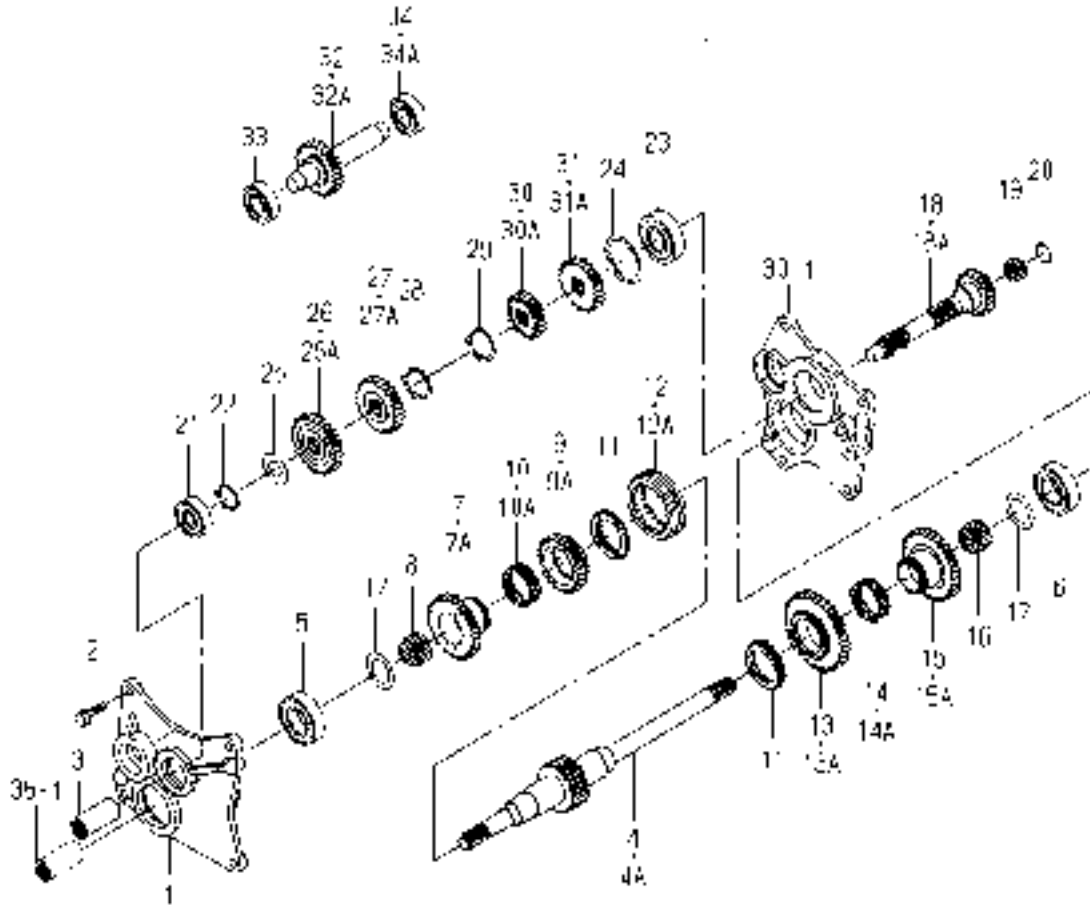
FIG. 26 GEAR(MAIN)SYSTEM(SK TYPE)



1772-214B-0100

KEY	PART CODE	DESCRIPTION	S P C	TYPE OF MODEL			I T C	C O L	G R P	REMARKS
				TH4295	TH4335	TH4365				
20A	1757-216-003-00	BEARING/NEEDLE	*	1 38-	1 231-					
21	1773-214-008-00	GEAR/SPUR/34	*	1 84-	1 421-					
21A	1773-214-008-10	GEAR/SPUR/34	*	1 85-	1 422-		1			
22	2512-213-004-00	BEARING/NEEDLE	*	1	1					
23	1560-208-018-40	WASHER/30X46X2	*	2	2					
24	1773-214-013-00	GEAR/SPUR/20	*	1 82-	1 402-					
24A	1773-214-013-10	GEAR/SPUR/20	*	1 83-	1 403-		1			
25	1716-127-011-00	BEARING/NEEDLE	*	1	1					
26	1560-208-023-00	RING,SNAP	*	1	1					
27	1709-206-005-00	BEARING/NEEDLE	*	1	1					
28	V704-140-020-00	RING,SNAP/20C	*	1	1					
29	1594-218-001-00	BEARING/BALL 6305SH2	*	1	1					
30	V707-140-062-00	RING/SNAP	*	1	1					
31	1602-205-056-00	COLLAR/20X39X02	*	1	1					
32	1773-214-009-00	GEAR/SPUR/28	*	1 100-	1 452-					
32A	1773-214-009-10	GEAR/SPUR/28	*	1 101-	1 453-		1			
33	1773-214-022-00	GEAR/SPUR/32	*	1 84-	1 419-					
33A	1773-214-022-10	GEAR/SPUR/32	*	1 85-	1 420-		1			
34	V704-140-025-00	RING,SNAP/25 C	*	1	1					
35	V704-140-025-00	RING,SNAP/25 C	*	1	1					
36	1773-214-024-00	GEAR/SPUR/19	*	1 84-	1 419-					
36A	1773-214-024-10	GEAR/SPUR/19	*	1 85-	1 420-		1			
37	1773-214-012-00	GEAR/SPUR/24	*	1 82-	1 406-					
37A	1773-214-012-10	GEAR/SPUR/24	*	1 83-	1 407-		1			

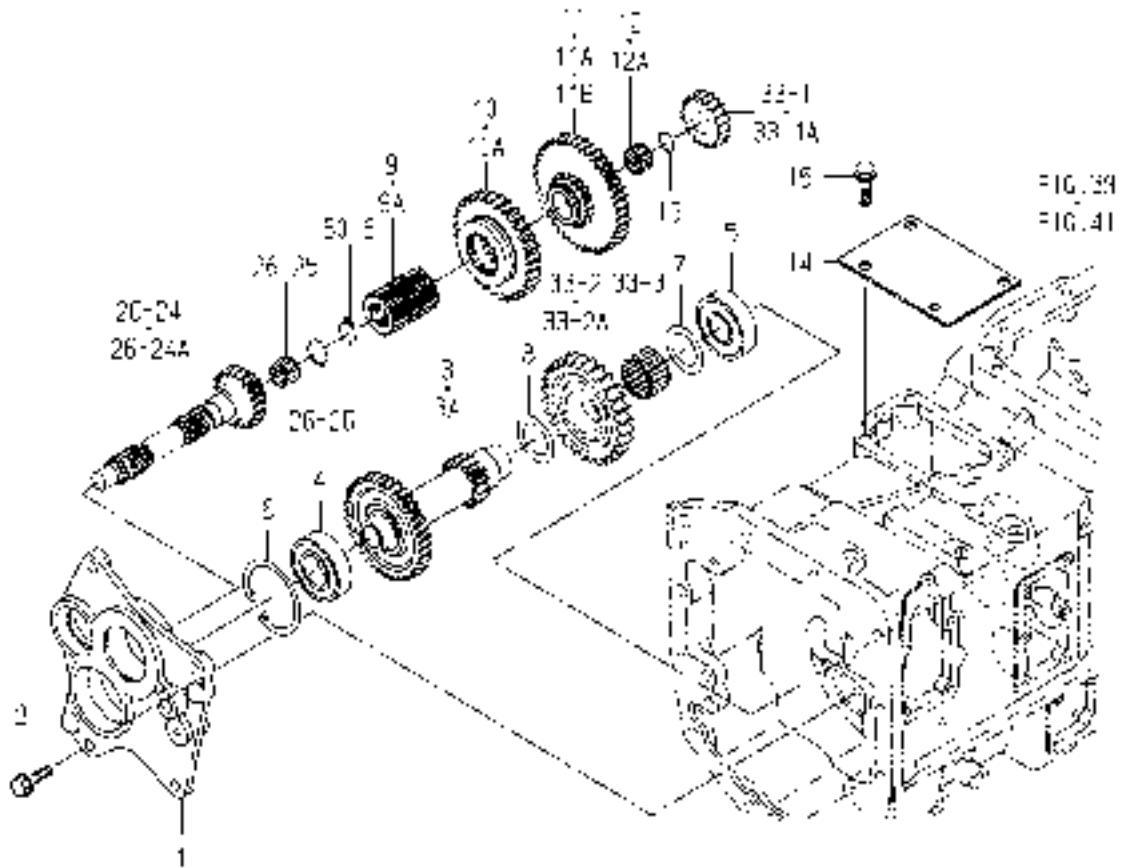
FIG. 27 GEAR(MAIN)SYSTEM(V TYPE EXCEPT SK)



1772-214C-0100

KEY	PART CODE	DESCRIPTION	S P C	TYPE OF MODEL			I T C	C O L	G R P	REMARKS
				TH4295	TH4335	TH4365				
1	1772-214-004-00	METAL/MAIN	*	1	1					
2	V231-361-002-50	FLANGEBOLT	*	4	4					
3	1673-431-001-10	COUPRING/16X27X55	*	1	1					
4	1772-214-003-00	SHAFT/MAIN	*	1 -168	1 -527					
4A	1772-214-003-10	SHAFT/MAIN	*	1 169-	1 528-		1			
5	V600-410-620-60	BEARING/BALL	*	1	1					
6	V600-410-620-60	BEARING/BALL	*	1	1					
7	1773-214-003-00	GEAR/SPUR/30	*	1 -84	1 -417					
7A	1773-214-003-10	GEAR/SPUR/30	*	1 85-	1 418-		1			
8	2512-213-004-00	BEARING/NEEDLE	*	1	1					
9	1773-214-004-00	GEAR/SPUR/26	*	1 -89	1 -433					
9A	1773-214-004-10	GEAR/SPUR/26	*	1 90-	1 434-		1			
10	1716-205-024-00	BEARING/NEEDLE	*	1 -37	1 -230					
10A	1757-216-003-00	BEARING/NEEDLE	*	1 38-	1 231-					
11	1773-214-005-00	HUB	*	2	2					
12	1763-205-007-10	COUPLING	*	1 -48	1 -317					
12A	1763-205-007-20	COUPLING	*	1 49-	1 318-		1			
13	1773-214-023-00	GEAR/SPUR/39	*	1 -84	1 -416					
13A	1773-214-023-10	GEAR/SPUR/39	*	1 85-	1 417-		1			
14	1716-205-024-00	BEARING/NEEDLE	*	1 -37	1 -230					
14A	1757-216-003-00	BEARING/NEEDLE	*	1 38-	1 231-					
15	1773-214-008-00	GEAR/SPUR/34	*	1 -84	1 -421					
15A	1773-214-008-10	GEAR/SPUR/34	*	1 85-	1 422-		1			
16	2512-213-004-00	BEARING/NEEDLE	*	1	1					
17	1560-208-018-40	WASHER/30X46X2	*	2	2					
18	1773-214-013-00	GEAR/SPUR/20	*	1 -82	1 -402					
18A	1773-214-013-10	GEAR/SPUR/20	*	1 83-	1 403-		1			
19	1716-127-011-00	BEARING/NEEDLE	*	1	1					
20	1560-208-023-00	RING,SNAP	*	1	1					
21	V600-410-630-30	BEARING/BALL	*	1	1					

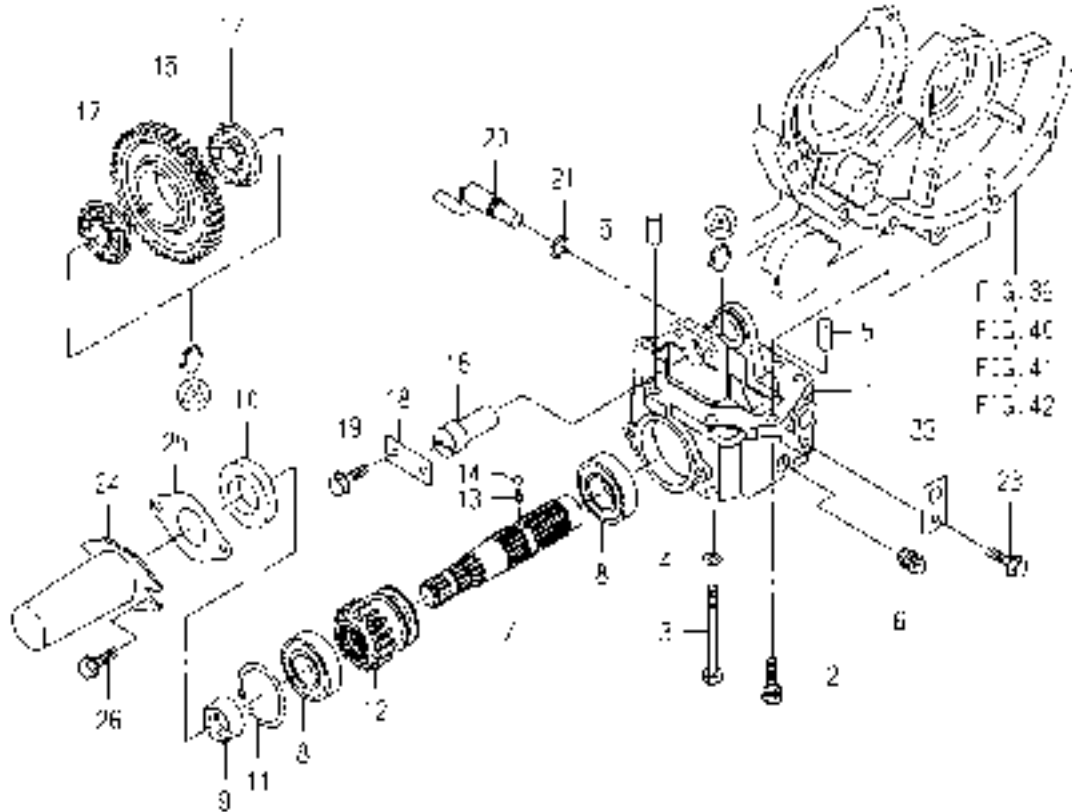
FIG. 29 GEAR(SUB)SYSTEM(SK TYPE)



1772-216-0100

KEY	PART CODE	DESCRIPTION	S P C	TYPE OF MODEL			I T C	C O L	G R P	REMARKS
				TH4295	TH4335	TH4365				
1	1773-216-008-00	METAL/SUB	*	1	1					
2	V231-361-002-50	FLANGE BOLT	*	4	4					
3	1772-216-007-00	GEAR/SPUR/38-18	*	1 -84	1 -398					
3A	1772-216-007-10	GEAR/SPUR/38-18	*	1 85-	1 399-		1			
4	V600-410-620-60	BEARING/BALL	*	1	1					
5	1614-203-015-00	BEARING/BALL	*	1	1					
6	V707-140-062-00	RING/SNAP	*	1	1					
7	1641-217-032-00	WASHER/36X46X02	*	1	1					
8	1773-216-011-00	WASHER/35X50X02	*	1	1					
9	1773-216-004-00	HUB/23X40X58	*	1 -55	1 -356					
9A	1773-216-004-10	HUB/23X40X58	*	1 56-	1 357-		1			
10	1772-216-008-00	GEAR/SPUR/38	*	1 -84	1 -417					
10A	1772-216-008-10	GEAR/SPUR/38	*	1 85-	1 418-		1			
11	1772-216-001-00	GEAR/SPUR/18-40	*	1 -31	1 -153					
11A	1772-216-001-10	GEAR/SPUR/18-40	*	1 -84	1 -415		1			
11B	1772-216-001-20	GEAR/SPUR/18-40	*	1 85-	1 416-		1			
12	1729-216-006-00	BEARING/NEEDLE	*	1 -31	1 -153					
12A	1729-203-017-00	BEARING/NEEDLE	*	1 32-	1 154-					
13	1595-243-002-00	LINK	*	1 32-	1 154-					
14	1772-216-006-00	PLATE/1/94X140	*	1	1					
15	V231-361-001-60	FLANGE BOLT	*	4	4					

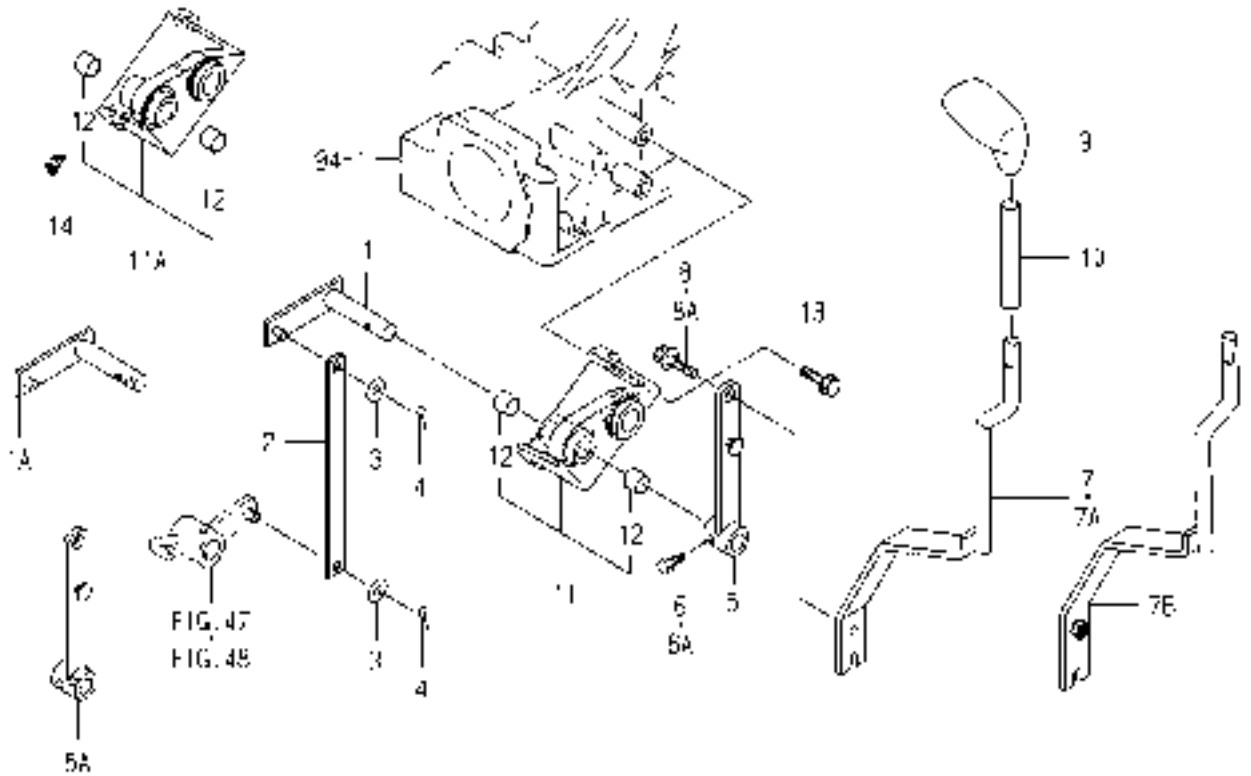
2/2-30 PLEASE SEE 2/2 PAGE



1772-229-0100

KEY	PART CODE	DESCRIPTION	S P C	TYPE OF MODEL			I T C	C O L	G R P	REMARKS
				TH4295	TH4335	TH4365				
1	1773-229-201-00	CASE/PTO/MID	*	1	1	1				
2	V211-561-002-50	BOLT/M10X25	*	2	2	2				
3	V201-361-009-00	BOLT/M10X90	*	4	4	4				
4	V401-160-010-00	WASHER,SP/M10	*	4	4	4				
5	V523-101-002-40	PIN	*	2	2	2				
6	V781-160-000-6B	PLUG/SCREW/SEAL	*	1	1	1				
7	1773-229-202-00	SHAFT/PTO/MID	*	1	1	1				
8	V600-410-620-60	BEARING/BALL	*	2	2	2				
9	1480-212-004-10	SLEEVE	*	1	1	1				
10	1687-255-005-00	SEAL/OIL	*	1	1	1				
11	V707-140-062-00	RING/SNAP	*	1	1	1				
12	1773-229-203-00	GEAR/SPUR/18	*	1	1	1				
13	1302-225-003-00	SPRING,SHIFTER	*	1	1	1				
14	V682-200-001-00	BALL	*	1	1	1				
15	1773-229-204-00	GEAR/SPUR/41	*	1	1	1				
16	1620-255-207-00	SHAFT	*	1	1	1				
17	1603-322-003-00	BEARING,BALL	*	2	2	2				
18	1568-731-103-00	PLATE/I 25X60	*	1	1	1				
19	V231-360-801-60	FLANGEBOLT	*	2	2	2				
20	1773-229-210-00	ARM/SHIFT/MID COMP	*	1	1	1				
21	V720-102-401-40	O-RING/P14	*	1	1	1				
22	1620-255-208-00	PLATE/I/30X50	*	1	1	1				
23	V231-360-801-20	FLANGEBOLT	*	1	1	1				
24	1444-314-009-10	CAP,PTO SHAFT	*	1	1	1				
25	1687-255-004-00	PLATE	*	1	1	1				
26	V231-360-801-60	FLANGEBOLT	*	2	2	2				
27	1620-265-300-00	ARM/PTO/MID COMP	*	1	1	1				
28	V580-140-602-50	PIN,SPRING/6 X25 W	*	1	1	1				
29	1773-229-301-00	PLATE/I/19X426	*	1	1	1				
30	V411-260-008-00	WASHER,PL/M 8	*	2	2	2				

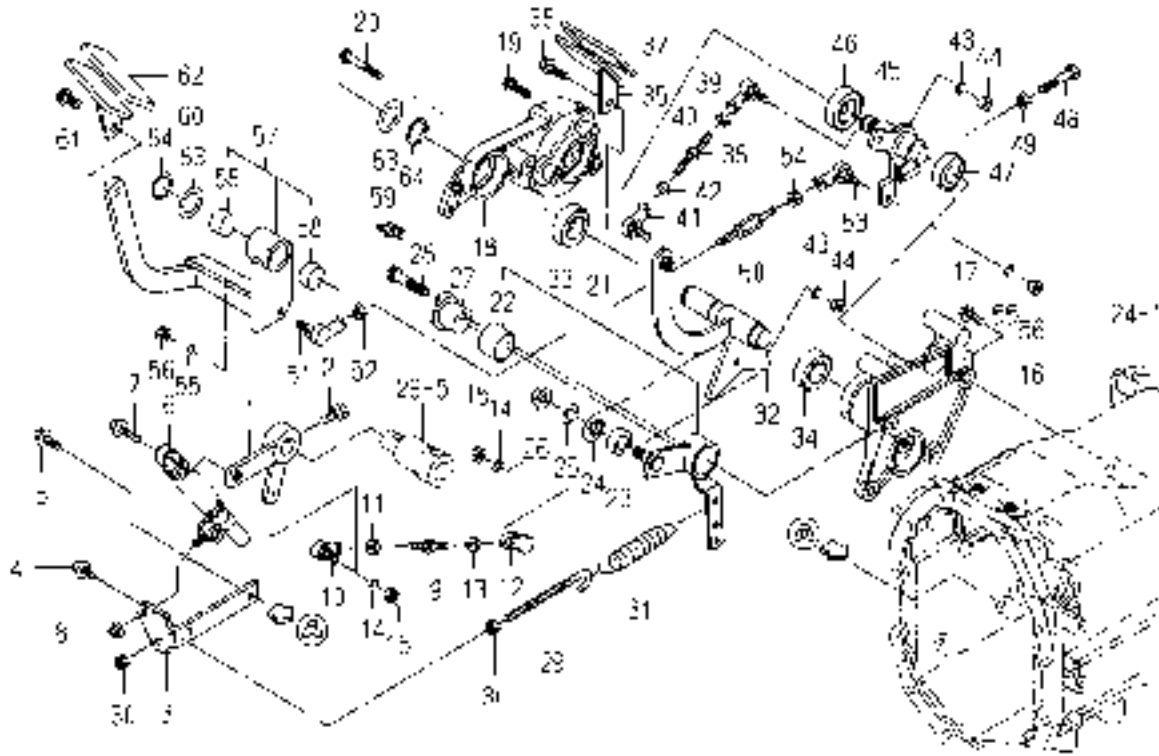
FIG. 54 LEVER(SUB)SYSTEM



1773-266-0100

KEY	PART CODE	DESCRIPTION	S P C	TYPE OF MODEL			I T C	C O L	G R P	REMARKS
				TH4295	TH4335	TH4365				
1	1773-266-210-00	ARM/SHIFT/SUB COMP	*	1 -55	1 -356					
1A	1773-266-500-00	ARM/SHIFT/SUB COMP	*	1 56-	1 357-	1				
2	1773-266-001-00	PLATE/I/19X230	*	1	1	1				
3	V411-260-008-00	WASHER,PL/M 8	*	2	2	2				
4	V500-162-502-00	PIN,SPLIT/2.5X20	*	2	2	2				
5	1773-266-220-00	ARM/SUB COMP	*	1 -55	1 -356					
5A	1773-266-510-00	ARM/SUB COMP	*	1 56-	1 357-	1				
6	1560-223-016-00	BOLT/M8X16	*	1 -55	1 -356					
6A	1560-223-016-00	BOLT/M8X16	*	2 56-	2 357-	2				
7	1773-266-230-00	LEVER/SUB COMP	*	1 -31	1 -156					
7A	1773-266-230-10	LEVER/SUB COMP	*	1 -55	1 -356		1			
7B	1773-266-520-10	LEVER/SUB COMP	*	1 56-	1 357-	1	1			
8	V211-360-802-00	BOLT/SP	*	1 -55	1 -356					
8A	V211-361-002-50	BOLT/SP	*	1 56-	1 357-	1				
9	1716-261-001-00	GRIP/MAIN	*	1	1	1				
10	1614-261-006-00	TUBE/14X17X90	*	1	1	1				
11	1773-266-200-00	BRACKET/CHANGE ASSY	*	1 -93	1 -437					
11A	1773-266-200-10	BRACKET/CHANGE ASSY	*	1 94-	1 438-	1	1			
12	1636-271-351-00	BUSH/16X18X15	*	2	2	2				
13	V231-361-003-00	FLANGE BOLT	*	3	3	3				
14	V762-150-000-00	NIPPLE,GREASE/B-M6F	*	1 94-	1 438-	1				

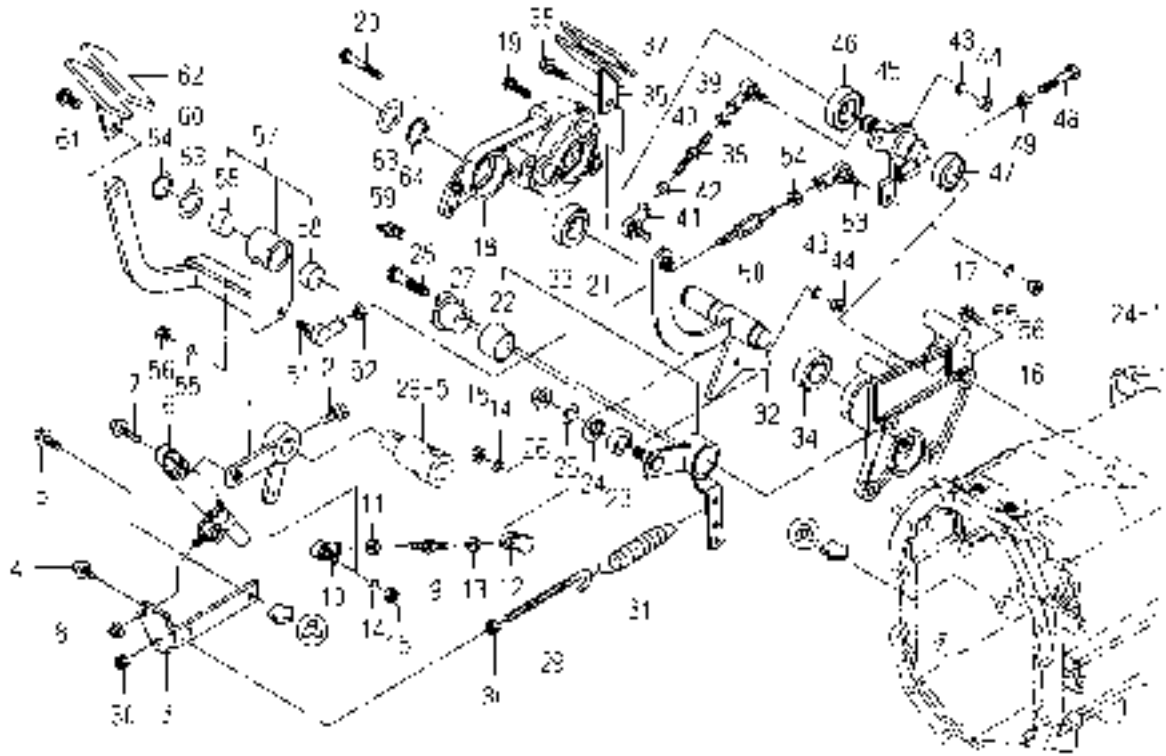
FIG. 57 PEDAL SYSTEM(H TYPE)



1772-271-0100

KEY	PART CODE	DESCRIPTION	S P C	TYPE OF MODEL			I T C	C O L	G R P	REMARKS
				TH4295	TH4335	TH4365				
1	1773-271-210-00	ARM/TRUNNION COMP	*	1	1	1				
2	1646-226-053-00	BOLT/SM/M10X23	*	1	1	1				
3	1772-271-250-20	PLATE/HOLDER COMP	*	1	1	1				
4	V231-360-801-60	FLANGEBOLT	*	1	1	1				
5	V231-360-802-00	FLANGEBOLT	*	1	1	1				
6	1646-640-580-00	DAMPER/OIL ASSY	*	1	1	1				
7	V231-360-803-00	FLANGEBOLT	*	1	1	1				
8	V362-260-008-00	NUT/WASHER	*	1	1	1				
9	1646-640-002-00	ROD/M08X64	*	1	1	1				
10	1560-695-021-00	JOINT BALL M08RH	*	1	1	1				
11	V304-460-008-00	NUT/M8	*	1	1	1				
12	1560-695-022-00	JOINT BALL M08LH	*	1	1	1				
13	1560-132-007-30	NUT/M8	*	1	1	1				
14	V401-160-008-00	WASHER,SP/M 8	*	2	2	2				
15	V304-260-008-00	NUT	*	2	2	2				
16	1772-271-001-10	BRACKET/LINK	*	1	1	1				
17	V231-361-002-50	FLANGEBOLT	*	4	4	4				
18	1743-640-053-10	METAL/LINK	*	1	1	1				
19	V231-360-803-00	FLANGEBOLT	*	3	3	3				
20	V231-360-805-50	FLANGEBOLT	*	1	1	1				
21	1772-271-260-10	ARM/NEUTRAL ASSY	*	1	1	1				
22	1646-640-221-00	BUSH/32X36X25	*	1	1	1				
23	V600-350-600-20	BEARING/BALL	*	1	1	1				
24	1689-271-006-00	WASHER/38X12X2	*	1	1	1				
25	V401-160-012-00	WASHER,SP/M12	*	1	1	1				
26	V304-260-012-00	NUT/M12	*	1	1	1				
27	1646-640-006-00	PIN/ADJUST	*	1	1	1				
28	V231-361-005-00	FLANGEBOLT	*	1	1	1				
29	1743-640-055-10	ROD/TENSION/M08X130	*	1	1	1				
30	V304-260-008-00	NUT	*	2	2	2				

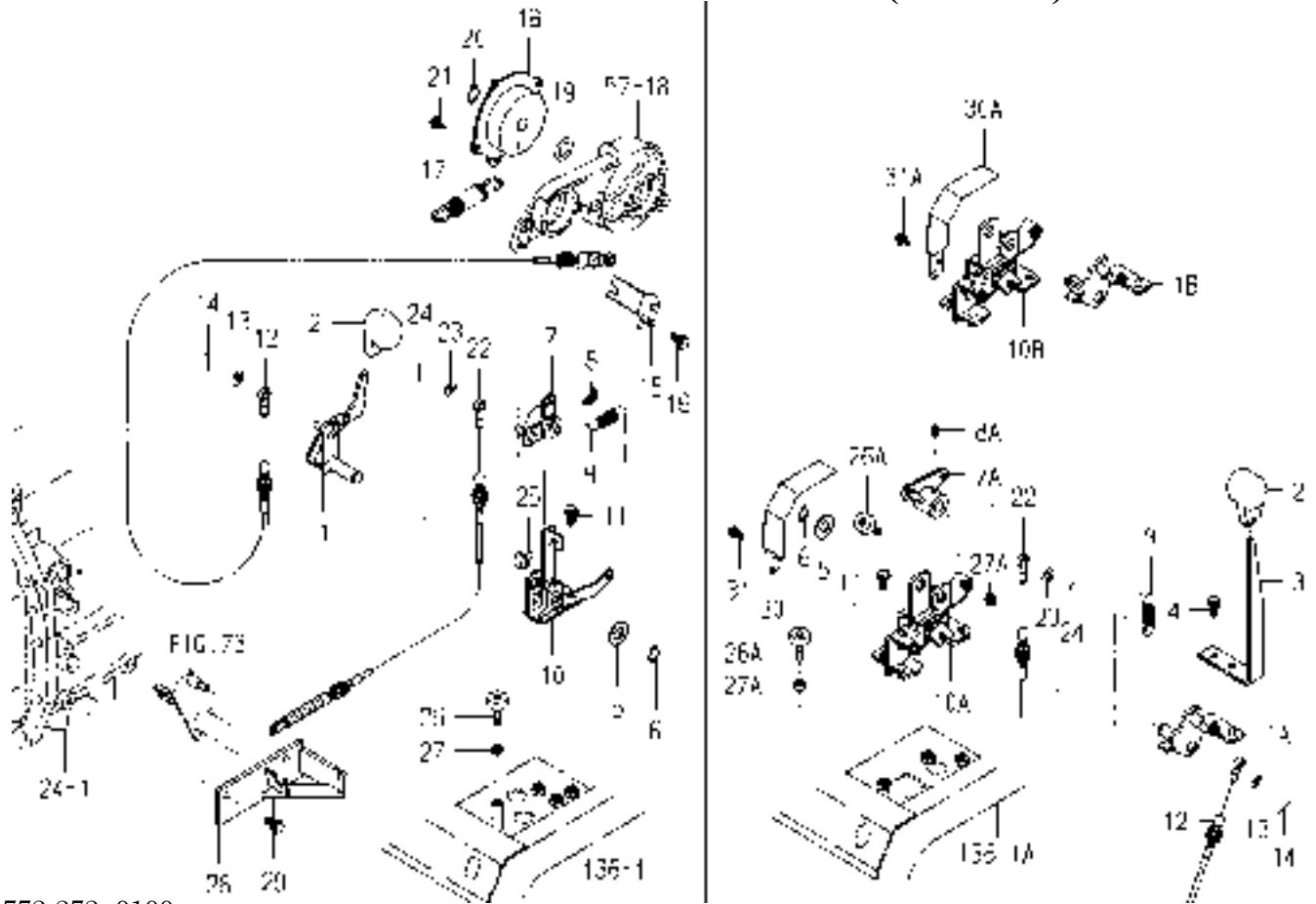
FIG. 57 PEDAL SYSTEM(H TYPE)



1772-271 -0100

KEY	PART CODE	DESCRIPTION	S P C	TYPE OF MODEL			I T C	C O L	G R P	REMARKS
				TH4295	TH4335	TH4365				
31	3661-114-004-00	SPRING/HE122	*	1	1	1				
32	1772-271-210-00	ARM/HST/F COMP	*	1	1	1				
33	1729-202-015-00	BEARING/BALL	*	1	1	1				
34	V600-450-600-50	BEARING/BALL	*	1	1	1				
35	1773-271-360-00	PEDAL/HST/F COMP	*	1	1	1				
36	V231-361-002-50	FLANGE BOLT	*	1	1	1				
37	1747-640-067-00	PAD/HST	*	1	1	1				
38	1646-640-002-00	ROD/M08X64	*	1	1	1				
39	1560-695-021-00	JOINT BALL M08RH	*	1	1	1				
40	V304-460-008-00	NUT/M8	*	1	1	1				
41	1560-695-022-00	JOINT BALL M08LH	*	1	1	1				
42	1560-132-007-30	NUT/M8	*	1	1	1				
43	V401-160-008-00	WASHER,SP/M 8	*	2	2	2				
44	V304-260-008-00	NUT	*	2	2	2				
45	1772-271-240-00	PIN/COUNTER COMP	*	1	1	1				
46	V600-450-600-50	BEARING/BALL	*	1	1	1				
47	1729-202-012-00	BEARING/BALL	*	1	1	1				
48	V201-261-004-50	BOLT/M10X45	*	1	1	1				
49	V304-260-010-00	NUT	*	1	1	1				
50	1747-640-051-00	ROD/M08X92	*	1	1	1				
51	1560-695-021-00	JOINT BALL M08RH	*	1	1	1				
52	V304-460-008-00	NUT/M8	*	1	1	1				
53	1560-695-022-00	JOINT BALL M08LH	*	1	1	1				
54	1560-132-007-30	NUT/M8	*	1	1	1				
55	V401-160-008-00	WASHER,SP/M 8	*	2	2	2				
56	V304-260-008-00	NUT	*	2	2	2				
57	1772-271-220-00	ARM/HST/R ASSY	*	1	1	1				
58	8654-203-201-00	BUSH/25X28X15	*	2	2	2				
59	V760-150-000-00	NIPPLE,GREASE	*	1	1	1				
60	1773-271-370-00	PEDAL/HST/R COMP	*	1	1	1				

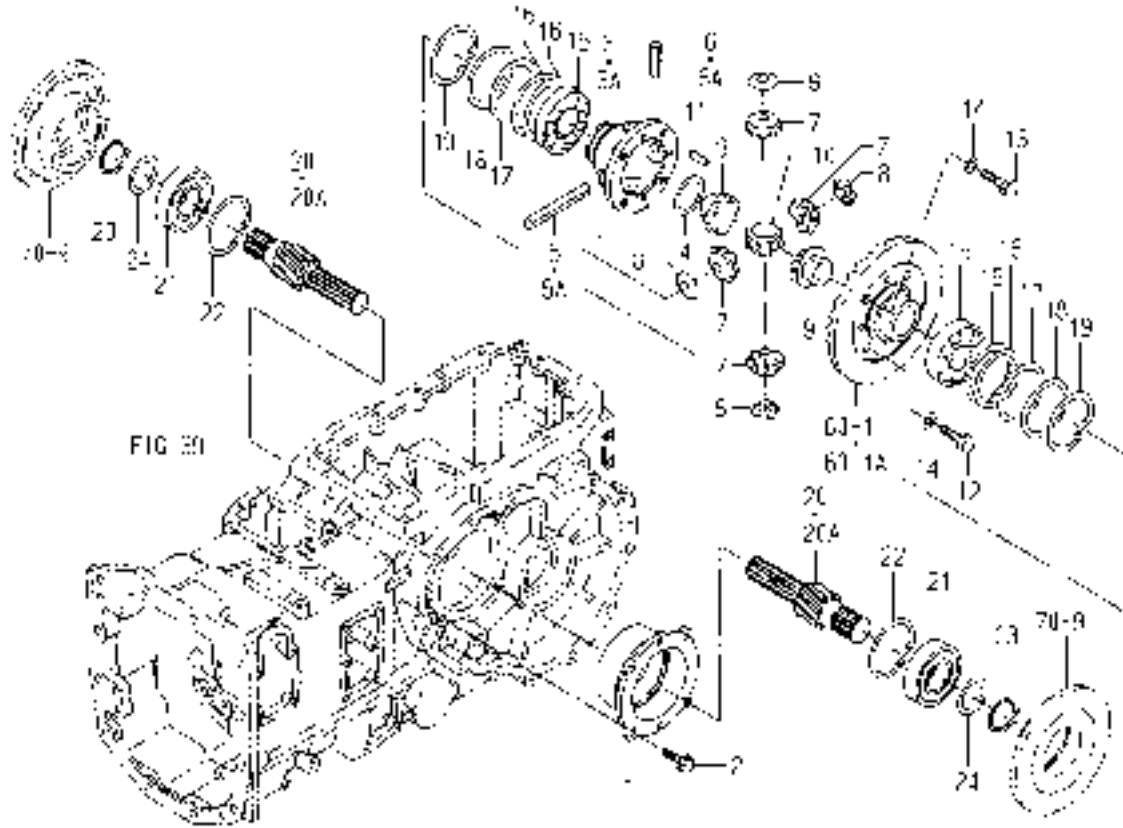
FIG. 58 AUTO CRUISE SYSTEM(H TYPE)



1772-272-0100

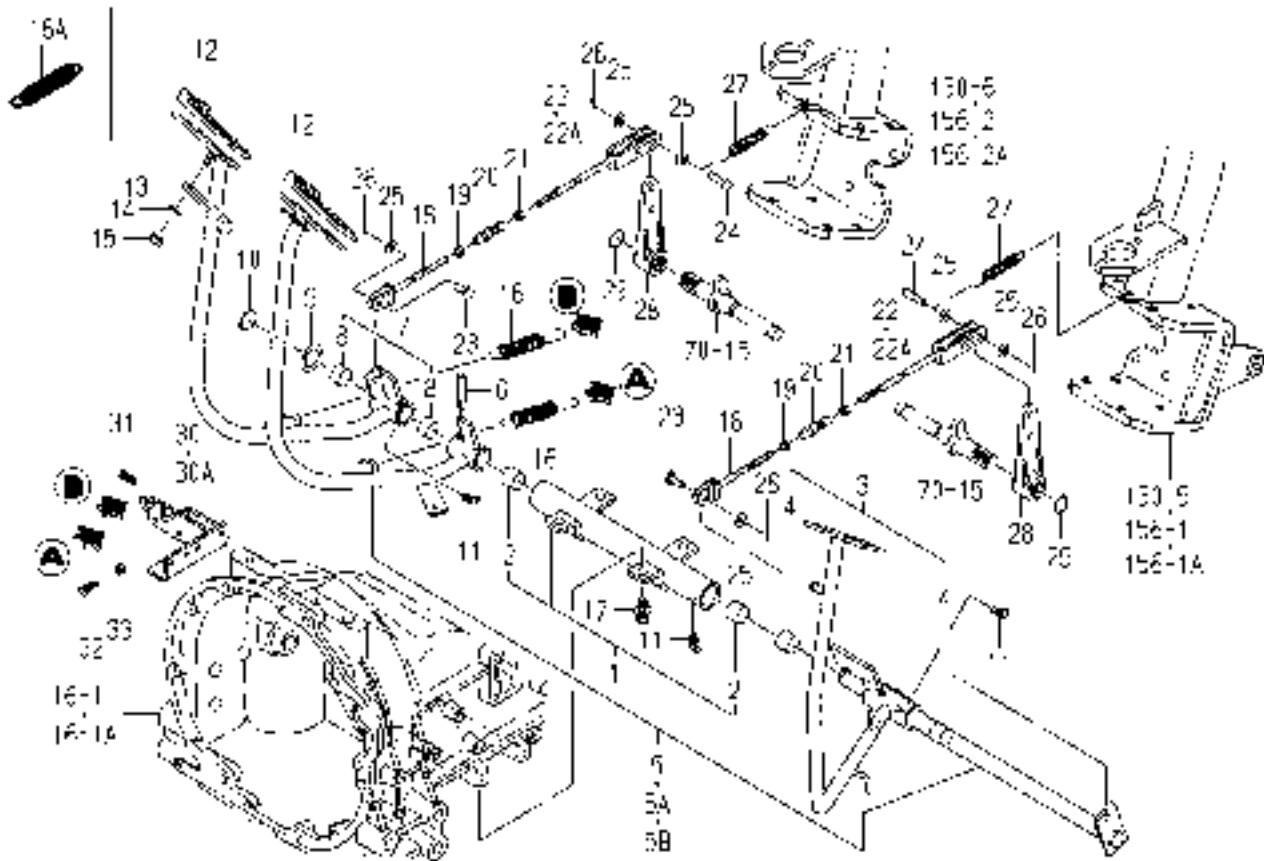
KEY	PART CODE	DESCRIPTION	S P C	TYPE OF MODEL			I T C	C O L	G R P	REMARKS
				TH4295	TH4335	TH4365				
1	1772-272-200-00	LEVER/PLATE COMP	*	1 -97	1 -450					
1A	1772-272-240-00	LEVER/CRUISE/B COMP	*	1 -105	1 -460					
1B	1772-272-240-10	LEVER/CRUISE/B COMP	*	1 106-	1 461-	1	1			
2	1703-261-002-00	GRIP/MAIN	*	1	1	1				
3	1772-272-001-00	LEVER/CRUISE/A	*	1 98-	1 451-	1				
4	V231-360-801-60	FLANGEBOLT	*	1 98-	1 451-	1				
5	V411-260-014-00	WASHER,PL/M14	*	1	1	1				
6	V704-140-015-00	RING,SNAP/15 C	*	1	1	1				
7	1772-272-230-00	ARM/CRUISE COMP	*	1 -97	1 -450					
7A	1772-272-230-10	ARM/CRUISE COMP	*	1 98-	1 451-	1	3			
8	V762-150-000-00	NIPPLE,GREASE/B-M6F	*	1 -97	1 -450					
8A	V760-150-000-00	NIPPLE,GREASE	*	1 98-	1 451-	1				
9	2194-128-003-00	SPRING/HE60	*	1	1	1				
10	1772-272-210-00	PLATE/CRUISE COMP	*	1 -97	1 -450					
10A	1772-272-250-00	BRACKET/CRUISE COMP	*	1 -191	1 -509	1 -115				
10B	1772-272-250-10	BRACKET/CRUISE COMP	*	1 192-	1 510-	1 116-	1			
11	V231-360-801-60	FLANGEBOLT	*	3	3	3				
12	1772-272-300-00	CABLE/CRUISE/H ASSY	*	1	1	1				
13	V411-260-008-00	WASHER,PL/M 8	*	1	1	1				
14	V500-162-002-00	PIN,SPLIT/2 X20	*	1	1	1				
15	1743-642-051-10	STAY/CABLE/CRUISE	*	1	1	1				
16	V231-360-801-60	FLANGEBOLT	*	2	2	2				
17	1743-642-053-00	SPRING/HE110	*	1	1	1				
18	3824-222-300-00	BRAKE ASSY	*	1	1	1				
19	3824-222-006-00	COLLAR/18X30X1	*	1	1	1				
20	V704-140-018-00	RING,SNAP/18 C	*	1	1	1				
21	V230-360-601-20	FLANGEBOLT	*	4	4	4				
22	1772-272-310-00	CABLE/CRUISE/R ASSY	*	1	1	1				
23	V411-260-008-00	WASHER,PL/M 8	*	1	1	1				
24	V500-162-002-00	PIN,SPLIT/2 X20	*	1	1	1				

**FIG. 62 DIFFERENTIAL GEAR SYSTEM
(EXCEPT H TYPE)**



1773-304 -0100

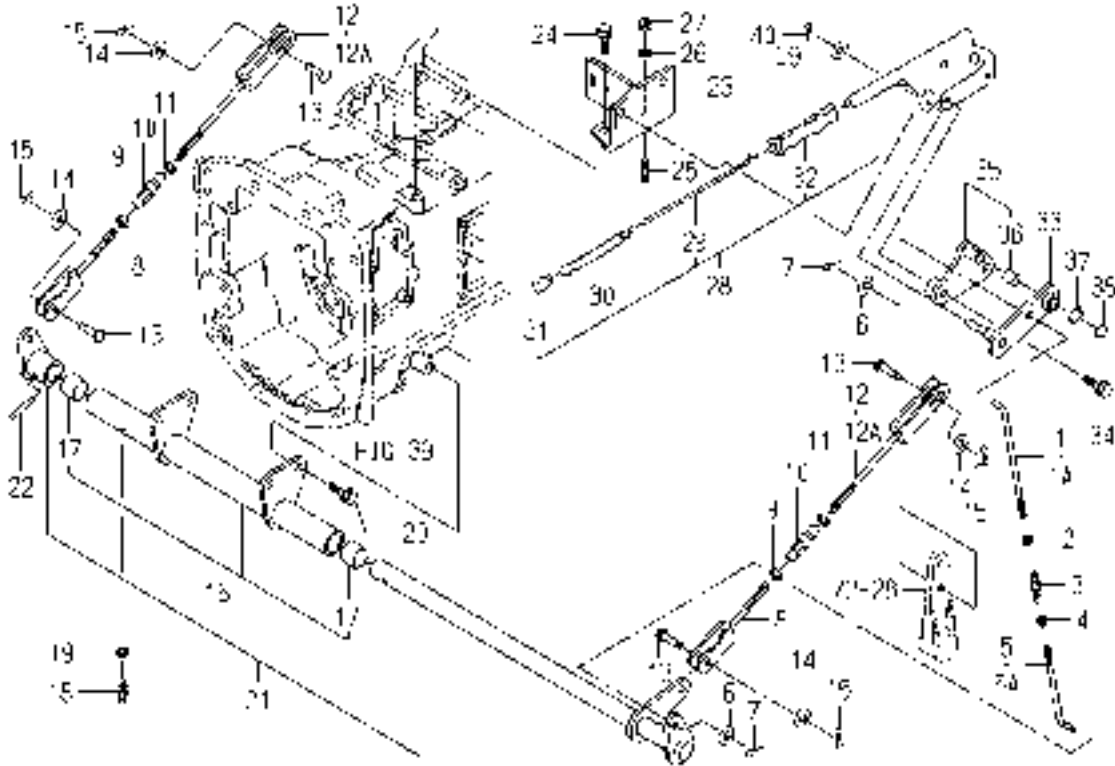
KEY	PART CODE	DESCRIPTION	S P C	TYPE OF MODEL			I T C	C O L	G R P	REMARKS
				TH4295	TH4335	TH4365				
1	1773-304-001-00	METAL/DIFF	*	1	1					
2	V231-360-802-50	FLANGEBOLT	*	4	4					
3	1773-304-004-00	CASE/DIFF	*	1 -75	1 -377					
3A	1773-304-004-20	CASE/DIFF	*	1 76-	1 378-		3			
4	1725-304-009-00	WASHER/38X52X01	*	1	1					
5	1480-301-002-10	SHAFT,DIFF PINION A	*	1 -31	1 -181					
5A	1773-304-009-00	SHAFT/PINION/A	*	1 32-	1 182-					
6	1480-301-003-10	SHAFT,DIFF PINION B	*	2 -31	2 -181					
6A	1773-304-011-00	SHAFT/PINION/B	*	2 32-	2 182-					
7	1716-304-084-00	GEAR/BEVEL/11	*	4	4					
8	1773-304-008-00	WASHER/PINION	*	4	4					
9	1773-304-005-00	GEAR/BEVEL/16	*	2	2					
10	1656-432-003-00	HOLDER/SHAFT/DIFF	*	1	1					
11	1672-301-002-00	PIN	*	3	3					
12	1773-304-006-00	BOLT/REAMER/M10X1.5X	*	2	2					
13	1773-304-007-00	BOLT/SM/M10X1.5X25	*	2	2					
14	V401-160-010-00	WASHER,SP/M10	*	4	4					
15	V600-110-601-10	BEARING,RB/6011	*	2	2					
16	1617-304-008-00	SHIM/0.2	*	4	4					
17	1617-304-009-00	SHIM/0.1	*	2	2					
18	1617-304-011-00	WASHER/75X90X03	*	2	2					
19	V707-140-090-00	RING/SNAP	*	2	2					
20	1773-304-002-10	GEAR/HELICAL/09	*	2 -84	2 -421					
20A	1773-304-002-20	GEAR/HELICAL/09	*	2 85-	2 422-		1			
21	3676-107-005-00	BEARING/BALL	*	2	2					
22	V707-140-080-00	RING/SNAP	*	2	2					
23	V704-140-035-00	RING,SNAP/35 C	*	2	2					
24	1444-314-004-10	COLLAR(35X50X2)	*	2	2					

FIG. 72 PEDAL(BRAKE)SYSTEM(EXCEPT H TYPE)

1772-312 -0100

KEY	PART CODE	DESCRIPTION	S P C	TYPE OF MODEL			I T C	C O L	G R P	REMARKS
				TH4295	TH4335	TH4365				
1	1773-312-320-10	HUB/PEDAL ASSY	*	1	1					
2	2157-201-201-00	BUSH/25X28X25	*	2	2					
3	1773-135-250-10	PEDAL/CLUTCH ASSY	*	1	1					
4	2157-201-201-00	BUSH/25X28X25	*	2	2					
5	1772-312-200-20	PEDAL/BRAKE/LH SET	*	1 -58	1 -362					
5A	1772-312-200-30	PEDAL/BRAKE/LH SET	*	1 -100	1 -452		1			
5B	1772-312-200-40	PEDAL/BRAKE/LH SET	*	1 101-	1 453-		1			
6	V511-100-805-00	PIN,TAPER/8X50	*	1	1					
7	1773-312-270-20	PEDAL/BRAKE/RH ASSY	*	1	1					
8	8654-203-201-00	BUSH/25X28X15	*	2	2					
9	2152-442-013-00	WASHER/26X38X01	*	1	1					
10	V704-140-025-00	RING,SNAP/25 C	*	1	1					
11	V763-150-000-00	NIPPLE,GREASE/PT1/8	*	3	3					
12	1636-313-011-10	PAD/BRAKE	*	2	2					
13	1675-312-051-00	LOCKPLATE	*	1	1					
14	3560-203-004-00	SPRING,CONE	*	1	1					
15	1719-312-001-00	U-NUT	*	1	1					
16	1710-312-051-00	SPRING/HE120	*	2 -55	2 -356					
16A	2161-105-006-30	SPRING/HE136	*	2 56-	2 357-					
17	V211-661-002-50	BOLT 7T(SP)	*	4	4					
18	1564-132-210-20	ROD COMP	*	2	2					
19	1560-132-007-30	NUT/M8	*	2	2					
20	1444-122-002-00	TURNBUCKLE/M8	*	2	2					
21	V304-260-008-00	NUT	*	2	2					
22	1596-310-210-00	ROD/FORK	*	2 -80	2 -382					
22A	1596-310-210-10	ROD/FORK COMP	*	2 81-	2 383-		1			
23	1432-242-001-00	PIN	*	2	2					
24	1404-312-006-00	PIN,YOKE A	*	2	2					
25	V411-260-008-00	WASHER,PL/M 8	*	6	6					
26	V500-162-002-00	PIN,SPLIT/2 X20	*	4	4					

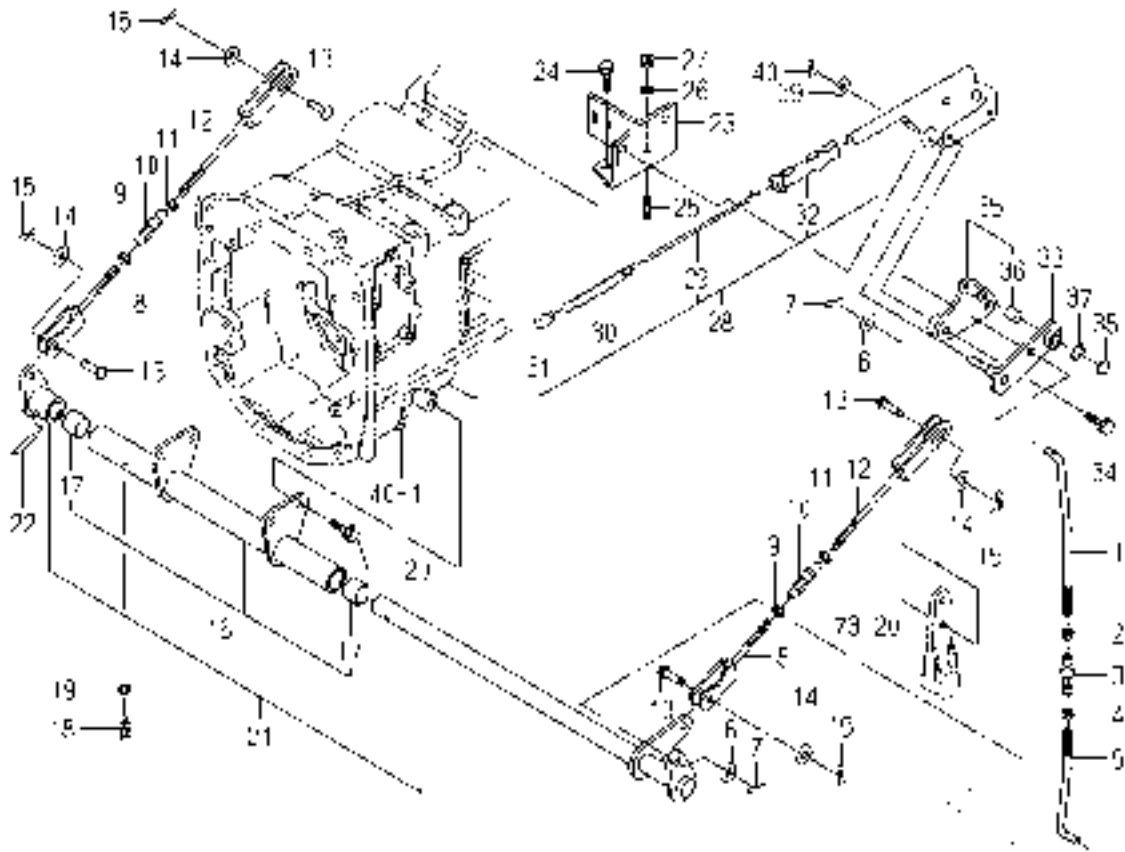
FIG. 74 BRAKE(PARKING)SYSTEM(EXCEPT H TYPE)



1772-313 -0100

KEY	PART CODE	DESCRIPTION	S P C	TYPE OF MODEL			I T C	C O L	G R P	REMARKS
				TH4295	TH4335	TH4365				
1	1772-313-001-00	ROD/215	*	1 -75	1 -377					
1A	1772-313-001-10	ROD/215	*	1 76-	1 378-		1			
2	1560-132-007-30	NUT/M8	*	1	1					
3	1444-122-002-00	TURNUCKLE/M8	*	1	1					
4	V304-260-008-00	NUT	*	1	1					
5	1772-313-002-00	ROD/147	*	1 -75	1 -377					
5A	1772-313-002-10	ROD/147	*	1 76-	1 378-		1			
6	V411-260-008-00	WASHER,PL/M 8	*	2	2					
7	V500-162-502-00	PIN,SPLIT/2.5X20	*	2	2					
8	1524-312-200-00	YOKE	*	2	2					
9	V304-260-008-00	NUT	*	2	2					
10	1444-122-002-00	TURNUCKLE/M8	*	2	2					
11	1560-132-007-30	NUT/M8	*	2	2					
12	1772-313-290-10	ROD COMP	*	2 -80	2 -382					
12A	1772-313-290-20	ROD COMP	*	2 81-	2 383-		1			
13	1404-312-006-00	PIN,YOKE A	*	4	4					
14	V411-260-008-00	WASHER,PL/M 8	*	4	4					
15	V500-162-002-00	PIN,SPLIT/2 X20	*	4	4					
16	1772-313-240-10	BRACKET/PARKING ASSY	*	1	1					
17	3664-540-001-00	BUSH/22X25X20	*	2	2					
18	V760-150-000-00	NIPPLE,GREASE	*	1	1					
19	V401-160-006-00	WASHER,SP/M 6	*	1	1					
20	V231-361-002-00	FLANGEBOLT	*	4	4					
21	1772-313-280-10	ARM/BRAKE SET	*	1	1					
22	V511-100-805-00	PIN,TAPER/8X50	*	1	1					
23	1772-313-250-10	STAY/LEVER COMP	*	1	1					
24	V231-361-002-00	FLANGEBOLT	*	1	1					
25	V251-341-003-00	BOLT/STUD	*	1	1					
26	V401-160-010-00	WASHER,SP/M10	*	1	1					
27	V304-260-010-00	NUT	*	1	1					

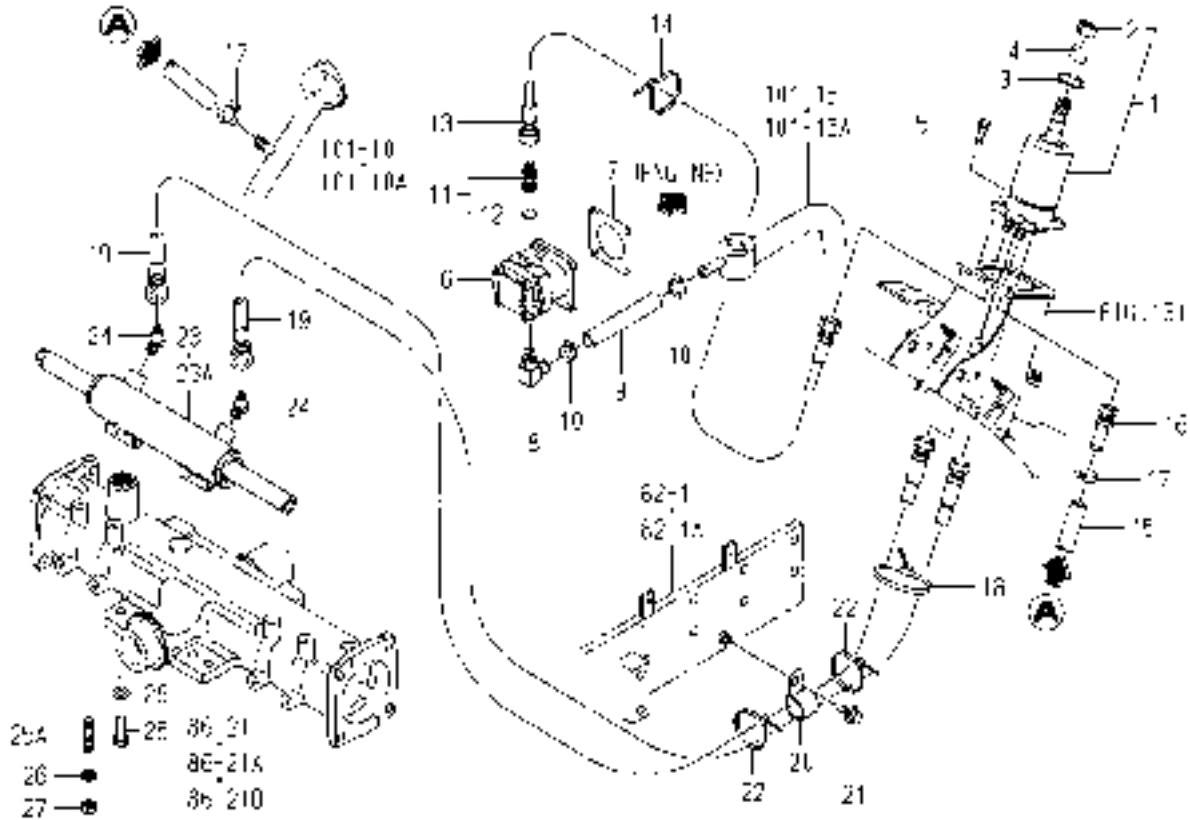
FIG. 75 BRAKE(PARKING)SYSTEM(H TYPE)



1772-313A-0100

KEY	PART CODE	DESCRIPTION	S P C	TYPE OF MODEL			I T C	C O L	G R P	REMARKS
				TH4295	TH4335	TH4365				
1	1772-313-051-00	ROD/215	*	1	1	1				
2	1560-132-007-30	NUT/M8	*	1	1	1				
3	1444-122-002-00	TURNBUCKLE/M8	*	1	1	1				
4	V304-260-008-00	NUT	*	1	1	1				
5	1772-313-052-00	ROD/150	*	1	1	1				
6	V411-260-008-00	WASHER,PL/M 8	*	2	2	2				
7	V500-162-502-00	PIN,SPLIT/2.5X20	*	2	2	2				
8	1524-312-200-00	YOKE	*	2	2	2				
9	V304-260-008-00	NUT	*	2	2	2				
10	1444-122-002-00	TURNBUCKLE/M8	*	2	2	2				
11	1560-132-007-30	NUT/M8	*	2	2	2				
12	1772-313-290-20	ROD COMP	*	2	2	2				
13	1404-312-006-00	PIN,YOKE A	*	4	4	4				
14	V411-260-008-00	WASHER,PL/M 8	*	4	4	4				
15	V500-162-002-00	PIN,SPLIT/2 X20	*	4	4	4				
16	1772-313-240-10	BRACKET/PARKING ASSY	*	1	1	1				
17	3664-540-001-00	BUSH/22X25X20	*	2	2	2				
18	V760-150-000-00	NIPPLE,GREASE	*	1	1	1				
19	V401-160-006-00	WASHER,SP/M 6	*	1	1	1				
20	V231-361-002-00	FLANGE BOLT	*	4	4	4				
21	1772-313-280-10	ARM/BRAKE SET	*	1	1	1				
22	V511-100-805-00	PIN,TAPER/8X50	*	1	1	1				
23	1772-313-250-10	STAY/LEVER COMP	*	1	1	1				
24	V231-361-002-00	FLANGE BOLT	*	1	1	1				
25	V251-341-003-00	BOLT/STUD	*	1	1	1				
26	V401-160-010-00	WASHER,SP/M10	*	1	1	1				
27	V304-260-010-00	NUT	*	1	1	1				
28	1740-313-300-00	LEVER/PARKING ASSY	*	1	1	1				
29	1442-313-202-00	ROD	*	1	1	1				
30	1444-328-273-00	SPRING	*	1	1	1				

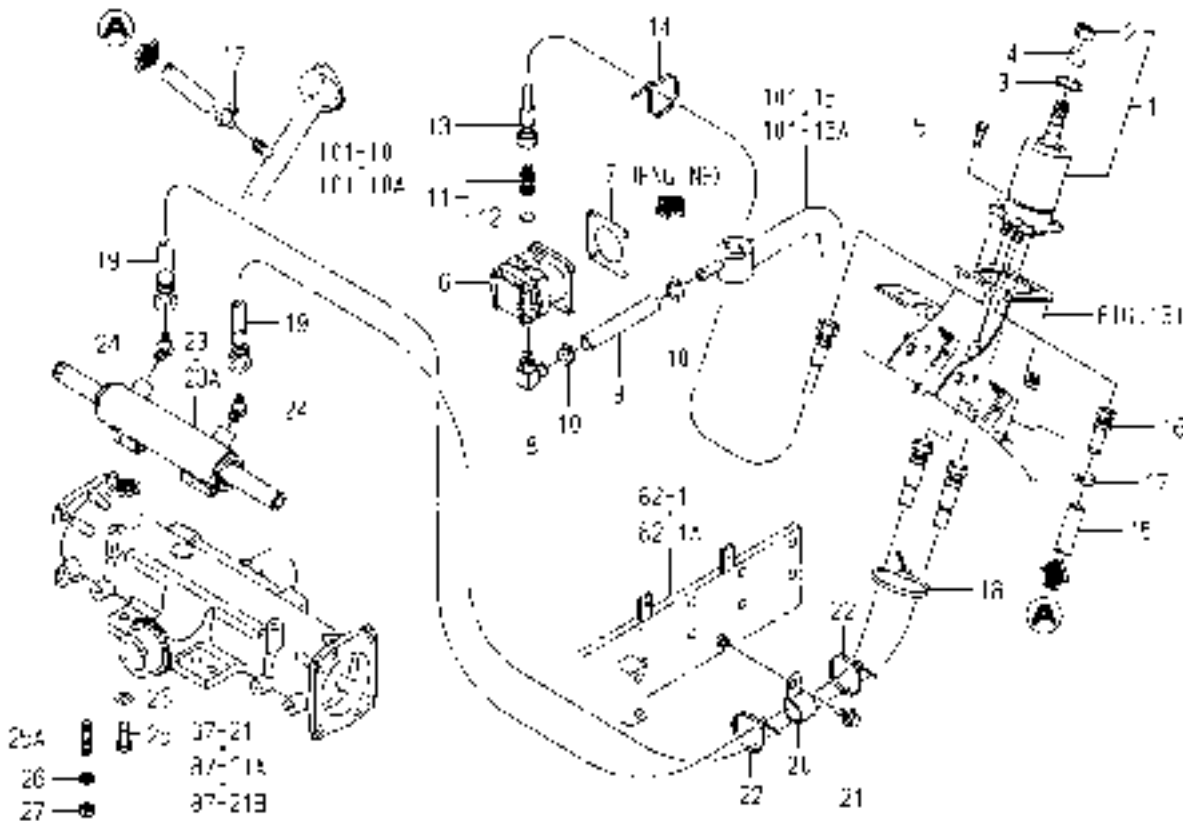
**FIG. 78 STEERING(POWER)SYSTEM
(V,J TYPE EXCEPT H)**



1772-407-0100

KEY	PART CODE	DESCRIPTION	S P C	TYPE OF MODEL			I T C	C O L	G R P	REMARKS
				TH4295	TH4335	TH4365				
1	1773-407-210-00	CONTROLLER/STEERING	*	1	1					
2	1725-407-201-00	NUT/5/8-18UNF	*	1	1					
3	V723-102-003-20	RING/O	*	1	1					
4	1739-401-001-00	INSULATOR/15	*	1	1					
5	V211-560-802-50	BOLT,SEMS/M8X25 7T	*	4	4					
6	1773-407-200-00	PUMP/GEAR/5.2/R ASSY	*	1	1					
7	1404-503-006-00	PACKING,OIL PUMP	*	1	1					
8	3814-354-015-10	ADAPTOR(G3/8) ASSY	*	1	1					
9	1773-407-001-00	HOSE/130	*	1	1					
10	J061-116-025-00	CLAMP/WORM/16-25	*	2	2					
11	1725-509-260-00	ADAPTER/G1/4 ASSY	*	1	1					
12	V720-112-401-10	RING/O	*	1	1					
13	1725-509-210-10	HOSE/RETURN ASSY	*	1	1					
14	1376-402-003-00	BAND,WIRE/140	*	1	1					
15	1773-407-004-10	HOSE/780	*	1	1					
16	1773-407-003-00	ADAPTER/G1/4-15	*	1	1					
17	J061-116-025-00	CLAMP/WORM/16-25	*	2	2					
18	1421-621-038-00	BAND,WIRE/170	*	2	2					
19	1728-508-320-10	HOSE/HYDRO/1450 ASSY	*	2	2					
20	1518-786-508-00	CLIP B	*	1	1					
21	V211-361-001-60	BOLT,SP/M10X16	*	1	1					
22	1376-402-003-00	BAND,WIRE/140	*	2	2					
23	1773-407-300-20	CYLINDER ASSY	*	1	1					FIG 207
23A	1773-407-300-30	CYLINDER ASSY	*	48-49	316-317		1			FIG 207
24	1725-403-003-00	ADAPTER/45B	*	2	2					
25	V203-461-203-00	BOLT/M12X30	*	4	4					
25A	1773-407-005-00	BOLT/STUD/M12X30	*	55-56	356-357					
26	V401-160-012-00	WASHER,SP/M12	*	4	4					
27	1599-303-009-00	NUT/SM/M12X65	*	4	4					

**FIG. 79 STEERING(POWER)SYSTEM
(K,SK TYPE EXCEPT J,V)**

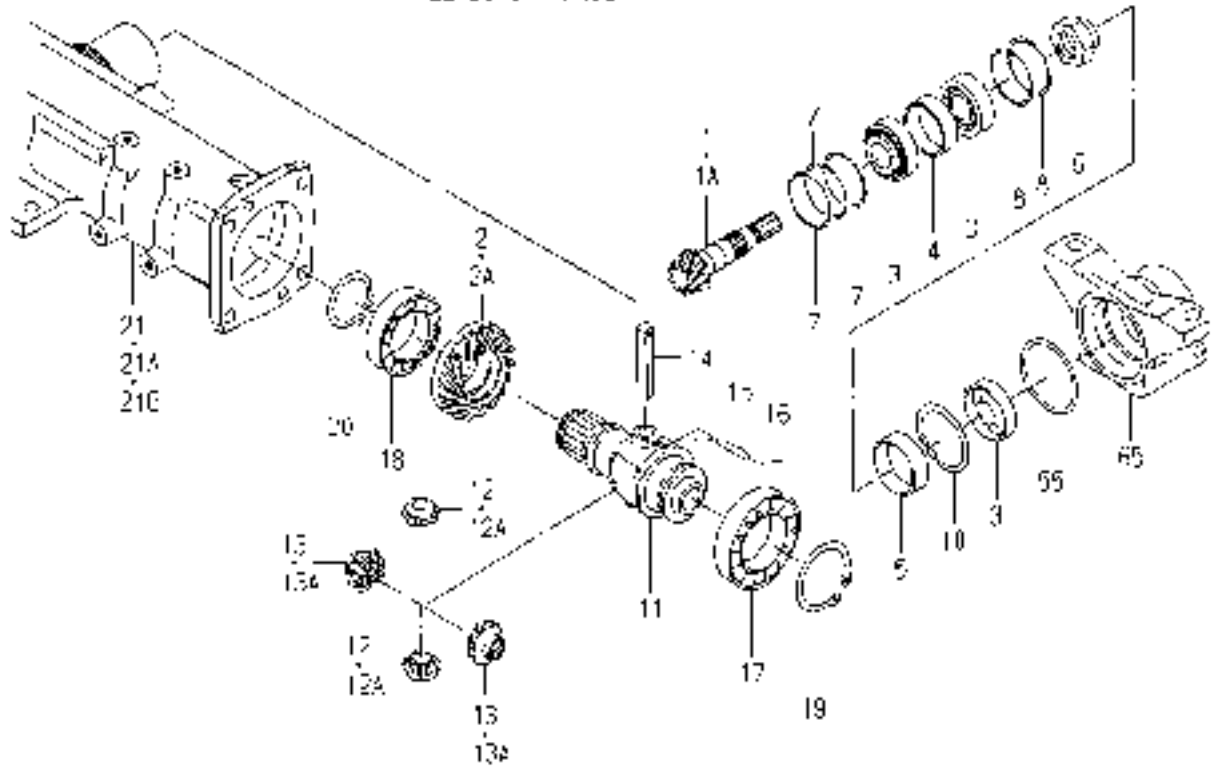


1772-407A-0100

KEY	PART CODE	DESCRIPTION	S P C	TYPE OF MODEL				I T C	C O L	G R P	REMARKS
				TH4295	TH4335	TH4365					
1	1773-407-210-00	CONTROLLER/STEERING	*	1	1						
2	1725-407-201-00	NUT/5/8-18UNF	*	1	1						
3	V723-102-003-20	RING/O	*	1	1						
4	1739-401-001-00	INSULATOR/15	*	1	1						
5	V211-560-802-50	BOLT,SEMS/M8X25 7T	*	4	4						
6	1773-407-200-00	PUMP/GEAR/5.2/R ASSY	*	1	1						
7	1404-503-006-00	PACKING,OIL PUMP	*	1	1						
8	3814-354-015-10	ADAPTOR(G3/8) ASSY	*	1	1						
9	1773-407-001-00	HOSE/130	*	1	1						
10	J061-116-025-00	CLAMP/WORM/16-25	*	2	2						
11	1725-509-260-00	ADAPTER/G1/4 ASSY	*	1	1						
12	V720-112-401-10	RING/O	*	1	1						
13	1725-509-210-10	HOSE/RETURN ASSY	*	1	1						
14	1376-402-003-00	BAND,WIRE/140	*	1	1						
15	1773-407-004-10	HOSE/780	*	1	1						
16	1773-407-003-00	ADAPTER/G1/4-15	*	1	1						
17	J061-116-025-00	CLAMP/WORM/16-25	*	2	2						
18	1421-621-038-00	BAND,WIRE/170	*	2	2						
19	1728-508-320-10	HOSE/HYDRO/1450 ASSY	*	2	2						
20	1518-786-508-00	CLIP B	*	1	1						
21	V211-361-001-60	BOLT,SP/M10X16	*	1	1						
22	1376-402-003-00	BAND,WIRE/140	*	2	2						
23	1772-407-300-00	CYLINDER ASSY	*	1-66	1-370					FIG 205	
23A	1772-407-300-10	CYLINDER ASSY	*	1-67	1-371		1			FIG 205	
24	1725-403-003-00	ADAPTER/45B	*	2	2						
25	V203-461-203-00	BOLT/M12X30	*	4-55	4-357						
25A	1773-407-005-00	BOLT/STUD/M12X30	*	4-56	4-358						
26	V401-160-012-00	WASHER,SP/M12	*	4	4						
27	1599-303-009-00	NUT/SM/M12X65	*	4-56	4-358						

FIG. 86 FRONT AXLE SET(V,J TYPE)(1/4)

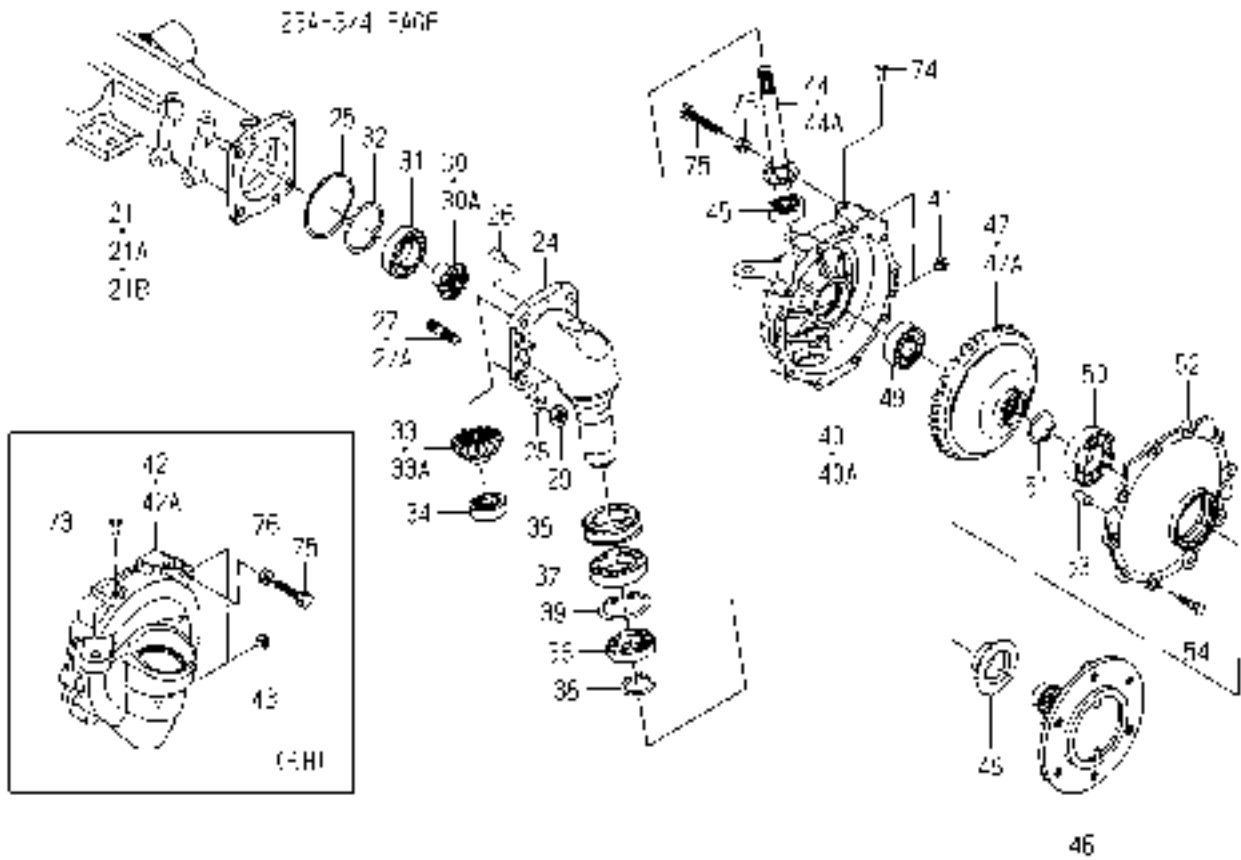
22-23-3/4 PAGE



1772-430 -0100

KEY	PART CODE	DESCRIPTION	S P C	TYPE OF MODEL			I T C	C O L	G R P	REMARKS
				TH4295	TH4335	TH4365				
1	1773-432-201-00	PINION/BEVEL/09	*	1 -80	1 -379					
1A	1773-432-201-10	PINION/BEVEL/09	*	1 81-	1 380-	1	1			
2	1773-432-202-00	GEAR/BEVEL/20	*	1 -75	1 -377					
2A	1773-432-202-10	GEAR/BEVEL/20	*	1 76-	1 378-	1	1			
3	1773-432-002-00	BEARING/TAPERROLLER	*	2	2	2				
4	1773-432-003-10	COLLAR/46X51X16	*	1	1	1				
5	1773-432-004-00	COLLAR/48X52X17	*	1	1	1				
6	1773-432-005-00	NUT/M25X1.5	*	1	1	1				
7	1773-432-013-00	SHIM/0.2	*	3	3	3				
8	1773-432-014-00	SHIM/0.1	*	2	2	2				
9	1427-432-016-00	SEAL,OIL/21	*	1	1	1				
10	V705-140-052-00	RING,SNAP/52 C	*	1	1	1				
11	1773-432-008-00	CASE/DIFF	*	1	1	1				
12	1773-432-009-00	PINION/BEVEL/11	*	2 -80	2 -379					
12A	1773-432-009-10	PINION/BEVEL/11	*	2 81-	2 380-	2	1			
13	1773-432-010-00	GEAR/BEVEL/15	*	2 -75	2 -377					
13A	1773-432-010-10	GEAR/BEVEL/15	*	2 76-	2 378-	2	1			
14	1773-432-001-00	PIN/12X75	*	1	1	1				
15	V580-140-502-50	PIN,SPRING/5 X25 W	*	1	1	1				
16		WIRE	*	1	1	1				
17	1773-432-011-00	BEARING/BALL	*	1	1	1				
18	1773-432-012-00	BEARING/BALL	*	1	1	1				
19	V706-140-055-00	RING/SNAP	*	1	1	1				
20	V706-140-040-00	RING/SNAP	*	1	1	1				
21	1773-433-001-00	HOUSING/AXLE	*	1 -29	1 -137					
21A	1773-433-001-10	HOUSING/AXLE	*	1 -75	1 -377		1			
21B	1773-433-001-20	HOUSING/AXLE	*	1 76-	1 378-	1	1			
22	1773-433-005-00	SHAFT	*	1	1					
22A	1773-433-005-10	SHAFT	*	1 76-	1 378-	1	1			
23	1773-433-006-00	SHAFT	*	1	1					

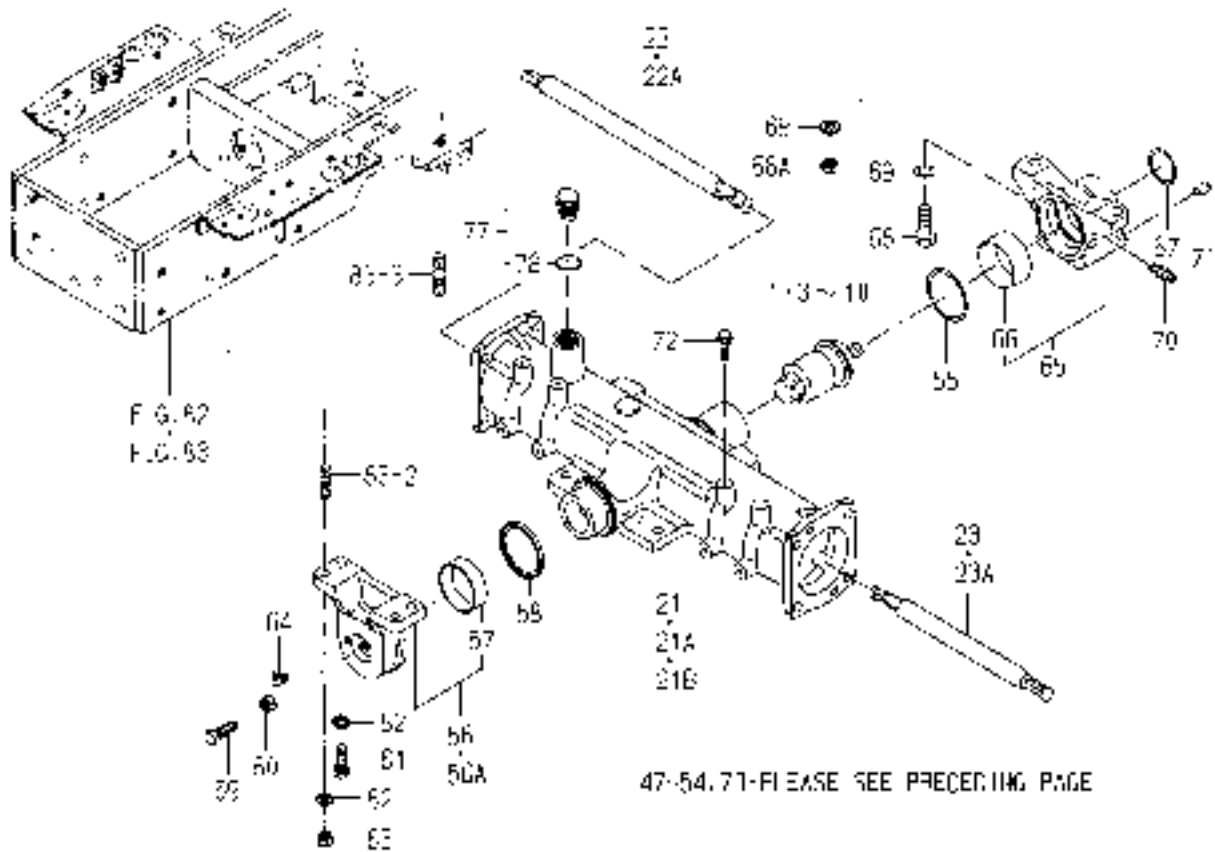
FIG. 86 FRONT AXLE SET(V,J TYPE)(2/4)



1772-430 -0100

KEY	PART CODE	DESCRIPTION	S P C	TYPE OF MODEL			I T C	C O L	G R P	REMARKS
				TH4295	TH4335	TH4365				
23A	1773-433-006-10	SHAFT	*	1 76-	1 378-	1	1			
24	1773-434-010-00	CASE/FINAL	*	2	2	2				
25	V721-103-110-00	O-RING/G100	*	2	2	2				
26	V523-101-002-40	PIN	*	4	4	4				
27	V251-441-202-80	STUD/M12X28	*	8 -29	8 -111					
27A	1773-434-021-00	BOLT/STUD	*	8 30-	8 112-	8				
28	V401-160-012-00	WASHER,SP/M12	*	8	8	8				
29	V304-460-012-00	NUT/M12	*	8	8	8				
30	1614-434-002-10	GEAR/BEVEL/12	*	2 -75	2 -377					
30A	1614-434-002-20	GEAR/BEVEL/11	*	2 76-	2 378-	2	1			
31	1773-434-014-00	BEARING/BALL	*	2	2	2				
32	V707-140-072-00	RING/SNAP	*	2	2	2				
33	1614-434-003-10	GEAR/BEVEL/17	*	2 -75	2 -377					
33A	1614-434-003-20	GEAR/BEVEL/17	*	2 76-	2 378-	2	1			
34	1773-434-012-00	BEARING/BALL	*	2	2	2				
35	1709-434-001-00	SEAL/OIL ASSY	*	2	2	2				
36	1773-434-016-00	BEARING/BALL	*	2	2	2				
37	1773-432-012-00	BEARING/BALL	*	2	2	2				
38	1773-434-020-00	RING/SNAP/40	*	2	2	2				
39	V707-140-068-00	RING/SNAP	*	2	2	2				
40	1772-434-004-00	CASE/FINAL/LH	*	1 -75	1 -377					
40A	1772-434-004-10	CASE/FINAL/LH	*	1 76-	1 378-	1	1			
41	V782-160-000-4B	PLUG/SCREW/SEAL	*	2	2	2				
42	1772-434-005-00	CASE/FINAL/RH	*	1 -75	1 -377					
42A	1772-434-005-10	CASE/FINAL/RH	*	1 76-	1 378-	1	1			
43	V782-160-000-4B	PLUG/SCREW/SEAL	*	2	2	2				
44	1773-434-011-20	GEAR/BEVEL/10	*	2 -75	2 -377					
44A	1773-434-011-30	GEAR/BEVEL/10	*	2 76-	2 378-	2	1			
45	1773-434-012-00	BEARING/BALL	*	2	2	2				
46	1772-434-001-00	SHAFT/WHEEL	*	2	2	2				

FIG. 86 FRONT AXLE SET(V,J TYPE)(3/4)

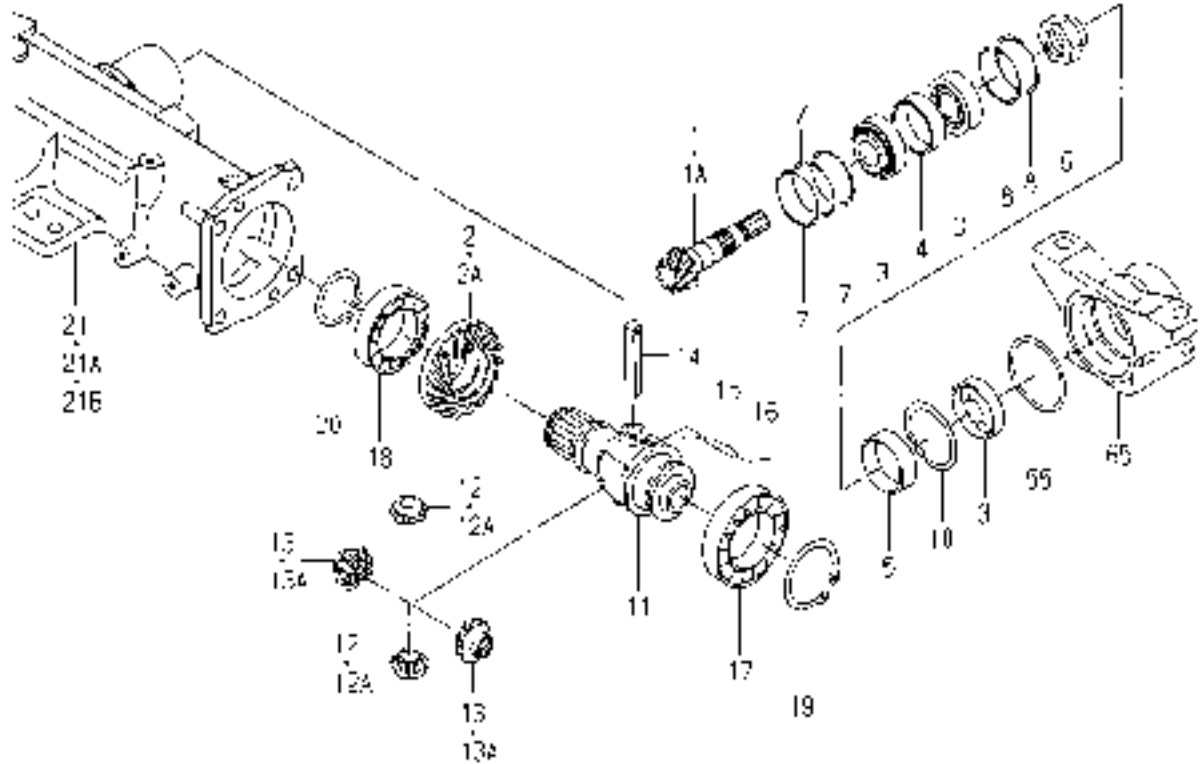


1772-430 -0100

KEY	PART CODE	DESCRIPTION	S P C	TYPE OF MODEL			I T C	C O L	G R P	REMARKS
				TH4295	TH4335	TH4365				
47	1773-434-008-00	GEAR/BEVEL/48	*	2 -75	2 -377					
47A	1773-434-008-10	GEAR/BEVEL/48	*	2 76-	2 378-	2	1			
48	1560-434-012-30	SEAL,OIL	*	2	2	2				
49	1773-434-017-00	BEARING/BALL	*	2	2	2				
50	1773-434-018-00	BEARING/BALL	*	2	2	2				
51	V706-140-040-00	RING/SNAP	*	2	2	2				
52	1773-434-009-00	COVER/WHEEL	*	2	2	2				
53	V523-101-002-40	PIN	*	4	4	4				
54	V211-561-002-50	BOLT/M10X25	*	20	20	20				
55	V721-103-107-00	O-RING/G70	*	1	1	1				
56	1729-433-200-00	METAL/PIVOT/FRONT	*	1 -48	1 -292					
56A	1729-433-200-10	METAL/PIVOT/FRONT	*	1 49-	1 293-	1	1			
57	1650-433-202-00	BUSH/62X67X20	*	1	1	1				
58	1614-433-002-00	SEAL/OIL	*	1	1	1				
59	V201-261-203-50	BOLT/M12X35	*	1	1	1				
60	V304-460-012-00	NUT/M12	*	1	1	1				
61	V201-361-203-50	BOLT/M12X35	*	2	2	2				
62	V401-160-012-00	WASHER,SP/M12	*	4	4	4				
63	V304-460-012-00	NUT/M12	*	2	2	2				
64	V763-150-000-00	NIPPLE,GREASE/PT1/8	*	1	1	1				
65	1740-433-510-00	METAL/PIVOT/REA ASSY	*	1	1	1				
66	1614-433-212-00	BUSH/62X67X30	*	1	1	1				
67	V720-103-503-40	O-RING/P34	*	1	1	1				
68	V201-361-403-50	BOLT	*	2 -55	2 -356					
68A	V304-460-014-00	NUT/M14	*	2 56-	2 357-	2				
69	V401-160-014-00	WASHER,SP/M14	*	2	2	2				
70	V761-150-000-00	NIPPLE/GREASE	*	1	1	1				
71	1427-120-002-00	CAP,BLANK/M10	*	2	2	2				
72	V231-360-801-20	FLANGEBOLT	*	4	4	4				
73	1427-120-002-00	CAP,BLANK/M10	*	2	2	2				

FIG. 87 FRONT AXLE SET(EXCEPT V,J TYPE)(1/4)

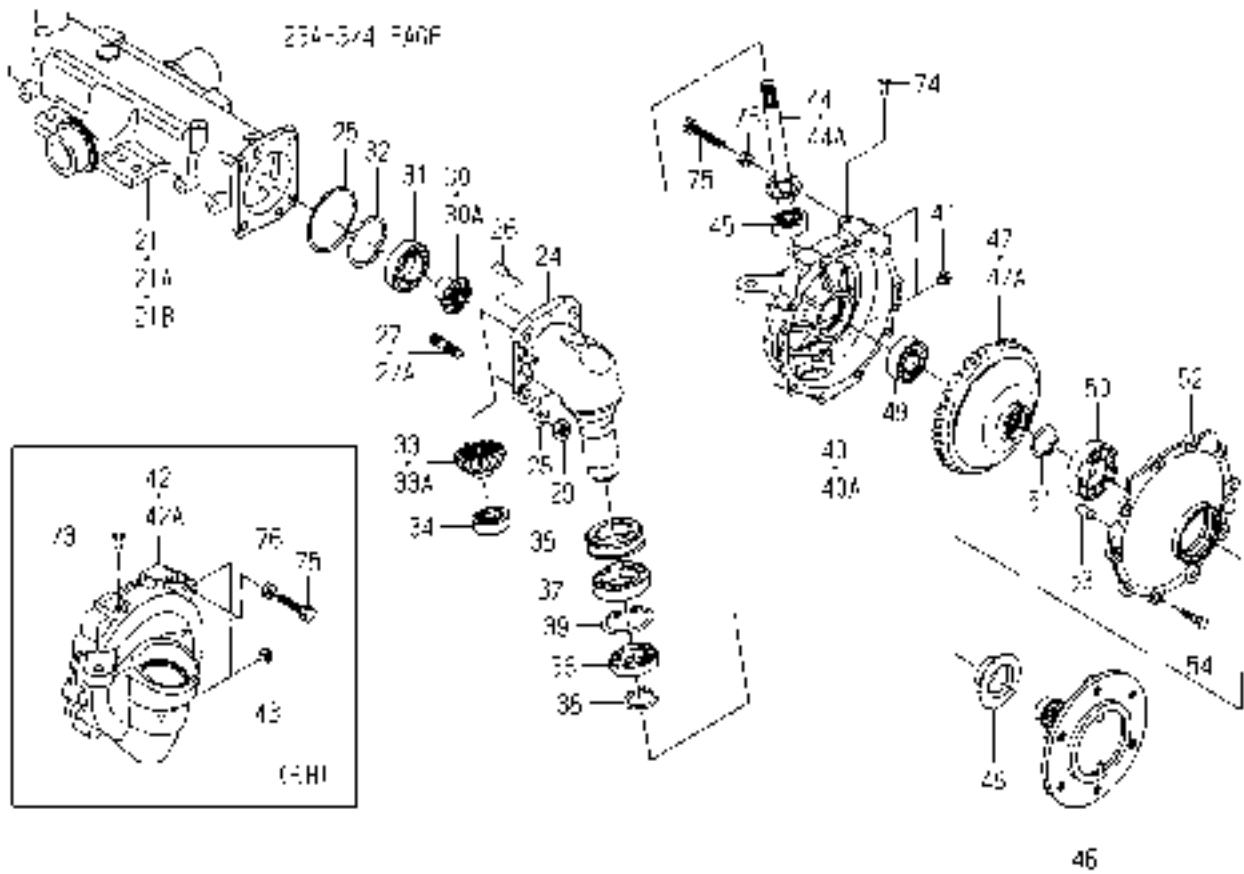
22-23-3/4 PAGE



1772-430A-0100

KEY	PART CODE	DESCRIPTION	S P C	TYPE OF MODEL			I T C	C O L	G R P	REMARKS
				TH4295	TH4335	TH4365				
1	1773-432-201-00	PINION/BEVEL/09	*	1 -80	1 -379					
1A	1773-432-201-10	PINION/BEVEL/09	*	1 81-	1 380-	1	1			
2	1773-432-202-00	GEAR/BEVEL/20	*	1 -75	1 -377					
2A	1773-432-202-10	GEAR/BEVEL/20	*	1 76-	1 378-	1	1			
3	1773-432-002-00	BEARING/TAPERROLLER	*	2	2	2				
4	1773-432-003-10	COLLAR/46X51X16	*	1	1	1				
5	1773-432-004-00	COLLAR/48X52X17	*	1	1	1				
6	1773-432-005-00	NUT/M25X1.5	*	1	1	1				
7	1773-432-013-00	SHIM/0.2	*	3	3	3				
8	1773-432-014-00	SHIM/0.1	*	2	2	2				
9	1427-432-016-00	SEAL,OIL/21	*	1	1	1				
10	V705-140-052-00	RING,SNAP/52 C	*	1	1	1				
11	1773-432-008-00	CASE/DIFF	*	1	1	1				
12	1773-432-009-00	PINION/BEVEL/11	*	2 -80	2 -379					
12A	1773-432-009-10	PINION/BEVEL/11	*	2 81-	2 380-	2	1			
13	1773-432-010-00	GEAR/BEVEL/15	*	2 -75	2 -377					
13A	1773-432-010-10	GEAR/BEVEL/15	*	2 76-	2 378-	2	1			
14	1773-432-001-00	PIN/12X75	*	1	1	1				
15	V580-140-502-50	PIN,SPRING/5 X25 W	*	1	1	1				
16		WIRE	*	1	1	1				
17	1773-432-011-00	BEARING/BALL	*	1	1	1				
18	1773-432-012-00	BEARING/BALL	*	1	1	1				
19	V706-140-055-00	RING/SNAP	*	1	1	1				
20	V706-140-040-00	RING/SNAP	*	1	1	1				
21	1772-433-001-00	HOUSING/AXLE	*	1 -29	1 -144					
21A	1772-433-001-10	HOUSING/AXLE	*	1 -76	1 -378		1			
21B	1772-433-001-20	HOUSING/AXLE	*	1 77-	1 379-	1	1			
22	1772-433-003-00	SHAFT	*	1 -76	1 -378					
22A	1772-433-003-10	SHAFT	*	1 77-	1 379-	1	1			
23	1772-433-004-00	SHAFT	*	1 -76	1 -378					

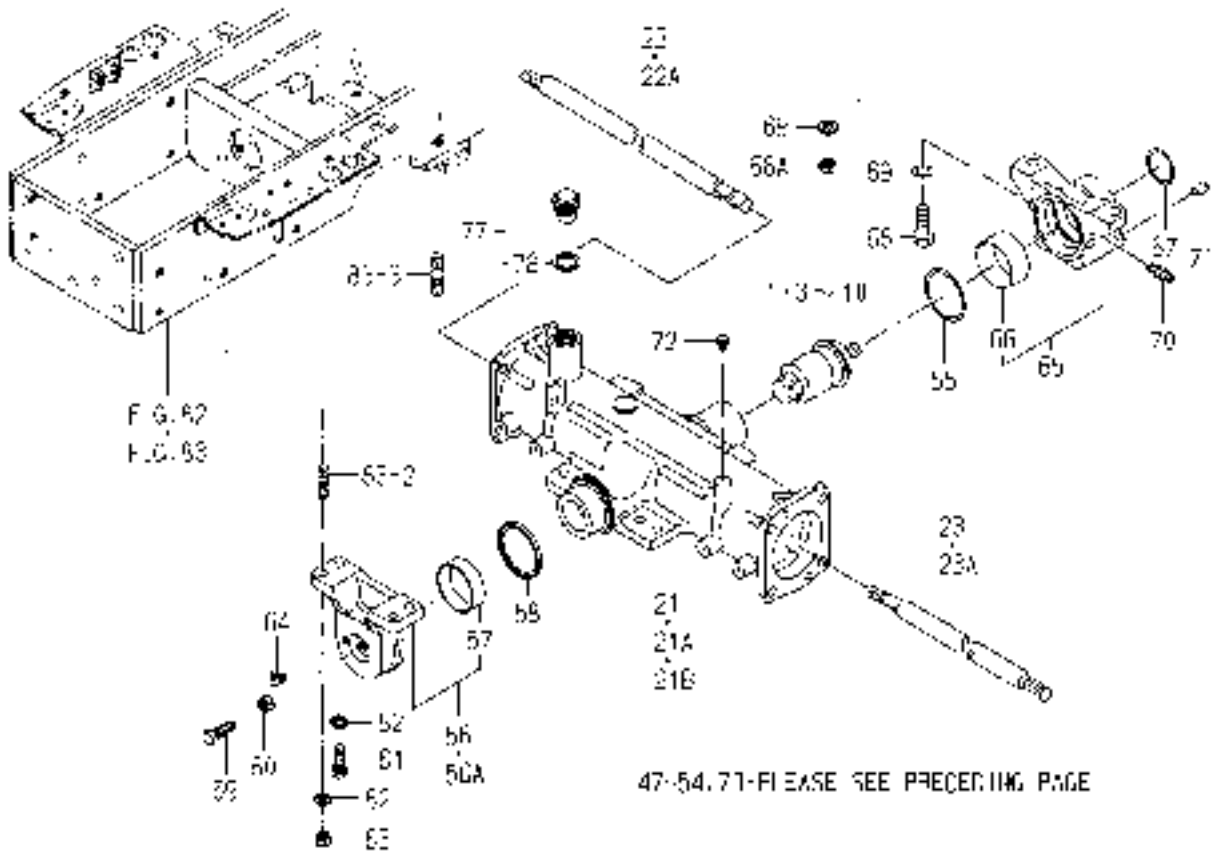
FIG. 87 FRONT AXLE SET(EXCEPT V,J TYPE)(2/4)



1772-430A-0100

KEY	PART CODE	DESCRIPTION	S P C	TYPE OF MODEL			I T C	C O L	G R P	REMARKS
				TH4295	TH4335	TH4365				
23A	1772-433-004-10	SHAFT	*	1 77-	1 379-	1	1			
24	1773-434-010-00	CASE/FINAL	*	2	2	2				
25	V721-103-110-00	O-RING/G100	*	2	2	2				
26	V523-101-002-40	PIN	*	4	4	4				
27	V251-441-202-80	STUD/M12X28	*	8 -29	8 -144					
27A	1773-434-021-00	BOLT/STUD	*	8 30-	8 145-					
28	V401-160-012-00	WASHER,SP/M12	*	8	8	8				
29	V304-460-012-00	NUT/M12	*	8	8	8				
30	1614-434-002-10	GEAR/BEVEL/12	*	2 -75	2 -377					
30A	1614-434-002-20	GEAR/BEVEL/11	*	2 76-	2 378-	2	1			
31	1773-434-014-00	BEARING/BALL	*	2	2	2				
32	V707-140-072-00	RING/SNAP	*	2	2	2				
33	1614-434-003-10	GEAR/BEVEL/17	*	2 -75	2 -377					
33A	1614-434-003-20	GEAR/BEVEL/17	*	2 76-	2 378-	2	1			
34	1773-434-012-00	BEARING/BALL	*	2	2	2				
35	1709-434-001-00	SEAL/OIL ASSY	*	2	2	2				
36	1773-434-016-00	BEARING/BALL	*	2	2	2				
37	1773-432-012-00	BEARING/BALL	*	2	2	2				
38	1773-434-020-00	RING/SNAP/40	*	2	2	2				
39	V707-140-068-00	RING/SNAP	*	2	2	2				
40	1772-434-004-00	CASE/FINAL/LH	*	1 -75	1 -377					
40A	1772-434-004-10	CASE/FINAL/LH	*	1 76-	1 378-	1	1			
41	V782-160-000-4B	PLUG/SCREW/SEAL	*	2	2	2				
42	1772-434-005-00	CASE/FINAL/RH	*	1 -75	1 -377					
42A	1772-434-005-10	CASE/FINAL/RH	*	1 76-	1 378-	1	1			
43	V782-160-000-4B	PLUG/SCREW/SEAL	*	2	2	2				
44	1773-434-011-20	GEAR/BEVEL/10	*	2 -75	2 -377					
44A	1773-434-011-30	GEAR/BEVEL/10	*	2 76-	2 378-	2	1			
45	1773-434-012-00	BEARING/BALL	*	2	2	2				
46	1772-434-001-00	SHAFT/WHEEL	*	2	2	2				

FIG. 87 FRONT AXLE SET(EXCEPT V,J TYPE)(3/4)



47-54,71- PLEASE SEE PRECEDING PAGE

1772-430A-0100

KEY	PART CODE	DESCRIPTION	S P C	TYPE OF MODEL			I T C	C O L	G R P	REMARKS
				TH4295	TH4335	TH4365				
47	1773-434-008-00	GEAR/BEVEL/48	*	2 -75	2 -377					
47A	1773-434-008-10	GEAR/BEVEL/48	*	2 76-	2 378-	2	1			
48	1560-434-012-30	SEAL,OIL	*	2	2	2				
49	1773-434-017-00	BEARING/BALL	*	2	2	2				
50	1773-434-018-00	BEARING/BALL	*	2	2	2				
51	V706-140-040-00	RING/SNAP	*	2	2	2				
52	1773-434-009-00	COVER/WHEEL	*	2	2	2				
53	V523-101-002-40	PIN	*	4	4	4				
54	V211-561-002-50	BOLT/M10X25	*	20	20	20				
55	V721-103-107-00	O-RING/G70	*	1	1	1				
56	1729-433-200-00	METAL/PIVOT/FRONT	*	1 -48	1 -292					
56A	1729-433-200-10	METAL/PIVOT/FRONT	*	1 49-	1 293-	1	1			
57	1650-433-202-00	BUSH/62X67X20	*	1	1	1				
58	1614-433-002-00	SEAL/OIL	*	1	1	1				
59	V201-261-203-50	BOLT/M12X35	*	1	1	1				
60	V304-460-012-00	NUT/M12	*	1	1	1				
61	V201-361-203-50	BOLT/M12X35	*	2	2	2				
62	V401-160-012-00	WASHER,SP/M12	*	4	4	4				
63	V304-460-012-00	NUT/M12	*	2	2	2				
64	V763-150-000-00	NIPPLE,GREASE/PT1/8	*	1	1	1				
65	1740-433-510-00	METAL/PIVOT/REA ASSY	*	1	1	1				
66	1614-433-212-00	BUSH/62X67X30	*	1	1	1				
67	V720-103-503-40	O-RING/P34	*	1	1	1				
68	V201-361-403-50	BOLT	*	2 -55	2 -357					
68A	V304-460-014-00	NUT/M14	*	2 56-	2 358-	2				
69	V401-160-014-00	WASHER,SP/M14	*	2	2	2				
70	V761-150-000-00	NIPPLE/GREASE	*	1	1	1				
71	1427-120-002-00	CAP,BLANK/M10	*	2	2	2				
72	V231-360-801-20	FLANGEBOLT	*	2	2	2				
73	1427-120-002-00	CAP,BLANK/M10	*	2	2	2				

FIG. 94 CYLINDER CASE SYSTEM(1/3)

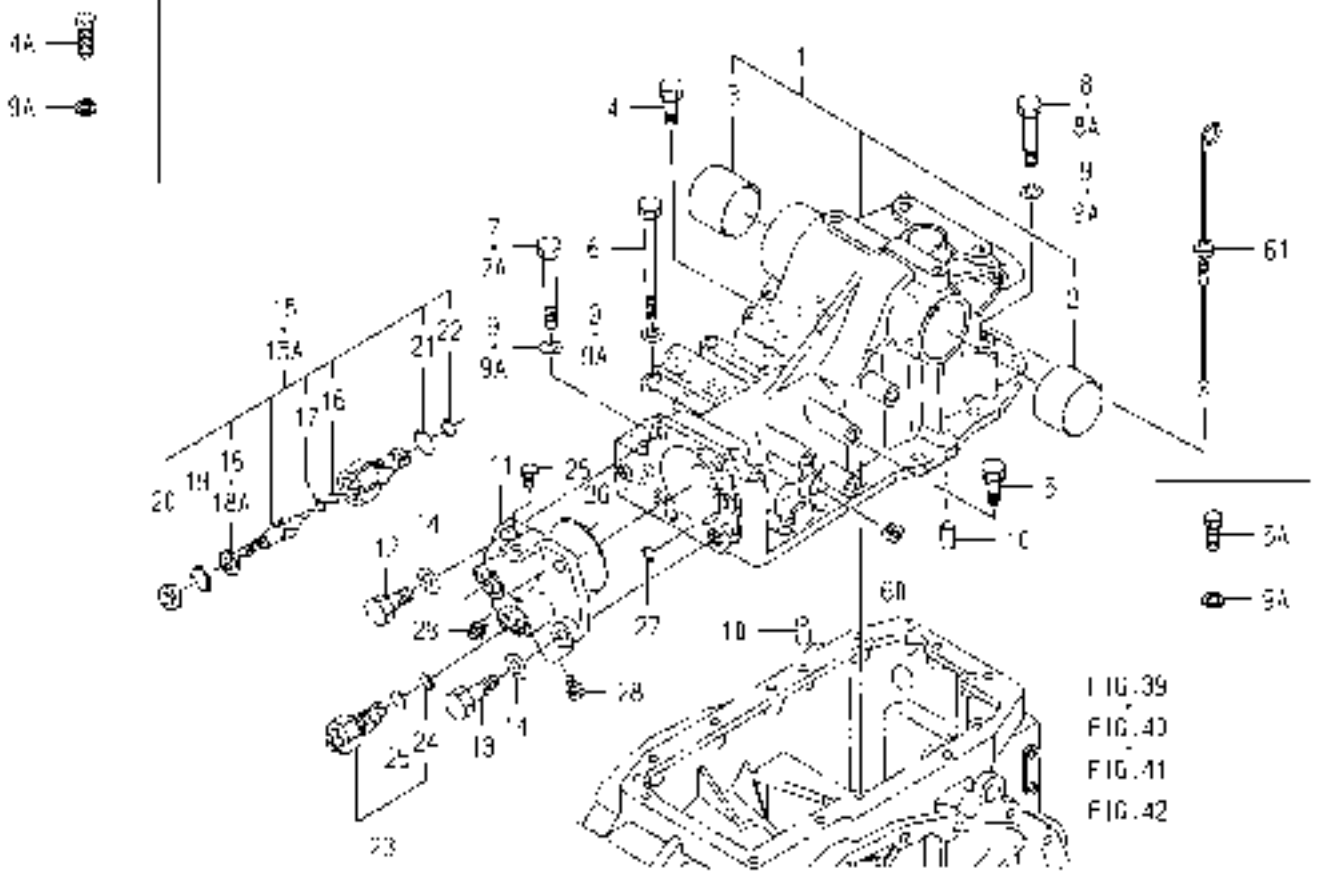
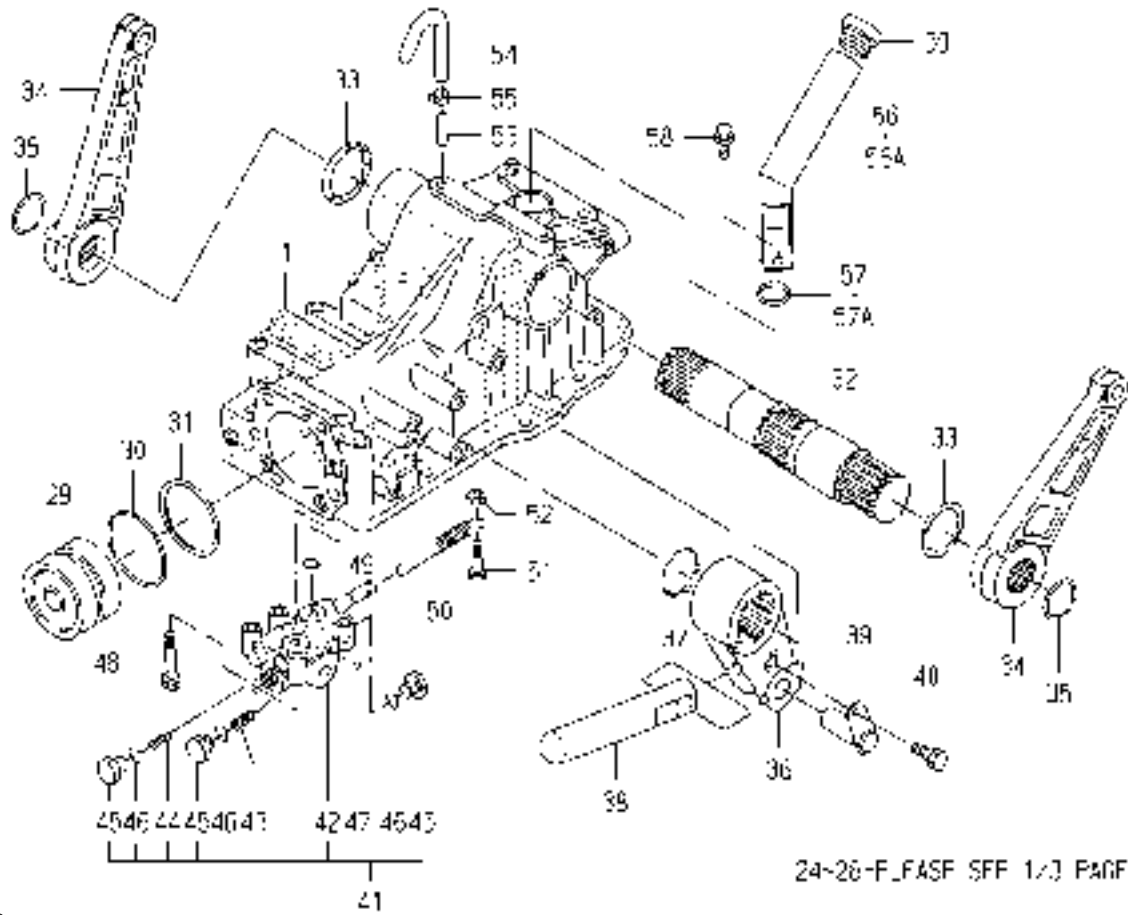


FIG. 39
FIG. 40
FIG. 41
FIG. 42

1773-501-0100

KEY	PART CODE	DESCRIPTION	S P C	TYPE OF MODEL			I T C	C O L	G R P	REMARKS
				TH4295	TH4335	TH4365				
1	1773-501-200-00	CASE/CYLINDER ASSY	*	1	1	1				
2	1588-501-002-00	BUSH/50X55X37	*	1	1	1				
3	1560-501-202-00	BUSH/45X50X42	*	1	1	1				
4	V211-561-003-00	BOLT/M10X30	*	1 -55	1 -356					
4A	V201-461-003-00	BOLT/M10X30	*	1 56-	1 357-	1				
5	V211-561-002-50	BOLT/M10X25	*	5 -55	5 -356					
5A	V201-461-002-50	BOLT/M10X25	*	5 56-	5 357-	5				
6	V201-461-010-50	BOLT/M10X105 9T	*	3 3	3 3	3				
7	V201-361-007-50	BOLT	*	1 -55	1 -356					
7A	1719-306-005-00	BOLT/SM/M10X75	*	1 56-	1 357-	1				
8	V201-361-005-00	BOLT/M10X50	*	2 -55	2 -356					
8A	V201-461-005-00	BOLT/M10X50	*	2 56-	2 357-	2				
9	V401-160-010-00	WASHER,SP/M10	*	6 -55	6 -356					
9A	V401-160-010-00	WASHER,SP/M10	*	12 56-	12 357-	12				
10	V523-101-002-40	PIN	*	2	2	2				
11	1622-501-001-00	HEAD/CYLINDER	*	1	1	1				
12	V201-361-203-00	BOLT/M12X30	*	2	2	2				
13	V201-361-204-00	BOLT/M12X40	*	3	3	3				
14	V401-160-012-00	WASHER,SP/M12	*	5	5	5				
15	K231-006-000-10	VALVE ASSY	*	1 -100	1 -452					
15A	K231-006-000-20	VALVE/SLOW RETURN/00	*	1 101-	1 453-	1	1			
16	V720-111-900-90	O-RING/P 9	*	1	1	1				
17	V730-101-200-90	RING/BACKUP	*	1	1	1				
18	K231-004-006-00	COLLAR/11X21X3	*	1 -100	1 -452					
18A	K231-007-003-00	COLLAR/11X21X03	*	1 101-	1 453-	1				
19	V705-140-021-00	RING,SNAP/21 C	*	1	1	1				
20	K231-004-007-00	SEAL,DUST	*	1	1	1				
21	V720-112-402-00	O-RING/P20	*	1	1	1				
22	V720-112-401-40	O-RING/P14	*	1	1	1				
23	K250-015-000-00	VALVE	*	1	1	1				

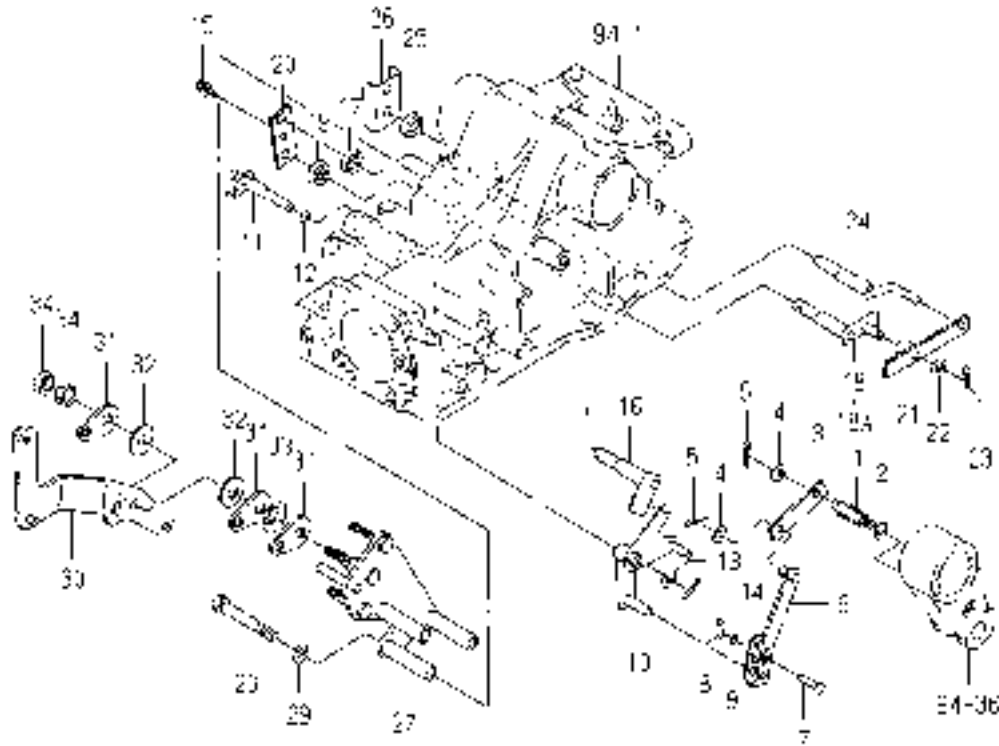
FIG. 94 CYLINDER CASE SYSTEM(2/3)



1773-501-0100

KEY	PART CODE	DESCRIPTION	S P C	TYPE OF MODEL				I T C	C O L	G R P	REMARKS
				TH4295	TH4335	TH4365					
24	V720-112-401-20	O-RING/P12	*	1	1	1					
25	V720-112-401-80	O-RING/P18	*	1	1	1					
26	V721-113-107-00	O-RING/G70	*	1	1	1					
27	V720-112-401-40	O-RING/P14	*	3	3	3					
28	V782-160-000-2T	PLUG/SCREW/SEAL	*	3	3	3					
29	1444-503-001-20	PISTON	*	1	1	1					
30	V720-115-706-50	O-RING/P65 HS90	*	1	1	1					
31	1415-505-006-00	RING,BACK UP	*	1	1	1					
32	1617-502-001-20	BAR	*	1	1	1					
33	1444-501-004-10	SEAL,OIL/OS45554	*	2	2	2					
34	1729-501-001-00	ARM/LIFT/LH	*	2	2	2					
35	V706-140-045-00	RING/SNAP	*	2	2	2					
36	1617-502-002-00	CRANK/LIFT	*	1	1	1					
37	V706-140-050-00	RING/SNAP	*	1	1	1					
38	1617-502-004-00	ROD	*	1	1	1					
39	1480-503-200-00	PIN,ROD COMP	*	1	1	1					
40	V211-561-002-00	BOLT/M10X20	*	1	1	1					
41	K211-026-000-00	CONTROL VALVE ASSY	*	1	1	1					
42	K211-026-100-00	VALVE SET	*	1	1	1					
43	K211-001-006-20	SPRING	*	1	1	1					
44	K211-001-007-00	SPRING	*	1	1	1					
45	K211-001-008-00	PLUG	*	3	3	3					
46	V720-112-401-20	O-RING/P12	*	3	3	3					
47	V780-140-000-2T	PLUG/SCREW/SEAL	*	2	2	2					
48	V211-260-804-00	BOLT,SEMS	*	3	3	3					
49	V720-112-401-40	O-RING/P14	*	2	2	2					
50	1617-503-001-00	SPRING/HE123	*	1	1	1					
51	V201-260-802-50	BOLT/M 8X25	*	1	1	1					
52	V304-260-008-00	NUT	*	1	1	1					
53	1544-120-008-10	PIPE,BREATHER	*	1	1	1					

FIG. 95 MECHANICAL LINK(POSITION)SYSTEM(1/2) (E4A TYPE)

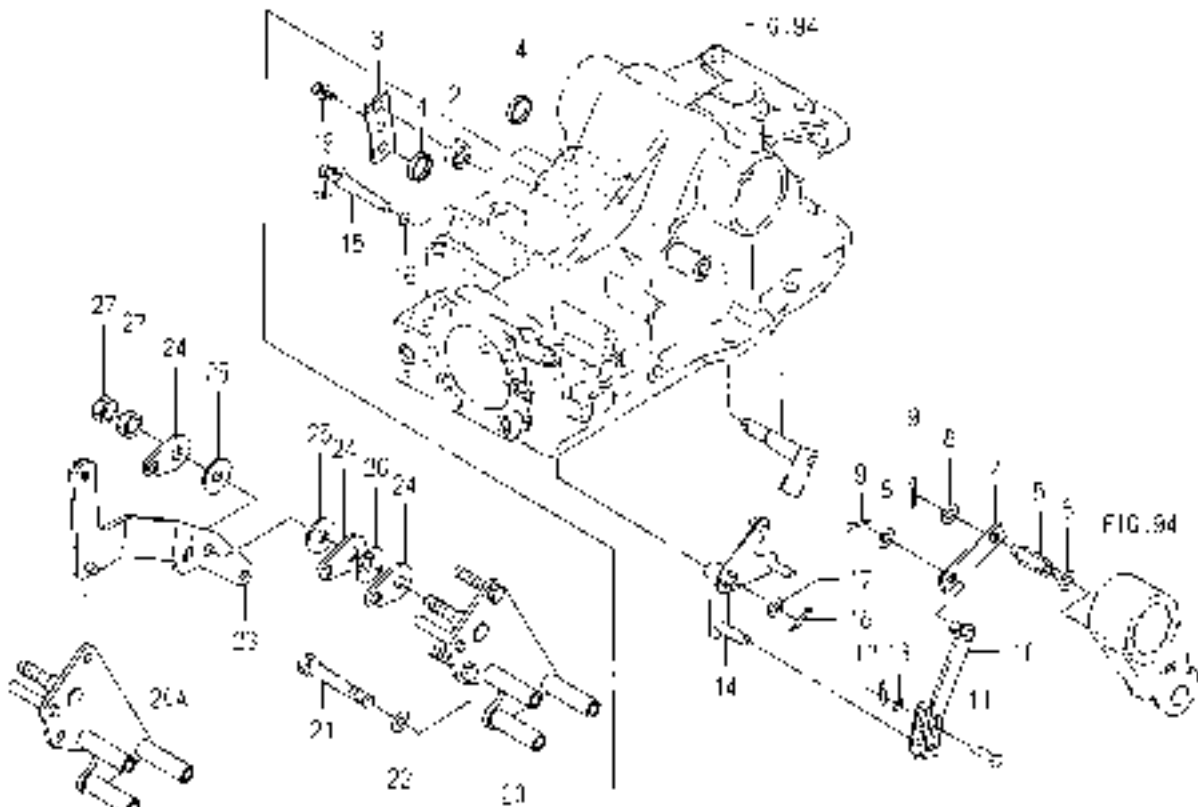


1772-504 -0100

KEY	PART CODE	DESCRIPTION	S P C	TYPE OF MODEL				I T C	C O L	G R P	REMARKS
				TH4295	TH4335	TH4365					
1	1617-503-002-00	PIN	*	1	1						
2	V401-160-008-00	WASHER,SP/M 8	*	1	1						
3	1617-503-003-00	PLATE/I/19X75	*	1	1						
4	V411-260-008-00	WASHER,PL/M 8	*	2	2						
5	V500-162-002-00	PIN,SPLIT/2 X20	*	2	2						
6	1617-503-210-00	LINK/SPOOL COMP	*	1	1						
7	1614-503-005-00	PIN/05X23	*	1	1						
8	V500-162-002-00	PIN,SPLIT/2 X20	*	1	1						
9	V411-260-005-00	WASHER	*	1	1						
10	1614-503-270-10	LINK/SUPPORT COMP	*	1	1						
11	1614-503-280-00	PIN/SUPPORT COMP	*	1	1						
12	V720-101-900-70	O-RING/P 7	*	1	1						
13	V411-260-008-00	WASHER,PL/M 8	*	1	1						
14	V500-162-002-00	PIN,SPLIT/2 X20	*	1	1						
15	V211-360-801-60	BOLT,SEMS (SP)	*	1	1						
16	1614-503-290-00	ARM/POSITION COMP	*	1	1						
17	V742-112-220-40	SEAL,OIL/VC122204	*	1	1						
18	1614-503-300-10	ARM/AUTO COMP	*	1	1						
18A	1614-503-300-20	ARM/AUTO COMP	*	1	1			1			
19	V742-112-220-40	SEAL,OIL/VC122204	*	1	1						
20	1614-503-006-00	PLATE/I/25X62	*	1	1						
21	1614-503-310-00	LINK/AUTO COMP	*	1	1						
22	V411-260-008-00	WASHER,PL/M 8	*	1	1						
23	V500-162-002-00	PIN,SPLIT/2 X20	*	1	1						
24	1614-503-320-00	ARM/AUTO COMP	*	1	1						
25	V742-112-220-40	SEAL,OIL/VC122204	*	1	1						
26	1614-503-003-00	PLATE/U/30X50	*	1	1						
27	1622-505-200-00	BRACKET/LEVER COMP	*	1	1						
28	V201-260-807-00	BOLT/M 8X70	*	3	3						
29	V401-160-008-00	WASHER,SP/M 8	*	3	3						

FIG. 96 MECHANICAL LINK(POSITION)SYSTEM(1/2) (EXCEPT E4A TYPE)

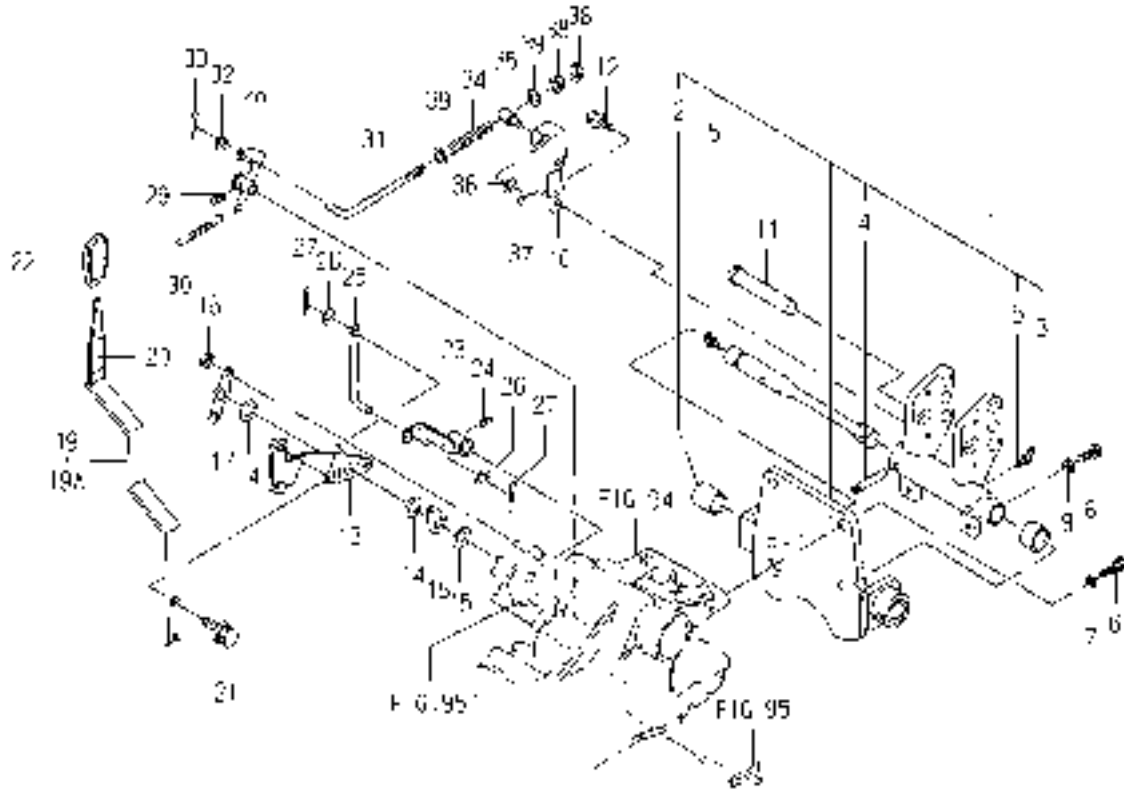
25-30-PLEASE SEE 2/2 PAGE



1772-504B-0100

KEY	PART CODE	DESCRIPTION	S P C	TYPE OF MODEL			I T C	C O L	G R P	REMARKS
				TH4295	TH4335	TH4365				
1	1614-503-290-00	ARM/POSITION COMP	*	1	1	1				
2	V742-112-220-40	SEAL,OIL/VC122204	*	1	1	1				
3	1614-503-006-00	PLATE/I/25X62	*	1	1	1				
4	1614-501-013-00	PLUG/22	*	2	2	2				
5	1617-503-002-00	PIN	*	1	1	1				
6	V401-160-008-00	WASHER,SP/M 8	*	1	1	1				
7	1617-503-003-00	PLATE/I/19X75	*	1	1	1				
8	V411-260-008-00	WASHER,PL/M 8	*	2	2	2				
9	V500-162-002-00	PIN,SPLIT/2 X20	*	2	2	2				
10	1617-503-210-00	LINK/SPOOL COMP	*	1	1	1				
11	1614-503-005-00	PIN/05X23	*	1	1	1				
12	V500-162-002-00	PIN,SPLIT/2 X20	*	1	1	1				
13	V411-260-005-00	WASHER	*	1	1	1				
14	1614-503-270-10	LINK/SUPPORT COMP	*	1	1	1				
15	1614-503-280-00	PIN/SUPPORT COMP	*	1	1	1				
16	V720-101-900-70	O-RING/P 7	*	1	1	1				
17	V411-260-008-00	WASHER,PL/M 8	*	1	1	1				
18	V500-162-002-00	PIN,SPLIT/2 X20	*	1	1	1				
19	V211-360-801-60	BOLT,SEMS (SP)	*	1	1	1				
20	1773-504-210-00	BRACKET/LEVER COMP	*	1-31	1-181					
20A	1773-504-210-10	BRACKET/LEVER COMP	*	1-32	1-182	1	1			
21	V201-260-807-00	BOLT/M 8X70	*	3	3	3				
22	V401-160-008-00	WASHER,SP/M 8	*	3	3	3				
23	1773-504-230-10	ARM/POSITION COMP	*	1	1	1				
24	1614-505-002-00	PLATE	*	3	3	3				
25	1614-505-003-00	LINING/11X30X02	*	2	2	2				
26	1614-505-004-00	SPRING/WASHER	*	1	1	1				
27	V304-260-010-00	NUT	*	2	2	2				
28	1622-504-200-00	ARM/POSITION COMP	*	1	1	1				
29	V580-140-502-00	PIN,SPRING/5 X20 W	*	1	1	1				

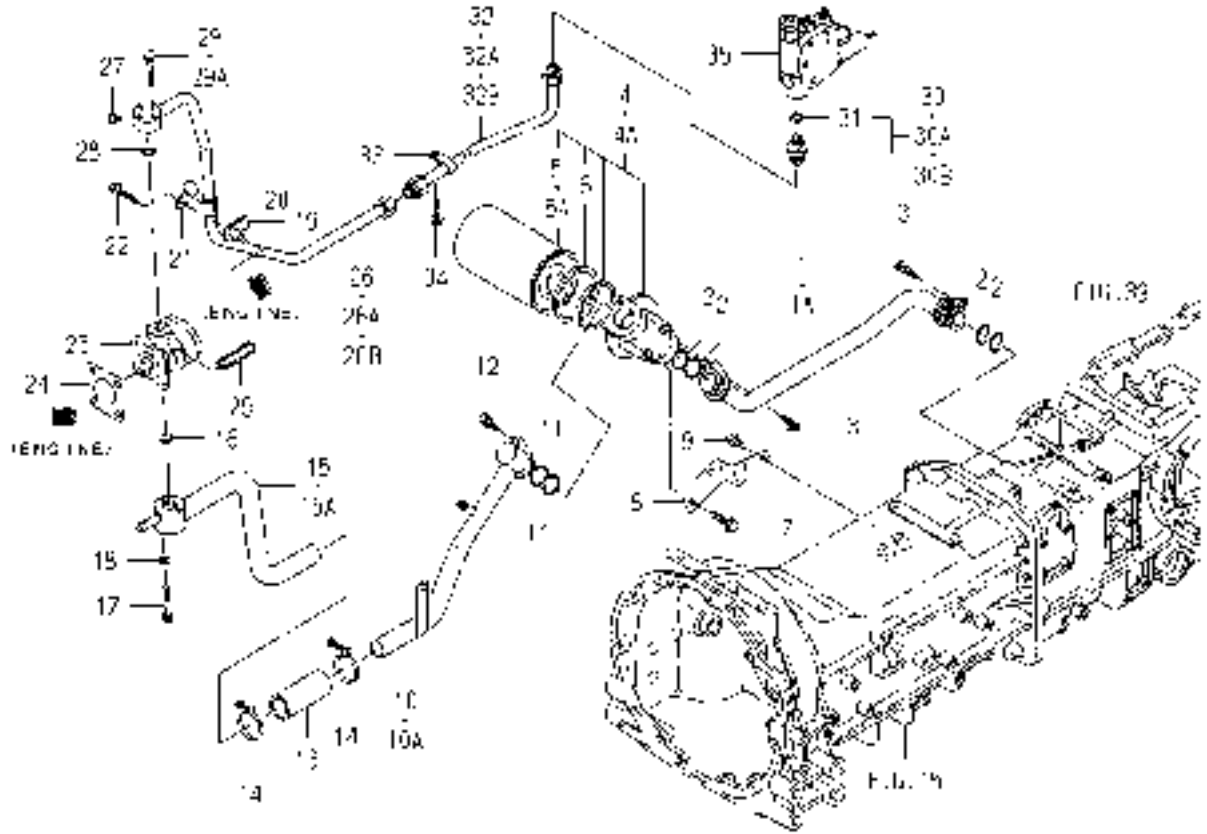
FIG. 97 MECHANICAL LINK(DRAFT)SYSTEM (E4A TYPE)



1772-506 -0100

KEY	PART CODE	DESCRIPTION	S P C	TYPE OF MODEL			I T C	C O L	G R P	REMARKS
				TH4295	TH4335	TH4365				
1	1622-535-300-00	HITCH/LINK ASSY	*	1	1					
2	1509-535-002-00	BUSH 25X30X35	*	1	1					
3	1509-535-003-10	BUSH 33X38X20	*	1	1					
4	V511-101-006-00	PIN,TAPER	*	2	2					
5	V763-150-000-00	NIPPLE,GREASE/PT1/8	*	2	2					
6	V201-361-203-50	BOLT/M12X35	*	4	4					
7	V401-160-012-00	WASHER,SP/M12	*	4	4					
8	V201-261-004-50	BOLT/M10X45	*	2	2					
9	V304-260-010-00	NUT	*	2	2					
10	1622-535-003-00	PLATE/U/122.5X25	*	1	1					
11	1560-522-007-40	PIN/19X110	*	1	1					
12	V211-360-801-60	BOLT,SEMS (SP)	*	2	2					
13	1772-506-210-10	ARM/DRAFT COMP	*	1	1					
14	1614-531-002-00	LINING/16X30X02	*	2	2					
15	1614-531-004-00	SPRING/WASHER	*	1	1					
16	1614-531-003-00	PLATE	*	1	1					
17	1614-531-013-00	PLATE	*	1	1					
18	V304-260-008-00	NUT	*	4	4					
19	1772-506-220-10	LEVER/DRAFT COMP	*	1-55	1-356					
19A	1772-506-220-20	LEVER/DRAFT COMP	*	1-56	1-357		1			
20	1675-262-002-00	INSULATOR/LEVER/SUB	*	1	1					
21	V211-361-002-50	BOLT/SP	*	1	1					
22	3659-203-005-00	GRIP/03X17X74	*	1	1					
23	1622-535-250-10	ARM/AUTO COMP	*	1	1					
24	V580-140-502-00	PIN,SPRING/5 X20 W	*	1	1					
25	1622-535-004-10	ROD	*	1	1					
26	V411-260-008-00	WASHER,PL/M 8	*	2	2					
27	V500-162-502-00	PIN,SPLIT/2.5X20	*	2	2					
28	1622-535-260-00	ARM COMP	*	1	1					
29	V580-140-502-00	PIN,SPRING/5 X20 W	*	1	1					

**FIG. 99 HYD.SYSTEM(MAIN)(1/2)
(V TYPE EXCEPT SK)**

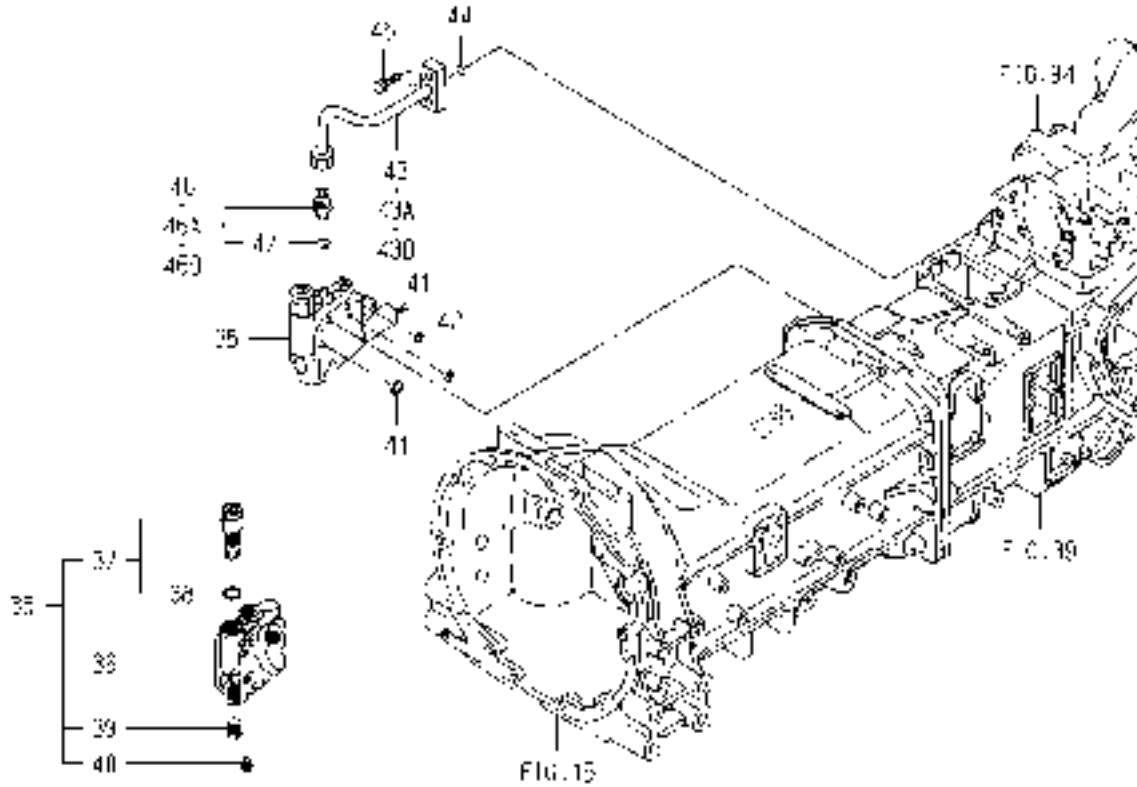


1772-508A-0100

KEY	PART CODE	DESCRIPTION	S P C	TYPE OF MODEL			I T C	C O L	G R P	REMARKS
				TH4295	TH4335	TH4365				
1	1773-508-210-10	PIPE/SUC/REAR COMP	*	1 -48	1 -318					
1A	1773-508-210-20	PIPE/SUC/REAR COMP	*	1 49-	1 319-		1			
2	V720-103-502-80	O-RING/P28	*	4	4					
3	V231-360-801-60	FLANGEBOLT	*	2	2					
4	1742-508-330-00	FILTER/SUCTION/20/R	*	1 -75	1 -377					
4A	1742-508-330-10	FILTER/SUCTION/20/R	*	1 76-	1 378-		1			
5	1742-508-332-00	CARTRIDGE/20/R	*	1 -75	1 -377					
5A	1742-508-332-10	CARTRIDGE/20/R	*	1 76-	1 378-		1			
6	1643-515-203-00	PACKING	*	1	1					
7	V231-361-002-50	FLANGEBOLT	*	2	2					
8	1773-508-002-00	BRACKET/FILTER	*	1	1					
9	V231-360-801-60	FLANGEBOLT	*	2	2					
10	1773-508-220-00	PIPE/SUC/MID COMP	*	1 -48	1 -318					
10A	1773-508-220-10	PIPE/SUC/MID COMP	*	1 49-	1 319-		1			
11	V720-103-502-80	O-RING/P28	*	2	2					
12	V231-360-801-60	FLANGEBOLT	*	2	2					
13	1729-508-011-00	HOSE/100	*	1	1					
14	J061-232-040-00	CLAMP/WIRE/32-40	*	2	2					
15	1772-508-210-00	PIPE/SUC/FRONT COMP	*	1 -55	1 -343					
15A	1772-508-210-10	PIPE/SUC/FRONT COMP	*	1 56-	1 344-		1			
16	V720-112-402-00	O-RING/P20	*	1	1					
17	V200-360-605-50	BOLT	*	2	2					
18	V401-160-006-00	WASHER,SP/M 6	*	2	2					
19	1773-508-320-00	HOLDER COMP	*	1	1					
20	1729-508-013-00	HOLDER/PIPE	*	1	1					
21	1710-508-551-00	HOLDER/PIPE	*	1	1					
22	V211-660-804-00	BOLT/SP	*	1	1					
23	K135-028-000-00	PUMP/GEAR ASSY	*	1	1				FIG 195	
24	1404-503-006-00	PACKING,OIL PUMP	*	1	1					
25	1723-508-002-00	NUT/M08	*	1	1					

FIG. 99 HYD.SYSTEM(MAIN)(2/2) (V TYPE EXCEPT SK)

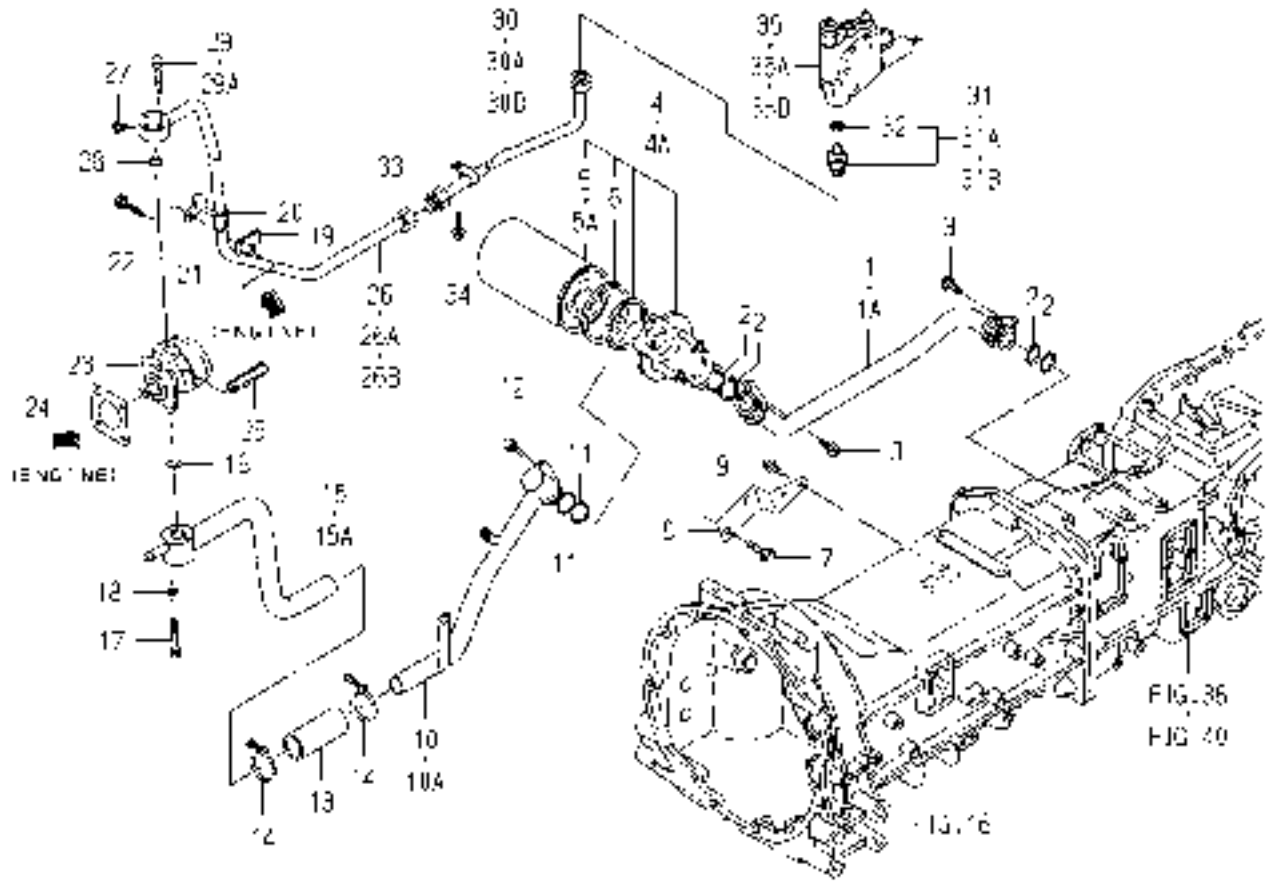
23-34-PLEASE SEE 1/2 PAGE



1772-508A-0100

KEY	PART CODE	DESCRIPTION	S P C	TYPE OF MODEL				I T C	C O L	G R P	REMARKS
				TH4295	TH4335	TH4365					
26	1772-508-220-00	PIPE/DEL/F COMP	*	1 -48	1 -327						
26A	1772-508-220-10	PIPE/DEL/F COMP	*	1 -93	1 -436		1				
26B	1772-508-220-20	PIPE/DEL/F COMP	*	1 94	1 437		1				
27	V782-160-000-2T	PLUG/SCREW/SEAL	*	1	1						
28	V720-112-402-00	O-RING/P20	*	1	1						
29	V210-560-604-50	BOLT/S	*	3 -89	3 -433						
29A	V210-560-603-50	BOLT/S	*	3 90	3 434						
30	1729-508-290-00	ADAPTER/G3/8 ASSY	*	1 -48	1 -329						
30A	1729-508-290-10	ADAPTER/G3/8 ASSY	*	1 -88	1 -433		1				
30B	1729-508-290-20	ADAPTER/G3/8 ASSY	*	1 89	1 434		1				
31	V720-112-401-40	O-RING/P14	*	1	1						
32	1773-508-280-00	PIPE/DEL/M COMP	*	1 -55	1 -343						
32A	1773-508-280-10	PIPE/DEL/M COMP	*	1 -88	1 -433		1				
32B	1773-508-280-20	PIPE/DEL/M COMP	*	1 89	1 434		1				
33	1675-508-003-00	HOLDER/15	*	1	1						
34	V231-360-801-20	FLANGEBOLT	*	1	1						
35	1772-508-300-00	VALVE/RELIEF/J SET	*	1	1						
36	1772-508-011-00	METAL/RELIEF/J	*	1	1						
37	K250-035-000-10	VALVE/RELIEF ASSY	*	1	1						
38	V720-112-402-00	O-RING/P20	*	1	1						
39	V782-160-000-6T	PLUG/SCREW/SEAL	*	1	1						
40	V782-160-000-2T	PLUG/SCREW/SEAL	*	1	1						
41	V720-112-401-00	O-RING/P10	*	3	3						
42	V720-112-401-20	O-RING/P12	*	1	1						
43	1773-508-250-00	PIPE/DEL/REAR COMP	*	1 -48	1 -318						
43A	1773-508-250-10	PIPE/DEL/REAR COMP	*	1 -88	1 -433		1				
43B	1773-508-250-20	PIPE/DEL/REAR COMP	*	1 89	1 434		1				
44	V720-112-401-40	O-RING/P14	*	1	1						
45	V211-260-803-50	BOLT(S) M8X35	*	2	2						
46	1729-508-290-00	ADAPTER/G3/8 ASSY	*	1 -48	1 -329						

FIG.101 HYD.SYSTEM(MAIN)(K,SK TYPE)(1/2)

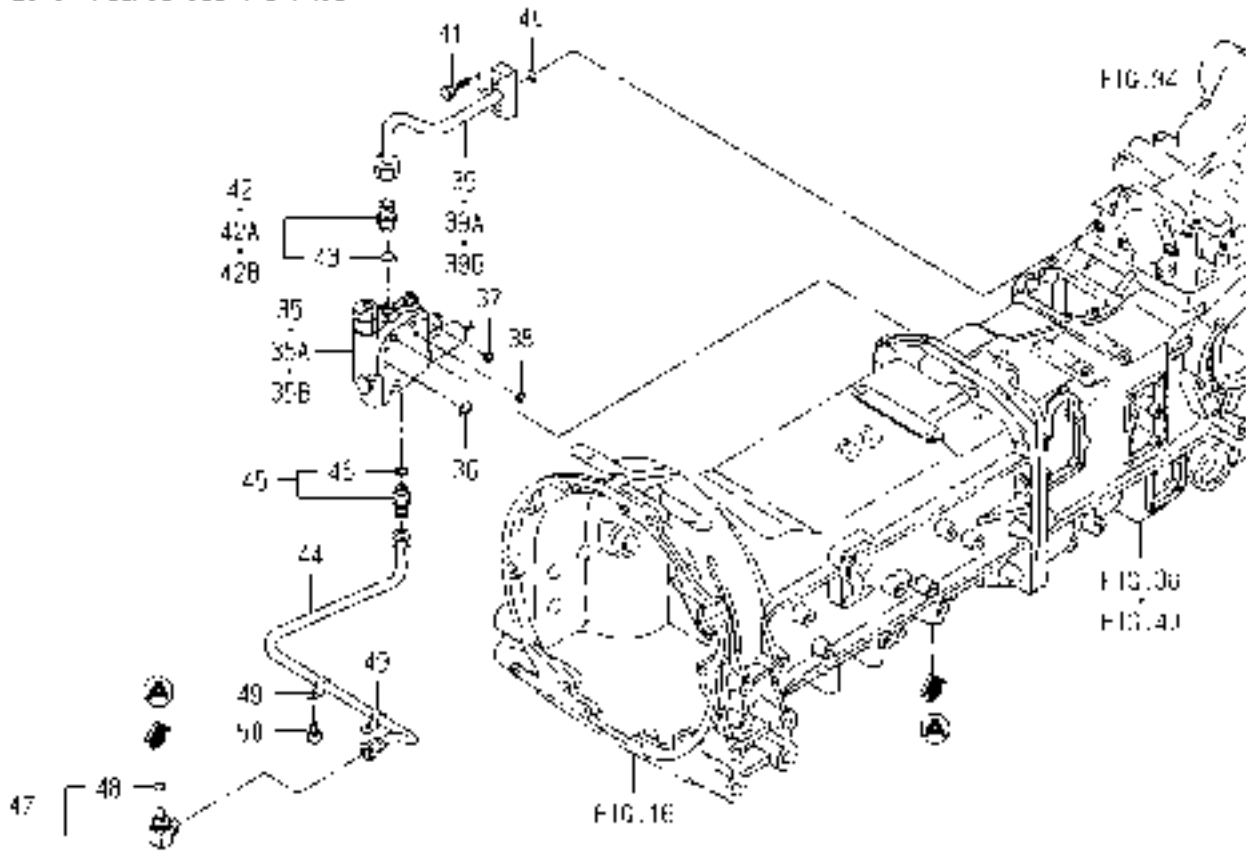


1772-508C-0100

KEY	PART CODE	DESCRIPTION	S P C	TYPE OF MODEL			I T C	C O L	G R P	REMARKS
				TH4295	TH4335	TH4365				
1	1773-508-210-10	PIPE/SUC/REAR COMP	*	1 -48	1 -318					
1A	1773-508-210-20	PIPE/SUC/REAR COMP	*	1 49-	1 319-		1			
2	V720-103-502-80	O-RING/P28	*	4	4					
3	V231-360-801-60	FLANGEBOLT	*	2	2					
4	1742-508-330-00	FILTER/SUCTION/20/R	*	1 -75	1 -377					
4A	1742-508-330-10	FILTER/SUCTION/20/R	*	1 76-	1 378-		1			
5	1742-508-332-00	CARTRIDGE/20/R	*	1 -75	1 -377					
5A	1742-508-332-10	CARTRIDGE/20/R	*	1 76-	1 378-		1			
6	1643-515-203-00	PACKING	*	1	1					
7	V231-361-002-50	FLANGEBOLT	*	2	2					
8	1773-508-002-00	BRACKET/FILTER	*	1	1					
9	V231-360-801-60	FLANGEBOLT	*	2	2					
10	1773-508-220-00	PIPE/SUC/MID COMP	*	1 -48	1 -318					
10A	1773-508-220-10	PIPE/SUC/MID COMP	*	1 49-	1 319-		1			
11	V720-103-502-80	O-RING/P28	*	2	2					
12	V231-360-801-60	FLANGEBOLT	*	2	2					
13	1729-508-011-00	HOSE/100	*	1	1					
14	J061-232-040-00	CLAMP/WIRE/32-40	*	2	2					
15	1772-508-210-00	PIPE/SUC/FRONT COMP	*	1 -55	1 -343					
15A	1772-508-210-10	PIPE/SUC/FRONT COMP	*	1 56-	1 344-		1			
16	V720-112-402-00	O-RING/P20	*	1	1					
17	V200-360-605-50	BOLT	*	2	2					
18	V401-160-006-00	WASHER,SP/M 6	*	2	2					
19	1773-508-320-00	HOLDER COMP	*	1	1					
20	1729-508-013-00	HOLDER/PIPE	*	1	1					
21	1710-508-551-00	HOLDER/PIPE	*	1	1					
22	V211-660-804-00	BOLT/SP	*	1	1					
23	K135-028-000-00	PUMP/GEAR ASSY	*	1	1				FIG 195	
24	1404-503-006-00	PACKING,OIL PUMP	*	1	1					
25	1723-508-002-00	NUT/M08	*	1	1					

FIG.101 HYD.SYSTEM(MAIN)(K,SK TYPE)(2/2)

26-34 P.CASE SCC 1/2 PAGE

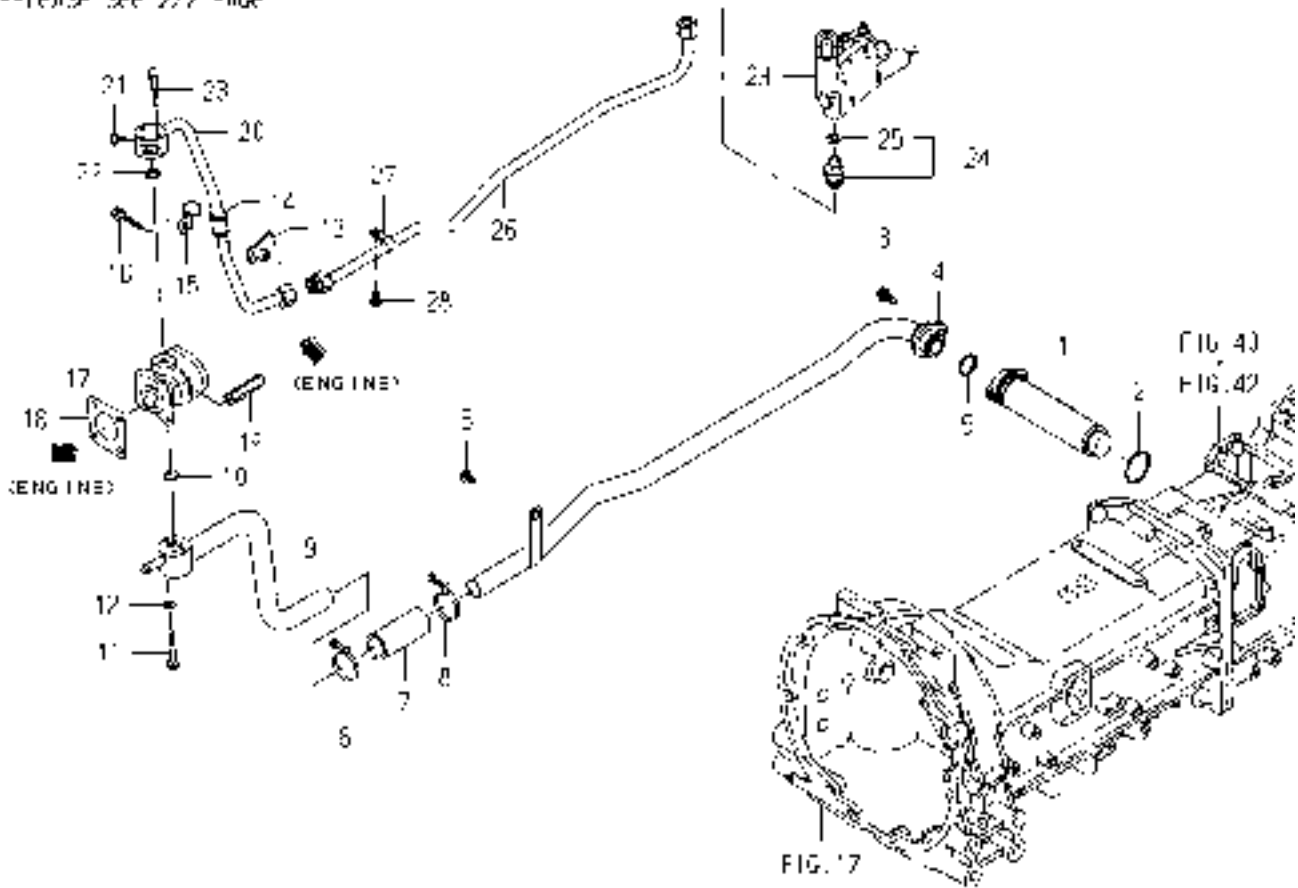


1772-508C-0100

KEY	PART CODE	DESCRIPTION	S P C	TYPE OF MODEL				I T C	C O L	G R P	REMARKS
				TH4295	TH4335	TH4365					
26	1772-508-220-00	PIPE/DEL/F COMP	*	1 -48	1 -327						
26A	1772-508-220-10	PIPE/DEL/F COMP	*	1 -93	1 -436			1			
26B	1772-508-220-20	PIPE/DEL/F COMP	*	1 94-	1 437-			1			
27	V782-160-000-2T	PLUG/SCREW/SEAL	*	1	1						
28	V720-112-402-00	O-RING/P20	*	1	1						
29	V210-560-604-50	BOLT/S	*	3 -88	3 -433						
29A	V210-560-603-50	BOLT/S	*	3 89-	3 434-						
30	1773-508-280-00	PIPE/DEL/M COMP	*	1 -55	1 -343						
30A	1773-508-280-10	PIPE/DEL/M COMP	*	1 -88	1 -433			1			
30B	1773-508-280-20	PIPE/DEL/M COMP	*	1 89-	1 434-			1			
31	1729-508-290-00	ADAPTER/G3/8 ASSY	*	1 -48	1 -329						
31A	1729-508-290-10	ADAPTER/G3/8 ASSY	*	1 -88	1 -433			1			
31B	1729-508-290-20	ADAPTER/G3/8 ASSY	*	1 89-	1 434-			1			
32	V720-112-401-40	O-RING/P14	*	1	1						
33	1675-508-003-00	HOLDER/15	*	1	1						
34	V231-360-801-20	FLANGEBOLT	*	1	1						
35	K200-173-000-20	VALVE/INDEPENDENT	*	1 -55	1 -348					FIG 196	
35A	K200-215-000-00	VALVE/INDEPENDENT	*	1 -85	1 -428					FIG 197	
35B	K200-215-000-10	VALVE/INDEPENDENT	*	1 86-	1 429-			1		FIG 197	
36	V720-112-401-00	O-RING/P10	*	3	3						
37	V720-112-401-20	O-RING/P12	*	1	1						
38	V720-112-401-40	O-RING/P14	*	1	1						
39	1773-508-250-00	PIPE/DEL/REAR COMP	*	1 -48	1 -318						
39A	1773-508-250-10	PIPE/DEL/REAR COMP	*	1 -88	1 -433			1			
39B	1773-508-250-20	PIPE/DEL/REAR COMP	*	1 89-	1 434-			1			
40	V720-112-401-40	O-RING/P14	*	1	1						
41	V211-260-803-50	BOLT(S) M8X35	*	2	2						
42	1729-508-290-00	ADAPTER/G3/8 ASSY	*	1 -48	1 -329						
42A	1729-508-290-10	ADAPTER/G3/8 ASSY	*	1 -88	1 -433			1			
42B	1729-508-290-20	ADAPTER/G3/8 ASSY	*	1 89-	1 434-			1			

FIG.102 HYD.SYSTEM(MAIN)(TH4365 TYPE)(1/2)

DO NOT PLEASE SEE 2/7 PAGE

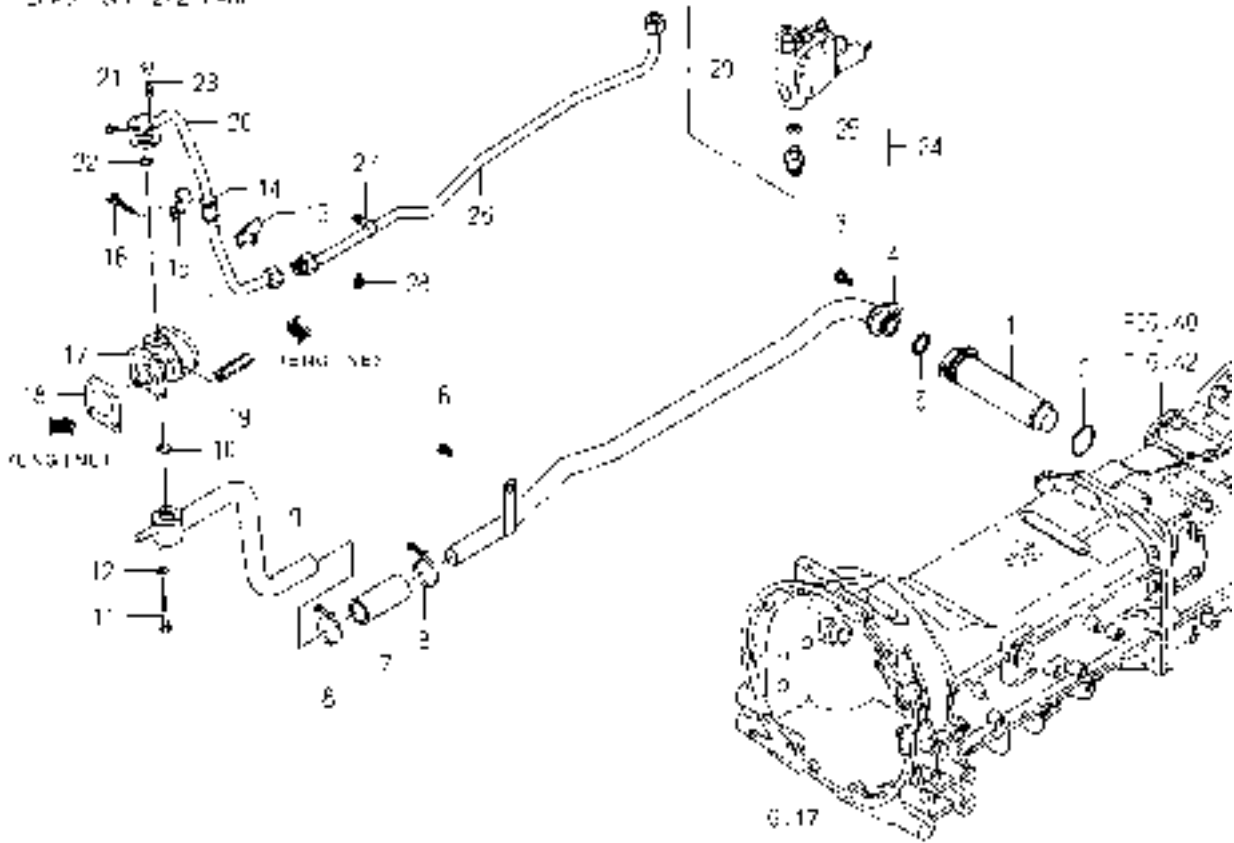


1772-508D-0100

KEY	PART CODE	DESCRIPTION	S P C	TYPE OF MODEL			I T C	C O L	G R P	REMARKS
				TH4295	TH4335	TH4365				
1	1675-508-500-00	FILTER/SUCTION/400	*			1				
2	V721-103-104-50	O-RING/G45	*			1				
3	V231-361-002-00	FLANGE BOLT	*			1				
4	1773-508-510-00	PIPE/SUC/R/HST COMP	*			1				
5	V720-103-502-80	O-RING/P28	*			1				
6	V231-360-801-60	FLANGE BOLT	*			2				
7	1729-508-011-00	HOSE/100	*			1				
8	J061-232-040-00	CLAMP/WIRE/32-40	*			2				
9	1772-508-210-10	PIPE/SUC/FRONT COMP	*			1				
10	V720-112-402-00	O-RING/P20	*			1				
11	V200-360-605-50	BOLT	*			2				
12	V401-160-006-00	WASHER, SP/M 6	*			2				
13	1772-508-500-00	HOLDER COMP	*			1				
14	1729-508-013-00	HOLDER/PIPE	*			1				
15	1710-508-551-00	HOLDER/PIPE	*			1				
16	V211-660-803-00	BOLT/SP	*			1				
17	K135-028-000-00	PUMP/GEAR ASSY	*			1				FIG 195
18	1404-503-006-00	PACKING, OIL PUMP	*			1				
19	1723-508-002-00	NUT/M08	*			1				
20	1746-508-210-20	PIPE/DEL/FRONT COMP	*			1				
21	V782-160-000-2T	PLUG/SCREW/SEAL	*			1				
22	V720-112-402-00	O-RING/P20	*			1				
23	V210-560-603-50	BOLT/S	*			3				
24	1729-508-290-20	ADAPTER/G3/8 ASSY	*			1				
25	V720-112-401-40	O-RING/P14	*			1				
26	1773-508-520-10	PIPE/DEL/M/HST COMP	*			1				
27	1675-508-003-00	HOLDER/15	*			1				
28	V231-360-801-60	FLANGE BOLT	*			1				
29	K200-215-000-10	VALVE/INDEPENDENT	*			1				FIG 197
30	V720-112-401-00	O-RING/P10	*			3				

FIG.103 HYD.SYSTEM(MAIN)(1/2) (H TYPE EXCEPT TH4365)

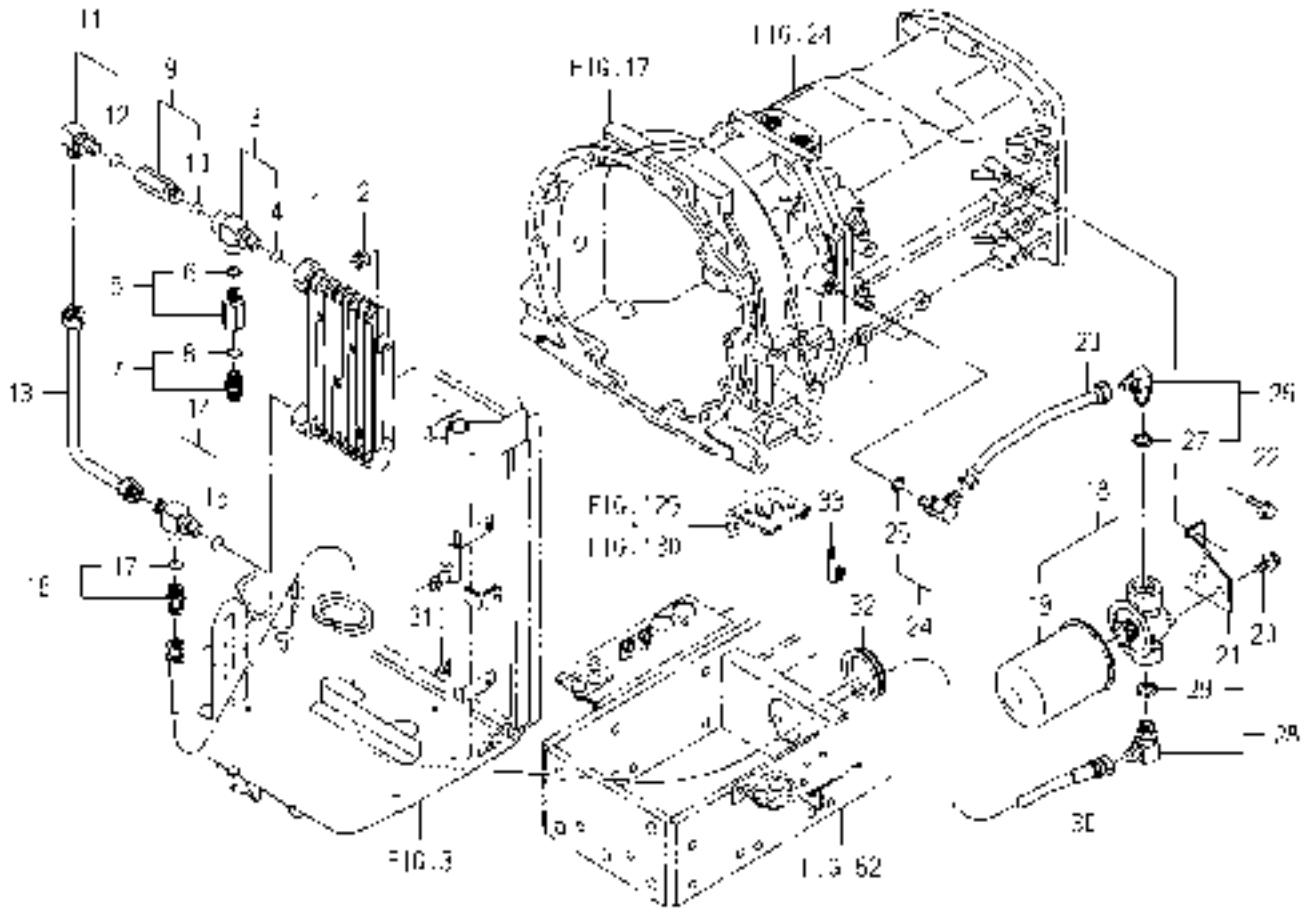
30-PL-103- SH 2x2 Full



1772-508E-0100

KEY	PART CODE	DESCRIPTION	S P C	TYPE OF MODEL			I T C	C O L	G R P	REMARKS
				TH4295	TH4335	TH4365				
1	1675-508-500-00	FILTER/SUCTION/400	*	1	1					
2	V721-103-104-50	O-RING/G45	*	1	1					
3	V231-361-002-00	FLANGEBOLT	*	1	1					
4	1773-508-510-00	PIPE/SUC/R/HST COMP	*	1	1					
5	V720-103-502-80	O-RING/P28	*	1	1					
6	V231-360-801-60	FLANGEBOLT	*	2	2					
7	1729-508-011-00	HOSE/100	*	1	1					
8	J061-232-040-00	CLAMP/WIRE/32-40	*	2	2					
9	1772-508-210-10	PIPE/SUC/FRONT COMP	*	1	1					
10	V720-112-402-00	O-RING/P20	*	1	1					
11	V200-360-605-50	BOLT	*	2	2					
12	V401-160-006-00	WASHER,SP/M 6	*	2	2					
13	1773-508-320-00	HOLDER COMP	*	1	1					
14	1729-508-013-00	HOLDER/PIPE	*	1	1					
15	1710-508-551-00	HOLDER/PIPE	*	1	1					
16	V211-660-804-00	BOLT/SP	*	1	1					
17	K135-028-000-00	PUMP/GEAR ASSY	*	1	1					FIG 195
18	1404-503-006-00	PACKING,OIL PUMP	*	1	1					
19	1723-508-002-00	NUT/M08	*	1	1					
20	1746-508-210-20	PIPE/DEL/FRONT COMP	*	1	1					
21	V782-160-000-2T	PLUG/SCREW/SEAL	*	1	1					
22	V720-112-402-00	O-RING/P20	*	1	1					
23	V210-560-603-50	BOLT/S	*	3	3					
24	1729-508-290-20	ADAPTER/G3/8 ASSY	*	1	1					
25	V720-112-401-40	O-RING/P14	*	1	1					
26	1773-508-520-10	PIPE/DEL/M/HST COMP	*	1	1					
27	1675-508-003-00	HOLDER/15	*	1	1					
28	V231-360-801-60	FLANGEBOLT	*	1	1					
29	K200-215-000-10	VALVE/INDEPENDENT	*	1	1					FIG 197
30	V720-112-401-00	O-RING/P10	*	3	3					

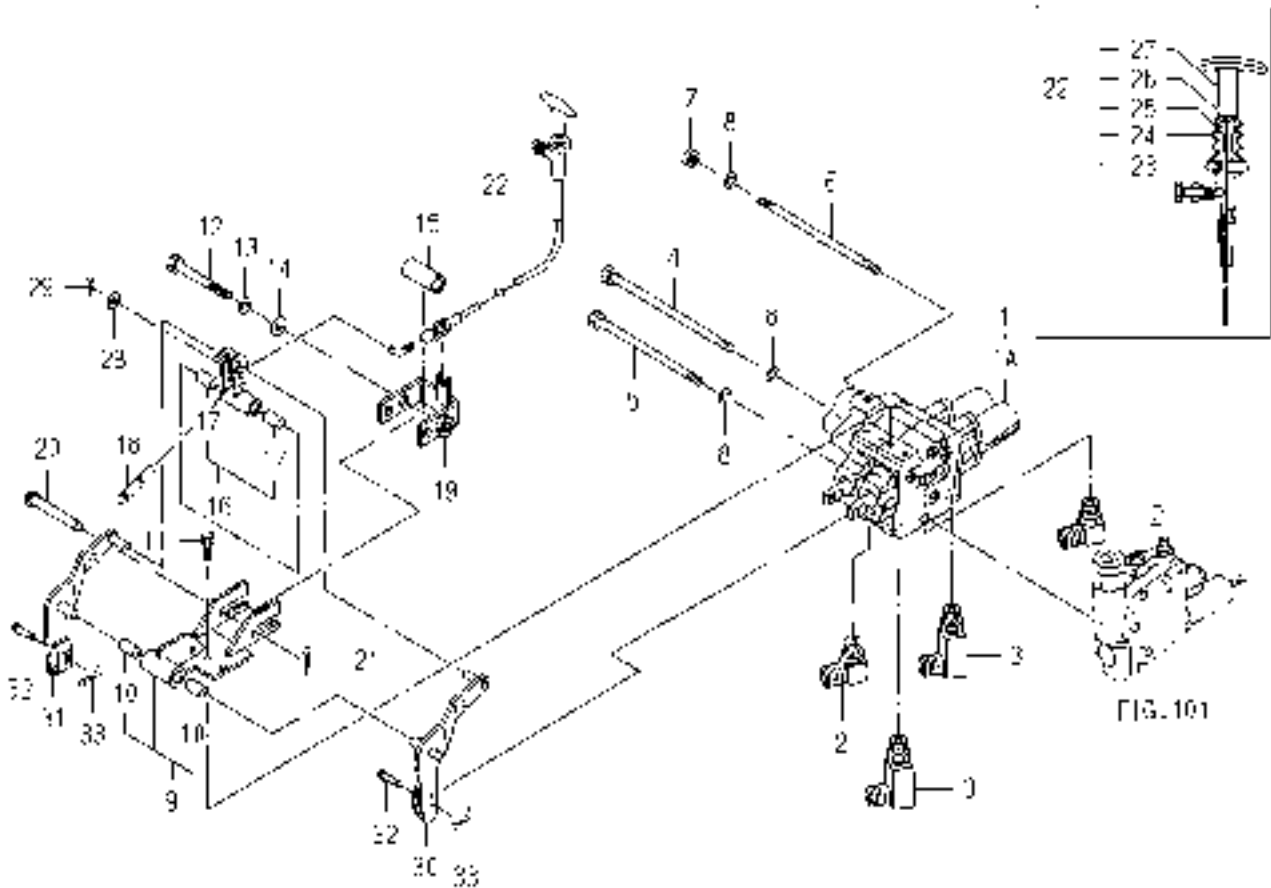
FIG.104 HYD.SYSTEM(SUB)(H TYPE)



1773-509-0100

KEY	PART CODE	DESCRIPTION	S P C	TYPE OF MODEL			I T C	C O L	G R P	REMARKS
				TH4295	TH4335	TH4365				
1	1785-509-250-00	COOLER/OIL ASSY	*	1	1	1				
2	V362-260-008-00	NUT/WASHER	*	2	2	2				
3	1740-517-600-00	ADAPTER/G3/8ASSY	*	1	1	1				
4	V720-112-401-40	O-RING/P14	*	1	1	1				
5	1739-201-200-10	ADAPTER/G3/8-PF1/4	*	1	1	1				
6	V720-112-401-40	O-RING/P14	*	1	1	1				
7	1725-509-260-00	ADAPTER/G1/4 ASSY	*	1	1	1				
8	V720-112-401-10	RING/O	*	1	1	1				
9	K220-002-000-00	VALVE/CHECK ASSY	*	1	1	1				
10	V720-112-401-40	O-RING/P14	*	1	1	1				
11	1650-509-310-00	ADAPTER/L/PF3/8 ASSY	*	1	1	1				
12	V720-112-401-40	O-RING/P14	*	1	1	1				
13	1641-517-540-00	PIPE/CHECKVALVE COMP	*	1	1	1				
14	1740-517-610-00	ADAPTER/G3/8ASSY	*	1	1	1				
15	V720-112-401-40	O-RING/P14	*	1	1	1				
16	1650-508-320-00	ADAPTER/PF3/8 ASSY	*	1	1	1				
17	V720-112-401-40	O-RING/P14	*	1	1	1				
18	1646-516-690-00	FILTER/CHARGE ASSY	*	1	1	1				
19	1646-516-692-00	CARTRIDGE ASSY	*	1	1	1				
20	V231-360-801-60	FLANGE BOLT	*	2	2	2				
21	1743-509-003-00	STAY/FILTER/CHARGE	*	1	1	1				
22	V231-360-801-60	FLANGE BOLT	*	2	2	2				
23	1743-509-270-00	PIPE/HST COMP	*	1	1	1				
24	1650-509-310-00	ADAPTER/L/PF3/8 ASSY	*	1	1	1				
25	V720-112-401-40	O-RING/P14	*	1	1	1				
26	1646-516-710-00	ADAPTER/L/G3/4 ASSY	*	1	1	1				
27	V720-113-502-40	O-RING/P24	*	1	1	1				
28	1770-273-220-00	ADAPTER ASSY	*	1	1	1				
29	V720-113-502-40	O-RING/P24	*	1	1	1				
30	1759-509-320-00	HOSE/1520 ASSY	*	1	1	1				

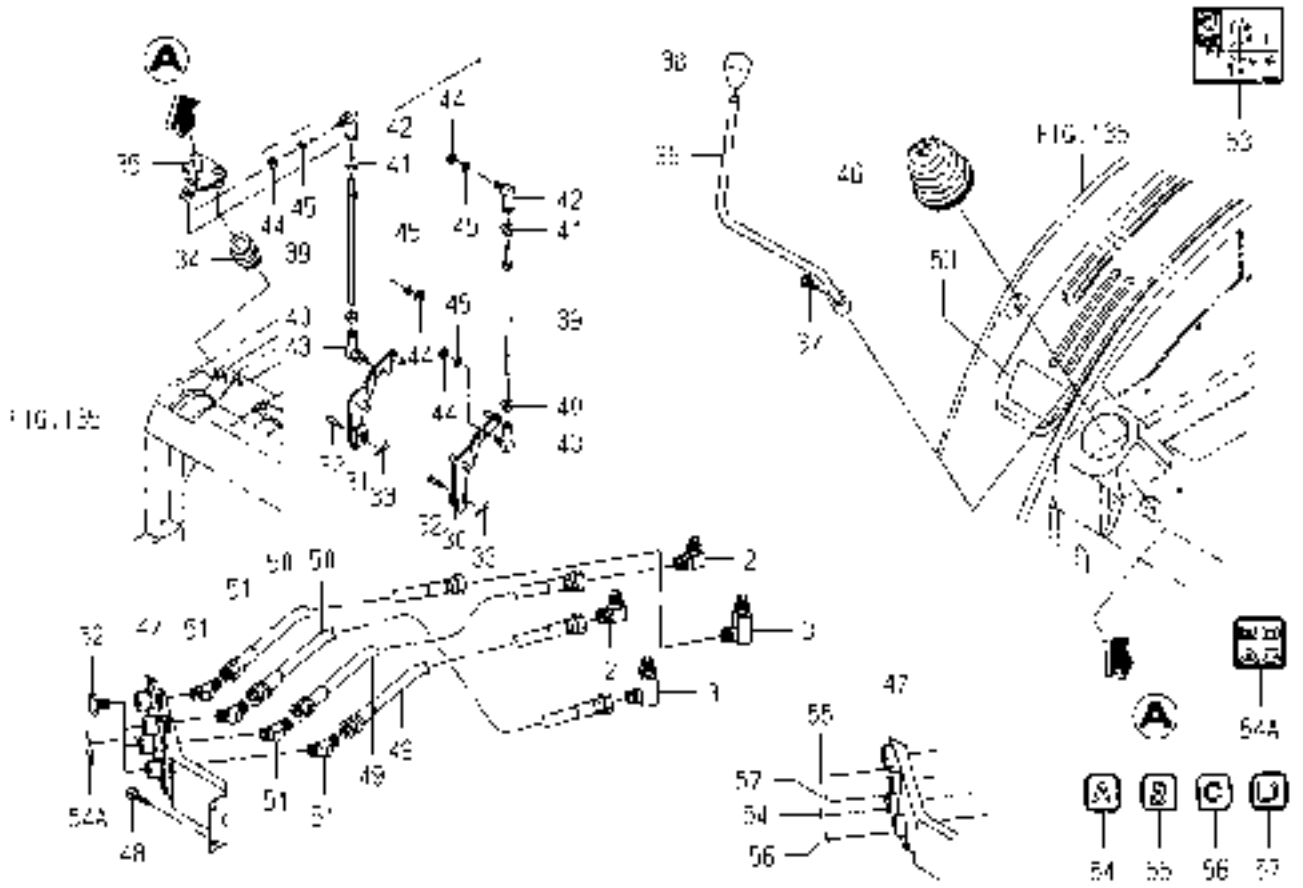
FIG.105 JOY STICK SYSTEM(TH4335-J TYPE)(1/2)



1772-511A-0100

KEY	PART CODE	DESCRIPTION	S P C	TYPE OF MODEL			I T C	C O L	G R P	REMARKS
				TH4295	TH4335	TH4365				
1	K211-086-000-00	VALVE/CONTROL/086	*		1 -364					FIG 198
1A	K211-086-000-10	VALVE/CONTROL/086	*		1 365		1			FIG 198
2	1640-530-003-00	CONNECTOR	*		2					
3	1640-530-009-00	CONNECTOR/L	*		2					
4	V201-261-017-00	BOLT	*		1					
5	V201-261-015-00	BOLT	*		1					
6	1742-511-002-00	BOLT/STUD	*		1					
7	V304-260-010-00	NUT	*		1					
8	V401-160-010-00	WASHER,SP/M10	*		3					
9	1742-511-710-00	PLATE/JOY ASSY	*		1					
10	1560-509-211-00	BUSH/10X12X20	*		2					
11	V230-360-601-20	FLANGE BOLT	*		3					
12	V201-361-007-50	BOLT	*		1					
13	V401-160-010-00	WASHER,SP/M10	*		1					
14	V411-260-010-00	WASHER/M10	*		1					
15	1742-511-071-00	HUB/12X19X42	*		1					
16	1742-511-770-10	ARN ASSY	*		1					
17	1560-509-211-00	BUSH/10X12X20	*		2					
18	2183-615-012-00	SPRING/HE055	*		1					
19	1742-511-760-00	PLATE/HOLDERCOMP	*		1					
20	8844-616-001-00	PIN/10X070	*		1					
21	V500-162-002-00	PIN,SPLIT/2 X20	*		1					
22	1742-511-790-10	CABLE/LOCK ASSY	*		1					
23	1742-511-791-00	NUT	*		1					
24	1742-511-792-00	BOOT	*		1					
25	1742-511-793-00	COLLAR	*		1					
26	1742-511-794-00	NUT	*		1					
27	1742-511-795-00	KNOB	*		1					
28	V411-260-005-00	WASHER	*		1					
29	V500-161-601-50	PIN,SPLIT/1.6X15	*		1					

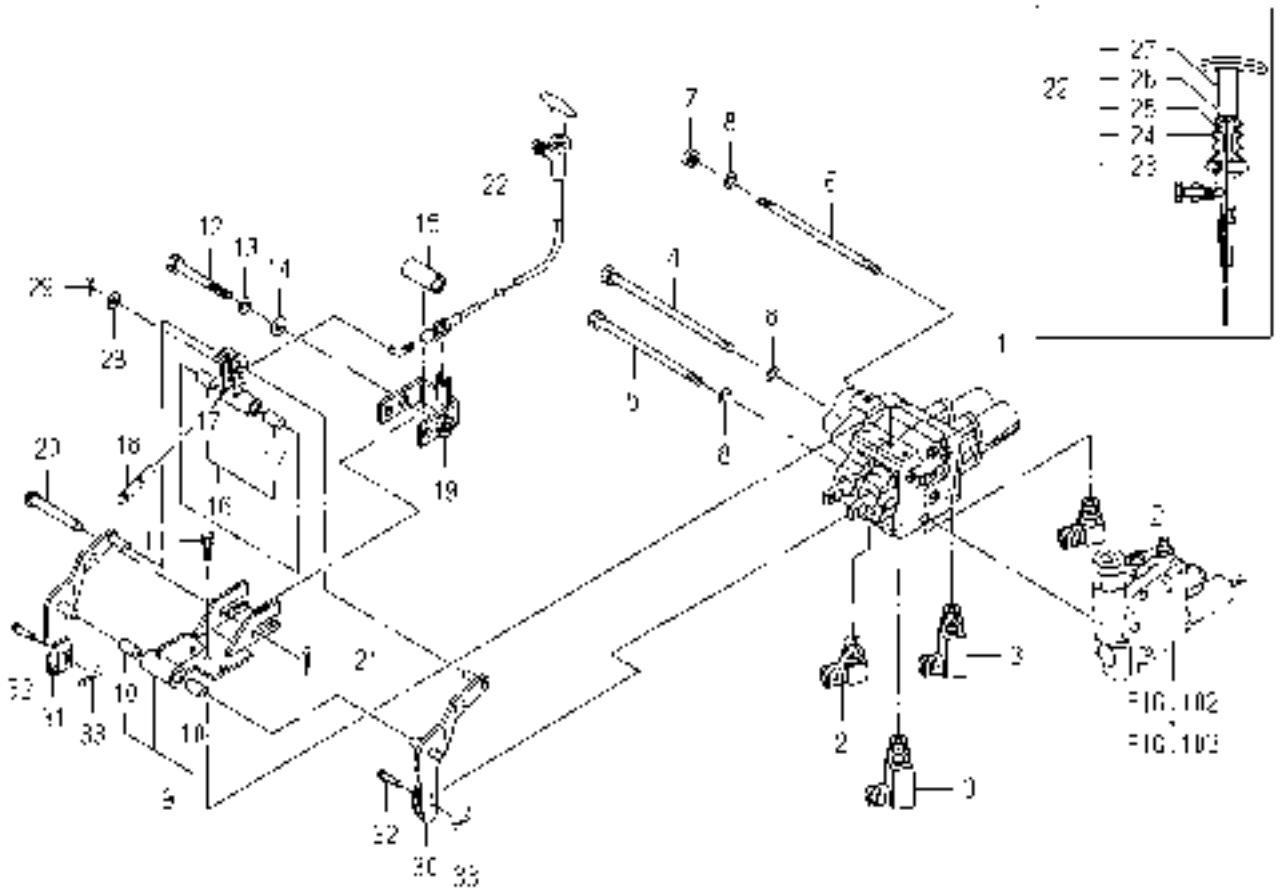
FIG.105 JOY STICK SYSTEM(TH4335-J TYPE)(2/2)



1772-511A-0100

KEY	PART CODE	DESCRIPTION	S P C	TYPE OF MODEL			I T C	C O L	G R P	REMARKS
				TH4295	TH4335	TH4365				
30	1742-511-740-00	ARM/BOOMCOMP	*		1					
31	1742-511-750-00	ARM/BUCKETCOMP	*		1					
32	3805-544-016-00	PIN/06X23	*		2					
33	V560-160-008-00	PIN/SNAP	*		2					
34	P112-401-220-00	JOINT ASSY	*		1					
35	1773-511-250-00	BASE/LEVER COMP	*		1					
36	1773-511-340-00	LEVER/JOYSTICK COMP	*		1					
37	1560-223-016-00	BOLT/M8X16	*		1					
38	1672-207-003-00	GRIP	*		1					
39	1773-511-350-00	ROD/M8X263 COMP	*		2					
40	1560-132-007-30	NUT/M8	*		2					
41	V304-260-008-00	NUT	*		2					
42	1560-695-021-00	JOINT BALL M08RH	*		2					
43	1560-695-022-00	JOINT BALL M08LH	*		2					
44	V304-260-008-00	NUT	*		4					
45	V401-160-008-00	WASHER,SP/M 8	*		4					
46	1773-511-004-00	BOOT	*		1					
47	1772-511-210-00	BRACKET/JOY COMP	*		1					
48	V231-360-801-60	FLANGEBOLT	*		2					
49	1744-512-250-00	HOSE/470 ASSY	*		2					
50	1744-512-260-00	HOSE/530 ASSY	*		2					
51	1757-501-014-00	ADAPTER/45B/R3/8XG3/	*		4					
52	V782-160-000-6T	PLUG/SCREW/SEAL	*		4					
53	1742-511-005-00	LABEL/LOADER	*		1					
54	1518-903-006-00	MARK/PORT/A	*		1					
54A	1773-511-053-00	LABEL/PORTDECAL	*		1					
55	1518-903-007-00	MARK/PORT/B	*		1					
56	1723-902-007-00	LABEL/C	*		1					
57	1723-902-008-00	LABEL/D	*		1					

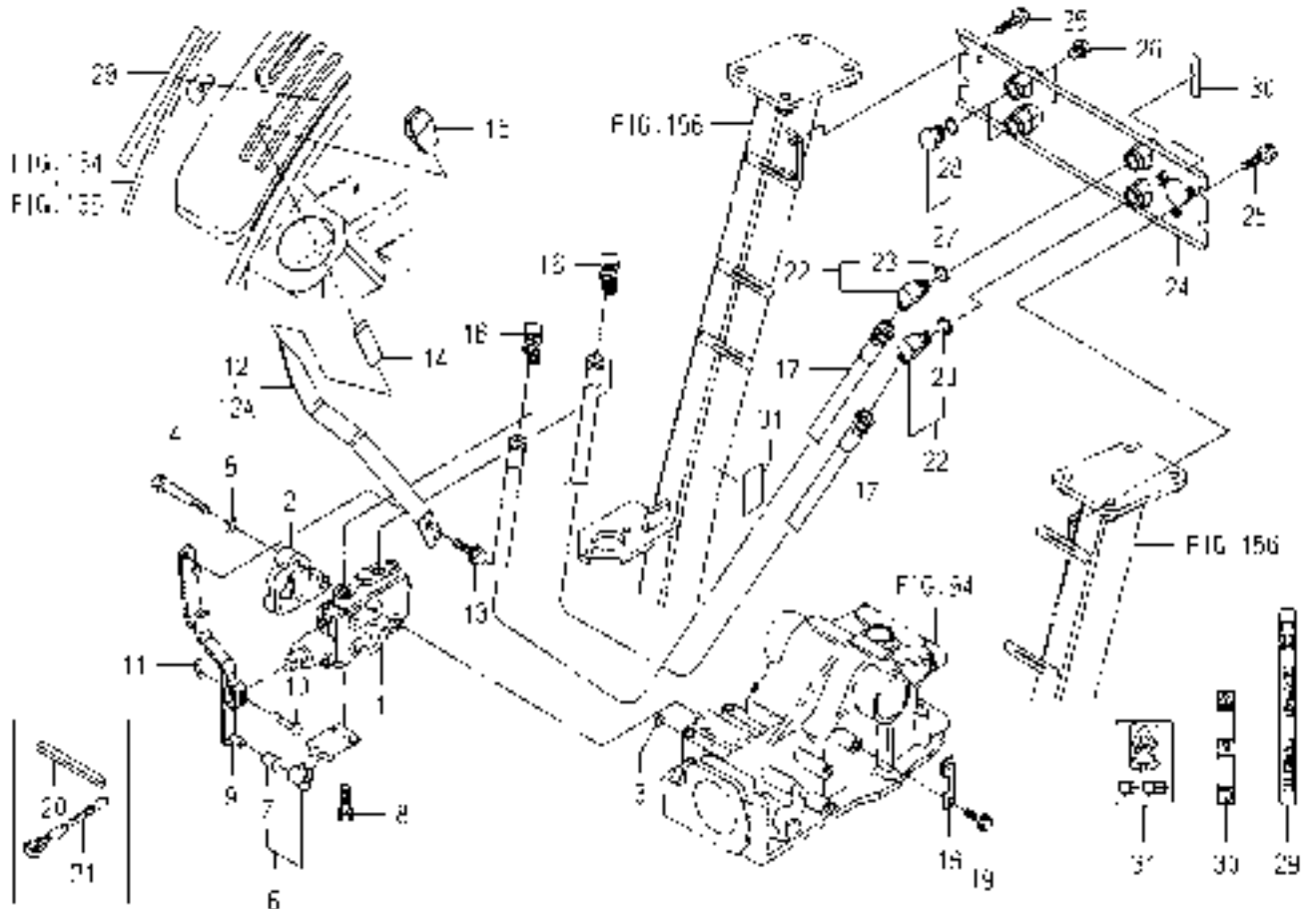
FIG.107 JOY STICK SYSTEM(HJ TYPE)(1/2)



1772-511C-0100

KEY	PART CODE	DESCRIPTION	S P C	TYPE OF MODEL			I T C	C O L	G R P	REMARKS
				TH4295	TH4335	TH4365				
1	K211-086-000-10	VALVE/CONTROL/086	*		1	1				FIG 198
2	1640-530-003-00	CONNECTOR	*		2	2				
3	1640-530-009-00	CONNECTOR/L	*		2	2				
4	V201-261-017-00	BOLT	*		1	1				
5	V201-261-015-00	BOLT	*		1	1				
6	1742-511-002-00	BOLT/STUD	*		1	1				
7	V304-260-010-00	NUT	*		1	1				
8	V401-160-010-00	WASHER,SP/M10	*		3	3				
9	1742-511-710-00	PLATE/JOY ASSY	*		1	1				
10	1560-509-211-00	BUSH/10X12X20	*		2	2				
11	V230-360-601-20	FLANGE BOLT	*		3	3				
12	V201-361-007-50	BOLT	*		1	1				
13	V401-160-010-00	WASHER,SP/M10	*		1	1				
14	V411-260-010-00	WASHER/M10	*		1	1				
15	1742-511-071-00	HUB/12X19X42	*		1	1				
16	1742-511-770-10	ARN ASSY	*		1	1				
17	1560-509-211-00	BUSH/10X12X20	*		2	2				
18	2183-615-012-00	SPRING/HE055	*		1	1				
19	1742-511-760-00	PLATE/HOLDERCOMP	*		1	1				
20	8844-616-001-00	PIN/10X070	*		1	1				
21	V500-162-002-00	PIN,SPLIT/2 X20	*		1	1				
22	1742-511-790-10	CABLE/LOCK ASSY	*		1	1				
23	1742-511-791-00	NUT	*		1	1				
24	1742-511-792-00	BOOT	*		1	1				
25	1742-511-793-00	COLLAR	*		1	1				
26	1742-511-794-00	NUT	*		1	1				
27	1742-511-795-00	KNOB	*		1	1				
28	V411-260-005-00	WASHER	*		1	1				
29	V500-161-601-50	PIN,SPLIT/1.6X15	*		1	1				
30	1742-511-740-00	ARM/BOOMCOMP	*		1	1				

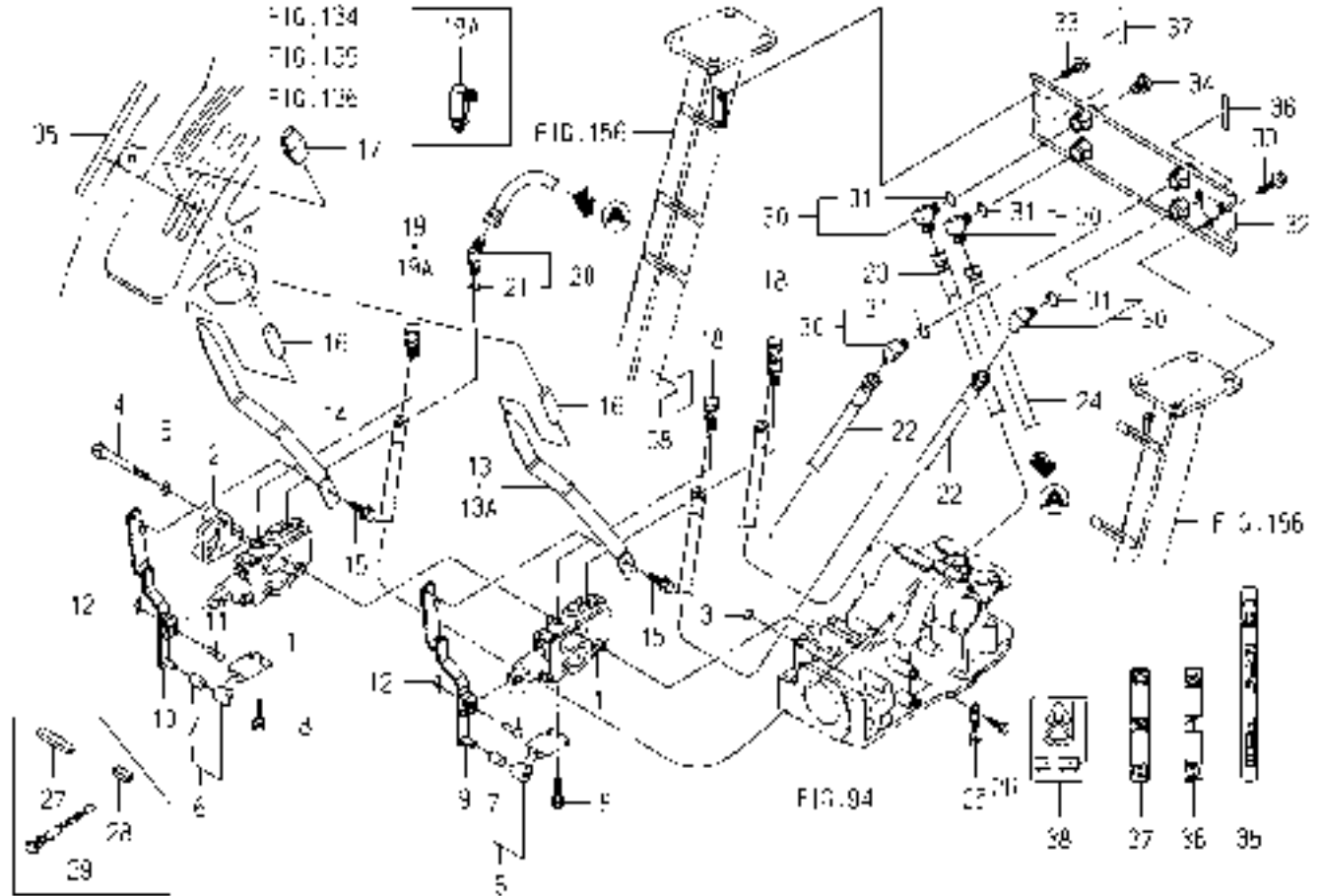
FIG.108 VALVE(REMOTE/1R)SYSTEM(V TYPE)



1772-512-0100

KEY	PART CODE	DESCRIPTION	S P C	TYPE OF MODEL			I T C	C O L	G R P	REMARKS
				TH4295	TH4335	TH4365				
1	1719-511-350-00	VALVE/CONTROL ASSY	*	1	1					FIG 202
2	1614-501-003-10	COVER	*	1	1					
3	V720-112-401-40	O-RING/P14	*	3	3					
4	V201-261-008-00	BOLT/M10X80	*	3	3					
5	V401-160-010-00	WASHER,SP/M10	*	3	3					
6	1773-512-210-00	HOLDER ASSY	*	1	1					
7	1560-509-211-00	BUSH/10X12X20	*	1	1					
8	V211-260-801-60	BOLT,SEMS (S) M8X16	*	2	2					
9	1773-512-910-20	ARM/1ST COMP	*	1	1					
10	2144-519-007-00	PIN/06X31	*	1	1					
11	2130-601-018-00	PIN,SNAP/6	*	1	1					
12	1773-512-091-10	LEVER/AUX/1ST	*	1 -93	1 -437					
12A	1773-512-091-20	LEVER/AUX/1ST	*	1 94	1 438		1			
13	V211-360-801-60	BOLT,SEMS (SP)	*	1	1					
14	1614-262-006-00	INSULATOR/LEVER/SUB	*	1	1					
15	3659-203-005-00	GRIP/03X17X74	*	1	1					
16	1640-530-003-00	CONNECTOR	*	2	2					
17	1773-512-950-00	HOSE/965 ASSY	*	2	2					
18	1725-514-002-00	PLATE/STOPPER	*	1	1					
19	V231-361-002-00	FLANGEBOLT	*	1	1					
20	3650-201-008-00	PROTECTOR,EDGE/120	*	1	1					
21	1342-402-006-00	BAND/WIRE/250	*	1	1					
22	1689-502-250-00	ADAPTER/L/G3/8 ASSY	*	2	2					
23	V720-112-401-40	O-RING/P14	*	2	2					
24	1772-512-210-10	STAY/AUX/E4 COMP	*	1	1		1			
25	V211-361-001-60	BOLT,SP/M10X16	*	4	4					
26	V782-160-000-6T	PLUG/SCREW/SEAL	*	4	4					
27	1725-203-210-00	PLUG/G3/8 ASSY	*	2	2					
28	V720-112-401-40	O-RING/P14	*	2	2					
29	1772-512-001-00	LABEL/CONTROL/AUX	*	1	1					

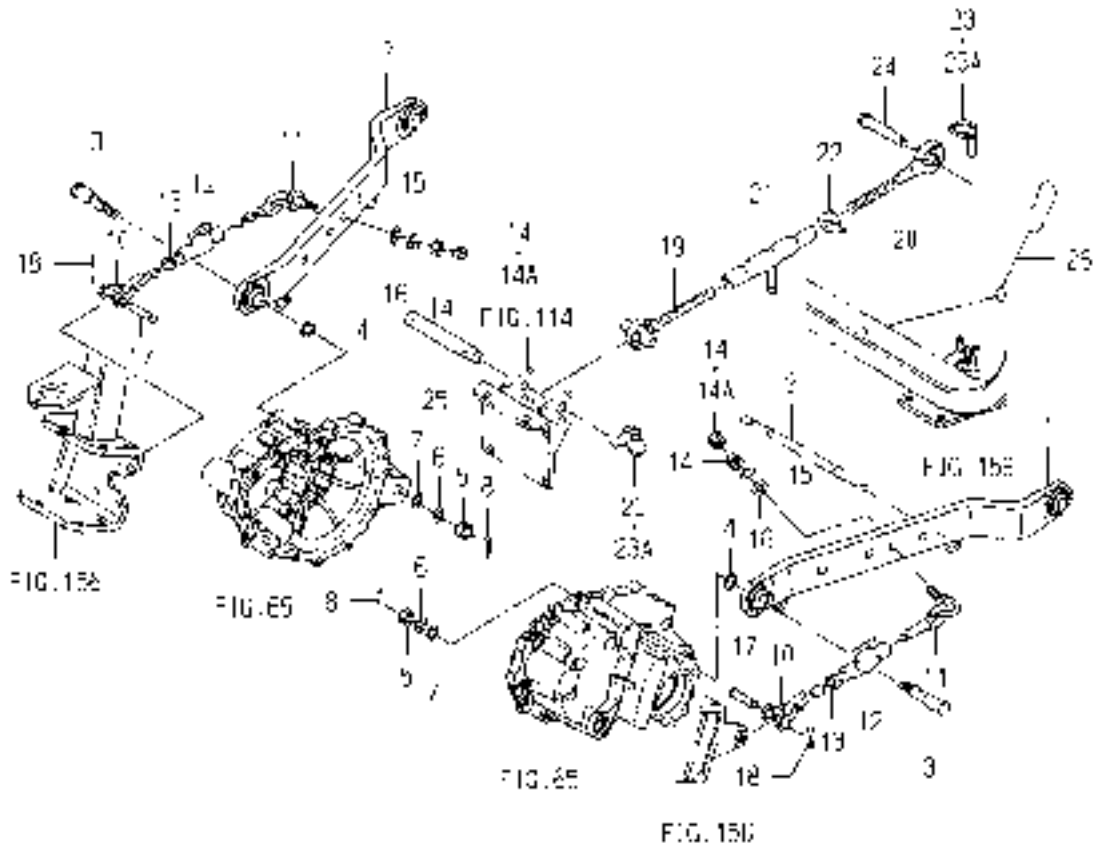
FIG.109 VALVE(REMOTE/2R)SYSTEM(W TYPE)



1772-512A-0100

KEY	PART CODE	DESCRIPTION	S P C	TYPE OF MODEL			I T C	C O L	G R P	REMARKS
				TH4295	TH4335	TH4365				
1	1719-511-350-00	VALVE/CONTROL ASSY	*	2	2	2				FIG 202
2	1614-501-003-10	COVER	*	1	1	1				
3	V720-112-401-40	O-RING/P14	*	3	3	3				
4	V201-261-012-00	BOLT/M10X120	*	3	3	3				
5	V401-160-010-00	WASHER,SP/M10	*	3	3	3				
6	1773-512-210-00	HOLDER ASSY	*	2	2	2				
7	1560-509-211-00	BUSH/10X12X20	*	2	2	2				
8	V211-260-801-60	BOLT,SEMS (S) M8X16	*	4	4	4				
9	1773-512-910-20	ARM/1ST COMP	*	1	1	1				
10	1773-512-920-20	ARM/2ND COMP	*	1	1	1				
11	2144-519-007-00	PIN/06X31	*	2	2	2				
12	2130-601-018-00	PIN,SNAP/6	*	2	2	2				
13	1773-512-091-10	LEVER/AUX/1ST	*	1-93	1-437					
13A	1773-512-091-20	LEVER/AUX/1ST	*	1-94	1-438		1			
14	1773-512-092-10	LEVER/AUX/2ND	*	1	1	1				
15	V211-360-801-60	BOLT,SEMS (SP)	*	2	2	2				
16	1614-262-006-00	INSULATOR/LEVER/SUB	*	2	2	2				
17	3659-203-005-00	GRIP/03X17X74	*	2	2	2				
18	1640-530-003-00	CONNECTOR	*	2	2	2				
19	1640-530-009-00	CONNECTOR/L	*	1-97	1-450					
19A	1640-530-009-00	CONNECTOR/L	*	2-98	2-451	2				
20	1759-512-270-00	ADAPTER/45B/G3/ ASSY	*	1-97	1-450					
21	V720-112-401-40	O-RING/P14	*	1	1					
22	1773-512-950-00	HOSE/965 ASSY	*	2	2	2				
23	1640-530-270-10	HOSE/660 COMP	*	1	1	1				
24	1744-512-260-00	HOSE/530 ASSY	*	1	1	1				
25	1725-514-002-00	PLATE/STOPPER	*	1	1	1				
26	V231-361-002-00	FLANGEBOLT	*	1	1	1				
27	3650-201-008-00	PROTECTOR,EDGE/120	*	1	1	1				
28	1560-314-001-10	TRIM/30	*	1-97	1-450					

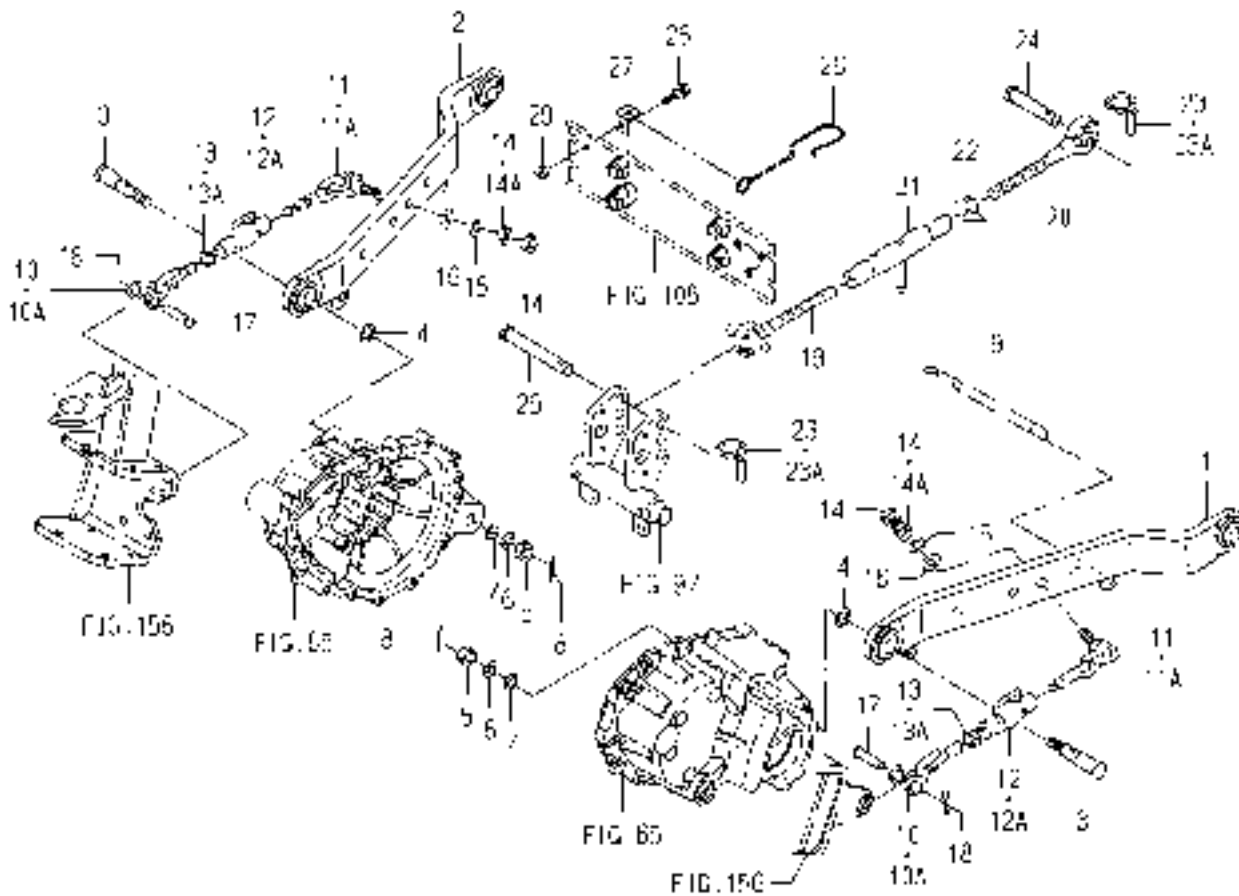
FIG.110 3P LINK SYSTEM(E6 TYPE)



1773-514-0100

KEY	PART CODE	DESCRIPTION	S P C	TYPE OF MODEL			I T C	C O L	G R P	REMARKS
				TH4295	TH4335	TH4365				
1	1773-514-210-10	LINK/LOWER/LH COMP	*		1	1				
2	1773-514-220-10	LINK/LOWER/RH COMP	*		1	1				
3	1690-514-001-00	PIN/22X99	*		2	2				
4	1650-514-004-00	WASHER/19X30X03	*		2	2				
5	V304-460-016-00	NUT/M16	*		2	2				
6	V401-160-016-00	WASHER,SP/M16	*		2	2				
7	V411-260-016-00	WASHER / M16	*		2	2				
8	V500-164-003-00	PIN,SPLIT/4 X30	*		2	2				
9	1560-525-001-40	SPRING	*		1	1				
10	1740-514-310-00	CHAIN/CHECK/A COMP	*		2	2				
11	1773-514-310-00	CHAIN/CHECK COMP	*		2	2				
12	1740-514-330-00	BUCKLE/TURN/A COMP	*		2	2				
13	V304-260-016-00	NUT/M16	*		2	2				
14	V304-260-016-00	NUT/M16	*		4	4				
14A	V304-260-016-00	NUT/M16	*		484	63				
15	V401-160-016-00	WASHER,SP/M16	*		2	2				
16	V411-260-016-00	WASHER / M16	*		2	2				
17	7963-611-003-00	PIN/12X48	*		2	2				
18	V500-163-002-00	PIN,SPLIT/3 X20	*		2	2				
19	1560-525-290-10	LINK/TOP/LH COMP	*		1	1				
20	1568-525-300-10	LINK/TOP/RH COMP	*		1	1				
21	1550-514-290-00	TURNBUCLE COMP	*		1	1				
22	1402-511-600-00	NUT, TOP LINK LOCK	*		1	1				
23	1673-525-002-20	LINKPIN	*		2					
23A	1673-525-002-30	LINKPIN	*		136	2	1			
24	1620-514-005-00	PIN/19X94	*		1	1				
25	1640-525-001-00	PIN 19X132	*		1	1				
26	1742-514-001-10	HOOK/TOPLINK	*		1	1				

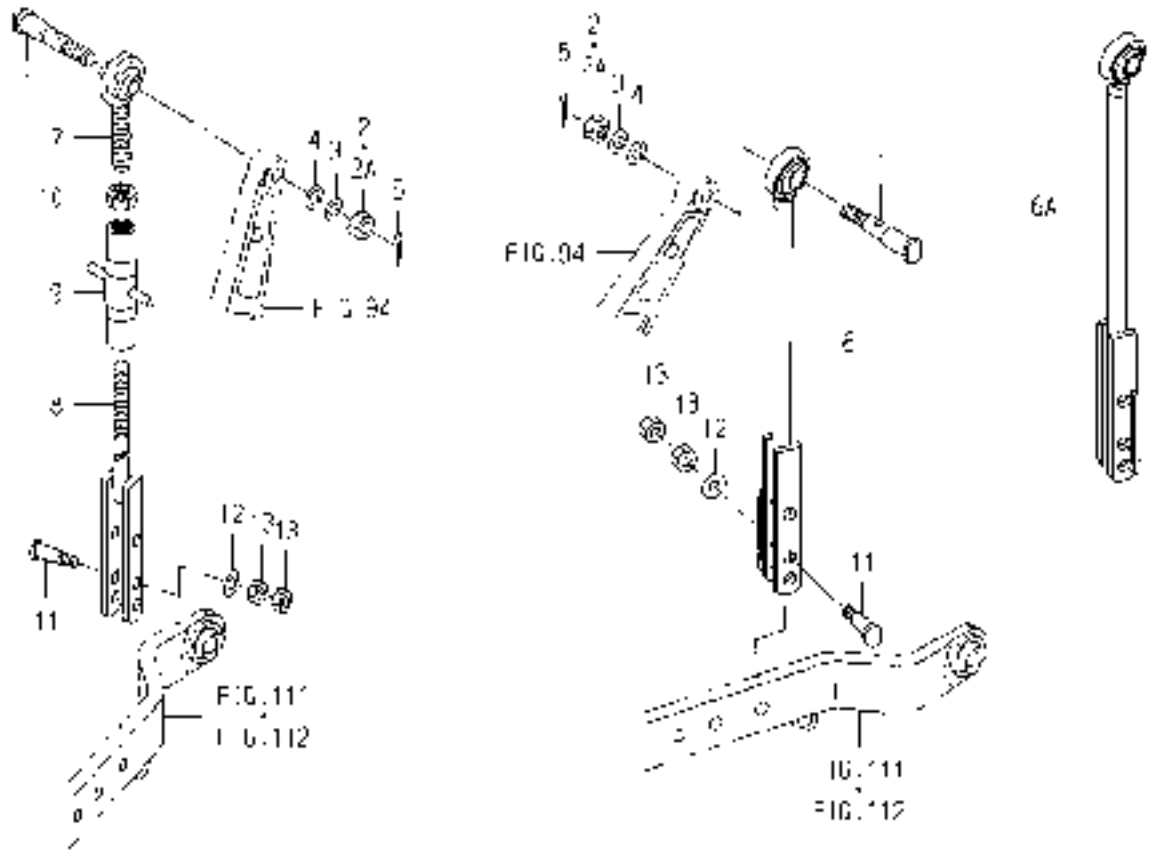
FIG.111 3P LINK SYSTEM(E4A TYPE)



1772-514A-0100

KEY	PART CODE	DESCRIPTION	S P C	TYPE OF MODEL			I T C	C O L	G R P	REMARKS
				TH4295	TH4335	TH4365				
1	1773-514-210-10	LINK/LOWER/LH COMP	*	1	1					
2	1773-514-220-10	LINK/LOWER/RH COMP	*	1	1					
3	1690-514-001-00	PIN/22X99	*	2	2					
4	1650-514-004-00	WASHER/19X30X03	*	2	2					
5	V304-460-016-00	NUT/M16	*	2	2					
6	V401-160-016-00	WASHER,SP/M16	*	2	2					
7	V411-260-016-00	WASHER / M16	*	2	2					
8	V500-164-003-00	PIN,SPLIT/4 X30	*	2	2					
9	1560-525-001-40	SPRING	*	1	1					
10	1740-514-310-00	CHAIN/CHECK/A COMP	*	2 -96	2 -438					
10A	1772-514-410-00	CHAIN/CHECK/A COMP	*	2 97-	2 439-					
11	1773-514-310-00	CHAIN/CHECK COMP	*	2 -96	2 -438					
11A	1772-514-420-00	CHAIN/CHECK COMP	*	2 97-	2 439-					
12	1740-514-330-00	BUCKLE/TURN/A COMP	*	2 -96	2 -438					
12A	1772-514-430-00	BUCKLE/TURN/A COMP	*	2 97-	2 439-					
13	V304-260-016-00	NUT/M16	*	2 -96	2 -438					
13A	1772-514-401-00	NUT/M16	*	2 97-	2 439-					
14	V304-260-016-00	NUT/M16	*	4	4					
14A	V304-260-016-00	NUT/M16	*	4 -156	4 -486					
15	V401-160-016-00	WASHER,SP/M16	*	2	2					
16	V411-260-016-00	WASHER / M16	*	2	2					
17	7963-611-003-00	PIN/12X48	*	2	2					
18	V500-163-002-00	PIN,SPLIT/3 X20	*	2	2					
19	1560-525-290-10	LINK/TOP/LH COMP	*	1	1					
20	1568-525-300-10	LINK/TOP/RH COMP	*	1	1					
21	1550-514-290-00	TURNBUCLE COMP	*	1	1					
22	1402-511-600-00	NUT, TOP LINK LOCK	*	1	1					
23	1673-525-002-20	LINKPIN	*	2 -29	2 -136					
23A	1673-525-002-30	LINKPIN	*	2 30-	2 137-		1			
24	1620-514-005-00	PIN/19X94	*	1	1					

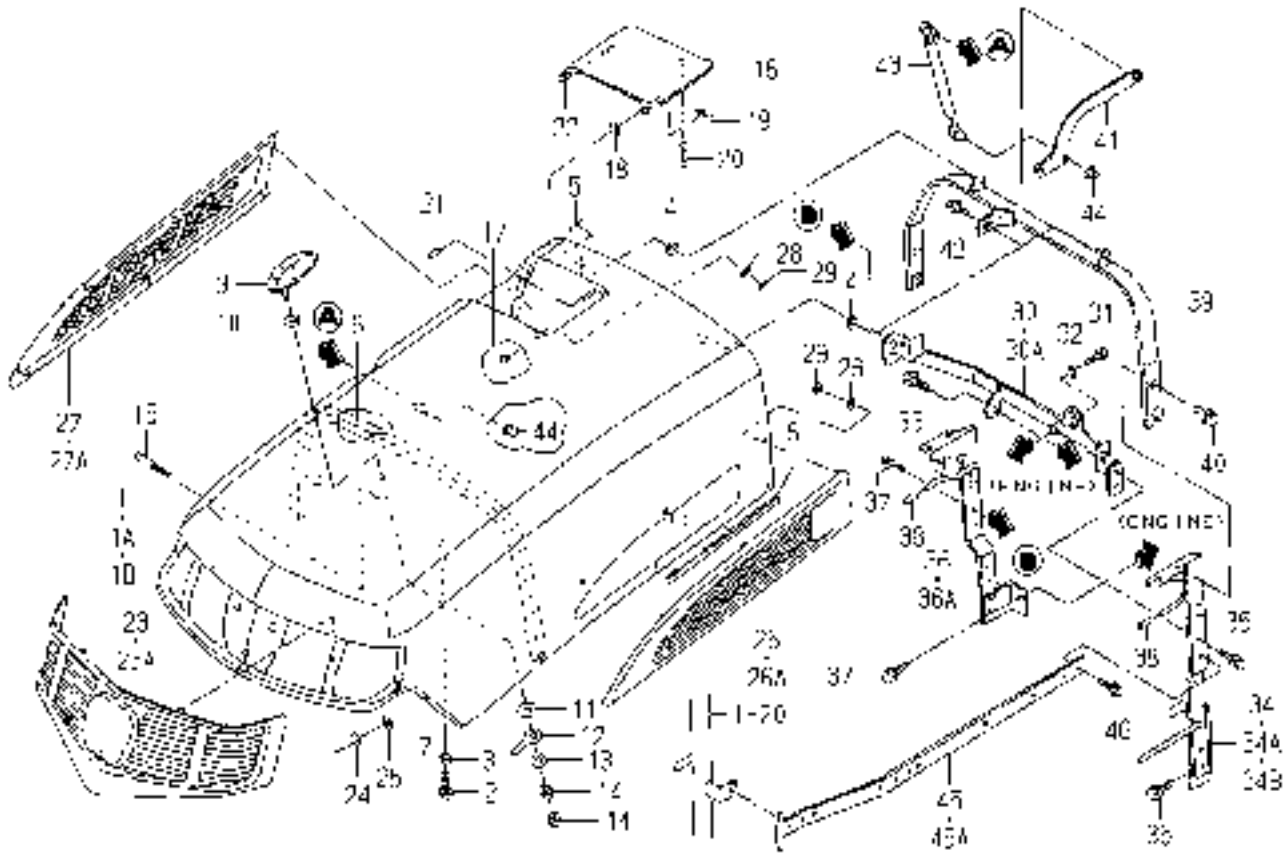
FIG.113 LIFT ROD SYSTEM



1773-515-0100

KEY	PART CODE	DESCRIPTION	S P C	TYPE OF MODEL			I T C	C O L	G R P	REMARKS
				TH4295	TH4335	TH4365				
1	1690-514-001-00	PIN/22X99	*	2	2	2				
2	V304-460-016-00	NUT/M16	*	2	2	2				
2A	1790-437-001-00	NUT/M16	*	2 148	2 484	2 61				
3	V401-160-016-00	WASHER,SP/M16	*	2	2	2				
4	V411-260-016-00	WASHER / M16	*	2	2	2				
5	V500-164-003-00	PIN,SPLIT/4 X30	*	2	2	2				
6	1773-515-210-10	ROD/FORK/LH COMP	*	1	1					
6A	1773-515-210-20	ROD/FORK/LH COMP	*	1 32	1 184	1	1			
7	1740-514-410-00	SCREW/RH/M24 COMP	*	1	1	1				
8	1773-515-220-10	ROD/FORK COMP	*	1	1	1				
9	1740-514-420-00	BUCKLE/TURN/M24 COMP	*	1	1	1				
10	V304-260-024-00	NUT	*	1	1	1				
11	1773-515-002-00	PIN/16X68	*	2 9	2 14	2				
12	1427-431-003-00	WASHER/13X32X3	*	2	2	2				
13	V304-460-012-00	NUT/M12	*	4	4	4				

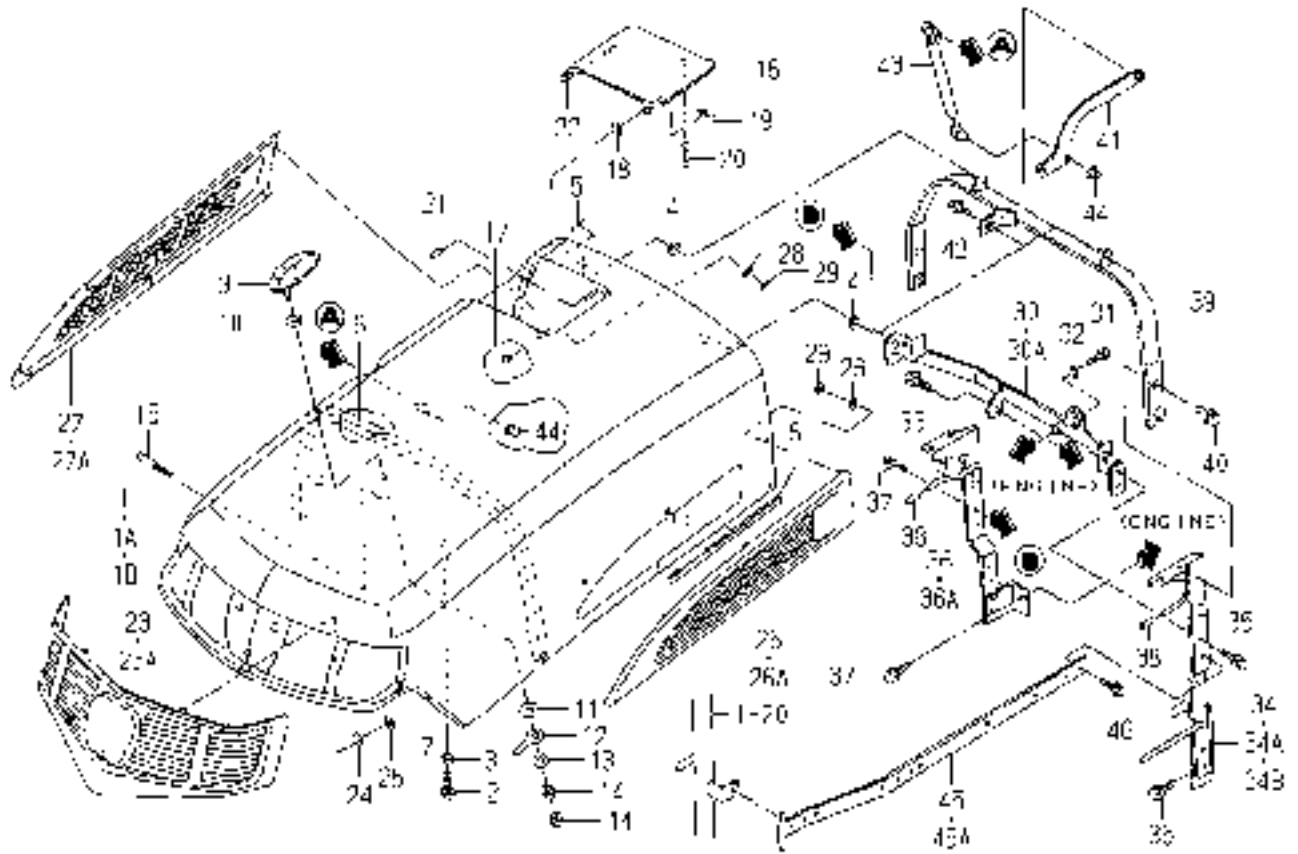
FIG.118 HOOD SYSTEM(EXCEPT H TYPE)



1772-601A-0100

KEY	PART CODE	DESCRIPTION	S P C	TYPE OF MODEL			I T C	C O L	G R P	REMARKS
				TH4295	TH4335	TH4365				
1	1729-601-200-50	HOOD COMP	*	1 -80	1 -379			4L		
1A	1729-601-200-60	HOOD COMP	*	1 -93	1 -433		1	4L		
1B	1729-601-200-70	HOOD COMP	*	1 94-	1 434-		1	4L		
2	1421-602-005-10	CUSHION,B/ RUBBER	*	2	2					
3	V304-460-008-00	NUT/M8	*	2	2					
4	1423-616-004-00	CUSHION/RUBBER/10X25	*	2	2					
5	V560-160-008-00	PIN/SNAP	*	1	1					
6	1729-601-004-20	INSULATOR	*	1	1					
7	1636-630-008-00	TRIM/150	*	2	2					
8	3670-840-006-00	TRIM/270	*	2	2					
9	1650-601-001-00	HANDLE	*	1	1					
10	1650-601-007-00	WASHER/12X25X02	*	1	1					
11	3610-440-018-00	WASHER	*	1	1					
12	1716-601-002-00	ARM/PLATE	*	1	1					
13	V411-260-008-00	WASHER,PL/M 8	*	1	1					
14	V304-260-008-00	NUT	*	2	2					
15	1588-117-001-00	SPRING/HE089	*	1	1					
16	1729-601-220-20	COVER COMP	*	1	1			4L		
17	1716-601-021-00	PIN/06X07	*	1	1					
18	V411-260-006-00	WASHER / M6	*	1	1					
19	V560-160-006-00	PIN/SNAP	*	1	1					
20	1716-601-018-00	SPRING/HE036	*	1	1					
21	1716-601-019-00	TUBE/06X10X20	*	1	1					
22	1672-601-002-00	TRIM/20	*	2	2					
23	1729-601-001-10	MOLDING/FRONT	*	1 -29	1 -146					
23A	1729-601-001-20	MOLDING/FRONT	*	1 30- 5	1 147- 5		1			
24	1444-601-015-00	WASHER/6X14X3	*	5	5					
25	V350-160-006-00	NUT,SPEED/P6	*	5	5					
26	1729-601-002-10	MOLDING/LH	*	1 -31	1 -154					
26A	1729-601-002-20	MOLDING/LH	*	1 32-	1 155-		1			

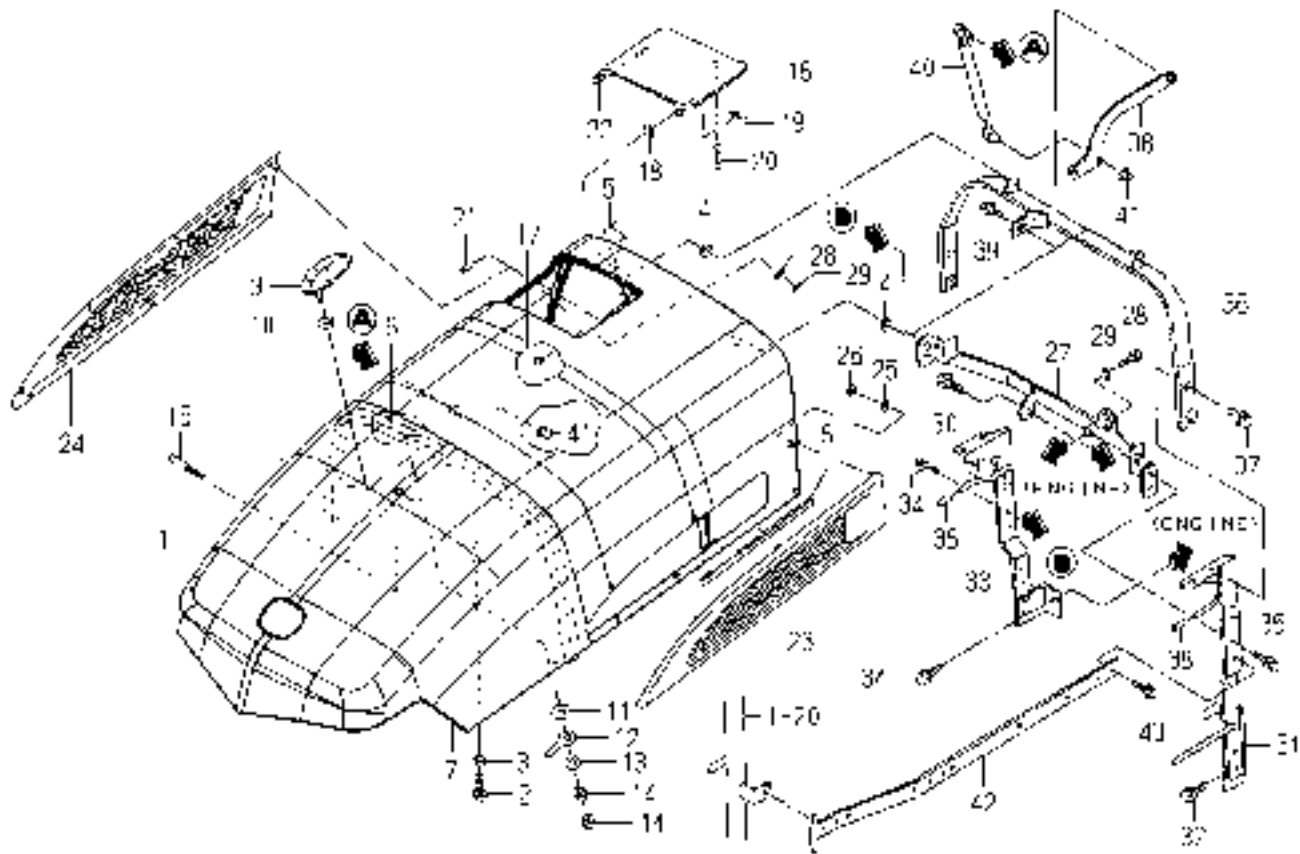
FIG.118 HOOD SYSTEM(EXCEPT H TYPE)



1772-601A-0100

KEY	PART CODE	DESCRIPTION	S P C	TYPE OF MODEL			I T C	C O L	G R P	REMARKS
				TH4295	TH4335	TH4365				
27	1729-601-003-10	MOLDING/RH	*	1 -29	1 -146					
27A	1729-601-003-20	MOLDING/RH	*	1 30-	1 147-		1			
28	1444-601-015-00	WASHER/6X14X3	*	12	12					
29	V350-160-006-00	NUT,SPEED/P6	*	12	12					
30	1729-601-300-00	BRACKET/FRAME COMP	*	1 -37	1 -248					
30A	1729-601-300-10	BRACKET/FRAME COMP	*	1 38-	1 249-		3			
31	V203-361-003-50	BOLT	*	1	1					
32	V401-160-010-00	WASHER,SP/M10	*	1	1					
33	V231-360-801-60	FLANGEBOLT	*	1	1					
34	1729-601-310-10	FRAME/HOOD/LH COMP	*	1 -37	1 -248					
34A	1729-601-310-20	FRAME/HOOD/LH COMP	*	1 -85	1 -430		3			
34B	1729-601-310-30	FRAME/HOOD/LH COMP	*	1 86-	1 431-		1			
35	V231-360-802-00	FLANGEBOLT	*	3	3					
36	1742-601-270-20	FRAME/HOOD/RH COMP	*	1 -37	1 -248					
36A	1742-601-270-30	FRAME/HOOD/RH COMP	*	1 38-	1 249-		3			
37	V231-360-802-00	FLANGEBOLT	*	3	3					
38	1716-601-009-00	TUBE/07X09X30	*	4	4					
39	1729-601-240-10	FRAME/HOOD COMP	*	1	1					
40	V231-360-802-00	FLANGEBOLT	*	4	4					
41	1729-601-250-20	STAY/DUMPER COMP	*	1	1					
42	V231-360-802-00	FLANGEBOLT	*	3	3					
43	1729-601-280-10	DUMPER/HOOD ASSY	*	1	1					
44	V362-260-008-00	NUT/WASHER	*	2	2					
45	1729-601-260-20	FRAME COMP	*	2 -37	2 -248					
45A	1729-601-260-30	FRAME COMP	*	2 38-	2 249-		3			
46	V231-360-802-00	FLANGEBOLT	*	4	4					

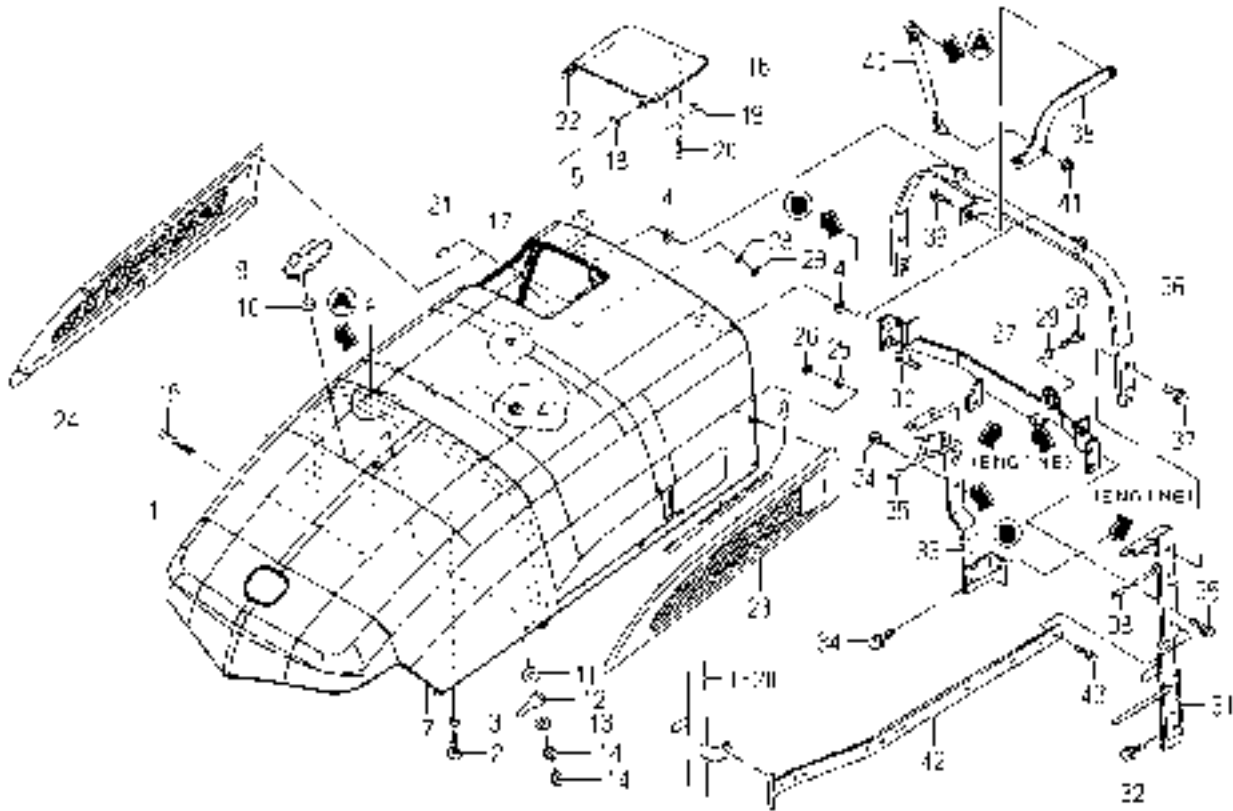
FIG.119 HOOD(SLANT) SYSTEM(TH4365 TYPE)



1772-601B-0100

KEY	PART CODE	DESCRIPTION	S P C	TYPE OF MODEL			I T C	C O L	G R P	REMARKS
				TH4295	TH4335	TH4365				
1	1772-601-200-00	HOOD COMP	*			1		4L		
2	1421-602-005-10	CUSHION,B/ RUBBER	*			2				
3	V304-460-008-00	NUT/M8	*			2				
4	1423-616-004-00	CUSHION/RUBBER/10X25	*			2				
5	V560-160-008-00	PIN/SNAP	*			1				
6	1729-601-004-20	INSULATOR	*			1				
7	1636-630-008-00	TRIM/150	*			2				
8	3670-840-006-00	TRIM/270	*			2				
9	1650-601-001-00	HANDLE	*			1				
10	1650-601-007-00	WASHER/12X25X02	*			1				
11	3610-440-018-00	WASHER	*			1				
12	1716-601-002-00	ARM/PLATE	*			1				
13	V411-260-008-00	WASHER,PL/M 8	*			1				
14	V304-260-008-00	NUT	*			2				
15	1588-117-001-00	SPRING/HE089	*			1				
16	1729-601-220-20	COVER COMP	*			1		4L		
17	1716-601-021-00	PIN/06X07	*			1				
18	V411-260-006-00	WASHER / M6	*			1				
19	V560-160-006-00	PIN/SNAP	*			1				
20	1716-601-018-00	SPRING/HE036	*			1				
21	1716-601-019-00	TUBE/06X10X20	*			1				
22	1672-601-002-00	TRIM/20	*			2				
23	1729-601-002-20	MOLDING/LH	*			1				
24	1729-601-003-20	MOLDING/RH	*			1				
25	1444-601-015-00	WASHER/6X14X3	*			12				
26	V350-160-006-00	NUT,SPEED/P6	*			12				
27	1729-601-300-10	BRACKET/FRAME COMP	*			1				
28	V203-361-003-50	BOLT	*			1				
29	V401-160-010-00	WASHER,SP/M10	*			1				
30	V231-360-801-60	FLANGEBOLT	*			1				

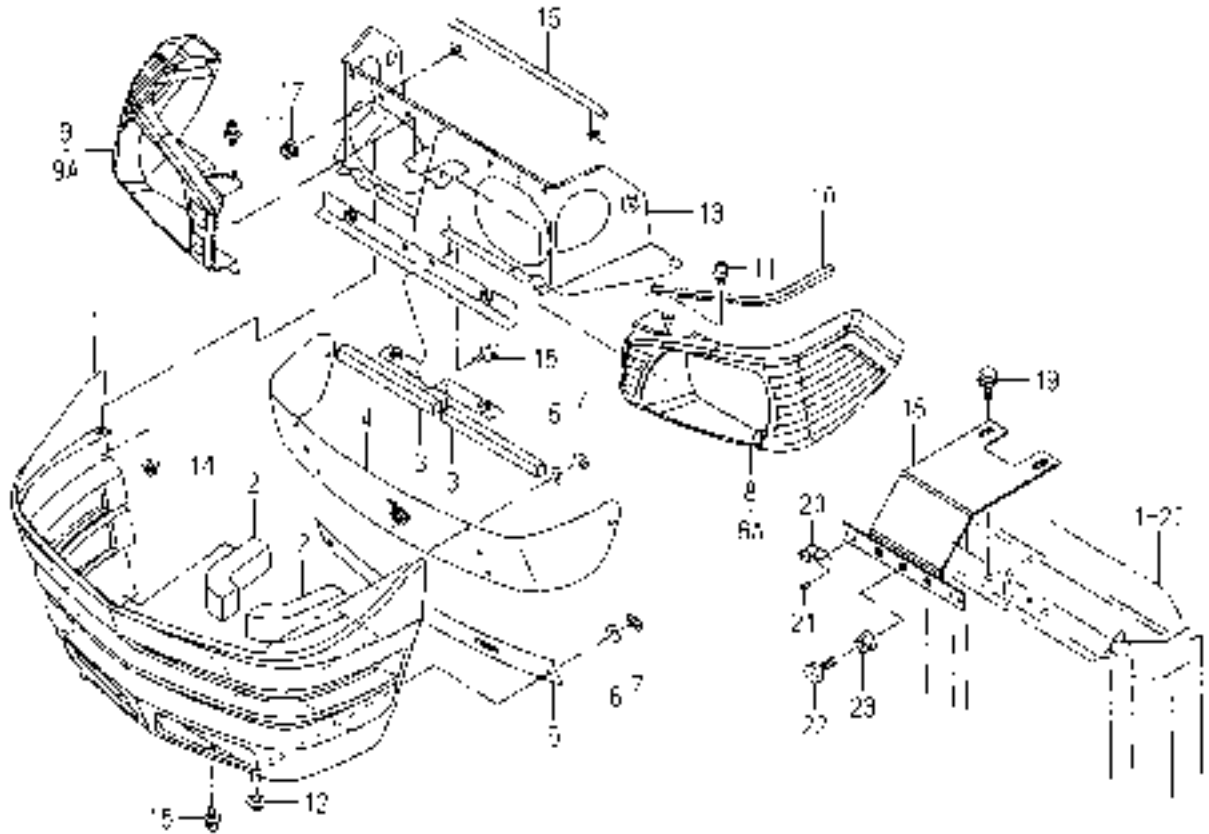
FIG.120 HOOD(SLANT) SYSTEM (H TYPE EXCEPT TH4365)



1772-601C-0100

KEY	PART CODE	DESCRIPTION	S P C	TYPE OF MODEL			I T C	C O L	G R P	REMARKS
				TH4295	TH4335	TH4365				
1	1772-601-200-00	HOOD COMP	*	1	1			4L		
2	1421-602-005-10	CUSHION,B/ RUBBER	*	2	2					
3	V304-460-008-00	NUT/M8	*	2	2					
4	1423-616-004-00	CUSHION/RUBBER/10X25	*	2	2					
5	V560-160-008-00	PIN/SNAP	*	1	1					
6	1729-601-004-20	INSULATOR	*	1	1					
7	1636-630-008-00	TRIM/150	*	2	2					
8	3670-840-006-00	TRIM/270	*	2	2					
9	1650-601-001-00	HANDLE	*	1	1					
10	1650-601-007-00	WASHER/12X25X02	*	1	1					
11	3610-440-018-00	WASHER	*	1	1					
12	1716-601-002-00	ARM/PLATE	*	1	1					
13	V411-260-008-00	WASHER,PL/M 8	*	1	1					
14	V304-260-008-00	NUT	*	2	2					
15	1588-117-001-00	SPRING/HE089	*	1	1					
16	1729-601-220-20	COVER COMP	*	1	1			4L		
17	1716-601-021-00	PIN/06X07	*	1	1					
18	V411-260-006-00	WASHER / M6	*	1	1					
19	V560-160-006-00	PIN/SNAP	*	1	1					
20	1716-601-018-00	SPRING/HE036	*	1	1					
21	1716-601-019-00	TUBE/06X10X20	*	1	1					
22	1672-601-002-00	TRIM/20	*	2	2					
23	1729-601-002-20	MOLDING/LH	*	1	1					
24	1729-601-003-20	MOLDING/RH	*	1	1					
25	1444-601-015-00	WASHER/6X14X3	*	12	12					
26	V350-160-006-00	NUT,SPEED/P6	*	12	12					
27	1729-601-400-00	BRACKET/FRAME COMP	*	1	1					
28	V203-361-003-50	BOLT	*	1	1					
29	V401-160-010-00	WASHER,SP/M10	*	1	1					
30	V231-360-801-60	FLANGEBOLT	*	1	1					

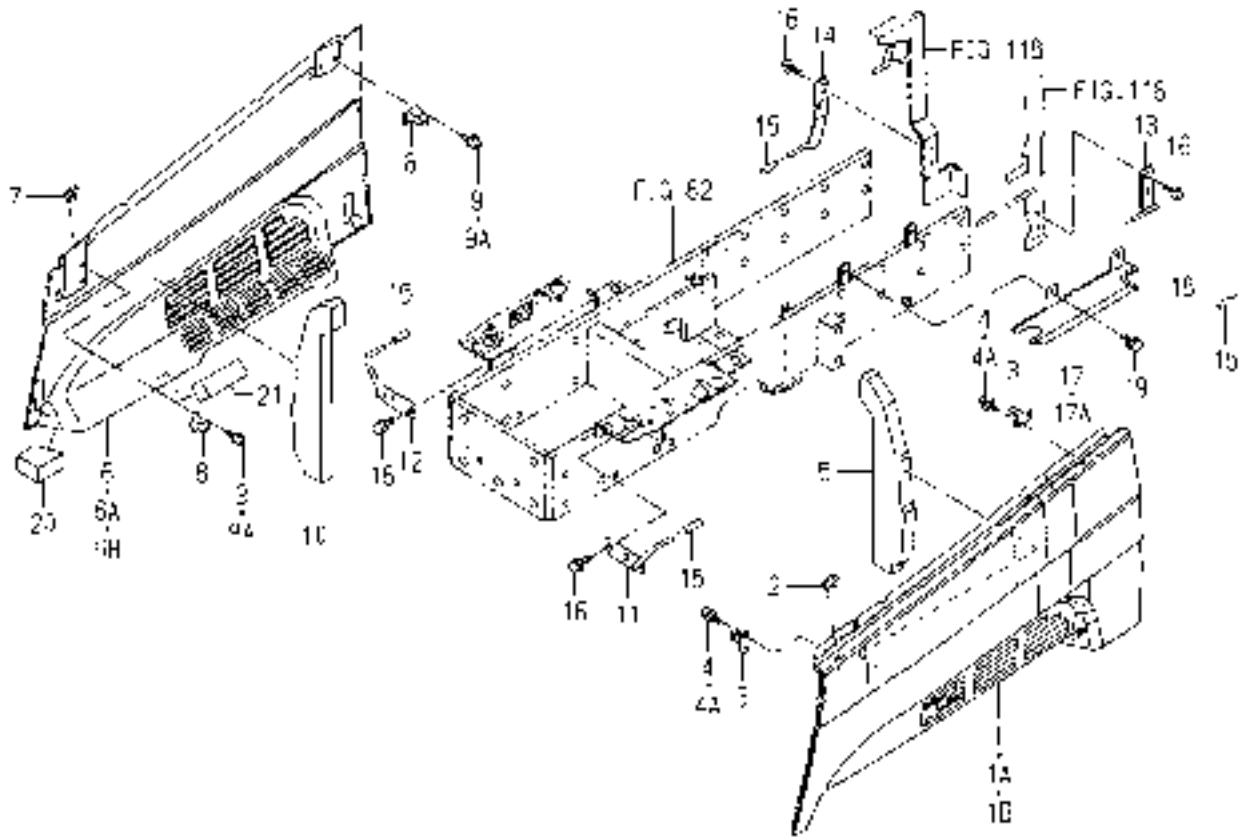
FIG.122 GRILLE(SLANT)SYSTEM(H TYPE)



1772-602A-0100

KEY	PART CODE	DESCRIPTION	S P C	TYPE OF MODEL			I T C	C O L	G R P	REMARKS
				TH4295	TH4335	TH4365				
1	1746-602-002-00	GRILLE/EEC	*	1	1	1				
2	1729-602-006-00	INSULATOR/30X35X150	*	2	2	2				
3	1729-602-007-00	INSULATOR/15X15X190	*	2	2	2				
4	1729-602-002-00	NET/GRILLE	*	1	1	1			7F	
5	1729-602-003-10	NET/GRILLE/UNDER	*	1	1	1			7F	
6	1444-601-015-00	WASHER/6X14X3	*	8	8	8				
7	V350-160-006-00	NUT,SPEED/P6	*	8	8	8				
8	1746-602-001-00	COVER/LAMP/LH	*	1 -197	1 -514	1 -124				
8A	1746-602-001-10	COVER/LAMP/LH	*	1 198	1 515	1 125			3	
9	1746-602-003-00	COVER/LAMP/RH	*	1 -197	1 -514	1 -124				
9A	1746-602-003-10	COVER/LAMP/RH	*	1 198	1 515	1 125			3	
10	1729-602-005-10	INSULATOR/6X9X650	*	1	1	1				
11	V120-366-001-60	SCREW	*	6	6	6				
12	1421-603-004-00	BUSH,LEVER	*	2	2	2				
13	1746-602-230-00	HOLDER/GRILLE/E COMP	*	1	1	1				
14	V361-260-006-00	NUT	*	2	2	2				
15	V120-366-001-60	SCREW	*	6	6	6				
16	1729-602-210-10	BAR COMP	*	1	1	1				
17	V363-260-008-00	NUT/WASHER	*	2	2	2				
18	1772-602-200-00	BRACKET COMP	*	1	1	1				
19	V211-360-801-60	BOLT,SEMS (SP)	*	2	2	2				
20	1729-602-004-10	SPRING	*	2	2	2				
21	W296-134-007-00	RIVET,BLIND	*	4	4	4				
22	1421-602-005-10	CUSHION,B/ RUBBER	*	1	1	1				
23	V363-260-008-00	NUT/WASHER	*	1	1	1				

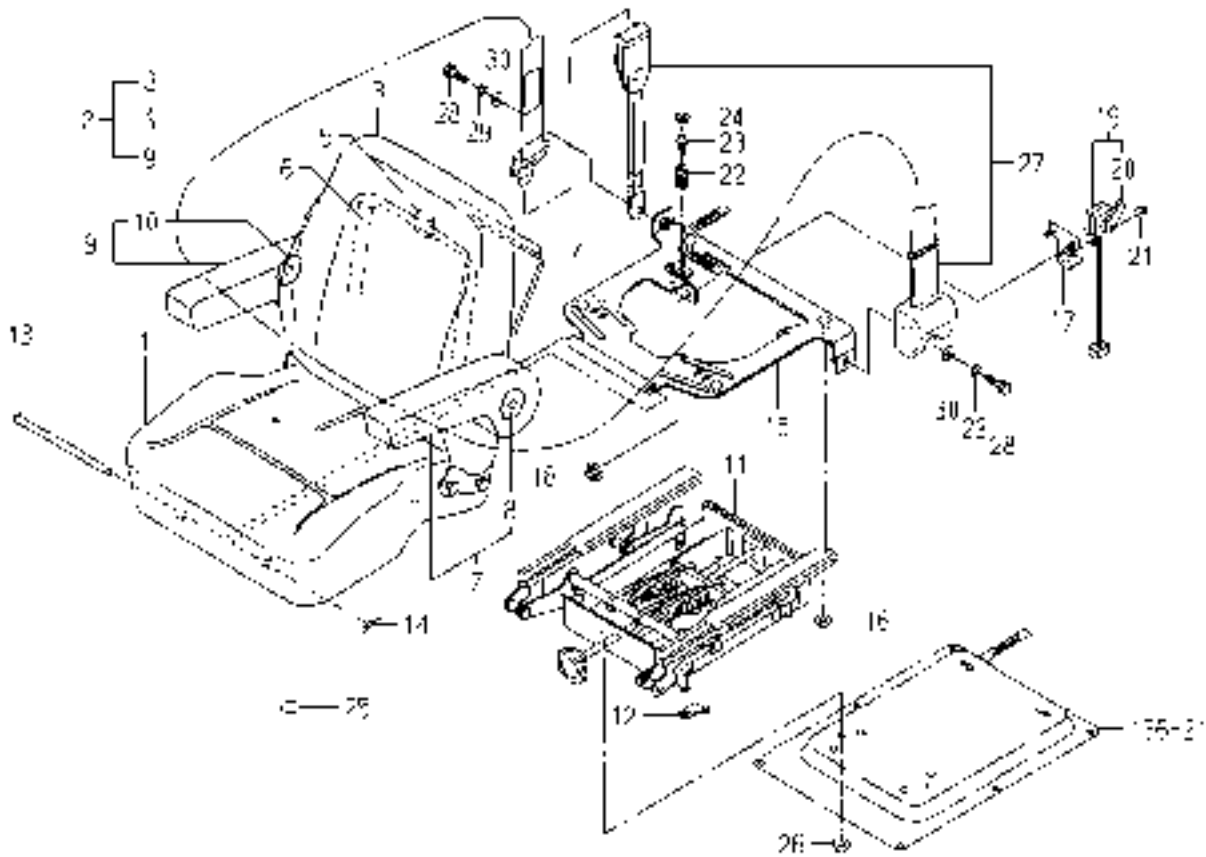
FIG.124 COVER(SIDE)SYSTEM(EXCEPT H TYPE)



1746-604B-0100

KEY	PART CODE	DESCRIPTION	S P C	TYPE OF MODEL			I T C	C O L	G R P	REMARKS
				TH4295	TH4335	TH4365				
1	1746-604-200-00	COVER/SIDE/LH COMP	*	1 -33	1 -208			4L		
1A	1746-604-200-10	COVER/SIDE/LH COMP	*	1 -60	1 -366		1	4L		
1B	1746-604-200-20	COVER/SIDE/LH COMP	*	1 61-	1 367-		1	4L		
2	1716-601-017-00	INSULATOR	*	1	1					
3	1729-604-003-00	SPRING	*	2	2					
4	V120-366-001-60	SCREW	*	4 -2	4 -2					
4A	V120-366-001-20	SCREW	*	4 3-	4 3-					
5	1729-604-001-20	INSULATOR/SIDE/LH	*	1	1					
6	1746-604-210-00	COVER/SIDE/RH COMP	*	1 -33	1 -208			4L		
6A	1746-604-210-10	COVER/SIDE/RH COMP	*	1 -60	1 -366		1	4L		
6B	1746-604-210-20	COVER/SIDE/RH COMP	*	1 61-	1 367-		1	4L		
7	1716-601-017-00	INSULATOR	*	1	1					
8	1729-604-003-00	SPRING	*	2	2					
9	V120-366-001-60	SCREW	*	4 -2	4 -2					
9A	V120-366-001-20	SCREW	*	4 3-	4 3-					
10	1729-604-002-20	INSULATOR/SIDE/RH	*	1	1					
11	1729-604-240-00	HOOK/FRONT/LH COMP	*	1	1					
12	1729-604-250-00	HOOK/FRONT/RH COMP	*	1	1					
13	1729-604-260-10	HOOK/REAR/LH COMP	*	1	1					
14	1742-604-240-10	HOOK/RH COMP	*	1	1					
15	1716-601-009-00	TUBE/07X09X30	*	4	4					
16	V231-360-802-00	FLANGEBOLT	*	8	8					
17	1729-604-004-20	PLATE/UNDER	*	1 -37	1 -246					
17A	1729-604-004-30	PLATE/UNDER	*	1 38-	1 247-		1			
18	1685-604-003-00	INSULATOR/90	*	1 56-	1 344-					
19	V231-360-801-20	FLANGEBOLT	*	2	2					
20	1729-604-005-00	INSULATOR/SIDE	*	2	2					
21	1729-604-006-00	INSULATOR/30X30X90	*	2	2					

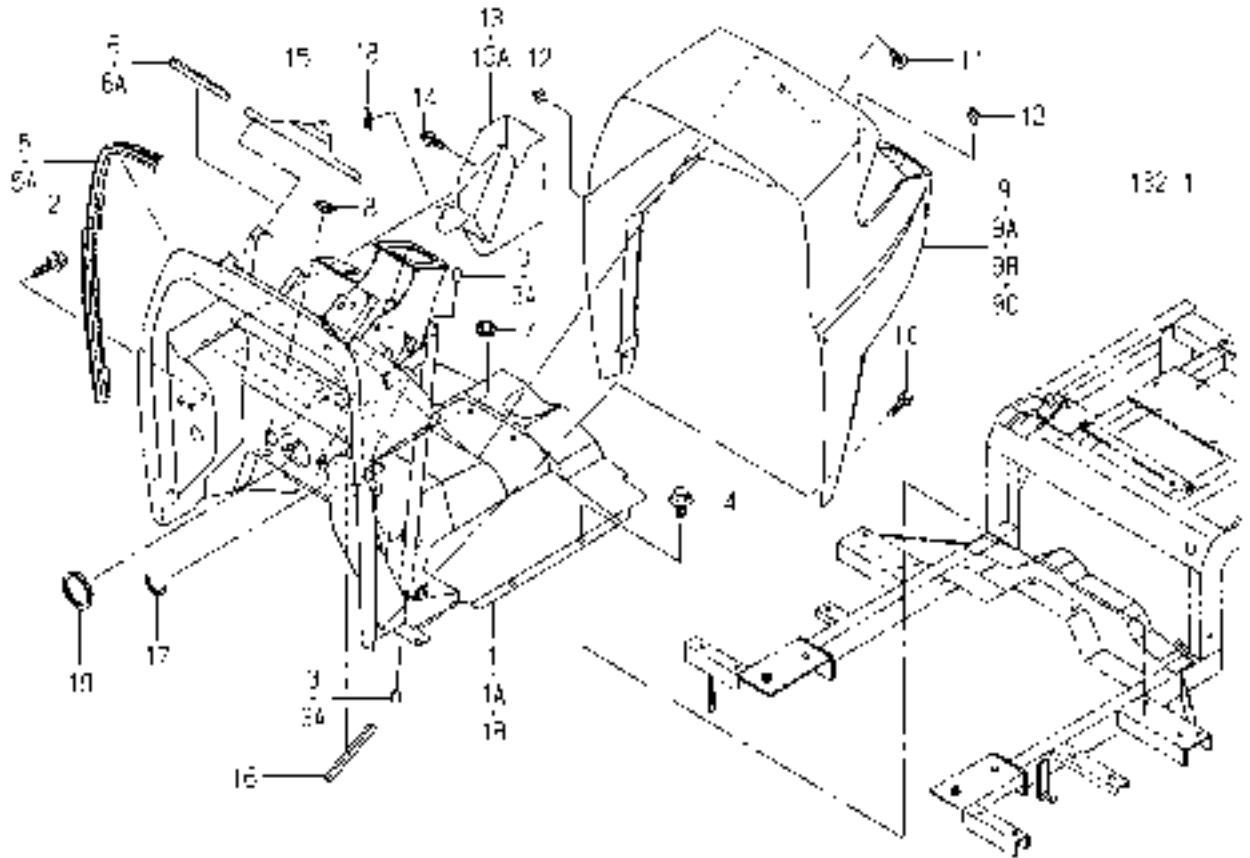
FIG.125 SEAT SYSTEM(HJ TYPE)



1773-611-0100

KEY	PART CODE	DESCRIPTION	S P C	TYPE OF MODEL				I T C	C O L	G R P	REMARKS
				TH4295	TH4335	TH4365					
1	1773-611-210-00	SEAT ASSY	*		1	1					
2	1773-611-310-00	BACK(ARMREST) ASSY	*		1	1					
3	1773-611-331-00	PANEL/BACK	*		1	1					
4	1773-611-332-00	COVER	*		1	1					
5	1773-611-333-00	STRIKER	*		1	1					
6	1773-611-334-00	STRAP	*		1	1					
7	1773-611-270-00	ARMREST/LH ASSY	*		1	1					
8	1773-611-279-00	COVER	*		1	1					
9	1773-611-280-00	ARMREST/RH ASSY	*		1	1					
10	1773-611-279-00	COVER	*		1	1					
11	1785-611-220-00	SUSPENTION ASSY	*		1	1					
12	1773-611-002-00	PLATE/STOPPER	*		1	1					
13	1488-611-003-10	PIN,SEAT SET	*		1	1					
14	1305-241-001-00	PIN,HAIR	*		1	1					
15	1773-611-240-30	BRACKET/SEAT COMP	*		1	1					
16	V362-260-008-00	NUT/WASHER	*		4	4					
17	1773-611-250-10	BRACKET/SWITCH COMP	*		1	1					
18	V360-260-006-00	NUT/M6	*		2	2					
19	1773-611-260-20	SWITCH/SEAT ASSY	*		1	1					
20	1773-611-262-00	ARM(SWITCH)	*		1	1					
21	V360-260-006-00	NUT/M6	*		1	1					
22	1773-611-001-10	SPRING/Hc037	*		2	2					
23	V120-366-001-60	SCREW	*		2	2					
24	1773-611-003-10	GROMMET	*		2	2					
25	1773-611-005-00	LABEL/SEAT	*		1	1					
26	V363-260-008-00	NUT/WASHER	*		4	4					
27	1742-611-240-00	BELT/SEAT SET	*		1	1					
28	V201-461-002-00	BOLT/M10X20	*		2	2					
29	V401-160-010-00	WASHER,SP/M10	*		2	2					
30	V411-260-010-00	WASHER/M10	*		2	2					

FIG.132 DASHBORD SYSTEM(SK TYPE)

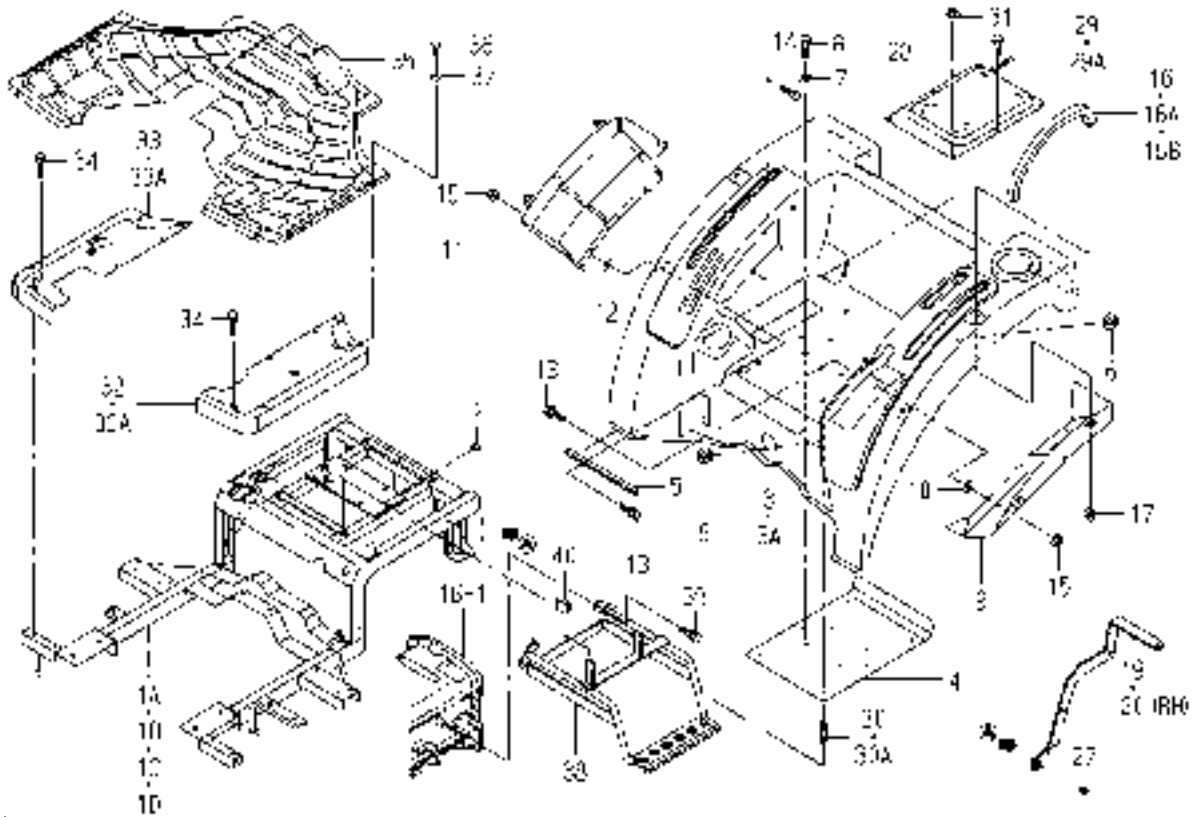


1772-630A-0100

KEY	PART CODE	DESCRIPTION	S P C	TYPE OF MODEL			I T C	C O L	G R P	REMARKS
				TH4295	TH4335	TH4365				
1	1773-630-300-50	PANEL/DASH/S COMP	*	1 -31	1 -156					
1A	1773-630-300-60	PANEL/DASH/S COMP	*	1 -48	1 -316		1			
1B	1773-630-300-70	PANEL/DASH/S COMP	*	1 49-	1 317-		1			
2	V231-360-801-60	FLANGEBOLT	*	2	2					
3	2504-250-001-10	BUSH/14X16X15	*	2 -37	2 -237					
3A	4335-145-221-00	BUSH/14X16X15	*	2 38-	2 238-					
4	V231-360-801-60	FLANGEBOLT	*	6	6					
5	1772-630-001-00	INSULATOR/DASH/E4	*	1 -9	1 -13					
5A	1772-630-001-10	INSULATOR/DASH/E4	*	1 10-	1 14-		1			
6	1729-630-056-10	INSULATOR/300	*	1 -55	1 -329					
6A	1728-630-005-20	INSULATOR/270	*	1 56-	1 330-					
7	1723-630-051-00	GROMMET/25X30X03	*	1	1					
8	1560-630-029-00	CAP/30	*	1	1					
9	1773-630-004-00	COVER/DASH	*	1 -31	1 -146					
9A	1773-630-004-10	COVER/DASH	*	1 -57	1 -359		1			
9B	1773-630-004-20	COVER/DASH	*	1 -59	1 -365		1			
9C	1773-630-004-30	COVER/DASH	*	1 60-	1 366-		1			
10	V120-376-001-60	SCREW/SP	*	4	4					
11	1729-705-009-00	SCREW/TRUSS/M06X16	*	1	1					
12	1650-705-006-00	RIVET	*	4	4					
13	1773-630-005-20	COVER/UNDER	*	1 -55	1 -356				5I	
13A	1773-630-005-30	COVER/UNDER	*	1 56-	1 357-		1		5I	
14	V120-376-002-00	SCREW/SP	*	4	4					
15	1729-630-270-10	PLATE/DASH COMP	*	1	1					
16	3650-201-008-00	PROTECTOR,EDGE/120	*	2	2					
17	1705-102-014-00	TRIM/130	*	1	1					
18	3680-155-005-00	PROTECTOR/040	*	1 -55	1 -356					
19	1724-102-012-00	TRIM/188	*	1	1					

**FIG.134 FLOOR(REAR)SYSTEM(1/2)
(K,V TYPE EXCEPT SK)**

9A, 11A, 14A, 15A-2, 3A, 4A SET 12/2 PART

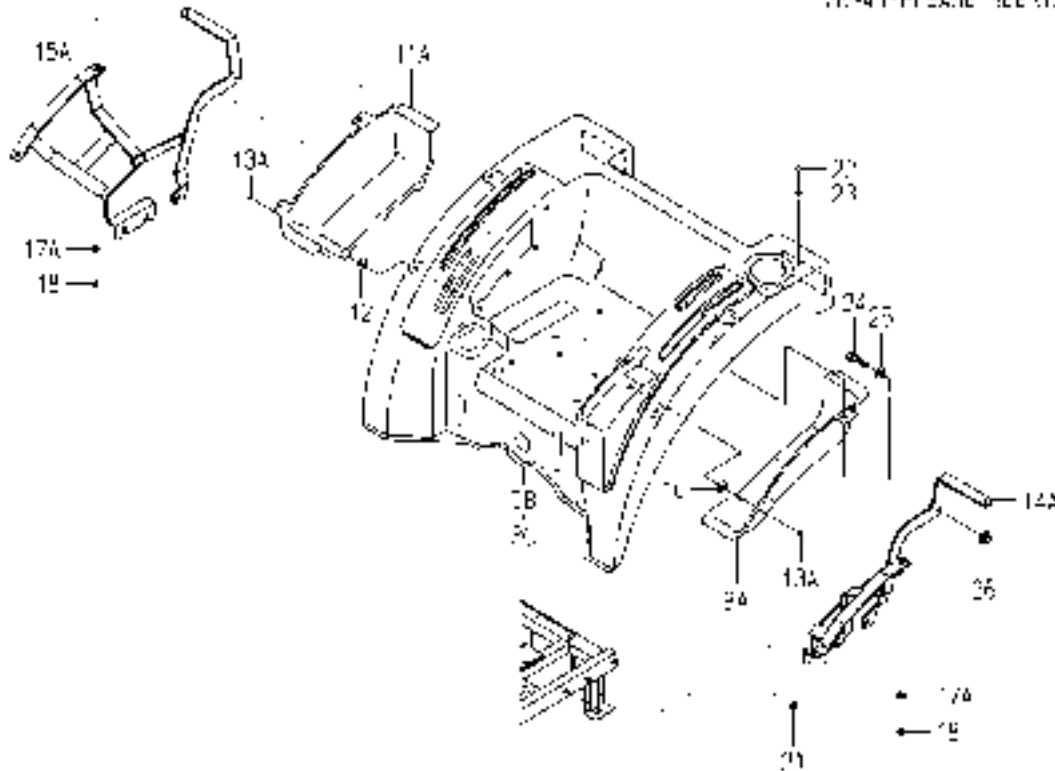


1772-631A-0100

KEY	PART CODE	DESCRIPTION	S P C	TYPE OF MODEL			I T C	C O L	G R P	REMARKS
				TH4295	TH4335	TH4365				
1	1773-631-200-20	FRAME/FLOOR COMP	*	1 -15	1 -16					
1A	1773-631-200-30	FRAME/FLOOR COMP	*	1 -48	1 -329		1			
1B	1773-631-200-40	FRAME/FLOOR COMP	*	1 -55	1 -343		1			
1C	1773-631-200-50	FRAME/FLOOR COMP	*	1	1 -356		1			
1D	1773-631-200-60	FRAME/FLOOR COMP	*	1	1 357-		1			
2	1560-314-001-10	TRIM/30	*	1	1					
3	1772-631-002-10	FENDER/E4	*	1 -29	1 -139		1			
3A	1772-631-002-20	FENDER/E4	*	1 -55	1 -357		1			
3B	1772-631-051-00	FENDER/E4	*	1 -61	1 -367					
3C	1772-631-051-10	FENDER/E4	*	1 62-	1 368-		1			
4	1773-631-412-10	PLATE	*	1 -55	1 -357					
5	1773-631-018-00	INSULATOR	*	2 -55	2 -357					
6	1729-741-007-00	GROMMET/17X21X05	*	2	2					
7	1376-606-005-00	WASHER/9X32X2	*	4	4					
8	V211-260-803-50	BOLT(S) M8X35	*	4	4					
9	1773-631-450-20	COVER/LH COMP	*	1 -55	1 -357			4L		
9A	1772-631-052-00	COVER/LH	*	1 56-	1 358-					
10	1533-604-002-00	RUBBER,CUSHION	*	5 -55	5 -357					
11	1772-631-230-00	COVER/RH/E4 COMP	*	1 -55	1 -357			4L		
11A	1772-631-053-00	COVER/RH	*	1 56-	1 358-					
12	1533-604-002-00	RUBBER,CUSHION	*	4 -55	4 -357					
13	V211-360-802-00	BOLT/SP	*	8 -55	8 -357					
13A	1773-631-034-00	RIVET	*	6 56-	6 358-					
14	3824-232-021-00	SCREW/TRUSS/M08X20	*	1 -55	1 -357					
14A	1773-631-900-20	STAY/FENDER/LH COMP	*	1 56-	1 358-		1			
15	V362-260-008-00	NUT/WASHER	*	9 -55	9 -357					
15A	1773-631-910-20	STAY/FENDER/RH COMP	*	1 56-	1 358-		1			
16	1729-606-002-10	GRIP/ASSIST	*	2 -48	2 -329					
16A	1729-606-002-20	GRIP/ASSIST	*	2 -55	2 -357		1			
16B	1773-631-035-00	GRIP/ASSIST	*	2 56-	2 358-					

FIG.134 FLOOR(REAR)SYSTEM(2/2) (K,V TYPE EXCEPT SK)

SR-41- PLEASE SEE OTHER PAGE

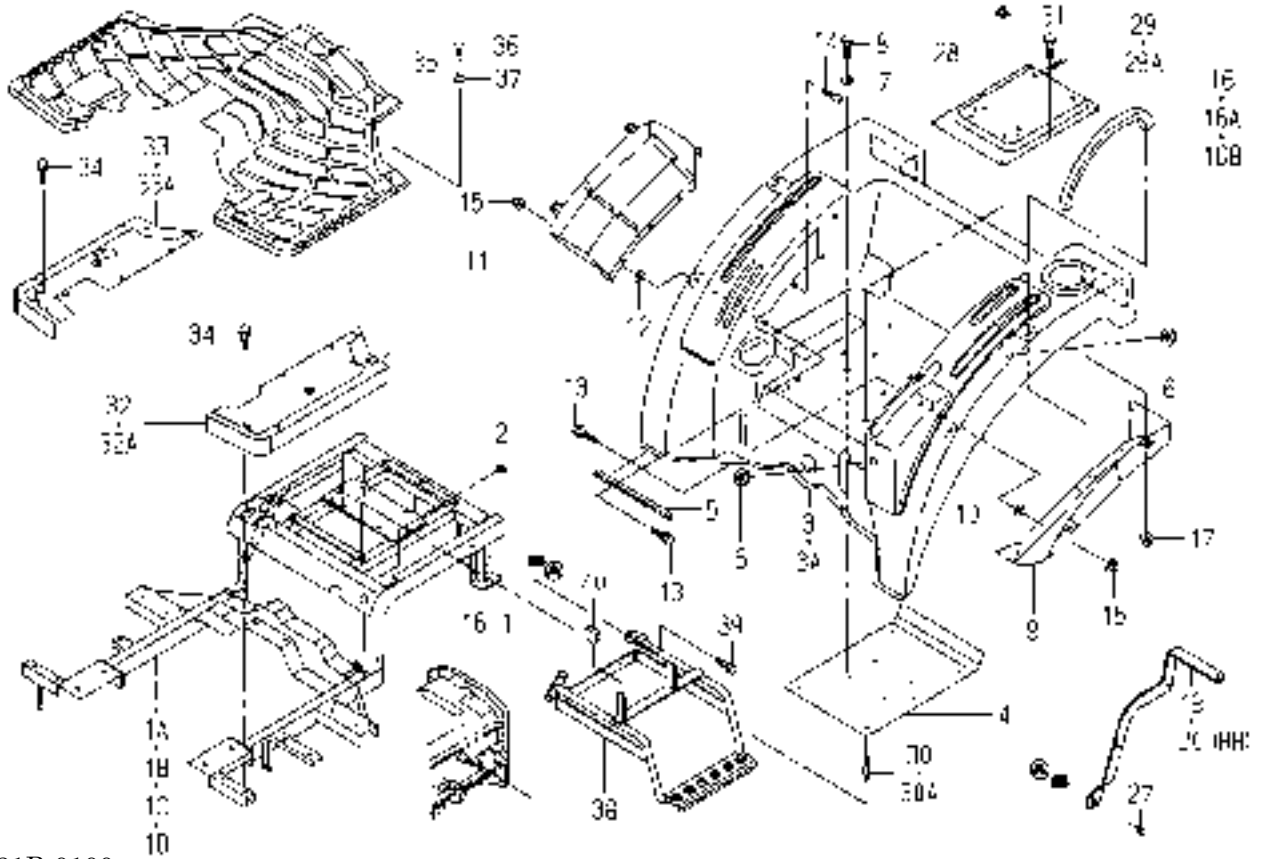


1772-631A-0100

KEY	PART CODE	DESCRIPTION	S P C	TYPE OF MODEL				I T C	C O L	G R P	REMARKS
				TH4295	TH4335	TH4365					
17	V363-260-010-00	NUT/M10	*	4 -55	4 -358						
17A	V411-260-010-00	WASHER/M10	*	4 56-	4 359-						
18	1581-782-111-00	NUT.U/M10	*	4 56-	4 359-						
19	1773-631-091-00	STAY/REAR/LH	*	1 -55	1 -358						
20	1773-631-092-00	STAY/REAR/RH	*	1 -55	1 -358						
21	V363-260-010-00	NUT/M10	*	6 56-	6 359-						
22	3824-232-021-00	SCREW/TRUSS/M08X20	*	2 56-	2 358-						
23	1533-604-002-00	RUBBER,CUSHION	*	2 56-	2 358-						
24	V201-260-802-50	BOLT/M 8X25	*	2 56-	2 358-						
25	4101-102-038-00	WASHER/24X9X3.2	*	2 56-	2 358-						
26	V362-260-008-00	NUT/WASHER	*	2 56-	2 358-						
27	V231-360-801-60	FLANGE BOLT	*	2 -55	2 -358						
28	1773-631-480-10	PANEL/SEAT COMP	*	1	1						
29	V211-260-803-00	BOLT,SEMS	*	2 -55	2 -357						
29A	V211-260-803-50	BOLT(S) M8X35	*	2 56-	2 358-						
30	V251-260-802-50	STUD/M 8X25	*	4 -55	4 -357						
30A	V251-260-803-00	BOLT/STUD	*	4 56-	4 358-						
31	V362-260-008-00	NUT/WASHER	*	4	4						
32	1773-631-270-00	STEP/LH COMP	*	1 -55	1 -358				4L		
32A	1773-631-310-10	STEP/FENDER/LH COMP	*	1 56-	1 359-		1		4L		
33	1773-631-280-20	STEP/RH COMP	*	1 -55	1 -358				4L		
33A	1773-631-320-10	STEP/FENDER/RH COMP	*	1 56-	1 359-		1		4L		
34	V231-360-801-60	FLANGE BOLT	*	12	12						
35	1773-631-005-10	MAT	*	1	1						
36	1729-705-009-00	SCREW/TRUSS/M06X16	*	6	6						
37	3819-261-005-00	WASHER/07X18X01	*	6	6						
38	1773-631-290-00	STEP/SUB COMP	*	1	1						
39	V211-560-802-00	BOLT/M8X20	*	6	6						
40	1593-101-012-00	STOPPER	*	2	2						

FIG.135 FLOOR(REAR)SYSTEM(SK TYPE)(1/2)

9A, 11A, 14A, 15A- PLEASE SEE 12/21 PAGE

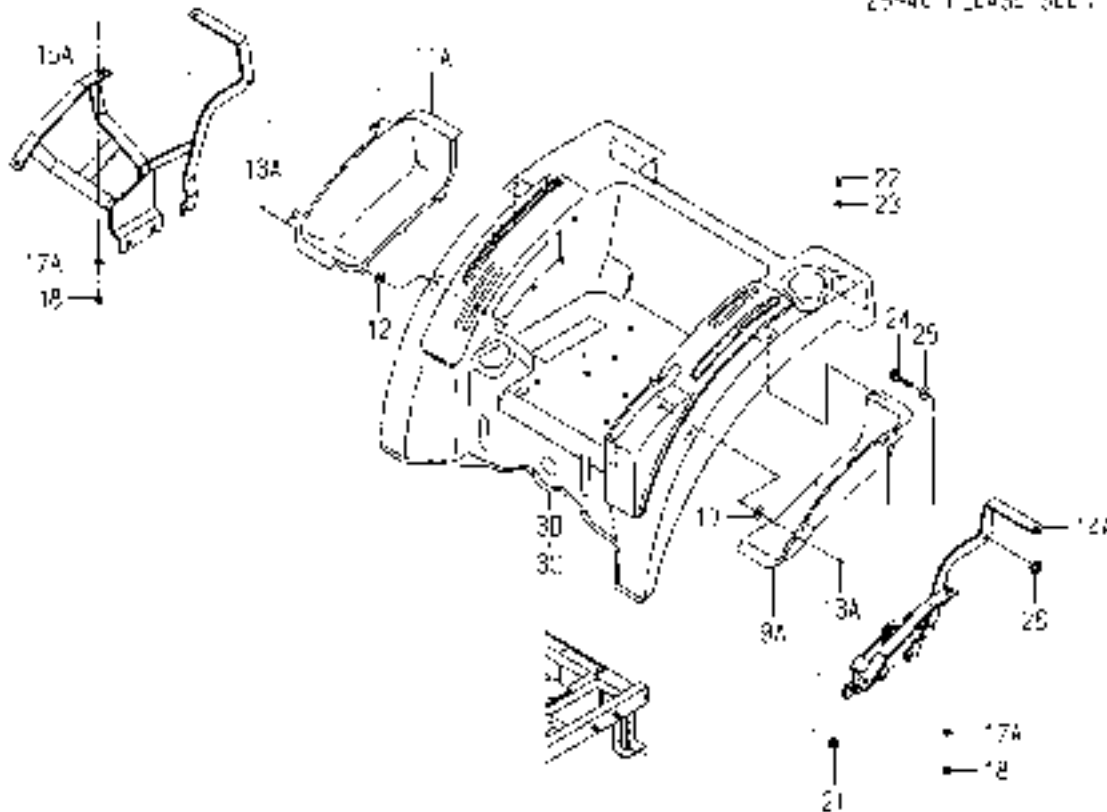


1772-631B-0100

KEY	PART CODE	DESCRIPTION	S P C	TYPE OF MODEL			I T C	C O L	G R P	REMARKS
				TH4295	TH4335	TH4365				
1	1773-631-200-20	FRAME/FLOOR COMP	*	1 -15	1 -16					
1A	1773-631-200-30	FRAME/FLOOR COMP	*	1 -48	1 -329		1			
1B	1773-631-200-40	FRAME/FLOOR COMP	*	1 -55	1 -343		1			
1C	1773-631-200-50	FRAME/FLOOR COMP	*	1	1 -356		1			
1D	1773-631-200-60	FRAME/FLOOR COMP	*	1 56-	1 357-		1			
2	1560-314-001-10	TRIM/30	*	1	1					
3	1772-631-002-10	FENDER/E4	*	1 -29	1 -139		1			
3A	1772-631-002-20	FENDER/E4	*	1 -55	1 -356		1			
3B	1772-631-051-00	FENDER/E4	*	1 -61	1 -367					
3C	1772-631-051-10	FENDER/E4	*	1 62-	1 368-		1			
4	1773-631-412-10	PLATE	*	1 -55	1 -356					
5	1773-631-018-00	INSULATOR	*	2 -55	2 -356					
6	1729-741-007-00	GROMMET/17X21X05	*	2	2					
7	1376-606-005-00	WASHER/9X32X2	*	4	4					
8	V211-260-802-50	BOLT/S	*	4	4					
9	1773-631-450-20	COVER/LH COMP	*	1 -55	1 -356			4L		
9A	1772-631-052-00	COVER/LH	*	1 56-	1 357-					
10	1533-604-002-00	RUBBER,CUSHION	*	5 -55	5 -356					
11	1772-631-230-00	COVER/RH/E4 COMP	*	1 -55	1 -356			4L		
11A	1772-631-053-00	COVER/RH	*	1 56-	1 357-					
12	1533-604-002-00	RUBBER,CUSHION	*	4 -55	4 -356					
13	V211-360-802-00	BOLT/SP	*	8 -55	8 -356					
13A	1773-631-034-00	RIVET	*	6 56-	6 357-					
14	3824-232-021-00	SCREW/TRUSS/M08X20	*	1 -55	1 -357					
14A	1773-631-900-20	STAY/FENDER/LH COMP	*	1 56-	1 358-		1			
15	V362-260-008-00	NUT/WASHER	*	9 -55	9 -357					
15A	1773-631-910-20	STAY/FENDER/RH COMP	*	1 56-	1 358-		1			
16	1729-606-002-10	GRIP/ASSIST	*	2 -48	2 -329					
16A	1729-606-002-20	GRIP/ASSIST	*	2 -55	2 -356		1			
16B	1773-631-035-00	GRIP/ASSIST	*	2 56-	2 357-					

FIG.135 FLOOR(REAR)SYSTEM(SK TYPE)(2/2)

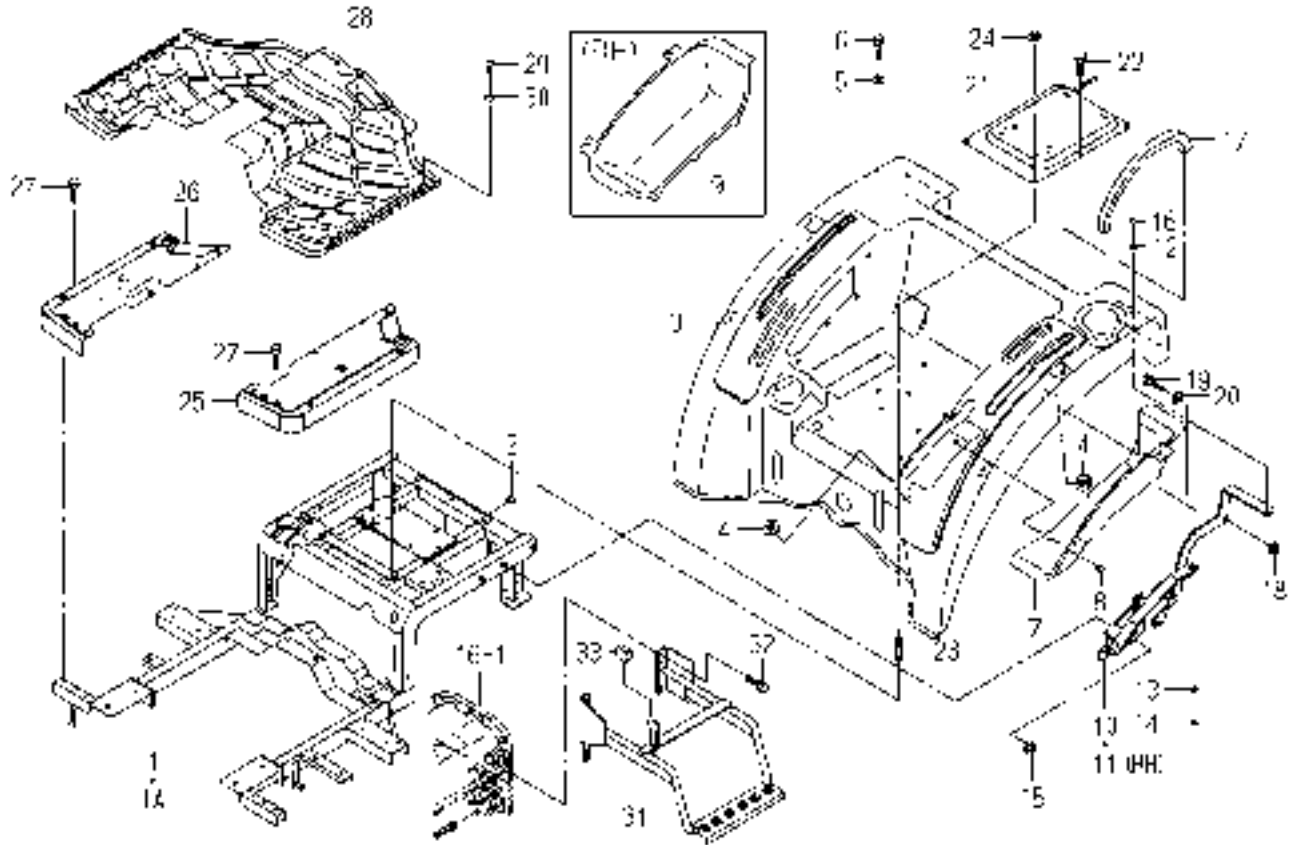
25-40 PLEASE SEE 1/21 PAGE



1772-631B-0100

KEY	PART CODE	DESCRIPTION	S P C	TYPE OF MODEL				I T C	C O L	G R P	REMARKS
				TH4295	TH4335	TH4365					
17	V363-260-010-00	NUT/M10	*	4 -55	4 -356						
17A	V411-260-010-00	WASHER/M10	*	4 56-	4 357-						
18	1581-782-111-00	NUT.U/M10	*	4 56-	4 357-						
19	1773-631-091-00	STAY/REAR/LH	*	1 -55	1 -357						
20	1773-631-092-00	STAY/REAR/RH	*	1 -55	1 -357						
21	V363-260-010-00	NUT/M10	*	6 56-	6 357-						
22	3824-232-021-00	SCREW/TRUSS/M08X20	*	2 56-	2 357-						
23	1533-604-002-00	RUBBER,CUSHION	*	2 56-	2 357-						
24	V201-260-802-50	BOLT/M 8X25	*	2 56-	2 357-						
25	4101-102-038-00	WASHER/24X9X3.2	*	2 56-	2 357-						
26	V362-260-008-00	NUT/WASHER	*	2 56-	2 357-						
27	V231-360-801-60	FLANGE BOLT	*	2 -55	2 -357						
28	1773-631-480-10	PANEL/SEAT COMP	*	1	1						
29	V211-260-803-00	BOLT,SEMS	*	2 -55	2 -356						
29A	V211-260-803-50	BOLT(S) M8X35	*	2 56-	2 357-						
30	V251-260-802-50	STUD/M 8X25	*	4 -55	4 -356						
30A	V251-260-803-00	BOLT/STUD	*	4 56-	4 357-						
31	V362-260-008-00	NUT/WASHER	*	4	4						
32	1773-631-270-00	STEP/LH COMP	*	1 -55	1 -356				4L		
32A	1773-631-310-10	STEP/FENDER/LH COMP	*	1 56-	1 357-		1		4L		
33	1773-631-280-20	STEP/RH COMP	*	1 -55	1 -356				4L		
33A	1773-631-320-10	STEP/FENDER/RH COMP	*	1 56-	1 357-		1		4L		
34	V231-360-801-60	FLANGE BOLT	*	12	12						
35	1773-631-006-10	MAT	*	1	1						
36	1729-705-009-00	SCREW/TRUSS/M06X16	*	6	6						
37	3819-261-005-00	WASHER/07X18X01	*	6	6						
38	1773-631-290-00	STEP/SUB COMP	*	1	1						
39	V211-560-802-00	BOLT/M8X20	*	6	6						
40	1593-101-012-00	STOPPER	*	2	2						

FIG.136 FLOOR(REAR)SYSTEM(H TYPE)

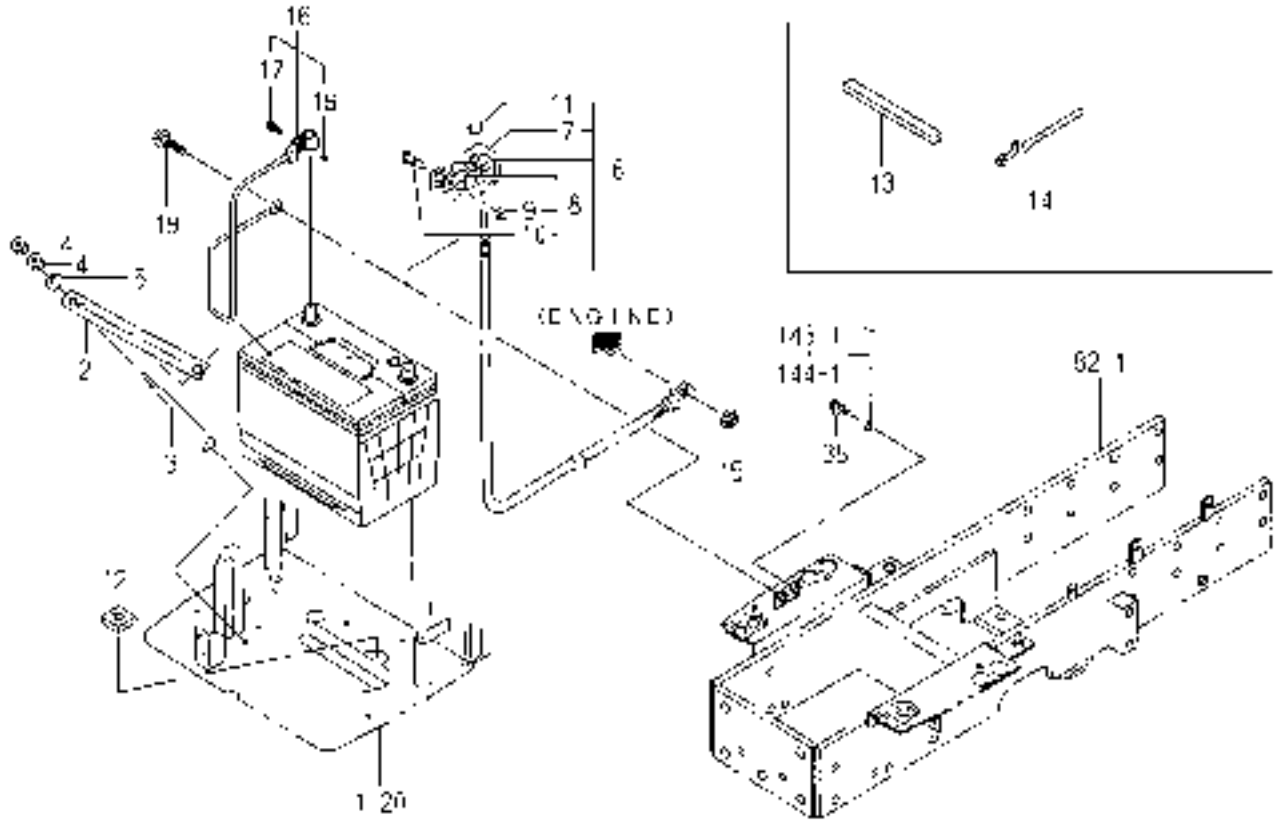


1772-631D-0100

KEY	PART CODE	DESCRIPTION	S P C	TYPE OF MODEL			I T C	C O L	G R P	REMARKS
				TH4295	TH4335	TH4365				
1	1772-631-500-20	FRAME/FLOOR/HST COMP	*	1 -99	1 -453					
1A	1772-631-500-30	FRAME/FLOOR/HST COMP	*	1 100-	1 454-	1	3			
2	1560-314-001-10	TRIM/30	*	1	1	1				
3	1772-631-051-10	FENDER/E4	*	1	1	1				
4	1729-741-007-00	GROMMET/17X21X05	*	2	2	2				
5	1376-606-005-00	WASHER/9X32X2	*	4	4	4				
6	V211-260-803-50	BOLT(S) M8X35	*	4	4	4				
7	1772-631-052-00	COVER/LH	*	1	1	1				
8	1772-631-053-00	COVER/RH	*	1	1	1				
9	1773-631-034-00	RIVET	*	6	6	6				
10	1773-631-900-20	STAY/FENDER/LH COMP	*	1	1	1				
11	1773-631-910-20	STAY/FENDER/RH COMP	*	1	1	1				
12	1773-631-035-00	GRIP/ASSIST	*	2	2	2				
13	V411-260-010-00	WASHER/M10	*	4	4	4				
14	1581-782-111-00	NUT.U/M10	*	4	4	4				
15	V363-260-010-00	NUT/M10	*	6	6	6				
16	3824-232-021-00	SCREW/TRUSS/M08X20	*	2	2	2				
17	1533-604-002-00	RUBBER,CUSHION	*	2	2	2				
18	V201-260-802-50	BOLT/M 8X25	*	2	2	2				
19	4101-102-038-00	WASHER/24X9X3.2	*	2	2	2				
20	V362-260-008-00	NUT/WASHER	*	2	2	2				
21	1773-631-480-10	PANEL/SEAT COMP	*	1	1	1				
22	V211-260-803-50	BOLT(S) M8X35	*	2	2	2				
23	V251-260-803-00	BOLT/STUD	*	4	4	4				
24	V362-260-008-00	NUT/WASHER	*	4	4	4				
25	1773-631-310-10	STEP/FENDER/LH COMP	*	1	1	1		4L		
26	1772-631-510-10	STEP/RH COMP	*	1	1	1				
27	V231-360-801-60	FLANGEBOLT	*	12	12	12				
28	1772-631-055-10	MAT/HST/E4	*	1	1	1				
29	1729-705-009-00	SCREW/TRUSS/M06X16	*	6	6	6				

FIG.139 ELC.SYSTEM(FRONT)(K,SK TYPE)(1/2)

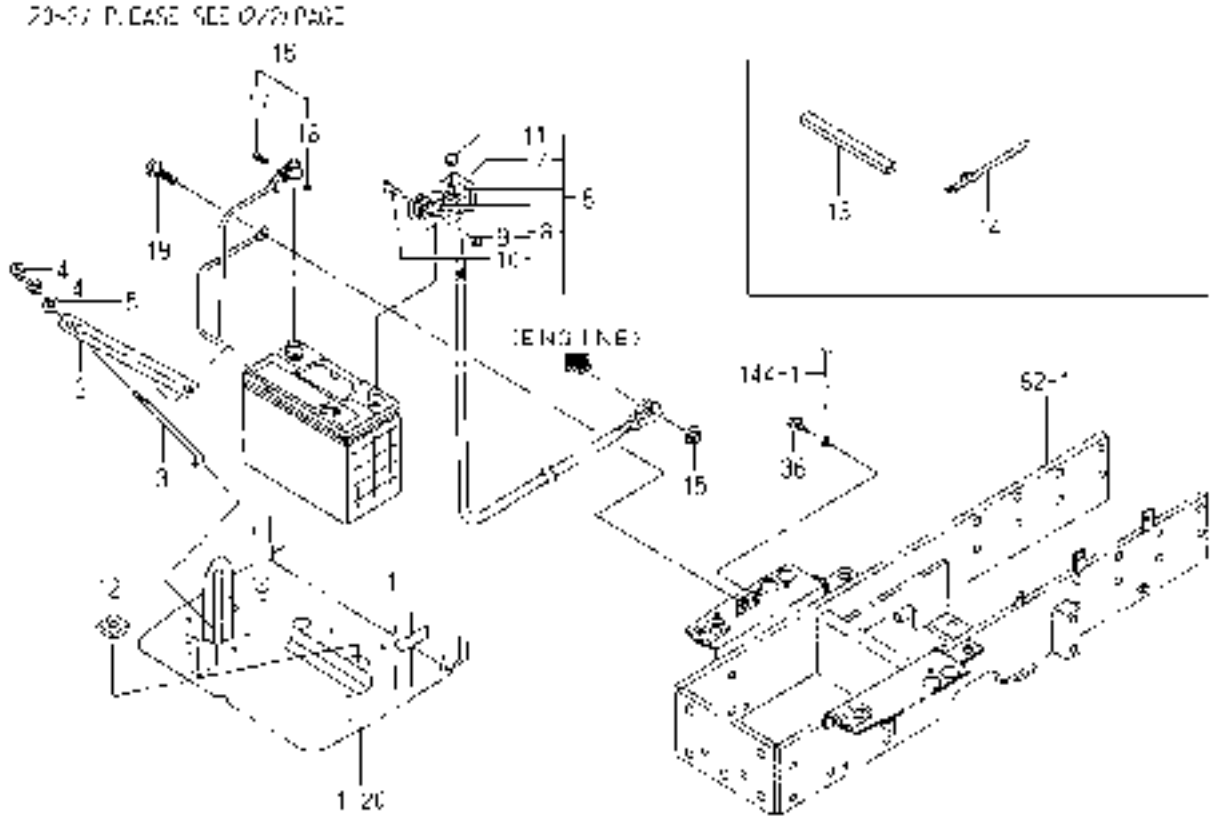
20-27-PLEASE SEE 12/21 PAGE



1772-650-0100

KEY	PART CODE	DESCRIPTION	S P C	TYPE OF MODEL			I T C	C O L	G R P	REMARKS
				TH4295	TH4335	TH4365				
1	1742-650-220-00	BATTERY/80D26R ASSY	*	1	1					
2	1716-112-001-00	PLATE/BATTERY	*	1	1					
3	1675-112-002-00	BOLT/BATTERY	*	2	2					
4	V301-260-006-00	NUT/M6	*	4	4					
5	V411-260-006-00	WASHER / M6	*	2	2					
6	1725-690-230-00	CABLE/BATTERY ASSY	*	1	1					
7	1696-650-242-00	COVER/BATTERY	*	1	1					
8	1725-690-240-00	TERMINAL/BATTER ASSY	*	1	1					
9	1560-666-006-00	NUT	*	1	1					
10	1560-666-005-00	BOLT	*	1	1					
11	1650-650-295-00	NUT	*	1	1					
12	1741-112-053-10	INSULATOR/50X50X15	*	1	1					
13	2504-165-002-10	INSULATOR	*	1	1					
14	1560-666-004-00	BAND	*	3	3					
15	V362-260-008-00	NUT/WASHER	*	1	1					
16	1773-650-220-00	CABLE/EARTH ASSY	*	1	1					
17	1725-112-212-00	BOLT	*	1	1					
18	1725-112-213-00	NUT	*	1	1					
19	V231-361-002-00	FLANGEBOLT	*	1	1					
20	1674-652-200-00	LAMP/HEAD ASSY	*	2 -49	2 -331					*****
20A	1674-652-200-10	LAMP/HEAD ASSY	*	2 50-	2 332-		1			
21	1674-652-202-00	BULB/12V/45/40W	*	2	2					
22	V111-166-003-00	SCREW/M6X30	*	6	6					
23	1729-650-002-00	SPRING/HC016	*	6	6					
24	1746-650-210-00	STAY/LAMP/LH COMP	*	1 -197	1 -514					
24A	1746-650-210-10	STAY/LAMP/LH COMP	*	1 198-	1 515-		3			
25	1746-650-220-00	STAY/LAMP/RH COMP	*	1 -197	1 -514					
25A	1746-650-220-10	STAY/LAMP/RH COMP	*	1 198-	1 515-		3			
26	V111-165-001-20	SCREW/M5X12	*	6	6					
27	1376-402-003-00	BAND,WIRE/140	*	1	1					

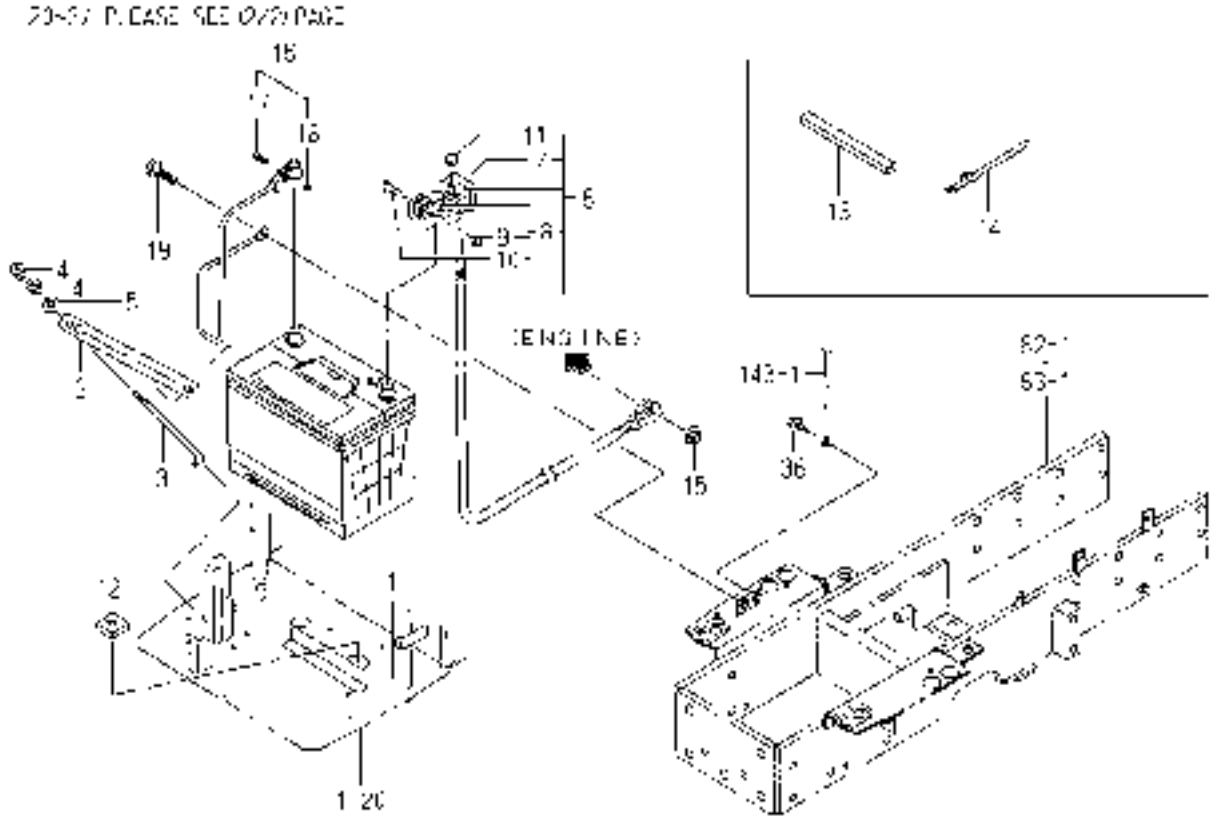
**FIG.140 ELC.SYSTEM(FRONT)(1/2)
(V TYPE EXCEPT SK)**



1772-650A-0100

KEY	PART CODE	DESCRIPTION	S P C	TYPE OF MODEL			I T C	C O L	G R P	REMARKS
				TH4295	TH4335	TH4365				
1	1684-112-300-20	BATTERY/55B24R/ ASSY	*	1	1					
2	1716-112-001-00	PLATE/BATTERY	*	1	1					
3	1675-112-002-00	BOLT/BATTERY	*	1	1					
4	V301-260-006-00	NUT/M6	*	4	4					
5	V411-260-006-00	WASHER / M6	*	2	2					
6	1725-690-230-00	CABLE/BATTERY ASSY	*	1	1					
7	1696-650-242-00	COVER/BATTERY	*	1	1					
8	1725-690-240-00	TERMINAL/BATTER ASSY	*	1	1					
9	1560-666-006-00	NUT	*	1	1					
10	1560-666-005-00	BOLT	*	1	1					
11	1650-650-295-00	NUT	*	1	1					
12	1741-112-053-10	INSULATOR/50X50X15	*	1	1					
13	2504-165-002-10	INSULATOR	*	1	1					
14	1560-666-004-00	BAND	*	2	2					
15	V362-260-008-00	NUT/WASHER	*	1	1					
16	1773-650-220-00	CABLE/EARTH ASSY	*	1	1					
17	1725-112-212-00	BOLT	*	1	1					
18	1725-112-213-00	NUT	*	1	1					
19	V231-361-002-00	FLANGEBOLT	*	1	1					
20	1674-652-200-00	LAMP/HEAD ASSY	*	2	2				*****	
20A	1674-652-200-10	LAMP/HEAD ASSY	*	2	2		1			
21	1674-652-202-00	BULB/12V/45/40W	*	2	2					
22	V111-166-003-00	SCREW/M6X30	*	6	6					
23	1729-650-002-00	SPRING/HC016	*	6	6					
24	1746-650-210-00	STAY/LAMP/LH COMP	*	1	1					
24A	1746-650-210-10	STAY/LAMP/LH COMP	*	1	1		3			
25	1746-650-220-00	STAY/LAMP/RH COMP	*	1	1					
25A	1746-650-220-10	STAY/LAMP/RH COMP	*	1	1		3			
26	V111-165-001-20	SCREW/M5X12	*	6	6					
27	1376-402-003-00	BAND,WIRE/140	*	1	1					

**FIG.141 ELC.SYSTEM(FRONT)(1/2)
(J TYPE EXCEPT H)**

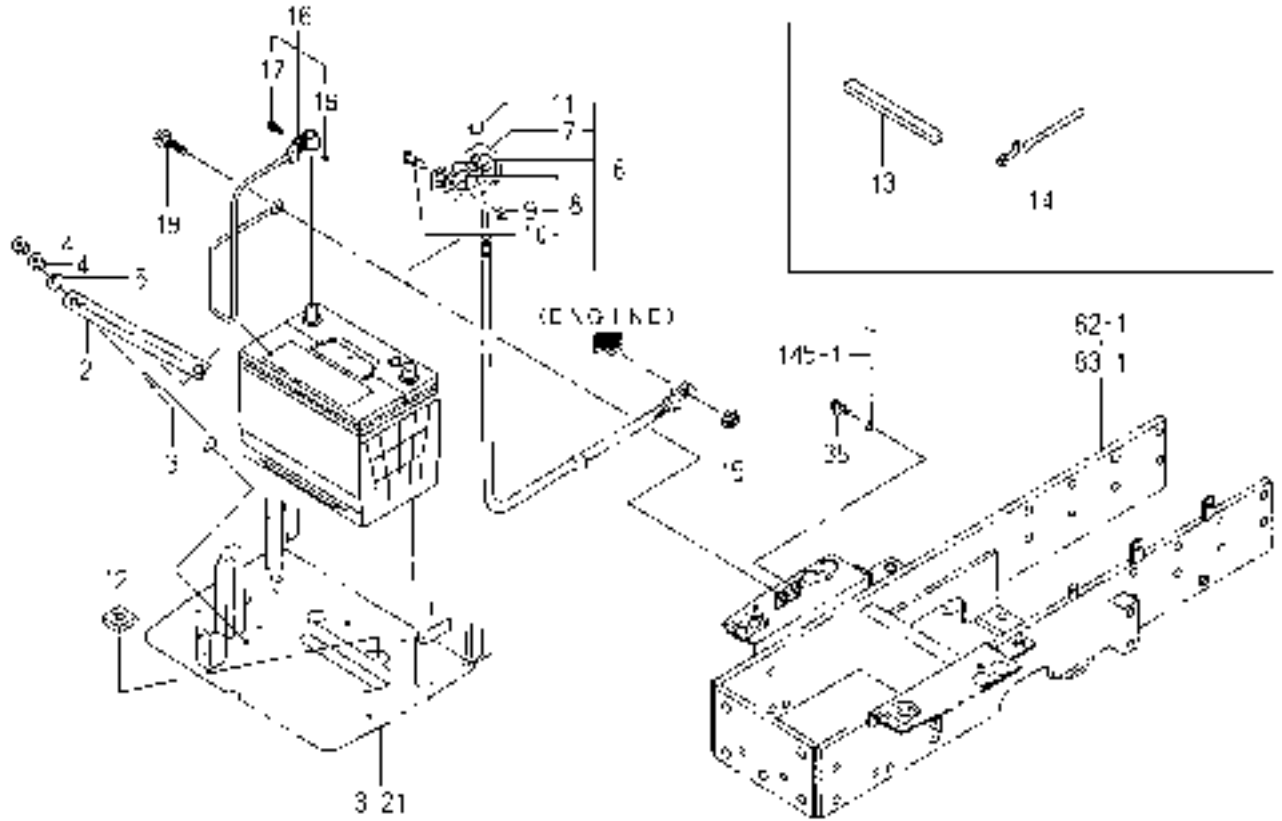


1772-650C-0100

KEY	PART CODE	DESCRIPTION	S P C	TYPE OF MODEL			I T C	C O L	G R P	REMARKS
				TH4295	TH4335	TH4365				
1	1742-650-220-00	BATTERY/80D26R ASSY	*	1	1	1				
2	1716-112-001-00	PLATE/BATTERY	*	1	1	1				
3	1675-112-002-00	BOLT/BATTERY	*	2	2	2				
4	V301-260-006-00	NUT/M6	*	4	4	4				
5	V411-260-006-00	WASHER / M6	*	2	2	2				
6	1725-690-230-00	CABLE/BATTERY ASSY	*	1	1	1				
7	1696-650-242-00	COVER/BATTERY	*	1	1	1				
8	1725-690-240-00	TERMINAL/BATTER ASSY	*	1	1	1				
9	1560-666-006-00	NUT	*	1	1	1				
10	1560-666-005-00	BOLT	*	1	1	1				
11	1650-650-295-00	NUT	*	1	1	1				
12	1741-112-053-10	INSULATOR/50X50X15	*	1	1	1				
13	2504-165-002-10	INSULATOR	*	1	1	1				
14	1560-666-004-00	BAND	*	3	3	3				
15	V362-260-008-00	NUT/WASHER	*	1	1	1				
16	1773-650-220-00	CABLE/EARTH ASSY	*	1	1	1				
17	1725-112-212-00	BOLT	*	1	1	1				
18	1725-112-213-00	NUT	*	1	1	1				
19	V231-361-002-00	FLANGE BOLT	*	1	1	1				
20	1774-650-210-00	LAMP/HEAD/H4 ASSY	*	2	2	2				
21	1774-650-212-00	BULB/H4/60/55W	*	2	2	2				
22	V111-166-003-00	SCREW/M6X30	*	6	6	6				
23	1729-650-002-00	SPRING/HC016	*	6	6	6				
24	1746-650-210-00	STAY/LAMP/LH COMP	*	1 -197	1 -514	1 -124				
24A	1746-650-210-10	STAY/LAMP/LH COMP	*	1 198	1 515	1 125	3			
25	1746-650-220-00	STAY/LAMP/RH COMP	*	1 -197	1 -514	1 -124				
25A	1746-650-220-10	STAY/LAMP/RH COMP	*	1 198	1 515	1 125	3			
26	V111-165-001-20	SCREW/M5X12	*	6	6	6				
27	1376-402-003-00	BAND,WIRE/140	*	1	1	1				
28	1600-624-004-10	HARNES/OILPRESSURE	*	1	1	1				

FIG.142 ELC.SYSTEM(FRONT)(E6 TYPE)(1/2)

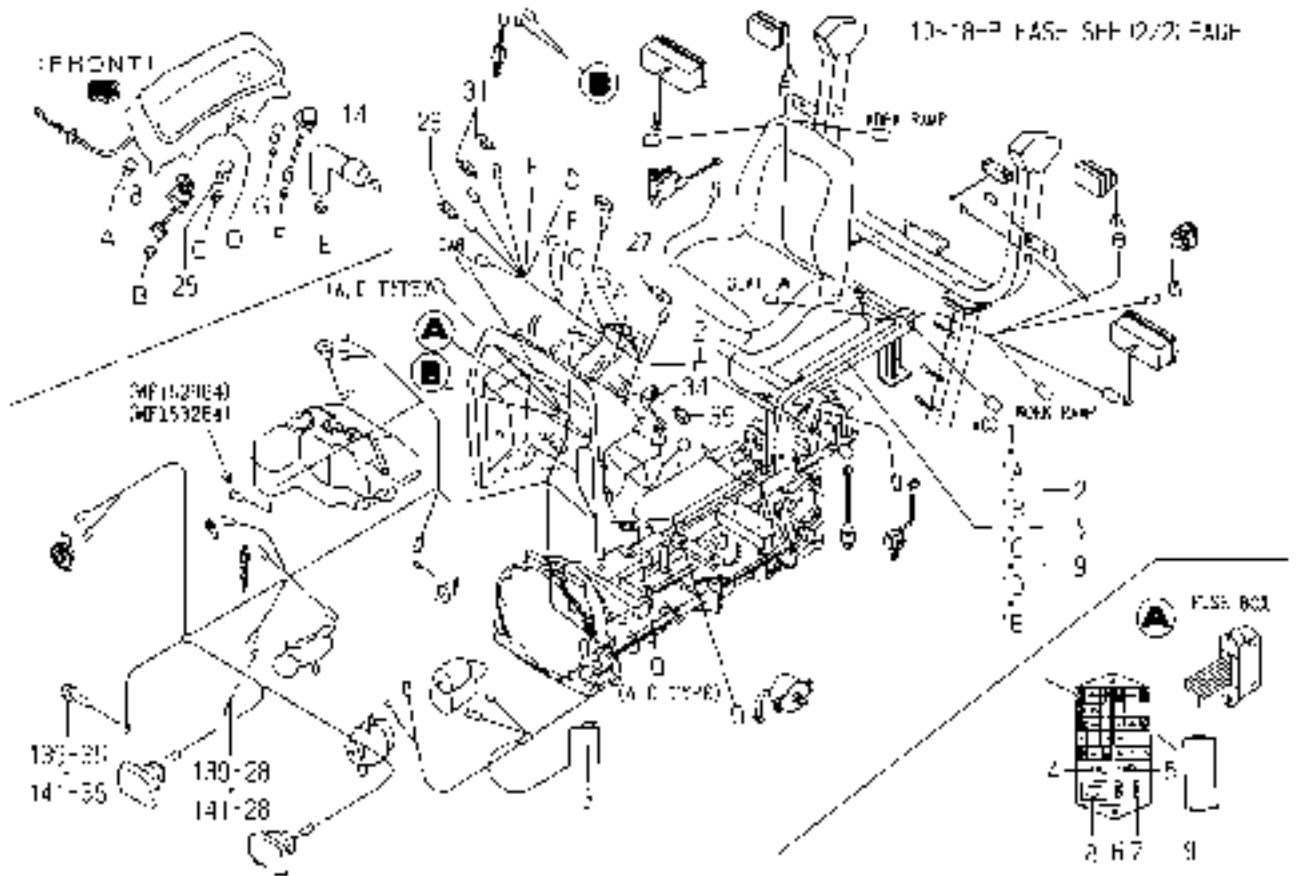
20-00-PLEASE SEE 12/21 PAGE



1772-650E-0100

KEY	PART CODE	DESCRIPTION	S P C	TYPE OF MODEL			I T C	C O L	G R P	REMARKS
				TH4295	TH4335	TH4365				
1	1742-650-220-00	BATTERY/80D26R ASSY	*		1	1				
2	1716-112-001-00	PLATE/BATTERY	*		1	1				
3	1675-112-002-00	BOLT/BATTERY	*		2	2				
4	V301-260-006-00	NUT/M6	*		4	4				
5	V411-260-006-00	WASHER / M6	*		2	2				
6	1725-690-230-00	CABLE/BATTERY ASSY	*		1	1				
7	1696-650-242-00	COVER/BATTERY	*		1	1				
8	1725-690-240-00	TERMINAL/BATTER ASSY	*		1	1				
9	1560-666-006-00	NUT	*		1	1				
10	1560-666-005-00	BOLT	*		1	1				
11	1650-650-295-00	NUT	*		1	1				
12	1741-112-053-10	INSULATOR/50X50X15	*		1	1				
13	2504-165-002-10	INSULATOR	*		1	1				
14	1560-666-004-00	BAND	*		3	3				
15	V362-260-008-00	NUT/WASHER	*		1	1				
16	1773-650-220-00	CABLE/EARTH ASSY	*		1	1				
17	1725-112-212-00	BOLT	*		1	1				
18	1725-112-213-00	NUT	*		1	1				
19	V231-361-002-00	FLANGE BOLT	*		1	1				
20	1674-652-220-10	LAMP/HEAD/G ASSY	*		2	2				
21	1674-652-202-00	BULB/12V/45/40W	*		2	2				
22	V111-166-003-00	SCREW/M6X30	*		6	6				
23	1729-650-002-00	SPRING/HC016	*		6	6				
24	1746-650-210-10	STAY/LAMP/LH COMP	*		1	1		3		
25	1746-650-220-10	STAY/LAMP/RH COMP	*		1	1		3		
26	V111-165-001-20	SCREW/M5X12	*		6	6				
27	1376-402-003-00	BAND,WIRE/140	*		1	1				
28	1600-624-004-10	HARNES/OILPRESSURE	*		1	1				
29	V360-260-006-00	NUT/M6	*		1	1				
30	1425-621-004-00	HOLDER/JE/9-9	*		1	1				

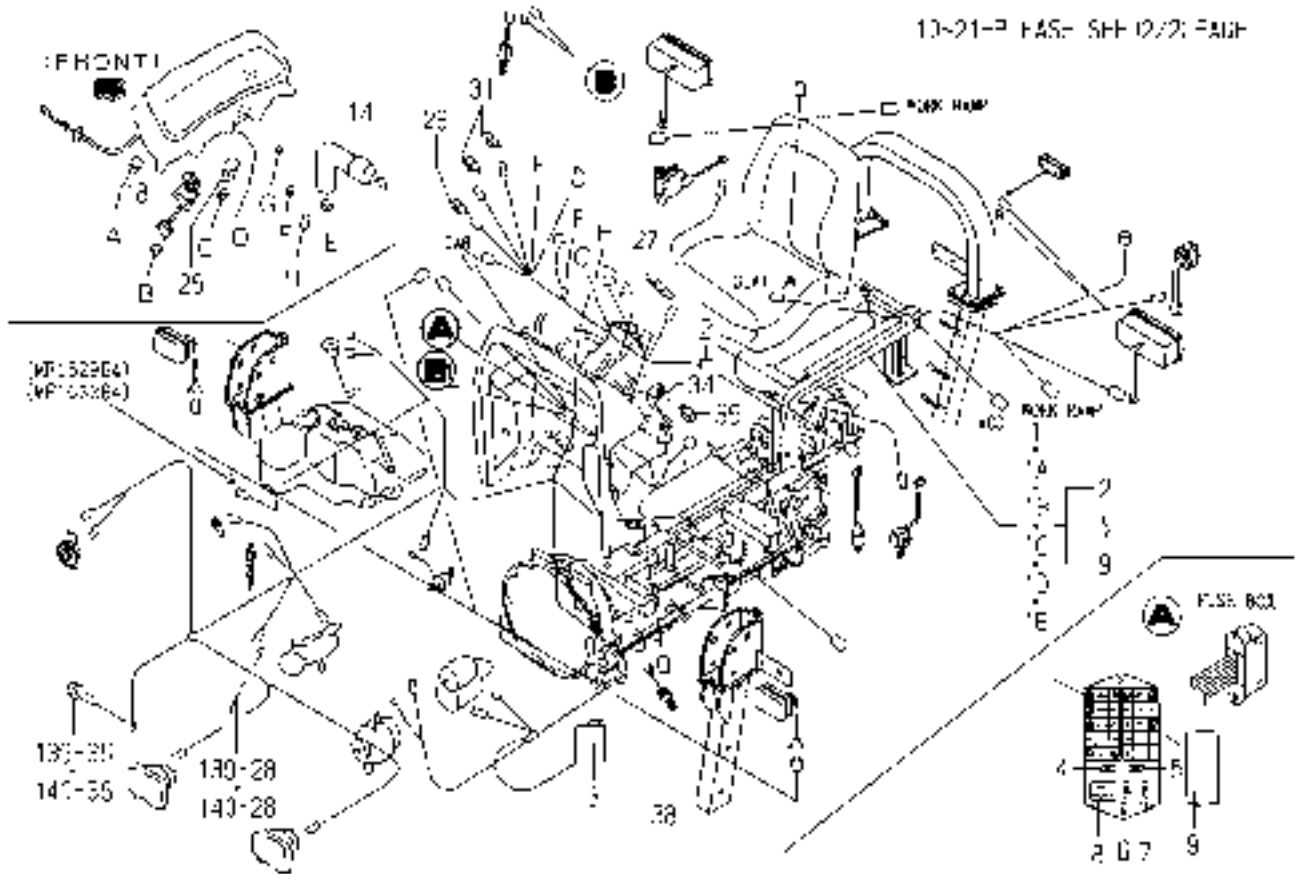
FIG.143 ELC.SYSTEM(MAIN)(E4,E4D TYPE)(1/2)



1772-652-0100

KEY	PART CODE	DESCRIPTION	S P C	TYPE OF MODEL			I T C	C O L	G R P	REMARKS
				TH4295	TH4335	TH4365				
1	1772-652-210-10	HARNES/MAIN/E4 ASSY	*	1 -31	1 -200		1			
1A	1772-652-210-20	HARNES/MAIN/E4 ASSY	*	1 -48	1 -318		1			
1B	1772-652-210-30	HARNES/MAIN/E4 ASSY	*	1 -84	1 -421		1			
1C	1772-652-210-40	HARNES/MAIN/E4 ASSY	*	1	1 -428		1			
1D	1772-652-210-50	HARNES/MAIN/E4 ASSY	*	1 -100	1 -452		1			
1E	1772-652-210-60	HARNES/MAIN/E4 ASSY	*	1 101-	1 453-	1	1			
2	1773-652-212-00	DIODE/3A	*	2	2	2				
3	1650-650-222-00	FUSE/SLOWBLOW	*	3	3	3				
4	3824-247-202-00	FUSE/BLADE/32V05A	*	2	2	2				
5	3821-262-202-00	FUSE/BLADE/32V10A	*	4	4	4				
6	3821-262-203-00	FUSE(BLADE/32V15A)	*	3	3	3				
7	3821-262-204-00	FUSE/BLADE/32V20A	*	3	3	3				
8	3827-270-002-00	TOOL/FUSE	*	1	1	1				
9	1773-652-213-00	COVER/FUSEBOX	*	1	1	1				
10	1560-666-004-00	BAND	*	4	4	4				
11	V230-360-601-20	FLANGE BOLT	*	2	2	2				
12	1772-652-250-00	PANEL/SWITCH/E4 COMP	*	1 -74	1 -375				5I	
12A	1772-652-250-10	PANEL/SWITCH/E4 COMP	*	1 75-	1 376-	1	1		5I	
13	V230-360-601-60	FLANGE BOLT	*	4 -82	4 -388					
13A	V230-360-601-20	FLANGE BOLT	*	4 83-	4 389-	4				
14	1716-680-200-10	SWITCH/MAIN ASSY	*	1 -80	1 -385					
14A	1716-680-200-20	SWITCH/MAIN ASSY	*	1 81-	1 386-	1	1			
15	2186-536-211-00	KEY	*	2	2	2				
16	2186-536-212-00	NUT/RING	*	1	1	1				
17	1716-680-006-00	COVER/SWITCH	*	1	1	1				
18	1772-652-220-00	SWITCH/COMBINATION	*	1 -30	1 -149					
18A	1772-652-220-10	SWITCH/COMBINATION	*	1 31-	1 150-	1	1			
19	1772-652-002-00	LABEL/MASTER LIGHTING	*	1 -30	1 -154					
20	1772-652-003-00	LABEL/SWITCH/COMBINA	*	1 -30	1 -154					
21	1772-652-001-00	SCREW/TAPPING/3.5X13	*	3	3	3				

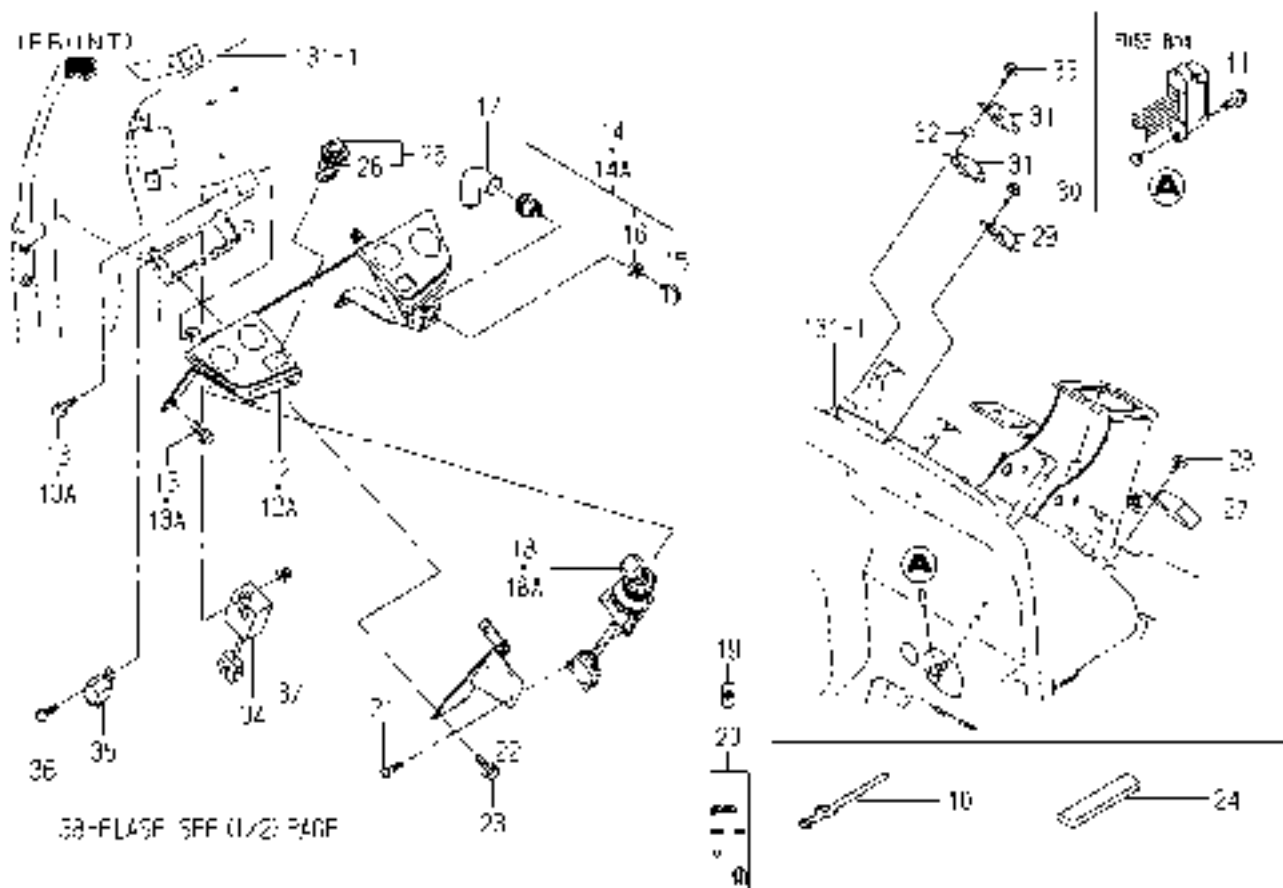
FIG.144 ELC.SYSTEM(MAIN)(E4A TYPE)(1/2)



1772-652A-0100

KEY	PART CODE	DESCRIPTION	S P C	TYPE OF MODEL			I T C	C O L	G R P	REMARKS
				TH4295	TH4335	TH4365				
1	1772-652-210-10	HARNESS/MAIN/E4 ASSY	*	1 -31	1 -200		1			
1A	1772-652-210-20	HARNESS/MAIN/E4 ASSY	*	1 -48	1 -318		1			
1B	1772-652-210-30	HARNESS/MAIN/E4 ASSY	*	1 -84	1 -421		1			
1C	1772-652-210-40	HARNESS/MAIN/E4 ASSY	*	1	1 -428		1			
1D	1772-652-210-50	HARNESS/MAIN/E4 ASSY	*	1 -100	1 -452		1			
1E	1772-652-210-60	HARNESS/MAIN/E4 ASSY	*	1 101-	1 453-		1			
2	1773-652-212-00	DIODE/3A	*	2	2					
3	1650-650-222-00	FUSE/SLOWBLOW	*	3	3					
4	3824-247-202-00	FUSE/BLADE/32V05A	*	2	2					
5	3821-262-202-00	FUSE/BLADE/32V10A	*	4	4					
6	3821-262-203-00	FUSE(BLADE/32V15A)	*	3	3					
7	3821-262-204-00	FUSE/BLADE/32V20A	*	3	3					
8	3827-270-002-00	TOOL/FUSE	*	1	1					
9	1773-652-213-00	COVER/FUSEBOX	*	1	1					
10	1560-666-004-00	BAND	*	4	4					
11	V230-360-601-20	FLANGEBOLT	*	2	2					
12	1772-652-250-00	PANEL/SWITCH/E4 COMP	*	1 -74	1 -375				5I	
12A	1772-652-250-10	PANEL/SWITCH/E4 COMP	*	1 75-	1 376-		1		5I	
13	V230-360-601-60	FLANGEBOLT	*	4 -80	4 -389					
13A	V230-360-601-20	FLANGEBOLT	*	4 81-	4 390-					
14	1716-680-200-10	SWITCH/MAIN ASSY	*	1 -80	1 -385					
14A	1716-680-200-20	SWITCH/MAIN ASSY	*	1 81-	1 386-		1			
15	2186-536-211-00	KEY	*	2	2					
16	2186-536-212-00	NUT/RING	*	1	1					
17	1716-680-006-00	COVER/SWITCH	*	1	1					
18	1772-652-220-00	SWITCH/COMBINATION	*	1 -30	1 -149					
18A	1772-652-220-10	SWITCH/COMBINATION	*	1 31-	1 150-		1			
19	1772-652-002-00	LABEL/MASTERLIGHTING	*	1 -30	1 -149					
20	1772-652-003-00	LABEL/SWITCH/COMBINA	*	1 -30	1 -149					
21	1772-652-001-00	SCREW/TAPPING/3.5X13	*	3	3					

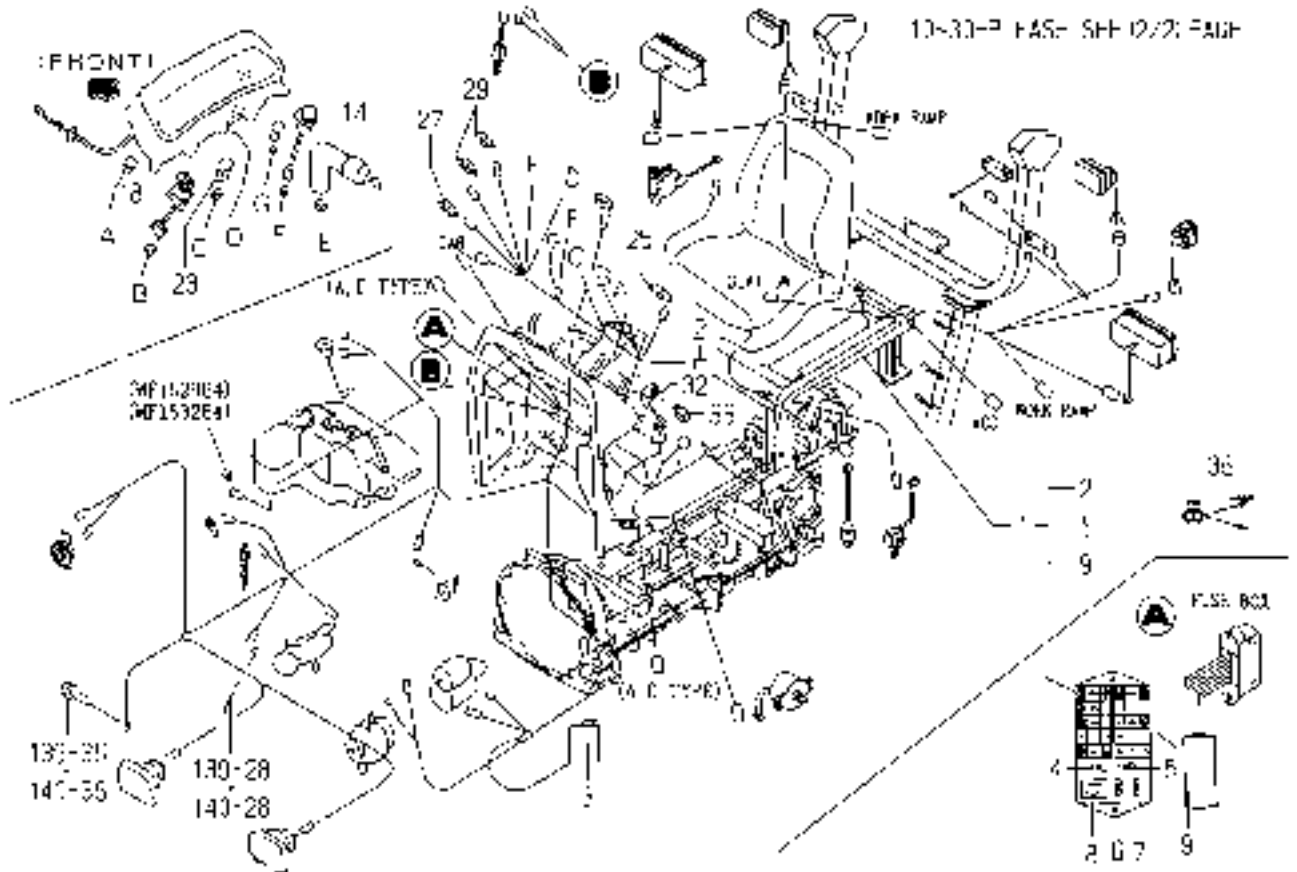
FIG.144 ELC.SYSTEM(MAIN)(E4A TYPE)(2/2)



1772-652A-0100

KEY	PART CODE	DESCRIPTION	S P C	TYPE OF MODEL				I T C	C O L	G R P	REMARKS
				TH4295	TH4335	TH4365					
22	1772-652-230-00	BRACKET/SWITCH/COMBI	*	1	1						
23	V230-360-601-60	FLANGEBOLT	*	2	2						
24	3666-202-005-10	PAD/50	*	1	1						
25	1740-680-550-00	SWITCH/HAZARD ASSY	*	1	1						
26	1740-680-551-00	BULB/LAMP/14V60MA	*	1	1						
27	1739-681-220-10	RELAY/FLASHER/EEC	*	1	1						
28	V230-360-601-20	FLANGEBOLT	*	1	1						
29	1690-658-370-00	RELAY/4P ASSY	*	1	1						
30	V230-360-601-20	FLANGEBOLT	*	1	1						
31	1690-658-370-00	RELAY/4P ASSY	*	2	2						
32	1672-616-004-00	COLLAR/07X11X20	*	1	1						
33	V230-360-603-50	FLANGEBOLT	*	1	1						
34	1773-652-220-00	RELAY/CONTROL/ENGINE	*	1	1						
35	1725-681-200-00	RELAY/35A ASSY	*	1	1						
36	V120-365-001-60	SCREW/SP	*	1	1						
37	V360-260-005-00	NUT/M5	*	1	1						
38	1772-652-240-00	HARNESS/LAMP/FRONT	*	1	1						

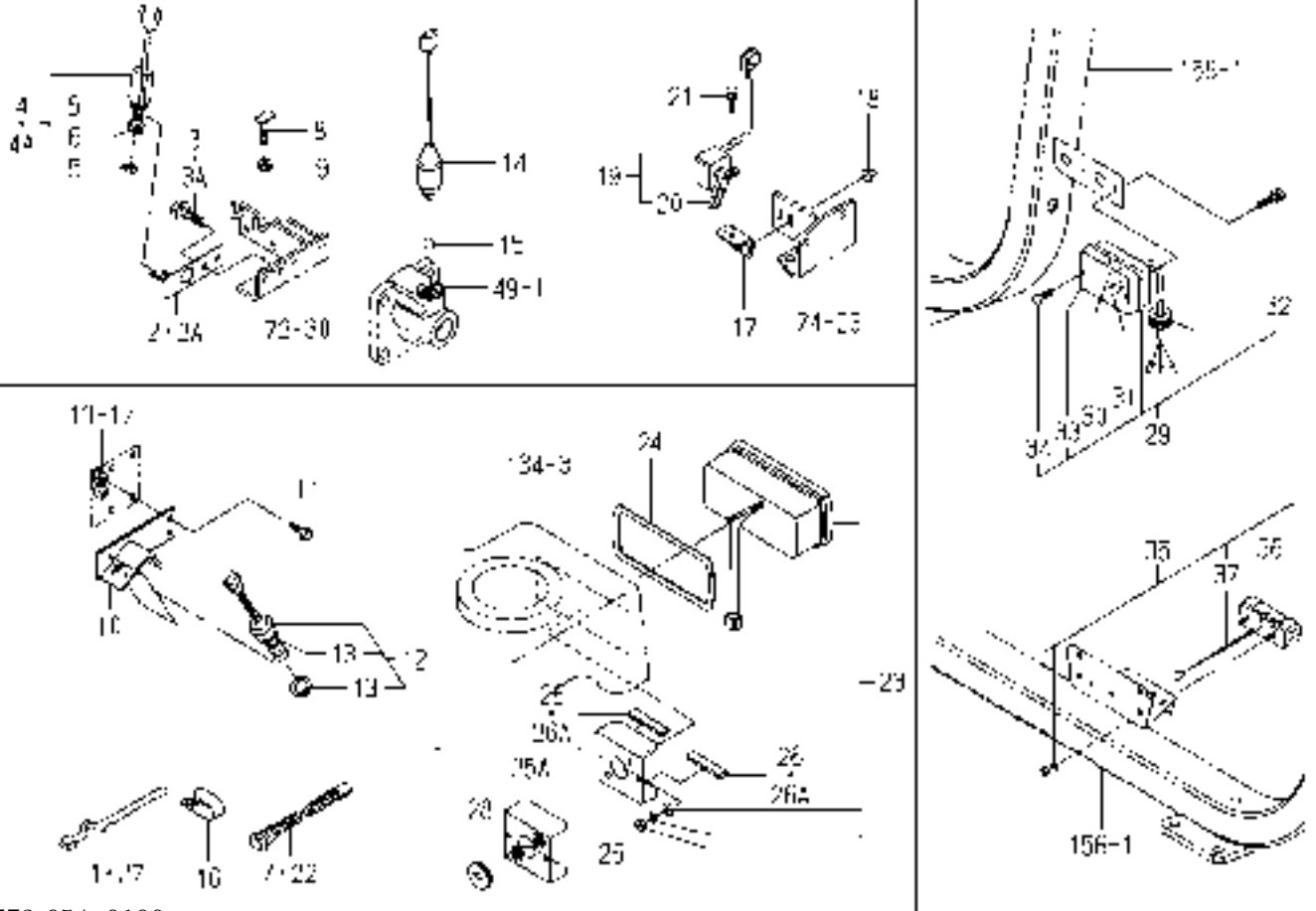
FIG.145 ELC.SYSTEM(MAIN)(E6 TYPE)(1/2)



1772-652D-0100

KEY	PART CODE	DESCRIPTION	S P C	TYPE OF MODEL			I T C	C O L	G R P	REMARKS
				TH4295	TH4335	TH4365				
1	1772-652-210-60	HARNES/MAN/E4 ASSY	*		1	1				
2	1773-652-212-00	DIODE/3A	*		2	2				
3	1650-650-222-00	FUSE/SLOWBLOW	*		3	3				
4	3824-247-202-00	FUSE/BLADE/32V05A	*		2	2				
5	3821-262-202-00	FUSE/BLADE/32V10A	*		4	4				
6	3821-262-203-00	FUSE(BLADE/32V15A)	*		3	3				
7	3821-262-204-00	FUSE/BLADE/32V20A	*		3	3				
8	3827-270-002-00	TOOL/FUSE	*		1	1				
9	1773-652-213-00	COVER/FUSEBOX	*		1	1				
10	1560-666-004-00	BAND	*		4	4				
11	V230-360-601-20	FLANGEBOLT	*		2	2				
12	1772-652-250-10	PANEL/SWITCH/E4 COMP	*		1	1		5I		
13	V230-360-601-20	FLANGEBOLT	*		4	4				
14	1716-680-200-20	SWITCH/MAN ASSY	*		1	1				
15	2186-536-211-00	KEY	*		2	2				
16	2186-536-212-00	NUT/RING	*		1	1				
17	1716-680-006-00	COVER/SWITCH	*		1	1				
18	1772-652-220-10	SWITCH/COMBINATION	*		1	1				
19	1772-652-001-00	SCREW/TAPPING/3.5X13	*		3	3				
20	1772-652-230-00	BRACKET/SWITCH/COMBI	*		1	1				
21	V230-360-601-60	FLANGEBOLT	*		2	2				
22	3666-202-005-10	PAD/50	*		1	1				
23	1740-680-550-00	SWITCH/HAZARD ASSY	*		1	1				
24	1740-680-551-00	BULB/LAMP/14V60MA	*		1	1				
25	1739-681-220-10	RELAY/FLASHER/EEC	*		1	1				
26	V230-360-601-20	FLANGEBOLT	*		1	1				
27	1690-658-370-00	RELAY/4P ASSY	*		1	1				
28	V230-360-601-20	FLANGEBOLT	*		1	1				
29	1690-658-370-00	RELAY/4P ASSY	*		2	2				
30	1672-616-004-00	COLLAR/07X11X20	*		1	1				

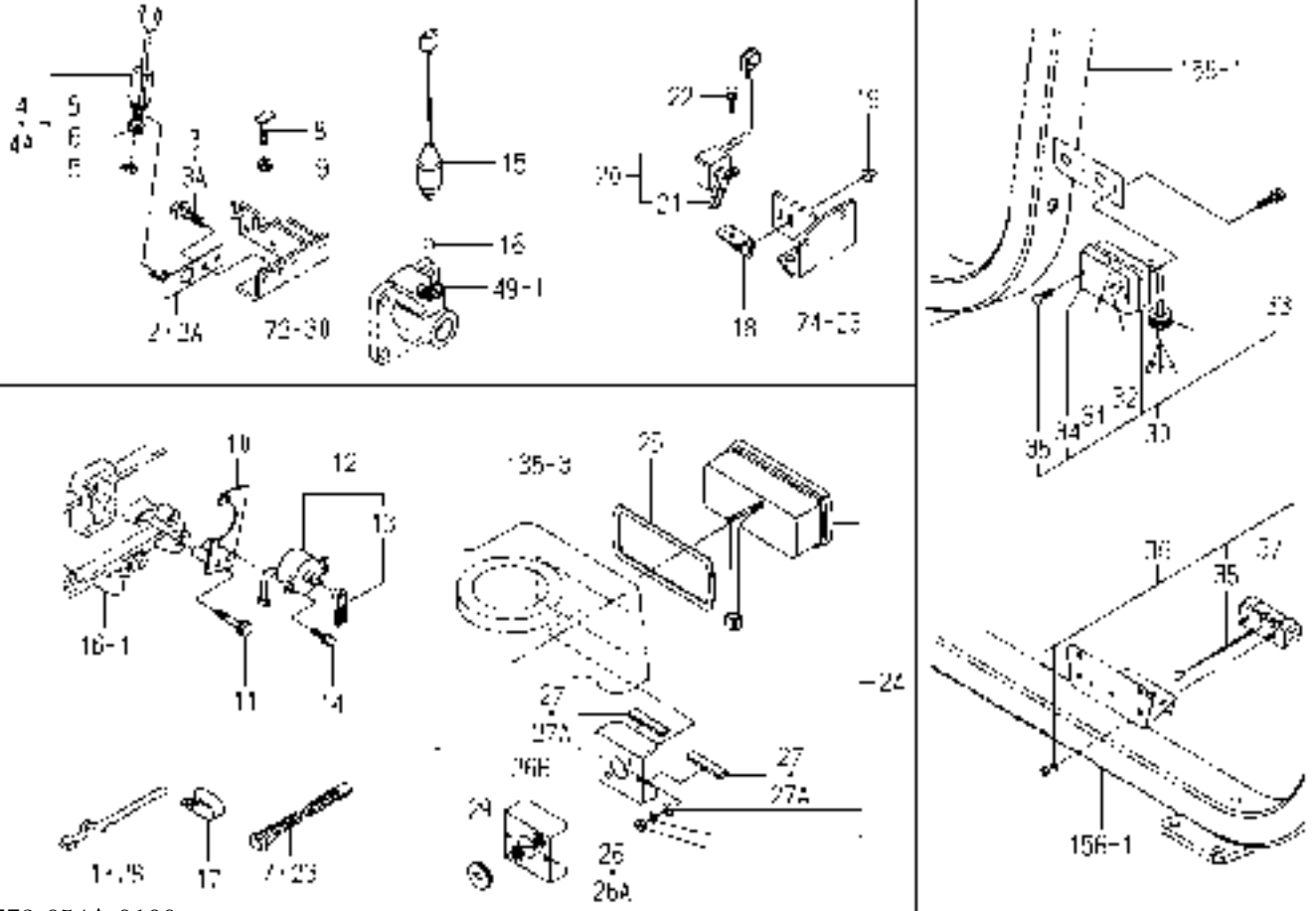
FIG.146 ELC.SYSTEM(REAR)(K TYPE)



1772-654-0100

KEY	PART CODE	DESCRIPTION	S P C	TYPE OF MODEL			I T C	C O L	G R P	REMARKS
				TH4295	TH4335	TH4365				
1	1560-666-004-00	BAND	*	3	3					
2	1772-654-290-00	BRACKET/SWITCH/BRAKE	*	1 -31	1 -156					
2A	1772-654-290-10	BRACKET/SWITCH/BRAKE	*	1 32-	1 157-		3			
3	V231-360-801-60	FLANGEBOLT	*	2 -31	2 -156					
3A	V231-360-801-20	FLANGEBOLT	*	2 32-	2 157-					
4	1772-654-280-00	SWITCH/PUSH ASSY	*	1 -100	1 -452					
4A	1772-654-280-10	SWITCH/PUSH ASSY	*	1 101-	1 453-		1			
5	1772-654-281-00	NUT	*	2	2					
6	1772-654-282-00	BOOT	*	1 101-	1 453-					
7	1342-402-006-00	BAND/WIRE/250	*	1 32-	1 212-					
8	1688-312-001-10	BOLT/ADJUST	*	1	1					
9	V304-260-008-00	NUT	*	1	1					
10	1772-654-240-00	BRACKET/SWITCH COMP	*	1	1					
11	V211-260-801-60	BOLT,SEMS (S) M8X16	*	2	5-					
12	1772-654-250-00	SWITCH/PUSH ASSY	*	1	1					
13	1772-654-251-00	NUT	*	2	2					
14	1757-654-350-00	SWITCH/PUSH ASSY	*	1	1					
15	V682-200-001-00	BALL	*	1	1					
16	1425-621-004-00	HOLDER/JE/9-9	*	1	1					
17	1772-654-270-00	BRACKET/SWITCH/PARKI	*	1	1					
18	V360-260-006-00	NUT/M6	*	2	2					
19	1716-680-330-00	SWITCH/LEVER ASSY	*	1	1					
20	1716-680-222-00	ARM	*	1	1					
21	V210-360-601-60	BOLT(SP)/M6X16	*	1	1					
22	1376-402-003-00	BAND,WIRE/140	*	2	2					
23	1772-654-210-00	LAMP/COMBINATION/REA	*	2	2					FIG 206
24	1772-654-001-00	INSULATOR/LAMP	*	2	2					
25	1772-654-002-00	STAY/LAMP	*	2 -55	2 -358					
25A	1772-654-310-00	STAY/LAMP COMP	*	2 56-	2 359-					
26	3680-338-006-10	PROTECTOR(060)	*	4 -32	4 -232					

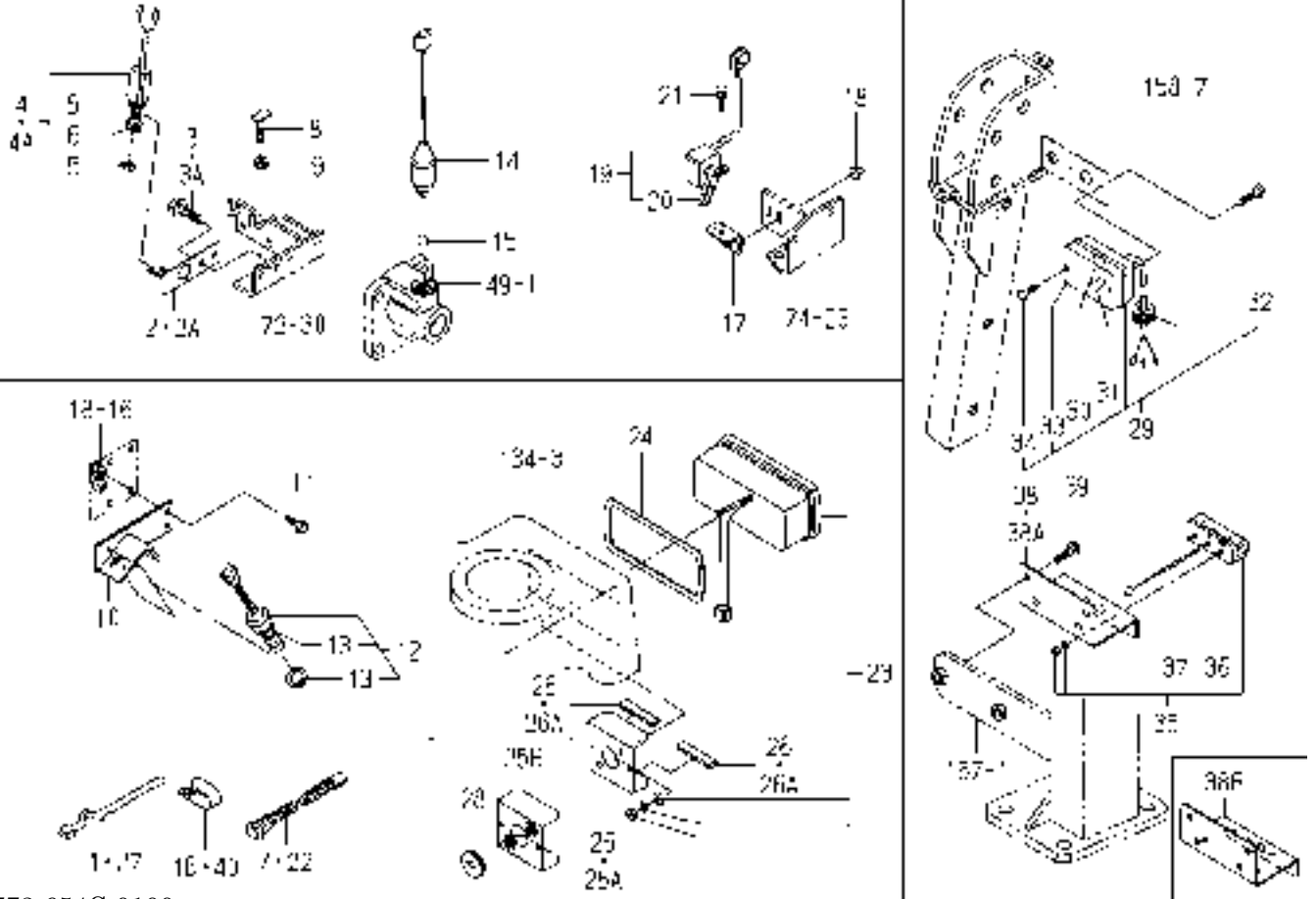
FIG.147 ELC.SYSTEM(REAR)(SK TYPE EXCEPT V)



1772-654A-0100

KEY	PART CODE	DESCRIPTION	S P C	TYPE OF MODEL			I T C	C O L	G R P	REMARKS
				TH4295	TH4335	TH4365				
1	1560-666-004-00	BAND	*	3	3					
2	1772-654-290-00	BRACKET/SWITCH/BRAKE	*	1 -31	1 -156					
2A	1772-654-290-10	BRACKET/SWITCH/BRAKE	*	1 32-	1 157-		3			
3	V231-360-801-60	FLANGEBOLT	*	2 -31	2 -156					
3A	V231-360-801-20	FLANGEBOLT	*	2 32-	2 157-					
4	1772-654-280-00	SWITCH/PUSH ASSY	*	1 -100	1 -452					
4A	1772-654-280-10	SWITCH/PUSH ASSY	*	1 101-	1 453-		1			
5	1772-654-281-00	NUT	*	2	2					
6	1772-654-282-00	BOOT	*	1 101-	1 453-					
7	1342-402-006-00	BAND/WIRE/250	*	1 34-	1 157-					
8	1688-312-001-10	BOLT/ADJUST	*	1	1					
9	V304-260-008-00	NUT	*	1	1					
10	1773-654-250-00	BRACKET/SWITCH/ COMP	*	1	1					
11	V231-360-805-00	FLANGEBOLT	*	2	2					
12	2161-506-260-00	SENSOR ASSY	*	1	1					
13	2161-506-252-00	PLATE/SENSOR	*	1	1					
14	V210-360-601-60	BOLT(SP)/M6X16	*	2	2					
15	1757-654-350-00	SWITCH/PUSH ASSY	*	1	1					
16	V682-200-001-00	BALL	*	1	1					
17	1425-621-004-00	HOLDER/JE/9-9	*	1	1					
18	1772-654-270-00	BRACKET/SWITCH/PARKI	*	1	1					
19	V360-260-006-00	NUT/M6	*	2	2					
20	1716-680-330-00	SWITCH/LEVER ASSY	*	1	1					
21	1716-680-222-00	ARM	*	1	1					
22	V210-360-601-60	BOLT(SP)/M6X16	*	1	1					
23	1376-402-003-00	BAND,WIRE/140	*	2	2					
24	1772-654-210-00	LAMP/COMBINATION/REA	*	2	2					FIG 206
25	1772-654-001-00	INSULATOR/LAMP	*	2	2					
26	1772-654-002-00	STAY/LAMP	*	2 -55	2 -357					
26A	1772-654-002-10	PLATE/U/70X85	*	2 -65	2 -369		3			

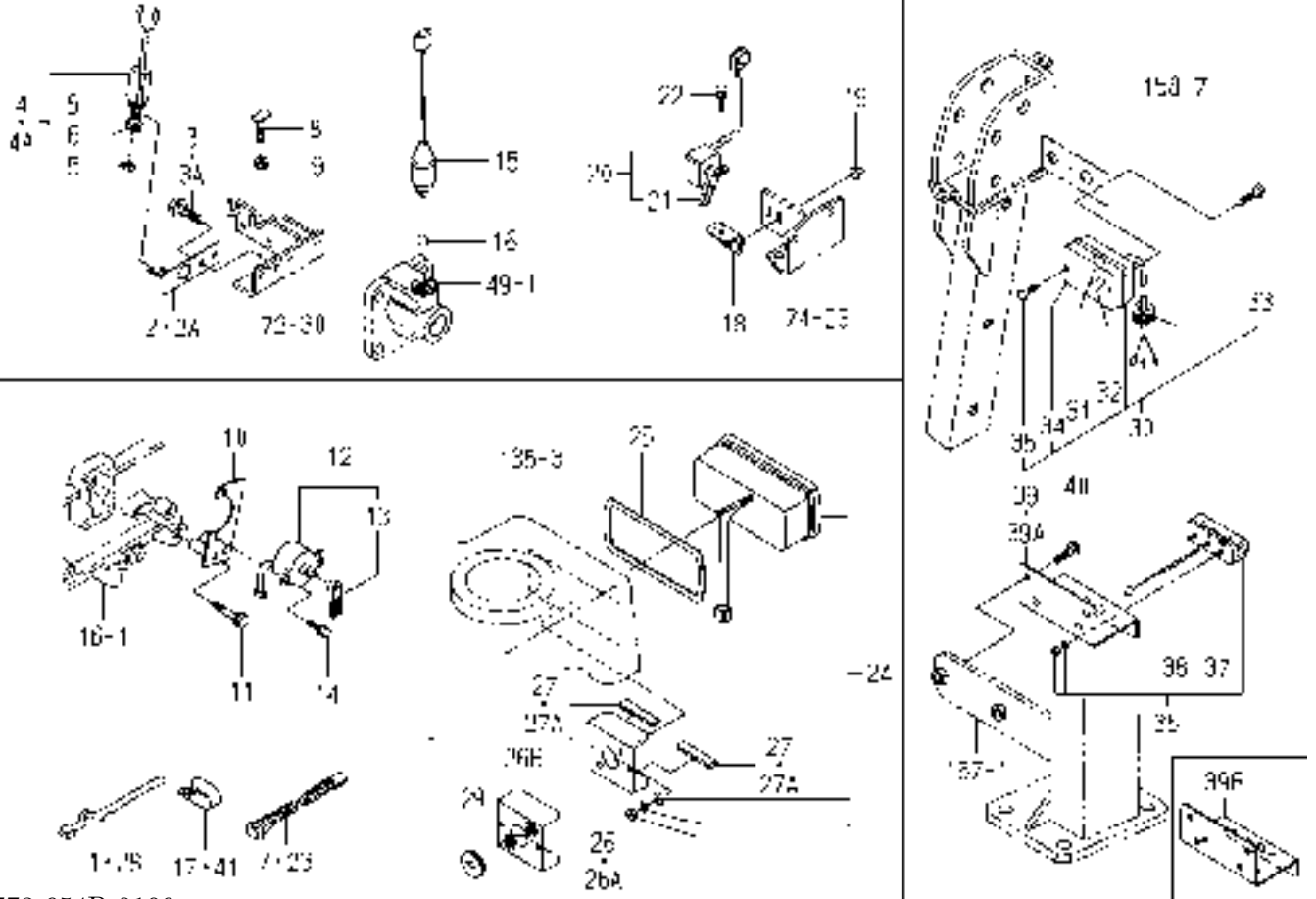
FIG.148 ELC.SYSTEM(REAR)(V TYPE EXCEPT SK)



1772-654C-0100

KEY	PART CODE	DESCRIPTION	S P C	TYPE OF MODEL			I T C	C O L	G R P	REMARKS
				TH4295	TH4335	TH4365				
1	1560-666-004-00	BAND	*	3	3					
2	1772-654-290-00	BRACKET/SWITCH/BRAKE	*	1 -31	1 -156					
2A	1772-654-290-10	BRACKET/SWITCH/BRAKE	*	1 32-	1 157-		3			
3	V231-360-801-60	FLANGEBOLT	*	2 -31	2 -156					
3A	V231-360-801-20	FLANGEBOLT	*	2 32-	2 157-					
4	1772-654-280-00	SWITCH/PUSH ASSY	*	1 -100	1 -452					
4A	1772-654-280-10	SWITCH/PUSH ASSY	*	1 101-	1 453-		1			
5	1772-654-281-00	NUT	*	2	2					
6	1772-654-282-00	BOOT	*	1 101-	1 453-					
7	1342-402-006-00	BAND/WIRE/250	*	1 34-	1 212-					
8	1688-312-001-10	BOLT/ADJUST	*	1	1					
9	V304-260-008-00	NUT	*	1	1					
10	1772-654-240-00	BRACKET/SWITCH COMP	*	1	1					
11	V211-260-801-60	BOLT,SEMS (S) M8X16	*	2	2					
12	1772-654-250-00	SWITCH/PUSH ASSY	*	1	1					
13	1772-654-251-00	NUT	*	2	2					
14	1757-654-350-00	SWITCH/PUSH ASSY	*	1	1					
15	V682-200-001-00	BALL	*	1	1					
16	1425-621-004-00	HOLDER/JE/9-9	*	1	1					
17	1772-654-270-00	BRACKET/SWITCH/PARKI	*	1	1					
18	V360-260-006-00	NUT/M6	*	2	2					
19	1716-680-330-00	SWITCH/LEVER ASSY	*	1	1					
20	1716-680-222-00	ARM	*	1	1					
21	V210-360-601-60	BOLT(SP)/M6X16	*	1	1					
22	1376-402-003-00	BAND,WIRE/140	*	2	2					
23	1772-654-210-00	LAMP/COMBINATION/REA	*	2	2					FIG 206
24	1772-654-001-00	INSULATOR/LAMP	*	2	2					
25	1772-654-002-00	STAY/LAMP	*	2 -55	2 -357					
25A	1772-654-002-10	PLATE/U/70X85	*	2 -61	2 -371		3			
25B	1772-654-310-00	STAY/LAMP COMP	*	2 62-	2 372-					

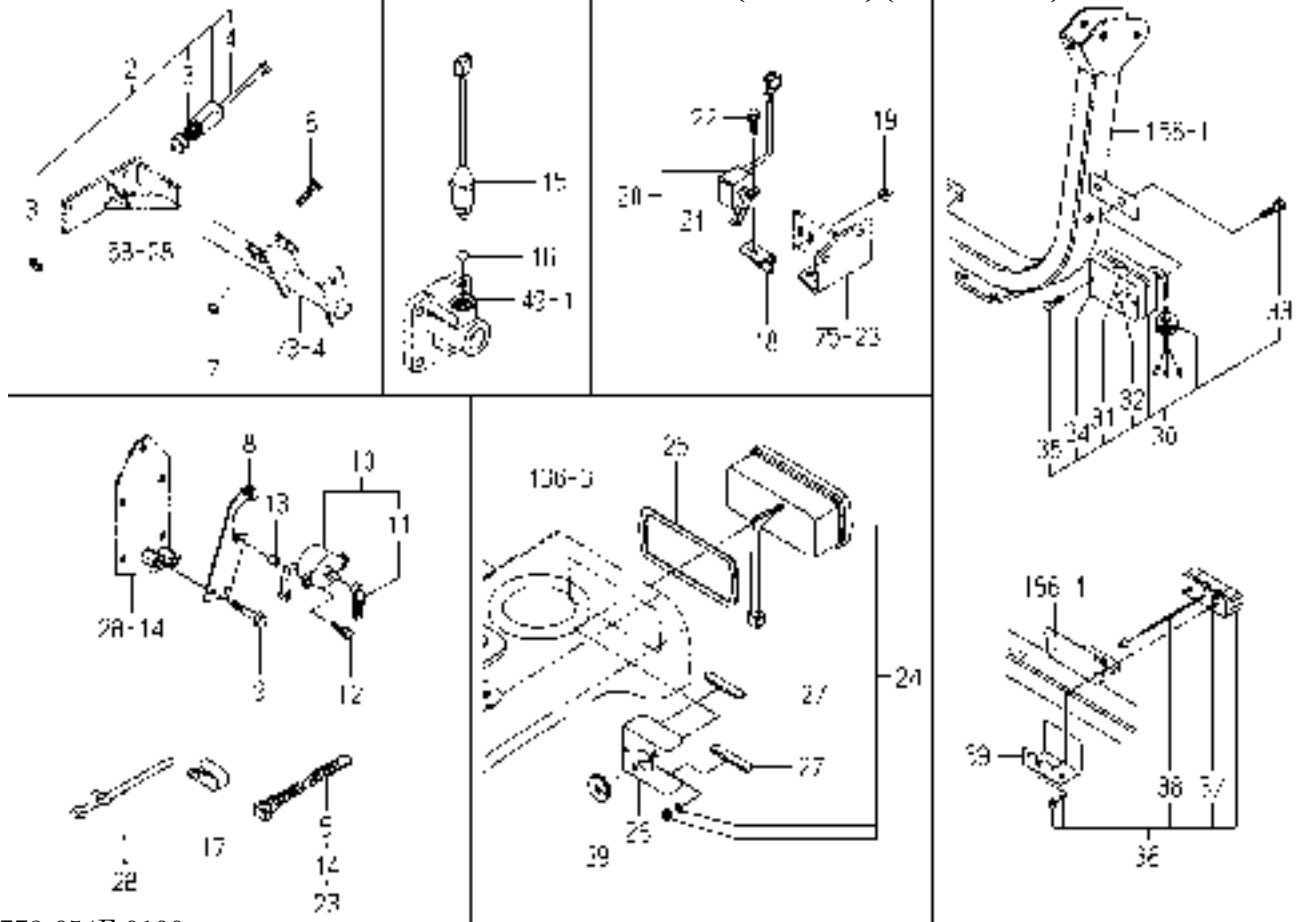
FIG.149 ELC.SYSTEM(REAR)(TH4335-SKE4A TYPE)



1772-654D-0100

KEY	PART CODE	DESCRIPTION	S P C	TYPE OF MODEL			I T C	C O L	G R P	REMARKS
				TH4295	TH4335	TH4365				
1	1560-666-004-00	BAND	*		3					
2	1772-654-290-00	BRACKET/SWITCH/BRAKE	*		1 -156					
2A	1772-654-290-10	BRACKET/SWITCH/BRAKE	*		1 157-		3			
3	V231-360-801-60	FLANGEBOLT	*		2 -156					
3A	V231-360-801-20	FLANGEBOLT	*		2 157-					
4	1772-654-280-00	SWITCH/PUSH ASSY	*		1 -452					
4A	1772-654-280-10	SWITCH/PUSH ASSY	*		453-		1			
5	1772-654-281-00	NUT	*		2					
6	1772-654-282-00	BOOT	*		1 453-					
7	1342-402-006-00	BAND/WIRE/250	*		1 181-					
8	1688-312-001-10	BOLT/ADJUST	*		1					
9	V304-260-008-00	NUT	*		1					
10	1773-654-250-00	BRACKET/SWITCH/ COMP	*		1					
11	V231-360-805-00	FLANGEBOLT	*		2					
12	2161-506-260-00	SENSOR ASSY	*		1					
13	2161-506-252-00	PLATE/SENSOR	*		1					
14	V210-360-601-60	BOLT(SP)/M6X16	*		2					
15	1757-654-350-00	SWITCH/PUSH ASSY	*		1					
16	V682-200-001-00	BALL	*		1					
17	1425-621-004-00	HOLDER/JE/9-9	*		1					
18	1772-654-270-00	BRACKET/SWITCH/PARKI	*		1					
19	V360-260-006-00	NUT/M6	*		2					
20	1716-680-330-00	SWITCH/LEVER ASSY	*		1					
21	1716-680-222-00	ARM	*		1					
22	V210-360-601-60	BOLT(SP)/M6X16	*		1					
23	1376-402-003-00	BAND,WIRE/140	*		2					
24	1772-654-210-00	LAMP/COMBINATION/REA	*		2					FIG 206
25	1772-654-001-00	INSULATOR/LAMP	*		2					
26	1772-654-002-00	STAY/LAMP	*		2 -357					
26A	1772-654-002-10	PLATE/U/70X85	*		2 -366		3			

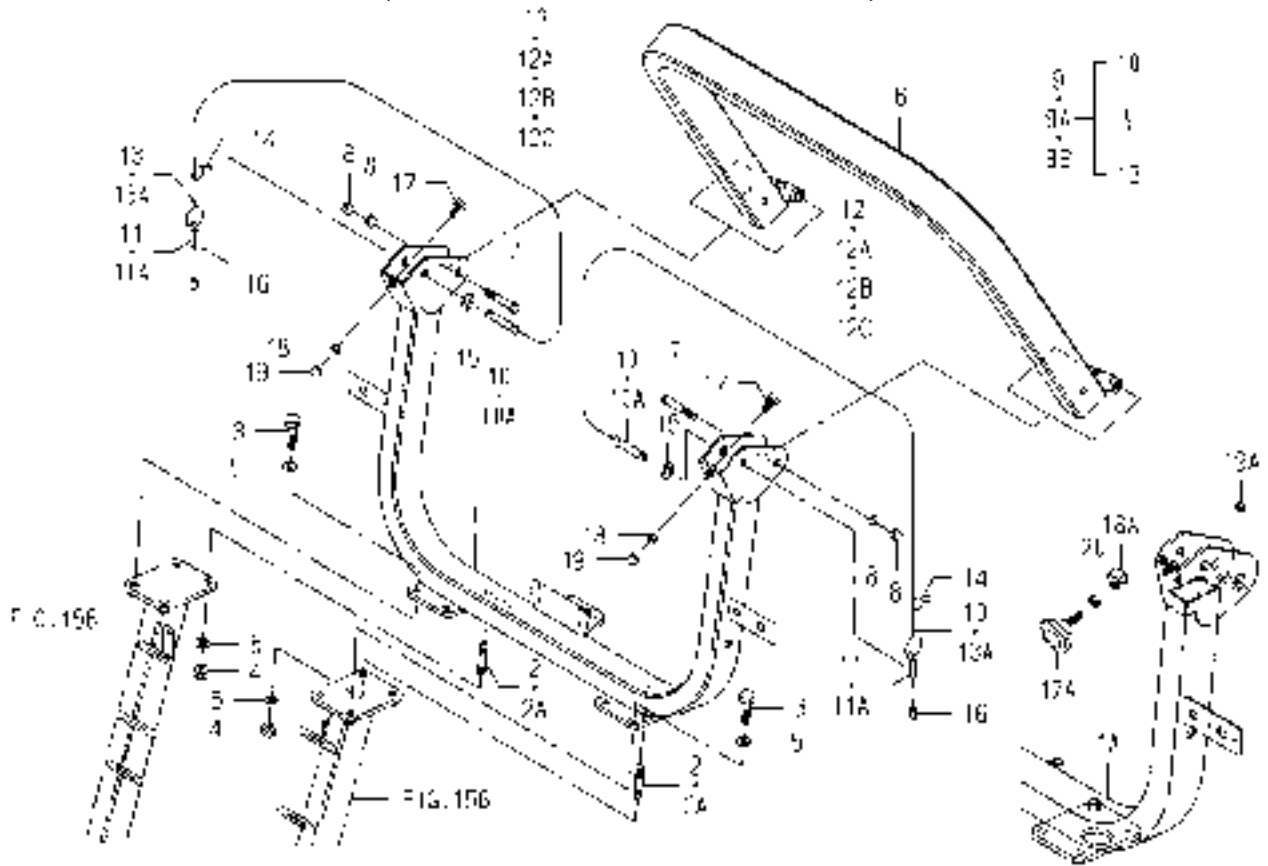
FIG.150 ELC.SYSTEM(REAR)(H TYPE)



1772-654F-0100

KEY	PART CODE	DESCRIPTION	S P C	TYPE OF MODEL			I T C	C O L	G R P	REMARKS
				TH4295	TH4335	TH4365				
1	1560-666-004-00	BAND	*	3	3	3				
2	1772-654-280-10	SWITCH/PUSH ASSY	*	1	1	1				
3	1772-654-281-00	NUT	*	2	2	2				
4	1772-654-282-00	BOOT	*	1	1	1				
5	1342-402-006-00	BAND/WIRE/250	*	1	1	1				
6	1688-312-001-10	BOLT/ADJUST	*	1	1	1				
7	V304-260-008-00	NUT	*	1	1	1				
8	1773-654-510-00	BRACKET/SWITCH/SUB	*	1	1	1				
9	V231-360-801-60	FLANGE BOLT	*	2	2	2				
10	2161-506-260-00	SENSOR ASSY	*	1	1	1				
11	2161-506-252-00	PLATE/SENSOR	*	1	1	1				
12	V210-360-603-00	BOLT/SP	*	2	2	2				
13	1672-616-003-00	COLLAR/07X11X11	*	2	2	2				
14	1376-402-003-00	BAND,WIRE/140	*	2	2	2				
15	1757-654-350-00	SWITCH/PUSH ASSY	*	1	1	1				
16	V682-200-001-00	BALL	*	1	1	1				
17	1425-621-004-00	HOLDER/JE/9-9	*	1	1	1				
18	1772-654-270-00	BRACKET/SWITCH/PARKI	*	1	1	1				
19	V360-260-006-00	NUT/M6	*	2	2	2				
20	1716-680-330-00	SWITCH/LEVER ASSY	*	1	1	1				
21	1716-680-222-00	ARM	*	1	1	1				
22	V210-360-601-60	BOLT(SP)/M6X16	*	1	1	1				
23	1376-402-003-00	BAND,WIRE/140	*	2	2	2				
24	1772-654-210-00	LAMP/COMBINATION/REA	*	2	2	2				FIG 206
25	1772-654-001-00	INSULATOR/LAMP	*	2	2	2				
26	1772-654-310-00	STAY/LAMP COMP	*	2	2	2				
27	P113-201-007-00	TRIM/70	*	4	4	4				
28	1560-666-004-00	BAND	*	2	2	2				
29	1678-782-003-00	GROMMET/10X30X1	*	2	2	2				
30	1772-654-220-00	LAMP/COMBINATION/FRO	*	2	2	2				

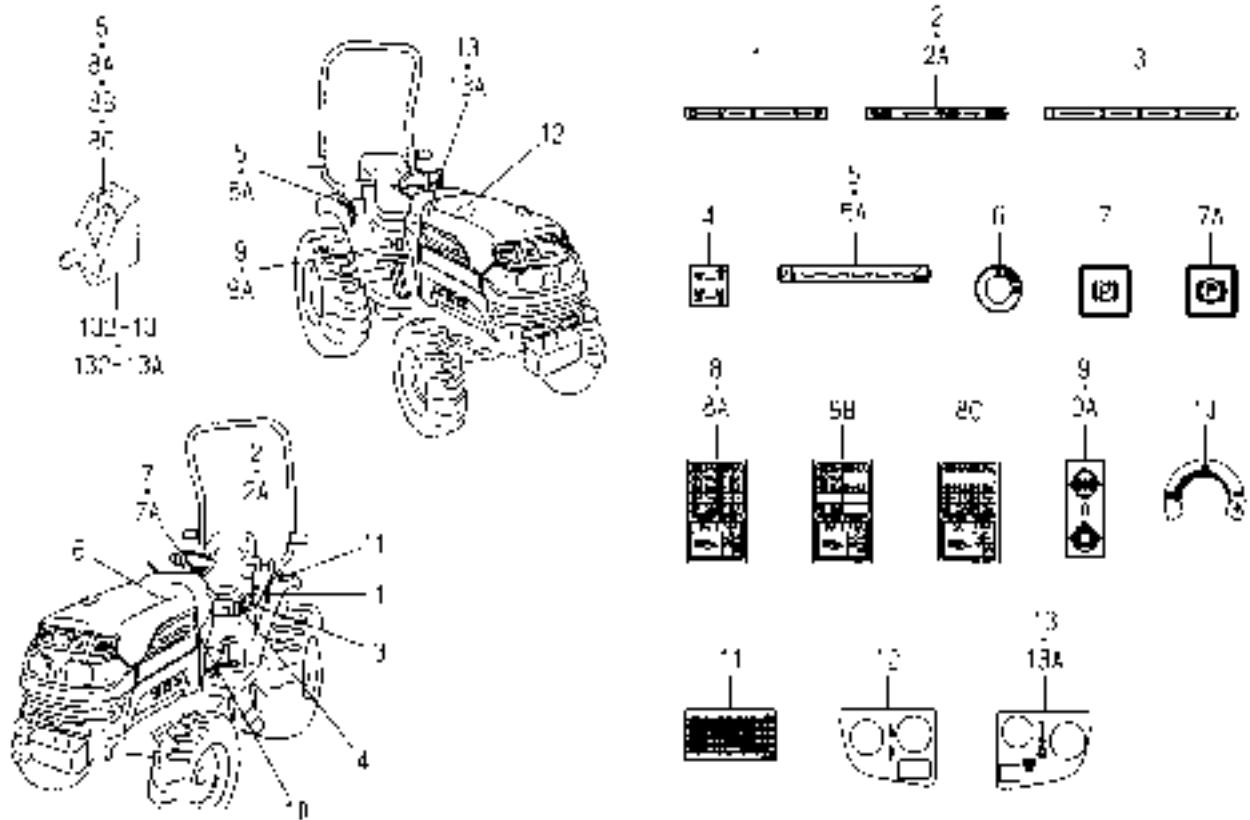
**FIG.159 FRAME(REAR)SYSTEM
(EXCEPT E4D,E4A TYPE)**



1772-702C-0100

KEY	PART CODE	DESCRIPTION	S P C	TYPE OF MODEL			I T C	C O L	G R P	REMARKS
				TH4295	TH4335	TH4365				
1	1772-702-310-10	FRAME/LOWER/E4 COMP	*	1 -48	1 -286				7F	
1A	1772-702-310-20	FRAME/LOWER/E4 COMP	*	1 49-	1 287-	1			3 7F	
2	V251-441-203-50	STUD/M12X35	*	2 -31	2 -154					
2A	1773-702-003-00	BOLT/STUD/M12X35	*	2 32-	2 155-	2				
3	V201-461-203-50	BOLT/M12X35	*	6	6	6				
4	1640-626-001-10	NUT/M12X1.75/10T	*	2	2	2				
5	V401-160-012-00	WASHER,SP/M12	*	8	8	8				
6	1773-702-200-00	FRAME/UPPER COMP	*	1	1	1			7F	
7	1757-625-005-00	BOLT/M16X90	*	2	2	2				
8	1773-702-001-00	NUT/M16	*	4	4	4				
9	1636-701-250-00	PIN ASSY	*	2 -60	2 -369					
9A	1773-702-260-00	PIN ASSY	*	2 -85	2 -428					
9B	1773-702-260-10	PIN ASSY	*	2 86-	2 429-	2		1		
10	1636-701-251-00	PIN/19X94	*	2 -60	2 -369					
10A	1636-701-251-00	PIN/19X94	*	2 61-	2 370-	2				
11	1673-525-002-30	LINKPIN	*	2 -60	2 -369					
11A	1673-525-002-30	LINKPIN	*	2 61-	2 370-	2				
12	1614-702-551-00	BAND	*	2 -60	2 -369					
12A	1614-702-551-00	BAND	*	2 -83	2 -407					
12B	1614-702-551-10	BAND	*	2 -88	2 -433				1	
12C	1614-702-551-20	BAND	*	2 89-	2 434-	2			1	
13	1614-702-552-00	RING	*	6 -60	6 -369					
13A	1614-702-552-00	RING	*	6 61-	6 370-	6				
14	V720-102-402-00	O-RING/P20	*	2 -60	2 -369					
15	1773-702-002-00	INSULATOR	*	2	2	2				
16	1785-702-005-00	TUBE/020	*	2 56-	2 359-	2				
17	1560-630-024-00	INSULATOR	*	2 -48	2 -286					
17A	1773-702-012-00	NOB/LOCK	*	2 49-	2 287-	2				
18	V304-260-008-00	NUT	*	2 -48	2 -286					
18A	1773-702-011-00	PLATE	*	2 49-	2 287-	2				

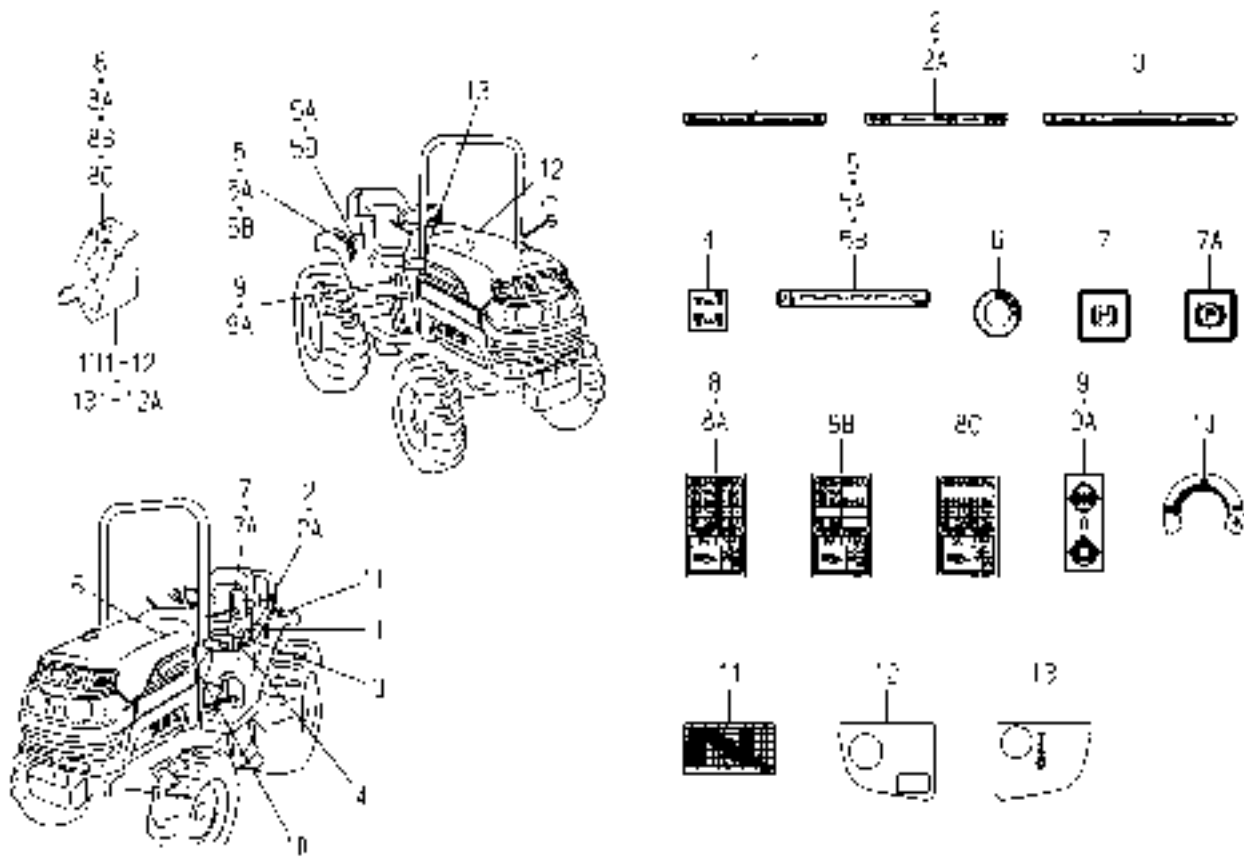
FIG.166 LABEL(CONTROL)(SK TYPE EXCEPT V)



1772-902B-0100

KEY	PART CODE	DESCRIPTION	S P C	TYPE OF MODEL			I T C	C O L	G R P	REMARKS
				TH4295	TH4335	TH4365				
1	1772-902-021-00	LABEL/CONTROL/SUB/S/	*	1	1					
2	1772-902-002-10	LABEL/CONTROL/PTO	*	1 -97	1 -450		1			
2A	1772-902-002-20	LABEL/CONTROL/PTO	*	1 98-	1 451-		1			
3	1773-902-022-10	LABEL/CONTROL/MAIN/S	*	1	1					
4	1772-902-005-10	LABEL/4WD	*	1	1		1			
5	1773-902-008-00	LABEL/CONTROL/POSITI	*	1 -102	1 -452					
5A	1772-902-051-00	LABEL/CONTROL/POSITI	*	1 103-	1 453-					
6	1772-902-004-00	LABEL/SWITCH/MAIN	*	1	1					
7	1770-902-051-00	LABEL/PARKING	*	1 -102	1 -452					
7A	1774-902-005-00	LABEL/PARKING	*	1 103-	1 453-					
8	1773-902-014-10	LABEL/FUSE/MAIN	*	1 -55	1 -356					
8A	1773-902-014-20	LABEL/FUSE/MAIN	*	1 -197	1 -514		1			
8B	1773-902-014-30	LABEL/FUSE/M/E3	*	1 -213	1 -521		1			
8C	1772-902-052-00	LABEL/FUSE/M/E4	*	1 214-	1 522-					
9	1683-902-004-10	LABEL/DIFF	*	1 -102	1 -452					
9A	1740-903-075-00	LABEL/DIFF	*	1 103-	1 453-					
10	1773-902-007-00	LABEL/CONTROL/SLOW R	*	1	1					
11	1772-902-023-00	LABEL/SPEED/S/E4	*	1	1					
12	1772-902-024-00	LABEL/LH/SE4	*	1	1					
13	1772-902-011-00	LABEL/RH/KE4	*	1 -97	1 -450					
13A	1772-902-011-10	LABEL/RH/KE4	*	1 98-	1 451-		1			

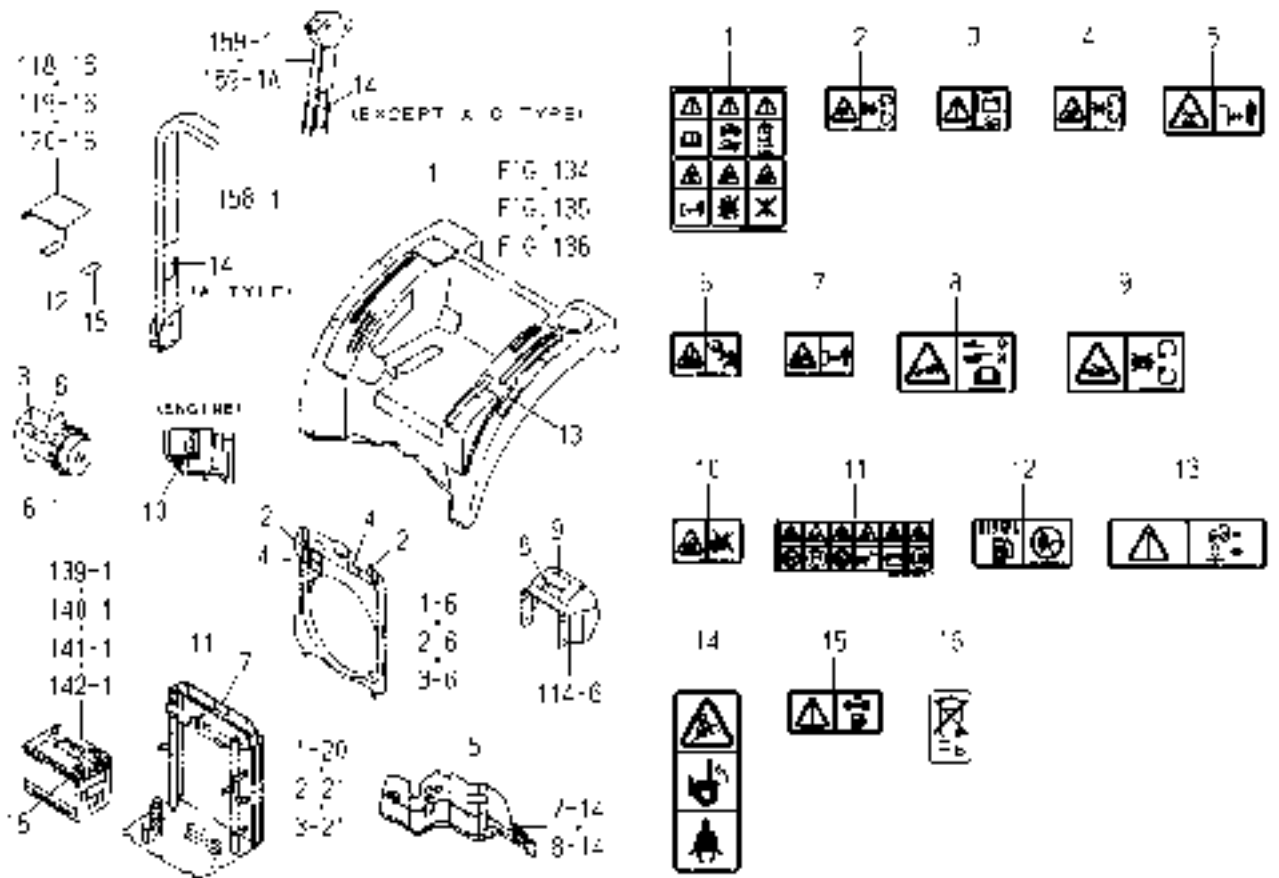
FIG.167 LABEL(CONTROL)(V TYPE EXCEPT SK)



1772-902C-0100

KEY	PART CODE	DESCRIPTION	S P C	TYPE OF MODEL				I T C	C O L	G R P	REMARKS
				TH4295	TH4335	TH4365					
1	1772-902-001-00	LABEL/CONTROL/SUB/E4	*	1	1						
2	1772-902-002-10	LABEL/CONTROL/PTO	*	1 -97	1 -450			1			
2A	1772-902-002-20	LABEL/CONTROL/PTO	*	1 98-	1 451-			1			
3	1773-902-003-10	LABEL/CONTROL/MAIN	*	1	1						
4	1772-902-005-10	LABEL/4WD	*	1	1			1			
5	1773-902-008-00	LABEL/CONTROL/POSITI	*	1 -19	1 -33						
5A	1773-902-008-00	LABEL/CONTROL/POSITI	*	2 -116	2 -474						
5B	1772-902-051-00	LABEL/CONTROL/POSITI	*	2 117-	2 475-						
6	1772-902-004-00	LABEL/SWITCH/MAIN	*	1	1						
7	1770-902-051-00	LABEL/PARKING	*	1 -116	1 -474						
7A	1774-902-005-00	LABEL/PARKING	*	1 117-	1 475-						
8	1773-902-014-10	LABEL/FUSE/MAIN	*	1 -55	1 -356						
8A	1773-902-014-20	LABEL/FUSE/MAIN	*	1 -197	1 -514			1			
8B	1773-902-014-30	LABEL/FUSE/M/E3	*	1 -202	1 -527			1			
8C	1772-902-052-00	LABEL/FUSE/M/E4	*	1 203-	1 528-						
9	1683-902-004-10	LABEL/DIFF	*	1 -116	1 -474						
9A	1740-903-075-00	LABEL/DIFF	*	1 117-	1 475-						
10	1773-902-007-00	LABEL/CONTROL/SLOW R	*	1	1						
11	1772-902-008-00	LABEL/SPEED/E4	*	1	1						
12	1772-902-006-00	LABEL/LH/E4	*	1	1						
13	1772-902-007-00	LABEL/RH/E4	*	1	1						

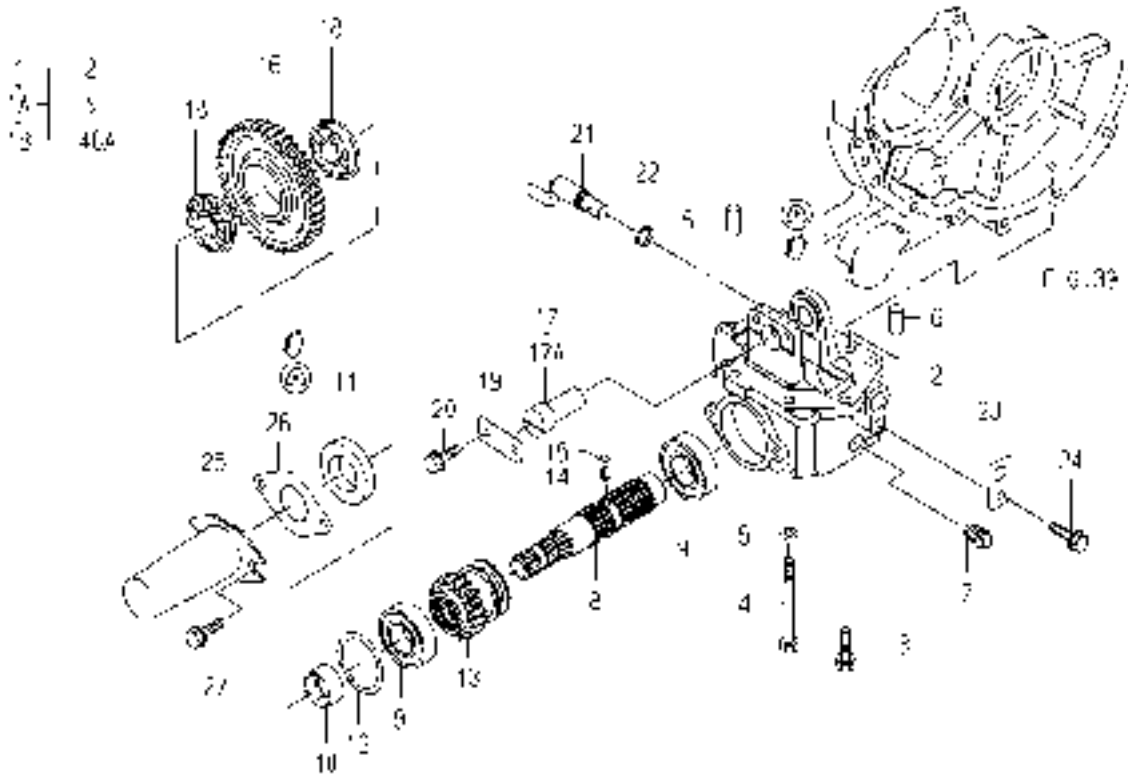
FIG.170 LABEL(CAUTION)



1772-904-0100

KEY	PART CODE	DESCRIPTION	S P C	TYPE OF MODEL			I T C	C O L	G R P	REMARKS
				TH4295	TH4335	TH4365				
1	1746-902-051-00	LABEL/C/DRIVE/E4	*	1	1	1				
2	1705-902-006-00	LABEL/W/FAN	*	2	2	2				
3	1636-901-022-00	LABEL/CAUTION/BATTER	*	1	1	1				
4	1674-904-008-00	LABEL/WARNING/BELT	*	2	2	2				
5	8595-901-007-00	LABEL/WARNING/HOT	*	1	1	1				
6	1674-904-002-10	LABEL/ETHER	*	1	1	1				
7	1705-902-008-00	LABEL/W/RADIATOR	*	1	1	1				
8	1674-904-004-00	LABEL/TRAILER	*	1	1	1				
9	8654-901-002-00	LABEL/PTO	*	1	1	1				
10	1705-902-007-00	LABEL/W/STARTER	*	1	1	1				
11	1705-904-002-10	LABEL/BATTERY	*	1	1	1				
12	1705-904-001-00	LABEL/FUEL	*	1	1	1				
13	1674-904-007-10	LABEL/SHIFT	*	1	1	1				
14	1674-904-005-00	LABEL/ROPS	*	1	1	1				
15	1728-903-002-00	LABEL/WARNING/FUEL	*	1 45-	1 272-	1				
16	1728-903-003-00	LABEL/BATTERY	*	1 45-	1 272-	1				

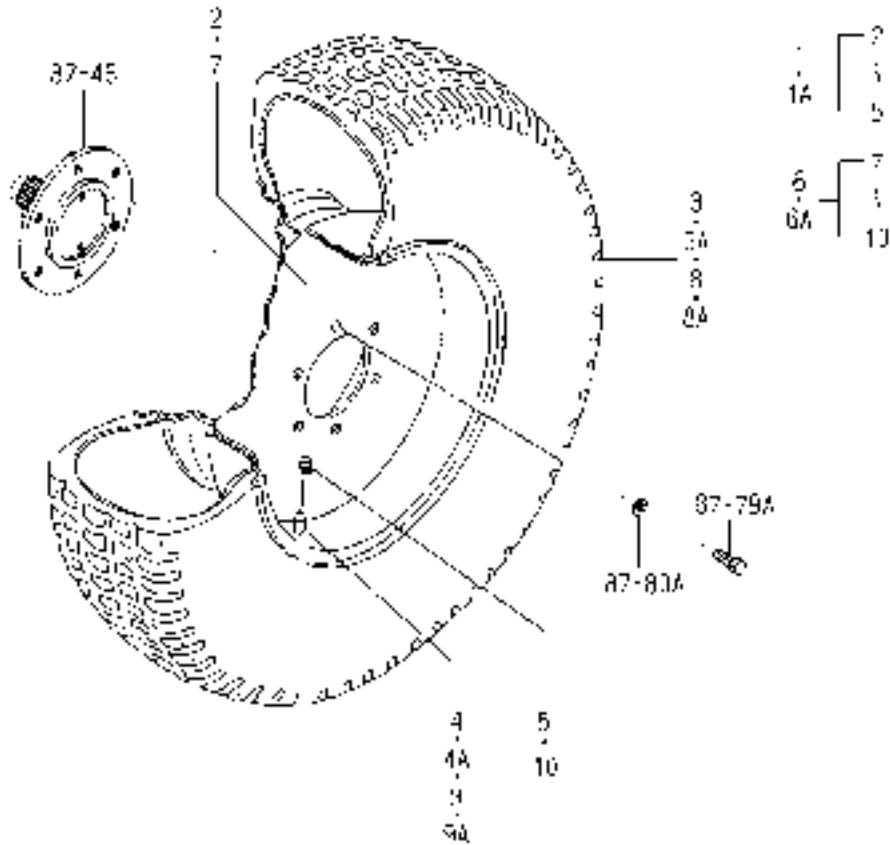
**FIG.173 PTO(MID)SET(OPTION)(1/2)
(TH4335-SKE4A TYPE)**



1773-229A-0100

KEY	PART CODE	DESCRIPTION	S P C	TYPE OF MODEL			I T C	C O L	G R P	REMARKS
				TH4295	TH4335	TH4365				
1	1773-229-900-10	PTO/MID SET	*		1 -329					
1A	1773-229-900-20	PTO/MID SET	T		1 -454		1			
1B	1773-229-900-30	PTO/MID SET	T		1 455		1			
2	1773-229-201-00	CASE/PTO/MID	T		1					
3	V211-561-002-50	BOLT/M10X25	T		2					
4	V201-361-009-00	BOLT/M10X90	T		4					
5	V401-160-010-00	WASHER,SP/M10	T		4					
6	V523-101-002-40	PIN	T		2					
7	V781-160-000-6B	PLUG/SCREW/SEAL	T		1					
8	1773-229-202-00	SHAFT/PTO/MID	T		1					
9	V600-410-620-60	BEARING/BALL	T		2					
10	1480-212-004-10	SLEEVE	T		1					
11	1687-255-005-00	SEAL/OIL	T		1					
12	V707-140-062-00	RING/SNAP	T		1					
13	1773-229-203-00	GEAR/SPUR/18	T		1					
14	1302-225-003-00	SPRING,SHIFTER	T		1					
15	V682-200-001-00	BALL	T		1					
16	1773-229-204-00	GEAR/SPUR/41	T		1					
17	1620-255-207-00	SHAFT	T		1					
17A	1620-255-207-10	SHAFT	T		1		1			
18	1603-322-003-00	BEARING,BALL	T		2					
19	1568-731-103-00	PLATE/I 25X60	T		1					
20	V231-360-801-60	FLANGEBOLT	T		2					
21	1773-229-210-00	ARM/SHIFT/MID COMP	T		1					
22	V720-102-401-40	O-RING/P14	T		1					
23	1620-255-208-00	PLATE/I/30X50	T		1					
24	V231-360-801-20	FLANGEBOLT	T		1					
25	1444-314-009-10	CAP,PTO SHAFT	T		1					
26	1687-255-004-00	PLATE	T		1					
27	V231-360-801-60	FLANGEBOLT	T		2					

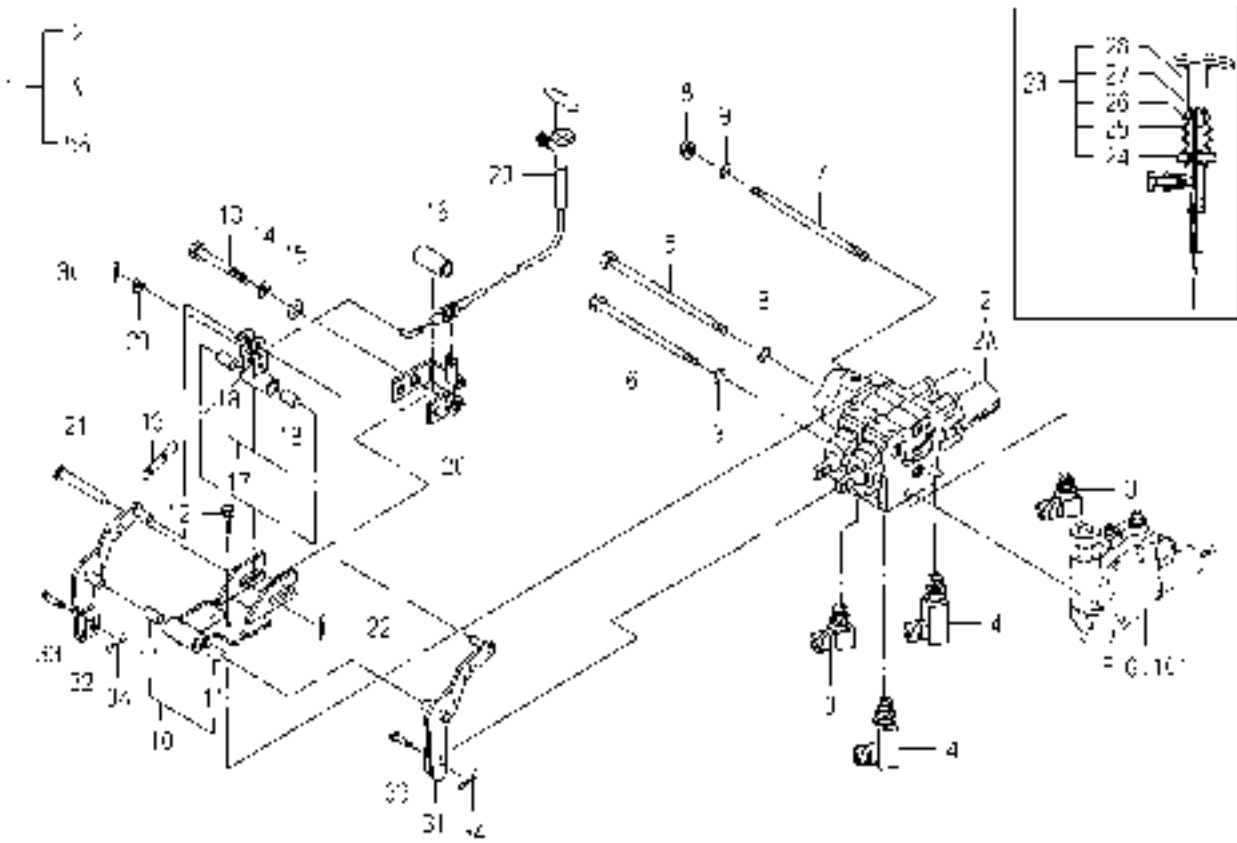
FIG.181 FRONT WHEEL(TURF/9.75I-12)SET(OPTION)



1740-437-0100

KEY	PART CODE	DESCRIPTION	S P C	TYPE OF MODEL			I T C	C O L	G R P	REMARKS
				TH4295	TH4335	TH4365				
1	1740-437-210-10	TIRE/FRONT/LH ASSY	T	1 -80	1 -393			6G		
1A	1740-437-210-20	TIRE/FRONT/LH ASSY	T	1 81-	1 394-	1		6G		
2	1740-437-220-00	WHEEL/9.75I-12COMP	T	1	1	1		6G		
3	1740-437-211-00	TIRE/TURF/26X12-2	T	1 -80	1 -393					
3A	1739-317-241-00	TIRE/TURF/26X12.0	T	1 81-	1 394-	1				
4	1740-437-212-00	VALVE	T	1 -80	1 -393					
4A	1770-317-520-00	VALVE/TIRE ASSY	T	1 81-	1 394-	1				
5	V999-200-003-00	CAP,TIRE VALVE	T	1 -80	1 -393					
6	1740-437-230-10	TIRE/FRONT/RH ASSY	T	1 -80	1 -393			6G		
6A	1740-437-230-20	TIRE/FRONT/RH ASSY	T	1 81-	1 394-	1		6G		
7	1740-437-220-00	WHEEL/9.75I-12COMP	T	1	1	1		6G		
8	1740-437-211-00	TIRE/TURF/26X12-2	T	1 -80	1 -393					
8A	1739-317-241-00	TIRE/TURF/26X12.0	T	1 81-	1 394-	1				
9	1740-437-212-00	VALVE	T	1 -80	1 -393					
9A	1770-317-520-00	VALVE/TIRE ASSY	T	1 81-	1 394-	1				
10	V999-200-003-00	CAP,TIRE VALVE	T	1 -80	1 -393					

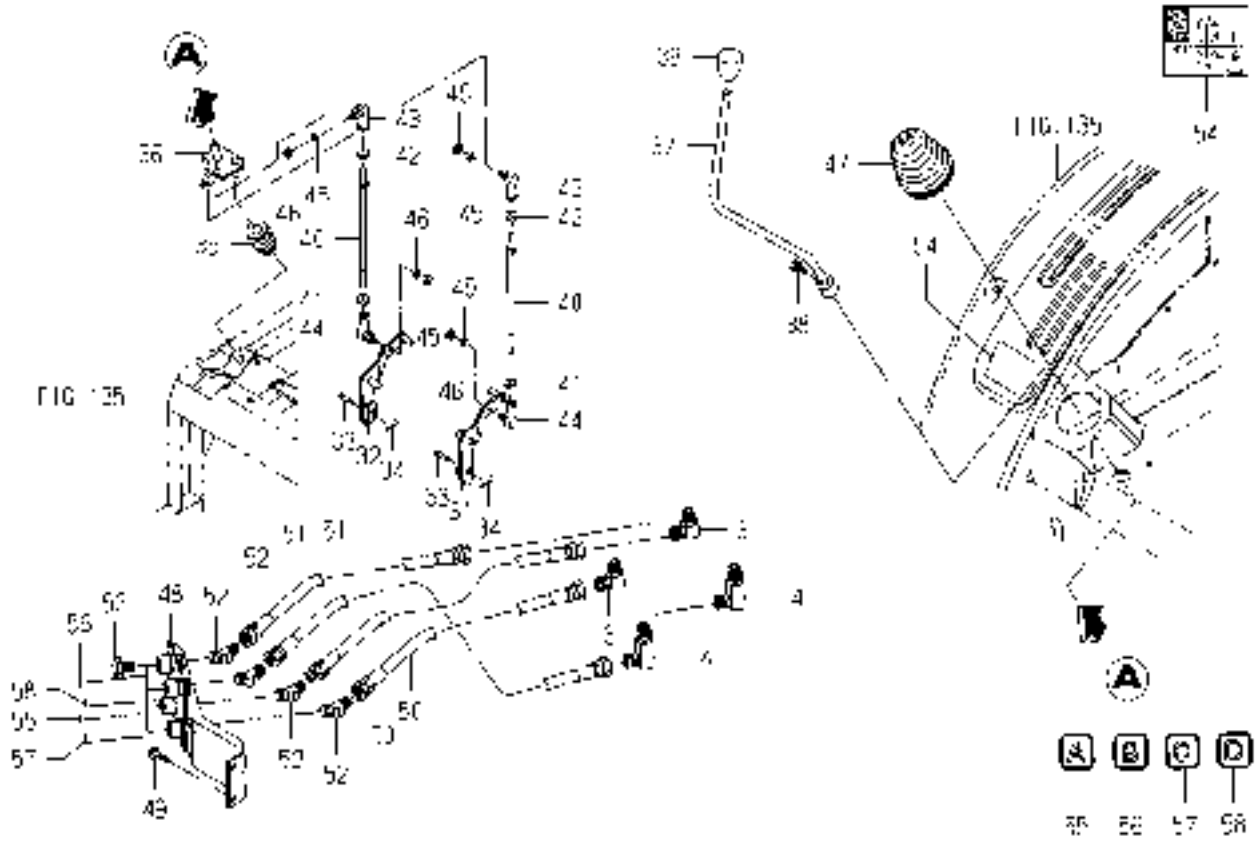
**FIG.186 JOY STICK SET(1/2)
(OPTION)(K,SKW,V TYPE)**



1772-511-0100

KEY	PART CODE	DESCRIPTION	S P C	TYPE OF MODEL			I T C	C O L	G R P	REMARKS
				TH4295	TH4335	TH4365				
1	1772-511-200-20	JOYSTICK/E4 SET	T	1	1		1			
2	K211-086-000-00	VALVE/CONTROL/086	T	1 -59	1 -364					FIG 198
2A	K211-086-000-10	VALVE/CONTROL/086	T	1 60-	1 365-		1			FIG 198
3	1640-530-003-00	CONNECTOR	T	2	2					
4	1640-530-009-00	CONNECTOR/L	T	2	2					
5	V201-261-017-00	BOLT	T	1	1					
6	V201-261-015-00	BOLT	T	1	1					
7	1742-511-002-00	BOLT/STUD	T	1	1					
8	V304-260-010-00	NUT	T	1	1					
9	V401-160-010-00	WASHER,SP/M10	T	3	3					
10	1742-511-710-00	PLATE/JOY ASSY	T	1	1					
11	1560-509-211-00	BUSH/10X12X20	T	2	2					
12	V230-360-601-20	FLANGEBOLT	T	3	3					
13	V201-361-007-50	BOLT	T	1	1					
14	V401-160-010-00	WASHER,SP/M10	T	1	1					
15	V411-260-010-00	WASHER/M10	T	1	1					
16	1742-511-071-00	HUB/12X19X42	T	1	1					
17	1742-511-770-10	ARN ASSY	T	1	1					
18	1560-509-211-00	BUSH/10X12X20	T	2	2					
19	2183-615-012-00	SPRING/HE055	T	1	1					
20	1742-511-760-00	PLATE/HOLDERCOMP	T	1	1					
21	8844-616-001-00	PIN/10X070	T	1	1					
22	V500-162-002-00	PIN,SPLIT/2 X20	T	1	1					
23	1742-511-790-10	CABLE/LOCK ASSY	T	1	1					
24	1742-511-791-00	NUT	T	1	1					
25	1742-511-792-00	BOOT	T	1	1					
26	1742-511-793-00	COLLAR	T	1	1					
27	1742-511-794-00	NUT	T	1	1					
28	1742-511-795-00	KNOB	T	1	1					
29	V411-260-005-00	WASHER	T	1	1					

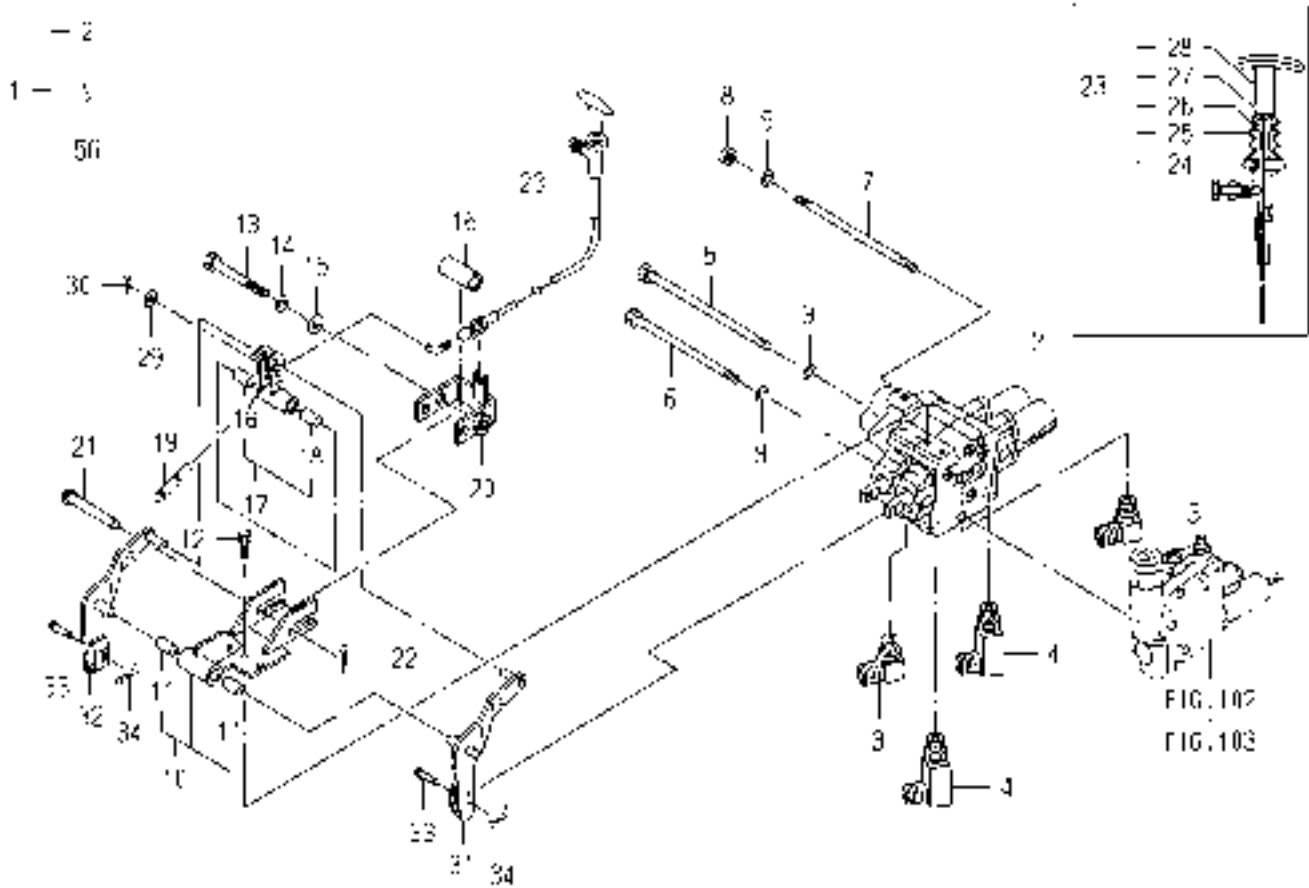
**FIG.186 JOY STICK SET(2/2)
(OPTION)(K,SKW,V TYPE)**



1772-511-0100

KEY	PART CODE	DESCRIPTION	S P C	TYPE OF MODEL			I T C	C O L	G R P	REMARKS
				TH4295	TH4335	TH4365				
30	V500-161-601-50	PIN,SPLIT/1.6X15	T	1	1					
31	1742-511-740-00	ARM/BOOMCOMP	T	1	1					
32	1742-511-750-00	ARM/BUCKETCOMP	T	1	1					
33	3805-544-016-00	PIN/06X23	T	2	2					
34	V560-160-008-00	PIN/SNAP	T	2	2					
35	P112-401-220-00	JOINT ASSY	T	1	1					
36	1773-511-250-00	BASE/LEVER COMP	T	1	1					
37	1773-511-340-00	LEVER/JOYSTICK COMP	T	1	1					
38	1560-223-016-00	BOLT/M8X16	T	1	1					
39	1672-207-003-00	GRIP	T	1	1					
40	1773-511-350-00	ROD/M8X263 COMP	T	2	2					
41	1560-132-007-30	NUT/M8	T	2	2					
42	V304-260-008-00	NUT	T	2	2					
43	1560-695-021-00	JOINT BALL M08RH	T	2	2					
44	1560-695-022-00	JOINT BALL M08LH	T	2	2					
45	V304-260-008-00	NUT	T	4	4					
46	V401-160-008-00	WASHER,SP/M 8	T	4	4					
47	1773-511-004-00	BOOT	T	1	1					
48	1772-511-210-00	BRACKET/JOY COMP	T	1	1					
49	V231-360-801-60	FLANGEBOLT	T	2	2					
50	1744-512-250-00	HOSE/470 ASSY	T	2	2					
51	1744-512-260-00	HOSE/530 ASSY	T	2	2					
52	1757-501-014-00	ADAPTER/45B/R3/8XG3/	T	4	4					
53	V782-160-000-6T	PLUG/SCREW/SEAL	T	4	4					
54	1742-511-005-00	LABEL/LOADER	T	1	1					
55	1518-903-006-00	MARK/PORT/A	T	1	1					
56	1518-903-007-00	MARK/PORT/B	T	1	1					
57	1723-902-007-00	LABEL/C	T	1	1					
58	1723-902-008-00	LABEL/D	T	1	1					

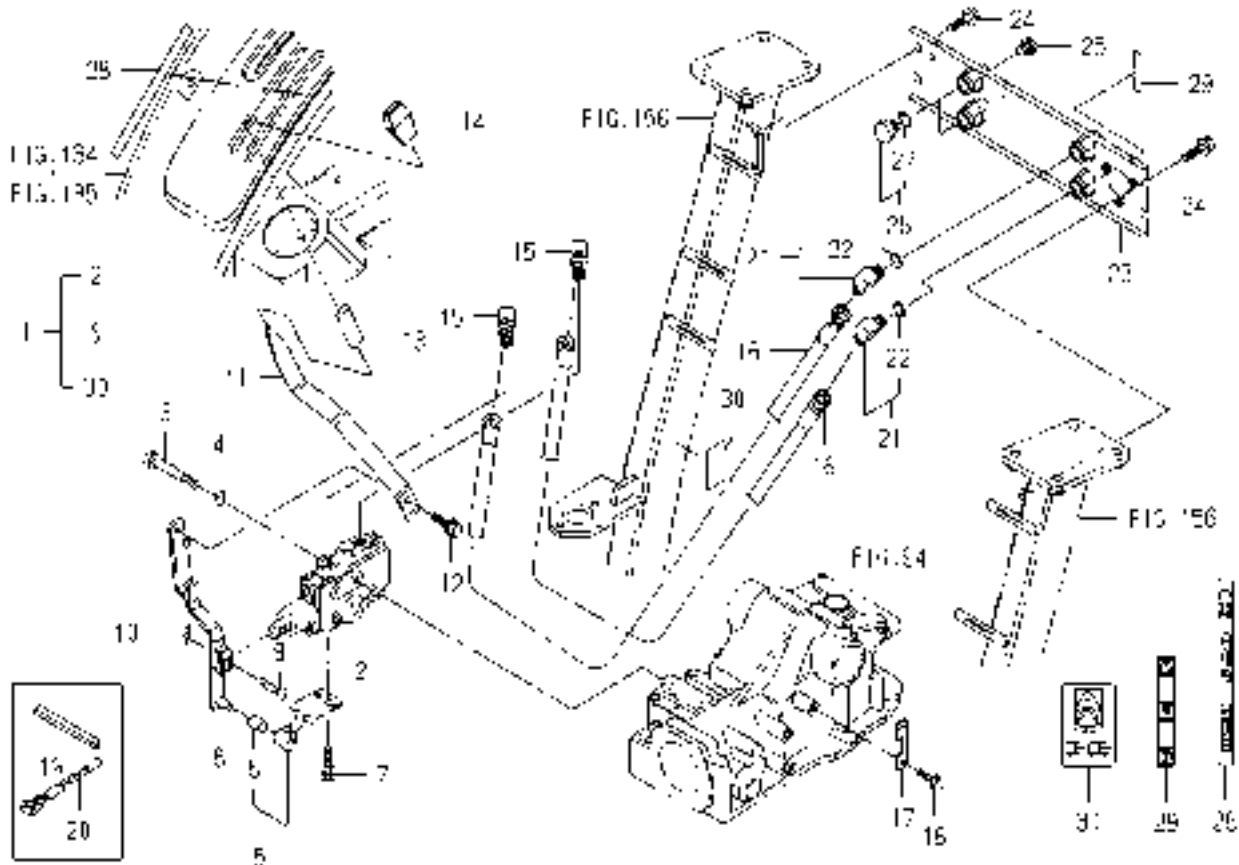
FIG.187 JOY STICK SET(OPTION)(HW TYPE)(1/2)



1772-511B-0100

KEY	PART CODE	DESCRIPTION	S P C	TYPE OF MODEL			I T C	C O L	G R P	REMARKS
				TH4295	TH4335	TH4365				
1	1772-511-500-20	JOYSTICK/H/E4 SET	T	1	1	1	1			
2	K211-086-000-10	VALVE/CONTROL/086	T	1	1	1				FIG 198
3	1640-530-003-00	CONNECTOR	T	2	2	2				
4	1640-530-009-00	CONNECTOR/L	T	2	2	2				
5	V201-261-017-00	BOLT	T	1	1	1				
6	V201-261-015-00	BOLT	T	1	1	1				
7	1742-511-002-00	BOLT/STUD	T	1	1	1				
8	V304-260-010-00	NUT	T	1	1	1				
9	V401-160-010-00	WASHER,SP/M10	T	3	3	3				
10	1742-511-710-00	PLATE/JOY ASSY	T	1	1	1				
11	1560-509-211-00	BUSH/10X12X20	T	2	2	2				
12	V230-360-601-20	FLANGE BOLT	T	3	3	3				
13	V201-361-007-50	BOLT	T	1	1	1				
14	V401-160-010-00	WASHER,SP/M10	T	1	1	1				
15	V411-260-010-00	WASHER/M10	T	1	1	1				
16	1742-511-071-00	HUB/12X19X42	T	1	1	1				
17	1742-511-770-10	ARN ASSY	T	1	1	1				
18	1560-509-211-00	BUSH/10X12X20	T	2	2	2				
19	2183-615-012-00	SPRING/HE055	T	1	1	1				
20	1742-511-760-00	PLATE/HOLDERCOMP	T	1	1	1				
21	8844-616-001-00	PIN/10X070	T	1	1	1				
22	V500-162-002-00	PIN,SPLIT/2 X20	T	1	1	1				
23	1742-511-790-10	CABLE/LOCK ASSY	T	1	1	1				
24	1742-511-791-00	NUT	T	1	1	1				
25	1742-511-792-00	BOOT	T	1	1	1				
26	1742-511-793-00	COLLAR	T	1	1	1				
27	1742-511-794-00	NUT	T	1	1	1				
28	1742-511-795-00	KNOB	T	1	1	1				
29	V411-260-005-00	WASHER	T	1	1	1				
30	V500-161-601-50	PIN,SPLIT/1.6X15	T	1	1	1				

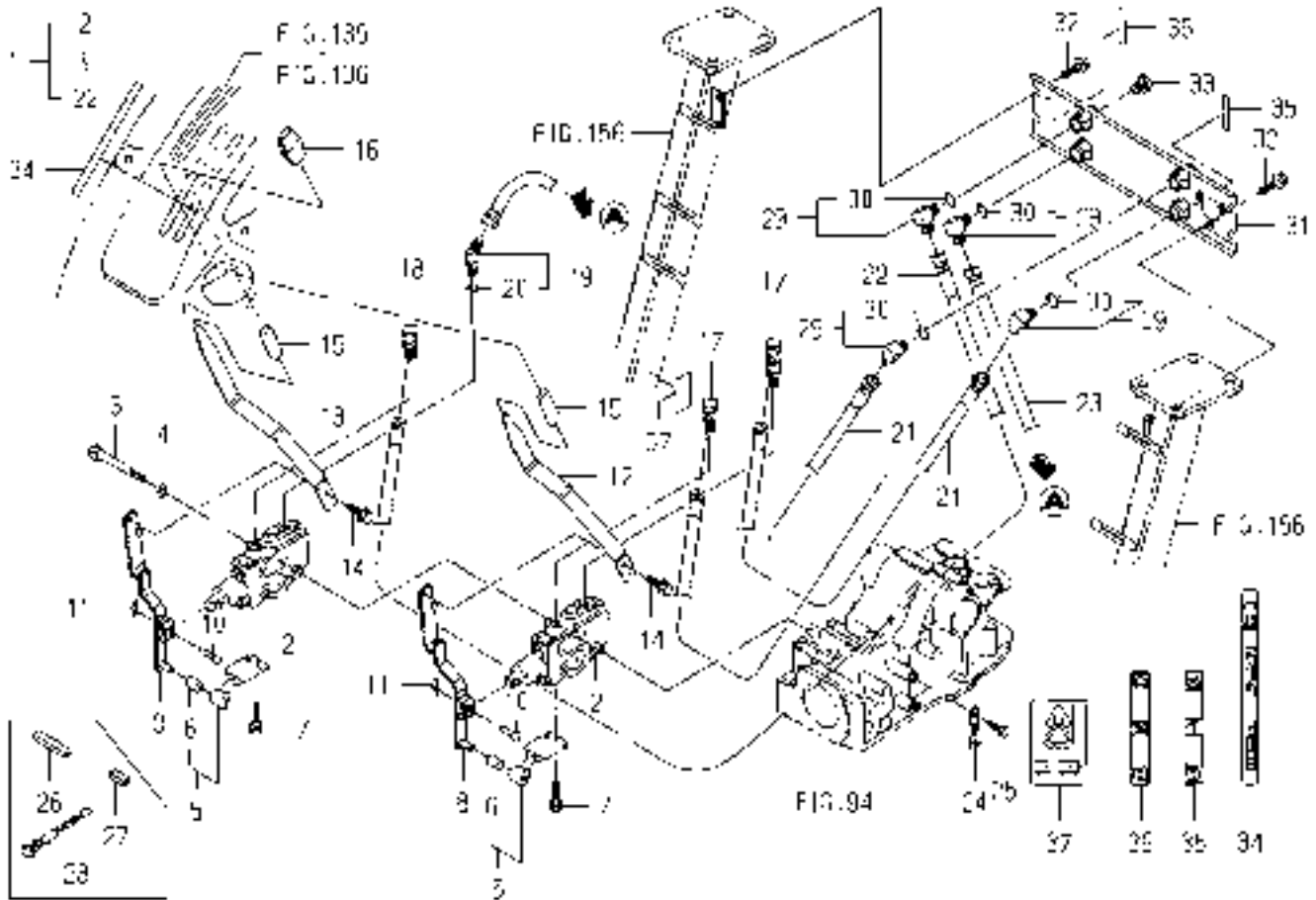
FIG.188 VALVE(REMOTE/1R)SET (OPTION)(TH4335-J TYPE)



1772-512X-0100

KEY	PART CODE	DESCRIPTION	S P C	TYPE OF MODEL			I T C	C O L	G R P	REMARKS
				TH4295	TH4335	TH4365				
1	1772-512-910-10	VALVE/REMOTE/1S SET	T		1		1			
2	1640-530-600-10	VALVE/CONTROL ASSY	T		1					FIG 200
3	V201-261-008-00	BOLT/M10X80	T		3					
4	V401-160-010-00	WASHER,SP/M10	T		3					
5	1773-512-210-00	HOLDER ASSY	T		1					
6	1560-509-211-00	BUSH/10X12X20	T		1					
7	V211-260-801-60	BOLT,SEMS (S) M8X16	T		2					
8	1773-512-910-20	ARM/1ST COMP	T		1					
9	2144-519-007-00	PIN/06X31	T		1					
10	2130-601-018-00	PIN,SNAP/6	T		1					
11	1773-512-091-20	LEVER/AUX/1ST	T		1		1			
12	V211-360-801-60	BOLT,SEMS (SP)	T		1					
13	1614-262-006-00	INSULATOR/LEVER/SUB	T		1					
14	3659-203-005-00	GRIP/03X17X74	T		1					
15	1640-530-003-00	CONNECTOR	T		2					
16	1773-512-950-00	HOSE/965 ASSY	T		2					
17	1725-514-002-00	PLATE/STOPPER	T		1					
18	V231-361-002-00	FLANGEBOLT	T		1					
19	3650-201-008-00	PROTECTOR,EDGE/120	T		1					
20	1342-402-006-00	BAND/WIRE/250	T		1					
21	1689-502-250-00	ADAPTER/L/G3/8 ASSY	T		2					
22	V720-112-401-40	O-RING/P14	T		2					
23	1772-512-210-10	STAY/AUX/E4 COMP	T		1					
24	V211-361-001-60	BOLT,SP/M10X16	T		4					
25	V782-160-000-6T	PLUG/SCREW/SEAL	T		4					
26	1725-203-210-00	PLUG/G3/8 ASSY	T		2					
27	V720-112-401-40	O-RING/P14	T		2					
28	1773-902-015-00	LABEL/CONTROL/AUX	T		1					
29	1742-512-006-00	LABEL/PORT/1ST	T		1					
30	1640-530-008-00	LABEL/SUBCON	T		1					

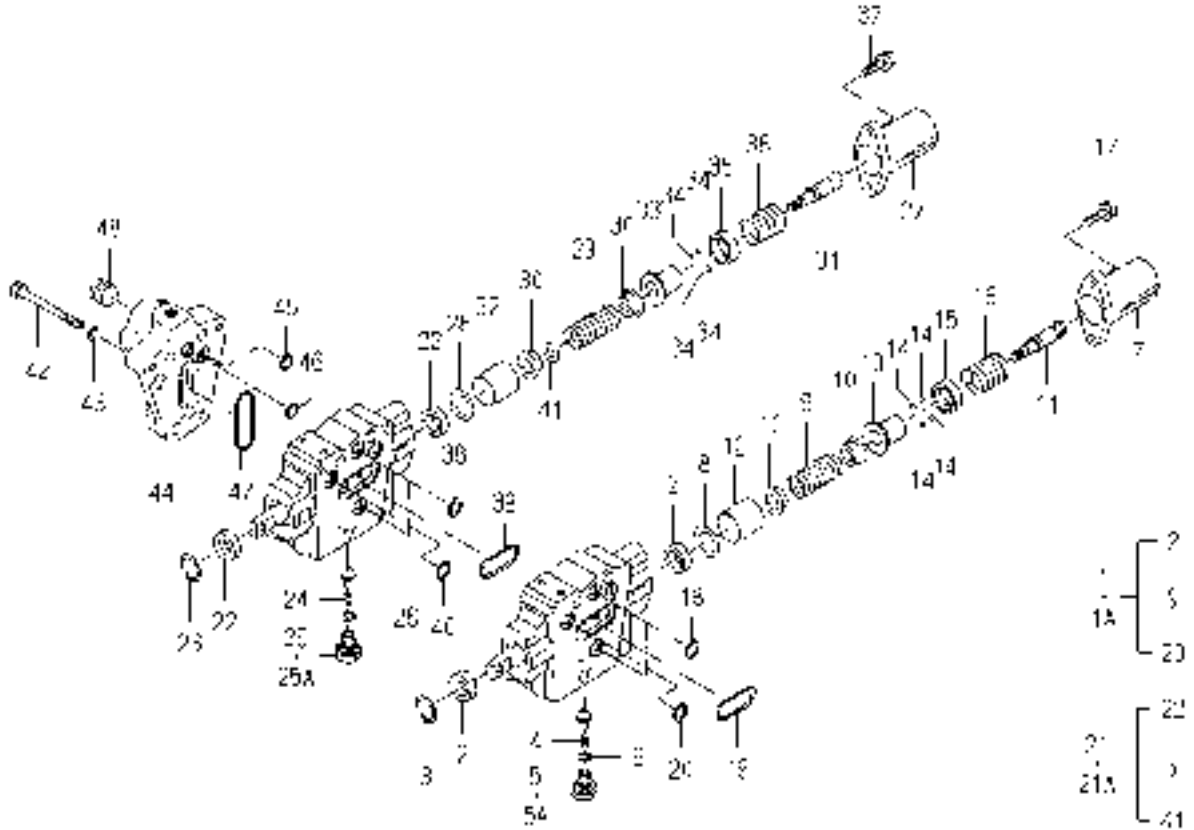
FIG.190 VALVE(REMOTE/2R)SET(OPTION)(J TYPE)



1772-512Z-0100

KEY	PART CODE	DESCRIPTION	S P C	TYPE OF MODEL			I T C	C O L	G R P	REMARKS
				TH4295	TH4335	TH4365				
1	1772-512-930-10	VALVE/REMOTE/2R SET	T		1	1	1			
2	1640-530-600-10	VALVE/CONTROL ASSY	T		2	2				FIG 200
3	V201-261-012-00	BOLT/M10X120	T		3	3				
4	V401-160-010-00	WASHER,SP/M10	T		3	3				
5	1773-512-210-00	HOLDER ASSY	T		2	2				
6	1560-509-211-00	BUSH/10X12X20	T		2	2				
7	V211-260-801-60	BOLT,SEMS (S) M8X16	T		4	4				
8	1773-512-910-20	ARM/1ST COMP	T		1	1				
9	1773-512-920-20	ARM/2ND COMP	T		1	1				
10	2144-519-007-00	PIN/06X31	T		2	2				
11	2130-601-018-00	PIN,SNAP/6	T		2	2				
12	1773-512-091-20	LEVER/AUX/1ST	T		1	1	1			
13	1773-512-092-10	LEVER/AUX/2ND	T		1	1				
14	V211-360-801-60	BOLT,SEMS (SP)	T		2	2				
15	1614-262-006-00	INSULATOR/LEVER/SUB	T		2	2				
16	3659-203-005-00	GRIP/03X17X74	T		2	2				
17	1640-530-003-00	CONNECTOR	T		2	2				
18	1640-530-009-00	CONNECTOR/L	T		1	1				
19	1759-512-270-00	ADAPTER/45B/G3/ ASSY	T		1	1				
20	V720-112-401-40	O-RING/P14	T		1	1				
21	1773-512-950-00	HOSE/965 ASSY	T		2	2				
22	1640-530-270-10	HOSE/660 COMP	T		1	1				
23	1744-512-260-00	HOSE/530 ASSY	T		1	1				
24	1725-514-002-00	PLATE/STOPPER	T		1	1				
25	V231-361-002-00	FLANGE BOLT	T		1	1				
26	3650-201-008-00	PROTECTOR,EDGE/120	T		1	1				
27	1560-314-001-10	TRIM/30	T		1	1				
28	1342-402-006-00	BAND/WIRE/250	T		1	1				
29	1689-502-250-00	ADAPTER/L/G3/8 ASSY	T		4	4				
30	V720-112-401-40	O-RING/P14	T		4	4				

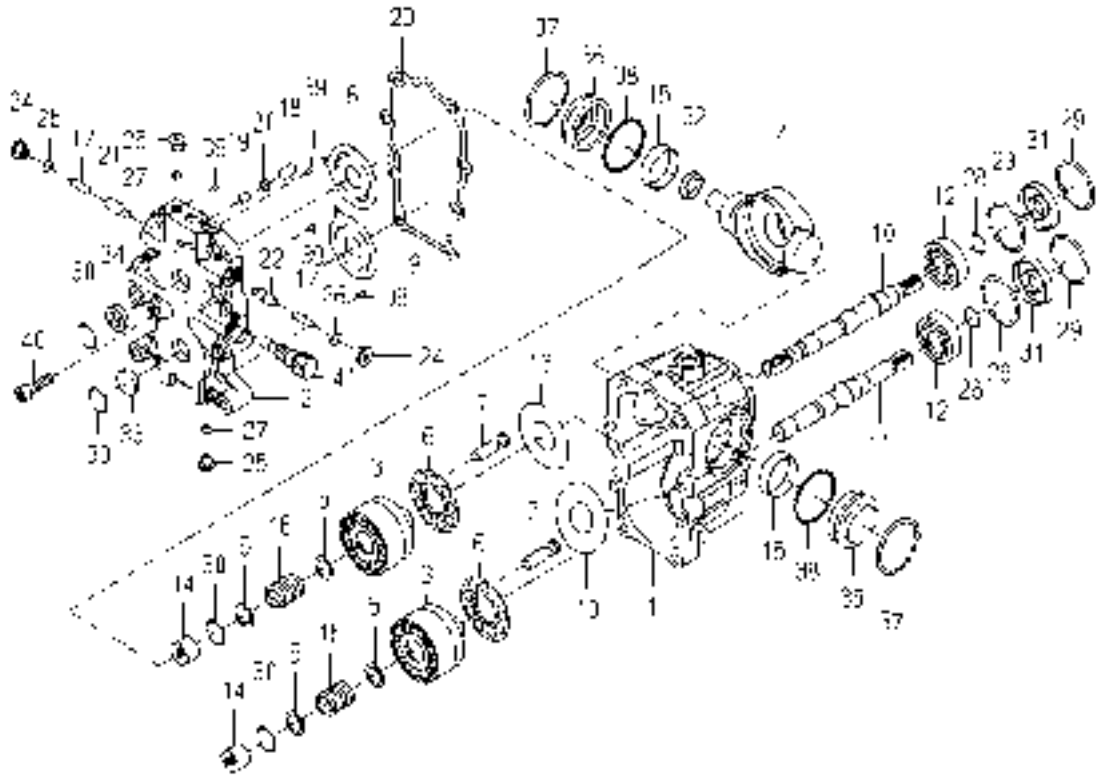
FIG.198 COMPONENT PARTS FOR K211-086-000-10 ON Fig.105,107,186,187



K211-086-000-1B

KEY	PART CODE	DESCRIPTION	S P C	TYPE OF MODEL			I T C	C O L	G R P	REMARKS
				TH4295	TH4335	TH4365				
1	K211-074-100-10	VALVE,BOOM SET	*	1 -59	1 -364					
1A	K211-074-100-20	VALVE/CONTROL/BOOM	*	1	1	1	1			
2	K211-004-007-00	SEAL,OIL/TC4,14247	*	2	2	2				
3	V705-140-024-00	RING,SNAP	*	1	1	1				
4	K110-001-106-00	SPRING	*	1	1	1				
5	K211-074-112-00	PLUG/M14	*	1 -55	1 -358					
5A	K211-074-112-10	PLUG/M14	*	1	1	1	1			
6	V720-112-401-20	O-RING/P12	*	1	1	1				
7	K211-074-103-10	COVER/DVS2/074	*	1	1	1				
8	3104-171-003-00	WASHER/19X28X02	*	1	1	1				
9	K211-074-110-00	SPRING/HC043	*	1	1	1				
10	K211-074-106-00	STOPPER,SPRING	*	2	2	2				
11	K211-074-104-10	HEAD/SPOOL/074/1	*	1	1	1				
12	K211-074-108-00	SLEEVE	*	1	1	1				
13	K211-074-105-00	SLEEVE/DETENT	*	1	1	1				
14	K211-074-115-00	STEELBALL	*	4	4	4				
15	K211-074-113-00	COLLAR	*	1	1	1				
16	K211-074-109-00	SPRING/HC029	*	1	1	1				
17	V120-266-002-00	SCREW,SEMS	*	2	2	2				
18	V720-112-401-20	O-RING/P12	*	2	2	2				
19	V720-113-503-20	RING/O	*	1	1	1				
20	V720-112-401-00	O-RING/P10	*	2	2	2				
21	K211-074-200-10	VALVE,BUCKET SET	*	1 -59	1 -364					
21A	K211-074-200-20	VALVE/CONTROL/BACKET	*	1	1	1	1			
22	K211-004-007-00	SEAL,OIL/TC4,14247	*	2	2	2				
23	V705-140-024-00	RING,SNAP	*	1	1	1				
24	K110-001-106-00	SPRING	*	1	1	1				
25	K211-074-112-00	PLUG/M14	*	1 -55	1 -358					
25A	K211-074-112-10	PLUG/M14	*	1	1	1	1			
26	V720-112-401-20	O-RING/P12	*	1	1	1				

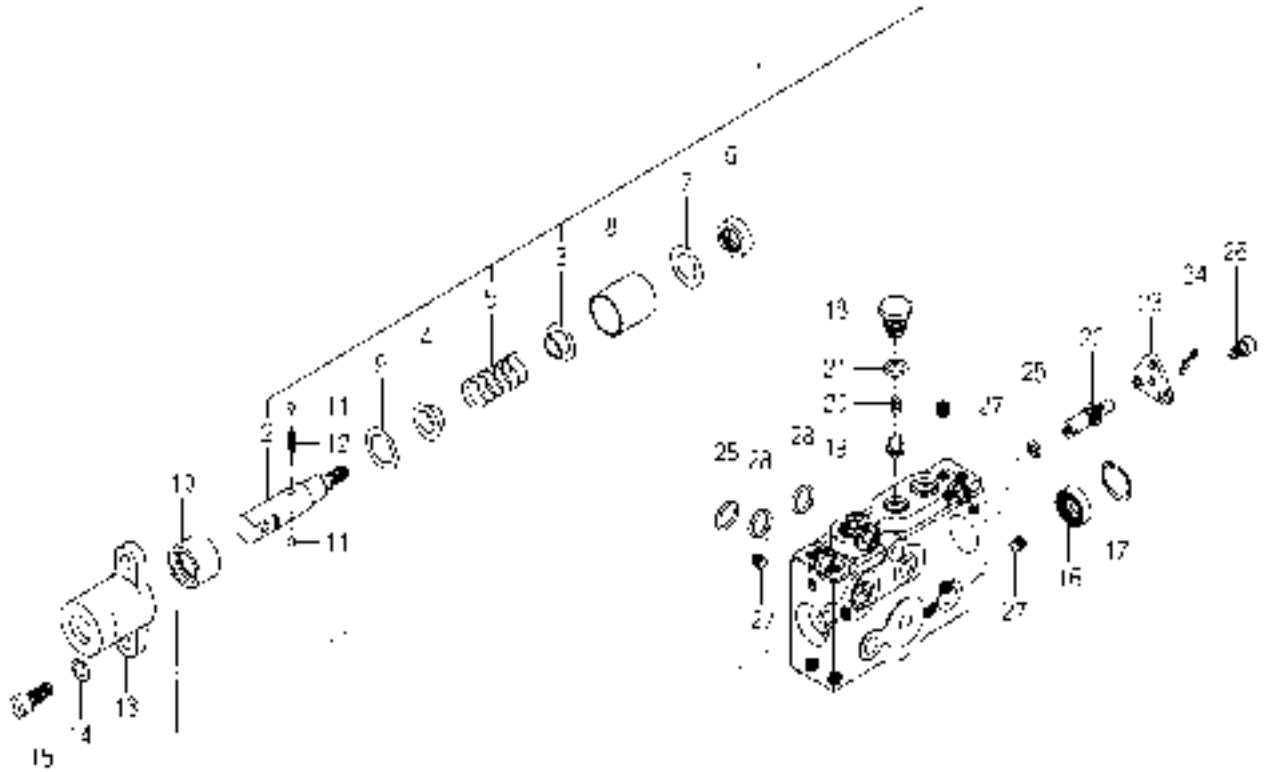
**FIG.199 COMPONENT PARTS
FOR K500-001-000-10 ON Fig.21**



K500-001-000-1H

KEY	PART CODE	DESCRIPTION	S P C	TYPE OF MODEL			I T C	C O L	G R P	REMARKS
				TH4295	TH4335	TH4365				
1	K500-001-001-00	CASE	*	1	1	1				
2	K500-001-004-00	BLOCK/PORT	*	1	1	1				
3	K500-001-005-00	BLOCK/CYLINDER	*	2	2	2				
4	K500-001-006-00	PLATE/SWASH	*	1	1	1				
5	K500-001-007-00	WASHER/23X31X2	*	4	4	4				
6	K500-001-008-00	PLATE/RETAINER	*	2	2	2				
7	K500-001-300-00	PISTON COMP	*	18	18	18				
8	K500-001-010-00	PLATE/VALVE/PUMP	*	1	1	1				
9	K500-001-011-00	PLATE/VALVE/MOTOR	*	1	1	1				
10	K500-001-012-10	SHAFT/PUMP	*	1	1	1				
11	K500-001-013-00	SHAFT/MOTOR	*	1	1	1				
12	V600-110-630-50	BEARING,RB/6305	*	2	2	2				
13	K500-001-015-00	PLATE/THRUST	*	2	2	2				
14	K510-001-016-00	NEEDLE	*	2	2	2				
15	K500-001-017-00	BUSH/50X55X14	*	2	2	2				
16	K500-001-019-00	SPRING/HC040	*	2	2	2				
17	K510-001-020-00	SPRING/HC030	*	2	2	2				
18	K510-003-021-00	SPRING/HC021	*	1	1	1				
19	K510-003-022-00	POPPET/RELIEF	*	1	1	1				
20	K510-003-037-00	PLATE/SPRING	*	1	1	1				
21	K500-001-023-00	POPPET/CHECK	*	1	1	1				
22	K510-005-024-00	POPPET/CHECK/1.3	*	1	1	1				
23	K500-001-026-00	GASKET	*	1	1	1				
24	K510-001-029-00	PLUG(G3/8)	*	2	2	2				
25	K275-001-003-00	PLUG(PF1/4)	*	5	5	5				
26	V720-112-401-40	O-RING/P14	*	2	2	2				
27	V720-112-401-10	RING/O	*	5	5	5				
28	V704-140-025-00	RING,SNAP/25 C	*	2	2	2				
29	1710-241-053-00	RING/SNAP/R62	*	4	4	4				
30	V705-140-032-00	RING,SNAP/32 C	*	4	4	4				

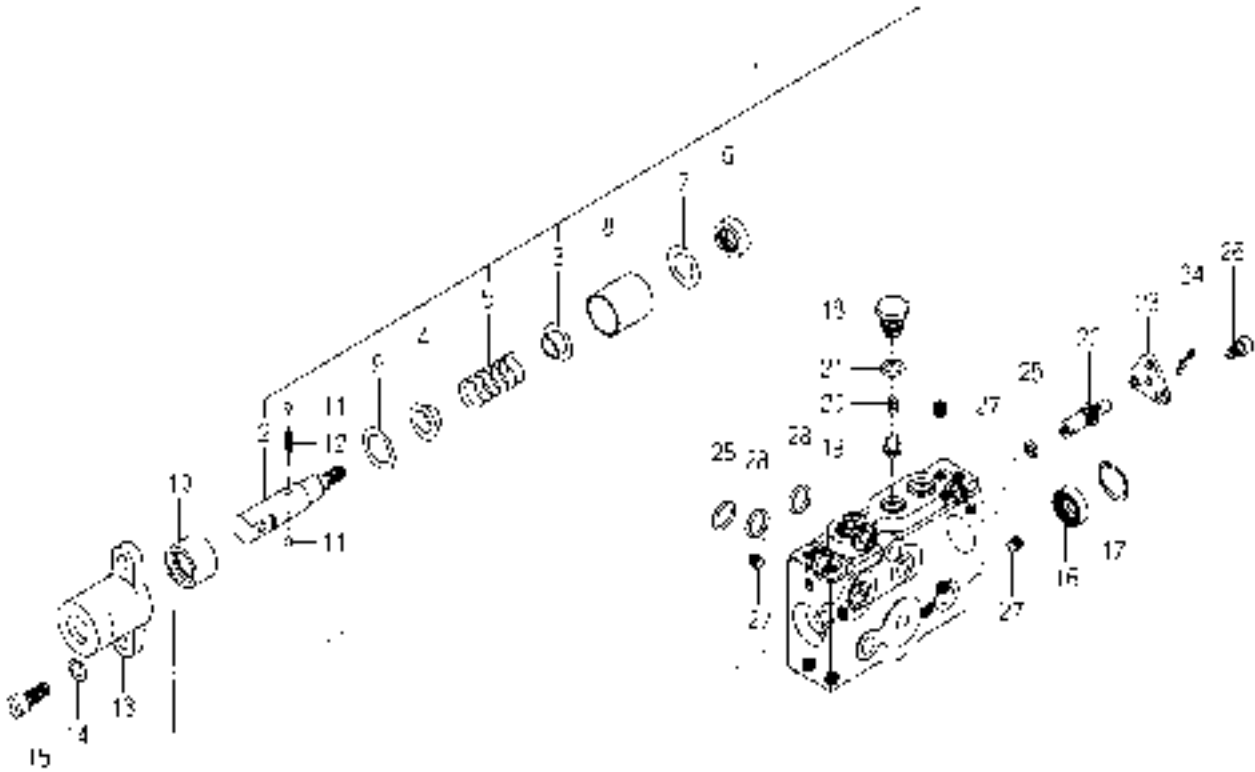
FIG.200 COMPONENT PARTS FOR 1640-530-600-10 ON Fig.188,189,190



1640-530-600-1D

KEY	PART CODE	DESCRIPTION	S P C	TYPE OF MODEL			I T C	C O L	G R P	REMARKS
				TH4295	TH4335	TH4365				
1	1640-530-610-10	VALVE SET	T	1	1					
1	1640-530-610-10	VALVE SET	T		2	2				
2	1640-530-613-00	HEAD/SPOOL	T	1	1					
2	1640-530-613-00	HEAD/SPOOL	T		2	2				
3	1640-530-614-00	STOPPER/SPRING/A	T	1	1					
3	1640-530-614-00	STOPPER/SPRING/A	T		2	2				
4	1640-530-615-00	STOPPER/SPRING/B	T	1	1					
4	1640-530-615-00	STOPPER/SPRING/B	T		2	2				
5	K211-012-006-00	SPRING/HC042	T	1	1					
5	K211-012-006-00	SPRING/HC042	T		2	2				
6	K211-004-007-00	SEAL,OIL/TC4,14247	T	1	1					
6	K211-004-007-00	SEAL,OIL/TC4,14247	T		2	2				
7	K211-004-006-00	COLLAR	T	1	1					
7	K211-004-006-00	COLLAR	T		2	2				
8	1640-530-622-00	SLEEVE	T	1	1					
8	1640-530-622-00	SLEEVE	T		2	2				
9	1640-530-623-00	COLLAR/19X28X02	T	1	1					
9	1640-530-623-00	COLLAR/19X28X02	T		2	2				
10	1640-530-624-00	SLEEVE/DETENT	T	1	1					
10	1640-530-624-00	SLEEVE/DETENT	T		2	2				
11	V682-200-000-60	BALL	T	2	2					
11	V682-200-000-60	BALL	T		4	4				
12	1640-530-625-00	SPRING/HC015	T	1	1					
12	1640-530-625-00	SPRING/HC015	T		2	2				
13	1640-530-626-00	COVER	T	1	1					
13	1640-530-626-00	COVER	T		2	2				
14	V401-160-008-00	WASHER,SP/M 8	T	2	2					
14	V401-160-008-00	WASHER,SP/M 8	T		4	4				
15	V220-540-802-00	SCREW/SOCKET	T	2	2					
15	V220-540-802-00	SCREW/SOCKET	T		4	4				

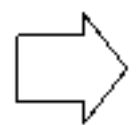
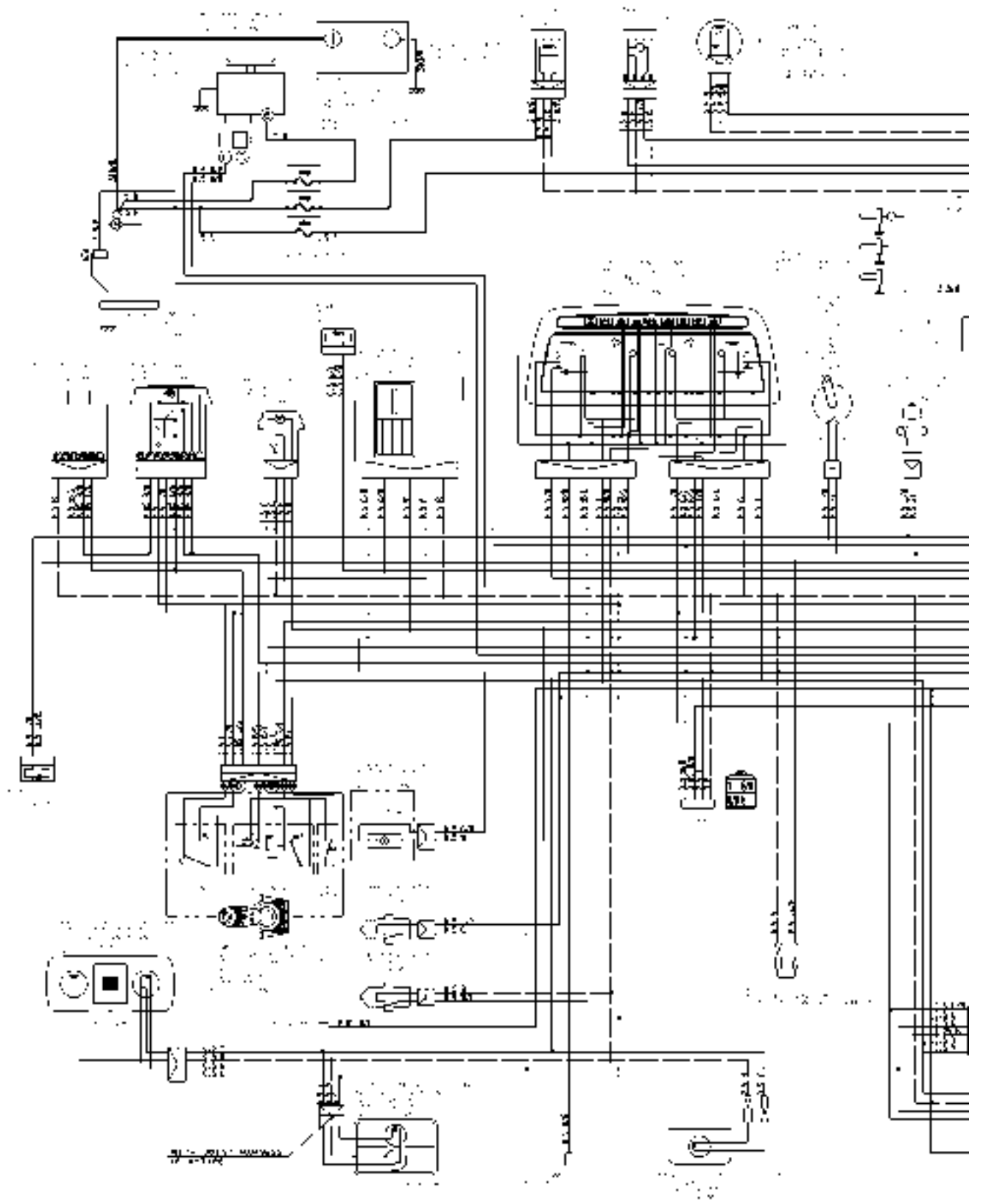
FIG.202 COMPONENT PARTS FOR 1719-511-350-00 ON Fig.108,109



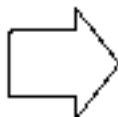
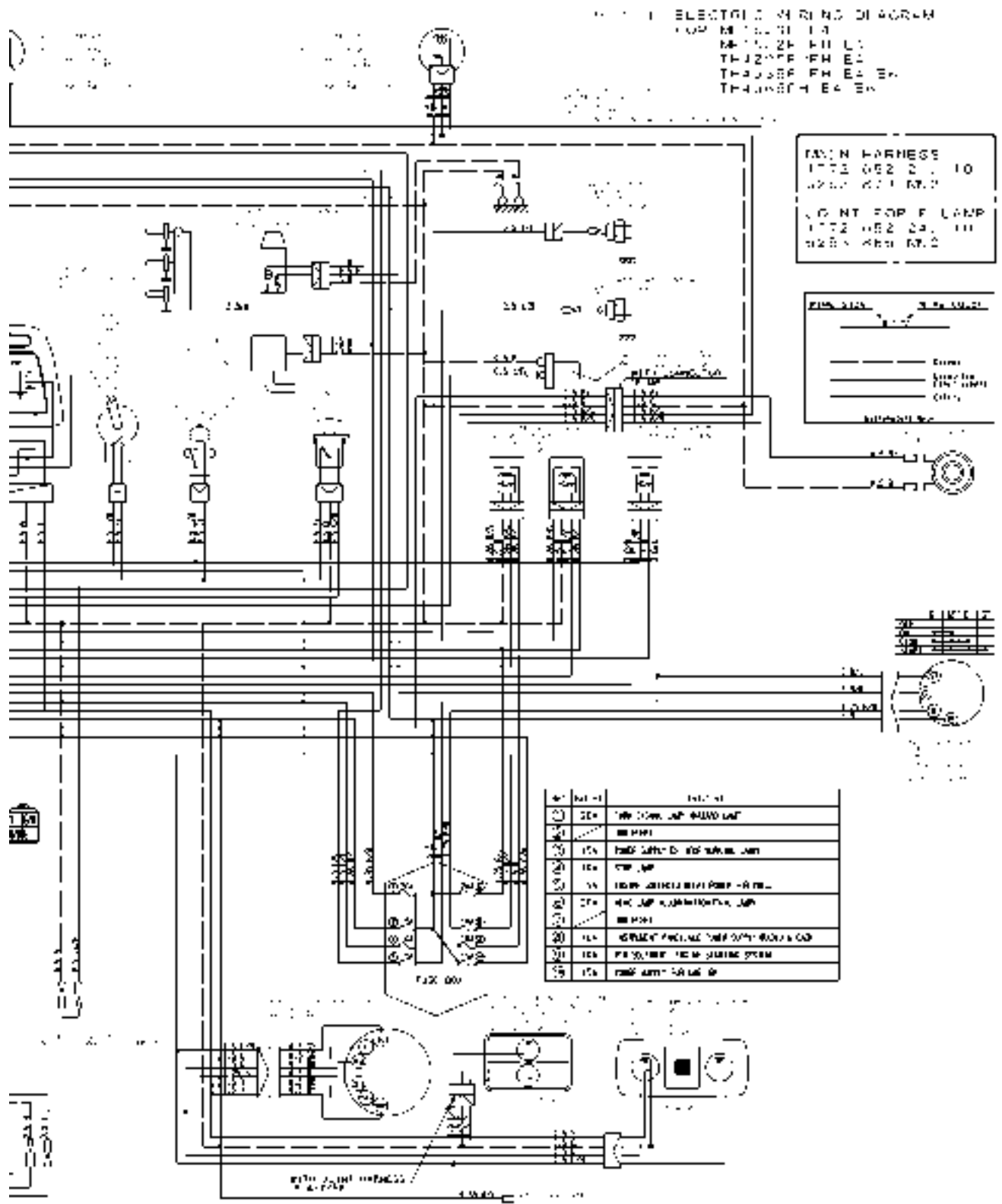
1719-511-350-0

KEY	PART CODE	DESCRIPTION	S P C	TYPE OF MODEL				I T C	C O L	G R P	REMARKS
				TH4295	TH4335	TH4365					
1	1640-530-610-10	VALVE SET	*	1	1						
1	1640-530-610-10	VALVE SET	*	2	2	2					
2	1640-530-613-00	HEAD/SPOOL	*	1	1						
2	1640-530-613-00	HEAD/SPOOL	*	2	2	2					
3	1640-530-614-00	STOPPER/SPRING/A	*	1	1						
3	1640-530-614-00	STOPPER/SPRING/A	*	2	2	2					
4	1640-530-615-00	STOPPER/SPRING/B	*	1	1						
4	1640-530-615-00	STOPPER/SPRING/B	*	2	2	2					
5	K211-012-006-00	SPRING/HC042	*	1	1						
5	K211-012-006-00	SPRING/HC042	*	2	2	2					
6	K211-004-007-00	SEAL,OIL/TC4,14247	*	1	1						
6	K211-004-007-00	SEAL,OIL/TC4,14247	*	2	2	2					
7	K211-004-006-00	COLLAR	*	1	1						
7	K211-004-006-00	COLLAR	*	2	2	2					
8	1640-530-622-00	SLEEVE	*	1	1						
8	1640-530-622-00	SLEEVE	*	2	2	2					
9	1640-530-623-00	COLLAR/19X28X02	*	1	1						
9	1640-530-623-00	COLLAR/19X28X02	*	2	2	2					
10	1640-530-624-00	SLEEVE/DETENT	*	1	1						
10	1640-530-624-00	SLEEVE/DETENT	*	2	2	2					
11	V682-200-000-60	BALL	*	2	2						
11	V682-200-000-60	BALL	*	4	4	4					
12	1640-530-625-00	SPRING/HC015	*	1	1						
12	1640-530-625-00	SPRING/HC015	*	2	2	2					
13	1640-530-626-00	COVER	*	1	1						
13	1640-530-626-00	COVER	*	2	2	2					
14	V401-160-008-00	WASHER,SP/M 8	*	2	2						
14	V401-160-008-00	WASHER,SP/M 8	*	4	4	4					
15	V220-540-802-00	SCREW/SOCKET	*	2	2						
15	V220-540-802-00	SCREW/SOCKET	*	4	4	4					

WIRING DIAGRAM(1/2)



WIRING DIAGRAM(2/2)



Numerical Index

6008-097-280-00

Part Code	Fig. Key	Part Code	Fig. Key	Part Code	Fig. Key
1373-121-001-00	24 4	6209-610-009-00	6 5	6211-510-008-00	6 12
1650-650-015-00	10 13	6209-625-003-20	6 16	6211-511-007-00	6 13
1650-780-011-10	18 21		26 10	6211-511-008-00	6 14
3640-586-004-00	22 5	6209-625-006-00	10 7	6211-530-008-00	7 1
3748-172-007-00	10 38		26 12	6211-540-008-00	7 3
3805-355-002-20	8 5	6209-630-002-10	25 8	6211-599-004-00	6 15
3817-401-001-00	10 9		26 22		7 2
	12 20	6209-730-005-00	13 3		7 4
	18 19		21 10	6211-749-016-20	6 34
	21 7	6209-730-006-00	16 4	6211-751-001-10	3 5
6008-010-064-00	1 1	6209-740-005-00	6 19	6211-751-002-00	6 32
6115-639-008-00	28 51	6209-740-006-00	10 25	6211-759-001-00	6 35
6209-000-005-00	2 7	6209-749-001-20	6 17	6211-760-057-00	6 30
6209-000-006-00	6 2		10 44	6211-766-025-00	6 31
6209-000-024-00	16 13	6209-800-010-00	21 12	6211-777-021-00	11 2
6209-000-041-00	16 9	6209-800-011-00	10 47	6212-111-096-10	14 1
6209-030-043-00	21 16	6209-920-002-00	10 19	6212-114-096-10	15 1
6209-030-091-00	9 4	6211-110-096-20	2 1	6212-116-096-10	15 3
6209-030-097-00	18 25	6211-141-057-10	2 6	6212-121-028-20	14 2
6209-046-059-00	24 5		26 3	6212-124-028-20	15 2
6209-050-001-00	10 32	6211-170-007-30	3 1	6212-126-028-20	15 4
6209-050-002-00	10 33	6211-173-005-00	3 6	6212-211-002-00	14 3
6209-300-014-00	2 8		26 4	6212-230-010-20	14 5
6209-360-011-00	22 3	6211-179-011-20	3 2	6212-235-004-10	14 6
6209-360-084-00	18 14	6211-210-087-10	6 1	6212-271-009-00	14 7
6209-360-109-10	3 9	6211-258-001-00	6 10	6212-273-009-00	7 5
6209-409-001-00	10 17		26 8	6212-274-009-00	7 6
6209-440-005-00	25 5	6211-258-002-00	6 11	6212-310-043-10	16 1
6209-490-002-10	3 7		26 9	6212-330-075-10	16 5
6209-500-003-00	10 15	6211-291-010-00	3 3	6212-333-002-00	16 6
	10 24	6211-291-015-20	6 26	6212-339-009-10	16 10
	26 13	6211-292-001-20	6 27	6212-371-030-00	16 11
6209-572-003-00	3 8		26 11	6212-379-006-00	16 12
	26 5	6211-310-028-00	10 1	6212-511-005-00	13 1
6209-580-002-10	21 26	6211-311-029-30	10 39	6212-521-008-00	16 3
6209-600-004-00	10 23	6211-312-012-10	10 26	6212-522-004-10	13 2
6209-605-003-20	10 2		26 14	6212-523-021-00	13 6
6209-605-004-10	2 3	6211-312-013-10	10 40	6212-524-012-30	21 9
	6 8		26 15	6212-530-017-00	10 46
6209-605-007-10	6 7	6211-319-003-00	10 42	6212-531-008-30	6 9
6209-610-001-10	6 4	6211-341-069-00	9 1	6212-535-007-00	13 4
6209-610-003-00	2 2	6211-342-003-10	9 2	6212-535-009-00	21 13
	6 6	6211-361-080-10	8 1	6212-551-019-00	12 1
6209-610-004-00	10 3	6211-367-010-00	8 3	6212-552-008-00	12 2
6209-610-007-00	6 3	6211-369-026-20	8 2	6212-561-003-00	12 3

Numerical Index

6008-097-280-00

Part Code	Fig. Key	Part Code	Fig. Key	Part Code	Fig. Key
6212-563-001-00	12 4	6213-660-003-10	19 1	6215-359-003-00	27 17
6212-565-001-00	12 5	6213-669-006-00	19 3	6215-359-004-00	27 18
6212-569-002-00	2 4	6213-669-013-00	19 4	6215-359-006-00	28 53
	26 2	6213-671-032-00	19 6	6215-411-136-00	22 2
6212-571-002-30	12 6	6213-674-015-20	24 2	6215-411-171-00	20 6
6212-575-005-30	12 7	6213-711-008-00	18 30	6215-411-172-00	20 7
6212-600-019-00	12 8	6213-716-009-10	18 22	6215-411-173-00	20 8
6212-611-014-00	12 9	6213-719-005-10	18 23	6215-412-004-00	22 1
6212-620-017-00	12 10	6213-719-007-00	25 3	6215-419-028-00	20 9
6212-626-003-00	12 11	6213-721-005-00	18 13	6215-520-007-10	21 15
6212-628-022-00	12 12	6213-721-007-00	6 24	6215-526-004-00	21 17
6212-628-023-00	12 13	6213-729-011-00	18 33	6215-531-019-00	21 23
6212-629-006-00	12 14	6213-729-015-40	18 20	6215-537-002-10	21 32
6212-629-007-00	12 15	6213-743-002-10	18 26	6215-541-001-10	21 18
6212-629-008-00	12 16		26 19	6215-541-016-40	23 2
6212-629-009-00	12 17	6213-743-004-20	18 24	6215-541-024-50	21 24
6212-629-010-00	12 18		26 20	6215-542-004-20	10 20
6213-100-004-30	17 1	6213-770-002-00	18 29	6215-542-005-20	10 22
6213-111-002-20	17 2	6214-110-003-00	4 1	6215-542-006-00	21 20
6213-119-001-00	17 6	6214-115-003-10	4 2	6215-543-002-10	21 19
6213-120-002-30	17 3		26 6	6215-546-003-10	10 16
6213-125-002-10	17 4	6214-141-044-00	5 1	6215-548-067-00	23 1
6213-129-003-00	17 5	6214-145-004-20	5 2	6215-549-007-10	21 27
6213-129-006-00	6 18		26 7	6215-549-013-00	6 29
6213-140-017-10	17 8	6215-300-045-10	20 1	6215-549-031-10	21 22
6213-149-003-20	17 10	6215-311-036-00	27 16	6215-549-039-00	21 31
6213-160-005-00	10 27	6215-315-002-00	20 2	6215-600-104-20	21 1
6213-161-003-10	10 28	6215-315-005-00	20 4	6215-611-015-00	28 1
6213-164-001-00	10 29	6215-315-006-00	20 3	6215-619-023-00	28 50
6213-240-005-10	17 12	6215-315-007-00	20 5	6215-619-024-00	28 52
6213-319-013-10	6 25	6215-330-028-00	27 1	6215-621-017-10	21 8
6213-610-009-50	18 1	6215-332-014-00	27 15	6215-622-003-00	28 11
6213-611-004-10	18 2	6215-339-004-00	27 14	6215-629-017-00	28 12
6213-612-007-00	18 9	6215-342-013-00	27 13	6215-629-035-00	28 13
6213-613-004-00	18 8	6215-343-010-00	27 12	6215-629-036-00	28 25
6213-619-002-00	18 12	6215-345-044-00	27 2	6215-629-037-00	28 26
6213-619-003-00	18 10	6215-345-045-00	27 3	6215-629-038-00	28 27
6213-619-009-00	18 3	6215-345-046-00	27 4	6215-629-039-00	28 28
6213-619-012-00	18 11	6215-345-047-00	27 5	6215-629-040-00	28 29
6213-619-014-00	18 15	6215-345-048-00	27 6	6215-629-041-00	28 30
6213-621-004-00	18 7	6215-345-049-00	27 7	6215-629-042-00	28 31
6213-622-002-10	18 6	6215-345-050-00	27 8	6215-629-043-00	28 32
6213-631-004-10	18 4	6215-345-051-00	27 9	6215-629-044-00	28 33
6213-641-007-10	19 2	6215-345-052-00	27 10	6215-629-045-00	28 34
6213-642-001-00	18 5	6215-345-053-00	27 11	6215-629-046-00	28 35

Numerical Index

6008-097-280-00

Part Code	Fig. Key	Part Code	Fig. Key	Part Code	Fig. Key
6215-629-047-00	28 36	6281-116-004-00	29 11	6282-450-006-00	25 2
6215-629-048-00	28 37	6281-121-006-00	29 2	6287-810-055-00	26 1
6215-629-049-00	28 38	6281-123-005-00	29 8	6294-453-002-00	6 23
6215-629-050-00	28 39	6281-124-007-10	29 5	6509-030-037-00	5 4
6215-629-051-00	28 40	6281-129-003-00	29 19	6581-117-007-00	29 12
6215-629-052-00	28 41	6281-129-038-00	29 3	6581-129-092-00	29 17
6215-629-053-00	28 42	6281-129-039-00	29 4	6581-129-099-00	29 6
6215-629-054-00	28 43	6281-129-040-00	29 7	6901-910-612-00	13 5
6215-629-055-00	28 44	6281-129-042-00	29 15		21 14
6215-629-056-00	28 45	6281-129-043-00	29 16	6901-910-840-00	8 8
6215-629-058-00	28 46	6281-129-044-00	29 18		18 18
6215-629-059-00	28 47	6281-129-045-10	29 9	6901-911-020-00	11 1
6215-629-060-00	28 17	6281-129-062-00	29 14	6902-050-816-00	10 41
6215-629-061-00	28 18	6281-151-023-00	29 13	6904-110-822-00	6 22
6215-629-062-00	28 19	6281-200-020-00	24 1		10 4
6215-629-063-00	28 20	6281-213-017-00	30 7		10 45
6215-629-064-00	28 21	6281-214-003-00	30 12	6904-110-850-00	6 20
6215-629-065-00	28 22	6281-214-004-00	30 13		10 5
6215-629-066-00	28 23	6281-215-001-00	30 17	6904-110-855-00	10 6
6215-629-067-00	28 24	6281-216-001-00	30 18	6904-411-025-00	5 5
6215-631-015-00	28 2	6281-217-003-00	30 16	6909-111-508-00	29 21
6215-634-003-00	28 14	6281-221-007-00	30 4	6909-950-115-00	14 4
6215-635-004-00	28 8	6281-222-012-00	30 1	J061-220-024-00	18 34
6215-635-005-00	28 49	6281-229-002-00	30 2	J062-076-082-00	22 4
6215-637-004-00	28 48	6281-229-003-00	30 3	P117-303-003-00	10 21
6215-639-008-00	28 15	6281-229-004-00	30 5	V195-164-008-30	3 4
6215-639-009-00	28 16	6281-229-006-00	30 8	V201-361-204-00	24 8
6215-641-002-00	28 3	6281-229-007-00	30 9	V210-560-602-00	18 32
6215-643-005-00	28 4	6281-229-008-00	30 10	V210-560-603-50	8 4
6215-644-009-00	28 6	6281-229-011-00	30 15		8 7
6215-649-008-00	28 5	6281-229-012-00	30 19	V211-560-802-50	5 3
6215-649-011-00	28 10	6281-229-013-00	30 20	V220-540-601-60	25 9
6215-649-013-00	28 9	6281-229-014-00	30 21	V220-540-602-00	17 7
6215-649-014-00	28 7	6281-229-015-00	30 22	V230-360-601-20	6 28
6219-310-003-20	10 35	6281-229-016-00	30 23	V230-360-601-60	10 37
6219-732-017-00	25 6	6281-229-017-00	30 24	V230-360-606-50	19 5
6219-752-044-00	21 3	6281-229-018-00	30 25	V231-360-801-60	10 10
6219-752-045-00	21 2	6281-229-029-00	30 14		17 11
6219-752-046-00	21 4	6281-229-032-00	30 6	V231-360-802-00	21 6
6219-752-047-00	21 5	6281-229-033-00	30 11		24 3
6281-100-007-20	24 7	6281-229-041-00	29 22	V231-360-802-50	4 3
6281-111-005-00	29 1	6281-271-002-00	30 26		18 27
6281-115-010-00	29 23	6281-410-023-10	25 4	V231-360-803-00	10 14
6281-115-011-00	29 10	6281-910-011-00	25 7	V231-360-805-00	10 11
6281-115-016-00	29 20	6281-971-003-00	25 1		18 17

Part Code	Fig. Key	Part Code	Fig. Key	Part Code	Fig. Key
V231-360-805-50	12 19				
V231-360-806-00	10 12				
V231-360-807-50	18 28				
V231-360-809-00	10 8				
V251-340-806-00	6 21				
V301-260-006-00	10 34				
	21 28				
V304-260-008-00	10 48				
	10 50				
V334-260-010-00	24 6				
V341-120-008-00	10 18				
V401-160-006-00	21 30				
	25 10				
V401-160-008-00	10 49				
	10 51				
V401-160-012-00	24 9				
V411-260-006-00	21 29				
V523-100-601-80	16 7				
V523-101-001-80	9 3				
	16 2				
V600-110-620-30	21 11				
V600-350-600-20	16 8				
V682-200-000-60	2 5				
V705-140-012-00	10 30				
V710-140-004-00	21 21				
V720-101-900-80	21 25				
V720-102-401-80	8 6				
	10 31				
V720-103-502-20	17 9				
	26 17				
V720-103-502-50	6 33				
V721-113-105-00	18 16				
	26 18				
V723-102-002-40	10 36				
V723-102-005-00	10 43				
V723-102-006-30	18 31				
	26 16				
	26 21				

Numerical Index

6005-097-990-00

Part Code	Fig. Key	Part Code	Fig. Key	Part Code	Fig. Key
1373-121-001-00	28 4	6209-610-007-00	6 3	6211-311-013-20	12 39
1650-650-015-00	12 15		7 3	6211-312-005-10	12 28
3640-586-004-00	25 5	6209-610-009-00	6 5		30 14
3805-355-002-20	9 2		7 5	6211-312-006-10	12 40
	10 2	6209-625-002-00	12 7		30 15
3817-401-001-00	12 11		30 12	6211-319-003-00	12 42
	14 20	6209-625-003-20	6 15	6211-341-069-00	11 1
	21 14		7 15	6211-342-003-10	11 2
	21 20		30 10	6211-361-022-20	9 1
	24 7	6209-630-002-10	29 7	6211-361-038-10	10 1
6005-010-139-00	1 1		30 22	6211-510-008-00	6 11
6115-639-008-00	32 51	6209-730-005-00	15 3		7 11
6209-000-005-00	2 7		24 10	6211-511-007-00	6 12
6209-000-006-00	6 2	6209-730-006-00	18 4		7 12
	7 2	6209-740-005-00	6 18	6211-511-008-00	6 13
6209-000-041-00	18 9		7 18		7 13
6209-000-043-00	18 12	6209-740-006-00	12 27	6211-530-008-00	8 1
6209-030-043-00	24 16	6209-749-001-20	6 16	6211-540-008-00	8 3
6209-030-091-00	11 4		7 16	6211-599-004-00	6 14
6209-046-007-00	22 4		12 44		7 14
6209-050-001-00	12 33	6209-800-010-00	24 12		8 2
6209-050-002-00	12 34	6209-800-011-00	12 47		8 4
6209-300-014-00	2 8	6209-920-002-00	12 21	6211-749-016-20	6 33
6209-360-011-00	25 3	6211-110-084-20	2 1		7 33
6209-360-109-10	3 9	6211-141-057-10	2 6	6211-751-001-10	3 5
6209-409-001-00	12 19		30 3	6211-751-002-00	6 31
6209-440-005-00	29 4	6211-170-007-30	3 1		7 31
6209-490-002-10	3 7	6211-173-005-00	3 6	6211-759-001-00	6 34
6209-500-003-00	12 17		30 4		7 34
	12 26	6211-179-011-20	3 2	6211-760-041-20	6 29
	30 13	6211-210-081-10	6 1	6211-760-052-10	7 29
6209-572-003-00	3 8		7 1	6211-766-033-00	6 30
	30 5	6211-258-001-00	6 9		7 30
6209-580-002-10	24 26		7 9	6211-777-021-00	13 2
6209-600-004-00	12 25		30 8	6212-111-095-30	16 1
6209-605-003-20	12 2	6211-258-002-00	6 10	6212-114-095-30	17 1
6209-605-004-10	2 3		7 10	6212-116-095-30	17 3
6209-605-007-10	6 7		30 9	6212-121-028-20	16 2
	7 7	6211-291-010-00	3 3	6212-124-028-20	17 2
6209-610-001-10	6 4	6211-291-015-20	6 25	6212-126-028-20	17 4
	7 4		7 25	6212-211-002-00	16 3
6209-610-003-00	2 2	6211-292-001-20	6 26	6212-230-011-30	16 5
	6 6		7 26	6212-235-004-10	16 6
	7 6		30 11	6212-271-009-00	16 7
6209-610-004-00	12 3	6211-310-063-00	12 1	6212-273-009-00	8 5

Numerical Index

6005-097-990-00

Part Code	Fig. Key	Part Code	Fig. Key	Part Code	Fig. Key
6212-274-009-00	8 6	6213-125-002-10	20 4	6213-743-002-10	30 20
6212-310-011-40	18 1	6213-129-003-00	19 5	6214-110-003-00	4 1
6212-330-075-10	18 5		20 5	6214-115-003-10	4 2
6212-333-002-00	18 6	6213-129-006-00	6 17		30 6
6212-339-009-10	18 10		7 17	6214-141-044-00	5 1
6212-371-056-10	18 11	6213-140-012-00	19 8	6214-145-004-20	5 2
6212-511-005-00	15 1	6213-140-013-00	20 8		30 7
6212-521-008-00	18 3	6213-149-003-20	19 10	6215-300-045-10	23 1
6212-522-004-10	15 2		20 10	6215-311-036-00	31 16
6212-523-021-00	15 6	6213-160-005-00	12 29	6215-315-002-00	23 2
6212-524-012-30	24 9	6213-161-003-10	12 30	6215-315-005-00	23 4
6212-530-017-00	12 46	6213-164-001-00	12 31	6215-315-006-00	23 3
6212-531-008-30	6 8	6213-240-002-10	19 12	6215-315-007-00	23 5
	7 8		20 12	6215-330-028-00	31 1
6212-535-007-00	15 4	6213-319-001-00	6 24	6215-332-014-00	31 15
6212-535-009-00	24 13		7 24	6215-339-004-00	31 14
6212-551-020-10	14 1	6213-610-011-10	21 1	6215-342-013-00	31 13
6212-552-008-00	14 2	6213-611-006-00	21 2	6215-343-010-00	31 12
6212-561-003-00	14 3	6213-612-004-00	21 9	6215-345-044-00	31 2
6212-563-001-00	14 4	6213-613-002-10	21 8	6215-345-045-00	31 3
6212-565-001-00	14 5	6213-614-013-00	21 13	6215-345-046-00	31 4
6212-569-002-00	2 4		30 18	6215-345-047-00	31 5
	30 2	6213-614-014-00	21 16	6215-345-048-00	31 6
6212-571-002-30	14 6		30 19	6215-345-049-00	31 7
6212-575-003-00	14 7	6213-619-002-00	21 11	6215-345-050-00	31 8
6212-600-019-00	14 8	6213-619-003-00	21 10	6215-345-051-00	31 9
6212-611-014-00	14 9	6213-619-006-00	21 15	6215-345-052-00	31 10
6212-620-017-00	14 10	6213-619-009-00	21 12	6215-345-053-00	31 11
6212-626-003-00	14 11	6213-621-003-00	21 6	6215-359-003-00	31 17
6212-628-022-00	14 12	6213-622-002-10	21 5	6215-359-004-00	31 18
6212-628-023-00	14 13	6213-631-002-00	21 3	6215-359-006-00	32 53
6212-629-006-00	14 14	6213-631-005-00	21 4	6215-411-133-00	23 6
6212-629-007-00	14 15	6213-641-022-10	22 2	6215-411-134-00	23 7
6212-629-008-00	14 16	6213-642-002-00	21 7	6215-411-135-00	23 8
6212-629-009-00	14 17	6213-660-015-00	22 1	6215-411-136-00	25 2
6212-629-010-00	14 18	6213-669-009-00	22 3	6215-412-004-00	25 1
6213-100-004-30	19 1	6213-671-029-00	22 5	6215-520-007-10	24 15
	20 1	6213-674-006-20	28 2	6215-526-004-00	24 17
6213-111-002-20	19 2	6213-711-003-20	21 28	6215-531-010-00	24 23
	20 2	6213-716-004-10	21 23	6215-537-002-10	24 32
6213-119-001-00	19 6	6213-721-007-00	6 23	6215-541-001-10	24 18
	20 6		7 23	6215-541-016-40	26 2
6213-120-002-30	19 3	6213-729-011-00	21 31		27 2
	20 3	6213-729-013-10	21 21	6215-541-045-10	24 24
6213-125-002-10	19 4	6213-743-002-10	21 24	6215-542-004-20	12 22

Numerical Index

6005-097-990-00

Part Code	Fig. Key	Part Code	Fig. Key	Part Code	Fig. Key
6215-542-005-20	12 24	6215-629-063-00	32 20	6281-213-017-00	34 7
6215-542-006-00	24 20	6215-629-064-00	32 21	6281-214-003-00	34 12
6215-543-002-10	24 19	6215-629-065-00	32 22	6281-214-004-00	34 13
6215-546-003-10	12 18	6215-629-066-00	32 23	6281-215-001-00	34 17
6215-548-061-00	26 1	6215-629-067-00	32 24	6281-216-001-00	34 18
6215-548-069-00	27 1	6215-631-015-00	32 2	6281-217-003-00	34 16
6215-549-013-00	6 28	6215-634-003-00	32 14	6281-221-007-00	34 4
	7 28	6215-635-004-00	32 8	6281-222-012-00	34 1
6215-549-031-10	24 22	6215-635-005-00	32 49	6281-229-002-00	34 2
6215-549-039-00	24 31	6215-637-004-00	32 48	6281-229-003-00	34 3
6215-549-076-10	24 27	6215-639-008-00	32 15	6281-229-004-00	34 5
6215-600-104-20	24 1	6215-639-009-00	32 16	6281-229-006-00	34 8
6215-611-015-00	32 1	6215-641-002-00	32 3	6281-229-007-00	34 9
6215-619-023-00	32 50	6215-643-005-00	32 4	6281-229-008-00	34 10
6215-619-024-00	32 52	6215-644-009-00	32 6	6281-229-011-00	34 15
6215-621-017-10	24 8	6215-649-008-00	32 5	6281-229-012-00	34 19
6215-622-003-00	32 11	6215-649-011-00	32 10	6281-229-013-00	34 20
6215-629-017-00	32 12	6215-649-013-00	32 9	6281-229-014-00	34 21
6215-629-035-00	32 13	6215-649-014-00	32 7	6281-229-015-00	34 22
6215-629-036-00	32 25	6219-310-003-20	12 36	6281-229-016-00	34 23
6215-629-037-00	32 26	6219-732-017-00	29 5	6281-229-017-00	34 24
6215-629-038-00	32 27	6219-752-044-00	24 3	6281-229-018-00	34 25
6215-629-039-00	32 28	6219-752-045-00	24 2	6281-229-029-00	34 14
6215-629-040-00	32 29	6219-752-046-00	24 4	6281-229-032-00	34 6
6215-629-041-00	32 30	6219-752-047-00	24 5	6281-229-033-00	34 11
6215-629-042-00	32 31	6281-100-007-20	28 7	6281-229-041-00	33 22
6215-629-043-00	32 32	6281-111-005-00	33 1	6281-271-002-00	34 26
6215-629-044-00	32 33	6281-115-010-00	33 23	6281-410-023-10	29 3
6215-629-045-00	32 34	6281-115-011-00	33 10	6281-910-011-00	29 6
6215-629-046-00	32 35	6281-115-016-00	33 20	6281-971-003-00	29 1
6215-629-047-00	32 36	6281-116-004-00	33 11	6282-450-006-00	29 2
6215-629-048-00	32 37	6281-121-006-00	33 2	6287-810-040-00	30 1
6215-629-049-00	32 38	6281-123-005-00	33 8	6294-453-002-00	6 22
6215-629-050-00	32 39	6281-124-007-10	33 5		7 22
6215-629-051-00	32 40	6281-129-003-00	33 19	6509-030-037-00	5 4
6215-629-052-00	32 41	6281-129-038-00	33 3	6513-770-022-10	21 27
6215-629-053-00	32 42	6281-129-039-00	33 4	6581-117-007-00	33 12
6215-629-054-00	32 43	6281-129-040-00	33 7	6581-129-092-00	33 17
6215-629-055-00	32 44	6281-129-042-00	33 15	6581-129-099-00	33 6
6215-629-056-00	32 45	6281-129-043-00	33 16	6901-910-612-00	15 5
6215-629-058-00	32 46	6281-129-044-00	33 18		24 14
6215-629-059-00	32 47	6281-129-045-10	33 9	6901-911-020-00	13 1
6215-629-060-00	32 17	6281-129-062-00	33 14	6901-931-240-00	28 8
6215-629-061-00	32 18	6281-151-023-00	33 13	6902-050-816-00	12 41
6215-629-062-00	32 19	6281-200-020-00	28 1	6904-110-822-00	6 21

Numerical Index

6005-097-990-00

Part Code	Fig. Key	Part Code	Fig. Key	Part Code	Fig. Key
6904-110-822-00	7 21	V251-340-806-00	7 20		
	12 4	V301-260-006-00	12 35		
	12 45		24 28		
6904-110-840-00	6 19	V304-260-008-00	12 48		
	7 19		12 50		
	21 17	V334-260-010-00	28 6		
6904-110-850-00	12 6	V341-120-008-00	12 20		
6904-110-855-00	12 5	V401-160-006-00	24 30		
6904-411-025-00	5 5		29 9		
6909-111-508-00	33 21	V401-160-008-00	12 49		
6909-950-115-00	16 4		12 51		
J061-210-015-00	21 22	V411-260-006-00	24 29		
J061-220-024-00	21 32	V523-100-601-80	18 7		
J062-076-082-00	25 4	V523-101-001-80	11 3		
P117-303-003-00	12 23		18 2		
V195-164-008-30	3 4	V600-110-620-30	24 11		
V210-560-603-50	10 4	V600-350-600-20	18 8		
V211-560-802-50	5 3	V682-200-000-60	2 5		
V220-540-601-60	29 8	V705-140-012-00	12 32		
V220-540-602-00	19 7	V710-140-004-00	24 21		
	20 7	V720-101-900-80	24 25		
	9 4	V720-102-401-80	9 3		
V230-360-601-00	6 27		10 3		
V230-360-601-20	7 27	V720-103-502-20	19 9		
	12 38		20 9		
V230-360-601-60	12 12		30 17		
	19 11	V720-103-502-50	6 32		
	20 11		7 32		
V231-360-801-60	21 19	V723-102-002-40	12 37		
	21 25	V723-102-005-00	12 43		
	24 6		30 16		
	28 3	V723-102-005-50	21 29		
V231-360-802-50	4 3		30 21		
	21 30				
V231-360-803-00	12 16				
V231-360-804-50	21 18				
V231-360-805-00	12 13				
V231-360-805-50	14 19				
V231-360-806-00	12 14				
V231-360-807-00	12 10				
V231-360-807-50	12 9				
	21 26				
V231-360-808-50	12 8				
V233-361-007-00	28 5				
V251-340-806-00	6 20				

Numerical Index

6005-097-780-10

Part Code	Fig. Key	Part Code	Fig. Key	Part Code	Fig. Key
1373-121-001-00	24 4	6209-610-004-00	10 3	6211-312-006-10	26 15
1650-650-015-00	10 16	6209-610-007-00	6 3	6211-319-003-00	10 44
3625-540-004-00	10 40	6209-610-009-00	6 5	6211-341-069-00	9 1
3640-586-004-00	22 5	6209-625-002-00	10 7	6211-342-003-10	9 2
3805-355-002-20	8 2		26 12	6211-361-038-10	8 1
3817-401-001-00	10 12	6209-625-003-20	6 15	6211-510-008-00	6 11
	12 20		26 10	6211-511-007-00	6 12
	18 14	6209-630-002-10	25 7	6211-511-008-00	6 13
	18 20		26 22	6211-530-008-00	7 1
	21 7	6209-730-005-00	13 3	6211-540-008-00	7 3
6005-010-139-00	1 1		21 10	6211-599-004-00	6 14
6115-639-008-00	28 51	6209-730-006-00	16 4		7 2
6209-000-002-00	12 18	6209-740-001-00	10 28		7 4
6209-000-005-00	2 7	6209-740-005-00	6 18	6211-751-001-10	3 5
6209-000-006-00	6 2	6209-740-006-00	10 28-A	6211-751-002-00	6 31
6209-000-041-00	16 9	6209-749-001-20	6 16	6211-760-041-20	6 29-A
6209-000-043-00	16 12		10 46	6211-760-046-10	6 29
6209-030-043-00	21 16	6209-800-010-00	21 12	6211-766-033-00	6 30
6209-030-048-00	19 4	6209-800-011-00	10 49	6211-777-021-00	11 2
6209-030-091-00	9 4	6209-920-002-00	10 22	6212-111-095-30	14 1
6209-046-007-00	19 4-A	6209-940-004-00	12 14	6212-114-095-30	15 1
6209-050-001-00	10 34	6211-110-084-10	2 1	6212-116-095-30	15 3
6209-050-002-00	10 35	6211-110-084-20	2 1-A	6212-121-028-00	14 2
6209-300-014-00	2 8	6211-141-057-10	2 6	6212-121-028-10	14 2-A
6209-360-011-00	22 3		26 3	6212-124-028-00	15 2
6209-360-109-10	3 9	6211-170-007-30	3 1	6212-124-028-10	15 2-A
6209-409-001-00	10 20	6211-173-005-00	3 6	6212-126-028-00	15 4
6209-409-003-00	12 17		26 4	6212-126-028-10	15 4-A
6209-440-005-00	25 4	6211-179-011-20	3 2	6212-211-002-00	14 3
6209-490-002-10	3 7	6211-210-081-00	6 1	6212-230-011-30	14 5
6209-500-003-00	10 18	6211-258-001-00	6 9	6212-235-004-10	14 6
	10 27		26 8	6212-271-009-00	14 7
	26 13	6211-258-002-00	6 10	6212-273-009-00	7 5
6209-500-006-00	10 10		26 9	6212-274-009-00	7 6
6209-572-003-00	3 8	6211-291-010-00	3 3	6212-310-011-40	16 1
	26 5	6211-291-015-20	6 25	6212-330-075-10	16 5
6209-580-002-10	21 26	6211-292-001-20	6 26	6212-333-002-00	16 6
6209-600-004-00	10 26		26 11	6212-339-009-10	16 10
6209-605-003-10	10 2	6211-310-009-60	10 1	6212-371-056-00	16 11
	10 2-A	6211-310-009-70	10 1-A	6212-511-005-00	13 1
6209-605-004-10	2 3	6211-310-009-80	10 1-B	6212-521-008-00	16 3
6209-605-007-00	6 7-A	6211-311-013-20	10 41	6212-522-004-10	13 2
6209-610-001-10	6 4	6211-312-005-10	10 29	6212-523-021-00	13 6
6209-610-003-00	2 2		26 14	6212-524-012-30	21 9
	6 6	6211-312-006-10	10 42	6212-530-017-00	10 48

Numerical Index

6005-097-780-10

Part Code	Fig. Key	Part Code	Fig. Key	Part Code	Fig. Key
6212-531-008-30	6 8	6213-619-009-00	18 12	6215-345-053-00	27 11
6212-535-007-00	13 4	6213-621-003-00	18 6	6215-359-003-00	27 17
6212-535-009-00	21 13	6213-622-002-10	18 5	6215-359-004-00	27 18
6212-551-020-10	12 1	6213-631-002-00	18 3	6215-359-006-00	28 53
6212-552-008-00	12 2	6213-631-005-00	18 4	6215-411-133-00	20 6
6212-561-003-00	12 3	6213-641-022-10	19 2	6215-411-134-00	20 7
6212-563-001-00	12 4	6213-642-002-00	18 7	6215-411-135-00	20 8
6212-565-001-00	12 5	6213-660-015-00	19 1	6215-411-136-00	22 2
6212-569-002-00	2 4	6213-669-009-00	19 3	6215-412-004-00	22 1
	26 2	6213-671-029-00	19 5	6215-520-007-10	21 15
6212-571-002-30	12 6	6213-674-006-20	24 2	6215-526-004-00	21 17
6212-575-003-00	12 7	6213-711-003-20	18 28	6215-531-010-00	21 23
6212-600-009-20	12 8	6213-716-004-10	18 23	6215-537-002-10	21 32
6212-611-004-10	12 9	6213-721-007-00	6 23	6215-541-001-10	21 18
6212-616-002-00	12 16	6213-729-011-00	18 31	6215-541-016-40	23 2
6212-620-008-20	12 10	6213-729-013-10	18 21	6215-541-024-30	21 24
6212-626-002-10	12 11	6213-743-002-10	18 24	6215-541-045-00	21 24-A
6212-628-010-10	12 12		26 20	6215-541-045-10	21 24-B
6212-628-011-10	12 13	6214-110-003-00	4 1	6215-542-004-20	10 23
6213-100-004-30	17 1	6214-115-003-10	4 2	6215-542-005-10	10 25
6213-111-002-20	17 2		26 6	6215-542-006-00	21 20
6213-119-001-00	17 6	6214-141-044-00	5 1	6215-543-002-10	21 19
6213-120-002-30	17 3	6214-145-004-20	5 2	6215-546-003-10	10 19
6213-125-002-10	17 4		26 7	6215-548-069-00	23 1
6213-129-003-00	17 5	6215-300-045-00	20 1	6215-549-007-10	21 27
6213-129-006-00	6 17	6215-300-045-10	20 1-A	6215-549-013-00	6 28
6213-140-013-00	17 8	6215-311-036-00	27 16	6215-549-031-10	21 22
6213-149-003-20	17 10	6215-315-002-00	20 2	6215-549-039-00	21 31
6213-160-003-10	10 30	6215-315-005-00	20 4	6215-549-076-00	21 27-A
6213-160-005-00	10 30-A	6215-315-006-00	20 3	6215-549-076-10	21 27-B
6213-161-003-10	10 31	6215-315-007-00	20 5	6215-600-104-20	21 1
6213-164-001-00	10 32	6215-330-028-00	27 1	6215-611-015-00	28 1
6213-240-002-10	17 12	6215-332-014-00	27 15	6215-619-023-00	28 50
6213-319-001-00	6 24	6215-339-004-00	27 14	6215-619-024-00	28 52
6213-610-011-10	18 1	6215-342-013-00	27 13	6215-621-017-10	21 8
6213-611-006-00	18 2	6215-343-010-00	27 12	6215-622-003-00	28 11
6213-612-004-00	18 9	6215-345-044-00	27 2	6215-629-017-00	28 12
6213-613-002-10	18 8	6215-345-045-00	27 3	6215-629-035-00	28 13
6213-614-013-00	18 13	6215-345-046-00	27 4	6215-629-036-00	28 25
	26 18	6215-345-047-00	27 5	6215-629-037-00	28 26
6213-614-014-00	18 16	6215-345-048-00	27 6	6215-629-038-00	28 27
	26 19	6215-345-049-00	27 7	6215-629-039-00	28 28
6213-619-002-00	18 11	6215-345-050-00	27 8	6215-629-040-00	28 29
6213-619-003-00	18 10	6215-345-051-00	27 9	6215-629-041-00	28 30
6213-619-006-00	18 15	6215-345-052-00	27 10	6215-629-042-00	28 31

Numerical Index

6005-097-780-10

Part Code	Fig. Key	Part Code	Fig. Key	Part Code	Fig. Key
6215-629-043-00	28 32	6281-111-005-00	29 1	6281-271-002-00	30 26
6215-629-044-00	28 33	6281-115-010-00	29 23	6281-410-023-10	25 3
6215-629-045-00	28 34	6281-115-011-00	29 10	6281-910-011-00	25 6
6215-629-046-00	28 35	6281-115-016-00	29 20	6281-971-003-00	25 1
6215-629-047-00	28 36	6281-116-004-00	29 11	6282-450-006-00	25 2
6215-629-048-00	28 37	6281-121-006-00	29 2	6287-810-040-00	26 1
6215-629-049-00	28 38	6281-123-005-00	29 8	6294-453-002-00	6 22
6215-629-050-00	28 39	6281-124-007-10	29 5	6509-030-037-00	5 4
6215-629-051-00	28 40	6281-129-003-00	29 19	6509-605-019-10	6 7
6215-629-052-00	28 41	6281-129-038-00	29 3	6513-770-022-10	18 27
6215-629-053-00	28 42	6281-129-039-00	29 4	6581-117-007-00	29 12
6215-629-054-00	28 43	6281-129-040-00	29 7	6581-129-092-00	29 17
6215-629-055-00	28 44	6281-129-042-00	29 15	6581-129-099-00	29 6
6215-629-056-00	28 45	6281-129-043-00	29 16	6901-910-612-00	13 5
6215-629-058-00	28 46	6281-129-044-00	29 18		21 14
6215-629-059-00	28 47	6281-129-045-10	29 9	6901-911-020-00	11 1
6215-629-060-00	28 17	6281-129-062-00	29 14	6901-931-240-00	24 8
6215-629-061-00	28 18	6281-151-023-00	29 13	6902-050-816-00	10 43
6215-629-062-00	28 19	6281-200-020-00	24 1	6904-110-822-00	6 21
6215-629-063-00	28 20	6281-213-017-00	30 7		10 4
6215-629-064-00	28 21	6281-214-003-00	30 12		10 47
6215-629-065-00	28 22	6281-214-004-00	30 13	6904-110-840-00	6 19
6215-629-066-00	28 23	6281-215-001-00	30 17		18 17
6215-629-067-00	28 24	6281-216-001-00	30 18	6904-110-850-00	10 6
6215-631-015-00	28 2	6281-217-003-00	30 16	6904-110-855-00	10 5
6215-634-003-00	28 14	6281-221-007-00	30 4	6904-411-025-00	5 5
6215-635-004-00	28 8	6281-222-012-00	30 1	6909-110-406-00	10 36
6215-635-005-00	28 49	6281-229-002-00	30 2		21 28
6215-637-004-00	28 48	6281-229-003-00	30 3	6909-110-408-00	10 50
6215-639-008-00	28 15	6281-229-004-00	30 5		10 52
6215-639-009-00	28 16	6281-229-006-00	30 8	6909-111-508-00	29 21
6215-641-002-00	28 3	6281-229-007-00	30 9	6909-950-115-00	14 4
6215-643-005-00	28 4	6281-229-008-00	30 10	J061-210-015-00	18 22
6215-644-009-00	28 6	6281-229-011-00	30 15	J061-220-024-00	18 32
6215-649-008-00	28 5	6281-229-012-00	30 19	J062-076-082-00	22 4
6215-649-011-00	28 10	6281-229-013-00	30 20	P117-303-003-00	10 24
6215-649-013-00	28 9	6281-229-014-00	30 21	V195-164-008-30	3 4
6215-649-014-00	28 7	6281-229-015-00	30 22	V201-360-807-50	10 11
6219-310-003-20	10 37	6281-229-016-00	30 23	V210-560-603-50	8 4
6219-732-017-00	25 5	6281-229-017-00	30 24	V211-560-802-50	5 3
6219-752-044-00	21 3	6281-229-018-00	30 25	V220-540-601-60	25 8
6219-752-045-00	21 2	6281-229-029-00	30 14	V220-540-602-00	17 7
6219-752-046-00	21 4	6281-229-032-00	30 6	V230-360-601-20	6 27
6219-752-047-00	21 5	6281-229-033-00	30 11	V230-360-601-60	10 39
6281-100-007-20	24 7	6281-229-041-00	29 22	V231-360-801-60	10 13

Part Code	Fig. Key	Part Code	Fig. Key	Part Code	Fig. Key
V231-360-801-60	17 11	V723-102-005-00	26 16		
V231-360-802-00	18 19	V723-102-005-50	18 29		
	18 25		26 21		
	21 6				
	24 3				
V231-360-802-50	4 3				
	18 30				
V231-360-803-00	10 17				
V231-360-804-50	18 18				
V231-360-805-00	10 14				
V231-360-805-50	12 19				
V231-360-806-00	10 15				
V231-360-807-00	10 11-A				
V231-360-807-50	10 9				
	18 26				
V231-360-808-50	10 8				
V233-361-007-00	24 5				
V251-340-806-00	6 20				
V301-260-006-00	10 36-A				
	21 28-A				
V304-260-008-00	10 50-A				
	10 52-A				
V334-260-010-00	24 6				
V341-120-008-00	10 21				
V401-160-006-00	21 30				
	25 9				
V401-160-008-00	10 51				
	10 53				
V411-260-006-00	21 29				
V523-100-601-80	16 7				
V523-101-001-80	9 3				
	16 2				
V600-110-620-30	21 11				
V600-350-600-20	16 8				
V682-200-000-60	2 5				
V704-140-016-00	12 15				
V705-140-012-00	10 33				
V710-140-004-00	21 21				
V720-101-900-80	21 25				
V720-102-401-80	8 3				
V720-103-502-20	17 9				
	26 17				
V720-103-502-50	6 32				
V723-102-002-40	10 38				
V723-102-005-00	10 45				

Numerical Index

6005-097-790-10

Part Code	Fig. Key	Part Code	Fig. Key	Part Code	Fig. Key
1373-121-001-00	25 4	6209-610-004-00	10 3	6211-312-006-10	27 15
1650-650-015-00	10 16	6209-610-007-00	6 3	6211-319-003-00	10 44
3625-540-004-00	10 40	6209-610-009-00	6 5	6211-341-069-00	9 1
3640-586-004-00	22 5	6209-625-002-00	10 7	6211-342-003-10	9 2
3805-355-002-20	8 2		27 12	6211-361-022-20	8 1
3817-401-001-00	10 12	6209-625-003-20	6 15	6211-510-008-00	6 11
	12 20		27 10	6211-511-007-00	6 12
	18 14	6209-630-002-10	26 7	6211-511-008-00	6 13
	18 20		27 22	6211-530-008-00	7 1
	21 7	6209-730-005-00	13 3	6211-540-008-00	7 3
6005-010-139-00	1 1		21 10	6211-599-004-00	6 14
6115-639-008-00	29 51	6209-730-006-00	16 4		7 2
6209-000-002-00	12 18	6209-740-001-00	10 28		7 4
6209-000-005-00	2 7	6209-740-005-00	6 18	6211-751-001-10	3 5
6209-000-006-00	6 2	6209-740-006-00	10 28-A	6211-751-002-00	6 31
6209-000-041-00	16 9	6209-749-001-20	6 16	6211-760-052-00	6 29
6209-000-043-00	16 12		10 46	6211-760-052-10	6 29-A
6209-030-043-00	21 16	6209-800-010-00	21 12	6211-766-033-00	6 30
6209-030-048-00	19 4	6209-800-011-00	10 49	6211-777-021-00	11 2
6209-030-091-00	9 4	6209-920-002-00	10 22	6212-111-095-30	14 1
6209-046-007-00	19 4-A	6209-940-004-00	12 14	6212-114-095-30	15 1
6209-050-001-00	10 34	6211-110-084-10	2 1	6212-116-095-30	15 3
6209-050-002-00	10 35	6211-110-084-20	2 1-A	6212-121-028-00	14 2
6209-300-014-00	2 8	6211-141-057-10	2 6	6212-121-028-10	14 2-A
6209-360-011-00	22 3		27 3	6212-124-028-00	15 2
6209-360-109-10	3 9	6211-170-007-30	3 1	6212-124-028-10	15 2-A
6209-409-001-00	10 20	6211-173-005-00	3 6	6212-126-028-00	15 4
6209-409-003-00	12 17		27 4	6212-126-028-10	15 4-A
6209-440-005-00	26 4	6211-179-011-20	3 2	6212-211-002-00	14 3
6209-490-002-10	3 7	6211-210-081-00	6 1	6212-230-011-30	14 5
6209-500-003-00	10 18	6211-258-001-00	6 9	6212-235-004-10	14 6
	10 27		27 8	6212-271-009-00	14 7
	27 13	6211-258-002-00	6 10	6212-273-009-00	7 5
6209-500-006-00	10 10		27 9	6212-274-009-00	7 6
6209-572-003-00	3 8	6211-291-010-00	3 3	6212-310-011-40	16 1
	27 5	6211-291-015-20	6 25	6212-330-075-10	16 5
6209-580-002-10	21 26	6211-292-001-20	6 26	6212-333-002-00	16 6
6209-600-004-00	10 26		27 11	6212-339-009-10	16 10
6209-605-003-10	10 2	6211-310-009-60	10 1	6212-371-056-00	16 11
	10 2-A	6211-310-009-70	10 1-A	6212-511-005-00	13 1
6209-605-004-10	2 3	6211-310-009-80	10 1-B	6212-521-008-00	16 3
6209-605-007-00	6 7-A	6211-311-013-20	10 41	6212-522-004-10	13 2
6209-610-001-10	6 4	6211-312-005-10	10 29	6212-523-021-00	13 6
6209-610-003-00	2 2		27 14	6212-524-012-30	21 9
	6 6	6211-312-006-10	10 42	6212-530-017-00	10 48

Numerical Index

6005-097-790-10

Part Code	Fig. Key	Part Code	Fig. Key	Part Code	Fig. Key
6212-531-008-30	6 8	6213-619-009-00	18 12	6215-345-053-00	28 11
6212-535-007-00	13 4	6213-621-003-00	18 6	6215-359-003-00	28 17
6212-535-009-00	21 13	6213-622-002-10	18 5	6215-359-004-00	28 18
6212-551-020-10	12 1	6213-631-002-00	18 3	6215-359-006-00	29 53
6212-552-008-00	12 2	6213-631-005-00	18 4	6215-411-133-00	20 6
6212-561-003-00	12 3	6213-641-022-10	19 2	6215-411-134-00	20 7
6212-563-001-00	12 4	6213-642-002-00	18 7	6215-411-135-00	20 8
6212-565-001-00	12 5	6213-660-015-00	19 1	6215-411-136-00	22 2
6212-569-002-00	2 4	6213-669-009-00	19 3	6215-412-004-00	22 1
	27 2	6213-671-029-00	19 5	6215-520-007-10	21 15
6212-571-002-30	12 6	6213-674-006-20	25 2	6215-526-004-00	21 17
6212-575-003-00	12 7	6213-711-003-20	18 28	6215-531-010-00	21 23
6212-600-009-20	12 8	6213-716-004-10	18 23	6215-537-002-10	21 32
6212-611-004-10	12 9	6213-721-007-00	6 23	6215-541-001-10	21 18
6212-616-002-00	12 16	6213-729-011-00	18 31	6215-541-016-40	23 2
6212-620-008-20	12 10	6213-729-013-10	18 21		24 2
6212-626-002-10	12 11	6213-743-002-10	18 24	6215-541-024-30	21 24
6212-628-010-10	12 12		27 20	6215-541-045-00	21 24-A
6212-628-011-10	12 13	6214-110-003-00	4 1	6215-541-045-10	21 24-B
6213-100-004-30	17 1	6214-115-003-10	4 2	6215-542-004-20	10 23
6213-111-002-20	17 2		27 6	6215-542-005-10	10 25
6213-119-001-00	17 6	6214-141-044-00	5 1	6215-542-006-00	21 20
6213-120-002-30	17 3	6214-145-004-20	5 2	6215-543-002-10	21 19
6213-125-002-10	17 4		27 7	6215-546-003-10	10 19
6213-129-003-00	17 5	6215-300-045-00	20 1	6215-548-061-00	23 1
6213-129-006-00	6 17	6215-300-045-10	20 1-A	6215-548-069-00	24 1
6213-140-012-00	17 8	6215-311-036-00	28 16	6215-549-007-10	21 27
6213-149-003-20	17 10	6215-315-002-00	20 2	6215-549-013-00	6 28
6213-160-003-10	10 30	6215-315-005-00	20 4	6215-549-031-10	21 22
6213-160-005-00	10 30-A	6215-315-006-00	20 3	6215-549-039-00	21 31
6213-161-003-10	10 31	6215-315-007-00	20 5	6215-549-076-00	21 27-A
6213-164-001-00	10 32	6215-330-028-00	28 1	6215-549-076-10	21 27-B
6213-240-002-10	17 12	6215-332-014-00	28 15	6215-600-104-20	21 1
6213-319-001-00	6 24	6215-339-004-00	28 14	6215-611-015-00	29 1
6213-610-011-10	18 1	6215-342-013-00	28 13	6215-619-023-00	29 50
6213-611-006-00	18 2	6215-343-010-00	28 12	6215-619-024-00	29 52
6213-612-004-00	18 9	6215-345-044-00	28 2	6215-621-017-10	21 8
6213-613-002-10	18 8	6215-345-045-00	28 3	6215-622-003-00	29 11
6213-614-013-00	18 13	6215-345-046-00	28 4	6215-629-017-00	29 12
	27 18	6215-345-047-00	28 5	6215-629-035-00	29 13
6213-614-014-00	18 16	6215-345-048-00	28 6	6215-629-036-00	29 25
	27 19	6215-345-049-00	28 7	6215-629-037-00	29 26
6213-619-002-00	18 11	6215-345-050-00	28 8	6215-629-038-00	29 27
6213-619-003-00	18 10	6215-345-051-00	28 9	6215-629-039-00	29 28
6213-619-006-00	18 15	6215-345-052-00	28 10	6215-629-040-00	29 29

Numerical Index

6005-097-790-10

Part Code	Fig. Key	Part Code	Fig. Key	Part Code	Fig. Key
6215-629-041-00	29 30	6219-752-047-00	21 5	6281-229-033-00	31 11
6215-629-042-00	29 31	6281-100-007-20	25 7	6281-229-041-00	30 22
6215-629-043-00	29 32	6281-111-005-00	30 1	6281-271-002-00	31 26
6215-629-044-00	29 33	6281-115-010-00	30 23	6281-410-023-10	26 3
6215-629-045-00	29 34	6281-115-011-00	30 10	6281-910-011-00	26 6
6215-629-046-00	29 35	6281-115-016-00	30 20	6281-971-003-00	26 1
6215-629-047-00	29 36	6281-116-004-00	30 11	6282-450-006-00	26 2
6215-629-048-00	29 37	6281-121-006-00	30 2	6287-810-040-00	27 1
6215-629-049-00	29 38	6281-123-005-00	30 8	6294-453-002-00	6 22
6215-629-050-00	29 39	6281-124-007-10	30 5	6509-030-037-00	5 4
6215-629-051-00	29 40	6281-129-003-00	30 19	6509-605-019-10	6 7
6215-629-052-00	29 41	6281-129-038-00	30 3	6513-770-022-10	18 27
6215-629-053-00	29 42	6281-129-039-00	30 4	6581-117-007-00	30 12
6215-629-054-00	29 43	6281-129-040-00	30 7	6581-129-092-00	30 17
6215-629-055-00	29 44	6281-129-042-00	30 15	6581-129-099-00	30 6
6215-629-056-00	29 45	6281-129-043-00	30 16	6901-910-612-00	13 5
6215-629-058-00	29 46	6281-129-044-00	30 18		21 14
6215-629-059-00	29 47	6281-129-045-10	30 9	6901-911-020-00	11 1
6215-629-060-00	29 17	6281-129-062-00	30 14	6901-931-240-00	25 8
6215-629-061-00	29 18	6281-151-023-00	30 13	6902-050-816-00	10 43
6215-629-062-00	29 19	6281-200-020-00	25 1	6904-110-822-00	6 21
6215-629-063-00	29 20	6281-213-017-00	31 7		10 4
6215-629-064-00	29 21	6281-214-003-00	31 12		10 47
6215-629-065-00	29 22	6281-214-004-00	31 13	6904-110-840-00	6 19
6215-629-066-00	29 23	6281-215-001-00	31 17		18 17
6215-629-067-00	29 24	6281-216-001-00	31 18	6904-110-850-00	10 6
6215-631-015-00	29 2	6281-217-003-00	31 16	6904-110-855-00	10 5
6215-634-003-00	29 14	6281-221-007-00	31 4	6904-411-025-00	5 5
6215-635-004-00	29 8	6281-222-012-00	31 1	6909-110-406-00	10 36
6215-635-005-00	29 49	6281-229-002-00	31 2		21 28
6215-637-004-00	29 48	6281-229-003-00	31 3	6909-110-408-00	10 50
6215-639-008-00	29 15	6281-229-004-00	31 5		10 52
6215-639-009-00	29 16	6281-229-006-00	31 8	6909-111-508-00	30 21
6215-641-002-00	29 3	6281-229-007-00	31 9	6909-950-115-00	14 4
6215-643-005-00	29 4	6281-229-008-00	31 10	J061-210-015-00	18 22
6215-644-009-00	29 6	6281-229-011-00	31 15	J061-220-024-00	18 32
6215-649-008-00	29 5	6281-229-012-00	31 19	J062-076-082-00	22 4
6215-649-011-00	29 10	6281-229-013-00	31 20	P117-303-003-00	10 24
6215-649-013-00	29 9	6281-229-014-00	31 21	V195-164-008-30	3 4
6215-649-014-00	29 7	6281-229-015-00	31 22	V201-360-807-50	10 11
6219-310-003-20	10 37	6281-229-016-00	31 23	V211-560-802-50	5 3
6219-732-017-00	26 5	6281-229-017-00	31 24	V220-540-601-60	26 8
6219-752-044-00	21 3	6281-229-018-00	31 25	V220-540-602-00	17 7
6219-752-045-00	21 2	6281-229-029-00	31 14	V230-360-601-00	8 4
6219-752-046-00	21 4	6281-229-032-00	31 6	V230-360-601-20	6 27

Numerical Index

Part Code	Fig. Key	Part Code	Fig. Key	Part Code	Fig. Key
V230-360-601-60	10 39	V723-102-002-40	10 38		
V231-360-801-60	10 13	V723-102-005-00	10 45		
	17 11		27 16		
V231-360-802-00	18 19	V723-102-005-50	18 29		
	18 25		27 21		
	21 6				
	25 3				
V231-360-802-50	4 3				
	18 30				
V231-360-803-00	10 17				
V231-360-804-50	18 18				
V231-360-805-00	10 14				
V231-360-805-50	12 19				
V231-360-806-00	10 15				
V231-360-807-00	10 11-A				
V231-360-807-50	10 9				
	18 26				
V231-360-808-50	10 8				
V233-361-007-00	25 5				
V251-340-806-00	6 20				
V301-260-006-00	10 36-A				
	21 28-A				
V304-260-008-00	10 50-A				
	10 52-A				
V334-260-010-00	25 6				
V341-120-008-00	10 21				
V401-160-006-00	21 30				
	26 9				
V401-160-008-00	10 51				
	10 53				
V411-260-006-00	21 29				
V523-100-601-80	16 7				
V523-101-001-80	9 3				
	16 2				
V600-110-620-30	21 11				
V600-350-600-20	16 8				
V682-200-000-60	2 5				
V704-140-016-00	12 15				
V705-140-012-00	10 33				
V710-140-004-00	21 21				
V720-101-900-80	21 25				
V720-102-401-80	8 3				
V720-103-502-20	17 9				
	27 17				
V720-103-502-50	6 32				

Numerical Index

6005-097-800-10

Part Code	Fig. Key	Part Code	Fig. Key	Part Code	Fig. Key
1373-121-001-00	24 4	6209-610-004-00	10 3	6211-312-006-10	26 15
1650-650-015-00	10 16	6209-610-007-00	6 3	6211-319-003-00	10 44
3625-540-004-00	10 40	6209-610-009-00	6 5	6211-341-069-00	9 1
3640-586-004-00	22 5	6209-625-002-00	10 7	6211-342-003-10	9 2
3805-355-002-20	8 2		26 12	6211-361-038-10	8 1
3817-401-001-00	10 12	6209-625-003-20	6 15	6211-510-008-00	6 11
	12 20		26 10	6211-511-007-00	6 12
	18 14	6209-630-002-10	25 7	6211-511-008-00	6 13
	18 20		26 22	6211-530-008-00	7 1
	21 7	6209-730-005-00	13 3	6211-540-008-00	7 3
6005-010-139-00	1 1		21 10	6211-599-004-00	6 14
6115-639-008-00	28 51	6209-730-006-00	16 4		7 2
6209-000-002-00	12 18	6209-740-001-00	10 28		7 4
6209-000-005-00	2 7	6209-740-005-00	6 18	6211-751-001-10	3 5
6209-000-006-00	6 2	6209-740-006-00	10 28-A	6211-751-002-00	6 31
6209-000-043-00	16 10	6209-749-001-20	6 16	6211-760-041-20	6 29-A
6209-030-043-00	21 16		10 46	6211-760-046-10	6 29
6209-030-048-00	19 4	6209-800-010-00	21 12	6211-766-033-00	6 30
6209-030-091-00	9 4	6209-800-011-00	10 49	6211-777-021-00	11 2
6209-046-007-00	19 4-A	6209-920-002-00	10 22	6212-111-095-30	14 1
6209-046-015-00	16 8	6209-940-004-00	12 14	6212-114-095-30	15 1
6209-050-001-00	10 34	6211-110-084-10	2 1	6212-116-095-30	15 3
6209-050-002-00	10 35	6211-110-084-20	2 1-A	6212-121-028-00	14 2
6209-300-014-00	2 8	6211-141-057-10	2 6	6212-121-028-10	14 2-A
6209-360-011-00	22 3		26 3	6212-124-028-00	15 2
6209-360-109-10	3 9	6211-170-007-30	3 1	6212-124-028-10	15 2-A
6209-409-001-00	10 20	6211-173-005-00	3 6	6212-126-028-00	15 4
6209-409-003-00	12 17		26 4	6212-126-028-10	15 4-A
6209-440-005-00	25 4	6211-179-011-20	3 2	6212-211-002-00	14 3
6209-490-002-10	3 7	6211-210-081-00	6 1	6212-230-011-30	14 5
6209-500-003-00	10 18	6211-258-001-00	6 9	6212-235-004-10	14 6
	10 27		26 8	6212-271-009-00	14 7
	26 13	6211-258-002-00	6 10	6212-273-009-00	7 5
6209-500-006-00	10 10		26 9	6212-274-009-00	7 6
6209-572-003-00	3 8	6211-291-010-00	3 3	6212-310-011-40	16 1
	26 5	6211-291-015-20	6 25	6212-330-029-60	16 5
6209-580-002-10	21 26	6211-292-001-20	6 26	6212-333-002-00	16 6
6209-600-004-00	10 26		26 11	6212-371-056-00	16 9
6209-605-003-10	10 2	6211-310-009-60	10 1	6212-511-005-00	13 1
	10 2-A	6211-310-009-70	10 1-A	6212-521-008-00	16 3
6209-605-004-10	2 3	6211-310-009-80	10 1-B	6212-522-004-10	13 2
6209-605-007-00	6 7-A	6211-311-013-20	10 41	6212-523-021-00	13 6
6209-610-001-10	6 4	6211-312-005-10	10 29	6212-524-012-30	21 9
6209-610-003-00	2 2		26 14	6212-530-017-00	10 48
	6 6	6211-312-006-10	10 42	6212-531-008-30	6 8

Numerical Index

6005-097-800-10

Part Code	Fig. Key	Part Code	Fig. Key	Part Code	Fig. Key
6212-535-007-00	13 4	6213-621-003-00	18 6	6215-359-003-00	27 17
6212-535-009-00	21 13	6213-622-002-10	18 5	6215-359-004-00	27 18
6212-551-020-10	12 1	6213-631-002-00	18 3	6215-359-006-00	28 53
6212-552-008-00	12 2	6213-631-005-00	18 4	6215-411-133-00	20 6
6212-561-003-00	12 3	6213-641-022-10	19 2	6215-411-134-00	20 7
6212-563-001-00	12 4	6213-642-002-00	18 7	6215-411-135-00	20 8
6212-565-001-00	12 5	6213-660-015-00	19 1	6215-411-136-00	22 2
6212-569-002-00	2 4	6213-669-009-00	19 3	6215-412-004-00	22 1
	26 2	6213-671-029-00	19 5	6215-520-007-10	21 15
6212-571-002-30	12 6	6213-674-006-20	24 2	6215-526-004-00	21 17
6212-575-003-00	12 7	6213-711-003-20	18 28	6215-531-010-00	21 23
6212-600-009-20	12 8	6213-716-004-10	18 23	6215-537-002-10	21 32
6212-611-004-10	12 9	6213-721-007-00	6 23	6215-541-001-10	21 18
6212-616-002-00	12 16	6213-729-011-00	18 31	6215-541-016-40	23 2
6212-620-008-20	12 10	6213-729-013-10	18 21	6215-541-024-30	21 24
6212-626-002-10	12 11	6213-743-002-10	18 24	6215-541-045-00	21 24-A
6212-628-010-10	12 12		26 20	6215-541-045-10	21 24-B
6212-628-011-10	12 13	6214-110-003-00	4 1	6215-542-004-20	10 23
6213-100-004-30	17 1	6214-115-003-10	4 2	6215-542-005-10	10 25
6213-111-002-20	17 2		26 6	6215-542-006-00	21 20
6213-119-001-00	17 6	6214-141-044-00	5 1	6215-543-002-10	21 19
6213-120-002-30	17 3	6214-145-004-20	5 2	6215-546-003-10	10 19
6213-125-002-10	17 4		26 7	6215-548-069-00	23 1
6213-129-003-00	17 5	6215-300-045-00	20 1	6215-549-007-10	21 27
6213-129-006-00	6 17	6215-300-045-10	20 1-A	6215-549-013-00	6 28
6213-140-013-00	17 8	6215-311-036-00	27 16	6215-549-031-10	21 22
6213-149-003-20	17 10	6215-315-002-00	20 2	6215-549-039-00	21 31
6213-160-003-10	10 30	6215-315-005-00	20 4	6215-549-076-00	21 27-A
6213-160-005-00	10 30-A	6215-315-006-00	20 3	6215-549-076-10	21 27-B
6213-161-003-10	10 31	6215-315-007-00	20 5	6215-600-104-20	21 1
6213-164-001-00	10 32	6215-330-028-00	27 1	6215-611-015-00	28 1
6213-240-002-10	17 12	6215-332-014-00	27 15	6215-619-023-00	28 50
6213-319-001-00	6 24	6215-339-004-00	27 14	6215-619-024-00	28 52
6213-610-011-10	18 1	6215-342-013-00	27 13	6215-621-017-10	21 8
6213-611-006-00	18 2	6215-343-010-00	27 12	6215-622-003-00	28 11
6213-612-004-00	18 9	6215-345-044-00	27 2	6215-629-017-00	28 12
6213-613-002-10	18 8	6215-345-045-00	27 3	6215-629-035-00	28 13
6213-614-013-00	18 13	6215-345-046-00	27 4	6215-629-036-00	28 25
	26 18	6215-345-047-00	27 5	6215-629-037-00	28 26
6213-614-014-00	18 16	6215-345-048-00	27 6	6215-629-038-00	28 27
	26 19	6215-345-049-00	27 7	6215-629-039-00	28 28
6213-619-002-00	18 11	6215-345-050-00	27 8	6215-629-040-00	28 29
6213-619-003-00	18 10	6215-345-051-00	27 9	6215-629-041-00	28 30
6213-619-006-00	18 15	6215-345-052-00	27 10	6215-629-042-00	28 31
6213-619-009-00	18 12	6215-345-053-00	27 11	6215-629-043-00	28 32

Numerical Index

6005-097-800-10

Part Code	Fig. Key	Part Code	Fig. Key	Part Code	Fig. Key
6215-629-044-00	28 33	6281-115-010-00	29 23	6281-410-023-10	25 3
6215-629-045-00	28 34	6281-115-011-00	29 10	6281-910-011-00	25 6
6215-629-046-00	28 35	6281-115-016-00	29 20	6281-971-003-00	25 1
6215-629-047-00	28 36	6281-116-004-00	29 11	6282-450-006-00	25 2
6215-629-048-00	28 37	6281-121-006-00	29 2	6287-810-040-00	26 1
6215-629-049-00	28 38	6281-123-005-00	29 8	6294-453-002-00	6 22
6215-629-050-00	28 39	6281-124-007-10	29 5	6509-030-037-00	5 4
6215-629-051-00	28 40	6281-129-003-00	29 19	6509-605-019-10	6 7
6215-629-052-00	28 41	6281-129-038-00	29 3	6513-770-022-10	18 27
6215-629-053-00	28 42	6281-129-039-00	29 4	6581-117-007-00	29 12
6215-629-054-00	28 43	6281-129-040-00	29 7	6581-129-092-00	29 17
6215-629-055-00	28 44	6281-129-042-00	29 15	6581-129-099-00	29 6
6215-629-056-00	28 45	6281-129-043-00	29 16	6901-910-612-00	13 5
6215-629-058-00	28 46	6281-129-044-00	29 18		21 14
6215-629-059-00	28 47	6281-129-045-10	29 9	6901-911-020-00	11 1
6215-629-060-00	28 17	6281-129-062-00	29 14	6901-931-240-00	24 8
6215-629-061-00	28 18	6281-151-023-00	29 13	6902-050-816-00	10 43
6215-629-062-00	28 19	6281-200-020-00	24 1	6904-110-822-00	6 21
6215-629-063-00	28 20	6281-213-017-00	30 7		10 4
6215-629-064-00	28 21	6281-214-003-00	30 12		10 47
6215-629-065-00	28 22	6281-214-004-00	30 13	6904-110-840-00	6 19
6215-629-066-00	28 23	6281-215-001-00	30 17		18 17
6215-629-067-00	28 24	6281-216-001-00	30 18	6904-110-850-00	10 6
6215-631-015-00	28 2	6281-217-003-00	30 16	6904-110-855-00	10 5
6215-634-003-00	28 14	6281-221-007-00	30 4	6904-411-025-00	5 5
6215-635-004-00	28 8	6281-222-012-00	30 1	6909-110-406-00	10 36
6215-635-005-00	28 49	6281-229-002-00	30 2		21 28
6215-637-004-00	28 48	6281-229-003-00	30 3	6909-110-408-00	10 50
6215-639-008-00	28 15	6281-229-004-00	30 5		10 52
6215-639-009-00	28 16	6281-229-006-00	30 8	6909-111-508-00	29 21
6215-641-002-00	28 3	6281-229-007-00	30 9	6909-950-115-00	14 4
6215-643-005-00	28 4	6281-229-008-00	30 10	J061-210-015-00	18 22
6215-644-009-00	28 6	6281-229-011-00	30 15	J061-220-024-00	18 32
6215-649-008-00	28 5	6281-229-012-00	30 19	J062-076-082-00	22 4
6215-649-011-00	28 10	6281-229-013-00	30 20	P117-303-003-00	10 24
6215-649-013-00	28 9	6281-229-014-00	30 21	V195-164-008-30	3 4
6215-649-014-00	28 7	6281-229-015-00	30 22	V201-360-807-50	10 11
6219-310-003-20	10 37	6281-229-016-00	30 23	V210-560-603-50	8 4
6219-732-017-00	25 5	6281-229-017-00	30 24	V211-560-802-50	5 3
6219-752-044-00	21 3	6281-229-018-00	30 25	V220-540-601-60	25 8
6219-752-045-00	21 2	6281-229-029-00	30 14	V220-540-602-00	17 7
6219-752-046-00	21 4	6281-229-032-00	30 6	V230-360-601-20	6 27
6219-752-047-00	21 5	6281-229-033-00	30 11	V230-360-601-60	10 39
6281-100-007-20	24 7	6281-229-041-00	29 22	V231-360-801-60	10 13
6281-111-005-00	29 1	6281-271-002-00	30 26		17 11

Part Code	Fig. Key	Part Code	Fig. Key	Part Code	Fig. Key
V231-360-802-00	18 19 18 25 21 6 24 3	V723-102-005-50	26 21		
V231-360-802-50	4 3 18 30				
V231-360-803-00	10 17				
V231-360-804-50	18 18				
V231-360-805-00	10 14				
V231-360-805-50	12 19				
V231-360-806-00	10 15				
V231-360-807-00	10 11-A				
V231-360-807-50	10 9 18 26				
V231-360-808-50	10 8				
V233-361-007-00	24 5				
V251-340-806-00	6 20				
V301-260-006-00	10 36-A 21 28-A				
V304-260-008-00	10 50-A 10 52-A				
V334-260-010-00	24 6				
V341-120-008-00	10 21				
V401-160-006-00	21 30 25 9				
V401-160-008-00	10 51 10 53				
V411-260-006-00	21 29				
V523-101-001-80	9 3 16 2				
V600-110-620-30	21 11				
V600-350-600-20	16 7				
V682-200-000-60	2 5				
V704-140-016-00	12 15				
V705-140-012-00	10 33				
V710-140-004-00	21 21				
V720-101-900-80	21 25				
V720-102-401-80	8 3				
V720-103-502-20	17 9 26 17				
V720-103-502-50	6 32				
V723-102-002-40	10 38				
V723-102-005-00	10 45 26 16				
V723-102-005-50	18 29				

Numerical Index

6005-097-810-10

Part Code	Fig. Key	Part Code	Fig. Key	Part Code	Fig. Key
1373-121-001-00	25 4	6209-610-004-00	10 3	6211-312-006-10	27 15
1650-650-015-00	10 16	6209-610-007-00	6 3	6211-319-003-00	10 44
3625-540-004-00	10 40	6209-610-009-00	6 5	6211-341-069-00	9 1
3640-586-004-00	22 5	6209-625-002-00	10 7	6211-342-003-10	9 2
3805-355-002-20	8 2		27 12	6211-361-022-20	8 1
3817-401-001-00	10 12	6209-625-003-20	6 15	6211-510-008-00	6 11
	12 20		27 10	6211-511-007-00	6 12
	18 14	6209-630-002-10	26 7	6211-511-008-00	6 13
	18 20		27 22	6211-530-008-00	7 1
	21 7	6209-730-005-00	13 3	6211-540-008-00	7 3
6005-010-139-00	1 1		21 10	6211-599-004-00	6 14
6115-639-008-00	29 51	6209-730-006-00	16 4		7 2
6209-000-002-00	12 18	6209-740-001-00	10 28		7 4
6209-000-005-00	2 7	6209-740-005-00	6 18	6211-751-001-10	3 5
6209-000-006-00	6 2	6209-740-006-00	10 28-A	6211-751-002-00	6 31
6209-000-043-00	16 10	6209-749-001-20	6 16	6211-760-052-00	6 29
6209-030-043-00	21 16		10 46	6211-760-052-10	6 29-A
6209-030-048-00	19 4	6209-800-010-00	21 12	6211-766-033-00	6 30
6209-030-091-00	9 4	6209-800-011-00	10 49	6211-777-021-00	11 2
6209-046-007-00	19 4-A	6209-920-002-00	10 22	6212-111-095-30	14 1
6209-046-015-00	16 8	6209-940-004-00	12 14	6212-114-095-30	15 1
6209-050-001-00	10 34	6211-110-084-10	2 1	6212-116-095-30	15 3
6209-050-002-00	10 35	6211-110-084-20	2 1-A	6212-121-028-00	14 2
6209-300-014-00	2 8	6211-141-057-10	2 6	6212-121-028-10	14 2-A
6209-360-011-00	22 3		27 3	6212-124-028-00	15 2
6209-360-109-10	3 9	6211-170-007-30	3 1	6212-124-028-10	15 2-A
6209-409-001-00	10 20	6211-173-005-00	3 6	6212-126-028-00	15 4
6209-409-003-00	12 17		27 4	6212-126-028-10	15 4-A
6209-440-005-00	26 4	6211-179-011-20	3 2	6212-211-002-00	14 3
6209-490-002-10	3 7	6211-210-081-00	6 1	6212-230-011-30	14 5
6209-500-003-00	10 18	6211-258-001-00	6 9	6212-235-004-10	14 6
	10 27		27 8	6212-271-009-00	14 7
	27 13	6211-258-002-00	6 10	6212-273-009-00	7 5
6209-500-006-00	10 10		27 9	6212-274-009-00	7 6
6209-572-003-00	3 8	6211-291-010-00	3 3	6212-310-011-40	16 1
	27 5	6211-291-015-20	6 25	6212-330-029-60	16 5
6209-580-002-10	21 26	6211-292-001-20	6 26	6212-333-002-00	16 6
6209-600-004-00	10 26		27 11	6212-371-056-00	16 9
6209-605-003-10	10 2	6211-310-009-60	10 1	6212-511-005-00	13 1
	10 2-A	6211-310-009-70	10 1-A	6212-521-008-00	16 3
6209-605-004-10	2 3	6211-310-009-80	10 1-B	6212-522-004-10	13 2
6209-605-007-00	6 7-A	6211-311-013-20	10 41	6212-523-021-00	13 6
6209-610-001-10	6 4	6211-312-005-10	10 29	6212-524-012-30	21 9
6209-610-003-00	2 2		27 14	6212-530-017-00	10 48
	6 6	6211-312-006-10	10 42	6212-531-008-30	6 8

Numerical Index

6005-097-810-10

Part Code	Fig. Key	Part Code	Fig. Key	Part Code	Fig. Key
6212-535-007-00	13 4	6213-621-003-00	18 6	6215-359-003-00	28 17
6212-535-009-00	21 13	6213-622-002-10	18 5	6215-359-004-00	28 18
6212-551-020-10	12 1	6213-631-002-00	18 3	6215-359-006-00	29 53
6212-552-008-00	12 2	6213-631-005-00	18 4	6215-411-133-00	20 6
6212-561-003-00	12 3	6213-641-022-10	19 2	6215-411-134-00	20 7
6212-563-001-00	12 4	6213-642-002-00	18 7	6215-411-135-00	20 8
6212-565-001-00	12 5	6213-660-015-00	19 1	6215-411-136-00	22 2
6212-569-002-00	2 4	6213-669-009-00	19 3	6215-412-004-00	22 1
	27 2	6213-671-029-00	19 5	6215-520-007-10	21 15
6212-571-002-30	12 6	6213-674-006-20	25 2	6215-526-004-00	21 17
6212-575-003-00	12 7	6213-711-003-20	18 28	6215-531-010-00	21 23
6212-600-009-20	12 8	6213-716-004-10	18 23	6215-537-002-10	21 32
6212-611-004-10	12 9	6213-721-007-00	6 23	6215-541-001-10	21 18
6212-616-002-00	12 16	6213-729-011-00	18 31	6215-541-016-40	23 2
6212-620-008-20	12 10	6213-729-013-10	18 21		24 2
6212-626-002-10	12 11	6213-743-002-10	18 24	6215-541-024-30	21 24
6212-628-010-10	12 12		27 20	6215-541-045-00	21 24-A
6212-628-011-10	12 13	6214-110-003-00	4 1	6215-541-045-10	21 24-B
6213-100-004-30	17 1	6214-115-003-10	4 2	6215-542-004-20	10 23
6213-111-002-20	17 2		27 6	6215-542-005-10	10 25
6213-119-001-00	17 6	6214-141-044-00	5 1	6215-542-006-00	21 20
6213-120-002-30	17 3	6214-145-004-20	5 2	6215-543-002-10	21 19
6213-125-002-10	17 4		27 7	6215-546-003-10	10 19
6213-129-003-00	17 5	6215-300-045-00	20 1	6215-548-061-00	23 1
6213-129-006-00	6 17	6215-300-045-10	20 1-A	6215-548-069-00	24 1
6213-140-012-00	17 8	6215-311-036-00	28 16	6215-549-007-10	21 27
6213-149-003-20	17 10	6215-315-002-00	20 2	6215-549-013-00	6 28
6213-160-003-10	10 30	6215-315-005-00	20 4	6215-549-031-10	21 22
6213-160-005-00	10 30-A	6215-315-006-00	20 3	6215-549-039-00	21 31
6213-161-003-10	10 31	6215-315-007-00	20 5	6215-549-076-00	21 27-A
6213-164-001-00	10 32	6215-330-028-00	28 1	6215-549-076-10	21 27-B
6213-240-002-10	17 12	6215-332-014-00	28 15	6215-600-104-20	21 1
6213-319-001-00	6 24	6215-339-004-00	28 14	6215-611-015-00	29 1
6213-610-011-10	18 1	6215-342-013-00	28 13	6215-619-023-00	29 50
6213-611-006-00	18 2	6215-343-010-00	28 12	6215-619-024-00	29 52
6213-612-004-00	18 9	6215-345-044-00	28 2	6215-621-017-10	21 8
6213-613-002-10	18 8	6215-345-045-00	28 3	6215-622-003-00	29 11
6213-614-013-00	18 13	6215-345-046-00	28 4	6215-629-017-00	29 12
	27 18	6215-345-047-00	28 5	6215-629-035-00	29 13
6213-614-014-00	18 16	6215-345-048-00	28 6	6215-629-036-00	29 25
	27 19	6215-345-049-00	28 7	6215-629-037-00	29 26
6213-619-002-00	18 11	6215-345-050-00	28 8	6215-629-038-00	29 27
6213-619-003-00	18 10	6215-345-051-00	28 9	6215-629-039-00	29 28
6213-619-006-00	18 15	6215-345-052-00	28 10	6215-629-040-00	29 29
6213-619-009-00	18 12	6215-345-053-00	28 11	6215-629-041-00	29 30

Numerical Index

6005-097-810-10

Part Code	Fig. Key	Part Code	Fig. Key	Part Code	Fig. Key
6215-629-042-00	29 31	6281-100-007-20	25 7	6281-229-041-00	30 22
6215-629-043-00	29 32	6281-111-005-00	30 1	6281-271-002-00	31 26
6215-629-044-00	29 33	6281-115-010-00	30 23	6281-410-023-10	26 3
6215-629-045-00	29 34	6281-115-011-00	30 10	6281-910-011-00	26 6
6215-629-046-00	29 35	6281-115-016-00	30 20	6281-971-003-00	26 1
6215-629-047-00	29 36	6281-116-004-00	30 11	6282-450-006-00	26 2
6215-629-048-00	29 37	6281-121-006-00	30 2	6287-810-040-00	27 1
6215-629-049-00	29 38	6281-123-005-00	30 8	6294-453-002-00	6 22
6215-629-050-00	29 39	6281-124-007-10	30 5	6509-030-037-00	5 4
6215-629-051-00	29 40	6281-129-003-00	30 19	6509-605-019-10	6 7
6215-629-052-00	29 41	6281-129-038-00	30 3	6513-770-022-10	18 27
6215-629-053-00	29 42	6281-129-039-00	30 4	6581-117-007-00	30 12
6215-629-054-00	29 43	6281-129-040-00	30 7	6581-129-092-00	30 17
6215-629-055-00	29 44	6281-129-042-00	30 15	6581-129-099-00	30 6
6215-629-056-00	29 45	6281-129-043-00	30 16	6901-910-612-00	13 5
6215-629-058-00	29 46	6281-129-044-00	30 18		21 14
6215-629-059-00	29 47	6281-129-045-10	30 9	6901-911-020-00	11 1
6215-629-060-00	29 17	6281-129-062-00	30 14	6901-931-240-00	25 8
6215-629-061-00	29 18	6281-151-023-00	30 13	6902-050-816-00	10 43
6215-629-062-00	29 19	6281-200-020-00	25 1	6904-110-822-00	6 21
6215-629-063-00	29 20	6281-213-017-00	31 7		10 4
6215-629-064-00	29 21	6281-214-003-00	31 12		10 47
6215-629-065-00	29 22	6281-214-004-00	31 13	6904-110-840-00	6 19
6215-629-066-00	29 23	6281-215-001-00	31 17		18 17
6215-629-067-00	29 24	6281-216-001-00	31 18	6904-110-850-00	10 6
6215-631-015-00	29 2	6281-217-003-00	31 16	6904-110-855-00	10 5
6215-634-003-00	29 14	6281-221-007-00	31 4	6904-411-025-00	5 5
6215-635-004-00	29 8	6281-222-012-00	31 1	6909-110-406-00	10 36
6215-635-005-00	29 49	6281-229-002-00	31 2		21 28
6215-637-004-00	29 48	6281-229-003-00	31 3	6909-110-408-00	10 50
6215-639-008-00	29 15	6281-229-004-00	31 5		10 52
6215-639-009-00	29 16	6281-229-006-00	31 8	6909-111-508-00	30 21
6215-641-002-00	29 3	6281-229-007-00	31 9	6909-950-115-00	14 4
6215-643-005-00	29 4	6281-229-008-00	31 10	J061-210-015-00	18 22
6215-644-009-00	29 6	6281-229-011-00	31 15	J061-220-024-00	18 32
6215-649-008-00	29 5	6281-229-012-00	31 19	J062-076-082-00	22 4
6215-649-011-00	29 10	6281-229-013-00	31 20	P117-303-003-00	10 24
6215-649-013-00	29 9	6281-229-014-00	31 21	V195-164-008-30	3 4
6215-649-014-00	29 7	6281-229-015-00	31 22	V201-360-807-50	10 11
6219-310-003-20	10 37	6281-229-016-00	31 23	V211-560-802-50	5 3
6219-732-017-00	26 5	6281-229-017-00	31 24	V220-540-601-60	26 8
6219-752-044-00	21 3	6281-229-018-00	31 25	V220-540-602-00	17 7
6219-752-045-00	21 2	6281-229-029-00	31 14	V230-360-601-00	8 4
6219-752-046-00	21 4	6281-229-032-00	31 6	V230-360-601-20	6 27
6219-752-047-00	21 5	6281-229-033-00	31 11	V230-360-601-60	10 39

Part Code	Fig. Key	Part Code	Fig. Key	Part Code	Fig. Key
V231-360-801-60	10 13	V723-102-005-00	27 16		
	17 11	V723-102-005-50	18 29		
V231-360-802-00	18 19		27 21		
	18 25				
	21 6				
	25 3				
V231-360-802-50	4 3				
	18 30				
V231-360-803-00	10 17				
V231-360-804-50	18 18				
V231-360-805-00	10 14				
V231-360-805-50	12 19				
V231-360-806-00	10 15				
V231-360-807-00	10 11-A				
V231-360-807-50	10 9				
	18 26				
V231-360-808-50	10 8				
V233-361-007-00	25 5				
V251-340-806-00	6 20				
V301-260-006-00	10 36-A				
	21 28-A				
V304-260-008-00	10 50-A				
	10 52-A				
V334-260-010-00	25 6				
V341-120-008-00	10 21				
V401-160-006-00	21 30				
	26 9				
V401-160-008-00	10 51				
	10 53				
V411-260-006-00	21 29				
V523-101-001-80	9 3				
	16 2				
V600-110-620-30	21 11				
V600-350-600-20	16 7				
V682-200-000-60	2 5				
V704-140-016-00	12 15				
V705-140-012-00	10 33				
V710-140-004-00	21 21				
V720-101-900-80	21 25				
V720-102-401-80	8 3				
V720-103-502-20	17 9				
	27 17				
V720-103-502-50	6 32				
V723-102-002-40	10 38				
V723-102-005-00	10 45				

Numerical Index

1772-097-100-10

Part Code	Fig. Key	Part Code	Fig. Key	Part Code	Fig. Key
1302-225-003-00	37 13	1376-402-003-00	150 14	1421-602-005-10	122 22
	49 5		150 23		158 11
1305-241-001-00	173 14	1376-606-005-00	134 7	1421-603-004-00	1 27
	125 14		135 7		2 31
1342-402-006-00	80 16	1386-241-002-00	136 5	1421-621-038-00	3 31
	80 20		178 4		121 12
1376-402-003-00	81 16	1402-511-600-00	178 9	1422-362-213-00	122 12
	81 20		182 4		78 18
1376-402-003-00	107 51	1404-117-008-00	182 9	1423-616-004-00	79 18
	108 21		110 22		175 4
1376-402-003-00	109 29	1404-312-006-00	111 22	1424-101-203-00	175 9
	139 34		112 22		1 25
1376-402-003-00	140 34	1404-503-006-00	9 5	1424-101-204-00	2 29
	141 34		78 7		3 29
1376-402-003-00	142 34	1415-102-007-00	72 24	1425-433-018-00	118 4
	146 7		201 1		1 14
1376-402-003-00	147 7	1415-102-008-00	73 16	1425-621-004-00	2 15
	148 7		201 3		3 15
1376-402-003-00	149 7	1415-102-013-00	74 13	1427-120-002-00	1 15
	150 5		97 30		2 16
1376-402-003-00	187 52	1415-120-006-00	75 13	1427-120-002-00	3 16
	188 20		11 3		39 6
1376-402-003-00	190 28	1415-121-009-00	78 7	1427-120-002-00	40 5
	1 37		94 31		41 6
1376-402-003-00	2 40	1416-621-037-00	79 7	1427-120-002-00	42 5
	3 40		7 12		28 18
1376-402-003-00	78 14	1421-433-004-00	80 7	1427-120-002-00	139 30
	78 22		70 14		140 30
1376-402-003-00	79 14	1421-507-014-00	81 7	1427-120-002-00	141 30
	79 22		95 51		142 30
1376-402-003-00	80 14	1421-602-005-10	99 24	1427-120-002-00	146 16
	81 14		58 26		147 17
1376-402-003-00	133 18	1421-602-005-10	101 24	1427-120-002-00	148 16
	139 27		58 26-A		148 40
1376-402-003-00	139 35	1421-602-005-10	102 18	1427-120-002-00	149 17
	140 27		73 22		149 41
1376-402-003-00	140 35	1421-602-005-10	103 18	1427-120-002-00	150 17
	141 27		118 2		86 71
1376-402-003-00	141 35	1421-602-005-10	201 1	1427-120-002-00	86 73
	142 27		8 12		86 74
1376-402-003-00	142 35	1421-602-005-10	8 12	1427-120-002-00	87 71
	146 22		70 14		87 73
1376-402-003-00	147 23	1421-602-005-10	71 14	1427-120-002-00	87 74
	148 22		96 44		
1376-402-003-00	149 23	1421-602-005-10	95 51		
			58 26		
			58 26-A		
			73 22		
			118 2		
			119 2		
			120 2		
			121 22		

Numerical Index

1772-097-100-10

Part Code	Fig.	Key	Part Code	Fig.	Key	Part Code	Fig.	Key
1427-431-003-00	113	12	1444-328-272-00	74	31	1518-903-007-00	186	56
1427-432-016-00	86	9		75	31	1518-924-001-00	116	14
	87	9	1444-328-273-00	74	30	1524-122-001-00	73	7
1432-120-004-00	11	8		75	30	1524-312-200-00	74	8
	12	6	1444-410-002-10	88	8		75	8
	13	6	1444-501-004-10	94	33	1533-604-002-00	134	10
1432-242-001-00	14	11	1444-503-001-20	94	29		134	12
	72	23	1444-601-015-00	118	24		134	23
	73	15		118	28		135	10
1432-616-002-00	58	25		119	25		135	12
1432-616-004-00	7	15		120	25		135	23
	8	15		121	6		136	17
1432-621-011-00	15	15		122	6	1544-104-205-00	6	5
	16	14		160	2	1544-120-008-10	94	53
	17	14		161	2	1550-307-005-00	66	9
	82	6	1445-120-002-00	11	7		67	9
	83	6	1446-417-211-00	184	3	1550-514-290-00	110	21
	106	3		184	8		111	21
1434-203-002-00	20	14	1480-212-004-10	37	9		112	21
	20	24		173	10	1560-104-010-40	1	13
1440-103-201-00	201	4	1480-301-002-10	62	5		2	14
1442-313-202-00	74	29	1480-301-003-10	62	6		3	14
	75	29	1480-503-200-00	94	39	1560-116-008-30	9	15
1444-101-016-10	80	17	1488-611-003-10	125	13		10	15
	81	17	1509-317-311-00	175	3		10	19
1444-102-204-00	201	5		175	8		59	2
1444-122-002-00	14	8	1509-317-341-00	174	3	1560-130-001-00	11	10
	72	20		174	8		12	8
	73	12	1509-317-342-00	174	4		13	8
	74	3		174	9	1560-132-007-30	14	10
	74	10	1509-535-002-00	97	2		57	13
	75	3	1509-535-003-10	97	3		57	42
	75	10	1514-312-003-00	37	39		57	54
1444-122-230-10	14	7		173	40		72	19
1444-122-230-20	14	7-A	1518-111-007-00	7	4		73	11
1444-314-004-10	62	24		8	4		74	2
	63	24	1518-306-200-10	86	77		74	11
	66	2		87	77		75	2
	67	2	1518-306-203-10	86	78		75	11
1444-314-009-10	37	24		87	78		105	40
	39	10	1518-786-508-00	78	20		107	40
	40	9		79	20		186	41
	41	10	1518-903-006-00	105	54		187	41
	42	9		186	55	1560-132-240-40	14	6
	173	25	1518-903-007-00	105	55	1560-132-240-50	14	6-A

Numerical Index

1772-097-100-10

Part Code	Fig. Key	Part Code	Fig. Key	Part Code	Fig. Key
1560-206-002-40	18 7	1560-509-211-00	187 11	1560-666-005-00	142 10
	19 10		187 18	1560-666-006-00	139 9
	20 10		188 6		140 9
1560-208-018-40	25 23		189 6		141 9
	26 23		190 6		142 9
	27 17	1560-522-007-40	97 11	1560-695-021-00	57 10
	60 4	1560-522-008-30	97 35		57 39
	61 4	1560-522-009-30	97 34		57 51
1560-208-023-00	25 26	1560-525-001-40	110 9		105 42
	26 26		111 9		107 42
	27 20		112 9		186 43
1560-214-003-00	20 30	1560-525-290-10	110 19		187 43
	22 6		111 19	1560-695-022-00	57 12
1560-223-016-00	43 11		112 19		57 41
	53 2	1560-625-005-10	158 2		57 53
	53 4	1560-630-021-50	9 2		105 43
	54 6		10 2		107 43
	54 6-A	1560-630-024-00	159 17		186 44
	105 37	1560-630-029-00	1 28		187 44
	107 37		106 2	1561-221-503-00	203 2
	186 38		131 7		204 2
	187 38		132 8	1561-221-504-00	203 3
1560-287-002-30	68 13		133 7		204 3
	69 13	1560-658-202-00	151 12	1561-221-505-00	203 4
1560-314-001-10	109 28	1560-658-282-40	151 17		204 4
	134 2	1560-666-004-00	139 14	1561-221-506-00	203 12
	135 2		140 14		204 12
	136 2		141 14	1561-221-508-00	203 14
	189 20		142 14		204 14
	190 27		143 10	1561-221-509-00	203 10
1560-401-004-40	151 20		144 10		204 10
1560-434-012-30	86 48		145 10	1564-132-210-20	72 18
	87 48		146 1		73 10
1560-437-341-00	180 3		146 27	1564-630-012-00	2 5
	180 8		147 1		3 5
1560-501-202-00	94 3		147 28	1568-507-001-10	94 65
1560-507-007-00	94 62		148 1	1568-525-300-10	110 20
1560-509-211-00	105 10		148 27		111 20
	105 17		149 1		112 20
	107 10		149 28	1568-731-103-00	37 18
	107 17		150 1		173 19
	108 7		150 28	1572-102-003-00	201 8
	109 7	1560-666-005-00	139 10	1575-606-007-00	123 12
	186 11		140 10	1581-782-111-00	134 18
	186 18		141 10		135 18

Numerical Index

1772-097-100-10

Part Code	Fig. Key	Part Code	Fig. Key	Part Code	Fig. Key
1581-782-111-00	136 14	1602-205-056-00	25 31	1614-308-003-00	68 2
1588-117-001-00	118 15		26 31		69 2
	119 15		27 25	1614-308-004-10	68 4
	120 15	1602-317-231-00	178 3		69 4
1588-501-002-00	94 2		178 8	1614-433-002-00	86 58
1590-441-200-00	184 1	1602-317-231-10	178 3-A		87 58
1590-441-210-00	180 2		178 8-A	1614-433-212-00	86 66
	180 7	1602-321-004-00	25 4		87 66
	184 2		26 4	1614-434-002-10	86 30
	184 7		28 5		87 30
1590-441-220-00	184 6	1602-322-003-00	34 11	1614-434-002-20	86 30-A
1593-101-012-00	134 40		35 10		87 30-A
	135 40		36 11	1614-434-003-10	86 33
	136 33	1602-441-201-00	182 3		87 33
1593-307-052-10	22 9		182 8	1614-434-003-20	86 33-A
	23 14	1603-322-003-00	37 17		87 33-A
1594-218-001-00	25 29		173 18	1614-501-003-10	98 1
	26 29	1614-102-003-00	1 17		108 2
	27 23		2 18		109 2
	34 4		3 18	1614-501-013-00	96 4
	35 3	1614-127-024-00	20 29	1614-503-003-00	95 26
	36 4	1614-203-005-00	31 19	1614-503-005-00	95 7
1595-243-002-00	29 13	1614-203-015-00	18 4		96 11
	30 13		22 2	1614-503-006-00	95 20
	31 10		25 8		96 3
1596-105-001-00	4 2		26 8	1614-503-270-10	95 10
	5 2		29 5		96 14
1596-310-210-00	72 22		30 5	1614-503-280-00	95 11
1596-310-210-10	72 22-A		31 13		96 15
	73 14	1614-216-003-00	47 10	1614-503-290-00	95 16
1599-303-009-00	78 27		48 10		96 1
	79 27	1614-241-003-00	41 20	1614-503-300-10	95 18
	80 25		42 18	1614-503-300-20	95 18-A
	81 25	1614-261-006-00	53 6	1614-503-310-00	95 21
1600-211-052-00	25 39		54 10	1614-503-320-00	95 24
	27 33	1614-262-006-00	37 44	1614-505-002-00	95 31
1600-505-007-00	10 4		56 12		96 24
1600-505-007-10	9 4		95 48	1614-505-003-00	95 32
	10 4-A		96 41		96 25
1600-624-004-10	139 28		108 14	1614-505-004-00	95 33
	140 28		109 16		96 26
	141 28		173 45	1614-505-007-00	95 47
	142 28		188 13		96 40
1600-624-201-00	154 3		189 13	1614-531-002-00	97 14
	155 1		190 15	1614-531-003-00	97 16

Numerical Index

1772-097-100-10

Part Code	Fig. Key	Part Code	Fig. Key	Part Code	Fig. Key
1614-531-004-00	97 15	1617-503-002-00	96 5	1627-205-223-00	20 19
1614-531-013-00	97 17	1617-503-003-00	95 3	1636-271-011-00	69 14
1614-608-220-10	95 49		96 7	1636-271-351-00	54 12
	96 42	1617-503-210-00	95 6	1636-313-011-10	14 1
1614-626-400-00	128 11		96 10		72 12
	129 9	1617-625-001-10	128 7	1636-630-008-00	118 7
	130 15		129 5		119 7
1614-670-201-00	151 8		130 11		120 7
1614-670-240-00	151 7	1617-730-005-00	8 13	1636-701-250-00	159 9
1614-670-250-00	151 9	1620-255-207-00	37 16	1636-701-251-00	159 10
1614-670-260-00	151 10		173 17		159 10-A
1614-670-281-00	208 12	1620-255-207-10	173 17-A		193 13
1614-702-551-00	159 12	1620-255-208-00	37 22	1636-901-022-00	170 3
	159 12-A		173 23	1637-520-001-00	117 5
1614-702-551-10	159 12-B	1620-265-300-00	37 27	1639-317-210-00	174 1
1614-702-551-20	159 12-C		173 28	1639-317-220-00	174 6
	193 15	1620-504-001-00	95 40	1639-317-230-00	174 2
1614-702-552-00	159 13		96 33		174 7
	159 13-A	1620-514-005-00	110 24	1640-520-004-00	116 18
	193 16		111 24		117 8
1615-317-210-00	179 2		112 24	1640-520-005-00	116 16
	179 7	1622-317-260-00	178 1		117 6
1617-221-001-10	33 1	1622-317-260-10	178 1-A	1640-525-001-00	110 25
1617-221-001-20	33 1-A	1622-317-270-00	178 2		111 25
1617-244-004-00	34 10		178 7		112 25
	35 9	1622-317-280-00	178 6	1640-530-003-00	105 2
	36 10	1622-317-280-10	178 6-A		107 2
1617-301-002-00	60 5	1622-317-310-00	179 1		108 16
	61 5	1622-317-311-00	179 3		109 18
1617-304-008-00	62 16		179 8		186 3
	63 16	1622-317-320-00	179 6		187 3
1617-304-009-00	62 17	1622-437-250-00	182 1		188 15
	63 17	1622-437-260-00	182 2		190 17
1617-304-011-00	62 18		182 7	1640-530-008-00	108 31
	63 18	1622-437-270-00	182 6		109 38
1617-308-001-00	68 1	1622-501-001-00	94 11		188 30
1617-317-230-00	176 2	1622-504-200-00	95 35		190 37
	176 7		96 28	1640-530-009-00	105 3
1617-437-210-10	180 1	1622-505-200-00	95 27		107 3
1617-437-220-10	180 6	1622-535-002-00	97 31		109 19
1617-502-001-20	94 32	1622-535-003-00	97 10		109 19-A
1617-502-002-00	94 36	1622-535-004-10	97 25		186 4
1617-502-004-00	94 38	1622-535-250-10	97 23		187 4
1617-503-001-00	94 50	1622-535-260-00	97 28		189 17
1617-503-002-00	95 1	1622-535-300-00	97 1		190 18

Numerical Index

1772-097-100-10

Part Code	Fig.	Key	Part Code	Fig.	Key	Part Code	Fig.	Key
1640-530-270-10	109	23	1640-530-628-00	202	18	1646-640-580-00	57	6
	189	18	1640-530-629-00	200	19	1646-901-061-00	162	6
	190	22		200	19		163	6
1640-530-600-10	188	2		202	19		164	6
	189	2		202	19	1650-102-004-00	1	3
	190	2	1640-530-631-00	200	22		2	9
1640-530-610-10	200	1		200	22		3	9
	200	1		202	22	1650-102-006-10	1	6
	202	1		202	22	1650-102-007-10	1	7
	202	1	1640-530-632-00	200	23	1650-102-202-10	1	2
1640-530-613-00	200	2		200	23		2	2
	200	2		202	23		3	2
	202	2		202	23	1650-104-200-10	6	1
	202	2	1640-626-001-10	130	10	1650-104-201-00	6	3
1640-530-614-00	200	3		156	6	1650-104-203-10	6	4
	200	3		156	6-A	1650-104-210-00	6	2
	202	3		157	2	1650-111-034-00	7	25
	202	3		159	4		7	27
1640-530-615-00	200	4		193	7		7	31
	200	4	1640-658-322-00	151	3		8	25
	202	4	1640-658-324-00	151	5		8	27
	202	4	1640-658-325-00	151	6		8	31
1640-530-622-00	200	8	1641-217-032-00	29	7	1650-116-220-10	10	12
	200	8		30	7	1650-116-220-20	9	12
	202	8		31	12		10	12-A
	202	8	1641-517-540-00	104	13	1650-116-230-00	10	16
1640-530-623-00	200	9	1642-105-005-00	95	44	1650-116-230-10	10	16-A
	200	9		96	37	1650-120-230-00	11	1
	202	9	1643-515-203-00	99	6	1650-135-002-00	68	11
	202	9		101	6		69	11
1640-530-624-00	200	10	1646-116-051-10	9	3		72	27
	200	10		10	3		73	19
	202	10		52	2	1650-201-202-00	15	2
	202	10	1646-226-053-00	44	6		16	2
1640-530-625-00	200	12		50	9	1650-203-214-00	203	5
	200	12		51	9		204	5
	202	12		57	2	1650-203-217-00	203	11
	202	12	1646-226-512-00	44	2		204	11
1640-530-626-00	200	13	1646-516-690-00	104	18	1650-203-218-00	203	7
	200	13	1646-516-692-00	104	19		204	7
	202	13	1646-516-710-00	104	26	1650-214-203-00	20	20
	202	13	1646-640-002-00	57	9	1650-214-204-00	20	21
1640-530-628-00	200	18		57	38	1650-253-003-00	43	3
	200	18	1646-640-006-00	57	27	1650-259-010-00	45	3
	202	18	1646-640-221-00	57	22		46	3

Numerical Index

1772-097-100-10

Part Code	Fig. Key	Part Code	Fig. Key	Part Code	Fig. Key
1650-259-010-00	47 3	1672-105-210-00	7 20	1674-520-002-00	116 11
	48 3		8 20		1674-520-003-00
	50 4	1672-105-211-00	201 7	1674-520-004-00	85 12
	51 4	1672-122-003-00	14 4		116 10
1650-433-202-00	86 57		72 32		191 6
	87 57	1672-207-003-00	105 38	1674-619-300-10	126 1
1650-508-002-00	196 9		107 38		127 1
	197 9		186 39	1674-619-310-00	126 2
1650-508-320-00	104 16		187 39		127 2
1650-509-003-10	101 49	1672-301-002-00	62 11	1674-630-053-00	133 6
	102 43		63 11	1674-652-200-00	139 20
	103 43	1672-601-002-00	118 22		140 20
1650-509-310-00	104 11		119 22	1674-652-200-10	139 20-A
	104 24		120 22		140 20-A
1650-514-004-00	110 4	1672-616-003-00	150 13	1674-652-202-00	139 21
	111 4	1672-616-004-00	143 32		140 21
	112 4		144 32		142 21
1650-601-001-00	118 9		145 30	1674-652-220-10	142 20
	119 9	1673-431-001-10	23 4	1674-654-211-00	146 30
	120 9		27 3		147 31
1650-601-007-00	118 10		34 2		148 30
	119 10		35 1		149 31
	120 10		36 2		150 31
1650-650-222-00	143 3		88 3	1674-654-212-00	146 31
	144 3	1673-525-002-20	85 10		147 32
	145 3		110 23		148 31
1650-650-295-00	139 11		111 23		149 32
	140 11		116 17		150 32
	141 11	1673-525-002-30	85 10-A	1674-654-270-00	146 35
	142 11		110 23-A		147 36
1650-652-900-00	151 22		111 23-A		148 35
1650-654-036-00	154 5		112 23		149 36
	155 3		116 17-A		150 36
1650-705-006-00	131 11		117 7	1674-654-271-00	146 36
	132 12		159 11		147 37
	133 11		159 11-A		148 36
1654-431-200-00	88 4		193 14		149 37
1656-432-003-00	62 10	1673-565-003-00	95 37		150 37
	63 10		96 30	1674-654-272-00	146 37
1656-509-310-10	101 47	1673-658-214-00	151 4		147 38
	102 41	1673-702-330-10	158 4		148 37
	103 41	1673-702-330-20	158 4-A		149 38
1656-509-460-00	101 45	1673-702-330-30	158 4-B		150 38
	102 39	1674-410-301-00	85 11	1674-904-002-10	170 6
	103 39	1674-410-320-00	85 9	1674-904-004-00	170 8

Numerical Index

1772-097-100-10

Part Code	Fig. Key	Part Code	Fig. Key	Part Code	Fig. Key
1674-904-005-00	170 14	1686-317-230-00	175 7	1690-514-001-00	111 3
	193 23	1687-255-004-00	37 25		112 3
1674-904-007-10	170 13		173 26		113 1
1674-904-008-00	170 4	1687-255-005-00	37 10	1690-608-003-00	95 50
1675-112-002-00	139 3		173 11		96 43
	140 3	1688-265-001-00	37 43	1690-658-370-00	143 29
	141 3		56 11		143 31
	142 3		173 44		144 29
1675-116-001-00	9 16	1688-312-001-10	146 8		144 31
	10 20		147 8		145 27
1675-135-001-00	14 15		148 8		145 29
1675-262-002-00	97 20		149 8	1691-437-211-00	183 3
1675-312-051-00	72 13		150 6		183 8
1675-501-003-00	94 61	1689-271-006-00	57 24	1692-209-203-00	203 15
1675-508-003-00	99 33	1689-271-311-00	74 36		204 15
	101 33		75 36	1696-650-242-00	139 7
	102 27	1689-502-250-00	108 22		140 7
	103 27		109 30		141 7
1675-508-500-00	102 1		188 21		142 7
	103 1		189 21	1696-901-006-00	160 7
1675-670-230-00	151 15		190 29		161 7
1678-244-002-00	34 12	1690-102-210-00	1 30		162 5
	35 11		2 33		163 5
	36 12		3 33		164 5
1678-244-003-00	34 8	1690-102-212-00	1 31	1703-105-210-00	7 28
	35 7		2 34		8 28
	36 8		3 34	1703-261-002-00	58 2
1678-782-003-00	146 28	1690-102-213-00	1 32	1705-102-014-00	131 16
	147 29		2 35		132 17
	148 28		3 35		133 12
	149 29	1690-102-214-00	1 33	1705-601-021-00	82 7
	150 29		2 36		83 7
1682-218-201-30	114 6		3 36	1705-902-006-00	170 2
1682-690-380-00	154 4	1690-102-215-00	1 34	1705-902-007-00	170 10
	155 2		2 37	1705-902-008-00	170 7
1683-902-004-10	165 9		3 37	1705-904-001-00	170 12
	166 9	1690-102-216-00	1 35	1705-904-002-10	170 11
	167 9		2 38	1709-206-005-00	25 27
	168 9		3 38		26 27
1684-112-300-20	140 1	1690-102-217-00	1 36	1709-434-001-00	86 35
1685-604-003-00	123 20		2 39		87 35
	124 18		3 39	1710-241-052-00	60 3
1686-317-200-10	175 1	1690-120-200-20	11 2		61 3
1686-317-220-10	175 6	1690-264-001-00	53 5	1710-241-053-00	39 3
1686-317-230-00	175 2	1690-514-001-00	110 3		40 2

Numerical Index

1772-097-100-10

Part Code	Fig. Key	Part Code	Fig. Key	Part Code	Fig. Key
1710-241-053-00	41 3	1716-304-084-00	63 7	1719-217-006-00	31 17
	42 2	1716-501-006-00	94 54	1719-249-016-00	31 7
	199 29	1716-601-002-00	118 12	1719-306-005-00	94 7-A
1710-304-051-00	66 4		119 12	1719-312-001-00	1 26
	67 4		120 12		2 30
1710-312-051-00	72 16	1716-601-009-00	118 38		3 30
	73 8		119 35		72 15
1710-317-230-00	177 2		120 35	1719-511-350-00	108 1
	177 7		123 17		109 1
1710-437-210-10	183 2		124 15	1723-508-002-00	99 25
	183 7	1716-601-017-00	123 2		101 25
1710-437-220-10	183 1		123 8		102 19
1710-437-230-10	183 6		124 2		103 19
1710-508-551-00	99 21		124 7	1723-630-051-00	131 6
	101 21	1716-601-018-00	118 20		132 7
	102 15		119 20	1723-902-007-00	105 56
	103 15		120 20		186 57
1716-105-001-00	7 24	1716-601-019-00	118 21	1723-902-008-00	105 57
	7 26		119 21		186 58
	7 30		120 21	1724-102-012-00	131 18
	8 24	1716-601-021-00	118 17		132 19
	8 26		119 17		133 13
	8 30		120 17	1725-112-212-00	139 17
1716-111-075-00	2 23	1716-680-006-00	143 17		140 17
	3 23		144 17		141 17
1716-112-001-00	139 2		145 17		142 17
	140 2	1716-680-200-10	143 14	1725-112-213-00	139 18
	141 2		144 14		140 18
	142 2	1716-680-200-20	143 14-A		141 18
1716-126-210-20	20 17		144 14-A		142 18
1716-126-211-10	20 18		145 14	1725-203-210-00	39 14
1716-127-002-00	33 6	1716-680-222-00	146 20		40 13
1716-127-011-00	25 25		147 21		41 14
	26 25		148 20		42 13
	27 19		149 21		108 27
	172 5		150 21		188 26
1716-129-071-00	43 12	1716-680-330-00	146 19	1725-304-009-00	62 4
1716-205-024-00	25 16		147 20		63 4
	25 20		148 19	1725-403-003-00	78 24
	26 16		149 20		79 24
	26 20		150 20		80 22
	27 10	1719-102-006-00	2 22		81 22
	27 14		3 22	1725-407-201-00	78 2
1716-261-001-00	54 9	1719-209-202-00	203 9		79 2
1716-304-084-00	62 7		204 9		80 2

Numerical Index

1772-097-100-10

Part Code	Fig. Key	Part Code	Fig. Key	Part Code	Fig. Key
1725-407-201-00	81 2	1729-102-012-00	3 24	1729-202-011-00	20 13-A
1725-410-078-00	104 32	1729-102-013-10	1 40		61 7
1725-433-202-00	37 38		2 7	1729-202-012-00	57 47
	173 39		3 7	1729-202-015-00	57 33
1725-509-210-10	78 13	1729-102-014-10	1 8	1729-203-017-00	20 16
	79 13		2 3		29 12-A
	80 13		3 3		30 12
	81 13	1729-102-015-00	1 9	1729-203-302-00	203 6
1725-509-260-00	78 11	1729-102-500-40	1 20		204 6
	79 11	1729-104-001-00	6 9	1729-203-303-00	203 8
	80 11	1729-104-210-10	6 7		204 8
	81 11	1729-111-001-00	7 1	1729-209-200-00	23 8
	104 7		8 1	1729-209-202-00	203 1
1725-514-002-00	108 18	1729-111-005-00	7 9		204 1
	109 25		8 9	1729-209-203-00	203 13
	188 17	1729-111-007-00	7 2		204 13
	190 24		8 2	1729-214-049-00	23 2
1725-611-087-00	159 19-A	1729-111-008-00	7 16	1729-216-006-00	20 23
	193 21		8 16		29 12
1725-681-200-00	143 35	1729-111-210-30	7 14		31 9
	144 35		8 14	1729-308-220-00	68 16
	145 33	1729-111-270-00	7 11		69 17
1725-690-230-00	139 6		8 11	1729-410-002-00	82 8
	140 6	1729-111-280-10	8 5		83 8
	141 6	1729-111-283-00	7 6	1729-433-200-00	86 56
	142 6		8 6		87 56
1725-690-240-00	139 8	1729-111-284-00	7 7	1729-433-200-10	86 56-A
	140 8		8 7		87 56-A
	141 8	1729-111-290-10	8 18	1729-501-001-00	94 34
	142 8	1729-111-300-00	7 32	1729-508-011-00	99 13
1728-508-320-10	78 19		8 32		101 13
	79 19	1729-111-310-00	7 18		102 7
	80 18	1729-202-001-00	33 7-A		103 7
	81 18	1729-202-002-00	22 11-A	1729-508-013-00	99 20
1728-630-005-20	131 5-A		23 12		101 20
	132 6-A	1729-202-003-00	22 15-A		102 14
	133 5		23 15		103 14
1728-903-002-00	170 15		28 2	1729-508-290-00	99 30
1728-903-003-00	170 16	1729-202-004-00	19 7-A		99 46
1729-102-002-00	1 10		20 7-A		101 31
1729-102-009-10	1 4	1729-202-007-00	19 5-A		101 42
	3 6		20 5-A	1729-508-290-10	99 30-A
1729-102-011-00	1 38	1729-202-011-00	18 11-A		99 46-A
1729-102-012-00	1 39		18 13-A		101 31-A
	2 24		19 13-A		101 42-A

Numerical Index

1772-097-100-10

Part Code	Fig. Key	Part Code	Fig. Key	Part Code	Fig. Key	
1729-508-290-20	99 30-B	1729-601-310-30	118 34-B	1729-630-056-10	132 6	
	99 46-B	1729-601-400-00	120 27	1729-630-270-10	131 14	
	101 31-B	1729-602-002-00	121 4		132 15	
	101 42-B		122 4		133 16	
	102 24	1729-602-003-10	121 5	1729-650-002-00	139 23	
	102 36		122 5		140 23	
	103 24	1729-602-004-10	121 20		141 23	
	103 36		122 20		142 23	
	1729-601-001-10	118 23	1729-602-005-10	121 10	1729-705-009-00	131 10
	1729-601-001-20	118 23-A		122 10		132 11
1729-601-002-10	118 26	1729-602-006-00	121 2		133 10	
1729-601-002-20	118 26-A		122 2		134 36	
	119 23	1729-602-007-00	121 3		135 36	
	120 23		122 3		136 29	
1729-601-003-10	118 27	1729-602-210-10	121 16	1729-741-007-00	134 6	
1729-601-003-20	118 27-A		122 16		135 6	
	119 24	1729-602-220-30	121 18		136 4	
	120 24	1729-602-220-40	121 18-A	1731-782-009-10	2 4	
1729-601-004-20	118 6	1729-604-001-20	123 5		3 4	
	119 6		124 5	1732-431-001-10	88 1	
	120 6	1729-604-002-20	123 11	1732-431-001-20	88 1-A	
1729-601-200-50	118 1		124 10	1733-102-001-00	2 6	
1729-601-200-60	118 1-A	1729-604-003-00	123 3	1733-102-002-00	2 10	
1729-601-200-70	118 1-B		123 9		3 10	
1729-601-220-20	118 16		124 3	1733-102-003-00	2 11	
	119 16		124 8		3 11	
	120 16	1729-604-004-20	124 17	1733-111-200-10	7 34	
1729-601-240-10	118 39	1729-604-004-30	123 19	1733-601-200-10	119 31	
	119 36		124 17-A		120 31	
	120 36	1729-604-005-00	123 22	1733-601-210-00	119 33	
1729-601-250-20	118 41		124 20		120 33	
	119 38	1729-604-006-00	123 23	1733-604-240-20	123 13	
	120 38		124 21	1733-604-250-20	123 14	
1729-601-260-20	118 45	1729-604-240-00	124 11	1734-508-005-00	104 31	
1729-601-260-30	118 45-A	1729-604-250-00	124 12	1738-312-009-00	111 27	
	119 42	1729-604-260-10	123 15	1738-411-210-00	85 6	
	120 42		124 13	1739-201-200-10	104 5	
1729-601-280-10	118 43	1729-604-270-10	123 16	1739-317-241-00	181 3-A	
	119 40	1729-606-002-10	134 16		181 8-A	
	120 40		135 16	1739-401-001-00	78 4	
1729-601-300-00	118 30	1729-606-002-20	134 16-A		79 4	
1729-601-300-10	118 30-A		135 16-A		80 4	
	119 27	1729-630-001-20	131 8		81 4	
1729-601-310-10	118 34	1729-630-001-30	131 8-A	1739-681-220-10	143 27	
1729-601-310-20	118 34-A	1729-630-056-10	131 5		144 27	

Numerical Index

1772-097-100-10

Part Code	Fig. Key	Part Code	Fig. Key	Part Code	Fig. Key
1739-681-220-10	145 25	1740-903-075-00	165 9-A	1742-511-005-00	186 54
1739-690-720-00	145 36		166 9-A		187 55
1740-128-500-10	22 12		167 9-A	1742-511-071-00	105 15
1740-216-054-00	47 5		168 9-A		107 15
	48 5		169 8		186 16
1740-313-300-00	74 28	1741-102-002-00	2 42		187 16
	75 28		3 42	1742-511-710-00	105 9
1740-313-301-00	74 32	1741-112-053-10	2 41		107 9
	75 32		3 41		186 10
1740-317-200-00	176 1		139 12		187 10
1740-317-201-00	176 3		140 12	1742-511-740-00	105 30
	176 8		141 12		107 30
1740-317-210-00	176 6		142 12		186 31
1740-431-500-00	88 6	1741-411-210-00	85 1		187 31
1740-433-510-00	86 65	1742-102-210-00	1 1	1742-511-750-00	105 31
	87 65	1742-103-200-00	4 1		107 31
1740-437-210-10	181 1	1742-103-200-10	4 1-A		186 32
1740-437-210-20	181 1-A	1742-111-240-00	8 34		187 32
1740-437-211-00	181 3	1742-111-240-10	8 34-A	1742-511-760-00	105 19
	181 8	1742-120-002-00	12 5		107 19
1740-437-212-00	181 4		13 5		186 20
	181 9	1742-120-200-00	12 1		187 20
1740-437-220-00	181 2		13 1	1742-511-770-10	105 16
	181 7	1742-120-210-10	12 2		107 16
1740-437-230-10	181 6		13 2		186 17
1740-437-230-20	181 6-A	1742-203-002-00	19 6		187 17
1740-514-310-00	110 10		20 6	1742-511-790-10	105 22
	111 10	1742-410-001-00	84 1		107 22
1740-514-330-00	110 12	1742-410-001-10	84 1-A		186 23
	111 12	1742-508-008-00	100 1		187 23
1740-514-410-00	113 7	1742-508-330-00	99 4	1742-511-791-00	105 23
1740-514-420-00	113 9		101 4		107 23
1740-517-600-00	104 3	1742-508-330-10	99 4-A		186 24
1740-517-610-00	104 14		101 4-A		187 24
1740-520-001-00	116 6	1742-508-332-00	99 5	1742-511-792-00	105 24
1740-680-530-00	139 37		101 5		107 24
	140 37	1742-508-332-10	99 5-A		186 25
	141 37		101 5-A		187 25
1740-680-530-10	142 37	1742-508-410-00	185 1	1742-511-793-00	105 25
1740-680-550-00	143 25	1742-511-002-00	105 6		107 25
	144 25		107 6		186 26
	145 23		186 7		187 26
1740-680-551-00	143 26		187 7	1742-511-794-00	105 26
	144 26	1742-511-005-00	105 53		107 26
	145 24		107 54		186 27

Numerical Index

1772-097-100-10

Part Code	Fig. Key	Part Code	Fig. Key	Part Code	Fig. Key
1742-511-794-00	187 27	1744-512-260-00	186 51	1746-650-220-00	139 25
1742-511-795-00	105 27		187 51		140 25
	107 27		189 19		141 25
	186 28		190 23	1746-650-220-10	139 25-A
	187 28	1746-306-001-00	66 10-A		140 25-A
1742-512-004-00	108 30		67 10		141 25-A
	109 36	1746-306-002-00	66 11-A		142 25
1742-512-005-00	109 37		67 11	1746-901-001-10	160 4
	189 23	1746-434-001-00	86 79-A		161 4
1742-512-006-00	188 29		87 79-A		162 2
	190 35	1746-434-002-00	86 80-A		163 2
1742-512-007-00	190 36		87 80-A		164 2
1742-514-001-10	110 26	1746-508-210-20	102 20	1746-901-002-10	160 5
	111 26		103 20		161 5
	112 26	1746-602-001-00	121 8		162 3
1742-601-270-20	118 36		122 8		163 3
1742-601-270-30	118 36-A	1746-602-001-10	121 8-A		164 3
1742-604-240-10	124 14		122 8-A	1746-902-051-00	170 1
1742-611-240-00	125 27	1746-602-002-00	121 1	1747-640-051-00	57 50
1742-630-005-10	126 4		122 1	1747-640-067-00	57 37
1742-650-220-00	139 1	1746-602-003-00	121 9		57 62
	141 1		122 9	1750-902-052-00	169 13
	142 1	1746-602-003-10	121 9-A	1757-216-003-00	25 16-A
1742-652-260-00	152 5		122 9-A		25 20-A
1742-652-300-00	152 4	1746-602-230-00	121 13		26 16-A
1742-652-300-20	152 4-A		122 13		26 20-A
1742-656-001-00	151 19	1746-604-200-00	124 1		27 10-A
1742-662-001-00	152 2	1746-604-200-10	124 1-A		27 14-A
1742-702-810-00	158 1	1746-604-200-20	124 1-B	1757-501-014-00	105 51
1743-211-510-00	24 7	1746-604-210-00	124 6		107 52
1743-253-051-10	44 5	1746-604-210-10	124 6-A		186 52
1743-253-510-00	44 1	1746-604-210-20	124 6-B		187 53
1743-509-003-00	104 21	1746-631-241-10	148 38	1757-625-005-00	159 7
1743-509-270-00	104 23		149 39		193 10
1743-640-053-10	57 18	1746-631-241-20	148 38-A	1757-654-350-00	146 14
1743-640-055-10	57 29		149 39-A		147 15
1743-642-051-10	58 15	1746-631-241-30	148 38-B		148 14
1743-642-053-00	58 17		149 39-B		149 15
1744-120-001-00	12 4	1746-650-210-00	139 24		150 15
	13 4		140 24	1759-509-320-00	104 30
1744-512-250-00	105 49		141 24	1759-512-270-00	109 20
	186 50	1746-650-210-10	139 24-A		189 15
1744-512-260-00	105 50		140 24-A		190 19
	107 50		141 24-A	1763-128-001-00	43 7
	109 24		142 24	1763-128-200-00	43 5

Numerical Index

1772-097-100-10

Part Code	Fig. Key	Part Code	Fig. Key	Part Code	Fig. Key
1763-128-200-10	43 5-A	1772-214-054-00	28 3	1772-272-240-10	58 1-B
1763-178-086-00	31 18	1772-216-001-00	29 11	1772-272-250-00	58 10-A
1763-205-005-10	31 5	1772-216-001-10	29 11-A	1772-272-250-10	58 10-B
1763-205-007-10	25 18	1772-216-001-20	29 11-B	1772-272-300-00	58 12
	26 18	1772-216-003-00	172 2	1772-272-310-00	58 22
	27 12	1772-216-005-00	172 4	1772-273-200-00	59 1
1763-205-007-20	25 18-A	1772-216-006-00	29 14	1772-307-001-10	66 1
	26 18-A		32 1		67 1
	27 12-A	1772-216-007-00	29 3	1772-312-001-00	72 28
	31 4	1772-216-007-10	29 3-A		73 20
1764-215-001-00	45 7	1772-216-008-00	29 10	1772-312-200-20	72 5
	46 7	1772-216-008-10	29 10-A	1772-312-200-30	72 5-A
1770-273-220-00	104 28	1772-216-009-00	172 3	1772-312-200-40	72 5-B
1770-317-520-00	181 4-A	1772-216-200-00	172 1	1772-312-500-20	73 1
	181 9-A	1772-218-003-00	33 2	1772-312-500-30	73 1-A
1770-902-051-00	165 7	1772-218-003-10	33 2-A	1772-312-510-20	73 4
	166 7	1772-218-004-00	33 4	1772-312-510-30	73 4-A
	167 7	1772-218-004-10	33 4-A	1772-313-001-00	74 1
	168 7	1772-219-001-00	34 7	1772-313-001-10	74 1-A
1772-102-300-00	2 21		36 7	1772-313-002-00	74 5
1772-102-400-00	3 21	1772-219-002-00	34 6	1772-313-002-10	74 5-A
1772-116-220-00	9 12-A		35 5	1772-313-051-00	75 1
	10 12-B		36 6	1772-313-052-00	75 5
1772-120-001-00	11 6	1772-219-008-00	35 6	1772-313-240-10	74 16
1772-120-200-00	11 9	1772-219-009-00	35 2		75 16
	13 7	1772-241-001-00	39 1	1772-313-250-10	74 23
1772-203-001-00	18 9	1772-241-001-10	39 1-A		75 23
1772-203-002-00	18 12		41 1	1772-313-270-00	74 35
1772-203-003-00	18 3	1772-257-001-00	49 1		75 35
1772-203-004-00	18 1	1772-259-001-00	50 1	1772-313-280-10	74 21
1772-203-005-00	18 14	1772-271-001-10	57 16		75 21
1772-203-210-00	18 16	1772-271-210-00	57 32	1772-313-290-10	74 12
	19 17	1772-271-220-00	57 57	1772-313-290-20	74 12-A
1772-214-001-00	25 3	1772-271-240-00	57 45		75 12
	26 3	1772-271-250-20	57 3	1772-313-310-00	74 33
1772-214-001-10	25 3-A	1772-271-260-10	57 21		75 33
	26 3-A	1772-272-001-00	58 3	1772-317-210-00	177 1
1772-214-002-00	25 12	1772-272-002-00	58 30	1772-317-211-00	177 3
	26 12	1772-272-002-10	58 30-A		177 8
1772-214-002-10	25 12-A	1772-272-200-00	58 1	1772-317-220-00	177 6
	26 12-A	1772-272-210-00	58 10	1772-407-300-00	79 23
1772-214-003-00	27 4	1772-272-220-10	58 28	1772-407-300-10	79 23-A
1772-214-003-10	27 4-A	1772-272-230-00	58 7		80 21
1772-214-004-00	27 1	1772-272-230-10	58 7-A	1772-407-320-00	205 1
1772-214-053-00	28 1	1772-272-240-00	58 1-A	1772-410-200-20	82 1

Numerical Index

1772-097-100-10

Part Code	Fig. Key	Part Code	Fig. Key	Part Code	Fig. Key
1772-410-200-30	82 1-A	1772-508-220-00	99 26	1772-602-200-00	122 18
1772-410-300-10	83 1		101 26	1772-604-500-10	123 7
1772-433-001-00	87 21	1772-508-220-10	99 26-A	1772-604-510-00	123 1
1772-433-001-10	87 21-A		101 26-A	1772-625-200-00	128 1
1772-433-001-20	87 21-B	1772-508-220-20	99 26-B	1772-625-200-10	128 1-A
1772-433-003-00	87 22		101 26-B	1772-625-220-00	128 2
1772-433-003-10	87 22-A	1772-508-300-00	99 35	1772-625-220-10	128 2-A
1772-433-004-00	87 23	1772-508-500-00	102 13	1772-625-410-20	130 5
1772-433-004-10	87 23-A	1772-511-200-20	186 1	1772-625-420-20	130 6
1772-434-001-00	86 46	1772-511-210-00	105 47	1772-625-900-00	192 1
	87 46		186 48	1772-625-910-00	192 2
1772-434-004-00	86 40	1772-511-500-20	187 1	1772-625-920-00	192 3
	87 40	1772-511-510-10	107 47	1772-630-001-00	131 4
1772-434-004-10	86 40-A		187 48		132 5
	87 40-A	1772-512-001-00	108 29	1772-630-001-10	131 4-A
1772-434-005-00	86 42		109 35		132 5-A
	87 42	1772-512-210-10	108 24		133 4
1772-434-005-10	86 42-A		109 32	1772-630-500-20	133 1
	87 42-A		188 23	1772-631-002-10	134 3
1772-436-310-00	89 1		190 31		135 3
1772-436-320-00	89 2	1772-512-211-10	154 1	1772-631-002-20	134 3-A
1772-436-330-00	89 3	1772-512-910-10	188 1		135 3-A
	89 8	1772-512-920-30	189 1	1772-631-051-00	134 3-B
1772-436-350-00	89 6	1772-512-930-10	190 1		135 3-B
1772-436-360-00	89 7	1772-514-401-00	111 13-A	1772-631-051-10	134 3-C
1772-437-001-00	91 1		112 13		135 3-C
1772-438-001-10	92 1	1772-514-410-00	111 10-A		136 3
1772-438-001-20	92 1-A		112 10	1772-631-052-00	134 9-A
1772-438-002-10	92 2	1772-514-420-00	111 11-A		135 9-A
1772-438-002-20	92 2-A		112 11		136 7
1772-438-003-00	93 1	1772-514-430-00	111 12-A	1772-631-053-00	134 11-A
1772-504-210-10	95 45		112 12		135 11-A
	96 38	1772-520-001-10	114 4		136 8
1772-504-210-20	95 45-A		115 1	1772-631-055-10	136 28
	96 38-A	1772-520-002-00	115 3	1772-631-230-00	134 11
1772-506-210-10	97 13	1772-521-001-00	116 19		135 11
1772-506-220-10	97 19	1772-521-200-10	116 1	1772-631-500-20	136 1
1772-506-220-20	97 19-A	1772-521-210-10	116 2	1772-631-500-30	136 1-A
1772-508-011-00	99 36	1772-521-220-00	116 9	1772-631-510-10	136 26
1772-508-210-00	99 15		191 5	1772-635-001-00	137 1
	101 15	1772-521-220-10	116 9-A		138 1
1772-508-210-10	99 15-A		191 5-A	1772-635-001-10	137 1-A
	101 15-A	1772-521-300-10	191 1		138 1-A
	102 9	1772-601-200-00	119 1	1772-650-210-00	141 31
	103 9		120 1		142 31

Numerical Index

1772-097-100-10

Part Code	Fig. Key	Part Code	Fig. Key	Part Code	Fig. Key
1772-652-001-00	143 21	1772-654-002-10	149 26-A	1772-654-280-00	147 4
	144 21	1772-654-210-00	146 23		148 4
	145 19		147 24		149 4
1772-652-002-00	143 19		148 23	1772-654-280-10	146 4-A
	144 19		149 24		147 4-A
1772-652-003-00	143 20		150 24		148 4-A
	144 20	1772-654-211-00	206 1		149 4-A
1772-652-210-10	143 1	1772-654-212-00	206 2		150 2
	144 1	1772-654-213-00	206 3	1772-654-281-00	146 5
1772-652-210-20	143 1-A	1772-654-214-00	206 4		147 5
	144 1-A	1772-654-215-00	206 5		148 5
1772-652-210-30	143 1-B	1772-654-216-00	206 9		149 5
	144 1-B	1772-654-217-00	206 10		150 3
1772-652-210-40	143 1-C	1772-654-220-00	146 29	1772-654-282-00	146 6
	144 1-C		147 30		147 6
1772-652-210-50	143 1-D		148 29		148 6
	144 1-D		149 30		149 6
1772-652-210-60	143 1-E		150 30		150 4
	144 1-E	1772-654-221-00	146 32	1772-654-290-00	146 2
	145 1		147 33		147 2
1772-652-220-00	143 18		148 32		148 2
	144 18		149 33		149 2
1772-652-220-10	143 18-A		150 33	1772-654-290-10	146 2-A
	144 18-A	1772-654-222-00	146 33		147 2-A
	145 18		147 34		148 2-A
1772-652-230-00	143 22		148 33		149 2-A
	144 22		149 34	1772-654-310-00	146 25-A
	145 20		150 34		147 26-B
1772-652-240-00	144 38	1772-654-223-00	146 34		148 25-B
1772-652-250-00	143 12		147 35		149 26-B
	144 12		148 34		150 26
1772-652-250-10	143 12-A		149 35	1772-662-001-00	153 1
	144 12-A		150 35	1772-662-210-00	152 1
	145 12	1772-654-240-00	146 10	1772-702-210-10	158 7
1772-654-001-00	146 24		148 10	1772-702-210-20	158 7-A
	147 25	1772-654-250-00	146 12	1772-702-220-10	158 8
	148 24		148 12	1772-702-220-20	158 8-A
	149 25	1772-654-251-00	146 13	1772-702-230-20	157 1
	150 25		148 13	1772-702-310-10	159 1
1772-654-002-00	146 25	1772-654-270-00	146 17	1772-702-310-20	159 1-A
	147 26		147 18		193 4
	148 25		148 17	1772-702-500-00	193 1
	149 26		149 18	1772-901-004-00	160 6
1772-654-002-10	147 26-A		150 18		162 4
	148 25-A	1772-654-280-00	146 4	1772-901-005-00	161 6

Numerical Index

1772-097-100-10

Part Code	Fig. Key	Part Code	Fig. Key	Part Code	Fig. Key
1772-901-005-00	163 4	1772-902-021-00	166 1	1773-203-003-10	19 12-A
1772-901-006-00	164 4		168 1	1773-203-005-00	19 15
1772-901-011-00	162 7	1772-902-023-00	166 11	1773-203-006-00	20 26
	163 7		168 11	1773-203-006-10	20 26-A
	164 7	1772-902-024-00	166 12	1773-203-007-00	20 28
1772-901-012-00	162 8		168 12	1773-203-007-10	20 28-A
	163 8	1772-902-025-00	172 10	1773-203-008-00	20 12
	164 8	1772-902-026-10	37 45	1773-203-008-10	20 12-A
1772-902-001-00	165 1		173 46	1773-203-009-00	20 31
	167 1	1772-902-026-20	37 45-A	1773-203-200-00	20 15
1772-902-002-10	165 2		173 46-A	1773-203-200-10	20 15-A
	166 2	1772-902-051-00	165 5-A	1773-203-210-00	20 22
	167 2		166 5-A	1773-203-210-10	20 22-A
	168 2		167 5-B	1773-203-500-20	21 7
	169 2		168 5-A	1773-209-001-00	22 1
1772-902-002-20	165 2-A		169 4-A	1773-209-002-00	22 5
	166 2-A	1772-902-052-00	165 8-C		23 5
	167 2-A		166 8-C	1773-209-003-00	22 8
	168 2-A		167 8-C		23 9
	169 2-A		168 8-C	1773-209-004-00	22 13
1772-902-004-00	165 6		169 7-A		23 10
	166 6	1773-116-210-10	10 1	1773-209-051-00	23 1
	167 6	1773-116-210-20	9 1	1773-209-200-00	22 16
	168 6		10 1-A	1773-209-500-00	23 16
	169 5	1773-116-220-10	9 9	1773-211-051-00	24 1
1772-902-005-10	165 4		10 9	1773-214-003-00	25 13
	166 4	1773-116-230-30	10 21		26 13
	167 4	1773-116-230-40	10 21-A		27 7
	168 4	1773-116-230-50	10 21-B	1773-214-003-10	25 13-A
	169 3	1773-120-200-00	12 7		26 13-A
1772-902-006-00	165 12	1773-135-240-20	14 2		27 7-A
	167 12	1773-135-240-30	14 2-A	1773-214-004-00	25 15
	169 11	1773-135-250-10	72 3		27 9
1772-902-007-00	167 13	1773-201-051-00	17 1	1773-214-004-10	25 15-A
1772-902-008-00	165 11	1773-201-200-00	15 1		27 9-A
	167 11		16 1	1773-214-005-00	25 17
1772-902-009-00	169 10	1773-201-200-10	15 1-A		26 17
1772-902-011-00	165 13		16 1-A		27 11
	166 13	1773-203-001-00	19 1	1773-214-006-00	25 9
	168 13		20 1		26 9
	169 12	1773-203-002-00	19 3	1773-214-006-10	25 9-A
1772-902-011-10	165 13-A		20 3		26 9-A
	166 13-A	1773-203-002-10	19 3-A	1773-214-008-00	25 21
	168 13-A		20 3-A		26 21
	169 12-A	1773-203-003-00	19 12		27 15

Numerical Index

1772-097-100-10

Part Code	Fig. Key	Part Code	Fig. Key	Part Code	Fig. Key			
1773-214-008-10	25	21-A	1773-214-024-10	26	36-A	1773-229-210-00	173	21
	26	21-A		27	30-A	1773-229-301-00	37	29
	27	15-A		28	6		173	30
1773-214-009-00	25	32	1773-214-051-00	28	9	1773-229-302-00	37	34
	26	32	1773-214-054-00	28	12		173	35
	27	26	1773-214-055-00	28	14	1773-229-320-00	37	32
1773-214-009-10	25	32-A	1773-214-510-00	30	3		173	33
	26	32-A	1773-216-001-10	30	3-A	1773-229-350-20	37	41
	27	26-A	1773-216-001-20	30	11	1773-229-360-00	37	37
1773-214-010-00	25	33	1773-216-002-00	30	11-A		173	38
	27	27	1773-216-002-10	30	11-B	1773-229-500-00	37	41-A
1773-214-010-10	25	33-A	1773-216-002-20	30	10		173	42
	27	27-A	1773-216-003-00	30	10-A	1773-229-900-10	173	1
1773-214-012-00	25	37	1773-216-003-10	29	9	1773-229-900-20	173	1-A
	26	37	1773-216-004-00	30	9	1773-229-900-30	173	1-B
1773-214-012-10	27	31	1773-216-004-10	29	9-A	1773-241-001-30	40	1
	25	37-A		30	9-A		42	1
	26	37-A	1773-216-008-00	29	1	1773-252-001-00	43	1
1773-214-013-00	27	31-A		30	1	1773-252-002-00	43	2
	25	24	1773-216-011-00	29	8	1773-252-210-00	43	10
	26	24		30	8	1773-252-210-10	43	10-A
1773-214-013-10	27	18	1773-216-051-00	31	1	1773-254-001-00	45	1
	25	24-A	1773-216-052-00	31	6	1773-254-002-00	45	2
	26	24-A	1773-216-053-00	31	8	1773-254-011-00	46	1
1773-214-014-00	27	18-A	1773-216-054-00	31	11	1773-254-012-00	46	2
	25	38	1773-216-055-00	31	14	1773-254-200-10	45	5
	27	32	1773-216-056-00	31	16		46	5
1773-214-014-10	25	38-A	1773-216-057-00	31	3	1773-254-200-20	45	5-A
	27	32-A	1773-218-004-00	33	5		46	5-A
1773-214-015-00	25	1	1773-218-004-10	33	5-A	1773-256-001-00	47	1
	26	1	1773-218-005-00	33	3	1773-256-002-00	47	2
1773-214-021-00	26	15	1773-219-001-00	34	1	1773-256-051-00	48	1
1773-214-021-10	26	15-A	1773-219-006-00	34	3	1773-256-052-00	48	2
1773-214-022-00	26	33		36	3	1773-256-220-10	47	9
1773-214-022-10	26	33-A	1773-219-051-00	36	1	1773-256-500-00	48	9
1773-214-023-00	25	19	1773-229-001-00	38	1	1773-257-001-00	49	10
	26	19	1773-229-201-00	37	1	1773-257-200-10	49	2
	27	13		173	2	1773-257-200-20	49	2-A
1773-214-023-10	25	19-A	1773-229-202-00	37	7	1773-257-210-10	49	8
	26	19-A		173	8	1773-257-210-20	49	8-A
1773-214-024-00	27	13-A	1773-229-203-00	37	12	1773-259-001-00	50	2
	25	36		173	13		51	1
	26	36	1773-229-204-00	37	15	1773-259-002-00	51	2
1773-214-024-10	27	30		173	16	1773-259-200-10	50	6
	25	36-A	1773-229-210-00	37	20		51	6

Numerical Index

1772-097-100-10

Part Code	Fig. Key	Part Code	Fig. Key	Part Code	Fig. Key
1773-259-210-10	50 8	1773-304-006-00	63 12	1773-310-302-20	71 6
	51 8	1773-304-007-00	62 13	1773-310-303-10	70 3
1773-263-001-10	52 4		63 13		70 7
1773-263-200-10	52 1	1773-304-008-00	62 8		71 3
1773-263-200-20	52 1-A		63 8		71 7
1773-263-210-20	52 5	1773-304-009-00	62 5-A	1773-310-311-00	70 5
1773-263-210-30	52 5-A		63 5		71 5
1773-264-210-10	53 1	1773-304-011-00	62 6-A	1773-312-250-20	72 30
1773-264-210-20	53 1-A		63 6	1773-312-250-30	72 30-A
1773-264-220-10	53 3	1773-304-051-00	63 20	1773-312-270-20	72 7
1773-264-220-20	53 3-A	1773-306-001-20	64 1	1773-312-320-10	72 1
1773-266-001-00	54 2	1773-306-002-20	64 2	1773-312-670-00	73 2
1773-266-200-00	54 11	1773-306-051-00	65 1	1773-312-670-10	73 2-A
1773-266-200-10	54 11-A	1773-306-052-00	65 2	1773-401-200-00	76 1
1773-266-210-00	54 1	1773-307-002-00	66 5	1773-401-202-10	76 2
1773-266-220-00	54 5	1773-307-002-10	66 5-A	1773-404-002-00	77 1
1773-266-230-00	54 7	1773-307-003-00	66 6	1773-404-003-00	77 2
1773-266-230-10	54 7-A		67 6	1773-407-001-00	78 9
1773-266-500-00	54 1-A	1773-307-051-00	67 5		79 9
1773-266-510-00	54 5-A	1773-308-051-00	69 1		80 9
1773-266-520-10	54 7-B	1773-308-200-10	68 7		81 9
1773-267-001-10	55 1		69 7	1773-407-002-00	205 2
1773-267-002-00	55 2	1773-308-220-00	68 9		207 2
1773-269-001-00	56 1		69 9	1773-407-003-00	78 16
1773-269-003-00	56 6	1773-308-230-00	68 12		79 16
1773-269-220-00	56 4	1773-308-240-10	68 3	1773-407-004-10	78 15
1773-269-240-00	56 9		69 3		79 15
1773-269-500-00	56 9-A	1773-308-570-00	69 12	1773-407-005-00	78 25-A
1773-271-007-00	57 63	1773-310-001-30	70 9		79 25-A
1773-271-210-00	57 1	1773-310-002-00	70 13		80 23
1773-271-360-00	57 35		71 13		81 23
1773-271-370-00	57 60	1773-310-003-00	70 10	1773-407-200-00	78 6
1773-301-200-10	60 1		71 10		79 6
1773-301-200-20	60 1-A	1773-310-004-00	70 11		80 6
1773-301-500-10	61 1		71 11		81 6
1773-304-001-00	62 1	1773-310-005-00	70 12	1773-407-210-00	78 1
	63 1		71 12		79 1
1773-304-002-10	62 20	1773-310-051-00	71 9		80 1
1773-304-002-20	62 20-A	1773-310-210-00	70 15		81 1
1773-304-004-00	62 3		71 15	1773-407-300-20	78 23
1773-304-004-20	62 3-A	1773-310-301-00	70 1	1773-407-300-30	78 23-A
	63 3		71 1		81 21
1773-304-005-00	62 9	1773-310-302-10	70 2	1773-407-320-10	207 1
	63 9		70 6	1773-407-330-10	205 3
1773-304-006-00	62 12	1773-310-302-20	71 2		207 3

Numerical Index

1772-097-100-10

Part Code	Fig. Key	Part Code	Fig. Key	Part Code	Fig. Key
1773-407-333-00	205 6	1773-432-202-10	87 2-A	1773-436-360-00	90 7
	205 10	1773-433-001-00	86 21	1773-501-200-00	94 1
	207 6	1773-433-001-10	86 21-A	1773-501-210-00	94 56
	207 10	1773-433-001-20	86 21-B	1773-501-210-10	94 56-A
1773-407-340-10	205 7	1773-433-005-00	86 22	1773-504-210-00	96 20
	207 7	1773-433-005-10	86 22-A	1773-504-210-10	96 20-A
1773-407-550-00	80 15	1773-433-006-00	86 23	1773-504-230-10	95 30
	81 15	1773-433-006-10	86 23-A		96 23
1773-432-001-00	86 14	1773-434-008-00	86 47	1773-508-002-00	99 8
	87 14		87 47		101 8
1773-432-002-00	86 3	1773-434-008-10	86 47-A	1773-508-210-10	99 1
	87 3		87 47-A		101 1
1773-432-003-10	86 4	1773-434-009-00	86 52	1773-508-210-20	99 1-A
	87 4		87 52		101 1-A
1773-432-004-00	86 5	1773-434-010-00	86 24	1773-508-220-00	99 10
	87 5		87 24		101 10
1773-432-005-00	86 6	1773-434-011-20	86 44	1773-508-220-10	99 10-A
	87 6		87 44		101 10-A
1773-432-008-00	86 11	1773-434-011-30	86 44-A	1773-508-250-00	99 43
	87 11		87 44-A		101 39
1773-432-009-00	86 12	1773-434-012-00	86 34	1773-508-250-10	99 43-A
	87 12		86 45		101 39-A
1773-432-009-10	86 12-A		87 34	1773-508-250-20	99 43-B
	87 12-A		87 45		101 39-B
1773-432-010-00	86 13	1773-434-014-00	86 31		102 33
	87 13		87 31		103 33
1773-432-010-10	86 13-A	1773-434-016-00	86 36	1773-508-260-10	101 44
	87 13-A		87 36	1773-508-280-00	99 32
1773-432-011-00	86 17	1773-434-017-00	86 49		101 30
	87 17		87 49	1773-508-280-10	99 32-A
1773-432-012-00	86 18	1773-434-018-00	86 50		101 30-A
	86 37		87 50	1773-508-280-20	99 32-B
	87 18	1773-434-020-00	86 38		101 30-B
	87 37		87 38	1773-508-320-00	99 19
1773-432-013-00	86 7	1773-434-021-00	86 27-A		101 19
	87 7		87 27-A		103 13
1773-432-014-00	86 8	1773-436-310-00	90 1	1773-508-510-00	102 4
	87 8	1773-436-311-00	89 4		103 4
1773-432-201-00	86 1		89 9	1773-508-520-10	102 26
	87 1		90 4		103 26
1773-432-201-10	86 1-A		90 9	1773-508-530-10	102 38
	87 1-A	1773-436-320-00	90 2		103 38
1773-432-202-00	86 2	1773-436-330-00	90 3	1773-511-004-00	105 46
	87 2		90 8		107 46
1773-432-202-10	86 2-A	1773-436-350-00	90 6		186 47

Numerical Index

1772-097-100-10

Part Code	Fig. Key	Part Code	Fig. Key	Part Code	Fig. Key
1773-511-004-00	187 47	1773-514-210-10	111 1	1773-630-200-50	131 1
1773-511-005-00	106 1		112 1	1773-630-200-60	131 1-A
1773-511-053-00	105 54-A	1773-514-220-10	110 2	1773-630-200-70	131 1-B
	107 55		111 2	1773-630-300-50	132 1
	187 56		112 2	1773-630-300-60	132 1-A
1773-511-250-00	105 35	1773-514-310-00	110 11	1773-630-300-70	132 1-B
	107 35		111 11	1773-631-005-10	134 35
	186 36	1773-515-002-00	113 11	1773-631-006-10	135 35
	187 36	1773-515-210-10	113 6	1773-631-018-00	134 5
1773-511-340-00	105 36	1773-515-210-20	113 6-A		135 5
	107 36	1773-515-220-10	113 8	1773-631-034-00	134 13-A
	186 37	1773-520-210-00	114 1		135 13-A
	187 37	1773-521-210-20	117 1		136 9
1773-511-350-00	105 39	1773-611-001-10	125 22	1773-631-035-00	134 16-B
	107 39	1773-611-002-00	125 12		135 16-B
	186 40	1773-611-003-10	125 24		136 12
	187 40	1773-611-005-00	125 25	1773-631-091-00	134 19
1773-511-500-00	107 49	1773-611-210-00	125 1		135 19
	187 50	1773-611-240-30	125 15	1773-631-092-00	134 20
1773-512-091-10	108 12	1773-611-250-10	125 17		135 20
	109 13	1773-611-260-20	125 19	1773-631-200-20	134 1
1773-512-091-20	108 12-A	1773-611-262-00	125 20		135 1
	109 13-A	1773-611-270-00	125 7	1773-631-200-30	134 1-A
	188 11	1773-611-279-00	125 8		135 1-A
	190 12		125 10	1773-631-200-40	134 1-B
1773-512-092-10	109 14	1773-611-280-00	125 9		135 1-B
	189 11	1773-611-310-00	125 2	1773-631-200-50	134 1-C
	190 13	1773-611-331-00	125 3		135 1-C
1773-512-210-00	108 6	1773-611-332-00	125 4	1773-631-200-60	134 1-D
	109 6	1773-611-333-00	125 5		135 1-D
	188 5	1773-611-334-00	125 6	1773-631-270-00	134 32
	189 5	1773-625-210-10	129 1		135 32
	190 5		130 1	1773-631-280-20	134 33
1773-512-910-20	108 9	1773-625-220-10	129 2		135 33
	109 9		130 2	1773-631-290-00	134 38
	188 8	1773-630-004-00	132 9		135 38
	190 8	1773-630-004-10	132 9-A	1773-631-310-10	134 32-A
1773-512-920-20	109 10	1773-630-004-20	132 9-B		135 32-A
	189 8	1773-630-004-30	132 9-C		136 25
	190 9		133 8	1773-631-320-10	134 33-A
1773-512-950-00	108 17	1773-630-005-20	131 12		135 33-A
	109 22		132 13	1773-631-412-10	134 4
	188 16	1773-630-005-30	131 12-A		135 4
	190 21		132 13-A	1773-631-450-20	134 9
1773-514-210-10	110 1		133 14		135 9

Numerical Index

1772-097-100-10

Part Code	Fig. Key	Part Code	Fig. Key	Part Code	Fig. Key
1773-631-480-10	134	1773-702-210-50	156	1774-650-212-00	141
	28		1		21
	135		1-A		39
1773-631-550-10	21	1773-702-210-60	156	1774-660-003-10	150
	31		2		4-B
	136		2		7-A
1773-631-900-20	134	1773-702-220-50	156	1774-695-220-00	152
	14-A		2-A		7-A
	135		3		7-A
1773-631-910-20	10	1773-702-220-60	193	1774-902-005-00	165
	15-A		9-A		7-A
	136		9-B		6
1773-650-220-00	134	1773-702-260-00	159	1774-922-200-00	194
	15-A		12		1
	136		3		5
1773-650-230-10	11	1773-702-260-10	165	1785-103-200-20	5
	139		3		1
	140		10		11
1773-652-212-00	16	1773-902-003-10	166	1785-509-250-00	104
	141		10		1
	142		10		6
1773-652-213-00	139	1773-902-007-00	167	1785-611-220-00	208
	140		10		7
	144		10		8
1773-652-220-00	31	1773-902-008-00	167	1785-656-301-00	208
	143		5		10
	144		5		13
1773-654-250-00	2	1773-902-014-10	166	1785-656-302-00	208
	145		5		2
	143		5-A		4
1773-654-510-00	9	1773-902-014-20	167	1785-656-303-00	208
	144		5		11
	145		4		16
1773-656-210-10	34	1773-902-014-30	169	1785-656-304-00	208
	143		8		10
	144		8		13
1773-656-220-00	34	1773-902-014-20	165	1785-656-305-00	208
	145		8		10
	147		8		11
1773-656-500-00	10	1773-902-014-20	166	1785-656-306-00	208
	149		8-A		13
	150		8-A		2
1773-656-510-00	8	1773-902-014-30	167	1785-656-310-00	208
	151		8-A		4
	151		8-A		11
1773-702-001-00	1	1773-902-014-30	168	1785-656-330-00	208
	2		8-A		16
	151		8-A		18
1773-702-002-00	1-A	1773-902-014-30	168	1790-437-001-00	113
	208		8-B		11
	159		8-B		12
1773-702-003-00	3	1773-902-014-30	169	2130-601-018-00	108
	8		8-B		10
	159		8-B		12
1773-702-011-00	8	1773-902-014-30	167	2144-519-007-00	108
	11		8-B		10
	159		8-B		11
1773-702-012-00	15	1773-902-014-30	166	2152-442-013-00	72
	17		8-B		9
	193		8-B		9
1773-702-200-00	15	1773-902-015-00	168	2157-201-201-00	72
	193		28		9
	157		34		2
1773-702-210-00	5	1773-902-022-10	190	2161-105-006-30	14
	2-A		3		14
	193		3		13
1773-702-210-00	5	1773-902-025-00	168	2161-506-252-00	147
	18-A		1		13
	159		7		11
1773-702-210-00	20	1774-111-310-00	7	2161-506-260-00	147
	17-A		5		12
	193		5-A		12
1773-702-210-00	19	1774-111-311-00	7	2161-506-260-00	147
	6		8		11
	193		8		12
1773-702-210-00	9	1774-650-210-00	141	2161-506-260-00	147
	9		20		12
	193		20		12

Numerical Index

1772-097-100-10

Part Code	Fig. Key	Part Code	Fig. Key	Part Code	Fig. Key
2161-506-260-00	149 12	3640-547-004-00	39 2	3756-361-002-00	97 39
	150 10		41 2	3801-272-302-00	152 6
2163-775-009-00	43 13	3640-561-003-00	15 14	3805-544-016-00	105 32
2183-615-012-00	105 18	3650-201-008-00	16 13	3814-354-015-10	107 32
	107 18		108 20		186 33
	186 19		109 27		187 33
	187 19		131 15		78 8
2186-536-211-00	143 15	3650-270-214-00	132 16	3817-401-001-00	79 8
	144 15		133 17		80 8
	145 15		188 19		81 8
2186-536-212-00	143 16	3659-203-005-00	190 26	3819-261-005-00	45 9
	144 16		151 16		46 9
	145 16		208 5		47 8
2186-536-317-00	151 18	3659-203-005-00	97 22		48 8
2194-128-003-00	58 9		108 15		134 37
2500-901-027-00	171 1		109 17		135 37
2504-135-008-00	37 33		188 14		136 30
	173 34		189 14	3821-262-202-00	143 5
2504-165-002-10	123 6	3661-114-004-00	190 16	3821-262-203-00	144 5
	139 13		57 31		145 5
	140 13		74 17		143 6
	141 13		75 17		144 6
2504-250-001-10	142 13	3666-202-005-10	143 24	3821-262-204-00	145 6
	132 3		144 24		143 7
	2512-213-004-00		145 22		144 7
2706-301-021-00	25 22	3670-520-008-00	56 7		145 7
	26 14	3670-840-006-00	118 8	3824-222-006-00	58 19
	26 22		119 8	3824-222-300-00	58 18
	27 8		120 8	3824-232-021-00	134 14
	27 16	3673-701-006-00	18 10		134 22
	1 29		23 6		135 14
3104-171-003-00	2 32	3676-107-005-00	62 21		135 22
	3 32		63 21		136 16
	198 8	3676-356-001-00	94 59	3824-247-202-00	143 4
3533-901-012-00	198 28	3680-155-005-00	131 17		144 4
	162 1		132 18		145 4
3560-203-004-00	163 1	3680-338-006-10	146 26	3824-701-011-00	63 25
	164 1		147 27	3827-270-002-00	143 8
	72 14		148 26		144 8
3610-440-018-00	118 11		149 27		145 8
	119 11	3689-212-002-00	43 14	3838-304-001-00	1 18
	120 11	3689-902-019-00	160 1		2 19
3621-211-003-00	68 14		161 1		3 19
	69 15	3737-172-011-00	104 33	3872-301-210-00	2 1
3625-212-007-00	43 19	3737-211-007-00	24 9		3 1

Numerical Index

1772-097-100-10

Part Code	Fig. Key	Part Code	Fig. Key	Part Code	Fig. Key
4101-102-038-00	1 24	K110-001-106-00	200 20	K211-004-007-00	202 6
	2 28		200 20		202 6
	3 28		202 20		202 16
	134 25		202 20		202 16
	135 25	K135-002-009-00	195 7	K211-012-006-00	200 5
136 19	K135-017-006-00	195 2		200 5	
4335-145-221-00	132 3-A	K135-028-000-00	99 23		202 5
7932-201-002-00	60 2		101 23		202 5
	61 2		102 17	K211-026-000-00	94 41
7963-611-003-00	110 17		103 17	K211-026-100-00	94 42
	111 17	K135-028-100-10	195 1	K211-074-002-00	100 8
	112 17	K160-001-012-00	205 5	K211-074-100-10	198 1
8595-901-007-00	170 5		205 9	K211-074-100-20	198 1-A
8654-203-201-00	57 58		207 5	K211-074-103-10	198 7
	72 8		207 9		198 27
8654-901-002-00	170 9	K167-005-302-00	56 5	K211-074-104-10	198 11
8844-616-001-00	105 20	K182-034-002-00	205 4	K211-074-105-00	198 13
	107 20		205 8		198 33
	186 21		207 4	K211-074-106-00	198 10
	187 21		207 8		198 30
	J061-116-025-00	78 10	K200-014-007-00	200 27	K211-074-108-00
	78 17		200 27		198 32
	79 10		202 27	K211-074-109-00	198 16
	79 17		202 27		198 36
	80 10	K200-114-100-00	196 6	K211-074-110-00	198 9
	81 10		197 6		198 29
J061-230-038-00	1 12	K200-114-100-10	197 6-A	K211-074-112-00	198 5
	2 13	K200-173-000-20	101 35		198 25
	3 13	K200-215-000-00	101 35-A	K211-074-112-10	198 5-A
J061-232-040-00	99 14	K200-215-000-10	101 35-B		198 25-A
	101 14		102 29	K211-074-113-00	198 15
	102 8		103 29		198 35
	103 8	K211-001-006-20	94 43	K211-074-115-00	198 14
J061-236-044-00	1 11	K211-001-007-00	94 44		198 34
	2 12	K211-001-008-00	94 45	K211-074-200-10	198 21
	3 12	K211-004-006-00	200 7	K211-074-200-20	198 21-A
J061-249-060-00	6 10		200 7	K211-074-203-00	198 41
J062-076-082-00	7 33		202 7	K211-074-204-10	198 31
	8 33		202 7	K211-086-000-00	105 1
J062-138-148-00	94 55	K211-004-007-00	198 2		186 2
J062-147-159-00	1 19		198 22	K211-086-000-10	105 1-A
	2 20		200 6		107 1
	3 20		200 6		186 2-A
K110-001-106-00	198 4		200 16		187 2
	198 24		200 16	K211-086-001-00	198 44

Numerical Index

1772-097-100-10

Part Code	Fig. Key	Part Code	Fig. Key	Part Code	Fig. Key
K220-002-000-00	104 9	K510-001-029-00	199 24	V120-366-001-60	124 9
K231-004-006-00	94 18	K510-001-036-00	199 39		125 23
K231-004-007-00	94 20	K510-002-033-00	199 33	V120-376-001-60	77 3
K231-006-000-10	94 15	K510-003-021-00	199 18		131 9
K231-006-000-20	94 15-A	K510-003-022-00	199 19		132 10
K231-007-003-00	94 18-A	K510-003-037-00	199 20		133 9
K250-015-000-00	94 23	K510-005-024-00	199 22		151 21
K250-035-000-10	99 37	P103-112-003-20	7 10	V120-376-002-00	131 13
	196 11		8 10		132 14
K250-078-000-00	197 11	P112-401-220-00	105 34		133 15
K275-001-003-00	199 25		107 34	V182-448-001-20	52 3
K290-001-001-00	196 3		186 35	V195-163-010-40	151 13
	197 3		187 35	V195-164-016-40	151 14
K290-001-002-00	196 4	P113-201-007-00	146 26-A		208 9
	197 4		147 27-A	V200-260-607-00	198 42
K290-001-003-00	196 5		148 26-A	V200-360-605-50	99 17
	197 5		149 27-A		101 17
K290-004-000-00	196 1		150 27		102 11
	197 1	P118-702-033-00	15 12		103 11
K500-001-000-10	21 1	V111-165-001-20	139 26	V201-260-801-6B	28 16
K500-001-001-00	199 1		140 26	V201-260-802-50	1 23
K500-001-004-00	199 2		141 26		2 27
K500-001-005-00	199 3		142 26		3 27
K500-001-006-00	199 4	V111-166-003-00	139 22		94 51
K500-001-007-00	199 5		140 22		134 24
K500-001-008-00	199 6		141 22		135 24
K500-001-010-00	199 8		142 22		136 18
K500-001-011-00	199 9	V111-166-004-00	94 63	V201-260-803-50	88 9
K500-001-012-10	199 10	V120-264-001-20	151 11	V201-260-806-50	7 21
K500-001-013-00	199 11	V120-265-003-00	154 6		8 21
K500-001-015-00	199 13		155 4	V201-260-807-00	95 28
K500-001-017-00	199 15	V120-266-002-00	198 17		96 21
K500-001-019-00	199 16		198 37	V201-261-004-00	98 2
K500-001-023-00	199 21	V120-365-001-60	143 36	V201-261-004-50	57 48
K500-001-026-00	199 23		144 36		97 8
K500-001-030-00	199 31		145 34	V201-261-008-00	100 6
K500-001-031-00	199 34	V120-366-001-20	123 4		108 4
K500-001-034-00	199 35		123 10		188 3
K500-001-035-00	199 36		124 4-A	V201-261-010-00	100 5
K500-001-036-00	199 37		124 9-A	V201-261-012-00	109 4
K500-001-039-00	199 40	V120-366-001-60	121 11		189 3
K500-001-100-00	199 41		121 15		190 3
K500-001-300-00	199 7		122 11	V201-261-015-00	105 5
K510-001-016-00	199 14		122 15		107 5
K510-001-020-00	199 17		124 4		186 6

Numerical Index

1772-097-100-10

Part Code	Fig.	Key	Part Code	Fig.	Key	Part Code	Fig.	Key
V201-261-015-00	187	6	V201-361-207-00	128	9	V211-260-801-60	108	8
V201-261-017-00	105	4		129	7		109	8
	107	4		130	13		114	5
	186	5	V201-361-403-50	86	68		115	2
	187	5		87	68		146	11
V201-261-203-50	86	59	V201-361-404-50	84	2		148	11
	87	59	V201-361-603-00	66	10		188	7
V201-360-803-50	10	24	V201-361-608-00	158	9		189	7
V201-361-002-00	158	13	V201-361-608-50	116	13		190	7
V201-361-005-00	94	8	V201-461-002-00	125	28	V211-260-802-50	135	8
V201-361-007-50	94	7	V201-461-002-50	94	5-A	V211-260-803-00	134	29
	105	12	V201-461-003-00	94	4-A		135	29
	107	12	V201-461-005-00	94	8-A	V211-260-803-50	99	45
	186	13	V201-461-010-50	94	6		101	41
	187	13	V201-461-203-50	130	7		102	35
V201-361-009-00	37	3		156	3		103	35
	173	4		156	3-A		134	8
V201-361-202-50	129	3		157	3		134	29-A
	130	3		159	3		135	29-A
V201-361-203-00	15	5		193	6		136	6
	16	5	V203-361-003-50	118	31		136	22
	17	3		119	28	V211-260-804-00	94	48
	82	4		120	28	V211-261-002-00	128	8
	83	4	V203-361-603-50	128	5		129	6
	86	79	V203-461-203-00	78	25		130	12
	87	79		79	25	V211-360-801-60	95	15
	94	12	V210-360-601-60	111	28		96	19
	114	2		139	33		97	12
	116	3		140	33		108	13
	117	2		141	33		109	15
	191	2		142	33		121	19
V201-361-203-50	85	2		146	21		122	19
	85	7		147	14		188	12
	86	61		147	22		189	12
	87	61		148	21		190	14
	97	6		149	14	V211-360-802-00	37	42
V201-361-204-00	17	7		149	22		54	8
	24	3		150	22		56	10
	39	7	V210-360-603-00	150	12		119	37
	40	6	V210-560-603-50	99	29-A		120	37
	41	7		101	29-A		123	18
	42	6		102	23		134	13
	85	2-A		103	23		135	13
	94	13	V210-560-604-50	99	29		137	2
V201-361-205-00	128	3		101	29	V211-360-802-50	138	2

Numerical Index

1772-097-100-10

Part Code	Fig. Key	Part Code	Fig. Key	Part Code	Fig. Key
V211-361-001-60	78 21	V230-360-601-20	3 8	V231-360-801-20	42 19
	79 21		58 21		86 72
	80 19		58 31		87 72
	81 19		58 31-A		92 3
	108 25		105 11		93 2
	109 33		107 11		94 58
	154 2		143 11		99 34
	188 24		143 13-A		101 34
	190 32		143 28		101 50
	143 30		143 30		102 44
V211-361-002-50	54 8-A	V230-360-601-60	7 29	V231-360-801-60	1 16
	95 46		8 29		1 21
	96 39		126 3		2 17
	97 21		127 3		2 25
V211-560-802-00	14 3	V230-360-602-00	7 35	V231-360-801-20	3 17
	72 31		8 35		3 25
	134 39		143 33		18 8
	135 39		144 33		18 17
	136 32		145 31		19 11
V211-560-802-50	78 5	V230-360-603-50	143 33	V231-360-801-20	19 18
	79 5		144 23		20 11
	80 5		144 13		37 19
V211-561-002-00	94 40	V230-360-601-20	28 15	V231-360-801-20	37 26
	94 5		37 23		57 4
V211-561-002-50	37 2	V230-360-601-20	41 11	V231-360-801-20	58 4
	86 54		41 21		58 11
V211-561-003-00	87 54	V230-360-601-20	42 10	V231-360-801-20	58 16
	94 5		41 11		58 29
	173 3		41 11		68 17
	94 4		41 11		69 18
	102 16		41 11		91 2
V211-660-803-00	102 16	V230-360-601-20	41 11	V231-360-801-20	99 3
	99 22		41 11		99 9
	101 22		41 11		99 12
V211-660-804-00	103 16	V230-360-601-20	41 11	V231-360-801-20	101 3
	72 17		41 11		101 9
	73 9		41 11		101 12
V220-540-601-00	200 26	V230-360-601-20	41 11	V231-360-801-20	101 9
	200 26		41 11		101 12
	202 26		41 11		101 12
	202 26		41 11		101 12
V220-540-802-00	200 15	V230-360-601-20	41 11	V231-360-801-20	101 9
	200 15		41 11		101 12
	202 15		41 11		101 12
	202 15		41 11		101 12
V230-360-601-20	1 5	V230-360-601-20	41 21	V231-360-801-20	101 9
	2 8		42 10		101 12

Numerical Index

1772-097-100-10

Part Code	Fig.	Key	Part Code	Fig.	Key	Part Code	Fig.	Key		
V231-360-801-60	102	6	V231-360-802-00	8	19	V231-361-002-00	57	61		
	102	28		10	22		74	20		
	103	6		11	5		74	24		
	103	28		12	3		75	20		
	104	20		13	3		75	24		
	104	22		18	2		102	3		
	105	48		19	2		103	3		
	107	48		20	2		108	19		
	118	33		43	8		109	26		
	119	30		44	4		139	19		
	120	30		47	7		139	36		
	131	2		48	7		140	19		
	131	3		49	7		140	36		
	132	2		57	5		141	19		
	132	4		118	35		141	36		
	133	2		118	37		142	19		
	133	3		118	40		142	36		
	134	27		118	42		188	18		
	134	34		118	46		190	25		
	135	27		119	32		V231-361-002-50	4	5	
	135	34		119	34		18	15		
	136	27		119	39		19	16		
	139	32		119	43		20	32		
	140	32		120	32		22	17		
	141	32		120	34		23	19		
	142	32		120	39		25	2		
	146	3		120	43		26	2		
	147	3		124	16		27	2		
	148	3		126	5		29	2		
	148	39		V231-360-802-50	45		8	30	2	
	149	3		46	8		31	2		
	149	40		62	2		57	17		
	150	9		63	2		57	36		
	173	20		V231-360-803-00	43		9	99	7	
	173	27		57	7		101	7		
	173	43		57	19		172	9		
	186	49		85	13		V231-361-003-00	4	5-A	
	187	49		V231-360-804-00	74		34	5	5	
	V231-360-802-00	6		6	75		34	54	13	
		6		8	V231-360-805-00		147	11	64	3
		7		3	149		11	65	3	
		7		17	V231-360-805-50		57	20	114	7
		7		19	V231-361-001-60		29	15	115	4
		8		3	32		2	116	7	
		8		17	38		2	V231-361-003-50	28	8

Numerical Index

1772-097-100-10

Part Code	Fig. Key	Part Code	Fig. Key	Part Code	Fig. Key
V231-361-004-00	64 4	V251-441-403-50	83 3	V304-260-008-00	186 45
	65 4	V301-260-005-00	154 7		187 42
V231-361-005-00	57 28	V301-260-006-00	111 29		187 45
V231-361-202-00	192 4		139 4		206 8
V231-361-205-50	21 6		140 4	V304-260-010-00	43 16
V251-260-802-0D	39 17		141 4		57 49
	40 15		142 4		74 27
	41 17	V304-260-008-00	10 25		75 27
	42 15		14 5		95 34
V251-260-802-50	134 30		14 9		96 27
	135 30		57 15		97 9
V251-260-802-5D	39 16		57 30		105 7
	41 16		57 44		107 7
V251-260-803-00	134 30-A		57 56		159 20
	135 30-A		58 27		186 8
	136 23		58 27-A		187 8
V251-341-003-00	39 18		72 21		193 22
	40 16		72 33	V304-260-012-00	57 26
	41 18		73 13	V304-260-016-00	110 13
	42 16		73 23		110 14
	74 25		74 4		110 14-A
	75 25		74 9		111 13
V251-341-202-50	15 3		75 4		111 14
	16 3		75 9		111 14-A
	17 2		94 52		112 14
V251-341-203-00	39 19		94 66	V304-260-024-00	113 10
	40 17		95 43	V304-460-008-00	57 11
	41 19		96 36		57 40
	42 17		97 18		57 52
V251-341-203-20	82 2		97 38		118 3
	83 2		105 41		119 3
V251-341-203-5D	24 2		105 44		120 3
V251-341-205-00	15 7		107 41	V304-460-010-00	64 5
	15 8		107 44		65 5
	16 7		118 14		116 8
	16 8		119 14		158 14
	24 4		120 14	V304-460-012-00	15 4
	24 5		146 9		16 4
V251-441-202-80	86 27		147 9		17 4
	87 27		148 9		17 8
V251-441-203-00	130 9		149 9		39 8
	156 5		150 7		40 7
	156 5-A		158 12		41 8
V251-441-203-50	159 2		159 18		42 7
V251-441-403-50	82 3		186 42		85 5

Numerical Index

1772-097-100-10

Part Code	Fig.	Key	Part Code	Fig.	Key	Part Code	Fig.	Key
V304-460-012-00	86	29	V360-260-006-00	139	29	V363-260-010-00	134	17
	86	60		140	29		134	21
	86	63		141	29		135	17
	86	76		142	29		135	21
	87	29		146	18		136	15
	87	60		147	19	V401-160-006-00	74	19
	87	63		148	18		75	19
	87	76		149	19		94	64
	113	13		150	19		99	18
	116	5		152	3		101	18
	117	3	V361-260-006-00	121	14	102	12	
	128	12		122	14	103	12	
	129	10	V362-260-008-00	1	22	198	43	
	130	16		2	26	V401-160-008-00	7	22
	191	4		3	26		8	22
	V304-460-014-00	84		4	57	8	11	4
		86	68-A	82	9	28	17	
87		68-A	83	9	57	14		
V304-460-016-00	110	5	88	10	57	43		
	111	5	104	2	57	55		
	112	5	118	44	95	2		
	113	2	119	41	95	29		
V305-260-012-00	194	3	120	41	96	6		
V327-262-112-00	89	12	125	16	96	22		
	90	12	134	15	105	45		
V328-261-110-00	9	7	134	26	107	45		
	10	7	134	31	186	46		
V330-700-010-00	4	4	135	15	187	46		
	5	4	135	26	200	14		
V341-120-008-00	159	19	135	31	200	14		
V350-160-004-00	160	3	136	20	202	14		
	161	3	136	24	202	14		
V350-160-006-00	118	25	137	3	206	7		
	118	29	139	15	V401-160-010-00	4	3	
	119	26	140	15		5	3	
	120	26	141	15		37	4	
	121	7	142	15		43	15	
	122	7	V363-260-008-00	85		14	62	14
V360-260-004-00	7	13		121	17	63	14	
	8	13-A	121	23	64	6		
V360-260-005-00	143	37	122	17	65	6		
	144	37	122	23	74	26		
	145	35	125	26	75	26		
V360-260-006-00	125	18	V363-260-010-00	114	8	94	9	
	125	21		115	5	94	9-A	

Numerical Index

1772-097-100-10

Part Code	Fig. Key	Part Code	Fig. Key	Part Code	Fig. Key
V401-160-010-00	98	V401-160-012-00	90	V411-260-006-00	118
	3		11		18
	100		14		119
	7		7		120
	105		3		139
	8		4		5
	105		4		140
	13		4		5
	107		4		141
	8		4		5
	107		4		142
	13		10		5
	108		4	V411-260-008-00	7
	5		4		23
	109		4		8
	5		8		23
	118		4		14
	32		4		12
	119		4		37
	29		8		30
	120		8		37
	29		14		35
	125		4		54
29	4	3			
173	4	56			
5	4	2			
186	5	58			
9	5	13			
186	3	23			
14	3	25			
187	8	17			
9	3	6			
187	69	14			
14	69	14			
188	11	39			
4	6	6			
189	6	14			
4	15	39			
V401-160-012-00	15	V401-160-016-00	66	V411-260-005-00	97
	16		11		26
	17		6		32
	5		15		36
	17		6		118
	9		15		13
	24		3		13
	6		15		13
	39		15		13
	9		6		13
	40		3		13
	8	3	13		
	41	3	13		
	9	15	13		
	42	3	13		
	8	15	13		
	57	6	13		
	25	3	13		
	78	6	13		
	26	3	13		
	79	10	13		
	26	8	13		
	80	9	13		
24	9	13			
81	9	13			
24	9	13			
82	13	13			
5	28	13			
V401-170-008-00	83	V411-260-006-00	9	V411-260-010-00	9
	5		13		6
	85		13		6
	3		17		6
	85		13		6
	8		16		6
	86		29		6
	28		29		6
	86		13		6
	62		13		6
	86		17		6
80	14	6			
87	3	6			
28	3	6			
87	3	6			
62	3	6			
87	3	6			
80	3	6			
89	3	6			
11	3	6			

Numerical Index

1772-097-100-10

Part Code	Fig.	Key	Part Code	Fig.	Key	Part Code	Fig.	Key	
V411-260-010-00	10	6	V500-162-002-00	95	5	V511-100-805-00	75	22	
	10	10		95	8	V511-101-006-00	97	4	
	43	17		95	14	V523-100-801-60	21	5	
	55	4		95	23	V523-101-002-40	15	10	
	105	14		95	39		16	10	
	107	14		95	42		17	6	
	125	30		96	9		17	10	
	134	17-A		96	12		23	18	
	135	17-A		96	18		28	7	
	136	13		96	32		37	5	
	186	15		96	35		39	5	
	187	15		105	21		40	4	
	V411-260-012-00	74		37	107	21		41	5
		75		37	173	32		42	4
85		4	173	37		86	26		
V411-260-014-00	52	7	186	22		86	53		
	58	5	187	22		87	26		
V411-260-016-00	110	7	V500-162-502-00	9	11		87	53	
	110	16		10	11		94	10	
	111	7		14	13		172	8	
	111	16		43	18		173	6	
	112	7		54	4	V560-160-006-00	118	19	
	112	16		55	5		119	19	
	113	4		56	3		120	19	
	V500-161-601-50	95		52	74	7	V560-160-008-00	105	33
96		45	74	40		107	33		
105		29	75	7		118	5		
107		29	75	40		119	5		
186		30	97	27		120	5		
187		30	97	33		186	34		
			97	37		187	34		
V500-162-001-50	9	14	V500-162-502-50	9	8	V580-140-301-80	55	3	
	10	14		10	8	V580-140-302-50	200	24	
	10	18					200	24	
V500-162-002-00	59	4	V500-163-002-00	89	13		200	24	
	14	17		90	13		202	24	
	37	31				202	24		
	37	36		110	18		202	24	
	58	14		111	18	V580-140-403-60	172	6	
	58	24	V500-164-003-00	112	18	V580-140-502-00	95	36	
	68	10		110	8		96	29	
	69	10		111	8		97	24	
	72	26		112	8		97	29	
	73	18	V511-100-805-00	113	5	V580-140-502-50	86	15	
	74	15		72	6		87	15	
	75	15		73	5	V580-140-602-50	37	28	
				74	22		173	29	

Numerical Index

1772-097-100-10

Part Code	Fig. Key	Part Code	Fig. Key	Part Code	Fig. Key
V580-140-602-80	49 9	V600-410-620-60	27 5	V704-140-016-00	68 15
V580-140-603-20	52 6		27 6		69 16
V600-110-600-90	31 15		29 4	V704-140-018-00	58 20
V600-110-601-10	62 15		30 4	V704-140-020-00	25 5
	63 15		37 8		25 28
V600-110-620-30	22 7-A		173 9		26 5
	23 7	V600-410-620-70	19 5		26 28
V600-110-620-40	19 14-A		20 5		27 22
	20 25-A	V600-410-630-30	27 21		61 8
	23 3	V600-410-630-40	18 11		88 2
	25 6-A		18 13	V704-140-022-00	37 40
	25 40-A		19 13		68 5
	26 6-A		20 13		68 8
	27 34-A	V600-410-630-60	34 5		69 5
	28 4		35 4		69 8
	28 10		36 5		72 29
V600-110-620-50	20 27-A	V600-450-600-50	57 34		73 21
	22 10-A		57 46		173 41
	22 14-A	V654-445-501-70	26 16-B	V704-140-025-00	25 34
	23 11	V682-200-000-60	200 11		25 35
	23 13		200 11		26 34
	28 11		202 11		26 35
V600-110-620-90	66 7		202 11		27 28
	67 7	V682-200-001-00	37 14		27 29
V600-110-630-50	199 12		43 4		56 8
V600-350-600-20	57 23		45 4		57 64
V600-410-600-40	33 7		46 4		60 6
V600-410-600-50	22 11		47 4		61 6
V600-410-600-60	22 15		48 4		72 10
V600-410-600-70	19 7		49 6		199 28
	20 7		50 5	V704-140-030-00	18 5
V600-410-620-30	22 7		51 5		22 3
V600-410-620-40	19 14		146 15	V704-140-035-00	19 8
	20 25		147 16		20 8
	25 6		148 15		28 13
	25 40		149 16		34 9
	26 6		150 16		35 8
	27 34		173 15		36 9
V600-410-620-50	20 27	V682-200-001-90	70 4		62 23
	22 10		70 8		63 23
	22 14		71 4		66 3
V600-410-620-60	25 10		71 8		67 3
	25 11	V704-140-012-00	74 38	V705-140-021-00	94 19
	26 10		75 38	V705-140-024-00	198 3
	26 11	V704-140-015-00	58 6		198 23

Numerical Index

1772-097-100-10

Part Code	Fig.	Key	Part Code	Fig.	Key	Part Code	Fig.	Key
V705-140-024-00	200	17	V720-101-900-90	158	6	V720-112-401-10	78	12
	200	17	V720-102-401-00	50	3		79	12
	202	17		51	3		80	12
	202	17		201	2		81	12
V705-140-028-00	195	9	V720-102-401-40	37	21		101	46
V705-140-032-00	199	30		43	6		101	48
V705-140-042-00	15	13		49	3		102	40
	16	12		50	7		102	42
	17	13		51	7		103	40
V705-140-047-00	25	7		173	22		103	42
	26	7	V720-102-401-60	21	2		104	8
V705-140-052-00	86	10		45	6	V720-112-401-20	199	27
	87	10		46	6		94	24
V706-140-040-00	86	20	V720-102-401-80	49	4		94	46
	86	51	V720-102-402-00	21	8		99	42
	87	20		47	6		100	3
	87	51		48	6		101	37
V706-140-045-00	94	35		159	14		102	31
V706-140-050-00	94	37	V720-103-502-60	94	57		103	31
V706-140-055-00	86	19	V720-103-502-80	99	2		198	6
	87	19		99	11		198	18
V707-140-062-00	22	4		101	2		198	26
	25	30		101	11		198	38
	26	30		102	5		198	46
	27	24		103	5		200	21
	29	6	V720-103-503-40	86	67		200	21
	30	6		87	67		202	21
	37	11		88	5		202	21
	173	12	V720-103-503-60	88	7	V720-112-401-40	23	17
V707-140-068-00	86	39	V720-103-504-40	201	6		39	15
	87	39	V720-111-900-60	195	6		40	14
V707-140-072-00	39	4	V720-111-900-70	200	25		41	15
	40	3		200	25		42	14
	41	4		202	25		94	22
	42	3		202	25		94	27
	86	32	V720-111-900-90	94	16		94	49
V707-140-080-00	87	32	V720-112-401-00	22	18		98	4
	62	22		99	41		99	31
	63	22		100	4		99	44
V707-140-085-00	66	8		101	36		99	47
	67	8		102	30		101	32
V707-140-090-00	62	19		103	30		101	38
	63	19		198	20		101	40
V720-101-900-70	95	12		198	40		101	43
	96	16		198	45		102	25

Numerical Index

1772-097-100-10

Part Code	Fig. Key	Part Code	Fig. Key	Part Code	Fig. Key	
V720-112-401-40	102 32	V720-112-402-00	196 2	V744-122-350-80	68 6	
	102 34		196 7		69 6	
	102 37		196 12		70 16	
	103 25		197 2	71 16		
	103 32		197 7	V744-125-350-70	199 32	
	103 34		197 12	V744-125-380-70	19 4	
	103 37		V720-112-402-20	195 5	20 4	
	104 4		V720-113-502-40	24 8	V744-130-450-80	18 6
	104 6			104 27	V744-135-500-80	19 9
	104 10			104 29		20 9
	104 12		V720-113-502-60	94 57-A		44 3
	104 15		V720-113-503-20	198 19	V760-150-000-00	57 59
	104 17		198 39		58 8-A	
	104 25	V720-113-503-80	100 2		74 18	
	108 3		198 47		75 18	
	108 23	V720-115-706-50	94 30		89 5	
	108 28	V721-103-104-50	102 2		89 10	
	109 3		103 2		90 5	
	109 21	V721-103-106-00	21 3		90 10	
	109 31	V721-103-106-50	199 38	V761-150-000-00	86 70	
	188 22	V721-103-107-00	21 4		87 70	
	188 27		86 55	V762-150-000-00	54 14	
	189 16		87 55		58 8	
	189 22	V721-103-110-00	86 25	V763-150-000-00	72 11	
	190 20		87 25		73 6	
	190 30	V721-113-105-00	195 4		86 64	
	199 26	V721-113-107-00	94 26		87 64	
	200 28	V723-102-003-20	78 3		97 5	
	200 28		79 3	V780-140-000-1T	196 13	
	202 28		80 3		197 13	
	202 28		81 3	V780-140-000-2T	94 47	
	V720-112-401-60	100 9	V723-111-501-60	196 8		196 10
		185 2		196 8		197 10
	V720-112-401-80	94 25		197 8		198 48
		158 5	V723-112-004-40	205 11	V780-140-000-4T	17 12
	V720-112-402-00	94 21		207 11	V780-140-000-6T	94 60
99 16		V723-112-004-80	205 12		100 10	
99 28			207 12	V781-160-000-6B	37 6	
99 38		V730-101-200-90	94 17		173 7	
101 16		V742-112-220-40	95 17	V782-160-000-2B	15 9	
101 28			95 19		16 9	
102 10			95 25		17 11	
102 22			96 2	V782-160-000-2T	15 11	
103 10		V744-114-280-70	195 3		16 11	
103 22		V744-120-420-80	33 8		24 10	

Numerical Index

1772-097-100-10

Part Code	Fig.	Key	Part Code	Fig.	Key	Part Code	Fig.	Key	
V782-160-000-2T	39	12	V999-200-003-00	177	5				
	40	11		177	10				
	41	12		178	5				
	42	11		178	10				
	94	28		179	5				
	99	27		179	10				
	99	40		180	5				
	101	27		180	10				
	102	21		181	5				
	103	21		181	10				
	V782-160-000-4B	86		41	182	5			
		86		43	182	10			
		87		41	183	5			
87		43	183	10					
V782-160-000-6T	99	39	184	5					
	105	52	184	10					
	107	53	W201-261-206-00	194	2				
	108	26	W201-361-206-00	86	75				
	109	34		87	75				
	186	53	W296-134-007-00	121	21				
	187	54		122	21				
	188	25							
	190	33							
	V782-160-000-8B	39	13						
40		12							
41		13							
42		12							
V883-000-061-40	180	4							
	180	9							
V883-000-071-40	184	4							
	184	9							
V883-000-071-60	183	4							
	183	9							
V889-000-092-20	179	4							
	179	9							
V889-000-092-40	176	4							
	176	9							
V889-000-112-40	177	4							
	177	9							
V999-200-003-00	174	5							
	174	10							
	175	5							
	175	10							
	176	5							
	176	10							

Alphabetical Index

6008-097-280-00

Description	Fig. Key	Description	Fig. Key	Description	Fig. Key
ADAPTER/260X175 ASSY	23 1	BOLT	30 20	CONNECTOR/FUEL	22 1
ARM/CONTROL	21 27		30 21	CONNECTOR/GLOWPLUG	25 6
ARM/FLOATING COMP	21 18		30 22	CONNECTOR/OILFILTER	6 25
ARM/TENSION	23 2		30 24	CONTROLRACK	28 48
ARMATURE/STARTE ASSY	29 2	BOLT, SEMS/M10X20	11 1	CONTROLSLEEVE	28 49
BALL	2 5	BOLT, SEMS/M6X12	13 5	COVER	29 23
	29 17		21 14		30 13
BEARING	10 47	BOLT, SEMS/M8X25 7T	5 3	COVER, BEARING	30 5
	21 12	BOLT/CONNECTINGROD	14 6	COVER/BLOWBY	3 3
	29 3	BOLT/FLANGE	24 5	COVER/CYLINDER HEAD	3 1
	29 4	BOLT/M12X40	24 8	COVER/HOUSING	18 23
BEARING, RB/6203	21 11	BOLT/M6	10 32	COVER/INJECTIONPUMP	6 26
BEARING/BALL	16 8		10 33	CRANKSHAFT ASSY	16 1
	30 6	BOLT/M6X10	21 16	CUP/SEALING/16	6 3
	30 11	BOLT/S	8 4	CUP/SEALING/20	10 3
BEARING/CONNECTING R	7 5		8 7	CUP/SEALING/28	6 4
	7 6		18 32	CUP/SEALING/36	6 5
	14 7	BOLT/STUD	6 21	CUP/SEALING/50	2 2
BEARING/CRANK SET	6 12	BOLT/THROUGH	29 16		6 6
BEARING/CRANK/LOWER	6 14	BOLT/WS	9 4	CUTTER, VALVE	12 5
BEARING/CRANK/UNDER	7 1		17 6	CYLINDERBLOCK ASSY	6 1
	7 3		18 25	CYLINDERHEAD ASSY	2 1
BEARING/CRANK/UPPER	6 13		29 15	DOWEL	6 23
BEARING/THRUST/CRANK	6 15	BOSS/SPLINE	16 10	DRIVE/TACHOMETE ASSY	10 35
	7 2	BRACKET/ROCKERSHAFT	12 12	EYEBOLT	28 50
	7 4		12 13	FAN/COOLING	19 1
BEARING/WATERPUMP	18 4	BRUSH	30 17	FLANGEBOLT	4 3
BELT/VR5A40.5	19 6	BUSH	30 15		6 28
BODY/OILPUMP	17 2	BUSHING/DRAIN	29 20		10 8
BODY/WATERPUMP ASSY	18 2	CAMSHAFT	13 1		10 10
BOLT	2 7	CAMSHAFT/INJPUMP	21 8		10 11
	5 4	CAP	18 33		10 12
	6 2	CAP, OIL FILLER	3 5		10 14
	8 8	CAP/OILFILLER	6 32		10 37
	10 41	CARTRIDGE/OILFILTER	17 12		12 19
	12 18	CLAMP	10 13		17 11
	16 9	CLAMP, 7	10 38		18 17
	16 13	CLAMP/STRAINER	17 10		18 27
	18 18	CLAMP/WIRE/20-24	18 34		18 28
	25 9	CLIP ASSY	20 9		19 5
	28 10	CLIP/HOSE/18-22	18 21		21 6
	28 52	CLIP/HOSE/7.6-8.2	22 4		24 3
	30 9	CLUTCH/STARTER ASSY	29 5	FLYWEIGHT ASSY	21 15
	30 10	COLLOR	30 3	FLYWHEEL ASSY	16 5
	30 19	CONNECTINGROD ASSY	14 5	FRAME	30 12

Alphabetical Index

6008-097-280-00

Description	Fig. Key	Description	Fig. Key	Description	Fig. Key
FRAME/DRIVEEND ASSY	30 7	HOLDER/NOZZLEASSY	27 1	OILSEAL	26 10
FRAME/STARTEREND	29 10	HOLDER/STARTER ASSY	29 11		26 12
GASHET/EXH MANIFOLD	5 2	HOSE/RUBBER	3 9	O-RING	29 19
	26 7		22 3	ORING	28 7
GASKET	3 8	HOSE/RUBBER/230	18 14		28 9
	20 5	HOSERUBBER	18 20	O-RING 1A S50	10 43
	25 8	HOUSING/PUMP	28 1	O-RING HS90 G50	18 16
	26 5	HOUSING/STARTER ASSY	29 9		26 18
	26 22	HOUSING/THERMOSTAT	18 22	O-RING/P 8	21 25
	27 17	INJECTIONNOZZLE ASSY	20 1	O-RING/P18	8 6
	28 5	INJECTIONPUMP ASSY	21 1		10 31
	28 51	KEY/07X05X09	13 3	O-RING/P22	17 9
	28 53		21 10		26 17
GASKET, NOZZLE	20 2	KEY/07X05X43	16 4	O-RING/P25	6 33
GASKET/COVER	6 27	LEVELGAGE	6 30	PACKING	10 19
	26 11	LEVER/CONTROL COMP	21 24	PIN	6 19
GASKET/CYLINDERHEAD	2 6	MANIFOLD/EXHAUST	5 1		6 29
	26 3	MANIFOLD/INLET ASSY	4 1		9 3
GASKET/GEARCASE	10 26	NOZZLE	27 16		10 22
	26 14	NUT	10 48		16 2
GASKET/HOUSING	18 24		10 50		16 7
	18 26		12 17		28 12
	26 19		27 18	PIN, CONTROL	21 20
	26 20		29 21	PIN/ARM	10 20
GASKET/INLETMANIFOLD	4 2		29 22	PIN/GROOVE	10 25
	26 6		30 2	PIN/IDLEGEAR	6 9
GASKET/OILFILLER	6 35		30 23	PIN/PISTON	14 3
GASKET/OILPAN	8 3		30 25	PIN/SNAP	10 21
GASKET/PLATE	10 40	NUT, CAP/M 8	10 18	PIN/STRAIGHT	6 18
	26 15	NUT/CAP	3 7		17 5
GASKET/WATERPUMP	18 8	NUT/FLANGE	25 5	PIN/TUBE	6 17
GEAR/CAMSHAFT	13 2	NUT/M08	10 9		10 44
GEAR/CRANK	16 3		12 20	PINION/STARTER	29 8
GEAR/IDLE ASSY	13 6		18 19	PIPE/FUEL	22 2
GEAR/INJECTIONPUMP	21 9		21 7	PIPE/INJECTION ASSY	20 6
GEAR/OILPUMP ASSY	17 3	NUT/M10	24 6		20 7
GEARCASE ASSY	10 1	NUT/M6	10 34		20 8
GENERATOR ASSY	24 1		21 28	PIPE/PILPAN	8 2
GLOWPLUG	25 4	NUT/M8	10 17	PIPE/WATER PUMP	18 12
GUIDE/LEVELGAGE COMP	6 31	NUT/NOZZLERETAINING	27 15	PIPE/WATER/HOUSING	18 13
HANGER/F	11 2	OILFILLER COMP	6 34	PIPE/WATERDRAIN	6 24
HEATSHILD/NOZZLE	20 3	OILPAN	8 1	PIPE/WATEROUTLET	18 30
HOLDER ASSY	30 14	OILPUMP ASSY	17 1	PIPE/WATERPUMP	18 3
HOLDER/BRUSH ASSY	30 16	OILSEAL	6 16	PISTON	14 1
HOLDER/DELIVERYVALVE	28 6		10 7	PISTON/OV	15 1

Alphabetical Index

6008-097-280-00

Description	Fig. Key	Description	Fig. Key	Description	Fig. Key
PISTON/OV	15 3	PLUG/PT1/4	10 2	SEAL, OIL	26 2
PISTON/VALVE/RELIEF	10 28	PLUG/PT1/8	6 7	SEAL/CYL HEAD/UNDER	3 6
PLATE	30 8	PLUG/SCREW	10 23		26 4
PLATE/ADJUST	24 2	PLUG/TAPERSCREW	18 11	SEAT, VALVE SPRING	12 4
PLATE/FRONT	10 39	PLUNGER ASSY	28 2	SEAT/WATERPUMP/PULLEY	18 5
PLATE/REAR	9 1	POINTER	9 2	SHAFT/HYDRAULIC ASSY	10 46
PLATE/T=2. 60	28 17	PULLEY	30 1	SHAFT/ROCKERARM ASSY	12 10
PLATE/T=2. 65	28 18	PULLEY/CRANK	16 11	SHIM/0. 10	27 2
PLATE/T=2. 70	28 19	PULLEY/WATERPUMP	19 2	SHIM/0. 20	27 3
PLATE/T=2. 75	28 20	PUSHROD	12 7	SHIM/0. 30	27 4
PLATE/T=2. 80	28 21	REGULATOR ASSY	30 26	SHIM/0. 40	27 5
PLATE/T=2. 85	28 22	REPAIR/ENGINESET	26 1	SHIM/0. 50	27 6
PLATE/T=2. 90	28 23	RESISTANCE/1. 0	22 5	SHIM/0. 52	27 7
PLATE/T=2. 95	28 24	RETAINER	29 7	SHIM/0. 54	27 8
PLATE/T=3. 00	28 25	RING SNAP	14 4	SHIM/0. 56	27 9
PLATE/T=3. 05	28 26	RING, SNAP/ 4 E	21 21	SHIM/0. 58	27 10
PLATE/T=3. 10	28 27	RING, SNAP/12 C	10 30	SHIM/0. 80	27 11
PLATE/T=3. 15	28 28	RING/O	10 36	SHIM/INJECTIONPUMP	21 2
PLATE/T=3. 20	28 29		18 31		21 3
PLATE/T=3. 25	28 30		26 16		21 4
PLATE/T=3. 30	28 31		26 21		21 5
PLATE/T=3. 35	28 32	RING/PISTON/OVSET	15 2	SHORTBLOCK/ENGIN ASSY	1 1
PLATE/T=3. 40	28 33		15 4	SLEEVE/FLANGE	28 8
PLATE/T=3. 45	28 34	RING/PISTONSET	14 2	SNAPRING	28 13
PLATE/T=3. 50	28 35	RING/SNAP	12 15	SOLENOID	25 7
PLATE/T=3. 55	28 36	RINGGEAR	16 6	SPACER	10 42
PLATE/T=3. 60	28 37	RINK/CONTROL	21 19		27 14
PLATE/T=3. 65	28 38	ROCKERARM	12 9	SPACER, FAN	19 3
PLATE/T=3. 70	28 39	ROCKERSHAFT ASSY	12 8	SPACER/FAN	19 4
PLATE/T=3. 75	28 40	RORA	29 6	SPACER/WATERPUMP	18 15
PLATE/T=3. 80	28 41	ROTOR ASSY	30 4	SPRING	12 14
PLATE/T=3. 85	28 42	ROTOR/OUTER	17 4		30 18
PLATE/T=3. 90	28 43	ROTOR/WATERPUMP	18 7	SPRING, BRUSH	29 12
PLATE/T=3. 95	28 44	RUBBERFLANGE	3 2	SPRING, RETURN	21 26
PLATE/T=4. 00	28 45	SCREW	29 14	SPRING/DELIVERYVALVE	28 4
PLATE/T=4. 05	28 46	SCREW/ADJUST	12 16	SPRING/GOVERNOR	21 23
PLATE/T=4. 10	28 47	SCREW/SOCKET	17 7	SPRING/IDLE	21 32
PLATE/THRUST	13 4	SCREW/TAPPING	3 4	SPRING/PLUNGER	28 14
PLATE/THRUST/INJPUMP	21 13	SCREW/WATER PUMP	18 10	SPRING/RELIEF VALVE	10 29
PLATE/WATERPUMP	18 9	SEAL SET/WATER PUMP	18 6	SPRING/RETURN	29 18
PLUG	12 11	SEAL, BEARING CAP	6 10	SPRING/SETTING	21 22
PLUG/M14X1. 5	8 5		26 8	SPRING/STARTING	21 31
PLUG/M16X1. 5	25 3	SEAL, BEARING CAP/7	6 11	SPRING/VALVE	12 3
PLUG/PT1/2	2 3		26 9	SPRING/NOZZLE	27 12
	6 8	SEAL, OIL	2 4	SPRINGSEAT	27 13

Alphabetical Index

6008-097-280-00

Description	Fig. Key	Description	Fig. Key	Description	Fig. Key
SPRINGSEAT	28 15				
	28 16				
STARTER ASSY	24 7				
STOPPER/FULLLOAD	10 16				
STRAINER	17 8				
STUD	2 8				
	5 5				
	6 20				
	6 22				
	10 4				
	10 5				
	10 6				
	10 45				
SWITCH/MAGNETIC ASSY	29 13				
SWITCH/OILPRESSURE	25 1				
TAPPET	12 6				
	28 11				
THERMOMETER	25 2				
THERMOSTAT	18 29				
THRUSTPIECE	21 17				
VALVE, DELIVERY	28 3				
VALVE/EXHAUST	12 2				
VALVE/INTAKE	12 1				
VALVE/RELIEF ASSY	10 27				
WASHER	16 12				
WASHER / M6	21 29				
WASHER, SP/M 6	21 30				
	25 10				
WASHER, SP/M 8	10 49				
	10 51				
WASHER, SP/M12	24 9				
WASHER/08X14X01	10 15				
	10 24				
	26 13				
WASHER/9X22X2	24 4				
WASHER/CORRUGATE	20 4				
WATERPUMP ASSY	18 1				
YOKE/STARTER ASSY	29 1				

Alphabetical Index

6005-097-990-00

Description	Fig. Key	Description	Fig. Key	Description	Fig. Key
ADAPTER/235X150 ASSY	26 1	BOLT	28 8	CLAMP/STRAINER	20 10
ADAPTER/260X120 ASSY	27 1		29 8	CLAMP/WIRE/10-15	21 22
ARM/CONTROL	24 27		32 10	CLAMP/WIRE/20-24	21 32
ARM/FLOATING COMP	24 18		32 52	CLIP/HOSE/7. 6-8. 2	25 4
ARM/TENSION	26 2		34 9	CLUTCH/STARTER ASSY	33 5
	27 2		34 10	COLLOR	34 3
ARMATURE/STARTE ASSY	33 2		34 19	CONNECTINGROD ASSY	16 5
BALL	2 5		34 20	CONNECTOR, OIL FILTER	6 24
	33 17		34 21		7 24
BEARING	12 47		34 22	CONNECTOR/FUEL	25 1
	24 12		34 24	CONNECTOR/GLOWPLUG	29 5
	33 3	BOLT, SEMS/M10X20	13 1	CONTROLRACK	32 48
	33 4	BOLT, SEMS/M6X12	15 5	CONTROLSLEEVE	32 49
BEARING, RB/6203	24 11		24 14	COVER	33 23
BEARING/BALL	18 8	BOLT, SEMS/M8X25 7T	5 3		34 13
	34 6	BOLT/CONNECTINGROD	16 6	COVER, BEARING	34 5
	34 11	BOLT/CRANK	18 12	COVER/BLOWBY	3 3
BEARING/CONNECTING R	8 5	BOLT/FLANGE	22 4	COVER/CYLINDER HEAD	3 1
	8 6	BOLT/M6	12 33	COVER/INJECTIONPUMP	6 25
	16 7		12 34		7 25
BEARING/CRANK SET	6 11	BOLT/M6X10	24 16	CRANKSHAFT ASSY	18 1
	7 11	BOLT/S	10 4	CUP/SEALING/16	6 3
BEARING/CRANK/LOWER	6 13	BOLT/STUD	6 20		7 3
	7 13		7 20	CUP/SEALING/20	12 3
BEARING/CRANK/UNDER	8 1	BOLT/THROUGH	33 16	CUP/SEALING/28	6 4
	8 3	BOLT/WS	11 4		7 4
BEARING/CRANK/UPPER	6 12		19 6	CUP/SEALING/36	6 5
	7 12		20 6		7 5
BEARING/THRUST/CRANK	6 14		33 15	CUP/SEALING/50	2 2
	7 14	BOSS/SPLINE	18 10		6 6
	8 2	BRACKET/ROCKERSHAFT	14 12		7 6
	8 4		14 13	CUTTER, VALVE	14 5
BEARING/WATER PUMP	21 3	BRUSH	34 17	CYLINDERBLOCK ASSY	6 1
BEARING/WATERPUMP	21 4	BUSH	34 15		7 1
BELT/V R5 A38. 5	22 5	BUSHING/DRAIN	33 20	CYLINDERHEAD ASSY	2 1
BODY/OILPUMP	19 2	CAMSHAFT	15 1	DOWEL	6 22
	20 2	CAMSHAFT/INJPUMP	24 8		7 22
BODY/WATERPUMP	21 2	CAP	21 31	DRIVE/TACHOMETE ASSY	12 36
BOLT	2 7	CAP, OIL FILLER	3 5	EYEBOLT	32 50
	5 4	CAP/OILFILLER	6 31	FAN/COOLING	22 1
	6 2		7 31	FLANGEBOLT	4 3
	7 2	CARTRIDGE/OILFILTER	19 12		6 27
	12 41		20 12		7 27
	14 18	CLAMP	12 15		9 4
	18 9	CLAMP/STRAINER	19 10		12 8

Alphabetical Index

6005-097-990-00

Description	Fig. Key	Description	Fig. Key	Description	Fig. Key
FLANGE BOLT	12 9	GASKET/INLET MANIFOLD	4 2	NUT	12 48
	12 10		30 6		12 50
	12 12	GASKET/OIL FILLER	6 34		14 17
	12 13		7 34		31 18
	12 14	GASKET/PLATE	12 40		33 21
	12 16		30 15		33 22
	12 38	GASKET/SPACER	21 16		34 2
	14 19		30 19		34 23
	19 11	GASKET/WATER PUMP	21 13		34 25
	20 11		30 18		NUT, CAP/M 8 12 20
	21 18	GEAR/CAM SHAFT	15 2		NUT/CAP 3 7
	21 19	GEAR/CRANK	18 3		NUT/FLANGE 29 4
	21 25	GEAR/IDLE ASSY	15 6		NUT/M08 12 11
	21 26	GEAR/INJECTION PUMP	24 9		14 20
	21 30	GEAR/OIL PUMP ASSY	19 3		21 14
	24 6		20 3		21 20
	28 3	GEAR CASE ASSY	12 1		24 7
	28 5	GENERATOR ASSY	28 1		NUT/M10 28 6
	FLYWEIGHT ASSY	24 15	GLOW PLUG		29 3
	FLYWHEEL ASSY	18 5	GUIDE/LEVEL GAGE COMP	6 30	24 28
FRAME	34 12		7 30	NUT/M8 12 19	
FRAME/DRIVE END ASSY	34 7	HANGER/F	13 2	NUT/NOZZLE RETAINING 31 15	
FRAME/STARTER END	33 10	HEAT SHIELD/NOZZLE	23 3	OIL FILLER COMP 6 33	
GASKET/EXH MANIFOLD	5 2	HOLDER ASSY	34 14	7 33	
	30 7	HOLDER/BRUSH ASSY	34 16	OIL PAN 10 1	
GASKET	3 8	HOLDER/DELIVERY VALVE	32 6	OIL PAN COMP 9 1	
	21 8	HOLDER/NOZZLE ASSY	31 1	OIL PUMP ASSY 19 1	
	23 5	HOLDER/STARTER ASSY	33 11	20 1	
	29 7	HOSE/RUBBER	3 9	OIL SEAL 6 15	
	30 5		21 21	7 15	
	30 22		25 3	30 10	
	31 17	HOUSING/PUMP	32 1	O-RING 21 29	
	32 5	HOUSING/STARTER ASSY	33 9	30 21	
	32 51	HOUSING/THERMOSTAT	21 23	33 19	
	32 53	INJECTION NOZZLE ASSY	23 1	ORING 32 7	
GASKET, NOZZLE	23 2	INJECTION PUMP ASSY	24 1	32 9	
GASKET/COVER	6 26	KEY/07X05X09	15 3	O-RING 1A S50 12 43	
	7 26		24 10	30 16	
	30 11	KEY/07X05X43	18 4	O-RING/P 8 24 25	
GASKET/CYLINDER HEAD	2 6	LEVEL GAGE	6 29	O-RING/P18 9 3	
	30 3		7 29	10 3	
GASKET/GEAR CASE	12 28	LEVER/CONTROL COMP	24 24	O-RING/P22 19 9	
	30 14	MANIFOLD/EXHAUST	5 1	20 9	
GASKET/HOUSING	21 24	MANIFOLD/INLET ASSY	4 1	30 17	
	30 20	NOZZLE	31 16	O-RING/P25 6 32	

Alphabetical Index

6005-097-990-00

Description	Fig. Key	Description	Fig. Key	Description	Fig. Key
O-RING/P25	7 32	PLATE/T=2. 70	32 19	PUSHROD	14 7
PACKING	12 21	PLATE/T=2. 75	32 20	REGULATOR ASSY	34 26
PIN	6 18	PLATE/T=2. 80	32 21	REPAIR/ENGINESET	30 1
	6 28	PLATE/T=2. 85	32 22	RESISTANCE/1. 0	25 5
	7 18	PLATE/T=2. 90	32 23	RETAINER	33 7
	7 28	PLATE/T=2. 95	32 24	RING SNAP	16 4
	11 3	PLATE/T=3. 00	32 25	RING, SNAP/ 4 E	24 21
	12 24	PLATE/T=3. 05	32 26	RING, SNAP/12 C	12 32
	18 2	PLATE/T=3. 10	32 27	RING/O	12 37
	18 7	PLATE/T=3. 15	32 28	RING/PISTON/OVSET	17 2
	32 12	PLATE/T=3. 20	32 29		17 4
PIN, CONTROL	24 20	PLATE/T=3. 25	32 30	RING/PISTONSET	16 2
PIN/ARM	12 22	PLATE/T=3. 30	32 31	RING/SNAP	14 15
PIN/GROOVE	12 27	PLATE/T=3. 35	32 32	RINGGEAR	18 6
PIN/IDLEGEAR	6 8	PLATE/T=3. 40	32 33	RINK/CONTROL	24 19
	7 8	PLATE/T=3. 45	32 34	ROCKERARM	14 9
PIN/PISTON	16 3	PLATE/T=3. 50	32 35	ROCKERSHAFT ASSY	14 8
PIN/SNAP	12 23	PLATE/T=3. 55	32 36	RORA	33 6
PIN/STRAIGHT	6 17	PLATE/T=3. 60	32 37	ROTOR ASSY	34 4
	7 17	PLATE/T=3. 65	32 38	ROTOR/OUTER	19 4
	19 5	PLATE/T=3. 70	32 39		20 4
	20 5	PLATE/T=3. 75	32 40	ROTOR/WATERPUMP	21 6
PIN/TUBE	6 16	PLATE/T=3. 80	32 41	RUBBERFLANGE	3 2
	7 16	PLATE/T=3. 85	32 42	SCREW	33 14
	12 44	PLATE/T=3. 90	32 43	SCREW/ADJUST	14 16
PINION/STARTER	33 8	PLATE/T=3. 95	32 44	SCREW/SOCKET	19 7
PIPE, WATER OUTLET	21 28	PLATE/T=4. 00	32 45		20 7
PIPE/FUEL	25 2	PLATE/T=4. 05	32 46	SCREW/TAPPING	3 4
PIPE/INJECTION ASSY	23 6	PLATE/T=4. 10	32 47	SCREW/WATER PUMP	21 10
	23 7	PLATE/THRUST	15 4	SEAL SET/WATER PUMP	21 5
	23 8	PLATE/THRUST/INJPUMP	24 13	SEAL, BEARING CAP	6 9
PIPE/WATER PUMP	21 11	PLATE/WATER PUMP	21 9		7 9
PIPE/WATERDRAIN	6 23	PLUG	14 11		30 8
	7 23	PLUG/M14X1. 5	9 2	SEAL, BEARING CAP/7	6 10
PIPE/WATERPUMP	21 12		10 2		7 10
PISTON	16 1	PLUG/PT1/2	2 3		30 9
PISTON/OV	17 1	PLUG/PT1/4	12 2	SEAL, OIL	2 4
	17 3	PLUG/PT1/8	6 7		12 7
PISTON/VALVE/RELIEF	12 30		7 7		30 2
PLATE	34 8	PLUG/SCREW	12 25		30 12
PLATE/ADJUST	28 2	PLUNGER ASSY	32 2	SEAL/CYL HEAD/UNDER	3 6
PLATE/FRONT	12 39	POINTER	11 2		30 4
PLATE/REAR	11 1	PULLEY	34 1	SEAL/WATER PUMPPULLE	21 7
PLATE/T=2. 60	32 17	PULLEY/CRANK	18 11	SEAT, VALVE SPRING	14 4
PLATE/T=2. 65	32 18	PULLEY/WATERPUMP	22 2	SHAFT/HYDRAULIC ASSY	12 46

Alphabetical Index

6005-097-990-00

Description	Fig. Key	Description	Fig. Key	Description	Fig. Key
SHAFT/ROCKERARM ASSY	14 10	STUD	5 5		
SHIM/0. 10	31 2		6 21		
SHIM/0. 20	31 3		7 21		
SHIM/0. 30	31 4		12 4		
SHIM/0. 40	31 5		12 5		
SHIM/0. 50	31 6		12 6		
SHIM/0. 52	31 7		12 45		
SHIM/0. 54	31 8	STUD/M8X40	6 19		
SHIM/0. 56	31 9		7 19		
SHIM/0. 58	31 10		21 17		
SHIM/0. 80	31 11	SWITCH/MAGNETIC ASSY	33 13		
SHIM/INJECTIONPUMP	24 2	SWITCH/OILPRESSURE	29 1		
	24 3	TAPPET	14 6		
	24 4		32 11		
	24 5	THERMOMETER	29 2		
SHORTBLOCKENGIN ASSY	1 1	THERMOSTAT	21 27		
SLEEVEFLANGE	32 8	THRUSTPIECE	24 17		
SNAPRING	32 13	VALVE, DELIVERY	32 3		
SOLENOID	29 6	VALVE/EXHAUST	14 2		
SPACER	12 42	VALVE/INTAKE	14 1		
	31 14	VALVE/RELIEF ASSY	12 29		
SPACER/FAN/68	22 3	WASHER / M6	24 29		
SPACER/WATERPUMP	21 15	WASHER, SP/M 6	24 30		
SPRING	14 14		29 9		
	34 18	WASHER, SP/M 8	12 49		
SPRING, BRUSH	33 12		12 51		
SPRING, RETURN	24 26	WASHER/08X14X01	12 17		
SPRING/DELIVERYVALVE	32 4		12 26		
SPRING/GOVERNOR	24 23		30 13		
SPRING/IDLE	24 32	WASHER/9X22X2	28 4		
SPRING/PLUNGER	32 14	WASHER/CORRUGATE	23 4		
SPRING/RELIEF VALVE	12 31	WATERPUMP ASSY	21 1		
SPRING/RETURN	33 18	YOKE/STARTER ASSY	33 1		
SPRING/SETTING	24 22				
SPRING/STARTING	24 31				
SPRING/VALVE	14 3				
SPRINGNOZZLE	31 12				
SPRINGSEAT	31 13				
	32 15				
	32 16				
STARTER ASSY	28 7				
STOPPER/FULLLOAD	12 18				
STRAINER	20 8				
STRAINER COMP	19 8				
STUD	2 8				

Alphabetical Index

6005-097-780-10

Description	Fig. Key	Description	Fig. Key	Description	Fig. Key
ADAPTER/260X120 ASSY	23 1	BOLT	30 10	CONNECTOR/FUEL	22 1
ARM/CONTROL	21 27		30 19	CONNECTOR/GLOWPLUG	25 5
	21 27-A		30 20	CONTROLRACK	28 48
	21 27-B		30 21	CONTROLSLEEVE	28 49
ARM/FLOATING COMP	21 18		30 22	COVER	29 23
ARM/TENSION	23 2		30 24		30 13
ARMATURE/STARTE ASSY	29 2	BOLT, SEMS/M10X20	11 1	COVER, BEARING	30 5
BALL	2 5	BOLT, SEMS/M6X12	13 5	COVER/BLOWBY	3 3
	29 17		21 14	COVER/CYLINDER HEAD	3 1
BEARING	10 49	BOLT, SEMS/M8X25 7T	5 3	COVER/INJECTIONPUMP	6 25
	21 12	BOLT/CONNECTINGROD	14 6	CRANKSHAFT ASSY	16 1
	29 3	BOLT/CRANK	16 12	CUP/SEALING/16	6 3
	29 4	BOLT/FLANGE	19 4-A	CUP/SEALING/20	10 3
BEARING, RB/6203	21 11	BOLT/M6	10 34	CUP/SEALING/28	6 4
BEARING/BALL	16 8		10 35	CUP/SEALING/36	6 5
	30 6	BOLT/M6X10	21 16	CUP/SEALING/50	2 2
	30 11	BOLT/S	8 4		6 6
BEARING/CONNECTING R	7 5	BOLT/STUD	6 20	CUTTER, VALVE	12 5
	7 6	BOLT/THROUGH	29 16	CYLINDERBLOCK ASSY	6 1
	14 7	BOLT/WS	9 4	CYLINDERHEAD ASSY	2 1
BEARING/CRANK SET	6 11		17 6		2 1-A
BEARING/CRANK/LOWER	6 13		19 4	DOWEL	6 22
BEARING/CRANK/UNDER	7 1		29 15	DRIVE/TACHOMETE ASSY	10 37
	7 3	BOSS/SPLINE	16 10	EYEBOLT	28 50
BEARING/CRANK/UPPER	6 12	BRACKET/ROCKERSHAFT	12 12	FAN/COOLING	19 1
BEARING/THRUST/CRANK	6 14		12 13	FLANGEBOLT	4 3
	7 2	BRUSH	30 17		6 27
	7 4	BUSH	30 15		10 8
BEARING/WATER PUMP	18 3	BUSHING/DRAIN	29 20		10 9
BEARING/WATERPUMP	18 4	CAMSHAFT	13 1		10 11-A
BELT/V R5 A38.5	19 5	CAMSHAFT/INJPUMP	21 8		10 13
BODY/OILPUMP	17 2	CAP	18 31		10 14
BODY/WATERPUMP	18 2	CAP, BLANK/30	10 40		10 15
BOLT	2 7	CAP, OIL FILLER	3 5		10 17
	5 4	CAP/OILFILLER	6 31		10 39
	6 2	CARTRIDGE/OILFILTER	17 12		12 19
	10 11	CLAMP	10 16		17 11
	10 43	CLAMP/STRAINER	17 10		18 18
	12 18	CLAMP/WIRE/10-15	18 22		18 19
	16 9	CLAMP/WIRE/20-24	18 32		18 25
	24 8	CLIP/HOSE/7.6-8.2	22 4		18 26
	25 8	CLUTCH/STARTER ASSY	29 5		18 30
	28 10	COLLOR	30 3		21 6
	28 52	CONNECTINGROD ASSY	14 5		24 3
	30 9	CONNECTOR, OIL FILTER	6 24		24 5

Alphabetical Index

6005-097-780-10

Description	Fig. Key	Description	Fig. Key	Description	Fig. Key
FLYWEIGHT ASSY	21 15	HANGER/F	11 2	NUT/M08	21 7
FLYWHEEL ASSY	16 5	HEATSHILD/NOZZLE	20 3	NUT/M10	24 6
FRAME	30 12	HOLDER ASSY	30 14	NUT/M6	10 36-A
FRAME/DRIVEEND ASSY	30 7	HOLDER/BRUSH ASSY	30 16		21 28-A
FRAME/STARTEREND	29 10	HOLDER/DELIVERYVALVE	28 6	NUT/M8	10 20
GASHET/EXH MANIFOLD	5 2	HOLDER/NOZZLEASSY	27 1		10 50
	26 7	HOLDER/STARTER ASSY	29 11		10 52
GASKET	3 8	HOSE/RUBBER	3 9	NUT/NOZZLERETAINING	27 15
	18 8		18 21	OILPAN	8 1
	20 5		22 3	OILPUMP ASSY	17 1
	25 7	HOUSING/PUMP	28 1	OILSEAL	6 15
	26 5	HOUSING/STARTER ASSY	29 9		26 10
	26 22	HOUSING/THERMOSTAT	18 23	O-RING	18 29
	27 17	INJECTIONNOZZLE ASSY	20 1		26 21
	28 5		20 1-A		29 19
	28 51	INJECTIONPUMP ASSY	21 1	ORING	28 7
	28 53	KEY/07X05X09	13 3		28 9
GASKET, NOZZLE	20 2		21 10	O-RING 1A S50	10 45
GASKET/COVER	6 26	KEY/07X05X43	16 4		26 16
	26 11	LEVELGAGE	6 29	O-RING/P 8	21 25
GASKET/CYLINDERHEAD	2 6		6 29-A	O-RING/P18	8 3
	26 3	LEVER/CONTROL COMP	21 24	O-RING/P22	17 9
GASKET/GEARCASE	10 29		21 24-A		26 17
	26 14		21 24-B	O-RING/P25	6 32
GASKET/HOUSING	18 24	MANIFOLD/EXHAUST	5 1	PACKING	10 22
	26 20	MANIFOLD/INLET ASSY	4 1	PIN	6 18
GASKET/INLETMANIFOLD	4 2	NOZZLE	27 16		6 28
	26 6	NUT	10 36		9 3
GASKET/PLATE	10 42		10 50-A		10 25
	26 15		10 52-A		16 2
GASKET/SPACER	18 16		12 17		16 7
	26 19		21 28		28 12
GASKET/WATERPUMP	18 13		27 18	PIN, CONTROL	21 20
	26 18		29 21	PIN, GROOVE	10 28
GEAR/CAMSHAFT	13 2		29 22	PIN/ARM	10 23
GEAR/CRANK	16 3		30 2	PIN/GROOVE	10 28-A
GEAR/IDLE ASSY	13 6		30 23	PIN/IDLEGEAR	6 8
GEAR/INJECTIONPUMP	21 9		30 25	PIN/PISTON	14 3
GEAR/OILPUMP ASSY	17 3	NUT, CAP/M 8	10 21	PIN/SNAP	10 24
GEARCASE ASSY	10 1	NUT/CAP	3 7	PIN/STRAIGHT	6 17
	10 1-A	NUT/FLANGE	25 4		17 5
	10 1-B	NUT/M08	10 12	PIN/TUBE	6 16
GENERATOR ASSY	24 1		12 20		10 46
GLOWPLUG	25 3		18 14	PINION/STARTER	29 8
GUIDE/LEVELGAGE COMP	6 30		18 20	PIPE, WATER OUTLET	18 28

Alphabetical Index

6005-097-780-10

Description	Fig. Key	Description	Fig. Key	Description	Fig. Key
PIPE/FUEL	22 2	PLATE/T=4. 10	28 47	SCREW/TAPPING	3 4
PIPE/INJECTION ASSY	20 6	PLATE/THRUST	13 4	SCREW/WATER PUMP	18 10
	20 7	PLATE/THRUST/INJPUMP	21 13	SEAL SET/WATER PUMP	18 5
	20 8	PLATE/WATER PUMP	18 9	SEAL, BEARING CAP	6 9
PIPE/WATER PUMP	18 11	PLUG	6 7		26 8
PIPE/WATERDRAIN	6 23		12 11	SEAL, BEARING CAP/7	6 10
PIPE/WATERPUMP	18 12	PLUG/M14X1. 5	8 2		26 9
PISTON	14 1	PLUG/PT1/2	2 3	SEAL, OIL	2 4
PISTON/OV	15 1	PLUG/PT1/4	10 2		10 7
	15 3		10 2-A		26 2
PISTON/VALVE/RELIEF	10 31	PLUG/PT1/8	6 7-A		26 12
PLATE	30 8	PLUG/SCREW	10 26	SEAL/CYL HEAD/UNDER	3 6
PLATE/ADJUST	24 2	PLUNGER ASSY	28 2		26 4
PLATE/FRONT	10 41	POINTER	9 2	SEAL/WATER PUMPPULLE	18 7
PLATE/REAR	9 1	PULLEY	30 1	SEAT, VALVE SPRING	12 4
PLATE/T=2. 60	28 17	PULLEY/CRANK	16 11	SHAFT/HYDRAULIC ASSY	10 48
PLATE/T=2. 65	28 18	PULLEY/WATERPUMP	19 2	SHAFT/ROCKERARM ASSY	12 10
PLATE/T=2. 70	28 19	PUSHROD	12 7	SHIM/0. 10	27 2
PLATE/T=2. 75	28 20	REGULATOR ASSY	30 26	SHIM/0. 20	27 3
PLATE/T=2. 80	28 21	REPAIR/ENGINESET	26 1	SHIM/0. 30	27 4
PLATE/T=2. 85	28 22	RESISTANCE/1. 0	22 5	SHIM/0. 40	27 5
PLATE/T=2. 90	28 23	RETAINER	29 7	SHIM/0. 50	27 6
PLATE/T=2. 95	28 24	RING SNAP	14 4	SHIM/0. 52	27 7
PLATE/T=3. 00	28 25	RING, SNAP/ 4 E	21 21	SHIM/0. 54	27 8
PLATE/T=3. 05	28 26	RING, SNAP/12 C	10 33	SHIM/0. 56	27 9
PLATE/T=3. 10	28 27	RING, SNAP/16 C	12 15	SHIM/0. 58	27 10
PLATE/T=3. 15	28 28	RING/O	10 38	SHIM/0. 80	27 11
PLATE/T=3. 20	28 29	RING/PISTON/OVSET	15 2	SHIM/INJECTIONPUMP	21 2
PLATE/T=3. 25	28 30		15 2-A		21 3
PLATE/T=3. 30	28 31		15 4		21 4
PLATE/T=3. 35	28 32		15 4-A		21 5
PLATE/T=3. 40	28 33	RING/PISTONSET	14 2	SHORTBLOCKENGIN ASSY	1 1
PLATE/T=3. 45	28 34		14 2-A	SLEEVEFLANGE	28 8
PLATE/T=3. 50	28 35	RINGGEAR	16 6	SNAPRING	28 13
PLATE/T=3. 55	28 36	RINK/CONTROL	21 19	SOLENOID	25 6
PLATE/T=3. 60	28 37	ROCKERARM	12 9	SPACER	10 44
PLATE/T=3. 65	28 38	ROCKERSHAFT ASSY	12 8		27 14
PLATE/T=3. 70	28 39	RORA	29 6	SPACER/FAN/68	19 3
PLATE/T=3. 75	28 40	ROTOR ASSY	30 4	SPACER/WATERPUMP	18 15
PLATE/T=3. 80	28 41	ROTOR/OUTER	17 4	SPRING	12 14
PLATE/T=3. 85	28 42	ROTOR/WATERPUMP	18 6		30 18
PLATE/T=3. 90	28 43	RUBBERFLANGE	3 2	SPRING, BRUSH	29 12
PLATE/T=3. 95	28 44	SCREW	29 14	SPRING, RETURN	21 26
PLATE/T=4. 00	28 45	SCREW ADJUST	12 16	SPRING/DELIVERYVALVE	28 4
PLATE/T=4. 05	28 46	SCREW/SOCKET	17 7	SPRING/GOVERNOR	21 23

Alphabetical Index

6005-097-780-10

Description	Fig.	Key	Description	Fig.	Key	Description	Fig.	Key
SPRING/IDLE	21	32	WASHER/CORRUGATE	20	4			
SPRING/PLUNGER	28	14	WATERPUMP ASSY	18	1			
SPRING/RELIEF VALVE	10	32	YOKE/STARTER ASSY	29	1			
SPRING/RETURN	29	18						
SPRING/SETTING	21	22						
SPRING/STARTING	21	31						
SPRING/VALVE	12	3						
SPRINGNOZZLE	27	12						
SPRINGSEAT	27	13						
	28	15						
	28	16						
STARTER ASSY	24	7						
STOPPER/FULLLOAD	10	19						
STRAINER	17	8						
STUD	2	8						
	5	5						
	6	21						
	10	4						
	10	5						
	10	6						
	10	47						
STUD/M8X40	6	19						
	18	17						
SWITCH/MAGNETIC ASSY	29	13						
SWITCH/OILPRESSURE	25	1						
TAPPET	12	6						
	28	11						
THERMOMETER	25	2						
THERMOSTAT	18	27						
THRUSTPIECE	21	17						
VALVE, DELIVERY	28	3						
VALVE/EXHAUST	12	2						
VALVE/INTAKE	12	1						
VALVE/RELIEF ASSY	10	30						
	10	30-A						
WASHER / M6	21	29						
WASHER, SP/M 6	21	30						
	25	9						
WASHER, SP/M 8	10	51						
	10	53						
WASHER/08X14X01	10	18						
	10	27						
	26	13						
WASHER/08X16X1.2	10	10						
WASHER/9X22X2	24	4						

Alphabetical Index

6005-097-790-10

Description	Fig. Key	Description	Fig. Key	Description	Fig. Key
ADAPTER/235X150 ASSY	23 1	BOLT	29 52	CONNECTOR, OIL FILTER	6 24
ADAPTER/260X120 ASSY	24 1		31 9	CONNECTOR/FUEL	22 1
ARM/CONTROL	21 27		31 10	CONNECTOR/GLOWPLUG	26 5
	21 27-A		31 19	CONTROLRACK	29 48
	21 27-B		31 20	CONTROLSLEEVE	29 49
ARM/FLOATING COMP	21 18		31 21	COVER	30 23
ARM/TENSION	23 2		31 22		31 13
	24 2		31 24	COVER, BEARING	31 5
ARMATURE/STARTE ASSY	30 2	BOLT, SEMS/M10X20	11 1	COVER/BLOWBY	3 3
BALL	2 5	BOLT, SEMS/M6X12	13 5	COVER/CYLINDER HEAD	3 1
	30 17		21 14	COVER/INJECTIONPUMP	6 25
BEARING	10 49	BOLT, SEMS/M8X25 7T	5 3	CRANKSHAFT ASSY	16 1
	21 12	BOLT/CONNECTINGROD	14 6	CUP/SEALING/16	6 3
	30 3	BOLT/CRANK	16 12	CUP/SEALING/20	10 3
	30 4	BOLT/FLANGE	19 4-A	CUP/SEALING/28	6 4
BEARING, RB/6203	21 11	BOLT/M6	10 34	CUP/SEALING/36	6 5
BEARING/BALL	16 8		10 35	CUP/SEALING/50	2 2
	31 6	BOLT/M6X10	21 16		6 6
	31 11	BOLT/STUD	6 20	CUTTER, VALVE	12 5
BEARING/CONNECTING R	7 5	BOLT/THROUGH	30 16	CYLINDERBLOCK ASSY	6 1
	7 6	BOLT/WS	9 4	CYLINDERHEAD ASSY	2 1
	14 7		17 6		2 1-A
BEARING/CRANK SET	6 11		19 4	DOWEL	6 22
BEARING/CRANK/LOWER	6 13		30 15	DRIVE/TACHOMETE ASSY	10 37
BEARING/CRANK/UNDER	7 1	BOSS/SPLINE	16 10	EYEBOLT	29 50
	7 3	BRACKET/ROCKERSHAFT	12 12	FAN/COOLING	19 1
BEARING/CRANK/UPPER	6 12		12 13	FLANGEBOLT	4 3
BEARING/THRUST/CRANK	6 14	BRUSH	31 17		6 27
	7 2	BUSH	31 15		8 4
	7 4	BUSHING/DRAIN	30 20		10 8
BEARING/WATER PUMP	18 3	CAMSHAFT	13 1		10 9
BEARING/WATERPUMP	18 4	CAMSHAFT/INJPUMP	21 8		10 11-A
BELT/V R5 A38.5	19 5	CAP	18 31		10 13
BODY/OILPUMP	17 2	CAP, BLANK/30	10 40		10 14
BODY/WATERPUMP	18 2	CAP, OIL FILLER	3 5		10 15
BOLT	2 7	CAP/OILFILLER	6 31		10 17
	5 4	CARTRIDGE/OILFILTER	17 12		10 39
	6 2	CLAMP	10 16		12 19
	10 11	CLAMP/STRAINER	17 10		17 11
	10 43	CLAMP/WIRE/10-15	18 22		18 18
	12 18	CLAMP/WIRE/20-24	18 32		18 19
	16 9	CLIP/HOSE/7.6-8.2	22 4		18 25
	25 8	CLUTCH/STARTER ASSY	30 5		18 26
	26 8	COLLOR	31 3		18 30
	29 10	CONNECTINGROD ASSY	14 5		21 6

Alphabetical Index

6005-097-790-10

Description	Fig. Key	Description	Fig. Key	Description	Fig. Key
FLANGE BOLT	25 3	GLOW PLUG	26 3	NUT/M08	18 14
	25 5	GUIDE/LEVEL GAGE COMP	6 30		18 20
FLYWEIGHT ASSY	21 15	HANGER/F	11 2		21 7
FLYWHEEL ASSY	16 5	HEATSHILD/NOZZLE	20 3	NUT/M10	25 6
FRAME	31 12	HOLDER ASSY	31 14	NUT/M6	10 36-A
FRAME/DRIVE END ASSY	31 7	HOLDER/BRUSH ASSY	31 16		21 28-A
FRAME/STARTER END	30 10	HOLDER/DELIVERY VALVE	29 6	NUT/M8	10 20
GASKET/EXH MANIFOLD	5 2	HOLDER/NOZZLE ASSY	28 1		10 50
	27 7	HOLDER/STARTER ASSY	30 11		10 52
GASKET	3 8	HOSE/RUBBER	3 9	NUT/NOZZLE RETAINING	28 15
	18 8		18 21	OIL PAN COMP	8 1
	20 5		22 3	OIL PUMP ASSY	17 1
	26 7	HOUSING/PUMP	29 1	OIL SEAL	6 15
	27 5	HOUSING/STARTER ASSY	30 9		27 10
	27 22	HOUSING/THERMOSTAT	18 23	O-RING	18 29
	28 17	INJECTION NOZZLE ASSY	20 1		27 21
	29 5		20 1-A		30 19
	29 51	INJECTION PUMP ASSY	21 1	ORING	29 7
	29 53	KEY/07X05X09	13 3		29 9
GASKET, NOZZLE	20 2		21 10	O-RING 1A S50	10 45
GASKET/COVER	6 26	KEY/07X05X43	16 4		27 16
	27 11	LEVEL GAGE	6 29	O-RING/P 8	21 25
GASKET/CYLINDER HEAD	2 6		6 29-A	O-RING/P18	8 3
	27 3	LEVER/CONTROL COMP	21 24	O-RING/P22	17 9
GASKET/GEAR CASE	10 29		21 24-A		27 17
	27 14		21 24-B	O-RING/P25	6 32
GASKET/HOUSING	18 24	MANIFOLD/EXHAUST	5 1	PACKING	10 22
	27 20	MANIFOLD/INLET ASSY	4 1	PIN	6 18
GASKET/INLET MANIFOLD	4 2	NOZZLE	28 16		6 28
	27 6	NUT	10 36		9 3
GASKET/PLATE	10 42		10 50-A		10 25
	27 15		10 52-A		16 2
GASKET/SPACER	18 16		12 17		16 7
	27 19		21 28		29 12
GASKET/WATER PUMP	18 13		28 18	PIN, CONTROL	21 20
	27 18		30 21	PIN, GROOVE	10 28
GEAR/CAM SHAFT	13 2		30 22	PIN/ARM	10 23
GEAR/CRANK	16 3		31 2	PIN/GROOVE	10 28-A
GEAR/IDLE ASSY	13 6		31 23	PIN/IDLE GEAR	6 8
GEAR/INJECTION PUMP	21 9		31 25	PIN/PISTON	14 3
GEAR/OIL PUMP ASSY	17 3	NUT, CAP/M 8	10 21	PIN/SNAP	10 24
GEAR CASE ASSY	10 1	NUT/CAP	3 7	PIN/STRAIGHT	6 17
	10 1-A	NUT/FLANGE	26 4		17 5
	10 1-B	NUT/M08	10 12	PIN/TUBE	6 16
GENERATOR ASSY	25 1		12 20		10 46

Alphabetical Index

Description	Fig. Key	Description	Fig. Key	Description	Fig. Key
PINION/STARTER	30 8	PLATE/T=4. 00	29 45	SCREW ADJUST	12 16
PIPE, WATER OUTLET	18 28	PLATE/T=4. 05	29 46	SCREW/SOCKET	17 7
PIPE/FUEL	22 2	PLATE/T=4. 10	29 47	SCREW/TAPPING	3 4
PIPE/INJECTION ASSY	20 6	PLATE/THRUST	13 4	SCREW/WATER PUMP	18 10
	20 7	PLATE/THRUST/INJPUMP	21 13	SEAL SET/WATER PUMP	18 5
	20 8	PLATE/WATER PUMP	18 9	SEAL, BEARING CAP	6 9
PIPE/WATER PUMP	18 11	PLUG	6 7		27 8
PIPE/WATERDRAIN	6 23		12 11	SEAL, BEARING CAP/7	6 10
PIPE/WATERPUMP	18 12	PLUG/M14X1. 5	8 2		27 9
PISTON	14 1	PLUG/PT1/2	2 3	SEAL, OIL	2 4
	15 1	PLUG/PT1/4	10 2		10 7
	15 3		10 2-A		27 2
PISTON/VALVE/RELIEF	10 31	PLUG/PT1/8	6 7-A		27 12
PLATE	31 8	PLUG/SCREW	10 26	SEAL/CYL HEAD/UNDER	3 6
	25 2	PLUNGER ASSY	29 2		27 4
PLATE/FRONT	10 41	POINTER	9 2	SEAL/WATER PUMPPULLE	18 7
PLATE/REAR	9 1	PULLEY	31 1	SEAT, VALVE SPRING	12 4
PLATE/T=2. 60	29 17	PULLEY/CRANK	16 11	SHAFT/HYDRAULIC ASSY	10 48
PLATE/T=2. 65	29 18	PULLEY/WATERPUMP	19 2	SHAFT/ROCKERARM ASSY	12 10
PLATE/T=2. 70	29 19	PUSHROD	12 7	SHIM/0. 10	28 2
PLATE/T=2. 75	29 20	REGULATOR ASSY	31 26	SHIM/0. 20	28 3
PLATE/T=2. 80	29 21	REPAIR/ENGINESET	27 1	SHIM/0. 30	28 4
PLATE/T=2. 85	29 22	RESISTANCE/1. 0	22 5	SHIM/0. 40	28 5
PLATE/T=2. 90	29 23	RETAINER	30 7	SHIM/0. 50	28 6
PLATE/T=2. 95	29 24	RING SNAP	14 4	SHIM/0. 52	28 7
PLATE/T=3. 00	29 25	RING, SNAP/ 4 E	21 21	SHIM/0. 54	28 8
PLATE/T=3. 05	29 26	RING, SNAP/12 C	10 33	SHIM/0. 56	28 9
PLATE/T=3. 10	29 27	RING, SNAP/16 C	12 15	SHIM/0. 58	28 10
PLATE/T=3. 15	29 28	RING/O	10 38	SHIM/0. 80	28 11
PLATE/T=3. 20	29 29	RING/PISTON/OVSET	15 2	SHIM/INJECTIONPUMP	21 2
PLATE/T=3. 25	29 30		15 2-A		21 3
PLATE/T=3. 30	29 31		15 4		21 4
PLATE/T=3. 35	29 32		15 4-A		21 5
PLATE/T=3. 40	29 33	RING/PISTONSET	14 2	SHORTBLOCKENGIN ASSY	1 1
PLATE/T=3. 45	29 34		14 2-A	SLEEVEFLANGE	29 8
PLATE/T=3. 50	29 35	RINGGEAR	16 6	SNAPRING	29 13
PLATE/T=3. 55	29 36	RINK/CONTROL	21 19	SOLENOID	26 6
PLATE/T=3. 60	29 37	ROCKERARM	12 9	SPACER	10 44
PLATE/T=3. 65	29 38	ROCKERSHAFT ASSY	12 8		28 14
PLATE/T=3. 70	29 39	RORA	30 6	SPACER/FAN/68	19 3
PLATE/T=3. 75	29 40	ROTOR ASSY	31 4	SPACER/WATERPUMP	18 15
PLATE/T=3. 80	29 41	ROTOR/OUTER	17 4	SPRING	12 14
PLATE/T=3. 85	29 42	ROTOR/WATERPUMP	18 6		31 18
PLATE/T=3. 90	29 43	RUBBERFLANGE	3 2	SPRING, BRUSH	30 12
PLATE/T=3. 95	29 44	SCREW	30 14	SPRING, RETURN	21 26

Alphabetical Index

6005-097-790-10

Description	Fig.	Key	Description	Fig.	Key	Description	Fig.	Key
SPRING/DELIVERYVALVE	29	4	WASHER/08X16X1.2	10	10			
SPRING/GOVERNOR	21	23	WASHER/9X22X2	25	4			
SPRING/IDLE	21	32	WASHER/CORRUGATE	20	4			
SPRING/PLUNGER	29	14	WATERPUMP ASSY	18	1			
SPRING/RELIEF VALVE	10	32	YOKE/STARTER ASSY	30	1			
SPRING/RETURN	30	18						
SPRING/SETTING	21	22						
SPRING/STARTING	21	31						
SPRING/VALVE	12	3						
SPRINGNOZZLE	28	12						
SPRINGSEAT	28	13						
	29	15						
	29	16						
STARTER ASSY	25	7						
STOPPER/FULLLOAD	10	19						
STRAINER COMP	17	8						
STUD	2	8						
	5	5						
	6	21						
	10	4						
	10	5						
	10	6						
	10	47						
STUD/M8X40	6	19						
	18	17						
SWITCH/MAGNETIC ASSY	30	13						
SWITCH/OILPRESSURE	26	1						
TAPPET	12	6						
	29	11						
THERMOMETER	26	2						
THERMOSTAT	18	27						
THRUSTPIECE	21	17						
VALVE, DELIVERY	29	3						
VALVE/EXHAUST	12	2						
VALVE/INTAKE	12	1						
VALVE/RELIEF ASSY	10	30						
	10	30-A						
WASHER / M6	21	29						
WASHER, SP/M 6	21	30						
	26	9						
WASHER, SP/M 8	10	51						
	10	53						
WASHER/08X14X01	10	18						
	10	27						
	27	13						

Alphabetical Index

6005-097-800-10

Description	Fig. Key	Description	Fig. Key	Description	Fig. Key
ADAPTER/260X120 ASSY	23 1	BOLT	30 19	CONNECTOR/GLOWPLUG	25 5
ARM/CONTROL	21 27		30 20	CONTROLRACK	28 48
	21 27-A		30 21	CONTROLSLEEVE	28 49
	21 27-B		30 22	COVER	29 23
ARM/FLOATING COMP	21 18		30 24		30 13
ARM/TENSION	23 2	BOLT, SEMS/M10X20	11 1	COVER, BEARING	30 5
ARMATURE/STARTE ASSY	29 2	BOLT, SEMS/M6X12	13 5	COVER/BLOWBY	3 3
BALL	2 5		21 14	COVER/CYLINDER HEAD	3 1
	29 17	BOLT, SEMS/M8X25 7T	5 3	COVER/INJECTIONPUMP	6 25
BEARING	10 49	BOLT/CONNECTINGROD	14 6	CRANKSHAFT ASSY	16 1
	21 12	BOLT/CRANK	16 10	CUP/SEALING/16	6 3
	29 3	BOLT/FLANGE	16 8	CUP/SEALING/20	10 3
	29 4		19 4-A	CUP/SEALING/28	6 4
BEARING, RB/6203	21 11	BOLT/M6	10 34	CUP/SEALING/36	6 5
BEARING/BALL	16 7		10 35	CUP/SEALING/50	2 2
	30 6	BOLT/M6X10	21 16		6 6
	30 11	BOLT/S	8 4	CUTTER, VALVE	12 5
BEARING/CONNECTING R	7 5	BOLT/STUD	6 20	CYLINDERBLOCK ASSY	6 1
	7 6	BOLT/THROUGH	29 16	CYLINDERHEAD ASSY	2 1
	14 7	BOLT/WS	9 4		2 1-A
BEARING/CRANK SET	6 11		17 6	DOWEL	6 22
BEARING/CRANK/LOWER	6 13		19 4	DRIVE/TACHOMETE ASSY	10 37
BEARING/CRANK/UNDER	7 1		29 15	EYEBOLT	28 50
	7 3	BRACKET/ROCKERSHAFT	12 12	FAN/COOLING	19 1
BEARING/CRANK/UPPER	6 12		12 13	FLANGEBOLT	4 3
BEARING/THRUST/CRANK	6 14	BRUSH	30 17		6 27
	7 2	BUSH	30 15		10 8
	7 4	BUSHING/DRAIN	29 20		10 9
BEARING/WATER PUMP	18 3	CAMSHAFT	13 1		10 11-A
BEARING/WATERPUMP	18 4	CAMSHAFT/INJPUMP	21 8		10 13
BELT/V R5 A38.5	19 5	CAP	18 31		10 14
BODY/OILPUMP	17 2	CAP, BLANK/30	10 40		10 15
BODY/WATERPUMP	18 2	CAP, OIL FILLER	3 5		10 17
BOLT	2 7	CAP/OILFILLER	6 31		10 39
	5 4	CARTRIDGE/OILFILTER	17 12		12 19
	6 2	CLAMP	10 16		17 11
	10 11	CLAMP/STRAINER	17 10		18 18
	10 43	CLAMP/WIRE/10-15	18 22		18 19
	12 18	CLAMP/WIRE/20-24	18 32		18 25
	24 8	CLIP/HOSE/7.6-8.2	22 4		18 26
	25 8	CLUTCH/STARTER ASSY	29 5		18 30
	28 10	COLLOR	30 3		21 6
	28 52	CONNECTINGROD ASSY	14 5		24 3
	30 9	CONNECTOR, OIL FILTER	6 24		24 5
	30 10	CONNECTOR/FUEL	22 1	FLYWEIGHT ASSY	21 15

Alphabetical Index

6005-097-800-10

Description	Fig.	Key	Description	Fig.	Key	Description	Fig.	Key
FLYWHEEL ASSY	16	5	HEATSHILD/NOZZLE	20	3	NUT/M10	24	6
FRAME	30	12	HOLDER ASSY	30	14	NUT/M6	10	36-A
FRAME/DRIVEEND ASSY	30	7	HOLDER/BRUSH ASSY	30	16		21	28-A
FRAME/STARTEREND	29	10	HOLDER/DELIVERYVALVE	28	6	NUT/M8	10	20
GASHET/EXH MANIFOLD	5	2	HOLDER/NOZZLEASSY	27	1		10	50
	26	7	HOLDER/STARTER ASSY	29	11		10	52
GASKET	3	8	HOSE/RUBBER	3	9	NUT/NOZZLERETAINING	27	15
	18	8		18	21	OILPAN	8	1
	20	5		22	3	OILPUMP ASSY	17	1
	25	7	HOUSING/PUMP	28	1	OILSEAL	6	15
	26	5	HOUSING/STARTER ASSY	29	9		26	10
	26	22	HOUSING/THERMOSTAT	18	23	O-RING	18	29
	27	17	INJECTIONNOZZLE ASSY	20	1		26	21
	28	5		20	1-A		29	19
	28	51	INJECTIONPUMP ASSY	21	1	ORING	28	7
	28	53	KEY/07X05X09	13	3		28	9
GASKET, NOZZLE	20	2		21	10	O-RING 1A S50	10	45
GASKET/COVER	6	26	KEY/07X05X43	16	4		26	16
	26	11	LEVELGAGE	6	29	O-RING/P 8	21	25
GASKET/CYLINDERHEAD	2	6		6	29-A	O-RING/P18	8	3
	26	3	LEVER/CONTROL COMP	21	24	O-RING/P22	17	9
GASKET/GEARCASE	10	29		21	24-A		26	17
	26	14		21	24-B	O-RING/P25	6	32
GASKET/HOUSING	18	24	MANIFOLD/EXHAUST	5	1	PACKING	10	22
	26	20	MANIFOLD/INLET ASSY	4	1	PIN	6	18
GASKET/INLETMANIFOLD	4	2	NOZZLE	27	16		6	28
	26	6	NUT	10	36		9	3
GASKET/PLATE	10	42		10	50-A		10	25
	26	15		10	52-A		16	2
GASKET/SPACER	18	16		12	17		28	12
	26	19		21	28	PIN, CONTROL	21	20
GASKET/WATERPUMP	18	13		27	18	PIN, GROOVE	10	28
	26	18		29	21	PIN/ARM	10	23
GEAR/CAMSHAFT	13	2		29	22	PIN/GROOVE	10	28-A
GEAR/CRANK	16	3		30	2	PIN/IDLEGEAR	6	8
GEAR/IDLE ASSY	13	6		30	23	PIN/PISTON	14	3
GEAR/INJECTIONPUMP	21	9		30	25	PIN/SNAP	10	24
GEAR/OILPUMP ASSY	17	3	NUT, CAP/M 8	10	21	PIN/STRAIGHT	6	17
GEARCASE ASSY	10	1	NUT/CAP	3	7		17	5
	10	1-A	NUT/FLANGE	25	4	PIN/TUBE	6	16
	10	1-B	NUT/M08	10	12		10	46
GENERATOR ASSY	24	1		12	20	PINION/STARTER	29	8
GLOWPLUG	25	3		18	14	PIPE, WATER OUTLET	18	28
GUIDE/LEVELGAGE COMP	6	30		18	20	PIPE/FUEL	22	2
HANGER/F	11	2		21	7	PIPE/INJECTION ASSY	20	6

Alphabetical Index

6005-097-800-10

Description	Fig. Key	Description	Fig. Key	Description	Fig. Key
PIPE/INJECTION ASSY	20 7	PLATE/THRUST/INJPUMP	21 13	SEAL SET/WATER PUMP	18 5
	20 8	PLATE/WATER PUMP	18 9	SEAL, BEARING CAP	6 9
PIPE/WATER PUMP	18 11	PLUG	6 7		26 8
PIPE/WATERDRAIN	6 23		12 11	SEAL, BEARING CAP/7	6 10
PIPE/WATERPUMP	18 12	PLUG/M14X1.5	8 2		26 9
PISTON	14 1	PLUG/PT1/2	2 3	SEAL, OIL	2 4
PISTON/OV	15 1	PLUG/PT1/4	10 2		10 7
	15 3		10 2-A		26 2
PISTON/VALVE/RELIEF	10 31	PLUG/PT1/8	6 7-A		26 12
PLATE	30 8	PLUG/SCREW	10 26	SEAL/CYL HEAD/UNDER	3 6
PLATE/ADJUST	24 2	PLUNGER ASSY	28 2		26 4
PLATE/FRONT	10 41	POINTER	9 2	SEAL/WATER PUMPPULLE	18 7
PLATE/REAR	9 1	PULLEY	30 1	SEAT, VALVE SPRING	12 4
PLATE/T=2.60	28 17	PULLEY/CRANK	16 9	SHAFT/HYDRAULIC ASSY	10 48
PLATE/T=2.65	28 18	PULLEY/WATERPUMP	19 2	SHAFT/ROCKERARM ASSY	12 10
PLATE/T=2.70	28 19	PUSHROD	12 7	SHIM/0.10	27 2
PLATE/T=2.75	28 20	REGULATOR ASSY	30 26	SHIM/0.20	27 3
PLATE/T=2.80	28 21	REPAIR/ENGINESET	26 1	SHIM/0.30	27 4
PLATE/T=2.85	28 22	RESISTANCE/1.0	22 5	SHIM/0.40	27 5
PLATE/T=2.90	28 23	RETAINER	29 7	SHIM/0.50	27 6
PLATE/T=2.95	28 24	RING SNAP	14 4	SHIM/0.52	27 7
PLATE/T=3.00	28 25	RING, SNAP/ 4 E	21 21	SHIM/0.54	27 8
PLATE/T=3.05	28 26	RING, SNAP/12 C	10 33	SHIM/0.56	27 9
PLATE/T=3.10	28 27	RING, SNAP/16 C	12 15	SHIM/0.58	27 10
PLATE/T=3.15	28 28	RING/O	10 38	SHIM/0.80	27 11
PLATE/T=3.20	28 29	RING/PISTON/OVSET	15 2	SHIM/INJECTIONPUMP	21 2
PLATE/T=3.25	28 30		15 2-A		21 3
PLATE/T=3.30	28 31		15 4		21 4
PLATE/T=3.35	28 32		15 4-A		21 5
PLATE/T=3.40	28 33	RING/PISTONSET	14 2	SHORTBLOCKENGIN ASSY	1 1
PLATE/T=3.45	28 34		14 2-A	SLEEVEFLANGE	28 8
PLATE/T=3.50	28 35	RINGGEAR	16 6	SNAPRING	28 13
PLATE/T=3.55	28 36	RINK/CONTROL	21 19	SOLENOID	25 6
PLATE/T=3.60	28 37	ROCKERARM	12 9	SPACER	10 44
PLATE/T=3.65	28 38	ROCKERSHAFT ASSY	12 8		27 14
PLATE/T=3.70	28 39	RORA	29 6	SPACER/FAN/68	19 3
PLATE/T=3.75	28 40	ROTOR ASSY	30 4	SPACER/WATERPUMP	18 15
PLATE/T=3.80	28 41	ROTOR/OUTER	17 4	SPRING	12 14
PLATE/T=3.85	28 42	ROTOR/WATERPUMP	18 6		30 18
PLATE/T=3.90	28 43	RUBBERFLANGE	3 2	SPRING, BRUSH	29 12
PLATE/T=3.95	28 44	SCREW	29 14	SPRING, RETURN	21 26
PLATE/T=4.00	28 45	SCREW ADJUST	12 16	SPRING/DELIVERYVALVE	28 4
PLATE/T=4.05	28 46	SCREW/SOCKET	17 7	SPRING/GOVERNOR	21 23
PLATE/T=4.10	28 47	SCREW/TAPPING	3 4	SPRING/IDLE	21 32
PLATE/THRUST	13 4	SCREW/WATER PUMP	18 10	SPRING/PLUNGER	28 14

Alphabetical Index

Description	Fig. Key	Description	Fig. Key	Description	Fig. Key
SPRING/RELIEF VALVE	10 32	YOKE/STARTER ASSY	29 1		
SPRING/RETURN	29 18				
SPRING/SETTING	21 22				
SPRING/STARTING	21 31				
SPRING/VALVE	12 3				
SPRINGNOZZLE	27 12				
SPRINGSEAT	27 13				
	28 15				
	28 16				
STARTER ASSY	24 7				
STOPPER/FULLLOAD	10 19				
STRAINER	17 8				
STUD	2 8				
	5 5				
	6 21				
	10 4				
	10 5				
	10 6				
	10 47				
STUD/M8X40	6 19				
	18 17				
SWITCH/MAGNETIC ASSY	29 13				
SWITCH/OILPRESSURE	25 1				
TAPPET	12 6				
	28 11				
THERMOMETER	25 2				
THERMOSTAT	18 27				
THRUSTPIECE	21 17				
VALVE, DELIVERY	28 3				
VALVE/EXHAUST	12 2				
VALVE/INTAKE	12 1				
VALVE/RELIEF ASSY	10 30				
	10 30-A				
WASHER / M6	21 29				
WASHER, SP/M 6	21 30				
	25 9				
WASHER, SP/M 8	10 51				
	10 53				
WASHER/08X14X01	10 18				
	10 27				
	26 13				
WASHER/08X16X1.2	10 10				
WASHER/9X22X2	24 4				
WASHER/CORRUGATE	20 4				
WATERPUMP ASSY	18 1				

Alphabetical Index

6005-097-810-10

Description	Fig. Key	Description	Fig. Key	Description	Fig. Key
ADAPTER/235X150 ASSY	23 1	BOLT	31 9	CONNECTOR/FUEL	22 1
ADAPTER/260X120 ASSY	24 1		31 10	CONNECTOR/GLOWPLUG	26 5
ARM/CONTROL	21 27		31 19	CONTROLRACK	29 48
	21 27-A		31 20	CONTROLSLEEVE	29 49
	21 27-B		31 21	COVER	30 23
ARM/FLOATING COMP	21 18		31 22		31 13
ARM/TENSION	23 2		31 24	COVER, BEARING	31 5
	24 2	BOLT, SEMS/M10X20	11 1	COVER/BLOWBY	3 3
ARMATURE/STARTE ASSY	30 2	BOLT, SEMS/M6X12	13 5	COVER/CYLINDER HEAD	3 1
BALL	2 5		21 14	COVER/INJECTIONPUMP	6 25
	30 17	BOLT, SEMS/M8X25 7T	5 3	CRANKSHAFT ASSY	16 1
BEARING	10 49	BOLT/CONNECTINGROD	14 6	CUP/SEALING/16	6 3
	21 12	BOLT/CRANK	16 10	CUP/SEALING/20	10 3
	30 3	BOLT/FLANGE	16 8	CUP/SEALING/28	6 4
	30 4		19 4-A	CUP/SEALING/36	6 5
BEARING, RB/6203	21 11	BOLT/M6	10 34	CUP/SEALING/50	2 2
BEARING/BALL	16 7		10 35		6 6
	31 6	BOLT/M6X10	21 16	CUTTER, VALVE	12 5
	31 11	BOLT/STUD	6 20	CYLINDERBLOCK ASSY	6 1
BEARING/CONNECTING R	7 5	BOLT/THROUGH	30 16	CYLINDERHEAD ASSY	2 1
	7 6	BOLT/WS	9 4		2 1-A
	14 7		17 6	DOWEL	6 22
BEARING/CRANK SET	6 11		19 4	DRIVE/TACHOMETE ASSY	10 37
BEARING/CRANK/LOWER	6 13		30 15	EYEBOLT	29 50
BEARING/CRANK/UNDER	7 1	BRACKET/ROCKERSHAFT	12 12	FAN/COOLING	19 1
	7 3		12 13	FLANGEBOLT	4 3
BEARING/CRANK/UPPER	6 12	BRUSH	31 17		6 27
BEARING/THRUST/CRANK	6 14	BUSH	31 15		8 4
	7 2	BUSHING/DRAIN	30 20		10 8
	7 4	CAMSHAFT	13 1		10 9
BEARING/WATER PUMP	18 3	CAMSHAFT/INJPUMP	21 8		10 11-A
BEARING/WATERPUMP	18 4	CAP	18 31		10 13
BELT/V R5 A38.5	19 5	CAP, BLANK/30	10 40		10 14
BODY/OILPUMP	17 2	CAP, OIL FILLER	3 5		10 15
BODY/WATERPUMP	18 2	CAP/OILFILLER	6 31		10 17
BOLT	2 7	CARTRIDGE/OILFILTER	17 12		10 39
	5 4	CLAMP	10 16		12 19
	6 2	CLAMP/STRAINER	17 10		17 11
	10 11	CLAMP/WIRE/10-15	18 22		18 18
	10 43	CLAMP/WIRE/20-24	18 32		18 19
	12 18	CLIP/HOSE/7.6-8.2	22 4		18 25
	25 8	CLUTCH/STARTER ASSY	30 5		18 26
	26 8	COLLOR	31 3		18 30
	29 10	CONNECTINGROD ASSY	14 5		21 6
	29 52	CONNECTOR, OIL FILTER	6 24		25 3

Alphabetical Index

Description	Fig. Key	Description	Fig. Key	Description	Fig. Key
FLANGEBOLT	25 5	GUIDE/LEVELGAGE COMP	6 30	NUT/M08	18 20
FLYWEIGHT ASSY	21 15	HANGER/F	11 2		21 7
FLYWHEEL ASSY	16 5	HEATSHILD/NOZZLE	20 3	NUT/M10	25 6
FRAME	31 12	HOLDER ASSY	31 14	NUT/M6	10 36-A
FRAME/DRIVEEND ASSY	31 7	HOLDER/BRUSH ASSY	31 16		21 28-A
FRAME/STARTEREND	30 10	HOLDER/DELIVERYVALVE	29 6	NUT/M8	10 20
GASHET/EXH MANIFOLD	5 2	HOLDER/NOZZLEASSY	28 1		10 50
	27 7	HOLDER/STARTER ASSY	30 11		10 52
GASKET	3 8	HOSE/RUBBER	3 9	NUT/NOZZLERETAINING	28 15
	18 8		18 21	OILPAN COMP	8 1
	20 5		22 3	OILPUMP ASSY	17 1
	26 7	HOUSING/PUMP	29 1	OILSEAL	6 15
	27 5	HOUSING/STARTER ASSY	30 9		27 10
	27 22	HOUSING/THERMOSTAT	18 23	O-RING	18 29
	28 17	INJECTIONNOZZLE ASSY	20 1		27 21
	29 5		20 1-A		30 19
	29 51	INJECTIONPUMP ASSY	21 1	ORING	29 7
	29 53	KEY/07X05X09	13 3		29 9
GASKET, NOZZLE	20 2		21 10	O-RING 1A S50	10 45
GASKET/COVER	6 26	KEY/07X05X43	16 4		27 16
	27 11	LEVELGAGE	6 29	O-RING/P 8	21 25
GASKET/CYLINDERHEAD	2 6		6 29-A	O-RING/P18	8 3
	27 3	LEVER/CONTROL COMP	21 24	O-RING/P22	17 9
GASKET/GEARCASE	10 29		21 24-A		27 17
	27 14		21 24-B	O-RING/P25	6 32
GASKET/HOUSING	18 24	MANIFOLD/EXHAUST	5 1	PACKING	10 22
	27 20	MANIFOLD/INLET ASSY	4 1	PIN	6 18
GASKET/INLETMANIFOLD	4 2	NOZZLE	28 16		6 28
	27 6	NUT	10 36		9 3
GASKET/PLATE	10 42		10 50-A		10 25
	27 15		10 52-A		16 2
GASKET/SPACER	18 16		12 17		29 12
	27 19		21 28	PIN, CONTROL	21 20
GASKET/WATERPUMP	18 13		28 18	PIN, GROOVE	10 28
	27 18		30 21	PIN/ARM	10 23
GEAR/CAMSHAFT	13 2		30 22	PIN/GROOVE	10 28-A
GEAR/CRANK	16 3		31 2	PIN/IDLEGEAR	6 8
GEAR/IDLE ASSY	13 6		31 23	PIN/PISTON	14 3
GEAR/INJECTIONPUMP	21 9		31 25	PIN/SNAP	10 24
GEAR/OILPUMP ASSY	17 3	NUT, CAP/M 8	10 21	PIN/STRAIGHT	6 17
GEARCASE ASSY	10 1	NUT/CAP	3 7		17 5
	10 1-A	NUT/FLANGE	26 4	PIN/TUBE	6 16
	10 1-B	NUT/M08	10 12		10 46
GENERATOR ASSY	25 1		12 20	PINION/STARTER	30 8
GLOWPLUG	26 3		18 14	PIPE, WATER OUTLET	18 28

Alphabetical Index

6005-097-810-10

Description	Fig. Key	Description	Fig. Key	Description	Fig. Key
PIPE/FUEL	22 2	PLATE/T=4. 10	29 47	SCREW/TAPPING	3 4
PIPE/INJECTION ASSY	20 6	PLATE/THRUST	13 4	SCREW/WATER PUMP	18 10
	20 7	PLATE/THRUST/INJPUMP	21 13	SEAL SET/WATER PUMP	18 5
	20 8	PLATE/WATER PUMP	18 9	SEAL, BEARING CAP	6 9
PIPE/WATER PUMP	18 11	PLUG	6 7		27 8
PIPE/WATERDRAIN	6 23		12 11	SEAL, BEARING CAP/7	6 10
PIPE/WATERPUMP	18 12	PLUG/M14X1. 5	8 2		27 9
PISTON	14 1	PLUG/PT1/2	2 3	SEAL, OIL	2 4
PISTON/OV	15 1	PLUG/PT1/4	10 2		10 7
	15 3		10 2-A		27 2
PISTON/VALVE/RELIEF	10 31	PLUG/PT1/8	6 7-A		27 12
PLATE	31 8	PLUG/SCREW	10 26	SEAL/CYL HEAD/UNDER	3 6
PLATE/ADJUST	25 2	PLUNGER ASSY	29 2		27 4
PLATE/FRONT	10 41	POINTER	9 2	SEAL/WATER PUMPPULLE	18 7
PLATE/REAR	9 1	PULLEY	31 1	SEAT, VALVE SPRING	12 4
PLATE/T=2. 60	29 17	PULLEY/CRANK	16 9	SHAFT/HYDRAULIC ASSY	10 48
PLATE/T=2. 65	29 18	PULLEY/WATERPUMP	19 2	SHAFT/ROCKERARM ASSY	12 10
PLATE/T=2. 70	29 19	PUSHROD	12 7	SHIM/0. 10	28 2
PLATE/T=2. 75	29 20	REGULATOR ASSY	31 26	SHIM/0. 20	28 3
PLATE/T=2. 80	29 21	REPAIR/ENGINESET	27 1	SHIM/0. 30	28 4
PLATE/T=2. 85	29 22	RESISTANCE/1. 0	22 5	SHIM/0. 40	28 5
PLATE/T=2. 90	29 23	RETAINER	30 7	SHIM/0. 50	28 6
PLATE/T=2. 95	29 24	RING SNAP	14 4	SHIM/0. 52	28 7
PLATE/T=3. 00	29 25	RING, SNAP/ 4 E	21 21	SHIM/0. 54	28 8
PLATE/T=3. 05	29 26	RING, SNAP/12 C	10 33	SHIM/0. 56	28 9
PLATE/T=3. 10	29 27	RING, SNAP/16 C	12 15	SHIM/0. 58	28 10
PLATE/T=3. 15	29 28	RING/O	10 38	SHIM/0. 80	28 11
PLATE/T=3. 20	29 29	RING/PISTON/OVSET	15 2	SHIM/INJECTIONPUMP	21 2
PLATE/T=3. 25	29 30		15 2-A		21 3
PLATE/T=3. 30	29 31		15 4		21 4
PLATE/T=3. 35	29 32		15 4-A		21 5
PLATE/T=3. 40	29 33	RING/PISTONSET	14 2	SHORTBLOCKENGIN ASSY	1 1
PLATE/T=3. 45	29 34		14 2-A	SLEEVEFLANGE	29 8
PLATE/T=3. 50	29 35	RINGGEAR	16 6	SNAPRING	29 13
PLATE/T=3. 55	29 36	RINK/CONTROL	21 19	SOLENOID	26 6
PLATE/T=3. 60	29 37	ROCKERARM	12 9	SPACER	10 44
PLATE/T=3. 65	29 38	ROCKERSHAFT ASSY	12 8		28 14
PLATE/T=3. 70	29 39	RORA	30 6	SPACER/FAN/68	19 3
PLATE/T=3. 75	29 40	ROTOR ASSY	31 4	SPACER/WATERPUMP	18 15
PLATE/T=3. 80	29 41	ROTOR/OUTER	17 4	SPRING	12 14
PLATE/T=3. 85	29 42	ROTOR/WATERPUMP	18 6		31 18
PLATE/T=3. 90	29 43	RUBBERFLANGE	3 2	SPRING, BRUSH	30 12
PLATE/T=3. 95	29 44	SCREW	30 14	SPRING, RETURN	21 26
PLATE/T=4. 00	29 45	SCREW ADJUST	12 16	SPRING/DELIVERYVALVE	29 4
PLATE/T=4. 05	29 46	SCREW/SOCKET	17 7	SPRING/GOVERNOR	21 23

Alphabetical Index

Description	Fig. Key	Description	Fig. Key	Description	Fig. Key
SPRING/IDLE	21 32	WASHER/CORRUGATE	20 4		
SPRING/PLUNGER	29 14	WATERPUMP ASSY	18 1		
SPRING/RELIEF VALVE	10 32	YOKE/STARTER ASSY	30 1		
SPRING/RETURN	30 18				
SPRING/SETTING	21 22				
SPRING/STARTING	21 31				
SPRING/VALVE	12 3				
SPRINGNOZZLE	28 12				
SPRINGSEAT	28 13				
	29 15				
	29 16				
STARTER ASSY	25 7				
STOPPER/FULLLOAD	10 19				
STRAINER COMP	17 8				
STUD	2 8				
	5 5				
	6 21				
	10 4				
	10 5				
	10 6				
	10 47				
STUD/M8X40	6 19				
	18 17				
SWITCH/MAGNETIC ASSY	30 13				
SWITCH/OILPRESSURE	26 1				
TAPPET	12 6				
	29 11				
THERMOMETER	26 2				
THERMOSTAT	18 27				
THRUSTPIECE	21 17				
VALVE, DELIVERY	29 3				
VALVE/EXHAUST	12 2				
VALVE/INTAKE	12 1				
VALVE/RELIEF ASSY	10 30				
	10 30-A				
WASHER / M6	21 29				
WASHER, SP/M 6	21 30				
	26 9				
WASHER, SP/M 8	10 51				
	10 53				
WASHER/08X14X01	10 18				
	10 27				
	27 13				
WASHER/08X16X1.2	10 10				
WASHER/9X22X2	25 4				

Alphabetical Index

1772-097-100-10

Description	Fig. Key	Description	Fig. Key	Description	Fig. Key
ADAPTER ASSY	104 28	ADAPTER/L/PF1/4 ASSY	102 41	ARM/BUCKETCOMP	187 32
ADAPTER/45B	78 24		103 41	ARM/CRUISE COMP	58 7
	79 24	ADAPTER/L/PF3/8 ASSY	104 11		58 7-A
	80 22		104 24	ARM/DIFF COMP	68 7
	81 22	ADAPTER/PF3/8 ASSY	104 16		69 7
ADAPTER/45B/G3/ ASSY	109 20	ADAPTOR (G3/8) ASSY	78 8	ARM/DRAFT COMP	97 13
	189 15		79 8	ARM/HST/F COMP	57 32
	190 19		80 8	ARM/HST/R ASSY	57 57
ADAPTER/45B/R3/8XG3/	105 51		81 8	ARM/LIFT/LH	94 34
	107 52	ADAPTOR/PF1/4 ASSY	101 45	ARM/MAIN COMP	53 1
	186 52		102 39		53 1-A
	187 53		103 39	ARM/MIRROR ASSY	126 2
ADAPTER/G1/4 ASSY	78 11	ARM	146 20		127 2
	79 11		147 21	ARM/NEUTRAL ASSY	57 21
	80 11		148 20	ARM/PARKING ASSY	74 35
	81 11		149 21		75 35
	104 7		150 21	ARM/PLATE	118 12
ADAPTER/G1/4-15	78 16	ARM COMP	9 9		119 12
	79 16		10 9		120 12
ADAPTER/G3/8 ASSY	99 30		97 28	ARM/PLATE/PTO COMP	50 8
	99 30-A	ARM(SWITCH)	125 20		51 8
	99 30-B	ARM/1ST COMP	108 9	ARM/POSITION COMP	95 16
	99 46		109 9		95 30
	99 46-A		188 8		95 35
	99 46-B		190 8		96 1
	101 31	ARM/2ND COMP	109 10		96 23
	101 31-A		189 8		96 28
	101 31-B		190 9	ARM/PTO ASSY	56 4
	101 42	ARM/4WD COMP	49 8	ARM/PTO/MID ASSY	37 32
	101 42-A		49 8-A		37 37
	101 42-B	ARM/AUTO COMP	95 18		173 33
	102 24		95 18-A		173 38
	102 36		95 24	ARM/PTO/MID COMP	37 27
	103 24		97 23		173 28
	103 36	ARM/BOOMCOMP	105 30	ARM/REVERSE COMP	43 10
ADAPTER/G3/8ASSY	104 3		107 30		43 10-A
	104 14		186 31		52 5
ADAPTER/G3/8-PF1/4	104 5		187 31		52 5-A
ADAPTER/L/G3/4 ASSY	104 26	ARM/BRAKE	72 28	ARM/SHIFT COMP	43 5
ADAPTER/L/G3/8 ASSY	108 22		73 20		43 5-A
	109 30	ARM/BRAKE SET	74 21	ARM/SHIFT/4WD COMP	49 2
	188 21		75 21		49 2-A
	189 21	ARM/BUCKETCOMP	105 31	ARM/SHIFT/MAIN COMP	45 5
	190 29		107 31		45 5-A
ADAPTER/L/PF1/4 ASSY	101 47		186 32		46 5

Alphabetical Index

Description	Fig. Key	Description	Fig. Key	Description	Fig. Key
ARM/SHIFT/MAIN COMP	46 5-A	BAND	139 14	BAND, WIRE/140	150 23
ARM/SHIFT/MID COMP	37 20		140 14	BAND, WIRE/170	78 18
	173 21		141 14		79 18
ARM/SHIFT/PTO COMP	50 6		142 14	BAND/WIRE/250	80 16
	51 6		143 10		80 20
ARM/SHIFT/SUB COMP	54 1		144 10		81 16
	54 1-A		145 10		81 20
ARM/SHIFT/SUB SET	47 9		146 1		107 51
ARM/SHIFT/SUB/HST	48 9		146 27		108 21
ARM/SUB COMP	54 5		147 1		109 29
	54 5-A		147 28		139 34
ARM/TRUNNION COMP	57 1		148 1		140 34
ARMREST/LH ASSY	125 7		148 27		141 34
ARMREST/RH ASSY	125 9		149 1		142 34
ARN ASSY	105 16		149 28		146 7
	107 16		150 1		147 7
	186 17		150 28		148 7
	187 17		159 12		149 7
BACK (ARMREST) ASSY	125 2		159 12-A		150 5
BACKLE/TURN/A COMP	110 12		159 12-B		187 52
	111 12	159 12-C		188 20	
BALL	37 14	193 15		190 28	
	43 4	BAND, WIRE/140	1 37	BAR	94 32
	45 4		2 40	BAR COMP	121 16
	46 4		3 40		122 16
	47 4		78 14	BAR SET	11 9
	48 4		78 22		12 7
	49 6		79 14		13 7
	50 5		79 22	BASE/LEVER COMP	105 35
	51 5		80 14		107 35
	70 4		81 14		186 36
	70 8		133 18		187 36
	71 4		139 27	BATTERY/55B24R/ ASSY	140 1
	71 8		139 35	BATTERY/80D26R ASSY	139 1
	146 15		140 27		141 1
	147 16		140 35		142 1
	148 15		141 27	BEARING, BALL	37 17
	149 16		141 35		173 18
	150 16		142 27	BEARING, CLUTCH RS.	11 7
	173 15		142 35	BEARING, KT455017	26 16-B
	200 11		146 22	BEARING, RB/6009	31 15
	200 11		147 23	BEARING, RB/6011	62 15
	202 11	148 22		63 15	
	202 11	149 23	BEARING, RB/6203	22 7-A	
BALL/M10/R	43 14	150 14		23 7	

Alphabetical Index

1772-097-100-10

Description	Fig. Key	Description	Fig. Key	Description	Fig. Key	
BEARING, RB/6204	19 14-A	BEARING/BALL	22 11	BEARING/BALL	57 34	
	20 25-A		22 11-A		57 46	
	23 3		22 14		57 47	
	25 6-A		22 15		61 7	
	25 40-A		22 15-A		62 21	
	26 6-A		23 2		63 21	
	27 34-A		23 6		63 25	
	28 4		23 12		66 4	
	28 10		23 15		67 4	
	BEARING, RB/6205		20 27-A		25 6	86 17
			22 10-A		25 8	86 18
			22 14-A		25 10	86 31
			23 11		25 11	86 34
23 13		25 39	86 36			
28 11		25 40	86 37			
BEARING, RB/6209		66 7	26 6	86 45		
	67 7	26 8	86 49			
BEARING, RB/6305	199 12	26 10	86 50			
BEARING, RB/6306SH2	60 2	26 11	87 17			
	61 2	27 5	87 18			
BEARING/BALL	18 4	27 6	87 31			
	18 10	27 21	87 34			
	18 11	27 33	87 36			
	18 11-A	27 34	87 37			
	18 13	28 2	87 45			
	18 13-A	29 4	87 49			
	19 5	29 5	87 50			
	19 5-A	30 4	173 9			
	19 7	30 5	BEARING/BALL 6305SH2 25 29			
	19 7-A	31 13	26 29			
	19 13	33 6	27 23			
	19 13-A	33 7	34 4			
	19 14	33 7-A	35 3			
	20 5	34 5	36 4			
	20 5-A	34 8	BEARING/BALL/6304SH2 20 30			
	20 7	34 10	22 6			
	20 7-A	35 4	BEARING/NEEDLE 20 16			
	20 13	35 7	20 23			
	20 13-A	35 9	25 14			
	20 25	36 5	25 16			
	20 27	36 8	25 16-A			
	20 29	36 10	25 20			
	22 2	37 8	25 20-A			
	22 7	57 23	25 22			
	22 10	57 33	25 25			

Alphabetical Index

Description	Fig. Key	Description	Fig. Key	Description	Fig. Key
BEARING/NEEDLE	25 27	BOLT	107 4	BOLT (SP) /M6X16	147 14
	26 14		107 5		147 22
	26 16		107 12		148 21
	26 16-A		116 13		149 14
	26 20		118 31		149 22
	26 20-A		119 28		150 22
	26 22		120 28		BOLT, REAMER/M8X25 11 3
	26 25		128 3		BOLT, SEMS 94 48
	26 27		128 5		128 8
	27 8		139 10		129 6
	27 10		139 17		130 12
	27 10-A		140 10		134 29
	27 14		140 17		135 29
	27 14-A		141 10		BOLT, SEMS (SP) 95 15
	27 16		141 17		96 19
	27 19		142 10		97 12
	29 12		142 17		108 13
	29 12-A		158 9		109 15
	30 12		186 5		121 19
	31 7		186 6		122 19
	31 9		186 13		188 12
	31 17		187 5		189 12
	33 3		187 6		190 14
	172 5		187 13		BOLT, SEMS (S) M8X16 108 8
	BEARING/RELEASE		12 5		200 26
	13 5	200 26	114 5		
BEARING/TAPERROLLER	86 3	202 26	115 2		
	87 3	202 26	146 11		
BELT/SEAT SET	125 27	BOLT 7T (SP) 72 17	148 11		
BLOCK/CYLINDER	199 3	73 9	188 7		
BLOCK/PORT	199 2	BOLT (S) M8X35 99 45	189 7		
BOARD/WIREING ASSY	151 10	101 41	190 7		
BOLT	66 10	102 35	BOLT, SEMS/M8X25 7T 78 5		
	86 68	103 35	79 5		
	86 75	134 8	80 5		
	87 68	134 29-A	81 5		
	87 75	135 29-A	BOLT, SP/M10X16 78 21		
	94 7	136 6	79 21		
	99 17	136 22	80 19		
	101 17	BOLT (SP) /M6X16 111 28	81 19		
	102 11	139 33	108 25		
	103 11	140 33	109 33		
	105 4	141 33	154 2		
	105 5	142 33	188 24		
	105 12	146 21	190 32		

Alphabetical Index

1772-097-100-10

Description	Fig. Key	Description	Fig. Key	Description	Fig. Key
BOLT/ADJUST	146 8	BOLT/M10X50	94 8-A	BOLT/M12X40	40 6
	147 8	BOLT/M10X80	100 6		41 7
	148 8		108 4		42 6
	149 8		188 3		85 2-A
	150 6	BOLT/M10X90	37 3		94 13
BOLT/BATTERY	139 3		173 4		199 40
	140 3	BOLT/M12X25	15 3	BOLT/M12X60	194 2
	141 3		16 3	BOLT/M12X70	128 9
	142 3		17 2		129 7
BOLT/KNOB/M06X27	95 50		129 3		130 13
	96 43		130 3	BOLT/M14X45	84 2
BOLT/M 6X70	198 42	BOLT/M12X30	15 5	BOLT/M16X30	66 10-A
BOLT/M 8X25	1 23		16 5		67 10
	2 27		17 3	BOLT/M16X90	159 7
	3 27		78 25		193 10
	94 51		79 25	BOLT/M4X12	151 11
	134 24		82 4	BOLT/M5X16	151 20
	135 24		83 4	BOLT/M5X30	154 6
	136 18		86 79		155 4
			86 79-A	BOLT/M8X16	43 11
BOLT/M 8X35	88 9		87 79		53 2
BOLT/M 8X65	7 21		87 79-A		53 4
	8 21		94 12		54 6
BOLT/M 8X70	95 28		114 2		54 6-A
	96 21		116 3		105 37
BOLT/M06X08/APSET	201 8		117 2		107 37
BOLT/M10X100	100 5		191 2		186 38
BOLT/M10X105 9T	94 6		82 2		187 38
BOLT/M10X120	109 4	BOLT/M12X32	83 2	BOLT/M8X20	14 3
	189 3		85 2		72 31
	190 3	BOLT/M12X35	85 7		134 39
BOLT/M10X20	94 40		86 59		135 39
	125 28		86 61		136 32
	158 13		87 59	BOLT/M8X28 11T	195 7
BOLT/M10X25	37 2		87 61	BOLT/M8X35	10 24
	86 54		97 6	BOLT/REAMER/M10X1.5X	62 12
	87 54		130 7		63 12
	94 5		156 3	BOLT/S	99 29
	94 5-A		156 3-A		99 29-A
	173 3		157 3		101 29
			159 3		101 29-A
			193 6		102 23
BOLT/M10X30	94 4		17 7		103 23
	94 4-A		24 3		135 8
BOLT/M10X40	98 2		39 7		146 32
BOLT/M10X45	57 48	BOLT/M12X40			
	97 8				
BOLT/M10X50	94 8				

Alphabetical Index

1772-097-100-10

Description	Fig. Key	Description	Fig. Key	Description	Fig. Key
BOLT/S	147 33	BOLT/STUD	42 17	BRACKET COMP	121 18-A
	148 32		74 25		122 18
	149 33		75 25	BRACKET/AXLE COMP	82 1
	150 33		86 27-A		82 1-A
BOLT/SEAL	28 16		87 27-A		83 1
BOLT/SM/M10X1.5X25	62 13		105 6	BRACKET/BRAKE COMP	72 30
	63 13		107 6		72 30-A
BOLT/SM/M10X23	44 6		134 30-A	BRACKET/C/LH COMP	128 1
	50 9		135 30-A		128 1-A
	51 9		136 23	BRACKET/C/RH COMP	128 2
	57 2		186 7		128 2-A
BOLT/SM/M10X75	94 7-A		187 7	BRACKET/CHANGE ASSY	54 11
BOLT/SM/M14X96	158 2	BOLT/STUD/M12X30	78 25-A		54 11-A
BOLT/SP	37 42		79 25-A	BRACKET/CLEANER COMP	6 7
	54 8		80 23	BRACKET/CRUISE COMP	58 10-A
	54 8-A		81 23		58 10-B
	56 10	BOLT/STUD/M12X35	157 5	BRACKET/DRAWBAR COMP	116 2
	95 46		159 2-A		117 1
	96 39		193 5	BRACKET/FILTER	99 8
	97 21	BOLT/STUD/SEAL	24 2		101 8
	99 22		39 16	BRACKET/FILTER COMP	8 34
	101 22		39 17		8 34-A
	102 16		40 15	BRACKET/FRAME COMP	118 30
	103 16		41 16		118 30-A
	119 37		41 17		119 27
	120 37		42 15		120 27
	123 18	BOLT/TRIMED	14 4	BRACKET/JOY COMP	105 47
	134 13		72 32		107 47
	135 13	BOOT	105 24		186 48
	137 2		105 46		187 48
	138 2		107 24	BRACKET/LEVER COMP	95 27
	150 12		107 46		96 20
BOLT/STUD	15 7		146 6		96 20-A
	15 8		147 6	BRACKET/LH COMP	192 2
	16 7		148 6	BRACKET/LINK	57 16
	16 8		149 6	BRACKET/LINK/MOWER	192 1
	24 4		150 4	BRACKET/MOUNT/F/L	129 1
	24 5		186 25		130 1
	39 18		186 47	BRACKET/MOUNT/F/R	129 2
	39 19		187 25		130 2
	40 16		187 47	BRACKET/PARKING ASSY	74 16
	40 17	BOOT/REVERSE	52 4		75 16
	41 18	BRACKET COMP	7 34	BRACKET/RADIATOR COMP	2 21
	41 19		114 1		3 21
	42 16		121 18	BRACKET/RADIATOR/CY	1 20

Alphabetical Index

1772-097-100-10

Description	Fig. Key	Description	Fig. Key	Description	Fig. Key
BRACKET/RH COMP	192 3	BULB/12V/5W	150 37	BUSH/14X16X15	132 3-A
BRACKET/SEAT COMP	125 15	BULB/12V21/5W	206 10	BUSH/16X18X15	54 12
BRACKET/SLOW/BLOW	141 31	BULB/12V21W	146 30	BUSH/16X24X16	68 13
	142 31		147 31		69 13
BRACKET/SLOWBLO COMP	139 31		148 30	BUSH/19X22X15	15 2
	140 31		149 31		16 2
BRACKET/SWITCH COMP	125 17		150 31	BUSH/22X25X20	74 17
	146 10		206 9		75 17
	148 10	BULB/12V5W	146 31	BUSH/22X25X25	37 38
BRACKET/SWITCH/ COMP	147 10		147 32		173 39
	149 10		148 31	BUSH/25X28X15	57 58
BRACKET/SWITCH/BRAKE	146 2		149 32		72 8
	146 2-A		150 32	BUSH/25X28X25	72 2
	147 2	BULB/H4/60/55W	141 21		72 4
	147 2-A	BULB/LAMP/12V/1.7W	208 12		73 3
	148 2	BULB/LAMP/12V1W	152 6	BUSH/32X36X25	57 22
	148 2-A	BULB/LAMP/14V60MA	143 26	BUSH/35X39X20	44 2
	149 2		144 26	BUSH/45X50X42	94 3
	149 2-A		145 24	BUSH/50X55X14	199 15
BRACKET/SWITCH/COMBI	143 22	BUSH 25X30X35	97 2	BUSH/50X55X37	94 2
	144 22	BUSH 33X38X20	97 3	BUSH/62X67X20	86 57
	145 20	BUSH(18X20X20)	37 33		87 57
BRACKET/SWITCH/PARKI	146 17		173 34	BUSH/62X67X30	86 66
	147 18	BUSH(25X28X12)	56 5		87 66
	148 17	BUSH, LEVER	1 27	BUTTON	74 31
	149 18		2 31		75 31
	150 18		3 31	COOLER/OIL ASSY	104 1
BRACKET/SWITCH/SUB	150 8		121 12	CABLE	85 11
BRAKE ASSY	58 18		122 12	CABLE/ACCELERATOR	9 12
BRAKE/DISK	203 12	BUSH/10X12X20	105 10		9 12-A
	204 12		105 17		10 12
BRAKE/PRESSURE	203 13		107 10		10 12-A
	204 13		107 17		10 12-B
BUCKLE/TURN/A COMP	111 12-A		108 7	CABLE/BATTERY ASSY	139 6
	112 12		109 7		140 6
BUCKLE/TURN/M24 COMP	113 9		186 11		141 6
BULB	151 16		186 18		142 6
	208 5		187 11	CABLE/CRUISE/H ASSY	58 12
BULB/12V/45/40W	139 21		187 18	CABLE/CRUISE/R ASSY	58 22
	140 21		188 6	CABLE/EARTH ASSY	139 16
	142 21		189 6		140 16
BULB/12V/5W	146 36		190 6		141 16
	147 37	BUSH/12X14X15	74 36		142 16
	148 36		75 36	CABLE/LOCK ASSY	105 22
	149 37	BUSH/14X16X15	132 3		107 22

Alphabetical Index

Description	Fig. Key	Description	Fig. Key	Description	Fig. Key	
CABLE/LOCK	ASSY 186 23	CAP, TIRE VALVE	174 5	CASE/DIFF	63 3	
	187 23		174 10		86 11	
CABLE/META	ASSY 151 22		175 5		87 11	
CABLE/PEDAL	ASSY 10 16		175 10	CASE/FINAL	86 24	
	10 16-A		176 5		87 24	
CABLE/PEDAL/HST	ASSY 59 1		176 10	CASE/FINAL/LH	86 40	
CAM/BRAKE	COMP 70 15		177 5		86 40-A	
	71 15		177 10		87 40	
CAP	1 2		178 5		87 40-A	
	1 31		178 10	CASE/FINAL/RH	86 42	
	2 2		179 5		86 42-A	
	2 34		179 10		87 42	
	3 2		180 5		87 42-A	
	3 34		180 10	CASE/GEAR ASSY	208 2	
	133 6		181 5	CASE/PTO/MID	37 1	
	201 4		181 10		173 2	
	CAP (6)	7 4		182 5	CASE/TRANSMISSION/F	15 1
		8 4		182 10		15 1-A
CAP, BLANK/72	39 6		183 5		16 1	
	40 5		183 10		16 1-A	
	41 6		184 5	CASE/TRANSMISSION/FR	17 1	
	42 5		184 10	CASE/TRANSMISSION/MI	24 1	
CAP, BLANK/M10	86 71	CAP/30	1 28	CASE/TRANSMISSION/RE	39 1	
	86 73		106 2		39 1-A	
	86 74		131 7		40 1	
	87 71		132 8		41 1	
	87 73		133 7		42 1	
	87 74	CAP/32X7	199 33	CHAIN/CHECK COMP	110 11	
	15 15	CAP/35	24 9		111 11	
	16 14	CAP/NONLEAK ASSY	7 5		111 11-A	
17 14		8 5-A		112 11		
82 6	CAP/OIL (30)	94 59	CHAIN/CHECK/A COMP	110 10		
83 6	CAP/TANK/NONLEA ASSY	8 5		111 10		
106 3	CAP/WHEEL	76 2		111 10-A		
CAP, OIL/A	86 77	CARTRIDGE ASSY	104 19		112 10	
	87 77	CARTRIDGE/20/R	99 5	CIRCLIP	31 18	
CAP, PTO SHAFT	37 24		99 5-A	CIRCLIP/30	60 5	
	39 10		101 5		61 5	
	40 9		101 5-A	CIRCRIP (165)	70 13	
	41 10	CASE	199 1		71 13	
	42 9	CASE ASSY	151 15	CLAMP	88 8	
CAP, ROCKER ARM	173 25	CASE/BODY	208 3	CLAMP, HARNESS	104 33	
	1 29	CASE/CYLINDER ASSY	94 1	CLAMP, RADIATOR HOSE	80 17	
	2 32	CASE/DIFF	62 3		81 17	
	3 32		62 3-A	CLAMP/WIRE/30-38	1 12	

Alphabetical Index

1772-097-100-10

Description	Fig. Key	Description	Fig. Key	Description	Fig. Key	
CLAMP/WIRE/30-38	2 13	COLLAR	200 7	CONNECTOR	190 17	
	3 13		200 7		CONNECTOR/L	105 3
CLAMP/WIRE/32-40	99 14	COLLAR (35X50X2)	202 7		107 3	
	101 14		202 7		109 19	
	102 8		62 24		109 19-A	
	103 8		63 24		186 4	
CLAMP/WIRE/36-44	1 11	COLLAR, THRUST	66 2		187 4	
	2 12		67 2		189 17	
	3 12		20 14		190 18	
CLAMP/WIRE/49-60	6 10		20 24	CONNECTOR/LOOP	153 1	
CLAMP/WORM/16-25	78 10	COLLAR/07X11X11	150 13	CONTROL VALVE ASSY	94 41	
	78 17	COLLAR/07X11X20	143 32	CONTROLLER/PTO ASSY	152 1	
	79 10		144 32	CONTROLLER/STEERING	78 1	
	79 17		145 30		79 1	
	80 10	COLLAR/11X21X03	94 18-A		80 1	
	81 10	COLLAR/11X21X3	94 18		81 1	
CLEANER/AIR ASSY	6 1	COLLAR/18X25X20	49 10	COUPLING	25 18	
CLIP	6 3	COLLAR/18X30X1	58 19		25 18-A	
CLIP B	78 20	COLLAR/19X28X02	200 9		26 18	
	79 20		200 9		26 18-A	
CLIP/HOSE/11-13	7 25	COLLAR/20X39X02	202 9		27 12	
	7 27		202 9		27 12-A	
	7 31		25 31		31 4	
	8 25		26 31		25 4	
	8 27		27 25		26 4	
	8 31		22 9		28 5	
	94 55		23 14		COUPLING/18X30X55	23 4
	94 55		23 14		COUPLING/16X27X55	23 4
CLIP/HOSE/13. 8-14. 8	1 19	COLLAR/36X43X10	19 6		27 3	
	2 20		20 6		34 2	
	3 20		86 4		35 1	
CLIP/HOSE/14. 7-15. 9	7 33	COLLAR/46X51X16	87 4		36 2	
	8 33		66 6		88 3	
CLIP/HOSE/7. 6-8. 2	7 33	COLLAR/46X54X115	67 6	COVER	98 1	
	8 33		66 6		106 1	
CLUCH/DIFF	68 1		67 6		108 2	
CLUMP	1 35	COLLAR/48X52X17	86 5		109 2	
	2 38		87 5		125 4	
	3 38		1 13		125 8	
CLUTCH/DIFF	69 1	CONNECTOR	2 14		125 10	
CLUTCH/PTO ASSY	22 12		3 14		200 13	
	23 8		105 2		200 13	
COLLAR	105 25		107 2		202 13	
	107 25		108 16		202 13	
	186 26		109 18		202 13	
	187 26		186 3		202 13	
	198 15		187 3	COVER ASSY	6 2	
	198 35		188 15	COVER COMP	118 16	

Alphabetical Index

1772-097-100-10

Description	Fig. Key	Description	Fig. Key	Description	Fig. Key
COVER COMP	119 16	COVER/LH COMP	135 9	CUSHION, B/ RUBBER	119 2
	120 16	COVER/OUTLET	100 1		120 2
COVER, PUMP	195 2	COVER/PLATE COMP	18 16		121 22
COVER/086	198 44		19 17		122 22
COVER/BATTERY	139 7	COVER/PLATE/MAI COMP	28 14		158 11
	140 7	COVER/RH	134 11-A	CUSHION/RUBBER/10X25	1 25
	141 7		135 11-A		2 29
	142 7		136 8		3 29
199 35	COVER/RH/E4 COMP	134 11	118 4		
COVER/CLUTCH/24 ASSY	12 1		135 11		119 4
	13 1	COVER/ROD/A SET	205 3		120 4
COVER/COLUMN/FRONT	77 2		207 3	CYLINDER ASSY	78 23
COVER/COLUMN/REAR	77 1	COVER/ROD/B SET	205 7		78 23-A
COVER/CRUISE	58 30		207 7		79 23
	58 30-A	COVER/SHIELD	114 6		79 23-A
COVER/CYLINDER/L/R	93 1		115 3		80 21
COVER/CYLINDER/LH	92 1	COVER/SIDE/LH COMP	123 1		81 21
	92 1-A		124 1	DAMPER/OIL ASSY	57 6
COVER/CYLINDER/RH	92 2		124 1-A	DIODE/3A	143 2
	92 2-A		124 1-B		144 2
COVER/DASH	131 8	COVER/SIDE/RH COMP	123 7		145 2
	131 8-A		124 6	DISK/CLUTCH/225 COMP	11 2
	132 9		124 6-A	DISK/CLUTCH/240 COMP	12 2
	132 9-A		124 6-B		13 2
	132 9-B	COVER/SINGLE/22 ASSY	11 1	DRAWBAR	116 6
	132 9-C	COVER/SWITCH	143 17		117 5
	133 8		144 17	DUMPER/HOOD ASSY	118 43
	198 7		145 17		119 40
COVER/DVS2/074	198 27	COVER/TANK COMP	7 14		120 40
COVER/FUSEBOX	143 9		8 14	ELEMENT	201 7
	144 9	COVER/TRUNNION	199 36	ELEMENT ASSY	6 4
	145 9	COVER/UNDER	131 12	END, ROD, M10/LH	43 13
COVER/GLASS	208 1		131 12-A	ESCUTCHEON	151 7
COVER/LAMP/LH	121 8		132 13		208 6
	121 8-A		132 13-A	FENDER/E4	134 3
	122 8		133 14		134 3-A
	122 8-A	COVER/WHEEL	86 52		134 3-B
	121 9		87 52		134 3-C
COVER/LAMP/RH	121 9-A	CRANK/LIFT	94 36		135 3
	122 9	CUP/FUEL	7 9		135 3-A
	122 9-A		8 9		135 3-B
COVER/LH	134 9-A	CUSHION, B/ RUBBER	58 26		135 3-C
	135 9-A		58 26-A		136 3
	136 7		73 22	FILTER/CHARGE ASSY	104 18
COVER/LH COMP	134 9		118 2	FILTER/FUEL ASSY	7 20

Alphabetical Index

1772-097-100-10

Description	Fig. Key	Description	Fig. Key	Description	Fig. Key
FILTER/FUEL ASSY	8 20	FLANGEBOLT	20 2	FLANGEBOLT	58 11
FILTER/LINE/12X18X15	196 9		20 11		58 16
	197 9		20 32		58 21
FILTER/SUCTION/20/R	99 4		21 6		58 29
	99 4-A		22 17		58 31
	101 4		23 19		58 31-A
	101 4-A		25 2		62 2
FILTER/SUCTION/400	102 1		26 2		63 2
	103 1		27 2		64 3
FLANGEBOLT	1 5		28 8		64 4
	1 16		28 15		65 3
	1 21		29 2		65 4
	2 8		29 15		68 17
	2 17		30 2		69 18
	2 25		31 2		74 20
	3 8		32 2		74 24
	3 17		37 19		74 34
	3 25		37 23		75 20
	4 5		37 26		75 24
	4 5-A		38 2		75 34
	5 5		39 11		85 13
	6 6		40 10		86 72
	6 8		41 11		87 72
	7 3		41 21		91 2
	7 17		42 10		92 3
	7 19		42 19		93 2
	7 29		43 8		94 58
	7 35		43 9		99 3
	8 3		44 4		99 7
	8 17		45 8		99 9
	8 19		46 8		99 12
	8 29		47 7		99 34
	8 35		48 7		101 3
	10 22		49 7		101 7
	11 5		54 13		101 9
	12 3		57 4		101 12
	13 3		57 5		101 34
	18 2		57 7		101 50
	18 8		57 17		102 3
	18 15		57 19		102 6
	18 17		57 20		102 28
	19 2		57 28		102 44
	19 11		57 36		103 3
	19 16		57 61		103 6
	19 18		58 4		103 28

Alphabetical Index

1772-097-100-10

Description	Fig. Key	Description	Fig. Key	Description	Fig. Key				
FLANGEBOLT	103	44	FLANGEBOLT	FLANGEBOLT	149	3-A			
	104	20			139	19	149	11	
	104	22			139	32	149	40	
	105	11			139	36	150	9	
	105	48			139	38	172	9	
	107	11			140	19	173	20	
	107	48			140	32	173	24	
	108	19			140	36	173	27	
	109	26			140	38	173	43	
	114	7			141	19	186	12	
	115	4			141	32	186	49	
	116	7			141	36	187	12	
	118	33			141	38	187	49	
	118	35			142	19	188	18	
	118	37			142	32	190	25	
	118	40			142	36	192	4	
	118	42			142	38	FORK/SHIFT/DIFFLOCK	68	2
	118	46			143	11		69	2
	119	30			143	13	FORK/SHIFT/MAIN/S	45	2
	119	32			143	13-A	FORK/SHIFT/MAIN/STD	46	2
	119	34			143	23	FORK/SHIFT/PTO	50	1
	119	39			143	28		51	2
	119	43			143	30	FORK/SHIFT/REVERSE	43	2
	120	30			143	33	FORK/SHIFT/SUB	47	2
	120	32			144	11		48	2
	120	34			144	13	FRAME	118	45
	120	39			144	13-A	COMP	118	45-A
	120	43			144	23		119	42
	123	21			144	28		120	42
	124	16			144	30	FRAME/C/LH	158	7
	124	19			144	33	COMP	158	7-A
	126	3			145	11	FRAME/C/REAR	157	1
	126	5			145	13	COMP	158	8
	127	3			145	21	FRAME/C/RH	158	8-A
	131	2			145	26	COMP	158	1
	131	3			145	28	FRAME/C/UPPER	134	1
	132	2			145	31	COMP	134	1-A
	132	4			146	3	FRAME/FLOOR	134	1-B
	133	2			146	3-A		134	1-C
	133	3			147	3		134	1-D
	134	27			147	3-A		135	1
	134	34			147	11		135	1-A
	135	27			148	3		135	1-B
	135	34			148	3-A		135	1-C
136	27	148	39		135	1-D			
		149	3						

Alphabetical Index

1772-097-100-10

Description	Fig. Key	Description	Fig. Key	Description	Fig. Key
FRAME/FLOOR/HST COMP	136 1	GASKET	206 2	GEAR/HELICAL/21	19 3-A
	136 1-A	GAUGE/FUEL ASSY	7 11		20 3
FRAME/HOOD COMP	118 39		8 11		20 3-A
	119 36	GAUGE/OIL	94 61	GEAR/HELICAL/24	22 1
	120 36	GEAR	151 4		23 1
FRAME/HOOD/LH COMP	118 34	GEAR/08X42 SET	60 1	GEAR/HELICAL/25	28 1
	118 34-A		60 1-A	GEAR/HELICAL/25 COMP	20 22
	118 34-B		61 1		20 22-A
	119 31	GEAR/41-33	34 7	GEAR/HELICAL/27	18 12
	120 31		36 7	GEAR/HELICAL/28	18 9
FRAME/HOOD/RH COMP	118 36	GEAR/BEVEL/10	86 44		19 12
	118 36-A		86 44-A		19 12-A
	119 33		87 44		22 5
	120 33		87 44-A		23 5
FRAME/LOWER/E4 COMP	159 1	GEAR/BEVEL/11	62 7	GEAR/HELICAL/28-26	20 15
	159 1-A		63 7		20 15-A
	193 4		86 30-A	GEAR/HELICAL/29	20 28
FRAME/REAR/LH COMP	130 5		87 30-A		20 28-A
	156 1	GEAR/BEVEL/12	86 30	GEAR/HELICAL/35	22 8
	156 1-A		87 30		23 9
	193 2	GEAR/BEVEL/15	86 13	GEAR/HELICAL/54	66 5
FRAME/REAR/RH COMP	130 6		86 13-A		66 5-A
	156 2		87 13		67 5
	156 2-A		87 13-A	GEAR/HELICAL/29-24	20 26
	193 3	GEAR/BEVEL/16	62 9		20 26-A
FRAME/UPPER COMP	159 6		63 9	GEAR/SPUR/12-19	35 2
	193 9	GEAR/BEVEL/17	86 33	GEAR/SPUR/13-21	34 3
FUSE (BLADE/32V15A)	143 6		86 33-A		36 3
	144 6		87 33	GEAR/SPUR/16	33 1
	145 6		87 33-A		33 1-A
FUSE/BLADE/32V05A	143 4	GEAR/BEVEL/20	86 2	GEAR/SPUR/16-26	31 11
	144 4		86 2-A	GEAR/SPUR/17-37	172 3
	145 4		87 2	GEAR/SPUR/18	37 12
FUSE/BLADE/32V10A	143 5		87 2-A		173 13
	144 5	GEAR/BEVEL/48	86 47	GEAR/SPUR/18-40	29 11
	145 5		86 47-A		29 11-A
FUSE/BLADE/32V20A	143 7		87 47		29 11-B
	144 7		87 47-A	GEAR/SPUR/19	25 36
	145 7	GEAR/CREEP SET	172 1		25 36-A
FUSE/SLOWBLOW	143 3	GEAR/HELICAL/09	62 20		26 36
	144 3		62 20-A		26 36-A
	145 3		63 20		27 30
GASKET	4 2	GEAR/HELICAL/15	28 3		27 30-A
	5 2	GEAR/HELICAL/21	18 3	GEAR/SPUR/20	25 24
	199 23		19 3		25 24-A

Alphabetical Index

1772-097-100-10

Description	Fig. Key	Description	Fig. Key	Description	Fig. Key									
GEAR/SPUR/20	26 24	GEAR/SPUR/30	27 7	GRIP/03X17X74	108 15									
	26 24-A		27 7-A		109 17									
	27 18		28 9		188 14									
	27 18-A		26 33		189 14									
	33 4		26 33-A		190 16									
GEAR/SPUR/24	33 4-A	GEAR/SPUR/31	30 10	GRIP/03X17X97	95 47									
	25 37		30 10-A		96 40									
	25 37-A		31 8		69 14									
	26 37		33 2		55 2									
	26 37-A		33 2-A		134 16									
GEAR/SPUR/25	27 31	GEAR/SPUR/32	31 14	GRIP/12X60	134 16-A									
	27 31-A		25 21		134 16-B									
	25 38		25 21-A		135 16									
	25 38-A		26 21		135 16-A									
	27 32		26 21-A		135 16-B									
GEAR/SPUR/26	27 32-A	GEAR/SPUR/33	27 15	GRIP/4WD	136 12									
	31 16		27 15-A		53 5									
	25 15		28 12		54 9									
	25 15-A		29 10		58 2									
	25 33		29 10-A		37 43									
GEAR/SPUR/28	25 33-A	GEAR/SPUR/34	29 3	GRIP/MID/PTO	56 11									
	26 15		29 3-A		173 44									
	26 15-A		30 3		74 32									
	27 9		30 3-A		75 32									
	27 9-A		25 19		9 3									
GEAR/SPUR/30	27 27	GEAR/SPUR/35	25 19-A	GRIP/ORANGE	10 3									
	27 27-A		26 19		52 2									
	25 12		26 19-A		125 24									
	25 12-A		27 13		146 28									
	25 32		27 13-A		147 29									
GEAR/SPUR/31	25 32-A	GEAR/SPUR/38-18	37 15	GRIP/THROTTLE	148 28									
	26 12		173 16		149 29									
	26 12-A		30 11		150 29									
	26 32		30 11-A		154 5									
	26 32-A		30 11-B		155 3									
GEAR/SPUR/32	27 26	GEAR/SPUR/38-26-16	31 6	GROMMET	134 6									
	27 26-A		35 6		135 6									
	25 3		151 8		136 4									
	25 3-A		121 1		131 6									
	25 13		122 1		132 7									
GEAR/SPUR/33	25 13-A	GEAR/SPUR/39	105 38	GROMMET/10X30X1	104 32									
	26 3		107 38		150 39									
	26 3-A		186 39		118 9									
	26 13		187 39		119 9									
	26 13-A		97 22		120 9									
GEAR/SPUR/34	26 13-A	GLASS	GRIP/03X17X74	GROMMET/10X40X03	136 4									
	26 13-A					GRILLE/EEC	GROMMET/17X21X05	131 6						
	26 13-A								GRIP	GROMMET/25X30X03	132 7			
	26 13-A											GRIP	GROMMET/53X59X06	104 32
	26 13-A													
26 13-A	GRIP	HANDLE	118 9											
26 13-A				GRIP	HANDLE	119 9								
26 13-A							GRIP	HANDLE	120 9					

Alphabetical Index

1772-097-100-10

Description	Fig. Key	Description	Fig. Key	Description	Fig. Key	
HARNESS/LAMP	146 37	HOLDER COMP	101 19	HOOK/REAR/LH COMP	124 13	
	147 38		102 13	HOOK/REAR/RH COMP	123 16	
	148 37		103 13	HOOK/RH COMP	124 14	
	149 38		101 49	HOOK/TOPLINK	110 26	
	150 38		102 43		111 26	
HARNESS/LAMP/FRONT	144 38		103 43		112 26	
HARNESS/MAIN/E4 ASSY	143 1	HOLDER/15	99 33	HORN ASSY	139 37	
	143 1-A		101 33		140 37	
	143 1-B		102 27		141 37	
	143 1-C	103 27		142 37		
	143 1-D	HOLDER/GRILLE/E COMP	121 13	HOSE/08X13X300	7 24	
	143 1-E		122 13		7 26	
	144 1	HOLDER/JE/9-9	28 18		7 30	
	144 1-A		139 30		8 24	
	144 1-B		140 30		8 26	
	144 1-C		141 30		8 30	
	144 1-D		142 30	HOSE/100	99 13	
	144 1-E	146 16		101 13		
	HARNESS/OILPRESSURE	145 1		147 17		102 7
		139 28		148 16		103 7
		140 28		148 40	HOSE/130	78 9
141 28			149 17		79 9	
142 28			149 41		80 9	
HARNESS/SOCKET ASSY	154 4		150 17		81 9	
	155 2	HOLDER/PIPE	99 20	HOSE/1520 ASSY	104 30	
HARNESS/SWITCH/SEAT	145 36		99 21	HOSE/205	1 17	
HEAD/CYLINDER	94 11		101 20		2 18	
HEAD/SPOOL	200 2		101 21		3 18	
	200 2		102 14	HOSE/350	1 18	
	202 2		102 15		2 19	
	202 2		103 14		3 19	
	HEAD/SPOOL/074/1	198 11		103 15	HOSE/470 ASSY	105 49
HEAD/SPOOL/074/2	198 31	HOLDER/SHAFT/DIFF	62 10		186 50	
HITCH/DRAWBAR/E SET	116 1		63 10	HOSE/530 ASSY	105 50	
HITCH/FRONT COMP	85 6	HOOD COMP	118 1		107 50	
HITCH/LINK ASSY	97 1		118 1-A		109 24	
HITCH/TRAILER/E SET	191 1		118 1-B		186 51	
HOLDER	9 16		119 1		187 51	
	10 20		120 1		189 19	
HOLDER ASSY	108 6	HOOK	14 15		190 23	
	109 6	HOOK/FRONT/LH COMP	123 13	HOSE/610 ASSY	107 49	
	188 5		124 11		187 50	
	189 5	HOOK/FRONT/RH COMP	123 14	HOSE/660 COMP	109 23	
	190 5		124 12		189 18	
HOLDER COMP	99 19	HOOK/REAR/LH COMP	123 15		190 22	

Alphabetical Index

Description	Fig. Key	Description	Fig. Key	Description	Fig. Key
HOSE/700	7 10	HOUSING/AXLE/RH	64 2	INSULATOR	140 13
	8 10		65 2		141 13
HOSE/780	78 15	HST/TH/24 ASSY	21 1		142 13
	79 15		25 17		159 15
HOSE/965 ASSY	108 17	HUB	26 17		159 17
	109 22		27 11		191 6
	188 16		31 5		193 17
	190 21		105 15		INSULATOR/10X180 2 4
HOSE/BREATHER	94 54		107 15		3 4
HOSE/FUEL/900 ASSY	7 32	HUB/12X19X42	186 16	INSULATOR/15	78 4
	8 32		187 16		79 4
HOSE/HYDRO/1450 ASSY	78 19	HUB/23X40X58	29 9		80 4
	79 19		29 9-A		81 4
	80 18		30 9		INSULATOR/15X15X190 121 3
	81 18		30 9-A		122 3
HOSE/HYDRO/1950 ASSY	80 15	HUB/23X62X27	31 3	INSULATOR/270	131 5-A
	81 15		72 1		132 6-A
HOSE/RADIATOR/INLET	1 10	HUB/PEDAL ASSY	73 2		133 5
	2 10		73 2-A		INSULATOR/280 2 22
	3 10		1 6		3 22
HOSE/RADIATOR/OUTLET	1 9	INSULATOR	1 7	INSULATOR/300	131 5
	2 11		1 8		132 6
	3 11		2 3		INSULATOR/30X30X90 123 23
HOSE/RETURN ASSY	78 13		2 5		124 21
	79 13		2 42		INSULATOR/30X35X150 121 2
	80 13		3 3		122 2
	81 13		3 5		INSULATOR/310 2 23
HOSE/RUBBER	1 33		3 42		3 23
	1 34		9 2		INSULATOR/50X50X15 2 41
	1 36		10 2		3 41
	2 36		85 12		139 12
	2 37		116 10		140 12
	2 39		116 18		141 12
	3 36		117 8		142 12
	3 37		118 6		INSULATOR/6X9X650 121 10
	3 39		119 6		122 10
	151 9		120 6		INSULATOR/90 123 20
HOUSING/AXLE	86 21		123 2		124 18
	86 21-A		123 6		INSULATOR/DASH/E4 131 4
	86 21-B		123 8		131 4-A
	87 21		124 2		132 5
	87 21-A		124 7		132 5-A
	87 21-B		134 5		133 4
	64 1		135 5		INSULATOR/LAMP 146 24
65 1		139 13	147 25		

Alphabetical Index

1772-097-100-10

Description	Fig. Key	Description	Fig. Key	Description	Fig. Key	
INSULATOR/LAMP	148 24	KEY	144 15	LABEL//CONTROL/PTO	166 2	
	149 25		145 15		166 2-A	
INSULATOR/LEVER/SUB	150 25	KNOB	94 62		167 2	
	37 44		105 27		167 2-A	
	56 12		107 27		168 2	
	95 48		186 28		168 2-A	
	96 41		187 28		169 2	
	97 20		LABEL/4WD	165 4		169 2-A
	108 14			166 4	LABEL//CONTROL/SLOW R	165 10
	109 16			167 4		166 10
	173 45			168 4		167 10
	188 13			169 3		168 10
INSULATOR/MOUNT	189 13	LABEL/BATTERY	170 11		169 9	
	190 15		170 16	LABEL//CONTROL/SUB/E4	165 1	
	128 7	LABEL/C	105 56		167 1	
	129 5		186 57	LABEL//CONTROL/SUB/HS	169 1	
	130 11	LABEL/C/DRIVE/E4	170 1	LABEL//CONTROL/SUB/S/	166 1	
	INSULATOR/SIDE	123 22	LABEL//CAUTION/BATTER	170 3		168 1
		124 20	LABEL//CE	171 1	LABEL//CREEP	172 10
	INSULATOR/SIDE/LH	123 5	LABEL//CONTROL/AUX	108 29	LABEL//D	105 57
		124 5		109 35		186 58
	INSULATOR/SIDE/RH	123 11		188 28	LABEL//DIFF	165 9
124 10			190 34		165 9-A	
JOINT	97 35	LABEL//CONTROL/CRUISE	169 13		166 9	
JOINT ASSY	105 34	LABEL//CONTROL/MAIN	165 3		166 9-A	
	107 34		167 3		167 9	
	186 35	LABEL//CONTROL/MAIN/S	166 3		167 9-A	
	187 35		168 3		168 9	
	JOINT BALL M08LH	57 12	LABEL//CONTROL/MID	37 45		168 9-A
57 41			37 45-A		169 8	
57 53			173 46	LABEL//ETHER	170 6	
105 43			173 46-A	LABEL//FUEL	170 12	
107 43		LABEL//CONTROL/POSITI	165 5	LABEL//FUSE/M/E3	165 8-B	
186 44			165 5-A		166 8-B	
187 44			166 5		167 8-B	
JOINT BALL M08RH		57 10		166 5-A		168 8-B
		57 39		167 5	LABEL//FUSE/M/E4	165 8-C
		57 51		167 5-A		166 8-C
	105 42		167 5-B		167 8-C	
	107 42		168 5		168 8-C	
	186 43		168 5-A		169 7-A	
	187 43		169 4	LABEL//FUSE/MAIN	165 8	
	186 1		169 4-A		165 8-A	
JOYSTICK/E4 SET	187 1	LABEL//CONTROL/PTO	165 2		166 8	
KEY	143 15		165 2-A		166 8-A	

Alphabetical Index

1772-097-100-10

Description	Fig. Key	Description	Fig. Key	Description	Fig. Key	
LABEL/FUSE/MAIN	167 8	LABEL/ROPS	170 14	LAMP/NUMBERPLAT SET	146 35	
	167 8-A		193 23		147 36	
	168 8	LABEL/SEAT	125 25		148 35	
	168 8-A	LABEL/SHIFT	170 13		149 36	
	169 7	LABEL/SPEED/E4	165 11		150 36	
LABEL/LH/E4	165 12		167 11	LAMP/SOCKET ASSY	208 4	
	167 12	LABEL/SPEED/HST	169 10		208 11	
	169 11	LABEL/SPEED/S/E4	166 11	LENS	146 33	
LABEL/LH/SE4	166 12		168 11		147 34	
	168 12	LABEL/SUBCON	108 31		148 33	
LABEL/LOADER	105 53		109 38		149 34	
	107 54		188 30		150 34	
	186 54		190 37	LENS COMP	206 1	
	187 55	LABEL/SWITCH/COMBINA	143 20	LEVER COMP	9 1	
LABEL/MASTERLIGHTING	143 19		144 20		10 1	
	144 19	LABEL/SWITCH/MAIN	165 6		10 1-A	
LABEL/PARKING	165 7		166 6	LEVER/4WD	55 1	
	165 7-A		167 6	LEVER/AUX/1ST	108 12	
	166 7		168 6		108 12-A	
	166 7-A		169 5		109 13	
	167 7	LABEL/TRAILER	170 8		109 13-A	
	167 7-A	LABEL/TRH1772	116 19		188 11	
	168 7	LABEL/W/FAN	170 2		190 12	
	168 7-A	LABEL/W/RADIATOR	170 7	LEVER/AUX/2ND	109 14	
	169 6	LABEL/W/STARTER	170 10		189 11	
	LABEL/PORT/1ST	108 30	LABEL/WARNING/BELT	170 4		190 13
		109 36	LABEL/WARNING/FUEL	170 15	LEVER/CRUISE/A	58 3
		188 29	LABEL/WARNING/HOT	170 5	LEVER/CRUISE/B COMP	58 1-A
		190 35	LAMP	151 18		58 1-B
LABEL/PORT/2ND	109 37	LAMP/COMBINATION/FRO	146 29	LEVER/DIFF ASSY	69 12	
	189 23		147 30	LEVER/DRAFT COMP	97 19	
	190 36		148 29		97 19-A	
LABEL/PORTDECAL	105 54-A		149 30	LEVER/JOYSTICK COMP	105 36	
	107 55		150 30		107 36	
	187 56	LAMP/COMBINATION/REA	146 23		186 37	
LABEL/PTO	170 9		147 24		187 37	
LABEL/RH/E4	167 13		148 23	LEVER/MAIN COMP	53 3	
LABEL/RH/KE4	165 13		149 24		53 3-A	
	165 13-A		150 24	LEVER/PARKING ASSY	74 28	
	166 13	LAMP/HEAD ASSY	139 20		75 28	
	166 13-A		139 20-A	LEVER/PLATE COMP	58 1	
	168 13		140 20	LEVER/POSITION COMP	95 45	
	168 13-A		140 20-A		95 45-A	
	169 12	LAMP/HEAD/G ASSY	142 20		96 38	
	169 12-A	LAMP/HEAD/H4 ASSY	141 20		96 38-A	

Alphabetical Index

1772-097-100-10

Description	Fig. Key	Description	Fig. Key	Description	Fig. Key
LEVER/PTO COMP	56 9	LINKPIN	116 17-A	METAL/SUB	30 1
	56 9-A		117 7		31 1
LEVER/PTO/MID COMP	37 41		159 11	METAL/TRUNNION ASSY	44 1
	37 41-A		159 11-A	METER/HOUR/FUEL/TEMP	151 2
	173 42		193 14	MIRROR ASSY	126 1
LEVER/REVERSE COMP	52 1	LOCKPLATE	72 13		127 1
	52 1-A	MARK/PORT/A	105 54	MOLDING/FRONT	118 23
LEVER/SUB COMP	54 7		186 55		118 23-A
	54 7-A	MARK/PORT/B	105 55	MOLDING/LH	118 26
	54 7-B		186 56		118 26-A
LINING/11X30X02	95 32	MAT	134 35		119 23
	96 25		135 35		120 23
LINING/13X50X03	9 4	MAT/HST/E4	136 28		162 7
	10 4-A	METAL/BRAKE	70 9		163 7
LINING/13X50X3	10 4		71 9		164 7
LINING/16X30X02	97 14	METAL/CREEP	172 2	MOLDING/RH	118 27
LINK	29 13	METAL/DIFF	62 1		118 27-A
	30 13		63 1		119 24
	31 10	METAL/INPUT	19 1		120 24
LINK/AUTO COMP	95 21		20 1		162 8
LINK/DRAWBAR	116 11		28 6		163 8
LINK/LOWER/LH COMP	110 1	METAL/INPUT/E1	18 1		164 8
	111 1	METAL/INPUT/PTO	19 15	MUFFLER COMP	4 1
	112 1	METAL/INPUT/PTO/E1	18 14		4 1-A
LINK/LOWER/RH COMP	110 2	METAL/INPUT/PTO/S	20 31		5 1
	111 2	METAL/LINK	57 18	NEEDLE	199 14
	112 2	METAL/MAIN	25 1	NET	1 3
LINK/SPOOL COMP	95 6		26 1		2 9
	96 10		27 1		3 9
LINK/SUPPORT COMP	95 10	METAL/PIVOT/FRONT	86 56	NET/GRILLE	121 4
	96 14		86 56-A		122 4
LINK/TOP/LH COMP	110 19		87 56	NET/GRILLE/UNDER	121 5
	111 19		87 56-A		122 5
	112 19	METAL/PIVOT/REA ASSY	86 65	NIPPLE, GREASE	57 59
LINK/TOP/RH COMP	110 20		87 65		58 8-A
	111 20	METAL/PTO COMP	22 16		74 18
	112 20		23 16		75 18
LINKPIN	85 10	METAL/RELIEF/J	99 36		89 5
	85 10-A	METAL/SHIFT	43 7		89 10
	110 23		49 1		90 5
	110 23-A	METAL/SHIFT/MAIN	45 7		90 10
	111 23		46 7	NIPPLE, GREASE/B-M6F	54 14
	111 23-A	METAL/SHIFT/SUB	47 5		58 8
	112 23		48 5	NIPPLE, GREASE/PT1/8	72 11
	116 17	METAL/SUB	29 1		73 6

Alphabetical Index

Description	Fig. Key	Description	Fig. Key	Description	Fig. Key
NIPPLE, GREASE/PT1/8	86 64	NUT	105 7	NUT	186 27
	87 64		105 23		186 42
	97 5		105 26		186 45
NIPPLE/GREASE	86 70		105 41		187 8
	87 70		105 44		187 24
NOB/LOCK	159 17-A		107 7		187 27
	193 19		107 23		187 42
NUT	4 4		107 26		187 45
	5 4		107 41		193 22
	7 13		107 44		206 8
	8 13-A		113 10	NUT, CAP/M 8	159 19
	10 25		118 14	NUT, CASTTLE/M12X1. 25	89 12
	14 5		119 14		90 12
	14 9		120 14	NUT, RING	201 5
	43 16		121 14	NUT, SPEED/P4	160 3
	57 15		122 14		161 3
	57 30		139 9	NUT, SPEED/P6	118 25
	57 44		139 11		118 29
	57 49		139 18		119 26
	57 56		140 9		120 26
	58 27		140 11		121 7
	58 27-A		140 18		122 7
	72 21		141 9	NUT, TOP LINK LOCK	110 22
	72 33		141 11		111 22
	73 13		141 18		112 22
	73 23		142 9	NUT, U/M16	116 14
	74 4		142 11	NUT, U/M10	134 18
	74 9		142 18		135 18
	74 27		146 5		136 14
	75 4		146 9	NUT/5/8-18UNF	78 2
	75 9		146 13		79 2
	75 27		147 5		80 2
	89 4		147 9		81 2
	89 9		148 5	NUT/M08	45 9
90 4		148 9		46 9	
90 9		148 13		47 8	
94 52		149 5		48 8	
94 66		149 9		99 25	
95 34		150 3		101 25	
95 43		150 7		102 19	
96 27		158 12		103 19	
96 36		159 18	NUT/M10	43 19	
97 9		159 20		64 5	
97 18		186 8		65 5	
97 38		186 24		114 8	

Alphabetical Index

1772-097-100-10

Description	Fig. Key	Description	Fig. Key	Description	Fig. Key			
NUT/M10	115	5	NUT/M16	110	5	NUT/M8	57	54
	116	8		110	13		72	19
	134	17		110	14		73	11
	134	21		110	14-A		74	2
	135	17		111	5		74	11
	135	21		111	13		75	2
	136	15		111	13-A		75	11
	158	14		111	14		105	40
NUT/M10X1.25	9	7	111	14-A	107	40		
	10	7	112	5	118	3		
NUT/M12	15	4	112	13	119	3		
	16	4	112	14	120	3		
	17	4	113	2	186	41		
	17	8	113	2-A	187	41		
	39	8	159	8	NUT/RING	143	16	
	40	7	193	11		144	16	
	41	8	NUT/M25X1.5	86	6		145	16
	42	7		87	6	NUT/SM/08	95	44
	57	26	NUT/M5	143	37		96	37
	85	5		144	37	NUT/SM/M12X65	78	27
	86	29		145	35		79	27
	86	60		154	7		80	25
	86	63	NUT/M6	111	29		81	25
	86	76		125	18	NUT/WASHER	1	22
	87	29		125	21		2	26
	87	60		139	4		3	26
	87	63		139	29		8	13
	87	76		140	4		57	8
	113	13		140	29		82	9
	116	5		141	4		83	9
	117	3		141	29		85	14
	128	12		142	4		88	10
	129	10		142	29		104	2
	130	16		146	18		118	44
	191	4		147	19		119	41
	194	3		148	18		120	41
NUT/M12X1.75/10T	130	10	149	19		121	17	
	156	6	150	19		121	23	
	156	6-A	152	3		122	17	
	157	2	NUT/M8	14	10		122	23
	159	4		57	11		125	16
	193	7		57	13		125	26
	84	4		57	40		134	15
NUT/M14	86	68-A	57	42		134	26	
	87	68-A	57	52		134	31	

Alphabetical Index

1772-097-100-10

Description	Fig. Key	Description	Fig. Key	Description	Fig. Key	
NUT/WASHER	135 15	O-RING/P12	94 24	O-RING/P14	104 4	
	135 26		94 46		104 6	
	135 31		99 42		104 10	
	136 20		100 3		104 12	
	136 24		101 37		104 15	
	137 3		102 31		104 17	
	139 15		103 31		104 25	
	140 15		198 6		108 3	
	141 15		198 18		108 23	
	142 15		198 26		108 28	
	O-RING		196 8		198 38	109 3
			196 8		198 46	109 21
197 8		200 21	109 31			
O-RING HS90 G50	195 4	200 21	173 22			
O-RING P6 HS90	195 6	202 21	188 22			
O-RING/G100	86 25	202 21	188 27			
	87 25	O-RING/P14	23 17	189 16		
O-RING/G45	102 2		37 21	189 22		
	103 2		39 15	190 20		
O-RING/G60	21 3		40 14	190 30		
O-RING/G65	199 38		41 15	199 26		
O-RING/G70	21 4		42 14	200 28		
	86 55		43 6	200 28		
	87 55		49 3	202 28		
	94 26		50 7	202 28		
O-RING/P 7	95 12		51 7	O-RING/P16	21 2	
	96 16		94 22		45 6	
	200 25		94 27		46 6	
	200 25	94 49	100 9			
	202 25	98 4	185 2			
	202 25	99 31	O-RING/P18		49 4	
O-RING/P 9	94 16	99 44		94 25		
	158 6	99 47		158 5		
O-RING/P10	22 18	101 32	O-RING/P20	21 8		
	99 41	101 38		47 6		
	100 4	101 40		48 6		
	101 36	101 43		94 21		
	102 30	102 25		99 16		
	103 30	102 32		99 28		
	198 20	102 34		99 38		
	198 40	102 37		101 16		
	198 45	103 25		101 28		
	O-RING/P10A	50 3		103 32	102 10	
		51 3		103 34	102 22	
201 2		103 37	103 10			

Alphabetical Index

1772-097-100-10

Description	Fig. Key	Description	Fig. Key	Description	Fig. Key	
O-RING/P20	103 22	ORNAMENT/STEERING	161 7	PANEL/BACK	125 3	
	159 14		162 5	PANEL/DASH COMP	131 1	
	196 2		163 5		131 1-A	
	196 7		164 5		131 1-B	
	196 12		160 5	PANEL/DASH/35 COMP	133 1	
	197 2		161 5	PANEL/DASH/S COMP	132 1	
	197 7		162 3		132 1-A	
	197 12		163 3		132 1-B	
	195 5		164 3	PANEL/INSTRUMEN ASSY	151 1	
	0-RING/P22					
0-RING/P24	24 8	PACKING	1 15		151 1-A	
	104 27		1 32	PANEL/SEAT COMP	134 28	
	104 29		2 16		135 28	
0-RING/P26	94 57		2 35		136 21	
0-RING/P26 HS90	94 57-A		3 16	PANEL/SWITCH/E4 COMP	143 12	
0-RING/P28	99 2		3 35		143 12-A	
	99 11		7 7		144 12	
	101 2		8 7		144 12-A	
	101 11		86 78		145 12	
	102 5		87 78	PEDAL COMP	10 21	
	103 5		99 6		10 21-A	
	86 67		101 6		10 21-B	
	87 67		201 9	PEDAL SET	73 1	
0-RING/P34	88 5	PACKING, OIL PUMP	78 7		73 1-A	
0-RING/P36	88 7		79 7	PEDAL/BRAKE SET	73 4	
0-RING/P44	201 6		80 7		73 4-A	
0-RING/P65 HS90	94 30		81 7	PEDAL/BRAKE/LH SET	72 5	
ORNAMENT/4295	161 6		99 24		72 5-A	
	163 4		101 24		72 5-B	
ORNAMENT/4335	160 6		102 18	PEDAL/BRAKE/RH ASSY	72 7	
	162 4		103 18	PEDAL/CLUTCH ASSY	72 3	
ORNAMENT/4365	164 4	PACKING/PISTON	205 2	PEDAL/DIFF ASSY	68 12	
ORNAMENT/HYDRO	162 6		207 2	PEDAL/HST/F COMP	57 35	
	163 6	PACKING/RUBBER	7 12	PEDAL/HST/R COMP	57 60	
	164 6		8 12	PIN	11 10	
ORNAMENT/ISEKI	160 1	PACKINGA	7 8		12 8	
	161 1		8 8		13 8	
	162 1	PAD	73 7		14 11	
	163 1	PAD/190	104 31		15 10	
	164 1	PAD/50	143 24		16 10	
	ORNAMENT/ISEKI/LH	160 4		144 24		17 6
	161 4		145 22		17 10	
	162 2	PAD/BRAKE	14 1		21 5	
163 2		72 12		23 18		
164 2	PAD/HST	57 37		28 7		
ORNAMENT/STEERING	160 7		57 62		37 5	

Alphabetical Index

1772-097-100-10

Description	Fig. Key	Description	Fig. Key	Description	Fig. Key	
PIN	39 5	PIN, SNAP/6	188 10	PIN, SPLIT/2. 5X20	54 4	
	40 4		189 10		55 5	
	41 5		190 11		56 3	
	42 4		PIN, SPLIT/1. 6X15		95 52	74 7
	62 11				96 45	74 40
	63 11				105 29	75 7
	72 23				107 29	75 40
	73 15				186 30	97 27
	86 26				187 30	97 33
	86 53		PIN, SPLIT/2 X15		9 14	97 37
	87 26	10 14		PIN, SPLIT/2. 5X25 9 8		
	87 53	10 18		10 8		
	94 10	59 4		PIN, SPLIT/3 X20 89 13		
	95 1	PIN, SPLIT/2 X20	14 17	90 13		
	95 37		37 31	110 18		
	96 5		37 36	111 18		
	96 30		58 14	112 18		
	151 5		58 24	PIN, SPLIT/4 X30 110 8		
	172 8		68 10	111 8		
	173 6		69 10	112 8		
	PIN ASSY		159 9	72 26	113 5	
			159 9-A	73 18	PIN, SPRING 3X32 172 6	
			159 9-B	74 15	PIN, SPRING/3 X18 W 55 3	
		193 12	75 15	PIN, SPRING/5 X20 W 95 36		
		PIN COMP	68 16	95 5	96 29	
	69 17		95 8	97 24		
74 33	95 14		97 29			
75 33	95 23		PIN, SPRING/5 X25 W 86 15			
116 9	95 39		87 15			
116 9-A	95 42		PIN, SPRING/6 X25 W 37 28			
158 4	96 9		173 29			
158 4-A	96 12		PIN, SPRING/6 X28 W 49 9			
158 4-B	96 18		PIN, SPRING/6 X32 W 52 6			
191 5	96 32		PIN, ST 199 39			
191 5-A	96 35		PIN, TAPER 97 4			
PIN 19X132	110 25		105 21	PIN, TAPER/8X50 72 6		
	111 25		107 21	73 5		
	112 25	173 32	74 22			
PIN, HAIR	125 14	173 37	75 22			
PIN, KNOCK	70 14	186 22	PIN, YOKE A 72 24			
	71 14	187 22	73 16			
PIN, ROD COMP	94 39	PIN, SPLIT/2. 5X20	9 11	74 13		
PIN, SEAT SET	125 13		10 11	75 13		
PIN, SNAP/6	108 11		14 13	PIN/05X23 95 7		
	109 12		43 18	96 11		

Alphabetical Index

1772-097-100-10

Description	Fig. Key	Description	Fig. Key	Description	Fig. Key
PIN/06X07	118 17	PIN/COUNTER COMP	57 45	PIPE/DEL/REAR COMP	99 43-A
	119 17	PIN/INSERT	20 19		99 43-B
	120 17	PIN/SHIFT/DIFFROCK	68 3		101 39
PIN/06X23	105 32	PIN/SNAP	69 3	101 39-A	
	107 32		105 33	101 39-B	
	186 33		107 33	102 33	
	187 33		118 5	103 33	
PIN/06X31	108 10	PIN/TAPER/06X45	118 19	PIPE/FILLER/OIL COMP	94 56
	109 11		119 5	94 56-A	
	188 9		119 19	PIPE/HST COMP	104 23
	189 9		120 5	PIPE/INLET	6 9
	190 10		120 19	PIPE/PTO COMP	101 44
PIN/08X25	68 4	PIN/SUPPORT COMP	186 34	PIPE/PTO/HST COMP	102 38
	69 4		187 34	103 38	
PIN/10X070	105 20	PINION/BEVEL/09	95 11	PIPE/SUC/FRONT COMP	99 15
	107 20		96 15	99 15-A	
	186 21		47 10	101 15	
	187 21		48 10	101 15-A	
PIN/12X48	110 17	PINION/BEVEL/11	86 1	PIPE/SUC/MID COMP	102 9
	111 17		86 1-A		103 9
	112 17		87 1		99 10
PIN/12X75	86 14	PINION/BEVEL/11	87 1-A	PIPE/SUC/R/HST COMP	99 10-A
	87 14		86 12		101 10
PIN/16X68	113 11		86 12-A		101 10-A
PIN/19X110	97 11		87 12		102 4
PIN/19X94	110 24		87 12-A		103 4
	111 24	PIPE, BREATHER	94 53	PIPE/SUC/REAR COMP	99 1
	112 24	PIPE/CHECKVALVE COMP	104 13		99 1-A
	159 10	PIPE/DEL/F COMP	99 26		101 1
	159 10-A		99 26-A		101 1-A
	193 13		99 26-B	PISTON	94 29
PIN/20X67	172 4		101 26		203 1
PIN/22X99	110 3		101 26-A		204 1
	111 3		101 26-B	PISTON COMP	199 7
	112 3	PIPE/DEL/FRONT COMP	102 20	PLATE	7 6
	113 1		103 20		8 6
	116 16	PIPE/DEL/M COMP	99 32		18 7
PIN/25X91	117 6		99 32-A		19 10
	56 6		99 32-B		20 10
PIN/25X96	56 6		99 32-B		20 10
PIN/30X120 COMP	85 9		101 30		37 25
PIN/6X16	9 15		101 30-A		38 1
	10 15		101 30-B		95 31
	10 19	PIPE/DEL/M/HST COMP	102 26		96 24
	59 2		103 26		97 16
PIN/ADJUST	57 27	PIPE/DEL/REAR COMP	99 43		97 17

Alphabetical Index

1772-097-100-10

Description	Fig. Key	Description	Fig. Key	Description	Fig. Key				
PLATE	114	4	PLATE/HOLDERCOMP	187	20	PLATE/SEPARATOR	204	6	
	115	1	PLATE/I 25X60	37	18	PLATE/SPRING	199	20	
	116	12		173	19	PLATE/STOP COMP	95	49	
	134	4	PLATE/I/16X270 COMP	68	9		96	42	
	135	4		69	9	PLATE/STOPPER	108	18	
	148	38	PLATE/I/19X230	54	2		109	25	
	148	38-A	PLATE/I/19X300	56	1		125	12	
	148	38-B	PLATE/I/19X426	37	29		188	17	
	149	39		173	30		190	24	
	149	39-A	PLATE/I/19X50	41	20	PLATE/SWASH	199	4	
	149	39-B		42	18	PLATE/THRUST	199	13	
	159	18-A	PLATE/I/19X75	95	3	PLATE/U/122.5X25	97	10	
	173	26		96	7	PLATE/U/30X50	95	26	
	193	20	PLATE/I/25X62	95	20	PLATE/U/70X85	147	26-A	
	200	23		96	3		148	25-A	
	200	23	PLATE/I/30X50	37	22		149	26-A	
	202	23		173	23	PLATE/UNDER	123	19	
	202	23	PLATE/I/75X145	126	4		124	17	
	PLATE COMP	58	28	PLATE/I/94X140	29	14		124	17-A
	PLATE, RUBBER	7	15		32	1	PLATE/VALVE/MOTOR	199	9
	8	15	PLATE/IR/19X65	7	2	PLATE/VALVE/PUMP	199	8	
PLATE/BACK	203	8		8	2	PLATE/Z/19X388	37	34	
	204	8	PLATE/JOY ASSY	105	9		173	35	
PLATE/BATTERY	139	2		107	9	PLUG	1	14	
	140	2		186	10		2	15	
	141	2		187	10		3	15	
	142	2	PLATE/L/18X98	91	1		15	12	
PLATE/BUMPER	84	1	PLATE/L/28X28	111	27		94	45	
	84	1-A	PLATE/NUMBER/E4	137	1	PLUG (G3/8)	199	24	
PLATE/CRUISE COMP	58	10		137	1-A	PLUG (PF1/4)	199	25	
PLATE/DASH COMP	131	14		138	1	PLUG/22	96	4	
	132	15		138	1-A	PLUG/50X6.5	39	2	
	133	16	PLATE/PRESURE/LH	70	1		41	2	
PLATE/FRICTION	70	2		71	1	PLUG/52X8	15	14	
	70	6	PLATE/PRESURE/RH	70	5		16	13	
	71	2		71	5	PLUG/7P	154	3	
	71	6	PLATE/RETAINER	199	6		155	1	
	203	7	PLATE/SENSOR	147	13	PLUG/G3/4 ASSY	24	7	
	204	7		149	13	PLUG/G3/8 ASSY	39	14	
PLATE/GRILLE	82	8		150	11		40	13	
	83	8	PLATE/SEPARATER	70	3		41	14	
PLATE/HOLDER COMP	57	3		70	7		42	13	
PLATE/HOLDERCOMP	105	19		71	3		108	27	
	107	19		71	7		188	26	
	186	20	PLATE/SEPARATOR	203	6	PLUG/M14	198	5	

Alphabetical Index

1772-097-100-10

Description	Fig. Key	Description	Fig. Key	Description	Fig. Key
PLUG/M14	198 5-A	PLUG/SCREW/SEAL	187 54	PUMP/GEAR/5. 2/R ASSY	81 6
	198 25		188 25	RADIATOR ASSY	1 1
	198 25-A		190 33		2 1
	200 18		196 10		3 1
	200 18		196 13	RELAY/35A ASSY	143 35
	202 18		197 10		144 35
	202 18		197 13		145 33
PLUG/M18	100 8		198 48	RELAY/4P ASSY	143 29
PLUG/M18 ASSY	185 1	PLUG/SEAL	200 27		143 31
PLUG/SCREW/SEAL	15 9		200 27		144 29
	15 11		202 27		144 31
	16 9		202 27		145 27
	16 11	POPPET	200 19		145 29
	17 11		200 19	RELAY/CONTROL/ENGINE	143 34
	17 12		202 19		144 34
	24 10		202 19		145 32
	37 6	POPPET/CHECK	199 21	RELAY/FLASHER/EEC	143 27
	39 12	POPPET/CHECK/1. 3	199 22		144 27
	39 13	POPPET/RELIEF	199 19		145 25
	40 11	PROTECTOR(060)	146 26	RESERVETANK ASSY	1 30
	40 12		147 27		2 33
	41 12		148 26		3 33
	41 13		149 27	RETAININGRINGSCTYPE	199 37
	42 11	PROTECTOR, EDGE/120	108 20	RING	159 13
	42 12		109 27		159 13-A
	86 41		131 15		193 16
	86 43		132 16	RING, BACK UP	94 31
	87 41		133 17	RING, SNAP	25 26
	87 43		188 19		26 26
	94 28		190 26		27 20
	94 47	PROTECTOR/040	131 17		198 3
	94 60		132 18		198 23
	99 27	PTO/MID SET	173 1		200 17
	99 39		173 1-A		200 17
	99 40		173 1-B		202 17
	100 10	PUMP SET	195 1		202 17
	101 27	PUMP/FUEL ASSY	7 28	RING, SNAP/12 C	74 38
	102 21		8 28		75 38
	103 21	PUMP/GEAR ASSY	99 23	RING, SNAP/15 C	58 6
	105 52		101 23	RING, SNAP/16 C	68 15
	107 53		102 17		69 16
	108 26		103 17	RING, SNAP/18 C	58 20
	109 34	PUMP/GEAR/5. 2/R ASSY	78 6	RING, SNAP/20C	25 5
	173 7		79 6		25 28
	186 53		80 6		26 5

Alphabetical Index

Description	Fig. Key	Description	Fig. Key	Description	Fig. Key		
RING, SNAP/20C	26 28	RING, SNAP/52 C	87 10	RING/SNAP	42 3		
	27 22	RING/40	203 5		62 19		
	61 8		204 5		62 22		
	88 2	RING/BACKUP	94 17		63 19		
RING, SNAP/21 C	94 19	RING/E	151 3		63 22		
RING, SNAP/22 C	37 40	RING/O	78 3		66 8		
	68 5		78 12	67 8			
	68 8		79 3	86 19			
	69 5		79 12	86 20			
	69 8		80 3	86 32			
	72 29		80 12	86 39			
	73 21		81 3	86 51			
	173 41		81 12	87 19			
	RING, SNAP/25 C		25 34		100 2		87 20
			25 35		101 46		87 32
26 34			101 48		87 39		
26 35			102 40		87 51		
27 28			102 42		94 35		
27 29			103 40		94 37		
56 8			103 42		173 12		
57 64			104 8	RING/SNAP/40	86 38		
60 6			198 19		87 38		
61 6			198 39	RING/SNAP/CH102	203 9		
72 10			198 47		204 9		
199 28			199 27	RING/SNAP/CS105	203 14		
RING, SNAP/28 C		195 9		205 11		204 14	
RING, SNAP/30 C		18 5		205 12	RING/SNAP/CS40	203 11	
		22 3		207 11		204 11	
RING, SNAP/32 C	199 30		207 12	RING/SNAP/R62	39 3		
RING, SNAP/35 C	19 8	RING/O (AS568/013)	196 3		40 2		
	20 8		197 3		41 3		
	28 13	RING/O (AS568/014)	196 4		42 2		
	34 9		197 4		199 29		
	35 8	RING/O (AS568/015)	196 5	RING/SNAP/R72	60 3		
	36 9		197 5		61 3		
	62 23	RING/SNAP	22 4	RING/SNAP/WR37	205 6		
	63 23		25 30		205 10		
	66 3		26 30		207 6		
	67 3		27 24		207 10		
RING, SNAP/42 C	15 13		29 6	RING/SYNCHRONIZER	20 21		
	16 12		30 6	RIVET	131 11		
	17 13		37 11		132 12		
RING, SNAP/47 C	25 7		39 4		133 11		
	26 7		40 3		134 13-A		
RING, SNAP/52 C	86 10		41 4		135 13-A		

Alphabetical Index

1772-097-100-10

Description	Fig. Key	Description	Fig. Key	Description	Fig. Key
RIVET	136 9	ROD/TENSION/M08X130	57 29	SCREW/4X16	208 9
RIVET, BLIND	121 21	ROD/TIE/JOINT ASSY	89 3	SCREW/M03X22	208 8
	122 21		89 8	SCREW/M5X12	139 26
ROD	43 12		90 3		140 26
	74 29		90 8		141 26
	75 29	ROD/TIE/LH ASSY	89 2		142 26
	94 38		90 2	SCREW/M6X30	139 22
	97 25	ROD/TIE/LH SET	89 1		140 22
ROD COMP	14 6		90 1		141 22
	14 6-A	ROD/TIE/RH ASSY	89 7		142 22
	72 18		90 7	SCREW/M6X40	94 63
	73 10	ROD/TIE/RH SET	89 6	SCREW/RH/M24 COMP	113 7
	74 12		90 6	SCREW/SET	52 3
	74 12-A	ROPS/REAR/E4 SET	193 1	SCREW/SOCKET	200 15
	75 12	RUBBER, CUSHION	58 25		200 15
ROD PACKING	205 4		134 10		202 15
	205 8		134 12		202 15
	207 4		134 23	SCREW/SP	77 3
	207 8		135 10		131 9
ROD, CLUTCH A COMP	14 7		135 12		131 13
ROD/147	74 5		135 23		132 10
	74 5-A		136 17		132 14
ROD/150	75 5	S. W	195 8		133 9
ROD/215	74 1	SCREW	121 11		133 15
	74 1-A		121 15		143 36
	75 1		122 11		144 36
ROD/CLUTCH/A COMP	14 7-A		122 15		145 34
ROD/DRAFT	97 31		123 4		151 21
ROD/FORK	72 22		123 10	SCREW/TAPPING	151 13
ROD/FORK COMP	72 22-A		124 4		208 7
	73 14		124 4-A		208 10
	113 8		124 9	SCREW/TAPPING/3. 5X13	143 21
ROD/FORK/LH COMP	113 6		124 9-A		144 21
	113 6-A		125 23		145 19
ROD/M08X64	57 9		146 34	SCREW/TRUSS/M06X16	131 10
	57 38		147 35		132 11
ROD/M08X70	95 40		148 34		133 10
	96 33		149 35		134 36
ROD/M08X92	57 50		150 35		135 36
ROD/M8X263 COMP	105 39		151 12		136 29
	107 39		206 4	SCREW/TRUSS/M08X20	134 14
	186 40		208 13		134 22
	187 40	SCREW, SEMS	198 17		135 14
ROD/PISTON COMP	205 1		198 37		135 22
	207 1	SCREW/4X16	151 14		136 16

Alphabetical Index

1772-097-100-10

Description	Fig. Key	Description	Fig. Key	Description	Fig. Key
SEAL, DUST	94 20	SEAL/OIL	86 58	SHAFT/PINION/A	63 5
	205 5		87 58	SHAFT/PINION/B	62 6-A
	205 9		173 11		63 6
	207 5		199 31	SHAFT/PTO	34 1
	207 9		199 34		34 6
SEAL, OIL	66 9	SEAL/OIL ASSY	86 35		35 5
	67 9		87 35		36 1
	86 48	SEALRING	203 2		36 6
	87 48		203 3	SHAFT/PTO/MID	37 7
	195 3		204 2		173 8
SEAL, OIL/21	86 9		204 3	SHAFT/PUMP	199 10
	87 9	SEAT ASSY	125 1	SHAFT/SLOWRETURN	94 65
SEAL, OIL/OS45554	94 33	SENSOR ASSY	147 12	SHAFT/TRUNNION	44 5
SEAL, OIL/TC20428	33 8		149 12	SHAFT/WHEEL	66 1
SEAL, OIL/TC22358	68 6		150 10		67 1
	69 6	SHAFT	37 16		86 46
	70 16		86 22		87 46
	71 16		86 22-A	SHIM/0. 1	62 17
SEAL, OIL/TC25357	199 32		86 23		63 17
SEAL, OIL/TC25387	19 4		86 23-A		86 8
	20 4		87 22		87 8
SEAL, OIL/TC30458	18 6		87 22-A	SHIM/0. 2	62 16
SEAL, OIL/TC355008	19 9		87 23		63 16
	20 9		87 23-A		86 7
	44 3		173 17		87 7
SEAL, OIL/TC4, 14247	198 2		173 17-A	SHIM/BRAKE/0. 1	70 10
	198 22	SHAFT, DIFF PINION A	62 5		71 10
	200 6	SHAFT, DIFF PINION B	62 6	SHIM/BRAKE/0. 2	70 11
	200 6	SHAFT/4WD	33 5		71 11
	200 16		33 5-A	SHROUD	1 4
	200 16	SHAFT/4WD/481	88 1		2 6
	202 6		88 1-A		3 6
	202 6	SHAFT/DRIVE/PTO	22 13	SLEEVE	11 6
	202 16		23 10		12 4
	202 16	SHAFT/INPUT	20 12		13 4
SEAL, OIL/VC122204	95 17		20 12-A		20 18
	95 19	SHAFT/INPUT COMP	21 7		37 9
	95 25	SHAFT/MAIN	25 9		173 10
	96 2		25 9-A		198 12
SEAL/20X20X100	82 7		26 9		198 32
	83 7		26 9-A		200 8
SEAL/OIL	34 12		27 4		200 8
	35 11		27 4-A		202 8
	36 12	SHAFT/MOTOR	199 11		202 8
	37 10	SHAFT/PINION/A	62 5-A	SLEEVE 35X40X17	34 11

Alphabetical Index

1772-097-100-10

Description	Fig. Key	Description	Fig. Key	Description	Fig. Key	
SLEEVE 35X40X17	35 10	SPRING, SHIFTER	173 14	SPRING/HE095	68 11	
	36 11	SPRING, TENSION/31	11 8		69 11	
SLEEVE/DETENT	198 13		12 6		72 27	
	198 33		13 6		73 19	
	200 10	SPRING, TENSION/86	97 30	SPRING/HE110	58 17	
	200 10	SPRING, VALVE	201 1	SPRING/HE120	72 16	
	202 10	SPRING/HC015	200 12		73 8	
	202 10		200 12	SPRING/HE122	57 31	
SOCKET	151 17		202 12	SPRING/HE123	94 50	
SPACER	151 19		202 12	SPRING/HE136	14 14	
SPOOL/DELECT	200 22	SPRING/HC016	139 23		72 16-A	
	200 22		140 23	SPRING/HE60	58 9	
	202 22		141 23	SPRING/WASHER	95 33	
	202 22		142 23		96 26	
SPRING	20 20	SPRING/HC021	199 18		97 15	
	74 30	SPRING/HC022	43 3	SPRING/WAVE	203 15	
	75 30	SPRING/HC023	45 3		204 15	
	94 43		46 3	STAY/AUX	154 1	
	94 44		47 3	STAY/AUX/E4 COMP	108 24	
	110 9		48 3		109 32	
	111 9		50 4		188 23	
	112 9		51 4		190 31	
	121 20	SPRING/HC029	198 16	STAY/CABLE/CRUISE	58 15	
	122 20		198 36	STAY/CONTROLLER	152 2	
	123 3	SPRING/HC030	199 17	STAY/DUMPER COMP	118 41	
	123 9	SPRING/HC037	125 22		119 38	
	124 3	SPRING/HC040	199 16		120 38	
	124 8	SPRING/HC042	200 5	STAY/FENDER/LH COMP	134 14-A	
	198 4		200 5		135 14-A	
	198 24		202 5		136 10	
	200 20		202 5	STAY/FENDER/RH COMP	134 15-A	
	200 20	SPRING/HC043	198 9		135 15-A	
	202 20		198 29		136 11	
	202 20	SPRING/HC076	97 34	STAY/FILTER/CHARGE	104 21	
	203 4	SPRING/HE036	118 20	STAY/HITCH/FRON COMP	85 1	
	204 4		119 20	STAY/LAMP	146 25	
	SPRING PIN (W)	200 24		120 20		147 26
		200 24	SPRING/HE055	105 18		148 25
		202 24		107 18		149 26
		202 24		186 19	STAY/LAMP COMP	146 25-A
SPRING, CONE	72 14		187 19		147 26-B	
SPRING, PRESS/22	9 5	SPRING/HE060	10 23		148 25-B	
	10 5	SPRING/HE089	118 15		149 26-B	
SPRING, SHIFTER	37 13		119 15		150 26	
	49 5		120 15	STAY/LAMP/LH COMP	139 24	

Alphabetical Index

Description	Fig. Key	Description	Fig. Key	Description	Fig. Key			
STAY/LAMP/LH COMP	139	24-A	STOPPER	136	33	SWITCH/PTO ASSY	152	4
	140	24	STOPPER, SPRING	198	10		152	4-A
	140	24-A		198	30		152	4-B
	141	24	STOPPER/PEDAL COMP	14	2	SWITCH/PUSH ASSY	146	4
	141	24-A		14	2-A		146	4-A
	142	24	STOPPER/SPRING/A	200	3		146	12
STAY/LAMP/RH COMP	139	25		200	3		146	14
	139	25-A		202	3		147	4
	140	25		202	3		147	4-A
	140	25-A	STOPPER/SPRING/B	200	4		147	15
	141	25		200	4		148	4
	141	25-A		202	4		148	4-A
STAY/LEVER COMP	74	23	STRAP	125	6		148	14
	75	23	STRIKER	125	5		149	4
STAY/REAR/LH	134	19	STUD/M 8X25	134	30		149	4-A
	135	19		135	30		149	15
STAY/REAR/RH	134	20	STUD/M12X28	86	27		150	2
	135	20		87	27		150	15
STAY/SHIFT/MAIN/S	45	1	STUD/M12X30	130	9	SWITCH/SEAT ASSY	125	19
STAY/SHIFT/MAIN/STD	46	1		156	5	SYNCHRONIZER/30 ASSY	20	17
STAY/SHIFT/PTO	50	2		156	5-A	TANK/FUEL	7	1
	51	1	STUD/M12X35	159	2		8	1
STAY/SHIFT/REVERSE	43	1	STUD/M14X35	82	3	TERMINAL/BATTER ASSY	139	8
STAY/SHIFT/SUB	47	1		83	3		140	8
	48	1	SUSPENTION ASSY	125	11		141	8
STAY/TANK COMP	7	18	SWITCH/ALTERNAT ASSY	152	5		142	8
	8	18	SWITCH/COMBINATION	143	18	TIRE	180	3
STEELBALL	198	14		143	18-A		180	8
	198	34		144	18	TIRE (9. 5-24)	176	3
STEP/FENDER/LH COMP	134	32-A		144	18-A		176	8
	135	32-A		145	18	TIRE (9. 5-24/LH) ASSY	176	1
	136	25	SWITCH/HAZARD ASSY	143	25	TIRE (9. 5-24/RH) ASSY	176	6
STEP/FENDER/RH COMP	134	33-A		144	25	TIRE, R. TURF/13. 6-6	175	3
	135	33-A		145	23		175	8
STEP/LH COMP	134	32	SWITCH/LEVER ASSY	146	19	TIRE/11. 2-24/FL18	177	3
	135	32		147	20		177	8
STEP/RH COMP	134	33		148	19	TIRE/11. 2-24/LH ASSY	177	1
	135	33		149	20	TIRE/11. 2-24/RH ASSY	177	6
	136	26		150	20	TIRE/12. 4-16 4PR	174	3
STEP/SUB COMP	134	38	SWITCH/MAIN ASSY	143	14		174	8
	135	38		143	14-A	TIRE/24X8. 50-12-4	182	3
	136	31		144	14		182	8
STOPPER	134	40		144	14-A	TIRE/315/80D-16-4	178	3
	135	40		145	14		178	8

Alphabetical Index

1772-097-100-10

Description	Fig. Key	Description	Fig. Key	Description	Fig. Key
TIRE/315/80D-16-6	178 3-A	TRIM/1600	7 16	TUBE/07X09X30	118 38
	178 8-A		8 16		119 35
TIRE/7-14-4	184 3	TRIM/188	131 18		120 35
	184 8		132 19		123 17
TIRE/7-16/BS	183 3		133 13		124 15
	183 8	TRIM/20	118 22	TUBE/12. 4-16	174 4
TIRE/7-16/LH ASSY	183 1		119 22		174 9
TIRE/7-16/RH ASSY	183 6		120 22	TUBE/14X17X90	53 6
TIRE/9. 5-22-4	179 3	TRIM/270	118 8		54 10
	179 8		119 8	TUBE/165 COMP	88 6
TIRE/9. 5-22-4/L ASSY	179 1		120 8	TUBE/450 COMP	88 4
TIRE/9. 5-22-4/R ASSY	179 6	TRIM/30	109 28	TURNBUCKLE/M8	14 8
TIRE/FRONT/LH ASSY	182 1		134 2		72 20
	184 1		135 2		73 12
TIRE/FRONT/LH ASSY	181 1		136 2		74 3
	181 1-A		189 20		74 10
TIRE/FRONT/RH ASSY	181 6		190 27		75 3
	181 6-A	TRIM/420	1 39		75 10
	182 6		2 24	TURNBUCKLE COMP	110 21
	184 6		3 24		111 21
TIRE/LH ASSY	178 1	TRIM/70	146 26-A		112 21
	178 1-A		147 27-A	U-NUT	1 26
TIRE/REAR/LH ASSY	174 1		148 26-A		2 30
TIRE/REAR/RH ASSY	174 6		149 27-A		3 30
TIRE/RH ASSY	178 6		150 27		72 15
	178 6-A	TRIM/980	1 38	U-NUT/M10X1. 5	159 19-A
TIRE/TURF/26X12. 0	181 3-A	TUBE	175 4		193 21
	181 8-A		175 9	VALVE	6 5
TIRE/TURF/26X12-2	181 3	TUBE 11. 2-24	177 4		94 23
	181 8		177 9		181 4
TIRE/TURF/LH ASSY	175 1	TUBE/ 6-14	180 4		181 9
TIRE/TURF/RH ASSY	175 6		180 9	VALVE SET	94 42
TOOL/FUSE	143 8		184 4	VALVE ASSY	94 15
	144 8		184 9	VALVE SET	200 1
	145 8	TUBE/ 7-16	183 4		200 1
TRIM	123 12		183 9		202 1
TRIM/130	131 16	TUBE/ 8-18	179 4		202 1
	132 17		179 9	VALVE, BOOM SET	198 1
	133 12	TUBE/ 9-24	176 4	VALVE, BUCKET SET	198 21
TRIM/1430	1 40		176 9	VALVE/CHECK ASSY	104 9
	2 7	TUBE/020	159 16	VALVE/CONTROL ASSY	108 1
	3 7		193 18		109 1
TRIM/150	118 7	TUBE/06X10X20	118 21		188 2
	119 7		119 21		189 2
	120 7		120 21		190 2

Alphabetical Index

Description	Fig. Key	Description	Fig. Key	Description	Fig. Key				
VALVE/CONTROL/086	105	1	WASHER	119	11	WASHER, PL/M 8	74	39	
	105	1-A		120	11		75	6	
	107	1		151	6		75	14	
	186	2		173	40		75	39	
	186	2-A		186	29		88	11	
	187	2		187	29		95	4	
	VALVE/CONTROL/BACKET	198	21-A		206	5		95	13
	VALVE/CONTROL/BOOM	198	1-A	WASHER COMP	128	11		95	22
	VALVE/FLOW PRIORITY/ VALVE/FROCON SET	197	6-A		129	9		95	38
		196	6		130	15		95	41
VALVE/INDEPENDENT	197	6	WASHER / M16	110	7		96	8	
	101	35		110	16		96	17	
	101	35-A		111	7		96	31	
	101	35-B		111	16		96	34	
	102	29		112	7		97	26	
	103	29		112	16		97	32	
	VALVE/PRV/B/2 ASSY	196	1		113	4		97	36
		197	1	WASHER / M6	9	13		118	13
	VALVE/RELIEF ASSY	99	37		10	13		119	13
		196	11		10	17		120	13
VALVE/RELIEF SET	199	41		14	16		173	31	
VALVE/RELIEF/07 ASSY	197	11		59	3		173	36	
VALVE/RELIEF/J SET	99	35		118	18		206	6	
VALVE/REMOTE/1S SET	188	1		119	18	WASHER, PL/M14	52	7	
VALVE/REMOTE/2N SET	189	1		120	18		58	5	
VALVE/REMOTE/2R SET	190	1		139	5	WASHER, SP/M 6	74	19	
VALVE/RIM	178	4		140	5		75	19	
	178	9		141	5		94	64	
	182	4		142	5		99	18	
	182	9	WASHER /M12	74	37		101	18	
VALVE/SLOW RETURN/00	94	15-A		75	37		102	12	
VALVE/TIRE ASSY	181	4-A		85	4		103	12	
	181	9-A	WASHER, PL/M 8	7	23		198	43	
VIS	201	3		8	23	WASHER, SP/M 8	7	22	
WASH	203	10		14	12		8	22	
	204	10		37	30		11	4	
WASHER	37	39		37	35		28	17	
	68	14		54	3		57	14	
	69	15		56	2		57	43	
	95	9		58	13		57	55	
	96	13		58	23		95	2	
	97	39		72	25		95	29	
	105	28		73	17		96	6	
	107	28		74	6		96	22	
	118	11		74	14		105	45	

Alphabetical Index

1772-097-100-10

Description	Fig. Key	Description	Fig. Key	Description	Fig. Key
WASHER, SP/M 8	107 45	WASHER, SP/M12	39 9	WASHER, SP/M16	111 15
	186 46		40 8		112 6
	187 46		41 9		112 15
	200 14		42 8		113 3
	200 14		57 25		116 15
	202 14		78 26		128 6
	202 14		79 26		158 3
	206 7		80 24		158 10
WASHER, SP/M10	4 3		81 24	WASHER/07X18X01	134 37
	5 3		82 5		135 37
	37 4		83 5		136 30
	43 15		85 3	WASHER/10X17X2	198 41
	62 14		85 8	WASHER/12X25X02	118 10
	63 14		86 28		119 10
	64 6		86 62		120 10
	65 6		86 80	WASHER/13X32X3	113 12
	74 26		87 28	WASHER/19X28X02	198 8
	75 26		87 62		198 28
	94 9		87 80	WASHER/19X30X03	110 4
	94 9-A		89 11		111 4
	98 3		90 11		112 4
	100 7		94 14	WASHER/20X36X02	31 19
	105 8		97 7	WASHER/23X31X2	199 5
	105 13		114 3	WASHER/24X9X3. 2	1 24
	107 8		116 4		2 28
	107 13		117 4		3 28
	108 5		128 4		134 25
	109 5		128 10		135 25
	118 32		129 4		136 19
	119 29		129 8	WASHER/25X34X02	56 7
	120 29		130 4	WASHER/25X40X02	57 63
	125 29		130 8	WASHER/26X38X01	72 9
	173 5		130 14	WASHER/30X46X2	25 23
	186 9		156 4		26 23
	186 14		157 4		27 17
	187 9		159 5		60 4
	187 14		191 3		61 4
	188 4		193 8	WASHER/35X50X02	29 8
	189 4	WASHER, SP/M14	84 3		30 8
	190 4		86 69	WASHER/36X46X02	29 7
WASHER, SP/M12	15 6		87 69		30 7
	16 6	WASHER, SP/M16	66 11		31 12
	17 5		110 6	WASHER/38X12X2	57 24
	17 9		110 15	WASHER/38X52X01	62 4
	24 6		111 6		63 4

Alphabetical Index

Description	Fig.	Key	Description	Fig.	Key	Description	Fig.	Key	
WASHER/6X14X3	118	24	WHEEL/14X5J COMP	180	2				
	118	28		180	7				
	119	25		184	2				
	120	25		184	7				
	121	6	WHEEL/16-10LB COMP	178	2				
	122	6		178	7				
	160	2	WHEEL/16X5.50F COMP	183	2				
	161	2		183	7				
	WASHER/6X24X2	95	51	WHEEL/16XW11 COMP	174	2			
		96	44		174	7			
WASHER/75X90X03	62	18		175	2				
	63	18		175	7				
WASHER/9X32X2	134	7	WHEEL/24XW10 COMP	177	2				
	135	7		177	7				
	136	5	WHEEL/9.75I-12COMP	181	2				
WASHER/BRAKE	70	12		181	7				
	71	12	WHEEL/FRONT/LH ASSY	180	1				
WASHER/M10	9	6	WHEEL/FRONT/RH ASSY	180	6				
	9	10	WHEEL/STEERING/360	76	1				
	10	6	YOKE	74	8				
	10	10		75	8				
	43	17							
	55	4							
	105	14							
	107	14							
	125	30							
	134	17-A							
135	17-A								
136	13								
186	15								
187	15								
WASHER/PINION	62	8							
	63	8							
WASHER/RUBBER	206	3							
WASHER/SPRING/M12	86	80-A							
	87	80-A							
WASHER/SPRING/M16	66	11-A							
	67	11							
WEIGHT/15 SET	194	1							
WHEEL COMP	176	2							
	176	7							
	179	2							
	179	7							
WHEEL/12-7JA COMP	182	2							
	182	7							