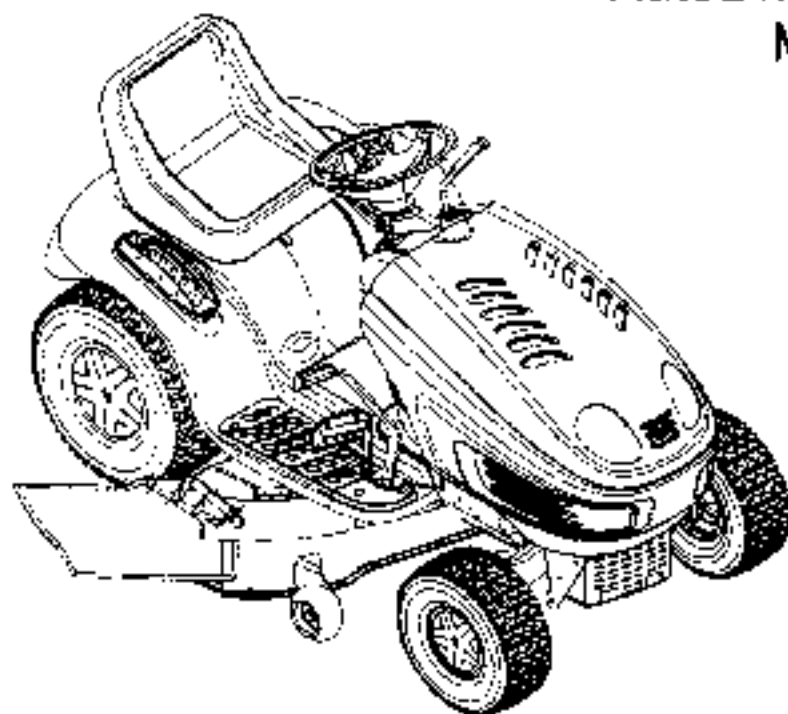




OPERATOR'S MANUAL

AutoDrive™ Lawn Tractor
Model 604



IMPORTANT: READ SAFETY RULES AND INSTRUCTIONS CAREFULLY

Warning: This unit is equipped with an internal combustion engine and should not be used on or near any unimproved forest-covered, brush-covered or grass-covered land unless the engine's exhaust system is equipped with a spark arrester meeting applicable local or state laws (if any). If a spark arrester is used, it should be maintained in effective working order by the operator. In the State of California the above is required by law (Section 4442 of the California Public Resources Code). Other states may have similar laws. Federal laws apply on federal lands. A spark arrester for the muffler is available through your nearest engine authorized service dealer or contact the service department, P.O. Box 368022 Cleveland, Ohio 44136-8722.

MTD PRODUCTS INC. P.O. BOX 368022 CLEVELAND, OHIO 44136-9722

PRINTED IN U.S.A.

FORM NO. 770-10079
(12/98)

SECTION 1: TABLE OF CONTENTS

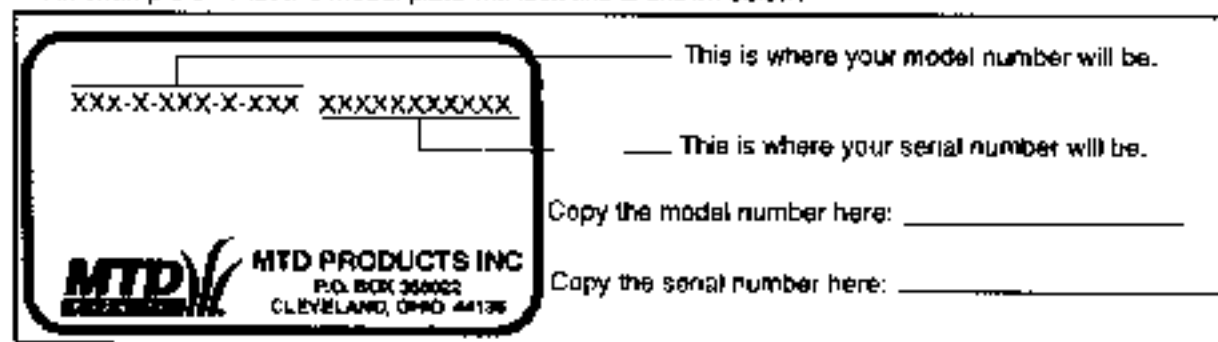
	PAGE
FINDING YOUR MODEL NUMBER	2
CALLING CUSTOMER SUPPORT	2
IMPORTANT SAFE OPERATION PRACTICES	3
SAFETY LABELS FOUND ON YOUR UNIT	5
SCOPE GAUGE	8
ATTACHMENTS & ACCESSORIES	7
TRACTOR SET-UP	7
CONTROLS	8
OPERATION	11
ADJUSTMENTS	14
MAINTENANCE	17
LUBRICATION	24
TROUBLESHOOTING GUIDE	25
PARTS LIST	27
WARRANTY INFORMATION	Back Cover

SECTION 2: FINDING YOUR MODEL NUMBER

This Operator's Manual is an important part of your new rider. It will help you assemble, prepare and maintain your rider. Please read and understand what it says.

Before you start to prepare your tractor for its first use, please locate the model plate and copy the information from it in this Operator's Manual. The information on the model plate is very important if you need help from your dealer or the MTD customer support department.

- Every tractor has a model plate. You can locate it by lifting the seat and looking at the seat bracket.
- An example of what the model plate will look like is shown below.



SECTION 3: CALLING CUSTOMER SUPPORT

- **LOCATE YOUR MODEL NUMBER AND SERIAL NUMBER** — Record this information in the space provided. To find your unit's specific model number and serial number, see SECTION 2: FINDING YOUR MODEL NUMBER.
- If you are having difficulty assembling this product or if you have any questions regarding the controls, operation or maintenance of this unit, please call the Customer Support Department.
- Customer Support can be reached by dialing: 1-(330) 220-4MTD (4663)
or
1-(800)-800-7310
- Please have your model number and serial number ready when you call.
- Although both numbers are important, you will be asked to enter only your *serial* number before your call can be processed.

SECTION 4: IMPORTANT SAFE OPERATION PRACTICES



WARNING: THIS SYMBOL POINTS OUT IMPORTANT SAFETY INSTRUCTIONS WHICH, IF NOT FOLLOWED, COULD ENDANGER THE PERSONAL SAFETY AND/OR PROPERTY OF YOURSELF AND OTHERS. READ AND FOLLOW ALL INSTRUCTIONS IN THIS MANUAL BEFORE ATTEMPTING TO OPERATE YOUR LAWN MOWER. FAILURE TO COMPLY WITH THESE INSTRUCTIONS MAY RESULT IN PERSONAL INJURY. WHEN YOU SEE THIS SYMBOL, HEED ITS WARNING.



WARNING: The Engine Exhaust from this product contains chemicals known to the State of California to cause cancer, birth defects or other reproductive harm.



DANGER: Your lawn mower was built to be operated according to the rules for safe operation in this manual. As with any type of power equipment, carelessness or error on the part of the operator can result in serious injury. This lawn mower is capable of amputating hands and feet and throwing objects. Failure to observe the following safety instructions could result in serious injury or death.

1. GENERAL OPERATION

- Read, understand, and follow all instructions in the operator's manual and on the machine before starting. Keep this manual in a safe place for future and regular reference and for ordering replacement parts.
- Only allow responsible individuals familiar with the instructions to operate the machine. Know controls and how to stop the machine quickly.
- Do not put hands or feet under cutting deck or near rotating parts.
- Clear the area of objects such as rocks, toys, wire, etc., which could be picked up and thrown by the blade. A small object may have been overlooked and could be accidentally thrown by the mower in any direction and cause injury to you or a bystander. To help avoid a thrown objects injury, keep children, bystanders and helpers at least 75 feet from the mower while it is in operation. Always wear safety glasses or safety goggles during operation or while performing an adjustment or repair, to protect eyes from foreign objects. Stop the blade(s) when crossing gravel drives, walks or roads.
- Be sure the area is clear of other people before mowing. Stop machine if anyone enters the area.
- Never carry passengers.
- Disengage blade(s) before shifting into reverse and backing up. Always look down and behind before and while backing.
- Be aware of the mower and attachment discharge direction and do not point it at anyone. Do not operate the mower without either the entire grass catcher or the chute guard in place.
- Slow down before turning. Operate the machine smoothly. Avoid erratic operation and excessive speed.
- Never leave a running machine unattended. Always turn off blade(s), place transmission in neutral, set park brake, stop engine and remove key before dismounting.
- Turn off blade(s) when not mowing.
- Stop engine and wait until blade(s) comes to a complete stop before (a) removing grass catcher or unclogging chute, or (b) making any repairs, adjusting or removing any grass or debris.
- Mow only in daylight or good artificial light.
- Do not operate the machine while under the influence of alcohol or drugs.
- Watch for traffic when operating near or crossing roadways.
- Use extra care when loading or unloading the machine into a trailer or truck. This unit should not be driven up or down a ramp onto a trailer or truck under power, because the unit could tip over, causing serious personal injury. The unit must be pushed manually on a ramp to load or unload properly.
- Never make a cutting height adjustment while engine is running if operator must dismount to do so.
- Wear sturdy, rough-soled work shoes and close-fitting socks and shirts. Do not wear loose fitting clothes or jewelry. They can be caught in moving parts. Never operate a unit in bare feet, sandals, or sneakers.
- Check overhead clearance carefully before driving under power lines, wires, bridges or low hanging tree branches, before entering or leaving buildings, or in any other situation where the operator may be struck or pulled from the unit, which could result in serious injury.

- Disengage all attachment clutches, thoroughly depress the brake pedal, and shift into neutral before attempting to start engine.
- Your mower is designed to cut normal residential grass of a height no more than 10". Do not attempt to mow through unusually tall, dry grass (e.g., pasture) or piles of dry leaves. Debris may build up on the mower deck or contact the engine exhaust presenting a potential fire hazard.

2. SLOPE OPERATION

Slopes are a major factor related to loss of control and tip-over accidents which can result in severe injury or death. All slopes require extra caution. If you cannot back up the slope or if you feel uneasy on it, do not mow it.

For your safety, use the slope gauge included as part of this manual to measure slopes before operating this unit on a sloped or hilly area. If the slope is greater than 15° as shown on the slope gauge, do not operate this unit on that area or serious injury could result.

DO:

- Mow up and down slopes, not across.
- Remove obstacles such as rocks, limbs, etc.
- Watch for holes, ruts or bumps. Uneven terrain could overturn the machine. Tall grass can hide obstacles.
- Use slow speed. Always keep machine in gear when going down slopes to take advantage of engine braking action.
- Follow the manufacturer's recommendations for wheel weights or counterweights to improve stability.
- Use extra care with grass catchers or other attachments. These can change the stability of the machine.
- Keep all movement on the slopes slow and gradual. Do not make sudden changes in speed or direction. Rapid engagement or braking could cause the front of the machine to lift and rapidly flip over backwards which could cause serious injury.
- Avoid starting or stopping on a slope. If tires lose traction, disengage the blade(s) and proceed slowly straight down the slope.

DO NOT:

- Do not turn on slopes unless necessary; then, turn slowly and gradually downhill, if possible.
- Do not mow near drop-offs, ditches or embankments. The mower could suddenly turn over if a wheel is over the edge of a cliff or ditch, or if an edge caves in.
- Do not mow on wet grass. Reduced traction could cause sliding.
- Do not try to stabilize the machine by putting your foot on the ground.
- Do not use grass catcher on steep slopes.

3. CHILDREN

Tragic accidents can occur if the operator is not alert to the presence of children. Children are often attracted to the machine and the mowing activity. Never assume that children will remain where you last saw them.

- Keep children out of the mowing area and in watchful care of an adult other than the operator.
- Be alert and turn machine off if children enter the area.
- Before and when backing, look behind and down for small children.
- Never carry children, even with the blades off. They may fall off and be seriously injured or interfere with the safe machine operation.
- Never allow children under 14 years old to operate the machine. Children 14 years and over should only operate machine under close parental supervision and proper instruction.
- Remove key when machine is unattended to prevent unauthorized operation.
- Use extra care when approaching blind corners, shrubs, trees or other objects that may obscure your vision of a child or other hazard.

4. SERVICE

- Use extreme care in handling gasoline and other fuels. They are extremely flammable and the vapors are explosive.
- Use only an approved container.
- Never remove fuel cap or add fuel with the engine running. Allow engine to cool at least two minutes before refueling.
- Replace fuel cap securely and wipe off any spilled fuel before starting the engine as it may cause a fire or explosion.
- Extinguish all cigarettes, cigars, pipes and other sources of ignition.
- Never refuel the machine indoors because fuel vapors will accumulate in the area.
- Never store the fuel container or machine inside where there is an open flame or spark, such as a gas hot water heater, space heater or furnace.
- Never run a machine inside a closed area.
- To reduce fire hazard, keep the machine free of grass, leaves or other debris build-up. Clean up oil or fuel spillage. Allow machine to cool at least 5 minutes before storing.
- Before cleaning, repairing or inspecting, make certain the blades and all moving parts have stopped. Disconnect the spark plug wire, and keep the wire away from the spark plug to prevent accidental starting.
- Check the blade and engine mounting bolts at frequent intervals for proper tightness. Also, visually inspect blade for damage (e.g., excessive wear, bent, cracked). Replace with blade which meets original equipment specifications.

- Keep all nuts, bolts and screws tight to be sure the equipment is in safe working condition.
- Never tamper with safety devices. Check their proper operation regularly. Use all guards as instructed in this manual.
- After striking a foreign object, stop the engine, remove the wire from the spark plug and thoroughly inspect the mower for any damage. Repair the damage before restarting and operating the mower.
- Grass catcher components are subject to wear, damage and deterioration, which could expose moving parts or allow objects to be thrown. For your safety protection, frequently check components and replace with manufacturer's recommended parts when necessary.
- Mower blades are sharp and can cut. Wrap the blade(s) or wear gloves and use extra caution when servicing blade(s).
- Check brake operation frequently. Adjust and service as required.
- Muffler, engine and belt guards become hot during operation and can cause a burn. Allow to cool down before touching.
- Do not change the engine governor settings or overspeed the engine. Excessive engine speeds are dangerous.
- Observe proper disposal laws and regulations. Improper disposal of fluids and materials can harm the environment and the ecology.
- Prior to disposal, determine the proper method to dispose of waste from your local Environmental Protection Agency. Recycling centers are established to properly dispose of materials in an environmentally safe fashion.
- Use proper containers when draining fluids. Do not use food or beverage containers that may mislead someone into drinking from them. Properly dispose of the containers immediately following the draining of fluids.
- DO NOT pour oil or other fluids into the ground, down a drain or into a stream, pond, lake or other body of water. Observe Environmental Protection Agency regulations when disposing of oil, fuel, coolant, brake fluid, filters, batteries, tires and other harmful waste.



WARNING - YOUR RESPONSIBILITY: Restrict the use of this power machine to persons who read, understand and follow the warnings and instructions in this manual and on the machine.

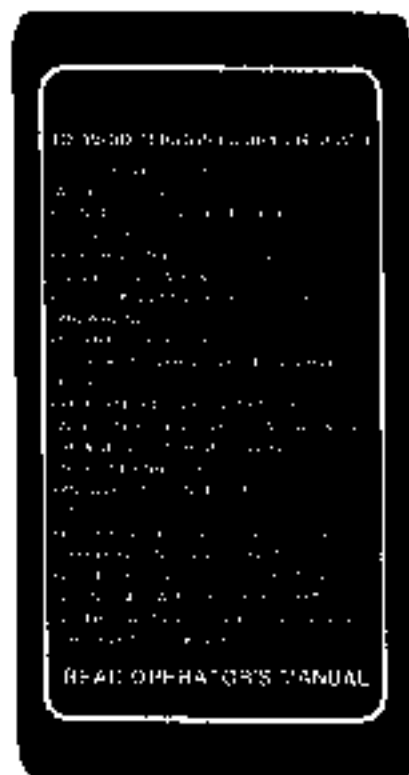
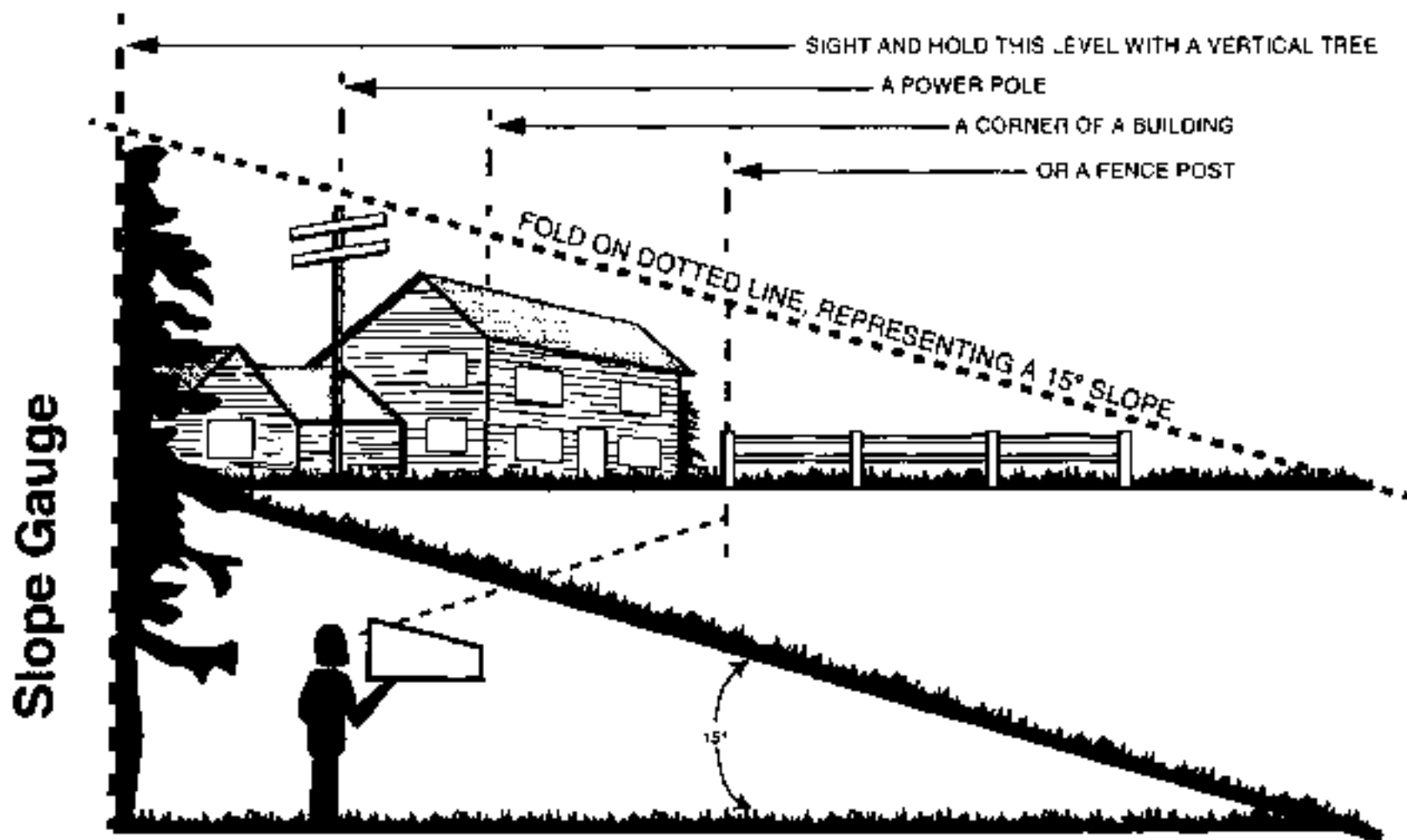


Figure 1 Safety Labels found on your unit

USE THIS PAGE AS A GUIDE TO DETERMINE SLOPES WHERE YOU MAY NOT OPERATE SAFELY.



WARNING

Do not mow on inclines with a slope in excess of 15 degrees (a rise of approximately 2-1/2 feet every 10 feet). A riding mower could overturn and cause serious injury. If operating a walk-behind mower on such a slope, it is extremely difficult to maintain your footing and you could slip, resulting in serious injury.

Operate RIDING mowers up and down slopes. never across the face of slopes.

SECTION 5: ATTACHMENTS & ACCESSORIES

MODEL NUMBER	DESCRIPTION
OEM-190-601	FastAttach Twin Bagger Grass Collector (For 42-inch Decks Only)
OEM-190-602	FastAttach Twin Bagger Grass Collector (For 46-inch Decks Only, includes a set of blades)
OEM-190-112	Mulch Kit (For 42-inch Decks Only)
OEM-190-118	Mulch Kit (For 46-inch Decks Only, Includes a set of blades)
OEM-190-603	FastAttach Front Bumper Kit
OEM-190-604	TracPac Storage Container (mounts on rear of tractor)
OEM-190-822	FastAttach 45-inch Front Dozer Blade
OEM-190-823	42-inch Two-stage Snowthrower

SECTION 6: TRACTOR SET-UP

ATTACHING THE BATTERY CABLES

NOTE: The positive battery terminal is marked Pos. (+). The negative battery terminal is marked Neg. (-).

- The positive cable (heavy red wire) is secured to the positive battery terminal (+) with a hex bolt and hex nut at the factory. Make certain that the rubber boot covers the terminal to help protect it from corrosion.
- Remove the hex bolt and wing nut from the negative cable. Attach the negative cable (heavy black wire) to the negative battery terminal (-) with the bolt and wing nut.
- Place the hold-down strap in position over the battery to secure it in place. See Figure 2.

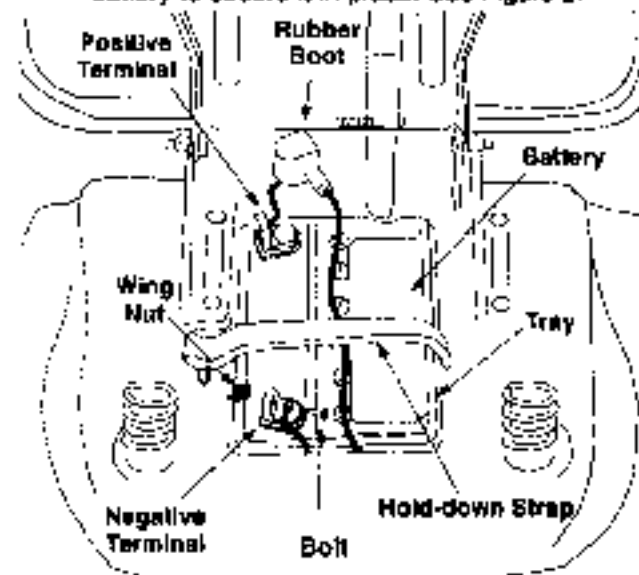


Figure 2

NOTE: If battery is put into service after date shown on top of battery, charge for minimum of one hour at 6-10 amps. Refer to the MAINTENANCE section of this manual for more detailed instructions regarding proper battery charging procedure.

GAS AND OIL FILL-UP

Service the engine with gasoline and oil as instructed in the separate engine manual packed with your tractor. Read instructions carefully.

IMPORTANT: Your tractor is shipped with oil; however, you **MUST** check the oil level before operating. Be careful not to overfill. Overfilling with oil may cause the engine to smoke. This will result in poor engine performance and could cause permanent engine damage.

The gasoline tank is located under the hood and has a capacity of approximately two gallons. Do not overfill.

WARNING: Gasoline produces noxious fumes. Never fill fuel tank indoors. Always fill the fuel tank in a well ventilated area to avoid inhalation of gasoline fumes.

WARNING: Never smoke while fueling your tractor or fill the fuel tank while engine is running or while engine is hot.

WARNING: Do not fill closer than 1/2 inch from the top of the fuel tank to prevent spills and to allow for fuel expansion. If gasoline is accidentally spilled, move tractor away from area of spill. Avoid creating any source of ignition until gasoline vapors have disappeared.

INSTALLING THE MULCH KIT

On units equipped with a 46-inch deck, follow the instructions included with the mulch kit which is packaged separately within the crate.

On units equipped with a 42-inch deck, the mulch kit is installed at the factory. To remove it, unfasten the wing knob found on the top of the cutting deck and carefully pull the mulch plug out from the discharge area of the deck.

SECTION 7: CONTROLS

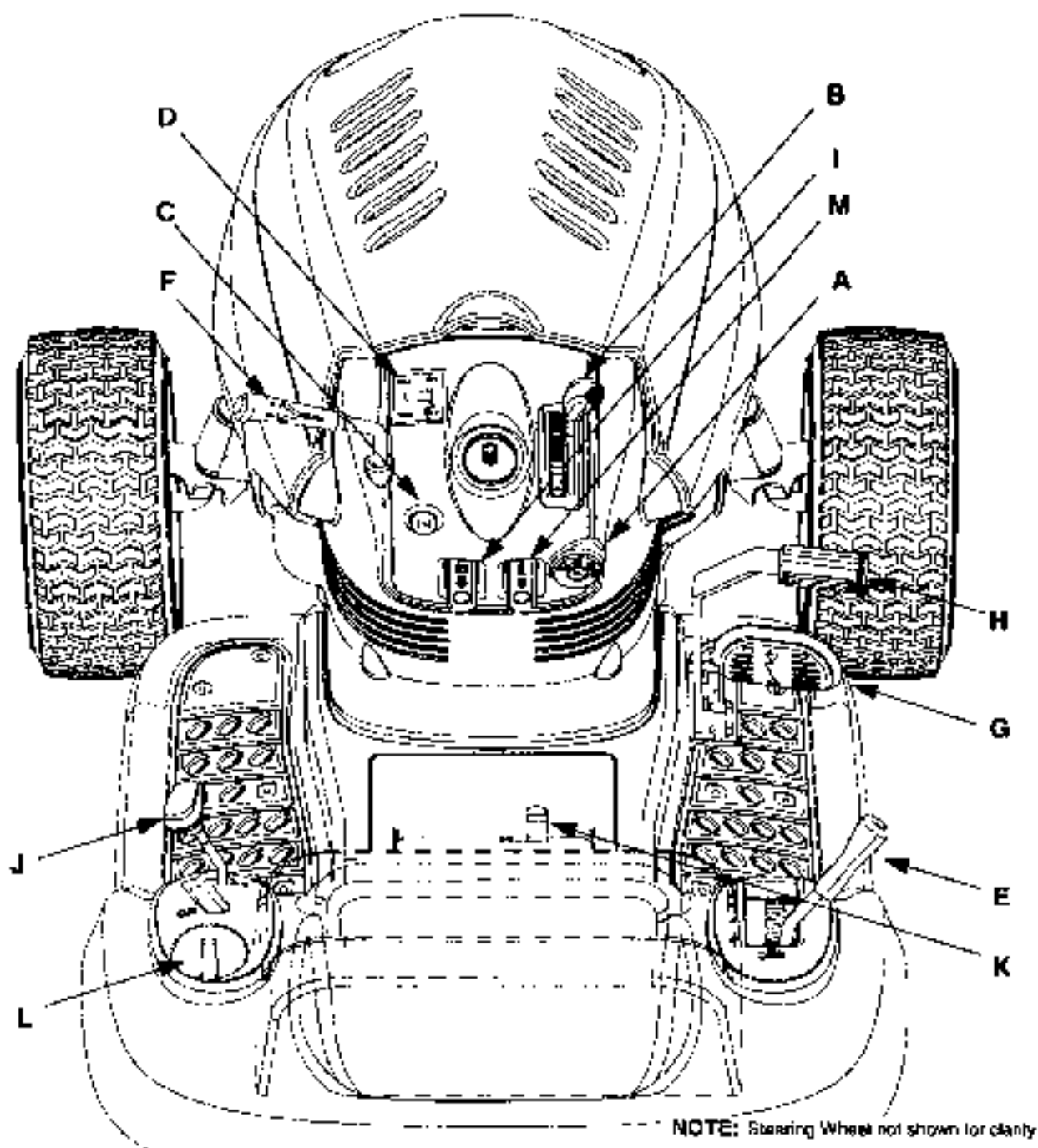


Figure 3

- | | |
|----------------------------------|-------------------------|
| A Ignition Switch | H Brake Pedal |
| B Throttle Control Lever | I Parking Brake Button |
| C Choke Control (if so equipped) | J Shift Lever |
| D Indicator Monitor/Hour Meter | K Seat Adjustment Lever |
| E Lift Lever | L Cup Holder |
| F PTO (Power Take-Off) Lever | M Cruise Control Button |
| G AutoDrive- Pedal | |

NOTE: Any reference in this manual to the RIGHT or LEFT side of the tractor is observed from operator's position.

IGNITION SWITCH

To start the engine, insert key into the ignition switch and turn clockwise to the **START** position. Release key to the **ON** position once engine has fired. See Figure 4. Refer to **STARTING THE ENGINE** in the **OPERATION** section of this manual for detailed starting instructions. The ignition switch is also used to operate the headlights. Refer to **OPERATING THE HEADLIGHTS** in the **OPERATION** section of this manual for detailed instructions.



WARNING: Remove the key from the tractor when the tractor is not in use to prevent accidental starting.

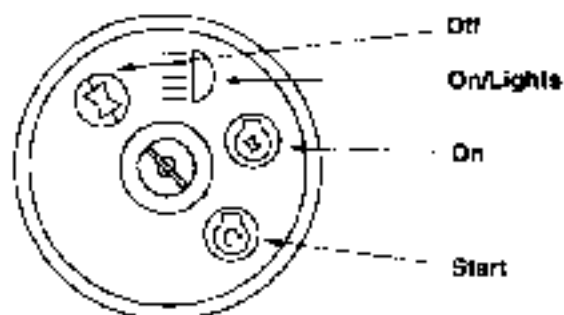


Figure 4

THROTTLE CONTROL LEVER

The throttle lever is located on the right side of the tractor's dash panel. This lever controls the speed of the engine, and on some units the choke control also. When set in a given position, the throttle will maintain a uniform engine speed. See Figure 5.

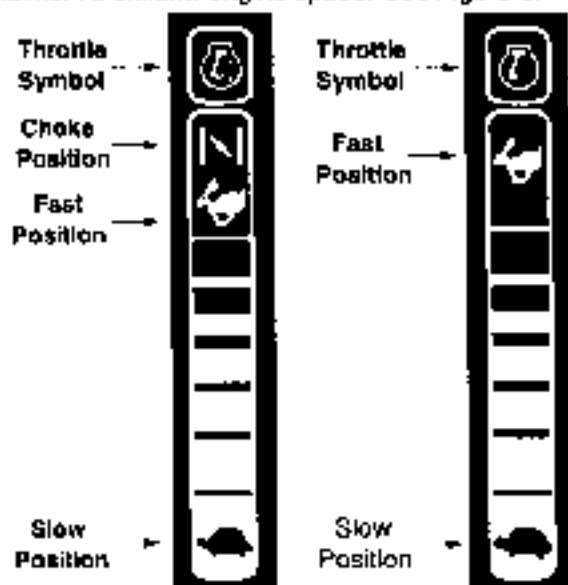


Figure 5

IMPORTANT: When using PTO operated equipment such as the cutting deck or other attachments, always operate the tractor with the throttle lever in the **FAST (rabbit)** position.

CHOKE CONTROL

On some units, moving the throttle lever all the way forward activates the engine's choke control. On all other units, the choke control can be found on the left side of the dash panel and is activated by pulling the knob outward. Activating the choke control closes the choke plate on the carburetor and aids in starting the engine. Refer to **STARTING THE ENGINE** in the **OPERATION** section of this manual for detailed starting instructions.



INDICATOR MONITOR / HOUR METER

Your tractor is equipped with four indicator lights and an hour meter located on the left side of the dash panel. See Figure 6.

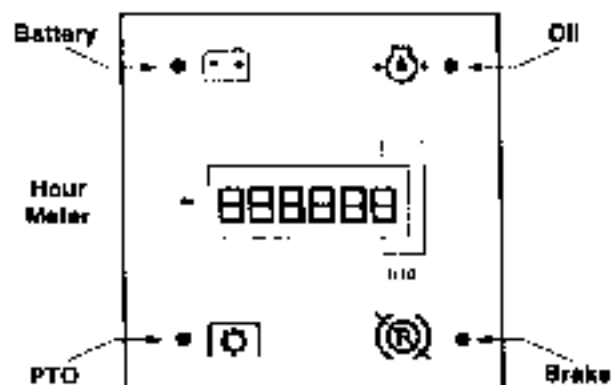


Figure 6

If a light illuminates when attempting to start the unit, proceed as follows:

- BRAKE** — Depress the brake pedal.
- PTO** — Move PTO lever into the disengaged (OFF) position.
- OIL** — Check the crankcase oil level, and add oil as required.

The **BATTERY** indicator light will illuminate any time the ignition key is in the **On** position and the engine is not running. If it illuminates while the engine is running, it indicates that the battery is in need of a charge. Refer to the **MAINTENANCE** section of this manual for the proper battery charging procedure.

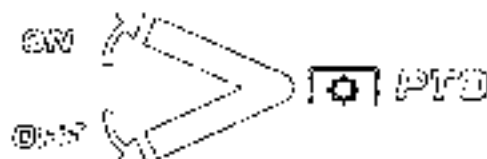
The hour meter operates whenever the ignition key is in the **On** or **On/Lights** position and records the actual hours of tractor operation.

LIFT LEVER



The lift lever is used to change the operating position (height) of the cutting deck. To operate, move the lever to the left, then place in the notch best suited for your application.

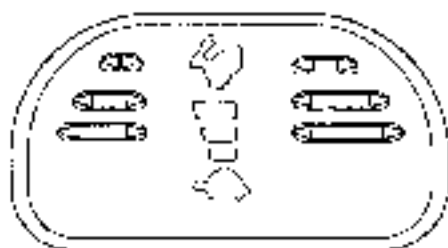
PTO (POWER TAKE-OFF) LEVER



The PTO lever is located on the left side of the dashboard next to the steering wheel. Move the PTO lever forward to engage the power to the cutting deck or other attachments; move the PTO lever backward (toward the rear of the tractor) to disengage the power to the attachments.

NOTE: The PTO lever must be in the disengaged (OFF) position when starting the engine, when shifting into reverse and if the operator leaves the seat.

AUTODRIVE- PEDAL



The AutoDrive- pedal is located below the brake pedal on the right front side of the tractor along the running board. Depress the AutoDrive- pedal with your right foot when the tractor shift lever is in either forward or reverse to cause the tractor to move. Ground speed is also controlled with the AutoDrive- pedal. The further down the pedal is depressed, the faster the tractor will travel. The pedal will return to its original position when it's not depressed.

IMPORTANT: Always set the parking brake when leaving the tractor unattended

BRAKE PEDAL



The brake pedal is located on the right front side of the tractor above the AutoDrive- pedal along the running board. The brake pedal can be used for sudden stops or setting the parking brake.

NOTE: The brake pedal must be fully depressed to activate the safety interlock switch when starting the tractor.

PARKING BRAKE BUTTON

To set the parking brake, fully depress the brake pedal and push the parking brake button in. Hold the button in while taking your foot off the brake pedal. Both the parking button and the brake pedal will then stay depressed. To release the parking brake, depress the brake pedal slightly. The parking brake button will then return to its original position.



NOTE: The parking brake must be set if the operator leaves the seat with the engine running or the engine will automatically shut off.

IMPORTANT: Always set the parking brake when leaving the tractor unattended.

SHIFT LEVER

The shift lever is located on the left side of the tender and has three positions, FORWARD, NEUTRAL and REVERSE. The brake pedal must be depressed and the tractor must not be in motion when the moving shift lever.

IMPORTANT: Never force the shift lever. Doing so may result in serious damage to the tractor's transmission.



CRUISE CONTROL BUTTON

The cruise control button is located on the tractor dash panel to the left of the ignition switch. Push the cruise control button while traveling forward at a desired speed. While holding the button in, release pressure from the AutoDrive[®] pedal. This will engage the cruise control and allow the tractor to remain at that speed without applying pressure to the AutoDrive[®] pedal. Depress the brake pedal or the AutoDrive[®] pedal to deactivate cruise control. Refer to the OPERATION section of this manual for detailed instructions regarding the cruise control feature.



SEAT ADJUSTMENT LEVER

To adjust the seat forward or backward, slide the seat adjustment lever to the left and reposition the seat to the desired position. Once a comfortable position is found, release the seat adjustment lever to lock the seat in place. Refer to the ADJUSTMENTS section of this manual for more detailed instructions.

CUP HOLDER

The tractor's cup holder is located on the fender to the left of the seat, just to the rear of the shift lever.



WARNING: Never operate the tractor under the influence of alcoholic beverages or drugs of any kind. Doing so can result in serious personal injury or death.

SECTION 8: OPERATION

SAFETY INTERLOCK SWITCHES

This tractor is equipped with a safety interlock system for the protection of the operator. If the interlock system should ever malfunction, do not operate the tractor. Contact an authorized **MTD** Service Dealer in your area. The safety interlock system prevents the engine from cranking or starting unless the brake pedal is fully depressed, and the PTO lever is in the disengaged (OFF) position.

- The safety interlock system will automatically shut off the engine if the operator leaves the seat before engaging the brake lock.
- The safety interlock system will automatically shut off the engine if the operator leaves the seat with the PTO lever in the engaged (ON) position, regardless of whether the brake lock is engaged. The PTO lever must be in the disengaged (OFF) position to restart the engine.
- The safety interlock system will automatically shut off the engine if the PTO lever is moved into the engaged (ON) position with the shift lever in the REVERSE position.



WARNING: Do NOT attempt to bypass or disconnect the tractor's safety interlock. Doing so could result in serious personal injury or death.

IMPORTANT: Tampering with or attempting to bypass the tractor's Safety Interlock Switches in any way **WILL** void your warranty.



WARNING

AVOID SERIOUS INJURY OR DEATH

- GO UP AND DOWN SLOPES, NOT ACROSS
- AVOID SUDDEN TURNS
- DO NOT OPERATE THE UNIT WHERE IT COULD SLIP OR TIP
- IF MACHINE STOPS GOING UPHILL, STOP BLADE(S) AND BACK DOWNHILL SLOWLY.
- DO NOT MOW WHEN CHILDREN OR OTHERS ARE AROUND.
- NEVER CARRY CHILDREN.
- LOOK DOWN AND BEHIND BEFORE AND WHILE BACKING.
- KEEP SAFETY DEVICES (GUARDS, SHIELDS, AND SWITCHES) IN PLACE AND WORKING.
- REMOVE OBJECTS THAT COULD BE THROWN BY THE M.A.D.F(S)
- KNOW LOCATION AND FUNCTION OF ALL CONTROLS
- BE SURE BLADE(S) AND ENGINE ARE STOPPED BEFORE PLACING HANDS OR FEET NEAR BLADE(S)
- BEFORE LEAVING OPERATOR'S POSITION DISENGAGE BLADE(S), PLACE THE SHIFT LEVER IN NEUTRAL, ENGAGE BRAKE LOCK, SHUT ENGINE OFF AND REMOVE KEY.
READ OPERATOR'S MANUAL

SETTING THE CUTTING HEIGHT

Select the height position of the cutting deck by placing the deck lift lever in any of the six different cutting height notches on the right side of the fender. Then adjust the deck wheels so that they are at least 1/4 inch to 1/2 inch above the ground when the tractor is on a smooth, flat surface such as a driveway.



WARNING: Keep hands and feet away from the discharge chute opening of the cutting deck.

NOTE: The deck wheels are an anti-scalp feature of the deck and are not designed to support the weight of the cutting deck.

Refer to the ADJUSTMENTS section of this manual for more detailed instructions regarding various deck adjustments.

STARTING THE ENGINE

NOTE: Refer to the TRACTOR SET-UP section of this manual for Gasoline and Oil fill-up instructions.

- Insert the tractor key into the ignition switch.
- Place the PTO lever in the disengaged (OFF) position.
- Depress the brake pedal and set the parking brake.
- Place the shift lever in the NEUTRAL position.
- Move the throttle control lever into the FAST (or CHOKE, if so equipped) position.
- Pull out the choke control knob, if so equipped (a warm engine may not require choking).
- Turn the ignition key clockwise to the START position. After the engine starts, release the key. It will return to the ON position.

IMPORTANT: Do NOT hold the key in the START position for longer than ten seconds at a time. Doing so may cause damage to your engine's starter.

NOTE: If starting problems are encountered, refer to the TROUBLESHOOTING section of this manual.

After the engine starts, slowly release the brake pedal. As the engine warms up, gradually push the choke control knob inward (or move the throttle control lever out of the CHOKE position into the FAST position) to open up the choke plate on the engine's carburetor.

NOTE: Do NOT leave the choke control out while operating the tractor. Doing so will result in a "rich" fuel mixture and cause the engine to run poorly.

STOPPING THE ENGINE

- Place the PTO lever in the disengaged (OFF) position.
- Move the throttle control into the SLOW (turtle) position and allow the engine to 'idle down' for ten seconds. Failure to do so may result in an engine afterfire.
- Turn the ignition key counterclockwise to the OFF position.
- Remove the key from the ignition switch to prevent accidental starting.

IMPORTANT: If you think you've struck a foreign object, stop the engine immediately. Remove the wire(s) from the spark plug(s), thoroughly inspect the unit for any damage, and repair the damage before restarting and operating the tractor.

DRIVING THE TRACTOR



WARNING: Avoid sudden starts, excessive speed and sudden stops.



WARNING: Do not leave the seat of the tractor without first placing the PTO lever in the disengaged (OFF) position, depressing the brake pedal and engaging the parking brake. If leaving the tractor unattended, also turn the ignition key off and remove the key.

- Depress the brake pedal to release the parking brake and let the pedal up. Move the throttle lever into the FAST (rabbit) position.

IMPORTANT: Do NOT use the shift lever to change the direction of travel when the tractor is in motion. Always use the brake pedal to bring the tractor to a complete stop before shifting.

- To move forward, place the shift lever in the FORWARD position, then slowly depress the AutoDrive[®] pedal until the desired speed is achieved.
- To move in reverse, place the shift lever in the REVERSE position, check that the area behind is clear then slowly depress the AutoDrive[®] pedal.

SETTING THE CRUISE CONTROL

NOTE: The cruise control feature should only be utilized in the forward direction.

- Place the shift lever in the FORWARD position, then slowly depress the AutoDrive[®] pedal until the desired speed is achieved.
- Lightly depress the cruise control button.

- While continuing to hold the cruise button in, lift your foot from the AutoDrive- pedal (you should feel the cruise latch engage).
- If properly engaged, the cruise control button and the AutoDrive- pedal should lock in the down position, and the tractor will maintain the same forward speed.
- Disengage the cruise control using one of the following methods:
 - Depress the brake pedal to disengage the cruise control and stop the tractor.
 - Lightly depress the AutoDrive- pedal.

To change to the reverse direction when operating with cruise control, depress the brake pedal to disengage the cruise control and bring the tractor to a complete stop. Then place the shift lever in the REVERSE position and depress the AutoDrive- pedal.

DRIVING ON SLOPES

Refer to the SLOPE GAUGE on page 6 to help determine slopes where you may not operate safely.



WARNING: Do not mow on inclines with a slope in excess of 15 degrees (a rise of approximately 2-1/2 feet every 10 feet). The tractor could overturn and cause serious injury.

Operate the tractor up and down slopes, never across slopes. Do not drive so that the tractor may tip over sideways.

Before operating the tractor on any slope, walk the slope to look for possible hazards such as rocks, mounds, ruts, stumps or other surface irregularities which could cause the tractor to be upset.

Avoid turns when driving on a slope. If a turn must be made, turn down the slope. Turning up a slope greatly increases the chance of a roll over.

Avoid stopping when driving up a slope. If it is necessary to stop while driving up a slope, start up smoothly and carefully to reduce the possibility of flipping the tractor over backward.

OPERATING THE HEADLIGHTS

To turn the tractor's headlights on:

- Start the engine following the instructions earlier in this section.
- Turn the key one notch counterclockwise into the On/Lights position of the ignition switch. Refer to Figure 4.

To turn the tractor's headlights off:

- Turn the key either into the On position (to leave the engine running) or the Off position (to shut the engine off). Refer to Figure 4.

IMPORTANT: *Never move the key into the Start position while the engine is running. Doing so may cause damage to your engine's starter.*

STOPPING THE ENGINE

- Place the PTO lever in the disengaged (OFF) position.
- Move the throttle control into the SLOW position and allow the engine to "idle down" for ten seconds, then turn the ignition key counterclockwise to the OFF position.
- Remove the key from the ignition switch to prevent accidental starting.

IMPORTANT: *If you think you've struck a foreign object, stop the engine immediately. Remove the wire(s) from the spark plug(s), thoroughly inspect the unit for any damage, and repair the damage before restarting and operating the mower.*

USING THE LIFT LEVER

To raise the cutting deck, move the lift lever to the left, then place it in the notch best suited for your application. Refer to SETTING THE CUTTING HEIGHT earlier in this section.

ENGAGING THE PTO (POWER TAKE-OFF) LEVER

- Move the throttle control lever to the FAST (rabbit) position.
- Move the PTO lever forward into the engaged (ON) position.
- Keep the throttle lever in the FAST (rabbit) position for the most efficient use of the cutting deck and other attachments.
- The operator must remain in the tractor seat at all times. If the operator should leave the seat without moving the PTO lever into the disengaged (OFF) position and setting the parking brake, the engine will shut off.

IMPORTANT: *The PTO lever cannot be in the engaged (ON) position when the tractor is driving in the reverse direction. The safety interlock system will automatically shut off the engine if the PTO lever is moved into the engaged (ON) position with the shift lever in the REVERSE position. Refer to SAFETY INTERLOCK SWITCHES earlier in this section.*

MOWING

This tractor is equipped with one of MTD's high quality cutting decks. The following information will be helpful when using the cutting deck with your tractor.



WARNING: To avoid possible injury, do not allow anyone in the area of the tractor while mowing. Even if the area to be mowed has been cleared of foreign objects, small objects may be picked up and discharged by the mower.



WARNING: Never direct the discharge of material toward bystanders or allow anyone near the machine while in operation.

- For best results it is recommended that the first two laps be cut with the discharge thrown towards the center. After the first two laps, reverse the direction to throw the discharge to the outside for the balance of cutting. This will give a better appearance to the lawn.

- Do not cut the grass too short. Short grass invites weed growth and yellows quickly in dry weather.
- Mowing should always be done with the engine at full throttle.
- Do not mow at high ground speed, especially if a mulch kit or grass collector is installed.
- Under heavier conditions it may be necessary to go back over the cut area a second time to get a clean cut.
- Do NOT attempt to mow heavy brush and weeds and extremely tall grass. Your tractor is designed to mow lawns, NOT clear brush.
- Keep the blades sharp and replace the blades when worn. Refer to the MAINTENANCE section of this manual for proper blade sharpening instructions.

SECTION 9: ADJUSTMENTS

LEVELING THE DECK



WARNING: Cutting blades are sharp. Always protect hands by wearing heavy leather work gloves to grasp blades.

NOTE: Check the tractor's tire pressure before performing any deck leveling adjustments. Refer to TIRES in the maintenance section of this manual for further information regarding tire pressure.

Front to Rear

The front of the cutting deck is supported by a stabilizer bar that can be adjusted to level the deck from front to rear. The front of the deck should be 1/4" to 3/8" lower than the rear of the deck. Adjust if necessary as follows:



WARNING: Turn the tractor's engine off, remove the key from the ignition switch and apply the tractor's parking brake before making any adjustments to the cutting deck.

- With the tractor parked on a firm, level surface, place the lift lever in the top notch (highest position) and rotate the blade nearest the discharge chute so that it is parallel with the tractor.
- Measure the distance from the front of the blade tip to the ground and the rear of the blade tip to the ground. The first measurement

taken should be between 1/4" and 3/8" less than the second measurement. Determine the approximate distance necessary for proper adjustment and proceed, if necessary, to the next step.

- Loosen the two jam nuts on the rear side of the deck stabilizer bracket. See Figure 7A.
- Locate the two lock nuts on the opposite side of the stabilizer bracket. See Figure 7A. Tighten the lock nuts to raise the front of the deck; loosen the lock nuts to lower the front of the deck.
- Retighten the two jam nuts loosened earlier when proper adjustment is achieved.

Side to Side

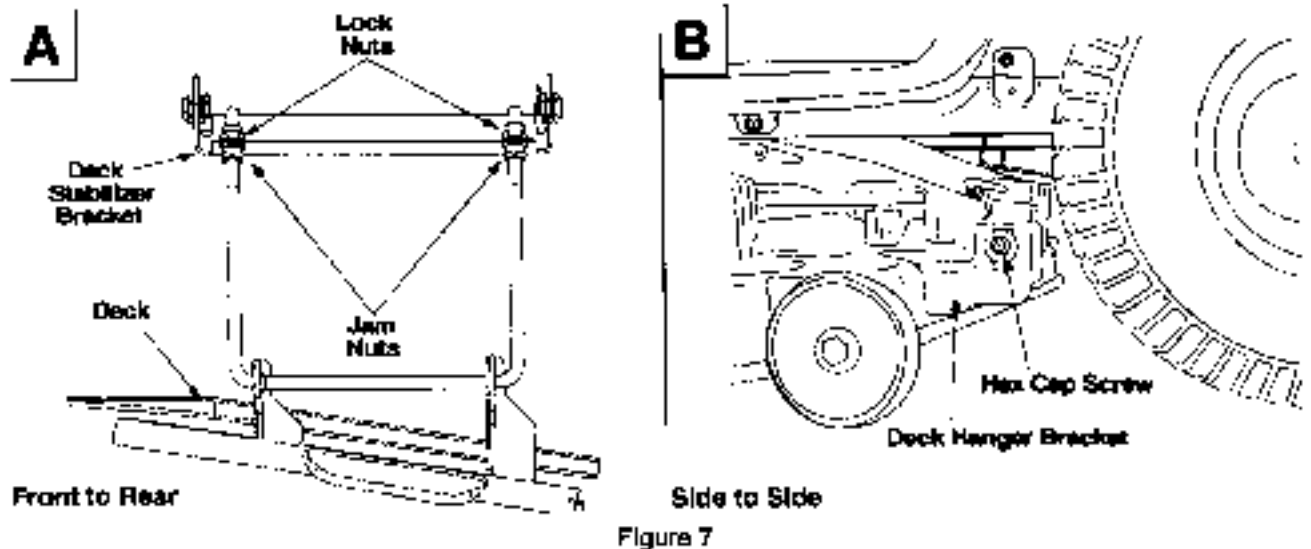
If the cutting deck appears to be mowing unevenly, a side to side adjustment can be performed. Adjust if necessary as follows:



WARNING: Turn the tractor's engine off, remove the key from the ignition switch and apply the tractor's parking brake before making any adjustments to the cutting deck.

- With the tractor parked on a firm, level surface, place the lift lever in the top notch (highest position) and rotate the both blades so that they are perpendicular with the tractor

- Measure the distance from the outside of the left blade tip to the ground and the distance from the outside of the right blade tip to the ground. Both measurements taken should be equal. If they're not, proceed to the next step.
- Loosen, but do NOT remove, the hex cap screw on the left deck hanger bracket. See Figure 7B.
- Balance the deck so that both blade tip measurements taken earlier are equal.
- Retighten the hex cap screw on the left deck hanger bracket when proper adjustment is achieved.



SEAT ADJUSTMENT

To adjust the position of the seat, move the seat adjustment lever (located under the seat) to the left and slide the seat forward or backwards. See Figure 8. Make sure seat is locked into one of the six adjustment positions before operating the tractor.



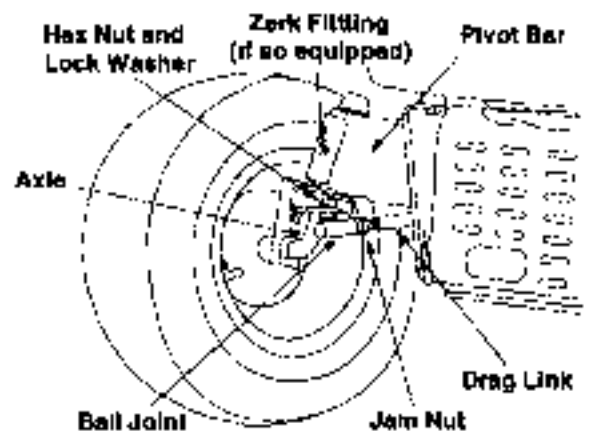
STEERING ADJUSTMENT

If the tractor turns tighter in one direction than the other, or if the ball joints are being replaced due to damage or wear, the steering drag links may need to be adjusted.

Adjust the drag links so that equal lengths are threaded into the ball joint on the left side and the ball joint on the right side:

- Loosen the jam nut found on the drag link at the rear of the ball joint. See Figure 9.

- Remove the hex nut and lock washer on the top of ball joint. See Figure 9.



- Thread the ball joint toward the jam nut to shorten the drag link. Thread the ball joint away from the jam nut to lengthen the drag link.
- Replace hex nut and lock washer and retighten the jam nut after proper adjustment is achieved.

NOTE: Threading the ball joints too far onto the drag links will cause the front tires to "toe-in" too far. Proper toe-in is between 1/16" and 5/16".

Front tire toe-in can be measured as follows:

- Place the steering wheel in position for straight ahead travel. Insert a 1/4" dowel up through aligning holes in both the steering gear and support plate. See Figure 10.

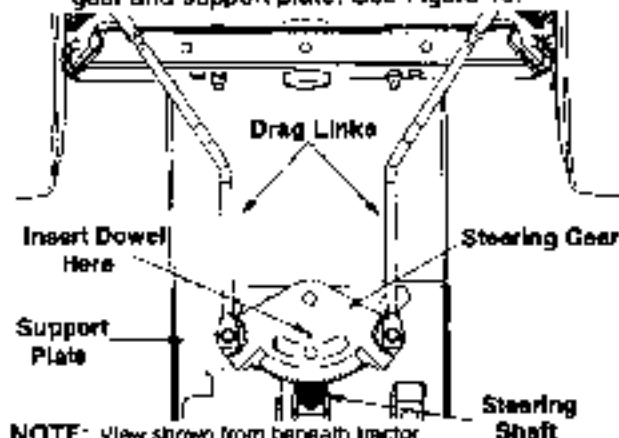


Figure 10

- In front of the axle, measure the distance horizontally from the inside of the left rim to the inside of the right rim. Note the distance.
- Behind the axle, measure the distance horizontally from the inside of the left rim to the inside of the right rim. Note the distance.
- The measurement taken in front of the axle should be between 1/16" and 5/16" less than the measurement taken behind the axle.
- Adjust if necessary.
- Remove the dowel inserted earlier before attempting to operate the tractor

CARBURETOR ADJUSTMENT



WARNING: If any adjustments are made to the engine while the engine is running (e.g. carburetor), disengage all clutches and blades. Keep clear of all moving parts. Be careful of heated surfaces and muffler.

NOTE: A dirty air cleaner will cause an engine to run rough. Be certain it is clean and properly attached before adjusting carburetor. Refer to separate engine manual packed with your unit for information regarding air cleaner maintenance.

Refer to separate engine manual packed with your unit for carburetor adjustment information or see an authorized engine service dealer.

BRAKE ADJUSTMENT

If the tractor does not come to a complete stop when the brake pedal is completely depressed, or if the tractor's rear wheels can roll with the parking brake applied, the brake is in need of adjustment. The brake disc can be found on the right side of the transmission in the rear of the tractor. Adjust if necessary as follows:

- Looking at the transmission from the right side of the tractor, locate the compression spring and brake disc. See Figure 11.

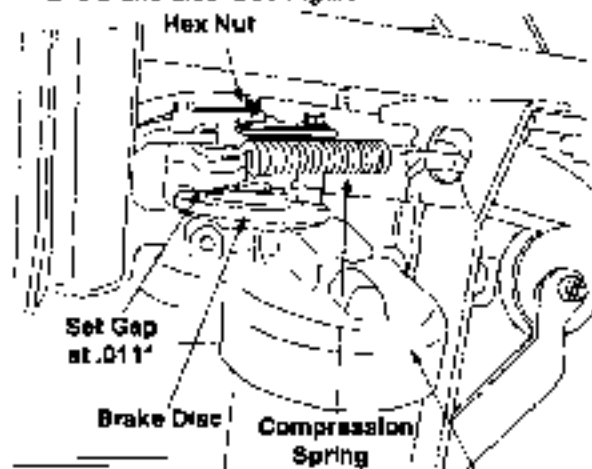


Figure 11

- Loosen, but do NOT remove, the hex nut found on the right side of the brake assembly. See Figure 11.
- Using a feeler gauge, set the gap between the brake disc and the brake puck at .011".
- Re-tighten the hex nut loosened earlier.

PTO (POWER TAKE-OFF) ADJUSTMENT

If your tractor's engine fails to crank when following the starting instructions found earlier in this manual, the PTO may be in need of adjustment. With the PTO lever in the disengaged (OFF) position, the lever must go back far enough so that a metal tab that is bolted to the base of the lever can fully depress a plunger safety switch mounted to the tractor's frame beneath the fuel tank. Adjust, if necessary, as follows:



WARNING: If the blades on your tractor's cutting deck continue to turn with the PTO lever in the disengaged (OFF) position, stop the tractor immediately and perform the following steps

- Turn the tractor's engine off, remove the key from the ignition switch and apply the tractor's parking brake.

- Locate the PTO engagement rod and the PTO adjuster link by looking at the tractor's underside. See Figure 12.
- Remove the cotter pin that affixes the lower end of the PTO engagement rod to the PTO adjuster link. Save the pin. See Figure 12.
- Take the lower end of the PTO engagement rod out of the hole in the PTO adjuster link and move the rod as far back into the disengaged (OFF) position as possible.
- Thread the PTO adjuster link outward until the hole in the end of it is aligned with the PTO engagement rod.

- Reinsert the PTO engagement rod into the hole in the PTO adjuster link and reinsert the cotter pin removed earlier (if undamaged).

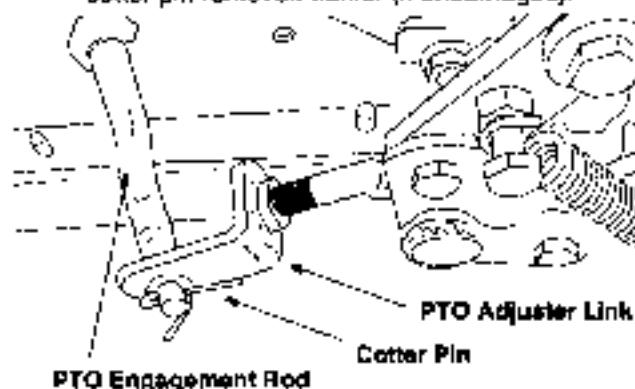


Figure 12

SECTION 10: MAINTENANCE



WARNING: Disconnect the spark plug wire(s) and ground against the engine before performing any adjustments, repairs or maintenance.

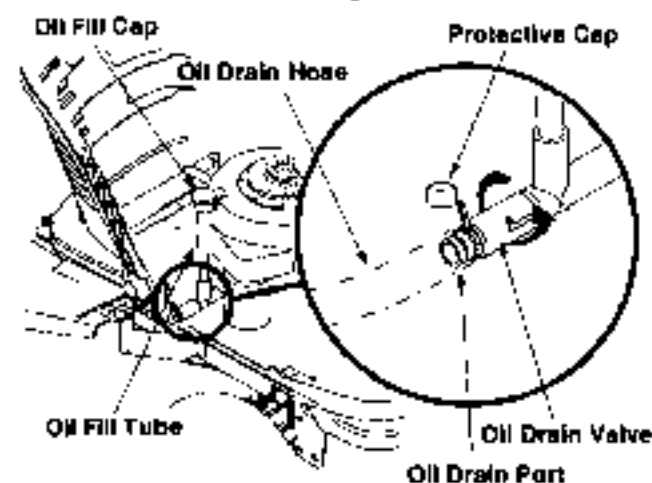
ENGINE

Refer to the separate engine manual for engine maintenance instructions.

Check engine oil level before each use as instructed in the separate engine manual packed with your unit. Read and follow instructions carefully.

Changing Engine Oil

- Unscrew oil fill cap and remove dipstick from the oil fill tube. See Figure 13.



NOTE: Single-cylinder engine shown. Valve location will vary with engine style.

Figure 13

- Pop open the protective cap on the end of the oil drain valve to expose the oil drain port. See Figure 13.
- Push oil drain hose (packed with unit) onto the oil drain port. Route the opposite end of the hose into an appropriate oil collection container with a capacity great enough to collect the used oil.
- Push the oil drain valve in slightly, then rotate counterclockwise and pull outward to begin draining oil. See Figure 13.
- Service the oil filter (if so equipped) as instructed in the separate engine manual packed with your unit.

Perform the above steps in the opposite order after oil has finished draining.

- Refill the engine with new motor oil.

IMPORTANT: Refill the engine with the proper capacity and weight of motor oil as instructed in the separate engine manual.

Service air cleaner every 25 hours under normal conditions. Clean every few hours under extremely dusty condition. To service the air cleaner, refer to the separate engine manual packed with your unit.

The spark plug(s) should be cleaned and the gap reset once a season. Spark plug replacement is recommended at the start of each mowing season; check engine manual for correct plug type and gap specifications.

CLEANING THE ENGINE AND DECK

Any fuel or oil soiled on the machine should be wiped off promptly. Do NOT allow grass, leaves, and dirt to accumulate around the cooling fins of the engine or on any other part of the machine, especially the pulleys and other moving parts. Clean the underside of the deck with a wet broom, putty knife or forced air after each mowing.

IMPORTANT: Do NOT use a garden hose to clean the cutting deck. The ball bearings in the blade spindles are sealed at the factory and cannot be re-lubricated. Spraying water near the spindles can significantly reduce the life of the bearings.

CUTTING DECK REMOVAL



WARNING: Before performing any maintenance, move the PTO lever into the disengaged (OFF) position, engage the parking brake, turn the ignition key to the OFF position and remove the key from the switch to avoid accidental starting.

Several attachments are available for your tractor. To mount some of these attachments and in order to perform certain maintenance procedures, the deck must be removed from the tractor. To properly remove the cutting deck, proceed as follows:



WARNING: Do NOT remove deck immediately after operating the tractor. Allow the engine and other moving parts ample time to cool down.

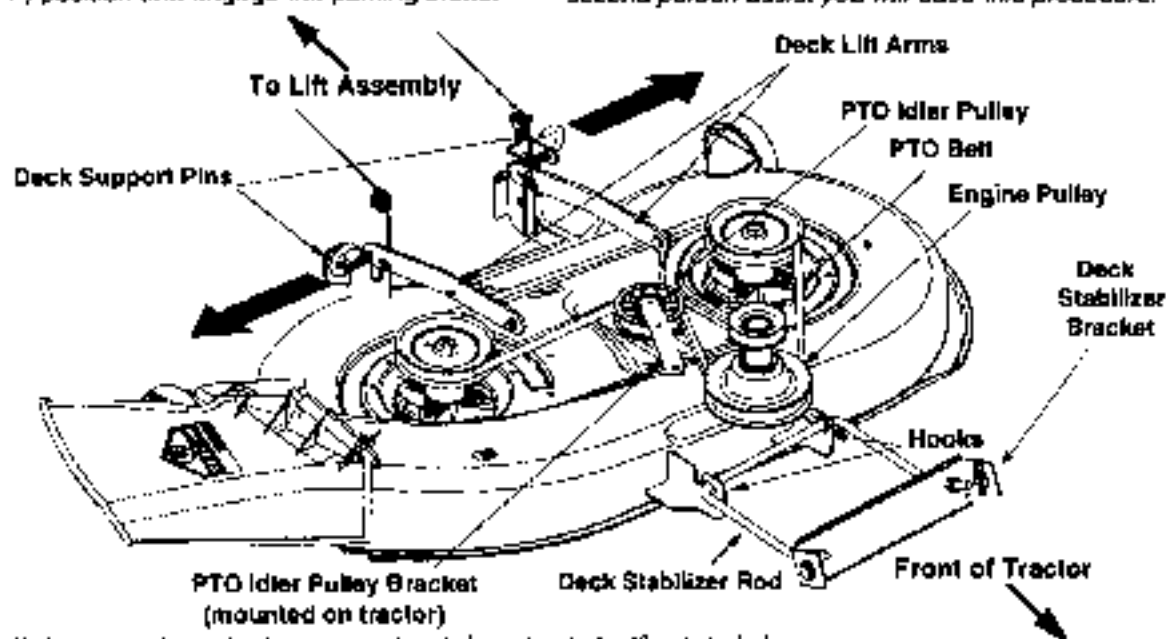
- Move the PTO lever into the disengaged (OFF) position and engage the parking brake.

- Lower the deck by moving the lift lever into the bottom notch on the right fender.
- Grasp the PTO idler pulley bracket and pivot it toward the discharge chute to relieve tension on the belt. Remove the deck belt from the bottom portion of the engine pulley and from around the PTO idler pulley.

NOTE: On units equipped with a 46-inch deck, the bottommost belt on the deck does NOT need to be removed in order to remove the deck.

- Looking at the cutting deck from the right side of the tractor, locate the deck support pin on the rear right side of the deck.
- Pull the deck support pin outward to release the deck from the deck lift arm. See Figure 14.
- Rotate the pin slightly toward the rear of the tractor and release the pin into the hole provided.
- Repeat the above steps on the left side of the tractor.
- Move the lift lever into the top notch on the right fender to raise the deck lift arms out of the way.
- Gently slide the cutting deck toward the front of the tractor allowing the hooks on the deck to release themselves from the deck stabilizer rod. Do NOT let the deck fall to the ground.
- Gently slide the cutting deck (from the right side) out from underneath the tractor.

NOTE: To properly remount the cutting deck, perform the above steps in reverse order. Having a second person assist you will ease this procedure.



NOTE: Belt covers and other tractor components not shown for clarity. 42-inch deck shown.

Figure 14

CHANGING THE DECK BELT(S)

All belts on your tractor are subject to wear and should be replaced if any signs of cracking, shredding or rotting are present.

IMPORTANT: *The V-belts found on your tractor are specially designed to engage and disengage safely. A substitute (non-OEM) V-belt can be dangerous by not disengaging completely. For a proper working machine, use factory approved belts.*

To change or replace the deck belt(s) on your tractor, proceed as follows:

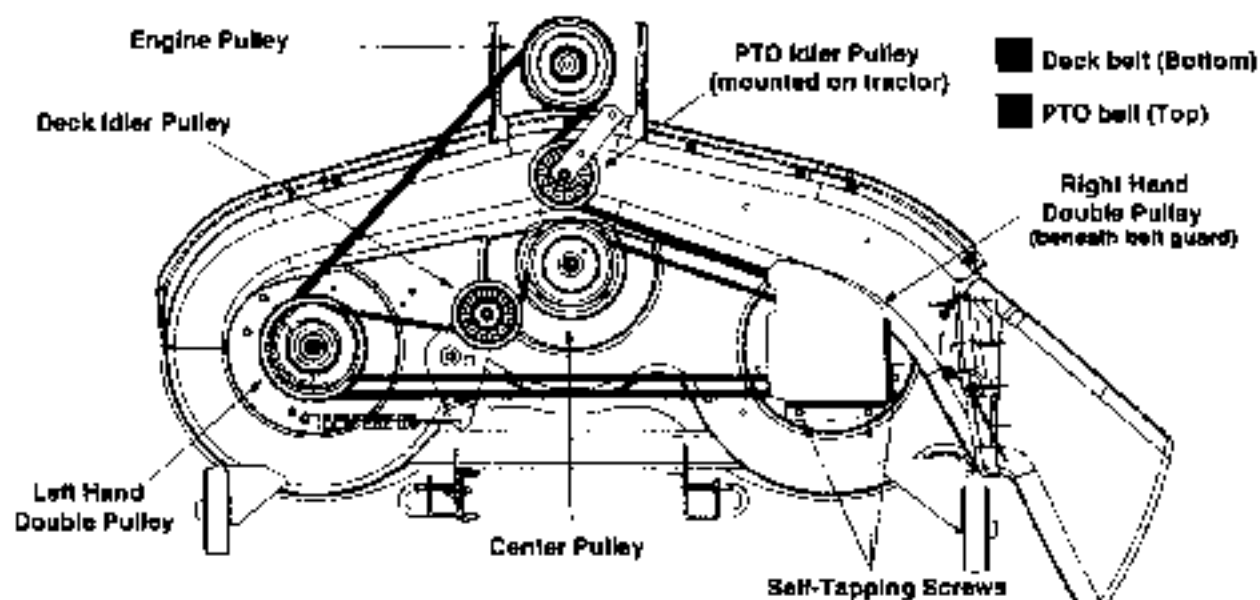
NOTE: *Removing the deck from the tractor as instructed earlier in this section will ease the following steps, but is not necessary.*

42-Inch decks

- Lower the deck by moving the lift lever into the bottom notch on the right tender.
- Remove the belt guards by removing the self-tapping screws that fasten them to the deck surface.
- Grasp the PTO idler pulley bracket and pivot it toward the discharge chute to relieve tension on the belt.
- Remove the deck belt from the bottom portion of the engine pulley and from around the PTO idler pulley.
- Route the new belt as shown in Figure 14, around the deck pulleys, idler pulley and engine pulley.

IMPORTANT: *It is recommended that the PTO be readjusted after replacing the deck belt. Refer to PTO (POWER TAKE-OFF) ADJUSTMENT in the ADJUSTMENTS section of this manual for the proper procedure.*

- Remount the belt guards removed earlier.



NOTE: Left hand belt cover not shown for clarity. 46 inch deck shown.

Figure 15

46-Inch decks

- Lower the deck by moving the lift lever into the bottom notch on the right tender.
- Remove the belt guards by removing the self-tapping screws that fasten them to the deck.
- Grasp the PTO idler pulley bracket and pivot it toward the discharge chute to relieve tension on the belt.
- Remove the deck belt from the bottom portion of the engine pulley and from around the PTO idler pulley.
- Remove and discard old belt.
- Route the new belt(s) as shown in Figure 15. OEM belt part numbers are listed on the following page.

IMPORTANT: *It is recommended that the PTO be readjusted after replacing the deck belt. Refer to PTO (POWER TAKE-OFF) ADJUSTMENT in the ADJUSTMENTS section of this manual for the proper procedure.*

- Remount the belt guards removed earlier.

	42-Inch Deck	46-Inch Deck
PTO (Top) Belt	754-0472	754-0476
Bottom Belt	N/A	754-0349

CHANGING THE TRANSMISSION DRIVE BELT(S)

All belts on your tractor are subject to wear and should be replaced if any signs of cracking, shredding or rotting are present.

IMPORTANT: *The V-belts found on your tractor are specially designed to engage and disengage safely. A substitute (non-OEM) V-belt can be dangerous by not disengaging completely. For a proper working machine, use factory approved belts.*

To change or replace the drive belt(s) on your tractor, proceed as follows:

NOTE: *It's recommended that both drive belts be replaced at the same time.*

- Remove the cutting deck as instructed earlier in this section.
- After disconnecting the battery cables, remove the battery and battery tray from beneath the seat.

IMPORTANT: *When removing the battery, disconnect the NEGATIVE (Black) wire from its terminal first, followed by the POSITIVE (Red) wire. Re-install in reverse order.*

Upper Drive Belt

- Locate the transmission idler pulley on the upper drive belt by looking through the battery tray opening. See Figure 16.
- Grasp the bracket and pivot the transmission idler pulley toward the rear of the tractor to release tension on the upper drive belt.
- Remove the belt from around the transmission idler pulley.
- Remove the upper drive belt from around the transmission pulley and the variable-speed pulley.

NOTE: *Slowly rotate the pulley counterclockwise to roll the belt off of it.*

- Remove the upper drive belt by pulling it up through the battery tray opening.
- Reroute the new upper drive belt as shown in Figure 16.

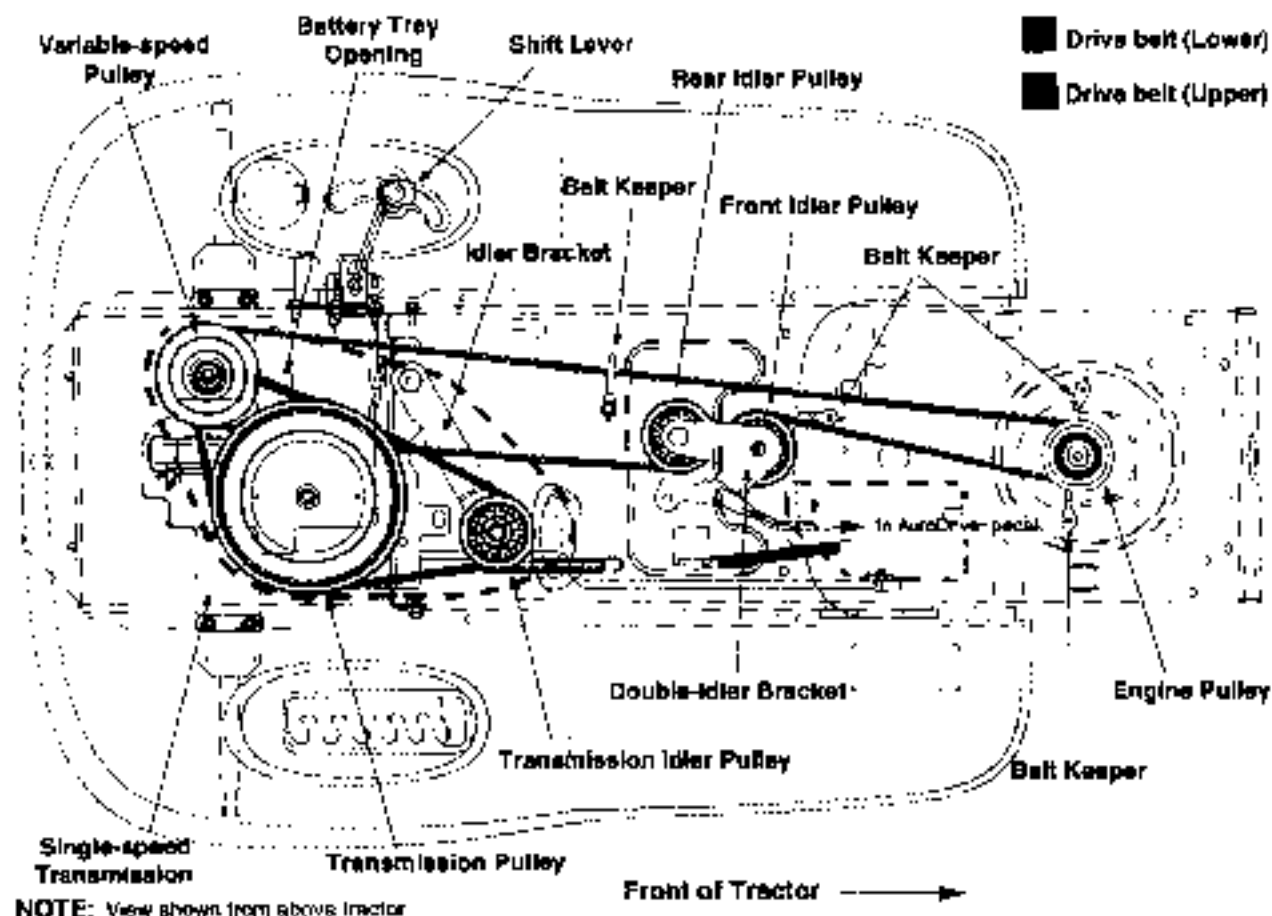
Lower Drive Belt

NOTE: *Proper removal of the lower drive belt requires special tools and the removal of several tractor components. Read through the following procedure prior to attempting it to determine if you feel you could successfully complete it. If you don't, see an authorized MTD service dealer to have the belt changed.*

IMPORTANT: *Note the routing of the lower drive belt around both the pulleys and the belt keepers BEFORE performing the following steps.*

- Locate the variable-speed pulley by looking through the battery tray opening. See Figure 16.
- Remove the variable-speed pulley by loosening the hex bolt that affixes it to the transmission. Use a second wrench to hold the hex nut on the bottom side of the pulley.
- Slide the belt off of the variable-speed pulley as you lift the pulley up and out through the battery tray opening.

NOTE: *Jacking the rear of the tractor up off the ground and securing it with jackstands at this point in the procedure will ease the following steps, but is not necessary.*



NOTE: View shown from above tractor

Figure 16

- Remove the rear idler pulley from the double-idler bracket while unrouting the belt from around both the rear and the front idler pulley. Refer to Figure 16.
- Remove the cotter pin that affixes the lower end of the PTO engagement rod to the PTO adjuster link. Save the pin for reassembly. See Figure 17.

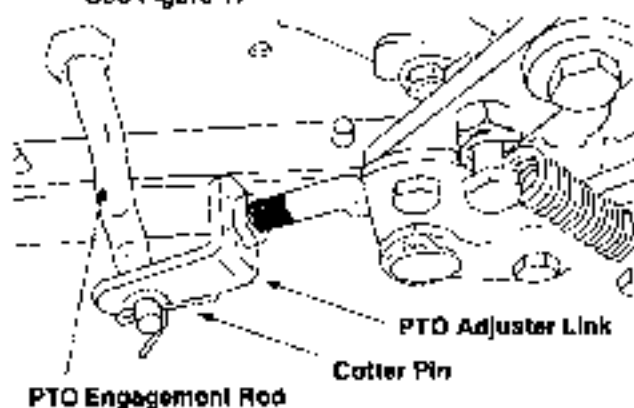
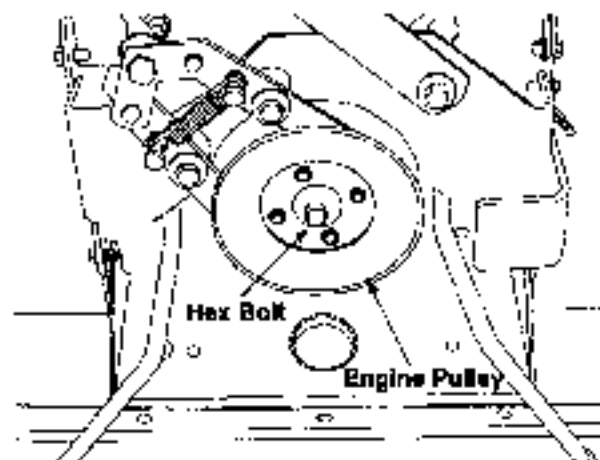


Figure 17

- Remove the hex bolt from the center of the engine pulley. Do NOT attempt to remove the engine pulley at this time. See Figure 18.



NOTE: View shown from beneath tractor

Figure 18

IMPORTANT: When remounting the engine pulley, torque the center hex bolt to between 38 foot-pounds and 50 foot-pounds.

- Remove the two hex bolts (from both sides of the tractor) that affix the PTO actuator bracket to the tractor frame. See Figure 19.

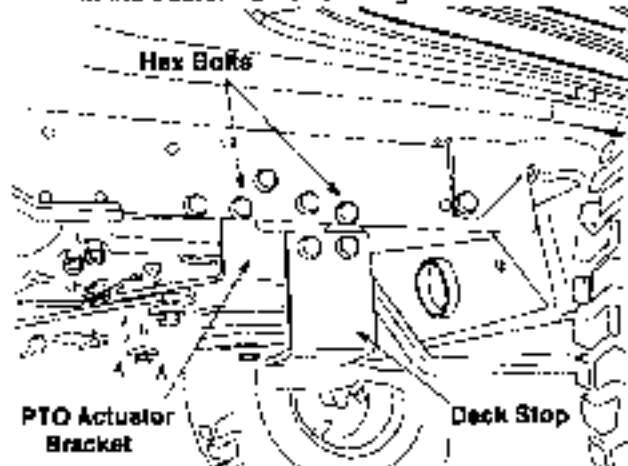


Figure 19

- Carefully lower the PTO actuator bracket and the engine pulley as an assembly while removing the drive belt from the upper portion of the engine pulley.
- Remove the drive belt by feeding it from both ends toward the front idler pulley on the double-idler bracket. See Figure 16.
- Reassemble by following the above steps in reverse order.
- Route the new belt around the pulleys and belt keepers EXACTLY as the old one was routed. Refer to Figure 16.

The AutoDrive - pedal is properly adjusted when the hole found in the double-idler bracket has approximately 1-3/8" of travel with ten pounds of pressure applied to the AutoDrive - pedal. See Figure 20.

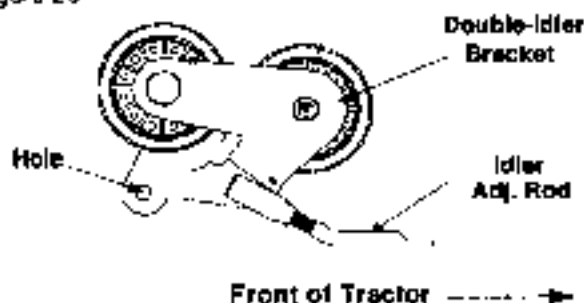


Figure 20

Adjust the AutoDrive - pedal after replacing the drive belts on your tractor, if necessary, as follows:

- Locate the speed control assembly on the underside of the steering support bracket. See Figure 21.

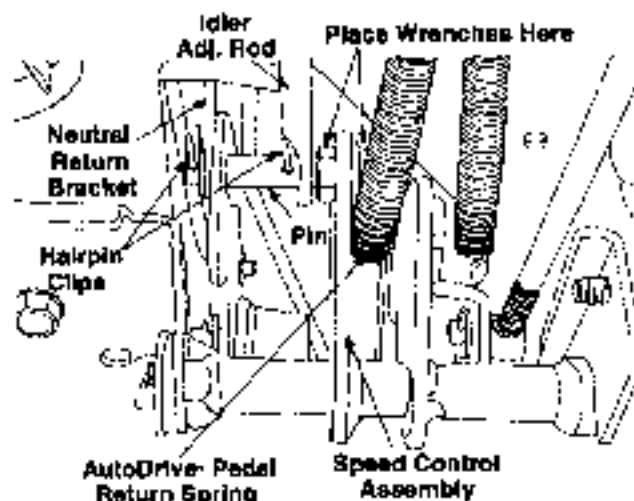


Figure 21

- Remove both hairpin clips from the pin which is fastened to the speed control assembly (be careful not to lose the small flat washers found on the pin). See Figure 21.
- Remove the AutoDrive - pedal return spring.
- Using two 9/16" wrenches, remove the pin from the speed control assembly. See Figure 21.

Thread the idler adjustment rod inward or outward to lengthen or shorten the travel of the double-idler bracket until proper adjustment is achieved.

- Reassemble by following the above steps in reverse order.

IMPORTANT: After replacing the drive belts, perform the PTO adjustment as instructed in the ADJUSTMENTS section of this manual prior to operating the tractor.

CUTTING BLADES



WARNING: Cutting blades are sharp. Always protect hands by wearing heavy leather work gloves to grasp blades.

The blades may be removed for sharpening or replacement as follows.

- Remove the deck from beneath the tractor, (refer to DECK REMOVAL earlier in this section for detailed instructions) then gently flip the deck over to expose its underside.
- Place a block of wood between the center deck housing baffle and the cutting blade to act as a stabilizer. See Figure 22.
- Use a 15/16" wrench to remove the hex flange nut that secures the blade to the spindle assembly. See Figure 22.

NOTE: The hex flange nut has a right-handed thread pattern. Do NOT attempt to force the nut in the incorrect direction. Doing so may damage the nut and create a safety hazard.

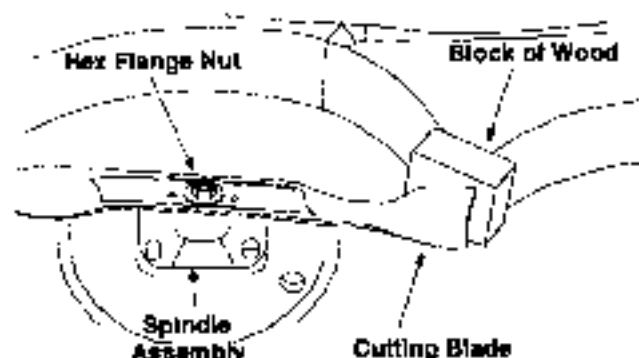


Figure 22

To properly sharpen the cutting blades, remove equal amounts of metal from both ends of the blades along the cutting edges. See Figure 23.

Sharpen the cutting edge straight across, parallel to the trailing edge, at a 25° to 30° angle. See Figure 23.

IMPORTANT: If the cutting edge of the blade has already been sharpened to within 5/8" of the wind wing radius, or if any metal separation is present, replace the blades with new ones. See Figure 23.



Figure 23

It is extremely important that each cutting blade edge be ground equally to maintain proper blade balance. An unbalanced blade will cause excessive vibration when rotating at high speeds, may cause damage to the tractor and result in personal injury. The blade can be tested by balancing it on a round shaft screwdriver. Grind metal from the heavy side until it balances evenly.

When replacing the blade, be sure to install the blade with the side of the blade marked "Bottom" (or with a part number stamped in it) facing the ground when the mower is in the operating position.

IMPORTANT: Use a torque wrench to tighten the blade spindle hex flange nut to between 70 foot-pounds and 90 foot-pounds.

BATTERY

The battery is sealed and is maintenance-free. Acid levels cannot be checked.

- Always keep the battery cables and terminals clean and free of corrosive build-up.
- After cleaning the battery and terminals, apply a light coat of petroleum jelly or grease to the terminals and over the positive terminal boot.
- Always keep the boot positioned over the positive terminal to prevent shorting.

IMPORTANT: If removing the battery for any reason, disconnect the NEGATIVE (Black) wire from its terminal first, followed by the POSITIVE (Red) wire. When re-installing the battery, always connect the NEGATIVE (Black) wire its terminal first, followed by the POSITIVE (Red) wire. Be certain that the wires are connected to the correct terminals, reversing them could change the polarity and cause damage to your engine's alternating system.

Charging

If the unit has not been put into use for an extended period of time, charge the battery with an automotive-type 12-volt charger for a minimum of one hour at six amps.



WARNING: Batteries give off an explosive gas during and for some time after charging. Charge battery in a well ventilated area and do not allow a spark or an open flame near the battery.

FUSE

A fuse is installed in your tractor's wiring harness to protect the tractor's electrical system from damage caused by excessive amperage. Always use the same capacity fuse for replacement. If the electrical system does not function, or your tractor's engine will not crank, first check to be certain that the fuse has not blown. It can be found under the hood mounted behind the top of dash panel on the support bar. Pull the fuse out and compare it with Figure 24 to determine if it is good or bad.



Figure 24

TIRES

The recommended operating tire pressure is approximately 10 psi for the rear tires and 14 psi for the front tires. Refer to the tire sidewall for exact tire

manufacturer's recommended psi. Do not overinflate. Uneven tire pressure could cause the cutting deck to mow unevenly

SECTION 11: LUBRICATION



WARNING: *Always stop the engine and disconnect the spark plug wire(s) and ground against the engine before performing any maintenance.*

ENGINE

Lubricate the engine with motor oil as instructed in the separate engine manual packed with your unit.

PIVOT POINTS

Lubricate all pivot points (AutoDriver pedal, brake pedal, etc.) at least once a season with light oil

LINKAGE

Lubricate all the pivot points on the drive, brake and lift linkage at least once a season with SAE 30 engine oil.

STEERING GEAR

Lubricate the teeth of the steering gear with an all-purpose automotive grease every 25 hours of operation or once a season.

WHEELS

Both the front wheels and the rear wheels should be removed from the axles once a season. Lubricate the axles and the rims well with an all-purpose automotive grease before re-installing them.

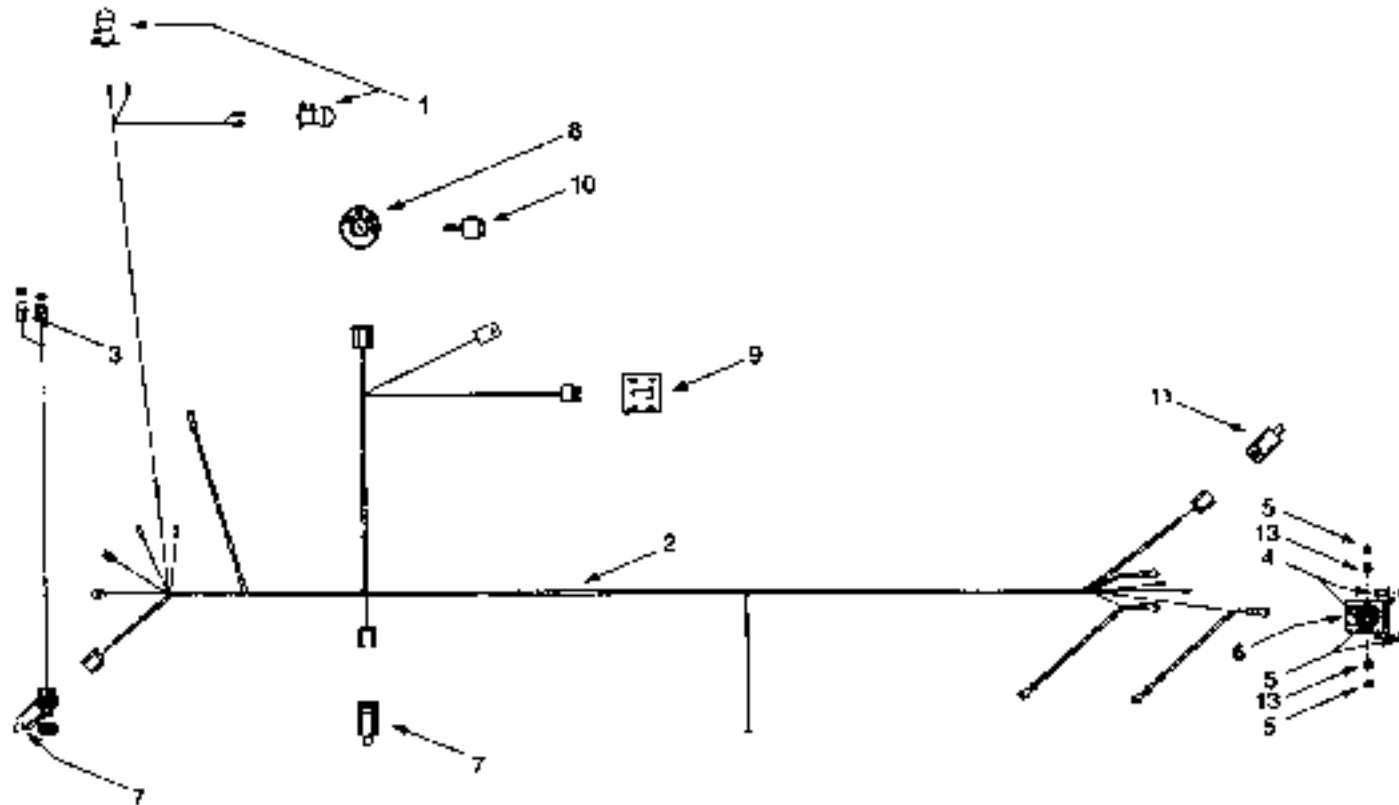
FRONT AXLES

Your tractor may be equipped with zerk fittings on the ends of the front pivot bar. See Figure 9. Lubricate both the left and the right front axles with a grease gun at least once a season.

SECTION 12: TROUBLESHOOTING GUIDE

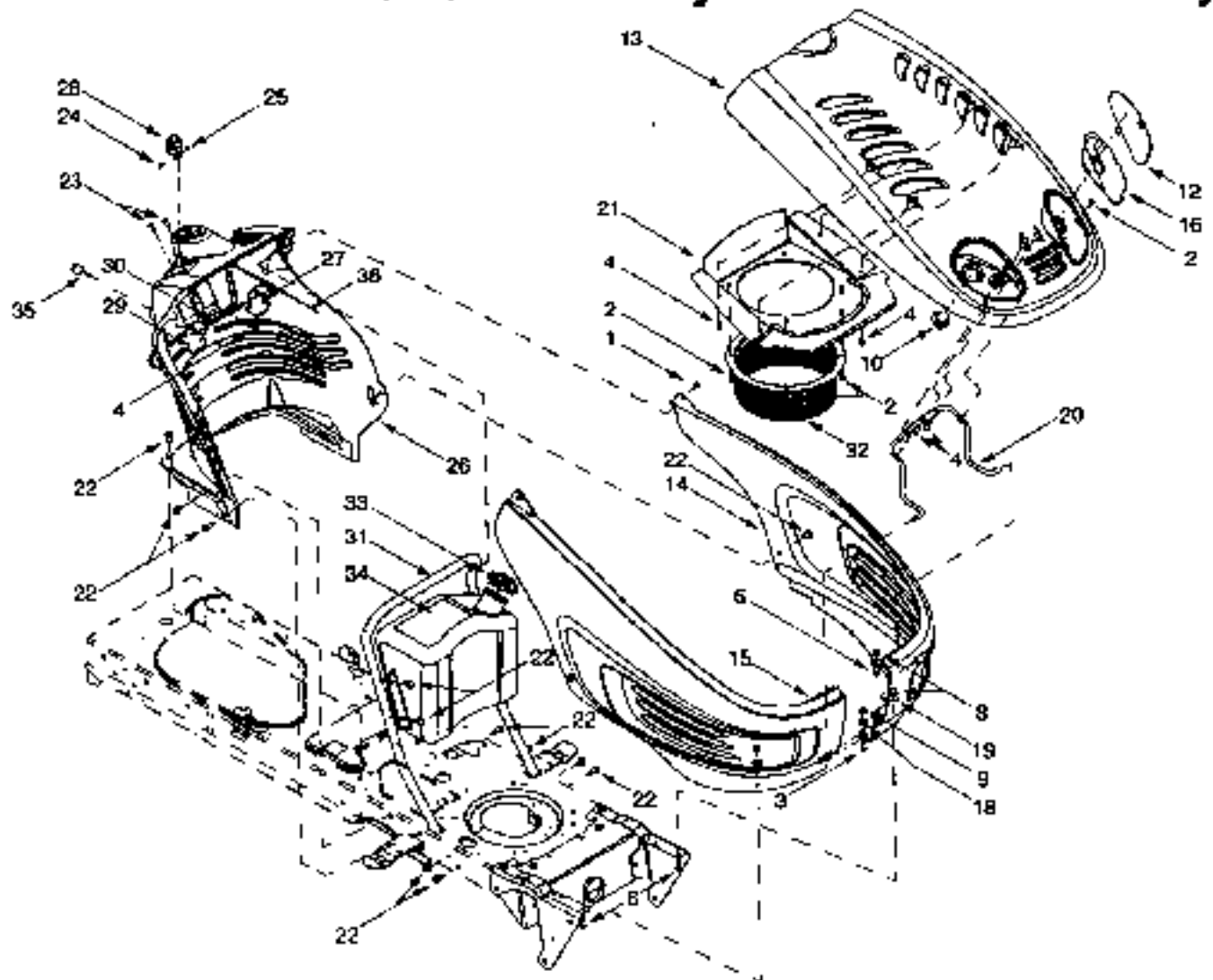
Trouble	Possible Cause(s)	Corrective Action
Engine will not crank	<p>Safety switch button not depressed.</p> <p>Battery installed incorrectly.</p> <p>Battery is dead or weak.</p> <p>Blown fuse</p>	<p>There are two safety switches in the starting circuit of your unit, the brake pedal switch and the PTO switch. Make certain the actuator is fully depressing the buttons on each switch. The Operator must be seated on the tractor in order to start the engine, also.</p> <p>The battery must be installed with negative terminal attached to black ground wire. Negative terminal is identified at the post by "NEG", "N" or "-". The positive terminal, identified by "POS", "P" or "+" must be attached to the thick red wire which goes to the solenoid.</p> <p>Charge at six amps with a 12-volt automotive-type battery charger for one hour or until fully charged.</p> <p>Refer to operator's manual for fuse location. Replace fuse with automotive type fuse of the proper amperage. Fuses seldom fail without a reason. The problem must be corrected. Check for loose connections in the fuse holder. Replace fuse holder if necessary. A dead short may be in the cranking or charging circuit where the insulation may have rubbed through and exposed the bare wire. Replace the wire or repair with electrician's tape if the wire strands have not been damaged.</p> <p>Note: Look for a wire pinched between body panels, burned by the exhaust pipe or muffler or rubbed against a moving part.</p>
Engine cranks but will not start	<p>Throttle or choke not in starting position.</p> <p>No fuel to the carburetor.</p> <p>No spark to spark plug(s).</p> <p>Dirty air cleaner.</p>	<p>Refer to the OPERATION section of this manual for the correct position of the throttle control and choke for starting.</p> <p>Gasoline tank empty. Fill.</p> <p>Fuel line or in-line fuel filter plugged. Remove and clean fuel line. Replace fuel filter (if so equipped) if necessary.</p> <p>Spark plug lead disconnected. Connect lead. Using a spark tester, check for spark. If no spark is present, have engine's magneto serviced by an authorized engine dealer.</p> <p>If the air cleaner is dirty, the engine may not start. Refer to the engine manual packed with your unit.</p>
Engine smokes	<p>Engine oil has been overfilled.</p> <p>Engine loses crankcase vacuum</p>	<p>Check oil level.</p> <p>Dipstick not seated or broken. Replace defective part.</p> <p>Engine breather defective. Replace.</p>
Excessive vibration	Bent blade or damaged pulley.	<p>Stop engine immediately. Check all pulleys, blade adapters, keys and bolts for tightness and spindle damage. Tighten or replace any loose or damaged parts.</p> <p>Always replace damaged blades. Only use original equipment blades.</p>
Mower won't discharge grass or leaves uncut strips	<p>Engine speed low</p> <p>Speed selection.</p> <p>Cutting height set too low.</p> <p>Blades dull</p>	<p>Throttle must be set at full throttle.</p> <p>Use lower ground speed. The slower your ground speed, the better the quality of cut.</p> <p>Raise deck.</p> <p>Sharpen or replace blades (uncut strip problem only)</p>

Model 604



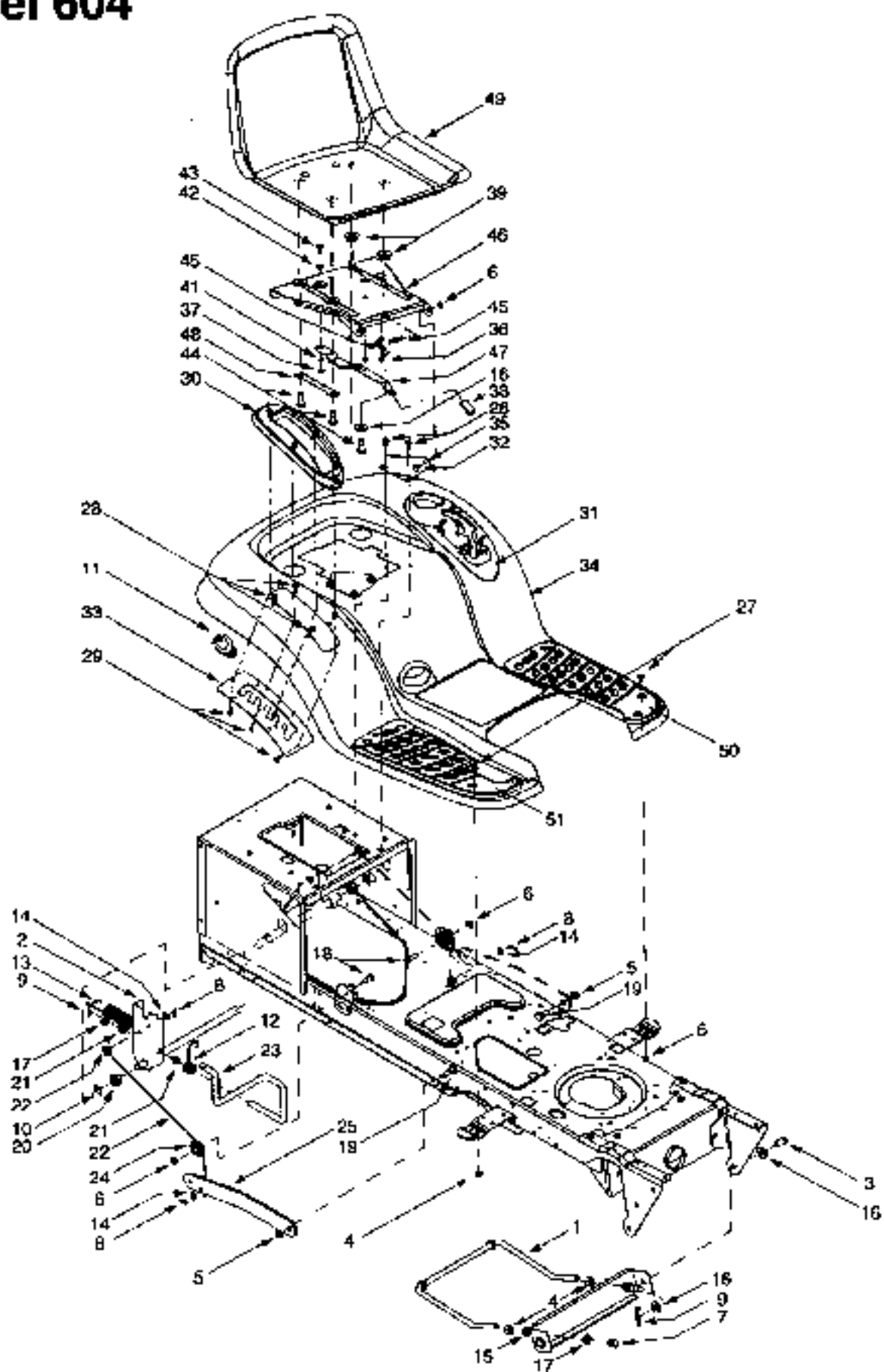
REF. NO.	PART NO.	DESCRIPTION
1	825-0651	Bulb/Socket Headlight Assembly
	725-1739	Bulb Only
	725-1649	Socket Only
2	829-0813	Wiring Harness
3	829-0824	Harness Adapter (for Kohler engines)
4	710-0589	Self Tapping Screw, 1/4-20 x .5
5	712-3006	Hex Nut, 1/4-20
6	725-1426	Solenoid, 12-volt, 100 Amp
7	725-1657A	Snap Mount Safety Interlock Switch
8	725-1741	Ignition Switch
9	725-1743	Indicator Monitor / Hour Meter
10	725-1745	Ignition Key
11	725-1747	Safety Plunger Switch
12	736-0222	External Lock Washer, 1/4
13	736-0329	Lock Washer, 1/4

Electrical System/Tractor Body



REF. NO.	PART NO.	DESCRIPTION	REF. NO.	PART NO.	DESCRIPTION
1	710-0728	Self Tapping Screw, 1/4-20 x 1.0	21	783-0808	Heat Shield, 4-style
2	710-0599	Self Tapping Screw, 1/4-20 x .5	22	710-0604	Self Tapping Screw, 5/16-18 x .625
3	710-0751	Hex Cap Screw, 1/4-20 x .82	23	710-1017	Torx Self Tapping Screw, 1/4-14 x .625
4	710-0695	Self Tapping Screw, 1/4-15 x .75	24	710-3217	Torx Screw, #8-32 x .375
5	710-0924	Pan Phillips Screw, 1/4-20 x .75	25	712-0142	Hex Nut, 8-32
6	710-3008	Hex Cap Screw, 5/16-18 x .75	26	731-0089	Dash Panel (Manual PTO), 4-style
7	712-0292	U-type Speed Nut, 1/4-20	27	731-0072	Parking Brake Button
8	712-3004A	Flange Lock Nut, 5/16-18	28	731-1857	Throttle Control Lever
9	712-3027	Hex Flange Lock Nut, 1/4-20	29	731-2106	Cruise Control Button
10	725-1649	Head Lamp Socket	30	747-1155	Brake/Cruise Pivot Rod
11	731-1978	RH Head Light Lens	31	749-1087	Dash Support Tube
12	731-1979	LH Head Light Lens	32	731-2232	Intake Bellow (Intek Single)
13	731-1980	Hood, Yellow, 4-style		731-2234	Intake Bellow (Intek Twin)
14	731-1981	LH Side Panel, Yellow, 4-style	33	751-0603	Fuel Cap
15	731-1982	RH Side Panel, Yellow, 4-style	34	751-0659	Fuel Tank (Two Gallon, Shown)
16	731-1995	LH Head Light Reflector		751-0658	Fuel Tank (Three Gallon)
17	731-1996	RH Head Light Reflector	35	725-1745	Ignition Key
18	736-0173	Flat Washer, .29 x .74 x .063	36	746-1084	Choke/Throttle Cable (Intek Single)
19	736-3678	Flat Washer, .349 x 1.0 x .063		746-1085	Choke Cable (Intek Twin)
20	747-1132	Hood Support Rod		746-1088	Choke Cable (Kohler)

Model 604



Lift Assembly

REF. NO.	PART NO.	DESCRIPTION	REF. NO.	PART NO.	DESCRIPTION
1	647-0040	Deck Stabilizer Rod	27	710-0260	Carrage Bolt, 5/16-18 x .62
2	693-0197	Lift Shaft Assembly	28	710-0604	Self Tapping Screw, 5/16-18 x .625
3	711-0332	Clevis Pin, .5 x .78	29	710-0895	Self Tapping Screw, 1/4-15 x .75
4	712-0206	Hex Nut, 1/2-13	30	731-1990	Lift Lever Cover
5	712-0431	Flange Lock Nut, 3/8-16	31	731-2104	Shift Lever Cover w/ Cup Holder
6	712-3004A	Flange Lock Nut, 5/16-18	32	738-0155	Shoulder Screw, .437 x 1.62
7	712-3083	Hex Nut, 1/2-13	33	783-0677	Lift Adjustment Bracket
8	714-0104	Internal Cotter Pin	34	783-0685	Fender
9	714-0111	Cotter Pin	35	783-0715	Seat Mounting Bracket
10	716-0106	E-ring	36	710-1268	Screw, #10-16 x .375
11	720-0311	Handle Grip	37	712-3027	Hex Flange Lock Nut, 1/4-20
12	732-0874	Torsion Spring	38	720-0306A	Seat Adjuster Gnp
13	732-0934	Lift-assist Spring, 1.15 x 5.99 {Found on Units w/ 48-inch Decks Only}	39	731-1888	Spacer
14	736-0275	Flat Washer, 5/16	40	732-0499	Compression Spring, .41 x 1.5
15	736-0924	Lock Washer, 1/2	41	736-0175	Spring Washer, .265 x .562 x .025
16	736-3019	Flat Washer, .31 x 1.062 x .134	42	736-0204	Flat Washer, .344 x .62 x .03
17	736-3084	Flat Washer, .61 x 1.12 x .06	43	738-0137A	Shoulder Screw, .340 x .265, 1/4-20
18	738-0138	Hex Cap Screw, 5/16-18 x .62	44	738-1007	Shoulder Screw, .50 x .50, 3/8-16
19	738-0380	Shoulder Screw, .5 x .27, 3/8-16	45	783-0611	Seat Stop
20	741-0225	Hex Flange Bearing	46	783-0736	Seat Pivot Bracket
21	741-0715	Snap Flange Bearing	47	783-0739	Seat Adjustment lever
22	746-0968	Lift Cable, 16.18	48	783-0763	Seat Adjustment Selector
23	747-1111	Lift Handle	49	757-0365	Seat, Radiant Yellow
24	756-1154	Roller Pulley		757-0372	Seat, Radiant Yellow w/ Drain Holes
25	783-0678	Arm Lift	50	735-0657	LH Foot Pad
26	783-0720	Deck Stabilizer Bracket	51	735-0656	RH Foot Pad
				726-3046	Foot Pad Clips (Not Shown)

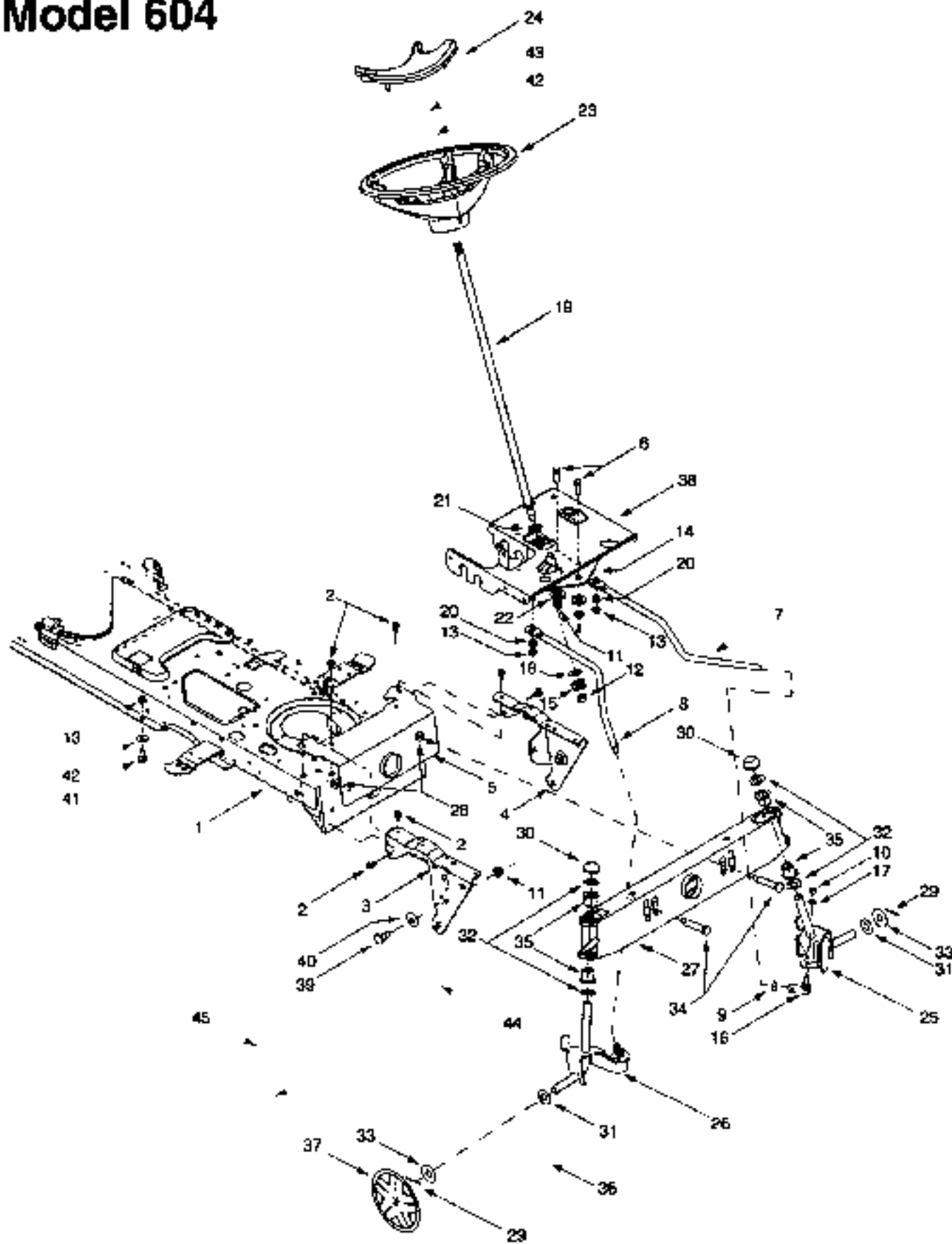
NOTE: For painted parts, please refer to the list of color codes below. Please add the applicable color code, wherever needed, to the part number to order a replacement part. For instance, if a part numbered 700-xxxx is painted Yard-Man Green, the part number to order would be 700-xxxx-0665.

Yard-Man Green: 0665

Yard-Man Yellow: 0674

Powder Black: 0637

Model 604



Steering Assembly

REF. NO.	PART NO.	DESCRIPTION	REF. NO.	PART NO.	DESCRIPTION
1	683-0263	Lower Frame Assembly	27	683-0128A	Pivot Bar
2	710-0604	Self-tapping Screw, 5/16-18 x .625	28	712-0431	Flange Lock Nut, 3/8-16
3	783-0726	RH Pivot Support Bracket	29	714-0470	Collar Pin
4	783-0727	LH Pivot Support Bracket	30	726-0214	Push Cap, 5/8
5	783-0728	Pivot Bar Bracket		726-0341	Push Cap, 3/4
6	710-0514	Hex Cap Screw, 3/8-16 x 1 (Grade 5)	31	738-0182	Flat Washer, .64 x 1.0 x .12
7	711-1291	LH Drag Link	32	736-0187	Flat Washer, .64 x 1.24 x .06
8	711-1292	RH Drag Link		736-0316	Flat Washer, .78 x 1.59 x .06
9	712-0240	Jam Nut, 7/16-20 (Grade 2)	33	736-0285	Flat Washer, .635 x 1.580 x .06
10	712-0241	Hex Nut, 3/8-24 (Grade 2)	34	738-1011	Shoulder Screw, .5 x 2.2, 3/8-16
11	712-0431	Flange Lock Nut, 3/8-16	35	741-0659	Flange Bearing, .632 ID x .937 OD
12	712-0458	Flange Lock Nut, 7/16-20		741-0660	Flange Bearing, .760 ID x .937 OD
13	712-3004A	Flange Lock Nut, 5/16-18	36	634-0105A	Wheel Assembly Complete, 15 x 6 x 6
14	717-1550	Steering Gear, 11/90 Ratio		634-0172	Rim Only
15	717-1554	Steering Pinion Gear		734-0255	Air Valve (Not Shown)
16	723-0448A	Ball Joint, 7/16-20		734-1731	Tire Only, Square Shoulder
17	736-0169	Lock Washer, 3/8		741-0487A	Plastic Flange (Not Shown)
18	736-3084	Flat Washer, .51 x 1.12 x .06		741-0706	Plastic Flange w/ Fitting (Not Shown)
19	738-1001	Steering Shaft, .625 OD x 24.4	37	734-1787A	Hub Cap, Yellow w/ Spng Logo
20	741-0475	Plastic Bushing, .38 ID		727-0425A	Spring Clip (Not Shown)
21	741-0556	Hex Flange Bearing, 5/8	38	783-0653	Steering Support Bracket
22	748-0416	Shoulder Spacer, .38 ID	39	738-1020	Shoulder Screw, .625 x .50, 7/16-20
23	731-1869	Steering Wheel, .625 Spine	40	736-0331	Ball Washer, .39 x 1.13 x .062
24	731-1904	Steering Wheel Cap w/ Logo	41	738-0140	Shoulder Screw, .435 x 1.78, 5/16 x .56
25	638-0019	LH Axle Assembly, .625 Diameter	42	736-0242	Ball Washer, .34 x .872
	638-0021	LH Axle Assembly, .625 / .750 Diameter	43	710-0643	Hex Bolt, 5/16-18 X 1
26	638-0020	RH Axle Assembly, .625 Diameter	44	737-3000	Grease Fitting (if so equipped)
	638-0022	RH Axle Assembly, .625 / .750 Diameter	45	710-0525	Cast Iron Pivot Bar (if so equipped)

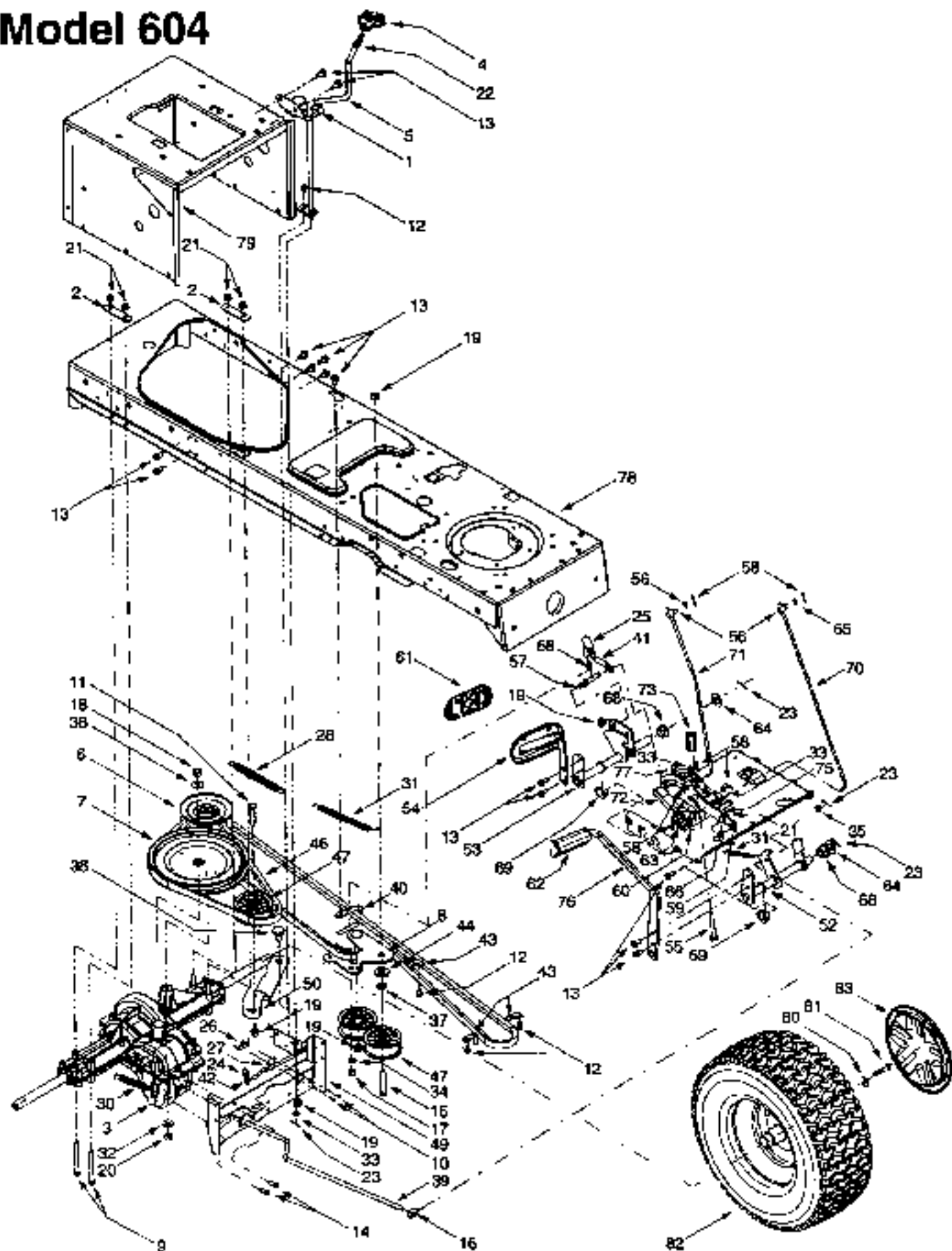
NOTE: For painted parts, please refer to the list of color codes below. Please add the applicable color code, wherever needed, to the part number to order a replacement part. For instance, if a part numbered 700-xxxx is painted Yard-Man Green, the part number to order would be 700-xxxx-0665.

Yard-Man Green: 0665

Yard-Man Yellow: 0674

Powder Black: 0637

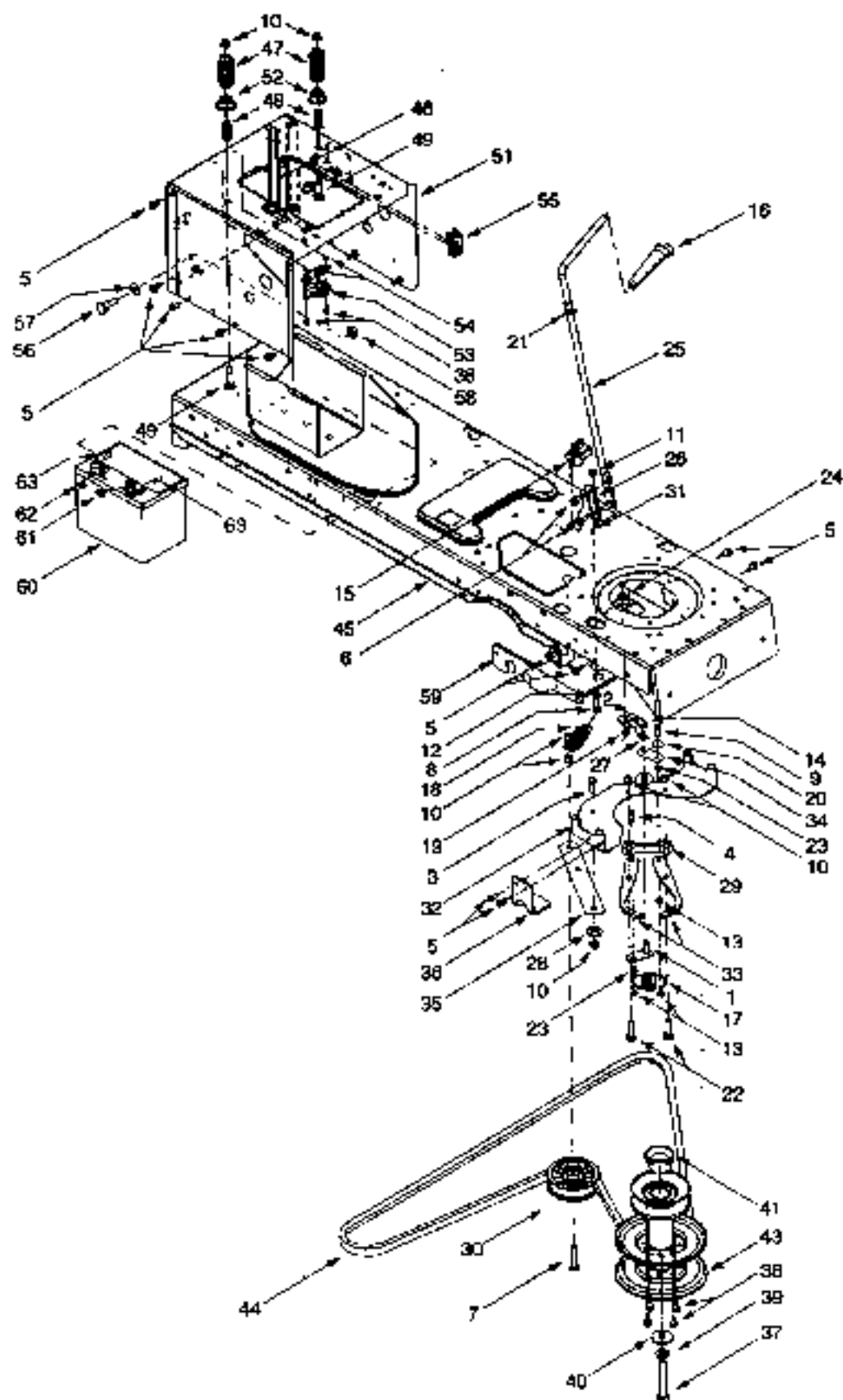
Model 604



Drive System

REF. NO.	PART NO.	DESCRIPTION	REF. NO.	PART NO.	DESCRIPTION
1	17839	Shift Lever Bracket	45	754-0487	Variable-speed Belt
2	17840	Transaxle Mounting Bracket	46	754-0468	Drive Belt
3	518-0368	Single-speed Transmission Assembly	47	756-0981	Flat Idler, 2.75 OD
4	531-0009	Shifter Knob	48	783-0637	Shift Lever Support
5	647-0041	Shift Lever	49	783-0667	Transmission Torque Bracket
6	656-0048	Variable-speed Pulley Assembly	50	783-0669	Idler Bracket
7	656-0051	Transmission Pulley, 8.5 x .5-36	51	783-0714	Adjustable Shift Bracket
8	683-0251	Double-Idler Bracket	52	647-0031	Brake Control Assembly
9	710-0189	Hex Cap Screw, 5/16-18 x 3	53	647-0032	Speed Control Assembly
10	710-0227	Self Tapping Screw, #8-18 x .5	54	883-0268	AutoDrive Pedal Assembly
11	710-0347	Hex Cap Screw, 3/8-16 x 1.75	55	710-1135	Self Tapping Screw, 5/16-18 x 2.5
12	710-0599	Self Tapping Screw, 1/4-20 x .5	56	711-0736	Ferrule, 1/4-20
13	710-0804	Self Tapping Screw, 5/16-18 x .625	57	711-1863	Pin, 3/8-16 x 2.43
14	710-0842	Self Tapping Screw, 1/4-20 x .75	58	714-0104	Cotter Pin
15	710-3011	Hex Cap Screw, 3/8-16 x 2.25	59	732-0437	Compression Spring, .34 OD x 1.0
16	711-0877	Ferrule, 5/16-18	60	732-0955	Extension Spring, .50 OD x 1.41
17	712-0241	Hex Nut, 3/8-24	61	735-0882	AutoDrive Pedal Pad
18	712-0378	Hex Nut, 7/16-20	62	735-3048	Brake Pedal Pad
19	712-0431	Flange Lock Nut, 3/8-16	63	736-0140	Flat Washer, .281 x .5 x .0625
20	712-0798	Hex Nut, 3/8-16	64	736-0187	Flat Washer, .64 x 1.24 x .06
21	712-3004A	Flange Lock Nut, 5/16-18	65	736-0204	Flat Washer, .344 x .062 x .03
22	712-3008	Jam Nut, 3/8-18	66	736-0155	Shoulder Screw, .437 x 1.62
23	714-0111	Cotter Pin	67	736-0507B	Shoulder Screw, .5 x .434
24	714-0149B	Internal Cotter Pin	68	741-0225	Hex Flange Bearing
25	723-0156	Ball Joint, 3/8-24	69	741-3065A	Split Hex Flange Bearing
26	725-1644	Short Spring Switch	70	747-1137	Cruise Control Rod
27	726-0320	Insulator Nut Plate	71	747-1138	Brake Lock Control Rod
28	732-0384	Extension Spring, .62 Dia. x 6.12	72	748-0413	Cruise Latch
29	732-0526	Compression Spring Clip	73	748-0416	Spacer, 5/16 x 1.54
30	732-0716	Extension Spring, .58 OD x 4	74	783-0653	Steering Support Bracket
31	732-0963	Extension Spring, .50 Dia. x 6.37 (hooks to flange, 783-0650, in frame)	75	783-0732	AutoDrive Lockout Bracket
32	736-0105	Ball Washer, .401 x .87 x .063	76	783-0773	Brake Pedal
33	736-0140	Flat Washer, .385 x .62 x .063	77	783-0780	Neutral Return Bracket
34	736-0189	Lock Washer, 3/8	78	883-0263	Lower Frame Assembly
35	736-0275	Flat Washer, 5/16	79	783-0668	Hitch Plate
36	736-0407	Ball Washer, .45 x 1.0 x .602	80	736-0242	Ball Washer, .34 x .872
37	736-3010	Flat Washer, .407 x .812 x .135	81	710-0827	Hex Cap Screw, 5/16-24 x .75
38	736-0322	Shoulder Screw, .625 x 2.17	82	634-0177	Wheel Assembly Complete, 20 x 10 x 8
39	747-1122	Brake Rod		634-0104	Wheel Assembly Complete, 20 x 8 x 8
40	747-1123	Belt Guard		634-0077	Rim Only
41	747-1127	Idler Adjustment Rod, 3/8		734-0255	Air Valve (Not Shown)
42	747-1156	Shift Rod		734-1873	Tire Only, 20 x 10 x 8, Square Shoulder
43	747-1160	Belt Guard Rod		734-1730	Tire Only, 20 x 8 x 8, Square Shoulder
44	748-0416	Shoulder Spacer, .38 ID	83	734-1788A	Hub Cap, Yellow w/ Spring Logo
				727-0425A	Spring Clip (Not Shown)

Model 604



Power Take-off System

REF. NO.	PART NO.	DESCRIPTION	REF. NO.	PART NO.	DESCRIPTION
1	883-0278	PTO Engagement Link w/ Weld Pin	33	783-0797	PTO Engagement Arm
2	883-0282	PTO Actuator Bracket w/ Weld Nut	34	783-0798	PTO Engagement Link
3	710-0514	Hex Cap Screw, 3/8-16 x 1.0 (Grade 5)	35	783-0799	PTO Arm
4	710-0597	Hex Cap Screw, 1/4-20 x 1.0 (Grade 5)	36	783-0808	Deck Stop
5	710-0604	Self Tapping Screw, 5/16-18 x .625	37	710-0561	Hex Cap Screw, 7/16-20 x 2.5 (Grade 5)
6	710-1260A	Self Tapping Screw, 5/16-18 x .75	38	710-0599	Self Tapping Screw, 1/4-20 x .5
7	710-3011	Hex Cap Screw, 3/8-16 x 2.25 (Grade 5)	39	736-0171	Lock Washer, 7/16
8	710-3180	Hex Cap Screw, 5/16-18 x 1.75 (Grade 5)	40	736-0322	Flat Washer, .45 x 1.25 x .164
9	710-3199	Hex Cap Screw, 1/4-20 x 1.5 (Grade 5)	41	750-0956	Spacer, 1.01 x 1.4 x .825
10	712-0431	Flange Lock Nut, 3/8-16	42	756-1150	Engine Pulley, 5.56 Dia. x 3.56 Dia.
11	712-3004A	Flange Lock Nut, 5/16-18	43	756-1164	Pulley Sheave
12	712-3010	Hex Nut, 5/16-18	44	754-0472	PTO Belt (42-inch Decks)
13	712-3027	Hex Flange Lock Nut, 1/4-20		754-0476	PTO Belt (46-inch Decks)
14	714-0111	Collar Pin	45	683-0263	Lower Frame Assembly
15	725-1657A	Snap Mount Safety Interlock Switch	46	723-0444	Battery Strap
16	731-2111	PTO Knob	47	732-0755	Compression Spring, .1314 OD x 2.95
17	732-0977	Extension Spring, .62 OD x 2.18	48	732-0958	Compression Spring, .66 OD x 1.5
18	732-0978	Extension Spring, 1.2 OD x 3.638	49	738-1014	Shoulder Screw, .5 x 1.25, 3/8-16
19	738-0140	Flat Washer, .385 x .62 x .063	50	783-0349	Battery Tray
20	738-0176	Flat Washer, .25 x .93 x .12	51	783-0688	Hitch Plate
21	736-0272	Flat Washer, .61 x 1.0 x .60	52	783-0733	Spacer Cup, 1.5 OD
22	738-1021	Shoulder Screw, .5 x .27, 3/8-16	53	725-1426	Solenoid, 12-Volt, 100 Amp
23	738-1125	Shoulder Nut, 1/4-20	54	736-0222	Lock Washer, 1/4
24	741-0708	Hex Split Flange Bearing, .50 ID	55	725-1747	Safety Interlock Plunger Switch
25	747-1112	PTO Engagement Handle	56	738-1620	Shoulder Screw, .625 x .5, 7/16-20
26	747-1114	PTO Engagement Lever	57	736-0407	Belt Washer, .45 x 1.0 x .062
27	747-1174	PTO Actuator Adjuster Link	58	712-0459	Flange Lock Nut, 7/16-20
28	748-0416	Shoulder Spacer, .38 ID	59	783-0653	Steering Support Bracket
29	748-0421	Arm Spacer, .68	60	725-1706	12-volt Battery, 270-CCA
30	756-0627	Flat Idler Pulley, 3.5 OD	61	712-3044	Wing Nut, 1/4-20
31	783-0744	Stop Bracket	62	712-0271	Hex Semi Nut, 1/4-20
32	783-0796	PTO Actuator Bracket	63	710-0751	Hex Cap Screw, 1/4-20 x .62

NOTE: For painted parts, please refer to the list of color codes below. Please add the applicable color code, wherever needed, to the part number to order a replacement part. For instance, if a part numbered 700-xxxx is painted Yard-Man Green, the part number to order would be 700-xxxx-0655.

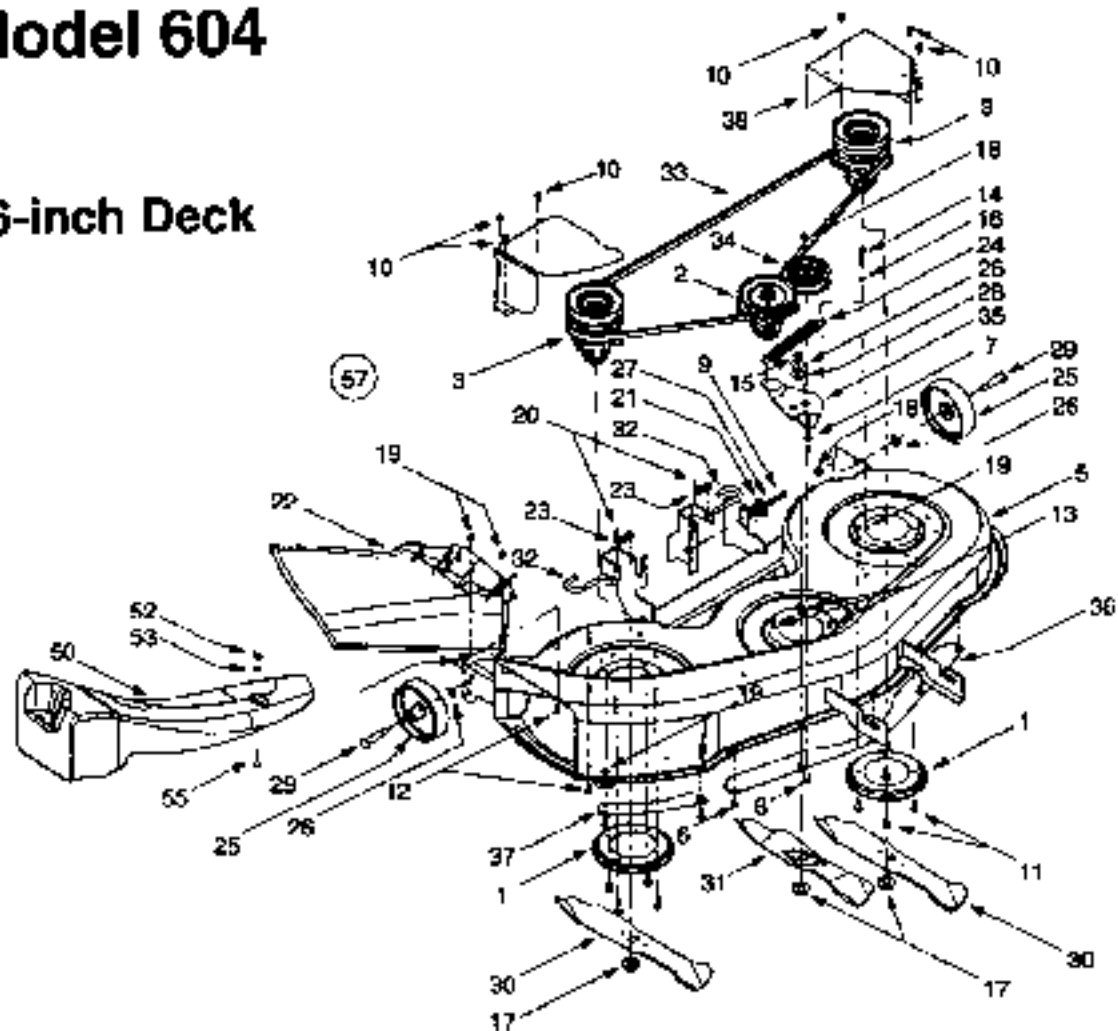
Yard-Man Green: 0655

Yard-Man Yellow: 0674

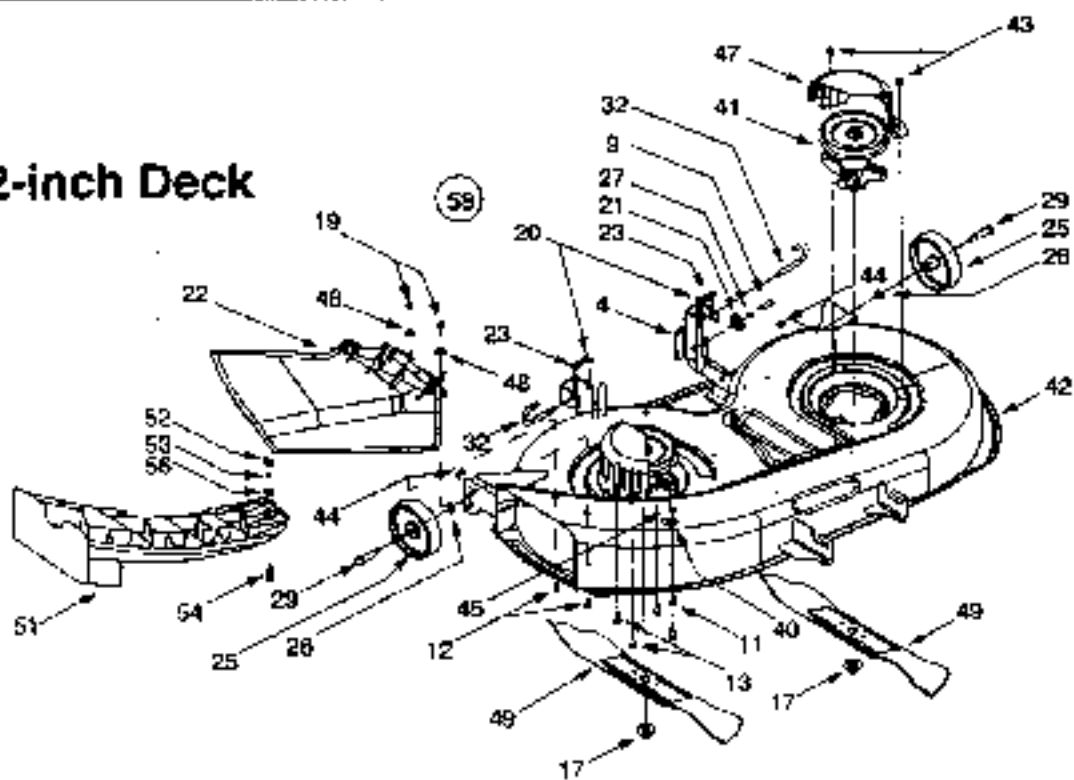
Powder Black: 0637

Model 604

46-inch Deck



42-inch Deck



Cutting Decks

REF. NO.	PART NO.	DESCRIPTION	REF. NO.	PART NO.	DESCRIPTION
1	17982	Reinforcement Spindle Plate	31	742-0612	Three-in-one Blade, Star Center, 14.88
2	618-0240	Spindle Assembly, 5 Dia.	32	747-1116	Deck Release Pin
	756-0959	Pulley Only	33	754-0349	Deck Belt
3	618-0241	Double Pulley Spindle Assembly	34	756-0627	Flat Idler Pulley, 3.5 OD
	756-0800	Double Pulley Only	35	783-0139	Idler Bracket
4	683-0254	Deck Adjustment Bracket w/ Weld Nut	36	783-0141	Center Deck Skirt
5	683-0285	46-Inch Deck Shell	37	783-0142	RH Deck Skirt
6	710-0167	Carriage Screw, 1/4-20 x .5	38	783-0747	LH Belt Cover
7	710-0347	Hex Cap Screw, 3/8-16 x 1.75	39	783-0605	RH Belt Cover
8	710-0514	Hex Cap Screw, 3/8-16 x 1.0	40	16606	Retainer Hook
9	710-0528	Hex Cap Screw, 5/16-18 x 1.25	41	618-0324	Spindle Assembly, 5.75 Dia
10	710-0599	Self Tapping Screw, 1/4-20 x .5		756-1151	Pulley Only
11	710-0650	Self Tapping Screw, 5/16-18 x .875	42	683-0199	42-Inch Deck Shell
12	710-0751	Hex Cap Screw, 1/4-20 x .82	43	710-0604	Self Tapping Screw, 5/16-18 x .625
13	710-1280A	Self Tapping Screw, 5/16-18 x .75	44	712-0181	Top Lock Jam Nut, 3/8-16
14	712-3288	Hex Cap Screw, 1/4-20 x 1.62	45	712-0271	Hex Sems Nut, 1/4-20
15	712-0241	Hex Nut, 3/8-24	46	712-3006	Hex Nut, 1/4-20
16	712-0291	Center Lock Nut, 1/4-20	47	731-2231	Belt Cover
17	712-0417A	Hex Flange Nut, 5/8-18	48	736-0270	Belt Washer, .285 x .75 x .062
18	712-0431	Flange Lock Nut, 3/8-16	49	742-0616	Three-in-one Blade, Star Center, 21.23
19	712-3027	Hex Flange Lock Nut, 1/4-20	50	731-1638	Mulch Plug, 48-Inch Decks
20	714-0104	Internal Colter Pin, .072 x 1.12	51	731-1643A	Mulch Plug, 42-Inch Decks
21	717-1553	Deck Adjustment Gear	52	712-3087	Wing Nut, 1/4-20
22	731-1032A	Side Discharge Chute Assembly	53	712-0291	Center Lock Nut, 1/4-20
23	732-0306	Compression Spring, .406 x .531 x 1.75	54	710-0108	Hex Cap Screw, 1/4-20 x 1.25
24	732-0594A	Extension Spring, .91 x 7.33	55	710-0578	Screw, 1/4-20 x 1.5
25	734-0873	Deck Wheel, 5 x 1.38	56	736-0173	Flat Washer, .28 x .74 x .083
26	736-0105	Belt Washer, .401 x .87 x .063	57	753-0852	48-Inch Deck Assembly Complete (w/o mulch kit)
27	736-0119	Lock Washer, 5/16			
28	736-0347	Shoulder Spacer, .625 x .169	58	753-0851	42-Inch Deck Assembly Complete (w/o mulch kit)
29	738-0373	Shoulder Spacer, .498 x 1.53			
30	742-0611	Three-in-one Blade, Star Center, 16.28			

NOTE: For painted parts, please refer to the list of color codes below. Please add the applicable color code, wherever needed, to the part number to order a replacement part. For instance, if a part numbered 700-xxxx is painted Yard-Man Green, the part number to order would be 700-xxxx-0665.

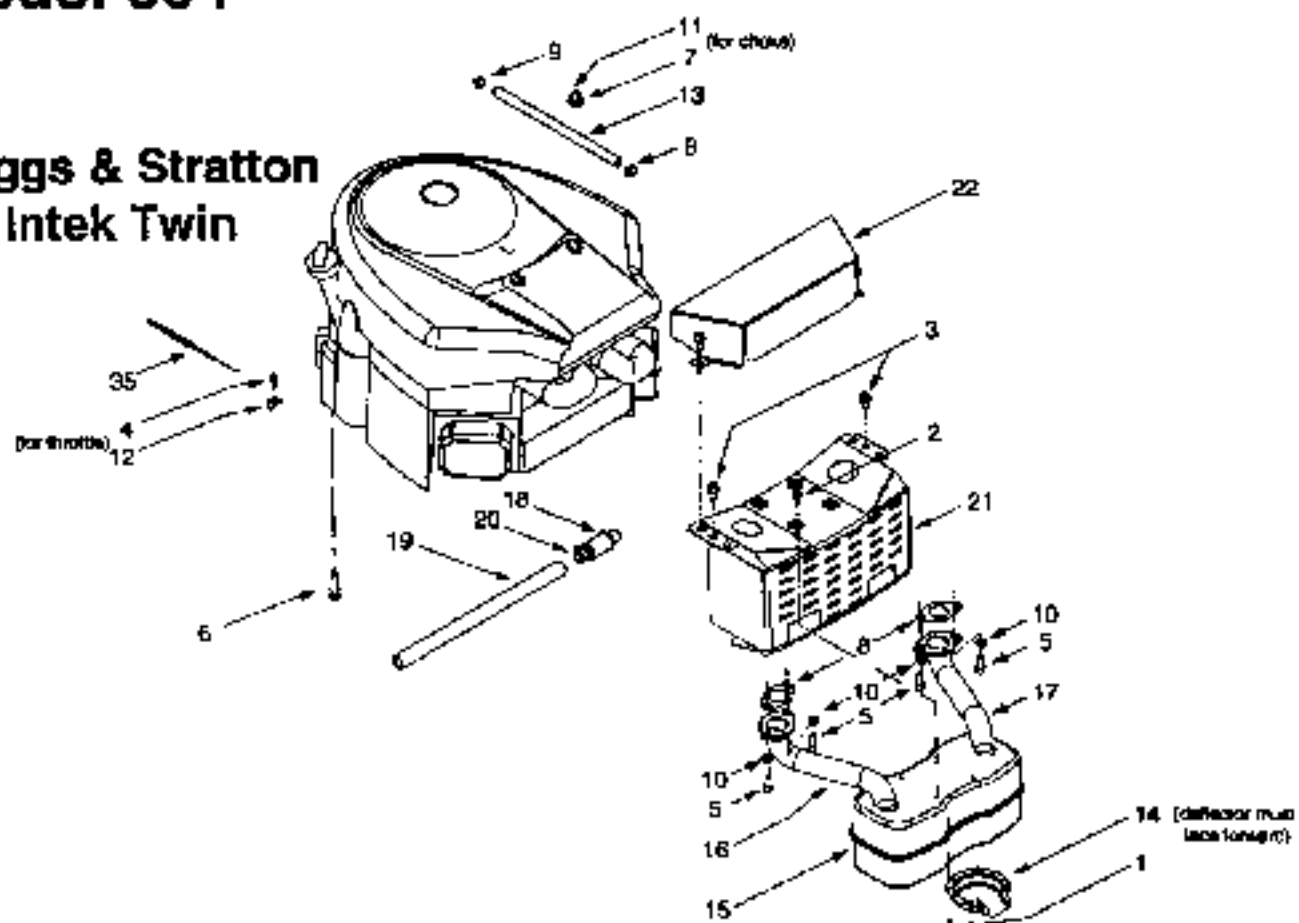
Yard-Man Green: 0665

Yard-Man Yellow: 0674

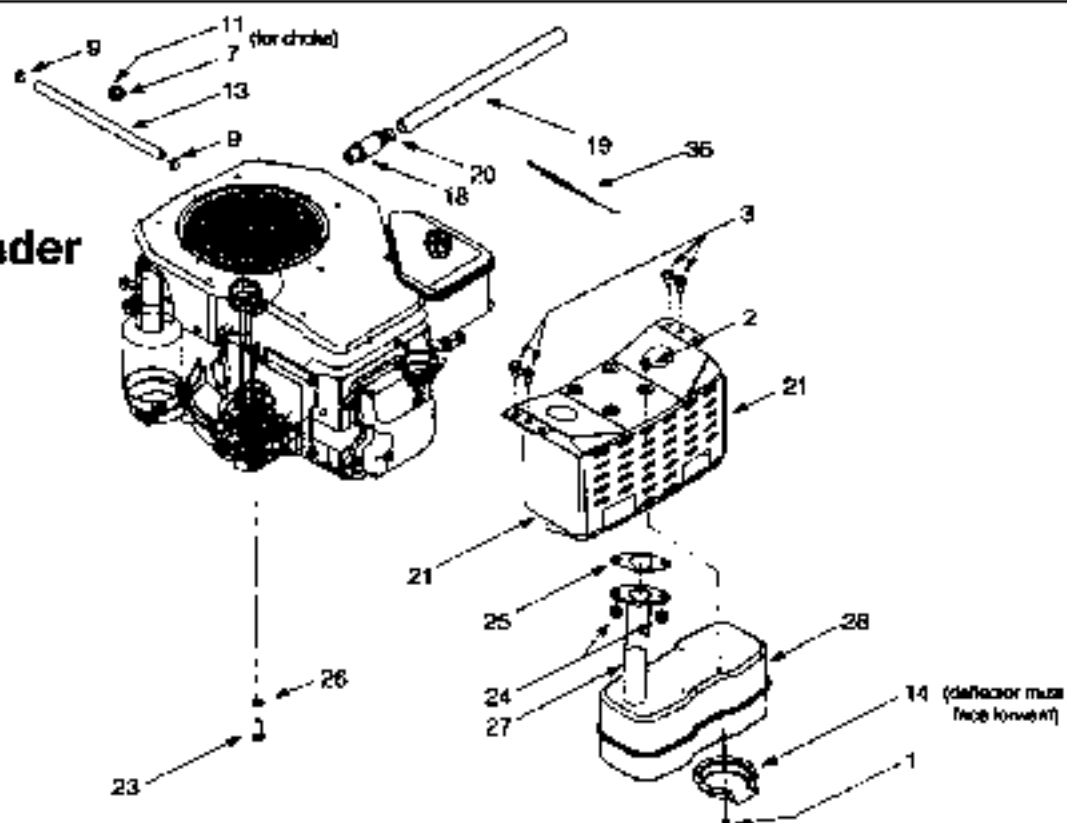
Powder Black: 0637

Model 604

Briggs & Stratton Intek Twin

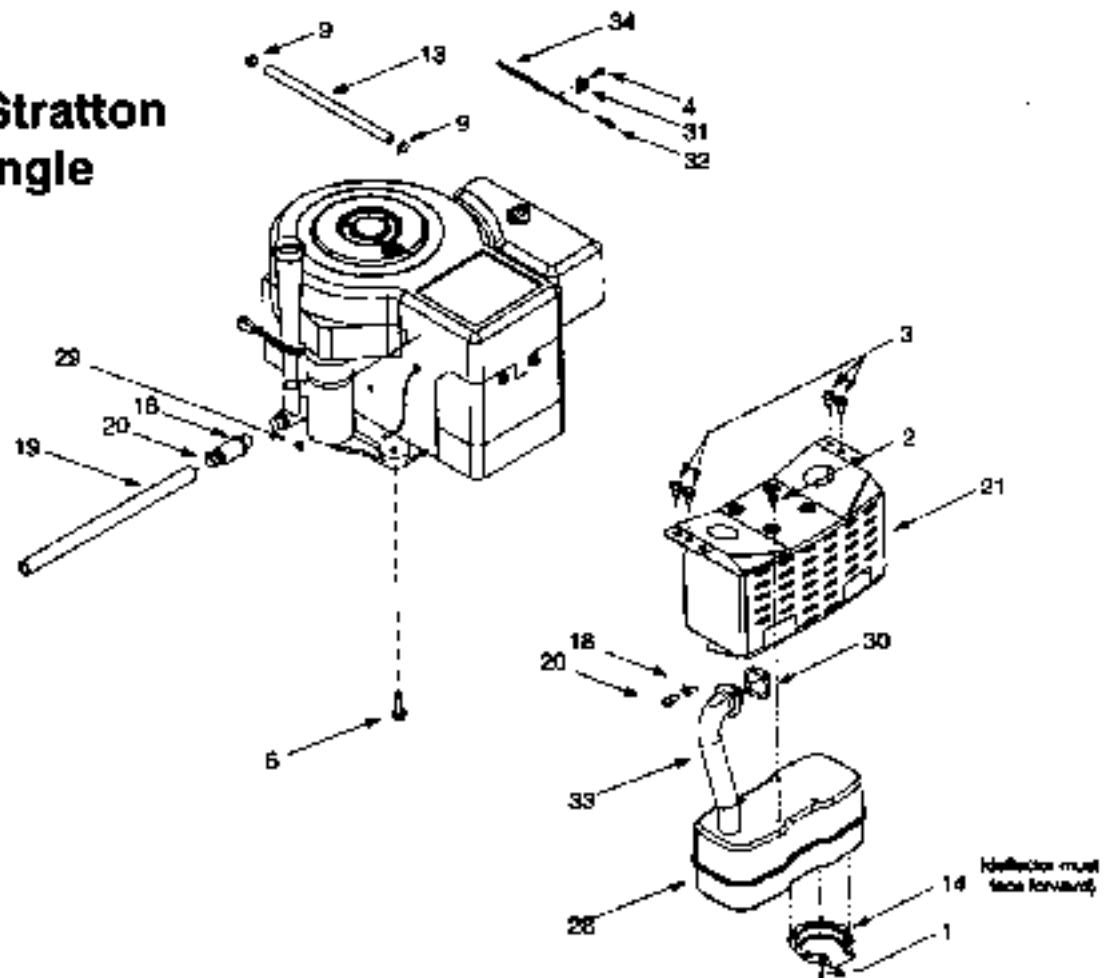


Kohler Single-cylinder



Engine Accessories

Briggs & Stratton Intek Single



REF. NO.	PART NO.	DESCRIPTION	REF. NO.	PART NO.	DESCRIPTION
1	710-0148	Self Tapping Screw, #8-32 x .375	19	751-3141	Oil Drain Hose
2	710-0599	Self Tapping Screw, 1/4-20 x .5	20	751-3142	Oil Drain Cap
3	710-0604	Self Tapping Screw, 5/16-18 x .625	21	783-0615	Muffler Heat Shield
4	710-1237	Screw, #10-32 x .625	22	783-0625A	Engine Heat Shield
5	710-1314	Socket Cap Screw, 5/16-18 x .825	23	710-3206A	Hex Cap Screw, M8-1.25 x 25
6	710-1315	Self Tapping Screw, 3/8-16 x 1.25	24	712-3086	Flange Nut, M8-1.25
7	712-0788	Hex Nut, 3/8-16	25	721-0375	Exhaust Gasket (Kohler)
8	721-0460	Exhaust Gasket (Intek Twin)	26	736-0607	External Lock Washer, 5/16
9	726-0206	Hose Clamp	27	751-0621	Exhaust Pipe (Kohler)
10	736-0119	Lock Washer, 5/16	28	751-0617	Muffler, Single Inlet
11	736-0221	Flat Washer, 3/8 x .56 x .018	29	712-0271	Hex Sema Nut, 1/4-20 (for starter cable)
12	751B221535	Casing Clamp	30	721-0208	Exhaust Gasket (Intek Single)
13	751-0535	Fuel Line Hose	31	732-0966	Extension Spring, .275 x 1.25
14	751-0564	Muffler Deflector	32	751B213146	Casing Clamp
15	751-0818	Muffler, Twin Inlet	33	751-0619	Exhaust Pipe (Intek Single)
16	751-0650	RH Exhaust Pipe (Intek Twin)	34	746-1084	Throttle/Choke Cable (Intek Single)
17	751-0651	LH Exhaust Pipe (Intek Twin)	35	746-1086	Throttle Cable (Intek Twin)
18	751-3140	Oil Drain Valve	36	746-1087	Throttle Cable (Kohler)

