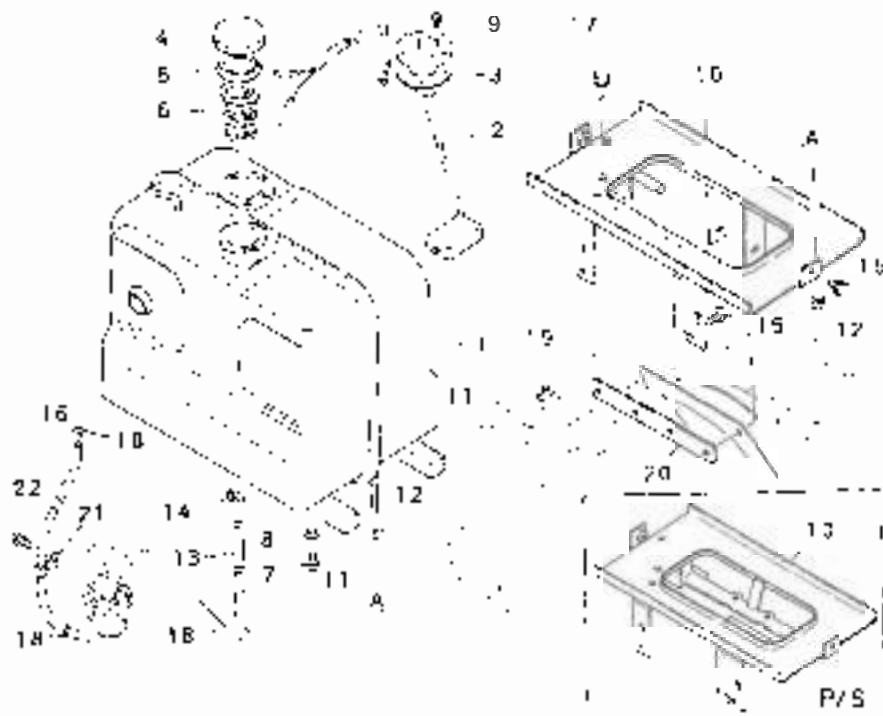


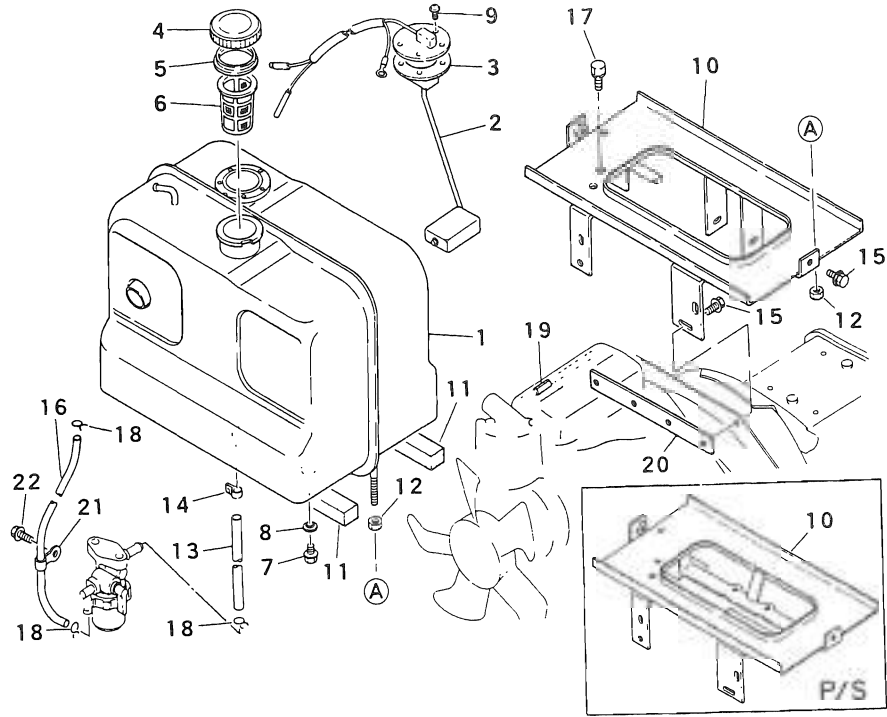
# CHASSIS

FIG.201 FUEL LINE



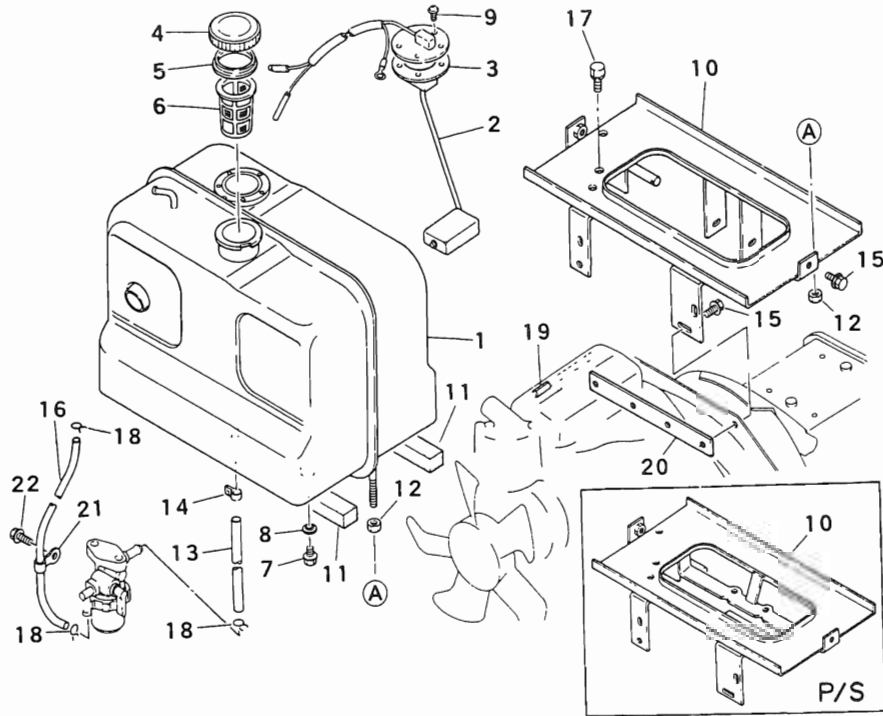
| Qty No | Part No        | Part Name      | U | Q | Sub location   | Exemption | Remarks       |
|--------|----------------|----------------|---|---|--|-----------|---------------|
| 1-9    | 1021 0101 002  | TANK ASSY      | 1 | 1 | 2100 00001-<br>2100 00002-<br>2500 00001-<br>2500 00002-   |           |               |
|        | ○              | TANK ASSY      | 1 | 1 | B  |           | 1021 0101 001 |
|        | ○              | TANK ASSY      | 1 | 1 | A  |           | 1021 0101 000 |
| 1      | *              | TANK, fuel     | 1 | 1 |  |           |               |
| 10-9   | 1021 0102 002  | TANK ASSY      | 1 | 1 | 2100 00001-<br>2100 00002-<br>2500 00001-<br>2500 00002-   |           |               |
|        | ○              | TANK ASSY      | 1 | 1 | B  |           | 1021 0102 001 |
|        | ○              | TANK ASSY      | 1 | 1 | A  |           | 1021 0102 000 |
| 1      | *              | TANK, fuel     | 1 | 1 |  |           |               |
| 2, 3   | 1021 0113 000  | FUEL UNIT      | 1 | 1 |  |           |               |
| 3      | 1174 0118 110  | PACKING        | 1 | 1 |  |           |               |
| 4      | 67403 10200    | CAP, fuel tank | 1 | 1 |  |           |               |
| 5      | 67403 00300    | PACKING        | 1 | 1 |  |           |               |
| 6      | 67403 00500    | STRAINER       | 1 | 1 |  |           |               |
| 7      | 2740 3214 200  | FLUG           | 1 | 1 |  |           |               |
| 8      | 1175 0104 200  | WASHER, seal   | 1 | 1 |  |           |               |
| 9      | 11242 0154 010 | SCREW w/washer | 5 | 5 |  | SPARE     |               |
| 10     | 1984 0113 002  | BRACKET, tank  | 1 | 1 | 2100 00001-<br>2100 00002-<br>B 2500 00001-<br>2500 00002- |           | 1984 0113 001 |
|        | ○              | BRACKET, tank  | 1 | 1 | B  |           | 1984 0113 000 |
|        | 1984 0151 000  | BRACKET, tank  | 1 | 1 | B  |           |               |
|        | 1984 0113 002  | BRACKET, tank  | 4 | 1 | 2500 00001-<br>2500 00002-                                 |           |               |
|        | ○              | BRACKET, tank  | 4 | 1 | B  |           | 1984 0113 001 |
|        | 1994 0113 000  | BRACKET, tank  | 4 | 1 | B  |           |               |
|        | 1984 0114 001  | BRACKET, tank  | 1 | 1 | 2100 00001-<br>2100 00002-                                 |           | 1984 0114 000 |
|        | 1994 0162 000  | BRACKET, tank  | 1 | 1 | B  |           |               |

FIG.201 FUEL LINE



| Key No | Parts No      | Parts Name     | Q'ty |      |  |  | P/P | Application  | Description | Remarks            |
|--------|---------------|----------------|------|------|--|--|-----|--|-------------|--------------------|
|        |               |                | 21PS | 25PS |  |  |     |  |             |                    |
| 1~9    | 1021 0101 0C2 | TANK ASSY      | 1    | 1    |  |  |     | 210D 50593~<br>210 10238~<br>250D 50973~<br>250 10855~ |             |                    |
|        | ○             | TANK ASSY      | 1    | 1    |  |  | B   |  |             | 1021 0101 0C1      |
|        | ○             | TANK ASSY      | 1    | 1    |  |  | A   |  |             | 1021 0101 0C0      |
| 1      | *             | TANK,fuel      | 1    | 1    |  |  |     |  |             |                    |
| 1a~9   | 1021 0102 0C2 | TANK ASSY      | 1    | 1    |  |  |     | 210D 50593~<br>210 10238~<br>250D 50973~<br>250 10855~ |             | For P/S            |
|        | ○             | TANK ASSY      | 1    | 1    |  |  | B   |  |             | 1021 0102 0C1      |
|        | ○             | TANK ASSY      | 1    | 1    |  |  | A   |  |             | 1021 0102 0C0      |
| 1a     | *             | TANK,fuel      | 1    | 1    |  |  |     |  |             |                    |
| 2,3    | 1021 0113 000 | FUEL UNIT      | 1    | 1    |  |  |     |  |             |                    |
| 3      | 1174 0118 110 | PACKING        | 1    | 1    |  |  |     |  |             |                    |
| 4      | 67403-10200   | CAP,fuel tank  | 1    | 1    |  |  |     |  |             |                    |
| 5      | 67403-00300   | PACKING        | 1    | 1    |  |  |     |  |             |                    |
| 6      | 67403-00500   | STRAINER       | 1    | 1    |  |  |     |  |             |                    |
| 7      | 2740 3214 200 | PLUG           | 1    | 1    |  |  |     |  |             |                    |
| 8      | 1135 0104 200 | WASHER,seal    | 1    | 1    |  |  |     |  |             |                    |
| 9      | H242 0104 010 | SCREW,w/washer | 5    | 5    |  |  |     |  |             | M4X10              |
| 10     | 1984 0113 0C2 | BRACKET,tank   | 1    | •    |  |  |     | 210D 50469~<br>210 10222~                              |             |                    |
|        | ○             | BRACKET,tank   | 1    | •    |  |  | B   | 210D 50162~<br>210 10111~                              |             | 1984 0113 0C1      |
|        | 1984 0151 0C0 | BRACKET,tank   | 1    | •    |  |  | D   |  |             |                    |
|        | 1984 0113 0C2 | BRACKET,tank   | •    | 1    |  |  |     | 250D 50723~<br>250 10822~                              |             |                    |
|        | ○             | BRACKET,tank   | •    | 1    |  |  | B   | 250D 50312~<br>250 10146~                              |             | 1984 0113 0C1      |
|        | 1984 0113 0C0 | BRACKET,tank   | •    | 1    |  |  | D   |  |             |                    |
|        | 1984 0114 0C1 | BRACKET,tank   | 1    | •    |  |  |     | 210D 50162~<br>210 10111~                              |             | For P/S<br>For P/S |
|        | 1984 0152 0C0 | BRACKET,tank   | 1    | •    |  |  | D   |  |             |                    |

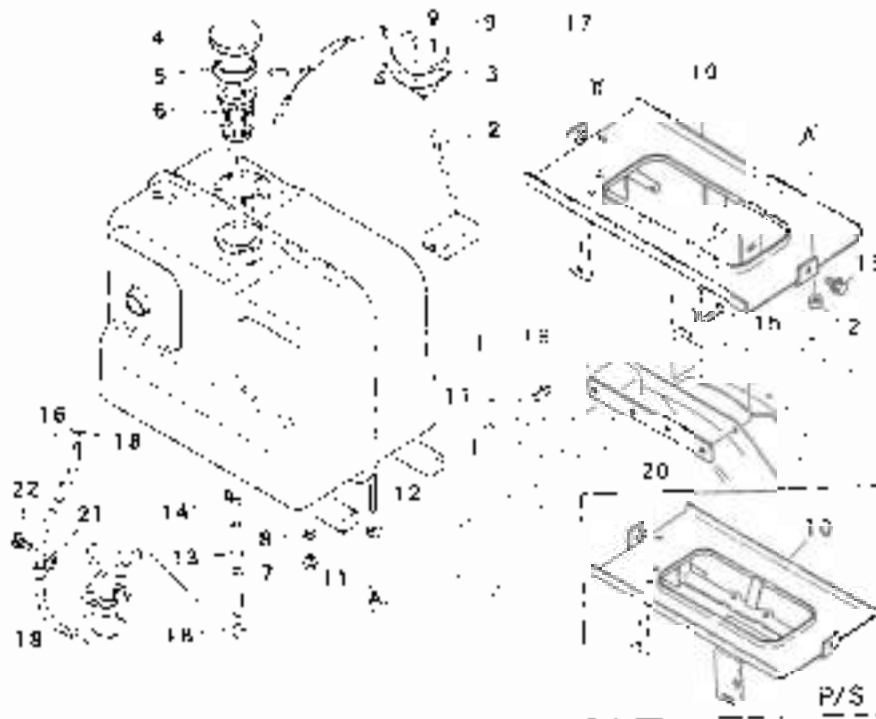
FIG.201 FUEL LINE



2

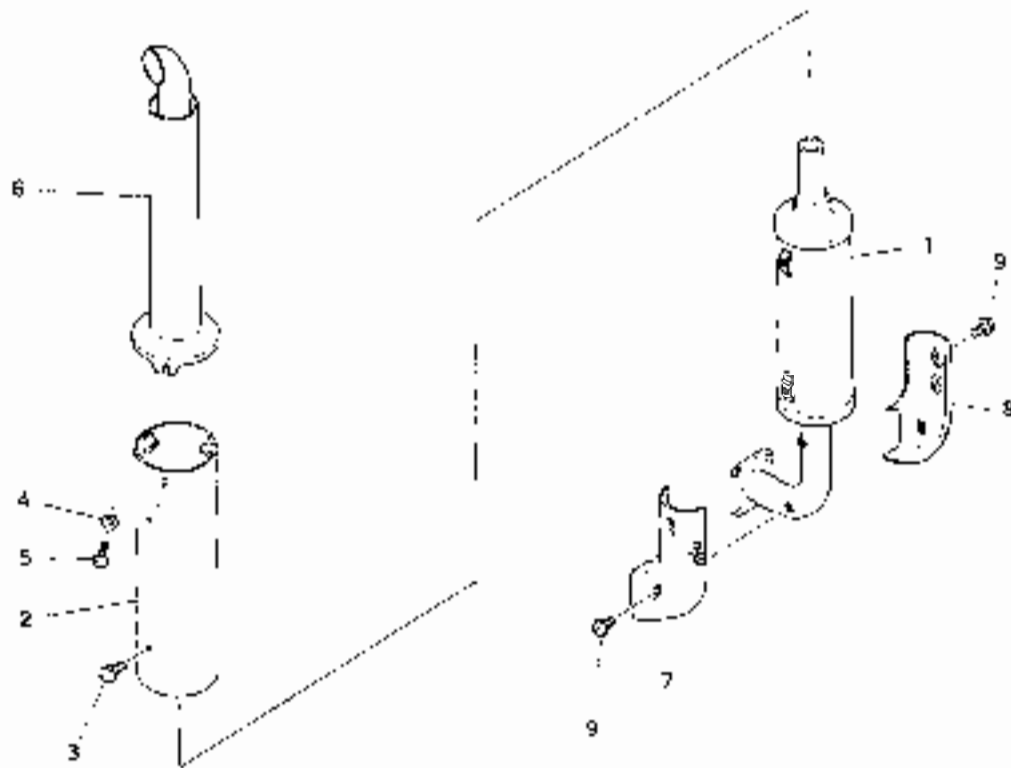
| Key No | Parts No      | Parts Name     | Q'ty |      |  |  | P | Application  | Description | Remarks       |
|--------|---------------|----------------|------|------|--|--|---|--|-------------|---------------|
|        |               |                | 21PS | 25PS |  |  |   |  |             |               |
|        | 1984 0114 0C1 | BRACKET,tank   | •    | 1    |  |  |   | 250D 50312~<br>250 10146~                              |             | For P/S       |
|        | 1984 0114 0C0 | BRACKET,tank   | •    | 1    |  |  | D |  |             | For P/S       |
|        | 1984 0153 0C2 | BRACKET,tank   | •    | 1    |  |  |   | 250D 51033~  |             | For England   |
|        | ○             | BRACKET,tank   | •    | 1    |  |  | B | 250D 50723~  |             | 1984 0153 0C1 |
|        | ○             | BRACKET,tank   | •    | 1    |  |  | B |  |             | 1984 0153 0C0 |
| 11     | 1021 0114 001 | CUSHION,rubber | 4    | 4    |  |  |   | 210D-50257~<br>210 10166~<br>250D 50362~<br>250 10286~ |             |               |
|        | 1021 0114 000 | CUSHION,rubber | 2    | 2    |  |  | D |  |             |               |
| 12     | A303 0110 001 | NUT            | 4    | 4    |  |  |   |  | M10         |               |
| 13, 14 | 1984 0115 001 | FUEL PIPE      | 1    | 1    |  |  |   | 210D 50162~<br>210 10111~<br>250D 50312~<br>250 10146~ |             |               |
|        | ○             | FUEL PIPE      | 1    | 1    |  |  | B |  |             | 1984 0115 000 |
| 13     | 1984 0115 110 | HOSE,rubber    | 1    | 1    |  |  |   | 210D 50162~<br>210 10111~<br>250D 50312~<br>250 10146~ |             |               |
|        | ○             | HOSE,rubber    | 1    | 1    |  |  | B |  |             | 1994 0104 110 |
| 14     | 67303-02313   | CLAMP          | 1    | 1    |  |  |   |  |             |               |
| 15     | H154 0108 020 | BOLT,w/washer  | 4    | 4    |  |  |   |  | M8X20       |               |
|        | H154 0108 020 | BOLT,w/washer  | 2    | 2    |  |  |   |  | M8X20       | For P/S       |
| 16     | 1984 0116 000 | PIPE,fuel      | 1    | •    |  |  |   | 210D 50162~<br>210 10111~                              |             |               |
|        | ○             | PIPE,fuel      | 1    | •    |  |  | B |  |             | 1984 0118 000 |
|        | 1984 0154 000 | PIPE,fuel      | •    | 1    |  |  |   | 250D 50312~<br>250 10146~                              |             |               |
|        | ○             | PIPE,fuel      | •    | 1    |  |  | B |  |             | 1984 0116 000 |
| 17     | F155 0110 020 | BOLT,w/washer  | 2    | 2    |  |  |   |  | M10X20      |               |
| 18     | 0050 3112 506 | CLAMP,hose     | 3    | 3    |  |  |   |  |             |               |
| 19     | 1984 0117 000 | CUSHION        | •    | 1    |  |  |   |  |             |               |

FIG.201 FUEL LINE



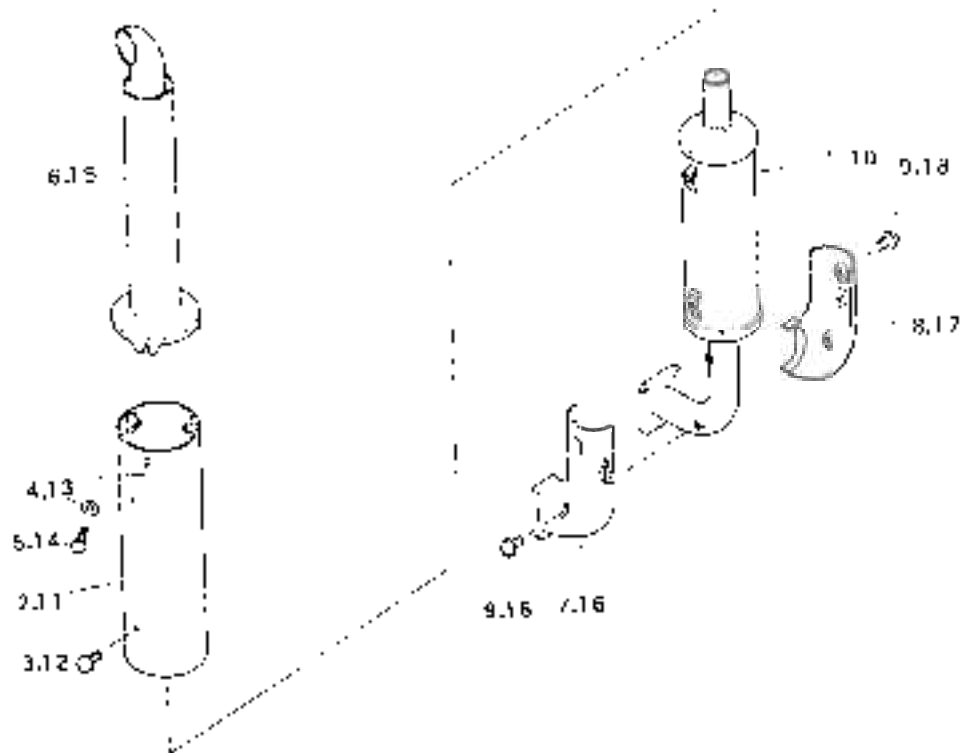
| Key No. | Parts No.     | Part Name     | QTY | REVISION | REASON | DESCRIPTION | REMARKS |
|---------|---------------|---------------|-----|----------|--------|-------------|---------|
| 20      | 1984 0'55 GCG | PLATE         | 1   |          |        |             | Added   |
| 21      | 0050 2'10 G83 | CLAMP         | 1   | 1        |        |             | Added   |
| 22      | H154 0128 D'E | BOLT,w/washer | 1   | 1        |        |             | Added   |

FIG. 202 MUFFLER (210D.210)



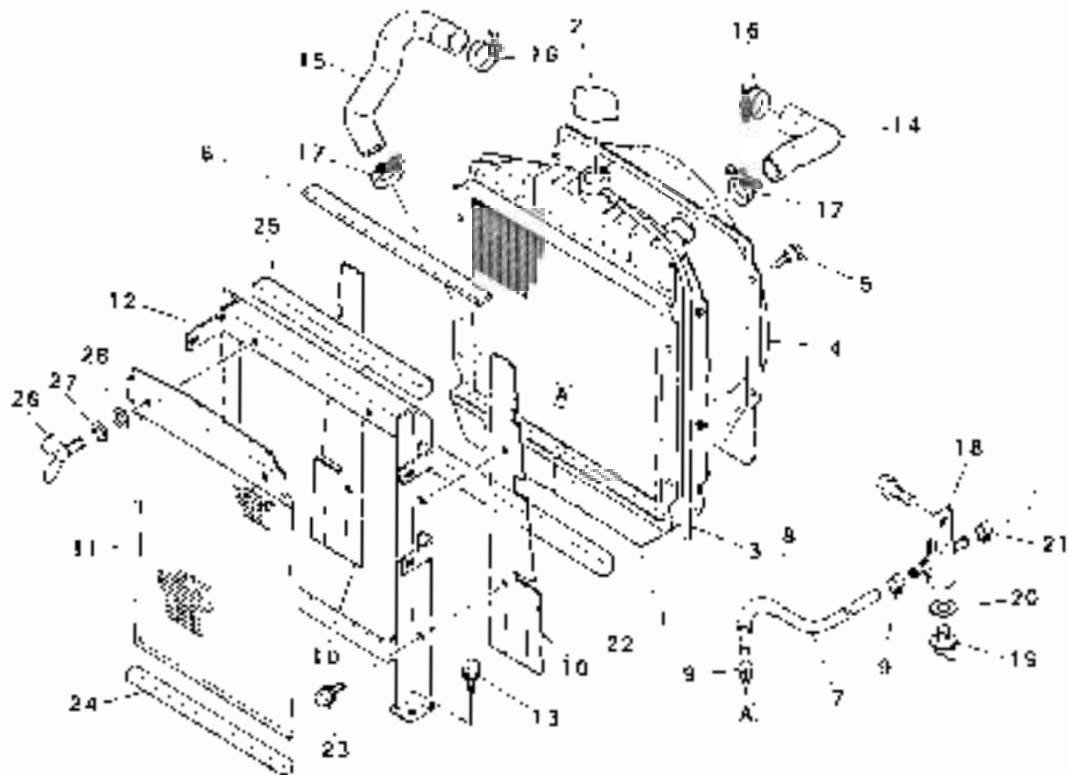
| Key No | Parts No      | Parts Name    | Q'ty |     | Application              | Description | Remarks       |
|--------|---------------|---------------|------|-----|--------------------------|-------------|---------------|
|        |               |               | 4WD  | 2WD |                          |             |               |
| 1-B    | 1021 0301 0K2 | MUFFLER ASSY. | 1    | 1   | 2102 50102-<br>210101115 |             |               |
|        | ○             | MUFFLER ASSY. | 1    | 1   | A                        |             | 1021 0301 0K1 |
|        | ○             | MUFFLER ASSY. | 1    | 1   | A                        |             | 1021 0301 0K0 |
| 1-E    | 1021 0302 0K1 | MUFFLER ASSY. | 1    | 1   | 2102 50102-<br>210101115 |             |               |
|        | ○             | MUFFLER ASSY. | 1    | 1   | B                        |             | 1021 0302 0K0 |
| 1      | 1021 0311 0K1 | MUFFLER       | 1    | 1   | 2102 50102-<br>210101115 |             |               |
|        | ○             | MUFFLER       | 1    | 1   | B                        |             | 1021 0311 0K0 |
| 2      | 1021 0312 0K0 | COVER BUOY    | 1    | 1   |                          |             |               |
| 3      | E9502-00500   | SCREW         | 2    | 2   |                          |             |               |
| 4      | E9502-00900   | WASHER        | 3    | 3   |                          |             |               |
| 5      | E9502-01000   | SCREW         | 3    | 3   |                          |             |               |
| 6      | 1021 0313 0K2 | COVER,ia pipe | 1    | 1   |                          |             |               |
|        | ○             | COVER,ia pipe | 1    | 1   | A                        |             | 1021 0313 0K1 |
| 7      | 1021 0315 0K1 | COVER,front   | 1    | 1   |                          |             |               |
|        | ○             | COVER,front   | 1    | 1   | A                        |             | 1021 0315 0K0 |
| 8      | 1021 0321 0K1 | COVER,rear    | 1    | 1   |                          |             |               |
|        | ○             | COVER,rear    | 1    | 1   | A                        |             | 1021 0321 0K0 |
| 9      | E9502-U0800   | SCREW         | 4    | 4   |                          |             |               |

FIG.203 MUFFLER (250D,250)



| Key No | Parts No      | Parts Name       | QTY | UNIT | Application   | Description | Remarks       |
|--------|---------------|------------------|-----|------|---------------|-------------|---------------|
| 1-3    | 102' 0301 0K0 | MUFFLER ASSY     |     |      | 250D - 50 E'  |             | 250D          |
| 1-5    | 1984 0302 0K' | MUFFLER ASSY     |     |      | 250 - 10980   |             | 250D          |
|        | ○             | MUFFLER ASSY     |     |      | 250 50312 -   |             |               |
|        | ○             | MUFFLER ASSY     |     |      | 250 10'46 -   | A           | 250D 50312 -  |
|        | ○             | MUFFLER ASSY     |     |      | 250 1062' -   | B           | 250 1062' -   |
| 1      | 1984 03'1 0K1 | MUFFLER          |     |      | 250 50312     |             | 1984 0302 50  |
|        | ○             | MUFFLER          |     |      | 250 10' 40    |             | 1984 0302 50  |
|        | ○             | MUFFLER          |     |      | B 250 50182 - | B           | 1984 0302 50  |
|        | ○             | MUFFLER          |     |      | 250 1062'     | B           | 1984 0302 50  |
| 2      | 102' 03'2 0K0 | COVER BODY       |     |      |               |             | 102' 03'2 0K0 |
| 3      | 89502-00800   | SCREW            | 4   | 4    |               |             |               |
| 4      | 89502-00900   | WASHER           | 3   | 3    |               |             |               |
| 5      | 89502-01000   | SCREW            | 3   | 3    |               |             |               |
| 6      | 102' 03'3 0K2 | COVER,tail p. as |     |      |               |             |               |
|        | ○             | COVER,tail p. as |     |      |               | A           | 102' 03'3 0K1 |
| 7      | 102' 03'5 0K' | COVER,front      |     |      |               | A           | 102' 03'5 0K0 |
|        | ○             | COVER,front      |     |      |               | A           | 102' 03'5 0K0 |
| 8      | 102' 0321 0K1 | COVER,rear       |     |      |               | A           | 102' 0321 0K0 |
|        | ○             | COVER,rear       | 1   | 1    |               | A           | 102' 0321 0K0 |
| 9      | 89502-00800   | SCREW            | 4   | 4    |               |             |               |
| 10-14  | 1984 0303 0K' | MUFFLE ASSY      |     |      |               |             | 250D 50312 -  |
| 10     | 1984 03'2 0K' | MUFFLER          |     |      |               |             | 250D 50312 -  |
| 11     | 102' 05'2 0K0 | COVER,body       |     |      |               |             | 250D 50312 -  |
| 12     | 89502-00800   | SCREW,machine    | 4   | 4    |               |             | 250D 50312 -  |
| 13     | 89502-00900   | WASHER,machine   | 3   | 3    |               |             | 250D 50312 -  |
| 14     | 89502-01000   | SCREW,machine    | 2   | 2    |               |             | 250D 50312 -  |
| 15     | 1984 03'3 0K0 | COVER,tail p. as |     |      |               |             | 250D 50312 -  |
| 16     | 102' 03'5 0K' | COVER,front      |     |      |               |             | 250D 50312 -  |
| 17     | 102' 0321 0K1 | COVER,rear       |     |      |               |             | 250D 50312 -  |
| 18     | 89502-00800   | SCREW,machine    | 4   | 4    |               |             | 250D 50312 -  |

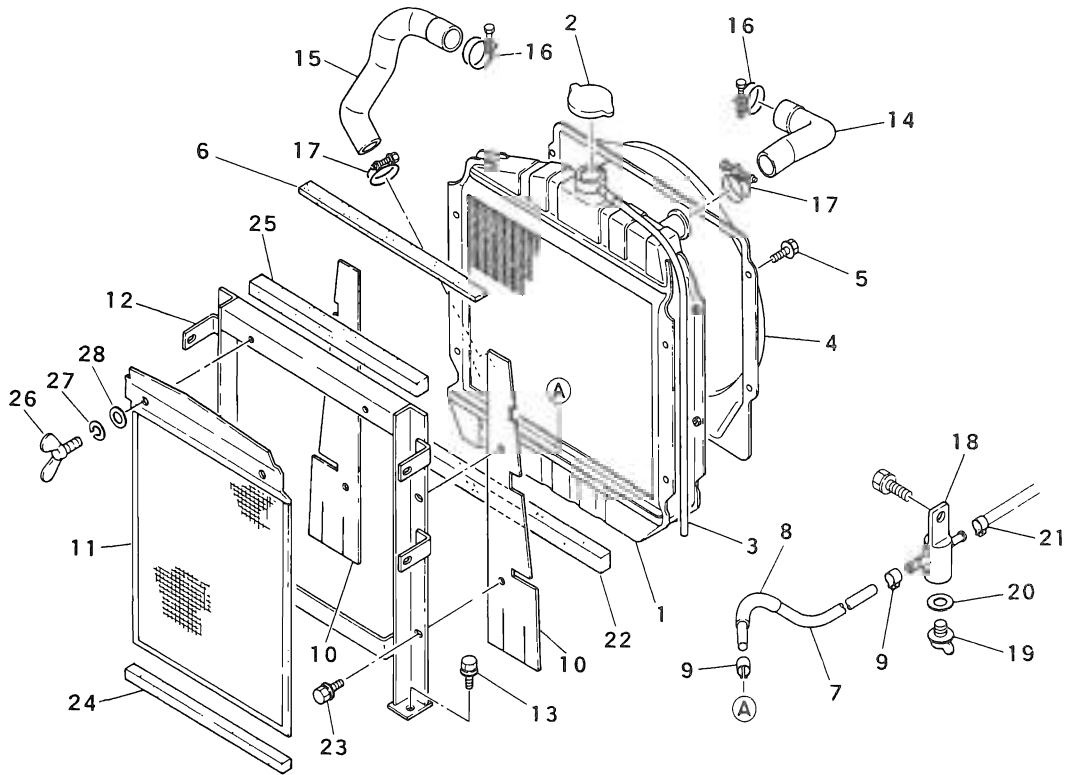
FIG. 204 RADIATOR



| Key No | Part No       | Parts Name    | Q | U | Application | Description | Remarks |
|--------|---------------|---------------|---|---|-------------|-------------|---------|
| 1-E    | 1021 0411 000 | RADIATOR ASSY | 1 | 1 |             |             |         |
|        | 1984 0411 000 | RADIATOR ASSY | 1 | 1 |             |             |         |
| 1      | *             | RADIATOR      | 1 | 1 |             |             |         |
| 2      | 69401-00612   | CAP           | 1 | 1 |             |             |         |
| 3      | 67401-00112   | PIPE, w/nyl   | 1 | 1 |             |             |         |
| 4      | 69501-06512   | SHROUD, fan   | 1 | 1 |             |             |         |
|        | 69401-01412   | SHROUD, fan   | 1 | 1 |             |             |         |
| 5      | H114 0108 015 | BOLT w/washer | 4 | 4 |             |             | VENT    |
| 6      | 1021 0413 000 | CLASH ON      | 1 | 1 |             |             |         |
| 7-9    | 1932 0035 000 | PIPE, water   | 1 | 1 |             |             | 320     |
|        | 69401-02101   | PIPE, water   | 1 | 1 |             |             |         |
| 7      | 1932 0035 120 | PIPE          | 1 | 1 |             |             |         |
|        | 69401-02112   | PIPE          | 1 | 1 |             |             |         |
| 9      | 69501-06612   | PIPE          | 1 | 1 |             |             | 120     |
| 9      | 69501-06613   | CLAMP         | 2 | 2 |             |             |         |
| 10     | 1021 0417 000 | PLATE         | 2 | 2 |             |             |         |
| 11     | 1984 0413 000 | NET radiator  | 1 | 1 |             |             |         |
| 12     | 1964 0451 000 | BRACKET       | 1 | 1 |             |             |         |
|        | 1984 0412 001 | BRACKET       | 1 | 1 |             |             |         |
|        | ○             | BRACKET       | 1 | 1 |             |             |         |
| 13     | H154 0108 020 | BOLT w/washer | 3 | 3 |             |             | VENT    |
| 14     | 69501-06300   | HOSE, upper   | 1 | 1 |             |             |         |
|        | 1994 0412 000 | HOSE, upper   | 1 | 1 |             |             |         |
| 15     | 69501-06400   | HOSE, lower   | 1 | 1 |             |             |         |
|        | 69401-01700   | HOSE, lower   | 1 | 1 |             |             |         |
| 16     | 69501-07045   | CLIP, hose    | 2 | 2 |             |             |         |
|        | ○             | CLIP, hose    | 2 | 2 |             |             |         |
| 17     | 0050 1100 430 | BAND, hose    | 2 | 2 |             |             |         |
| 18     | 1174 0415 000 | JOINT, water  | 1 | 1 |             |             |         |
| 19     | 57401 00113   | COCK, water   | 1 | 1 |             |             |         |
| 20     | 57401 00114   | GASKET        | 1 | 1 |             |             |         |

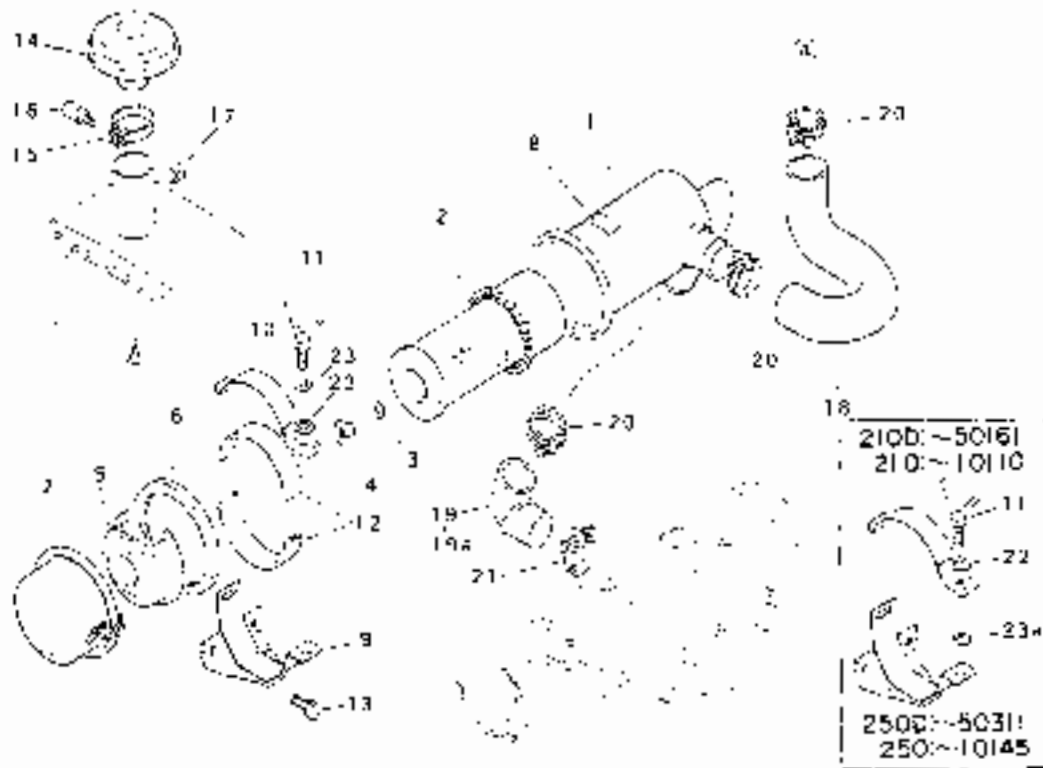


# FIG.204 RADIATOR



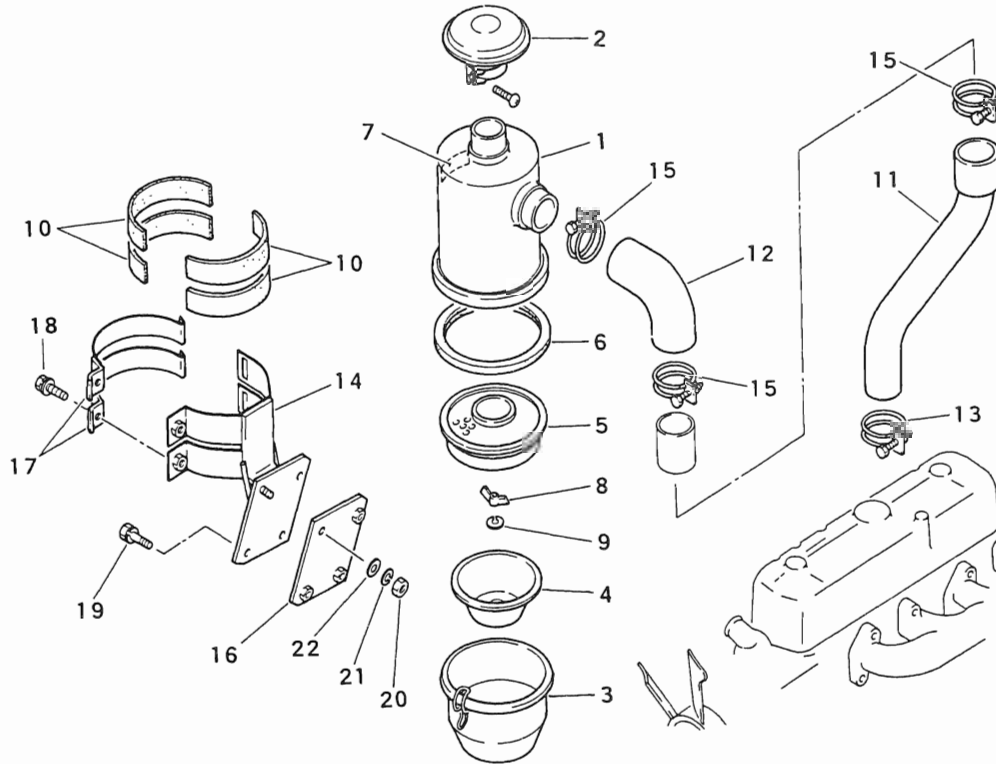
| Key No | Parts No      | Parts Name    | Q' t y |      |  |  | R/P | Application | Description | Remarks |
|--------|---------------|---------------|--------|------|--|--|-----|-------------|-------------|---------|
|        |               |               | 21PS   | 25PS |  |  |     |             |             |         |
| 21     | 67303-02313   | CLAMP         | 1      | 1    |  |  |     |             |             |         |
| 22     | 1174 2673 000 | CUSHION A     | 1      | 1    |  |  |     |             |             |         |
| 23     | H154 0108 025 | BOLT,w/washer | 4      | 4    |  |  |     | M8X25       |             |         |
| 24     | 1984 0414 000 | CUSHION       | 1      | 1    |  |  |     |             |             |         |
| 25     | 1191 2638 000 | CUSHION       | 1      | 1    |  |  |     |             |             |         |
| 26     | A140 0600 820 | BOLT,wing     | 2      | 2    |  |  |     | M8X20       |             |         |
| 27     | A360 0100 802 | WASHER,spring | 2      | 2    |  |  |     | M8          |             |         |
| 28     | 0350 0140 818 | WASHER        | 2      | 2    |  |  |     | M8          |             |         |
|        |               |               |        |      |  |  |     |             |             |         |
|        |               |               |        |      |  |  |     |             |             |         |
|        |               |               |        |      |  |  |     |             |             |         |
|        |               |               |        |      |  |  |     |             |             |         |

FIG. 205 AIR CLEANER



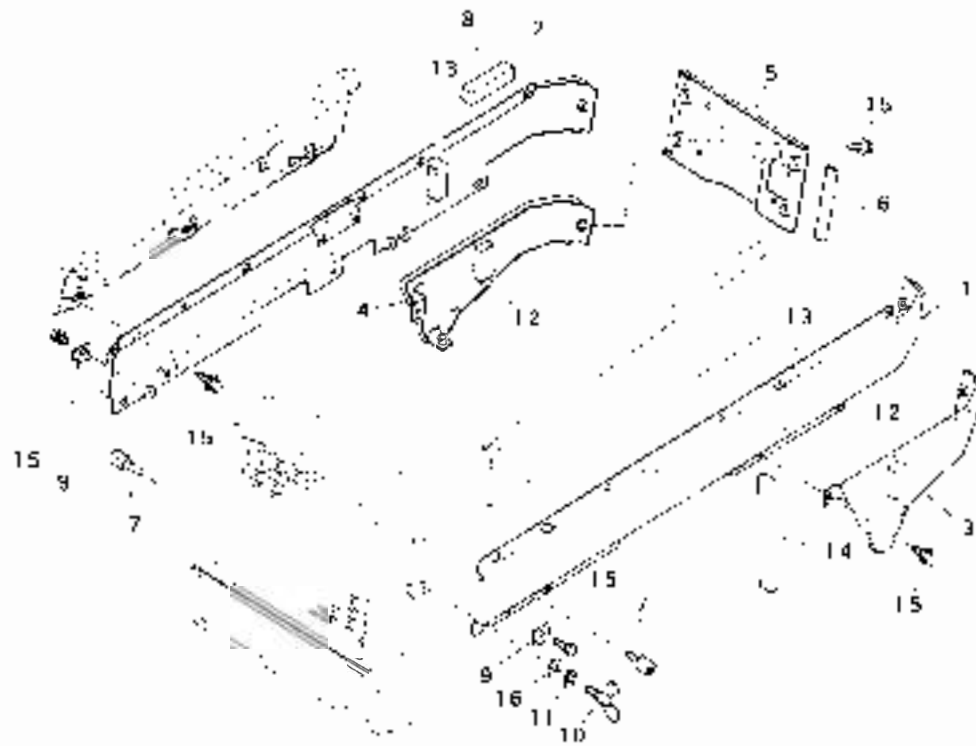
| Remarks | Key No | Parts No      | Parts Name      | QTY | UNIT | APPL | Application | Destroyer | Remarks       |
|---------|--------|---------------|-----------------|-----|------|------|-------------|-----------|---------------|
|         | 1-8    | 1984 0511 000 | AIR CLEANER     | 1   | 1    |      |             |           |               |
|         | 1      | *             | CASE            | 1   | 1    |      |             |           |               |
|         | 2,3    | 1980 0062 120 | ELEMENT KIT     | 1   | 1    |      |             |           |               |
|         | 2      | *             | ELEMENT ASSY    | 1   | 1    |      |             |           |               |
|         | 3      | *             | WASH-FR, seal   | 1   | 1    |      |             |           |               |
|         | 4      | 89509-06113   | NUT wing        | 1   | 1    |      |             |           |               |
|         | 5      | 89509-06115   | PLATE           | 1   | 1    |      |             |           |               |
|         | 6      | 89509-06116   | PACKING         | 1   | 1    |      |             |           |               |
|         | 7      | 1986 0061 130 | DUST PAN ASSY   | 1   | 1    |      |             |           |               |
|         | 8      | 1980 0062 110 | MARK            | 1   | 1    |      |             |           |               |
|         | 9      | 1021 0515 001 | BRACKET         | 1   | 1    |      |             |           |               |
|         |        |               |                 |     |      |      | 310D 10012- |           |               |
|         |        |               |                 |     |      |      | 310 1901    |           |               |
|         |        |               |                 |     |      |      | 310D 10112- |           |               |
|         |        |               |                 |     |      |      | 330 1901    |           |               |
|         |        | ⊙             | BRACKET         | 1   | 1    |      |             |           |               |
|         | 10     | 1021 0517 000 | SUPPORT         | 1   | 1    |      |             |           |               |
|         | 11     | 1021 0518 000 | BOLT            | 1   | 1    |      |             |           |               |
|         | 12     | 1021 0519 000 | CLIP-HIGH       | 2   | 2    |      |             |           |               |
|         | 13     | F154 0109 020 | BOLT, w/washer  | 2   | 2    |      |             |           | 28x20         |
|         | 14-17  | 1936 0061 140 | RAIN CAP        | 1   | 1    |      |             |           |               |
|         | 14     | 1936 0061 150 | CAP             | 1   | 1    |      |             |           |               |
|         | 15     | 1936 0061 160 | BAND            | 1   | 1    |      |             |           |               |
|         | 16     | 1936 0061 170 | BOLT            | 1   | 1    |      |             |           |               |
|         | 17     | 1936 0061 190 | NUT             | 1   | 1    |      |             |           |               |
|         | 18     | 1174 0512 000 | HOSE, upper air | 1   | 1    |      |             |           |               |
|         | 19     | 1984 0513 000 | HOSE, lower air | 1   | 1    |      |             |           |               |
|         |        | ⊙             | HOSE, lower air | 1   | 1    |      |             |           |               |
|         | 19a    | 1984 0514 000 | HOSE, lower air | 1   | 1    |      | A           |           | 1104 0511 000 |
|         |        | ⊙             | HOSE, lower air | 1   | 1    |      | A           |           | 1104 0512 000 |
|         | 20     | 69501-07055   | CLIP Hose       | 3   | 3    |      |             |           |               |
|         | 21     | 69501-07055   | CLIP Hose       | 1   | 1    |      |             |           |               |
|         | 22     | 0350 0141 022 | WASHER          | 1   | 1    |      |             |           | W19           |
|         | 23     | 4360 0101 022 | WASHER, spring  | 1   | 1    |      |             |           | W19           |
|         | 23a    | ⊙             | E-RING          | 1   | 1    |      | A           |           | 0142 0106 100 |

FIG.206 AIR CLEANER (For MIDDLE EAST)



| Key No | Parts No      | Parts Name         | Q'ty |  |  |  | F/P | Application | Description | Remarks |
|--------|---------------|--------------------|------|--|--|--|-----|-------------|-------------|---------|
|        |               |                    | ALL  |  |  |  |     |             |             |         |
| 1-9    | 1984 0519 001 | <b>AIR CLEANER</b> | 1    |  |  |  |     |             |             |         |
| 1      | *             | CASE               | 1    |  |  |  |     |             |             |         |
| 2      | 1984 0519 160 | CAP ASSY           | 1    |  |  |  |     |             |             |         |
| 3      | 1984 0519 190 | OIL PAN ASSY       | 1    |  |  |  |     |             |             |         |
| 4      | 1984 0519 230 | DUMPER ASSY        | 1    |  |  |  |     |             |             |         |
| 5,6    | 1984 0519 180 | <b>ELEMENT KIT</b> | 1    |  |  |  |     |             |             |         |
| 6      | 1984 0519 220 | C-PACKING          | 1    |  |  |  |     |             |             |         |
| 7      | 1984 0519 170 | MARK               | 1    |  |  |  |     |             |             |         |
| 8      | A330 0100 800 | NUT,wing           | 1    |  |  |  |     | M8          |             |         |
| 9      | A360 0100 802 | WASHER,spring      | 1    |  |  |  |     | M8          |             |         |
| 10     | 1021 0519 000 | CUSHION            | 4    |  |  |  |     |             |             |         |
| 11     | 1994 0517 000 | HOSE,air           | 1    |  |  |  |     |             |             |         |
| 12     | 1984 0516 000 | HOSE,air           | 1    |  |  |  |     |             |             |         |
| 13     | 69501-07055   | CLIP,hose          | 1    |  |  |  |     |             |             |         |
| 14     | 1984 0518 0T0 | BRACKET            | 1    |  |  |  |     |             |             |         |
| 15     | 69501-07065   | CLIP,hose          | 3    |  |  |  |     |             |             |         |
| 16     | 1984 0517 0T0 | PLATE              | 1    |  |  |  |     |             |             |         |
| 17     | 1984 0521 0T0 | SUPPORT            | 2    |  |  |  |     |             |             |         |
| 18     | H155 0110 030 | BOLT,w/washer      | 2    |  |  |  |     | M10         |             |         |
| 19     | H154 0108 020 | BOLT,w/washer      | 3    |  |  |  |     | M8X20       |             |         |
| 20     | A301 0108 001 | NUT                | 1    |  |  |  |     | M8          |             |         |
| 21     | A360 0100 802 | WASHER             | 1    |  |  |  |     | M8          |             |         |
| 22     | 0350 0140 818 | WASHER             | 1    |  |  |  |     | M8          |             |         |

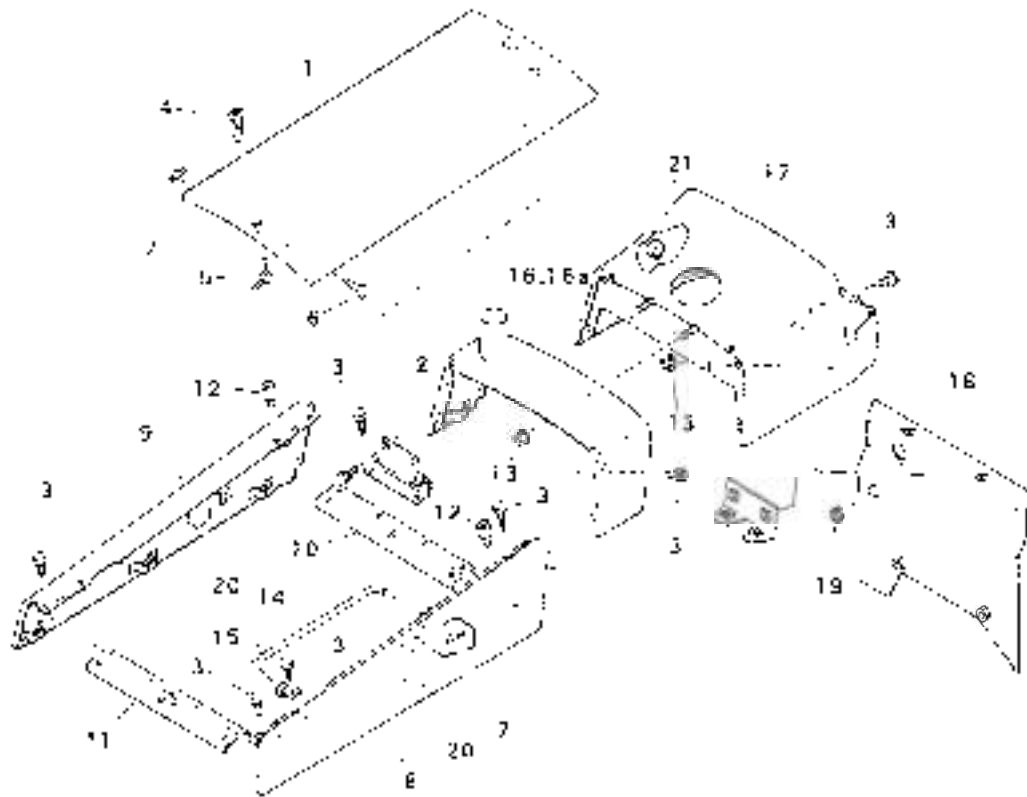
FIG.301 BONNET (1/4)



3

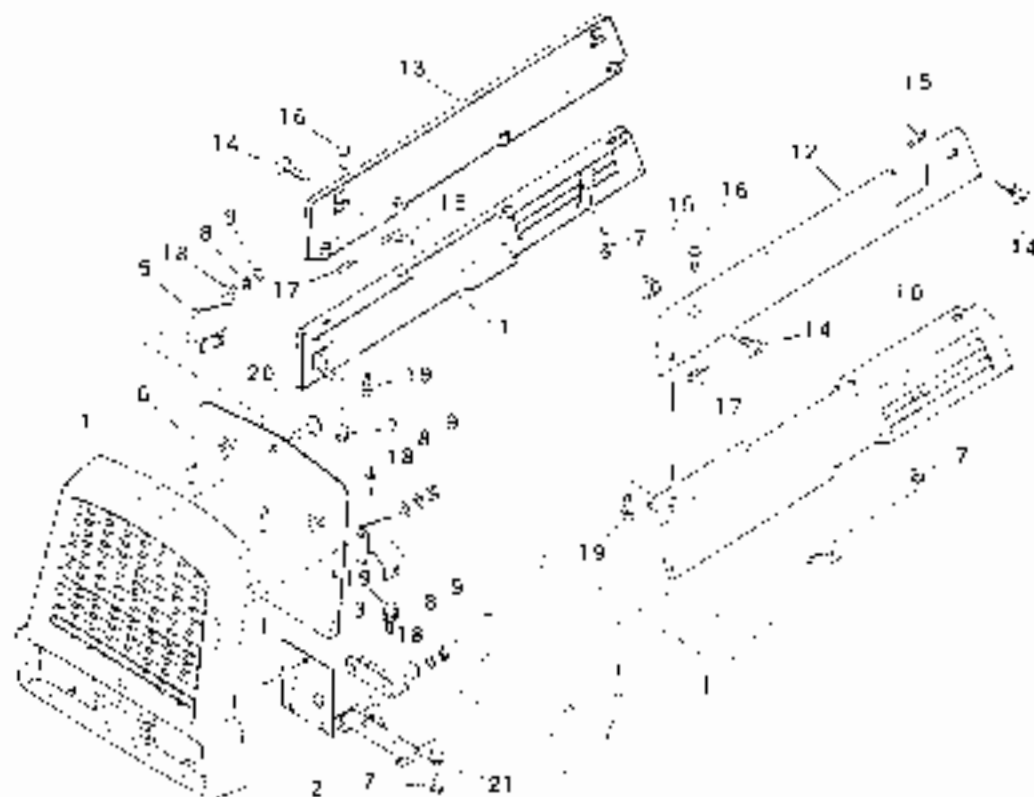
| Remarks | Qty | Parts No      | Parts Name      | QTY | Application | Description | Remarks      |
|---------|-----|---------------|-----------------|-----|-------------|-------------|--------------|
|         | 1   | 1934 2513 0C1 | COVER L.H.slay  | 1   | 1           | 2100 50212- |              |
|         |     | Q             | COVER L.H.slay  | 1   | 1           | 210 5011-   |              |
|         | 2   | 1621 2516 0C2 | COVER R.H.slay  | 1   | 1           | 2500 50155  |              |
|         |     | Q             | COVER R.H.slay  | 1   | 1           | 250 5031-   | 954 2613 700 |
|         | 3   | 1621 2642 0T2 | COVER L.H.body  | 1   | 1           | 2100 50212- |              |
|         | 4   | 1621 2543 0T2 | COVER R.H.body  | 1   | 1           | 210 5011-   |              |
|         | 5   | 1621 2644 0G2 | COVER body rec' | 1   | 1           | 2500 50155  |              |
|         | 5   | 1621 2671 000 | BAND,rubber     | 2   | 2           | 250 5031-   |              |
|         | 7   | 1174 2652 000 | CLUSHON         | 3   | 3           |             |              |
|         | 8   | 3733 0784 000 | ROLLER          | 1   | 1           | 2100 50251- | 61000        |
|         |     |               |                 |     |             | 210 0225-   | 61000        |
|         |     |               |                 |     |             | 250 50573-  | 61000        |
|         |     |               |                 |     |             | 250 0322-   | 61000        |
|         | 9   | 1174 255E 001 | BRACKET         | 2   | 2           |             |              |
|         | 10  | A140 0600 820 | BO.LT.wing      | 2   | 2           |             | MB20         |
|         | 11  | A260 0100 802 | WASHER,spring   | 2   | 2           |             | VB           |
|         | 12  | 1621 2576 000 | CLUSHON A       | 2   | 2           |             |              |
|         | 13  | 1621 2677 000 | CLUSHON B       | 2   | 2           |             |              |
|         | 14  | 1176 3542 000 | BAND number     | 1   | 1           |             |              |
|         |     | Q             | BAND number     | 2   | 2           |             |              |
|         | 15  | H1E4 0103 016 | BO.LT w/washer  | 30  | 30          |             | MB20         |
|         | 15  | 0350 0140 312 | WASHER          | 4   | 4           |             | MB           |

FIG.302 BONNET (2/4)



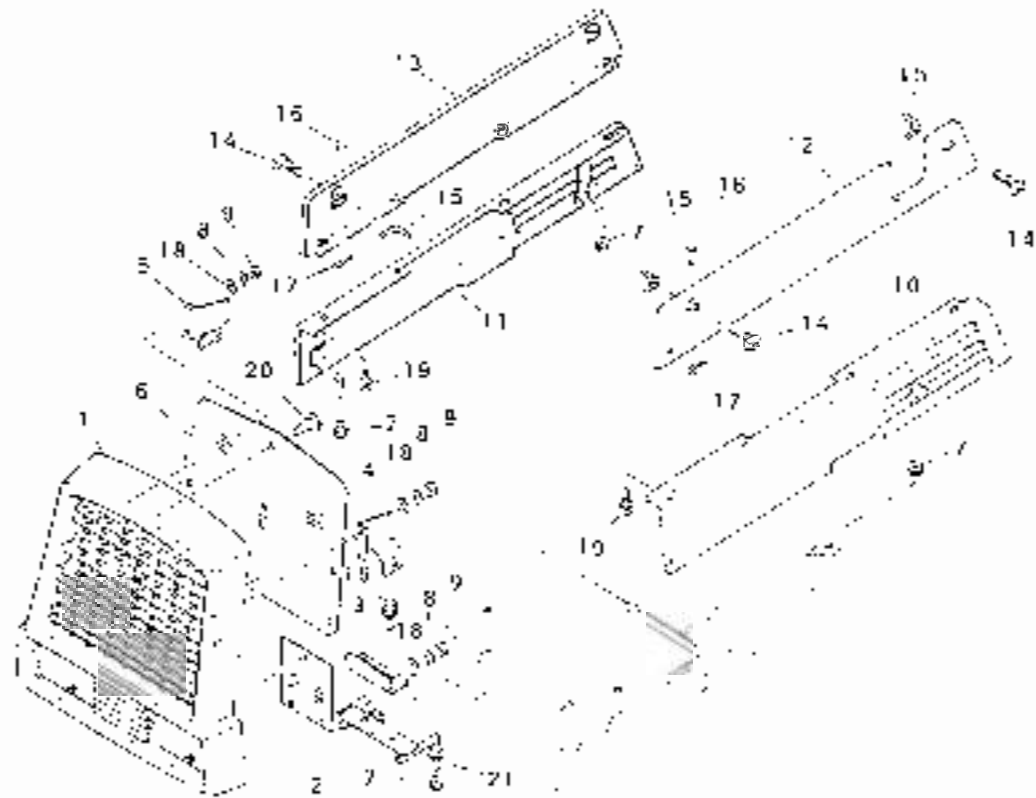
| Key No | Parts No      | Parts Name      | Qty |     | Application | Description | Remarks       |
|--------|---------------|-----------------|-----|-----|-------------|-------------|---------------|
|        |               |                 | Lot | Sub |             |             |               |
| 1      | 1021 261 060  | HOOD,bonnet     | 1   | 1   |             |             |               |
| 2      | 1174 262 057  | FRISK,bonnet    | 1   | 1   |             |             |               |
| 3      | 4154 2108 016 | BOLT,w/washer   | 25  | 25  |             | M8x16       |               |
| 4      | 1174 2635 050 | LEVER,base      | 1   | 1   |             |             |               |
| 5      | 1174 2648 030 | SPRING          | 1   | 1   |             |             |               |
| 5      | 0562 0106 020 | PIN,clevis      | 1   | 1   |             | 05620       |               |
| 7      | 0521 0106 030 | PIN,strap       | 2   | 2   |             | 05          |               |
| 8      | 1984 2614 051 | COVER L,Upper   | 1   | 1   |             |             |               |
|        | ○             | COVER L,H,Upper | 1   | 1   | A           |             | 1984 2614 050 |
| 9      | 1984 2615 051 | COVER R H,Upper | 1   | 1   |             |             |               |
|        | ○             | COVER R H,Upper | 1   | 1   | A           |             | 1984 2615 050 |
| 10     | 1021 2663 030 | BRACKET         | 1   | 1   |             |             |               |
| 11     | 1021 2619 030 | BRACKET,bonnet  | 1   | 1   |             |             |               |
| 12     | 1174 2663 030 | CUSHION         | 4   | 4   |             |             |               |
| 13     | 5301 0108 001 | BUT,flange      | 4   | 4   |             | M8          |               |
| 14     | 1174 2651 030 | ROD,stopper     | 1   | 1   |             |             |               |
| 15     | 1174 2654 030 | CLIP            | 1   | 1   |             |             |               |
| 16     | 1021 2615 010 | COVER,inline    | 1   | 1   |             |             |               |
| 16a    | 1984 2663 030 | COVER,inline    | 1   | 1   |             |             | 1984 2663 030 |
| 17     | 1021 2641 050 | BODY,panel      | 1   | 1   |             |             |               |
| 18     | 1021 2648 030 | COVER           | 1   | 1   |             |             |               |
| 19     | 08452-20000   | GROMMET         | 1   | 1   |             |             |               |
| 20     | 1174 2674 030 | CUSHION B       | 2   | 2   |             |             |               |
| 21     | 1019 2513 101 | PIPE            | 2   | 2   |             |             |               |

FIG.303 BONNET (3/4)



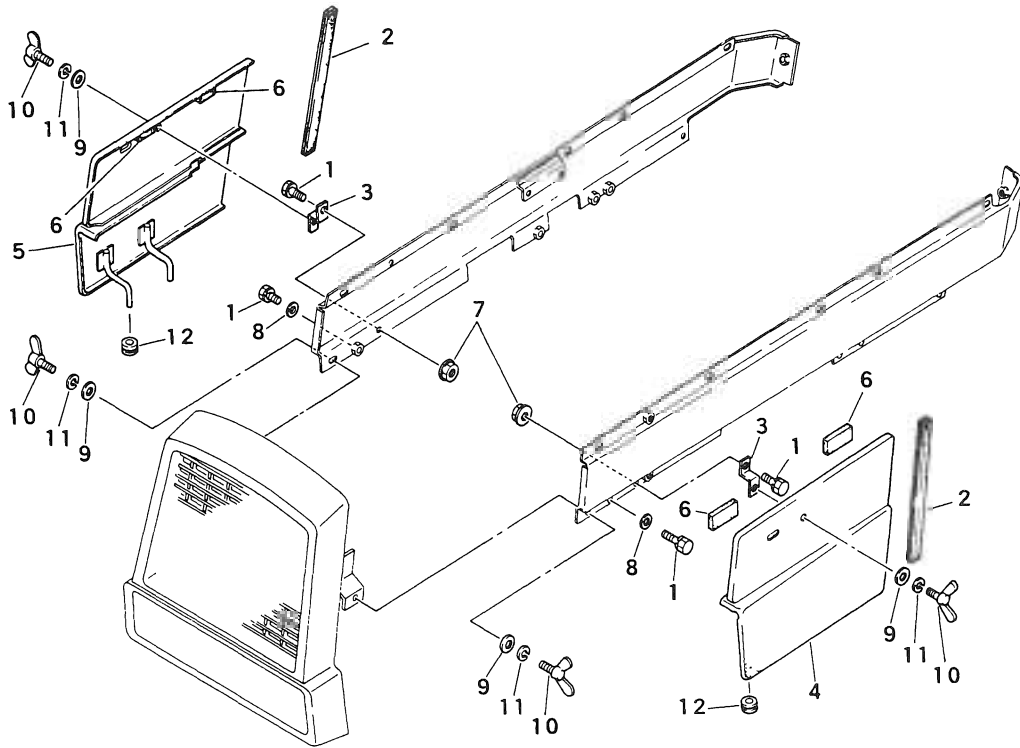
| Key No | Parts No      | Parts Name      | QTY   | Application | Dist. Code | Remarks  |
|--------|---------------|-----------------|-------|-------------|------------|--|
| 1      | '021 2622 00' | GRILLE          | 1 1   |             |            |  |
|        | ○             | GRILLE          | 1 1   | A           |            | NO. 1, 2, 3, 4, 5                              |
| 7      | 1021 2666 000 | SCREEN B grille | 1 1   |             |            |  |
| 3      | 1384 2662 000 | BRACKET B       | 1 1   |             |            |  |
|        |               |                 |       |             |            | 2100 0010<br>210 0025<br>2500 0110<br>220 0025 |
|        | '021 2679 000 | BRACKET         | 1 1   | D           |            |  |
| 4      | '174 2631 001 | BRACKET D L F   | 1 1   |             |            |  |
| 5      | '174 2632 001 | BRACKET D R H   | 1 1   |             |            |  |
| 6      | '021 2623 000 | SCREEN A grille | 1 1   |             |            |  |
| 7      | 1174 0217 00' | SHOW VET        | 5 5   |             |            |  |
|        | ○             | SHOW VET        | 5 5   | A           |            | NO. 2017 000                                   |
| 8      | G350 0130 613 | WASHER          | 5 5   |             | 15         |  |
| 9      | A300 0106 002 | NUT             | 5 5   |             | 15         |  |
| 10     | '021 2664 000 | COVER L.H side  | 1 1   |             |            |  |
|        |               |                 |       |             |            | 100 0020<br>100 0030<br>1000 0020<br>100 0040  |
|        | ○             | COVER L.H side  | 1 1   | B           |            | NO. 1, 2, 3, 4, 5                              |
| 11     | 1984 2619 000 | COVER R.H side  | 1 1   |             |            |  |
| 12     | 1021 2612 000 | COVER H side    | 1 1   |             |            |  |
| 13     | 1021 2613 001 | COVER R.H side  | 1 1   |             |            |  |
|        | ○             | COVER R.H side  | 1 1   | A           |            | NO. 1, 2, 3, 4, 5                              |
| 14     | 1174 2639 000 | LEVER Hook      | 4 4   |             |            |  |
| 15     | 1174 2649 000 | SPRING          | 4 4   |             |            |  |
| 16     | G562 0106 000 | PIN,clevis      | 4 4   |             |            | 2000 0020<br>20                                |
| 17     | G521 0106 000 | PIN,strap       | 4 4   |             |            |  |
| 18     | 1160 2482 001 | WASHER          | 6 6   |             |            |  |
| 19     | H154 0108 016 | BOLT,w/washer   | 10 10 |             |            | 2100 0010<br>210 0025<br>2500 0110<br>220 0025 |
|        | H154 0108 016 | BOLT,w/washer   | 8 8   | D           |            | 2500 0110                                      |
| 20     | 1021 2675 000 | SCREW,tapp: 10  | 4 4   |             |            |  |

FIG.303 BONNET (3/4)



| Key No | Parts No      | Parts Name | Quantity | UOM | Application | Description | Remarks |
|--------|---------------|------------|----------|-----|-------------|-------------|---------|
| 21     | 19R4 2661 2G1 | BRACKET A  | 1        |     | 2500-1000   |             | Attach  |
|        |               |            |          |     | 2500-1005   |             | Attach  |
|        |               |            |          |     | 2500-1010   |             | Attach  |
|        |               |            |          |     | 2500-1015   |             | Attach  |

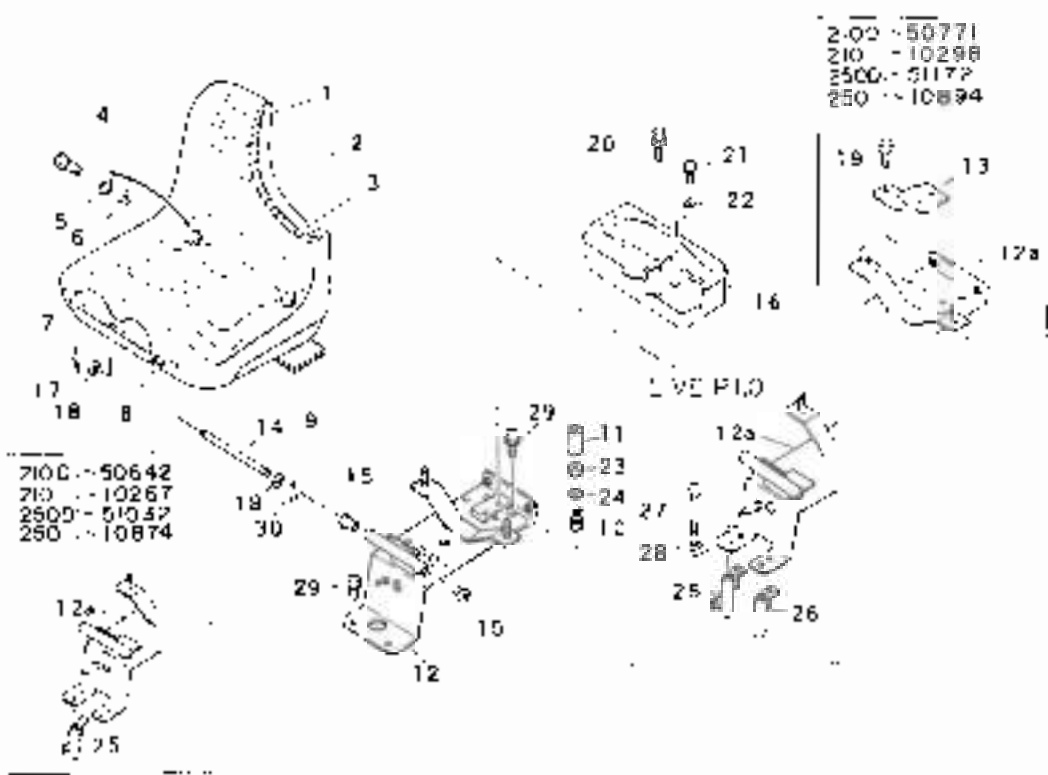
FIG.304 BONNET (4/4) (For MIDDLE EAST)



| Key No | Parts No      | Parts Name    | Q'ty |  |  |  | R/P | Application | Description | Remarks |
|--------|---------------|---------------|------|--|--|--|-----|-------------|-------------|---------|
|        |               |               | ALL  |  |  |  |     |             |             |         |
| 1      | H154 0108 016 | BOLT,w/washer | 10   |  |  |  |     | M8X16       |             |         |
| 2      | 1984 2667 000 | RUBBER,band   | 2    |  |  |  |     |             |             |         |
| 3      | 1984 2666 0G0 | PLATE         | 2    |  |  |  |     |             |             |         |
| 4      | 1984 2671 0T0 | COVER L.H     | 1    |  |  |  |     |             |             |         |
| 5      | 1984 2672 0T0 | COVER R.H     | 1    |  |  |  |     |             |             |         |
| 6      | 1021 0114 001 | CUSHION       | 4    |  |  |  |     |             |             |         |
| 7      | F301 0108 001 | NUT,flange    | 2    |  |  |  |     | M8          |             |         |
| 8      | 0350 0160 826 | WASHER        | 2    |  |  |  |     | M8          |             |         |
| 9      | 0350 0140 818 | WASHER        | 4    |  |  |  |     | M8          |             |         |
| 10     | A140 0600 820 | BOLT,wing     | 4    |  |  |  |     | M8X20       |             |         |
| 11     | A360 0100 802 | WASHER,spring | 4    |  |  |  |     | M8          |             |         |
| 12     | 1174 0217 001 | GROMMET       | 4    |  |  |  |     |             |             |         |

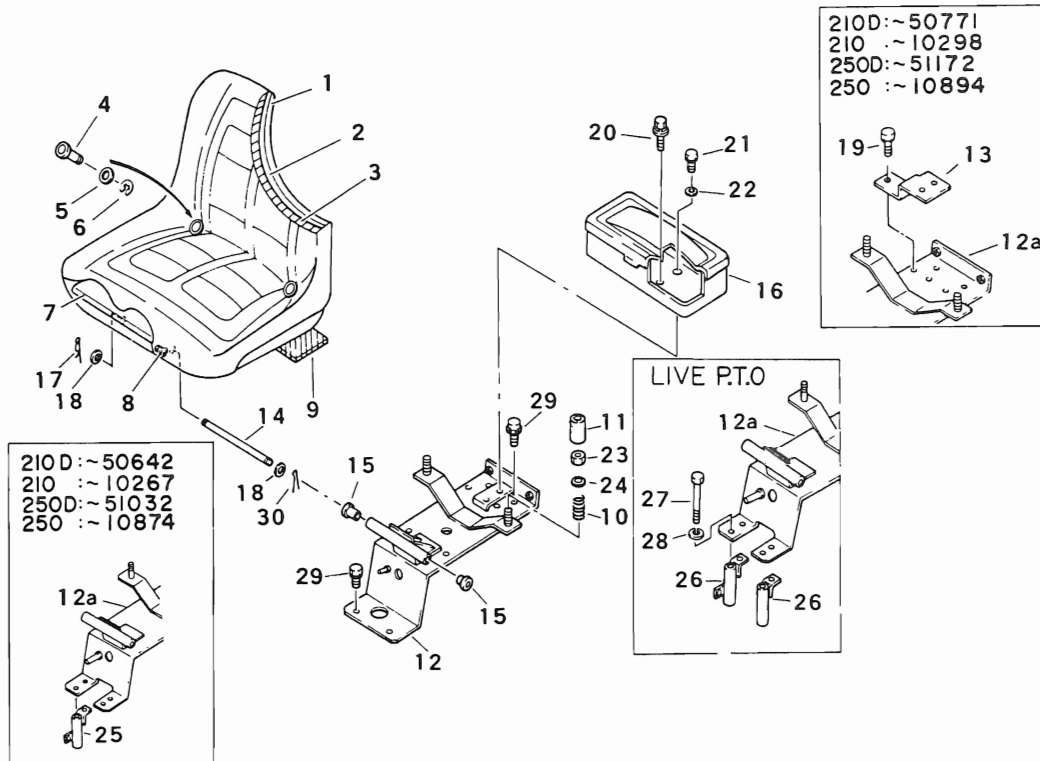


FIG.305 SEAT & TOOL BOX



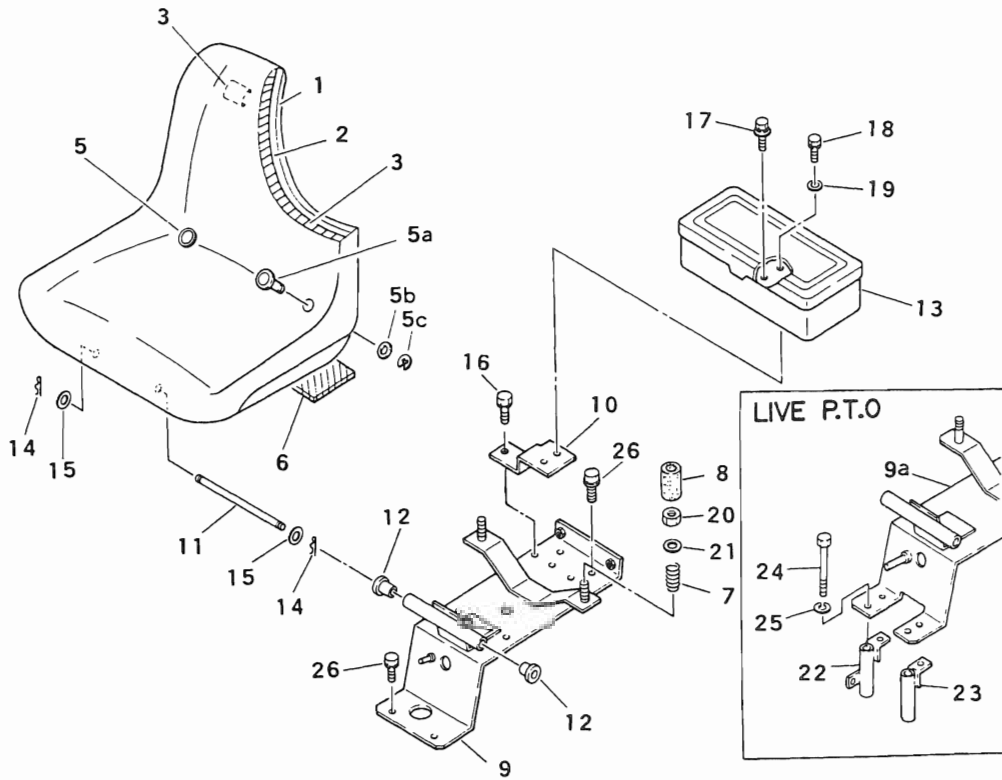
| Key No | Parts No      | Parts Name     | QTY | UNIT | Applicable | Description | Remarks |
|--------|---------------|----------------|-----|------|------------|-------------|---------|
|        | 2100-50499~   |                |     |      |            |             |         |
|        | 210 10222~    |                |     |      |            |             |         |
|        | 2500-50800~   |                |     |      |            |             |         |
|        | 250 10834~    |                |     |      |            |             |         |
| 8      | '984 3433 000 | SEAT ASSY      | 1   | 1    |            |             |         |
| 1      | '984 3433 110 | PAN            | 1   | 1    |            |             |         |
| 2      | '981 2382 120 | PAD ASSY       | 1   | 1    |            |             |         |
| 3      | '981 2382 150 | COVERING ASSY  | 1   | 1    |            |             |         |
| 4      | '974 238 140  | PIN            | 2   | 2    |            |             |         |
| 5      | 0350 015 400  | WASHER         | 2   | 2    |            |             |         |
| 6      | 0742 015 000  | RING           | 2   | 2    |            |             |         |
| 7      | '981 2382 130 | TRIM           | 1   | 1    |            |             |         |
| 9      | 0432 1104 008 | SCREW          | 6   | 6    |            |             |         |
| 9      | '984 3407 000 | PLATE          | 2   | 2    |            |             |         |
| 10     | '984 3403 000 | SPRING         | 2   | 2    |            |             |         |
| 11     | '176 342 000  | RUBBER STOPPER | 2   | 2    |            |             |         |
| 12     | '984 343 000  | BRACKET, seal  | 1   | 1    |            |             |         |
| 12a    | '984 344 002  | BRACKET, seal  | 1   | 1    |            |             |         |
|        | '984 344 001  | BRACKET, seal  | 1   | 1    |            |             |         |
|        | '984 344 007  | BRACKET, seal  | 1   | 1    |            |             |         |
|        | '984 344 001  | BRACKET, seal  | 1   | 1    |            |             |         |
|        | 0             | BRACKET, seal  | 1   | 1    |            |             |         |
| 13     | '983 3413 001 | BRACKET        | 1   | 1    |            |             |         |
| 14     | '981 2374 000 | PIN            | 1   | 1    |            |             |         |
| 15     | '984 3432 000 | BUSHING        | 2   | 2    |            |             |         |
| 16     | 09009-16000   | BOX, tool      | 1   | 1    |            |             |         |
| 17     | 0521 0110 000 | PIN strap      | 1   | 1    |            |             |         |
| 18     | 0350 015 026  | WASHER         | 2   | 2    |            |             |         |

FIG.305 SEAT & TOOL BOX



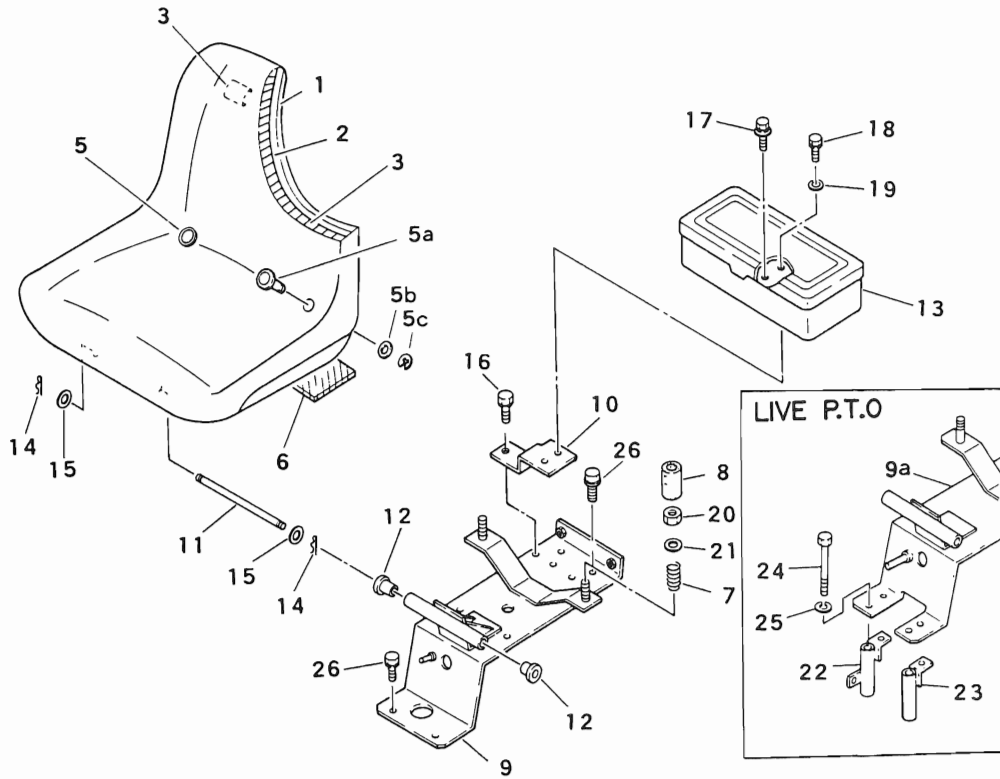
| Key No | Parts No           | Parts Name       | Q'ty |        |  |  | P | Application  | Description                          | Remarks                                  |
|--------|--------------------|------------------|------|--------|--|--|---|--|--------------------------------------|--|
|        |                    |                  | STD  | LIVE   |  |  |   |  |                                      |  |
| 19     | F155 0110 025      | BOLT,w/washer    | 2    | 2      |  |  |   | 210D~50771<br>210 ~10298<br>250D ~51172<br>250 ~10894  | M10X25<br>M10X25<br>M10X25<br>M10X25 | Deleted<br>Deleted<br>Deleted<br>Deleted |
| 20     | H154 0108 020      | BOLT,w/washer    | 1    | 1      |  |  |   |  | M8X20                                |  |
| 21     | F154 0108 020      | BOLT,w/washer    | 1    | 1      |  |  |   |  | M8X20                                |  |
| 22     | 0350 0150 822      | WASHER           | 1    | 1      |  |  |   |  | M8                                   |  |
| 23     | F301 0108 001      | NUT              | 2    | 2      |  |  |   |  | M8                                   |  |
| 24     | 0350 0160 826      | WASHER           | 2    | 2      |  |  |   |  | M8                                   |  |
| 25     | 1983 3424 0C0      | SPACER B         | •    | 1      |  |  |   | 210D ~50642<br>210 ~10267<br>250D ~51032<br>250 ~10874 |                                      | Deleted<br>Deleted<br>Deleted<br>Deleted |
| 26     | 1983 3422 0C0<br>O | SPACER<br>SPACER | •    | 2<br>1 |  |  | A |  |                                      |  |
| 27     | A055 0110 080      | BOLT             | •    | 2      |  |  |   |  | M10X80                               |  |
| 28     | A360 0101 002      | WASHER,spring    | •    | 2      |  |  |   |  | M10                                  |  |
| 29     | H155 0110 025      | BOLT,w/washer    | 4    | 4      |  |  |   |  |                                      |  |
| 30     | 0520 0125 020      | PIN,split        | 1    | 1      |  |  |   |  |                                      | 1983 3422 0C0                            |

FIG.305A SEAT & TOOL BOX



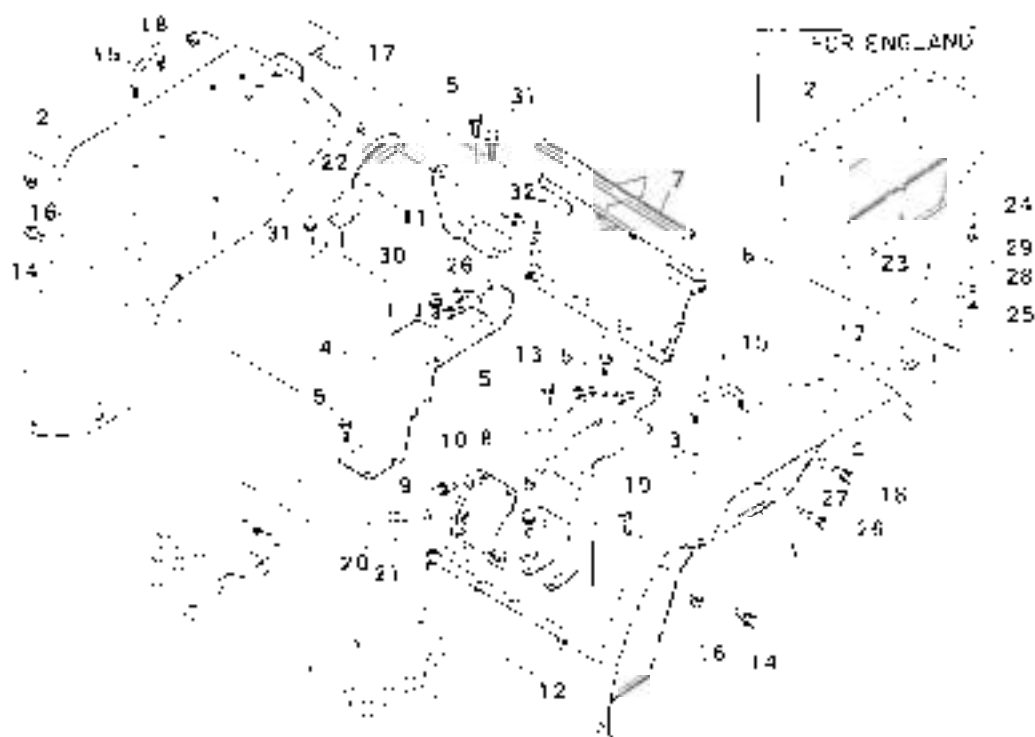
| Key No | Parts No      | Parts Name   | Q'ty |      |  |  | P | Application | Description | Remarks |
|--------|---------------|--|------|------|--|--|---|-------------|-------------|---------|
|        |               |  | STD  | LIVE |  |  |   |             |             |         |
|        |               | 210D:~50498<br>210 :~10221<br>250D:~50799<br>250 :~10833 |      |      |  |  |   |             |             |         |
| 1~5c   | 1983 3411 OC1 | PAN SEAT ASSY  | 1    | 1    |  |  |   |             |             |         |
| 1      | 1983 3414 130 | PAN ASSY   | 1    | 1    |  |  |   |             |             |         |
| 2      | 1983 3414 110 | PAD ASSY   | 1    | 1    |  |  |   |             |             |         |
| 3      | 1983 3411 150 | PROTECTOR  | 2    | 2    |  |  |   |             |             |         |
| 4      | 1983 3411 130 | COVERING ASSY  | 1    | 1    |  |  |   |             |             |         |
| 5      | 1983 3411 140 | EYELET   | 2    | 2    |  |  |   |             |             |         |
| 5a     | 1974 2351 140 | PIN  | 2    | 2    |  |  |   |             |             |         |
| 5b     | 1974 2351 150 | WASHER   | 2    | 2    |  |  |   |             |             |         |
| 5c     | 0743 0101 000 | E-RING   | 2    | 2    |  |  |   |             | φ10         |         |
| 6      | 1984 3402 000 | PLATE  | 2    | 2    |  |  |   |             |             |         |
| 7      | 1984 3403 000 | SPRING   | 2    | 2    |  |  |   |             |             |         |
| 8      | 1176 3421 000 | RUBBER,stopper   | 2    | 2    |  |  |   |             |             |         |
| 9      | 1984 3411 OC3 | BRACKET,seat   | 1    | •    |  |  |   |             |             |         |
|        | 1984 3411 OC2 | BRACKET,seat   | 1    | •    |  |  | D |             |             |         |
| 9a     | 1984 3416 OC1 | BRACKET,seat   | •    | 1    |  |  |   |             |             |         |
|        | 1984 3416 OC0 | BRACKET,seat   | •    | 1    |  |  | D |             |             |         |
| 10     | 1983 3413 OC1 | BRACKET  | 1    | 1    |  |  |   |             |             |         |
| 11     | 1983 3416 000 | PIN  | 1    | 1    |  |  |   |             |             |         |
| 12     | 69517-06201   | BUSHING  | 2    | 2    |  |  |   |             |             |         |
| 13     | 69509-16000   | BOX,tool   | 1    | 1    |  |  |   |             |             |         |
| 14     | 0521 0110 000 | PIN,snap   | 2    | 2    |  |  |   |             | φ10         |         |
| 15     | 0350 0141 022 | WASHER   | 2    | 2    |  |  |   |             | M10         |         |
| 16     | F155 0110 025 | BOLT,w/washer  | 2    | 2    |  |  |   |             | M10X25      |         |
| 17     | H154 0108 020 | BOLT,w/washer  | 1    | 1    |  |  |   |             | M8X20       |         |
| 18     | F154 0108 020 | BOLT,w/washer  | 1    | 1    |  |  |   |             | M8X20       |         |
| 19     | 0350 0150 822 | WASHER   | 1    | 1    |  |  |   |             | M8          |         |
| 20     | A301 0108 001 | NUT  | 2    | 2    |  |  |   |             | M8          |         |

FIG.305A SEAT & TOOL BOX



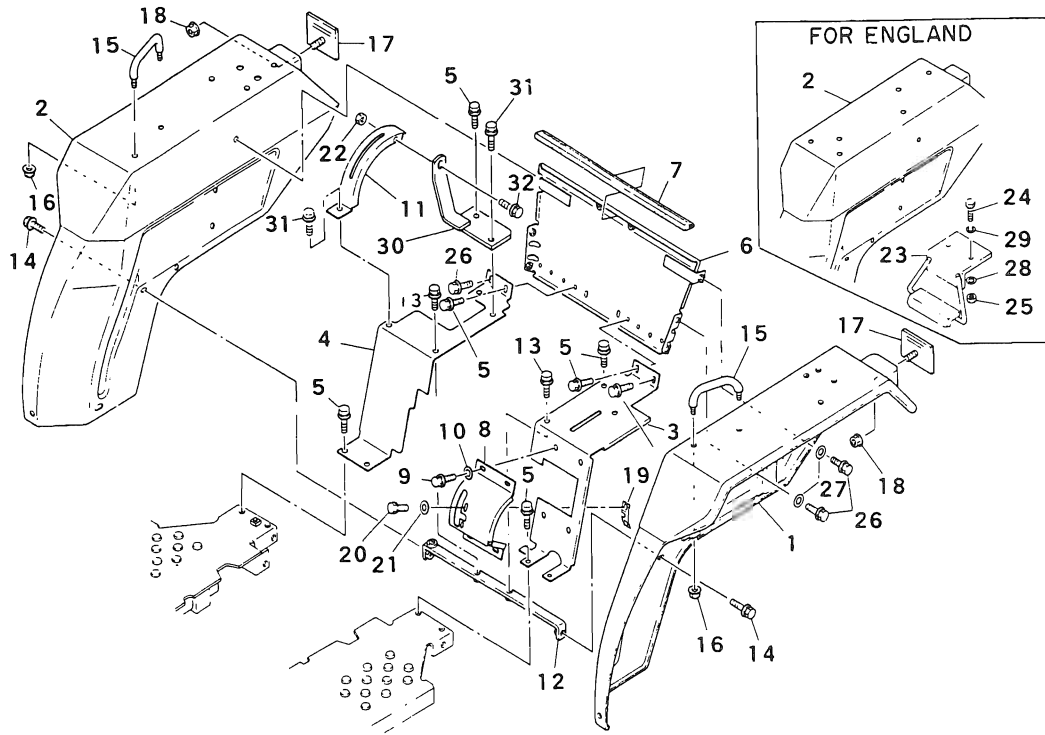
| Key No | Parts No      | Parts Name     | Q'ty |      |  |  | P | Application  | Description                      | Remarks |
|--------|---------------|----------------|------|------|--|--|---|--|----------------------------------|---------|
|        |               |                | STD  | LIVE |  |  |   |  |                                  |         |
| 21     | 0350 0160 826 | WASHER         | 2    | 2    |  |  |   | M8   |                                  |         |
| 22     | 1983 3424 0C0 | SPACER B       |      | 1    |  |  |   | 210D 50162~<br>210 10111~<br>250D 50312~<br>250 10146~ |                                  |         |
| 23     | 1983 3422 0C0 | SPACER         |      | 1    |  |  |   | 210D 50162~<br>210 10111~<br>250D 50312~<br>250 10146~ | Added<br>Added<br>Added<br>Added |         |
| 24     | 1983 3422 0C0 | SPACER         |      | 2    |  |  | D |  |                                  |         |
|        | A055 0110 080 | BOLT           |      | 2    |  |  |   | M10X80   |                                  |         |
| 25     | A360 0101 002 | WASHER, spring |      | 2    |  |  |   | M10  |                                  |         |
| 26     | H155 0110 025 | BOLT, w/washer | 4    | 4    |  |  |   | M10X25   |                                  |         |

FIG.306 FENDER



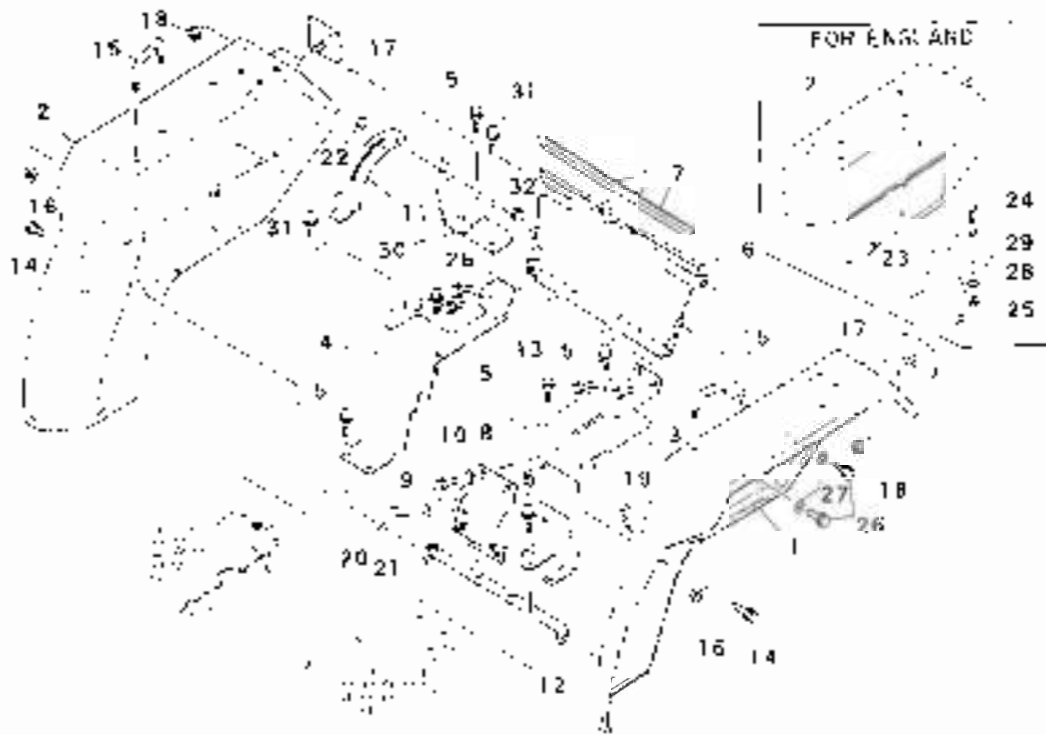
| Key No | Parts No       | Parts Name    | QTY |    | Application | Description | Remarks       |
|--------|----------------|---------------|-----|----|-------------|-------------|---------------|
|        |                |               | U   | V  |             |             |               |
| 1      | 1984 3512 000  | FENDER L.H    | 1   | 1  |             |             |               |
| 2      | 1984 3514 000  | FENDER R.H    | 1   | 1  |             |             |               |
| 3      | 1993 3518 005  | COVER L.H     | 1   | 1  |             |             |               |
|        |                |               |     |    |             | 2100 1001   |               |
|        |                |               |     |    |             | 210 1021    |               |
|        |                |               |     |    |             | 2000 1009   |               |
|        |                |               |     |    |             | 200 1008    |               |
|        | 1993 3518 004  | COVER L.H     | 1   | 1  |             | D 2100 1001 |               |
|        |                |               |     |    |             | 210 1021    |               |
|        |                |               |     |    |             | 2000 1009   |               |
|        |                |               |     |    |             | 210 1008    |               |
|        |                |               |     |    |             | 2000 1009   |               |
|        |                |               |     |    |             | 210 1021    |               |
|        | O              | COVER L.H     | 1   | 1  |             | B           | 1001 0012 000 |
| 4      | 1993 3521 001  | COVER R.H     | 1   | 1  |             |             |               |
|        |                |               |     |    |             | 2100 1001   |               |
|        |                |               |     |    |             | 210 1021    |               |
|        |                |               |     |    |             | 2000 1009   |               |
|        |                |               |     |    |             | 210 1008    |               |
|        | 1993 3521 000  | COVER R.H     | 1   | 1  |             | D           |               |
| 5      | H154 0'08 0'5  | BOLT.w/washer | 10  | 10 |             |             |               |
|        |                |               |     |    |             | 2100 1001   |               |
|        |                |               |     |    |             | 210 1021    |               |
|        |                |               |     |    |             | 2000 1009   |               |
|        |                |               |     |    |             | 210 1008    |               |
|        | H154 0'08 0'5  | BOLT.w/washer | 1   | 1  |             | D           |               |
| 6      | 1071 3522 002  | COVER center  | 1   | 1  |             |             |               |
|        |                |               |     |    |             | 2100 1001   |               |
|        |                |               |     |    |             | 210 1021    |               |
|        |                |               |     |    |             | 2000 1009   |               |
|        |                |               |     |    |             | 210 1008    |               |
|        | O              | COVER center  | 1   | 1  |             | B           | 1001 0012 000 |
| 7      | 1021 3524 000  | BAND rubber   | 1   | 1  |             |             |               |
| 8      | 1993 3524 000  | COVER guide   | 1   | 1  |             |             |               |
| 9      | F144 0'06 0'12 | BOLT.w/washer | 4   | 4  |             |             | WRITE         |
| 10     | 0350 0'10 0'10 | WASHER        | 4   | 4  |             |             | NO            |
| 11     | 1993 3541 000  | GUIDE         | 1   | 1  |             |             |               |
|        |                |               |     |    |             | 2100 1001   |               |
|        |                |               |     |    |             | 210 1021    |               |
|        |                |               |     |    |             | 2000 1009   |               |
|        |                |               |     |    |             | 210 1008    |               |
|        | 1021 3521 000  | GUIDE         | 1   | 1  |             | D           |               |

FIG.306 FENDER



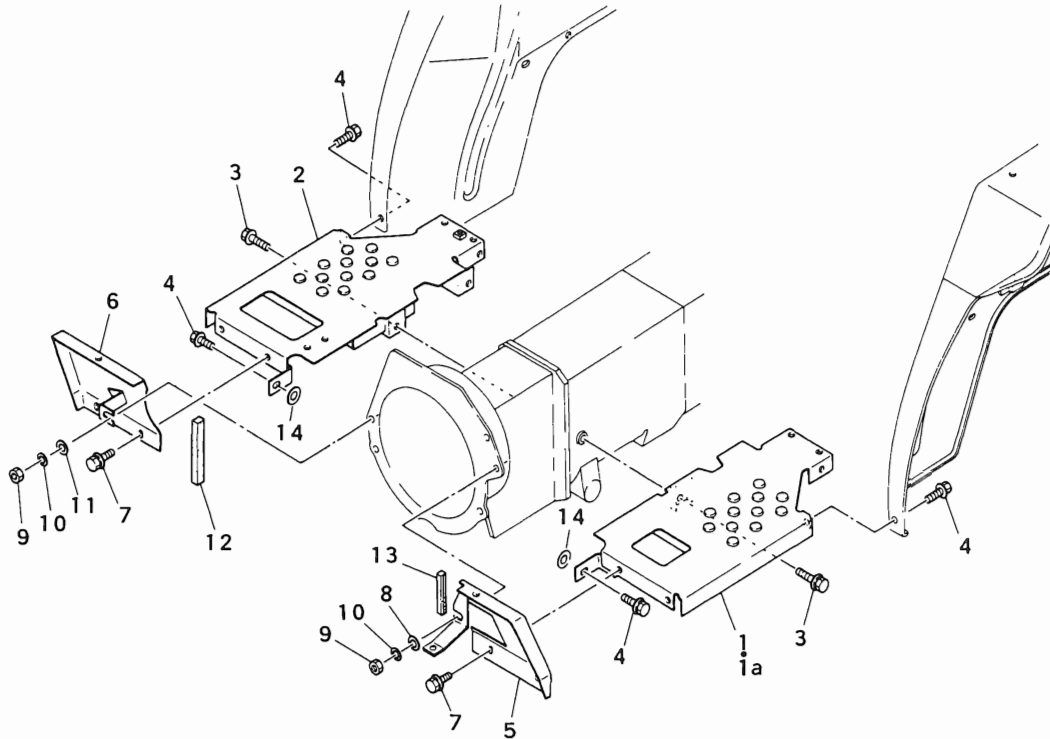
| Key No | Parts No      | Parts Name    | Q'ty |      |  |  | P | Application | Description | Remarks        |
|--------|---------------|---------------|------|------|--|--|---|-------------|-------------|----------------|
|        |               |               | STD  | LIVE |  |  |   |             |             |                |
| 12     | 1021 3523 0G0 | BRACKET       | 1    | 1    |  |  |   |             |             |                |
| 13     | H154 0108 025 | BOLT,w/washer | 3    | 3    |  |  |   | M8X25       |             |                |
| 14     | H154 0108 020 | BOLT,w/washer | 2    | 2    |  |  |   | M8X20       |             |                |
| 15     | 03476-92000   | RAIL,hand     | 2    | 2    |  |  |   |             |             |                |
| 16     | F301 0108 001 | NUT,flange    | 4    | 4    |  |  |   | M8          |             |                |
| 17     | 1019 2279 000 | REFLECTOR     | 2    | 2    |  |  |   |             |             | Central Europe |
| 18     | F300 0106 001 | NUT,flang     | 2    | 2    |  |  |   | M6          |             | Central Europe |
| 19     | 1983 3523 000 | GUIDE         | 1    | 1    |  |  |   |             |             |                |
| 20     | F144 0106 012 | BOLT,w/washer | 2    | 2    |  |  |   | M6X12       |             |                |
| 21     | 0350 0140 618 | WASHER,plain  | 2    | 2    |  |  |   | M6X12       |             |                |
| 22     | A300 0106 001 | NUT           | 1    | 1    |  |  |   | M6          |             | Added          |
|        |               |               |      |      |  |  |   | 210 10227~  | M6          | Added          |
|        |               |               |      |      |  |  |   | 250D 50899~ | M6          | Added          |
|        |               |               |      |      |  |  |   | 250D 10849~ | M6          | Added          |
| 23     | 1984 3513 0T0 | STEP,sub      | 2    | 2    |  |  |   |             |             | For England    |
| 24     | A052 0110 020 | BOLT          | 4    | 4    |  |  |   | M10X20      |             | For England    |
| 25     | A303 0110 001 | NUT           | 4    | 4    |  |  |   | M10         |             | For England    |
| 26     | F154 0108 020 | BOLT,w/washer | 10   | 10   |  |  |   | M8X20       |             | Added          |
|        |               |               |      |      |  |  |   | 210 10212~  | M8X20       | Added          |
|        |               |               |      |      |  |  |   | 250D 50603~ | M8X20       | Added          |
|        |               |               |      |      |  |  |   | 250 10339~  | M8X20       | Added          |
| 27     | 0350 0160 826 | WASHER        | 10   | 10   |  |  |   | M8          |             | Added          |
|        |               |               |      |      |  |  |   | 210 10212~  | M8          | Added          |
|        |               |               |      |      |  |  |   | 250D 50603~ | M8          | Added          |
|        |               |               |      |      |  |  |   | 250 10339~  | M8          | Added          |
| 28     | 0350 0140 022 | WASHER        | 4    | 4    |  |  |   | M10         |             | For England    |
| 29     | A360 0101 002 | WASHER,spring | 4    | 4    |  |  |   | M10         |             | For England    |
| 30     | 1983 3542 0G0 | BRACKET,guide | 1    | 1    |  |  |   |             |             | Added          |
|        |               |               |      |      |  |  |   | 210 10227~  |             | Added          |
|        |               |               |      |      |  |  |   | 250D 50899~ |             | Added          |
|        |               |               |      |      |  |  |   | 250 10849~  |             | Added          |
| 31     | H154 0108 020 | BOLT,w/washer | 1    | 1    |  |  |   | M8X20       |             | Added          |
|        |               |               |      |      |  |  |   | 210 10227~  | M8X20       | Added          |
|        |               |               |      |      |  |  |   | 250D 50899~ | M8X20       | Added          |
|        |               |               |      |      |  |  |   | 250 10849~  | M8X20       | Added          |

FIG.306 FENDER



| Sec No | Parts No      | Parts Name    | Qty | Application | Descriptor | Remarks |
|--------|---------------|---------------|-----|-------------|------------|---------|
| 22     | H104 0106 016 | BOLT,w/washer |     | 310 0062    | MGX 6      | As Req  |
|        |               |               |     | 310 0037    | MGX 6      | As Req  |
|        |               |               |     | 310 0099    | MGX 6      | As Req  |
|        |               |               |     | 310 0049    | MGX 6      | As Req  |

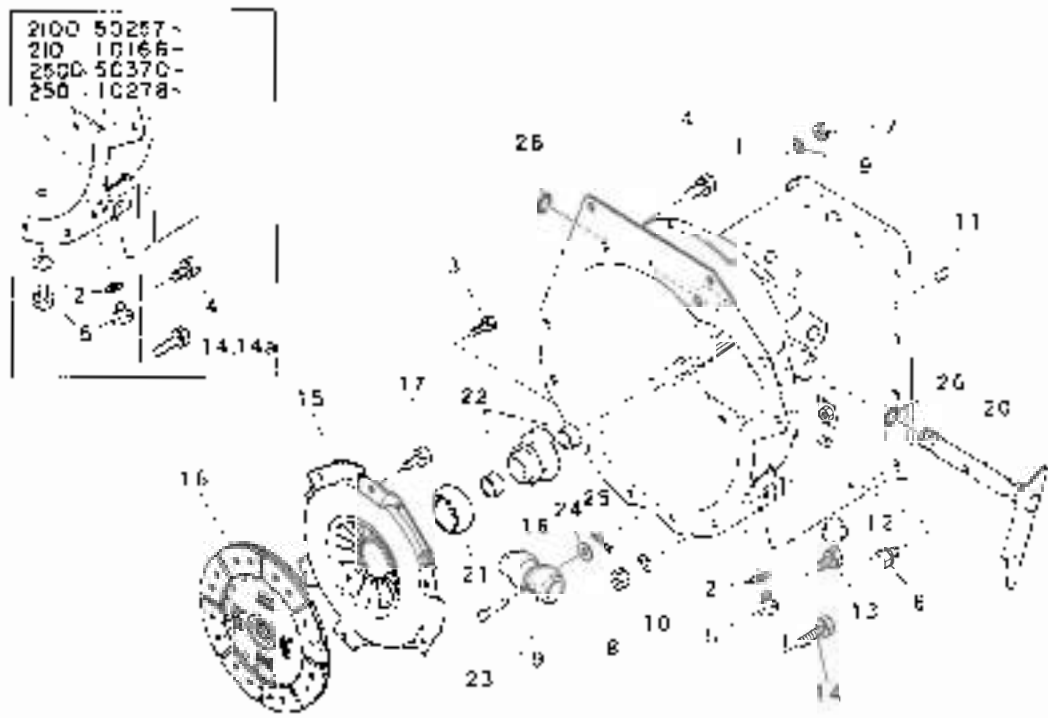
FIG.307 STEP



| Key No | Parts No      | Parts Name     | Q'ty |      |  |  | P  | Application              | Description  | Remarks |
|--------|---------------|----------------|------|------|--|--|--|--------------------------|--|---------|
|        |               |                | STD  | LIVE |  |  |  |                          |  |         |
| 1      | 1021 3514 OT2 | STEP L.H       | 1    | •    |  |  |  |                          |  |         |
| 1a     | 1983 3514 OT0 | STEP L.H       | •    | 1    |  |  |  |                          |  |         |
| 2      | 1021 3513 OT2 | STEP R.H       | 1    | 1    |  |  |  |                          |  |         |
|        | ○             | STEP R.H       | 1    | 1    |  |  | A  |                          | 1021 3513 OT1  |         |
| 3      | H155 0110 025 | BOLT,w/washer  | 4    | 4    |  |  |  | M10X25                   |  |         |
| 4      | H155 0110 020 | BOLT,w/washer  | 6    | 6    |  |  |  | M10X20                   |  |         |
| 5      | 1984 3511 OT3 | COVER L.H,foot | 1    | 1    |  |  | 210D 50012~<br>210 10011~<br>250D 50182~<br>250 10091~ |                          | Exchangeable to the part<br>No 1984 2111 003<br>1984 2011 002 with set |         |
|        | 1984 3511 OT2 | COVER L.H,foot | 1    | 1    |  |  | D 250D 50062~<br>250 10011~                            |                          |  |         |
|        | 1984 3511 OT1 | COVER L.H,foot | 1    | 1    |  |  | D  |                          |  |         |
| 6      | 1021 3515 OT1 | COVER R.H,foot | 1    | 1    |  |  |  |                          |  |         |
| 7      | H154 0108 016 | BOLT,w/washer  | 4    | 4    |  |  |  |                          |  |         |
| 8      | 3783 0053 000 | WASHER         | 1    | 1    |  |  |  |                          |  |         |
| 9      | A303 0112 001 | NUT            | 1    | 1    |  |  |  | M12                      |  |         |
| 10     | A360 0101 202 | WASHER, spring | 2    | 2    |  |  |  | M12                      |  |         |
| 11     | 0350 0151 226 | WASHER         | 1    | 1    |  |  |  | M12                      |  |         |
| 12     | 1021 3525 001 | BAND, rubber   | 1    | 1    |  |  |  |                          |  |         |
| 13     | 1021 2673 000 | BAND, rubber   | 1    | 1    |  |  |  |                          |  |         |
| 14     | 0350 0151 026 | WASHER         | 2    | 2    |  |  | 210D 50012~<br>210 10011~<br>250D 50182~<br>250 10091~ | M10<br>M10<br>M10<br>M10 | Added<br>Added<br>Added<br>Added                                       |         |

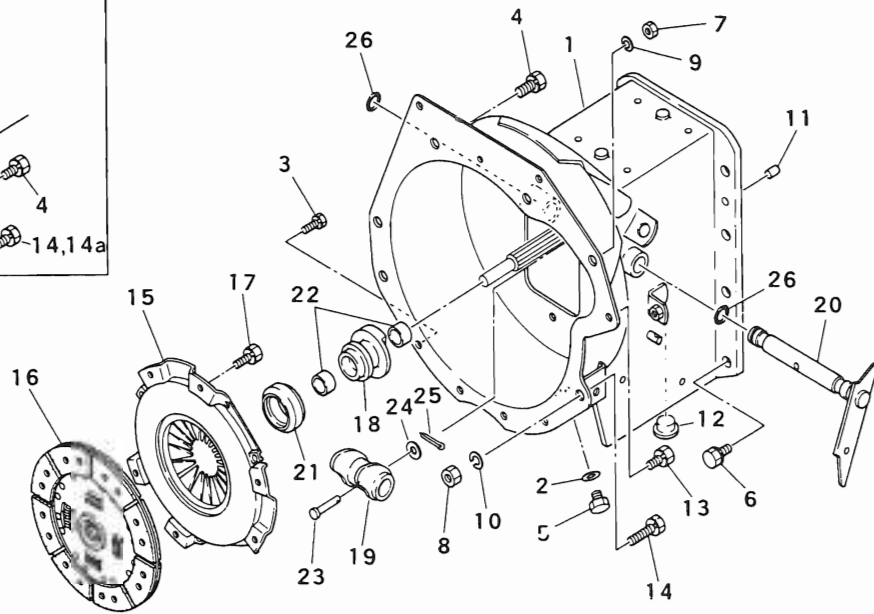
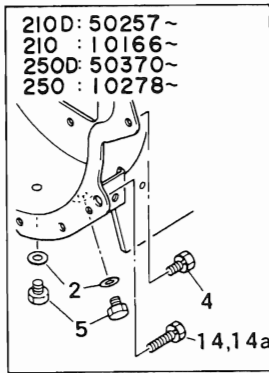


FIG.401 CLUTCH HOUSING & CLUTCH



| Key No | Parts No      | Parts Name     | QTY | UNIT | Application | Description | Remarks       |
|--------|---------------|----------------|-----|------|-------------|-------------|---------------|
| 1      | 1021 1051 001 | HOUSING clutch | 1   | *    | D           | 1021 1051   |               |
|        | 1021 1051 000 | HOUSING clutch | 1   | *    | D           | 1021 1051   |               |
|        | 1964 1011 001 | HOUSING clutch | 4   | 1    | D           | 1964 1011   |               |
| 2      | 1964 1011 000 | HOUSING clutch | *   | 1    | D           | 1964 1011   |               |
|        | C832 0001 200 | WASHER, seal   | 2   | 2    | A           | C832 0001   | 1021 1051 000 |
|        | ○             | WASHER, seal   | 2   | 2    | A           | C832 0001   | 1021 1051 000 |
|        | 1007 1018 000 | WASHER, seal   | 1   | *    | D           | 1007 1018   | 1021 1051 000 |
| 3      | F154 0108 016 | BOLT, w/washer | 4   | 4    |             | F154 0108   |               |
| 4      | F155 0112 040 | BOLT, w/washer | 2   | 4    |             | F155 0112   |               |
| 5      | A052 0112 020 | BOLT           | 2   | 2    |             | A052 0112   |               |
|        | ○             | BOLT           | 2   | 2    | A           | A052 0112   | 1021 1051 000 |
|        | A112 0112 020 | BOLT           | 1   | 1    | D           | A112 0112   | 1021 1051 000 |
| 6      | F154 0112 035 | BOLT, w/washer | 3   | 6    |             | F154 0112   |               |
|        | ○             | BOLT, w/washer | *   | 6    | A           | F154 0112   | 1021 1051     |
| 7      | A303 0110 001 | NUT            | 1   | *    |             | A303 0110   |               |
| 8      | A303 0112 001 | NUT            | 2   | 2    |             | A303 0112   |               |
| 9      | A350 0101 002 | WASHER, spring | 1   | *    |             | A350 0101   |               |
| 10     | A350 0101 202 | WASHER, spring | 2   | 2    |             | A350 0101   |               |
| 11     | 0540 1010 013 | PIN, dowel     | 2   | 2    |             | 0540 1010   |               |
| 12     | 2761 3133 000 | CAP            |     | *    |             | 2761 3133   |               |
| 13     | F155 0112 035 | BOLT, w/washer | 2   | *    |             | F155 0112   |               |
| 14     | A050 0112 055 | BOLT, w/washer | 2   | *    |             | A050 0112   |               |
| 14a    | A052 0112 030 | BOLT, w/washer | *   | 2    |             | A052 0112   |               |
| 15     | 1963 1101 000 | CLUTCH SET     |     | *    |             | 1963 1101   |               |
| 16     | 1021 1110 000 | CLUTCH COVER   | 1   | *    |             | 1021 1110   |               |
| 17     | F154 0108 020 | BOLT, w/washer | 6   | 6    |             | F154 0108   |               |

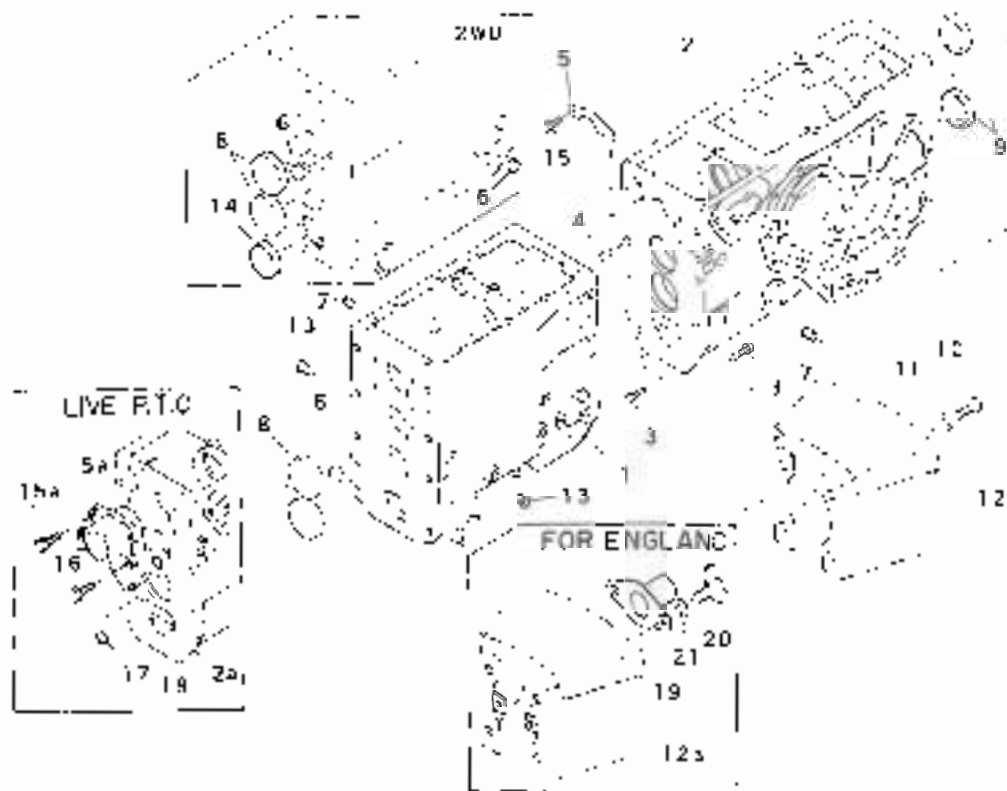
FIG.401 CLUTCH HOUSING & CLUTCH



4

| Key No | Parts No      | Parts Name      | Q'ty |      |  |  | P | Application  | Description   | Remarks |
|--------|---------------|-----------------|------|------|--|--|---|--|---------------|---------|
|        |               |                 | 21PS | 25PS |  |  |   |  |               |         |
| 18     | 1021 1115 002 | HUB             | 1    | 1    |  |  |   | 210D 50162~<br>210 10111~<br>250D 50312~<br>250 10146~ |               |         |
|        | ○             | HUB             | 1    | 1    |  |  | B |  | 1021 1115 001 |         |
| 19     | 1021 1116 001 | FORK,release    | 1    | 1    |  |  |   |  |               |         |
| 20     | 1021 1117 0C2 | SHAFT,release   | 1    | 1    |  |  |   |  |               |         |
| 21     | 1176 1015 000 | BEARING,release | 1    | 1    |  |  |   |  |               |         |
| 22     | 1021 1119 000 | BUSHING         | 2    | 2    |  |  |   | 210D 50162~<br>210 10111~<br>250D 50312~<br>250 10146~ |               |         |
|        | ○             | BUSHING         | 2    | 2    |  |  | B |  | 05605-02215   |         |
| 23     | F2855-06035   | PIN,clevis      | 1    | 1    |  |  |   | φ6X35  |               |         |
| 24     | 0350 0130 613 | WASHER          | 1    | 1    |  |  |   | M6   |               |         |
| 25     | 0520 0116 012 | PIN,split       | 1    | 1    |  |  |   | φ1 6X12  |               |         |
| 26     | 0830 0110 170 | O-RING          | 2    | 2    |  |  |   | φ17  |               |         |

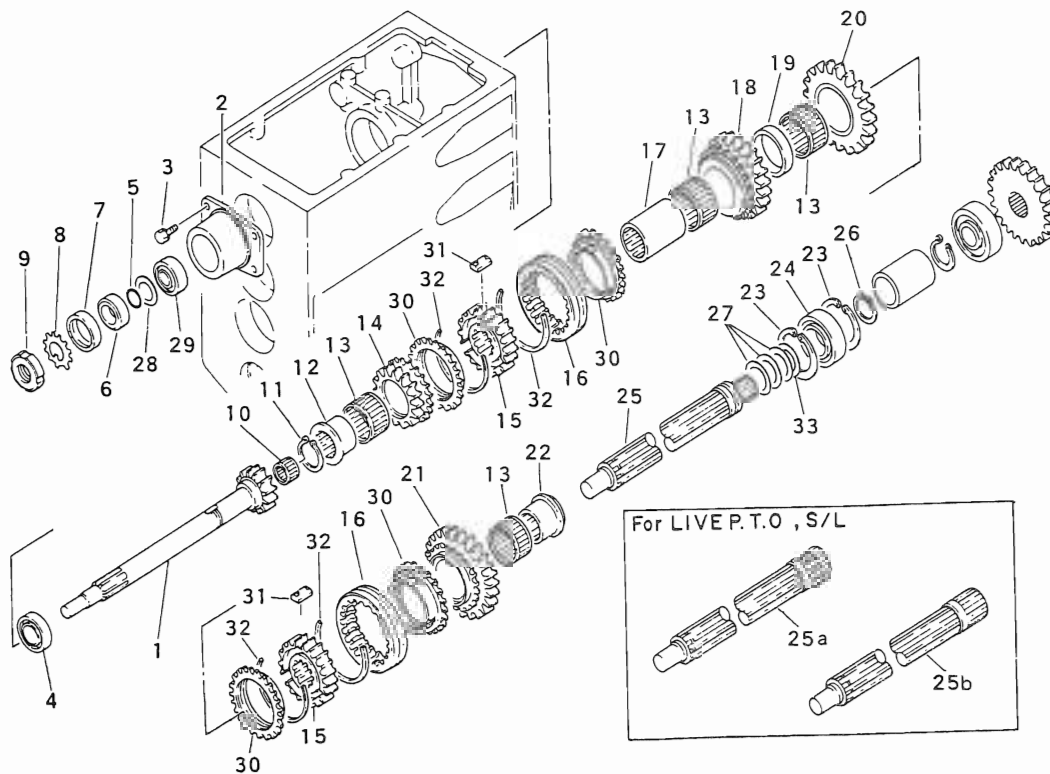
FIG.402 TRANSMISSION HOUSING



| Key No | Part No       | Parts Name     | QTY | UNIT | Application | Description | Remarks       |
|--------|---------------|----------------|-----|------|-------------|-------------|---------------|
| 1      | 1021 1211 000 | HOUSING        | 1   | 1    |             |             |               |
| 2      | 1983 1221 001 | HOUSING DIFF   | 1   | 1    |             |             |               |
| 2a     | 1983 1260 000 | HOUSING DIFF   | 1   | 1    |             |             | FOR ENGLAND   |
| 3      | F154 0103 035 | BOLT,w/washer  | 8   | 8    |             | V17x35      |               |
| 4      | 0540 1010 018 | FIN,dowel      | 2   | 2    |             | 410X18      |               |
| 5      | 1021 1289 002 | PLATE          | 1   | 1    |             |             |               |
|        | Q             | PLATE          | 1   | 1    | A           |             | 1021 1289 002 |
| 5a     | 1993 1274 002 | HOLDER,bearing | 1   | 1    |             |             | FOR ENGLAND   |
| 6      | 1015 0703 000 | CAP,rubber     | 1   | 2    |             |             |               |
| 7      | A600 0201 000 | PLUG           | 3   | 3    |             |             | PLUG          |
| 8      | 1021 1259 000 | CAP,rubber     | 2   | 2    |             |             |               |
| 9      | 1174 1282 000 | CAP,rubber     | 2   | 2    |             |             |               |
| 10     | A040 0114 020 | BOLT           | 4   | 4    |             | V14x30      |               |
| 11     | A360 0101 402 | WASHER,spring  | 4   | 4    |             | V14         |               |
| 12     | 1983 1245 001 | COVER P.T.O    | 1   | 1    |             |             |               |
|        | Q             | COVER P.T.O    | 1   | 1    | A           |             | 1983 1245 000 |
| 12a    | 1984 1226 000 | COVER P.T.O    | 1   | 1    |             |             | Spring        |
| 13     | 05534-12000   | PILES          | 6   | 6    |             |             |               |
| 14     | 1142 1697 000 | CAP,rubber     | 1   | 1    |             |             |               |
| 15     | F154 0103 020 | BOLT,w/washer  | 2   | 2    |             | V8x20       |               |
| 15a    | F154 0103 025 | BOLT,w/washer  | 2   | 2    |             | V8x25       | FOR ENGLAND   |
| 16     | F154 0103 035 | BOLT,w/washer  | 2   | 2    |             | V8x35       | FOR ENGLAND   |
| 17     | A601 0101 000 | PILES          | 7   | 2    |             |             | FOR ENGLAND   |
| 18     | 0830 1100 090 | O-RING         | 7   | 2    |             | 08          | FOR ENGLAND   |
| 19     | 1984 1227 000 | CAP shield     | 1   | 1    |             |             | Excess        |
| 20     | A140 0600 612 | BOLT,w/washer  | 2   | 2    |             | V8x12       | Excess        |
| 21     | A360 0100 607 | WASHER,spring  | 2   | 1    |             | V8          | Excess        |

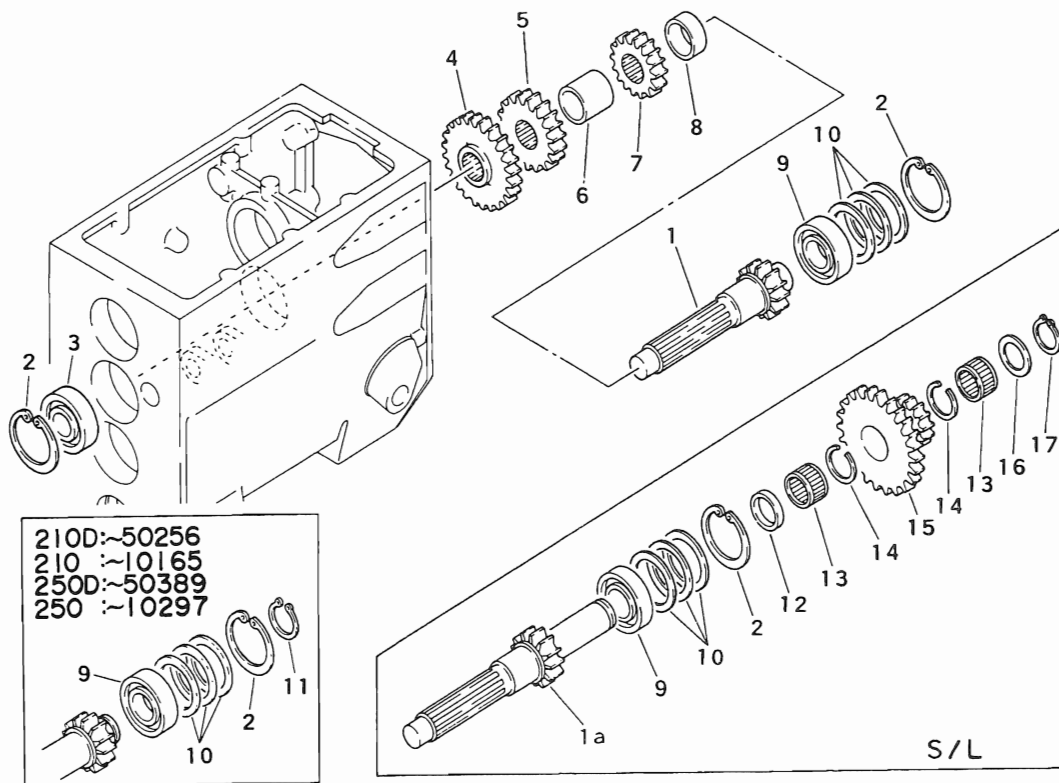


FIG.403 DRIVE & COUNTER SHAFT



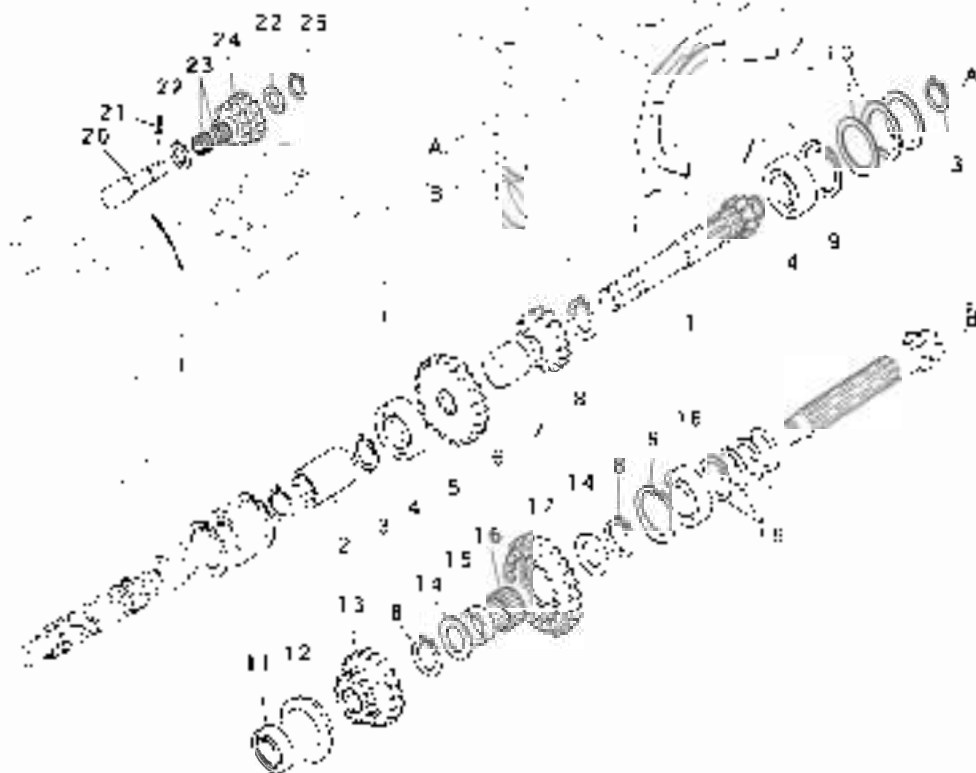
| Key No | Parts No      | Parts Name | Q'ty |     |  |  | P | Application | Description | Remarks |
|--------|---------------|------------|------|-----|--|--|---|-------------|-------------|---------|
|        |               |            | 4WD  | 2WD |  |  |   |             |             |         |
|        | 0730 0004 206 | LINER      | AR   | AR  |  |  |   | t=0 6       |             |         |
| 28     | 0731 0002 516 | LINER      | 1    | 1   |  |  |   | t=1 6       |             |         |
| 29     | 0750 0562 054 | BEARING    | 1    | 1   |  |  |   | 6205DD      |             |         |
| 30     | 68226-03500   | RING       | 4    | 4   |  |  |   |             |             |         |
| 31     | 68226-03600   | PIECE      | 6    | 6   |  |  |   |             |             |         |
| 32     | 68226-03700   | SPRING     | 4    | 4   |  |  |   |             |             |         |
| 33     | 0730 0004 216 | LINER      | 1    | 1   |  |  |   | t=1 6       |             |         |

FIG.404 MAIN SHAFT



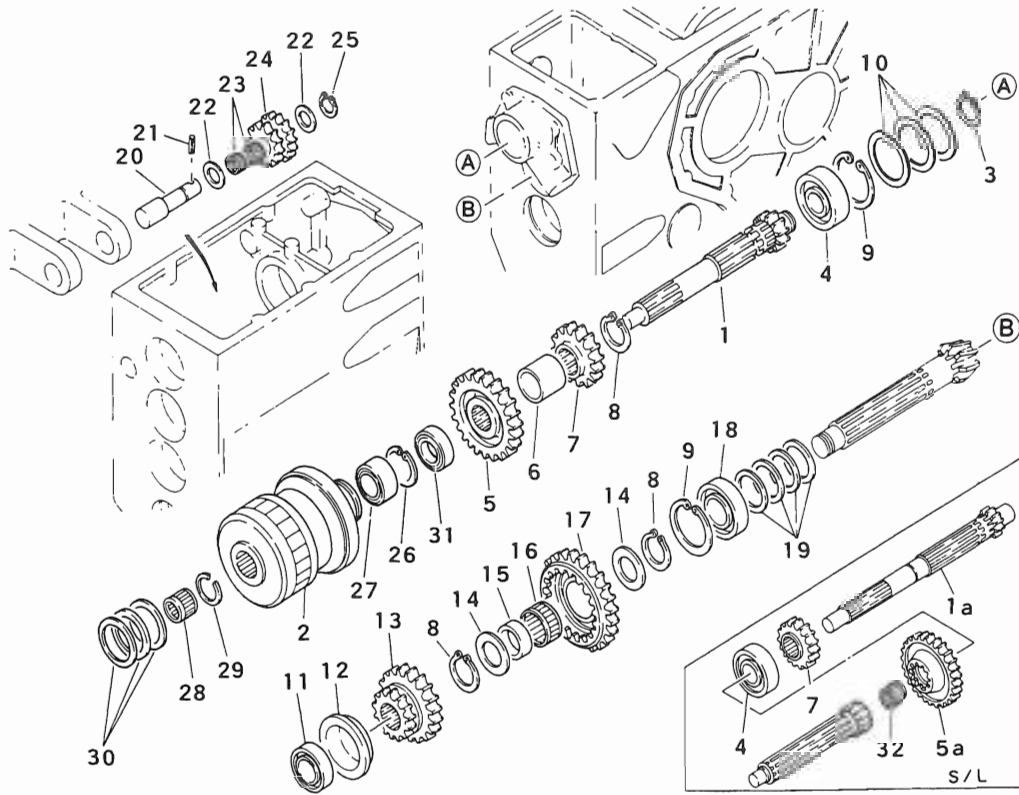
| Key No | Parts No      | Parts Name     | Q'ty |     |  |  | P  | Application | Description   | Remarks       |
|--------|---------------|----------------|------|-----|--|--|--|-------------|---------------|---------------|
|        |               |                | STD  | S/L |  |  |  |             |               |               |
| 1      | 1022 1214 000 | SHAFT          | 1    | 1   |  |  | A  |             |               | 1983 1213 001 |
|        | ○             | SHAFT          | 1    | 1   |  |  |  |             |               |               |
| 1a     | 1022 1222 000 | SHAFT          | •    | 1   |  |  |  |             |               |               |
| 2      | 0741 0106 200 | RING,snap      | 2    | 2   |  |  |  |             | φ62           |               |
| 3      | 0750 0263 050 | BEARING        | 1    | 1   |  |  |  |             | 6305          |               |
| 4      | 1983 1214 001 | GEAR           | 1    | 1   |  |  |  |             |               |               |
| 5      | 1021 1233 001 | GEAR           | 1    | 1   |  |  |  |             |               |               |
| 6      | 1021 1235 001 | SPACER         | 1    | 1   |  |  | 210D 50162<br>210 10111<br>250D 50312<br>250 10146     |             |               |               |
|        | ○             | SPACER         | 1    | 1   |  |  | B  |             | 1021 1235 000 |               |
| 7      | 1021 1234 000 | GEAR           | 1    | 1   |  |  |  |             |               |               |
| 8      | 67427-01300   | SPACER         | 1    | 1   |  |  |  |             |               |               |
| 9      | 0750 0262 060 | BEARING        | 1    | 1   |  |  |  | 6206        |               |               |
| 10     | 0730 0006 201 | LINER          | AR   | AR  |  |  |  | t= 0 1      |               |               |
|        | 0730 0006 204 | LINER          | AR   | AR  |  |  |  | t= 0 4      |               |               |
|        | 0730 0006 208 | LINER          | AR   | AR  |  |  |  | t= 0 8      |               |               |
| 11     | 0740 0103 000 | RING,snap      | 1    | 1   |  |  | 210D ~50256<br>210 ~10165<br>250D ~50389<br>250 ~10297 | φ30         | Deleted       |               |
|        |               |                |      |     |  |  |  | φ30         | Deleted       |               |
| 12     | 1021 1237 000 | COLLAR         | •    | 1   |  |  |  |             |               |               |
| 13     | 67427-01200   | BEARING,niddle | •    | 2   |  |  |  |             |               |               |
| 14     | 1021 1238 000 | RING,snap      | •    | 2   |  |  |  |             |               |               |
| 15     | 1021 1236 000 | GEAR           | •    | 1   |  |  |  |             |               |               |
| 16     | 67326-02402   | SPACER         | •    | 1   |  |  |  |             |               |               |
| 17     | 0740 0103 000 | RING,snap      | •    | 1   |  |  |  | φ30         |               |               |

FIG.405 COUNTER P.T.O SHAFT (STD)



| Key No | Parts No      | Parts Name      | Qty | U/P | Application | Description | Remarks       |
|--------|---------------|-----------------|-----|-----|-------------|-------------|---------------|
| 1      | 1993 1218 001 | SHAFT           | 1   |     |             |             |               |
| 2      | 87428-01500   | COLLARING       | 1   |     |             |             |               |
| 3      | 0740 5102 500 | RING, snap      | 2   | 2   |             | 32a         |               |
| 4      | 0750 0053 050 | BEARING         | 2   | 2   |             | 6X05        |               |
| 5      | 1021 1273 000 | GEAR            | 1   | 1   |             |             |               |
| 6      | 1021 1275 000 | SPACER          | 1   | 1   |             |             |               |
| 7      | 1021 1274 001 | GEAR            | 1   | 1   |             |             |               |
| 8      | 0740 5103 000 | RING, snap      | 3   | 3   |             | 32c         |               |
| 9      | 0741 5106 200 | RING, snap      | 2   | 2   |             | 32d         |               |
| 10     | 0730 0006 201 | LINER           | AR  | AR  |             | 1 0 1       |               |
|        | 0730 0006 204 | LINER           | AR  | AR  |             | 1 0 4       |               |
|        | 0730 0006 205 | LINER           | AR  | AR  |             | 1 0 5       |               |
| 11     | 0770 0133 205 | BEARING         | 1   | 1   |             |             |               |
|        | 0             | BEARING         | 1   | 1   | A           |             | 0170 0015 205 |
| 12     | 1021 1264 000 | HOLDER bearing  | 1   | 1   |             |             |               |
| 13     | 1021 1262 001 | GEAR            | 1   | 1   |             |             |               |
| 14     | 1021 1263 001 | WASHER          | 2   | 2   |             |             |               |
| 15     | 1021 1288 000 | RACE, inner     | 1   | 1   |             |             |               |
| 16     | 0780 2354 017 | BEARING needle  | 1   | 1   |             |             |               |
| 17     | 1993 1219 000 | GEAR            | 1   | 1   |             |             |               |
| 18     | 0770 0132 206 | BEARING         | 1   | 1   |             |             |               |
|        | 0             | BEARING         | 1   | 1   | A           |             | 0170 0015 206 |
| 19     | 67700-30300   | SH V            | AR  | AR  |             | 1 0 31      |               |
|        | 67700-30400   | SH V            | AR  | AR  |             | 1 0 32      |               |
|        | 67700-30500   | SH V            | AR  | AR  |             | 1 0 33      |               |
|        | 67700-30600   | SH V            | AR  | AR  |             | 1 0 34      |               |
| 20     | 1021 1251 000 | SHAFT           | 1   | 1   |             |             |               |
| 21     | 0550 0005 032 | P V spring      | 1   | 1   |             |             | 25-12         |
| 22     | 1458 1157 000 | LINER B         | 2   | 2   |             |             |               |
| 23     | 0790 2182 417 | BEARING, needle | 2   | 2   |             |             |               |
| 24     | 1021 1252 000 | GEAR            | 1   | 1   |             |             |               |
| 25     | 0740 0101 800 | RING, snap      | 1   | 1   |             |             | 412           |

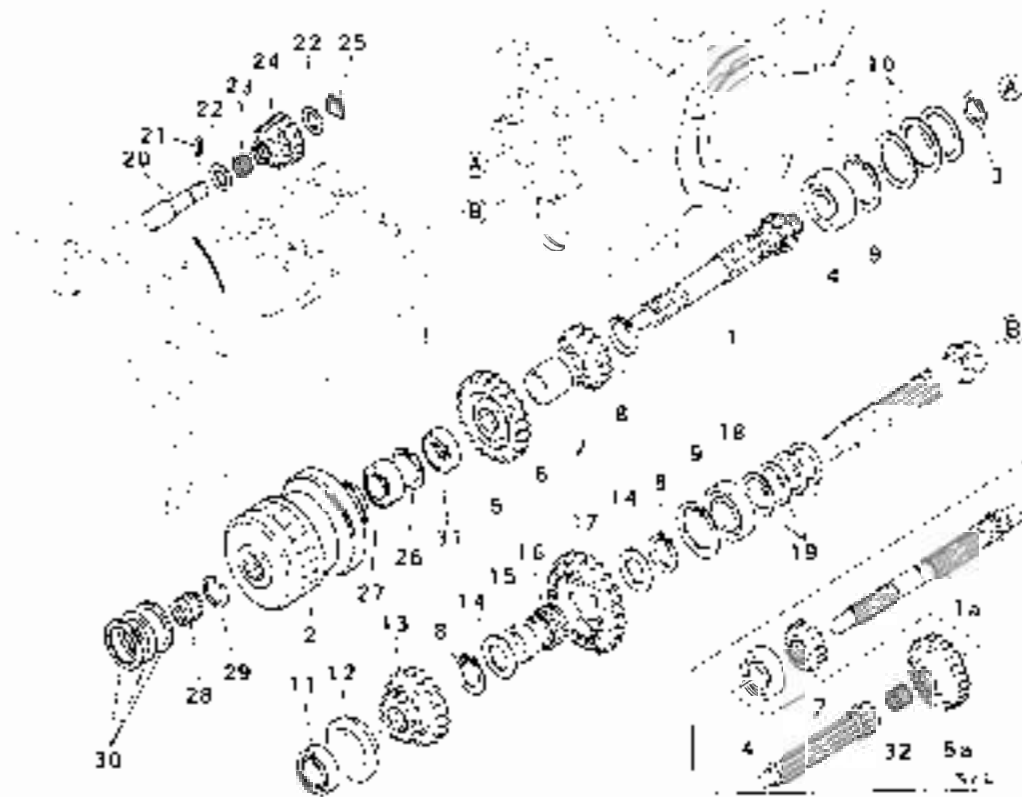
FIG. 406 COUNTER P.T.O SHAFT (LIVE P.T.O & S/L)



| Key No | Parts No      | Parts Name      | Q'ty |     |  |  | P | Application | Description   | Remarks |
|--------|---------------|-----------------|------|-----|--|--|---|-------------|---------------|---------|
|        |               |                 | LIVE | S/L |  |  |   |             |               |         |
| 1      | 1983 1268 000 | SHAFT           | 1    | •   |  |  |   |             |               |         |
| 1a     | 1984 1231 000 | SHAFT           | •    | 1   |  |  |   |             |               |         |
| 2      | 1983 1269 002 | CLUTCH          | 1    | •   |  |  |   |             |               |         |
| 3      | 0740 0102 500 | RING, snap      | 1    | 1   |  |  |   | φ25         | See Fig 410   |         |
| 4      | 0750 0063 050 | BEARING         | 1    | 2   |  |  |   | 6305        |               |         |
| 5      | 1983 1273 001 | GEAR            | 1    | •   |  |  |   |             |               |         |
| 5a     | 1021 1276 000 | GEAR            | •    | 1   |  |  |   |             |               |         |
| 6      | 1021 1275 000 | SPACER          | 1    | 1   |  |  |   |             |               |         |
| 7      | 1021 1274 001 | GEAR            | 1    | 1   |  |  |   |             |               |         |
| 8      | 0740 0103 000 | RING, snap      | 3    | 3   |  |  |   | φ30         |               |         |
| 9      | 0741 0106 200 | RING, snap      | 2    | 2   |  |  |   | φ62         |               |         |
| 10     | 0730 0006 201 | LINER           | AR   | AR  |  |  |   | t= 0 1      |               |         |
|        | 0730 0006 204 | LINER           | AR   | AR  |  |  |   | t= 0 4      |               |         |
|        | 0730 0006 208 | LINER           | AR   | AR  |  |  |   | t= 0 8      |               |         |
| 11     | 0770 0133 205 | BEARING         | 1    | 1   |  |  |   |             |               |         |
|        | ○             | BEARING         | 1    | 1   |  |  | A |             | 0770 0033 205 |         |
| 12     | 1021 1284 000 | HOLDER, bearing | 1    | 1   |  |  |   |             |               |         |
| 13     | 1021 1282 001 | GEAR            | 1    | 1   |  |  |   |             |               |         |
| 14     | 1021 1283 001 | WASHER          | 2    | 2   |  |  |   |             |               |         |
| 15     | 1021 1288 000 | RACE, inner     | 1    | 1   |  |  |   |             |               |         |
| 16     | 0780 2354 017 | BEARING, needle | 1    | 1   |  |  |   |             |               |         |
| 17     | 1983 1219 000 | GEAR            | 1    | 1   |  |  |   |             |               |         |
| 18     | 0770 0132 206 | BEARING         | 1    | 1   |  |  |   |             |               |         |
|        | ○             | BEARING         | 1    | 1   |  |  | A |             | 0770 0032 206 |         |
| 19     | 67700-30300   | SHIM            | AR   | AR  |  |  |   | t= 0.075    |               |         |
|        | 67700-30400   | SHIM            | AR   | AR  |  |  |   | t= 0 15     |               |         |
|        | 67700-30500   | SHIM            | AR   | AR  |  |  |   | t= 0 25     |               |         |
|        | 67700-30600   | SHIM            | AR   | AR  |  |  |   | t= 0 6      |               |         |
| 20     | 1021 1251 000 | SHAFT           | 1    | 1   |  |  |   |             |               |         |
| 21     | 0550 0005 032 | PIN, spring     | 1    | 1   |  |  |   | φ5X32       |               |         |
| 22     | 1456 1157 000 | LINER B         | 2    | 2   |  |  |   |             |               |         |
| 23     | 0780 2182 417 | BEARING, needle | 2    | 2   |  |  |   |             |               |         |
| 24     | 1021 1252 000 | GEAR            | 1    | 1   |  |  |   |             |               |         |
| 25     | 0740 0101 800 | RING, snap      | 1    | 1   |  |  |   | φ18         |               |         |
| 26     | 0741 0105 200 | RING, snap      | 1    | •   |  |  |   | φ52         |               |         |

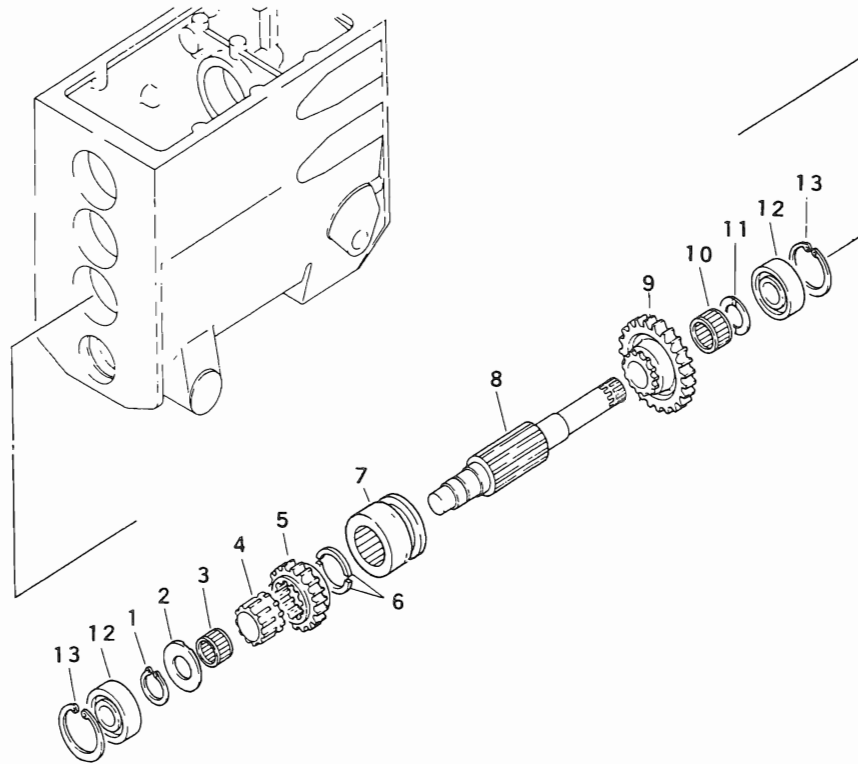


FIG.406 COUNTER P.T.O SHAFT (LIVE P.T.O & S/L)



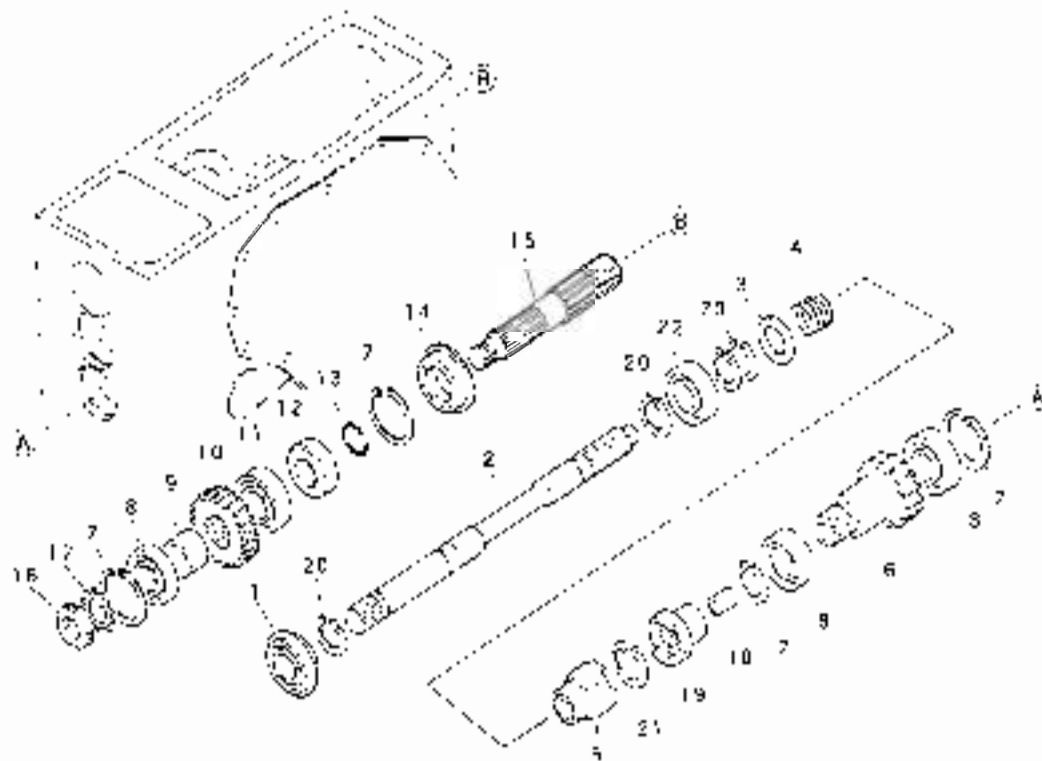
| Key No | Parts No      | Parts Name     | QTY | UNIT | Application | Description | Remarks |
|--------|---------------|----------------|-----|------|-------------|-------------|---------|
| 27     | 0810 0052 052 | BEAR NG        | 1   | *    |             |             |         |
| 28     | 1007 1205 000 | BEAR NG,needle | 1   | *    |             |             |         |
| 29     | 0746 1002 100 | RING snap      | 1   | *    |             |             |         |
| 30     | 0730 0004 702 | LINER          | AR  | *    |             |             | 02      |
|        | 0730 0004 704 | LINER          | AF  | *    |             |             | 04      |
|        | 0730 0004 706 | LINER          | AF  | *    |             |             | 00      |
| 31     | 0840 0040 525 | SEAL oil       | 1   | *    |             |             |         |
| 32     | 0790 2162 720 | BEAR NG        | *   | 1    |             |             |         |

FIG. 407 P.T.O SHAFT



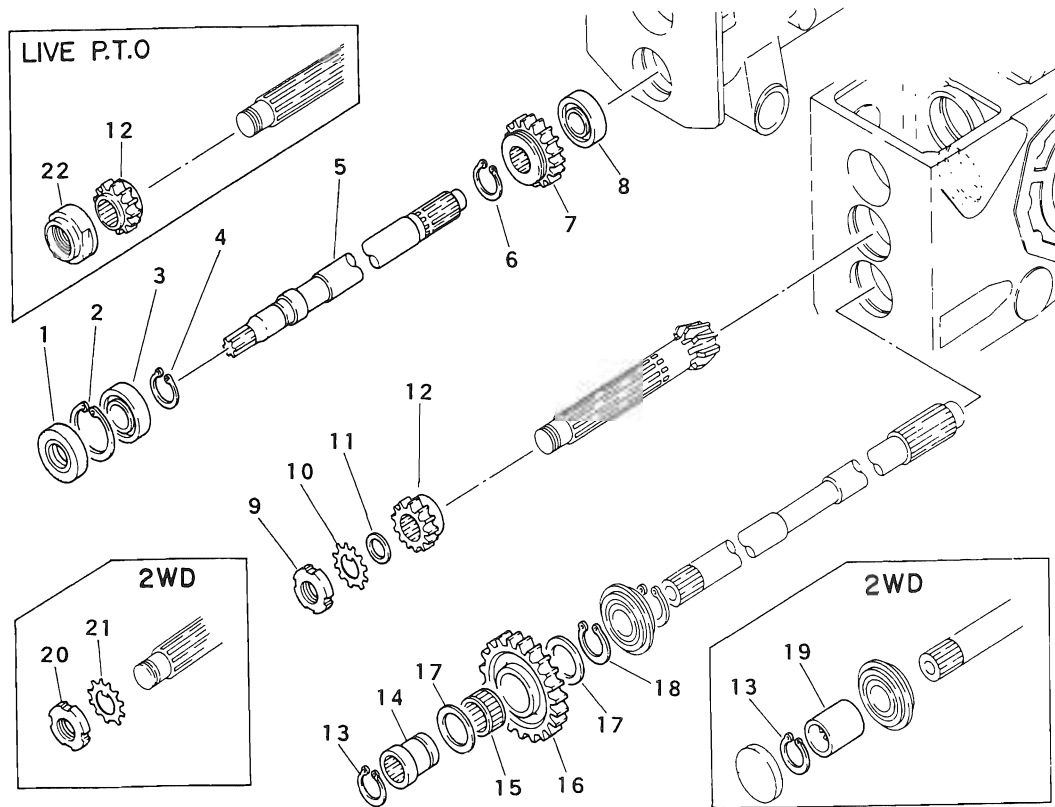
| Key No | Parts No      | Parts Name     | Q'ty |     |  |  | P  | Application | Description   | Remarks |
|--------|---------------|----------------|------|-----|--|--|--|-------------|---------------|---------|
|        |               |                | 4WD  | 2WD |  |  |  |             |               |         |
| 1      | 0740 0102 800 | RING,snap      | 1    | 1   |  |  |  | φ28         |               |         |
| 2      | 1021 1246 000 | LINER          | 1    | 1   |  |  |  |             |               |         |
| 3      | 0780 2283 317 | BEARING,needle | 1    | 1   |  |  |  |             |               |         |
| 4      | 1021 1243 001 | BOSS,spline    | 1    | 1   |  |  | 210D 50162~<br>210 10111~<br>250D 50312~<br>250 10146~ |             |               |         |
|        | ○             | BOSS,spline    | 1    | 1   |  |  | B  |             | 1021 1243 000 |         |
| 5      | 1983 1215 002 | GEAR           | 1    | 1   |  |  |  |             |               |         |
|        | 1983 1215 001 | GEAR           | 1    | 1   |  |  |  |             |               |         |
| 6      | 1021 1245 001 | RING,split     | 2    | 2   |  |  | 201D 50162~<br>210 10111~<br>250D 50312~<br>250 10146~ |             |               |         |
|        | ○             | RING,split     | 2    | 2   |  |  | B  |             | 1021 1245 000 |         |
| 7      | 1983 1216 002 | CLUTCH         | 1    | 1   |  |  |  |             |               |         |
| 8      | 1021 1241 001 | SHAFT          | 1    | 1   |  |  |  |             |               |         |
| 9      | 1983 1217 000 | GEAR           | 1    | 1   |  |  |  |             |               |         |
| 10     | 0780 2303 520 | BEARING,needle | 1    | 1   |  |  |  |             |               |         |
| 11     | 67426-04600   | LINER          | 1    | 1   |  |  |  |             |               |         |
| 12     | 0750 0063 050 | BEARING        | 2    | 2   |  |  |  | 6305        |               |         |
| 13     | 0741 0106 200 | RING,snap      | 2    | 2   |  |  |  | φ62         |               |         |

FIG.408 SUB P.T.O SHAFT (1/2)



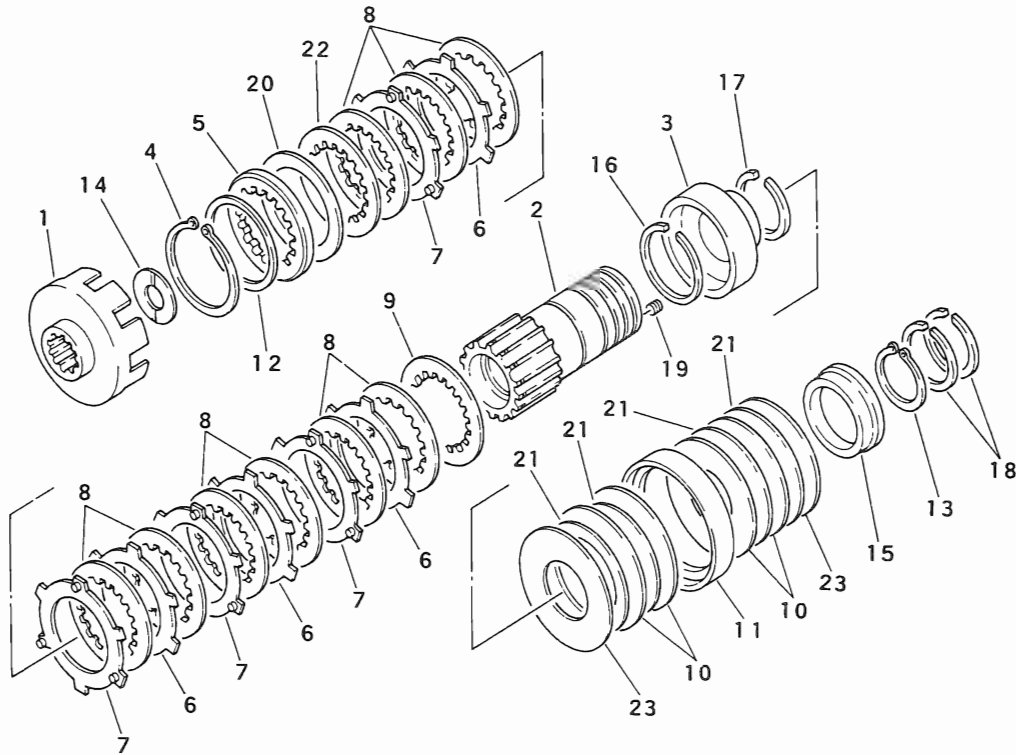
| Key No | Parts No      | Parts Name      | Q | U | Application | Description | Remarks |
|--------|---------------|-----------------|---|---|-------------|-------------|---------|
| 1      | 0750 0063 055 | BEARING         | 1 | 1 |             | 6305W-      |         |
| 2      | 1963 1222 001 | SHAFT SUB P.T.O | 1 | 1 |             |             |         |
| 3      | 123 2209 000  | WASHER          | 1 | 1 |             |             |         |
| 4      | 59425-RC600   | SPRING          | 1 | 1 |             |             |         |
| 5      | 1983 1272 000 | CLUTCH B        | 1 | 1 |             |             |         |
| 6      | 1983 1223 001 | GEAR            | 1 | 1 |             |             |         |
| 7      | 0741 0106 200 | RING snap       | 4 | 4 |             | 052         |         |
| 8      | 0750 0263 050 | BEARING         | 3 | 3 |             | 6305        |         |
| 9      | 1021 2293 000 | SPACER          | 1 | 1 |             |             |         |
| 10     | 1983 2229 001 | GEAR            | 1 | 1 |             |             |         |
| 11     | 0810 0052 062 | BEARING         | 1 | 1 |             | 6306        |         |
| 12     | 1021 2313 000 | BUSHING         | 1 | 1 |             |             |         |
| 13     | 0830 0200 300 | O-RING          | 1 | 1 |             | 030         |         |
| 14     | 1021 2314 000 | SEAL oil        | 1 | 1 |             |             |         |
| 15     | 1021 2311 000 | SHAFT, p l o    | 1 | 1 |             |             |         |
| 16     | 4327 0102 500 | NUT             | 1 | 1 |             | 675         |         |
| 17     | 0328 0102 501 | WASHER          | 1 | 1 |             | 675         |         |
| 18     | 1983 2235 001 | BUSHING         | 1 | 1 |             |             |         |
| 19     | 1983 2271 000 | CLUTCH A        | 1 | 1 |             |             |         |
| 20     | 0740 0102 500 | RING snap       | 4 | 4 |             | 033         |         |
| 21     | 0741 0102 600 | RING snap       | 1 | 1 |             | 033         |         |
| 22     | 0750 0063 050 | BEARING         | 1 | 1 |             |             |         |

FIG.409 SUB P.T.O SHAFT (2/2)



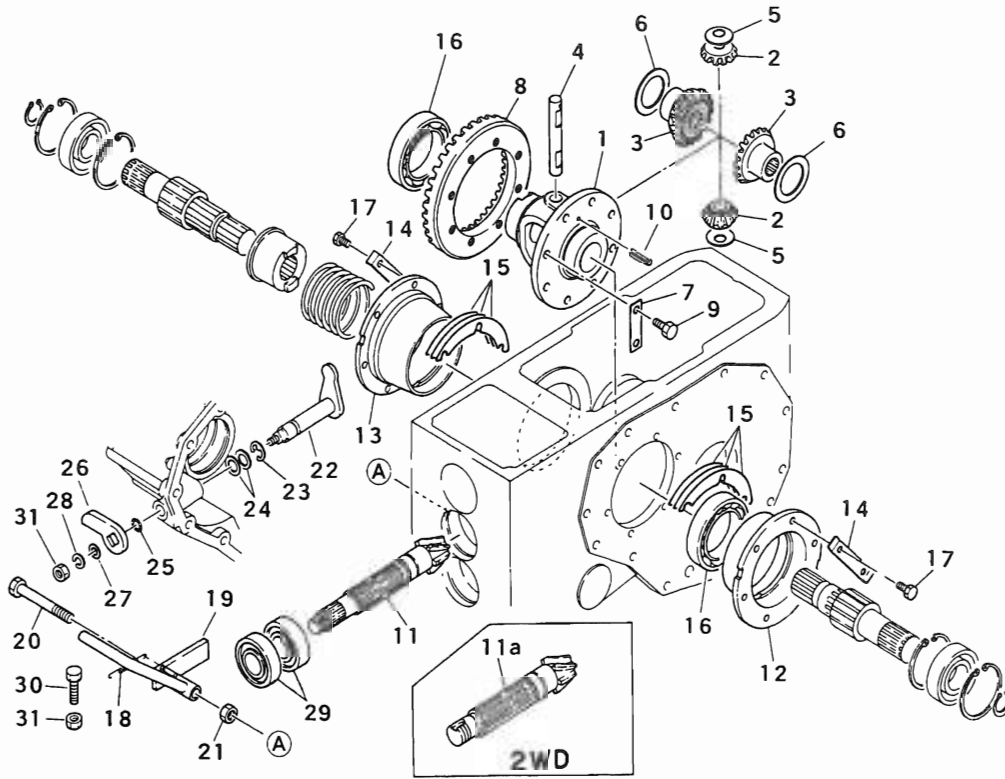
| Key No | Parts No      | Parts Name     | Q'ty |     |  |  | P/P | Application  | Description | Remarks  |
|--------|---------------|----------------|------|-----|--|--|-----|--|-------------|--|
|        |               |                | 4WD  | 2WD |  |  |     |  |             |  |
| 1      | 1021 1267 000 | SEAL,oil       | 1    | •   |  |  |     |  |             |  |
| 2      | 0741 0105 200 | RING,snap      | 1    | •   |  |  |     | φ52  |             |  |
| 3      | 0750 0062 050 | BEARING,ball   | 1    | •   |  |  |     | 6205   |             |  |
| 4      | 0740 0102 500 | RING,snap      | 1    | •   |  |  |     | φ25  |             |  |
| 5      | 1021 1261 000 | SHAFT          | 1    | •   |  |  |     |  |             |  |
| 6      | 0740 0102 500 | RING,snap      | 1    | •   |  |  |     | φ25  |             |  |
| 7      | 1021 1268 000 | GEAR           | 1    | •   |  |  |     |  |             |  |
| 8      | 0750 0063 040 | BEARING        | 1    | •   |  |  |     | 6304   |             |  |
| 9      | A327 0102 000 | NUT            | 1    | •   |  |  |     | M20  |             | For STD  |
| 10     | 0328 0102 001 | WASHER         | 1    | •   |  |  |     | M20  |             | For STD  |
| 11     | 1021 1287 000 | WASHER         | 1    | •   |  |  |     |  |             | For STD  |
| 12     | 1984 1225 000 | GEAR           | 1    | •   |  |  |     |  |             |  |
| 13     | 0740 0102 500 | RING,snap      | 1    | 1   |  |  |     | φ25  |             |  |
| 14     | 1021 1264 001 | RETAINER       | 1    | •   |  |  |     |  |             |  |
| 15     | 0780 2354 220 | BEARING,needle | 1    | •   |  |  |     |  |             |  |
| 16     | 1021 1265 000 | GEAR           | 1    | •   |  |  |     |  |             |  |
| 17     | 1021 1266 001 | WASHER         | 2    | •   |  |  |     |  |             |  |
| 18     | 0740 0103 500 | RING,snap      | 1    | •   |  |  |     | φ35  |             |  |
| 19     | 1021 1263 000 | RETAINER       | •    | 1   |  |  |     |  |             |  |
| 20     | A327 0102 500 | NUT            | •    | 1   |  |  |     | M25  |             |  |
| 21     | 0328 0102 501 | WASHER         | •    | 1   |  |  |     | M25  |             |  |
| 22     | 1983 1276 002 | NUT            | 1    | •   |  |  |     | 210D 50162~<br>210 10111~<br>250D 50312~<br>250 10146~ |             | For Live P T O<br>For Live P T O<br>For Live P T O<br>For Live P T O |
|        | O             | NUT            | 1    | •   |  |  | B   |  |             | 1983 1276 001  |

FIG.410 CLUTCH (LIVE P.T.O)



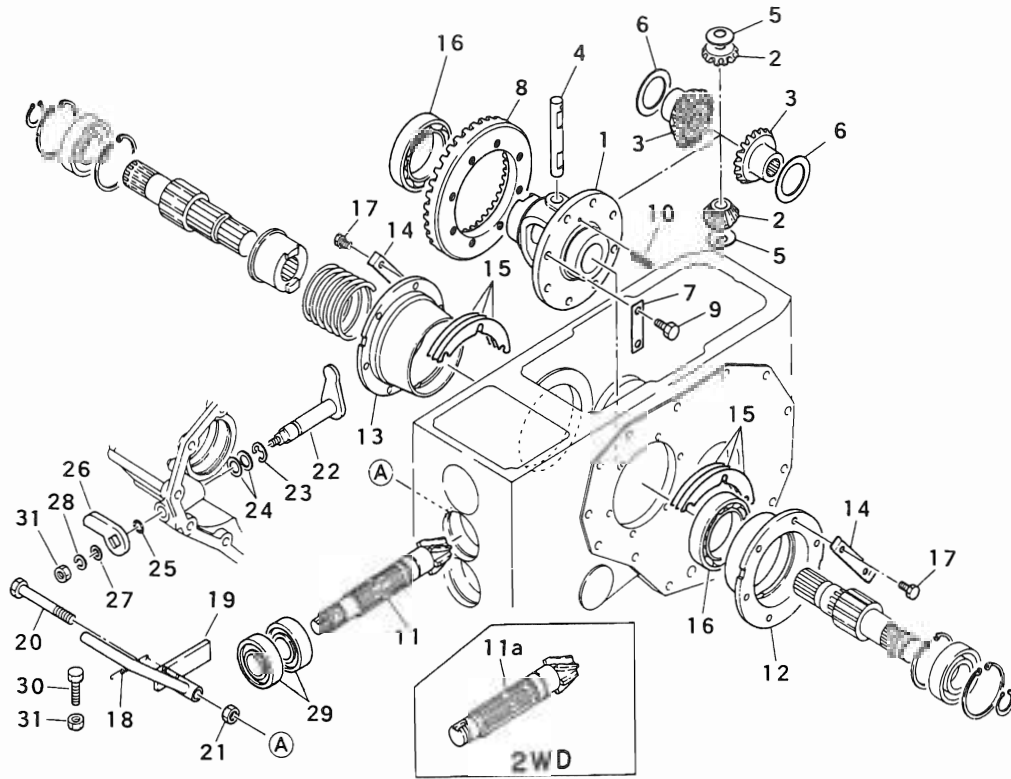
| Key No | Parts No      | Parts Name          | Q' t y |     |  |  | P | Application | Description | Remarks |
|--------|---------------|---------------------|--------|-----|--|--|---|-------------|-------------|---------|
|        |               |                     | 4WD    | 2WD |  |  |   |             |             |         |
| 1-22   | 1983 1269 002 | <b>CLUTCH ASSY.</b> | 1      | 1   |  |  |   |             |             |         |
| 1      | 1983 1269 110 | COVER               | 1      | 1   |  |  |   |             |             |         |
| 2      | 1983 1269 120 | HUB ASSY.           | 1      | 1   |  |  |   |             |             |         |
| 3      | 1983 1269 130 | PISTON              | 1      | 1   |  |  |   |             |             |         |
| 4      | 0740 0106 000 | RING,snap           | 1      | 1   |  |  |   | φ60         |             |         |
| 5      | 1983 1269 150 | PLATE,back          | 1      | 1   |  |  |   |             |             |         |
| 6      | 1983 1269 160 | PLATE               | 4      | 4   |  |  |   |             |             |         |
| 7      | 1983 1269 170 | PLATE ASSY.         | 4      | 4   |  |  |   |             |             |         |
| 8      | 1983 1269 180 | DISK ASSY.          | 9      | 9   |  |  |   |             |             |         |
| 9      | 1983 1269 190 | PLATE               | 1      | 1   |  |  |   |             |             |         |
| 10     | 1983 1269 211 | SPRING              | 4      | 4   |  |  |   |             |             |         |
| 11     | 1983 1269 221 | SPRING,suport       | 1      | 1   |  |  |   |             |             |         |
| 12     | 1983 1269 230 | SHIM                | AR     | AR  |  |  |   |             |             |         |
| 13     | 0746 1005 000 | RING,snap           | 1      | 1   |  |  |   | φ50         |             |         |
| 14     | 1983 1269 250 | WASHER,thrust       | 1      | 1   |  |  |   |             |             |         |
| 15     | 1983 1269 260 | GUIDE,spring        | 1      | 1   |  |  |   |             |             |         |
| 16     | 1983 1269 271 | RING,seal           | 1      | 1   |  |  |   |             |             |         |
| 17     | 1983 1269 281 | RING,seal           | 1      | 1   |  |  |   |             |             |         |
| 18     | 1983 1269 290 | RING,seal           | 2      | 2   |  |  |   |             |             |         |
| 19     | 1983 1269 310 | PLUG                | 1      | 1   |  |  |   |             |             |         |
| 20     | 1983 1269 321 | SPRING              | 1      | 1   |  |  |   |             |             |         |
| 21     | 1983 1269 330 | SPACER              | 4      | 4   |  |  |   |             |             |         |
| 22     | 1983 1269 350 | PLATE               | 1      | 1   |  |  |   |             |             |         |
| 23     | 1983 1269 360 | SPRING              | 2      | 2   |  |  |   |             |             |         |

FIG.411 FINAL DRIVE



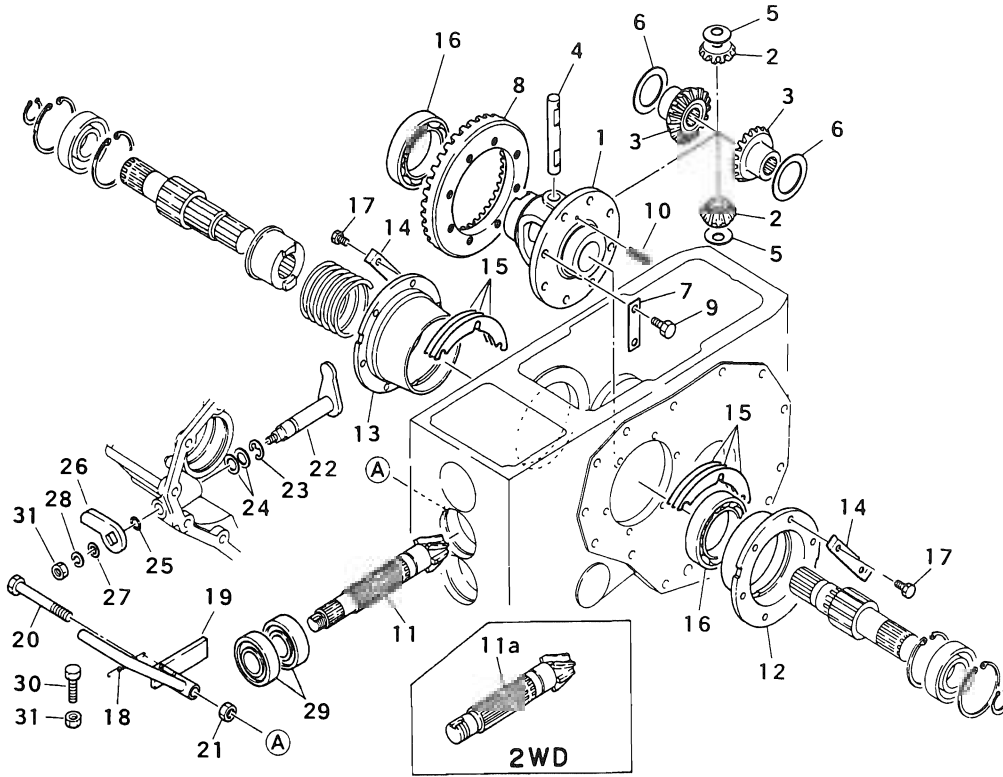
| Key No | Parts No      | Parts Name     | Q'ty |     |  |  | P | Application  | Description  | Remarks |
|--------|---------------|----------------|------|-----|--|--|---|--|--|---------|
|        |               |                | 4WD  | 2WD |  |  |   |  |  |         |
| 1-11   | 1021 1402 002 | GEAR CASE ASSY | 1    | •   |  |  |   |  |  |         |
|        | ○             | GEAR CASE ASSY | 1    | •   |  |  | A |  | 1021 1402 001  |         |
| 1-10   | 1021 1401 002 | GEAR CASE ASSY | •    | 1   |  |  |   |  | Inc the No 11a   |         |
|        | ○             | GEAR CASE ASSY | •    | 1   |  |  | A |  | 1021 1401 001  |         |
| 1      | 1021 1411 000 | CASE,diff.     | 1    | 1   |  |  |   |  |  |         |
| 2      | 1021 1412 001 | PINION,diff.   | 2    | 2   |  |  |   | 210D.50257~<br>210 10166~<br>250D 50362~<br>250 10286~ |  |         |
|        | 1021 1412 000 | PINION,diff.   | 2    | 2   |  |  | D |  |  |         |
| 3      | 1021 1413 001 | GEAR,side      | 2    | 2   |  |  |   | 210D 50257~<br>210 10166~<br>250D 50362~<br>250 10286~ |  |         |
|        | 1021 1413 000 | GEAR,side      | 2    | 2   |  |  | D |  |  |         |
| 4      | 1021 1414 000 | SHAFT, pinion  | 1    | 1   |  |  |   |  |  |         |
| 5      | 1021 1415 001 | WASHER,thrust  | 2    | 2   |  |  |   | 210D 50257~<br>210 10166~<br>250D 50362~<br>250 10286~ |  |         |
|        | 1021 1415 000 | WASHER,thrust  | 2    | 2   |  |  | D |  |  |         |
| 6      | 1021 1416 000 | WASHER,thrust  | C    | C   |  |  |   | 210D ~50256<br>210 ~10165<br>250D ~50369<br>250 ~10285 | t= 1.0 Deleted<br>t= 1.0 Deleted<br>t= 1.0 Deleted<br>t= 1.0 Deleted |         |
|        | 1021 1416 001 | WASHER,thrust  | 2    | 2   |  |  |   |  |  |         |
| 6      | 1021 1416 100 | WASHER,thrust  | C    | C   |  |  | D |  | t= 1.2 Deleted   |         |
|        | 1021 1416 200 | WASHER,thrust  | C    | C   |  |  |   | 210D ~50256<br>210 ~10165<br>250D ~50361<br>250 ~10285 | t= 1.4 Deleted<br>t= 1.4 Deleted<br>t= 1.4 Deleted<br>t= 1.4 Deleted |         |
| 7      | 1021 1417 000 | WASHER,lock    | 4    | 4   |  |  |   |  |  |         |

FIG.411 FINAL DRIVE



| Key No | Parts No           | Parts Name    | Q'ty |     |  |  | F/P | Application  | Description  | Remarks |
|--------|--------------------|---------------|------|-----|--|--|-----|--|--|---------|
|        |                    |               | 4WD  | 2WD |  |  |     |  |  |         |
| 8      | 1021 1418 001      | GEAR,ring     | 1    | 1   |  |  |     | 210D.50257~<br>210 10166~<br>250D.50362~<br>250 10286~   |  |         |
| 9      | 1021 1418 000      | GEAR,ring     | 1    | 1   |  |  | D   |  |  |         |
|        | A040 0110 020      | BOLT          | 8    | 8   |  |  |     | M10X20   |  |         |
| 10     | 0550 0006 040      | PIN,spring    | 1    | 1   |  |  |     | φ6X40  |  |         |
|        | ○                  | PIN,spring    | 1    | 1   |  |  | A   | φ6X30  | 0550 0006 030                                      |         |
| 11     | 1021 1422 002      | SHAFT,pinion  | 1    | •   |  |  |     | 250D 50362~<br>210D 50257~                               |  |         |
|        | 1021 1422 001      | SHAFT,pinion  | 1    | •   |  |  | D   |  |  |         |
| 11a    | 1021 1421 002      | SHAFT,pinion  | •    | 1   |  |  |     | 250 10286~<br>210 10166~                                 | Inc the No 11a<br>Inc the No 11a<br>Inc the No 11a |         |
|        | 1021 1421 001      | SHAFT,pinion  | •    | 1   |  |  | D   |  |  |         |
| 12     | 1021 1431 000      | HOLDER L.H    | 1    | 1   |  |  |     |  |  |         |
| 13     | 1021 1432 000      | HOLDER R.H    | 1    | 1   |  |  |     |  |  |         |
| 14     | 1021 1433 001      | PLATE,lock    | 6    | 6   |  |  |     |  |  |         |
| 15     | 1021 1435 000      | SHIM          | AR   | AR  |  |  |     | t=0.2  |  |         |
|        | 1021 1436 000      | SHIM          | AR   | AR  |  |  |     | t=0.3  |  |         |
|        | 1021 1437 000      | SHIM          | AR   | AR  |  |  |     | t=0.5  |  |         |
| 16     | 1021 1438 000      | BEARING       | 2    | 2   |  |  |     |  |  |         |
| 17     | A050 0108 020      | BOLT          | 12   | 12  |  |  |     |  | M8X20  |         |
| 18     | 69552-06500        | SPRING        | 1    | 1   |  |  |     |  |  |         |
| 19     | 1021 1451 0C2      | PEDAL         | 1    | 1   |  |  |     | 210D:50162~<br>210 :10111~<br>250D:50312~<br>250 :10146~ |  |         |
| 20     | ○<br>A054 0112 090 | PEDAL<br>BOLT | 1    | 1   |  |  | B   |  | 1021 1451 0C1                                      |         |
| 21     | A300 0112 001      | NUT           | 1    | 1   |  |  |     | M12X90<br>M12  |  |         |
| 22     | 1135 1801 000      | SHIFTER       | 1    | 1   |  |  |     |  |  |         |
| 23     | 0742 0001 200      | E-RING        | 1    | 1   |  |  |     | φ12  |  |         |
| 24     | 0731 0001 504      | LINER         | AR   | AR  |  |  |     | t=0.4  |  |         |
|        | 0731 0001 512      | LINER         | AR   | AR  |  |  |     | t=1.2  |  |         |
| 25     | 0830 0100 110      | O-RING        | 1    | 1   |  |  |     | φ11  |  |         |

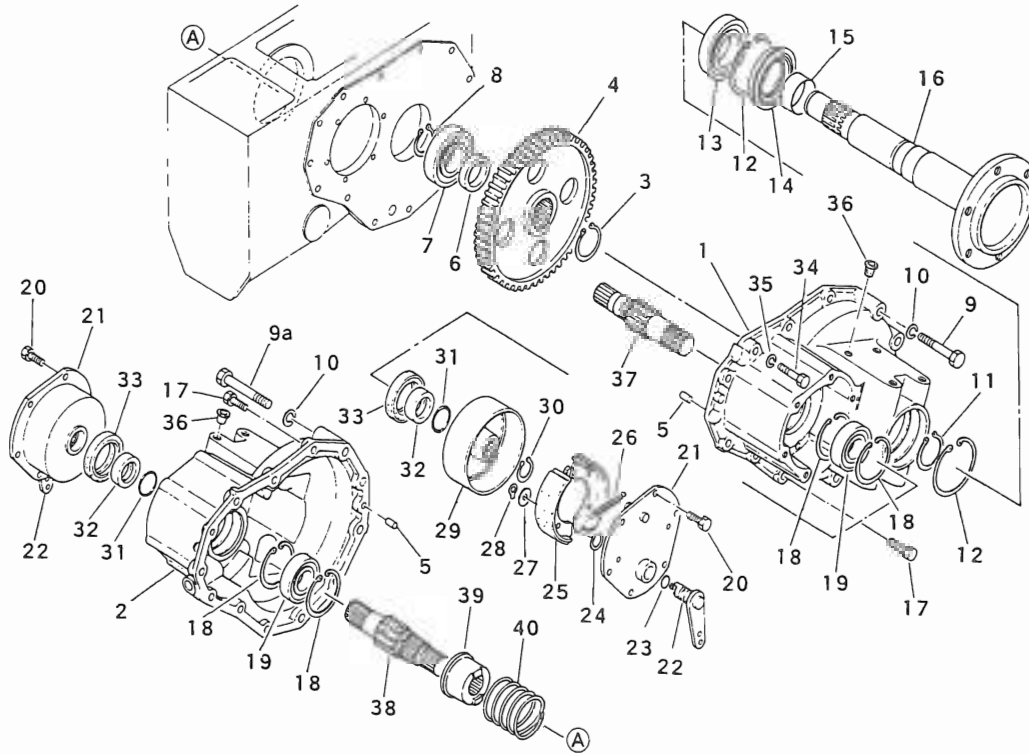
FIG.411 FINAL DRIVE



| Key No | Parts No      | Parts Name     | Q' t y |     |  |  | P | Application | Description | Remarks |
|--------|---------------|----------------|--------|-----|--|--|---|-------------|-------------|---------|
|        |               |                | 4WD    | 2WD |  |  |   |             |             |         |
| 26     | 1135 1804 0C0 | ARM            | 1      | 1   |  |  |   |             |             |         |
| 27     | 0350 0150 822 | WASHER         | 1      | 1   |  |  |   | M8          |             |         |
| 28     | A360 0100 802 | WASHER, spring | 1      | 1   |  |  |   | M8          |             |         |
| 29     | 0750 0060 120 | BEARING        | 2      | 2   |  |  |   | 6012        |             |         |
| 30     | A050 0108 030 | BOLT           | 1      | 1   |  |  |   | M8X30       |             |         |
| 31     | A301 0108 002 | NUT            | 2      | 2   |  |  |   | M8          |             |         |

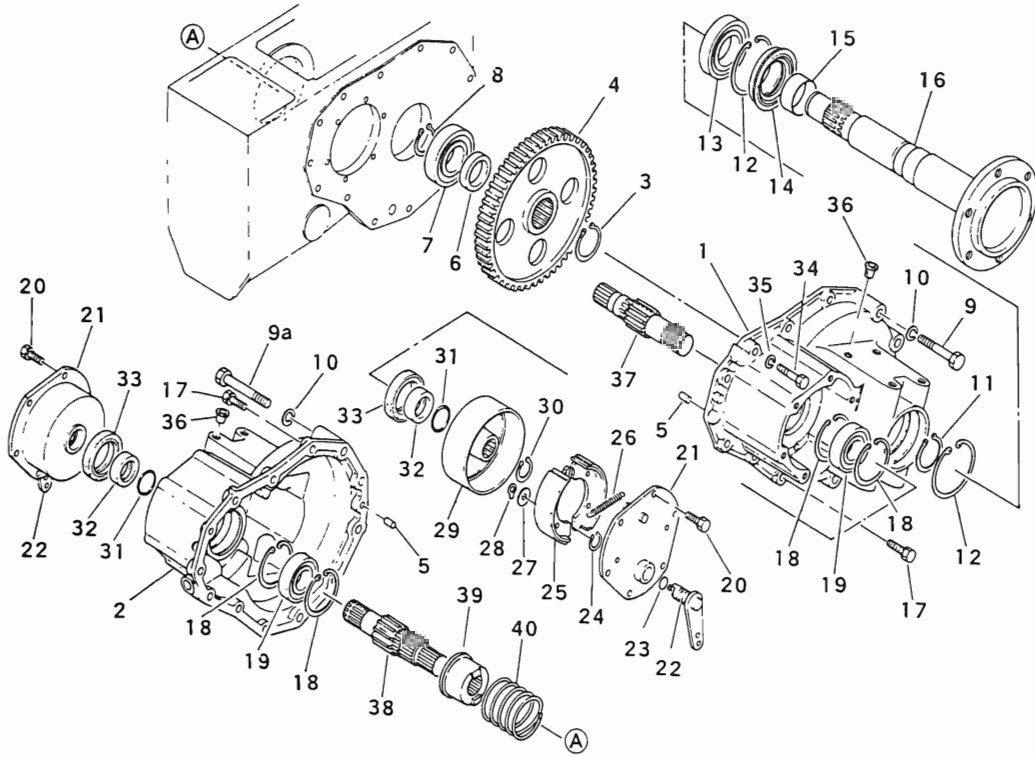


FIG.501 REAR AXLE



| Key No | Parts No      | Parts Name        | Q'ty |     |  |  | P | Application | Description | Remarks |
|--------|---------------|-------------------|------|-----|--|--|---|-------------|-------------|---------|
|        |               |                   | 4WD  | 2WD |  |  |   |             |             |         |
| 1      | 1021 1511 0C0 | HOUSING L.H       | 1    | 1   |  |  |   |             |             |         |
| 2      | 1021 1512 0C0 | HOUSING R.H       | 1    | 1   |  |  |   |             |             |         |
| 3      | 0740 0104 800 | RING,snap         | 2    | 2   |  |  |   | φ48         |             |         |
| 4      | 1021 1521 000 | GEAR,final        | 2    | 2   |  |  |   |             |             |         |
| 5      | 0540 1010 018 | PIN,dowel         | 4    | 4   |  |  |   | φ10X18      |             |         |
| 6      | 1021 1526 000 | COLLAR            | 2    | 2   |  |  |   |             |             |         |
| 7      | 0750 0063 080 | BEARING           | 2    | 2   |  |  |   | 6308        |             |         |
| 8      | 0740 0104 000 | RING,snap         | 2    | 2   |  |  |   | φ40         |             |         |
| 9      | A054 0112 080 | BOLT              | 4    | 4   |  |  |   | M12X80      |             |         |
| 9a     | A054 0112 090 | BOLT              | 6    | 6   |  |  |   | M12X90      |             |         |
| 10     | A360 0101 202 | WASHER,spring     | 10   | 10  |  |  |   | M12         |             |         |
| 11     | 0740 0105 000 | RING,snap         | 2    | 2   |  |  |   | φ50         |             |         |
| 12     | 0741 0109 000 | RING,snap         | 4    | 4   |  |  |   | φ90         |             |         |
| 13     | 0750 0062 100 | BEARING,ball      | 2    | 2   |  |  |   | 6210        |             |         |
| 14     | 0841 2579 013 | SEAL,oil          | 2    | 2   |  |  |   |             |             |         |
| 15     | 1021 1525 000 | SI-SLEEVE         | 2    | 2   |  |  |   |             |             |         |
| 16     | 1021 1524 0C1 | SHAFT,axle        | 2    | 2   |  |  |   |             |             |         |
| 17     | F155 0110 035 | BOLT,w/washer     | 12   | 12  |  |  |   | M10X35      |             |         |
| 18     | 0741 0107 200 | RING,snap         | 4    | 4   |  |  |   | φ72         |             |         |
| 19     | 0750 0263 060 | BEARING           | 2    | 2   |  |  |   | 6306        |             |         |
| 20     | F155 0110 025 | BOLT,w/washer     | 12   | 12  |  |  |   | M10X25      |             |         |
| 21~29  | 1983 1501 0C0 | <b>BRAKE ASSY</b> | 2    | 2   |  |  |   |             |             |         |
| 21     | 1983 1501 110 | PLATE ASSY        | 2    | 2   |  |  |   |             |             |         |
| 22     | 1983 1501 130 | CAM SHAFT ASSY    | 2    | 2   |  |  |   |             |             |         |
| 23     | 0830 0100 180 | O-RING            | 2    | 2   |  |  |   | φ18         |             |         |
| 24     | 0740 0102 200 | RING,snap         | 2    | 2   |  |  |   | φ22         |             |         |
| 25     | 1983 1501 120 | BRAKE SHOE ASSY   | 4    | 4   |  |  |   |             |             |         |
| 26     | 1983 1501 140 | SPRING            | 4    | 4   |  |  |   |             |             |         |
| 27     | 1983 1501 150 | PLATE,stp         | 2    | 2   |  |  |   |             |             |         |
| 28     | 1983 1501 170 | CLIP              | 2    | 2   |  |  |   |             |             |         |
| 29     | 1983 1503 000 | DRUM              | 2    | 2   |  |  |   |             |             |         |
| 30     | 0740 0103 000 | RING,snap         | 2    | 2   |  |  |   | φ30         |             |         |
| 31     | 0830 0100 300 | O-RING            | 2    | 2   |  |  |   | φ30         |             |         |
| 32     | 1021 1522 000 | BUSHING           | 2    | 2   |  |  |   |             |             |         |
| 33     | 0841 1507 212 | SEAL,oil          | 2    | 2   |  |  |   |             |             |         |

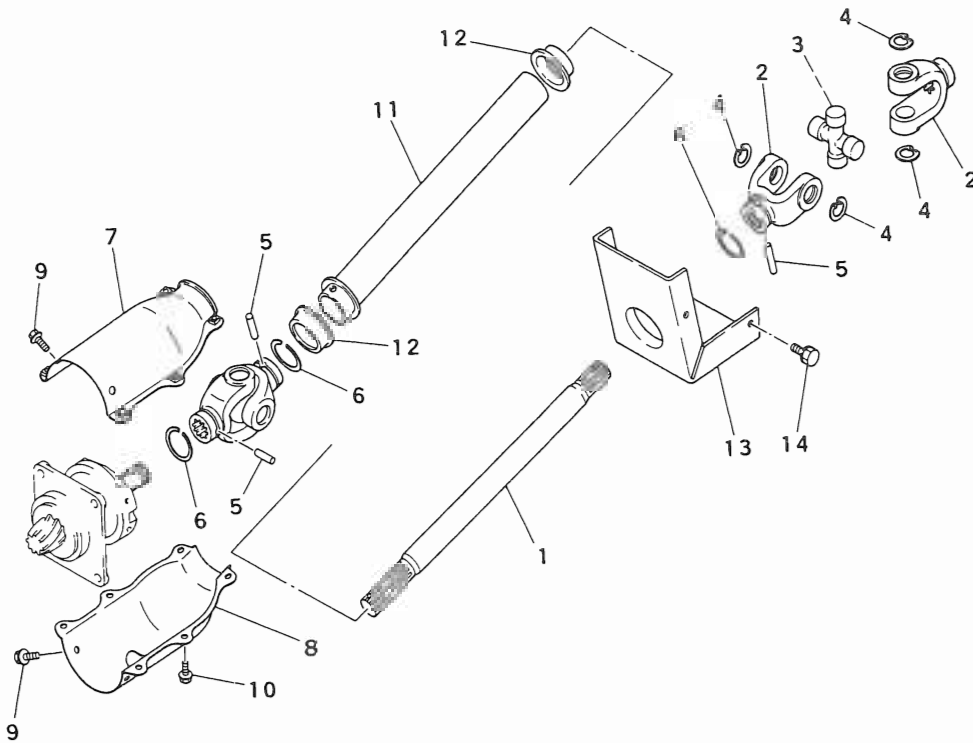
FIG.501 REAR AXLE



5

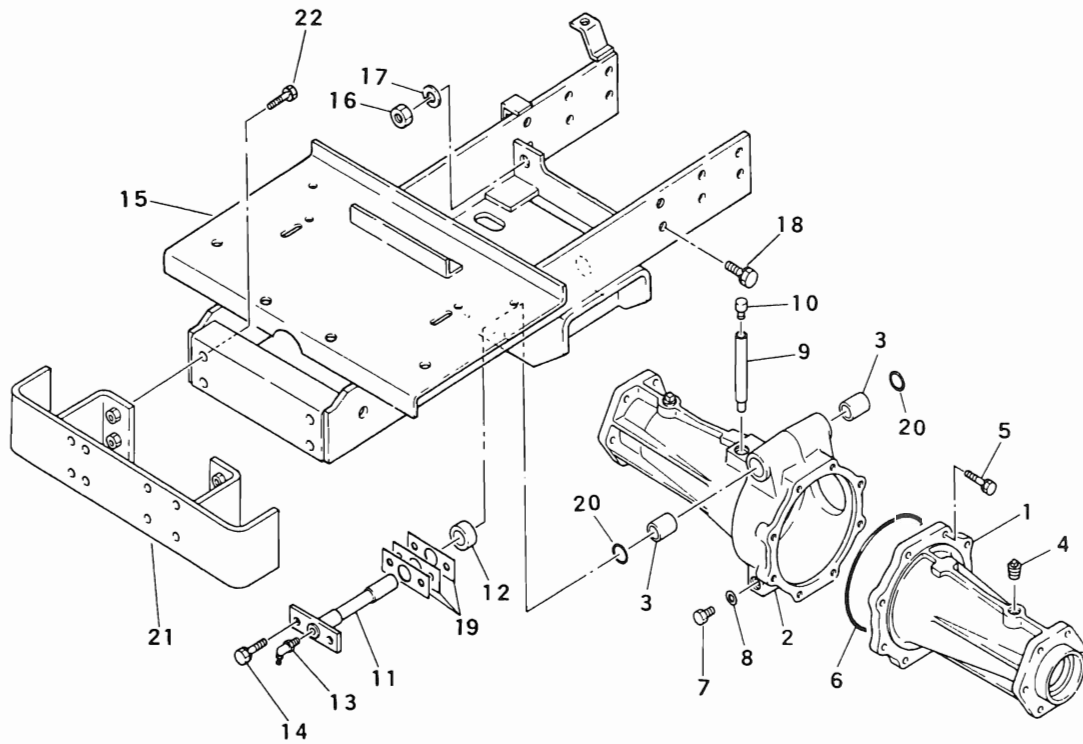
| Key No | Parts No      | Parts Name     | Q'ty |     |  |  | P/P | Application | Description | Remarks |
|--------|---------------|----------------|------|-----|--|--|-----|-------------|-------------|---------|
|        |               |                | 4WD  | 2WD |  |  |     |             |             |         |
| 34     | A055 0110 060 | BOLT           | 2    | 2   |  |  |     | M10X60      |             |         |
| 35     | A360 0101 002 | WASHER, spring | 2    | 2   |  |  |     | M10         |             |         |
| 36     | 05534-14000   | PLUG           | 12   | 12  |  |  |     |             |             |         |
| 37     | 1021 1515 000 | SHAFT L.H      | 1    | 1   |  |  |     |             |             |         |
| 38     | 1021 1516 000 | SHAFT R.H      | 1    | 1   |  |  |     |             |             |         |
| 39     | 1021 1519 000 | SLEEVE         | 1    | 1   |  |  |     |             |             |         |
| 40     | 1021 1523 000 | SPRING         | 1    | 1   |  |  |     |             |             |         |

FIG.502 PROPELLER SHAFT (4WD)



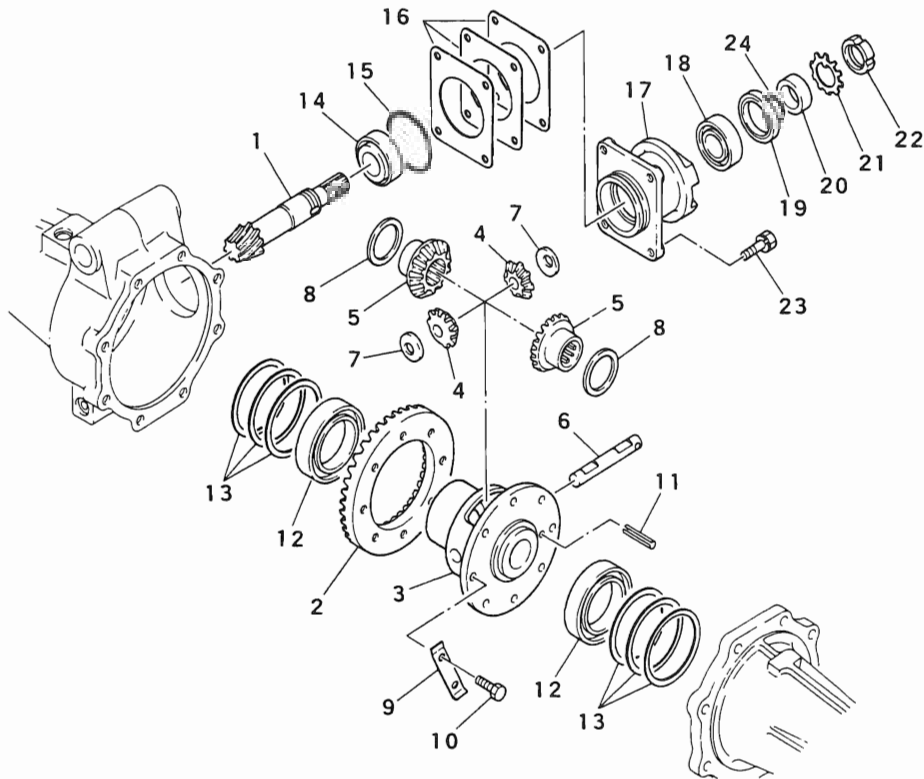
| Key No | Parts No      | Parts Name    | Q' t y |  |  |  | P/P                        | Application | Description   | Remarks |
|--------|---------------|---------------|--------|--|--|--|----------------------------|-------------|---------------|---------|
|        |               |               | ALL    |  |  |  |                            |             |               |         |
| 1      | 1983 1911 0C0 | SHAFT         | 1      |  |  |  |                            |             |               |         |
| 2-4    | 1007 0552 0C0 | JOINT ASSY.   | 2      |  |  |  |                            |             |               |         |
| 2      | 1007 0552 100 | YOKE,spline   | 2      |  |  |  |                            |             |               |         |
| 3      | 1007 0552 200 | JOURNAL KIT   | 1      |  |  |  |                            |             |               |         |
| 4      | 0741 0102 000 | RING,snap     | 4      |  |  |  |                            | φ20         |               |         |
| 5      | 0540 1006 028 | PIN,dowel     | 3      |  |  |  |                            | φ6X28       |               |         |
| 6      | 1007 0553 001 | RING,snap     | 3      |  |  |  | 210D 50162~<br>250D 50312~ |             |               |         |
|        | ○             | RING,snap     | 3      |  |  |  | B                          |             | 1007 0553 000 |         |
| 7      | 1007 0554 0C1 | COVER,upper   | 1      |  |  |  |                            |             |               |         |
| 8      | 1007 0556 0C1 | COVER,lower   | 1      |  |  |  |                            |             |               |         |
| 9      | H144 0106 012 | BOLT,w/washer | 2      |  |  |  |                            | M6X12       |               |         |
| 10     | H144 0106 016 | BOLT,w/washer | 6      |  |  |  |                            | M6X16       |               |         |
|        | ○             | BOLT,w/washer | 6      |  |  |  | A                          | M6X14       | H144 0106 014 |         |
| 11     | 1983 1912 0C0 | COVER         | 1      |  |  |  |                            |             |               |         |
| 12     | 1007 0560 000 | CUSHION       | 2      |  |  |  |                            |             |               |         |
| 13     | 1021 1915 0C0 | COVER         | 1      |  |  |  |                            |             |               |         |
| 14     | F154 0108 016 | BOLT,w/washer | 4      |  |  |  |                            | M8X16       |               |         |

FIG.503 FRONT AXLE BRACKET (4WD)



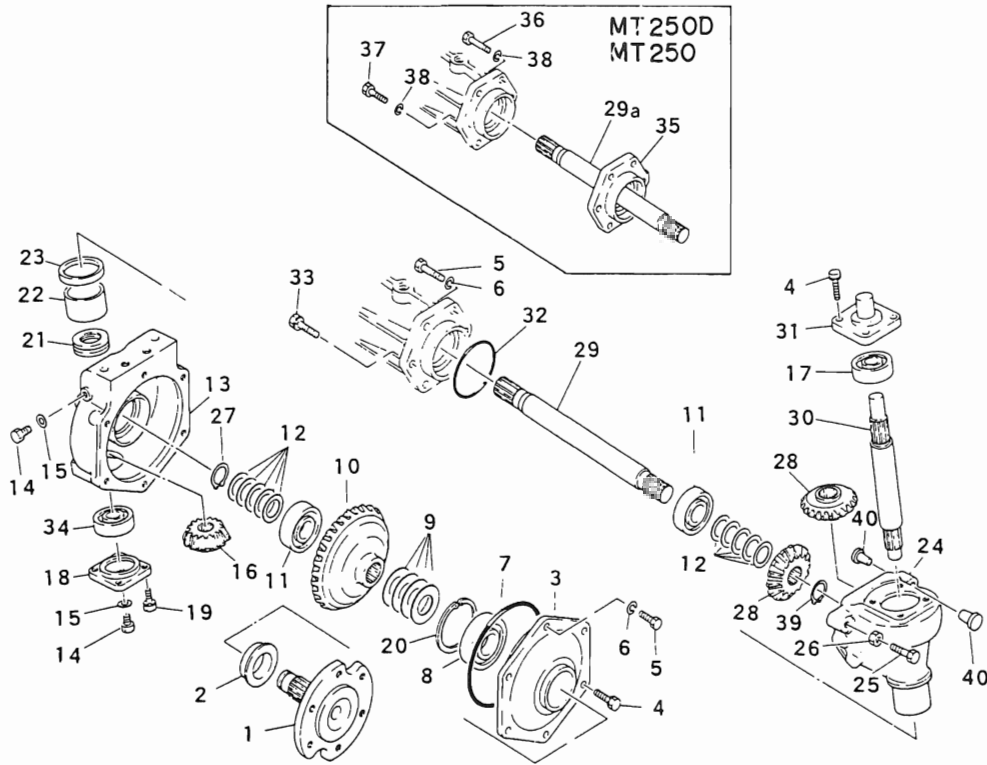
| Key No | Parts No      | Parts Name    | Q'ty |      |  |  | F/P | Application | Description | Remarks       |
|--------|---------------|---------------|------|------|--|--|-----|-------------|-------------|---------------|
|        |               |               | 21PS | 25PS |  |  |     |             |             |               |
| 1      | 1021 2116 0C0 | CENTER B      | 1    | 1    |  |  |     |             |             |               |
| 2,3    | 1021 2105 0C1 | AXLE CENTER   | 1    | 1    |  |  |     |             |             |               |
| 2      | 1021 2115 0C3 | CENTER A      | 1    | 1    |  |  |     |             |             |               |
| 3      | 67541-00800   | BUSING        | 2    | 2    |  |  |     |             |             |               |
| 4      | A600 0201 000 | PLUG          | 2    | 2    |  |  |     |             |             |               |
| 5      | F155 0110 030 | BOLT,w/washer | 8    | 8    |  |  |     | M10X30      |             |               |
| 6      | 0830 0501 500 | O-RING        | 1    | 1    |  |  |     | φ150        |             |               |
| 7      | 2740 3214 200 | PLUG          | 1    | 1    |  |  |     |             |             |               |
| 8      | 0833 0000 800 | WASHER,seat   | 1    | 1    |  |  |     |             |             |               |
| 9      | 1007 0656 0C0 | PIPE          | 1    | 1    |  |  |     |             |             |               |
| 10     | 1119 0621 000 | PLUG,vent     | 1    | 1    |  |  |     |             |             |               |
| 11     | 1021 2147 0C0 | SHAFT,center  | 1    | 1    |  |  |     |             |             |               |
| 12     | 1021 2143 001 | COLLAR        | 1    | 1    |  |  |     |             |             |               |
| 13     | A651 3600 300 | NIPPLE,grease | 1    | 1    |  |  |     |             |             |               |
| 14     | F155 0110 025 | BOLT,w/washer | 2    | 2    |  |  |     | M10X25      |             |               |
| 15     | 1984 2153 0C0 | BRACKET       | 1    | •    |  |  |     | 210D 50469~ |             |               |
|        | 1984 2151 0C2 | BRACKET       | 1    | •    |  |  | D   | 210D 50132~ |             |               |
|        | 1984 2151 0C1 | BRACKET       | 1    | •    |  |  | D   |             |             |               |
|        | 1984 2152 0C1 | BRACKET       | •    | 1    |  |  |     |             |             |               |
|        | ○             | BRACKET       | •    | 1    |  |  | A   | 250D 50723~ |             | 1984 2152 0C0 |
|        | 1984 2111 0C3 | BRACKET       | •    | 1    |  |  | D   | 250D 50182~ |             |               |
|        | 1984 2111 0C1 | BRACKET       | •    | 1    |  |  | D   |             |             |               |
| 16     | A303 0114 002 | NUT           | 2    | 2    |  |  |     | M14         |             |               |
| 17     | A360 0101 402 | WASHER,spring | 2    | 2    |  |  |     | M14         |             |               |
| 18     | F155 0112 030 | BOLT,w/washer | 12   | 12   |  |  |     | 12X30       |             |               |
| 19     | 1119 0605 000 | SHIM          | AR   | AR   |  |  |     | t= 0 2      |             |               |
|        | 1119 0605 100 | SHIM          | AR   | AR   |  |  |     | t= 0 6      |             |               |
|        | 1119 0605 200 | SHIM          | AR   | AR   |  |  |     | t= 1 0      |             |               |
| 20     | 0830 0100 250 | O-RING        | 2    | 2    |  |  |     | φ25         |             |               |
| 21     | 1984 2054 0C1 | BUMPER        | 1    | •    |  |  |     | 210D 50469~ |             | Added         |
|        | 1984 2015 0C0 | BUMPER        | •    | 1    |  |  |     | 250D 50723~ |             | Added         |
| 22     | F155 0112 035 | BOLT,w/washer | 4    | 4    |  |  |     | 210D 50469~ | M12X35      | Added         |
|        |               |               |      |      |  |  |     | 250D 50723~ | M12X35      | Added         |

FIG.504 FRONT DIFFERENTIAL (4WD)



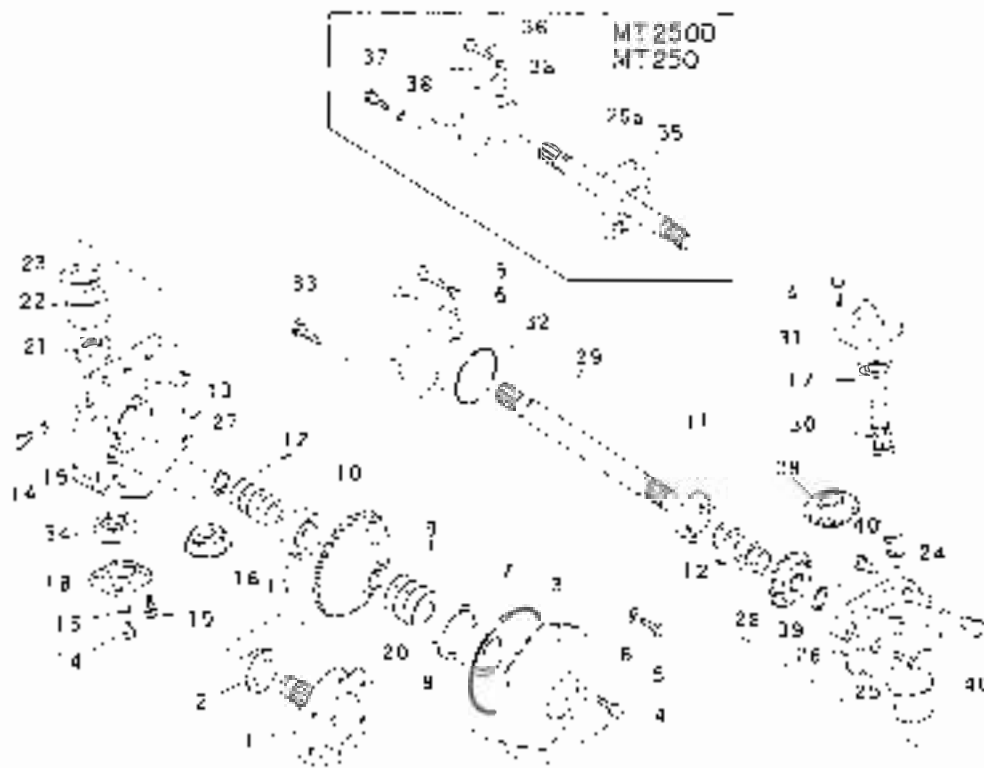
| Key No | Parts No      | Parts Name            | Q'ty |      |  |  | F | Application                | Description                  | Remarks |
|--------|---------------|-----------------------|------|------|--|--|---|----------------------------|------------------------------|---------|
|        |               |                       | 21PS | 25PS |  |  |   |                            |                              |         |
| 1~11   | 1021 2130 000 | <b>GEAR CASE ASSY</b> | 1    | 1    |  |  |   |                            |                              |         |
| 1      | 1021 2131 000 | SHAFT, pinion         | 1    | 1    |  |  |   |                            |                              |         |
| 2      | 1021 2132 000 | GEAR, ring            | 1    | 1    |  |  |   |                            |                              |         |
| 3      | 1019 0611 000 | CASE, diff            | 1    | 1    |  |  |   |                            |                              |         |
| 4      | 1021 2134 000 | PINION, mate          | 2    | 2    |  |  |   |                            |                              |         |
| 5      | 1021 2135 000 | GEAR, side            | 2    | 2    |  |  |   |                            |                              |         |
| 6      | 1019 1414 000 | SHAFT, pinion         | 1    | 1    |  |  |   |                            |                              |         |
| 7      | 1019 1415 000 | WASHER, thrust        | 2    | 2    |  |  |   |                            |                              |         |
| 8      | 1019 1416 000 | WASHER, thrust        | C    | C    |  |  |   | t = 1.2                    |                              |         |
|        | 1021 2138 100 | WASHER, thrust        | C    | C    |  |  |   | t = 1.0                    |                              |         |
|        | 1021 2138 200 | WASHER, thrust        | C    | C    |  |  |   | t = 1.4                    |                              |         |
| 9      | 1135 1406 000 | WASHER, lock          | 4    | 4    |  |  |   |                            |                              |         |
| 10     | A050 0108 016 | BOLT                  | 8    | 8    |  |  |   | M8X16                      |                              |         |
| 11     | 0550 0006 040 | PIN, spring           | 1    | 1    |  |  |   | φ6X40                      |                              |         |
| 12     | 0750 0060 100 | BEARING               | 2    | 2    |  |  |   | 6010                       |                              |         |
| 13     | 1007 0618 000 | LINER                 | AR   | AR   |  |  |   | t = 0.1                    |                              |         |
|        | 1007 0618 100 | LINER                 | AR   | AR   |  |  |   | t = 0.2                    |                              |         |
|        | 1007 0618 200 | LINER                 | AR   | AR   |  |  |   | t = 0.3                    |                              |         |
| 14     | 1021 2141 000 | BEARING               | 1    | 1    |  |  |   |                            |                              |         |
| 15     | 0830 0500 600 | O-RING                | 1    | 1    |  |  |   | φ60                        |                              |         |
| 16     | 1007 0605 000 | SHIM                  | AR   | AR   |  |  |   | t = 0.1                    |                              |         |
|        | 1007 0605 100 | SHIM                  | AR   | AR   |  |  |   | t = 0.2                    |                              |         |
|        | 1007 0605 200 | SHIM                  | AR   | AR   |  |  |   | t = 0.4                    |                              |         |
| 17     | 1021 2121 0C0 | CASE                  | 1    | 1    |  |  |   |                            |                              |         |
| 18     | 0770 0130 205 | BEARING               | 1    | 1    |  |  |   |                            |                              |         |
| 19     | 0840 1035 529 | SEAL, oil             | 1    | 1    |  |  |   | TC35529                    |                              |         |
| 20     | 1021 2171 000 | BUSHING               | 1    | 1    |  |  |   | 210D:50257~<br>250D:50455~ |                              |         |
|        | 1135 3015 000 | BUSHING               | 1    | 1    |  |  | D |                            |                              |         |
| 21     | 0328 0102 501 | WASHER, lock          | 1    | 1    |  |  |   | M25                        |                              |         |
| 22     | A327 0102 500 | NUT, lock             | 1    | 1    |  |  |   | M25                        |                              |         |
| 23     | F154 0108 025 | BOLT, w/washer        | 4    | 4    |  |  |   | M8X25                      |                              |         |
| 24     | 0830 0200 250 | O-RING                | 1    | 1    |  |  |   | 210D:50257~<br>250D:50455~ | φ25<br>φ25<br>Added<br>Added |         |

FIG.505 FRONT AXLE GEAR CASE (4WD)



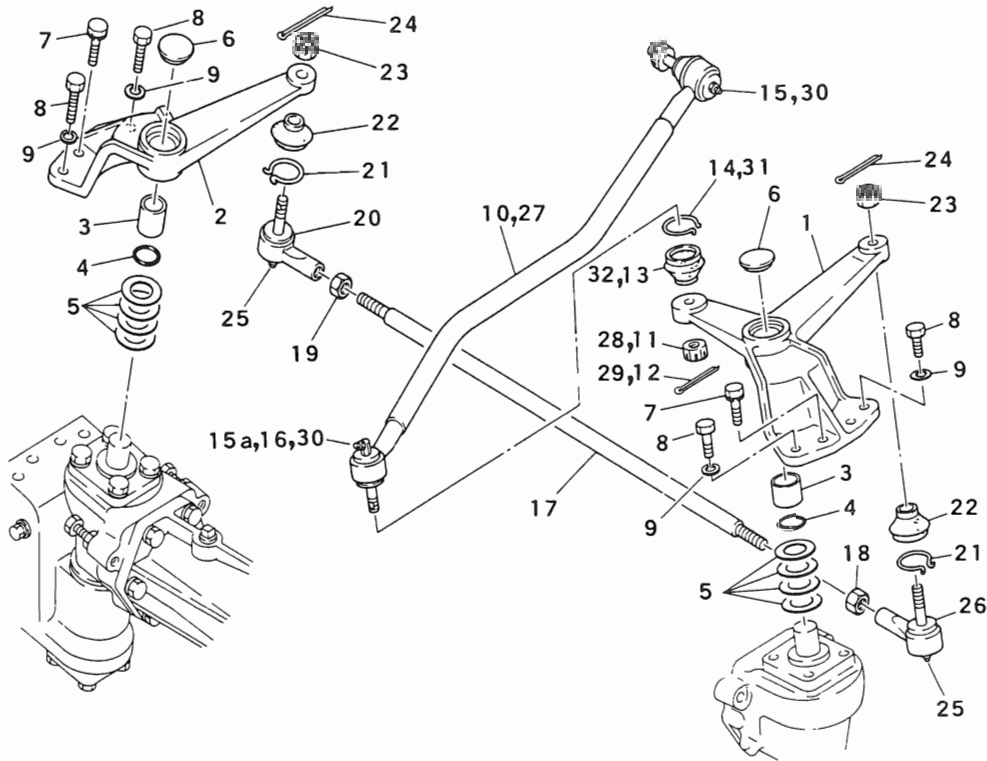
| Key No | Parts No      | Parts Name     | Q'ty |      |  |  | P | Application | Description | Remarks |
|--------|---------------|----------------|------|------|--|--|---|-------------|-------------|---------|
|        |               |                | 21PS | 25PS |  |  |   |             |             |         |
| 1      | 1983 2112 0C0 | SHAFT          | 2    | 2    |  |  |   |             |             |         |
| 2      | 0841 2355 212 | SEAL,oil       | 2    | 2    |  |  |   |             |             |         |
| 3      | 1021 2119 0C0 | COVER          | 2    | 2    |  |  |   |             |             |         |
| 4      | F155 0110 025 | BOLT,w/washer  | 18   | 18   |  |  |   | M10X25      |             |         |
| 5      | 69542-64700   | BOLT           | 4    | 2    |  |  |   |             |             |         |
| 6      | A360 0101 002 | WASHER,spring  | 4    | 2    |  |  |   | M10         |             |         |
| 7      | 0830 0501 450 | O-RING         | 2    | 2    |  |  |   | φ145        |             |         |
| 8      | 0750 0063 060 | BEARING        | 2    | 2    |  |  |   | 6306        |             |         |
| 9      | 0731 0003 001 | LINER          | AR   | AR   |  |  |   | t= 0 1      |             |         |
|        | 0731 0003 004 | LINER          | AR   | AR   |  |  |   | t= 0 4      |             |         |
|        | 0731 0003 008 | LINER          | AR   | AR   |  |  |   | t= 0.8      |             |         |
|        | 0731 0003 010 | LINER          | AR   | AR   |  |  |   | t= 1.0      |             |         |
|        | 0731 0003 012 | LINER          | AR   | AR   |  |  |   | t= 1 2      |             |         |
| 10     | 1021 2123 000 | GEAR           | 2    | 2    |  |  |   |             |             |         |
| 11     | 0750 0063 050 | BEARING        | 4    | 4    |  |  |   |             |             |         |
| 12     | 1135 3016 000 | LINER          | AR   | AR   |  |  |   | t= 0 1      |             |         |
|        | 0731 0002 504 | LINER          | AR   | AR   |  |  |   | t= 0 4      |             |         |
|        | 0731 0002 508 | LINER          | AR   | AR   |  |  |   | t= 0 8      |             |         |
|        | 0731 0002 510 | LINER          | AR   | AR   |  |  |   | t= 1 0      |             |         |
|        | 0731 0002 512 | LINER          | AR   | AR   |  |  |   | t= 1 2      |             |         |
| 13     | 1021 2117 0C0 | CASE,gear      | 2    | 2    |  |  |   |             |             |         |
| 14     | 2740 3214 200 | PLUG           | 4    | 4    |  |  |   |             |             |         |
| 15     | 0833 0000 800 | WASHER,seal    | 4    | 4    |  |  |   |             |             |         |
| 16     | 1021 2124 000 | GEAR           | 2    | 2    |  |  |   |             |             |         |
| 17     | 0750 0063 040 | BEARING        | 2    | 2    |  |  |   | 6304        |             |         |
| 18     | 1007 0638 0C0 | COVER          | 2    | 2    |  |  |   |             |             |         |
| 19     | F154 0108 020 | BOLT,w/washer  | 8    | 8    |  |  |   | M8X20       |             |         |
| 20     | 0741 0107 200 | RING,snap      | 2    | 2    |  |  |   | φ72         |             |         |
| 21     | 0760 0051 106 | BEARING,thrust | 2    | 2    |  |  |   |             |             |         |
| 22     | 05605-05030   | BUSHING        | 2    | 2    |  |  |   |             |             |         |
| 23     | 69542-65100   | SEAL,oil       | 2    | 2    |  |  |   |             |             |         |
| 24     | 1021 2118 0C0 | CASE,kingpin   | 2    | 2    |  |  |   |             |             |         |
| 25     | A052 0110 040 | BOLT           | 2    | 2    |  |  |   | M10X40      |             |         |
| 26     | A303 0110 002 | NUT            | 2    | 2    |  |  |   | M10         |             |         |
| 27     | 0740 0102 500 | RING,snap      | 2    | 2    |  |  |   | φ25         |             |         |

FIG.505 FRONT AXLE GEAR CASE (4WD)



| Key No | Parts No      | Parts Name     | QTY  | Application | Description | Remarks |
|--------|---------------|----------------|------|-------------|-------------|---------|
| 28     | 1021 2125 001 | GEAR           | 2 4  |             |             |         |
|        | 0             | GEAR           | 2 4  |             |             |         |
| 29     | 1983 2126 000 | SHAFT          | 2 *  |             |             |         |
| 29a    | 1984 2113 001 | SHAFT          | * 2  |             |             |         |
| 30     | 1983 2127 000 | SHAFT          | 2 2  |             |             |         |
| 31     | 1021 2120 000 | HOLDER         | 4 2  |             |             |         |
| 32     | 0830 2500 750 | U-RING         | 2 2  |             |             | 4-15    |
| 33     | F155 0'10 030 | BOLT,w/washer  | 10 * |             |             | MTX 20  |
| 34     | 0750 2253 040 | BEARING        | 2 2  |             |             | 0704    |
| 35     | 1984 2116 000 | SPACER         | * 2  |             |             |         |
| 36     | 1984 2115 000 | BOIT           | * 2  |             |             |         |
| 37     | A055 0'10 070 | BOIT           | * 10 |             |             | MTX 20  |
| 38     | A360 0'01 002 | WASHER, spring | * 12 |             |             |         |
| 39     | 0740 2102 400 | RNG snap       | 2 2  |             |             | 4-21    |
| 40     | 05534-10000   | PLUG           | 4 4  |             |             |         |

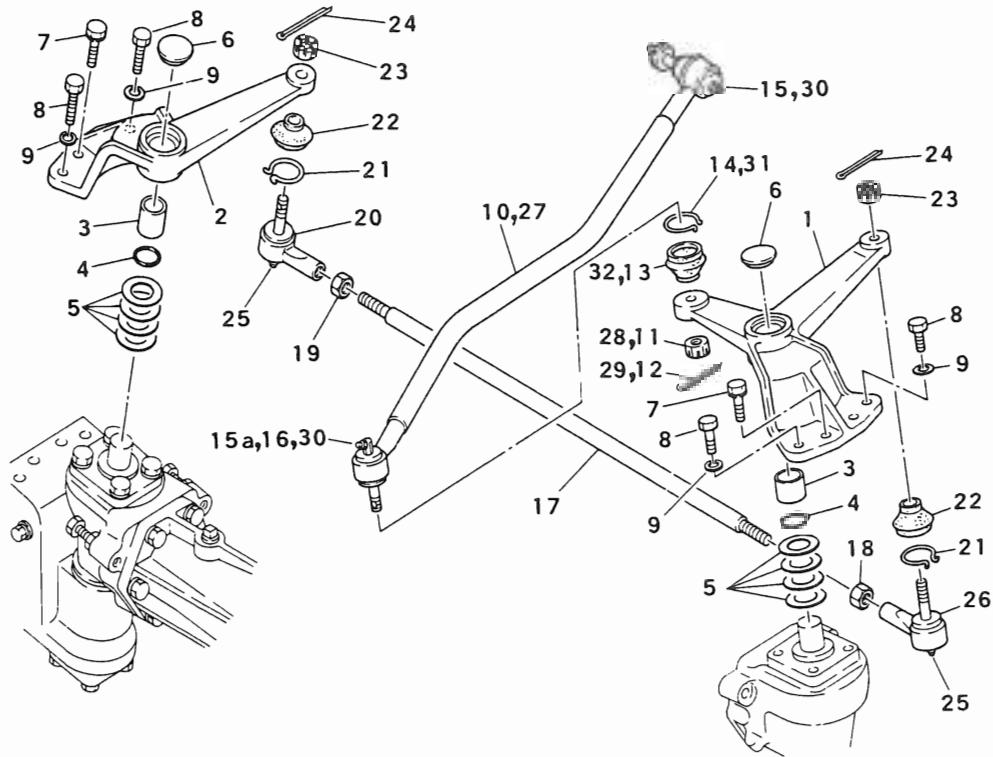
FIG.506 TIE ROD & DRAG LINK (4WD)



| Key No | Parts No      | Parts Name            | Q'ty |      |  |  | P | Application  | Description | Remarks        |
|--------|---------------|-----------------------|------|------|--|--|---|--------------|-------------|----------------|
|        |               |                       | 21PS | 25PS |  |  |   |              |             |                |
| 1      | 1021 2128 0C1 | ARM L.H               | 1    | 1    |  |  |   | 250D 50182 ~ |             |                |
|        | 1021 2128 0C0 | ARM L.H               | •    | 1    |  |  | D |              |             |                |
|        | 1021 2151 0C0 | ARM L.H               | 1    | 1    |  |  |   |              |             | For P/S        |
| 2      | 1021 2129 0C1 | ARM R.H               | 1    | 1    |  |  |   |              |             |                |
|        | ○             | ARM R.H               | 1    | 1    |  |  | A |              |             | 1021 2129 0C0  |
| 3      | 05605-02525   | BUSHING               | 2    | 2    |  |  |   |              |             |                |
| 4      | 0830 0100 240 | O-RING                | 2    | 2    |  |  |   |              |             |                |
| 5      | 1438 1319 600 | LINER J,thrust        | AR   | AR   |  |  |   |              | t= 0.8      |                |
|        | 1438 1319 300 | LINER F,thrust        | AR   | AR   |  |  |   |              | t= 1.4      |                |
|        | 1438 1319 400 | LINER G,thrust        | AR   | AR   |  |  |   |              | t= 1.2      |                |
|        | 1438 1319 500 | LINER H,thrust        | AR   | AR   |  |  |   |              | t= 1.0      |                |
| 6      | F5010-35000   | PLUG,expansion        | 2    | 2    |  |  |   |              |             |                |
| 7      | F155 0112 025 | BOLT,w/washer         | 4    | 4    |  |  |   |              |             | M12X25         |
| 8      | 69542-63301   | BOLT                  | 4    | 4    |  |  |   |              |             |                |
| 9      | A360 0101 202 | WASHER                | 4    | 4    |  |  |   |              |             | M12            |
| 10~16  | 1983 3621 0C3 | <b>DRAG LINK ASSY</b> | 1    | 1    |  |  |   | 250D 50182 ~ |             | For STD        |
| 10~15  | 1984 2112 0C0 | <b>DRAG LINK ASSY</b> | •    | 1    |  |  | D |              |             | Inc the No 15a |
| 10     | *             | LINK                  | 1    | 1    |  |  |   |              |             |                |
| 11     | A313 0101 001 | NUT,slotted           | 2    | 2    |  |  |   |              |             | M10            |
| 12     | 0520 0125 018 | PIN,split             | 2    | 2    |  |  |   |              |             | φ2 5X18        |
| 13     | 1119 0693 000 | COVER,dust            | 2    | 2    |  |  |   |              |             |                |
| 14     | 1119 0694 000 | RING,snap             | 2    | 2    |  |  |   |              |             |                |
| 15     | A650 0100 600 | NIPPLE,grease         | 1    | 1    |  |  |   | 250D 50182 ~ |             |                |
| 15a    | A650 0100 600 | NIPPLE,grease         | •    | 2    |  |  | D |              |             | Inc the No 15a |
| 16     | A651 3100 600 | NIPPLE,grease         | 1    | 1    |  |  |   | 250D 50182 ~ |             | Added          |
| 17     | 1021 2142 0C1 | TIE ROD               | 1    | •    |  |  |   |              |             |                |
|        | 1984 2114 0C0 | TIE ROD               | •    | 1    |  |  |   |              |             |                |
| 18     | A303 2112 002 | NUT                   | 1    | 1    |  |  |   |              |             | M20            |
| 19     | A303 0112 002 | NUT                   | 1    | 1    |  |  |   |              |             | M20            |
| 20~25  | 1119 0686 0C0 | <b>ROD END R.H</b>    | 1    | 1    |  |  |   |              |             |                |
| 21~26  | 1119 0687 0C0 | <b>ROD END L.H</b>    | 1    | 1    |  |  |   |              |             |                |
| 20     | *             | ROD END               | 1    | 1    |  |  |   |              |             |                |
| 21     | 1119 0694 000 | RING,snap             | 2    | 2    |  |  |   |              |             |                |
| 22     | 1119 0693 000 | COVER,dust            | 2    | 2    |  |  |   |              |             |                |
| 23     | A313 0101 001 | NUT,slotted           | 2    | 2    |  |  |   |              |             | M10            |

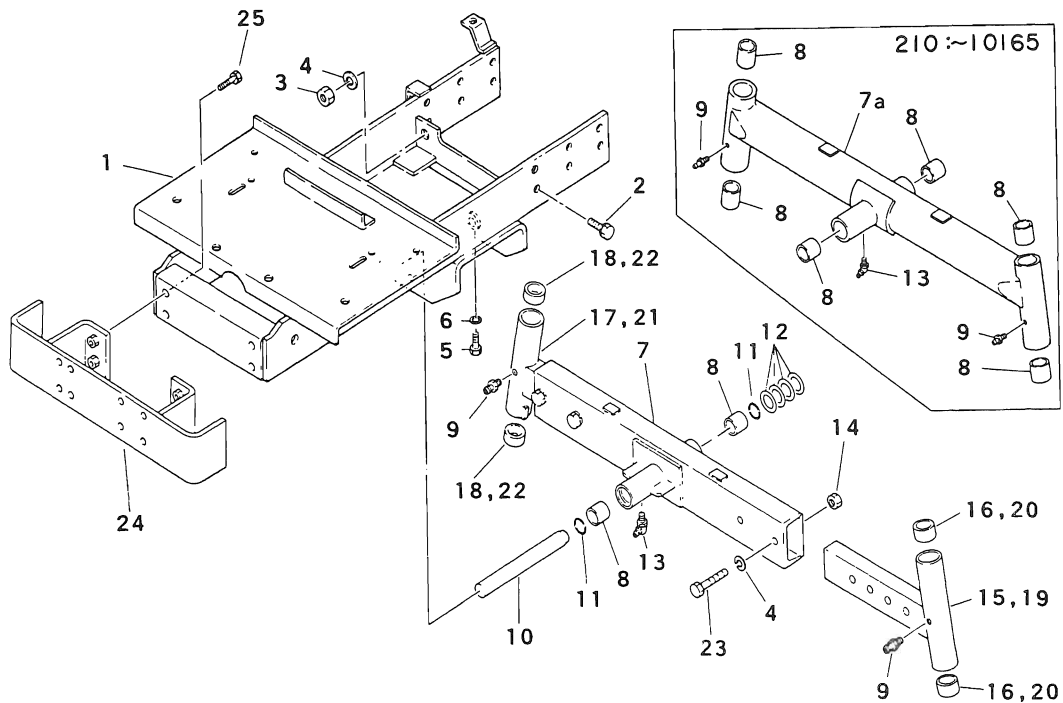


FIG.506 TIE ROD & DRAG LINK (4WD)



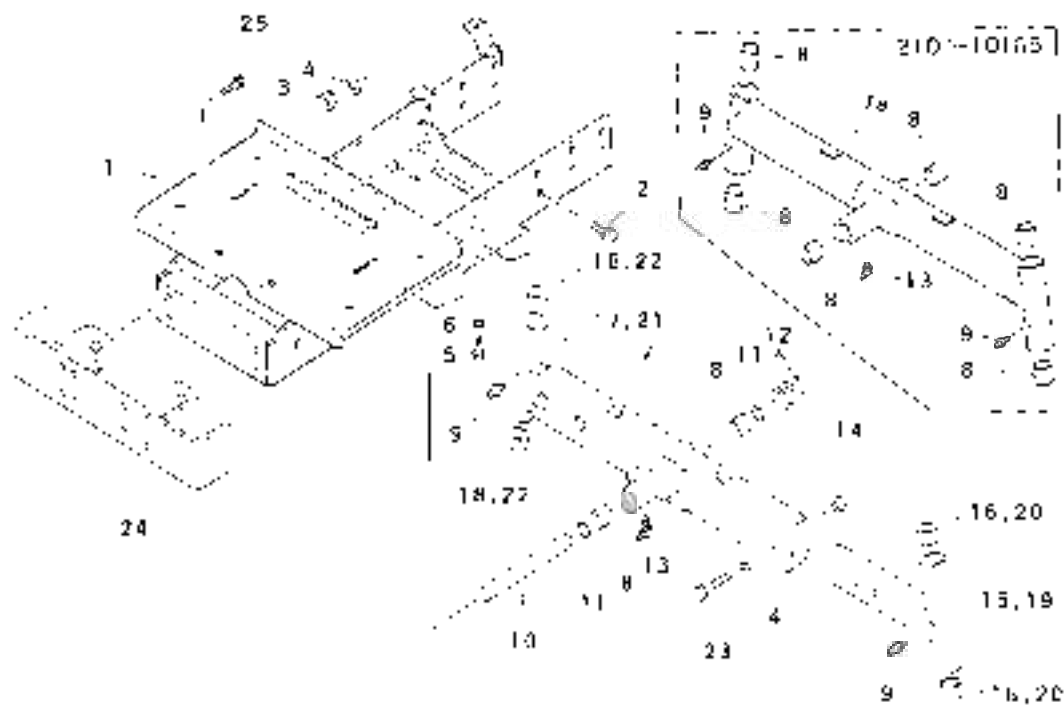
| Key No | Parts No      | Parts Name            | Q'ty |      |  |  | Application | Description | Remarks |
|--------|---------------|-----------------------|------|------|--|--|-------------|-------------|---------|
|        |               |                       | 21PS | 25PS |  |  |             |             |         |
| 24     | 0520 0125 018 | PIN,split             | 2    | 2    |  |  |             | φ2.5X18     |         |
| 25     | A650 0100 600 | NIPPLE,grease         | 2    | 2    |  |  |             |             |         |
| 26     | *             | ROD END               | 1    | 1    |  |  |             |             |         |
| 27-32  | 1984 2013 0C0 | <b>DRAG LINK ASSY</b> | 1    | 1    |  |  |             |             | For P/S |
| 27     | *             | LINK                  | 1    | 1    |  |  |             |             |         |
| 28     | A313 0101 201 | NUT,slotted           | 2    | 2    |  |  |             | M12         |         |
| 29     | 0520 0130 025 | PIN,split             | 2    | 2    |  |  |             | φ3X25       |         |
| 30     | A650 0600 600 | NIPPLE,grease         | 2    | 2    |  |  |             |             |         |
| 31     | 1180 2054 170 | RING,snap             | 2    | 2    |  |  |             |             |         |
| 32     | 1180 2054 160 | SEAL,dust             | 2    | 2    |  |  |             |             |         |

FIG.507 FRONT AXLE BRACKET (210)



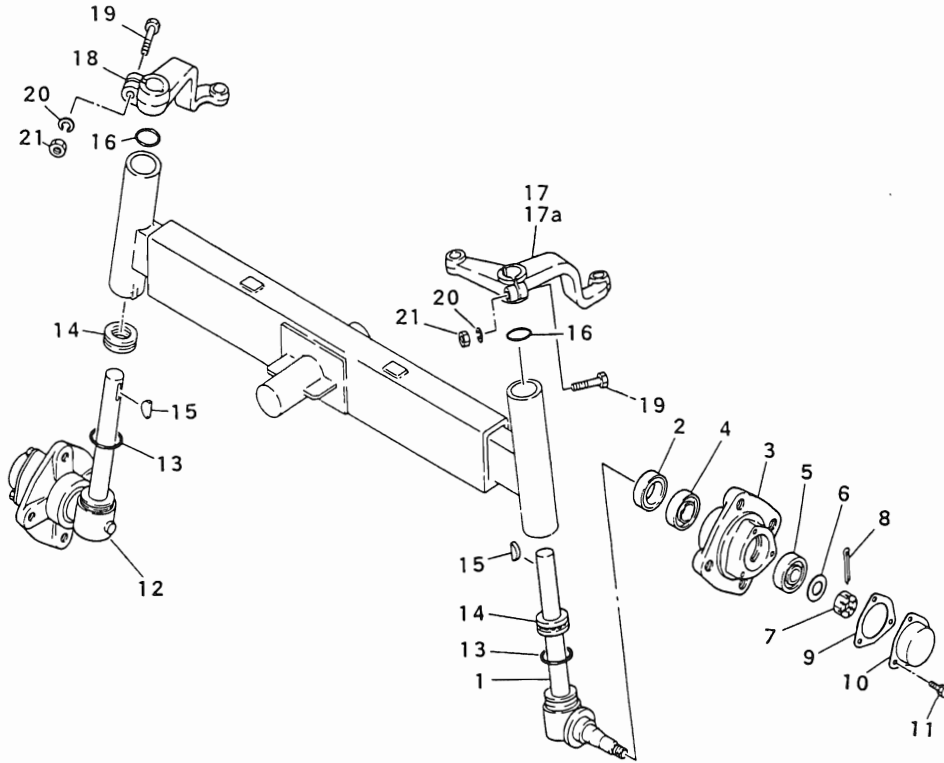
| Key No | Parts No      | Parts Name      | Q'ty |     |  |  | P/P | Application | Description | Remarks       |
|--------|---------------|-----------------|------|-----|--|--|-----|-------------|-------------|---------------|
|        |               |                 | STD  | P/S |  |  |     |             |             |               |
| 1      | 1984 2053 OC1 | BRACKET         | 1    | 1   |  |  |     |             |             |               |
|        | ○             | BRACKET         | 1    | 1   |  |  | A   | 10222~      |             | 1984 2053 OC0 |
|        | 1984 2051 OC2 | BRACKET         | 1    | 1   |  |  | D   | 10091~      |             |               |
|        | 1984 2051 OC1 | BRACKET         | 1    | 1   |  |  | D   |             |             |               |
|        |               |                 |      |     |  |  |     |             |             |               |
| 2      | F155 0112 030 | BOLT,w/washer   | 12   | 12  |  |  |     |             | M12X30      |               |
| 3      | A303 0114 002 | NUT             | 2    | 2   |  |  |     |             | M14         |               |
| 4      | A360 0101 402 | WASHER,spring   | 6    | 6   |  |  |     |             | M14         |               |
| 5      | 67341-01101   | BOLT,set        | 1    | 1   |  |  |     |             |             |               |
| 6      | A360 0101 002 | WASHER,spring   | 1    | 1   |  |  |     |             | M10         |               |
| 7,8    | 1983 2021 OC1 | AXLE CENTER     | 1    | 1   |  |  |     | 10166~      |             |               |
| 7a,8   | 1021 2001 OC0 | AXLE CENTER     | 1    | 1   |  |  | D   |             |             |               |
| 7      | *             | CENTER          | 1    | 1   |  |  |     | 10166~      |             |               |
| 7a     | *             | CENTER          | 1    | 1   |  |  | D   |             |             |               |
| 8      | 67541-00800   | BUSHING         | 2    | 2   |  |  |     | 10166~      |             |               |
|        | 67541-00800   | BUSHING         | 6    | 6   |  |  | D   |             |             |               |
| 9      | A650 3100 300 | NIPPLE,grease   | 2    | 2   |  |  |     |             | PT= 1/8     |               |
| 10     | 67441-00302   | PIN,axle pivot  | 1    | 1   |  |  |     |             |             |               |
| 11     | 0830 0100 250 | O-RING          | 2    | 2   |  |  |     |             | φ25         |               |
| 12     | 67441-01100   | SPACER          | C    | C   |  |  |     |             | t= 5 0      |               |
|        | 67441-01200   | SPACER          | C    | C   |  |  |     |             | t= 5 2      |               |
|        | 67441-01300   | SPACER          | C    | C   |  |  |     |             | t= 5 4      |               |
|        | 67441-01400   | SPACER          | C    | C   |  |  |     |             | t= 5 7      |               |
| 13     | A651 3100 300 | NIPPLE,grease   | 1    | 1   |  |  |     |             |             |               |
| 14     | A304 0114 002 | NUT             | 4    | 4   |  |  |     | 10166~      | M14         | Added         |
| 15,16  | 1983 2035 OC1 | AXLE ASSY       | •    | 1   |  |  |     | 10166~      |             | Added         |
| 15     | 1983 2037 OC1 | OUTER L.H       | •    | 1   |  |  |     | 10166~      |             | Added         |
| 16     | 67541-00800   | BUSHING         | •    | 2   |  |  |     | 10166~      |             | Added         |
| 17,18  | 1983 2036 OC1 | AXLE OUTER ASSY | •    | 1   |  |  |     | 10166~      |             | Added         |
| 17     | 1983 2038 OC1 | OUTER R.H       | •    | 1   |  |  |     | 10166~      |             | Added         |
| 18     | 67541-00800   | BUSHING         | •    | 2   |  |  |     | 10166~      |             | Added         |
| 19,20  | 1983 2031 OC1 | AXLE OUTER ASSY | 1    | •   |  |  |     | 10166~      |             | Added         |
| 19     | 1983 2023 OC1 | OUTER L.H       | 1    | •   |  |  |     | 10166~      |             | Added         |
| 20     | 67541-00800   | BUSHING         | 2    | •   |  |  |     | 10166~      |             | Added         |
| 21,22  | 1983 2032 OC1 | AXLE OUTER ASSY | 1    | •   |  |  |     | 10166~      |             | Added         |
| 21     | 1983 2024 OC1 | OUTER R.H       | 1    | •   |  |  |     | 10166~      |             | Added         |

FIG.507 FRONT AXLE BRACKET (210)



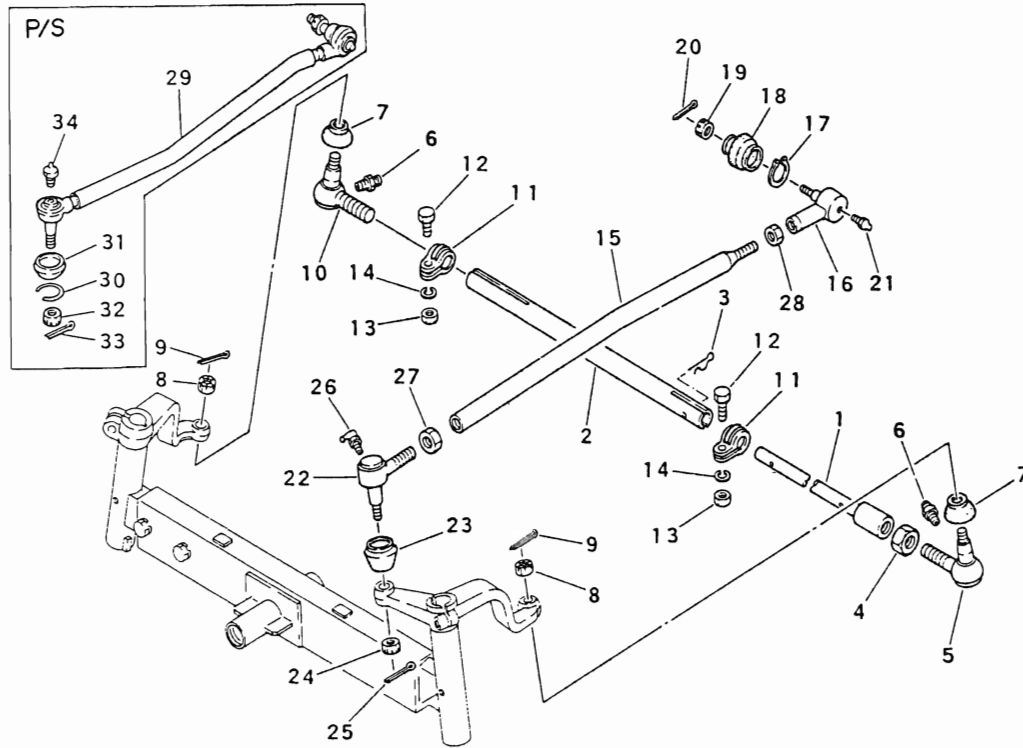
| Key No | Parts No      | Parts Name | QTY | UNIT | APPL. CAT. | DESCRIPTION | REMARKS         |
|--------|---------------|------------|-----|------|------------|-------------|-----------------|
| 22     | 67541-05000   | BUSING     | 2   | •    | 10165      |             | Refer           |
| 23     | F1025-14265   | BOLT       | 2   | 4    |            | W 11565     | Refer           |
|        | ⊙             | BOLT       | 2   | 4    | 2          |             | REFER TO 18 OBS |
| 24     | 1984 2054 GC1 | BUMPER     | 1   | 1    | 10165      |             | Refer           |
| 25     | F155 01'2 035 | BOLT       | 2   | 4    |            | W 12335     | Refer           |

FIG.508 KNUCKLE ARM (210:10166~)



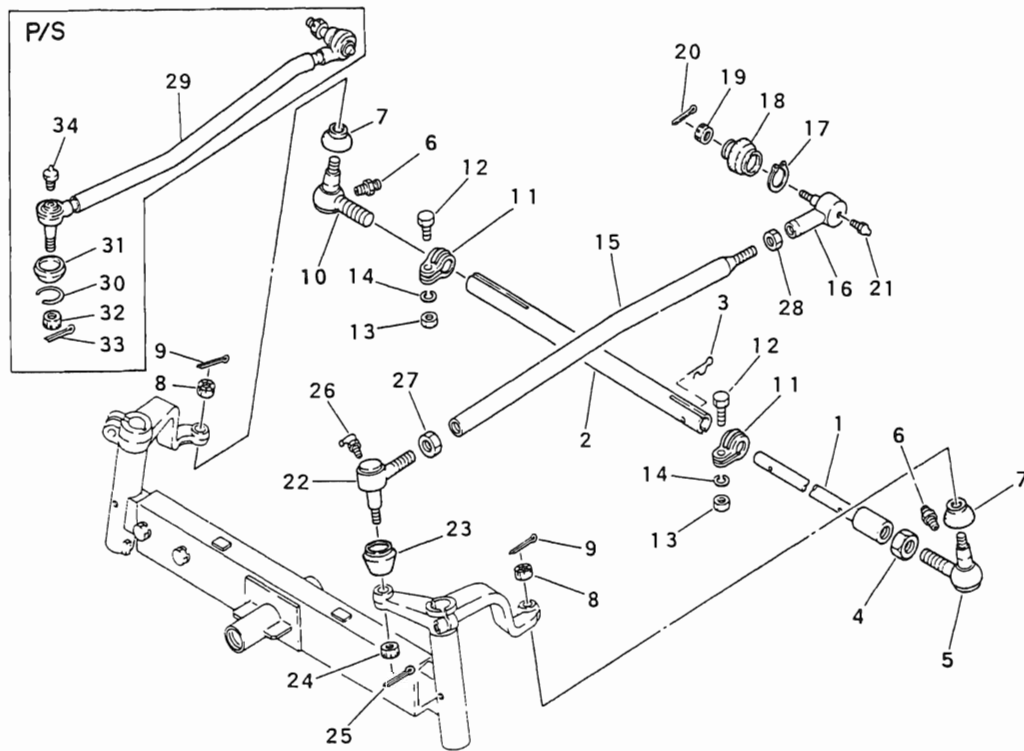
| Key No | Parts No      | Parts Name          | Q' t y |     |  |  | P/P | Application | Description | Remarks |
|--------|---------------|---------------------|--------|-----|--|--|-----|-------------|-------------|---------|
|        |               |                     | STD    | P/S |  |  |     |             |             |         |
| 1~11   | 1983 2025 0C1 | <b>KNUCKLE ASSY</b> | 1      | 1   |  |  |     |             |             |         |
| 2~12   | 1983 2026 0C1 | <b>KNUCKLE ASSY</b> | 1      | 1   |  |  |     |             |             |         |
| 1      | 1983 2027 0C1 | KNUCKLE L.H         | 1      | 1   |  |  |     |             |             |         |
| 2      | 67441-05000   | SEAL,oil            | 1      | 1   |  |  |     |             |             |         |
| 3      | 69541-068C0   | HUB,front wheel     | 2      | 2   |  |  |     |             |             |         |
| 4      | 0750 0062 050 | BEARING             | 2      | 2   |  |  |     | 6205        |             |         |
| 5      | 0750 0063 040 | BEARING             | 2      | 2   |  |  |     | 6304        |             |         |
| 6      | 0350 0151 632 | WASHER              | 2      | 2   |  |  |     | M16         |             |         |
| 7      | A313 0101 601 | NUT,slotted         | 2      | 2   |  |  |     | M16         |             |         |
| 8      | 0520 0140 040 | PIN,split           | 2      | 2   |  |  |     | φ4X40       |             |         |
| 9      | 69541-06400   | GASKET              | 2      | 2   |  |  |     |             |             |         |
| 10     | 69541-063C0   | CAP                 | 2      | 2   |  |  |     |             |             |         |
| 11     | F144 0106 012 | BOLT,w/washer       | 6      | 6   |  |  |     | M6X12       |             |         |
| 12     | 1983 2028 0C1 | KNUCKLE R.H         | 1      | 1   |  |  |     |             |             |         |
| 13     | 0830 0100 380 | O-RING              | 2      | 2   |  |  |     | φ38         |             |         |
| 14     | 05642-00400   | BEARING             | 2      | 2   |  |  |     |             |             |         |
| 15     | F2870-07028   | KEY,woodruff        | 2      | 2   |  |  |     |             |             |         |
| 16     | 0830 0100 250 | O-RING              | 2      | 2   |  |  |     | φ25         |             |         |
| 17     | 67441-006C0   | ARM L.H,knuckle     | 1      | •   |  |  | A   |             | 67441-006C5 |         |
|        | ○             | ARM L.H,knuckle     | 1      | •   |  |  |     |             |             |         |
| 17a    | 1983 2041 0C0 | ARM L.H,knuckle     | •      | 1   |  |  |     |             |             |         |
| 18     | 67441-007C0   | ARM R.H,knuckle     | 1      | 1   |  |  | A   |             | 67441-007C5 |         |
|        | ○             | ARM R.H,knuckle     | 1      | 1   |  |  |     |             |             |         |
| 19     | A954 0110 060 | BOLT                | 2      | 2   |  |  |     | M10X60      |             |         |
| 20     | A360 0101 002 | WASHER,spring       | 2      | 2   |  |  |     | M10         |             |         |
| 21     | A080 0110 001 | NUT                 | 2      | 2   |  |  |     | M10         |             |         |

FIG.509 TIE ROD & DRAG LINK (210:10166~)



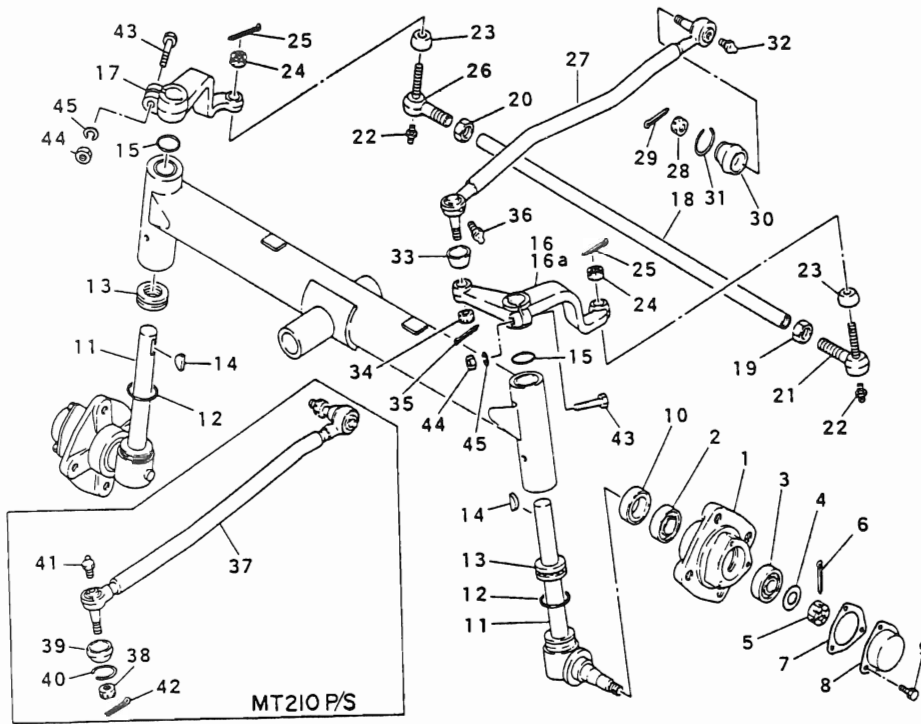
| Key No | Parts No      | Parts Name            | Q'ty |     |  |  | P/P | Application | Description | Remarks |
|--------|---------------|-----------------------|------|-----|--|--|-----|-------------|-------------|---------|
|        |               |                       | STD  | P/S |  |  |     |             |             |         |
| 1~14   | 1983 2033 0C0 | <b>TIE ROD ASSY</b>   | 1    | 1   |  |  |     |             |             |         |
| 1      | 1174 2036 0C0 | INNER,tie rod         | 1    | 1   |  |  |     |             |             |         |
| 2      | 1174 2037 0C1 | OUTER,tie rod         | 1    | 1   |  |  |     |             |             |         |
| 3      | 67200-31100   | PIN                   | 1    | 1   |  |  |     |             |             |         |
| 4      | 67354-00301   | NUT                   | 1    | 1   |  |  |     |             |             |         |
| 5-9    | 67441-01000   | <b>SOCKET</b>         | 1    | 1   |  |  |     |             |             |         |
| 6~10   | 67441-00900   | <b>SOCKET</b>         | 1    | 1   |  |  |     |             |             |         |
| 5      | *             | BODY                  | 1    | 1   |  |  |     |             |             |         |
| 6      | 67441-00917   | NIPPLE,grease         | 2    | 2   |  |  |     |             |             |         |
| 7      | 67441-00916   | COVER,dust            | 2    | 2   |  |  |     |             |             |         |
| 8      | 67441-00918   | NUT                   | 2    | 2   |  |  |     |             |             |         |
| 9      | 67441-00919   | PIN,split             | 2    | 2   |  |  |     |             |             |         |
| 10     | *             | BODY                  | 1    | 1   |  |  |     |             |             |         |
| 11     | 68600-83700   | CLAMP,tie rod         | 2    | 2   |  |  |     |             |             |         |
| 12     | A054 0108 030 | BOLT                  | 2    | 2   |  |  |     | M8X30       |             |         |
| 13     | A301 0108 002 | NUT                   | 2    | 2   |  |  |     | M8          |             |         |
| 14     | A360 0100 802 | WASHER,spring         | 2    | 2   |  |  |     | M8          |             |         |
| 15-28  | 1984 2001 0C0 | <b>DRAG LINK ASSY</b> | 1    | •   |  |  |     |             |             |         |
| 15     | 1983 3642 0C1 | DRAG LINK             | 1    | •   |  |  |     |             |             |         |
| 16-21  | 1119 0686 000 | <b>ROD END ASSY</b>   | 1    | •   |  |  |     |             |             |         |
| 16     | *             | BODY                  | 1    | •   |  |  |     |             |             |         |
| 17     | 1119 0694 000 | RING,snap             | 1    | •   |  |  |     |             |             |         |
| 18     | 1119 0693 000 | COVER,dust            | 1    | •   |  |  |     |             |             |         |
| 19     | A313 0101 001 | NUT,slotted           | 1    | •   |  |  |     | M10         |             |         |
| 20     | 0520 0125 018 | PIN,split             | 1    | •   |  |  |     | φ2.5X18     |             |         |
| 21     | A650 0100 600 | NIPPLE,grease         | 1    | •   |  |  |     |             |             |         |
| 22-26  | 1176 2215 001 | <b>SOCKET</b>         | 1    | •   |  |  |     |             |             |         |
| 22     | *             | BODY                  | 1    | •   |  |  |     |             |             |         |
| 23     | 67441-00916   | COVER,dust            | 1    | •   |  |  |     |             |             |         |
| 24     | 67441-00918   | NUT                   | 1    | •   |  |  |     |             |             |         |
| 25     | 67441-00919   | PIN,split             | 1    | •   |  |  |     |             |             |         |
| 26     | A651 0600 600 | NIPPLE,grease         | 1    | •   |  |  |     |             |             |         |
| 27     | 67354-00301   | NUT                   | 1    | •   |  |  |     |             |             |         |
| 28     | A303 0112 002 | NUT                   | 1    | •   |  |  |     | M20         |             |         |
| 29-34  | 1984 2012 0C0 | <b>DRAG LINK ASSY</b> | •    | 1   |  |  |     |             |             |         |

FIG.509 TIE ROD & DRAG LINK (210:10166~)



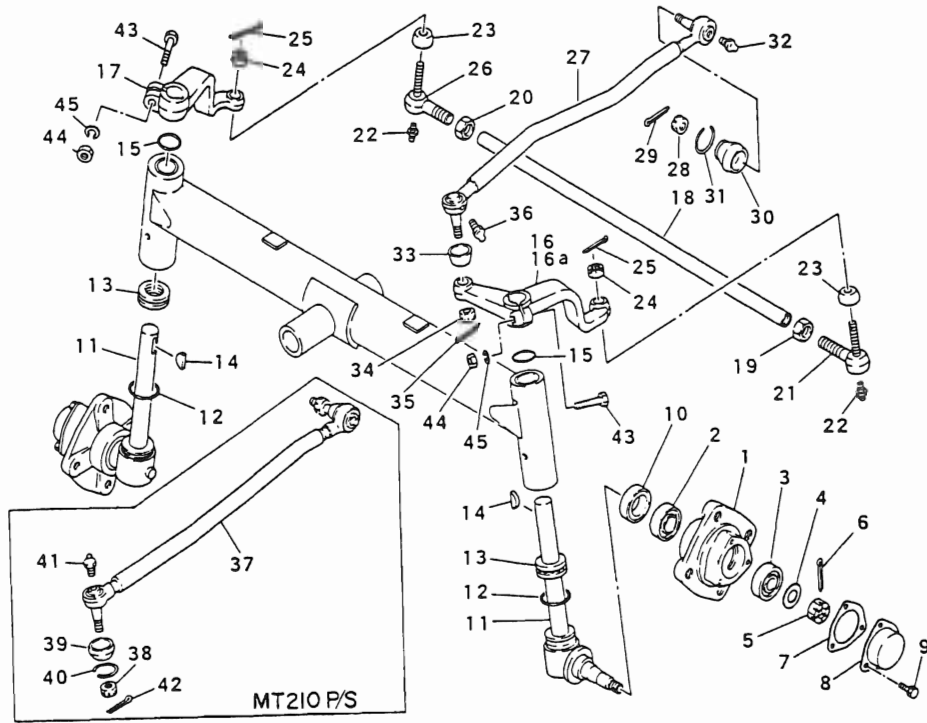
| Key No | Parts No      | Parts Name    | Q'ty |     |  |  |  | F/P | Application | Description | Remarks |
|--------|---------------|---------------|------|-----|--|--|--|-----|-------------|-------------|---------|
|        |               |               | STD  | P/S |  |  |  |     |             |             |         |
| 29     | *             | BODY          |      | • 2 |  |  |  |     |             |             |         |
| 30     | 1180 2054 170 | RING,snap     |      | • 2 |  |  |  |     |             |             |         |
| 31     | 1180 2054 160 | COVER,dust    |      | • 2 |  |  |  |     |             |             |         |
| 32     | A313 0101 201 | NUT,slotted   |      | • 2 |  |  |  |     | M12         |             |         |
| 33     | 0520 0130 025 | PIN,split     |      | • 2 |  |  |  |     | φ3X25       |             |         |
| 34     | A650 0600 600 | NIPPLE,grease |      | • 2 |  |  |  |     |             |             |         |

FIG.5 10 TIE ROD & DRAG LINK (210:~10165)



| Key No | Parts No      | Parts Name             | Q'ty |     |  |  |  | Application | Description | Remarks |
|--------|---------------|------------------------|------|-----|--|--|--|-------------|-------------|---------|
|        |               |                        | STD  | P/S |  |  |  |             |             |         |
| 1~11   | 1021 2004 OC0 | <b>KNUCKLE ASSY</b>    | 2    | 2   |  |  |  |             |             |         |
| 1      | 69541-068C0   | HUB,front wheel        | 2    | 2   |  |  |  |             |             |         |
| 2      | 0750 0062 050 | BEARING                | 2    | 2   |  |  |  | 62050       |             |         |
| 3      | 0750 0063 040 | BEARING                | 2    | 2   |  |  |  | 63040       |             |         |
| 4      | 0350 0151 632 | WASHER                 | 2    | 2   |  |  |  | M16         |             |         |
| 5      | A313 0101 601 | NUT,slotted            | 2    | 2   |  |  |  | M16         |             |         |
| 6      | 0520 0140 040 | PIN,split              | 2    | 2   |  |  |  | φ4X40       |             |         |
| 7      | 69541-06400   | GASKET                 | 2    | 2   |  |  |  |             |             |         |
| 8      | 69541-063C0   | CAP                    | 2    | 2   |  |  |  |             |             |         |
| 9      | F144 0106 012 | BOLT,w/washer          | 6    | 6   |  |  |  | M6X12       |             |         |
| 10     | 67441-0500    | SEAL,oil               | 2    | 2   |  |  |  |             |             |         |
| 11     | 1021 2027 OC1 | KNUCKLE                | 2    | 2   |  |  |  |             |             |         |
| 12     | 0830 0100 380 | O-RING                 | 2    | 2   |  |  |  | φ38         |             |         |
| 13     | 05642-00400   | BEARING                | 2    | 2   |  |  |  |             |             |         |
| 14     | F2870 07028   | KEY,woodruff           | 2    | 2   |  |  |  |             |             |         |
| 15     | 0830 0100 250 | O-RING                 | 2    | 2   |  |  |  | φ25         |             |         |
| 16     | 67441-006C5   | ARM L.H,knuckle        | 1    | •   |  |  |  |             |             |         |
| 16a    | 1983 2041 OC0 | ARM L.H,knuckle        | •    | 1   |  |  |  |             |             |         |
| 17     | 67441-007C5   | ARM R.H,knuckle        | 1    | 1   |  |  |  |             |             |         |
| 18-26  | 1021 2002 OC0 | <b>TIE ROD ASSY</b>    | 1    | 1   |  |  |  |             |             |         |
| 18     | 1021 2022 OC0 | TUBE,tie rod           | 1    | 1   |  |  |  |             |             |         |
| 19     | 67354-00301   | NUT                    | 1    | 1   |  |  |  |             | Left thread |         |
| 20     | 67354-00201   | NUT                    | 1    | 1   |  |  |  |             |             |         |
| 21-25  | 67441-01000   | <b>SOCKET</b>          | 1    | 1   |  |  |  |             |             |         |
| 22-26  | 67441-00900   | <b>SOCKET</b>          | 1    | 1   |  |  |  |             |             |         |
| 21     | *             | BODY                   | 1    | 1   |  |  |  |             |             |         |
| 22     | 67441-00917   | NIPPLE,grease          | 2    | 2   |  |  |  |             |             |         |
| 27-36  | 1983 3611 OC2 | <b>DRAG LINK ASSY.</b> | 1    | •   |  |  |  |             |             |         |
| 23     | 67441-00916   | COVER,dust             | 2    | 2   |  |  |  |             |             |         |
| 24     | 67441-00918   | NUT                    | 2    | 2   |  |  |  |             |             |         |
| 25     | 67441-00919   | PIN,split              | 2    | 2   |  |  |  |             |             |         |
| 26     | *             | BODY                   | 1    | 1   |  |  |  |             |             |         |
| 27     | *             | ROD                    | 1    | •   |  |  |  |             |             |         |
| 28     | A313 0101 001 | NUT,slotted            | 1    | •   |  |  |  | M10         |             |         |
| 29     | 0520 0125 018 | PIN,split              | 1    | •   |  |  |  | φ2,5X18     |             |         |

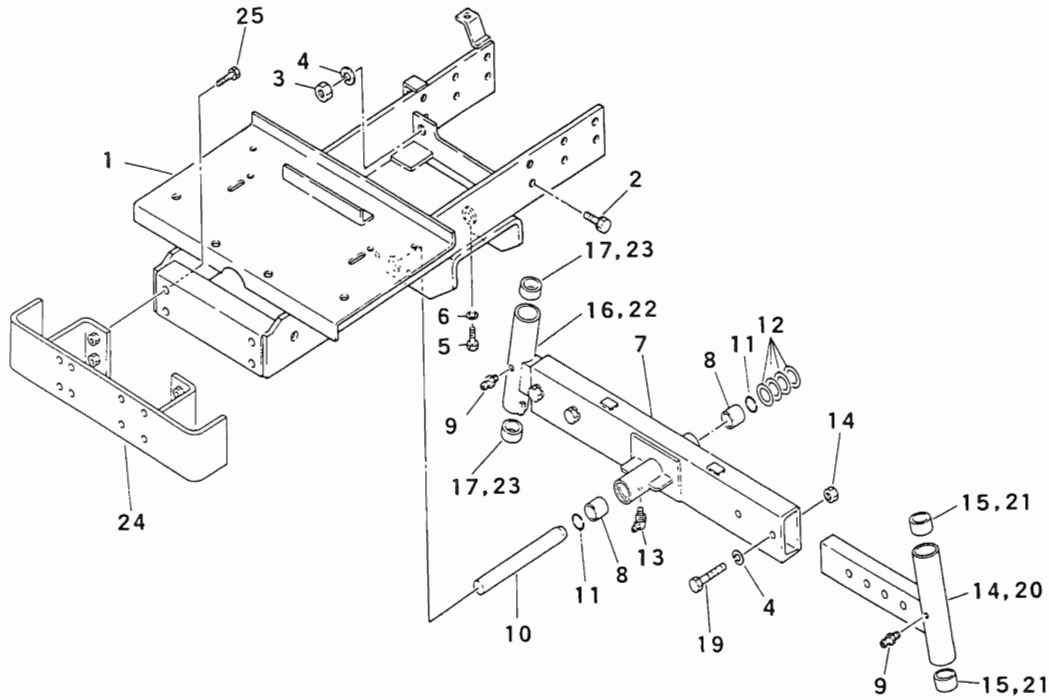
FIG.510 TIE ROD & DRAG LINK (210:~10165)



| Key No | Parts No      | Parts Name             | Q'ty |     |  |  | P | Application | Description | Remarks |
|--------|---------------|------------------------|------|-----|--|--|---|-------------|-------------|---------|
|        |               |                        | STD  | P/S |  |  |   |             |             |         |
| 30     | 1190 0693 000 | COVER,dust             | 1    | •   |  |  |   |             |             |         |
| 31     | 1190 0694 000 | RING,snap              | 1    | •   |  |  |   |             |             |         |
| 32     | A650 0100 600 | NIPPLE,grease          | 1    | •   |  |  |   |             |             |         |
| 33     | 67441-00916   | COVER,dust             | 1    | •   |  |  |   |             |             |         |
| 34     | 67441-00918   | NUT,slotted            | 1    | •   |  |  |   |             |             |         |
| 35     | 67441-00919   | PIN,split              | 1    | •   |  |  |   |             |             |         |
| 36     | 67441-00917   | NIPPLE,grease          | 1    | •   |  |  |   |             |             |         |
| 37-42  | 1984 2013 0C0 | <b>DRAG LINK ASSY.</b> | •    | 1   |  |  |   |             |             |         |
| 37     | *             | ROD                    | •    | 1   |  |  |   |             |             |         |
| 38     | A313 0101 201 | NUT,slotted            | •    | 2   |  |  |   | M12         |             |         |
| 39     | 1180 2054 160 | COVER,dust             | •    | 2   |  |  |   |             |             |         |
| 40     | 1180 2054 170 | RING,snap              | •    | 2   |  |  |   |             |             |         |
| 41     | A650 0600 600 | NIPPLE,grease          | •    | 2   |  |  |   |             |             |         |
| 42     | 0520 0130 025 | PIN,split              | •    | 2   |  |  |   |             |             |         |
| 43     | A954 0110 060 | BOLT                   | 2    | 2   |  |  |   | φ3X25       |             |         |
| 44     | A080 0110 001 | NUT                    | 2    | 2   |  |  |   | M10         |             |         |
| 45     | A360 0101 002 | WASHER,spring          | 2    | 2   |  |  |   | M10         |             |         |

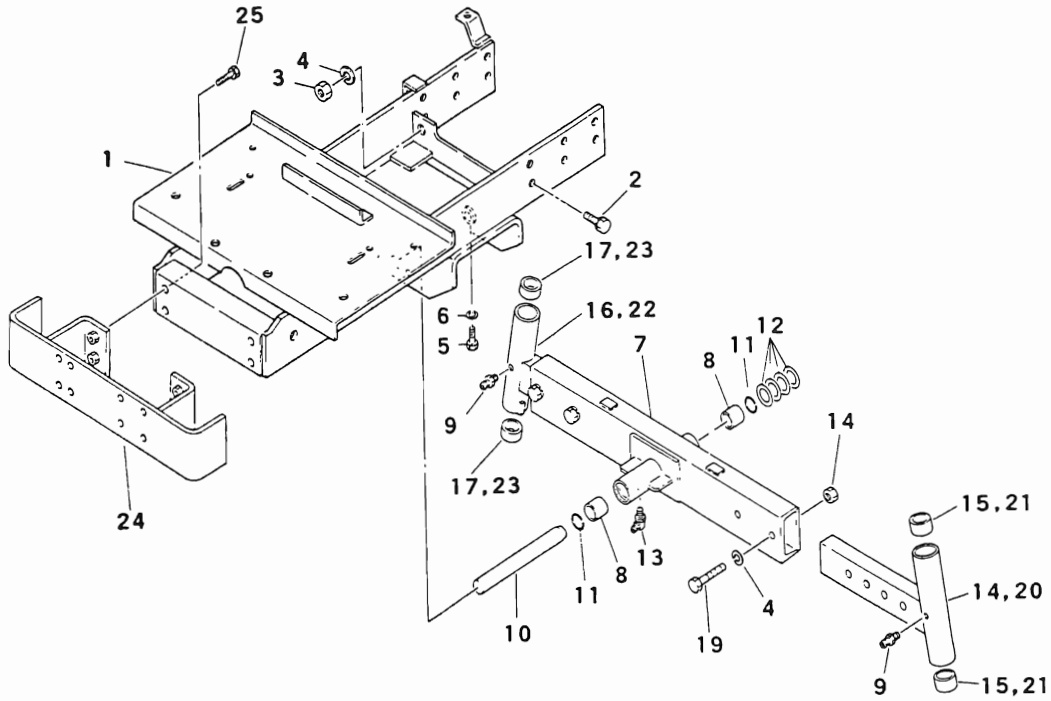


FIG.511 FRONT AXLE BRACKET (250)



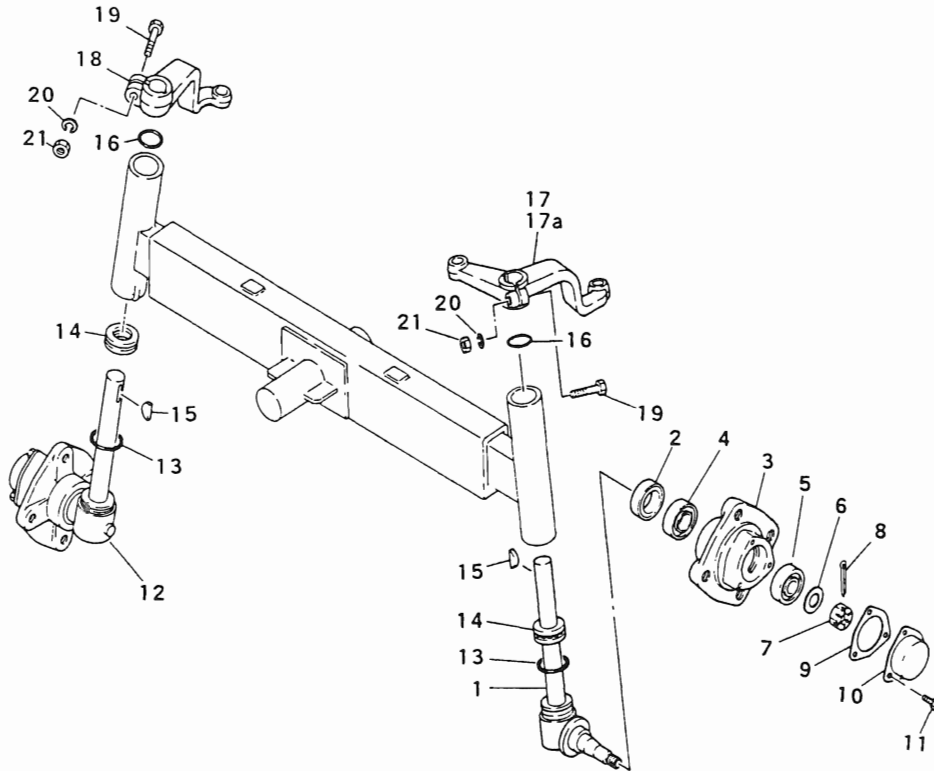
| Key No | Parts No      | Parts Name             | Q'ty |     |  |  | P | Application | Description   | Remarks |
|--------|---------------|------------------------|------|-----|--|--|---|-------------|---------------|---------|
|        |               |                        | STD  | P/S |  |  |   |             |               |         |
| 1      | 1984 2052 OC1 | BRACKET,front          | 1    | 1   |  |  |   |             |               |         |
|        | ○             | BRACKET,front          | 1    | 1   |  |  | A | 10822~      | 1984 2052 0C0 |         |
|        | 1984 2011 OC2 | BRACKET                | 1    | 1   |  |  | D | 10091~      |               |         |
|        | 1984 2011 OC0 | BRACKET                | 1    | 1   |  |  | D |             |               |         |
| 2      | F155 0112 030 | BOLT,w/washer          | 10   | 12  |  |  |   |             | M12X30        |         |
| 3      | A303 0114 002 | NUT                    | 2    | 2   |  |  |   |             | M14           |         |
| 4      | A360 0101 402 | WASHER,spring          | 6    | 6   |  |  |   |             | M14           |         |
| 5      | 67341-01101   | BOLT,set               | 1    | 1   |  |  |   |             |               |         |
| 6      | A360 0101 002 | WASHER,spring          | 1    | 1   |  |  |   |             | M10           |         |
| 7,8    | 1983 2021 OC1 | <b>AXLE ASSY</b>       | 1    | 1   |  |  |   |             |               |         |
| 7      | *             | CENTER                 | 1    | 1   |  |  |   |             |               |         |
| 8      | 67541-00800   | BUSHING                | 2    | 2   |  |  |   |             |               |         |
| 9      | A650 3100 300 | NIPPLE,grease          | 2    | 2   |  |  |   |             | PT=1/8        |         |
| 10     | 67441-00302   | PIN,axle pivot         | 1    | 1   |  |  |   |             |               |         |
| 11     | 0830 0100 250 | O-RING                 | 2    | 2   |  |  |   |             | φ25           |         |
| 12     | 67441-01100   | SPACER                 | C    | C   |  |  |   |             | t=5.0         |         |
|        | 67441-01200   | SPACER                 | C    | C   |  |  |   |             |               |         |
|        | 67441-01300   | SPACER                 | C    | C   |  |  |   |             |               |         |
|        | 67441-01400   | SPACER                 | C    | C   |  |  |   |             |               |         |
| 13     | A651 3100 300 | NIPPLE,grease          | 1    | 1   |  |  |   |             |               |         |
| 14,15  | 1983 2031 OC1 | <b>AXLE OUTER ASSY</b> | 1    | •   |  |  |   | 10146~      |               |         |
|        | ○             | <b>AXLE OUTER ASSY</b> | 1    | •   |  |  | B |             | 1983 2031 0C0 |         |
| 14     | 1983 2023 OC1 | OUTER L.H              | 1    | •   |  |  |   | 10146~      |               |         |
|        | ○             | OUTER L.H              | 1    | •   |  |  | B |             | 1983 2023 0C0 |         |
| 15     | 67541-00800   | BUSHING                | 1    | •   |  |  |   |             |               |         |
| 16,17  | 1983 2032 OC1 | <b>AXLE OUTER ASSY</b> | 1    | •   |  |  |   | 10146~      |               |         |
|        | ○             | <b>AXLE OUTER ASSY</b> | 1    | •   |  |  | B |             | 1983 2032 0C0 |         |
| 16     | 1983 2024 OC1 | OUTER R.H              | 1    | •   |  |  |   | 10146~      |               |         |
|        | 1983 2024 OC0 | OUTER R.H              | 1    | •   |  |  |   |             |               |         |
| 17     | 67541-00800   | BUSHING                | 2    | •   |  |  |   |             |               |         |
| 18     | F1025-14065   | BOLT                   | 4    | 4   |  |  |   |             | M14X65        |         |
|        | ○             | BOLT                   | 4    | 4   |  |  | A |             | M14X65        |         |
| 19     | A304 0114 002 | NUT                    | 4    | 4   |  |  |   |             | M14           |         |
| 20,21  | 1983 2035 OC1 | <b>AXLE OUTER ASSY</b> | •    | 1   |  |  |   |             |               |         |
| 20     | 1983 2037 OC1 | OUTER L.H              | •    | 1   |  |  |   |             |               |         |

FIG.511 FRONT AXLE BRACKET (250)



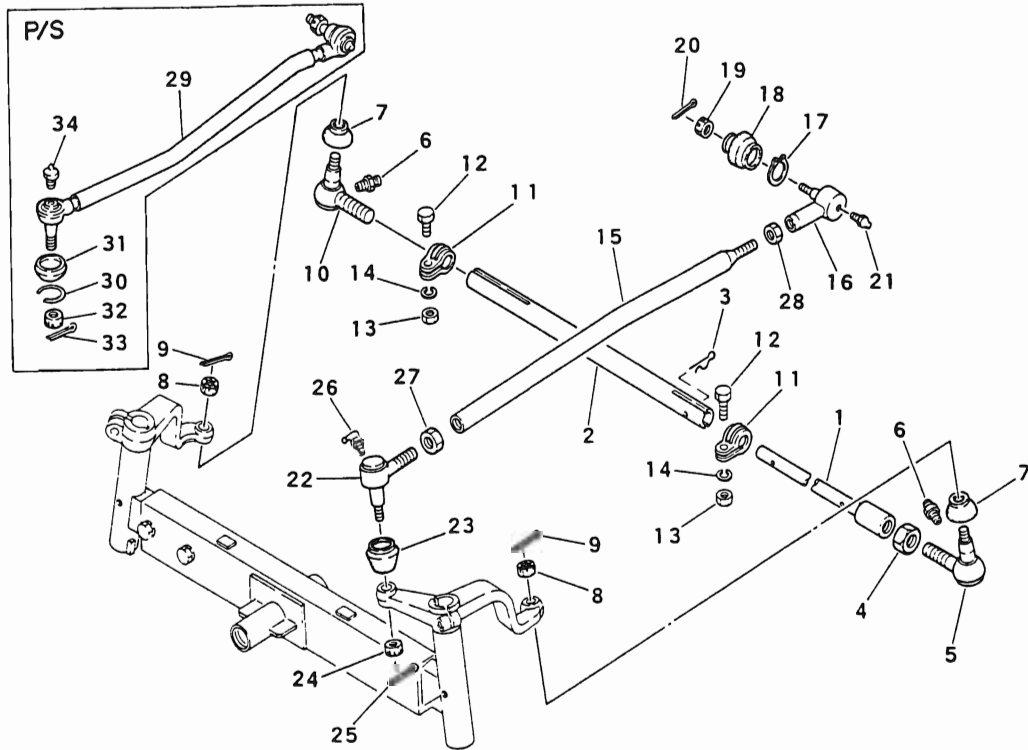
| Key No | Parts No      | Parts Name             | Q'ty |     |  |  | F/P    | Application | Description | Remarks |
|--------|---------------|------------------------|------|-----|--|--|--------|-------------|-------------|---------|
|        |               |                        | STD  | P/S |  |  |        |             |             |         |
| 21     | 67541-00800   | BUSHING                |      | • 2 |  |  |        |             |             |         |
| 22, 23 | 1983 2036 OC1 | <b>AXLE OUTER ASSY</b> |      | • 1 |  |  |        |             |             |         |
| 22     | 1983 2038 OC1 | OUTER R.H              |      | • 1 |  |  |        |             |             |         |
| 23     | 67541-00800   | BUSHING                |      | • 2 |  |  |        |             |             |         |
| 24     | 1984 2015 OCO | BUMPER                 |      | 1 1 |  |  | 10822~ |             | Added       |         |
| 25     | F155 0112 035 | BOLT                   |      | 4 4 |  |  | 10822~ | M12X35      | Added       |         |

FIG.512 KNUCKLE ARM (250)



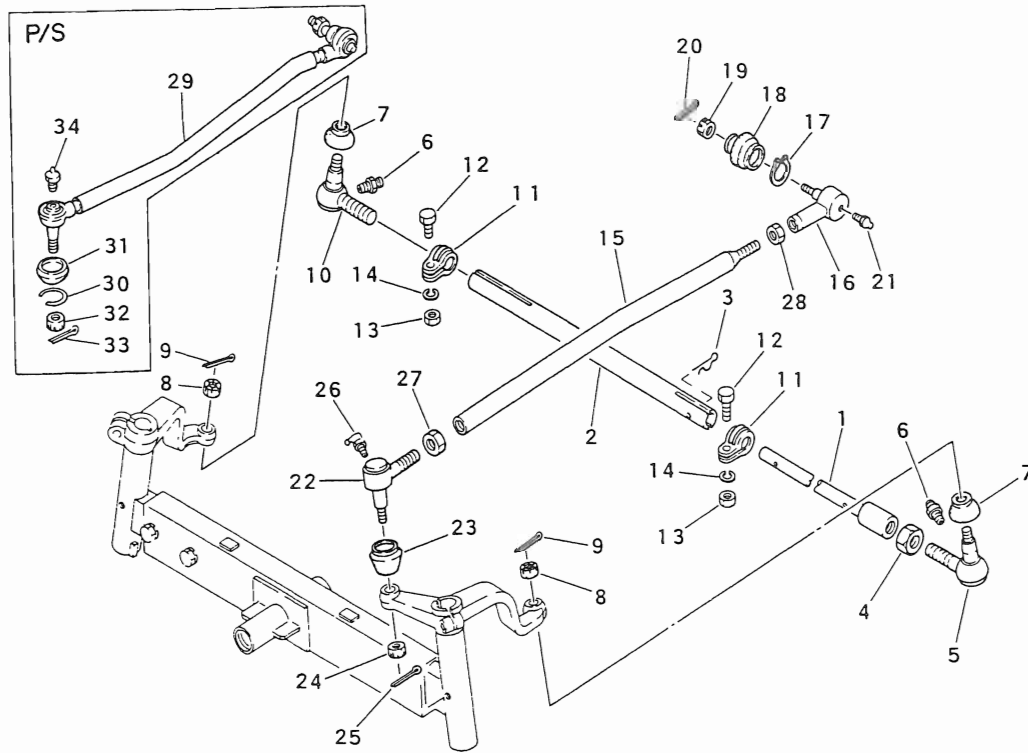
| Key No | Parts No      | Parts Name          | Q' t y |     |  |  | F/P | Application | Description   | Remarks |
|--------|---------------|---------------------|--------|-----|--|--|-----|-------------|---------------|---------|
|        |               |                     | STD    | P/S |  |  |     |             |               |         |
| 1~11   | 1983 2025 0C1 | <b>KNUCKLE ASSY</b> | 1      | 1   |  |  |     |             |               |         |
| 2~12   | 1983 2026 0C1 | <b>KNUCKLE ASSY</b> | 1      | 1   |  |  |     |             |               |         |
| 1      | 1983 2027 0C1 | KNUCKLE             | 1      | 1   |  |  |     |             |               |         |
| 2      | 67441-05000   | SEAL,oil            | 2      | 2   |  |  |     |             |               |         |
| 3      | 69541-068C0   | HUB,front wheel     | 2      | 2   |  |  |     |             |               |         |
| 4      | 0750 0062 050 | BEARING             | 2      | 2   |  |  |     | 6205        |               |         |
| 5      | 0750 0063 040 | BEARING             | 2      | 2   |  |  |     | 6304        |               |         |
| 6      | 0350 0151 632 | WASHER              | 2      | 2   |  |  |     | M16         |               |         |
| 7      | A313 0101 601 | NUT,slotted         | 2      | 2   |  |  |     | M16         |               |         |
| 8      | 0520 0140 040 | PIN,split           | 2      | 2   |  |  |     | φ4X40       |               |         |
| 9      | 69541-06400   | GASKET              | 2      | 2   |  |  |     |             |               |         |
| 10     | 69541-063C0   | CAP                 | 2      | 2   |  |  |     |             |               |         |
| 11     | F144 0106 012 | BOLT,w/washer       | 6      | 6   |  |  |     | M6X12       |               |         |
| 12     | 1983 2028 0C1 | KNUCKLE             | 1      | 1   |  |  |     |             |               |         |
| 13     | 0830 0100 380 | O-RING              | 2      | 2   |  |  |     | φ38         |               |         |
| 14     | 05642-00400   | BEARING             | 2      | 2   |  |  |     |             |               |         |
| 15     | F2870-07028   | KEY,woodruff        | 2      | 2   |  |  |     |             |               |         |
| 16     | 0830 0100 250 | O-RING              | 2      | 2   |  |  |     | φ25         |               |         |
| 17     | 67441-006C0   | ARM,knuckle         | 1      | •   |  |  |     |             |               |         |
|        | ○             | ARM,knuckle         | 1      | •   |  |  | A   |             | 67441-006C5   |         |
| 17a    | 1983 2041 0C0 | ARM,knuckle         | •      | 1   |  |  |     |             |               |         |
| 18     | 67441-007C0   | ARM,knuckle         | •      | 1   |  |  |     |             |               |         |
|        | ○             | ARM R.H,knuckle     | 1      | 1   |  |  | A   |             | 67441-007C5   |         |
| 19     | A954 0110 060 | BOLT                | 2      | 2   |  |  |     | M10X60      |               |         |
| 20     | A360 0101 002 | WASHER,spring       | 2      | 2   |  |  |     | M10         |               |         |
| 21     | A080 0110 001 | NUT                 | 2      | 2   |  |  |     | M10         |               |         |
|        | ○             | NUT                 | 2      | 2   |  |  | A   | M10         | A080 0110 002 |         |

FIG.513 TIE ROD & DRAG LINK (250)



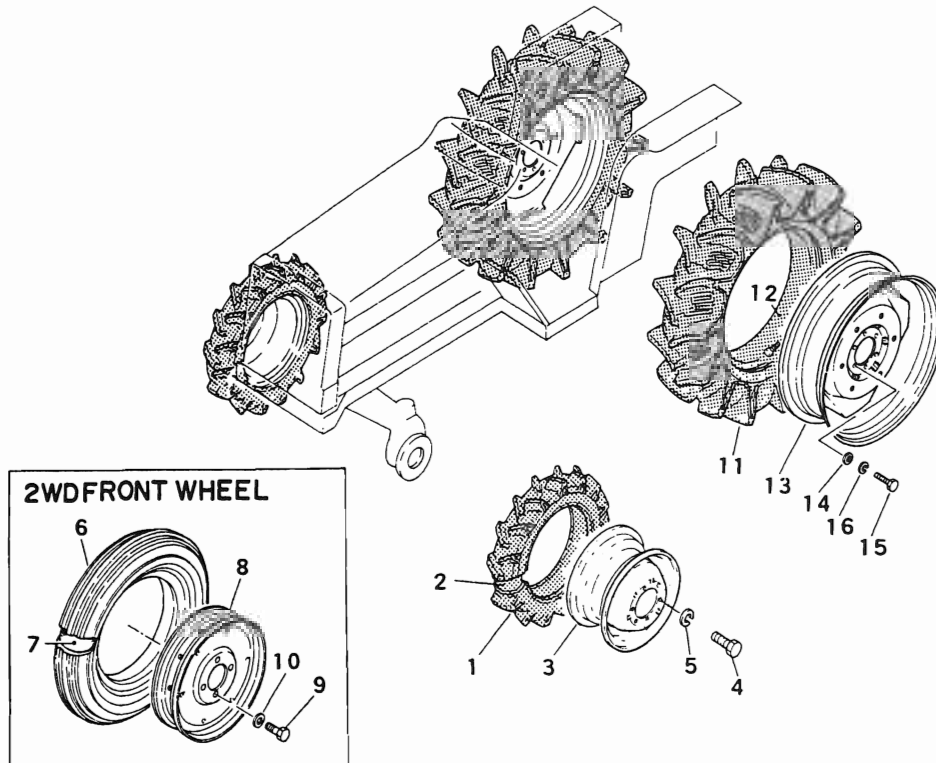
| Key No | Parts No      | Parts Name            | Q'ty |     |  |  | P | Application | Description   | Remarks |
|--------|---------------|-----------------------|------|-----|--|--|---|-------------|---------------|---------|
|        |               |                       | STD  | P/S |  |  |   |             |               |         |
| 1~14   | 1983 2033 0C0 | <b>TIE ROD ASSY</b>   | 1    | 1   |  |  |   |             |               |         |
| 1      | 1174 2036 0C0 | INNER,tie rod         | 1    | 1   |  |  |   |             |               |         |
| 2      | 1174 2037 0C1 | OUTER,tie rod         | 1    | 1   |  |  |   |             |               |         |
| 3      | 67200-31100   | PIN                   | 1    | 1   |  |  |   |             |               |         |
| 4      | 67354-00301   | NUT                   | 1    | 1   |  |  |   |             |               |         |
| 5~9    | 67441-01000   | <b>SOCKET</b>         | 1    | 1   |  |  |   |             |               |         |
| 6~10   | 67441-00900   | <b>SOCKET</b>         | 1    | 1   |  |  |   |             |               |         |
| 5      | *             | BIDY                  | 1    | 1   |  |  |   |             |               |         |
| 6      | 67441-00917   | NIPPLE,grease         | 2    | 2   |  |  |   |             |               |         |
| 7      | 67441-00916   | COVER,dust            | 2    | 2   |  |  |   |             |               |         |
| 8      | 67441-00918   | NUT                   | 2    | 2   |  |  |   |             |               |         |
| 9      | 67441-00919   | PIN,split             | 2    | 2   |  |  |   |             |               |         |
| 10     | *             | BODY                  | 1    | 1   |  |  |   |             |               |         |
| 11     | 68600-83700   | CLAMP,tie rod         | 2    | 2   |  |  |   |             |               |         |
| 12     | A054 0108 030 | BOLT                  | 2    | 2   |  |  |   | M8X30       |               |         |
| 13     | A301 0108 002 | NUT                   | 2    | 2   |  |  |   | M8          |               |         |
| 14     | A360 0100 802 | WASHER,spring         | 2    | 2   |  |  |   | M8          |               |         |
| 15~28  | 1984 2001 0C0 | <b>DRAG LINK ASSY</b> | 1    | •   |  |  |   | 10146~      |               |         |
|        | ○             | <b>DRAG LINK ASSY</b> | 1    | •   |  |  | B |             | 1983 3641 0C0 |         |
| 15     | 1983 3642 0C1 | DRAG LINK             | 1    | •   |  |  |   | 10146~      |               |         |
|        | ○             | DRAG LINK             | 1    | •   |  |  | B |             | 1983 3642 0C0 |         |
| 16~21  | 1119 0686 000 | <b>ROD END ASSY</b>   | 1    | •   |  |  |   |             |               |         |
| 16     | *             | BODY                  | 1    | •   |  |  |   |             |               |         |
| 17     | 1119 0694 000 | RING,snap             | 1    | •   |  |  |   |             |               |         |
| 18     | 1119 0693 000 | COVER,dust            | 1    | •   |  |  |   |             |               |         |
| 19     | A313 0101 001 | NUT,slotted           | 1    | •   |  |  |   |             | M10           |         |
| 20     | 0520 0125 018 | PIN,split             | 1    | •   |  |  |   |             | φ2,5X18       |         |
| 21     | A650 0100 600 | NIPPLE,grease         | 1    | •   |  |  |   |             |               |         |
| 22~26  | 1176 2215 001 | <b>SOCKET</b>         | 1    | •   |  |  |   |             |               |         |
| 22     | *             | BODY                  | 1    | •   |  |  |   |             |               |         |
| 23     | 67441-00916   | COVER,dust            | 1    | •   |  |  |   |             |               |         |
| 24     | 67441-00918   | NUT                   | 1    | •   |  |  |   |             |               |         |
| 25     | 67441-00919   | PIN,split             | 1    | •   |  |  |   |             |               |         |
| 26     | A651 0600 600 | NIPPLE,grease         | 1    | •   |  |  |   |             |               |         |
| 27     | 67354-00301   | NUT                   | 1    | •   |  |  |   |             |               |         |

FIG.513 TIE ROD & DRAG LINK (250)



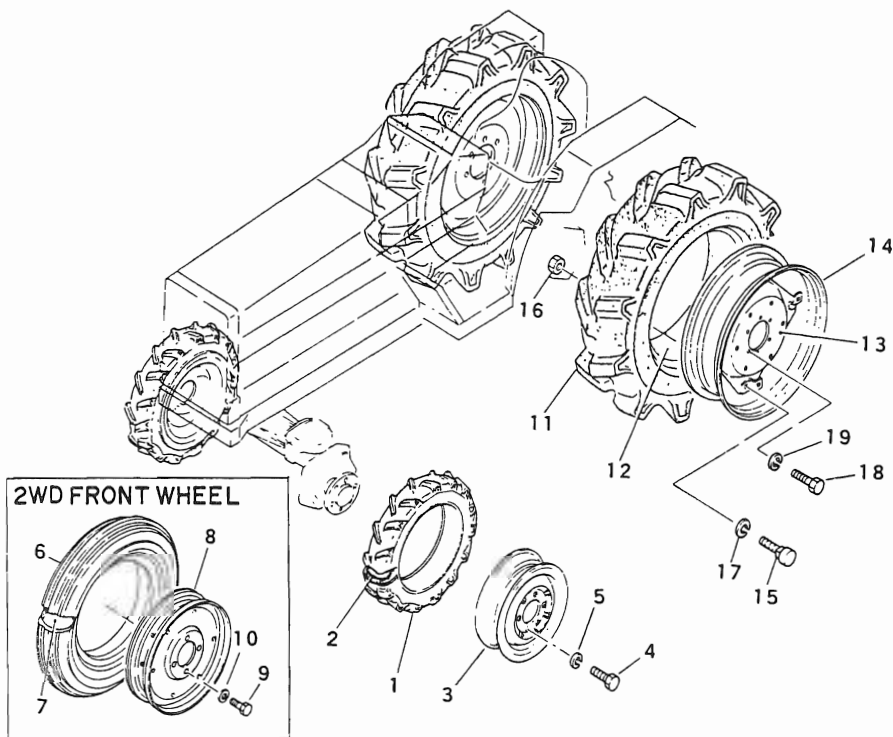
| Key No | Parts No      | Parts Name            | Q'ty |     |  |  | P/P | Application | Description | Remarks |
|--------|---------------|-----------------------|------|-----|--|--|-----|-------------|-------------|---------|
|        |               |                       | STD  | P/S |  |  |     |             |             |         |
| 28     | A303 0112 002 | NUT                   | 1    | •   |  |  |     |             |             |         |
| 29-34  | 1984 2012 0C0 | <b>DRAG LINK ASSY</b> | •    | 1   |  |  |     |             |             |         |
| 29     | *             | BODY                  | •    | 2   |  |  |     |             |             |         |
| 30     | 1180 2054 170 | RING,snap             | •    | 2   |  |  |     |             |             |         |
| 31     | 1180 2054 160 | COVER,dust            | •    | 2   |  |  |     |             |             |         |
| 32     | A313 0101 201 | NUT,slotted           | •    | 2   |  |  |     | M12         |             |         |
| 33     | 0520 0130 025 | PIN,split             | •    | 2   |  |  |     | ø3X25       |             |         |
| 34     | A650 0600 600 | NIPPLE,grease         | •    | 2   |  |  |     |             |             |         |

FIG. 5 14 FRONT & REAR WHEEL (210D/210 AG TIRE)



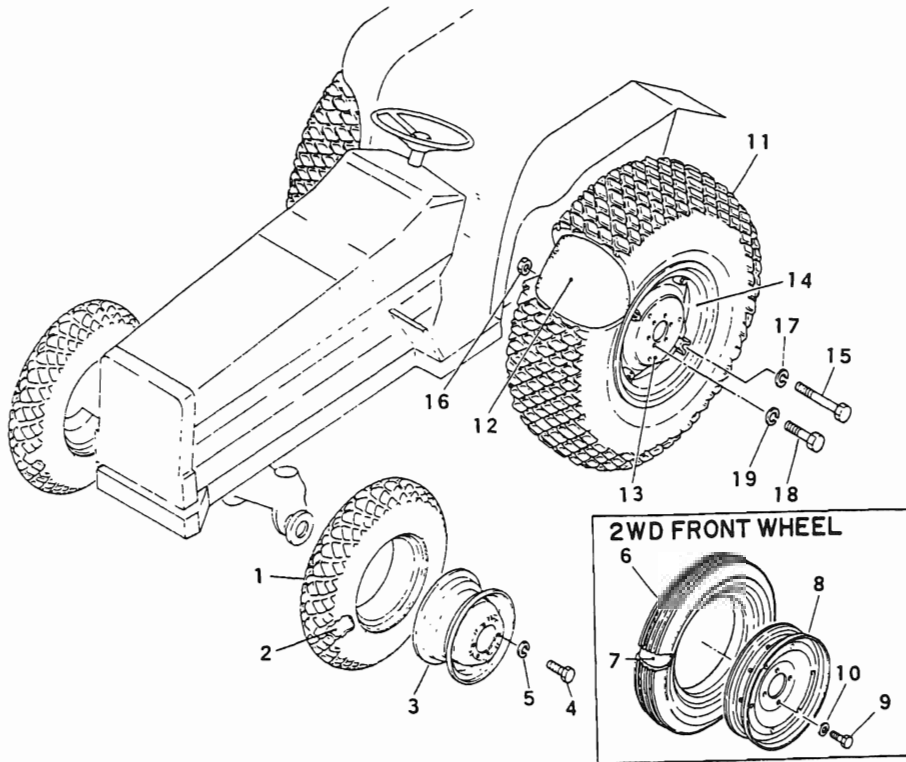
| Key No | Parts No      | Parts Name         | Q'ty |     |  |  | P | Application | Description   | Remarks |
|--------|---------------|--------------------|------|-----|--|--|---|-------------|---------------|---------|
|        |               |                    | 4WD  | 2WD |  |  |   |             |               |         |
| 1,2    | *             | <b>FRONT WHEEL</b> |      |     |  |  |   |             |               |         |
|        |               | <b>FRONT TIRE</b>  |      |     |  |  |   |             |               |         |
| 1      | 1983 3213 110 | TIRE               | 2    | •   |  |  |   |             |               |         |
| 2      | 1983 3213 120 | TUBE               | 2    | •   |  |  |   | 4-15 AG     |               |         |
| 3      | 1983 3216 0G0 | DISK, wheel        | 2    | •   |  |  |   |             |               |         |
| 4      | F1025-14025   | BOLT               | 12   | •   |  |  |   | M14X25      |               |         |
|        | ○             | BOLT               | 12   | •   |  |  | A | M14X25      | A042 0114 025 |         |
| 5      | A360 0101 402 | WASHER, spring     | 12   | •   |  |  |   | M14         |               |         |
| 6,7    | *             | <b>FRONT TIRE</b>  |      | 2   |  |  |   |             |               |         |
| 6      | 1983 3213 110 | TIRE               |      | 2   |  |  |   | 4-15 AG     |               |         |
| 7      | 1983 3213 120 | TUBE               |      | 2   |  |  |   |             |               |         |
| 8      | 69546-060G0   | DISK, wheel        |      | 2   |  |  |   |             |               |         |
| 9      | F1025-14025   | BOLT               |      | 8   |  |  |   | M14X25      |               |         |
|        | ○             | BOLT               |      | 8   |  |  | A | M14X25      | A042 0114 025 |         |
| 10     | A360 0101 402 | WASHER, spring     |      | 8   |  |  |   | M14         |               |         |
| 11,12  | *             | <b>REAR WHEEL</b>  |      |     |  |  |   |             |               |         |
|        |               | <b>REAR TIRE</b>   |      |     |  |  |   |             |               |         |
| 11     | 1983 3315 110 | TIRE               | 2    | 2   |  |  |   | 9.5/9-24    |               |         |
| 12     | 1983 3315 120 | TUBE               | 2    | 2   |  |  |   | FSLW (BS)   |               |         |
| 13     | 1174 3311 0G0 | DISK, wheel        | 2    | 2   |  |  |   |             |               |         |
| 14     | 1174 3313 000 | WASHER             | 12   | 12  |  |  |   |             |               |         |
| 15     | F1025-1403    | BOLT               | 12   | 12  |  |  |   | M14X30      |               |         |
|        | ○             | BOLT               | 12   | 12  |  |  | A | M14X30      | A042 0114 030 |         |
| 16     | A360 0101 402 | WASHER, spring     | 12   | 12  |  |  |   | M14         |               |         |

FIG. 515 FRONT & REAR WHEEL (250D/250 AG TIRE)



| Key No | Parts No      | Parts Name         | Q'ty |     |  |   | Application | Description   | Remarks |
|--------|---------------|--------------------|------|-----|--|---|-------------|---------------|---------|
|        |               |                    | 4WD  | 2WD |  |   |             |               |         |
| 1, 2   | *             | <b>FRONT WHEEL</b> |      |     |  |   |             |               |         |
|        |               | <b>FRONT TIRE</b>  |      |     |  |   |             |               |         |
| 1      | 1983 3219 110 | TIRE               | 2    | •   |  |   |             |               |         |
| 2      | 1983 3219 120 | TUBE               | 2    | •   |  |   | 7-144PRAG   |               |         |
| 3      | 1983 3216 OGO | DISK, wheel        | 2    | •   |  |   |             |               |         |
| 4      | F1025-14025   | BCLT               | 12   | •   |  |   | M14X25      |               |         |
|        | ○             | BCLT               | 12   | •   |  | A | M14X25      | A042 0114 025 |         |
| 5      | A360 0101 402 | WASHER, spring     | 12   | •   |  |   | M14         |               |         |
| 6, 7   | *             | <b>FRONT TIRE</b>  |      |     |  |   |             |               |         |
| 6      | 1915 3005 001 | TIRE               | •    | 2   |  |   |             |               |         |
| 7      | 1915 3005 002 | TUBE               | •    | 2   |  |   | 5-144PRAG   |               |         |
| 8      | 69546-060G0   | DISK, wheel        | •    | 2   |  |   |             |               |         |
| 9      | F1025-14025   | BOLT               | •    | 8   |  |   | M14X25      |               |         |
|        | ○             | BOLT               | •    | 8   |  | A | M14X25      | A042 0114 025 |         |
| 10     | A360 0101 402 | WASHER, spring     | •    | 8   |  |   | M14         |               |         |
| 11, 12 | *             | <b>REAR WHEEL</b>  |      |     |  |   |             |               |         |
|        |               | <b>TIRE ASSY</b>   |      |     |  |   |             |               |         |
| 11     | 1915 3001 011 | TIRE               | 2    | 2   |  |   |             |               |         |
| 12     | 1915 3001 002 | TUBE               | 2    | 2   |  |   | 11.2-24AG   |               |         |
| 13, 14 | 1174 3312 OGO | <b>DISK WHEEL</b>  | 2    | 2   |  |   |             |               |         |
| 13     | 1174 3312 120 | RIM                | 2    | 2   |  |   |             |               |         |
| 14     | 1174 3312 110 | DISK               | 2    | 2   |  |   |             |               |         |
| 15     | 1180 3063 000 | BOLT               | 8    | 8   |  |   |             |               |         |
| 16     | A303 0116 002 | NUT                | 8    | 8   |  |   | M16         |               |         |
| 17     | A360 0101 602 | WASHER, spring     | 8    | 8   |  |   | M16         |               |         |
| 18     | A052 0114 030 | BOLT               | 12   | 12  |  |   | M14X30      |               |         |
| 19     | A360 0101 402 | WASHER, spring     | 12   | 12  |  |   | M14         |               |         |

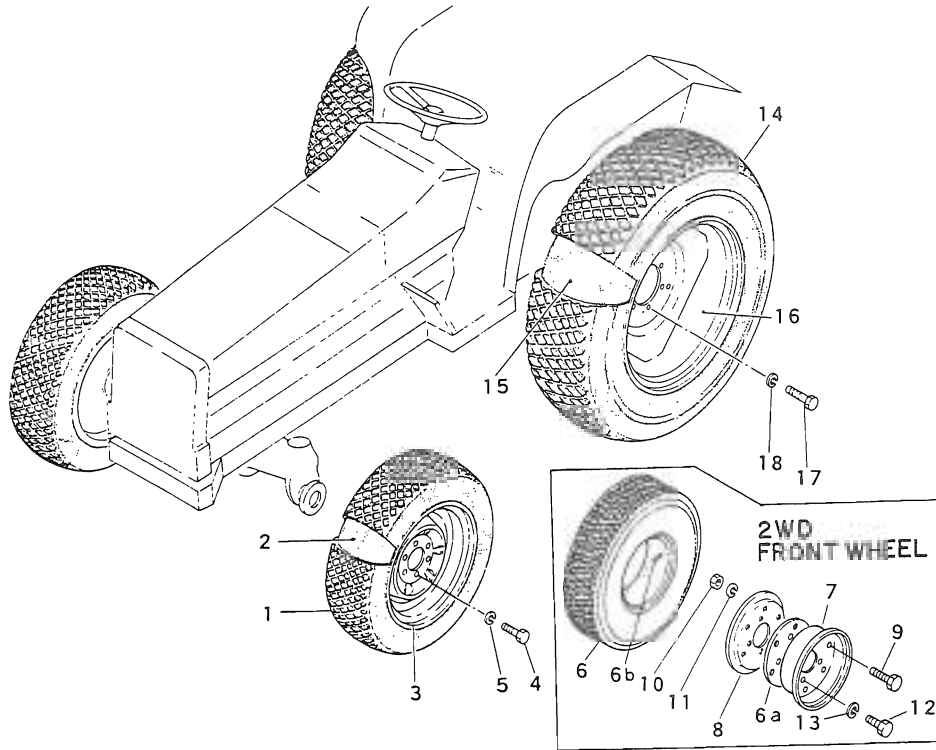
FIG.516 FRONT & REAR WHEEL (ES TIRE)



| Key No | Parts No      | Parts Name            | Q'ty |     |  |  | P | Application | Description   | Remarks |
|--------|---------------|-----------------------|------|-----|--|--|---|-------------|---------------|---------|
|        |               |                       | 4WD  | 2WD |  |  |   |             |               |         |
| 1,2    | *             | <b>FRONT WHEEL</b>    |      |     |  |  |   |             |               |         |
|        |               | <b>FRONT TIRE</b>     |      |     |  |  |   |             |               |         |
| 1      | 1984 3211 110 | TIRE                  | 2    | •   |  |  |   |             |               |         |
| 2      | 1174 3214 120 | TUBE                  | 2    | •   |  |  |   | 7-14 FD     |               |         |
| 3      | 1983 3216 0G0 | DISK, wheel           | 2    | •   |  |  |   |             |               |         |
| 4      | F1025-14025   | BOLT                  | 12   | •   |  |  |   | M14X25      |               |         |
|        | ○             | BOLT                  | 12   | •   |  |  | A | M14X25      | A042 0114 025 |         |
| 5      | A360 0101 402 | WASHER, spring        | 12   | •   |  |  |   | M14         |               |         |
| 6,7    | *             | <b>FRONT TIRE</b>     |      | 2   |  |  |   |             |               |         |
| 6      | 1915 3016 001 | TIRE                  |      | 2   |  |  |   |             |               |         |
| 7      | 1915 3016 002 | TUBE                  |      | 2   |  |  |   | 2.9-15 BS   |               |         |
| 8      | 69446-80300   | DISK, wheel           |      | 2   |  |  |   |             |               |         |
| 9      | F1025-14025   | BOLT                  |      | 8   |  |  |   | M14X25      |               |         |
|        | ○             | BOLT                  |      | 8   |  |  | A | M14X25      | A042 0114 025 |         |
| 10     | A360 0101 402 | WASHER, spring        |      | 8   |  |  |   | M14         |               |         |
|        |               | <b>REAR WHEEL</b>     |      |     |  |  |   |             |               |         |
| 11,12  | *             | <b>REAR TIRE ASSY</b> |      |     |  |  |   |             |               |         |
| 11     | 1915 3010 001 | TIRE, rear            | 2    | 2   |  |  |   |             |               |         |
|        |               |                       | 2    | 2   |  |  |   | 11.2/10     |               |         |
|        |               |                       |      |     |  |  |   | -24 FD      |               |         |
| 12     | 1915 3010 002 | TUBE                  | 2    | 2   |  |  |   |             |               |         |
| 13,14  | 1174 3312 0G0 | DISK WHEEL            | 2    | 2   |  |  |   |             |               |         |
| 13     | 1174 3312 120 | RIM                   | 2    | 2   |  |  |   |             |               |         |
| 14     | 1174 3312 110 | DISK                  | 2    | 2   |  |  |   | M16         |               |         |
| 15     | 1180 3063 000 | BOLT                  | 8    | 8   |  |  |   |             |               |         |
| 16     | A303 0116 001 | NUT                   | 8    | 8   |  |  |   | M16         |               |         |
| 17     | A360 0101 602 | WASHER, spring        | 8    | 8   |  |  |   | M16         |               |         |
|        | F1025-14025   | BOLT                  | 12   | 12  |  |  |   | M14X25      |               |         |
| 18     | ○             | BOLT                  | 12   | 12  |  |  | A | M14X25      | A042 0114 025 |         |
| 19     | A360 0101 402 | WASHER, spring        | 12   | 12  |  |  |   | M14         |               |         |

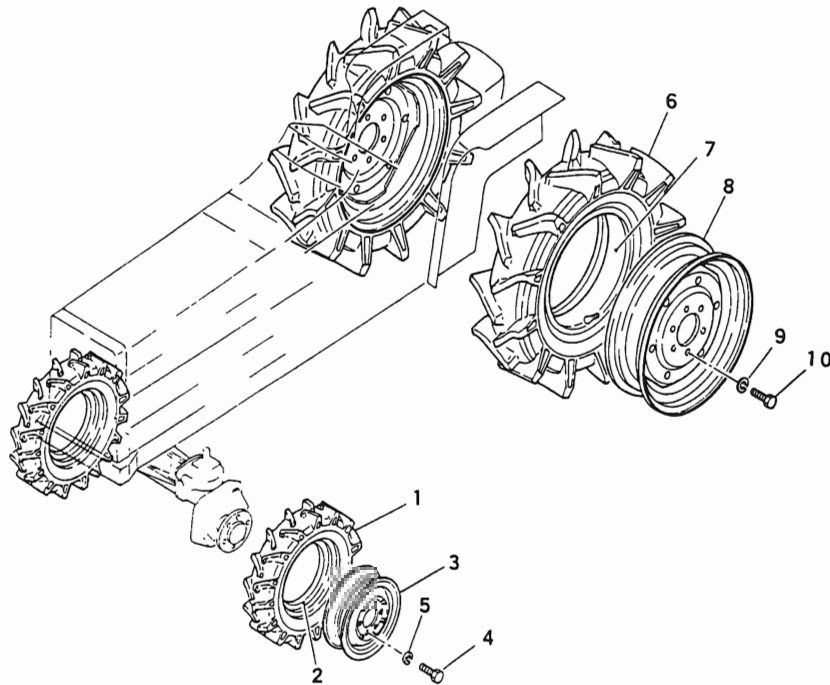


FIG.517 FRONT & REAR WHEEL (WT TIRE)



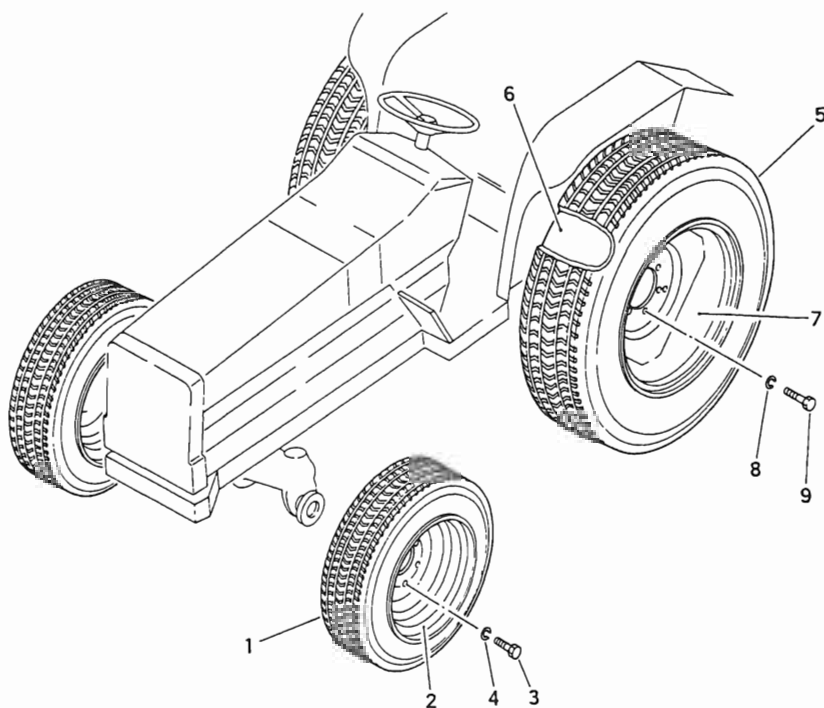
| Key No | Parts No      | Parts Name         | Q'ty |     |  |  | P/P | Application | Description   | Remarks |
|--------|---------------|--------------------|------|-----|--|--|-----|-------------|---------------|---------|
|        |               |                    | 4WD  | 2WD |  |  |     |             |               |         |
|        |               | <b>FRONT WHEEL</b> |      |     |  |  |     |             |               |         |
| 1,2    | 69446-80500   | <b>FRONT TIRE</b>  | 2    | •   |  |  |     |             |               |         |
| 1      | 69446-80511   | TIRE               | 2    | •   |  |  |     | 6-14 FD     |               |         |
| 2      | 0891 0006 140 | TUBE               | 2    | •   |  |  |     |             |               |         |
| 3      | 1983 3216 0G0 | DISK,wheel         | 2    | •   |  |  |     |             |               |         |
| 4      | F1025-14025   | BOLT               | 12   | •   |  |  |     | M14X25      |               |         |
|        | ○             | BOLT               | 12   | •   |  |  | A   | M14X25      | A042 0114 025 |         |
| 5      | A360 0101 402 | WASHER,spring      | 12   | •   |  |  |     | M14         |               |         |
| 6-6b   | 1982 4042 000 | <b>TIRE ASSY.</b>  | •    | 2   |  |  |     |             |               |         |
| 6      | 1982 4042 110 | TIRE               | •    | 2   |  |  |     | 2X8-10 PD   | Tubes         |         |
| 6a     | 1982 4042 120 | PACKING            | •    | 2   |  |  |     |             |               |         |
| 6b     | 1982 4042 130 | VALVE              | •    | 2   |  |  |     |             |               |         |
| 7,8    | 1982 4043 0G0 | <b>WHEEL</b>       | •    | 2   |  |  |     |             |               |         |
| 7      | 1982 4043 110 | RIM A              | •    | 2   |  |  |     |             |               |         |
| 8      | 1982 4043 120 | RIM B              | •    | 2   |  |  |     |             |               |         |
| 9      | A052 0110 020 | BOLT               | •    | 12  |  |  |     | M10X20      |               |         |
| 10     | A303 0110 002 | NUT                | •    | 12  |  |  |     | M10         |               |         |
| 11     | A360 0101 002 | WASHER,spring      | •    | 12  |  |  |     | M10         |               |         |
| 12     | F1025-14030   | BOLT               | •    | 8   |  |  |     | M14X30      |               |         |
|        | ○             | BOLT               | •    | 8   |  |  | A   | M14X25      | A042 0114 025 |         |
| 13     | A360 0101 402 | WASHER,spring      | •    | 8   |  |  |     | M14         |               |         |
|        |               | <b>REAR WHEEL</b>  |      |     |  |  |     |             |               |         |
| 14, 15 | *             | <b>REAR TIRE</b>   | 2    | 2   |  |  |     |             |               |         |
| 14     | 1915 4802 000 | TIRE               | 2    | 2   |  |  |     | 13 6-16FD   |               |         |
| 15     | 1915 4803 000 | TUBE               | 2    | 2   |  |  |     |             |               |         |
| 16     | 67436-901G0   | WHEEL,disk         | 2    | 2   |  |  |     |             |               |         |
| 17     | F1025-14030   | BOLT               | 12   | 12  |  |  |     | M14X30      |               |         |
|        | ○             | BOLT               | 12   | 12  |  |  | A   | M14X30      | A042 0114 030 |         |
| 18     | A360 0101 402 | WASHER,spring      | 12   | 12  |  |  |     | M14         |               |         |

FIG.518 FRONT & REAR WHEEL (210D/250D AG TIRE)



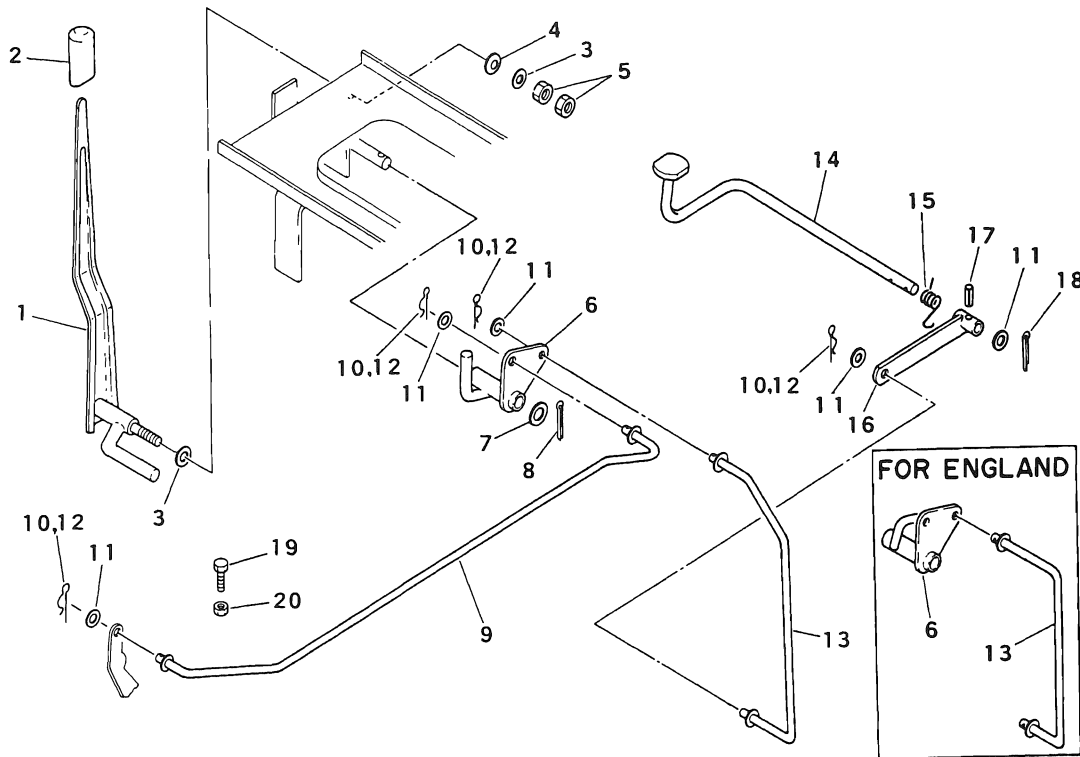
| Key No | Parts No      | Parts Name         | Q' t y |     |  |  | P/P | Application | Description | Remarks |
|--------|---------------|--------------------|--------|-----|--|--|-----|-------------|-------------|---------|
|        |               |                    | 4WD    | 2WD |  |  |     |             |             |         |
|        |               | <b>FRONT WHEEL</b> |        |     |  |  |     |             |             |         |
| 1,2    | *             | <b>FRONT TIRE</b>  | 2      | 2   |  |  |     |             |             |         |
| 1      | 1984 3214 110 | TIRE,front         | 2      | 2   |  |  |     | 5-14 AG     |             |         |
| 2      | 1983 3212 120 | TUBE               | 2      | 2   |  |  |     |             |             |         |
| 3      | 1983 3214 000 | DISK, wheel        | 2      | 2   |  |  |     | 4JAX14WDC   |             |         |
| 4      | A042 0114 025 | BOLT               | 12     | 12  |  |  |     | M14X25      |             |         |
| 5      | A360 0101 402 | WASHER, spring     | 10     | 12  |  |  |     | M14         |             |         |
|        |               | <b>REAR WHEEL</b>  |        |     |  |  |     |             |             |         |
| 6,7    | *             | <b>REAR TIRE</b>   | 2      | 2   |  |  |     |             |             |         |
| 6      | 1984 3323 110 | TIRE, rear         | 2      | 2   |  |  |     | 12.4-16AG   |             |         |
| 7      | 1984 3323 120 | TUBE               | 2      | 2   |  |  |     |             |             |         |
| 8      | 1984 3324 0G0 | DISK               | 2      | 2   |  |  |     | M11X16      |             |         |
| 9      | A360 0101 402 | WASHER, spring     | 12     | 12  |  |  |     | M14         |             |         |
| 10     | A052 0114 030 | BOLT               | 12     | 12  |  |  |     | M14X30      |             |         |

FIG.519 FRONT & REAR WHEEL (WTT TIRE)



| Key No             | Parts No      | Parts Name     | Q'ty |     |  |  | P | Application | Description   | Remarks |
|--------------------|---------------|----------------|------|-----|--|--|---|-------------|---------------|---------|
|                    |               |                | 4WD  | 2WD |  |  |   |             |               |         |
| <b>FRONT WHEEL</b> |               |                |      |     |  |  |   |             |               |         |
| 1                  | 1984 3223 000 | FRONT TIRE     | 2    | •   |  |  |   | 24X850-12   | Tubes         |         |
| 2                  | 1984 3224 0G0 | DISK, wheel    | 2    | •   |  |  |   |             |               |         |
| 3                  | F1025-14025   | BOLT           | 12   | •   |  |  |   | M14X25      |               |         |
|                    | ○             | BOLT           | 12   | •   |  |  | A | M14X25      | A042 0114 025 |         |
| 4                  | A360 0101 402 | WASHER, spring | 12   | •   |  |  |   | M14         |               |         |
| <b>REAR WHEEL</b>  |               |                |      |     |  |  |   |             |               |         |
| 5,6                | *             | TIRE, peat     | 2    | •   |  |  |   |             |               |         |
| 5                  | 1984 3333 110 | TIRE           | 2    | •   |  |  |   |             |               |         |
| 6                  | 1984 3333 120 | TUBE           | 2    | •   |  |  |   |             |               |         |
| 7                  | 67436-90100   | DISK WHEEL     | 2    | •   |  |  |   |             |               |         |
|                    | ○             | DISK, wheel    | 2    | •   |  |  | A |             | 69436-80205   |         |
| 8                  | A360 0101 402 | WASHER, spring | 12   | •   |  |  |   | M14         |               |         |
| 9                  | A052 0114 030 | BOLT           | 12   | •   |  |  |   | M14X30      |               |         |

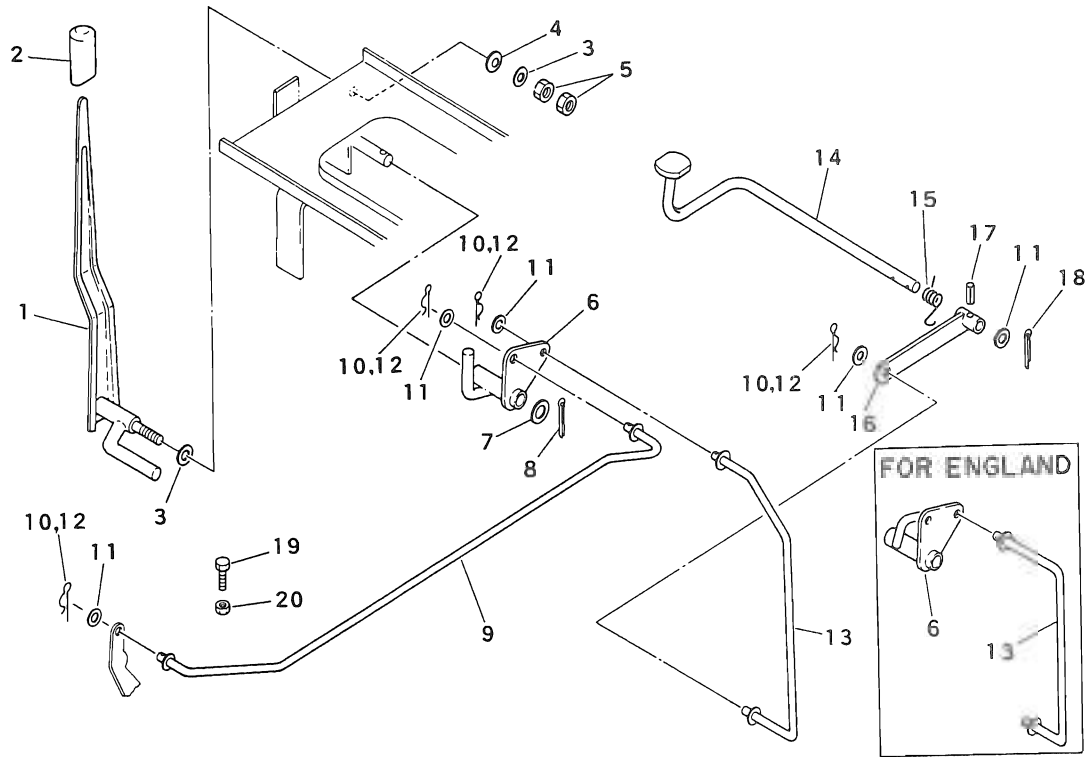
FIG.601 ENGINE CONTROL



6

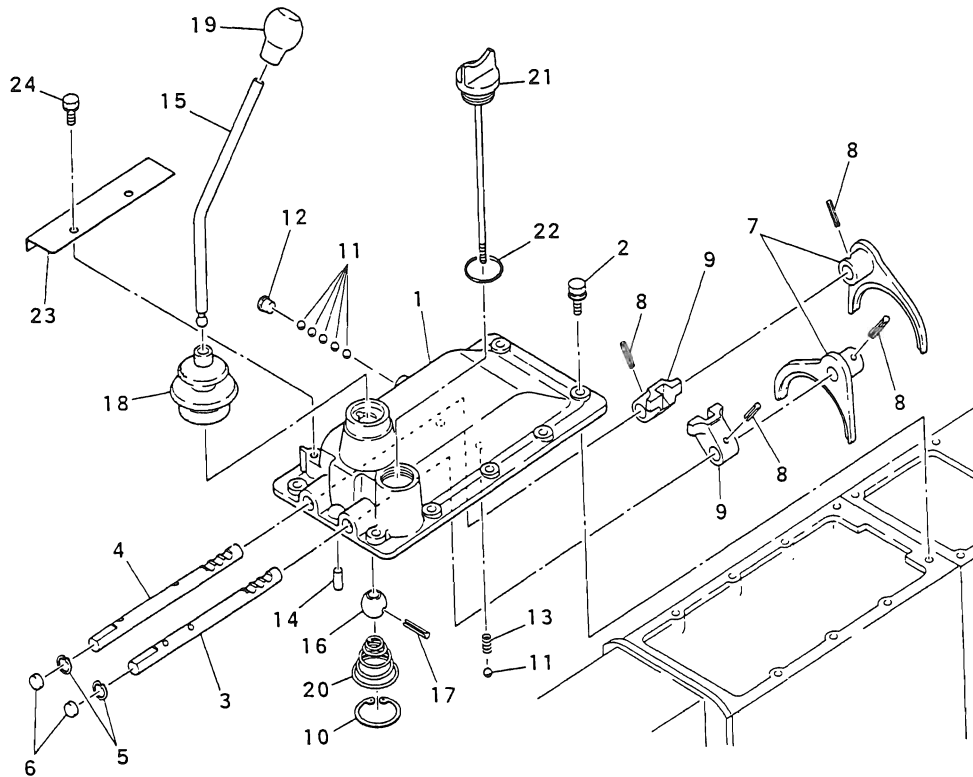
| Key No | Parts No      | Parts Name    | Q'ty |      |  |  | F/P  | Application          | Description   | Remarks |
|--------|---------------|---------------|------|------|--|--|--|----------------------|---------------|---------|
|        |               |               | 21PS | 25PS |  |  |  |                      |               |         |
| 1      | 1984 0215 0T0 | LEVER,control | 1    | 1    |  |  |  |                      |               |         |
|        | 1021 0211 0T1 | LEVER,control | •    | 1    |  |  |  |                      | For England   |         |
| 2      | 2772 4043 000 | GRIP          | 1    | 1    |  |  |  |                      |               |         |
| 3      | 0350 0161 032 | WASHER        | 2    | 2    |  |  |  | M10                  |               |         |
| 4      | 3610 5725 100 | SPRING        | 1    | 1    |  |  |  |                      | ...           |         |
| 5      | A303 0110 002 | NUT           | 2    | 2    |  |  |  | M10                  |               |         |
|        | 1984 0216 000 | ARM           | 1    | 1    |  |  |  |                      |               |         |
| 6      | 1021 0214 000 | ARM           | •    | 1    |  |  |  |                      | For England   |         |
|        | 1350 4214 000 | WASHER        | 1    | 1    |  |  |  |                      |               |         |
| 8      | 0520 0125 020 | PIN,split     | 1    | 1    |  |  |  | φ2.5X20              | ...           |         |
| 9      | 1984 0251 001 | ROD,control   | 1    | •    |  |  | 210D:50162~<br>210 10111~                              |                      |               |         |
|        | ○             | ROD,control   | 1    | •    |  |  | B  |                      | 1984 0251 000 |         |
|        | 1984 0213 001 | ROD,control   | •    | 1    |  |  | 250D:50312~<br>250 10146~                              |                      |               |         |
|        | ○             | ROD,control   | •    | 1    |  |  | B  |                      | 1984 0213 000 |         |
|        | 1984 0219 001 | ROD,control   | •    | 1    |  |  |  |                      | For England   |         |
| 10     | 0521 0108 000 | PIN,snap      | 4    | 4    |  |  | 210D.50277~<br>210 10174~<br>250D.50469~<br>250 10298~ | φ8<br>φ8<br>φ8<br>φ8 |               |         |
|        | 0521 0108 000 | PIN,snap      | 2    | 2    |  |  | D  | φ8                   |               |         |
|        | 0350 0130 815 | WASHER        | 5    | 5    |  |  |  | M8                   |               |         |
|        | 0521 0106 000 | PIN,snap      | 2    | 2    |  |  | 210D~50276<br>210 ~10173<br>250D ~50468<br>250 ~10297  |                      | Deleted       |         |
| 13     | 1984 0217 002 | ROD           | 1    | 1    |  |  | 210D:50162~<br>210 10111~<br>250D.50312~<br>250 10146~ |                      |               |         |
|        | ○             | ROD           | 1    | 1    |  |  | B  |                      | 1984 0217 001 |         |
|        | 1021 0253 000 | ROD           | •    | 1    |  |  |  |                      | For England   |         |
| 14     | 1983 0218 001 | PEDAL,accele  | 1    | 1    |  |  |  |                      |               |         |
|        | ○             | PEDAL,accele  | 1    | 1    |  |  | A  |                      | 1021 0221 002 |         |

FIG.601 ENGINE CONTROL



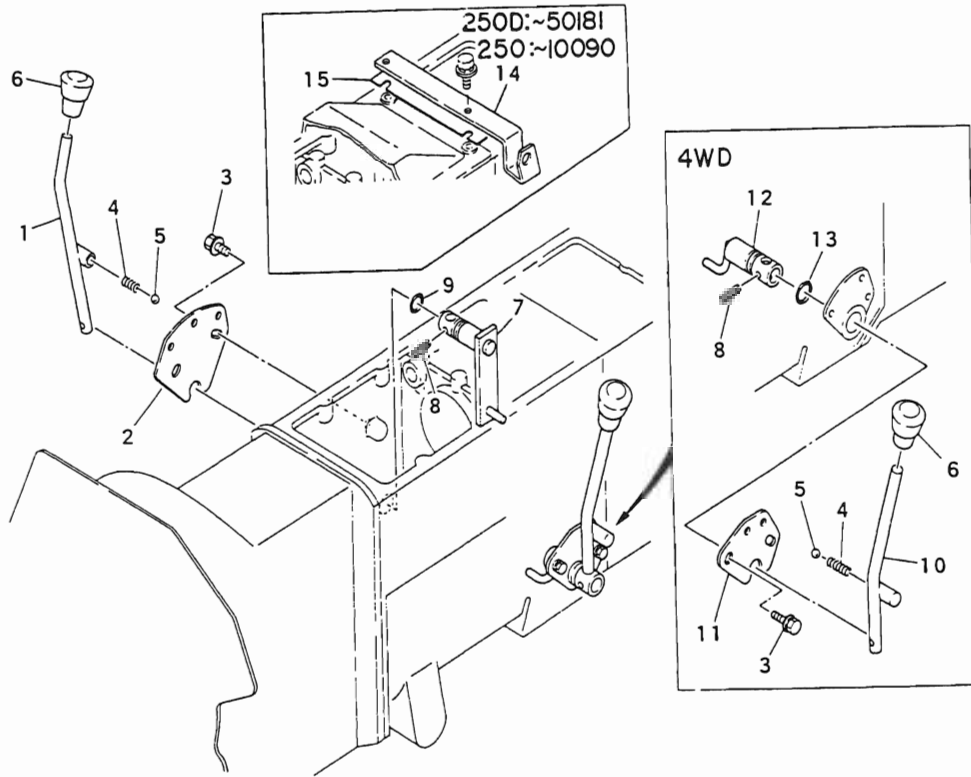
| Key No | Parts No      | Parts Name  | Q'ty |      |  |  | P/P | Application  | Description   | Remarks |
|--------|---------------|-------------|------|------|--|--|-----|--------------|---------------|---------|
|        |               |             | 21PS | 25PS |  |  |     |              |               |         |
| 15     | 1019 0228 000 | SPRING      | 1    | 1    |  |  |     |              |               |         |
| 16     | 1021 0222 OC1 | ARM         | 1    | 1    |  |  |     |              |               |         |
| 17     | 0550 0003 020 | PIN, spring | 1    | 1    |  |  |     | φ3X20        |               |         |
| 18     | 0520 0130 016 | PIN, split  | 1    | 1    |  |  |     | φ3X16        |               |         |
|        | ○             | PIN, split  | 1    | 1    |  |  | A   | φ3.0X15      | 0520 0130 015 |         |
| 19     | A040 0106 025 | BOLT        | 1    | 1    |  |  |     | 210D ~ 50131 | M6X25         | Deleted |
|        |               |             |      |      |  |  |     | 210 ~ 10090  | M6X25         |         |
|        |               |             |      |      |  |  |     | 250D ~ 50276 | M6X25         |         |
|        |               |             |      |      |  |  |     | 250 ~ 10130  | M6X25         |         |
| 20     | A303 0106 002 | NUT         | 1    | 1    |  |  |     | 210D ~ 50131 | M6            | Deleted |
|        |               |             |      |      |  |  |     | 210 ~ 10090  | M6            |         |
|        |               |             |      |      |  |  |     | 250D ~ 50276 | M6            |         |
|        |               |             |      |      |  |  |     | 250 ~ 10130  | M6            |         |

FIG.602 TRANSMISSION CONTROL LEVER



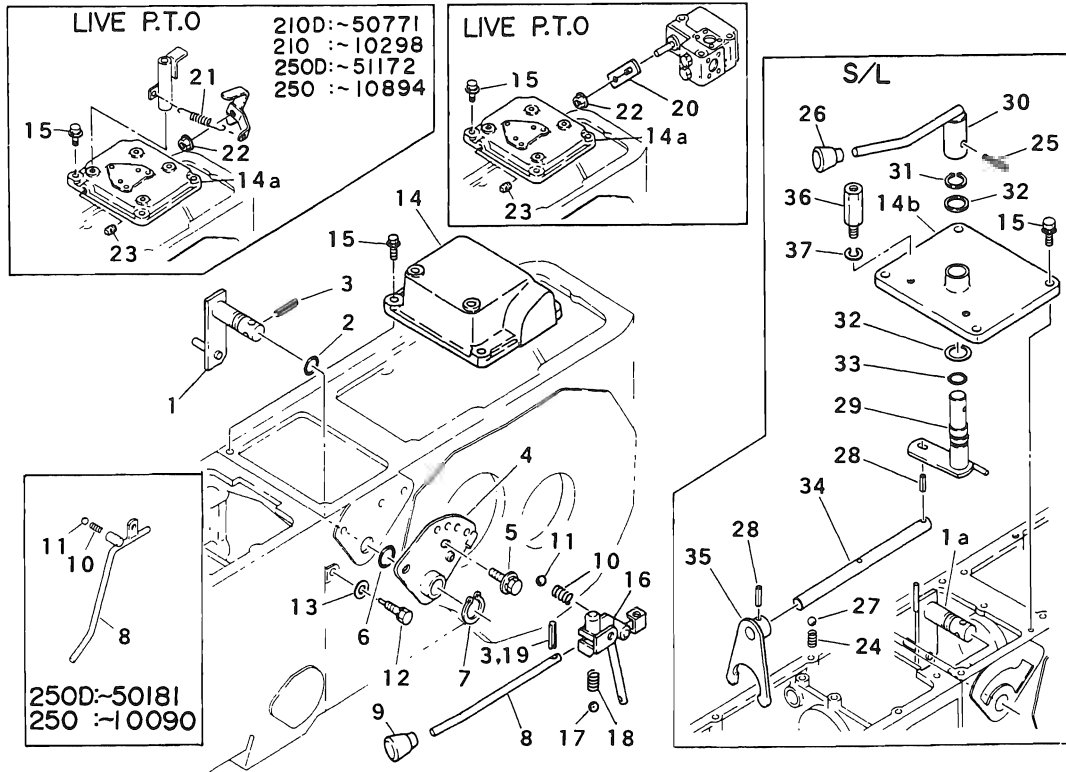
| Key No | Parts No      | Parts Name        | Q' t y |     |  |  | P | Application | Description | Remarks |
|--------|---------------|-------------------|--------|-----|--|--|---|-------------|-------------|---------|
|        |               |                   | 4WD    | 2WD |  |  |   |             |             |         |
| 1      | 1021 1711 0C0 | COVER,mission     | 1      | 1   |  |  |   |             |             |         |
| 2      | H155 0110 030 | BOLT,w/washer     | 10     | 10  |  |  |   | M10X30      |             |         |
| 3      | 1021 1712 000 | RAIL,shift        | 1      | 1   |  |  |   |             |             |         |
| 4      | 1021 1713 000 | RAIL,shift        | 1      | 1   |  |  |   |             |             |         |
| 5      | 0741 0101 600 | RING,snap         | 2      | 2   |  |  |   |             |             |         |
| 6      | 2783 3013 000 | PLUG              | 2      | 2   |  |  |   |             |             |         |
| 7      | 1021 1715 000 | FORK              | 2      | 2   |  |  |   |             |             |         |
| 8      | 0550 0006 025 | PIN,spring        | 4      | 4   |  |  |   | φ6X25       |             |         |
| 9      | 1021 1716 000 | ADAPTER           | 2      | 2   |  |  |   |             |             |         |
| 10     | 0741 0105 200 | RING,snap         | 1      | 1   |  |  |   | φ52         |             |         |
| 11     | 0800 0000 900 | BALL              | 7      | 7   |  |  |   | 11/32"      |             |         |
| 12     | 69528-07600   | PLUG              | 1      | 1   |  |  |   |             |             |         |
| 13     | 67428-01700   | SPRING            | 2      | 2   |  |  |   |             |             |         |
| 14     | 0540 1010 018 | PIN,dowel         | 2      | 2   |  |  |   | φ10X18      |             |         |
| 15~17  | 1021 1701 0C1 | <b>LEVER ASSY</b> | 1      | 1   |  |  |   |             |             |         |
| 15     | 1021 1717 0C1 | LEVER             | 1      | 1   |  |  |   |             |             |         |
| 16     | 69528-06200   | BALL              | 1      | 1   |  |  |   |             |             |         |
| 17     | 0550 0005 032 | PIN,spring        | 1      | 1   |  |  |   | φ5X32       |             |         |
| 18     | 67428-01401   | COVER,dust        | 1      | 1   |  |  |   |             |             |         |
| 19     | 69528-06400   | GRIP B            | 1      | 1   |  |  |   |             |             |         |
| 20     | 67428-01601   | SPRING            | 1      | 1   |  |  |   |             |             |         |
| 21     | 1021 1786 001 | PLUG,oiling       | 1      | 1   |  |  |   |             |             |         |
| 22     | 0830 0100 280 | O-RING            | 1      | 1   |  |  |   | φ28         |             |         |
| 23     | 1021 1792 0C0 | PLATE,p.t.o       | 1      | 1   |  |  |   |             |             |         |
| 24     | F154 0108 016 | BOLT,w/washer     | 2      | 2   |  |  |   | M8X16       |             |         |

FIG.603 P.T.O CONTROL LEVER



| Key No | Parts No           | Parts Name           | Q'ty    |         |  |  | P                              | Application | Description                         | Remarks |
|--------|--------------------|----------------------|---------|---------|--|--|--------------------------------|-------------|-------------------------------------|---------|
|        |                    |                      | 4WD     | 2WD     |  |  |                                |             |                                     |         |
| 1      | 1021 1733 0C0      | LEVER,P.T.O          | 1       | 1       |  |  |                                |             |                                     |         |
| 2      | 1984 1716 0C0      | PLATE                | 1       | 1       |  |  |                                |             |                                     |         |
| 3      | H154 0108 020      | BOLT,w/washer        | 2       | 2       |  |  |                                | M8X20       |                                     |         |
| 4      | SA92 2079 000      | SPRING               | 2       | 1       |  |  |                                |             |                                     |         |
| 5      | 0800 0000 900      | BALL                 | 2       | 1       |  |  |                                | 11/32"      |                                     |         |
| 6      | 0690 0012 360      | GRIP                 | 2       | 1       |  |  |                                |             |                                     |         |
| 7      | 1021 1731 0C0      | ARM,p.t.o            | 1       | 1       |  |  |                                |             |                                     |         |
| 8      | 0550 0005 025      | PIN,spring           | 2       | 1       |  |  |                                | φ5X25       |                                     |         |
| 9      | 0830 0100 180      | O-RING               | 1       | 1       |  |  |                                | φ18         |                                     |         |
| 10     | 1021 1753 0C1      | LEVER,front          | 1       | •       |  |  |                                |             |                                     |         |
| 11     | 1021 1752 0C0      | PLATE                | 1       | •       |  |  |                                |             |                                     |         |
| 12     | 1021 1751 0C0      | ARM                  | 1       | •       |  |  |                                |             |                                     |         |
| 13     | 0830 0100 200      | O-RING               | 1       | •       |  |  |                                | φ20         |                                     |         |
| 14     | 1983 1721 0C1      | BRACKET,s/w          | 1       | 1       |  |  | 250D.~50181<br>250 ~10090      |             | Deleted                             |         |
| 15     | ○<br>1983 1733 000 | BRACKET,s/w<br>PLATE | 1<br>AR | 1<br>AR |  |  | A<br>250D ~50181<br>250 ~10090 |             | 1983 1721 0C0<br>Deleted<br>Deleted |         |

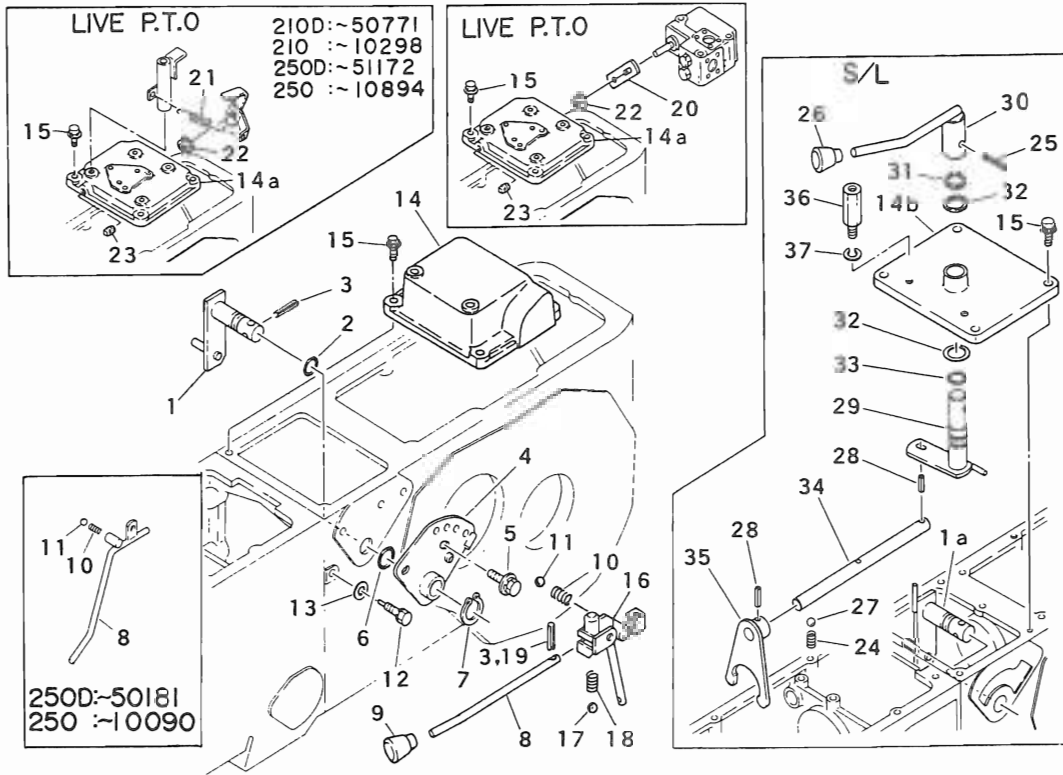
FIG.604 SUB CHANGE LEVER



| Key No | Parts No      | Parts Name    | Q'ty |      |  |  | F/P | Application  | Description              | Remarks                  |
|--------|---------------|---------------|------|------|--|--|-----|--|--------------------------|--------------------------|
|        |               |               | 21PS | 25PS |  |  |     |  |                          |                          |
| 1      | 1983 1713 OC3 | SHIFTER       | 1    | 1    |  |  |     |  |                          |                          |
|        | ○             | SHIFTER       | 1    | 1    |  |  | A   |  |                          | 1983 1713 OC2            |
| 1a     | 1022 1756 OC1 | SHIFTER       | 1    | 1    |  |  |     |  |                          |                          |
|        | ○             | SHIFTER       | •    | 1    |  |  | A   |  |                          | 1022 1756 OC0<br>For S/L |
| 2      | 0830 0100 180 | O-RING        | 1    | 1    |  |  |     | 210D 50162~<br>210 10111~<br>250D 50323~<br>250 10185~ | φ18<br>φ18<br>φ18<br>φ18 |                          |
| 3      | 1982 1725 000 | PIN           | 1    | 1    |  |  |     |  |                          |                          |
|        | ○             | PIN           | 2    | 2    |  |  | B   |  |                          | 1982 1725 000            |
| 4      | 1983 1712 OC1 | PLATE,guide   | 1    | 1    |  |  |     |  |                          |                          |
| 5      | H154 0108 020 | BOLT,w/washer | 2    | 2    |  |  |     |  | M8X20                    |                          |
| 6      | 0830 0100 260 | O-RING        | 1    | 1    |  |  |     |  | φ26                      |                          |
| 7      | 0740 0102 200 | RING,snap     | 1    | 1    |  |  |     |  | φ22                      |                          |
| 8      | 1983 1741 OC1 | LEVER A       | 1    | 1    |  |  |     | 250D 50182~<br>250 10091~                              |                          |                          |
|        | 1983 1711 OC1 | LEVER         | •    | 1    |  |  | D   |  |                          |                          |
| 9      | 0690 0012 360 | GRIP          | 1    | 1    |  |  |     |  |                          |                          |
| 10     | SA92 2079 000 | SPRING        | 1    | 1    |  |  |     |  |                          |                          |
| 11     | 0800 0000 900 | BALL          | 1    | 1    |  |  |     |  | 11/31"                   |                          |
| 12     | A052 0010 020 | BOLT          | 1    | 1    |  |  |     |  | M10X20                   |                          |
| 13     | 05946-01000   | WASHER        | 1    | 1    |  |  |     |  | M10                      |                          |
| 14     | 1983 1717 OC0 | COVER         | 1    | 1    |  |  |     |  |                          | For STD                  |
| 14a    | 1983 1729 OC1 | COVER         | 1    | 1    |  |  |     |  |                          | For Live                 |
| 14b    | 1022 1727 OC2 | COVER         | •    | 1    |  |  |     |  |                          | For S/L                  |
| 15     | F155 0110 030 | BOLT          | 4    | 4    |  |  |     |  | M10X30                   |                          |
|        | ○             | BOLT,w/washer | 4    | 4    |  |  | A   |  | M10X30                   | H155 0110 030            |
| 16     | 1983 1742 OC1 | LEVER B       | 1    | 1    |  |  |     | 250D 50182~<br>250 10091~                              |                          | Added<br>Added           |
| 17     | 0800 0000 900 | BALL          | 1    | 1    |  |  |     | 250D 50182~<br>250 10091~                              |                          | Added<br>Added           |
| 18     | SA92 2079 000 | SPRING        | 1    | 1    |  |  |     | 210D 50162~<br>250 10091~                              |                          | Added<br>Added           |

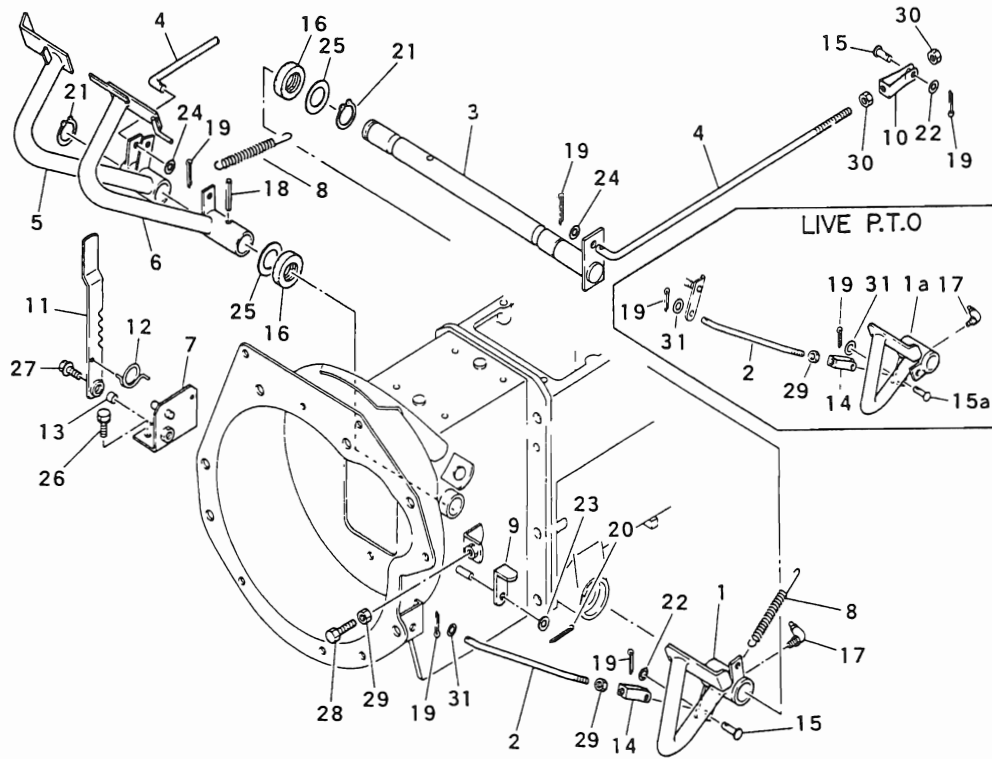


FIG.604 SUB CHANGE LEVER



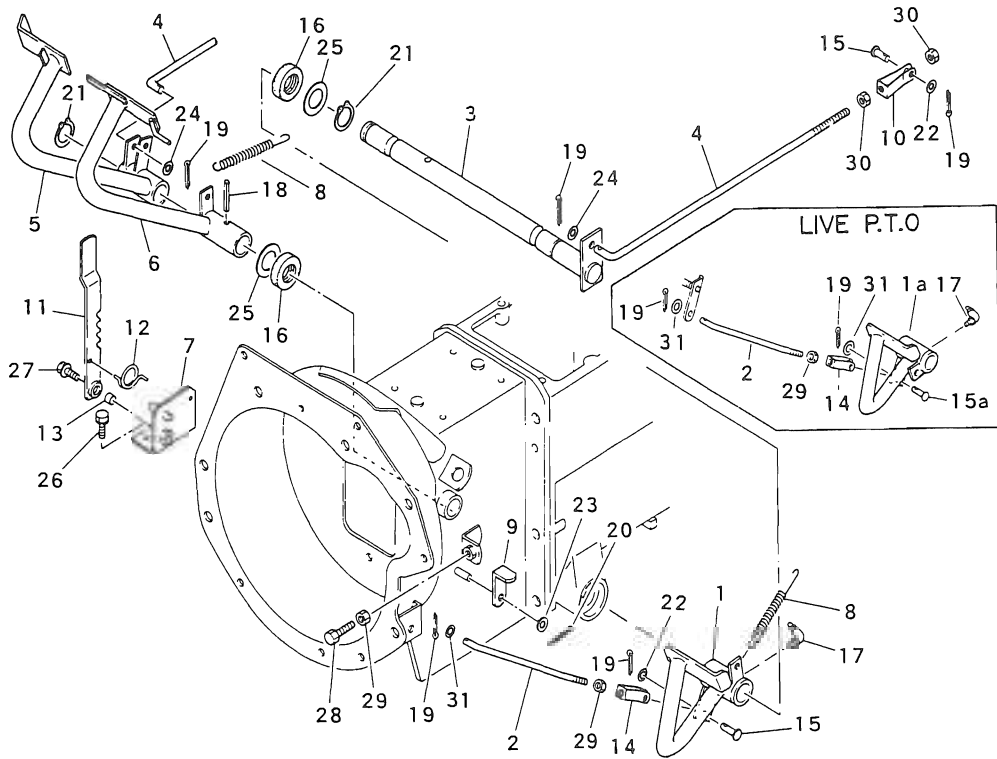
| Key No | Parts No                     | Parts Name           | Q'ty   |        |  |  | P/P | Application  | Description | Remarks  |
|--------|------------------------------|----------------------|--------|--------|--|--|-----|--|-------------|--|
|        |                              |                      | 21PS   | 25PS   |  |  |     |  |             |  |
| 19     | 1982 1726 000                | PIN                  | 1      | 1      |  |  |     | 210D 50162~<br>210 10111~<br>250D-50323~<br>250 10185~ |             | Added<br>Added<br>Added<br>Added   |
| 20     | 1983 1738 000                | PLATE                | 1      | 1      |  |  |     | 210D 50772~<br>210 10299~<br>250D 51173~<br>250 10895~ |             | For Live P T O<br>For Live P T O<br>For Live P T O<br>For Live P T O                                 |
| 21     | 1983 1724 002<br>69552-06500 | ARM, valve<br>SPRING | 1<br>1 | 1<br>1 |  |  | D   | 210D ~50771<br>210 ~10298<br>250D ~51172<br>250 ~10894 |             | Deleted For Live P T O<br>Deleted For Live P T O<br>Deleted For Live P T O<br>Deleted For Live P T O |
| 22     | F301 0108 001                | NUT                  | 1      | 1      |  |  |     |  | M8          | For Live P T O   |
| 23     | A601 0101 000                | PLUG                 | 1      | 1      |  |  |     |  |             | For Live P T O   |
| 24     | 67428-01700                  | SPRING               | •      | 1      |  |  |     |  |             |  |
| 25     | 0550 0005 025                | PIN                  | •      | 1      |  |  |     |  | φ5X25       | For S/L  |
| 26     | 0691 0012 250                | GRIP                 | •      | 1      |  |  |     |  |             | For S/L  |
| 27     | 0800 0000 900                | BALL                 | •      | 1      |  |  |     |  |             | For S/L  |
| 28     | 0550 0006 025                | PIN                  | •      | 2      |  |  |     |  | φ6X25       | For S/L  |
| 29     | 1022 1743 0C2                | SHAFT                | •      | 1      |  |  |     |  |             | For S/L  |
| 30     | 1022 1744 0C1                | LEVER                | •      | 1      |  |  |     |  |             | For S/L  |
| 31     | 0740 0102 000                | RING, snap           | •      | 1      |  |  |     |  | φ20         | For S/L  |
| 32     | 3690 1223 000                | WASHER               | •      | 2      |  |  |     |  |             | For S/L  |
| 33     | 0830 0100 160                | O-RING               | •      | 1      |  |  |     |  | φ16         | For S/L  |
| 34     | 1021 1774 000                | RAIL, shift          | •      | 1      |  |  |     |  |             | For S/L  |
| 35     | 1021 1775 000                | FORK                 | •      | 1      |  |  |     |  |             | For S/L  |
| 36     | 1022 3412 0C1                | STUD                 | •      | 2      |  |  |     |  |             | For S/L  |
| 37     | A360 0101 002                | WASHER, spring       | •      | 2      |  |  |     |  | M10         | For S/L  |

FIG.605 CLUTCH & BRAKE CONTROL (1/2)



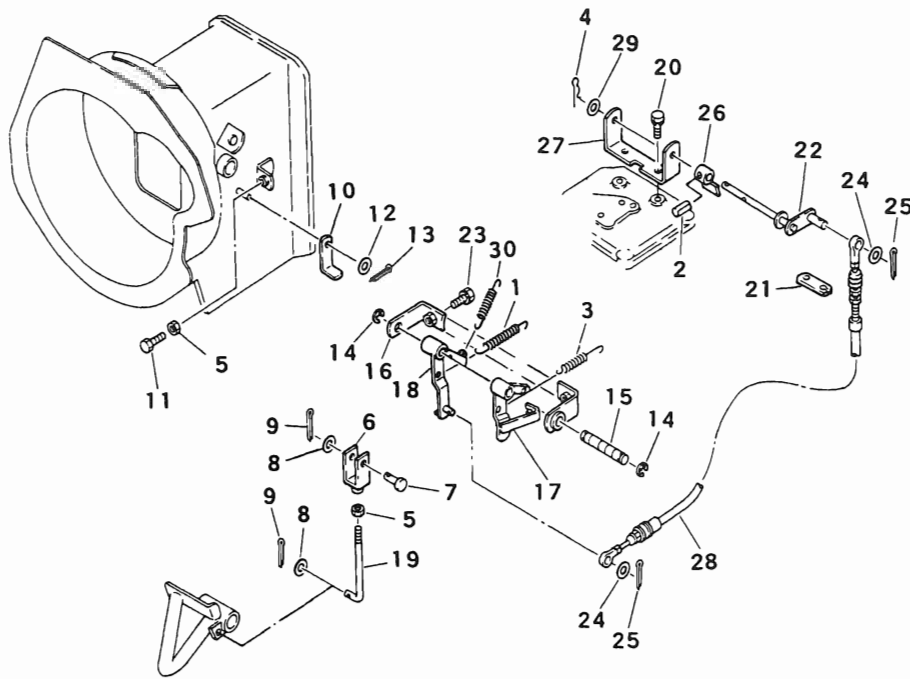
| Key No | Parts No      | Parts Name    | Q'ty |      |   |  | P  | Application | Description   | Remarks |
|--------|---------------|---------------|------|------|---|--|--|-------------|---------------|---------|
|        |               |               | STD  | LIVE |   |  |  |             |               |         |
| 1      | 1021 1811 0C0 | PEDAL,clutch  | 1    | •    |   |  |  |             |               |         |
| 1a     | 1983 1814 0C4 | PEDAL,clutch  |      | •    | 1 |  |  |             |               |         |
| 2      | 1983 1851 000 | ROD           | 1    | 1    |   |  | 210D.50132~<br>210 ·10091~<br>250D·50277~<br>250 ·10131~ |             |               |         |
|        | ○             | ROD           |      | •    | 1 |  | B  |             | 1021 1812 001 |         |
| 3      | 1021 1813 0C0 | SHAFT         | 1    | 1    |   |  |  |             |               |         |
| 4      | 1021 1814 000 | ROD           | 2    | 2    |   |  |  |             |               |         |
| 5      | 1021 1815 0C1 | PEDAL R.H     | 1    | 1    |   |  |  |             |               |         |
| 6      | 1021 1816 0C1 | PEDAL L.H     | 1    | 1    |   |  |  |             |               |         |
| 7      | 1021 1817 0C3 | BRACKET       | 1    | 1    |   |  |  |             |               |         |
|        | ○             | BRACKET       | 1    | 1    |   |  | A  |             | 1021 1817 0C2 |         |
| 8      | 1021 1818 000 | SPRING        | 3    | 2    |   |  |  |             |               |         |
| 9      | 1021 1819 000 | HOOK          | 1    | •    |   |  |  |             |               |         |
| 10     | 1007 2222 000 | JOINT         | 2    | 2    |   |  |  |             |               |         |
| 11     | 1174 1817 0C0 | RATCHET       | 1    | 1    |   |  |  |             |               |         |
| 12     | 67200-25500   | SPRING        | 1    | 1    |   |  |  |             |               |         |
| 13     | 67700-26000   | COLLAR        | 1    | 1    |   |  |  |             |               |         |
| 14     | 1021 1821 000 | FORK,joint    | 1    | 1    |   |  | 210D 50132~<br>210 10091~<br>250D 50277~<br>250 ·10131~  |             |               |         |
|        | SA91 1838 000 | FORK,joint    | 1    | 1    |   |  | D  |             |               |         |
| 15     | SF28 5508 025 | PIN           | 3    | •    |   |  |  |             |               |         |
| 15a    | F2855-08025   | PIN           |      | •    | 3 |  | A  | φ8X25       | SF28 5508 025 |         |
| 15b    | ○             | PIN           |      | •    | 3 |  |  |             |               |         |
| 16     | 0840 1025 388 | SEAL,oil      | 2    | 2    |   |  |  | TC25388     |               |         |
| 17     | A651 3600 300 | NIPPLE,grease | 2    | 2    |   |  |  |             |               |         |
| 18     | 0550 0008 040 | PIN,spring    | 1    | 1    |   |  |  | φ8X40       |               |         |
| 19     | 0520 0125 020 | PIN,split     | 6    | 6    |   |  |  | φ2.5X20     |               |         |
| 20     | 0520 0120 016 | PIN,split     | 1    | •    |   |  |  | φ2X16       |               |         |
|        | ○             | PIN,split     | 1    | •    |   |  | A  | φ2X15       | 0520 0120 015 |         |
| 21     | 0740 0102 500 | RING,snap     | 2    | 2    |   |  |  | φ25         |               |         |
| 22     | 0350 0130 815 | WASHER        | 3    | •    |   |  |  | M8          |               |         |

FIG. 605 CLUTCH & BRAKE CONTROL (1/2)



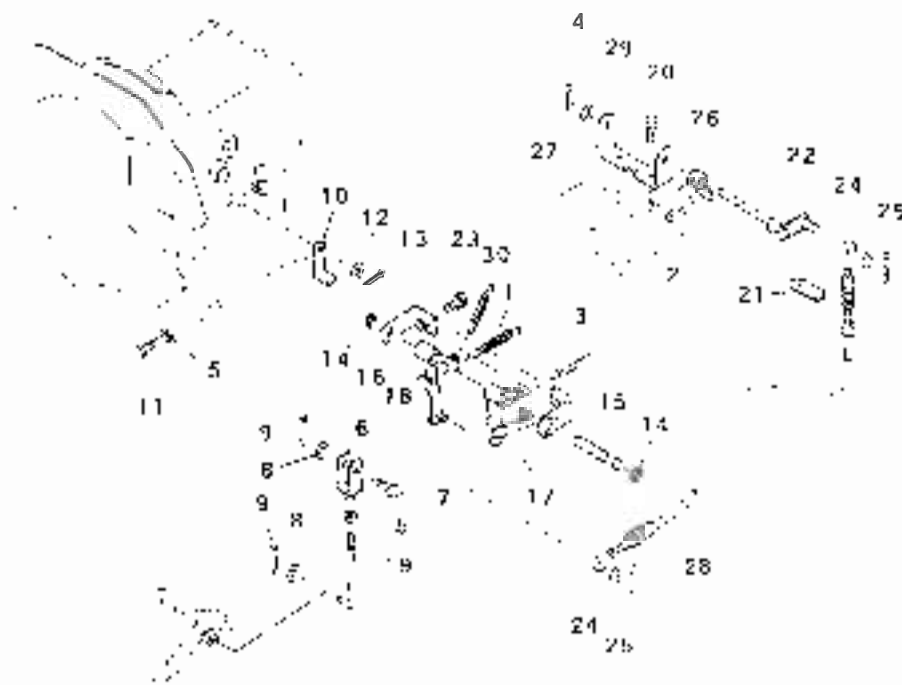
| Key No | Parts No      | Parts Name    | Q' t y |      |  |  | P | Application | Description | Remarks |
|--------|---------------|---------------|--------|------|--|--|---|-------------|-------------|---------|
|        |               |               | STD    | LIVE |  |  |   |             |             |         |
|        | 0350 0140 818 | WASHER        | •      | 2    |  |  |   | M8          |             |         |
| 23     | 0350 0130 820 | WASHER        | 1      | •    |  |  |   | M8          |             |         |
| 24     | 0350 0141 022 | WASHER        | 2      | 2    |  |  |   | M10         |             |         |
| 25     | F2500-24000   | WASHER        | 2      | 2    |  |  |   |             |             |         |
| 26     | F154 0108 016 | BOLT,w/washer | 2      | 2    |  |  |   | M8X16       |             |         |
| 27     | H154 0108 030 | BOLT,w/washer | 1      | 1    |  |  |   | M8X30       |             |         |
| 28     | A050 0108 030 | BOLT          | 1      | •    |  |  |   | M8X30       |             |         |
| 29     | A301 0108 001 | NUT           | 2      | 1    |  |  |   | M8          |             |         |
| 30     | A303 0110 001 | NUT           | 2      | 2    |  |  |   | M10         |             |         |
| 31     | 0350 0140 818 | WASHER        | 1      | 2    |  |  |   | M8          |             |         |

FIG.606 CLUTCH & BRAKE CONTROL (2/2) (LIVE P.T.O)



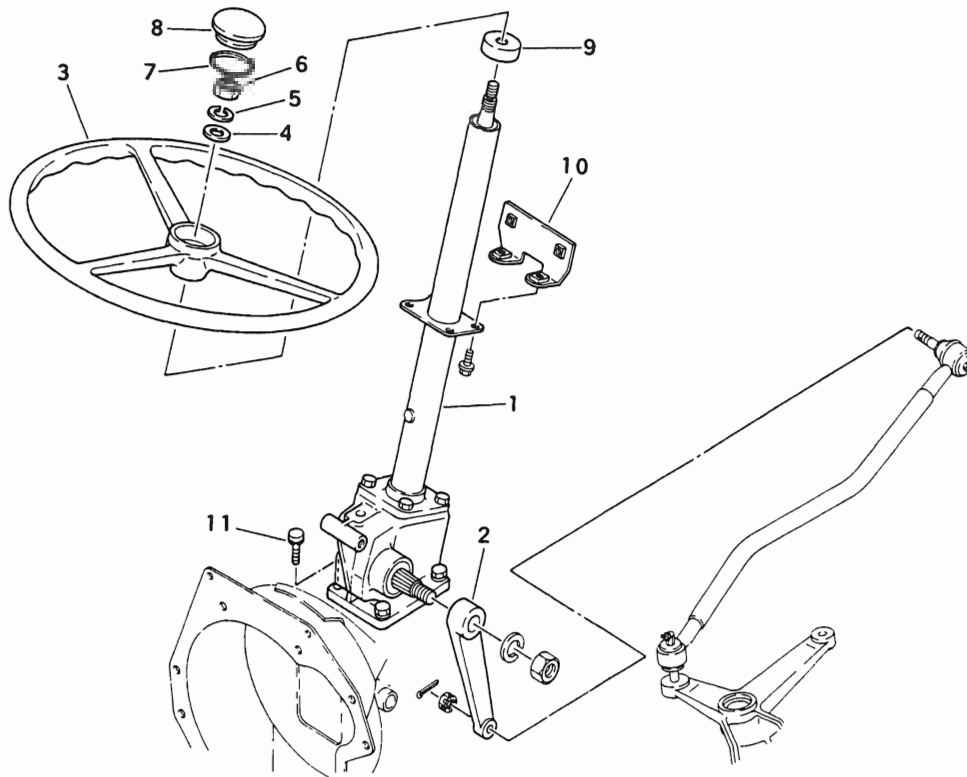
| Key No | Parts No      | Parts Name    | Q'ty |      |  |  | F/P | Application  | Description   | Remarks |
|--------|---------------|---------------|------|------|--|--|-----|--|---------------|---------|
|        |               |               | STD  | LIVE |  |  |     |  |               |         |
| 1      | 1983 1827 000 | SPRING        | •    | 1    |  |  |     |  |               |         |
| 2      | 0550 0005 025 | PIN,SPRING    | •    | 1    |  |  |     | φ5X25  |               |         |
| 3      | 1021 1818 000 | SPRING        | •    | 1    |  |  |     |  |               |         |
| 4      | 0521 0112 000 | PIN,snap      | •    | 1    |  |  |     |  |               |         |
| 5      | A301 0108 001 | NUT           | •    | 2    |  |  |     | M8   |               |         |
| 6      | 1021 1821 000 | FORK,joint    | •    | 1    |  |  |     | 210D:50132~<br>210·10091~<br>250D:50277~<br>250·10131~ |               |         |
|        | ○             | FORK,joint    | •    | 1    |  |  | B   |  | SA91 1838 000 |         |
| 7      | F2855-08025   | PIN,clevis    | •    | 1    |  |  | A   | φ8X25  | SF28 5508 025 |         |
|        | ○             | PIN,clevis    | •    | 1    |  |  |     |  |               |         |
| 8      | 0350 0140 818 | WASHER,plain  | •    | 2    |  |  |     | M8   |               |         |
| 9      | 0520 0125 020 | PIN,split     | •    | 2    |  |  |     | φ2.5X20  |               |         |
| 10     | 1021 1819 000 | HOOK          | •    | 1    |  |  |     |  |               |         |
| 11     | A050 0108 030 | BOLT          | •    | 1    |  |  |     | M8X30  |               |         |
| 12     | 0350 0140 818 | WASHER,plain  | •    | 1    |  |  |     | M8   |               |         |
| 13     | 0520 0120 016 | PIN,split     | •    | 1    |  |  |     |  |               |         |
|        | ○             | PIN,split     | •    | 1    |  |  | A   |  | 0520 0120 015 |         |
| 14     | 0742 0101 200 | E-RING        | •    | 2    |  |  |     | M12  |               |         |
| 15     | 1983 1819 000 | SHAFT         | •    | 1    |  |  |     |  |               |         |
| 16     | 1983 1811 002 | BRACKET,link  | •    | 1    |  |  |     |  |               |         |
| 17     | 1983 1813 0C3 | ARM B         | •    | 1    |  |  |     | 210D:50197~<br>210·10126~<br>250D:50340~<br>250·10208~ |               |         |
|        | ○             | ARM B         | •    | 1    |  |  | B   |  | 1983 1813 0C2 |         |
| 18     | 1983 1812 0C3 | ARM A         | •    | 1    |  |  |     |  |               |         |
| 19     | 1983 1816 000 | ROD           | •    | 1    |  |  |     |  |               |         |
| 20     | F154 0108 016 | BOLT,w/washer | •    | 2    |  |  |     | M8X16  |               |         |
| 21     | 1983 1821 0C1 | PLATE         | •    | 1    |  |  |     | 210D:50197~<br>210 10126~<br>250D 50340~<br>250·10208~ |               |         |
|        | ○             | PLATE         | •    | 1    |  |  | B   |  | 1983 1821 0C0 |         |

FIG. 606 CLUTCH & BRAKE CONTROL (2/2) (LIVE P.T.O)



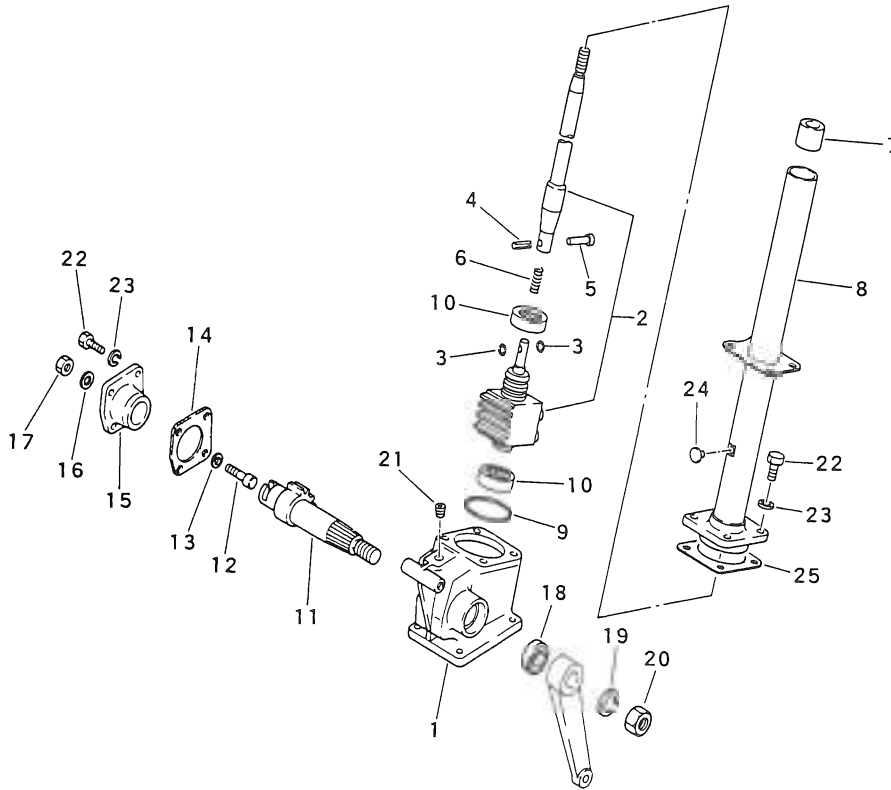
| Key No | Part No       | Part Name      | QTY | Application | Description | Remarks       |
|--------|---------------|----------------|-----|-------------|-------------|---------------|
| 22     | 1983 1922 002 | ARM            | 1   |             |             |               |
| 23     | H154 0109 025 | BOLT, w/washer | 2   |             | WASHER      |               |
| 24     | 0350 0130 016 | WASHER, plain  | 2   |             | W           |               |
| 25     | 0520 0125 018 | P.N. split     | 2   |             | 22 5x15     |               |
|        | Ø             | FIN. split     | 2   | A           | 22 5x15     | 2200 0125 018 |
| 26     | 1983 1926 000 | ARM            | 1   |             |             |               |
| 27     | 1983 1917 001 | BRACKET        | 1   |             |             |               |
| 28     | 1983 1918 002 | WIRE           | 1   |             |             |               |
|        | Ø             | WIRE           | 1   | B           |             | 2200 0125 018 |
| 29     | 0350 0161 230 | WASHER, plain  | 1   |             |             |               |
| 20     | 67200-06300   | SPRING         | 1   |             |             |               |

FIG. 607 STEERING



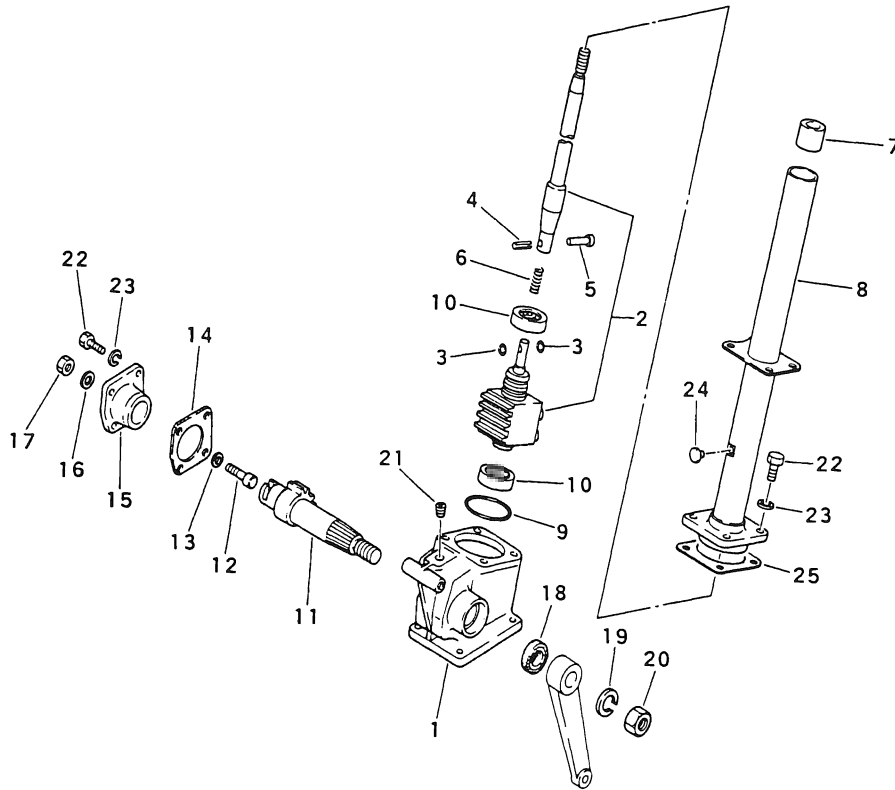
| Key No | Parts No      | Parts Name     | Q'ty |      |  |  | F/P | Application   | Description | Remarks       |
|--------|---------------|----------------|------|------|--|--|-----|---|-------------|---------------|
|        |               |                | 54PS | 25PS |  |  |     |   |             |               |
| 1      | 1021 2201 0J3 | GEAR BOX ASSY  | 1    | 1    |  |  |     | 210D:50197~<br>210 10126~<br>250D:50340~<br>250 10208~  |             | See Fig.608   |
|        | ○             | GEAR BOX ASSY  | 1    | 1    |  |  | B   | 210D:50012~<br>~50196<br>210 10011~<br>~10125<br>250D:500182~<br>~50339<br>250 10091~<br>~10207 |             | 1021 2201 0J2 |
| 2      | 1021 2201 0J1 | GEAR BOX ASSY  | •    | 1    |  |  | D   | 210D 50162~<br>210 10111~<br>250D:50182~<br>250 10146~  |             |               |
|        | 1021 2211 0J2 | ARM,pitman     | 1    | 1    |  |  |     |   |             |               |
|        | 1021 2211 0J0 | ARM,pitman     | 1    | 1    |  |  | D   |   |             |               |
| 3      | 1120 2130 000 | WHEEL,steering | 1    | 1    |  |  |     |   |             |               |
| 4      | 0350 0151 430 | WASHER         | 1    | 1    |  |  |     |   | M14         |               |
|        | ○             | WASHER         | 1    | 1    |  |  | A   |   | M14         | 0350 0161 436 |
| 5      | A360 0101 402 | WASHER,spring  | 1    | 1    |  |  |     |   | M14         |               |
| 6      | A303 0114 001 | NUT            | 1    | 1    |  |  |     |   | M14         |               |
|        | ○             | NUT            | 1    | 1    |  |  | A   |   | M14         | A303 0114 002 |
| 7      | 1120 2130 400 | RING,snap      | 1    | 1    |  |  |     |   |             |               |
| 8      | 1120 2130 300 | CAP            | 1    | 1    |  |  |     |   |             |               |
| 9      | 1019 2121 000 | COVER          | 1    | 1    |  |  |     |   |             |               |
| 10     | 1019 2545 0C1 | HOLDER         | 1    | 1    |  |  |     |   |             |               |
| 11     | F155 0110 030 | BOLT,w/washer  | 4    | 4    |  |  |     |   | M10X30      |               |

FIG.608 STEERING GEAR BOX



| Key No | Parts No      | Parts Name           | Q'ty |      |  |  | P | Application  | Description | Remarks       |
|--------|---------------|----------------------|------|------|--|--|---|--|-------------|---------------|
|        |               |                      | 21PS | 25PS |  |  |   |  |             |               |
| 1~25   | 1021 2201 0J3 | <b>GEAR BOX ASSY</b> | 1    | 1    |  |  |   | 210D 50197~<br>210 10126~<br>250D 50340~<br>250 10208~   |             |               |
|        | ○             | <b>GEAR BOX ASSY</b> | 1    | 1    |  |  | B | 210D 50012~<br>~50196<br>210 10011~<br>~10125<br>250D 50182~<br>~50339<br>250 10091~<br>~10207 |             | 1021 2201 0J2 |
| 1      | 1021 2201 0J1 | <b>GEAR BOX ASSY</b> | •    | 1    |  |  | D |  |             |               |
|        | *             | BOX,gear             | 1    | 1    |  |  |   |  |             |               |
| 2~6    | 1021 2202 001 | <b>BALL NUT ASSY</b> | 1    | 1    |  |  |   | 210 10011~<br>250D 50182~<br>250 10091~  |             |               |
|        | 1021 2202 000 | <b>BALL NUT ASSY</b> | •    | 1    |  |  | D |  |             |               |
| 2      | *             | SHAFT,steering       | 1    | 1    |  |  |   |  |             |               |
| 3      | 1174 2201 240 | O-RING               | 2    | 2    |  |  |   |  |             |               |
| 4      | 1174 2201 250 | PIN,spring           | 1    | 1    |  |  |   |  |             |               |
| 5      | 1174 2201 260 | RIVET                | 1    | 1    |  |  |   |  |             |               |
| 6      | 1174 2201 270 | SPRING               | 1    | 1    |  |  |   |  |             |               |
| 7      | 1174 2201 170 | BUSHING,column       | 1    | 1    |  |  |   |  |             |               |
| 8      | 1021 2203 002 | <b>COLUMN ASSY</b>   | 1    | 1    |  |  |   | 210D 50197~<br>210 10126~<br>250D 50340~<br>250 10208~   |             |               |

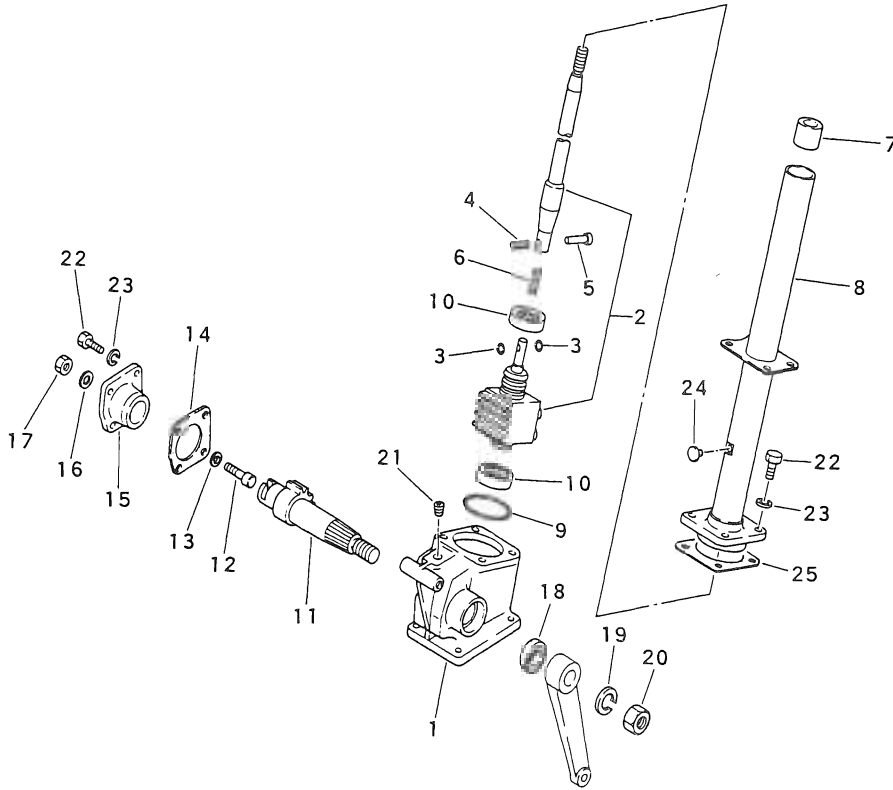
FIG. 608 STEERING GEAR BOX



| Key No | Parts No      | Parts Name      | Q'ty |      |  |  | F/P | Application  | Description | Remarks       |
|--------|---------------|-----------------|------|------|--|--|-----|--|-------------|---------------|
|        |               |                 | 21PS | 25PS |  |  |     |  |             |               |
| 8      | 1021 2203 001 | COLUMN ASSY     | 1    | 1    |  |  | D   | 210D:50012~<br>~50196<br>210 10011~<br>~10125<br>250D.50182~<br>~50339<br>250 10091~<br>~10207 |             |               |
|        | 1021 2203 000 | COLUMN ASSY     | •    | 1    |  |  | D   |  |             |               |
| 9      | 1019 2116 000 | O-RING          | 1    | 1    |  |  |     |  |             |               |
| 10     | 1174 2201 130 | BEARING         | 2    | 2    |  |  |     |  |             |               |
| 11     | 1021 2221 001 | SHAFT,sector    | 1    | 1    |  |  | A   | 210D:50012~<br>210 10011~<br>250D 50182~<br>250 10091~   |             | 1021 2221 000 |
|        | ○             | SHAFT,sector    | 1    | 1    |  |  | A   |  |             |               |
|        | 67453-00111   | SHAFT,sector    | •    | 1    |  |  | D   |  |             |               |
| 12     | 64353-91213   | SCREW,adjusting | 1    | 1    |  |  |     |  |             |               |
| 13     | 67453-00114   | SHIM KIT        | C    | C    |  |  |     |  | t=0.6-1     |               |
| 14     | 1021 2204 120 | PACKING,side    | 1    | 1    |  |  | A   | 210D 50012~<br>210 10011~<br>250D 50182~<br>250 10091~   |             | 1021 2204 110 |
|        | ○             | PACKING,cover   | 1    | 1    |  |  | A   |  |             |               |
|        | 67453-00116   | PACKING,cover   | •    | 1    |  |  | D   |  |             |               |
| 15     | 1021 2204 000 | COVER ASSY      | 1    | 1    |  |  | D   | 210D 50012~<br>210 10011~<br>250D 50182~<br>250 10091~   |             |               |
|        | 67453-00040   | COVER ASSY      | •    | 1    |  |  | D   |  |             |               |
| 16     | 1019 2117 000 | WASHER,seal     | 1    | 1    |  |  |     |  |             |               |
| 17     | A303 0110 002 | NUT             | 1    | 1    |  |  |     |  | M10         |               |
| 18     | 67453-00117   | SEAL,oil        | 1    | 1    |  |  |     |  |             |               |
| 19     | A360 0102 002 | WASHER          | 1    | 1    |  |  |     |  | M20         |               |
|        | ○             | WASHER,spring   | 1    | 1    |  |  | A   |  | M20         | F2515-20000   |

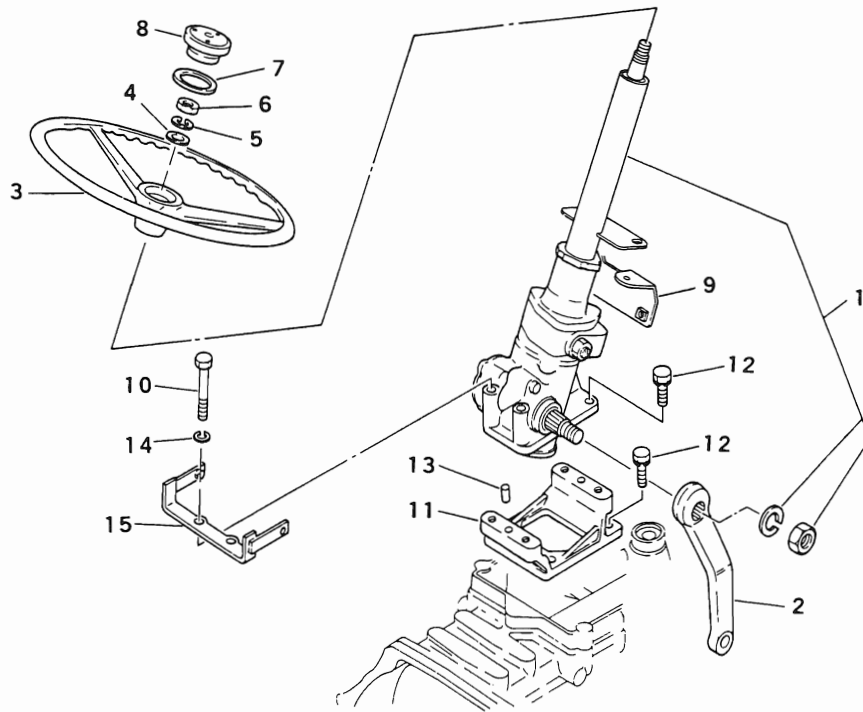


FIG.608 STEERING GEAR BOX



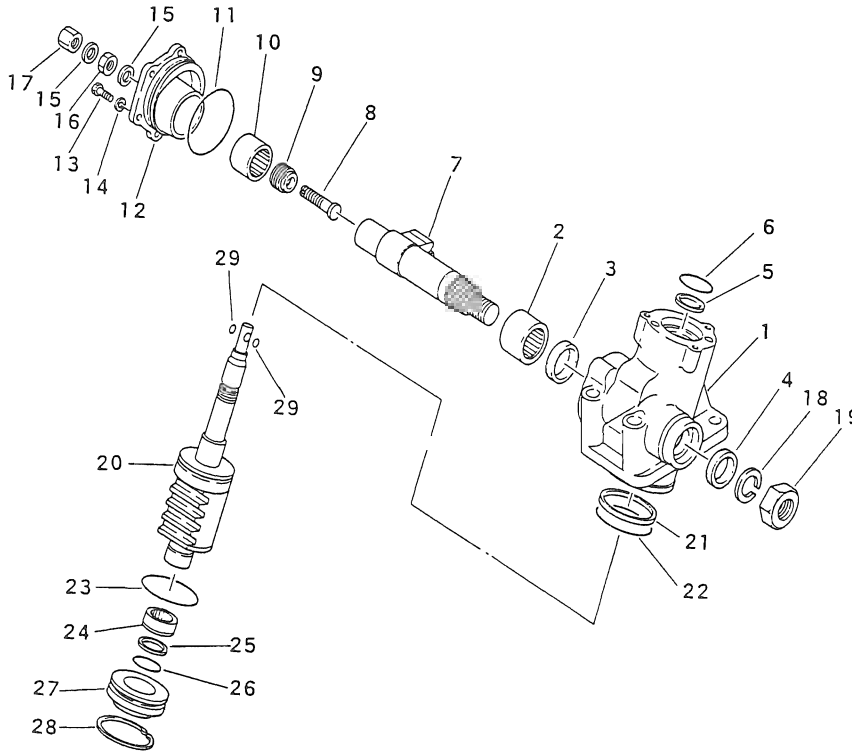
| Key No | Parts No      | Parts Name     | Q' t y |      |  |  | F<br>P | Application | Description | Remarks |
|--------|---------------|----------------|--------|------|--|--|--------|-------------|-------------|---------|
|        |               |                | 21PS   | 25PS |  |  |        |             |             |         |
| 20     | A304 0120 001 | NUT            | 1      | 1    |  |  |        | M20         |             |         |
|        | ○             | NUT            | 1      | 1    |  |  | A      | M20         | F2300-20000 |         |
| 21     | 67472-00700   | PLUG           | 1      | 1    |  |  |        | PT= 1/4     |             |         |
| 22     | F1025-08022   | BOLT           | 8      | 8    |  |  |        | M8X22       |             |         |
| 23     | A360 0100 802 | WASHER         | 8      | 8    |  |  |        | M8          |             |         |
|        | ○             | WASHER, spring | 8      | 8    |  |  | A      | M8          | F2515-08000 |         |
| 24     | 1019 2114 000 | BREATHER       | 1      | 1    |  |  |        |             |             |         |
| 25     | 67453-00115   | SHIM KIT       | C      | C    |  |  |        | t= 1.1      | Est of 2pce |         |

FIG.609 STEERING (P/S)



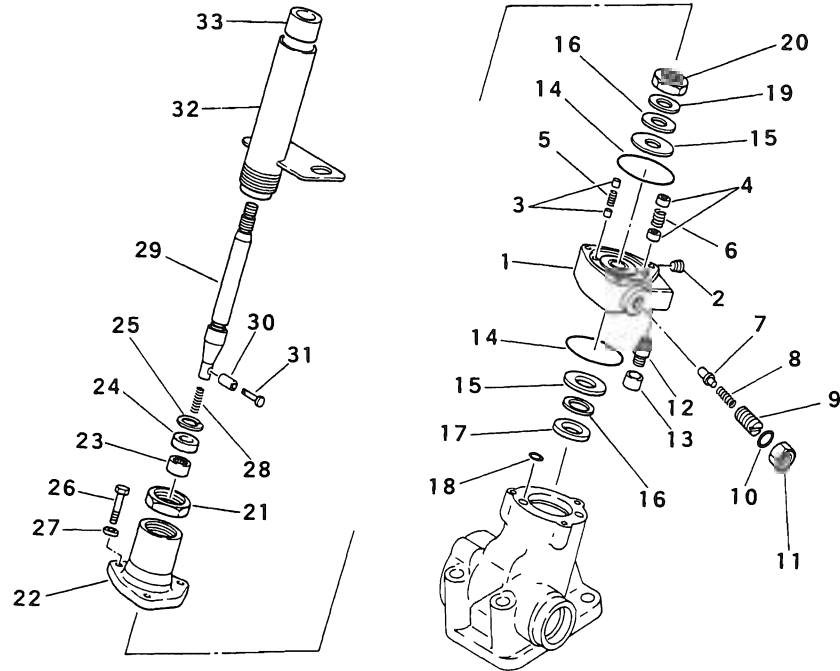
| Key No | Parts No      | Parts Name           | Q'ty |     |  |  | P | Application | Description     | Remarks |
|--------|---------------|----------------------|------|-----|--|--|---|-------------|-----------------|---------|
|        |               |                      | 4WD  | 2WD |  |  |   |             |                 |         |
| 1      | 1021 2205 0J0 | <b>GEAR BOX ASSY</b> | 1    | 1   |  |  |   |             | See Fig 610,611 |         |
| 2      | 1021 2212 0J2 | ARM,pitman           | 1    | 1   |  |  |   |             |                 |         |
| 3      | 1120 2130 000 | WHEEL,steering       | 1    | 1   |  |  |   |             |                 |         |
| 4      | 0350 0151 430 | WASHER               | 1    | 1   |  |  |   | M14         |                 |         |
|        | ○             | WASHER               | 1    | 1   |  |  | A | M14         | 0350 0161 436   |         |
| 5      | A360 0101 402 | WASHER,spring        | 1    | 1   |  |  |   | M14         |                 |         |
| 6      | A303 0114 001 | NUT                  | 1    | 1   |  |  |   | M14         |                 |         |
| 7      | 1120 2130 400 | RING,snap            | 1    | 1   |  |  |   |             |                 |         |
| 8      | 1120 2130 300 | CAP                  | 1    | 1   |  |  |   |             |                 |         |
| 9      | 1021 2215 0C0 | HOLDER               | 1    | 1   |  |  |   |             |                 |         |
| 10     | A055 0110 100 | BOLT                 | 2    | 2   |  |  |   | M10X100     |                 |         |
| 11     | 1021 2213 0C2 | BRACKET              | 1    | 1   |  |  |   |             |                 |         |
| 12     | F155 0110 030 | BOLT,w/washer        | 6    | 6   |  |  |   | M10X30      |                 |         |
| 13     | 0540 1110 020 | PIN,dowel            | 2    | 2   |  |  |   | φ10X20      |                 |         |
| 14     | A360 0101 002 | WASHER,spring        | 2    | 2   |  |  |   | M10         |                 |         |
| 15     | 1021 2214 0C1 | HOLDER               | 1    | 1   |  |  |   |             |                 |         |

FIG.610 STEERING GEAR BOX (1/2) (P/S)



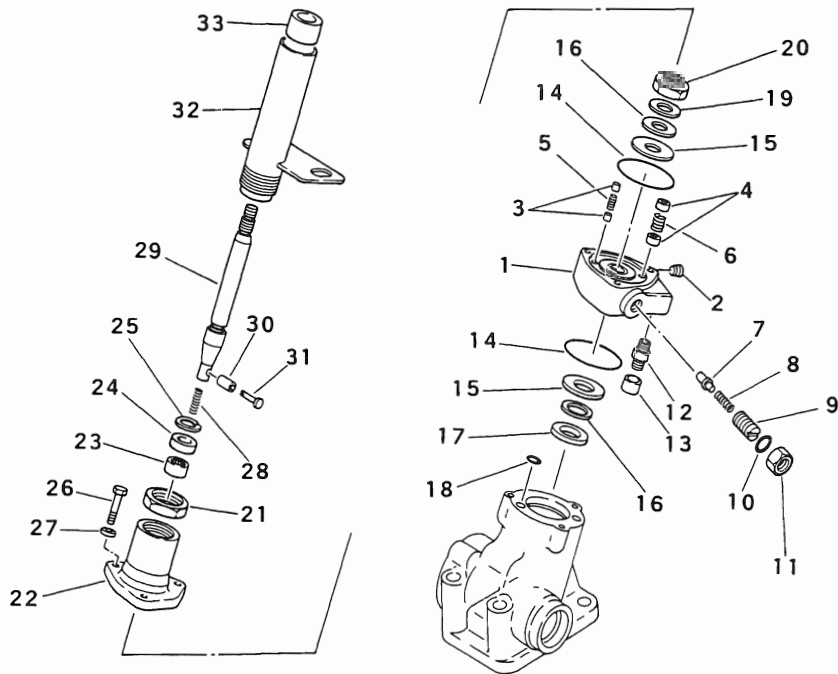
| Key No | Parts No      | Parts Name            | Q'ty |     |  |  | P | Application | Description     | Remarks |
|--------|---------------|-----------------------|------|-----|--|--|---|-------------|-----------------|---------|
|        |               |                       | 4WD  | 2WD |  |  |   |             |                 |         |
| 1~28   | 1021 2205 0J0 | <b>GEAR BOX ASSY</b>  | 1    | 1   |  |  |   |             | Inc the Fig 611 |         |
| 1~6    | 1174 2301 110 | <b>GEAR CASE ASSY</b> | 1    | 1   |  |  |   |             |                 |         |
| 1      | *             | CASE,gear             | 1    | 1   |  |  |   |             |                 |         |
| 2      | 69553-06413   | BEARING               | 1    | 1   |  |  |   |             |                 |         |
| 3      | 69553-06414   | U-PACKING             | 1    | 1   |  |  |   |             |                 |         |
| 4      | 69553-06415   | SEAL,oil              | 1    | 1   |  |  |   |             |                 |         |
| 5      | 69553-06416   | RING                  | 1    | 1   |  |  |   |             |                 |         |
| 6      | 0830 0500 300 | O-RING                | 1    | 1   |  |  |   | φ30         |                 |         |
| 7~9    | 69553-06430   | <b>SECTOR SHAFT</b>   | 1    | 1   |  |  |   |             |                 |         |
| 7      | 69553-06431   | SHAFT,sector          | 1    | 1   |  |  |   |             |                 |         |
| 8      | 1174 2301 180 | SCREW,adjust          | 1    | 1   |  |  |   |             |                 |         |
| 9      | 69553-06433   | ADJUSTER              | 1    | 1   |  |  |   |             |                 |         |
| 10~12  | 69553-06424   | <b>SIDE COVER</b>     | 1    | 1   |  |  |   |             |                 |         |
| 10     | 1174 2301 130 | BEARING               | 1    | 1   |  |  |   |             |                 |         |
| 11     | 0830 0220 600 | O-RING                | 1    | 1   |  |  |   | φ60         |                 |         |
| 12     | 69553-06425   | COVER,side            | 1    | 1   |  |  |   |             |                 |         |
| 13     | 1174 2301 210 | BOLT                  | 4    | 4   |  |  |   |             |                 |         |
| 14     | A360 0101 002 | WASHER,spring         | 4    | 4   |  |  |   | M10         |                 |         |
| 15     | 1180 2131 530 | PACKING               | 2    | 2   |  |  |   |             |                 |         |
| 16     | 1174 2301 230 | NUT                   | 1    | 1   |  |  |   |             |                 |         |
| 17     | 1174 2301 220 | NUT                   | 1    | 1   |  |  |   |             |                 |         |
| 18     | A360 0102 202 | WASHER,spring         | 1    | 1   |  |  |   | M22         |                 |         |
| 19     | A304 0122 002 | NUT                   | 1    | 1   |  |  |   | M22         |                 |         |
| 20~22  | 69553-06417   | <b>BALL-NUT ASSY</b>  | 1    | 1   |  |  |   |             |                 |         |
| 20     | *             | BALL-NUT              | 1    | 1   |  |  |   |             |                 |         |
| 21     | 69553-06418   | SEAL                  | 1    | 1   |  |  |   |             |                 |         |
| 22     | 0830 0200 500 | O-RING                | 1    | 1   |  |  |   | φ50         |                 |         |
| 23~27  | 69553-06420   | <b>FRONT COVER</b>    | 1    | 1   |  |  |   |             |                 |         |
| 23     | 69553-06423   | O-RING                | 1    | 1   |  |  |   |             |                 |         |
| 24     | 69553-06422   | BEARING,needle        | 1    | 1   |  |  |   |             |                 |         |
| 25     | 69553-06416   | RING                  | 1    | 1   |  |  |   |             |                 |         |
| 26     | 0830 0550 300 | O-RING                | 1    | 1   |  |  |   | φ30         |                 |         |
| 27     | 69553-06421   | COVER,front           | 1    | 1   |  |  |   |             |                 |         |
| 28     | 0741 0106 300 | RING,snap             | 1    | 1   |  |  |   | φ63         |                 |         |
| 29     | 68453-60544   | O-RING                | 2    | 2   |  |  |   |             |                 |         |

FIG.611 STEERING GEAR BOX (2/2) (P/S)



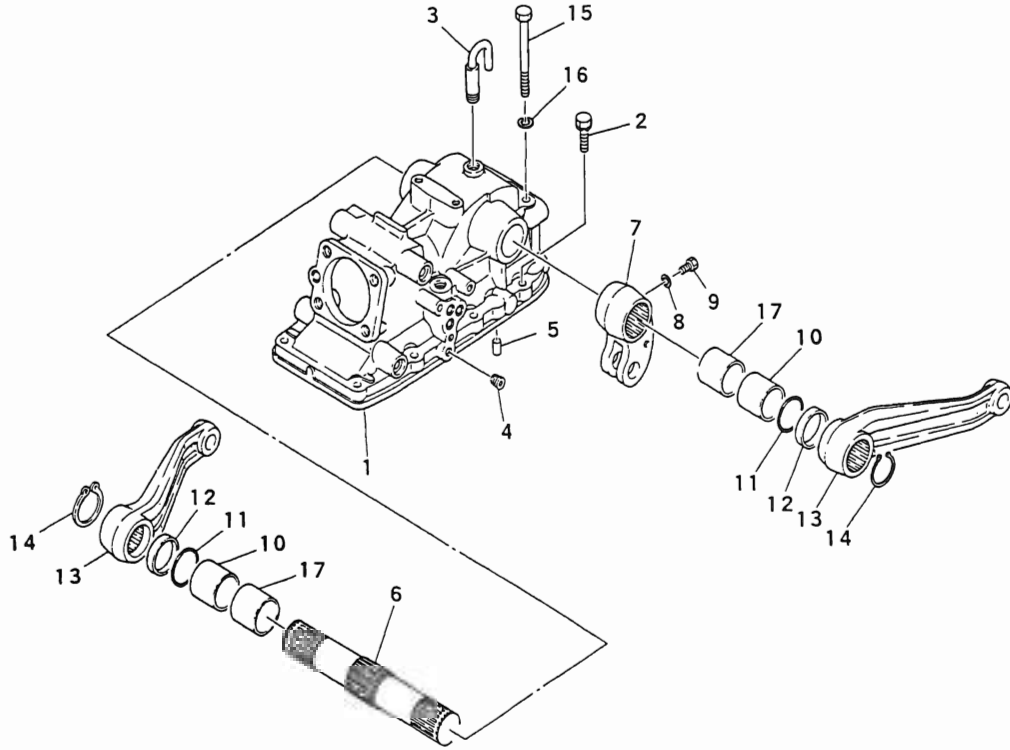
| Key No | Parts No      | Parts Name     | Q'ty |     |  |  | P | Application  | Description              | Remarks |
|--------|---------------|----------------|------|-----|--|--|---|--|--------------------------|---------|
|        |               |                | 4WD  | 2WD |  |  |   |  |                          |         |
| 1~33   | 1021 2205 0J0 | GEAR BOX ASSY  | 1    | 1   |  |  |   |  | Inc. the Fig.610         |         |
| 1~11   | 1179 2313 150 | VALVE HOUSING  | 1    | 1   |  |  |   |  |                          |         |
|        | ○             | HOUSING ASSY   | 1    | 1   |  |  | A |  | 1174 2301 160            |         |
| 1      | *             | HOUSING, valve | 1    | 1   |  |  |   |  |                          |         |
| 2      | 1174 2301 170 | PLUG           | 2    | 2   |  |  |   |  |                          |         |
| 3      | 1180 2131 280 | PISTON         | 4    | 4   |  |  |   |  |                          |         |
| 4      | 1180 2131 290 | PISTON         | 4    | 4   |  |  |   |  |                          |         |
| 5      | 1180 2131 310 | SPRING         | 2    | 2   |  |  |   |  |                          |         |
| 6      | 1179 2313 160 | SPRING         | 2    | 2   |  |  |   | 210D:50257~<br>210·10166~<br>250D:50362~<br>250·10286~ |                          |         |
| 7      | 1180 2131 320 | SPRING         | 2    | 2   |  |  |   |  |                          |         |
|        | 1179 2313 180 | POPET          | 1    | 1   |  |  |   | 210D:50257~<br>210·10166~<br>250D 50362~<br>250 10286~ |                          |         |
| 8      | 68453-60525   | POPET          | 1    | 1   |  |  | D |  |                          |         |
|        | 68453-60526   | SPRING         | 1    | 1   |  |  |   | 210D:50257~<br>210·10166~<br>250D:50362~<br>250·10286~ |                          |         |
| 9      | 1179 2313 210 | SCREW          | 1    | 1   |  |  | D |  |                          |         |
|        | 68453-60527   | SCREW          | 1    | 1   |  |  |   | 210D:50257~<br>210·10166~<br>250D:50362~<br>250 10286~ |                          |         |
| 10     | 1179 2313 190 | O-RING         | 1    | 1   |  |  | D |  | φ18                      |         |
|        | 0830 0100 180 | O-RING         | 1    | 1   |  |  |   | 210D:50257~<br>210 10166~<br>250D.50362~<br>250·10286~ | φ18<br>φ18<br>φ18<br>φ18 |         |
| 11     | 1179 2313 170 | NUT            | 1    | 1   |  |  | D |  |                          |         |
|        | 68453-60524   | NUT            | 1    | 1   |  |  |   |  |                          |         |
| 12     | 1174 2301 250 | CONNECTOR      | 2    | 2   |  |  |   |  |                          |         |

FIG.611 STEERING GEAR BOX (2/2) (P/S)



| Key No | Parts No      | Parts Name             | Q' t y |     |  |  | P | Application | Description   | Remarks |
|--------|---------------|------------------------|--------|-----|--|--|---|-------------|---------------|---------|
|        |               |                        | 4WD    | 2WD |  |  |   |             |               |         |
| 13     | 1174 2301 260 | PLUG                   | 2      | 2   |  |  |   |             |               |         |
| 14     | 0830 0500 700 | O-RING                 | 2      | 2   |  |  |   | φ70         |               |         |
| 15     | 1180 2131 370 | RING TRACK             | 2      | 2   |  |  |   |             |               |         |
|        | ○             | WHEEL                  | 2      | 2   |  |  | A |             |               |         |
| 16     | 1180 2131 390 | BEARING,needle         | 2      | 2   |  |  |   |             |               |         |
| 17     | 1174 2301 240 | RING,track             | 1      | 1   |  |  |   |             | 1174 2301 240 |         |
|        | ○             | WHEEL                  | 1      | 1   |  |  | A |             |               |         |
| 18     | 0830 0100 080 | O-RING                 | 2      | 2   |  |  |   | φ8          |               |         |
| 19     | 69553-06439   | RING,track             | 1      | 1   |  |  |   |             | 69553-06439   |         |
|        | ○             | WHEEL                  | 1      | 1   |  |  | A |             |               |         |
| 20     | 1180 2131 410 | NUT                    | 1      | 1   |  |  |   |             |               |         |
| 21     | 68453-60553   | NUT                    | 1      | 1   |  |  |   |             |               |         |
| 22~25  | 68453-60531   | <b>REAR COVER ASSY</b> | 1      | 1   |  |  |   |             |               |         |
| 22     | 68453-60532   | COVER,rear             | 1      | 1   |  |  |   |             |               |         |
| 23     | 1180 2131 260 | BEARING,needle         | 1      | 1   |  |  |   |             |               |         |
| 24     | 1180 2131 220 | SEAL,oil               | 1      | 1   |  |  |   |             |               |         |
| 25     | 0741 0103 200 | RING,snap              | 1      | 1   |  |  |   | φ32         |               |         |
| 26     | 68453-60550   | BOLT                   | 3      | 3   |  |  |   |             |               |         |
| 27     | A360 0101 002 | WASHER,spring          | 3      | 3   |  |  |   | M10         |               |         |
| 28     | 68453-60547   | SPRING                 | 1      | 1   |  |  |   |             |               |         |
| 29     | 1021 2208 000 | STEERING SHAFT         | 1      | 1   |  |  |   |             |               |         |
| 30     | 68453-60545   | PIN,spring             | 1      | 1   |  |  |   |             |               |         |
| 31     | 68453-60546   | RIVET                  | 1      | 1   |  |  |   |             |               |         |
| 32,33  | 1021 2206 000 | <b>COLUMN A ASSY</b>   | 1      | 1   |  |  |   |             |               |         |
| 32     | 1021 2207 000 | COLUMN B ASSY          | 1      | 1   |  |  |   |             |               |         |
| 33     | 1180 2131 230 | BUSHING,column         | 1      | 1   |  |  |   |             |               |         |

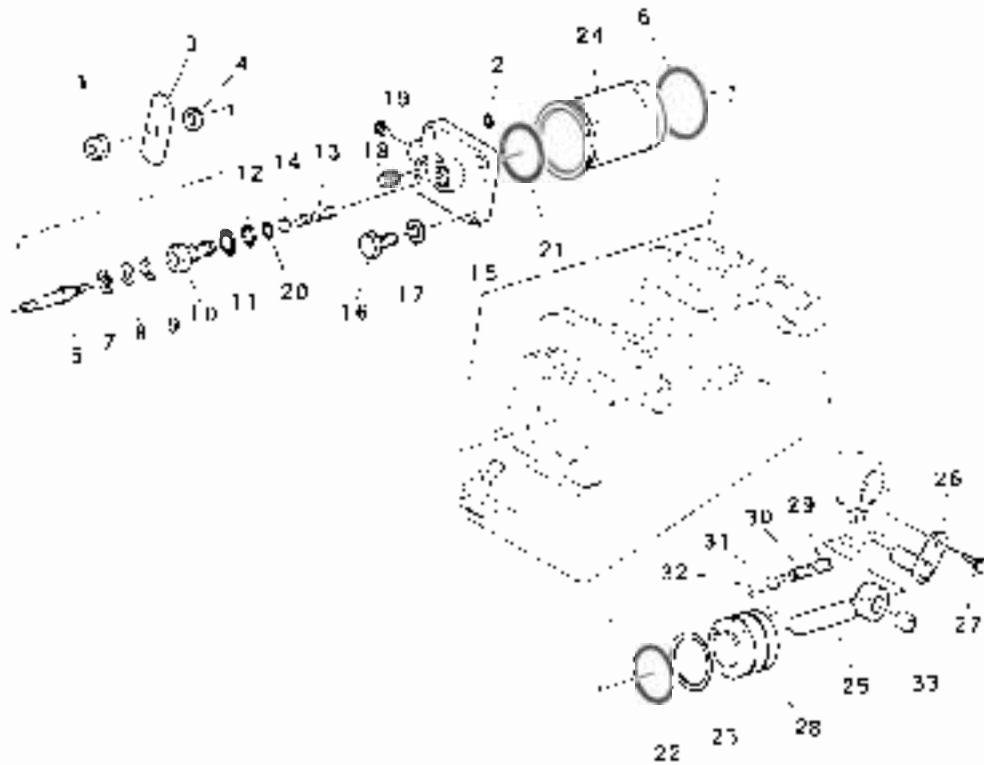
FIG.701 HYDRAULIC LIFT



| Key No | Parts No      | Parts Name     | Q'ty |     |  |  | P | Application  | Description | Remarks |
|--------|---------------|----------------|------|-----|--|--|---|--|-------------|---------|
|        |               |                | 4WD  | 2WD |  |  |   |  |             |         |
| 1      | 1021 2411 0C0 | CASE,hydraulic | 1    | 1   |  |  |   |  |             |         |
| 2      | F155 0110 045 | BOLT,w/washer  | 8    | 8   |  |  |   | M10X45   |             |         |
| 3      | 69572-16100   | PIPE,vent      | 1    | 1   |  |  |   |  |             |         |
| 4      | A601 0101 300 | PLUG           | 4    | 4   |  |  |   | PT1/4  |             |         |
|        | ○             | PLUG           | 4    | 4   |  |  | A | PT1/4  | F5005-13000 |         |
| 5      | 0540 1010 018 | PIN,dowel      | 2    | 2   |  |  |   | φ10X18   |             |         |
| 6      | 1983 2419 000 | SHAFT          | 1    | 1   |  |  |   |  |             |         |
| 7      | 1021 2417 001 | ARM,power      | 1    | 1   |  |  |   |  |             |         |
| 8      | A360 0100 802 | WASHER,spring  | 1    | 1   |  |  |   | M8   |             |         |
| 9      | 67372-00800   | BOLT,special   | 1    | 1   |  |  |   |  |             |         |
| 10     | 1181 2214 000 | BUSHING        | 2    | 2   |  |  |   |  |             |         |
| 11     | 0830 0120 400 | O-RING         | 2    | 2   |  |  |   | φ40  |             |         |
| 12     | 1021 2421 000 | COLLAR         | 2    | 2   |  |  |   |  |             |         |
| 13     | 1984 2441 0C0 | ARM,hydraulic  | 2    | 2   |  |  |   | 210D:50561~<br>210 10227~<br>250D:50899~<br>250 10849~ |             |         |
|        | 1021 2418 0C0 | ARM,lift       | 2    | 2   |  |  | D |  |             |         |
| 14     | 0740 0104 000 | RING,snap      | 2    | 2   |  |  |   | φ40  |             |         |
| 15     | A055 0110 130 | BOLT           | 2    | 2   |  |  |   | M10X130  |             |         |
| 16     | A360 0101 002 | WASHER,spring  | 2    | 2   |  |  |   | M10  |             |         |
| 17     | 1176 2465 000 | BUSHING        | 2    | 2   |  |  |   | 210D:50564~<br>210 10227~<br>250D:50899~<br>250 10849~ | Added       |         |

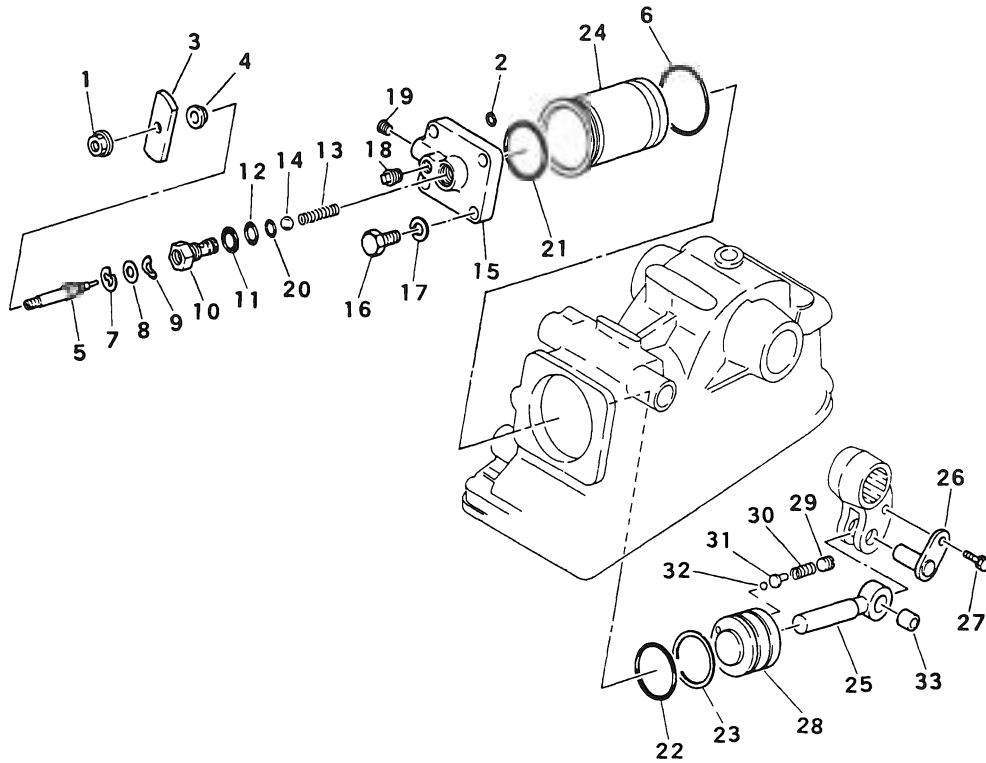
7

FIG.702 HYDRAULIC CYLINDER



| Key No | Parts No      | Parts Name      | QTY | UNIT | Application | Description  | Remarks      |
|--------|---------------|-----------------|-----|------|-------------|--------------|--------------|
| 1      | F301 0109 001 | NUT             | 1   |      |             | MF           |              |
| 2      | 0830 1'00 120 | O-RING          | 1   |      |             | C12          |              |
| 3      | 1174 2481 000 | LEVER, stop     | 1   |      |             |              |              |
| 4      | 1022 2432 000 | BUSH-NG         | 1   |      |             | 210, 202F-   |              |
|        | ⊙             | BUSH-NG         | 1   |      |             | 210, 102F-   |              |
|        | ⊙             | BUSH-NG         | 1   |      |             | 250, 102F-   |              |
|        | ⊙             | BUSH-NG         | 1   |      |             | 250, 102F-   |              |
| 5      | 1027 2431 000 | SCREW pilot     | 1   |      |             | B 210, 102F- | INT 2416 001 |
|        | ⊙             | SCREW pilot     | 1   |      |             | B 210, 102F- |              |
|        | ⊙             | SCREW pilot     | 1   |      |             | B 250, 102F- | INT 2416 002 |
|        | ⊙             | SCREW pilot     | 1   |      |             | B 250, 102F- |              |
| 6      | 67574 0'001   | O-RING          | 1   |      |             | E 210, 102F- | INT 2416 001 |
| 7      | 0747 0'01 000 | E-RING          | 1   |      |             |              |              |
| 8      | 0387 0'31 228 | WASHER          | 1   |      |             |              |              |
| 9      | 57474 00500   | WASHER, wave    | 1   |      |             |              |              |
| 10     | 57474 00300   | SLEEVE          | 1   |      |             |              |              |
| 11     | 0830 1'00 140 | O-RING          | 1   |      |             |              |              |
| 12     | 0830 1'00 100 | O-RING          | 1   |      |             |              |              |
| 13     | 1150 1707 000 | SPRING          | 1   |      |             |              |              |
| 14     | 0800 0001 100 | BALL, steel     | 1   |      |             |              |              |
| 15     | 1983 2411 000 | HEAD, hydraulic | 1   |      |             |              |              |
| 16     | A044 01'4 045 | BOLT            | 4   | 4    |             |              |              |
| 17     | A360 010' 402 | WASHER, spring  | 4   | 4    |             |              |              |
| 18     | A800 0201 000 | PLUG, taper     | 1   |      |             |              |              |
| 19     | A601 0101 300 | PLUG, taper     | 1   |      |             |              |              |
|        | ⊙             | PLUG, taper     | 1   |      |             | A            | INT 2416 001 |
| 20     | 0830 1'00 080 | O-RING          | 1   |      |             |              |              |
| 21     | 0830 1200 050 | O-RING          | 1   |      |             |              |              |
| 22     | 0830 0'00 000 | O-RING          | 1   |      |             |              |              |

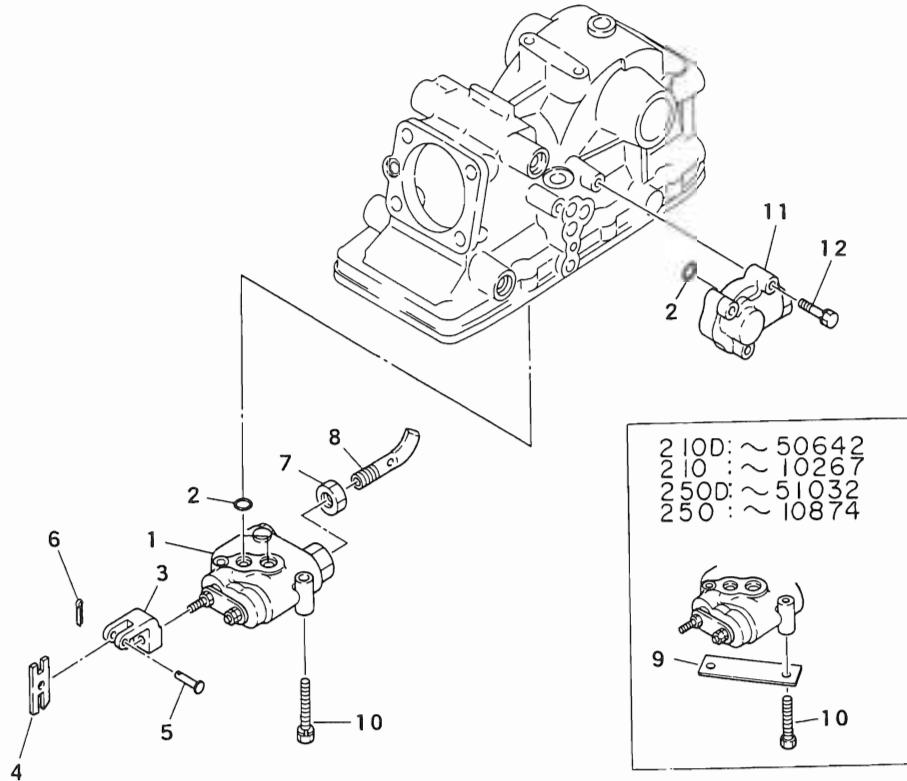
FIG.702 HYDRAULIC CYLINDER



| Key No | Parts No                     | Parts Name      | Q'ty   |        |  |  | F/P | Application  | Description   | Remarks |
|--------|------------------------------|-----------------|--------|--------|--|--|-----|--|---------------|---------|
|        |                              |                 | 4WD    | 2WD    |  |  |     |  |               |         |
| 23     | 67374-01100                  | RING,back up    | 1      | 1      |  |  |     |  |               |         |
| 24     | 1983 2415 000                | CYLINDER        | 1      | 1      |  |  |     | 210D:50197~<br>210 ·10126~<br>250D:50340~<br>250 ·10208~ |               |         |
|        | ○                            | CYLINDER        | 1      | 1      |  |  | B   |  | 1021 2412 000 |         |
| 25     | 1174 2416 001                | ROD,piston      | 1      | 1      |  |  |     |  |               |         |
| 26     | 1174 2466 000                | PIN,hydraulic   | 1      | 1      |  |  |     |  |               |         |
| 27     | F154 0108 016                | BOLT,w/washer   | 1      | 1      |  |  |     | M8X16  |               |         |
| 28-32  | 1983 2401 000                | PISTON ASSY     | 1      | 1      |  |  |     | 210D.50162~<br>210 ·10111~<br>250D.50312~<br>250 ·10146~ | Added         |         |
| 28     | 1983 2414 000                | PISTON          | 1      | 1      |  |  |     | 210D.50162~<br>210 ·10111~<br>250D·50312~<br>250 10146~  |               |         |
| 29     | 67374-20500<br>1911 2483 000 | PISTON<br>SCREW | 1<br>1 | 1<br>1 |  |  | D   | 210D.50162~<br>210 10111~<br>250D 50312~<br>250 ·10146~  |               |         |
| 30     | 69474-80200                  | SPRING          | 1      | 1      |  |  |     | 210D 50162~<br>210 ·10111~<br>250D:50312~<br>250 ·10146~ |               |         |
| 31     | 1911 2484 000                | SEAT            | 1      | 1      |  |  |     | 250D·50312~<br>210 10111~<br>250D:50312~<br>250 ·10146~  |               |         |
| 32     | 0800 0000 300                | BALL            | 1      | 1      |  |  |     | 210D 50162~<br>210 10111~<br>250D 50312~<br>250 ·10146~  |               |         |
| 33     | 1176 2462 000                | BUSHING         | 1      | 1      |  |  |     |  |               |         |

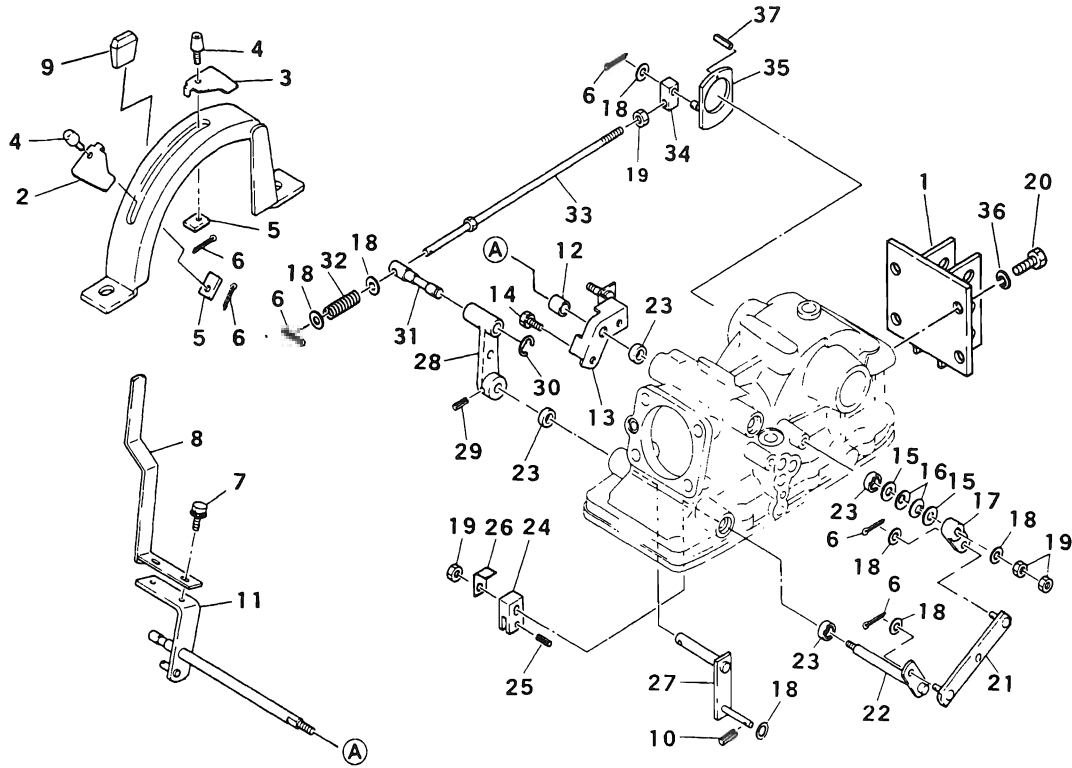


FIG.703 HYDRAULIC CONTROL VALVE



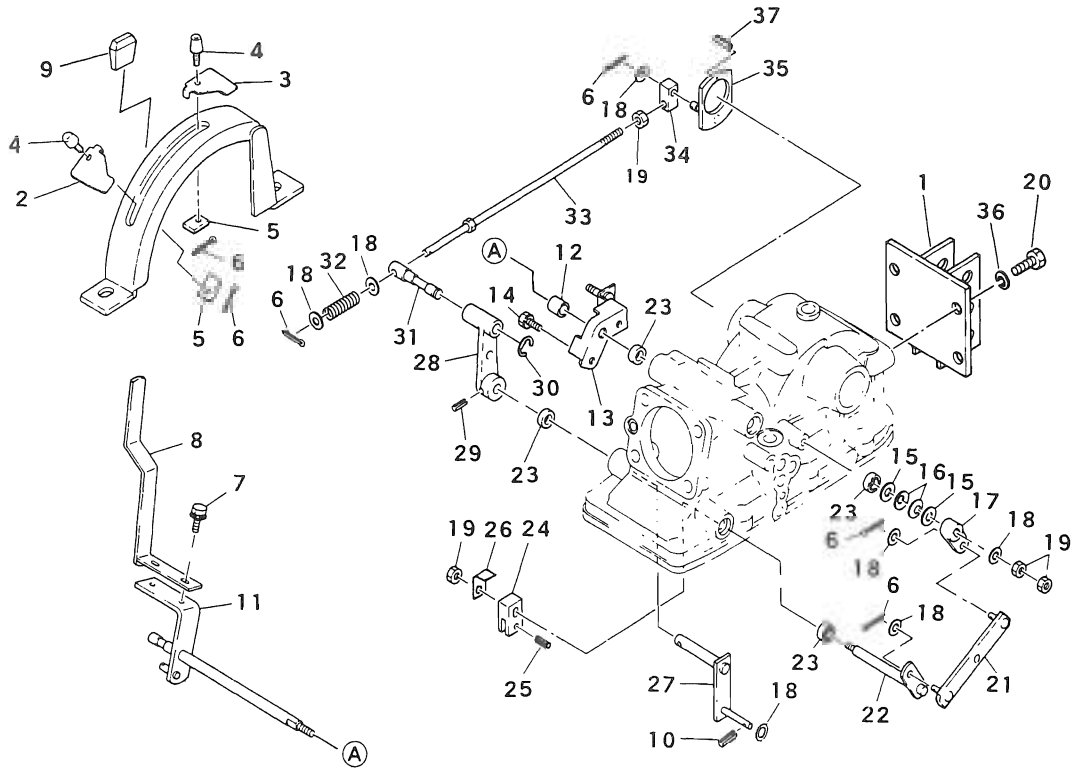
| Key No | Parts No      | Parts Name     | Q'ty |     |  |  | P/P | Application  | Description   | Remarks |
|--------|---------------|----------------|------|-----|--|--|-----|--|---------------|---------|
|        |               |                | 4WD  | 2WD |  |  |     |  |               |         |
| 1      | 1003 2416 001 | CONTROL VALVE  | 1    | 1   |  |  |     |  | See Fig 707   |         |
| 2      | 0830 1100 120 | O-RING         | 5    | 5   |  |  |     | φ12  |               |         |
| 3      | 1021 2425 001 | FORK           | 1    | 1   |  |  |     |  |               |         |
| 4      | 1003 2419 001 | LINK, valve    | 1    | 1   |  |  |     | 210D 50257~<br>210 10166~<br>250D 50390~<br>250 10298~     |               |         |
|        | 1003 2419 000 | LINK, valve    | 1    | 1   |  |  |     |  |               |         |
|        | 1003 2419 001 | LINK, valve    | 1    | 1   |  |  |     |  | 1003 2419 000 |         |
|        | ○             | LINK, valve    | 1    | 1   |  |  | B   |  |               |         |
| 5      | 0561 0106 030 | PIN, clevis    | 1    | 1   |  |  |     | φ6X30  |               |         |
| 6      | 0520 0116 012 | PIN, split     | 1    | 1   |  |  |     | φ1.6X12  |               |         |
| 7      | A303 0114 003 | NUT            | 1    | 1   |  |  |     | M14  |               |         |
| 8      | 1021 2435 001 | PIPE           | 1    | 1   |  |  |     |  |               |         |
| 9      | 1003 2422 000 | PLATE, lock    | 1    | 1   |  |  |     | 210D ~ 50642<br>210 ~ 10267<br>250D ~ 51032<br>250 ~ 10874 | Deleted       |         |
| 10     | F154 0108 045 | BOLT           | 2    | 2   |  |  |     | M8X45  |               |         |
|        | ○             | BOLT           | 2    | 2   |  |  | A   | M8X45  | A054 0108 045 |         |
| 11     | 1021 2437 0C0 | COVER ASSY     | 1    | 1   |  |  |     |  | See Fig 707   |         |
| 12     | F154 0108 045 | BOLT, w/washer | 3    | 3   |  |  |     | M8X45  |               |         |

FIG.704 POSITION CONTROL



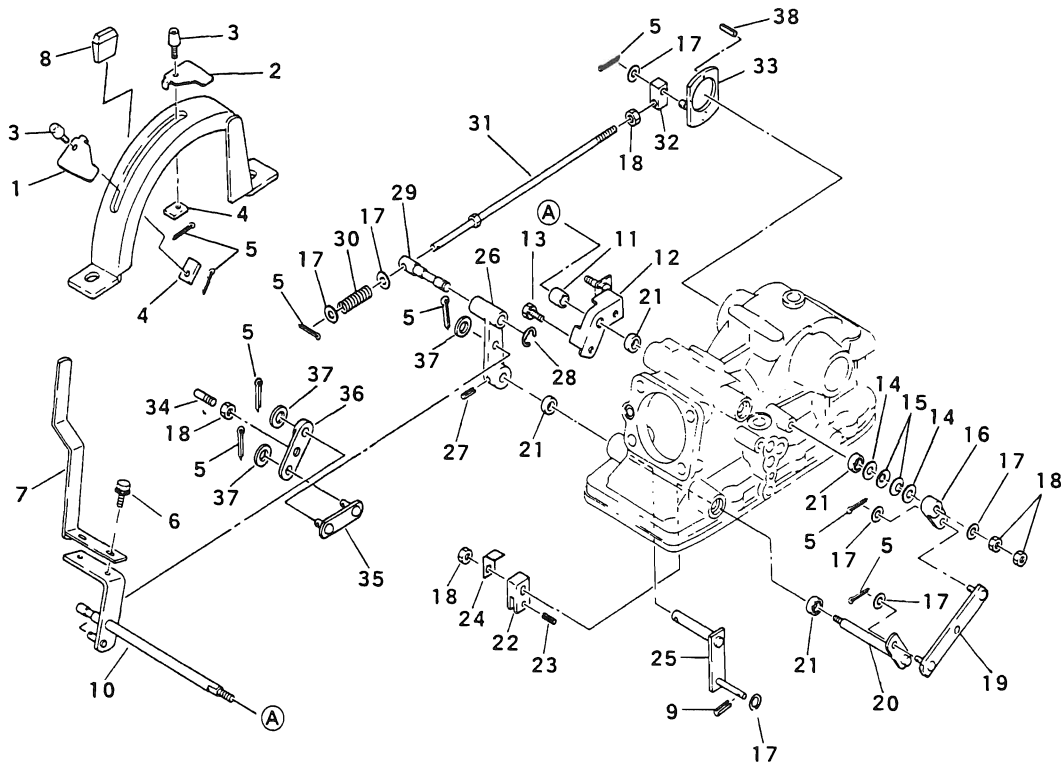
| Key No | Parts No      | Parts Name     | Q'ty |     |  |  | P | Application  | Description   | Remarks |
|--------|---------------|----------------|------|-----|--|--|---|--|---------------|---------|
|        |               |                | 4WD  | 2WD |  |  |   |  |               |         |
| 1      | 1021 3026 0C0 | BRACKET        | 1    | 1   |  |  |   |  |               |         |
| 2      | 1003 2447 001 | STOPPER        | 1    | 1   |  |  |   |  |               |         |
| 3      | 1019 2447 000 | STOPPER        | 1    | 1   |  |  |   |  |               |         |
| 4      | 1021 2438 000 | GRIP           | 2    | 2   |  |  |   |  |               |         |
| 5      | 1003 2448 000 | PLATE,lock     | 2    | 2   |  |  |   |  |               |         |
| 6      | 0520 0125 016 | PIN,split      | 6    | 6   |  |  |   | φ2.5X16  |               |         |
|        | ○             | PIN,split      | 6    | 6   |  |  | A | φ2.5X15  | 0520 0125 015 |         |
| 7      | H154 0108 016 | BOLT,w/washer  | 2    | 2   |  |  |   | M8X16  |               |         |
| 8      | 1984 2421 0C0 | LECEP POSTION  | 1    | 1   |  |  |   | 210D:50499~<br>210 :10222~<br>250D:50870~<br>250 :10834~ |               |         |
|        | ○             | LEVER,position | 1    | 1   |  |  | B |  | 1022 2429 0C0 |         |
|        | ○             | LEVER,position | 1    | 1   |  |  | A |  | 1021 2429 0C3 |         |
| 9      | 1174 2449 000 | GRIP           | 1    | 1   |  |  |   |  |               |         |
| 10     | 0550 0003 020 | PIN,spring     | 1    | 1   |  |  |   | φ3X20  |               |         |
| 11     | 1021 2427 0C0 | LEVER,control  | 1    | 1   |  |  |   |  |               |         |
| 12     | 2750 2473 0C0 | BOSS           | 1    | 1   |  |  |   |  |               |         |
| 13     | 1003 2424 0C0 | BRACKET,lever  | 1    | 1   |  |  |   |  |               |         |
| 14     | F154 0108 020 | BOLT,w/washer  | 2    | 2   |  |  |   | M8X20  |               |         |
| 15     | 0350 0151 226 | WASHER         | 2    | 2   |  |  |   | M12  |               |         |
|        | ○             | WASHER         | 1    | 1   |  |  | A | M12  | 0350 0151 226 |         |
| 16     | 3610 5725 100 | SPRING,disc    | 2    | 2   |  |  |   | 210D 10222~<br>210 :50499~<br>250D 10834~<br>250 :50870~ |               |         |
|        | 1003 2426 000 | SPRING,plain   | 2    | 2   |  |  | D |  |               |         |
| 17     | 1003 2427 0C0 | ARM,lever link | 1    | 1   |  |  |   |  |               |         |
| 18     | 0350 0130 815 | WASHER         | 7    | 7   |  |  |   | M8   |               |         |
| 19     | A301 0108 001 | NUT            | 4    | 4   |  |  |   | M8   |               |         |
| 20     | A040 0114 030 | BOLT           | 4    | 4   |  |  |   | M14X30   |               |         |
| 21     | 1003 2428 0C0 | LEVER,link     | 1    | 1   |  |  |   |  |               |         |
| 22     | 1021 2424 0C0 | SHAFT,link     | 1    | 1   |  |  |   |  |               |         |
| 23     | 0840 1012 227 | SEAL,oil       | 4    | 4   |  |  |   | TC12227  |               |         |
| 24     | 1003 2415 000 | SHIFTER,valve  | 1    | 1   |  |  |   |  |               |         |

FIG.704 POSITION CONTROL



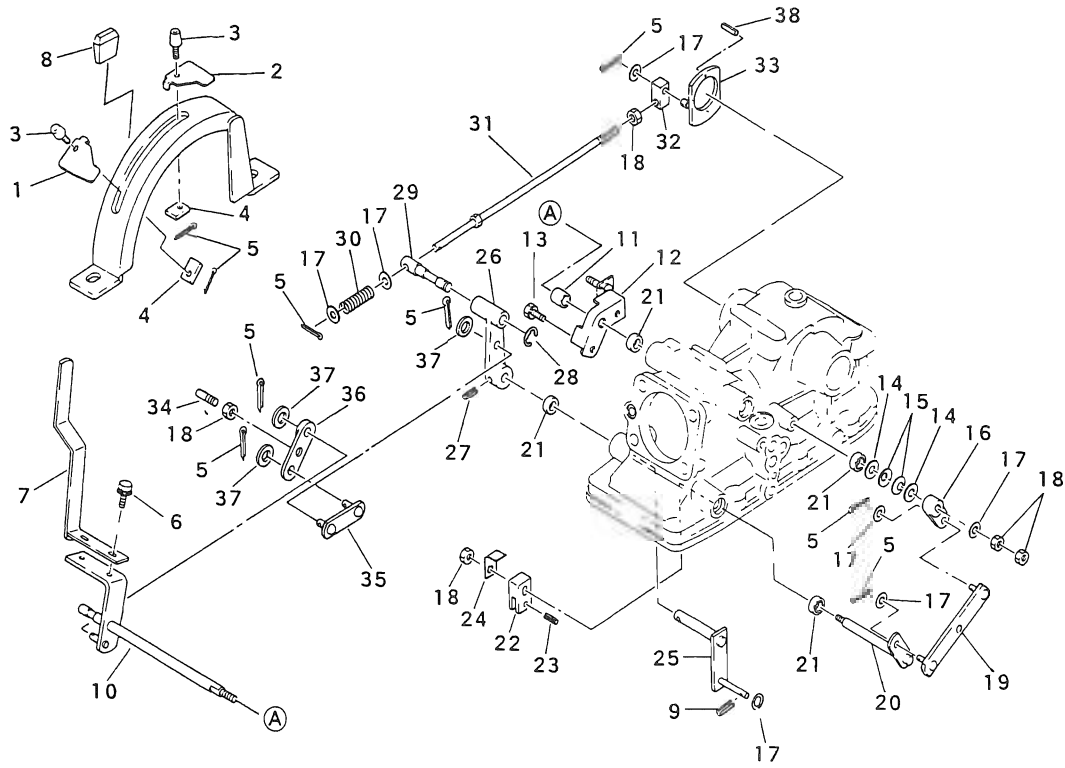
| Key No | Parts No      | Parts Name    | Q'ty |     |  |  | R/P | Application | Description | Remarks |
|--------|---------------|---------------|------|-----|--|--|-----|-------------|-------------|---------|
|        |               |               | 4WD  | 2WD |  |  |     |             |             |         |
| 25     | 0550 0008 016 | PIN,spring    | 1    | 1   |  |  |     | φ8X16       |             |         |
| 26     | 1135 2426 000 | PLATE         | 1    | 1   |  |  |     |             |             |         |
| 27     | 1021 2426 000 | LEVER         | 1    | 1   |  |  |     |             |             |         |
| 28     | 1003 2409 0C0 | ARM,feed back | 1    | 1   |  |  |     |             |             |         |
| 29     | 0550 0005 028 | PIN,spring    | 1    | 1   |  |  |     | φ5X28       |             |         |
| 30     | 0742 0100 800 | E-RING        | 1    | 1   |  |  |     | φ8          |             |         |
| 31     | 1021 2428 0C0 | PIN,joint     | 1    | 1   |  |  |     |             |             |         |
| 32     | 1984 2419 000 | SPRING        | 1    | 1   |  |  |     |             |             |         |
| 33     | 1021 2433 001 | ROD           | 1    | 1   |  |  |     |             |             |         |
| 34     | 1021 2423 000 | JOINT         | 1    | 1   |  |  |     |             |             |         |
| 35     | 1983 2413 0C0 | ARM           | 1    | 1   |  |  |     |             |             |         |
| 36     | A360 0101 402 | WASHER,spring | 4    | 4   |  |  |     | M14         |             |         |
| 37     | 0550 0004 016 | PIN,spring    | 1    | 1   |  |  |     |             |             |         |

FIG.705 DRAFT CONTROL (DRAFT)



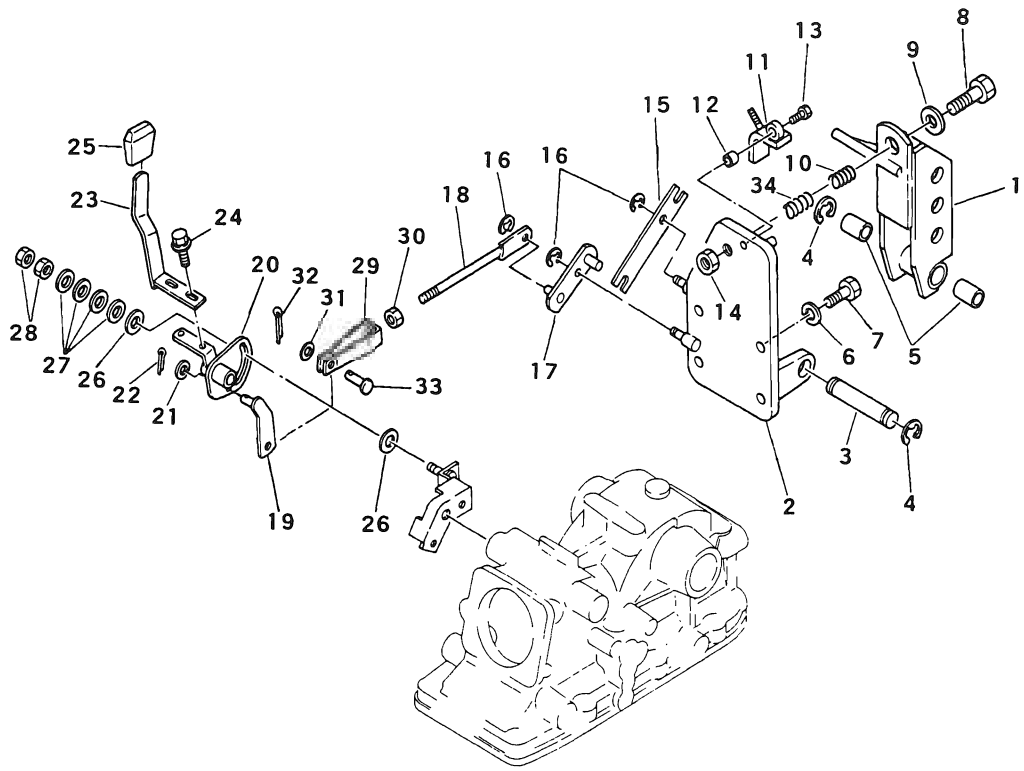
| Key No | Parts No      | Parts Name     | Q'ty |     |  |  | F/P | Application  | Description   | Remarks |
|--------|---------------|----------------|------|-----|--|--|-----|--|---------------|---------|
|        |               |                | 4WD  | 2WD |  |  |     |  |               |         |
| 1      | 1003 2447 001 | STOPPER FR     | 1    | 1   |  |  |     |  |               |         |
| 2      | 1019 2447 000 | STOPPER RE     | 1    | 1   |  |  |     |  |               |         |
| 3      | 1021 2438 000 | GRIP           | 2    | 2   |  |  |     |  |               |         |
| 4      | 1003 2448 000 | PLATE,lock     | 2    | 2   |  |  |     |  |               |         |
| 5      | 0520 0125 016 | PIN,split      | 9    | 9   |  |  |     |  |               |         |
|        | ○             | PIN,split      | 9    | 9   |  |  | A   | φ2.5X15  | 0520 0125 015 |         |
| 6      | H154 0108 016 | BOLT,w/washer  | 2    | 2   |  |  |     |  |               |         |
| 7      | 1984 2421 0C0 | LEVER POSTION  | 1    | 1   |  |  |     | 210D:50499~<br>210-10222~<br>250D:50870~<br>250-10834~ |               |         |
|        | ○             | LEVER,position | 1    | 1   |  |  | A   |  | 1021 2429 0C3 |         |
| 8      | 1174 2449 000 | GRIP           | 1    | 1   |  |  |     |  |               |         |
| 9      | 0550 0003 020 | PIN,spring     | 1    | 1   |  |  |     | φ3X20  |               |         |
| 10     | 1021 2427 0C0 | LEVER,control  | 1    | 1   |  |  |     |  |               |         |
| 11     | 2750 2473 0C0 | BOSS           | 1    | 1   |  |  |     |  |               |         |
| 12     | 1003 2424 0C0 | BRACKET,lever  | 1    | 1   |  |  |     |  |               |         |
| 13     | F154 0108 020 | BOLT,w/washer  | 2    | 2   |  |  |     | M8X20  |               |         |
| 14     | 0350 0151 226 | WASHER         | 2    | 2   |  |  |     | M12  |               |         |
|        | ○             | WASHER         | 1    | 1   |  |  | A   | M12  | 0350 0151 226 |         |
| 15     | 3610 5725 100 | SPRING,disc    | 2    | 2   |  |  |     | 210D:50499~<br>210 10222~<br>250D 50870~<br>250-10834~ |               |         |
|        | 1003 2426 000 | SPRING,plain   | 2    | 2   |  |  | D   |  |               |         |
| 16     | 1003 2427 0C0 | ARM,lever link | 1    | 1   |  |  |     |  |               |         |
| 17     | 0350 0130 815 | WASHER         | 7    | 7   |  |  |     | M8   |               |         |
| 18     | A301 0108 001 | NUT            | 5    | 5   |  |  |     | M8   |               |         |
| 19     | 1003 2428 0C0 | LEVER,link     | 1    | 1   |  |  |     |  |               |         |
| 20     | 1021 2424 0C0 | SHAFT          | 1    | 1   |  |  |     |  |               |         |
| 21     | 0840 1012 227 | SEAL,oil       | 4    | 4   |  |  |     |  | TC12227       |         |
| 22     | 1003 2415 000 | SHIFTER, valve | 1    | 1   |  |  |     |  |               |         |
| 23     | 0550 0008 016 | PIN,spring     | 1    | 1   |  |  |     | φ8X16  |               |         |
| 24     | 1135 2426 000 | PLATE          | 1    | 1   |  |  |     |  |               |         |
| 25     | 1021 2426 000 | LEVER          | 1    | 1   |  |  |     |  |               |         |

FIG.705 DRAFT CONTROL (DRAFT)



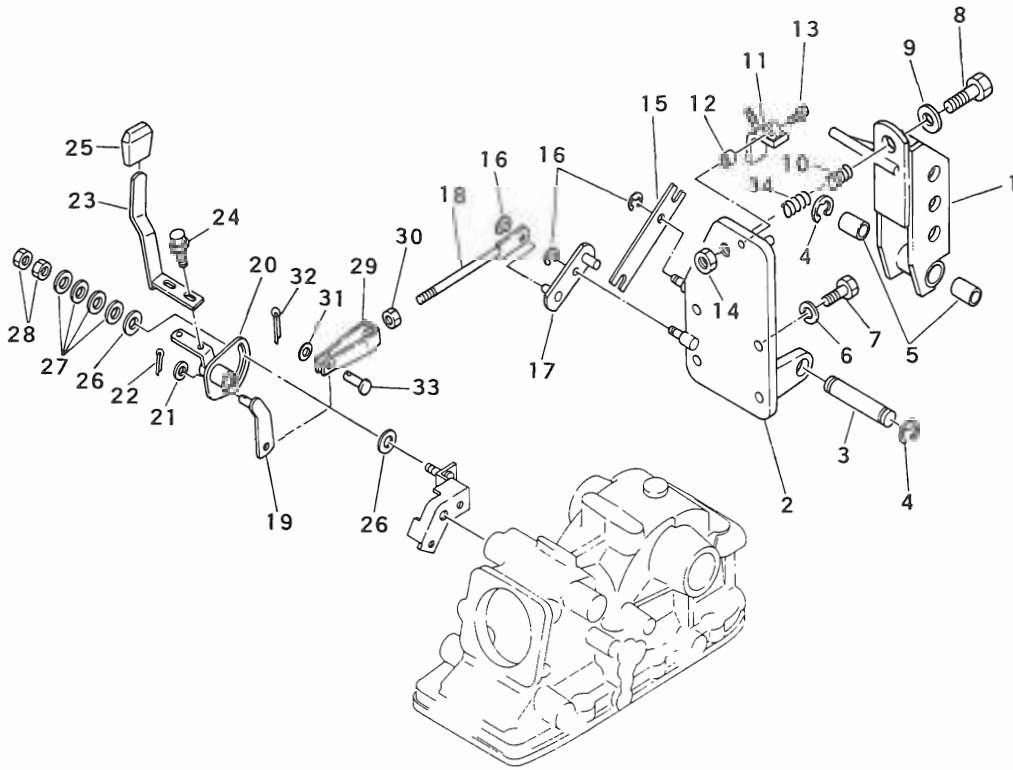
| Key No | Parts No      | Parts Name  | Q'ty |     |  |  | P | Application | Description   | Remarks |
|--------|---------------|-------------|------|-----|--|--|---|-------------|---------------|---------|
|        |               |             | 4WD  | 2WD |  |  |   |             |               |         |
| 26     | 1003 2409 0C0 | ARM         | 1    | 1   |  |  |   |             |               |         |
| 27     | 0550 0005 028 | PIN, spring | 1    | 1   |  |  |   | φ5X28       |               |         |
| 28     | 0742 0100 800 | E-RING      | 1    | 1   |  |  |   | φ8          |               |         |
| 29     | 1021 2428 0C0 | PIN, joint  | 1    | 1   |  |  |   |             |               |         |
| 30     | 1984 2419 000 | SPRING      | 1    | 1   |  |  |   |             |               |         |
| 31     | 1021 2433 001 | ROD         | 1    | 1   |  |  |   |             |               |         |
| 32     | 1021 2423 000 | JOINT       | 1    | 1   |  |  |   |             |               |         |
| 33     | 1983 2413 0C0 | ARM         | 1    | 1   |  |  |   |             |               |         |
| 34     | 1929 2163 000 | BOLT        | 1    | 1   |  |  |   |             |               |         |
| 35     | 1003 2431 0C0 | ROD         | 1    | 1   |  |  |   |             |               |         |
| 36     | 1019 2429 0C0 | ARM, select | 1    | 1   |  |  |   |             |               |         |
|        | ○             | ARM, select | 1    | 1   |  |  | A |             | 1003 2429 0C0 |         |
| 37     | 0350 0130 815 | WASHER      | 3    | 3   |  |  |   | M8          |               |         |
| 38     | 0550 0004 016 | PIN, spring | 1    | 1   |  |  |   |             |               |         |

FIG.706 DRAFT BRACKET (DRAFT)



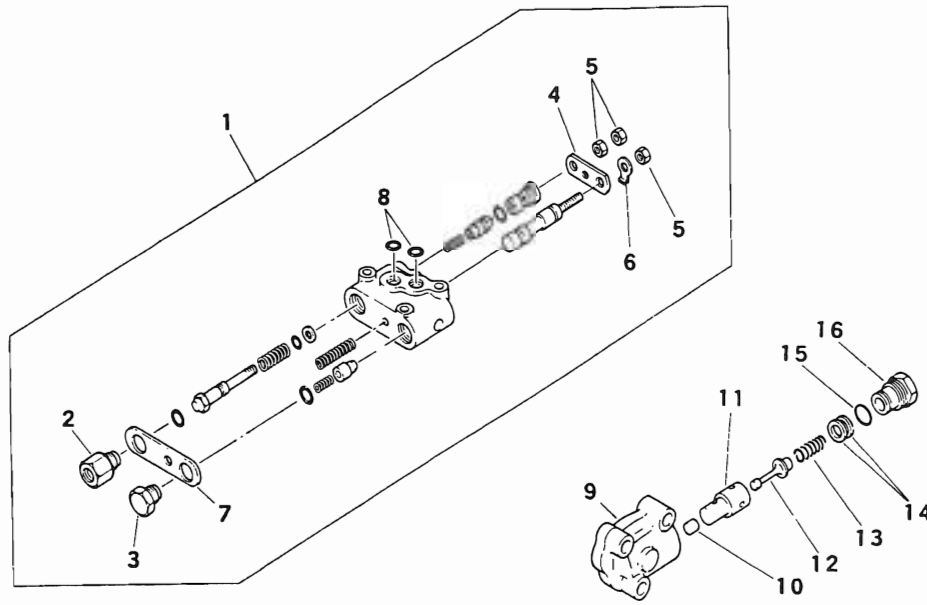
| Key No | Parts No      | Parts Name     | Q'ty |     |  |  | P | Application  | Description   | Remarks |
|--------|---------------|----------------|------|-----|--|--|---|--|---------------|---------|
|        |               |                | 4WD  | 2WD |  |  |   |  |               |         |
| 1      | 1983 2421 0C1 | BRACKET        | 1    | 1   |  |  |   |  |               |         |
| 2      | 1983 2422 0C1 | BRACKET        | 1    | 1   |  |  |   |  |               |         |
| 3      | 1174 2453 000 | PIN            | 1    | 1   |  |  |   |  |               |         |
| 4      | 0742 0101 500 | E-RING         | 2    | 2   |  |  |   | φ15  |               |         |
| 5      | 65605-02030   | BUSHING        | 2    | 2   |  |  |   |  |               |         |
|        | ○             | BUSHING        | 2    | 2   |  |  | A |  | 68476-02300   |         |
| 6      | A360 0101 402 | WASHER, spring | 4    | 4   |  |  |   | M14  |               |         |
| 7      | A040 0114 030 | BOLT           | 4    | 4   |  |  |   | M14X30   |               |         |
| 8      | A055 0116 070 | BOLT           | 1    | 1   |  |  |   | M16X70   |               |         |
| 9      | 0350 0151 632 | WASHER         | 1    | 1   |  |  |   | M16  |               |         |
| 10     | 1984 2415 000 | SPRING         | 1    | 1   |  |  |   |  |               |         |
| 11     | 68476-010C1   | STOPPER        | 1    | 1   |  |  |   |  |               |         |
| 12     | 67700-26000   | COLLAR         | 1    | 1   |  |  |   |  |               |         |
| 13     | H154 0108 020 | BOLT, w/washer | 1    | 1   |  |  |   | M8X20  |               |         |
| 14     | A303 0116 001 | NUT            | 1    | 1   |  |  |   | M16  |               |         |
| 15     | 1983 2423 0C1 | LINK A, draft  | 1    | 1   |  |  |   | 210D 50673~<br>210 10278~<br>250D 51068~<br>250 10880~ |               |         |
|        |               |                |      |     |  |  | B |  | 1983 2423 0C1 |         |
| 16     | 0742 0100 800 | E-RING         | 4    | 4   |  |  |   | φ8   |               |         |
| 17     | 1983 2424 001 | LINK B, draft  | 1    | 1   |  |  |   | 210D.50673~<br>210 10278~<br>250D 51068~<br>250 10880~ |               |         |
|        | ○             | LINK B, draft  | 1    | 1   |  |  | B |  | 1983 2424 000 |         |
| 18     | 1983 2432 0C0 | ROD, draft     | 1    | 1   |  |  |   |  |               |         |
| 19     | 1983 2426 0C0 | LINK D, draft  | 1    | 1   |  |  |   |  |               |         |
| 20     | 1983 2431 0C0 | BRACKET, lever | 1    | 1   |  |  |   |  |               |         |
| 21     | 0350 0130 815 | WASHER         | 1    | 1   |  |  |   | M8   |               |         |
| 22     | 0520 0125 016 | PIN, split     | 1    | 1   |  |  |   | φ2.5X16  |               |         |
| 23     | 1021 2431 0C1 | LEVER, pac     | 1    | 1   |  |  |   |  |               |         |
| 24     | H154 0108 016 | BOLT, w/washer | 2    | 2   |  |  |   | M8X16  |               |         |
| 25     | 1174 2449 000 | GRIP           | 1    | 1   |  |  |   |  |               |         |
| 26     | 0350 0140 818 | WASHERPLAIN    | 2    | 2   |  |  |   | M8   |               |         |

FIG.706 DRAFT BRACKET (DRAFT)



| Key No | Parts No      | Parts Name  | Q' t y |     |  |  | P | Application | Description | Remarks |
|--------|---------------|-------------|--------|-----|--|--|---|-------------|-------------|---------|
|        |               |             | 4WD    | 2WD |  |  |   |             |             |         |
| 27     | 1003 2433 000 | SPRING,disk | 4      | 4   |  |  |   |             |             |         |
| 28     | A301 0108 001 | NUT         | 2      | 2   |  |  |   | M8          |             |         |
| 29     | 1983 2433 000 | JOINT       | 1      | 1   |  |  |   | M10         |             |         |
| 30     | A303 0110 001 | NUT         | 1      | 1   |  |  |   |             |             |         |
| 31     | 0350 0141 022 | WASHER      | 1      | 1   |  |  |   | M10         |             |         |
| 32     | 0520 0130 020 | PIN,cotter  | 1      | 1   |  |  |   | φ3X20       |             |         |
| 33     | 0562 0110 025 | PIN,clevis  | 1      | 1   |  |  |   | φ10X25      |             |         |
| 34     | 1984 2416 000 | SPRING      | 1      | 1   |  |  |   |             |             |         |

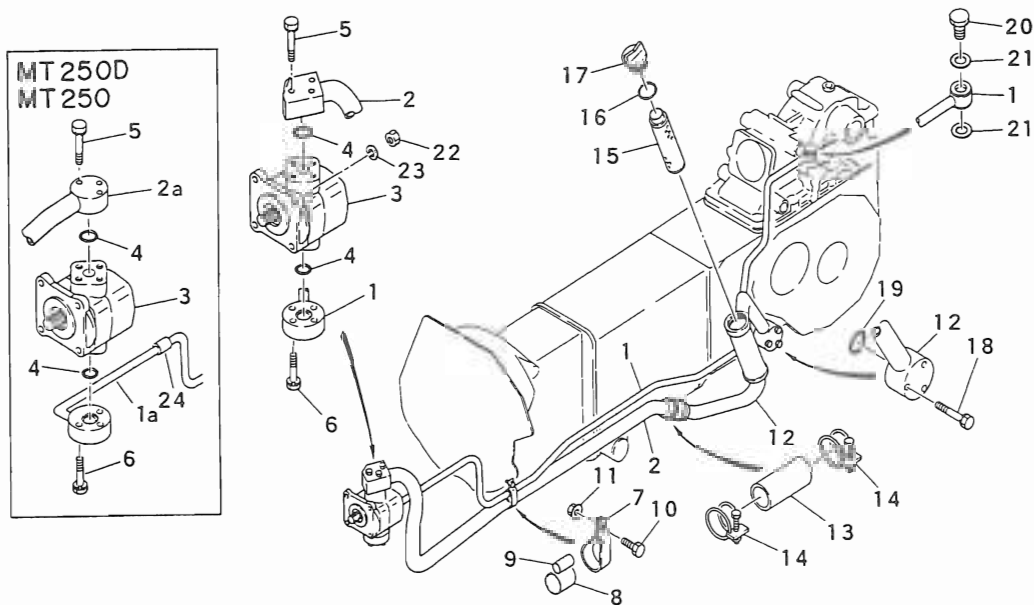
FIG.707 CONTROL VALVE & COVER



| Key No | Parts No      | Parts Name           | Q'ty |     |  |  | P/P | Application | Description | Remarks |
|--------|---------------|----------------------|------|-----|--|--|-----|-------------|-------------|---------|
|        |               |                      | 4WD  | 2WD |  |  |     |             |             |         |
|        |               | <b>CONTROL VALVE</b> |      |     |  |  |     |             |             |         |
| 1      | 1003 2416 001 | CONTROL VALVE        | 1    | 1   |  |  |     |             |             |         |
| 2      | *             | PLUG                 | 1    | 1   |  |  |     |             |             |         |
| 3      | *             | PLUG                 | 1    | 1   |  |  |     |             |             |         |
| 4      | *             | PLATE                | 1    | 1   |  |  |     |             |             |         |
| 5      | A301 0108 003 | NUT                  | 3    | 3   |  |  |     | M8          |             |         |
| 6      | 1180 2471 130 | PLATE,stopper        | 1    | 1   |  |  |     |             |             |         |
| 7      | *             | PLATE                | 1    | 1   |  |  |     |             |             |         |
| 8      | 0830 1100 120 | O-RING               | 2    | 2   |  |  |     | φ12         |             |         |
|        |               | <b>COVER</b>         |      |     |  |  |     |             |             |         |
| 9-16   | 1021 2437 0C0 | <b>COVER ASSY</b>    | 1    | 1   |  |  |     |             |             |         |
| 9      | 69573-160C1   | COVER                | 1    | 1   |  |  |     |             |             |         |
| 10     | 69573-16016   | PLUG                 | 1    | 1   |  |  |     |             |             |         |
| 11     | 69573-16012   | HOUSING              | 1    | 1   |  |  |     |             |             |         |
| 12     | 69573-16013   | POPET                | 1    | 1   |  |  |     |             |             |         |
| 13     | 69573-16014   | SPRING               | 1    | 1   |  |  |     |             |             |         |
| 14     | 69573-16017   | SHIM                 | AR   | AR  |  |  |     | t= 0.1      |             |         |
|        | 69573-16018   | SHIM                 | AR   | AR  |  |  |     | t= 0.35     |             |         |
|        | 69573-16019   | SHIM                 | AR   | AR  |  |  |     | t= 1.0      |             |         |
|        | 69573-16020   | SHIM                 | AR   | AR  |  |  |     | t= 2.0      |             |         |
|        | 69573-16021   | SHIM                 | AR   | AR  |  |  |     | t= 3.0      |             |         |
| 15     | 0830 0500 160 | O-RING               | 1    | 1   |  |  |     | S16         |             |         |
| 16     | 1021 2437 1C0 | PLUG                 | 1    | 1   |  |  |     |             |             |         |

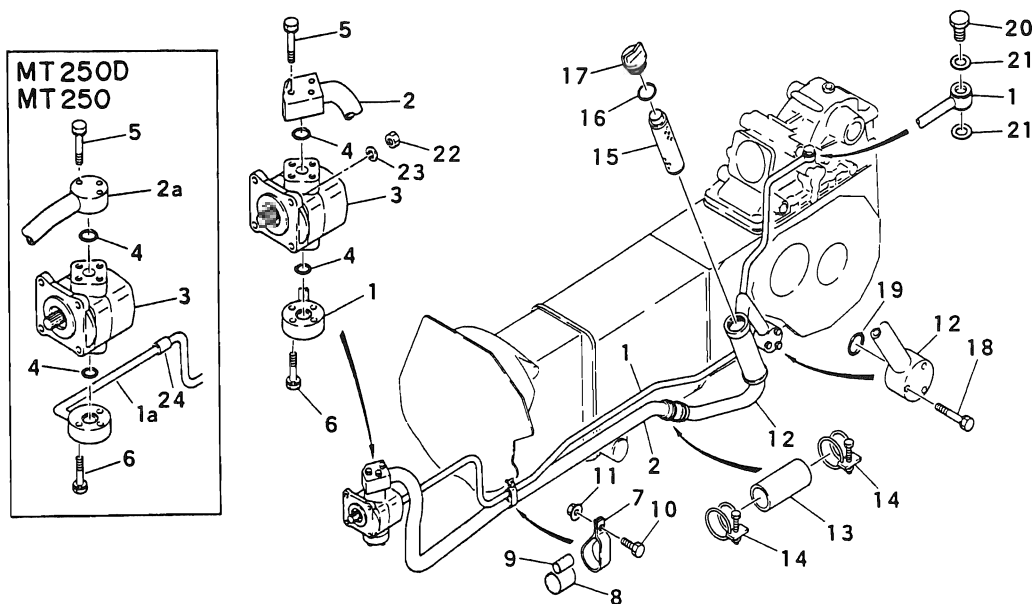


FIG.708 HYDRAULIC LINE (STD)



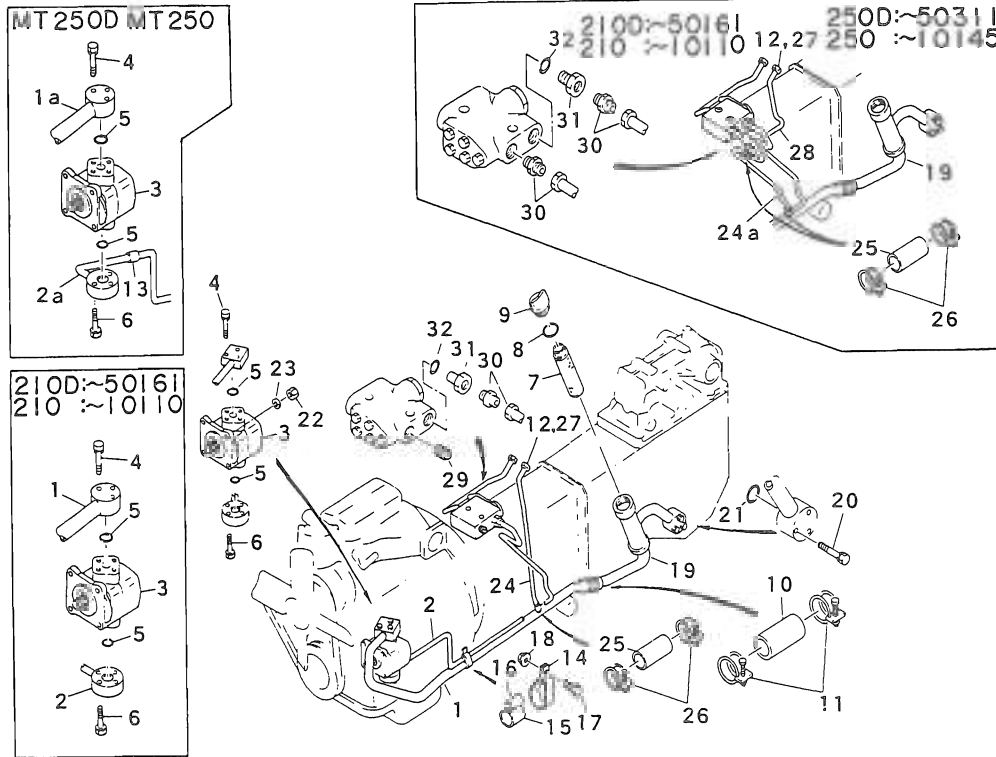
| Key No | Parts No      | Parts Name     | Q'ty |      |  |  | F/P | Application  | Description | Remarks       |
|--------|---------------|----------------|------|------|--|--|-----|--|-------------|---------------|
|        |               |                | 21PS | 25PS |  |  |     |  |             |               |
| 1      | 1983 2512 OC2 | PIPE,pressure  | 1    | •    |  |  |     | 210D 50162~<br>210 10111~                              |             |               |
|        | ○             | PIPE,pressure  | 1    | •    |  |  | B   |  |             | 1983 2512 OC1 |
| 2      | 1984 2526 OC0 | PIPE A,suction | 1    | •    |  |  |     | 210D 50257~<br>210 10166~                              |             |               |
|        | ○             | PIPE A,suction | 1    | •    |  |  | B   |  |             | 1983 2511 OC2 |
|        | ○             | PIPE A,suction | 1    | •    |  |  | A   |  |             | 1983 2511 OC1 |
| 1a     | 1984 2512 OC1 | PIPE,pressure  | •    | 1    |  |  |     |  |             |               |
| 2a     | 1984 2511 OC0 | PIPE,suction   | •    | 1    |  |  |     |  |             |               |
| 3      | 1021 2511 000 | HYDRAULIC PUMP | 1    | 1    |  |  |     |  |             | See Fig 715   |
| 4      | 0830 0100 180 | O-RING         | 2    | 2    |  |  |     | φ18  |             |               |
| 5      | F144 0106 045 | BOLT,w/washer  | 3    | 3    |  |  |     | M6X45  |             |               |
| 6      | F144 0106 035 | BOLT,w/washer  | 4    | 3    |  |  |     | M6X35  |             |               |
| 7      | 67475-00400   | CLAMP,pipe     | 1    | 1    |  |  |     |  |             |               |
| 8      | 67575-00600   | CUSHION        | 1    | 1    |  |  |     |  |             |               |
| 9      | 67375-01301   | CUSHION        | 1    | 1    |  |  |     |  |             |               |
| 10     | A052 0110 025 | BOLT           | 1    | 1    |  |  |     | M10X25   |             |               |
| 11     | F303 0110 001 | NUT,flange     | 1    | 1    |  |  |     | M10  |             |               |
| 12     | 1021 2513 OC0 | PIPE B,suction | 1    | 1    |  |  |     |  |             |               |
| 13     | 68275-02800   | HOSE B         | 1    | 1    |  |  |     |  |             |               |
| 14     | 0050 1100 360 | CLAMP          | 2    | 2    |  |  |     |  |             |               |
| 15     | 1174 2516 000 | FILTER,oil     | 1    | 1    |  |  |     |  |             |               |
| 16     | 0830 0100 420 | O-RING         | 1    | 1    |  |  |     | φ42  |             |               |
| 17     | 68475-10900   | PLUG,filter    | 1    | 1    |  |  |     |  |             |               |
| 18     | F154 0108 050 | BOLT,w/washer  | 3    | 3    |  |  |     | M8X50  |             |               |
| 19     | 0830 0100 250 | O-RING         | 1    | 1    |  |  |     | φ25  |             |               |
| 20     | 1981 2453 000 | BOLT,eye       | 1    | 1    |  |  |     | 210D 50162~<br>210 10126~<br>250D 50312~<br>250 50146~ |             |               |
|        | 67775-01500   | BOLT,union     | 1    | 1    |  |  | D   |  |             |               |
| 21     | 0833 0001 600 | WASHER,seal    | 2    | 2    |  |  |     | 210D 50162~<br>210 10126~<br>250D 50312~<br>250 50146~ |             |               |

FIG.708 HYDRAULIC LINE (STD)



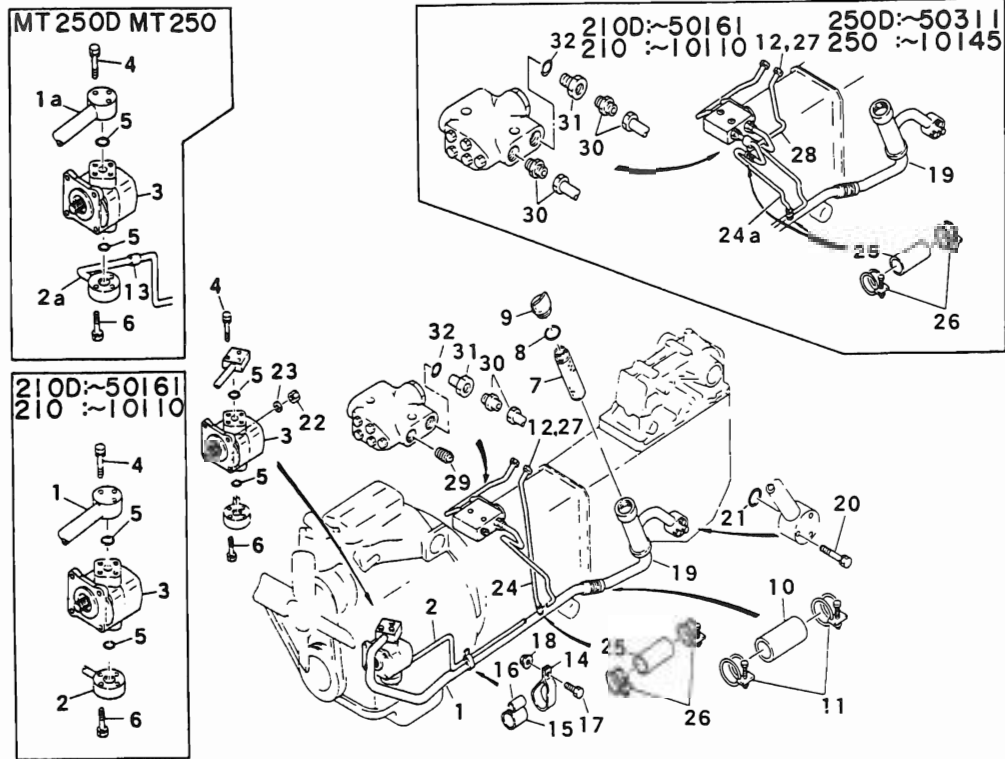
| Key No | Parts No      | Parts Name     | Q'ty |      |  |  | P | Application | Description | Remarks |
|--------|---------------|----------------|------|------|--|--|---|-------------|-------------|---------|
|        |               |                | 21PS | 25PS |  |  |   |             |             |         |
|        | 1021 1791 000 | WASHER, seal   | 2    | 2    |  |  | D |             |             |         |
| 22     | A301 0108 001 | NUT            | 4    | 4    |  |  |   | M8          |             |         |
| 23     | A360 0100 802 | WASHER, spring | 4    | 4    |  |  |   | M8          |             |         |
| 24     | 1135 2474 000 | PIPE           | •    | 1    |  |  |   |             |             |         |
|        |               |                |      |      |  |  |   |             |             |         |
|        |               |                |      |      |  |  |   |             |             |         |
|        |               |                |      |      |  |  |   |             |             |         |
|        |               |                |      |      |  |  |   |             |             |         |
|        |               |                |      |      |  |  |   |             |             |         |
|        |               |                |      |      |  |  |   |             |             |         |
|        |               |                |      |      |  |  |   |             |             |         |
|        |               |                |      |      |  |  |   |             |             |         |
|        |               |                |      |      |  |  |   |             |             |         |

FIG.709 HYDRAULIC LINE (P/S) (1/2)



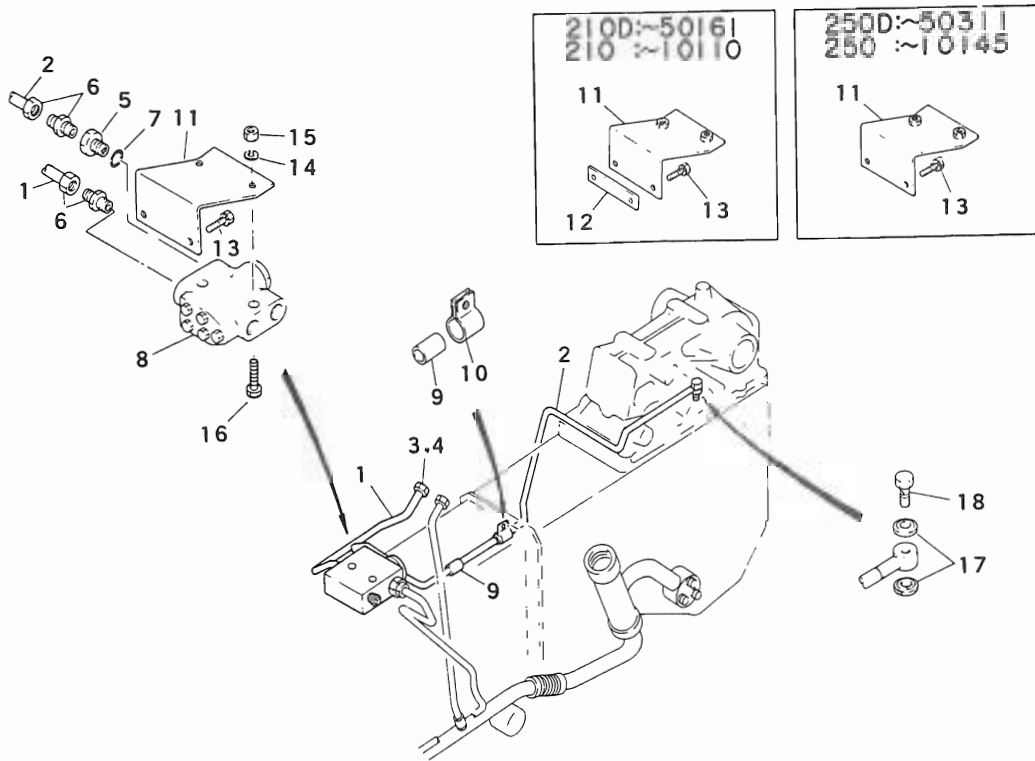
| Key No | Parts No      | Parts Name     | Q'ty |      |  |  | F/P | Application  | Description | Remarks     |
|--------|---------------|----------------|------|------|--|--|-----|--|-------------|-------------|
|        |               |                | 21PS | 25PS |  |  |     |  |             |             |
| 1      | 1984 2527 0C0 | PIPE A         | 1    | •    |  |  |     | 210D 50162~<br>210 10111~                              |             |             |
| 2      | 1983 2521 0C1 | PIPE A         | 1    | •    |  |  | D   |  |             |             |
|        | 1984 2519 0C1 | PIPE           | 1    | •    |  |  |     | 210D 50162~<br>210 10111~                              |             |             |
| 1a     | 1984 2519 0C0 | PIPE           | 1    | •    |  |  | D   |  |             |             |
|        | 1984 2514 0C2 | PIPE A         | •    | 1    |  |  |     | 250D.50312~<br>250 10146~                              |             |             |
| 2a     | 1984 2514 0C0 | PIPE A         | •    | 1    |  |  | D   |  |             |             |
|        | 1984 2515 0C2 | PIPE A         | •    | 1    |  |  |     | 250D 50312~<br>250 10146~                              |             |             |
| 3      | 1984 2515 0C1 | PIPE A         | •    | 1    |  |  | D   |  |             |             |
|        | 1983 2561 000 | PUMP,hydraulic | 1    | 1    |  |  |     | 210D 50162~<br>210 10111~<br>250D 50312~<br>250 10146~ |             |             |
|        | 1996 2353 000 | PUMP,hydraulic | 1    | 1    |  |  | D   |  |             | See Fig 715 |
| 4      | F144 0106 045 | BOLT,w/washer  | 3    | 3    |  |  |     | M6X45  |             |             |
| 5      | 0830 0100 180 | O-RING         | 2    | 2    |  |  |     | φ18  |             |             |
| 6      | F144 0106 035 | BOLT,w/washer  | 4    | 3    |  |  |     | M6X35  |             |             |
| 7      | 1174 2516 000 | FILTER,oil     | 1    | 1    |  |  |     |  |             |             |
| 8      | 0830 0100 420 | O-RING         | 1    | 1    |  |  |     | φ42  |             |             |
| 9      | 68475-10900   | PLUG,filter    | 1    | 1    |  |  |     |  |             |             |
| 10     | 68275-02800   | HOSE B         | 1    | 1    |  |  |     |  |             |             |
| 11     | 0050 1100 360 | CLAMP          | 2    | 2    |  |  |     |  |             |             |
| 12     | 1180 2362 121 | SLEEVE         | 1    | 1    |  |  |     |  |             |             |
| 13     | 1135 2474 000 | PIPE           | •    | 1    |  |  |     |  |             |             |
| 14     | 67475-00400   | CLAMP,pipe     | 1    | 1    |  |  |     |  |             |             |
| 15     | 67575-00600   | CUSHION        | 1    | 1    |  |  |     |  |             |             |
| 16     | 67375-01301   | CUSHION        | 1    | 1    |  |  |     |  |             |             |
| 17     | A052 0110 025 | BOLT           | 1    | 1    |  |  |     | M10X25   |             |             |
| 18     | F303 0110 001 | NUT,flange     | 1    | 1    |  |  |     | M10  |             |             |
| 19     | 1021 2513 0C0 | PIPE B,suction | 1    | 1    |  |  |     |  |             |             |
| 20     | F154 0108 050 | BOLT,w/washer  | 3    | 3    |  |  |     | M8X50  |             |             |
| 21     | 0830 0100 250 | O-RING         | 1    | 1    |  |  |     | φ25  |             |             |

FIG.709 HYDRAULIC LINE (P/S) (1/2)



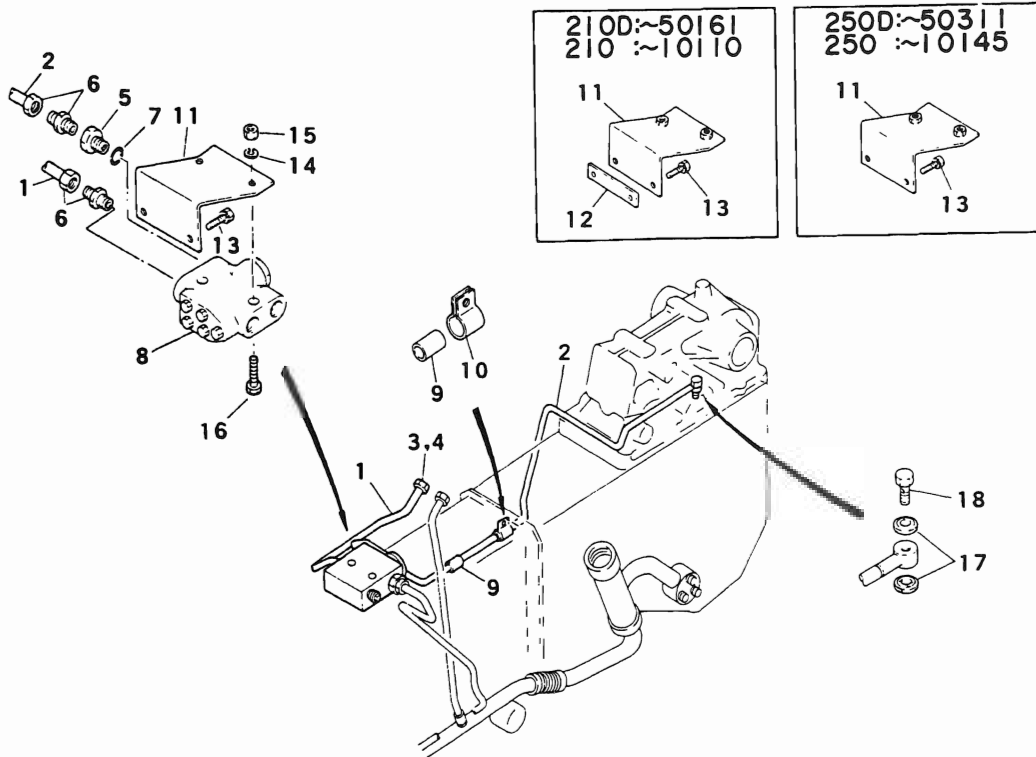
| Key No | Parts No      | Parts Name     | Q'ty |      |  |  | P | Application  | Description | Remarks |
|--------|---------------|----------------|------|------|--|--|---|--|-------------|---------|
|        |               |                | 21PS | 25PS |  |  |   |  |             |         |
| 22     | A301 0108 001 | NUT            | 4    | 4    |  |  |   |  | M8          |         |
| 23     | A360 0100 802 | WASHER, spring | 4    | 4    |  |  |   |  | M8          |         |
| 24     | 1984 2516 0C2 | PIPE, return   | 1    | 1    |  |  |   | 210D:50162~<br>210 10111~<br>250D:50312~<br>250 10146~ |             |         |
| 24a    | 1984 2516 0C1 | PIPE, return   | 1    | 1    |  |  | D |  |             |         |
| 25     | 1021 2529 001 | HOSE           | 1    | 1    |  |  |   | 210D:50162~<br>210 10111~<br>250D 50312~<br>250 10146~ |             |         |
| 26     | 1021 2529 001 | HOSE           | 2    | 2    |  |  | D |  |             |         |
|        | 0050 1100 200 | CLAMP          | 2    | 2    |  |  |   | 210D:50162~<br>210 10111~<br>250D 50312~<br>250 10146~ |             |         |
| 27     | 0050 1100 200 | CLAMP          | 4    | 4    |  |  | D |  |             |         |
|        | 1180 2362 131 | NUT            | 1    | 1    |  |  |   |  |             |         |
| 28     | 1983 2532 0C0 | PIPE, drain    | 1    | 1    |  |  |   | 210D ~50161<br>210 ~10110<br>250D ~50311<br>250 ~10145 |             | Deleted |
| 29     | A600 0201 000 | PLUG           | 1    | 1    |  |  |   | 210D:50162~<br>210 10111~<br>250D 50312~<br>250 10146~ |             | Added   |
| 30     | 1995 2382 000 | JOINT          | 1    | 1    |  |  |   | 210D:50162~<br>210 10111~<br>250D:50312~<br>250 10146~ |             |         |
| 31     | 1995 2382 000 | JOINT          | 2    | 2    |  |  | D |  |             |         |
|        | 68275-60502   | NUT, union     | 1    | 1    |  |  |   |  |             |         |
| 32     | 0830 0100 240 | O-RING         | 1    | 1    |  |  |   |  | φ25         |         |

FIG.710 HYDRAULIC LINE (P/S) (2/2)



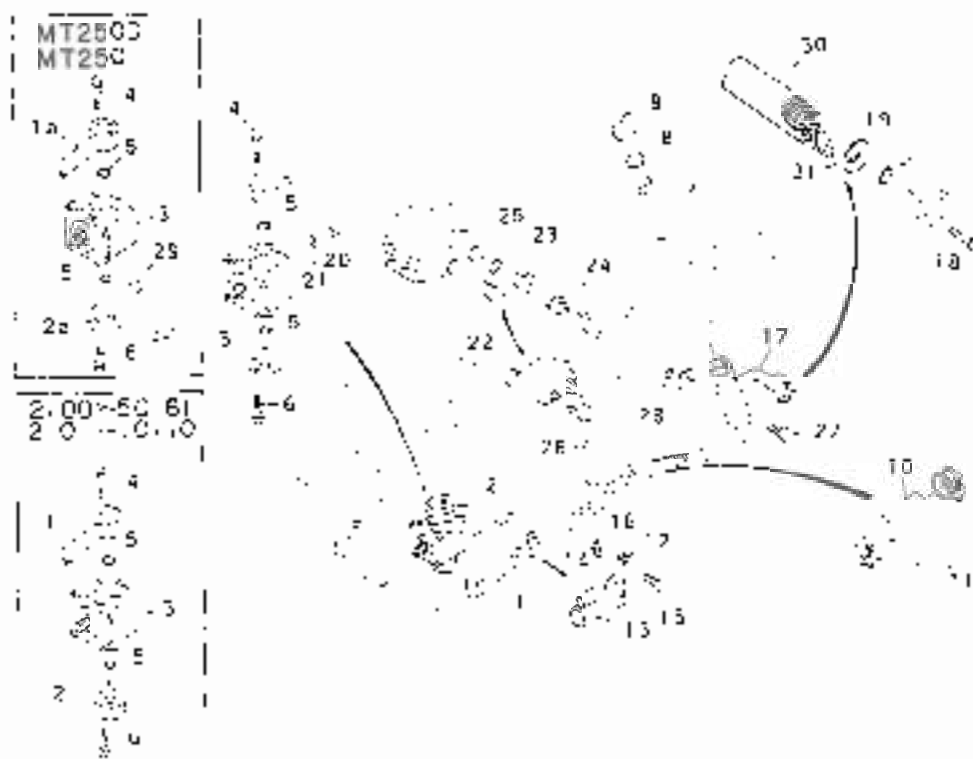
| Key No | Parts No           | Parts Name            | Q'ty   |        |  |  | P | Application  | Description          | Remarks       |
|--------|--------------------|-----------------------|--------|--------|--|--|---|--|----------------------|---------------|
|        |                    |                       | 21PS   | 25PS   |  |  |   |  |                      |               |
| 1      | 1984 2518 0C1      | PIPE D                | 1      | 1      |  |  |   | 210D 50162~<br>210 10111~<br>250D 50312~<br>250 10146~ |                      |               |
|        | 1984 2518 0C0      | PIPE D                | 1      | 1      |  |  | D |  |                      |               |
| 2      | 1984 2517 0C0      | PIPE B                | 1      | 1      |  |  |   |  |                      |               |
| 3      | 1180 2362 131      | NUT                   | 1      | 1      |  |  |   |  |                      |               |
| 4      | 1180 2362 121      | SLEEVE                | 1      | 1      |  |  |   |  |                      |               |
| 5      | 68275-60502        | NUT,union             | 1      | 1      |  |  |   |  |                      |               |
| 6      | 1995 2382 000      | JOINT                 | 2      | 2      |  |  |   |  |                      |               |
| 7      | 0830 0100 240      | O-RING                | 1      | 1      |  |  |   | φ24  |                      |               |
| 8      | 1021 2521 0C0      | FLOW DIVIDER          | 1      | 1      |  |  |   |  |                      | See Fig 716   |
| 9      | 1135 2474 000      | PIPE                  | 2      | 2      |  |  |   |  |                      |               |
| 10     | 68275-02900        | CLAMP                 | 1      | 1      |  |  |   |  |                      |               |
| 11     | 1984 2522 0C1      | BRACKET               | 1      | 1      |  |  |   | 210D 50162~<br>210 50312~<br>250D 50312~<br>250 10146~ |                      |               |
|        | 1984 2522 0C0      | BRACKET               | 1      | 1      |  |  | D |  |                      |               |
| 12     | 1021 2523 0C0      | PLATE                 | 1      | •      |  |  |   | 210D ~50161<br>210 ~10110                              |                      | Deleted       |
| 13     | F154 0108 016      | BOLT,w/washer         | 2      | 2      |  |  |   | M8X16  |                      | Added         |
| 14     | A360 0100 602      | WASHER,spring         | 2      | 2      |  |  |   | 210D 50162~<br>210 10111~<br>250D 50312~<br>250 10146~ | M6<br>M6<br>M6<br>M6 | Added         |
| 15     | A300 0106 001      | NUT                   | 2      | 2      |  |  |   | 210D 50162~<br>210 10111~<br>250D 50312~<br>250 10146~ | M6<br>M6<br>M6<br>M6 | Added         |
| 16     | A044 0106 055<br>○ | BOLT<br>BOLT,w/washer | 2<br>2 | 2<br>2 |  |  | A | M6X55  |                      | F144 0106 055 |

FIG.710 HYDRAULIC LINE (P/S) (2/2)



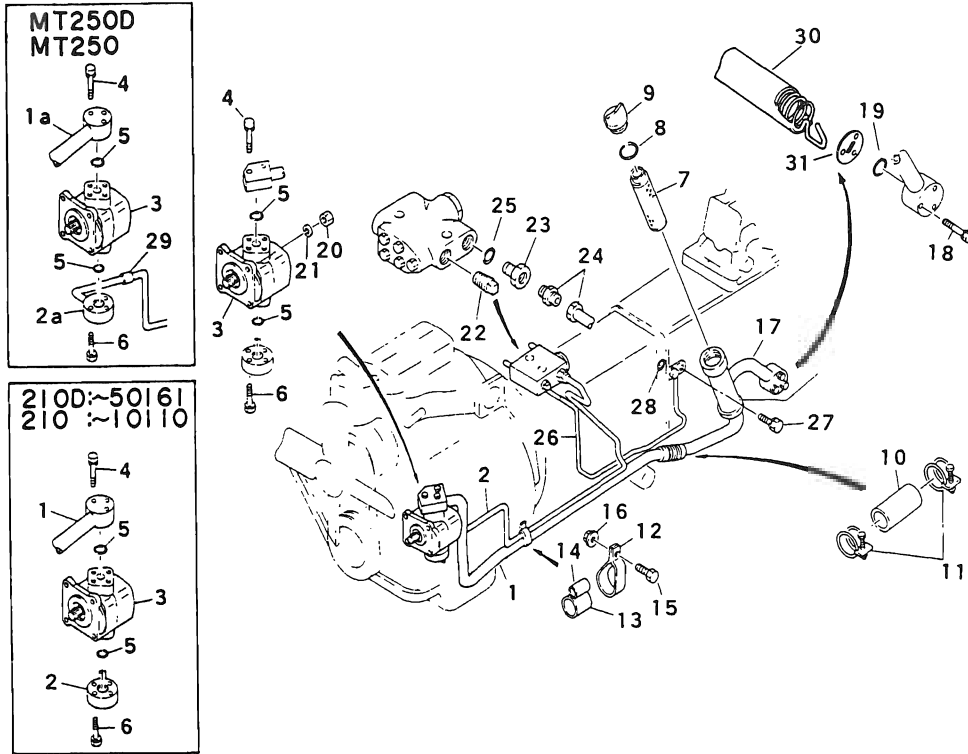
| Key No | Parts No      | Parts Name  | Q'ty |      |  |  | R/P | Application  | Description | Remarks |
|--------|---------------|-------------|------|------|--|--|-----|--|-------------|---------|
|        |               |             | 21PS | 25PS |  |  |     |  |             |         |
| 17     | 0833 0001 600 | WASHER,seal | 2    | 2    |  |  |     | 210D:50162~<br>210·10111~<br>250D:50312~<br>250·10146~ |             |         |
| 18     | 1021 1791 000 | WASHER,seal | 2    | 2    |  |  | D   |  |             |         |
|        | 1981 2453 000 | BOLT,eye    | 1    | 1    |  |  |     | 210D 50162~<br>210·10111~<br>250D:50312~<br>250 10146~ |             |         |
|        | 67775-01500   | BOLT,union  | 1    | 1    |  |  | D   |  |             |         |

FIG. 711 HYDRAULIC LINE (LIVE P.T.O) (1/2)



| Key No | Parts No      | Parts Name      | Qty      |          | Application | Description | Remarks  |
|--------|---------------|-----------------|----------|----------|-------------|-------------|----------|
|        |               |                 | As Shown | As Req'd |             |             |          |
| 1      | 1984 2575 000 | PIPE A suction  | 1        | 1        | D           | 21025015    |          |
|        | 1983 2541 000 | PIPE A suction  | 1        | 1        |             | 21025017    |          |
| 2      | 1984 2513 001 | PIPE            | 1        | 1        | D           | 21025016    |          |
|        | 1984 2519 000 | PIPE            | 1        | 1        |             | 21025018    |          |
| 1a     | 1984 2511 000 | PIPE suction    | 1        | 1        | D           | 21025019    |          |
| 2a     | 1984 2515 002 | PIPE A          | 1        | 1        |             | 21025020    |          |
| 3      | 1984 2515 001 | PIPE A          | 1        | 1        | D           | 21025021    |          |
|        | 1983 2561 000 | HYDRAULIC PUMP  | 1        | 1        |             | 21025022    | See 2/75 |
|        | 1986 2353 000 | HYDRAULIC PUMP  | 1        | 1        | D           | 21025023    |          |
| 4      | F144 010E 045 | BOLT, washer    | 3        | 3        |             | 21025024    |          |
| 5      | G830 0100 180 | O-RING          | 2        | 2        |             | 21025025    |          |
| 6      | F144 010E 035 | BOLT, washer    | 4        | 3        |             | 21025026    |          |
| 7      | 1174 2515 000 | FILTER, oil     | 1        | 1        |             | 21025027    |          |
| 8      | G830 0100 420 | O-RING          | 1        | 1        |             | 21025028    |          |
| 9      | 53475 10900   | PLUG, filter    | 1        | 1        |             | 21025029    |          |
| 10     | 53275-02800   | HOSE            | 1        | 1        |             | 21025030    |          |
| 11     | G050 1100 060 | CLAMP           | 2        | 2        |             | 21025031    |          |
| 12     | 57475 00400   | CLAMP, pipe     | 1        | 1        |             | 21025032    |          |
| 13     | 57575-00900   | CUSHION         | 1        | 1        |             | 21025033    |          |
| 14     | 57375-01301   | CUSHION         | 1        | 1        |             | 21025034    |          |
| 15     | A052 0110 025 | BOLT            | 1        | 1        |             | 21025035    |          |
| 16     | 1303 0110 001 | NUT, large      | 1        | 1        |             | 21025036    |          |
| 17     | 1021 2513 000 | PIPE B, suction | 1        | 1        |             | 21025037    |          |
| 18     | F154 0100 050 | BOLT, washer    | 3        | 3        |             | 21025038    |          |
| 19     | G830 0100 250 | O-RING          | 1        | 1        |             | 21025039    |          |
| 20     | 4301 0100 001 | NUT             | 4        | 4        |             | 21025040    |          |
| 21     | 4300 0100 002 | WASHER, spring  | 4        | 4        |             | 21025041    |          |
| 22     | 4900 0201 000 | PLUG            | 1        | 1        |             | 21025042    |          |
| 23     | 63175-60502   | NUT or or       | 1        | 1        |             | 21025043    |          |

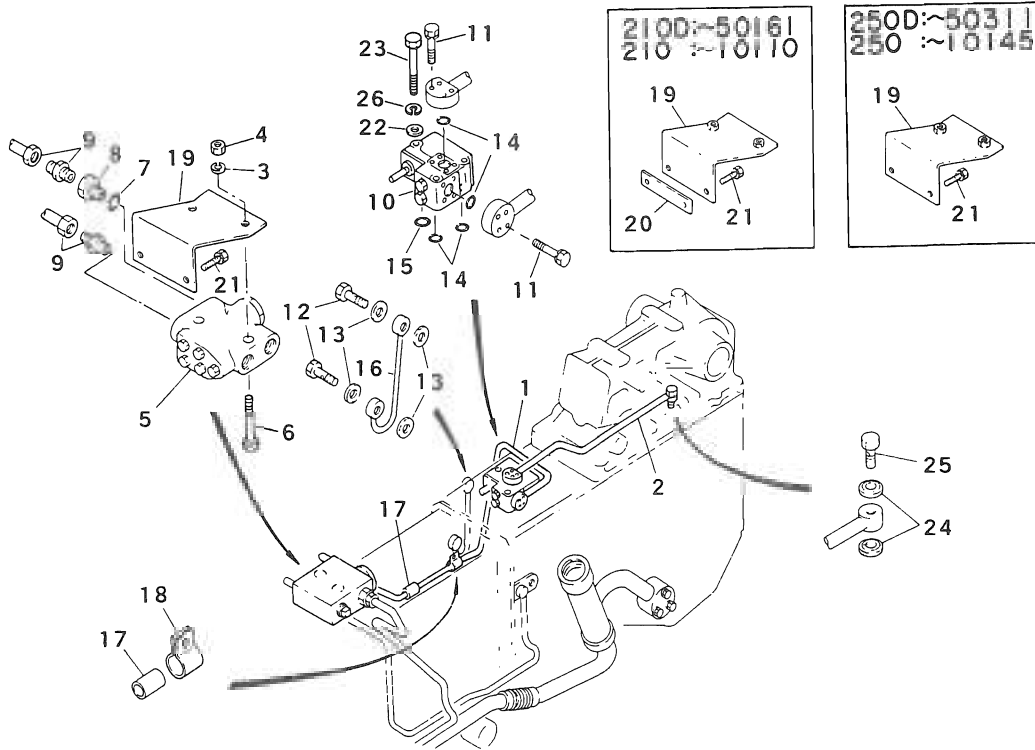
FIG.711 HYDRAULIC LINE (LIVE P.T.O) (1/2)



| Key No | Parts No      | Parts Name    | Q'ty |      |  |  | P/P | Application  | Description | Remarks |
|--------|---------------|---------------|------|------|--|--|-----|--|-------------|---------|
|        |               |               | 21PS | 25PS |  |  |     |  |             |         |
| 24     | 1995 2382 000 | JOINT         | 1    | 1    |  |  |     |  |             |         |
| 25     | 0830 0100 240 | O-RING        | 1    | 1    |  |  |     | φ24  |             |         |
| 26     | 1984 2521 OC1 | PIPE          | 1    | 1    |  |  |     | 210D:50162~<br>210 10111~<br>250D.50312~<br>250 10146~ |             |         |
|        | 1984 2521 OC0 | PIPE          | 1    | 1    |  |  | D   |  |             |         |
| 27     | F154 0108 016 | BOLT,w/washer | 1    | 1    |  |  |     | M8X16  |             |         |
| 28     | 0830 0100 070 | O-RING        | 1    | 1    |  |  |     | φ7   |             |         |
| 29     | 1135 2474 000 | PIPE          | •    | 1    |  |  |     |  |             |         |
| 30     | 1983 2567 000 | ADPTER,spring | 1    | 1    |  |  |     |  |             |         |
| 31     | 1983 2569 000 | PLATE         | 1    | 1    |  |  |     |  |             |         |

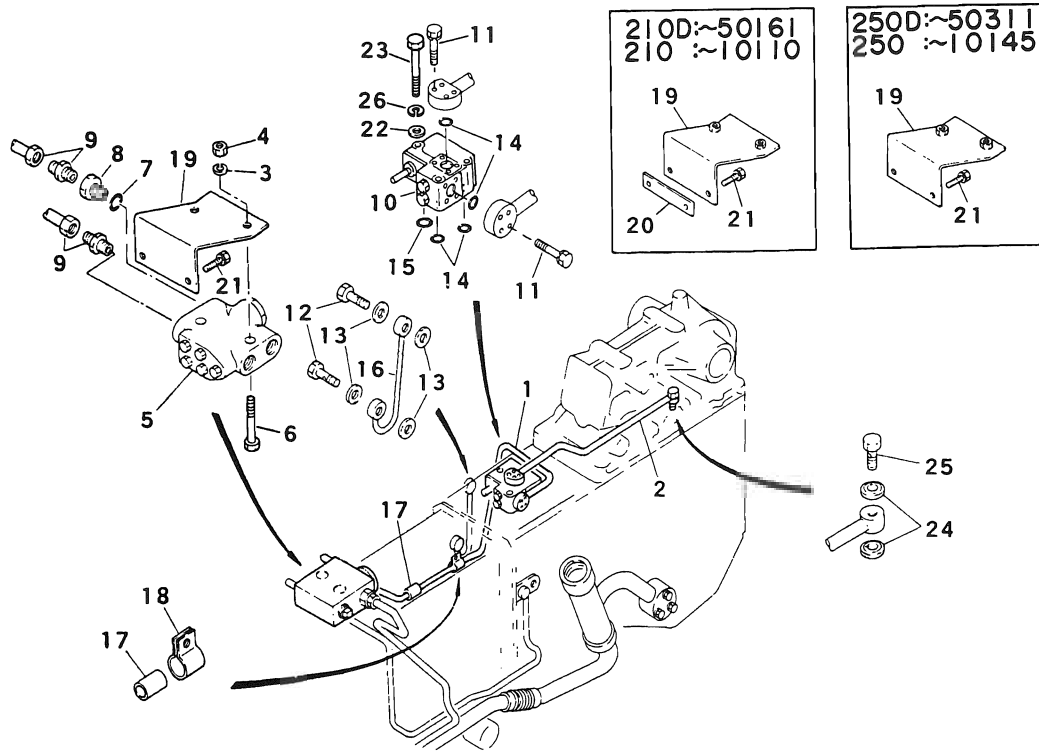


FIG.712 HYDRAULIC LINE (LIVE P.T.O) (2/2)



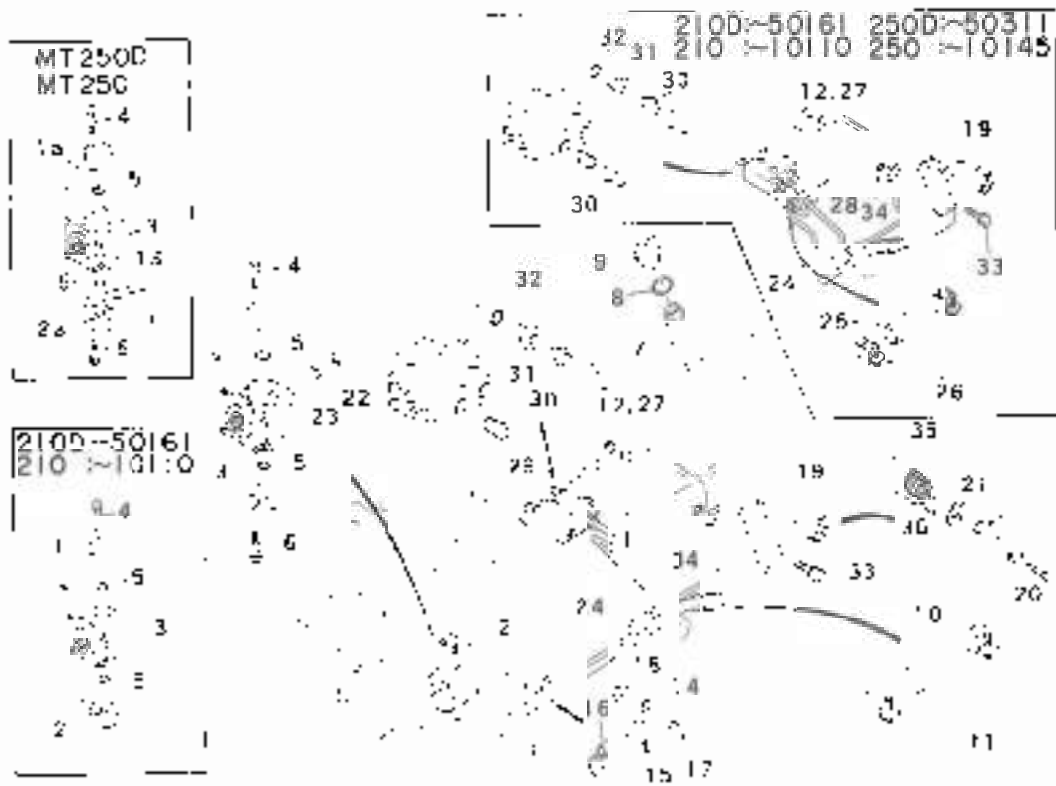
| Key No | Parts No      | Parts Name    | Q'ty |      |  |  | R/P | Application  | Description | Remarks       |
|--------|---------------|---------------|------|------|--|--|-----|--|-------------|---------------|
|        |               |               | 21PS | 25PS |  |  |     |  |             |               |
| 1      | 1984 2523 0C0 | PIPE,pressure | 1    | 1    |  |  |     |  |             |               |
| 2      | 1983 2544 0C0 | PIPE C        | 1    | 1    |  |  |     |  |             |               |
| 3      | A360 0100 602 | WASHER,spring | 2    | 2    |  |  |     | M6   |             |               |
| 4      | A300 0106 001 | NUT           | 2    | 2    |  |  |     | M6   |             |               |
| 5      | 1021 2521 0C0 | FLOW DIVIDER  | 1    | 1    |  |  |     |  |             | See Fig 716   |
| 6      | A044 0106 055 | BOLT          | 2    | 2    |  |  |     | M6X55  |             |               |
|        | ○             | BOLT,w/washer | 2    | 2    |  |  | A   | M6X55  |             | F144 0106 055 |
| 7      | 0830 0100 240 | O-RING        | 1    | 1    |  |  |     | φ24  |             |               |
| 8      | 68275-60502   | NUT,union     | 1    | 1    |  |  |     |  |             |               |
| 9      | 1995 2382 000 | JOINT         | 2    | 2    |  |  |     |  |             |               |
| 10     | 1983 2518 0C1 | DIVIDER       | 1    | 1    |  |  |     |  |             | See Fig 717   |
| 11     | F144 0106 030 | BOLT,w/washer | 8    | 8    |  |  |     | M6X30  |             |               |
| 12     | F4610-10000   | BOLT,eye      | 2    | 2    |  |  |     |  |             |               |
| 13     | F4202-10000   | WASHER,seal   | 4    | 4    |  |  |     |  |             |               |
| 14     | 0830 0100 140 | O-RING        | 4    | 4    |  |  |     | φ14  |             |               |
| 15     | 0830 0100 200 | O-RING        | 1    | 1    |  |  |     | φ20  |             |               |
| 16     | 1983 2542 0C0 | PIPE,joint    | 1    | 1    |  |  |     |  |             |               |
| 17     | 1135 2474 000 | PIPE          | 2    | 2    |  |  |     |  |             |               |
| 18     | 68275-02900   | CLAMP         | 1    | 1    |  |  |     |  |             |               |
| 19     | 1984 2522 0C1 | BRACKET       | 1    | 1    |  |  |     | 210D 50162 ~<br>210 10111 ~<br>250D 50312 ~<br>250 10146 ~ |             |               |
|        | 1984 2522 0C0 | BRACKET       | 1    | 1    |  |  | D   |  |             |               |
| 20     | 1021 2523 000 | PLATE         | 1    | •    |  |  |     | 210D ~50161<br>210 ~10110                                  |             | Deleted       |
| 21     | F154 0108 016 | BOLT,w/washer | 2    | 2    |  |  |     | M8X16  |             |               |
| 22     | 0350 0130 815 | WASHER        | 3    | 3    |  |  |     | M8   |             |               |
| 23     | A050 0108 060 | BOLT          | 3    | 3    |  |  |     | M8X60  |             |               |
|        | ○             | BOLT          | 3    | 3    |  |  | A   | M8X60  |             | F154 0108 060 |
| 24     | 0833 0001 600 | WASHER,seal   | 2    | 2    |  |  |     | 210D 50162 ~<br>210 10111 ~<br>250D 50312 ~<br>250 10146 ~ |             |               |
|        | 1021 1791 000 | WASHER,seal   | 2    | 2    |  |  | D   |  |             |               |

FIG.712 HYDRAULIC LINE (LIVE P.T.O) (2/2)



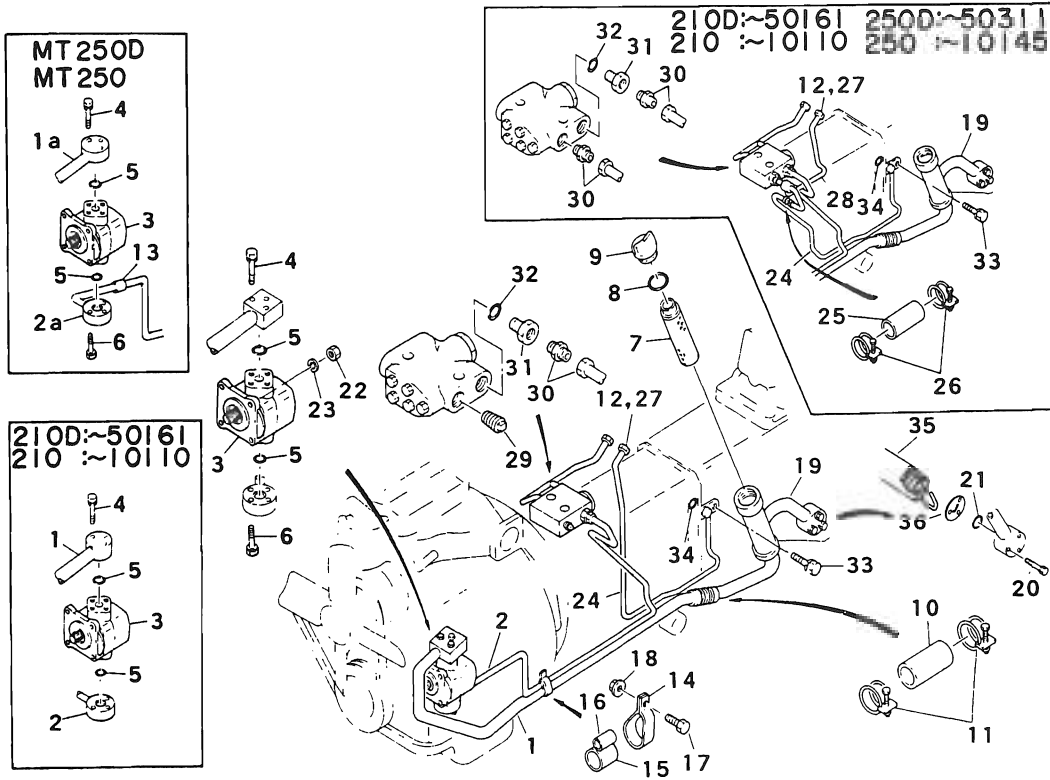
| Key No | Parts No                     | Parts Name                  | Q'ty   |        |  |  | F/P | Application  | Description | Remarks |
|--------|------------------------------|-----------------------------|--------|--------|--|--|-----|--|-------------|---------|
|        |                              |                             | 21PS   | 25PS   |  |  |     |  |             |         |
| 25     | 1981 2453 000                | BOLT,eye                    | 1      | 1      |  |  |     | 210D.50162~<br>210 10111~<br>250D:50312~<br>250 10146~ |             |         |
| 26     | 67775-01500<br>A360 0100 802 | BOLT,union<br>WASHER,spring | 1<br>3 | 1<br>3 |  |  | D   |  | M8          |         |

FIG. 713 HYDRAULIC LINE (P/S & LIVE P.T.O) (1/2)



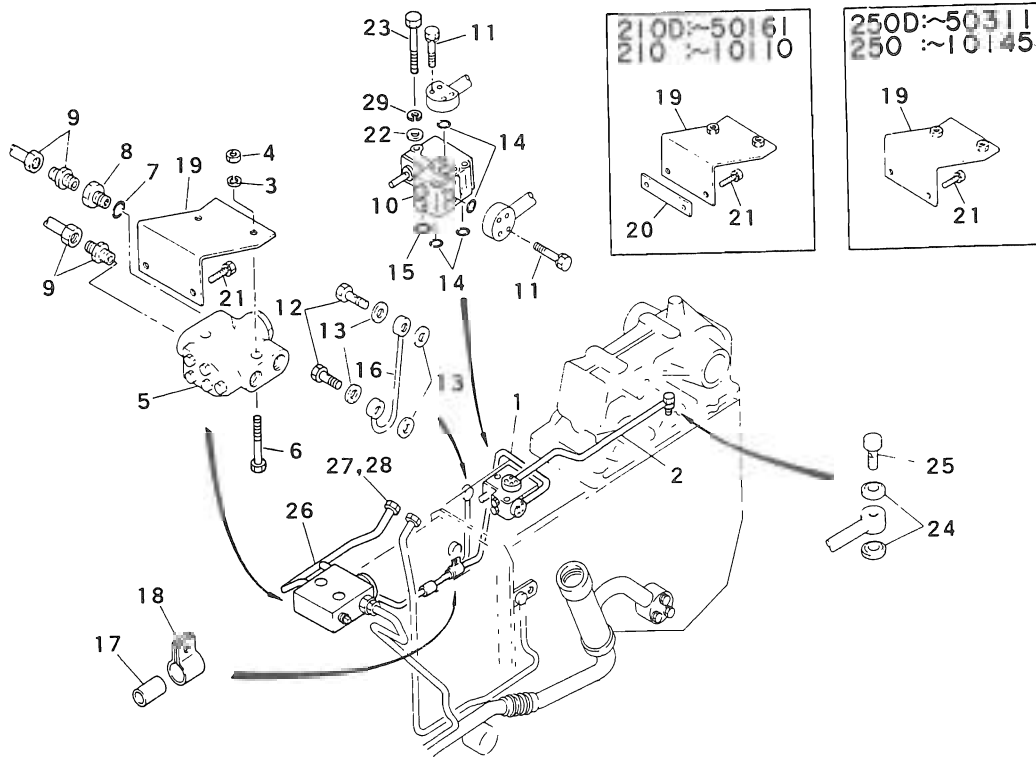
| Key No. | Parts No.     | Parts Name     | QTY | UNIT | Application | Disassembly | Remarks |
|---------|---------------|----------------|-----|------|-------------|-------------|---------|
| 1       | 1984 252E 000 | PIPE A,section | 1   | *    | 2100-50161  |             |         |
| 2       | 1983 254' 000 | PIPE A,section | 1   | *    | 2500-50311  |             |         |
|         | 1984 251E 001 | PIPE           | 1   | *    | 2100-50161  |             |         |
|         | 1984 251E 000 | PIPE           | 1   | *    | 2500-50311  |             |         |
| 3a      | 1984 251' 000 | PIPE,section   | 1   | *    | 2100-50161  |             |         |
| 3b      | 1984 251E 002 | PIPE A         | 1   | *    | 2500-50311  |             |         |
| 4       | 1984 251E 001 | PIPE A         | 1   | *    | 2100-50161  |             |         |
|         | 1983 256' 000 | PUMP,hydraulic | 1   | *    | 2100-50161  |             | See 715 |
|         |               |                |     |      | 2500-50311  |             |         |
|         |               |                |     |      | 2100-50161  |             |         |
|         |               |                |     |      | 2500-50311  |             |         |
|         |               |                |     |      | 2100-50161  |             |         |
|         |               |                |     |      | 2500-50311  |             |         |
|         |               |                |     |      | 2100-50161  |             |         |
|         |               |                |     |      | 2500-50311  |             |         |
| 4       | 1986 2353 000 | PUMP,hyd pump  | 1   | *    |             |             |         |
| 5       | 1144 0106 015 | BOLT,washer    | 3   | 3    |             |             | 1162E   |
| 5       | 0930 0100 180 | O-RING         | 2   | 2    |             |             | 1162    |
| 5       | 1144 0106 035 | BOLT,washer    | 4   | 4    |             |             | 1162E   |
| 7       | 1174 251E 000 | FILTER,oil     | 1   | *    |             |             |         |
| 8       | 0930 0100 120 | O-RING         | 1   | 1    |             |             | 1162    |
| 9       | 68275 10500   | PLUG,filter    | 1   | 1    |             |             |         |
| 10      | 68275 02800   | WASHER         | 1   | 1    |             |             |         |
| 11      | 0050 1100 060 | CLAMP          | 2   | 2    |             |             |         |
| 12      | 1180 2062 121 | SLEEVE         | 1   | 1    |             |             |         |
| 13      | 1136 2474 000 | PIPE           | 1   | 1    |             |             |         |
| 14      | E7475-00400   | CLAMP,pipe     | 1   | 1    |             |             |         |
| 15      | E7575-00600   | CUSHION        | 1   | 1    |             |             |         |
| 16      | E7575-01301   | CUSHION        | 1   | 1    |             |             |         |
| 17      | A052 0110 025 | ROTT           | 1   | 1    |             |             | 1102E   |
| 18      | F803 0110 001 | BOLT,large     | 1   | 1    |             |             | 1110    |
| 19      | 1021 2013 000 | PIPE B,section | 1   | 1    |             |             |         |
| 20      | 1154 0108 050 | BOLT,washer    | 3   | 3    |             |             | 1162E   |
| 21      | 0300 0100 250 | O-RING         | 1   | 1    |             |             | 1162    |
| 22      | 4301 0108 001 | NUT            | 4   | 4    |             |             | 116     |
| 23      | 4390 0100 000 | WASHER,spring  | 4   | 4    |             |             | 116     |

FIG.713 HYDRAULIC LINE (P/S & LIVE P.T.O) (1/2)



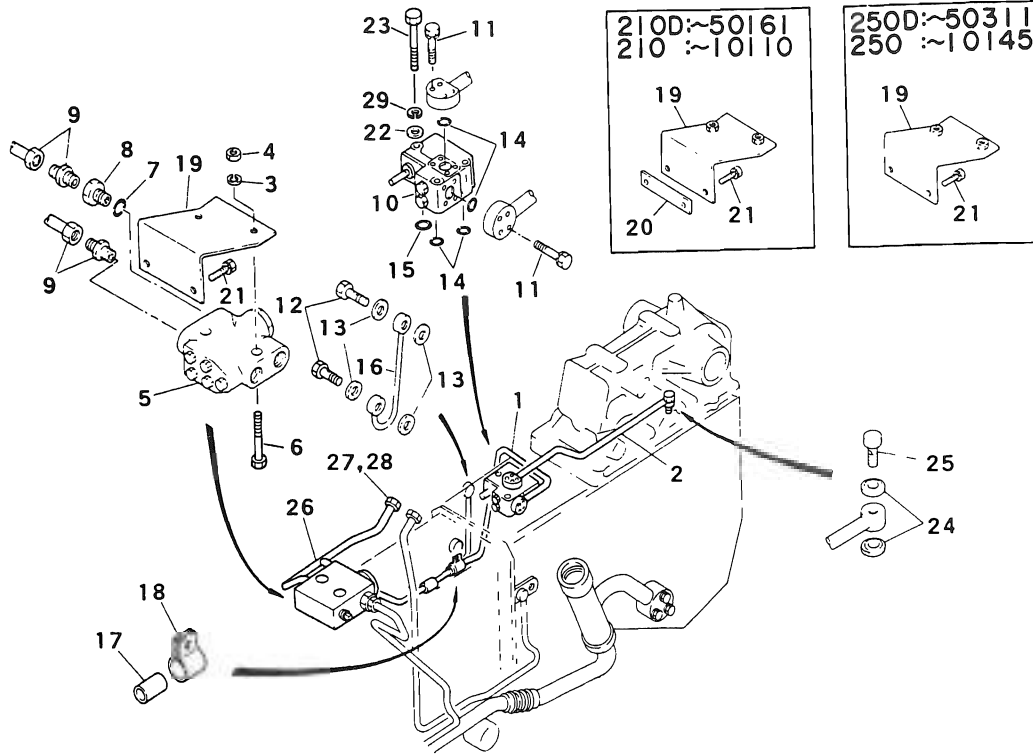
| Key No | Parts No      | Parts Name    | Q'ty |      |  |  | F/P | Application  | Description | Remarks |
|--------|---------------|---------------|------|------|--|--|-----|--|-------------|---------|
|        |               |               | 21PS | 25PS |  |  |     |  |             |         |
| 24     | 1984 2524 0C1 | PIPE,drain    | 1    | 1    |  |  |     | 210D:50162~<br>210 10111~<br>250D.50312~<br>250 10146~ |             |         |
|        | 1983 2546 0C0 | PIPE,drain    | 1    | 1    |  |  | D   |  |             |         |
| 25     | 1021 2529 001 | HOSE          | 1    | 1    |  |  |     | 210D ~50161<br>210 ~10110<br>250D ~50311<br>250 ~10145 | Deleted     |         |
| 26     | 0050 1100 200 | CLAMP         | 2    | 2    |  |  |     | 210D ~50161<br>210 ~10110<br>250D~50311<br>250 ~10145  | Deleted     |         |
| 27     | 1180 2362 131 | NUT           | 1    | 1    |  |  |     |  |             |         |
| 28     | 1983 2532 0C0 | PIPE,drain    | 1    | 1    |  |  |     | 210D ~50161<br>210 ~10110<br>250D ~50311<br>250 ~10145 | Deleted     |         |
| 29     | A600 0201 000 | PLUG          | 1    | 1    |  |  |     | 210D 50162~<br>210 10111~<br>250D~50312~<br>250 10146~ | Added       |         |
| 30     | 1995 2382 000 | JOINT         | 1    | 1    |  |  |     | 210D 50162~<br>210 10111~<br>250D 50312~<br>250 10146~ |             |         |
|        | 1995 2382 000 | JOINT         | 2    | 2    |  |  | D   |  |             |         |
| 31     | 68275-60502   | NUT,union     | 1    | 1    |  |  |     |  |             |         |
| 32     | 0830 0100 240 | O-RING        | 1    | 1    |  |  |     |  | φ24         |         |
| 33     | F154 0108 016 | BOLT,w/washer | 1    | 1    |  |  |     |  | M8X16       |         |
| 34     | 0830 0100 070 | O-RING        | 1    | 1    |  |  |     |  | φ7          |         |
| 35     | 1983 2567 000 | ADPTER,spring | 1    | 1    |  |  |     |  |             |         |
| 36     | 1983 2569 000 | PLATE         | 1    | 1    |  |  |     |  |             |         |

FIG.714 HYDRAULIC LINE (P/S & LIVE P.T.O) (2/2)



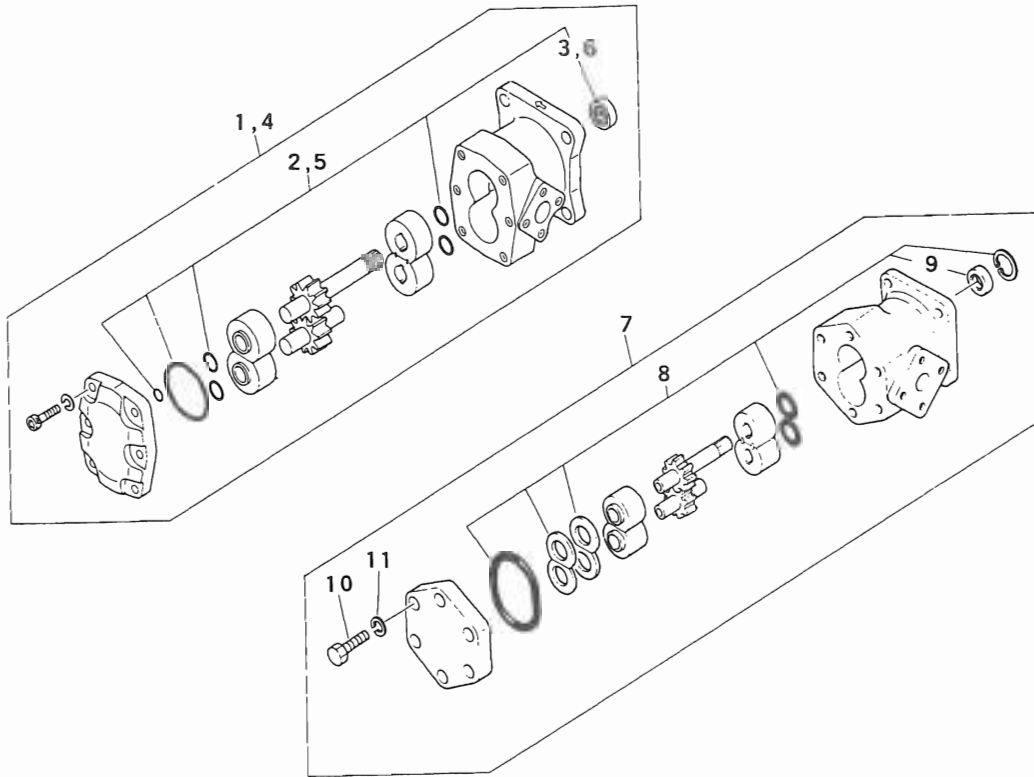
| Key No | Parts No      | Parts Name    | Q'ty |     |  |  | P | Application  | Description   | Remarks |
|--------|---------------|---------------|------|-----|--|--|---|--|---------------|---------|
|        |               |               | 4WD  | 2WD |  |  |   |  |               |         |
| 1      | 1984 2523 0C0 | PIPE,pressure | 1    | 1   |  |  |   |  |               |         |
| 2      | 1983 2544 0C0 | PIPE C        | 1    | 1   |  |  |   |  |               |         |
| 3      | A360 0100 602 | WASHER,spring | 2    | 2   |  |  |   | M6   |               |         |
| 4      | A300 0106 001 | NUT           | 2    | 2   |  |  |   | M6   |               |         |
| 5      | 1021 2521 0C0 | FLOW DIVIDER  | 1    | 1   |  |  |   |  | See Fig 716   |         |
| 6      | A044 0106 055 | BOLT          | 2    | 2   |  |  |   | M6X55  |               |         |
|        | ○             | BOLT,w/washer | 2    | 2   |  |  | A | M6X55  | F144 0106 055 |         |
| 7      | 0830 0100 240 | O-RING        | 1    | 1   |  |  |   | φ24  |               |         |
| 8      | 68275-60502   | NUT,union     | 1    | 1   |  |  |   |  |               |         |
| 9      | 1995 2382 000 | JOINT         | 2    | 2   |  |  |   |  |               |         |
| 10     | 1983 2518 0C1 | DIVIDER       | 1    | 1   |  |  |   |  | See Fig 717   |         |
| 11     | F144 0106 030 | BOLT,w/washer | 8    | 8   |  |  |   | M6X30  |               |         |
| 12     | F4610-10000   | BOLT,eye      | 2    | 2   |  |  |   |  |               |         |
| 13     | F4202-10000   | WASHER,seal   | 4    | 4   |  |  |   |  |               |         |
| 14     | 0830 0100 140 | O-RING        | 4    | 4   |  |  |   | φ14  |               |         |
| 15     | 0830 0100 200 | O-RING        | 1    | 1   |  |  |   | φ20  |               |         |
| 16     | 1983 2542 0C0 | PIPE,joint    | 1    | 1   |  |  |   |  |               |         |
| 17     | 1135 2474 000 | PIPE          | 2    | 2   |  |  |   |  |               |         |
| 18     | 68275-02900   | CLAMP         | 1    | 1   |  |  |   |  |               |         |
| 19     | 1984 2522 0C1 | BRACKET       | 1    | 1   |  |  |   | 210D 50162~<br>210 10111~<br>250D 50312~<br>250 10146~ |               |         |
|        | 1984 2522 0C0 | BRACKET       | 1    | 1   |  |  | D |  |               |         |
| 20     | 1021 2523 0C0 | PLATE         | 1    | •   |  |  |   | 210D ~50161<br>210 ~10110                              | Deleted       |         |
| 21     | F154 0108 016 | BOLT,w/washer | 2    | 2   |  |  |   | M8X16  |               |         |
| 22     | 0350 0130 815 | WASHER        | 3    | 3   |  |  |   | M8   |               |         |
| 23     | A050 0108 060 | BOLT          | 3    | 3   |  |  |   | M8X60  |               |         |
|        | ○             | BOLT,w/washer | 3    | 3   |  |  | A | M8X60  | F154 0108 060 |         |
| 24     | 0833 0001 600 | WASHER,seal   | 2    | 2   |  |  |   | 210D 50162~<br>210 10111~<br>250D 50312~<br>250 10146~ |               |         |
|        | 1021 1791 000 | WASHER,seal   | 2    | 2   |  |  | D |  |               |         |

FIG.714 HYDRAULIC LINE (P/S & LIVE P.T.O) (2/2)



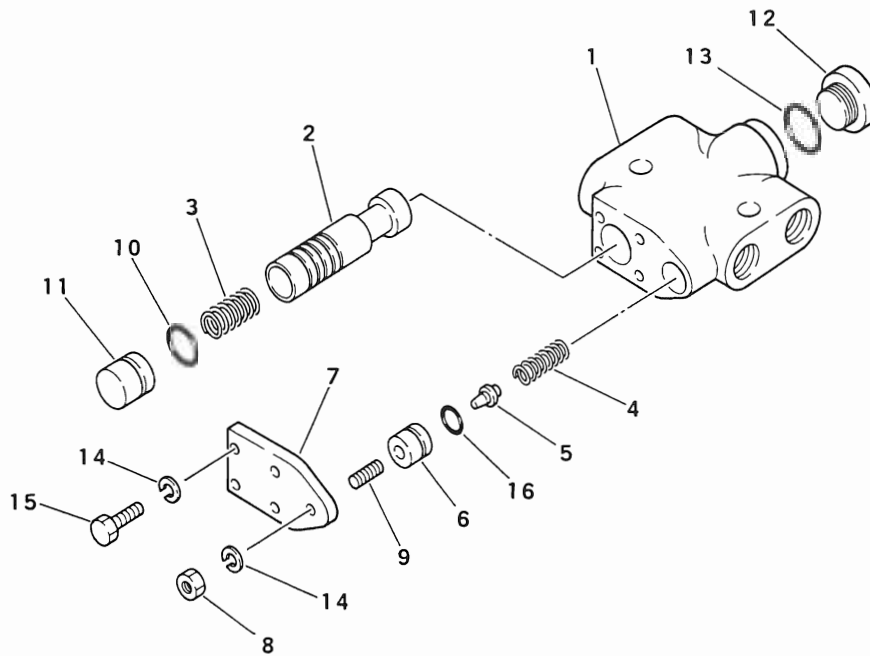
| Key No | Parts No      | Parts Name    | Q'ty |     |  |  | P | Application   | Description | Remarks |
|--------|---------------|---------------|------|-----|--|--|---|---|-------------|---------|
|        |               |               | 4WD  | 2WD |  |  |   |   |             |         |
| 25     | 1981 2453 000 | BOLT,eye      | 1    | 1   |  |  |   | 210D·50162~<br>210 10111~<br>250D·50312~<br>250 ·10146~ |             |         |
|        | 67775-01500   | BOLT,union    | 1    | 1   |  |  | D |   |             |         |
| 26     | 1984 2518 0C1 | PIPE D        | 1    | 1   |  |  |   |   |             |         |
| 27     | 1180 2362 121 | SLEEVE        | 1    | 1   |  |  |   |   |             |         |
| 28     | 1180 2362 131 | NUT           | 1    | 1   |  |  |   |   |             |         |
| 29     | A360 0100 802 | WASHER,spring | 3    | 3   |  |  |   |   | M8          |         |
| ...    | ...           | ...           |      |     |  |  |   |   |             |         |
| ...    | ...           | ...           |      |     |  |  |   |   |             |         |
| ...    | ...           | ...           |      |     |  |  |   |   |             |         |
| ...    | ...           | ...           |      |     |  |  |   |   |             |         |

FIG.715 HYDRAULIC PUMP



| Key No | Parts No      | Parts Name     | Q' t y |     |  |  | P | Application  | Description      | Remarks |
|--------|---------------|----------------|--------|-----|--|--|---|--|------------------|---------|
|        |               |                | 4WD    | 2WD |  |  |   |  |                  |         |
| 1      | 1021 2511 000 | HYDRAULIC PUMP | 1      | 1   |  |  |   |  |                  |         |
| 2,3    | 1974 2454 000 | REPAIR KIT     | 1      | 1   |  |  |   |  |                  |         |
| 3      | 1974 2451 600 | SEAL,oil       | 1      | 1   |  |  |   |  |                  |         |
| 4      | 1983 2561 000 | HYDRAULIC PUMP | 1      | 1   |  |  |   | 210D 50162~<br>210 10111~<br>250D 50312~<br>250 10146~ |                  |         |
| 5,6    | 1974 2454 000 | REPAIR KIT     | 1      | 1   |  |  |   |  | P/S & Live P T O |         |
| 6      | 1974 2451 600 | SEAL,oil       | 1      | 1   |  |  |   |  | P/S & Live P T O |         |
| 7      | 1996 2353 000 | HYDRAULIC PUMP | 1      | 1   |  |  |   | 210D ~50161<br>210 ~10110<br>250D ~50311<br>250 ~10145 | P/S & Live P T O |         |
| 8,9    | 1996 2353 180 | REPAIR KIT     | 1      | 1   |  |  |   |  | P/S & Live P T O |         |
| 9      | 1996 2353 170 | SEAL,oil       | 1      | 1   |  |  |   |  | P/S & Live P T O |         |
| 10     | F1030-08025   | BOLT           | 6      | 6   |  |  |   | M8X25  | P/S & Live P T O |         |
| 11     | A360 0100 802 | WASHER,spring  | 6      | 6   |  |  |   | M8   | P/S & Live P T O |         |

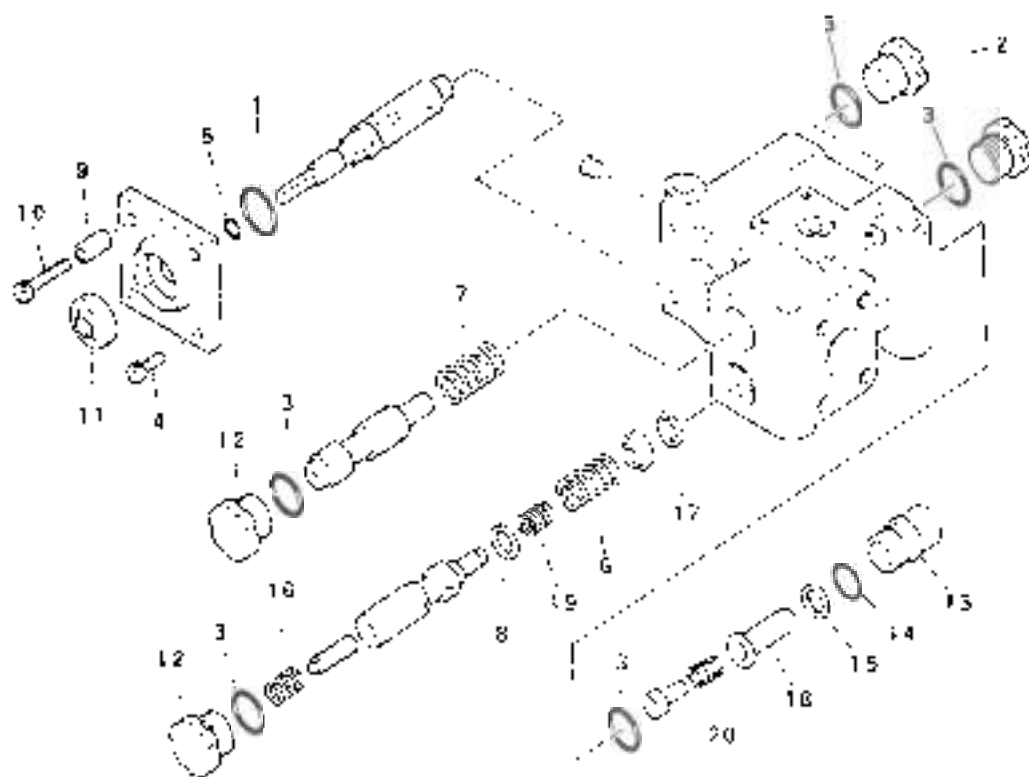
FIG.716 FLOW DIVIDER (P/S LIVE P.T.O)



| Key No | Parts No      | Parts Name          | Q' t y |     |  |  | P | Application | Description | Remarks |
|--------|---------------|---------------------|--------|-----|--|--|---|-------------|-------------|---------|
|        |               |                     | 4WD    | 2WD |  |  |   |             |             |         |
| 1~16   | 1021 2521 0C0 | <b>FLOW DIVIDER</b> | 1      | 1   |  |  |   |             |             |         |
| 1      | *             | BODY                | 1      | 1   |  |  |   |             |             |         |
| 2      | *             | PLUNGER             | 1      | 1   |  |  |   |             |             |         |
| 3      | 1915 6106 000 | SPRING              | 1      | 1   |  |  |   |             |             |         |
| 4      | 1021 2521 110 | SPRING              | 1      | 1   |  |  |   |             |             |         |
| 5      | 1995 2379 140 | POPPET              | 1      | 1   |  |  |   |             |             |         |
| 6      | 1021 2521 120 | HOUSING             | 1      | 1   |  |  |   |             |             |         |
| 7      | 1021 2521 130 | PLATE               | 1      | 1   |  |  |   |             |             |         |
| 8      | A301 0108 003 | NUT                 | 1      | 1   |  |  |   | M8          |             |         |
| 9      | 1021 2521 140 | SCREW,set           | 1      | 1   |  |  |   |             |             |         |
| 10     | 0830 0100 180 | O-RING              | 1      | 1   |  |  |   | φ18         |             |         |
| 11     | 1021 2521 150 | PLUG                | 1      | 1   |  |  |   |             |             |         |
| 12     | 1995 2379 190 | PLUG                | 1      | 1   |  |  |   |             |             |         |
| 13     | 0830 1100 240 | O-RING              | 1      | 1   |  |  |   | φ24         |             |         |
| 14     | A360 0100 802 | WASHER,spring       | 5      | 5   |  |  |   | M8          |             |         |
| 15     | A030 0108 020 | BOLT                | 4      | 4   |  |  |   | M8X20       |             |         |
| 16     | 0830 0100 120 | O-RING              | 1      | 16  |  |  |   | φ12         |             |         |

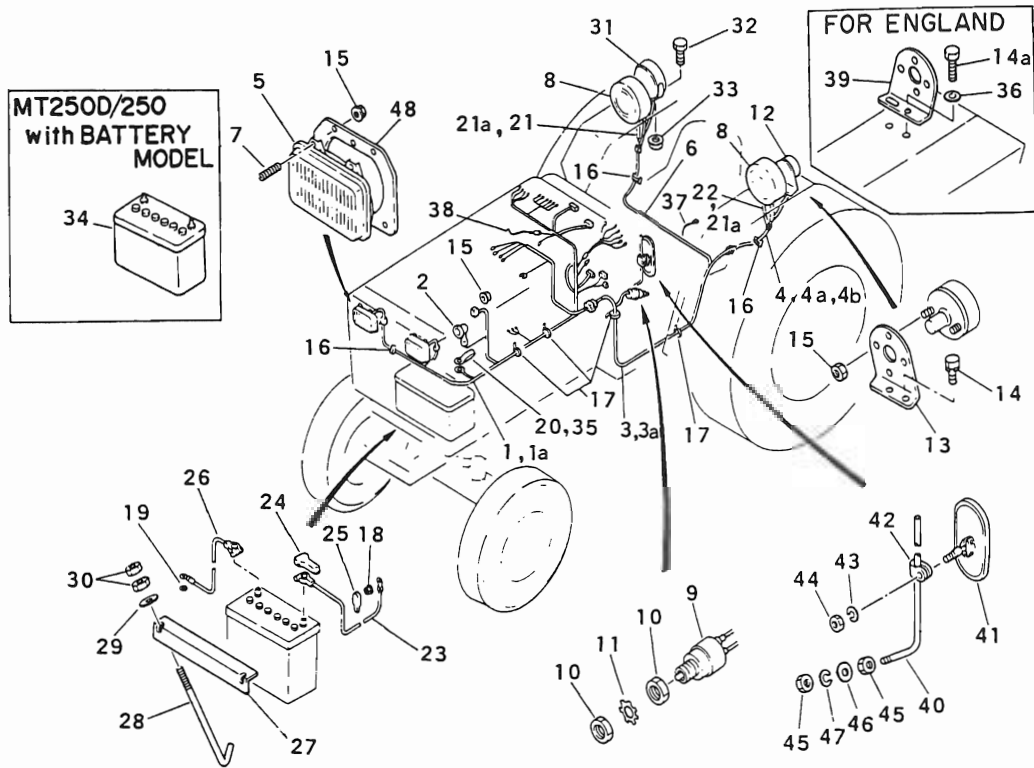


FIG. 7 17 DIVIDER (P/S LIVE P.T.O)



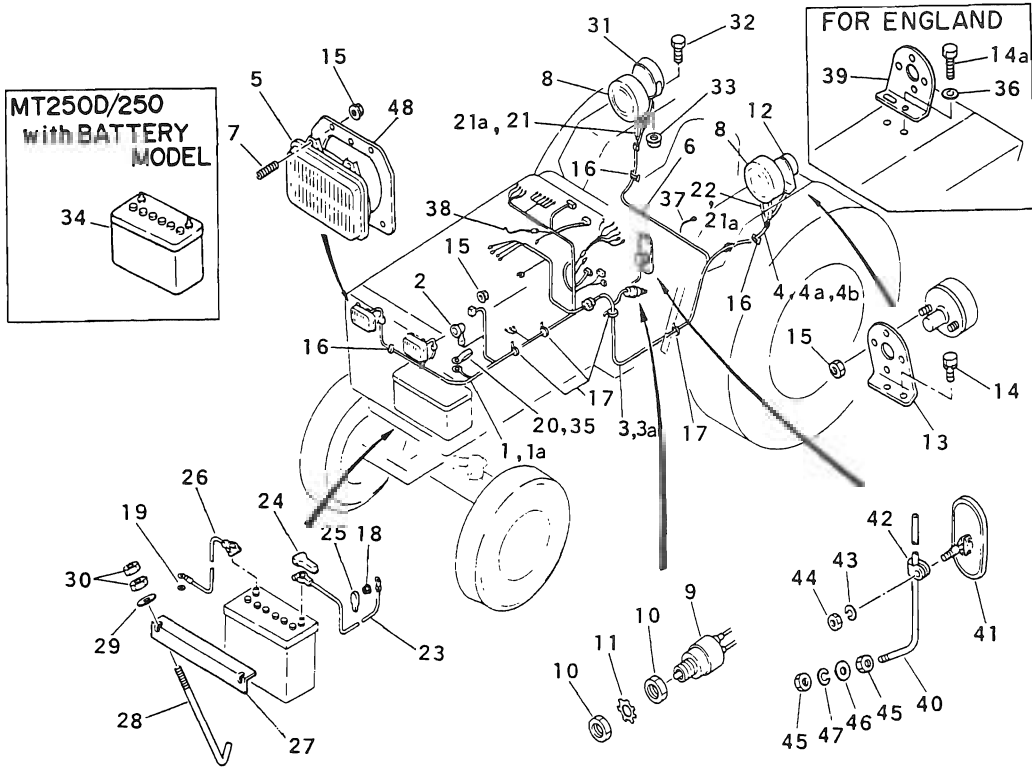
| Key No | Parts No       | Parts Name | QTY | Application | Description | Remarks |
|--------|----------------|------------|-----|-------------|-------------|---------|
| 20     | 1983 25 18 001 | DIVIDER    | 1   |             |             |         |
| 1      | 1983 25 18 130 | O-RING     | 1   |             |             |         |
| 2      | 1983 25 18 150 | PLUG       | 2   |             |             |         |
| 3      | 0930 1100 120  | O-RING     | 2   |             | 612         |         |
| 4      | 1983 25 18 170 | BOLT       | 2   |             |             |         |
| 5      | 0930 1100 060  | O-RING     | 1   |             | 60          |         |
| 5      | 1983 25 18 240 | SPRING     | 1   |             |             |         |
| 7      | 1983 25 18 250 | SPRING     | 1   |             |             |         |
| 8      | 1983 25 18 260 | SHIM       | 1   |             |             |         |
| 9      | 1983 25 18 280 | COLLAR     | 2   |             |             |         |
| 10     | 1983 25 18 290 | BOLT       | 2   |             |             |         |
| 11     | 1983 25 18 310 | SEAL,dash  | 1   |             |             |         |
| 12     | 1983 25 18 320 | PLUG       | 1   |             |             |         |
| 13     | 1983 25 18 330 | PLUG       | 1   |             |             |         |
| 14     | 0930 1100 140  | O-RING     | 1   |             | 614         |         |
| 15     | 1983 25 18 350 | SEAL       | 1   |             |             |         |
| 16     | 1983 25 18 360 | SPRING     | 1   |             |             |         |
| 17     | 1983 25 18 380 | RING, snap | 1   |             |             |         |
| 18     | 1983 25 18 390 | ROD, push  | 1   |             |             |         |
| 19     | 1983 25 18 410 | SPRING     | 1   |             |             |         |
| 20     | 1983 25 18 420 | SPRING     | 1   |             |             |         |

FIG.801 ELECTRICAL WIRING



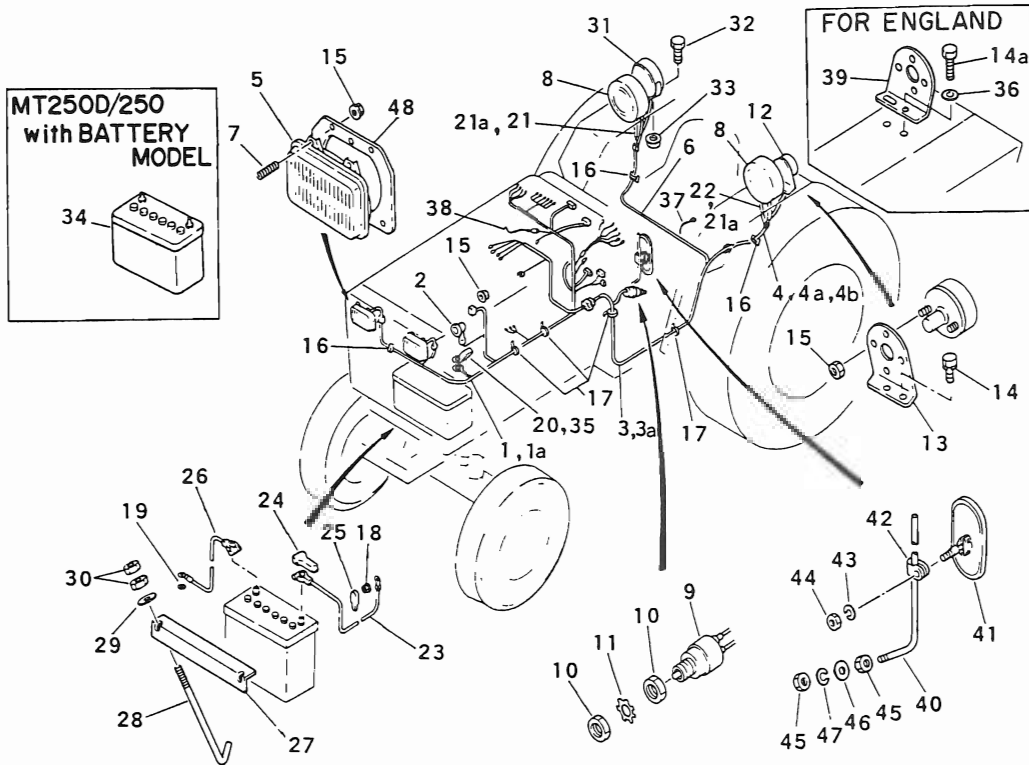
| Key No | Parts No      | Parts Name           | Q' t y |     |  |  | F/P | Application | Description  | Remarks |
|--------|---------------|----------------------|--------|-----|--|--|-----|-------------|--|---------|
|        |               |                      | 4WD    | 2WD |  |  |     |             |  |         |
| 1, 2   | 1984 2911 001 | <b>HARNESS A</b>     | 1      | 1   |  |  |     |             |  |         |
| 1a, 2  | 1984 2928 001 | <b>HARNESS A</b>     | 1      | 1   |  |  |     |             | For Central Europe   |         |
| 2      | 1915 2873 000 | CAP,terminal         | 1      | 1   |  |  |     |             |  |         |
| 3      | 1984 2912 000 | <b>HARNESS B</b>     | 1      | 1   |  |  |     |             |  |         |
| 3a     | 1984 2954 000 | <b>HARNESS B</b>     | 1      | 1   |  |  |     |             | For Central Europe   |         |
| 4      | 1984 2914 000 | <b>HARNESS D</b>     | 1      | 1   |  |  |     |             | For England  |         |
| 4a     | 1984 2916 000 | <b>HARNESS D</b>     | 1      | •   |  |  |     |             | See Fig 802  |         |
| 4b     | 1984 2936 001 | <b>HARNESS D</b>     | 1      | 1   |  |  |     |             | For Central Europe   |         |
| 5      | 1019 2840 001 | HEAD LAMP            | 2      | 2   |  |  |     |             | Exclude Central Europe   |         |
|        | ○             | HEAD LAMP            | 2      | 2   |  |  | A   |             | 1019 2840 000  |         |
| 6      | 1984 2913 000 | <b>HARNESS C</b>     | 1      | 1   |  |  |     |             |  |         |
| 7      | 1019 2849 000 | SPRING               | 6      | 6   |  |  |     |             |  |         |
| 8      | 1982 2821 000 | SIGNAL LAMP          | 2      | 2   |  |  |     |             | See Fig 802  |         |
| 9~11   | 1142 2881 001 | <b>SAFETY SWITCH</b> | 1      | 1   |  |  |     |             | Exclude England<br>Central Europe  |         |
| 9      | 1142 2881 111 | SWITCH               | 1      | 1   |  |  |     |             |  |         |
| 10     | 1142 2881 120 | NUT                  | 2      | 2   |  |  |     | M10         |  |         |
| 11     | 1142 2881 130 | WASHER,tooth         | 1      | 1   |  |  |     |             |  |         |
| 12     | 1982 2828 000 | TAIL LAMP ASSY       | 1      | 1   |  |  |     |             | See Fig 802  |         |
| 13     | 1982 2823 OG2 | BRACKET,lamp         | 1      | 1   |  |  |     |             | Exclude England<br>Central Europe  |         |
| 14     | H154 0108 016 | BOLT,w/washer        | 2      | 2   |  |  |     | M8X16       |  |         |
| 14a    | A050 0108 012 | BOLT                 | 4      | 4   |  |  |     | M8X12       | For England  |         |
| 15     | F300 0105 001 | NUT,flange           | 9      | 9   |  |  |     | M5          |  |         |
|        | F300 0105 001 | NUT,flange           | 7      | 7   |  |  |     | M5          | Exclude England<br>Central Europe  |         |
| 16     | 1007 0012 000 | STEPL,art            | 9      | 9   |  |  |     | M5          | 210D.50012~<br>210 10011~<br>250D 50182~<br>250 10091~<br>210D 50012~<br>210 10011~<br>250D 50182~<br>250 10091~ |         |
|        | 1007 0012 000 | STEPL,art            | 8      | 8   |  |  | D   |             |  |         |

FIG.801 ELECTRICAL WIRING



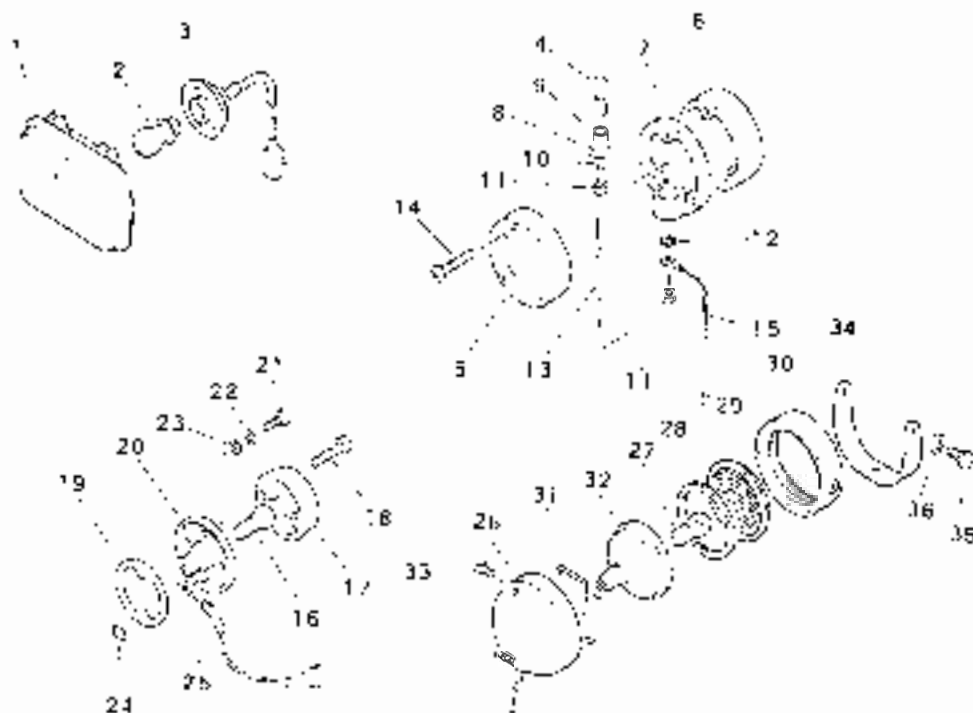
| Key No | Parts No      | Parts Name    | Q'ty |     |  |  | P | Application  | Description          | Remarks                                  |
|--------|---------------|---------------|------|-----|--|--|---|--|----------------------|--|
|        |               |               | 4WD  | 2WD |  |  |   |  |                      |  |
| 17     | 1007 2858 000 | BAND,wire     | 6    | 6   |  |  |   | 210D·50012~<br>210 10011~<br>250D·50182~<br>2150 ·10091~ |                      |  |
|        | 1007 2858 000 | BAND,wire     | 5    | 5   |  |  | D |  |                      |  |
| 18     | F301 0108 001 | NUT,flange    | 1    | 1   |  |  |   |  | M8                   |  |
| 19     | 0370 0108 000 | WASHER,tooth  | 2    | 2   |  |  |   |  | M8                   | Exchangeable to the part                 |
| 20     | 0050 2108 083 | CLAMP         | 4    | 4   |  |  |   | 210D 50162~<br>210 10111~<br>250D 50312~<br>250 10146~   |                      | No 1981 2823 000 with set                |
|        | ○             | CLAMP         | 5    | 5   |  |  | B |  |                      | 0050 2108 083                            |
| 21     | 1983 2913 001 | HARNESS C     | 1    | 1   |  |  |   |  |                      | Exclude England<br>Central Europe        |
| 21a    | 1984 2955 000 | HARNESS       | 2    | 2   |  |  |   |  |                      | For Central Europe                       |
| 22     | 1983 2914 001 | HARNESS D     | 1    | 1   |  |  |   |  |                      | Exclude England<br>Central Europe        |
| 23-25  | 1019 2881 000 | CODE ASSY.    | 1    | 1   |  |  |   |  |                      | (+) CODE                                 |
| 23     | *             | CODE          | 1    | 1   |  |  |   |  |                      |  |
| 24     | 1135 2804 100 | COVER         | 1    | 1   |  |  |   |  |                      |  |
| 25     | 1135 2804 200 | CAP,terminal  | 1    | 1   |  |  |   |  |                      |  |
| 26     | 1970 2805 100 | CODE          | 1    | 1   |  |  |   |  |                      | (-) CODE                                 |
| 27     | 69504-062C0   | CLAMP,battery | 1    | 1   |  |  |   |  |                      |  |
| 28     | 1982 2884 000 | L-BOLT        | 2    | 2   |  |  |   |  |                      | Exchangeable to the part                 |
|        | ○             | L-BOLT        | 2    | 2   |  |  | A |  |                      | 67404-00901<br>No 1981 2823 000 with set |
| 29     | 0350 0130 613 | WASHER        | 2    | 2   |  |  |   | 210D 50162~<br>210 10111~<br>250D 50312~<br>250 10146~   | M6<br>M6<br>M6<br>M6 |  |
|        | ○             | WASHER        | 3    | 3   |  |  | B |  | M6                   | 0350 0130 613                            |
| 30     | A300 0106 001 | NUT           | 4    | 4   |  |  |   |  | M6                   |  |
| 31-33  | 67404-00032   | WORKING LAMP  | 1    | 1   |  |  |   |  |                      |  |
| 31     | 67404-12202   | WORKING LAMP  | 1    | 1   |  |  |   |  |                      | See Fig 802                              |

FIG.801 ELECTRICAL WIRING



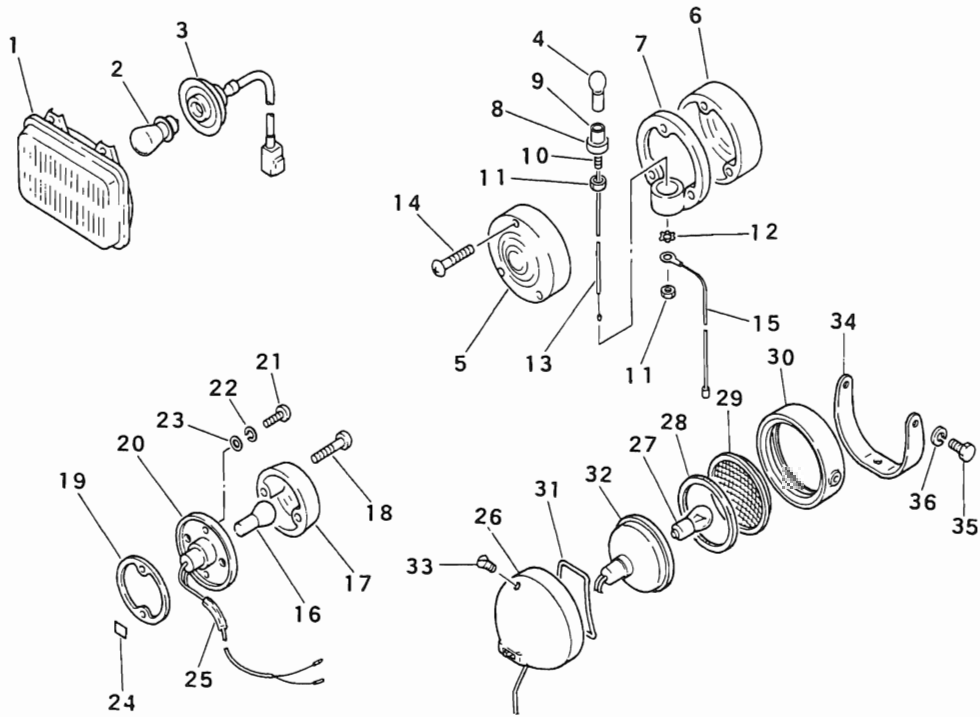
| Key No | Parts No      | Parts Name     | Q'ty |     |  |  | Application | Description        | Remarks |
|--------|---------------|----------------|------|-----|--|--|-------------|--------------------|---------|
|        |               |                | 4WD  | 2WD |  |  |             |                    |         |
| 32     | A050 0108 020 | BOLT           | 1    | 1   |  |  | M8X20       |                    |         |
| 33     | F301 0108 001 | NUT,flange     | 1    | 1   |  |  | M8          |                    |         |
| 34     | 1994 2913 000 | BATTERY        | 1    | 1   |  |  | NS70        | MT250D/250 with    |         |
| 35     | 1981 2823 000 | CLAMP          | 1    | 1   |  |  | NS70        | BATTELYMODEL       |         |
|        |               |                |      |     |  |  | 210D 50162~ | Added              |         |
|        |               |                |      |     |  |  | 210 10111~  |                    |         |
|        |               |                |      |     |  |  | 250D 50312~ | Added              |         |
|        |               |                |      |     |  |  | 250 10146~  |                    |         |
| 36     | 0350 0140 818 | WASHER         | 2    | •   |  |  | M8          | For England        |         |
| 37     | 1994 2935 000 | HARNESSE,earth | 1    | 1   |  |  |             | For England        |         |
|        |               |                |      |     |  |  |             | Central Europe     |         |
| 38     | 1021 2918 000 | HARNESSE F     | 1    | 1   |  |  |             |                    |         |
| 39     | 1978 2934 0G1 | BRACKET,lamp   | 1    | •   |  |  |             | For England        |         |
| 40-47  | 67404-01002   | BACK MIRROR    | 1    | •   |  |  |             | For England        |         |
| 40     | *             | STAY           | 1    | 1   |  |  |             |                    |         |
| 41     | 67404-01020   | MIRROR ASSY    | 1    | •   |  |  |             |                    |         |
| 42     | 67404-01017   | CLAMP          | 1    | •   |  |  |             |                    |         |
| 43     | F2525-08000   | WASHER,spring  | 1    | •   |  |  | M8          |                    |         |
| 44     | F2300-08000   | NUT            | 1    | •   |  |  | M8          |                    |         |
| 45     | F2300-10000   | NUT            | 2    | •   |  |  | M10         |                    |         |
| 46     | F2500-10000   | WASHER         | 1    | •   |  |  | M10         |                    |         |
| 47     | F2515-10000   | WASHER,spring  | 1    | •   |  |  | M10         |                    |         |
| 48     | 1994 2915 000 | BRACKET        | 2    | 2   |  |  |             | For Central Europe |         |

FIG.802 ELECTRICAL PARTS



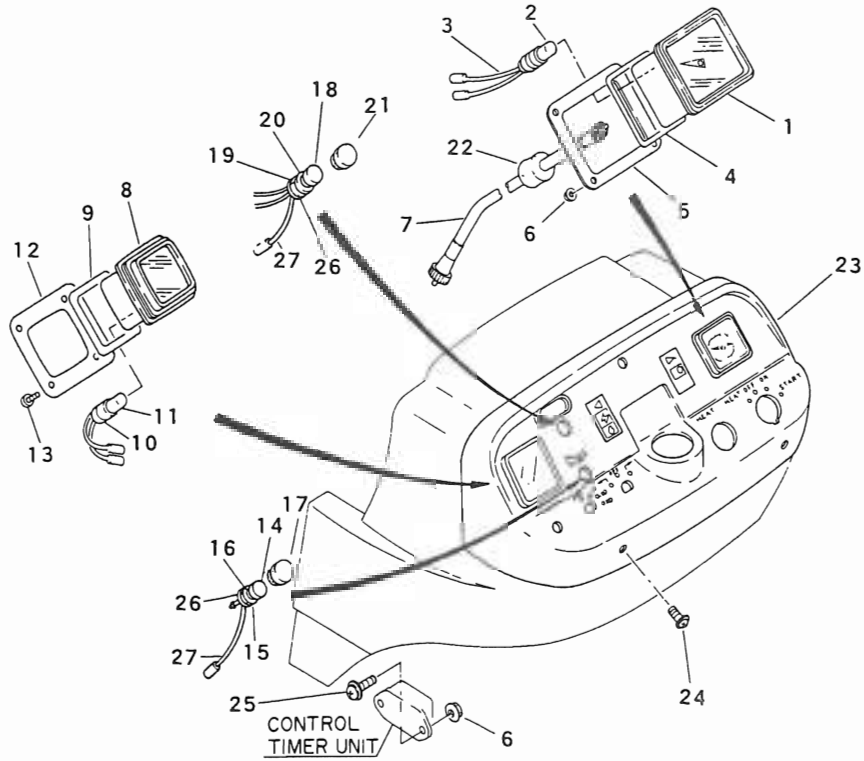
| Key No | Parts No      | Parts Name     | QTY | UNIT | Application | Description | Remarks       |
|--------|---------------|----------------|-----|------|-------------|-------------|---------------|
| 13     | 10'3 2840 001 | HEAD LAMP      | 2   | 2    |             |             |               |
|        | C             | HEAD LAMP      | 2   | 2    |             |             |               |
| 1      | 10'3 2841 000 | SEALED BEAM    | 1   | 1    | A           |             | 10'3 2843 070 |
| 2      | 67404-21720   | BULB           | 1   | 1    |             |             | 10'3 2843 050 |
| 3      | 10'3 2842 002 | SOCKET         | 1   | 1    |             |             |               |
|        | C             | SOCKET         | 1   | 1    | A           |             | 10'3 2843 070 |
| 4-15   | 1987 2871 000 | SIGNAL LAMP    | 2   | 2    |             |             |               |
| 4      | 1982 2871 120 | BULB           | 1   | 1    |             |             | 10'3 2843 070 |
| 5      | 1987 2871 130 | LENS A         | 1   | 1    |             |             |               |
| 6      | 1982 2871 140 | LENS B         | 1   | 1    |             |             |               |
| 7      | 1987 2871 110 | GASKET seal    | 1   | 1    |             |             |               |
| 8      | 1987 2871 150 | HOUSING        | 1   | 1    |             |             |               |
| 9      | *             | SOCKET         | 1   | 1    |             |             |               |
| 10     | *             | BULB special   | 1   | 1    |             |             |               |
| 11     | A300 0'10 003 | NUT            | 2   | 2    |             |             |               |
| 12     | 0371 0'10 000 | WASHER cover   | 1   | 1    |             |             | 10'3 2843 070 |
| 13     | *             | CODE C.P       | 1   | 1    |             |             |               |
| 14     | *             | SCREW long     | 3   | 3    |             |             |               |
| 15     | 1982 2871 190 | CODE C.P       | 1   | 1    |             |             |               |
| 16-25  | 1987 2872 000 | TAIL LAMP ASSY | 1   | 1    |             |             |               |
| 16-24  | 1987 2822 000 | TAIL LAMP      | 1   | 1    |             |             |               |
| 16     | 1987 2822 120 | BULB           | 1   | 1    |             |             | 10'3 2843 070 |
| 17     | 1987 2872 140 | LENS           | 1   | 1    |             |             |               |
| 18     | A232 0'10 030 | SCREW          | 2   | 2    |             |             | 10'3 2843 070 |
| 19     | 1987 2872 130 | GASKET lens    | 1   | 1    |             |             |               |
| 20     | 1987 2822 110 | SOCKET C.P     | 1   | 1    |             |             |               |
| 21     | *             | SCREW          | 1   | 1    |             |             | 10'3 2843 070 |
| 22     | *             | WASHER spring  | 2   | 2    |             |             | 10'3 2843 070 |
| 23     | *             | WASHER         | 2   | 2    |             |             | 10'3 2843 070 |
| 24     | *             | LABEL          | 1   | 1    |             |             |               |
| 25     | 1982 1744 000 | TUBE           | 1   | 1    |             |             |               |
| 26-35  | 67404 2202    | WORKING LAMP   | 1   | 1    |             |             |               |
| 26     | 67404 2217    | BODY           | 1   | 1    |             |             |               |
| 27     | 67404 2225    | BULB           | 1   | 1    |             |             | 10'3 2843 070 |
| 28     | 67404 2218    | GASKET         | 1   | 1    |             |             |               |

FIG.802 ELECTRICAL PARTS



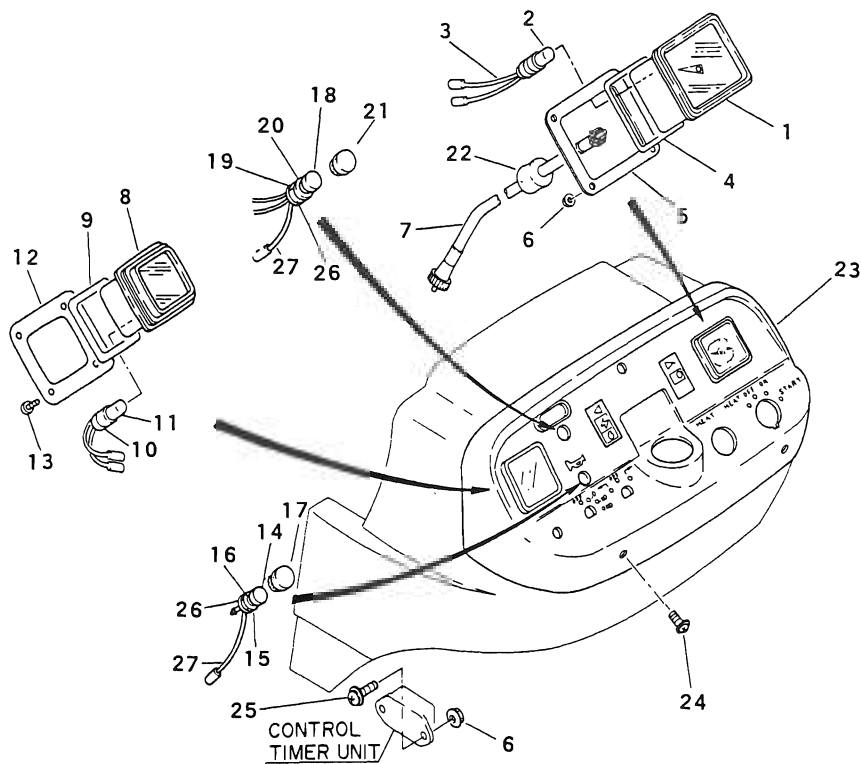
| Key No | Parts No    | Parts Name     | Q' t y |     |  |  | P | Application | Description | Remarks |
|--------|-------------|----------------|--------|-----|--|--|---|-------------|-------------|---------|
|        |             |                | 4WD    | 2WD |  |  |   |             |             |         |
| 29     | 67404-12219 | LENS           | 1      | 1   |  |  |   |             |             |         |
| 30     | 67404-12221 | RIM            | 1      | 1   |  |  |   |             |             |         |
| 31     | 67404-12222 | SPRING         | 1      | 1   |  |  |   |             |             |         |
| 32     | *           | REFLECTOR      | 1      | 1   |  |  |   |             |             |         |
| 33     | F1610-04010 | SCREW          | 1      | 1   |  |  |   | M4X10       |             |         |
| 34     | 67404-12223 | STAY           | 1      | 1   |  |  |   |             |             |         |
| 35     | F1025-06012 | BOLT           | 2      | 2   |  |  |   | M6X12       |             |         |
| 36     | F2515-06000 | WASHER, spring | 2      | 2   |  |  |   | M6          |             |         |

FIG.803 METER PANEL (1/2)



| Key No | Parts No      | Parts Name         | Q'ty |     |  |  |  | P | Application  | Description          | Remarks |
|--------|---------------|--------------------|------|-----|--|--|--|---|--|----------------------|---------|
|        |               |                    | 4WD  | 2WD |  |  |  |   |  |                      |         |
| 1~4    | 1982 2824 000 | <b>TACHOMETER</b>  | 1    | 1   |  |  |  |   |  |                      |         |
| 1      | *             | METER              | 1    | 1   |  |  |  |   |  |                      |         |
| 2      | 1174 2929 000 | BULB               | 1    | 1   |  |  |  |   | 12V3.4W  |                      |         |
| 3      | 1174 2918 120 | CODE ASSY          | 1    | 1   |  |  |  |   |  |                      |         |
| 4      | 1021 2921 120 | SEAT,rubber        | 1    | 1   |  |  |  |   |  |                      |         |
| 5      | 1019 2822 001 | PLATE              | 1    | 1   |  |  |  |   |  |                      |         |
| 6      | F300 0106 001 | NUT,flange         | 6    | 6   |  |  |  |   | M6   |                      |         |
| 7      | 1021 2923 000 | CABLE,flexible     | 1    | 1   |  |  |  |   |  |                      |         |
| 8~11   | 1021 2916 000 | <b>FUEL METER</b>  | 1    | 1   |  |  |  |   |  |                      |         |
| 8      | *             | METER              | 1    | 1   |  |  |  |   |  |                      |         |
| 9      | 1021 2916 120 | PACKING            | 1    | 1   |  |  |  |   |  |                      |         |
| 10     | 1021 2916 130 | SOCKET             | 1    | 1   |  |  |  |   |  |                      |         |
| 11     | 1021 2916 140 | BULB               | 1    | 1   |  |  |  |   |  |                      |         |
| 12     | 1021 2917 000 | PLATE              | 1    | 1   |  |  |  |   |  |                      |         |
| 13     | 0432 1104 012 | SCREW,tapping      | 4    | 4   |  |  |  |   | M4X12  |                      |         |
| 14~17  | 1984 2949 000 | <b>HORN SWITCH</b> | 1    | 1   |  |  |  |   | 210D 50643~<br>210 10268~<br>250D:51033~<br>250 10875~ |                      |         |
| 14~16  | 1982 2831 000 | <b>HORN SWITCH</b> | 1    | 1   |  |  |  | D |  |                      |         |
| 14     | *             | SWITCH             | 1    | 1   |  |  |  |   |  |                      |         |
| 15     | 1984 2962 120 | NUT                | 1    | 1   |  |  |  |   | 210D:50643~<br>210 10268~<br>250D:51033~<br>250 10875~ |                      |         |
| 16     | 67404-00311   | NUT                | 1    | 1   |  |  |  | D |  |                      |         |
|        | A360 0100 802 | WASHER             | 1    | 1   |  |  |  |   | 210D:50643~<br>210 10268~<br>250D:51033~<br>250 10872~ | M8<br>M8<br>M8<br>M8 |         |
| 17     | 67404-00313   | WASHER             | 1    | 1   |  |  |  | D |  |                      |         |
|        | 1174 2944 000 | BOOT               | 1    | 1   |  |  |  |   | 210D:50643~<br>210 10268~<br>250D:51033~<br>250 10875~ | Added                |         |

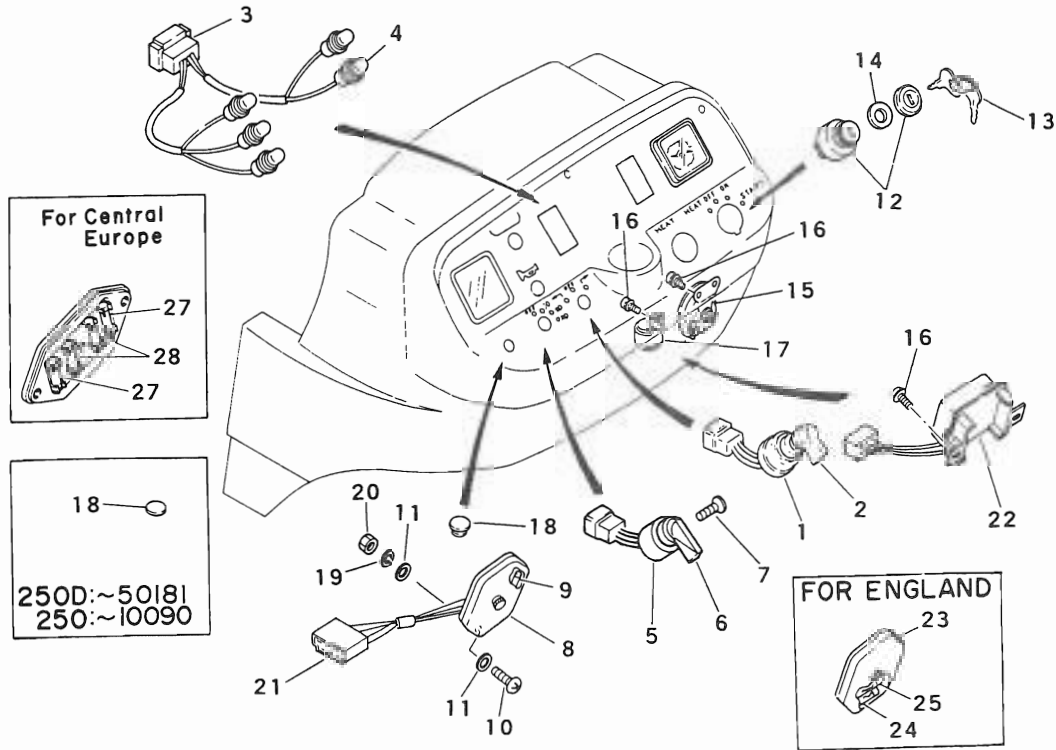
FIG. 803 METER PANEL (1/2)



| Key No | Parts No         | Parts Name     | Q'ty |     |  |  | F/P | Application   | Description          | Remarks |
|--------|------------------|----------------|------|-----|--|--|-----|---|----------------------|---------|
|        |                  |                | 4WD  | 2WD |  |  |     |   |                      |         |
| 18~21  | 1984 2962 000    | CHECK SWITCH   | 1    | 1   |  |  |     | 210D.50643~<br>210. 10268~<br>250D 51033~<br>250 10875~ |                      |         |
| 18~20  | 1982 2832 000    | CHECK SWITCH   | 1    | 1   |  |  | D   |   |                      |         |
|        | 18 *             | SWITCH         | 1    | 1   |  |  |     |   |                      |         |
|        | 19 1984 2962 120 | NUT            | 1    | 1   |  |  |     | 210D.50643~<br>210 10268~<br>250D.51033~<br>250 10875~  |                      |         |
|        | 67404-00311      | NUT            | 1    | 1   |  |  | D   |   |                      |         |
| 20     | A360 0100 802    | WASHER         | 1    | 1   |  |  |     | 210D 50643~<br>210 10268~<br>250D.51033~<br>250 10875~  | M8<br>M8<br>M8<br>M8 |         |
|        | 67404-00313      | WASHER         | 1    | 1   |  |  | D   |   |                      |         |
| 21     | 1174 2944 000    | BOOT           | 1    | 1   |  |  |     | 210D 50643~<br>210 10268~<br>250D 51033~<br>250 10875~  |                      | Added   |
| 22     | 1019 2824 000    | CUSHION        | 1    | 1   |  |  |     |   |                      |         |
| 23     | 1982 2527 002    | PANEL          | 1    | 1   |  |  |     |   |                      |         |
| 24     | 1019 2599 601    | SCREW,w/washer | 5    | 5   |  |  |     |   |                      |         |
| 25     | H242 0106 020    | SCREW,w/washer | 2    | 2   |  |  |     |   | M6X20                |         |
| 26     | 1174 2942 000    | CODE ASSY      | 2    | 2   |  |  |     | 210D 50643~<br>210D 10268~<br>250D 51033~<br>250 10875~ |                      | Added   |
|        | 1174 2942 000    | CODE ASSY      | 20   | 2   |  |  |     |   |                      |         |
|        | 1174 2942 000    | CODE ASSY      | 2    | 2   |  |  |     | 250 10875~  |                      |         |
| 27     | 0350 0130 820    | WASHER         | 2    | 2   |  |  |     | 210D 50643~<br>210 10268~<br>250D.51033~<br>250 10875~  |                      | Added   |

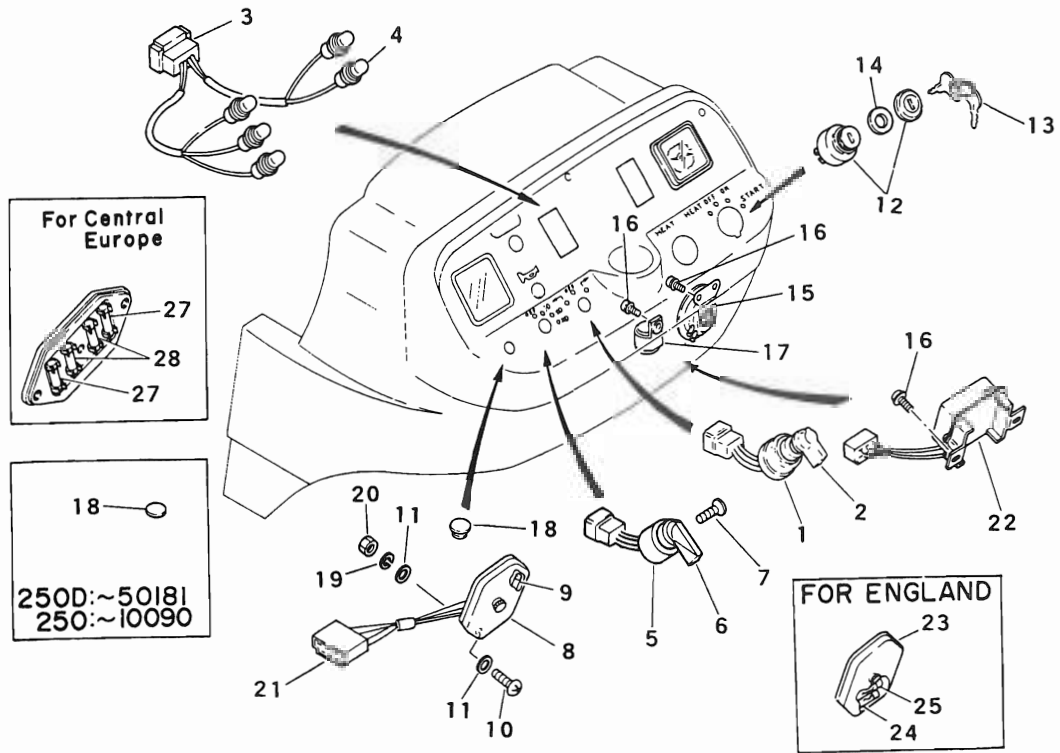


FIG.804 METER PANEL (2/2)



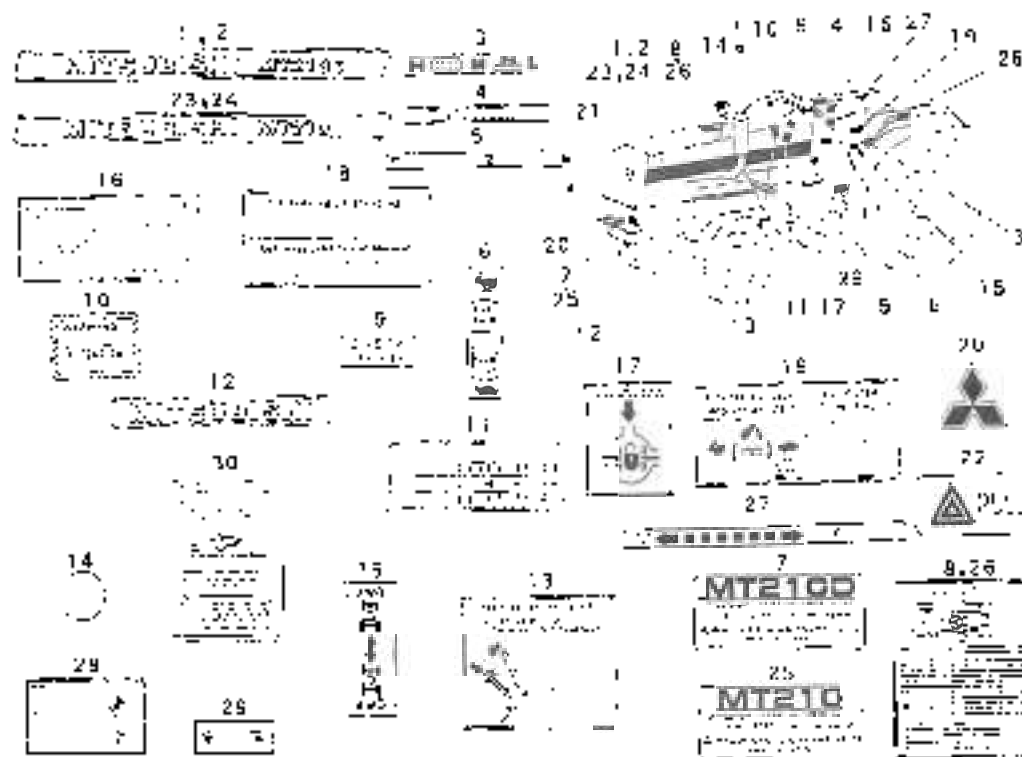
| Key No | Parts No           | Parts Name                  | Q'ty |     |  |  | P | Application  | Description                         | Remarks |
|--------|--------------------|-----------------------------|------|-----|--|--|---|--|-------------------------------------|---------|
|        |                    |                             | 4WD  | 2WD |  |  |   |  |                                     |         |
| 1, 2   | 1982 2813 000      | FLASHING SWITCH             | 1    | 1   |  |  |   |  |                                     |         |
| 1      | *                  | SWITCH                      | 1    | 1   |  |  |   |  |                                     |         |
| 2      | 1982 2813 110      | LEVER,switch                | 1    | 1   |  |  |   |  |                                     |         |
| 3, 4   | 1982 2826 000      | WARNING LAMP                | 1    | 1   |  |  |   |  |                                     |         |
| 3      | 1982 2826 110      | SOCKET C.P                  | 1    | 1   |  |  |   |  |                                     |         |
| 4      | 1982 2826 120      | BULB                        | 5    | 5   |  |  |   | 12V3 4W  |                                     |         |
| 5-7    | 1174 2937 000      | LIGHTINGSWITCH              | 1    | 1   |  |  |   |  |                                     |         |
| 5      | *                  | SWITCH                      | 1    | 1   |  |  |   |  |                                     |         |
| 6      | 1150 2827 210      | KONB                        | 1    | 1   |  |  |   |  |                                     |         |
| 7      | A222 0103 008      | SCREW                       | 1    | 1   |  |  |   | M3X8   |                                     |         |
| 8, 9   | 69504-17200        | FUSE BOX                    | 1    | 1   |  |  |   |  |                                     |         |
| 8      | *                  | BOX                         | 1    | 1   |  |  |   |  |                                     |         |
| 9      | 67404-02034        | FUSE                        | 4    | 4   |  |  |   | 10A  |                                     |         |
| 10     | A242 0105 020      | SCREW                       | 2    | 2   |  |  |   | M5X20  |                                     |         |
| 11     | 0350 0120 512      | WASHER                      | 4    | 4   |  |  |   | M5   |                                     |         |
| 12, 13 | 67404-12700        | STARTER SWITCH              | 1    | 1   |  |  |   |  |                                     |         |
| 12     | *                  | SWITCH                      | 1    | 1   |  |  |   |  |                                     |         |
| 13     | 67404-02712        | KEY                         | 1    | 1   |  |  |   |  | Set of 2pce                         |         |
| 14     | 1982 2836 001      | PACKING,switch              | 1    | 1   |  |  |   |  |                                     |         |
| 15     | 67404-02100        | HORN                        | 1    | 1   |  |  |   |  | Exclude Central Europe              |         |
| 16     | H242 0106 016      | SCREW,w/washer              | 5    | 5   |  |  |   | M6X16  |                                     |         |
| 17     | 1180 2908 000      | FLASHER UNIT                | 1    | 1   |  |  |   |  |                                     |         |
| 18     | 1981 2822 000      | PLUG                        | 1    | 1   |  |  |   | 210D 50012~<br>210 10011~<br>250D 50182~<br>250 10091~ |                                     |         |
| 19     | ○<br>A360 0100 502 | MARK,blind<br>WASHER,spring | 1    | 1   |  |  | B |  | 1978 2771 000                       |         |
| 20     | A300 0105 001      | NUT                         | 2    | 2   |  |  |   | M5   |                                     |         |
| 21     | 1982 2816 001      | HARNESS                     | 1    | 1   |  |  |   | M5   |                                     |         |
| 21a    | ○<br>1985 2917 000 | HARNESS<br>HARNESS          | 1    | 1   |  |  | A |  | 1982 2816 000<br>For Central Europe |         |
| 22     | 1983 2919 000      | REGULATOR                   | 1    | 1   |  |  |   |  |                                     |         |
| 23-25  | 1981 2843 000      | FUSE BOX                    | 1    | 1   |  |  |   |  | For England                         |         |
| 23     | *                  | BOX                         | 1    | 1   |  |  |   |  |                                     |         |

FIG.804 METER PANEL (2/2)



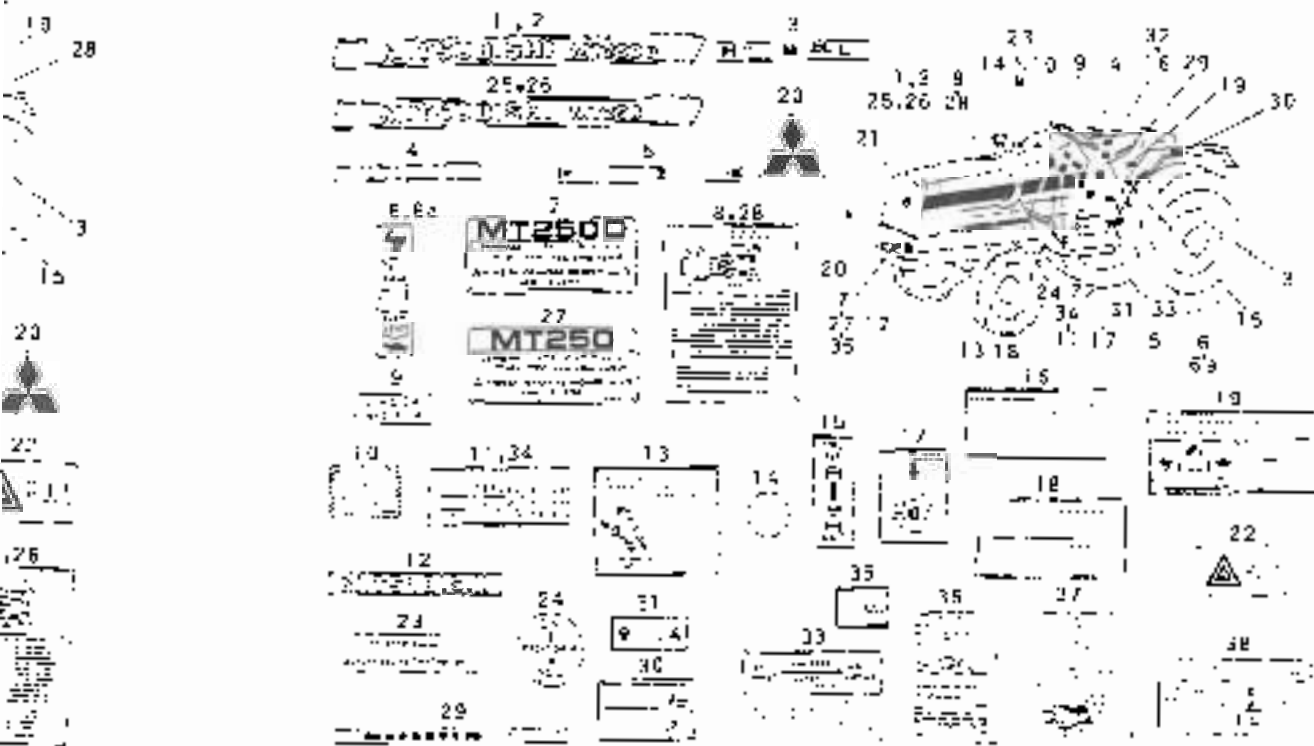
| Key No | Parts No      | Parts Name      | Q' t y |     |  |  | P | Application | Description        | Remarks |
|--------|---------------|-----------------|--------|-----|--|--|---|-------------|--------------------|---------|
|        |               |                 | 4WD    | 2WD |  |  |   |             |                    |         |
| 24     | 0980 1001 501 | FUSE            | 1      | 1   |  |  |   | 15A         |                    |         |
| 25     | 67404-02034   | FUSE            | 3      | 3   |  |  |   | 10A         |                    |         |
| 26-28  | 1985 2918 000 | <b>FUSE BOX</b> | 1      | 1   |  |  |   |             | For Central Europe |         |
| 26     | *             | BOX             | 1      | 1   |  |  |   |             |                    |         |
| 27     | 0980 1002 001 | FUSE            | 2      | 2   |  |  |   |             |                    |         |
| 28     | 67404-02034   | FUSE            | 2      | 2   |  |  |   | 10A         |                    |         |

FIG.901 NAME PLATE (210D,210)



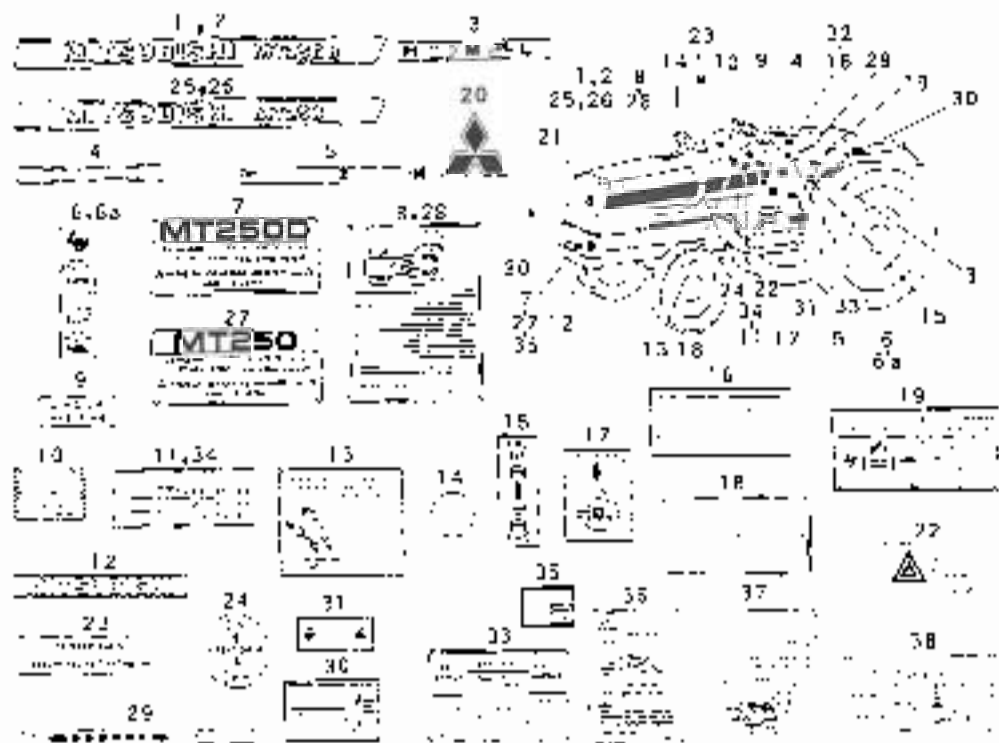
| Key No. | Parts No.     | Parts Name      | Qty. | App. | Description | Remarks     |
|---------|---------------|-----------------|------|------|-------------|-------------|
| 1       | 1984 2723 000 | LABEL L.H. side | 1    |      |             |             |
| 2       | 1984 2724 000 | LABEL R.H. side | 1    |      |             |             |
| 3       | 1984 2715 000 | LABEL           | 1    |      |             |             |
| 4       | 1984 2716 000 | LABEL position  | 1    |      |             |             |
| 5       | 1984 2717 000 | LABEL P.T.O.    | 1    |      |             |             |
| 6       | 1984 2718 000 | LABEL           | 1    |      |             |             |
| 7       | 1984 2735 000 | PLATE name      | 1    |      |             |             |
| 8       | 1984 2728 003 | LABEL on        | 1    |      | 003         |             |
|         | 1984 2728 002 | LABEL on        | 1    |      | 0           |             |
| 9       | 1984 2733 000 | LABEL check     | 1    |      |             |             |
| 10      | 1984 2738 000 | LABEL control   | 1    |      |             |             |
| 11      | 1984 2764 000 | LABEL           | 1    |      |             |             |
| 12      | 1984 2737 000 | LABEL           | 1    |      |             |             |
| 13      | 1984 2774 000 | LABEL brake     | 1    |      |             |             |
| 14      | 1984 2777 000 | LABEL plug      | 12   |      |             |             |
| 15      | 1986 2738 001 | LABEL 4WD       | 1    |      | 0           | For 4WD     |
|         | 0             | LABEL 4WD       | 1    |      | 0           | For 2WD     |
| 16      | 1984 2779 000 | LABEL safety    | 1    |      |             | For use 4WD |
| 17      | 1986 2712 000 | LABEL           | 1    |      |             |             |
| 18      | 1984 2734 000 | LABEL           | 1    |      |             |             |
| 19      | 1984 2736 000 | LABEL           | 1    |      |             |             |
| 20      | 1180 2655 000 | EMBLEM front    | 1    |      |             |             |
| 21      | 1135 2706 000 | HJ Edge         | 1    |      |             |             |
| 22      | 1982 2732 001 | LABEL hazard    | 1    |      |             |             |
| 23      | 1984 2721 000 | LABEL L.H. side | 1    |      |             |             |
| 24      | 1984 2722 000 | LABEL R.H. side | 1    |      |             |             |
| 25      | 1984 2734 000 | PLATE name      | 1    |      |             |             |
| 26      | 1984 2727 003 | LABEL c         | 1    |      | 003         |             |
|         | 1984 2727 002 | LABEL c         | 1    |      | 0           |             |
| 27      | 1984 2721 000 | LABEL crest     | 1    |      |             | For 4WD     |
| 28      | 1984 2742 000 | LABEL P.T.O.    | 1    |      |             | For 4WD     |
| 29      | 1984 2743 000 | LABEL control   | 1    |      | 400 0000    | Colored     |
|         |               |                 |      |      | 200 0000    |             |
| 30      | 1984 2745 000 | LABEL leader    | 1    |      |             |             |

FIG.902 NAME PLATE (250D,250)



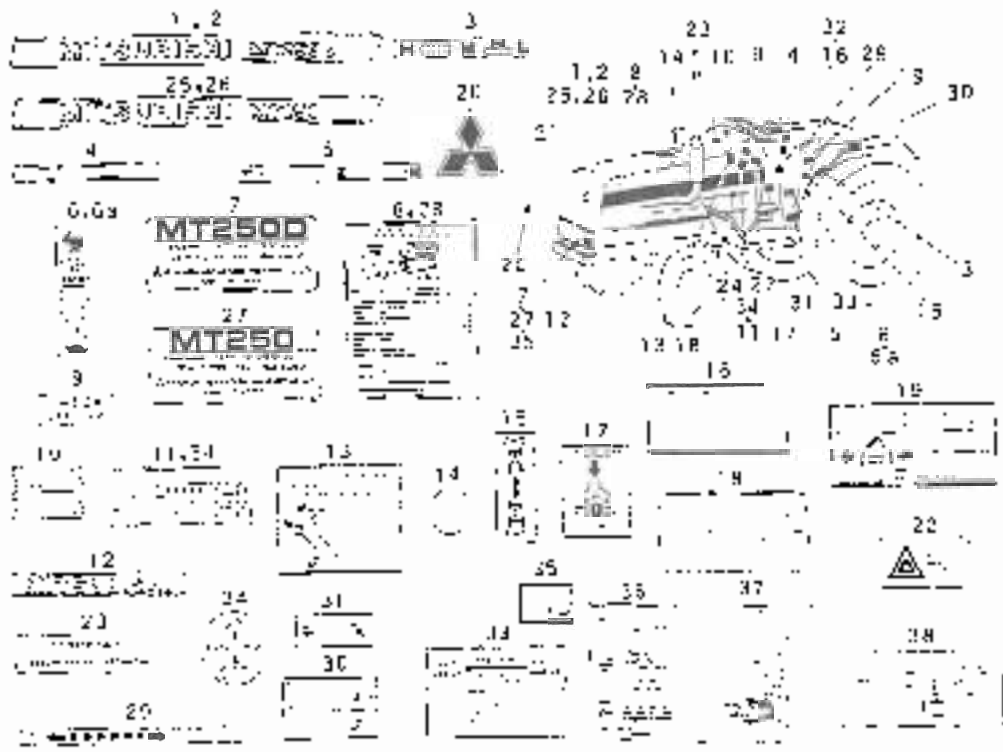
| Quantity | Part No       | Parts No | Parts Name | Unit | Qty | Applic | Description | Remarks    |
|----------|---------------|----------|------------|------|-----|--------|-------------|------------|
| 1        | 1984 2713 000 | LABEL    | L.H. side  | 1    | *   |        |             |            |
| 2        | 1984 2714 000 | LABEL    | R.H. side  | 1    | *   |        |             |            |
| 3        | 1984 2715 000 | LABEL    |            | 1    | 1   |        |             |            |
| 4        | 1984 2716 000 | LABEL    | position   | 1    | 1   |        |             |            |
| 5        | 1984 2717 000 | LABEL    | P.T.O.     | 1    | 1   |        |             |            |
| 6        | 1984 2718 000 | LABEL    |            | 1    | 1   |        |             |            |
| 6a       | 1021 2724 000 | LABEL    |            | 1    | *   |        |             | For Europe |
| 7        | 1984 2726 000 | PLATE    | name       | 1    | *   |        |             |            |
| 8        | 1984 2728 000 | LABEL    | oil        | 1    | *   |        |             |            |
|          | 1984 2728 003 | LABEL    | oil        | 1    | *   |        |             |            |
|          | 1984 2728 002 | LABEL    | oil        | 1    | *   |        |             |            |
|          | Q             | LABEL    | oil        | 1    | *   |        |             |            |
|          | Q             | LABEL    | oil        | 1    | *   |        |             |            |
| 9        | 1984 2733 000 | LABEL    | check      | 1    | 1   |        |             |            |
| 10       | 1984 2738 000 | LABEL    | caution    | 1    | 1   |        |             |            |
|          | 1984 2738 000 | LABEL    | caution    | 1    | 1   |        |             |            |
|          | 1984 2741 000 | LABEL    |            | 1    | 1   |        |             | For Europe |
| 12       | 1984 2737 000 | LABEL    |            | 1    | 1   |        |             |            |
| 13       | 1984 2724 000 | LABEL    | brake      | 1    | 1   |        |             |            |
|          | 1984 2783 000 | LABEL    | brake      | 1    | *   |        |             | For Europe |
| 14       | 1984 2727 000 | LABEL    | plug       | 12   | 12  |        |             |            |
| 15       | 1988 2738 001 | LABEL    | dwc        | 1    | *   |        |             |            |
|          | Q             | LABEL    | dwc        | 1    | *   |        |             |            |
| 16       | 1984 2729 000 | LABEL    | safety     | 1    | 1   |        |             |            |
|          | 1984 2731 000 | LABEL    |            | 1    | *   |        |             |            |
| 17       | 1985 2712 000 | LABEL    |            | 1    | 1   |        |             |            |
|          | 1984 2774 000 | LABEL    |            | 1    | *   |        |             |            |
| 18       | 1984 2734 000 | LABEL    |            | 1    | 1   |        |             |            |
|          | 1984 2784 000 | LABEL    | parking    | 1    | *   |        |             | For Europe |
| 19       | 1984 2736 000 | LABEL    |            | 1    | 1   |        |             |            |
|          | 1984 2785 000 | LABEL    |            | 1    | *   |        |             | For Europe |
| 20       | 1180 2655 000 | EMBLEM   | front      | 1    | 1   |        |             |            |
| 21       | 1135 2706 000 | NUT      | spare      | 1    | 1   |        |             |            |
| 22       | 1982 2732 001 | LABEL    | hazard     | 1    | 1   |        |             |            |

FIG.902 NAME PLATE (250D,250)



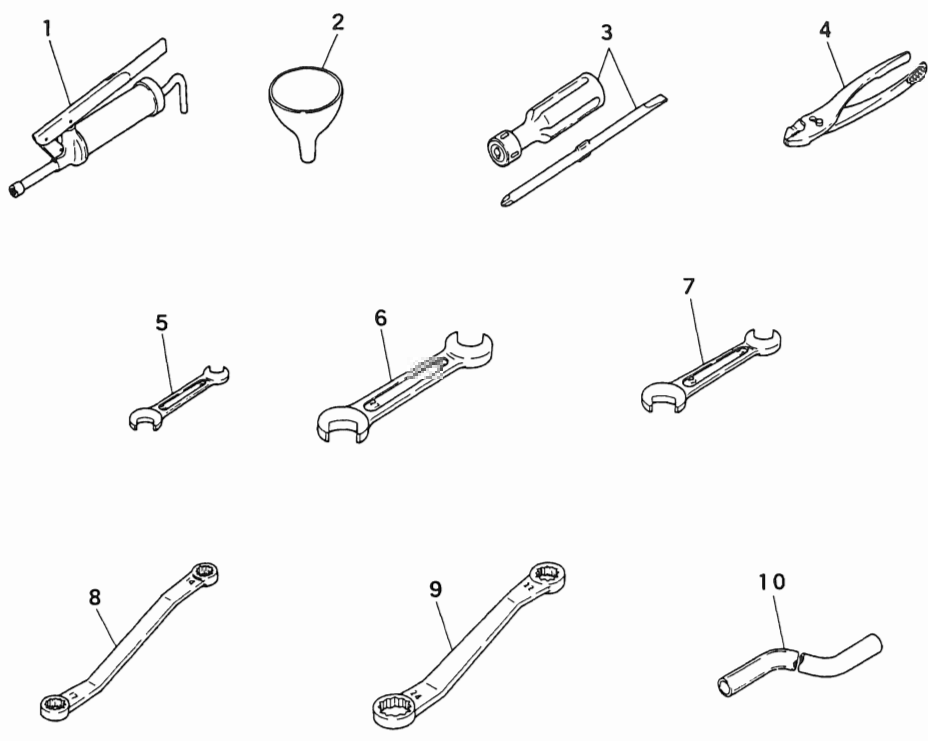
| Key No | Parts No      | Parts Name     | Qty | Application | Description | Remarks        |
|--------|---------------|----------------|-----|-------------|-------------|----------------|
| 1      | 1984 2713 000 | LABEL L.H.side | 1   |             |             |                |
| 2      | 1984 2714 000 | LABEL R.H.side | 1   |             |             |                |
| 3      | 1984 2715 000 | LABEL          | 1   |             |             |                |
| 4      | 1984 2716 000 | LABEL,position | 1   |             |             |                |
| 5      | 1984 2717 000 | LABEL P.T.O    | 1   |             |             |                |
| 6      | 1984 2718 000 | LABEL          | 1   |             |             |                |
| 6a     | 021 2724 000  | LABEL          | 1   |             |             | for Brazil     |
| 7      | 1984 2726 000 | PLATE,name     | 1   |             |             |                |
| 8      | 1984 2727 000 | LABEL,oil      | 1   |             |             |                |
|        | 1984 2728 000 | LABEL,oil      | 1   |             | 210 27539   |                |
|        | 1984 2728 002 | LABEL,oil      | 1   |             | 210 27537   |                |
|        | ○             | LABEL,oil      | 1   |             | 210 27562   | 1984 2728 001  |
|        | ○             | LABEL,oil      | 1   |             | 210 27562   | 1984 2728 003  |
| 9      | 1984 2733 000 | LABEL,check    | 1   |             |             |                |
| 10     | 1984 2738 000 | LABEL,caution  | 1   |             |             |                |
|        | 1984 2778 000 | LABEL,caution  | 1   |             |             | for State East |
| 11     | 1984 2744 000 | LABEL          | 1   |             |             |                |
| 12     | 1984 2737 000 | LABEL          | 1   |             |             |                |
| 13     | 1984 2724 000 | LABEL,brake    | 1   |             |             |                |
|        | 1984 2763 000 | LABEL,brake    | 1   |             |             | for State East |
| 14     | 1984 2727 000 | LABEL,plug     | 10  | 12          |             |                |
| 15     | 1986 2738 001 | LABEL,swd      | 1   |             |             |                |
|        | ○             | LABEL,swd      | 1   |             |             | 1986 2738 002  |
| 16     | 1984 2729 000 | LABEL,safety   | 1   |             |             |                |
|        | 1984 2781 000 | LABEL          | 1   |             |             | for State East |
| 17     | 1986 2712 000 | LABEL          | 1   |             |             |                |
|        | 1984 2774 000 | LABEL          | 1   |             |             | for State East |
| 18     | 1984 2734 000 | LABEL          | 1   |             |             |                |
|        | 1984 2784 000 | LABEL,parking  | 1   |             |             | for State East |
| 19     | 1984 2739 000 | LABEL          | 1   |             |             |                |
|        | 1984 2785 000 | LABEL          | 1   |             |             | for State East |
| 20     | 1180 2655 000 | EMBLEM,front   | 1   |             |             |                |
| 21     | 1135 2406 000 | NUT,spare      | 1   |             |             |                |
| 22     | 1982 2732 001 | LABEL hazard   | 1   |             |             | for State East |

FIG.902 NAME PLATE (250D,250)



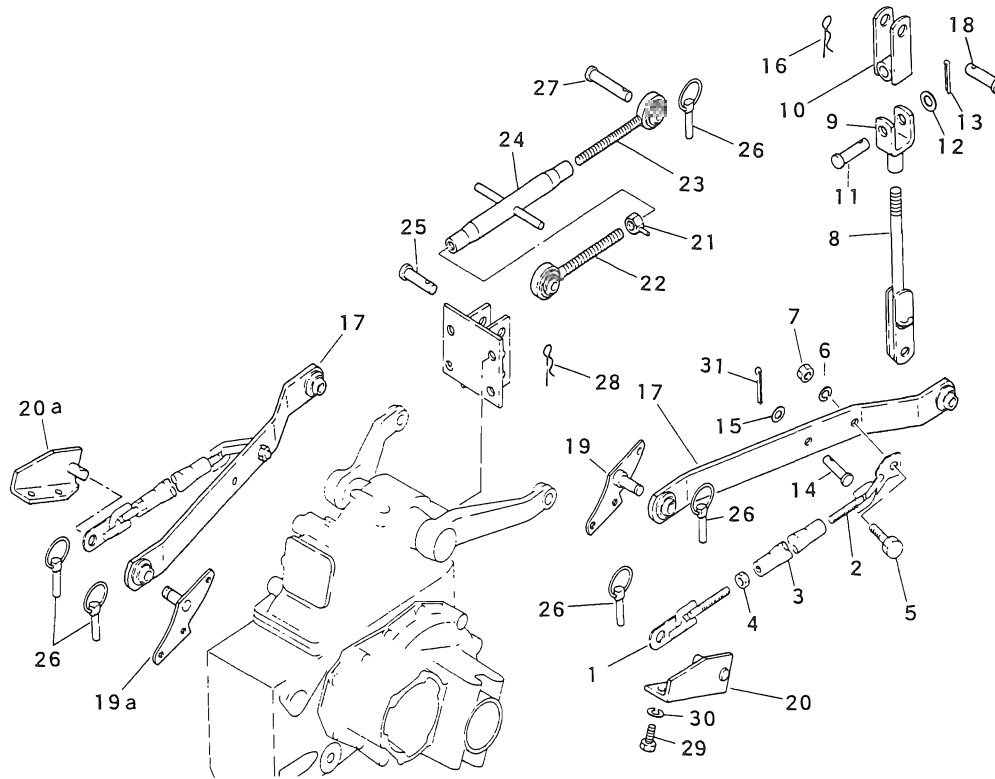
| Key No | Parts No      | Parts Name      | QTY | UNIT | Applicable | Descriptor           | Remarks        |
|--------|---------------|-----------------|-----|------|------------|----------------------|----------------|
|        | ○             | LABEL,hazard    | 1   | 1    |            |                      | 1983 2720 001  |
| 23     | 1986 2711 000 | LABEL           | 1   | *    |            |                      | Ex Enginet     |
| 24     | 1974 2756 000 | MARK 4wd        | 1   | *    |            |                      | Ex Enginet     |
| 25     | 1984 2711 000 | LABEL L.H. side | *   | 1    |            |                      |                |
| 26     | 1984 2712 000 | LABEL R.H. side | *   | 1    |            |                      |                |
| 27     | 1984 2725 000 | PLATE,name      | *   | 1    |            |                      |                |
| 28     | 1984 2727 000 | LABEL oil       | *   | 1    |            |                      |                |
|        | ○             | LABEL oil       | *   | 1    |            | 100 L.H.             | 1984 2721 002  |
|        | ○             | LABEL oil       | *   | 1    |            | 5 200 R.H.           | 1984 2721 001  |
| 29     | 1984 2721 000 | LABEL cable     | 1   | 1    |            |                      | Ex Label       |
| 30     | 1984 2742 000 | LABEL pin       | 1   | 1    |            |                      | Ex Label Pin   |
| 31     | 1984 2743 000 | LABEL control   | 1   | 1    |            | 400 L.H.<br>200 R.H. | Ex Label       |
| 32     | 1984 2731 000 | LABEL creep     | 1   | 1    |            |                      | Ex Label Creep |
| 33     | 1984 2751 000 | LABEL creep     | 1   | 1    |            |                      | Ex Label Creep |
| 34     | 1984 2749 000 | LABEL           | 1   | 1    |            |                      | Ex Label Creep |
| 35     | 1981 2747 000 | PLATE,name      | 1   | 1    |            |                      | Ex Label Creep |
| 36     | 1984 2745 000 | LABEL leader    | 1   | 1    |            |                      |                |
| 37     | 1984 2776 000 | LABEL caution   | 1   | *    |            |                      | Ex Label Pin   |
| 38     | 1984 2775 000 | LABEL caution   | 1   | *    |            |                      | Ex Label Pin   |

FIG.903 TOOLS



| Key No | Parts No    | Parts Name    | Q' t y |     |  |  | P | Application | Description | Remarks |
|--------|-------------|---------------|--------|-----|--|--|---|-------------|-------------|---------|
|        |             |               | 4WD    | 2WD |  |  |   |             |             |         |
|        |             | <b>TOOLS</b>  |        |     |  |  |   |             |             |         |
| 1      | 64309-15300 | PUMP,grease   | 1      | 1   |  |  |   |             |             |         |
| 2      | 67200-21900 | FUNNEL,oil    | 1      | 1   |  |  |   |             |             |         |
| 3      | 67409-00700 | DRIVER        | 1      | 1   |  |  |   |             |             |         |
| 4      | 67409-00800 | PLIERS        | 1      | 1   |  |  |   |             |             |         |
| 5      | 67409-00900 | SPANNER       | 1      | 1   |  |  |   | 10X12       |             |         |
| 6      | 67409-01000 | SPANNER       | 1      | 1   |  |  |   | 24X27       |             |         |
| 7      | 67409-01300 | SPANNER       | 1      | 1   |  |  |   | 19X22       |             |         |
| 8      | 67409-01100 | WRENCH,offset | 1      | 1   |  |  |   | 14X17       |             |         |
| 9      | 67409-01200 | WRENCH,offset | 1      | 1   |  |  |   | 19X22       |             |         |
| 10     | 08542-12035 | PIPE          | 1      | 1   |  |  |   |             |             |         |

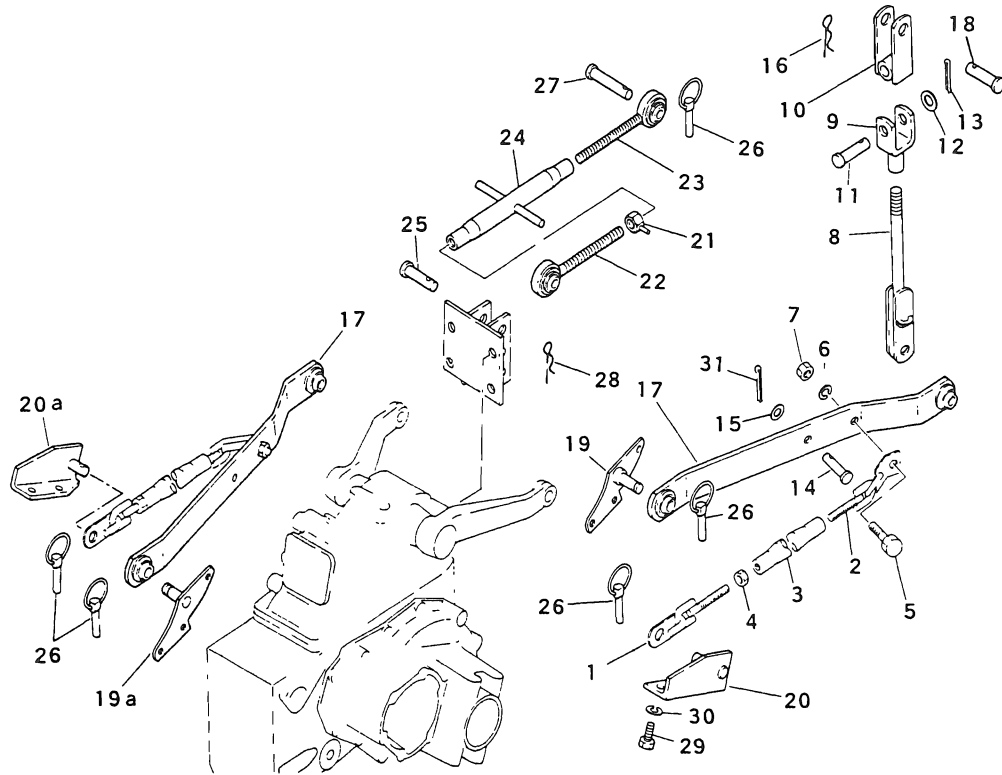
FIG.904 THREE POINT LINKAGE (1/2)



| Key No | Parts No      | Parts Name             | Q'ty |     |  |  | P | Application  | Description   | Remarks |
|--------|---------------|------------------------|------|-----|--|--|---|--|---------------|---------|
|        |               |                        | 4WD  | 2WD |  |  |   |  |               |         |
| 1~4    | 69561-00021   | <b>CHECK CAHIN</b>     | 2    | 2   |  |  |   |  |               |         |
| 1      | 69561-06001   | CHAIN R.H              | 2    | 2   |  |  |   |  |               |         |
| 2      | 69561-06101   | CHAIN L.H              | 2    | 2   |  |  |   |  |               |         |
| 3      | 69561-06301   | TURN BUCKLE            | 2    | 2   |  |  |   |  |               |         |
| 4      | A304 0114 001 | NUT                    | 2    | 2   |  |  |   | M14  |               |         |
| 5      | A055 0116 050 | BOLT                   | 2    | 2   |  |  |   | M16X50   |               |         |
| 6      | A360 0101 602 | WASHER, spring         | 2    | 2   |  |  |   | M16  |               |         |
| 7      | A304 0116 001 | NUT                    | 2    | 2   |  |  |   | M16  |               |         |
| 8~13   | 1983 3002 OC1 | <b>LIFT ROD L.H</b>    | 1    | 1   |  |  |   |  |               |         |
| 8      | 1983 3017 OC2 | ROD L.H                | 1    | 1   |  |  |   |  |               |         |
| 9      | 1174 3018 OC1 | ROD L.H                | 1    | 1   |  |  |   |  |               |         |
| 10     | 1171 3017 OC0 | JOINT, lift rod        | 1    | 1   |  |  |   |  |               |         |
| 11     | 1174 3031 000 | PIN, lift rod          | 1    | 1   |  |  |   |  |               |         |
| 12     | 0350 0151 632 | WASHER                 | 1    | 1   |  |  |   | M16  |               |         |
| 13     | 0520 0140 036 | PIN, split             | 1    | 1   |  |  |   | φ4X36  |               |         |
| 14     | 67361-23902   | PIN, lift rod          | 1    | 1   |  |  |   |  |               |         |
| 15     | 0350 0151 632 | WASHER                 | 1    | 1   |  |  |   | M16  |               |         |
| 16     | 67361-25200   | PIN, snap              | 1    | 1   |  |  |   |  |               |         |
| 17     | 1983 3011 OC1 | LINK, lower            | 2    | 2   |  |  |   |  |               |         |
| 18     | 1174 3016 002 | PIN, lift arm          | 1    | 1   |  |  |   |  |               |         |
| 19     | 1983 3013 OC0 | BRACKET L.H            | 1    | 1   |  |  |   |  |               |         |
| 19a    | 1983 3014 OC0 | BRACKET R.H            | 1    | 1   |  |  |   |  |               |         |
| 20     | 1983 3015 OC2 | BRACKET L.H            | 1    | 1   |  |  |   | 210D 50162~<br>210 10111~<br>250D 50312~<br>250 10146~ |               |         |
|        | ○             | BRACKET L.H            | 1    | 1   |  |  | B |  | 1983 3015 OC1 |         |
|        | ○             | BRACKET L.H            | 1    | 1   |  |  | A |  | 1983 3015 OC0 |         |
| 20a    | 1983 3016 OC2 | BRACKET R.H            | 1    | 1   |  |  |   | 210D 50162~<br>210 10111~<br>250D 50312~<br>250 10146~ |               |         |
|        | ○             | BRACKET R.H            | 1    | 1   |  |  | B |  | 1983 3016 OC1 |         |
|        | ○             | BRACKET R.H            | 1    | 1   |  |  | A |  | 1983 3016 OC0 |         |
| 21~24  | 67461-00055   | <b>UPPER LINK ASSY</b> | 1    | 1   |  |  |   |  |               |         |

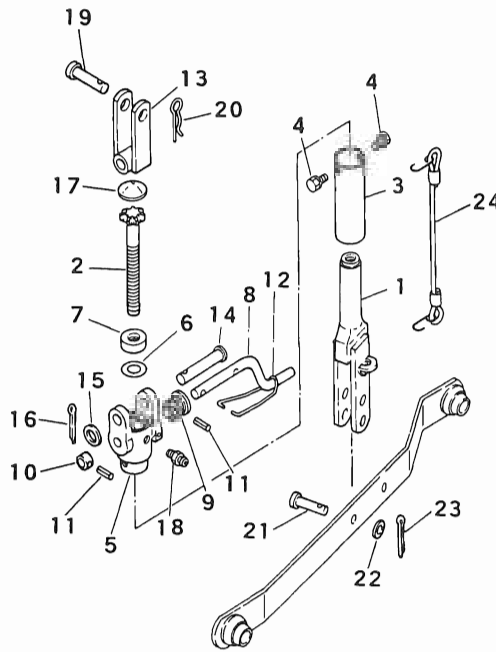


# FIG.904 THREE POINT LINKAGE (1/2)



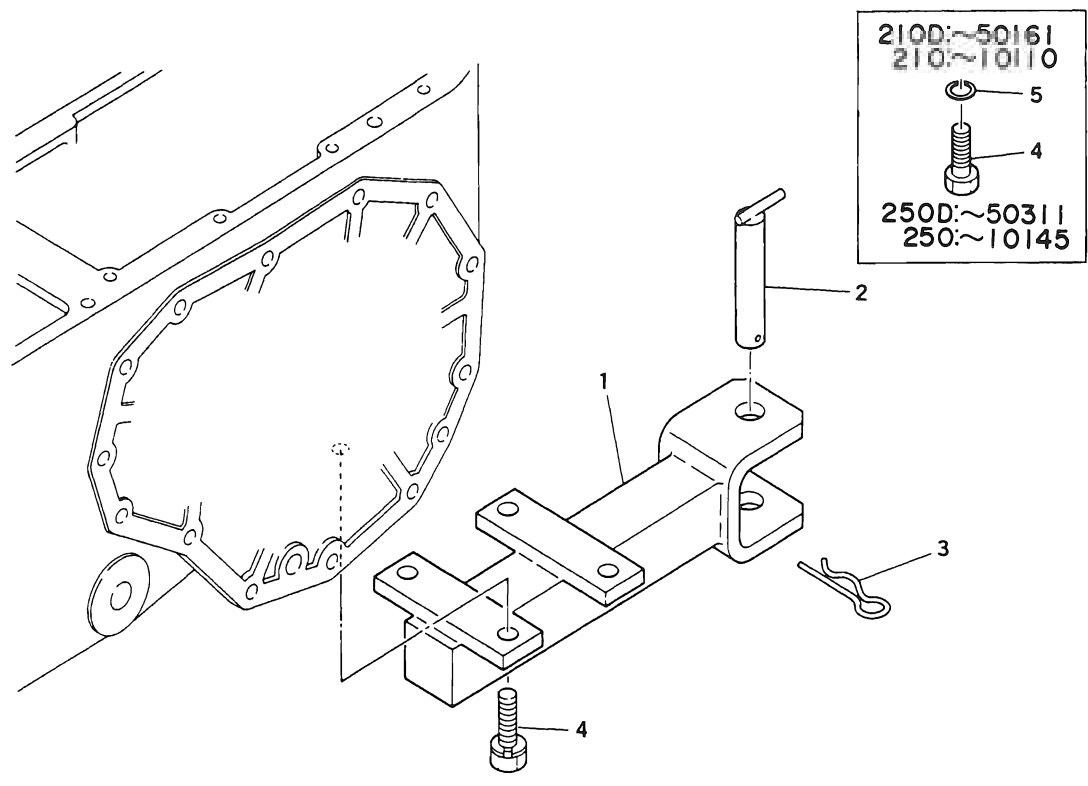
| Key No | Parts No      | Parts Name     | Q' t y |     |  |  | P | Application | Description   | Remarks |
|--------|---------------|----------------|--------|-----|--|--|---|-------------|---------------|---------|
|        |               |                | 4WD    | 2WD |  |  |   |             |               |         |
| 21     | 68461-01300   | NUT            | 1      | 1   |  |  |   |             |               |         |
| 22     | 67461-117C0   | EYEBOLT L.H    | 1      | 1   |  |  |   |             |               |         |
| 23     | 67461-118C0   | EYEBOLT R.H    | 1      | 1   |  |  |   |             |               |         |
| 24     | 67461-016C0   | TURN-BUCKLE    | 1      | 1   |  |  |   |             |               |         |
| 25     | 67762-21201   | PIN            | 1      | 1   |  |  |   |             |               |         |
| 26     | 67461-03100   | LINCH PIN 10   | 7      | 7   |  |  |   |             |               |         |
| 27     | 67200-11204   | PIN,upper link | 1      | 1   |  |  |   |             |               |         |
| 28     | 67200-12300   | PIN,snap       | 1      | 1   |  |  |   |             |               |         |
| 29     | A040 0114 035 | BOLT           | 4      | 4   |  |  |   | M14X35      |               |         |
| 30     | A360 0101 402 | WASHER, spring | 4      | 4   |  |  |   | M14         |               |         |
| 31     | 0520 0140 040 | PIN,split      | 1      | 1   |  |  |   |             |               |         |
|        | ○             | PIN,split      | 1      | 1   |  |  | A | φ4X36       | 0520 0140 036 |         |

FIG.905 THREE POINT LINKAGE (2/2)



| Key No | Parts No      | Parts Name           | Q'ty |     |  |  | P/P | Application | Description   | Remarks |
|--------|---------------|----------------------|------|-----|--|--|-----|-------------|---------------|---------|
|        |               |                      | 4WD  | 2WD |  |  |     |             |               |         |
| 1-18   | 1984 3001 0C0 | <b>ROD R.H, lift</b> | 1    | 1   |  |  |     |             |               |         |
| 1      | 1174 3025 0C1 | ROD R.H              | 1    | 1   |  |  |     |             |               |         |
| 2      | 1174 3024 000 | GEAR, liftrod        | 1    | 1   |  |  |     |             |               |         |
| 3      | 1174 3028 0C0 | COVER                | 1    | 1   |  |  |     |             |               |         |
| 4      | F144 0106 012 | BOLT, w/washer       | 2    | 2   |  |  |     | M6X12       |               |         |
| 5      | 68461-118C0   | CASE, gear           | 1    | 1   |  |  |     |             |               |         |
| 6      | 67361-23400   | SHIM                 | AR   | AR  |  |  |     |             |               |         |
| 7      | 67361-25100   | BEARING              | 1    | 1   |  |  |     |             |               |         |
| 8      | 68461-01901   | HANDLE               | 1    | 1   |  |  |     |             |               |         |
| 9      | 68461-020C0   | PINION               | 1    | 1   |  |  |     |             |               |         |
| 10     | 68461-02101   | COLLAR               | 1    | 1   |  |  |     |             |               |         |
| 11     | 0550 0006 022 | PIN, spring          | 2    | 2   |  |  |     | φ6X22       |               |         |
| 12     | 68461-02200   | PIN, handle          | 1    | 1   |  |  |     |             |               |         |
| 13     | 1984 3011 0C0 | JOPINT, lift rod     | 1    | 1   |  |  |     |             |               |         |
| 14     | 67361-23201   | PIN, clevis          | 1    | 1   |  |  |     |             |               |         |
| 15     | 0350 0151 632 | WASHER               | 1    | 1   |  |  |     | M16         |               |         |
| 16     | 0520 0140 040 | PIN, split           | 1    | 1   |  |  |     | φ4X40       |               |         |
|        | ○             | PIN                  | 1    | 1   |  |  | A   | φ4X36       | 0520 0140 036 |         |
| 17     | F5010-45000   | PLUG, expansion      | 1    | 1   |  |  |     |             |               |         |
| 18     | A650 3100 300 | NIPPLE, grease       | 1    | 1   |  |  |     | PT= 1/8     |               |         |
| 19     | 1176 3018 000 | PIN, lift arm        | 2    | 2   |  |  |     |             |               |         |
|        | ○             | PIN, lift arm        | 1    | 1   |  |  | A   |             | 1174 3016 002 |         |
| 20     | 67361-25200   | PIN, snap            | 1    | 1   |  |  |     |             |               |         |
| 21     | 67361-23902   | PIN, lift rod        | 1    | 1   |  |  |     |             |               |         |
| 22     | 0350 0151 632 | WASHER               | 1    | 1   |  |  |     | M16         |               |         |
| 23     | 0520 0140 040 | PIN, split           | 1    | 1   |  |  |     | φ4X40       |               |         |
|        | ○             | PIN                  | 1    | 1   |  |  | A   | φ4X36       | 0520 0140 036 |         |
| 24     | 69561-06701   | BAND                 | 1    | 1   |  |  |     |             |               |         |

FIG.906 TOOLS



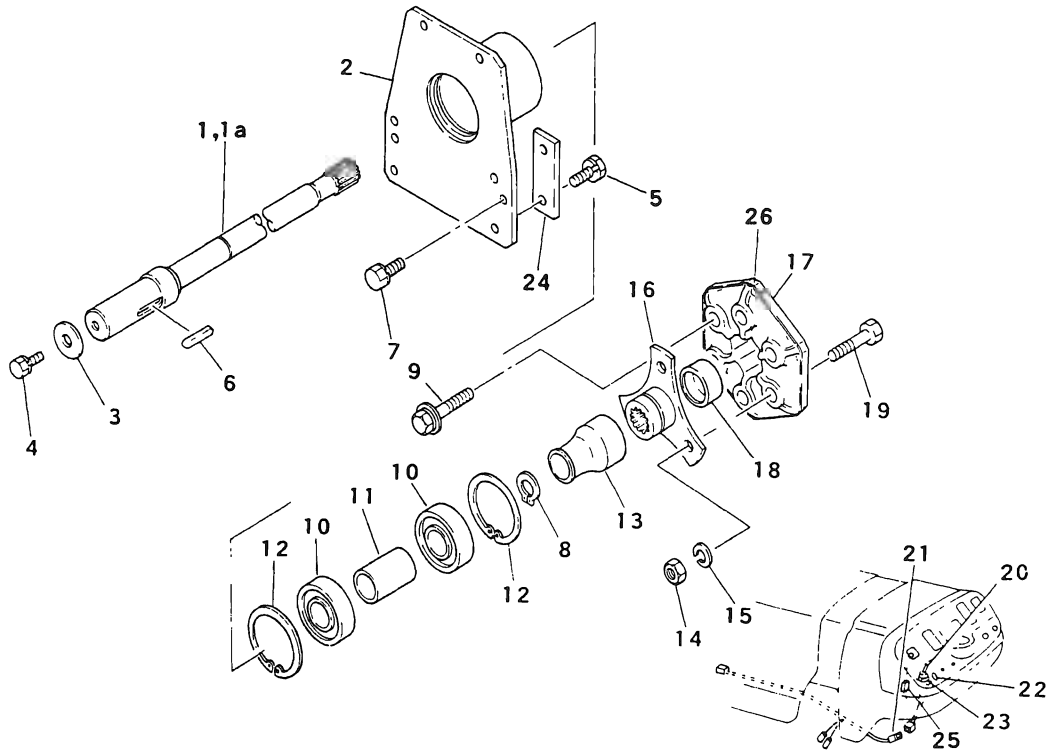
| Key No | Parts No      | Parts Name     | Q' t y |     |  |  | β | Application   | Description              | Remarks |
|--------|---------------|----------------|--------|-----|--|--|---|---|--------------------------|---------|
|        |               |                | 4WD    | 2WD |  |  |   |   |                          |         |
| 1      | 1021 3111 0C0 | DRAWBAR        | 1      | 1   |  |  |   |   |                          |         |
| 2      | 67765-20402   | PIN            | 1      | 1   |  |  |   |   |                          |         |
| 3      | 67200-12300   | PINSNAP        | 1      | 1   |  |  |   |   |                          |         |
| 4      | F154 0112 035 | BOLT           | 4      | 4   |  |  |   | M12X35  |                          |         |
|        | ○             | BOLT           | 4      | 4   |  |  | A | M12X35  | A040 0112 035            |         |
| 5      | A360 0101 202 | WASHER, spring | 4      | 4   |  |  |   | 210D ~50161<br>210 ~10110<br>250D~50311<br>250 ~10145 | M12<br>M12<br>M12<br>M12 | Deleted |

FIG.907 BUMPER WEIGHT & TAIL PIPE COVER



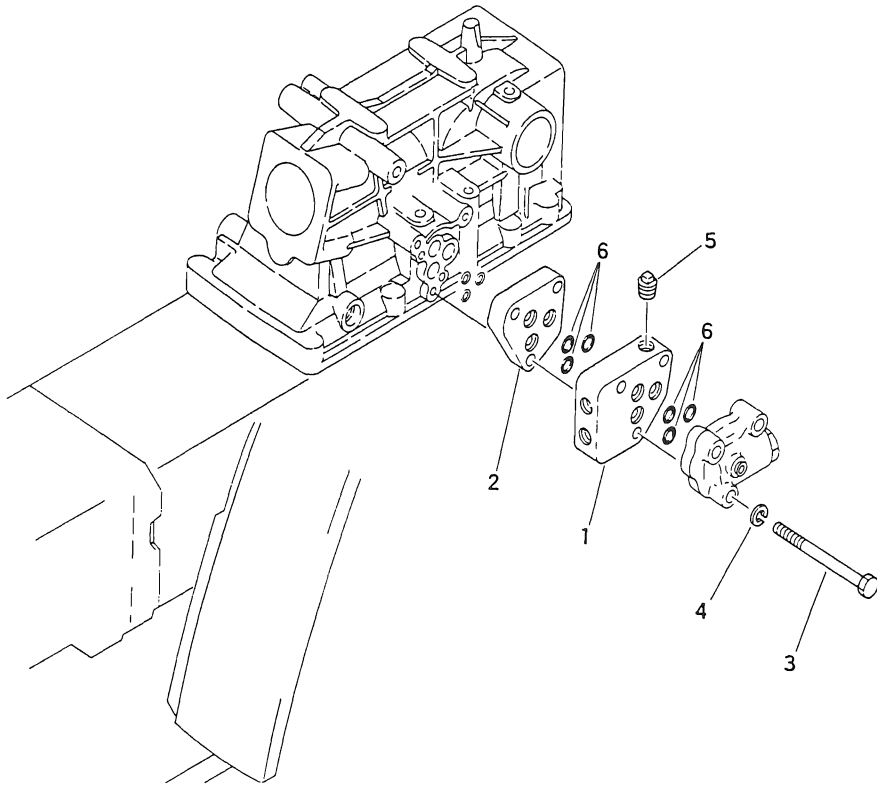
| Key No | Parts No      | Parts Name                    | Qty |    | Application | Description | Remarks |
|--------|---------------|-------------------------------|-----|----|-------------|-------------|---------|
|        |               |                               | 1   | 2  |             |             |         |
|        |               | BUMPER WEIGHT                 |     |    |             |             |         |
| 1-3    | 1382 5042 000 | BUMPER WEIGHT                 |     |    |             |             |         |
| 1      | 1151 516' 000 | WEIGHT bumper                 |     |    |             |             |         |
| 2      | 4057 2112 060 | BOLT                          |     |    |             |             |         |
| 3      | A353 2112 002 | NUT                           |     |    |             | M13x30      |         |
| 4      | 1382 530' 001 | TAIL PIPE COVER<br>COVER      |     |    |             | M13         |         |
|        |               | WHEEL WEIGHT                  |     |    |             |             |         |
| 5-7    | 1156 5172 001 | FRONT WEIGHT                  |     |    |             |             |         |
| 5      | EB44E 70200   | WEIGHT front                  |     | 4  |             |             |         |
| 6      | 4050 2112 030 | BOLT                          |     | 12 |             | M13x30      |         |
| 7      | A360 2101 202 | WAS-HER, spring<br>REAR WHEEL |     | 12 |             | M13         |         |
| 8-11   | 1157 5530 002 | REAR WEIGHT                   |     |    |             |             |         |
| 8      | 1157 553' 002 | WEIGHT                        | 2   | 2  |             |             |         |
| 9      | AD55 2116 070 | BOLT                          | 6   | 6  |             | M15x30      |         |
| 10     | A360 2101 202 | WAS-HER, spring               | 6   | 6  |             | M15         |         |
| 11     | A353 2116 002 | NUT                           | 6   | 6  |             | M15         |         |

FIG. 908 FRONT P.T.O



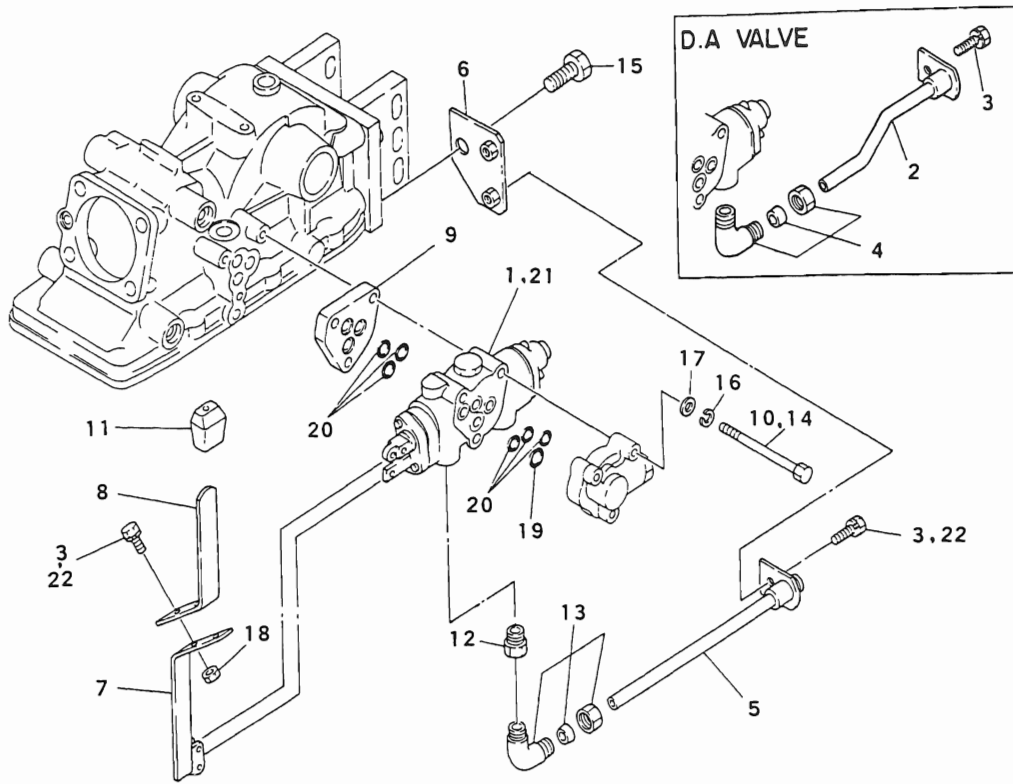
| Key No | Parts No      | Parts Name      | Q' t y |     |  |  | P | Application | Description | Remarks |
|--------|---------------|-----------------|--------|-----|--|--|---|-------------|-------------|---------|
|        |               |                 | 4WD    | 2WD |  |  |   |             |             |         |
| 1~25   | 1984 5010 0C0 | FRONT P.T.O KIT | 1      | 1   |  |  |   |             | For 210     |         |
| 1a~25  | 1984 5020 0C0 | FRONT P.T.O KIT | 1      | 1   |  |  |   |             | For 250     |         |
| 1      | 1984 5011 0C0 | SHAFT           | 1      | 1   |  |  |   |             | For 210     |         |
| 1a     | 1984 5012 0C0 | SHAFT           | 1      | 1   |  |  |   |             | For 250     |         |
| 2      | 1982 5012 0C1 | BRACKET         | 1      | 1   |  |  |   |             |             |         |
| 3      | 3610 0104 000 | WASHER          | 1      | 1   |  |  |   |             |             |         |
| 4      | F155 0110 030 | BOLT,w/washer   | 1      | 1   |  |  |   | M10X30      |             |         |
| 5      | F155 0110 050 | BOLT,w/washer   | 4      | 4   |  |  |   | M10X35      |             |         |
| 6      | 1970 5407 000 | KEY             | 1      | 1   |  |  |   |             |             |         |
| 7      | F155 0110 016 | BOLT,w/washer   | 4      | 4   |  |  |   | M10X16      |             |         |
| 8      | 0740 0102 000 | RING,snap       | 1      | 1   |  |  |   | φ20         |             |         |
| 9      | H155 0110 050 | BOLT,w/washer   | 3      | 3   |  |  |   | M10X50      |             |         |
| 10     | 0750 0563 044 | BEARING         | 2      | 2   |  |  |   | 6304 DD     |             |         |
| 11     | 1970 5413 000 | SPACER          | 1      | 1   |  |  |   |             |             |         |
| 12     | 0741 0105 200 | RING,snap       | 2      | 2   |  |  |   | φ52         |             |         |
| 13     | 1019 5421 000 | BOOT            | 1      | 1   |  |  |   |             |             |         |
| 14     | A303 0110 002 | NUT             | 3      | 3   |  |  |   | M10         |             |         |
| 15     | A360 0101 002 | WASHER,spring   | 3      | 3   |  |  |   | M10         |             |         |
| 16     | 1019 5402 0C0 | FLANGE          | 1      | 1   |  |  |   |             |             |         |
| 17     | 67495-90200   | COUPLING        | 1      | 1   |  |  |   |             |             |         |
| 18     | 1019 5422 000 | CAP             | 1      | 1   |  |  |   |             |             |         |
| 19     | A055 0110 050 | BOLT            | 3      | 3   |  |  |   | M10X50      |             |         |
| 20     | 1982 5013 000 | SWITCH,p.t.o    | 1      | 1   |  |  |   |             |             |         |
| 21     | 1982 5014 000 | HARNESS,p.t.o   | 1      | 1   |  |  |   |             |             |         |
| 22     | 1982 5015 001 | MARK            | 1      | 1   |  |  |   |             |             |         |
| 23     | 1982 5016 000 | COVER           | 1      | 1   |  |  |   |             |             |         |
| 24     | 1984 5013 0C0 | SPACER          | 2      | 2   |  |  |   |             |             |         |
| 25     | 1984 5014 000 | WIRE,lead       | 1      | 1   |  |  |   |             |             |         |
| 26     | 1982 5021 000 | LABEL           | 1      | 1   |  |  |   |             | Added       |         |

FIG.909 ADAPTER KIT



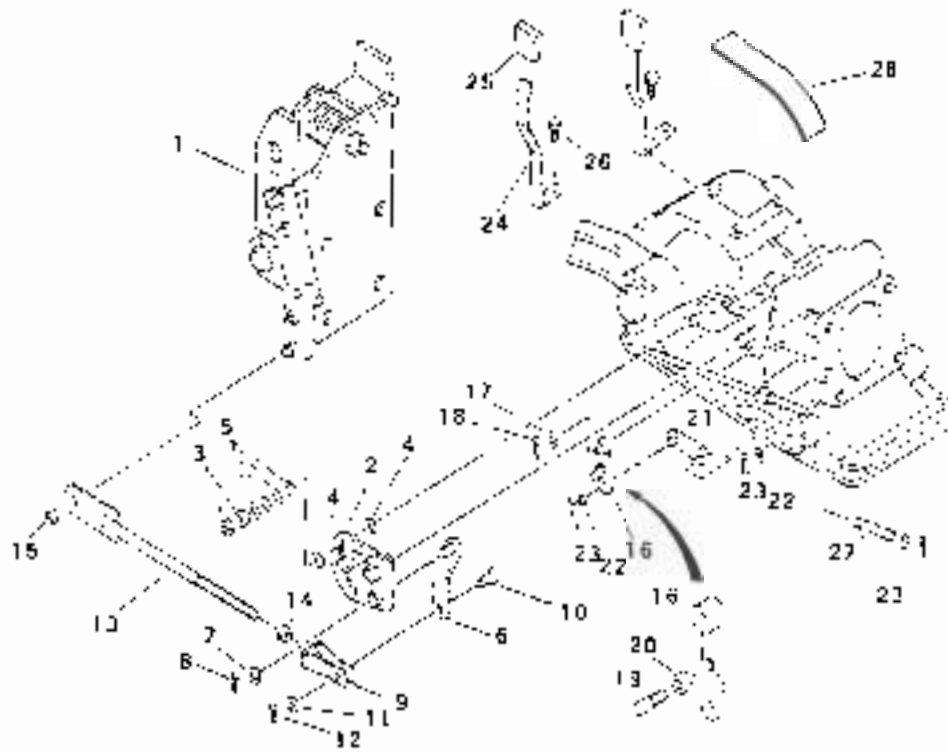
| Key No | Parts No      | Parts Name    | Q' t y |     |  |  | P/P | Application | Description | Remarks |
|--------|---------------|---------------|--------|-----|--|--|-----|-------------|-------------|---------|
|        |               |               | 4WD    | 2WD |  |  |     |             |             |         |
| 1~6    | 1021 6040 000 | ADAPTER KIT   | 1      | 1   |  |  |     |             |             |         |
| 1,2    | 1021 6045 000 | ADAPTER ASSY  | 1      | 1   |  |  |     |             |             |         |
| 1      | 1021 6041 000 | ADAPTER       | 1      | 1   |  |  |     |             |             |         |
| 2      | A600 0201 000 | PLUG          | 1      | 1   |  |  |     | PT3/8       |             |         |
| 3      | A054 0108 090 | BOLT          | 3      | 3   |  |  |     | M8X90       |             |         |
| 4      | A360 0100 802 | WASHER,spring | 3      | 3   |  |  |     | M8          |             |         |
| 5      | 1021 6006 000 | SPACER        | 1      | 1   |  |  |     |             |             |         |
| 6      | 0830 0100 120 | O-RING        | 6      | 6   |  |  |     | φ12         |             |         |

FIG.910 EXTERNAL HYDAULIC KIT



| Key No | Parts No      | Parts Name           | Q' t y |     |  |  | F/P | Application | Description   | Remarks |
|--------|---------------|----------------------|--------|-----|--|--|-----|-------------|---------------|---------|
|        |               |                      | 4WD    | 2WD |  |  |     |             |               |         |
| 1-20   | 1021 6000 OC1 | <b>HYDRAULIC KIT</b> | 1      | 1   |  |  |     |             |               |         |
| 1      | 1981 6011 OC0 | D.A SUB VALVE        | 1      | 1   |  |  |     |             | D.A Sub Valve |         |
| 2      | 1021 6002 OC1 | PIPE B               | 1      | 1   |  |  |     |             | D A Sub Valve |         |
| 3      | F154 0108 020 | BOLT,w/washer        | 4      | 4   |  |  |     | M8X20       | D A Sub Valve |         |
| 4      | 1021 6009 000 | JOINT                | 1      | 1   |  |  |     |             |               |         |
| 5-22   | 1021 6020 OC1 | <b>HYDRAULIC KIT</b> | 1      | 1   |  |  |     |             | Sub Valve     |         |
| 5      | 1021 6001 OC1 | PIPE A               | 1      | 1   |  |  |     |             |               |         |
| 6      | 1021 6003 OC0 | BRACKET              | 1      | 1   |  |  |     |             |               |         |
| 7      | 1021 6004 000 | LEVER A              | 1      | 1   |  |  |     |             |               |         |
| 8      | 1021 6005 001 | LEVER B              | 1      | 1   |  |  |     |             |               |         |
| 9      | 1021 6006 000 | SPACER               | 1      | 1   |  |  |     |             |               |         |
| 10     | 1021 6007 000 | BOLT                 | 3      | 3   |  |  |     |             |               |         |
| 11     | 1174 2449 000 | GRIP                 | 1      | 1   |  |  |     |             |               |         |
| 12     | 1174 6004 001 | ADAPTER              | 1      | 1   |  |  |     |             |               |         |
| 13     | 1174 6005 001 | JOINT                | 1      | 1   |  |  |     |             |               |         |
| 14     | A054 0108 110 | BOLT                 | 3      | 3   |  |  |     | M8X110      |               |         |
| 15     | A040 0114 035 | BOLT                 | 1      | 1   |  |  |     | M14X35      |               |         |
| 16     | A360 0100 802 | WASHER, spring       | 3      | 3   |  |  |     | M8          |               |         |
| 17     | 0350 0130 815 | WASHER               | 9      | 9   |  |  |     | M8          |               |         |
| 18     | F301 0108 001 | NUT, flange          | 2      | 2   |  |  |     | M8          |               |         |
| 19     | 0830 0100 160 | O-RING               | 1      | 1   |  |  |     | φ16         |               |         |
| 20     | 0830 0100 120 | O-RING               | 6      | 6   |  |  |     | φ12         |               |         |
| 21     | 1985 2415 OC0 | SUB VALVE            | 1      | 1   |  |  |     |             | Sub Valve     |         |
| 22     | F154 0108 020 | BOLT,w/washer        | 3      | 3   |  |  |     | M8X20       | Sub Valve     |         |

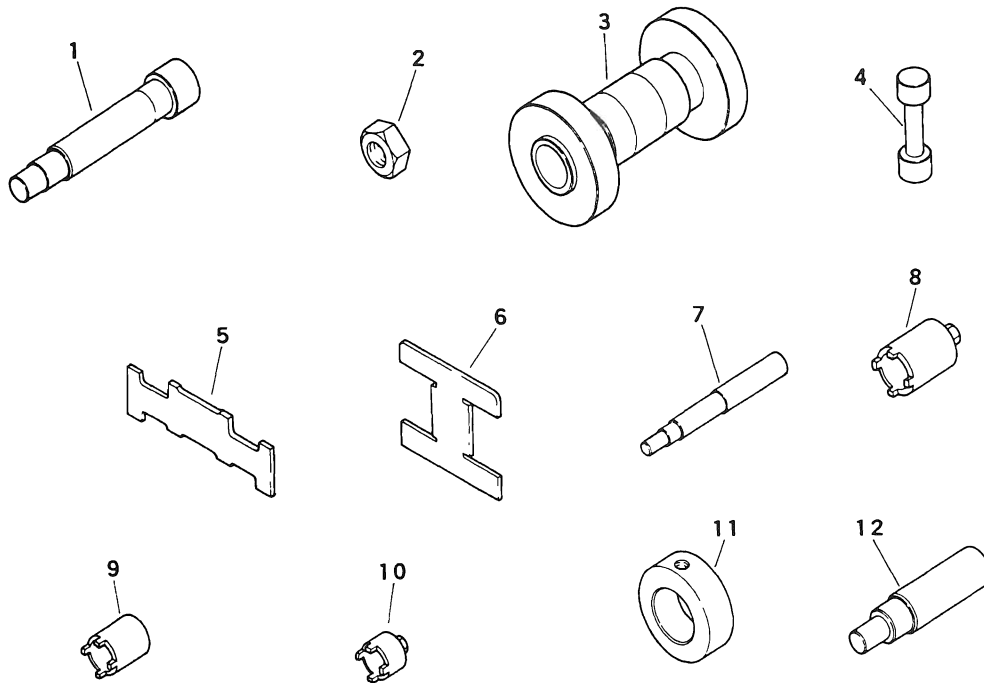
FIG.911 DRAFT CONTROL KIT



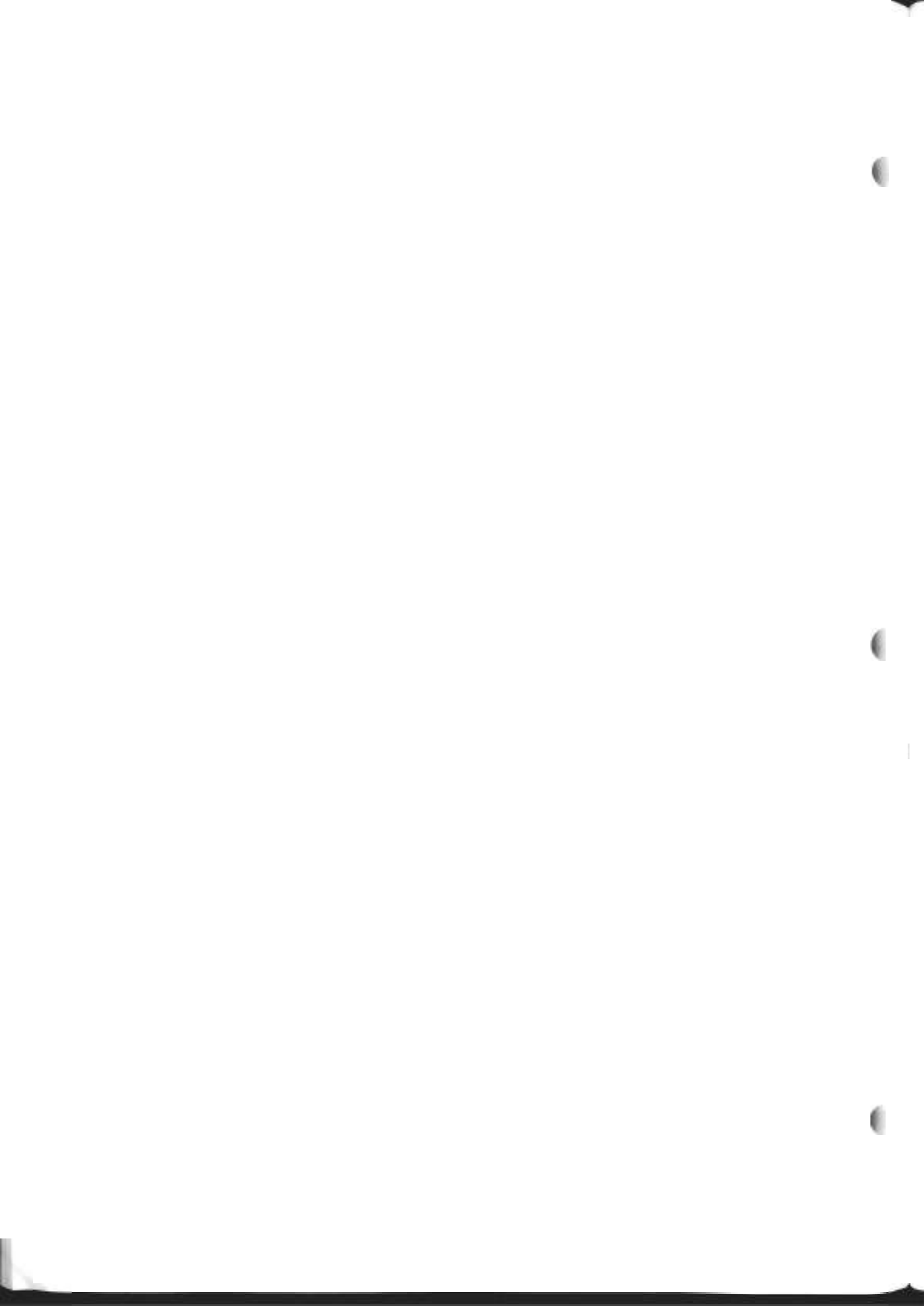
| Key No | Parts No       | Parts Name    | Qty | 4WD 2WD | Application | Description | Remarks       |
|--------|----------------|---------------|-----|---------|-------------|-------------|---------------|
| 1-28   | 1984 6200 000  | DRAFT CONTROL |     |         |             |             |               |
| 1      | 1984 6201 001  | SENSOR ASSY   |     |         |             |             |               |
|        |                | SENSOR ASSY   |     |         | A           |             | 1984 1987 100 |
| 2      | 1983 2431 000  | BRACKET lever |     |         |             |             |               |
| 3      | A301 0108 002  | NUT           | 2   | 2       |             | VE          |               |
| 4      | 0350 0140 818  | WASHER        | 2   | 2       |             | VE          |               |
| 5      | 1003 2433 000  | SPRING disk   | 2   | 2       |             |             |               |
| 6      | 1983 2426 000  | LINK Direct   |     |         |             |             |               |
| 7      | 0350 0130 818  | WASHER        |     |         |             | VE          |               |
| 8      | 0520 0125 016  | F.N.sp-1      |     |         |             | 32 5X16     |               |
| 9      | 1983 2433 000  | JOINT         |     |         |             | W10         |               |
| 10     | 0562 0110 025  | F.N.clevis    |     |         |             | 310X21      |               |
| 11     | 0350 0141 022  | WASHER        |     |         |             | W10         |               |
| 12     | 0520 0130 020  | F.N.sp-1      |     |         |             | 30X20       |               |
| 13     | 1983 2432 000  | ROD direct    |     |         |             |             |               |
| 14     | A301 0110 002  | NUT           | 1   | 1       |             | W10         |               |
| 15     | 0742 0100 800  | RING          |     |         |             | 34          |               |
| 16     | 1503 2429 000  | ARM,se-rod    |     |         |             |             |               |
| 17     | 0350 0130 818  | WASHER        |     |         |             | VE          |               |
| 18     | 0520 0125 016  | F.N.sp-1      |     |         |             | 32 5X16     |               |
| 19     | 1979 2153 000  | BOLT          |     |         |             |             |               |
| 20     | A301 0108 002  | NUT           |     |         |             | VE          |               |
| 21     | 1503 2431 000  | ROD           |     |         |             |             |               |
| 22     | 0350 0130 818  | WASHER        | 2   | 2       |             | VE          |               |
| 23     | 0520 0125 016  | F.N.sp-1      | 3   | 3       |             | 32 5X16     |               |
| 24     | 1021 2431 001  | LEVER,acc     |     |         |             |             |               |
| 25     | 1172 2449 000  | GRIP          |     |         |             |             |               |
| 26     | 11154 0158 019 | BOLT          | 2   | 2       |             | W8X10       |               |
| 27     | LABEL,draft    |               |     |         |             |             |               |
| 28     | 1984 2415 000  | SPRING        |     |         |             |             |               |



FIG.912 SPECIAL TOOLS



| Key No | Parts No      | Parts Name       | Q'ty |  |  |  | Σ | Application | Description | Remarks |
|--------|---------------|------------------|------|--|--|--|---|-------------|-------------|---------|
|        |               |                  | ALL  |  |  |  |   |             |             |         |
| 1      | 1984 9012 000 | GAUGE, pinion    | 1    |  |  |  |   |             |             |         |
| 2      | A073 0124 003 | NUT              | 1    |  |  |  |   |             |             |         |
| 3      | 1984 9011 000 | GAUGE, pinion a  | 1    |  |  |  |   |             |             |         |
| 4      | 1135 3908 000 | GAUGE, counter   | 1    |  |  |  |   |             |             |         |
| 5      | 1007 8013 000 | GAUGE, diff case | 1    |  |  |  |   |             |             |         |
| 6      | 1007 8011 000 | GAUGE, PINION    | 1    |  |  |  |   |             |             |         |
| 7      | 1007 8024 000 | PILOT, clutch    | 1    |  |  |  |   |             |             |         |
| 8      | 1007 8022 000 | WRENCH, nut      | 1    |  |  |  |   |             |             |         |
| 9      | 1135 3903 000 | WRENCH, nut      | 1    |  |  |  |   |             |             |         |
| 10     | 1006 8011 000 | WRENCH, nut      | 1    |  |  |  |   |             |             |         |
| 11     | 1984 9014 000 | PILOT, clutch a  | 1    |  |  |  |   |             |             |         |
| 12     | 1984 9015 000 | PILOT, clutch b  | 1    |  |  |  |   |             |             |         |



# NUMERICAL PARTS INDEX

# NUMERICAL PARTS INDEX

| Parts No. | Page | Key No. | Parts No. | Page | Key No. | Parts No. | Page | Key No. |
|-----------|------|---------|-----------|------|---------|-----------|------|---------|
| K6515430  | 9    | 7       | MD001402  | 41   | 1       | MD602963  | 22   | 4       |
|           | 24   | 17      | MD001404  | 16   | 2       | MD607170  | 23   | 2       |
|           | 34   | 7       |           | 41   | 2       |           | 48   | 2       |
|           | 49   | 18      | MD001517  | 21   | 5       | MD607176  | 23   | 11      |
| K7231220  | 8    | 27      |           | 46   | 5       |           | 48   | 11      |
|           | 33   | 14      | MD001521  | 21   | 9       | MD607212  | 23   | 3       |
| K7331230  | 33   | 8       |           | 46   | 9       |           | 48   | 3       |
| K7510250  | 29   | 11      | MD002613  | 7    | 18      | MD607267  | 23   | 4~7     |
| K7631160  | 8    | 3       |           | 31   | 19      |           | 48   | 4       |
|           | 32   | 2       | MD002620  | 7    | 14      | MD607268  | 23   | 11~18   |
| K7631161  | 8    | 3       |           | 30   | 15      |           | 48   | 10      |
|           | 32   | 2       | MD003330  | 18   | 1       | MD607269  | 23   | 17      |
| K8221251  | 30   | 3       | MD005505  | 33   | 1       |           | 48   | 17      |
| K8712630  | 14   | 18      | MD006704  | 30   | 5       | MD607416  | 22   | 14      |
|           | 14   | 18      | MD007528  | 18   | 15      | MD607420  | 22   | 20      |
|           | 39   | 2       | MD008760  | 33   | 2       | MD607432  | 22   | 1       |
|           | 40   | 10      | MD008761  | 33   | 1       | MD607446  | 47   | 4       |
| K9413390  | 4    | 14      | MD008762  | 4    | 14      | MD607539  | 22   | 15      |
|           | 28   | 15      |           | 28   | 15      | MD607540  | 22   | 16      |
| K9612300  | 29   | 10      | MD008771  | 19   | 4       | MD607631  | 47   | 1       |
| K9644171  | 5    | 18      |           | 44   | 2       | MD607633  | 47   | 3       |
|           | 20   | 3       | MD008784  | 5    | 1       | MD607634  | 47   | 6       |
|           | 29   | 14      |           | 29   | 1       | MD607635  | 47   | 7       |
|           | 45   | 4       | MD009014  | 43   | 1       | MD607636  | 47   | 8       |
| K9644880  | 45   | 1       | MD011338  | 43   | 2       | MD607638  | 47   | 10      |
| K9665400  | 16   | 18      | MD014236  | 7    | 15      | MD607642  | 47   | 15      |
| K9674350  | 18   | 3       |           | 30   | 16      | MD607643  | 47   | 9       |
| MD000245  | 26   | 7       | MD016482  | 8    | 14      | MD607645  | 47   | 21      |
| MD000268  | 2    | 1       | MD016483  | 8    | 15      | MD700127  | 8    | 2       |
|           | 26   | 1       | MD016490  | 8    | 16      | MD701787  | 17   | 2       |
| MD000312  | 4    | 2       | MD017625  | 21   | 8       |           | 42   | 2       |
|           | 16   | 3       |           | 46   | 8       | MD701788  | 17   | 3       |
|           | 24   | 1       | MD017645  | 21   | 7       |           | 42   | 3       |
|           | 28   | 2       |           | 23   | 1~18    | MD701789  | 17   | 6       |
|           | 41   | 3       |           | 46   | 7       |           | 42   | 6       |
|           | 49   | 1       |           | 48   | 1~18    | MD703856  | 8    | 10      |
| MD000318  | 4    | 3       | MD020733  | 5    | 3       |           | 32   | 9       |
|           | 28   | 3       |           | 29   | 20      | MD712517  | 8    | 3       |
| MD000425  | 8    | 7       | MD021566  | 16   | 19      |           | 32   | 2       |
|           | 21   | 9       |           | 41   | 20      | MD952231  | 7    | 14      |
|           | 32   | 6       | MD031805  | 41   | 19      |           | 30   | 15      |
|           | 46   | 9       | MD040338  | 26   | 19      | ME700124  | 47   | 13      |
| MD000427  | 29   | 8       | MD041704  | 43   | 15      | ME700125  | 47   | 17      |
| MD000500  | 33   | 4       | MD16490   | 24   | 3       | ME700127  | 47   | 19      |
| MD000506  | 33   | 2       | MD602074  | 22   | 6       | ME700128  | 47   | 20      |
| MD000523  | 5    | 16      | MD602210  | 22   | 21      | MF100055  | 9    | 5       |
| MD000551  | 19   | 1       | MD602227  | 23   | 16      |           | 34   | 5       |
|           | 24   | 2       |           | 48   | 16      | MF100064  | 4    | 15      |
|           | 44   | 3       | MD602264  | 23   | 6       |           | 28   | 16      |
|           | 49   | 2       |           | 48   | 6       | MF100065  | 29   | 16      |
| MD000569  | 20   | 15      | MD602783  | 23   | 15      | MF100069  | 29   | 17      |
|           | 45   | 9       |           | 48   | 15      | MF100110  | 3    | 32      |
| MD000612  | 7    | 17      | MD602789  | 23   | 9       | MF101253  | 45   | 12      |
|           | 30   | 18      |           | 48   | 8       | MF101259  | 20   | 9       |
| MD000704  | 6    | 4       | MD602797  | 23   | 14~16   | MF101260  | 9    | 8       |
| MD000963  | 8    | 22      |           | 48   | 14~16   |           | 34   | 8       |
|           | 33   | 9       | MD602826  | 23   | 13      | MF101264  | 18   | 11      |
| MD001370  | 19   | 3       |           | 48   | 13      |           | 43   | 11      |
|           | 44   | 4       | MD602938  | 23   | 5       | MF101267  | 18   | 12      |
| MD001402  | 16   | 1       |           | 48   | 5       |           | 41   | 16      |

## NUMERICAL PARTS INDEX

| Parts No. | Page | Key No. | Parts No. | Page | Key No. | Parts No.  | Page | Key No. |
|-----------|------|---------|-----------|------|---------|------------|------|---------|
| MF101267  | 43   | 12      | MF401936  | 5    | 13      | MF520012   | 17   | 5       |
| MF101268  | 16   | 15      |           | 20   | 12      |            | 42   | 5       |
|           | 41   | 15      |           | 45   | 10      | MF522010   | 8    | 30      |
| MF101287  | 45   | 2       | MF402565  | 4    | 19      |            | 33   | 17      |
| MF101296  | 33   | 18      |           | 28   | 20      | MF660031   | 14   | 14      |
| MF101316  | 29   | 4       | MF402635  | 2    | 25      |            | 40   | 5       |
| MF106091  | 29   | 3       |           | 26   | 11      | MF660036   | 17   | 8       |
| MF106116  | 29   | 4       | MF430004  | 14   | 23      |            | 42   | 8       |
| MF140026  | 21   | 12      |           | 14   | 23      | MF660042   | 15   | 29      |
|           | 46   | 21      |           | 39   | 3       |            | 40   | 8       |
| MF240031  | 18   | 6       | MF430005  | 5    | 20      | MF665511   | 2    | 19      |
|           | 43   | 6       |           | 20   | 13      | MF665512   | 26   | 12      |
| MF240051  | 2    | 17      |           | 21   | 13      | MF665538   | 2    | 8       |
|           | 4    | 5       |           | 28   | 21      |            | 5    | 8       |
|           | 4    | 16      |           | 46   | 13      |            | 29   | 7       |
|           | 27   | 7       | MF430126  | 6    | 10      | MF665543   | 2    | 9       |
|           | 28   | 5       | MF430725  | 14   | 24      |            | 5    | 9       |
|           | 28   | 17      |           | 14   | 24      |            | 26   | 8       |
| MF240053  | 4    | 16      |           | 39   | 11      | MH430419   | 17   | 2       |
| MF240054  | 2    | 16      | MF430726  | 8    | 29      | MK66106000 | 14   | 14      |
|           | 27   | 6       |           | 33   | 16      |            | 40   | 5       |
| MF241222  | 14   | 20      | MF430728  | 17   | 10      | MK66112000 | 9    | 1       |
|           | 39   | 14      | MF430729  | 17   | 10      | MK66114000 | 17   | 8       |
| MF241224  | 14   | 21      |           | 42   | 10      |            | 34   | 1       |
|           | 17   | 7       | MF430731  | 30   | 11      | MK99200001 | 14   | 1       |
|           | 40   | 1       | MF450006  | 33   | 20      |            | 39   | 6       |
|           | 42   | 7       | MF450010  | 6    | 11      | MK99300140 | 14   | 2       |
| MF241225  | 8    | 28      | MF450011  | 30   | 12      |            | 39   | 5       |
|           | 33   | 15      | MF450405  | 14   | 25      | MM100088   | 9    | 17      |
| MF241226  | 14   | 21      |           | 14   | 25      |            | 34   | 17      |
|           | 40   | 11      |           | 16   | 16      | MM100089   | 9    | 16      |
| MF241231  | 15   | 34      |           | 18   | 13      |            | 34   | 16      |
|           | 40   | 12      |           | 21   | 14      | MM104288   | 26   | 3       |
| MF241236  | 43   | 4       |           | 28   | 22      |            | 26   | 19      |
| MF241238  | 18   | 4       |           | 39   | 10      | MM300152   | 12   | 7       |
| MF241251  | 2    | 17      |           | 41   | 17      |            | 37   | 7       |
|           | 8    | 12      |           | 43   | 13      | MM314770   | 8    | 26      |
|           | 21   | 11      |           | 46   | 14      | MM317093   | 15   | 35      |
|           | 32   | 11      | MF450406  | 8    | 33      |            | 40   | 17      |
|           | 46   | 11      |           | 21   | 4       | MM330347   | 30   | 7       |
| MF241255  | 21   | 12      |           | 33   | 19      | MM344007   | 49   | 1~22    |
|           | 28   | 18      |           | 46   | 4       | MM400650   | 31   | 21      |
|           | 46   | 12      | MF450410  | 6    | 12      | MM400651   | 31   | 21      |
| MF241257  | 4    | 17      | MF450411  | 30   | 13      | MM400652   | 31   | 21      |
| MF241261  | 20   | 10      | MF472404  | 2    | 18      | MM400653   | 31   | 21      |
| MF241267  | 19   | 5       |           | 7    | 19      | MM400886   | 9    | 18      |
|           | 20   | 11      |           | 31   | 20      |            | 34   | 18      |
|           | 44   | 1       | MF472535  | 17   | 1       | MM400889   | 13   | 12      |
| MF241280  | 5    | 5       |           | 42   | 1       |            | 38   | 12      |
| MF241282  | 21   | 2       | MF472536  | 17   | 1       | MM400955   | 9    | 12      |
|           | 46   | 2       |           | 42   | 1       |            | 34   | 12      |
| MF241308  | 3    | 30      | MF476018  | 8    | 13      | MM400956   | 9    | 13      |
|           | 27   | 11      |           | 32   | 12      |            | 34   | 13      |
| MF243628  | 9    | 14      | MF476215  | 7    | 13      | MM401080   | 14   | 3       |
|           | 34   | 14      |           | 8    | 6       |            | 39   | 4       |
| MF244823  | 14   | 22      |           | 30   | 14      | MM401082   | 15   | 30      |
|           | 39   | 17      |           | 32   | 5       |            | 39   | 20      |
| MF244892  | 8    | 32      | MF520002  | 14   | 26      | MM401110   | 9    | 6       |
| MF350769  | 23   | 12      |           | 15   | 26      |            | 12   | 1~8     |
|           | 48   | 12      |           | 39   | 7       | MM401205   | 28   | 13      |

## NUMERICAL PARTS INDEX

| Parts No. | Page | Key No. | Parts No. | Page | Key No. | Parts No. | Page | Key No. |
|-----------|------|---------|-----------|------|---------|-----------|------|---------|
| MM401206  | 4    | 13      | MM406420  | 28   | 6       | MM407422  | 49   | 15      |
|           | 24   | 21      | MM406421  | 4    | 7       | MM407455  | 43   | 1       |
|           | 28   | 14      |           | 28   | 7       | MM407655  | 46   | 6       |
|           | 49   | 21      | MM406570  | 6    | 7       | MM408160  | 2    | 26      |
| MM402381  | 8    | 17      |           | 30   | 8       | MM408161  | 2    | 26      |
| MM402547  | 6    | 5       | MM406578  | 30   | 10      | MM408162  | 2    | 26      |
| MM402737  | 8    | 18      | MM406600  | 6    | 1       | MM408163  | 3    | 26      |
|           | 33   | 5       | MM406601  | 6    | 1       | MM408169  | 2    | 11      |
| MM402974  | 34   | 6       | MM406602  | 6    | 1       |           | 26   | 10      |
|           | 37   | 1~8     | MM406603  | 6    | 1       | MM408176  | 2    | 10      |
| MM404316  | 5    | 12      | MM406661  | 32   | 7       | MM408200  | 2    | 12      |
| MM404871  | 13   | 5       | MM406685  | 8    | 11      | MM408205  | 2    | 13      |
|           | 38   | 5       |           | 32   | 10      |           | 24   | 15      |
| MM404873  | 13   | 3       | MM406722  | 8    | 5       | MM408221  | 2    | 14      |
|           | 38   | 3       |           | 32   | 4       | MM408226  | 2    | 15      |
| MM404874  | 13   | 4       | MM406732  | 8    | 23      |           | 24   | 16      |
|           | 38   | 4       |           | 33   | 10      | MM408227  | 4    | 8       |
| MM404875  | 13   | 6       | MM406745  | 8    | 24      | MM408235  | 4    | 10      |
|           | 38   | 6       |           | 33   | 11      |           | 24   | 5       |
| MM404877  | 13   | 13      | MM406883  | 13   | 1, 2    | MM408236  | 4    | 10      |
|           | 38   | 13      |           | 38   | 1, 2    | MM408240  | 3    | 29      |
| MM404878  | 13   | 11      | MM406960  | 34   | 9       |           | 27   | 10      |
|           | 24   | 19      | MM406962  | 34   | 10      | MM408260  | 2    | 24      |
|           | 38   | 11      | MM406964  | 34   | 11      |           | 26   | 17      |
|           | 49   | 20      | MM407000  | 14   | 4       | MM408321  | 4    | 4       |
| MM404879  | 13   | 10      |           | 39   | 15      |           | 24   | 6       |
|           | 38   | 10      | MM407006  | 14   | 4       | MM408394  | 5    | 6~9     |
| MM404880  | 13   | 8       |           | 39   | 15      | MM408441  | 5    | 7       |
|           | 38   | 8       | MM407010  | 14   | 5       | MM408450  | 8    | 19      |
| MM404881  | 13   | 9       |           | 39   | 19      | MM408453  | 5    | 10      |
|           | 24   | 20      | MM407028  | 14   | 6       |           | 24   | 4       |
|           | 38   | 9       |           | 39   | 18      | MM408455  | 8    | 20      |
|           | 49   | 19      | MM407031  | 14   | 9       | MM408470  | 5    | 4       |
| MM404884  | 13   | 7       |           | 39   | 16      | MM408481  | 5    | 11      |
|           | 38   | 7       | MM407035  | 14   | 10      | MM408491  | 5    | 17, 18  |
| MM405460  | 18   | 2       |           | 39   | 9       | MM408501  | 5    | 19      |
|           | 43   | 3       | MM407124  | 16   | 12      | MM408509  | 5    | 15      |
| MM406217  | 2    | 6       |           | 24   | 13      | MM408520  | 6    | 2       |
|           | 26   | 5       |           | 41   | 12      | MM408521  | 6    | 2       |
| MM406228  | 2    | 2       |           | 49   | 13      | MM408522  | 6    | 2       |
|           | 24   | 11      | MM407125  | 16   | 6       | MM408523  | 6    | 2       |
|           | 26   | 2       |           | 41   | 6       | MM408536  | 5    | 2       |
|           | 49   | 11      | MM407145  | 16   | 9       | MM408537  | 29   | 2       |
| MM406235  | 2    | 3       |           | 41   | 9       | MM408541  | 20   | 2, 3    |
| MM406237  | 26   | 9       | MM407170  | 17   | 1~5     | MM408551  | 20   | 4       |
| MM406241  | 27   | 3       |           | 42   | 1~5     |           | 24   | 7       |
|           | 49   | 16      | MM407171  | 17   | 4       | MM408563  | 20   | 5       |
| MM406242  | 2    | 4       |           | 42   | 4       | MM408566  | 20   | 6       |
|           | 27   | 1       | MM407260  | 28   | 11      |           | 24   | 8       |
| MM406254  | 26   | 18      | MM407261  | 28   | 12      | MM408576  | 20   | 8       |
| MM406255  | 26   | 18      |           | 49   | 22      |           | 24   | 9       |
| MM406256  | 26   | 18      | MM407265  | 8    | 1       | MM408580  | 24   | 10      |
| MM406257  | 26   | 18      | MM407305  | 45   | 5       | MM408581  | 20   | 1       |
| MM406264  | 27   | 4       |           | 49   | 8       |           | 45   | 8       |
| MM406265  | 27   | 5       | MM407314  | 45   | 3, 4    |           | 49   | 10      |
|           | 49   | 17      | MM407318  | 45   | 6       | MM408590  | 20   | 14      |
| MM406362  | 28   | 8       | MM407402  | 43   | 5-9     | MM408790  | 6    | 3~5     |
| MM406416  | 28   | 10      | MM407422  | 18   | 10      | MM408795  | 6    | 6       |
|           | 49   | 6       |           | 24   | 14      | MM408796  | 6    | 6       |
| MM406420  | 4    | 6       |           | 43   | 10      | MM408797  | 6    | 6       |

# NUMERICAL PARTS INDEX

| Parts No. | Page | Key No. | Parts No. | Page | Key No. | Parts No. | Page | Key No. |
|-----------|------|---------|-----------|------|---------|-----------|------|---------|
| MM408798  | 6    | 6       | MM409365  | 16   | 18      | MM412568  | 20   | 7       |
| MM408811  | 6    | 8       | MM409371  | 16   | 1~11    | MM412569  | 45   | 11      |
| MM408821  | 6    | 9       |           | 41   | 1~11    | MM412572  | 29   | 15      |
| MM408906  | 8    | 4       | MM409372  | 16   | 7       |           | 49   | 5       |
| MM408908  | 8    | 8       |           | 41   | 7       | MM412573  | 29   | 13, 14  |
| MM408920  | 8    | 21      | MM409373  | 16   | 4       | MM412625  | 28   | 1~3     |
| MM408935  | 8    | 25      |           | 41   | 4       | MM412636  | 4    | 1~3     |
| MM408950  | 8    | 31      | MM409381  | 19   | 9       | MM412643  | 27   | 12      |
| MM408964  | 8    | 9       |           | 44   | 9       | MM412651  | 28   | 4       |
|           | 32   | 8       | MM409410  | 21   | 1       |           | 49   | 7       |
| MM409094  | 9    | 9       |           | 22   | 1~22    | MM412652  | 3    | 31      |
| MM409095  | 9    | 10      | MM409412  | 46   | 1       | MM412662  | 27   | 2       |
| MM409096  | 9    | 11      |           | 47   | 1~22    | MM412671  | 3    | 27      |
| MM409103  | 9    | 16~21   | MM409419  | 46   | 20      | MM412685  | 27   | 8       |
| MM409125  | 34   | 4       | MM409420  | 21   | 3       | MM412700  | 27   | 9       |
| MM409151  | 14   | 17      |           | 46   | 3       | MM412720  | 29   | 18      |
|           | 24   | 12      | MM409422  | 45   | 13      | MM412726  | 5    | 21      |
|           | 40   | 7       | MM409463  | 21   | 10      | MM412750  | 30   | 2       |
|           | 49   | 12      | MM409510  | 21   | 16      | MM412751  | 30   | 2       |
| MM409167  | 14   | 13      |           | 46   | 17      | MM412752  | 30   | 2       |
|           | 40   | 6       | MM409511  | 21   | 17      | MM412784  | 30   | 2       |
| MM409168  | 14   | 15      |           | 46   | 18      | MM412860  | 30   | 4~7     |
|           | 40   | 4       | MM409515  | 21   | 18      | MM412869  | 30   | 6       |
| MM409169  | 14   | 16      |           | 46   | 19      | MM412886  | 30   | 9       |
|           | 40   | 2       | MM409577  | 3    | 28      | MM412935  | 7    | 16, 17  |
| MM409181  | 14   | 8       | MM409640  | 14   | 12~15   |           | 30   | 17, 18  |
|           | 39   | 13      |           | 40   | 3~6     | MM412980  | 30   | 1       |
| MM409182  | 14   | 7       | MM409645  | 2    | 1       | MM412981  | 30   | 1       |
|           | 39   | 12      |           | 26   | 1       | MM412982  | 30   | 1       |
| MM409186  | 14   | 19      | MM409670  | 15   | 27      | MM412983  | 30   | 1       |
|           | 39   | 8       |           | 40   | 16      | MM413032  | 32   | 3       |
| MM409204  | 16   | 8       | MM409671  | 15   | 28      | MM413040  | 33   | 12      |
|           | 41   | 8       |           | 40   | 18      | MM413043  | 33   | 13      |
| MM409213  | 14   | 12~15   | MM409672  | 40   | 9       | MM413050  | 33   | 6       |
|           | 40   | 3~6     | MM409675  | 21   | 19      | MM413051  | 33   | 7       |
| MM409216  | 17   | 9, 10   |           | 46   | 16      | MM413060  | 33   | 3       |
| MM409226  | 3    | 31      | MM409686  | 15   | 32      |           | 49   | 3       |
| MM409230  | 4    | 11      |           | 40   | 13      | MM413101  | 34   | 19      |
| MM409235  | 4    | 12      | MM409718  | 4    | 9       | MM413104  | 9    | 20      |
|           | 24   | 22      |           | 28   | 9       | MM413105  | 34   | 20      |
| MM409237  | 14   | 11      | MM409795  | 2    | 5~10    | MM413107  | 9    | 21      |
|           | 39   | 1       | MM409847  | 9    | 2       | MM413108  | 34   | 21      |
| MM409241  | 32   | 1       |           | 10   | 1~30    | MM413132  | 9    | 19      |
| MM409244  | 16   | 5       | MM409891  | 9    | 3       | MM413142  | 9    | 15      |
|           | 41   | 5       |           | 34   | 3       |           | 13   | 1~13    |
| MM409302  | 18   | 5~9     | MM409892  | 13   | 14      |           | 34   | 15      |
| MM409311  | 19   | 6       |           | 38   | 14      |           | 38   | 1~13    |
|           | 44   | 6       | MM409893  | 16   | 13      | MM413202  | 34   | 16~21   |
| MM409314  | 18   | 9       |           | 41   | 13      | MM413205  | 9    | 22, 23  |
|           | 43   | 9       | MM409894  | 16   | 14      |           | 34   | 22, 23  |
| MM409326  | 18   | 7       |           | 41   | 14      | MM413206  | 9    | 4       |
|           | 43   | 7       | MM409895  | 22   | 23      | MM413225  | 34   | 2       |
|           | 49   | 14      | MM409897  | 23   | 19      |           | 35   | 1~31    |
| MM409327  | 18   | 8       |           | 48   | 18      | MM413235  | 34   | 2       |
|           | 43   | 8       | MM412522  | 29   | 5~8     |           | 35   | 1~31    |
| MM409328  | 21   | 6       | MM412540  | 29   | 9       | MM413360  | 15   | 31      |
| MM409334  | 19   | 2       |           | 49   | 4       |           | 40   | 15      |
|           | 44   | 5       | MM412561  | 29   | 6       | MM413362  | 15   | 33      |
| MM409336  | 19   | 7, 8    | MM412565  | 45   | 7       |           | 40   | 14      |
|           | 44   | 7, 8    |           | 49   | 9       | MM413740  | 44   | 10, 11  |

## NUMERICAL PARTS INDEX

| Parts No. | Page | Key No. | Parts No. | Page | Key No. | Parts No. | Page | Key No. |
|-----------|------|---------|-----------|------|---------|-----------|------|---------|
| MM413741  | 19   | 10, 11  | MM500229  | 35   | 7       | MM501162  | 35   | 15      |
| MM413829  | 46   | 10      | MM500230  | 10   | 10      | MM501200  | 10   | 6       |
| MM413863  | 2    | 5~10    |           | 35   | 10      | MM501211  | 35   | 6       |
| MM430113  | 2    | 11      | MM500231  | 10   | 14      | MM501240  | 12   | 2       |
|           | 26   | 10      |           | 35   | 14      |           | 37   | 2       |
| MM430156  | 29   | 19      | MM500299  | 10   | 21      | MM501244  | 10   | 17      |
| MM430168  | 29   | 5~8     |           | 35   | 21      |           | 35   | 17      |
| MM430176  | 17   | 9, 10   | MM500309  | 10   | 21      | MM501246  | 10   | 21      |
| MM430178  | 42   | 9, 10   |           | 35   | 21      |           | 35   | 21      |
| MM430186  | 26   | 4~9     | MM500310  | 10   | 21      | MM501247  | 36   | 22      |
| MM430300  | 34   | 9       |           | 35   | 21      | MM501256  | 11   | 26      |
| MM430302  | 34   | 10      | MM500311  | 10   | 21      |           | 36   | 26      |
| MM430304  | 34   | 11      |           | 35   | 21      | MM501257  | 11   | 27      |
| MM430419  | 42   | 2       | MM500312  | 10   | 21      | MM501258  | 11   | 27      |
| MM430598  | 17   | 1~5     |           | 35   | 21      | MM501259  | 11   | 27      |
|           | 42   | 1~5     | MM500314  | 10   | 21      | MM501260  | 11   | 27      |
| MM430613  | 2    | 3       |           | 35   | 21      | MM501261  | 11   | 27      |
| MM430614  | 9    | 13      | MM500315  | 10   | 21      | MM501270  | 36   | 28      |
|           | 34   | 13      |           | 35   | 21      | MM501271  | 36   | 28      |
| MM430703  | 9    | 12      | MM500316  | 10   | 12      | MM501272  | 36   | 28      |
|           | 34   | 12      |           | 35   | 12      | MM501273  | 36   | 28      |
| MM430859  | 6    | 7       | MM500336  | 10   | 4       | MM501274  | 11   | 28      |
|           | 30   | 8       |           | 35   | 4       |           | 36   | 28      |
| MM431601  | 6    | 1       | MM500360  | 10   | 9       | MM501275  | 11   | 28      |
| MM431602  | 6    | 1       |           | 35   | 9       |           | 36   | 28      |
| MM431603  | 6    | 1       | MM500403  | 10   | 19      | MM501276  | 12   | 1       |
| MM431604  | 6    | 1       | MM500429  | 11   | 30      | MM501311  | 10   | 11      |
| MM431717  | 41   | 20      |           | 36   | 30      |           | 35   | 11      |
| MM431777  | 16   | 19      | MM500431  | 11   | 23      | MM501312  | 10   | 1       |
| MM432044  | 5    | 2       |           | 36   | 23      | MM501320  | 10   | 19      |
| MM432045  | 24   | 18      | MM500438  | 10   | 13      | MM501364  | 10   | 21      |
| MM432509  | 30   | 2       |           | 35   | 13      |           | 35   | 21      |
| MM433046  | 6    | 2       | MM500442  | 35   | 19      | MM501365  | 10   | 21      |
| MM433047  | 6    | 2       | MM500507  | 11   | 25      |           | 36   | 21      |
| MM433048  | 6    | 2       |           | 36   | 25      | MM501382  | 36   | 26      |
| MM433049  | 6    | 2       | MM500785  | 12   | 3       | MM501386  | 11   | 28      |
| MM433050  | 6    | 1       | MM500786  | 12   | 3       |           | 36   | 28      |
| MM433051  | 6    | 1       | MM500787  | 12   | 3       | MM501387  | 11   | 28      |
| MM433052  | 6    | 1       | MM500795  | 12   | 3       | MM501388  | 11   | 28      |
| MM433053  | 6    | 1       | MM500796  | 12   | 3       | MM501395  | 11   | 28      |
| MM433905  | 30   | 2       | MM500797  | 12   | 3       | MM501396  | 11   | 28      |
| MM433906  | 30   | 2       | MM500798  | 12   | 3       | MM501397  | 11   | 28      |
| MM433907  | 30   | 2       | MM500799  | 12   | 3       | MM501404  | 35   | 1       |
| MM433921  | 30   | 1       | MM500908  | 12   | 8       | MM501405  | 37   | 1       |
| MM433922  | 30   | 1       |           | 37   | 8       | MM501411  | 37   | 3       |
| MM433923  | 30   | 1       | MM500928  | 11   | 24      | MM501412  | 37   | 3       |
| MM433924  | 30   | 1       |           | 36   | 24      | MM501413  | 37   | 3       |
| MM434004  | 24   | 1~23    | MM501045  | 35   | 18      | MM501414  | 37   | 3       |
| MM434136  | 18   | 1       | MM501046  | 10   | 5       | MM501415  | 37   | 3       |
| MM500114  | 10   | 20      | MM501073  | 10   | 22      | MM501416  | 37   | 3       |
|           | 35   | 20      | MM501076  | 35   | 5       | MM501417  | 37   | 3       |
| MM500135  | 12   | 5       | MM501077  | 10   | 16      | MM501418  | 37   | 3       |
|           | 37   | 5       |           | 35   | 16      | MM501419  | 37   | 3       |
| MM500136  | 12   | 4       | MM501098  | 10   | 8       | MM501420  | 37   | 3       |
|           | 37   | 4       |           | 35   | 8       | MM501421  | 37   | 3       |
| MM500137  | 12   | 6       | MM501152  | 10   | 18      | MM501422  | 37   | 3       |
|           | 37   | 6       |           | 35   | 18      | MM501425  | 11   | 29      |
| MM500224  | 10   | 2       | MM501161  | 10   | 3       | MM501429  | 36   | 22      |
|           | 35   | 2       |           | 35   | 3       | MM501432  | 36   | 29      |
| MM500229  | 10   | 7       | MM501162  | 10   | 15      | MM501496  | 11   | 31      |



## NUMERICAL PARTS INDEX

| Parts No. | Page | Key No. | Parts No. | Page | Key No. | Parts No. | Page | Key No. |
|-----------|------|---------|-----------|------|---------|-----------|------|---------|
| MM501496  | 36   | 31      | MS471104  | 2    | 20      |           |      |         |
| MM501497  | 36   | 27      |           | 26   | 13      |           |      |         |
| MM501498  | 36   | 27      | MS471105  | 2    | 21      |           |      |         |
| MM501499  | 36   | 27      |           | 26   | 14      |           |      |         |
| MM501500  | 36   | 27      | MS471110  | 2    | 22      |           |      |         |
| MM501501  | 36   | 27      |           | 26   | 15      |           |      |         |
| MM501507  | 10   | 2       | MS602063  | 9    | 22      |           |      |         |
|           | 35   | 2       | MS660163  | 9    | 23      |           |      |         |
| MM501569  | 36   | 28      |           | 19   | 11      |           |      |         |
| MM501570  | 36   | 28      |           | 34   | 23      |           |      |         |
| MM501571  | 36   | 28      |           | 44   | 11      |           |      |         |
| MM501572  | 36   | 28      | MS660164  | 19   | 8       |           |      |         |
| MM501573  | 36   | 28      |           | 44   | 8       |           |      |         |
| MM501574  | 11   | 28      | MS661120  | 5    | 14      |           |      |         |
|           | 36   | 28      |           | 16   | 11      |           |      |         |
| MM501575  | 11   | 28      |           | 29   | 12      |           |      |         |
|           | 36   | 28      |           | 41   | 11      |           |      |         |
| MM501576  | 11   | 28      | MS661121  | 2    | 23      |           |      |         |
|           | 36   | 28      |           | 3    | 33      |           |      |         |
| MM501577  | 11   | 28      |           | 16   | 10      |           |      |         |
| MM501578  | 11   | 28      |           | 26   | 16      |           |      |         |
| MM501579  | 11   | 28      |           | 41   | 10      |           |      |         |
| MM501580  | 11   | 28      | MS661122  | 26   | 3       |           |      |         |
| MM502298  | 23   | 8, 9    | MS661123  | 4    | 20      |           |      |         |
|           | 48   | 7       |           | 28   | 23      |           |      |         |
| MM502299  | 23   | 10      | MS661140  | 5    | 14      |           |      |         |
|           | 48   | 9       |           | 29   | 12      |           |      |         |
| MM502329  | 22   | 3       | MS661141  | 2    | 23      |           |      |         |
| MM502331  | 22   | 5       |           | 26   | 16      |           |      |         |
| MM502332  | 22   | 7       |           |      |         |           |      |         |
| MM502333  | 22   | 8       |           |      |         |           |      |         |
| MM502334  | 22   | 9       |           |      |         |           |      |         |
| MM502335  | 22   | 10      |           |      |         |           |      |         |
| MM502340  | 23   | 1       |           |      |         |           |      |         |
|           | 48   | 1       |           |      |         |           |      |         |
| MM502341  | 22   | 17      |           |      |         |           |      |         |
| MM502342  | 22   | 18      |           |      |         |           |      |         |
| MM502346  | 22   | 22      |           |      |         |           |      |         |
| MM502347  | 22   | 11      |           |      |         |           |      |         |
| MM502395  | 22   | 12      |           |      |         |           |      |         |
| MM502396  | 22   | 13      |           |      |         |           |      |         |
| MM502397  | 22   | 19      |           |      |         |           |      |         |
| MM502398  | 22   | 2       |           |      |         |           |      |         |
| MM502436  | 47   | 2       |           |      |         |           |      |         |
| MM502438  | 47   | 11      |           |      |         |           |      |         |
| MM502439  | 47   | 12      |           |      |         |           |      |         |
| MM502440  | 47   | 18      |           |      |         |           |      |         |
| MM502441  | 47   | 5       |           |      |         |           |      |         |
| MM502442  | 47   | 14      |           |      |         |           |      |         |
| MM502443  | 47   | 16      |           |      |         |           |      |         |
| MM502444  | 47   | 22      |           |      |         |           |      |         |
| MM502461  | 22   | 6       |           |      |         |           |      |         |
| MS401434  | 4    | 18      |           |      |         |           |      |         |
|           | 28   | 19      |           |      |         |           |      |         |
| MS450035  | 16   | 17      |           |      |         |           |      |         |
|           | 18   | 14      |           |      |         |           |      |         |
|           | 21   | 15      |           |      |         |           |      |         |
|           | 41   | 18      |           |      |         |           |      |         |
|           | 43   | 14      |           |      |         |           |      |         |
|           | 46   | 15      |           |      |         |           |      |         |

# NUMERICAL PARTS INDEX

| Parts No.     | Page | Key No.         | Parts No.     | Page | Key No. | Parts No.     | Page | Key No. |
|---------------|------|-----------------|---------------|------|---------|---------------|------|---------|
| A030 0108 020 | 161  | 15              | A055 0110 050 | 181  | 19      |               | 117  | 5       |
| A040 0106 025 | 118  | 19              | A055 0110 060 | 91   | 34      |               | 129  | 17      |
| A040 0110 020 | 88   | 9               | A055 0110 070 | 96   | 37      |               | 181  | 14      |
| A040 0112 035 | 179  | 4               | A055 0110 080 | 67   | 27      |               | 184  | 14      |
| A040 0114 020 | 76   | 10              |               | 69   | 24      | A303 0112 001 | 73   | 9       |
| A040 0114 030 | 139  | 20              | A055 0110 100 | 131  | 10      |               | 74   | 8       |
|               | 143  | 7               | A055 0110 130 | 135  | 15      | A303 0112 002 | 97   | 19      |
| A040 0114 035 | 177  | 29              | A055 0112 055 | 74   | 14      |               | 102  | 28      |
|               | 183  | 15              | A055 0116 050 | 176  | 5       |               | 110  | 28      |
| A042 0114 025 | 111  | 4               | A055 0116 070 | 143  | 8       |               | 180  | 3       |
|               | 111  | 9               |               | 180  | 9       | A303 0114 001 | 127  | 6       |
|               | 112  | 4               | A073 0124 003 | 185  | 2       |               | 131  | 6       |
|               | 112  | 9               | A080 0110 001 | 101  | 21      | A303 0114 002 | 93   | 16      |
|               | 113  | 4               |               | 105  | 44      |               | 99   | 3       |
|               | 113  | 9               |               | 108  | 21      |               | 106  | 3       |
|               | 113  | 18              | A080 0110 002 | 108  | 21      |               | 127  | 6       |
|               | 114  | 4               | A112 0112 020 | 74   | 5       | A303 0114 003 | 138  | 7       |
|               | 114  | 12              |               | 74   | 5       | A303 0116 001 | 113  | 16      |
|               | 115  | 4               | A140 0600 812 | 76   | 20      |               | 143  | 14      |
|               | 116  | 3               | A140 0600 820 | 58   | 26      | A303 0116 002 | 112  | 16      |
| A042 0114 030 | 111  | 15              |               | 61   | 10      |               | 180  | 11      |
|               | 114  | 17              |               | 65   | 10      | A303 2112 002 | 97   | 18      |
| A044 0106 055 | 150  | 16              | A222 0103 008 | 170  | 7       | A304 0114 001 | 176  | 4       |
|               | 154  | 6               | A232 0103 030 | 166  | 18      | A304 0114 002 | 99   | 14      |
|               | 158  | 6               | A242 0105 020 | 170  | 10      |               | 106  | 19      |
| A044 0114 045 | 136  | 16              | A300 0105 001 | 170  | 20      | A304 0116 001 | 176  | 7       |
| A045 0114 065 | 100  | 23              | A300 0106 001 | 71   | 22      | A304 0120 001 | 130  | 20      |
|               | 106  | 18              |               | 150  | 15      | A304 0122 002 | 132  | 19      |
| A050 0108 012 | 163  | 14 <sup>a</sup> |               | 154  | 4       | A313 0101 001 | 97   | 11      |
| A050 0108 016 | 94   | 10              |               | 158  | 4       |               | 97   | 23      |
| A050 0108 020 | 88   | 17              |               | 164  | 30      |               | 102  | 19      |
| A050 0108 020 | 165  | 32              | A300 0106 002 | 63   | 9       | A313 0101 001 | 104  | 28      |
| A050 0108 030 | 89   | 30              | A300 0110 003 | 166  | 11      |               | 109  | 19      |
|               | 124  | 28              | A300 0112 001 | 88   | 21      | A313 0101 201 | 98   | 28      |
|               | 125  | 11              | A301 0108 001 | 60   | 20      |               | 103  | 32      |
| A050 0108 060 | 154  | 23              |               | 68   | 20      |               | 105  | 38      |
|               | 158  | 23              |               | 124  | 29      |               | 110  | 32      |
| A050 0112 030 | 180  | 6               |               | 125  | 5       | A313 0101 601 | 101  | 7       |
| A052 0010 020 | 121  | 12              |               | 139  | 19      |               | 104  | 5       |
| A052 0110 020 | 71   | 24              |               | 141  | 18      |               | 108  | 7       |
|               | 114  | 9               |               | 144  | 28      | A327 0102 000 | 85   | 9       |
| A052 0110 025 | 146  | 10              |               | 147  | 22      | A327 0102 500 | 77   | 9       |
|               | 148  | 17              |               | 149  | 22      |               | 84   | 16      |
|               | 152  | 15              |               | 152  | 20      |               | 85   | 20      |
|               | 156  | 17              |               | 156  | 22      |               | 94   | 22      |
| A052 0110 040 | 95   | 25              | A301 0108 002 | 89   | 31      | A330 0100 800 | 60   | 8       |
| A052 0112 020 | 74   | 5               |               | 102  | 13      | A360 0100 502 | 170  | 19      |
| A052 0112 030 | 74   | 14 <sup>a</sup> |               | 109  | 13      | A360 0100 602 | 150  | 14      |
| A052 0112 060 | 180  | 2               |               | 184  | 3       |               | 154  | 3       |
| A052 0114 030 | 112  | 18              |               | 184  | 20      |               | 158  | 3       |
|               | 115  | 10              | A301 0108 003 | 145  | 5       | A360 0100 802 | 58   | 27      |
|               | 116  | 9               |               | 161  | 8       |               | 60   | 9       |
| A054 0108 030 | 102  | 12              | A303 0106 002 | 118  | 20      |               | 60   | 21      |
|               | 109  | 12              | A303 0110 001 | 53   | 12      |               | 61   | 11      |
|               | 138  | 10              |               | 71   | 25      |               | 65   | 11      |
| A054 0108 045 | 182  | 3               |               | 74   | 7       |               | 76   | 21      |
| A054 0108 090 | 183  | 14              |               | 124  | 30      |               | 89   | 28      |
| A054 0108 110 | 90   | 9               |               | 144  | 30      |               | 102  | 14      |
| A054 0112 080 | 88   | 20              | A303 0110 002 | 95   | 26      |               | 109  | 14      |
| A054 0112 090 | 90   | 9 <sup>a</sup>  |               | 114  | 10      |               | 130  | 23      |

# NUMERICAL PARTS INDEX

| Parts No.     | Page | Key No. | Parts No.     | Page | Key No.         | Parts No.     | Page | Key No.         |
|---------------|------|---------|---------------|------|-----------------|---------------|------|-----------------|
|               | 135  | 8       |               | 131  | 5               |               | 106  | 18              |
|               | 147  | 23      |               | 136  | 17              | F1030-08025   | 160  | 10              |
|               | 149  | 23      |               | 140  | 36              | F144 0106 012 | 70   | 9               |
|               | 152  | 21      |               | 143  | 6               |               | 71   | 20              |
|               | 155  | 26      |               | 177  | 30              |               | 101  | 11              |
|               | 156  | 23      | A360 0101 602 | 112  | 17              |               | 104  | 9               |
|               | 159  | 29      |               | 113  | 17              |               | 108  | 11              |
|               | 160  | 11      |               | 176  | 6               |               | 178  | 4               |
|               | 161  | 14      |               | 180  | 10              | F144 0106 030 | 154  | 11              |
|               | 168  | 16      | A360 0102 002 | 129  | 19              |               | 158  | 11              |
|               | 169  | 20      | A360 0102 202 | 132  | 18              | F144 0106 035 | 146  | 6               |
|               | 182  | 4       | A600 0201 000 | 76   | 7               |               | 148  | 6               |
|               | 183  | 16      |               | 93   | 4               |               | 152  | 6               |
| A360 0101 002 | 59   | 23      |               | 136  | 18              |               | 156  | 6               |
|               | 67   | 28      |               | 149  | 29              | F144 0106 045 | 146  | 5               |
|               | 69   | 25      |               | 152  | 22              |               | 148  | 4               |
|               | 71   | 29      |               | 157  | 29              |               | 152  | 4               |
|               | 74   | 9       |               | 182  | 2               |               | 156  | 4               |
|               | 91   | 35      | A601 0101 000 | 76   | 17              | F144 0106 055 | 150  | 16              |
|               | 95   | 6       |               | 122  | 23              |               | 154  | 6               |
|               | 96   | 38      | A601 0101 300 | 135  | 4               |               | 158  | 6               |
|               | 99   | 6       |               | 136  | 19              | F154 0108 016 | 74   | 3               |
|               | 101  | 20      | A650 0100 600 | 97   | 15              |               | 92   | 14              |
|               | 105  | 45      |               | 97   | 15 <sup>a</sup> |               | 119  | 24              |
|               | 106  | 6       |               | 98   | 25              |               | 124  | 26              |
|               | 108  | 20      |               | 102  | 21              |               | 125  | 20              |
|               | 114  | 11      |               | 105  | 32              |               | 137  | 27              |
|               | 122  | 37      |               | 109  | 21              |               | 150  | 13              |
|               | 131  | 14      | A650 0600 600 | 98   | 30              |               | 153  | 27              |
|               | 132  | 14      |               | 103  | 34              |               | 154  | 21              |
|               | 134  | 27      |               | 105  | 41              |               | 157  | 33              |
| A360 0101 002 | 135  | 16      | A650 0600 600 | 110  | 34              | F154 0108 016 | 158  | 21              |
|               | 181  | 15      | A650 3100 300 | 99   | 9               | F154 0108 020 | 59   | 13              |
| A360 0101 202 | 73   | 10      |               | 106  | 9               |               | 67   | 21              |
|               | 74   | 10      |               | 178  | 18              |               | 68   | 18              |
|               | 90   | 10      | A651 0600 600 | 102  | 26              |               | 71   | 26              |
|               | 97   | 9       |               | 109  | 26              |               | 74   | 17              |
|               | 179  | 5       | A651 3100 300 | 99   | 13              |               | 76   | 15              |
|               | 180  | 7       |               | 106  | 13              |               | 77   | 3               |
| A360 0101 402 | 76   | 11      | A651 3100 600 | 97   | 16              |               | 95   | 19              |
|               | 93   | 17      | A651 3600 300 | 93   | 13              |               | 139  | 14              |
|               | 99   | 4       |               | 123  | 17              |               | 141  | 13              |
|               | 106  | 4       | A954 0110 060 | 101  | 19              |               | 183  | 3               |
|               | 111  | 5       |               | 105  | 43              |               | 183  | 22              |
|               | 111  | 10      |               | 108  | 19              | F154 0108 025 | 76   | 15 <sup>a</sup> |
|               | 111  | 16      | F1025-06012   | 167  | 35              |               | 94   | 23              |
|               | 112  | 5       | F1025-08022   | 130  | 22              | F154 0108 035 | 76   | 16              |
|               | 112  | 10      | F1025-14025   | 111  | 4               | F154 0108 045 | 138  | 10              |
|               | 112  | 19      |               | 111  | 9               |               | 138  | 12              |
|               | 113  | 5       |               | 112  | 4               | F154 0108 050 | 146  | 18              |
|               | 113  | 10      |               | 112  | 9               |               | 148  | 20              |
|               | 113  | 19      |               | 113  | 4               |               | 152  | 18              |
|               | 114  | 5       |               | 113  | 9               |               | 156  | 20              |
|               | 114  | 13      |               | 113  | 17              | F154 0108 060 | 154  | 23              |
|               | 114  | 18      |               | 114  | 4               |               | 158  | 23              |
|               | 115  | 5       |               | 116  | 3               | F154 0112 035 | 74   | 6               |
|               | 115  | 9       | F1025-1403    | 111  | 15              |               | 76   | 3               |
|               | 116  | 4       | F1025-14030   | 114  | 12              |               | 179  | 4               |
|               | 116  | 8       |               | 114  | 17              | F155 0110 016 | 181  | 7               |
|               | 127  | 5       | F1025-14065   | 100  | 23              | F155 0110 020 | 53   | 17              |

# NUMERICAL PARTS INDEX

| Parts No.     | Page | Key No. | Parts No.     | Page | Key No. | Parts No.     | Page | Key No. |
|---------------|------|---------|---------------|------|---------|---------------|------|---------|
| F155 0110 025 | 67   | 19      | F4610-10000   | 154  | 12      |               | 149  | 26      |
|               | 68   | 16      |               | 158  | 12      |               | 157  | 26      |
|               | 90   | 20      | F5005-13000   | 135  | 4       | 0050 1100 360 | 146  | 14      |
|               | 93   | 14      |               | 136  | 19      |               | 148  | 11      |
|               | 95   | 4       | F5010-35000   | 97   | 6       |               | 152  | 11      |
| F155 0110 030 | 93   | 5       | F5010-45000   | 178  | 17      |               | 156  | 11      |
|               | 96   | 33      | H104 0106 016 | 72   | 32      | 0050 1100 430 | 57   | 17      |
|               | 121  | 15      | H114 0108 016 | 57   | 5       | 0050 2108 083 | 164  | 20      |
|               | 127  | 11      | H144 0106 012 | 92   | 9       |               | 164  | 20      |
|               | 131  | 12      | H144 0106 014 | 92   | 10      | 0050 2110 083 | 54   | 21      |
|               | 181  | 4       | H144 0106 016 | 92   | 10      | 0050 3112 506 | 53   | 18      |
| F155 0110 035 | 90   | 17      | H154 0108 016 | 54   | 22      | 0328 0102 001 | 85   | 10      |
| F155 0110 045 | 135  | 2       |               | 61   | 15      | 0328 0102 501 | 77   | 8       |
| F155 0110 050 | 181  | 5       |               | 62   | 3       |               | 84   | 17      |
| F155 0112 025 | 97   | 7       |               | 63   | 19      |               | 85   | 21      |
| F155 0112 030 | 93   | 18      |               | 63   | 19      |               | 94   | 21      |
|               | 99   | 2       |               | 65   | 1       | 03476-92000   | 71   | 15      |
|               | 106  | 2       |               | 70   | 5       | 0350 0120 512 | 170  | 11      |
| F155 0112 035 | 74   | 13      |               | 70   | 5       | 0350 0130 613 | 63   | 8       |
|               | 93   | 22      |               | 73   | 7       |               | 75   | 24      |
|               | 100  | 25      |               | 139  | 7       |               | 164  | 29      |
|               | 107  | 25      |               | 141  | 6       |               | 164  | 29      |
| F155 0112 040 | 74   | 4       |               | 143  | 24      | 0350 0130 615 | 126  | 24      |
| F1610-04010   | 167  | 33      |               | 163  | 14      | 0350 0130 815 | 117  | 11      |
| F2005-12035   | 74   | 6       |               | 184  | 26      |               | 123  | 22      |
| F2300-08000   | 165  | 44      | H154 0108 020 | 53   | 15      |               | 139  | 18      |
| F2300-10000   | 165  | 45      |               | 53   | 15      |               | 141  | 17      |
| F2300-20000   | 130  | 20      |               | 57   | 13      |               | 142  | 37      |
| F2500-10000   | 165  | 46      |               | 60   | 19      |               | 143  | 21      |
| F2500-24000   | 124  | 25      |               | 67   | 20      |               | 154  | 22      |
| F2515-06000   | 167  | 36      |               | 68   | 17      |               | 158  | 22      |
| F2515-08000   | 130  | 23      | H154 0108 020 | 71   | 14      | 0350 0130 815 | 183  | 17      |
| F2515-10000   | 165  | 47      |               | 71   | 31      |               | 184  | 7       |
| F2515-20000   | 129  | 19      |               | 120  | 3       |               | 184  | 17      |
| F2525-08000   | 165  | 43      |               | 121  | 5       |               | 184  | 22      |
| F2855-06035   | 75   | 23      |               | 143  | 13      | 0350 0130 820 | 124  | 23      |
| F2855-08025   | 123  | 15 a    | H154 0108 025 | 58   | 23      |               | 169  | 27      |
|               | 125  | 7       |               | 71   | 13      | 0350 0140 022 | 71   | 28      |
| F2870 07028   | 104  | 14      |               | 126  | 23      | 0350 0140 618 | 70   | 10      |
| F2870-07028   | 101  | 15      | H154 0108 030 | 124  | 27      |               | 71   | 21      |
|               | 108  | 15      | H155 0110 020 | 73   | 4       | 0350 0140 818 | 58   | 28      |
| F300 0105 001 | 163  | 15      | H155 0110 025 | 67   | 29      |               | 60   | 22      |
|               | 163  | 15      |               | 69   | 26      |               | 61   | 16      |
| F300 0106 001 | 71   | 18      |               | 73   | 3       |               | 65   | 9       |
|               | 168  | 6       | H155 0110 030 | 60   | 18      |               | 124  | 22      |
| F301 0108 001 | 62   | 13      |               | 119  | 2       |               | 124  | 31      |
|               | 65   | 7       |               | 121  | 15      |               | 125  | 8       |
|               | 67   | 23      | H155 0110 050 | 181  | 9       |               | 125  | 12      |
|               | 71   | 16      | H242 0104 010 | 52   | 9       |               | 143  | 26      |
|               | 122  | 22      | H242 0106 016 | 170  | 16      |               | 165  | 36      |
|               | 136  | 1       | H242 0106 020 | 169  | 25      |               | 184  | 4       |
|               | 164  | 18      | SA91 1838 000 | 123  | 14      | 0350 0141 022 | 59   | 22      |
|               | 165  | 33      |               | 125  | 6       |               | 68   | 15      |
|               | 183  | 18      | SA92 2079 000 | 120  | 4       |               | 124  | 24      |
| F303 0110 001 | 146  | 11      |               | 121  | 10      |               | 144  | 31      |
|               | 148  | 18      |               | 121  | 18      |               | 184  | 11      |
|               | 152  | 16      | SF28 5508 025 | 123  | 15      | 0350 0150 822 | 67   | 22      |
|               | 156  | 18      |               | 123  | 15 b    |               | 68   | 19      |
| F4202-10000   | 154  | 13      |               | 125  | 7       |               | 89   | 27      |
|               | 158  | 13      | 0050 1100 200 | 149  | 26      | 0350 0151 026 | 66   | 18      |

## NUMERICAL PARTS INDEX

| Parts No.     | Page | Key No. | Parts No.     | Page | Key No. | Parts No.     | Page | Key No. |
|---------------|------|---------|---------------|------|---------|---------------|------|---------|
|               | 73   | 14      |               | 103  | 33      |               | 184  | 10      |
| 0350 0151 226 | 73   | 11      |               | 105  | 42      | 05642-00400   | 101  | 14      |
|               | 136  | 8       |               | 110  | 33      |               | 104  | 13      |
|               | 139  | 15      | 0520 0140 036 | 176  | 13      |               | 108  | 14      |
|               | 139  | 15      |               | 177  | 31      | 05946-01000   | 121  | 13      |
|               | 141  | 14      |               | 178  | 16      | 0690 0012 360 | 120  | 6       |
|               | 141  | 14      |               | 178  | 23      |               | 121  | 9       |
| 0350 0151 430 | 66   | 5       | 0520 0140 040 | 101  | 8       | 0691 0012 250 | 122  | 26      |
|               | 127  | 4       |               | 104  | 6       | 0730 0004 202 | 77   | 27      |
|               | 131  | 4       |               | 108  | 8       | 0730 0004 204 | 77   | 27      |
| 0350 0151 632 | 101  | 6       |               | 177  | 31      | 0730 0004 206 | 78   | 27      |
|               | 104  | 4       |               | 178  | 16      | 0730 0004 216 | 78   | 33      |
|               | 108  | 6       |               | 178  | 23      | 0730 0004 702 | 82   | 30      |
|               | 143  | 9       | 0521 0106 000 | 62   | 7       | 0730 0004 704 | 82   | 30      |
|               | 176  | 12      |               | 63   | 17      | 0730 0004 708 | 82   | 30      |
|               | 176  | 15      |               | 117  | 12      | 0730 0006 201 | 79   | 10      |
|               | 178  | 15      | 0521 0108 000 | 117  | 10      |               | 80   | 10      |
|               | 178  | 22      |               | 117  | 10      |               | 81   | 10      |
| 0350 0160 826 | 65   | 8       | 0521 0110 000 | 66   | 17      | 0730 0006 204 | 79   | 10      |
|               | 67   | 24      |               | 68   | 14      |               | 80   | 10      |
|               | 69   | 21      | 0521 0112 000 | 125  | 4       |               | 81   | 10      |
|               | 71   | 27      | 0540 1006 028 | 92   | 5       | 0730 0006 208 | 79   | 10      |
| 0350 0161 032 | 117  | 3       | 0540 1010 018 | 74   | 11      |               | 80   | 10      |
| 0350 0161 230 | 126  | 29      |               | 76   | 4       |               | 81   | 10      |
| 0350 0161 436 | 127  | 4       |               | 90   | 5       | 0731 0001 504 | 88   | 24      |
|               | 131  | 4       |               | 119  | 14      | 0731 0001 512 | 88   | 24      |
| 0370 0108 000 | 164  | 19      |               | 135  | 5       | 0731 0002 504 | 95   | 12      |
| 0371 0110 000 | 166  | 12      | 0540 1110 020 | 131  | 13      | 0731 0002 508 | 95   | 12      |
| 0432 1104 008 | 66   | 8       | 0550 0003 020 | 118  | 17      | 0731 0002 510 | 95   | 12      |
| 0432 1104 012 | 168  | 13      |               | 139  | 10      | 0731 0002 512 | 95   | 12      |
| 0520 0116 012 | 75   | 25      |               | 141  | 9       | 0731 0002 516 | 78   | 28      |
| 0520 0116 012 | 138  | 6       | 0550 0004 016 | 140  | 37      | 0731 0003 001 | 95   | 9       |
| 0520 0120 015 | 123  | 20      |               | 142  | 38      | 0731 0003 004 | 95   | 9       |
|               | 125  | 13      | 0550 0005 025 | 120  | 8       | 0731 0003 008 | 95   | 9       |
| 0520 0120 016 | 123  | 20      |               | 122  | 25      | 0731 0003 010 | 95   | 9       |
|               | 125  | 13      |               | 125  | 2       | 0731 0003 012 | 95   | 9       |
| 0520 0125 015 | 126  | 25      | 0550 0005 028 | 140  | 29      | 0740 0101 800 | 80   | 25      |
|               | 139  | 6       |               | 142  | 27      |               | 81   | 25      |
|               | 141  | 5       | 0550 0005 032 | 80   | 21      | 0740 0102 000 | 122  | 31      |
| 0520 0125 016 | 126  | 25      |               | 81   | 21      |               | 181  | 8       |
|               | 139  | 6       |               | 119  | 17      | 0740 0102 200 | 90   | 24      |
|               | 141  | 5       | 0550 0006 022 | 178  | 11      |               | 121  | 7       |
|               | 143  | 22      | 0550 0006 025 | 119  | 8       | 0740 0102 400 | 96   | 39      |
|               | 184  | 8       |               | 122  | 28      | 0740 0102 500 | 80   | 3       |
|               | 184  | 18      | 0550 0006 030 | 88   | 10      |               | 81   | 3       |
|               | 184  | 23      | 0550 0006 040 | 88   | 10      |               | 84   | 20      |
| 0520 0125 018 | 97   | 12      |               | 94   | 11      |               | 85   | 4       |
|               | 98   | 24      | 0550 0008 016 | 140  | 25      |               | 85   | 6       |
|               | 102  | 20      |               | 141  | 23      |               | 85   | 13      |
|               | 104  | 29      | 0550 0008 040 | 123  | 18      |               | 95   | 27      |
|               | 109  | 20      | 05534-10000   | 96   | 40      |               | 123  | 21      |
| 0520 0125 020 | 67   | 30      | 05534-12000   | 76   | 13      | 0740 0102 800 | 83   | 1       |
|               | 117  | 8       | 05534-14000   | 91   | 36      | 0740 0103 000 | 79   | 11      |
|               | 123  | 19      | 05605-02215   | 75   | 22      |               | 79   | 17      |
|               | 125  | 9       | 05605-02525   | 97   | 3       |               | 80   | 8       |
| 0520 0130 015 | 118  | 18      | 05605-05030   | 95   | 22      |               | 81   | 8       |
| 0520 0130 016 | 118  | 18      | 0561 0106 030 | 138  | 5       |               | 90   | 30      |
| 0520 0130 020 | 144  | 32      | 0562 0106 020 | 62   | 6       | 0740 0103 200 | 77   | 11      |
|               | 184  | 12      |               | 63   | 16      | 0740 0103 500 | 77   | 26      |
| 0520 0130 025 | 98   | 29      | 0562 0110 025 | 144  | 33      |               | 85   | 18      |

## NUMERICAL PARTS INDEX

| Parts No.     | Page | Key No. | Parts No.     | Page | Key No. | Parts No.     | Page | Key No. |
|---------------|------|---------|---------------|------|---------|---------------|------|---------|
| 0740 0104 000 | 90   | 8       |               | 84   | 8       |               | 153  | 25      |
|               | 135  | 14      | 0750 0263 060 | 90   | 19      |               | 154  | 7       |
| 0740 0104 800 | 90   | 3       | 0750 0562 054 | 78   | 29      |               | 157  | 32      |
| 0740 0105 000 | 90   | 11      | 0750 0563 044 | 181  | 10      |               | 158  | 7       |
| 0740 0106 000 | 86   | 4       | 0760 0051 106 | 95   | 21      | 0830 0100 250 | 77   | 5       |
| 0741 0101 600 | 119  | 5       | 0770 0032 206 | 80   | 18      |               | 93   | 20      |
| 0741 0102 000 | 92   | 4       |               | 81   | 18      |               | 99   | 11      |
| 0741 0102 600 | 84   | 21      | 0770 0033 205 | 80   | 11      |               | 101  | 16      |
| 0741 0103 200 | 134  | 25      |               | 81   | 11      |               | 104  | 15      |
| 0741 0105 200 | 81   | 26      | 0770 0130 205 | 77   | 4       |               | 106  | 11      |
|               | 85   | 2       |               | 94   | 18      |               | 108  | 16      |
|               | 119  | 10      | 0770 0132 206 | 80   | 18      |               | 146  | 19      |
|               | 181  | 12      |               | 81   | 18      |               | 148  | 21      |
| 0741 0106 200 | 77   | 23      | 0770 0133 205 | 80   | 11      |               | 152  | 19      |
|               | 79   | 2       |               | 81   | 11      |               | 156  | 21      |
|               | 80   | 9       | 0780 2162 220 | 82   | 32      | 0830 0100 260 | 121  | 6       |
|               | 81   | 9       | 0780 2182 417 | 80   | 23      | 0830 0100 280 | 119  | 22      |
|               | 83   | 13      |               | 81   | 23      | 0830 0100 300 | 90   | 31      |
|               | 84   | 7       | 0780 2202 617 | 77   | 10      | 0830 0100 380 | 101  | 13      |
| 0741 0106 300 | 132  | 28      | 0780 2283 317 | 83   | 3       |               | 104  | 12      |
| 0741 0107 200 | 90   | 18      | 0780 2303 520 | 83   | 10      |               | 108  | 13      |
|               | 95   | 20      | 0780 2354 017 | 80   | 16      | 0830 0100 420 | 146  | 16      |
| 0741 0109 000 | 90   | 12      |               | 81   | 16      |               | 148  | 8       |
| 0742 0001 200 | 88   | 23      | 0780 2354 220 | 85   | 15      |               | 152  | 8       |
| 0742 0100 800 | 140  | 30      | 0780 2404 527 | 77   | 13      |               | 156  | 8       |
|               | 142  | 28      | 0800 0000 300 | 137  | 32      | 0830 0100 600 | 136  | 22      |
|               | 143  | 16      | 0800 0000 900 | 119  | 11      | 0830 0110 170 | 75   | 26      |
|               | 184  | 15      |               | 120  | 5       | 0830 0120 400 | 135  | 11      |
| 0742 0100 900 | 59   | 23 a    |               | 121  | 11      | 0830 0200 250 | 94   | 24      |
| 0742 0101 000 | 66   | 6       |               | 121  | 17      | 0830 0200 300 | 84   | 13      |
|               | 136  | 7       |               | 122  | 27      | 0830 0200 500 | 132  | 22      |
| 0742 0101 200 | 125  | 14      | 0800 0001 100 | 136  | 14      | 0830 0220 600 | 132  | 11      |
| 0742 0101 500 | 143  | 4       | 0810 0052 052 | 82   | 27      | 0830 0500 160 | 145  | 15      |
| 0743 0101 000 | 68   | 5 c     | 0810 0052 062 | 84   | 11      | 0830 0500 300 | 132  | 6       |
| 0746 1002 100 | 82   | 29      | 0830 0100 070 | 153  | 28      | 0830 0500 600 | 94   | 15      |
| 0746 1005 000 | 86   | 13      |               | 157  | 34      | 0830 0500 700 | 134  | 14      |
| 0750 0060 070 | 77   | 24      | 0830 0100 080 | 134  | 18      | 0830 0500 750 | 96   | 32      |
| 0750 0060 100 | 94   | 12      | 0830 0100 110 | 88   | 25      | 0830 0501 450 | 95   | 7       |
| 0750 0060 120 | 89   | 29      | 0830 0100 120 | 161  | 16      | 0830 0501 500 | 93   | 6       |
| 0750 0062 050 | 85   | 3       |               | 182  | 6       | 0830 0550 300 | 132  | 26      |
|               | 101  | 4       |               | 183  | 20      | 0830 1100 060 | 136  | 20      |
|               | 104  | 2       | 0830 0100 140 | 154  | 14      |               | 162  | 5       |
|               | 108  | 4       |               | 158  | 14      | 0830 1100 080 | 76   | 18      |
| 0750 0062 100 | 90   | 13      | 0830 0100 160 | 122  | 33      | 0830 1100 100 | 136  | 12      |
| 0750 0063 040 | 85   | 8       |               | 183  | 19      | 0830 1100 120 | 136  | 2       |
|               | 95   | 17      | 0830 0100 180 | 90   | 23      |               | 138  | 2       |
|               | 101  | 5       |               | 120  | 9       |               | 145  | 8       |
|               | 104  | 3       |               | 121  | 2       |               | 162  | 3       |
|               | 108  | 5       |               | 133  | 10      | 0830 1100 140 | 136  | 11      |
| 0750 0063 050 | 80   | 4       |               | 146  | 4       |               | 162  | 14      |
|               | 81   | 4       |               | 148  | 5       | 0830 1100 240 | 161  | 13      |
|               | 83   | 12      |               | 152  | 5       | 0830 1200 650 | 136  | 21      |
|               | 84   | 22      |               | 156  | 5       | 0833 0000 800 | 93   | 8       |
|               | 95   | 11      |               | 161  | 10      |               | 95   | 15      |
| 0750 0063 055 | 84   | 1       | 0830 0100 200 | 120  | 13      | 0833 0001 200 | 74   | 2       |
| 0750 0063 060 | 95   | 8       |               | 154  | 15      | 0833 0001 600 | 146  | 21      |
| 0750 0063 080 | 90   | 7       |               | 158  | 15      |               | 151  | 17      |
| 0750 0262 060 | 79   | 9       | 0830 0100 240 | 97   | 4       |               | 154  | 24      |
| 0750 0263 040 | 96   | 34      |               | 149  | 32      |               | 158  | 24      |
| 0750 0263 050 | 79   | 3       |               | 150  | 7       | 0840 0040 525 | 82   | 31      |

# NUMERICAL PARTS INDEX

| Parts No.     | Page | Key No. | Parts No.     | Page | Key No. | Parts No.     | Page | Key No. |
|---------------|------|---------|---------------|------|---------|---------------|------|---------|
| 0840 1012 227 | 139  | 23      | 1007 0656 OCO | 93   | 9       |               | 56   | 1~9     |
|               | 141  | 21      | 1007 1016 000 | 74   | 2       | 1021 0301 OK1 | 55   | 1~9     |
| 0840 1025 388 | 123  | 16      |               | 74   | 2       | 1021 0301 OK2 | 55   | 1~9     |
| 0840 1035 529 | 94   | 19      | 1007 1205 000 | 82   | 28      | 1021 0302 OK0 | 56   | 1~5     |
| 0840 1040 528 | 77   | 7       | 1007 2222 000 | 123  | 10      | 1021 0302 OK1 | 55   | 1~5     |
| 0841 1507 212 | 90   | 33      | 1007 2858 000 | 164  | 17      | 1021 0311 OK0 | 55   | 1       |
| 0841 2355 212 | 95   | 2       |               | 164  | 17      |               | 56   | 1       |
| 0841 2579 013 | 90   | 14      | 1007 8011 000 | 185  | 6       | 1021 0311 OK1 | 55   | 1       |
| 08452-20000   | 62   | 19      | 1007 8013 000 | 185  | 5       | 1021 0312 OK0 | 55   | 2       |
| 08542-12035   | 175  | 10      | 1007 8022 000 | 185  | 8       |               | 56   | 2       |
| 0891 0006 140 | 114  | 2       | 1007 8024 000 | 185  | 7       |               | 56   | 11      |
| 0980 1001 501 | 171  | 24      | 1015 0203 000 | 76   | 6       | 1021 0313 OK1 | 55   | 6       |
| 0980 1002 001 | 171  | 27      | 1019 0228 000 | 118  | 15      |               | 56   | 6       |
| 1003 2409 OCO | 140  | 28      | 1019 0611 000 | 94   | 3       | 1021 0313 OK2 | 55   | 6       |
|               | 142  | 26      | 1019 1414 000 | 94   | 6       |               | 56   | 6       |
| 1003 2415 000 | 139  | 24      | 1019 1415 000 | 94   | 7       | 1021 0315 OK0 | 55   | 7       |
|               | 141  | 22      | 1019 1416 000 | 94   | 8       |               | 56   | 7       |
| 1003 2416 001 | 138  | 1       | 1019 2114 000 | 130  | 24      | 1021 0315 OK1 | 55   | 7       |
|               | 145  | 1       | 1019 2116 000 | 129  | 9       |               | 56   | 7       |
| 1003 2419 000 | 138  | 4       | 1019 2117 000 | 129  | 16      |               | 56   | 16      |
|               | 138  | 4       | 1019 2121 000 | 127  | 9       | 1021 0321 OK0 | 55   | 8       |
| 1003 2419 001 | 138  | 4       | 1019 2279 000 | 71   | 17      | 1021 0321 OK1 | 55   | 8       |
|               | 138  | 4       | 1019 2429 OCO | 142  | 36      |               | 56   | 8       |
| 1003 2422 000 | 138  | 9       | 1019 2447 000 | 139  | 3       |               | 56   | 17      |
| 1003 2424 OCO | 139  | 13      |               | 141  | 2       | 1021 0411 000 | 57   | 1~5     |
|               | 141  | 12      | 1019 2519 101 | 62   | 21      | 1021 0413 000 | 57   | 6       |
| 1003 2426 000 | 139  | 16      | 1019 2545 OC1 | 127  | 10      | 1021 0417 000 | 57   | 10      |
|               | 141  | 15      | 1019 2599 601 | 169  | 24      | 1021 0516 OCO | 59   | 9       |
| 1003 2427 OCO | 139  | 17      | 1019 2822 001 | 168  | 5       | 1021 0516 OC1 | 59   | 9       |
|               | 141  | 16      | 1019 2824 000 | 169  | 22      | 1021 0517 OCO | 59   | 10      |
| 1003 2428 OCO | 139  | 21      | 1019 2840 000 | 163  | 5       | 1021 0518 000 | 59   | 11      |
| 1003 2428 OCO | 141  | 19      | 1019 2840 000 | 166  | 1~3     | 1021 0519 000 | 59   | 12      |
| 1003 2429 OCO | 142  | 36      | 1019 2840 001 | 163  | 5       |               | 60   | 10      |
|               | 184  | 16      |               | 166  | 1~3     | 1021 1051 OCO | 74   | 1       |
| 1003 2431 OCO | 142  | 35      | 1019 2841 000 | 166  | 1       | 1021 1051 OC1 | 74   | 1       |
|               | 184  | 21      | 1019 2842 001 | 166  | 3       | 1021 1110 000 | 74   | 15      |
| 1003 2433 000 | 144  | 27      | 1019 2842 002 | 166  | 3       | 1021 1115 001 | 75   | 18      |
|               | 184  | 5       | 1019 2849 000 | 163  | 7       | 1021 1115 002 | 75   | 18      |
| 1003 2447 001 | 139  | 2       | 1019 2881 000 | 164  | 23~25   | 1021 1116 001 | 75   | 19      |
|               | 141  | 1       | 1019 5402 OCO | 181  | 16      | 1021 1117 OC2 | 75   | 20      |
| 1003 2448 000 | 139  | 5       | 1019 5421 000 | 181  | 13      | 1021 1119 000 | 75   | 22      |
|               | 141  | 4       | 1019 5422 000 | 181  | 18      | 1021 1211 OCO | 76   | 1       |
| 1006 8011 000 | 185  | 10      | 1021 0101 OCO | 52   | 1~9     | 1021 1215 000 | 77   | 25b     |
| 1007 0012 000 | 163  | 16      | 1021 0101 OC1 | 52   | 1~9     | 1021 1221 000 | 77   | 17      |
|               | 163  | 16      | 1021 0101 OC2 | 52   | 1~9     | 1021 1222 000 | 77   | 12      |
| 1007 0552 OCO | 92   | 2~4     | 1021 0102 OCO | 52   | 1a~9    | 1021 1223 000 | 77   | 2       |
| 1007 0552 100 | 92   | 2       | 1021 0102 OC1 | 52   | 1a~9    | 1021 1224 000 | 77   | 6       |
| 1007 0552 200 | 92   | 3       | 1021 0102 OC2 | 52   | 1a~9    | 1021 1225 000 | 77   | 19      |
| 1007 0553 000 | 92   | 6       | 1021 0113 000 | 52   | 2, 3    | 1021 1226 000 | 77   | 22      |
| 1007 0553 001 | 92   | 6       | 1021 0114 000 | 53   | 11      | 1021 1233 001 | 79   | 5       |
| 1007 0554 OC1 | 92   | 7       | 1021 0114 001 | 53   | 11      | 1021 1234 000 | 79   | 7       |
| 1007 0556 OC1 | 92   | 8       |               | 65   | 6       | 1021 1235 000 | 79   | 6       |
| 1007 0560 000 | 92   | 12      | 1021 0202 OK0 | 55   | 1~5     | 1021 1235 001 | 79   | 6       |
| 1007 0605 000 | 94   | 16      | 1021 0211 OT1 | 117  | 1       | 1021 1236 000 | 79   | 15      |
| 1007 0605 100 | 94   | 16      | 1021 0214 000 | 117  | 6       | 1021 1237 000 | 79   | 12      |
| 1007 0605 200 | 94   | 16      | 1021 0221 002 | 117  | 14      | 1021 1238 000 | 79   | 14      |
| 1007 0618 000 | 94   | 13      | 1021 0222 OC1 | 118  | 16      | 1021 1241 001 | 83   | 8       |
| 1007 0618 100 | 94   | 13      | 1021 0253 000 | 117  | 13      | 1021 1243 000 | 83   | 4       |
| 1007 0618 200 | 94   | 13      | 1021 0301 OK0 | 55   | 1~9     | 1021 1243 001 | 83   | 4       |
| 1007 0638 OCO | 95   | 18      |               | 56   | 8       | 1021 1245 000 | 83   | 6       |

## NUMERICAL PARTS INDEX

| Parts No.     | Page | Key No. | Parts No.     | Page | Key No. | Parts No.     | Page | Key No. |
|---------------|------|---------|---------------|------|---------|---------------|------|---------|
| 1021 1245 001 | 83   | 6       | 1021 1433 001 | 88   | 14      | 1021 2116 0C0 | 93   | 1       |
| 1021 1246 000 | 83   | 2       | 1021 1435 000 | 88   | 15      | 1021 2117 0C0 | 95   | 13      |
| 1021 1251 000 | 80   | 20      | 1021 1436 000 | 88   | 15      | 1021 2118 0C0 | 95   | 24      |
|               | 81   | 20      | 1021 1437 000 | 88   | 15      | 1021 2119 0C0 | 95   | 3       |
| 1021 1252 000 | 80   | 24      | 1021 1438 000 | 88   | 16      | 1021 2120 000 | 96   | 31      |
|               | 81   | 24      | 1021 1451 0C1 | 88   | 19      | 1021 2121 0C0 | 94   | 17      |
| 1021 1259 000 | 76   | 8       | 1021 1451 0C2 | 88   | 19      | 1021 2123 000 | 95   | 10      |
| 1021 1261 000 | 85   | 5       | 1021 1511 0C0 | 90   | 1       | 1021 2124 000 | 95   | 16      |
| 1021 1263 000 | 85   | 19      | 1021 1512 0C0 | 90   | 2       | 1021 2125 000 | 96   | 28      |
| 1021 1264 001 | 85   | 14      | 1021 1515 000 | 91   | 37      | 1021 2125 001 | 96   | 28      |
| 1021 1265 000 | 85   | 16      | 1021 1516 000 | 91   | 38      | 1021 2128 0C0 | 97   | 1       |
| 1021 1266 001 | 85   | 17      | 1021 1519 000 | 91   | 39      | 1021 2128 0C1 | 97   | 1       |
| 1021 1267 000 | 85   | 1       | 1021 1521 000 | 90   | 4       | 1021 2129 0C0 | 97   | 2       |
| 1021 1268 000 | 85   | 7       | 1021 1522 000 | 90   | 32      | 1021 2129 0C1 | 97   | 2       |
| 1021 1273 000 | 80   | 5       | 1021 1523 000 | 91   | 40      | 1021 2130 000 | 94   | 1~11    |
| 1021 1274 001 | 80   | 7       | 1021 1524 0C1 | 90   | 16      | 1021 2131 000 | 94   | 1       |
|               | 81   | 7       | 1021 1525 000 | 90   | 15      | 1021 2132 000 | 94   | 2       |
| 1021 1275 000 | 80   | 6       | 1021 1526 000 | 90   | 6       | 1021 2134 000 | 94   | 4       |
|               | 81   | 6       | 1021 1701 0C1 | 119  | 15~17   | 1021 2135 000 | 94   | 5       |
| 1021 1276 000 | 81   | 5a      | 1021 1711 0C0 | 119  | 1       | 1021 2138 100 | 94   | 8       |
| 1021 1282 001 | 80   | 13      | 1021 1712 000 | 119  | 3       | 1021 2138 200 | 94   | 8       |
|               | 81   | 13      | 1021 1713 000 | 119  | 4       | 1021 2141 000 | 94   | 14      |
| 1021 1283 001 | 80   | 14      | 1021 1715 000 | 119  | 7       | 1021 2142 0C1 | 97   | 17      |
|               | 81   | 14      | 1021 1716 000 | 119  | 9       | 1021 2143 001 | 93   | 12      |
| 1021 1284 000 | 80   | 12      | 1021 1717 0C1 | 119  | 15      | 1021 2147 0C0 | 93   | 11      |
|               | 81   | 12      | 1021 1731 0C0 | 120  | 7       | 1021 2151 0C0 | 97   | 1       |
| 1021 1287 000 | 85   | 11      | 1021 1733 0C0 | 120  | 1       | 1021 2171 000 | 94   | 20      |
| 1021 1288 000 | 80   | 15      | 1021 1751 0C0 | 120  | 12      | 1021 2201 0J1 | 127  | 1       |
|               | 81   | 15      | 1021 1752 0C0 | 120  | 11      |               | 128  | 1~25    |
| 1021 1289 001 | 76   | 5       | 1021 1753 0C1 | 120  | 10      | 1021 2201 0J2 | 127  | 1       |
| 1021 1289 002 | 76   | 5       | 1021 1774 000 | 122  | 34      |               | 128  | 1~25    |
| 1021 1293 000 | 84   | 9       | 1021 1775 000 | 122  | 35      | 1021 2201 0J3 | 127  | 1       |
| 1021 1311 000 | 84   | 15      | 1021 1786 001 | 119  | 21      |               | 128  | 1~25    |
| 1021 1313 000 | 84   | 12      | 1021 1791 000 | 147  | 21      | 1021 2202 000 | 128  | 2~6     |
| 1021 1314 000 | 84   | 14      |               | 151  | 17      | 1021 2202 001 | 128  | 2~6     |
| 1021 1401 001 | 87   | 1~10    |               | 154  | 24      | 1021 2203 000 | 129  | 8       |
| 1021 1401 002 | 87   | 1~10    |               | 158  | 24      | 1021 2203 001 | 129  | 8       |
| 1021 1402 001 | 87   | 1~11    | 1021 1792 0C0 | 119  | 23      | 1021 2203 002 | 128  | 8       |
| 1021 1402 002 | 87   | 1~11    | 1021 1811 0C0 | 123  | 1       | 1021 2204 000 | 129  | 15      |
| 1021 1411 000 | 87   | 1       | 1021 1812 001 | 123  | 2       | 1021 2204 110 | 129  | 14      |
| 1021 1412 000 | 87   | 2       | 1021 1813 0C0 | 123  | 3       | 1021 2204 120 | 129  | 14      |
| 1021 1412 001 | 87   | 2       | 1021 1814 000 | 123  | 4       | 1021 2205 0J0 | 131  | 1       |
| 1021 1413 000 | 87   | 3       | 1021 1815 0C1 | 123  | 5       | 1021 2206 000 | 134  | 32, 33  |
| 1021 1413 001 | 87   | 3       | 1021 1816 0C1 | 123  | 6       | 1021 2207 000 | 134  | 32      |
| 1021 1414 000 | 87   | 4       | 1021 1817 0C2 | 123  | 7       | 1021 2208 000 | 134  | 29      |
| 1021 1415 000 | 87   | 5       | 1021 1817 0C3 | 123  | 7       | 1021 2211 0J0 | 127  | 2       |
| 1021 1415 001 | 87   | 5       | 1021 1818 000 | 123  | 8       | 1021 2211 0J2 | 127  | 2       |
| 1021 1416 000 | 87   | 6       |               | 125  | 3       | 1021 2212 0J2 | 131  | 2       |
| 1021 1416 001 | 87   | 6       | 1021 1819 000 | 123  | 9       | 1021 2213 0C2 | 131  | 11      |
| 1021 1416 100 | 87   | 6       |               | 125  | 10      | 1021 2214 0C1 | 131  | 15      |
| 1021 1416 200 | 87   | 6       | 1021 1821 000 | 123  | 14      | 1021 2215 0C0 | 131  | 9       |
| 1021 1417 000 | 87   | 7       |               | 125  | 6       | 1021 2221 000 | 129  | 11      |
| 1021 1418 000 | 88   | 8       | 1021 1915 0C0 | 92   | 13      | 1021 2221 001 | 129  | 11      |
| 1021 1418 001 | 88   | 8       | 1021 2001 0C0 | 99   | 7a, 8   | 1021 2411 0C0 | 135  | 1       |
| 1021 1421 001 | 88   | 11a     | 1021 2002 0C0 | 104  | 18~26   | 1021 2412 000 | 137  | 24      |
| 1021 1421 002 | 88   | 11a     | 1021 2004 0C0 | 104  | 1~11    | 1021 2416 000 | 136  | 4       |
| 1021 1422 001 | 88   | 11      | 1021 2022 0C0 | 104  | 18      | 1021 2416 001 | 136  | 4       |
| 1021 1422 002 | 88   | 11      | 1021 2027 0C1 | 104  | 11      | 1021 2417 001 | 135  | 7       |
| 1021 1431 000 | 88   | 12      | 1021 2105 0C1 | 93   | 2, 3    | 1021 2418 0C0 | 135  | 13      |
| 1021 1432 000 | 88   | 13      | 1021 2115 0C3 | 93   | 2       | 1021 2421 000 | 135  | 12      |



## NUMERICAL PARTS INDEX

| Parts No.     | Page | Key No. | Parts No.     | Page | Key No. | Parts No.     | Page | Key No. |
|---------------|------|---------|---------------|------|---------|---------------|------|---------|
| 1021 2423 000 | 140  | 34      | 1021 2648 OCO | 62   | 18      | 1119 0621 000 | 93   | 10      |
|               | 142  | 32      | 1021 2663 OCO | 62   | 10      | 1119 0686 000 | 102  | 16~21   |
| 1021 2424 OCO | 139  | 22      | 1021 2664 OG3 | 63   | 10      |               | 109  | 16~21   |
|               | 141  | 20      | 1021 2664 OG4 | 63   | 10      | 1119 0686 OCO | 97   | 20~25   |
| 1021 2425 001 | 138  | 3       | 1021 2669 ONO | 63   | 2       | 1119 0687 OCO | 97   | 21~26   |
| 1021 2426 000 | 140  | 27      | 1021 2671 000 | 61   | 6       | 1119 0693 000 | 97   | 13      |
|               | 141  | 25      | 1021 2673 000 | 61   | 14      |               | 97   | 22      |
| 1021 2427 OCO | 139  | 11      |               | 73   | 13      |               | 102  | 18      |
|               | 141  | 10      | 1021 2676 000 | 61   | 12      |               | 109  | 18      |
| 1021 2428 OCO | 140  | 31      | 1021 2677 000 | 61   | 13      | 1119 0694 000 | 97   | 14      |
|               | 142  | 29      | 1021 2679 OCO | 63   | 3       |               | 97   | 21      |
| 1021 2429 OC3 | 139  | 8       | 1021 2724 000 | 173  | 6a      |               | 102  | 17      |
|               | 141  | 7       | 1021 2916 000 | 168  | 8~11    |               | 109  | 17      |
| 1021 2431 OC1 | 143  | 23      | 1021 2916 120 | 168  | 9       | 1120 2130 000 | 127  | 3       |
|               | 184  | 24      | 1021 2916 130 | 168  | 10      |               | 131  | 3       |
| 1021 2433 001 | 140  | 33      | 1021 2916 140 | 168  | 11      | 1120 2130 300 | 127  | 8       |
|               | 142  | 31      | 1021 2917 000 | 168  | 12      |               | 131  | 8       |
| 1021 2435 001 | 138  | 8       | 1021 2918 000 | 165  | 38      | 1120 2130 400 | 127  | 7       |
| 1021 2437 OCO | 138  | 11      | 1021 2921 120 | 168  | 4       |               | 131  | 7       |
|               | 145  | 9~16    | 1021 2923 000 | 168  | 7       | 1135 0104 200 | 52   | 8       |
| 1021 2437 1CO | 145  | 16      | 1021 3026 OCO | 139  | 1       | 1135 1313 000 | 77   | 4       |
| 1021 2438 000 | 139  | 4       | 1021 3111 OCO | 179  | 1       | 1135 1406 000 | 94   | 9       |
|               | 141  | 3       | 1021 3513 OT1 | 73   | 2       | 1135 1801 000 | 88   | 22      |
| 1021 2511 000 | 146  | 3       | 1021 3513 OT2 | 73   | 2       | 1135 1804 OCO | 89   | 26      |
|               | 160  | 1       | 1021 3514 OT2 | 73   | 1       | 1135 2426 000 | 140  | 26      |
| 1021 2513 OCO | 146  | 12      | 1021 3515 OT1 | 73   | 6       |               | 141  | 24      |
|               | 148  | 19      | 1021 3521 OGO | 70   | 11      | 1135 2474 000 | 147  | 24      |
|               | 152  | 17      | 1021 3522 OG1 | 70   | 6       |               | 148  | 13      |
|               | 156  | 19      | 1021 3522 OG2 | 70   | 6       |               | 150  | 9       |
| 1021 2521 OCO | 150  | 8       | 1021 3523 OGO | 71   | 12      |               | 153  | 29      |
|               | 154  | 5       | 1021 3524 000 | 70   | 7       |               | 154  | 17      |
| 1021 2521 OCO | 158  | 5       | 1021 3525 001 | 73   | 12      | 1135 2474 000 | 156  | 13      |
|               | 161  | 1~16    | 1021 6000 OC1 | 183  | 1~20    |               | 158  | 17      |
| 1021 2521 110 | 161  | 4       | 1021 6001 OC1 | 183  | 5       | 1135 2706 000 | 172  | 21      |
| 1021 2521 120 | 161  | 6       | 1021 6002 OC1 | 183  | 2       |               | 173  | 21      |
| 1021 2521 130 | 161  | 7       | 1021 6003 OCO | 183  | 6       | 1135 2804 100 | 164  | 24      |
| 1021 2521 140 | 161  | 9       | 1021 6004 000 | 183  | 7       | 1135 2804 200 | 164  | 25      |
| 1021 2521 150 | 161  | 11      | 1021 6005 001 | 183  | 8       | 1135 3015 000 | 94   | 20      |
| 1021 2523 000 | 154  | 20      | 1021 6006 000 | 182  | 5       | 1135 3016 000 | 95   | 12      |
| 1021 2523 OCO | 150  | 12      |               | 183  | 9       | 1135 3903 000 | 185  | 9       |
|               | 158  | 20      | 1021 6007 000 | 183  | 10      | 1135 3908 000 | 185  | 4       |
| 1021 2529 001 | 149  | 25      | 1021 6009 000 | 183  | 4       | 1142 1607 000 | 76   | 14      |
|               | 149  | 25      | 1021 6020 OC1 | 183  | 5~22    | 1142 2881 001 | 163  | 9~11    |
|               | 157  | 25      | 1021 6040 000 | 182  | 1~6     | 1142 2881 111 | 163  | 9       |
| 1021 2611 OGO | 62   | 1       | 1021 6041 000 | 182  | 1       | 1142 2881 120 | 163  | 10      |
| 1021 2612 OTO | 63   | 12      | 1021 6045 000 | 182  | 1, 2    | 1142 2881 130 | 163  | 11      |
| 1021 2613 OTO | 63   | 13      | 1022 1214 000 | 79   | 1       | 1150 1707 000 | 136  | 13      |
| 1021 2613 OT1 | 63   | 13      | 1022 1222 000 | 79   | 1a      | 1150 2827 210 | 170  | 6       |
| 1021 2615 OTO | 62   | 16      | 1022 1727 OC2 | 121  | 14b     | 1151 5161 OCO | 180  | 1       |
| 1021 2618 OG1 | 61   | 2       | 1022 1743 OC2 | 122  | 29      | 1158 5170 001 | 180  | 5~7     |
| 1021 2618 OG2 | 61   | 2       | 1022 1744 OC1 | 122  | 30      | 1167 5530 OC2 | 180  | 8~11    |
| 1021 2619 OCO | 62   | 11      | 1022 1756 OCO | 121  | 1a      | 1167 5531 OC2 | 180  | 8       |
| 1021 2622 OGO | 63   | 1       | 1022 1756 OC1 | 121  | 1a      | 1171 3017 OCO | 176  | 10      |
| 1021 2622 OG1 | 63   | 1       | 1022 2429 OCO | 139  | 8       | 1174 0118 110 | 52   | 3       |
| 1021 2623 ONO | 63   | 6       | 1022 2431 000 | 136  | 5       | 1174 0217 000 | 63   | 7       |
| 1021 2626 000 | 63   | 20      | 1022 2432 000 | 136  | 4       | 1174 0217 001 | 63   | 7       |
| 1021 2641 OGO | 62   | 17      | 1022 3412 OC1 | 122  | 36      |               | 65   | 12      |
| 1021 2642 OTO | 61   | 3       | 1119 0605 000 | 93   | 19      | 1174 0415 000 | 57   | 18      |
| 1021 2643 OTO | 61   | 4       | 1119 0605 100 | 93   | 19      | 1174 0512 000 | 59   | 18      |
| 1021 2644 OGO | 61   | 5       | 1119 0605 200 | 93   | 19      | 1174 1282 000 | 76   | 9       |

# NUMERICAL PARTS INDEX

| Parts No.     | Page | Key No. | Parts No.     | Page | Key No. | Parts No.     | Page | Key No. |
|---------------|------|---------|---------------|------|---------|---------------|------|---------|
| 1174 1817 OCO | 123  | 11      | 1174 3018 OC1 | 176  | 9       | 1180 2471 130 | 145  | 6       |
| 1174 2036 OCO | 102  | 1       | 1174 3024 000 | 178  | 2       | 1180 2482 001 | 63   | 18      |
|               | 109  | 1       | 1174 3025 OC1 | 178  | 1       | 1180 2655 000 | 172  | 20      |
| 1174 2037 OC1 | 102  | 2       | 1174 3028 OCO | 178  | 3       |               | 173  | 20      |
|               | 109  | 2       | 1174 3031 000 | 176  | 11      | 1180 2908 000 | 170  | 17      |
| 1174 2201 130 | 129  | 10      | 1174 3214 120 | 113  | 2       | 1180 3063 000 | 112  | 15      |
| 1174 2201 170 | 128  | 7       | 1174 3311 OGO | 111  | 13      |               | 113  | 15      |
| 1174 2201 240 | 128  | 3       | 1174 3312 OGO | 112  | 13, 14  | 1181 2214 000 | 135  | 10      |
| 1174 2201 250 | 128  | 4       |               | 113  | 13, 14  | 1190 0693 000 | 105  | 30      |
| 1174 2201 260 | 128  | 5       | 1174 3312 110 | 112  | 14      | 1190 0694 000 | 105  | 31      |
| 1174 2201 270 | 128  | 6       |               | 113  | 14      | 1191 2638 000 | 58   | 25      |
| 1174 2301 110 | 132  | 1~6     | 1174 3312 120 | 112  | 13      | 1231 2209 000 | 84   | 3       |
| 1174 2301 130 | 132  | 10      |               | 113  | 13      | 1350 4214 000 | 117  | 7       |
| 1174 2301 160 | 133  | 1~11    | 1174 3313 000 | 111  | 14      | 1438 1319 300 | 97   | 5       |
| 1174 2301 170 | 133  | 2       | 1174 6004 001 | 183  | 12      | 1438 1319 400 | 97   | 5       |
| 1174 2301 180 | 132  | 8       | 1174 6005 001 | 183  | 13      | 1438 1319 500 | 97   | 5       |
| 1174 2301 210 | 132  | 13      | 1176 1015 000 | 75   | 21      | 1438 1319 600 | 97   | 5       |
| 1174 2301 220 | 132  | 17      | 1176 1382 000 | 77   | 22      | 1456 1157 000 | 80   | 22      |
| 1174 2301 230 | 132  | 16      | 1176 2215 001 | 102  | 22~26   |               | 81   | 22      |
| 1174 2301 240 | 134  | 17      |               | 109  | 22~26   | 1911 2483 000 | 137  | 29      |
|               | 134  | 17      | 1176 2462 000 | 137  | 33      | 1911 2484 000 | 137  | 31      |
| 1174 2301 250 | 133  | 12      | 1176 2465 000 | 135  | 17      | 1915 2873 000 | 163  | 2       |
| 1174 2301 260 | 134  | 13      | 1176 3018 000 | 178  | 19      | 1915 3001 002 | 112  | 12      |
| 1174 2416 001 | 137  | 25      | 1176 3421 000 | 66   | 11      | 1915 3001 011 | 112  | 11      |
| 1174 2449 000 | 139  | 9       |               | 68   | 8       | 1915 3005 001 | 112  | 6       |
|               | 141  | 8       | 1176 3542 000 | 61   | 14      | 1915 3005 002 | 112  | 7       |
|               | 143  | 25      | 1179 2313 150 | 133  | 1~11    | 1915 3010 001 | 113  | 11      |
|               | 183  | 11      | 1179 2313 160 | 133  | 6       | 1915 3010 002 | 113  | 12      |
|               | 184  | 25      | 1179 2313 170 | 133  | 11      | 1915 3016 001 | 113  | 6       |
| 1174 2453 000 | 143  | 3       | 1179 2313 180 | 133  | 7       | 1915 3016 002 | 113  | 7       |
| 1174 2461 000 | 136  | 3       | 1179 2313 190 | 133  | 10      | 1915 4802 000 | 114  | 14      |
| 1174 2466 000 | 137  | 26      | 1179 2313 210 | 133  | 9       | 1915 4803 000 | 114  | 15      |
| 1174 2516 000 | 146  | 15      | 1180 2054 160 | 98   | 32      | 1915 6106 000 | 161  | 3       |
|               | 148  | 7       |               | 103  | 31      | 1929 2163 000 | 142  | 34      |
|               | 152  | 7       |               | 105  | 39      |               | 184  | 19      |
|               | 156  | 7       |               | 110  | 31      | 1938 1818 001 | 126  | 28      |
| 1174 2621 002 | 62   | 2       | 1180 2054 170 | 98   | 31      | 1970 2805 100 | 164  | 26      |
| 1174 2631 OC1 | 63   | 4       |               | 103  | 30      | 1970 5407 000 | 181  | 6       |
| 1174 2632 OC1 | 63   | 5       |               | 105  | 40      | 1970 5413 000 | 181  | 11      |
| 1174 2636 000 | 62   | 4       |               | 110  | 30      | 1974 2351 140 | 66   | 4       |
|               | 63   | 14      | 1180 2131 220 | 134  | 24      |               | 68   | 5a      |
| 1174 2648 000 | 62   | 5       | 1180 2131 230 | 134  | 33      | 1974 2351 150 | 68   | 5b      |
|               | 63   | 15      | 1180 2131 260 | 134  | 23      | 1974 2451 600 | 160  | 3       |
| 1174 2651 000 | 62   | 14      | 1180 2131 280 | 133  | 3       |               | 160  | 6       |
| 1174 2652 000 | 61   | 7       | 1180 2131 290 | 133  | 4       | 1974 2454 000 | 160  | 2, 3    |
| 1174 2653 000 | 62   | 12      | 1180 2131 310 | 133  | 5       |               | 160  | 5, 6    |
| 1174 2654 000 | 62   | 15      | 1180 2131 320 | 133  | 6       | 1974 2755 000 | 174  | 24      |
| 1174 2655 001 | 61   | 9       | 1180 2131 370 | 134  | 15      | 1978 2771 000 | 170  | 18      |
| 1174 2673 000 | 58   | 22      |               | 134  | 15      | 1978 2934 OG1 | 165  | 39      |
| 1174 2674 000 | 62   | 20      | 1180 2131 390 | 134  | 16      | 1980 0062 110 | 59   | 8       |
| 1174 2918 120 | 168  | 3       | 1180 2131 410 | 134  | 20      | 1980 0062 120 | 59   | 2, 3    |
| 1174 2929 000 | 168  | 2       | 1180 2131 530 | 132  | 15      | 1981 2374 000 | 66   | 14      |
| 1174 2937 000 | 170  | 5~7     | 1180 2362 121 | 148  | 12      | 1981 2382 120 | 66   | 2       |
| 1174 2942 000 | 169  | 26      |               | 150  | 4       | 1981 2382 130 | 66   | 7       |
|               | 169  | 26      |               | 156  | 12      | 1981 2382 150 | 66   | 3       |
|               | 169  | 26      |               | 159  | 27      | 1981 2453 000 | 146  | 20      |
| 1174 2944 000 | 168  | 17      | 1180 2362 131 | 149  | 27      |               | 151  | 18      |
|               | 169  | 21      |               | 150  | 3       |               | 155  | 25      |
| 1174 3016 002 | 176  | 18      |               | 157  | 27      |               | 159  | 25      |
|               | 178  | 19      |               | 159  | 28      | 1981 2747 000 | 174  | 35      |

## NUMERICAL PARTS INDEX

| Parts No.     | Page | Key No. | Parts No.     | Page | Key No. | Parts No.     | Page | Key No. |
|---------------|------|---------|---------------|------|---------|---------------|------|---------|
| 1981 2822 000 | 170  | 18      | 1983 1211 000 | 77   | 1       | 1983 1713 OC2 | 121  | 1       |
| 1981 2823 000 | 165  | 35      | 1983 1212 000 | 77   | 25      | 1983 1713 OC3 | 121  | 1       |
| 1981 2843 000 | 170  | 23~25   | 1983 1213 001 | 79   | 1       | 1983 1717 OC0 | 121  | 14      |
| 1981 6011 OC0 | 183  | 1       | 1983 1214 001 | 79   | 4       | 1983 1721 OC0 | 120  | 14      |
| 1982 0035 000 | 57   | 7~9     | 1983 1215 001 | 83   | 5       | 1983 1721 OC1 | 120  | 14      |
| 1982 0035 120 | 57   | 7       | 1983 1215 002 | 83   | 5       | 1983 1724 002 | 122  | 20      |
| 1982 1725 000 | 121  | 3       | 1983 1216 002 | 83   | 7       | 1983 1729 OC1 | 121  | 14 a    |
|               | 121  | 3       | 1983 1217 000 | 83   | 9       | 1983 1733 000 | 120  | 15      |
| 1982 1726 000 | 122  | 19      | 1983 1218 001 | 80   | 1       | 1983 1738 000 | 122  | 20      |
| 1982 1744 000 | 166  | 25      | 1983 1219 000 | 80   | 17      | 1983 1741 OC1 | 121  | 8       |
| 1982 2527 002 | 169  | 23      |               | 81   | 17      | 1983 1742 OC1 | 121  | 16      |
| 1982 2730 001 | 174  | 22      | 1983 1221 OC1 | 76   | 2       | 1983 1811 002 | 125  | 16      |
| 1982 2732 001 | 172  | 22      | 1983 1222 001 | 84   | 2       | 1983 1812 OC3 | 125  | 18      |
|               | 173  | 22      | 1983 1223 001 | 84   | 6       | 1983 1813 OC2 | 125  | 17      |
| 1982 2813 000 | 170  | 1, 2    | 1983 1229 001 | 84   | 10      | 1983 1813 OC3 | 125  | 17      |
| 1982 2813 110 | 170  | 2       | 1983 1233 001 | 84   | 18      | 1983 1814 OC4 | 123  | 1 a     |
| 1982 2816 000 | 170  | 21      | 1983 1245 OC0 | 76   | 12      | 1983 1816 000 | 125  | 19      |
| 1982 2816 001 | 170  | 21      | 1983 1245 OC1 | 76   | 12      | 1983 1817 OC1 | 126  | 27      |
| 1982 2821 000 | 163  | 8       | 1983 1266 OC0 | 76   | 2 a     | 1983 1818 002 | 126  | 28      |
|               | 166  | 4~15    | 1983 1267 000 | 77   | 25 a    | 1983 1819 000 | 125  | 15      |
| 1982 2821 110 | 166  | 7       | 1983 1268 000 | 81   | 1       | 1983 1821 OC0 | 125  | 21      |
| 1982 2821 120 | 166  | 4       | 1983 1269 002 | 81   | 2       | 1983 1821 OC1 | 125  | 21      |
| 1982 2821 130 | 166  | 5       |               | 86   | 1~22    | 1983 1822 002 | 126  | 22      |
| 1982 2821 140 | 166  | 6       | 1983 1269 110 | 86   | 1       | 1983 1826 000 | 126  | 26      |
| 1982 2821 150 | 166  | 8       | 1983 1269 120 | 86   | 2       | 1983 1827 000 | 125  | 1       |
| 1982 2821 190 | 166  | 15      | 1983 1269 130 | 86   | 3       | 1983 1851 000 | 123  | 2       |
| 1982 2822 000 | 166  | 16~24   | 1983 1269 150 | 86   | 5       | 1983 1911 OC0 | 92   | 1       |
| 1982 2822 110 | 166  | 20      | 1983 1269 160 | 86   | 6       | 1983 1912 OC0 | 92   | 11      |
| 1982 2822 120 | 166  | 16      | 1983 1269 170 | 86   | 7       | 1983 2021 OC1 | 99   | 7, 8    |
| 1982 2822 130 | 166  | 19      | 1983 1269 180 | 86   | 8       |               | 106  | 7, 8    |
| 1982 2822 140 | 166  | 17      | 1983 1269 190 | 86   | 9       | 1983 2023 OC0 | 106  | 14      |
| 1982 2823 OG2 | 163  | 13      | 1983 1269 211 | 86   | 10      | 1983 2023 OC1 | 99   | 19      |
| 1982 2824 000 | 168  | 1~4     | 1983 1269 221 | 86   | 11      |               | 106  | 14      |
| 1982 2826 000 | 170  | 3, 4    | 1983 1269 230 | 86   | 12      | 1983 2024 OC0 | 106  | 16      |
| 1982 2826 110 | 170  | 3       | 1983 1269 250 | 86   | 14      | 1983 2024 OC1 | 99   | 21      |
| 1982 2826 120 | 170  | 4       | 1983 1269 260 | 86   | 15      |               | 106  | 16      |
| 1982 2828 000 | 163  | 12      | 1983 1269 271 | 86   | 16      | 1983 2025 OC1 | 101  | 1~11    |
|               | 166  | 16~25   | 1983 1269 281 | 86   | 17      |               | 108  | 1~11    |
| 1982 2831 000 | 168  | 14~16   | 1983 1269 290 | 86   | 18      | 1983 2026 OC1 | 101  | 2~12    |
| 1982 2832 000 | 169  | 18~20   | 1983 1269 310 | 86   | 19      |               | 108  | 2~12    |
| 1982 2836 001 | 170  | 14      | 1983 1269 321 | 86   | 20      | 1983 2027 OC1 | 101  | 1       |
| 1982 2884 000 | 164  | 28      | 1983 1269 330 | 86   | 21      |               | 108  | 1       |
| 1982 4042 000 | 114  | 6~6b    | 1983 1269 350 | 86   | 22      | 1983 2028 OC1 | 101  | 12      |
| 1982 4042 110 | 114  | 6       | 1983 1269 360 | 86   | 23      |               | 108  | 12      |
| 1982 4042 120 | 114  | 6 a     | 1983 1271 000 | 84   | 19      | 1983 2031 OC0 | 106  | 14, 15  |
| 1982 4042 130 | 114  | 6 b     | 1983 1272 000 | 84   | 5       | 1983 2031 OC1 | 99   | 19, 20  |
| 1982 4043 OG0 | 114  | 7, 8    | 1983 1273 001 | 81   | 5       |               | 106  | 14, 15  |
| 1982 4043 110 | 114  | 7       | 1983 1274 002 | 76   | 5 a     | 1983 2032 OC0 | 106  | 16, 17  |
| 1982 4043 120 | 114  | 8       | 1983 1276 001 | 85   | 22      | 1983 2032 OC1 | 99   | 21, 22  |
| 1982 5012 OC1 | 181  | 2       | 1983 1276 002 | 85   | 22      |               | 106  | 16, 17  |
| 1982 5013 000 | 181  | 20      | 1983 1501 OC0 | 90   | 21~29   | 1983 2033 OC0 | 102  | 1~14    |
| 1982 5014 000 | 181  | 21      | 1983 1501 110 | 90   | 21      |               | 109  | 1~14    |
| 1982 5015 001 | 181  | 22      | 1983 1501 120 | 90   | 25      | 1983 2035 OC1 | 99   | 15, 16  |
| 1982 5016 000 | 181  | 23      | 1983 1501 130 | 90   | 22      |               | 106  | 20, 21  |
| 1982 5021 000 | 181  | 26      | 1983 1501 140 | 90   | 26      | 1983 2036 OC1 | 99   | 17, 18  |
| 1982 5040 OC0 | 180  | 1~3     | 1983 1501 150 | 90   | 27      |               | 107  | 22, 23  |
| 1982 5301 OK1 | 180  | 4       | 1983 1501 170 | 90   | 28      | 1983 2037 OC1 | 99   | 15      |
| 1983 0218 001 | 117  | 14      | 1983 1503 000 | 90   | 29      |               | 106  | 20      |
| 1983 1101 000 | 74   | 15, 16  | 1983 1711 OC1 | 121  | 8       | 1983 2038 OC1 | 99   | 17      |
| 1983 1120 000 | 74   | 16      | 1983 1712 OC1 | 121  | 4       |               | 107  | 22      |

## NUMERICAL PARTS INDEX

| Parts No.     | Page | Key No. | Parts No.     | Page | Key No. | Parts No.     | Page | Key No. |
|---------------|------|---------|---------------|------|---------|---------------|------|---------|
| 1983 2041 OCO | 101  | 17 a    | 1983 2546 OCO | 157  | 24      | 1983 3541 OGO | 70   | 11      |
|               | 104  | 16 a    | 1983 2561 000 | 148  | 3       | 1983 3542 OGO | 71   | 30      |
|               | 108  | 17 a    |               | 152  | 3       | 1983 3611 OC2 | 104  | 27~36   |
| 1983 2112 OCO | 95   | 1       |               | 156  | 3       | 1983 3621 OC3 | 97   | 10~16   |
| 1983 2126 000 | 96   | 29      |               | 160  | 4       | 1983 3641 OCO | 109  | 15~28   |
| 1983 2127 000 | 96   | 30      | 1983 2567 000 | 153  | 30      | 1983 3642 OCO | 109  | 15      |
| 1983 2401 000 | 137  | 28~32   |               | 157  | 35      | 1983 3642 OC1 | 102  | 15      |
| 1983 2411 OCO | 136  | 15      | 1983 2569 000 | 153  | 31      |               | 109  | 15      |
| 1983 2412 001 | 136  | 5       |               | 157  | 36      | 1984 0113 OCO | 52   | 10      |
| 1983 2413 OCO | 140  | 35      | 1983 2913 001 | 164  | 21      | 1984 0113 OC1 | 52   | 10      |
|               | 142  | 33      | 1983 2914 001 | 164  | 22      |               | 52   | 10      |
| 1983 2414 000 | 137  | 28      | 1983 2919 000 | 170  | 22      | 1984 0113 OC2 | 52   | 10      |
| 1983 2415 000 | 137  | 24      | 1983 3002 OC1 | 176  | 8~13    |               | 52   | 10      |
| 1983 2419 000 | 135  | 6       | 1983 3011 OC1 | 176  | 17      | 1984 0114 OCO | 53   | 10      |
| 1983 2421 OC1 | 143  | 1       | 1983 3013 OCO | 176  | 19      | 1984 0114 OC1 | 52   | 10      |
| 1983 2422 OC1 | 143  | 2       | 1983 3014 OCO | 176  | 19 a    |               | 53   | 10      |
| 1983 2423 OC1 | 143  | 15      | 1983 3015 OCO | 176  | 20      | 1984 0115 000 | 53   | 13, 14  |
| 1983 2424 000 | 143  | 17      | 1983 3015 OC1 | 176  | 20      | 1984 0115 001 | 53   | 13, 14  |
| 1983 2424 001 | 143  | 17      | 1983 3015 OC2 | 176  | 20      | 1984 0115 110 | 53   | 13      |
| 1983 2426 000 | 184  | 6       | 1983 3016 OCO | 176  | 20 a    | 1984 0116 000 | 53   | 16      |
| 1983 2426 OCO | 143  | 19      | 1983 3016 OC1 | 176  | 20 a    |               | 53   | 16      |
| 1983 2431 000 | 184  | 2       | 1983 3016 OC2 | 176  | 20 a    | 1984 0117 000 | 53   | 19      |
| 1983 2431 OCO | 143  | 20      | 1983 3017 OC2 | 176  | 8       | 1984 0118 000 | 53   | 16      |
| 1983 2432 000 | 184  | 13      | 1983 3212 120 | 115  | 2       | 1984 0151 OCO | 52   | 10      |
| 1983 2432 OCO | 143  | 18      | 1983 3213 110 | 111  | 1       | 1984 0152 OCO | 52   | 10      |
| 1983 2433 000 | 144  | 29      |               | 111  | 6       | 1984 0153 OCO | 53   | 10      |
|               | 184  | 9       | 1983 3213 120 | 111  | 2       | 1984 0153 OC1 | 53   | 10      |
| 1983 2511 OC1 | 146  | 2       |               | 111  | 7       | 1984 0153 OC2 | 53   | 10      |
| 1983 2511 OC2 | 146  | 2       | 1983 3214 000 | 115  | 3       | 1984 0154 000 | 53   | 16      |
| 1983 2512 OC1 | 146  | 1       | 1983 3216 OGO | 111  | 3       | 1984 0155 OCO | 54   | 20      |
| 1983 2512 OC2 | 146  | 1       |               | 112  | 3       | 1984 0213 000 | 117  | 9       |
| 1983 2518 001 | 162  | 1~20    | 1983 3216 OGO | 113  | 3       | 1984 0213 001 | 117  | 9       |
| 1983 2518 OC1 | 154  | 10      |               | 114  | 3       | 1984 0215 OTO | 117  | 1       |
|               | 158  | 10      | 1983 3219 110 | 112  | 1       | 1984 0216 000 | 117  | 6       |
| 1983 2518 130 | 162  | 1       | 1983 3219 120 | 112  | 2       | 1984 0217 001 | 117  | 13      |
| 1983 2518 150 | 162  | 2       | 1983 3315 110 | 111  | 11      | 1984 0217 002 | 117  | 13      |
| 1983 2518 170 | 162  | 4       | 1983 3315 120 | 111  | 12      | 1984 0219 001 | 117  | 9       |
| 1983 2518 240 | 162  | 6       | 1983 3411 OC1 | 68   | 1~5 c   | 1984 0251 000 | 117  | 9       |
| 1983 2518 250 | 162  | 7       | 1983 3411 130 | 68   | 4       | 1984 0251 001 | 117  | 9       |
| 1983 2518 260 | 162  | 8       | 1983 3411 140 | 68   | 5       | 1984 0302 OK0 | 56   | 1~5     |
| 1983 2518 280 | 162  | 9       | 1983 3411 150 | 68   | 3       | 1984 0302 OK1 | 56   | 1~5     |
| 1983 2518 290 | 162  | 10      | 1983 3413 OC1 | 66   | 13      | 1984 0303 OK1 | 56   | 10~14   |
| 1983 2518 310 | 162  | 11      |               | 68   | 10      | 1984 0311 OK0 | 56   | 1       |
| 1983 2518 320 | 162  | 12      | 1983 3414 110 | 68   | 2       | 1984 0311 OK1 | 56   | 1       |
| 1983 2518 330 | 162  | 13      | 1983 3414 130 | 68   | 1       | 1984 0312 OK1 | 56   | 10      |
| 1983 2518 350 | 162  | 15      | 1983 3416 000 | 68   | 11      | 1984 0313 OK0 | 56   | 15      |
| 1983 2518 360 | 162  | 16      | 1983 3422 OCO | 67   | 26      | 1984 0411 000 | 57   | 1~5     |
| 1983 2518 380 | 162  | 17      |               | 67   | 26      | 1984 0412 OCO | 57   | 12      |
| 1983 2518 390 | 162  | 18      |               | 69   | 23      | 1984 0412 OC1 | 57   | 12      |
| 1983 2518 410 | 162  | 19      |               | 69   | 23      | 1984 0413 OCO | 57   | 11      |
| 1983 2518 420 | 162  | 20      | 1983 3424 OCO | 67   | 25      | 1984 0414 000 | 58   | 24      |
| 1983 2521 OC1 | 148  | 1       |               | 69   | 22      | 1984 0451 OCO | 57   | 12      |
| 1983 2532 OCO | 149  | 28      | 1983 3514 OTO | 73   | 1 a     | 1984 0511 000 | 59   | 19      |
|               | 157  | 28      | 1983 3518 OG3 | 70   | 3       |               | 59   | 1~8     |
| 1983 2541 OCO | 152  | 1       | 1983 3518 OG4 | 70   | 3       | 1984 0513 000 | 59   | 19      |
|               | 156  | 1       | 1983 3518 OG5 | 70   | 3       |               | 59   | 19 a    |
| 1983 2542 OCO | 154  | 16      | 1983 3521 OGO | 70   | 4       | 1984 0514 000 | 59   | 19 a    |
|               | 158  | 16      | 1983 3521 OG1 | 70   | 4       | 1984 0516 000 | 60   | 12      |
| 1983 2544 OCO | 154  | 2       | 1983 3523 000 | 71   | 19      | 1984 0517 OTO | 60   | 16      |
|               | 158  | 2       | 1983 3524 OGO | 70   | 8       | 1984 0518 OTO | 60   | 14      |

## NUMERICAL PARTS INDEX

| Parts No.     | Page | Key No. | Parts No.     | Page | Key No. | Parts No.     | Page | Key No. |
|---------------|------|---------|---------------|------|---------|---------------|------|---------|
| 1984 0519 001 | 60   | 1~9     | 1984 2512 OC1 | 146  | 1 a     | 1984 2718 000 | 172  | 6       |
| 1984 0519 160 | 60   | 2       | 1984 2514 OCO | 148  | 1 a     |               | 173  | 6       |
| 1984 0519 170 | 60   | 7       | 1984 2514 OC2 | 148  | 1 a     | 1984 2721 000 | 172  | 23      |
| 1984 0519 180 | 60   | 5, 6    | 1984 2515 OC1 | 148  | 2 a     | 1984 2722 000 | 172  | 24      |
| 1984 0519 190 | 60   | 3       |               | 152  | 2 a     | 1984 2723 000 | 172  | 1       |
| 1984 0519 220 | 60   | 6       |               | 156  | 2 a     | 1984 2724 000 | 172  | 2       |
| 1984 0519 230 | 60   | 4       | 1984 2515 OC2 | 148  | 2 a     | 1984 2725 000 | 174  | 27      |
| 1984 0521 OTO | 60   | 17      |               | 152  | 2 a     | 1984 2726 000 | 173  | 7       |
| 1984 1011 OCO | 74   | 1       |               | 156  | 2 a     | 1984 2727 001 | 174  | 28      |
| 1984 1011 OC1 | 74   | 1       | 1984 2516 OC1 | 149  | 24 a    | 1984 2727 002 | 172  | 26      |
| 1984 1221 000 | 77   | 14      | 1984 2516 OC2 | 149  | 24      |               | 174  | 28      |
| 1984 1222 000 | 77   | 18      | 1984 2517 OCO | 150  | 2       | 1984 2727 003 | 172  | 26      |
| 1984 1223 000 | 77   | 20      | 1984 2518 OCO | 150  | 1       |               | 174  | 28      |
| 1984 1224 000 | 77   | 21      | 1984 2518 OC1 | 150  | 1       | 1984 2728 000 | 173  | 8       |
| 1984 1225 000 | 85   | 12      |               | 159  | 26      | 1984 2728 001 | 173  | 8       |
| 1984 1226 OCO | 76   | 12 a    | 1984 2519 OCO | 148  | 2       | 1984 2728 002 | 172  | 8       |
| 1984 1227 000 | 76   | 19      |               | 152  | 2       |               | 173  | 8       |
| 1984 1231 000 | 81   | 1 a     |               | 156  | 2       | 1984 2728 003 | 172  | 8       |
| 1984 1716 OCO | 120  | 2       | 1984 2519 OC1 | 148  | 2       |               | 173  | 8       |
| 1984 2001 OCO | 102  | 15~28   |               | 152  | 2       | 1984 2733 000 | 172  | 9       |
|               | 109  | 15~28   |               | 156  | 2       |               | 173  | 9       |
| 1984 2011 OCO | 106  | 1       | 1984 2521 OCO | 153  | 26      | 1984 2734 000 | 172  | 25      |
| 1984 2011 OC2 | 106  | 1       | 1984 2521 OC1 | 153  | 26      | 1984 2735 000 | 172  | 7       |
| 1984 2012 OCO | 102  | 29~34   | 1984 2522 OCO | 150  | 11      | 1984 2737 000 | 172  | 12      |
|               | 110  | 29~34   |               | 154  | 19      |               | 173  | 12      |
| 1984 2013 OCO | 98   | 27~32   |               | 158  | 19      | 1984 2742 000 | 172  | 28      |
|               | 105  | 37~42   | 1984 2522 OC1 | 150  | 11      |               | 174  | 30      |
| 1984 2015 OCO | 93   | 21      |               | 154  | 19      | 1984 2743 000 | 172  | 29      |
|               | 107  | 24      |               | 158  | 19      |               | 174  | 31      |
| 1984 2051 OC1 | 99   | 1       | 1984 2523 OCO | 154  | 1       | 1984 2745 000 | 172  | 30      |
| 1984 2051 OC2 | 99   | 1       |               | 158  | 1       |               | 174  | 36      |
| 1984 2052 OCO | 106  | 1       | 1984 2524 OC1 | 157  | 24      | 1984 2749 000 | 174  | 34      |
| 1984 2052 OC1 | 106  | 1       | 1984 2526 OCO | 146  | 2       | 1984 2751 000 | 174  | 33      |
| 1984 2053 OCO | 99   | 1       |               | 152  | 1       | 1984 2772 000 | 173  | 8       |
| 1984 2053 OC1 | 99   | 1       |               | 156  | 1       | 1984 2774 000 | 173  | 17      |
| 1984 2054 OC1 | 93   | 21      | 1984 2527 OCO | 148  | 1       | 1984 2775 000 | 174  | 38      |
|               | 100  | 24      | 1984 2613 OGO | 61   | 1       | 1984 2776 000 | 174  | 37      |
| 1984 2111 OC1 | 93   | 15      | 1984 2613 OG1 | 61   | 1       | 1984 2911 001 | 163  | 1, 2    |
| 1984 2111 OC3 | 93   | 15      | 1984 2614 OGO | 62   | 8       | 1984 2912 000 | 163  | 3       |
| 1984 2112 OCO | 97   | 10~15   | 1984 2614 OG1 | 62   | 8       | 1984 2913 000 | 163  | 6       |
| 1984 2113 001 | 96   | 29 a    | 1984 2615 OGO | 62   | 9       | 1984 2914 000 | 163  | 4       |
| 1984 2114 OCO | 97   | 17      | 1984 2615 OG1 | 62   | 9       | 1984 2916 000 | 163  | 4 a     |
| 1984 2115 OCO | 96   | 36      | 1984 2616 OGO | 63   | 11      | 1984 2928 001 | 163  | 1 a, 2  |
| 1984 2116 OCO | 96   | 35      | 1984 2661 OG1 | 64   | 21      | 1984 2936 001 | 163  | 4 b     |
| 1984 2151 OC1 | 93   | 15      | 1984 2662 OGO | 63   | 3       | 1984 2949 000 | 168  | 14~17   |
| 1984 2151 OC2 | 93   | 15      | 1984 2663 OCO | 62   | 16 a    | 1984 2954 000 | 163  | 3 a     |
| 1984 2152 OCO | 93   | 15      | 1984 2666 OGO | 65   | 3       | 1984 2955 000 | 164  | 21 a    |
| 1984 2152 OC1 | 93   | 15      | 1984 2667 000 | 65   | 2       | 1984 2962 000 | 169  | 18~21   |
| 1984 2153 OCO | 93   | 15      | 1984 2671 OTO | 65   | 4       | 1984 2962 120 | 168  | 15      |
| 1984 2415 000 | 143  | 10      | 1984 2672 OTO | 65   | 5       |               | 169  | 19      |
| 1984 2416 000 | 144  | 34      | 1984 2711 000 | 174  | 25      | 1984 3001 OCO | 178  | 1~18    |
| 1984 2419 000 | 140  | 32      | 1984 2712 000 | 174  | 26      | 1984 3011 OCO | 178  | 13      |
|               | 142  | 30      | 1984 2713 000 | 173  | 1       | 1984 3211 110 | 113  | 1       |
|               | 184  | 28      | 1984 2714 000 | 173  | 2       | 1984 3214 110 | 115  | 1       |
| 1984 2421 OCO | 139  | 8       | 1984 2715 000 | 172  | 3       | 1984 3223 000 | 116  | 1       |
|               | 141  | 7       |               | 173  | 3       | 1984 3224 OGO | 116  | 2       |
| 1984 2441 OCO | 135  | 13      | 1984 2716 000 | 172  | 4       | 1984 3323 110 | 115  | 6       |
| 1984 2511 OCO | 146  | 2 a     |               | 173  | 4       | 1984 3323 120 | 115  | 7       |
|               | 152  | 1 a     | 1984 2717 000 | 172  | 5       | 1984 3324 OGO | 115  | 8       |
|               | 156  | 1 a     |               | 173  | 5       | 1984 3333 110 | 116  | 5       |

## NUMERICAL PARTS INDEX

| Parts No.     | Page | Key No. | Parts No.     | Page | Key No. | Parts No.   | Page | Key No. |
|---------------|------|---------|---------------|------|---------|-------------|------|---------|
| 1984 3333 120 | 116  | 6       | 1994 2734 000 | 172  | 18      | 67200-21900 | 175  | 2       |
| 1984 3402 000 | 66   | 9       |               | 173  | 18      | 67200-25500 | 123  | 12      |
|               | 68   | 6       | 1994 2736 000 | 172  | 19      | 67200-31100 | 102  | 3       |
| 1984 3403 000 | 66   | 10      |               | 173  | 19      |             | 109  | 3       |
|               | 68   | 7       | 1994 2738 000 | 172  | 10      | 67303-02313 | 53   | 14      |
| 1984 3411 OC2 | 68   | 9       |               | 173  | 10      |             | 58   | 21      |
| 1984 3411 OC3 | 68   | 9       | 1994 2744 000 | 172  | 11      | 67326-02402 | 79   | 16      |
| 1984 3416 OC0 | 68   | 9a      |               | 173  | 11      | 67341-01101 | 99   | 5       |
| 1984 3416 OC1 | 68   | 9a      | 1994 2778 000 | 173  | 10      |             | 106  | 5       |
| 1984 3431 OC0 | 66   | 12      | 1994 2781 000 | 173  | 16      | 67354-00201 | 104  | 20      |
| 1984 3432 000 | 66   | 15      | 1994 2783 000 | 173  | 13      | 67354-00301 | 102  | 4       |
| 1984 3433 OC0 | 66   | 1~8     | 1994 2784 000 | 173  | 18      |             | 102  | 27      |
| 1984 3433 110 | 66   | 1       | 1994 2785 000 | 173  | 19      |             | 104  | 19      |
| 1984 3441 OC0 | 66   | 12a     | 1994 2913 000 | 165  | 34      |             | 109  | 4       |
| 1984 3441 OC1 | 66   | 12a     | 1994 2915 000 | 165  | 48      |             | 109  | 27      |
|               | 66   | 12a     | 1994 2935 000 | 165  | 37      | 67361-23201 | 178  | 14      |
|               | 66   | 12a     | 1995 2379 140 | 161  | 5       | 67361-23400 | 178  | 6       |
| 1984 3441 OC2 | 66   | 12a     | 1995 2379 190 | 161  | 12      | 67361-23902 | 176  | 14      |
| 1984 3511 OT1 | 73   | 5       | 1995 2382 000 | 149  | 30      |             | 178  | 21      |
| 1984 3511 OT2 | 73   | 5       |               | 149  | 30      | 67361-25100 | 178  | 7       |
| 1984 3511 OT3 | 73   | 5       |               | 150  | 6       | 67361-25200 | 176  | 16      |
| 1984 3512 OG0 | 70   | 1       |               | 153  | 24      |             | 178  | 20      |
| 1984 3513 OT0 | 71   | 23      |               | 154  | 9       | 67372-00800 | 135  | 9       |
| 1984 3514 OG0 | 70   | 2       |               | 157  | 30      | 67374-01001 | 136  | 6       |
| 1984 5010 OC0 | 181  | 1~25    |               | 157  | 30      | 67374-01100 | 137  | 23      |
| 1984 5011 OC0 | 181  | 1       |               | 158  | 9       | 67374-20500 | 137  | 28      |
| 1984 5012 OC0 | 181  | 1a      | 1996 0061 130 | 59   | 7       | 67375-01301 | 146  | 9       |
| 1984 5013 OC0 | 181  | 24      | 1996 0061 140 | 59   | 14~17   |             | 148  | 16      |
| 1984 5014 000 | 181  | 25      | 1996 0061 150 | 59   | 14      |             | 152  | 14      |
| 1984 5020 OC0 | 181  | 1a~25   | 1996 0061 160 | 59   | 15      |             | 156  | 16      |
| 1984 6200 OC0 | 184  | 1~28    | 1996 0061 170 | 59   | 16      | 67401-00112 | 57   | 3       |
| 1984 6201 OC0 | 184  | 1       | 1996 0061 180 | 59   | 17      | 67401-00113 | 57   | 19      |
| 1984 6201 OC1 | 184  | 1       | 1996 2353 000 | 148  | 3       | 67401-00114 | 57   | 20      |
| 1984 9011 000 | 185  | 3       |               | 152  | 3       | 67403-00300 | 52   | 5       |
| 1984 9012 000 | 185  | 1       |               | 156  | 3       | 67403-00500 | 52   | 6       |
| 1984 9014 000 | 185  | 11      |               | 160  | 7       | 67403-10200 | 52   | 4       |
| 1984 9015 000 | 185  | 12      | 1996 2353 170 | 160  | 9       | 67404-00032 | 164  | 31~33   |
| 1985 2415 OC0 | 183  | 21      | 1996 2353 180 | 160  | 8, 9    | 67404-00311 | 168  | 15      |
| 1985 2917 000 | 170  | 21a     | 2740 3214 200 | 52   | 7       |             | 169  | 19      |
| 1985 2918 000 | 171  | 26~28   |               | 93   | 7       | 67404-00313 | 168  | 16      |
| 1986 2711 000 | 174  | 23      |               | 95   | 14      |             | 169  | 20      |
| 1986 2712 000 | 172  | 17      | 2750 2473 OC0 | 139  | 12      | 67404-00901 | 164  | 28      |
|               | 173  | 17      |               | 141  | 11      | 67404-01002 | 165  | 40~47   |
| 1986 2738 000 | 172  | 15      | 2761 3733 000 | 74   | 12      | 67404-01017 | 165  | 42      |
|               | 173  | 15      | 2772 4043 000 | 117  | 2       | 67404-01020 | 165  | 41      |
| 1986 2738 001 | 172  | 15      | 2783 3013 000 | 119  | 6       | 67404-01720 | 166  | 2       |
|               | 173  | 15      | 3610 0104 000 | 181  | 3       | 67404-02034 | 170  | 9       |
| 1994 0104 110 | 53   | 13      | 3610 5725 100 | 117  | 4       |             | 171  | 25      |
| 1994 0412 000 | 57   | 14      |               | 139  | 16      |             | 171  | 28      |
| 1994 0517 000 | 60   | 11      |               | 141  | 15      | 67404-02100 | 170  | 15      |
| 1994 2721 000 | 172  | 27      | 3690 1223 000 | 122  | 32      | 67404-02712 | 170  | 13      |
|               | 174  | 29      | 3733 0784 000 | 61   | 8       | 67404-12202 | 164  | 31      |
|               | 184  | 27      | 3783 0053 000 | 73   | 8       |             | 166  | 26~36   |
| 1994 2724 000 | 172  | 13      | 64309-15300   | 175  | 1       | 67404-12217 | 166  | 26      |
|               | 173  | 13      | 64353-91213   | 129  | 12      | 67404-12218 | 166  | 28      |
| 1994 2727 000 | 172  | 14      | 65605-02030   | 143  | 5       | 67404-12219 | 167  | 29      |
|               | 173  | 14      | 67200-06300   | 126  | 30      | 67404-12221 | 167  | 30      |
| 1994 2729 000 | 172  | 16      | 67200-11204   | 177  | 27      | 67404-12222 | 167  | 31      |
|               | 173  | 16      | 67200-12300   | 177  | 28      | 67404-12223 | 167  | 34      |
| 1994 2731 000 | 174  | 32      |               | 179  | 3       | 67404-12225 | 166  | 27      |

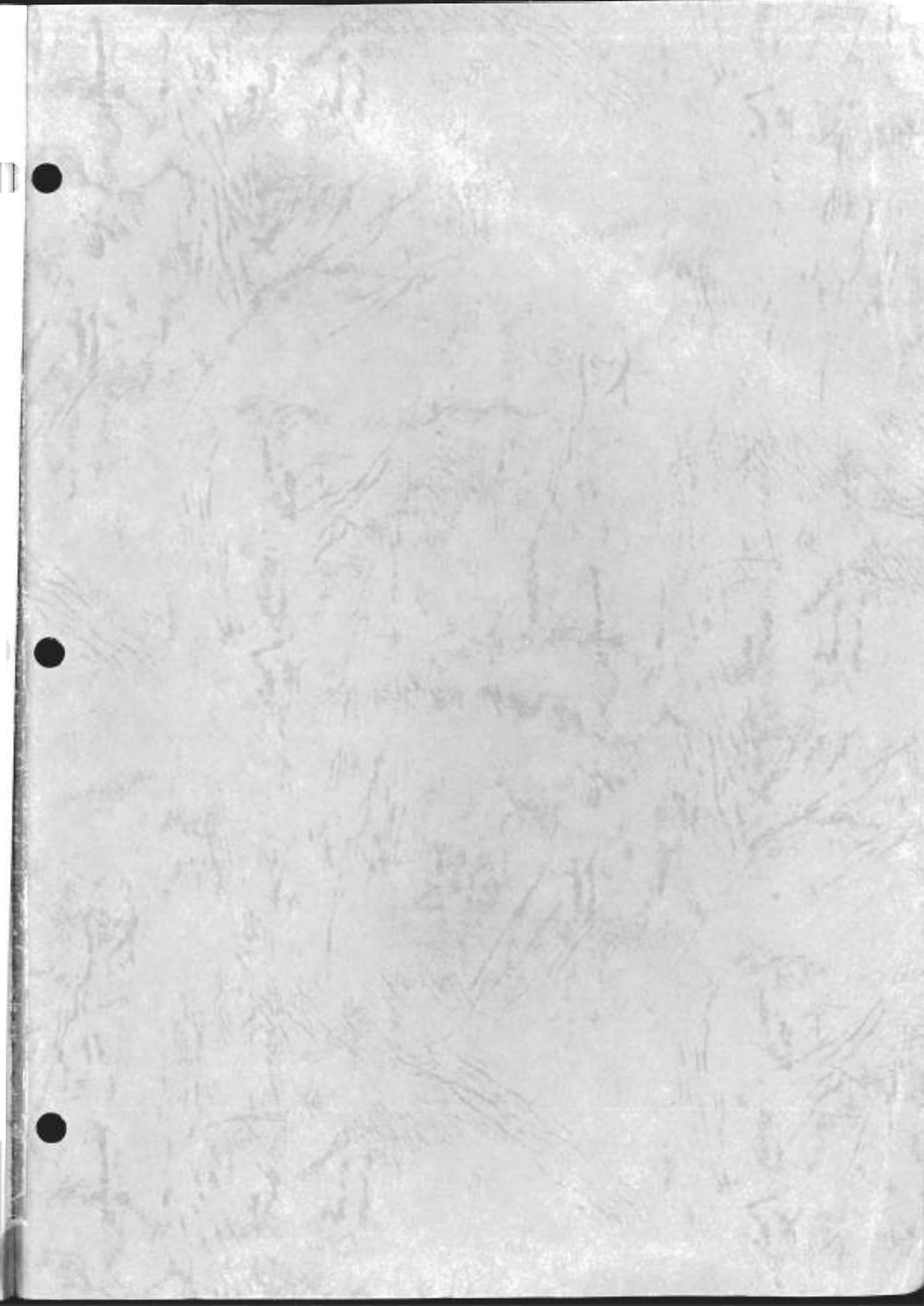
## NUMERICAL PARTS INDEX

| Parts No.   | Page | Key No. | Parts No.   | Page | Key No. | Parts No.   | Page | Key No. |
|-------------|------|---------|-------------|------|---------|-------------|------|---------|
| 67404-12700 | 170  | 12, 13  | 67441-01200 | 99   | 12      | 68226-03500 | 78   | 30      |
| 67409-00700 | 175  | 3       |             | 106  | 12      | 68226-03600 | 78   | 31      |
| 67409-00800 | 175  | 4       | 67441-01300 | 99   | 12      | 68226-03700 | 78   | 32      |
| 67409-00900 | 175  | 5       |             | 106  | 12      | 68275-02800 | 146  | 13      |
| 67409-01000 | 175  | 6       | 67441-01400 | 99   | 12      |             | 148  | 10      |
| 67409-01100 | 175  | 8       |             | 106  | 12      |             | 152  | 10      |
| 67409-01200 | 175  | 9       | 67441-0500  | 104  | 10      |             | 156  | 10      |
| 67409-01300 | 175  | 7       | 67441-05000 | 101  | 2       | 68275-02900 | 150  | 10      |
| 67426-01500 | 80   | 2       |             | 108  | 2       |             | 154  | 18      |
| 67426-04600 | 83   | 11      | 67453-00040 | 129  | 15      |             | 158  | 18      |
| 67427-01200 | 79   | 13      | 67453-00111 | 129  | 11      | 68275-60502 | 149  | 31      |
| 67427-01300 | 79   | 8       | 67453-00114 | 129  | 13      |             | 150  | 5       |
| 67428-01401 | 119  | 18      | 67453-00115 | 130  | 25      |             | 152  | 23      |
| 67428-01601 | 119  | 20      | 67453-00116 | 129  | 14      |             | 154  | 8       |
| 67428-01700 | 119  | 13      | 67453-00117 | 129  | 18      |             | 157  | 31      |
|             | 122  | 24      | 67461-00055 | 176  | 21~24   |             | 158  | 8       |
| 67436-90100 | 116  | 7       | 67461-016C0 | 177  | 24      | 68401-01412 | 57   | 4       |
| 67436-901G0 | 114  | 16      | 67461-03100 | 177  | 26      | 68401-01700 | 57   | 15      |
| 67441-00302 | 99   | 10      | 67461-117C0 | 177  | 22      | 68401-02101 | 57   | 7~9     |
|             | 106  | 10      | 67461-118C0 | 177  | 23      | 68401-02112 | 57   | 7       |
| 67441-006C0 | 101  | 17      | 67472-00700 | 130  | 21      | 68446-70200 | 180  | 5       |
|             | 108  | 17      | 67474-00300 | 136  | 10      | 68453-60524 | 133  | 11      |
| 67441-006C5 | 101  | 17      | 67474-00600 | 136  | 9       | 68453-60525 | 133  | 7       |
|             | 104  | 16      | 67475-00400 | 146  | 7       | 68453-60526 | 133  | 8       |
|             | 108  | 17      |             | 148  | 14      | 68453-60527 | 133  | 9       |
| 67441-007C0 | 101  | 18      |             | 152  | 12      | 68453-60531 | 134  | 22~25   |
|             | 108  | 18      |             | 156  | 14      | 68453-60532 | 134  | 22      |
| 67441-007C5 | 101  | 18      | 67495-90200 | 181  | 17      | 68453-60544 | 132  | 29      |
|             | 104  | 17      | 67541-00800 | 93   | 3       | 68453-60545 | 134  | 30      |
|             | 108  | 18      |             | 99   | 8       | 68453-60546 | 134  | 31      |
| 67441-00900 | 102  | 6~10    |             | 99   | 8       | 68453-60547 | 134  | 28      |
| 67441-00900 | 104  | 22~26   | 67541-00800 | 99   | 16      | 68453-60550 | 134  | 26      |
|             | 109  | 6~10    |             | 99   | 18      | 68453-60553 | 134  | 21      |
| 67441-00916 | 102  | 7       |             | 99   | 20      | 68461-01300 | 177  | 21      |
|             | 102  | 23      |             | 100  | 22      | 68461-01901 | 178  | 8       |
|             | 104  | 23      |             | 106  | 8       | 68461-020C0 | 178  | 9       |
|             | 105  | 33      |             | 106  | 15      | 68461-02101 | 178  | 10      |
|             | 109  | 7       |             | 106  | 17      | 68461-02200 | 178  | 12      |
|             | 109  | 23      |             | 107  | 21      | 68461-118C0 | 178  | 5       |
| 67441-00917 | 102  | 6       |             | 107  | 23      | 68475-10900 | 146  | 17      |
|             | 104  | 22      | 67575-00600 | 146  | 8       |             | 148  | 9       |
|             | 105  | 36      |             | 148  | 15      |             | 152  | 9       |
|             | 109  | 6       |             | 152  | 13      |             | 156  | 9       |
| 67441-00918 | 102  | 8       |             | 156  | 15      | 68476-010C1 | 143  | 11      |
|             | 102  | 24      | 67700-26000 | 123  | 13      | 68476-02300 | 143  | 5       |
|             | 104  | 24      |             | 143  | 12      | 68600-83700 | 102  | 11      |
|             | 105  | 34      | 67700-30300 | 80   | 19      |             | 109  | 11      |
|             | 109  | 8       |             | 81   | 19      | 69401-00812 | 57   | 2       |
|             | 109  | 24      | 67700-30400 | 80   | 19      | 69426-80600 | 84   | 4       |
| 67441-00919 | 102  | 9       |             | 81   | 19      | 69436-80205 | 116  | 7       |
|             | 102  | 25      | 67700-30500 | 80   | 19      | 69446-80300 | 113  | 8       |
|             | 104  | 25      |             | 81   | 19      | 69446-80500 | 114  | 1, 2    |
|             | 105  | 35      | 67700-30600 | 80   | 19      | 69446-80511 | 114  | 1       |
|             | 109  | 9       |             | 81   | 19      | 69474-80200 | 137  | 30      |
|             | 109  | 25      | 67762-21201 | 177  | 25      | 69501-06300 | 57   | 14      |
| 67441-01000 | 102  | 5~9     | 67765-20402 | 179  | 2       | 69501-06400 | 57   | 15      |
|             | 104  | 21~25   | 67775-01500 | 146  | 20      | 69501-06512 | 57   | 4       |
|             | 109  | 5~9     |             | 151  | 18      | 69501-06612 | 57   | 8       |
| 67441-01100 | 99   | 12      |             | 155  | 25      | 69501-06613 | 57   | 9       |
|             | 106  | 12      |             | 159  | 25      | 69501-07045 | 57   | 16      |

## NUMERICAL PARTS INDEX

| Parts No.   | Page | Key No. | Parts No.   | Page | Key No. | Parts No. | Page | Key No. |
|-------------|------|---------|-------------|------|---------|-----------|------|---------|
| 69501-07048 | 57   | 16      | 69553-06431 | 132  | 7       |           |      |         |
| 69501-07055 | 59   | 21      | 69553-06433 | 132  | 9       |           |      |         |
|             | 60   | 13      | 69553-06439 | 134  | 19      |           |      |         |
| 69501-07065 | 59   | 20      |             | 134  | 19      |           |      |         |
|             | 60   | 15      | 69561-00021 | 176  | 1~4     |           |      |         |
| 69502-00800 | 55   | 3       | 69561-06001 | 176  | 1       |           |      |         |
|             | 55   | 9       | 69561-06101 | 176  | 2       |           |      |         |
|             | 56   | 3       | 69561-06301 | 176  | 3       |           |      |         |
|             | 56   | 9       | 69561-06701 | 178  | 24      |           |      |         |
|             | 56   | 12      | 69572-16100 | 135  | 3       |           |      |         |
|             | 56   | 18      | 69573-16012 | 145  | 11      |           |      |         |
| 69502-00900 | 55   | 4       | 69573-16013 | 145  | 12      |           |      |         |
|             | 56   | 4       | 69573-16014 | 145  | 13      |           |      |         |
|             | 56   | 13      | 69573-16016 | 145  | 10      |           |      |         |
| 69502-01000 | 55   | 5       | 69573-16017 | 145  | 14      |           |      |         |
|             | 56   | 5       | 69573-16018 | 145  | 14      |           |      |         |
|             | 56   | 14      | 69573-16019 | 145  | 14      |           |      |         |
| 69504-062C0 | 164  | 27      | 69573-16020 | 145  | 14      |           |      |         |
| 69504-17200 | 170  | 8, 9    | 69573-16021 | 145  | 14      |           |      |         |
| 69508-06113 | 59   | 4       | 69573-160C1 | 145  | 9       |           |      |         |
| 69508-06115 | 59   | 5       |             |      |         |           |      |         |
| 69508-06116 | 59   | 6       |             |      |         |           |      |         |
| 69509-16000 | 66   | 16      |             |      |         |           |      |         |
|             | 68   | 13      |             |      |         |           |      |         |
| 69517-06201 | 68   | 12      |             |      |         |           |      |         |
| 69526-01000 | 77   | 15      |             |      |         |           |      |         |
| 69526-01100 | 77   | 16      |             |      |         |           |      |         |
| 69528-06200 | 119  | 16      |             |      |         |           |      |         |
| 69528-06400 | 119  | 19      |             |      |         |           |      |         |
| 69528-07600 | 119  | 12      |             |      |         |           |      |         |
| 69541-063C0 | 101  | 10      |             |      |         |           |      |         |
| 69541-063C0 | 104  | 8       |             |      |         |           |      |         |
|             | 108  | 10      |             |      |         |           |      |         |
| 69541-06400 | 101  | 9       |             |      |         |           |      |         |
|             | 104  | 7       |             |      |         |           |      |         |
|             | 108  | 9       |             |      |         |           |      |         |
| 69541-068C0 | 101  | 3       |             |      |         |           |      |         |
|             | 104  | 1       |             |      |         |           |      |         |
|             | 108  | 3       |             |      |         |           |      |         |
| 69542-63301 | 97   | 8       |             |      |         |           |      |         |
| 69542-64700 | 95   | 5       |             |      |         |           |      |         |
| 69542-65100 | 95   | 23      |             |      |         |           |      |         |
| 69546-060G0 | 111  | 8       |             |      |         |           |      |         |
|             | 112  | 8       |             |      |         |           |      |         |
| 69552-06500 | 88   | 18      |             |      |         |           |      |         |
|             | 122  | 21      |             |      |         |           |      |         |
| 69553-06413 | 132  | 2       |             |      |         |           |      |         |
| 69553-06414 | 132  | 3       |             |      |         |           |      |         |
| 69553-06415 | 132  | 4       |             |      |         |           |      |         |
| 69553-06416 | 132  | 5       |             |      |         |           |      |         |
|             | 132  | 25      |             |      |         |           |      |         |
| 69553-06417 | 132  | 20~22   |             |      |         |           |      |         |
| 69553-06418 | 132  | 21      |             |      |         |           |      |         |
| 69553-06420 | 132  | 23~27   |             |      |         |           |      |         |
| 69553-06421 | 132  | 27      |             |      |         |           |      |         |
| 69553-06422 | 132  | 24      |             |      |         |           |      |         |
| 69553-06423 | 132  | 23      |             |      |         |           |      |         |
| 69553-06424 | 132  | 10~12   |             |      |         |           |      |         |
| 69553-06425 | 132  | 12      |             |      |         |           |      |         |
| 69553-06430 | 132  | 7~9     |             |      |         |           |      |         |





 MITSUBISHI AGRICULTURAL MACHINERY CO., LTD.

1004-951

