

# **DX225LC**

Shop Manual

K1015439E

Serial Number 5001 and Up

**DX225LC**

Serial Number 5001 and Up

Pub.No. K1015439E

**Product Label**



**Instructions**

**Trim Out The Label Along  
The Lines And Insert Into  
Pocket On The Binder Spine**

**Pub. No. K1015439E**

# Table of Contents

## Publication Request for Proposed Revision

### Safety

Track Excavator Safety.....	SP000014
-----------------------------	----------

### Specifications

Specification for DX225LC.....	SP000908
--------------------------------	----------

### General Maintenance

General Maintenance Procedures.....	SP000016
Standard Torques.....	SP000017

### Upper Structure

Cabin .....	SP000943
Counterweight.....	SP000940
Fuel Tank.....	SP001005
Fuel Transfer Pump.....	SP000021
Swing Bearing.....	SP000022
Swing Reduction Gear.....	SP000915

### Lower Structure and Chassis

Track Assembly .....	SP000911
----------------------	----------

### Engine and Drivetrain

Air Conditioner .....	SP000025
Drive Coupling (Main Pump).....	SP000912

### Hydraulics

Hydraulic System Troubleshooting, Testing and Adjustment .....	SP000913
--	----------

Accumulator.....	SP000028
Center Joint (Swivel).....	SP000029
Cylinders.....	SP000914
Swing Motor.....	SP000194
Travel Motor.....	SP000922
Gear Pump .....	SP000931
Main Control Valve .....	SP001024
Axle Piston Pump .....	SP000932
PTO Server.....	SP000933
Remote Control Valve (Work Lever / Joystick).....	SP000069
Travel Control Valve (with Damper).....	SP000070
Solenoid Valve Assembly .....	SP000445
Breaker EPPR Valve (Opt) .....	SP000192
Hydraulic Schematic (DX225LC).....	SP000934

## **Electrical System**

Electrical System.....	SP000935
Electrical Schematic (DX180LC/DX225LC/DX225NLC/DX255LC).....	SP000936

## **Attachments**

Boom and Arm.....	SP000937
Bucket.....	SP000939



# Safety

# Track Excavator Safety

Edition 1

---

**MEMO**

---

# Table of Contents

## Track Excavator Safety

Safety Precautions.....	5
Applicable Models.....	5
To the Operator of a DOOSAN Excavator .....	6
General Safety Essentials .....	10
Location of Safety Labels .....	11
Summary of Safety Precautions for Lifting in Digging Mode.....	12
Unauthorized Modifications .....	13
General Hazard Information .....	13
Before Starting Engine .....	22
Machine Operation .....	26
Maintenance .....	33
Battery .....	42
Towing.....	44
Shipping and Transportation.....	45
Lifting With Sling .....	45

# SAFETY PRECAUTIONS

---



---

Follow all safety recommendations and safe shop practices outlined in the front of this manual or those contained within this section.

Always use tools and equipment that are in good working order.

Use lifting and hoisting equipment capable of safely handling the load.

Remember, that ultimately safety is your own responsibility.

---

## APPLICABLE MODELS

The contents of this section apply to the following models and serial number ranges.

<b>MODEL</b>	<b>SERIAL NUMBER RANGE</b>
DX180LC	5001 and Up
DX225LC	5001 and Up
DX225NLC	5001 and Up
DX255LC	5001 and Up
DX300LC	5001 and Up
DX340LC	5001 and Up
DX420LC	5001 and Up
DX480LC	5001 and Up
DX520LC	5001 and Up

# TO THE OPERATOR OF A DOOSAN EXCAVATOR

---



**DANGER!**

---

**Unsafe use of the excavator could lead to serious injury or death. Operating procedures, maintenance and equipment practices or traveling or shipping methods that do not follow the safety guidelines on the following pages could cause serious, potentially fatal injuries or extensive damage to the machine or nearby property.**

---

Please respect the importance of taking responsibility for your own safety, and that of other people who may be affected by your actions.

The safety information on the following pages is organized into the following sections:

1. "General Safety Essentials" on page 1-10
2. "Location of Safety Labels" on page 1-11
3. "Summary of Safety Precautions for Lifting in Digging Mode" on page 1-12
4. "Unauthorized Modifications" on page 1-13
5. "General Hazard Information" on page 1-13
6. "Before Starting Engine" on page 1-22
7. "Machine Operation" on page 1-26
8. "Maintenance" on page 1-33
9. "Battery" on page 1-42
10. "Towing" on page 1-44
11. "Shipping and Transportation" on page 1-45
12. "Lifting With Sling" on page 1-45



## **WARNING!**

---

Improper operation and maintenance of this machine can be hazardous and could result in serious injury or death.

Operator and maintenance personnel should read this manual thoroughly before beginning operation or maintenance.

Keep this manual in the storage compartment to the rear of the operator's seat, and have all personnel involved in working on the machine read the manual periodically.

Some actions involved in operation and maintenance of the machine can cause a serious accident, if they are not done in a manner described in this manual.

The procedures and precautions given in this manual apply only to intended uses of the machine.

If you use your machine for any unintended uses that are not specifically prohibited, you must be sure that it is safe for others. In no event should you or others engage in prohibited uses or actions as described in this manual.

*DOOSAN* delivers machines that comply with all applicable regulations and standards of the country to which it has been sent. If this machine has been purchased in another country or purchased from someone in another country, it may lack certain safety devices and specifications that are necessary for use in your country. If there is any question about whether your product complies with the applicable standards and regulations of your country, consult *DOOSAN* or your *DOOSAN* distributor before operating the machine.

---

---

 **SAFETY ALERT SYMBOL** 

---

**Be Prepared - Get to Know All Operating and Safety Instructions**

**This is the Safety Alert Symbol. Wherever it appears in this manual or on safety signs on the machine you must be alert to the potential for personal injury or accidents. Always observe safety precautions and follow recommended procedures.**

---

## **Learn Signal Words Used With Safety Alert Symbol**

The words "**CAUTION**," "**WARNING**," and "**DANGER**" used throughout this manual and on decals on the machine indicate degree of risk of hazards or unsafe practices. All three degrees of risk indicate that safety is involved. Observe precautions indicated whenever you see the Safety Alert "Triangle," no matter which signal word appears next to the "Exclamation Point" symbol.

---

 **CAUTION!**

**This word is used on safety messages and safety labels and indicates potential threat of a hazardous situation that, if not avoided, could result in minor or moderate injury. It may also be used to alert against a generally unsafe practice.**

---

 **WARNING!**

**This word is used on safety messages and safety labels and indicates potential threat of a hazardous situation that, if not avoided, could result in serious injury or death. It may also be used to alert against highly unsafe practice.**

---

 **DANGER!**

**This word is used on safety messages and safety labels and indicates an imminent hazard of a situation that, if not avoided, is very likely to cause death or extremely serious injury. It may also be used to alert against equipment that may detonate or explode if handled or treated carelessly.**

---



Safety precautions are described in SAFETY from page -11 on.

*DOOSAN* cannot predict every circumstance that might involve a potential hazard in operation and maintenance. Therefore the safety messages in this manual and on the machine may not include all possible safety precautions. If any procedures or actions not specifically recommended or allowed in this manual are used, you must be sure that you and others can do such procedures and actions safely and without damaging the machine. If you are unsure about the safety of any procedures, contact a *DOOSAN* distributor.

# GENERAL SAFETY ESSENTIALS

## Accessory Applications

The excavator has been primarily designed for moving earth with a bucket. For use as a grapple or for other object handling, contact *DOOSAN* for proper installation and application. Lifting-work applications (unless restricted or prohibited by local regulations) are permitted in approved lift configuration, to rated capacity only, with no side-loading. DO NOT use the machine for activities for which it was not intended. DO NOT use the bucket for lifting work, unless lift slings are used in the approved configuration.

Use of an accessory hydraulic hammer (breaker), work in rough terrain, demolition applications or other hazardous operation may require installation of additional protective structures to safeguard the operator.

## Lifting Capacity Rating Configuration

Lifting capacity ratings that are printed at the end of this safety section are based on the machine being level, on a firm supporting surface, with hooks and slings attached in approved configuration. Loads must be balanced and supported evenly. Use tag lines to keep the load steady if wind conditions and large surface area are a problem. Work crew hand signals, individual tasks and safe procedures should all be universally understood before the lift is made.

---

## IMPORTANT

---

**Before using the excavator to make lifts check municipal and regional regulations or statutes that could apply. Governing ordinances may require that all heavy lifting be done with single purpose equipment specifically designed for making lifts, or other local restrictions may apply. Making heavy lifts with a general purpose excavator that can be used for digging, loading, grading or other work may be expressly forbidden by a regional injunction or other legal prohibition. Always follow all the other instructions, guidelines and restrictions for Safe Lifting in the Operation and Maintenance Manuals.**

---

# LOCATION OF SAFETY LABELS

Location of safety labels (decals) can vary from unit to unit. Refer to appropriate Operation and Maintenance Manual, and parts manual for your unit.

Always replace damaged or faded decals.

# SUMMARY OF SAFETY PRECAUTIONS FOR LIFTING IN DIGGING MODE

---

## **DANGER!**

---

Unsafe use of the excavator while making rated lifts could cause serious, potentially fatal injuries or extensive damage to the machine or nearby property. Do not let anyone operate the machine unless they've been properly trained and understand the information in the Operation and Maintenance Manual.

---

To lift safely while in Digging Mode, the following items must be evaluated by the operator and the work site crew.

- Condition of ground support.
- Excavator configuration and attachments.
- Weight, lifting height and lifting radius.
- Safe rigging of the load.
- Proper handling of the suspended load.

Tag lines on opposite sides of the load can be very helpful in keeping a suspended load secure, if they are anchored safely to control points on the ground.

---

## **WARNING!**

---

**NEVER** wrap a tag line around your hands or body.

**NEVER** rely on tag lines or make rated lifts when wind gusts are more than 48.3 km/h (30 MPH). Be prepared for any wind gust when working with loads that have a large surface area.

---

Always engage the "Digging Mode" control on the Instrument Panel before using the excavator for lifting work.

---

## **WARNING!**

---

If you need more information or have any questions or concerns about safe operating procedures or working the excavator correctly in a particular application or in the specific conditions of your individual operating environment, please consult your local **DOOSAN** representative.

---

# UNAUTHORIZED MODIFICATIONS

Any modification made without authorization or written approval from *DOOSAN* can create a safety hazard, for which the machine owner will be held responsible.

For safety's sake, replace all OEM parts with the correct authorized or genuine *DOOSAN* part. For example, not taking the time to replace fasteners, bolts or nuts with the correct replacement parts could lead to a condition where the safety of critical assemblies are dangerously compromised.

## GENERAL HAZARD INFORMATION

### Safety Rules

Only trained and authorized personnel can operate and maintain the machine.

Follow all safety rules, precautions and instructions when operating or performing maintenance on the machine.

Do not operate the machine if you are not feeling well, if you are taking medication that makes you feel sleepy, if you have been drinking, or if you are suffering from emotional problems. These problems will interfere with your sense of judgment in emergencies and may cause accidents.

When working with another operator or with a person on work site traffic duty, be sure that all personnel know the nature of the work and understand all hand signals that are to be used.

Always observe strictly any other rules related to safety.

### Safety Features

Be sure that all guards and covers are installed in their proper position. Have guards and covers repaired immediately if damaged.

Be sure that you understand the method of use of safety features such as safety lock lever and the seat belt, and use them properly.

Never remove any safety features. Always keep them in good operating condition.

Failure to use safety features according to the instructions in the Operation and Maintenance Manual could result in serious bodily injury.

## Inside Operator's Cabin

When entering the operator's cabin, always remove all mud and oil from the soles of your shoes. If you operate the travel pedal with mud or oil stuck to your shoes, your foot may slip and this may cause a serious accident.

After using the ashtray, make sure that any matches or cigarettes are properly extinguished, and be sure to close the ashtray. If the ashtray is left open, there is a danger of fire.

Do not stick suction pads to the window glass. Suction pads act as a lens and may cause fire.

Do not leave lighters laying around the operator's cabin. If the temperature inside the operator's cabin becomes high, there is a danger that the lighter may explode.

Do not use cellular telephones inside the operator's cabin when driving or operating the machine. There is a danger that this may lead to an unexpected accident.

Never bring any dangerous objects such as flammable or explosive items into the operator's cabin.

To ensure safety, do not use the radio or music headphones when operating the machine. There is a danger that this may lead to a serious accident.

When operating the machine, do not put your hands or head out of the window.

When standing up from the operator's seat, always place safety lock lever securely in the "LOCK" position. If you accidentally touch the work equipment levers when they are not locked, the machine may suddenly move and cause serious injury or damage.

When leaving the machine, lower the work equipment completely to the ground, set safety lock lever to the "LOCK" position and shut down engine. Use the key to lock all the equipment. Always remove key and take it with you.

## Clothing and Personal Protective Items

Secure long hair, and avoid loose clothing and jewelry. These items have the tendency to catch on controls or protrude into parts and cause serious injury or death.

Do not wear oily clothes. They are flammable.

Full eye protection, a hard hat, safety shoes and gloves may be required at the work site.

While working on the machine, never use inadequate tools. They could break or slip, causing injury, or they may not adequately perform intended functions.

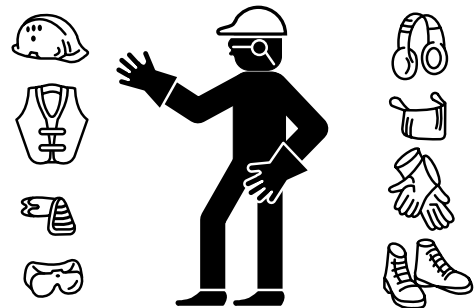


Figure 1

HAOA020L

## Breathing Masks, Ear Protection May Be Required

Do not forget that some risks to your health may not be immediately apparent. Exhaust gases and noise pollution may not be visible, but these hazards can cause disabling or permanent injuries.

**NOTE:** *The equivalent continuous A-weighted sound pressure level at the workstation for this machine is given in the operation manual.*

*Measurement is obtained on a dynamic machine following the procedures and cabin conditions as described in ISO 6396.*

**NOTE:** *The guaranteed sound power level emitted by the machinery for this machine is given in the operation manual.*

*Measurement is obtained on a dynamic machine with the procedures as described in 2000/14/EC.*

## Vibration Level Information

Hands/Arms: The weighted root mean square acceleration to which the hands/arms are subjected, is less than  $2.5 \text{ m/s}^2$ .

Whole body: The weighted root mean square acceleration to which the whole body is subjected, is less than  $0.5 \text{ m/s}^2$ .

Measurements are obtained on a representative machine, using measuring procedures as described in the following standard: ISO 2631/1, ISO 5349, and SAE J1166.

## Recommendations for Limiting Vibrations

1. Select the right machine, equipment and attachments for a particular application.
2. Replace any damaged seat by a genuine *DOOSAN* part. Keep the seat maintained and adjusted.
  - Adjust the seat and suspension for the weight and size of the operator.
  - Inspect and maintain the suspension and adjustment mechanisms of the seat regularly.
3. Check that the machine is properly maintained.
  - Tire pressure, brakes, steering, linkages, etc.
4. Steer, brake, accelerate, shift gears, move the attachments and load the attachments smoothly.

5. Adjust the machine speed and travel path to reduce the vibration level.
  - Slow down if it is necessary when traveling through rough terrain.
  - When driving machine, avoid obstacles and excessive rough terrain.
6. Keep the machine on terrain where working and traveling conditions are good.
  - Remove any large rocks or obstacles.
  - Fill any ditches and holes.
  - Provide machines for and schedule time to maintain good terrain conditions.
7. Travel over longer distances (e.g. on public roads) at adjusted (medium) speed.
  - Always adjust the speed to prevent bouncing.

## Mounting and Dismounting

Before getting on or off the machine, if there is any oil, grease, or mud on the handrails, steps, or track shoes, wipe it off immediately. Always keep these parts clean. Repair any damage and tighten any loose bolts.

Never jump on or off the machine. In particular, never get on or off a moving machine. These actions may lead to serious injury.

When getting on or off the machine, always face the machine, and maintain three-point contact (both feet and one hand or one foot and both hands) with the handrails, steps, and track shoes to ensure that you support yourself securely.

Never hold any control levers when getting on or off the machine.

Apply the door lock securely. If you grip the handrail inside the door when moving on top of the track shoes, and the door lock is not applied securely, the door may move and cause you to fall.

Use the points marked by arrows in the diagram when getting on or off the machine.

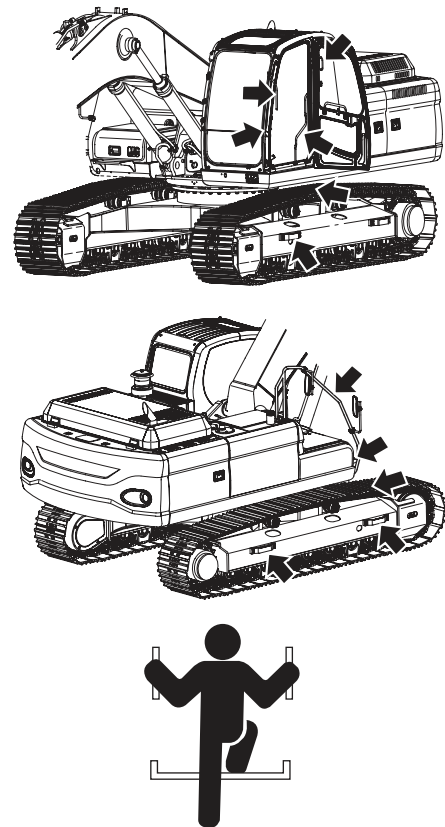


Figure 2

FG 00035



## Fuel, Oil and Hydraulic Fluid Fire Hazards

Fuel, oil and antifreeze will catch fire if it is brought close to a flame. Fuel is particularly flammable and can be hazardous.

Always strictly observe the following.

Add fuel, oil, antifreeze and hydraulic fluid to the machine only in a well ventilated area. The machine must be parked with controls, lights and switches turned "OFF." The engine must be "OFF" and any flames, glowing embers, auxiliary heating units or spark causing equipment must be extinguished, turned "OFF" and/or kept well clear of the machine.

Static electricity can produce dangerous sparks at the fuel filling nozzle. In very cold, dry weather or other conditions that could produce a static discharge, keep the tip of the fuel nozzle in constant contact with the neck of the fuel filling nozzle, to provide a ground.

Keep fuel and other fluid reservoir caps tight and do not start the engine until caps have been secured.



Figure 3

HA0A050L

## Precautions When Handling Fluids at High Temperature

Immediately after operations are stopped, the coolant, engine oil, and hydraulic oil are at highest temperatures and the radiator and hydraulic tank are still under pressure. Attempting to remove cap, drain the oil or coolant, or replace the filters may lead to serious burns. Always wait for the temperature to go down, and follow the specified procedures when carrying out these operations.

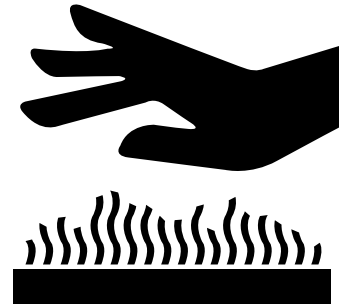


Figure 4

HA0A050L

To prevent hot coolant from spurting out, shut down engine, wait for the coolant to cool, then loosen the cap slowly to relieve the pressure.

To prevent hot oil from spurting out, shut down engine, wait for the oil to cool, then loosen the cap slowly to relieve the pressure.



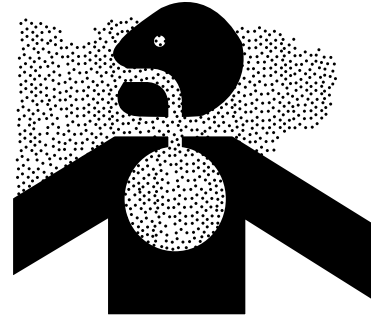
Figure 5

HA0A060L

## Asbestos Dust Hazard Prevention

Asbestos dust can be HAZARDOUS to your health if it is inhaled. Materials containing asbestos fiber can be present on work site. Breathing air that contains asbestos fiber can ultimately cause serious or fatal lung damage. To prevent lung damage from asbestos fiber, observe following precautions:

- Use a respirator that is approved for use in an asbestos-laden atmosphere.
- Never use compressed air for cleaning.
- Use water for cleaning to keep down the dust.
- Work on the machine or component with the wind at your back whenever possible.
- Always observe any regulations related to the work site and working environment.



ARO1770L

Figure 6

## Injury from Work Equipment

Do not enter or put your hand, arm or any other part of your body between movable parts, such as between the work equipment and cylinders, or between the machine and work equipment.

If the control levers are operated, the clearance between the machine and the work equipment will change and this may lead to serious damage or personal injury.

If going between movable parts is necessary, always position and secure the work equipment so it cannot move.



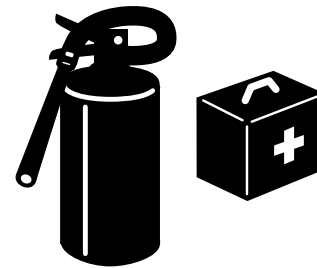
HDO1010L

Figure 7

## Fire Extinguisher and First Aid Kit

As a precaution if any injury or fire should occur, always do the following.

- Be sure that fire extinguishers have been provided and read the labels to ensure that you know how to use them. It is recommended that an appropriately sized (2.27 kg [5 lb] or larger) multipurpose "A/B/C" fire extinguisher be mounted in the cabin. Check and service the fire extinguisher at regular intervals and make sure that all work site crew members are adequately trained in its use.
- Provide a first aid kit in the storage compartment and keep another at the work site. Check the kit periodically and make any additions if necessary.
- Know what to do in case of injury from fire.
- Keep emergency numbers for doctor, ambulance service, hospital and fire department near your telephone.



HDO1009L

Figure 8

If the machine catches fire, it may lead to serious personal injury or death. If a fire occurs during operation, escape from the machine as follows:

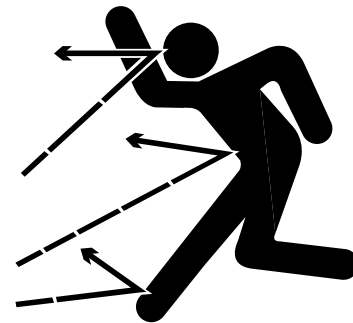
- Turn the starter switch to the "O" (OFF) position and shut down engine.
- If there is time, use the fire extinguisher to put out as much of the fire as possible.
- Use the handrails and steps to escape from the machine.

The above is the basic method for escaping from the machine, but changing the method may be necessary according to the conditions, so carry out practice drills at the work site.

## Protection from Falling or Flying Objects

On work sites where there is a danger that falling objects or flying objects may hit the operator's cabin select a guard to match the operating conditions to protect the operator.

Working in mines, tunnels, deep pits or on loose or wet surfaces could produce danger of falling rock or hazardous flying objects. Additional protection for the operator's cabin could be required in the form of a Falling Object Protective Structure (FOPS) or window guards.



HAOA110L

Figure 9

Never attempt to alter or modify any protective structure reinforcement system, by drilling holes, welding, remounting or relocating fasteners. Any serious impact or damage to the system requires a complete integrity reevaluation. Reinstallation, recertification and/or replacement of the system may be necessary.

Contact your *DOOSAN* distributor for available safety guards and/or recommendations to prevent danger of getting hit by objects that could strike the operator's cabin. Make sure that all other work site crew members are kept well away from the excavator and safe from possible hazards.

For breaker operation, install a front guard and apply a laminated coating sheet to the front glass. Contact your *DOOSAN* distributor for recommendations.

When carrying out demolition or cutting operation, install a front guard and top guard, and apply a laminated coating sheet to the front glass.

When working in mines or quarries where there is a danger of falling rock, install FOPS (Falling Objects Protective Structure) and apply a laminated coating sheet to the front glass.

If any glass on the machine is broken, replace it with new glass immediately.



HAOA100L

Figure 10

## Attachment Precautions

Option kits are available through your dealer. Contact *DOOSAN* for information on available one-way (single-acting) and two-way (double-acting) piping / valving / auxiliary control kits. Because *DOOSAN* cannot anticipate, identify or test all the attachments that owners may wish to install on their machines, please contact *DOOSAN* for authorization and approval of attachments, and their compatibility with optional kits.

## Accumulator

The pilot control system is equipped with an accumulator. For a brief period of time after the engine has been shut down, the accumulator will store a pressure charge that may enable hydraulic controls to be activated. Activation of any controls may enable the selected function to operate under force of gravity.

When performing maintenance on the pilot control system, the hydraulic pressure in the system must be released as described in "Handling of Accumulator" in the Operation and Maintenance Manual.

The accumulator is charged with high-pressure nitrogen gas, so it is extremely dangerous if it is handled in the wrong way. Always observe the following precautions:

- Do not drill or make any holes in the accumulator or expose it to any flames, fire or heat source.
- Do not weld on the accumulator, or try attaching anything to it.
- When carrying out disassembly or maintenance of the accumulator, or when disposing of the accumulator, the charged gas must be properly released. Contact your *DOOSAN* distributor.
- Wear safety goggles and protective gloves when working on an accumulator. Hydraulic oil under pressure can penetrate the skin and cause serious injuries.

## Indoor Ventilation

Engine exhaust gases can cause fatal accidents, and unconsciousness, loss of alertness, judgment and motor control and serious injury.

Make sure there is adequate ventilation before starting the engine in any enclosed area.

You should also be aware of open windows, doors or ductwork where exhaust may be carried, or blown by the wind, exposing others to danger.



Figure 11

ARO1770L

## Emergency Exit

This machine is equipped with a glass breaking tool. It is behind the operator seat in the upper right corner of the cabin. This tool can be used in case of an emergency situation that requires the breaking of glass to exit from the operator's cabin. Grip the handle firmly and use the sharp point to break the glass.



**WARNING!**

---

**Protect your eyes when breaking the glass.**

---

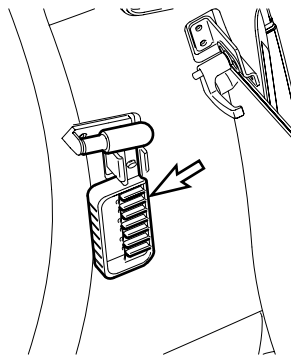


Figure 12

FG000178

# BEFORE STARTING ENGINE

## Work Site Precautions

Before starting operations, thoroughly check the area for any unusual conditions that could be dangerous.

Check the terrain and condition of the ground at the work site, and determine the best and safest method of operation.

Make sure the ground surface is as hard and horizontal as possible before carrying out operations. If there is a lot of dust and sand on the work site, spray water before starting operations.

If you need to operate on a street, protect pedestrians and cars by designating a person for work site traffic duty or by erecting fences and posting "No Entry" signs around the work site.

Erect fences, post "No Entry" signs, and take other steps to prevent people from coming close to or entering the work site. If people come close to a moving machine, they may be hit or caught by the machine, and this may lead to serious personal injury or death.

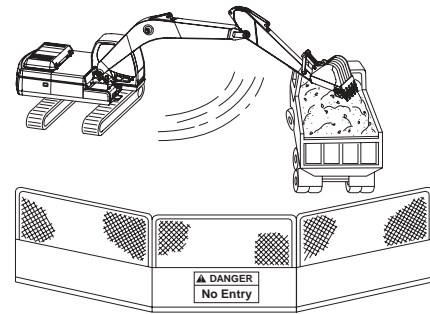
Waterlines, gas lines, phone lines and high-voltage electrical lines may be buried under the work site. Contact each utility and identify their locations. Be careful not to damage or cut any of these lines.

Check the condition of the riverbed, and the depth and flow of the water before operating in water or crossing a river. NEVER work in water that is more than the permissible water depth.

Any object in vicinity of boom could represent a potential hazard, or cause the operator to react suddenly and cause an accident. Use a spotter or signal person when working near bridges, phone lines, work site scaffolds, or other obstructions.

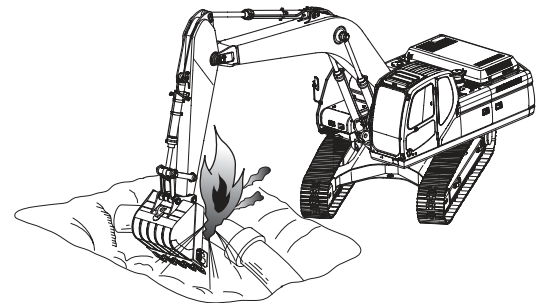
Minimum levels of insurance coverage, work permits or certification, physical barriers around the work site or restricted hours of operation may be mandated by governing authorities. There may also be regulations, guidelines, standards or restrictions on equipment that may have to be followed for local requirements. There may also be regulations related to performing certain kinds of work. If there is any question about whether your machine and work site complies with the applicable standards and regulations contact your local authorities and agencies.

Avoid entering soft ground. It will be difficult for the machine to escape.



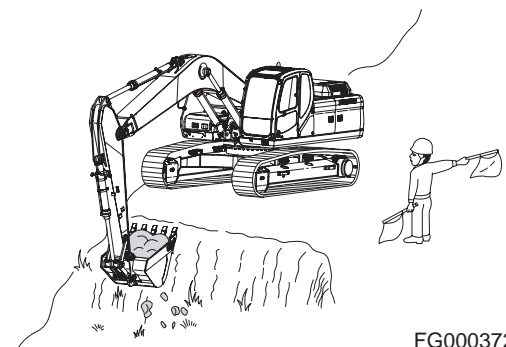
FG000400

Figure 13



FG000363

Figure 14



FG000372

Figure 15

Avoid operating your machine too close to the edge of cliffs, overhangs, and deep ditches. The ground may be weak in such areas. If the ground collapses, the machine could fall or tip over resulting in serious injury or death.

Remember that soil after heavy rain, blasting or after earthquakes, is weakened.

Newly laid earth and the soil near ditches is typically loose. It can collapse under the weight of vibration of your machine and cause your machine to tip over.

Install the head guard (FOPS) if working in areas where there is a danger of falling rocks.

## **Checks Before Starting Engine**

Every day before starting the engine for the first time, carry out the following checks. If these checks are not carried out properly, there is a danger of serious injury.

Remove all wood chips, leaves, grass, paper and other flammable materials accumulated in the engine compartment and around the battery. They could cause a fire. Remove any dirt from the window glass, mirrors, handrails, and steps.

Do not leave tools or spare parts laying around in the operator's cabin. The vibration of the machine when traveling or during operations may cause them to fall and damage or break the control levers or switches. They may also get caught in the gap of the control levers and cause the work equipment to malfunction or move dangerously. This may lead to unexpected accidents.

Check the coolant level, fuel level, and hydraulic tank oil level, and check for clogged air cleaner and damage to the electrical wiring.

Adjust the operator's seat to a position where it is easy to operate the machine, and check the seat belt and mounts for damage and wear.

Check the operation of the gauges and the angle of the mirrors, and check that the safety lever is in "LOCKED" position.

If any abnormalities are found in the above checks, carry out repairs immediately.

## Engine Starting

Walk around your machine before getting in the operator's cabin. Look for evidence of leaking fluid, loose fasteners, misaligned assemblies or any other indications of possible equipment hazard.

All equipment covers and machinery safety guards must be in place, to protect against injury while the machine is being operated.

Look around the work site area for potential hazards, people or property that could be at risk while operation is in progress.

NEVER start the engine if there is any indication that maintenance or service work is in progress, or if a warning tag is attached to controls in the cabin.

A machine that has not been used recently, or is being operated in extremely cold temperatures, could require a warm-up or maintenance service before start-up.

Check gauges and monitor displays for normal operation before starting the engine. Listen for unusual noises and remain alert for other potentially hazardous conditions at the start of the work cycle.

Do not short-circuit the starting motor to start the engine. This is not only dangerous, but may also damage the machine.

When starting the engine, sound the horn as an alert.

Start and operate the machine only while seated.

## Before Operating Machine

If checks are not carried out properly after starting the engine, it may result in a delay in discovering abnormalities in the machine, and this may lead to personal injury or damage to the machine.

Carry out the checks in an open area where there are no obstructions. Do not let anyone near the machine when carrying out the checks.

- Check the operating condition of the equipment, and the movement of the bucket, arm, boom, travel, and swing systems.
- Check the machine for any abnormal noise, vibration, heat, smell, or abnormality with the gauges. Check also for leakage of air, oil, and fuel.
- If any abnormality is found, repair the problem immediately. If the machine is used without repairing the problems, it may lead to unexpected injury or failure.
- Clear all personnel from directly around machine and from the area.



- Clear all obstacles from the machine's path. Beware of hazards.
- Be sure that all windows are clean. Secure the doors and the windows in the open position or in the shut position.
- Adjust the rearview mirrors for best visibility close to the machine. Make sure that the horn, the travel alarm (if equipped), and all other warning devices are working properly.
- Fasten the seat belt securely.
- Warm up the engine and hydraulic oil before operating machine.
- Before moving the machine, check undercarriage position. The normal travel position is with idler wheels to the front under the cabin and the drive sprockets to the rear. When the undercarriage is in the reversed position, the travel controls must be operated in opposite directions.

# MACHINE OPERATION

## When Swinging or Changing Direction of Travel

Before operating the machine or the work equipment, always observe the following precautions to prevent serious injury or death.

- Start and operate the machine only while seated.
- When changing travel direction from forward to reverse or from reverse to forward, reduce speed early and stop the machine before changing travel direction.
- Sound the horn to warn people in the area.
- Check that there is no one in the area around the machine. There are blind spots behind the machine, so if necessary, swing the upper structure to check that there is no one behind the machine before traveling in reverse.
- When operating in areas that may be hazardous or have poor visibility, designate a person to direct work site traffic.
- Ensure that no unauthorized person can come within the turning radius or direction of travel.

Be sure to observe the above precautions even if a travel alarm or mirrors are installed.

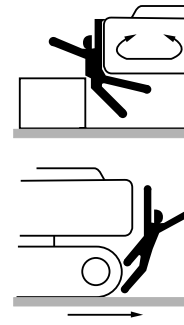


Figure 16

HAOA190L

## Travel Precautions

Never turn the starting switch to the "O" (OFF) position when traveling. It is dangerous if the engine stops while the machine is traveling. It will be impossible to operate the steering.

Attachment control levers should not be operated while traveling.

Do not change selected travel mode (FAST/SLOW) while traveling.

Fold in work equipment so the outer end of the boom is as close to the machine as possible, and is 40 - 50 cm (16 - 20 in.) above ground.

Never travel over obstacles or slopes that will cause the machine to tilt severely. Travel around any slope or obstacle that causes the machine to tilt 10° or more to the right or left, or 30° or more from front to rear.

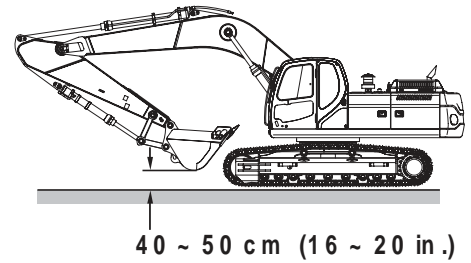
Do not operate the steering suddenly. The work equipment may hit the ground and cause the machine to lose its balance, and this may damage the machine or structures in the area.

When traveling on rough ground, travel at low speed, and avoid sudden changes in direction.

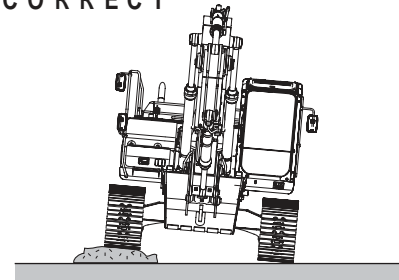
Always keep to the permissible water depth. Permissible water depth is to the centerline of the upper track rollers.

When traveling over bridges or structures on private land, check first that the bridge or structure can withstand the weight of the machine. When traveling on public roads, check with the local authorities and follow their instructions.

### TRAVEL POSTURE



### INCORRECT



FG 00034

Figure 17

## Traveling on Slopes

Never jump onto a machine that is running away to stop it. There is a danger of serious injury.

Traveling on slopes could result in the machine tipping over or slipping.

On hills, banks or slopes, carry the bucket approximately 20 - 30 cm (8 - 12 in) above the ground. In case of an emergency, quickly lower the bucket to the ground to help stop the machine.

Do not travel on grass, fallen leaves, or wet steel plates. Even slight slopes may cause the machine to slip to the side, so travel at low speed and make sure that the machine is always traveling directly up or down the slope.

Avoid changing travel direction on a slope. This could result in tipping or sideslipping of the machine.

When possible, operate the machine up slopes and downslopes. Avoid operating the machine across the slope, when possible.

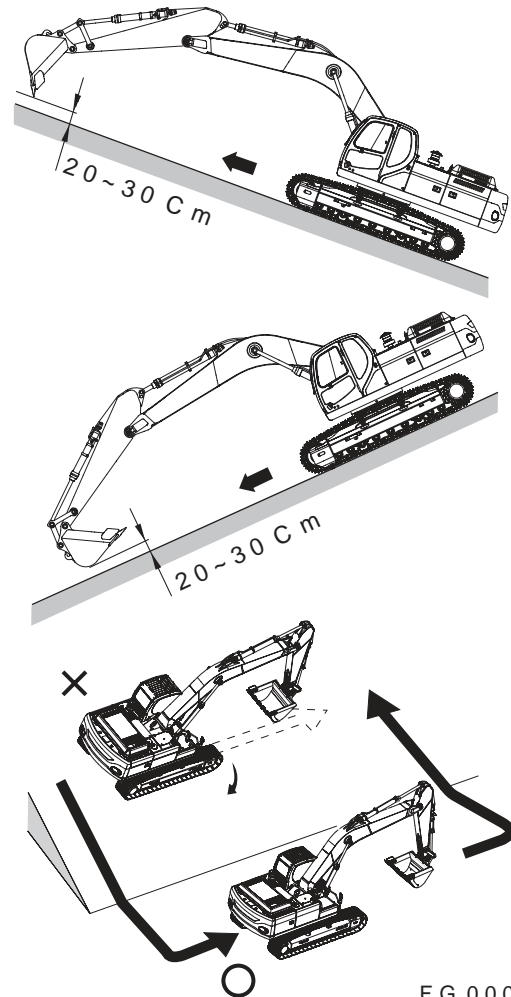


Figure 18

FG 00036

## Prohibited Operations

Do not dig the work face under an overhang. This may cause the overhang to collapse and fall on top of the machine.

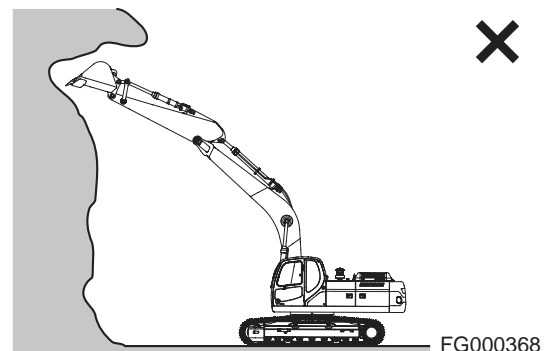


Figure 19

FG000368

Do not carry out deep digging under the front of the machine. The ground under the machine may collapse and cause the machine to fall.

Working heavy loads over loose, soft ground or uneven, broken terrain can cause dangerous side load conditions and possible tipover and injury. Travel without a load or a balanced load may also be hazardous.

Never rely on lift jacks or other inadequate supports when work is being done. Block tracks fore and aft to prevent any movement.

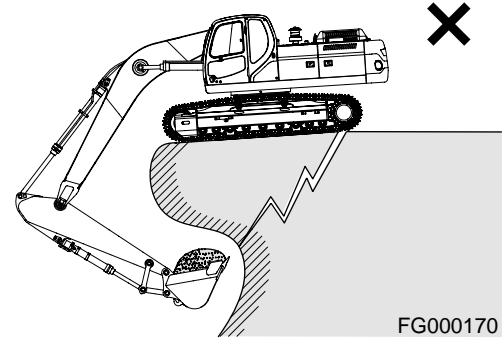


Figure 20

When using the machine, to prevent accidents caused by damage to the work equipment and overturning because of an excessive load, do not use the machine in excess of its ability (in terms of the maximum load and stability determined by the structure of the machine).

When working at the edge of an excavation or on a road shoulder, the machine could tip over, possibly resulting in serious injury or death. Investigate the configuration and ground conditions of the work site beforehand to prevent the machine from falling and to prevent the ground, stockpiles, or banks from collapsing.

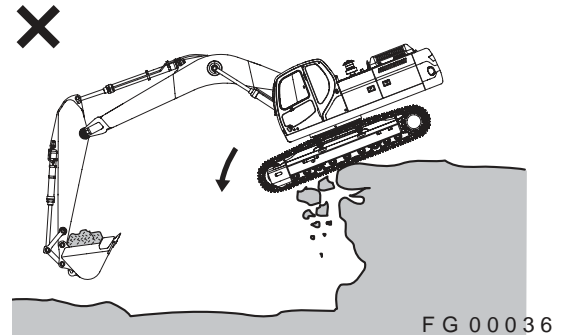


Figure 21

## Precautions for Operation

Be careful not to mistakenly travel too close to the edge of a cliff.

Use the machine only for its main purpose. Using it for other purposes will cause failures.

To ensure a good view, always do the following:

- When working in dark areas, attach working lights and front lights to the machine. If necessary, set up lighting at the work site.
- Stop operations when the visibility is poor, such as in fog, mist, snow, and rain. Wait for the visibility to improve to a level which causes no problems for the operation.

To avoid hitting the work equipment, always do the following:

- When working in tunnels, on bridges, under electrical wires, or when parking the machine or carrying out other operations in places with limited height, be careful not to hit the bucket or other parts.
- To prevent collisions, operate the machine at a safe speed when working in confined spaces, indoors, or in crowded areas.
- Do not pass the bucket over the heads of workers or over the operator's cabin of dump truck.



Figure 22

## Avoid High-voltage Cables

Serious injury or death can result from contact or proximity to high-voltage electrical lines. The bucket does not have to make physical contact with power lines for current to be transmitted.

Use a spotter and hand signals to stay away from power lines not clearly visible to the operator.

Voltage	Minimum Safe Distance
6.6 kV	3 m (9' 10")
33.0 kV	4 m (13' 1")
66.0 kV	5 m (16' 5")
154.0 kV	8 m (26' 3")
275.0 kV	10 m (32' 10")

Use these minimum distances as a guideline only. Depending upon the voltage in the line and atmospheric conditions, strong current shocks can occur with the boom or bucket as faraway as 4 - 6 m (13 - 20 ft.) from the power line. Very high voltage and rainy weather could further decrease that safety margin.

**NOTE:** *Before starting any operation near power lines (either above ground or buried cable type), you should always contact the power utility company directly and work out a safety plan with them.*

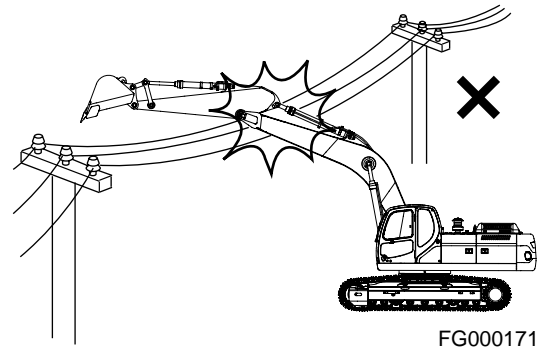


Figure 23

FG000171

## Protecting Cabin from Falling Object (Optional)

In a work site where falling objects or flying objects are expected, be sure to install adequate protective devices for covering the cabin.

When using a breaker, be sure to install the front window protection guard (Figure 24).

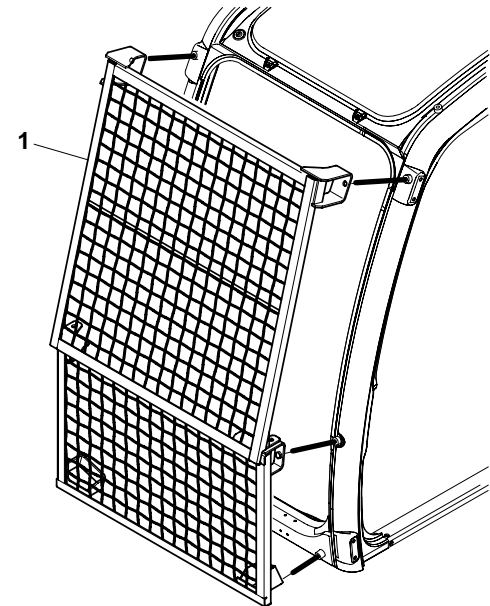


Figure 24

FG000112

In a work site where falling rocks can cause damage and possibly crush personnel, or in a mining operation, be sure to install the falling object protective structure (Figure 25).

Be sure to install any other additional protective structures required for work site conditions.

When the falling object protective structure is installed, and the front window needs to be cleaned, loosen the bolts marked with an arrow. Be sure to tighten bolts when done.

## Operate Carefully on Snow, Ice and in Very Cold Temperatures

In icy cold weather avoid sudden travel movements and stay away from even slight slopes. The machine could skid off to one side very easily.

Snow accumulation could hide or obscure potential hazards. Use care while operating or while using the machine to clear snow.

Warming up the engine for a short period may be necessary, to avoid operating with sluggish or reduced working capacity. The jolting shocks and impact loads caused by bumping or bottoming the boom or attachment are more likely to cause severe stress in very cold temperatures. Reducing work cycle rate and workload may be necessary.

When the temperature rises, frozen road surfaces become soft, and machine travel becomes unstable.

In cold weather, do not touch metal surfaces with your bare hands. If you touch a metal surface in extremely cold weather, your skin may freeze to the metal surface.

## Operations on Slopes

When working on slopes, there is a danger that the machine may lose its balance and turn over, when swinging, or when work equipment is operated. Always carry out these operations carefully.

Do not swing the work equipment from the uphill side to the downhill side when the bucket is loaded. This operation is dangerous.

If the machine has to be used on a slope, pile the soil to make a platform that will keep the machine as horizontal as possible.

In addition, lower the bucket as far as possible, keep it pulled into the front, and keep the swing speed as low as possible.

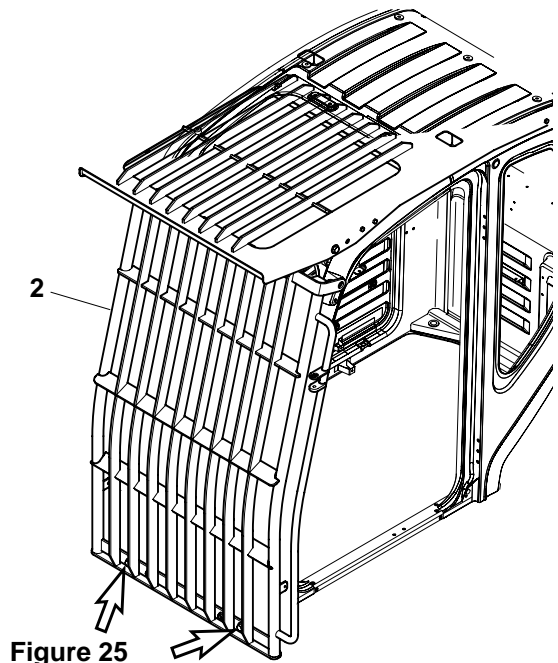


Figure 25

FG000111

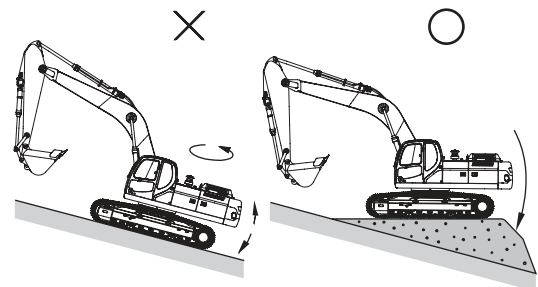


Figure 26

FG000212

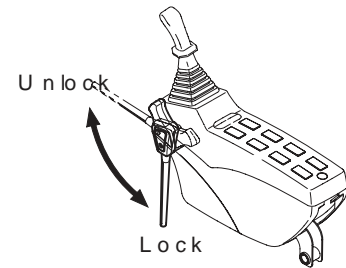
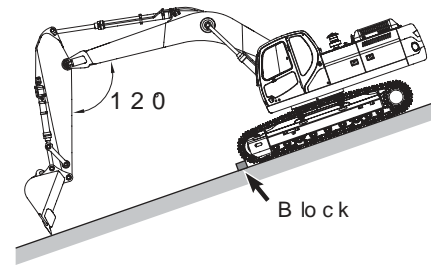
## Parking Machine

Avoid making sudden stops, or parking the machine wherever it happens to be at the end of the workday. Plan so the excavator will be on firm, level ground away from traffic and away from high walls, cliff edges and any area of potential water accumulation or runoff. If parking on inclines is unavoidable, block the crawler tracks to prevent movement. Lower the bucket or other working attachment completely to the ground, or to an overnight support saddle. There must be no possibility of unintended or accidental movement.

When parking on public roads, provide fences, signs, flags, or lights, and put up any other necessary signs to ensure that passing traffic can see the machine clearly. Park the machine so the machine, flags, and fences do not obstruct traffic.

After the front attachment has been lowered to an overnight storage position and all switches and operating controls are in the "OFF" position, the safety lock lever must be set to the "LOCKED" position. This will disable all pilot circuit control functions.

Always close the door of the operator's cabin.

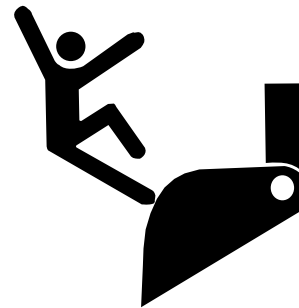


FG 0006

Figure 27

## Never Let Anyone Ride on Attachment

Never let anyone ride on any work attachment, such as the bucket, crusher, grapple, or clamshell (grab bucket). There is a danger of the person falling and suffering serious injury.



ARO1310L

Figure 28



# MAINTENANCE

## Warning Tag

Alert others that service or maintenance is being performed and tag operator's cabin controls – and other machine areas if required – with a warning notice. OSHA mandated control lever lockout can be made with any OSHA certified lockout device and a length of chain or cable to keep the safety lever in the fully lowered, nonactive position.

Warning tags, for controls are available from *DOOSAN* distributors.



Figure 29

ARO1320L

## Clean Before Inspection or Maintenance

Clean the machine before carrying out inspection and maintenance. This prevents dirt from getting into the machine and ensures safety during maintenance.

If inspection and maintenance are carried out when the machine is dirty, it will become more difficult to locate the problems, and there is a danger that you may get dirt or mud in your eyes or that you may slip and injure yourself.

When washing the machine, do the following:

- Wear shoes with nonslip soles to prevent yourself from slipping and falling on wet places.
- Wear safety glasses and protective clothing when washing the machine with high-pressure steam.
- Take action to prevent touching high-pressure water and cutting your skin or having mud fly into your eyes.
- Do not spray water directly on electrical components (sensors, connector) (1, Figure 30). If water gets into the electrical system, there is a danger that it will cause defective operation and malfunction.

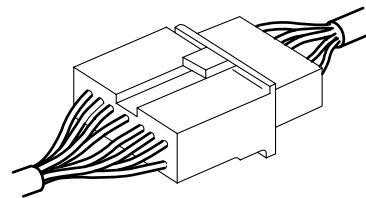
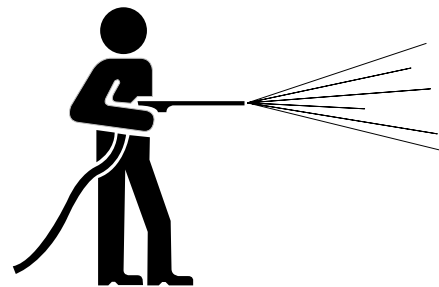


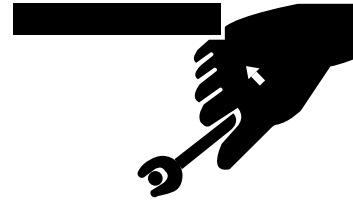
Figure 30

ARO1330L

Pick up any tools or hammers that are laying in the workplace, wipe up any grease or oil or any other slippery substances, and clean the area to make it possible to carry out the operation in safety. If the workplace is left untidy, you may trip or slip and suffer injury.

## Proper Tools

Use only tools suited to the task. Using damaged, low quality, faulty, or makeshift tools could cause personal injury. There is potential danger of pieces from chisels with crushed heads, or hammers, may get into your eyes and cause blindness.



HDO1037L

Figure 31

## Use of Lighting

When checking fuel, oil, battery electrolyte, or window washing fluid, always use lighting with antiexplosion specifications. Danger of an explosion is elevated when proper lighting equipment is not used.

If work is carried out in dark places without using lighting, it may lead to injury, so always use proper lighting.

Even if the place is dark, never use a lighter or flame instead of lighting. There is a danger of fire. There is also danger that the battery gas may catch fire and cause an explosion.



HDO1040L

Figure 32

## Fire Prevention and Explosion Prevention

All fuels, most lubricants and some coolant mixtures are flammable. Leaking fuel or fuel that is spilled onto hot surfaces or onto electrical components can cause a fire.

Store all fuels and all lubricants in properly marked containers and away from all unauthorized persons.

Store oily rags and other flammable material in a protective container.

Do not smoke while you refuel the machine or while you are in a refueling area.

Do not smoke in battery charging areas or in areas that contain flammable material.

Clean all electrical connections and tighten all electrical connections. Check the electrical wires daily for wires that are loose or frayed. Tighten all loose electrical wires before you operate the machine. Repair all frayed electrical wires before you operate the machine.

Remove all flammable materials before they accumulate on the machine.

Do not weld on pipes or on tubes that contain flammable fluids. Do not flame cut on pipes or on tubes that contain flammable



HDO1015I

Figure 33

fluids. Before you weld on pipes or on tubes or before you flame cut on pipes or on tubes, clean the pipes or tubes thoroughly with a nonflammable solvent.

## Burn Prevention

When checking the radiator coolant level, shut down engine, let the engine and radiator cool down, then check the coolant recovery tank. If the coolant level in the coolant recovery tank is near the upper limit, there is enough coolant in the radiator.

Loosen the radiator cap gradually to release the internal pressure before removing the radiator cap.

If the coolant level in the coolant recovery tank is below the lower limit, add coolant.

Cooling system conditioner contains alkali. Alkali can cause personal injury. Do not allow alkali to contact the skin, the eyes, or the mouth.

Allow cooling system components to cool before you drain the cooling system.

Hot oil and hot components can cause personal injury. Do not allow hot oil or hot components to contact the skin.

Remove hydraulic tank filter plug only after the engine has been stopped. Make sure that the hydraulic tank filter plug is cool before you remove it with your bare hand. Remove hydraulic tank filter plug slowly to relieve pressure.

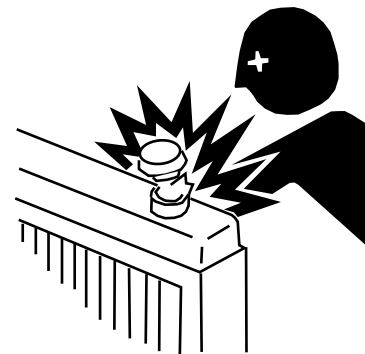
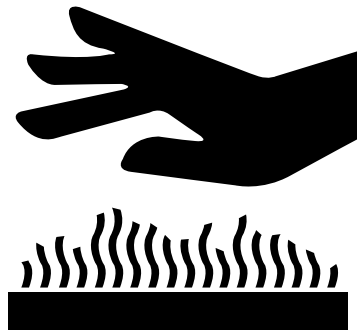
Relieve all pressure in the hydraulic oil system, in the fuel system, or in the cooling system before you disconnect any lines, fittings, or related items.

Batteries give off flammable fumes that can explode.

Do not smoke while you are checking the battery's electrolyte levels.

Electrolyte is an acid. Electrolyte can cause personal injury. Do not allow electrolyte to contact the skin or the eyes.

Always wear protective glasses when you work on batteries.



HAAE1980

Figure 34

## Welding Repairs

---



### CAUTION!

---

**When you connect or disconnect connectors between ECU and Engine or connector between ECU and the machine, always disconnect the source power to protect damage of the ECU.**

**If you don't observe this procedure, the ECU would be damaged or the engine would operate abnormally.**

---

When carrying out welding repairs, carry out the welding in a properly equipped place. The welding must be performed by a qualified worker. During welding operations, there is the danger of, generation of gas, fire, or electric shock, so never let an unqualified worker do welding.

The qualified welder must do the following:

- To prevent explosion of the battery, disconnect the battery terminals and remove batteries.
- To prevent generation of gas, remove paint from the location of the weld.
- If hydraulic equipment, piping or places close to them are heated, a flammable gas or mist will be generated and there is a danger of it catching fire. To avoid this, never subject these places to heat.
- Do not weld on pipes or on tubes that contain flammable fluids. Do not flame cut on pipes or on tubes that contain flammable fluids. Before you weld on pipes or on tubes or before you flame cut on pipes or on tubes, clean the pipes or tubes thoroughly with a nonflammable solvent.
- If heat is applied directly to rubber hoses or piping under pressure, they may suddenly break, so cover them with a fireproof covering.
- Wear protective clothing.
- Make sure there is good ventilation.
- Remove all flammable objects and provide a fire extinguisher.

## Treatment for Electrical Welding to the Body Structure

To prevent damage to ECU by electrical welding, please observe the following procedures:

1. Open the door of the battery cover.
2. Detach the cover after loosening the bolts on the battery.
3. Detach the positive and negative terminal cables from the battery.
4. Detach the undercover, and after that detach the connector (1) from the ECU that are installed at the engine.
5. Proceed with welding.
6. After welding, carefully reassemble the connector.
7. Connect the battery terminal cables.
8. Reassemble the undercover under the engine.
9. Reassemble the cover over the battery.
10. Close the cover of the battery.

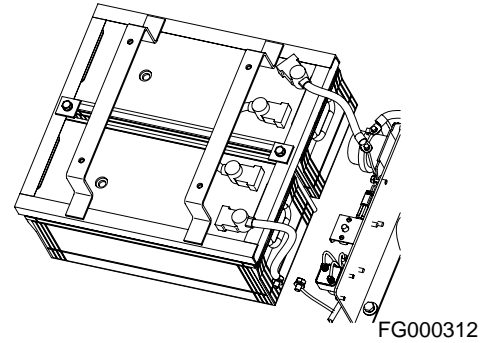


Figure 35

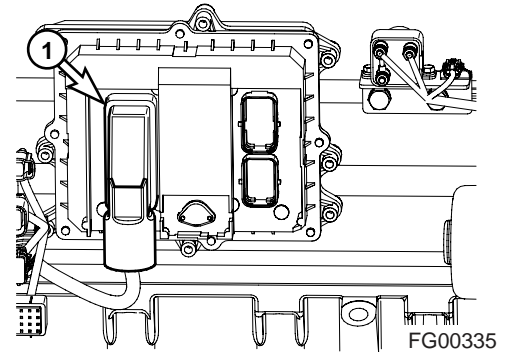


Figure 36

## Warning for Counterweight and Front Attachment Removal



---

*DOOSAN* warns any user, that the removal of the counterweight from the machine, front attachment or any other part, may affect the stability of the machine. This could cause unexpected movement, resulting in death or serious injuries. *DOOSAN* is not liable for any misuse.

Never remove counterweight or front attachment unless the upper structure is in-line with the lower structure.

Never rotate the upper structure once the counterweight or front attachment has been removed.

---

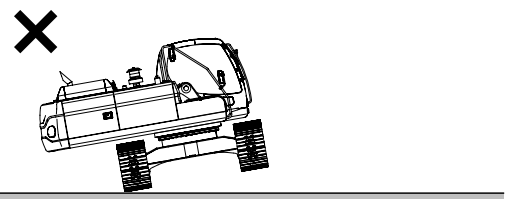
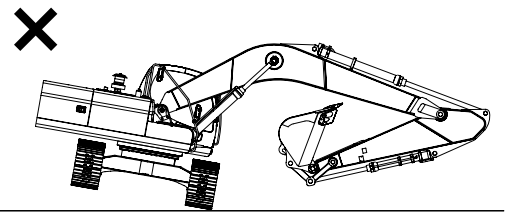


Figure 37

FG000371

## Precautions for Removal, Installation and Storage of Attachments

Before starting removal and installation of attachments, decide on the team leader.

Do not allow anyone except the authorized workers close to the machine or attachment.

Place attachments that have been removed from the machine in a safe place so they do not fall. Put up a fence around the attachments and take other measures to prevent unauthorized persons from entering.



HDO1041L

Figure 38

## Precautions When Working on Machine

When carrying out maintenance operations on the machine, keep area around your feet clean and tidy to prevent falls. Always do the following:

- Do not spill oil or grease.
- Do not leave tools laying about.
- Watch your step when walking.

Never jump down from the machine. When getting on or off the machine, use the steps and handrails, and maintain a three-point contact (both feet and one hand or both hands and one foot) to support yourself securely.

If the job requires it, wear protective clothing.

To prevent injury from slipping or falling, when working on the hood or covers, never use any area except the area equipped with nonslip pads.



ARO1380L

Figure 39

## Lock Inspection Covers

When carrying out maintenance with the inspection cover open, lock the cover securely in position with the lock bar.

If maintenance work is carried out with the inspection cover open but not locked, there is a danger that it may suddenly close and cause injury if there is a gust of wind.

## Prevention of Crushing and Cutting

You should always have at least two people working together if the engine must be run during service. One person needs to remain in the operator's seat, ready to work the controls or stop the machine and shut off the engine.

Unless you are instructed otherwise, never attempt adjustments while the machine is moving or while the engine is running.

Stay clear of all rotating parts and moving parts.

Keep objects away from moving fan blades. The fan blades will throw objects and the fan blades can cut objects.

Do not use a wire rope cable that is kinked or flayed. Wear gloves when you handle a wire rope cable.

When you strike a retainer pin, the retainer pin might fly out. The loose retainer pin can injure personnel. Make sure that the area is clear of people when you strike a retainer pin. To avoid injury to your eyes, wear protective glasses when you strike a retainer pin.

## Track Tension Adjustments Require Caution

Never turn out the track tension grease valve. To release pressure from the crawler frame track tension assembly, you should NEVER attempt to disassemble the track adjuster or attempt to remove track tension grease valve assembly.

Keep your face and body away from the valve. Refer to the track adjustment procedure in the Operator and Maintenance Manual or Shop Manual.

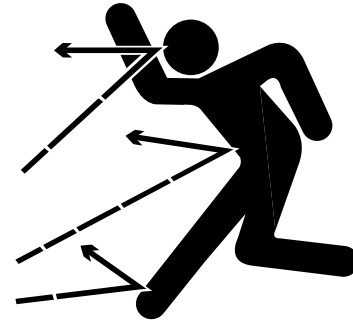


Figure 40

HAOA110L

## Supports and Blocking for Work Equipment

Do not allow weight or equipment loads to remain suspended.

Lower everything to the ground before leaving the operator's seat.

Do not use hollow, cracked or unsteady wobbling supports.

Do not work under any equipment supported only by a lifting jack.

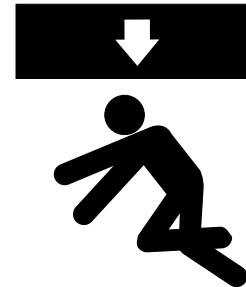


Figure 41

HDO1042L

## Action When Abnormality Is Found During Inspection

If any abnormality is found during inspection, always carry out repairs. In particular, if the machine is used when there are still problems with the brake or work equipment systems, it may lead to serious injury.

If necessary depending on the type of failure, please contact your *DOOSAN* distributor for repairs.

## Precautions with High-pressure Lines, Tubes and Hoses

When inspecting or replacing high-pressure piping or hoses, check to verify that the pressure has been released from the circuit. Failure to release the pressure may lead to serious injury. Always do the following:

- Wear protective glasses and leather gloves.
- Fluid leaks from hydraulic hoses or pressurized components can be difficult to see but pressurized oil has enough force to pierce the skin and cause serious injury. Always use a piece of wood or cardboard to check for suspected hydraulic leaks. Never use your hands or expose your fingers.
- Do not bend high-pressure lines. Do not strike high-pressure lines. Do not install lines, tubes or hoses that are bent or damaged.
- Make sure that all clamps, guards and heat shields are installed correctly to prevent vibration, rubbing against other parts, and excessive heat during operation.
  - If any of the following conditions are found, replace the part:
    - Damage or leakage from hose end.
    - Wear, damage, cutting of covering, or exposure of strengthening wire layer.
    - Cover portion is swollen in places.
    - There is twisting or crushing at movable parts of hose.
    - Foreign material is embedded in the covering.
    - Hose end is deformed.

**NOTE:** Refer to "Hose In-service Lifetime Limit (European Standard ISO 8331 and EN982 CEN)" in the Operation and Maintenance Manual, for additional European regulations.

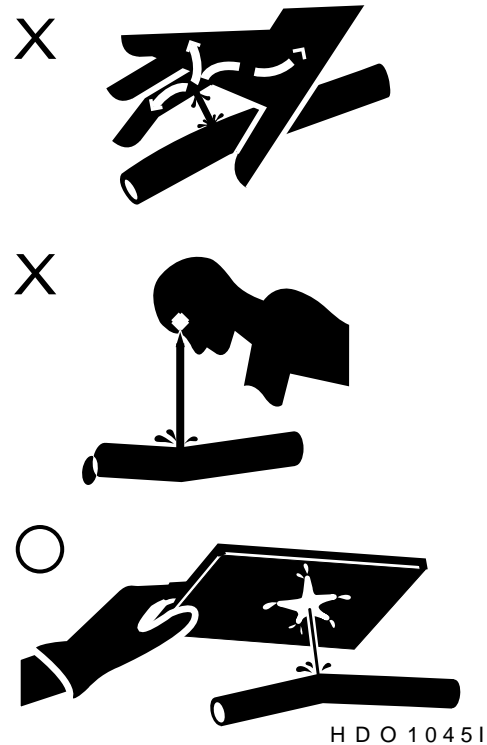


Figure 42

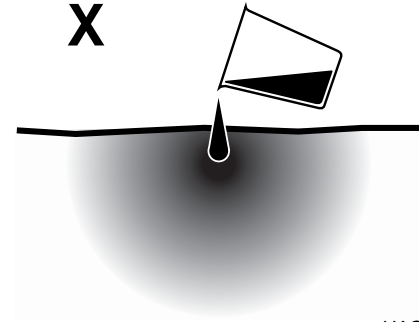


## Waste Materials

Physical contact with used motor oil may pose a health risk. Wipe oil from your hands promptly and wash off any remaining residue.

Used motor oil is an environmental contaminant and may only be disposed of at approved collection facilities. To prevent pollution of the environment, always do the following:

- Never dump waste oil in a sewer system, rivers, etc.
- Always put oil drained from your machine in containers. Never drain oil directly onto the ground.
- Obey appropriate laws and regulations when disposing of harmful materials such as oil, fuel, solvent, filters, and batteries.



**Figure 43**

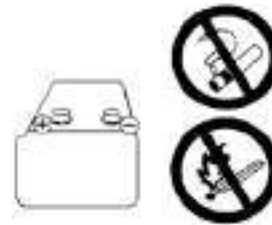
HAOA470L

# BATTERY

## Battery Hazard Prevention

Battery electrolyte contains diluted sulfuric acid and batteries generate hydrogen gas. Hydrogen gas is highly explosive, and mistakes in handling them can cause serious injury or fire. To prevent problems, always do the following:

- Do not smoke or bring any flame near the battery.
- When working with batteries, ALWAYS wear safety glasses and rubber gloves.
- If you spill battery electrolyte on yourself or your clothes, immediately flush the area with water.
- If battery electrolyte gets into your eyes, flush them immediately with large quantities of water and see a doctor at once.
- If you accidentally drink battery electrolyte, drink a large quantity of water or milk, raw egg or vegetable oil. Call a doctor or poison prevention center immediately.
- When cleaning the top surface of the battery, wipe it with a clean, damp cloth. Never use gasoline, thinner, or any other organic solvent or detergent.
- Tighten the battery caps securely.
- If the battery electrolyte is frozen, do not charge the battery or start the engine with power from another source. There is a danger that the battery may catch fire.
- When charging the battery or starting with power from another source, let the battery electrolyte melt and check that there is no leakage of battery electrolyte before starting the operation.
- Always remove battery from the machine before charging.



HAAE2100

Figure 44

## Boost Starting or Charging Engine Batteries

If any mistake is made in the method of connecting the booster cables, it may cause an explosion or fire. Always do the following:

- Turn off all electrical equipment before connecting leads to the battery. This includes electrical switches on the battery charger or boost starting equipment.
- When boost starting from another machine or vehicle do not allow the two machines to touch. Wear safety glasses or goggles while required battery connections are made.
- 24 volt battery units consisting of two series connected twelve volt batteries have a cable connecting one positive terminal on one of the 12 volt batteries to a negative terminal on the other battery. Booster or charger cable connections must be made between the nonseries connected positive terminals and between the negative terminal of the booster battery and the metal frame of the machine being boosted or charged. Refer to the procedure and illustration in "Starting Engine With a Booster Cable" in the Operation and Maintenance Manual.
- Connect positive cable first when installing cables and disconnect the negative cable first when removing them. The final cable connection, at the metal frame of the machine being charged or boost started, must be as faraway from the batteries as possible.

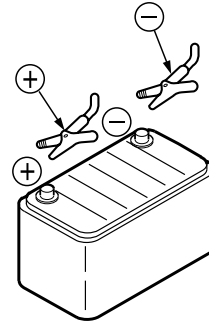


Figure 45

HAOA310L

# TOWING

## Precautions When Towing

If any mistake is made in the method of selecting or inspecting the towing wire or in the method of towing, it may lead to serious personal injury. Always do the following:

- Always use the method of towing given in this Operation and Maintenance Manual. Do not use any other method.
- Use leather gloves when handling the wire rope.
- When carrying out the preparation work for towing with two or more workers, determine the signals to use and follow these signals correctly.
- Always fit the towing rope to the left and right hooks and secure in position.
- If the engine on the problem machine will not start or there is a failure in the brake system, always contact your *DOOSAN* distributor.
- Never go between the towing machine and the towed machine during the towing operation.
- It is dangerous to carry out towing on slopes, so select a place where the slope is gradual. If there is no place where the slope is gradual, carry out operations to reduce the angle of the slope before starting the towing operation.
- When towing a problem machine, always use a wire rope with a sufficient towing capacity.
- Do not use a frayed, kinked rope or a rope with any loss of diameter.
- Do not use the lightweight towing hook for towing another machine.

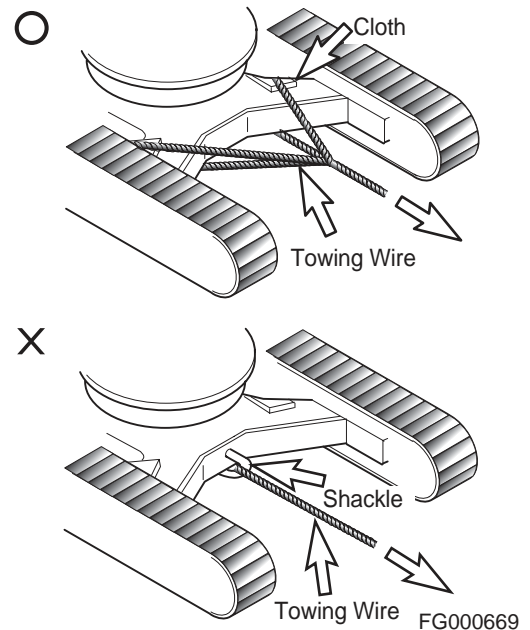


Figure 46

# SHIPPING AND TRANSPORTATION

## Obey State and Local Over-the-Road Regulations

Check state and local restrictions regarding weight, width and length of a load before making any other preparation for transport.

The hauling vehicle, trailer and load must all be in compliance with local regulations governing the intended shipping route.

Partial disassembly or teardown of the excavator may be necessary to meet travel restrictions or particular conditions at the work site. See the Shop Manual for information on partial disassembly.

Refer to the Transportation and Shipping section of this Operation and Maintenance Manual for information on loading, unloading and towing.

## LIFTING WITH SLING



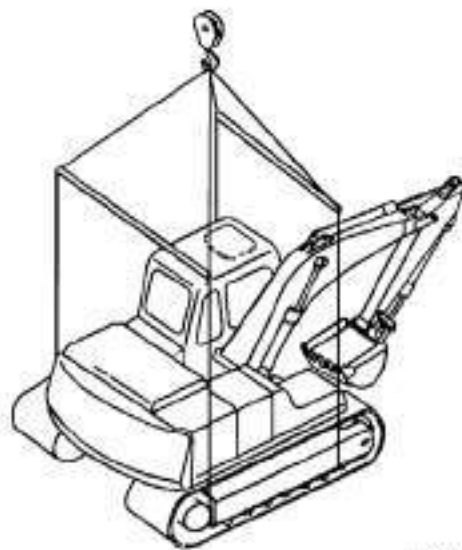
---

**Improper lifting can allow load to shift and cause injury or damage.**

---

1. Refer to Specification section of Operation and Maintenance Manual for information on weight and dimensions.
2. Use properly rated cables and slings for lifting.
3. Position machine for a level lift.
4. Lifting cables should have a long enough length to prevent contact with the machine. Spreader bars may be required.

*If spreader bars are used, be sure that cables are properly secured to them and that the angle of the cables is factored into the lift strength.*



**Figure 47**

HA0J410L

# Specifications

# Specification for DX225LC

Edition 1

# Table of Contents

## Specification for DX225LC

Safety Precautions.....	5
Applicable Models.....	5
General Description.....	7
Component Locations.....	8
General Dimensions.....	11
Working Range.....	12
General Specifications.....	14
Engine Performance Curves (Per DIN 6270 Standard).....	16
Approximate Weight of Workload Materials.....	18
Performance Tests.....	20
Excavator Performance Standards.....	21
Test Conditions.....	21
Travel Speed and Travel Motor Balance (Steering Deviation) Tests.....	21
Swing Speed and Deceleration Force Test.....	23
Cylinder Performance Tests.....	25



# SAFETY PRECAUTIONS

---



---

Follow all safety recommendations and safe shop practices outlined in the front of this manual or those contained within this section.

Always use tools and equipment that are in good working order.

Use lifting and hoisting equipment capable of safely handling the load.

Remember, that ultimately safety is your own responsibility.

---

## APPLICABLE MODELS

The contents of this section apply to the following models and serial number ranges.

MODEL	SERIAL NUMBER RANGE
DX225LC	5001 and Up

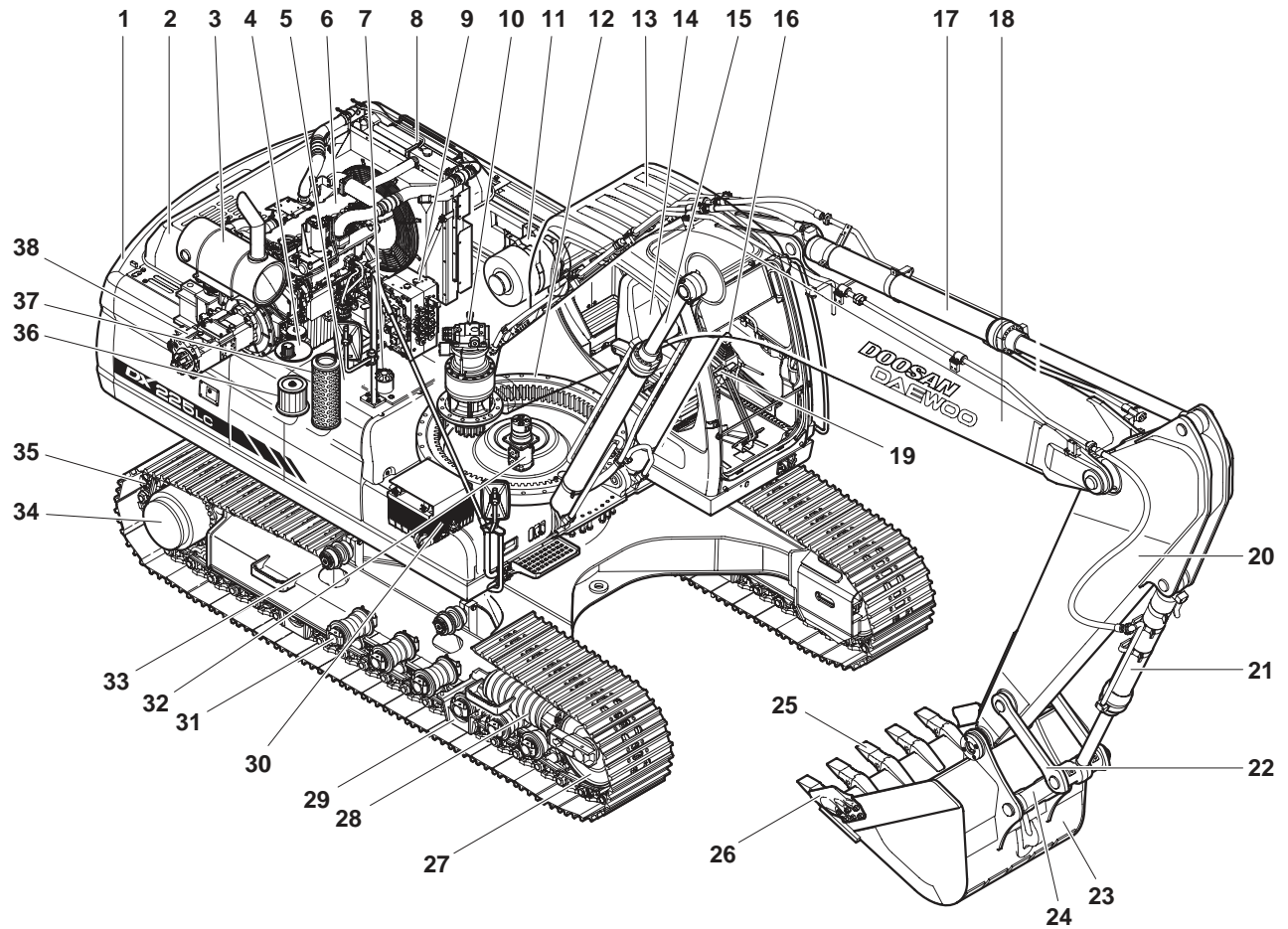
# GENERAL DESCRIPTION

The excavator has three main component sections:

- The Upper Swing Body
- The Lower Undercarriage and Track Frames
- The Excavator Front-end Attachment

The following illustration identifies main components and their locations. (See Figure 1 on page 8.)

# COMPONENT LOCATIONS



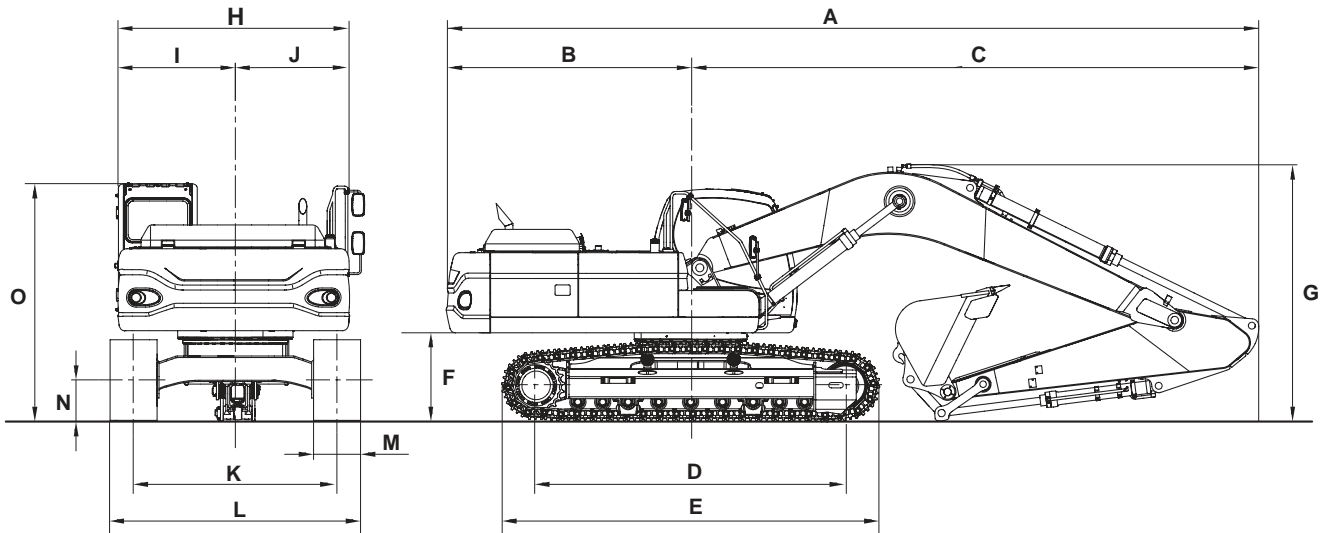
FG007028

Figure 1

Reference Number	Description
1	Counterweight
2	Hood
3	Muffler
4	Hydraulic Oil Tank
5	Fuel Tank
6	Engine
7	Fuel Tank Fill Cap
8	Radiator and Oil Cooler
9	Control Valves
10	Swing Motor
11	Air Cleaner
12	Swing Bearing
13	Cabin
14	Seat
15	Boom Cylinder
16	Work Lever (Joystick) Controls
17	Arm Cylinder
18	Boom
19	Travel Lever

Reference Number	Description
20	Arm
21	Bucket Cylinder
22	Guide Link
23	Bucket
24	Push Link
25	Tooth Point
26	Side Cutter
27	Idler
28	Track Adjuster
29	Track Guide
30	Battery
31	Lower Roller
32	Center Joint
33	Upper Roller
34	Travel Motor
35	Track Link and Shoe
36	Suction Filter
37	Return Filter
38	Pumps

# GENERAL DIMENSIONS



FG005887

Figure 2

DIMENSION	5.2 M (17.1 ft) BOOM		5.7 M (18.7 ft) BOOM		
	2.0 M (6.6 ft) ARM	2.4 M (7.9 ft) ARM	2.4 M (7.9 ft) ARM	2.9 M (9.5 ft) ARM	3.5 M (11.5 ft) ARM
A	9,080 mm (29' 9")	8,990 mm (29' 6")	9,500 mm (31' 2")	9,485 mm (31' 1")	9,500 mm (31' 2")
B	2,750 mm (9' 0")				
C	6,330 mm (20' 9")	6,240 mm (20' 6")	6,750 mm (22' 2")	6,735 mm (22' 1")	6,750 mm (22' 2")
D	3,650 mm (11' 12")				
E	4,445 mm (14' 7")				
F	1,055 mm (3' 6")				
G	3,210 mm (10' 6")	3,050 mm (10' 0")	3,110 mm (10' 2")	3,005 mm (9' 10")	3,290 mm (10' 10")
H	2,710 mm (8' 11")				
I	1,400 mm (4' 7")				
J	1,310 mm (4' 4")				
K	2,390 mm (7' 10")				
L	2,990 mm (9' 10")				
M	600 mm (1' 12")				
N	480 mm (1' 7")				
O	2,975 mm (9' 9")				

# WORKING RANGE

## WARNING!

The actual value for dimension "L" Digging Reach, depends on the stability and support provided by ground conditions. Digging too far underneath the excavator if soil conditions are wet, loose or unstable can collapse ground support, which could cause injury and/or equipment damage.

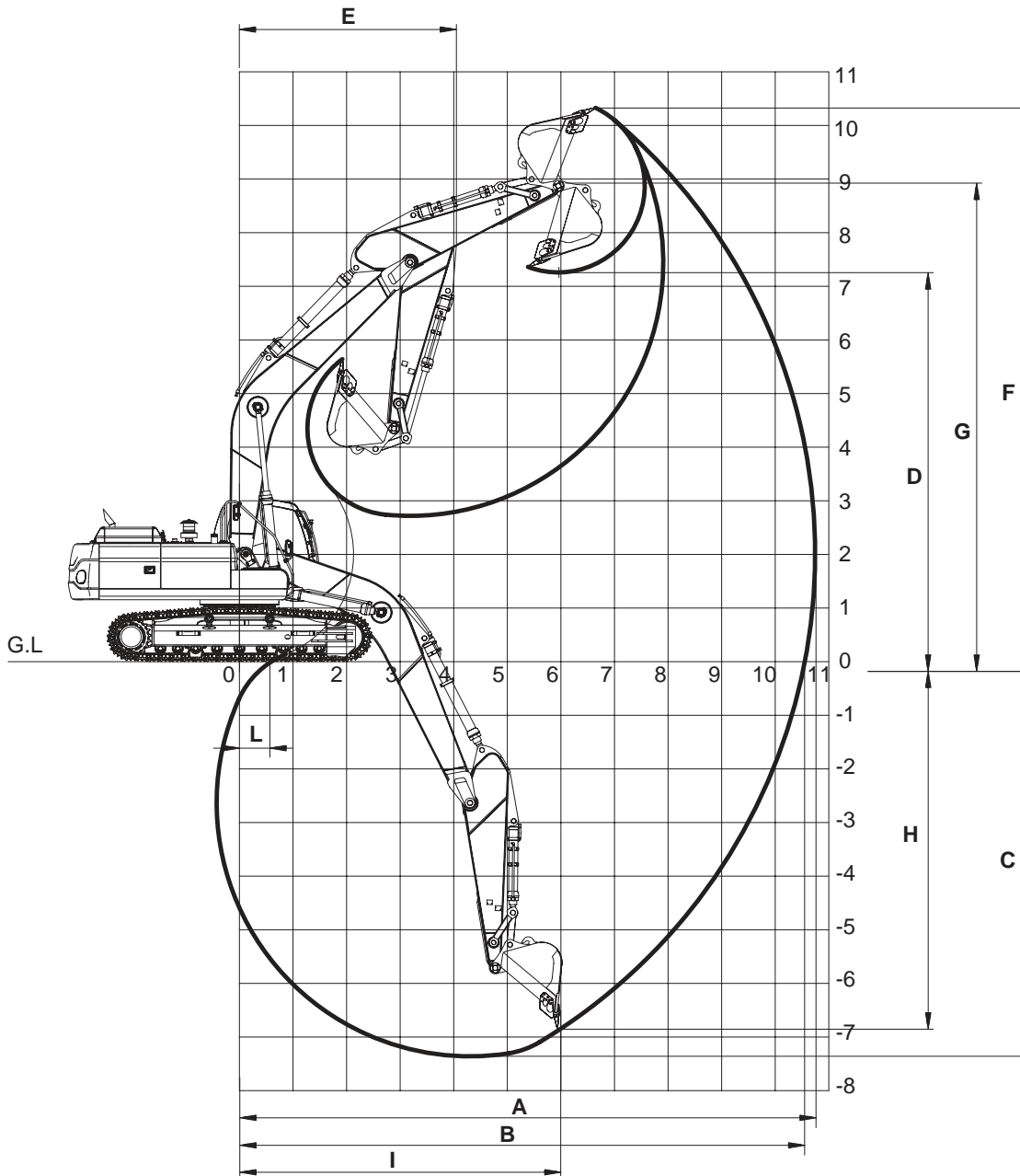


Figure 3

FG007029

Dim.	Boom Type	One Piece 5.7 m (18.7 ft)				One Piece 5.2 m (18.1 ft)	
	Arm Type	2.0 m (6.56 ft)	2.4 m (7.87 ft)	2.9 m (9.51 ft)	3.5 m (11.48 ft)	2.0 m (6.56 ft)	2.4 m (7.87 ft)
	Bucket Type (PCSA)	1.17 m <sup>3</sup> (1.43 yd <sup>3</sup> )	1.05 m <sup>3</sup> (1.37 yd <sup>3</sup> )	0.92 m <sup>3</sup> (1.20 yd <sup>3</sup> )	0.81 m <sup>3</sup> (1.05 yd <sup>3</sup> )	1.28 m <sup>3</sup> (1.66 yd <sup>3</sup> )	1.17 m <sup>3</sup> (1.43 yd <sup>3</sup> )
A	Max. Digging Reach	9,110 mm (29' 11")	9,840 mm (32' 3")	9,900 mm (32' 6")	10,400 mm (34' 1")	8,580 mm (28' 2")	8,950 mm (29' 4")
B	Max. Digging Reach (Ground)	8,920 mm (29' 3")	9,330 mm (30' 7")	9,730 mm (31' 11")	10,235 mm (33' 7")	8,380 mm (27' 6")	8,760 mm (28' 9")
C	Max. Digging Depth	5,710 mm (18' 9")	6,110 mm (20' 1")	6,620 mm (21' 9")	7,220 mm (23' 8")	5,355 mm (17' 7")	5,755 mm (18' 11")
D	Max. Loading Height	6,610 mm (21' 8")	6,830 mm (22' 5")	6,990 mm (22' 11")	7,150 mm (23' 5")	6,085 mm (19' 12")	6,300 mm (20' 8")
E	Min. Swing Radius	3,675 mm (12' 1")	3,410 mm (11' 2")	3,410 mm (11' 2")	3,440 mm (11' 3")	3,370 mm (11' 1")	3,195 mm (10' 6")
F	Max. Digging Height	9,395 mm (30' 10")	9,630 mm (31' 7")	9,750 mm (31' 12")	9,870 mm (32' 5")	8,845 mm (29' 0")	9,065 mm (29' 9")
G	Max. Bucket Pin Height	8,080 mm (26' 6")	8,300 mm (27' 3")	8,455 mm (27' 9")	8,610 mm (28' 3")	7,555 mm (24' 9")	7,770 mm (25' 6")
H	Max. Vertical Wall	4,945 mm (16' 3")	5,385 mm (17' 8")	5,640 mm (18' 6")	6,005 mm (19' 8")	4,435 mm (14' 7")	4,880 mm (16' 0")
I	Max. Radius Vertical	6,010 mm (19' 9")	6,055 mm (19' 10")	6,410 mm (21' 0")	6,750 mm (22' 2")	5,790 mm (18' 12")	5,842 mm (19' 2")
J	Max. Depth to 8 ft Line	5,480 mm (17' 12")	5,910 mm (19' 5")	6,430 mm (21' 1")	7,050 mm (23' 2")	5,115 mm (16' 9")	5,545 mm (18' 2")
K	Max. Radius 8 ft Line	2,870 mm (9' 5")	2,880 mm (9' 5")	2,865 mm (9' 5")	2,630 mm (8' 8")	2,495 mm (8' 2")	2,510 mm (8' 3")
L	Min. Digging Reach	2,565 mm (8' 5")	1,698 mm (5' 7")	519 mm (1' 8")	- 224 mm (-0' 9")	1,819 mm (5' 12")	640 mm (2' 1")

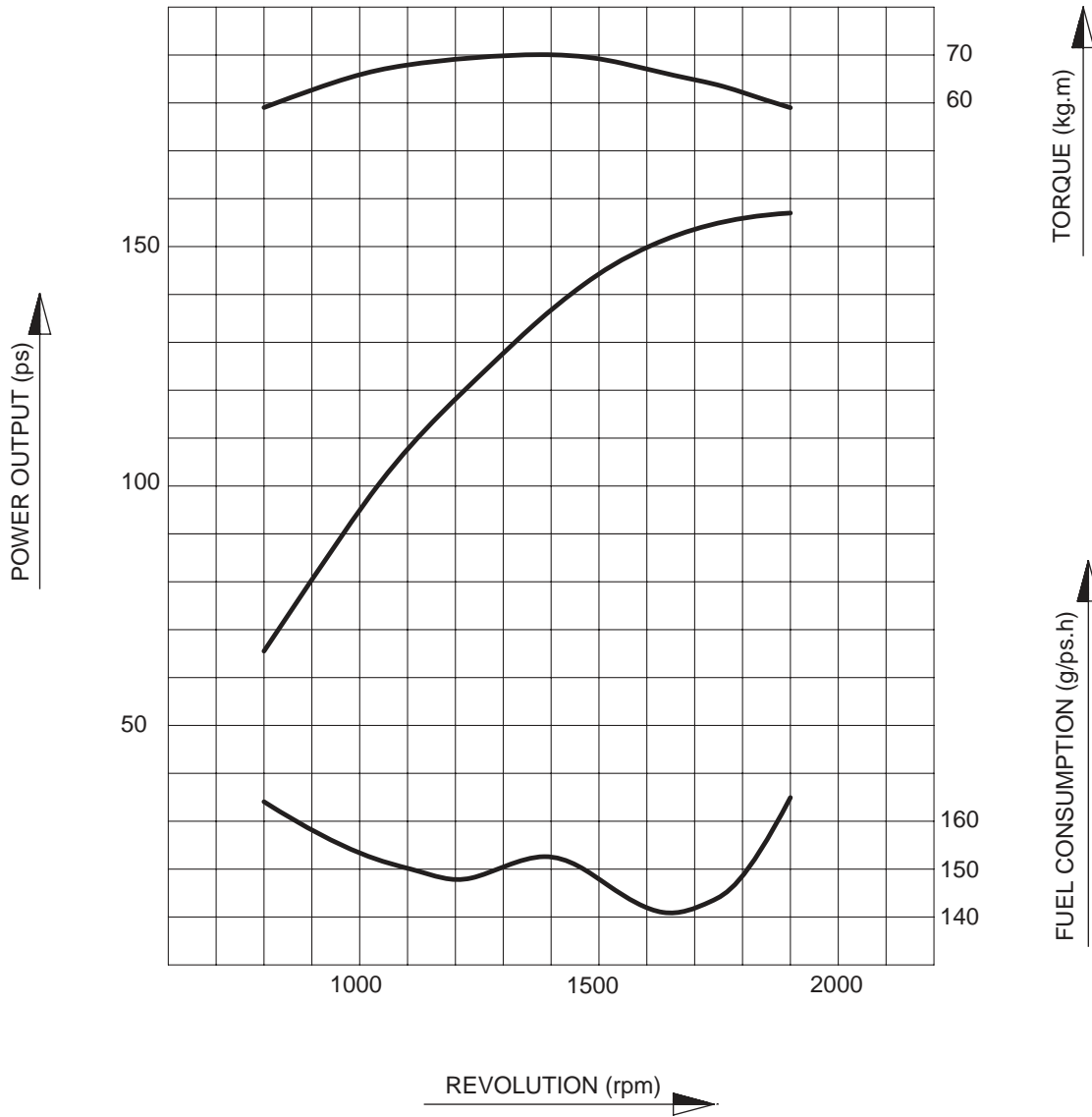
# GENERAL SPECIFICATIONS

Shipping Weight	21.5 metric tons (47,399 lb), includes fuel 10%, boom, 5,700 mm (18' 8"), arm 2,900 mm (9' 6"), standard bucket and standard shoes
Operating Weight	Add weight of full fuel tank and operator.
Shipping Weights with Optional Track Shoe	Add 285 kg (628 lb) for 700 mm (28") shoes
	Add 560 kg (1,235 lb) for 800 mm (32") shoes
	Add 850 kg (1,874 lb) for 900 mm (35") shoes
Major Component Weight	Standard Boom 5,700 mm (18' 8") 1,515 kg (3,340 lb)
	5,200 mm (17' 1") Boom 1,425 kg (3,141 lb)
	2,000 mm (6' 7") Arm 595 kg (1,311 lb)
	2,400 mm (7' 10") Arm 610 kg (1,345 lb)
	2,900 mm (9' 6") Arm 723 kg (1,594 lb)
	3,500 mm (11' 6") Arm 840 kg (1,852 lb)
	Boom Cylinders 174 kg (384 lb) each
	Arm Cylinder 239 kg (527 lb)
	Bucket Cylinder 151 kg (333 lb)
	Counterweight 4,100 kg (9,039 lb)
	Upper Turntable 6,500 kg (14,330 lb) (Excluding Counterweight and Front)
	Lower - 7,730 kg (17,041 lb) (Including Swing Bearing)
Digging Forces (At Power Boost):	
Bucket Cylinder	13,300 kg (29,321 lb) - (with either 3,500 mm [11' 6"] or 2,400 mm [7' 10"] arm)
Arm Cylinder	10,500 kg (23,149 lb) with 2,900 mm (9' 6") arm
Fuel Tank Capacity	400 liters (105.7 U.S. gal)
Hydraulic System Capacity	240 liters (63.4 U.S. gal)
Hydraulic Reservoir Capacity	140 liters (37 U.S. gal)
Bucket Heaped Capacity Range	PCSA 0.4 - 1.28 m <sup>3</sup> (0.5 - 1.67 yd <sup>3</sup> )
	<b>IMPORTANT:</b> Refer to the Load Weight, Bucket and Arm Length Compatibility Table for information on which bucket sizes may be used safely with which arm length, for load material weights.
Shoe Type	Triple Grouser
Shoe Width and Optional Sizes	600 mm (24") - standard
	700 mm (28") - optional
	800 mm (32") - optional
	900 mm (35") - optional
Ground Pressure Ratings:	
Standard 600 mm (24") shoe	0.45 kg•cm <sup>2</sup> (6.4 psi)
Optional 700 mm (28") shoe	0.39 kg•cm <sup>2</sup> (5.55 psi)
Optional 800 mm (32") shoe	0.34 kg•cm <sup>2</sup> (4.84 psi)
Optional 900 mm (35") shoe	0.30 kg•cm <sup>2</sup> (4.27 psi)
Transport Dimensions	
Overall Shipping Length (standard boom and arm)	9,485 mm (31' 1")



Overall Shipping Width (standard shoes)	2,990 mm (9' 10")
Overall Shipping Height (to top of cylinder hose)	3,005 mm (9' 10")
Track Shipping Length	4,445 mm (14' 7")
Transport Trailer Capacity	30 metric tons (33 tons), minimum load capacity
Transport Loading Ramp Allowable Slope	15° angle <b>CAUTION:</b> Refer to Transport Maximum Procedure for Safe Shipping Instructions.

# ENGINE PERFORMANCE CURVES (PER DIN 6270 STANDARD)



FG007031

Figure 4

<b>Condition</b>	<b>Specification</b>
Engine Model	DL06
Barometric Pressure	760 mmHg (20°C (68°F))
Cooling Fan	660.4 mm, SUCKER (26 in)
Alternator	24V x 50A
Air Cleaner	Installed
Muffler	Installed

<b>Performance Standard</b>	<b>DIN 6270</b>
Power	150 ps @ 1,900 rpm (148 hp @ 1,900 rpm)
Max. Torque	68 kg•m @ 1,400 rpm (492 lb•ft @ 1,400 rpm)
Fuel Consumption (Min. Rated)	165 g/ps•h (5.47 oz/hp•h)

# APPROXIMATE WEIGHT OF WORKLOAD MATERIALS

## IMPORTANT

Weights are approximations of estimated average volume and mass. Exposure to rain, snow or groundwater; settling or compaction because of overhead weight, chemical or industrial processing or changes because of thermal or chemical transformations could all increase the value of weights listed in the table.

Material	Low Weight or Density 1,100 kg•m <sup>3</sup> (1,850 lb/yd <sup>3</sup> ), or Less	Medium Weight or Density 1,600 kg•m <sup>3</sup> (2,700 lb/yd <sup>3</sup> ), or Less	High Weight or Density 2,000 kg•m <sup>3</sup> (3,370 lb/yd <sup>3</sup> ), or Less
Charcoal	401 kg•m <sup>3</sup> (695 lb/yd <sup>3</sup> )	-----	-----
Coke, blast furnace size	433 kg•m <sup>3</sup> (729 lb/yd <sup>3</sup> )	-----	-----
Coke, foundry size	449 kg•m <sup>3</sup> (756 lb/yd <sup>3</sup> )	-----	-----
Coal, bituminous slack, piled	801 kg•m <sup>3</sup> (1,350 lb/yd <sup>3</sup> )	-----	-----
Coal, bituminous r. of m., piled	881 kg•m <sup>3</sup> (1,485 lb/yd <sup>3</sup> )	-----	-----
Coal, anthracite	897 kg•m <sup>3</sup> (1,512 lb/yd <sup>3</sup> )	-----	-----
Clay, DRY, in broken lumps	1,009 kg•m <sup>3</sup> (1,701 lb/yd <sup>3</sup> )	-----	-----
Clay, DAMP, natural bed	-----	1,746 kg•m <sup>3</sup> (2,943 lb/yd <sup>3</sup> )	-----
Cement, Portland, DRY granular	-----	1,506 kg•m <sup>3</sup> (2,583 lb/yd <sup>3</sup> )	-----
Cement, Portland, DRY clinkers	-----	1,362 kg•m <sup>3</sup> (2,295 lb/yd <sup>3</sup> )	-----
Dolomite, crushed	-----	1,522 kg•m <sup>3</sup> (2,565 lb/yd <sup>3</sup> )	-----
Earth, loamy, DRY, loose	-----	1,202 kg•m <sup>3</sup> (2,025 lb/yd <sup>3</sup> )	-----
Earth, DRY, packed	-----	1,522 kg•m <sup>3</sup> (2,565 lb/yd <sup>3</sup> )	-----

<b>Material</b>	<b>Low Weight or Density 1,100 kg•m<sup>3</sup> (1,850 lb/yd<sup>3</sup>), or Less</b>	<b>Medium Weight or Density 1,600 kg•m<sup>3</sup> (2,700 lb/yd<sup>3</sup>), or Less</b>	<b>High Weight or Density 2,000 kg•m<sup>3</sup> (3,370 lb/yd<sup>3</sup>), or Less</b>
Earth, WET, muddy	-----	-----	1,762 kg•m <sup>3</sup> (2,970 lb/yd <sup>3</sup> )
Gypsum, calcined, (heated, powder)	961 kg•m <sup>3</sup> (1,620 lb/yd <sup>3</sup> )	-----	-----
Gypsum, crushed to 3 inch size	-----	1,522 kg•m <sup>3</sup> (2,565 lb/yd <sup>3</sup> )	-----
Gravel, DRY, packed fragments	-----	-----	1,810 kg•m <sup>3</sup> (3,051 lb/yd <sup>3</sup> )
Gravel, WET, packed fragments	-----	-----	1,922 kg•m <sup>3</sup> (3,240 lb/yd <sup>3</sup> )
Limestone, graded above 2	-----	1,282 kg•m <sup>3</sup> (2,160 lb/yd <sup>3</sup> )	-----
Limestone, graded 1-1/2 or 2	-----	1,362 kg•m <sup>3</sup> (2,295 lb/yd <sup>3</sup> )	-----
Limestone, crushed	-----	1,522 kg•m <sup>3</sup> (2,565 lb/yd <sup>3</sup> )	-----
Limestone, fine	-----	-----	1,602 kg•m <sup>3</sup> (2,705 lb/yd <sup>3</sup> )
Phosphate, rock	-----	1,282 kg•m <sup>3</sup> (2,160 lb/yd <sup>3</sup> )	-----
Salt	929 kg•m <sup>3</sup> (1,566 lb/yd <sup>3</sup> )	-----	-----
Snow, light density	529 kg•m <sup>3</sup> (891 lb/yd <sup>3</sup> )	-----	-----
Sand, DRY, loose	-----	1,522 kg•m <sup>3</sup> (2,565 lb/yd <sup>3</sup> )	-----
Sand, WET, packed	-----	-----	1,922 kg•m <sup>3</sup> (3,240 lb/yd <sup>3</sup> )
Shale, broken	-----	1,362 kg•m <sup>3</sup> (2,295 lb/yd <sup>3</sup> )	-----
Sulfur, broken	529 kg•m <sup>3</sup> (1,620 lb/yd <sup>3</sup> )	-----	-----

# PERFORMANCE TESTS

1. Main Relief Pressure

Normal Operation : 330 kg•cm<sup>3</sup> (4,689 psi)

with "Pressure Up" : 350 kg•cm<sup>3</sup> (4,970 psi)

2. Actuator Speeds

Operation		Unit	Standard Mode	Power Mode
Boom	Up	sec	3.3 ± 0.4	2.9 ± 0.4
	Down	sec	2.6 ± 0.3	2.5 ± 0.3
Arm	Crowd	sec	4.1 ± 0.4	3.8 ± 0.4
	Dump	sec	2.6 ± 0.3	2.4 ± 0.3
Bucket	Crowd	sec	3.8 ± 0.4	3.5 ± 0.4
	Dump	sec	2.3 ± 0.3	2.2 ± 0.3
Swing	3 Revolutions	sec	17.5 ± 1.5	16.5 ± 1.5
Jack-up Speed (3 Turns)	Low	sec	34.5 ± 2.0	33.1 ± 2.0
	High	sec	18.9 ± 1.5	18.0 ± 1.5
Travel Speed 20 m (66 ft)	Low	sec	25 ± 1.5	24 ± 1.5
	High	sec	13.7 ± 1.0	13.1 ± 1.0
Travel Deviation 20 m (66 ft)	Low	mm (in)	150 (6)	150 (6)
	High	mm (in)	150 (6)	150 (6)

# EXCAVATOR PERFORMANCE STANDARDS

Evaluation of equipment performance and operating condition can be made by running the excavator through a series of different tests, and recording results with a stopwatch and tape measure.

Compare results of performance tests against the specifications and standards that follow, which are for equipment in new or renewed condition.

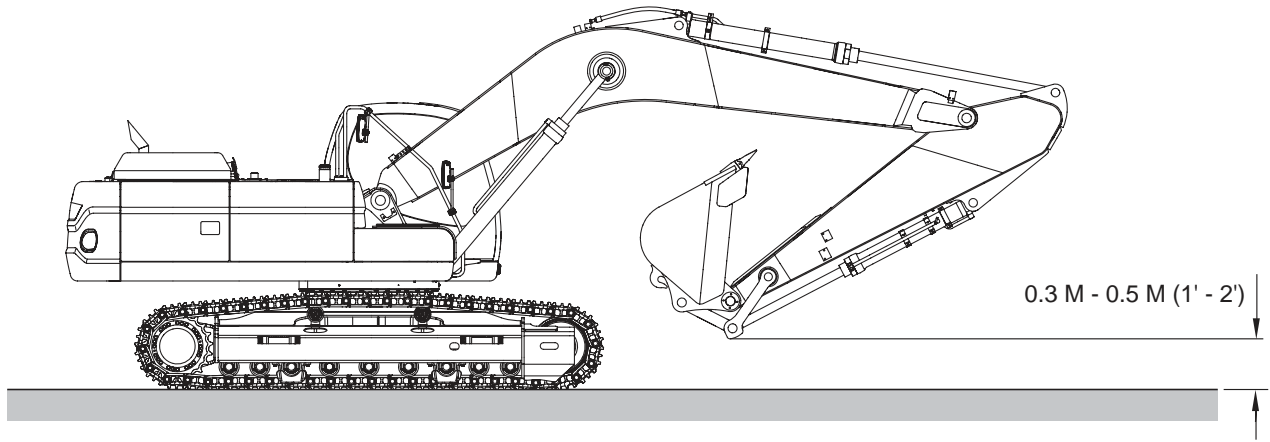
## Test Conditions

1. All tests should be performed on a flat, level, firm supporting ground surface.
2. All recommended, applicable maintenance and adjustment service should be completed before testing.
3. Hydraulic fluid and engine oil should be of appropriate viscosity for ambient weather. Warm up hydraulic oil to standard operating temperature, between 45° - 55°C (112° - 135°F).
4. Run all tests with the engine speed control set to maximum rpm.
5. Repeat tests with Power Mode engine control settings at both Standard Mode (standard work mode) and Power Mode (high-speed mode). Travel speed tests should also be repeated at both high and low speed.

## Travel Speed and Travel Motor Balance (Steering Deviation) Tests

### Speed Test

Prepare the excavator for travel speed tests by extending all hydraulic cylinders - boom, arm and bucket - to the fully extended position, shown in Figure 5.



FG007032

**Figure 5**

The lowest part of the bucket linkage should be 0.3 - 0.5 m (1' - 2') off the ground.

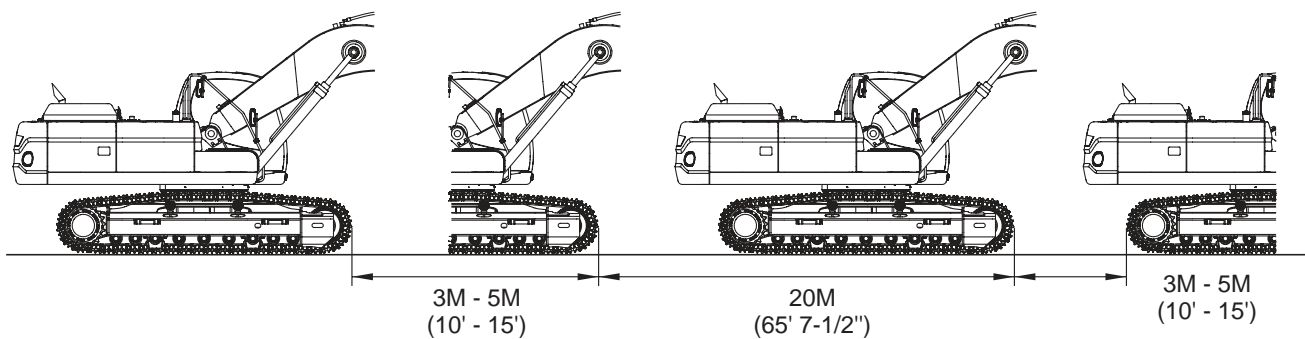
Mark off a 20 m (65' 7-1/2") test distance, with a 3 - 5 m (10' - 15') run-up area, and a 3 - 5 m (10' - 15', or longer) speed runoff distance.

Travel the excavator back and forth to be sure steering is centered and side frames are parallel with the test course.

Operate both travel levers at the fully engaged position and measure the time it takes to cross 20 m (65' 7-1/2"). Compare measured results against the standard for new machines:

Rate of Travel	Time	
	Standard Mode	Power Mode
High-speed	13.7 ± 1.0 sec	13.1 ± 1.0 sec
Low Speed	25 ± 1.5 sec	24 ± 1.5 sec

Rotate the turntable 180°. Both tests should be repeated three times. Average all results to obtain a final value.



FG007033

**Figure 6**



## Travel Deviation

To check steering deviation (travel motor balance), use a long tape or rope, or the edge of an undeviating straight road curb or other marker to verify side to side travel motor uniformity.

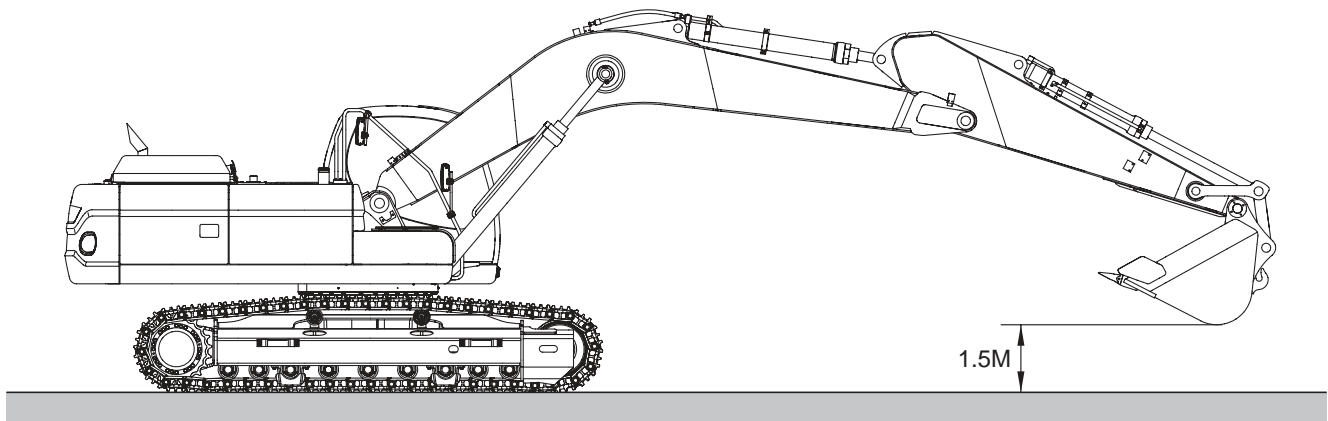
Deviation distance should always be measured at the 20 m (65' 7-1/2") "finish line." Repeat the test in reverse to measure in both directions, with starting point becoming the finish line, and vice versa. (Figure 6)

A greater amount of deviation is allowed with the travel control set for high-speed.

Rate of Travel	Max. Distance
High-speed	150 mm (6 in)
Low Speed	150 mm (6 in)

## Swing Speed and Deceleration Force Test

### Swing Speed Test



FG007034

**Figure 7**

Extend the bucket cylinder completely and retract the arm cylinder, as shown in Figure 7, to test swing speed. The lowest point of the bucket will be approximately 1.5 m (3') off the ground.

Use paint marks at the same point on the swing body and undercarriage, or select alternate measuring locations and use a stopwatch to time 3 full 360° rotations. The time required for 3 revolutions should be between 16 and 19 seconds in Standard Mode, 15 and 18 seconds in Power Mode.

### Swing Deceleration Force Test

With the boom, arm and bucket in the same position as for the swing speed test, rotate the turntable so the boom is evenly centered between the side frames, pointing straight ahead. Locate the 90° reference point, perpendicular to the boom. Mark the turntable and undercarriage with paint at the 90° point.

Make several attempts to rotate the turntable exactly 90°, starting from the boom straight ahead position. Engage the swing lever and brake at the 90° point, shown as "swing stop" in Figure 8.

Record how far the turntable drifts past the stop point, measuring the distance between paint marks. Maximum distance should be less than 1200 mm (47-1/4"), in both Power Mode and Standard Mode.

Reference Number	Description
1	Start Swing
2	90° Swing
3	Swing Force
4	Swing Stop

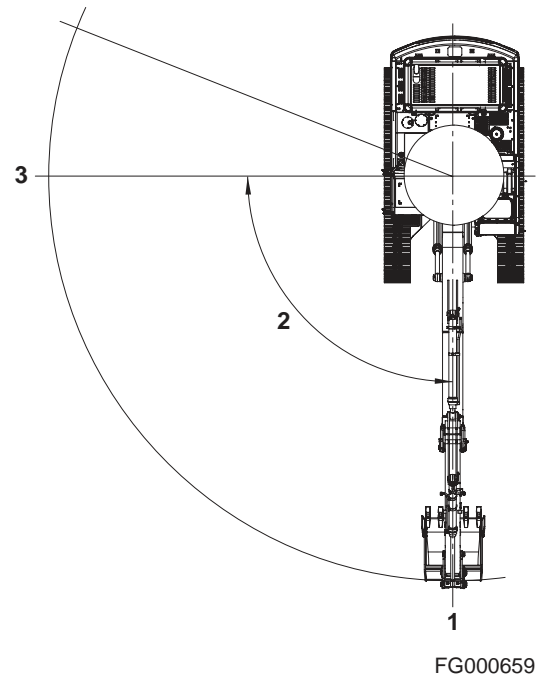


Figure 8

# Cylinder Performance Tests

**NOTE:** *All tests are performed with standard boom, arm and bucket configuration. The bucket should be empty.*

## Boom Cylinders Test

The starting points for the test are with the boom and arm extended away from the excavator, and the bucket curled inward. The arm cylinder should be fully retracted; boom and bucket cylinders must be extended. Test movement in both directions, several times, and average results for both Standard Mode and Power Mode.

## Arm Cylinder Test

Start with the boom up and the arm cylinder fully retracted. Test movement in both directions several times, between the "crowd" and "dump" positions, and average the results of both tests, in both standard and extraduty power modes.

## Bucket Cylinder Test

Start with the boom up and the teeth of the bucket hanging vertically, 500 mm (1-1/2' - 2') above the ground. Dump and crowd the bucket several times, and average results, for both standard and extraduty power modes.

Operation	Standard Mode	Power Mode
Boom Up	2.9 - 3.7 sec	2.5 - 3.3 sec
Boom Down	2.3 - 2.9 sec	2.2 - 2.8 sec
Arm Dump	2.3 - 2.9 sec	2.1 - 2.7 sec
Arm Crowd	3.7 - 4.5 sec	3.4 - 4.2 sec
Bucket Dump	2.0 - 2.6 sec	1.9 - 2.5 sec
Bucket Crowd	3.4 - 4.2 sec	3.1 - 3.9 sec

## Hydraulic Cylinder Natural Drop Test

To check boom and arm cylinder tightness against the specified performance standard for new cylinders, put a full load of dirt in the bucket and move the attachment cylinders so the arm cylinder is extended 20 - 50 mm (1" - 2") and boom cylinders are retracted the same amount, 20 - 50 mm (1" - 2"). The top of the bucket should be approximately 2 m (6' - 7') off the ground.

Shut down engine and measure cylinder drop after 5 minutes. Bucket cylinder should not show more than 40 mm (1.57") change, while the arm and boom cylinders should not fall more than 10 mm (0.39").

### Travel Motor Jack-up Test

Test travel motor operation on each side by painting or chalking a mark on one crawler shoe, with a corresponding mark on the travel frame. Use the attachment to jack up one side of the machine and operate the raised travel motor. Record the number of seconds it takes the crawler shoe to make 3 full rotations, during both high-speed and low speed operation.

<b>Operation</b>	<b>Standard Mode</b>	<b>Power Mode</b>
High-speed	17.4 - 20.4 sec	16.5 - 19.5 sec
Low Speed	32.5 - 36.5 sec	31.1 - 35.1 sec

# General Maintenance

# General Maintenance Procedures

Edition 1

# Table of Contents

## General Maintenance Procedures

Safety Precautions.....	5
Applicable Models.....	5
Welding Precautions and Guidelines.....	6
Hydraulic System - General Precautions.....	7
Maintenance Service and Repair Procedure.....	9
General Precautions.....	9
Hydraulic System Cleanliness and Oil Leaks .....	10
Maintenance Precautions for Hydraulic System Service .....	10
Oil Leakage Precautions .....	11
Cleaning and Inspection .....	12
General Guidelines.....	12
Bearing Inspection.....	13

# SAFETY PRECAUTIONS

---



## CAUTION!

---

Follow all safety recommendations and safe shop practices outlined in the front of this manual or those contained within this section.

Always use tools and equipment that are in good working order.

Use lifting and hoisting equipment capable of safely handling the load.

Remember, that ultimately safety is your own responsibility.

---

## APPLICABLE MODELS

The contents of this section apply to the following models and serial number ranges.

MODEL	SERIAL NUMBER RANGE
ALL MODELS	ALL RANGES



# WELDING PRECAUTIONS AND GUIDELINES

---

## IMPORTANT

---

To avoid accidents, personal injury and the possibility of causing damage to the machine or to components, welding must only be performed by properly trained and qualified personnel, who possess the appropriate certification (when required) for the specific welding fabrication or specialized repair being performed.

---

## WARNING!

---

Structural elements of the machine may be built from a variety of steels. These could contain unique alloys or may have been heat-treated to obtain particular strength characteristics. It is extremely important that welding repairs on these types of steel are performed with the proper procedures and equipment. If repairs are performed incorrectly, structural weakening or other damage to the machine (that is not always readily visible) could be caused. Always consult *DOOSAN* After Sales Service Distributor before welding on integral components (loader arm, frames, car body, track frames, turntable, attachment, etc.) of the machine. It is possible that some types of structurally critical repairs may require Magnetic Particle or Liquid Penetrant testing, to make sure there are no hidden cracks or damage, before the machine can be returned to service.

---

## CAUTION!

---

Always perform welding procedures with the proper safety equipment. Adequate ventilation and a dry work area are absolutely essential. Keep a fire extinguisher nearby and always wear protective clothing and the recommended eye protection.

---

---

 **CAUTION!**

---

Observe the following safety precautions:

1. Use extra caution and adequate safety shielding when welding near fuel and oil tanks, batteries, hydraulic piping lines or other fire hazards.
  2. Never weld when the engine is running. Battery cables must be disconnected before the welding procedure is started.
  3. Never weld on a wet or damp surface. The presence of moisture causes hydrogen embrittlement and structural weakening of the weld.
  4. If welding procedures are being performed near cylinder rods, operator's cabin window areas or any other assemblies that could be damaged by weld spatters, use adequate shielding protection in front of the assembly.
  5. During equipment setup, always attach ground cables directly to the area or component being welded to prevent arcing through bearings, bushings, or spacers.
  6. Always use correct welding rods for the type of weld being performed and observe recommended precautions and time constraints. AWS Class E7018 welding rods for low alloy to medium carbon steel must be used within two hours after removal from a freshly opened container. Class E11018G welding rods for T-1 and other higher strength steel must be used within 1/2 hour.
- 

## **HYDRAULIC SYSTEM - GENERAL PRECAUTIONS**

Always maintain oil level in the system at recommended levels. Assemblies that operate under heavy loads, at high-speed, with extremely precise tolerances between moving parts - pistons and cylinders, or shoes and swash plates, for example - can be severely damaged if oil supply runs dry.

Assemblies can run dry and be damaged severely in a very short time when piping or hoses are disconnected to repair leaks and/or replacement of damaged components. Hoses that are inadvertently switched during disassembly (inlet for outlet and vice versa), air introduced into the system or assemblies that are low on oil because of neglect or careless maintenance, could all produce sufficient fluid loss to cause damage.

When starting the engine (after long shutdown or storage intervals), make sure that all hydraulic controls and operating

circuits are in neutral, or "OFF." This will prevent pumps or other components that may be temporarily being starved of oil from being run under a load.

Replacement of any hydraulic system component could require thorough cleaning, flushing, and some amount of prefilling with fresh, clean oil if the protective seal on replacement parts has obviously been broken or if seal integrity may have been compromised. When protective seals are removed before installation and reassembly, inspect all replacement parts carefully, before they are installed. If the replacement part is dry (with no trace of factory prelube) or has been contaminated by dirt or by questionable oils, flushing and prefilling with clean hydraulic fluid is recommended.

Vibration, irregular or difficult movement or unusual noise from any part of the hydraulic system could be an indication of air in the system (and many other types of problems). As a general precaution (and to help lessen the risk of potential long-term damage), allow the engine to run at no-load idle speed immediately after initial start-up. Hydraulic fluid will circulate, releasing any air that may have been trapped in the system before load demands are imposed.

A daily walk-around prestart equipment safety inspection, including a quick visual scan for any exterior evidence of leaking hydraulic fluid, can help extend the service life of system components.

---

## **IMPORTANT**

---

**Hydraulic system operating conditions (repetitive cycling, heavy workloads, fluid circulating under high-pressure) make it extremely critical that dust, grit or any other contamination be kept out of the system. Observe fluid and filter change maintenance interval recommendations and always preclean any exterior surface of the system before it is exposed to air. For example, the reservoir fill cap and neck area, hoses that have to be disassembled, and the covers and external surfaces of filter canisters should all be cleaned before disassembly.**

---

# MAINTENANCE SERVICE AND REPAIR PROCEDURE

## General Precautions

Fluid level and condition should always be checked whenever any other maintenance service or repair is being performed.

**NOTE:** *If the unit is being used in an extreme temperature environment (in subfreezing climates or in high temperature, high humidity tropical conditions), frequent purging of moisture condensation from the hydraulic reservoir drain tap should be a regular and frequent part of the operating routine. In more moderate, temperate climates, draining reservoir sediment and moisture may not be required more than once or twice every few months.*

Inspect drained oil and used filters for signs of abnormal coloring or visible fluid contamination at every oil change. Abrasive grit or dust particles will cause discoloration and darkening of the fluid. Visible accumulations of dirt or grit could be an indication that filter elements are overloaded (and will require more frequent replacement) or that disintegrating bearings or other component failures in the hydraulic circuit may be imminent or have already occurred. Open the drain plugs on the main pump casings and check and compare drain oil in the pumps. Look for evidence of grit or metallic particles.

Vibration or unusual noise during operation could be an indication of air leaking into the circuit (Refer to the appropriate Troubleshooting section for component or unit for procedures.), or it may be evidence of a defective pump. The gear type pilot pump could be defective, causing low pilot pressure, or a main pump broken shoe or piston could be responsible.

**NOTE:** *If equipped, indicated operating pressure, as shown on the multidisplay digital gauge on the Instrument Panel ("F-Pump" and "R-Pump") will be reduced because of a mechanical problem inside the pump. However, pressure loss could also be because of cavitation or air leakage, or other faults in the hydraulic system.*

Check the exterior case drain oil in the main pumps. If no metallic particles are found, make sure there is no air in the system. Unbolt and remove tank return drain line from the top part of the swing motor, both travel motors and each main pump. If there is air in any one of the drain lines, carefully prefill the assembly before bolting together the drain line piping connections. Run the system at low rpm.

# HYDRAULIC SYSTEM CLEANLINESS AND OIL LEAKS

## Maintenance Precautions for Hydraulic System Service

Whenever maintenance, repairs or any other troubleshooting or service is being performed, it's important to remember that the hydraulic system - including both the interior and exterior surfaces of assemblies, and every drop of operating fluid - must be protected from contamination.

Dust and other foreign contaminants are major contributors to premature wear in hydraulic circuits. The narrow tolerances, rapidly moving parts and high operating pressures of the system require that fluid be kept as clean as possible. The performance and dependability of the machine (and the service life of individual components) can be noticeably reduced if proper precautions are not observed:

- Use a safe, noncombustible, evaporative type, low residue solvent and thoroughly clean exterior surfaces of assemblies before any part of the circuit is opened or disassembled.

**NOTE:** *It's just as important to clean the cap and reservoir top before routine fluid changes or quick checks as it is before major repairs. (Accumulated dirt attracts moisture, oil and other fluids - and more dirt.)*

- Keep dismantled parts covered during disassembly. Use clean caps, plugs or tape to protect the disconnected openings of flanges, manifolds and piping.
- Do not allow cleaning solvents or other fluids to mix with the oil in the system. Use clean oil to flush any traces of solvent or other residue before reassembly.
- If metal or rubber fragments are found in the system, flush and replace all fluid in the system and troubleshoot the circuit to identify the source of contamination.

---

## IMPORTANT

---

**Make sure that cleaning solvents will be compatible with rubber materials used in the hydraulic system. Many petroleum based compounds can cause swelling, softening, or other deterioration of system sealing elements, such as O-rings, caps and other seals.**

---

## Oil Leakage Precautions

Oil that is visibly seeping from joints or seals should always serve as a "red flag" alarm.

Leaks must alert the machine operator and maintenance crew that air, water and dirt have an open, free passageway through which to enter the circuit. Harsh, corrosive salt air, freezing and thawing condensation cycles and working environments that are full of fine dust are especially hazardous. Clogging of valve spools or external piping (especially pilot circuit piping) can gradually diminish or suddenly put a stop to normal hydraulic function. You can prevent having to make these types of repairs by following recommended assembly procedures:

1. Use new O-rings and oil seals whenever hydraulic assemblies are rebuilt.
2. Prepare joint surfaces before assembly by checking alignment and flatness. Clean and repair corrosion or any other damage.
3. Follow bolt torque recommendations and all other assembly requirements.

**NOTE:** *Grease lip seals before assembly.*



Figure 1

0505A

# CLEANING AND INSPECTION

## General Guidelines

All parts must be clean to permit an effective inspection. During assembly, it is very important that no dirt or foreign material enters unit being assembled. Even minute particles can cause malfunction of close fitting parts such as thrust bearing, matched parts, etc.



## WARNING!

---

**Care should be exercised to avoid inhalation of vapors, exposure to skin and creating fire hazards when using solvent type cleaners.**

---

1. Clean all metal parts thoroughly using a suitable cleaning fluid. It is recommended that parts be immersed in cleaning fluid and moved up and down slowly until all oils, lubricants, and/or foreign materials are dissolved and parts are thoroughly clean.
2. For bearings that can be removed, soak them in a suitable cleaning fluid for a minute or two, then remove bearings from cleaning fluid and strike flat against a block of wood to dislodge solidified particles of lubricant. Immerse again in cleaning fluid to flush out particles. Repeat above operation until bearings are thoroughly clean. To dry bearings, use moisture-free compressed air. Be careful to direct airstream across bearing to avoid spinning bearings that are not lubricated. **DO NOT SPIN BEARINGS WHEN DRYING**; bearings may be rotated slowly by hand to facilitate drying process.
3. Carefully inspect all bearing rollers, cages and cups for wear, chipping or nicks to determine condition. Do not replace a bearing cone or cup individually without replacing mating cup or cone at the same time. After inspection, dip bearings in lightweight oil and wrap in clean lintless cloth or paper to protect them until installation.

For those bearings that are to be inspected in place; inspect bearings for roughness of rotation, scoring, pitting, cracked or chipped races. If any of these defects are found, replace bearings. Also, inspect defective bearing housing and/or shaft for grooved, galled or burred conditions that indicate bearing has been turning in its housing or on its shaft.

4. It is more economical to replace oil seals, O-rings, sealing rings, gaskets and retaining rings when unit is disassembled than waiting for premature failures; refer to latest Micro Fiche and/or Parts Book for replacement items. Be careful when installing sealing members, to avoid cutting or scratching. Curling under of any seal lip will

seriously impair its efficiency. Apply a thin coat of Loctite #120 to outer diameter, of metal casing, on oil seals to assure an oil tight fit into retainer. Use extreme care not to get Loctite on lips of oil seals. If this happens, that portion of the seal will become brittle and allow leakage.

When replacing lip type seals, make sure spring loaded side is towards oil to be sealed.

5. If available, use magna-flux or similar process for checking for cracks that are not visible. Examine teeth on all gears carefully for wear, pitting, chipping, nicks, cracks or scores. Replace all gears showing cracks or spots where case-hardening has worn through. Small nicks may be removed with suitable hone. Inspect shafts and quills to make certain they have not been sprung, bent, or splines twisted, and that shafts are true.

**NOTE:** *Spline wear is not considered detrimental except where it affects tightness of splined parts.*

Inspect thrust washers for distortion, scores, burs, and wear. Replace thrust washer if defective or worn.

6. Inspect bores and bearing surfaces of cast parts and machined surfaces for scratches, wear, grooves and dirt. Remove any scratches and burrs with crocus cloth. Remove foreign material. Replace any parts that are deeply grooved or scratched which would affect their operation.

## Bearing Inspection

The condition of the bearings are vital to the smooth and efficient operation of the machinery. When any component containing bearings is disassembled, always carefully examine the condition of the bearings and all of its components for wear and damage.

Once the bearing is removed, clean all parts thoroughly using a suitable cleaning solution. If the bearing is excessively dirty soak the bearing assembly in a light solution and move the bearing around until all lubricants and or foreign materials are dissolved and the parts are thoroughly clean.

When drying bearings, moisture free compressed air can be used. Be careful not to direct the air in a direction which will force the bearing to dry spin while not being properly lubricated.

After the bearings have been cleaned and dried, carefully inspect all bearing rollers, cages and cups for wear, chipping or nicks. If the bearing cannot be removed and is to be inspected in place, check for roughness of rotation, scoring, pitting, cracked or chipped races. If any of these defects are found replace the whole bearing assembly. NEVER replace the bearing alone without replacing the mating cup or the cone at the same time.



After inspection lightly coat the bearing and related parts with oil and wrap in a clean lintless cloth or paper and protect them from moisture and other foreign materials until installation.

It is also important to inspect the bearing housing and/or shaft for grooved, galled or burred conditions that indicate the bearing has been turning in its housing or on its shaft.

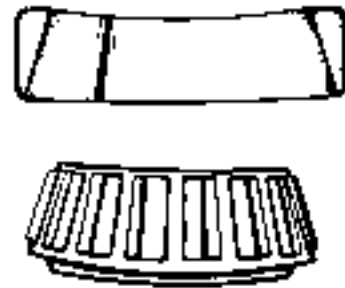
If available, use magna-flux or similar process for checking for cracks that are not visible.

The following illustrations will aid in identifying and diagnosing some of the bearing related problems.

**NOTE:** *The illustrations will only show tapered roller bearings, but the principles of identifying, diagnosing and remedying the defects are common to all styles and types of bearings.*

### Normal Bearing

Smooth even surfaces with no discoloration or marks.

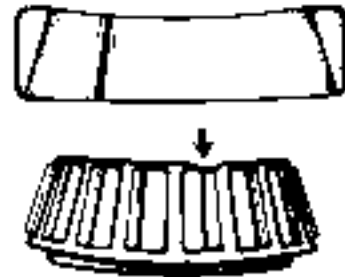


4ASA5205

Figure 2

### Bent Cage

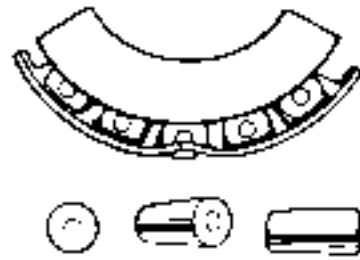
Cage damage because of improper handling or tool usage.



11ASA4305

Figure 3

Replace bearing.



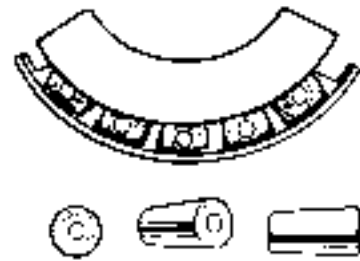
11ASX3708

Figure 4

**Galling**

Metal smears on roller ends because of overheating, lubricant failure or overload.

Replace bearing - check seals and check for proper lubrication.



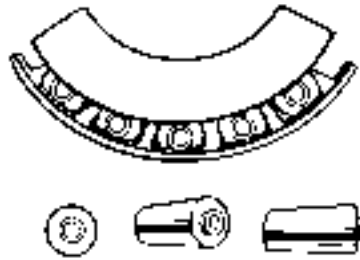
FA#44805

Figure 5

**Abrasive Step Wear**

Pattern on roller ends caused by fine abrasives.

Clean all parts and housings, check all parts and housings, check seals and bearings and replace if leaking, rough or noisy.



11ASX4309

Figure 6

### Etching

Bearing surfaces appear gray or grayish black in color with related etching away of material usually at roller spacing.

Replace bearings - check seals and check for proper lubrication.



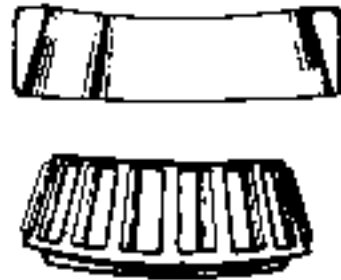
FAS/45005

Figure 7

### Misalignment

Outer race misalignment because of foreign object.

Clean related parts and replace bearing. Make sure races are properly seated.



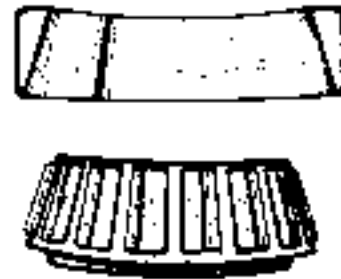
11AS/5103

Figure 8

### Indentations

Surface depressions on race and rollers caused by hard particles of foreign materials.

Clean all parts and housings, check seals and replace bearings if rough or noisy.



11AS/1205

Figure 9

### Fatigue Spalling

Flaking of surface metal resulting from fatigue.

Replace bearing - clean all related parts.



HAS45305

Figure 10

### Brinelling

Surface indentations in raceway caused by rollers either under impact loading or vibration while the bearing is not rotating.

Replace bearing if rough or noisy.



HAS45405

Figure 11

### Cage Wear

Wear around outside diameter of cage and roller pockets caused by abrasive material and inefficient lubrication.

Replace bearings - check seals.



HAS45505

Figure 12

### Abrasive Roller Wear

Pattern on races and rollers caused by fine abrasives.

Clean all parts and housings, check seals and bearings and replace if leaking, rough or noisy.



Figure 13

1-A374105

### Cracked Inner Race

Race cracked because of improper fit, cocking or poor bearing seat.

Replace all parts and housings, check seals and bearings and replace if leaking.

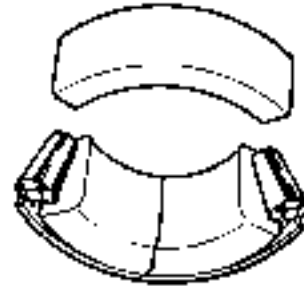


Figure 14

1-A374105

### Smears

Smearing of metal because of slippage caused by poor fitting, lubrication, overheating, overloads or handling damage.

Replace bearings, clean related parts and check for proper fit and lubrication.

Replace shaft if damaged.

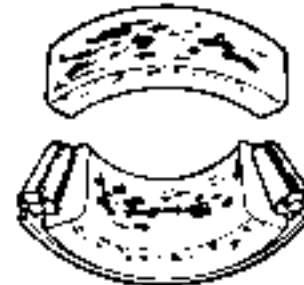


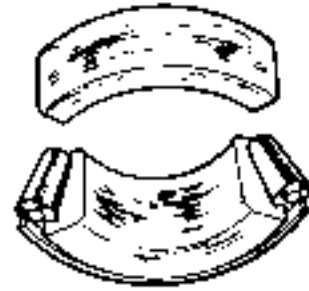
Figure 15

1-A374105

### Fretting

Corrosion set up by small relative movement of parts with no lubrication.

Replace bearing. Clean all related parts. Check seals and check for proper lubrication.



HAS45905

Figure 16

### Heat Discoloration

Heat discoloration can range from faint yellow to dark blue resulting from overload or incorrect lubrication.

Excessive heat can cause softening of races or rollers.

To check for loss of temper on races or rollers, a simple file test may be made. A file drawn over a tempered part will grab and cut metal, whereas a file drawn over a hard part will glide readily with no metal cutting.

Replace bearing if overheating damage is indicated. Check seals and other related parts for damage.



HAS46005

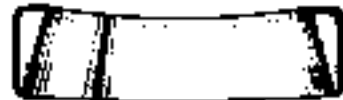
Figure 17

### Stain Discoloration

Discoloration can range from light brown to black caused by incorrect lubrication or moisture.

If the stain can be removed by light polishing or if no evidence of overheating is visible, the bearing can be reused.

Check seals and other related parts for damage.



HAS46105

Figure 18

# Standard Torques

Edition 1

# Table of Contents

## Standard Torques

Safety Precautions.....	5
Applicable Models.....	5
Torque Values for Standard Metric Fasteners.....	6
Torque Values for Standard U.S. Fasteners.....	7
Type 8 Phosphate Coated Hardware.....	9
Torque Values for Hose Clamps .....	10
Torque Values for Split Flanges .....	11
Torque Wrench Extension Tools .....	12
Torque Multiplication.....	12
Other Uses for Torque Wrench Extension Tools.....	13
Tightening Torque Specifications (Metric) .....	13



# SAFETY PRECAUTIONS

---



## CAUTION!

---

Follow all safety recommendations and safe shop practices outlined in the front of this manual or those contained within this section.

Always use tools and equipment that are in good working order.

Use lifting and hoisting equipment capable of safely handling the load.

Remember, that ultimately safety is your own responsibility.

---

## APPLICABLE MODELS

The contents of this section apply to the following models and serial number ranges.




MODEL	SERIAL NUMBER RANGE
ALL MODELS	ALL RANGES

# TORQUE VALUES FOR STANDARD METRIC FASTENERS

**NOTE:** *The units for the torque values are kg•m (ft lb).*

Dia. x Pitch (mm)	Grade										
	3.6 (4A)	4.6 (4D)	4.8 (4S)	5.6 (5D)	5.8 (5S)	6.6 (6D)	6.8 (6S)	6.9 (6G)	8.8 (8G)	10.9 (10K)	12.9 (12K)
M5 x Std.	0.15 (1.08)	0.16 (1.15)	0.25 (1.80)	0.22 (1.59)	0.31 (2.24)	0.28 (2.02)	0.43 (3.11)	0.48 (3.47)	0.50 (3.61)	0.75 (5.42)	0.90 (6.50)
M6 x Std.	0.28 (2.02)	0.30 (2.16)	0.45 (3.25)	0.40 (2.89)	0.55 (3.97)	0.47 (3.39)	0.77 (5.56)	0.85 (6.14)	0.90 (6.50)	1.25 (9.04)	1.50 (10.84)
M7 x Std.	0.43 (3.11)	0.46 (3.32)	0.70 (5.06)	0.63 (4.55)	0.83 (6.00)	0.78 (5.64)	1.20 (8.67)	1.30 (9.40)	1.40 (10.12)	1.95 (14.10)	2.35 (16.99)
M8 x Std.	0.70 (5.06)	0.75 (5.42)	1.10 (7.95)	1.00 (7.23)	1.40 (10.12)	1.25 (9.04)	1.90 (13.74)	2.10 (15.18)	2.20 (15.91)	3.10 (22.42)	3.80 (27.48)
M8 x 1	0.73 (5.28)	0.80 (5.78)	1.20 (8.67)	1.00 (7.23)	1.50 (10.84)	1.35 (9.76)	2.10 (15.18)	2.30 (16.63)	2.40 (17.35)	3.35 (24.23)	4.10 (29.65)
M10 x Std.	1.35 (9.76)	1.40 (10.12)	2.20 (15.91)	1.90 (13.74)	2.70 (19.52)	2.35 (19.99)	3.70 (26.76)	4.20 (30.37)	4.40 (31.18)	6.20 (44.84)	7.20 (52.07)
M10 x 1.25	1.50 (10.84)	1.60 (11.57)	2.50 (18.08)	2.10 (15.18)	3.10 (22.42)	2.80 (20.25)	4.30 (31.10)	4.90 (35.44)	5.00 (36.16)	7.00 (50.63)	8.40 (60.75)
M12 x Std.	2.40 (17.35)	2.50 (18.08)	3.70 (26.76)	3.30 (23.86)	4.70 (33.99)	4.20 (30.37)	6.30 (45.56)	7.20 (52.07)	7.50 (54.24)	10.50 (75.94)	12.50 (90.41)
M12 x 1.25	2.55 (18.44)	2.70 (19.52)	4.00 (28.93)	3.50 (25.31)	5.00 (36.16)	4.50 (32.54)	6.80 (49.18)	7.70 (55.69)	8.00 (57.86)	11.20 (81.00)	13.40 (96.92)
M14 x Std.	3.70 (26.76)	3.90 (28.20)	6.00 (43.23)	5.20 (37.61)	7.50 (54.24)	7.00 (50.63)	10.00 (72.33)	11.50 (83.17)	12.00 (86.79)	17.00 (122.96)	20.00 (144.66)
M14 x 1.5	4.10 (29.65)	4.30 (31.10)	6.60 (47.73)	5.70 (41.22)	8.30 (60.03)	7.50 (54.24)	11.10 (80.28)	12.50 (90.41)	13.00 (94.02)	18.50 (133.81)	22.00 (159.12)
M16 x Std.	5.60 (40.50)	6.00 (43.39)	9.00 (65.09)	8.00 (57.86)	11.50 (83.17)	10.50 (75.94)	15.50 (112.11)	17.90 (129.47)	18.50 (133.81)	26.00 (188.05)	31.00 (224.22)
M16 x 1.5	6.20 (44.84)	6.50 (47.01)	9.70 (70.16)	8.60 (62.20)	12.50 (90.41)	11.30 (81.73)	17.00 (122.96)	19.50 (141.04)	20.00 (144.66)	28.00 (202.52)	35.50 (256.77)
M18 x Std.	7.80 (56.41)	8.30 (60.03)	12.50 (90.41)	11.00 (79.56)	16.00 (115.72)	14.50 (104.87)	21.00 (151.89)	27.50 (198.90)	28.50 (206.14)	41.00 (296.55)	43.00 (311.01)
M18 x 1.5	9.10 (65.82)	9.50 (68.71)	14.40 (104.15)	12.50 (90.41)	18.50 (133.81)	16.70 (120.79)	24.50 (177.20)	27.50 (198.90)	28.50 (206.14)	41.00 (296.55)	49.00 (354.41)
M20 x Std.	11.50 (83.17)	12.00 (86.79)	18.00 (130.19)	16.00 (115.72)	22.00 (159.12)	19.00 (137.42)	31.50 (227.83)	35.00 (253.15)	36.00 (260.38)	51.00 (368.88)	60.00 (433.98)
M20 x 1.5	12.80 (92.58)	13.50 (97.64)	20.50 (148.27)	18.00 (130.19)	25.00 (180.82)	22.50 (162.74)	35.00 (253.15)	39.50 (285.70)	41.00 (296.55)	58.00 (419.51)	68.00 (491.84)
M22 x Std.	15.50 (112.11)	16.00 (115.72)	24.50 (177.20)	21.00 (151.89)	30.00 (216.99)	26.00 (188.05)	42.00 (303.78)	46.00 (332.71)	49.00 (354.41)	67.00 (484.61)	75.00 (542.47)
M22 x 1.5	17.00 (122.96)	18.50 (133.81)	28.00 (202.52)	24.00 (173.59)	34.00 (245.92)	29.00 (209.75)	47.00 (339.95)	52.00 (44.76)	56.00 (405.04)	75.00 (542.47)	85.00 (614.80)
M24 x Std.	20.50 (148.27)	21.50 (155.50)	33.00 (238.68)	27.00 (195.29)	40.00 (289.32)	34.00 (245.92)	55.00 (397.81)	58.00 (419.51)	63.00 (455.67)	82.00 (593.10)	92.00 (655.43)
M24 x 2.0	23.00 (166.35)	35.00 (253.15)	37.00 (267.62)	31.00 (224.22)	45.00 (325.48)	38.00 (202.52)	61.00 (441.21)	67.00 (484.61)	74.00 (535.24)	93.00 (672.66)	103.00 (744.99)

# TORQUE VALUES FOR STANDARD U.S. FASTENERS

Type	S.A.E. Grade	Description	Bolt Head Marking
1	1 OR 2	WILL HAVE NO MARKINGS IN THE CENTER OF THE HEAD.  Low or Medium Carbon Steel Not Heat-treated.	
5	5	WILL HAVE THREE RADIAL LINES.  Quenched and Tempered Medium Carbon Steel.	
8	8	WILL HAVE 6 RADIAL LINES.  Quenched and Tempered Special Carbon or Alloy Steel.	

Recommended torque, in foot-pounds, for all Standard Application Nuts and Bolts, provided:

1. All thread surfaces are clean and lubricated with SAE-30 engine oil. (See Note.)
2. Joints are rigid, that is, no gaskets or compressible materials are used.
3. When reusing nuts or bolts, use minimum torque values.

**NOTE:** *Multiply the standard torque by:*

- 0.65 When finished jam nuts are used.
- 0.70 When Molykote, white lead or similar mixtures are used as lubricants.
- 0.75 When Parkerized bolts or nuts are used.
- 0.85 When cadmium plated bolts or nuts and zinc bolts w/waxed zinc nuts are used.
- 0.90 When hardened surfaces are used under the nut or bolt head.

**NOTE:** *When reusing bolts and nuts in service, use minimum torque values.*

The following General Torque Values must be used where **SPECIAL TORQUE VALUES** are not given.

**NOTE:** *Torque values listed throughout this manual are lubricated (wet) threads; values should be increased 1/3 for nonlubricated (dry) threads.*

Thread Size	Heat-treated Material Grade 5 and Grade 8			
	Grade 5 (3 Radial Dashes On Head)		Grade 8 (6 Radial Dashes On Head)	
	Foot-pounds (ft lb)	Newton Meter (Nm)	Foot-pounds (ft lb)	Newton Meter (Nm)
1/4" - 20	6	8	9	12
1/4" - 28	7	9	11	15
5/16" - 18	13	18	18	24
5/16" - 24	15	20	21	28
3/8" - 16	24	33	34	46
3/8" - 24	27	37	38	52
7/16" - 14	38	52	54	73
7/16" - 20	42	57	60	81
1/2" - 13	58	79	82	111
1/2" - 20	65	88	90	122
9/16" - 12	84	114	120	163
9/16" - 18	93	126	132	179
5/8" - 11	115	156	165	224
5/8" - 18	130	176	185	251
3/4" - 10	205	278	290	393
3/4" - 16	240	312	320	434
7/8" - 9	305	414	455	617
7/8" - 14	334	454	515	698
1" - 8	455	617	695	942
1" - 14	510	691	785	1064
1 1/8" - 7	610	827	990	1342
1 1/8" - 12	685	929	1110	1505
1 1/4" - 7	860	1166	1400	1898
1 1/4" - 12	955	1295	1550	2102
1 3/8" - 6	1130	1532	1830	2481
1 3/8" - 12	1290	1749	2085	2827
1 1/2" - 6	1400	2034	2430	3295
1 1/2" - 12	1690	2291	2730	3701
1 3/4" - 5	2370	3213	3810	5166
2" - 4 1/2	3550	4813	5760	7810

**NOTE:** *If any bolts and nuts are found loose or at values less than the chart states, it is recommended that the loose bolt and/or nut be replaced with a new one.*

# TYPE 8 PHOSPHATE COATED HARDWARE

This chart provides tightening torque for general purpose applications using original equipment standard hardware as listed in the Parts Manual for the machine involved. **DO NOT SUBSTITUTE.** In most cases, original equipment standard hardware is defined as Type 8, coarse thread bolts and nuts and thru hardened flat washers (Rockwell "C" 38 - 45), all phosphate coated and assembled without supplemental lubrication (as received) condition.

The torques shown below also apply to the following:

1. Phosphate coated bolts used in tapped holes in steel or gray iron.
2. Phosphate coated bolts used with phosphate coated prevailing torque nuts (nuts with distorted threads or plastic inserts).
3. Phosphate coated bolts used with copper plated weld nuts.

Markings on bolt heads or nuts indicate material grade **ONLY** and are **NOT** to be used to determine required torque.

Nominal Thread Diameter	Standard Torque $\pm 10\%$	
	Kilogram-meter (kg•m)	Foot-pounds (ft lb)
1/4"	1.1	8
5/16"	2.2	16
3/8"	3.9	28
7/16"	6.2	45
1/2"	9.7	70
9/16"	13.8	100
5/8"	19.4	140
3/4"	33.2	240
7/8"	53.9	390
1"	80.2	580
1 - 1/8"	113.4	820
1 - 1/4"	160.4	1160
1 - 3/8"	210.2	1520
1 - 1/2"	279.4	2020
1 - 3/4"	347.1	2510
2	522.8	3780

# TORQUE VALUES FOR HOSE CLAMPS

The following chart provides the tightening torques for hose clamps used in all rubber applications (radiator, air cleaner, operating lever boots, hydraulic system, etc.).

Clamp Type And Size	Torque			
	Radiator, Air Cleaner, Boots, Etc.		Hydraulic System	
	Kilogram-meter (kg•m)	Inch Pounds (in lb)	Kilogram-meter (kg•m)	Inch Pounds (in lb)
"T" Bolt (Any Diameter)	0.68 - 0.72	59 - 63	-----	-----
Worm Drive - Under 44 mm (1-3/4 in) Open Diameter	0.2 - 0.3	20 - 30	0.5 - 0.6	40 - 50
Worm Drive - Over 44 mm (1-3/4 in) Open Diameter	0.5 - 0.6	40 - 50	-----	-----
Worm Drive - All "Ultra-Tite"	0.6 - 0.7	50 - 60	0.5 - 0.6	40 - 50

# TORQUE VALUES FOR SPLIT FLANGES

The following chart provides the tightening torques for split flange connections used in hydraulic systems. Split flanges and fitting shoulders should fit squarely. Install all bolts, finger tight and then torque evenly.

**NOTE:** *Over torquing bolts will damage the flanges and/or bolts, which may cause leakage.*

Flange Size (*)	Bolt Size	Bolt Torque	
		Kilogram-meter (kg•m)	Foot-pounds (ft lb)
1/2"	5/16"	2.1 - 2.5	15 - 18
3/4"	3/8"	3.0 - 3.7	22 - 27
1"	3/8"	3.7 - 4.8	27 - 35
1 - 1/4"	7/16"	4.8 - 6.2	35 - 45
1 - 1/2"	1/2"	6.4 - 8.0	46 - 58
2"	1/2"	7.6 - 9.0	55 - 65
2 - 1/2"	1/2"	10.9 - 12.6	79 - 91
3"	5/8"	19.1 - 20.7	138 - 150
3 - 1/2"	5/8"	16.2 - 18.4	117 - 133

(\*) - Inside diameter of flange on end of hydraulic tube or hose fitting.

**NOTE:** *Values stated in chart are for Standard Pressure Series (Code 61) Split Flanges.*

# TORQUE WRENCH EXTENSION TOOLS

Very large diameter, high-grade fasteners (nuts, bolts, cap screws, etc.) require a great deal of turning force to achieve recommended tightening torque values.

Common problems that could occur as a result are:

- Recommended torque exceeds the measuring capacity of the torque wrench.
- Specialized sockets do not fit the adapter on the front end (nose) of the torque wrench.
- Generating adequate force on the back end (handle) of the wrench is difficult or impossible.
- Restricted access or an obstruction may make use of the torque wrench impossible.
- A unique application requires fabrication of an adapter or other special extension.

Most standard torque wrenches can be adapted to suit any one of the proceeding needs or situations, if the right extension tool is used or fabricated.

## Torque Multiplication

A wrench extension tool can be used to increase the tightening force on a high capacity nut or bolt.

For example, doubling the distance between the bolt and the back (handle) end of the torque wrench doubles the tightening force on the bolt. It also halves the indicated reading on the scale or dial of the torque wrench. To accurately adjust or convert indicated scale or dial readings, use the following formula:

$I = A \times T / A + B$  where:

I = Indicated force shown on the torque wrench scale or dial.

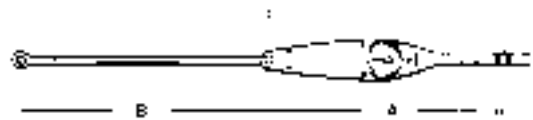
T = Tightening force applied to the nut or bolt (actual Torque).

A = Length of the torque wrench (between the center of the nut or bolt and the center of the handle).

B = Length of the extension.

As an example, if a 12" extension is added to a 12" torque wrench, and the indicated torque on the dial reads "150 ft lb," the real force applied to the bolt is 300 ft lb:

$$I = \frac{A \times T}{A + B} = \frac{12 \times 300}{12 + 12} = \frac{3600}{24} = 150$$



000000

Figure 1



**NOTE:** *The formula assumes that there is no added deflection or "give" in the joint between the extension and torque wrench. Readings may also be inaccurate:*

- If the extension itself absorbs some of the tightening force and starts to bend or bow out.
- If an extension has to be fabricated that is not straight (for example, an extension made to go around an obstruction, to allow access to a difficult to tighten fastener), the materials and methods used must be solid enough to transmit full tightening torque.

## **Other Uses for Torque Wrench Extension Tools**

Torque wrench extensions are sometimes made up for reasons other than increasing leverage on a fastener.

For example, a torque wrench and extension can be used to measure adjustment "tightness" of a linkage or assembly. Specially fabricated extensions can be used to make very precise checks of the force required to engage or disengage a clutch mechanism, release a spring-applied brake assembly, or "take up" free play in most any movable linkage.

Once the value of the adjustment force is established, repeated checks at regular intervals can help to monitor and maintain peak operating efficiency. These types of adjustment checks are especially useful if physical measurements of linkage travel are difficult to make or will not provide the needed degree of precision and accuracy.

To allow the assembly or mechanism to accept a torque wrench, welding a nut or other adapter on the end of a linkage shaft or other leverage point will allow turning the shaft or assembly manually.

## **Tightening Torque Specifications (Metric)**

(For coated threads, prelubricated assemblies.)



## CAUTION!

---

Disassembly, overhaul and replacement of components on the machine, installation of new or replacement parts and/or other service related maintenance may require the use of thread or flange sealing assembly compound.

Use the information on this page as a general guide in selecting specific formulas that will meet the particular requirements of individual assembly installations. *DOOSAN* does not specifically endorse a specific manufacturer or brand name but the following table of "Loctite" applications is included for which cross-references to other makers' products should also be widely available.

---

---

## IMPORTANT

---

Use primer "T" or "N" for all cold weather assembly of fastener adhesives, with Thread locker sealers 222, 242/243, 262, 271, 272, or 277.

---

**I. "Loctite" Fastener Adhesives**

Product	Application	Color	Removal	Breakaway Cure Strength (in lb) of Sealer Alone
222	Low strength for 6 mm (1/4") or smaller fasteners.	Purple	Hand tools	45
242 or 243	Medium strength for 6 mm (1/4") and larger fasteners.	Blue	Hand tools	80
262	High strength for high-grade fasteners subject to shock, stress and vibration.	Red	Heat/260°C (500°F) Remove HOT (NO solvent)	160
271	Extra high strength for fine thread fasteners up to 25 mm (1") diameter.	Red	Heat/260°C (500°F) Remove HOT	160
272	High temperature/high strength for hostile environments to 232°C (450°F).	Red	Heat/316°C (600°F) Remove HOT	180
277	Extra high strength for coarse thread fasteners 25 mm (1") diameter and larger.	Red	Heat/260°C (500°F) Remove HOT	210

**II. "Loctite" Pipe Thread Sealant**

Product	Application	Color	Removal	Required Setup
545	"No-filler/nonclog" formula for high-pressure hydraulic systems. Over application will not restrict or foul system components.	Purple	Hand tools	4 Hours (or 1/2 hour with Locquic "T" Primer)
656	Solvent resistant, higher viscosity tapered thread sealer.	White	Hand tools	4 Hours (or 1/2 hour with Locquic "T" Primer)

**III. "Loctite" gasket/flange sealer**

Product	Application	Color	Notes
518	Gasket eliminator specifically made for aluminum flanges/surfaces. For hydraulic systems to 34,475 kPa (5,000 psi).	Red	Use Locquic "N" primer for fast (1/2 - 4 hours) setup. Unprimed setup 4 - 24 hours.
504	Low-pressure/wide-gap gasket eliminator compound. Fills gaps to 0.0012 mm (0.030"), cures to rigid seal.	Orange	Use Locquic "N" primer for faster (1/2 - 4 hours) setup. Unprimed setup 4 - 24 hours.
515	General purpose, fast setup, flexible-cure gasket eliminator. For nonrigid assemblies subject to shock, vibration or deflection.	Purple	Use Locquic "N" primer for faster (1/4 - 2 hours) setup. Unprimed setup 1 - 12 hours.

**IV. "Loctite" retaining compounds**

<b>Product</b>	<b>Application</b>	<b>Color</b>	<b>Notes</b>
609	For bushings, sleeves, press fit bearings, splines and collars. For gaps to 0.0002 mm (0.005"), temperatures to 121°C (250°F).	Green	Use Locquic "N" primer for increased bond strength and all cold temperature applications.
620	For high temperatures to 232°C (450°F).	Green	Same as 609, above.
680	For high strength bonds and tight clearance gaps, to 0.00008 mm (0.002").	Green	Same as 609, above.

**V. "Loctite" Adhesives**

<b>Product</b>	<b>Application</b>	<b>Color</b>	<b>Notes</b>
380	Black Max instant adhesive for shock and vibration-resistant bonds.	Black	May take 120 hours to reach full cure strength.
454	Adhesive for porous surfaces.	Clear	Full strength in 24 hours.
480	Increased strength (+50%), shock and vibration-resistant.	Black	Full strength in 24 hours.

# Upper Structure

# Cabin

Edition 1

# Table of Contents

## Cabin

Safety Precautions.....	5
Applicable Models.....	5
Removal.....	7
Installation .....	11

# SAFETY PRECAUTIONS

---



---

Follow all safety recommendations and safe shop practices outlined in the front of this manual or those contained within this section.

Always use tools and equipment that are in good working order.

Use lifting and hoisting equipment capable of safely handling the load.

Remember, that ultimately safety is your own responsibility.

---

## APPLICABLE MODELS

The contents of this section apply to the following models and serial number ranges.

MODEL	SERIAL NUMBER RANGE
DX180LC	5001 and Up
DX225LC	5001 and Up
DX225NLC	5001 and Up
DX255LC	5001 and Up
DX300LC	5001 and Up
DX300LL	5001 and Up
DX340LC	5001 and Up
DX420LC	5001 and Up
DX480LC	5001 and Up
DX520LC	5001 and Up



# REMOVAL

---

## CAUTION!

---

Avoid disassembling cabin if there are strong wind gusts, which could catch large surface area of cabin shell and push it sideways during lift.

---

1. Park on firm and level ground.
  2. Lower front attachment (bucket) to ground.
  3. Shut down engine.
  4. Set safety lever on "RELEASED" position.
  5. Turn starter switch to "I" (ON) position.
- 

## WARNING!

---

If engine must be run while performing maintenance, use extreme care. Always have one person in the cabin at all times. Never leave the cabin with the engine running.

---

6. Fully stroke work levers (joysticks) in all directions to relieve pressure from accumulators.
7. Set safety lever on "LOCK" position.
8. Turn key to "O" (OFF) position and remove from starter switch.
9. Hang maintenance warning tag on controls.
10. Disconnect the battery cable from the negative (-) battery terminal.
11. Prepare cabin shell for removal by disconnecting wiring connectors for:
  - A. Cabin interior lighting.
  - B. External light wiring.
  - C. Radio antenna and connections.
  - D. Wiper/washer connections.

**NOTE:** Control console wiring harnesses and hydraulic piping lines that pass through the floor of the cabin do not need to be disassembled.

**NOTE:** If unit is equipped with a cabin protective structure (for forestry, or hazardous working conditions), it must be removed.

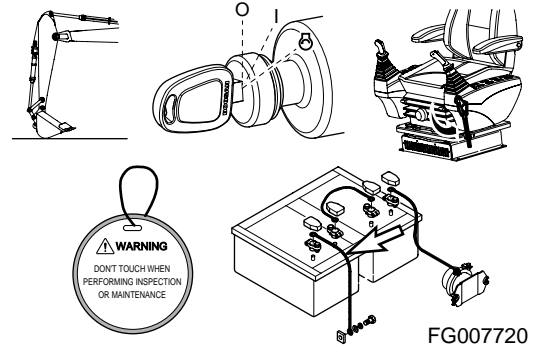


Figure 1

FG007720

**Thank you very much  
for your reading.**

**Please Click Here**

**Then            Get            More  
Information.**