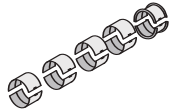


GOLD VALUE





GRILLS 3
Grilles • Kühlergrills • Rejillas • Grelhas • Griglie • Grilles • Gitter



CONROD AND CRANKSHAFT PARTS 4 - 7
Pièces de bielle, vilebrequin • Teile der Pleuelstange, Kurbelwelle
Biela, cigüeñal, partes • Parti della biella, dell'albero motore
Peças da biela, cambota • Onderdelen drijfstang, krukas • Dele til plejstang, krumtapaksel



ENGINE PARTS 8 - 11
Pièces moteur • Motorteile • Partes del motor • Ricambi motore
Peças do motor • Motoronderdelen • Motordele



ENGINE GASKET 12 - 13
Joint moteur • Motordichtung • Junta del motor
Guarnizione motore • Junta do motor • Motorpakking • Motorpakning



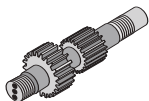
EXHAUST 14
Echappement • Auspuff • Escape • Sistema di scarico • Saída • Uitlaat • Udstødning



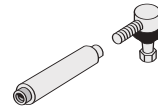
CLUTCHES 15 - 19
Embrayages • Kupplungen • Embragues • Frizioni • Embraiaçens • Koppelingen • Koblinger



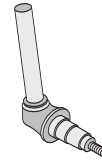
BRAKES 20
Freins • Bremsen • Frenos • Freni • Travões • Remmen • Bremser



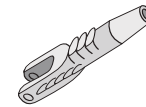
PTO PARTS 21
Pdf & transmission • Zapfwellenteile • Piezas de la caja velocidades & tdf
Componenti PTO • Peças da tdf • Aftakasonderdelen • Reservedele til kraftudtag



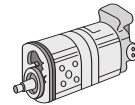
STEERING PARTS 22 - 37
Pièces direction • Teile der lenkung • Partes de la dirección
Componenti Volante • Peças da direção • Stuurinrichtingsonderdelen • Styretøjsdele



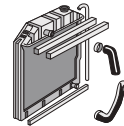
FRONT AXLE PARTS 38 - 41
Pièces essieu avant • Teile der vorderachse • Partes de eje delantero
Parti dell'assale anteriore • Peças do eixo dianteiro • Voorasonderdelen
Dele til foraksel



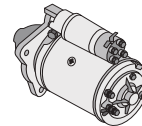
LINKAGE 42
Tringlerie • Gestänge • Articulación • Tiranteria • Ligaçao • Hefinrichtung • Forbindelsesled



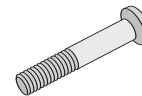
PUMPS 43
Pompe • Pumpe • Bomba • Pompa • Bomba • Pomp • Pumpe



COOLING 44 - 46
Refroidissement • Kühlung • Refrigeración • Impianto di raffreddamento
Refrigeração • Koelsysteem • Køling



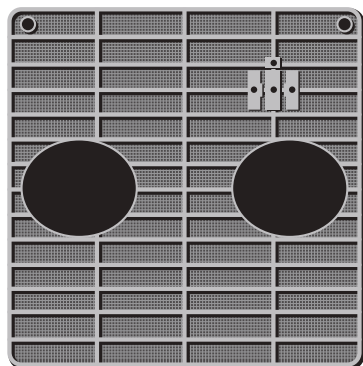
ELECTRICS 47 - 48
Système électrique • Elektrische anlage • Sistema eléctrico
Componenti elettrici • Sistema eléctrico • Elektra • Elektrisk



VARIOUS 49
Divers • Verschiedenes • Varios • Varie • Diversos • Diversen • Diverse



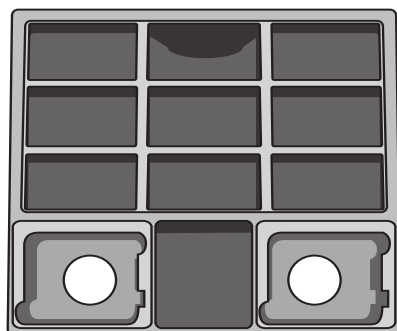
STEYR LINE 50 - 53



323, 353, 383, 423, 453

87718437

786862R2



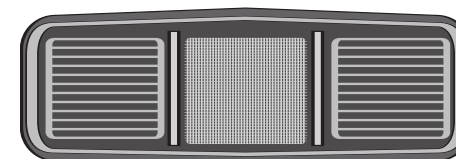
644, 743XL, 744, 745XL, 844,
844S, 844XL, 856XL, 946, 955,
955XL, 956, 956XL, 1046, 1055,
1055XL, 1056, 1056XL, 1246

87718434

3141785R92

Grills

• Grilles • Kühlergrills • Rejillas • Grelhas • Griglie • Grilles • Gitter



644, 743XL, 744, 745XL, 844,
844S, 844XL, 856XL, 946, 955,
955XL, 956, 956XL, 1046, 1055,
1055XL, 1056, 1056XL, 1246

87718433

3402639R91

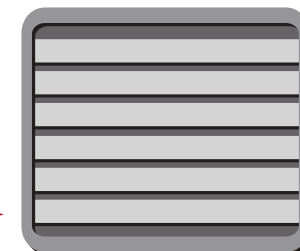
CASE IH : 1056(1/85-12/89),
1056XL(1/85-12/92), 743
(1/85-12/86), 743XL(1/85-12/89),
745S(1/85-12/89), 745XL
(1/85-12-90), 844S(1/85-12/89),
844XL(1/85-12/90), 845,
845XL(1/81-12/96), 856XL
(1/85-12/91), 956(1/85-12/96),
956XL(1/85-12/96)

87718435

85639C1

87718436

85640C2





SMALL END BUSH

Bague de bielle - Kolbenbolzenbuchse - Casquillo del pie de la biela
Boccola estremiticcola - Casquilho de extremidade pequena
Small-end-bus - Bøsning til den smalle ende

David Brown : 770, 780, 880, 885, 990, 995, 996, 1190,
1194, 1200, 1210, 1212, 1290, 1294, 1390, 1394, 1410,
1412, 1490, 1494, 1594, 1690, 1690T, 1694

87555978

K31669

Case IH : 353, 383, 423, 433, 440, 453, 523, 533, 540,
553, 554, 624, 633, 640, 644, 654, 724, 733, 740, 743,
744, 745, 824, 833, 840, 844, 844S, 845S, 845XL, 946,
955, 956, 1046, 1055, 1056 / Case IH UK : 385, 395, 454,
474, 484, 485, 495, 574, 584, 585, 595, 674, 684, 685,
695, 784, 785, 795, 884, 885, 895, 3210, 3220, 3230,
4210, 4220, 4230 (+XL) / 84-Hydro, 85-Hydro

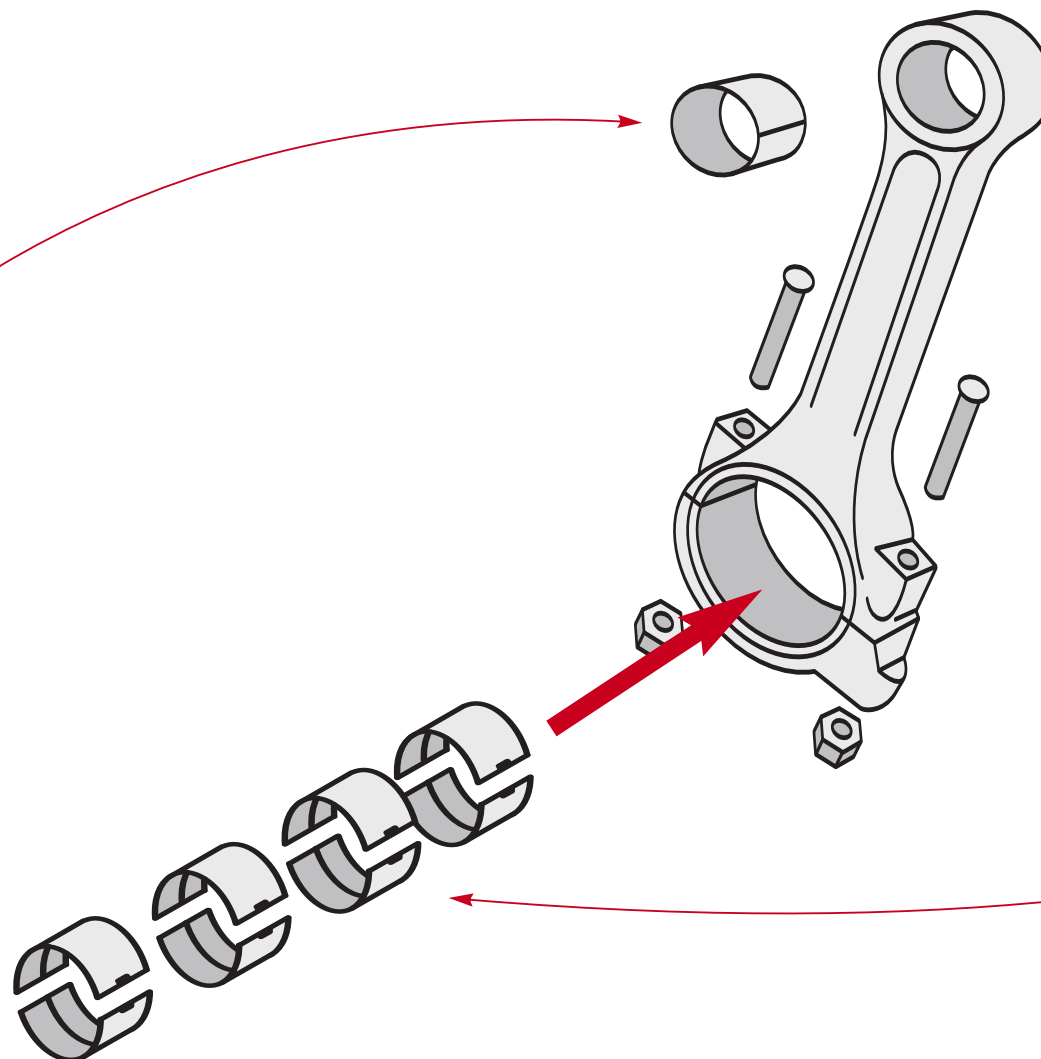
3132018R2

3132018R2

Case IH UK : 275, 276, 354, 374, 384, 414, 434, 444

87555980

3043611R1



Conrod and Crankshaft parts

Pièces de bielle, vilebrequin • Teile der Pleuelstange, kurbelwelle • Biela, cigüeñal, partes • Parti della biella, dell'albero motore
Peças da biela, cambota • Onderdelen drijfstang, krukas • Dele til plejlstang, krumtapaksel

CONROD BEARING SET

Jeu de coussinets de bielle - Pleuellagersatz
Conjunto cojinetes de la biela - Set cuscinetto
biella - Conjunto de chumaceira da biela
Lagerset voor drijfstang - Plejlstangslejesæt

	Standard size		0,010"- 0,254mm Undersized		0,020"- 0,508mm Undersized		0,030"- 0,762mm Undersized	
David Brown : 770, 780, 880, 885, 1190, 1194	87555942 x3	K207436 x3	87555943 x3	K207497 x3	87555944 x3	K207498 x3		
David Brown 4cyl. : 990, 995, 996, 1200, 1210, 1212, 1290, 1294, 1390, 1394	B512660 x4	K207436 x4	87555945 x4	K207497 x4	87555946 x4	K207498 x4		
David Brown 4cyl. : 1410, 1412, 1490, 1494	B513936 x4	K929148 x4	87555947 x4	K946351 x4	87555948 x4	K946352 x4		
David Brown : 1594, 1690, 1690T, 1694	87555949 x6	K207436 x6	87555950 x6	K207497 x6	87555951 x6	K207498 x6		
Case-IH UK : 275, 276, 354, 374, 384, 414, 434, 444	87555969 x4	3070546R91 / 3070536R11 x4	87555970 x4	3070546R91 / 3070538R11 x4	87555971 x4	3070546R91 / 3070539R11 x4	87555972 x4	3070537R11 x4
Case-IH UK : 475	87555973 x4	3118135R1 x1	87555974 x4	3118136R1 x1	87555975 x4	3118137R1 x1	87555976 x4	3118138R1 x1
Case-IH : 353, 383, 423, 433, 440, 453, 523, 533, 540, 553, 633, 640 / Case-IH UK: 385, 395, 454, 484, 485, 495, 3210, 3220 (+XL)	87555952 x3	3055351R91 x3	87555953 x3	3056834R11 x3	87555954 x3	3056879R11 x3	87555955 x3	3055781R11 x3
Case-IH : 554, 624, 644, 654, 724, 733, 740, 743, 744, 745, 824, 833, 840, 844 / Case-IH UK : 474, 574, 584, 585, 595, 674, 684, 685, 695, 784, 785, 795, 3230, 4210, 4220 (+XL), 84-Hydro, 85-Hydro	87555956 x4	3055351R91 x4	87555957 x4	3056834R11 x4	87555958 x4	3056879R11 x4	87555959 x4	3055781R11 x4
Case-IH : 856XL	87555960 x4	3132101R91 x4						
Case-IH : 844, 844S, 845S, 845XL / Case-IH UK : 884, 885, 895, 4230 (+XL)	87555961 x4	3144688R92 x4	87555962 x4	3144876R92 x4	87555963 x4	3144881R92 x4	87555964 x4	3144886R92 x4
Case-IH : 946, 955, 956, 1046, 1055, 1056	87555965 x6	3055351R91 x6	87555966 x6	3056834R11 x6	87555967 x6	3056879R11 x6	87555968 x6	3055781R11 x6



MAIN BEARING SET

Kit coussinets de palier - Hauptlagersatz
 Kit del cojinete principal - Kit cuscinetto principale
 Kit da chumaceira principal - Hoofdlagerset
 Hovedlejesæt

	Standard size		0,010"- 0,254mm Undersized		0,020"- 0,508mm Undersized		0,030"- 0,762mm Undersized	
David Brown 3cyl.: 770, 780, 880, 885, 1190, 1194	B513935 x8	K928540 x8	87555931 x8	K928557 x8	87555932 x8	K928558 x8		
David Brown: 990, 995, 996, 1200, 1210, 1212, 1290, 1294, 1390, 1394	87555933 x6	K928541 x6	87555934 x6	K928554 x6	87555935 x6	K928555 x6		
David Brown: 1410, 1412, 1490, 1494	87555936 x6	K928997 x6	87555937 x6	K946345 x6	87555938 x6	K946346 x6		
David Brown: 1594, 1690, 1690T, 1694	87555939 x12+2	K917639 x2 K917637 x12	87555940 x12+2	K204971 x2 K204963 x12	87555941 x12+2	K204964		
Case IH UK: 275, 276, 354, 374, 384, 414, 434, 444	B513028 (4cyl)	708912R91						
Case IH UK: 475	87555930	3118150R1						
Case-IH: 353, 383, 423, 433, 440, 453, 523, 533, 540, 553, 633, 640 / Case-IH UK: 385, 395, 454, 484, 485, 495, 3210, 3220 (+XL)	87555918 (3cyl)	3055129R21 x1 3055130R21 x3	87555919 (3cyl)	3056820R11 x1 3056832R21 x3	87555920 (3cyl)	3056875R11 x1 3056877R21 x3	87555921 (3cyl)	3055776R11 x1 3055779R21 x3
CASE-IH: 554, 624, 644, 654, 724, 733, 740, 743, 744, 745, 824, 833, 840, 844, 844S, 845S, 845XL, 856XL / CASE-IH UK: 474, 584, 585, 595, 3230 (+XL)	87555922	3055129R21 x1 3055130R21 x4	87555923	3056820R11 x1 3056832R21 x4	87555924	3056875R11 x1 3056877R21 x4	87555925	3055776R11 x1 3055779R21 x4
CASE-IH: 955, 956, 1046, 1055, 1056, 1246, 1255, 1455 (+XL)	87555926	3055129R21 x1 3055130R21 x6	87555927	3056820R11 x1 3056832R21 x6	87555928	3056875R11 x1 3056877R21 x6	87555929	3055776R11 x1 3055779R21 x6

Conrod and Crankshaft parts

Pièces de bielle, vilebrequin • Teile der Pleuelstange, Kurbelwelle • Biela, cigüeñal, partes • Parti della biella, dell'albero motore
Peças da biela, cambota • Onderdelen drijfstang, krukas • Dele til plejlstang, krumtapaksel

REAR OIL SEAL

Bague arrière pour vilebrequin - Hintere Öldichtung
Junta aceite trasera - Paraolio posteriore - Vedante
traseiro de óleo - Achterste oliekeerring - Bageste pakdåse

David Brown 3 & 4cyl.: 770, 780, 880, 885, 1190, 1194 /
990, 995, 996, 1200, 1210, 1212, 1290, 1294, 1390, 1394

B513932 x2

K921611
K262783

David Brown 4cyl.: 1410, 1412, 1490, 1494

B513933

K940135 - K262784

David Brown 6cyl.: 1594, 1690, 1690Turbo, 1694

B513934

K306765 - K262708

Case IH UK: 275, 276, 354, 374, 384, 414, 434, 444

87555981

3072092R91

Case IH UK: 475

B513931

795662R1

FRONT OIL SEAL

Bague arrière pour vilebrequin - Hintere Öldichtung
Junta aceite trasera - Paraolio posteriore - Vedante
traseiro de óleo - Achterste oliekeerring - Bageste pakdåse

David Brown: 770, 780, 880, 885, 990, 995, 996, 1190,
1194, 1200, 1210, 1212, 1290, 1294, 1390, 1394, 1410,
1412, 1490, 1494, 1594, 1690, 1690T, 1694

87555977

K628127

Case IH: 353, 383, 423, 433, 440, 453, 523, 533, 540,
553, 554, 624, 633, 640, 644, 654, 724, 733, 740, 743,
744, 745, 824, 833, 840, 844, 844S, 845S, 845XL, 856XL,
946, 955, 956, 1046, 1055, 1056, 1246, 1255, 1255XL,
1455, 1455XL / Case UK: 385, 395, 454, 484, 485, 495,
474, 584, 585, 595, 574, 674, 684, 685, 695, 784, 785,
795, 884, 885, 895, 3210, 3230, 4210, 4220, 4230 (+XL)
/ 84-Hydro, 85-Hydro

87555979

3228401R91

Case IH UK: 275, 276, 354, 374, 384, 414, 434, 444

87555982

3108650R91

Case IH UK: 475

B513930

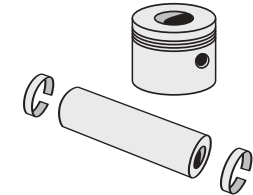
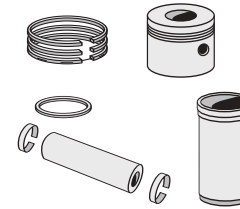
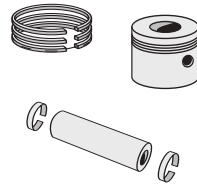
3118128R91

GOLD VALUE

CASE IH
AGRICULTURE



Piston, pin, clip, rings, liner, sealing ring and ring kit • Kit avec piston (axe et circlips inclus), segments, chemise et joint torique
 Kolben, bolzen, ring, mantel und o-ring-satz • Pistón, pasador, anillos, camisa y kit de juntas tóricas
 Kit pistone, perno, anello, spessore e anello toroidale • Kit de pistão, pino, anéis, calço e o-ring
 Set met zuiger, pen, zuigerveer, voering en o-ring • Sæt med stempel, stift, ring, skål og o-ring



PISTON, PIN, CLIPS, RINGS KIT

PISTON, PIN, CLIPS, RINGS, SEALING RING, LINER KIT

SINGLE PISTON WITH PIN AND CLIPS

standard size

standard size

standard size

David Brown 770, 990, 1290 (= > 11052360)

B5 12656 K949721

B5 13127 K949721

David Brown 780, 880, 885, 995, 996, 1190, 1194, 1210, 1212, 1290(11052361 =>), 1294, 1390

B5 13004 K949474

B5 13128 K949474

David Brown 1410, 1412, 1394, 1490, 1494, 1690, 1690 Turbo

B5 12657 K944573

David Brown 1594, 1694

B5 13953 K206954

87295450 K206954

Case IH UK: 275, 276, 354

B5 13021 751604R92

B5 13016 3048523R1

Case IH UK: 374, 384, 414, 434, 444

B5 13013 3044479R94

B5 13015 3044486R3

Case IH UK: 475

CASE-IH: 353, 383, 423, 433, 440, 453, 533, 540, 554, 624, 644, 645, 654, 733, 740, 946, 955 / CASE-IH UK: 385, 395, 474, 584, 585, 595, 3210, 3230 (+XL)

Al Fin

B5 13022 3139586R95

B5 13121 Not Serviced as OEM

No Al Fin

87555992 3218758R95

87555993 Not Serviced as OEM

CASE-IH: 523, 553, 633, 640, 684, 724, 743, 744, 745, 833, 840, 955, 956, 1046, 1055, 1056 / CASE-IH UK: 454, 484, 485, 495, 574, 674, 684, 685, 695, 3220, 4210 (+XL)

Al Fin

B5 13019 3139591R96

B5 13125 Not Serviced as OEM

No Al Fin

87555994 3218759R95

87555995 Not Serviced as OEM

Case-IH: 824, 844 / Case-IH UK: 784, 785, 795, 4220, 84-Hydro, 85-Hydro (+XL)

No Al Fin

87556001 3218668R94

87556002 Not Serviced as OEM

Case-IH: 844S, 845S, 845XL, 884 / Case-IH UK: 884, 885, 895, 4230 (+XL)

Al Fin

87556003 3218461R95

87579813 Not Serviced as OEM

Case IH: 856XL, 1246, 1246XL, 1255, 1255XL

Al Fin

87555996 3144516R97

87555997 Not Serviced as OEM

Case-IH: 1455, 1455XL, YUMBO 650, HD.530

Al Fin

87555998 3218915R95

87555999 Not Serviced as OEM

Engine Parts

Pièces moteur • Motorteile • Partes del motor • Ricambi motore
Peças do motor • Motoronderdelen • Motordele



RING SET		FULLY FINISHED LINER				SEALING RING (O'RING)	
standard size		standard size		0,100 oversized		standard size	
B512658	K261069	B512665 semi-finished (less flange)	K964857				
87714368 (0,020" oversized)	K261070						
B513017	3114775R91	B513020	704092R1	B513118	704092R1	B513956	704100R1
B513018	3114778R91	B513014	3044481R3	B513120	3044481R3	B513956	704100R1
B513954	3118131R1	B513955	796227R1				
B513023	3139594R91	87556007	3139587R3	B513122	3139587R3	B513957 (5,0mm)	3228344R1
87556004	3218416R92					B513124 (4,7mm)	3228348R1
B513023	3139594R91	87556008	3139592R4	B513126	3139592R4	B513957 (5,0mm)	3228344R1
87556004	3218416R92					B513124 (4,7mm)	3228348R1
87556005	3218669R91	87556009	3144682R3			B513957 (5,0mm)	3228344R1
						B513124 (4,7mm)	3228348R1
87556006	3144977R91	87556009	3144682R3			B513957 (5,0mm)	3228344R1
						B513124 (4,7mm)	3228348R1
B513023	3139594R91	87556008	3139592R4	B513126	3139592R4	B513957 (5,0mm)	3228344R1
						B513124 (4,7mm)	3228348R1
87556000	3218920R91	87556009	3144682R3			B513957 (5,0mm)	3228344R1
						B513124 (4,7mm)	3228348R1

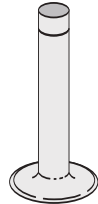
GOLD VALUE

CASE IH

AGRICULTURE



Valve guide, springs • Guide de soupape, ressort pour soupape
 Ventilführung, feder • Guía de la válvula, resorte • Guida della valvola, molla • Guia de válvula, mola
 Klepgeleider, veer • Ventilstyr, fjeder



TYPE	VALVE		VALVE GUIDE		TYPE	SPRINGS		VALVE SEAL	
	standard size		standard size			standard size		standard size	
Inlet	B513961	K928622			Inner				
Exhaust	B513961	K928622			Outer	B513968	K921436		
Inlet	B513961	K928622			Inner				
Exhaust					Outer	B513968	K921436		
Inlet	B513961	K928622			Inner				
Exhaust	B513005	K950100			Outer	B513968	K921436		
Inlet	B513024	3040361R1	B513958	704455R1	Inner	B513965	710347R2		
Exhaust	B513025	3043825R1	B513959	704456R1	Outer	B513965	710347R2		
Inlet	B513024	3040361R1	B512662	3044492R1	Inner	B513963	3044239R1		
Exhaust	B513025	3043825R1	B512663	3044493R1	Outer	B513966	3044240R1		
Inlet	B513960	795730R1			Inner	B513964	3118134R1		
Exhaust	B513962	3118132R1			Outer	B513967	3118133R1		
Inlet	B513026	3055055R2 3059459R1	B512664	3055022R2	Inner			87714387	3218399R91
Exhaust	B513027	3055056R2	B512664	3055022R2	Outer				

David Brown: 780(6039=>), 880(25306=>)

David Brown: 880(2984=>), 885, 990(15240=>), 995, 996, 1190, 1194, 1200(11930=>), 1210, 1212, 1290, 1294, 1390, 1690

David Brown: 1394, 1410, 1412, 1490, 1494, 1594, 1690Turbo, 1694

Case IH UK: 275, 276, 354

Case IH UK: 374, 384, 414, 434, 444

Case IH UK: 475

Case IH: 353, 383, 423, 433, 440, 453, 523, 533, 540, 553, 554, 624, 633, 640, 644, 654, 724, 733, 740, 743, 744, 745, 824, 833, 840, 844, 844S, 845S, 845, 946, 955, 956, 1046, 1055, 1056, 1246, 1255, 1455 (+XL) / 856XL / Case-IH UK: 385, 395, 454, 484, 485, 495.

Engine Parts

Pièces moteur • Motorteile • Partes del motor • Ricambi motore
Peças do motor • Motoronderdelen • Motordele



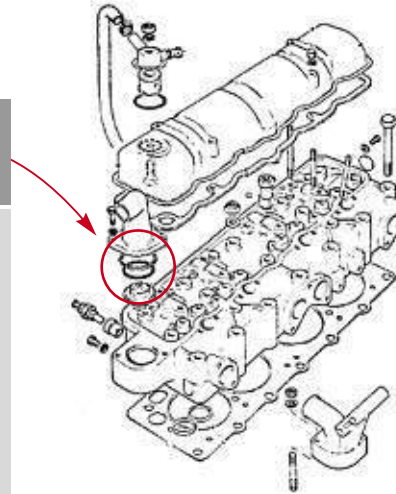
O'RING

Joint torique - Kolben dichtring - Sello para pistón -
Guarnizione pistone - Vedante do pistão -
Zuigerafdichting - Stempelpakning

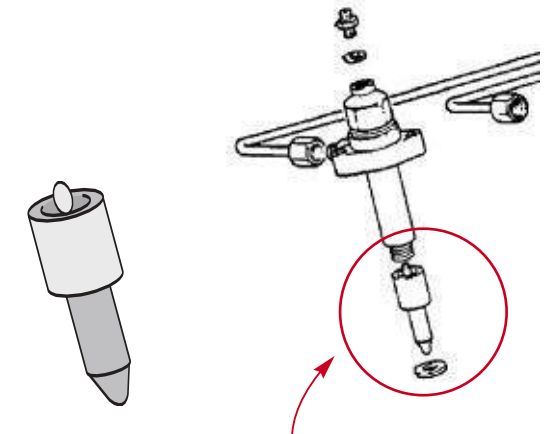
David Brown (cylinder head): 770, 780,
850, 880, 885, 890, 950, 990, 995,
996, 1190, 1194, 1200, 1210, 1212,
1290, 1294, 1390, 1394, 1410, 1412,
1490, 1494, 1594, 1690, 1690 TURBO,
1694 / Case IH UK (PTO): 3210, 3220,
3230, 4210, 4220, 4230, 4240 / MAG-
NUM series (PTO): 7110, 7120, 7130,
7140, 7150, 7210, 7220, 7230, 7240,
7250, 8910, 8920, 8930, 8940, 8950 /
CX series (PTO): CX50, CX60, CX70,
CX80, CX90, CX100

87714377

238-5138
K68951



David Brown Engine Components



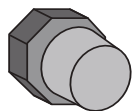
INJECTOR NOZZLE

Nez d'injecteur - Einspritzdüse - Tobera de inyección -
Iniettore - Pulverizador de inyector - Mondstuk verstuiver -
Indsprøjtningdsyde

David Brown: 770, 780, 880, 885, 990,
995, 996, 1190, 1194, 1200, 1210, 1212,
1290, 1294, 1390, 1394, 1410, 1412,
1490, 1494, 1594, 1690, 1690T, 1694

87714379

K942176
5621637



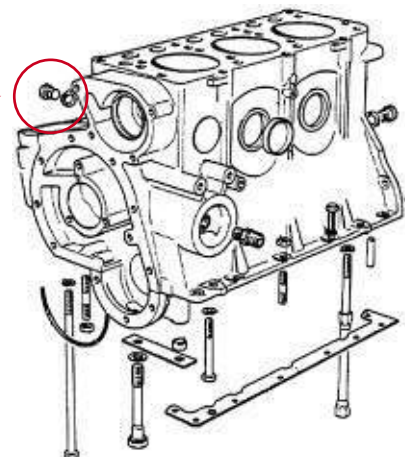
DRAIN COCK

Bouchon bloc - Ablasshahn - Grifo de vaciado - Rubinetto di
scarico - Bujão de drenagem - Aftapkraan - Aftapningsshane

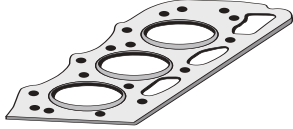
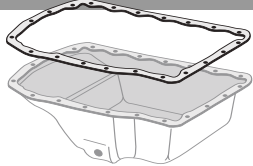

David Brown: 880, 990, 995, 996,
1190, 1194, 1210, 1212, 1290, 1294,
1390, 1394, 1410, 1412, 1490, 1494,
1594, 1690, 1690 TURBO, 1694

87714378

K19581


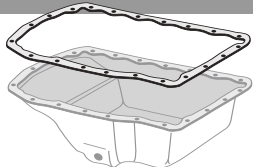



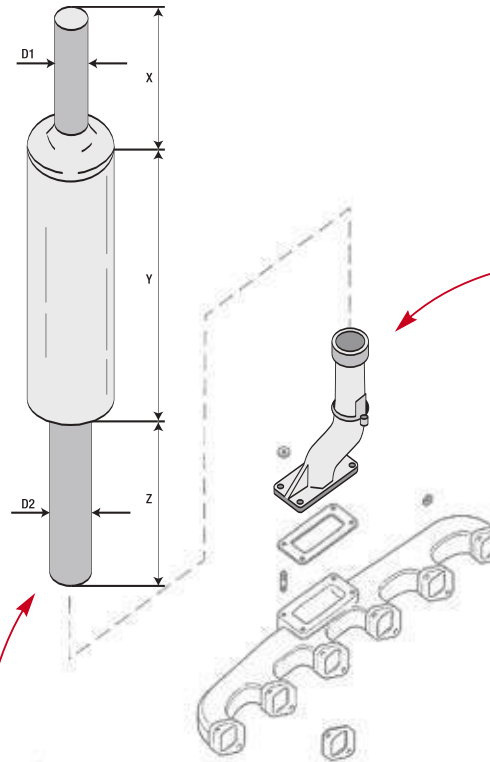
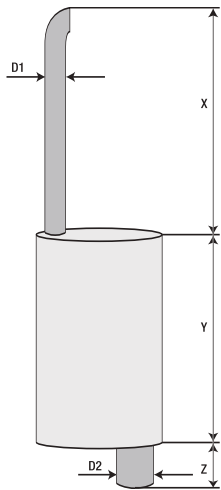


TOP GASKETS KIT (including cylinder head gasket)		BOTTOM GASKETS KIT		CYLINDER HEAD GASKET		SUMP GASKET		ROCKER COVER GASKET		
<p>Pochette de joints de rodage (incluant joint de culasse) Obere Dichtungssätze (einschließlich Zylinderkopfdichtung) Conjuntos de junta superior (incluida junta de culata) Set di guarnizioni superiori (inclusa la guarnizione della testata) Conjuntos de juntas superiores (incluido junta da cabeça do cilindro) Sets voor bovenste pakking (inclusief cilinderkoppakking) Sæt med øverste pakninger (omfatter pakning til topstykke)</p>		<p>Pochette de joints complémentaires Untere Dichtungssätze Conjuntos de junta inferior Set di guarnizioni inferiori Conjuntos de juntas inferiores Sets voor onderste pakking Sæt med nederste pakninger</p>		 <p>Joint de culasse Zylinderkopfdichtung Junta de la culata Guarnizione della testata Junta da cabeça do cilindro Cilinderkoppakking Cylindertoppakning</p>		 <p>Joint de carter Ölvannendichtung Junta del colector Guarnizione coppa Junta do cárter Oliecarterpakking Sump pakning</p>		 <p>Joint de capot de culbuteur Ventildeckeldichtung Junta de tapa del balancín Guarnizione coperchio bilanciari Junta da tampa oscilante Kleppendeckselpakking Pakning til vippearmsens dæksel</p>		
David Brown (3cyl) : 770, 780, 880, 885	B513938	K964876	B513943	K964877	B513948	K956672		87555907	K907338	
David Brown (3cyl) : 1190, 1194	B513940	K260287	B513944	K260286						
David Brown (4cyl) : 990, 995, 996, 1200, 1210, 1212, 1410, 1412, 1290, 1294, 1390, 1394, 1490, 1494	B513939	K964883 - K260283 K260284 - K260285	87555905	K262765 K965803 K260282	B513949	K953783 K262750		87555908	K905229	
David Brown (6cyl) : 1594, 1690, 1690T, 1694	B513941	K965964	B513945	K965963	B513950	K952527 x2		87555909	K918689	
Case IH UK: 275, 276, 354, 374, 384, 414, 434, 444	B513008	706105R93			B513946	703883R7	87714386	703840R1	87555910	3069767R1
Case IH UK: 475	B513937	3118124R91	B513942	3120516R91	B513947	3118173R1			B513951	3118186R1
D214, D215, D217F, D217S, D219	87714380	3051140R92								
D212, D214, D214S, D215, DLD2	87714381	3051138R92								
D320S, D322, DED-3	87714382	3051142R92								
D430S, D432, D440, DGD4	87714383	3051146R92								
D.324, D.326, 323	87714384	3051144R92								

Engine Gasket

Joint moteur • Motordichtung • Junta del motor • Guarnizione motore
 Junta do motor • Motorpakking • Motorpakning

	TOP GASKETS KIT (including cylinder head gasket)		BOTTOM GASKETS KIT		CYLINDER HEAD GASKET		SUMP GASKET		ROCKER COVER GASKET	
	Pochette de joints de rodage (incluant joint de culasse) Obere Dichtungssätze (einschließlich Zylinderkopfdichtung) Conjuntos de junta superior (incluida junta de culata) Set di guarnizioni superiori (inclusa la guarnizione della testata) Conjuntos de juntas superiores (incluindo junta da cabeça do cilindro) Sets voor bovenste pakking (inclusief cilinderkoppakking) Sæt med øverste pakninger (omfatter pakning til topstykke)		Pochette de joints complémentaires Untere Dichtungssätze Conjuntos de junta inferior Set di guarnizioni inferiori Conjuntos de juntas inferiores Sets voor onderste pakking Sæt med nederste pakninger		 Joint de culasse Zylinderkopfdichtung Junta de la culata Guarnizione della testata Junta da cabeça do cilindro Cilinderkoppakking Cylindertoppakning		 Joint de carter Ölwanndichtung Junta del colector Guarnizione coppa Junta do cárter Oliecarterpakking Sumppakning		 Joint de capot de culbuteur Ventildeckeldichtung Junta de tapa del balancín Guarnizione coperchio bilancieri Junta da tampa oscilante Kleppendekepakking Pakning til vippearmens dæksel	
D.436, D.439, DTD.5	87714385	3051148R92								
Case IH: 554, 624, 644, 654, 724, 733, 740, 743, 744, 745, 824, 833, 840, 844, 844S, 845S, 845XL, 856XL / Case UK: 474, 584, 585, 595, 574, 674, 684, 685, 695, 784, 785, 795, 884, 885, 895, 3230, 4210, 4220, 4230 (+XL)	B513007	3136799R99 1967014C1	B513033	3136813R99 1967011C1	B513029	3228362R2	87555916	3055161R3	87555912	3138642R2
Case-IH (4cyl) : 844S, 845S, 845XL	B513007	3136799R99 1967014C1	B513033	3136813R99 1967011C1	B513029	3228362R2	87555917	3144697R2	87555912	3138642R2
Case IH: 946, 955, 956, 1046, 1055, 1056, 1246, 1255, 1455 (+XL), YUMBO 650, HD.530	B513030	3136801R99	B513032	3136817R99 1967013C1	B513034	3228019R2				
Case IH: 353, 383, 423, 433, 440, 453, 523, 533, 540, 553, 633, 640 / Case UK: 385, 395, 454, 484, 485, 495, 3210, 3220 (+XL)	B513006	3136798R99	B513031	3136802R99	87555906	3228361R2	87555914	3055160R3	87555911	3138641R1
Case IH: 946, 955, 956, 1046, 1055, 1056, 1246, 1255, 1455 (+XL), YUMBO 650, HD.530							B513952	3055987R93	87555913	3138688R2



EXHAUST ELBOW

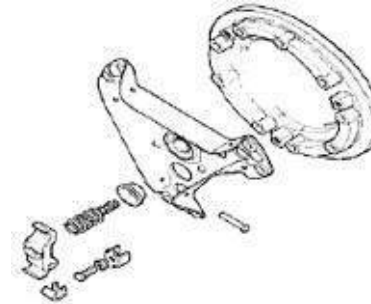
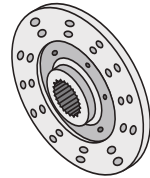
Coûde d'échappement - Auspuffkrûmmer - Codo de escape - Tubo di scarico - Cotovelo de escape - Kniestuk uitlaat - Vinkelforskruning til udstødning

553, 654, 724, 824	87714388	3059921R1
743, 743XL, 745S, 844S, 845, 845XL, 745XL, 844XL	87714389	3402326R2
955, 1055, 956, 1056	87714390	3220368R1

David Brown: 770, 780, 850, 880, 885, 900, 950	B513997	K914137	43	41/44	230	455	210
Case IH UK: 275, 276, 354, 374, 384, 414, 434, 444	B513012	704616R96 3109792R92	52	48/51	220	410	380
Case IH UK: 454, 474, 574, 674	B513995	529372R1	61	61/64	315	320	55

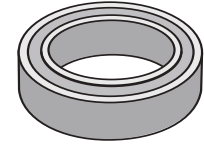
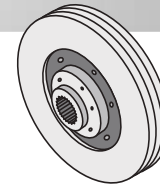
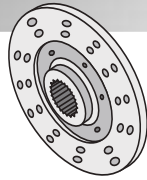
Case IH UK: 385, 395, 484, 485, 495, 584, 585, 595, 684, 685, 695, 784, 785, 795, 884, 885, 895	B513996	83027C1	na	61/65	760	455	55
---	----------------	---------	-----------	--------------	------------	------------	-----------

Muffler	D1	D2	X	Y	Z
B513997	43	41/44	230	455	210
B513012	52	48/51	220	410	380
B513995	61	61/64	315	320	55
B513996	na	61/65	760	455	55



GOLD VALUE PN		SPECS	GOLD VALUE PN		SPECS						
<p>MAIN CLUTCH PLATE Disque d'avancement Hauptkupplungsplatte Disco del embrague principal Disco frizione principale Prato da Embraiegem Principal Hoofdkoppelingsplaat Hovedkoblingsplade</p>						<p>COMPLETE CLUTCH ASSEMBLY Embrayage complet Komplett kupplung Embrague Frizione Embraiegem Koppeling Kobling</p>					
B513926	3121506R92	4 pairs of pads - 280 - 10Z 23x29	87556011	1500655C91	11" / 280mm with cerametallic lining						
B513920	3121507R92	Cerametallic lining - 280 - 10Z 23x29	87556012	92602C91	11" / 280mm - double springs with cerametallic lining						
B513921	3129834R1	Cerametallic lining - 280 - 10Z 23x29									

Case IH UK: 385, 395, 454, 474, 475, 484, 485, 495, 574, 584, 585, 595, 674, 684, 685, 695, 784, 785, 795, 884, 885, 895



MAIN CLUTCH PLATE
 Disque d'avancement
 Hauptkupplungsplatte
 Disco del embrague principal
 Disco frizione principale
 Prato da Embraiegem Principal
 Hoofdkoppelingsplaat
 Hovedkoblingsplade

PTO CLUTCH PLATE
 Plateau friction prise de force
 Zapfwellen-kupplungsplatte
 Disco del embrague de la tdf
 Disco frizione pdf
 Prato da embraiegem da tdf
 Aftakaskoppelingsplaat
 Koblingsplade til kraftudtag

RELEASE BEARING
 Butée de débrayage
 Ausrücklager
 Cojinete de desembrague
 Cuscinetto di disinnesto
 Rolamento de encosto
 Druklager koppeling
 Udløsningsleje

GOLD VALUE PN

SPECS

GOLD VALUE PN

SPECS

GOLD VALUE PN

SPECS

Case IH UK: 275, 276, 354

B513918

709639R94

Main disc, engine side, loose -
 Asbestos free - organic lining -
 280 - 10Z 23x29

B513922

709640R92

PTO disc, transmission side,
 mounted - Asbestos free -
 organic lining - 230 - 10Z 38x45

B513924

3070635R91

70x103x21,5

B513923

751848R94

pilot bearing

Case IH UK: 275 (50976=>), 276, 354

B513891

3074827R91

Ceramic lining - 280 - 10Z 23x29

B513924

3070635R91

70x103x21,5

B513923

751848R94

pilot bearing

B513925

3048529R91

Asbestos free - organic lining -
 280 - 10Z 23x29

B513923

751848R94

pilot bearing

Case IH UK: 374, 384, 434, 444

B513891

3074827R91

Ceramic lining - 280 - 10Z 23x29

B513924

3070635R91

70x103x21,5

B513923

751848R94

pilot bearing

Case IH UK: 374, 384, 414, 434, 444

B513919

3108790R91

Main disc, engine side, loose -
 Asbestos free - organic lining -
 280 - 10Z 23x29

B513922

709640R92

PTO disc, transmission side,
 mounted - Asbestos free -
 organic lining - 230 - 10Z 38x45

B513924

3070635R91

70x103x21,5

B513923

751848R94

pilot bearing

Case IH UK: 414

B513925

3048529R91

Asbestos free - organic lining -
 280 - 10Z 23x29

B513923

751848R94

pilot bearing

Case IH UK: 414 (50915=>)

B513891

3074827R91

Ceramic lining - 280 - 10Z 23x29

B513924

3070635R91

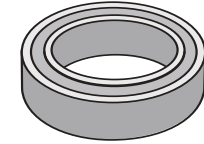
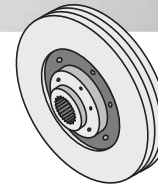
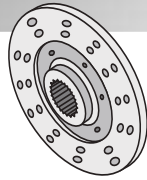
70x103x21,5

B513923

751848R94

pilot bearing





MAIN CLUTCH PLATE
Disque d'avancement
Hauptkupplungsplatte
Disco del embrague principal
Disco frizione principale
Prato da Embraiaem Principal
Hoofdkoppelingsplaat
Hovedkoblingsplade

PTO CLUTCH PLATE
Plateau friction prise de force
Zapfwellen-kupplungsplatte
Disco del embrague de la tdf
Disco frizione pdf
Prato da embraiaem da tdf
Aftakaskoppelingsplaat
Koblingsplade til kraftudtag

RELEASE BEARING
Butée de débrayage
Ausrücklager
Cojinete de desembrague
Cuscinetto di disinnesto
Rolamento de encosto
Druklager koppeling
Udløsningsleje

GOLD VALUE PN		SPECS	GOLD VALUE PN		SPECS	GOLD VALUE PN		SPECS
B513920	3121507R92	Cerametallic lining - 280 - 10Z 23x29						
B513921	3129834R1	Cerametallic lining - 280 - 10Z 23x29						
B513927	K14014	Main disc, engine side, loose - Asbestos free - organic lining - 250 - 10Z 26x32						
B513894	K89321	Main disc, engine side, loose - Asbestos free - organic lining - 250 - 10Z 38x45	B513896	K910886	PTO disc, engine side, loose - Asbestos free - organic lining - 250 - 10Z 18x22,5	B513900	K620182	52,3x85,7x19 pilot bearing: 87714369 22,2x50,8x14,2
B513894	K89321	Main disc, engine side, loose - Asbestos free organic lining - 250 - 10Z 38x45	B513897	K89322	PTO disc, engine side, loose - Asbestos free - organic lining - 250 - 10Z 23x29	B513901	K19169	69,8x103,2x22,8 pilot bearing: 87714369 22,2x50,8x14,2
B513895	K957254	Main disc, transmission side, mounted - Asbestos free organic lining - HUB thickness : 31mm (Std) - 280 - 10Z 38x45	B513897	K89322	PTO disc, engine side, loose - Asbestos free - organic lining - 250 - 10Z 23x29	B513901	K19169	69,8x103,2x22,8 pilot bearing: 87714369 22,2x50,8x14,2
B513895	K957254	Main disc, transmission side, mounted - Asbestos free organic lining - HUB thickness : 31mm (Std) - 280 - 10Z 38x45	B513898	K915827	PTO disc, engine side, loose - Asbestos free organic lining - Std + Hydrashift - 280 - 10Z 23x29	B513901	K19169	69,8x103,2x22,8 pilot bearing: 87714369 22,2x50,8x14,2
B513892	K957436	Main disc, transmission side, mounted - Asbestos free organic lining - HUB thickness : 38mm (hydrashift) - 280 - 10Z 38x45						
B513928	K202625	Main disc, transmission side, mounted - Asbestos free organic lining - 305 - 10Z 38x45	B513899	K947089	PTO disc, engine side, loose - Asbestos free organic lining - 305 - 10Z 23x29	B513901	K19169	69,8x103,2x22,8 pilot bearing: 87714369 22,2x50,8x14,2

Case IH UK: 3210, 3220, 3230, 3400, 3500

David Brown 250, 300, 850, 900, 950

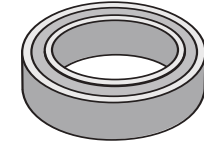
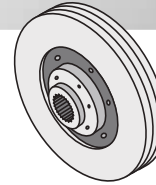
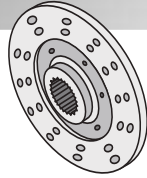
David Brown 770

David Brown 775, 780, 880, 885, 950, 1194

David Brown 900, 990, 995

David Brown 996, 1190(=>1979), 1200, 1210(=>1154230), 1212, 1290, 1294(=>11059299), 1390 - Models Hydrashift : 996, 1200, 1212, 1190, 1290, 1390

David Brown 1190, 1194(80/-), 1210(1154231=>), 1294(11059300=>), 1394, 1410, 1412, 1490, 1494



MAIN CLUTCH PLATE
Disque d'avancement
Hauptkupplungsplatte
Disco del embrague principal
Disco frizione principale
Prato da Embraia gens Principal
Hoofdkoppelingsplaat
Hovedkoblingsplade

PTO CLUTCH PLATE
Plateau friction prise de force
Zapfwellen-kupplungsplatte
Disco del embrague de la tdf
Disco frizione pdf
Prato da embraia gens da tdf
Aftakaskoppelingsplaat
Koblingsplade til kraftudtag

RELEASE BEARING
Butée de debrayage
Ausrücklager
Cojinete de desembrague
Cuscinetto di disinnesto
Rolamento de encosto
Drukklager koppeling
Udløsningsleje

GOLD VALUE PN

SPECS

GOLD VALUE PN

SPECS

GOLD VALUE PN

SPECS

David Brown 1210, 1410, 1412,
1490, 1494 - 4WD

David Brown 1590, 1594, 1690, 1694

Case IH: 323

Case IH: 323, 353, 383, 423, 433,
440, 453, 533/A, 540

Case IH: 353, 383, 423

Case IH (= > 20469): 523, 624, 724

Case IH (20469 =>): 523, 624, 724

B513893

K956052

Main disc, transmission side, mounted
- Cerametallic lining - Asbestos free
organic lining - 305 - 10Z 38x45

B513899

K947089

PTO disc, engine side, loose -
Asbestos free organic lining -
305 - 10Z 23x29

B513901

K19169

69,8x103,2x22,8
pilot bearing: 87714369
22,2x50,8x14,2

B513902

787515R91
1861266001

Asbestos free - organic lining -
225 - 13Z 21,7x25

B513889

K952378

PTO disc, engine side, loose -
Asbestos free - organic lining -
305 - 10Z 26x32

B513901

K19169

69,8x103,2x22,8
pilot bearing: 87714369
22,2x50,8x14,2

B513903

3225978R91

Main disc, engine side, outside -
Asbestos free - organic lining -
250 - 13Z 22x25

B513914

3134885R92

PTO disc, transmission side,
inside - Economic version -
Asbestos free organic lining -
228 - 25Z 41x45

B513904

3216397R91

Main disc, engine side, outside -
Asbestos free - organic lining -
250 - 13Z 22x25

B513905

3058676R92

Asbestos free organic lining -
Economic version - Fixed -
250 - 13Z 21x25

B513906

3148964R91

Springs - Asbestos free -
organic lining - 250 - 13Z 21x25

B513907

3057151R92

Asbestos free organic lining -
Economic version - 280 - 10Z 26x32

B513908

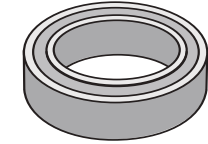
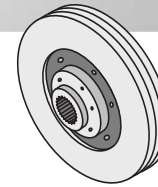
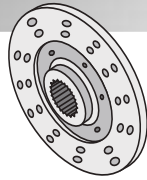
3059214R94

Asbestos free organic lining -
Economic version - 280 - 10Z 23x29



Embrayages • Kupplungen • Embragues • Frizioni • Embraiegens • Koppelingen • Koblinger

Clutches



MAIN CLUTCH PLATE
Disque d'avancement
Hauptkupplungsplatte
Disco del embrague principal
Disco frizione principale
Prato da Embraiegem Principal
Hoofdkoppelingsplaat
Hovedkoblingsplade

PTO CLUTCH PLATE
Plateau friction prise de force
Zapfwellen-kupplungsplatte
Disco del embrague de la tdf
Disco frizione pdf
Prato da embraiegem da tdf
Aftakaskoppelingsplaat
Koblingsplade til kraftudtag

RELEASE BEARING
Butée de debrayage
Ausrücklager
Cojinete de desembrague
Cuscinetto di disinnesto
Rolamento de encosto
Drukklager koppeling
Udløsningsleje

GOLD VALUE PN		SPECS	GOLD VALUE PN		SPECS	GOLD VALUE PN		SPECS
B513909	3225094R3	Main disc, engine side, outside - Cerametallic lining - 6 pairs of pads - Economic version - 295 - 10Z 23x29						
B513910	3225950R1	Main disc, engine side, outside - Asbestos free organic lining - Economic version - 295 - 10Z 23x29	B513915	3058404R93	PTO disc, transmission side, inside - Asbestos free organic lining - Economic version - 280 - 22Z 41x45			
B513911	3058405R93	Main disc, engine side, outside - Asbestos free organic lining - Economic version - 280 - 10Z 23x29						
B513912	3224546R92	Main disc, engine side, outside - Asbestos free - organic lining - Economic version - 290 - 13Z 21,5x25	B513914	3134885R92	PTO disc, transmission side, inside - Economic version - Asbestos free organic lining - 228 - 25Z 41x45			
B513912	3224546R92	Main disc, engine side, outside - Asbestos free - organic lining - Economic version - 290 - 13Z 21,5x25						
B513913	1964154C1	Main disc, engine side, outside - Cerametallic lining - 5 pairs of pads - 290 - 13Z 21,5x25						
			B513917	1964089C1	PTO disc, transmission side, inside - Cerametallic lining - 5 pairs of pads - 310 - 22Z 41x45			

Case IH: 523, 553, 554, 564, 624, 644,
654, 724, 734, 743XL, 743XLA, 744, 745XL,
745XLA, 754, 824, 834, 844S, 844XL,
844XLA, 845, 845XL

Case IH: 533, 633, 640, 733, 733A, 740

Case IH: 633, 640, 733, 733A, 740,
833, 840, 940

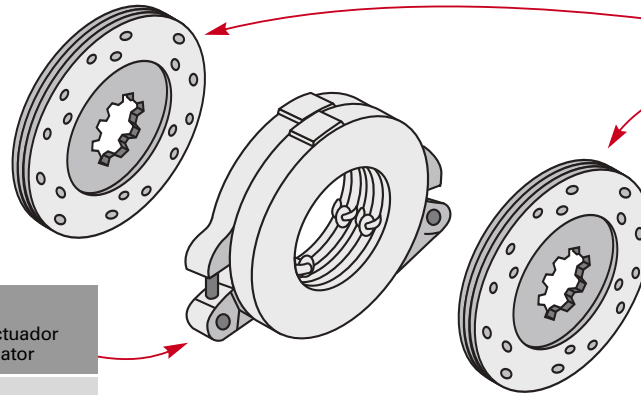
Case IH: 856XL, 856XLA, 955XL, 956XLA,
1055XL, 1056XL, 1056XLA



ACTUATOR ASSEMBLY

Plateau écarteur à billes - Stellgliedbaugruppe - Conjunto del actuador
Complessivo attuatore - Conjunto do actuador - Actuador - Aktuator

Case IH: 433, 523, 533, 614, 624, 633, 654, 724, 733, 824 **B512651** 787004R22



BRAKE DISC

Disque de frein - Brems Scheibe - Disco de freno - Disco freno
Disco do travão - Remschijf - Bremseskive

Case IH UK: 250, 275(=>46662), 414(=>31374)	B513884	704422R93
Case IH: 433, 453, 533, 633 / Case IH UK: 275, 276, 354, 374, 384, 414, 434, 444,	B513885	3064170R91
Case IH: 523, 553, 624, 654, 724, 824	B512652	3134665R92
Case IH: 955, 1055, 956, 1056 (+XL)	B513886	3220450R94
44 series, 45 series, 856	87718441	3145546R92
955, 955XL, 956, 956XL, 1055, 1055XL, 1056, 1056XL	87718442	3220450R94

FRICION DISC

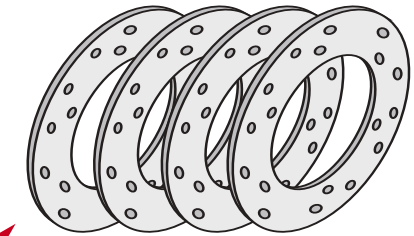
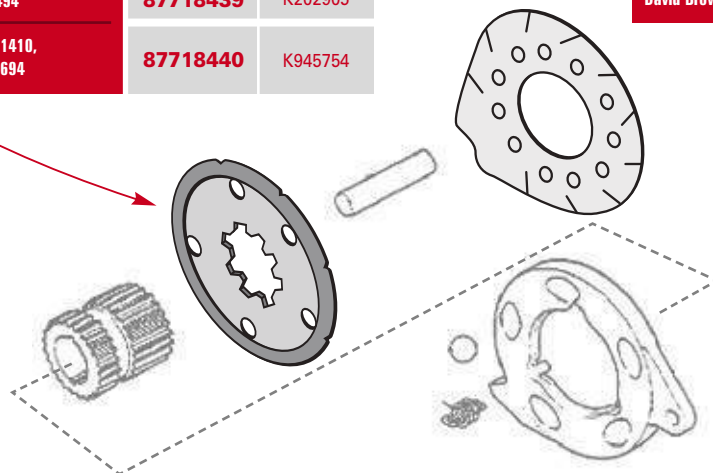
Disque de friction - Reibscheibe - Disco de fricción -
Disco di attrito - Disco de fricção - Frictieschijf - Friktionsskive

David Brown 2WD: 1490, 1494	87718439	K202905
David Brown: 1210, 1212, 1410, 1412, 1494, 1594, 1690, 1694	87718440	K945754

INTERMEDIATE DISC

Disque intermédiaire - Zwischenscheibe - Disco intermedio
Disco intermedio - Disco intermédio - Tussenschijf
Mellemliggende skive

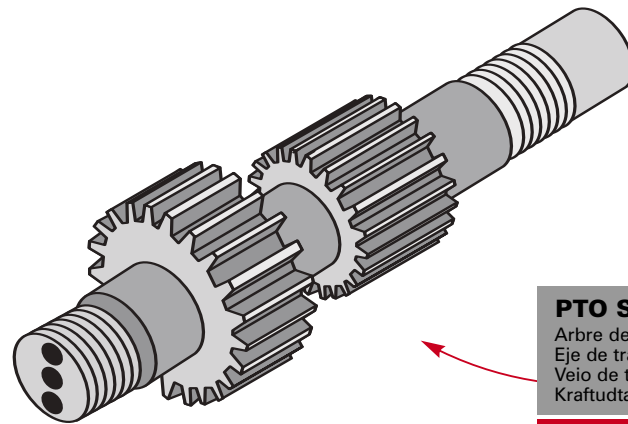
David Brown: 1490, 1690 2WD **B513888** K200550



BRAKE DISC KIT (SET OF 4 WITH RIVETS)

Kit de disque de frein (jeu de 4 avec rivets)
Brems Scheibensatz (satz mit 4 stück mit nieten)
Kit de disco de freno (conjunto de 4 con remaches)
Kit dischi freni (set da 4 con rivetti)
Kit de discos de travão (conjunto de 4 com rebites)
Remschijfset (set van 4 met klinknagels)
Bremseskivesæt (sæt med 4 med nitter)

Case IH: 523, 624, 433, 533, 633, 733, 614, 624, 654, 724, 824 **B513887** 3069460R91



PTO SHAFT

Arbre de PDF - Zapfwellenantriebswelle
Eje de transmisión de TDF - PTO Albero
Veio de transmissão da TDF - Aandrijfas van de aftakas
Kraftudtags drivaksel

5120, 5130, 5140, 5150, MX80C,
MX90C, MX100C, MX100, MX110,
MX120, MX135, MX150, MX170

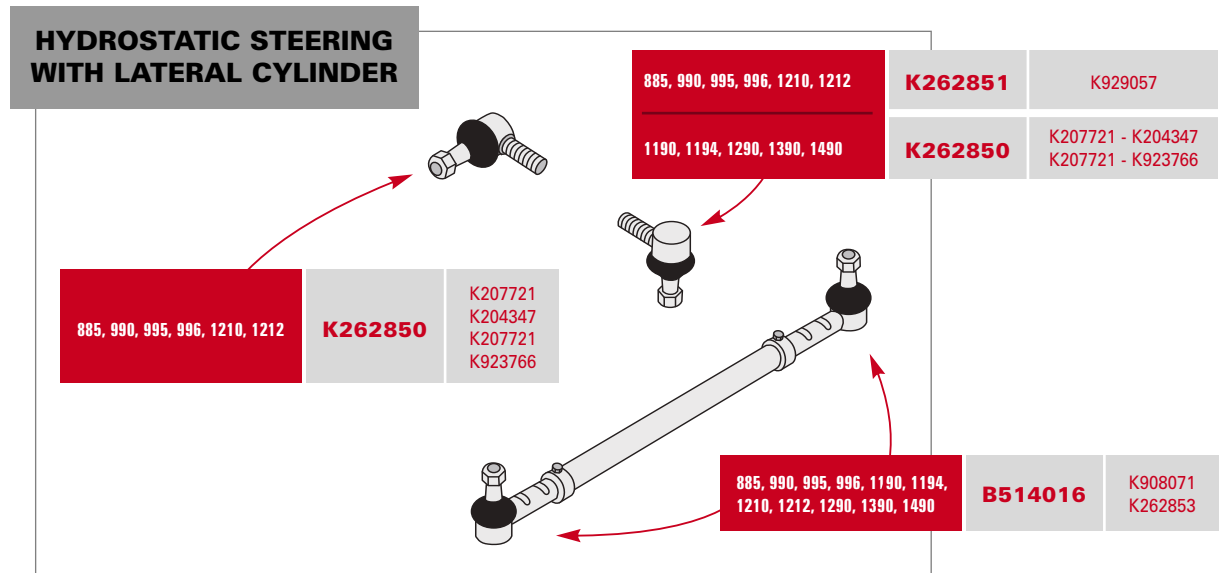
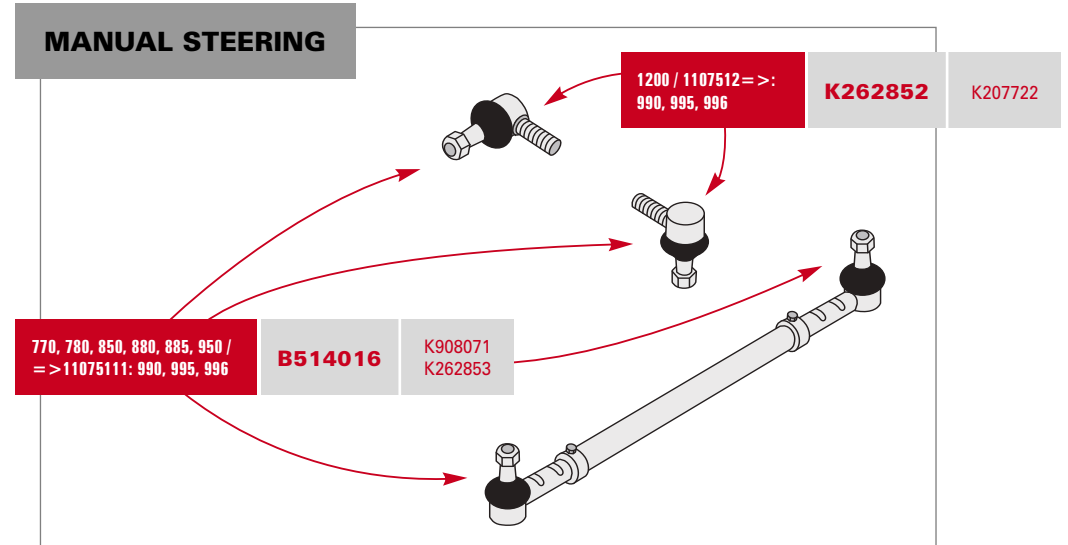
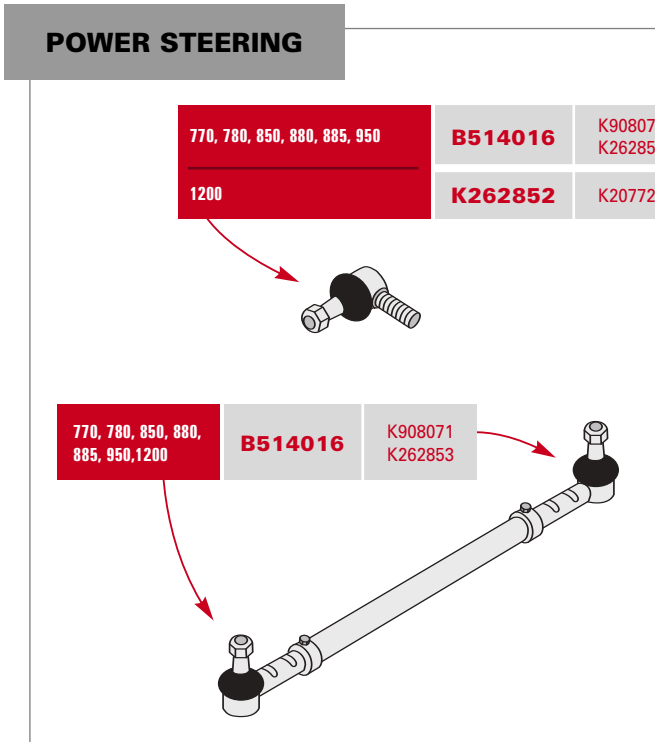
87714367

1995034C1
226823A1



Steering parts Tie Rods

Pièces direction • Teile der lenkung • Partes de la dirección • Componenti Volante
• Peças da direcção • Stuurinrichtingsonderdelen • Styretøjsdele

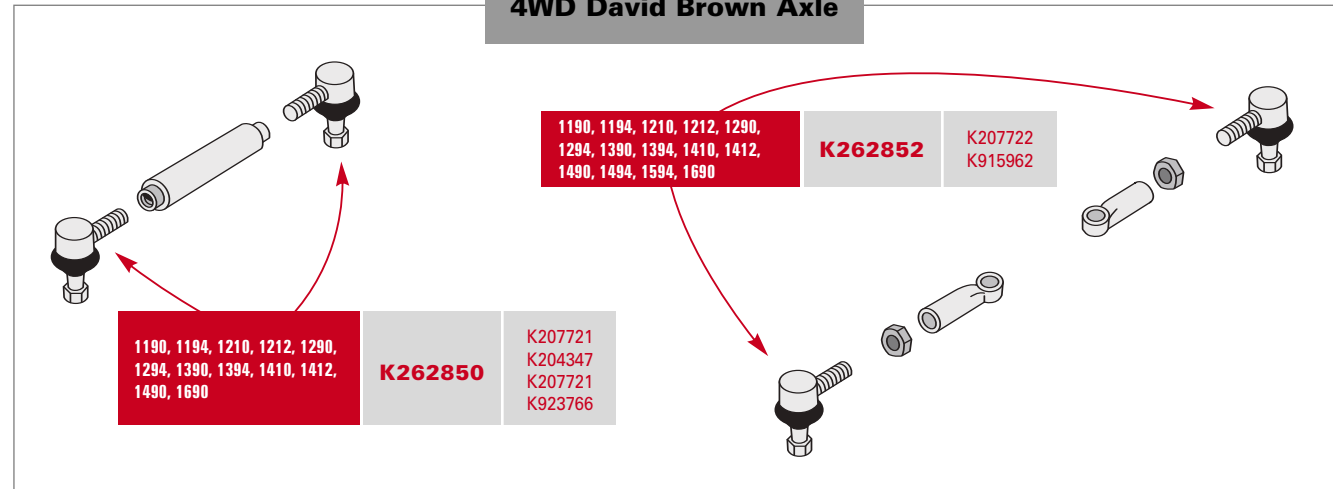




Steering parts Tie Rods

Pièces direction • Teile der lenkung • Partes de la dirección • Componenti Volante
• Peças da direcção • Stuurinrichtingsonderdelen • Styretøjsdele

4WD David Brown Axle



4WD Carraro Axle

990, 995, 996, 1290, 1390, 1490	B514028	K965269
1394, 1494, 1594, 1690, 1690T, 1694	87714422	K262981 - K260250 K262808 - K262887 K88482

990, 995, 996, 1290, 1390, 1490	B514029	K965270
1394, 1494, 1594, 1690, 1690T, 1694	87714495	K262982 - K260254 K262888 - K262809

4WD CASE POCLAIN

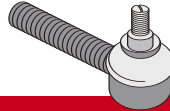
580F, 580G	87714422	K262981 - K260250 - K262808 K262887 - K88482
	87714495	K262982 - K260254 K262888 - K262809



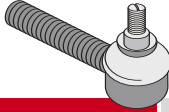
Steering parts Tie Rods

Pièces direction • Teile der lenkung • Partes de la dirección • Componenti Volante
• Peças da direcção • Stuurinrichtingsonderdelen • Styretøjsdele

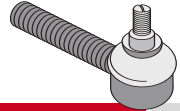
2WD MANUAL STEERING - EU Made



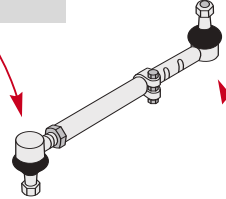
323, 353, 423	B514019	3131016R1
523, 553, 624, 724	B514017	3058207R92
433, 533, 554, 633, 644, 733, 743, 744, 844, 844S	B514018	3147510R1



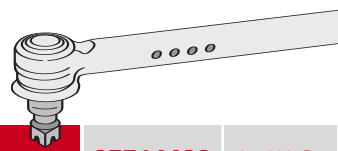
323, 353, 423, 523, 553, 624, 724	B514032	3058214R91
433, 533, 554, 633, 644(=>010667), 733, 743, 744(=>008669), 844(=>005275), 844S(=>010502)	87714417	3148926R1
644(010668=>), 743, 744(008670=>), 844(005276=>), 844S(010501=>)	87714420	3223997R1



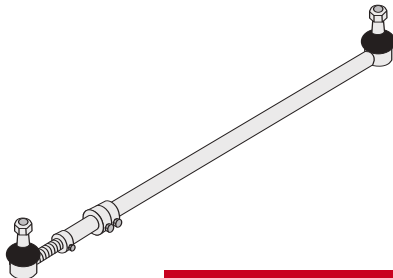
212, 242, 323, 353, 423	87714430	3131021R2
----------------------------	-----------------	-----------



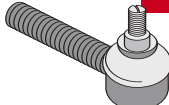
323, 353, 423, 523, 553, 624, 724	B514024	3058213R91
733	B514025	3401843R1
433, 533, 554, 633, 644 (=>010067), 743, 744 (=>008669), 844 (=>005275), 844S (=>010500)	87714428	3148923R1



433, 533, 554, 633, 733	87714433	3148925R1
644, 743, 744, 844, 844S	B514015	3147525R1



D320, D322, D324, D326, D430, D432, D436, D439, D440	87714432	717678R91 716195R91
---	-----------------	------------------------

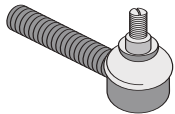




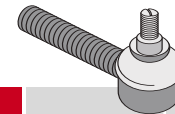
Steering parts Tie Rods

Pièces direction • Teile der lenkung • Partes de la dirección • Componenti Volante
• Peças da direcção • Stuurinrichtingsonderdelen • Styretøjsdele

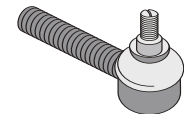
2WD MANUAL STEERING - UK Made



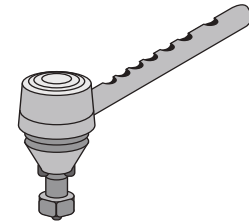
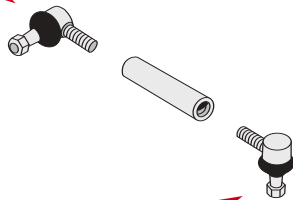
258, 385, 454, 474, 484, 485, 485XL, 574, 584, 585, 585XL, 595, 674, 684, 685, 685XL, 695, 784, 785XL, 884, 885, 895, 995, 2500, 3230, 4210, 4230, 4240, C50, C60, C70, C80, C90, 84-Hydro	87714415	527658R91
275, 276, 354, 374, 384, 414, 434, 444	87714413	3071056R91 3040922R92



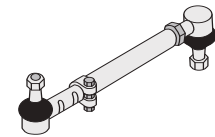
385, 395, 454, 474, 475, 484, 485, 495, 574, 584, 585, 595, 674, 684, 685, 685XL, 695, 695XL, 784, 785, 785XL, 795XL, 884, 885, 885XL, 895, 895XL	B514030	3116407R2
275, 276, 354, 374, 384, 414, 434, 444	87714414	3040920R92 3071097R91



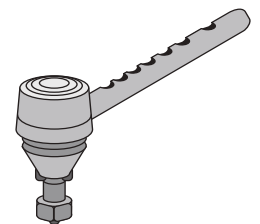
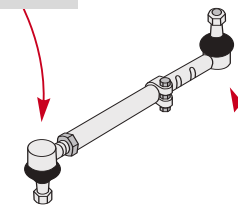
275, 276, 354, 374, 384, 414, 434, 444	B514014	3045309R91
685XL, 695XL, 785XL, 795XL, 885XL, 895XL	B514038	3141529R91



685XL, 695XL, 785XL, 795XL, 885XL, 895XL	B514023	3125171R1
--	----------------	-----------



684, 685, 595, 695, 784, 785, 884, 885, 895	B514023	3125171R1
Case-IH: 323, 353, 423, 523, 553, 624, 724	B514021	3116406R2
Case-IH: 733	B514020	3040919R92



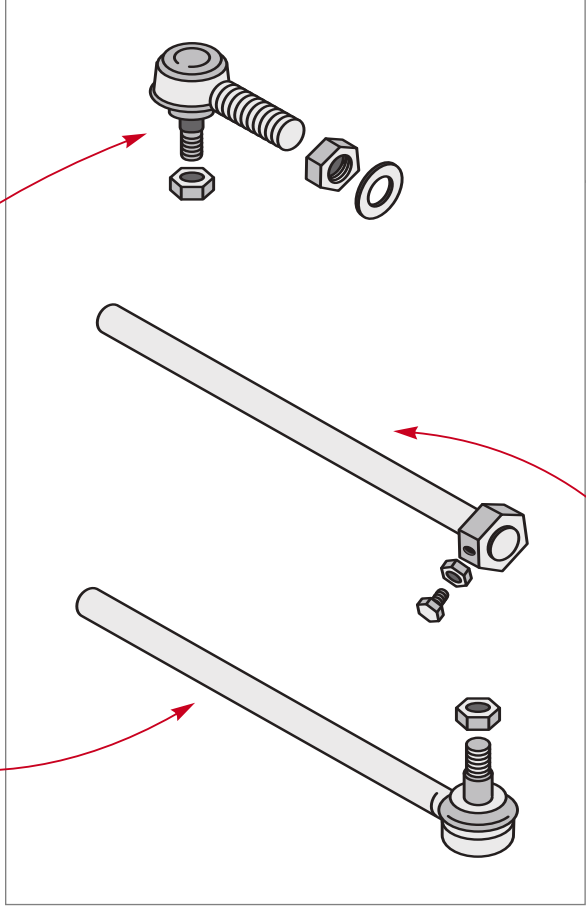


Steering parts Tie Rods

Pièces direction • Teile der lenkung • Partes de la dirección • Componenti Volante
• Peças da direcção • Stuurinrichtingsonderdelen • Styretøjsdele

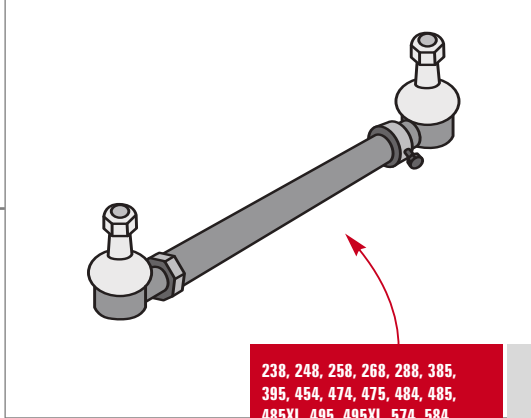
2WD MANUAL STEERING - UK Made

ADJUSTABLE TIE ROD



238, 248, 258, 395, 495, 495XL, 595, 595XL, 695, 895, 995, 3210, 3220, 3230, 4210, 4220, 4230, 4240, C50, C60, C70, C80, C90, CX50, CX60, CX70, CX80, CX90, CX100, MX80C, MX90C, MX100C	87714468	1537872C1
---	-----------------	-----------

238, 248, 258, 268, 288, 395, 495, 495XL, 595, 595XL, 695, 695XL, 795, 795XL, 895, 895XL, 995XL, 3210, 3220, 3230, 4210, 4220, 4230, 4240, C50, C60, C70, C80, C90, CX50, CX60, CX70, CX80, CX90, CX100, MX80C, MX90C, MX100C	87714422	1332805C2
---	-----------------	-----------



238, 248, 258, 268, 288, 395, 395, 454, 474, 475, 484, 485, 485XL, 495, 495XL, 574, 584, 585, 585XL, 595, 595XL, 674, 684, 685, 685XL, 695, 695XL, 784, 785, 785XL, 795, 795XL, 884, 885, 885XL, 895, 895XL, 995XL	87714466	1538016C1 3116321R93 3113665R91 527497R91 527807R92
--	-----------------	---

268, 278, 288, 485XL, 495XL, 584, 585, 585XL, 595XL, 684, 685, 685XL, 695, 695XL, 784, 785, 795XL, 884, 885, 885XL, 895, 895XL, 995XL, 84 Hydro	87714447	3125172R1
238, 248, 258, 268, 288, 395, 395, 454, 475, 484, 485, 485XL, 495, 495XL, 574, 584, 585, 585XL, 595, 595XL, 674, 684, 685, 685XL, 695, 695XL, 784, 785, 785XL, 795, 795XL, 884, 885, 895, 895XL, 995XL, 2400, 2500, 84 Hydro	87714465	3116408R1

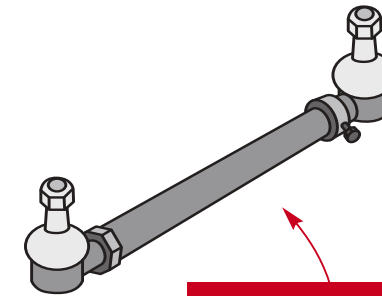
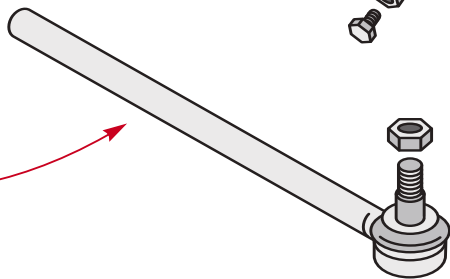
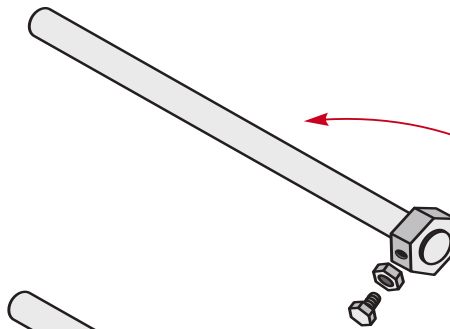
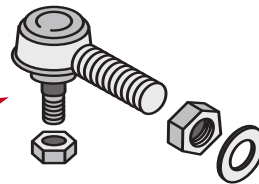


Steering parts Tie Rods

Pièces direction • Teile der lenkung • Partes de la dirección • Componenti Volante
• Peças da direção • Stuurinrichtingsonderdelen • Styretøjsdele

AJUSTABLE STRAIGHT AXLE

ADJUSTABLE TIE ROD



238, 248, 258, 395, 495, 495XL, 595, 595XL, 695, 895, 995, 3210, 3220, 3230, 4210, 4220, 4230, 4240, C50, C60, C70, C80, C90, CX50, CX60, CX70, CX80, CX90, CX100, MX80C, MX90C, MX100C

87714468 1537872C1

International: 544, 666, 686, 756, 766, 786, 826, 856, 966, 986, 1026, 1066, 1086, 1466, 1468, 1486, 1566, 1568, 1586, 2544, 2756, 2826, 3088, 3288, 3488, 3688, 4100, 4156, 4166, 4186, 5088, 5288, 5488, 21026, Hydro70, Hydro86, Hydro100, Hydro186 / Farmall: 656, 756, 826, 1456 / Case-IH Cotton Picker: 1822, 2022

87714444 384006R92

International: 544, 666, 686, 756, 766, 786, 886, 966, 986, 1066, 1086, 1466, 1468, 1486, 1566, 1568, 1586, 3088, 3288, 3488, 3688, 5088, 5288, 5488, Hydro70, Hydro86, Hydro100, Hydro186 / Case-IH Cotton Picker: 1822, 2022

87714445 359984R93

238, 248, 258, 268, 288, 395, 495, 495XL, 595, 595XL, 695, 695XL, 795, 795XL, 895, 895XL, 995XL, 3210, 3220, 3230, 4210, 4220, 4230, 4240, C50, C60, C70, C80, C90, CX50, CX60, CX70, CX80, CX90, CX100, MX80C, MX90C, MX100C

87714422 1332805C2

238, 248, 258, 268, 288, 385, 395, 454, 474, 475, 484, 485, 485XL, 495, 495XL, 574, 584, 585, 585XL, 595, 595XL, 674, 684, 685, 685XL, 695, 695XL, 784, 785, 785XL, 795, 795XL, 884, 885, 885XL, 895, 895XL, 995XL

87714466

1538016C1
3116321R93
3113665R91
527497R91
527807R92

268, 278, 288, 485XL, 495XL, 584, 585, 585XL, 595XL, 684, 685, 685XL, 695, 695XL, 784, 785, 795XL, 884, 885, 885XL, 895, 895XL, 995XL, 84Hydro

87714447 3125172R1

238, 248, 258, 268, 288, 385, 395, 454, 475, 484, 485, 485XL, 495, 495XL, 574, 584, 585, 585XL, 595, 595XL, 674, 684, 685, 685XL, 695, 695XL, 784, 785, 785XL, 795, 795XL, 884, 885, 895, 895XL, 995XL, 2400, 2500, 84Hydro

87714465 3116408R1

International: 544, 666, 686, 706, 756, 766, 786, 826, 856, 886, 966, 986, 1026, 1066, 1086, 1256, 1466, 1468, 1486, 1566, 1568, 1586, 2544, 2706, 2826, 2856, 3088, 3288, 3488, 3688, 5088, 5288, 5488, 21026, 21206, 21256, Hydro70, Hydro86, Hydro100, Hydro186 / Farmall: 544Gas, 656, 706, 756, 806, 826, 1206, 1456 / Case-IH Cotton Picker: 1822, 2022

87714446 383917R1

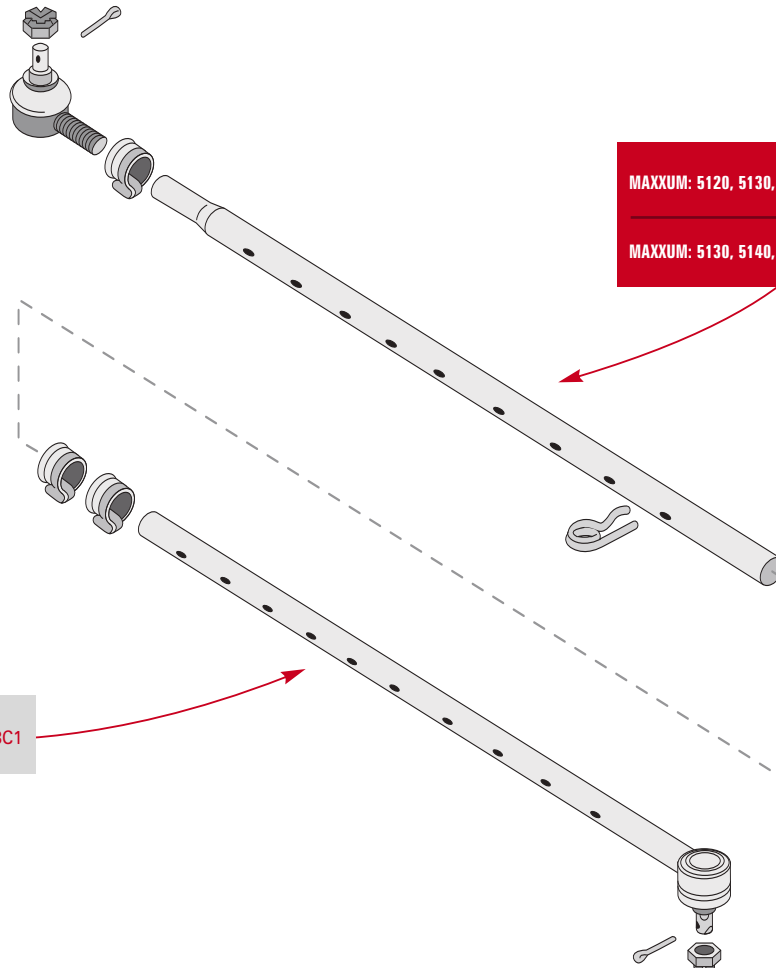


Steering parts Tie Rods

Pièces direction • Teile der lenkung • Partes de la dirección • Componenti Volante
• Peças da direcção • Stuurinrichtingsonderdelen • Styretøjsdele

MAXXUM AXLE EXTENSION

AXLE EXTENSION



MAXXUM: 5120, 5130, 5140, 5220, 5230, 5240, 5250	87714457	1531204C1
--	-----------------	-----------

MAXXUM: 5120, 5130, 5140, 5220, 5230, 5240, 5250	87714461	1531201C1
MAXXUM: 5130, 5140, 5230, 5240, 5250	87714455	1534224C1

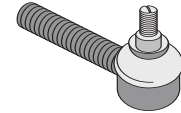
MAXXUM: 5120, 5130, 5140, 5220, 5230, 5240, 5250	87714456	1531203C1
--	-----------------	-----------



Steering parts Tie Rods

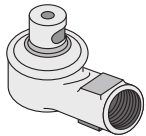
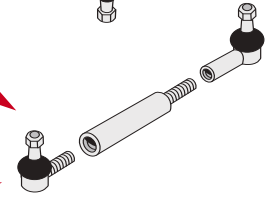
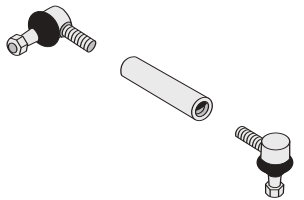
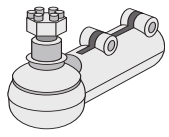
Pièces direction • Teile der lenkung • Partes de la dirección • Componenti Volante
• Peças da direcção • Stuurinrichtingsonderdelen • Styretøjsdele

2WD POWER STEERING - EU Made

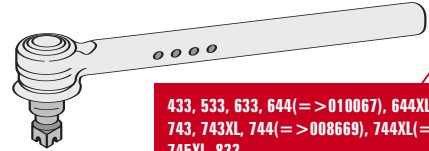


523, 624, 724	B514036	3059432R1
433, 533, 633, 644, 644XL, 733, 743, 743XL, 744, 744XL, 745, 745XL, 833, 946, 955, 956, 1046, 1055, 1056, 1246, 1255, 1255XL	B514037	3141530R91
856 / Front Axle =>1518: 844, 844XL, 844S, 845, 845XL / Heavy duty axle: 946, 955, 956, 1046, 1055, 1056, 1246, 1255, 1255XL	B514040	3224265R92

Heavy duty axle: 856, 946, 955, 956, 1046, 1055, 1056, 1246, 1255, 1255XL	B514035	3233186R91
---	----------------	------------

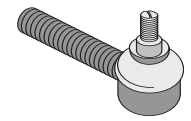


433, 440, 533, 540, 553, 633, 640, 644, 644XL, 654, 724, 733, 740, 743, 743XL, 744, 744XL, 745, 745XL, 824, 833, 946, 955, 956, 1046, 1055, 1056, 1246, 1255, 1255XL	87714423 diam. 20mm	3141532R93
644, 644XL, 743XL, 743XL, 744, 744XL, 745, 745XL, 856, 946, 955, 956, 1046, 1055, 1056, 1246, 1255, 1255XL / Front Axle =>1518: 844, 844XL, 844S, 845, 845XL	87714421 diam. 22mm	3224266R92



433, 533, 633, 644(=>010067), 644XL(=>010067), 733, 743, 743XL, 744(=>008669), 744XL(=>008669), 745, 745XL, 833	B514026	3217563R1
644(010068=>), 644XL(010068=>), 743, 743XL, 744(008670=>), 744XL(008670=>), 745, 745XL, 856 / Front Axle =>1518: 844, 844XL, 844S, 845, 845XL	87714427	3223996R1
946, 955(=>001422), 1046, 1055(=>001484), 1246(001636=>012932)	B514027	3148929R1
955(001423=>), 955XL, 956, 956XL, 1055(001485=>), 1055XL, 1056, 1056XL / Heavy Duty: 946, 1	87714474	3224261R1

433, 533, 633, 733, 833, 644, 644XL, 743, 743XL, 744, 744XL, 745, 745XL, 833, 844, 844S, 844XL, 845, 845XL, 946, 955, 956, 1046, 1055, 1056, 1246, 1255, 1255XL	87714417	3148926R1
644, 644XL, 743, 743XL, 744, 744XL, 745, 745XL, 745S, 844, 844S, 844XL, 845, 845XL, 856, 946, 955, 956, 1046, 1055, 1056, 1246, 1255, 1255XL	87714420	3223997R1
Heavy duty axle: 856, 946, 955, 956, 1046, 1055, 1056, 1246, 1255, 1255XL	87714419	3232877R92





Steering parts Tie Rods

Pièces direction • Teile der lenkung • Partes de la dirección • Componenti Volante
• Peças da direcção • Stuurinrichtingsonderdelen • Styretøjsdele

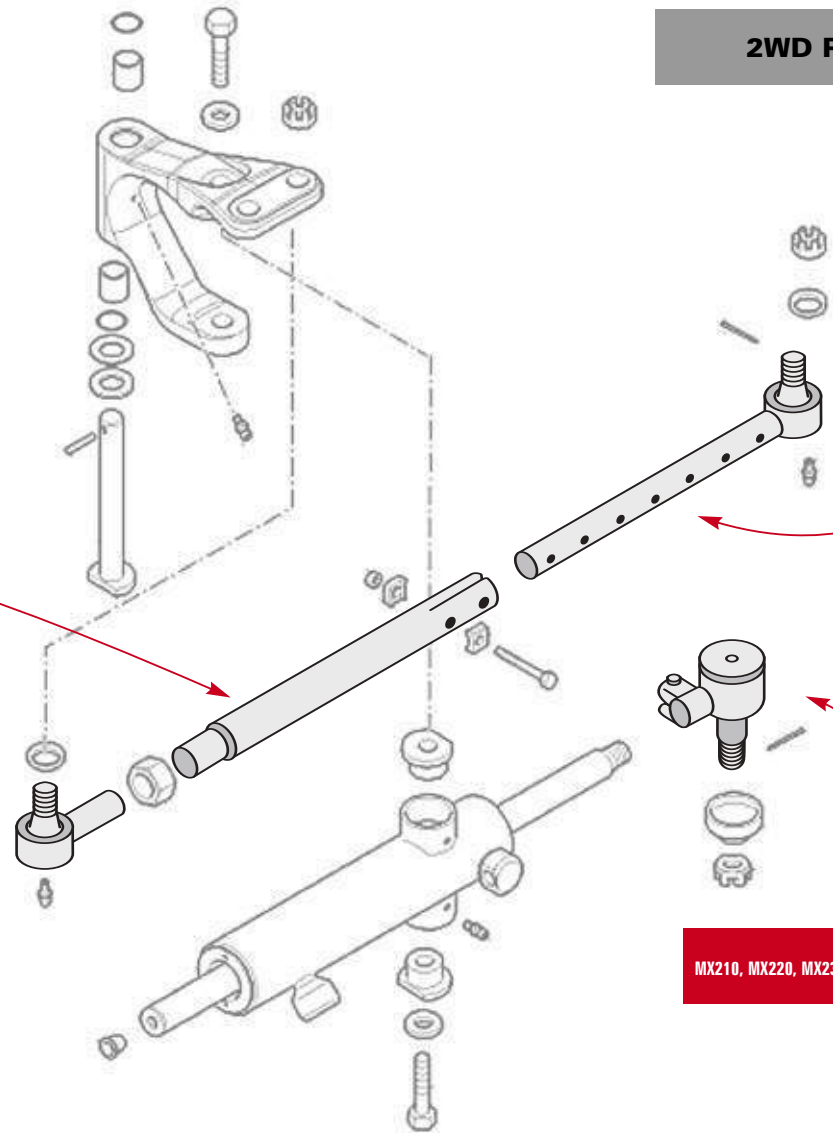
2WD POWER STEERING - Others

<p>Case IH Cotton Machines: 420, CPX420, 1800, 1844, 2022, 2044, 2055, 2155, 2555 / International Tractors: 5088, 5288, 5488 / Magnum: 7110, 7120, 7130, 7140, 7150, 7230, 7240, 7250, 8910, 8920, 8930, 8940, 8950 / MX series: MX100, MX110, MX120, MX135, MX150, MX170, MX180, MX200, MX220, MX240, MX270</p>	87714454	1280657C1
--	-----------------	-----------

<p>Case IH Cotton Machines: 1800, 1844, 2022, 2044, 2055, 2155, 2555 / International Tractors: 5088, 5288, 5488 / Magnum: 7110, 7120, 7130, 7140, 7150, 7230, 7240, 7250, 8910, 8920, 8930, 8940, 8950 / MX series: MX100, MX110, MX120, MX135, MX150, MX170, MX180, MX200, MX220, MX240, MX270</p>	87714452	1280658C1 406054A1
---	-----------------	-----------------------

<p>Case IH Cotton Machines: 1800, 1844, 2022, 2044, 2055, 2155, 2555 / International Tractors: 5088, 5288, 5488 / Magnum: 7110, 7120, 7130, 7140, 7150, 7230, 7240, 7250, 8910, 8920, 8930, 8940, 8950 / MX series: MX100, MX110, MX120, MX135, MX150, MX170, MX180, MX200, MX220, MX240, MX270</p>	87714453	1280662C1 406053A1
---	-----------------	-----------------------

<p>MX210, MX220, MX230, MX240, MX255, MX270, MX285</p>	87714477	435664A1 292562A1
--	-----------------	----------------------

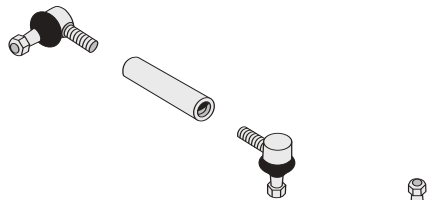
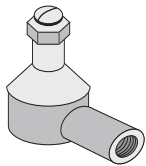
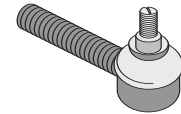




Steering parts Tie Rods

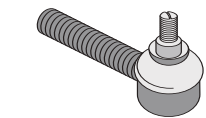
Pièces direction • Teile der lenkung • Partes de la dirección • Componenti Volante
• Peças da direcção • Stuurinrichtingsonderdelen • Styretøjsdele

4WD POWER STEERING - EU Made

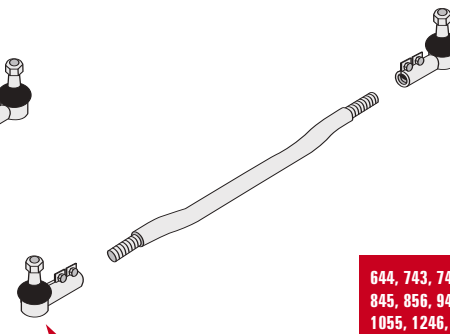


433(=>002918), 533(=>003405), 633(=>003668), 733, 833 / Front Axle =>1518: 946, 1046, 1246	87714429	3141531R91
644, 743, 744, 745, 844, 844S, 845, 856, 946, 1046, 1246	B514041	3146035R93
946, 955, 955XL, 956, 956XL, 1046, 1055, 1055XL, 1056, 1056XL, 1246, 1255, 1255XL, 1455, 1455XL	87714424	3221271R91 3221271R95
644(010068=>), 743, 744(008670=>), 844(005276=>), 844S(010501=>)	87714431	3221932R92

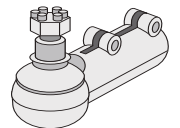
946, 955, 955XL, 956, 956XL, 1046, 1055, 1055XL, 1056, 1056XL, 1246, 1255, 1255XL, 1455, 1455XL	87714426	3221270R91
433(002919=>), 533(003406=>), 633(003669=>), 733, 833	B514039	3221931R91
433(=>002918), 533(=>003405), 633(003668=>), 644, 733, 743, 744, 745, 833, 844, 844S, 845, 856, 946, 1046, 1246	B514038	3141529R91



644, 733, 743, 744, 745, 844, 844S, 845, 856	B514033	3217279R1
955, 955XL, 956, 956XL, 1055, 1055XL, 1056, 1056XL, 1255, 1255XL, 1455, 1455XL	87714418	3230364R1



644, 743, 744, 745, 844, 844S, 845, 856, 946, 955, 956, 1046, 1055, 1246, 1255, 1255XL, 1455, 1455XL	B514034 140mm	3146733R1
955, 956, 1055, 1056, 1255, 1255XL, 1455, 1455XL / Heavy duty axle: 946, 1046, 1246	87714416 150mm	3140943R1

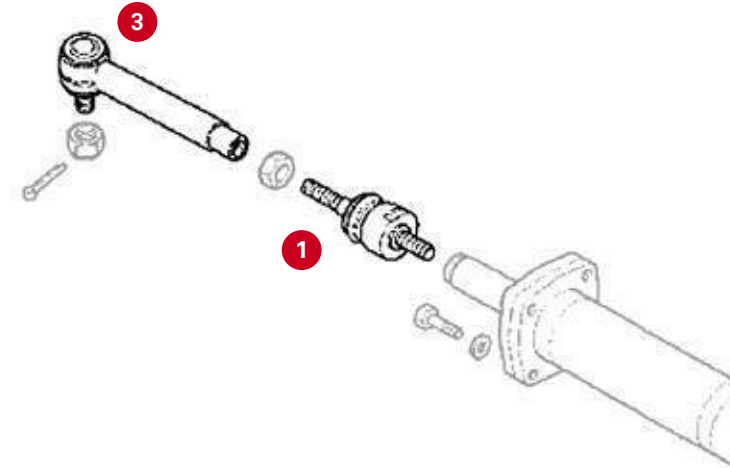




Steering parts Tie Rods

Pièces direction • Teile der lenkung • Partes de la dirección • Componenti Volante
• Peças da direcção • Stuurinrichtingsonderdelen • Styretøjsdele

4WD STEERING COUPLINGS



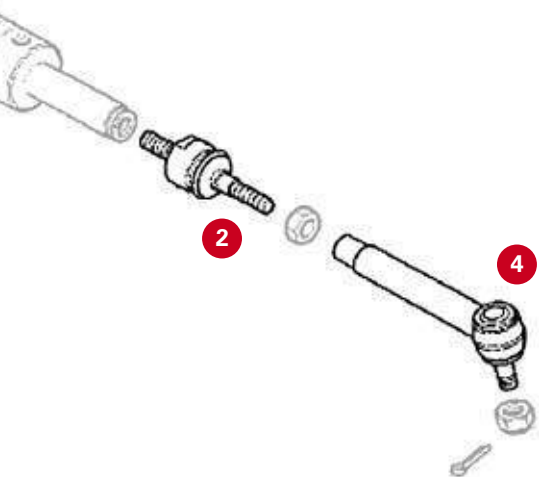
Left hand 1			Right hand 2	
1968463C1 1968468C1	87714490	ZF central axle APL330, APL335, APL345: 385, 395, 485, 585, 595, 685, 695, 743, 744, 745, 785, 795, 844, 845, 885, 895, 956, 1056	87714490	1968463C1 1968468C1
1966125C1 1-33-743-604	87714489	4WD CARRARO / SIGE: 238, 248, 258, 268, 288, 395, 495, 495XL, 595, 595XL, 695, 695XL, 795, 795XL, 895, 995, 995XL, 3210, 3220, 3230, 4210, 4220, 4230, 4240, 2120Narrow, 2130Narrow, 2140Narrow, 2150Narrow, C50, C60, C70, C80, C90, MX80C, MX90C, MX100C	87714488	1966127C1 1-33-743-602 1-33-741-675
1966125C1 1-33-743-604	87714489	4WD CARRARO / SIGE: CX50, CX60, CX70, CX80, CX90, CX100	87714489	1966125C1 1-33-743-604
1966127C1 1-33-743-602 1-33-741-675	87714488	STEYR: 9078, 9086, 9094	87714489	1966125C1 1-33-743-604
1-33-743-613	87714435	STEYR: 9125, 9145 / 1st serie: 9105, 9115	87714435	1-33-743-613
1966127C1 1-33-743-602 1-33-741-675	87714488	CASE/IH: CS48, CS58 / STEYR: M948, M958	87714488	1966127C1 1-33-743-602 1-33-741-675
354731A1	87714476	Case IH: CS78, CS80, CS86, CS90, CS94 / STEYR: 9080M, 9090M, 9100M, M9078, M9086, M9094	87714476	354731A1
1-33-743-011	87718416	STEYR: 964, 970, M948, M952, M958, M963, M968, M975 / CASE/IH: C64, C70, CS48, CS52, CS58, CS63, CS68, CS75	87718416	1-33-743-011
N14377	87714487	MX: MX80C, MX90C, MX100, MX100C, MX110, MX120, MX135, MX150, MX170	87714487	N14377
N14388	87714486	MAXXUM: 5120, 5130, 5140, 5150, 5220, 5230, 5240, 5250	87714487	N14377



Steering parts Tie Rods

Pièces direction • Teile der lenkung • Partes de la dirección • Componenti Volante
• Peças da direcção • Stuurinrichtingsonderdelen • Styretøjsdele

4WD STEERING COUPLINGS



Left hand 3			Right hand 4	
137048A1 1537612C1	87714491	4WD CARRARO / SIGE: 238, 248, 258, 268, 288, 395, 495, 495XL, 595, 595XL, 695, 695XL, 795, 795XL, 895, 995, 995XL, 3210, 3220, 3230, 4210, 4220, 4230, 4240, C50, C60, C70, C80, C90, MX80C, MX90C, MX100C	87714492	137047A1 1537611C1
137048A1 1537612C1	87714491	4WD CARRARO / SIGE: CX50, CX60, CX70, CX80, CX90, CX100	87714491	137048A1 1537612C1
1968469C1	87714475	956, 956XL, 1056, 1056XL	87714480	1968473C1
1968464C1	87714412	ZF central axle APL330, APL335, APL345: 385, 395, 485, 585, 595, 685, 695, 743, 744, 745, 785, 795, 844, 845, 885, 895, 956, 1056	87714412	1968464C1
126144A1 153326693	87714493	MAXXUM: 5120, 5130, 5140, 5150, 5220, 5230, 5240, 5250 STEYR: 8110, 8130	87714497	126145A1
135824A1 299935A1	87714483	Case IH: CS48, CS52, CS58, CS63 STEYR: M948, M952, M958, M963	87714483	135824A1 299935A1
354730A1	87714478	Case IH: CS78, CS80, CS86, CS90, CS94 / STEYR: 9080M, 9090M, 9100M, M9078, M9086, M9094	87714478	354730A1
135823A1 133741674	87714484	CASE/IH: CS48, CS58 / STEYR: M948, M958	87714484	135823A1 133741674
411904A1 133743611	87714434	Case IH: CS100, CS110, CS120, CS130, CS150, MX150, MX170 STEYR 1st serie: 9105, 9115, 9125, 9145	87714434	411904A1 133743611
1-33-743-603	87714441	CASE IH: CS78, CS86, CS94 / STEYR: M968, M975, 9078, 9086, 9094	87714441	1-33-743-603
1-33-743-619	87714443	CASE IH: CS130, CS150 STEYR 2nd serie: 9125, 9145	87714442	1-33-743-617
1-33-743-010	87718415	STEYR: 964, 970, M948, M952, M958, M963, M968, M975 / CASE/IH: C64, C70, CS48, CS52, CS58, CS63, CS68, CS75	87718415	1-33-743-010



Steering parts Tie Rods

Pièces direction • Teile der lenkung • Partes de la dirección • Componenti Volante
• Peças da direcção • Stuurinrichtingsonderdelen • Styretøjsdele

4WD POWER STEERING - Others

Left hand			Right hand	
1277452C1 DANA070TR114	87714451	MAGNUM: 7110, 7120, 7130, 7140, 7150	87714449	1277451C1

MAGNUM: 7110, 7120, 7130, 7140, 7150	87714450	1969842C1
---	-----------------	-----------

Left hand			Right hand	
302643A1	87714482	MAGNUM: MX180, MX200, MX210, MX220, MX230, MX240, MX255, MX270, MX285	87714481	302645A1
128609A1	87714448	MAGNUM: 7110, 7120, 7130, 7140, 7150, 7210, 7220, 7230, 7240, 7250, 8910, 8920, 8930, 8940, 8950	87714459	128604A1

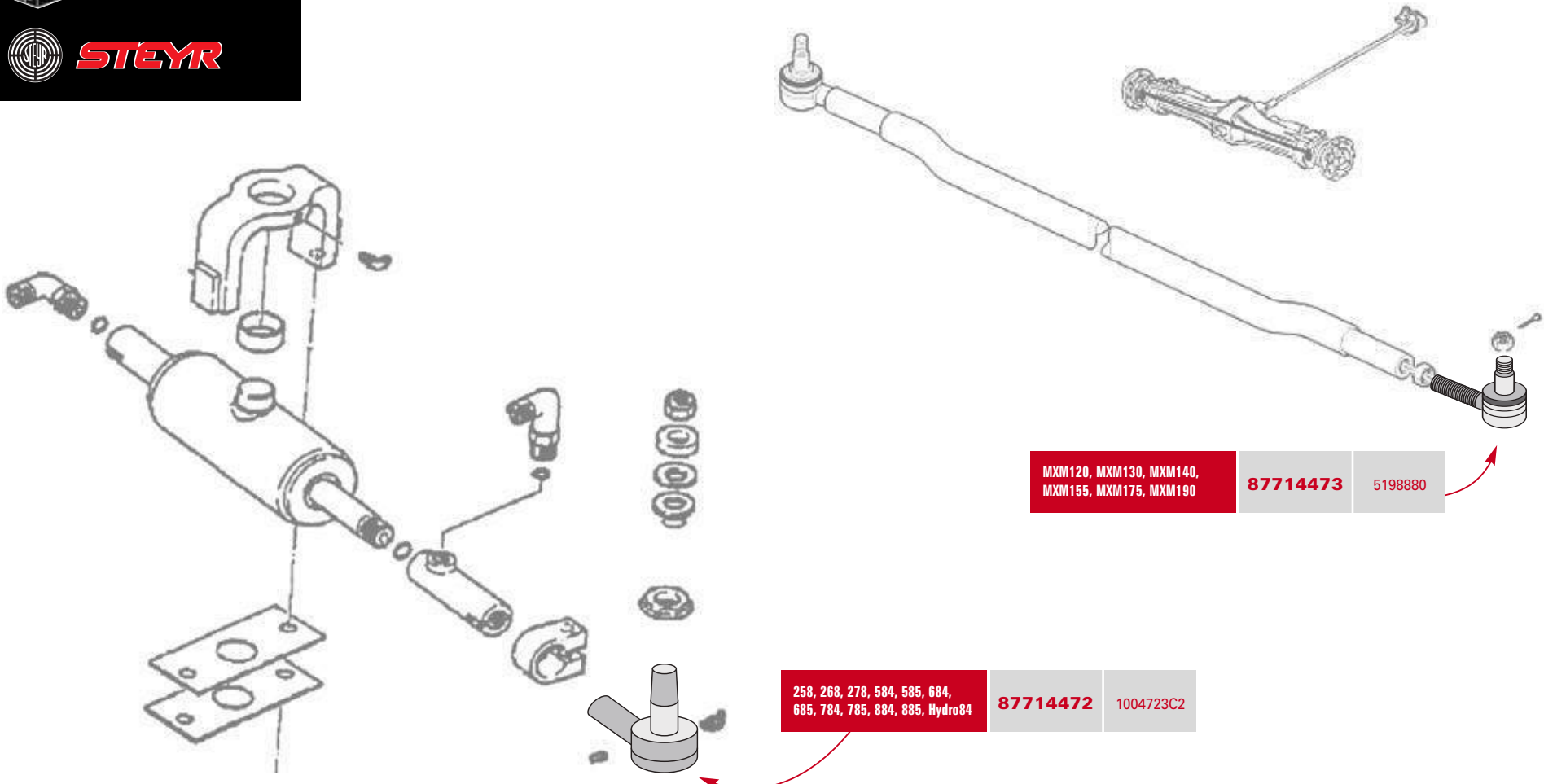
MAGNUM: 7210, 7220, 7230, 7240, 7250, 8910, 8920, 8930, 8940, 8950	87714458	247290A1
MAGNUM: 7110, 7120, 7130, 7140, 7150, 7210, 7220, 7230, 7240, 7250, 8910, 8920, 8930, 8940, 8950	87714460	128642A1



Steering parts Tie Rods

Pièces direction • Teile der lenkung • Partes de la dirección • Componenti Volante
• Peças da direcção • Stuurinrichtingsonderdelen • Styretøjsdele

4WD POWER STEERING - Others



MXM120, MXM130, MXM140,
MXM155, MXM175, MXM190

87714473	5198880
-----------------	---------

258, 268, 278, 584, 585, 684,
685, 784, 785, 884, 885, Hydro84

87714472	1004723C2
-----------------	-----------

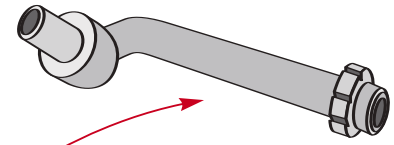
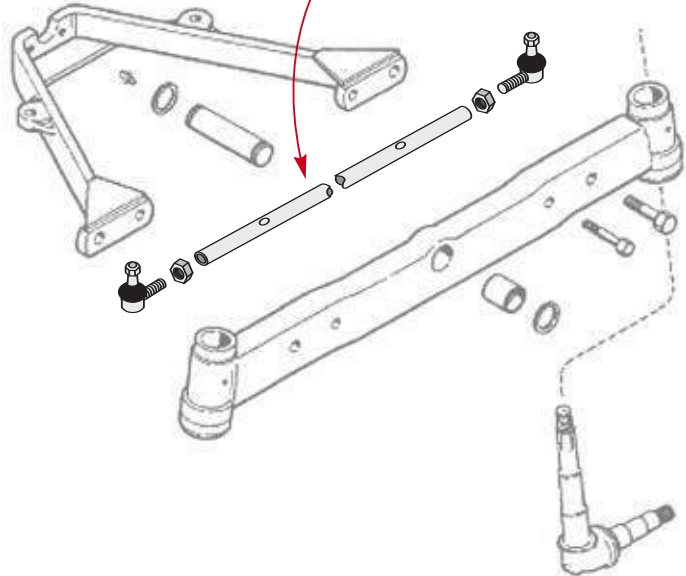


Steering parts Tie Rods

Pièces direction • Teile der lenkung • Partes de la dirección • Componenti Volante
• Peças da direcção • Stuurinrichtingsonderdelen • Styretøjsdele

OTHER TIE RODS

CASE 580 KING TRACTOR	87714462	A35567
CASE 580 KING TRACTOR	87714463	A39120
CASE KING BACKHOE LOADER 480C, 480D, 480F, 580C, 580D	87714464	D73397



Maxxum: 5220, 5230, 5240, 5250 / Case Backhoe Loader: 580K, 580SK	87714470	E49590
---	-----------------	--------

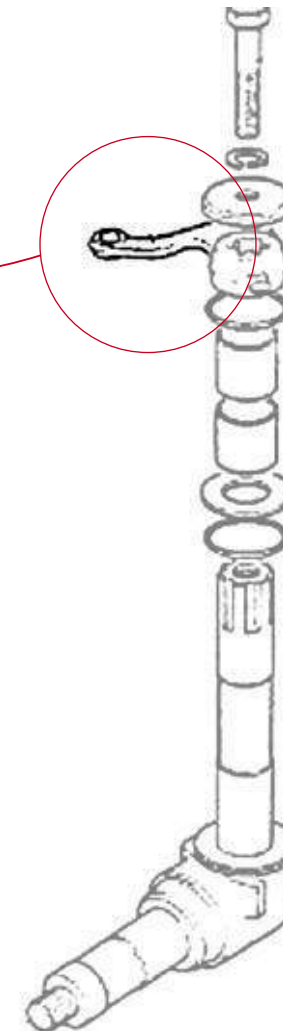
VARIOUS STEYR TIE RODS

STEYR: VARIOUS MODELS	87718409	1292 430737
	87718410	1292 430721
	87718411	520043003
	87718412	500430018
	87718413	1292 430738
	87718414	1292 430779
	87718417	1292 430718



Steering parts

Pièces direction • Teile der lenkung • Partes de la dirección • Componenti Volante
• Peças da direcção • Stuurinrichtingsonderdelen • Styretøjsdele



STEERING LEVER LH

Levier de direction côté gauche - Spurhebel links -
Palanca de dirección izquierda - Leva sinistra volante -
Alavanca de direcção, lado esquerdo - Stuurhefboom links -
Styrestang, venstre side

David Brown: 885, 990, 995, 996, 1190,
1194, 1290, 1294, 1390, 1394

87714411

K942524

STEERING LEVER RH

Levier de direction côté droit - Spurhebel rechts -
Palanca de dirección derecha - Leva sinistra volante -
Alavanca de direcção, lado direito - Stuurhefboom rechts -
Styrestang, højre side

David Brown: 885, 990, 995, 996, 1190,
1194, 1290, 1294, 1390, 1394

87714410

K942525



SPINDLE RH

Fusée droite - Spindel rechts - Cojinete derecho - Fuso DX -
Veio do lado direito - Spindel rechts - Spindel, højre side

644, 743, 744, 745, 844, 845, 946, 955,
956, 956XL, 1046, 1055, 1056, 1056XL,
1246

87714405
length 250 mm
diameter 40 mm

3140079R94
3405600R1

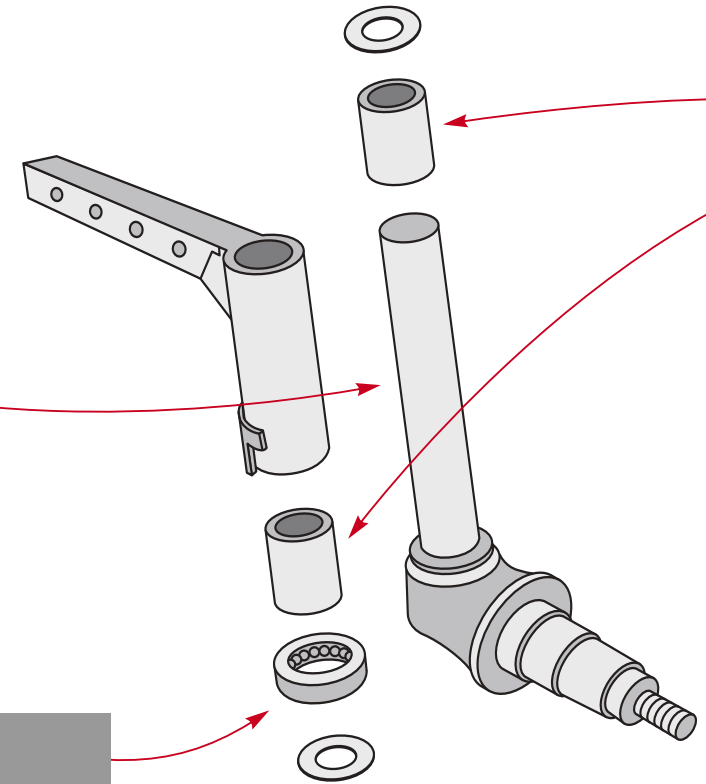
SPINDLE LH

Fusée gauche - Spindel links - Cojinete izquierdo - Fuso SX -
Veio do lado esquerdo - Spindel links - Spindel, venstre side

644, 743, 744, 745, 844, 845, 946, 955,
956, 956XL, 1046, 1055, 1056, 1056XL,
1246

87714406
length 250 mm
diameter 40 mm

3140078R94
3405599R1



HUB BEARING KIT

Kit de roulements pour moyeu de train avant - Nabenlagersatz
Kit de cojinete de vástago - Kit cuscinetti mozzo
Kit de rolamentos de cubo - Naaflagerset - Navleje-sæt

David Brown: 770, 780	KIT : A+B+C+D+E	B513970	K962984
David Brown: 850, 880, 885, 950, 990, 995, 996	KIT : A+B+C+D+E	B513971	K962985
Case-IH UK: 275, 276, 354, 374, 384, 414, 434	KIT : A+B+C+D+E	B513973	1094017R92

SPINDLE BEARING

Roulement de fusée - Lager - Cojinete
Cuscinetto - Chumaceira - Lager - Leje

Case IH UK: 275, 276, 354, 374, 384,
414, 434

B512659

3070055R91

Case-IH: 323, 353, 383, 423, 433
(=> 009581), 453, 523, 533
(=> 010654), 624, 633 (=> 015892),
644, 724, 743XL, 744, 745XL, 844XL,
844S, 845XL

B513976

3057058R91

Case-IH UK: 238, 248, 258, 268, 288,
385, 395, 454, 474, 475, 484, 485, 495,
574, 584, 585, 595, 674, 684, 685, 695,
784, 785, 795, 884, 885, 895, 995XL, 84,
3210, 3220, 3230, 4210, 4220, 4230,
4240

87714409

527295R91
185106C91

Front Axle parts

• Pièces essieu avant • Teile der vorderachse • Partes de eje delantero • Parti dell'assale anteriore
• Peças do eixo dianteiro • Voorsonderdelen • Dele til foraksel

UPPER AND LOWER BUSH

Bague supérieure et inférieure de fusée - Obere und untere Buchse
Casquillo superior e inferior - Boccia superiore e inferiore
Casquilho superior e inferior - Bovenste en onderste bus
Øverste og nederste bøsning

Case-IH: 523, 624, 644, 724, 743, 744, 745,
844, 844S, 844XL, 845, 845XL, 856, 946, 955,
956, 956XL, 1046, 1055, 1056, 1056XL, 1246

B513975

3057051R1

OIL SEAL

Bague d'étanchéité pour train avant - Öldichtung - Junta de
aceite - Paraolio - Vedante de óleo - Oliekeerring - Pakdåse

Case-IH UK: 275, 276, 354, 374, 384, 414, 434

B512666

704083R92

Case-IH UK: 275, 276, 354, 374, 384, 414, 434

B512667

50259D

Case IH: 523, 624, 724

B513974

3057057R91

FRONT HUB

Moyeu de train avant - Vordere nabe - Cubo delantero
Mozzo anteriore - Cubo dianteiro - Voornaaf - Forreste nav

Case-IH: 644, 743, 744, 745, 844, 844S,
844XL, 845, 845XL, 856, 946, 955, 956,
956XL, 1046, 1055, 1056, 1246

B513972

3131012R31

OUTER BEARING

Roulement extérieur - Außenlager - Cojinete externo - Cuscinetto esterno - Chumaceira exterior -
Buitenlager - Yderste leje

David Brown: 880, 990, 995, 996, 1200, 1210, 1212, 1410,
1412, 1490, 1494, 1594, 1690, 1694

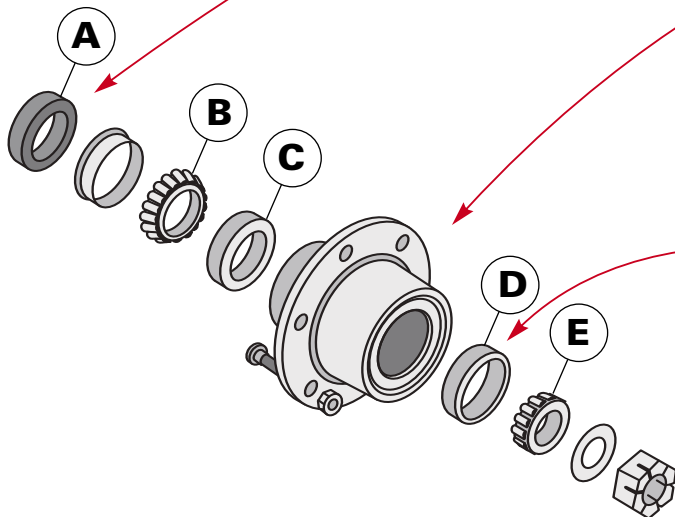
87714407

K19085

Case-IH UK: 238, 248, 258, 268, 288, 385, 395, 474, 475, 484, 485, 485XL, 495, 495XL,
574, 584, 585, 585XL, 595, 595XL, 674, 684, 685, 685XL, 695, 695XL, 784, 785, 785XL,
795, 795XL, 84, 884, 885, 885XL, 895, 895XL, 995XL, 3210, 3220, 3230, 4210, 4220,
4230, 4240

87714408

536052R91
399933C91



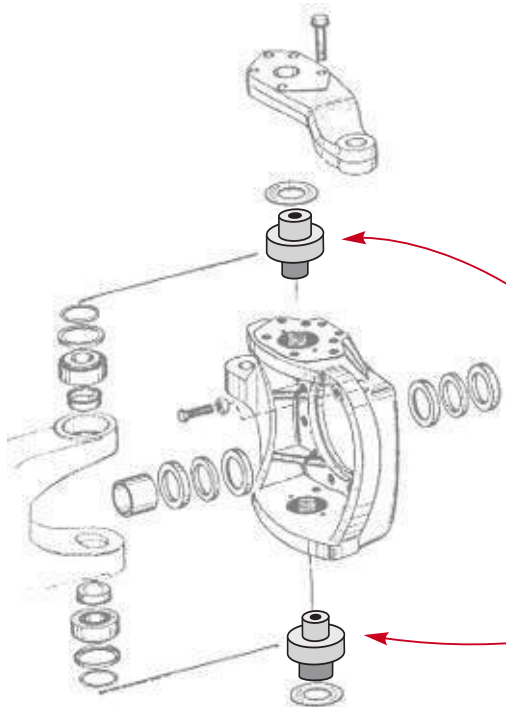
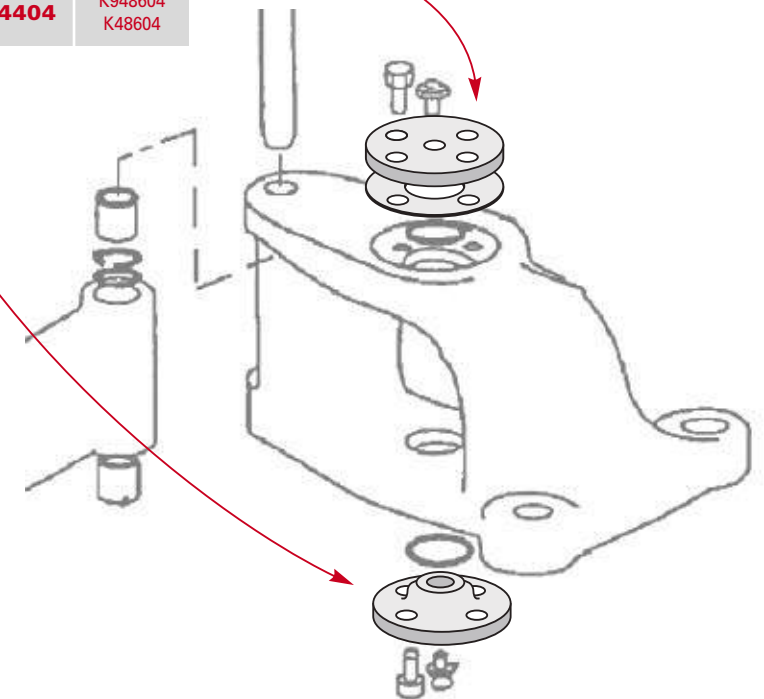


Front Axle parts

• Pièces essieu avant • Teile der vorderachse • Partes de eje delantero • Parti dell'assale anteriore
• Peças do eixo dianteiro • Voorsonderdelen • Dele til foraksel

David Brown
BALL PEG
Pivot d'essieu avant - Kugelzapfen - Clavija esférica - Spina sferica - Articulação esférica - Kogelspie - Tap med kuglehoved

David Brown: 1210, 1212, 1410, 1412, 1490, 1494, 1594, 1690	87714404	K948604 K48604
---	-----------------	-------------------



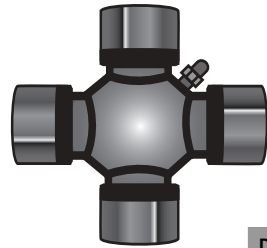
ZF Axle
FRONT AXLE PIN
Pivot d'essieu avant - Zapfen Vorderachse - Pasador del eje delantero - Perno assale anteriore - Perno do eixo dianteiro - Vooraspen - Stift til foraksel

APL1551 / APL1552: 644, 744, 844, 844S, 955, 955XL, 956, 956XL, 1055, 1055XL, 1056, 1056XL	87714403	3147233R1
--	-----------------	-----------



• Pièces essieu avant • Teile der vorderachse • Partes de eje delantero • Parti dell'assale anteriore
• Peças do eixo dianteiro • Voorsonderdelen • Dele til foraksel

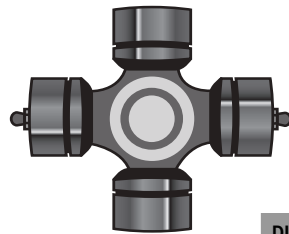
Front Axle parts



		DIAMETER	LENGTH
87685804	3230277R1	27	82
87685810	1342708C1 83958381	32	86

27 x 82 / side greaser / graisseur latéral / ZF APL1251: 533, 633, 733, 833, 933, 540, 640, 740, 840, 940 / "LOBRO" ZF APL1351: 644, 743, 743XL, 744, 745S, 745XL, 844, 844S, 844XL, 856XL / ZF APL1351 (UK): 258, 268, 278, 485XL, 584, 585, 585XL, 684, 685, 685XL, 784, 785, 785XL, 884, 885, 885XL, 85Hydro

32 x 86 / side greaser / graisseur latéral / ZF APL345



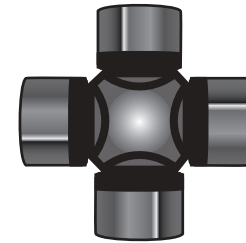
		DIAMETER	LENGTH
87685816	K965215	30	79
87685805	3216691R1	30	83
87685814	3224325R1 3148651R1 83934998	34	97
87685815	3217467R1	38	106

30 x 79 / greaser on nipple / graisseur sur 2 dés / David Brown - Carraro: 990, 995, 996, 1290, 1390, 1490 / Case-IH - ZF APL1251: 533, 633, 733, 833, 933, 540, 640, 740, 840, 940 / ZF APL1351 / ZF APL1552: 955, 955XL, 956, 956XL, 1055, 1055XL, 1056, 1056XL

30 x 83 / greaser on nipple / graisseur sur 2 cages / ZF APL1251

34 x 97 / greaser on nipple / graisseur sur 2 cages / "ELBE" ZF APL1551: 644, 744, 844, 844S / APL1552: 955, 955XL, 956XL, 1055, 1055XL, 1056, 1056XL / APL3052

38 x 106 / greaser on nipple / graisseur sur 2 cages / ZF APL3052, APL1056



		DIAMETER	LENGTH
87685808	100546A1	23,8	61,3
87685809	1342711C1	27	70
87685817	K262161	27	74,6
87685818	K965331 9923550 9961774 9962244	27	82
87685806	1342705C1	28	72
87685812	3223955R1	30	94
87685811	1975562C1 1975563C1	35	87

23,8 x 61,3 / sealed long life / graissage à vie / Type "Carraro"

27 x 70 / sealed long life / graissage à vie / ZF APL335

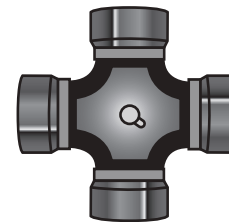
27 x 74,6 / sealed long life / graissage à vie / David Brown: Carraro front axle

27 x 82 / sealed long life / graissage à vie / David Brown: Carraro front axle

28 x 72 / sealed long life / graissage à vie

30 x 94 / sealed long life / graissage à vie / ZF APL3050

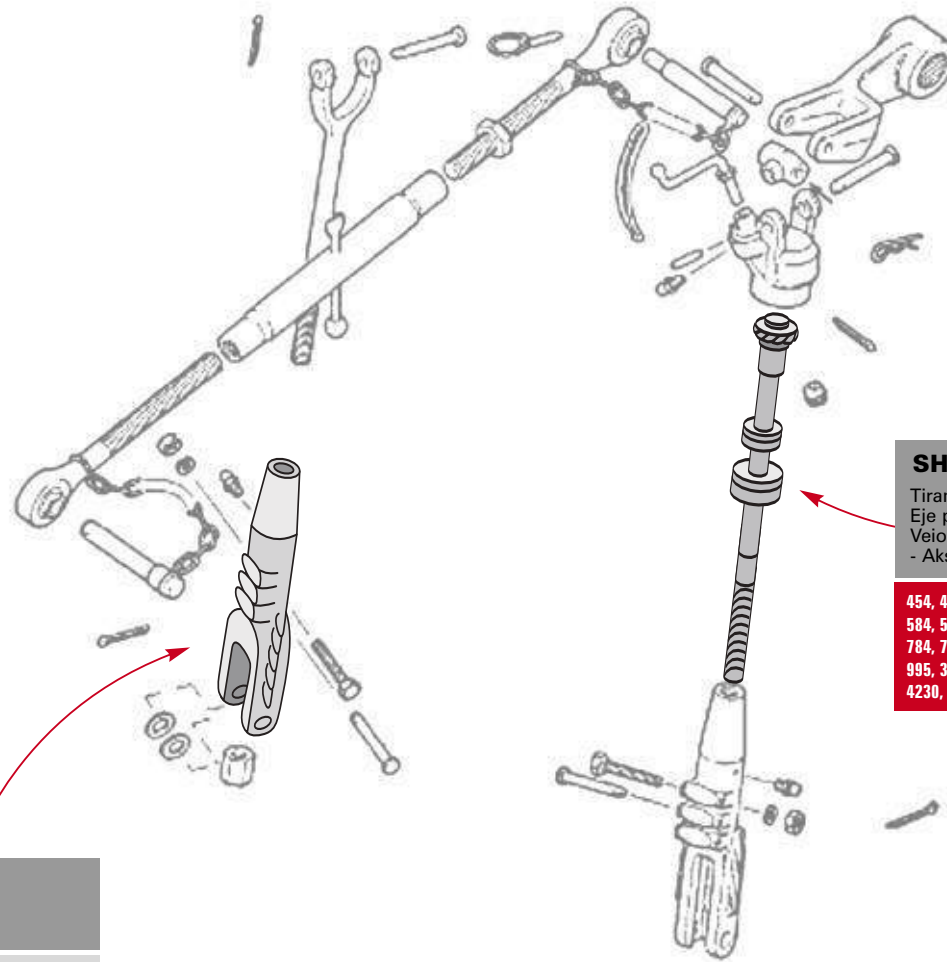
35 x 87 / sealed long life / graissage à vie / ZF APL1552 / ZF APL3052: 644, 743, 743XL, 744, 745S, 745XL, 844, 844S, 844XL, 856XL, 946, 955, 955XL, 956, 956XL, 1046, 1055, 1055XL, 1056, 1056XL, 1246, 1255, 1255XL / ZF APL3054: 1455, 1455XL



35 x 97 / center greaser / graisseur central / "LOBRO" ZF APL3052

FRONT AXLE UNIVERSAL JOINT

Croisillon de pont avant
Kreuzgelenk vorderachse
Junta universal de eje delantero
Giunto cardanico assale anteriore
Junta universal do eixo dianteiro
Kruiskoppeling vooras
Kardanled til foraksel



FORK

Fourchette - Hebel - Horquilla - Forcella
Forquilha - Vork - Gaffel

238, 248, 258, 268, 288, 395, 454,
464, 484, 495, 495XL, 574, 584, 595,
674, 684, 685, 695, 695XL, 784, 795,
795XL, 884, 885, 895, 895XL, 959XL,
995, 995XL

87714366

3121964R1
402635R4

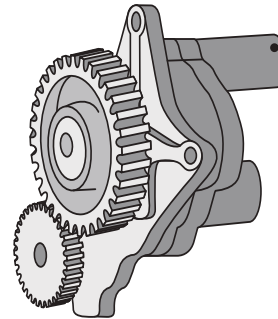
SHAFT FOR LEVELLING BOX

Tirant pour suspente - Welle Hubkasten -
Eje para caja niveladora - Albero per scatola di livellamento -
Veio para caixa de nivelamento - Aandrijfss voor nivelleerkast
- Aksel til nivelleringsramme

454, 474, 475, 484, 485, 495, 574,
584, 585, 595, 674, 684, 685, 695,
784, 785, 795, 884, 885, 895, 985,
995, 3210, 3220, 3230, 4210, 4220,
4230, 4240

87714365

3116725R91



OIL PUMP

Pompe à huile moteur - Ölpumpe - Bomba de aceite
Pompa dell'olio - Bomba de óleo - Oliepomp - Oliepumpe

Case-IH: 353, 423, 433, 440, 453, 523, 533, 540, 553, 633, 640 / Case-IH UK: 238, 248, 385, 395, 454, 484, 485, 485XL, 495, 495XL, 3210, 3220

87714393

3136429R95

Case-IH: 554, 624, 644, 645, 654, 724, 733, 740, 743, 743XL, 744, 745S, 745XL, 824, 833, 840, 844, 844S, 844XL, 845, 845XL, 846, 940, / Case-IH UK: 258, 268, 288, 574, 584, 585, 585XL, 595, 595XL, 674, 684, 685, 685XL, 695XL, 784, 785, 785XL, 795, 795XL, 884, 885, 885XL, 895, 895XL, 995, 995XL, 3230, 4210, 4220, 4230, 4240, H84, H85

87714392

3136430R95

Case-IH: 756, 946, 955, 955XL, 956, 956XL, 1046, 1055, 1055XL, 1056, 1056XL

B514000

3136433R96

Case-IH: 856XL, 1246, 1255, 1255XL, 1455, 1455XL

87714391

3136432R95

FERMEC: 300 LOADER, 50 TRACTOR

B513998

41314182
41314054

HYDRAULIC PUMP

Pompe hydraulique - Hydraulikpumpe - Bomba hidráulica
Pompa idraulica - Bomba hidráulica - Hydraulische pomp -
Hydraulisk pumpe

D 323

87714394

3054300R93

Hyd. DANFOSS : 946, 1046, 1246

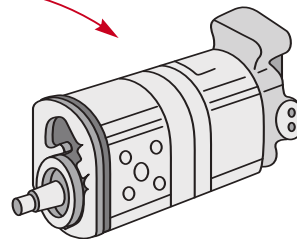
87714395

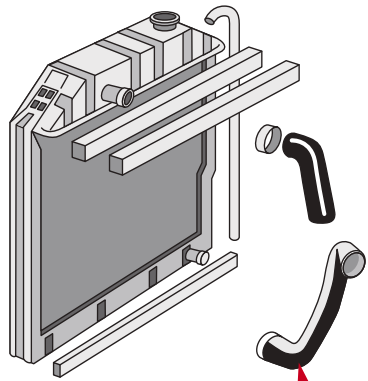
3146446R93
3146450R91

Less Sensodraulic: 955, 956, 1055, 1056

87714396

3223932R93
3229392R93





HOSES

Durites - Schläuche - Tubos flexibles - Tubi flessibili
Mangueiras - Slangen - Slanger

Case IH: 554, 624, 644, 724, 743, 744, 745, 824, 844, 845, 856 (+XL)

733, 833

Case-IH: 955, 956, 1055, 1056 (+XL)

Case-IH: 733, 744, 844, 844S, 856, 956, 1046, 1055, 1056

353, 383, 423, 453, 523

Case-IH: 323, 423, 433, 523, 533, 633, 554, 624, 644, 946, 955, D series / Case-IH UK(with air conditioning): 585, 595, 685, 695, 785, 795, 885, 895 (+XL)

1255, 1455

Case-IH UK: 275

Case-IH UK: 275(=>46506)

Case-IH UK: 276, 414(30925=>), 434

Case-IH UK: 414(=>30924)

Case-IH UK: 276, 354, 374, 384, 414, 434, 444

Case-IH UK: 354, 374, 384, 444

Case-IH UK: 475

Case-IH UK: 474, 574, 584, 585, 595, 674, 684, 685, 695, 784, 785, 795, 884, 885, 895

Case-IH UK: 385, 395, 484, 485, 495, 584, 585, 595, 684, 685, 695, 784, 785, 795, 884, 885, 895

Case-IH UK: old models of 385, 395, 484, 495, 584, 585, 595, 684, 685, 695, 784, 785, 795, 884, 885, 895

David Brown: 770, 780

David Brown: 850, 880(=>\$550031), 950

David Brown: 880(\$55032=>)

David Brown: 900, 950

David Brown: 990 Implementatic

David Brown: 990 Selectamatic, 990 Synchro

David Brown: 1190 less cab

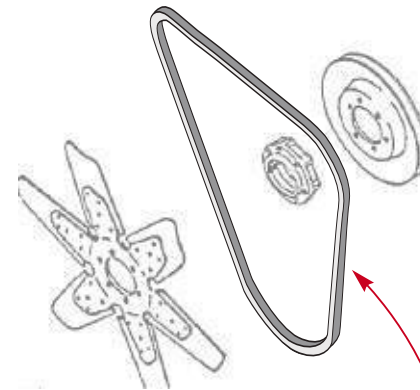
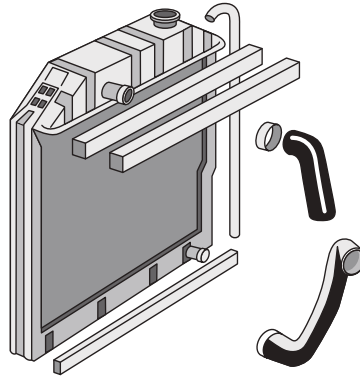
David Brown: 1190 with cab

David Brown: 1290, 1294, 1390, 1394

David Brown: 1410, 1412

David Brown: 1490, 1494

Bottom hose		Top hose		Water pump by pass	
3057428R1	3057428R1	B513011	3134507R1		
87714372	3134506R1				
3220435R1	3220435R1				
				B513010	
		87714372	3134506R1		
				B513981	
87714370	3226798R1				
704287R2	704287R2	B513978	3065130R1		
		B512653	704289R2		
		B513979	3065129R1		
		B512654	3042414R1		
B513009	3044009R1				
		B512655	3112067R1		
		B513980	3116665R2		
402205R1	402205R1	402207R1	402207R1		
				3144028R1	3144028R1
				B513977	3132144R1
B513983	K912034				
B513984	K904880				
B513985	K912039				
B513986	K88481				
B513987	K906875				
B513991	K926603				
B513992	K200874				
B513993	K203991				
B513989	K201976	87714371	K200730		
B513988	K945287				
B513990	K203350	B513982	K946849		



RADIATOR

Radiateur - Kühler - Radiador - Radiatore - Radiador - Radiateur - Køler

238, 248, 258, 268, 288, 385, 395, 484, 485, 495, 584, 585, 595, 684, 685, 695, 784, 785, 795, 884, 885, 895, 995XL

87714373

1536373C1
84524C93

Maxxum 5100

87579817

104753A2

288, 595, 595XL, 795, 895

87718424

84673C6

353, 423, E353, E423

87718425

787141R92

440, 540, 640

87718426

3148115R94

644, 744, 844, 844S

87718427

3145499R92

740, 840, 940

87718428

3233229R92

644, 743, 744, 745S, 844, 844S, 845

87718429

3145498R93

740, 840, 940

87718430

1328723C92

1255, 1255XL, 1455, 1455XL

87718431

3226797R91

955XL, 956, 956XL, 1055XL, 1056, 1056XL

87718432

3399812R1

BELTS

Courroies - Riemen - Correas - Cinghie
Correias - Riemen - Remme

David Brown: 1594, 1690, 1694

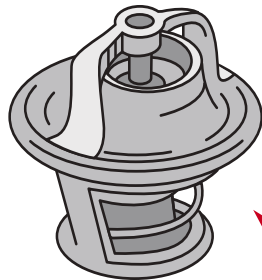
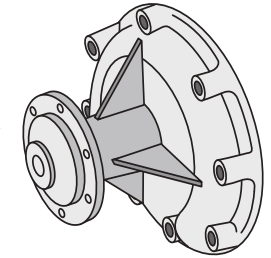
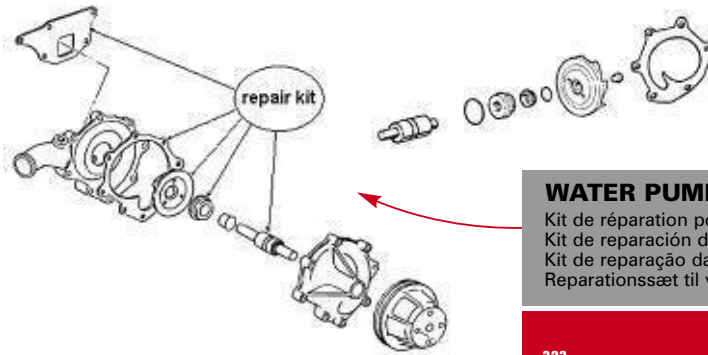
Belt

B513969

K949311

Length

AV.10-1250



THERMOSTAT

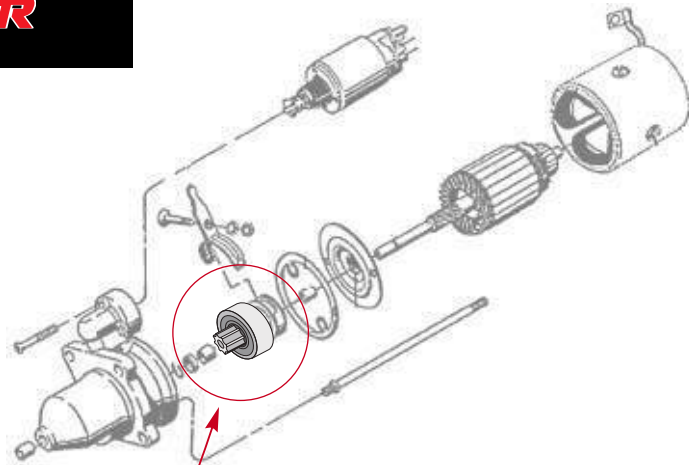
Thermostat - Thermostat - Termostato - Thermostat - Termostato - Thermostat - Termostat

	Part number	Open. temp.
Case IH UK: 475	B514043 3118127R1	78°C
Case IH UK: 385, 395, 454, 474, 484, 485, 495, 574, 584, 585, 595, 674, 684, 685, 695, 784, 785, 795, 884, 885, 895, 995 (+XL), 3210, 3220, 3230, 4210, 4220, 4230, 4240	3059676R92 3059676R91	82°C

WATER PUMPS AND REPAIR KIT

Kit de réparation pour pompe à eau - Wasserpumpen-Reparaturatz - Kit de reparación de bomba de agua - Kit di riparazione pompa dell'acqua - Kit de reparação da bomba de água - Reparatieset voor waterpomp - Reparationssæt til vandpumpe

	Pump	Repair kit	
323	87714375 716410R99 B509413 718891R97	1094012R92	1094012R91
Case IH: 353, 383, 423, 453, 533 (D.155), 433, 523, 624, 633, 724 (D.179), 644, 733 (D.206), 743, 745, 744 (D.239), 844 (D.246), 844S, 845 (D.268), 856 (DT.239) +XL	3132738R94 3136217R93 3132738R94		
Case IH: 946, 955 (D.310), 956, 1046, 1055, 1056, 1246, 1255 (D.358) +XL	3132676R94 3136217R93 3132738R94		
Case IH: Engine Perkins, combine 841	B514044 789818R91		
David Brown: 770A, 770B, 780, 880A, 880B	B514045 K911964		
David Brown: 780A, 880 (530001->563379), 885, 885N (11000001->), 885G, 990, 996, 1210, 1212	B514046 K262898 K952713		
David Brown: 990A, 990B, AD4/47engine	87555989 K961011		
David Brown: 990 Synchro, 995, 996, 1210(SIMMS), 1210(BOSCH), 1212, 1410, 1412	K262883 K200822 K262883		
David Brown: 1190, 1190E, 1194	B514047 K203618 K200807		
David Brown: 1490, 1494	B514048 K262961 K207578		
Case IH UK: B.250, 275, 276, 354, 374, 384, 414, 434, 444	B512669 3119778R92 703820R97	1094012R91	1094012R92
David Brown: 1594, 1690(11210101 to 11214370), 1690T, 1694	87714374 K200759 K262962		
Case IH UK: 475	B514049 3118125R91		
Case IH UK: 385, 395, 454, 474, 484, 485, 495, 574, 584, 585, 595, 674, 684, 685, 695, 784, 785, 795, 884, 885, 895, 995 (+XL), 3210, 3220, 3230, 4210, 4220, 4230, 4240	3136053R93 3136053R92 3132739R94	1094012R91	1094012R92



CLUTCH - DRIVE FOR STARTER MOTOR

Embrayage électrique pour démarreur - Anlasserkupplung
Embrague para motor de arranque - Frizione per motorino di avviamento
Embrague para motor de arranque - Bendix - Kobling-starter drev

Case IH Axial Flow combines: 1420, 1440, 1460, 1480, 1620, 1620E, 1640, 1640E, 1644, 1660, 1660E, 1666, 1680, 2144, 2166, 2188, 2344, 2365, 2366, 2388

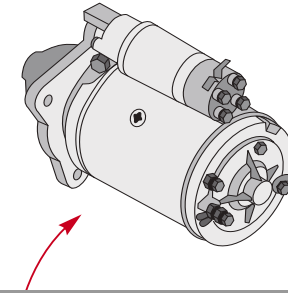
87685832 A186235

Case IH Maxxum 5120(01/90 =>), 5220 / Case Power Units: 4390, 4390T, 6590, 6590T, 6590TA

87685833 A187777

Electrics

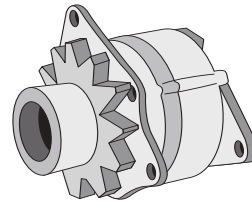
Systeme électrique • Elektrische anlage • Sistema eléctrico
Componenti elettrici • Sistema eléctrico • Elektra • Elektrisk



STARTERS

Démarreur - Anlasser - Motor de arranque - Motorino d'avviamento - Motor de arranque - Startmotor - Startmotor

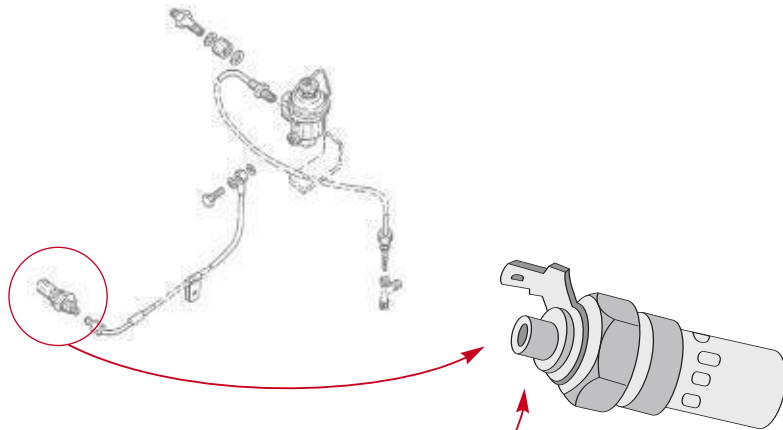
12V / 2,8KW	David Brown: 850, 950, 990 red, 995, 996, 1200, 1210, 1212, 1290, 1294, 1390, 1394, 1410, 1412, 1490, 1494 (80-83)	B5 14003	K308650
12V / 3,5KW	Case IH UK: B.275, 354, 374, 384, 414, 434, 444	B5 14004	3046890R91
12V / 2,8KW	Case IH UK: 384, 395, 454, 474, 484, 485, 495, 574, 584, 585, 595, 674, 684, 685, 695, 784, 785, 795, 884, 885, 895, 995, 3210, 3230, 4210, 4230	B5 14002	537140R92 K529965
	Case IH UK: 475, Case IH South Africa only : 485A, 585A, 685A	B5 14001	3116683R91
12V / 2,5KW	Case IH: 553, 654, 724, 824	B5 14008	3055414R92
12V / 3KW	Case IH: 946, 1046, 1246, engine D238-D310-D358	B5 14009	3055557R92
12V / 3KW	Case IH: 955, 1055, engine D155 - D179 - D239 - D246 - D268 - D310 - D358 - D402	B5 14010	3218677R9
	VIBROMAX: W1102, W1102D, W1102H, W1102HP, W1102PD, W1102S, W602BDP, W651, W651S, TYS, TY45, W1002, W1001, W1101, W1101S, W701, W801, TY2P, TX, FC30, TCB, TCS, FY30, W1251, W1251S / CASE: TC45	B5 14007	V941501
	Maxxum 5130, 5140, 5150, 5230, 5240, 5250, MX100, MX110, MX120, MX135, MX150, MX170	87685822	114799A1 A187597
	523, 553, 554, 624, 644, 654, 724, 743, 744, 745, 824, 844, 845, 856, 946, 955, 956, 1046, 1055, 1056, 1246, 1255, 1455 (+XL)	87685827	3228193R91



ALTERNATORS

Alternateur - Generator - Alternador - Alternatore - Alternador - Dynamo - Generator

12V / 11A	David Brown: 770, 780, 880, 990, 1200 Case IH UK: 275, 276, 354, 414, 434, 444	87295816	K908882 3055228R91
14V / 85A	Maxxum 5120, 5130, 5140, 5150 / CS 68, 75, 78, 86, 94, 100, 110, 120, 130, 150 / MX 80C, 90C, 100, 100C, 110, 120, 135, 150, 170 / STEYR 9105, 9115, 9125, 9145	87718438	132000090095 700716128
	Case International 988(Cummins 6T5.90) / Case CDC Excavators 1088, 170C, 220B, 350, 488, 688, 1088 / Case CDC Crawler Tractor 450C, 850D, 455, 855D, 1150, 1150E, 1155E, 1550, 1550C / Case CDC Wheel Loaders: 621, 721, 821, 921, W11B, W14C, W36	87685828	A187916
	Case IH combines: 515, 521, 525, 527, CF60, CF70, CF80	87685829	060503192
	Maxxum 5120, 5130, 5140, 5150 / CS 68, 75, 78, 86, 94 / MX 80C, 90C, 100, 100C, 110, 120, 135, 150, 170	87685831	11.201.595 A187873



HEATER PLUG

Bougie de préchauffage - Glühkerze - Tapón del calefactor - Tappo del riscaldatore - Tampão do aquecedor - Verwarmingsstekker - Stik til varmeapparat

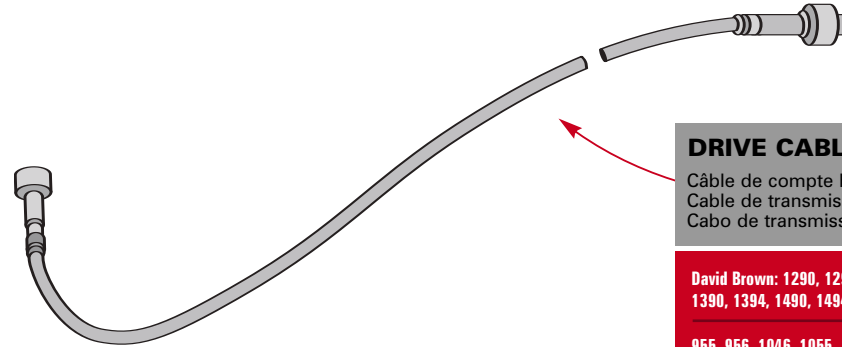
Case IH UK: 385, 395, 454, 474, 475, 484, 485, 495, 574, 584, 585, 595, 674, 684, 685, 695, 784, 785, 795, 884, 885, 895 (+XL) / David Brown: all engines	87556015	3112805R91 K928523
Case IH UK: 250, 275, 276, 354, 374, 384, 414, 434, 444	87556016	710348R1
Case IH engine: DD.111, DU.111, DD.148, DU.148	87556017	3054716R91 0250.200.021



STARTER BUTTON

Bouton de démarrage - Startknopf - Botón del motor de arranque - Pulsante motorino di avviamento - Botão de arranque - Startknop - Startknop

International: 248, 385, 484, 485 / David Brown Implematic: 850, 880, 950, 990A, 990B	87714376	K19903
---	-----------------	--------



DRIVE CABLE

Câble de compte heures - Antriebswelle -
Cable de transmisión - Cavo di azionamento -
Cabo de transmissão - Aandrijfkabel - Drivkabel

David Brown: 1290, 1294,
1390, 1394, 1490, 1494

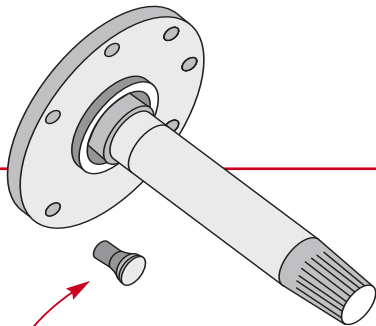
87714397

K957379

955, 956, 1046, 1055, 1056,
1246, 1255, 1455

87714398

3229694R2



REAR WHEEL STUD

Vis de roue - Schraube Hinterrad - Tornillo de rueda trasera -
Vite ruota posteriore - Parafuso de roda traseira -
Bout achterwiel - Skruue til baghjul

955, 956, 1055, 1056, 5120, 5130,
5140, 5150, MX100, MX110,
MX120, MX135

87714400
dia. 22,5

3220372R2
192708A1

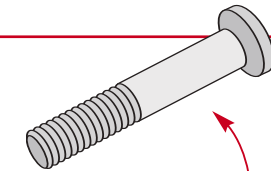
323, 353, 383, 423, 433, 440, 453,
523, 533, 540, 553, 624, 633, 640,
644, 654, 724, 733, 740, 743, 744,
745S, 745XL, 824, 833, 840, 844,
844S, 844XL, 845, 856XL, 940

87714401
dia. 21

3399467R1

STUDS & SCREWS

Goujons et vis pour roues arrières - Bolzen & Schrauben hinterrad
Espárragos y tornillos de la rueda trasera - Prigionieri e viti ruota posteriore
Pernos e parafusos da roda traseira - Tapeinde en bouten van achterwielen
Tapper og skruer til baghjul



REAR WHEEL RIM SCREW

Vis de jante - Schraube Felge Hinterrad - Tornillo de llanta
de rueda trasera - Vite cerchio ruota posteriore
Parafuso de jante da roda traseira - Bout velg achterwiel -
Fælgskruue til baghjul

David Brown: 770, 780, 880, 990,
995, 996, 1190, 1194, 1200, 1210,
1212, 1290, 1294, 1390, 1394, 1490,
1494, 1594, 1690, 1694 / Case IH UK:
238, 248, 258, 268, 275, 276, 288,
354, 374, 384, 385, 395, 414, 434,
444, 454, 474, 475, 484, 485, 495,
574, 584, 585, 595, 674, 684, 685,
695, 784, 785, 795, 884, 885, 895,
995XL, 3210, 3220, 3230, 4210,
4220, 4230, 4240

87714402

406951R2
K611270

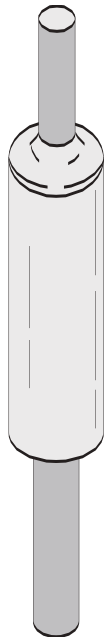
REAR WHEEL AXLE

Goujon de roue - Radbolzen, hinten - Espárrago de rueda
trasera - Prigioniero ruota posteriore - Perno da roda traseira -
Tapeind achterwiel - Tap til baghjul

275, 276, 354, 374, 384, 414,
434, 444, 2276, 3434

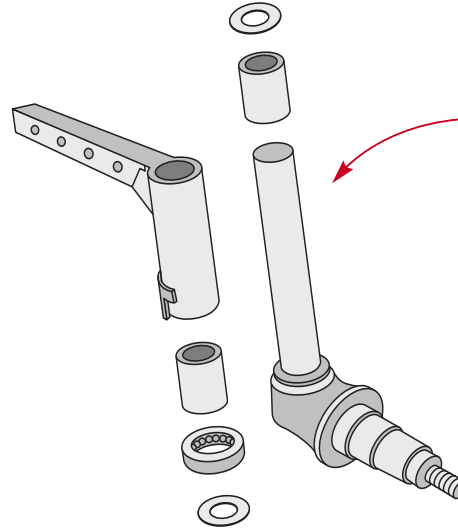
87714399

3047576R2



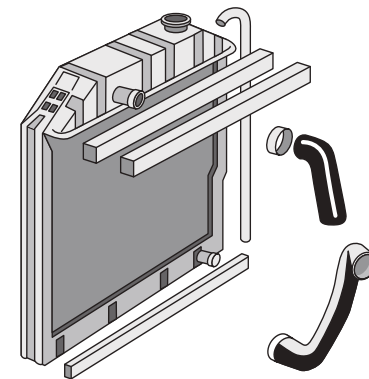
MUFFLER
Echappement - Auspuff - Escape - Sistema di scarico
Saída - Uitleatdempers - Lyddæmpere

STEYR: Plus	87718420	1192 540091
-------------	-----------------	-------------



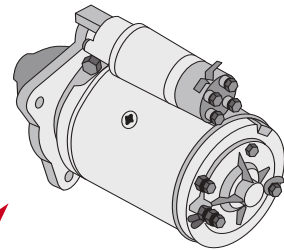
STUB AXLE
Fusée de roue - Achsschenkel - Mangueta - Assale a snodo -
Manga de eixo - Asstomp - Akseltap

STEYR: Plus	87718418	1292 410777
STEYR: Plus	87718419	1292 410778



RADIATOR
Radiateur - Kühler - Radiador - Radiatore - Radiador -
Radiateur - Køler

STEYR: Plus	87718423	1292 530014
-------------	-----------------	-------------



STARTERS

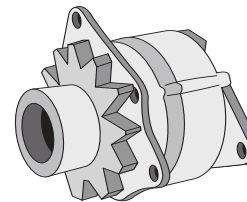
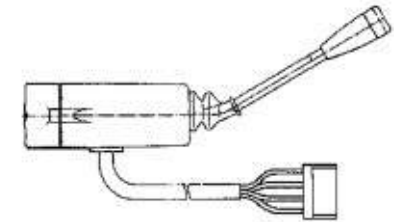
Démarrreur - Anlasser - Motor de arranque - Motorino d'avviamento - Motor de arranque - Startmotor - Startmotor

STEYR : 80, 84, 86, 188, 190, 30-Plus, 40-Plus, 430, 540, 545, 548	B514011	130800090017
STEYR : 288, 290, 50-Plus, 650, 658, 760, 768	B514012	140800090010
STEYR : 70-Plus, 90-Plus, 870, 980, 1090, 1100, 1200	B514013	141000090003
STEYR: 900/9000 MWM	87555983	130100090735
STEYR: M900 Perkins	87555984	130300090701
STEYR: Plus	87555985	141200090004
STEYR: BR80	87555986	161100090002
Steyr: 8100, 8120	87685819	B508640
Steyr: 900 Turkey, 188, 190, 30, 430, 540, 545, 548, 650, 658, 760, 768, 86	87685820	130800090030
Steyr: BR80, 8055, 8060, 8065, 8070, 8075, 8080, 8090, 950, 960, 970, WD411	87685821	141100090733

FLASHER SWITCH

Contacteur de clignotant - Blinkgeber Shalter - Direccional Contactor - Interruptor de lampeggiatore - Interruptor Do Pisca-pisca - Knipperlicht aan-uit Schakelaar - Blinklampe Kontakt

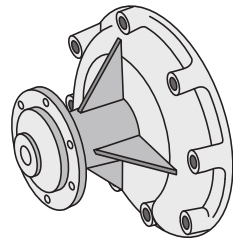
STEYR: Plus & BR80	87556014	1390 580058
--------------------	-----------------	-------------



ALTERNATORS

Alternateur - Generator - Alternador - Alternatore Alternador - Dynamo - Generator

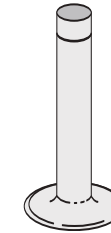
Steyr: Jubil. & Plus, 540, 545, 548, 658, 760, 768, 980, 988, 8055, 8060, 8065, 8070, 8075, 8080, 8090, 8100, 8110, 8120, 8130, 8140, 8150, 8160, 8170, 1100, 1108, 1200	87685830	131100090065
--	-----------------	--------------



WATER PUMP

Pompe à eau - Wasserpumpe - Bomba de agua - Pompa dell'acqua - Bomba de água - Waterpomp - Vandpumpe

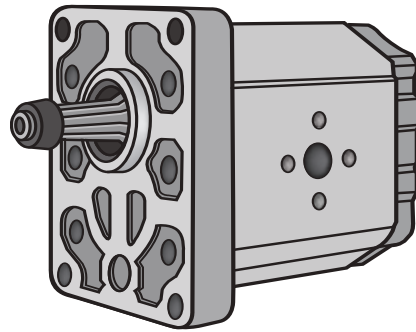
STEYR : 80, 84, 86, 180/30PS, 180, 182, 185, 280	B514050	12130 060090
STEYR : 8045, 650, 760, 548, 658, 768	B514051	130800060005
STEYR : 8060, 8065, 8070, 8075, 8080, 8090	B514052	131100060034
STEYR : 540, 545, 548, Plus-50, 650, 658, 760, 768	B514053	140800060014
STEYR : 8100, 8110, 8120, 8130	B514054	161100060017
STEYR: BR80, 8045, 8080, 8110, 8130	87579819	131100060093



EXHAUST VALVE / INLET VALVE

Soupape d'échappement / Soupape d'admission - Auslassventil / Einlassventil - Válvula de escape / Válvula de admisión - Valvola di scarico / Valvola di aspirazione - Válvula de saída / Válvula de entrada - Uitlaatklep / Inlaatklep - Udstødningsventil / Indsugningsventil

STEYR: 40, 540, 545, 548, 50, 650, 658, 60, 760, 768, 8045, 8055, 8060, 8065, 8070, 8075, 8080, 8085, 8090, 8100, 8120, 942, Plus & BR80	87555990	131100050015	Exhaust
	87555991	131100050014	Inlet



HYDRAULIC PUMP

Pompe hydraulique - Hydraulikpumpe -
Bomba hidráulica - Pompa idraulica -
Bomba hidráulica - Hydraulische pomp -
Hyraulisk pumpe

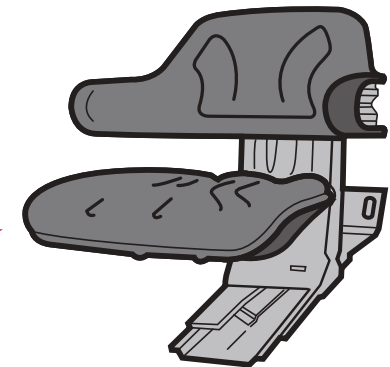
STEYR: Plus	87555987	1306 130003
STEYR: Plus	87555988	140800130029
STEYR: Jubiläum & Plus	87718421	1209 130135
STEYR: BR80	87718422	161100130025



RELEASE BEARING

Butée de débrayage - Ausrücklager -
Cojinete de desembrague -
Cuscinetto di disinnesto - Rolamento de encosto -
Druklager koppeling - Udløsningsleje

STEYR: Plus	87556010	190003318484
-------------	-----------------	--------------



SEAT

Siège - Sitz - Asiento - Sedile - Assento -
Spie - Saede

STEYR: Plus	87556013	1 93 510034
-------------	-----------------	-------------



A series of horizontal dotted lines for taking notes.



A series of horizontal dotted lines for taking notes, spanning the width of the page.



01/2008

CASE II
AGRICULTURE