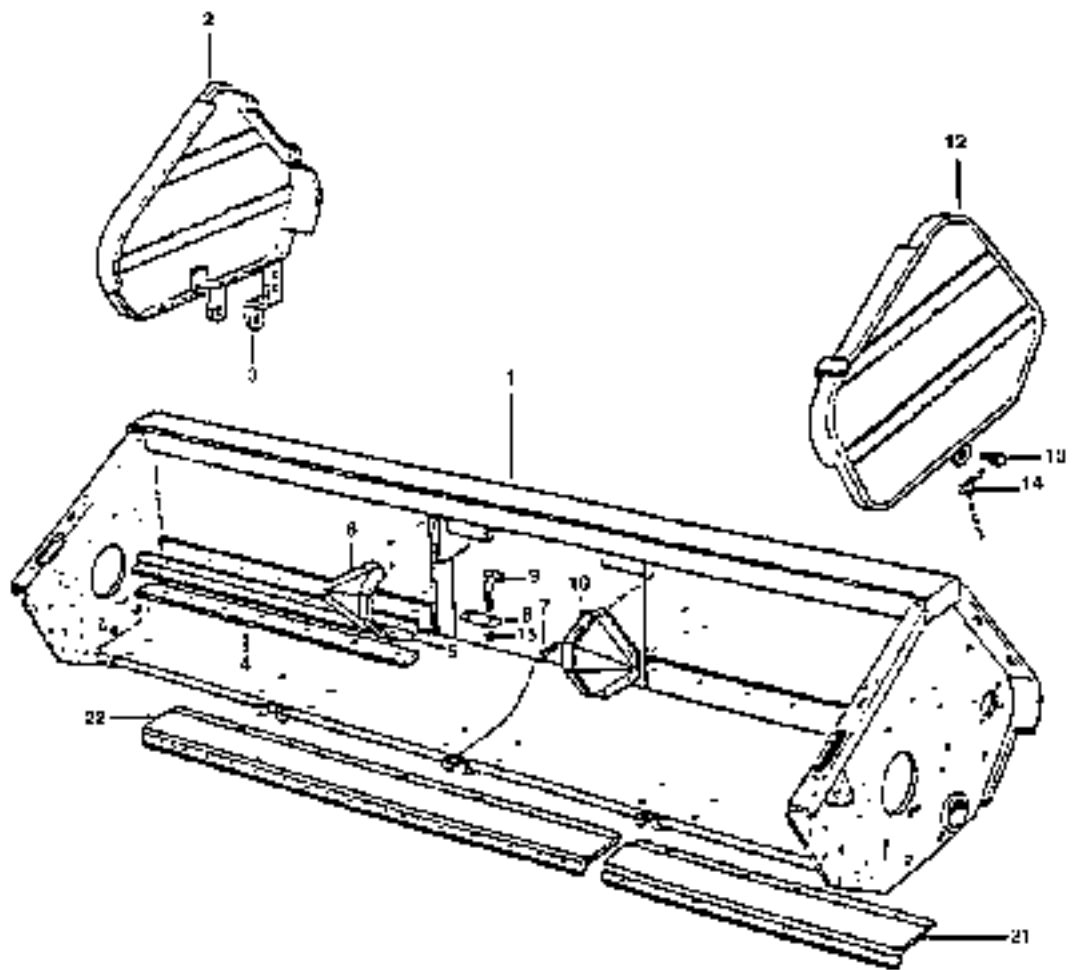


# A-9

MF 9700/9750 SERIES GRAIN HEADERS  
FRAME

8

TABLE



MFH0001

## FRAME - TABLE

Item	Part Number	Qty	Description
1	148700M91	1	TABLE ASY. (13FT.) (3.96M)
2	2539871W91	1	SHIELD ASY., RIGHT
3	2524890W1	2	BRACKET, RIGHT SHIELD
4	2555790W2	2	STRAP (50") (1270MM)
5	2555700W3	2	ANGLE (50") (1270MM)
6	2556961W91	1	SHIELD ASY., RIGHT
7	373123X1	8	SCREW, MACHINE TRUSS HEAD (5/16-18 X 3/4)
8	2512590W2	2	PIVOT, GLEVIS
9	2505410W1	7	BOLT LATCH (SPECIAL)
10	2556951W91	1	SHIELD ASY., LEFT
12	2561511W91	1	SHIELD ASY., LEFT
13	1556110W2	2	PIN, SHIELD LOCK
14	1529750W2	2	PIN, KLIK
15	369067X1	4	NUT, HEX FLANGE CENTRE LOCK (5/8-11)
21	2574260W1	2	PLATE, OUTER (18.88") (479.5MM)
22	2574280W1	1	PLATE, CENTRE (119.7") (3040.4MM)

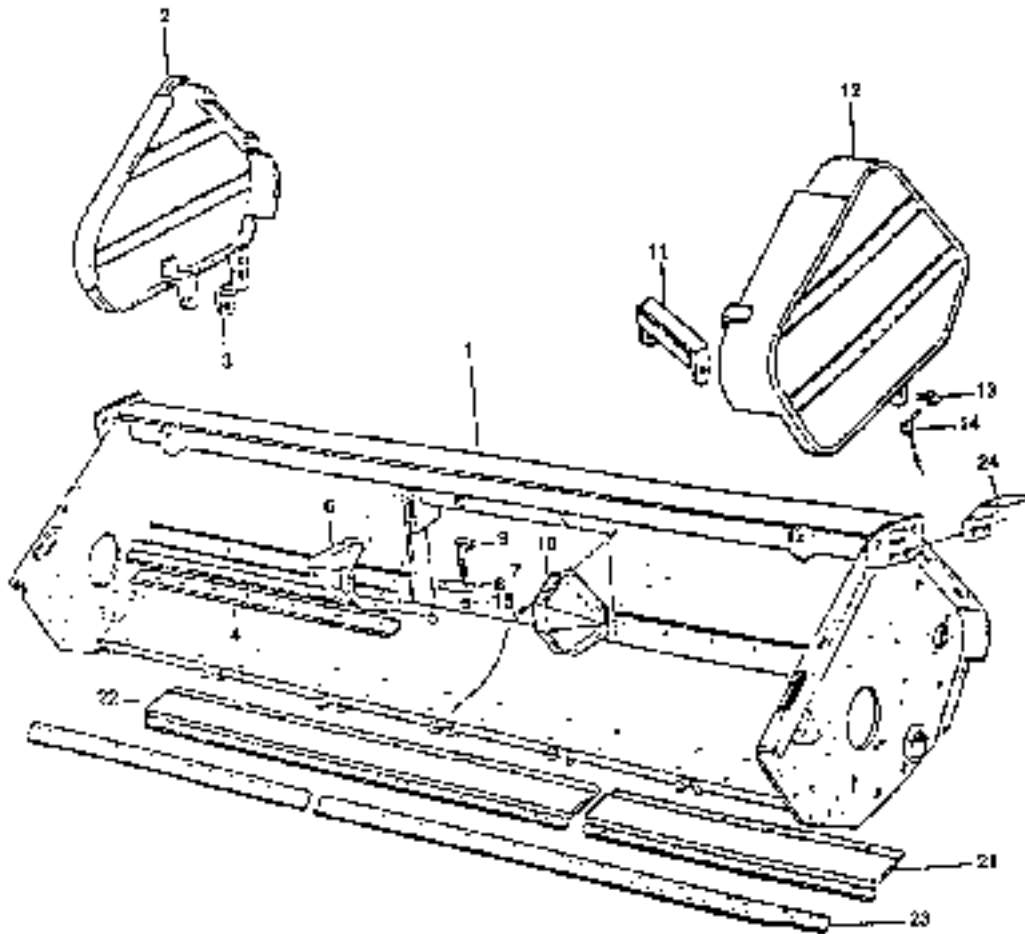
MFH0001

# A-11

10

MF 9700/9750 SERIES GRAIN HEADERS  
TRAMP

TABLE  
SN V41101 & BEFORE



MFH0002

Item	Part Number	Qty	Description
1	2553891W91	1	TABLE ASY. (18)
	2553901W91	1	TABLE ASY. (20)
	2553911W91	1	TABLE ASY. (22)
	2553921W91	1	TABLE ASY. (24)
	103951W91	1	TABLE ASY. (25)
	2553931W91	1	TABLE ASY. (30)
2	2539871W91	1	SHIELD ASY., RIGHT (18-30)
3	2524990W1	1	BRACKET, RIGHT SHIELD (18-30)
4	2555820W2	2	STRAP (80") (2032MM) (18)
	2555830W2	2	STRAP (92") (2336.8MM) (20)
	2555840W2	2	STRAP (104") (2641.6MM) (22)
	2555850W2	2	STRAP (116") (2946.4MM) (24)
	1035470W1	2	STRAP (122") (3098.8MM) (25)
	2555860W2	2	STRAP (149") (3784.6MM) (30)
5	2555730W3	2	ANGLE (80") (2032MM) (18)
	2555740W3	2	ANGLE (92") (2336.8MM) (20)
	2555750W2	2	ANGLE (104") (2641.6MM) (22)
	2555760W2	2	ANGLE (116") (2946.4MM) (24)
	103956W2	2	ANGLE (122") (3098.8MM) (25)
	2555770W3	2	ANGLE (149") (3784.6MM) (30)
6	2556981W91	1	SHIELD ASY., RIGHT (18-30)
7	373123X1	8	SCREW MACHINE PAN/HEAD (5/16-18 X 3/4) (18-30)
8	2512590W2	2	PIVOT, CLEVIS (18-30)
9	2505410W1	4	BOLT LATCH, SPECIAL (18-30)
10	2556051W91	1	SHIELD ASY., LEFT (18-30)
11	2524921W91	1	BRACKET ASY., LEFT (18-30)
12	2539861W91	1	SHIELD ASY., LEFT (18-30)
13	1856110W2	2	PIN, SHIELD LOCK (18-30)
14	1620760W2	2	PIN, ROLL (18-30)
15	369067X1	4	NUT, HEX CENTRE LOCK (5/8-11) (18-30)
21	2557950W1	2	PLATE, OUTER (48 7/8") (1241.6MM)(18)(9700)
	2557600W1	2	PLATE, OUTER (60 7/8") (1546.3MM)(20)(9700)
	2557510W1	2	PLATE, OUTER (72 7/8") (1851.1MM)(22)(9700)
	2557620W1	2	PLATE, OUTER (84 7/8") (2156MM)(24)(9700)
	103987W1	2	PLATE, OUTER (90 7/8") (2308.4MM)(25)(9700)
	2557630W1	2	PLATE, OUTER (117 7/8") (2984.2MM)(30)(9700)
22	2574280W1	1	PLATE CENTRE (119.7") (3040.4MM)(18-30)(9700)
23	2557010W1	1	BAR, CUTTER (230.7")(5800MM)(19)
	2557020W1	1	BAR, CUTTER (254.7")(6468.4MM)(20)
	2557030W1	1	BAR, CUTTER (278.7")(7079MM)(22)
	2557040W1	1	BAR, CUTTER (302.7")(7688.6MM)(24)
	103959W1	1	BAR, CUTTER (314.7")(7993.4MM)(25)
	2557050W1	1	BAR, CUTTER (368.7")(9365MM)(30)
24	104938W1	1	BRACKET (KNIFE STORAGE)(18-30) (IF ALREADY INSTALLED ACCESSORY)

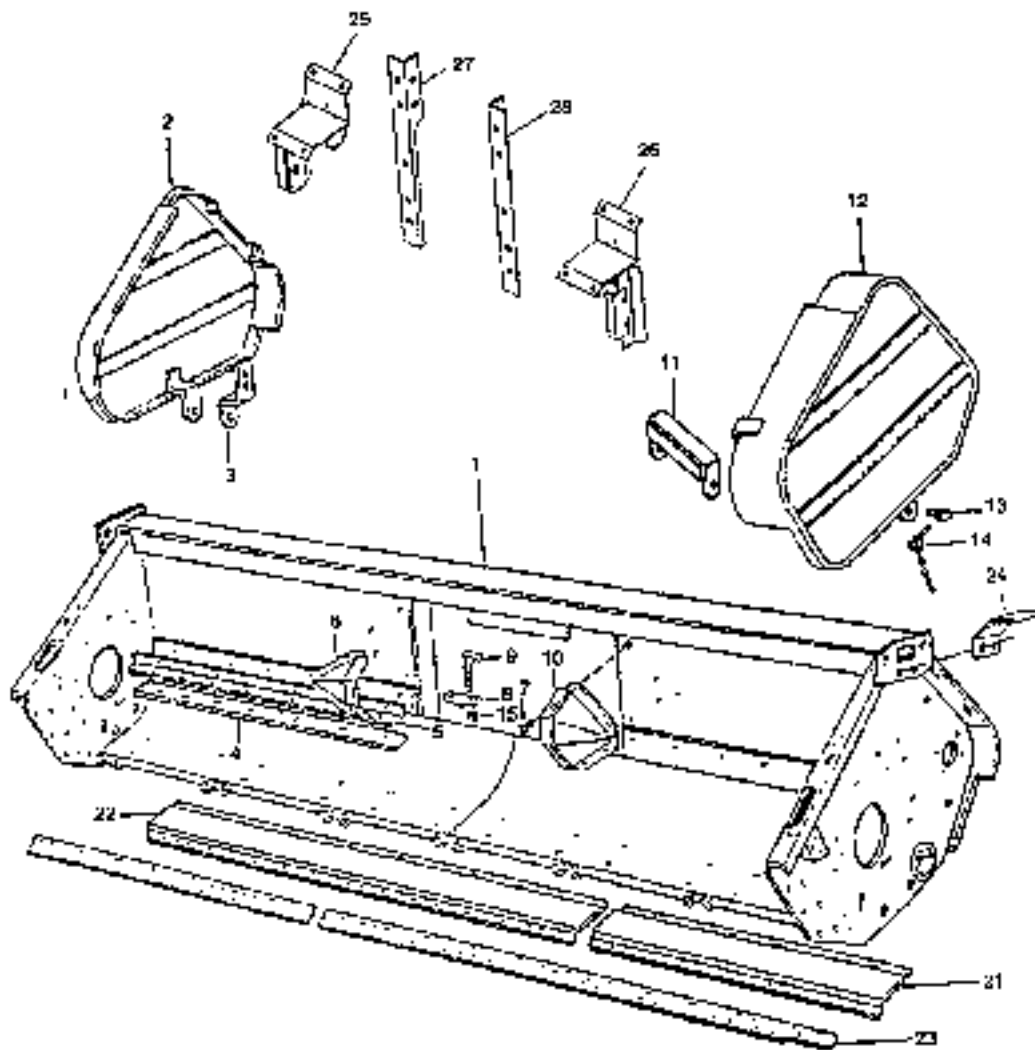
MFH00C2

# A-13

12

MF 9700/9750 SERIES GRAIN HEADERS  
FRAME

TABLE  
SW V43101 & UP A SERIES



MFH0003

Item	Part Number	Qty	Description
1	108425W91	1	TABLE ASY. (15')
	108426W91	1	TABLE ASY. (20')
	108427W91	1	TABLE ASY. (25')
	111966W91	1	TABLE ASY. (30')
2	2539871W91	1	SHIELD ASY., RIGHT (18'-30')
3	2524590W1	1	BRACKET, RIGHT SHIELD (18'-30')
4	2555820W2	2	STRAP (80") (2032MM) (15')
	2555830W2	2	STRAP (92") (2336.8MM) (20')
	105470W1	2	STRAP (122") (3098.8MM) (25')
	2555850W2	2	STRAP (149") (3784.6MM) (30')
5	2555730W3	2	ANGLE (80") (2032MM) (18')
	2555740W3	2	ANGLE (92") (2336.8MM) (20')
	103958W2	2	ANGLE (122") (3098.8MM) (25')
	2555770W3	2	ANGLE (149") (3784.6MM) (30')
6	2556961W91	1	SHIELD ASY., RIGHT (18'-30')
7	373123X1	2	SCREW, MACHINE PAN HEAD (5/16-18 X 3/4) (18'-30')
8	2512590W2	2	*PIVOT, C.F.WIS (18'-30')
9	2505410W1	4	*BOLT LATCH, SPECIAL (18'-30')
10	2556951W91	1	SHIELD ASY., LEFT (18'-30')
11	2524921W91	1	BRACKET ASY., LEFT (18'-30')
12	2539861W91	1	SHIELD ASY., LEFT (18'-30')
13	1856110W2	2	PIN, SHIELD LOCK (18'-30')
14	1829780W2	2	PIN, KLIK (18'-30')
15	369067X1	4	*NUT, HEX CENTRE LOCK (5/8-11) (18'-30')
21	2557850W1	2	PLATE, OUTER (48 7/8") (1241.5MM) (18')(9700)
	2557600W1	2	PLATE, OUTER (60 7/8") (1546.3MM) (20')(9700)
	103987W1	2	PLATE, OUTER (90 7/8") (2308.4MM) (25')(9700)
	2557630W1	2	PLATE, OUTER (117 7/8") (2994.2MM) (30')(9700)
22	2574280W1	1	PLATE, CENTRE (119.7") (3040.4MM) (18'-30')(9700)
23	2557010W1	1	BAR, CUTTER (230.7") (5860MM) (18')
	2557020W1	1	BAR, CUTTER (254.7") (6489.4MM) (20')
	103959W1	1	BAR, CUTTER (314.7") (7993.4MM) (25')
	2557050W1	1	BAR, CUTTER (368.7") (9369MM) (30')
24	104538W1	1	BRACKET (KNIFE STORAGE) (18'-30') (FACTORY INSTALLED ACCESSORY)
25	111455W91	1	*CLAMP ASY. RH
26	111494W91	1	*CLAMP ASY. LH
27	111362W1	1	*ANGLE RH A
28	105795W1	1	*ANGLE LH A

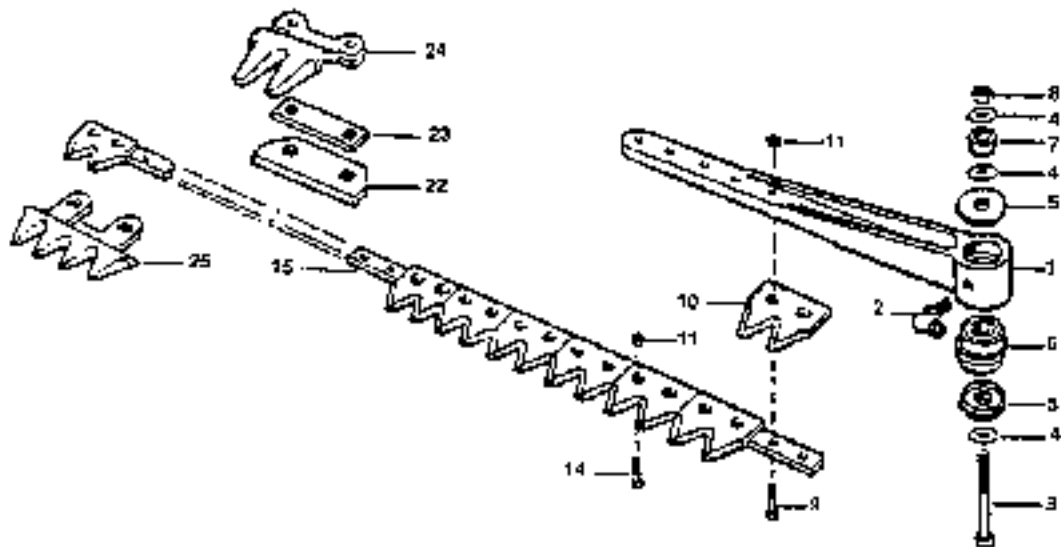
\*ACCESSORY STANDARD MOUNTING KIT  
MFH0003

# A-15

14

MF 9700/9750 SERIES GRAIN HEADERS  
FRAME

KNIFE (TWIN POINT SECTIONS)



MFH0004

## FRAME - KNIFE (TWIN POINT SECTIONS)

Item	Part Number	Qty	Description
	103200M92	1	KNIFE ASY., COMPLETE (18")
	103201M92	1	KNIFE ASY., COMPLETE (20")
	103202M92	1	KNIFE ASY., COMPLETE (22")
	103203M92	1	KNIFE ASY., COMPLETE (24")
	103961W92	1	KNIFE ASY., COMPLETE (25")
	103204M92	1	KNIFE ASY., COMPLETE (30")
1	103211M2	1	HEAD, KNIFE (18"-30")
2	709-5276	1	GREASE FITTING (1/8 NPTF, 90DEG.)(18"-30")
3	907486W1	1	BOLT, HPX (3/4-18 UNF X 4)
4	250321UW1	3	WASHER, HARDENED (25/32 X 1 1/4 X .660") (19.8 X 31.8 X 1.5MM)(18"-30")
5	25-3890W1	2	SEAL, NILOS RING (18"-30")
6	25-3850Y91	1	WRAPPING ASY
7	257878UW1	1	SPACER (25/32 X 1 1/4 X .28") (19.8 X 31.8 X 6.6MM) (18"-30")
8	364027X1	1	NUT, HEX LOCK (3/4-16)(NYLON INSERT) (18"-30")
9	148263M1	10	BOLT, (#12-24 X 1) (18"-30")
10	148281M1	-	SECTION (OVER-SERRATED) (18"-30")
11	072839X1	-	NUT (#12-24) (18"-30")
14	184282M1	-	BOLT (#12-24 X 5/8) (18"-30")
15	103208M91	1	BACK KNIFE (224") (5699.6MM) (18")
	148761M1	1	BACK, KNIFE (248") (6299.2MM) (20")
	103209M1	1	BACK, KNIFE (272") (6908.8MM) (22")
	148700M1	1	BACK, KNIFE (296") (7518.4MM) (24")
	103960W1	1	BACK, KNIFE (308") (7823.2MM) (25")
	103210M1	1	BACK, KNIFE (362") (9194.8MM) (30")
22	231303M2	-	PLATE, WEAR (18"-30")
23	103936W1	-	SHIM (.030") (.76MM) (18"-30")
	1813450W1	-	SHIM (.015") (.38MM) (18"-30")
24	148199M1	-	GUARD, TOP
25	148198M1	-	GUARD, BOTTOM

MFH0004

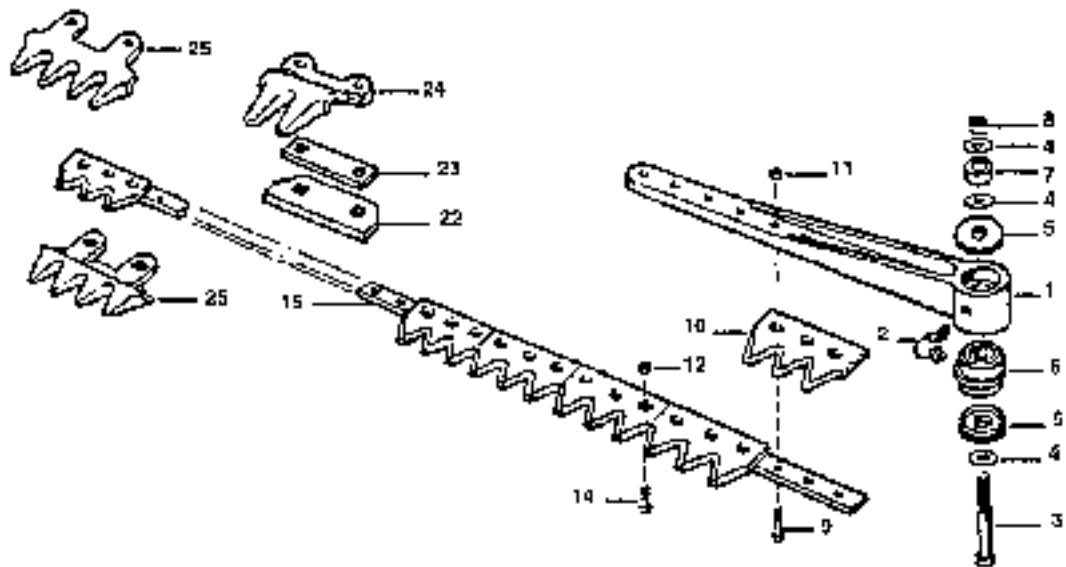


# A-17

16

MF 9700/9750 SERIES GRAIN HEADERS  
FRAME

KNIFE-TRIPLE POINT SECTIONS-(20) HEAD  
(PRIOR B/H L05007)



MFH0005

Item	Part Number	Qty	Description L00007)
	2529273W91	1	KNIFE ASY., COMPLETE
1	2579010W1	1	HEAD ASY., KNIFE
2	70915276	1	GREASE FITTING (1/8 NPTF, 90DEG )
3	907486W1	1	BOLT, HEX (3/4-16 UNF X 4)
4	2503210W1	-	WASHER, HARDENED (25/32 X 1 1/4 X .060") (19.6 X 31.8 X 1.5MM) (18-30)
5	2513890W1	2	SEAL, NUTS RING (18-30)
6	2513850W91	1	BEARING ASY.
7	2578780W1	1	SPACER (25/32 X 1 1/4 X .25") (19.8 X 31.8 X 6.6MM) (18-30)
8	364027X1	1	NUT, HEX LOCK (3/4-16 UNF)
9	907306W1	10	BOLT, HEX (1/4-28 UNF X 1 1/4)
10	1714750W1	-	SECTION (OVER-SERIALIZED)
11	915691W1	-	NUT, HEX LOCK (1/4-28 UNF)
12	1819760W1	-	NUT, HEX CONE LOCK (1/4-20)
14	1819750W1	-	BOLT, ROUND HEAD (5/8-11 X 1 1/4)
15	2528630W1	1	RACK, KNIFE (248") (6299MM)
22	231303M2	-	PLATE, WEAR
23	1813460W1	-	SHIM (.015") (.38MM)
	252333M1	-	SHIM (.030") (.76MM)
24	1724160W1	-	GUARD, TOP
25	1718400W1	-	GUARD, BOTTOM

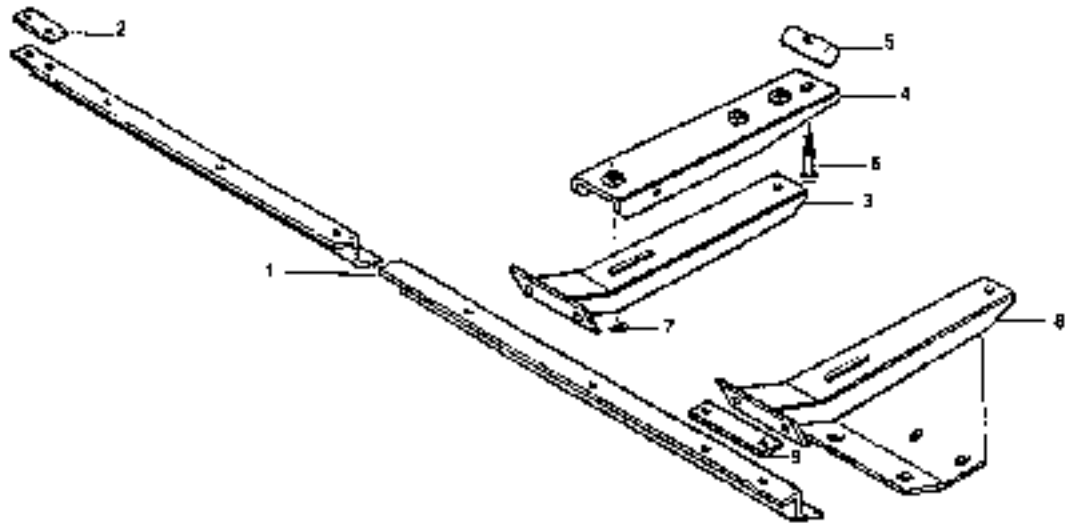
MFH0005

# A-19

18

MF 9700/9750 SERIES GRAIN HEADERS  
FRAME

KNIFE SUPPORTS  
9700



MFHQ006

Item	Part Number	Qty	Description
1	2572770W1	1	ANGLE, SUPPORT(158.50°)(4025.9MM) (13' P/U)
	2557500W1	1	ANGLE, SUPPORT(290.96°)(5868.4MM)(18')
	2557510W1	1	ANGLE, SUPPORT(254.36°)(5476MM)(20')
	2557520W1	1	ANGLE, SUPPORT(278.96°)(7085.6MM)(22')
	2557530W1	1	ANGLE, SUPPORT(302.96°)(7696.2MM)(24')
	103988W1	1	ANGLE, SUPPORT(314.96°)(8000MM)(25')
	2557540W1	1	ANGLE, SUPPORT(368.96°)(9371.6MM)(30')
2	2532010W1	1	SPACER, RIGHT (18'-30')
3	2557421W91	5	CHANNEL SUPPORT (13' P/U)
		8	CHANNEL SUPPORT (18')
		8	CHANNEL SUPPORT (20'-25')
		10	CHANNEL SUPPORT (30')
4	2557391W91	5	CHANNEL SUPPORT (13' P/U)
		7	CHANNEL SUPPORT (18')
		9	CHANNEL SUPPORT (20'-25')
		11	CHANNEL SUPPORT (30')
5	2557410W1	5	SHAFT, PIVOT (13' P/U)
		7	SHAFT, PIVOT (18')
		9	SHAFT, PIVOT (20'-25')
		11	SHAFT, PIVOT (30')
6	2557570W1	5	BOLT, HEX (1/2-13 X 3 1/2) (13' P/U)
		7	BOLT, HEX (1/2-13 X 3 1/2) (18')
		9	BOLT, HEX (1/2-13 X 3 1/2) (20'-25')
		11	BOLT, HEX (1/2-13 X 3 1/2) (30')
7	9153390W1	5	SPACER (17/32 X 1 3/4 X 1/4) (13' P/U)
		7	SPACER (17/32 X 1 3/4 X 1/4) (18')
		9	SPACER (17/32 X 1 3/4 X 1/4) (20'-25')
		11	SPACER (17/32 X 1 3/4 X 1/4) (30')
8	2557731W91	1	CHANNEL ASY., SUPPORT (LEFT) (18'-30')
9	2503190W1	1	SPACER, LEFT (18'-30')

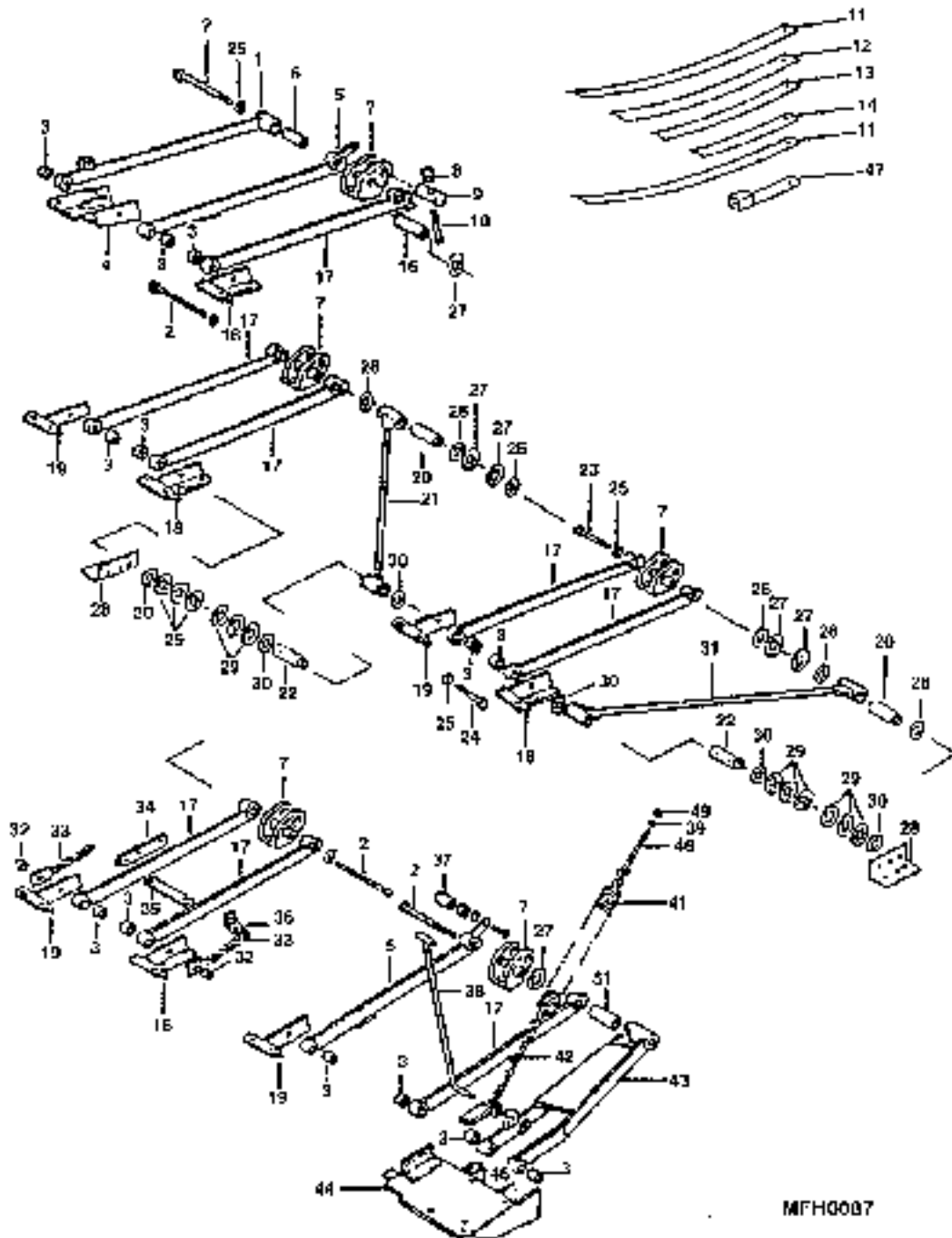
MFH0006

# A-21

20

MF 9700/9750 SERIES GRAIN HEADERS  
FRAME

KNIFE SUPPORTS  
9750



**Massey Ferguson**  
**9700 / 9750 GRAIN HEADER**

**FRAME - KNIFE SUPPORTS, 9750**

Item	Part Number	Qty	Description
1	2574311W91	1	SUPPORT, DIVIDER (RIGHT) (18'-30")
2	908244W1	1	BOLT, HEX (1/2-13 X 9 1/2) (18'-30")
	365657X1	3	BOLT, HEX (1/2-13 X 8) (18'-30")
3	2563260W1	17	SPACER, PIVOT (1 X 9/16 X 29/32") (25.4 X 14.3 X 23MM) (18')
		21	SPACER, PIVOT (1 X 3/16 X 29/32") (25.4 X 14.3 X 23MM) (20'-25")
		25	SPACER, PIVOT (1 X 3/16 X 29/32") (25.4 X 14.3 X 23MM) (20'-25")
4	2576431W91	1	SHOF ASY., RIGHT (18'-30")
5	2568021W91	3	ARM ASY., SUPPORT (18'-30")
6	2585230W1	1	SPACER, PIVOT (9/16 X 1 X 3 11/16") (14.3 X 25.4 X 93.7MM) (18'-30")
7	2607980W1	7	SUPPORT, SPRING (18')
		9	SUPPORT, SPRING (20'-25")
		11	SUPPORT, SPRING (30')
8	2609020W1	7	NUT, HEX ACORN (1/2-13) (18')
		9	NUT, HEX ACORN (1/2-13) (20'-25")
		11	NUT, HEX ACORN (1/2-13) (30')
9	2609010W1	7	PIN, SPRING SUPPORT (1 1/4 X 2 3/4") (31.8 X 69.8MM) (18')
		9	PIN, SPRING SUPPORT (1 1/4 X 2 3/4") (31.8 X 69.8MM) (20'-25")
		11	PIN, SPRING SUPPORT (1 1/4 X 2 3/4") (31.8 X 69.8MM) (30')
10	2609030W1	7	BOLT, HEX 1/2-13 X 3 (18')
		9	BOLT, HEX 1/2-13 X 3 (20'-25")
		11	BOLT, HEX 1/2-13 X 3 (30')
11	2608940W1	14	SPRING, LEAF (29.2")(742MM) (18')
		18	SPRING, LEAF (29.2")(742MM) (20'-25")
		22	SPRING, LEAF (29.2")(742MM) (30')
12	2608950W1	5	SPRING, LEAF (24")(610MM) (18')
		7	SPRING, LEAF (24")(610MM) (20'-25")
		9	SPRING, LEAF (24")(610MM) (30')
13	2608960W1	7	SPRING, LEAF (18.8")(476MM) (18')
		9	SPRING, LEAF (18.8")(476MM) (20'-25")
		11	SPRING, LEAF (18.8")(476MM) (30')
14	2608970W1	5	SPRING, LEAF (13.6")(345MM) (18')
		7	SPRING, LEAF (13.6")(345MM) (20'-25")
		9	SPRING, LEAF (13.6")(345MM) (30')
15	2553250W1	7	SPACER, PIVOT (1 X 9/16 X 4 37/64") (25.4 X 14.3 X 116.3MM) (18')
		9	SPACER, PIVOT (1 X 9/16 X 4 37/64") (25.4 X 14.3 X 116.3MM) (20'-25")
		11	SPACER, PIVOT (1 X 9/16 X 4 37/64") (25.4 X 14.3 X 116.3MM) (30')
17	2568011W91	11	ARM ASY., SUPPORT (18')
		15	ARM ASY., SUPPORT (20'-25")
		19	ARM ASY., SUPPORT (30')
18	2570841W91	6	ARM ASY., PIVOT (LEFT) (18')
		8	ARM ASY., PIVOT (LEFT) (20'-25")
		10	ARM ASY., PIVOT (LEFT) (30')
19	2570831W91	6	ARM ASY., PIVOT (RIGHT) (18')
		8	ARM ASY., PIVOT (RIGHT) (20'-25")
		10	ARM ASY., PIVOT (RIGHT) (30')
20	104009W91	2	SPACER, PIVOT (18'-30")
21	2573651W92	1	STABILIZER ASY., RIGHT (18'-30")
22	104010W1	2	BUSHING, STABILIZER (18'-30")
23	354677X1	4	BOLT, HEX (1/2-13 X 5 3/4) (18')
		5	BOLT, HEX (1/2-13 X 5 3/4) (20'-25")
		7	BOLT, HEX (1/2-13 X 5 3/4) (30')
24	354675X1	2	BOLT, HEX (1/2-13 X 5 1/2) (18'-30")
25	355621X1	-	WASHER, WIDE FLAT (1/2) (18'-30")
26	104012W1	6	WASHER, THRUST (1 5/8OD X .039") (41.3 X 1MM) (18'-30")
27	104013W1	7	WASHER, BELLEVILLE (209 X .045") (50.8 X 1.1MM) (18'-30")
28	103948W1	2	ANGLE (2 X 2 X 3/16 X 4")(18'-30") (50.8 X 50.8 X 4.5 X 101.6MM)
29	104014W1	12	WASHER, BELLEVILLE (1 1/2OD X .045") (38.1 X 1.1MM) (18'-30")
30	104011W1	6	WASHER, THRUST (1 3/8OD X .039") (34.9 X 1MM) (18'-30")
31	2585201W92	1	STABILIZER ASY., LEFT (18'-30")
32	2578210W1	4	SPACER (1/2 X 3/4 X 1/4") (12.7 X 19 X 6.4MM) (18'-30")
33	2576501W91	4	CHAIN ASY., ANCHOR (18'-30")
34	2582340W1	7	ANGLE, SUPPORT (18')
		9	ANGLE, SUPPORT (20'-25")
		11	ANGLE, SUPPORT (30')
35	2582380W1	7	BAR, LOCKING (18')
		9	BAR, LOCKING (20'-25")
		11	BAR, LOCKING (30')
36	2582350W1	7	ANGLE, ANCHOR (18')
		9	ANGLE, ANCHOR (20'-25")

Item	Part Number	Qty	Description
		11	ANGLE, ANCHOR (30°)
37	2600880W1	3	SPACER (1/2 X 1") (12.7 X 25.4MM)
38	2578001W91	2	ROD STOP (18°-30°)
39	1810870W1	1	WASHER, SPHERICAL (18°-30°)
40	2530680W1	1	ROD, PULL (18°-30°)
41	1573290W1	1	SPRING (18°-30°)
42	2000511W91	1	CHAIN ASY., ANCHOR (18°-30°)
43	2574161W91	1	SUPPORT ASY., WOBBLE BOX (18°-30°)
44	2578481W91	1	SHOE ASY., LEFT (18°-30°)
46	2584460W1	2	SPACER, FEAR (1 X 1.5 X .375, 53ID"); (25.4 X 38.1 X 9.5, 13.5IDmm) (18°-30°)
47	501285M91	7	SPRING, RESTRAINT ASY. (18°)
		9	SPRING, RESTRAINT ASY. (20°-25°)
		11	SPRING, RESTRAINT ASY. (30°)
49	375111X1	-	NUT, HEX JAM (1/2-15) (18°-30°)
50	364964X1	4	BOLT, CARRIAGE (3/8-16 X 1) (18°-30°)
51	2584840W1	1	SPACER (3/16 X 1 X 3) (18°-30°)

MFH0007



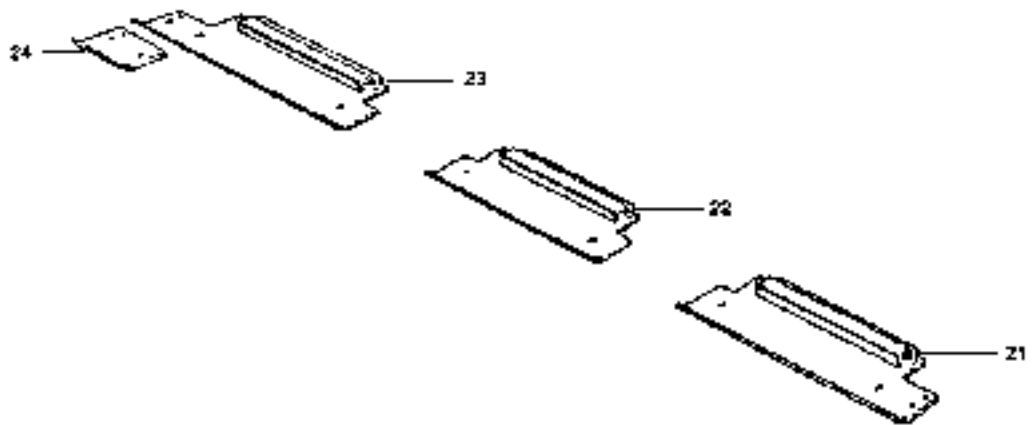
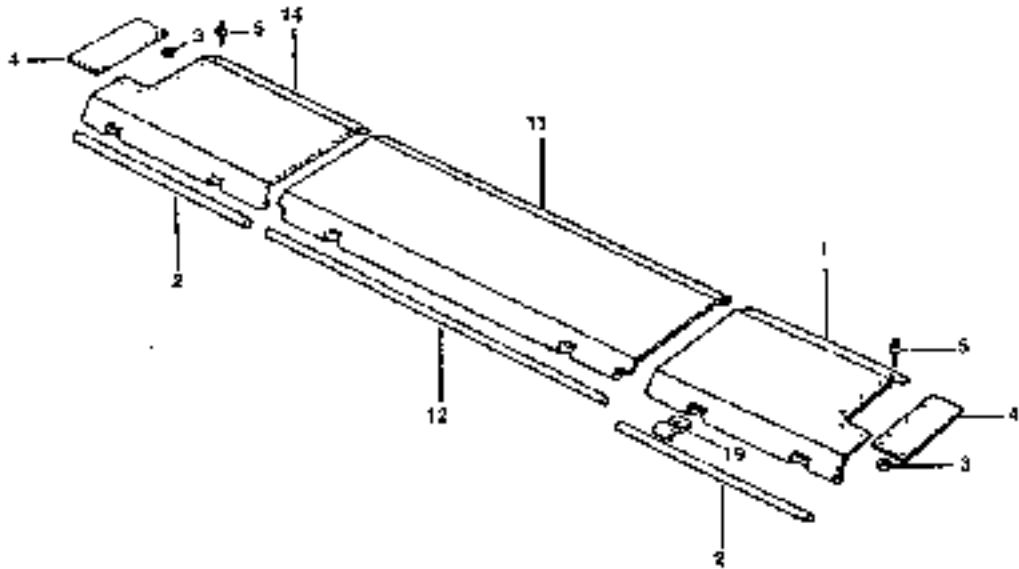


# B-1

24

MF 9700/9750 SERIES GRAIN HEADERS  
B-BELDING

SHIELDS & SKID SHOES  
8750



MFH0008

**Massey Ferguson**  
**9700 / 9750 GRAIN HEADER**

**SHIELDING - SHIELDS & SKID SHOES, 9750**

Item	Part Number	Qty	Description
1	2575303W91	1	SHIELD ASY., LEFT (23 1/2") (597MM) (18'-20')
	2575303W91	1	SHIELD ASY., LEFT (35 1/2") (902MM) (22')
	2575403W91	1	SHIELD ASY., LEFT (47 1/2") (1207MM) (24')
	1039900W91	1	SHIELD ASY., LEFT (53 1/2") (1359MM) (25')
	111962W91	1	SHIELD ASY., LEFT (32 1/2") (828MM) (30')
2	2575320W1	2	ROD, HINGE (23 1/2") (597MM) (18'-20')
	2515430W1	2	ROD, HINGE (35 1/2") (902MM) (22')
	2575310W1	2	ROD, HINGE (47 1/2") (1207MM) (24')
	103982W1	2	ROD, HINGE (53 1/2") (1359MM) (25')
	111961W1	2	ROD, HINGE (32 1/2") (828MM) (30')
3	2005930W1	12	WASHER (18'-30')
4	2605910W1	2	SEAL (9 5/8 X 9 3/64 X 1/8") (92 X 9.6 X 3.2MM) (18'-30')
5	089180X1	12	PCF NUT (18'-30')
11	2575493W91	2	SHIELD ASY., CENTER (49 1/2") (1257MM) (18')
		4	SHIELD ASY., CENTER (49 1/2") (1257MM) (20'-25')
		6	SHIELD ASY., CENTER (49 1/2") (1257MM) (30')
	2575503W91	2	SHIELD ASY., CENTER (37 1/2") (953MM) (18')
12	2575310W1	2	ROD, HINGE (20'-25')
		4	ROD, HINGE (20'-25')
		6	ROD, HINGE (30')
	2515430W1	2	ROD, HINGE (35 1/2") (902MM) (18')
14	2575463W91	1	SHIELD ASY., RIGHT (23 1/2") (597MM) (18'-20')
	2575463W91	1	SHIELD ASY., RIGHT (35 1/2") (902MM) (22')
	2575473W91	1	SHIELD ASY., RIGHT (47 1/2") (1207MM) (24')
	103978W91	1	SHIELD ASY., RIGHT (53 1/2") (1359MM) (25')
	111963W91	1	SHIELD ASY., RIGHT (32 1/2") (828MM) (30')
19	2515400W2	12	CLIP (18' - 25')
		16	CLIP (30')
21	2574501W92	1	SHOE ASY., LEFT SKID (25 7/8") (657MM) (20')
	2574511W92	1	SHOE ASY., LEFT SKID (29 3/8") (746MM) (22')
	2574541W92	1	SHOE ASY., LEFT SKID (41 3/8") (1061MM) (18' & 24')
	103974W91	1	SHOE ASY., LEFT SKID (47 3/8") (1203MM) (25')
	111957W91	1	SHOE ASY., LEFT SKID (34 7/8") (886MM) (30')
22	2574561W92	2	SHOE ASY., CENTER SKID (29 3/4") (756MM) (18'-30')
	2574581W92	2	SHOE ASY., CENTER SKID (35 3/4") (906MM) (18')
		4	SHOE ASY., CENTER SKID (35 3/4") (906MM) (20' - 30')
	2574551W92	2	SHOE ASY., CENTER SKID (27 1/4") (692MM) (20')
	111955W91	2	SHOE ASY., CENTER SKID (39 1/4") (997MM) (30')
23	2574501W92	1	SHOE ASY., RIGHT SKID (25 7/8") (657MM) (20')
	2574511W92	1	SHOE ASY., RIGHT SKID (29 3/8") (746MM) (22')
	2574541W92	1	SHOE ASY., RIGHT SKID (41 3/8") (1061MM) (18' & 24')
	103975W91	1	SHOE ASY., RIGHT SKID (47 3/8") (1203MM) (25')
	111956W91	1	SHOE ASY., RIGHT SKID (34 7/8") (886MM) (30')
24	2608890W1	1	PLATE, SKID (18'-30')

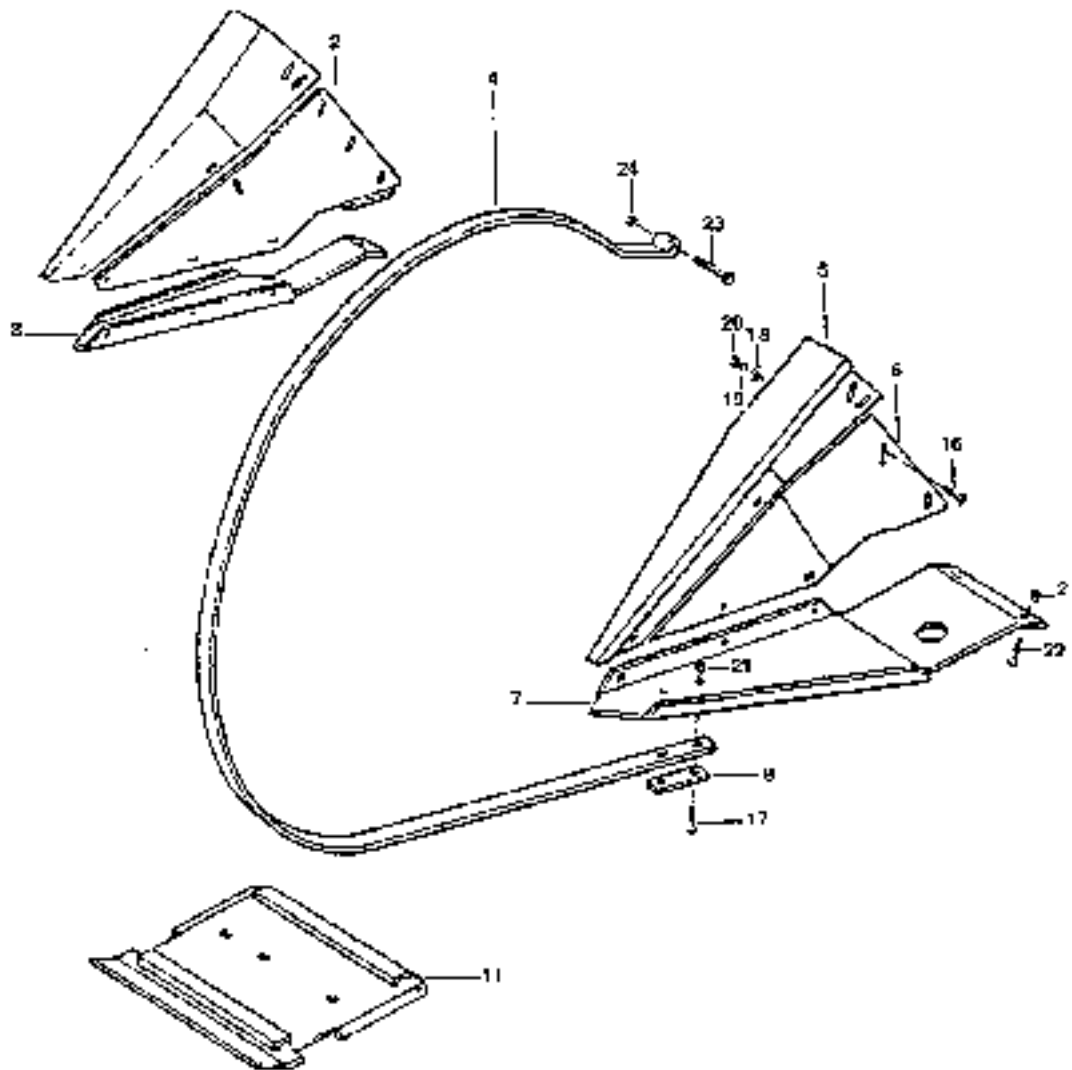
MFH0008

B-5

28

MF 9700/9750 SERIES GRAIN HEADERS  
SHIELDING

DIVIDERS & STONEGUARDS  
9729



MFH0009

Item	Part Number	Qty	Description
1	2514531W91	1	DIV DEF ASY , RIGHT (18'-30')
2	2514510W1	1	SHEET RIGHT DIVIDER (18'-30')
3	2514550W1	1	SHOE, RIGHT (18'-30')
4	2533940W1	2	GUARD DIVIDER (18'-30')
5	2514541W91	1	DIVIDER ASY , LEFT (18'-30')
6	2514520W1	1	SHEET, LEFT DIVIDER (18'-30')
7	2514560W1	1	SHOE, LEFT (18'-30')
8	2008050W1	2	PLATE, GUARD (18'-30')
11	2566001W92	2	GUARD ASY , STONE (24") (610MM) (20' & 22')
	2566011W92	2	GUARD ASY., STONE (27 1/2") (699MM) (20')
	2566021W92	2	GUARD ASY., STONE (30") (762MM) (18'-30')
	2566041W92	2	GUARD ASY., STONE (33") (838MM) (30')
	2566061W92	2	GUARD ASY., STONE (35") (914MM) (18'-20')
		4	GUARD ASY., STONE (38") (914MM) (22' - 30')
	2566101W92	2	GUARD ASY., STONE (39 1/2") (1003MM) (18', 24' & 30')
	103985W91	2	GUARD ASY., STONE (45 1/2") (1150MM) (25')
16	373303X1	-	SCREW, MACHINE TRUSS HEAD (3/8-16 X 1)
17	364965X1	-	BOLT, CARRIAGE (3/8-16 X 1 1/2)
18	355619X1	-	WASHER, WIDE FLAT (3/8)
19	353434X1	-	WASHER, LOCK (3/8)
20	355556X1	-	NUT, HEX (3/8-16)
21	364217X1	-	NUT, HEX FLANGE LOCK (3/8 15)
22	364224X1	-	BOLT, CARRIAGE (1/2-13 X 1 1/4)
23	354853X1	-	BOLT, HEX (1/2-13 X 2 3/4)
24	358344X1	-	NUT, HEX FLANGE LOCK (1/2 13)

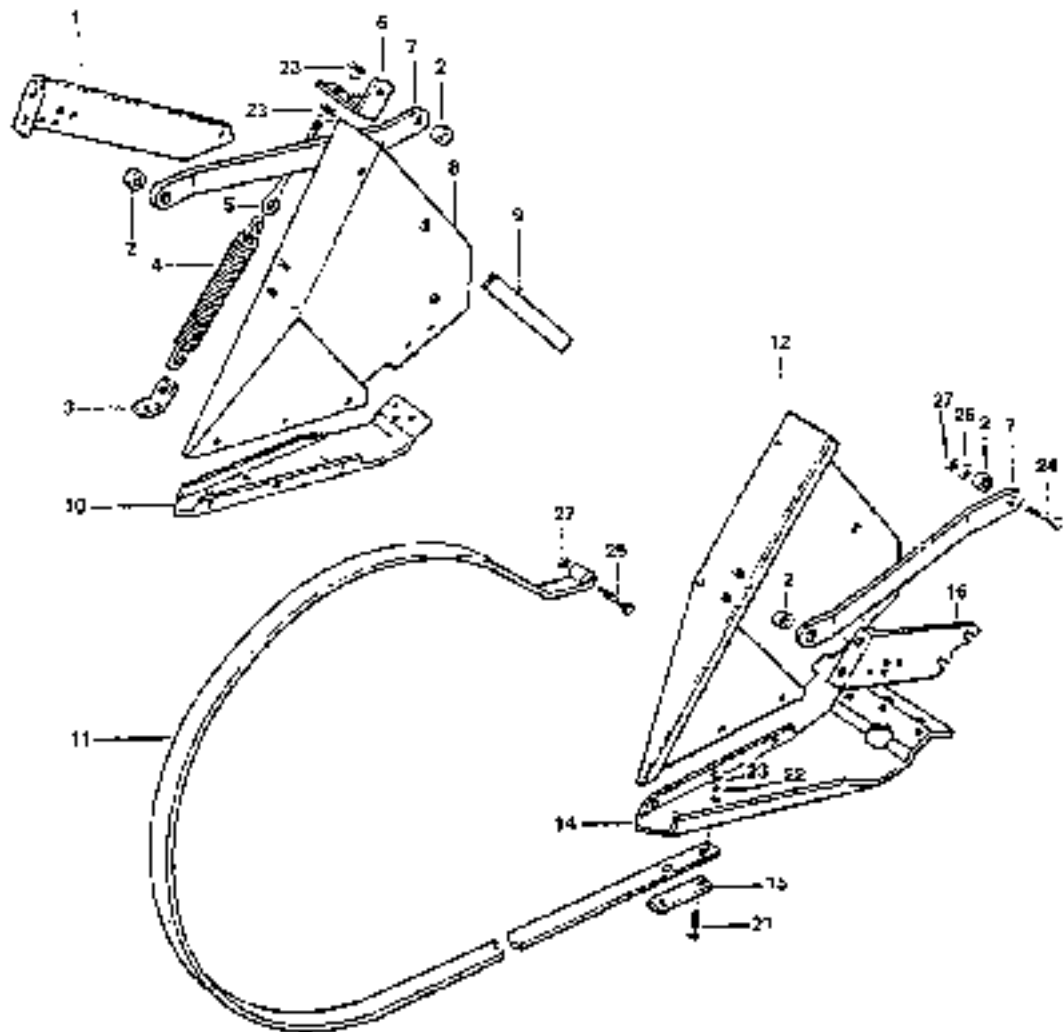
MFH0009

B-7

30

MF 9700/9750 SERIES GRAIN HEADERS  
SHIELDING

DIVIDERS  
9760



MFH0010

Massey Ferguson  
 9700 / 9750 GRAIN HEADER

651612

SHIELDING - DIVIDERS, 9750

Page30

Item	Part Number	Qty	Description
1	2605470W1	1	SUPPORT, RIGHT
2	2605790W1	4	SPACER (3/16 X 1 X 1/2") (14.3 X 25.4 X 12.7MM)
3	2605460W1	1	**BRACKET LOWER SPRING ANCHOR
4	1711610W1	1	**SPRING
5	1594210W1	1	**POD, UPPER SPRING
6	2605421WB1	1	**BRACKET ASY., UPPER SPRING ANCHOR
7	2605430W2	2	STAP, SUPPORT
8	2573781W92	1	DIVIDER ASY., RIGHT
9	2609050W1	2	STRIP, WEAR
10	2574990W1	1	SHOE, RIGHT
11	2539940W1	2	*GUARD DIVIDER
12	2573771W91	1	DIVIDER ASY., LEFT
14	2574900W1	1	SHOE, LEFT
15	2609050W1	2	PLATE, GUARD
16	2605460W1	1	SUPPORT, LEFT
21	373303X1	-	SCREW, MACHINE TRUSS HEAD (3/8-16 X 1)
22	353434X1	-	WASHER, LOCK (3/8)
23	355066X1	-	NUT, HEX (3/8-16)
24	354276X1	-	BOLT, HEX (1/2-13 X 1 1/4)
25	354853X1	-	BOLT, HEX (1/2-13 X 2 3/4)
26	355621X1	-	WASHER, WIDE FLAT (1/2") (12.7MM)
27	368644X1	-	NUT, HEX FLANGE LOCK (1/2-13)

\*ACCESSORY

\*\*PRIOR TO S/N V41101

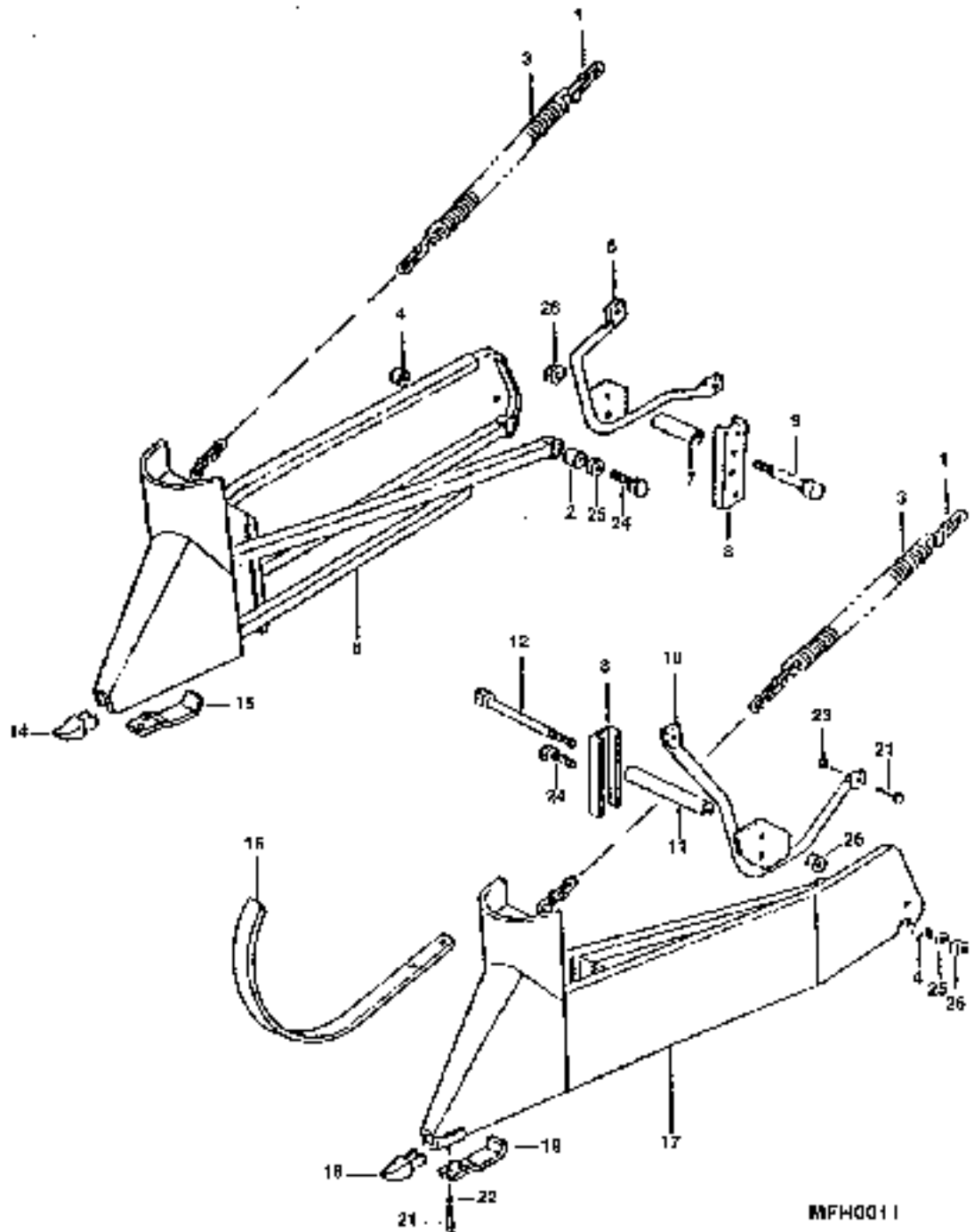
MFH001C

B-9

32

MF 9700/9750 SERIES GRAIN HEADERS  
SHIELDING

LONG DIVIDERS  
9750



MFH0011

Item	Part Number	Qty	Description
1	2636820W1	2	CHAIN SPRING RETAINER
2	145288M1	2	PIVOT SPACER (1 7/8") (48.6MM)
3	31-159538C	2	SPRING (50 COILS, 144 5/16") (364MM)
4	2576480W1	2	SPACER (1 3/8") (35MM)
5	2642981W92	1	DIVIDER ASY., RIGHT
6	2568871W91	1	SUPPORT ASY., RIGHT
7	2574970W1	1	SPACER, RIGHT DIVIDER (6") (152MM)
8	2605210W1	2	CHANNEL, SUPPORT
9	355591X1	1	BOLT, HEX (1/2-13 X 7)
10	2568861W91	1	SUPPORT ASY., LEFT
11	2605220W1	1	SPACER, LEFT DIVIDER (11.9") (302MM)
12	2605320W1	1	BOLT, HEX (1/2-13 X 13)
14	1590050W1	1	POINT, RIGHT
15	1593810W1	1	SLIDE, RIGHT
16	2574220W1	2	STRAP, DIVIDER
17	2542401W92	1	DIVIDER ASY., LEFT
18	1590040W1	1	POINT, LEFT
19	1593800W1	1	SLIDE, LEFT
21	353891X1	-	BOLT, HEX (3/8-16 X 1)
22	353434X1	-	WASHER, LOCK (3/8)
23	354217X1	-	NUT, HEX FLANGE LOCK (3/8 - 6)
24	354857X1	-	BOLT, HEX (1/2-13 X 3 1/4)
25	355621X1	-	WASHER, WIDE FLAT (1/2)
26	358644X1	-	NUT, HEX FLANGE LOCK (1/2 - 3)

MFH0011

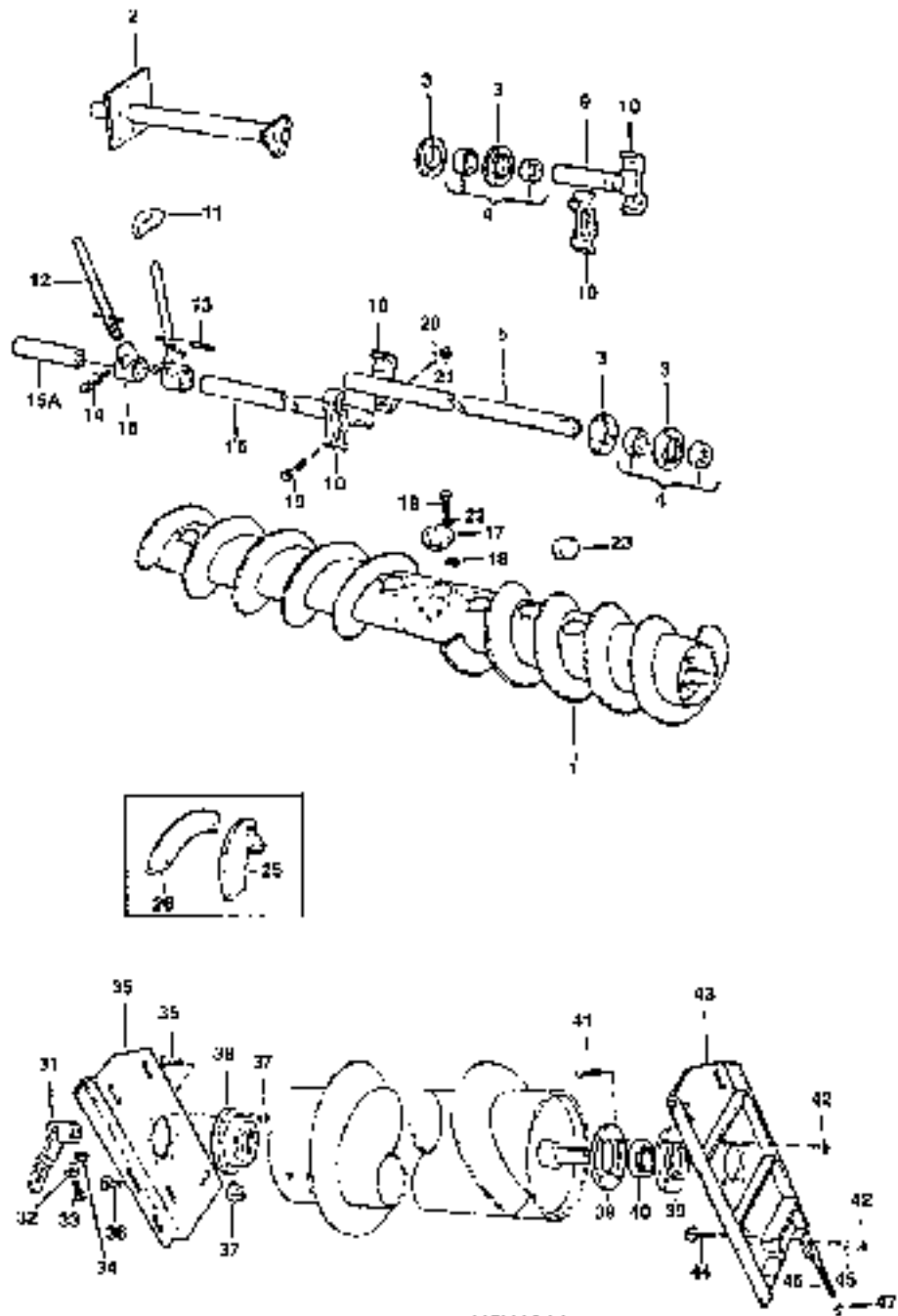


**B-11**

34

MF 9700/9750 SERIES GRAIN HEADERS  
AUGER

AUGERS & SUPPORTS



AUGER - AUGERS & SUPPORTS

Item	Part Number	Qty	Description
1	2582801W91	1	TUBE ASY., AUGER (13' P/U)
	2582831W91	1	TUBE ASY., AUGER (18')
	2582841W91	1	TUBE ASY., AUGER (20')
	2582851W91	1	TUBE ASY., AUGER (22')
	2582861W91	1	TUBE ASY., AUGER (24')
	103964W31	1	TUBE ASY., AUGER (25')
	2582871W91	1	TUBE ASY., AUGER (30')
2	2499091W91	1	SHAFT ASY., AUGER DRIVE
3	541368M2	6	FLANGE, BEARING
4	51292	3	BEARING, BALL, W/COLLAR
5	2520340W1	1	SHAFT, FINGER (57.9")(1471MM) (13' P/U)
	2520370W1	1	SHAFT, FINGER (67.9")(2233MM) (18')
	2520380W1	1	SHAFT, FINGER (90.9")(2337MM) (20')
	2520390W1	1	SHAFT, FINGER (111.9")(2842MM) (22')
	2520400W1	1	SHAFT, FINGER (123.9")(3147MM) (24')
	103969W1	1	SHAFT, FINGER (129.9")(3299MM) (25')
	2520410W1	1	SHAFT, FINGER (156.9")(3985MM) (30')
9	2198880W1	1	SHAFT, STUB (6)
10	2533290W1	4	CLAMP, FINGER SUPPORT
11	2500000W1	14	GUIDE, FINGER
12	2199640W1	14	FINGER (10 21/32"-INCLUDES SPRING PIN) (271MM)
13	70919781	14	PIN, SPRING
14	9850920W1	14	PIN, FINGER
15	2199670W1	14	HOLDER, FINGER
16	2498650W1	1	SHAFT, FINGER SUPPORT(44 1/8)
17	2582550W1	5	COVER, AUGER TUBE (8 1/2") (218MM) (13' P/U-24)
		8	COVER, AUGER TUBE (8 1/2") (218MM) (25' & 30')
18	355898X1	30	NUT, CAGED (1/4-20) (13' P/U-24)
		26	NUT, CAGED (1/4-20) (25' & 30')
19	353667X1	70	WASHER, WIDE FLAT (1/4) (13' P/U-24)
		78	BOLT, HEX (1/4-20 X 3/4) (25' & 30')
20	355617X1	70	WASHER, WIDE FLAT (1/4) (13' P/U-24)
		76	WASHER, WIDE FLAT (1/4) (25' & 30')
21	915885W1	70	NUT, HEX FLANGE (1/4-20)(13' P/U-24)
		78	NUT, HEX FLANGE (1/4-20) (25' & 30')
22	353441X1	30	WASHER, LOCK (1/4) (13' P/U-24)
		36	WASHER, LOCK (1/4) (25' & 30')
23	2558260W1	6	COVER, RETRACTABLE FINGER
24	103636W1	2	SPACER (1 3/8" X 1.66 X 5.63") (311D X 42 X 143MM)
25	2508591W91	-	*EXTENSION ASY., LEFT FLIGHT
26	2508601W91	-	*EXTENSION ASY., RIGHT FLIGHT
31	2499831W91	1	LEVER ASY.
32	375108X1	1	NUT, HEX JAM (5/16-18)
33	355204X1	1	SCREW, SQUARE HEAD SET (5/16-18 X 1)
34	11935X	1	KEY, WOODRUFF (3/8 X 1 1/4") (9.5 X 31.8MM)
35	2535681W91	1	BRACKET ASY., LEFT SUPPORT
36	364961X1	7	BOLT, CARRIAGE (3/8-16 X 1)
37	364217X1	7	NUT, HEX FLANGE LOCK (3/8-16)
38	2531000W1	1	HUB, LEFT SUPPORT
			*ACCESSORY MFH0012
39	833980W1	2	FLANGE, BEARING
40	51378	1	BEARING
41	365777X1	4	BOLT, CARRIAGE (1/2-13 X 1)
42	368644X1	12	NUT, HEX FLANGE LOCK (1/2-13)
43	2535651W92	1	BRACKET ASY., RIGHT SUPPORT
44	364224X1	8	BOLT, CARRIAGE (1/2-13 X 1 1/4)
45	355621X1	8	WASHER, WIDE FLAT (1/2)
46	2518070W1	4	BOLT, ADJUSTING
47	375111X1	4	NUT, HEX JAM (1/2-13)

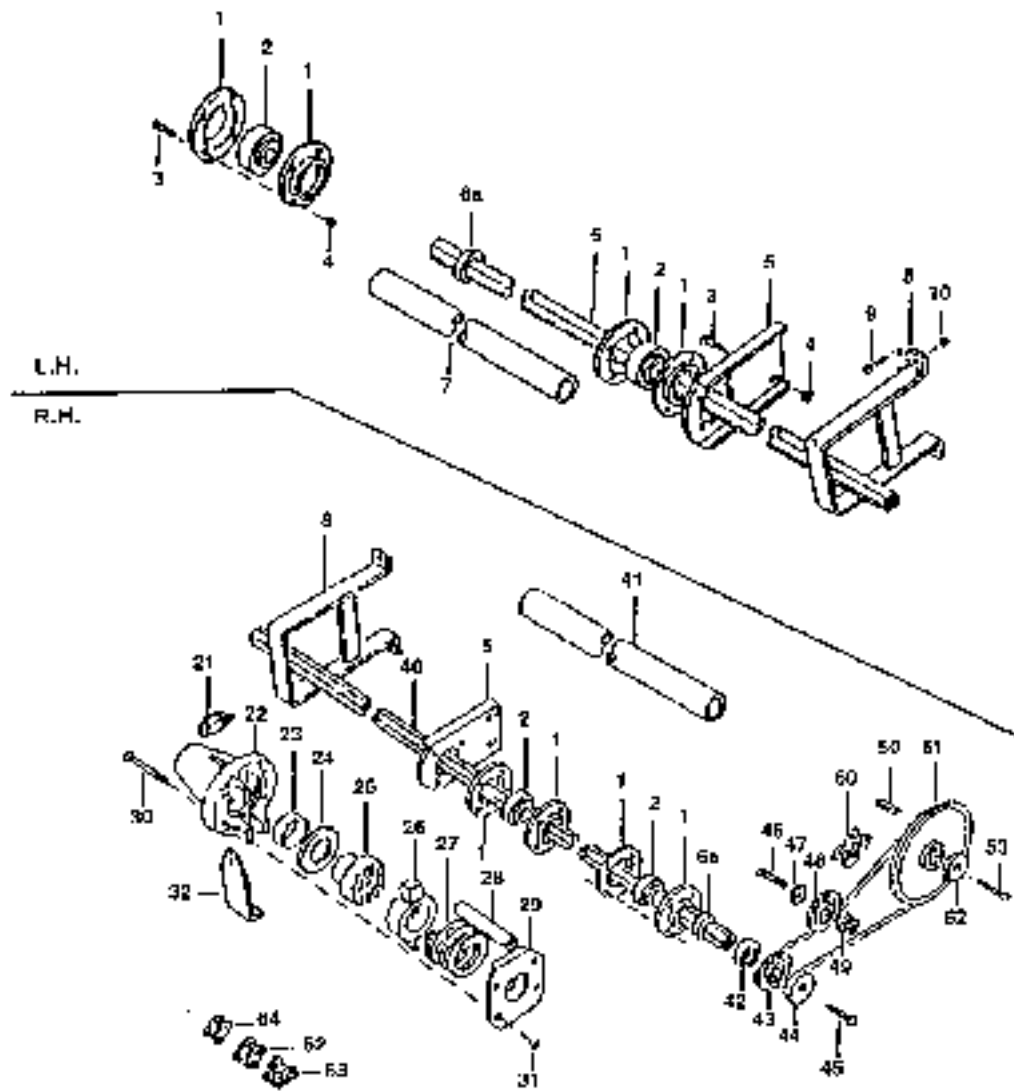
\*ACCESSORY  
 MFH0012

**B-15**

38

MF 9700/9750 SERIES GRAIN HEADERS  
AUGER

COUNTERSHAFTS



MFH0013

AUGER - COUNTERSHAFTS

Item	Part Number	Qty	Description	
1	22520X	2	F_LANGE, BEARING (1' 3' P/U)	
		4	F_LANGE, BEARING (1' 8'-20)	
		6	F_LANGE, BEARING (22' - 30')	
2	1577800W1	1	BEARING (1' 3' P/U)	
		2	BEARING (1' 8'-20)	
		4	BEARING (22' - 30')	
3	364224X1	4	BOLT, CARRIAGE(1/2-13 X 1 1/4)(13' P/U)	
		8	BOLT, CARRIAGE(1/2-13 X 1 1/4)(18' & 20')	
		20	BOLT, CARRIAGE(1/2-13 X 1 1/4)(22'-30')	
4	369644X1	4	NUT, HEX FLANGE LOCK(1/2-13)(13' P/U)	
		8	NUT, HEX FLANGE LOCK(1/2-13)(18' & 20')	
		20	NUT, HEX FLANGE LOCK(1/2-13)(22'-30')	
5	2524330W1	2	BRACKET, BEARING (22'-30')	
6	148754M1	1	SHAFT, LEFT CNTRSHFT (71")(1403MM)(18')	
	148755M1	1	SHAFT, LEFT CNTRSHFT (83")(2108MM)(20')	
	148756M1	1	SHAFT, LEFT CNTRSHFT (85")(2113MM)(22')	
	148757M1	1	SHAFT, LEFT CNTRSHFT (107")(2716MM)(24')	
	103972W1	1	SHAFT, LEFT CNTRSHFT (113")(2870MM)(25')	
	148758M1	1	SHAFT, LEFT CNTRSHFT (140")(3555MM)(30')	
6a	148723M1	1	COLLAR (13' P/U)	
		2	COLLAR (18'-30')	
	358966X1	1	RING, RETAINING (13' P/U)(NOT SHOWN)	
		2	RING, RETAINING (18'-30')(NOT SHOWN)	
7	103940W1	1	TUBE GUARD, OUTER (64 3/4")(1645MM)(18')	
	148712M1	1	TUBE GUARD, OUTER (76 3/4")(1949MM)(20')	
	103943W1	1	TUBE GUARD, OUTER (62 3/4")(1594MM)(22')	
	148711M1	1	TUBE GUARD, OUTER (74 1/2")(1892MM)(24')	
	103944W1	1	TUBE GUARD, OUTER (81")(2037MM)(25')	
	124710W1	1	TUBE GUARD, OUTER (71 1/2")(1810MM)(30')	
	103942W1	1	TUBE GUARD, INNER (58 3/4")(1518MM)(30')	
	148159M1	1	TUBE GUARD, INNER (23 3/4")(603MM)(22'-25')	
	148108M1	1	TUBE GUARD, OUTER (58")(1473.2MM)A SERIES (25')	
	147374M1	1	TUBE GUARD, OUTER (47 5/8")(1209.7MM)A SERIES (25 & 30')	
	106388W1	1	TUBE GUARD, OUTER (57")(1447.8MM)A SERIES (25')	
8	261162W92	2	BRACKET ASY., SUPPORT	
9	364584X1	2	BOLT, CARRIAGE (5/16-18 X 1) (13' P/U)	
		4	BOLT, CARRIAGE (5/16-18 X 1) (18'-30')	
10	104348W1	2	NUT, HEX FLANGE LOCK (5/16-18) (13' P/U)	
		4	NUT, HEX FLANGE LOCK (5/16-18) (18'-30')	
21	1752532M01	1	PIN ASY., KUK	
22	2500013W91	1	HUB ASY., DRIVE	
23	1559610W1	1	BUSHING, DRIVE HUB	
24	1550040W1	1	WASHER, THRUST	
25	1559620W1	1	JAW, STATIONARY	
26	1559630W1	1	JAW, MOVABLE	
27	1650650W1	1	SPRING, CLUTCH (4 COILS, 3 5/16" FREE LENGTH) (84MM)	
28	2565040W2	4	SPACER (4.00 LONG)	
29	1559660W1	1	RETAINER, SPRING	
30	254679X1	1	BOLT, HEX (1/2-13 X 6)	
31	369644X1	4	NUT, HEX FLANGE LOCK(1/2-13)	
32	2565010W1	1	KEY, FLAT LOCK	
40	148742M1	1	SHAFT, RIGHT CNTRSHFT (39")(991MM)(13' P/U)	
	148745M1	1	SHAFT, RIGHT CNTRSHFT (69")(1753MM)(18')	
	148746M1	1	SHAFT, RIGHT CNTRSHFT (81")(2057MM)(20')	
	148747M1	1	SHAFT, RIGHT CNTRSHFT (93")(2362MM)(22')	
	148748M1	1	SHAFT, RIGHT CNTRSHFT (105")(2667MM)(24')	
	103957W1	1	SHAFT, RIGHT CNTRSHFT (111")(2819MM)(25')	
	148749M1	1	SHAFT, RIGHT CNTRSHFT (138")(3505MM)(30')	
	41	148706M1	1	TUBE GUARD, OUTER (28")(711MM)(13' P/U)
		148158M1	1	TUBE GUARD, OUTER (58")(1473MM)(18')
		148161M1	1	TUBE GUARD, OUTER (70")(1778MM)(20')
103940W1		1	TUBE GUARD, OUTER (64 3/4")(1645MM)(22')	
148712M1		1	TUBE GUARD, OUTER (76 3/4")(1949MM)(24')	
103941W1		1	TUBE GUARD, OUTER (83")(2108MM)(25')	
148711M1		1	TUBE GUARD, OUTER (74 1/2")(1892MM)(30')	
148709M1		1	TUBE GUARD, INNER (5") (1295MM)(30')	
148706M1		1	TUBE GUARD, INNER (15")(381MM)(22'-25')	
102023W1		1	TUBE GUARD, OUTER (86.5")(2197.1MM)A SERIES (30')	
108395W1	1	TUBE GUARD, OUTER (39")(990.6MM)A SERIES (22' & 30')		

AUGER COUNTERSHAFTS

Item	Part Number	Qty	Description
42	2501880W/1	1	SPACER (1 1/2 X 1 29/32 X 10/32"); (38" X 48 X 15MM)
43	2501851W/91	1	SPROCKET (14 TEETH)
44	103834W/1	1	WASHER, SPECIAL FLAT
45	367151X1	1	BOLT, HEX LOCK (3/4 X 1 1/2)
46	364586X1	1	BOLT, CARRIAGE(5/8-11 X 2 1/4)
47	510080W/1	1	SPACER, D. FR (SQUARE)
48	510061W/1	1	SPROCKET, CHAIN (15 TEETH)
49	915891W/1	1	NUT, HEX FLANGE LOCK(5/8-11)
50	2419030W/1	1	KEY (3/8 X 1 3/4)
	364626X1	1	BOLT, CARRIAGE(5/8-11 X 2 1/4)
51	2499861W/91	1	SPROCKET ASY. (15 TEETH)
52	2404700W/1	1	WASHER
53	363726X1	1	BOLT, HEX (5/8-11 X 1 1/2)
60	2501833W/91	1	CHAIN ASY., AUGER DRIVE (3/4 PITCH #60, 90 PITCH CS)
	840328M/91	-	CHAIN ASY.(3/4 PITCH #60)
62	369000X1	2	LINK, CONNECTING (3/4 PITCH #60, CLIP TYPE)
63	MP1353	-	LINK, OFFSET (3/4 PITCH #60)
64	MP1356	-	LINK, ROLLER (3/4 PITCH #60)

\*TO BE MADE FROM REEL STOCK, PART NUMBER SHOWN FOR REFERENCE ONLY.  
 \*\*PART NUMBER SHOWN IS FOR (1) FOOT OF REEL STOCK, FROM WHICH CHAIN IS TO BE MADE  
 \*\*\*NOT PART OF ASY.. SHOWN IF NEEDED FOR REPAIRS.  
 MFH0013

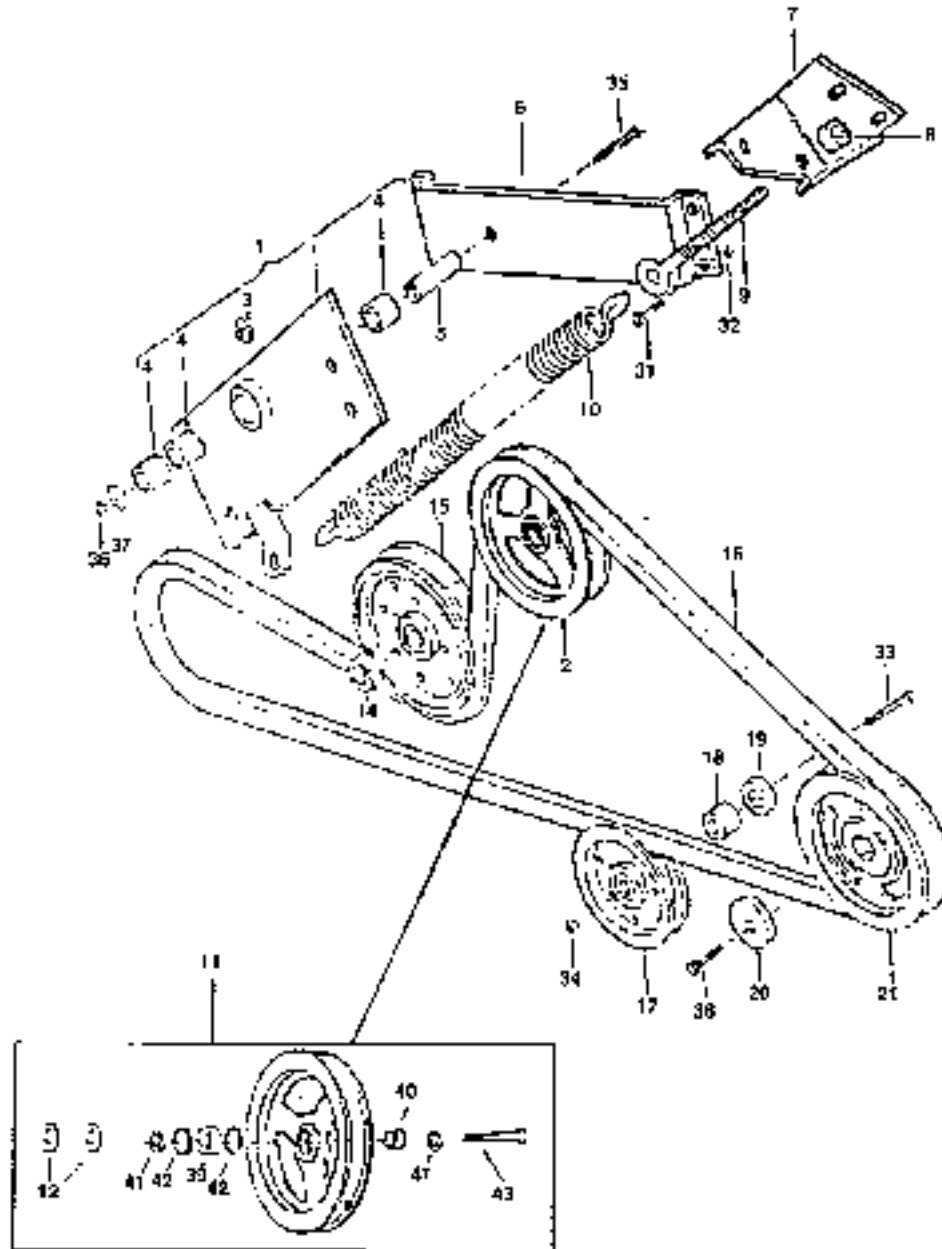


**B-19**

42

MF 9700/9750 SERIES GRAIN HEADERS  
FRAME

KNIFE DRIVE



MFH0014

FRAME - KNIFE DRIVE

Item	Part Number	Qty	Description
1	2505733WB2	1	PLATE ASSEMBLY, PIVOT
2	31-2448490	1	PULLEY, IDLER (7 5/16")
	355621X1	1	WASHER (1/2")
	360637X1	1	SPACER
	364651X1	1	BOLT, HEX (1/2-13 X 2 1/2)
3	70914465	1	FITTING, LUBE (1/8-27 NPT)
4	1689170W1	3	BUSHING (1 X 1 15/64 X 3/4") (25.4 X 31.3 X 19MM)
5	2441490W1	1	SLEEVE (41/64 X 63/64 X 3 1/8") (16.3 X 25 X 78MM)
6	2547620W1	1	BRACKET, SUPPORT IDLER
7	2525351W91	1	BRACKET ASY, SPRING ANCHOR
8	1810870W1	1	WASHER, SPHERICAL
9	2530580W1	1	ROD, PULL
10	1573250W1	1	SPRING (4 COILS, 13.9") (353MM)
11	272485M2	1	PULLEY, CAST (ORDER ITEM 2)
12	80049M1	2	SPACER (1.5 X .375") (38.1 X 9.5MM)
14	2547630W1	1	SPACER, PULLEY (1.25 X .56 X 6.4") (31.8 X 16.8 X 213MM)
15	71305413	1	PULLEY, IDLER (7 3/4") (197MM)
	915891W1	1	NUT, HEX FLANGE LOCK (3/8-11)
	353937X1	1	BOLT, HEX (5/8-11 X 2 3/4)
16	2543350W1	1	BELT, KNIFE DRIVE (125") (3175MM)
17	2555050W1	1	*PULLEY, IDLER (5 3/4") (146MM)
18	2563260W1	1	*SPACER (9/16 X .90") (14.3 X 22.9MM)
19	9150450W1	1	*SPACER (1.25 X .53 X 1.8") (31.8 X 13.5 X 22MM)
20	108831W1	1	WASHER, SPECIAL FLAT
	358988X1	1	RING, EXTERNAL RETAINING
	148723M1	1	COILAR
21	108447W1	1	PULLEY, DRIVE (7.50") LOW SPEED
	108448W1	1	PULLEY, DRIVE (6.37") HIGH SPEED
	2532660W1	1	SHEAVE, DRIVE (7.4IN)(ORDER 108447W1)
	2570460W1	1	SHEAVE, DRIVE (5 3/8") (ORDER 108448W1)
31	353690X1	-	BOLT, HEX (3/8-16 X 7/8)
32	364217X1	-	NUT, HEX FLANGE LOCK (3/8-16)
33	364979X1	-	BOLT, CARRIAGE (1/2-13 X 3)
34	368844X1	-	NUT, HEX FLANGE LOCK (1/2-13)
35	364991X1	-	BOLT, CARRIAGE (5/8-11 X 4 1/4)
37	531779M1	-	WASHER, SQ. HOLE (2 1/32 X 1 5/16 X 5/64") (16.7 X 33.3 X 2MM)
38	367451X1	1	BOLT, HEX LOCK (3/4 X 1 1/2)
39	K3352	1	REFRIG, BALL
40	368944X1	1	SPACER, STEEL
41	355821X1	2	WASHER (1/2)
42	206230M1	2	RING, INTERNAL RETAINING
43	354851X1	1	BOLT, HEX (1/2-13 X 2 1/2)

\*USED WITH (30) (91.0) HEADER ONLY  
MFH0014

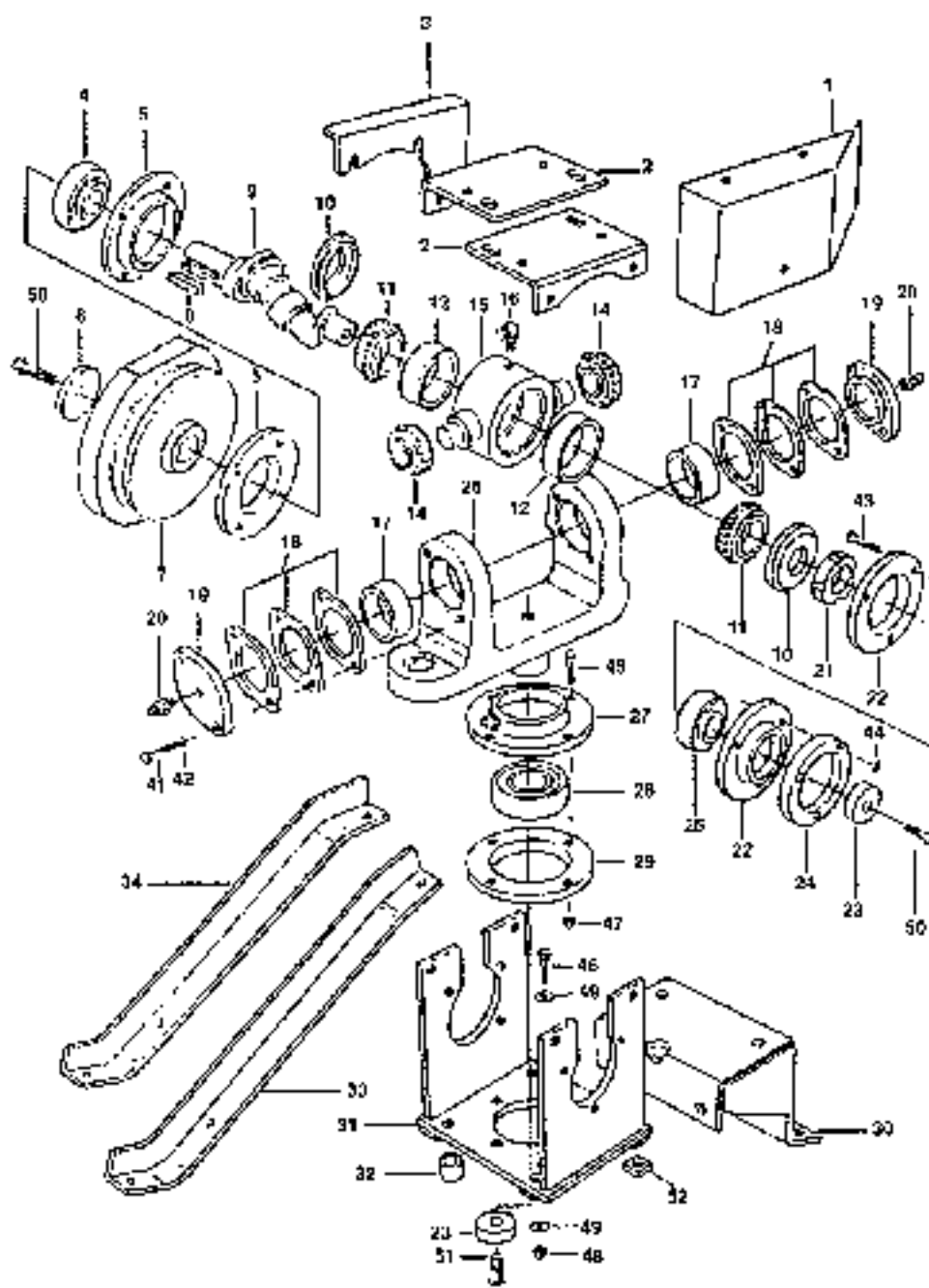


## B-21

44

MF 9700/9750 SERIES GRAIN HEADERS  
FRAME

WOBBLE BOX



MFH0015

FRAME - WOBBLE BOX

Item	Part Number	Qty	Description
	2586403W9	1	WOBBLE BOX ASY. (REPAIR) (INCL. ITEMS 2-5, 9-29 & 31)
1	2595861W9	1	SHIELD ASY., WOBBLE BOX
2	2467360W1	2	COVER, ANGLE
3	2095870W1	1	GUARD, FIT
4	844568M1	1	BEARING, BALL
5	22520X	2	FLANGE, BEARING
6	2495950W1	1	WASHER (1 17/32 X 2 1/8 X 3/8") (38 X 54 X 9.5MM)
7	2532380W1	1	SHEAVE, WOBBLE DRIVE (8 3/8")
8	800284M1	1	KEY, SQUARE (3/8)
9	2505460W1	1	SHAFT, WOBBLE
10	2467310W1	2	SEAL, WOBBLE SHAFT
11	833095M1	2	CONE, BEARING
12	833094M1	2	CUP, BEARING
14	70531251	2	CONE BEARING
15	2504560W1	1	HOUSING, BEARING
16	70915276	1	GREASE FITTING (1/8 NPTF, 90DEG.)
17	354305X1	2	CUP, BEARING
18	2541210W1	-	SHIM, BEARING CAP (.002 RED)
	2541220W1	-	SHIM, BEARING CAP (.010 BROWN)
	2541230W1	-	SHIM, BEARING CAP (.003 BLUE)
19	2504550W1	2	CAP, BEARING
20	70914465	2	FITTING, LUBE (1/8-27 NPTF)
21	2467320W1	1	RETAINER, WOBBLE SHAFT
22	341388M2	2	FLANGE, BEARING
23	2540100W1	2	WASHER (.531D X 1.75OD X .31") (13.5 X 44 X 7.9MM)
24	2531950W1	1	SPACER, FLANGE
25	10033	-	BEARING, BALL
26	2558050W2	1	YOKE, WOBBLE BOX
27	2467290W9	1	FLANGETTE ASY
28	30468	1	BEARING, BALL
29	2467280W1	1	FLANGE, BEARING
30	2557751W92	1	BRACKET ASY., WOBBLE BOX (9700)
31	2467371W92	1	SUPPORT ASY., WOBBLE DRIVE
32	2532690W1	4	SPACER (.531D X 1.000D X .75") (13.5 X 25.4 X 19MM)(9700) (PRIOR S/N N23701)
33	2561720W1	1	BRACE, WOBBLE BOX (9700)
34	2561290W1	1	BRACE, WOBBLE BOX (9750)
41	353679X1	-	BOLT, HEX (5/16-18 X 1)
42	353446X1	-	WASHER, LOCK (5/16)
43	364905X1	-	BOLT, CARRIAGE (3/8-15 X 1 1/2)
44	364217X1	-	NUT, HEX FLANGE LOCK (3/8-18)
45	364224X1	-	BOLT, CARRIAGE (1/2-13 X 1 1/4)
46	369251X1	4	BOLT, HEX SAE 8 (1/2-13 X 2 1/2) (QTY. 2 FOR 9750)
	360909X1	2	BOLT, HEX SAE 8 (1/2-13 X 2 3/4)(9750)
47	368644X1	-	NUT, HEX FLANGE LOCK (1/2-13)
48	388384X1	4	NUT, HEX LOCK SAE 8 (1/2-13)
49	353773X1	8	WASHER, HARDENED FLAT (1/2)
50	350689X1	2	BOLT, HEX (3/8-16 X 3/4)
51	354651X1	1	BOLT, HEX (1/2-13 X 2 1/2)
52	2608880W1	4	SPACER, FRONT & REAR (1 X 1.5 X .75, .531D)(9750)(PRIOR N23701)

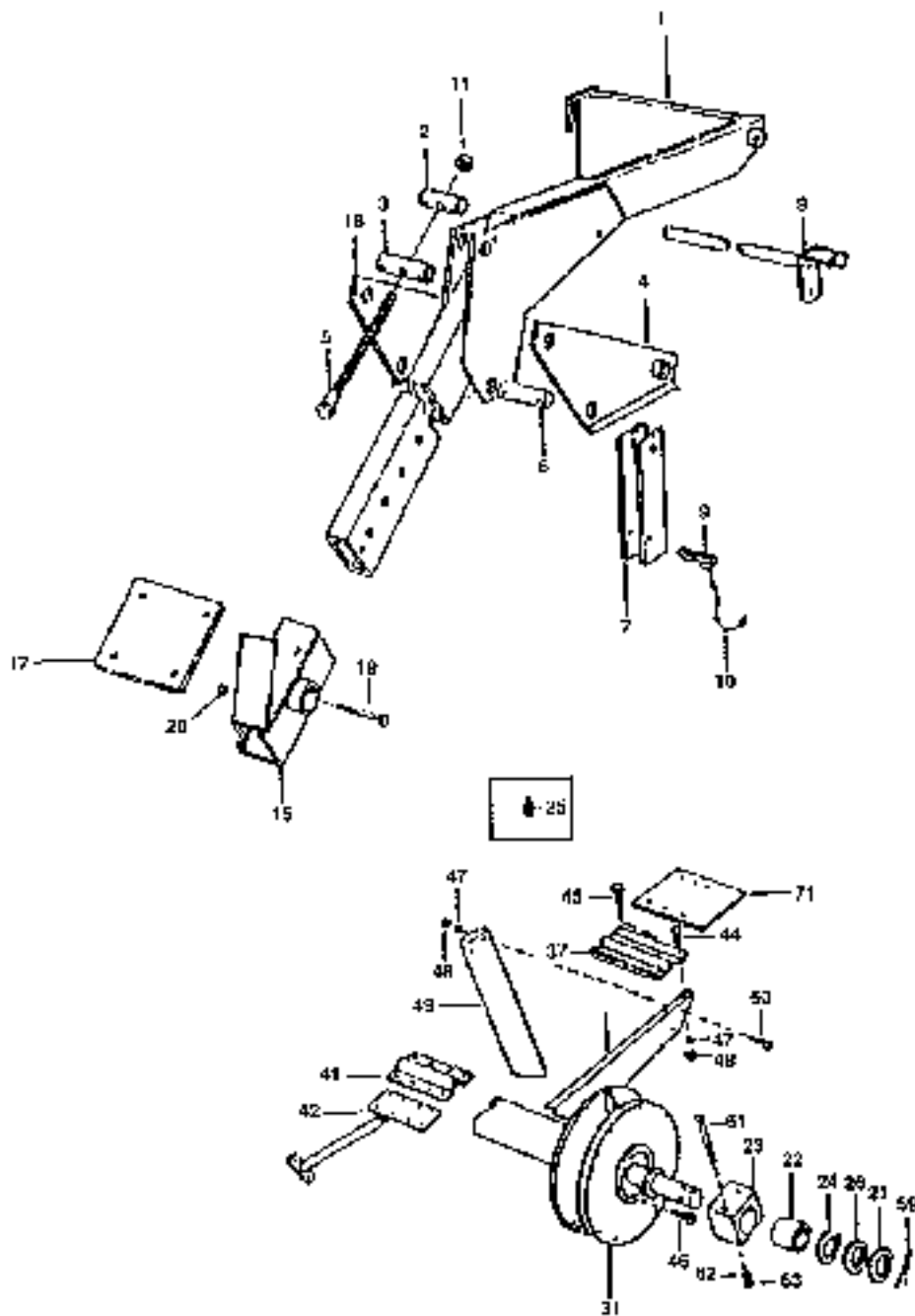
MFH0015

**B-23**

48

MF 9700/9750 SERIES GRAIN HEADERS  
REEL

REEL ARMS & METAL FAT REEL



MFH0016

## REEL - REEL ARMS &amp; METAL BAT REEL

Item	Part Number	Qty	Description
1	2558091W92	1	ARM ASY., LEFT REEL (18'-30")
	2558101W92	1	ARM ASY., RIGHT REEL (18'-30")
2	2558240W1	2	PIN, REEL ADJUSTMENT (3/8" X 6") (84MM) (18'-30")
3	2558290W1	2	PIN, REEL ADJUSTMENT (3/8" X 6") (94MM) (18'-30")
4	2558171W92	2	PLATE ASY. (18'-30")
5	2558210W1	2	BOLT, HEX SPECIAL (1/2-13) X 9; (8 1/4" THREAD)
6	2558330W1	2	PIN (3 11/16") (94MM) (18'-30")
7	2521590W1	2	CHANNEL, CYLINDER STOP (18'-30")
8	2635151W91	2	SHAFT, PIVOT (17") (432MM) (18'-30")
9	2514740W1	2	PIN, HAIR (18'-30")
10	2558220W1	2	CHAIN (18'-30")
11	375098X1	2	NUT, HEX (1/2-13) (18'-30")
15	101406M91	1	BRACKET ASY. (LH) (18'-30")
	101407M91	1	BRACKET ASY. (RH) (18'-30")
17	101427M2	2	PLATE, REEL SUPPORT (18'-30")
18	145290M91	2	BRACKET ASY. (18'-30")
19	354957X1	2	BOLT, HEX (1/2-13 X 9 1/4) (18'-30")
20	360060X1	2	NUT, LOCKING (1/2-13) (18'-30")
21	222205M1	1	WASHER, RETAINING (1 5/8 X 2 1/16 X 5/64") (33 X 52 X 2MM) (18'-30")
22	222181M2	2	BUSHING (NYLON) (1 9/32 X 1 1/2 X 2") (32.5 X 38.1 X 50.8MM) (18'-30")
23	282199M2	2	HOUSING, LEFT & RIGHT (18'-30")
24	332066M1	5	WASHER (1 5/16 X 1 7/8 X .132") (33 X 46 X 3.3MM) (18'-30")
25	13511X	2	FITTING, GREASE (18'-30")
26	10965X	-	WASHER (1 11/32 X 2 X 1/15") (34 X 50.8 X 1.6MM) (18'-30")
31	148051M91	1	SHAFT ASY., REEL (16")
	148052M91	1	SHAFT ASY., REEL (20")
	148128M91	1	SHAFT ASY., REEL (22")
	148127M91	1	SHAFT ASY., REEL (24")
	104042W91	1	SHAFT ASY., REEL (25")
	101428M91	1	SHAFT ASY., REEL (30")
35	282313M2	5	ARM, LEFT (18')
		20	ARM, LEFT (20')
		25	ARM, LEFT (22'-25')
		30	ARM, LEFT (30')
	282314M2	5	ARM, RIGHT (18'-30')
37	104050W1	5	BAT, REEL (211.44") (5371MM) (18')
	104049W1	5	BAT, REEL (235.44") (5980MM) (20')
	104047W1	5	BAT, REEL (258.5") (6566MM) (22')
	104046W1	5	BAT, REEL (282.5") (7176MM) (24')
	104045W1	5	BAT, REEL (294.5") (7480MM) (25')
	104048W1	5	BAT, REEL (348.5") (8852MM) (30')
41	104038W1	10	BRACKET, REEL (20')
42	282319M92	5	BRACE ASY. (LEFT) (30')
	282319M02	5	BRACE ASY. (RIGHT) (30')
44	353676X1	-	BOLT, HEX (5/16-18 X 5/8) (18'-30")
45	353677X1	-	BOLT, HEX (5/16-18 X 3/4) (30')
46	353679X1	-	BOLT, HEX (5/16-18 X 1) (30')
47	353755X1	-	WASHER, NARROW FLAT (5/16) (18'-30")
48	104346W1	-	NUT, HEX FLANGE LOCK (5/16-18) (18'-30")
49	104040W91	5	SHIELD ASY., LEFT (18'-30")
	104041W91	5	SHIELD ASY., RIGHT (18'-30")
50	353676X1	-	BOLT, HEX (5/16-18 X 5/8) (18'-30")
59	354092X1	-	PIN, COLLAR (1/4 X 1 3/4") (6.4 X 44MM) (18'-30")
61	364967X1	-	BOLT, CARRIAGE (3/8-15 X 2 3/4) (18'-30")
62	353434X1	-	WASHER, LOCK (3/8) (18'-30")
63	355566X1	-	NUT, HEX (3/8-16) (18'-30")
71	1123360W1	10	FLAP, END (18'-30")

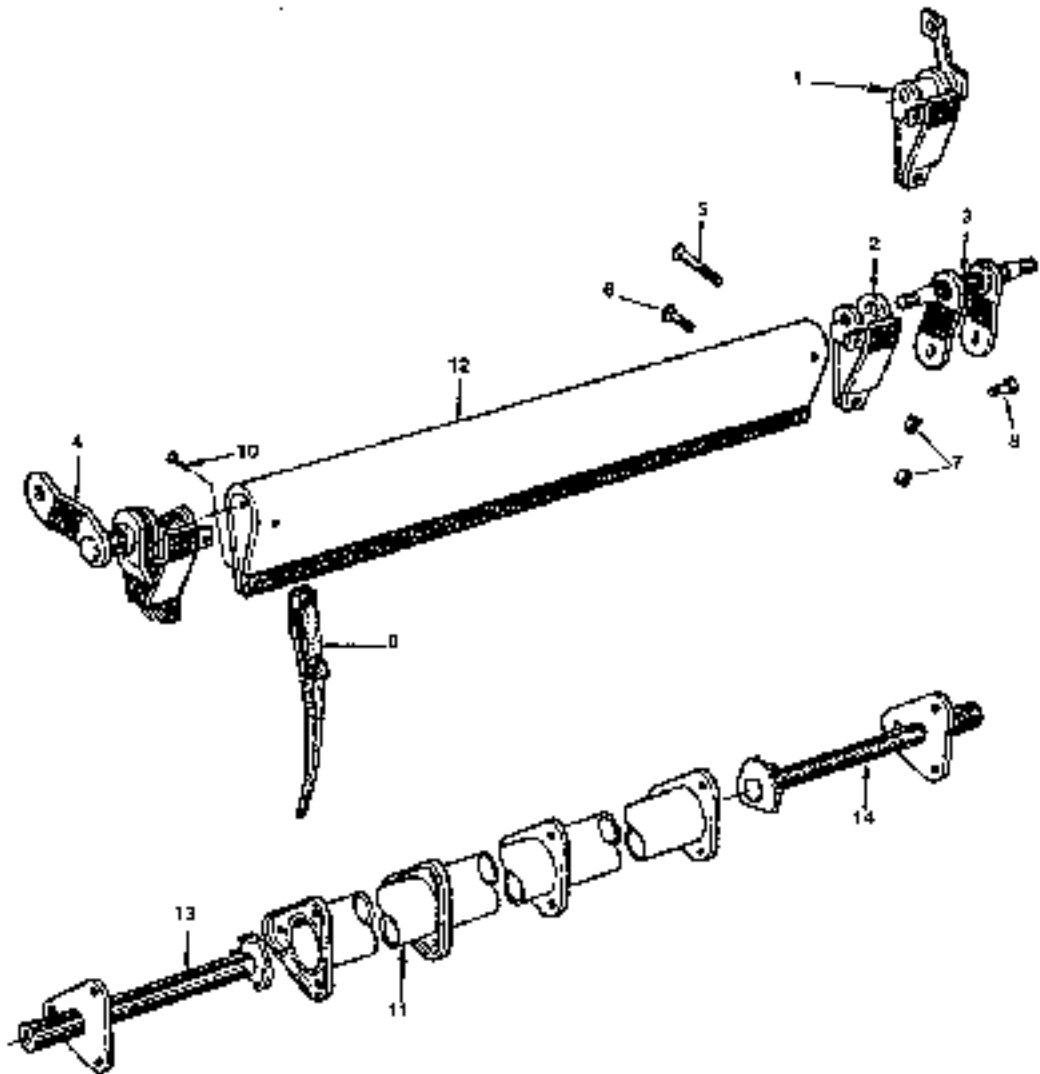
MFH0015

C-3

50

MF 9700/9750 SERIES GRAIN HEADERS  
REEL

PICKUP REEL  
METAL RATS (POLYTRIE)



MFH0017

**Massey Ferguson**  
**9700 / 9750 GRAIN HEADER**

**REEL - PICKUP REEL, METAL BATS (POLYTYNE)**

Item	Part Number	Qty	Description
1	1077176M91	6	BRACKET, END PIVOT (RH) (20', 24' & 30')
2	2763152M91	24	RETAINER ASY., CENTER SPIDER BAT (20' & 24')
		36	RETAINER ASY., CENTER SPIDER BAT (30')
3	71849313	12	BRACKET, SPIDER P VOT (20' & 24')
		18	BRACKET, SPIDER P VOT (30')
4	1077177M91	6	BRACKET, END PIVOT (LH) (20', 24' & 30')
5	364885X1	35	BOLT, CARRIAGE SHORT SQUARE (5/16-18 X 2 1/2) (20' & 24')
		48	BOLT, CARRIAGE SHORT SQUARE (5/16-18 X 2 1/2) (30')
6	366500X1	35	BOLT, CARRIAGE SHORT SQUARE (5/16-18 X 5/8) (20' & 24')
		48	BOLT, CARRIAGE SHORT SQUARE (5/16-18 X 5/8) (30')
7	366634X1	72	NUT, HEX LOCK (5/16-18) (20' & 24')
		96	NUT, HEX LOCK (5/16-18) (30')
8	2763155M1	24	BOLT, HEX FLANGE HEAD LOCK (5/16-24 X 5/8) (20' & 24')
		36	BOLT, HEX FLANGE HEAD LOCK (5/16-24 X 5/8) (30')
9	2763156M1	270	FINGER, REEL (PLASTIC) (20')
		330	FINGER, REEL (PLASTIC) (24')
		408	FINGER, REEL (PLASTIC) (30')
10	2763192M1	270	SCREW, SELF-TAPPING (#8-32 X 3/4) (20')
		330	SCREW, SELF-TAPPING (#8-32 X 3/4) (24')
		408	SCREW, SELF-TAPPING (#8-32 X 3/4) (30')
11	2763129M91	1	SHAFT, CENTER (20')
	2763133M91	1	SHAFT, CENTER (24')
	2763134M91	1	SHAFT, CENTER (30')
12	2763143M91	18	BAT ASY., WITH FINGERS (73 3/4") (1873MM) (20')
	2763147M91	6	BAT ASY., WITH FINGERS (91 3/4") (2330MM) (24')
	2763146M91	12	BAT ASY., WITH FINGERS (66 3/4") (2254MM) (24')
	2763148M91	12	BAT ASY., WITH FINGERS (84 1/2") (2146MM) (30')
	2763145M91	12	BAT ASY., WITH FINGERS (81 3/4") (2076MM) (30')
13	2763162M91	1	SHAFT, DRIVING END (RH) (20' & 24')
	2763163M91	1	SHAFT, DRIVING END (RH) (30')
14	2763165M91	1	SHAFT, DRIVEN END (LH) (20' & 24')
	71398146	1	SHAFT, DRIVEN END (LH) (30')

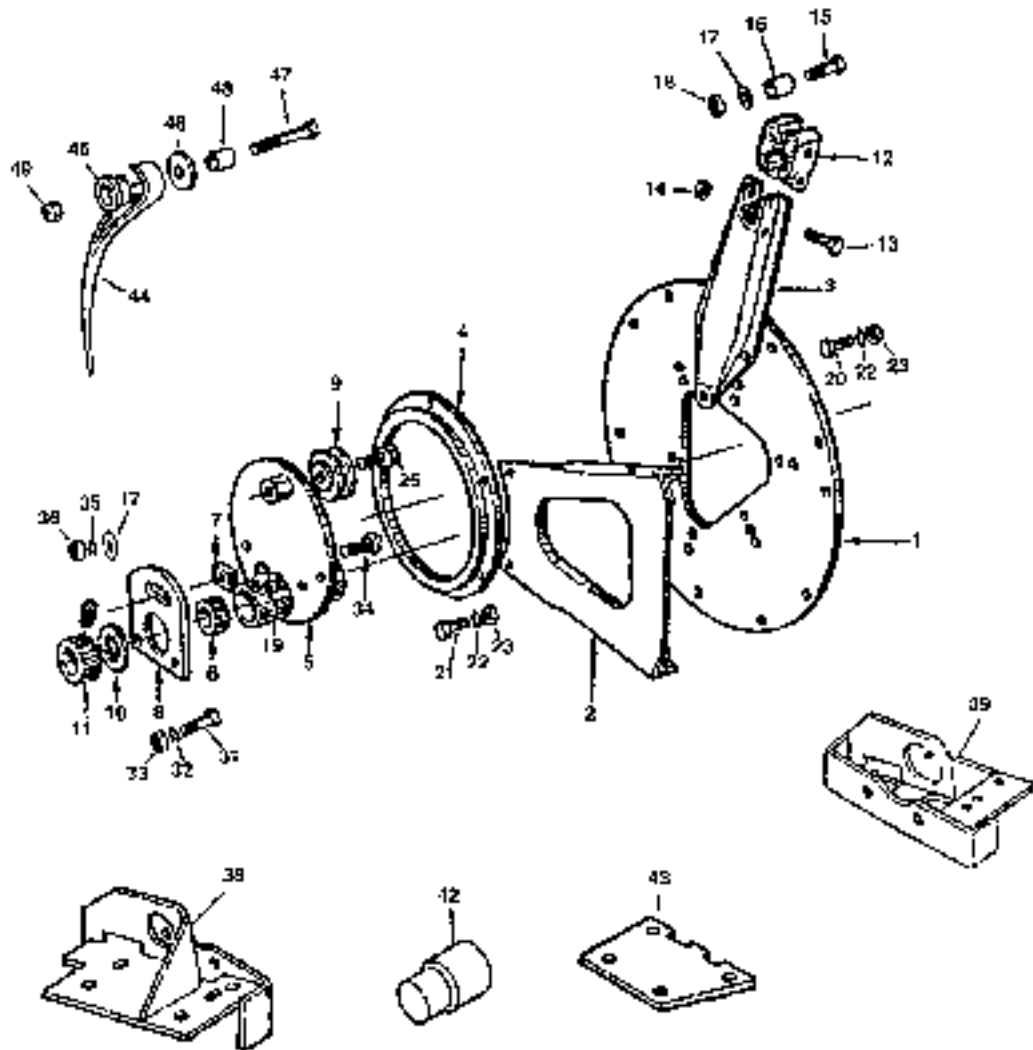
MFH0017

C-5

52

MF 9700/9750 SERIES GRAIN HEADERS  
REEL

PICKUP REEL  
EGCENTRIC & SPIDER PLATES  
(POLYURE)



MFH0D18

## REEL - PICKUP REEL, ECCENTRIC &amp; SPIDER PLATES, (POLYURETHANE)

Item	Part Number	Qty	Description
1	2763172M1	4	SPIDER PLATE (20' & 24')
		5	SPIDER PLATE (30')
2	2753173M1	12	SHIELD, ECCENTRIC (20', 24' & 30')
3	71345065	24	REEL ARM (20' & 24')
		30	REEL ARM (30')
4	71136185	2	RING, ECCENTRIC CONTROL (20', 24' & 30')
5	2763176M91	2	FRAME, ECCENTRIC ROLLER (INCL. 2 OF IT. 6)(20', 24' & 30')
6	2763177M1	4	BEARING, SUPER DUTY (1.3400 X 1.9160 X 1.12)(20', 24' & 30')
7	2763178M1	2	SPACER (20', 24' & 30')
8	2763179M1	2	PLATE, ECCENTRIC SLOT ADJ. (20', 24' & 30')
9	71141240	6	BEARING, BALL ROLLER (20', 24' & 30')
10	2763181M*	4	WASHER, FLAT SPECIAL (2.1400 X 1.5160 X 1.16)(20', 24' & 30')
11	2763182M*	2	COLLAR, LOCK W/SET SCREWS (20', 24' & 30')
12	2763183M*	72	BEARING, RFFI ARM (20' & 24')
		84	BEARING, REEL ARM (30')
13	354601X1	72	BOLT, HEX (1/4-20 X 1.3/4) (20' & 24')
		84	BOLT, HEX (1/4-20 X 1.3/4) (30')
14	367480X1	72	NUT, HEX LOCK (1/4-20) (20' & 24')
		84	NUT, HEX LOCK (1/4-20) (30')
15	354280X1	12	BOLT, HEX (1/2-13 X 2) (20', 24' & 30')
16	2763184M1	12	SPACER, TUBING (.8400 X .5110 X 1.12") (20', 24' & 30')
17	355621X1	14	WASHER, WIDE FLAT (1/2) (20', 24' & 30')
18	369085X1	12	NUT, HEX LOCK (1/2-13) (20', 24' & 30')
19	70314405	2	FITTING, LUBE (1/8-27 NPTF) (20', 24' & 30')
20	353675X1	72	BOLT, HEX (5/16-18 X 1/2) (20' & 24')
		90	BOLT, HEX (5/16-18 X 1/2) (30')
21	353877X1	12	BOLT, HEX (5/16-18 X 3/4) (20', 24' & 30')
22	353446X1	84	WASHER, LOCK (5/16) (20' & 24')
		102	WASHER, LOCK (5/16) (30')
23	355565X1	84	NUT, HEX (5/16-18) (20' & 24')
		102	NUT, HEX (5/16-18) (30')
25	368202X1	4	BOLT, HEX (3/8-18 X 1.3/4) (20', 24' & 30')
	354269X1	2	BOLT, HEX (3/8-16 X 2.1/2) (20', 24' & 30')
31	353700X1	4	BOLT, HEX (7/16-14 X 1.1/4) (20', 24' & 30')
32	353432X1	4	WASHER, LOCK (7/16) (20', 24' & 30')
33	355645X1	4	NUT, HEX (7/16-14) (20', 24' & 30')
34	364975X1	2	BOLT, CARRIAGE (1/2-13 X 1.3/4) (20', 24' & 30')
35	353435X1	2	WASHER, LOCK (1/2) (20', 24' & 30')
36	375098X1	2	NUT, HEX (1/2-13) (20', 24' & 30')
38	2763107M91	1	BRACKET, ECCENTRIC LH (20', 24' & 30')
39	2753168M91	1	BRACKET, ECCENTRIC RH (20', 24' & 30')
42	2763170M1	1	EXTENSION, ON VE STOP (20', 24' & 30')
43	2763169M1	2	PLATE, ADAPTER (20', 24' & 30')
44	71202505	12	FINGER, AUXILIARY (PLASTIC) (20', 24' & 30')
45	71352506	12	BRACKET, AUXILIARY FINGER
46	2763187M1	12	RETAINER, AUXILIARY FINGER
47	2763190M1	12	BOLT, HEX SHANK (1/2-20 X 2.1/2)
48	2763189M1	12	SPACER, TUBING (.8100 X .5110 X 1.25)
49	2763191M1	12	NUT, HEX FLANGE LOCK (1/2-20) (20', 24' & 30')

MF10018

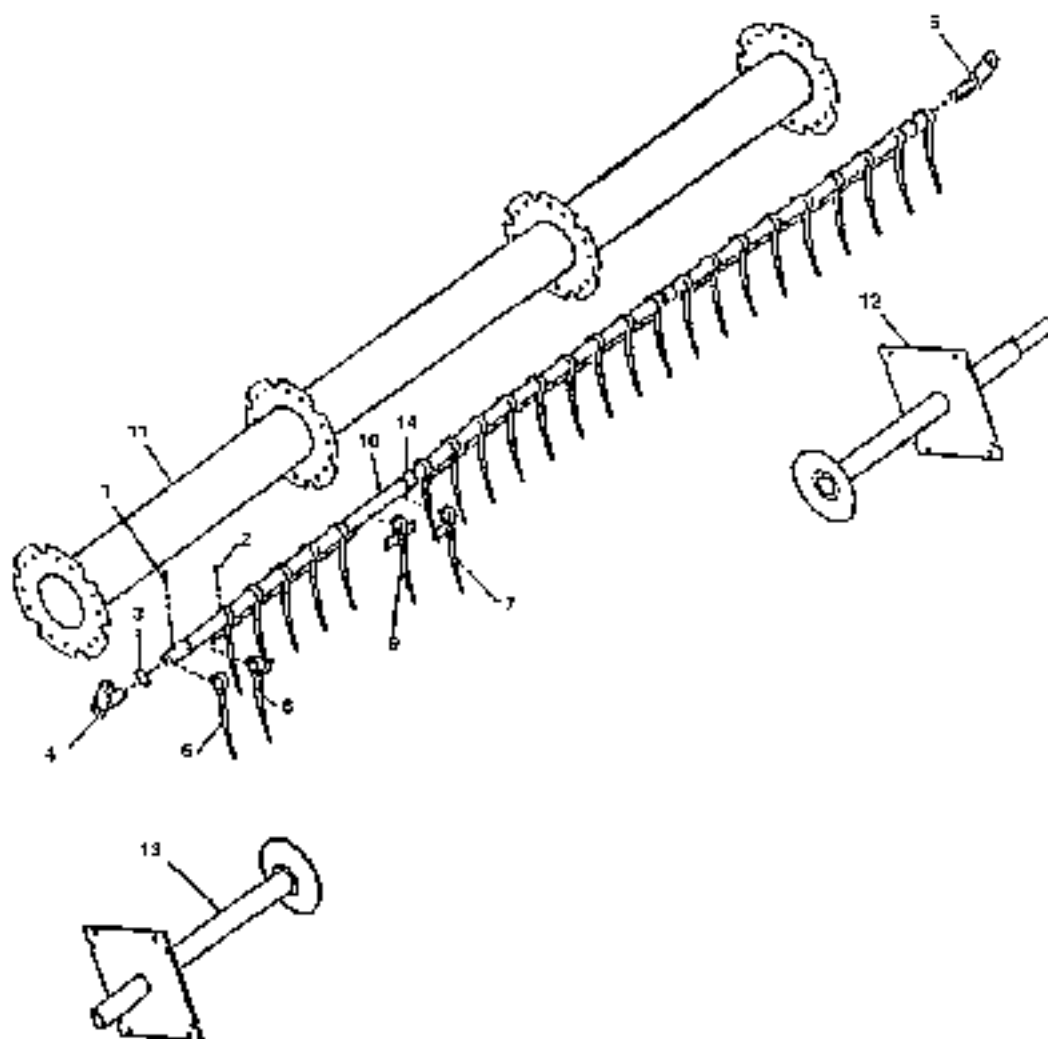


### C-9

56

MF 9700/9750 SERIES GRAIN HEADERS  
REEL

PICKUP REEL  
ROUND BATS (ML)



MFH0019

**Massey Ferguson**  
**9700 / 9750 GRAIN HEADER**

651612

**REEL - PICKUP REEL, ROUND BATS (ML)**

Page58

Item	Part Number	Qty	Description
1	1077750M1	48	PIN, SLOTTED SPRING (#6) (18' - 22')
		60	PIN, SLOTTED SPRING (#8) (25 & 30')
2	1077751M1	268	SCREW, SPECIAL (18')
		300	SCREW, SPECIAL (20')
		354	SCREW, SPECIAL (22')
		386	SCREW, SPECIAL (25')
		468	SCREW, SPECIAL (30')
3	71367254	48	FLAT WASHER, SPL. (18' - 22')
		50	FLAT WASHER, SPL. (25 & 30')
4	71367257	5	ARM, CRANK (LI) (18'-30')
5	71367252	6	ARM, CRANK (RH) (25 & 30')
6	1077765M1	12	FINGER, PLASTIC (END) (18'-30')
7	1077756M1	18	FINGER, PLASTIC (R-L) (18' - 22')
		24	FINGER, PLASTIC (R-H) (25 & 30')
8	1077757M1	18	FINGER, PLASTIC (LH) (18' - 22')
		24	FINGER, PLASTIC (LH) (25 & 30')
9	71367261	240	FINGER, PLASTIC (18')
		258	FINGER, PLASTIC (20')
		308	FINGER, PLASTIC (22')
		336	FINGER, PLASTIC (25')
		408	FINGER, PLASTIC (30')
10	1077765M1	6	TUBE, FINGER SUPPORT (18')
	1077765M1	8	TUBE, FINGER SUPPORT (20')
	1077767M1	6	TUBE, FINGER SUPPORT (22')
	1077769M1	6	TUBE, FINGER SUPPORT (25')
	1077770M1	8	TUBE, FINGER SUPPORT (30')
11	1077759M01	1	SHAFT, CENTER (8"OD)(152MMOD) (18')
	1077760M01	1	SHAFT, CENTER (8"OD)(162MMOD) (20')
	1077761M01	1	SHAFT, CENTER (8"OD)(203MMOD) (22')
	1077763M01	1	SHAFT, CENTER (8"OD)(203MMOD) (25')
	1077764M01	1	SHAFT, CENTER (8"OD)(203MMOD) (30')
12	1077775M01	1	SHAFT, DRIVING END(FOR 6" TUBE)(18'-20')
	1077774M01	1	SHAFT, DRIVING END(FOR 8" TUBE) (22')
	1077776M01	1	SHAFT, DRIVING END(FOR 8" TUBE) (25 & 30')
13	71367247	1	SHAFT, DRIVEN END (FOR 6" TUBE)(18'-20')
	71367246	1	SHAFT, DRIVEN END (FOR 8" TUBE) (22', 25 & 30')
14	71369633	36	WASHER, PLASTIC THRUST (18'-30')

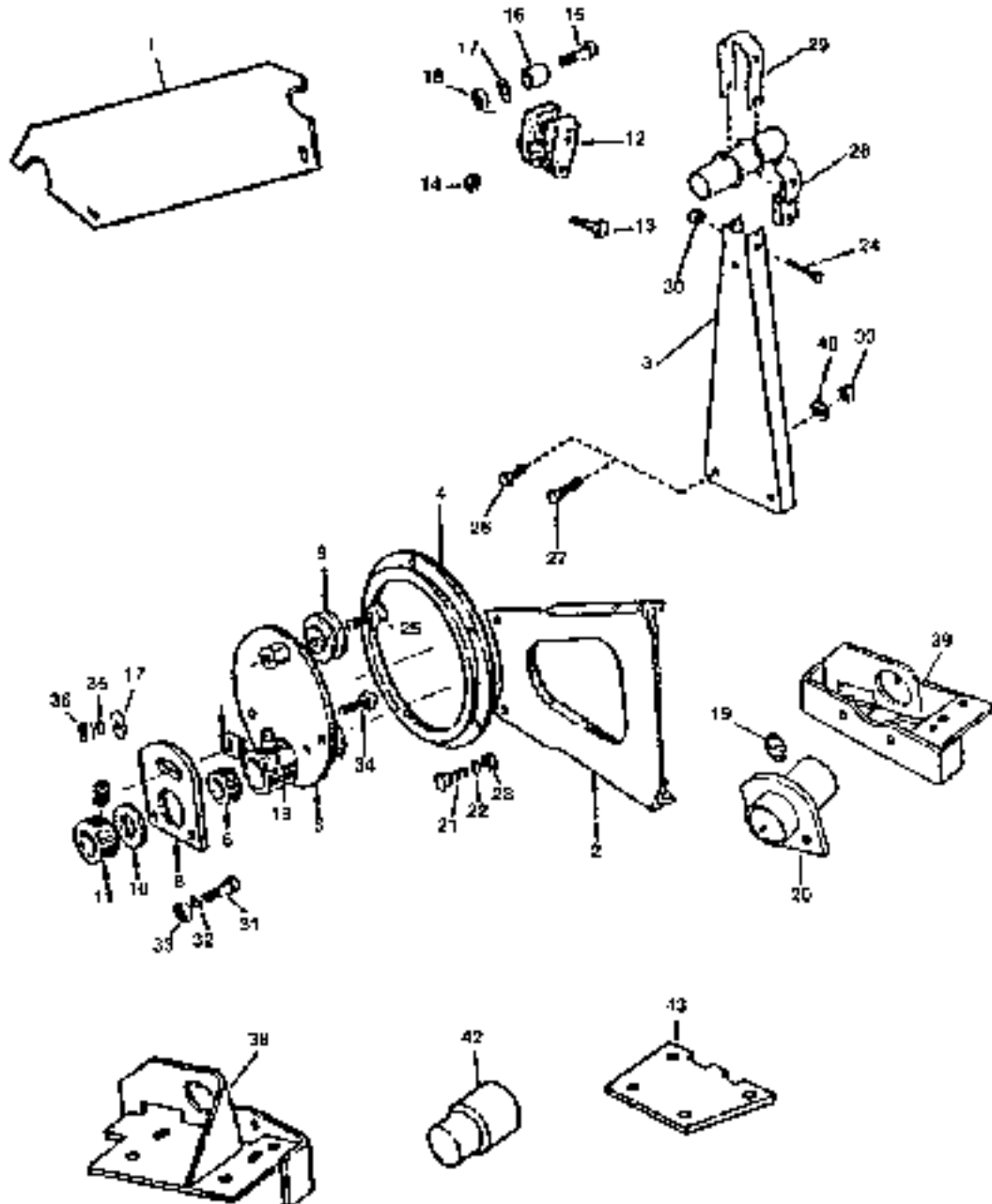
MFH0019

# C-11

58

MF 9700/9750 SERIES GRAIN HEADERS  
REEL

PICKUP REEL  
ECCENTRIC & SPIDER PLATES  
(ML - EARLY STYLE)



MFH0020

Massey Ferguson

9700 / 9750 GRAIN HEADER

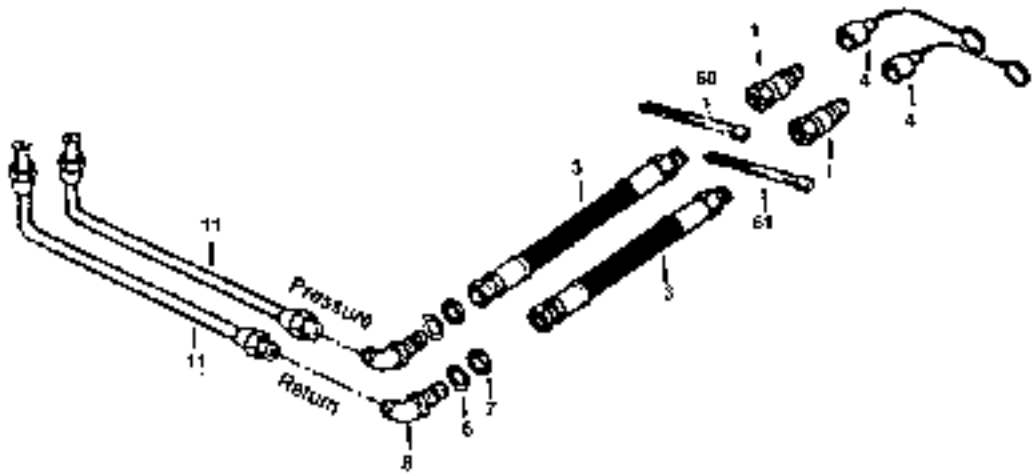
REEL - PICKUP REEL, ECCENTRIC & SPIDER PLATES, (ML - EARLY

Item	Part Number	Qty	Description STYLE)
1	1079449M1	6	SHIELD, END, SINGLE ECCENTRIC (18'-22')
2	2763173M1	6	SHIELD, ECCENTRIC (18' - 22')
		12	SHIELD, ECCENTRIC (25 & 30')
3	71367257	24	ARM REEL (18')-22
		30	ARM REEL (25 & 30')
4	7138186	1	RING, ECCENTRIC CONTROL (18' - 22')
		2	RING, ECCENTRIC CONTROL (25 & 30')
5	2763176M91	1	FRAME, ECCENTRIC ROLLER (INCL. 2 OF IT 6)(18' - 22')
		2	FRAME, ECCENTRIC ROLLER (INCL. 2 OF IT. 6)(25 & 30')
6	2763177M1	4	BEARING, SUPER DILITE (1 3/4OD X 1 3/16ID X 1 1/2) (18'-30')
7	2763178M1	1	SPACER (18' - 22')
		2	SPACER (25 & 30')
8	2763179M1	1	PLATE, ECCENTRIC SLOT ADJ. (18' - 22')
		2	PLATE, ECCENTRIC SLOT ADJ. (25 & 30')
9	71141240	3	BEARING, BALL ROLLER (18' - 22')
		6	BEARINGS, BALL ROLLER (25 & 30')
10	2763181M1	4	WASHER, FLAT SPECIAL (2 1/4OD X 1 5/8ID X 11GA.) (18'-30')
11	2763182M1	2	COLLAR, LOCK W/SET SCREWS (18'-30')
12	2763183M1	12	BEARING, REEL ARM (18' - 22')
		24	BEARING, REEL ARM (25 & 30')
13	354601X1	12	BOLT, HEX (1/4-20 X 1 3/4) (18' - 22')
		24	BOLT, HEX (1/4-20 X 1 3/4) (25 & 30')
14	367480X1	12	NUT, HEX LOCK (1/4-20) (18' - 22')
		24	NUT, HEX LOCK (1/4-20) (25 & 30')
15	354280X1	6	BOLT, HEX (1/2-13 X 2) (18' - 22')
		12	BOLT, HEX (1/2-13 X 2) (25 & 30')
16	2763184M1	6	SPACER, TUBING (.84OD X .51ID X 1.12) (18' - 22')
		12	SPACER, TUBING (.84OD X .51ID X 1.12) (25 & 30')
17	355821X1	7	WASHER, WIDE FLAT (1/2) (18' - 22')
		14	WASHER, WIDE FLAT (1/2) (25 & 30')
18	359068X1	6	NUT, HEX LOCK (1/2-13) (18' - 22')
		12	NUT, HEX LOCK (1/2-13) (25 & 30')
19	70914465	2	FITTING, LUBE (1/8-27 NPTF) (18'-30')
20	1079450M1	1	*SUPPORT, REEL (18' - 22')
21	353677X1	6	BOLT, HEX (5/16-18 X 3/4) (18' - 22')
		12	BOLT, HEX (5/16-18 X 3/4) (25 & 30')
22	353446X1	6	WASHER, LOCK (5/16) (18' - 22')
		12	WASHER, LOCK (5/16) (25 & 30')
23	355585X1	6	NUT, HEX (5/16-18) (18' - 22')
		12	NUT, HEX (5/16-18) (25 & 30')
24	339019X1	24	BOLT, HEX (M10 X 1.5 X 50) (18' - 22')
		30	BOLT, HEX (M10 X 1.5 X 50) (25 & 30')
25	369202X1	2	BOLT, HEX (3/8-16 X 1 3/4) (18' - 22')
		4	BOLT, HEX (3/8-16 X 1 3/4) (25 & 30')
26	3009492X1	40	BOLT, HEX (M10 X 1.5 X 25) (18' - 22')
		52	BOLT, HEX (M10 X 1.5 X 25) (25 & 30')
27	339451X1	6	BOLT, HEX (M10 X 1.5 X 30) (18'-30')
28	71367256	48	BEARING, REEL ARM (18' - 22')
		60	BEARING, REEL ARM (25 & 30')
29	71367255	24	STRAP, BEARING (18' - 22')
		30	STRAP, BEARING (25 & 30')
30	390345X1	72	NUT, HEX LOCK (M10 X 1.5) (18' - 22')
		90	NUT, HEX LOCK (M10 X 1.5) (25 & 30')
31	353700X1	4	BOLT, HEX (7/16-14 X 1 1/4) (18'-30')
32	353432X1	4	WASHER, LOCK (7/16) (18'-30')
33	355645X1	4	NUT, HEX (7/16-14) (18'-30')
34	364975X1	1	BOLT, CARRIAGE (1/2-13 X 1 3/4) (18'-22')
		2	BOLT, CARRIAGE (1/2-13 X 1 3/4) (25 & 30')
35	353439X1	1	WASHER, LOCK (1/2) (18' - 22')
		2	WASHER, LOCK (1/2) (25 & 30')
36	375088X1	1	NUT (1/2-13) (18' - 22')
		2	NUT (1/2-13) (25 & 30')
38	2763187M91	1	BRACKET, ECCENTRIC LH (18'-30')
39	2763188M91	1	BRACKET, ECCENTRIC RH (18'-30')
40	339076X1	48	WASHER, LOCK (M10) (18' - 22')
		60	WASHER, LOCK (M10) (25 & 30')
42	2763173M1	1	EXTENSION, DRIVE STOP (18'-30')
43	2763169M1	2	Plate adapter 18-30'

# C-23

70  
HYDROSTATIC DRIVE  
PICKUP TUBE

MF 9700/9750 SERIES GRAIN HEADERS  
REEL



MFH0023

## REEL - HYDROSTATIC DRIVE, PICKUP TABLE

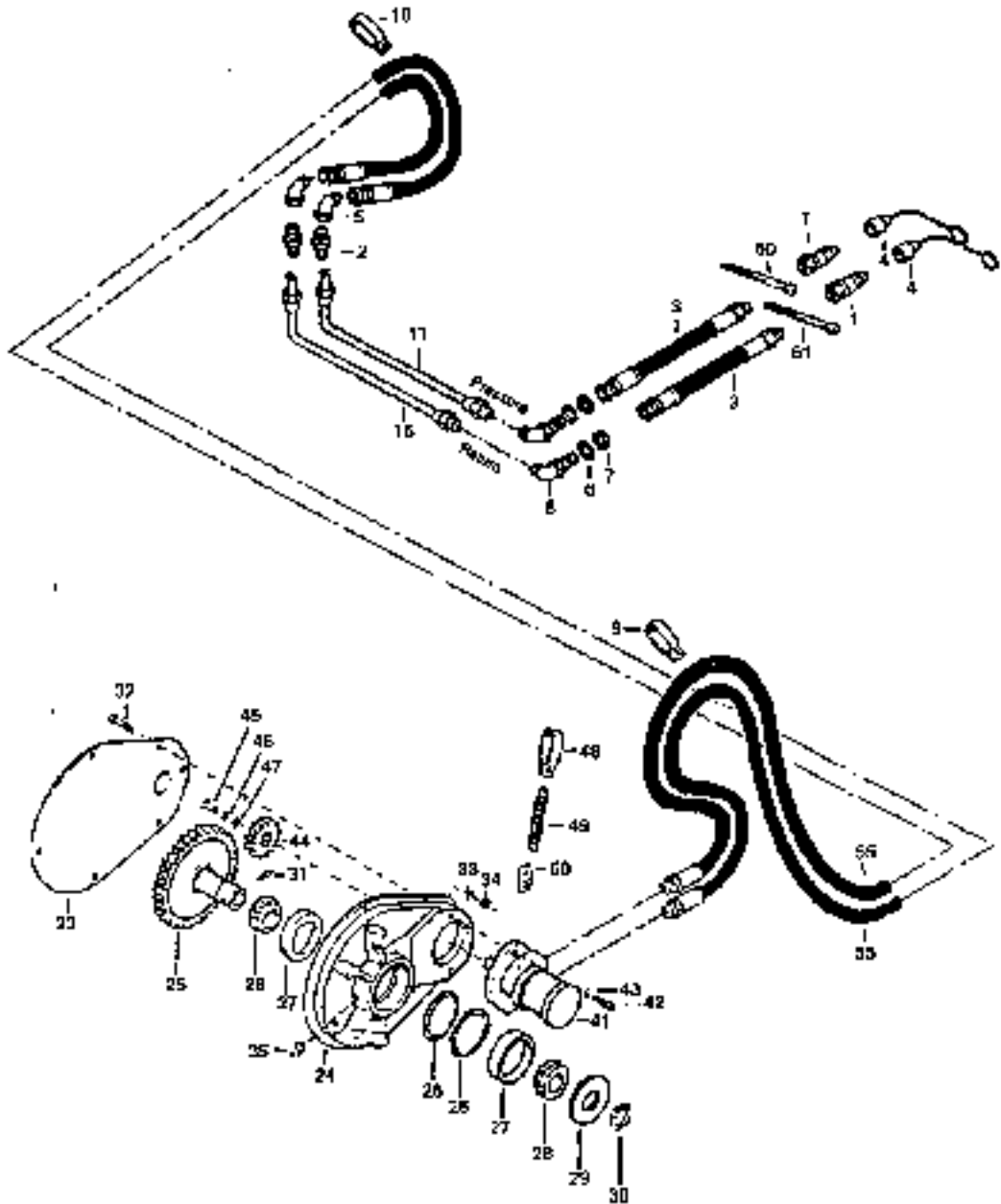
Item	Part Number	Qty	Description
1	1026700M91	2	COUPLING ASY, MALE
3	844494M91	2	HOSE ASY. (1/2 X 24") (12.7 X 610MM)
4	186212M91	2	PLUG, DUST
6	3612012X1	2	WASHER, SPECIAL (.938) (23.8MM)
7	355574X1	2	NUT, BULKHEAD (7/8-14)
9	373705X1	2	ELBOW, BULKHEAD (7/8-14 37 DEGREE FLARE)
11	2636650W1	2	TUBE (5/8") (15.9MM)
60	101836M1	1	STRAP, YELLOW (DRIVE)
61	101836M1	1	STRAP, BLUE (RETURN)

MFHC023

# D-1

72  
HYDROSTATIC  
MFL. DRIVE

MF 9700/9750 SERIES GRAIN HEADERS  
REEL



MFH0024

## REEL - HYDROSTATIC, REEL DRIVE

Item	Part Number	Qty	Description
1	1C267COMB1	2	COUPLING ASY., MALE (18'-30")
2	2222QX	2	UNION (7/8-14 37 DEGREE FLARE) (18'-30")
3	844494M91	2	HOSE ASY. (1/2 X 24") (12.7 X 610MM) (18'-30")
4	186218M91	2	PLUG, DUST (18'-30")
5	255720DW1	2	ELBOW, SWIVEL TUBE (7/8-14 37 DEGREE FLARE) (18'-30")
6	301012X1	2	WASHER, SPECIAL (.938") (23.8MM) (18'-30")
7	355574X1	2	NUT, BULKHEAD (7/8-14) (18'-30")
8	373705X1	2	ELBOW, BULKHEAD (7/8-14 37 DEGREE FLARE) (18'-30")
9	685280W1	1	CLAMP, DOUBLE (18'-30")
	353677X1	1	BOLT, HEX (5/16-18 X 3/4) (18'-30")
	353446X1	1	WASHER, LOCK (5/16) (18'-30")
	355565X1	1	NUT, HEX (5/16-18) (18'-30")
10	360567X1	2	CLIP (18'-30")
	353677X1	1	BOLT, HEX (5/16-18 X 3/4) (18'-30")
	355565X1	1	NUT, HEX (5/16-18) (18'-30")
11	2603750W1	1	TUBE, HYDRAULIC-PRESSURE (5/8 X 35.3") (15.9 X 897MM) (18")
	2803760W1	1	TUBE, HYDRAULIC-PRESSURE (5/8 X 47.3") (15.9 X 1201MM) (20")
	2803770W1	1	TUBE, HYDRAULIC-PRESSURE (5/8 X 59.3") (15.9 X 1506MM) (22")
	2603780W1	1	TUBE, HYDRAULIC-PRESSURE (5/8 X 71.3") (15.9 X 1811MM) (24" & 25")
	2603790W1	1	TUBE, HYDRAULIC-PRESSURE (5/8 X 104.3") (15.9 X 2649MM) (30")
18	2803820W1	1	TUBE, HYDRAULIC - RETURN (5/8 X 38") (15.9 X 965MM) (18")
	2603830W1	1	TUBE, HYDRAULIC - RETURN (5/8 X 50") (15.9 X 1270MM) (20")
	2603840W1	1	TUBE, HYDRAULIC - RETURN (5/8 X 62") (15.9 X 1575MM) (22")
	2803850W1	1	TUBE, HYDRAULIC - RETURN (5/8 X 74") (15.9 X 1880MM) (24" & 25")
	2803860W1	1	TUBE, HYDRAULIC - RETURN (5/8 X 87") (15.9 X 2218MM) (30")
23	282808M1	1	COVER (18'-30")
24	148129M1	1	HOUSING (18'-30")
25	282870M1	1	GEAR (53 TEETH) (18'-30")
26	353832X1	2	RING, INTERNAL RETAINING (7/64" THICK) (2.77MM) (18'-30")
27	N14866	2	CUP, BEARING (18'-30")
28	14867	2	CONE (18'-30")
29	370225X1	1	WASHER (1 31/32 X 3 7/32 X 1/16") (50 X 81.7 X 1.6MM) (18'-30")
30	70926000	1	RING, EXTERNAL SNAP (1 31/32 X 1/16" THICK) (50 X 1.6MM) (18'-30")
31	70917964	1	PIN, SPRING (1/2 X 2") (12.7 X 50.8MM) (18'-30")
32	353657X1	6	BOLT, HEX (1/4-20 X 3/4) (18'-30")
33	353441X1	6	WASHER, LOCK (1/4) (18'-30")
34	355554X1	6	NUT, HEX (1/4-20) (18'-30")
35	13811X	1	FITTING, GREASE (1/4-28, STR) (PKG'G) (18'-30")
41	105053W9:	1	*MOTOR ASY., REEL DRIVE (SEE REEL LIFT CYLINDERS) (18'-30")
	148353M9:	1	**MOTOR ASY., REEL DRIVE (SEE REEL LIFT CYLINDERS) (18'-30")
42	357779X1	2	BOLT, SOCKET HEAD (1/2-13 X 1 1/2) (18'-30")
43	353439X1	2	WASHER, LOCK (1/2) (18'-30")
44	282672M1	1	GEAR (14 TEETH) (18'-30")
45	353666X1	1	BOLT, HEX (1/4-20 X 5/8) (18'-30")
46	353441X1	1	WASHER, LOCK (1/4) (18'-30")
47	353832X1	1	WASHER, FLAT (1/4 X 1 1/8 X 1/16") (6.4 X 28.5 X 1.6MM) (18'-30")
48	284801M1	1	CLAMP, HOSE (18'-30")
49	239383M1	1	SPRING (18'-30")
50	264800M1	1	BRACKET, DRIVE (18'-30")
55	2559290W1	2	HOSE ASY. (1/2 X 90") (12.7 X 2286MM) (18'-30")
60	101838M1	1	STRAP, YELLOW (DRIVE) (18'-30")
61	101839M1	1	STRAP, BLUE (RETURN) (18'-30")

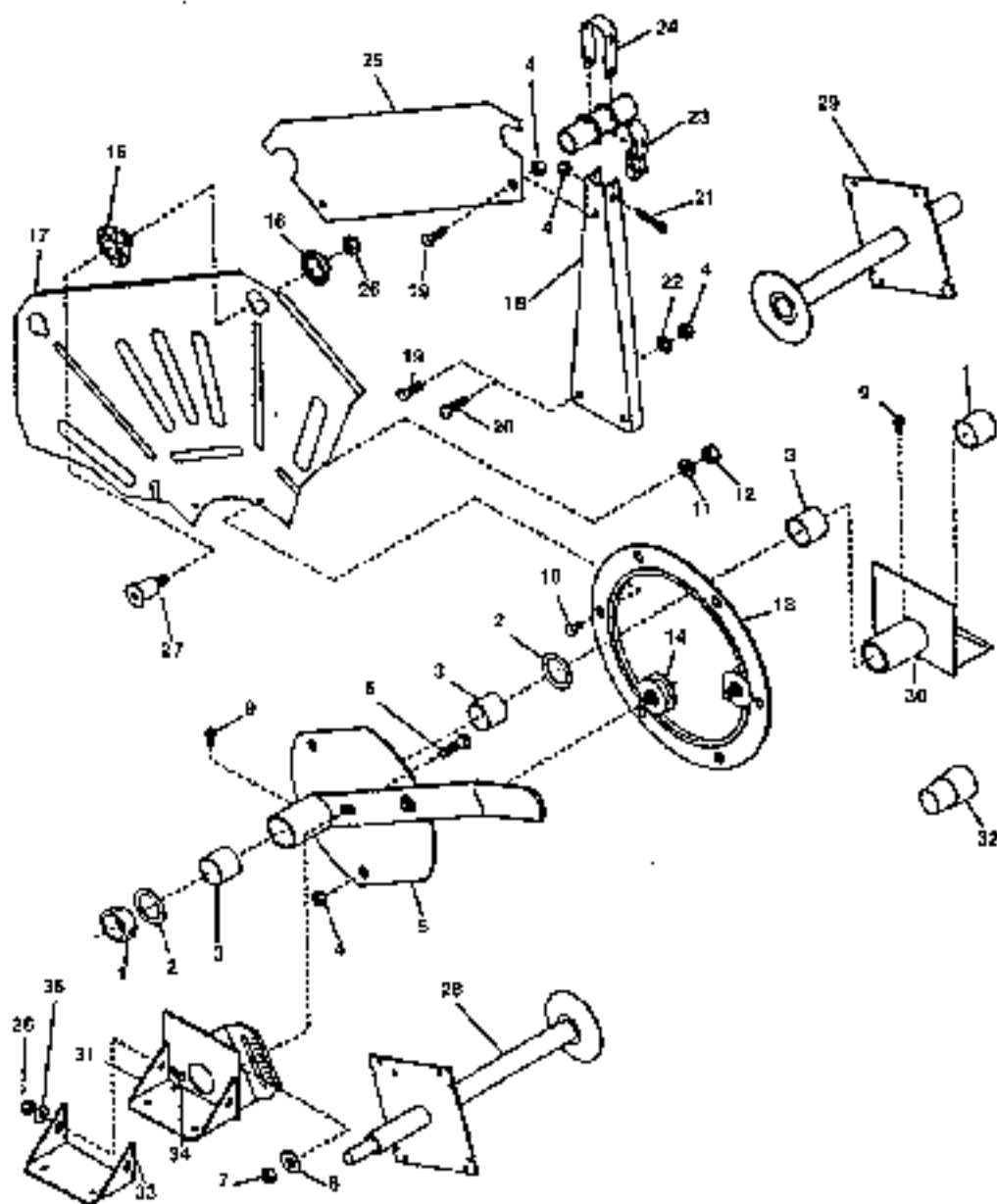
\*USED LATE PRODUCTION ONLY  
(DISTINGUISHED BY 5 BOLT END PLATE)

\*\*USED EARLY PRODUCTION ONLY  
(DISTINGUISHED BY 7 BOLT END PLATE)  
MFT10024



## C-15

62

MF 9700/9750 SERIES GRAIN HEADERS  
REELPICKUP REEL  
ECCENTRIC & SPIDER PLATES  
(ML - LATEA STYLE)

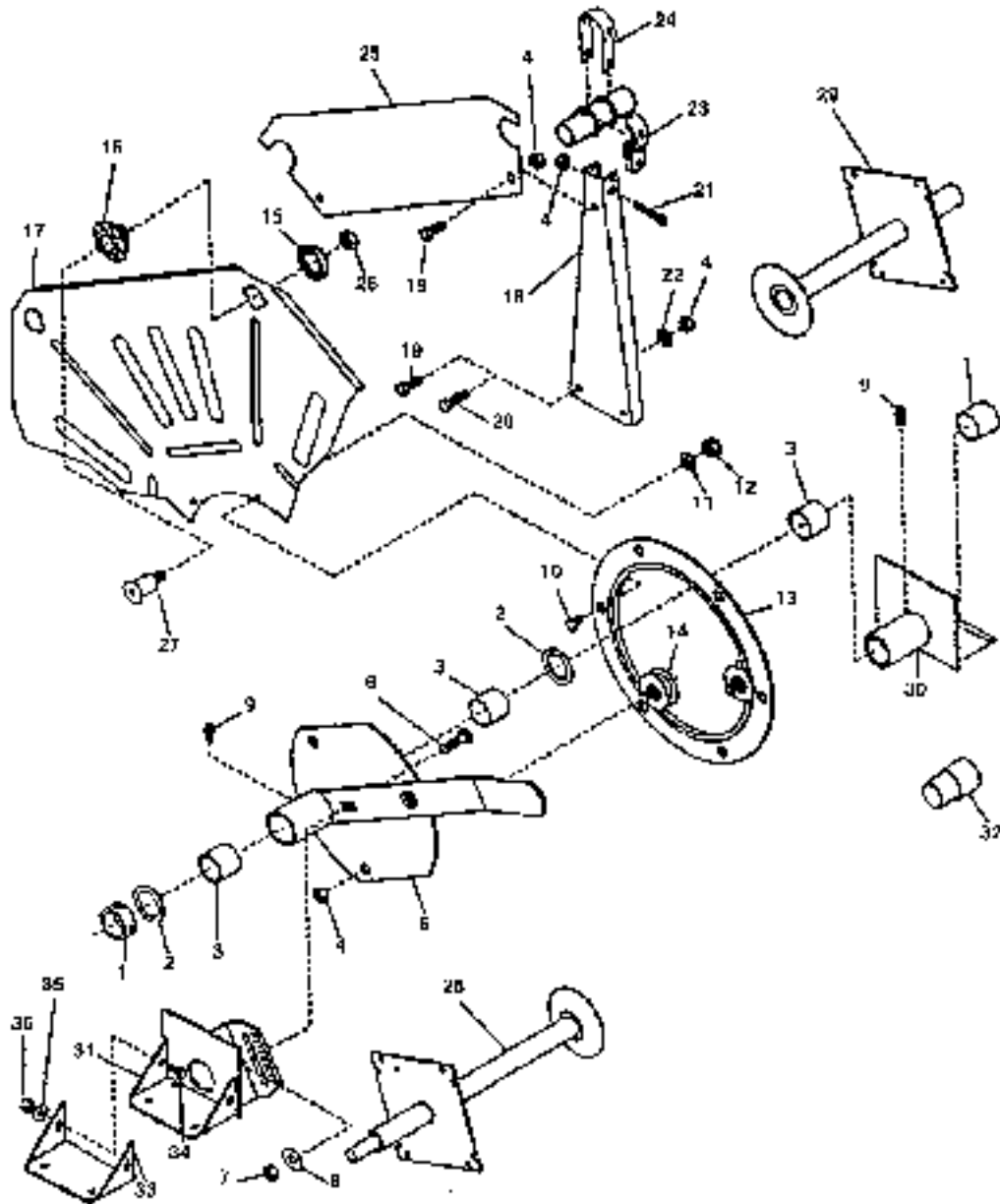
MFH0021

## REEL - PICKUP REEL, ECCENTRIC &amp; SPIDER PLATES, (ML - LATER

Item	Part Number	Qty	Description STYLE)
1	111044W91	2	COLLAR, LOCK W/SET SCREWS (18'-30')
2	2753181M1	4	WASHER, FLAT SPECIAL (2 1/4OD X 1 5/8ID X 11 GA.) (18'-30')
3	2753177M1	4	BEARING, SUPER OILITE (1 3/4OD X 1 9/16ID X 1 1/2) (18'-30')
4	390345X1	75	NUT, HEX LOCK (M10 X 1.5) (18'-30')
5	111076W91	1	FRAME, ECCENTRIC ROLLER (18'-22')
		2	FRAME, ECCENTRIC ROLLER (25 & 30')
6	385392X1	1	BOLT, CARRIAGE (M12 X 1.75 X 40) (18'-22')
		2	BOLT, CARRIAGE (M12 X 1.75 X 40) (25 & 30')
7	3009695X1	1	NUT, HEX (M12 X 1.75) (18'-22')
		2	NUT, HEX (M12 X 1.75) (25 & 30')
8	111077W1	1	WASHER, BELLEVILLE (M12) (18'-22')
		2	WASHER, BELLEVILLE (M12) (25 & 30')
9	70914165	2	FITTING, LUBE (1/8-27 NPTF) (18'-30')
10	339123X1	6	BOLT, HEX (M8 X 1.25 X 20) (18'-22')
		12	BOLT, HEX (M8 X 1.25 X 20) (25 & 30')
11	339374X1	6	WASHER, LOCK (M8) (18'-22')
		12	WASHER, LOCK (M8) (25 & 30')
12	1440203X1	6	NUT, HEX (M8 X 1.25) (18'-22')
		12	NUT, HEX (M8 X 1.25) (25 & 30')
13	711351B5	1	RING, ECCENTRIC CONTROL (18'-22')
		2	RING, ECCENTRIC CONTROL (25 & 30')
14	71365702	3	BEARING, BALL ROLLER (18'-22')
		6	BEARING, BALL ROLLER (25 & 30')
15	1021100M1	6	BEARING, ECCENTRIC (FEMALE) (18'-22')
		12	BEARING, ECCENTRIC (FEMALE) (25 & 30')
16	71369704	6	BEARING, ECCENTRIC (MALE) (18'-22')
		12	BEARING, ECCENTRIC (MALE) (25 & 30')
17	111081W1	1	SHIELD, ECCENTRIC END (18'-22')
		2	SHIELD, ECCENTRIC END (25 & 30')
18	71367257	24	ARM, REEL (18'-22')
		30	ARM, REEL (25 & 30')
19	3008482X1	46	BOLT, HEX (M10 X 1.5 X 25) (18'-22')
		52	BOLT, HEX (M10 X 1.5 X 25) (25 & 30')
20	339451X1	6	BOLT, HEX (M10 X 1.5 X 50) (18'-22')
21	339109X1	24	BOLT, HEX (M10 X 1.5 X 50) (18'-22')
		30	BOLT, HEX (M10 X 1.5 X 50) (25 & 30')
22	339376X1	42	WASHER, LOCK (M10) (18'-22')
		60	WASHER, LOCK (M10) (25 & 30')
23	71367256	48	BEARING, REEL ARM (18'-22')
		60	BEARING, REEL ARM (25 & 30')
24	71367255	24	STRAP, BEARING (18'-22')
		30	STRAP, BEARING (25 & 30')
25	1079449M1	6	SHIELD, END (SINGLE ECCENTRIC ONLY) (18'-30')
26	3009695X1	6	NUT, HEX (M12 X 1.75) (18'-22')
		12	NUT, HEX (M12 X 1.75) (25 & 30')
27	111082W1	6	SCREW, METRIC SOCKET HEAD SHOULDER (SPECIAL) (18'-22')
		12	SCREW, METRIC SOCKET HEAD SHOULDER (SPECIAL) (25 & 30')

## C-17

64

MF 9700/9750 SERIES GRAIN HEADERS  
REELPICKUP REEL  
ECCENTRIC & SPIDER PLATES  
(MIL. LATER STYLE)

MFH0021

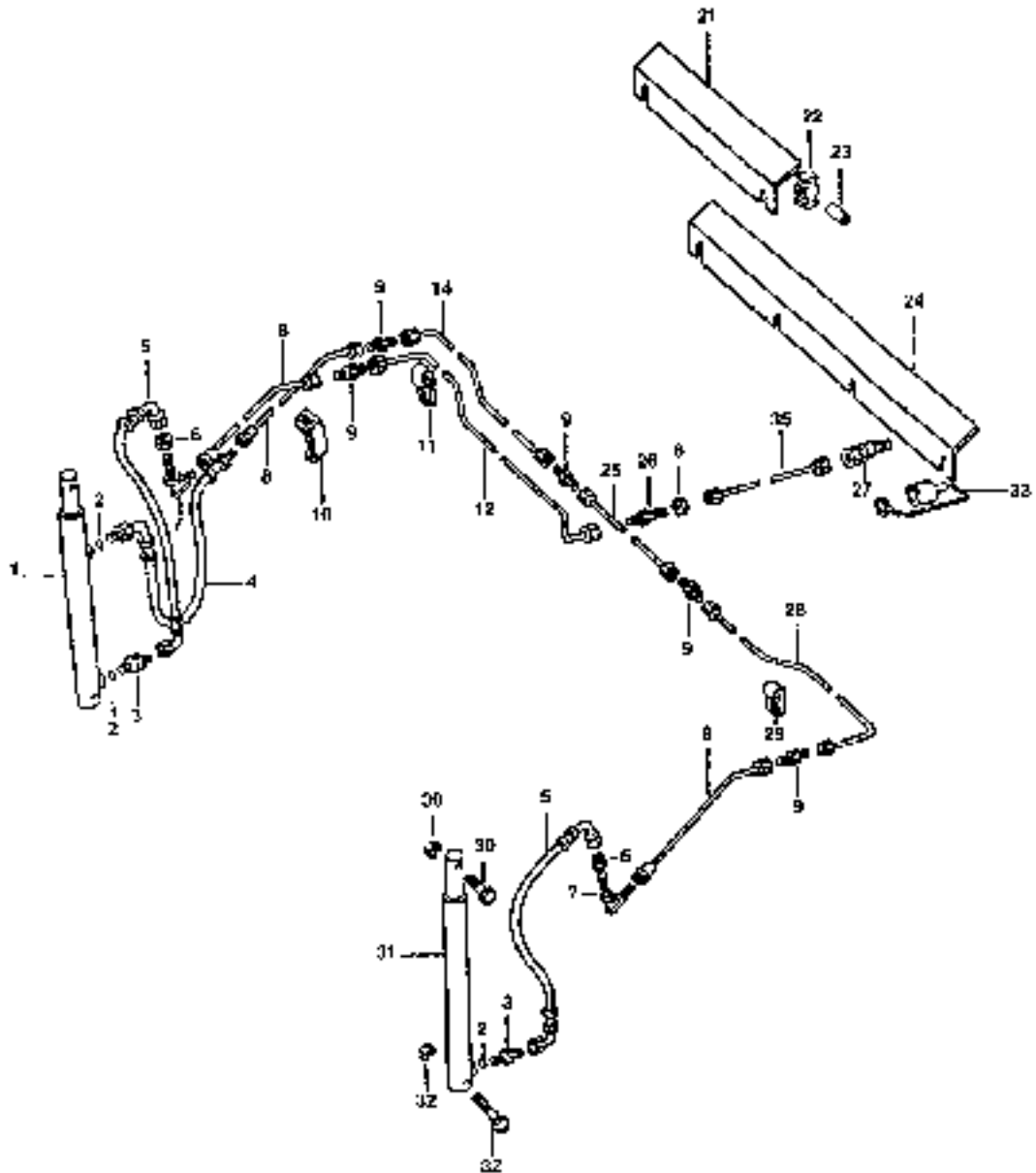
Item	Part Number	Qty	Description
28	1077774W91	1	SHAFT, DRIVING END (8.6M) (22')
	1077775W91	1	SHAFT, DRIVING END (3.9-6.0M) (18'-20')
	1077776W91	1	SHAFT, DRIVING END (7.2-9.0M) (25 & 30')
29	71387247	1	SHAFT, DRIVEN END (3.9-6.0M) (18'-20')
	71387240	1	SHAFT, DRIVEN END (6.6-9.0M) (22', 25 & 30')
30	111083W91	1	BRACKET, RH END (3.9-6.6M) (18' - 22')
	111084W91	1	BRACKET, LH END (7.2-9.0M) (25 & 30')
31	111085W91	1	BRACKET, LH END (18'-30')
32	111086W1	1	EXTENSION, DRIVE STOP (18'-30')
33	111087W1	2	BRACKET, EXTENSION CHANNEL (18'-30')
34	339081X1	4	BOLT, HEX (M10 X 1.5 X 20) (18'-30')
35	300734X1	4	WASHER, FLAT (M10) (18'-30')
38	390345X1	4	NUT, HEX LOCK (M10 X 1.5) (18'-30')

MFH0021

# C-19

68  
HYDRAULICS  
REEL (UP)

MF 9700/9750 SERIES GRAIN HEADERS  
REEL



MFHD022

**REEL - HYDRAULICS, REEL LIFT**

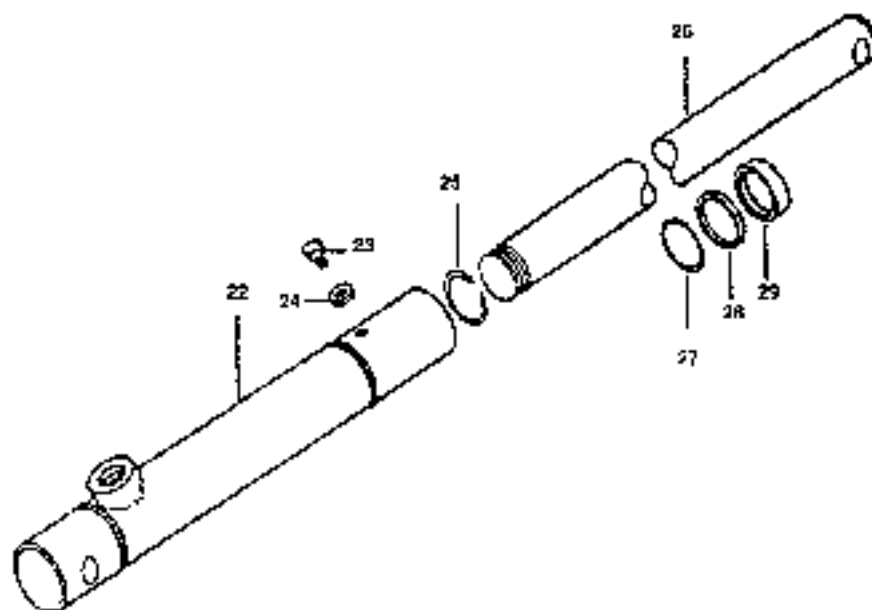
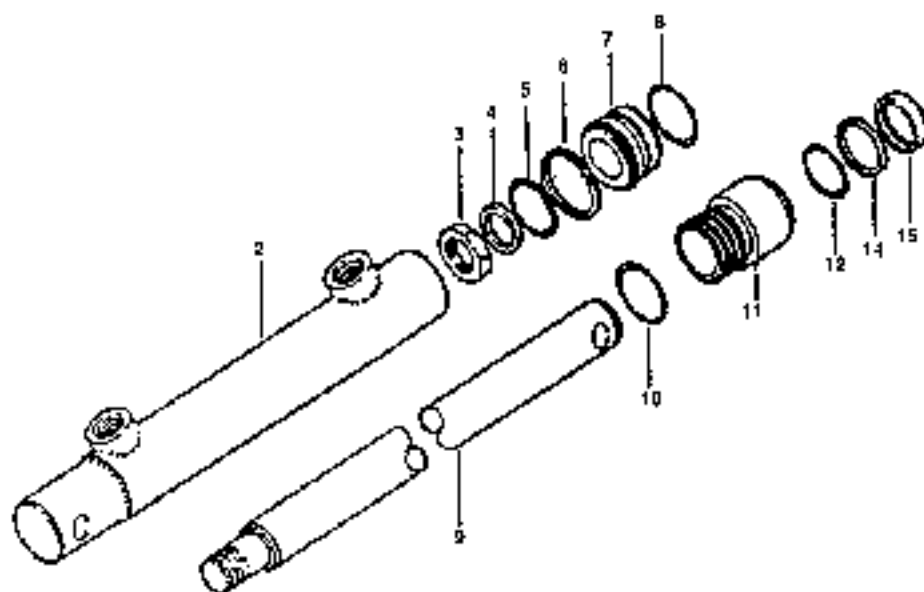
Item	Part Number	Qty	Description
1	229523W91	1	CYLINDER ASY., MASTER (RH) (SEE REEL LIFT CYLINDERS) (18'-30')
2	70921884	3	O-RING (13/32ID X 5/64") (10.3ID X 2MM)
3	350742X91	2	CONNECTOR ASY. (1/2-20 ORB X 1/2-20 37 DEGREE FLARE) (18'-30')
4	9310950W91	1	HOSE ASY., MALE ENDS (1/4ID X 18") (6.4ID X 457MM) (18'-30')
5	2558270W1	2	HOSE ASY. (1/4ID X 18") (6.4ID X 457MM) (18'-30')
6	350813X1	3	NUT, BULKHEAD (1/2-20) (18'-30')
7	373699X1	2	ELBOW, TUBI KITING (1/2-20 37 DEGREE FLARE) (18'-30')
8	259366CW1	3	TUBE, HYDRAULIC (5/16 X 11) (18'-30')
9	356596X1	5	UNION (1/2-20 37 DEGREE FLARE) (18'-30')
10	180025CW1	1	CLAMP, TUBE (18'-30')
11	253141CW1	1	CLAMP, TUBE (18'-30')
12	257569CW1	1	TUBE, HYDRAULIC, RIGHT LOWER (5/16 X 58")(7.9 X 1473MM) (18')
	257570CW1	1	TUBE, HYDRAULIC, RIGHT LOWER (5/16 X 70")(7.9 X 1778MM) (20')
	257571CW1	1	TUBE, HYDRAULIC, RIGHT LOWER (5/16 X 82")(7.9 X 2083MM) (22')
	257572CW1	1	TUBE, HYDRAULIC, RIGHT LOWER (5/16 X 94")(7.9 X 2388MM) (24')
	103955W1	1	TUBE, HYDRAULIC, RIGHT LOWER (5/16 X 100")(7.9 X 2540MM) (25')
	257573CW1	1	TUBE, HYDRAULIC, RIGHT LOWER (5/16 X 127")(7.9 X 3226MM) (30')
14	2575610W1	1	TUBE, HYDRAULIC, RIGHT UPPER (5/16 X 60")(7.9 X 1524MM) (18')
	2575620W1	1	TUBE, HYDRAULIC, RIGHT UPPER (5/16 X 72")(7.9 X 1828MM) (20')
	2575630W1	1	TUBE, HYDRAULIC, RIGHT UPPER (5/16 X 84")(7.9 X 2134MM) (22')
	2575640W1	1	TUBE, HYDRAULIC, RIGHT UPPER (5/16 X 96")(7.9 X 2438MM) (24')
	103952W1	1	TUBE, HYDRAULIC, RIGHT UPPER (5/16 X 102")(7.9 X 2591MM) (25')
	2575650W1	1	TUBE, HYDRAULIC, RIGHT UPPER (5/16 X 129")(7.9 X 3277MM) (30')
21	2587910W1	1	SHIELD, CENTER TUBE (18'-30')
22	2575830W1	-	SUPPORT, TUBE
23	2588850W1	-	BOOT, TUBE (5/16 X 1 1/2")(7.9 X 38.1MM)
24	2587950W1	2	SHIELD, TUBE END (41.75") (1060MM) (18')
	2587960W1	2	SHIELD, TUBE END (53.75") (1368MM) (20')
	2587970W1	2	SHIELD, TUBE END (65.75") (1670MM) (22')
	2587980W1	2	SHIELD, TUBE END (77.75") (1962MM) (24' & 25')
	2587990W1	2	SHIELD, TUBE END (110.75") (2813MM)(30')
25	2577520W1	1	TUBE, HYDRAULIC (5/16 X 96 13/16") (7.9 X 2459MM) (18'-30')
26	356265X1	1	UNION, BULKHEAD (1/2-20 37 DEGREE FLARE)(18'-30')
27	1026700M91	1	COUPLING ASY., MALE (18'-30')
28	2577580W1	1	TUBE, LEFT HYDRAULIC (5/16 X 60") (7.9 X 1524MM) (18')
	2577570W1	1	TUBE, LEFT HYDRAULIC (5/16 X 72") (7.9 X 1828MM) (20')
	2577560W1	1	TUBE, LEFT HYDRAULIC (5/16 X 84") (7.9 X 2134MM) (22')
	2577590W1	1	TUBE, LEFT HYDRAULIC (5/16 X 96") (7.9 X 2438MM) (24')
	103963W1	1	TUBE, LEFT HYDRAULIC (5/16 X 102") (7.9 X 2591MM) (25')
	2577600W1	1	TUBE, LEFT HYDRAULIC (5/16 X 129") (7.9 X 3277MM) (30')
29	354837X1	1	CLAMP, TUBE (18'-30')
30	354867X1	2	BOLT, HEX (1/2-13 X 4 1/2) (18'-30')
	359066X1	2	NUT, HEX LOCK (1/2-13) (18'-30')
31	1229633W91	1	CYLINDER ASY., SLAVE (LH) (SEE REEL LIFT CYLINDERS) (18'-30')
32	354657X1	2	BOLT, HEX (1/2-13 X 3 1/4) (18'-30')
	359644X1	2	NUT, HEX FLANGE LOCK (1/2-13) (18'-30')
33	186218M91	1	PLUG, DUST (18'-30')
35	146776M91	2	HOSE ASY. (3/8 X 27") (9.5 X 686MM)(18'-30')

MFH0022

D-5

78  
CYLINDERS  
REEL LIFT

MF 9700/9750 SERIES GRAIN HEADERS  
REEL



MFHC026

REEL - CYLINDERS, REEL LIFT

Item	Part Number	Qty	Description
	1229523W01	1	CYLINDER ASY., MASTER
	1229533W91	1	CYLINDER ASY., SLAVE
2		1	BARREL ASY. (ORDER 1229523W91)
3	12655	1	NUT, HEX JAM (3/4" B UNF)
4	1097019M1	1	WASHER
5	70923564	1	*O-RING (1 1/4ID X 1/16") (31.8ID X 1.6MM)
6	1031618M1	1	*RING (1 1/2"OD) (38.1MM OD)
7	1036029M1	1	CYLINDER, PISTON
8	70923989	1	O-RING
9	1072397M1	1	ROD, PISTON
10	366434X1	1	O-RING (1 3/8 X 1 9/16 X 3/32") (34.9 X 39.7 X 2.36MM)
11	71136597	1	CYLINDER, HEAD
12	70923211	1	*O-RING (1 1/8ID X 1/8") (25.6ID X 3.2MM)
14	70923617	1	*WASHER, BACK-UP (1 1/8 X 1 3/8") (26.8 X 35MM)
15	849248M1	1	*SEAL, PISTON ROD WIPER
22	1229533W91	2	BARREL ASY. (ORDER 1229533W91)
23	1020727M1	-	**PLUG, BARREL BLEED
24	1020298M1	-	**WASHER, PLUG
25	1020299M1	-	**RING, LOCK (9/16 X 55/64") (14.3 X 21.3MM)
26	1229533W91	-	ROD, PISTON (ORDER 1229533WB1)
27	70923575	-	**O-RING (1ID X 1/8") (25.4ID X 3.2MM)
28	378534X1	-	**RING, BACK-UP
29	842078M1	-	**SEAL, ROD WIPER
	W2720417	-	KIT, SEAL (INCL ** ITEMS)
	71162742	-	KIT, SEAL (INCL ** ITEMS)

M110025

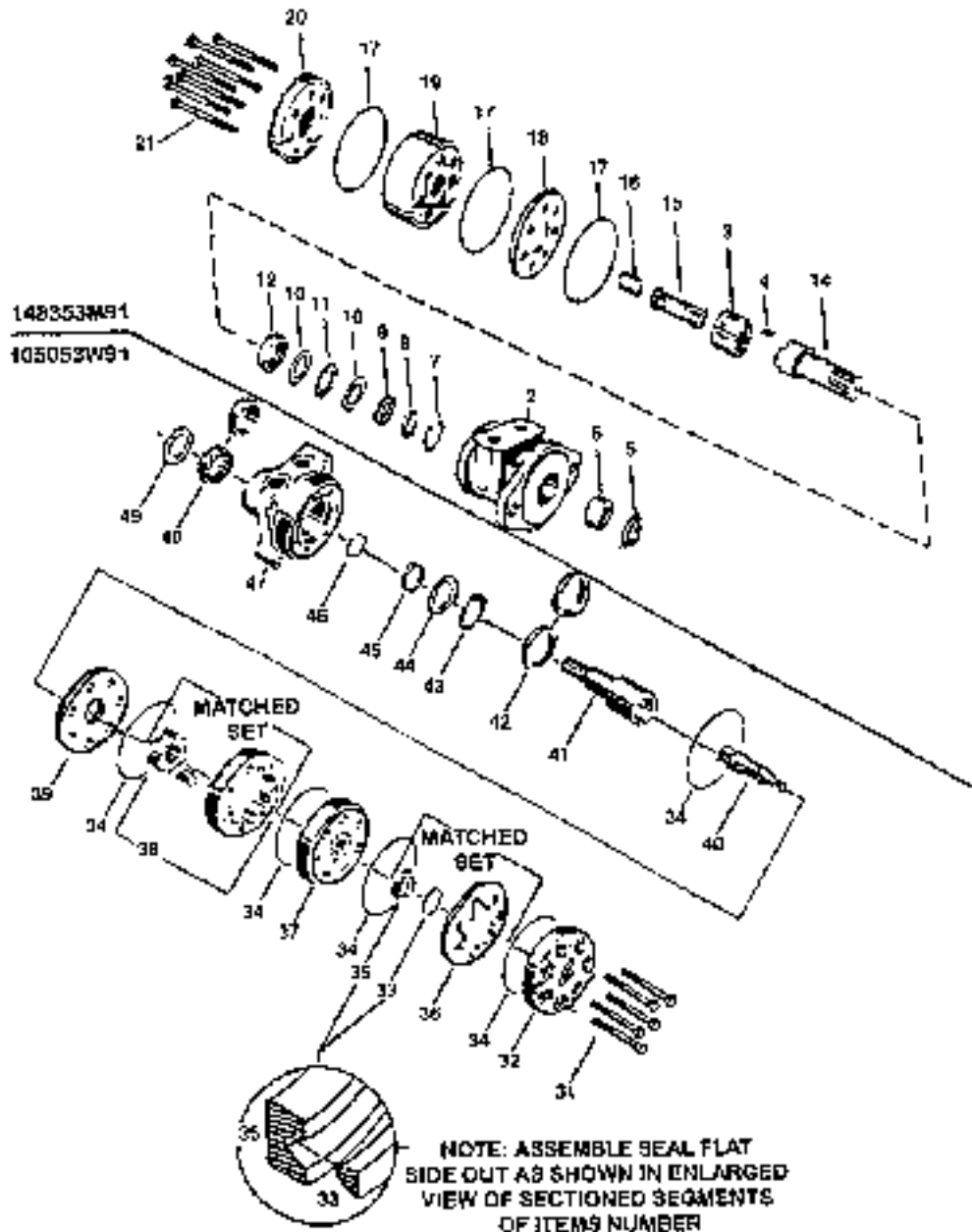


D-7

78

MF 9700/9750 SERIES GRAIN HEADERS  
REEL

HYDRAULIC MOTOR  
REEL DRIVE



MFH0026

Massey Ferguson  
 9700 / 9750 GRAIN HEADER

REEL - HYDRAULIC MOTOR, REEL DRIVE

Item	Part Number	Qty	Description
	146353M9	-	MOTOR ASY., REEL DRIVE (VENDOR NO. MAF20007) (7 BOLT END PLATE) (PR. S/N P21101)
2	1065859M9	1	HOUSING ASY.
		-	COMMUTATOR (ORDER 1065559M91)
4	1065960M1	1	PIN, DRIVE
5	1065963M1	1	SEAL, SHAFT FRONT
6	1065973M1	1	BEARING, OUTER NEEDLE
7	22015X	1	RING, RETAINING
8	1065962M1	1	WASHER, BACK-UP
9	1048720M1	1	SEAL, SHAFT
10	1065961M1	2	WASHER, THRUST
11	1065972M1	1	BEARING, THRUST
12	185453M1	1	BEARING, INNER NEEDLE
14	1065964M1	1	SHAFT, COUPLING
15	1065965M1	1	LINK, DRIVE
16	1068985M1	1	SPACER, SHAFT
17	1066957M1	3	O-RING
18	1065968M1	1	PLATE, WEAR
19	1068984M91	1	ROTOR ASY.
20	1065970M1	1	COVER, END
21	1068985M1	7	BOLT, HEX SPECIAL (5/8-24 UNF X 2 7/8)
	105059W91	1	MOTOR ASY. (VENDOR NO. MF100611-AA4A) (5 BOLT END PLATE)(S/N P21101 & UP)
	105161W91	1	MOTOR ASY. (VENDOR NO. MG100611-AAAC) (S/N S21306 & UP)
31	105059W1	5	BOLT, HEX (SPECIAL)
32	105059W1	1	COVER, END (MF MODEL)(PR. S/N S21306)
	111948W1	1	COVER, END (MG MODEL)(S/N S21306 & UP)
33		1	*COMMUTATOR SEAL
34		5	*RING SEAL
35	105060W91	1	COMMUTATOR & RING ASY (ITEMS 35 & 36)
36		-	RING (ORDER ITEM 35)
37	105061W1	1	MANIFOLD
38	105082W91	1	ROTOR SET
39	105063W1	1	PLATE, WEAR
40	105064W1	1	LINK, DRIVE
41	105065W1	1	SHAFT, COUPLING
42	105066W1	1	BEARING, INNER NEEDLE (MF MODEL) (PR. S/N S21306)
	111949W1	1	BUSHING, BRONZE (MG MODEL) (S/N S21306 & UP)
43	1065972M1	1	BEARING, THRUST
44	1065961M1	1	WASHER, THRUST
45		1	*SEAL, INNER
46		1	*WASHER, BACK-UP
47	105067W91	1	HOUSING (SERVICE ASY.) (MF MODEL) (INCL. IT. 42 & 48)(PR. S/N S21306)
	111950W1	1	HOUSING (SERVICE ASY.) (MG MODEL) (INCL. IT. 42 & 48)(S/N S21306 & UP)
48	105059W1	1	BEARING, OUTER NEEDLE (MF MODEL)
	111951W1	1	BEARING, DJ (MF MODEL)(S/N S21306 & UP)
49		1	*SEAL, DIRT
	105058W91	1	KIT, SEAL (INCL * ITEMS)

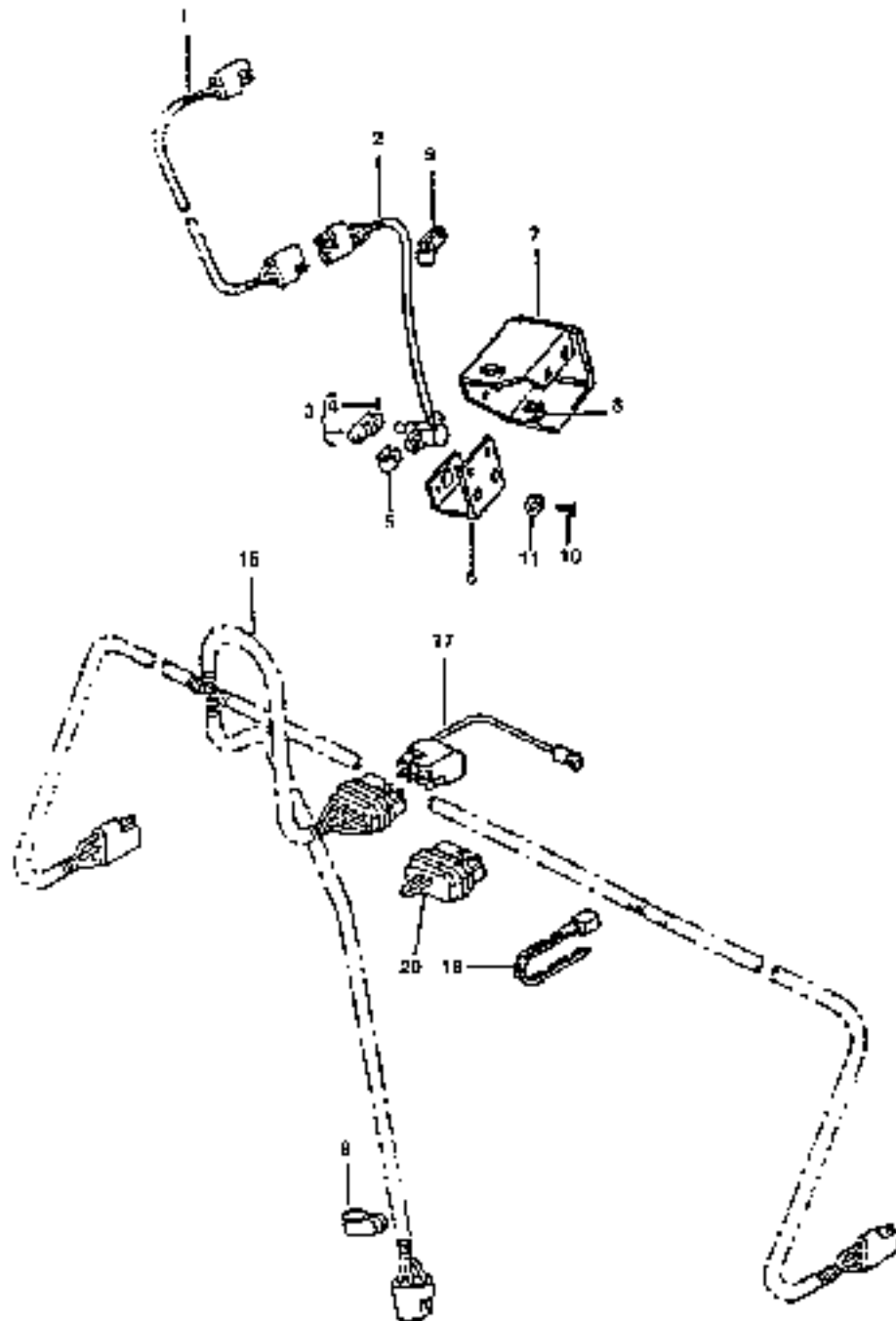
MFHC02E

# D-9

80

MF 9700/9750 SERIES GRAIN HEADERS  
ELECTRICAL WIRING

## HEADER WIRING & EXTREMITY LIGHTS



MFH0027

Massey Ferguson  
9700 / 9750 GRAIN HEADER

531612

ELECTRICAL WIRING - HEADER WIRING & EXTREMITY LIGHTS

Page 80

Item	Part Number	Qty	Description
1	2608710W91	2	HARNES ASY., WIRING FLEX (24' & 30')
2	101367M1	3	SENSOR, HEIGHT CONTROL (10K OHM) FLEX
3	2563343W91	3	LEVFR ASY., SENSOR FLEX
4	1673962M1	3	SCREW (#10-24 X 1/4) FLEX
5	2608830W1	6	SPEEDNUT FLEX
6	2608620W1	3	CHANNEL, SENSOR SUPPORT FLEX
7	2608651W91	3	SUPPORT ASY. FLEX
8	355888X1	6	NUT, CAGED (1/4-20) FLEX
9	371643X1	3	CLIP, TYPE B (.500 DIA.) FLEX
10	373108X1	6	SCREW, PHIL. IPS PAN HD (#8-32 X 1/2) FLEX
11	22710X	6	LOCKWASHER INTERNAL TOOTH (#8) FLEX
15	102873M2	1	HARNES ASY., HEADER FLEX
17	2008760W1	1	HARNES, WIRE (DUST COVER)
18	111710W92	2	LAMP ASY., REAR FLASHER (AMBER)
19	515103M1	-	STRAP, TIE FLEX
20	102879M1	1	HARNES, REFR/PICKUP ENABLER FLEX
30	111711W1	1	WIRE HARNES, LIGHTS (20' & UNDER) (S/N S21101 & UP)
	111712W1	1	WIRE HARNES, LIGHTS (22' & OVER) (S/N S21101 & UP)
	112700W1	1	WHL HARNES, LIGHTS PICKUP
31	9620820W1	3	J CLAMP (3/8-3/8 DIA.) (S/N S21101 & UP)
32	515103M1	10	STRAP, TIE (S/N S21101 & UP)
33	111744W1	2	BRACKET, MOUNTING (S/N S21101 & UP)
34	111746W1	4	SCREW, HEX HEAD SELF TAPPING (5/16 X 1) (S/N S21101 & UP)
35	103832W91	4	CLAMP ASY. (S/N S21101 & UP)
36	111704W91	2	POST ASY., LAMP (S/N S21101 & UP)
37	111707W1	2	GUARD, LAMP (S/N S21101 & UP)
64	111710W92	2	LAMP ASY., REAR FLASHER (AMBER) (S/N S21101 & UP)
65			LENS (AMBER)(NOT REPAIR ITEM)
66			WASHER (BACK FLEX)(NOT REPAIR ITEM)
67	355585X1	-	NUT, HEX (3/8-16)
68	353434X1	-	WASHER, LOCK (3/8)
69	355619X1	-	WASHER, FLAT WIDE (3/8; FIELD INSTALLED EXTREMITY LIGHTING KITS:
70	111916W91	-	WIRE HARNES ADAPTER, COMBINE (REQ. FOR COMBINES PR. TO S/N S11101 W-FN
			CONNECTING TO HEADER S/N S21101 & UP. (S/N S21101 & UP)
	111915W91	-	HEADER LIGHT KIT (FR. S/N 21101) (INCL. IT. 30-37 64 & 70, HARDWARE & ASY.
			INSTRUCTIONS )

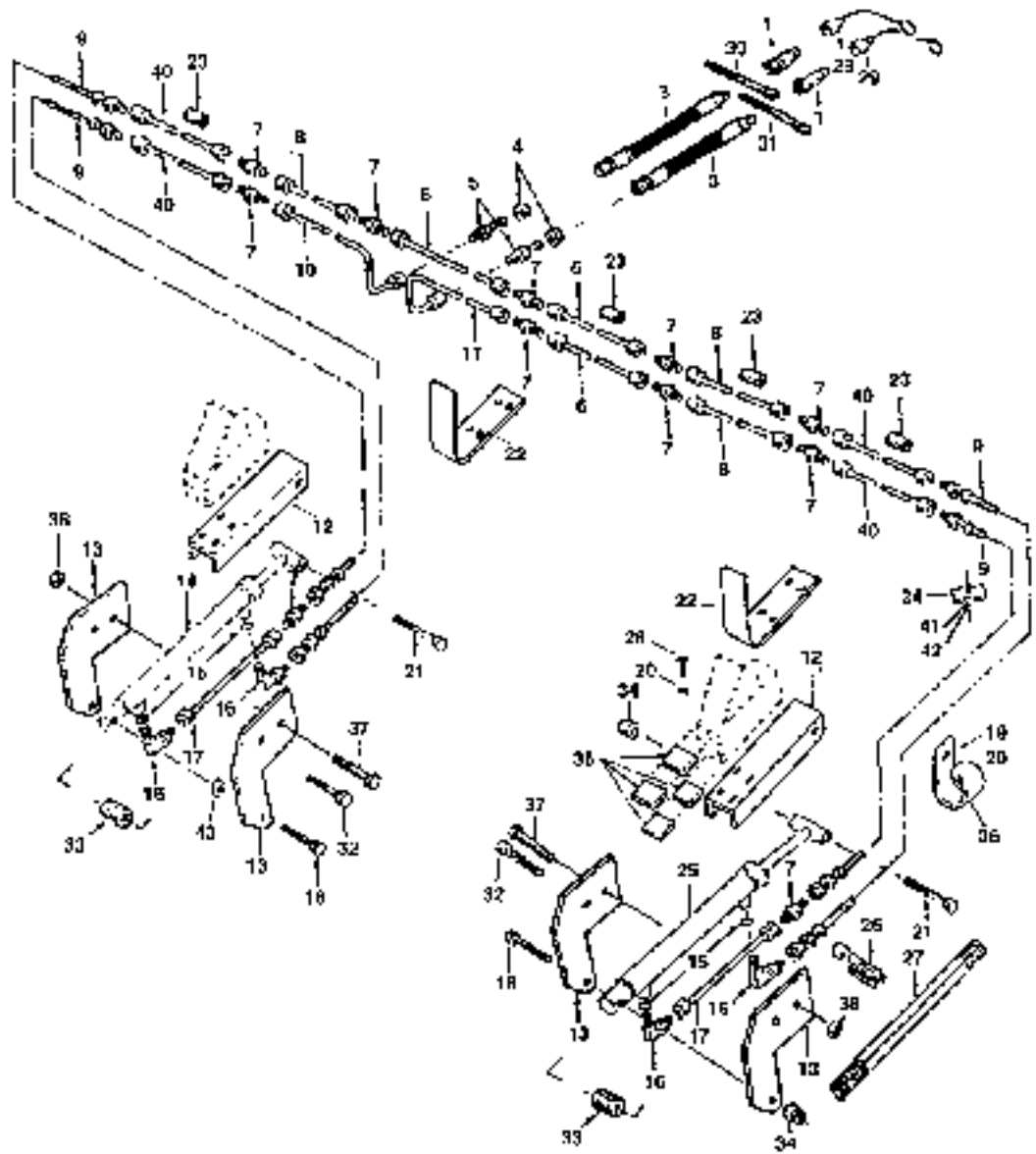
MFH0027

# D-11

82

MF 9700/9750 SERIES GRAIN HEADERS  
ACCESSORIES

REEL FORE/AFT  
ACCESSORY



MFH0028

## ACCESSORIES - REEL FORE/AFT, ACCESSORY

Item	Part Number	Qty	Description
1	1026700M91	2	COUPLING ASY., MALE (18'-30')
3	148776M02	2	HOSE ASY.(3/8ID X 27")(2.9 X 686MM) (18'-30')
4	356613X1	2	NUT, BULKHEAD (1/2-20) (18'-30')
5	358265X1	2	UNION, BULK-HEAD (1/2-20 37 DEGREE FLARE) (18'-30')
6	2593240W1	3	TUBE, HYDRAULIC (5/16 X 49 1/4") (7.9 X 1261MM) (18'-30')(LATE PROD)
	2577520W1	1	*TUBE, HYDRAULIC (5/16 X 96 13/16") (7.9 X 2459MM) (18'-30')
7	358596X1	7	UNION (1/2-10 37 DEGREE FLARE)(18'-20)
		11	UNION (1/2-10 37 DEG. FLARE)(22' - 30')
8	2593230W1	3	TUBE, HYDRAULIC(5/16 X 37 1/4") (7.9 X 946MM) (18')
	2593240W1	3	TUBE, HYDRAULIC (5/16 X 40 1/4") (7.9 X 1257 MM) (20' - 30')
9	2588020W1	4	HOSE (1/4ID X 72") (6.4ID X 1829MM) (18'-30')
10	2593230W1	1	TUBE, HYDRAULIC(5/16 X 33 1/2") (7.9 X 851MM) (18')
	2583330W1	1	TUBE, HYDRAULIC (5/16 X 45 1/2") (7.9 X 1156MM) (20' - 30')
11	104330W1	1	TUBE, HYDRAULIC (5/16 X 45 1/2") (7.9 X 1156MM)(18'-30')(LATE PROD.)
	2593220W1	1	*TUBE, HYDRAULIC (5/16 X 96") (7.9 X 2438MM) (18'-30')
12	104093W1	2	ANCHOR, CYLINDER, ROD END (18'-30')
13	2811610W2	4	ANCHOR, CYLINDER, BASE END (18'-30')
14		1	CYLINDER (RH) (SFF REEL FORE/AFT HYD. CYL. (IOWA HYDRAULICS)(18'-30')
15	70921884	1	O-RING ( .072 X .414"ID)(1.8 X 10.5MMID) (18'-30')
16	268751X91	4	ELBOW(1/2-20 ORD X 1/2-20 37 DEG. FLARE) (18'-30')
17	2811860W1	2	TUBE, HYDRAULIC (5/16 X 10 1/2") (7.9 X 267MM) (18'-30')
18	354651X1	2	BOLT, HEX (1/2-13 X 2 1/2) (18'-30')
19	353689X1	6	BOLT, HEX (3/8-16 X 3/4) (18'-30')
20	384217X1	10	NUT, HEX FLANGE LOCK (3/8-16) (18'-30')
21	354661X1	2	BOLT, HEX (1/2-13 X 3 3/4) (18'-30')
22	104126W1	2	BRACKET, REFLECTOR (18'-30')(W/BAT RFFI)
23	2588850W1	-	BOOT, TUBE PROTECTOR
24	3821400W1	2	CLAMP, HOSE DOUBLE (18'-30')
25		1	CYLINDER (LH) (SFF RFFI FORE/AFT HYD. CYL. (IOWA HYD.)(18'-30')
26	515103M1	2	STRAP, TIE, WHITE (7) (18'-30')
27	2493750W1	2	CONDUIT (1 1/4OD X 40")(31.8OD X 1016MM) (18'-30')
28	385417X1	4	BOLT, CARRIAGE (3/8-16 X 7/8) (18'-30')
29	186219M91	2	PLUG, DUST (18'-30')
30	104120W1	1	STRAP, RED (18'-30')
31	293851M1	1	STRAP, BLACK (18'-30')
32	354653X1	2	BOLT, HEX (1/2-13 X 2 3/4) (18'-30')
33	104020W1	2	SPACER (17/32ID X 3/4OD X 1 3/16") (13.5ID X 19OD X 30.2MM) (18'-30')
34	388614X1	6	NUT, HEX FLANGE LOCK (1/2-13) (18'-30')
35	104125W1	8	STRIP, WEAR (18'-30')
36	293690M1	2	CLIP (1 1/4 CLAMP DIA., WITH 13/32 HOLE)(18'-30')
37	352937X1	2	BOLT, HEX (5/8-11 X 2 3/4) (18'-30') (W/BAT REEL)
38	369067X1	2	NUT, HEX LOCK (5/8-11) (18'-30') (W/BAT RFFI)
40	2811860W1	4	TUBE, HYDRAULIC (5/16 X 10 1/2") (7.9 X 267MM) (22')
	2593220W1	4	TUBE, HYDRAULIC (5/16 X 25 1/4") (7.9 X 641 MM) (24' & 25')
	2593240W1	4	TUBE, HYDRAULIC (5/16 X 49 1/4") (7.9 X 1257 MM) (30')
41	353677X1	2	BOLT, HEX (5/16-18 X 3/4) (18'-30')
42	104348W1	2	NUT, HEX FLANGE LOCK (5/16-18) (18'-30')
43	355621X1	2	WASHER, WIDE F. AT (1/2) (18'-30')

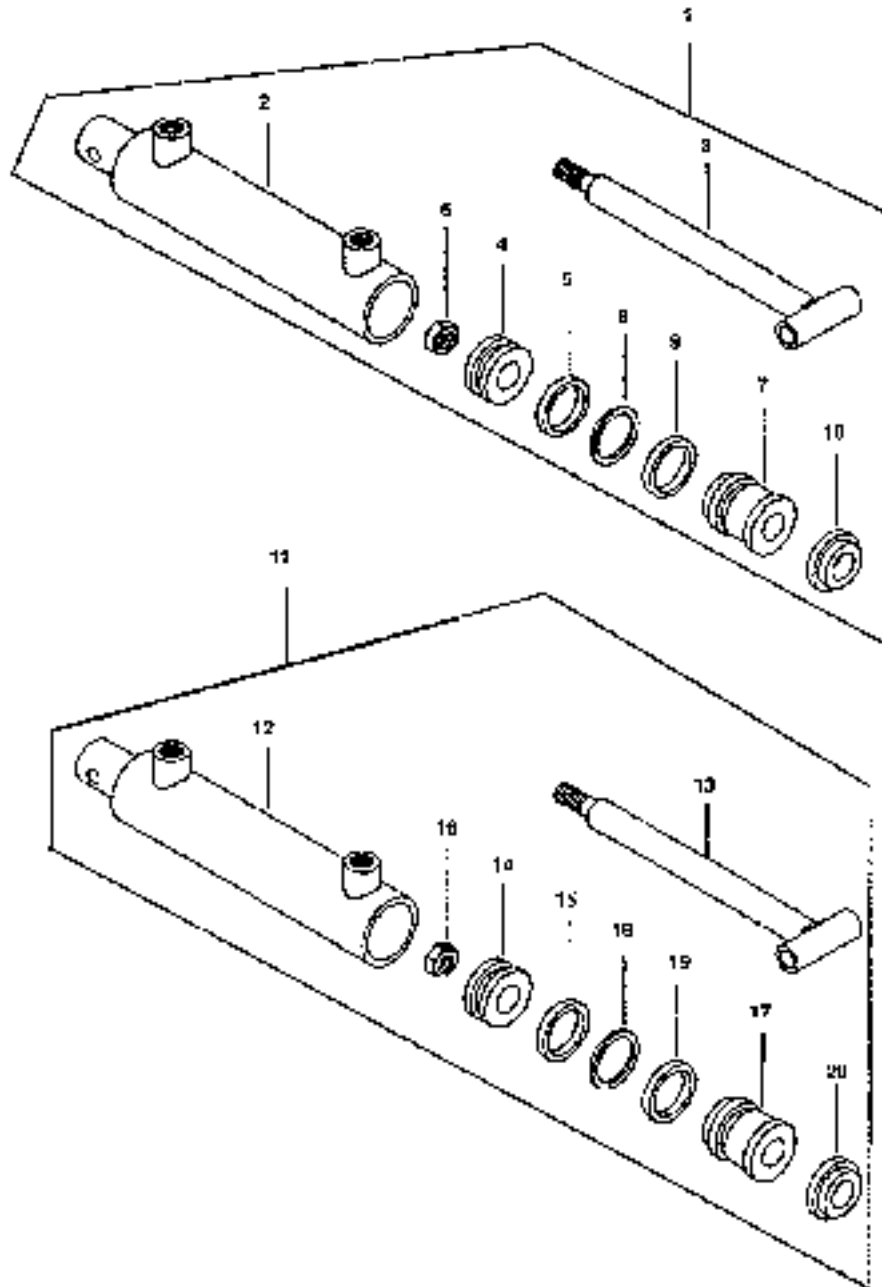
MFH0028

# D-15

86

MF 9700/9750 SERIES GRAIN HEADERS  
ACCESSORIES

REEL FORE/AFT  
HYDRAULIC CYLINDER  
(CANADIAN 10CL & D.E.)



MFH002B

**Massey Ferguson****9700 / 9750 GRAIN HEADER**

651612

**ACCESSORIES - REEL FORE/AFT, HYDRAULIC CYLINDER, (CANADIAN**

Page86

Item	Part Number	Qty	Description (TOOL & DIE)
1	108275WB1	1	CYLINDER ASY. (1 1/4")
2	112094W1	1	CYLINDER TUBE ASY.
3	112093W1	1	ROD ASY., PISTON
4	112091W1	1	PISTON
5	112092W1	1	PISTON RING SET
6	373502X1	1	NUT, HEX LOCK (1/2-20)
7	112088W1	1	PLATE, HEAD
8	70924092	1	O-RING (1 1/8ID X 1 3/8OD X 1/8CS)
9	112089W1	1	SEAL, ROD (3/4ID X 1OD X 1/4DEEP)
10	112090W1	1	SEAL, WIPER (3/4ID X 1OD X 1/4DT)
11	108277WB1	1	CYLINDER ASY. (1")
12	112101W1	1	CYLINDER TUBE ASY.
13	112100W1	1	ROD ASY., PISTON
14	112098W1	1	PISTON
15	112098W1	1	PISTON RING (3/4ID X 1OD X .07CW)
16	373582X1	1	NUT, HEX LOCK (1/2-20 UNF-2B)
17	112095W1	1	PLATE, HEAD
18	359255X1	1	O-RING (7/8 D X 1 1/8OD X 1/8CS)
19	112096W1	1	SEAL, ROD (5/8ID X 7/8OD X 1/4DEEP)
20	112097W1	1	SEAL, WIPER (5/8ID X 7/8OD X 1/4DT)

MFH002S

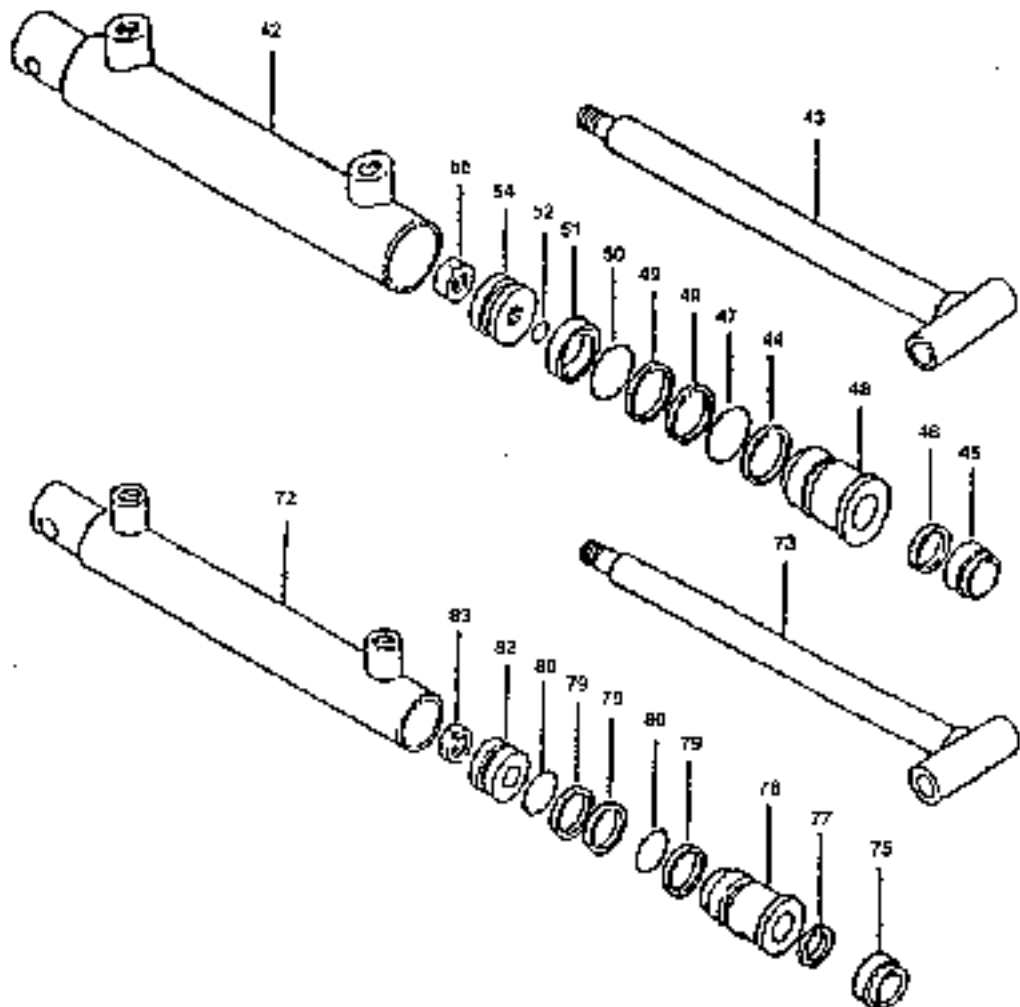


# D-17

88

MF 9700/9750 SERIES GRAIN HEADERS  
ACCESSORIES

REEL FORE/AFT  
HYDRAULIC CYLINDER  
(JOHN HYDRAULICS)



MFH0030

Item	Part Number	Qty	Description HYDRAULICS)
1	104004W91	1	CYLINDER ASY., LEFT HYDRAULIC (MASTER)
2		1	BARREL (ORDER ITEM 1)
3	1077741M91	1	ROD ASY., PISTON
4		1	*SEAL, WIPER
5		1	*J-CUP
6	1077742M1	1	HEAD, CYLINDER
7		1	*RING, BACK-UP
8		1	*O-RING, HEAD
9		2	*RING, WEAR
10		1	*O-RING, BACK-UP
11		1	*SEAL, PISTON
12		1	*O-RING, PISTON
13	1077743M1	1	PISTON
14	1077744M1	1	NUT, PISTON LOCK
15	104002W91	1	CYLINDER ASY., RIGHT HYDRAULIC (SLAVE)
16		1	BARREL (ORDER ITEM *5)
17	1077745M91	1	ROD ASY., PISTON
18		1	**SEAL, WIPER
19		1	**J-CLIP
20	1077746M1	1	HEAD, CYLINDER
21		3	**RING, BACK-UP
22		2	**O-RING
23	1077747M1	1	PISTON
24	1077748M1	1	NUT, PISTON LOCK
	837857M91	-	KIT, SEAL (FOR ITEM 1;(INCL * ITEMS)
	837858M91	-	KIT, SEAL (FOR ITEM 13;(INCL ** ITEMS)

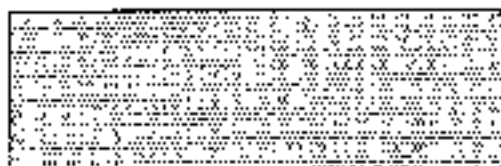
MF40030

# D-19

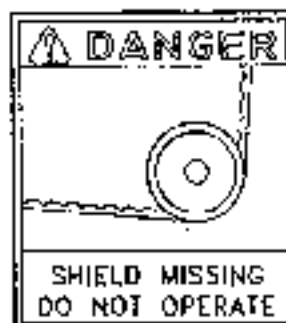
90

MF 9700/9750 SERIES GRAIN HEADERS  
LABELS

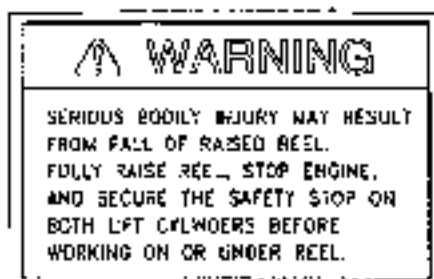
LABELS  
ENGLISH



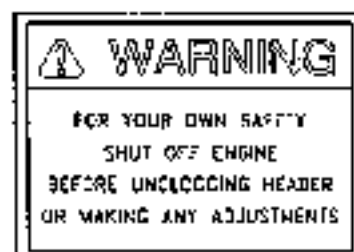
1, 2



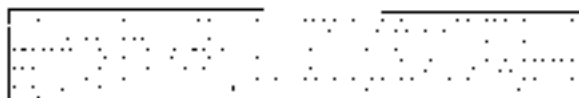
3



4



5



6

MFH0031

Item	Part Number	Qty	Description
1	590720M*	2	TAPE, REFLECTIVE (AMBER)
2	590483M*	2	TAPE, REFLECTIVE (RED)
3	11109*W*	2	LABEL, DANGER
4	1090*6W2	2	LABEL, WARNING (NOT USED ON P/U TABLE)
5	590253M9	2	LABEL, WARNING
6	112939W1	1	ANTI-SKID TAPE (94" X 4")

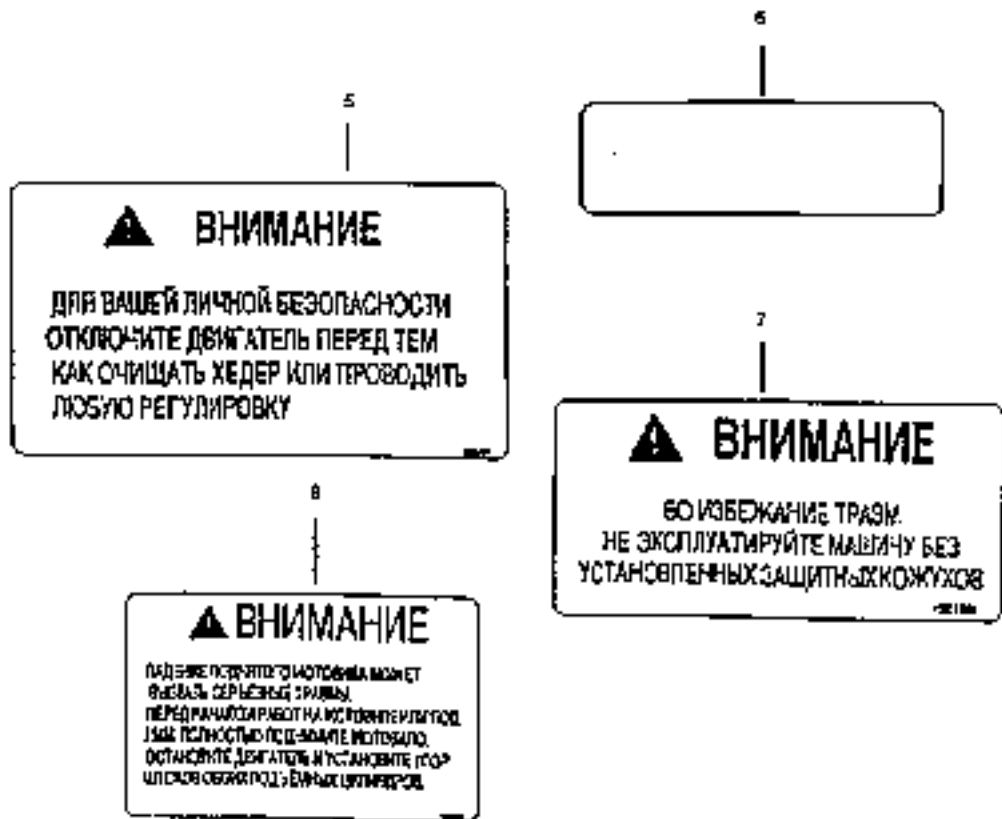
MFHUU31

D-21

92

MF 9700/9750 SERIES GRAIN HEADERS  
LABELS

LABELS  
RUSSIAN



MFH0032

LABELS - LABELS, RUSSIAN

Item	Part Number	Qty	Description
5	105031W1	2	LABEL, WARNING
6	590720M1	2	TAPE, REFLECTIVE (AMBER)
	590483M1	2	TAPE, REFLECTIVE (RED)
7	105011W1	2	LABEL, WARNING
9	105030W1	2	LABEL, WARNING (NOT USED ON P/M TABLE)
			MFH0032
	1714750W1	98	SECTION
	71367261	79	FINGER, PLASTIC
	148281M1	79	SECTION
	231303M2	20	GUIDE
	1713400W1	19	GUARD
	840328M01	12	CHAIN
	2763156M1	11	FINGER
	148198M1	10	GUARD
	2490640W1	9	FINGER
	70823811	6	O-RING
	104346W1	5	NUT
	1704160W1	5	GUARD
	515109M1	5	TIE
	1026700M91	5	TIP
	MP1389	4	LINK
	1813460W1	4	SHIM
	70531251	3	CONE, BEARING
	2500000W1	3	GUIDE
	2515400W2	3	RETAINER
	9650620W1	3	PIN
	71367256	3	BEARING, REEL
	148199M1	3	GUARD
	71368704	3	BEARING, ECCENTRIC
	70923575	2	O-RING
	71141240	2	BEARING, BALL
	51318	2	BEARING
	51292	1	BEARING, SPR
	541388M2	1	FLANGE
	71345065	1	ARM, REEL
	2499670W1	1	BEARING
	2513890W1	1	RING
	208239M1	1	RING
	71352506	1	FINGER
	195459M1	1	BEARING
	2543650W1	1	BELT
	50468	1	BEARING
	1752532M91	1	PIN
	2533300W1	1	CLAMP
	71162742	1	SEAL KIT, HYD
	2808940W1	1	SPRING
	22520X	1	FLANGE
	833099M1	1	CONE
	2513850W91	1	BEARING
	104010W1	1	BUSHING
	K3352	1	BEARING, BALL
	71367255	1	STRAP, BEARING
	833094M1	1	CUP
	1889170W1	1	BUSHING
	10033	1	BEARING, BALL
	70921884	1	O-RING
	101387M1	1	SENSOR
	1077755M1	1	FINGER
	837858M91	1	SEAL KIT
	837857M91	1	SEAL KIT
	105058W91	1	SEAL KIT

NOTE: THESE PARTS STOCK LIST INDICATES  
THOSE ITEMS RECOMMENDED TO SERVICE  
FIVE UNITS.  
HDL