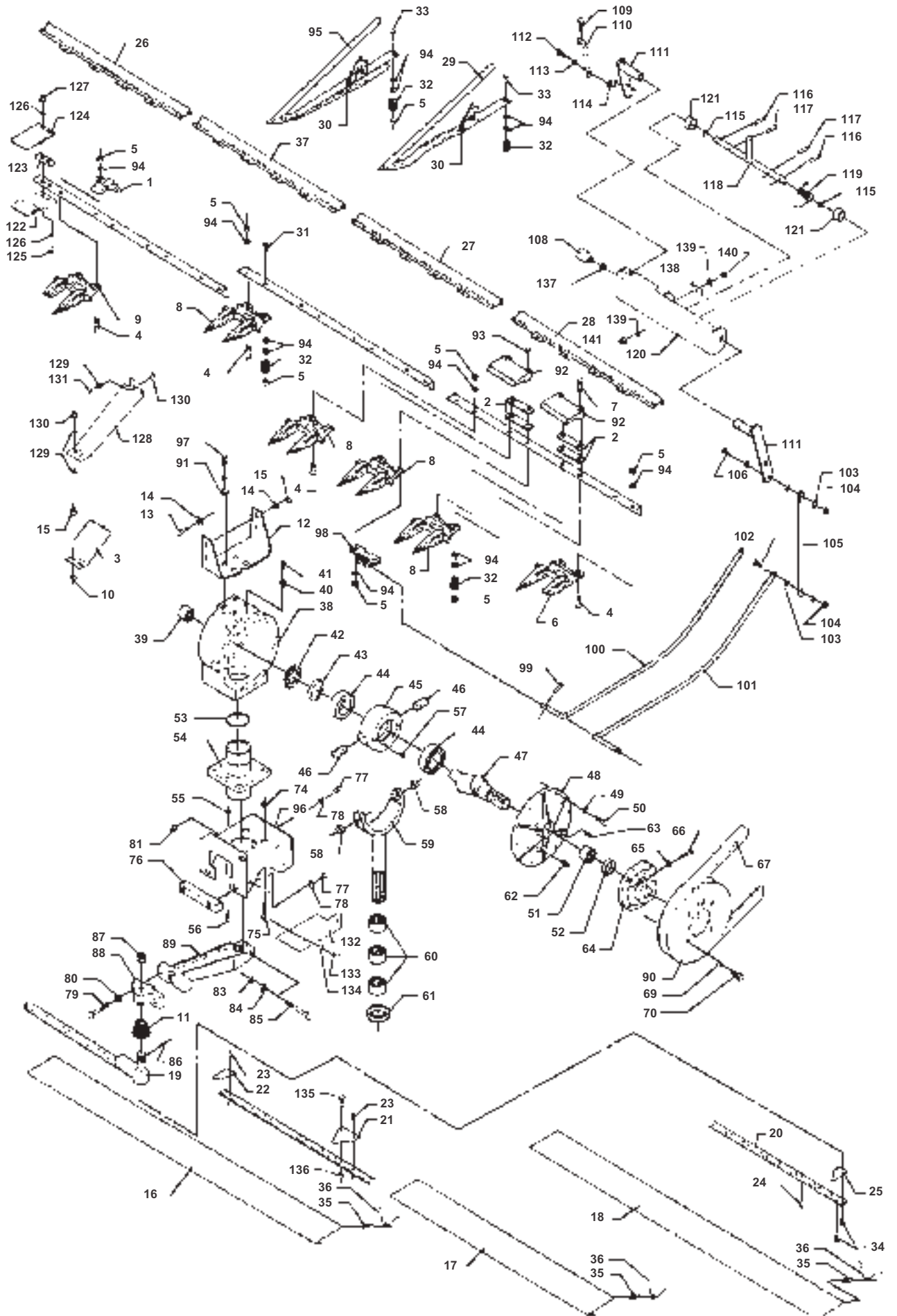


MF 38/40 COMBINES, |-> 47958 - 63001210  
90F0101



90F0101

## Knives And Fingers - Freeflow

Item	Part Number	Qty	Description	Comments
1	<b>D28283934</b>	19	Clip	20' - 6,16M
	<b>D28283934</b>	15	Clip	16' - 4,95M
	<b>D28283934</b>	17	Clip	18' - 5,56M
	<b>D28283934</b>	21	Clip	22' - 6,77M
2	<b>D28230292</b>	4	Shim	
3	D28280809	1	Guard	Up to Serial or Engine Number 926970
4	<b>D40551500</b>	X	Bolt	
5	D41010800	X	Nut	
6	<b>D44104700</b>	1	Finger	From Serial or Engine Number +932852
7	D40067600	X	Screw	
8	<b>D44104500</b>	39	Finger	20' - 6,16M
				From Serial or Engine Number +932852
	<b>D44104500</b>	31	Finger	16' - 4,95M
				From Serial or Engine Number +932852
	<b>D44104500</b>	35	Finger	18' - 5,56M
				From Serial or Engine Number +932852
	<b>D44104500</b>	43	Finger	22' - 6,77M
				From Serial or Engine Number +932852
9	<b>D44104600</b>	1	Finger	From Serial or Engine Number +932852
10	D20400506	2	Washer	Up to Serial or Engine Number 926970
11	<b>D44120500</b>	1	Cap	
12	D28283104	1	Support	
13	D40405100	2	Hex. Sock. Screw	From Serial or Engine Number +931766
14	D20400414	4	Washer	From Serial or Engine Number +931766
15	D41087500	2	Locknut	From Serial or Engine Number +931766
16	D28230842	2	Guard	18'+22'
				5,56M - 6,77M
	D28230844	1	Guard	20' - 6,16M
	D28230845	1	Guard	16' - 4,95M
17	D28230843	1	Guard	18'+22'
				5,56M ET 6,77m
18	D28230844	1	Guard	16' - 4,95M
	D28230845	1	Guard	20' - 6,16M
19	D28283009	2	Blade	18' - 5,56M
	D28283010	2	Blade	20' - 6,16M
	<b>D28283011</b>	2	Knife Head	
	D28283308	2	Blade	16' - 4,95M
	D28283865	2	Blade	22' - 6,77M
20	D28281490	2	Knife Back	16' - 4,95M
	D28281491	2	Knife Back	18' - 5,56M
	D28281492	2	Knife Back	20' - 6,16M
	D28281493	2	Knife Back	22' - 6,77M
21	<b>D44103700</b>	X	Section	OPTIONAL
22	<b>D44103800</b>	2	Half Section	
23	<b>D41306100</b>	X	Rivet	OPTIONAL
24	<b>D41306200</b>	X	Rivet	OPTIONAL
25	<b>D44104000</b>	2	Half Section	
26	D28283701	1	Stone Trap	
27	D28283705	1	Stone Trap	18' - 22'
				5,56M - 6,77M
	D28283706	1	Stone Trap	20' - 6,16M
28	D28283702	1	Stone Trap	
29	D49040200	X	Ear Lifter	
30	D49040400	X	Spring	
31	D40426000	X	Hex. Sock. Screw	
32	D49040600	X	Roller	
33	D40426000	X	Hex. Sock. Screw	
34	D40402400	2	Hex. Sock. Screw	
35	D26500317	2	Spring	(16)
	D26500317	2	Spring	(17)
	D26500317	2	Spring	(18)
36	D28230841	2	Spring	(16)
	D28230841	2	Spring	(17)
	D28230841	2	Spring	(18)
37	D28283704	1	Stone Trap	18'+22'
				4,95M ET 6,77M
38	D28281067	1	Wobble Drive	
	D44127800	1	Box	(38)
39	D44128800	1	Bearing Needle	(38)
40	D44129400	1	Connector	(38)
41	D46116500	1	Valve	(38)

## Knives And Fingers - Freeflow

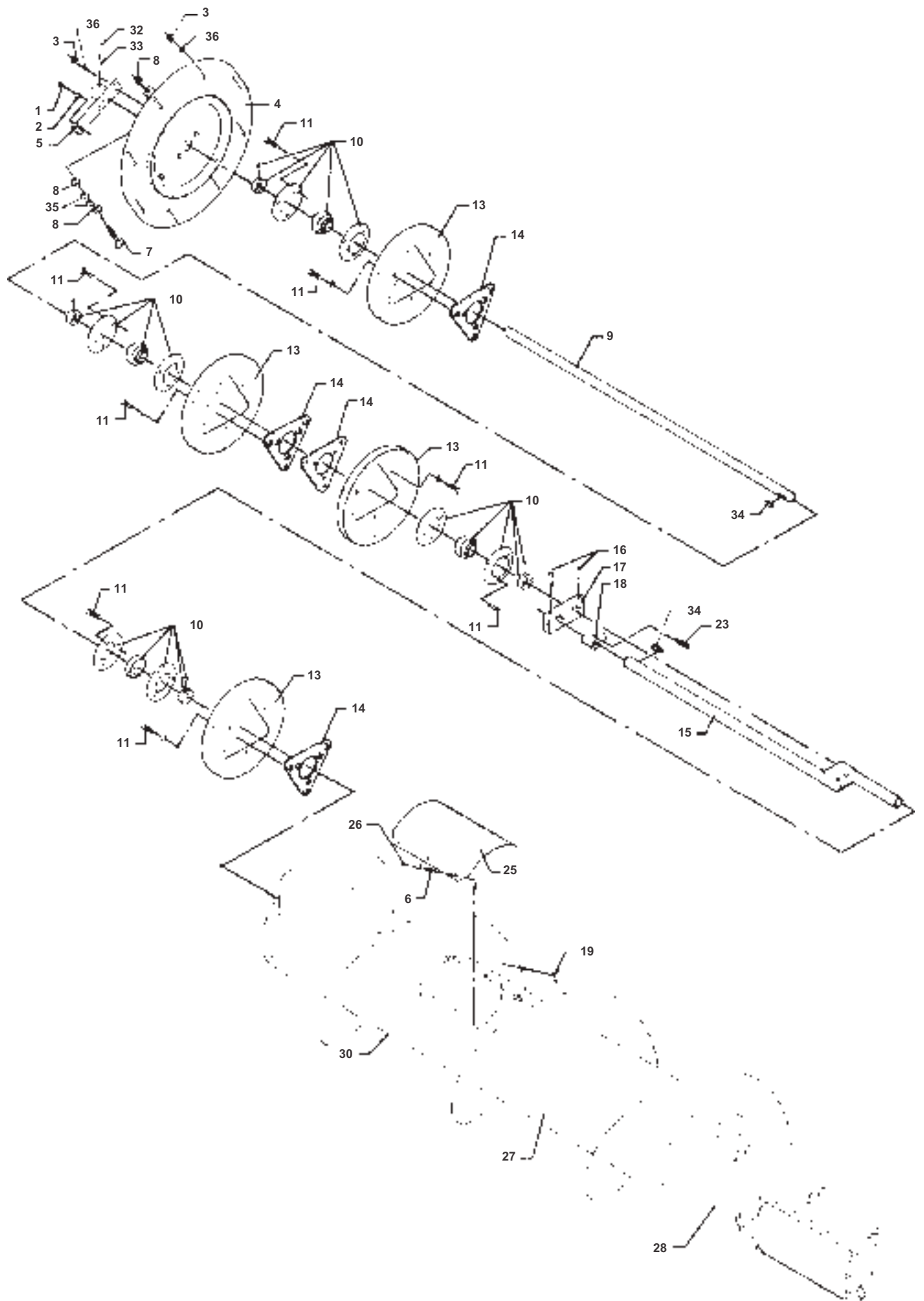
Item	Part Number	Qty	Description	Comments
42	D44129100	1	Nut	(38)
43	D44129200	1	Washer	(38)
44	D41668400	2	Bearing Roller	(38)
45	D44127900	1	Housing	(38)
46	D44128000	2	Journal	(38)
47	D44129300	1	Shaft	(38)
48	D44128200	1	Cover	(38)
49	D41100700	6	Spring Washers	(38)
50	D40404900	6	Hex. Sock. Screw	(38)
51	D41669700	1	Bearing Needle	(38)
52	D45412000	1	Gasket	(38)
53	D45481500	1	O Ring	(38)
54	D44128300	1	Bearing Carrier	(38)
55	D41100700	2	Spring Washers	(38)
56	D40697200	2	Screw	(38)
57	D40639600	2	Pin	(38)
58	D44128400	2	Bush	(38)
59	D44128500	1	Yoke	(38)
60	D41669800	3	Bearing Needle	(38)
61	D45409500	1	Gasket	(38)
62	D44128600	1	Plug	(38)
63	D45236200	1	Plug	(38)
64	D44127100	1	Hub	(38)
65	D41100900	1	Spring Washers	(38)
66	D40694000	1	Screw	(38)
67	<b>D41985600</b>	1	Belt	
69	D20400426	4	Washer	
70	D40410900	4	Hex. Sock. Screw	
74	D20400523	4	Spacer	
75	D40465400	4	Screw	
76	D28283103	1	Clamp	
77	D40416500	5	Screw Metric	
78	D20400461	5	Washer	
79	D40698400	2	Screw	
80	D20400438	2	Washer	
81	D41087900	2	Locknut	
83	D41087700	1	Locknut	
84	D20400428	1	Washer	
85	D40429400	1	Screw Metric	
86	D41409100	1	Split Pin	
87	<b>D41054300</b>	1	Nut	
88	D44126900	1	Flange	
89	D44127000	1	Swivel Arm	
90	D44127200	1	Pulley	
91	D28280986	4	Washer	
92	<b>D28260362</b>	X	Clip	
93	D40067200	X	Screw	
94	D20400419	X	Washer	
95	D49040300	X	Ear Lifter	
96	D28283109	1	Support	
97	D40405100	4	Hex. Sock. Screw	
98	D28284356	4	Fitting	ACC AUTO-LEVEL
99	D42611800	8	Pin	ACC AUTO-LEVEL
100	D28284257	2	Sensor	ACC AUTO-LEVEL
101	D28284258	2	Sensor	ACC AUTO-LEVEL
102	D40405300	4	Screw	ACC AUTO-LEVEL
103	D20400506	20	Washer	ACC AUTO-LEVEL
104	D41087500	8	Locknut	ACC AUTO-LEVEL
105	D28284223	4	Link	ACC AUTO-LEVEL
106	D40423600	4	Screw Metric	ACC AUTO-LEVEL
108	<b>D28780523</b>	2	Meter	ACC AUTO-LEVEL
109	D40464900	2	Screw	ACC AUTO-LEVEL
				From Serial or Engine Number +931176
110	D28780845	2	Rod	ACC AUTO-LEVEL
111	D28284225	4	Lever	18' - 22' 5,56M - 6,77M ACC AUTO-LEVEL
111	D28284234	4	Lever	ACC AUTO-LEVEL
112	D40402700	2	Hex. Sock. Screw	ACC AUTO-LEVEL
113	D20400404	2	Washer	ACC AUTO-LEVEL
114	D41013400	2	Nut	ACC AUTO-LEVEL

## Knives And Fingers - Freeflow

Item	Part Number	Qty	Description	Comments
115	D28200551	4	Washer	ACC AUTO-LEVEL
116	D42611900	8	Pin	ACC AUTO-LEVEL
117	D42612300	4	Pin	ACC AUTO-LEVEL
118	D28284232	2	Shaft	ACC AUTO-LEVEL
119	D28284389	2	Spring	ACC AUTO-LEVEL
120	D28284222	2	Support	16' - 4,95M AUTO-LEVEL
120	D28284229	2	Support	AUTO-LEVEL 18' - 22' 5,56M - 6,77M
121	D28284456	4	Bush	ACC AUTO-LEVEL
122	D28281576	1	Plate	From Serial or Engine Number 926971
123	D28281575	1	Shim	From Serial or Engine Number 926971
124	D28281574	1	Plate	From Serial or Engine Number 926971
125	D40423700	2	Screw Metric	From Serial or Engine Number +931869
126	D20400506	2	Washer	From Serial or Engine Number 926971
127	D41087500	2	Locknut	From Serial or Engine Number +931503
128	D28281572	1	Guard	From Serial or Engine Number 926971
129	D20400506	3	Washer	From Serial or Engine Number 926971
130	D41017500	3	Locknut	From Serial or Engine Number +931503
131	D40405000	1	Hex. Sock. Screw	From Serial or Engine Number +931869
132	D28281706	1	Guard	From Serial or Engine Number 926971
133	D40404700	2	Hex. Sock. Screw	From Serial or Engine Number 926971
134	D20400506	2	Washer	From Serial or Engine Number 926971
135	D40402400	X	Hex. Sock. Screw	Alternative REP.23
136	D41087400	X	Locknut	Alternative REP.23
137	D20400441	1	Washer	From Serial or Engine Number +929773
138	D28284268	2	Stop	[A] From Serial or Engine Number 931503
139	D20400416	4	Washer	[A] From Serial or Engine Number 931503
140	D40404900	2	Hex. Sock. Screw	[A] From Serial or Engine Number 931503
141	D41087500	2	Locknut	[A] From Serial or Engine Number 931503

FOOTNOTE [A] STOCK MACHINE FROM 961101

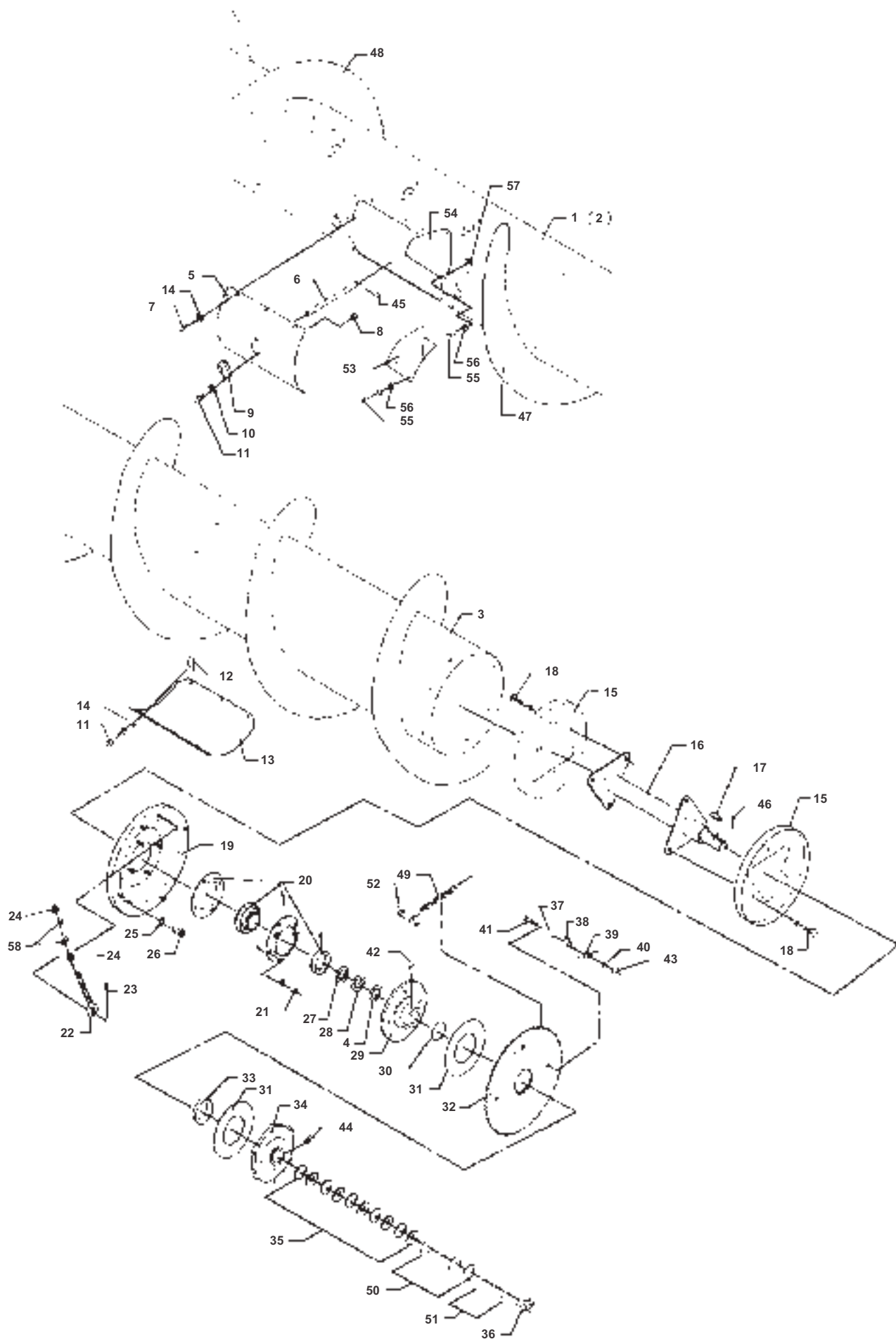
MF 38/40 COMBINES, |-> 47958 - 63001210  
84C0102



84C0102

## Table Auger Right Hand - Freeflow

Item	Part Number	Qty	Description	Comments
1	D40404700	1	Hex. Sock. Screw	
2	D20400506	1	Washer	
3	D41017500	10	Locknut	From Serial or Engine Number +931503
4	D28280040	1	Plate	
5	D28283029	1	Adjuster	
6	D20400470	6	Washer	
7	D28211023	1	Bolt	
8	D41087600	2	Locknut	From Serial or Engine Number +931503
9	D28283036	1	Shaft	18' - 5,56M
	D28283037	1	Shaft	20' - 6,16M
	D28283768	1	Shaft	16' - 4,95M
	D28283871	1	Shaft	22' - 6,77M
10	D41707800	4	Bearing	
11	D40407900	24	Hex. Sock. Screw	
13	D28280014	4	Plate	
14	D28283847	4	Bearing Plate	
15	D28283016	1	Crankshaft	
16	D40426100	2	Screw	
17	D28283039	1	Arm	
18	<b>D28251831</b>	15	Bearing Carrier	
19	D43428200	6	Nut	
23	D28283853	15	Hair Pin	
25	D28283070	1	Cover	
26	D40402600	6	Hex. Sock. Screw	
27	D28283125	1	Table Auger	20' - 6,16M
	D28283134	1	Table Auger	18' - 5,56M
	D28283790	1	Table Auger	16' - 4,95M
	D28283870	1	Table Auger	22' - 6,77M
28	D28283012	1	Body	
30	D28283032	1	Tube	18' - 5,56M
	D28283034	1	Body	20' - 6,16M
	D28283795	1	Body	16' - 4,95M
	D28283876	1	Body	22' - 6,77M
32	D42616400	1	Pin	
33	D42625300	1	Pin	
34	D43104700	2	Key	
35	D20400471	2	Washer	From Serial or Engine Number +929460
36	D20400414	X	Washer	From Serial or Engine Number +931503



## Table Auger Left Hand - Freeflow

Item	Part Number	Qty	Description	Comments
1	D28283125	1	Table Auger	20' - 6,16M
	D28283134	1	Table Auger	18' - 5,56M
	D28283790	1	Table Auger	16' - 4,95M
	D28283870	1	Table Auger	22' - 6,77M
2	D28283012	1	Body	16' - 18' - 20' 4,95M - 5,56M - 6,16M
	D28283869	1	Body	22' - 6,77M
3	D28283031	1	Body	20' - 6,16M
	D28283033	1	Body	18' - 5,56M
	D28283794	1	Body	16' - 4,95M
	D28283875	1	Body	22' - 6,77M
4	D28280957	X	Washer	OPTIONAL
5	D28283078	1	Cover	
6	<b>D28283815</b>	15	Finger	
7	D40402400	X	Hex. Sock. Screw	
8	D41087400	X	Locknut	
9	<b>D28283060</b>	15	Bush	
10	D20400404	X	Washer	
11	D40402600	X	Hex. Sock. Screw	
12	D43428200	6	Nut	
13	D28283070	1	Cover	
14	D20400470	6	Washer	
15	D28280014	2	Plate	
16	D28283007	1	Drive Shaft	
17	D43106800	1	Key	
18	D40407600	6	Hex. Sock. Screw	
19	D28283053	1	Plate	
20	D41716500	1	Bearing	
21	D41010900	4	Nut	
22	D28281387	1	Screw	
23	D41408900	1	Split Pin	
24	D41010800	2	Nut	From Serial or Engine Number +929460
25	D20400415	4	Washer	
26	D28280729	4	Nut	
27	D28280956	X	Spacer	
28	D28281029	2	Washer	
29	D28283004	1	Washer	
30	D45481600	1	O Ring	
31	<b>D45904300</b>	2	Facing	
32	D28283008	1	Sprocket	
33	D28283000	1	Insert	
34	D28283003	1	Washer	
35	D41112400	10	Washer	
36	D41054100	1	Castle Nut	
37	D28281431	1	Spacer	
38	D28281432	1	Support	
39	D28283006	1	Spring	
40	D20400507	1	Spacer	
41	D40426100	1	Screw	
42	D40405000	1	Hex. Sock. Screw	
43	D41087600	1	Locknut	
44	D43001500	1	Greaser	
45	D28283853	15	Hair Pin	
46	D41408800	1	Split Pin	
47	D28280005	1	Spiral	20' - 6,16M
	D28280051	1	Spiral	18' - 5,56M
	D28280052	1	Spiral	16' - 4,95M
	D28280067	1	Spiral	22' - 6,77M
48	D28280006	1	Spiral	20' - 6,16M
	D28280053	1	Spiral	18' - 5,56M
	D28280054	1	Spiral	16' - 4,95M
	D28280068	1	Spiral	22' - 6,77M
49	<b>D42329300</b>	1	Chain	
50	D20400520	4	Spacer	
51	D20400523	3	Spacer	
52	<b>D42365100</b>	1	Link	
53	D28283294	4	Spike	
54	D28281694	4	Threaded Part	
55	D40404900	20	Hex. Sock. Screw	
56	D20400506	20	Washer	



**Massey Ferguson**

**MF 38/40 COMBINES, |-> 47958 - 63001210**

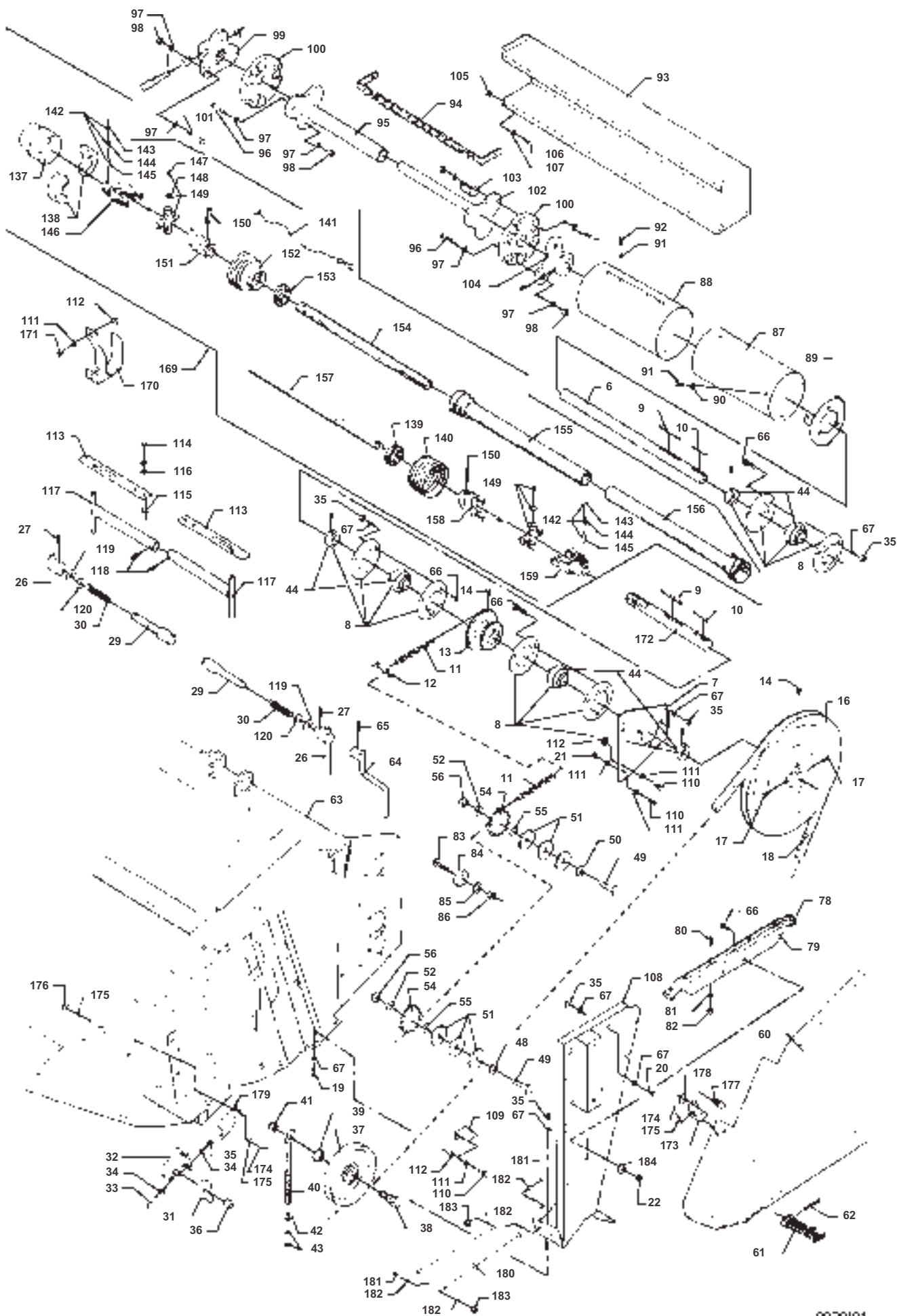
**63001210**

**Table Auger Left Hand - Freeflow**

**Page001-0015**

<b>Item</b>	<b>Part Number</b>	<b>Qty</b>	<b>Description</b>	<b>Comments</b>
57	D41087500	12	Locknut	
58	D20400471	2	Washer	From Serial or Engine Number +929460

MF 38/40 COMBINES, |-> 47958 - 63001210  
90D0104



90D0104

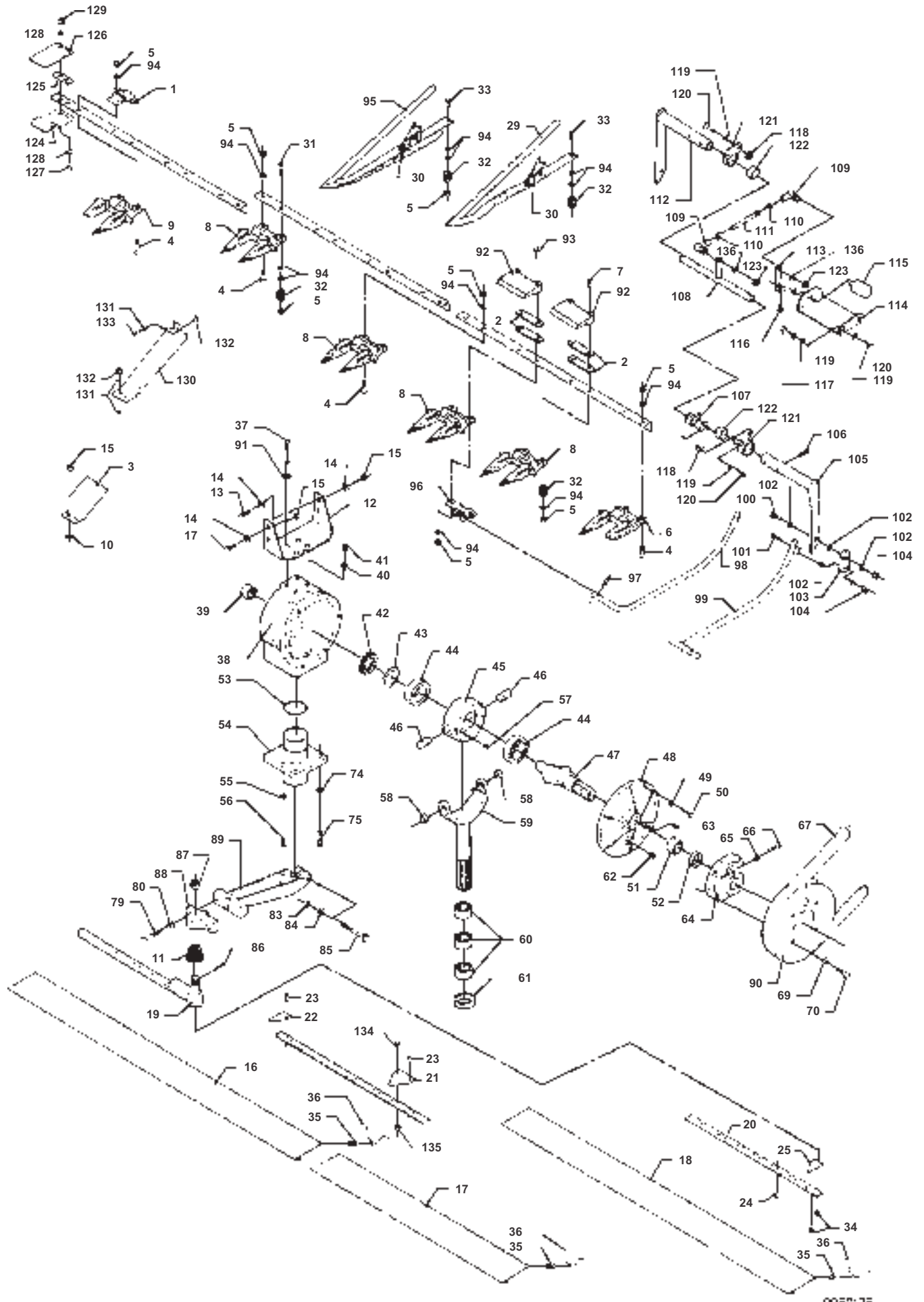
Item	Part Number	Qty	Description	Comments
6	D28280270	1	Countershaft	22' - 6,77M Up to Serial or Engine Number 924891
	D28283409	1	Shaft	20' - 6,16M Up to Serial or Engine Number 924891
	D28283485	1	Shaft	16' - 4,95M Up to Serial or Engine Number 924891
	D28283486	1	Shaft	18' - 5,56M Up to Serial or Engine Number 924891
7	D28283099	1	Bearing Carrier	
8	D41707800	2	Bearing	
9	D43114900	1	Key	
10	D43105000	1	Key	
11	<b>D42329300</b>	1	Chain	
12	<b>D42365100</b>	1	Link	
13	D28280225	1	Sprocket	
14	D40466200	3	Setscrew	
16	D28280281	1	Pulley	
17	D40466700	2	Hex. Sock. Screw	
18	<b>D41985600</b>	1	Belt	
20	D40407700	4	Hex. Sock. Screw	
21	D41087500	X	Locknut	
22	D41087600	2	Locknut	From Serial or Engine Number +929460
26	D28283281	1	Arm	
27	D42612200	2	Pin	
29	D28283200	2	Shaft	
30	D27100794	2	Spring	
31	D28251593	2	Lock Washer	
32	D28251918	2	Bracket	
33	D40407700	4	Hex. Sock. Screw	
34	D20400507	8	Spacer	
35	D41087600	X	Locknut	
36	D41087900	2	Locknut	
37	D28760159	1	Pulley	
38	D28760156	1	Screw	
39	D28760155	1	Bush	
40	D28260181	1	Bolt	
41	D41087900	1	Locknut	
42	D20400416	X	Washer	
43	D41010800	2	Nut	
44	D41663500	2	Bearing Ball	
48	D28181284	1	Washer	
49	D40433600	2	Screw Metric	
50	D20400463	1	Washer	
51	D20400460	6	Washer	
52	D20400459	2	Washer	
54	D41716800	2	Tightener	
55	D20400516	X	Spacer	OPTIONAL
56	D41087900	2	Locknut	
60	D28281583	1	Guard	From Serial or Engine Number 926971
	D28283156	1	Cowl	Up to Serial or Engine Number 926970
61	D44737100	1	Rubber Strap	Up to Serial or Engine Number 926970
62	D41411100	1	Split Pin	Up to Serial or Engine Number 926970
63	D28283689	1	Housing	16' - 4,95M
	D28283690	1	Table	18' - 5,56M
	D28283691	1	Table	20' - 6,16M
	D28283858	1	Table	22' - 6,77M
64	D28284178	1	Lever	
65	D42612200	1	Pin	
66	D40066800	8	Screw Metric	From Serial or Engine Number +929460
67	D20400419	X	Washer	
78	D28280787	1	Rail	
79	D28281365	1	Crossmember	
80	D40609300	6	Screw	
81	D20400466	6	Washer	
82	D41087200	6	Locknut	
83	D40073100	1	Screw	
84	D28280981	1	Spacer	
85	D20400459	1	Washer	
86	D41087900	1	Locknut	
87	D28282105	1	Guard	Up to Serial or Engine Number 924891
88	D28282110	1	Guard	Up to Serial or Engine Number 924891

Item	Part Number	Qty	Description	Comments
89	D28280834	1	Ring	Up to Serial or Engine Number 924891
90	D40404700	3	Hex. Sock. Screw	Up to Serial or Engine Number 924891
91	D20400506	4	Washer	Up to Serial or Engine Number 924891
92	D43385200	1	Screw	Up to Serial or Engine Number 924891
93	D28283415	1	Shield	16' - 4,95M Up to Serial or Engine Number 924891
93	D28283416	1	Shield	18' - 5,56M Up to Serial or Engine Number 924891
93	D28283417	1	Guard	20' - 6,16M Up to Serial or Engine Number 924891
93	D28283864	1	Guard	22' - 6,77M Up to Serial or Engine Number 924891
94	D28280726	1	Chain	Up to Serial or Engine Number 924891
95	D28283931	1	Tube	Up to Serial or Engine Number 924891
96	D40408300	6	Screw Metric	Up to Serial or Engine Number 924891
97	D20400471	18	Washer	Up to Serial or Engine Number 924891
98	D41087600	9	Locknut	Up to Serial or Engine Number 924891
99	D28283936	1	Clutch	Up to Serial or Engine Number 924891
100	D44127400	2	Link	Up to Serial or Engine Number 924891
101	D40408500	3	Screw	Up to Serial or Engine Number 924891
102	D28283932	1	Tube	Up to Serial or Engine Number 924891
103	D44129000	1	Spring	Up to Serial or Engine Number 924891
104	D28280301	1	Flange	Up to Serial or Engine Number 924891
105	D41010800	1	Nut	Up to Serial or Engine Number 924891
106	D40402400	2	Hex. Sock. Screw	Up to Serial or Engine Number 924891
107	D20400404	X	Washer	Up to Serial or Engine Number 924891
108	D28283090	1	Plate	
109	D28283098	1	Support	
110	D40404900	2	Hex. Sock. Screw	
111	D20400506	X	Washer	
112	D41013500	X	Nut	
113	D28284362	2	Spring	ACC AUTO-LEVEL
114	D40404900	4	Hex. Sock. Screw	ACC AUTO-LEVEL
115	D41013500	4	Nut	ACC AUTO-LEVEL
116	D20400506	4	Washer	ACC AUTO-LEVEL
117	D28284357	2	Pin	ACC AUTO-LEVEL
118	D42618800	2	Pin	ACC AUTO-LEVEL
119	D20400520	2	Spacer	From Serial or Engine Number 924892
120	D28284193	2	Washer	From Serial or Engine Number 924892
137	D45632900	1	Bush	(169) From Serial or Engine Number 924892
138	D45633000	1	Ring	(169) From Serial or Engine Number 924892
139	D45630700	1	Ring	(169) From Serial or Engine Number 924892
140	D45630500	1	Guard	(169) From Serial or Engine Number 924892
141	D45681800	2	Chain	(169) From Serial or Engine Number 924892
142	D45632400	2	Tube	(169) From Serial or Engine Number 924892
143	D45645700	2	Washer	(146) From Serial or Engine Number 924892
143	D45645700	2	Washer	(159)
143	D45645700	2	Washer	(169)
144	D45667300	2	Spring	(146) From Serial or Engine Number 924892
144	D45667300	2	Spring	(159)
144	D45667300	2	Spring	(169)
145	D45665300	2	Pin	(146) From Serial or Engine Number 924892
145	D45665300	2	Pin	(159)
145	D45665300	2	Pin	(169)
146	D45633100	1	Yoke	(169) From Serial or Engine Number 924892
149	D45630300	2	Hub	(169) From Serial or Engine Number 924892
150	D42619100	2	Pin	(169) From Serial or Engine Number 924892
151	D45630200	1	Yoke	(169) From Serial or Engine Number 924892

**Massey Ferguson****MF 38/40 COMBINES, |-> 47958 - 63001210****63001210****Guarding And Transmissions - Freeflow****Page001-0020**

Item	Part Number	Qty	Description	Comments
152	D45630400	1	Guard	(169) From Serial or Engine Number 924892
153	D45630600	1	Ring	(169) From Serial or Engine Number 924892
154	D45631100	1	Tube	(169) 18' - 20' 5,56M - 6,16M From Serial or Engine Number 924892
154	D45632800	1	Tube	(169) 16' - 4,95M From Serial or Engine Number 924892
154	D45633700	1	Tube	(169) 22' - 6,77M From Serial or Engine Number +928659
155	D45631900	1	Tube	(169) 18' - 20' 5,56M - 6,16M From Serial or Engine Number 924892
155	D45632600	1	Tube	(169) 16' - 4,95M From Serial or Engine Number 924892
155	D45633900	1	Tube	(169) 22' - 6,77M From Serial or Engine Number +928659
156	D45632300	1	Tube	(169) 18' - 20' 5,56M - 6,16M From Serial or Engine Number 924892
156	D45632500	1	Tube	(169) 16' - 4,95M From Serial or Engine Number 924892
156	D45634000	1	Tube	(169) 22' - 6,77M From Serial or Engine Number +928659
157	D45631500	1	Tube	(169) 18' - 20' 5,56M - 6,16M From Serial or Engine Number 924892
157	D45632700	1	Tube	(169) 16' - 4,95M From Serial or Engine Number 924892
157	D45633800	1	Tube	(169) 22' - 6,77M From Serial or Engine Number +928659
158	D45630100	1	Yoke	(169) From Serial or Engine Number 924892
159	D45633200	1	Yoke	(169) From Serial or Engine Number 924892
169	D45609000	1	Shaft	16' - 4,95M From Serial or Engine Number 924892
169	D45609100	1	Shaft	18' - 20' 5,56M - 6,16M From Serial or Engine Number 924892
169	D45609300	1	Shaft	22'- 6,77M From Serial or Engine Number +928659
170	D28281345	1	Stirrup	From Serial or Engine Number 924892
171	D40404700	2	Hex. Sock. Screw	From Serial or Engine Number 924892
172	D28284404	1	Shaft	From Serial or Engine Number 924892
173	D28281577	1	Angle	From Serial or Engine Number 926971
174	D40402600	X	Hex. Sock. Screw	From Serial or Engine Number +931766
175	D20400470	X	Washer	From Serial or Engine Number 926971
176	D41087400	X	Locknut	From Serial or Engine Number +931766
177	D43427500	1	Pin	From Serial or Engine Number 926971
178	D42555500	1	Circlip	From Serial or Engine Number 926971
179	D28281578	1	Retainer	From Serial or Engine Number 926971
180	D28281570	1	Plate	From Serial or Engine Number 926971
181	D40405000	3	Hex. Sock. Screw	From Serial or Engine Number +931869
182	D20400506	6	Washer	From Serial or Engine Number +931766
183	D41087500	3	Locknut	From Serial or Engine Number +931869
184	D20400416	2	Washer	From Serial or Engine Number +929460

MF 38/40 COMBINES, |-> 47958 - 63001210  
90E0106



000000 35

## Knives And Fingers - Powerflow

Item	Part Number	Qty	Description	Comments
1	<b>D28283934</b>	19	Clip	20' - 6,16M
	<b>D28283934</b>	15	Clip	16' - 4,95M
	<b>D28283934</b>	17	Clip	18' - 5,56M
	<b>D28283934</b>	21	Clip	22' - 6,77M
2	<b>D28230292</b>	4	Shim	
3	D28280809	1	Guard	Up to Serial or Engine Number 926970
4	<b>D40551500</b>	X	Bolt	
5	D41010800	X	Nut	
6	<b>D44104700</b>	1	Finger	From Serial or Engine Number +932852
7	D40067600	X	Screw	
8	<b>D44104500</b>	39	Finger	20' - 6,16M
				From Serial or Engine Number +932852
	<b>D44104500</b>	31	Finger	16' - 4,95M
				From Serial or Engine Number +932852
	<b>D44104500</b>	35	Finger	18' - 5,56M
				From Serial or Engine Number +932852
	<b>D44104500</b>	43	Finger	22' - 6,77M
				From Serial or Engine Number +932852
9	<b>D44104600</b>	1	Finger	From Serial or Engine Number +932852
10	D20400506	2	Washer	Up to Serial or Engine Number 926970
11	<b>D44120500</b>	1	Cap	
12	D28283104	1	Support	
13	D40405100	2	Hex. Sock. Screw	From Serial or Engine Number +931766
14	D20400414	4	Washer	From Serial or Engine Number +931766
15	D41087500	2	Locknut	From Serial or Engine Number +931766
16	D28230842	2	Guard	18' - 5,56M
	D28230845	1	Guard	16' - 20'
				4,95M - 6,16M
	D28230842	1	Guard	22' - 6,77M
17	D28230843	1	Guard	20' - 6,16M
18	D28230844	1	Guard	16' - 20'
				4,95M - 6,16M
	D28230842	1	Guard	22' - 6,77M
19	D28283009	2	Blade	18' - 5,56M
	D28283010	2	Blade	20' - 6,16M
	<b>D28283011</b>	2	Knife Head	
	D28283308	2	Blade	16' - 4,95M
	D28283865	2	Blade	22' - 6,77M
20	D28281490	2	Knife Back	16' - 4,95M
	D28281491	2	Knife Back	18' - 5,56M
	D28281492	2	Knife Back	20' - 6,16M
	D28281493	2	Knife Back	22' - 6,77M
21	<b>D44103700</b>	X	Section	
22	<b>D44103800</b>	X	Half Section	
23	<b>D41306100</b>	X	Rivet	
24	<b>D41306200</b>	X	Rivet	
25	<b>D44104000</b>	1	Half Section	
29	D49040200	X	Ear Lifter	
30	D49040400	X	Spring	
31	D40426000	X	Hex. Sock. Screw	
32	D49040600	X	Roller	
33	D40426000	X	Hex. Sock. Screw	
34	D40402400	2	Hex. Sock. Screw	
35	D26500317	2	Spring	(16)
	D26500317	2	Spring	(17)
	D26500317	2	Spring	(18)
36	D28230841	2	Spring	(16)
	D28230841	2	Spring	(17)
	D28230841	2	Spring	(18)
37	D40405100	4	Hex. Sock. Screw	
38	D28281067	1	Wobble Drive	
	D44127800	1	Box	(38)
39	D44128800	1	Bearing Needle	(38)
40	D44129400	1	Connector	(38)
41	D46116500	1	Valve	(38)
42	D44129100	1	Nut	(38)
43	D44129200	1	Washer	(38)
44	D41668400	2	Bearing Roller	(38)
45	D44127900	1	Housing	(38)
46	D44128000	2	Journal	(38)
47	D44129300	1	Shaft	(38)

## Knives And Fingers - Powerflow

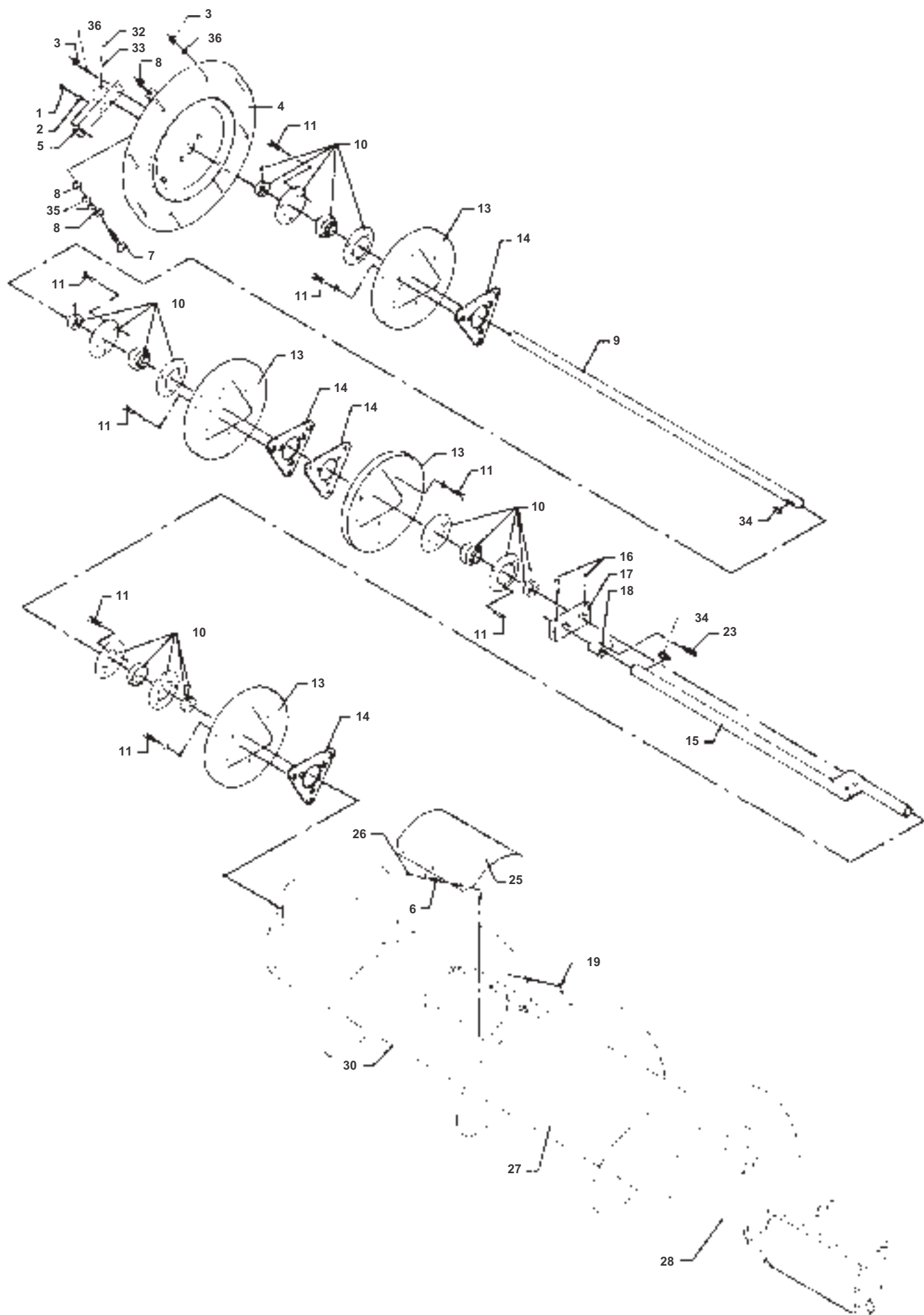
Item	Part Number	Qty	Description	Comments
48	D44128200	1	Cover	(38)
49	D41100700	6	Spring Washers	(38)
50	D40404900	6	Hex. Sock. Screw	(38)
51	D41669700	1	Bearing Needle	(38)
52	D45412000	1	Gasket	(38)
53	D45481500	1	O Ring	(38)
54	D44128300	1	Bearing Carrier	(38)
55	D41100700	2	Spring Washers	(38)
56	D40697200	2	Screw	(38)
57	D40639600	2	Pin	(38)
58	D44128400	2	Bush	(38)
59	D44128500	1	Yoke	(38)
60	D41669800	3	Bearing Needle	(38)
61	D45409500	1	Gasket	(38)
62	D44128600	1	Plug	(38)
63	D45236200	1	Plug	(38)
64	D44127100	1	Hub	(38)
65	D41100900	1	Spring Washers	(38)
66	D40694000	1	Screw	(38)
67	<b>D41986300</b>	1	V Belt	
69	D20400426	4	Washer	
70	D40410900	4	Hex. Sock. Screw	
71	D40405300	2	Screw	
74	D20400523	4	Spacer	
75	D40465100	4	Screw	
79	D40698400	2	Screw	
80	D20400438	2	Washer	
83	D41087700	1	Locknut	
84	D20400428	1	Washer	
85	D40429400	1	Screw Metric	
86	D41409100	1	Split Pin	
87	<b>D41054300</b>	1	Nut	
88	D44126900	1	Flange	
89	D44127000	1	Swivel Arm	
90	D44127200	1	Pulley	
91	D28280986	4	Washer	
92	<b>D28260362</b>	2	Clip	
93	D40067200	X	Screw	
94	D20400419	X	Washer	
95	D49040300	X	Ear Lifter	
96	D28284356	4	Fitting	ACC AUTO-LEVEL
97	D42611800	8	Pin	ACC AUTO-LEVEL
98	D28284259	2	Sensor	ACC AUTO-LEVEL
99	D28284260	2	Sensor	ACC AUTO-LEVEL
100	D40405100	4	Hex. Sock. Screw	ACC AUTO-LEVEL
101	D40405300	4	Screw	ACC AUTO-LEVEL
102	D20400506	20	Washer	ACC AUTO-LEVEL
103	D28284363	4	Link	ACC AUTO-LEVEL
104	D41087500	8	Locknut	ACC AUTO-LEVEL
105	D28284227	2	Lever	ACC AUTO-LEVEL
106	D42611900	8	Pin	ACC AUTO-LEVEL
107	D28281693	2	Spring	ACC AUTO-LEVEL
108	D28284232	2	Shaft	ACC AUTO-LEVEL
109	D46437300	4	Toggle	ACC AUTO-LEVEL
110	D41010600	4	Nut	ACC AUTO-LEVEL
111	D28780446	2	Rod	ACC AUTO-LEVEL
112	D28284226	2	Lever	ACC AUTO-LEVEL
113	D28284361	2	Potentiometer	ACC AUTO-LEVEL
114	D28284360	2	Plate	ACC AUTO-LEVEL
115	<b>D28780523</b>	2	Meter	ACC AUTO-LEVEL
116	D40464900	2	Screw	ACC AUTO-LEVEL
117	D41010700	4	Nut	From Serial or Engine Number +931176 ACC AUTO-LEVEL
118	D41013500	8	Nut	ACC AUTO-LEVEL
119	D20400506	16	Washer	ACC AUTO-LEVEL
120	D40404900	12	Hex. Sock. Screw	ACC AUTO-LEVEL
121	D28284458	4	Bearing Bush	ACC AUTO-LEVEL
122	D28284456	4	Bush	ACC AUTO-LEVEL
123	D41088800	2	Locknut	ACC AUTO-LEVEL
124	D28281576	1	Plate	From Serial or Engine Number +931176 From Serial or Engine Number 926970



**Knives And Fingers - Powerflow**

<b>Item</b>	<b>Part Number</b>	<b>Qty</b>	<b>Description</b>	<b>Comments</b>
125	D28281575	1	Shim	From Serial or Engine Number 926971
126	D28281574	1	Plate	From Serial or Engine Number 926971
127	D40423700	2	Screw Metric	From Serial or Engine Number +931766
128	D20400506	2	Washer	From Serial or Engine Number 926971
129	D41087500	2	Locknut	From Serial or Engine Number +931766
130	D28281572	1	Guard	From Serial or Engine Number 926971
131	D20400506	3	Washer	From Serial or Engine Number 926971
132	D41087500	3	Locknut	From Serial or Engine Number +931766
133	D40405000	1	Hex. Sock. Screw	From Serial or Engine Number +931766
134	D40402400	X	Hex. Sock. Screw	Alternative 23
135	D41087400	X	Locknut	
136	D20400404	4	Washer	From Serial or Engine Number +931176

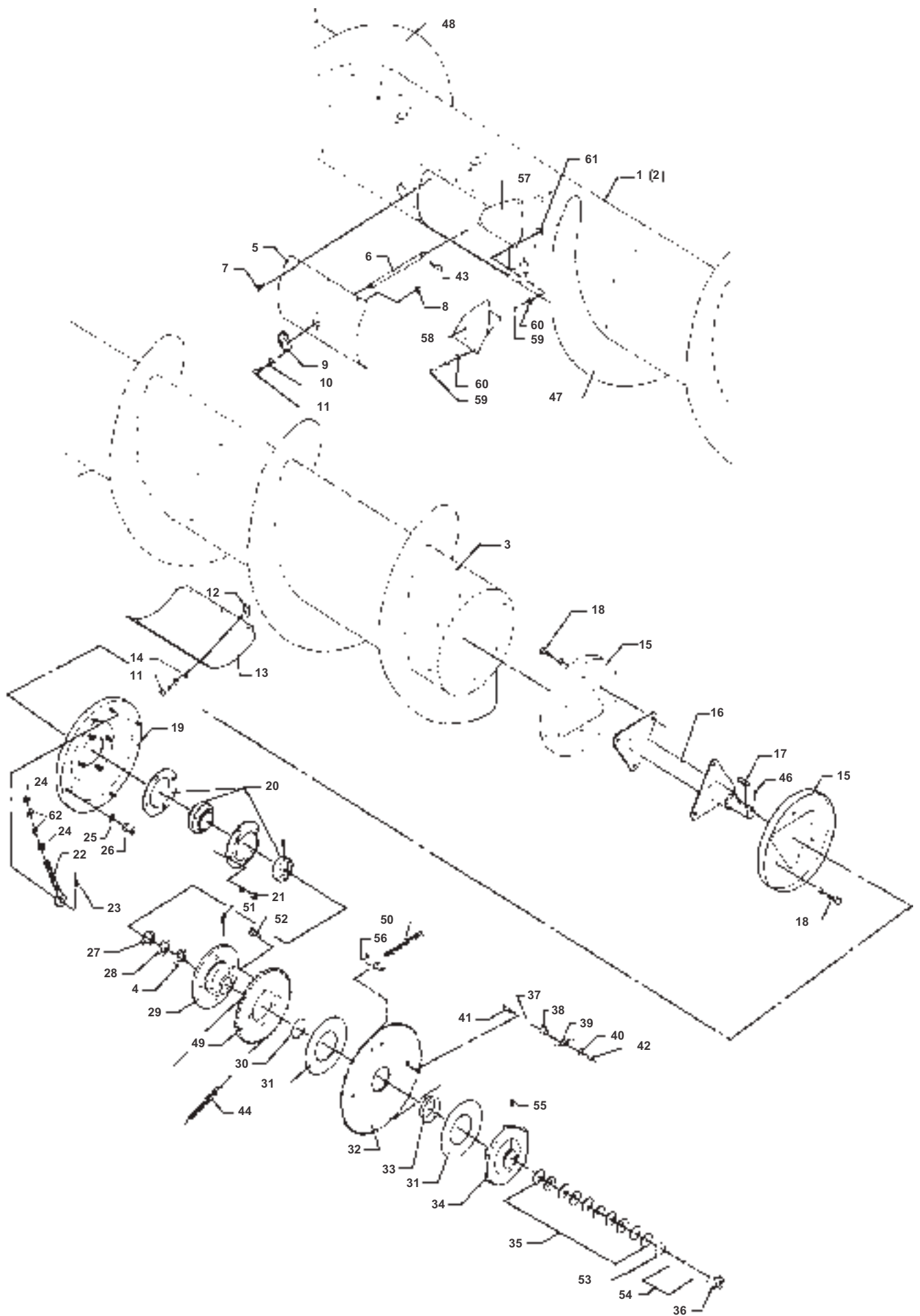
MF 38/40 COMBINES, |-> 47958 - 63001210  
84C0102



## Feeder Drum Right Hand - Powerflow-

Item	Part Number	Qty	Description	Comments
1	D40404700	1	Hex. Sock. Screw	
2	D20400506	1	Washer	
3	D41087500	10	Locknut	From Serial or Engine Number +931503
4	D28283041	1	Plate	
5	D28283028	1	Support	
6	D20400470	12	Washer	
7	D28211023	1	Bolt	
8	D41010800	2	Nut	From Serial or Engine Number +929460
9	D28283036	1	Shaft	18' - 5,56M
	D28283037	1	Shaft	20' - 6,16M
	D28283768	1	Shaft	16' - 4,95M
	D28283871	1	Shaft	22' - 6,77M
10	D41707800	4	Bearing	
11	D40407900	24	Hex. Sock. Screw	
13	D28280014	4	Plate	
14	D28283847	4	Bearing Plate	
15	D28283016	1	Crankshaft	
16	D40426100	2	Screw	
17	D28283039	1	Arm	
18	<b>D28251831</b>	15	Bearing Carrier	
19	D43428200	6	Nut	
23	D28283853	15	Hair Pin	
25	D28283070	1	Cover	
26	D40402600	6	Hex. Sock. Screw	
27	D28283951	1	Table Auger	16' - 4,95M From Serial or Engine Number +922138
	D28283952	1	Table Auger	18' - 5,56M From Serial or Engine Number +922138
	D28283953	1	Table Auger	20' - 6,16M From Serial or Engine Number +922138
	D28284500	1	Table Auger	22' - 6,77M
28	D28283012	1	Body	From Serial or Engine Number +922138
30	D28283032	1	Tube	18' - 5,56M From Serial or Engine Number 922138
	D28283034	1	Body	20' - 6,16M From Serial or Engine Number 922138
	D28283059	1	Body	20' - 6,16M Up to Serial or Engine Number 922137
	D28283795	1	Body	16' - 4,95M From Serial or Engine Number 922138
	D28283800	1	Body	16' - 4,95M Up to Serial or Engine Number 922137
	D28283801	1	Body	18' - 5,56M Up to Serial or Engine Number 922137
	D28283876	1	Body	22' - 6,77M
32	D42616400	1	Pin	
33	D42625300	1	Pin	
34	D43104700	2	Key	
35	D20400471	X	Washer	From Serial or Engine Number +929460
36	D20400414	10	Washer	From Serial or Engine Number +931503

MF 38/40 COMBINES, |-> 47958 - 63001210  
89B0108



## Feeder Drum Left Hand - Powerflow

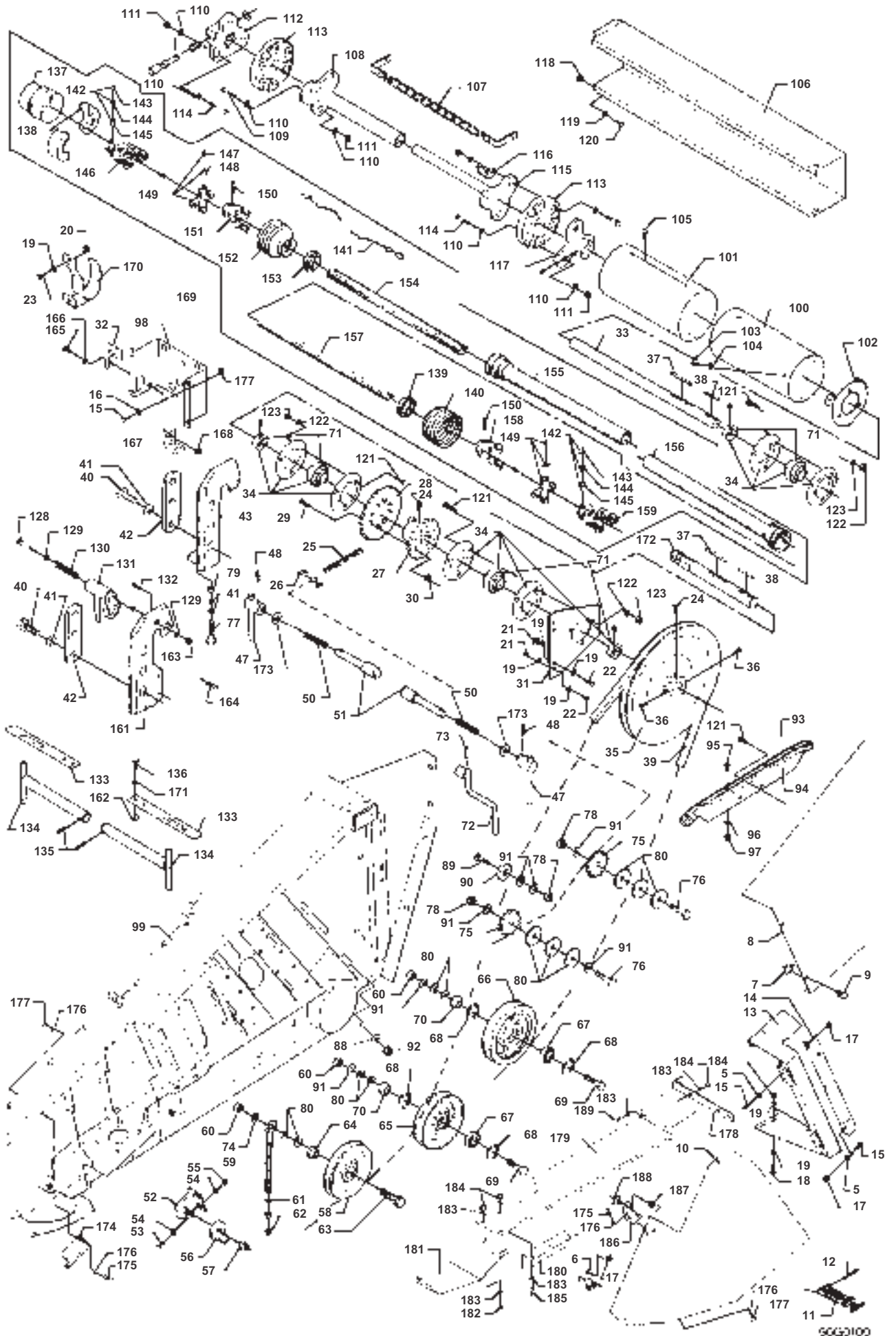
Item	Part Number	Qty	Description	Comments
1	D28283951	1	Table Auger	16' - 4,95M From Serial or Engine Number +922138
	D28283952	1	Table Auger	18' - 5,56M From Serial or Engine Number +922138
	D28283953	1	Table Auger	20' - 6,16M From Serial or Engine Number +922138
	D28284500	1	Table Auger	22' - 6,77M
2	D28283012	1	Body	From Serial or Engine Number +922138
3	D28283031	1	Body	20' - 6,16M From Serial or Engine Number 922138
	D28283033	1	Body	18' - 5,56M From Serial or Engine Number 922138
	D28283058	1	Body	20' - 6,16M Up to Serial or Engine Number 922137
	D28283794	1	Body	16' - 4,95M From Serial or Engine Number 922138
	D28283804	1	Body	16' - 4,95M Up to Serial or Engine Number 922137
	D28283805	1	Body	18' - 5,56M Up to Serial or Engine Number 922137
	D28283875	1	Body	22' - 6,77M
4	D28280957	X	Washer	OPTION
5	D28283078	1	Cover	
6	<b>D28283815</b>	15	Finger	
7	D40402400	8	Hex. Sock. Screw	
8	D41087400	X	Locknut	
9	<b>D28283060</b>	15	Bush	
10	D20400404	X	Washer	
11	D40402600	X	Hex. Sock. Screw	
12	D43428200	6	Nut	
13	D28283070	1	Cover	
14	D20400470	6	Washer	
15	D28280014	2	Plate	
16	D28283102	1	Drive Shaft	
17	D43106800	1	Key	
18	D40407900	X	Hex. Sock. Screw	
19	D28283053	1	Plate	
20	D41716500	1	Bearing	
21	D41010900	4	Nut	
22	D28281387	1	Screw	
23	D41408800	1	Split Pin	
24	D41010800	2	Nut	From Serial or Engine Number +929460
25	D20400415	4	Washer	
26	D28280729	4	Nut	
27	D28280956	X	Spacer	OPTIONAL
28	D28281029	X	Washer	OPTIONAL
29	D28283004	1	Washer	
30	D45481600	1	O Ring	
31	<b>D45904300</b>	2	Facing	
32	D28283153	1	Sprocket	
33	D28283000	1	Insert	
34	D28283003	1	Washer	
35	D41112400	10	Washer	
36	D41054100	1	Castle Nut	
37	D28281431	1	Spacer	
38	D28281432	1	Support	
39	D28283006	1	Spring	
40	D20400507	1	Spacer	
41	D40426100	1	Screw	
42	D41087600	1	Locknut	
43	D28283853	15	Hair Pin	
44	<b>D42332800</b>	1	Chain	
46	D41408800	1	Split Pin	
47	D28283057	1	Spiral	20' - 6,16M Up to Serial or Engine Number 922137
	D28283807	1	Spiral	16' - 4,95M Up to Serial or Engine Number 922137
	D28283808	1	Spiral	18' - 5,56M Up to Serial or Engine Number 922137
	D28283946	1	Screw	16' - 4,95M From Serial or Engine Number 922138

## Feeder Drum Left Hand - Powerflow

Item	Part Number	Qty	Description	Comments
47	D28283947	1	Screw	18' - 5,56M From Serial or Engine Number 922138
47	D28283948	1	Screw	20' - 6,16M From Serial or Engine Number 922138
47	D28284502	1	Spiral	22' - 6,77M
48	D28283027	1	Spiral	20' - 6,16M Up to Serial or Engine Number 922137
48	D28283810	1	Spiral	16' - 4,95M Up to Serial or Engine Number 922137
48	D28283811	1	Spiral	18' - 5,56M Up to Serial or Engine Number 922137
48	D28283941	1	Screw	16' - 4,95M From Serial or Engine Number 922138
48	D28283942	1	Screw	18' - 5,56M From Serial or Engine Number 922138
48	D28283943	1	Screw	20' - 6,16M From Serial or Engine Number 922138
48	D28284501	1	Spiral	22' - 6,77M
49	D28283182	1	Sprocket	
50	<b>D42329200</b>	1	Chain	
51	D40405000	1	Hex. Sock. Screw	
52	D40404900	4	Hex. Sock. Screw	
53	D20400520	1	Spacer	
54	D20400523	4	Spacer	
55	D43001500	1	Greaser	
56	<b>D42365500</b>	1	Link	
57	D28281694	4	Threaded Part	[A]
58	D28283297	4	Finger	[A]
59	D40404900	20	Hex. Sock. Screw	[A]
60	D20400506	20	Washer	[A]
61	D41087500	12	Locknut	[A]
62	D20400471	2	Washer	From Serial or Engine Number +929460

**FOOTNOTE [A]** OPTIONAL EQUIPMENT STANDARD COMBINE, STANDARD EQUIPMENT AUTO-LEVEL COMBINE,SLOPES

MF 38/40 COMBINES, |-> 47958 - 63001210  
90G0109



Item	Part Number	Qty	Description	Comments
5	D20400470	4	Washer	
6	D28220301	1	Bracket	Up to Serial or Engine Number 926970
7	D42555500	2	Circlip	
8	D28280552	1	Guard	
9	D43427500	2	Pin	
10	D28280549	1	Front	Up to Serial or Engine Number 926970
	D28281582	1	Guard	From Serial or Engine Number 926971
11	D44737200	1	Rubber Strap	Up to Serial or Engine Number 926970
12	D41410900	1	Split Pin	Up to Serial or Engine Number 926970
13	D28280541	1	Post	
14	D28280550	1	Angle	
15	D40402400	X	Hex. Sock. Screw	
16	D20400470	8	Washer	From Serial or Engine Number +931869
17	D41013400	X	Nut	
18	D40405100	4	Hex. Sock. Screw	From Serial or Engine Number +931869
19	D20400506	X	Washer	
20	D41013500	X	Nut	
21	D41087500	X	Locknut	
22	D40405000	4	Hex. Sock. Screw	From Serial or Engine Number +931869
23	D40404700	2	Hex. Sock. Screw	
24	D40466200	4	Setscrew	
25	<b>D42329200</b>	1	Chain	
26	<b>D42365500</b>	1	Link	From Serial or Engine Number 935030
	<b>D42365100</b>	1	Link	Up to Serial or Engine Number 935029
27	D28280830	1	Sprocket	
28	D28280827	1	Sprocket	
29	D40423600	8	Screw Metric	From Serial or Engine Number +931766
30	D41087500	8	Locknut	From Serial or Engine Number +931766
31	D28281366	1	Bearing Carrier	
32	D28780381	1	Retainer	[B]
33	D28283409	1	Shaft	Up to Serial or Engine Number 924891 20' - 6,16M
	D28283485	1	Shaft	Up to Serial or Engine Number 924891 16' - 4,95M
	D28283486	1	Shaft	Up to Serial or Engine Number 924891 18' - 5,56M
34	D41707800	3	Bearing	
35	D28280281	1	Pulley	
36	D40466700	2	Hex. Sock. Screw	
37	D43114900	1	Key	
38	D43105000	1	Key	
39	<b>D41986300</b>	1	V Belt	
40	D40418500	3	Hex. Sock. Screw	
41	D20400523	5	Spacer	
42	D28280652	1	Bracket	
43	D28280295	1	Hook	Up to Serial or Engine Number 930176
47	D28283281	2	Arm	
48	D42612200	2	Pin	
50	D27100794	2	Spring	
51	D28283200	2	Shaft	
52	D28251918	2	Bracket	
53	D40407700	4	Hex. Sock. Screw	
54	D20400507	8	Spacer	
55	D41087600	4	Locknut	
56	D28251593	2	Lock Washer	
57	D41087900	2	Locknut	
58	D28760159	1	Pulley	
59	D28260181	1	Bolt	From Serial or Engine Number +922156
60	D41087900	3	Locknut	
61	D20400416	2	Washer	
62	D41010800	2	Nut	
63	D28760156	1	Screw	
64	D28760155	1	Bush	
65	D28752130	1	Pulley	
66	D28280819	1	Pulley	
67	D41622700	2	Bearing Ball	
68	D42513700	4	Circlip	
69	D28760156	2	Screw	
70	D28760155	2	Bush	
71	D41663400	2	Bearing Ball	
72	D28284178	1	Lever	[C]



## Guarding And Transmissions - Powerflow

Item	Part Number	Qty	Description	Comments
73	D42612200	1	Pin	[C]
75	D41716800	2	Tightener	
76	D40433600	2	Screw Metric	
77	D40418800	1	Screw	
78	D41087900	3	Locknut	
79	D41012600	X	Nut	
80	D20400460	10	Washer	
88	D20400416	2	Washer	From Serial or Engine Number +929460
89	D40073100	1	Screw	
90	D28280981	1	Spacer	
91	D28181284	2	Washer	
92	D41087600	2	Locknut	From Serial or Engine Number +929460
93	D28280787	1	Rail	
94	D28281365	1	Crossmember	
95	D40609300	6	Screw	
96	D20400466	6	Washer	
97	D41087200	6	Locknut	
98	D28283540	1	Bracket	
99	D28283770	1	Table	16' - 4,95M Up to Serial or Engine Number 928474
99	D28283771	1	Table	18' - 5,56M Up to Serial or Engine Number 928474
99	D28283772	1	Table	20' - 6,16M Up to Serial or Engine Number 928474
99	D28284554	1	Housing	16' - 4,95M From Serial or Engine Number +928475 Up to Serial or Engine Number 930802
99	D28284555	1	Housing	18' - 5,56M From Serial or Engine Number +928475 Up to Serial or Engine Number 930802
99	D28284556	1	Housing	20' - 6,16M From Serial or Engine Number +928475 Up to Serial or Engine Number 930802
99	D28284465	1	Housing	16' - 4,95M From Serial or Engine Number +930803
99	D28284481	1	Housing	18' - 5,56M From Serial or Engine Number +930803
99	D28284482	1	Housing	20' - 6,16M From Serial or Engine Number +930803
99	D28284509	1	Housing	22' - 6,77M From Serial or Engine Number +930803
100	D28282105	1	Guard	Up to Serial or Engine Number 924891
101	D28282110	1	Guard	Up to Serial or Engine Number 924891
102	D28280834	1	Ring	Up to Serial or Engine Number 924891
103	D40404700	3	Hex. Sock. Screw	Up to Serial or Engine Number 924891
104	D20400506	4	Washer	Up to Serial or Engine Number 924891
105	D43385200	1	Screw	Up to Serial or Engine Number 924891
106	D28283415	1	Shield	16' - 4,95M Up to Serial or Engine Number 924891
106	D28283416	1	Shield	18' - 5,56M Up to Serial or Engine Number 924891
106	D28283417	1	Guard	20' - 6,16M Up to Serial or Engine Number 924891
107	D28280726	1	Chain	Up to Serial or Engine Number 924891
108	D28283931	1	Tube	Up to Serial or Engine Number 924891
109	D40408300	6	Screw Metric	Up to Serial or Engine Number 924891
110	D20400471	18	Washer	Up to Serial or Engine Number 924891
111	D41087600	9	Locknut	Up to Serial or Engine Number 924891
112	D28283936	1	Clutch	Up to Serial or Engine Number 924891
113	D44127400	2	Link	Up to Serial or Engine Number 924891
114	D40408500	3	Screw	Up to Serial or Engine Number 924891
115	D28283932	1	Tube	Up to Serial or Engine Number 924891
116	D44129000	1	Spring	Up to Serial or Engine Number 924891
117	D28280301	1	Flange	Up to Serial or Engine Number 924891
118	D41010800	1	Nut	Up to Serial or Engine Number 924891
119	D40402400	4	Hex. Sock. Screw	Up to Serial or Engine Number 924891
120	D20400404	4	Washer	Up to Serial or Engine Number 924891
121	D40066800	6	Screw Metric	From Serial or Engine Number +929460
122	D20400419	6	Washer	
123	D41087600	6	Locknut	
124	D40404700	2	Hex. Sock. Screw	ACC AUTO-LEVEL

## Guarding And Transmissions - Powerflow

Item	Part Number	Qty	Description	Comments
125	D41100700	2	Spring Washers	ACC AUTO-LEVEL
126	D20400506	2	Washer	ACC AUTO-LEVEL
127	D28284249	1	Plate	ACC AUTO-LEVEL
128	D40435100	2	Screw	ACC AUTO-LEVEL
129	D20400461	6	Washer	ACC AUTO-LEVEL
130	D27100794	2	Spring	ACC AUTO-LEVEL
131	D28284248	2	Lock	ACC AUTO-LEVEL
132	D42618300	1	Pin	ACC AUTO-LEVEL
133	D28284362	2	Spring	ACC AUTO-LEVEL
134	D28284357	2	Pin	ACC AUTO-LEVEL
135	D42618800	2	Pin	ACC AUTO-LEVEL
136	D40404700	4	Hex. Sock. Screw	ACC AUTO-LEVEL
137	D45632900	1	Bush	(169) From Serial or Engine Number 924892
138	D45633000	1	Ring	(169) From Serial or Engine Number 924892
139	D45630700	1	Ring	(169) From Serial or Engine Number 924892
140	D45630500	1	Guard	(169) From Serial or Engine Number 924892
141	D45681800	2	Chain	(169) From Serial or Engine Number 924892
142	D45632400	2	Tube	(169) From Serial or Engine Number 924892
143	D45645700	2	Washer	(169) From Serial or Engine Number 924892
144	D45667300	2	Spring	(169) From Serial or Engine Number 924892
145	D45665300	2	Pin	(169) From Serial or Engine Number 924892
146	D45633100	1	Yoke	[D] (169) From Serial or Engine Number 924892
147	D43001600	2	Greaser	(169) From Serial or Engine Number 924892
149	D45630300	2	Hub	(169) From Serial or Engine Number 924892
150	D42619100	2	Pin	(169) From Serial or Engine Number 924892
151	D45630200	1	Yoke	(169) From Serial or Engine Number 924892
152	D45630400	1	Guard	(169) From Serial or Engine Number 924892
153	D45630600	1	Ring	(169) From Serial or Engine Number 924892
154	D45631100	1	Tube	(169) 18' - 20' 5,56M - 6,16M From Serial or Engine Number 924892
154	D45632800	1	Tube	(169) 16' - 4,95M From Serial or Engine Number 924892
154	D45633700	1	Tube	(169) 22' - 6,77M From Serial or Engine Number 924892
155	D45631900	1	Tube	(169) 18' - 20' 5,56M - 6,16M From Serial or Engine Number 924892
155	D45632600	1	Tube	(169) 16' - 4,95M From Serial or Engine Number 924892
155	D45633900	1	Tube	(169) 22' - 6,77M From Serial or Engine Number 924892
156	D45632300	1	Tube	(169) 18' - 20' 5,56M - 6,16M From Serial or Engine Number 924892
156	D45632500	1	Tube	(169) 16' - 4,95M From Serial or Engine Number 924892
156	D45634000	1	Tube	(169) 22' - 6,77M From Serial or Engine Number 924892

Item	Part Number	Qty	Description	Comments
157	D45631500	1	Tube	(169) 18' - 20' 5,56M - 6,16M From Serial or Engine Number 924892
157	D45632700	1	Tube	(169) 16' - 4,95M From Serial or Engine Number 924892
157	D45633800	1	Tube	(169) 22' - 6,77M
158	D45630100	1	Yoke	(169) From Serial or Engine Number 924892
159	D45633200	1	Yoke	[D] (169) From Serial or Engine Number 924892
161	D28284254	1	Hook	ACC AUTO-LEVEL Up to Serial or Engine Number 930176
162	D41013500	4	Nut	ACC AUTO-LEVEL
163	D41011100	2	Nut	ACC AUTO-LEVEL
164	D42618800	1	Pin	ACC AUTO-LEVEL
165	D40402400	1	Hex. Sock. Screw	[A]
166	D20400470	1	Washer	[A]
167	D28780381	1	Retainer	[A]
168	D41013400	1	Nut	[A]
169	D45609000	1	Shaft	16' - 4,95M From Serial or Engine Number 924892
169	D45609100	1	Shaft	18' - 20' 5,56M - 6,16M From Serial or Engine Number 924892
169	D45609300	1	Shaft	22' - 6,77M
170	D28281345	1	Stirrup	From Serial or Engine Number 924892
171	D20400506	4	Washer	ACC AUTO-LEVEL
172	D28284404	1	Shaft	From Serial or Engine Number 924892
173	D20400520	2	Spacer	From Serial or Engine Number 924892
174	D28281578	1	Retainer	From Serial or Engine Number 926971
175	D40402600	X	Hex. Sock. Screw	From Serial or Engine Number +931766
176	D20400470	X	Washer	From Serial or Engine Number 926971
177	D41087400	X	Locknut	From Serial or Engine Number +931766
178	D28283924	1	Reinforcement	
179	D28281707	1	Plate	From Serial or Engine Number 926971
180	D28281708	1	Protector	From Serial or Engine Number 926971
181	D28281709	1	Guard	From Serial or Engine Number 926971
182	D40405000	2	Hex. Sock. Screw	From Serial or Engine Number +931869
183	D20400506	X	Washer	From Serial or Engine Number 926971
184	D41087500	X	Locknut	From Serial or Engine Number +931869
185	D40404900	3	Hex. Sock. Screw	From Serial or Engine Number +931869
186	D28281577	1	Angle	From Serial or Engine Number 926971
187	D43427500	1	Pin	From Serial or Engine Number 926971
188	D42555500	1	Circlip	From Serial or Engine Number 926971
189	D40405100	3	Hex. Sock. Screw	From Serial or Engine Number +931869

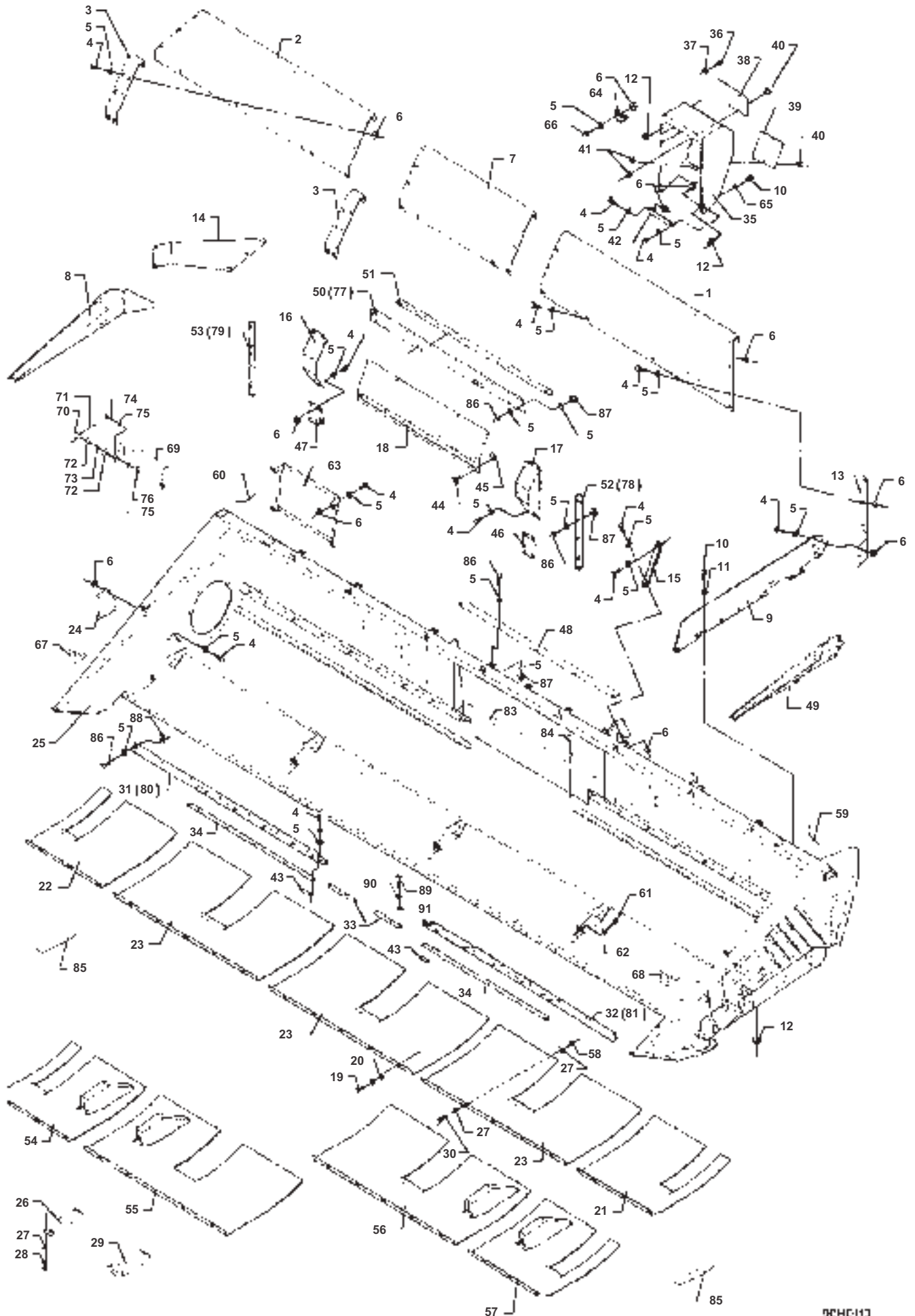
**FOOTNOTE [A]** OPTIONAL EQUIPMENT REEL/FIELD PRESSURE ADJUSTMENT

**FOOTNOTE [B]** OPTIONAL EQUIPMENT ELECTRIC VERTICAL KNIFE RIGHT

**FOOTNOTE [C]** MAIZE EQUIPMENT

**FOOTNOTE [D]** DELIVERED IN SETS

MF 38/40 COMBINES, |-> 47958 - 63001210  
90H0110



90H0110

## Table Housing And Guarding - Powerflow

Item	Part Number	Qty	Description	Comments
1	D28280624	1	Guard	
2	D28280623	1	Guard	
3	D28280692	2	Plate	
4	D40404900	X	Hex. Sock. Screw	
5	D20400506	X	Washer	
6	D41013500	X	Nut	
7	D28280693	1	Guard	18' - 5,56M
	D28280694	1	Guard	20' - 6,16M
	D28284510	1	Guard	22' - 6,77M
8	D28283554	1	Panel	
9	D28280690	1	Side	Up to Serial or Engine Number 924959
10	D40402400	X	Hex. Sock. Screw	
11	D20400404	X	Washer	
12	D41013400	X	Nut	
13	D28280698	1	Guard	
14	D28280699	1	Guard	
15	D28280696	X	Support	
16	D28284191	1	Guard	From Serial or Engine Number 924384
	D28283274	1	Guard	Up to Serial or Engine Number 924383
17	D28284190	1	Guard	From Serial or Engine Number 924384
	D28283275	1	Guard	Up to Serial or Engine Number 924383
18	D28280585	1	Shutter	
19	D40407800	X	Hex. Sock. Screw	
20	D20400419	X	Washer	
21	D28280253	1	Wearplate	18' + 22' 5,56M - 6,77M
	D28280257	1	Wearplate	20' - 6,16M
	D28280915	1	Wearplate	16' - 4,95M
22	D28280254	1	Wearplate	18' + 22' 5,56M - 6,77M
	D28280258	1	Wearplate	20' - 6,16M
	D28280916	1	Wearplate	16' - 4,95M
23	D28280255	3	Wearplate	16' - 18' 4,95M - 5,56M
	D28280256	3	Wearplate	20' - 6,16M
	D28280255	4	Wearplate	22' - 6,77M
24	D28280359	1	Shutter	
25	D28283770	1	Table	16' - 4,95M Up to Serial or Engine Number 928474
	D28283771	1	Table	18' - 5,56M Up to Serial or Engine Number 928474
	D28283772	1	Table	20' - 6,16M Up to Serial or Engine Number 928474
	D28284554	1	Housing	16' - 4,95M From Serial or Engine Number +928475 Up to Serial or Engine Number 930802
	D28284555	1	Housing	18' - 5,56M From Serial or Engine Number +928475 Up to Serial or Engine Number 930802
	D28284556	1	Housing	20' - 6,16M From Serial or Engine Number +928475 Up to Serial or Engine Number 930802
	D28284465	1	Housing	16' - 4,95M From Serial or Engine Number +930803
	D28284481	1	Housing	18' - 5,56M From Serial or Engine Number +930803
	D28284482	1	Housing	20' - 6,16M From Serial or Engine Number +930803
	D28284509	1	Housing	22' - 6,77M From Serial or Engine Number +930803
26	D28251486	3	Cover	16' - 18' - 20' 4,95M-5,56M- 6,16M
	D28251486	4	Cover	22' - 6,77M
27	D20400506	X	Washer	
28	D40404900	X	Hex. Sock. Screw	
29	D28251487	3	Cover	
30	D40423700	X	Screw Metric	
31	D28284198	1	Deflector	16' - 4,95M From Serial or Engine Number 924384

Item	Part Number	Qty	Description	Comments
31	D28284200	1	Deflector	18' - 5,56M From Serial or Engine Number 924384
31	D28284202	1	Angle	20' - 6,16M From Serial or Engine Number 924384
31	D28283330	1	Deflector	16' - 4,95M Up to Serial or Engine Number 924383
31	D28283331	1	Deflector	18' - 5,56M Up to Serial or Engine Number 924383
31	D28283332	1	Deflector	20' - 6,16M Up to Serial or Engine Number 924383
32	D28284199	1	Deflector	16' - 4,95M From Serial or Engine Number 924384
32	D28284201	1	Deflector	18' - 5,56M From Serial or Engine Number 924384
32	D28284203	1	Angle	20' - 6,16M From Serial or Engine Number 924384
32	D28283335	1	Deflector	16' - 4,95M Up to Serial or Engine Number 924383
32	D28283336	1	Deflector	18' - 5,56M Up to Serial or Engine Number 924383
32	D28283337	1	Deflector	20' - 6,16M Up to Serial or Engine Number 924383
33	D28280781	2	Retainer	From Serial or Engine Number 924384
33	D28283322	2	Deflector	Up to Serial or Engine Number 924383
34	D28283324	2	Deflector	20' - 6,16M
34	D28283325	2	Deflector	18' - 5,56M
34	D28283326	2	Deflector	16' - 4,95M
35	D28283723	1	Panel	
36	D40402400	5	Hex. Sock. Screw	
37	D20400405	5	Washer	
38	D28280965	1	Cover	
39	D28280958	1	Cover	
40	D43427500	4	Pin	
41	D42555500	4	Circlip	
42	D28283924	1	Reinforcement	
43	D28283321	4	Clamp	
44	D43427500	6	Pin	
45	D42555500	6	Circlip	
46	D28284187	1	Cover	From Serial or Engine Number 924384
46	D28283311	1	Cover	Up to Serial or Engine Number 924383
47	D28284186	1	Cover	From Serial or Engine Number 924384
47	D28283310	1	Cover	Up to Serial or Engine Number 924383
48	D28280470	1	Plate	
49	D28283937	1	Plate	[A]
50	D28284261	1	Plate	From Serial or Engine Number 924384
51	D28284353	1	Profile	ACC AUTO-LEVEL
52	D28284345	1	Profile	ACC AUTO-LEVEL
53	D28284344	1	Profile	ACC AUTO-LEVEL
54	D28284210	1	Wearplate	ACC AUTO-LEVEL 20' - 6,16M
54	D28284218	1	Wearplate	ACC AUTO-LEVEL 18' - 5,56M AUTO-LEVEL 22' - 6,77M
55	D28284214	1	Plate	ACC AUTO-LEVEL 16' - 4,95M
56	D28284215	1	Plate	ACC AUTO-LEVEL 16' - 4,95M
57	D28284211	1	Wearplate	ACC AUTO-LEVEL 20' - 6,16M
57	D28284219	1	Wearplate	ACC AUTO-LEVEL 18' - 5,56M
57	D28284219	1	Wearplate	ACC AUTO-LEVEL 22' - 6,77M
58	D41087500	X	Locknut	
59	D44735900	X	Seal Section	Length 0,45M
60	D44735900	X	Seal Section	Length 0,20M
61	D40408100	8	Setscrew	
62	D41010800	8	Nut	
63	D28251573	1	Retainer	16' - 4,95M

## Table Housing And Guarding - Powerflow

Item	Part Number	Qty	Description	Comments
63	D28281024	1	Retainer	18' - 20' 5,56M - 6,16M
64	D28250648	1	Clip	
65	D20400470	X	Washer	
66	D40404700	X	Hex. Sock. Screw	
67	D28780381	1	Retainer	[B]
68	D28780381	1	Retainer	[C]
69	D28281627	1	Guard	18' - 20' 5,56M - 6,16M From Serial or Engine Number 926971
69	D28281628	1	Guard	16' - 4,95M From Serial or Engine Number 926971
70	D28281625	2	Handle	From Serial or Engine Number 926971
71	D41404400	2	Split Pin	From Serial or Engine Number 926971
72	D20400404	4	Washer	From Serial or Engine Number 926971
73	D45667300	2	Spring	From Serial or Engine Number 926971
74	D40405100	2	Hex. Sock. Screw	From Serial or Engine Number 926971
75	D20400506	4	Washer	From Serial or Engine Number 926971
76	D41087500	2	Locknut	From Serial or Engine Number 926971
77	D28281713	1	Plate	[D]
77	D28281713	1	Plate	[D] 22' - 6,77M
78	D28281718	1	Seal	[D]
78	D28281718	1	Seal	[D] 22' - 6,77M
79	D28281717	1	Seal	[D]
79	D28281717	1	Seal	[D] 22' - 6,77M
80	D28281802	1	Deflector	[D] 16' - 4,95M
80	D28281804	1	Deflector	[D] 18' - 5,56M
80	D28281806	1	Deflector	[D] 20' - 6,16M
80	D28281806	1	Deflector	[D] 22' - 6,77M
81	D28281801	1	Deflector	[D] 16' - 4,95M
81	D28281803	1	Deflector	[D] 18' - 5,56M
81	D28281805	1	Deflector	[D] 20' - 6,16M
81	D28281805	1	Deflector	[D] 22' - 6,77M
83	D28280939	1	Profile	From Serial or Engine Number +928475
84	D40690500	6	Screw Metric	From Serial or Engine Number +928475
85	D28283984	2	Wearplate	From Serial or Engine Number 920900
86	D40405000	8	Hex. Sock. Screw	From Serial or Engine Number +931766
87	D41087500	6	Locknut	From Serial or Engine Number +931766
88	D41010700	X	Nut	From Serial or Engine Number +931869
89	D40476300	X	Screw	From Serial or Engine Number 924384
90	D41100700	X	Spring Washers	From Serial or Engine Number 924384
91	D20400506	X	Washer	From Serial or Engine Number 924384

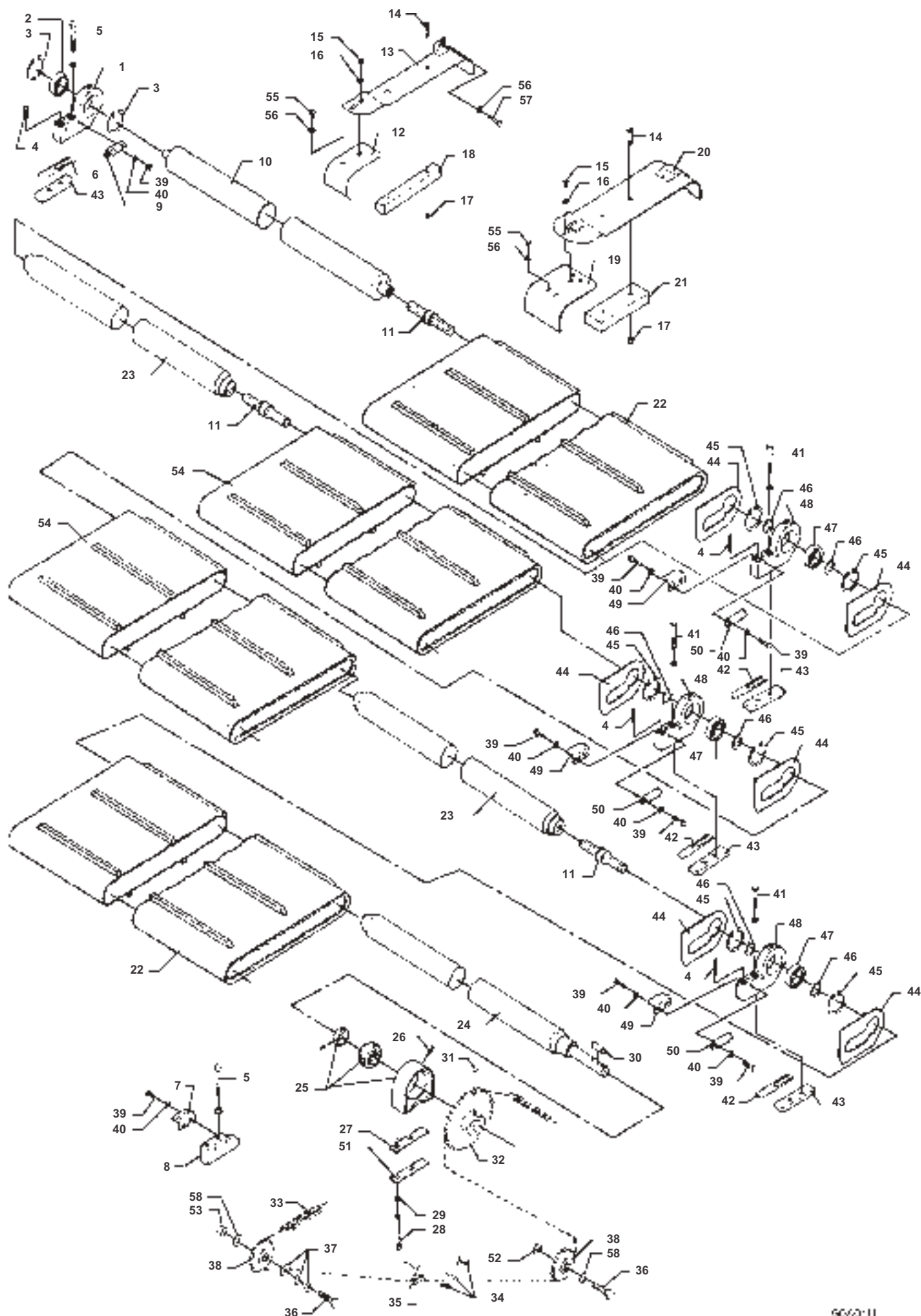
**FOOTNOTE [A]** OPTIONAL EQUIPMENT T.924959 STANDARD EQUIP- MENT F.924960

**FOOTNOTE [B]** OPTIONAL EQUIPMENT ELECTRIC VERTICAL KNIFE RIGHT

**FOOTNOTE [C]** OPTIONAL EQUIPMENT ELECTRIC - VERTICAL KNIFE LEFT

**FOOTNOTE [D]** A-L COMBINE F.50992, A-L TABLE F.51241. STD.TABLE F.52083

MF 38/40 COMBINES, |-> 47958 - 63001210  
90A0111





## Powerflow Band - Left Hand

Item	Part Number	Qty	Description	Comments
1	D28251562	1	Bearing Carrier	
	D28251581	1	Bearing Carrier	(1)
2	D41715600	1	Bearing Ball	(1)
3	D42514500	2	Circlip	(1)
4	D42616100	4	Pin	
5	D40426600	4	Hex. Sock. Screw	
6	D28251519	X	Shim	OPTIONAL
7	D28251380	1	Bracket	
8	D28251419	1	Bracket	
9	D28251379	1	Bracket	
10	D28284108	1	Roller	18' - 20' - 22' 5,56M - 6,16M - 6,77M From Serial or Engine Number +923812
	D28284144	1	Roller	16' - 4,95M From Serial or Engine Number +923812
11	D28251565	3	Shaft	16' - 18' - 20' 4,95M - 5,56M - 6,16M
	D28251565	4	Shaft	22' - 6,77M
12	D28251454	1	Guard	16' - 4,95M Up to Serial or Engine Number 924383
	D28251455	1	Guard	18' - 5,56M Up to Serial or Engine Number 924383
	D28280451	1	Guard	20' - 6,16M Up to Serial or Engine Number 924383
	D28281700	1	Plate	20' - 6,16M From Serial or Engine Number 924384
	D28284386	1	Shield	16' - 4,95M From Serial or Engine Number 924383
	D28284387	1	Shield	18' - 5,56M From Serial or Engine Number 924384
	D28284525	1	Plate	22' - 6,77M
13	D28251460	1	Guard	16' - 4,95M Up to Serial or Engine Number 924383
	D28251461	1	Guard	18' - 5,56M Up to Serial or Engine Number 924383
	D28280454	1	Guard	20' - 6,16M Up to Serial or Engine Number 924383
	D28281703	1	Plate	20' - 6,16M From Serial or Engine Number 924384
	D28284377	1	Shield	18' - 5,56M From Serial or Engine Number 924384
	D28284379	1	Shield	164 - 4,95M From Serial or Engine Number 924384
	D28284527	1	Plate	22' - 6,77M
14	D40064000	X	Screw	
15	D40404900	X	Hex. Sock. Screw	
16	D20400506	X	Washer	
17	D41087500	X	Locknut	From Serial or Engine Number +932105
18	D28281310	2	Guide	From Serial or Engine Number +937533
19	D28251449	3	Guard	Up to Serial or Engine Number 924383
	D28281698	3	Shield	16' - 18' - 20' 4,95M - 5,56M - 6,16M From Serial or Engine Number 924384
	D28281698	4	Shield	22' - 6,77M
20	D28251462	3	Guard	Up to Serial or Engine Number 924383
	D28281699	3	Shield	16' - 18' - 20' 4,95M - 5,56M - 6,16M From Serial or Engine Number 924384
	D28281699	4	Shield	22' - 6,77M
21	D28281311	3	Guide	From Serial or Engine Number +937533
22	D28250931	2	Band	16' - 4,95M
	D28250932	2	Band	18' - 20' - 22' 5,56M - 6,16M - 6,77M
	D28250931	3	Band	22' - 6,77M
23	D28284109	2	Roller	20' - 6,16M From Serial or Engine Number +923812

## Powerflow Band - Left Hand

Item	Part Number	Qty	Description	Comments
23	D28284145	2	Roller	16' - 18' 4,95M - 5,56M From Serial or Engine Number +923812
23	D28284145	3	Roller	22' - 6,77M
24	D28284110	1	Roller	18' - 20' - 22' 5,56M - 6,16M - 6,77M From Serial or Engine Number +923812
24	D28284146	1	Roller	16' - 4,95M From Serial or Engine Number +923812
25	D41715800	1	Bearing Carrier	
26	D43004900	1	Grease Nipple	
27	D28251448	X	Shim	OPTIONAL
28	D40408000	X	Hex. Sock. Screw	
29	D20400419	X	Washer	
30	D43104900	1	Key	
31	D40466200	2	Setscrew	
32	D28251161	1	Sprocket	Number of teeth/spines 32
32	D28251163	2	Sprocket	[A]
33	<b>D42332800</b>	1	Chain	
34	D42363100	1	Link	
35	<b>D42363500</b>	1	Link	
36	D40433600	2	Screw Metric	
37	D20400460	4	Washer	
38	D41712300	2	Tensioner	
39	D40404900	X	Hex. Sock. Screw	
40	D20400506	X	Washer	
41	D40693100	X	Screw	
42	D28251445	X	Shim	OPTIONAL
43	D28280923	4	Dog	From Serial or Engine Number 930803
43	D28251146	4	Strap	Up to Serial or Engine Number 930802
44	D28251420	6	Control	16' - 18' - 20' 4,95M - 5,56M - 6,16M
44	D28251420	8	Control	22' - 6,77M
45	D42515400	6	Circlip	16' - 18' - 20' 4,95M - 5,56M - 6,16M
45	D42515400	8	Circlip	22' - 6,77M
46	D42503300	6	Circlip	16' - 18' - 20' 4,95M - 5,56M - 6,16M
46	D42503300	8	Circlip	22' - 6,77M
47	D41716300	3	Bearing Ball	16' - 18' - 20' 4,95M - 5,56M - 6,16M
47	D41716300	4	Bearing Ball	22' - 6,77M
48	D28251583	3	Bearing Carrier	16' - 18' - 20' 4,95M - 5,56M - 6,16M
48	D28251583	4	Bearing Carrier	22' - 6,77M
49	D28251417	3	Scraper	16' - 18' - 20' 4,95M - 5,56M - 6,16M
49	D28251417	4	Scraper	22' - 6,77M
50	D28251418	3	Scraper	16' - 18' - 20' 4,95M - 5,56M - 6,16M
50	D28251418	4	Scraper	22' - 6,77M
51	D28281522	X	Shim	OPTIONAL
52	D20400516	X	Spacer	OPTIONAL
53	D41087900	1	Locknut	
54	D44742000	X	Kit, Repair	
54	D28250931	2	Band	16' - 18' 4,95M - 5,56M
54	D28250932	2	Band	18' - 20' - 22' 5,56M - 6,16M - 6,77M
54	D28250931	3	Band	22' - 6,77M
55	D40402200	X	Hex. Sock. Screw	
56	D20400470	X	Washer	

**Massey Ferguson**

**MF 38/40 COMBINES, |-> 47958 - 63001210**

**63001210**

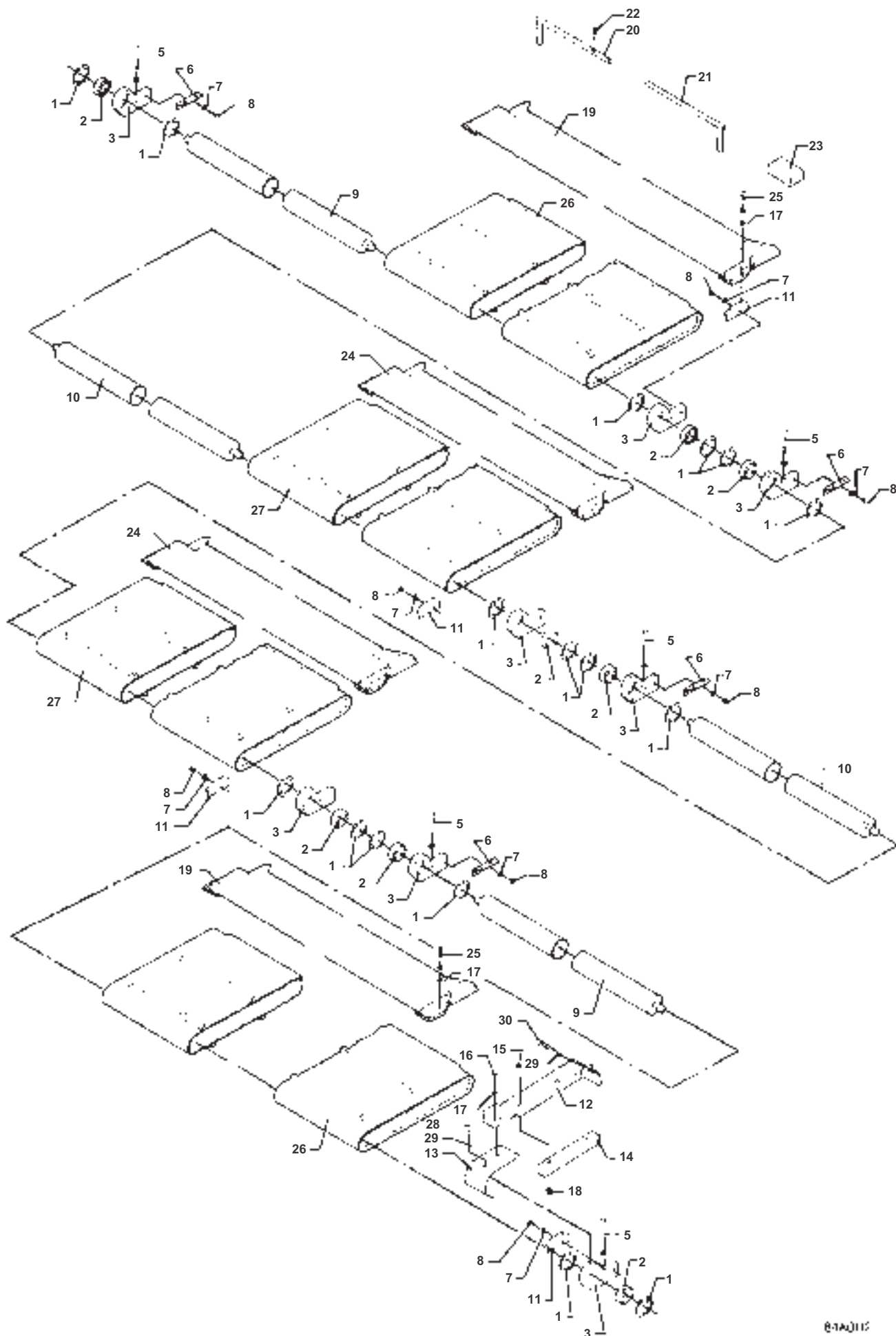
**Powerflow Band - Left Hand**

**Page001-0050**

<b>Item</b>	<b>Part Number</b>	<b>Qty</b>	<b>Description</b>	<b>Comments</b>
57	D40402400	1	Hex. Sock. Screw	
58	D28181284	2	Washer	

**FOOTNOTE [A] OPTIONAL EQUIPMENT**

MF 38/40 COMBINES, |-> 47958 - 63001210  
84A0112



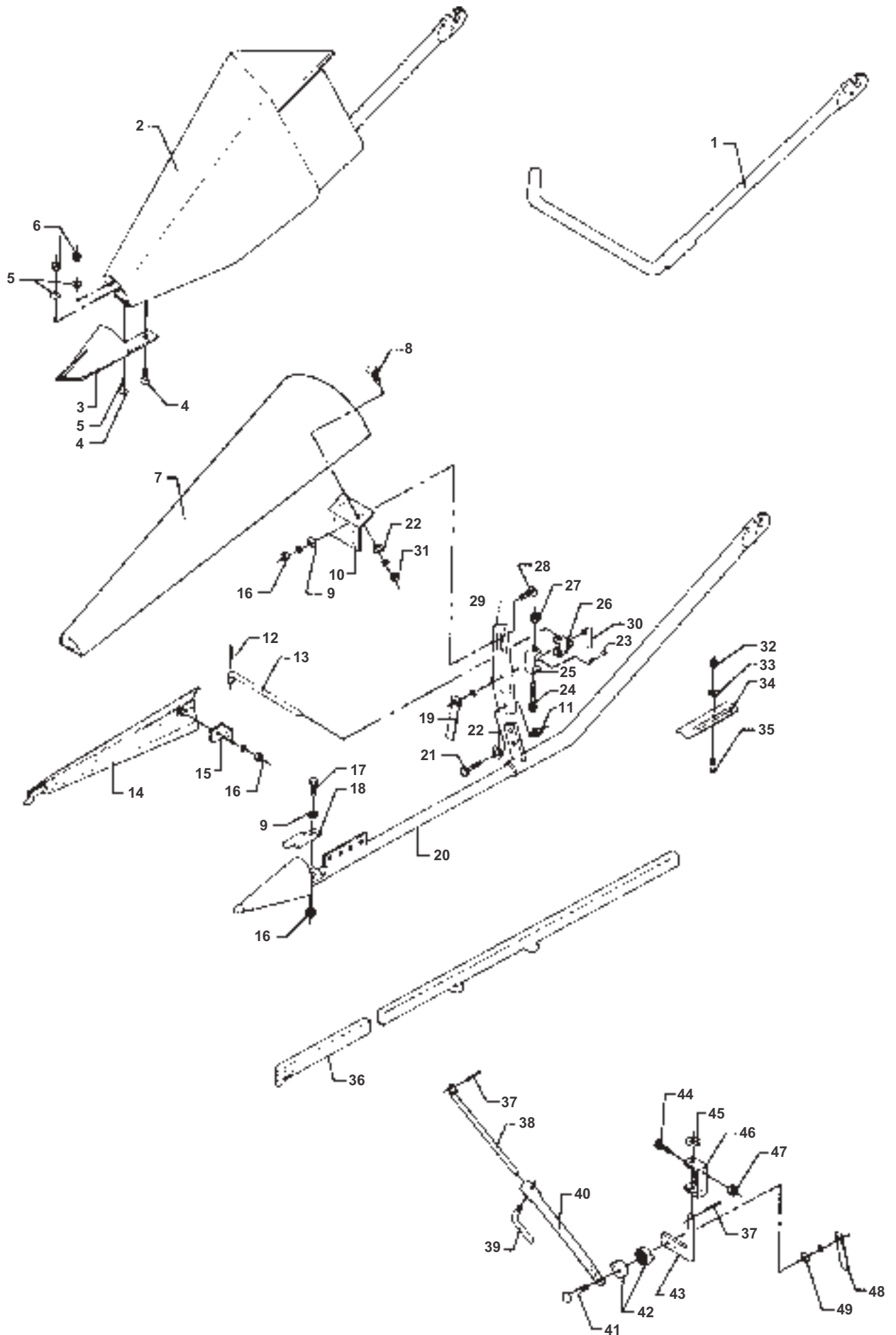
84A0112

## Powerflow Band - Right Hand

Item	Part Number	Qty	Description	Comments
1	D42514500	16	Circlip	16' - 18' - 20' 4,95M - 5,56M - 6,16M
	D42514500	20	Circlip	22' - 6,77M
2	D41715600	8	Bearing Ball	16' - 18' - 20' 4,95M - 5,56M - 6,16M
	D41715600	10	Bearing Ball	22' - 6,77M
3	D28251582	8	Bearing Carrier	16' - 18' - 20' 4,95M - 5,56M - 6,16M
	D28251582	10	Bearing Carrier	22' - 6,77M
5	D40426600	16	Hex. Sock. Screw	
6	D28251380	4	Bracket	16' - 18' - 20' 4,95M - 5,56M - 6,16M
	D28251380	5	Bracket	22' - 6,77M
7	D20400506	16	Washer	16' - 18' - 20' 4,95M - 5,56M - 6,16M
	D20400506	20	Washer	22' - 6,77M
8	D40697400	16	Screw	16' - 18' - 20' 4,95M - 5,56M - 6,16M
	D40697400	20	Screw	22' - 6,77M
9	D28284068	2	Roller	18' - 20' - 22' 5,56M - 6,16M - 6,77M
	D28284142	2	Roller	From Serial or Engine Number +923812 16' - 4,95M
	D28284068	2	Roller	From Serial or Engine Number +923812 18' - 20' - 22' 5,56M - 6,16M - 6,77M
10	D28284068	2	Roller	20' - 6,16M
	D28284142	2	Roller	From Serial or Engine Number +923812 16' - 18' 4,95M - 5,56M
	D28284142	3	Roller	From Serial or Engine Number +923812 22' - 6,77M
11	D28251379	4	Bracket	16' - 18' - 20' 4,95M - 5,56M - 6,16M
	D28251379	5	Bracket	22' - 6,77M
12	D28251457	1	Guard	16' - 4,95M
	D28251458	1	Guard	Up to Serial or Engine Number 924383 18' - 5,56M
	D28280453	1	Guard	Up to Serial or Engine Number 924383 20' - 6,16M
	D28281702	1	Plate	Up to Serial or Engine Number 924383 20' - 6,16M
	D28284375	1	Shield	From Serial or Engine Number 924384 18' - 5,56M
	D28284378	1	Shield	From Serial or Engine Number 924384 16' - 4,95M
13	D28251451	1	Guard	From Serial or Engine Number 924384 16' - 4,95M
	D28251452	1	Guard	Up to Serial or Engine Number 924383 18' - 5,56M
	D28280450	1	Guard	Up to Serial or Engine Number 924383 20' - 6,16M
	D28281701	1	Plate	Up to Serial or Engine Number 924383 20' - 6,16M
	D28284382	1	Shield	From Serial or Engine Number 924384 16' - 4,95M
	D28284383	1	Shield	From Serial or Engine Number 924384 18' - 5,56M
14	D28281310	2	Guide	From Serial or Engine Number 924384
15	D40064000	X	Screw	From Serial or Engine Number +937533
16	D40404900	X	Hex. Sock. Screw	
17	D20400506	X	Washer	

**Massey Ferguson****MF 38/40 COMBINES, |-> 47958 - 63001210****63001210****Powerflow Band - Right Hand****Page001-0055**

<b>Item</b>	<b>Part Number</b>	<b>Qty</b>	<b>Description</b>	<b>Comments</b>
18	D41087500	X	Locknut	From Serial or Engine Number +932105
19	D28281562	2	Scraper	18' - 20' - 22' 5,56M - 6,16M - 6,77M
19	D28281563	2	Scraper	16' - 4,95M
20	D28251543	1	Tool	
20	D28251545	1	Tool	(20)
21	D28251544	1	Tool	(20)
22	D43385200	2	Screw	(20)
23	D28251547	1	Adjuster	(20)
24	D28281562	2	Scraper	20' - 6,16M
24	D28281563	2	Scraper	16' - 18' 4,95M - 5,56M
24	D28281563	3	Scraper	22' - 6,77M
25	D40690300	16	Screw	16' - 18' - 20' 4,95M - 5,56M - 6,16M
25	D40690300	20	Screw	22' - 6,77M
26	D28250931	2	Band	16' - 4,95M
26	D28250931	3	Band	22' - 6,77M
26	D28250932	2	Band	18' - 20' - 22' 5,56M - 6,16M - 6,77M
27	D28250931	2	Band	16' - 18' 4,95M - 5,56M
27	D28250931	3	Band	22' - 6,77M
27	D28250932	2	Band	18' - 20' - 22' 5,56M - 6,16M - 6,77M
28	D40402200	X	Hex. Sock. Screw	
29	D20400470	X	Washer	
30	D40402400	1	Hex. Sock. Screw	

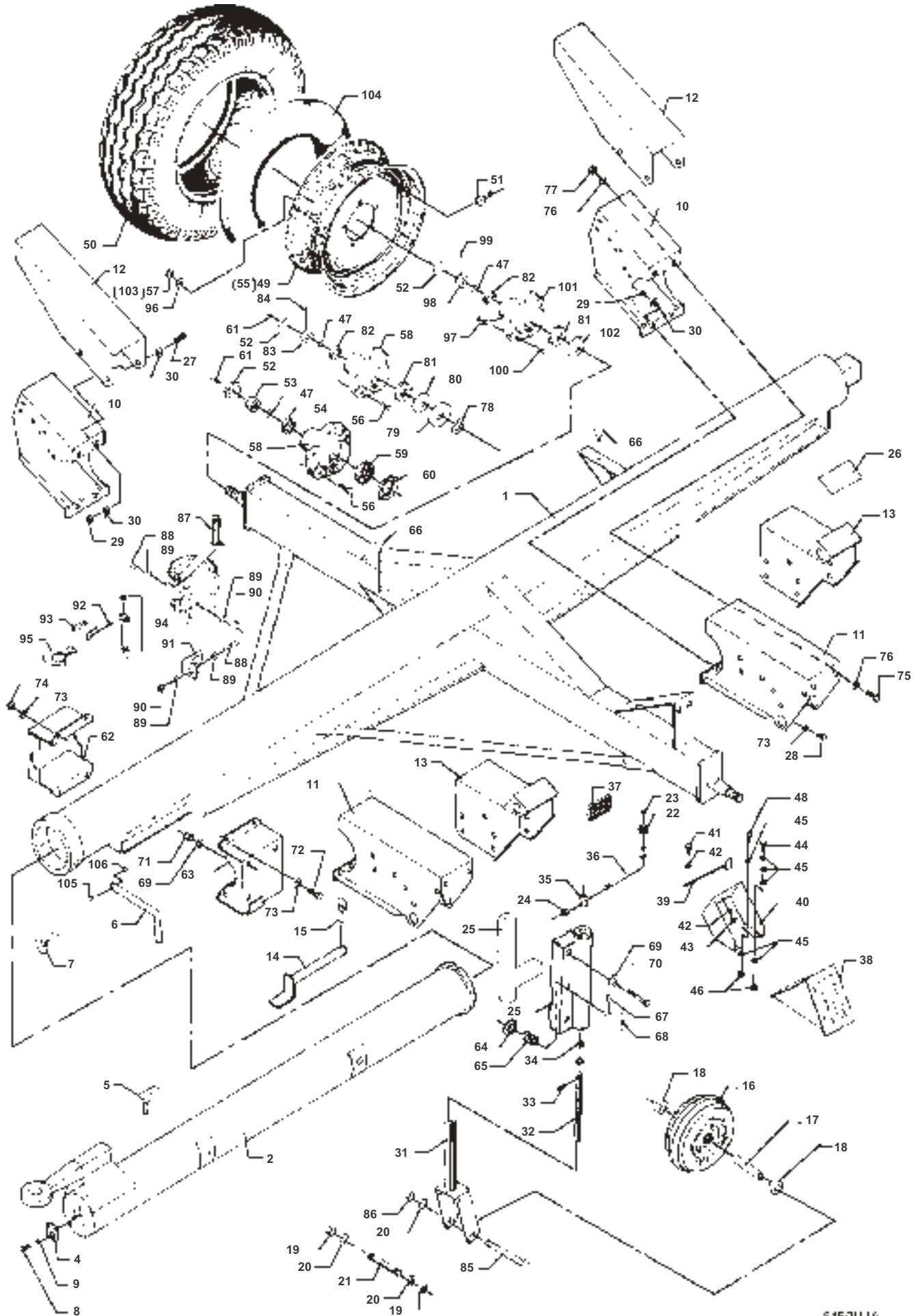


## Straw Dividers

Item	Part Number	Qty	Description	Comments
1	D28251600	1	Divider	
2	D28251604	1	Divider	
	D28251602	1	Divider	(2)
	D28251603	1	Divider	(2)
3	D28260226	2	Point	(2)
4	D40066800	4	Screw Metric	(2)
5	D20400471	4	Washer	(2)
6	D41087600	4	Locknut	(2)
7	D28251605	1	Divider	
	D28211126	1	Divider	(7)
8	D40063700	2	Screw Metric	(7)
9	D20400471	3	Washer	(7)
10	D28230447	1	Plate	(7)
11	D41013500	2	Nut	(7)
12	D41408700	1	Split Pin	(7)
13	D28230462	1	Rod	(7)
14	D28230457	1	Wing	(7)
15	D27200313	1	Angle	(7)
16	D41010800	3	Nut	(7)
17	D40408000	1	Hex. Sock. Screw	(7)
18	D27200640	1	Stop	(7)
19	D27300323	1	Locknut	(7)
20	D28251601	1	Support	(7)
21	D40405000	2	Hex. Sock. Screw	(7)
22	D20400506	4	Washer	(7)
23	D28230467	1	Mounting	(7)
	D40211200	1	Screw	(23)
24	D40424400	1	Bolt	(23)
25	D28230468	1	Mounting	(23)
26	D28230471	1	Mounting	(23)
27	D41087500	1	Locknut	(23)
28	D40066700	2	Screw Metric	(7)
29	D28250549	1	Plate	(7)
30	D27200300	1	Pin	(7)
31	D41010700	2	Nut	(7)
32	D41087700	2	Locknut	
33	D20400423	2	Washer	
34	D28251588	2	Plate	
35	D40070200	2	Screw Metric	
36	D28230487	1	Wing	
	D28230480	1	Wing	(36)
37	D41410600	2	Pin	(36)
38	D28230482	1	Support	(36)
39	D27200364	1	Handle	(36)
40	D28230486	1	Pipe	(36)
41	D40021300	1	Screw	(36)
				1/2 WG
	D40070900	1	Screw	(36)
				M12
42	D28230488	2	Clutch	(36)
43	D28230473	1	Support	(36)
44	D40407700	2	Hex. Sock. Screw	(36)
45	D20400518	1	Spacer	(36)
46	D28230472	1	Bracket	(36)
47	D41087600	2	Locknut	(36)
48	D27300323	1	Locknut	(36)
				1/2 WG
	D28284403	1	Locknut	(36)
				M12
49	D20400426	1	Washer	(36)



MF 38/40 COMBINES, |-> 47958 - 63001210  
84E0114A



84E0114A

## Table Trailer - 2

Item	Part Number	Qty	Description	Comments
1	D28283658	1	Trailer	
	D28283960	1	Trailer	[A]
2	D28283668	1	Drawbar	
4	D28250748	1	Support	
5	D28283634	1	Screw	Up to Serial or Engine Number 922466
6	D28283633	1	Screw	
7	D41446200	1	Split Pin	Up to Serial or Engine Number 927792
8	D40402400	2	Hex. Sock. Screw	
9	D20400404	2	Washer	
10	D28283675	2	Bracket	
11	D28283676	2	Bracket	
12	D28283678	2	Support	
13	D28283683	2	Support	
14	D28283693	2	Bolt	
15	D41446200	2	Split Pin	
16	D46721700	1	Wheel	
17	D28250317	1	Bush	
18	D28250305	2	Spacer	
19	D41011100	2	Nut	Up to Serial or Engine Number 926041
20	D20400459	2	Washer	
21	D28250315	1	Journal	Up to Serial or Engine Number 926041
22	D28200609	1	Ball	
23	D20400466	1	Washer	
24	D41087700	1	Locknut	
25	D28283635	1	Tube	Up to Serial or Engine Number 922466
	D28284035	1	Pipe	From Serial or Engine Number 922467
26	D49138600	1	Transfer	
27	D40410900	16	Hex. Sock. Screw	
28	D40411100	4	Hex. Sock. Screw	
29	D41087700	20	Locknut	
30	D20400423	32	Washer	
31	D28250340	1	Pipe	
32	D28250337	1	Spindle	
33	D42612000	1	Pin	
34	D41597100	1	Bearing Ball	
35	D28250356	1	Hub	
36	D28250327	1	Lever	
37	D45084600	6	Reflector	
38	D45907200	2	Wedge	[F]
39	D28284118	2	Retainer	[F]
	D28260477	2	Retainer	[F]
				(39)
40	D28283963	2	Retainer	[F]
				(39)
41	D40402400	2	Hex. Sock. Screw	[F]
				(39)
42	D20400404	4	Washer	[F]
				(39)
43	D41087400	2	Locknut	[F]
				(39)
44	D40405100	4	Hex. Sock. Screw	[F]
45	D20400413	28	Washer	[F]
46	D41087500	4	Locknut	[F]
47	D20400459	2	Washer	
48	D40404900	4	Hex. Sock. Screw	[F]
49	D28283694	2	Rim	[C]
	D28283720	2	Wheel	[D]
	D28284453	2	Wheel	[E]
50	D46735600	2	Tyre	
51	D46737200	2	Pressure Valve	
52	D46723900	2	Cap	
53	D41087900	2	Locknut	[C]
				FREEFLOW
54	D41618200	2	Bearing Ball	[C]
				FREEFLOW
55	D28284452	2	Rim	[B]
56	D40438200	10	Bolt	M12
57	D41021500	10	Nut	M12
58	D46724000	2	Hub	[C]
59	D41618400	2	Bearing Ball	[C]
				FREEFLOW

## Table Trailer - 2

Item	Part Number	Qty	Description	Comments
60	D41582400	2	Seal	[C] FREEFLOW
61	D43002500	2	Greaser	[C]
62	D28284043	1	Bracket	From Serial or Engine Number 922467
63	D28284048	1	Bracket	From Serial or Engine Number 922467
64	D28284490	2	Spacer	From Serial or Engine Number +926703
65	D28700136	1	Spring	From Serial or Engine Number 922467
66	D43385200	2	Screw	From Serial or Engine Number 922467
67	D41410800	1	Split Pin	From Serial or Engine Number 922467
68	D28250355	1	Pin	From Serial or Engine Number 922467
69	D20400523	2	Spacer	From Serial or Engine Number 922467
70	D40418800	1	Screw	From Serial or Engine Number 922467
71	D41088100	1	Locknut	From Serial or Engine Number 922467
72	D40411100	4	Hex. Sock. Screw	From Serial or Engine Number 922467
73	D20400426	14	Washer	From Serial or Engine Number 922467
74	D41087700	2	Locknut	
75	D40435100	4	Screw	
76	D28181284	8	Washer	
77	D41087900	4	Locknut	
78	D28284454	2	Spacer	[C] POWERFLOW
79	D46723400	2	Cap	[C] POWERFLOW
80	D45424000	2	Seal	[C] POWERFLOW
81	D41661300	2	Bearing Taper	POWERFLOW
82	D41661100	2	Bearing Taper	POWERFLOW
83	D41047800	2	Nut	[C] POWERFLOW
84	D41406200	2	Split Pin	[C] POWERFLOW
85	D40435600	1	Screw	From Serial or Engine Number +930378
86	D41087900	1	Locknut	From Serial or Engine Number +926042
87	D45906700	1	Capstan	[G]
88	D40405000	3	Hex. Sock. Screw	[G]
89	D20400506	6	Washer	[G]
90	D41087500	3	Locknut	[G]
91	D28284042	1	Ring	[G]
92	D28284143	1	Pipe	[G]
92	D43404300	X	Wire	[G] (92) 5 M
93	D43409000	1	Thimble	[G] (92)
94	D43405900	2	Bracket	[G] (92)
95	D43410400	1	Hook	[G] (92)
96	D41111200	10	Clip	[B]
97	D43001500	2	Greaser	[B]
98	D41048700	2	Castle Nut	[B]
99	D41408800	2	Split Pin	[B]
100	D46728300	10	Bolt	M14
101	D46729200	2	Housing	[B]
102	D46727400	2	Seal	[B]
103	D41013000	10	Nut	M14
104	D46707400	2	Hose	From Serial or Engine Number +50541
105	D40405100	1	Hex. Sock. Screw	From Serial or Engine Number +927793
106	D41087500	1	Locknut	From Serial or Engine Number +927793

**FOOTNOTE [A]** EQUIPMENT REQUIRED AND APPROVED BY THE TOV AUTHORITIES

**FOOTNOTE [B]** FOR HUB WITH M14 HUB BOLTS

**FOOTNOTE [C]** FOR HUB WITH M12 HUB BOLTS

**FOOTNOTE [D]** FOR HUB WITH M12 HUB BOLTS, INCL.P.49-51,55,104

**FOOTNOTE [E]** FOR HUB WITH M14 HUB BOLTS, INCL.POS 50,51,55,104

**FOOTNOTE [F]** OPTIONAL EQUIP.F01.01.95,STD EQUIP.T31.12.94

**FOOTNOTE [G]** OPTIONAL EQUIPMENT



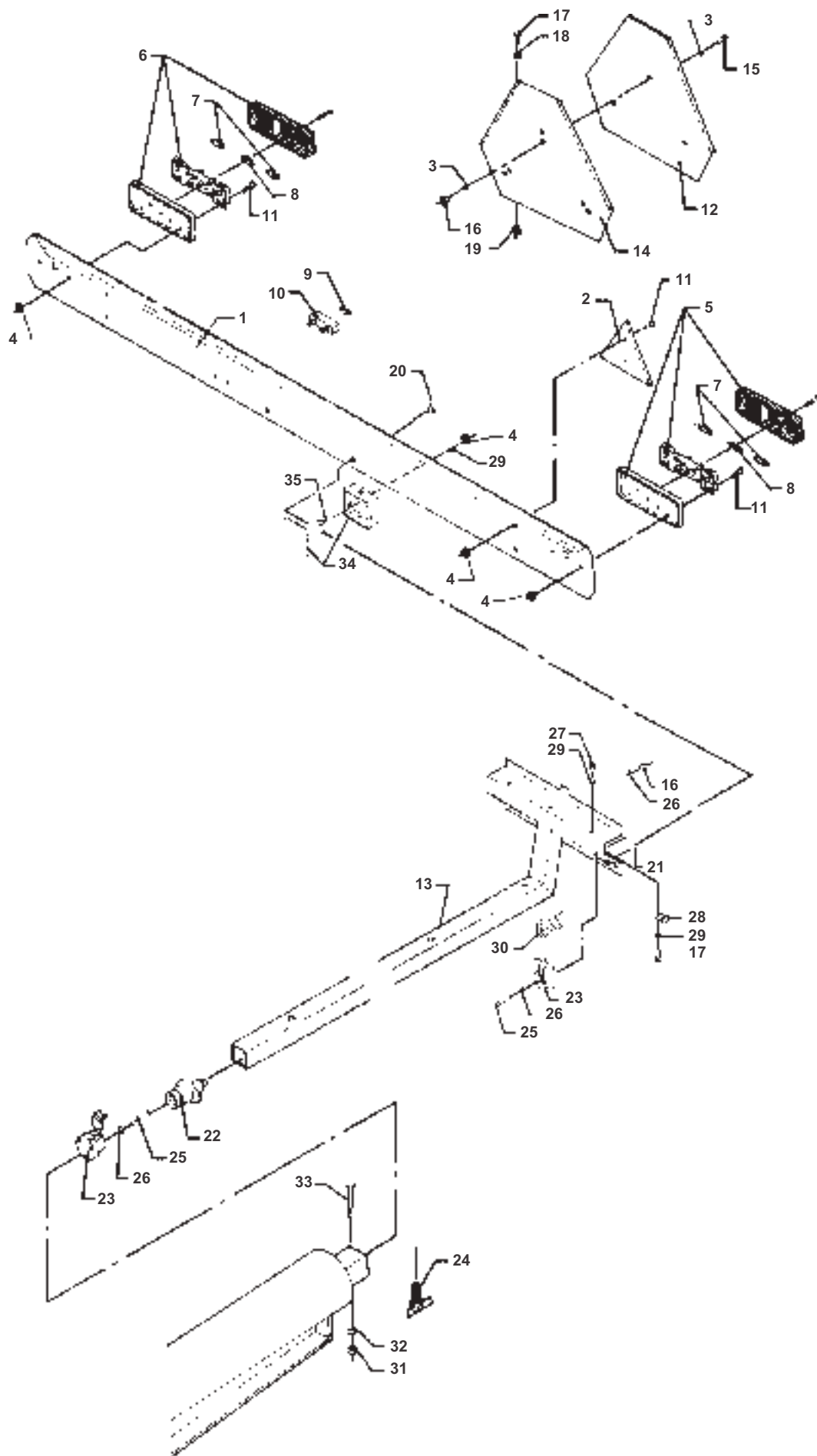
## Table Trailer - 1

Item	Part Number	Qty	Description	Comments
1	D28280858	1	Trailer	
	D28281420	1	Lever	[A]
2	D40411400	6	Screw Metric	
3	D20400426	12	Washer	
4	D28280606	2	Bracket	POWERFLOW
5	D40428300	8	Screw Metric	
6	D20400423	8	Washer	
7	D41087700	14	Locknut	
8	D28250759	2	Pin	
9	D41446200	2	Split Pin	
10	D28280866	1	Wheel	
	D28170156	2	Rim	(10)
11	D46735600	2	Tyre	(10)
12	D46737200	2	Pressure Valve	(10)
13	D28280594	1	Drawbar	
14	D41088100	6	Locknut	
15	D20400426	6	Washer	
16	D46721700	1	Wheel	
17	D28250317	1	Bush	
18	D28250305	2	Spacer	
19	D41011100	2	Nut	
20	D20400459	2	Washer	
21	D28250315	1	Journal	
22	D28200609	1	Ball	
23	D20400466	1	Washer	
24	D41087700	1	Locknut	
25	D28251079	1	Pipe	
26	D28250355	1	Pin	
27	D28700136	1	Spring	
28	D20400441	1	Washer	
29	D41410800	1	Split Pin	
31	D28250340	1	Pipe	
32	D28250337	1	Spindle	
33	D42612000	1	Pin	
34	D41597100	1	Bearing Ball	
35	D28281404	1	Hub	
36	D28281405	1	Lever	
37	D45084600	6	Reflector	
38	D45907200	2	Wedge	
39	D45907300	2	Holder	
40	D20400401	8	Washer	
41	D40741200	8	Screw	
42	D46721400	2	Housing	
43	D41661500	2	Bearing Taper	
44	D46727200	2	Plate	
45	D43001500	2	Greaser	
46	D41661200	2	Bearing Taper	
47	D41049400	2	Nut	
48	D46723200	2	Cap	
49	D40465300	10	Screw	
50	D41111200	10	Clip	
51	D41411100	2	Split Pin	
52	D28250748	1	Support	
53	D40428800	1	Hex. Sock. Screw	
54	D20400537	2	Spacer	
56	D41088100	X	Locknut	
57	D20400437	1	Washer	
58	D28283616	2	Bracket	FREEFLOW
59	D20400404	2	Washer	
60	D40402400	2	Hex. Sock. Screw	
61	D49138600	1	Transfer	
62	D46707400	2	Hose	(10)

From Serial or Engine Number +50541

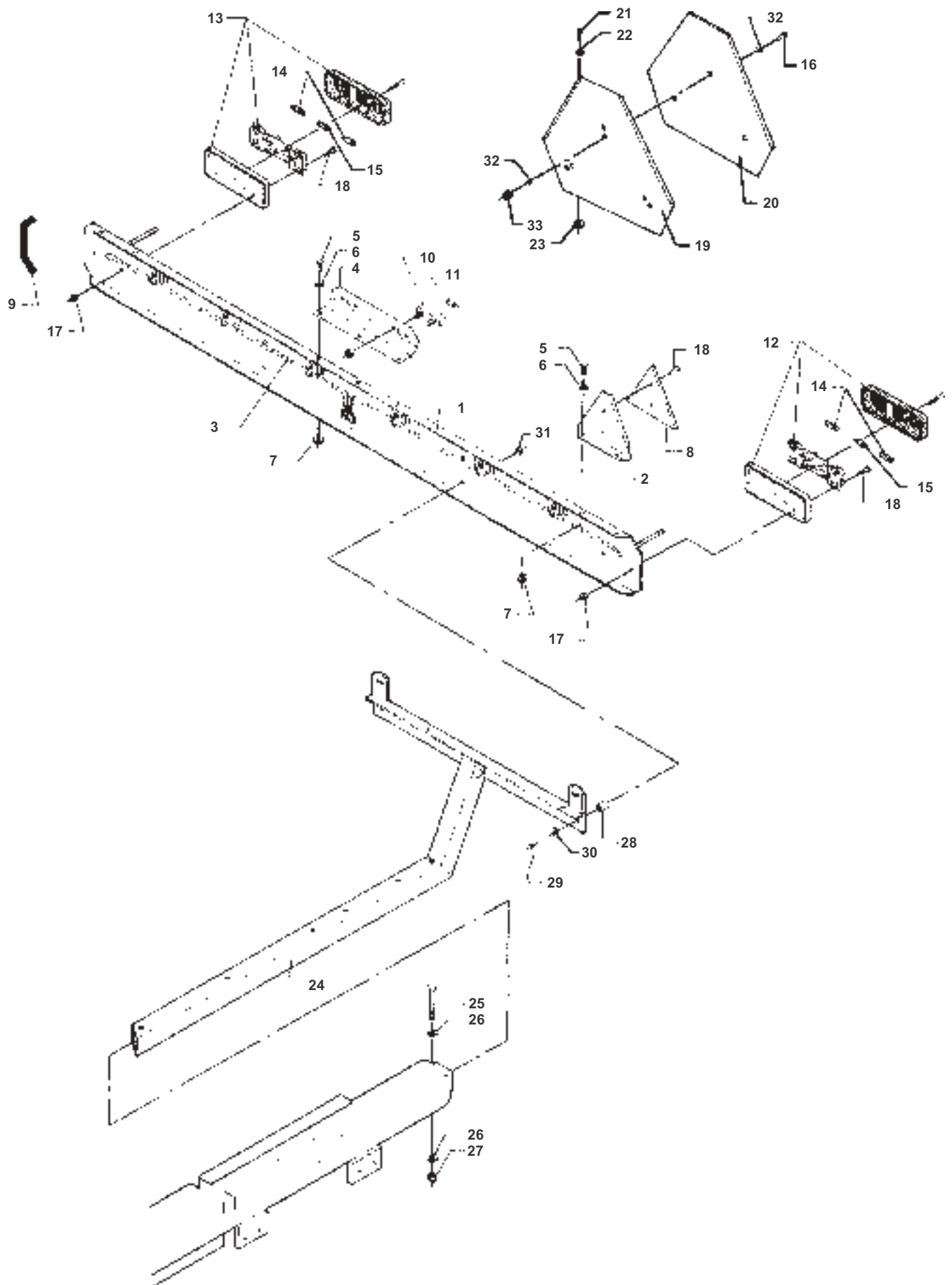
FOOTNOTE [A] EQUIPMENT REQUIRED AND APPROVED BY THE TOV AUTHORITIES

MF 38/40 COMBINES, |-> 47958 - 63001210  
84E0115A



Item	Part Number	Qty	Description	Comments
1	D28283662	1	Ramp	
	D28283719	1	Bracket	
2	D45083900	2	Reflector	
3	D20400400	6	Washer	From Serial or Engine Number +934895
4	D41010500	10	Nut	
5	D45077100	1	Rh Rear Lamp	
6	D45077300	1	Lh Rear Lamp	
7	D45080600	4	Bulb 12v 21w Sbc	
8	D45080700	2	Bulb 12v 10w	
9	D45080900	2	Bulb	
10	D45085500	2	Lamp	
11	D40352300	8	Screw Metric	
12	D45084500	1	Reflector	
13	D28285152	1	Support	From Serial or Engine Number +926917
14	D28251559	1	Support	
15	D40400300	3	Screw Metric	
16	D41010400	3	Nut	
17	D40402400	3	Hex. Sock. Screw	
18	D20400453	3	Washer	
19	D41013400	3	Nut	
20	D43427500	2	Pin	
21	D42555500	2	Circlip	
22	D45005300	1	Electric Socket	
23	D45005200	2	Electric Socket	
24	D28283634	1	Screw	Up to Serial or Engine Number 925851
25	D40351600	3	Screw Metric	
26	D20400400	3	Washer	
27	D41087400	1	Locknut	
28	D45729400	1	Clamp	
29	D20400404	4	Washer	
30	D45084600	2	Reflector	
31	D41087700	1	Locknut	From Serial or Engine Number 925852
32	D20400426	1	Washer	From Serial or Engine Number 925852
33	D40429200	1	Bolt	From Serial or Engine Number 925852
34	D28781903	1	Connector	From Serial or Engine Number +54071
35	D40402700	2	Hex. Sock. Screw	From Serial or Engine Number +55490

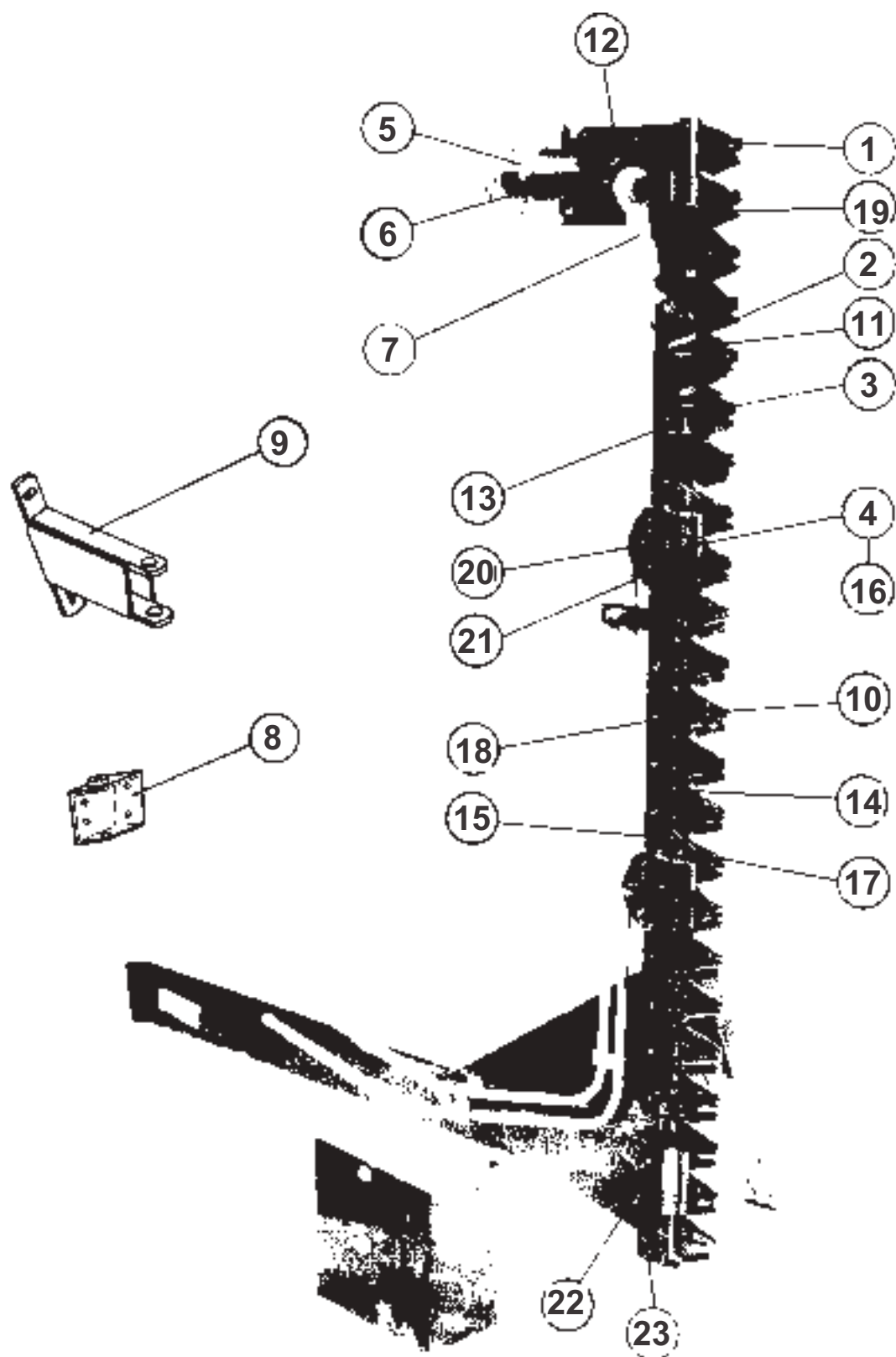
MF 38/40 COMBINES, |-> 47958 - 63001210  
84B0115B





## Lightening Bracket - 1

Item	Part Number	Qty	Description	Comments
1	D28250777	1	Bracket	
	D28250772	1	Bracket	(1)
2	D28250558	1	Retainer	(1)
3	D28250776	1	Wiring Harness	(1)
4	D28270086	1	Support	(1)
5	D40402400	7	Hex. Sock. Screw	(1)
6	D20400470	7	Washer	(1)
7	D41013400	7	Nut	(1)
8	D45083900	2	Reflector	(1)
9	D44735900	X	Seal Section	(1)
				Length 0.750M
10	D45085500	2	Lamp	(1)
11	D45080900	2	Bulb	(1)
12	D45077100	1	Rh Rear Lamp	(1)
13	D45077300	1	Lh Rear Lamp	(1)
14	D45080600	4	Bulb 12v 21w Sbc	(1)
15	D45080700	2	Bulb 12v 10w	(1)
16	D40400300	3	Screw Metric	(1)
				From Serial or Engine Number +934895
17	D41010500	8	Nut	(1)
18	D40352300	4	Screw Metric	(1)
19	D28251559	1	Support	
20	D45084500	1	Reflector	
21	D40402600	3	Hex. Sock. Screw	From Serial or Engine Number +934895
22	D20400453	3	Washer	From Serial or Engine Number +934895
23	D41013400	3	Nut	From Serial or Engine Number +934895
24	D28251617	1	Bracket	
25	D40429200	2	Bolt	
26	D20400446	4	Washer	
27	D41087700	2	Locknut	
28	D28251428	4	Spacer	
29	D40405400	4	Hex. Sock. Screw	
30	D20400506	4	Washer	
31	D41013500	4	Nut	
32	D20400400	6	Washer	From Serial or Engine Number +934895
33	D41010400	3	Nut	From Serial or Engine Number +934895



## Electric Vertical Knife

Item	Part Number	Qty	Description	Comments
1	D44121600	X	Blade	
2	D44121700	X	Blade	
3	D44121800	X	Knife	
4	D44121900	X	Clip	
5	D44122000	X	Steering Unit	
6	D44122100	X	Crankshaft	
7	D44122200	X	Rod Link	
8	D28281516	X	Support	Left Hand
9	D28280734	X	Support	POWERFLOW Right Hand
	D28280738	X	Support	FREEFLOW Right Hand
10	D44122300	X	Knife	
11	D44122500	X	Knife Head	
12	D44122700	X	Support	Right Hand
	D44122800	X	Support	Left Hand
13	D41378800	X	Rivet	
14	D41378500	X	Rivet	
15	D41378700	X	Rivet	
16	D44122900	X	Spacer	
17	D44123000	X	Support	
18	D40063700	X	Screw Metric	
19	D40690900	X	Screw Metric	
20	D40404900	X	Hex. Sock. Screw	
21	D40064300	X	Screw	
22	D40690500	X	Screw Metric	
23	D44123100	X	Blade Holder	



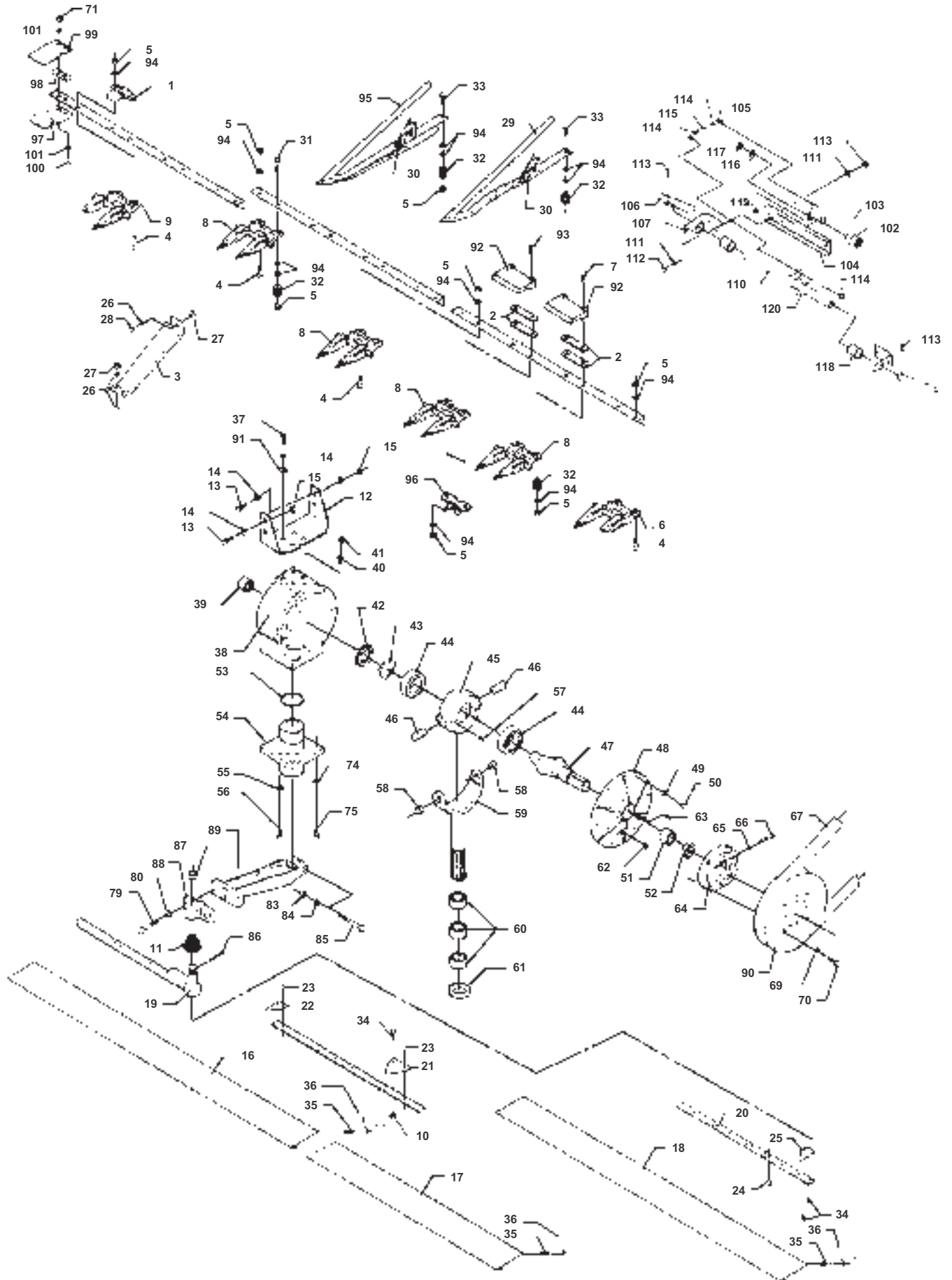
## Electric Vertical Knife

Item	Part Number	Qty	Description	Comments
1	D42501800	1	Circlip	
2	D20400441	X	Washer	
3	D28284074	1	Connecting Link	
4	D41616800	4	Bearing Ball	
5	D28284087	1	Crank	
6	D28284072	1	Connecting Link	
7	D43100900	1	Key	
8	D28284084	1	Crank	
9	D42612000	1	Pin	
10	D28284079	1	Accessory	
11	D28284093	1	Bearing Carrier	
12	D28284069	1	Hub	
13	D28284081	1	Gear	
14	D28284090	1	Bracket	
15	D28284111	1	Nut	
16	D28284080	1	Pinion	
17	D45070083	1	Electric Motor	
18	D40688000	3	Screw	
19	D41010600	3	Nut	
20	D40426000	4	Hex. Sock. Screw	
21	D20400471	8	Washer	
22	D41010800	4	Nut	
24	D41011000	2	Nut Metric	
25	D45905200	2	Fork Head	
26	D28284094	8	Clip	
27	D20400500	X	Spacer	
28	D20400506	32	Washer	
29	D40423700	16	Screw Metric	
30	D41087500	16	Locknut	
31	D28284060	1	Knife	
	D28284105	1	Knife Back	(31)
32	D44104100	17	Knife	(31)
33	D41314900	34	Rivet	(31)
34	D43360800	1	Bush	(31)
35	D28284061	1	Knife	
	D28284104	1	Knife Back	(35)
36	D44104100	17	Knife	(35)
37	D41314900	34	Rivet	(35)
38	D43360800	1	Bush	(35)
39	D28284124	1	Guard	
40	D26500317	2	Spring	
41	D28284125	2	Retainer	
42	D28284100	1	Bracket	[A]
43	D28284099	1	Bracket	[B]
44	D28284140	1	Guard	[A]
45	D28284139	1	Guard	[B]
46	D28284136	1	Bracket	[A]
47	D28284137	1	Bracket	[B]
48	D28284107	1	Deflector	
49	D45904800	2	Pin	
50	D40422400	X	Screw	
51	D40422300	X	Hex. Sock. Screw	
52	D41013400	X	Nut	
53	D20400419	2	Washer	
54	D40425800	1	Screw	
55	D41087600	1	Locknut	

**FOOTNOTE [A]** OPTIONAL EQUIPMENT ELECTRIC VERTICAL KNIFE RIGHT

**FOOTNOTE [B]** OPTIONAL EQUIPMENT ELECTRIC - VERTICAL KNIFE LEFT

MF 38/40 COMBINES, |-> 47958 - 63001210  
38A0118



## Knives And Fingers - Powerflow - 7,80 M

Item	Part Number	Qty	Description	Comments
1	<b>D28283934</b>	24	Clip	
2	<b>D28230292</b>	4	Shim	
3	D18281572	1	Guard	
4	<b>D40551500</b>	X	Bolt	
5	D41010800	X	Nut	
6	<b>D44104700</b>	1	Finger	
7	D40067600	2	Screw	
8	<b>D44104500</b>	55	Finger	
9	<b>D44104600</b>	1	Finger	
10	D41087400	X	Locknut	
11	<b>D44120500</b>	1	Cap	
16	D28230830	X	Guard	Replace and repair. Old interchangeable with new D18230830
	D28230842	X	Guard	
	D28230845	X	Guard	
17	D28230843	X	Guard	
18	D28230830	X	Guard	Replace and repair. Old interchangeable with new D18230830
	D28230844	X	Guard	
	D28230842	X	Guard	
19	<b>D28283011</b>	2	Knife Head	
	D28285042	1	Knife	
20	D28285041	2	Knife Back	
21	<b>D44103700</b>	X	Section	
22	<b>D44103800</b>	X	Half Section	
23	<b>D41306100</b>	X	Rivet	
24	<b>D41306200</b>	X	Rivet	
25	<b>D44104000</b>	X	Half Section	
26	D20400506	3	Washer	
27	D41013500	3	Nut	
28	D40404900	1	Hex. Sock. Screw	
29	D49040200	X	Ear Lifter	
30	D49040400	X	Spring	
31	D40426000	X	Hex. Sock. Screw	
32	D49040600	X	Roller	
33	D40426000	X	Hex. Sock. Screw	
34	D40402400	X	Hex. Sock. Screw	
35	D26500317	X	Spring	
36	D28230841	X	Spring	
38	D44127800	1	Box	
39	D44128800	1	Bearing Needle	
40	D44129400	1	Connector	
41	D46116500	1	Valve	
42	D44129100	1	Nut	
43	D44129200	1	Washer	
44	D41668400	2	Bearing Roller	
45	D44127900	1	Housing	
46	D44128000	2	Journal	
47	D44129300	1	Shaft	
48	D44128200	1	Cover	
49	D41100700	6	Spring Washers	
50	D40404900	6	Hex. Sock. Screw	
51	D41669700	1	Bearing Needle	
52	D45412000	1	Gasket	
53	D45481500	1	O Ring	
54	D44128300	1	Bearing Carrier	
55	D41100700	2	Spring Washers	
56	D40697200	2	Screw	
57	D40639600	2	Pin	
58	D44128400	2	Bush	
59	D44128500	1	Yoke	
60	D41669800	3	Bearing Needle	
61	D45409500	1	Gasket	
62	D44128600	1	Plug	
63	D45236200	1	Plug	
64	D44127100	1	Hub	
65	D41100900	1	Spring Washers	
66	D40694000	1	Screw	
67	<b>D41986300</b>	1	V Belt	
69	D20400426	4	Washer	
70	D40410900	4	Hex. Sock. Screw	
71	D41013500	2	Nut	
74	D20400523	4	Spacer	

Item	Part Number	Qty	Description	Comments
75	D40465100	4	Screw	
79	D40698400	2	Screw	
80	D20400438	3	Washer	
83	D41087700	X	Locknut	
84	D20400428	1	Washer	
85	D40429400	1	Screw Metric	
86	D41409100	1	Split Pin	
87	<b>D41054300</b>	1	Nut	
88	D44126900	1	Flange	
89	D44127000	1	Swivel Arm	
90	D44127200	1	Pulley	
92	<b>D28260362</b>	2	Clip	
93	D40067200	X	Screw	
94	D20400419	X	Washer	
95	D49040300	X	Ear Lifter	
96	D28284356	4	Fitting	
97	D28281576	1	Plate	
98	D28281575	1	Shim	
99	D28281574	1	Plate	
100	D40423600	2	Screw Metric	
101	D20400506	2	Washer	
102	<b>D28780523</b>	2	Meter	
103	D28284361	2	Potentiometer	
104	D28285250	2	Support	
105	D46437300	4	Toggle	
106	D28285198	4	Arm	
107	D28285073	4	Clamp	
108	D28285072	2	Bush	
109	D42615800	4	Pin	
110	D28285251	2	Shaft	
111	D20400413	16	Washer	
112	D40405000	8	Hex. Sock. Screw	
113	D41087500	8	Locknut	
114	D41010600	4	Nut	
115	D28780446	2	Rod	
116	D20400404	2	Washer	
117	D41088800	2	Locknut	
118	D28284456	4	Bush	
119	D40464900	2	Screw	
120	D28285087	2	Spiral	

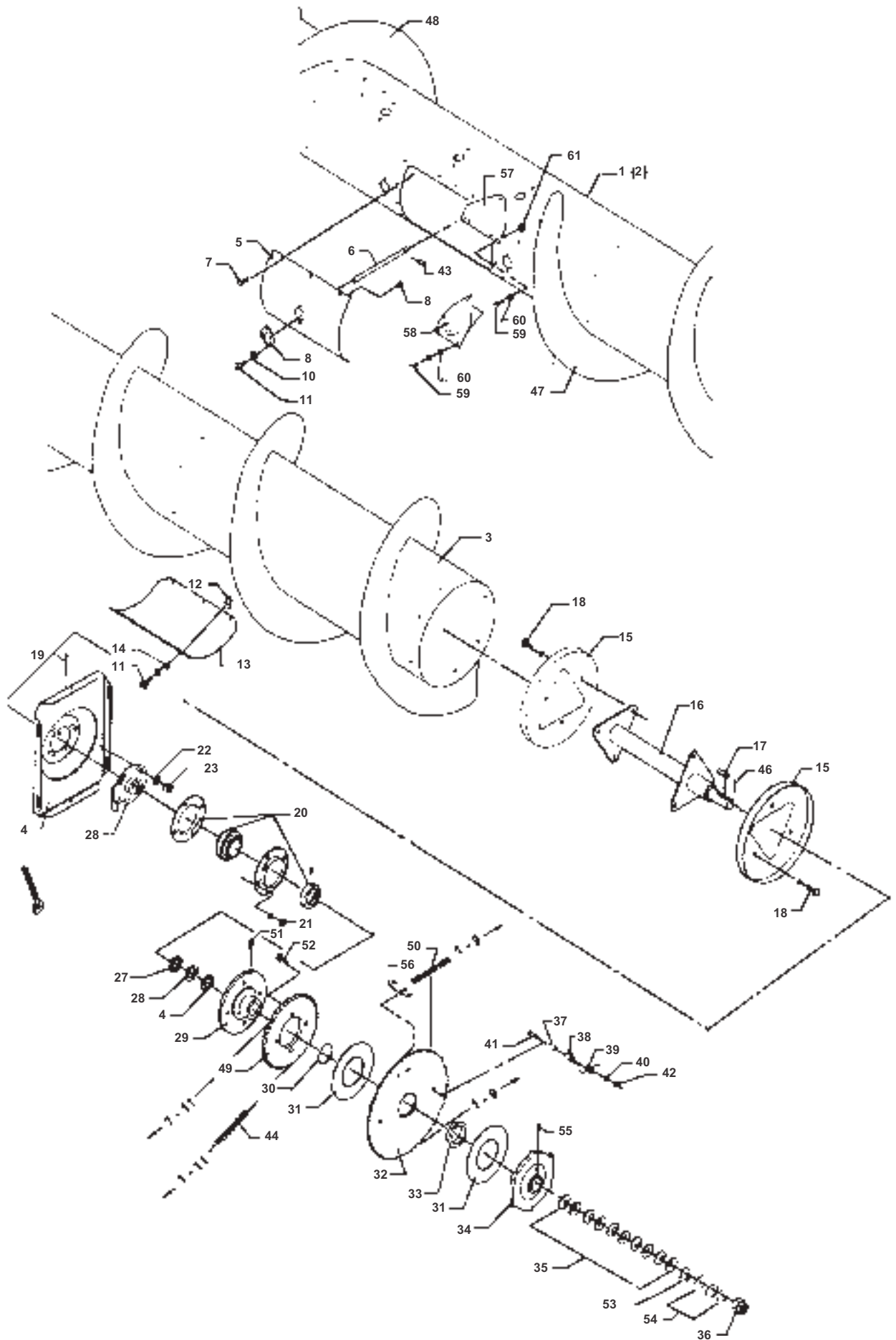




**Massey Ferguson****MF 38/40 COMBINES, |-> 47958 - 63001210****63001210****Feeder Drum Right Hand - Powerflow- - 7,80 M****Page001-0100**

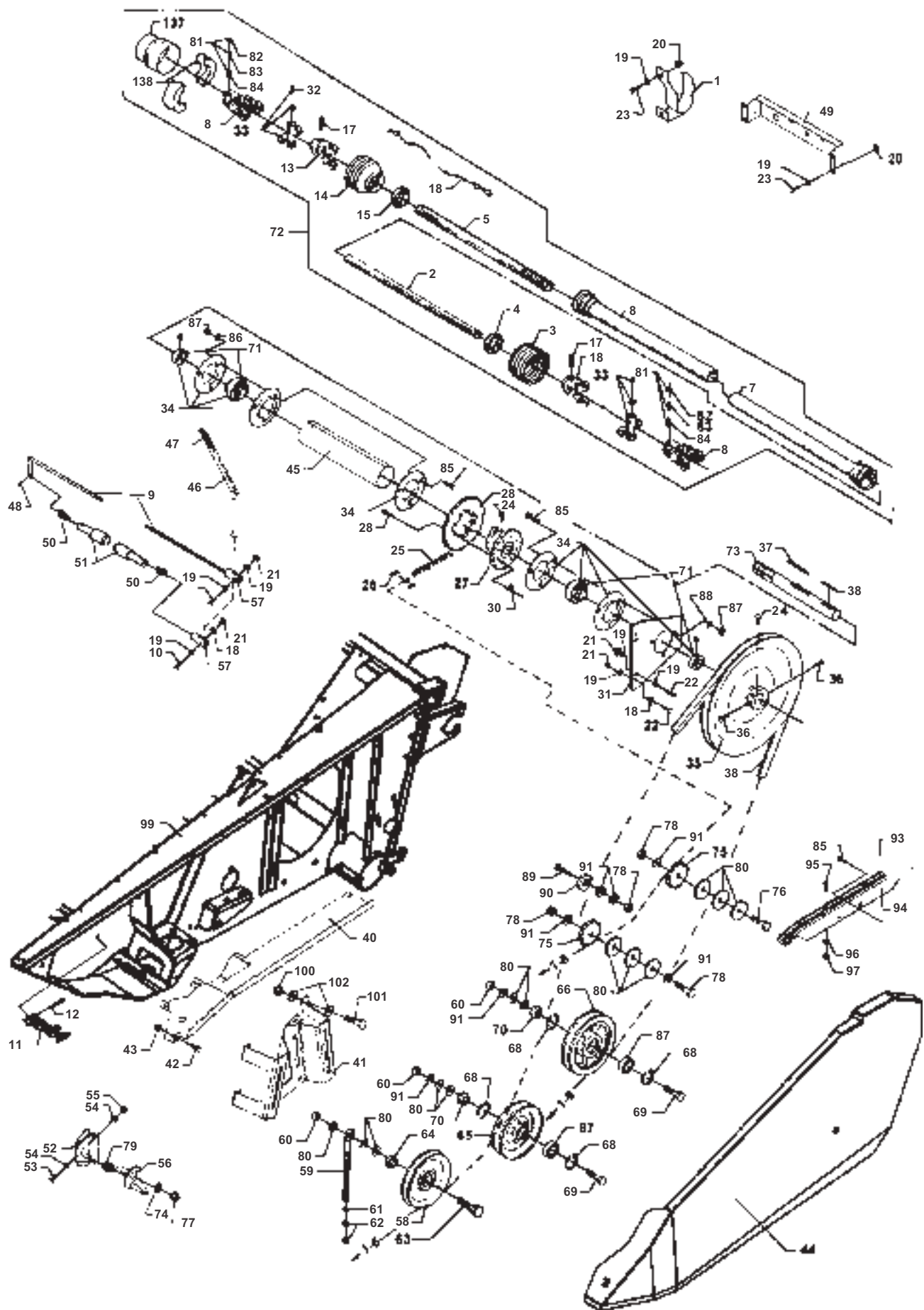
<b>Item</b>	<b>Part Number</b>	<b>Qty</b>	<b>Description</b>
1	D18285102	1	Cover
2	D28285130	1	Fitting
3	D40633000	1	Pin
4	D43104700	2	Key
5	D28285135	1	Tube
6	D20400470	X	Washer
7	D28285028	1	Tube
8	D18285030	1	Auger
9	D40402600	6	Hex. Sock. Screw
10	D41707800	2	Bearing
11	D40407900	X	Hex. Sock. Screw
12	D18283070	2	Cover
13	D28280014	4	Plate
14	D28283847	4	Bearing Plate
15	D28283016	1	Crankshaft
16	D40426100	2	Screw
17	D28283039	1	Arm
18	<b>D28251831</b>	X	Bearing Carrier
19	D43428200	12	Nut
20	D28283853	X	Hair Pin
21	D20400423	4	Washer
22	D41087700	4	Locknut

MF 38/40 COMBINES, |-> 47958 - 63001210  
38-0120



Item	Part Number	Qty	Description
1	D18285030	1	Auger
2	D28285028	1	Tube
3	D28285134	1	Tube
4	D18285102	1	Cover
5	D18283078	1	Cover
6	<b>D28283815</b>	15	Finger
7	D40402400	8	Hex. Sock. Screw
8	D41087400	X	Locknut
9	<b>D28283060</b>	X	Bush
10	D20400404	X	Washer
11	D40402600	X	Hex. Sock. Screw
12	D43428200	6	Nut
13	D18283070	X	Cover
14	D20400470	6	Washer
15	D28280014	2	Plate
16	D28285098	1	Drive Shaft
17	D43104700	1	Key
18	D40407900	X	Hex. Sock. Screw
19	D40633300	1	Pin
20	D41716500	1	Bearing
21	D41010900	4	Nut
22	D20400423	4	Washer
23	D41087700	4	Locknut
28	D28285130	1	Fitting
29	D28283004	1	Washer
30	D45481600	1	O Ring
31	<b>D45904300</b>	2	Facing
32	D28283153	1	Sprocket
33	D28283000	1	Insert
34	D28283003	1	Washer
35	D41112400	10	Washer
36	D41054100	1	Castle Nut
37	D28281431	1	Spacer
38	D28281432	1	Support
39	D28283006	1	Spring
40	D20400507	1	Spacer
41	D40426100	1	Screw
42	D41087600	1	Locknut
46	D41408800	1	Split Pin
47	D28285031	1	Spiral
48	D28285029	1	Spiral
49	D28283182	1	Sprocket
50	<b>D42329200</b>	1	Chain
51	D40405000	1	Hex. Sock. Screw
52	D40404900	4	Hex. Sock. Screw
53	D20400520	1	Spacer
54	D20400523	4	Spacer
55	D43001500	1	Greaser
59	D40404900	X	Hex. Sock. Screw
60	D20400506	X	Washer

MF 38/40 COMBINES, |-> 47958 - 63001210  
38-0121

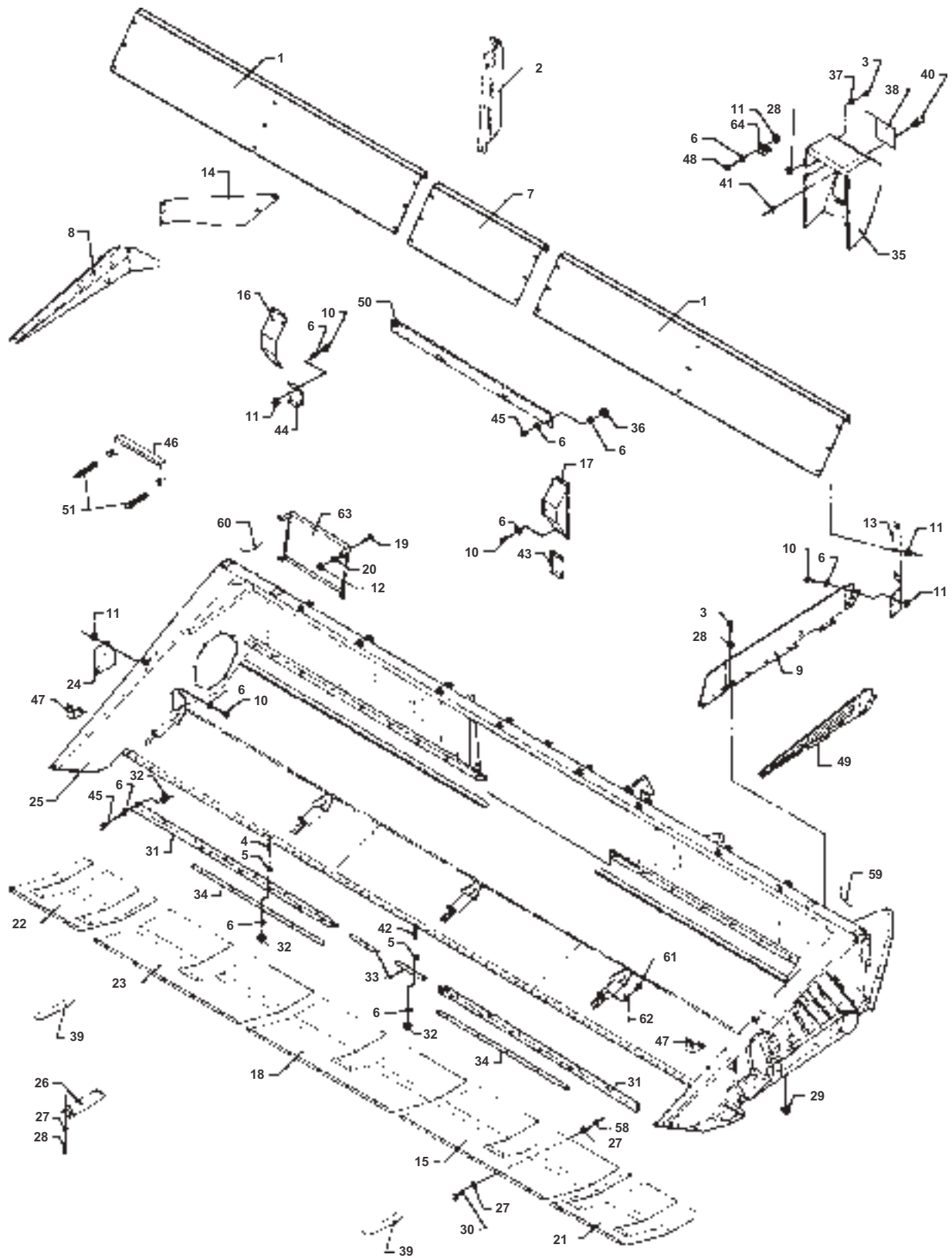


Item	Part Number	Qty	Description	Comments
1	D18281345	1	Stirrup	
2	D45633800	1	Tube	
3	D45630500	1	Guard	
4	D45630700	1	Ring	
5	D45633700	1	Tube	
6	D45633900	1	Tube	
7	D45634000	1	Tube	
8	D45633100	2	Yoke	
9	D28285117	1	Rod	
10	D40423900	X	Hex. Sock. Screw	
11	D44737200	1	Rubber Strap	
12	D41410900	1	Split Pin	
13	D45630200	1	Yoke	
14	D45630400	1	Guard	
15	D45630600	1	Ring	
16	D45681800	2	Chain	
17	D42619100	2	Pin	
18	D45630100	1	Yoke	
19	D20400506	X	Washer	
20	D41013500	X	Nut	
21	D41087500	X	Locknut	
22	D40404900	X	Hex. Sock. Screw	
23	D40404700	X	Hex. Sock. Screw	
24	D40466200	X	Setscrew	
25	<b>D42329200</b>	1	Chain	
26	<b>D42365100</b>	1	Link	
27	D28280830	1	Sprocket	
28	D28280827	1	Sprocket	
29	D40405100	8	Hex. Sock. Screw	
30	D41013500	8	Nut	
31	D18281366	1	Bearing Carrier	
32	D43001600	2	Greaser	
33	D45630300	2	Hub	
34	D41701700	1	Flange	
35	D28280281	1	Pulley	
36	D40466700	2	Hex. Sock. Screw	
37	D43114900	1	Key	
38	D43105000	1	Key	
39	<b>D41986300</b>	1	V Belt	
40	D18285177	1	Guard	
41	D18285089	1	Bracket	
42	D40404900	3	Hex. Sock. Screw	
	D40405000	3	Hex. Sock. Screw	
43	D41013500	6	Nut	
44	D28785641	1	Clutch	
45	D28285143	1	Shaft	
46	D28285127	1	Lever	
47	D43484900	1	Lever	
48	D42612200	X	Pin	
49	D18285215	1	Bracket	
50	D27100794	2	Spring	
51	D28283200	1	Shaft	
52	D28285166	2	Support	
53	D40407900	4	Hex. Sock. Screw	
54	D20400507	8	Spacer	
55	D41087600	4	Locknut	
56	D28285162	1	Arm	
	D28285185	1	Arm	
57	D28285126	2	Fork	
58	D28760159	1	Pulley	
59	D28384055	1	Bolt	
60	D41087800	3	Locknut	
61	D20400416	X	Washer	
62	D41087600	X	Locknut	
63	D28760156	1	Screw	
64	D28760155	1	Bush	
65	D28752130	1	Pulley	
66	D28280819	1	Pulley	
67	D41622700	2	Bearing Ball	
68	D42513700	4	Circlip	
69	D28760156	2	Screw	

**Massey Ferguson****MF 38/40 COMBINES, |-> 47958 - 63001210****63001210****Guarding And Transmissions - Powerflow - 7,80 M****Page001-0110**

<b>Item</b>	<b>Part Number</b>	<b>Qty</b>	<b>Description</b>	<b>Comments</b>
70	D28760155	2	Bush	
71	D41663400	2	Bearing Ball	
72	D45609400	1	Shaft	
73	D28285125	1	Shaft	
74	D20400537	2	Spacer	
75	D41716800	X	Tightener	
76	D40433600	X	Screw Metric	
77	D41087700	2	Locknut	
78	D41087900	X	Locknut	
79	D28285270	2	Spring	
80	D20400460	X	Washer	
81	D45632400	2	Tube	
82	D45645700	2	Washer	
83	D45667300	2	Spring	
84	D45665300	2	Pin	
85	D40066800	2	Screw Metric	
86	D20400419	2	Washer	
87	D41087600	2	Locknut	
89	D40073100	1	Screw	
90	D28280981	1	Spacer	
91	D28181284	X	Washer	
93	D28280787	1	Rail	
94	D28281365	1	Crossmember	Replace and repair. Old interchangeable with new D18281365
95	D40609300	6	Screw	
96	D20400466	6	Washer	
97	D41087200	6	Locknut	
99	D18285000	1	Knife Back	
100	D41087600	6	Locknut	
101	D40407800	5	Hex. Sock. Screw	
101	D40407900	1	Hex. Sock. Screw	
102	D20400419	2	Washer	
102	D20400471	10	Washer	
103	D45148900	1	Container	
104	D28285296	1	Bracket	
105	D45140037	2	Screw	
106	D45140038	2	Ring	

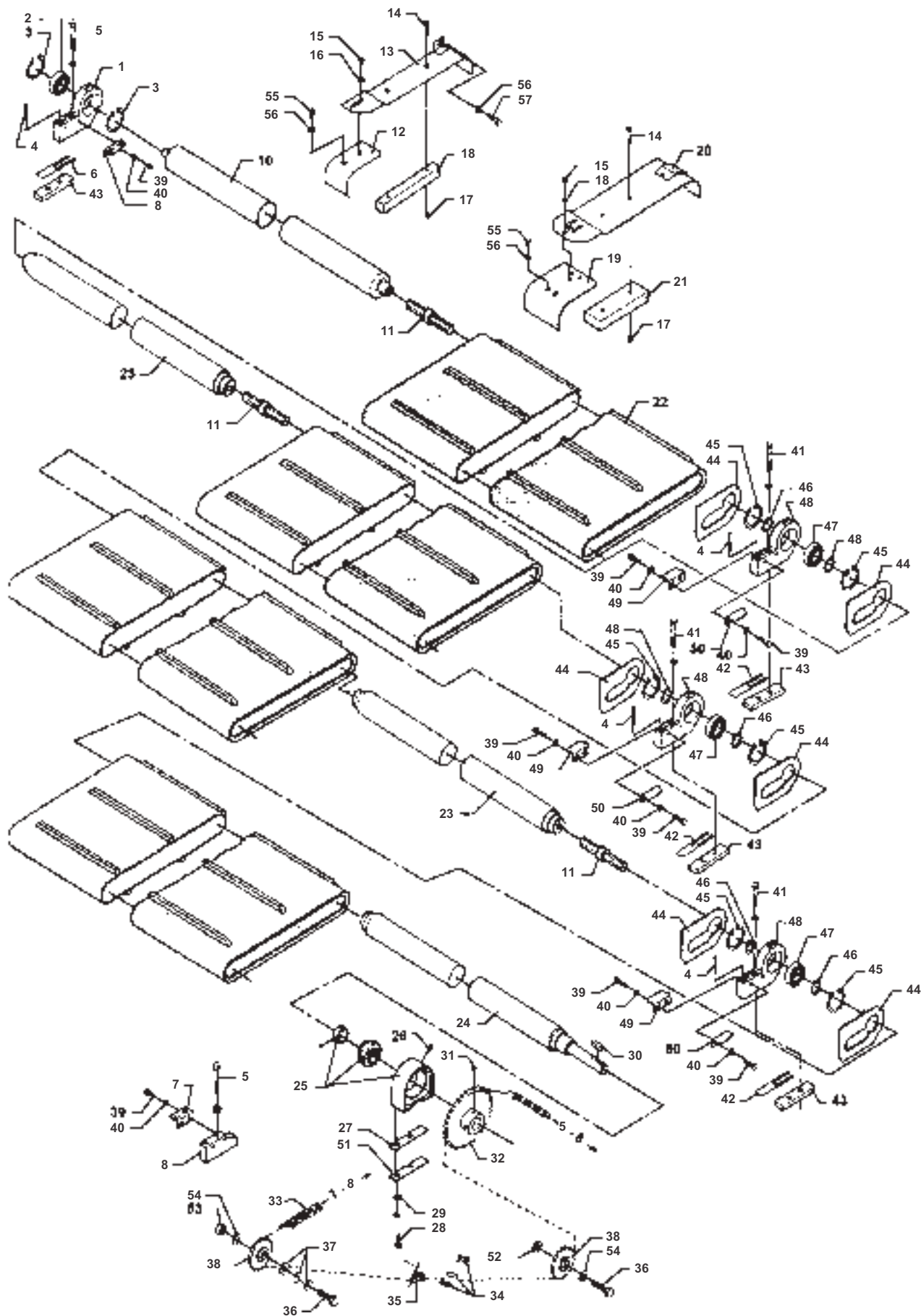
MF 38/40 COMBINES, |-> 47958 - 63001210  
38-0122





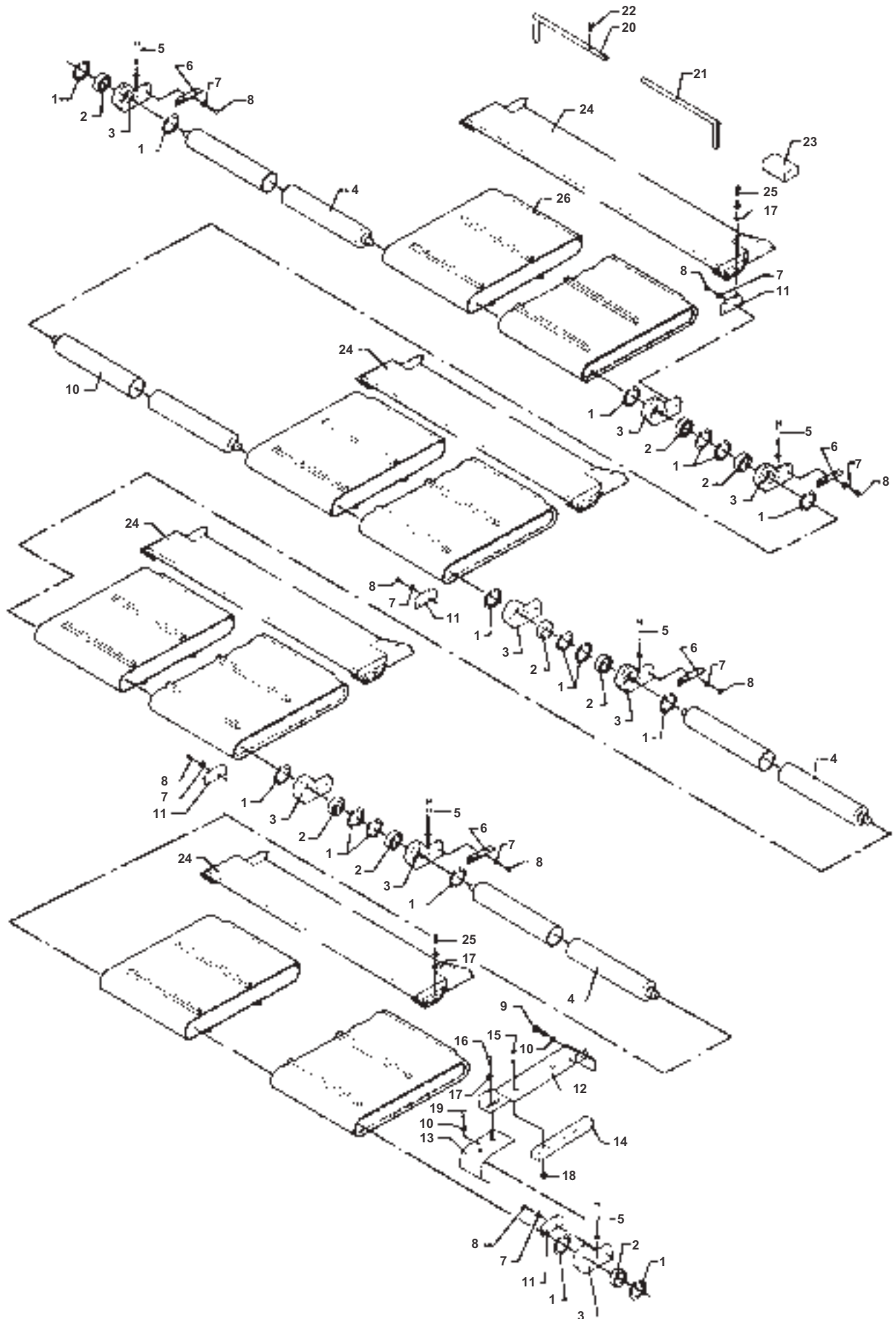
Item	Part Number	Qty	Description	Comments
1	D18285119	2	Guard	
2	D18285124	2	Fitting	
3	D18285172	1	Guard	
4	D40063600	18	Screw Metric	
5	D41100700	18	Spring Washers	
6	D20400506	X	Washer	
7	D18285120	1	Guard	
8	D18283554	1	Panel	
10	D40404900	X	Hex. Sock. Screw	
11	D41013500	X	Nut	
13	D18285122	1	Guard	
14	D18285121	1	Guard	
15	D28285085	1	Wearplate	
16	D18285313	1	Guard	
17	D18285314	1	Guard	
18	D28285078	2	Wearplate	Replace and repair. Old interchangeable with new D18285078
21	D28285081	1	Wearplate	
22	D28285082	1	Wearplate	
23	D28285084	1	Wearplate	
24	D18280359	1	Shutter	
25	D18285000	1	Knife Back	
26	D18285194	4	Cover	
27	D20400506	48	Washer	
28	D20400470	X	Washer	
29	D41013400	X	Nut	
30	D40423700	24	Screw Metric	
31	D18285113	2	Angle	
32	D41010700	18	Nut	
33	D18285197	2	Scraper	
34	D18285115	2	Scraper	
35	D18285104	1	Guard	
38	D18285268	1	Cover	
39	D28283984	2	Wearplate	
40	D43427500	X	Pin	
42	D40063800	4	Screw Metric	
45	D40405000	X	Hex. Sock. Screw	
46	D18285264	1	Protector	
47	D28780381	X	Retainer	
48	D40404700	X	Hex. Sock. Screw	
49	D18285590	1	Side	
50	D18285801	1	Plate	
51	D28710853	2	Spring	
58	D41087500	24	Locknut	
63	D18285263	1	Retainer	
64	D18250648	1	Clip	

MF 38/40 COMBINES, |-> 47958 - 63001210  
38-0123



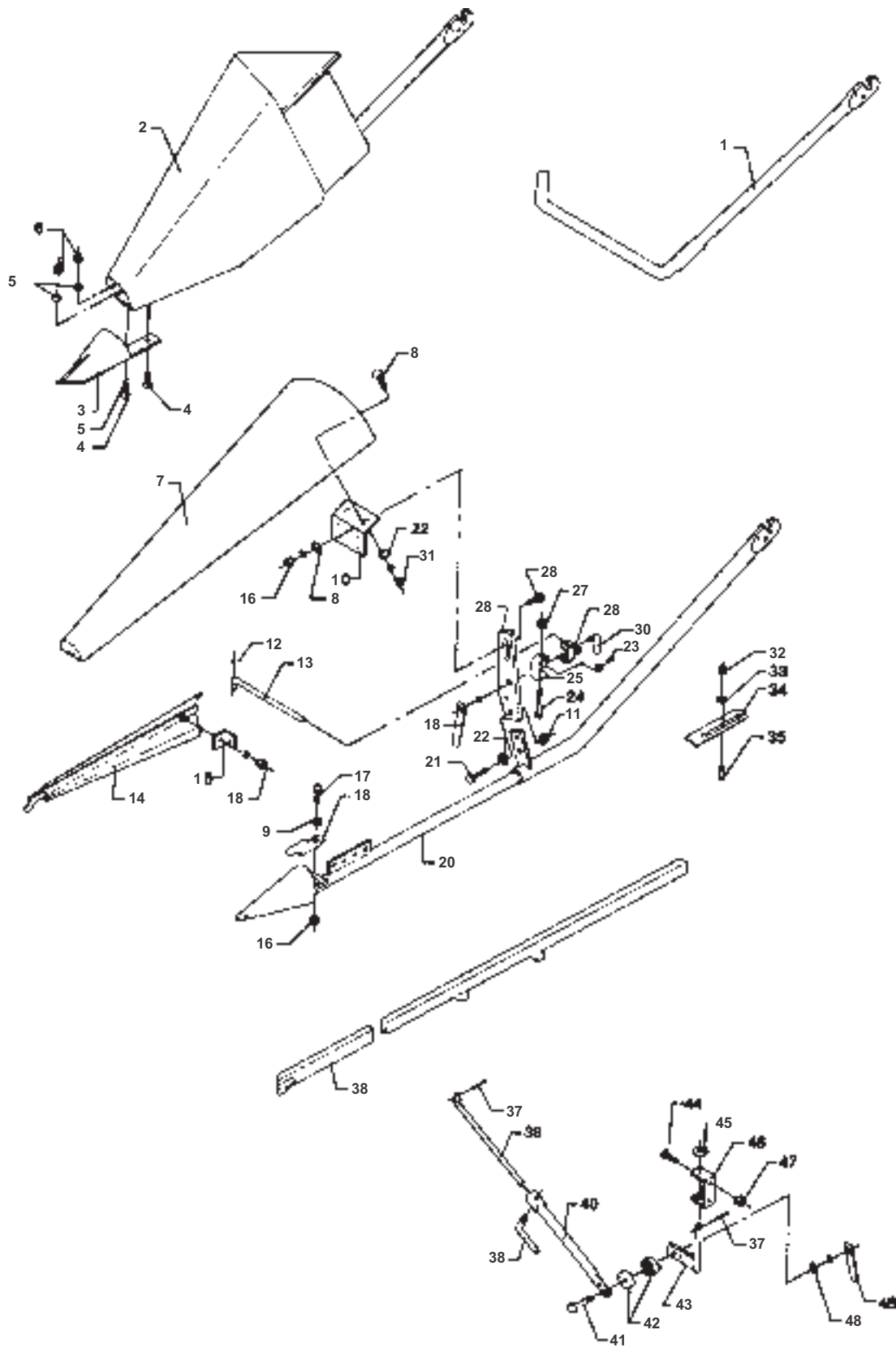
Item	Part Number	Qty	Description	Comments
1	D28251562	1	Bearing Carrier	
	D28251581	1	Bearing Carrier	(1)
	D44742000	X	Kit, Repair	(1)
2	D41715600	1	Bearing Ball	(1)
3	D42514500	2	Circlip	(1)
4	D42616100	4	Pin	
5	D40426600	4	Hex. Sock. Screw	
6	D28251519	X	Shim	OPTIONAL
7	D28251380	1	Bracket	
8	D28251419	1	Bracket	Replace and repair. Old interchangeable with new D18251419
9	D28251379	1	Bracket	
10	D18284108	1	Roller	
11	D28251565	4	Shaft	
12	D18284372	1	Shield	
13	D18284385	1	Shield	
14	D40064000	X	Screw	
15	D40404900	X	Hex. Sock. Screw	
16	D20400506	X	Washer	
17	D41087500	X	Locknut	
18	D28281310	2	Guide	From Serial or Engine Number +937533
19	D18281698	4	Shield	
20	D18281699	4	Shield	
21	D28281311	4	Guide	From Serial or Engine Number +937533
22	D28250932	5	Band	
23	D18284109	3	Roller	
24	D18284110	1	Roller	
25	D41715800	1	Bearing Carrier	
26	D43004900	1	Grease Nipple	
27	D28251448	X	Shim	OPTIONAL
28	D40408000	X	Hex. Sock. Screw	
29	D20400419	X	Washer	
30	D43104900	1	Key	
31	D40466200	2	Setscrew	
32	D28251161	1	Sprocket	
33	<b>D42332800</b>	1	Chain	
34	D42363100	1	Link	
35	<b>D42363500</b>	1	Link	
36	D40433600	2	Screw Metric	
37	D20400460	X	Washer	
38	D41712300	2	Tensioner	
39	D40404900	X	Hex. Sock. Screw	
40	D20400506	X	Washer	
41	D40693100	X	Screw	
42	D28251445	X	Shim	
43	D28281146	15	Reinforcement	
44	D28251420	8	Control	
45	D42515400	8	Circlip	
46	D42503300	8	Circlip	
47	D41716300	4	Bearing Ball	
48	D28251583	4	Bearing Carrier	
49	D28251417	4	Scraper	
50	D28251418	4	Scraper	
51	D28281522	X	Shim	OPTIONAL
52	D20400516	X	Spacer	OPTIONAL
53	D41087900	1	Locknut	
54	D28181284	2	Washer	
55	D40402200	X	Hex. Sock. Screw	
56	D20400470	X	Washer	
57	D40402400	1	Hex. Sock. Screw	

MF 38/40 COMBINES, |-> 47958 - 63001210  
38-0124



**Massey Ferguson****MF 38/40 COMBINES, |-> 47958 - 63001210****63001210****Powerflow Band - Right Hand - 7,80 M****Page001-0125**

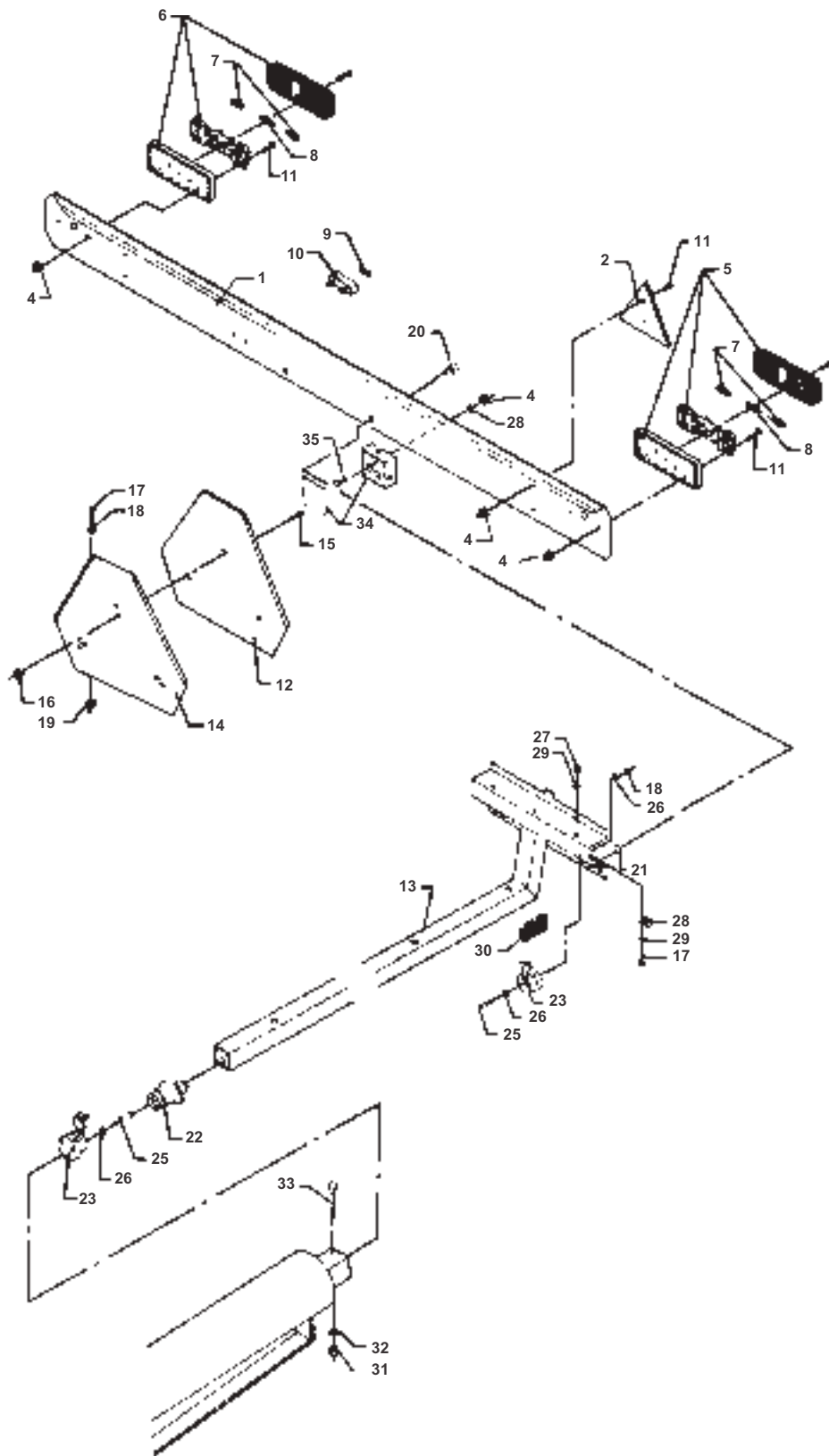
<b>Item</b>	<b>Part Number</b>	<b>Qty</b>	<b>Description</b>	<b>Comments</b>
1	D42514500	X	Circlip	
2	D41715600	X	Bearing Ball	
3	D28251582	X	Bearing Carrier	
4	D28285142	X	Roller	
5	D40426600	X	Hex. Sock. Screw	
6	D28251380	X	Bracket	
7	D20400506	X	Washer	
8	D40697400	X	Screw	
9	D40402400	X	Hex. Sock. Screw	
10	D20400470	X	Washer	
11	D28251379	4	Bracket	
12	D18284381	X	Shield	
13	D18284374	X	Shield	
14	D28281310	2	Guide	From Serial or Engine Number +937533
15	D40064000	X	Screw	
16	D40404900	X	Hex. Sock. Screw	
17	D20400506	X	Washer	
18	D41013500	X	Nut	
19	D40402200	X	Hex. Sock. Screw	
20	D28251543	1	Tool	
	D28251545	1	Tool	(20)
21	D28251544	1	Tool	(20)
22	D43385200	2	Screw	(20)
23	D28251547	1	Adjuster	(20)
24	D18285137	5	Scraper	
25	D40690300	16	Screw	
26	D28250932	5	Band	



## Straw Dividers - 7,80 M

Item	Part Number	Qty	Description	Comments
1	D18251600	1	Divider	
2	D28251604	1	Divider	
	D18251602	1	Divider	(2)
	D18251603	1	Divider	(2)
3	D18260226	2	Point	(2)
4	D40066800	4	Screw Metric	(2)
5	D20400471	4	Washer	(2)
6	D41087600	4	Locknut	(2)
7	D28251605	1	Divider	
	D18211126	1	Divider	(7)
8	D40063700	2	Screw Metric	(7)
9	D20400471	3	Washer	(7)
10	D18230447	1	Plate	(7)
11	D41013500	2	Nut	(7)
12	D41408700	1	Split Pin	(7)
13	D28230462	1	Rod	(7)
14	D18230457	1	Wing	(7)
15	D27200313	1	Angle	(7)
16	D41010800	3	Nut	(7)
17	D40408000	1	Hex. Sock. Screw	(7)
18	D17200640	1	Stop	(7)
19	D27300323	1	Locknut	(7)
20	D18251601	1	Support	(7)
21	D40405000	2	Hex. Sock. Screw	(7)
22	D20400506	4	Washer	(7)
23	D28230467	1	Mounting	(7)
	D40211200	1	Screw	(23)
24	D40424400	1	Bolt	(23)
25	D28230468	1	Mounting	(23)
26	D28230471	1	Mounting	(23)
27	D41087500	1	Locknut	(23)
28	D40066700	2	Screw Metric	(7)
29	D18250549	1	Plate	(7)
30	D27200300	1	Pin	(7)
31	D41010700	2	Nut	(7)
32	D41087700	2	Locknut	
33	D20400423	2	Washer	
34	D18251588	2	Plate	
35	D40070200	2	Screw Metric	
36	D28230487	1	Wing	
	D28230480	1	Wing	(36)
37	D41410600	2	Pin	(36)
38	D28230482	1	Support	(36)
39	D27200364	1	Handle	(36)
40	D28230486	1	Pipe	(36)
41	D40021300	1	Screw	(36)
				1/2 WG
	D40070900	1	Screw	(36)
				M12
42	D28230488	2	Clutch	(36)
43	D28230473	1	Support	(36)
44	D40407700	2	Hex. Sock. Screw	(36)
45	D20400518	1	Spacer	(36)
46	D28230472	1	Bracket	(36)
47	D41087600	2	Locknut	(36)
48	D27300323	1	Locknut	(36)
				1/2 WG
	D28284403	1	Locknut	(36)
				M12
49	D20400426	1	Washer	(36)

MF 38/40 COMBINES, |-> 47958 - 63001210  
38-0127

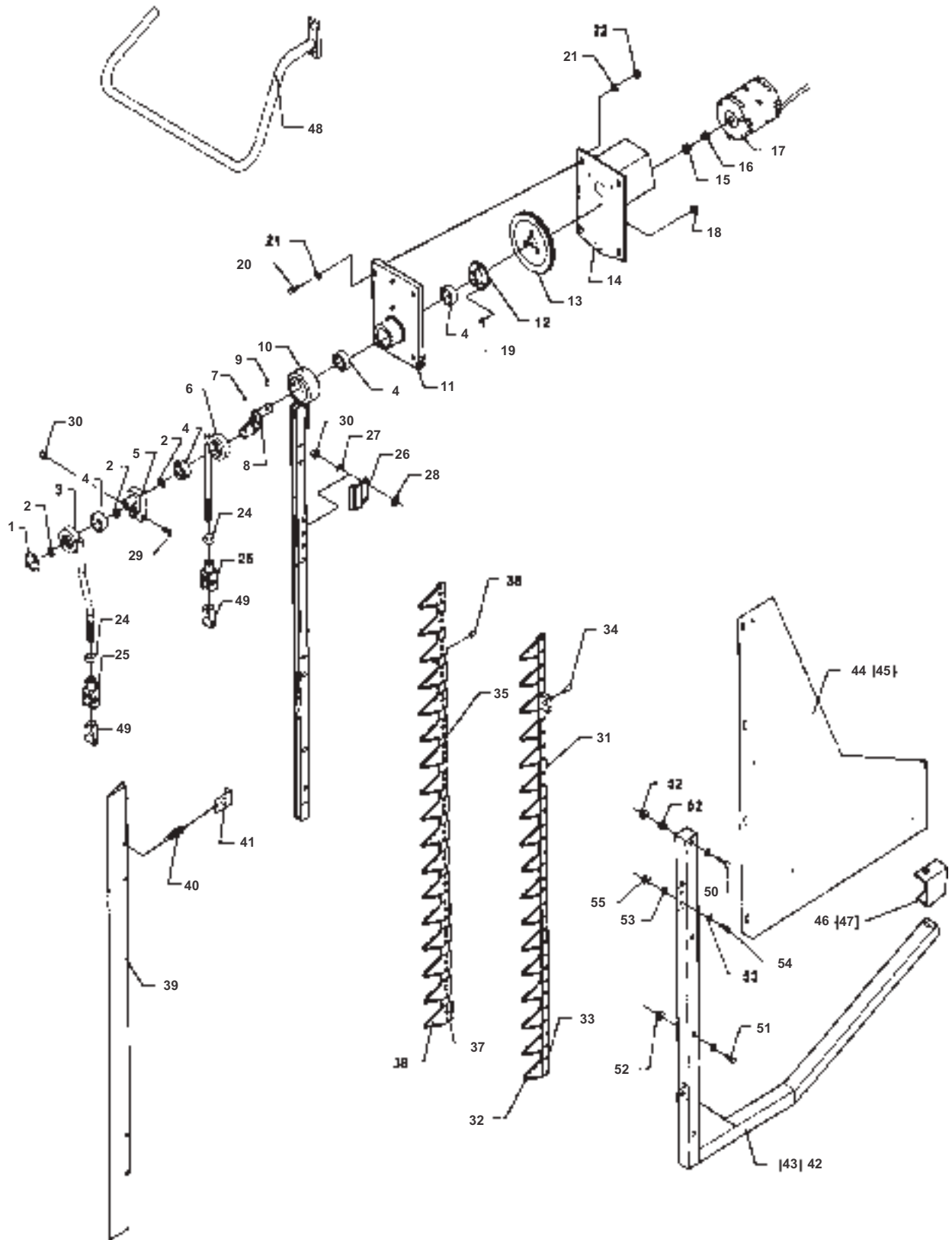




**Massey Ferguson****MF 38/40 COMBINES, |-> 47958 - 63001210****63001210****Lightening Bracket - 7,80 M****Page001-0135**

<b>Item</b>	<b>Part Number</b>	<b>Qty</b>	<b>Description</b>
1	D28283662	1	Ramp
	D28285744	X	Bar
2	D45083900	2	Reflector
3	D20400400	6	Washer
4	D41010500	10	Nut
5	D45077100	1	Rh Rear Lamp
6	D45077300	1	Lh Rear Lamp
7	D45080600	4	Bulb 12v 21w Sbc
8	D45080700	2	Bulb 12v 10w
9	D45080900	2	Bulb
10	D45085500	2	Lamp
11	D40352300	8	Screw Metric
12	D45084500	1	Reflector
13	D28285152	1	Support
14	D28251559	1	Support
15	D40400300	3	Screw Metric
16	D41010400	3	Nut
17	D40402400	3	Hex. Sock. Screw
18	D20400453	3	Washer
19	D41013400	3	Nut
20	D43427500	2	Pin
21	D42555500	2	Circlip
22	D45005300	1	Electric Socket
23	D45005200	2	Electric Socket
25	D40351600	3	Screw Metric
26	D20400400	3	Washer
27	D41087400	1	Locknut
28	D45729400	1	Clamp
29	D20400404	4	Washer
30	D45084600	2	Reflector
31	D41087700	1	Locknut
32	D20400426	1	Washer
33	D40429200	1	Bolt
34	D28781903	1	Connector
35	D40402700	2	Hex. Sock. Screw

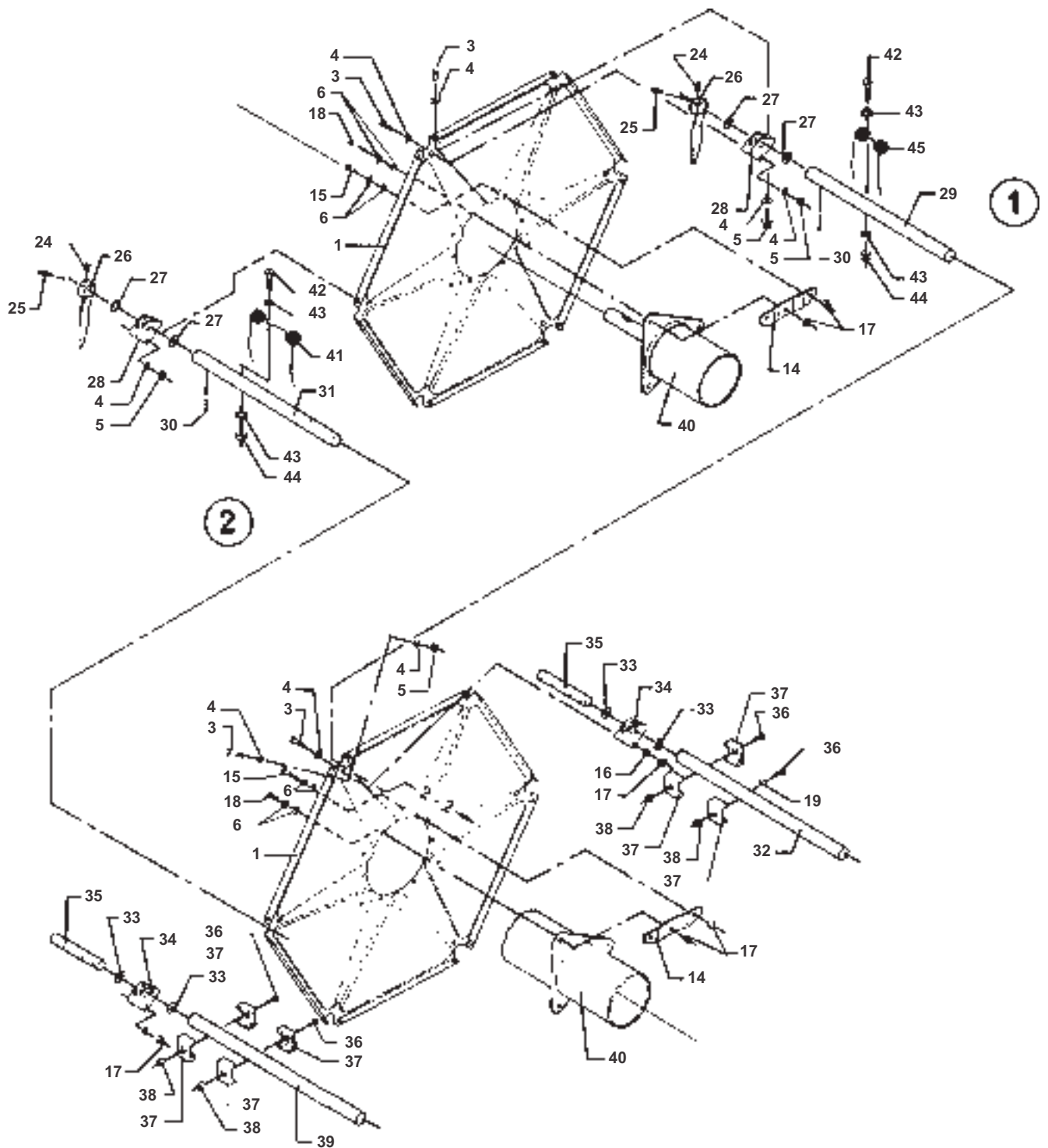
MF 38/40 COMBINES, |-> 47958 - 63001210  
38-0128



Item	Part Number	Qty	Description	Comments
1	D42501800	1	Circlip	
2	D20400441	X	Washer	
3	D28284074	1	Connecting Link	
4	D41616800	4	Bearing Ball	
5	D28284087	1	Crank	
6	D28284072	1	Connecting Link	
7	D43100900	1	Key	
8	D28284084	1	Crank	
9	D42612000	1	Pin	
10	D28284079	1	Accessory	
11	D28284093	1	Bearing Carrier	
12	D28284069	1	Hub	
13	D28284081	1	Gear	
14	D28284090	1	Bracket	
15	D28284111	1	Nut	
16	D28284080	1	Pinion	
17	D45070083	1	Electric Motor	
18	D40688000	3	Screw	
19	D41010600	3	Nut	
20	D40426000	4	Hex. Sock. Screw	
21	D20400471	8	Washer	
22	D41010800	4	Nut	
24	D41011000	2	Nut Metric	
25	D45905200	2	Fork Head	
26	D28284094	8	Clip	
27	D20400500	X	Spacer	
28	D20400506	32	Washer	
29	D40423700	16	Screw Metric	
30	D41087500	16	Locknut	
31	D28284060	1	Knife	
	D28284105	1	Knife Back	(31)
32	D44104100	17	Knife	(31)
33	D41314900	34	Rivet	(31)
34	D43360800	1	Bush	(31)
35	D28284061	1	Knife	
	D28284104	1	Knife Back	(35)
36	D44104100	17	Knife	(35)
37	D41314900	34	Rivet	(35)
38	D43360800	1	Bush	(35)
39	D28284124	1	Guard	
40	D26500317	2	Spring	
41	D28284125	2	Retainer	
42	D28285169	1	Bracket	[A]
43	D28285168	1	Bracket	[B]
44	D28285187	1	Guard	[A]
45	D28285189	1	Guard	[B]
48	D28284107	1	Deflector	
49	D45904800	2	Pin	
50	D40422400	X	Screw	
51	D40422300	X	Hex. Sock. Screw	
52	D41013400	X	Nut	
53	D20400419	2	Washer	
54	D40425800	1	Screw	
55	D41087600	1	Locknut	

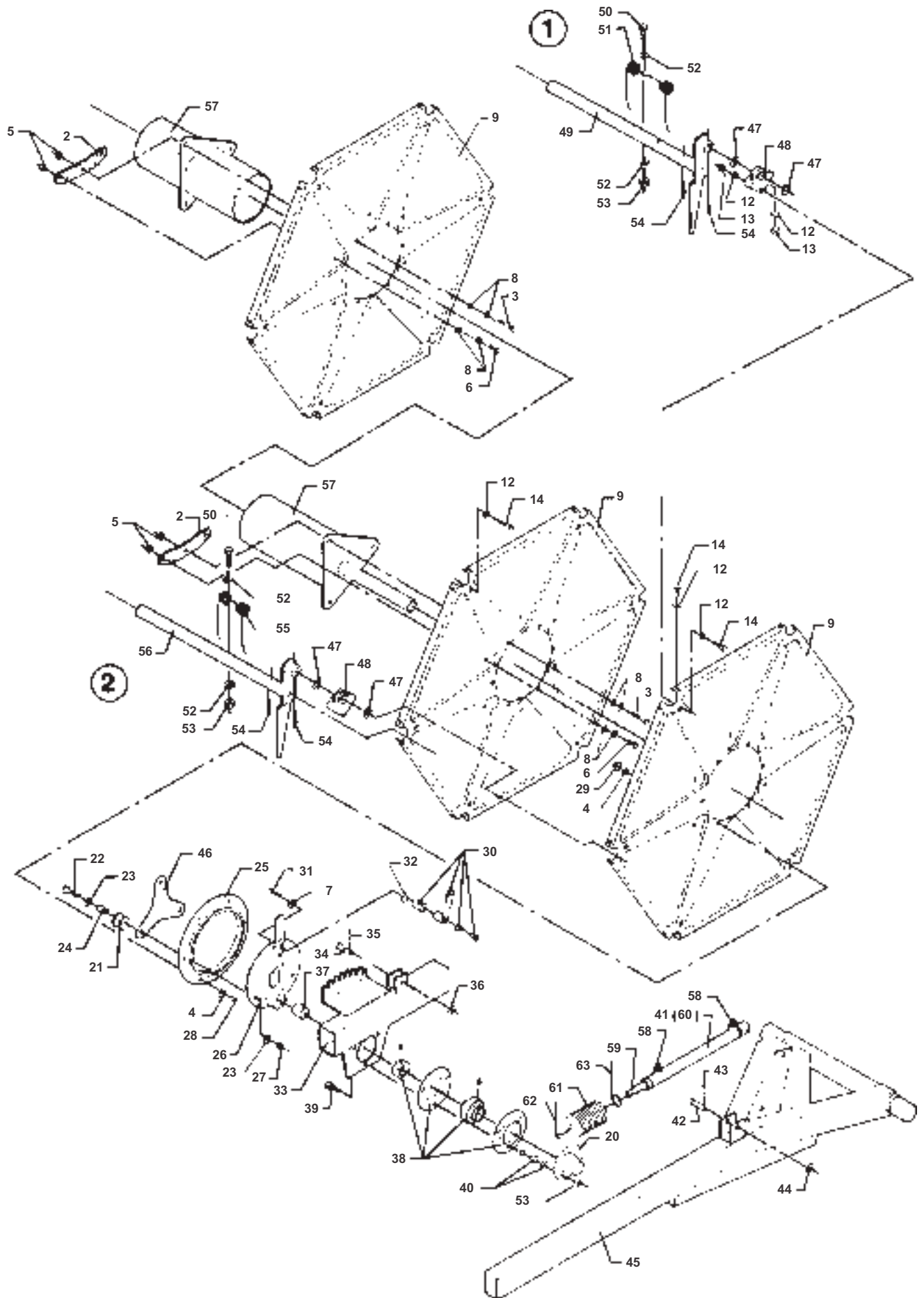
FOOTNOTE [A] OPTIONAL EQUIPMENT ELECTRIC VERTICAL KNIFE RIGHT

FOOTNOTE [B] OPTIONAL EQUIPMENT ELECTRIC - VERTICAL KNIFE LEFT



## Reel - Right Hand

Item	Part Number	Qty	Description	Comments
1	D28680240	2	Plate	From Serial or Engine Number +931664
3	D40402700	X	Hex. Sock. Screw	From Serial or Engine Number +931869
4	D20400403	X	Washer	From Serial or Engine Number +931869
5	D41087400	X	Locknut	
6	D20400413	X	Washer	From Serial or Engine Number +931503
14	D28660051	6	Dog	
15	D40404700	X	Hex. Sock. Screw	
16	D20400506	X	Washer	
17	D41087500	X	Locknut	From Serial or Engine Number +931503
18	D40405000	X	Hex. Sock. Screw	
19	D20400507	6	Spacer	18' - 20' - 22' 5,56M-6,16M- 6,77M
24	D40630900	6	Pin	Up to Serial or Engine Number 924383
	D40632000	6	Stud	From Serial or Engine Number 924384
25	D42614300	6	Pin	
26	D28680107	6	Finger	
27	D20400586	X	Washer	
28	D28680117	X	Bearing Carrier	
29	D28680145	3	Rake	20' - 22' 6,16M - 6,77M
	D28680154	3	Rake	18' - 5,56M
	D28680168	3	Rake	16' - 4,95M
30	D41411100	X	Split Pin	
31	D28680141	3	Rake	20' - 22' 6,16M - 6,77M
	D28680156	3	Rake	18' - 5,56M
	D28680167	3	Rake	16' - 4,95M
32	D28680142	3	Rake	22' - 6,77M
	D28680147	3	Rake	20' - 6,16M
	D28680153	3	Rake	18' - 5,56M
33	D20400585	12	Washer	18' - 20' - 22' 5,56M - 6,16M - 6,77M
34	D28680132	6	Bearing Carrier	18' - 20' - 22' 5,56M - 6,16M - 6,77M
35	D28680139	6	Pin	18' - 20' - 22' 5,56M - 6,16M - 6,77M
36	D40426000	24	Hex. Sock. Screw	18' - 20' - 22' 5,56M - 6,16M - 6,77M
37	D28660035	42	Stirrup	18' - 20' - 22' 5,56M - 6,16M - 6,77M
38	D41087600	24	Locknut	18' - 20' - 22' 5,56M - 6,16M - 6,77M
39	D28680140	3	Rake	22' - 6,77M
	D28680148	3	Rake	20' - 6,16M
	D28680152	3	Rake	18' - 5,56M
40	D28680138	1	Pipe	22' - 6,77M
	D28680151	1	Pipe	20' - 6,16M
	D28680159	1	Tube	18' - 5,56M
	D28680166	1	Tube	16' - 4,95M
41	<b>D28680130</b>	X	Spring	
42	D40423900	X	Hex. Sock. Screw	
43	D20400506	X	Washer	
44	D41087500	X	Locknut	
45	<b>D28680131</b>	3	Spring	



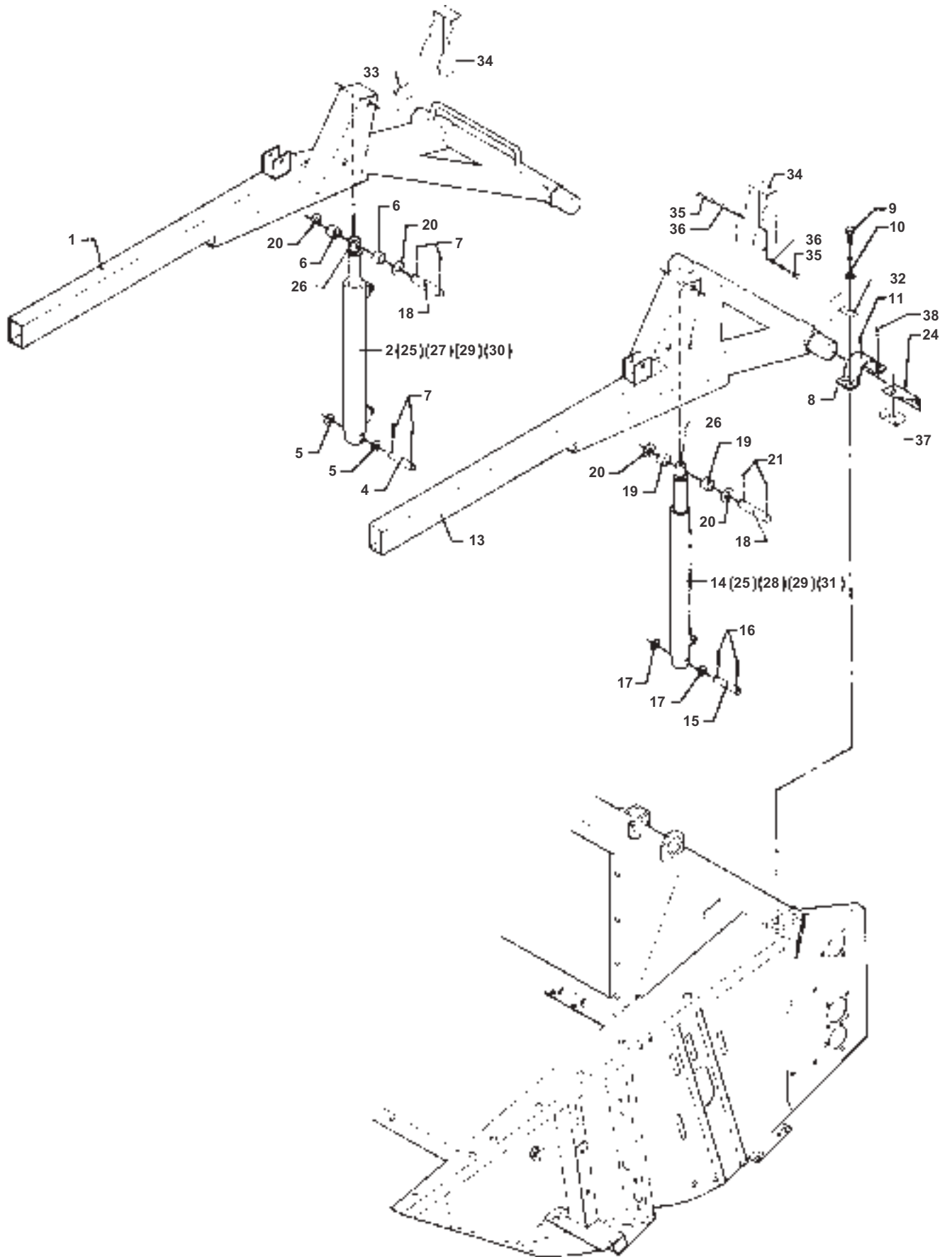
## Reel - Left Hand

Item	Part Number	Qty	Description	Comments
2	D28660051	6	Dog	
3	D40405000	X	Hex. Sock. Screw	
4	D20400506	X	Washer	
5	D41087500	X	Locknut	From Serial or Engine Number +931503
6	D40404700	X	Hex. Sock. Screw	
7	D20400518	1	Spacer	
8	D20400413	X	Washer	From Serial or Engine Number +931503
9	D28680240	3	Plate	From Serial or Engine Number +931664
12	D20400403	X	Washer	From Serial or Engine Number +931869
13	D41087400	X	Locknut	
14	D40402700	X	Hex. Sock. Screw	From Serial or Engine Number +931869
20	D28761977	1	Cover	
21	D28660005	3	Roller	
22	D40426000	3	Hex. Sock. Screw	
23	D20400416	3	Washer	
24	D28660143	3	Bush	
25	D28660036	1	Ring	
26	D28680097	1	Plate	
27	D41087600	3	Locknut	From Serial or Engine Number +52565
28	D40404900	6	Hex. Sock. Screw	From Serial or Engine Number +931313
29	D41087500	6	Locknut	From Serial or Engine Number +931313
30	D43387500	1	Lever	
31	D40070100	1	Screw Metric	
32	D20400426	1	Washer	
33	D28680054	1	Housing	
34	D28280382	1	Pin	
35	D41408800	1	Split Pin	
36	D20400505	1	Spacer	
37	D43338200	1	Lining	(26)
38	D41707800	1	Bearing	
39	D40407800	3	Hex. Sock. Screw	
40	D41010800	3	Nut	
41	D45100028	1	Cylinder	
42	D28280383	1	Pin	
43	D41408800	1	Split Pin	
44	D20400471	1	Washer	
45	D28283301	1	Frame	FREEFLOW 16' - 18' - 20' 4,95M-5,56M- 6,16M
	D28283303	1	Frame	POWERFLOW 16' - 18' - 20' 4,95M-5,56M- 6,16M
	D28283817	1	Frame	FREEFLOW 22' - 6,77M
	D28283825	1	Frame	POWERFLOW 22' - 6,77M
46	D28680120	1	Plate	
47	D20400586	X	Washer	
48	D28680117	X	Bearing Carrier	
49	D28680142	3	Rake	22' - 6,77M
	D28680147	3	Rake	20' - 6,16M
	D28680153	3	Rake	18' - 5,56M
	D28680168	3	Rake	16' - 4,95M
50	D40423900	X	Hex. Sock. Screw	
51	<b>D28680130</b>	X	Spring	
52	D20400506	X	Washer	
53	D41087500	X	Locknut	
54	D41411100	X	Split Pin	
55	<b>D28680131</b>	3	Spring	
56	D28680140	3	Rake	22' - 6,77M
	D28680148	3	Rake	20' - 6,16M
	D28680152	3	Rake	18' - 5,56M
	D28680167	3	Rake	16' - 4,95M
57	D28680138	1	Pipe	22' - 6,77M
	D28680151	1	Pipe	20' - 6,16M
	D28680159	1	Tube	18' - 5,56M
	D28680166	1	Tube	16' - 4,95M
58	D45250000	2	Union	PACOMA
	D45252800	2	Union	PPT

**Massey Ferguson****MF 38/40 COMBINES, |-> 47958 - 63001210****63001210****Reel - Left Hand****Page002-0010**

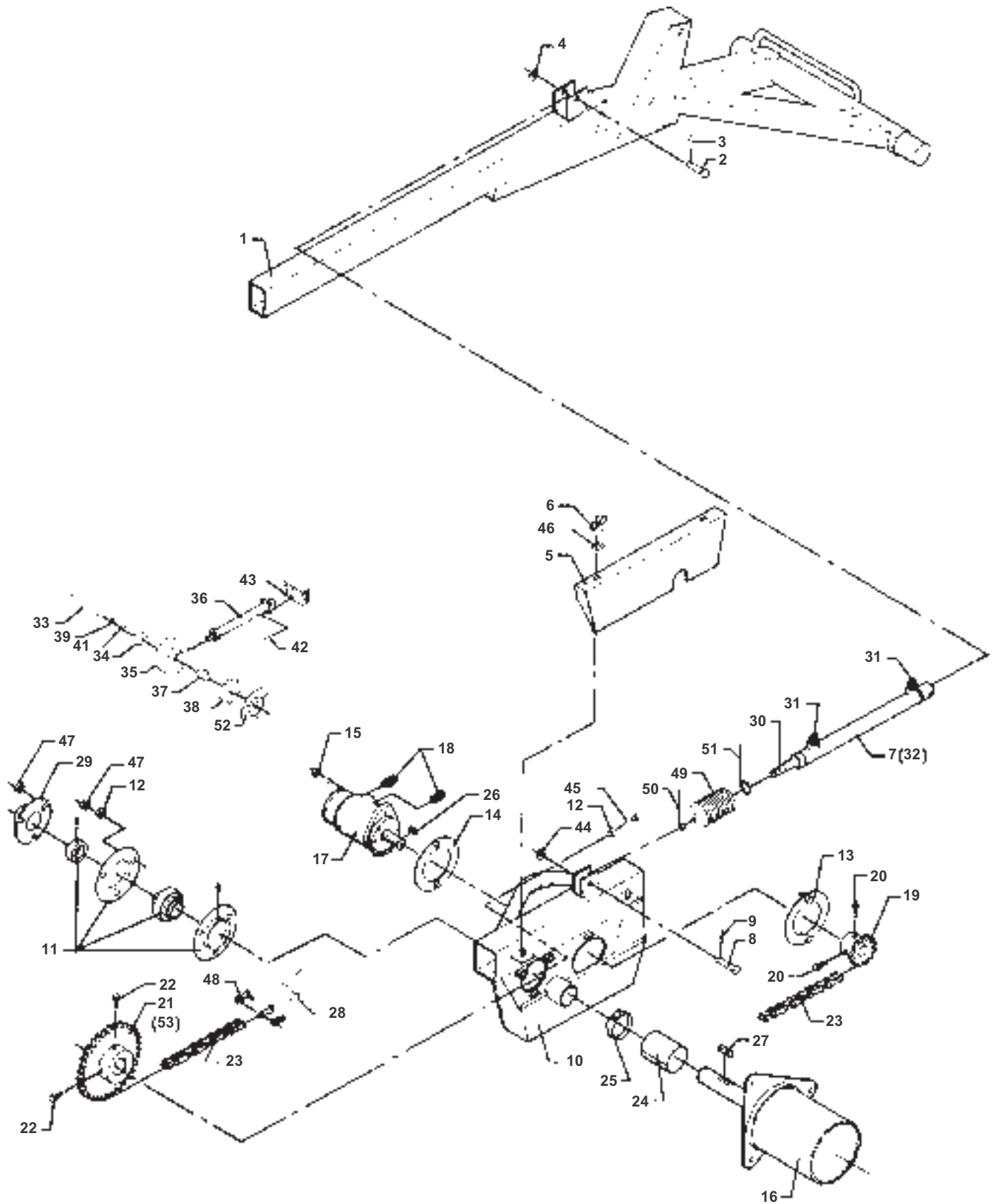
<b>Item</b>	<b>Part Number</b>	<b>Qty</b>	<b>Description</b>	<b>Comments</b>
59	D45100021	1	Cylinder Rod	PACOMA
60	D45100080	1	Kit, Seal	PACOMA
60	D45110020	1	Kit	PPT
60	D45110084	1	Kit, Seal	SERTA
61	D28281626	1	Rubber	From Serial or Engine Number 926971
62	D45050038	1	Retainer	From Serial or Engine Number 926971
63	D45050037	1	Retainer	From Serial or Engine Number 926971





## Reel Suspension And Hydraulic Cylinders

Item	Part Number	Qty	Description	Comments
1	D28283302	1	Frame	FREEFLOW 16' - 18' - 20' 4,95M - 5,56M - 6,16M
	D28283304	1	Frame	POWERFLOW 16' - 18' - 20' 4,95M - 5,56M - 6,16M
	D28283816	1	Frame	FREEFLOW 22' - 6,77M
	D28283824	1	Frame	POWERFLOW 22' - 6,77M
2	D45100066	1	Cylinder	
4	D28280236	1	Pin	
5	D20400518	2	Spacer	
6	D28751140	2	Spacer	
7	D41408800	4	Split Pin	
8	D28283300	2	Half Flange	
9	D40410800	2	Screw Metric	
10	D20400424	2	Washer	
11	D43001500	2	Greaser	
13	D28283301	1	Frame	FREEFLOW 16' - 18' - 20' 4,95M - 5,56M - 6,16M
	D28283303	1	Frame	POWERFLOW 16' - 18' - 20' 4,95M - 5,56M - 6,16M
	D28283817	1	Frame	FREEFLOW 22' - 6,77M
	D28283825	1	Frame	POWERFLOW 22' - 6,77M
14	D45100067	1	Cylinder	
15	D28280236	1	Pin	
16	D41408800	2	Split Pin	
17	D20400518	2	Spacer	
18	D28280237	2	Pin	
19	D28751140	2	Spacer	
20	D20400520	4	Spacer	
21	D41408800	4	Split Pin	
24	D28283251	1	Retainer	
25	D41042700	2	Nut	
26	D45100044	2	Piston Head	
27	D45100016	1	Cylinder Rod	PACOMA
28	D45100017	1	Cylinder Rod	PACOMA
29	D45252800	3	Union	
30	D45100031	1	Gasket	PACOMA
	D45110030	1	Kit, Joint	PPT
	D45110089	1	Kit, Seal	SERTA
31	D45100032	1	Kit,Joint/Gasket	PACOMA
	D45110022	1	Kit, Joint	PPT
	D45110090	1	Kit, Seal	SERTA
32	D28680025	1	Angle	From Serial or Engine Number 926971
33	D28680024	1	Angle	From Serial or Engine Number 926971
34	D28281518	2	Guard	From Serial or Engine Number 926971
35	D40402400	4	Hex. Sock. Screw	From Serial or Engine Number 926971
36	D20400404	4	Washer	From Serial or Engine Number 926971
37	D28283835	2	Support	From Serial or Engine Number +928659
38	D40410900	2	Hex. Sock. Screw	From Serial or Engine Number +928659



Massey Ferguson

MF 38/40 COMBINES, |-> 47958 - 63001210

63001210

Reel Suspension And Hydraulic Motor

Page002-0020

Item	Part Number	Qty	Description	Comments
1	D28283302	1	Frame	FREEFLOW 16' - 18' - 20' 4,95M - 5,56M - 6,16M
	D28283304	1	Frame	POWERFLOW 16' - 18' - 20' 4,95M - 5,56M - 6,16M
	D28283816	1	Frame	FREEFLOW 22' - 6,77M
	D28283824	1	Frame	POWERFLOW 22' - 6,77M
2	D28280383	1	Pin	
3	D41408800	1	Split Pin	
4	D20400471	1	Washer	
5	D28680046	1	Cover	
6	D41057100	2	Wing Nut	
7	D45100027	1	Cylinder	
8	D28280382	1	Pin	
9	D41408800	1	Split Pin	
10	D28680055	1	Housing	
11	D41707800	1	Bearing	
12	D41010800	4	Nut	
13	D28650018	1	Plate	
14	D28650101	1	Plate	
15	D41010900	2	Nut	
16	D28680138	1	Pipe	22' - 6,77M
	D28680151	1	Pipe	20' - 6,16M
	D28680159	1	Tube	18' - 5,56M
	D28680166	1	Tube	16' - 4,95M
17	D45120700	1	Hydraulic Motor	
18	D45250700	2	Union	
19	D28650023	1	Sprocket	
20	D40404900	2	Hex. Sock. Screw	
21	D28680013	1	Sprocket	
22	D40405100	2	Hex. Sock. Screw	
23	<b>D42325700</b>	1	Chain	
24	D28680087	1	Tube	
25	D45728000	1	Clamp	
26	D43103400	1	Key	
27	D43103500	1	Key	
28	D42363200	1	Link	
29	D28761977	1	Cover	
30	D45100022	1	Cylinder Rod	PACOMA
31	D45250000	2	Union	PACOMA
	D45252800	2	Union	PPT
32	D45100070	1	Kit, Seal	PACOMA
	D45110019	1	Kit, Joint	PPT
	D45110083	1	Kit, Seal	SERTA
33	D40407900	1	Hex. Sock. Screw	[A]
34	D28781020	1	Sensor	[A]
	D41622600	1	Bearing Ball	[A]
				(34)
35	D28751223	1	Cup	[A]
				(34)
36	D28781016	1	Sensor	[A]
				(34)
37	D28751218	1	Journal	[A]
				(34)
38	D28750922	1	Wheel	[A]
				(34)
39	D41100800	1	Spring Washers	[A]
41	D20400419	1	Washer	[A]
42	D40740400	4	Screw	[A]
43	D28780772	1	Retainer	[A]
44	D20400505	1	Spacer	
45	D40408400	1	Bolt Metric	
46	D20400414	2	Washer	
47	D41087500	6	Locknut	
48	D42363100	1	Link	
49	D28281626	1	Rubber	From Serial or Engine Number 926971

**Massey Ferguson**

**MF 38/40 COMBINES, |-> 47958 - 63001210**

**63001210**

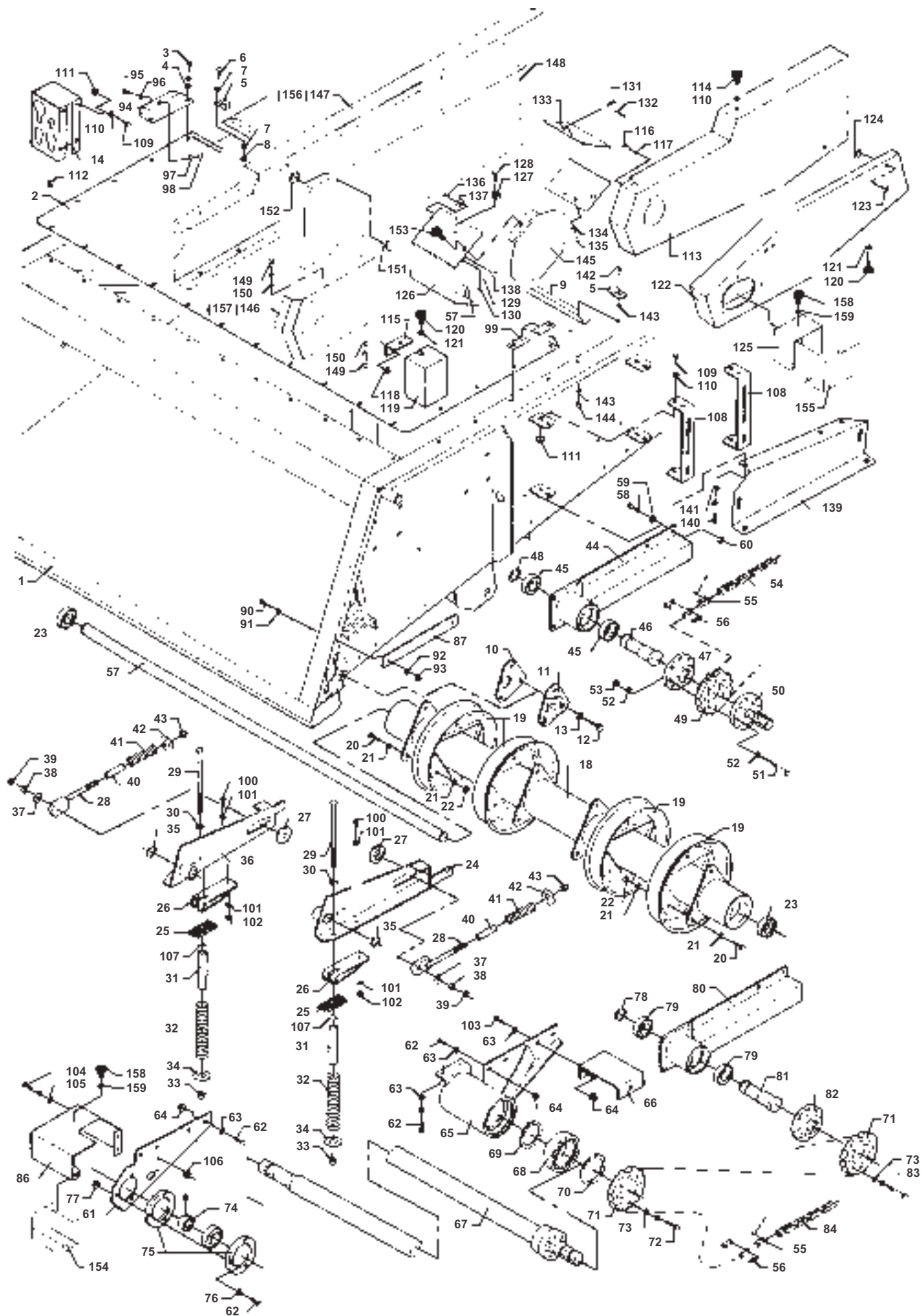
**Reel Suspension And Hydraulic Motor**

**Page002-0020**

<b>Item</b>	<b>Part Number</b>	<b>Qty</b>	<b>Description</b>	<b>Comments</b>
50	D45050038	1	Retainer	From Serial or Engine Number 926971
51	D45050037	1	Retainer	From Serial or Engine Number 926971
52	D28281517	1	Cover	[A]

**FOOTNOTE [A] OPTIONAL EQUIPMENT REEL/FIELD PRESSURE ADJUSTMENT**

MF 38/40 COMBINES, |-> 47958 - 63001210  
90H0301



5CHC301

Item	Part Number	Qty	Description	Comments
1	D28281295	1	Conveyor	
2	D28281288	1	Plate	
3	D40404900	19	Hex. Sock. Screw	
4	D20400506	19	Washer	
5	D27100826	2	Spring	Up to Serial or Engine Number 31.12.94
	D28281771	2	Support	From Serial or Engine Number 01.01.95
6	D40400700	2	Hex. Sock. Screw	
7	D20400401	4	Washer	
8	D41087300	2	Locknut	
9	D28281550	1	Shutter	
10	D28281285	2	Plate	
11	D28281282	2	Locking Plate	
12	D40411000	6	Hex. Sock. Screw	
13	D20400423	6	Washer	
14	D28282091	1	Housing	
15	D40404900	4	Hex. Sock. Screw	
16	D20400506	4	Washer	
17	D41013500	4	Nut	
18	D28281246	1	Shaft	
19	D28281245	4	Cup	
20	D40407900	12	Hex. Sock. Screw	
21	D20400415	24	Washer	
22	D41087600	12	Locknut	
23	D41629000	2	Bearing Ball	
24	D28281258	1	Arm	
25	D28280537	2	Plate	
26	D28281374	2	Chock	[A]
27	D28280373	2	Ring	
28	D28280316	2	Bolt	
29	D28280491	2	Screw	
30	D20400426	2	Washer	
31	D28280490	2	Pipe	
32	D28280310	2	Spring	
33	D41087700	2	Locknut	
34	D20400425	2	Washer	
35	D42502800	2	Circlip	
36	D28281257	1	Arm	
37	D20400459	2	Washer	
38	D41011100	2	Nut	
39	D41012300	2	Nut Metric	
40	D28280489	2	Spacer	
41	D28280309	2	Spring	
42	D28260383	2	Indicator	
43	D41087700	2	Locknut	
44	D28281554	1	Support	
45	D41623000	2	Bear. 6207 2rs	
46	D28280282	1	Shaft	
47	D28280283	1	Hub	
48	D42503300	1	Circlip	
49	D28280292	3	Sprocket	
50	D28280420	1	Pin	
51	D40424000	8	Hex. Sock. Screw	
52	D20400506	16	Washer	
53	D41087500	8	Locknut	
54	D42329600	1	Chain	
55	<b>D42367800</b>	1	Link	
56	<b>D42367700</b>	1	Connecting Link	(54)
	<b>D42367700</b>	1	Connecting Link	(84)
57	D28281237	1	Shaft	
58	D40407800	8	Hex. Sock. Screw	
59	D20400415	8	Washer	
60	D41087600	8	Locknut	From Serial or Engine Number +52565
61	D28281609	1	Bearing Carrier	[A]
62	D40407700	X	Hex. Sock. Screw	[A]
63	D20400416	16	Washer	[A]
64	D41087600	18	Locknut	[A]
				From Serial or Engine Number +52565
65	D28281604	1	Bearing Carrier	[A]
66	D28281616	1	Stay	[A]
67	D28281612	1	Shaft	[A]
68	D41616000	1	Bearing Ball	[A]

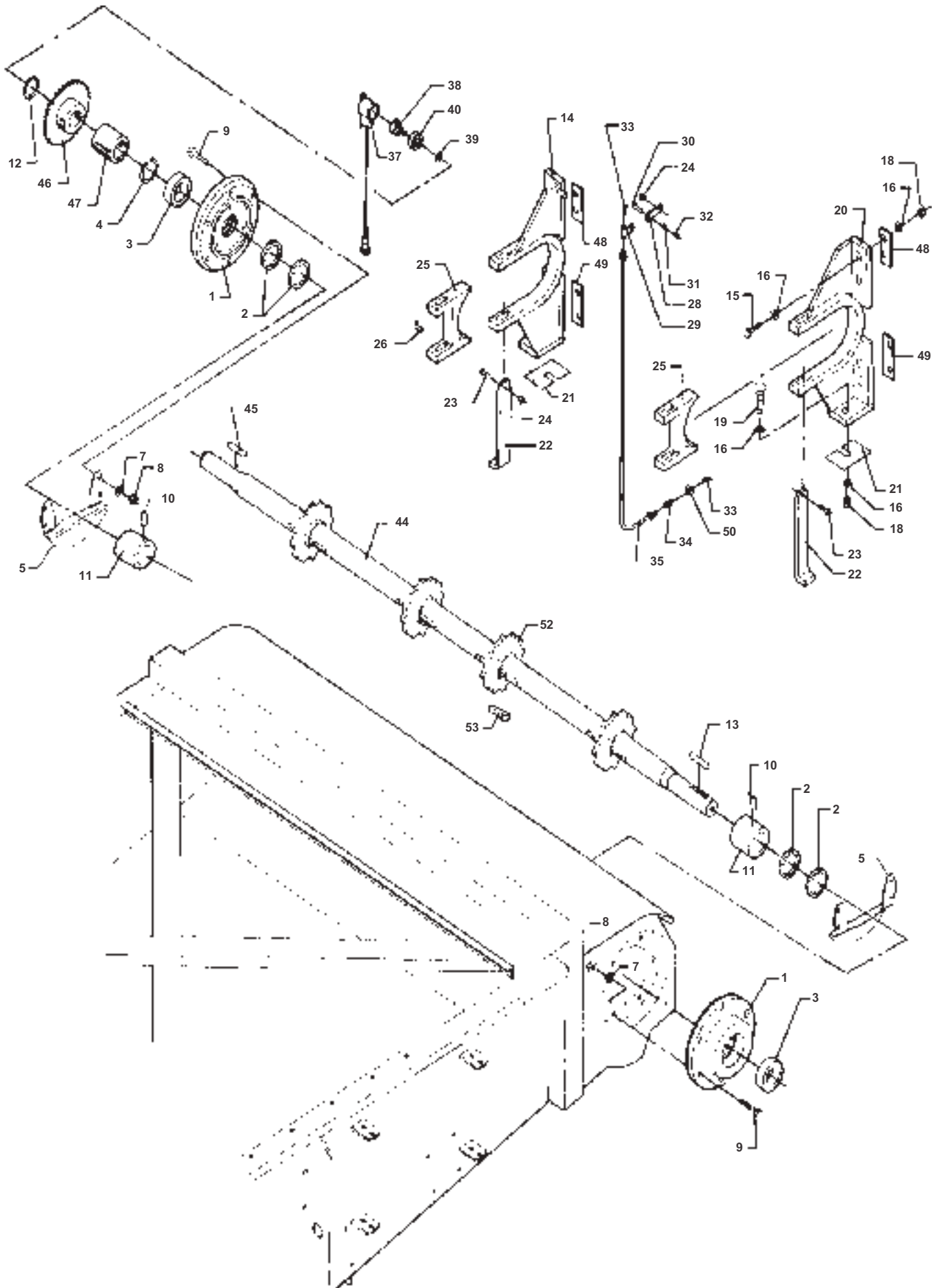
Item	Part Number	Qty	Description	Comments
69	D42505800	1	Circlip	[A]
70	D42516900	1	Circlip	[A]
71	D28281617	1	Sprocket	[A]
71	D28281619	1	Sprocket	[A]
72	D40423600	8	Screw Metric	[A]
73	D20400506	X	Washer	[A]
74	D41663500	1	Bearing Ball	[A]
75	D41701700	2	Flange	[A]
76	D20400507	3	Spacer	[A]
77	D41010800	3	Nut	[A]
78	D42503300	1	Circlip	[A]
79	D41623000	2	Bear. 6207 2rs	[A]
80	D28281554	1	Support	[A]
81	D28280282	1	Shaft	[A]
82	D28281611	1	Hub	[A]
83	D40405100	4	Hex. Sock. Screw	[A]
84	D42333200	1	Chain	[A]
86	D28283890	1	Shield	[A]
87	D28281681	2	Cover	
88	D45745800	8	Plug	
89	D45744000	1	Plug	
90	D40405000	4	Hex. Sock. Screw	
91	D20400414	4	Washer	
92	D20400410	4	Washer	
93	D41087500	4	Locknut	
94	D28281684	1	Retainer	From Serial or Engine Number +48313
95	D40402700	1	Hex. Sock. Screw	From Serial or Engine Number +48313
96	D20400404	1	Washer	From Serial or Engine Number +48313
97	D41013400	1	Nut	From Serial or Engine Number +48313
98	D41087400	1	Locknut	From Serial or Engine Number +48313
99	D28281683	1	Stirrup	From Serial or Engine Number +48313
100	D40405100	2	Hex. Sock. Screw	[A]
101	D20400506	4	Washer	[A]
102	D41087500	2	Locknut	[A]
103	D40407800	2	Hex. Sock. Screw	[A]
104	D40402400	2	Hex. Sock. Screw	[A]
105	D20400404	2	Washer	[A]
106	D41013400	2	Nut	[A]
107	D28284464	2	Washer	From Serial or Engine Number +50231
108	D28281296	2	Support	
109	D40405000	8	Hex. Sock. Screw	
110	D20400506	X	Washer	
111	D41013500	8	Nut	
112	D45744000	1	Plug	
113	D28280584	1	Guard	Up to Serial or Engine Number 31.12.94
114	D43385200	2	Screw	Up to Serial or Engine Number 31.12.94
115	D28281646	1	Retainer	[A] Up to Serial or Engine Number 31.12.94
116	D40402400	2	Hex. Sock. Screw	[A]
117	D20400404	2	Washer	[A]
118	D41013400	2	Nut	[A]
119	D28281647	1	Shield	[A] Up to Serial or Engine Number 31.12.94
120	D43385200	3	Screw	[A]
121	D20400506	3	Washer	[A]
122	D28281615	1	Shield	[A] Up to Serial or Engine Number 31.12.94
122	D28284582	1	Guard	[A] From Serial or Engine Number 01.01.95
123	D43427500	3	Pin	[A]
124	D42555500	3	Circlip	[A]
125	D28281637	1	Shield	[A]
126	D28284321	1	Pto Guard	From Serial or Engine Number 49960
127	D28120247	1	Bracket	From Serial or Engine Number 49960
128	D40400500	1	Screw Metric	From Serial or Engine Number 49960
129	D20400401	1	Washer	From Serial or Engine Number 49960
130	D41087300	1	Locknut	From Serial or Engine Number 49960
131	D44737200	1	Rubber Strap	From Serial or Engine Number 49960
132	D41410800	1	Split Pin	From Serial or Engine Number 49960
133	D28284320	1	Pto Guard	From Serial or Engine Number 49960 Up to Serial or Engine Number 13.12.94



Item	Part Number	Qty	Description	Comments
133	D28284565	1	Guard	From Serial or Engine Number 01.01.95
134	D20400404	2	Washer	From Serial or Engine Number 49960
135	D40402400	2	Hex. Sock. Screw	From Serial or Engine Number 49960
136	D40404900	2	Hex. Sock. Screw	From Serial or Engine Number 49960
137	D20400506	2	Washer	From Serial or Engine Number 49960
138	D41013500	2	Nut	From Serial or Engine Number 49960
139	D28281610	1	Support	[A]
140	D40407600	2	Hex. Sock. Screw	[A]
141	D20400416	2	Washer	[A]
142	D40404700	2	Hex. Sock. Screw	From Serial or Engine Number 01.01.95
143	D20400506	4	Washer	From Serial or Engine Number 01.01.95
144	D41087500	2	Locknut	From Serial or Engine Number 01.01.95
145	D28284566	1	Guard	From Serial or Engine Number 01.01.95
146	D28281836	1	Guard	From Serial or Engine Number 01.01.95
147	D28281837	1	Guard	From Serial or Engine Number 01.01.95
148	D28281835	1	Guard	From Serial or Engine Number 01.01.95
149	D40404700	4	Hex. Sock. Screw	From Serial or Engine Number 01.01.95
150	D20400506	4	Washer	From Serial or Engine Number 01.01.95
151	D43427500	4	Pin	From Serial or Engine Number 01.01.95
152	D42555500	4	Circlip	From Serial or Engine Number 01.01.95
153	D43385200	2	Screw	From Serial or Engine Number 01.01.95
154	D28284583	1	Guard	[A] From Serial or Engine Number 01.01.95
155	D28284581	1	Guard	[A] From Serial or Engine Number 01.01.95
156	D28284588	1	Guard	[A] From Serial or Engine Number 01.01.95
157	D28284584	1	Guard	[A] From Serial or Engine Number 01.01.95
158	D43385200	2	Screw	[A] From Serial or Engine Number 01.01.95
159	D20400506	2	Washer	[A] From Serial or Engine Number 01.01.95

**FOOTNOTE [A] MAIZE EQUIPMENT**

MF 38/40 COMBINES, |-> 47958 - 63001210  
90D0302

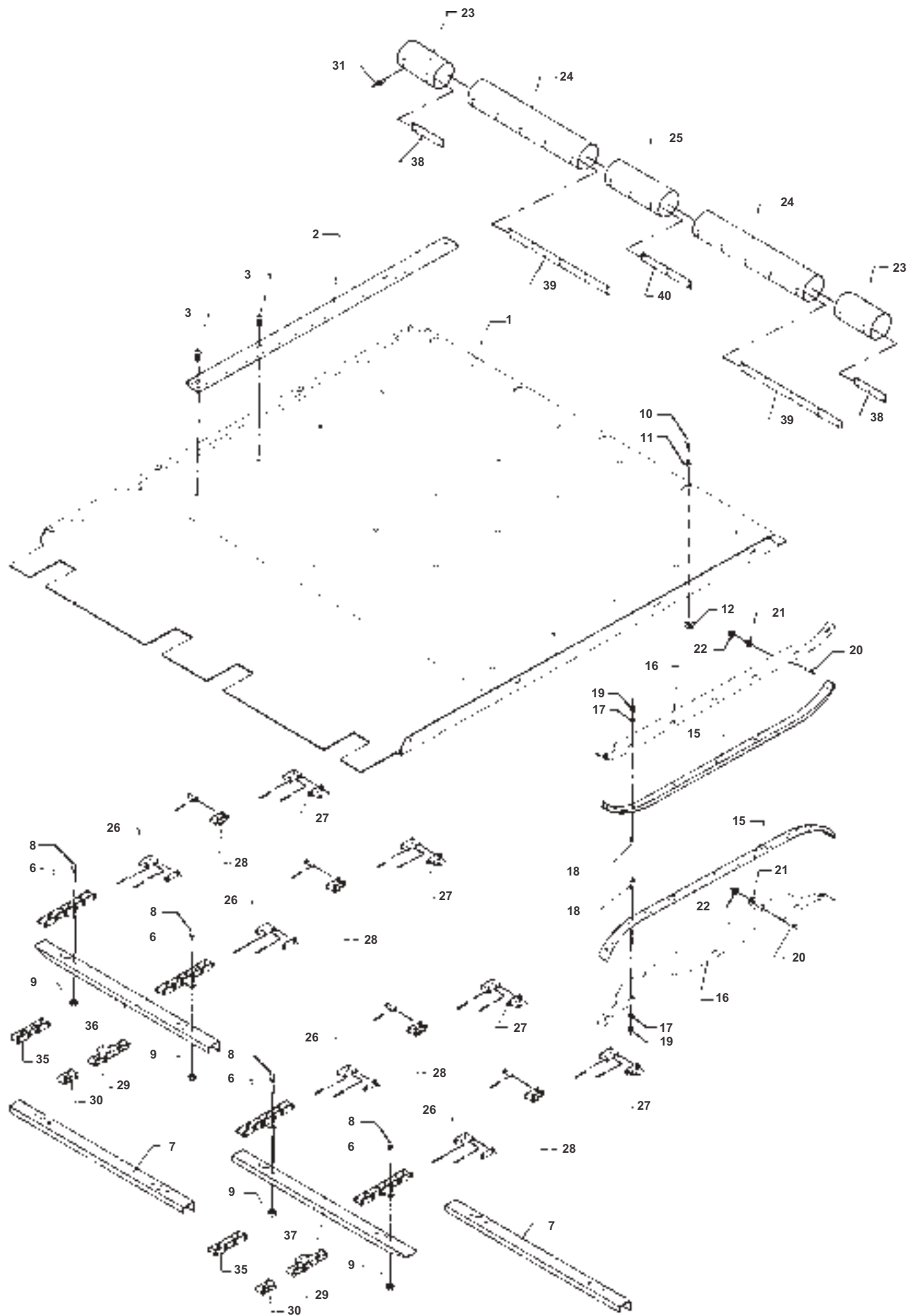


90D0302

## Elevator Shaft - Top And Pivot

Item	Part Number	Qty	Description	Comments
1	D28280112	2	Bearing	
2	D43501500	4	Felt Ring	
3	D41623300	2	Bearing Ball	
4	D42515900	1	Circlip	
5	D28281409	2	Cover	From Serial or Engine Number +56287
7	D20400426	12	Washer	
8	D41087700	12	Locknut	
9	D40694100	12	Screw	
10	D40632000	2	Stud	From Serial or Engine Number +48313
11	D28284038	2	Insert	From Serial or Engine Number +48313
12	D42504300	1	Circlip	
13	D43107900	1	Key	
14	D28280139	1	Bearing	
15	D40433600	8	Screw Metric	
16	D28181284	20	Washer	
18	D41087900	5	Locknut	
19	D40433700	1	Screw	
20	D28280140	1	Bearing	
21	D28280142	12	Shim	
22	D28280138	2	Pin	
23	D40405100	1	Hex. Sock. Screw	
24	D41087500	2	Locknut	
25	D28281552	2	Stop	
26	D43002700	2	Greaser	
28	D28281478	1	Mounting	
29	D43009200	1	Bracket	
30	D40402600	1	Hex. Sock. Screw	
31	D20400404	1	Washer	
32	D41087400	1	Locknut	
33	D43002700	2	Greaser	
34	D43009500	1	Greaser	
35	D28281479	1	Tube	
37	<b>D28780514</b>	1	Sensor	
38	<b>D28780516</b>	1	Inductive Taker	
39	D20400419	1	Washer	
40	D41622600	1	Bearing Ball	
44	D28283598	1	Shaft	
45	D43107500	1	Key	
46	D28283544	1	Sprocket	
47	D28283545	1	Spacer	
48	D28281663	2	Support	
49	D28281662	2	Support	
50	D20400453	1	Washer	
51	D40405000	1	Hex. Sock. Screw	
52	D28281304	4	Sprocket	(44) From Serial or Engine Number +54423
53	D43162000	4	Gib Key	(44)

MF 38/40 COMBINES, |-> 47958 - 63001210  
90E0303



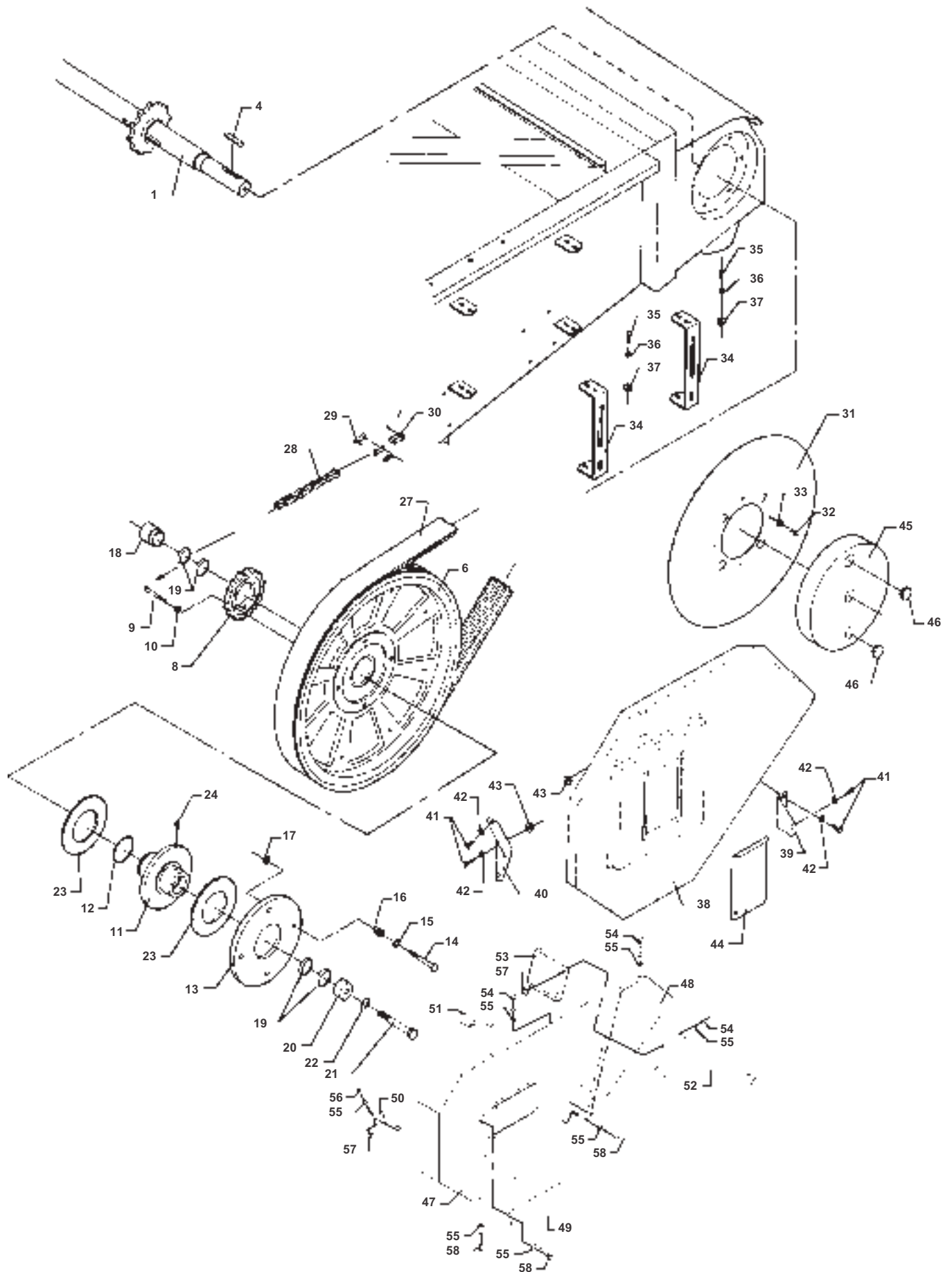
## Feeder Chain And Protective Plates

Item	Part Number	Qty	Description	Comments
1	D28281705	1	Plate	From Serial or Engine Number +926851
2	D28281247	4	Guide	
3	D40685000	20	Screw	
6	D28280302	4	Chain	
	D28281553	2	Chain	(6)
	D28281872	X	Chain	[B] (6)
	D28281873	X	Chain	[B] (6)
7	D28281556	40	Support	(6)
8	D40404900	X	Hex. Sock. Screw	(6)
9	D41087500	X	Locknut	(6)
10	D40404900	13	Hex. Sock. Screw	
11	D20400506	13	Washer	
12	D41013500	5	Nut	
15	D28281557	2	Rail	
	D28280540	2	Rail	(15)
16	D28281315	2	Reinforcement	(15)
17	D20400404	14	Washer	(15)
18	D40600900	14	Screw Metric	(15)
19	D41087400	14	Locknut	(15)
20	D40070100	4	Screw Metric	
21	D20400423	4	Washer	
22	D41010900	4	Nut	
23	D28281875	2	Protector	From Serial or Engine Number 53566
	D28281523	2	Tube	Up to Serial or Engine Number 53565
24	D28281840	2	Protector	From Serial or Engine Number 53566
	D28281519	2	Tube	Up to Serial or Engine Number 53565
25	D28281874	2	Protector	From Serial or Engine Number 53566
	D28281520	1	Tube	Up to Serial or Engine Number 53565
26	<b>D42351400</b>	4	Link	(6)
27	D42351500	1	Link	(6)
28	<b>D42351200</b>	8	Link	(6)
29	D42351600	1	Chain	
30	D42354800	1	Link	
31	D41397200	34	Rivet	From Serial or Engine Number 53566
	D41397400	17	Rivet	Up to Serial or Engine Number 53565
35	<b>D42351300</b>	1	Chain	
36	D28281794	20	Anglepiece	[A,B]
37	D28281795	20	Anglepiece	[A,B]
38	D28282209	2	Rivet	From Serial or Engine Number +53566
39	D28281871	2	Plate	From Serial or Engine Number +53566
40	D28281870	1	Plate	From Serial or Engine Number +53566

FOOTNOTE [A] AUTO-LEVEL COMBINE

FOOTNOTE [B] A-L COMBINE F.50992, A-L TABLE F.51241. STD.TABLE F.52083

MF 38/40 COMBINES, |-> 47958 - 63001210  
90C0304



## Table Clutch

Item	Part Number	Qty	Description	Comments
1	D28283598	1	Shaft	
4	D43107900	4	Key	
6	D28280120	1	Pulley	
8	D28280262	1	Sprocket	
	D28281618	1	Sprocket	[A]
9	D40407900	6	Hex. Sock. Screw	
10	D20400471	6	Washer	
11	D28280118	1	Hub	
12	D45481200	1	O Ring	
13	D28280116	1	Plate	
14	D40429400	4	Screw Metric	
15	D28251025	4	Washer	
16	D28260098	4	Comp.Spring	
17	D41012100	4	Locknut	
18	D28280252	1	Ring	
19	D42596900	2	Tightener	
20	D28280261	1	Ring	
21	D40433200	1	Hex. Sock. Screw	
22	D20400459	1	Washer	
23	<b>D45903400</b>	2	Friction Disc	
24	D43001600	1	Greaser	
27	<b>D41979800</b>	1	Belt	
28	D42329600	1	Chain	[B]
	D42332400	1	Chain	[C]
				AUTO-LEVEL
	D42333200	1	Chain	[C]
	D42334500	1	Chain	AUTO-LEVEL
	<b>D42334600</b>	1	Chain	AUTO-LEVEL
				From Serial or Engine Number 50992
29	<b>D42367700</b>	1	Connecting Link	
30	<b>D42367800</b>	1	Link	
31	D28281027	1	Cowl	Up to Serial or Engine Number 49639
32	D40404700	4	Hex. Sock. Screw	Up to Serial or Engine Number 49639
33	D20400506	4	Washer	Up to Serial or Engine Number 49639
34	D28281296	2	Support	
35	D40405000	8	Hex. Sock. Screw	
36	D20400506	8	Washer	
37	D41013500	8	Nut	
38	D28180463	1	Guard	From Serial or Engine Number 50992
				Up to Serial or Engine Number 51225
	D28181496	1	Cowl	From Serial or Engine Number 49640
				Up to Serial or Engine Number 50991
39	D28181497	1	Support	From Serial or Engine Number 49640
				Up to Serial or Engine Number 50991
40	D28181533	1	Support	From Serial or Engine Number 49640
				Up to Serial or Engine Number 51225
41	D40404900	X	Hex. Sock. Screw	From Serial or Engine Number 49640
42	D20400506	X	Washer	From Serial or Engine Number 49640
43	D41013500	X	Nut	From Serial or Engine Number 49640
44	D28180457	1	Cover	From Serial or Engine Number 50992
				Up to Serial or Engine Number 51225
	D28181612	1	Shield	From Serial or Engine Number 49640
				Up to Serial or Engine Number 50991
45	D28281487	1	Cap	[D]
				Up to Serial or Engine Number 49639
46	D45744000	2	Plug	[D]
				Up to Serial or Engine Number 49639
47	D28181102	1	Guard	From Serial or Engine Number 51226
48	D28181104	1	Guard	From Serial or Engine Number 51226
49	D28184441	1	Cover	From Serial or Engine Number 51226
50	D28181107	1	Bracket	From Serial or Engine Number 51226
51	D28181106	1	Bracket	From Serial or Engine Number 51226
52	D28180605	1	Bracket	From Serial or Engine Number 50992
53	D28181126	1	Bracket	From Serial or Engine Number 51298
	D28480341	1	Bracket	From Serial or Engine Number 50992
				Up to Serial or Engine Number 51297
54	D40404900	X	Hex. Sock. Screw	From Serial or Engine Number 51226
55	D20400506	X	Washer	From Serial or Engine Number 51226
56	D40405000	X	Hex. Sock. Screw	From Serial or Engine Number 51226
57	D41013500	X	Nut	From Serial or Engine Number 51226
58	D40476100	2	Hex. Sock. Screw	From Serial or Engine Number 51226

**Massey Ferguson**

**MF 38/40 COMBINES, |-> 47958 - 63001210**

**63001210**

**Table Clutch**

**Page003-0020**

<b>Item</b>	<b>Part Number</b>	<b>Qty</b>	<b>Description</b>	<b>Comments</b>
-------------	--------------------	------------	--------------------	-----------------

**FOOTNOTE [A]** MAIZE EQUIPMENT STANDARD AUTO-LEVEL COMBINE

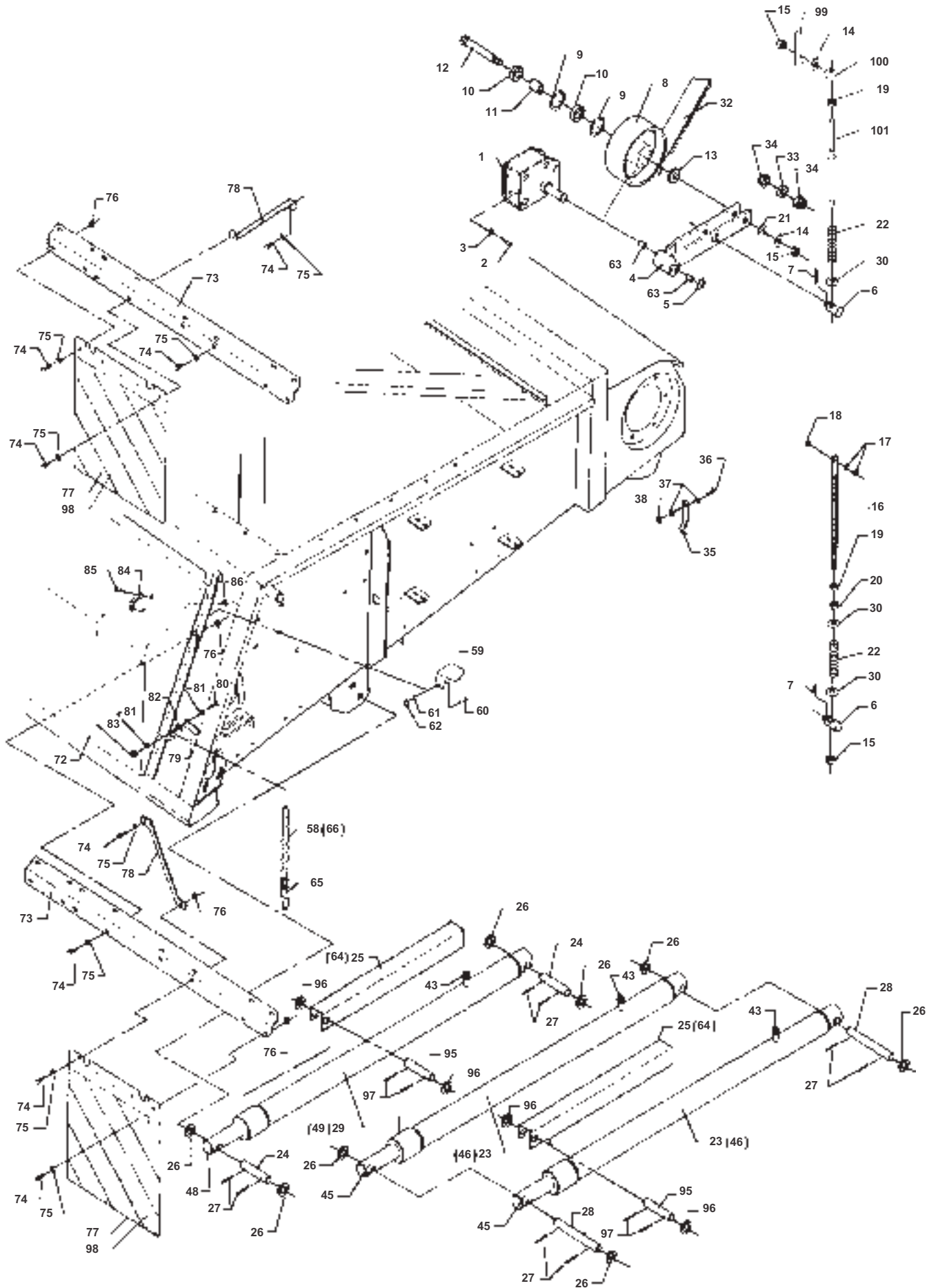
**FOOTNOTE [B]** AUTO-LEVEL COMBINE F.50992

**FOOTNOTE [C]** MAIZE EQUIPMENT

**FOOTNOTE [D]** OPTIONAL EQUIPMENT



MF 38/40 COMBINES, |-> 47958 - 63001210  
90E0305



## Hydraulic Cylinder

Item	Part Number	Qty	Description	Comments
1	D28785719	1	Bracket	From Serial or Engine Number +55529
2	D40408100	4	Setscrew	
3	D20400419	4	Washer	
4	D28786659	1	Lever	From Serial or Engine Number +57068
5	D42502300	1	Circlip	
6	D28780030	1	Pivot	
7	D41405900	1	Pin	
8	D28880196	1	Pulley	
9	D42513700	2	Circlip	
10	D41622700	2	Bearing Ball	
11	D28780007	1	Ring	
12	D28780008	1	Bolt	
13	D28380003	1	Ring	
14	D20400459	2	Washer	
15	D41087900	2	Locknut	
16	D28380011	1	Tie Rod	Up to Serial or Engine Number 53634
17	D20400471	1	Washer	Up to Serial or Engine Number 53634
18	D41087600	1	Locknut	Up to Serial or Engine Number 53634
19	D41012300	14	Nut Metric	
20	D41011100	1	Nut	Up to Serial or Engine Number 53634
21	D20400460	1	Washer	
22	D28210881	1	Comp.Spring	
23	D45100057	2	Hydraulic, Cylin	Up to Serial or Engine Number 50811
	D45140001	2	Hydraulic, Cylin	From Serial or Engine Number 50812 Up to Serial or Engine Number 51797
	D45140002	2	Ram	From Serial or Engine Number +51798
24	D28282040	2	Clevis Pin	
25	D28284049	2	Stop	From Serial or Engine Number 50812
	D28752129	3	Stop	Up to Serial or Engine Number 50811
26	D20400467	8	Washer	
27	D41410700	8	Split Pin	From Serial or Engine Number +53566
28	D28282039	2	Clevis Pin	
29	D45100058	1	Hydraulic, Cylin	Up to Serial or Engine Number 50811
	D45140002	1	Ram	From Serial or Engine Number 50812
30	D28181284	1	Washer	
32	<b>D41979800</b>	1	Belt	
33	D28780776	1	Spacer	
34	D28780777	2	Eccentric	
35	D28260477	2	Retainer	
36	D40402600	2	Hex. Sock. Screw	
37	D20400470	4	Washer	
38	D41087400	2	Locknut	
43	D45250800	X	Union	
45	D45100085	2	Piston Rod	PACOMA
46	D45100074	2	Kit, Seal	PACOMA
	D45110023	2	Kit, Joint	PPT
	D45110086	2	Kit, Seal	SERTA
				Up to Serial or Engine Number 51797
	D45110087	2	Kit, Seal	SERTA
				From Serial or Engine Number +51798
48	D45100086	1	Cylinder Rod	PACOMA
49	D45100075	1	Kit, Seal	PACOMA
	D45110024	1	Kit, Joint	PPT
	D45110087	1	Kit, Seal	SERTA
58	D28181715	2	Chain	[A]
59	D28181714	2	Hinge	[A]
60	D40404900	4	Hex. Sock. Screw	[A]
61	D20400506	4	Washer	[A]
62	D41013500	4	Nut	[A]
63	D43364800	2	Bush	(4)
64	D28284028	2	Stop	AUTO-LEVEL
				Up to Serial or Engine Number 50811
65	D42386000	2	Hook	[B]
66	D28181230	1	Chain	From Serial or Engine Number 01.01.95
72	D28181078	1	Shield	[B]
73	D28181073	2	Suspension	[C]
74	D40402600	X	Hex. Sock. Screw	[C]
75	D20400470	X	Washer	[C]
76	D41013400	X	Nut	[C]
77	D28761501	2	Plate	[C]
78	D28181074	2	Stay	[C]

**Hydraulic Cylinder**

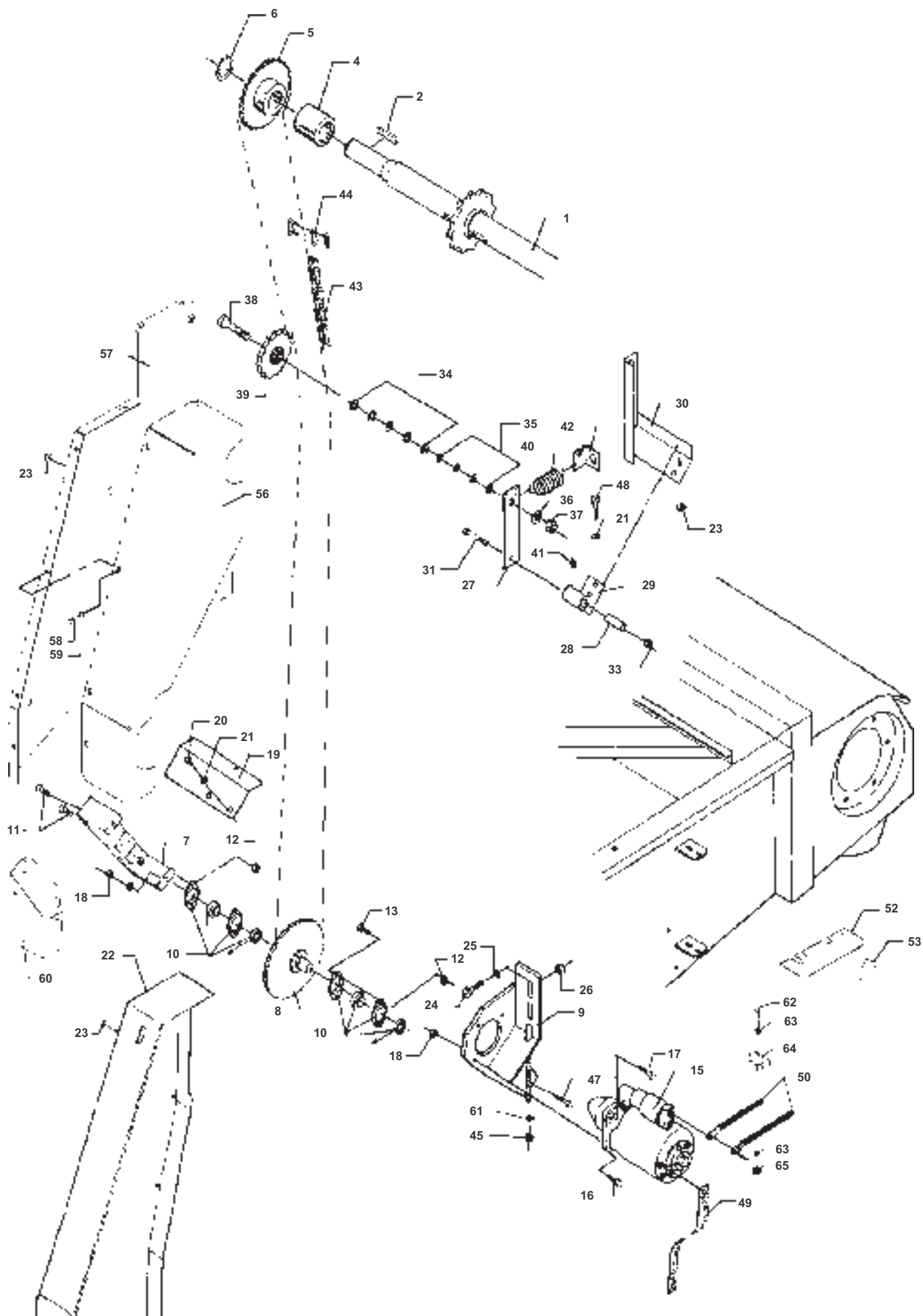
<b>Item</b>	<b>Part Number</b>	<b>Qty</b>	<b>Description</b>	<b>Comments</b>
79	D28181076	2	Pawl	[C]
80	D40405100	2	Hex. Sock. Screw	[C]
81	D20400506	4	Washer	[C]
82	D20400414	2	Washer	[C]
83	D41087500	2	Locknut	[C]
84	D43386900	2	Handle	[B]
85	D40690300	4	Screw	[B]
86	D41013500	4	Nut	[B]
95	D28282040	2	Clevis Pin	From Serial or Engine Number 50812
96	D20400467	4	Washer	From Serial or Engine Number 50812
97	D41410700	4	Split Pin	From Serial or Engine Number +53566
98	D49157500	2	Decal	
99	D28280789	1	Perforated Plate	From Serial or Engine Number 53635
100	D28280790	1	Nut	From Serial or Engine Number 53635
101	D28280802	1	Tie Rod	From Serial or Engine Number 53635

**FOOTNOTE [A]** OPTIONAL EXTRA FOR A-L COMBINE UNTIL 31.12.94 STD. ON ALL MACHINES FROM 01.01.95

**FOOTNOTE [B]** OPTIONAL EQUIP.T31.12.94,STD EQUIP.F01.01.95

**FOOTNOTE [C]** OPTIONAL EQUIPMENT

MF 38/40 COMBINES, |-> 47958 - 63001210  
90H0306

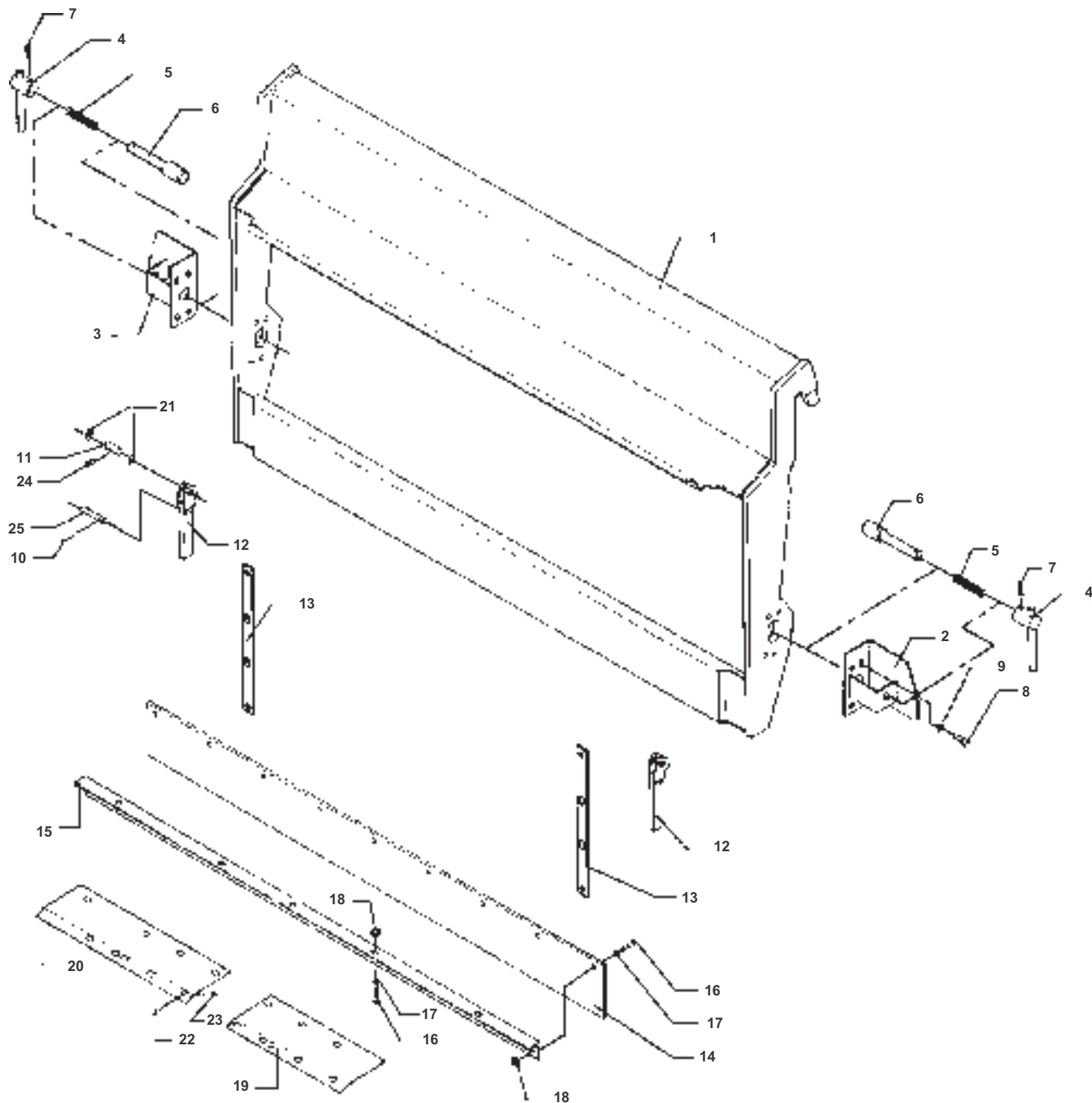


90H0306

## Reversing Device

Item	Part Number	Qty	Description	Comments
1	D28283598	1	Shaft	
2	D43107500	1	Key	
4	D28283545	1	Spacer	
5	D28283544	1	Sprocket	
6	D42504300	1	Circlip	
7	D28283537	1	Shield	Up to Serial or Engine Number 50006
	D28284251	1	Stirrup	From Serial or Engine Number 50007
8	D28283515	1	Sprocket	
9	D28283514	1	Bracket	
10	D41713900	2	Bearing	
11	D40603400	2	Screw Metric	
12	D41010800	4	Nut	
13	D40407800	2	Hex. Sock. Screw	
15	D45070088	1	Startermotor	
16	D40407900	2	Hex. Sock. Screw	
17	D40408100	1	Setscrew	
18	D41010800	4	Nut	
19	D28283541	1	Shield	Up to Serial or Engine Number 50006
20	D40404500	2	Screw Metric	
21	D20400506	4	Washer	
22	D28283519	1	Shield	Up to Serial or Engine Number 50991
23	D41013500	5	Nut	
24	D40411100	2	Hex. Sock. Screw	From Serial or Engine Number +53566
25	D20400446	2	Washer	
26	D41087700	2	Locknut	
27	D28283818	1	Lever	
28	D28283820	1	Bush	
29	D28283823	1	Bearing Carrier	
30	D28283542	1	Support	
31	D40426600	1	Hex. Sock. Screw	
33	D41087600	1	Locknut	
34	D28181284	5	Washer	
35	D20400516	X	Spacer	
36	D20400462	1	Washer	
37	D41087900	1	Locknut	
38	D40433800	1	Screw	
39	D41712300	1	Tensioner	
40	D28760287	1	Spring	
41	D43001700	1	Greaser	
42	D28283819	1	Retainer	
43	<b>D42333300</b>	1	Chain	
44	D42363100	1	Link	
45	D41087600	1	Locknut	From Serial or Engine Number +52565
47	D40407800	1	Hex. Sock. Screw	
48	D40423600	2	Screw Metric	
49	D28760642	1	Earth Strap	
50	D28781887	2	Cable	
51	D41716000	2	Bearing Ball	
52	D28284250	1	Guard	From Serial or Engine Number 50007
53	D45728000	1	Clamp	From Serial or Engine Number 50007
56	D28280378	1	Shield	From Serial or Engine Number 50992
57	D28280038	1	Shield	From Serial or Engine Number 50992
58	D40404900	4	Hex. Sock. Screw	From Serial or Engine Number 50992
59	D20400506	4	Washer	From Serial or Engine Number 50992
60	D28281843	1	Guard	[A]
61	D20400416	1	Washer	From Serial or Engine Number +52565

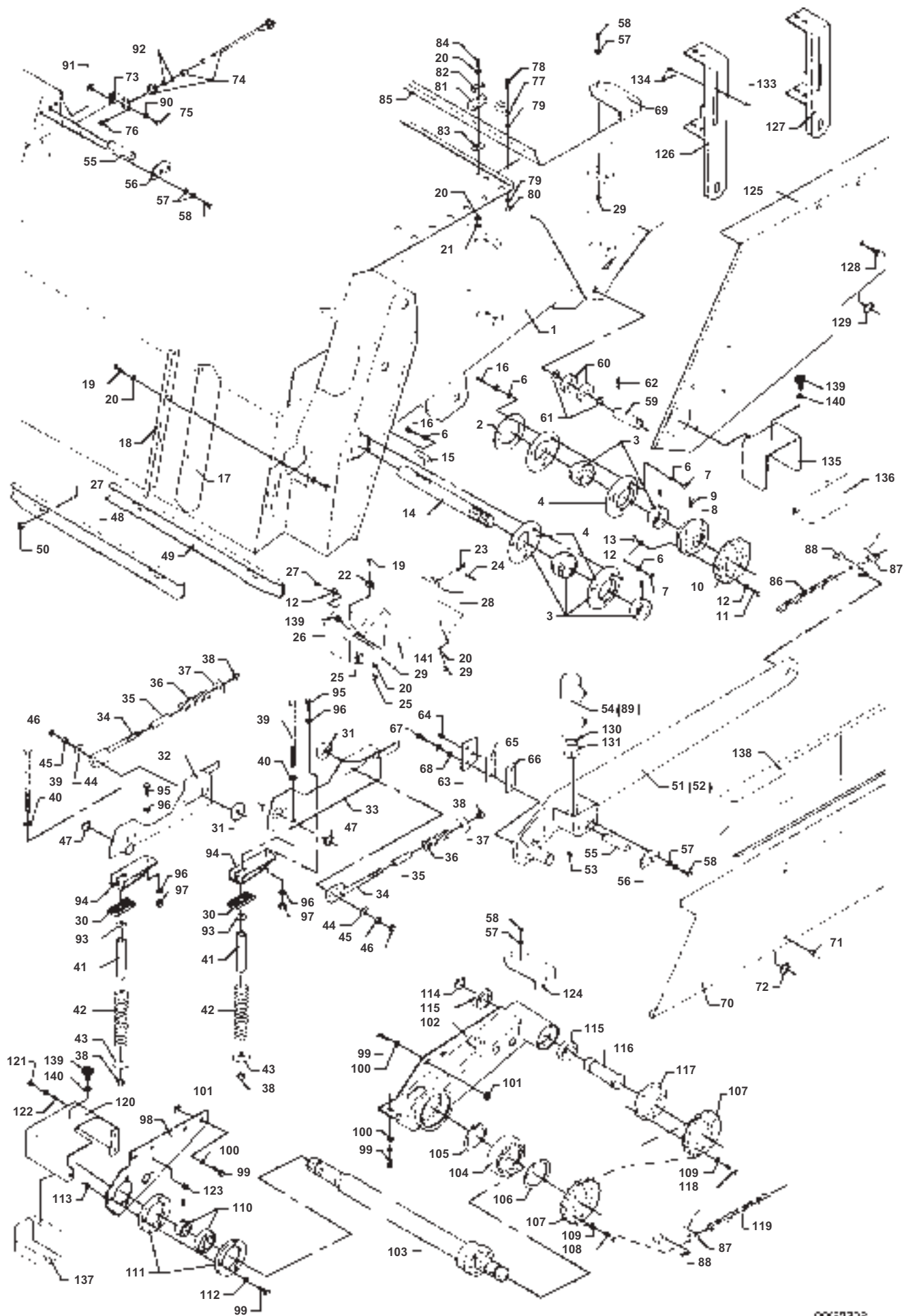
FOOTNOTE [A] STANDARD MACHIN USED F. 50992



**Maizeadaptor**

<b>Item</b>	<b>Part Number</b>	<b>Qty</b>	<b>Description</b>
1	D28281588	1	Adaptor
2	D28281589	1	Support
3	D28281590	1	Support
4	D28283281	2	Arm
5	D27100794	2	Spring
6	D28283283	2	Shaft
7	D42612200	2	Pin
8	D40407600	8	Hex. Sock. Screw
9	D20400471	8	Washer
10	D44358000	2	Hair Pin
11	D28251680	2	Pin
12	D28251681	2	Hook
13	D28251780	2	Holder
14	D28281642	1	Plate
15	D28281643	1	Angle
16	D40405000	14	Hex. Sock. Screw
17	D20400506	14	Washer
18	D41013500	14	Nut
19	D28281640	1	Plate
20	D28281641	1	Plate
21	D20400462	4	Washer
22	D40063600	17	Screw Metric
23	D41013500	17	Nut
24	D42609300	2	Pin
25	D28251769	2	Pin

MF 38/40 COMBINES, |-> 47958 - 63001210  
90G0308



00000000



Item	Part Number	Qty	Description	Comments
1	D28284171	1	Conveyor	
2	D28284368	1	Shim	
3	D41707800	2	Bearing	
4	D41701700	4	Flange	
6	D20400507	9	Spacer	
7	D41010800	6	Nut	
8	D28282126	1	Hub	
9	D40407400	1	Screw Metric	
10	D28280292	1	Sprocket	
11	D40405400	4	Hex. Sock. Screw	
12	D20400506	8	Washer	
13	D41087500	4	Locknut	
14	D28284316	1	Shaft	
15	D43105400	1	Key	
16	D40407800	6	Hex. Sock. Screw	
17	D28284314	2	Seal	
18	D28284315	2	Rail	
19	D40402600	8	Hex. Sock. Screw	
20	D20400404	X	Washer	
21	D41087400	13	Locknut	
22	D28120247	1	Bracket	
23	D44737200	1	Rubber Strap	
24	D41410800	1	Split Pin	
25	D41013400	3	Nut	
26	D28284321	1	Pto Guard	
27	D40404900	X	Hex. Sock. Screw	
28	D28284320	1	Pto Guard	Up to Serial or Engine Number 31.12.94
	D28284565	1	Guard	From Serial or Engine Number 01.01.95
29	D41013500	12	Nut	
30	D28280537	2	Plate	
31	D28280373	2	Ring	
32	D28284342	1	Suspension	
33	D28284350	1	Suspension	
34	D28280316	2	Bolt	
35	D28280489	2	Spacer	
36	D28280309	2	Spring	
37	D28260383	2	Indicator	
38	D41087700	4	Locknut	
39	D28280491	2	Screw	
40	D20400426	2	Washer	
41	D28280490	2	Pipe	
42	D28280310	2	Spring	
43	D20400425	2	Washer	
44	D20400459	2	Washer	
45	D41011100	2	Nut	
46	D41012300	2	Nut Metric	
47	D42502800	2	Circlip	
48	D28284364	20	Anglepiece	
49	D28284365	20	Anglepiece	
50	D41087500	X	Locknut	
51	D28284327	1	Lifter	
52	D28284328	1	Lifter	
53	D43002700	2	Greaser	From Serial or Engine Number +50231
54	D45100045	2	Hydraulic, Cylin	
55	D28284313	4	Pin	
56	D28284312	4	Plate	
57	D20400506	8	Washer	
58	D40405100	8	Hex. Sock. Screw	
59	D28284114	2	Bolt	
60	D28284351	4	Spacer	
61	D20400439	4	Washer	
62	D41411100	4	Split Pin	
63	D28284311	2	Plate	
64	D43002600	2	Greaser	From Serial or Engine Number +50231
65	D28284352	2	Shim	
66	D28284310	2	Shim	
67	D40411000	4	Hex. Sock. Screw	
68	D20400423	4	Washer	
69	D28282081	4	Support	
70	D28284343	1	Guard	Up to Serial or Engine Number 50052
	D28284442	1	Guard	From Serial or Engine Number +50053

Massey Ferguson

MF 38/40 COMBINES, |-> 47958 - 63001210

63001210

Transmission Auto-Level - Table - Up to Serial or Engine Number 51240

Page003-0040

Item	Part Number	Qty	Description	Comments
71	D43427500	4	Pin	
72	D42555500	4	Circlip	
73	D28284263	1	Retainer	
74	D28781222	1	Sensor	
75	D40404700	2	Hex. Sock. Screw	
76	D40741200	2	Screw	
77	D27100826	2	Spring	
78	D40400700	2	Hex. Sock. Screw	
79	D20400401	4	Washer	
80	D41087300	2	Locknut	
81	D45739100	5	Support	
82	D28750783	5	Reinforcement	
83	D25500240	5	Shim	
84	D40421800	5	Screw Metric	
85	D28282086	1	Shutter	
86	D42334500	1	Chain	
87	<b>D42367800</b>	1	Link	
88	<b>D42367700</b>	1	Connecting Link	
89	D45110028	1	Kit, Seal	PPT
89	D45110085	1	Kit, Seal	SERTA
90	D20400506	2	Washer	From Serial or Engine Number 50231
91	D41013500	2	Nut	From Serial or Engine Number 50231
92	D20400521	2	Spacer	From Serial or Engine Number 50231
93	D28284464	2	Washer	
94	D28281374	2	Chock	[A]
95	D40405100	2	Hex. Sock. Screw	[A]
96	D20400506	4	Washer	[A]
97	D41087500	2	Locknut	[A]
98	D28281609	1	Bearing Carrier	[A]
99	D40407700	9	Hex. Sock. Screw	[A]
100	D20400416	X	Washer	[A]
101	D41087600	X	Locknut	[A]
				From Serial or Engine Number +52565
102	D28284440	1	Bearing Carrier	[A]
103	D28281612	1	Shaft	[A]
104	D41616000	1	Bearing Ball	[A]
105	D42505800	1	Circlip	[A]
106	D42516900	1	Circlip	[A]
107	D28281617	1	Sprocket	[A]
107	D28281619	1	Sprocket	[A]
108	D40423600	8	Screw Metric	[A]
109	D20400506	8	Washer	[A]
110	D41663500	1	Bearing Ball	[A]
111	D41701700	2	Flange	[A]
112	D20400507	3	Spacer	[A]
113	D41010800	3	Nut	[A]
114	D42503300	1	Circlip	[A]
115	D41623000	2	Bear. 6207 2rs	[A]
116	D28280282	1	Shaft	[A]
117	D28281611	1	Hub	[A]
118	D40405100	4	Hex. Sock. Screw	[A]
119	D42332400	1	Chain	[A]
				(56)
120	D28284287	1	Shield	[A]
121	D40402400	2	Hex. Sock. Screw	[A]
122	D20400404	2	Washer	[A]
123	D41013400	2	Nut	[A]
124	D28282081	1	Support	[A]
125	D28284281	1	Shield	[A]
126	D28284284	1	Bracket	[A]
127	D28284285	1	Bracket	[A]
128	D43427500	5	Pin	[A]
129	D42555500	5	Circlip	[A]
130	D41043000	2	Nut Metric	
131	D45698500	2	Toggle	
133	D40070300	2	Screw	[A]
134	D20400446	4	Washer	[A]
135	D28281637	1	Shield	[A]
136	D28284581	1	Guard	[A]

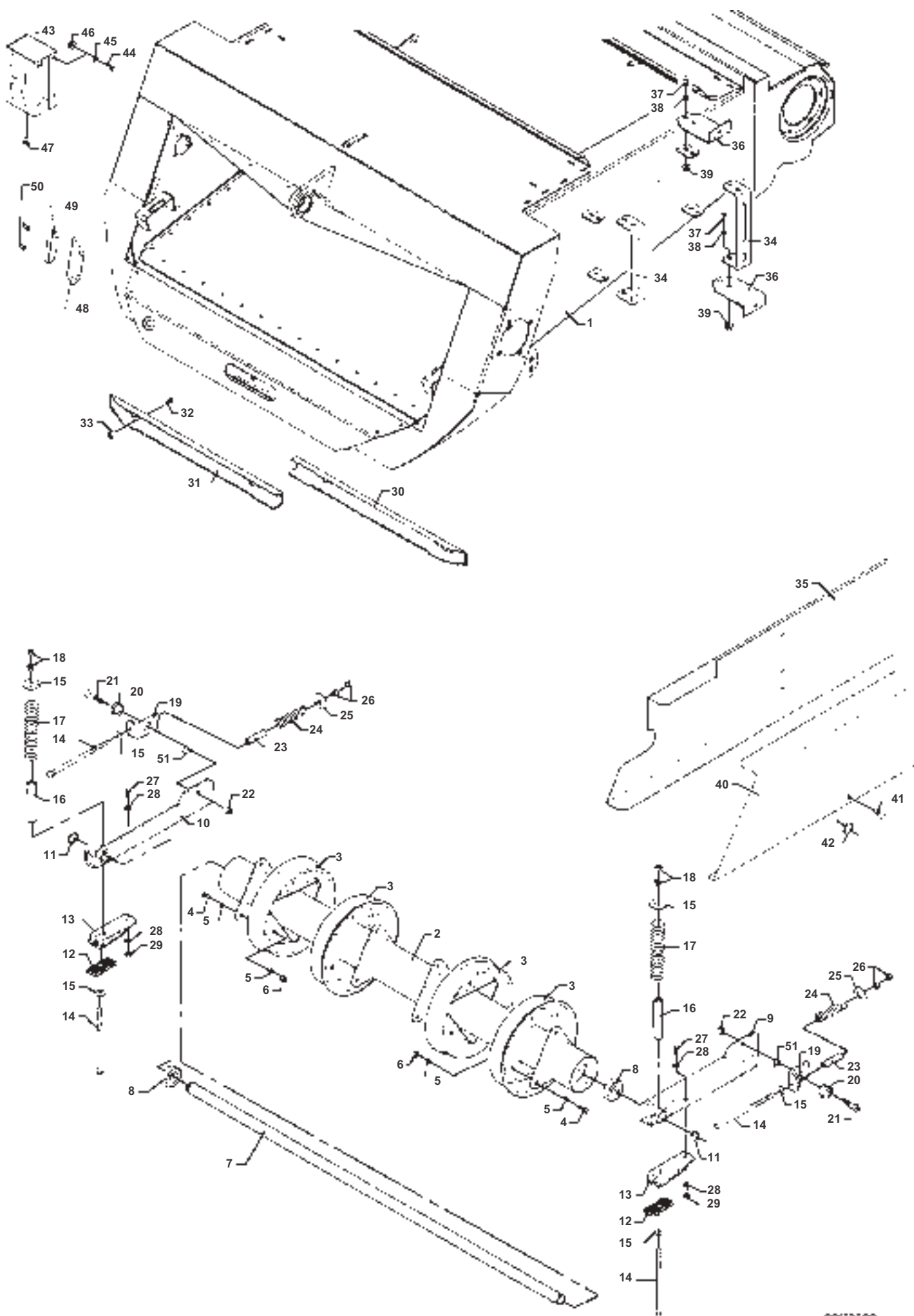
From Serial or Engine Number 01.01.95

**Massey Ferguson****MF 38/40 COMBINES, |-> 47958 - 63001210****63001210****Transmission Auto-Level - Table - Up to Serial or Engine Number 51240****Page003-0040**

<b>Item</b>	<b>Part Number</b>	<b>Qty</b>	<b>Description</b>	<b>Comments</b>
137	D28284583	1	Guard	[A] From Serial or Engine Number 01.01.95
138	D28284594	1	Guard	[A] From Serial or Engine Number 01.01.95
139	D43385200	4	Screw	[A] From Serial or Engine Number 01.01.95
141	D28284566	1	Guard	[A] From Serial or Engine Number 01.01.95

**FOOTNOTE [A] MAIZE EQUIPMENT**

MF 38/40 COMBINES, |-> 47958 - 63001210  
90C0309

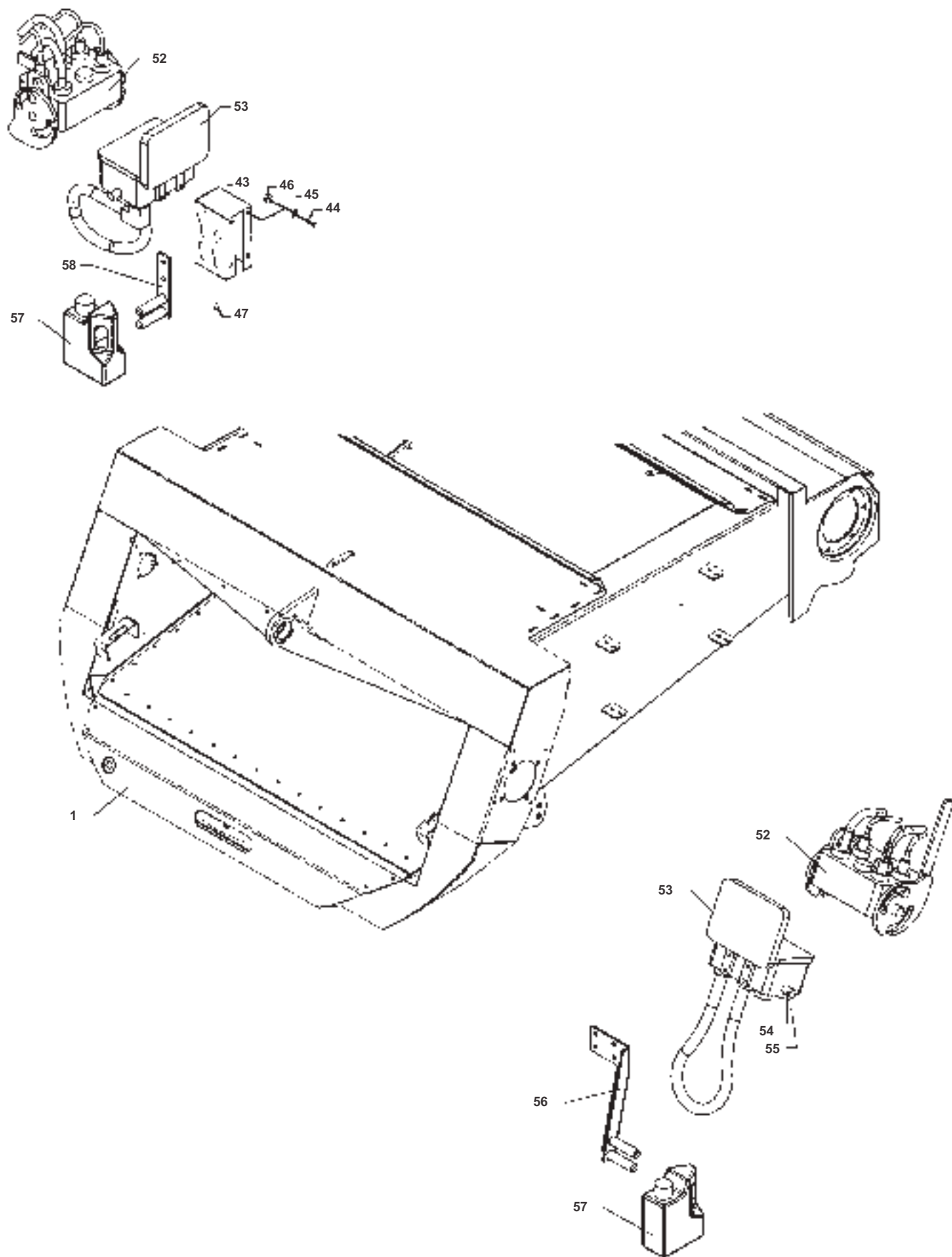


90C0309

**Massey Ferguson****MF 38/40 COMBINES, |-> 47958 - 63001210****63001210****Feeder Shaft - Lower - AL CB F.50992, AL TABLE F.51241 STD TABLE F.52083****Page003-0045**

Item	Part Number	Qty	Description	Comments
1	D28281763	1	Conveyor	
	D28281770	X	Conveyor	From Serial or Engine Number 50992
	D28281827	X	Conveyor	From Serial or Engine Number 52083
	D28281830	X	Table	From Serial or Engine Number 51241
2	D28281764	1	Shaft	
3	D28281245	4	Cup	
4	D40407900	12	Hex. Sock. Screw	
5	D20400415	24	Washer	
6	D41087600	12	Locknut	
7	D28281767	1	Shaft	
8	D41629000	2	Bearing Ball	
9	D28281773	1	Bracket	
10	D28281774	1	Bracket	
11	D42502800	2	Circlip	
12	D28280537	2	Plate	
13	D28281374	2	Chock	[A]
14	D40413200	4	Screw	
15	D20400425	10	Washer	
16	D28281799	2	Pipe	
17	D28281798	2	Spring	
18	D41010900	2	Nut	
19	D28281778	2	Support	
20	D28281777	2	Bush	
21	D40605600	2	Screw Metric	
22	D41087700	2	Locknut	
23	D28280489	2	Spacer	
24	D28280309	2	Spring	
25	D28260383	2	Indicator	
26	D41010900	4	Nut	
27	D40405100	2	Hex. Sock. Screw	[A]
28	D20400506	4	Washer	[A]
29	D41087500	2	Locknut	[A]
30	D28281795	20	Anglepiece	
31	D28281794	20	Anglepiece	
32	D40404900	40	Hex. Sock. Screw	
33	D41087500	40	Locknut	
34	D28281296	2	Support	
35	D28281809	1	Shield	
36	D28282081	4	Support	
37	D40405100	8	Hex. Sock. Screw	
38	D20400506	8	Washer	
39	D41013500	8	Nut	
40	D28281780	1	Shield	
41	D43427500	4	Pin	
42	D42555500	4	Circlip	
43	D28282091	1	Housing	
44	D40404900	4	Hex. Sock. Screw	
45	D20400506	4	Washer	
46	D41013500	4	Nut	
47	D45744000	1	Plug	
48	D28281853	2	Seal	From Serial or Engine Number 52755
49	D28281854	2	Clamp	From Serial or Engine Number 52755
50	D41397900	4	Rivet	From Serial or Engine Number 52755

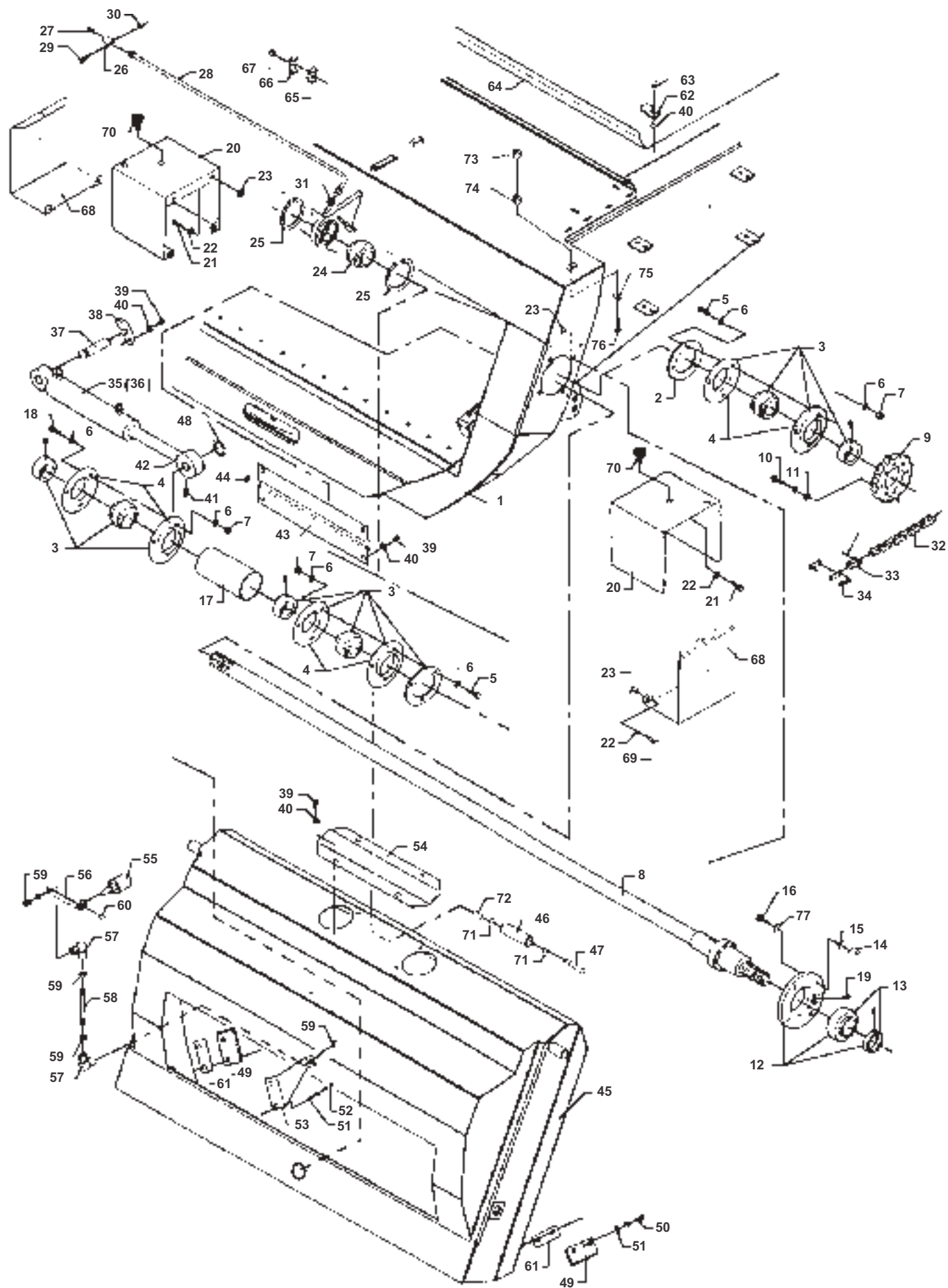
**FOOTNOTE [A] MAIZE EQUIPMENT**



**Multi-Coupling**

<b>Item</b>	<b>Part Number</b>	<b>Qty</b>	<b>Description</b>	<b>Comments</b>
1	D28281763	1	Conveyor	
	D28281770	X	Conveyor	From Serial or Engine Number 50992
	D28281827	X	Conveyor	From Serial or Engine Number 52083
	D28281830	X	Table	From Serial or Engine Number 51241
43	D28282091	1	Housing	
44	D40404900	4	Hex. Sock. Screw	
45	D20400506	4	Washer	
46	D41013500	4	Nut	
47	D45744000	1	Plug	
52	D28785642	X	Clutch	
53	D45148800	X	Clutch	
54	D45140037	X	Screw	
55	D45140038	X	Ring	
56	D28285259	X	Console	
57	D45148900	X	Container	
58	D28285320	X	Support	

MF 38/40 COMBINES, |-> 47958 - 63001210  
90C0310





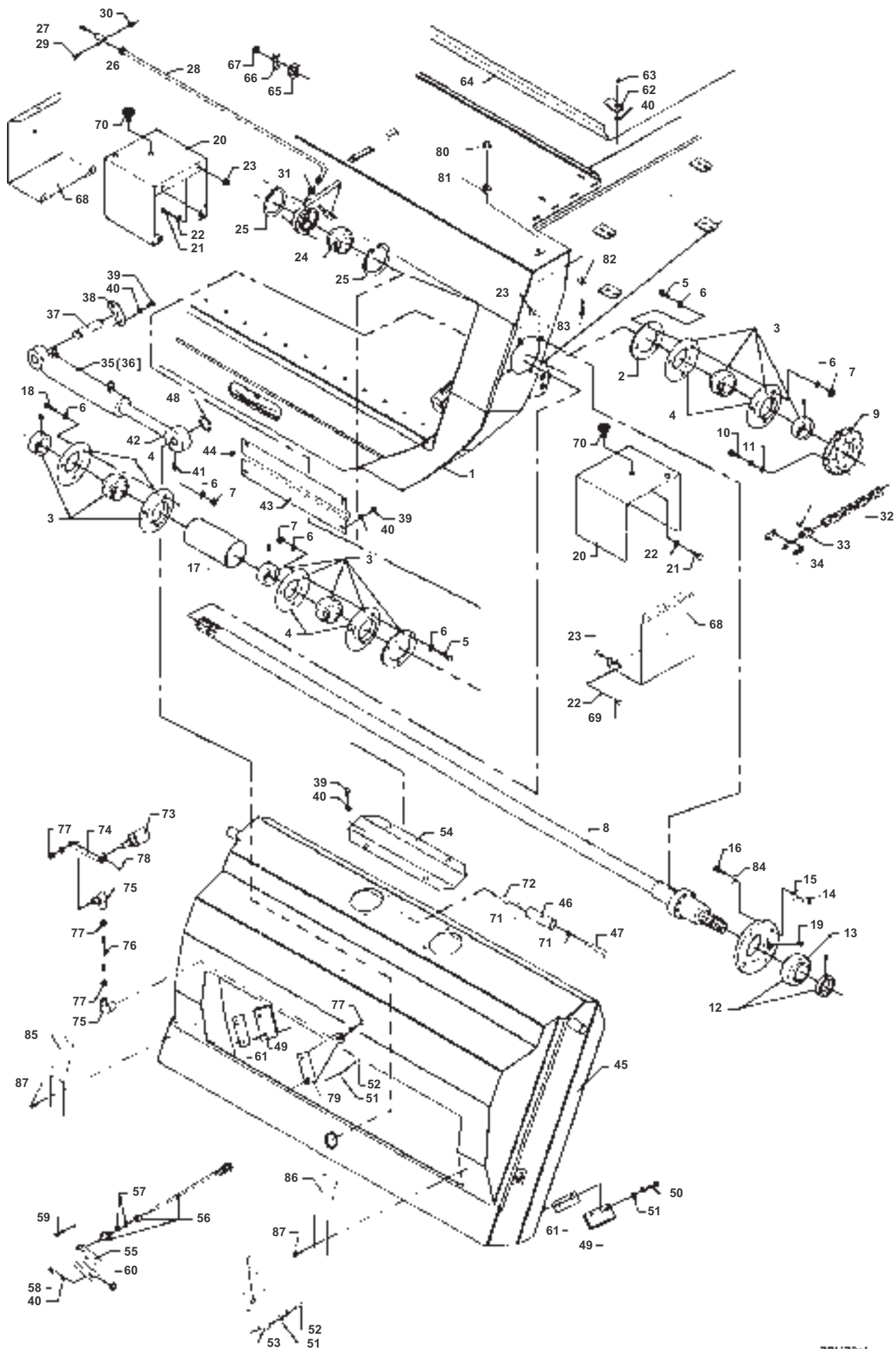
## Transmission Auto-Level Combine

Item	Part Number	Qty	Description	Comments
1	D28281763	1	Conveyor	
2	D28284368	2	Shim	
3	D41707800	3	Bearing	
4	D41701700	6	Flange	
5	D40407800	6	Hex. Sock. Screw	
6	D20400507	12	Spacer	
7	D41010800	6	Nut	
8	D28281789	1	Shaft	
9	D28281617	1	Sprocket	
10	D40423600	8	Screw Metric	
11	D20400506	8	Washer	
12	D41716400	1	Bearing	
13	D41717000	1	Bearing Assy	
14	D41087900	4	Locknut	
15	D20400462	4	Washer	
16	D40433200	4	Hex. Sock. Screw	
17	D28281772	1	Shield	
18	D40407700	3	Hex. Sock. Screw	
19	D43004900	1	Grease Nipple	
20	D28281791	2	Pto Guard	
21	D40404900	4	Hex. Sock. Screw	
22	D20400506	8	Washer	From Serial or Engine Number +55490
23	D41013500	8	Nut	
24	D45698700	1	Toggle	
25	D42514800	2	Circlip	
26	D43009200	1	Bracket	
27	D43002600	1	Greaser	
28	D28780803	1	Tube	
29	D40402600	1	Hex. Sock. Screw	
30	D41013400	1	Nut	
31	D43009500	1	Greaser	
32	<b>D42334600</b>	1	Chain	
33	<b>D42367800</b>	1	Link	
34	<b>D42367700</b>	1	Connecting Link	
35	D45100029	1	Ram	
36	D45110085	1	Kit, Seal	
37	D28284399	1	Pin	From Serial or Engine Number +51298
38	D28281783	1	Plate	
39	D40404900	X	Hex. Sock. Screw	
40	D20400506	X	Washer	
41	D43001500	1	Greaser	
42	D45698900	1	Toggle	
43	D28281779	1	Cover	
44	D44711900	X	Gasket	Length 0,06 M
45	D28281909	1	Frame	
46	D28281782	1	Pin	
47	D40435100	1	Screw	
48	D42502800	1	Circlip	
49	D28281781	2	Plate	
50	D40410800	2	Screw Metric	
51	D20400426	4	Washer	
52	D40410900	2	Hex. Sock. Screw	
53	D28281787	1	Bracket	
54	D28281792	1	Cover	
55	<b>D28780523</b>	1	Meter	
56	D28281785	1	Rod	
57	D46437300	2	Toggle	
58	D28281784	1	Rod	
59	D41010600	4	Nut	
60	D40402400	1	Hex. Sock. Screw	
61	D28281810	X	Shim	OPTIONAL
62	D28281771	1	Support	
63	D40404700	2	Hex. Sock. Screw	
64	D28282086	1	Shutter	
65	D45739400	3	Support	
66	D28750784	3	Bracket	
67	D41087400	3	Locknut	
68	D28281838	2	Bearing	From Serial or Engine Number 01.01.95
69	D40405300	4	Screw	From Serial or Engine Number 01.01.95
70	D43385200	2	Screw	From Serial or Engine Number 01.01.95
71	D28280441	2	Washer	From Serial or Engine Number 01.01.95

**Massey Ferguson****MF 38/40 COMBINES, |-> 47958 - 63001210****63001210****Transmission Auto-Level Combine****Page003-0055**

<b>Item</b>	<b>Part Number</b>	<b>Qty</b>	<b>Description</b>	<b>Comments</b>
72	D41087900	1	Locknut	From Serial or Engine Number 01.01.95
73	D41087400	1	Locknut	From Serial or Engine Number 52942
74	D41013400	1	Nut	From Serial or Engine Number 52942
75	D20400404	1	Washer	From Serial or Engine Number 52942
76	D40402700	1	Hex. Sock. Screw	From Serial or Engine Number 52942
77	D20400461	4	Washer	

MF 38/40 COMBINES, |-> 47958 - 63001210  
90C0311



391133'

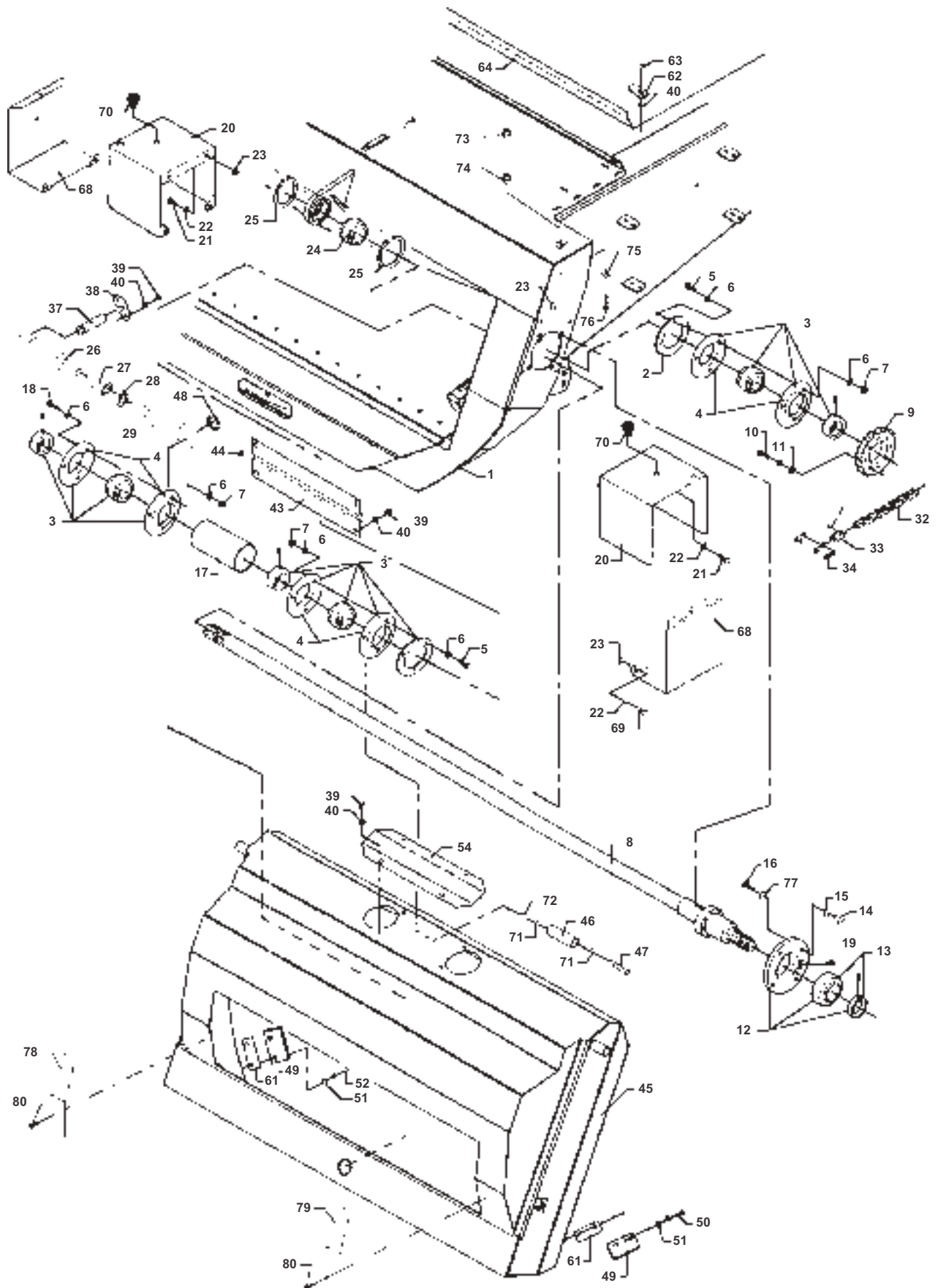
Item	Part Number	Qty	Description	Comments
1	D28281763	1	Conveyor	
2	D28284368	2	Shim	
3	D41707800	3	Bearing	
4	D41701700	6	Flange	
5	D40407800	6	Hex. Sock. Screw	
6	D20400507	12	Spacer	
7	D41010800	6	Nut	
8	D28281789	1	Shaft	
9	D28281617	1	Sprocket	
10	D40423600	8	Screw Metric	
11	D20400506	8	Washer	
12	D41716400	1	Bearing	
13	D41717000	1	Bearing Assy	
14	D41087900	4	Locknut	
15	D20400462	4	Washer	
16	D40433200	4	Hex. Sock. Screw	
17	D28281772	1	Shield	
18	D40407700	3	Hex. Sock. Screw	
19	D43004900	1	Grease Nipple	
20	D28281791	2	Pto Guard	
21	D40404900	4	Hex. Sock. Screw	
22	D20400506	8	Washer	From Serial or Engine Number +55490
23	D41013500	8	Nut	
24	D45698700	1	Toggle	
25	D42514800	2	Circlip	
26	D43009200	1	Bracket	
27	D43002600	1	Greaser	
28	D28780803	1	Tube	
29	D40402600	1	Hex. Sock. Screw	
30	D41013400	1	Nut	
31	D43009500	1	Greaser	
32	<b>D42334600</b>	1	Chain	
33	<b>D42367800</b>	1	Link	
34	<b>D42367700</b>	1	Connecting Link	
35	D45100029	1	Ram	
36	D45110085	1	Kit, Seal	
37	D28284399	1	Pin	
38	D28281783	1	Plate	
39	D40404900	X	Hex. Sock. Screw	
40	D20400506	X	Washer	
41	D43001500	1	Greaser	
42	D45698900	1	Toggle	
43	D28281779	1	Cover	
44	D44711900	X	Gasket	Length 0,06 M
45	D28281908	1	Frame	
46	D28281782	1	Pin	
47	D40435100	1	Screw	
48	D42502800	1	Circlip	
49	D28281781	2	Plate	
50	D40410800	2	Screw Metric	
51	D20400426	4	Washer	
52	D40410900	2	Hex. Sock. Screw	
53	D28281826	1	Support	Up to Serial or Engine Number 53049
54	D28281792	1	Cover	
55	D28281842	1	Link	Up to Serial or Engine Number 53049
56	D28781222	1	Sensor	Up to Serial or Engine Number 53049
57	D20400521	2	Spacer	
58	D40404700	2	Hex. Sock. Screw	
59	D40741200	2	Screw	
60	D41013500	2	Nut	
61	D28281810	X	Shim	OPTIONAL
62	D28281771	1	Support	
63	D40404700	2	Hex. Sock. Screw	
64	D28282086	1	Shutter	
65	D45739400	3	Support	
66	D28750784	3	Bracket	
67	D41087400	3	Locknut	
68	D28281838	2	Bearing	
69	D40405300	4	Screw	
70	D43385200	2	Screw	
71	D28280441	2	Washer	

**Massey Ferguson****MF 38/40 COMBINES, |-> 47958 - 63001210****63001210****Transmission Auto-Level - Table - From Serial or Engine Number 51241****Page003-0060**

<b>Item</b>	<b>Part Number</b>	<b>Qty</b>	<b>Description</b>	<b>Comments</b>
72	D41087900	1	Locknut	
73	<b>D28780523</b>	1	Meter	From Serial or Engine Number 53050
74	D28281785	1	Rod	From Serial or Engine Number 53050
75	D46437300	2	Toggle	From Serial or Engine Number 53050
76	D28281784	1	Rod	From Serial or Engine Number 53050
77	D41010600	2	Nut	From Serial or Engine Number 53050
78	D40402400	1	Hex. Sock. Screw	From Serial or Engine Number 53050
79	D28281787	1	Bracket	From Serial or Engine Number 53050
80	D41087400	1	Locknut	From Serial or Engine Number 52942
81	D41013400	1	Nut	From Serial or Engine Number 52942
82	D20400404	1	Washer	From Serial or Engine Number 52942
83	D40402700	1	Hex. Sock. Screw	From Serial or Engine Number 52942
84	D20400461	4	Washer	
85	D28281878	1	Cover	[A] From Serial or Engine Number +55374
86	D28281879	1	Cover	[A] From Serial or Engine Number +55374
87	D40685000	4	Screw	[A] From Serial or Engine Number +55374

**FOOTNOTE [A] COVER PLATES ARE USED FOR RYE GRASS ONLY**

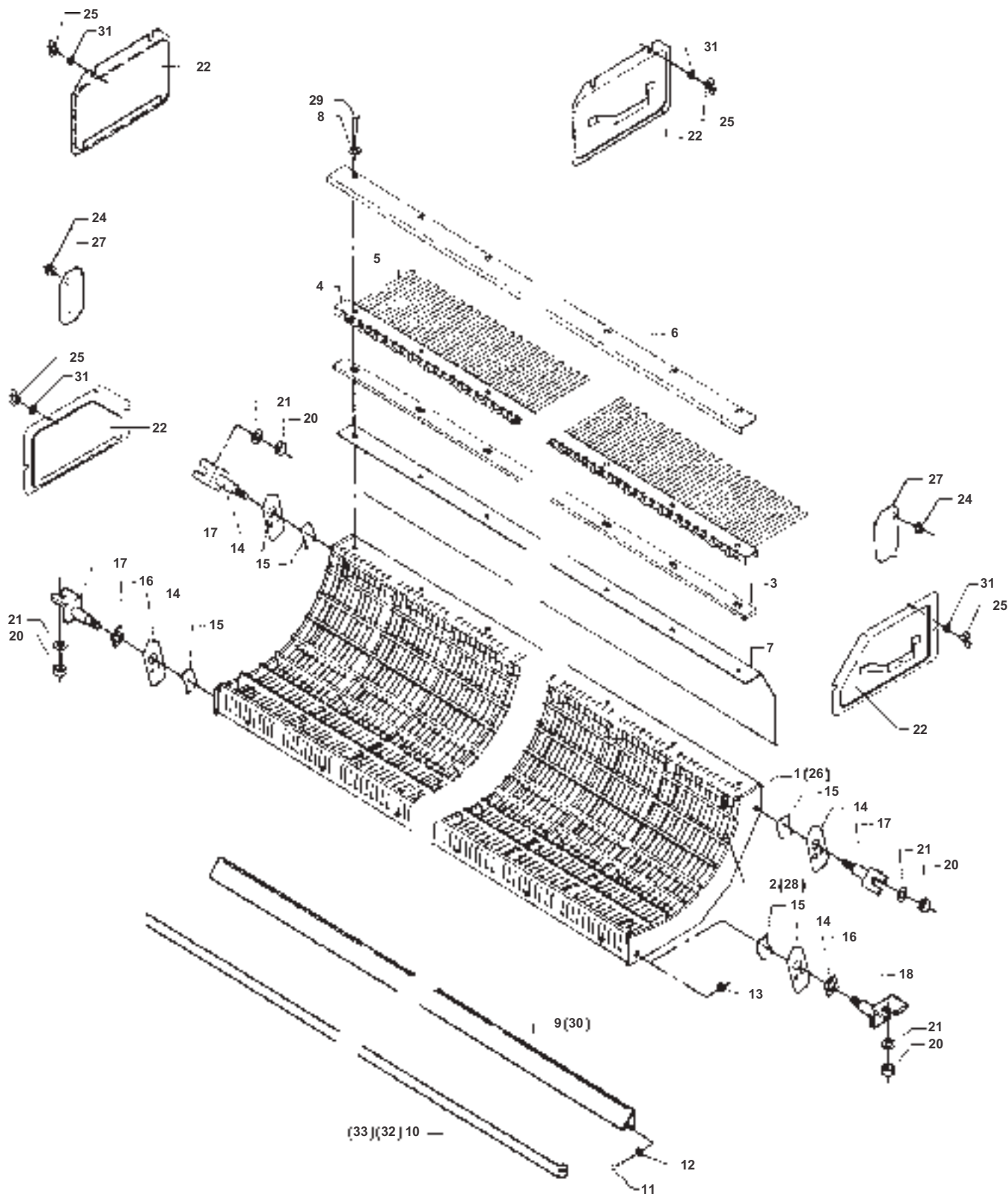
MF 38/40 COMBINES, |-> 47958 - 63001210  
90B0312



Item	Part Number	Qty	Description	Comments
1	D28281763	1	Conveyor	
2	D28284368	2	Shim	
3	D41707800	3	Bearing	
4	D41701700	6	Flange	
5	D40407800	6	Hex. Sock. Screw	
6	D20400507	12	Spacer	
7	D41010800	6	Nut	
8	D28281789	1	Shaft	
9	D28281617	1	Sprocket	
10	D40423600	8	Screw Metric	
11	D20400506	8	Washer	
12	D41716400	1	Bearing	
13	D41717000	1	Bearing Assy	
14	D41087900	4	Locknut	
15	D20400462	4	Washer	
16	D40433200	4	Hex. Sock. Screw	
17	D28281772	1	Shield	
18	D40407700	3	Hex. Sock. Screw	
19	D43004900	1	Grease Nipple	
20	D28281791	2	Pto Guard	
21	D40404900	4	Hex. Sock. Screw	
22	D20400506	8	Washer	From Serial or Engine Number +55490
23	D41013500	8	Nut	
24	D45698700	1	Toggle	
25	D42514800	2	Circlip	
26	D28281820	1	Link	
27	D28281825	1	Nut	
28	D41043200	1	Nut Metric	
29	D28281819	1	Link	
32	<b>D42334600</b>	1	Chain	
33	<b>D42367800</b>	1	Link	
34	<b>D42367700</b>	1	Connecting Link	
37	D28284399	1	Pin	
38	D28281783	1	Plate	
39	D40404900	X	Hex. Sock. Screw	
40	D20400506	X	Washer	
43	D28281779	1	Cover	
44	D44711900	X	Gasket	Length 0,06 M
45	D28281908	1	Frame	From Serial or Engine Number +55374
46	D28281782	1	Pin	
47	D40435100	1	Screw	
48	D42502800	1	Circlip	
49	D28281781	2	Plate	
50	D40410800	2	Screw Metric	
51	D20400426	4	Washer	
52	D40410900	2	Hex. Sock. Screw	
54	D28281792	1	Cover	
61	D28281810	X	Shim	OPTIONAL
62	D28281771	2	Support	
63	D40404700	2	Hex. Sock. Screw	
64	D28282086	1	Shutter	
69	D40405300	4	Screw	
70	D43385200	2	Screw	
71	D28280441	2	Washer	
72	D41087900	1	Locknut	
73	D41087400	1	Locknut	From Serial or Engine Number 52942
74	D41013400	1	Nut	From Serial or Engine Number 52942
75	D20400404	1	Washer	From Serial or Engine Number 52942
76	D40402700	1	Hex. Sock. Screw	From Serial or Engine Number 52942
77	D20400461	4	Washer	
78	D28281878	1	Cover	[A] From Serial or Engine Number +55374
79	D28281879	1	Cover	[A] From Serial or Engine Number +55374
80	D40685000	4	Screw	[A] From Serial or Engine Number +55374

**FOOTNOTE [A]** COVER PLATES ARE USED FOR RYE GRASS ONLY

MF 38/40 COMBINES, |-> 47958 - 63001210  
90F0401





## Concave

Item	Part Number	Qty	Description	Comments
1	D28380066	1	Concave	[B,C] OPTIONAL
	D28380219	1	Concave	[D]
2	D28380075	X	Wire	
3	D28380078	1	Washer	
4	D28380079	1	Plate	
5	D28350257	30	Tine	
6	D28380080	1	Plate	
7	D28380081	1	Guard	
8	D20400415	8	Washer	
9	D28380077	1	Front	
10	D28380302	2	Blade	[A] 28380219
11	D40407900	7	Hex. Sock. Screw	From Serial or Engine Number +52565
12	D20400419	7	Washer	From Serial or Engine Number +52565
13	D41087600	7	Locknut	From Serial or Engine Number +52565
14	D28350146	4	Plate	
15	D28350031	4	Spring	(14)
16	D28350037	2	Gauge	
17	D28380180	3	Journal	From Serial or Engine Number +52828
18	D28380182	1	Journal	
20	D41011100	4	Nut	
21	D28181284	4	Washer	
22	D28185626	1	Cover	From Serial or Engine Number 55529
	D28185271	1	Cover	Up to Serial or Engine Number 55528
24	D41013400	4	Nut	
25	D41057100	4	Wing Nut	
26	D28380161	1	Concave	OPTIONAL
	D28380200	1	Concave	OPTIONAL
27	D28184059	2	Plate	
28	D28380158	X	Wire	OPTIONAL
29	D40425900	15	Screw	
30	D28380160	1	Cowl	OPTIONAL
31	D20400506	4	Washer	
32	D28380191	1	Blade	[A] 28380066
33	D28380449	1	Plate	From Serial or Engine Number +55529

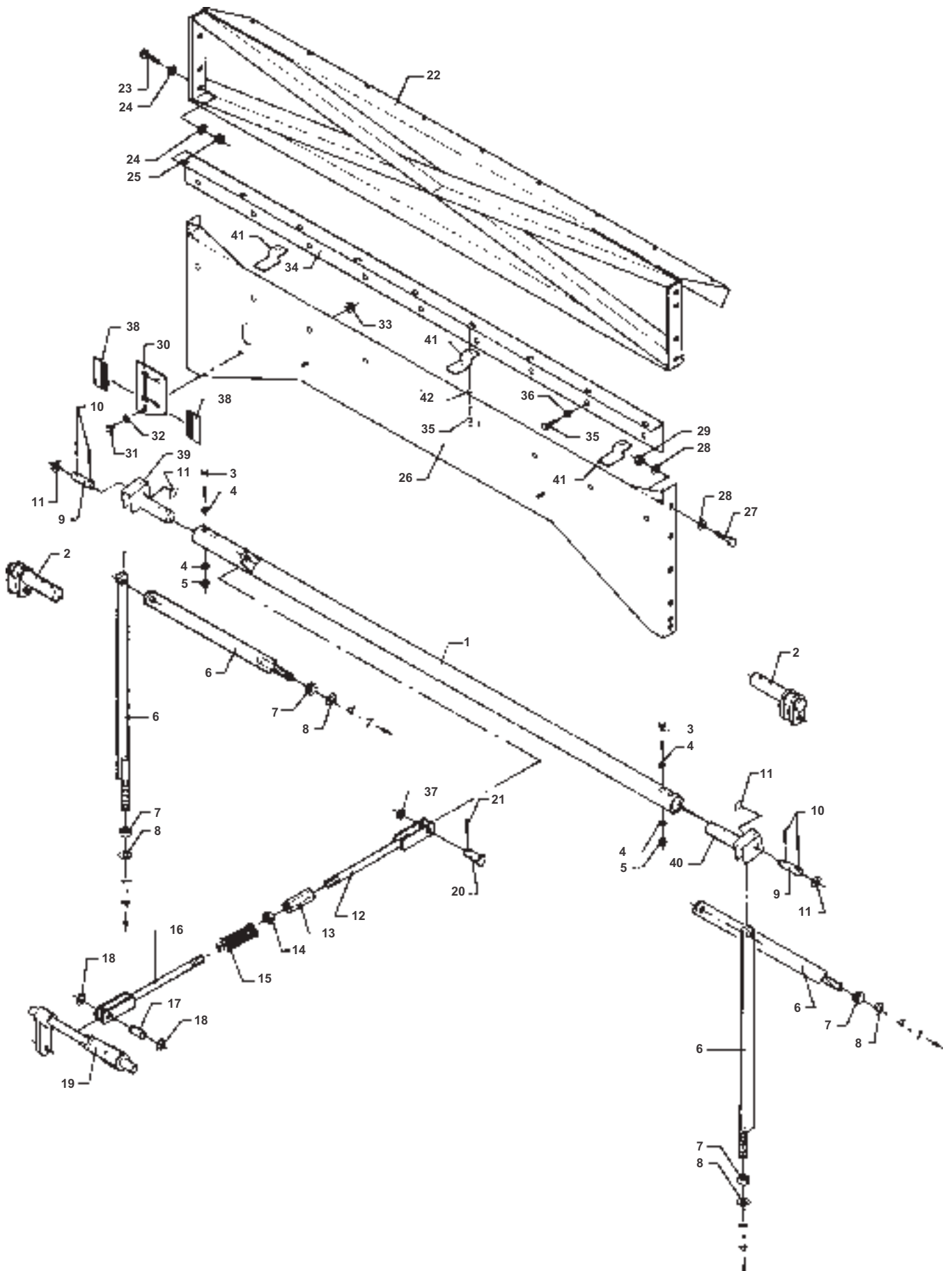
**FOOTNOTE [A]** SEE FOOTNOTES POS. 1

**FOOTNOTE [B]** OPTIONAL EQUIPMENT

**FOOTNOTE [C]** USE 3 OFF 28380191 W=30

**FOOTNOTE [D]** USE 1 OFF , 28380191W=30, AND 2 OFF 28380302, W=20

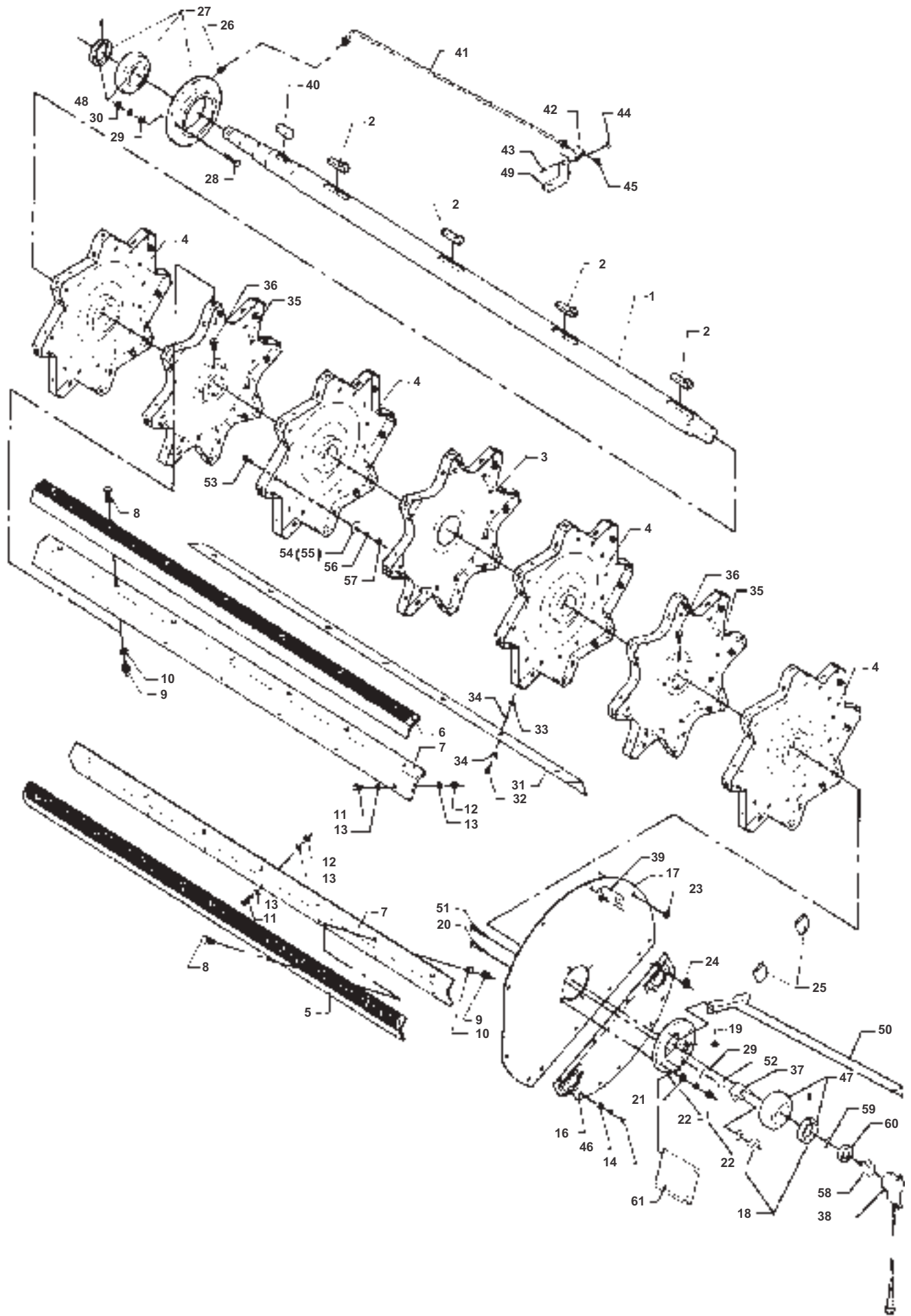
MF 38/40 COMBINES, |-> 47958 - 63001210  
90A0402



## Convave Adjustment

Item	Part Number	Qty	Description	Comments
1	D28380144	1	Shaft	
2	D28380139	2	Arm	Up to Serial or Engine Number 48792
3	D40426300	4	Screw Metric	
4	D20400471	8	Washer	
5	D41087600	4	Locknut	
6	D28380142	4	Suspension	
7	D41011100	8	Nut	
8	D28181284	4	Washer	
9	D28380146	2	Pin	
10	D41408900	4	Split Pin	
11	D20400518	4	Spacer	
12	D28980635	1	Rod	
13	D28350090	1	Nut	Up to Serial or Engine Number 47962
	D28884116	1	Nut	From Serial or Engine Number 47963
14	D41011100	1	Nut	
15	D28980861	1	Bellows	
16	D28980634	1	Rod	
17	D28980137	1	Pin	
18	D42501400	2	Circlip	
19	D28980658	1	Shaft	
20	D41486000	1	Clevis Pin	
21	D41408800	1	Split Pin	
22	D28180195	1	Support	
23	D40428300	8	Screw Metric	
24	D20400426	16	Washer	
25	D41087700	8	Locknut	
26	D28181201	1	Plate	From Serial or Engine Number +47938
27	D40428300	12	Screw Metric	
28	D20400426	24	Washer	
29	D41087700	12	Locknut	
30	D28180188	1	Plate	From Serial or Engine Number +48860
31	D40402400	1	Hex. Sock. Screw	
32	D20400470	1	Washer	
33	D41013400	1	Nut	
34	D28181088	1	Reinforcement	
35	D40407800	X	Hex. Sock. Screw	
36	D20400471	9	Washer	
37	D20400461	1	Washer	
38	D28180246	2	Brush	From Serial or Engine Number +48860
39	D28380312	1	Arm	From Serial or Engine Number 48793
40	D28384047	1	Arm	From Serial or Engine Number 48793
41	D28780694	3	Support	
42	D20400416	X	Washer	

MF 38/40 COMBINES, |-> 47958 - 63001210  
90C0403



90C0403

## Threshing Drum

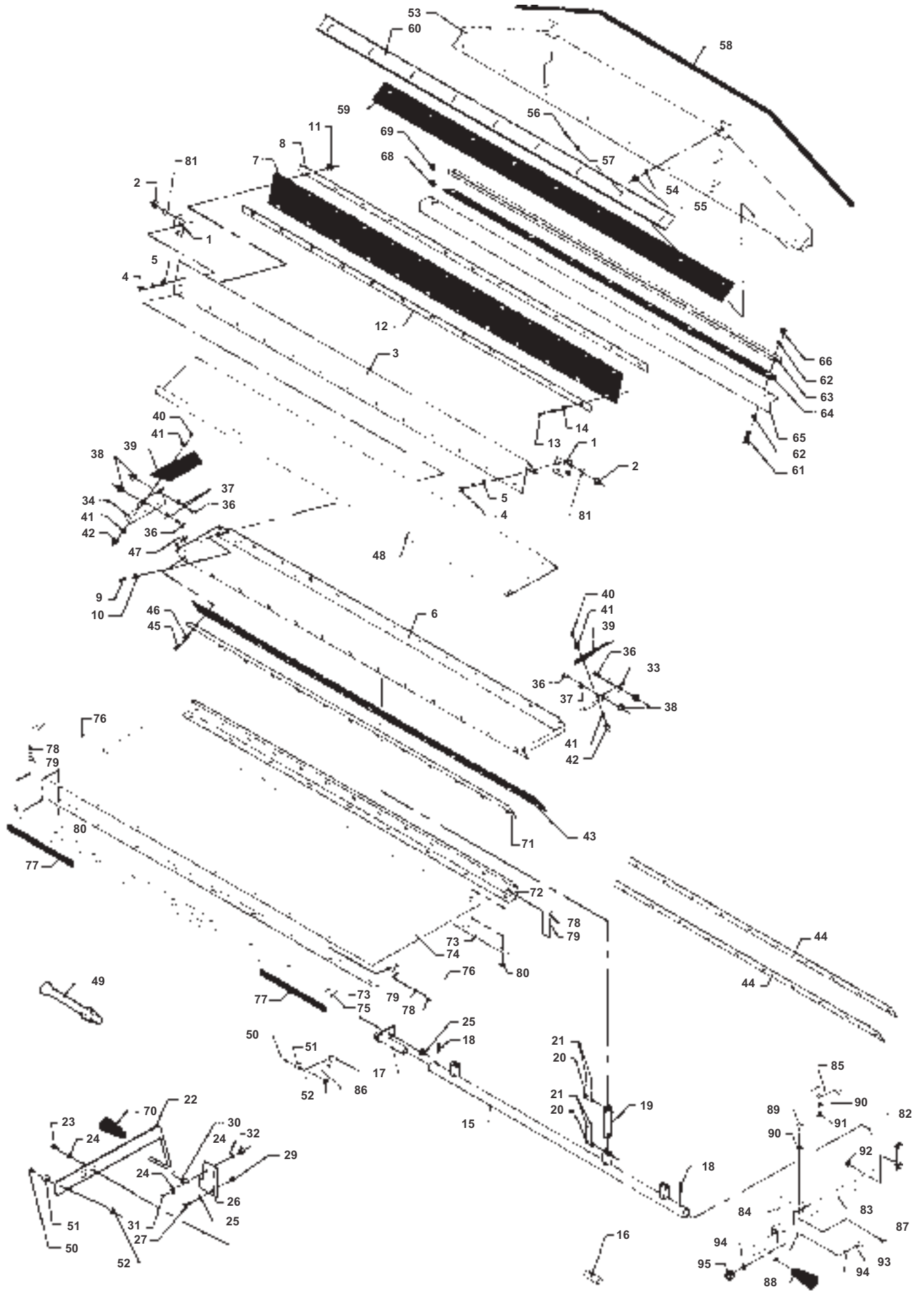
Item	Part Number	Qty	Description	Comments
1	D28380082	1	Threshing Cyl	Up to Serial or Engine Number 50991
	D28380169	1	Threshing Cyl	From Serial or Engine Number 50992
	D28380083	1	Shaft	(1) Up to Serial or Engine Number 50991
	D28380314	1	Shaft	(1) From Serial or Engine Number 50992
2	D43160200	4	Gib Key	(1)
3	D28380084	1	Crosspiece	(1)
4	D28380085	4	Crosspiece	(1)
5	D28080861	1	Kit, Beater Bar	(1)
6	D28080862	1	Kit, Beater Bar	(1)
7	D28380089	8	Support	(1)
8	D40428300	56	Screw Metric	(1)
9	D41087700	56	Locknut	(1)
10	D20400424	56	Washer	(1)
11	D40425000	56	Hex. Sock. Screw	(1) From Serial or Engine Number +50231
12	D41087500	56	Locknut	(1)
13	D20400408	X	Washer	(1) From Serial or Engine Number +50566
	D20400414	X	Washer	(1) Up to Serial or Engine Number 50565
14	D40404700	4	Hex. Sock. Screw	
15	D20400506	4	Washer	
16	D28380091	1	Shutter	
17	D28385011	1	Cover	From Serial or Engine Number 55529
	D28380209	1	Cover	Up to Serial or Engine Number 55528
18	D41715000	1	Bearing	
19	D43004900	1	Grease Nipple	
20	D40411100	3	Hex. Sock. Screw	
21	D20400446	4	Washer	
22	D41010900	4	Nut	
23	D41013500	7	Nut	
24	D41013500	7	Nut	
25	D27300181	4	Shutter	
26	D43009600	1	Greaser	
27	D41716400	1	Bearing	
28	D40411200	4	Hex. Sock. Screw	
29	D20400446	4	Washer	
30	D41010900	4	Nut	
31	D28380162	8	Plate	[A]
32	D40407900	56	Hex. Sock. Screw	[A] From Serial or Engine Number +50671
33	D41087600	49	Locknut	[A] From Serial or Engine Number +50671
34	D20400473	56	Washer	[A] From Serial or Engine Number +50671
	D20400473	49	Washer	[A] From Serial or Engine Number +50671
35	D28380202	2	Hub	(1)
36	D40693800	2	Screw	(1)
37	D28780749	1	Retainer	
38	<b>D28780514</b>	1	Sensor	
39	D28780772	1	Retainer	
40	D43110600	1	Key	
41	D28780803	1	Tube	From Serial or Engine Number 51179
	D28780831	1	Tube	Up to Serial or Engine Number 51178
42	D43009200	1	Bracket	
43	D40402600	1	Hex. Sock. Screw	
44	D41013400	1	Nut	
45	D43002500	1	Greaser	
46	D20400414	4	Washer	
47	D41713200	1	Bearing Ball	
48	D41717000	1	Bearing Assy	
49	D28480650	1	Elbow	From Serial or Engine Number 49897
50	D28480640	1	Bracket	From Serial or Engine Number 49640 Up to Serial or Engine Number 50991
51	D40411400	1	Screw Metric	
52	D41012100	1	Locknut	
53	D40407800	X	Hex. Sock. Screw	OPTIONAL
54	D20400421	X	Washer	OPTIONAL

**Massey Ferguson****MF 38/40 COMBINES, |-> 47958 - 63001210****63001210****Page004-0015****Threshing Drum**

<b>Item</b>	<b>Part Number</b>	<b>Qty</b>	<b>Description</b>	<b>Comments</b>
55	D20400422	X	Washer	OPTIONAL
56	D41100800	X	Spring Washers	OPTIONAL
57	D41010800	X	Nut	OPTIONAL
58	<b>D28780516</b>	1	Inductive Taker	
59	D20400419	1	Washer	
60	D41622600	1	Bearing Ball	
61	D28181126	1	Bracket	From Serial or Engine Number 51298
61	D28480341	1	Bracket	From Serial or Engine Number 50992 Up to Serial or Engine Number 51297

**FOOTNOTE [A] MAIZE EQUIPMENT**

MF 38/40 COMBINES, |-> 47958 - 63001210  
90D0404



90D0404

## Drum Cover And Stone Trap

Item	Part Number	Qty	Description	Comments
1	D28380105	2	Elbow	
2	D41087600	4	Locknut	From Serial or Engine Number +52565
3	D28380106	1	Plate	
4	D40407700	4	Hex. Sock. Screw	
5	D20400471	4	Washer	
6	D28380117	1	Stone Trap	
7	D28380107	1	Curtain	
8	D28380108	1	Plate	
9	D40402700	13	Hex. Sock. Screw	
10	D20400470	13	Washer	
11	D41013400	13	Nut	
12	D28380109	1	Washer	
13	D40405000	12	Hex. Sock. Screw	
14	D20400506	12	Washer	
15	D28380110	1	Shaft	
16	D28380111	1	Journal	Up to Serial or Engine Number 54797
17	D28380112	1	Support	Up to Serial or Engine Number 54797
18	D42612000	2	Pin	
19	D28380113	3	Strap	
20	D28600299	6	Pin	
21	D41405700	12	Pin	From Serial or Engine Number +54423
22	D28380309	1	Lever	From Serial or Engine Number 48753
	D28384019	1	Plate	Up to Serial or Engine Number 48752
23	D40402600	1	Hex. Sock. Screw	Up to Serial or Engine Number 54797
24	D20400470	3	Washer	Up to Serial or Engine Number 54797
25	D41013400	1	Nut	Up to Serial or Engine Number 54797
26	D28380187	1	Stop	Up to Serial or Engine Number 54797
27	D40404900	2	Hex. Sock. Screw	Up to Serial or Engine Number 54797
28	D20400506	2	Washer	Up to Serial or Engine Number 54797
29	D41013500	2	Nut	Up to Serial or Engine Number 54797
30	D28150616	1	Mounting	Up to Serial or Engine Number 54797
31	D40402600	1	Hex. Sock. Screw	Up to Serial or Engine Number 54797
32	D41087400	1	Locknut	Up to Serial or Engine Number 54797
33	D28380118	1	Seal	
34	D28380119	1	Seal	
36	D40405000	2	Hex. Sock. Screw	
37	D20400506	4	Washer	
38	D41013500	4	Nut	
39	D28380148	2	Seal	
40	D40402400	6	Hex. Sock. Screw	
41	D20400404	12	Washer	
42	D41087400	6	Locknut	
43	D28380115	1	Gasket	Up to Serial or Engine Number 51400
	D28380171	1	Strip	From Serial or Engine Number 51401
44	D28380116	2	Stop	Up to Serial or Engine Number 51400
45	D40405000	13	Hex. Sock. Screw	
46	D20400506	13	Washer	
47	D41013500	13	Nut	
48	D28380163	1	Plate	[C]
49	D28780365	1	Cable	
50	<b>D45010092</b>	1	Magnet	
51	D40316600	1	Screw Metric	
52	D41010400	1	Nut	
53	D28180632	1	Cover	
54	D20400419	2	Washer	
55	D41087600	2	Locknut	
56	D40404900	9	Hex. Sock. Screw	
57	D20400506	9	Washer	
58	D44706600	X	Seal Section	Length 1,780M
59	D28180409	1	Seal	
60	D28180628	1	Rail	
61	D40405100	9	Hex. Sock. Screw	
62	D20400506	18	Washer	
63	D28180630	1	Rail	
64	D28180629	1	Deflector	
65	D28180627	1	Profile	
66	D41087500	9	Locknut	
68	D20400415	2	Washer	
69	D41010800	4	Nut	
70	D43383800	1	Handle	From Serial or Engine Number 48753



## Drum Cover And Stone Trap

Item	Part Number	Qty	Description	Comments
71	D28380172	1	Plate	[A] From Serial or Engine Number 51401
72	D28380173	1	Plate	[B]
73	D28380175	2	Plate	[B]
74	D28380176	1	Plate	[B]
75	D28380177	1	Angle	[B]
76	D28380174	2	Stay	[B]
77	D44735900	X	Seal Section	[B] Length 2 X 0,300M
78	D40402700	18	Hex. Sock. Screw	[B]
79	D20400470	18	Washer	[B]
80	D41013400	18	Nut	[B]
81	D20400416	4	Washer	From Serial or Engine Number +52565
82	D28385001	1	Shaft	From Serial or Engine Number 54798
83	D28385007	1	Lever	From Serial or Engine Number 54798
84	D28385006	1	Support	From Serial or Engine Number 54798
85	D28385008	1	Spring	From Serial or Engine Number 54798
86	D28385009	1	Bracket	From Serial or Engine Number 54798
87	D40690000	1	Screw	From Serial or Engine Number 54798
88	D43389700	1	Handle	From Serial or Engine Number 54798
89	D40402600	1	Hex. Sock. Screw	From Serial or Engine Number 54798
90	D20400470	2	Washer	From Serial or Engine Number 54798
91	D41087400	1	Locknut	From Serial or Engine Number 54798
92	D41087700	1	Locknut	From Serial or Engine Number 54798
93	D40407900	2	Hex. Sock. Screw	From Serial or Engine Number 54798
94	D20400507	4	Spacer	From Serial or Engine Number 54798
95	D41087600	2	Locknut	From Serial or Engine Number 54798

FOOTNOTE [A] STANDARD COMBINE

FOOTNOTE [B] AUTO-LEVEL COMBINE

FOOTNOTE [C] MAIZE EQUIPMENT



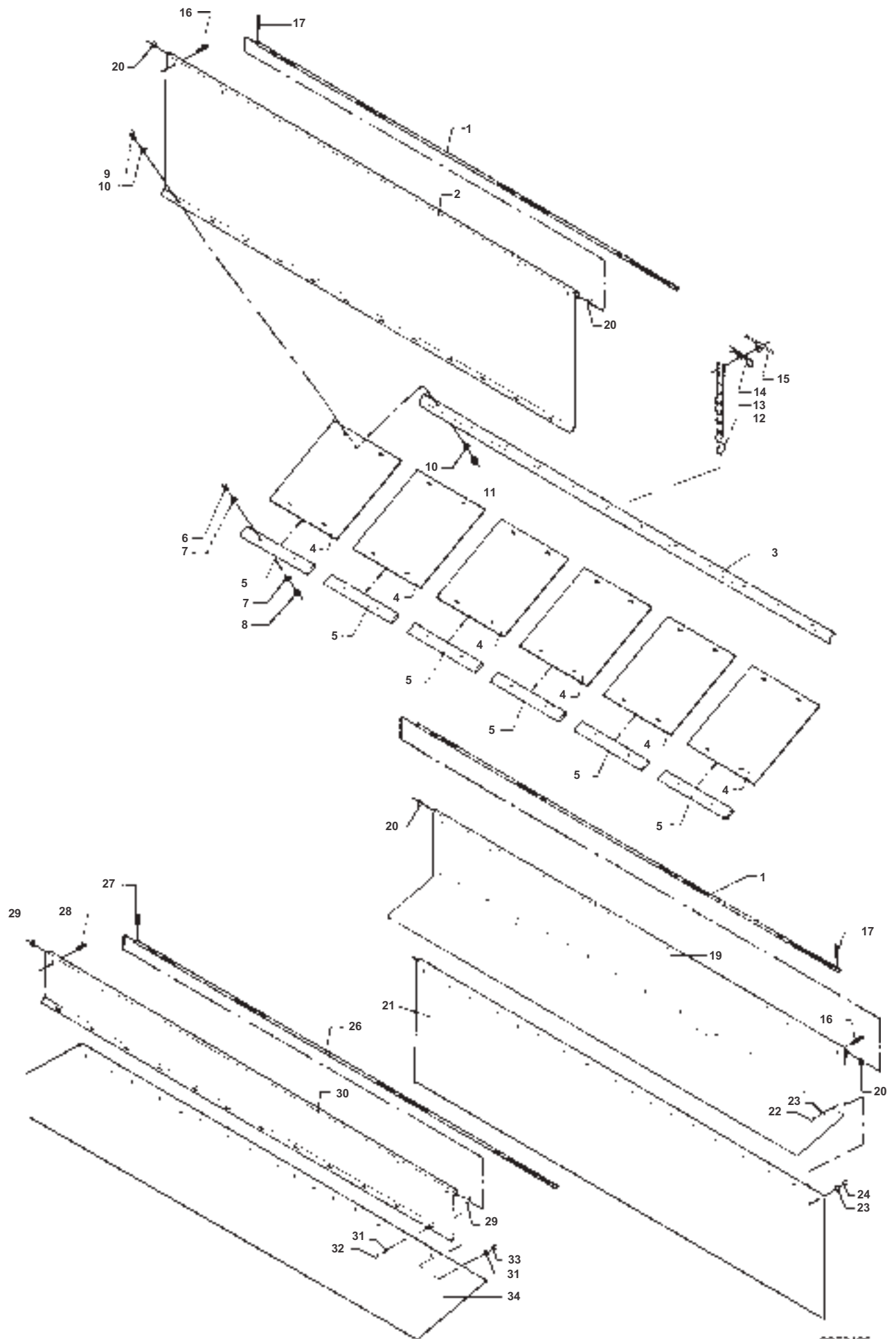
## Rear Beater

Item	Part Number	Qty	Description	Comments
1	D41716400	1	Bearing	
2	D43009600	1	Greaser	
3	D20400446	4	Washer	
4	D41010900	4	Nut	
5	D28380447	1	Drum	From Serial or Engine Number +55433
6	D28380103	1	Cover	
7	D41716400	1	Bearing	
8	D43004900	1	Grease Nipple	
9	D40411100	4	Hex. Sock. Screw	
10	D20400446	4	Washer	
11	D41010900	4	Nut	
12	D41013500	6	Nut	
13	D43159000	1	Key	
14	D20400471	2	Washer	
15	D41087600	1	Locknut	
16	D28380057	1	Hub	Up to Serial or Engine Number 49063
	D28380064	1	Clutch	Up to Serial or Engine Number 49063
17	D42505500	1	Circlip	Up to Serial or Engine Number 49063
18	D41617700	2	Bearing Ball	Up to Serial or Engine Number 49063
19	D42516700	1	Circlip	Up to Serial or Engine Number 49063
20	D28380042	1	Ring	Up to Serial or Engine Number 49063
21	D28380043	1	Ring	Up to Serial or Engine Number 49063
22	D28380062	1	Hub	Up to Serial or Engine Number 49063
23	D45061600	1	Clutch	Up to Serial or Engine Number 49063
24	D40410800	5	Screw Metric	Up to Serial or Engine Number 49063
25	D20400460	1	Washer	
26	<b>D41979800</b>	1	Belt	
27	D28780617	1	Washer	
28	D25700322	1	Nut	
29	D28780486	1	Pulley	
30	D42513700	2	Circlip	
31	D41622700	2	Bearing Ball	
32	D28780007	1	Ring	
33	D41011100	1	Nut	
34	D28780008	1	Bolt	
35	D28786659	1	Lever	From Serial or Engine Number +57068
36	D28780030	1	Pivot	
37	D41405900	1	Pin	
38	D28380011	1	Tie Rod	
39	D41012300	1	Nut Metric	
40	D20400459	2	Washer	
41	D28210881	1	Comp.Spring	
42	D20400459	1	Washer	
43	D41087900	1	Locknut	
44	D28380003	1	Ring	
45	D28380020	1	Yoke	
46	D41711000	1	Bearing	
47	D43001500	1	Greaser	
49	D40411000	4	Hex. Sock. Screw	
50	D28780404	1	Retainer	
51	D28780830	1	Tensioner	
52	D40425900	4	Screw	
53	D40407800	2	Hex. Sock. Screw	
54	D20400415	4	Washer	
55	D41087600	4	Locknut	From Serial or Engine Number +52565
57	D41979900	1	Belt	
58	<b>D41990001</b>	2	V Belt	
59	D28380195	1	Bush	
60	D42595900	2	Tightener	
61	D42502300	1	Circlip	
62	D28780777	2	Eccentric	
63	D28780776	1	Spacer	
64	D43110600	1	Key	
65	D28780831	1	Tube	
66	D43009200	1	Bracket	
67	D40402400	1	Hex. Sock. Screw	
68	D41013400	1	Nut	
69	D43002700	1	Greaser	
70	D41717000	2	Bearing Assy	
71	D41705700	X	Bearing Ball	
72	D28380178	1	Dog	

## Rear Beater

Item	Part Number	Qty	Description	Comments
73	D28380300	1	Clutch	From Serial or Engine Number 49064
73	D28380047	1	Pulley	(73)
74	D28380045	1	Pulley	(73)
75	D42505500	1	Circlip	(73)
				From Serial or Engine Number 49064
76	D41617700	2	Bearing Ball	(73)
				From Serial or Engine Number 49064
77	D28380285	1	Bearing Carrier	(73)
				From Serial or Engine Number 49064
78	D42516700	1	Circlip	(73)
				From Serial or Engine Number 49064
79	D28380042	1	Ring	(73)
				From Serial or Engine Number 49064
				Up to Serial or Engine Number 50670
80	D28380043	1	Ring	(73)
				From Serial or Engine Number 49064
81	D45060300	1	Plate	(73)
				From Serial or Engine Number 49064
82	D45060200	1	Magnet	(73)
				From Serial or Engine Number 49064
83	D28380286	1	Hub	(73)
				From Serial or Engine Number 49064
84	D40410700	4	Screw	(73)
				From Serial or Engine Number 49064
85	D40690500	12	Screw Metric	(73)
86	D40405100	12	Hex. Sock. Screw	(73)
87	D40410800	4	Screw Metric	(73)
				From Serial or Engine Number 49064
88	D28850906	1	Harness	(73)
				From Serial or Engine Number 49064
89	D20400531	4	Spacer	
90	D45037100	X	Sheath	Length 0,05 M
91	D28181284	1	Washer	
92	D40407200	4	Hex. Sock. Screw	
93	D20400473	8	Washer	
94	D41092500	4	Nut	

MF 38/40 COMBINES, |-> 47958 - 63001210  
90F0406



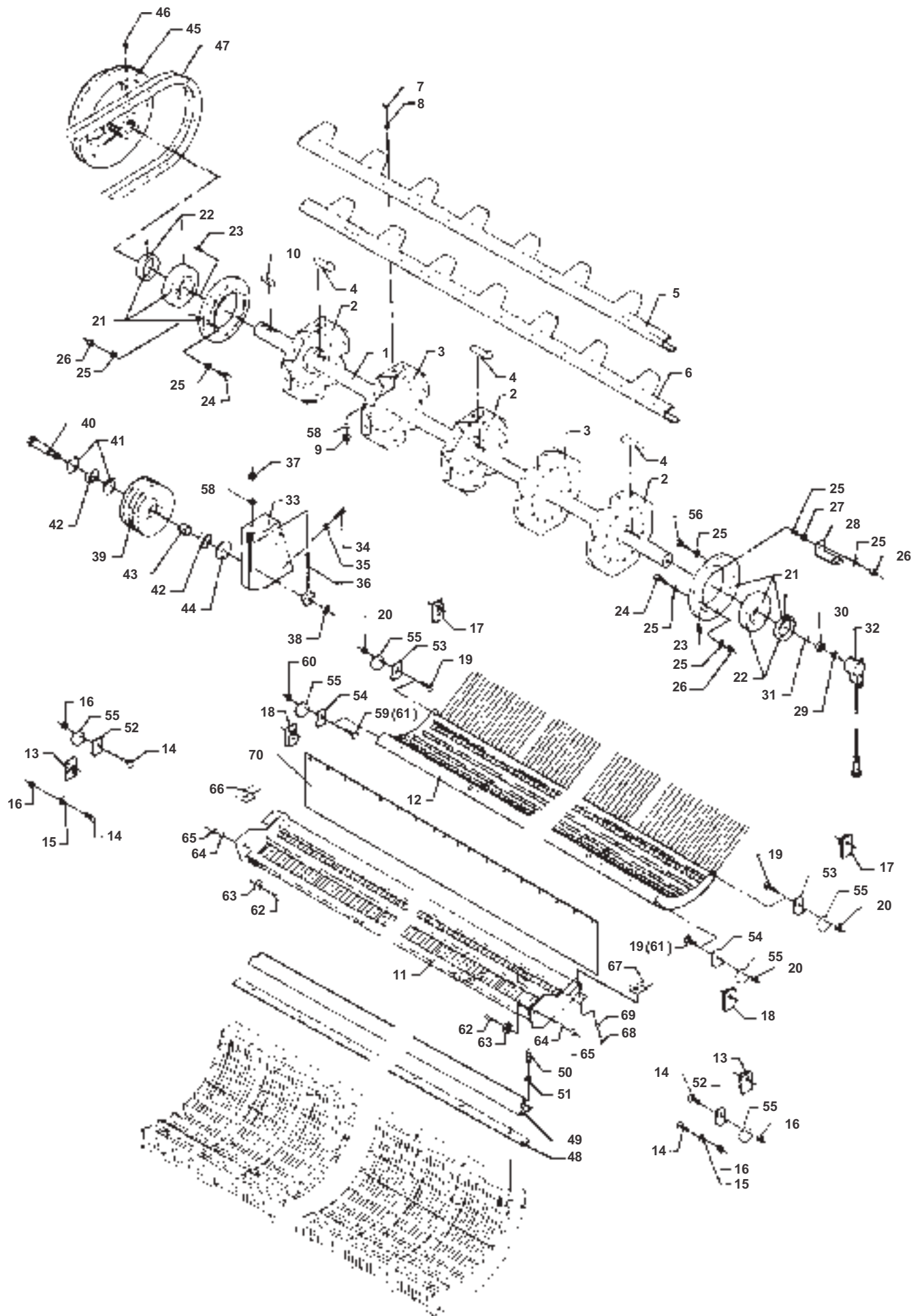
90F0406

## Check Flaps

Item	Part Number	Qty	Description	Comments
1	D28180133	2	Shaft	
2	D28180136	3	Shield	
3	D28180132	1	Rail	
4	D28180131	6	Plate	
5	D28180130	6	Reinforcement	
6	D40402400	12	Hex. Sock. Screw	
7	D20400404	24	Washer	
8	D41087400	12	Locknut	
9	D40405000	12	Hex. Sock. Screw	
10	D20400506	24	Washer	
11	D41087500	12	Locknut	
12	D42386000	1	Hook	
13	D28180405	1	Chain	
14	D27100120	1	Hair Pin	
15	D21100341	1	Retainer	
16	D41408800	14	Split Pin	
17	D44358000	6	Hair Pin	From Serial or Engine Number +49834
18	D28181723	1	Guard	[A]
19	D28181019	1	Cowl	
20	D20400419	84	Washer	
21	D28181710	2	Guard	From Serial or Engine Number 50992
22	D40402400	34	Hex. Sock. Screw	From Serial or Engine Number 50992
23	D20400404	34	Washer	From Serial or Engine Number 50992
24	D28181710	1	Guard	[A] From Serial or Engine Number 52565 From Serial or Engine Number 50992
	D41087400	34	Locknut	
25	D20400405	34	Washer	
26	D28180133	1	Shaft	[A] From Serial or Engine Number 52565
27	D44358000	X	Hair Pin	[A] From Serial or Engine Number 52565
28	D41408800	X	Split Pin	[A] From Serial or Engine Number 52565
29	D20400419	X	Washer	[A] From Serial or Engine Number 52565
30	D28181723	1	Guard	[A] From Serial or Engine Number 52565
31	D20400405	X	Washer	[A] From Serial or Engine Number 52565
32	D40402400	X	Hex. Sock. Screw	[A] From Serial or Engine Number 52565
33	D41087400	X	Locknut	[A] From Serial or Engine Number 52565

**FOOTNOTE [A]** FOR MACHINES WITHOUT GRAIN SEPARATOR

MF 38/40 COMBINES, |-> 47958 - 63001210  
90D0407



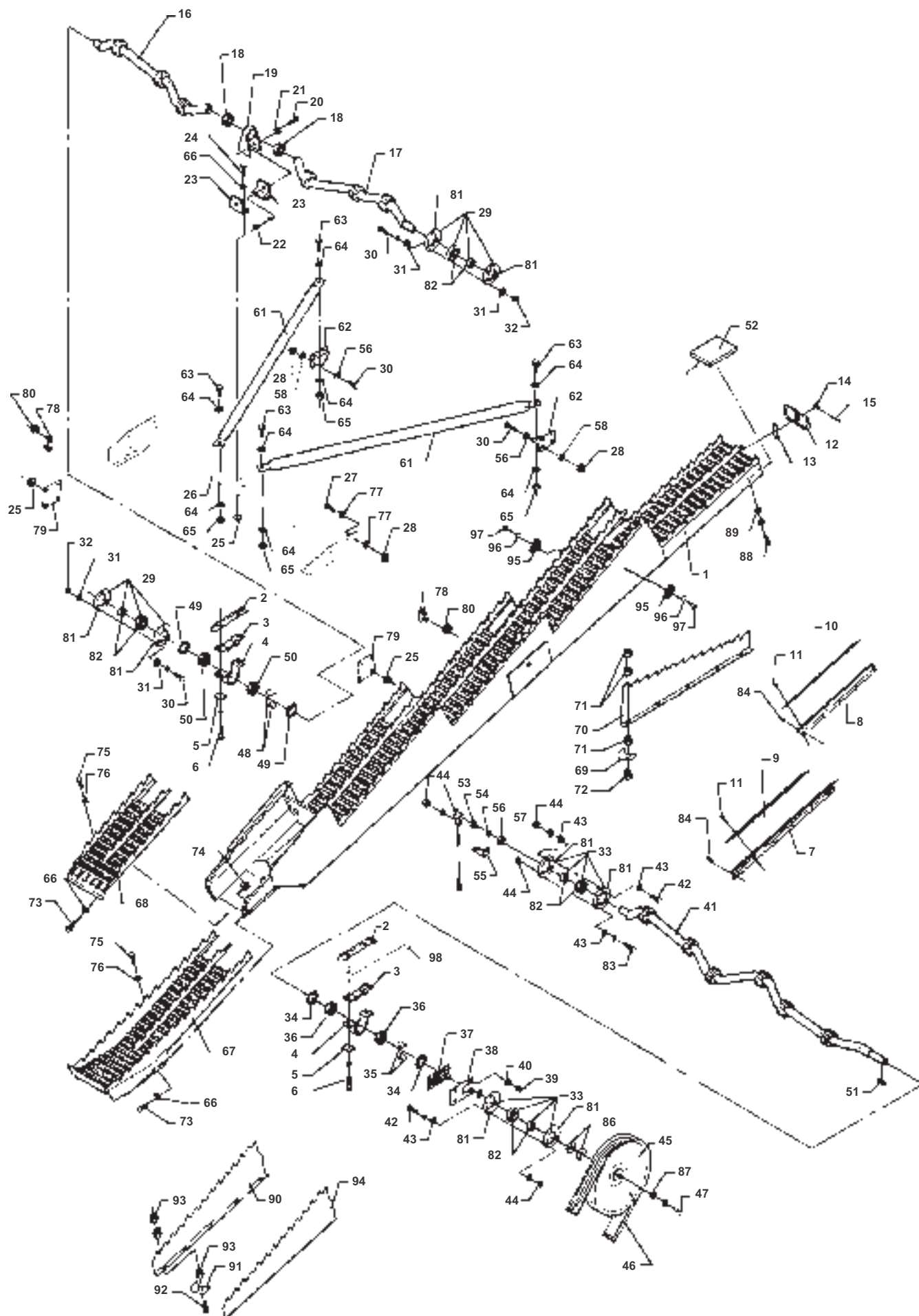
Item	Part Number	Qty	Description	Comments
1	D28380260	1	Concave	
	D28380259	1	Shaft	(1)
2	D28380258	3	Crosspiece	(1)
3	D28380256	2	Crosspiece	(1)
4	D43154900	3	Gib Key	(1)
5	D28380254	4	Batt	(1)
6	D28380255	4	Batt	(1)
7	D40407900	40	Hex. Sock. Screw	(1) From Serial or Engine Number +50693
8	D20400415	40	Washer	(1)
9	D41087600	40	Locknut	(1) From Serial or Engine Number +50496
10	D43107500	1	Key	
11	D28380252	1	Beater	Up to Serial or Engine Number 50680
	D28380382	1	Beater	From Serial or Engine Number 50681
12	D28380245	1	Separator	Up to Serial or Engine Number 50680
	D28380351	1	Beater	From Serial or Engine Number 50681
13	D28384068	2	Adjuster	Up to Serial or Engine Number 50230
14	D40070200	4	Screw Metric	
15	D20400426	2	Washer	
16	D41010900	4	Nut	
17	D28384067	2	Adjuster	Up to Serial or Engine Number 50115
18	D28384066	2	Adjuster	Up to Serial or Engine Number 50115
19	D40070300	3	Screw	
20	D41010900	3	Nut	
21	D41711000	2	Bearing	
22	D41705700	2	Bearing Ball	
23	D43001500	2	Greaser	
24	D40411100	8	Hex. Sock. Screw	
25	D20400426	16	Washer	
26	D41087700	8	Locknut	
27	D41010900	1	Nut	
28	D28780611	1	Retainer	
29	<b>D28780516</b>	1	Inductive Taker	
30	D41622600	1	Bearing Ball	
31	D20400419	1	Washer	
32	<b>D28780514</b>	1	Sensor	
33	D28380234	1	Bracket	
34	D40408000	3	Hex. Sock. Screw	
35	D20400415	3	Washer	
36	D28211025	1	Bolt	
37	D41010800	1	Nut	From Serial or Engine Number +52565
38	D41087900	1	Locknut	
39	D28380242	1	Pulley	
40	D28480090	1	Bolt	
41	D42513700	2	Circlip	
42	D41622700	2	Bearing Ball	
43	D28780007	1	Ring	
44	D28380235	1	Washer	
45	D28380244	1	Pulley	
46	D40407800	2	Hex. Sock. Screw	
47	<b>D41990007</b>	2	Belt	
48	D28380291	1	Shim	
49	D28380261	1	Extension	
50	D40407800	8	Hex. Sock. Screw	
51	D20400415	8	Washer	
52	D28380342	2	Guide	From Serial or Engine Number 50231 Up to Serial or Engine Number 50680
53	D28380335	2	Guide	From Serial or Engine Number 50116
54	D28380339	2	Guide	From Serial or Engine Number 50116
55	D28380334	6	Eccentric	From Serial or Engine Number 50231 Up to Serial or Engine Number 50680 From Serial or Engine Number 50681
	D28380334	4	Eccentric	From Serial or Engine Number 50681
56	D40411300	1	Hex. Sock. Screw	
57	D41012100	1	Locknut	
58	D20400471	41	Washer	From Serial or Engine Number +52565
59	D28380357	1	Bolt	Up to Serial or Engine Number 50680
60	D41012100	1	Locknut	
61	D40411300	2	Hex. Sock. Screw	From Serial or Engine Number 50681
62	D40411000	2	Hex. Sock. Screw	From Serial or Engine Number 50681
63	D28380356	2	Bush	From Serial or Engine Number 50681



**Massey Ferguson****MF 38/40 COMBINES, |-> 47958 - 63001210****63001210****Concave, Cylinder And Grain Separator****Page004-0035**

<b>Item</b>	<b>Part Number</b>	<b>Qty</b>	<b>Description</b>	<b>Comments</b>
64	D20400426	2	Washer	From Serial or Engine Number 50681
65	D41010900	2	Nut	From Serial or Engine Number 50681
66	D28380359	1	Lock	From Serial or Engine Number 50681
67	D28380360	1	Lock	From Serial or Engine Number 50681
68	D40407800	2	Hex. Sock. Screw	From Serial or Engine Number 50681
69	D20400473	2	Washer	From Serial or Engine Number 50681

MF 38/40 COMBINES, |-> 47958 - 63001210  
90E0501



90E0501

## Straw Shaker And Cranks

Item	Part Number	Qty	Description	Comments
1	D28480523	6	Walker	From Serial or Engine Number +48038 Up to Serial or Engine Number 50991
	D28480677	6	Shaker	From Serial or Engine Number 50992
2	D28460005	12	Dog	Up to Serial or Engine Number 50991
	D28480785	12	Support	From Serial or Engine Number 50992
3	D28450624	12	Bottom Part	
4	D28480787	12	Upper Frame	From Serial or Engine Number +50992
5	D28450277	24	Dog	Up to Serial or Engine Number 50991
	D28480784	24	Support	From Serial or Engine Number 50992
6	D40407900	24	Hex. Sock. Screw	Up to Serial or Engine Number 50991
	D40411100	24	Hex. Sock. Screw	From Serial or Engine Number 50992
7	D28450536	2	Plate	
8	D28480301	2	Plate	
9	D28450637	2	Bush	
10	D28480300	2	Seal	
11	D43427400	48	Fastener	
12	D28450115	6	Cover	
	D28450114	6	Cover	(12)
13	D27400370	6	Spring	(12)
14	D27400371	6	Lock	(12)
15	D41408800	6	Split Pin	(12)
16	D28480068	1	Crankshaft	
17	D28480287	1	Crankshaft	
18	D41617000	2	Bearing Ball	
19	D28480355	1	Bracket	
20	D40411000	2	Hex. Sock. Screw	
21	D20400426	4	Washer	
22	D41010900	2	Nut	
23	D28480356	2	Bearing Carrier	
24	D40405000	4	Hex. Sock. Screw	
25	D41013500	4	Nut	
26	D28480228	1	Crossmember	Up to Serial or Engine Number 50991
	D28480730	1	Crossmember	From Serial or Engine Number 50992
27	D40407800	4	Hex. Sock. Screw	
28	D41087600	8	Locknut	From Serial or Engine Number +52565
29	D41709600	2	Bearing	
30	D40407800	8	Hex. Sock. Screw	From Serial or Engine Number +52565
31	D20400507	12	Spacer	
32	D41010800	6	Nut	
33	D41709600	2	Bearing	
34	D28460184	12	Cover	(41)
35	D28450278	12	Bearing Bush	(41)
36	D41623100	12	Bearing Ball	(41)
37	D28180699	1	Seal	
38	D28180700	1	Plate	
39	D41087500	5	Locknut	
40	D20400506	4	Washer	
41	D28480078	1	Crankshaft	
42	D40407700	5	Hex. Sock. Screw	
43	D20400507	12	Spacer	
44	D41010800	7	Nut	
45	D28480377	1	Pulley	
46	<b>D41979000</b>	1	Belt	
47	D40411200	1	Hex. Sock. Screw	From Serial or Engine Number +53488
48	D28450278	12	Bearing Bush	(16)
	D28450278	12	Bearing Bush	(17)
49	D28460184	12	Cover	(16)
	D28460184	12	Cover	(17)
50	D41623100	12	Bearing Ball	(16)
	D41623100	12	Bearing Ball	(17)
51	D43104700	1	Key	
52	D45050069	2	Sensor	[A]
53	<b>D28780514</b>	1	Sensor	
54	<b>D28780516</b>	1	Inductive Taker	
55	D28780692	1	Retainer	
56	D20400419	X	Washer	
57	D41622600	1	Bearing Ball	
58	D20400416	8	Washer	From Serial or Engine Number +52565
61	D28180145	2	Reinforcement	
62	D28180645	2	Bracket	
63	D40411100	4	Hex. Sock. Screw	

## Straw Shaker And Cranks

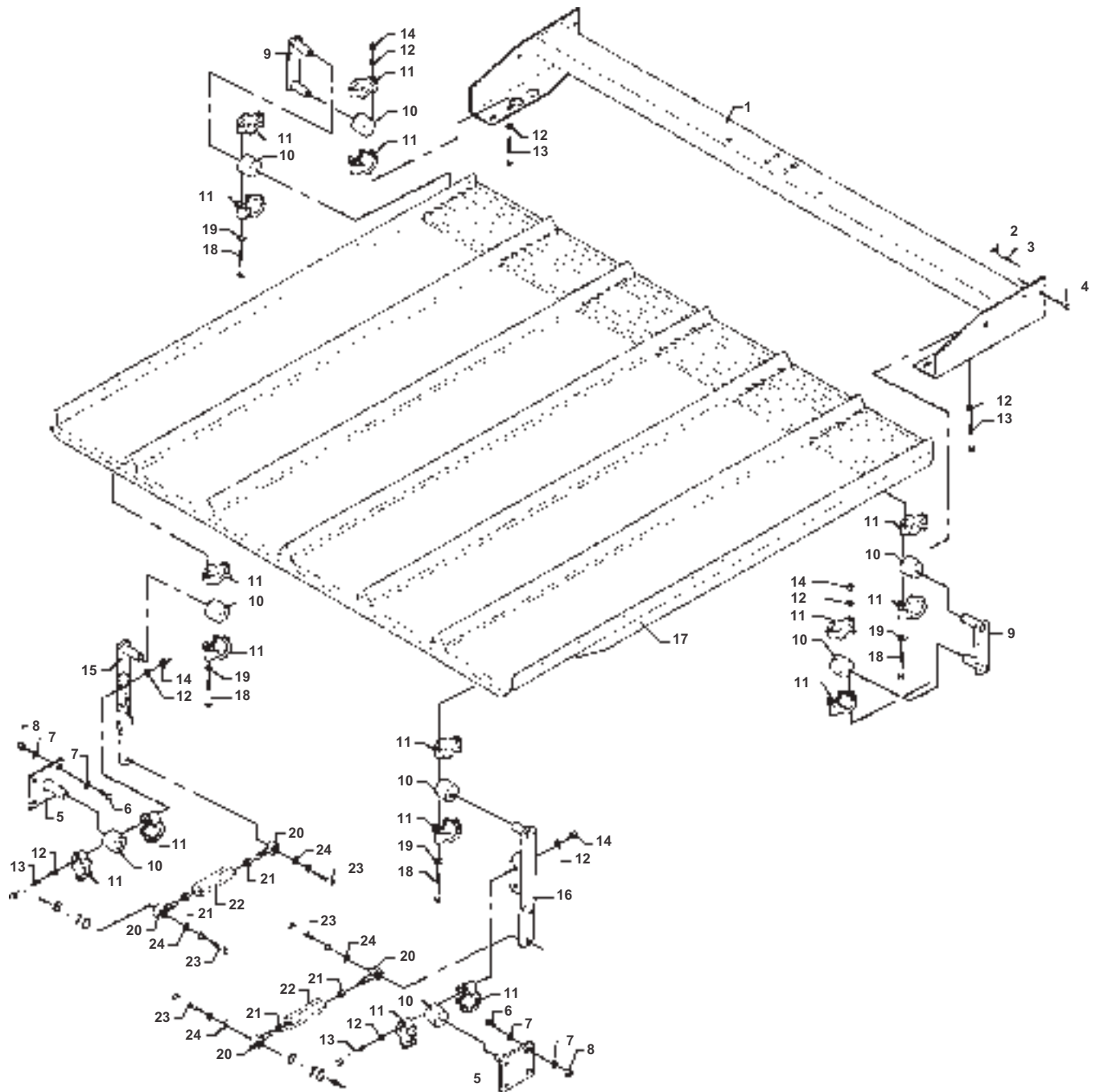
Item	Part Number	Qty	Description	Comments
64	D20400426	8	Washer	
65	D41087700	4	Locknut	
66	D20400506	X	Washer	
67	D28480514	6	Facing	[B] From Serial or Engine Number 48038
68	D28480491	6	Facing	[C]
69	D28480659	12	Retainer	[D] Up to Serial or Engine Number 50991
70	D28480524	6	Raiser	[D]
71	D41010700	36	Nut	[D]
72	D40405300	12	Screw	[D]
73	D40404900	X	Hex. Sock. Screw	
74	D41013500	X	Nut	
75	D40402400	X	Hex. Sock. Screw	
76	D20400404	X	Washer	
77	D20400416	8	Washer	
78	D28184059	2	Plate	
79	D28184058	2	Plate	
80	D41013400	4	Nut	
81	D41708800	8	Bearing Flange	
82	D41716000	4	Bearing Ball	
83	D40408000	1	Hex. Sock. Screw	
84	D41397300	22	Rivet	
85	D20400414	1	Washer	
86	D20400439	2	Washer	
87	D28480769	1	Rubber	
88	D40402400	6	Hex. Sock. Screw	[D]
89	D20400470	6	Washer	[D]
90	D28480651	6	Ear Lifter	[D] Up to Serial or Engine Number 50991
91	D28480659	24	Retainer	[D] Up to Serial or Engine Number 50991
92	D40405300	24	Screw	[D] Up to Serial or Engine Number 50991
93	D41010700	72	Nut	[D] Up to Serial or Engine Number 50991
94	D28480658	6	Ear Lifter	[D] Up to Serial or Engine Number 50991
95	D28480769	12	Rubber	From Serial or Engine Number 50992
96	D20400521	12	Spacer	From Serial or Engine Number 50992
97	D41397300	12	Rivet	From Serial or Engine Number 50992
98	D28480493	2	Plate	From Serial or Engine Number 50992

FOOTNOTE [A] OPTIONAL EQUIPMENT GRAIN LOSS INDICATOR

FOOTNOTE [B] FOR MACHINES WITHOUT GRAIN SEPARATOR

FOOTNOTE [C] FOR MACHINES WITH GRAIN SEPARATOR

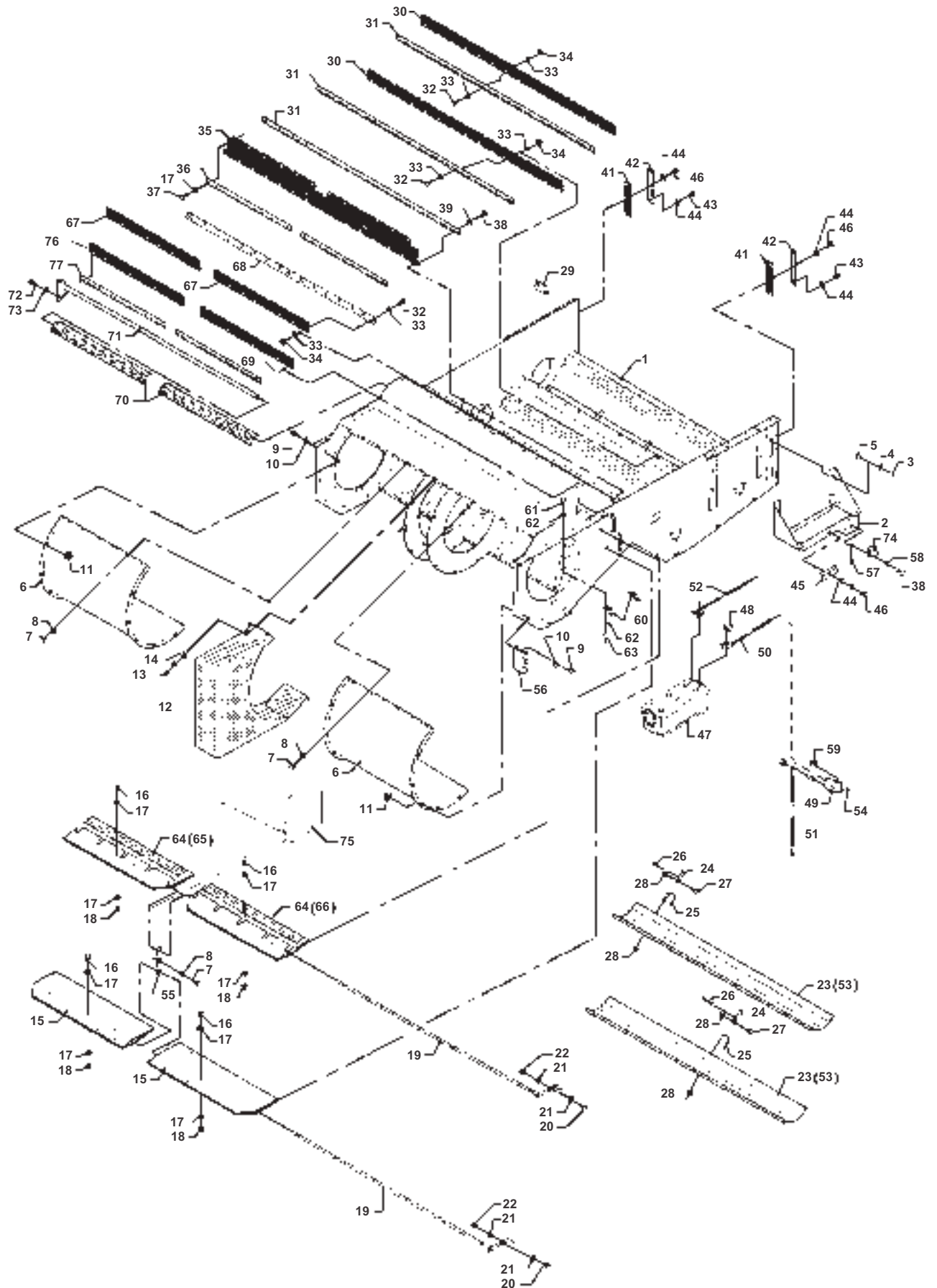
FOOTNOTE [D] OPTIONAL EQUIPMENT



**Massey Ferguson****MF 38/40 COMBINES, |-> 47958 - 63001210****63001210****Second Grain Pan - From Serial or Engine Number 50992****Page005-0010**

<b>Item</b>	<b>Part Number</b>	<b>Qty</b>	<b>Description</b>	<b>Comments</b>
1	D28480730	1	Crossmember	
2	D40407800	4	Hex. Sock. Screw	
3	D20400416	8	Washer	
4	D41087600	4	Locknut	
5	D28480682	2	Bracket	
6	D40405100	8	Hex. Sock. Screw	
7	D20400506	16	Washer	
8	D41087500	8	Locknut	
9	D28480690	2	Arm	
10	D28450420	8	Bush	
11	D28430010	16	Half Flange	
12	D20400419	16	Washer	
13	D40426500	8	Screw	
14	D41087600	8	Locknut	
15	D28480686	1	Conrod	
16	D28480687	1	Conrod	
17	D28480678	1	Table	
18	D40426400	8	Screw Metric	
19	D20400415	8	Washer	
20	D45698800	2	Toggle	From Serial or Engine Number 54340
	D45698800	4	Toggle	Up to Serial or Engine Number 54339
21	D41010900	2	Nut	From Serial or Engine Number 54340
	D41010900	2	Nut	Up to Serial or Engine Number 54339
22	D28480838	2	Bolt	From Serial or Engine Number 54340
	D28480693	2	Screw	Up to Serial or Engine Number 54339
23	D40411000	4	Hex. Sock. Screw	
24	D20400424	4	Washer	
25	D45699000	2	Toggle	From Serial or Engine Number 54340
26	D41014400	2	Nut	From Serial or Engine Number 54340

MF 38/40 COMBINES, |-> 47958 - 63001210  
90G0601



Item	Part Number	Qty	Description	Comments
1	D28480556	1	Housing	From Serial or Engine Number +47938 Up to Serial or Engine Number 50991
	D28480704	1	Washer	From Serial or Engine Number 50992
2	D28480375	1	Battery Holder	STANDARD
	D28485017	1	Retainer	[A] From Serial or Engine Number +54007
3	D40404900	4	Hex. Sock. Screw	
4	D20400506	4	Washer	
5	D41013500	4	Nut	
6	D28480171	2	Cover	
7	D40404900	X	Hex. Sock. Screw	
8	D20400506	X	Washer	
9	D40404900	20	Hex. Sock. Screw	
10	D20400506	20	Washer	
11	D41013500	20	Nut	
12	D28480216	1	Strainer	Up to Serial or Engine Number 49639
13	D40404900	6	Hex. Sock. Screw	
14	D20400506	6	Washer	
15	D28480566	2	Plate	
16	D40421800	12	Screw Metric	
17	D20400470	36	Washer	
18	D41087400	12	Locknut	
19	D28480211	2	Shaft	
20	D40404900	2	Hex. Sock. Screw	
21	D20400506	4	Washer	
22	D41087500	2	Locknut	
23	D28480156	2	Shutter	
24	D28560162	6	Lever	
25	D28560165	6	U Bolt	
26	D27100120	6	Hair Pin	
27	D40402700	6	Hex. Sock. Screw	
28	D41087400	18	Locknut	
29	D28780171	1	Hose Clip	
30	D28480158	2	Seal	
31	D28480157	3	Rail	
32	D40402600	X	Hex. Sock. Screw	
33	D20400470	X	Washer	
34	D41087400	X	Locknut	
35	D28480024	1	Seal	Up to Serial or Engine Number 50991
	D28480744	1	Gasket	From Serial or Engine Number 50992
36	D28480173	2	Rail	
37	D40402700	12	Hex. Sock. Screw	
38	D40402600	15	Hex. Sock. Screw	
39	D20400470	X	Washer	
40	D41087400	X	Locknut	
41	D28480363	2	Seal	
42	D28480362	2	Rail	
43	D40404900	2	Hex. Sock. Screw	
44	D20400506	7	Washer	
45	D28480285	1	Retainer	
46	D40405100	3	Hex. Sock. Screw	
47	D45090098	1	Battery	STANDARD From Serial or Engine Number +55317
	D44900565	1	Battery	[A] From Serial or Engine Number +56147
48	D45060042	1	Plug	(50)
49	D45059800	1	Switch	
50	D28781896	1	Cable	From Serial or Engine Number 54386
	D28780515	1	Cable	Up to Serial or Engine Number 54385
51	D28781891	1	Battery Cable	From Serial or Engine Number 54071
	D28780205	1	Cable	Up to Serial or Engine Number 54070
52	D28781928	1	Harness	From Serial or Engine Number 54071
	D28780506	1	Cable	Up to Serial or Engine Number 54070
53	D28480447	2	Shutter	[B]
54	D45060055	1	Spanner	
55	D28480579	1	Support	From Serial or Engine Number +48460 Up to Serial or Engine Number 50991
	D28480740	1	Support	From Serial or Engine Number 50992
56	D28780368	1	Retainer	Up to Serial or Engine Number 52010
	D28784378	1	Pipe	From Serial or Engine Number 52312
57	D28480614	1	Support	

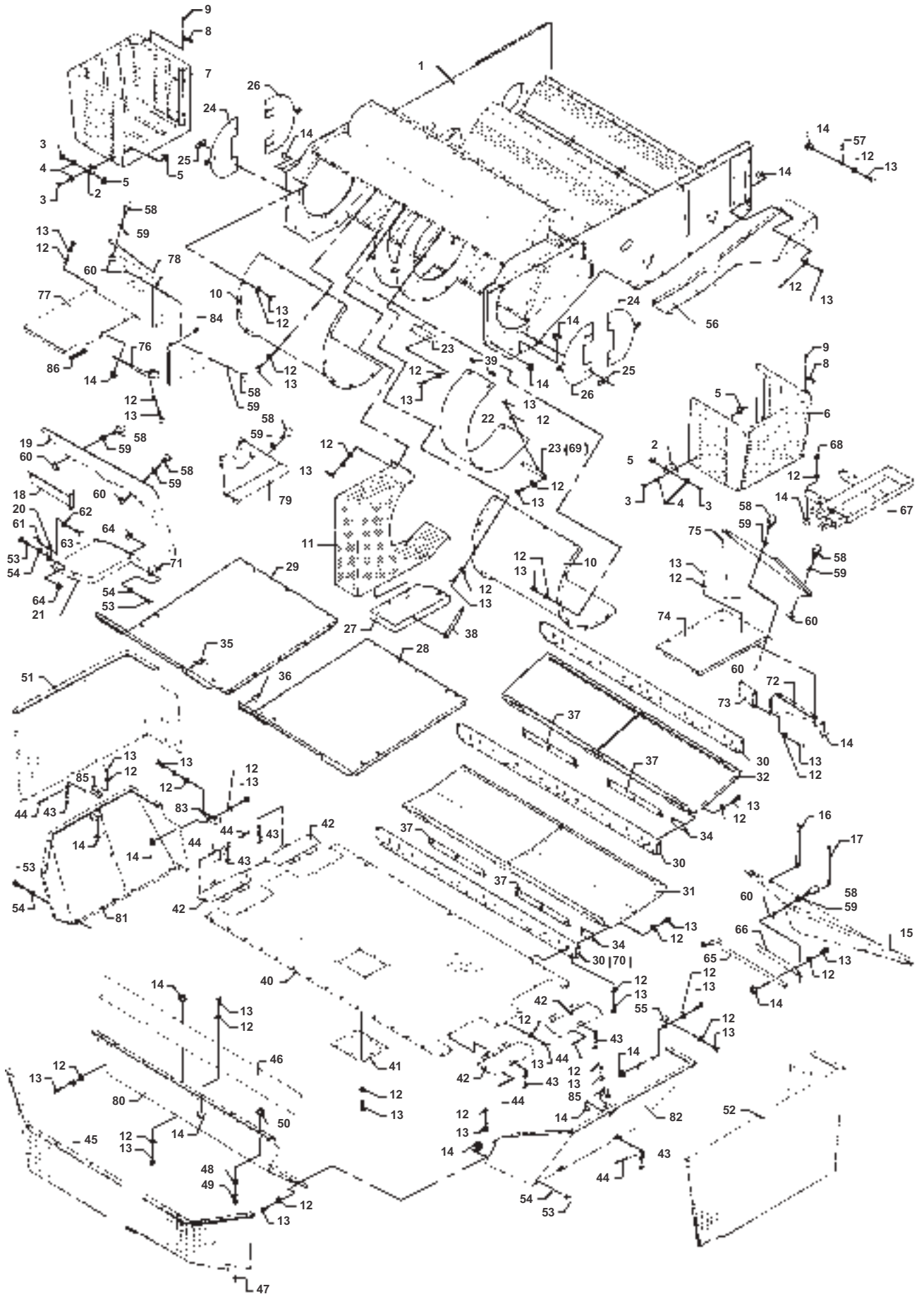


<b>Item</b>	<b>Part Number</b>	<b>Qty</b>	<b>Description</b>	<b>Comments</b>
58	D20400404	2	Washer	
59	D41013400	2	Nut	
60	D28780694	2	Support	
61	D40408000	2	Hex. Sock. Screw	From Serial or Engine Number +52498
62	D20400473	4	Washer	From Serial or Engine Number +52498
63	D41087600	2	Locknut	From Serial or Engine Number +52498
64	D28480566	2	Plate	Up to Serial or Engine Number 50991
65	D28480749	1	Plate	From Serial or Engine Number 50992
66	D28480750	1	Plate	From Serial or Engine Number 50992
67	D28480706	2	Gasket	From Serial or Engine Number +53920
68	D28480741	1	Gasket	From Serial or Engine Number 50992
69	D43427400	16	Fastener	From Serial or Engine Number 50992
70	D28480745	2	Gate	From Serial or Engine Number 50992
71	D28480751	1	Shaft	From Serial or Engine Number 50992
72	D40405000	1	Hex. Sock. Screw	From Serial or Engine Number 50992
73	D20400411	1	Washer	From Serial or Engine Number 53282
73	D20400414	1	Washer	Up to Serial or Engine Number 53281
74	D45730400	1	Clamp	From Serial or Engine Number 50992
75	D28480770	1	Plate	From Serial or Engine Number +53920

**FOOTNOTE [A]** OPTIONAL EXTRA FOR PREHEATER

**FOOTNOTE [B]** OPTIONAL EQUIPMENT FOR PEAS

MF 38/40 COMBINES, |-> 47958 - 63001210  
90F0602



## Fan Housing And Guarding

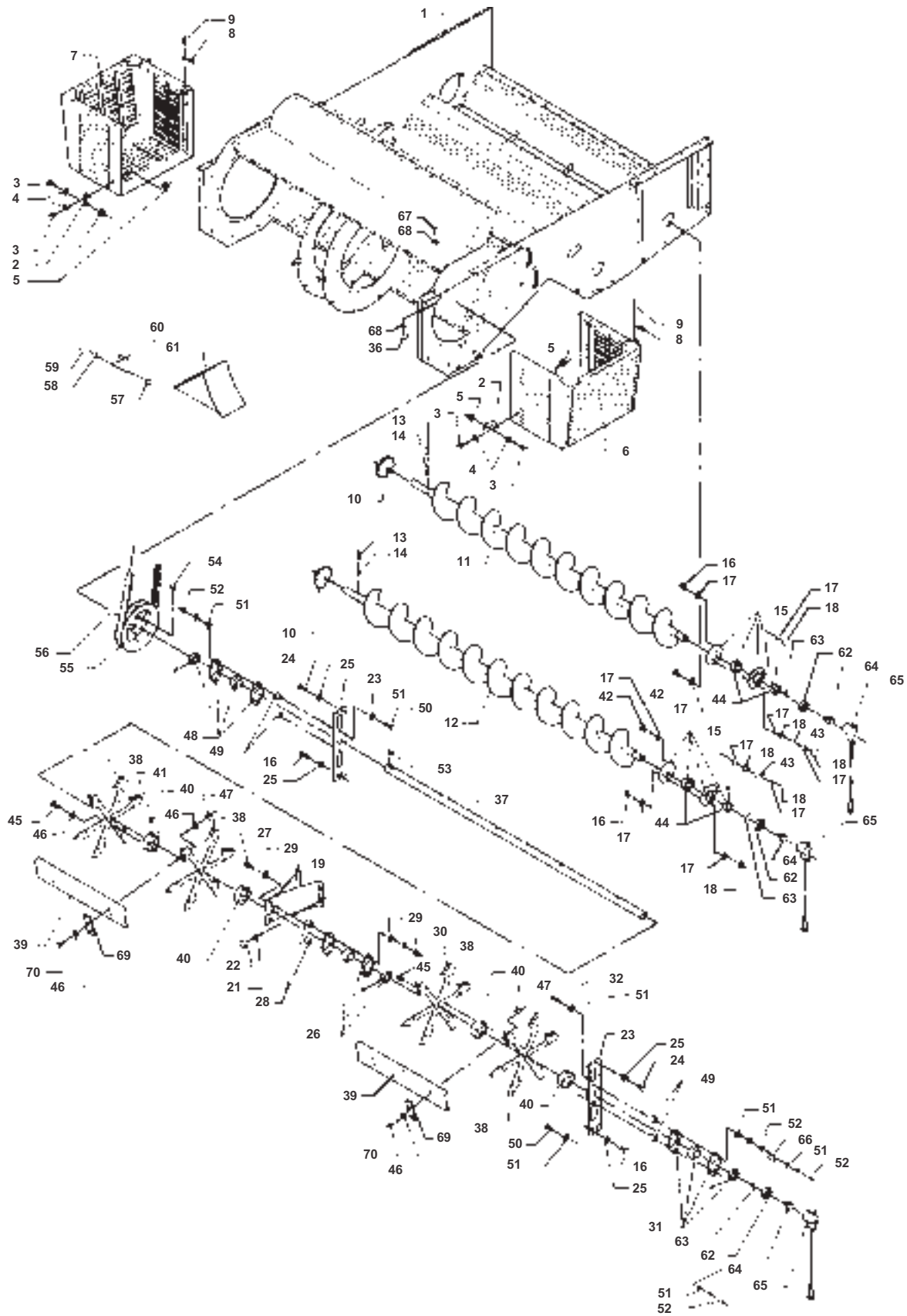
Item	Part Number	Qty	Description	Comments
1	D28480556	1	Housing	From Serial or Engine Number +47938 Up to Serial or Engine Number 50991
	D28480704	1	Washer	From Serial or Engine Number 50992
2	D28180829	8	Bracket	Up to Serial or Engine Number 49639
3	D40404900	16	Hex. Sock. Screw	Up to Serial or Engine Number 49639
4	D20400506	16	Washer	Up to Serial or Engine Number 49639
5	D41013500	16	Nut	Up to Serial or Engine Number 49639
6	D28180817	1	Suction Casing	Up to Serial or Engine Number 49639
7	D28180818	1	Suction Casing	Up to Serial or Engine Number 49639
8	D44737100	2	Rubber Strap	Up to Serial or Engine Number 49639
9	D41411100	2	Split Pin	Up to Serial or Engine Number 49369
10	D28480171	2	Cover	
11	D28480216	1	Strainer	Up to Serial or Engine Number 49639
12	D20400506	X	Washer	
13	D40405000	X	Hex. Sock. Screw	From Serial or Engine Number +52565
14	D41087600	X	Locknut	From Serial or Engine Number +52565
15	D28181005	X	Shield	[A] Up to Serial or Engine Number 49639
	D28480629	1	Guard	From Serial or Engine Number 49640 Up to Serial or Engine Number 50991
16	D28180997	X	Stay	[A] Up to Serial or Engine Number 49639
17	D28180996	X	Stay	[A] Up to Serial or Engine Number 49639
18	D28180994	1	Bracket	[A] Up to Serial or Engine Number 49639
	D28480641	1	Support	From Serial or Engine Number 49640 Up to Serial or Engine Number 50991
19	D28181004	1	Guard	[A] Up to Serial or Engine Number 49639
	D28480628	1	Guard	From Serial or Engine Number 49640 Up to Serial or Engine Number 50991
20	D28180991	1	Mounting	[A] Up to Serial or Engine Number 49639
21	D28181002	1	Guard	[A] Up to Serial or Engine Number 49639
	D28480644	1	Guard	From Serial or Engine Number 49640 Up to Serial or Engine Number 50991
22	D28480401	1	Cover	[A]
23	D28480397	2	Support	[A] Up to Serial or Engine Number 49639
24	D28480400	2	Cover	[A] Up to Serial or Engine Number 52082
25	D28480396	4	Bracket	[A] Up to Serial or Engine Number 52082
26	D28480399	2	Cover	[A] Up to Serial or Engine Number 52082
27	D28480421	1	Cover	[A] Up to Serial or Engine Number 49639
28	D28480422	1	Cover	[A] Up to Serial or Engine Number 49639
29	D28480429	1	Cover	[A] Up to Serial or Engine Number 49639
30	D28480423	3	Profile	[A]
31	D28480413	1	Shutter	[A]
32	D28480411	1	Shutter	[A]
34	D28480417	6	Hinge	[A]
35	D28480420	2	Bracket	[A] Up to Serial or Engine Number 49639
36	D28480419	2	Bracket	[A] Up to Serial or Engine Number 49639
37	D28480478	4	Chock	[A] From Serial or Engine Number +46565
38	D28480418	2	Stay	[A] Up to Serial or Engine Number 49639
39	D28480626	2	Retainer	From Serial or Engine Number 49640
40	D28480337	1	Plate	From Serial or Engine Number 50992
	D28480604	1	Backplate	From Serial or Engine Number 49640 Up to Serial or Engine Number 50991
41	D28480630	1	Plate	From Serial or Engine Number 49640
42	D28480622	4	Trap	From Serial or Engine Number 49460
43	D44737100	6	Rubber Strap	From Serial or Engine Number 49640

## Fan Housing And Guarding

Item	Part Number	Qty	Description	Comments
44	D41411300	6	Pin	From Serial or Engine Number 49640
45	D28480592	1	Guard	From Serial or Engine Number 49640 Up to Serial or Engine Number 50991
46	D28480605	1	Plate	From Serial or Engine Number 49640
47	D44735900	X	Seal Section	Length 0,3M
48	D40407700	2	Hex. Sock. Screw	From Serial or Engine Number 49640
49	D20400473	2	Washer	From Serial or Engine Number +55529
50	D41087600	2	Locknut	From Serial or Engine Number +52565
51	D28480599	1	Cowl	From Serial or Engine Number 49640 Up to Serial or Engine Number 50991
52	D28480596	1	Cowl	From Serial or Engine Number 49640 Up to Serial or Engine Number 50991
53	D40402400	X	Hex. Sock. Screw	From Serial or Engine Number 49640
54	D20400404	X	Washer	From Serial or Engine Number 49640
55	D28180829	1	Bracket	From Serial or Engine Number 49640
56	D28480808	1	Cover	From Serial or Engine Number +54094
56	D28480616	1	Cowl	Up to Serial or Engine Number 54093
56	D28480456	1	Cover	Up to Serial or Engine Number 49639
57	D28480614	1	Support	Up to Serial or Engine Number 54114
58	D43427500	X	Pin	From Serial or Engine Number 49640
59	D20400500	X	Spacer	From Serial or Engine Number 49640
60	D42555500	X	Circlip	From Serial or Engine Number 49640
61	D28480645	1	Bush	From Serial or Engine Number 49640 Up to Serial or Engine Number 50991
62	D20400424	X	Washer	From Serial or Engine Number 49640 Up to Serial or Engine Number 50991
63	D40428800	1	Hex. Sock. Screw	From Serial or Engine Number 49640 Up to Serial or Engine Number 50991
64	D41013400	X	Nut	From Serial or Engine Number 49640 Up to Serial or Engine Number 50991
65	D28480640	1	Bracket	From Serial or Engine Number 49640 Up to Serial or Engine Number 50991
66	D28480647	1	Support	From Serial or Engine Number 49640 Up to Serial or Engine Number 50991
67	D28181516	1	Retainer	From Serial or Engine Number 49640
68	D40405000	4	Hex. Sock. Screw	From Serial or Engine Number 49640
69	D28480397	1	Support	From Serial or Engine Number 49640
70	D28480423	1	Profile	From Serial or Engine Number 49640
71	D28480650	1	Elbow	From Serial or Engine Number +49897 Up to Serial or Engine Number 50991
72	D28180605	1	Bracket	From Serial or Engine Number 50992
73	D28181126	1	Bracket	From Serial or Engine Number 51298
73	D28480341	1	Bracket	From Serial or Engine Number 50992 Up to Serial or Engine Number 51297
74	D28180464	1	Shield	From Serial or Engine Number 50992
75	D28180592	1	Shield	From Serial or Engine Number 50992
76	D28180928	1	Bracket	From Serial or Engine Number 50992
77	D28180328	1	Shield	From Serial or Engine Number 50992 Up to Serial or Engine Number 51225
77	D28181095	1	Guard	From Serial or Engine Number 51226
78	D28180772	1	Shield	From Serial or Engine Number 50992 Up to Serial or Engine Number 51225
78	D28181093	1	Guard	From Serial or Engine Number 51226
79	D28180594	1	Shield	From Serial or Engine Number 50992 Up to Serial or Engine Number 51225
80	D28480302	1	Plate	From Serial or Engine Number 50992
81	D28480342	1	Plate	From Serial or Engine Number 50992
82	D28480339	1	Plate	From Serial or Engine Number 50992
83	D28180829	1	Bracket	From Serial or Engine Number 49640 Up to Serial or Engine Number 50991
83	D28480343	1	Support	From Serial or Engine Number 50992
84	D28181101	1	Guard	From Serial or Engine Number 51226
85	D28181157	2	Clamp	From Serial or Engine Number 51298
86	D44735900	X	Seal Section	Length 0,100 M

FOOTNOTE [A] OPTIONAL EQUIPMENT

MF 38/40 COMBINES, |-> 47958 - 63001210  
90D0603



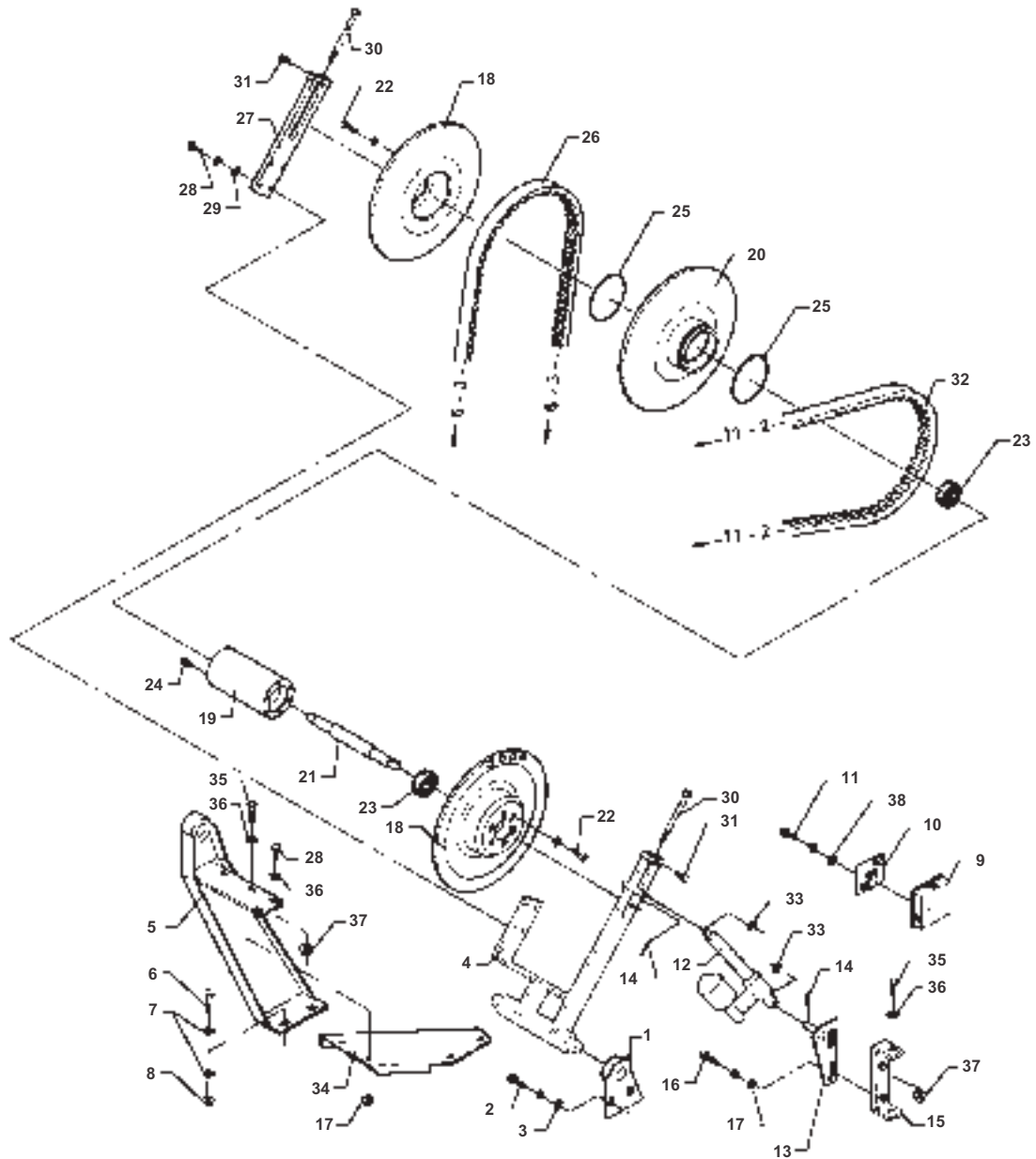
## Main Fan Blade And Bottom Auger

Item	Part Number	Qty	Description	Comments
1	D28480556	1	Housing	From Serial or Engine Number +47938 Up to Serial or Engine Number 50991
	D28480704	1	Washer	From Serial or Engine Number 50992
2	D28180829	8	Bracket	Up to Serial or Engine Number 49639
3	D40404900	16	Hex. Sock. Screw	Up to Serial or Engine Number 49639
4	D20400506	16	Washer	Up to Serial or Engine Number 49639
5	D41013500	16	Nut	Up to Serial or Engine Number 49639
6	D28180817	1	Suction Casing	Up to Serial or Engine Number 49639
7	D28180818	1	Suction Casing	Up to Serial or Engine Number 49639
8	D44737100	2	Rubber Strap	Up to Serial or Engine Number 49639
9	D41411100	2	Split Pin	Up to Serial or Engine Number 49639
10	D28580202	2	Sprocket	
11	D28480361	1	Auger	
12	D28480360	1	Auger	
13	D42610000	2	Pin	
14	D42616300	2	Pin	
15	D41709600	2	Bearing	From Serial or Engine Number +48793
16	D40407700	4	Hex. Sock. Screw	
17	D20400471	14	Washer	
18	D41010800	8	Nut	
19	D28480165	1	Bracket	
20	D40404900	4	Hex. Sock. Screw	
21	D20400506	4	Washer	
22	D41087500	4	Locknut	
23	D28480366	2	Stay	
24	D40407600	4	Hex. Sock. Screw	
25	D20400419	X	Washer	
26	D41710100	1	Bearing	
27	D40411400	2	Screw Metric	
28	D28480172	2	Spacer	
29	D20400426	4	Washer	
30	D41010900	2	Nut	
31	D41710100	1	Bearing	
32	D40411600	1	Screw Metric	
36	D41087600	10	Locknut	From Serial or Engine Number +52498
37	D28480325	1	Shaft	
38	D28480185	2	Fan	
	D28440130	4	Hub	(38)
39	D28480174	12	Fan	(38)
40	D28480162	4	Bush	(38)
41	D40407800	X	Hex. Sock. Screw	(38)
42	D40408000	2	Hex. Sock. Screw	(38)
43	D28780522	2	Support	(38)
44	D41716000	2	Bearing Ball	(38)
45	D40405000	12	Hex. Sock. Screw	(38)
				From Serial or Engine Number 55220
46	D20400506	X	Washer	(38)
47	D41087500	48	Locknut	(38)
48	D41710100	1	Bearing	
49	D28480172	4	Spacer	
50	D40411400	3	Screw Metric	
51	D20400426	9	Washer	
52	D41010900	5	Nut	
53	D43106200	1	Key	
54	D40407700	2	Hex. Sock. Screw	
55	D28480142	1	Pulley	Up to Serial or Engine Number 50991
	D28480763	1	Pulley	From Serial or Engine Number 50992
	D28480807	1	Pulley	From Serial or Engine Number +54735
56	<b>D41981100</b>	1	Belt	
	<b>D41981400</b>	1	V Belt	From Serial or Engine Number +54735
57	D41013500	3	Nut	
58	D20400506	3	Washer	
59	D40405000	3	Hex. Sock. Screw	
60	D45907500	1	Retainer	[A] From Serial or Engine Number +49064
61	D45907000	1	Wedge	[A]
62	D41622600	3	Bearing Ball	
63	D20400419	3	Washer	
64	<b>D28780516</b>	3	Inductive Taker	
65	<b>D28780514</b>	3	Sensor	
66	D28780611	1	Retainer	

**Massey Ferguson****MF 38/40 COMBINES, |-> 47958 - 63001210****63001210****Main Fan Blade And Bottom Auger****Page006-0015**

<b>Item</b>	<b>Part Number</b>	<b>Qty</b>	<b>Description</b>	<b>Comments</b>
67	D40408000	10	Hex. Sock. Screw	From Serial or Engine Number +52498
68	D20400473	20	Washer	From Serial or Engine Number +52498
69	D28482107	24	Support	(38) From Serial or Engine Number 51179
70	D40405100	48	Hex. Sock. Screw	From Serial or Engine Number 55220

**FOOTNOTE [A] OPTIONAL EQUIPMENT**





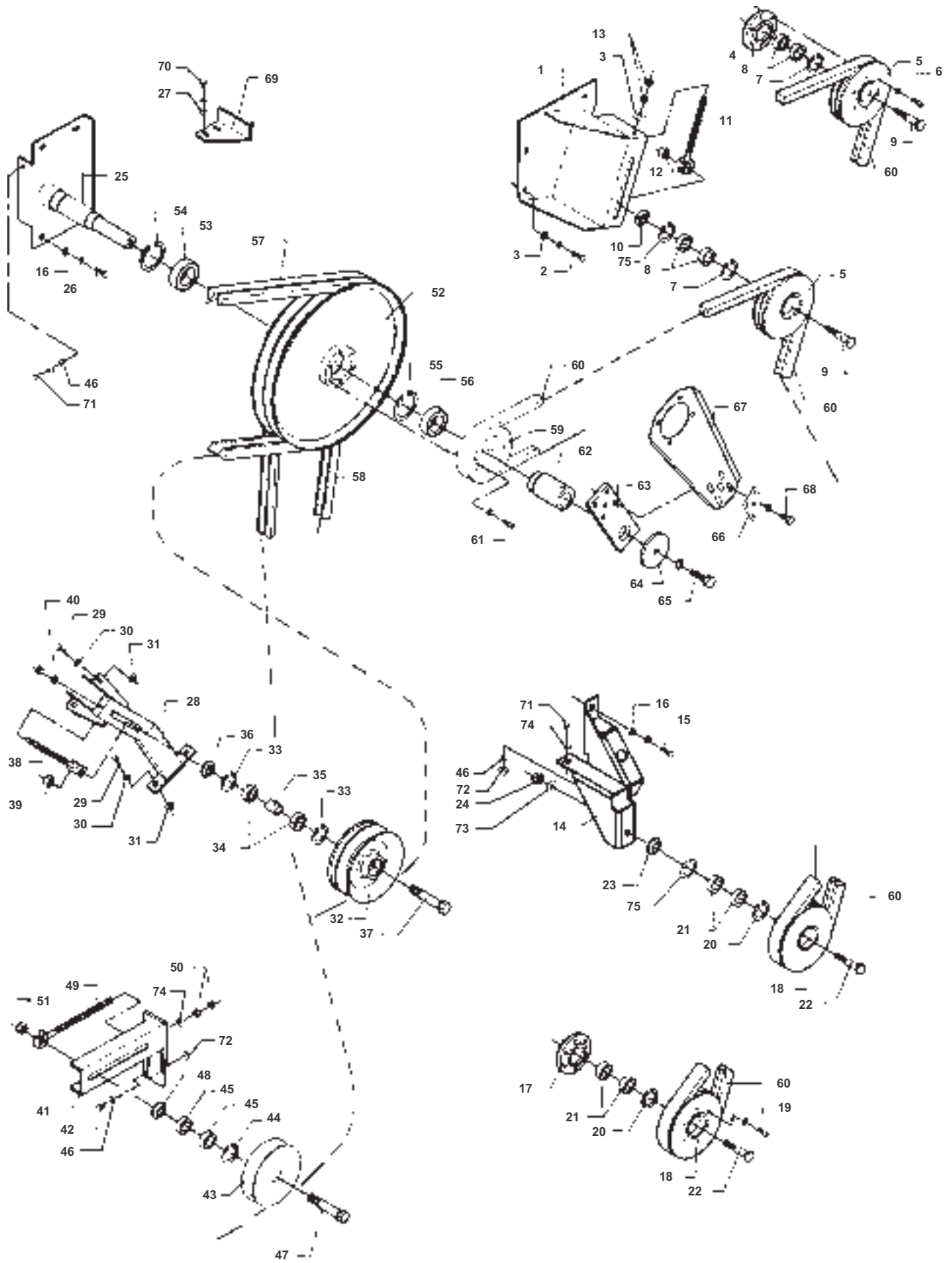
## Main Fan Variator

Item	Part Number	Qty	Description	Comments
1	D28480203	1	Bracket	
2	D40407700	2	Hex. Sock. Screw	
3	D20400471	2	Washer	
4	D28480475	1	Prongs	Up to Serial or Engine Number 50991
	D28480739	1	Fork	From Serial or Engine Number 50992
5	D28480869	1	Bracket	From Serial or Engine Number +55553
6	D40407900	2	Hex. Sock. Screw	
7	D20400416	4	Washer	
8	D41087600	2	Locknut	
9	D28781903	1	Connector	From Serial or Engine Number +54071
10	D28780326	1	Plate	
11	D40402400	2	Hex. Sock. Screw	
12	D28780473	1	Ram	[A] Up to Serial or Engine Number 52082
	D28782203	1	Actuator	[B] From Serial or Engine Number 53765
13	D28480469	1	Support	
14	D41405900	2	Pin	
15	D28480470	1	Elbow	
16	D40407900	2	Hex. Sock. Screw	
17	D20400416	2	Washer	
18	D28480324	1	Variator	
	D28480140	2	Variator	(18)
19	D28480321	1	Bearing Carrier	(18)
20	D28480144	1	Washer	(18)
21	D28480316	1	Shaft	(18)
22	D40690400	12	Screw	(18)
23	D41628800	2	Bearing Ball	(18)
24	D43001500	1	Greaser	(18)
25	D45476400	2	O Ring	(18)
26	<b>D41981100</b>	1	Belt	
27	D28480317	1	Fork	
28	D40405100	6	Hex. Sock. Screw	
29	D20400506	4	Washer	
30	D40409400	2	Screw Metric	
31	D40402200	2	Hex. Sock. Screw	
32	<b>D41981200</b>	1	Belt	
33	D20400537	2	Spacer	
34	D28480866	1	Bracket	From Serial or Engine Number +55553
35	D40405000	6	Hex. Sock. Screw	
36	D20400506	6	Washer	
37	D41013500	6	Nut	
38	D20400453	2	Washer	

FOOTNOTE [A] USED BEFORE 53764 BUT SHOULD ONLY BE USED BEFORE 52082

FOOTNOTE [B] SHOULD BE USED AFTER 52083

MF 38/40 COMBINES, |-> 47958 - 63001210  
90D0605



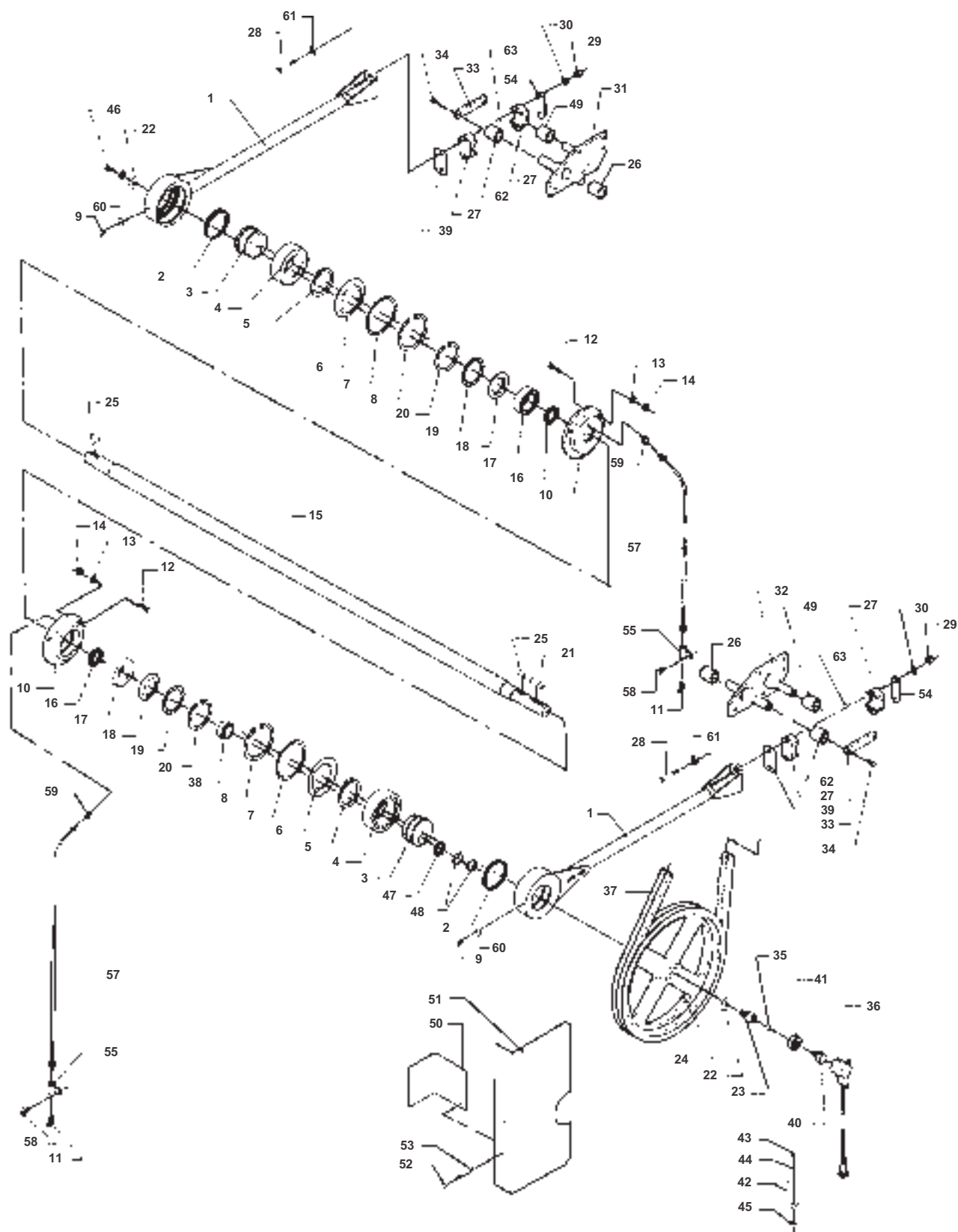
## Counter Drive

Item	Part Number	Qty	Description	Comments
1	D28480387	1	Bracket	
2	D40407800	3	Hex. Sock. Screw	
3	D20400419	4	Washer	
4	D28480357	1	Hub	Up to Serial or Engine Number 54240
5	D28480822	1	Pulley	From Serial or Engine Number 54241
	D28480094	1	Pulley	Up to Serial or Engine Number 54240
6	D40690400	6	Screw	Up to Serial or Engine Number 54240
7	D42513700	1	Circlip	
8	D41622700	2	Bearing Ball	
9	D28250444	1	Bolt	
10	D28880354	1	Spacer	
11	D28260181	1	Bolt	
12	D41087900	1	Locknut	
13	D41010800	2	Nut	
14	D28480796	1	Support	From Serial or Engine Number +54526
15	D40407800	2	Hex. Sock. Screw	
16	D20400473	4	Washer	
17	D28480357	1	Hub	Up to Serial or Engine Number 54240
18	D28480822	1	Pulley	From Serial or Engine Number 54241
	D28480094	1	Pulley	Up to Serial or Engine Number 54240
19	D40690400	6	Screw	Up to Serial or Engine Number 54240
20	D42513700	1	Circlip	
21	D41622700	2	Bearing Ball	
22	D28250444	1	Bolt	
23	D28880354	1	Spacer	From Serial or Engine Number +55657
24	D41087900	1	Locknut	
25	D28480379	1	Bracket	Up to Serial or Engine Number 49896
	D28480588	1	Bracket	From Serial or Engine Number 49897
26	D40407200	4	Hex. Sock. Screw	
27	D20400506	7	Washer	
28	D28480245	1	Bracket	
29	D40405000	4	Hex. Sock. Screw	
30	D20400414	4	Washer	
31	D41013500	4	Nut	
32	D28384052	1	Pulley	From Serial or Engine Number 49662
	D28480093	1	Pulley	Up to Serial or Engine Number 49661
33	D42513700	2	Circlip	
34	D41622700	2	Bearing Ball	
35	D28384054	1	Spacer	From Serial or Engine Number 49662
	D28780007	1	Ring	Up to Serial or Engine Number 49661
36	D28380003	1	Ring	
37	D28384053	1	Bolt	From Serial or Engine Number 49662
	D28480090	1	Bolt	Up to Serial or Engine Number 49661
38	D28211025	1	Bolt	
39	D41087900	1	Locknut	
40	D41010800	2	Nut	
41	D28480384	1	Bracket	
42	D40407200	2	Hex. Sock. Screw	From Serial or Engine Number +52565
43	D28250441	1	Pulley	
44	D42513700	1	Circlip	
45	D41622700	2	Bearing Ball	
46	D20400416	3	Washer	
47	D28250444	1	Bolt	
48	D28480457	1	Spacer	
49	D28850316	1	Bolt	
50	D41010800	2	Nut	
51	D41087900	1	Locknut	
52	D28480458	1	Washer	Up to Serial or Engine Number 49896
	D28480583	1	Washer	From Serial or Engine Number 49897
53	D41617800	1	Bearing Ball	From Serial or Engine Number 49897
	D41636000	1	Bearing Ball	Up to Serial or Engine Number 49896
54	D42515400	1	Circlip	
55	D42515100	1	Circlip	
56	D41613500	1	Bearing Ball	From Serial or Engine Number 49897
	D41635900	1	Bearing Ball	Up to Serial or Engine Number 49896
57	<b>D41990001</b>	2	V Belt	
58	<b>D41933700</b>	1	V Belt	From Serial or Engine Number +50929
59	D28480094	1	Pulley	
	D28480876	1	Pulley	
60	<b>D41979000</b>	1	Belt	
61	D40690400	6	Screw	

**Massey Ferguson****MF 38/40 COMBINES, |-> 47958 - 63001210****63001210****Counter Drive****Page006-0025**

<b>Item</b>	<b>Part Number</b>	<b>Qty</b>	<b>Description</b>	<b>Comments</b>
62	D28480091	1	Bush	
63	D28380018	1	Bracket	
64	D28750882	1	Washer	
65	D40416500	1	Screw Metric	
66	D28380178	1	Dog	
67	D28380020	1	Yoke	
68	D40411000	5	Hex. Sock. Screw	
69	D28180737	1	Support	Up to Serial or Engine Number 49833
69	D28181582	1	Bracket	From Serial or Engine Number 49834 Up to Serial or Engine Number 50991
69	D28181711	1	Bracket	From Serial or Engine Number 50992
70	D40404900	2	Hex. Sock. Screw	
71	D40408000	2	Hex. Sock. Screw	
72	D41092500	3	Nut	From Serial or Engine Number +52565
73	D20400459	1	Washer	
74	D20400415	2	Washer	
75	D42513700	1	Circlip	From Serial or Engine Number 54241

MF 38/40 COMBINES, |-> 47958 - 63001210  
90F0606



## Eccentric Drive

Item	Part Number	Qty	Description	Comments
1	D28480489	2	Connecting Link	
2	D45417000	2	Gasket	
3	D28480265	2	Eccentric	
4	D41616000	2	Bearing Ball	
5	D42505800	2	Circlip	
6	D45426100	2	Seal	
7	D28480267	2	Ring	
8	D42516900	2	Circlip	
9	D43001700	2	Greaser	From Serial or Engine Number +50992
10	D28480258	2	Bearing Carrier	
11	D43002500	2	Greaser	
12	D40407800	6	Hex. Sock. Screw	
13	D20400471	6	Washer	
14	D41087600	6	Locknut	
15	D28480266	1	Shaft	
16	D45478900	2	Ring	
17	D41629200	2	Bearing Ball	
18	D45427500	2	Seal	
19	D41679500	2	Spacer	
20	D42515900	2	Circlip	
21	D43105000	1	Key	
22	D25400068	2	Washer	
23	D28780419	1	Threaded Part	
24	D28480460	1	Pulley	
25	D43104600	2	Key	
26	D28480268	2	Bush	Up to Serial or Engine Number 50991
27	D28480526	4	Fitting	[A] From Serial or Engine Number 50992
	D28480270	4	Half Flange	Up to Serial or Engine Number 50991
28	D40439600	4	Hex. Sock. Screw	From Serial or Engine Number +52498
29	D41092500	4	Nut	From Serial or Engine Number +52498
30	D20400419	4	Washer	From Serial or Engine Number +52498
31	D28480088	1	Suspension	
32	D28480089	1	Suspension	
33	D28480129	2	Link	
34	D40407700	4	Hex. Sock. Screw	
35	D20400419	1	Washer	
36	<b>D28780514</b>	1	Sensor	
37	<b>D41933700</b>	1	V Belt	From Serial or Engine Number +50929
38	D28480264	1	Bush	
39	D28480430	X	Chock	OPTIONAL
40	<b>D28780516</b>	1	Inductive Taker	
41	D41622600	1	Bearing Ball	
42	D28780693	1	Retainer	Up to Serial or Engine Number 49639
43	D40404900	1	Hex. Sock. Screw	Up to Serial or Engine Number 49639
44	D20400506	1	Washer	Up to Serial or Engine Number 49639
45	D41013500	1	Nut	Up to Serial or Engine Number 49639
46	D40407700	1	Hex. Sock. Screw	
47	D28480467	1	Ring	
48	D42596500	1	Tightener	
49	D28450420	2	Bush	
50	D28480476	1	Bracket	[B] Up to Serial or Engine Number 49639
51	D28480477	1	Shutter	[B] Up to Serial or Engine Number 49639
52	D40404900	2	Hex. Sock. Screw	[B] Up to Serial or Engine Number 49639
53	D20400506	2	Washer	[B] Up to Serial or Engine Number 49639
54	D28480571	2	Dog	From Serial or Engine Number +50826
55	D43009200	2	Bracket	From Serial or Engine Number 50496
57	D28780831	2	Tube	From Serial or Engine Number 50496
58	D40402600	2	Hex. Sock. Screw	From Serial or Engine Number 50496
59	D43009500	2	Greaser	From Serial or Engine Number 50496
60	D20400452	X	Washer	OPTIONAL
61	D41112500	4	Washer	From Serial or Engine Number +52498
62	D46481400	2	Bush	[A] From Serial or Engine Number 50992
	D28480268	2	Bush	Up to Serial or Engine Number 50991
63	D20400507	2	Spacer	[A] From Serial or Engine Number 50992

**Massey Ferguson**

**MF 38/40 COMBINES, |-> 47958 - 63001210**

**63001210**

**Eccentric Drive**

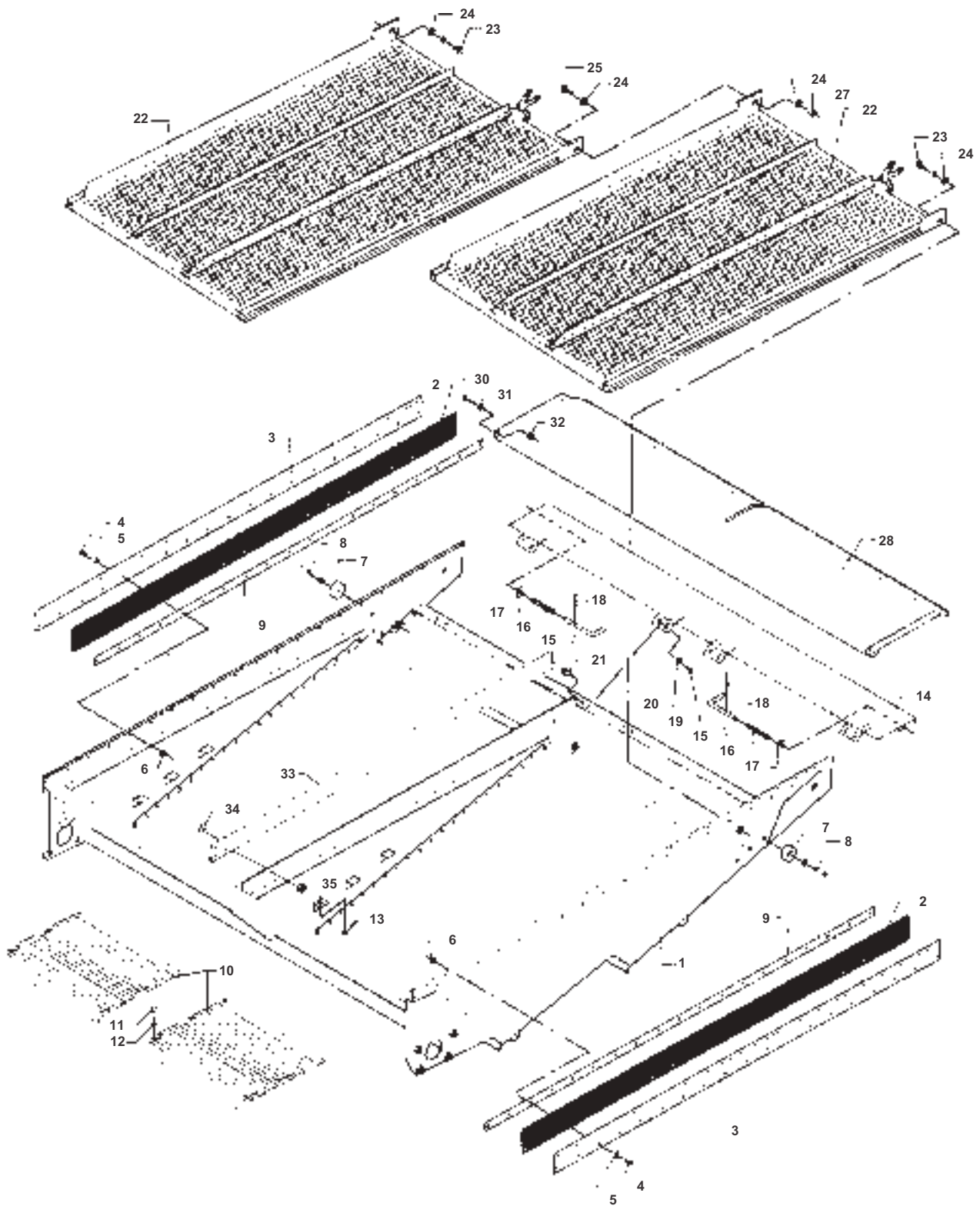
**Page006-0030**

<b>Item</b>	<b>Part Number</b>	<b>Qty</b>	<b>Description</b>	<b>Comments</b>
-------------	--------------------	------------	--------------------	-----------------

**FOOTNOTE [A] SEE SERVICE BULLETIN MF NO. 8/98**

**FOOTNOTE [B] OPTIONAL EQUIPMENT**

MF 38/40 COMBINES, |-> 47958 - 63001210  
90B0607





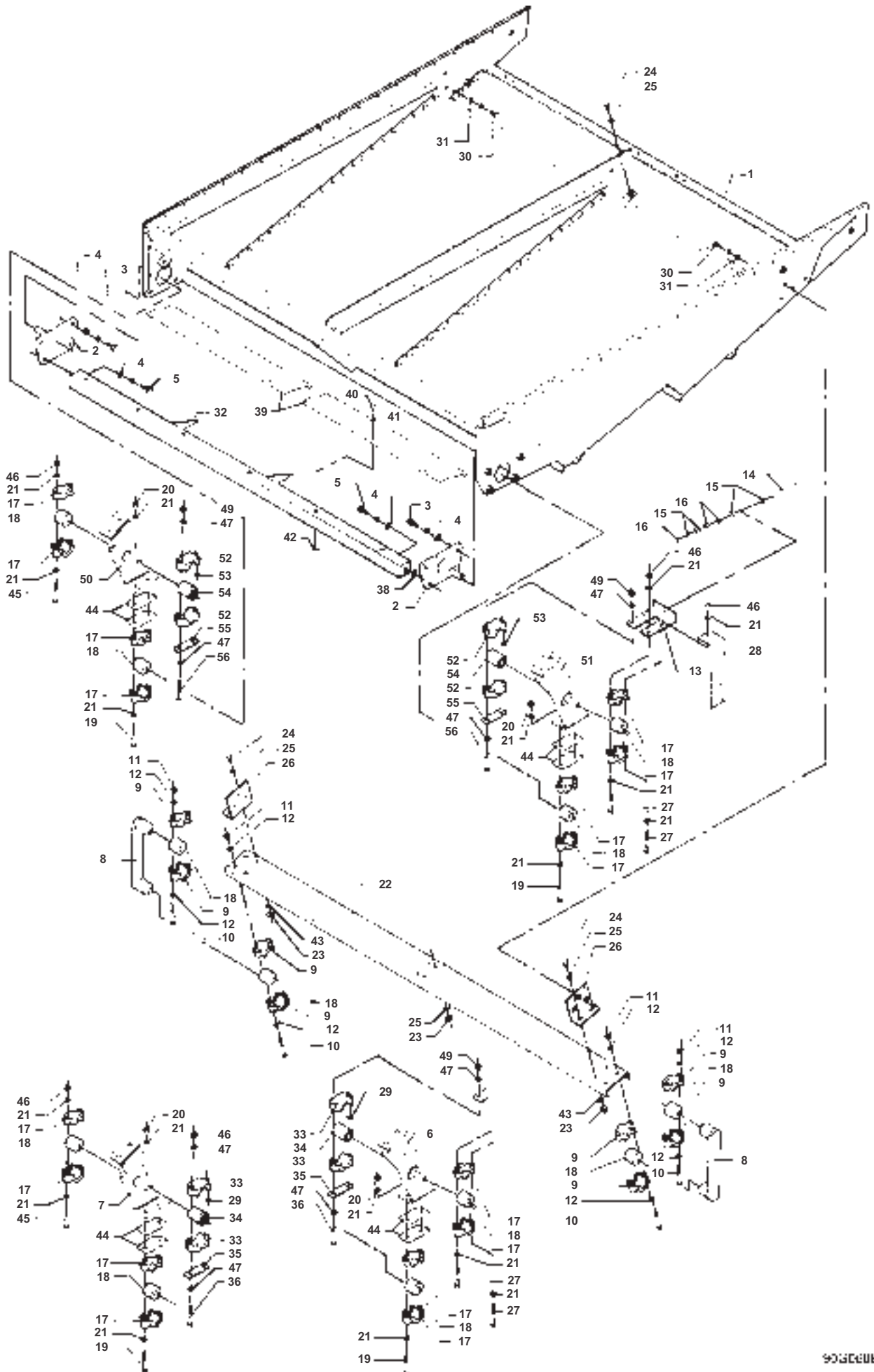
## Lower Shaker Shoe And Sieves

Item	Part Number	Qty	Description	Comments
1	D28480554	1	Boot	[A]
	D28480128	1	Shaker	(1) Up to Serial or Engine Number 47962
	D28480537	1	Shaker Shoe	(1) From Serial or Engine Number 47963
2	D28480118	2	Gasket	(1) Up to Serial or Engine Number 47962
	D28480541	2	Gasket	(1) From Serial or Engine Number 47963
3	D28480117	2	Plate	(1) Up to Serial or Engine Number 47962
	D28480540	2	Plate	(1) From Serial or Engine Number 47963
4	D40402600	X	Hex. Sock. Screw	(1)
5	D20400470	X	Washer	(1)
6	D41013400	X	Nut	(1) Up to Serial or Engine Number 47962
7	D28480097	2	Washer	(1)
8	D40601600	2	Screw Metric	(1)
9	D28480496	2	Shim	(1)
10	D28480758	2	Plate	(1) From Serial or Engine Number 50992
11	D40404900	8	Hex. Sock. Screw	(1) From Serial or Engine Number 50992
12	D20400506	8	Washer	(1) From Serial or Engine Number 50992
13	D41013500	8	Nut	(1) From Serial or Engine Number 50992
14	D28480126	1	Cover	(1)
15	D28480120	2	Lever	(1)
16	D27200158	2	Spring	(1)
17	D20400426	2	Washer	(1)
18	D41405900	2	Pin	(1)
19	D40402400	8	Hex. Sock. Screw	(1)
20	D20400470	8	Washer	(1)
21	D41013400	8	Nut	(1)
22	D28480099	2	Sieve	[B]
	D28480309	2	Sieve	[B]
	D28480310	2	Sieve	[B]
23	D40410800	2	Screw Metric	
24	D20400426	4	Washer	
25	D40410900	1	Hex. Sock. Screw	
27	D41087700	1	Locknut	
28	D28480450	1	Plate	[B]
30	D40404900	2	Hex. Sock. Screw	[B]
31	D20400500	2	Spacer	[B]
32	D41013500	2	Nut	[B]
33	D28480654	1	Plate	[B]
34	D40400200	4	Hex. Sock. Screw	[B] Up to Serial or Engine Number 50174
35	D41087200	4	Locknut	[B] Up to Serial or Engine Number 50174

FOOTNOTE [A] USED +F.47963

FOOTNOTE [B] OPTIONAL EQUIPMENT

MF 38/40 COMBINES, |-> 47958 - 63001210  
90G0608



## Lower Shaker Shoe And Suspension

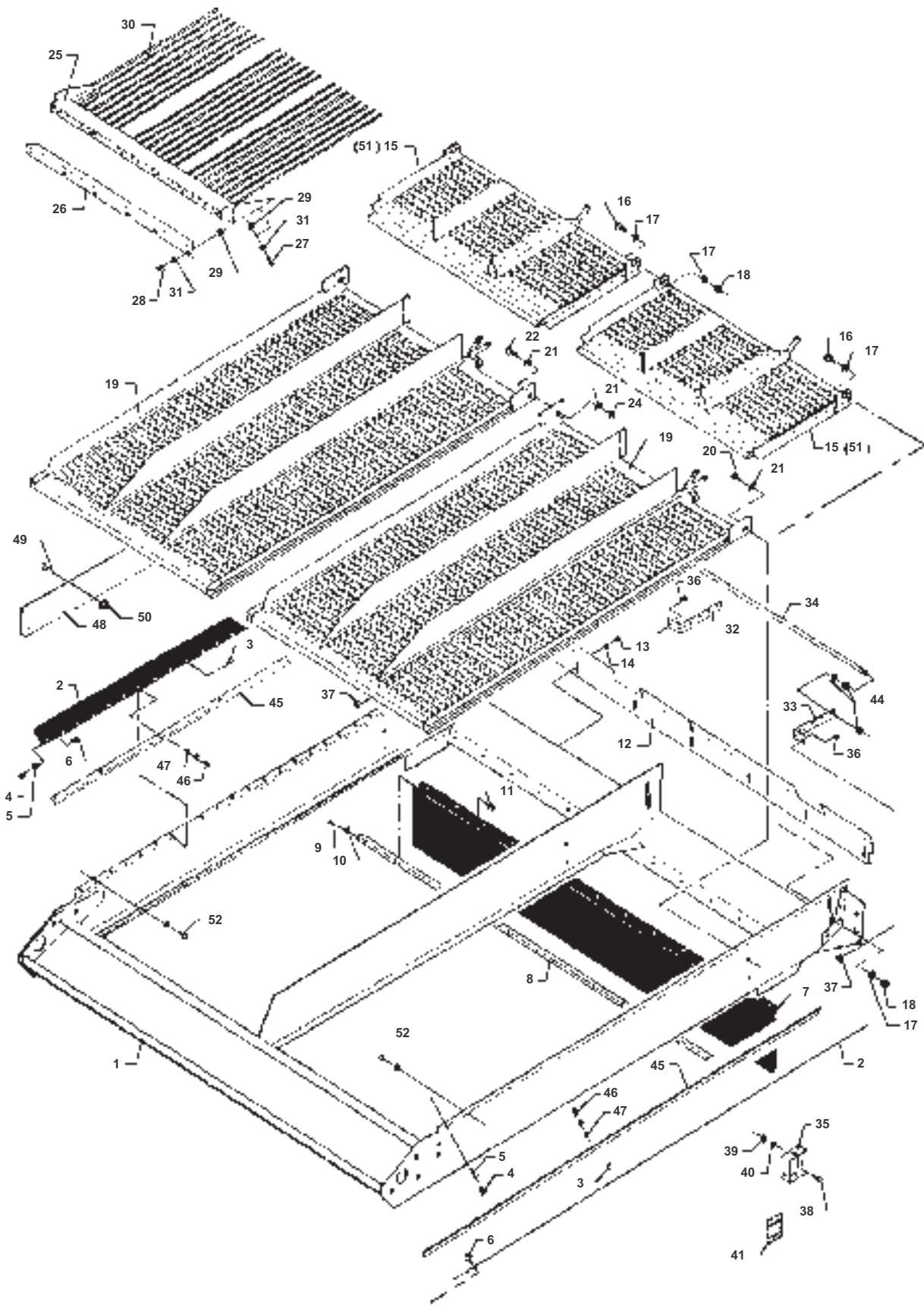
Item	Part Number	Qty	Description	Comments
1	D28480537	1	Shaker Shoe	From Serial or Engine Number +47963
2	D28480081	2	Bracket	(2)
	D28480505	2	Support	
3	D40410900	6	Hex. Sock. Screw	
4	D20400537	8	Spacer	
5	D40411100	2	Hex. Sock. Screw	
6	D28480550	1	Rockerarm	[A] Up to Serial or Engine Number 50991
7	D28480551	1	Rockerarm	[A] Up to Serial or Engine Number 50991
8	D28480069	2	Arm	
9	D28430010	8	Half Flange	
10	D40426500	8	Screw	
11	D41087600	8	Locknut	
12	D20400419	16	Washer	
13	D28480130	1	Plate	
14	D40408800	1	Hex. Sock. Screw	
15	D20400419	4	Washer	
16	D41010800	3	Nut	
17	D28430010	8	Half Flange	
18	D28450420	4	Bush	(2)
	D28450420	4	Bush	(8)
19	D40426600	6	Hex. Sock. Screw	From Serial or Engine Number +52342
20	D41087600	X	Locknut	
21	D20400426	8	Washer	[A] Up to Serial or Engine Number 50991
	D20400419	X	Washer	
22	D28480127	1	Profile	
23	D41087600	8	Locknut	
24	D40407800	8	Hex. Sock. Screw	
25	D20400419	8	Washer	
26	D28480114	2	Angle	
27	D40439600	2	Hex. Sock. Screw	From Serial or Engine Number +53315
28	D28780367	1	Retainer	
29	D28480862	2	Shim	[A] Up to Serial or Engine Number 50991
30	D40407600	6	Hex. Sock. Screw	
31	D20400419	6	Washer	
32	D28480502	1	Stay	
33	D28480854	4	Bearing Carrier	[A] Up to Serial or Engine Number 50991
34	D28480874	2	Bush	[A] Up to Serial or Engine Number 50991
35	D28480860	2	Clamp	[A] Up to Serial or Engine Number 50991
36	D40429400	4	Screw Metric	[A] Up to Serial or Engine Number 50991
38	D20400513	X	Spacer	OPTIONAL
39	D28480761	2	Plate	From Serial or Engine Number 50992
40	D40404900	6	Hex. Sock. Screw	From Serial or Engine Number 50992
41	D20400506	6	Washer	From Serial or Engine Number 50992
42	D41013500	6	Nut	From Serial or Engine Number 50992
43	D20400416	4	Washer	
44	D28480430	4	Chock	
45	D40438900	2	Screw	From Serial or Engine Number +53389
46	D41087700	4	Locknut	[A] Up to Serial or Engine Number 50991
47	D20400426	8	Washer	[B] From Serial or Engine Number 50992
49	D41087700	4	Locknut	[B] From Serial or Engine Number 50992
50	D28480857	1	Arm	[B] From Serial or Engine Number 50992
	D28480859	1	Arm	[B] From Serial or Engine Number 50992
51	D28480856	1	Arm	[B] From Serial or Engine Number 50992
	D28480858	1	Arm	[B] From Serial or Engine Number 50992
52	D28480854	4	Bearing Carrier	[B] From Serial or Engine Number 50992

**Massey Ferguson****MF 38/40 COMBINES, |-> 47958 - 63001210****63001210****Lower Shaker Shoe And Suspension****Page006-0040**

<b>Item</b>	<b>Part Number</b>	<b>Qty</b>	<b>Description</b>	<b>Comments</b>
53	D28480862	2	Shim	[B] From Serial or Engine Number 50992
54	D46481300	2	Bush	[B] From Serial or Engine Number 50992
55	D28480860	2	Clamp	[B] From Serial or Engine Number 50992
56	D40429400	4	Screw Metric	[B] From Serial or Engine Number 50992

**FOOTNOTE [A]** SEE SERVICE BULLETIN MF NO. 6/98**FOOTNOTE [B]** SEE SERVICE BULLETIN MF NO. 7/98

MF 38/40 COMBINES, |-> 47958 - 63001210  
90E0609



## Upper Shaker Shoe And Sieves

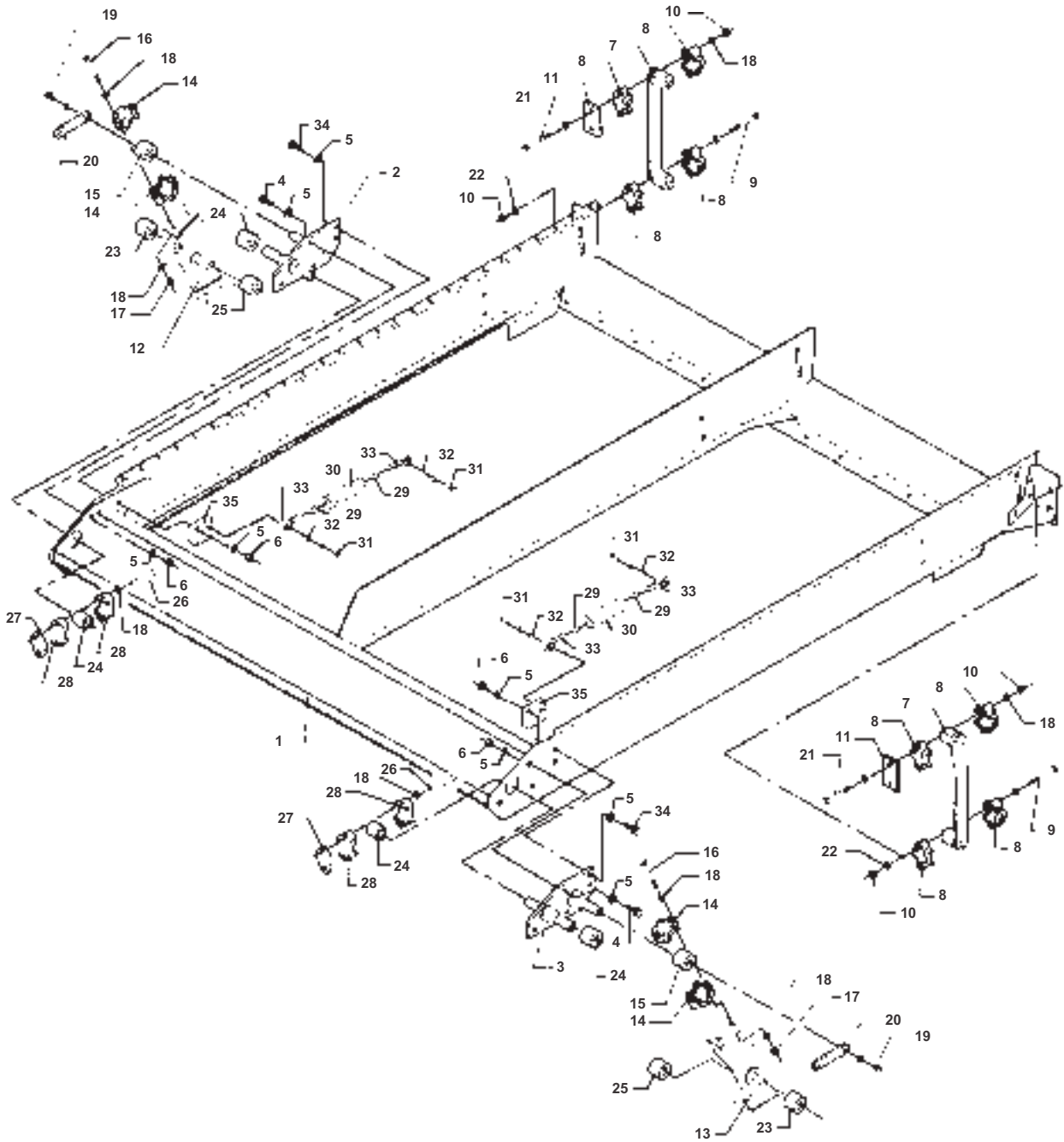
Item	Part Number	Qty	Description	Comments
1	D28480555	1	Boot	From Serial or Engine Number 47963
	D28480542	1	Shaker Shoe	(1) From Serial or Engine Number +47963
2	D28480077	2	Gasket	(1) Up to Serial or Engine Number 47962
	D28480546	2	Gasket	(1) From Serial or Engine Number +47963
3	D43427400	48	Fastener	(1) Up to Serial or Engine Number 47962
4	D40402400	6	Hex. Sock. Screw	(1) Up to Serial or Engine Number 47962
5	D20400404	6	Washer	(1) Up to Serial or Engine Number 47962
6	D41013400	6	Nut	(1) Up to Serial or Engine Number 47962
7	D28480060	1	Gasket	(1) Up to Serial or Engine Number 47962
	D28480547	1	Gasket	(1) From Serial or Engine Number +47963
8	D28480076	1	Rail	(1)
9	D40405000	13	Hex. Sock. Screw	(1)
10	D20400506	13	Washer	(1)
11	D41013500	13	Nut	(1)
12	D28480096	1	Plate	
13	D40402600	7	Hex. Sock. Screw	
14	D20400470	7	Washer	
15	D28480101	2	Extension	[A]
	D28480432	2	Grille	[D]
16	D40410800	3	Screw Metric	
17	D20400426	6	Washer	
18	D41087700	3	Locknut	
19	D28480100	2	Sieve	
	D28480431	2	Sieve	[D]
	D28480451	2	Sieve	[D]
20	D40410800	2	Screw Metric	
21	D20400426	4	Washer	
22	D40410900	1	Hex. Sock. Screw	
24	D41087700	1	Locknut	
25	D28480441	2	Extension	[D] Up to Serial or Engine Number 50991
26	D28480445	2	Profile	[D] Up to Serial or Engine Number 50991
27	D40404700	12	Hex. Sock. Screw	[D] Up to Serial or Engine Number 50991
28	D40405000	12	Hex. Sock. Screw	[D] Up to Serial or Engine Number 50991
29	D41013500	24	Nut	Up to Serial or Engine Number 50991
30	D28181540	46	Spring	[D] From Serial or Engine Number +49749 Up to Serial or Engine Number 50991
31	D20400506	24	Washer	
32	D28780774	1	Support	[B]
33	D28780773	1	Support	[B]
34	D45062700	1	Sensor	[B]
35	D28781903	1	Connector	
36	D40402600	4	Hex. Sock. Screw	
37	D41010600	4	Nut	
38	D40317500	2	Screw Metric	
39	D41010500	2	Nut	
40	D20400401	2	Washer	
41	D45062200	1	Printed Circuit	[B]
44	D41012000	6	Nut Metric	[B]
45	D28480545	2	Rail	(1) From Serial or Engine Number +47963
46	D40402600	14	Hex. Sock. Screw	(1) From Serial or Engine Number +47963
47	D20400470	14	Washer	(1) From Serial or Engine Number +47963
48	D28480655	4	Guide	[D] Up to Serial or Engine Number 50174

**Massey Ferguson****MF 38/40 COMBINES, |-> 47958 - 63001210****63001210****Upper Shaker Shoe And Sieves****Page006-0045**

<b>Item</b>	<b>Part Number</b>	<b>Qty</b>	<b>Description</b>	<b>Comments</b>
48	D28480660	4	Plate	[D] Up to Serial or Engine Number 50174
49	D40400200	16	Hex. Sock. Screw	[D] Up to Serial or Engine Number 50174
50	D41087200	16	Locknut	[D] Up to Serial or Engine Number 50174
51	D28480783	2	Control	[C]
52	D40688200	2	Screw Metric	

**FOOTNOTE [A]** STANDARD COMBINE**FOOTNOTE [B]** OPTIONAL EQUIPMENT GRAIN LOSS INDICATOR**FOOTNOTE [C]** OPTIONAL EQUIPMENT STANDARD COMBINE, STANDARD EQUIPMENT AUTO-LEVEL  
COMBINE,SLOPES**FOOTNOTE [D]** OPTIONAL EQUIPMENT

MF 38/40 COMBINES, |-> 47958 - 63001210  
90G0610





## Upper Shaker Shoe And Suspension

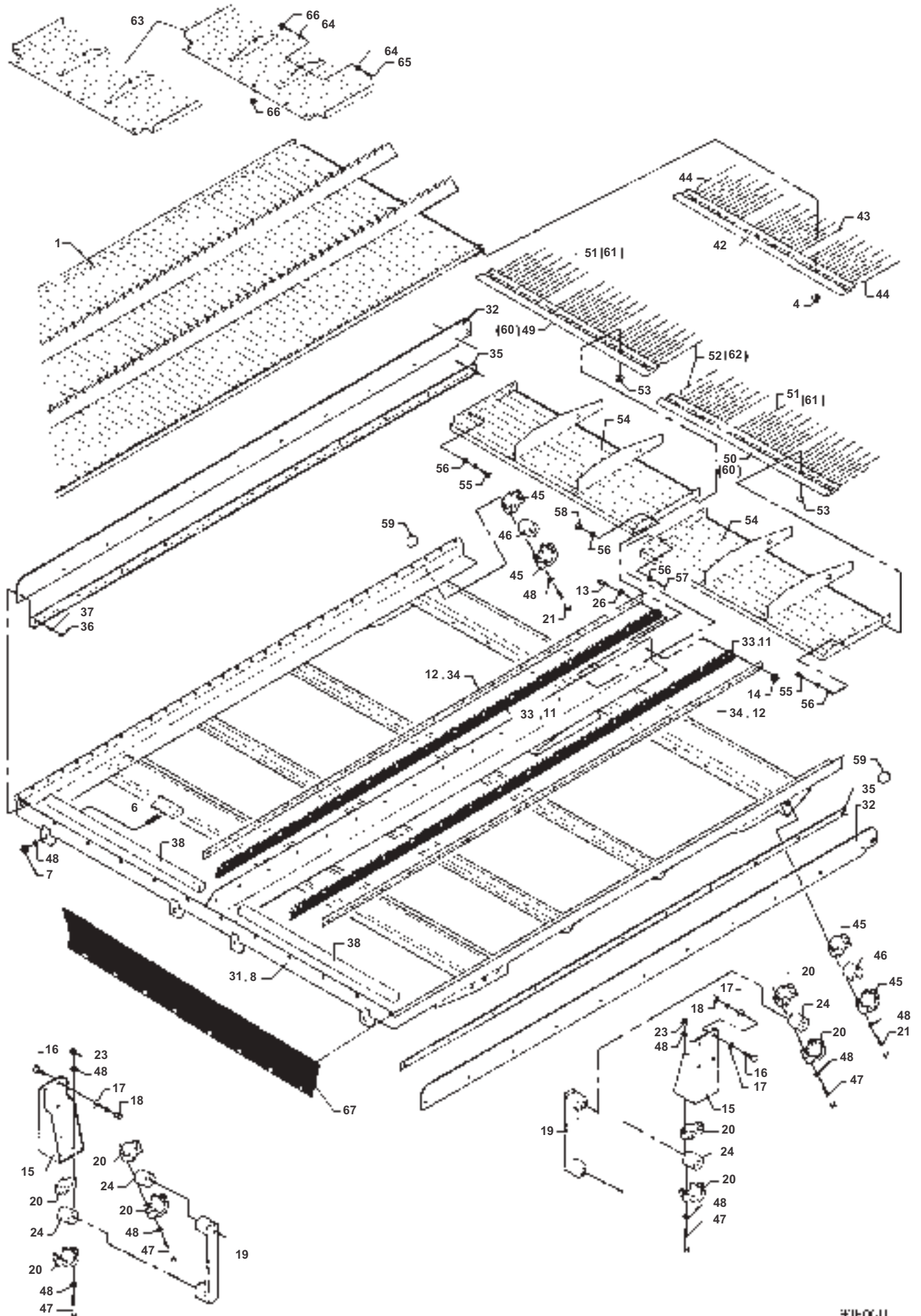
Item	Part Number	Qty	Description	Comments
1	D28480079	1	Shaker	Up to Serial or Engine Number 47962
	D28480542	1	Shaker Shoe	From Serial or Engine Number +47963
2	D28480088	1	Suspension	
3	D28480089	1	Suspension	
4	D40411000	6	Hex. Sock. Screw	From Serial or Engine Number +53529
5	D20400537	20	Spacer	
6	D41087700	10	Locknut	From Serial or Engine Number +53529
7	D28480087	2	Arm	
8	D28430010	8	Half Flange	
9	D40426500	4	Screw	
10	D41087600	8	Locknut	
11	D28480235	2	Shim	
12	D28480859	1	Arm	[A] From Serial or Engine Number 50992
	D28480857	1	Arm	[A] From Serial or Engine Number 50992
	D28480551	1	Rockerarm	[B] Up to Serial or Engine Number 50991
13	D28480858	1	Arm	[A] From Serial or Engine Number 50992
	D28480856	1	Arm	[A] From Serial or Engine Number 50992
	D28480550	1	Rockerarm	[B] Up to Serial or Engine Number 50991
14	D28430010	4	Half Flange	
15	D28450420	2	Bush	
16	D40426600	4	Hex. Sock. Screw	From Serial or Engine Number +52342
18	D20400419	12	Washer	Up to Serial or Engine Number 50837
	D20400419	8	Washer	From Serial or Engine Number +50838
19	D40407700	4	Hex. Sock. Screw	
20	D28480129	2	Link	
21	D40426800	4	Screw	
22	D20400473	4	Washer	
23	D28450420	2	Bush	
24	D46481400	2	Bush	[C] From Serial or Engine Number 50992
	D28480268	2	Bush	Up to Serial or Engine Number 50991
25	D46481300	2	Bush	[A] From Serial or Engine Number 50992
	D28480874	2	Bush	[B] Up to Serial or Engine Number 50991
26	D40426500	4	Screw	
27	D28480105	2	Plate	From Serial or Engine Number +50838
28	D28480270	4	Half Flange	
29	D41010900	4	Nut	From Serial or Engine Number 50992
30	D28480693	2	Screw	From Serial or Engine Number 50992
31	D40411000	4	Hex. Sock. Screw	From Serial or Engine Number 50992
32	D20400424	4	Washer	From Serial or Engine Number 50992
33	D45698800	4	Toggle	From Serial or Engine Number 50992
34	D40411400	4	Screw Metric	From Serial or Engine Number +53529
35	D28480694	2	Support	From Serial or Engine Number 50992

**FOOTNOTE [A]** SEE SERVICE BULLETIN MF NO. 7/98

**FOOTNOTE [B]** SEE SERVICE BULLETIN MF NO. 6/98

**FOOTNOTE [C]** SEE SERVICE BULLETIN MF NO. 8/98

MF 38/40 COMBINES, |-> 47958 - 63001210  
90E0611



1100716

## Conveyor Pan And Suspension

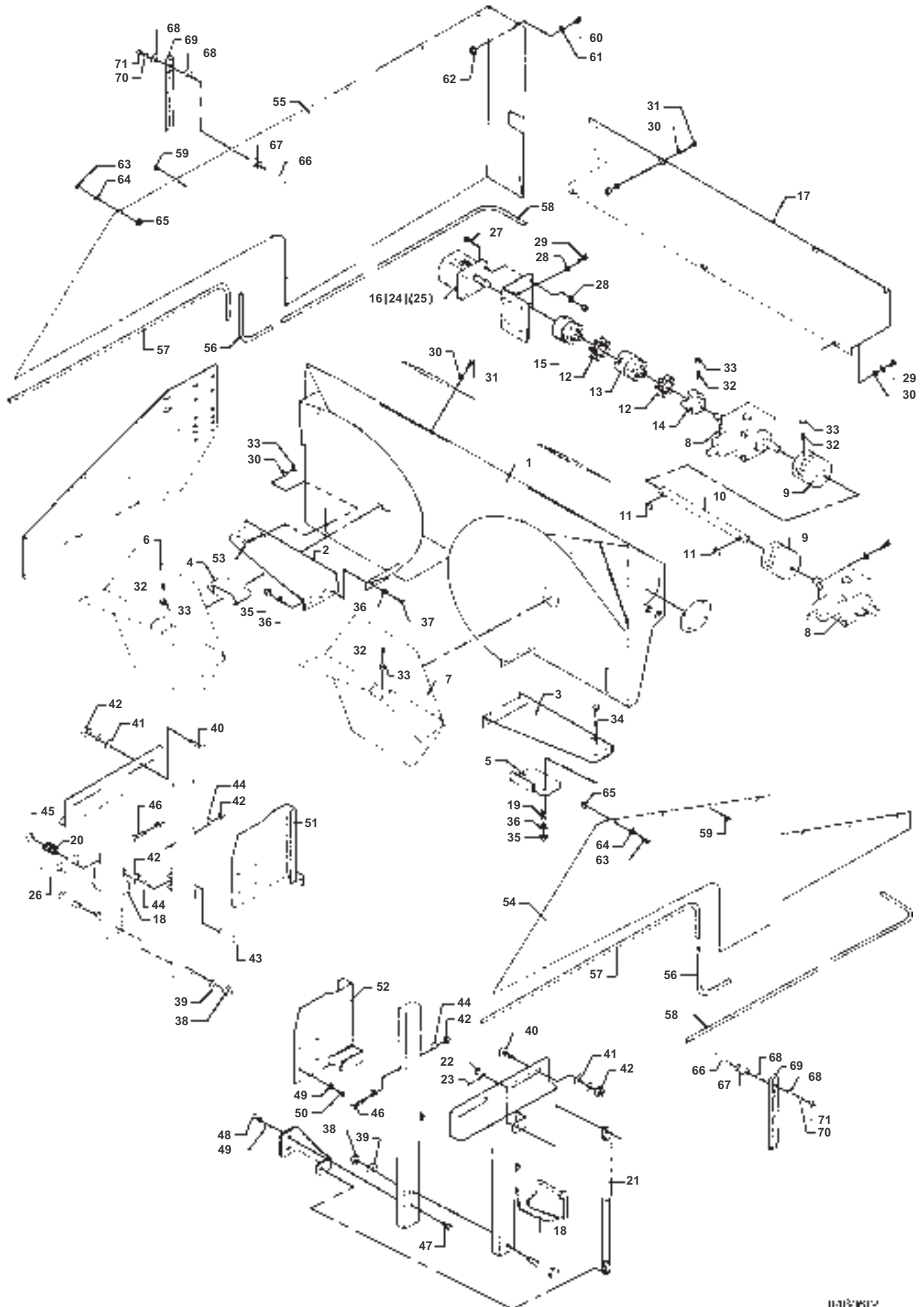
Item	Part Number	Qty	Description	Comments
1	D28480018	2	Conveyor	Up to Serial or Engine Number 48792
	D28480765	2	Table	From Serial or Engine Number 50992
	D28480575	2	Pan	From Serial or Engine Number 48793 Up to Serial or Engine Number 50991
2	D28480086	2	Rake	Up to Serial or Engine Number 48792
3	D40405000	12	Hex. Sock. Screw	Up to Serial or Engine Number 49255
4	D41013500	12	Nut	
5	D20400506	12	Washer	Up to Serial or Engine Number 49255
6	D28480012	4	Hook	
7	D41087600	4	Locknut	
8	D28480407	1	Frame	[A] (8)
	D28480034	1	Frame	Up to Serial or Engine Number 47962
9	D28480465	1	Gasket	[C] (8)
10	D43427400	56	Fastener	(8) Up to Serial or Engine Number 47962
11	D28480019	2	Strip	(8) Up to Serial or Engine Number 47962
12	D28480020	2	Rail	(8) Up to Serial or Engine Number 47962
13	D40421800	9	Screw Metric	(8)
14	D41013400	9	Nut	(8)
15	D28480070	2	Bracket	
16	D40410900	8	Hex. Sock. Screw	
17	D20400426	16	Washer	
18	D41010900	8	Nut	
19	D28480069	2	Arm	
20	D28430010	8	Half Flange	
21	D40426500	4	Screw	
23	D41087600	6	Locknut	
24	D28450420	4	Bush	(19)
26	D20400470	9	Washer	From Serial or Engine Number +52828
27	D28480574	2	Rake	From Serial or Engine Number 48753 Up to Serial or Engine Number 49255
28	D28480008	42	Pin	(2) Up to Serial or Engine Number 48792
29	D28450458	42	Pin	(27) From Serial or Engine Number 48753 Up to Serial or Engine Number 49255
30	D28480466	1	Gasket	[C]
31	D28480548	1	Frame Assy	[B]
	D28480726	1	Frame	(31) From Serial or Engine Number 50992
	D28480356	1	Bearing Carrier	(31)
32	D28480529	2	Gasket	(31) From Serial or Engine Number 47963
33	D28480531	2	Gasket	(31) From Serial or Engine Number 47963
34	D28480530	2	Rail	(31) From Serial or Engine Number 47963
35	D28480528	2	Rail	(31) From Serial or Engine Number 47963
36	D40402600	22	Hex. Sock. Screw	(31) From Serial or Engine Number 47963
37	D20400470	22	Washer	(31)
38	D44711900	X	Gasket	(31) Length 1,600 M
39	D28480576	2	Table	From Serial or Engine Number 48753 Up to Serial or Engine Number 49255
40	D40405000	8	Hex. Sock. Screw	From Serial or Engine Number 48753 Up to Serial or Engine Number 49255
41	D20400506	8	Washer	From Serial or Engine Number 48753 Up to Serial or Engine Number 49255
42	D28480624	2	Rake	From Serial or Engine Number 49256 Up to Serial or Engine Number 50991
	D28480764	2	Rake	[D] From Serial or Engine Number 50992
43	D28450458	32	Pin	(42) From Serial or Engine Number 49256
44	D28482119	4	Pin	(42) From Serial or Engine Number 49256

**Conveyor Pan And Suspension**

<b>Item</b>	<b>Part Number</b>	<b>Qty</b>	<b>Description</b>	<b>Comments</b>
45	D28480270	2	Half Flange	
46	D28480268	2	Bush	
47	D40426600	8	Hex. Sock. Screw	From Serial or Engine Number +52342
48	D41112500	12	Washer	From Serial or Engine Number +52565
49	D28480338	1	Rake	From Serial or Engine Number 50992
50	D28480340	1	Rake	From Serial or Engine Number 50992
51	D28450458	17	Pin	(49) From Serial or Engine Number 50992
52	D28482119	1	Pin	(49) From Serial or Engine Number 50992
53	D41013500	12	Nut	From Serial or Engine Number 50992
54	D28480725	2	Table	From Serial or Engine Number 50992
55	D40404700	4	Hex. Sock. Screw	From Serial or Engine Number 50992
56	D20400506	8	Washer	From Serial or Engine Number 50992
57	D40423700	2	Screw Metric	From Serial or Engine Number 50992
58	D41087500	2	Locknut	From Serial or Engine Number 50992
59	D44711900	X	Gasket	From Serial or Engine Number 50992 Length 0,20 M
60	D28480736	2	Rake	From Serial or Engine Number 50992
61	D28480734	32	Pin	From Serial or Engine Number 50992
62	D28480735	4	Pin	From Serial or Engine Number 50992

**FOOTNOTE [A]** USED T.47962**FOOTNOTE [B]** USED +F.47963**FOOTNOTE [C]** MAIZE EQUIPMENT USED F.46275 -T.47962**FOOTNOTE [D]** TO BE USED FROM F.49256

MF 38/40 COMBINES, |-> 47958 - 63001210  
84B0612



00000000

Item	Part Number	Qty	Description	Comments
1	D49077400	1	Housing	
	D49090084	1	Spreader	
2	D49079100	1	Deflector	
3	D49079200	1	Deflector	
4	D49079300	1	Deflector	
5	D49079400	1	Deflector	
6	D49079500	1	Rotor	
7	D49079600	1	Rotor	
8	D49078600	2	Bevel Gear	
9	D49078700	2	Clutch	
10	D49078800	1	Countershaft	
11	D43103200	7	Key	
12	D49078400	2	Rim	
13	D49078300	1	Spacer	
14	D49078500	1	Hub	
15	D49078200	1	Hub	
16	D49078100	1	Hydraulic Motor	
17	D49078900	1	Guard	
18	D27100120	2	Hair Pin	
19	D49079000	2	Spring	
20	D49091300	1	Spring	
21	D49077100	1	Gas Strut	
22	D41483500	2	Bolt	
23	D41405800	2	Split Pin	
24	D49077300	1	Kit, Gasket	
25	D49077200	1	Kit, Gasket	
26	D49077000	1	Stop	
27	D40405100	4	Hex. Sock. Screw	
28	D20400413	X	Washer	
29	D40404900	X	Hex. Sock. Screw	
30	D20400506	X	Washer	
31	D40404700	X	Hex. Sock. Screw	
32	D40639700	X	Pin	
33	D41010700	X	Nut	
34	D40422000	2	Screw Metric	
35	D41087400	X	Locknut	
36	D20400453	X	Washer	
37	D40402400	X	Hex. Sock. Screw	
38	D41087900	2	Locknut	
39	D20400459	2	Washer	
40	D40070200	4	Screw Metric	
41	D28181284	4	Washer	
42	D41010900	4	Nut	
43	D40411400	1	Screw Metric	
44	D20400423	X	Washer	
45	D41087700	1	Locknut	
46	D40429200	2	Bolt	
47	D40426300	2	Screw Metric	
48	D41010800	2	Nut	
49	D20400419	X	Washer	
50	D40407700	X	Hex. Sock. Screw	
51	D49077500	1	Suspension	
52	D49077600	1	Suspension	
53	D40063600	X	Screw Metric	
54	D28181656	1	Guard	
55	D28181657	1	Guard	
56	D28184430	2	Pipe	
57	D28181658	2	Pipe	
58	D28181659	2	Pipe	
59	D43427400	X	Fastener	
60	D40685000	1	Screw	
61	D20400413	1	Washer	
62	D41013500	1	Nut	
63	D40688200	2	Screw Metric	
64	D20400404	2	Washer	
65	D41013400	2	Nut	
66	D40422400	2	Screw	Up to Serial or Engine Number 49639
67	D28181380	2	Support	Up to Serial or Engine Number 49639
68	D20400410	4	Washer	Up to Serial or Engine Number 49639
69	D44733300	2	Rubber Strap	Up to Serial or Engine Number 49639
70	D20400404	2	Washer	Up to Serial or Engine Number 49639

**Massey Ferguson**

**MF 38/40 COMBINES, |-> 47958 - 63001210**

**63001210**

**Chaff Spreader - Biso**

**Page006-0060**

<b>Item</b>	<b>Part Number</b>	<b>Qty</b>	<b>Description</b>	<b>Comments</b>
71	D41087400	2	Locknut	Up to Serial or Engine Number 49639





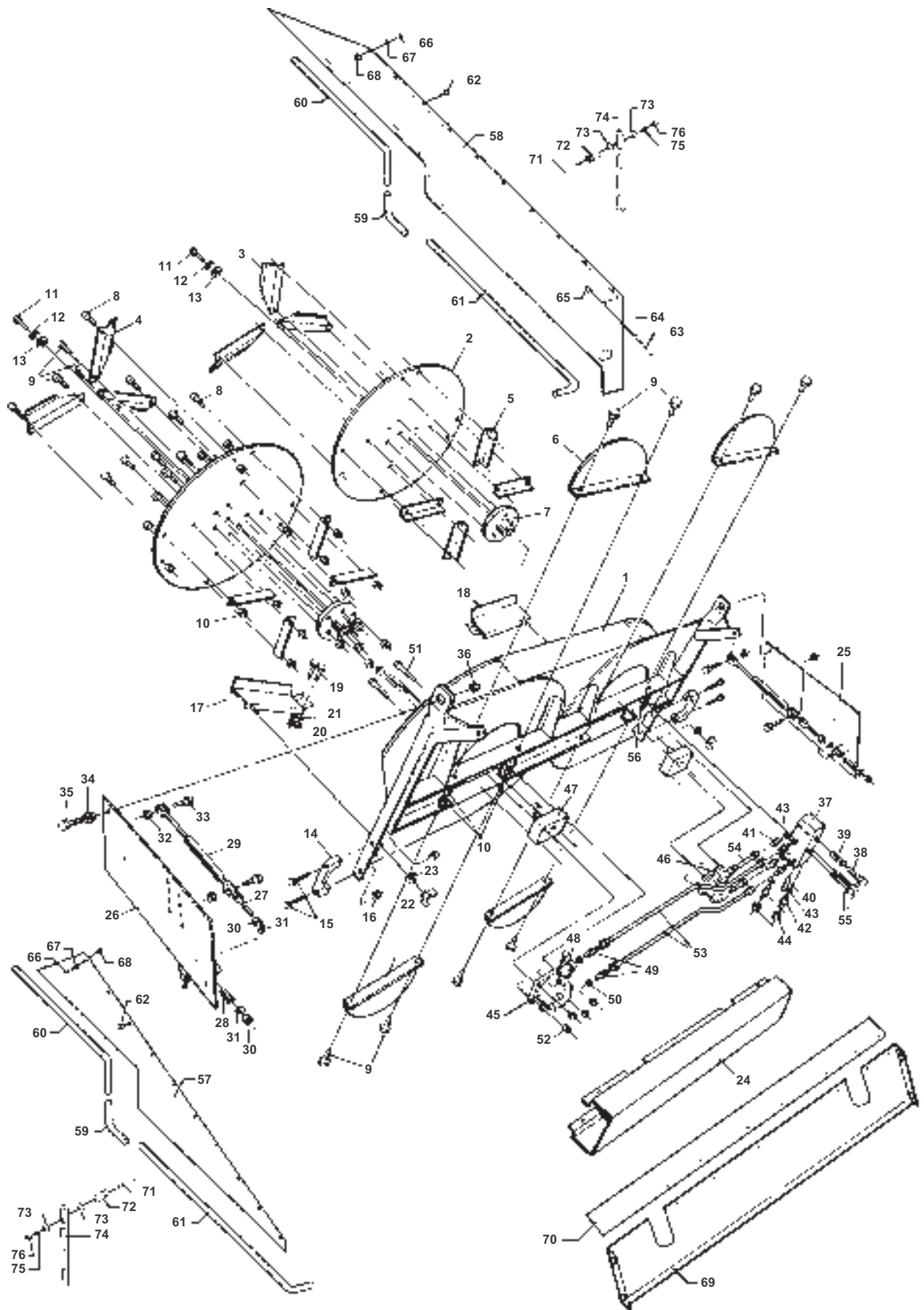
**Massey Ferguson****MF 38/40 COMBINES, |-> 47958 - 63001210****63001210****Chaff Spreader - Rekord - From Serial or Engine Number 79797****Page006-0065**

Item	Part Number	Qty	Description	Comments
1	D49070032	1	Spreader	
	D49070036	1	Fan	
2	D49070037	1	Rotor	
3	D49070038	1	Rotor	
4	D49070008	2	Hub	
5	D40404700	16	Hex. Sock. Screw	
6	D41100700	12	Spring Washers	
7	D41087500	42	Locknut	
8	D40402600	2	Hex. Sock. Screw	
9	D41100600	2	Spring Washers	
10	D20400470	2	Washer	
11	D43386900	2	Handle	
12	D40688200	4	Screw Metric	
13	D41087500	4	Locknut	
14	D49070010	1	Deflector	
15	D49070012	1	Deflector	
16	D49070013	4	Guard	
17	D41087400	4	Locknut	
18	D20400470	4	Washer	
19	D49070028	2	Locknut	
20	D20400470	2	Washer	
21	D49070013	1	Guard	
22	D49070014	1	Plate	
23	D49070015	1	Plate	
24	D49070016	2	Adjusting Screw	
25	D49070017	2	Tube	
26	D49080049	2	Gas Strut	
27	D41010900	4	Nut	
28	D20400426	4	Washer	
29	D41087500	4	Locknut	
30	D40405000	4	Hex. Sock. Screw	
31	D49080079	2	Spacer	
32	D40428800	2	Hex. Sock. Screw	
33	D41087700	2	Locknut	
34	D49070018	1	Distributor	
35	D45252800	4	Union	
36	D49070031	2	Connector	
37	D49070022	6	Seal	
38	D49070021	1	Non Return Valve	
39	D49070023	1	Hydraulic Motor	
	D49070034	1	Kit, Seal	
40	D49070024	1	Hydraulic Motor	
41	D49070025	2	Bearing	
42	D49070026	4	Flange	
43	D45252600	4	Union	
44	D49070027	4	Seal	
45	D40422700	8	Hex. Sock. Screw	
46	D41087400	8	Locknut	
47	D49070029	2	Pipe	
48	D49070030	2	Pipe	
49	D40423000	2	Screw	
50	D41087400	2	Locknut	
51	D49070020	1	Kit, Gasket	
52	D49070019	1	Bypass	
57	D28181656	1	Guard	
58	D28181657	1	Guard	
59	D28184430	2	Pipe	
60	D28181658	2	Pipe	
61	D28181659	2	Pipe	
62	D43427400	X	Fastener	
63	D40685000	1	Screw	
64	D20400413	1	Washer	
65	D41013500	1	Nut	
66	D40688200	2	Screw Metric	
67	D20400404	2	Washer	
68	D41013400	2	Nut	
69	D28880480	1	Plate	
70	D28880482	1	Reinforcement	
71	D40422400	2	Screw	Up to Serial or Engine Number 49639
72	D28181380	2	Support	Up to Serial or Engine Number 49639
73	D20400410	4	Washer	Up to Serial or Engine Number 49639

**Massey Ferguson****MF 38/40 COMBINES, |-> 47958 - 63001210****63001210****Chaff Spreader - Rekord - From Serial or Engine Number 79797****Page006-0065**

<b>Item</b>	<b>Part Number</b>	<b>Qty</b>	<b>Description</b>	<b>Comments</b>
74	D44733300	2	Rubber Strap	Up to Serial or Engine Number 49639
75	D20400404	2	Washer	Up to Serial or Engine Number 49639
76	D41087400	2	Locknut	Up to Serial or Engine Number 49639

MF 38/40 COMBINES, |-> 47958 - 63001210  
90A0613



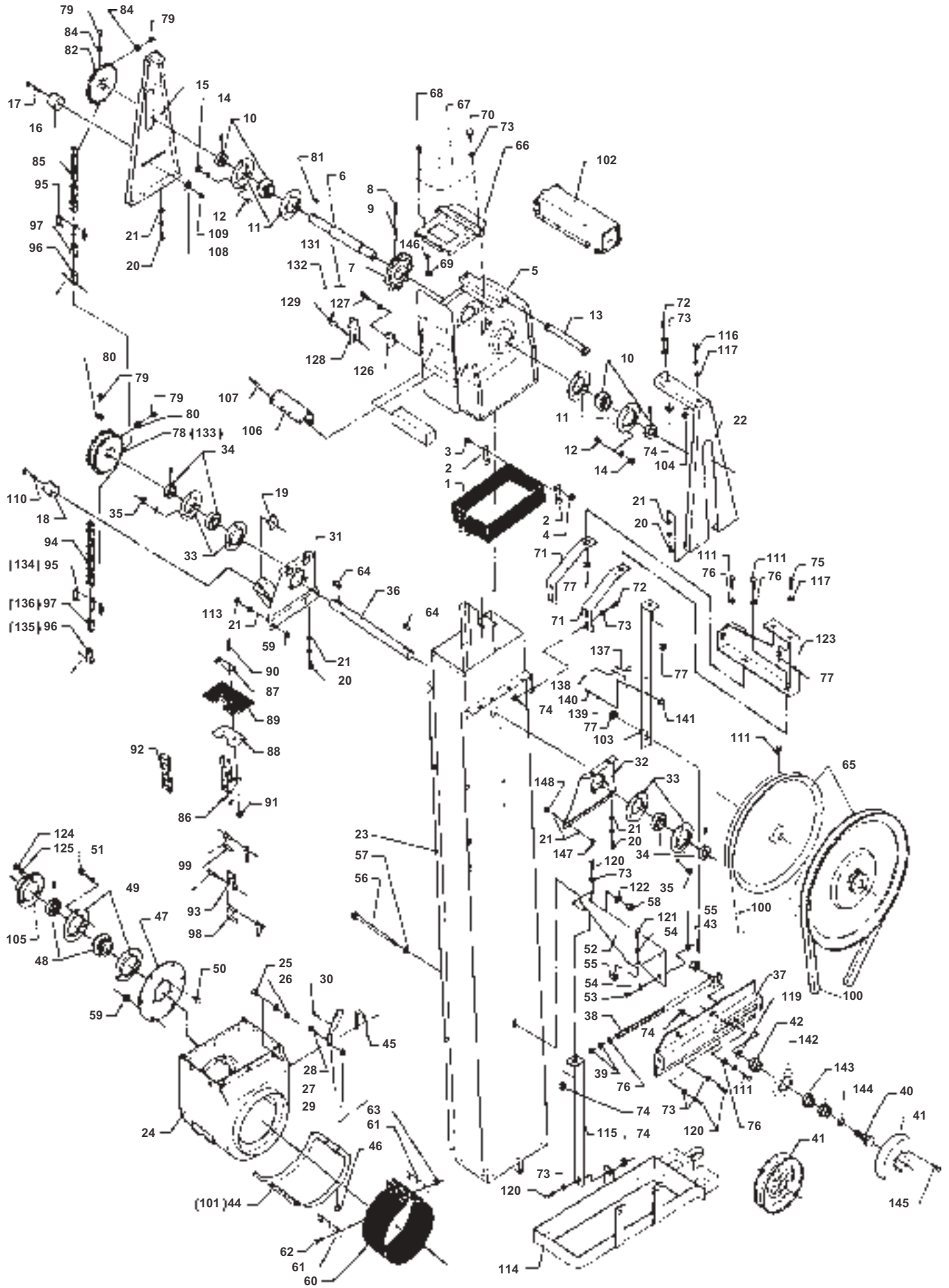
**Massey Ferguson****MF 38/40 COMBINES, |-> 47958 - 63001210****63001210****Chaff Spreader - Rekord - Up to Serial or Engine Number 79796****Page006-0070**

Item	Part Number	Qty	Description	Comments
1	D49070002	1	Fan	
	D49076300	1	Spreader	
2	D49070003	2	Plate	
3	D49070004	3	Blade	
4	D49070005	3	Blade	
5	D49070006	8	Blade	
6	D49070007	4	Guard	
7	D49070008	2	Hub	
8	D40404700	22	Hex. Sock. Screw	
9	D40404900	20	Hex. Sock. Screw	
10	D40402600	2	Hex. Sock. Screw	
	D41087500	42	Locknut	
12	D41100600	2	Spring Washers	
13	D20400470	2	Washer	
14	D43386900	2	Handle	
15	D40688200	4	Screw Metric	
16	D41087400	4	Locknut	
17	D49070010	1	Deflector	
18	D49070012	1	Deflector	
19	D40688200	4	Screw Metric	
20	D41087400	4	Locknut	
21	D20400470	4	Washer	
22	D49070028	2	Locknut	
23	D20400470	2	Washer	
24	D49070013	1	Guard	
25	D49070014	1	Plate	
26	D49070015	1	Plate	
27	D49070016	2	Adjusting Screw	
28	D49070017	2	Tube	
29	D49080049	2	Gas Strut	
30	D41010900	4	Nut	
31	D20400426	4	Washer	
32	D41087500	4	Locknut	
33	D40405000	4	Hex. Sock. Screw	
34	D49080079	2	Spacer	
35	D40428800	2	Hex. Sock. Screw	
36	D41087700	2	Locknut	
37	D49070018	1	Distributor	
38	D49070019	1	Bypass	
39	D49070020	1	Kit, Gasket	
40	D49070021	1	Non Return Valve	
41	D45252800	4	Union	
42	D49070031	2	Connector	
43	D49070022	6	Seal	
45	D49070023	1	Hydraulic Motor	
	D49070034	1	Kit, Seal	
46	D49070024	1	Hydraulic Motor	
47	D49070025	2	Bearing	
48	D49070026	4	Flange	
49	D45252600	4	Union	
50	D49070027	4	Seal	
51	D40422700	8	Hex. Sock. Screw	
52	D41087400	8	Locknut	
53	D49070029	2	Pipe	
54	D49070030	2	Pipe	
55	D40423000	2	Screw	
56	D41087400	2	Locknut	
57	D28181656	1	Guard	
58	D28181657	1	Guard	
59	D28184430	2	Pipe	
60	D28181658	2	Pipe	
61	D28181659	2	Pipe	
62	D43427400	X	Fastener	
63	D40685000	1	Screw	
64	D20400413	1	Washer	
65	D41013500	1	Nut	
66	D40688200	2	Screw Metric	
67	D20400404	2	Washer	
68	D41013400	2	Nut	
69	D28880480	1	Plate	
70	D28880482	1	Reinforcement	

**Massey Ferguson****MF 38/40 COMBINES, |-> 47958 - 63001210****63001210****Chaff Spreader - Rekord - Up to Serial or Engine Number 79796****Page006-0070**

<b>Item</b>	<b>Part Number</b>	<b>Qty</b>	<b>Description</b>	<b>Comments</b>
71	D40422400	2	Screw	Up to Serial or Engine Number 49639
72	D28181380	2	Support	Up to Serial or Engine Number 49639
73	D20400410	4	Washer	Up to Serial or Engine Number 49639
74	D44733300	2	Rubber Strap	Up to Serial or Engine Number 49639
75	D20400404	2	Washer	Up to Serial or Engine Number 49639
76	D41087400	2	Locknut	Up to Serial or Engine Number 49639

MF 38/40 COMBINES, |-> 47958 - 63001210  
9010701



## Filling Elevator

Item	Part Number	Qty	Description	Comments
1	D28580176	1	Plate	
2	D28530204	2	Plate	
3	D40402600	2	Hex. Sock. Screw	
4	D41087400	2	Locknut	
5	D28580115	1	Top	
6	D28580134	1	Shaft	
7	D28580202	1	Sprocket	
8	D42610000	1	Pin	
9	D42616300	1	Pin	
10	D41708500	2	Bearing Ball	
11	D41708700	4	Flange	
12	D40404700	6	Hex. Sock. Screw	
13	D28580094	1	Dog	
14	D41010700	6	Nut	
15	D28585078	1	Bracket	From Serial or Engine Number +56395
16	D28550012	1	Support	
17	D40064300	1	Screw	
18	D28550012	1	Support	
19	D28580219	1	Dog	
20	D40405000	8	Hex. Sock. Screw	
21	D20400506	X	Washer	From Serial or Engine Number +55399
22	D28580093	1	Holder	
23	D28580124	1	Housing	
24	D28580048	1	Bottom Part	
25	D40600500	12	Screw Metric	
26	D41087400	12	Locknut	
27	D28560162	1	Lever	
28	D40402700	1	Hex. Sock. Screw	
29	D41087400	1	Locknut	
30	D27100120	1	Hair Pin	
31	D28580164	1	Bearing Carrier	
32	D28580170	1	Bearing Carrier	
33	D41708700	4	Flange	
34	D41713300	2	Bearing Ball	
35	D41010700	6	Nut	
36	D28580160	1	Shaft	
37	D28580240	1	Bracket	Up to Serial or Engine Number 52941
	D28585066	1	Support	From Serial or Engine Number 52942
38	D28550210	1	Tightener	Up to Serial or Engine Number 52941
	D28850316	1	Bolt	From Serial or Engine Number 52942
39	D41010800	2	Nut	
40	D28585067	1	Bolt	From Serial or Engine Number 52942
	D28761939	1	Bolt	Up to Serial or Engine Number 52941
41	D28585071	1	Roller	From Serial or Engine Number 52942
	D28760159	1	Pulley	Up to Serial or Engine Number 52941
42	D28760163	1	Spacer	Up to Serial or Engine Number 52941
	D28880354	1	Spacer	From Serial or Engine Number 52942
	D28480457	1	Spacer	From Serial or Engine Number 53282
43	D41087900	1	Locknut	
44	D28580052	1	Cover	
45	D28560165	1	U Bolt	
46	D41087400	2	Locknut	
47	D28580245	1	Bearing Plate	
48	D41708600	1	Bearing Ball	
49	D41708800	2	Bearing Flange	
50	D40407000	3	Screw	
51	D41010800	3	Nut	
52	D28580118	1	Bracket	
53	D40407800	X	Hex. Sock. Screw	
54	D20400415	3	Washer	
55	D41087600	3	Locknut	From Serial or Engine Number +52565
56	D40430300	1	Screw	
57	D20400425	1	Washer	
58	D41087700	1	Locknut	
60	D28480219	1	Plate	
61	D28550247	2	Plate	
62	D40402600	3	Hex. Sock. Screw	
63	D41087400	3	Locknut	
64	D43103400	2	Key	
65	D28580002	1	Pulley	Up to Serial or Engine Number 52941

## Filling Elevator

Item	Part Number	Qty	Description	Comments
65	D28585062	1	Pulley	From Serial or Engine Number 52942
66	D28580089	1	Cover	
67	D28580405	1	Cover	From Serial or Engine Number +54798
68	D40688000	4	Screw	
68	D40688200	4	Screw Metric	[A] From Serial or Engine Number 55161
69	D41013400	4	Nut	
69	D41087400	4	Locknut	[A] From Serial or Engine Number 55161
70	D40423900	2	Hex. Sock. Screw	
71	D28580250	2	Bracket	
72	D40404900	X	Hex. Sock. Screw	
73	D20400506	X	Washer	
74	D41013500	X	Nut	
75	D40407700	2	Hex. Sock. Screw	
76	D20400419	X	Washer	
77	D41087600	X	Locknut	From Serial or Engine Number +52565
78	D28580321	1	Sprocket	From Serial or Engine Number 52942
78	D28580167	1	Sprocket	Up to Serial or Engine Number 52941
79	D40466900	4	Screw	From Serial or Engine Number +52683
80	D41010700	2	Nut	Up to Serial or Engine Number 49924
81	D43103200	1	Key	
82	D28540049	1	Sprocket	
84	D41010700	2	Nut	Up to Serial or Engine Number 49924
85	<b>D42328200</b>	1	Chain	
86	D42350300	1	Chain	
87	D28580135	1	Chain	
87	<b>D28550323</b>	30	Plate	(87)
88	<b>D28550372</b>	30	Plate	(87)
89	<b>D28580137</b>	30	Plate	(87)
90	D40405100	60	Hex. Sock. Screw	(87)
91	D41087500	60	Locknut	(87)
92	<b>D42351300</b>	1	Chain	
93	<b>D42351200</b>	1	Link	
94	D42325600	1	Chain	
95	D42363100	1	Link	
96	D42363200	1	Link	
97	<b>D42362400</b>	1	Inner Link	
98	<b>D42350400</b>	1	Link	
99	<b>D42351400</b>	1	Link	
100	<b>D41937800</b>	1	Kit, Belt	From Serial or Engine Number 52942
100	D41982600	1	Belt	Up to Serial or Engine Number 52941
100	D41986100	1	V Belt	Up to Serial or Engine Number 50991
101	D28580295	1	Cover	[D]
102	D28780630	1	Sensor	[A]
103	D28582012	1	Stay	
104	D41010800	2	Nut	
105	D28761667	1	Cover	
106	D28580172	1	Cover	Up to Serial or Engine Number 53069
106	D28580390	1	Plate	From Serial or Engine Number +53070
107	D41399800	10	Rivet	
108	D20400414	1	Washer	
109	D41087500	1	Locknut	
110	D40602100	1	Screw Metric	
111	D40407700	1	Hex. Sock. Screw	
114	D28180902	1	Retainer	Up to Serial or Engine Number 49639
115	D28180900	1	Hook	Up to Serial or Engine Number 49639
116	D40409400	2	Screw Metric	
117	D20400416	X	Washer	
119	D20400518	1	Spacer	
120	D40405000	4	Hex. Sock. Screw	
121	D40407900	1	Hex. Sock. Screw	
122	D20400426	1	Washer	
123	D28181404	1	Bracket	
124	D41087600	3	Locknut	
125	D20400471	3	Washer	
126	D28580334	1	Hinge	[A]
127	D40688300	2	Screw	[A]
128	D28580336	1	Lock	[A]
128	D28580335	1	Lock	[A] (128)



## Filling Elevator

Item	Part Number	Qty	Description	Comments
129	D43423000	1	Lock	[A] (128)
131	D1906800	X	Wire	Length 0.150
132	D43407400	1	Seal	[A]
133	D28580322	1	Pinion	[B]
134	D42363100	1	Link	[B]
135	D42363200	1	Link	[B]
136	<b>D42362400</b>	1	Inner Link	[B]
137	D28580320	1	Retainer	[C]
138	D41447300	1	Split Ring	[C]
139	D20400470	2	Washer	[C]
140	D40402400	2	Hex. Sock. Screw	[C]
141	D41013400	2	Nut	[C]
142	D28480357	1	Hub	From Serial or Engine Number 52942
143	D41622700	1	Bearing Ball	
144	D42513700	1	Circlip	
145	D40690400	6	Screw	
146	D20400470	4	Washer	[A] From Serial or Engine Number 55161
147	D40405000	1	Hex. Sock. Screw	From Serial or Engine Number +55399
148	D41087500	1	Locknut	From Serial or Engine Number +55399

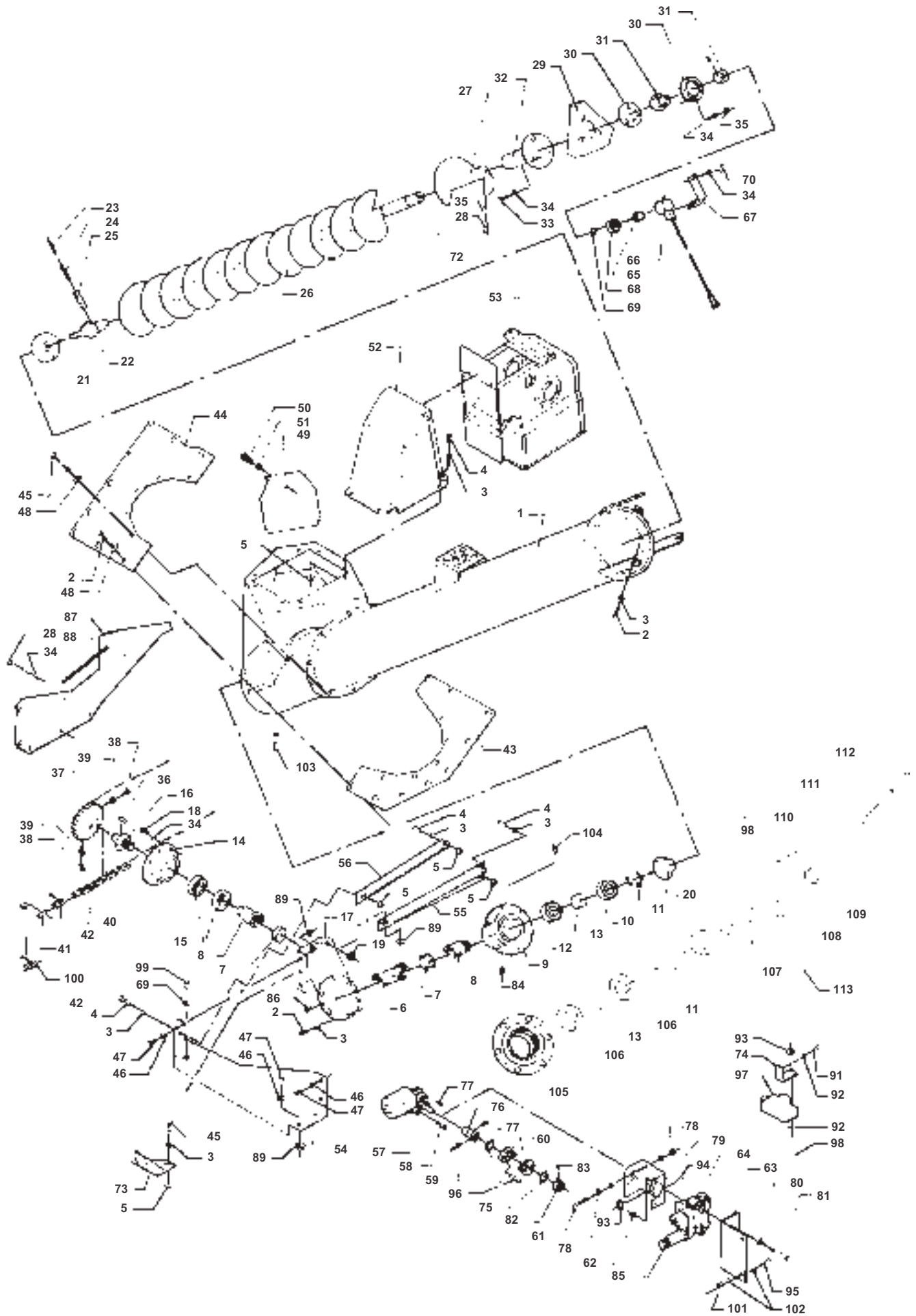
**FOOTNOTE [A]** OPTIONAL EQUIPMENT FLOW CONTROL

**FOOTNOTE [B]** OPTIONAL EXTRA MAIZE

**FOOTNOTE [C]** 600 L FUEL TANK

**FOOTNOTE [D]** OPTIONAL EQUIPMENT FOR PEAS

MF 38/40 COMBINES, |-> 47958 - 63001210  
90F0702



90F0702

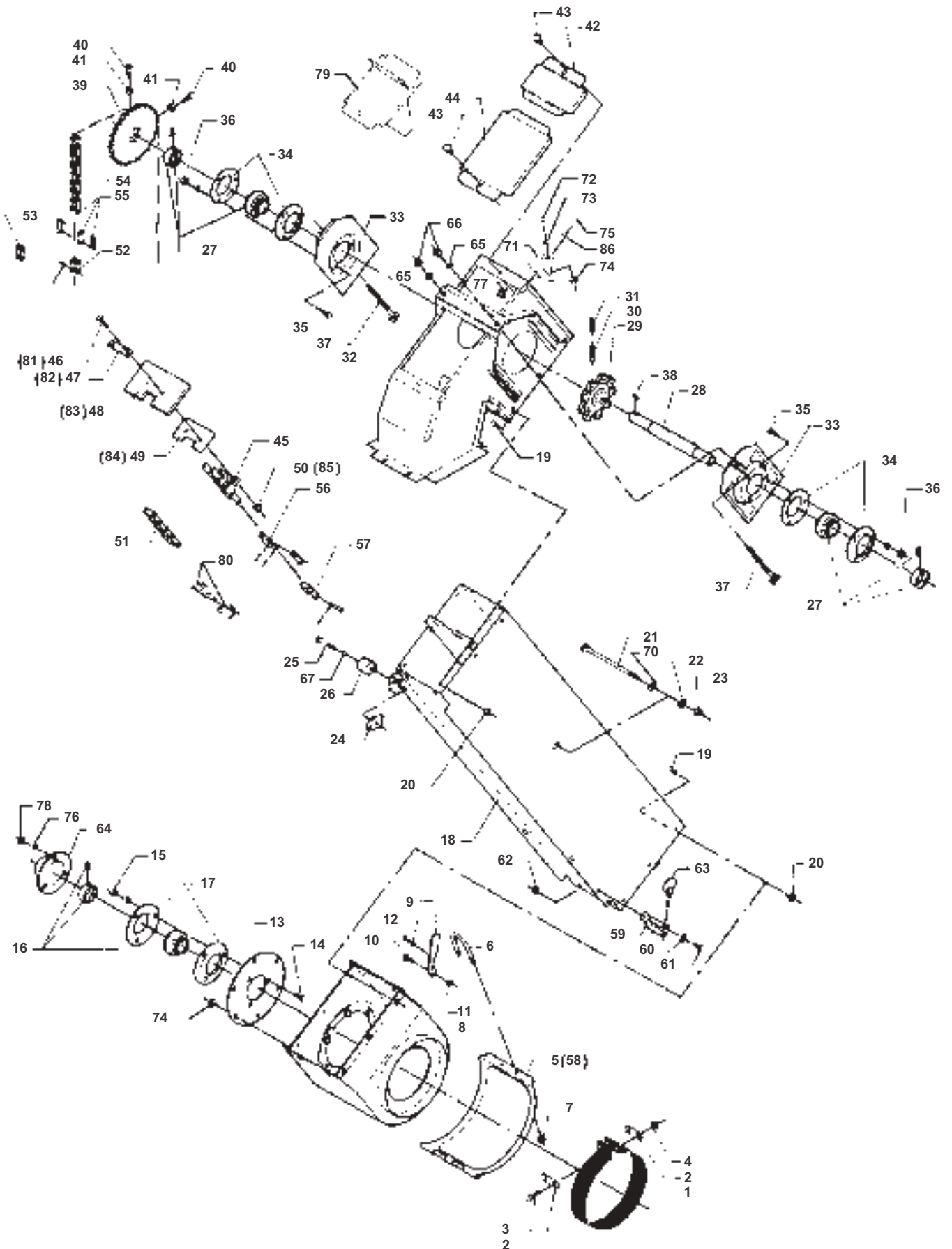
## Filler Pipe

Item	Part Number	Qty	Description	Comments
1	D28580310	1	Spout	
2	D40405100	9	Hex. Sock. Screw	
3	D20400506	X	Washer	
4	D40404900	6	Hex. Sock. Screw	
5	D41013500	X	Nut	
6	D45626500	1	Fork	
7	D45623000	2	Bearing Needle	
8	D28580057	2	Fork	
9	D28580257	1	Bearing Carrier	
10	D41621100	1	Bearing Ball	
11	D42515000	1	Circlip	
12	D41623000	1	Bear. 6207 2rs	
13	D27700245	1	Spacer	
14	D28580027	1	Bearing Assy	
15	D41623000	2	Bear. 6207 2rs	
16	D28580060	1	Stud	
17	D28580029	1	Spacer	
18	D40405000	6	Hex. Sock. Screw	
19	D41010700	6	Nut	From Serial or Engine Number 52828
20	D28580300	1	Cone	
21	D28580364	1	Washer	From Serial or Engine Number +52315
22	D28580251	1	Pin	
23	D42610400	1	Pin	
24	D42616700	1	Pin	
25	D42625600	1	Pin	
26	D28580053	1	Auger	
27	D28850988	1	Section	
28	D40404900	1	Hex. Sock. Screw	
29	D28580301	1	Bearing Plate	
30	D41708700	2	Flange	
31	D41708500	1	Bearing Ball	
32	D28850886	1	Guard	
33	D40405100	2	Hex. Sock. Screw	
	D40405300	1	Screw	
34	D20400506	X	Washer	
35	D41010700	X	Nut	
36	D43103200	1	Key	
37	D28540049	1	Sprocket	
38	D40466900	2	Screw	From Serial or Engine Number +52683
39	D41010700	2	Nut	
40	D42325600	1	Chain	
41	D42363100	1	Link	
42	<b>D42362400</b>	1	Inner Link	
43	D28580279	1	Plate	
44	D28580278	1	Plate	
45	D40404900	24	Hex. Sock. Screw	
46	D20400416	X	Washer	
47	D40407800	X	Hex. Sock. Screw	
48	D20400414	24	Washer	
49	D28580258	1	Trap	
50	D43385200	1	Screw	
51	D20400506	1	Washer	
52	D28580309	1	Spout	
53	D28580115	1	Top	
54	D28580272	1	Bracket	
55	D28580285	1	Reinforcement	
56	D28580293	1	Stay	
57	D28080790	1	Wiper Motor	From Serial or Engine Number +54340
58	D28782149	3	Bolt	From Serial or Engine Number +54340
59	D42609200	1	Pin	
60	D28780802	2	Washer	
61	D28780801	1	Screw	
62	D41013500	1	Nut	
63	D28980999	1	Support	
64	D45110069	1	Flow Regulator	From Serial or Engine Number +49777
65	<b>D28780516</b>	1	Inductive Taker	
66	<b>D28780514</b>	1	Sensor	
67	D28780522	1	Support	
68	D41622600	1	Bearing Ball	
69	D20400419	3	Washer	
70	D41010700	1	Nut	

## Filler Pipe

Item	Part Number	Qty	Description	Comments
72	D28850990	1	Spiral	
73	D28180737	1	Support	
74	D28780959	1	Holder	
75	D42502300	2	Circlip	
76	D28981003	1	Union	
77	D40630800	1	Pin	Up to Serial or Engine Number 48238
77	D43170300	1	Key	From Serial or Engine Number 48239
78	D41010600	2	Nut	
79	D28981001	1	Support	
80	D20400506	2	Washer	
81	D40424400	2	Bolt	From Serial or Engine Number +54526
82	D28981086	1	Ring	
83	D40631000	1	Stud	Up to Serial or Engine Number 48238
83	D40632000	1	Stud	From Serial or Engine Number 48239
84	D43002500	1	Greaser	
85	D28251484	1	Non Return Valve	
86	D40404500	2	Screw Metric	
87	D28180703	1	Shield	
88	D44706600	X	Seal Section	Length 0,1M
89	D41087600	X	Locknut	From Serial or Engine Number +52565
91	D40402600	2	Hex. Sock. Screw	
92	D20400404	4	Washer	
93	D41013400	3	Nut	
94	D40741200	8	Screw	
95	D40408000	2	Hex. Sock. Screw	
96	D42608700	1	Pin	From Serial or Engine Number 50030
97	D45110054	1	Valve	
98	D40422200	2	Screw Metric	
99	D40407700	1	Hex. Sock. Screw	
100	D42363200	1	Link	
101	D41087600	2	Locknut	
102	D20400416	4	Washer	
103	D40410700	1	Screw	
104	D40630500	1	Pin	From Serial or Engine Number 55104
105	D28580413	1	Bearing Housing	
106	D41624100	2	Bearing Assy	
107	D41679900	1	Seal	
108	D28580414	1	Washer	
109	D28580251	1	Pin	
110	D42610400	1	Pin	
111	D42616700	1	Pin	
112	D42625600	1	Pin	
113	D28080904	1	Kit	

MF 38/40 COMBINES, |-> 47958 - 63001210  
90C0703



## Return Elevator

Item	Part Number	Qty	Description	Comments
1	D28480218	1	Plate	
2	D28480217	2	Plate	
3	D40402400	2	Hex. Sock. Screw	
4	D41087400	2	Locknut	
5	D28580052	1	Cover	
6	D28560165	1	U Bolt	
7	D41087400	2	Locknut	
8	D28580048	1	Bottom Part	
9	D28560162	1	Lever	
10	D40402700	1	Hex. Sock. Screw	
11	D41087400	1	Locknut	
12	D27100120	1	Hair Pin	
13	D28580245	1	Bearing Plate	
14	D40407000	3	Screw	
15	D41010800	3	Nut	
16	D41708600	1	Bearing Ball	
17	D41708800	2	Bearing Flange	
18	D28580226	1	Housing	Up to Serial or Engine Number 50991
	D28580355	1	Housing	From Serial or Engine Number 50992
19	D40600500	20	Screw Metric	
20	D41087400	20	Locknut	
21	D40430300	1	Screw	
22	D20400426	1	Washer	
23	D41087700	1	Locknut	
24	D28580219	1	Dog	
25	D40602100	1	Screw Metric	
26	D28550012	1	Support	
27	D41708500	2	Bearing Ball	
28	D28580227	1	Shaft	Up to Serial or Engine Number 52941
	D28585065	1	Shaft	From Serial or Engine Number 52942
29	D28580202	1	Sprocket	
30	D42616300	1	Pin	
31	D42610000	1	Pin	
32	D28580229	1	Top	Up to Serial or Engine Number 50991
	D28580356	1	Riser	From Serial or Engine Number 50992
33	D28580221	2	Bearing Plate	
34	D41708700	4	Flange	
35	D40404900	6	Hex. Sock. Screw	
36	D41010700	6	Nut	
37	D28520060	2	Bolt	
38	D43103100	1	Key	
39	D28580228	1	Sprocket	Up to Serial or Engine Number 52941
	D28585064	1	Sprocket	From Serial or Engine Number 52942
40	D40466900	2	Screw	From Serial or Engine Number +52683
41	D41010700	2	Nut	
42	D28580097	1	Shutter	
43	D43385200	2	Screw	
44	D28580222	1	Shutter	
45	D42350300	1	Chain	
46	D28580225	1	Chain	Up to Serial or Engine Number 50991
	D40405100	40	Hex. Sock. Screw	(46)
47	<b>D28550323</b>	20	Plate	Up to Serial or Engine Number 50991 (46)
48	<b>D28580137</b>	20	Plate	Up to Serial or Engine Number 50991 (46)
49	<b>D28550372</b>	20	Plate	Up to Serial or Engine Number 50991 (46)
50	D41087500	40	Locknut	Up to Serial or Engine Number 50991 (46)
51	<b>D42351300</b>	1	Chain	
52	D42363200	1	Link	
53	<b>D42362400</b>	1	Inner Link	
54	<b>D42329000</b>	1	Chain	
55	D42363100	1	Link	(54)
56	<b>D42351400</b>	1	Link	(46)
	<b>D42351400</b>	1	Link	(81)
57	<b>D42351200</b>	1	Link	(46)
	<b>D42351200</b>	1	Link	(81)
58	D28580295	1	Cover	[C]
59	D28580282	1	Retainer	[A]

## Return Elevator

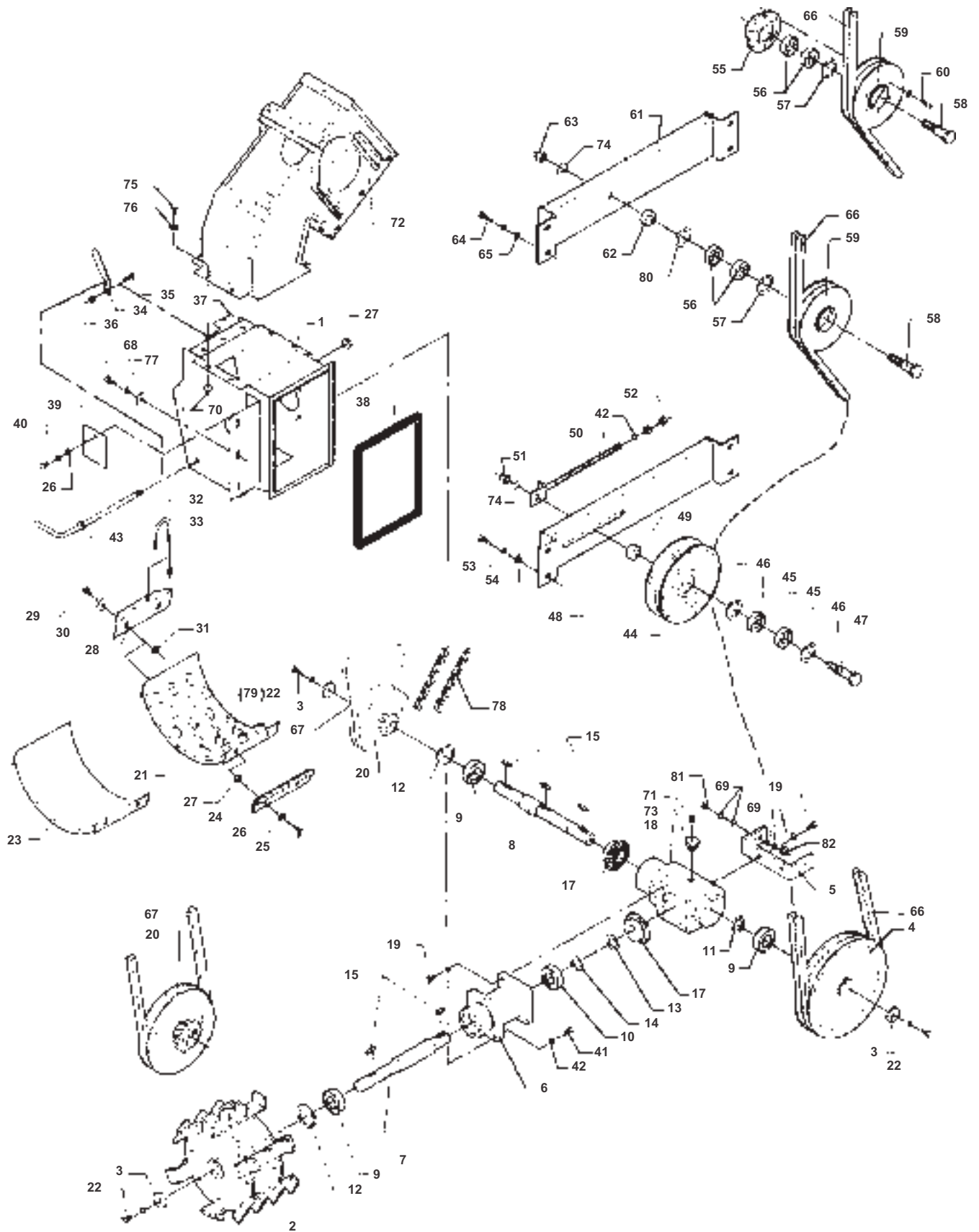
Item	Part Number	Qty	Description	Comments
60	D20400470	2	Washer	[A]
61	D40402400	2	Hex. Sock. Screw	[A]
62	D41013400	2	Nut	[A]
63	D41447300	1	Split Ring	[A]
64	D28761667	1	Cover	
65	D20400471	2	Washer	
66	D41087600	2	Locknut	
67	D20400414	1	Washer	
69	<b>D42350400</b>	1	Link	
70	D20400425	X	Washer	
71	D28580286	1	Angle	
72	D40405000	1	Hex. Sock. Screw	
73	D20400506	1	Washer	
74	D41013500	7	Nut	
75	D40407700	1	Hex. Sock. Screw	
76	D20400471	4	Washer	
77	D41087600	1	Locknut	From Serial or Engine Number +52565
78	D41087600	3	Locknut	
79	D28780853	1	Sensor	[B]
80	<b>D42350400</b>	1	Link	
81	D28580348	1	Chain	From Serial or Engine Number 50992
81	D40405100	28	Hex. Sock. Screw	(81) From Serial or Engine Number 50992
82	<b>D28550323</b>	14	Plate	(81) From Serial or Engine Number 50992
83	<b>D28580137</b>	14	Plate	(81) From Serial or Engine Number 50992
84	<b>D28550372</b>	14	Plate	(81) From Serial or Engine Number 50992
85	D41087500	28	Locknut	(81) From Serial or Engine Number 50992
86	D20400416	X	Washer	From Serial or Engine Number +52565

FOOTNOTE [A] 400 L FUEL TANK

FOOTNOTE [B] RETURNS VOL. MONITOR CHOPPER VIBR. MONITOR

FOOTNOTE [C] OPTIONAL EQUIPMENT FOR PEAS

MF 38/40 COMBINES, |-> 47958 - 63001210  
90F0704





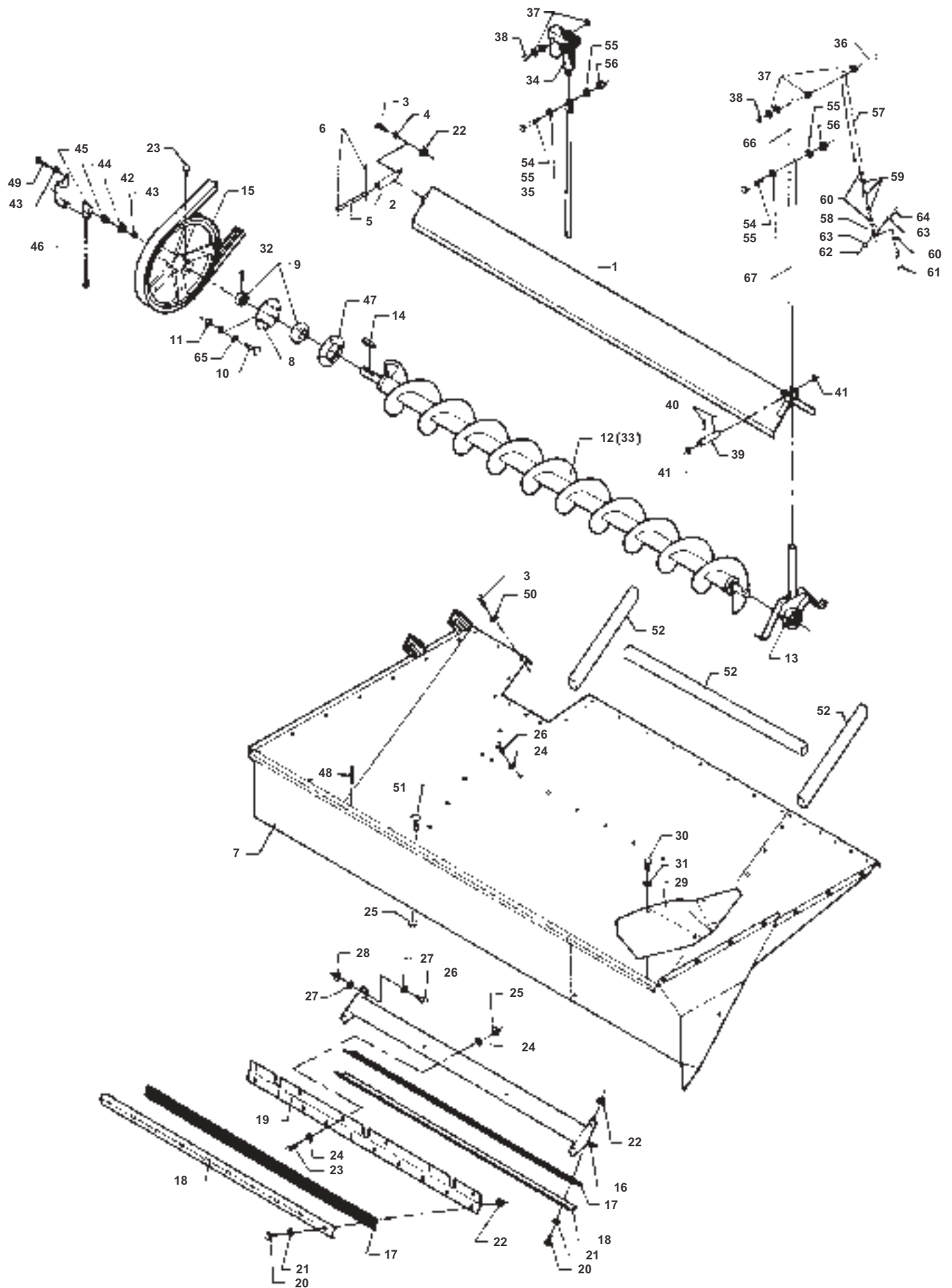
## Returns Thresher

Item	Part Number	Qty	Description	Comments
1	D28580329	1	Housing	From Serial or Engine Number +48981 Up to Serial or Engine Number 50991
	D28580360	1	Housing	From Serial or Engine Number 50992
2	D28580243	1	Cylinder	
3	D20400421	3	Washer	From Serial or Engine Number +52421
4	D28580001	1	Pulley	
5	D28580214	1	Angle Drive	
	D28580211	1	Support	(5)
6	D28580207	1	Bearing Carrier	(5)
7	D28580209	1	Shaft	(5)
8	D28580210	1	Drive Shaft	(5)
9	D41622900	3	Bearing Ball	(5) From Serial or Engine Number +49256
10	D41618300	1	Bearing Ball	(5)
11	D42502800	1	Circlip	(5)
12	D42514500	2	Circlip	(5)
13	D42598800	X	Washer	(5) OPTIONAL
14	D42598900	X	Washer	(5) OPTIONAL
15	D43103400	5	Key	(5)
17	D28580010	2	Gear	(5)
18	D28580216	1	Gear Case Assy.	(5)
19	D40407700	6	Hex. Sock. Screw	(5)
20	D28580217	1	Pulley	Up to Serial or Engine Number 52941
	D28585061	1	Pulley	From Serial or Engine Number 52942
21	D28580230	1	Cover	
22	D40466700	3	Hex. Sock. Screw	From Serial or Engine Number +52342 Up to Serial or Engine Number 52941
	D40466700	2	Hex. Sock. Screw	From Serial or Engine Number 52942
23	D28580318	1	Cover	
	D28580232	1	Cover	(23)
24	D28580189	1	Hinge	(23)
25	D40405000	2	Hex. Sock. Screw	(23)
26	D20400506	3	Washer	(23)
27	D41013500	3	Nut	(23)
28	D28580248	1	Plate	(23)
29	D40404900	2	Hex. Sock. Screw	(23)
30	D20400410	2	Washer	(23)
31	D41013500	2	Nut	(23)
32	D28560165	1	U Bolt	(23)
33	D41087400	2	Locknut	(23)
34	D28560162	1	Lever	
35	D40402700	1	Hex. Sock. Screw	
36	D41087400	1	Locknut	
37	D27100120	1	Hair Pin	
38	D44706600	X	Seal Section	Length 1,200 M
39	D28580182	1	Cover	
40	D40404700	1	Hex. Sock. Screw	
41	D40407900	4	Hex. Sock. Screw	
42	D20400419	5	Washer	
43	D28580247	2	Rod	
44	D28250441	1	Pulley	
45	D41622700	2	Bearing Ball	
46	D42513700	2	Circlip	
47	D28580205	1	Bolt	
48	D28580018	1	Bracket	Up to Serial or Engine Number 50991
	D28580349	1	Bracket	From Serial or Engine Number 50992
49	D28880354	1	Spacer	
50	D28580206	1	Tightener	
51	D41087900	1	Locknut	
52	D41010800	2	Nut	
53	D40407800	4	Hex. Sock. Screw	
54	D20400415	4	Washer	
55	D28480357	1	Hub	Up to Serial or Engine Number 54240
56	D41622700	2	Bearing Ball	
57	D42513700	1	Circlip	
58	D28250444	1	Bolt	
59	D28480822	1	Pulley	From Serial or Engine Number 54241
	D28480094	1	Pulley	Up to Serial or Engine Number 54240
60	D40690400	6	Screw	Up to Serial or Engine Number 54240

## Returns Thresher

Item	Part Number	Qty	Description	Comments
61	D28580020	1	Bracket	Up to Serial or Engine Number 50991
61	D28580203	1	Bracket	From Serial or Engine Number 50992
62	D28880354	1	Spacer	
63	D41087900	1	Locknut	
64	D40407800	4	Hex. Sock. Screw	
65	D20400415	4	Washer	
66	D41937500	1	Kit, Belt	Up to Serial or Engine Number 50991
66	<b>D41937800</b>	1	Kit, Belt	From Serial or Engine Number 50992
67	<b>D41937800</b>	1	Kit, Belt	From Serial or Engine Number 52942
67	D41982600	1	Belt	Up to Serial or Engine Number 52941
67	D41986100	1	V Belt	Up to Serial or Engine Number 50991
68	D40407800	3	Hex. Sock. Screw	
69	D20400414	4	Washer	
70	D41013400	5	Nut	
71	D46116500	1	Valve	(5)
72	D28580229	1	Top	Up to Serial or Engine Number 50991
72	D28580356	1	Riser	(5) From Serial or Engine Number 50992
73	D28580296	1	Plug	
74	D20400459	2	Washer	
75	D40402600	7	Hex. Sock. Screw	
76	D20400470	7	Washer	
77	D20400416	3	Washer	
78	<b>D42329000</b>	1	Chain	
79	D40466500	1	Setscrew	From Serial or Engine Number 52942
80	D42513700	1	Circlip	From Serial or Engine Number 54241
81	D40405100	2	Hex. Sock. Screw	From Serial or Engine Number +55374
82	D41087500	2	Locknut	From Serial or Engine Number +55374

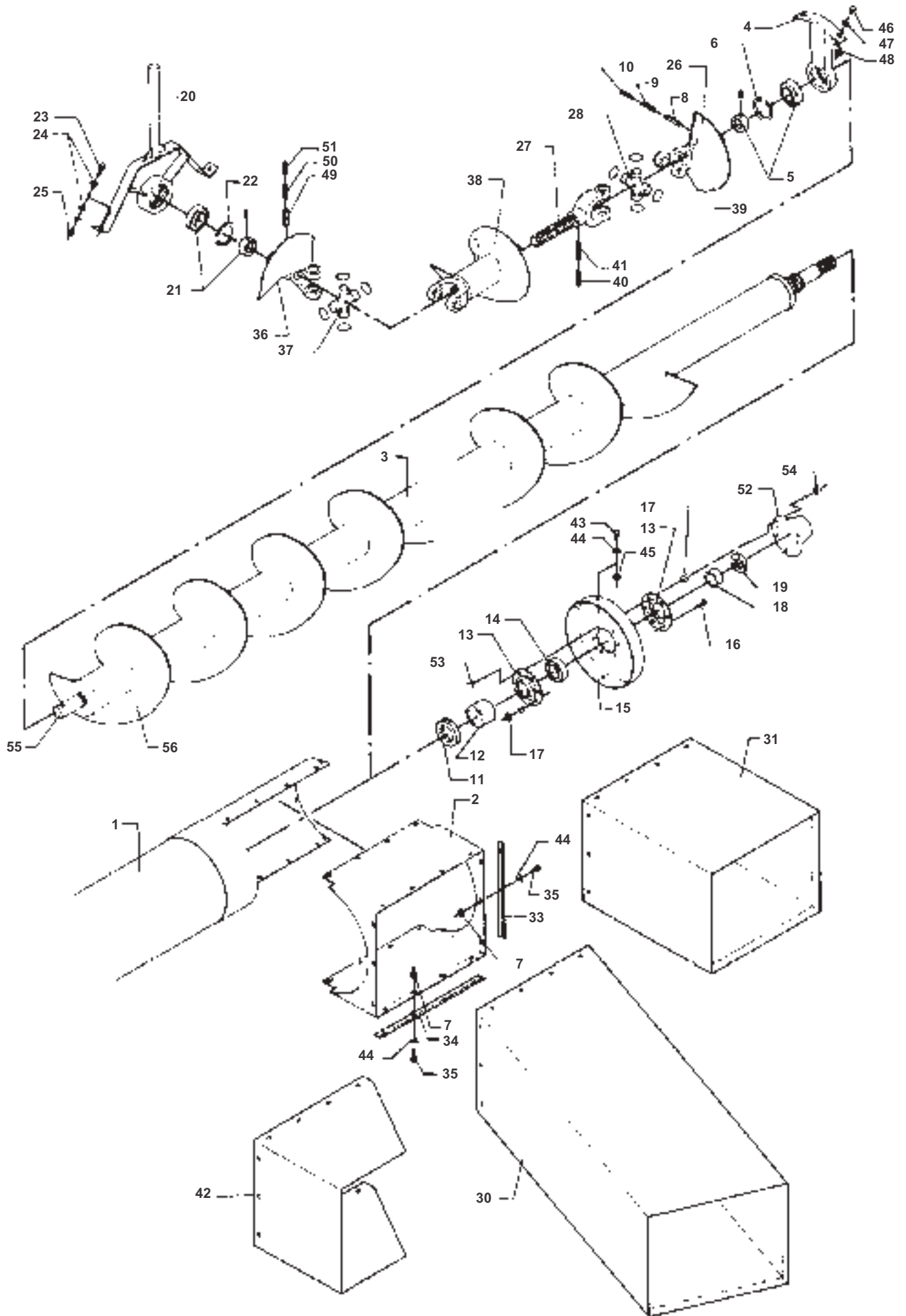
MF 38/40 COMBINES, |-> 47958 - 63001210  
90E0901



## Discharge Auger - Fixed Part

Item	Part Number	Qty	Description	Comments
1	D28880241	1	Plate	
2	D28851231	1	Hinge	From Serial or Engine Number +48753
3	D40404900	X	Hex. Sock. Screw	
4	D20400506	2	Washer	
5	D28851230	1	Hinge	From Serial or Engine Number +48753
6	D44358000	2	Hair Pin	
7	D28880220	1	Bottom	
8	D41711100	1	Flange	
9	D41705500	1	Bearing Ball	
10	D40070200	4	Screw Metric	
11	D41010900	4	Nut	
12	D28880237	1	Auger	
13	D28880230	1	Bracket	
14	D43106700	1	Key	
15	D28761879	1	Pulley	
16	D28380193	1	Deflector	
17	D28380132	2	Scraper	
18	D28380133	2	Rail	
19	D28380131	1	Deflector	
20	D40405100	20	Hex. Sock. Screw	
21	D20400506	20	Washer	
22	D41013500	22	Nut	
23	D40407800	6	Hex. Sock. Screw	From Serial or Engine Number +52565
24	D20400416	12	Washer	From Serial or Engine Number +52565
25	D41087600	6	Locknut	From Serial or Engine Number +52565
26	D40407800	X	Hex. Sock. Screw	
27	D20400416	8	Washer	From Serial or Engine Number +52565
28	D41087600	4	Locknut	From Serial or Engine Number +52565
29	D28880234	1	Plate	
30	D40402400	4	Hex. Sock. Screw	
31	D20400405	4	Washer	From Serial or Engine Number +53722
32	<b>D41978800</b>	1	Belt	
33	D28880379	1	Auger	OPTIONAL
34	D28780722	1	Ram	OPTIONAL
35	D28880121	1	Bar	OPTIONAL
36	D40429200	1	Bolt	
37	D20400426	4	Washer	
38	D41087700	1	Locknut	
39	D28230632	1	Pin	From Serial or Engine Number +50671
40	D41408800	2	Split Pin	From Serial or Engine Number +50671
41	D20400471	2	Washer	From Serial or Engine Number +50671
42	D41622600	1	Bearing Ball	
43	D20400419	2	Washer	
44	<b>D28780516</b>	1	Inductive Taker	
45	<b>D28780514</b>	1	Sensor	
46	D28780724	1	Retainer	
47	D41712200	1	Flange	
48	D41408900	1	Split Pin	
49	D40407600	1	Hex. Sock. Screw	
50	D20400408	X	Washer	
51	D40066700	4	Screw Metric	
52	D44709600	X	Seal Section	Length 6,0 M
54	D40426100	1	Screw	From Serial or Engine Number 50671
	D40428800	1	Hex. Sock. Screw	Up to Serial or Engine Number 50670
55	D20400426	3	Washer	Up to Serial or Engine Number 50670
	D20400471	2	Washer	From Serial or Engine Number 50671
56	D41087600	1	Locknut	From Serial or Engine Number 50671
	D41087700	1	Locknut	Up to Serial or Engine Number 50670
57	D28880295	1	Support	
58	D28880296	1	Angle	
59	D41010800	3	Nut	
60	D20400471	3	Washer	
61	D40408600	1	Hex. Sock. Screw	
62	D40428600	1	Screw Metric	
63	D20400426	2	Washer	
64	D41010900	1	Nut	M6
65	D20400459	4	Washer	From Serial or Engine Number +52713
66	D28880211	X	Rod	From Serial or Engine Number +53602
67	D28880338	X	Rod	From Serial or Engine Number +53602

MF 38/40 COMBINES, |-> 47958 - 63001210  
90D0902



90D0902

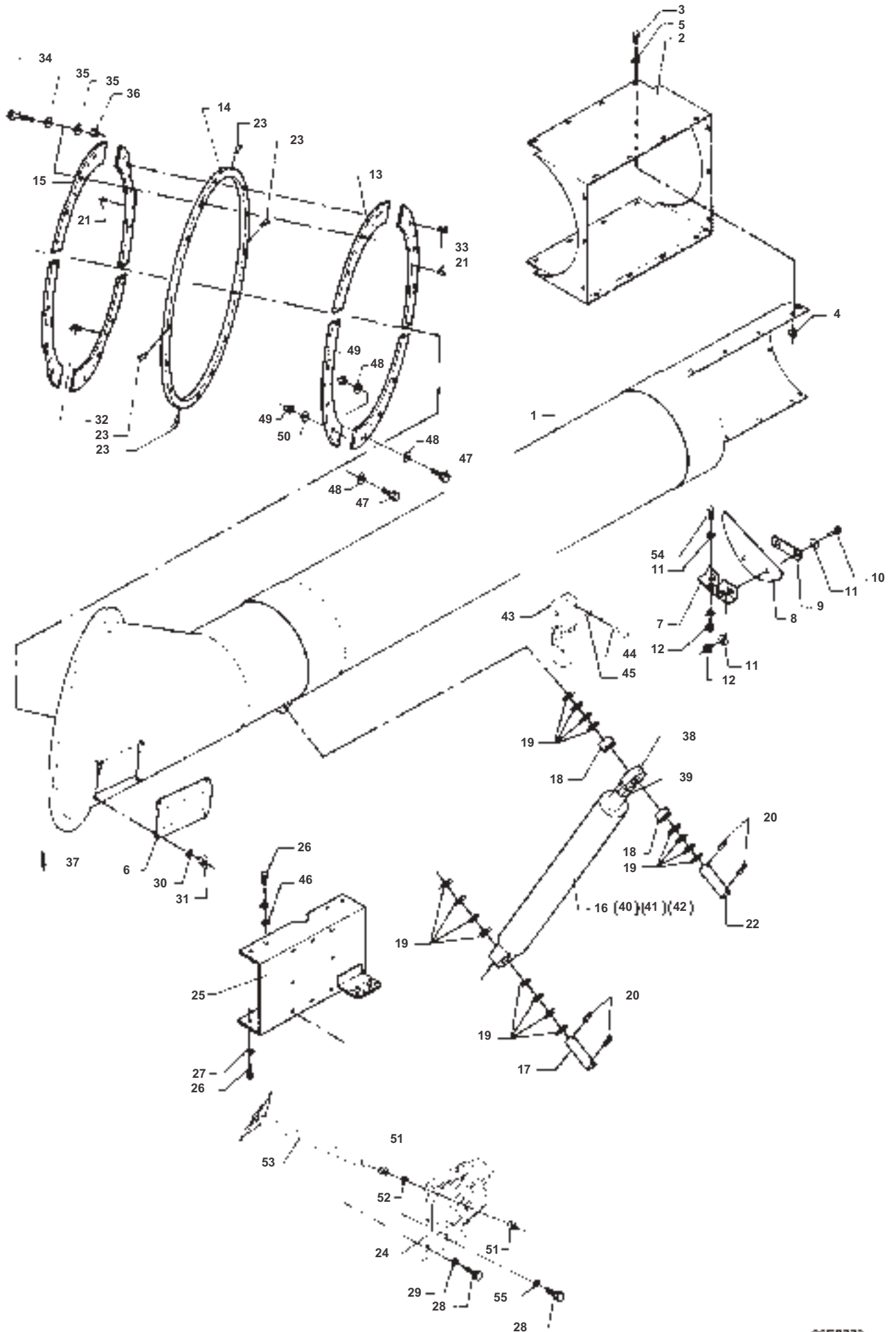
## Unloading auger -Swivel part

Item	Part Number	Qty	Description	Comments
1	D28880458	1	Pipe	From Serial or Engine Number 49640
	D28880042	1	Pipe	Up to Serial or Engine Number 49639
2	D28880034	1	Funnel	
3	D28880021	1	Auger	
4	D28880045	1	Bracket	
5	D41663400	1	Bearing Ball	
6	D42515000	1	Circlip	
7	D41013500	14	Nut	
8	D42625400	1	Pin	
9	D42616500	1	Pin	
10	D42610200	1	Pin	
11	D41034400	1	Nut	
12	D28830693	1	Spacer	
13	D28200239	2	Bearing Carrier	
14	D41623000	1	Bear. 6207 2rs	
15	D28880046	1	Plate	
16	D40404900	6	Hex. Sock. Screw	Up to Serial or Engine Number 50991
17	D41010700	6	Nut	
18	D28800328	2	Spacer	
19	D41034100	1	Nut	
20	D28880230	1	Bracket	
21	D41663400	1	Bearing Ball	
22	D42515000	1	Circlip	
23	D40407800	2	Hex. Sock. Screw	
24	D20400416	4	Washer	
25	D41010800	2	Nut	
26	D28880053	1	Yoke	
	D28880051	1	Yoke	(26)
27	D28880052	1	Fork	(26)
28	D45622700	1	Crosspiece	(26)
30	D28880032	1	Canvas	[A]
31	D28880323	1	Canvas	
33	D28880030	2	Rail	
34	D28880031	2	Rail	
35	D40404900	14	Hex. Sock. Screw	
36	D28880083	1	Auger	
	D28850839	1	Yoke	(36)
37	D45622700	1	Crosspiece	(36)
38	D28880073	1	Auger	(36)
39	D28850834	1	Spiral	
40	D42612600	1	Pin	
41	D42618900	1	Pin	
42	D28882044	1	Facing	[A]
43	D40404900	4	Hex. Sock. Screw	
44	D20400506	18	Washer	
45	D41010700	4	Nut	
46	D40405100	2	Hex. Sock. Screw	
47	D20400506	2	Washer	
48	D41013500	2	Nut	
49	D42625600	1	Pin	
50	D42616700	1	Pin	
51	D42610400	1	Pin	
52	D28851122	1	Cap	[B]
53	D40405100	6	Hex. Sock. Screw	From Serial or Engine Number 50992
	D40405300	3	Screw	[A]
				Up to Serial or Engine Number 50991
54	D41010700	3	Nut	[A]
				Up to Serial or Engine Number 50991
	D41010700	6	Nut	[A]
				From Serial or Engine Number 50992

FOOTNOTE [A] OPTIONAL EQUIPMENT

FOOTNOTE [B] T50991 OPTION. EQU., F50992 STD EQUIPMENT

MF 38/40 COMBINES, |-> 47958 - 63001210  
90E0903



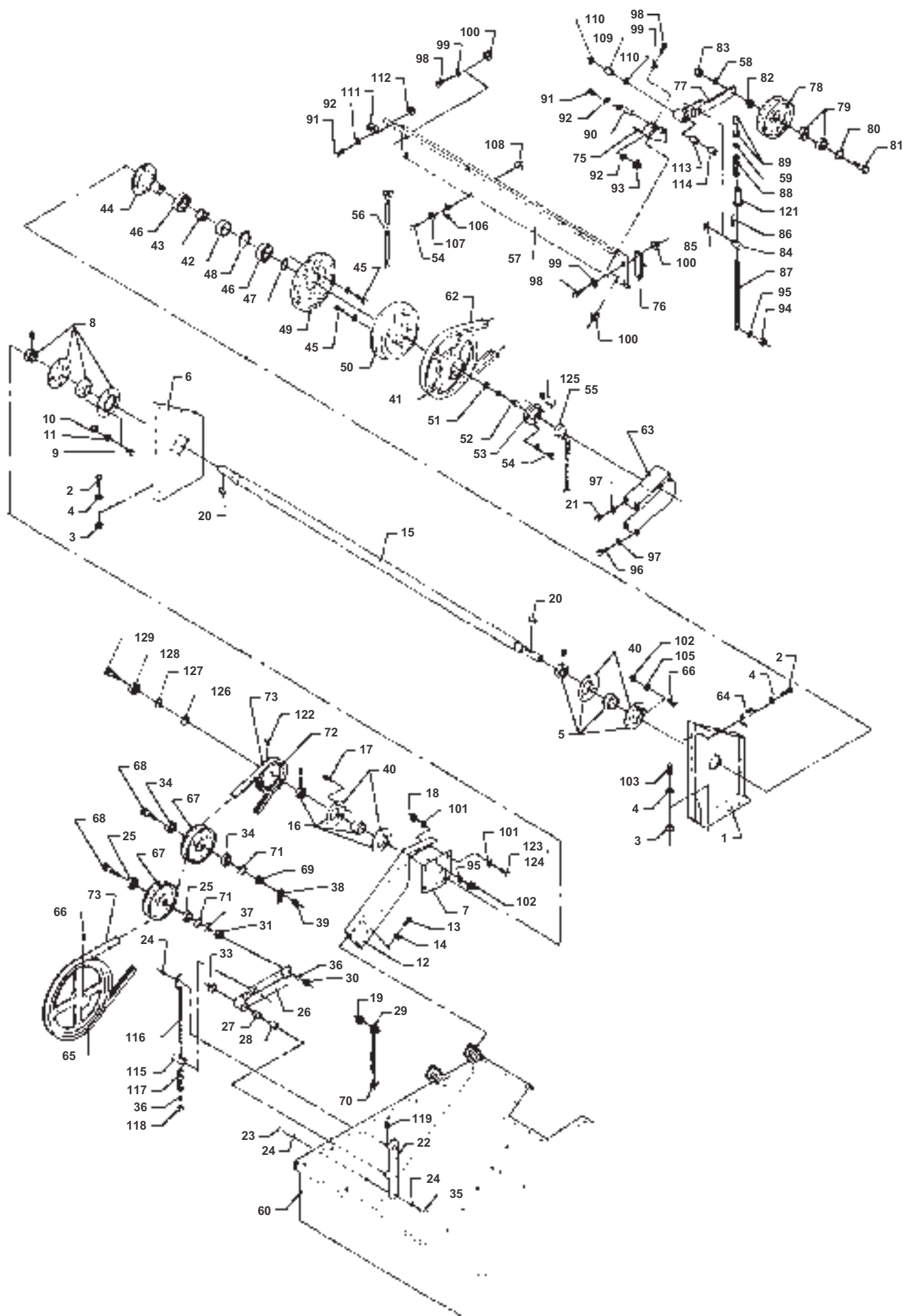
90E0903

## Discharge Auger Pipe

Item	Part Number	Qty	Description	Comments
1	D28880458	1	Pipe	From Serial or Engine Number 49640
	D28880042	1	Pipe	Up to Serial or Engine Number 49639
2	D28880034	1	Funnel	
3	D40404900	8	Hex. Sock. Screw	
4	D41013500	8	Nut	
5	D20400506	8	Washer	
6	D28880366	1	Shutter	
7	D28851025	1	Retainer	
8	D28880024	1	Stop	
9	D28851026	1	Plate	
10	D40405100	4	Hex. Sock. Screw	From Serial or Engine Number +56230
11	D20400506	8	Washer	
12	D41087500	4	Locknut	
13	D28880174	1	Flange	
	D28880398	4	Flange	From Serial or Engine Number +47694
14	D28880462	1	Flange	
15	D28880037	1	Flange	
	D28880399	4	Flange	From Serial or Engine Number +47694
16	D45100065	1	Ram	
17	D28850877	1	Pin	
18	D28850878	2	Spacer	
19	D20400468	X	Washer	
20	D41410700	4	Split Pin	From Serial or Engine Number +53566
21	D43001500	7	Greaser	
22	D28750214	1	Clevis Pin	
23	D43001700	4	Greaser	
24	D28880283	1	Bracket	
25	D28880400	1	Support	From Serial or Engine Number +47304
26	D40408000	8	Hex. Sock. Screw	
27	D20400419	4	Washer	
28	D40410900	6	Hex. Sock. Screw	
29	D20400419	6	Washer	
30	D20400506	4	Washer	
31	D41057300	4	Wing Nut	
32	D43001600	1	Greaser	
33	D40600800	8	Screw Metric	
34	D40411400	12	Screw Metric	
	D40428600	3	Screw Metric	
35	D20400426	30	Washer	
36	D41010900	15	Nut	
37	D41408800	1	Split Pin	
38	D45698500	1	Toggle	
39	D41043000	1	Nut Metric	
40	D45252600	2	Union	PACOMA+PPT
41	D45100023	1	Cylinder Rod	PACOMA
42	D45100079	1	Kit, Seal	PACOMA
	D45110029	1	Kit, Joint	PPT
	D45110088	1	Kit, Seal	SERTA
43	<b>D45110055</b>	1	Pressure Valve	
44	D40422200	2	Screw Metric	
45	D20400404	2	Washer	
46	D20400416	4	Washer	
47	D40439900	3	Screw	From Serial or Engine Number 52903
48	D20400424	1	Washer	From Serial or Engine Number 52903
49	D41092600	3	Lock	From Serial or Engine Number 52903
50	D20400447	5	Washer	From Serial or Engine Number 52903
51	D41013300	2	Screw	From Serial or Engine Number 52903
52	D20400448	1	Washer	From Serial or Engine Number 52903
53	D28880330	1	Reinforcement	From Serial or Engine Number 52903
54	D40405100	2	Hex. Sock. Screw	
55	D20400537	X	Spacer	From Serial or Engine Number +53529



MF 38/40 COMBINES, |-> 47958 - 63001210  
38-0904



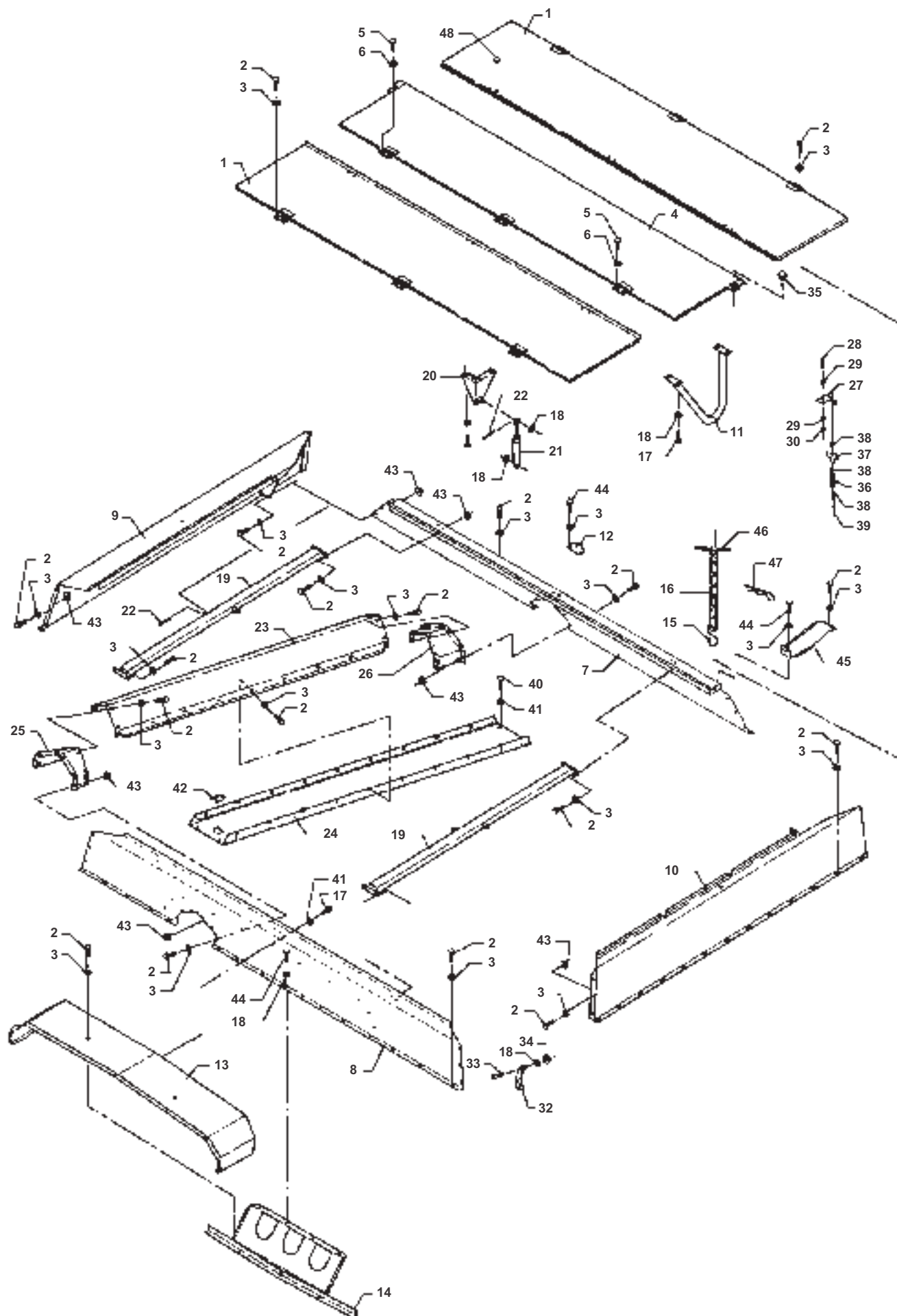
## Unloading Auger - Transmission

Item	Part Number	Qty	Description	Comments
1	D28880187	1	Bracket	
2	D40407800	11	Hex. Sock. Screw	
3	D41087600	6	Locknut	From Serial or Engine Number +52565
4	D20400416	20	Washer	From Serial or Engine Number +52565
5	D41707800	1	Bearing	
6	D28880184	1	Bracket	
7	D28880284	1	Bearing Plate	
8	D41716500	1	Bearing	
9	D40410900	4	Hex. Sock. Screw	
10	D41010900	4	Nut	
11	D20400426	4	Washer	
12	D28880194	1	Bracket	
13	D40407800	2	Hex. Sock. Screw	
14	D20400416	2	Washer	
15	D28880345	1	Counter	From Serial or Engine Number 54581
	D28880185	1	Shaft	Up to Serial or Engine Number 54580
16	D41707800	1	Bearing	
17	D40407800	7	Hex. Sock. Screw	
18	D41087600	4	Locknut	
19	D28480457	1	Spacer	Up to Serial or Engine Number 50530
20	D43104600	2	Key	From Serial or Engine Number 54581
	D43104700	2	Key	Up to Serial or Engine Number 54580
21	D40404900	1	Hex. Sock. Screw	
22	D28880477	1	Journal	From Serial or Engine Number 50531
23	D40407800	3	Hex. Sock. Screw	From Serial or Engine Number 50531
24	D20400471	7	Washer	From Serial or Engine Number 50531
25	D41622700	2	Bearing Ball	
26	D28880495	1	Lever	From Serial or Engine Number +57068
27	D43364000	1	Bush	(26) From Serial or Engine Number 50531
28	D43364300	1	Bush	(26) From Serial or Engine Number 50531
29	D28850316	1	Bolt	Up to Serial or Engine Number 50530
30	D41087900	1	Locknut	
31	D28880354	1	Spacer	From Serial or Engine Number 50531
33	D42502300	1	Circlip	From Serial or Engine Number 50531
34	D41622700	2	Bearing Ball	
35	D41087600	3	Locknut	From Serial or Engine Number 50531
36	D28181284	2	Washer	From Serial or Engine Number 50531
37	D20400523	1	Spacer	From Serial or Engine Number 50531
38	D28251476	1	Retainer	
39	D41087900	1	Locknut	
40	D41701700	4	Flange	
41	D28780019	1	Clutch	
	D28780013	1	Pulley	(41)
42	D28780015	1	Bush	(41) Up to Serial or Engine Number 50811
43	D28780016	1	Bush	(41)
44	D28780018	1	Hub	(41)
45	D40410700	8	Screw	(41)
46	D41617800	2	Bearing Ball	(41)
47	D42504300	1	Circlip	(41)
48	D42515400	1	Circlip	(41)
49	D45060300	1	Plate	(41)
50	D45060200	1	Magnet	(41)
51	D28780638	1	Washer	
52	D40410900	1	Hex. Sock. Screw	
53	D28780017	1	Cover	
54	D40402600	5	Hex. Sock. Screw	
55	D28780404	1	Retainer	
56	D28851037	1	Harness	
57	D28880186	1	Plate	
58	D28181284	1	Washer	
59	D20400459	1	Washer	
60	D28880220	1	Bottom	
62	<b>D41979100</b>	1	Belt	
63	D28780723	1	Guard	
64	D28780381	1	Retainer	
65	D28761879	1	Pulley	
66	D40407700	4	Hex. Sock. Screw	
67	D28250441	2	Pulley	

## Unloading Auger - Transmission

Item	Part Number	Qty	Description	Comments
68	D28250444	2	Bolt	
69	D28480457	2	Spacer	
70	D41013600	1	Nut	Up to Serial or Engine Number 50531
71	D42513700	2	Circlip	
72	D28880343	1	Belt	From Serial or Engine Number 54581
72	D28880368	1	Pulley	Up to Serial or Engine Number 54580
73	<b>D41978800</b>	1	Belt	
75	D28880359	1	Support	
76	D28880361	1	Clamp	
77	D28880495	1	Lever	From Serial or Engine Number +57068
77	D28880355	1	Pulley	Up to Serial or Engine Number 48792
78	D28250441	1	Pulley	
79	D41622700	2	Bearing Ball	
80	D42513700	1	Circlip	
81	D28250444	1	Bolt	
82	D28880354	1	Spacer	
83	D41087900	1	Locknut	
84	D28780030	1	Pivot	
85	D20400429	1	Washer	
86	D41405900	1	Pin	
87	D28380011	1	Tie Rod	
88	D28210881	1	Comp.Spring	
89	D41011100	2	Nut	
90	D28880360	1	Pin	
91	D40402400	2	Hex. Sock. Screw	
92	D20400404	3	Washer	
93	D41087400	1	Locknut	
94	D41087600	1	Locknut	
95	D20400471	4	Washer	
96	D40405100	2	Hex. Sock. Screw	
97	D20400506	4	Washer	
98	D40407900	11	Hex. Sock. Screw	
99	D20400416	20	Washer	
100	D41087600	10	Locknut	
101	D20400473	14	Washer	From Serial or Engine Number +53920
102	D41010800	3	Nut	
103	D40407900	3	Hex. Sock. Screw	
105	D20400507	3	Spacer	
106	D28780687	1	Fitting	
107	D20400470	1	Washer	
108	D41013400	1	Nut	
109	D28880489	1	Bush	From Serial or Engine Number +55813
110	D20400530	2	Spacer	From Serial or Engine Number +55813
111	D45729400	1	Clamp	
112	D41013400	1	Nut	
113	D43364000	1	Bush	(77)
114	D43364300	1	Bush	(77)
115	D28880473	1	Pin	From Serial or Engine Number 50531
116	D28380011	1	Tie Rod	From Serial or Engine Number 50531
117	D28210881	1	Comp.Spring	From Serial or Engine Number 50531
118	D41087900	1	Locknut	From Serial or Engine Number 50531
119	D41405800	1	Split Pin	From Serial or Engine Number 50531
120	D42515400	1	Circlip	(41) From Serial or Engine Number 50812
121	D28780318	1	Guide	
122	D40466900	2	Screw	From Serial or Engine Number +52683
123	D40407900	6	Hex. Sock. Screw	From Serial or Engine Number +53920
124	D40408000	1	Hex. Sock. Screw	From Serial or Engine Number +53920
125	D28781301	1	Hook	From Serial or Engine Number +54241

MF 38/40 COMBINES, |-> 47958 - 63001210  
90B0905A

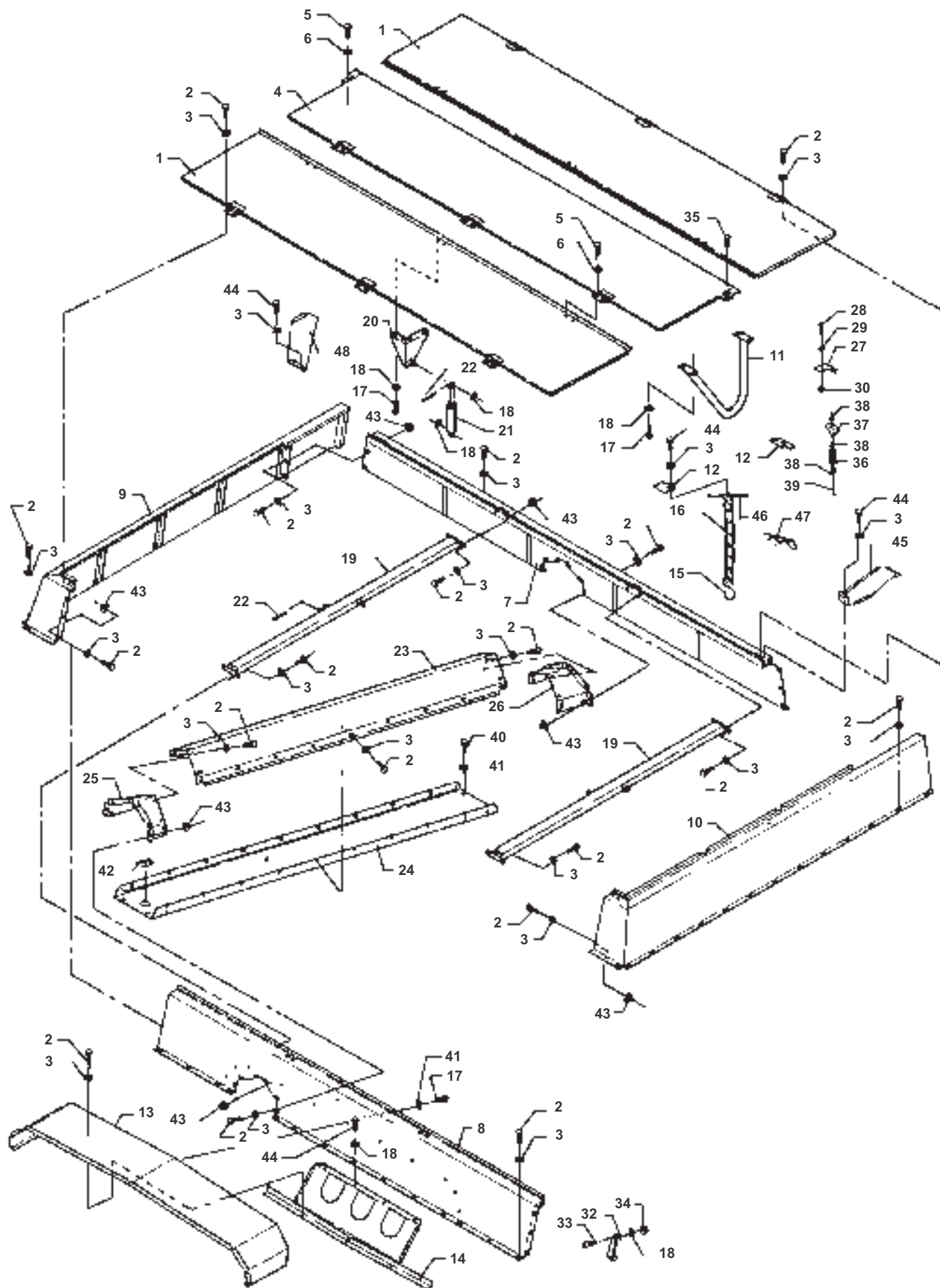


90B0905A

**Massey Ferguson****MF 38/40 COMBINES, |-> 47958 - 63001210****63001210****Guards - Grain Tank Top - From Serial or Engine Number 49640****Page009-0025**

<b>Item</b>	<b>Part Number</b>	<b>Qty</b>	<b>Description</b>	<b>Comments</b>
1	D28184091	2	Door	
2	D40404900	18	Hex. Sock. Screw	From Serial or Engine Number +52498
3	D20400414	18	Washer	From Serial or Engine Number +52498
4	D28184097	1	Door	
5	D40402400	6	Hex. Sock. Screw	
6	D20400470	6	Washer	
7	D28181248	1	Plate	
8	D28181245	1	Plate	
9	D28880461	1	Plate	
10	D28181242	1	Plate	
11	D28884103	1	Stirrup	
12	D28884140	1	Bracket	
13	D28980931	1	Shield	
14	D28981007	1	Stay	
15	D42386000	1	Hook	
16	D28180405	1	Chain	
17	D40404900	X	Hex. Sock. Screw	
18	D20400506	X	Washer	
19	D28181239	2	Profile	
20	D28182121	4	Bracket	
21	D45061800	4	Gas Strut	
22	D41404400	8	Split Pin	
23	D28880288	1	Cover	
24	D28880289	1	Box	
25	D28880286	1	Plate	
26	D28181234	1	Plate	
27	D28181191	1	Retainer	
28	D40402400	1	Hex. Sock. Screw	
29	D20400453	2	Washer	
30	D41087400	1	Locknut	
32	D43386900	1	Handle	
33	D40690400	2	Screw	
34	D41087500	2	Locknut	
35	D43385200	1	Screw	
36	D28710049	1	Spring	
37	D43384800	1	Lever	
38	D43407800	3	Bracket	
39	D44714000	X	Rope	Length 0,650M
40	D40405100	4	Hex. Sock. Screw	
41	D20400414	15	Washer	
42	D28880287	1	Cover	
43	D41013500	X	Nut	
44	D40405100	X	Hex. Sock. Screw	
45	D28181506	1	Retainer	
46	D21100341	1	Retainer	
47	D27100120	1	Hair Pin	
48	D45742500	6	Plug	

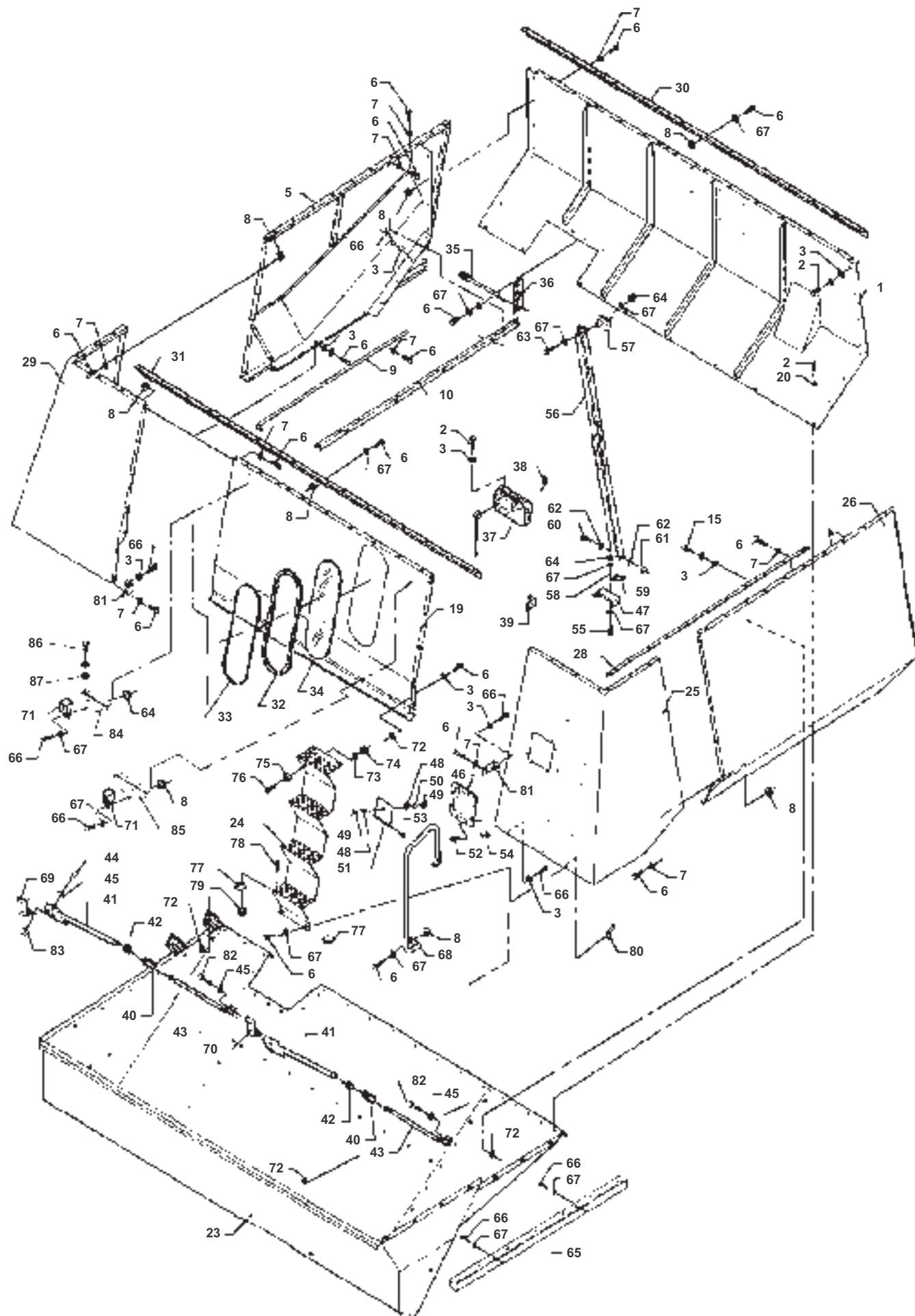
MF 38/40 COMBINES, |-> 47958 - 63001210  
90A0905B



00629356

Item	Part Number	Qty	Description	Comments
1	D28180883	2	Cover	Up to Serial or Engine Number 48459
	D28184091	2	Door	From Serial or Engine Number 48460
2	D40404900	X	Hex. Sock. Screw	
3	D20400506	X	Washer	
4	D28180882	1	Cover	Up to Serial or Engine Number 48459
	D28184097	1	Door	From Serial or Engine Number 48460
5	D40402600	X	Hex. Sock. Screw	
6	D20400470	X	Washer	
7	D28180856	1	Plate	Up to Serial or Engine Number 48459
	D28181248	1	Plate	From Serial or Engine Number 48460
8	D28181119	1	Elbow	Up to Serial or Engine Number 48459
	D28181245	1	Plate	From Serial or Engine Number 48460
9	D28181121	1	Elbow	Up to Serial or Engine Number 48459
	D28181241	1	Plate	From Serial or Engine Number 48460
				Up to Serial or Engine Number 48792
	D28181290	1	Plate	From Serial or Engine Number 48793
10	D28181120	1	Elbow	Up to Serial or Engine Number 48459
	D28181242	1	Plate	From Serial or Engine Number 48460
11	D28880321	1	Stirrup	
12	D28880311	1	Support	Up to Serial or Engine Number 48792
	D28884140	1	Bracket	From Serial or Engine Number 48793
13	D28980931	1	Shield	
14	D28981007	1	Stay	
15	D42386000	1	Hook	
16	D28180405	1	Chain	
17	D40404900	X	Hex. Sock. Screw	
18	D20400506	X	Washer	
19	D28180857	2	Reinforcement	Up to Serial or Engine Number 48459
	D28181239	2	Profile	From Serial or Engine Number 48460
20	D28180943	4	Support	Up to Serial or Engine Number 48460
	D28182121	4	Bracket	From Serial or Engine Number 48793
21	D45061800	4	Gas Strut	
22	D41404400	8	Split Pin	
23	D28880288	1	Cover	
24	D28880289	1	Box	
25	D28880286	1	Plate	
26	D28181234	1	Plate	From Serial or Engine Number 48460
	D28880285	1	Plate	Up to Serial or Engine Number 48459
27	D28181191	1	Retainer	
28	D40402300	1	Hex. Sock. Screw	
29	D20400453	2	Washer	
30	D41087400	1	Locknut	
32	D43386900	1	Handle	
33	D40690400	2	Screw	
34	D41087500	2	Locknut	
35	D43385200	1	Screw	
36	D28710049	1	Spring	
37	D43384800	1	Lever	
38	D43407800	3	Bracket	
39	D44714000	X	Rope	Length 0,650M
40	D40405100	4	Hex. Sock. Screw	
41	D20400414	15	Washer	
42	D28880287	1	Cover	
43	D41013500	X	Nut	
44	D40405100	X	Hex. Sock. Screw	
45	D28180950	1	Bracket	
46	D21100341	1	Retainer	
47	D27100120	1	Hair Pin	
48	D28181297	1	Support	From Serial or Engine Number 48793

MF 38/40 COMBINES, |-> 47958 - 63001210  
90B0906A



90B0906A



Massey Ferguson

MF 38/40 COMBINES, |-> 47958 - 63001210

63001210

Guard - Grain Tank - From Serial or Engine Number 49640

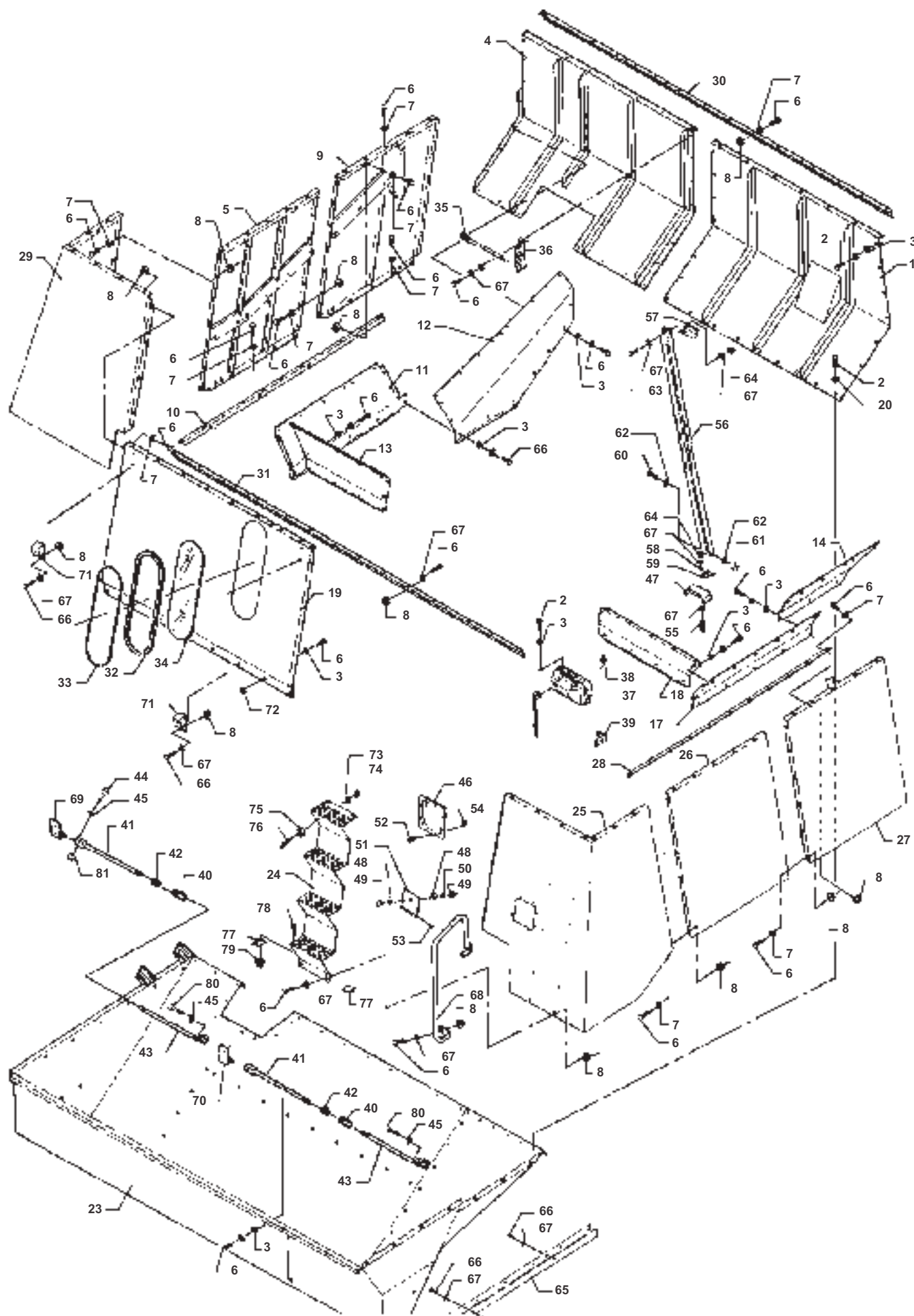
Page009-0035

Item	Part Number	Qty	Description	Comments
1	D28880454	1	Plate	
2	D40404900	X	Hex. Sock. Screw	
3	D20400414	X	Washer	
5	D28880447	1	Guard	
6	D40404900	X	Hex. Sock. Screw	
7	D20400506	X	Washer	
8	D41013500	X	Nut	
9	D28181394	1	Profile	
10	D28880158	1	Rail	
15	D40405300	X	Screw	
19	D28880429	1	Guard	
20	D20400408	X	Washer	
23	D28880220	1	Bottom	
24	D28180879	1	Step	
25	D28880440	1	Shield	
26	D28880446	1	Shield	
28	D28880158	1	Rail	
29	D28880433	1	Shield	
30	D28880270	1	Reinforcement	
31	D28180782	1	Profile	
32	D44708000	X	Seal Section	Length 1,500M
33	D44708400	X	Gasket	Length 1,500M
34	D28181029	1	Glass Pane	
35	D28780531	1	Warn Indicator	
36	D28780748	1	Retainer	
37	D45084700	1	Work Light	
38	D45080200	1	Bulb	(37)
39	D28780381	1	Retainer	
40	D28884116	2	Nut	
41	D28880305	2	Reinforcement	
42	D41011100	2	Nut	
43	D28880302	2	Reinforcement	
44	D40407900	2	Hex. Sock. Screw	From Serial or Engine Number +52565
45	D20400419	4	Washer	
46	D28181052	1	Frame Assy	
47	D28181054	1	Support	
48	D43429200	1	Housing	
49	D43429300	1	Punch	
50	D43429400	1	Latch	
51	D28181056	1	Trap	
52	D40688200	8	Screw Metric	
53	D40741100	2	Screw	
54	D41013400	8	Nut	
55	D40423800	1	Screw Metric	
56	D28880425	1	Spline	
57	D28880426	1	Plate	
58	D27800277	1	Spring	
59	D28880372	1	Support	
60	D40402400	2	Hex. Sock. Screw	
61	D41087400	2	Locknut	
62	D20400405	4	Washer	
63	D40405000	2	Hex. Sock. Screw	
64	D41087500	3	Locknut	
65	D28880377	1	Profile	
66	D40405100	X	Hex. Sock. Screw	
67	D20400506	X	Washer	
68	D28181027	1	Clamp	
69	D28880309	1	Tensioner	
70	D28880293	1	Tensioner	
71	D28880301	2	Tensioner	
72	D20400415	X	Washer	
73	D20400401	1	Washer	
74	D41010500	1	Nut	
75	D44718300	1	Plug	
76	D40352300	1	Screw Metric	
77	D28181252	2	Support	
78	D40600700	2	Screw Metric	
79	D41013400	2	Nut	
80	D28880436	1	Bracket	
81	D28880427	2	Support	
82	D40408000	2	Hex. Sock. Screw	

**Massey Ferguson****MF 38/40 COMBINES, |-> 47958 - 63001210****63001210****Guard - Grain Tank - From Serial or Engine Number 49640****Page009-0035**

<b>Item</b>	<b>Part Number</b>	<b>Qty</b>	<b>Description</b>	<b>Comments</b>
83	D41087600	2	Locknut	From Serial or Engine Number +52565
84	D28880384	1	Ladder	From Serial or Engine Number +53315
85	D28880383	1	Ladder	From Serial or Engine Number +53315
86	D40405000	4	Hex. Sock. Screw	
87	D20400506	4	Washer	

MF 38/40 COMBINES, |-> 47958 - 63001210  
90B0906B



3010006-1

Massey Ferguson

MF 38/40 COMBINES, |-> 47958 - 63001210

63001210

Guard - Grain Tank - Up to Serial or Engine Number 49639 - TYPE 1

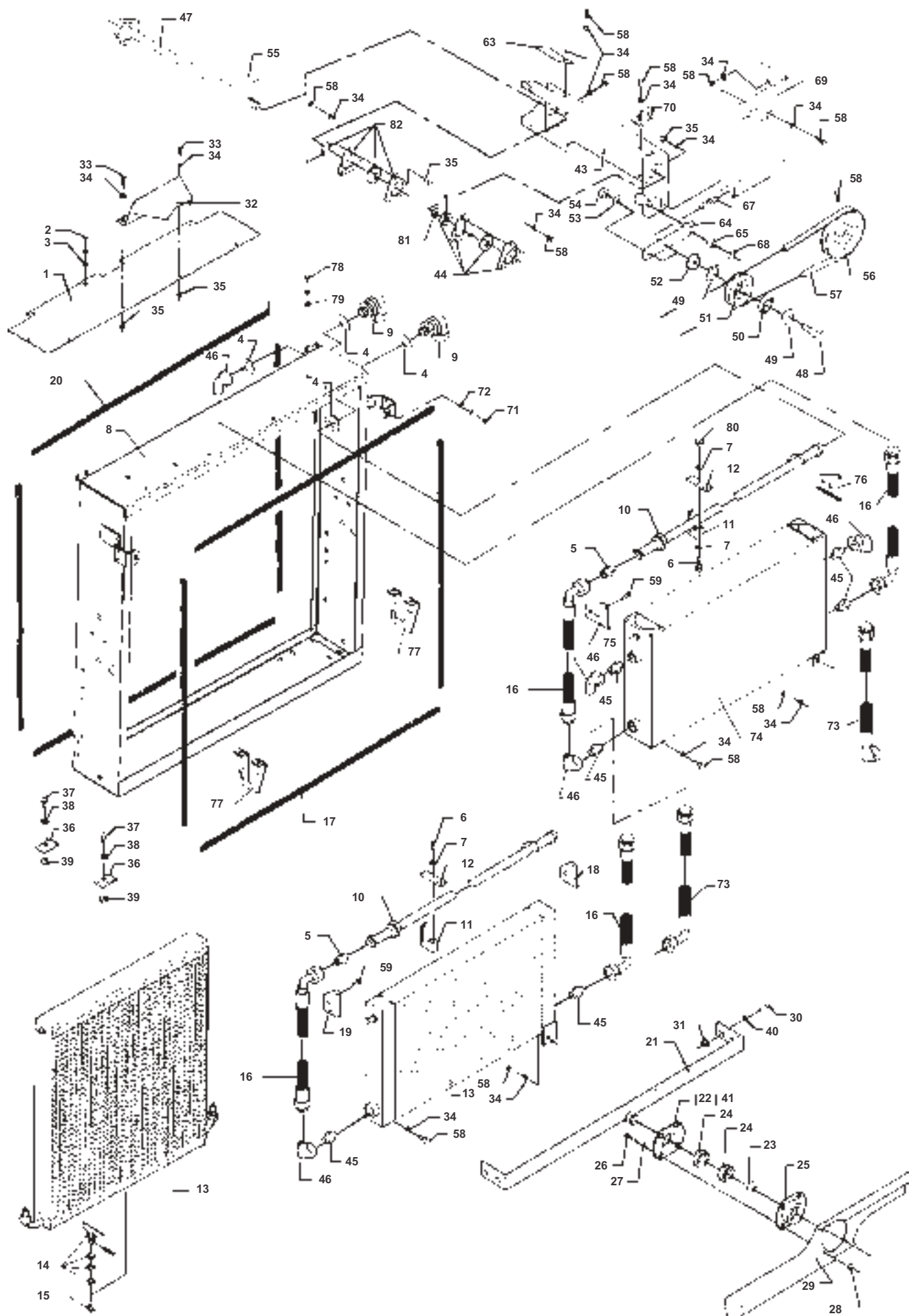
Page 009-0040

Item	Part Number	Qty	Description	Comments
1	D28880276	1	Plate	
2	D40404900	X	Hex. Sock. Screw	
3	D20400414	X	Washer	
4	D28880275	1	Plate	
5	D28180654	1	Cowl	
6	D40404900	X	Hex. Sock. Screw	
7	D20400506	X	Washer	
8	D41013500	X	Nut	
9	D28180696	1	Cowl	Up to Serial or Engine Number 48792
	D28181298	1	Tank	From Serial or Engine Number 48793
10	D28880158	1	Rail	
11	D28180774	1	Seal	
12	D28180775	1	Seal	
13	D28180776	1	Seal	
14	D28180740	1	Seal	
15	D40404900	X	Hex. Sock. Screw	OPTIONAL
16	D20400506	X	Washer	OPTIONAL
17	D28180741	1	Seal	
18	D28180742	1	Seal	
19	D28180780	1	Guard	
20	D20400408	X	Washer	From Serial or Engine Number +50531
23	D28880220	1	Bottom	
24	D28180879	1	Step	
25	D28180724	1	Cowl	
26	D28180639	1	Cowl	
27	D28180660	1	Cowl	
28	D28880158	1	Rail	
29	D28180708	1	Guard	
30	D28880270	1	Reinforcement	
31	D28180782	1	Profile	
32	D44708000	X	Seal Section	Length 1,500M
33	D44708400	X	Gasket	Length 1,500M
34	D28181029	1	Glass Pane	
35	D28780531	1	Warn Indicator	
36	D28780748	1	Retainer	
37	D45084700	1	Work Light	
38	D45080200	1	Bulb	(37)
39	D28780381	1	Retainer	
40	D28350090	2	Nut	Up to Serial or Engine Number 47962
	D28884116	2	Nut	From Serial or Engine Number 47963
41	D28880305	2	Reinforcement	
42	D41011100	2	Nut	
43	D28880302	2	Reinforcement	
44	D40407800	2	Hex. Sock. Screw	
45	D20400419	2	Washer	
46	D28181052	1	Frame Assy	
47	D28181054	1	Support	
48	D43429200	1	Housing	
49	D43429300	1	Punch	
50	D43429400	1	Latch	
51	D28181056	1	Trap	
52	D40688200	8	Screw Metric	
53	D40741100	2	Screw	
54	D41013400	8	Nut	
55	D40423800	1	Screw Metric	From Serial or Engine Number +48753
56	D28880425	1	Spline	From Serial or Engine Number +48753
57	D28880426	1	Plate	From Serial or Engine Number +48753
58	D27800277	1	Spring	From Serial or Engine Number +48753
59	D28880372	1	Support	
60	D40402400	2	Hex. Sock. Screw	
61	D41087400	2	Locknut	
62	D20400405	4	Washer	
63	D40405000	2	Hex. Sock. Screw	
64	D41087500	3	Locknut	
65	D28880377	1	Profile	
66	D40405100	X	Hex. Sock. Screw	
67	D20400506	2	Washer	
68	D28181027	1	Clamp	
69	D28880309	1	Tensioner	
70	D28880293	1	Tensioner	
71	D28880301	2	Tensioner	

**Massey Ferguson****MF 38/40 COMBINES, |-> 47958 - 63001210****63001210****Guard - Grain Tank - Up to Serial or Engine Number 49639 - TYPE 1****Page009-0040**

<b>Item</b>	<b>Part Number</b>	<b>Qty</b>	<b>Description</b>	<b>Comments</b>
72	D20400415	X	Washer	
73	D20400401	1	Washer	
74	D41010500	1	Nut	
75	D44718300	1	Plug	
76	D40352300	1	Screw Metric	
77	D28181252	2	Support	From Serial or Engine Number +48555
78	D40600700	2	Screw Metric	From Serial or Engine Number +48555
79	D41013400	2	Nut	From Serial or Engine Number +48555
80	D40408000	2	Hex. Sock. Screw	
81	D41013600	2	Nut	

MF 38/40 COMBINES, |-> 47958 - 63001210  
90G1001



90G1001

## Suction Channel And Hydraulic Cooler

Item	Part Number	Qty	Description	Comments
1	D28780067	1	Cover	Up to Serial or Engine Number 48792
2	D40404700	10	Hex. Sock. Screw	Up to Serial or Engine Number 48792
3	D20400506	10	Washer	Up to Serial or Engine Number 48792
4	D20400439	8	Washer	
5	D45254500	1	Union	
6	D40422000	1	Screw Metric	
7	D20400404	2	Washer	
8	D28780551	1	Channel	Up to Serial or Engine Number 48792
	D28781134	1	Suction Casing	From Serial or Engine Number 48793
9	D45269900	4	Connector	
10	D28780533	1	Pipe,Oil	
11	D45739700	1	Support	
12	D28784251	1	Plate	
13	D28780544	1	Radiator	Up to Serial or Engine Number 48792
	D28784064	1	Oil Cooler	[A] From Serial or Engine Number 48793
14	D43428500	1	Pin	Up to Serial or Engine Number 48792
15	D43428600	1	Lock Washer	Up to Serial or Engine Number 48792
16	D45130023	2	Hydr Hose	Up to Serial or Engine Number 48792
	D45130030	2	Hydr Hose	From Serial or Engine Number 48793
17	D44706600	X	Seal Section	Length 3,750 M
18	D28780788	1	Support	Up to Serial or Engine Number 52859
19	D28780789	1	Support	Up to Serial or Engine Number 52859
20	D44706600	X	Seal Section	Length 3,750 M
21	D28780912	1	Bracket	From Serial or Engine Number 46994
22	D28770434	1	Felt Ring	Up to Serial or Engine Number 48238
23	D42502300	1	Circlip	From Serial or Engine Number 46994
24	D41622800	1	Bearing Ball	From Serial or Engine Number 46994
25	D28770432	1	Bearing Carrier	From Serial or Engine Number +47344
26	D40405000	4	Hex. Sock. Screw	
27	D20400506	4	Washer	
28	D41087500	4	Locknut	
29	D28780913	1	Rotor	From Serial or Engine Number 46994 Up to Serial or Engine Number 48792
	D28784196	1	Blade	From Serial or Engine Number 48793
30	D40407800	4	Hex. Sock. Screw	
31	D41087600	4	Locknut	From Serial or Engine Number +52565
32	D28782062	1	Fence	From Serial or Engine Number 46718
33	D40404900	2	Hex. Sock. Screw	
34	D20400506	X	Washer	
35	D41013500	X	Nut	
36	D28784149	4	Support	Up to Serial or Engine Number 48792
37	D40407900	X	Hex. Sock. Screw	Up to Serial or Engine Number 48792
38	D20400471	4	Washer	Up to Serial or Engine Number 48792
39	D41013600	4	Nut	Up to Serial or Engine Number 48792
40	D20400416	4	Washer	From Serial or Engine Number +52565
41	D28770432	1	Bearing Carrier	From Serial or Engine Number 48239
43	D28781094	1	Shaft	From Serial or Engine Number 48793
44	D41713600	2	Bearing	From Serial or Engine Number 48793
45	D45251500	4	Union	From Serial or Engine Number 48793
46	D45264300	4	Connectors	From Serial or Engine Number 48793
47	D28781097	1	Shaft	From Serial or Engine Number 48793
48	D28760328	1	Bolt	From Serial or Engine Number 48793
49	D42514000	2	Circlip	From Serial or Engine Number 48793
50	D41622800	1	Bearing Ball	From Serial or Engine Number 48793
51	D28950560	1	Pulley	From Serial or Engine Number 48793
52	D28380003	1	Ring	From Serial or Engine Number 48793
53	D20400459	1	Washer	From Serial or Engine Number 48793
54	D41087900	1	Locknut	From Serial or Engine Number 48793
55	D43102200	1	Key	From Serial or Engine Number 48793
56	D28784182	1	Pulley	From Serial or Engine Number 48793
57	D41990700	1	V Belt	From Serial or Engine Number +55220
58	D40404900	X	Hex. Sock. Screw	
59	D40402400	2	Hex. Sock. Screw	
63	D28781152	1	Cap	From Serial or Engine Number 48793
64	D28781125	1	Lever	From Serial or Engine Number 48793
65	D43361000	1	Bush	(64) From Serial or Engine Number 48793
67	D28761057	1	Spring	From Serial or Engine Number 48793
68	D42501400	1	Circlip	From Serial or Engine Number 48793
69	D28781127	1	Fitting	From Serial or Engine Number 48793

**Suction Channel And Hydraulic Cooler**

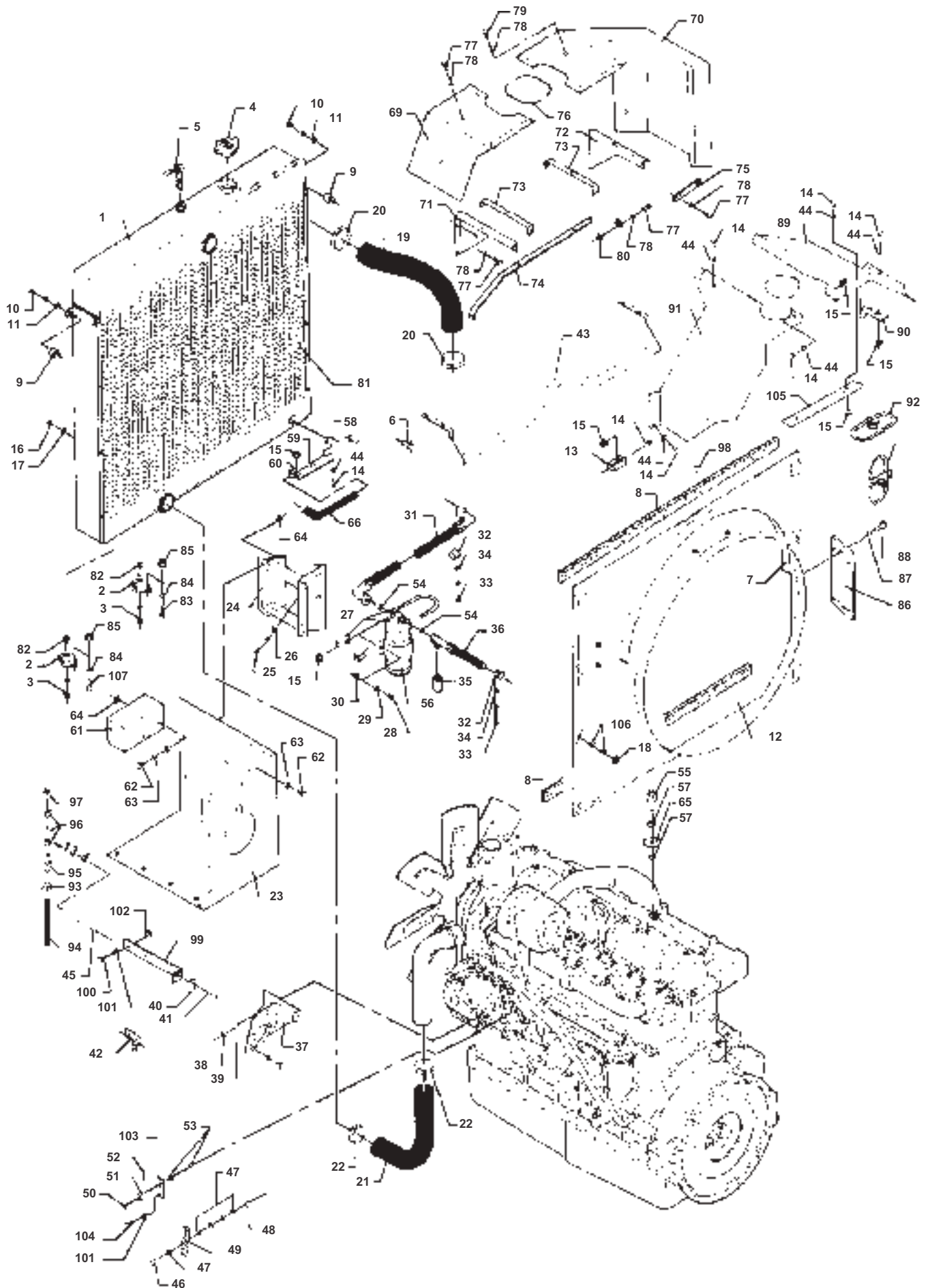
<b>Item</b>	<b>Part Number</b>	<b>Qty</b>	<b>Description</b>	<b>Comments</b>
70	D28781135	1	Angle	From Serial or Engine Number 48793
71	D40407400	4	Screw Metric	
72	D20400416	4	Washer	
73	D45130037	2	Hydraulic Hose	[B]
74	D28782277	1	Oil Cooler	From Serial or Engine Number +56499
74	D28781600	1	Cooler	[B]
75	D28781549	1	Lock	[B]
76	D28781550	1	Lock	[B]
77	D28781548	2	Support	[B]
78	D40405000	4	Hex. Sock. Screw	From Serial or Engine Number +53722
79	D20400506	4	Washer	
80	D41087400	X	Locknut	From Serial or Engine Number 53635

**FOOTNOTE [A]** NOT USED FOR AL.STD.COMBINES BEFORE 52827

**FOOTNOTE [B]** AL.COMBINES & COMB. W. AL.TABLE + STD. COMBINES FROM 52828



MF 38/40 COMBINES, |-> 47958 - 63001210  
90F1002



## Cooling System And Ventilator Screen

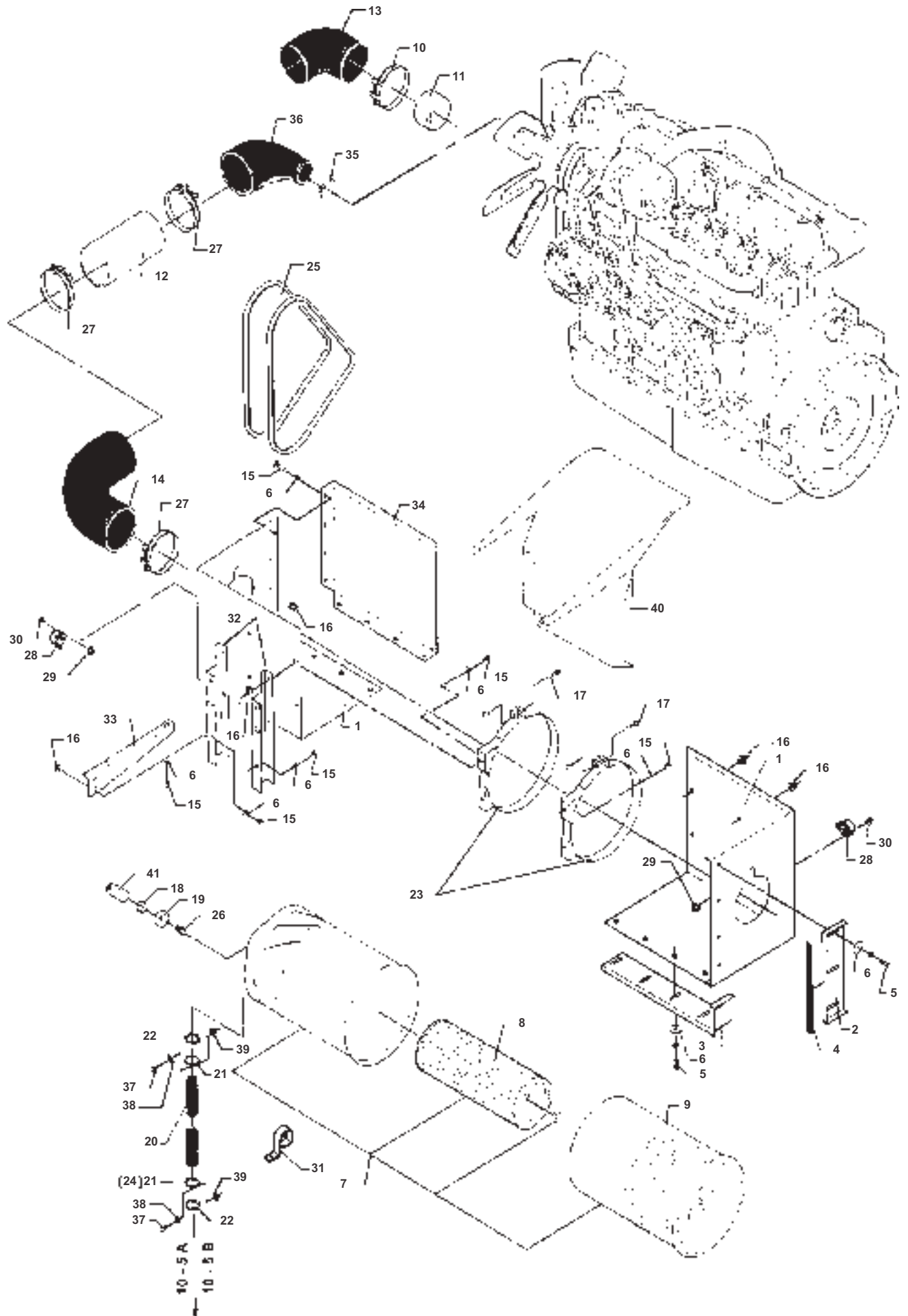
Item	Part Number	Qty	Description	Comments
1	D28780455	1	Radiator	Up to Serial or Engine Number 49776
	D28781313	1	Radiator	From Serial or Engine Number +50231
2	D28784365	4	Rubber	From Serial or Engine Number +49777
3	D41010800	4	Nut	
4	D46409400	1	Cap	
5	D45073900	1	Switch,Indirect	
6	D46419500	1	Bleeder	Up to Serial or Engine Number 50991
7	D28781302	1	Reinforcement	(12) From Serial or Engine Number +50116
8	D44704600	X	Tape	From Serial or Engine Number 48793 Length 2M
	D44705100	X	Gasket	Up to Serial or Engine Number 48792 Length 2M
9	D28700666	2	Damper	
10	D40407400	4	Screw Metric	
11	D20400416	4	Washer	
12	D28780053	1	Guard	Up to Serial or Engine Number 48792
	D28781346	1	Guard	From Serial or Engine Number 48793
13	D28780884	1	Bracket	Up to Serial or Engine Number 48792
14	D40402400	X	Hex. Sock. Screw	
15	D41013400	X	Nut	
16	D40402400	8	Hex. Sock. Screw	Up to Serial or Engine Number 48792
	D40421800	8	Screw Metric	From Serial or Engine Number 48793
17	D20400404	X	Washer	
18	D41013400	8	Nut	Up to Serial or Engine Number 48792
	D41087400	8	Locknut	From Serial or Engine Number 48793
19	D46448700	1	Hose	Up to Serial or Engine Number 52608
	D46449700	1	Hose	From Serial or Engine Number +52609
20	D45728500	2	Clamp	
21	D46414600	1	Hose	Up to Serial or Engine Number 48792
	D46448700	1	Hose	Up to Serial or Engine Number 52608
	D46449700	1	Hose	From Serial or Engine Number 52609
22	D45728500	2	Clamp	
23	D28780509	1	Guard	Up to Serial or Engine Number 48792
24	D28780503	1	Bracket	Up to Serial or Engine Number 48792
25	D40404900	4	Hex. Sock. Screw	
26	D20400506	4	Washer	
27	D45070017	1	Filter	
28	D40401000	4	Screw	
29	D20400401	8	Washer	
30	D41087300	4	Locknut	
31	D45070031	1	Hose	Up to Serial or Engine Number 48792 FREON R12
	D45080066	1	Hose	From Serial or Engine Number 48793
32	D45729800	2	Clamp	
33	D40402400	2	Hex. Sock. Screw	
34	D20400404	2	Washer	
35	D45070023	1	Switch	R134
	D45053700	1	Pressure Switch	R12
36	D45070021	1	Hose	Up to Serial or Engine Number 50581 FREON R12
	D45080067	1	Hose	From Serial or Engine Number 50582
37	D28751586	1	Support	Up to Serial or Engine Number 50230
38	D41087500	1	Locknut	Up to Serial or Engine Number 50230
39	D20400506	1	Washer	Up to Serial or Engine Number 50230
40	D28730779	1	Locking Plate	
41	D41405700	2	Pin	
42	D28751582	1	Cable Clamp	Up to Serial or Engine Number 50230
43	D28781804	1	Support	From Serial or Engine Number 54146
44	D20400470	X	Washer	
45	D46439300	1	Cable	
46	D40402600	1	Hex. Sock. Screw	Up to Serial or Engine Number 50230
47	D20400453	5	Washer	Up to Serial or Engine Number 50230
48	D41013400	1	Nut	Up to Serial or Engine Number 50230
49	D28751730	1	Lever	Up to Serial or Engine Number 50230
50	D40402200	1	Hex. Sock. Screw	
51	D28751580	1	Stud	
52	D41402700	1	Pin	
53	D20400404	2	Washer	
54	D45450300	2	O Ring	From Serial or Engine Number +54340
55	D45029900	1	Indicator	

## Cooling System And Ventilator Screen

Item	Part Number	Qty	Description	Comments
55	D44900617	1	Sensor	
56	D45091000	1	Filter	
57	D45201600	2	Packing	
58	D46422300	1	Cock	From Serial or Engine Number 50992
59	D45726800	1	Clamp	From Serial or Engine Number 50992
60	D45730400	1	Clamp	From Serial or Engine Number 50992
61	D28782063	1	Fence	Up to Serial or Engine Number 48792
62	D40404700	2	Hex. Sock. Screw	Up to Serial or Engine Number 48792
63	D20400506	2	Washer	Up to Serial or Engine Number 48792
64	D41013500	2	Nut	Up to Serial or Engine Number 48792
65	D28780947	1	Washer	
66	D44717700	1	Hose	From Serial or Engine Number 50992 Length 2,74 M
69	D28780916	1	Shield	Up to Serial or Engine Number 48792
70	D28780915	1	Cowl	Up to Serial or Engine Number 48792
71	D28780917	1	Support	Up to Serial or Engine Number 48792
72	D28780918	1	Support	Up to Serial or Engine Number 48792
73	D28780920	1	Bracket	Up to Serial or Engine Number 48792
74	D28780919	1	Bracket	Up to Serial or Engine Number 48792
75	D28780921	1	Bracket	Up to Serial or Engine Number 48792
76	D44735900	X	Seal Section	Up to Serial or Engine Number 48792 Length 0,440M
77	D40404900	X	Hex. Sock. Screw	Up to Serial or Engine Number 48792
78	D20400506	X	Washer	Up to Serial or Engine Number 48792
79	D43385200	3	Screw	Up to Serial or Engine Number 48792
80	D41013500	X	Nut	Up to Serial or Engine Number 48792
81	D28781314	1	Radiator	From Serial or Engine Number 49777
82	D20400416	X	Washer	OPTIONAL
83	D40404900	4	Hex. Sock. Screw	
84	D20400506	8	Washer	
85	D41013500	8	Nut	
86	D28781115	1	Trap	From Serial or Engine Number 48793
87	D20400404	2	Washer	From Serial or Engine Number 48793
88	D43385100	2	Screw	From Serial or Engine Number 48793
89	D28781141	1	Guard	From Serial or Engine Number 48793 Up to Serial or Engine Number 50991
89	D28781206	1	Shield	From Serial or Engine Number 50992
90	D28781142	1	Support	From Serial or Engine Number 48793
91	D28781140	1	Guard	From Serial or Engine Number 48793 Up to Serial or Engine Number 50991
91	D28781205	1	Shield	From Serial or Engine Number 50992
92	D28450115	2	Cover	From Serial or Engine Number 48313 Up to Serial or Engine Number 48792
93	D45729700	1	Clamp	[A] Up to Serial or Engine Number 50991
94	D28780572	1	Hose	[A] Up to Serial or Engine Number 50991
95	D46418200	1	Adaptor	[A] Up to Serial or Engine Number 50991
96	D46401100	1	Plug	[A] Up to Serial or Engine Number 50991
97	D28752513	1	Adaptor	[A] Up to Serial or Engine Number 50991
98	D41397400	10	Rivet	(12) From Serial or Engine Number 50116
99	D28781315	1	Cable Clamp	From Serial or Engine Number 50231
100	D40402700	4	Hex. Sock. Screw	From Serial or Engine Number 50231
101	D20400506	2	Washer	From Serial or Engine Number 50231
102	D41010700	2	Nut	From Serial or Engine Number 50231
103	D28781316	1	Lever	From Serial or Engine Number 50231
104	D40402400	2	Hex. Sock. Screw	From Serial or Engine Number 50231
105	D28781144	1	Profile	From Serial or Engine Number 50992
106	D20400470	16	Washer	From Serial or Engine Number +52713
107	D40405000	4	Hex. Sock. Screw	

FOOTNOTE [A] OPTIONAL EQUIPMENT

MF 38/40 COMBINES, |-> 47958 - 63001210  
90D1003



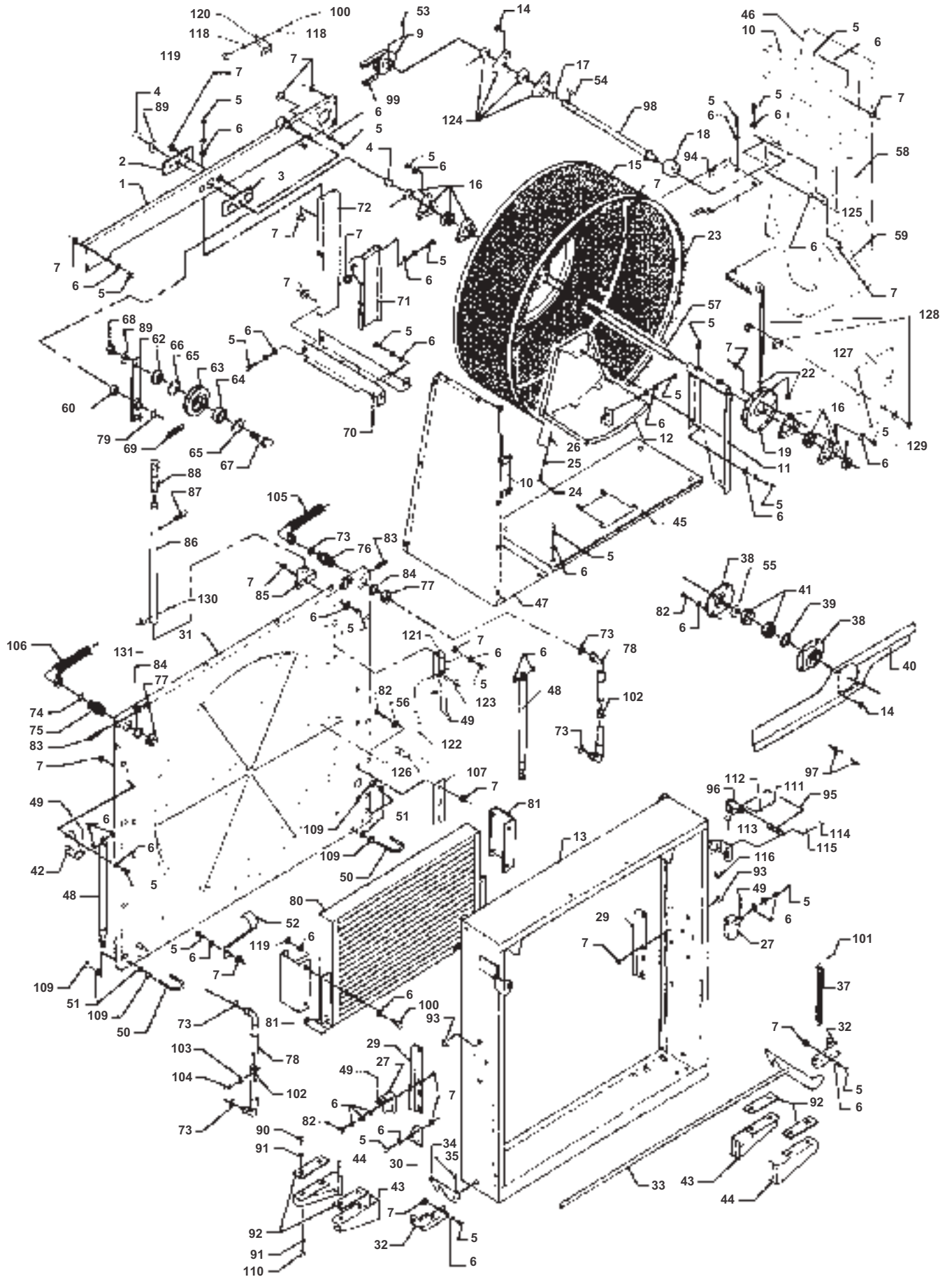
90D-1003

## Air Cleaner

Item	Part Number	Qty	Description	Comments
1	D28780509	1	Guard	
2	D28780510	1	Rail	Up to Serial or Engine Number 48792
3	D28780513	1	Rail	Up to Serial or Engine Number 48792
4	D44706600	X	Seal Section	Up to Serial or Engine Number 48792 Length 0.5M
5	D40404900	X	Hex. Sock. Screw	
6	D20400506	X	Washer	
7	D46442200	1	Air Filter	
8	D46428600	1	Air Fitr.Element	(7)
9	D46442300	1	Air Fitr.Element	(7)
10	D45733800	1	Hose Clip	
11	D28780557	1	Bush	Up to Serial or Engine Number 49683
12	D28780504	1	Pipe	Up to Serial or Engine Number 49683
13	D46444900	1	Hose	Up to Serial or Engine Number 49683
14	D46421300	1	Hose	
15	D40404900	4	Hex. Sock. Screw	
16	D41013500	X	Nut	
17	D40423800	2	Screw Metric	Up to Serial or Engine Number 48792
18	D46442400	1	Indicator	
19	D20400417	1	Washer	
20	D46448500	1	Hose	Up to Serial or Engine Number 48792
	D46449100	1	Hose	From Serial or Engine Number 48793
21	D45728300	3	Clip	Up to Serial or Engine Number 48792
22	D45727500	2	Clamp	
23	D46421200	2	Clamp	
24	D45728300	1	Clip	From Serial or Engine Number 48793
25	<b>D41990013</b>	1	Belt	
26	D28780730	1	Holder	
27	D45733700	3	Hose Clip	
28	D45026300	1	Electric Socket	
29	D41010400	2	Nut	
30	D40351800	2	Screw	
31	D28780804	1	Clamp	From Serial or Engine Number 46220 Up to Serial or Engine Number 48792
32	D28784177	2	Support	From Serial or Engine Number 48793
33	D28784178	1	Support	From Serial or Engine Number 48793
34	D28784179	1	Cover	[A]
35	D45737200	1	Hose Clip	From Serial or Engine Number 49684
36	D28781166	1	Hose	From Serial or Engine Number 49684
37	D40402600	X	Hex. Sock. Screw	
38	D20400506	X	Washer	
39	D41013400	X	Nut	
40	D28780643	1	Shield	From Serial or Engine Number +50566 Up to Serial or Engine Number 50991
41	D28780881	1	Cap	

**FOOTNOTE [A]** F48793-T50565 STD EQU. F50566-T50991 OPTION. EQU., F50992 STD EQUIPMENT

MF 38/40 COMBINES, |-> 47958 - 63001210  
90G1004A



90G1004A

**Massey Ferguson****MF 38/40 COMBINES, |-> 47958 - 63001210****63001210****Rotary Screen - From Serial or Engine Number 48793****Page010-0020**

<b>Item</b>	<b>Part Number</b>	<b>Qty</b>	<b>Description</b>	<b>Comments</b>
1	D28781163	1	Support	From Serial or Engine Number 49640
	D28784218	1	Support	Up to Serial or Engine Number 49639
2	D28780966	1	Plate	
3	D28780954	1	Plate	
4	D41011100	2	Nut	
5	D40404900	X	Hex. Sock. Screw	
6	D20400506	X	Washer	
7	D41013500	X	Nut	
8	D44704600	X	Tape	Length 1,950M
9	D28780114	1	Pulley	
10	D28781157	2	Bracket	From Serial or Engine Number 49640
11	D28781045	1	Bracket	
12	D28781043	1	Plate	
13	D28781134	1	Suction Casing	
14	D41087500	4	Locknut	Up to Serial or Engine Number 52827
15	D28780905	1	Intake	
	D28780984	1	Strainer	(15)
16	D41713600	3	Bearing	(15)
17	D42501600	1	Circlip	(15)
18	D28450420	1	Bush	(15)
	D28450420	1	Bush	(98)
19	D28780096	1	Hub	(15)
21	D28780094	12	Spoke	(15)
22	D41010600	X	Nut	(15)
23	D28781010	1	Seal	(15)
24	D40351800	10	Screw	(15)
25	D20400466	10	Washer	(15)
26	D41087200	10	Locknut	(15)
27	D28784195	2	Fitting	Up to Serial or Engine Number 49255
	D28784289	2	Fitting	From Serial or Engine Number 49256
29	D28784240	2	Reinforcement	
30	D28784207	1	Fitting	
31	D28781133	1	Plate	
32	D28784197	2	Bracket	
33	D28784200	1	Pawl	
34	D28784202	1	Pawl	
35	D42604900	1	Pin	
37	D28761862	1	Tension Spring	
38	D28770432	2	Bearing Carrier	Up to Serial or Engine Number 52827
39	D42502300	1	Circlip	Up to Serial or Engine Number 52827
40	D28784235	1	Blade	Up to Serial or Engine Number 52827
41	D41622800	2	Bearing Ball	Up to Serial or Engine Number 52827
42	D28784193	2	Fitting	Up to Serial or Engine Number 49255
	D28784287	1	Fitting	From Serial or Engine Number 49256
43	D28784252	2	Support	
44	D28784253	2	Support	
45	D28781106	1	Backplate	
46	D28781109	1	Plate	Up to Serial or Engine Number 49639
	D28781167	1	Plate	From Serial or Engine Number 49640
47	D28781110	1	Plate	Up to Serial or Engine Number 49639
	D28781168	1	Plate	From Serial or Engine Number 49640
48	D45056700	2	Gas Strut	
49	D41404200	5	Split Pin	From Serial or Engine Number +54007
50	D28560165	2	U Bolt	Up to Serial or Engine Number 49748
	D28781204	2	Stirrup	From Serial or Engine Number 49749
51	D20400404	8	Washer	Up to Serial or Engine Number 49748
	D20400506	X	Washer	From Serial or Engine Number 49749
52	D28784085	1	Spring	Up to Serial or Engine Number 52827
53	D40631000	2	Stud	
54	D43102200	1	Key	
55	D20400538	1	Washer	Up to Serial or Engine Number 52827
56	D20400414	2	Washer	From Serial or Engine Number 49256
57	D28780906	1	Shaft	
58	D28781155	1	Bearing Carrier	From Serial or Engine Number 49640
59	D28781236	1	Stay	From Serial or Engine Number +49662
60	D43361000	1	Bush	(62)
62	D28784190	1	Lever	
63	D28950560	1	Pulley	
64	D41622800	1	Bearing Ball	
65	D42514000	2	Circlip	
66	D28380003	1	Ring	

Item	Part Number	Qty	Description	Comments
67	D28760328	1	Bolt	
68	D41011100	1	Nut	
69	D28761057	1	Spring	
70	D28781098	1	Nozzle	
71	D28780779	1	Shroud	
72	D28780783	1	Bracket	
73	D45450400	5	O Ring	From Serial or Engine Number +54340
74	D45450300	1	O Ring	From Serial or Engine Number +54340
75	D28784084	1	Lead	
76	D28784083	1	Lead	
77	D28784082	2	Nut	
78	D45080059	2	Hose	
79	D42501400	1	Circlip	
80	D28784065	1	Condenser	
81	D28784198	2	Fitting	
82	D40405000	X	Hex. Sock. Screw	
83	D42613100	2	Pin	
84	D44732500	2	Grommet	
85	D28781145	2	Fitting	From Serial or Engine Number 49256
86	D28781146	1	Lever	From Serial or Engine Number 49256
87	D42609300	2	Pin	From Serial or Engine Number 49256
88	D43384000	1	Lever	From Serial or Engine Number 49256
89	D20400459	1	Washer	
90	D40407200	8	Hex. Sock. Screw	
91	D20400473	8	Washer	
92	D28781111	4	Shim	
93	D45742900	4	Plug	
94	D28781104	1	Backplate	Up to Serial or Engine Number 49639
94	D28781165	1	Backplate	From Serial or Engine Number 49640
95	D28781172	1	Chain	From Serial or Engine Number 49256
96	D28781173	1	Fitting	(95) From Serial or Engine Number 49256
97	D42386200	2	Hook	From Serial or Engine Number 49256 Up to Serial or Engine Number 51840
98	D28781174	1	Shaft	
99	D41990011	1	Belt	
100	D40405000	8	Hex. Sock. Screw	
101	D41408700	1	Split Pin	
102	D45729800	2	Clamp	
103	D20400404	4	Washer	
104	D40402600	2	Hex. Sock. Screw	
105	D45070018	1	Hose	FREON R12
105	D45080064	1	Hose	FREON R134
106	D45080066	1	Hose	
107	D28781198	1	Plate	From Serial or Engine Number 49256
109	D41010600	4	Nut	Up to Serial or Engine Number 49748
109	D41010700	X	Nut	From Serial or Engine Number 49749
110	D41092500	8	Nut	
111	D40402600	1	Hex. Sock. Screw	(95) From Serial or Engine Number +51841
112	D20400470	1	Washer	(95) From Serial or Engine Number +51841
113	D41087400	1	Locknut	(95) From Serial or Engine Number +51841
114	D40402700	1	Hex. Sock. Screw	From Serial or Engine Number +51841
115	D20400470	1	Washer	From Serial or Engine Number +51841
116	D41087400	1	Locknut	From Serial or Engine Number +51841
118	D20400506	X	Washer	
119	D41087500	X	Locknut	
120	D28781527	1	Angle	From Serial or Engine Number 52647
121	D28781762	1	Support	From Serial or Engine Number 52828
122	D28781761	1	Support	From Serial or Engine Number 52828
123	D20400413	1	Washer	From Serial or Engine Number 52828
124	D41713600	X	Bearing	Up to Serial or Engine Number 52859
124	D41717100	1	Bearing	From Serial or Engine Number 52860
125	D40404900	X	Hex. Sock. Screw	Up to Serial or Engine Number 52859
125	D40405300	2	Screw	From Serial or Engine Number 52860
126	D28780440	2	Retainer	
127	D28781763	1	Blade	From Serial or Engine Number +53389
128	D43405900	2	Bracket	From Serial or Engine Number +53389
129	D20400402	2	Washer	From Serial or Engine Number +53389



**Massey Ferguson**

**MF 38/40 COMBINES, |-> 47958 - 63001210**

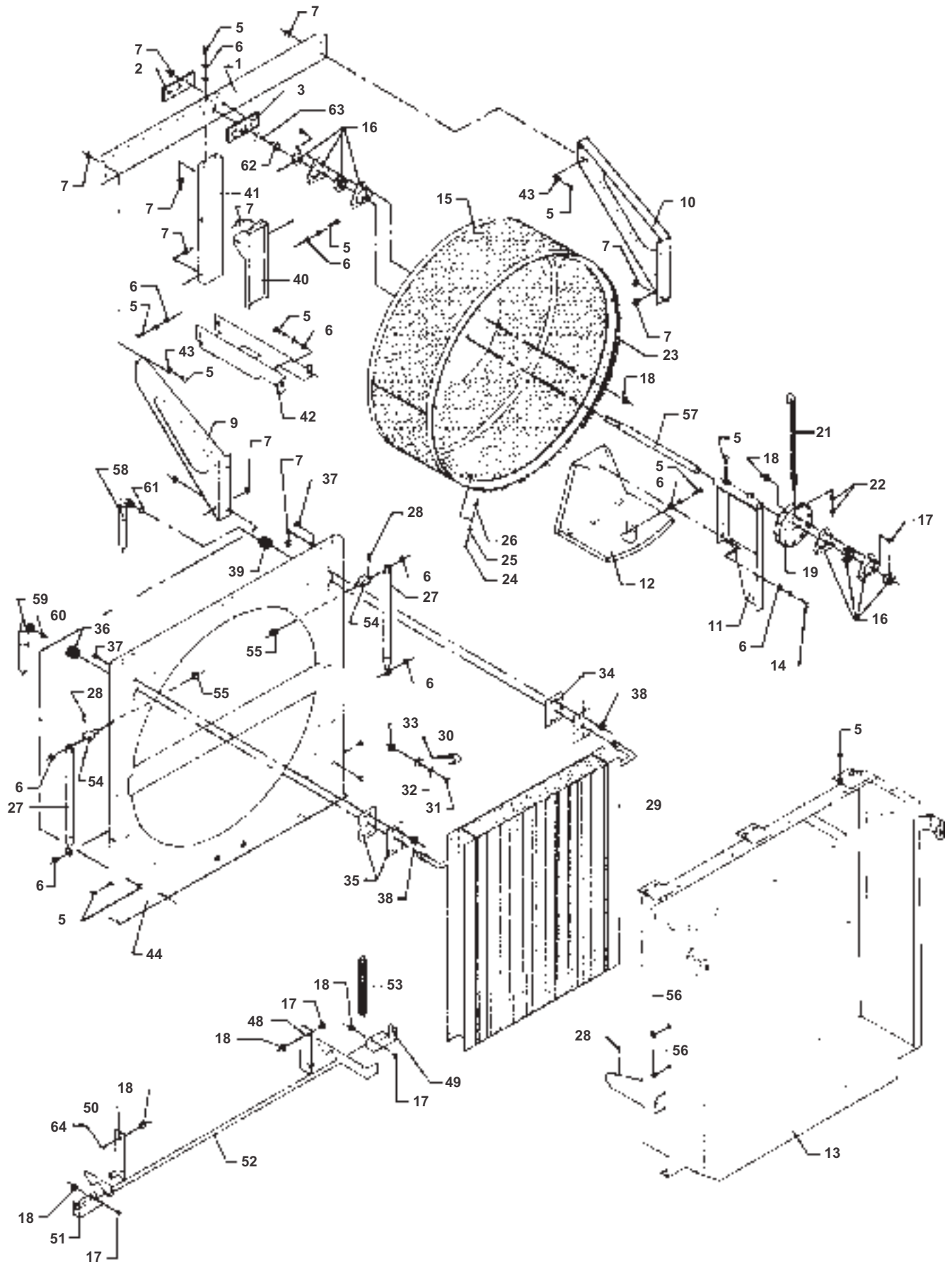
**63001210**

**Rotary Screen - From Serial or Engine Number 48793**

**Page010-0020**

<b>Item</b>	<b>Part Number</b>	<b>Qty</b>	<b>Description</b>	<b>Comments</b>
130	D40423600	1	Screw Metric	From Serial or Engine Number +54481
131	D41087500	1	Locknut	From Serial or Engine Number +54481

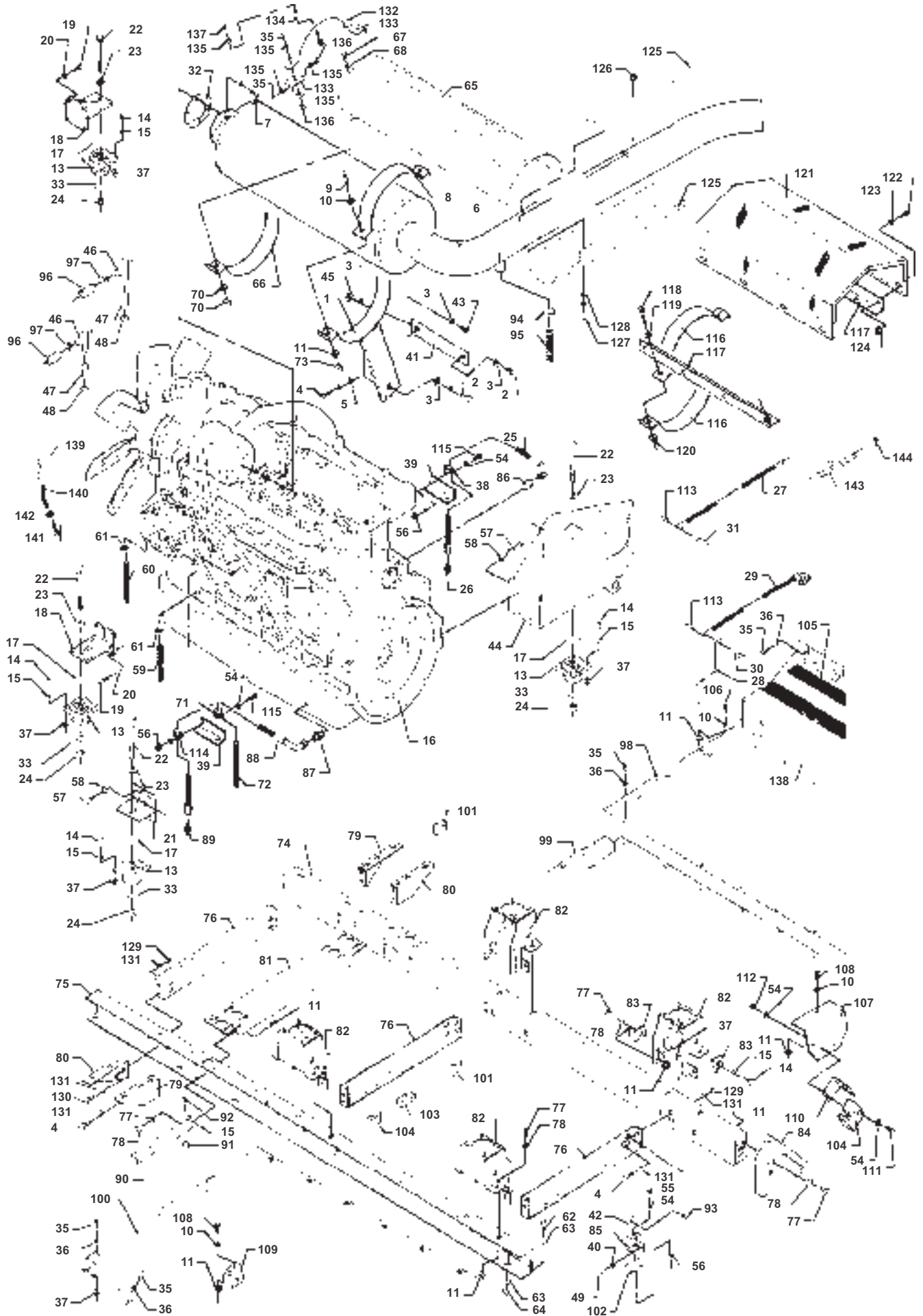
MF 38/40 COMBINES, |-> 47958 - 63001210  
89A1004B



Item	Part Number	Qty	Description	Comments
1	D28780111	1	Support	
2	D28780966	1	Plate	
3	D28780954	1	Plate	
5	D40404900	X	Hex. Sock. Screw	
6	D20400506	X	Washer	
7	D41013500	X	Nut	
9	D28780084	1	Bracket	
10	D28780085	1	Bracket	
11	D28781045	1	Bracket	From Serial or Engine Number +48038
12	D28781043	1	Plate	From Serial or Engine Number +48038
13	D28780551	1	Channel	Up to Serial or Engine Number 48792
14	D40405100	2	Hex. Sock. Screw	
15	D28780905	1	Intake	
	D28780984	1	Strainer	(15)
16	D41713600	2	Bearing	(15)
17	D40404900	X	Hex. Sock. Screw	(15)
18	D41013500	X	Nut	(15)
19	D28780096	1	Hub	(15)
21	D28780094	1	Spoke	(15)
22	D41010600	X	Nut	(15)
23	D28781010	1	Seal	(15)
24	D40351800	10	Screw	(15)
25	D20400400	10	Washer	(15)
26	D41087200	10	Locknut	(15)
27	D45056700	2	Gas Strut	
28	D41404400	4	Split Pin	
29	D45070014	1	Condenser	
30	D28780537	1	Spring Plate	
31	D40404900	1	Hex. Sock. Screw	
32	D20400506	1	Washer	
33	D41013500	1	Nut	
34	D28780769	2	Plate	[A]
	D28782043	1	Plate	
35	D28780554	2	Plate	[A]
	D28782043	1	Plate	
36	D44731100	1	Grommet	
37	D40404700	4	Hex. Sock. Screw	
38	D41013500	4	Nut	
39	D44732000	1	Grommet	
40	D28780779	1	Shroud	
41	D28780783	1	Bracket	
42	D28780786	1	Shroud	
43	D20400506	4	Washer	
44	D28780977	1	Plate	
48	D28780923	1	Bracket	
49	D28780924	1	Bracket	
50	D28780922	1	Bracket	
51	D28780925	1	Bracket	
52	D28780926	1	Bracket	
53	D28761862	1	Tension Spring	
54	D28780939	2	Clevis Pin	
55	D41013600	2	Nut	
56	D45742900	2	Plug	
57	D28780906	1	Shaft	
58	D45070018	1	Hose	
59	D45070031	1	Hose	
60	D45090500	1	O Ring	
61	D45092200	1	O Ring	
62	D41011100	1	Nut	
63	D20400459	2	Washer	
64	D40405000	2	Hex. Sock. Screw	

FOOTNOTE [A] AIR CONDITIONING

MF 38/40 COMBINES, |-> 47958 - 63001210  
90G1005A



90G1005A

Item	Part Number	Qty	Description	Comments
1	D28780148	1	Bracket	
2	D40410900	2	Hex. Sock. Screw	
3	D20400426	4	Washer	
4	D40407800	1	Hex. Sock. Screw	
5	D20400423	1	Washer	
6	D28780252	1	Silencer	Up to Serial or Engine Number 50230
	D28781336	1	Silencer	From Serial or Engine Number +50231
7	D40690300	6	Screw	
8	D28780147	1	Tensioner	
9	D40408600	2	Hex. Sock. Screw	
10	D20400471	X	Washer	
11	D41087600	X	Locknut	From Serial or Engine Number +52565
13	D46406600	4	Damper	
14	D40405100	X	Hex. Sock. Screw	
15	D20400506	X	Washer	
16	D46497300	1	Engine	MF 38 Up to Serial or Engine Number 50230
	D46499900	1	Engine	MF 38 From Serial or Engine Number 50231
	D46494800	1	Engine	MF 40 Up to Serial or Engine Number 50230
17	D28770291	4	Bush	Up to Serial or Engine Number 49960
	D28781296	4	Spacer	From Serial or Engine Number +49961
18	D28780259	2	Suspension	
19	D40693800	8	Screw	
20	D20400426	8	Washer	
21	D28770293	1	Suspension	
22	D40434800	4	Screw	From Serial or Engine Number +53389
23	D20400433	4	Washer	
24	D41087900	4	Locknut	
25	D45138700	1	Hydr Hose	Up to Serial or Engine Number 49260
26	D28780170	1	Plug	Up to Serial or Engine Number 49260
27	D28781891	1	Battery Cable	From Serial or Engine Number 54071
	D28780205	1	Cable	Up to Serial or Engine Number 54070
28	D28760642	1	Earth Strap	
29	D28781928	1	Harness	From Serial or Engine Number 54071
	D28780506	1	Cable	Up to Serial or Engine Number 54070
30	D28760746	1	Threaded Part	[B]
	D28761472	1	Threaded Part	[B]
31	D28761073	1	Threaded Part	
32	D46443600	1	Gasket	
33	D20400433	4	Washer	Up to Serial or Engine Number 49960
	D28781297	4	Spacer	From Serial or Engine Number +49961
35	D40404900	X	Hex. Sock. Screw	
36	D20400506	X	Washer	
37	D41013500	X	Nut	
38	D45729800	1	Clamp	Up to Serial or Engine Number 49260
39	D28780171	1	Hose Clip	
40	D20400470	1	Washer	
41	D28780787	1	Reinforcement	
42	D28780772	1	Retainer	
43	D40411100	1	Hex. Sock. Screw	
44	D28780273	1	Bracket	
45	D41087700	1	Locknut	
46	D46422300	2	Cock	
47	D28950540	2	Union	
48	D45201800	2	Ring	
49	D40402600	1	Hex. Sock. Screw	
54	D20400404	5	Washer	
55	D40422000	2	Screw Metric	
56	D41013400	3	Nut	
57	D40693800	8	Screw	
58	D20400426	8	Washer	
59	D28784143	1	Fuel Hose	
60	D28784146	1	Hose	
61	D45729700	2	Clamp	
62	D40416600	4	Screw Metric	
63	D28181284	8	Washer	
64	D41087900	4	Locknut	

Item	Part Number	Qty	Description	Comments
65	D28781373	1	Shield	From Serial or Engine Number +50992
66	D28784409	2	Stirrup	From Serial or Engine Number +50992
67	D40426400	4	Screw Metric	From Serial or Engine Number +50992
68	D20400416	4	Washer	From Serial or Engine Number +52565
70	D41010800	4	Nut	From Serial or Engine Number +50992
71	D45730400	1	Clamp	From Serial or Engine Number 50992
72	D44717700	X	Hose	From Serial or Engine Number 50992 Length 2,74 M
73	D41010800	2	Nut	
74	D28781101	1	Member	
75	D28781102	1	Member	
76	D28784172	3	Crossmember	
77	D40407100	36	Screw	
78	D20400473	36	Washer	
79	D28784252	2	Support	
80	D28784253	2	Support	
81	D28784170	1	Bracket	
82	D28784171	4	Support	
83	D28750930	2	Angle	
84	D28784169	1	Fitting	
85	D28751238	1	Bracket	
86	D45250100	1	Union	Up to Serial or Engine Number 49260
87	D45251100	1	Union	From Serial or Engine Number 49261
88	D45130033	1	Hydr Hose	From Serial or Engine Number 49261
89	D28781170	1	Plug	From Serial or Engine Number 49261
90	D28780682	1	Fitting	
91	D28480172	1	Spacer	
92	D40405400	1	Hex. Sock. Screw	
93	D40741200	2	Screw	
94	D45727500	1	Clamp	
95	D46449100	1	Hose	
96	D44717700	2	Hose	Length 4,300M
97	D45726800	2	Clamp	
98	D28181256	1	Roof	Up to Serial or Engine Number 53454
98	D28181777	1	Roof	From Serial or Engine Number +53455
99	D28181255	1	Roof	
100	D28181261	1	Roof	
101	D45739500	X	Support	
102	D45739200	X	Support	
103	D45736700	X	Support	
104	D45739700	X	Support	
105	D44738900	X	Strip	Length 2,3M
106	D40407600	7	Hex. Sock. Screw	
107	D28780369	1	Retainer	
108	D40407700	1	Hex. Sock. Screw	
109	D28780437	1	Retainer	
110	D28780381	1	Retainer	
111	D40422200	1	Screw Metric	
112	D41087400	1	Locknut	
113	D41010700	2	Nut	
114	D45730400	1	Clamp	From Serial or Engine Number 49261
115	D40402400	1	Hex. Sock. Screw	
116	D28780147	2	Tensioner	[C] Up to Serial or Engine Number 50991
117	D28780861	2	Beam	[C] Up to Serial or Engine Number 50991
118	D40426000	4	Hex. Sock. Screw	[C] Up to Serial or Engine Number 50991
119	D20400471	2	Washer	[C] Up to Serial or Engine Number 50991
120	D41013600	2	Nut	[C] Up to Serial or Engine Number 50991
121	D28780866	1	Panel	[C] Up to Serial or Engine Number 50991
122	D40404900	8	Hex. Sock. Screw	[C] Up to Serial or Engine Number 50991
123	D20400506	8	Washer	[C] Up to Serial or Engine Number 50991
124	D41013500	8	Nut	[C] Up to Serial or Engine Number 50991
125	D28781366	2	Tube	From Serial or Engine Number 51061

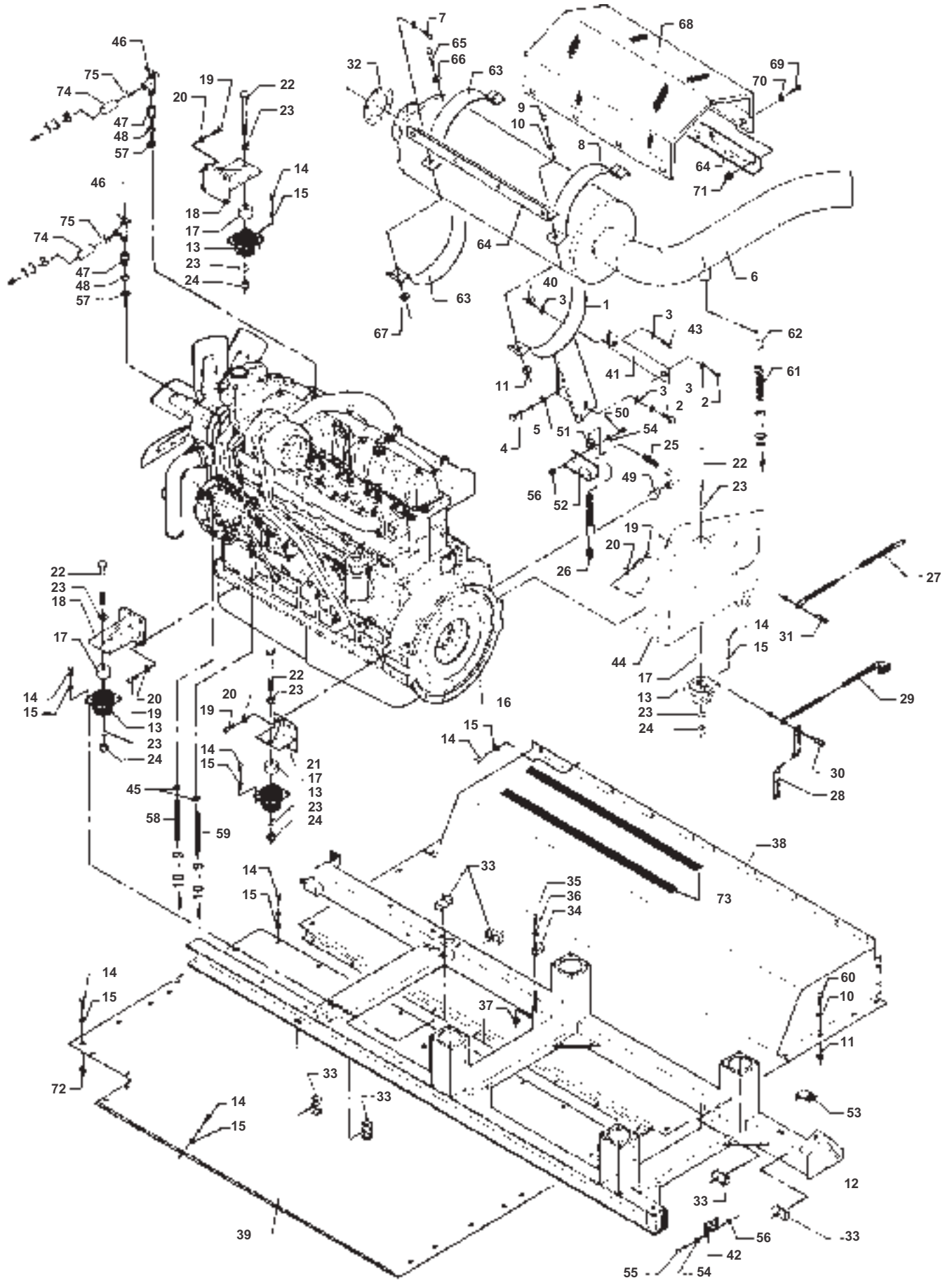
Item	Part Number	Qty	Description	Comments
126	D41013500	3	Nut	From Serial or Engine Number 51061
127	D40404900	3	Hex. Sock. Screw	From Serial or Engine Number 51061
128	D20400506	3	Washer	From Serial or Engine Number 51061
129	D41087600	12	Locknut	From Serial or Engine Number +51092
130	D40407900	4	Hex. Sock. Screw	From Serial or Engine Number +52789
131	D20400473	24	Washer	From Serial or Engine Number +51092
132	D28781445	1	Stirrup	From Serial or Engine Number +52048
133	D28781437	2	Angle	From Serial or Engine Number +52048
134	D28781438	1	Spacer	From Serial or Engine Number +52048
135	D20400413	10	Washer	From Serial or Engine Number +52048
136	D41087500	5	Locknut	From Serial or Engine Number +52048
137	D40423900	1	Hex. Sock. Screw	From Serial or Engine Number +52048
138	D28181778	1	Support	From Serial or Engine Number +53455
139	D28080656	1	Heater	[A]
139	D46489500	1	Thermostat	[A] (139) From Serial or Engine Number +54007
140	D28781811	1	Hose	[A] (139) From Serial or Engine Number +54007
141	D45717100	1	Fitting	[A] (139) From Serial or Engine Number +54007
142	D45729700	4	Clamp	[A] (139) From Serial or Engine Number +54007
143	D28280782	1	Guard	From Serial or Engine Number 54071
144	D45728000	1	Clamp	From Serial or Engine Number 54071

FOOTNOTE [A] OPTIONAL EXTRA FOR PREHEATER

FOOTNOTE [B] USED AS PER TYPE OF THREAD ON THE ENGINE

FOOTNOTE [C] OPTIONAL EQUIPMENT

MF 38/40 COMBINES, |-> 47958 - 63001210  
90A1005B





Massey Ferguson

MF 38/40 COMBINES, |-> 47958 - 63001210

63001210

Engine Bracket And Silencer - Up to Serial or Engine Number 48792

Page010-0035

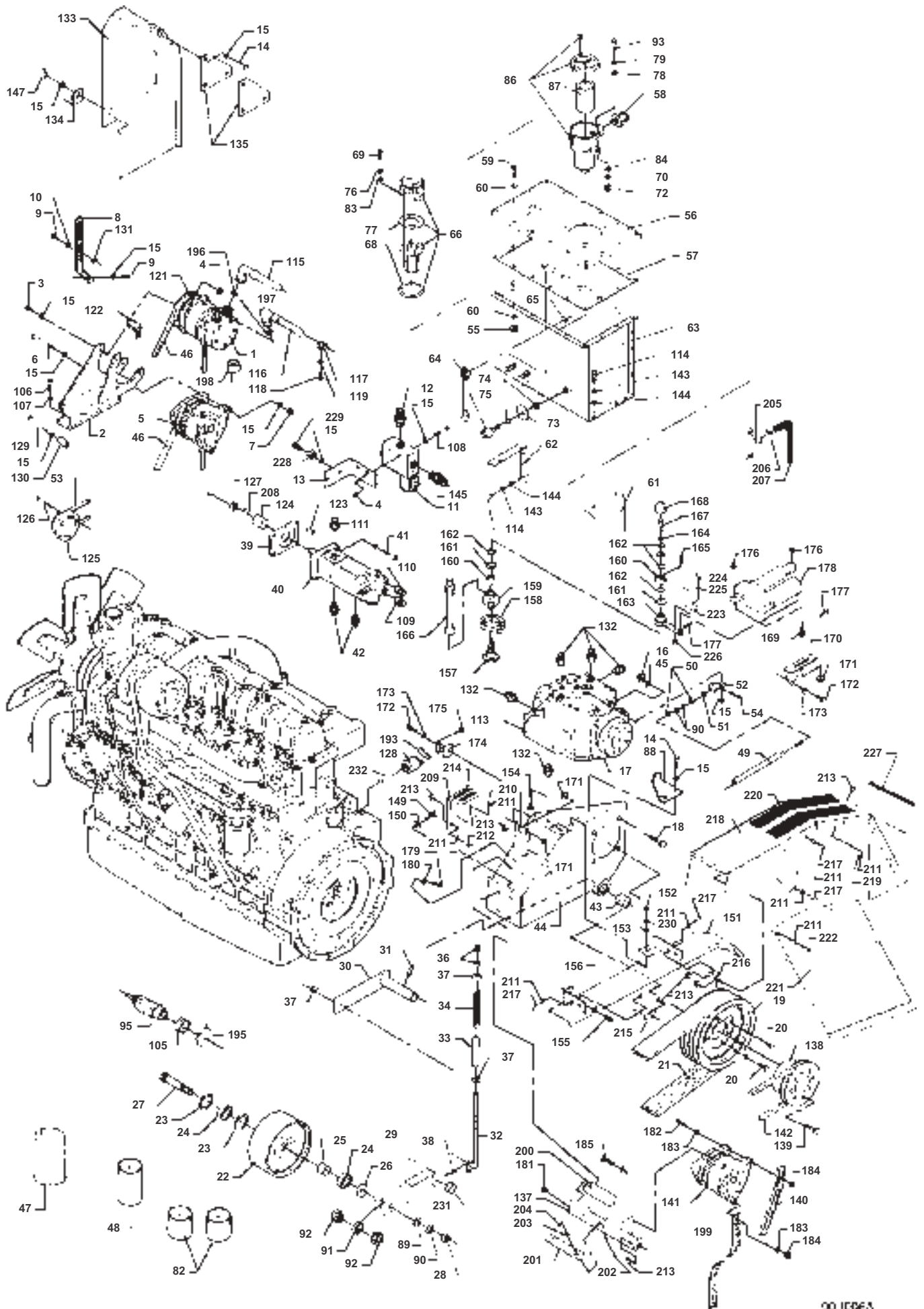
Item	Part Number	Qty	Description	Comments
1	D28780148	1	Bracket	
2	D40410900	2	Hex. Sock. Screw	
3	D20400426	4	Washer	
4	D40407800	1	Hex. Sock. Screw	
5	D20400471	1	Washer	
6	D28780252	1	Silencer	
7	D40690300	6	Screw	
8	D28780147	1	Tensioner	
9	D40425900	2	Screw	
10	D20400471	2	Washer	
11	D41013600	2	Nut	
12	D28780266	1	Frame	
13	D46406600	4	Damper	
14	D40404900	X	Hex. Sock. Screw	
15	D20400506	X	Washer	
16	D46497200	1	Engine	220 HP
	D46497300	1	Engine	240 HP
17	D28770291	4	Bush	
18	D28780259	2	Suspension	
19	D40693800	16	Screw	
20	D20400426	16	Washer	
21	D28770293	1	Suspension	
22	D40434600	4	Hex. Sock. Screw	
23	D20400433	8	Washer	
24	D41087900	4	Locknut	
25	D45138700	1	Hydr Hose	
26	D28780170	1	Plug	
27	D28780205	1	Cable	
28	D28760642	1	Earth Strap	
29	D28780506	1	Cable	
30	D28760746	1	Threaded Part	[A]
	D28761073	1	Threaded Part	[A]
31	D28761472	1	Threaded Part	
32	D46443600	1	Gasket	
33	D45739200	6	Support	
34	D45739600	2	Support	
35	D40421900	2	Bolt	
36	D20400404	2	Washer	
37	D41013400	2	Nut	
38	D28180256	1	Roof	
39	D28180713	1	Roof	
40	D41087700	1	Locknut	
41	D28780787	1	Reinforcement	
42	D28780772	1	Retainer	
43	D40411100	1	Hex. Sock. Screw	
	D41013500	X	Nut	
44	D28780273	1	Bracket	
45	D45729700	2	Clamp	From Serial or Engine Number 47694
	D45726900	2	Clamp	Up to Serial or Engine Number 47693
46	D46422300	2	Cock	
47	D28950540	2	Union	
48	D45700000	2	Band	
49	D45250100	1	Union	
50	D40402400	1	Hex. Sock. Screw	
51	D45729800	1	Clamp	
52	D28780171	1	Hose Clip	
53	D28780381	X	Retainer	
54	D20400404	2	Washer	
55	D40422000	2	Screw Metric	
56	D41013400	2	Nut	
57	D45201800	2	Ring	
58	D28780572	1	Hose	Up to Serial or Engine Number 47693
	D28784146	1	Hose	From Serial or Engine Number 47694
59	D28780571	1	Fuel Hose	Up to Serial or Engine Number 47693
	D28784143	1	Fuel Hose	From Serial or Engine Number 47694
60	D40407600	X	Hex. Sock. Screw	
61	D46448500	1	Hose	
62	D45727500	1	Clamp	
63	D28780147	2	Tensioner	[B]
64	D28780861	2	Beam	[B]
65	D40426000	4	Hex. Sock. Screw	[B]

**Massey Ferguson****MF 38/40 COMBINES, |-> 47958 - 63001210****63001210****Engine Bracket And Silencer - Up to Serial or Engine Number 48792****Page010-0035**

<b>Item</b>	<b>Part Number</b>	<b>Qty</b>	<b>Description</b>	<b>Comments</b>
66	D20400471	2	Washer	[B]
67	D41013600	2	Nut	[B]
68	D28780866	1	Panel	[B]
69	D40404900	8	Hex. Sock. Screw	[B]
70	D20400506	8	Washer	[B]
71	D41013500	8	Nut	[B]
72	D41013500	X	Nut	
73	D44738900	X	Strip	Length 1,45 M
74	D44717700	2	Hose	Length 4,30 M
75	D45726800	2	Clamp	

**FOOTNOTE [A]** USED AS PER TYPE OF THREAD ON THE ENGINE**FOOTNOTE [B]** OPTIONAL EQUIPMENT

MF 38/40 COMBINES, |-> 47958 - 63001210  
90I1006A



ОО ИДЕА

Massey Ferguson

MF 38/40 COMBINES, |-> 47958 - 63001210

63001210

Prop. pump and Hydr. pump - From Serial or Engine Number 53765

Page010-0040

Item	Part Number	Qty	Description	Comments
1	D45070015	1	Compressor	FREON R12
	D45080062	1	Compressor	FREON R134
2	D28780600	1	Bracket	
3	D40423600	6	Screw Metric	
4	D41013500	X	Nut	
5	D46447500	1	Alternator	
6	D40425100	1	Screw	
7	D41087500	1	Locknut	
8	D28780603	1	Tensioner	
9	D40405000	X	Hex. Sock. Screw	
10	D20400414	2	Washer	
11	D45110053	1	Bypass	
12	D45251500	2	Union	
13	D28780344	1	Bracket	
14	D40404900	X	Hex. Sock. Screw	
15	D20400506	X	Washer	
16	D41087700	4	Locknut	
17	D45163000	1	Hydraulic Pump	
18	D40411300	4	Hex. Sock. Screw	
19	D28780058	1	Pulley	
20	D40407700	8	Hex. Sock. Screw	
21	<b>D41990061</b>	1	Belt	From Serial or Engine Number +54798
22	D28780900	1	Pulley	
23	D42513700	2	Circlip	
24	D41622700	2	Bearing Ball	
25	D28780007	1	Ring	
26	D28380003	1	Ring	
27	D28780008	1	Bolt	
28	D41011100	1	Nut	
29	D28781992	1	Support	From Serial or Engine Number +54798
30	D28780197	1	Arm	
31	D42621900	1	Pin	
32	D28780195	1	Spindle	
33	D28780196	1	Pipe	
34	D28210881	1	Comp.Spring	
35	D20400446	1	Washer	
36	D41010900	1	Nut	
37	D20400423	3	Washer	
38	D41410700	1	Split Pin	
39	D28751567	1	Flange	
40	D45160054	1	Hydraulic Pump	
41	D40690700	4	Screw Metric	
42	D45251500	2	Union	
43	D43367400	1	Bush	(44)
44	D28780273	1	Bracket	
45	D20400446	4	Washer	
46	D41909000	1	Belt	[D]
	D41991000	1	V Belt	
47	<b>D46447400</b>	1	Oil Filter	
49	D46439000	1	Cable	
50	D41042700	2	Nut	
51	D41018300	1	Nut Unf	
52	D28784148	1	Tensioner	
53	D41990700	1	V Belt	From Serial or Engine Number +55220
54	D41405900	1	Pin	
55	D41087500	16	Locknut	
56	D28781818	1	Plate	
57	D28781819	1	Kit, Seal	
58	D40405000	16	Hex. Sock. Screw	
	D45255300	1	Union	
60	D20400506	32	Washer	
61	D28781703	1	Bracket	
62	D28781704	1	Bracket	
63	D28781816	1	Tank	
	D28781991	1	Tank	
64	D45080021	1	Dipstick	
65	D41010900	2	Nut	
66	<b>D45103000</b>	1	Filter	
68	D45103100	1	Gasket	
69	D40749100	6	Screw Metric	
70	D41100800	3	Spring Washers	

Massey Ferguson

MF 38/40 COMBINES, |-> 47958 - 63001210

63001210

Prop. pump and Hydr. pump - From Serial or Engine Number 53765

Page 010-0040

Item	Part Number	Qty	Description	Comments
72	D41010800	3	Nut	
73	D28780947	1	Washer	
74	D45201600	2	Packing	
75	D45029900	1	Indicator	
76	D45715300	6	Washer	
77	D45145800	1	Seal	
78	D45715600	3	Washer	
79	D45715700	3	Washer	
82	D46444200	2	Fuel Filter	
83	D45715100	6	Washer	
84	D20400507	3	Spacer	
86	D45165800	1	Seal	
87	<b>D45165900</b>	1	Filter	
88	D28780896	1	Reducer	
89	D20400437	1	Washer	
90	D20400459	1	Washer	
91	D28780776	1	Spacer	
92	D28780777	2	Eccentric	
93	D40692400	3	Screw	
94	D28780975	1	Bracket	From Serial or Engine Number +47938 Up to Serial or Engine Number 50230
95	D46447600	1	Dynamo	
96	D40402600	4	Hex. Sock. Screw	
97	D41087400	4	Locknut	
99	D20400470	8	Washer	
101	D28780974	1	Stem	From Serial or Engine Number +47938 Up to Serial or Engine Number 50230
102	D46435600	2	Fork	From Serial or Engine Number +47938 Up to Serial or Engine Number 50230
104	D28780973	1	Stud	From Serial or Engine Number +47938 Up to Serial or Engine Number 50230
105	D28781009	1	Bush	
106	D40692400	4	Screw	
107	D20400471	4	Washer	
108	D40424300	2	Hex. Sock. Screw	
109	D45250800	1	Union	
110	D45251000	1	Union	
111	D45250700	1	Union	
113	<b>D45161300</b>	1	Oil Filter	
114	D40476300	8	Screw	
115	D45070018	1	Hose	FREON R12
115	D45080064	1	Hose	FREON R134
116	D45070020	1	Hose	FREON R12
116	D45080065	1	Hose	FREON R134
117	D45729800	4	Clamp	
118	D40402400	4	Hex. Sock. Screw	
119	D20400404	4	Washer	
120	D28780979	1	Gasket	
121	D45070016	1	Coupler	(1)
122	D28780772	1	Retainer	
123	D43170500	1	Key	
124	D45110041	1	Pinion	
125	D28781090	1	Pulley	
126	D40690900	6	Screw Metric	
127	D41042300	1	Nut	SALAMI
127	D41050800	1	Nut	ULTRA
128	D45083000	1	Pressure Switch	
128	D44900586	1	Gauge	
129	D40424500	1	Screw	
130	D28480172	1	Spacer	
131	D20400424	1	Washer	
132	D45251100	5	Union	
133	D28781139	1	Guard	
134	D28781135	1	Angle	
135	D28781148	2	Fitting	
137	D28781312	1	Bracket	[A] From Serial or Engine Number +01.01.95
138	D28781123	1	Pulley	[A]
139	D40427000	8	Hex. Sock. Screw	[A]
140	D28780603	1	Tensioner	[A]
141	D46446700	1	Alternator	[A]

Massey Ferguson

MF 38/40 COMBINES, |-> 47958 - 63001210

63001210

Prop. pump and Hydr. pump - From Serial or Engine Number 53765

Page010-0040

Item	Part Number	Qty	Description	Comments
142	D41904200	1	Belt	[A]
143	D41100700	8	Spring Washers	
144	D20400506	8	Washer	
145	D45255500	1	Fitting	
147	D41087500	1	Locknut	From Serial or Engine Number +53816
149	D40693800	4	Screw	
150	D20400426	4	Washer	
151	D28780854	1	Panel	[E]
152	D40407900	1	Hex. Sock. Screw	[E]
153	D20400471	1	Washer	[E]
154	D41013600	1	Nut	[E]
155	D40407800	1	Hex. Sock. Screw	[E] (157)
156	D41112500	1	Washer	[E] (157)
157	D28781292	1	Regulator	[B]
157	D28781295	1	Shaft	[C] (157)
158	D28781077	1	Spring	[C] (157)
159	D28781182	1	Bearing Housing	[C] (157)
160	D41616600	2	Bearing Ball	[C] (157)
161	D42512600	2	Circlip	[C] (157)
162	D42501300	4	Circlip	[C] (157)
163	D28781071	1	Bearing Housing	[C] (157)
164	D28781072	1	Washer	[C] (157)
165	D42601000	1	Pin	[C] (157)
166	D28781064	1	Sensor	[C] (157)
167	D40424700	1	Hex. Sock. Screw	[C]
168	D28781057	1	Cover	[C]
169	D28784285	1	Pin	[C]
170	D28781293	1	Bracket	[C]
171	D41013500	4	Nut	[C]
172	D40404900	3	Hex. Sock. Screw	[C]
173	D20400506	3	Washer	[C]
174	D28781056	1	Retainer	[C]
175	D40740400	4	Screw	[C]
176	D20400404	2	Washer	[C]
177	D41402800	2	Pin	[C]
178	D28781027	1	Actuator	[C]
179	D40408300	2	Screw Metric	[A]
180	D20400471	2	Washer	[A]
181	D41013600	2	Nut	[A]
182	D40405000	2	Hex. Sock. Screw	[A]
183	D20400506	3	Washer	[A]
184	D41013500	3	Nut	[A]
185	D40425100	1	Screw	[A]
193	D45067500	2	Adaptor	
195	D45727500	1	Clamp	
196	D45450400	1	O Ring	From Serial or Engine Number +54340
197	D45450500	1	O Ring	From Serial or Engine Number +54340
198	D45080063	1	Pressure Switch	FREON R134
199	D28760642	1	Earth Strap	
200	D28780002	1	Fitting	
201	D28780001	1	Fitting	
202	D40407800	1	Hex. Sock. Screw	
203	D20400471	1	Washer	
204	D41087600	1	Locknut	
205	D46422300	1	Cock	
206	D45726800	1	Clamp	
207	D44717700	X	Hose	From Serial or Engine Number 50992 Length 3,7 M
208	D45146000	1	Lock Washer	

Item	Part Number	Qty	Description	Comments
209	D28781379	1	Cowl	From Serial or Engine Number +01.01.95
210	D40684800	1	Screw	From Serial or Engine Number 01.01.95
211	D20400506	X	Washer	From Serial or Engine Number 01.01.95
212	D40400500	1	Screw Metric	From Serial or Engine Number 01.01.95
213	D41013500	X	Nut	From Serial or Engine Number 01.01.95
214	D44738900	X	Strip	Length 0,100M X 2
215	D28781370	1	Support	From Serial or Engine Number 01.01.95
216	D28781371	1	Support	From Serial or Engine Number 01.01.95
217	D40405000	X	Hex. Sock. Screw	From Serial or Engine Number 01.01.95
218	D28781377	1	Guard	From Serial or Engine Number 01.01.95
219	D40404900	X	Hex. Sock. Screw	From Serial or Engine Number 01.01.95
220	D44738900	X	Strip	Length 0,500M X 2
221	D28781376	1	Door	From Serial or Engine Number 01.01.95
222	D40476100	5	Hex. Sock. Screw	From Serial or Engine Number 01.01.95
223	D28780834	1	Retainer	[C]
224	D40402400	1	Hex. Sock. Screw	[C]
225	D20400404	1	Washer	[C]
226	D41087400	1	Locknut	[C]
227	D44735900	X	Seal Section	
228	D41087500	2	Locknut	
229	D40632700	2	Pin	
230	D20400457	1	Washer	
231	D45744200	1	Ferrule	From Serial or Engine Number 54798
232	D28786520	1	Nipple	

**FOOTNOTE [A]** OPTIONAL EQUIPM VERTICAL KNIFE

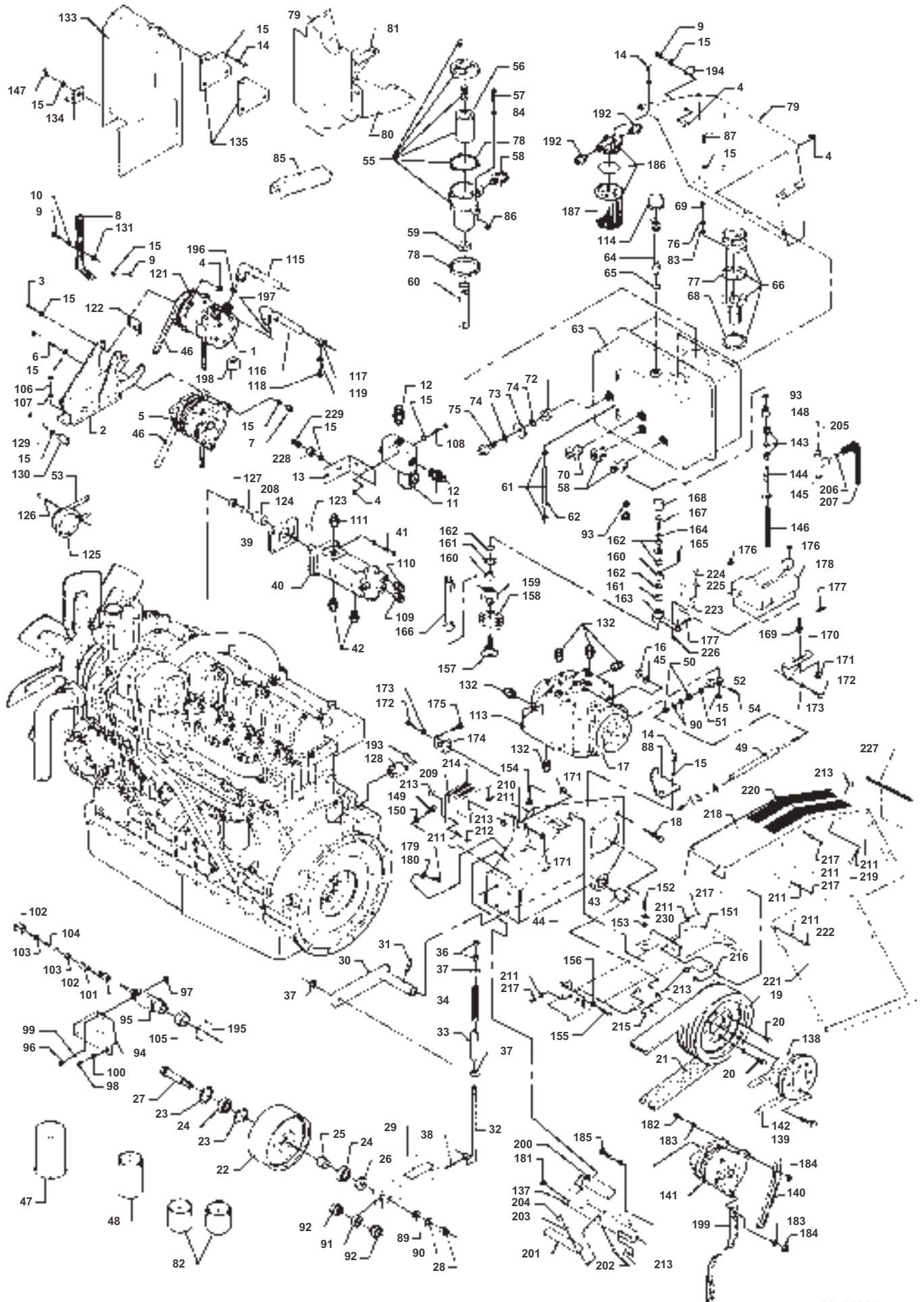
**FOOTNOTE [B]** INCL. POS 155-166 FORWARD-SPEED CONTROL

**FOOTNOTE [C]** OPTIONAL EQUIPM FORWARDSPEED CONTROL

**FOOTNOTE [D]** AIR CONDITIONING

**FOOTNOTE [E]** T50991 OPTION. EQU., F50992 STD EQUIPMENT

MF 38/40 COMBINES, |-> 47958 - 63001210  
90H1006B



90-11006H



Massey Ferguson

MF 38/40 COMBINES, |-> 47958 - 63001210

63001210

Prop. pump and Hydr. pump - Up to Serial or Engine Number 53764

Page010-0045

Item	Part Number	Qty	Description	Comments
1	D45070015	1	Compressor	FREON R12
	D45080062	1	Compressor	FREON R134
2	D28780600	1	Bracket	
3	D40423600	6	Screw Metric	
4	D41013500	X	Nut	
5	D46447500	1	Alternator	
6	D40425100	1	Screw	
7	D41087500	1	Locknut	
8	D28780603	1	Tensioner	
9	D40405000	3	Hex. Sock. Screw	
10	D20400414	2	Washer	
11	D45110053	1	Bypass	
12	D45251500	2	Union	
13	D28780344	1	Bracket	
14	D40404900	X	Hex. Sock. Screw	
15	D20400506	X	Washer	
16	D41087700	4	Locknut	
17	D45163000	1	Hydraulic Pump	
18	D40411300	4	Hex. Sock. Screw	
19	D28780058	1	Pulley	
20	D40407700	8	Hex. Sock. Screw	
21	D41990056	1	Belt	From Serial or Engine Number +54798
22	D28780900	1	Pulley	
23	D42513700	2	Circlip	
24	D41622700	2	Bearing Ball	
25	D28780007	1	Ring	
26	D28380003	1	Ring	
27	D28780008	1	Bolt	
28	D41011100	1	Nut	
29	D28781992	1	Support	From Serial or Engine Number +54798
30	D28780197	1	Arm	
31	D42621900	1	Pin	
32	D28780195	1	Spindle	
33	D28780196	1	Pipe	
34	D28210881	1	Comp.Spring	
35	D20400446	1	Washer	
36	D41010900	1	Nut	
37	D20400423	3	Washer	
38	D41410700	1	Split Pin	
39	D28751567	1	Flange	
40	D45160054	1	Hydraulic Pump	From Serial or Engine Number 52342
	D45163200	1	Hydraulic Pump	Up to Serial or Engine Number 52341
41	D40690700	4	Screw Metric	
42	D45251500	2	Union	
43	D43367400	1	Bush	(44)
44	D28780273	1	Bracket	
45	D20400446	4	Washer	
46	D41909000	1	Belt	[D]
	D41991000	1	V Belt	
47	<b>D46447400</b>	1	Oil Filter	
48	D46446900	1	Fuel Filter	Up to Serial or Engine Number 50052
49	D46439000	1	Cable	
50	D41042700	2	Nut	
51	D41018300	1	Nut Unf	
52	D28761414	1	Tensioner	
	D28784148	1	Tensioner	From Serial or Engine Number +47963
53	<b>D41990013</b>	1	Belt	[E] From Serial or Engine Number 48793
54	D41405900	1	Pin	
55	D45146400	1	Oil Filter	From Serial or Engine Number +47963
56	D45145300	1	Filter Element	
57	D40749600	2	Screw	
58	D45251500	3	Union	
59	D45727000	1	Clamp	
60	D28711628	1	Hose	
61	D45738900	3	Hose Clip	
62	D28720448	1	Hose	
63	D28080794	1	Kit, Reservoir	
	D28780045	1	Oil Tank	
64	D45074100	1	Switch	
65	D45201900	1	Packing	

Item	Part Number	Qty	Description	Comments
66	D45103000	1	Filter	
68	D45103100	1	Gasket	
69	D40749100	6	Screw Metric	
70	D45117800	1	Plug	
72	D28780418	1	Adaptor	
73	D28780947	1	Washer	
74	D45711400	2	Gasket	
75	D45029900	1	Indicator	
76	D45715300	6	Washer	From Serial or Engine Number +50174
77	D45145800	1	Seal	
78	D45142900	1	Kit, Gasket	
79	D28780623	1	Support	Up to Serial or Engine Number 49639
79	D28781154	1	Bracket	From Serial or Engine Number 49640
80	D28180911	1	Support	Up to Serial or Engine Number 49639
81	D28180914	1	Support	Up to Serial or Engine Number 49639
82	D46444200	2	Fuel Filter	From Serial or Engine Number 50053
83	D45715100	6	Washer	From Serial or Engine Number +50174
84	D45715400	2	Washer	From Serial or Engine Number +50174
85	D28780620	1	Reinforcement	Up to Serial or Engine Number 49639
86	D45715200	2	Washer	From Serial or Engine Number +50174
87	D40405100	3	Hex. Sock. Screw	
88	D28780896	1	Reducer	
89	D20400460	1	Washer	
90	D20400459	1	Washer	
91	D28780776	1	Spacer	
92	D28780777	2	Eccentric	
93	D45232400	2	Washer	[G]
94	D28780975	1	Bracket	From Serial or Engine Number +47938 Up to Serial or Engine Number 50230
95	D46447600	1	Dynamo	From Serial or Engine Number +47938
96	D40402600	4	Hex. Sock. Screw	
97	D41087400	4	Locknut	
98	D40407700	2	Hex. Sock. Screw	Up to Serial or Engine Number 50230
99	D20400470	8	Washer	
100	D20400416	2	Washer	Up to Serial or Engine Number 50230
101	D28780974	1	Stem	From Serial or Engine Number +47938 Up to Serial or Engine Number 50230
102	D46435600	2	Fork	From Serial or Engine Number +47938 Up to Serial or Engine Number 50230
103	D41010500	2	Nut	Up to Serial or Engine Number 50230
104	D28780973	1	Stud	From Serial or Engine Number +47938 Up to Serial or Engine Number 50230
105	D28781009	1	Bush	
106	D40692400	4	Screw	
107	D20400471	4	Washer	
108	D40424300	2	Hex. Sock. Screw	
109	D45250800	1	Union	
110	D45251000	1	Union	
111	D45250700	1	Union	
113	D45161300	1	Oil Filter	
114	D45708800	1	Plug	
115	D45070018	1	Hose	FREON R12
115	D45080064	1	Hose	FREON R134
116	D45070020	1	Hose	FREON R12
116	D45080065	1	Hose	FREON R134
117	D45729800	4	Clamp	
118	D40402400	4	Hex. Sock. Screw	
119	D20400404	4	Washer	
120	D28780979	1	Gasket	
121	D45070016	1	Coupler	(1)
122	D28780772	1	Retainer	
123	D43170500	1	Key	
124	D45110041	1	Pinion	
125	D28781090	1	Pulley	
126	D40690900	6	Screw Metric	
127	D41042300	1	Nut	SALAMI
127	D41050800	1	Nut	ULTRA
128	D45083000	1	Pressure Switch	
129	D40424500	1	Screw	
130	D28480172	1	Spacer	
131	D20400424	1	Washer	

Massey Ferguson

MF 38/40 COMBINES, |-> 47958 - 63001210

63001210

Prop. pump and Hydr. pump - Up to Serial or Engine Number 53764

Page010-0045

Item	Part Number	Qty	Description	Comments
132	D45251100	5	Union	
133	D28781139	1	Guard	From Serial or Engine Number 48793
134	D28781135	1	Angle	From Serial or Engine Number 48793
135	D28781148	2	Fitting	From Serial or Engine Number 48793
137	D28781312	1	Bracket	[A] From Serial or Engine Number +01.01.95
138	D28781123	1	Pulley	[A]
139	D40427000	8	Hex. Sock. Screw	[A]
140	D28780603	1	Tensioner	[A]
141	D46446700	1	Alternator	[A]
142	<b>D41904200</b>	1	Belt	[A]
143	D46401100	1	Plug	[F] Up to Serial or Engine Number 50991
144	D46418200	1	Adaptor	[F] Up to Serial or Engine Number 50991
145	D45729700	1	Clamp	[F] Up to Serial or Engine Number 50991
146	D28780572	1	Hose	[F] Up to Serial or Engine Number 50991
147	D41057300	1	Wing Nut	From Serial or Engine Number 48793
148	D28752514	1	Adaptor	[G]
149	D40693800	4	Screw	
150	D20400426	4	Washer	
151	D28780854	1	Panel	[G]
152	D40407900	1	Hex. Sock. Screw	[G]
153	D20400471	1	Washer	[G]
154	D41013600	1	Nut	[G]
155	D40407800	1	Hex. Sock. Screw	[G]
156	D41112500	1	Washer	[G]
157	D28781292	1	Regulator	[B]
157	D28781295	1	Shaft	[C]
158	D28781077	1	Spring	[C]
159	D28781182	1	Bearing Housing	[C]
160	D41616600	2	Bearing Ball	[C]
161	D42512600	2	Circlip	[C]
162	D42501300	4	Circlip	[C]
163	D28781071	1	Bearing Housing	[C]
164	D28781072	1	Washer	[C]
165	D42601000	1	Pin	[C]
166	D28781064	1	Sensor	[C]
167	D40424700	1	Hex. Sock. Screw	[C]
168	D28781057	1	Cover	[C]
169	D28784285	1	Pin	[C]
170	D28781293	1	Bracket	[C]
171	D41013500	4	Nut	[C]
172	D40404900	3	Hex. Sock. Screw	[C]
173	D20400506	3	Washer	[C]
174	D28781056	1	Retainer	[C]
175	D40740400	4	Screw	[C]
176	D20400404	2	Washer	[C]
177	D41402800	2	Pin	[C]
178	D28781027	1	Actuator	[C]
179	D40408300	2	Screw Metric	[A]
180	D20400471	2	Washer	[A]
181	D41013600	2	Nut	[A]
182	D40405000	2	Hex. Sock. Screw	[A]
183	D20400506	3	Washer	[A]
184	D41013500	3	Nut	[A]
185	D40425100	1	Screw	[A]
186	D45110080	1	Filter Insert	From Serial or Engine Number 49834
187	D45110081	1	Filter Element	From Serial or Engine Number 49834
192	D45251500	2	Union	From Serial or Engine Number 49834
193	D45067500	2	Adaptor	
194	D45730900	2	Retainer	
195	D45727500	1	Clamp	From Serial or Engine Number +50255
196	D45450100	1	O Ring	FREON R134
197	D45450200	1	O Ring	FREON R134
198	D45080063	1	Pressure Switch	FREON R134
199	D28760642	1	Earth Strap	
200	D28780002	1	Fitting	From Serial or Engine Number 50838
201	D28780001	1	Fitting	From Serial or Engine Number 50838

Item	Part Number	Qty	Description	Comments
202	D40407800	1	Hex. Sock. Screw	From Serial or Engine Number 50838
203	D20400471	1	Washer	From Serial or Engine Number 50838
204	D41087600	1	Locknut	From Serial or Engine Number 50838
205	D46422300	1	Cock	From Serial or Engine Number 50992
206	D45726800	1	Clamp	From Serial or Engine Number 50992
207	D44717700	X	Hose	From Serial or Engine Number 50992 Length 3,7 M
208	D45146000	1	Lock Washer	
209	D28781379	1	Cowl	From Serial or Engine Number +01.01.95
210	D40684800	1	Screw	From Serial or Engine Number 01.01.95
211	D20400506	X	Washer	From Serial or Engine Number 01.01.95
212	D40400500	1	Screw Metric	From Serial or Engine Number 01.01.95
213	D41013500	X	Nut	From Serial or Engine Number 01.01.95
214	D44738900	X	Strip	Length 0,100M X 2
215	D28781370	1	Support	From Serial or Engine Number 01.01.95
216	D28781371	1	Support	From Serial or Engine Number 01.01.95
217	D40405000	X	Hex. Sock. Screw	From Serial or Engine Number 01.01.95
218	D28781377	1	Guard	From Serial or Engine Number 01.01.95
219	D40404900	X	Hex. Sock. Screw	From Serial or Engine Number 01.01.95
220	D44738900	X	Strip	Length 0,500M X 2
221	D28781376	1	Door	From Serial or Engine Number 01.01.95
222	D40476100	5	Hex. Sock. Screw	From Serial or Engine Number 01.01.95
223	D28780834	1	Retainer	[C]
224	D40402400	1	Hex. Sock. Screw	[C]
225	D20400404	1	Washer	[C]
226	D41087400	1	Locknut	[C]
227	D44735900	X	Seal Section	From Serial or Engine Number +52789
228	D41087500	2	Locknut	From Serial or Engine Number +52903
229	D40632700	2	Pin	From Serial or Engine Number +52903
230	D20400457	1	Washer	From Serial or Engine Number 53602

**FOOTNOTE [A]** OPTIONAL EQUIPM VERTICAL KNIFE

**FOOTNOTE [B]** INCL. POS 155-166 FORWARD-SPEED CONTROL

**FOOTNOTE [C]** OPTIONAL EQUIPM FORWARDSPEED CONTROL

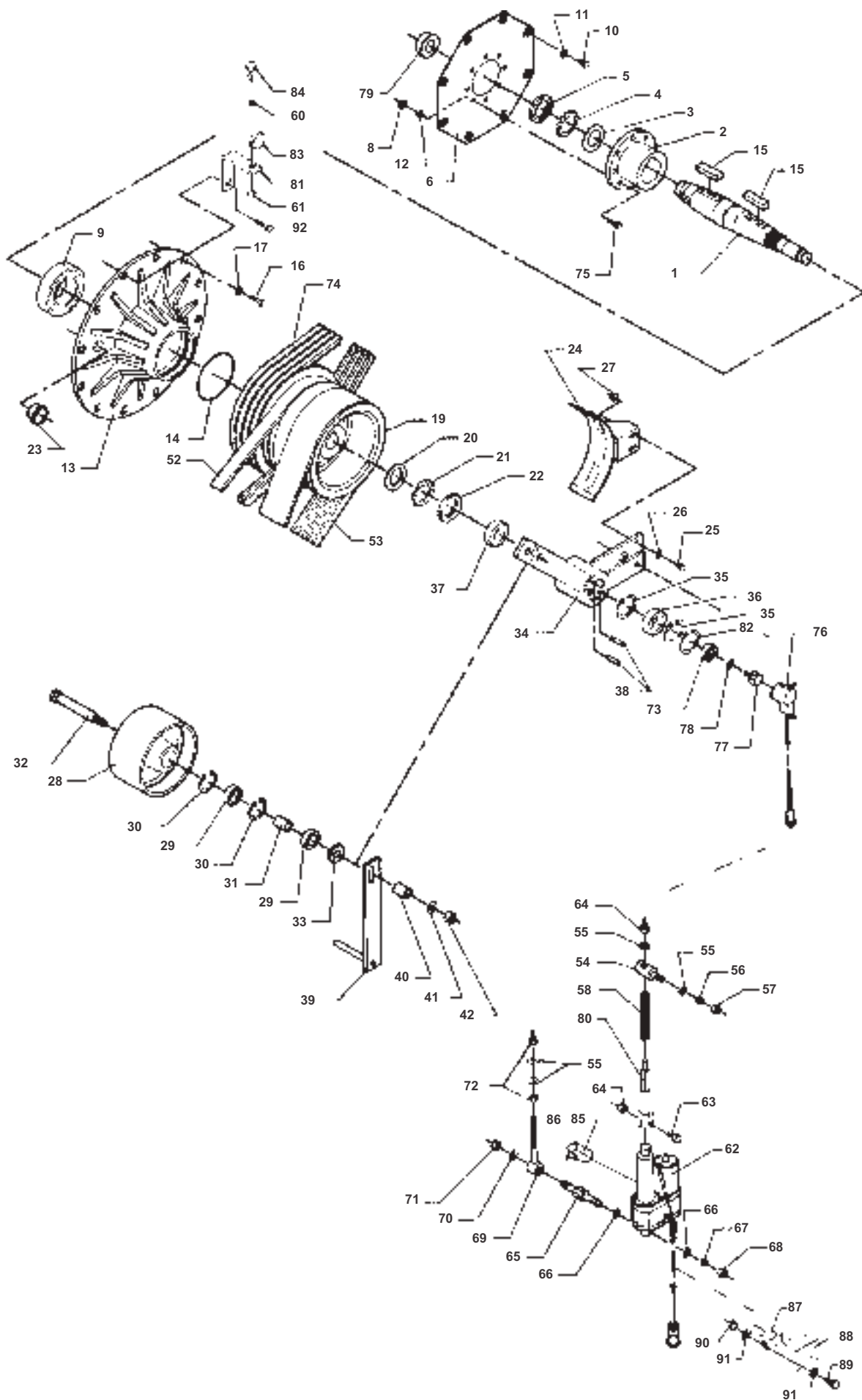
**FOOTNOTE [D]** AIR CONDITIONING

**FOOTNOTE [E]** 0,5 PCS. F.48793

**FOOTNOTE [F]** OPTIONAL EQUIPMENT

**FOOTNOTE [G]** T50991 OPTION. EQU., F50992 STD EQUIPMENT

MF 38/40 COMBINES, |-> 47958 - 63001210  
90E1007



90E1007

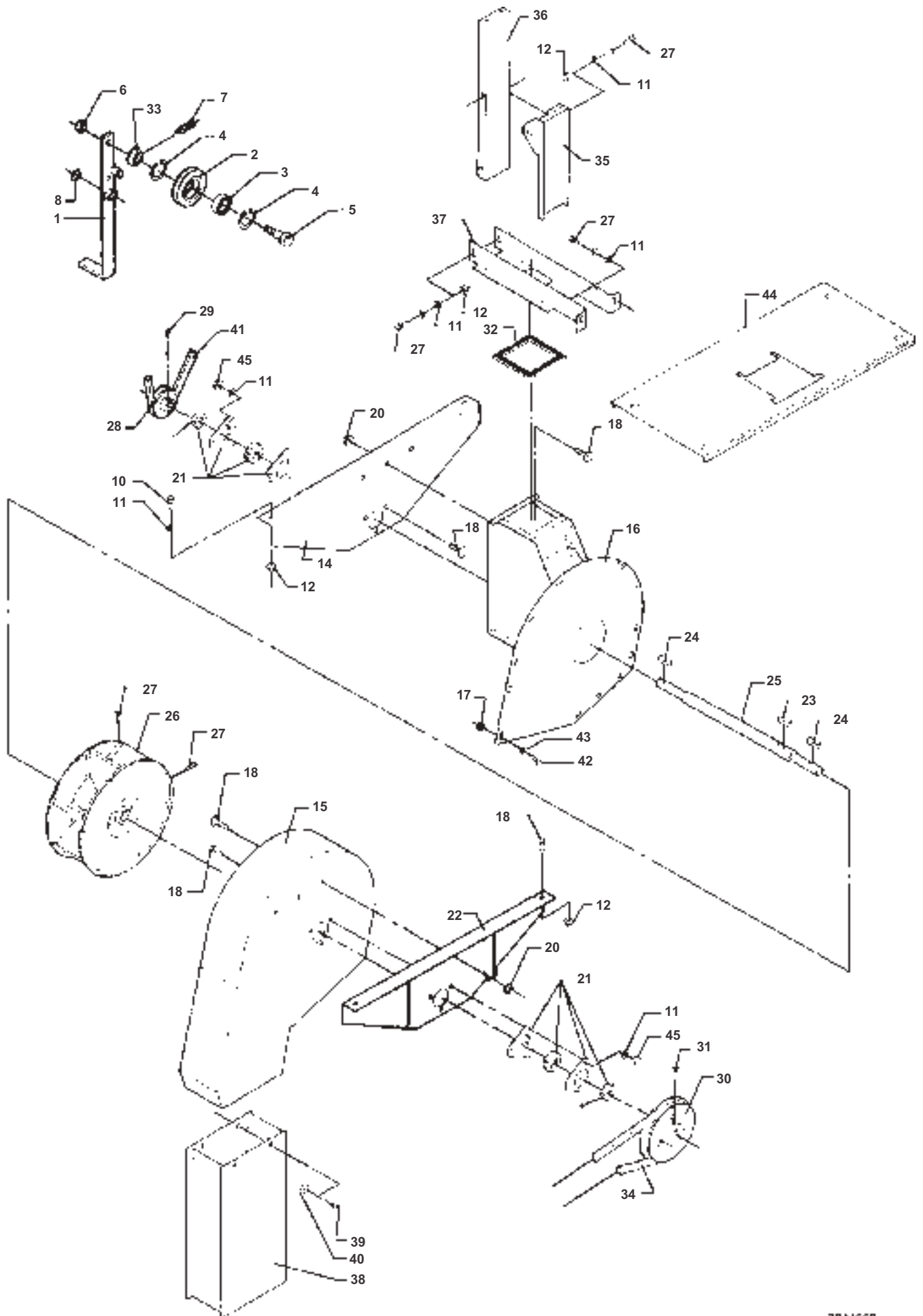
## Power Take-Off

Item	Part Number	Qty	Description	Comments
1	D28780771	1	Shaft	
2	D28780615	1	Hub	
3	D25700260	1	Washer	
4	D28780617	1	Washer	
5	D25700322	1	Nut	
6	D28780468	1	Disc	
8	D41010800	8	Nut	
9	D41629600	1	Bearing Ball	
10	D40448300	8	Setscrew	
11	D41112500	8	Washer	
12	D41112500	8	Washer	
13	D28780061	1	Bearing Carrier	
14	D45470800	1	O Ring	
15	D43110600	2	Key	
16	D40407800	12	Hex. Sock. Screw	
17	D41112500	12	Washer	
19	D28780057	1	Pulley	
20	D28730018	1	Washer	
21	D28710736	1	Lock Washer	
22	D28710073	1	Nut	
23	D45746700	2	Plug	
24	D28780241	1	Protector	
25	D40405100	2	Hex. Sock. Screw	
26	D20400506	2	Washer	
27	D41013500	2	Nut	
28	D28780486	1	Pulley	
29	D41622700	2	Bearing Ball	
30	D42513700	2	Circlip	
31	D28780007	1	Ring	
32	D28780008	1	Bolt	
33	D28380003	1	Ring	
34	D28780246	1	Lever	
35	D42514500	2	Circlip	
36	D41622900	1	Bearing Ball	
37	D41623000	1	Bear. 6207 2rs	
38	D42605600	2	Pin	
39	D28780226	1	Support	Up to Serial or Engine Number 48792
	D28781118	1	Support	From Serial or Engine Number 48793
40	D28780224	1	Spacer	
41	D20400517	1	Spacer	
42	D41087900	1	Locknut	
52	<b>D41979100</b>	1	Belt	
53	D41978300	1	Belt	From Serial or Engine Number 48793
	D41979400	1	Belt	Up to Serial or Engine Number 48792
54	D28780250	1	Pin	
55	D20400423	4	Washer	
56	D41112300	1	Washer	
57	D41087700	1	Locknut	
58	D28780182	1	Spring	
60	D20400404	1	Washer	
61	D41013400	1	Nut	
62	D28780405	1	Ram	Up to Serial or Engine Number 48459
	D28781062	1	Ram	From Serial or Engine Number 48460
				Up to Serial or Engine Number 52942
	D28781639	1	Ram	From Serial or Engine Number 52943
				Up to Serial or Engine Number 54841
	D28781800	1	Actuator	From Serial or Engine Number 54842
63	D40411400	1	Screw Metric	
64	D41087700	2	Locknut	
65	D28780844	1	Pin	
66	D20400426	2	Washer	
67	D41112300	1	Washer	
68	D41087700	1	Locknut	
69	D28780843	1	Bolt	
70	D20400459	1	Washer	
71	D41087900	1	Locknut	
72	D41010900	2	Nut	
73	D41622600	1	Bearing Ball	
74	<b>D41990061</b>	1	Belt	From Serial or Engine Number +54798
75	D40407700	8	Hex. Sock. Screw	
76	<b>D28780514</b>	1	Sensor	

## Power Take-Off

Item	Part Number	Qty	Description	Comments
77	D28780516	1	Inductive Taker	
78	D20400419	1	Washer	
79	D28780805	1	Bush	(1)
80	D28780247	1	Bolt	
81	D28782086	1	Support	From Serial or Engine Number 48793 Up to Serial or Engine Number 31.12.94
82	D42502800	1	Circlip	From Serial or Engine Number 48793
83	D45728300	1	Clip	From Serial or Engine Number 48793
84	D40402600	1	Hex. Sock. Screw	From Serial or Engine Number 48793
85	D45080034	2	Micro Switch	Up to Serial or Engine Number 48459
86	D45070035	1	Diode	Up to Serial or Engine Number 48459
87	D45080024	1	Relay	Up to Serial or Engine Number 54841
88	D28781640	1	Plate	Up to Serial or Engine Number 54841
89	D40351800	2	Screw	Up to Serial or Engine Number 54841
90	D41087200	2	Locknut	Up to Serial or Engine Number 54841
91	D20400400	4	Washer	Up to Serial or Engine Number 54841
92	D40407900	1	Hex. Sock. Screw	From Serial or Engine Number +53602

MF 38/40 COMBINES, |-> 47958 - 63001210  
90A1008

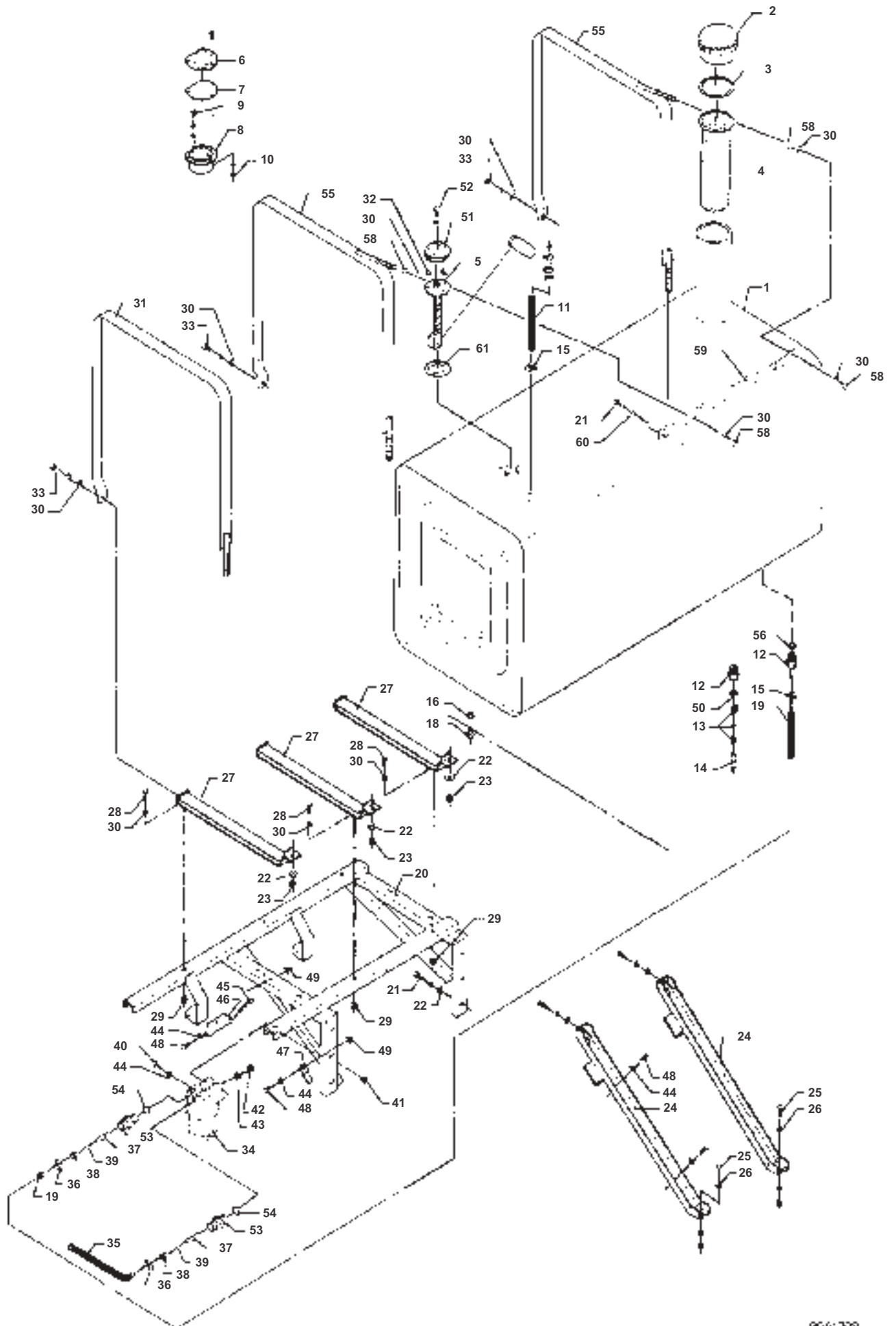




## Fan Housing

Item	Part Number	Qty	Description	Comments
1	D28780130	1	Lever	Up to Serial or Engine Number 48792
2	D28950560	1	Pulley	Up to Serial or Engine Number 48792
3	D41622800	1	Bearing Ball	Up to Serial or Engine Number 48792
4	D42514000	2	Circlip	Up to Serial or Engine Number 48792
5	D28760328	1	Bolt	Up to Serial or Engine Number 48792
6	D41087900	1	Locknut	Up to Serial or Engine Number 48792
7	D28761057	1	Spring	Up to Serial or Engine Number 48792
8	D42501400	1	Circlip	Up to Serial or Engine Number 48792
10	D40405000	X	Hex. Sock. Screw	
11	D20400506	X	Washer	
12	D41013500	X	Nut	
14	D28780151	1	Bracket	
15	D28780573	1	Housing	
16	D28780596	1	Cover	
17	D41013400	X	Nut	
18	D40063700	X	Screw Metric	
20	D41013500	X	Nut	
21	D41713700	2	Bearing	
22	D28780151	1	Bracket	
23	D43103400	1	Key	
24	D43102200	2	Key	
25	D28780582	1	Shaft	Up to Serial or Engine Number 48792
	D28781096	1	Shaft	From Serial or Engine Number 48793
26	D28780586	1	Fan	
27	D40404900	X	Hex. Sock. Screw	
28	D28780114	1	Pulley	Up to Serial or Engine Number 48792
29	D40631000	2	Stud	Up to Serial or Engine Number 48792
30	D28780113	1	Pulley	
31	D40404900	1	Hex. Sock. Screw	
32	D44741500	X	Gasket	Length 0,360M
33	D28380003	1	Ring	Up to Serial or Engine Number 48792
34	D41998800	1	V Belt	
35	D28780779	1	Shroud	
36	D28780783	1	Bracket	
37	D28780786	1	Shroud	Up to Serial or Engine Number 48792
	D28781098	1	Nozzle	From Serial or Engine Number 48793
38	D28780799	1	Exhaust Pipe	
39	D40600500	4	Screw Metric	
40	D41010600	4	Nut	
41	D41911000	1	Belt	Up to Serial or Engine Number 48792
42	D40402400	X	Hex. Sock. Screw	
43	D20400404	X	Washer	
44	D28781106	1	Backplate	From Serial or Engine Number 48793
45	D41010700	X	Nut	

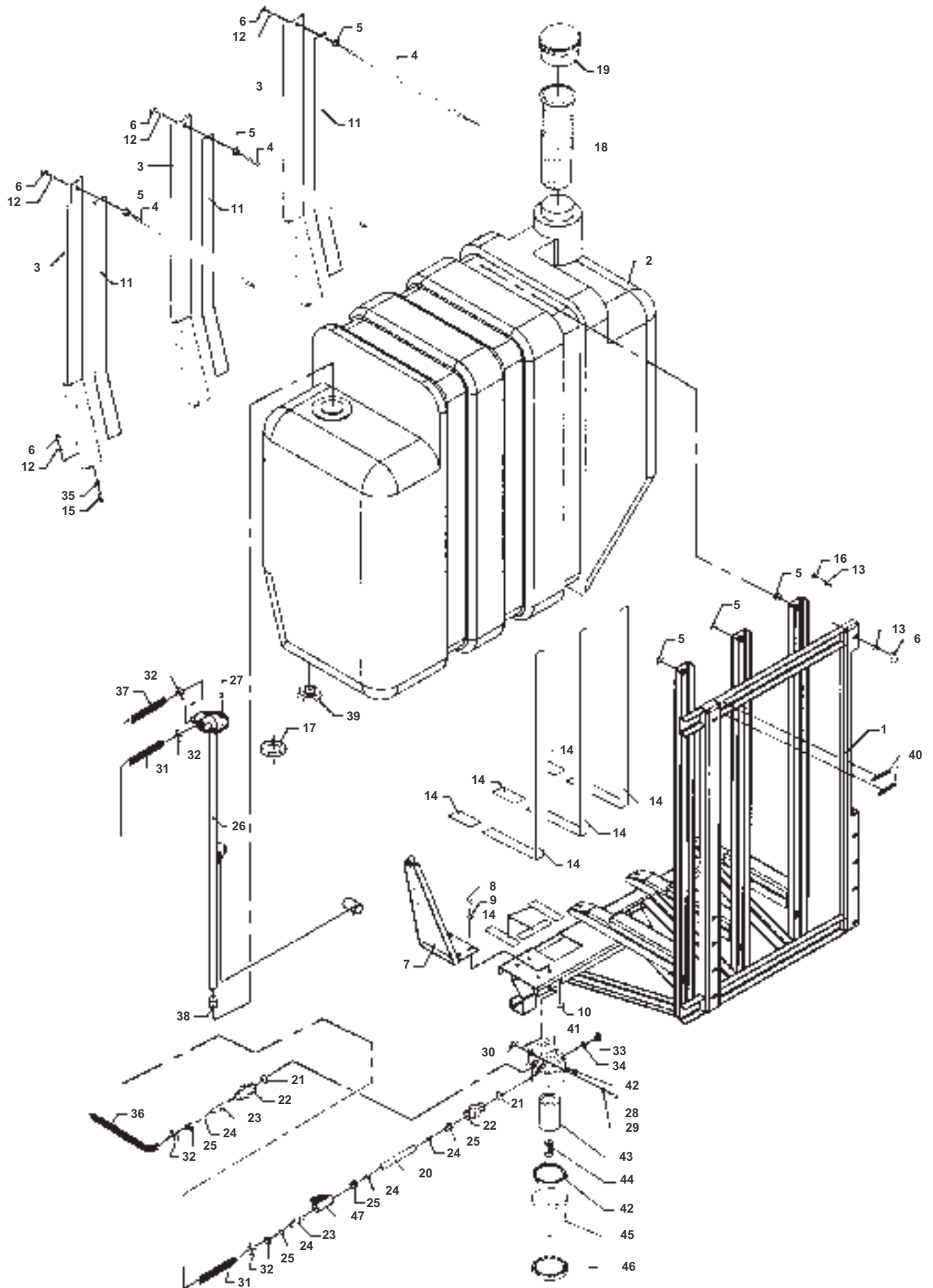
MF 38/40 COMBINES, |-> 47958 - 63001210  
90A1009



## Fuel Tank - 400 L

Item	Part Number	Qty	Description	Comments
1	D28780162	1	Fuel Tank	
2	D46404300	1	Cover	
3	D46404400	1	Packing	
4	D46403500	1	Fuel Filter	
5	D45089900	1	Gauge	
6	D45020061	1	Cover	Up to Serial or Engine Number 47673
7	D45020062	1	Packing	Up to Serial or Engine Number 47673
8	D45020060	1	Housing	Up to Serial or Engine Number 47673
9	D40352000	3	Screw Metric	Up to Serial or Engine Number 47673
10	D41010400	3	Nut	Up to Serial or Engine Number 47673
11	D28780572	1	Hose	Up to Serial or Engine Number 47714
	D28784146	1	Hose	From Serial or Engine Number 47715
12	D28780775	1	Adaptor	Up to Serial or Engine Number 47714
	D45716900	X	Adaptor	From Serial or Engine Number 47715
13	D46401100	1	Plug	Up to Serial or Engine Number 47714
14	D46418200	1	Adaptor	Up to Serial or Engine Number 47714
15	D45726900	2	Clamp	Up to Serial or Engine Number 47714
	D45729700	2	Clamp	From Serial or Engine Number 47715
16	D45232400	1	Washer	
18	D45236100	1	Plug	From Serial or Engine Number +47674
19	D28731553	1	Fuel Hose	Up to Serial or Engine Number 47714
	D28784145	1	Fuel Hose	From Serial or Engine Number 47715
20	D28780466	1	Bracket	Up to Serial or Engine Number 47962
	D28781049	1	Bracket	From Serial or Engine Number 47963
21	D40407800	8	Hex. Sock. Screw	
22	D20400471	X	Washer	
23	D41087600	3	Locknut	
24	D28780636	2	Stay	Up to Serial or Engine Number 47962
25	D40407700	2	Hex. Sock. Screw	Up to Serial or Engine Number 47962
26	D20400471	2	Washer	Up to Serial or Engine Number 47962
27	D28780472	3	Support	
28	D40407700	9	Hex. Sock. Screw	
29	D41087600	9	Locknut	From Serial or Engine Number +52565
30	D20400471	9	Washer	
31	D28780191	1	Clamp	
32	D45067500	X	Adaptor	
33	D40407600	3	Hex. Sock. Screw	
34	D46446600	1	Filter	From Serial or Engine Number +53342
35	D28780571	1	Fuel Hose	Up to Serial or Engine Number 47714
	D28784143	1	Fuel Hose	From Serial or Engine Number 47715
36	D45726900	2	Clamp	Up to Serial or Engine Number 47714
	D45729700	2	Clamp	From Serial or Engine Number 47715
37	D45716800	2	Union	From Serial or Engine Number 47715
	D46418200	2	Adaptor	Up to Serial or Engine Number 47714
38	D28711763	2	Union	Up to Serial or Engine Number 47714
	D46446000	2	Union	From Serial or Engine Number 47715
39	D45715000	2	Tapered Ring	Up to Serial or Engine Number 47714
	D46446300	2	Washer	From Serial or Engine Number 47715
40	D40405100	2	Hex. Sock. Screw	
41	D41013500	2	Nut	
42	D46301059	2	Plug	
43	D46300336	2	Washer	
44	D20400506	X	Washer	
45	D27100120	1	Hair Pin	
46	D28580298	1	Hinge	
47	D28580299	1	Retainer	
48	D40404900	2	Hex. Sock. Screw	
49	D41013500	X	Nut	
50	D45201900	1	Packing	
51	D28784157	1	Cover	From Serial or Engine Number 47673
52	D40420800	5	Screw	From Serial or Engine Number 47673
53	D46446100	2	Union	From Serial or Engine Number 47715
54	D46446200	2	Bush	From Serial or Engine Number 47715
55	D28780191	2	Clamp	Up to Serial or Engine Number 47962
	D28784142	2	Clip	From Serial or Engine Number 47963
56	D45233300	1	Packing Ring	From Serial or Engine Number 47715
58	D41010800	6	Nut	
59	D28781237	1	Profile	From Serial or Engine Number 49777
60	D20400507	2	Spacer	
61	D45082500	1	Gasket	

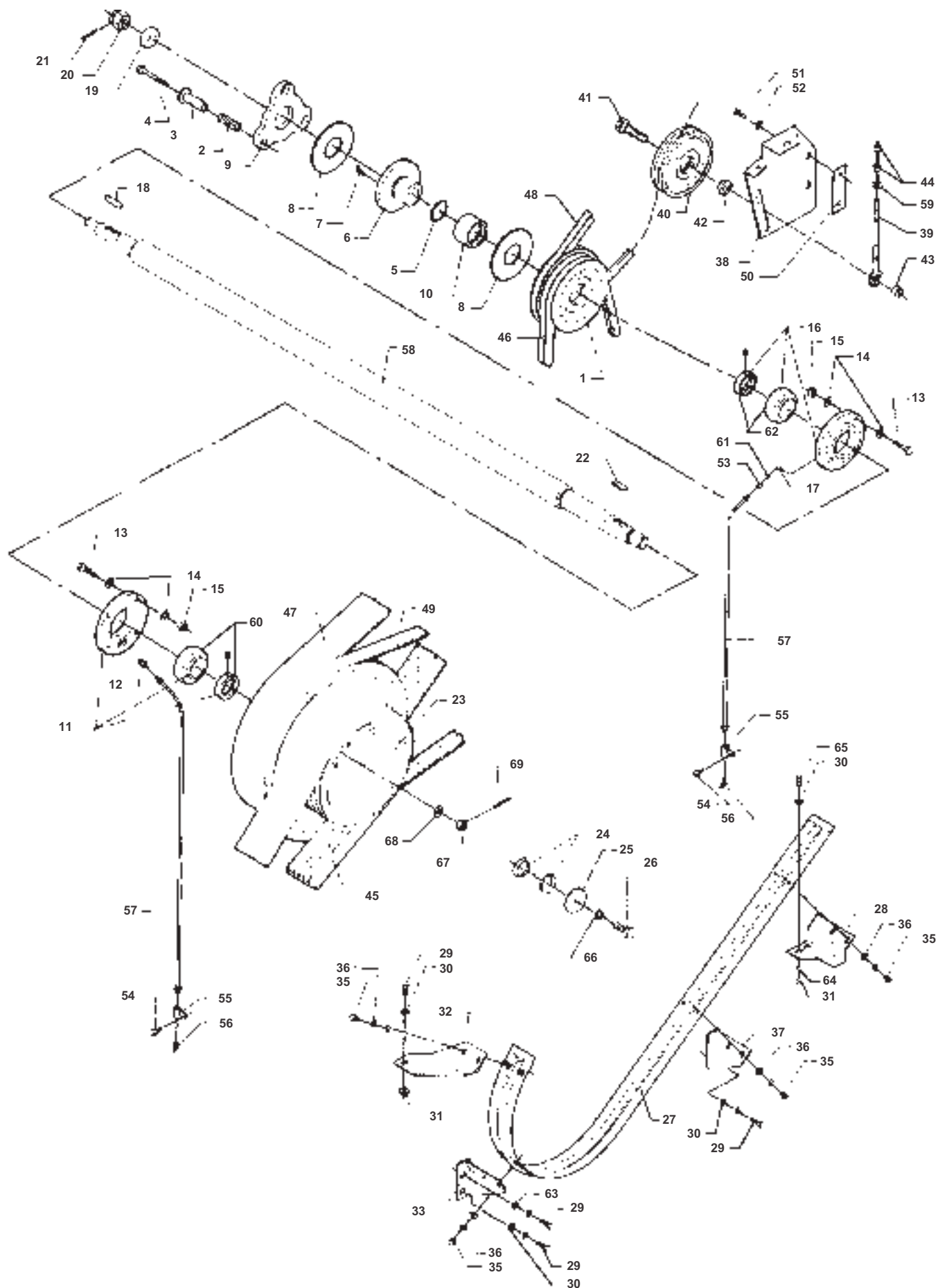
MF 38/40 COMBINES, |-> 47958 - 63001210  
90B1010



## Fuel Tank - 600 L

Item	Part Number	Qty	Description	Comments
1	D28781560	1	Console	
2	D28781307	1	Tank	
3	D28781581	3	Profile	
4	D28781582	3	Threaded Part	
5	D41087600	6	Locknut	From Serial or Engine Number +52565
6	D41087600	X	Locknut	
7	D28781574	1	Bracket	
8	D40405000	4	Hex. Sock. Screw	
9	D20400506	4	Washer	
10	D41013500	4	Nut	
11	D44742100	X	Rubber	Length 1,1 M X 3
12	D20400416	6	Washer	
13	D20400473	X	Washer	
14	D44742100	X	Rubber	
15	D40407800	3	Hex. Sock. Screw	
16	D40407900	5	Hex. Sock. Screw	From Serial or Engine Number +52565
17	D45080036	1	Gasket	(26)
18	D46403500	1	Fuel Filter	
19	D45080038	1	Cover	
20	D28781814	1	Spacer	From Serial or Engine Number +53722
21	D46446200	2	Bush	
22	D46446100	2	Union	
23	D45716800	2	Union	
24	D46446300	4	Washer	
25	D46446000	4	Union	
26	D45080035	1	Gauge	
27	D40743800	6	Screw	
28	D40405100	2	Hex. Sock. Screw	
29	D20400506	2	Washer	
30	D41013500	2	Nut	
31	D28784413	1	Fuel Hose	
32	D45729700	4	Clamp	
33	D46301059	2	Plug	
34	D46300336	2	Washer	
35	D20400415	3	Washer	
36	D28784143	1	Fuel Hose	
37	D28784146	1	Hose	
38	D45080037	1	Filter	Up to Serial or Engine Number 53721
39	D45080039	1	Plug	
40	D44735900	X	Seal Section	Length 0,1 M X 2
41	D46446600	1	Filter	From Serial or Engine Number +53342
42	D46443300	2	Seal	(41) From Serial or Engine Number +53342
43	D28781831	1	Pre Filter	From Serial or Engine Number +53722
44	D28781832	1	Spring	From Serial or Engine Number +53722
45	D46443100	1	Glass	(41) From Serial or Engine Number +53342
46	D46443200	1	Cover	(41) From Serial or Engine Number +53342
47	D45713000	1	Ball	From Serial or Engine Number +53722

MF 38/40 COMBINES, |-> 47958 - 63001210  
90D1101



## Countershaft

Item	Part Number	Qty	Description	Comments
1	D28780480	1	Clutch	
	D28780813	1	Pulley	(1)
2	D28260098	3	Comp.Spring	(1)
3	D28780809	1	Bush	(1)
4	D40466800	3	Screw	(1)
5	D45465600	1	O Ring	(1)
6	D28780482	1	Hub	(1)
7	D43001600	1	Greaser	(1)
8	<b>D45903800</b>	2	Friction Disc	(1)
9	D28780478	1	Plate	(1)
10	D28780810	1	Lining	(1)
11	D41715000	1	Bearing	
12	D43009600	1	Greaser	
13	D40411100	8	Hex. Sock. Screw	
14	D20400426	16	Washer	
15	D41087700	8	Locknut	
16	D41711000	1	Bearing	
17	D43001700	1	Greaser	
18	D43104900	1	Key	
19	D28780475	1	Washer	
20	D41049100	1	Castle Nut	
21	D41410700	1	Split Pin	
22	D43106400	1	Key	From Serial or Engine Number 55374
	D43108000	1	Key	Up to Serial or Engine Number 55373
23	D28785635	1	Pulley	From Serial or Engine Number 55374
	D28780021	1	Pulley	Up to Serial or Engine Number 55373
24	D42596900	1	Tightener	Up to Serial or Engine Number 55373
25	D28780497	1	Washer	Up to Serial or Engine Number 55373
26	D40465700	1	Screw	Up to Serial or Engine Number 55373
27	D28780173	1	Protector	Up to Serial or Engine Number 48792
	D28781116	1	Protector	From Serial or Engine Number 48793
28	D28780174	1	Bracket	Up to Serial or Engine Number 48792
	D28781113	1	Bracket	From Serial or Engine Number 48793
29	D40407800	X	Hex. Sock. Screw	
30	D20400416	X	Washer	
31	D41087600	2	Locknut	From Serial or Engine Number +50531
32	D28780175	1	Bracket	
33	D28780176	1	Bracket	
34	D20400416	X	Washer	
35	D40404700	8	Hex. Sock. Screw	
36	D20400506	8	Washer	
37	D28780177	1	Bracket	Up to Serial or Engine Number 48792
	D28781114	1	Bracket	From Serial or Engine Number 48793
38	D28780142	1	Bracket	
39	D28260181	1	Bolt	
40	D28760159	1	Pulley	
41	D28760156	1	Screw	
42	D28760163	1	Spacer	
43	D41087900	1	Locknut	
44	D41010800	2	Nut	
45	D41979900	1	Belt	
46	D41937500	1	Kit, Belt	[A] Up to Serial or Engine Number 50991
	<b>D41937800</b>	1	Kit, Belt	[A] From Serial or Engine Number 50992
47	D41979400	1	Belt	Up to Serial or Engine Number 48792
	D41978300	1	Belt	From Serial or Engine Number 48793
48	D41998800	1	V Belt	
49	<b>D41979600</b>	1	Belt	
	D41990049	1	Belt	[B]
50	D28780034	1	Plate	
51	D40408000	2	Hex. Sock. Screw	
52	D20400416	2	Washer	
53	D43009500	1	Greaser	
54	D40743100	2	Screw	
55	D43009200	2	Bracket	
56	D43002600	2	Greaser	
57	D28780803	2	Tube	
58	D28785633	1	Countershaft	From Serial or Engine Number 55374
	D28780492	1	Countershaft	Up to Serial or Engine Number 55373
59	D20400419	1	Washer	

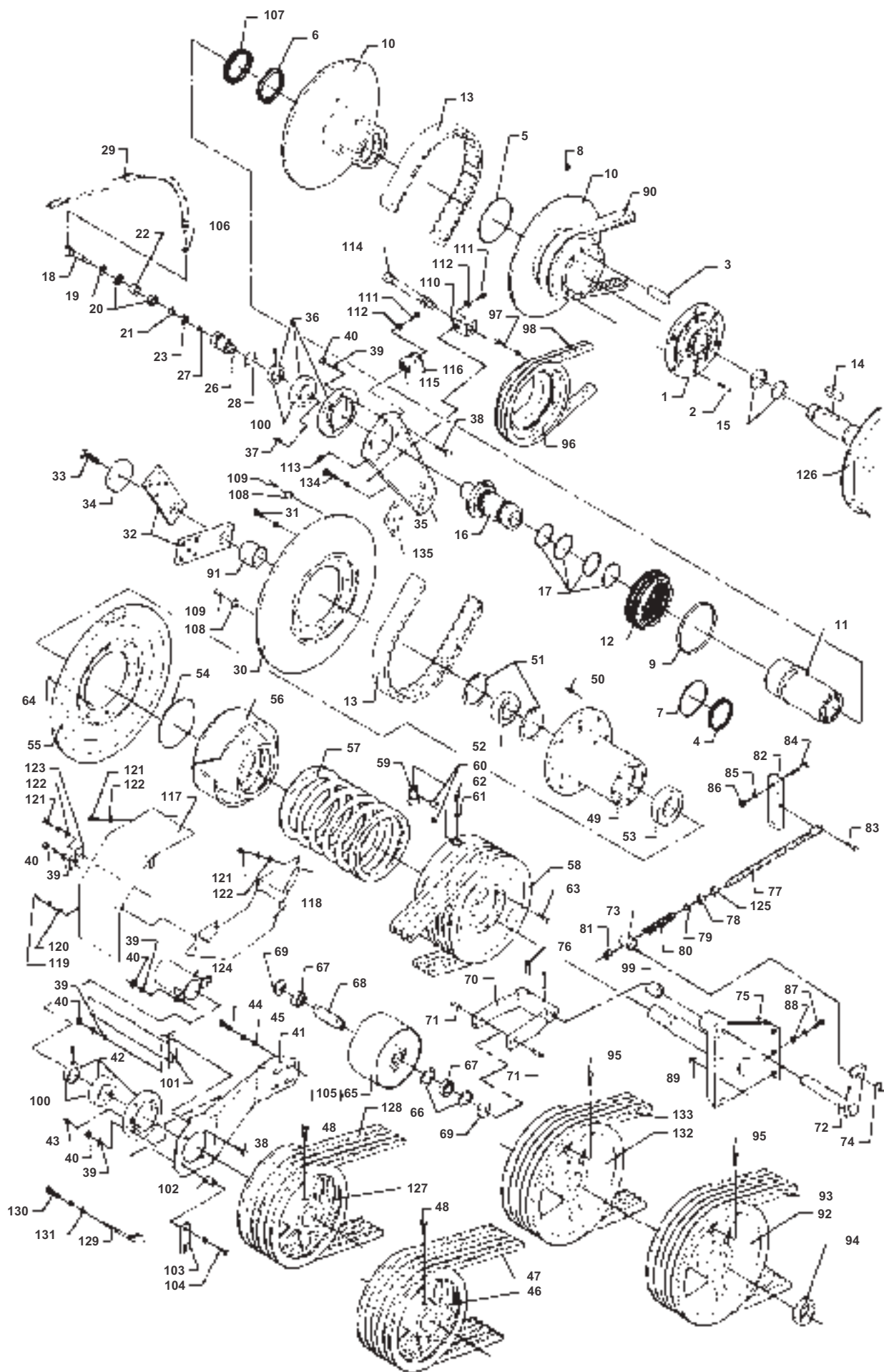
**Countershaft**

<b>Item</b>	<b>Part Number</b>	<b>Qty</b>	<b>Description</b>	<b>Comments</b>
60	D41713200	1	Bearing Ball	
61	D20400453	1	Washer	
62	D41705700	1	Bearing Ball	
63	D20400471	1	Washer	
64	D20400473	2	Washer	From Serial or Engine Number +50531
65	D40407900	2	Hex. Sock. Screw	From Serial or Engine Number +50531
66	D41114500	1	Washer	Up to Serial or Engine Number 55373
67	D41054900	1	Castle Nut	From Serial or Engine Number 55374
68	D41652800	1	Bush	From Serial or Engine Number 55374
69	D41411300	1	Pin	From Serial or Engine Number 55374

**FOOTNOTE [A]** 1 SET OF 2**FOOTNOTE [B]** REDUCED CHOP SPEED



MF 38/40 COMBINES, |-> 47958 - 63001210  
90D1102



90D1102

## Cylinder Transmission

Item	Part Number	Qty	Description	Comments
1	D28080609	1	Epicyclic	
	D28380221	1	Cover	(1)
	D28382095	1	Variator	(1)
2	D40607100	18	Screw	(1)
3	D28380024	4	Pin	(1)
4	D45403500	1	Gasket	(1)
				Up to Serial or Engine Number 48459
5	D45471500	1	O Ring	(1)
6	D45403600	1	Gasket	(1)
7	D45402000	1	Seal	(1)
				Up to Serial or Engine Number 48459
8	D43001500	1	Greaser	(1)
9	D45039100	3	Cable Tie	(1)
10	D28382117	1	Variator	(1)
				Up to Serial or Engine Number 48459
	D28380301	1	Variator	(1)
				From Serial or Engine Number 48460
11	D28380280	1	Bush	(1)
				Up to Serial or Engine Number 48459
	D28380298	1	Bush	(1)
				From Serial or Engine Number 48459
12	D28380031	1	Bellows	(1)
13	<b>D41981000</b>	1	Belt	
14	D43110600	1	Key	
15	D42596800	1	Tightener	
16	D28380184	1	Bush	
17	D45467100	4	O Ring	
18	D28380017	1	Clutch	
	D28710334	1	Shaft	(18)
19	D42512000	1	Circlip	(18)
20	D41616400	2	Bearing Ball	(18)
				From Serial or Engine Number +50027
21	D42500700	1	Circlip	(18)
22	D28710333	1	Bush	(18)
23	D28380297	1	Spacer	(18)
				From Serial or Engine Number +48555
26	D28380016	1	Bolt	(18)
27	D45404200	1	Gasket	(18)
				From Serial or Engine Number +50027
28	D45420100	1	Seal	
29	D45130034	1	Hydraulic Hose	From Serial or Engine Number +50007
	D45136900	1	Hydr Hose	
30	D28380063	1	Washer	
31	D40407800	8	Hex. Sock. Screw	
32	D28380018	2	Bracket	
33	D40416500	1	Screw Metric	
34	D28750882	1	Washer	
35	D28380020	1	Yoke	
36	D41711000	1	Bearing	
37	D43001500	1	Greaser	
38	D40411000	8	Hex. Sock. Screw	
39	D20400424	8	Washer	
40	D41010900	8	Nut	
41	D28380104	1	Yoke	Up to Serial or Engine Number 50991
	D28380168	1	Support	From Serial or Engine Number 50992
42	D41711000	1	Bearing	
43	D43001500	1	Greaser	
44	D40410800	8	Screw Metric	
45	D20400424	8	Washer	
46	D28380021	1	Pulley	Up to Serial or Engine Number 50991
47	D41983300	1	Kit, Belt	From Serial or Engine Number 48013 Up to Serial or Engine Number 50991
48	D40407800	2	Hex. Sock. Screw	
49	D28380065	1	Variator	
	D28380040	1	Variator	(49)
50	D43001500	1	Greaser	(49)
51	D42516400	2	Circlip	(49)
52	D41629300	1	Bearing Ball	(49)
53	D41629400	1	Bearing Ball	(49)
54	D45472100	1	O Ring	(49)
55	D28380041	1	Spacer	(49)

## Cylinder Transmission

Item	Part Number	Qty	Description	Comments
56	D28380046	1	Variator	(49)
57	D28380036	1	Spring	(49)
58	D28380039	1	Pulley	(49)
59	D28380037	2	Pin	(49)
59	D28380303	2	Retainer	Up to Serial or Engine Number 48792 (49)
60	D43103100	2	Key	From Serial or Engine Number 48793 (49)
60	D28380304	2	Wearplate	Up to Serial or Engine Number 48792 (49)
61	D20400415	2	Washer	From Serial or Engine Number 48793 (49)
62	D40407600	2	Hex. Sock. Screw	(49)
63	D40408000	8	Hex. Sock. Screw	(49)
64	D40603300	8	Screw Metric	(49)
65	D28380189	1	Pulley	
66	D42513700	2	Circlip	
67	D41622700	2	Bearing Ball	
68	D28380001	1	Bolt	
69	D28380003	2	Ring	
70	D28380009	1	Rockerarm	
71	D40603300	2	Screw Metric	
72	D28380005	1	Arm	
73	D28760334	1	Bracket	
74	D42501800	1	Circlip	
75	D28380053	1	Bracket	
76	D42621900	2	Pin	
77	D28380011	1	Tie Rod	
78	D41011100	1	Nut	
79	D28181284	1	Washer	
80	D28210881	1	Comp.Spring	
81	D41087900	1	Locknut	
82	D28380276	1	Fitting	Up to Serial or Engine Number 47684
83	D40466700	1	Hex. Sock. Screw	
84	D40426200	2	Screw	Up to Serial or Engine Number 47684
85	D20400415	4	Washer	Up to Serial or Engine Number 47684
86	D41087600	2	Locknut	Up to Serial or Engine Number 47684
87	D40408000	6	Hex. Sock. Screw	
88	D20400415	3	Washer	
89	D41087600	3	Locknut	From Serial or Engine Number +52565
90	<b>D41981200</b>	1	Belt	
91	D28380019	1	Bush	
92	D28380022	1	Pulley	[C] Up to Serial or Engine Number 50991
93	D41985300	1	V Belt	[C] Up to Serial or Engine Number 50991
94	D28380128	1	Ring	[C] Up to Serial or Engine Number 48038
95	D40408000	1	Hex. Sock. Screw	[C]
96	D28380231	1	Washer	[B]
97	D40692300	6	Screw	[B]
98	<b>D41990007</b>	1	Belt	[B] From Serial or Engine Number +56011
99	D43367400	1	Bush	
100	D41705700	2	Bearing Ball	
101	D28180994	1	Bracket	[C] Up to Serial or Engine Number 49639
101	D28480641	1	Support	From Serial or Engine Number 49640 Up to Serial or Engine Number 50991
102	D28480645	1	Bush	(1) From Serial or Engine Number 48062 Up to Serial or Engine Number 50991
103	D28180991	1	Mounting	Up to Serial or Engine Number 50991
104	D40428800	1	Hex. Sock. Screw	
105	D28380313	1	Pulley	[C]
106	D45232400	1	Washer	
107	D45403700	1	Gasket	From Serial or Engine Number 48460
108	<b>D45010092</b>	2	Magnet	[A]
109	D40316400	2	Screw Metric	[A]
110	D28780967	1	Sensor	[A]
111	D40402400	2	Hex. Sock. Screw	[A]

## Cylinder Transmission

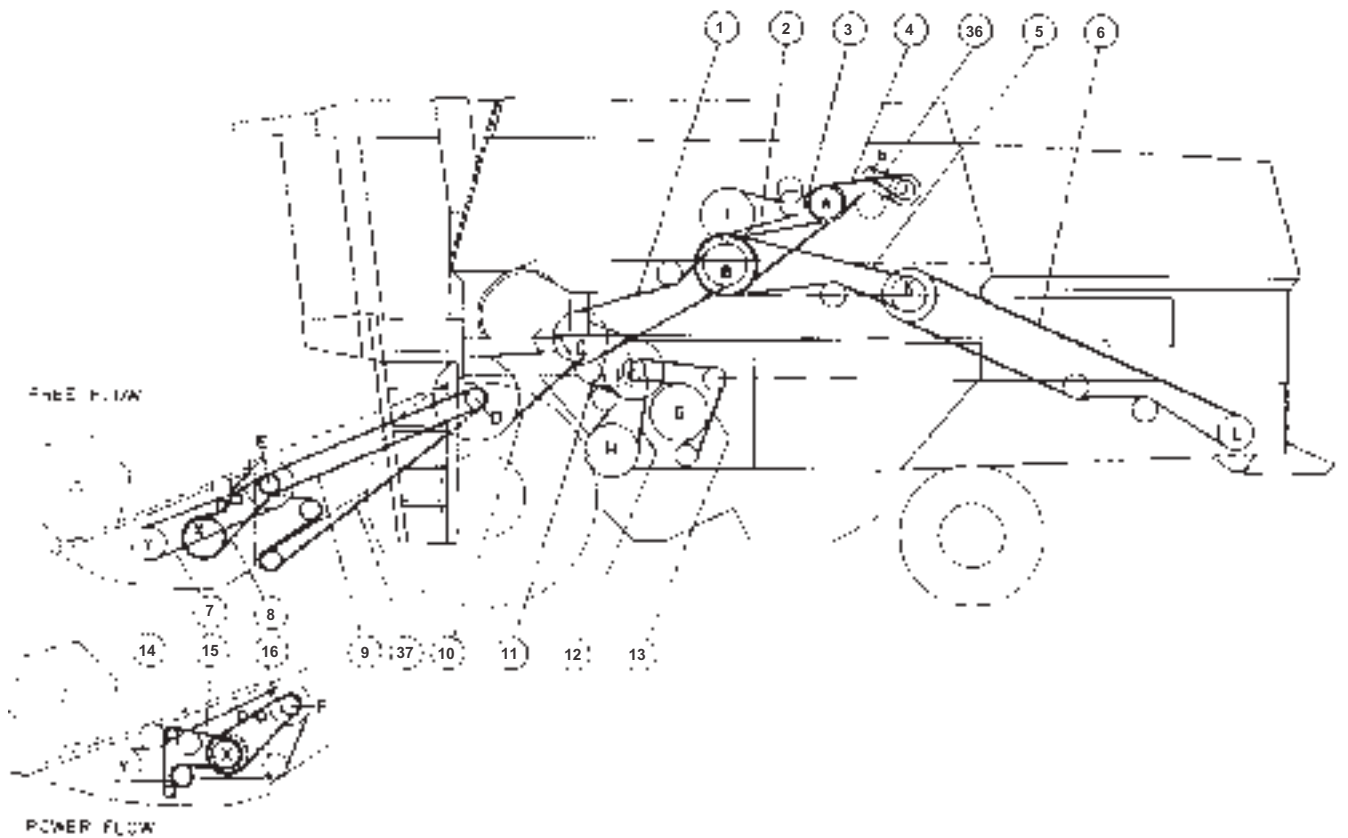
Item	Part Number	Qty	Description	Comments
112	D20400404	2	Washer	[A]
113	D41013400	2	Nut	[A]
114	D28780971	1	Sensor	[A]
115	D28780772	1	Retainer	[A]
116	D40740400	4	Screw	[A]
117	D28380225	1	Cover	[C] Up to Serial or Engine Number 49639
118	D28380226	1	Cover	Up to Serial or Engine Number 48860
118	D28380308	1	Guard	[E]
119	D40402400	2	Hex. Sock. Screw	[C] Up to Serial or Engine Number 49639
120	D20400470	2	Washer	[C] Up to Serial or Engine Number 49639
121	D40404900	5	Hex. Sock. Screw	[C] Up to Serial or Engine Number 49639
122	D20400506	5	Washer	[C] Up to Serial or Engine Number 49639
123	D28380295	1	Tensioner	[C] Up to Serial or Engine Number 49639
124	D28380229	1	Tube	
125	D41012300	1	Nut Metric	
126	D28380447	1	Drum	From Serial or Engine Number +55433
127	D28380002	1	Pulley	From Serial or Engine Number 50992
128	<b>D41982300</b>	1	Kit, Belt	From Serial or Engine Number 50992
129	D28180928	1	Bracket	From Serial or Engine Number 50992
130	D40404900	2	Hex. Sock. Screw	From Serial or Engine Number 50992
131	D20400506	2	Washer	From Serial or Engine Number 50992
132	D28380170	1	Pulley	[C] From Serial or Engine Number 50992
133	D41982000	1	Kit, Belt	[C] From Serial or Engine Number 50992
134	D40411000	5	Hex. Sock. Screw	
135	D28380178	1	Dog	

**FOOTNOTE [A]** OPTIONAL EQUIPMENT STANDARD COMBINE, STANDARD EQUIPMENT AUTO-LEVEL COMBINE,SLOPES

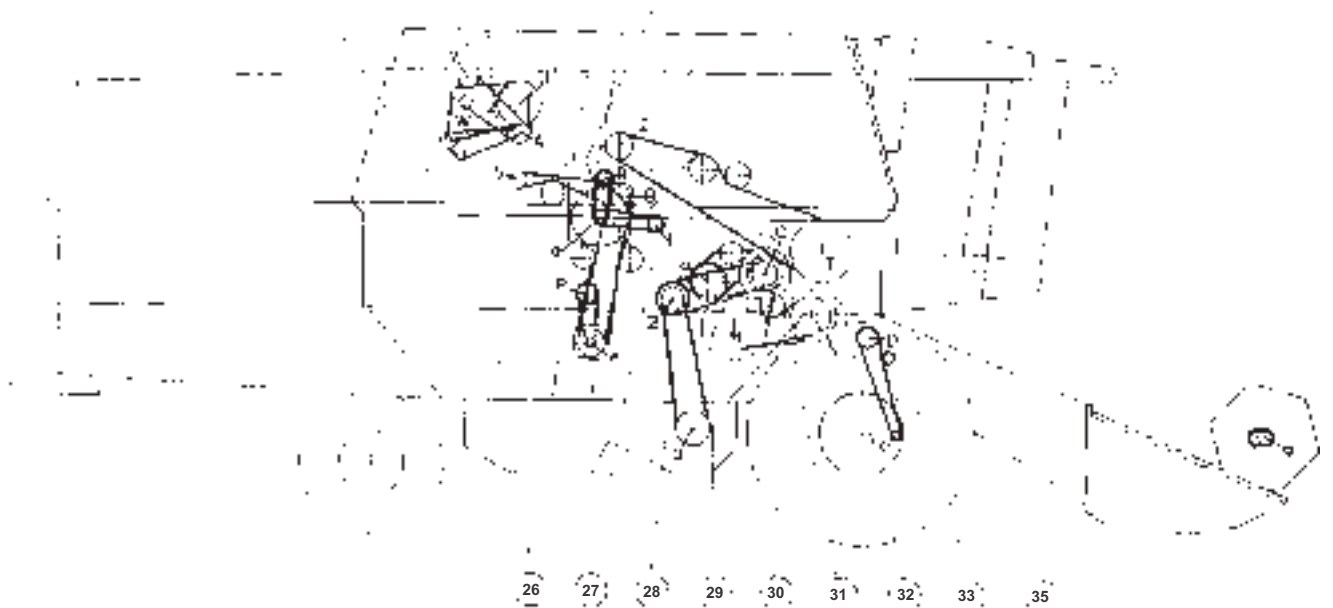
**FOOTNOTE [B]** FOR MACHINES WITH GRAIN SEPARATOR

**FOOTNOTE [C]** OPTIONAL EQUIPMENT

**FOOTNOTE [E]** OPTIONAL EQUIPMENT F.48861, T.49639



34 17 25 18 19 20 21 22 23 24



## Belt Mounting, Right Side

Item	Part Number	Qty	Description	Comments
1	D41979900	1	Belt	
2	D41978300	1	Belt	From Serial or Engine Number 48793
	D41979400	1	Belt	Up to Serial or Engine Number 48792
3	<b>D41979100</b>	1	Belt	
4	<b>D41990061</b>	X	Belt	From Serial or Engine Number +54798
5	<b>D41979600</b>	1	Belt	
	D41990049	1	Belt	[C]
6	<b>D41978400</b>	1	Belt	[C]
	<b>D41978900</b>	1	Belt	
7	<b>D41985600</b>	1	Belt	
8	<b>D42329300</b>	1	Chain	
9	D42329600	1	Chain	Up to Serial or Engine Number 51240
	D42334500	1	Chain	[G]
	<b>D42334600</b>	1	Chain	[D]
10	<b>D41979800</b>	1	Belt	
11	<b>D41990001</b>	2	V Belt	
12	<b>D41933700</b>	1	V Belt	From Serial or Engine Number +50929
13	<b>D41979000</b>	1	Belt	
14	<b>D41986300</b>	1	V Belt	
15	<b>D42332800</b>	1	Chain	
16	<b>D42329200</b>	1	Chain	
17	D41911000	1	Belt	Up to Serial or Engine Number 48792
	D41990011	1	Belt	From Serial or Engine Number 48793
18	<b>D41990013</b>	1	Belt	
19	<b>D41937800</b>	1	Kit, Belt	From Serial or Engine Number 52942
	D41982600	1	Belt	Up to Serial or Engine Number 52941
	D41986100	1	V Belt	Up to Serial or Engine Number 50991
20	D41998800	1	V Belt	
21	<b>D42328200</b>	1	Chain	Up to Serial or Engine Number 52941
	D42328800	1	Chain	From Serial or Engine Number 52942
22	D41937500	1	Kit, Belt	Up to Serial or Engine Number 50991
	<b>D41937800</b>	1	Kit, Belt	From Serial or Engine Number 50992
23	<b>D41978800</b>	1	Belt	
24	D42325600	1	Chain	
25	D41909000	1	Belt	[A]
	D41991000	1	V Belt	
26	<b>D42329000</b>	1	Chain	
27	<b>D41981200</b>	1	Belt	
28	<b>D41981100</b>	1	Belt	
29	<b>D41981000</b>	1	Belt	
30	<b>D41982300</b>	1	Kit, Belt	From Serial or Engine Number 50992
	D41983300	1	Kit, Belt	Up to Serial or Engine Number 50991
31	D41982000	1	Kit, Belt	[E]
				From Serial or Engine Number 50992
	D41985300	1	V Belt	[H]
				Up to Serial or Engine Number 50991
32	<b>D41990007</b>	1	Belt	From Serial or Engine Number +56011
33	<b>D42333300</b>	1	Chain	
34	D41990700	1	V Belt	From Serial or Engine Number +55220
35	<b>D42325700</b>	1	Chain	
36	<b>D41904200</b>	1	Belt	[B]
37	D42332400	1	Chain	[I]
	D42333200	1	Chain	[F]
				Up to Serial or Engine Number 50991

FOOTNOTE [A] AIR CONDITIONING

FOOTNOTE [B] OPTIONAL EQUIPM VERTICAL KNIFE

FOOTNOTE [C] REDUCED CHOP SPEED

FOOTNOTE [D] AUTO-LEVEL COMBINE AND AUTO-LEVEL TABLE F.50992, STD. TABLE F.51241

FOOTNOTE [E] OPTIONAL EQUIPMENT

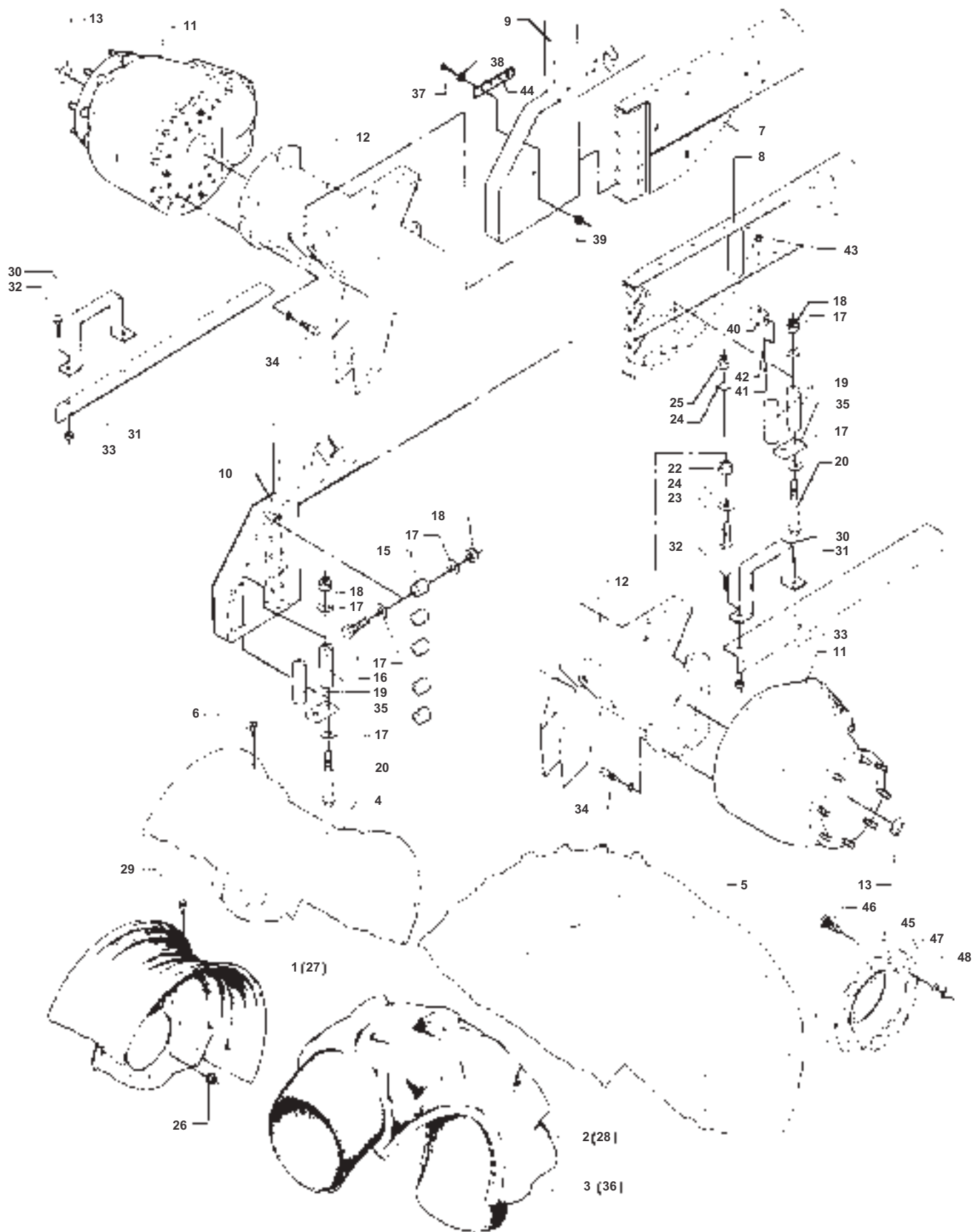
FOOTNOTE [F] MAIZE EQUIPMENT

FOOTNOTE [G] AUTO-LEVEL, T.50991

FOOTNOTE [H] REDUCED BEATER SPEED

FOOTNOTE [I] AUTO-LEVEL, T.50991 MAIZE EQUIPMENT

MF 38/40 COMBINES, |-> 47958 - 63001210  
90E1201



## Traction Wheels And Final Drives - Std. Combine

Item	Part Number	Qty	Description	Comments
1	D28180805	1	Wheel	Right Hand
	D28180806	1	Wheel	Left Hand
	D28181762	1	Rim	From Serial or Engine Number +53282
2	D46732500	1	Tyre	(1) From Serial or Engine Number +55104
3	D46738200	1	Pressure Valve	24,5-32
4	D28180803	1	Wheel	Right Hand
	D28180804	1	Wheel	Left Hand
	D28180600	1	Rim	(4)
5	D46735300	1	Tyre	(4)
6	D46737600	1	Valve	(4)
7	D28180064	1	Frame	
8	D28180063	1	Runner	
9	D28181178	1	Frame	
10	D28181179	1	Support	
11	D46140042	2	Final Drive	From Serial or Engine Number +55374
	D28080609	1	Epicyclic	
12	D28180990	1	Front Axle	
13	D45085400	2	Reflector	
15	D28180088	10	Spacer	
16	D40437200	10	Screw	
17	D20400437	36	Washer	
18	D41088100	18	Locknut	
19	D28180058	8	Pipe	
20	D40437800	8	Screw	
22	D28180059	2	Pipe	
23	D40437200	2	Screw	
24	D20400437	4	Washer	
25	D41088100	2	Locknut	
26	D41021700	8	Nut	
27	D28181728	1	Wheel	Left Hand
	D28181729	1	Wheel	Right Hand
	D28181686	1	Rim	(27)
28	D46732300	1	Tyre	(27) From Serial or Engine Number +55529
29	D46738700	1	Pressure Valve	(1) From Serial or Engine Number 53282
	D46738700	1	Pressure Valve	(27)
30	D28181115	2	Support	[A]
31	D28181116	2	Reinforcement	[A]
32	D40433200	4	Hex. Sock. Screw	[A]
33	D41087900	4	Locknut	[A]
34	D40433400	28	Screw Metric	
35	D28181161	4	Bracket	
36	D46738100	1	Pressure Valve	30,5L-32
37	D40407800	1	Hex. Sock. Screw	
38	D20400471	1	Washer	
39	D41087600	1	Locknut	From Serial or Engine Number 52565
40	D28181520	1	Support	Up to Serial or Engine Number 51178
41	D40402600	1	Hex. Sock. Screw	From Serial or Engine Number 49640
42	D20400470	1	Washer	From Serial or Engine Number 49640
43	D41013400	1	Nut	From Serial or Engine Number 49640
44	D28980940	1	Handle	
45	D28151064	1	Spacer	[B]
46	D46113300	8	Bolt	[B]
47	D41110300	8	Spring Washers	[B]
48	D41020000	8	Nut	[B]

FOOTNOTE [A] MAIZE EQUIPMENT

FOOTNOTE [B] FOR TRACTION WHEELS 30- 5LR32





**Massey Ferguson****MF 38/40 COMBINES, |-> 47958 - 63001210****63001210****Front Axle And Gearbox - Standard Combine - From Serial or Engine Number 52626****Page012-0010**

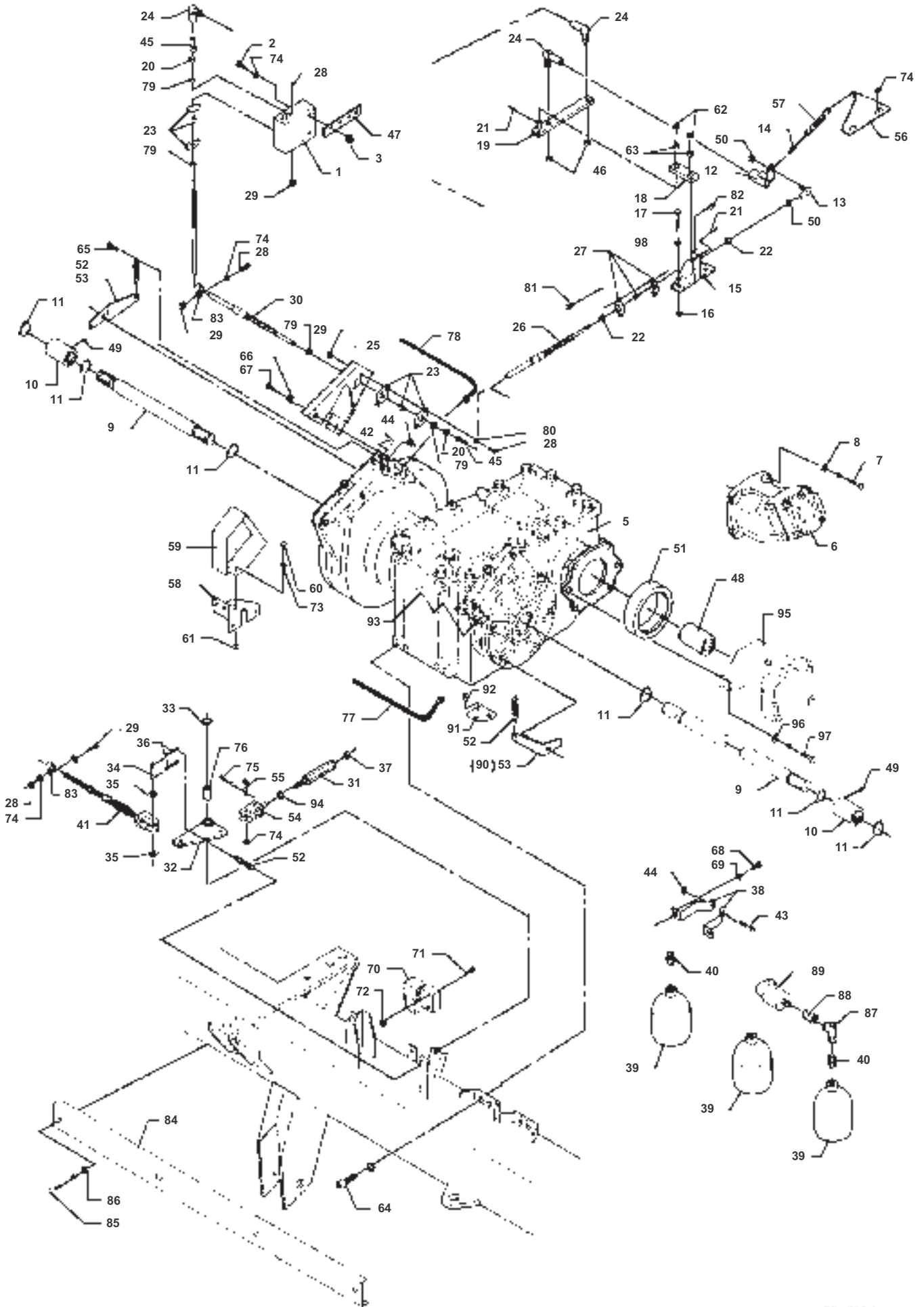
Item	Part Number	Qty	Description	Comments
1	D28980806	1	Bracket	
2	D40407800	2	Hex. Sock. Screw	
3	D41087600	2	Locknut	From Serial or Engine Number +52565
5	D46148600	1	Gearbox	
6	D43001600	2	Greaser	
7	D42504000	4	Circlip	
8	D46148900	2	Sleeve	
9	D46148700	2	Shaft	
10	D46148800	2	Sleeve	
11	D42509500	2	Circlip	
12	D28181748	1	Lever	
13	D46437400	1	Toggle	
14	D42609500	1	Pin	
15	D28181749	1	Plate	
16	D20400471	2	Washer	
17	D40439300	2	Screw	
18	D28980354	1	Lever	
19	D28980796	1	Arm	
20	D41010600	2	Nut	
21	D41405900	2	Pin	
22	D46431700	2	Nut	
23	D46434800	2	Toggle	
24	D46436200	2	Toggle	
25	D28181746	1	Support	
26	D46439400	1	Cable	
27	D46431600	1	Toggle	
28	D40402600	5	Hex. Sock. Screw	
29	D41013400	5	Nut	
30	D46439500	1	Cable	
31	D28250794	4	Spacer	
32	D40439300	4	Screw	
33	D20400471	4	Washer	
34	D28180838	1	Clevis Pin	
35	D20400507	2	Spacer	
36	D41404400	2	Split Pin	
37	D28782136	1	Plate	
38	D28752408	6	Support	
39	D45100300	3	Accumulator	
40	D45250500	3	Union	
41	D45924900	1	Handbrake Cable	
42	D41010700	2	Nut	
43	D40405600	3	Setscrew	
44	D41087500	5	Locknut	
45	D28760913	2	Bolt	
46	D41010800	3	Nut	
47	D28980940	1	Handle	
48	D46147900	1	Sleeve	
49	D43001500	2	Greaser	
50	D41010500	2	Nut	
51	D46147700	1	Ring	
52	D41087600	X	Locknut	
53	D45711200	4	Gasket	Up to Serial or Engine Number 53241
54	D45714600	4	Adaptor	Up to Serial or Engine Number 53241
55	D45714700	2	Union	Up to Serial or Engine Number 53241
56	D28780870	1	Bracket	
57	D28710853	1	Spring	
58	D28781546	2	Retainer	Up to Serial or Engine Number 53241
59	D28781547	2	Elbow	Up to Serial or Engine Number 53241
62	D20400537	2	Spacer	
63	D43360500	2	Bush	
64	D40696400	8	Screw	
68	D40407600	4	Hex. Sock. Screw	
69	D20400415	4	Washer	
70	D45110054	2	Valve	
71	D40422200	4	Screw Metric	
72	D41013400	4	Nut	
74	D20400471	3	Washer	
77	D28981336	2	Tube	
79	D46434600	2	Nut	
80	D20400470	2	Washer	
81	D40402400	2	Hex. Sock. Screw	

**Massey Ferguson****MF 38/40 COMBINES, |-> 47958 - 63001210****63001210****Front Axle And Gearbox - Standard Combine - From Serial or Engine Number 52626****Page012-0010**

Item	Part Number	Qty	Description	Comments
82	D41087400	2	Locknut	
83	D45730400	1	Clamp	
84	D28480615	1	Cowl	[B]
85	D40421900	4	Bolt	[B]
86	D20400405	4	Washer	[B]
87	D45266300	1	Union	[C]
88	D45277000	1	Connector	[C]
89	D28781255	1	Sensor	[C]
95	D45165100	1	Hydraulic Motor	
96	D40433200	2	Hex. Sock. Screw	
97	D28181284	2	Washer	
98	D20400415	2	Washer	
99	D28710853	1	Spring	
100	D45711200	2	Gasket	From Serial or Engine Number 53242
101	D45714600	2	Adaptor	From Serial or Engine Number 53242
102	D28120328	1	Retainer	From Serial or Engine Number 52942
103	D41087400	X	Locknut	From Serial or Engine Number +53566
104	D40422200	X	Screw Metric	From Serial or Engine Number +53566
105	D28185803	2	Pipe	[A]
106	D28185805	2	Housing	[A]
107	D28185802	2	Housing	[A]
108	D43001500	2	Greaser	[A]

**FOOTNOTE [A]** AUTO-LEVEL COMBINE**FOOTNOTE [B]** OPTIONAL EQUIP. ELECT. REVERSING**FOOTNOTE [C]** OPTIONAL EQUIPMENT STANDARD COMBINE, STANDARD EQUIPMENT AUTO-LEVEL COMBINE,SLOPES

MF 38/40 COMBINES, |-> 47958 - 63001210  
90-1202B



Item	Part Number	Qty	Description	Comments
1	D28980806	1	Bracket	
2	D40407800	2	Hex. Sock. Screw	
3	D41013600	2	Nut	
5	D46136800	1	Gearbox	Up to Serial or Engine Number 52010
	D46147600	1	Gearbox	From Serial or Engine Number 52011
6	D45163100	1	Hydraulic Motor	Up to Serial or Engine Number 52010
7	D40433200	4	Hex. Sock. Screw	Up to Serial or Engine Number 52010
8	D20400459	4	Washer	Up to Serial or Engine Number 52010
9	D46137700	2	Shaft	
10	D46137800	2	Sleeve	
11	D42509500	6	Circlip	
12	D28980349	1	Selector	
13	D46437400	1	Toggle	
14	D42609500	1	Pin	
15	D28980808	1	Plate	
16	D20400471	2	Washer	
17	D40426000	2	Hex. Sock. Screw	DMB
	D40439300	2	Screw	COB.
18	D28980354	1	Lever	
19	D28980796	1	Arm	
20	D41010600	2	Nut	
21	D41405900	2	Pin	
22	D46431700	2	Nut	
23	D46434800	2	Toggle	
24	D46436200	2	Toggle	
25	D28980352	1	Bracket	
26	D46439400	1	Cable	
27	D46431600	1	Toggle	
28	D40402600	6	Hex. Sock. Screw	
29	D41013400	6	Nut	
30	D46439500	1	Cable	
31	D28180836	1	Rod	
32	D28180834	1	Lever	
33	D42501400	1	Circlip	
34	D28180838	1	Clevis Pin	
35	D20400507	2	Spacer	
36	D41404400	2	Split Pin	
37	D41010900	1	Nut	
38	D28752408	6	Support	
39	D45100300	3	Accumulator	
40	D45250500	3	Union	
41	D45924400	1	Cable	
42	D41010700	2	Nut	
43	D40405600	3	Setscrew	
44	D41087500	5	Locknut	
45	D28760913	2	Bolt	
46	D41010800	3	Nut	
47	D28980940	1	Handle	
48	D46137200	1	Sleeve	Up to Serial or Engine Number 52010
	D46147900	1	Sleeve	From Serial or Engine Number 52011
49	D43001500	2	Greaser	
50	D41010500	2	Nut	
51	D46137300	1	Bush	Up to Serial or Engine Number 52010
	D46147700	1	Ring	From Serial or Engine Number 52011
52	D28800460	3	Spring	
53	D28181013	2	Support	[A]
54	D45905400	1	Fork	
55	D45905500	1	Bolt	
56	D28780870	1	Bracket	
57	D28710853	1	Spring	
58	D28181226	1	Retainer	From Serial or Engine Number 48087
59	D28181225	1	Stirrup	From Serial or Engine Number 48087
60	D40405000	4	Hex. Sock. Screw	
61	D41013500	4	Nut	
62	D20400537	2	Spacer	
63	D43360500	2	Bush	
64	D40696400	8	Screw	
65	D40424000	2	Hex. Sock. Screw	
66	D20400419	2	Washer	
67	D40439400	2	Screw	DMB
68	D40407600	4	Hex. Sock. Screw	

Item	Part Number	Qty	Description	Comments
69	D20400415	4	Washer	
70	D45110054	2	Valve	
71	D40422200	4	Screw Metric	
72	D41013400	4	Nut	
73	D20400506	2	Washer	
74	D20400471	4	Washer	
75	D41404400	1	Split Pin	
76	D43361000	1	Bush	(32)
77	D28980945	1	Pipe	
78	D28980944	1	Pipe	
79	D46434600	2	Nut	
80	D20400470	2	Washer	
81	D40402400	2	Hex. Sock. Screw	
82	D41087400	2	Locknut	
83	D45730400	2	Clamp	
84	D28480615	1	Cowl	[B]
85	D40421900	4	Bolt	[B]
86	D20400405	4	Washer	[B]
87	D45266300	1	Union	[C]
88	D45277000	1	Connector	[C]
89	D28781255	1	Sensor	[C]
90	D28181011	1	Support	[D]
91	D28181674	1	Plate	[D]
92	D40600500	2	Screw Metric	[D]
93	D40402700	2	Hex. Sock. Screw	[D]
94	D41014300	1	Nut	
95	D45165100	1	Hydraulic Motor	From Serial or Engine Number 52011
96	D40433200	2	Hex. Sock. Screw	From Serial or Engine Number 52011
97	D28181284	2	Washer	From Serial or Engine Number 52011
98	D20400415	2	Washer	

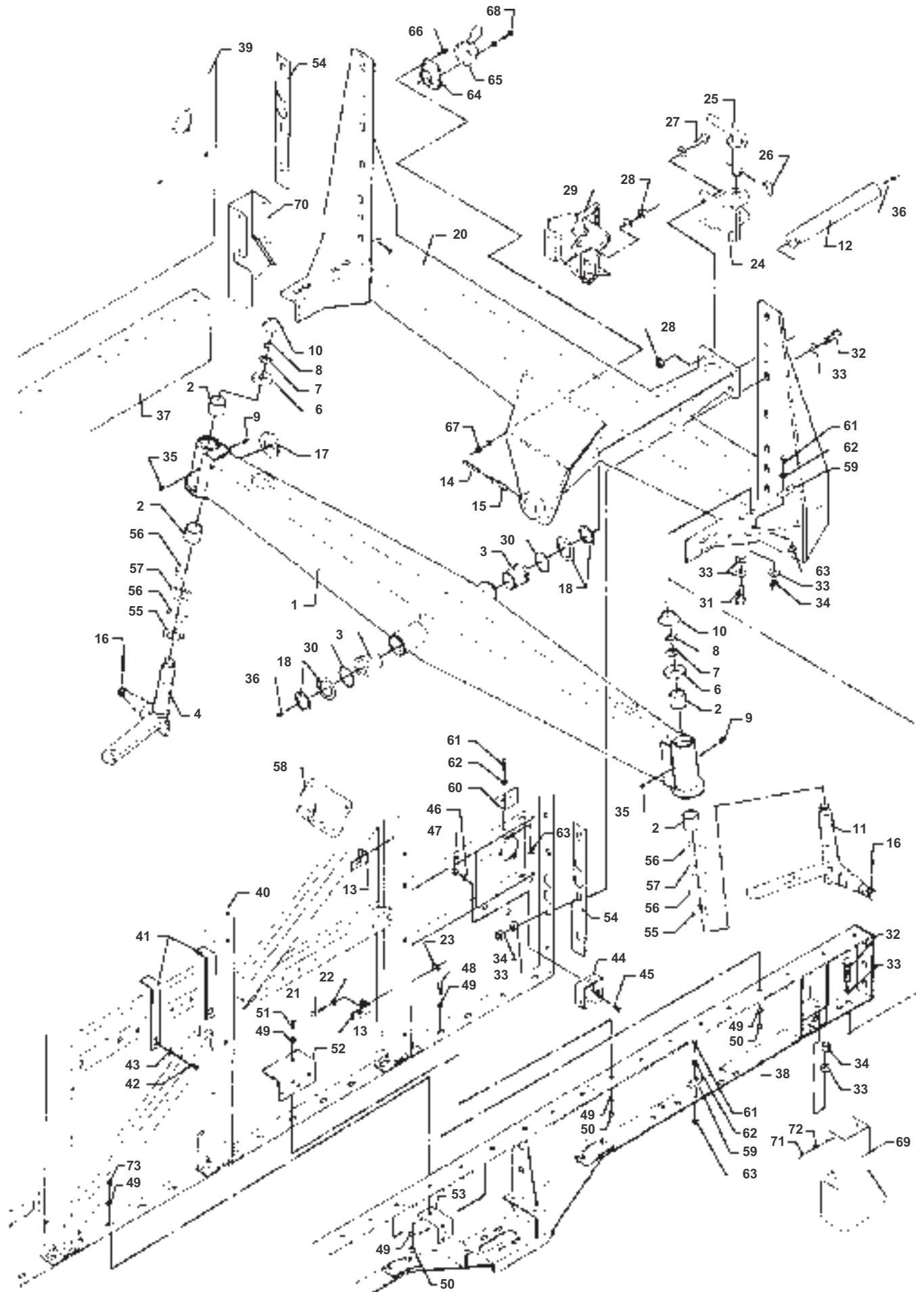
**FOOTNOTE [A]** STANDARD COMBINE

**FOOTNOTE [B]** OPTIONAL EQUIP. ELECT. REVERSING

**FOOTNOTE [C]** OPTIONAL EQUIPMENT STANDARD COMBINE, STANDARD EQUIPMENT AUTO-LEVEL COMBINE,SLOPES

**FOOTNOTE [D]** AUTO-LEVEL COMBINE

MF 38/40 COMBINES, |-> 47958 - 63001210  
90D1203



90D1203

## Rear Axle

Item	Part Number	Qty	Description	Comments
1	D28180359	1	Rear Axle	[A]
	D28180860	1	Rear Axle	Up to Serial or Engine Number 52230
	D28181696	1	Rear Axle	From Serial or Engine Number 52231
2	D43339500	4	Lining	
3	D42640500	2	Bush	
4	D46725400	1	Steering Spindle	Up to Serial or Engine Number 48037
	D46726000	1	Spindle	From Serial or Engine Number +48038
				Up to Serial or Engine Number 52230
	D46727500	1	Spindle	From Serial or Engine Number 52231
6	D28150131	2	Washer	
7	D42599000	2	Washer	
8	D42502800	2	Circlip	
9	D43001500	2	Greaser	
10	D45745700	2	Cover	
11	D46725500	1	Spindle	Up to Serial or Engine Number 48037
	D46726100	1	Spindle	From Serial or Engine Number +48038
				Up to Serial or Engine Number 52230
	D46727600	1	Spindle	From Serial or Engine Number 52231
12	D28180880	1	Bolt	
13	D28751238	2	Bracket	
14	D42616900	1	Pin	
15	D42625800	1	Pin	
16	D41415200	2	Pin	
17	D45085600	2	Reflector	
18	D28182115	X	Washer	OPTIONAL
20	D28180052	1	Casing	
21	D40422700	2	Hex. Sock. Screw	
22	D20400404	2	Washer	
23	D41013400	2	Nut	
24	D28150801	1	Hook	
25	D28150802	1	Bolt	
26	D41446200	1	Split Pin	
27	D40430900	4	Screw Metric	
28	D41011000	4	Nut Metric	
29	D45907400	1	Hook	
30	D45481700	2	O Ring	
31	D40433600	4	Screw Metric	
32	D40433300	10	Screw Metric	
33	D28181284	X	Washer	
34	D41087900	14	Locknut	
35	D40630900	2	Pin	
36	D43002500	2	Greaser	
37	D28180064	1	Frame	
38	D28180063	1	Runner	
39	D28181184	1	Frame	Up to Serial or Engine Number 50991
	D28181700	1	Frame	From Serial or Engine Number 50992
40	D28181188	1	Frame	Up to Serial or Engine Number 49639
	D28181517	1	Frame	From Serial or Engine Number 49640
				Up to Serial or Engine Number 50991
	D28181701	1	Frame	From Serial or Engine Number 50992
41	D28780745	2	Support	
42	D40405100	2	Hex. Sock. Screw	
43	D20400414	2	Washer	
44	D28781903	1	Connector	From Serial or Engine Number +54071
45	D40402700	1	Hex. Sock. Screw	From Serial or Engine Number +54071
46	D20400401	2	Washer	
47	D41010500	2	Nut	
48	D40407000	X	Screw	
49	D20400473	X	Washer	
50	D41092500	X	Nut	
51	D40407100	X	Screw	
52	D28780366	1	Retainer	
53	D28780443	1	Retainer	
54	D28180152	X	Shim	OPTIONAL
55	D28181618	2	Housing	From Serial or Engine Number +50231
56	D41660900	4	Ring	From Serial or Engine Number +50231
57	D41660700	2	Bearing Assy	From Serial or Engine Number +50231
58	D28780744	1	Hydr.Hose Assy.	
59	D28780440	2	Retainer	
60	D28780685	1	Fitting	
61	D40402600	3	Hex. Sock. Screw	

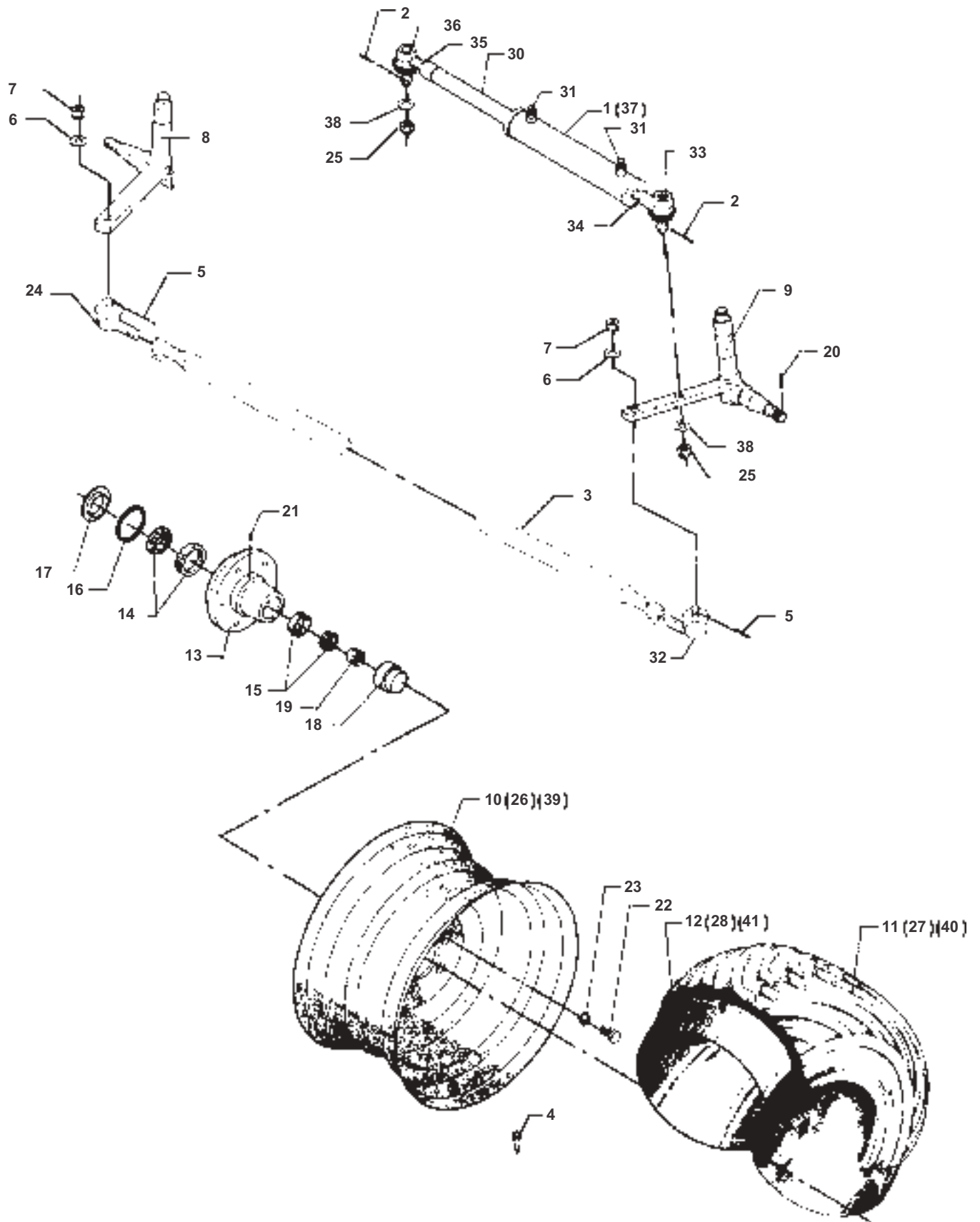


**Rear Axle**

<b>Item</b>	<b>Part Number</b>	<b>Qty</b>	<b>Description</b>	<b>Comments</b>
62	D20400470	3	Washer	
63	D41013400	3	Nut	
64	D28780750	1	Bearing Housing	
65	D45005200	1	Electric Socket	
66	D40402400	4	Hex. Sock. Screw	
67	D41010600	4	Nut	
68	D40371600	3	Screw Metric	
69	D28181559	1	Guard	From Serial or Engine Number 51061
70	D28181558	1	Guard	From Serial or Engine Number 51061
71	D40404900	8	Hex. Sock. Screw	From Serial or Engine Number 51061
72	D20400506	8	Washer	From Serial or Engine Number 51061
73	<b>D40439200</b>	1	Screw	From Serial or Engine Number +55399

**FOOTNOTE [A] NARROW TRACK GANGE**

MF 38/40 COMBINES, |-> 47958 - 63001210  
90C1204



## Rear Wheels

Item	Part Number	Qty	Description	Comments
1	D45100025	1	Ram	
2	D41408800	2	Split Pin	Up to Serial or Engine Number 52230
	D41408900	2	Split Pin	From Serial or Engine Number 52231
3	D45900900	1	Connecting Link	[C]
	D45907600	1	Rod	From Serial or Engine Number 52231
	D45909600	1	Conrod	From Serial or Engine Number +49897
4	D46738700	1	Pressure Valve	Up to Serial or Engine Number 52230 (10) From Serial or Engine Number +52535
	D46738700	1	Pressure Valve	(45)
5	D41405900	2	Pin	Up to Serial or Engine Number 52230
	D41408800	2	Split Pin	From Serial or Engine Number 52231
6	D20400428	2	Washer	Up to Serial or Engine Number 52230
	D20400438	2	Washer	From Serial or Engine Number 52231
7	D41048600	2	Castle Nut	Up to Serial or Engine Number 52230
	D41048800	2	Groove Nut	From Serial or Engine Number 52231
8	D46725400	1	Steering Spindle	Up to Serial or Engine Number 48037
	D46726000	1	Spindle	From Serial or Engine Number +4803 Up to Serial or Engine Number 52230
	D46727500	1	Spindle	From Serial or Engine Number 52231
9	D46725500	1	Spindle	Up to Serial or Engine Number 48037
	D46726100	1	Spindle	From Serial or Engine Number +48038 Up to Serial or Engine Number 52230
	D46727600	1	Spindle	From Serial or Engine Number 52231
10	D28180807	1	Wheel	[B]
	D28180808	1	Wheel	[B]
	D28181821	1	Wheel	[A]
	D28181822	1	Wheel	[A]
	D28180602	1	Rim	(10)
11	D46732900	1	Tyre	[A] (10)
	D46735400	1	Tyre	[B] (10)
12	D46749400	1	Hose	(10)
13	D46722400	1	Hub	Up to Serial or Engine Number 50851 (8) Up to Serial or Engine Number 48037
	D46726400	1	Housing	(8) From Serial or Engine Number 48038
	D46722400	1	Hub	(9)
	D46726400	1	Housing	(9)
14	D41662900	1	Bearing Taper	(8) Up to Serial or Engine Number 48037
	D41661700	1	Bearing Taper	(8) From Serial or Engine Number 48038
	D41662900	1	Bearing Taper	(9)
	D41661700	1	Bearing Taper	(9)
15	D41662700	1	Bearing Taper	(8)
	D41662700	1	Bearing Taper	(9)
16	D45408800	1	Gasket	(8)
	D45408800	1	Gasket	(9)
17	D46727300	1	Plate	(8)
	D46727300	1	Plate	(9)
18	D46723300	1	Cover	(8)
	D46723300	1	Cover	(9)
19	D41048200	1	Nut	(8)
	D41048200	1	Nut	(9)
20	D41415200	1	Pin	(8)
	D41415200	1	Pin	(9)
21	D43000300	1	Greaser	(8)
	D43000300	1	Greaser	(9)
22	D46728400	6	Bolt	
23	D41111600	6	Spring Washers	
24	D45901000	1	Toggle	Up to Serial or Engine Number 52230
	D45907800	1	Toggle	From Serial or Engine Number 52231
25	D41048800	2	Groove Nut	Up to Serial or Engine Number 52230
	<b>D41054300</b>	2	Nut	From Serial or Engine Number 52231
26	D28181079	1	Wheel	Right Hand
	D28181080	1	Wheel	Left Hand
	D28181081	1	Rim	(26)
27	D46736000	1	Tyre	(26)

## Rear Wheels

Item	Part Number	Qty	Description	Comments
28	D46738300	1	Hose	(26) Up to Serial or Engine Number 51178
30	D45100092	1	Cylinder Rod	PACOMA
31	D45250800	2	Union	
32	D45910100	1	Toggle	From Serial or Engine Number 52265
33	D45933500	1	Toggle	Up to Serial or Engine Number 52230
33	D45934100	1	Joint	From Serial or Engine Number 52231
34	D42605100	1	Pin	
35	D41043000	1	Nut Metric	
36	D45933600	1	Toggle	Up to Serial or Engine Number 52230
36	D45934200	1	Joint	From Serial or Engine Number 52231
37	D45100078	1	Kit,Joint/Gasket	PACOMA
37	D45110018	1	Kit, Joint	PPT
37	D45110082	1	Kit, Joint	SERTA
38	D20400438	2	Washer	From Serial or Engine Number 52231
38	D20400519	2	Washer	Up to Serial or Engine Number 52230
39	D28181570	1	Wheel	
39	D28181571	1	Wheel	
39	D28181614	1	Rim	(39)
40	D46738500	1	Tyre	(39)
41	D46738600	1	Hose	(39)
45	D28180127	1	Wheel	Right Hand
45	D28180153	1	Wheel	Left Hand
46	D28180085	1	Rim	(45)
47	D46734900	1	Tyre	(45)

**FOOTNOTE [A]** USED FOR AUTOLEVEL AFTER 54526

**FOOTNOTE [B]** USED FOR STANDARD AND AL MACHINES BEFORE 54526

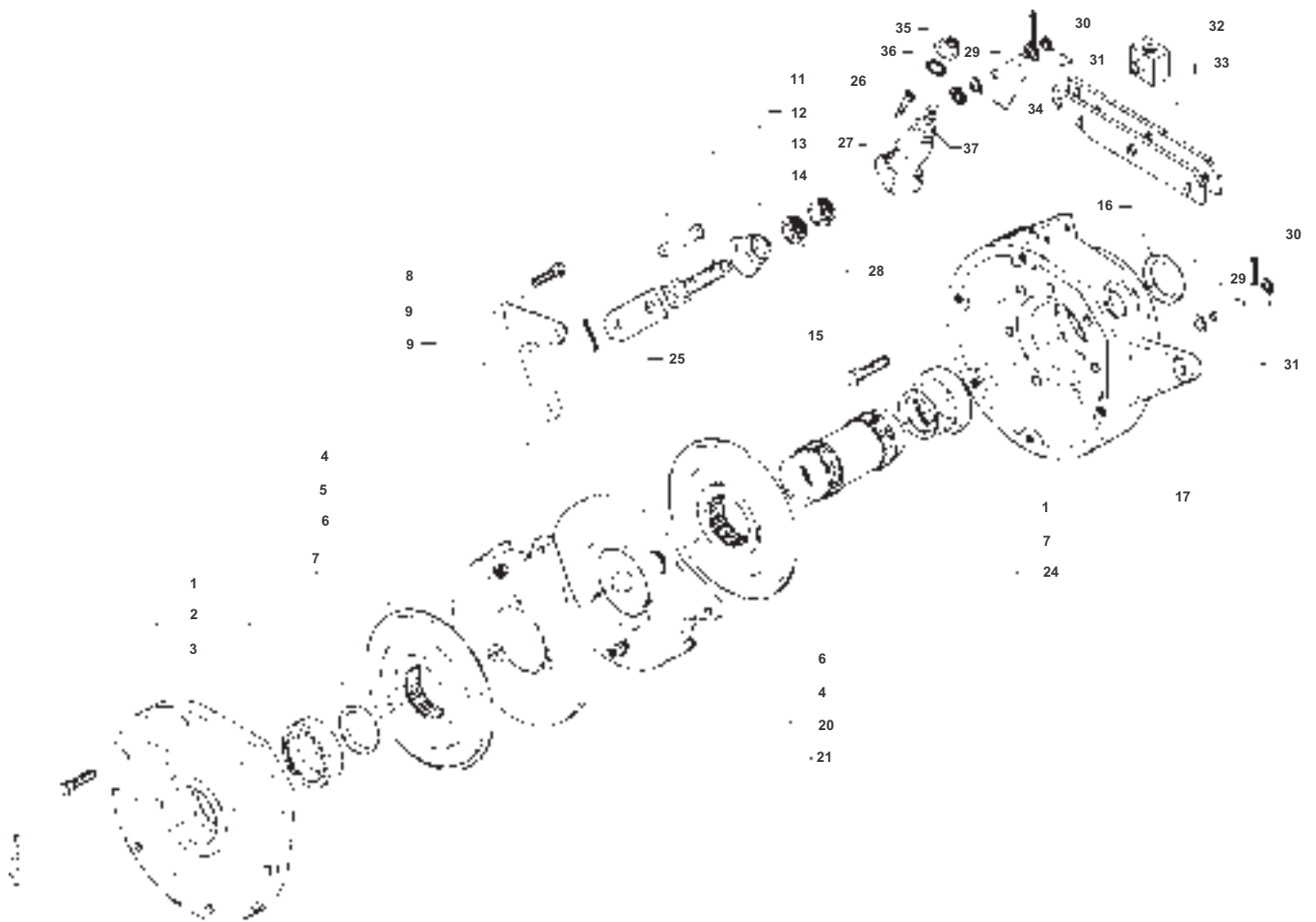
**FOOTNOTE [C]** NARROW TRACK GANGE



**Massey Ferguson****MF 38/40 COMBINES, |-> 47958 - 63001210****63001210****Working Brake - From Serial or Engine Number 52626****Page012-0030**

<b>Item</b>	<b>Part Number</b>	<b>Qty</b>	<b>Description</b>	<b>Comments</b>
1	D42504000	1	Circlip	
2	D45482300	1	O Ring	
3	D46140013	1	Shaft	
4	D42504800	1	Circlip	
5	D41613800	1	Bearing Ball	
6	D45409600	1	Gasket	
7	D46140011	1	Bearing Carrier	
	D46140012	1	Bearing Carrier	
8	D40439700	2	Screw	
9	D40699600	2	Screw	
10	D40439400	3	Screw	
11	D41614900	1	Bearing Ball	
12	D46140014	1	Flange	
13	D46140009	1	Brake Disc	
14	D40410800	8	Screw Metric	
15	D46140016	1	Kit, Brake	
	D46140026	2	O Ring	(15)
16	D46140027	2	Piston	(15)
17	D46140028	2	Seal	(15)
18	D46140029	1	Brake Lining	(15)
19	D46140030	2	Pin	(15)
20	D46140031	2	Spring	(15)
21	D40696700	4	Screw	(15)
22	D45908600	3	Cap	(15)
23	D46140034	3	Valve	(15)
24	D46140032	1	Spacer	(15)
25	D46140033	1	Spacer	(15)
26	D45482400	4	O Ring	(15)
27	D40437300	2	Hex. Sock. Screw	
28	D41088100	2	Locknut	
29	D46140035	2	Seal	

MF 38/40 COMBINES, |-> 47958 - 63001210  
90-1205B

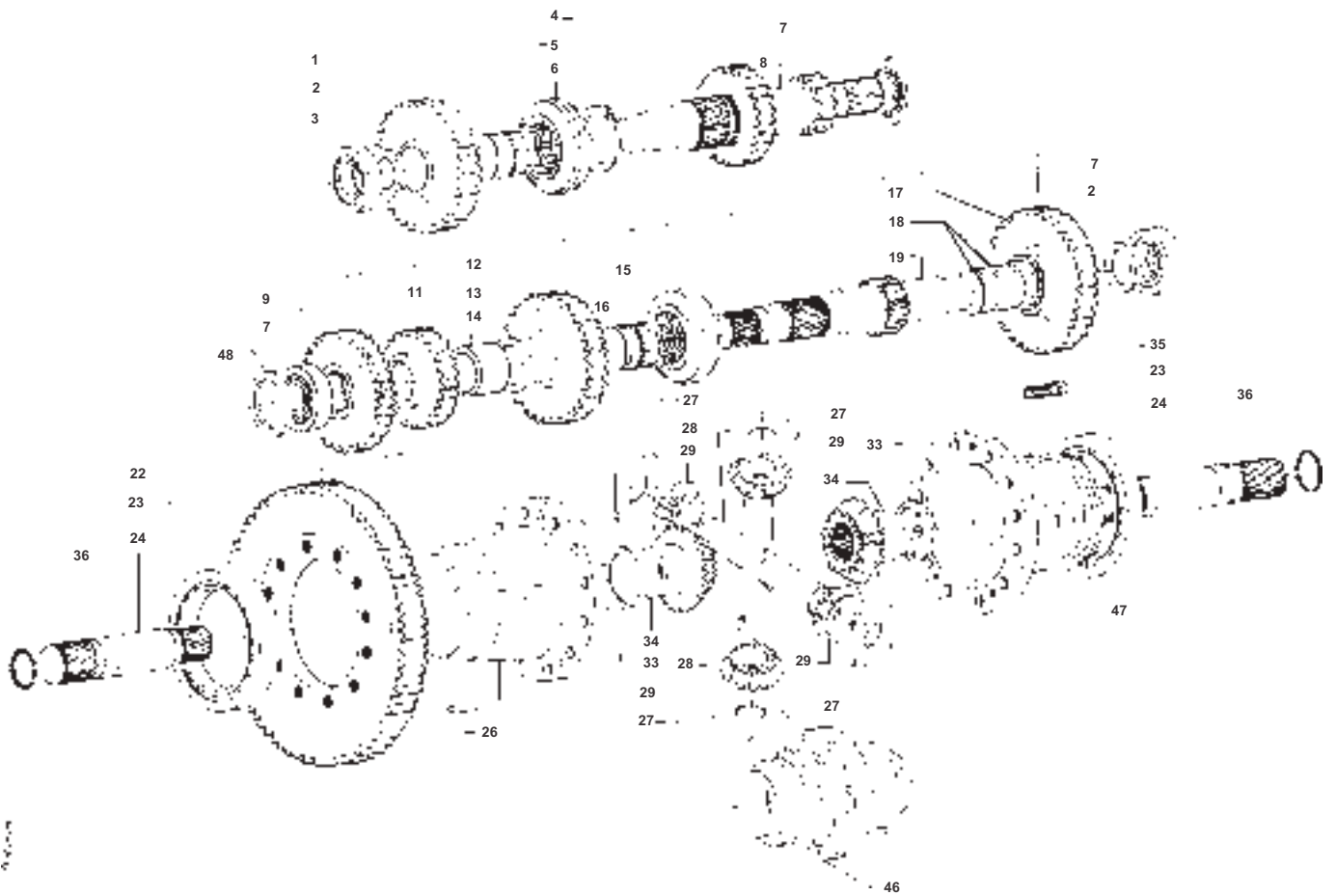


**Massey Ferguson****MF 38/40 COMBINES, |-> 47958 - 63001210****63001210****Working Brake - Up to Serial or Engine Number 52625****Page012-0035**

Item	Part Number	Qty	Description	Comments
1	D41614900	4	Bearing Ball	
2	D40411100	10	Hex. Sock. Screw	DMB
	D40439800	10	Nut	COB.
3	D46100678	2	Cover	
4	D46100679	4	Washer	
5	D41012000	4	Nut Metric	
6	D46100681	4	Disc	
7	D46100682	4	Washer	
8	D46100683	4	Screw	
9	D46100684	4	Tensioner	
10	D41402800	2	Pin	
11	D41402800	2	Pin	
12	D46100686	2	Clevis Pin	
13	D46100687	2	Tensioner	
14	D46100688	2	Bellows	
15	D40407900	14	Hex. Sock. Screw	DMB
	D40439400	14	Screw	COB.
16	D45408700	2	Gasket	
17	D46100691	2	Housing	
20	D46100754	6	Ball	
21	D46100693	6	Spring	
24	D46100694	2	Sleeve	
25	D46100695	2	Stirrup	
26	D40689100	4	Screw	
27	D46100773	2	Ram	
28	D41010900	4	Nut	
29	D46100769	4	Clevis Pin	
30	D41404400	8	Split Pin	
31	D20400506	8	Washer	
32	D46100765	2	Link	
33	D46100766	4	Arm	
34	D46100771	4	Washer	
35	D46173200	2	Bellows	(27)
36	D45481900	2	O Ring	(27)
37	D46100782	2	Piston	(27)



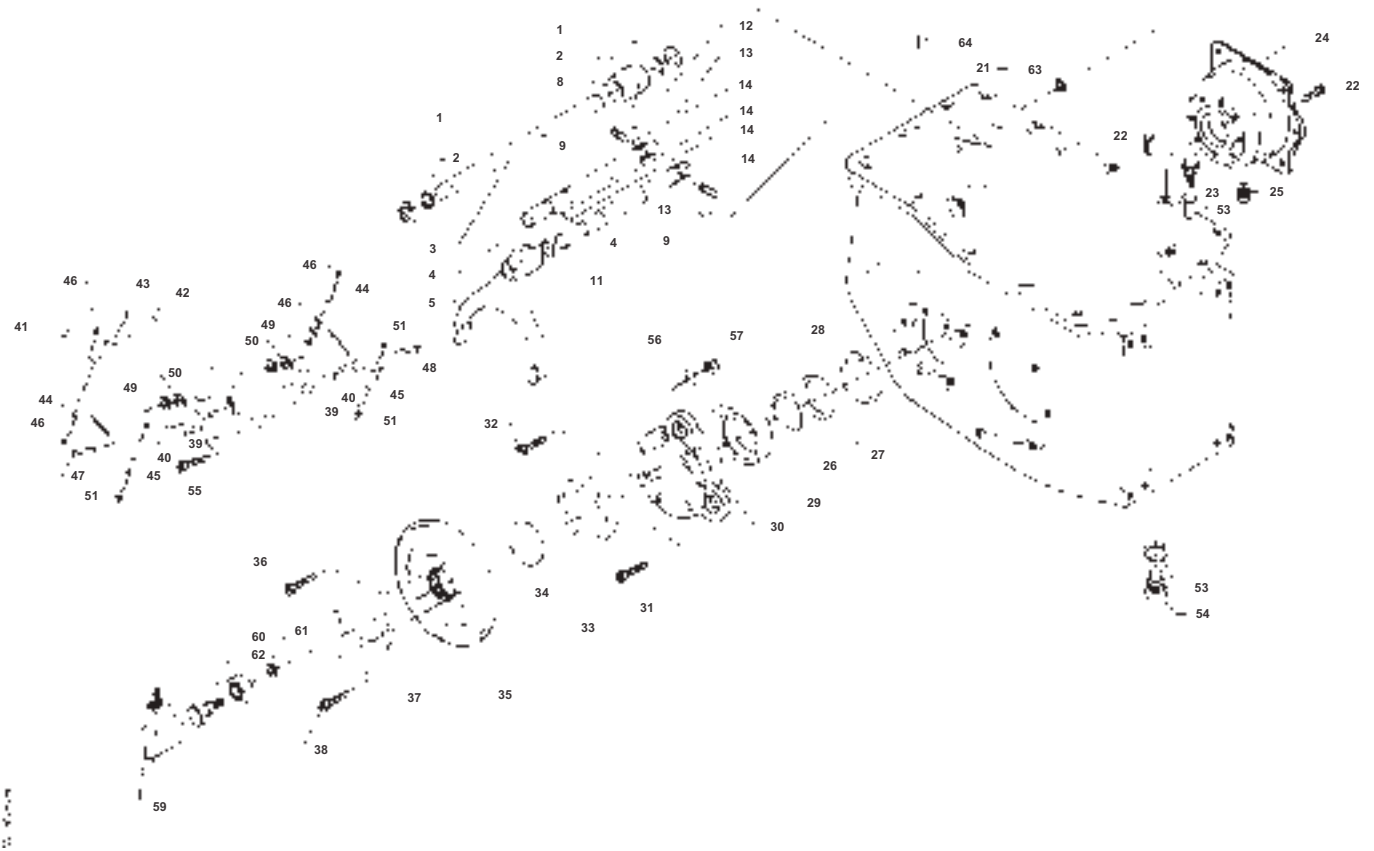
MF 38/40 COMBINES, |-> 47958 - 63001210  
90A1206



## Gear Box

Item	Part Number	Qty	Description	Comments
1	D46100696	1	Gear	
2	D41651500	2	Washer	
3	D41637000	1	Bearing Taper	
4	D42508900	1	Circlip	
5	D41650000	1	Bearing Needle	
6	D46100701	1	Sleeve	
7	D41636600	3	Bearing Taper	
8	D46100703	1	Shaft	
9	D46100704	1	Gear	
11	D46100705	1	Gear	
12	D46100706	1	Gear	
13	D41651600	1	Washer	
14	D46100708	1	Spacer	
15	D46100709	1	Sleeve	
16	D41650200	1	Bearing Needle	
17	D46100711	1	Gear	
18	D41650100	2	Bearing Needle	
19	D46100713	1	Shaft	
22	D46100714	1	Gear	
23	D41614400	2	Bearing Ball	
24	D46100716	2	Shaft	Up to Serial or Engine Number 52608
	D46140013	2	Shaft	From Serial or Engine Number 52609
26	D42609400	2	Pin	
27	D46100718	4	Washer	
28	D46100719	2	Clevis Pin	
29	D46100720	4	Drive Pinion	
33	D46100722	2	Washer	
34	D46100723	2	Gear	
35	D40900086	12	Screw	
36	D42504000	2	Circlip	
46	D46100725	1	Housing	
47	D46173700	X	Spacer	OPTIONAL
	D46173800	X	Spacer	OPTIONAL
48	D46173500	X	Spacer	OPTIONAL
	D46173600	X	Spacer	OPTIONAL

MF 38/40 COMBINES, |-> 47958 - 63001210  
90A1207A



Massey Ferguson

MF 38/40 COMBINES, |-> 47958 - 63001210

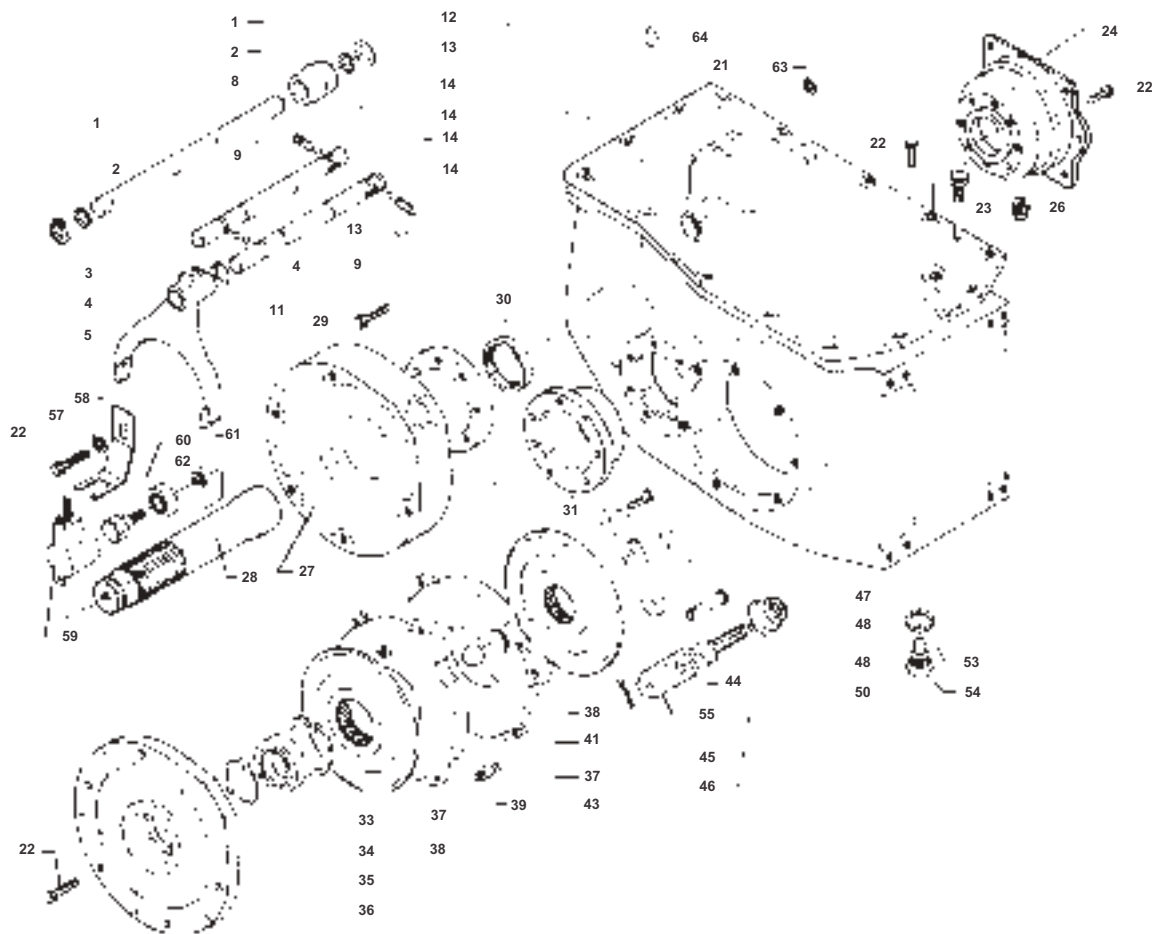
63001210

Gear Box - Parkin brake - From Serial or Engine Number 52626

Page012-0045

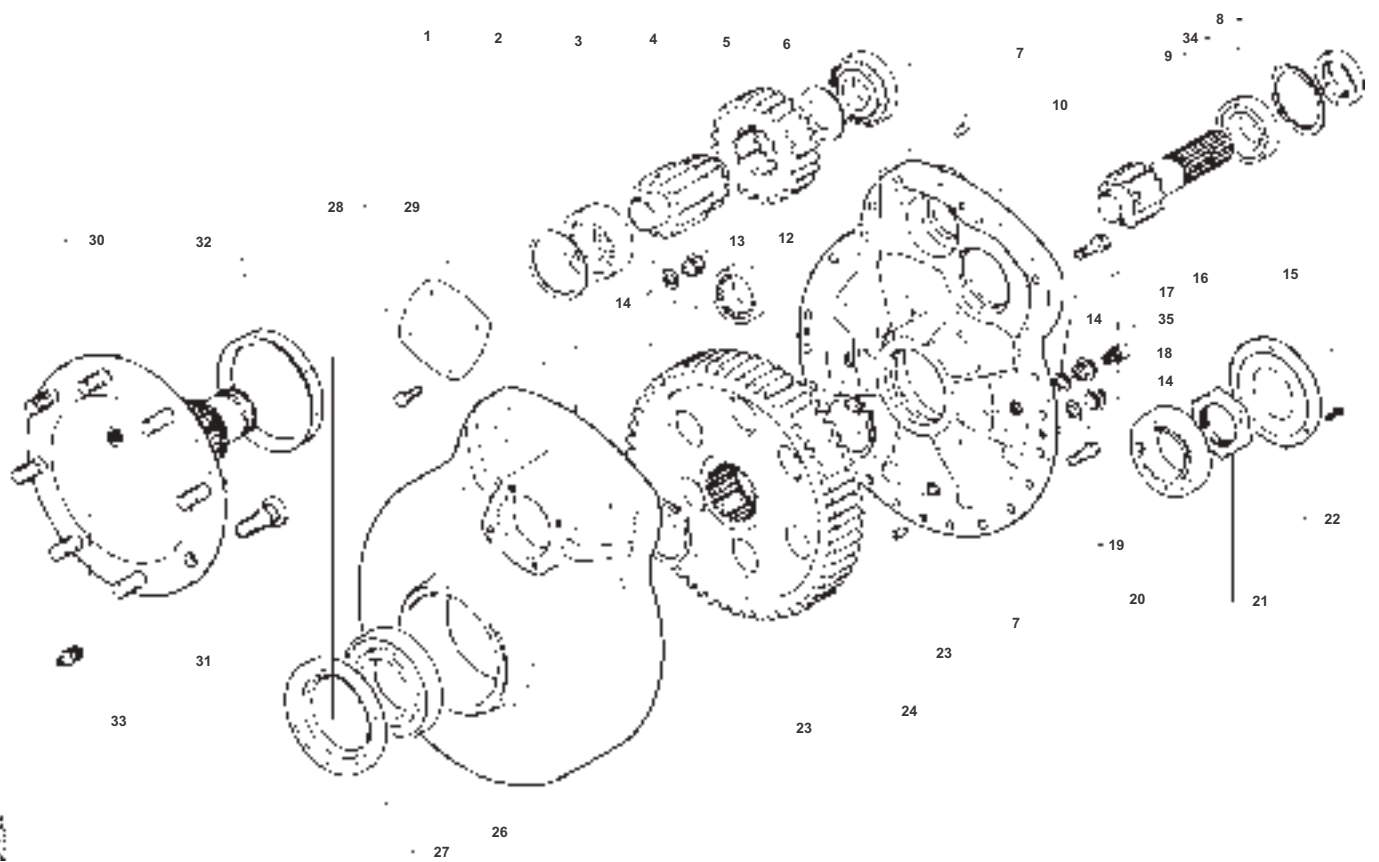
Item	Part Number	Qty	Description	Comments
1	D45405900	2	Seal	
2	D45462700	2	O Ring	
3	D46100728	1	Shaft	
4	D46100729	2	Shaft	
5	D46100730	2	Fork	
8	D46100731	1	Hub	
9	D42601100	2	Split Pin	
11	D46100357	4	Circlip	
12	D42609700	1	Pin	
13	D46100735	2	Spring	
14	D46100736	4	Ball	
21	D46140010	1	Cover	
22	D40439400	27	Screw	COB.
23	D46100739	1	Screw	
24	D46148100	1	Flange	
25	D45236500	1	Plug	
26	D42504300	1	Circlip	
27	D42515400	1	Circlip	
28	D45418600	1	Gasket	
29	D41617800	1	Bearing Ball	
30	D46140015	1	Bearing Carrier	
31	D40699500	4	Screw	
32	D40692700	3	Screw	
33	D46140007	1	Flange	
34	D46140006	1	Plug	
35	D46140008	1	Brake Disc	
36	D40692200	6	Screw	
37	D40692300	2	Screw	
38	D28181757	1	Threaded Part	
39	D46140017	1	Kit, Brake	
	D46140018	2	Brake Lining	(39)
40	D46140025	2	Ring	(39)
41	D46140019	1	Brake Lever	(39)
42	D46140020	1	Yoke	(39)
43	D46140021	1	Pin	(39)
44	D46140022	2	Journal	(39)
45	D46140023	2	Journal	(39)
46	D42555200	4	Circlip	(39)
47	D40634500	1	Pin	(39)
48	D40634600	1	Pin	(39)
49	D46140024	2	Sleeve	(39)
50	D45713800	4	Washer	(39)
51	D42555400	4	Circlip	(39)
53	D45201900	1	Packing	
54	D46100764	1	Plug	
55	D40699600	2	Screw	
56	D20400471	2	Washer	
57	D41087600	2	Locknut	
59	<b>D28780514</b>	1	Sensor	
60	<b>D28780516</b>	1	Inductive Taker	
61	D20400419	1	Washer	
62	D41622600	1	Bearing Ball	
63	D46173300	X	Spacer	OPTIONAL
	D46173400	X	Spacer	OPTIONAL

MF 38/40 COMBINES, |-> 47958 - 63001210  
90-1207B



Item	Part Number	Qty	Description	Comments
1	D45405900	2	Seal	
2	D45462700	2	O Ring	
3	D46100728	1	Shaft	
4	D46100729	2	Shaft	
5	D46100730	2	Fork	
8	D46100731	1	Hub	
9	D42601100	2	Split Pin	
11	D46100357	4	Circlip	
12	D42609700	1	Pin	
13	D46100735	2	Spring	
14	D46100736	4	Ball	
21	D46100737	1	Cover	
22	D40407900	27	Hex. Sock. Screw	DMB
	D40439400	27	Screw	COB.
23	D46100739	1	Screw	
24	D46100740	1	Flange	Up to Serial or Engine Number 52010
	D46148100	1	Flange	From Serial or Engine Number +52011
26	D45236500	1	Plug	
27	D46100742	1	Housing	
28	D46100743	1	Shaft	
29	D40408100	7	Setscrew	DMB
	D40439500	7	Screw	COB.
30	D45408700	1	Gasket	
31	D46100746	1	Flange	
33	D42514500	1	Circlip	
34	D41617100	1	Bearing Ball	
35	D42503300	1	Circlip	
36	D46100750	1	Cover	
37	D46100751	2	Washer	
38	D46100752	2	Brake Disc	
39	D46100753	2	Spring	
41	D46100754	3	Ball	
43	D41010700	2	Nut	
44	D46100756	1	Bolt	
45	D41402800	1	Pin	
46	D46100688	1	Bellows	
47	D46100759	2	Screw	
48	D46100760	2	Tensioner	
50	D46100761	1	Clevis Pin	
53	D45201900	1	Packing	
54	D46100764	1	Plug	
55	D46100774	1	Stirrup	
57	D20400419	2	Washer	Up to Serial or Engine Number 48086
58	D28780691	1	Retainer	Up to Serial or Engine Number 48086
59	<b>D28780514</b>	1	Sensor	
60	<b>D28780516</b>	1	Inductive Taker	
61	D20400419	1	Washer	
62	D41622600	1	Bearing Ball	
63	D46173300	X	Spacer	OPTIONAL
	D46173400	X	Spacer	OPTIONAL
64	D46134000	2	Pin	DMB

MF 38/40 COMBINES, |-> 47958 - 63001210  
90A1208

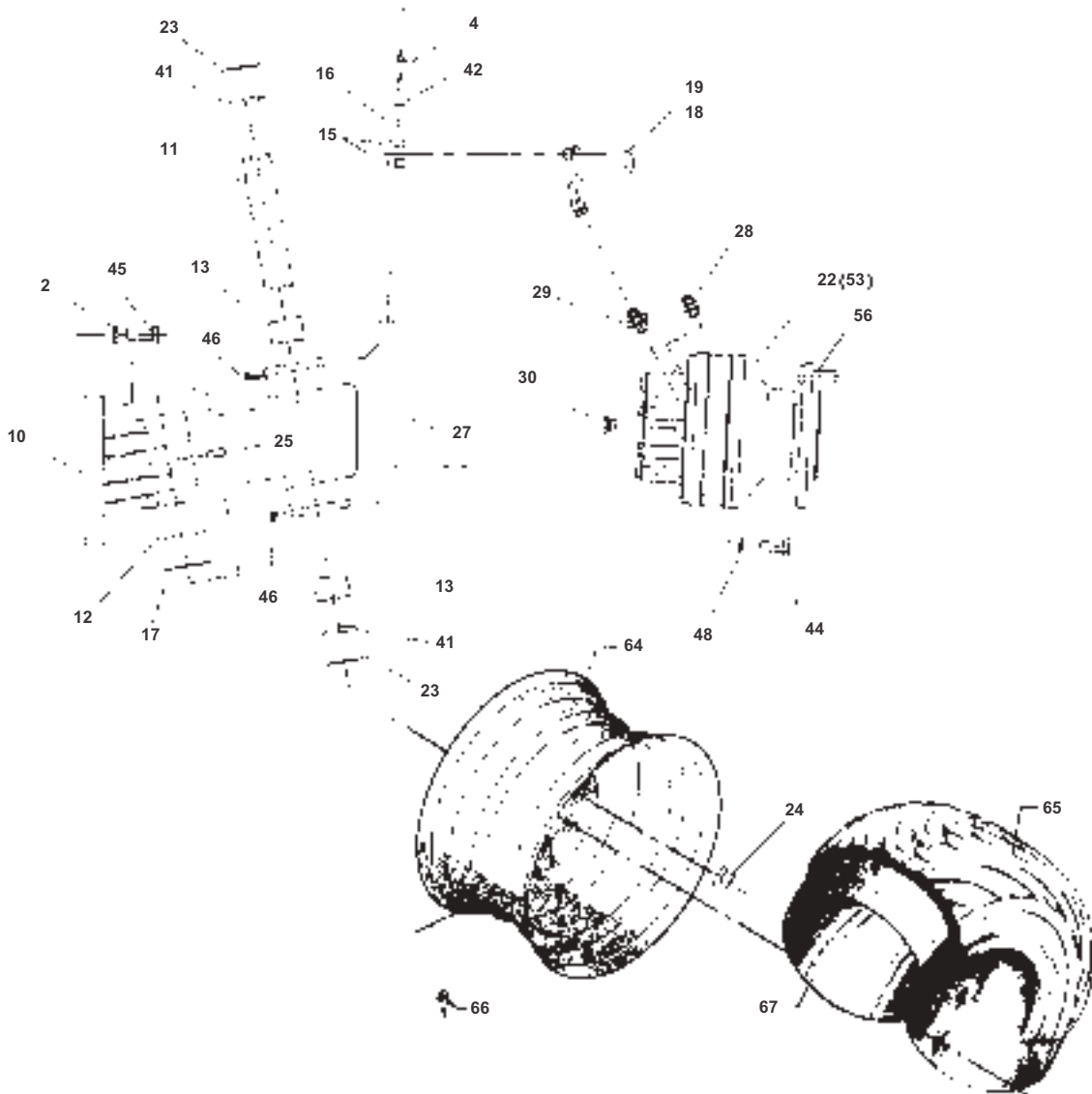
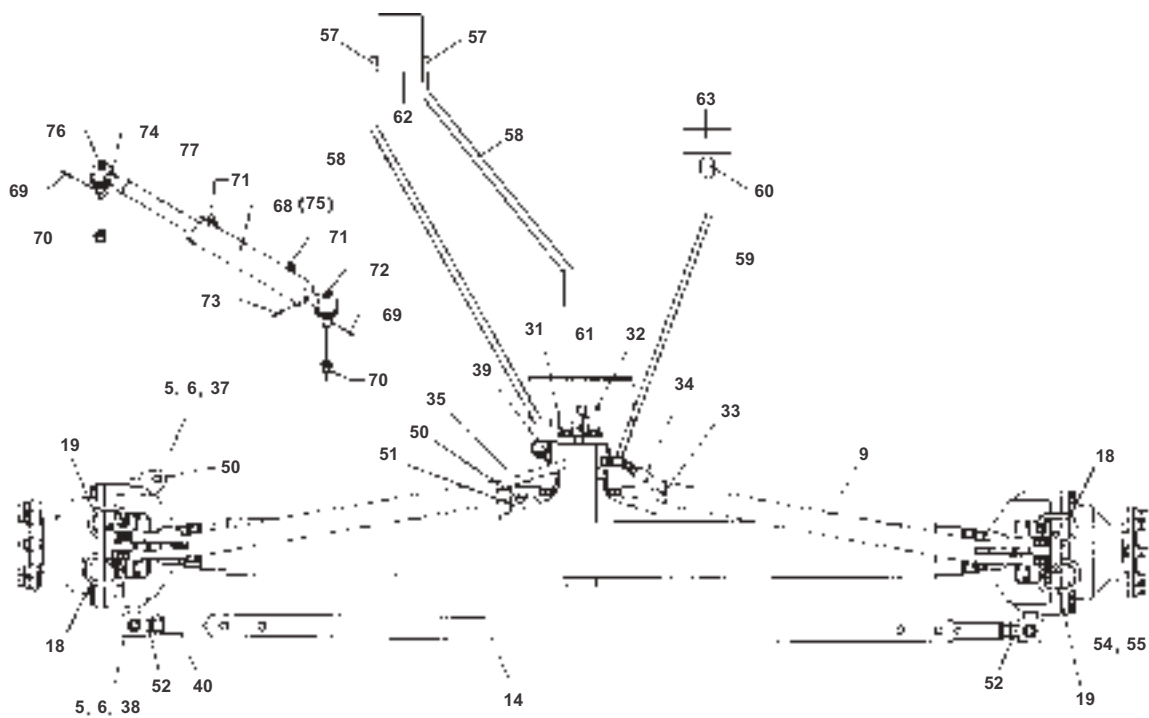


## Final Drive

Item	Part Number	Qty	Description	Comments
1	D46135600	X	Washer	OPTIONAL
	D46135700	X	Washer	OPTIONAL
	D46135800	X	Washer	OPTIONAL
	D46135900	X	Washer	OPTIONAL
2	D41668100	1	Bearing Roller	
3	D46136700	1	Shaft	
4	D46136500	1	Gear	
5	D46136000	1	Washer	
6	D41668800	1	Bearing Roller	
7	D46134000	2	Pin	
8	D45408700	1	Gasket	
9	D41636800	1	Bearing Taper	
10	D46136600	1	Shaft	
12	D41636700	1	Bearing Taper	
13	D46135400	1	Plug	
14	D45232700	3	O Ring	
15	D40688400	3	Screw	
16	D40431200	5	Screw Metric	
17	D46135300	1	Plug	
18	D45236600	1	Plug	
19	D40413900	16	Screw	
20	D41669300	1	Bearing Roller	
21	D46139300	1	Nut	
22	D46139100	1	Cover	
23	D42509300	2	Circlip	
24	D46136400	1	Gear	
26	D41669900	1	Bearing Roller	
27	D46134800	1	Seal	
28	D40411000	4	Hex. Sock. Screw	
29	D46139200	1	Cover	
30	D46139000	1	Shaft	
31	D46133900	8	Bolt	
32	D45479700	1	Ring	
33	D43004600	1	Greaser	
34	D46125700	X	Washer	OPTIONAL
	D46171900	X	Spacer	OPTIONAL
35	D46116500	1	Valve	



MF 38/40 COMBINES, |-> 47958 - 63001210  
84A1208



84A1208

## 4-Wheel Drive

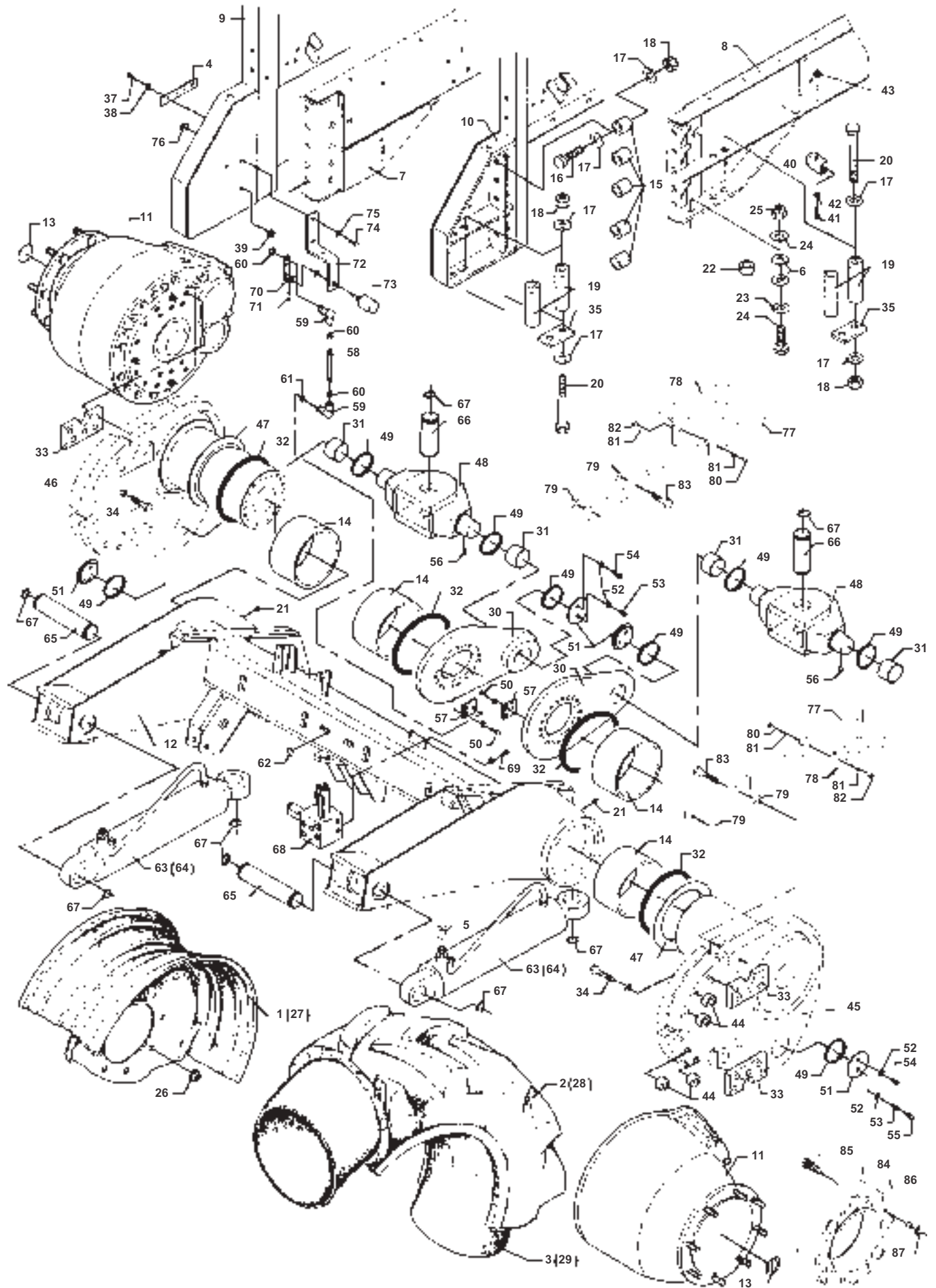
Item	Part Number	Qty	Description	Comments
1	D49063400	X	Wheel	
5	D49068400	12	Screw	
11	D49067500	2	Gasket	
12	D49067000	2	Thrust Washer	
13	D49066900	4	Bush	
18	D49070092	2	Pipe,Oil	
19	D49070093	2	Pipe,Oil	
22	D49067100	2	Motor	
23	D49068000	4	Ring	
24	D49067700	16	Nut	
33	D49070094	4	Hydraulic Hose	
34	D49070095	1	Hydraulic Hose	
35	D49070096	1	Hydraulic Hose	
37	D49068300	1	Lever	
39	D49067200	1	Valve	
41	D49067900	4	Plug	
50	D49060097	2	Bush	[A]
51	D49068700	1	Bracket	
52	D49067300	2	Toggle	
53	D49067400	2	Kit, Gasket	
54	D49067500	2	Gasket	
55	D49067600	2	Gasket	
56	D49067800	16	Bolt	
57	D49068100	2	Adaptor	
58	D49070097	2	Hydraulic Hose	
59	D49070098	1	Hydraulic Hose	
60	D28181131	1	Adaptor	
61	D49070099	1	Valve	
62	D45163000	1	Hydraulic Pump	
63	D28780045	1	Oil Tank	
64	D28181817	1	Wheel	
	D28181818	1	Wheel	
	D28181823	1	Wheel	[C] From Serial or Engine Number +54735
	D28181824	1	Wheel	[C] From Serial or Engine Number +54735
	D28182235	2	Rim	[C] (64) From Serial or Engine Number +54735
	D28181127	2	Rim	(64)
65	D46732900	2	Tyre	(64) From Serial or Engine Number +54526
	D46735400	2	Tyre	(64) Up to Serial or Engine Number 54525
66	D46738700	2	Pressure Valve	(64) From Serial or Engine Number +52535 Up to Serial or Engine Number 50851
67	D46749400	2	Hose	
68	D45100025	1	Ram	
69	D41408800	2	Split Pin	[B]
	D41408900	2	Split Pin	[A]
70	D41048800	2	Groove Nut	[B]
	<b>D41054300</b>	2	Nut	[A]
71	D45250800	2	Union	
72	D45933500	1	Toggle	[B]
	D45934100	1	Joint	[A]
73	D42605100	1	Pin	
74	D41043000	1	Nut Metric	
75	D45100078	1	Kit,Joint/Gasket	PACOMA
	D45110018	1	Kit, Joint	PPT
	D45110082	1	Kit, Joint	SERTA
76	D45933600	1	Toggle	[B]
	D45934200	1	Joint	[A]
77	D45100092	1	Cylinder Rod	PACOMA

FOOTNOTE [A] BALL JOINT WITH CONE 26

FOOTNOTE [B] BALL JOINT WITH CONE 22

FOOTNOTE [C] SPACING NARROW TRACK GANGE

MF 38/40 COMBINES, |-> 47958 - 63001210  
90E1210



90E1210

## Traction Wheels And Final Drives - Auto Level

Item	Part Number	Qty	Description	Comments
1	D28181726	1	Wheel	Left Hand
	D28181727	1	Wheel	Right Hand
	D28181762	1	Rim	(1) From Serial or Engine Number +53282
2	D46732500	1	Tyre	(1) From Serial or Engine Number 55104
3	D46738200	1	Pressure Valve	(1) 24.5-32
4	D28980940	1	Handle	
5	D45100001	2	Non Return Valve	
6	D20400437	4	Washer	From Serial or Engine Number 55657
7	D28180064	1	Frame	
8	D28180063	1	Runner	
9	D28181178	1	Frame	
10	D28181179	1	Support	
11	D46140042	2	Final Drive	From Serial or Engine Number +54071
12	D28181632	1	Front Axle	
13	D45085400	2	Reflector	
14	D43338500	4	Casing	
15	D28180088	10	Spacer	
16	D40437200	10	Screw	
17	D20400437	36	Washer	
18	D41088100	18	Locknut	
19	D28180058	8	Pipe	
20	D40437800	4	Screw	
21	D43001500	2	Greaser	
22	D28180059	2	Pipe	Up to Serial or Engine Number 55656
23	D40437300	2	Hex. Sock. Screw	From Serial or Engine Number 55657
	D40437400	2	Screw	Up to Serial or Engine Number 55656
24	D20400437	4	Washer	
25	D41088100	2	Locknut	
26	D41021700	8	Nut	
27	D28181718	1	Wheel	Left Hand
	D28181719	1	Wheel	Right Hand
	D28181686	1	Rim	(27) From Serial or Engine Number +51401
28	D46732300	1	Tyre	(27) From Serial or Engine Number +55529
29	D46738100	1	Pressure Valve	(27) 30.5L-32 From Serial or Engine Number +55861
30	D28181802	2	Arm	
31	D43338600	4	Bush	
32	D45479600	4	Ring	
33	D28181679	4	Spacer	
34	D40434000	28	Screw	
35	D28181161	4	Bracket	
37	D40407800	1	Hex. Sock. Screw	
38	D20400471	1	Washer	
39	D41087600	1	Locknut	From Serial or Engine Number +52565
40	D28181520	1	Support	Up to Serial or Engine Number 51178
41	D40402600	1	Hex. Sock. Screw	
42	D20400470	1	Washer	
43	D41013400	1	Nut	
44	D28181627	8	Spacer	
45	D28181630	X	Flange	From Serial or Engine Number +54071
	D28181630	X	Flange	From Serial or Engine Number 53529 Up to Serial or Engine Number 54006
	D28181787	1	Bracket	From Serial or Engine Number 53529 Up to Serial or Engine Number 54006
46	D28181625	X	Flange	From Serial or Engine Number +54071
	D28181625	X	Flange	From Serial or Engine Number 53529 Up to Serial or Engine Number 54006
	D28181786	X	Bracket	From Serial or Engine Number 53529 Up to Serial or Engine Number 54006
47	D28181652	2	Spacer	
48	D28181799	2	Yoke	From Serial or Engine Number +55861
49	D45479200	8	Ring	
50	D40428300	40	Screw Metric	
51	D28181676	4	Cover	
52	D20400471	8	Washer	
53	D40404700	4	Hex. Sock. Screw	

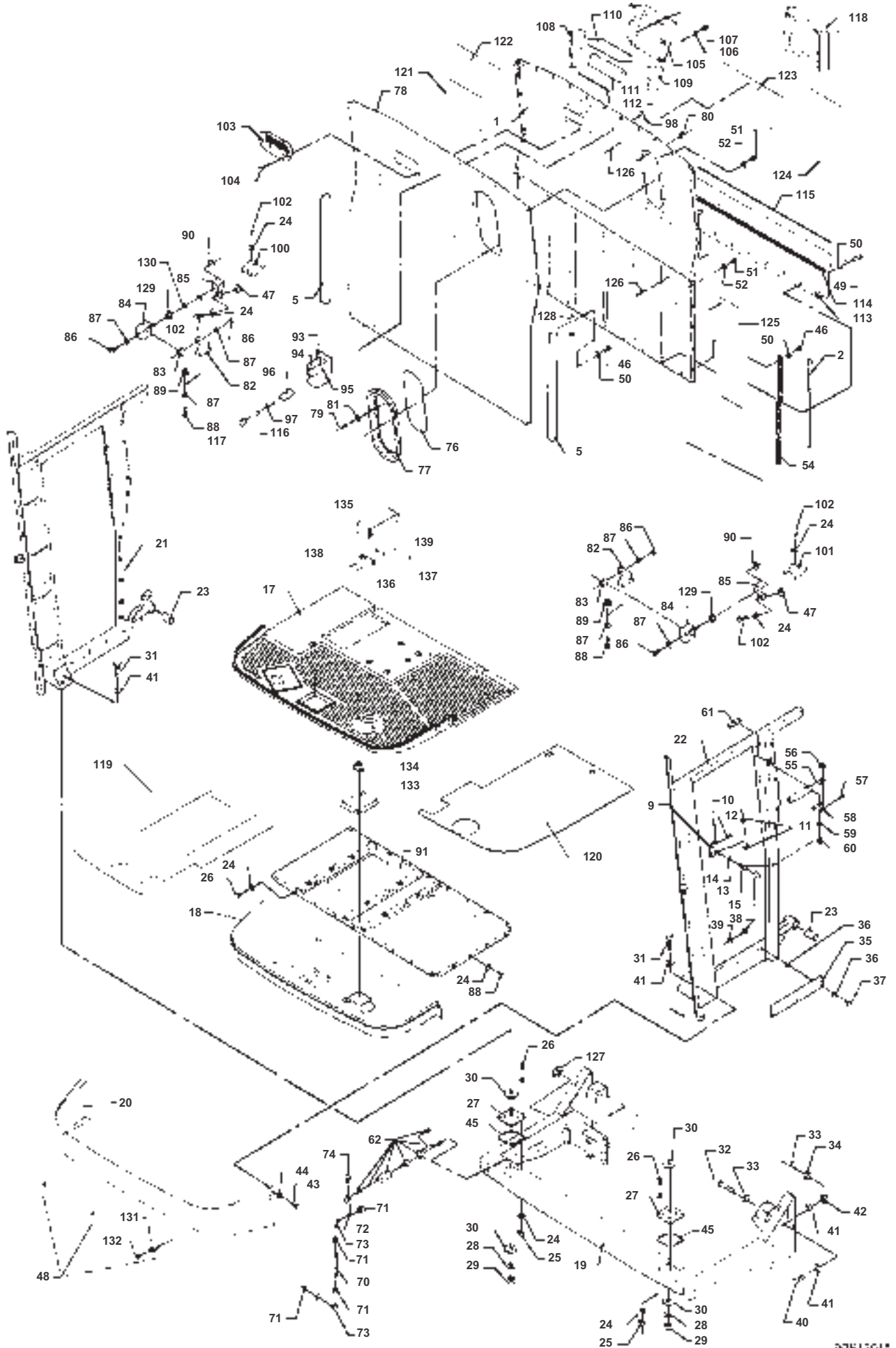
## Traction Wheels And Final Drives - Auto Level

Item	Part Number	Qty	Description	Comments
54	D40407700	4	Hex. Sock. Screw	
55	D43001700	2	Greaser	
56	D43001500	1	Greaser	
57	D28181624	2	Bracket	
58	D28780446	2	Rod	
59	D46437300	4	Toggle	
60	D41010600	4	Nut	
61	D20400453	2	Washer	
62	D45743900	4	Plug	
63	D45100030	2	Ram	
64	D45110092	2	Kit, Seal	
65	D28181647	2	Bolt	
66	D28181648	2	Bolt	
67	D42504300	8	Circlip	
68	D45110094	1	Pressure Valve	From Serial or Engine Number 54241
68	D45110076	1	Valve	Up to Serial or Engine Number 54240
69	D40405000	2	Hex. Sock. Screw	
70	D28284361	2	Potentiometer	
71	D40402400	2	Hex. Sock. Screw	
72	D28181653	2	Retainer	
73	<b>D28780523</b>	2	Meter	
74	D40407800	4	Hex. Sock. Screw	
75	D20400471	4	Washer	
76	D41087600	4	Locknut	From Serial or Engine Number +52565
77	D28181737	2	Scraper	[A]
78	D28181738	2	Scraper	[A] 30,5LR32
79	D28181736	4	Wheel	[A]
80	D40408100	4	Setscrew	[A]
81	D20400471	8	Washer	[A]
82	D41087600	4	Locknut	[A]
83	D40434600	4	Hex. Sock. Screw	[A]
84	D28151064	1	Spacer	[B]
85	D46113300	8	Bolt	[B]
86	D41110300	8	Spring Washers	[B]
87	D41020000	8	Nut	[B]

FOOTNOTE [A] MAIZE EQUIPMENT

FOOTNOTE [B] WHEELS 30.5 LR32 FOR TRACTION

MF 38/40 COMBINES, |-> 47958 - 63001210  
90B1301A



90B1301A

Massey Ferguson

MF 38/40 COMBINES, |-> 47958 - 63001210

63001210

Driver Cabin - From Serial or Engine Number 53050

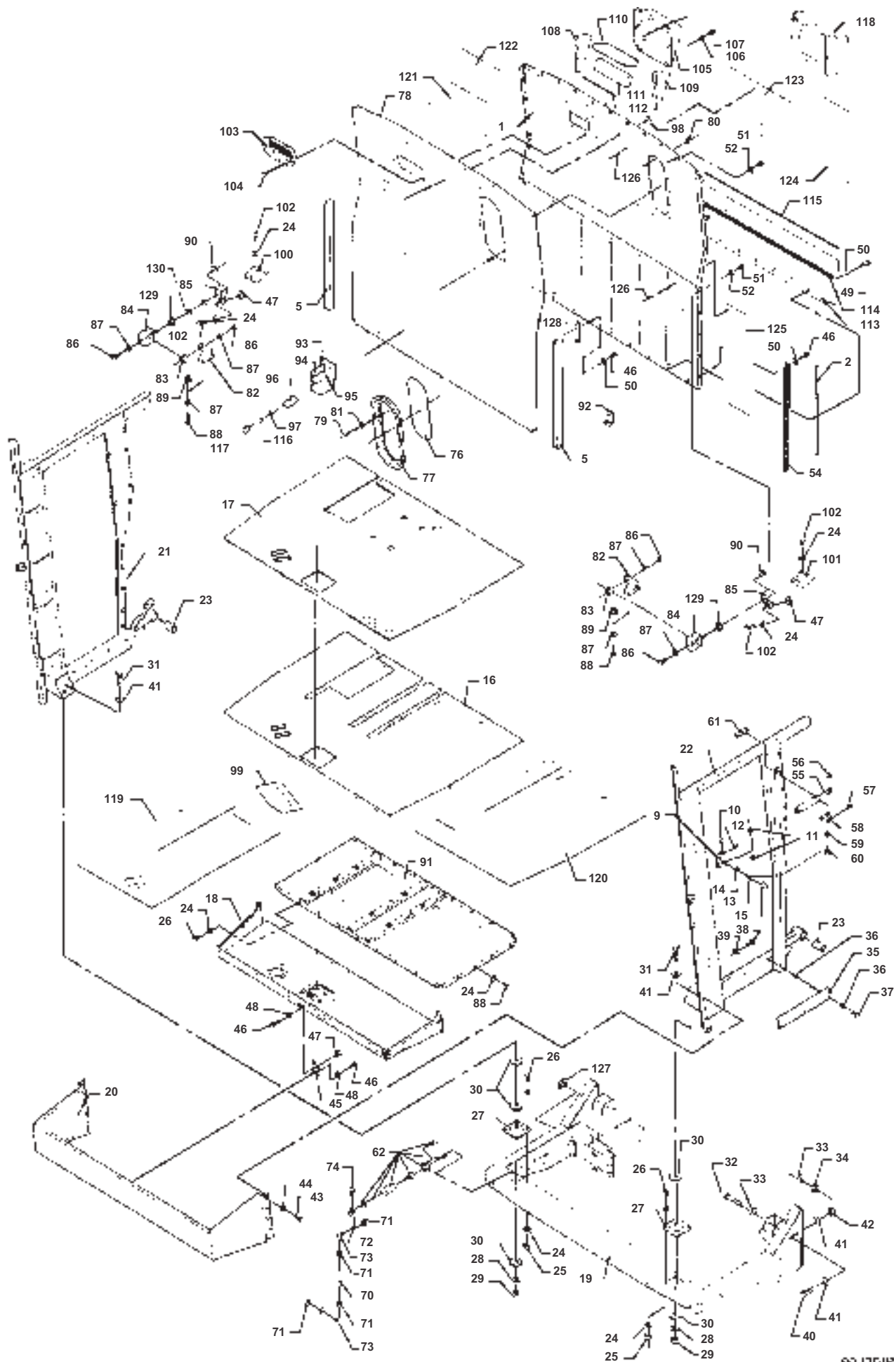
Page013-0005

Item	Part Number	Qty	Description	Comments
1	D28980576	1	Side	
2	D28980953	5	Strip	
5	D28980853	2	Lining	
9	D28980512	2	Hinge	
10	D42694100	2	Pin	
11	D43406400	4	Washer	
12	D40630100	4	Pin	
13	D40407700	4	Hex. Sock. Screw	
14	D20400419	4	Washer	
15	D45744700	4	Protector	
17	D28981599	1	Mat	
18	D28981601	1	Frame	From Serial or Engine Number 55317
	D28981333	1	Frame	Up to Serial or Engine Number 55316
19	D28980575	1	Suspension	
20	D28981358	1	Trim	
21	D28981368	1	Frame	
22	D28981367	1	Frame	
23	D46480600	2	Damper	
24	D20400506	X	Washer	
25	D41087500	8	Locknut	
26	D40405000	8	Hex. Sock. Screw	
27	D46480400	2	Damper	
28	D20400429	2	Washer	
29	D41087800	2	Locknut	
30	D20400460	4	Washer	
31	D40431500	2	Screw Metric	
32	D40437700	2	Screw	
33	D20400441	4	Washer	
34	D41088100	2	Locknut	
35	D28980926	1	Strip	
36	D20400506	6	Washer	
37	D40404700	3	Hex. Sock. Screw	
38	D40407700	6	Hex. Sock. Screw	
39	D20400419	6	Washer	
40	D40431000	8	Screw Metric	
41	D20400430	8	Washer	
42	D41087800	6	Locknut	
43	D40749100	8	Screw Metric	
44	D20400466	8	Washer	
45	D28981388	2	Spacer	
46	D40404900	3	Hex. Sock. Screw	
47	D41013500	X	Nut	
48	D28980509	3	Support	
49	D40404700	9	Hex. Sock. Screw	
50	D20400506	9	Washer	
51	D40402300	27	Hex. Sock. Screw	
52	D20400470	31	Washer	
54	D28760642	1	Earth Strap	
55	D45061800	1	Gas Strut	
56	D20400500	2	Spacer	
57	D41405700	2	Pin	
58	D28980456	1	Bracket	
59	D20400470	3	Washer	
60	D40402600	3	Hex. Sock. Screw	
61	D28980571	1	Threaded Part	
62	<b>D28780523</b>	1	Meter	
70	D28780446	1	Rod	
71	D41010600	4	Nut	
72	D28781019	1	Rod	
73	D46437300	2	Toggle	
74	D40402400	1	Hex. Sock. Screw	
76	D28980222	1	Window	
77	D28981223	1	Frame	
78	D28981224	1	Floor Covering	
79	D40688000	10	Screw	
80	D41087400	10	Locknut	
81	D20400404	10	Washer	
82	D28980984	2	Bracket	
83	D46480700	2	Buffer	
84	D28980987	2	Stirrup	
85	D28880301	2	Tensioner	

Item	Part Number	Qty	Description	Comments
86	D40404700	4	Hex. Sock. Screw	
87	D20400506	4	Washer	
88	D40404900	X	Hex. Sock. Screw	
89	D41013500	4	Nut	
90	D41087600	4	Locknut	
91	D28980647	1	Plate	
93	D28981215	1	Retainer	
94	D28981151	1	Strap	(93)
95	D28981149	1	Strap	(93)
96	D28981150	1	Rubber	(93)
97	D20400404	3	Washer	
98	D41013400	3	Nut	
102	D40405100	4	Hex. Sock. Screw	
103	D28981222	1	Grille	
104	D40688000	4	Screw	
105	D28981226	1	Fan	
106	D20400453	6	Washer	
107	D40402400	6	Hex. Sock. Screw	
108	D28981232	1	Floor Covering	
109	D28981235	1	Floor Covering	
110	D28981234	1	Floor Covering	
111	D28981233	1	Floor Covering	
112	D44735300	X	Gasket	Length 0,300 M
113	D28981236	1	Shield	
114	D44709600	X	Seal Section	Length 1,500 M
115	D44706600	X	Seal Section	Length 1,500 M
116	D40402400	3	Hex. Sock. Screw	
117	D45744800	3	Protector	
118	D28981327	1	Duct	
119	D28981373	1	Bottom	
120	D28981372	1	Bottom	
121	D28981520	1	Sound Reduction	
122	D28981522	1	Sound Reduction	
123	D28981523	1	Sound Reduction	
124	D28981521	1	Sound Reduction	
125	D28981524	1	Sound Reduction	
126	D41397400	32	Rivet	
127	D44732300	1	Grommet	
128	D28980468	1	Support	
129	D41010800	2	Nut	
130	D20400416	4	Washer	
131	D20400506	3	Washer	
132	D40404700	3	Hex. Sock. Screw	
133	D28985594	1	Support	From Serial or Engine Number 55508
134	D45050045	1	Switch	From Serial or Engine Number 55508
135	D28985585	1	Plate	From Serial or Engine Number 55508
136	D28985580	1	Bracket	From Serial or Engine Number 55508
137	D43426400	2	Clip	From Serial or Engine Number 55508
138	D40743000	2	Screw	From Serial or Engine Number 55508
139	D40422800	1	Screw	From Serial or Engine Number 55508



MF 38/40 COMBINES, |-> 47958 - 63001210  
90I1301B



90 I 1301 B

## Massey Ferguson

MF 38/40 COMBINES, |-&gt; 47958 - 63001210

63001210

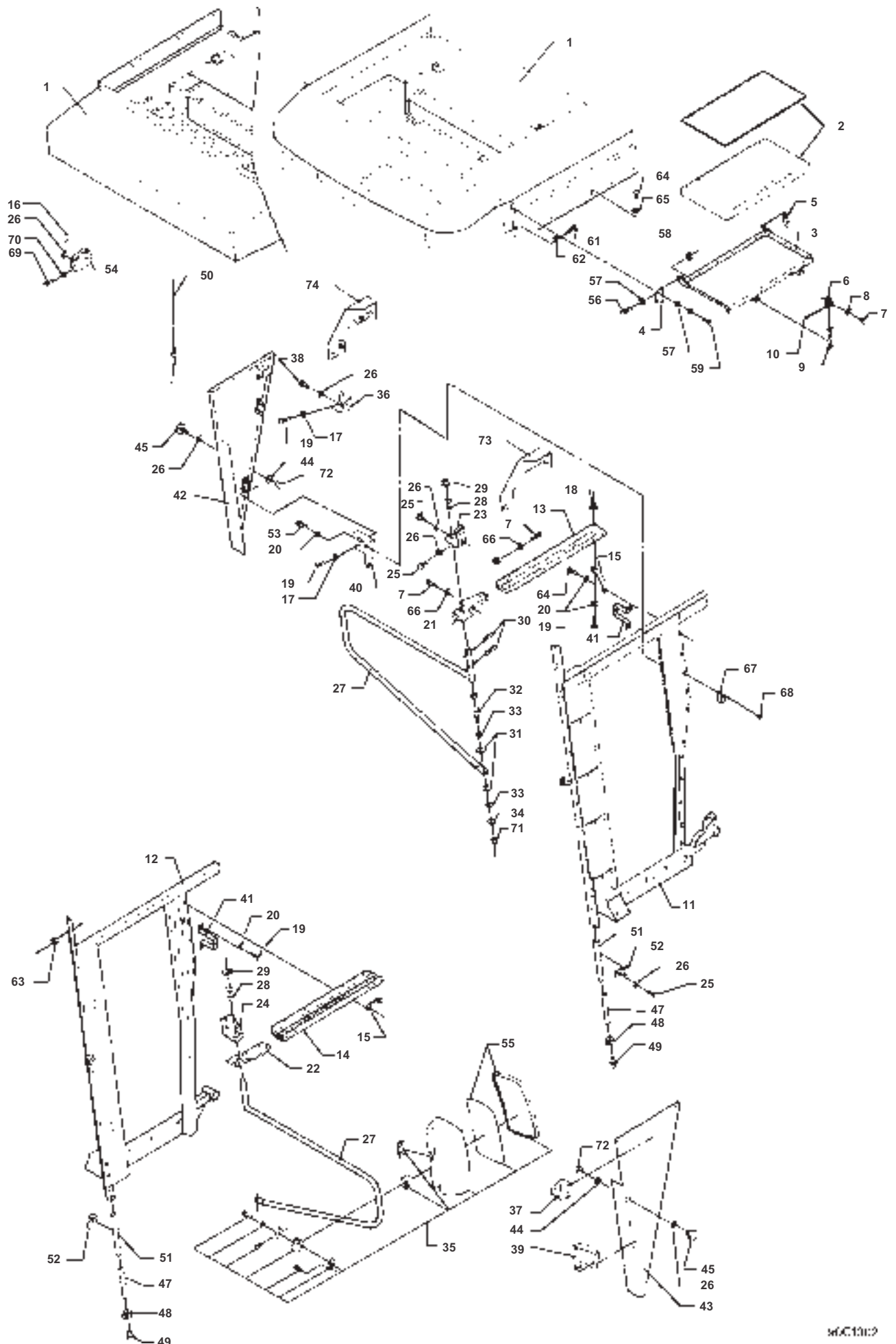
Driver Cabin - Up to Serial or Engine Number 53049

Page013-0010

Item	Part Number	Qty	Description	Comments
1	D28980576	1	Side	
2	D28980953	5	Strip	
5	D28980853	2	Lining	
9	D28980512	2	Hinge	
10	D42694100	2	Pin	
11	D43406400	4	Washer	
12	D40630100	4	Pin	
13	D40407700	4	Hex. Sock. Screw	
14	D20400419	4	Washer	
15	D45744700	4	Protector	
16	D28980780	1	Plate	Up to Serial or Engine Number 50629
17	D28980779	1	Plate	Up to Serial or Engine Number 50629
	D28981239	1	Plate	From Serial or Engine Number 50630
18	D28980528	1	Frame	
19	D28980575	1	Suspension	
20	D28980910	1	Plate	
21	D28980539	1	Frame	
22	D28980546	1	Frame	
23	D46480600	2	Damper	
24	D20400506	X	Washer	
25	D41087500	8	Locknut	
26	D40405000	8	Hex. Sock. Screw	
27	D46480400	2	Damper	
28	D20400429	2	Washer	
29	D41087800	2	Locknut	
30	D20400460	5	Washer	
31	D40431500	2	Screw Metric	
32	D40437700	2	Screw	
33	D20400441	4	Washer	
34	D41088100	2	Locknut	
35	D28980926	1	Strip	
36	D20400506	6	Washer	
37	D40404700	3	Hex. Sock. Screw	
38	D40407700	6	Hex. Sock. Screw	
39	D20400419	6	Washer	
40	D40431000	8	Screw Metric	
41	D20400430	8	Washer	
42	D41087800	6	Locknut	
43	D40749100	8	Screw Metric	
44	D20400466	8	Washer	
45	D28980903	1	Wearplate	
46	D40404900	3	Hex. Sock. Screw	
47	D41013500	X	Nut	
48	D20400506	3	Washer	
49	D40404700	9	Hex. Sock. Screw	
50	D20400506	9	Washer	
51	D40402300	27	Hex. Sock. Screw	
52	D20400470	31	Washer	
54	D28760642	1	Earth Strap	
55	D45061800	1	Gas Strut	
56	D20400500	2	Spacer	
57	D41405700	2	Pin	
58	D28980456	1	Bracket	
59	D20400470	3	Washer	
60	D40402600	3	Hex. Sock. Screw	
61	D28980571	1	Threaded Part	
62	<b>D28780523</b>	1	Meter	
70	D28780446	1	Rod	
71	D41010600	4	Nut	
72	D28781019	1	Rod	
73	D46437300	2	Toggle	
74	D40402400	1	Hex. Sock. Screw	
76	D28980222	1	Window	
77	D28980050	1	Frame	Up to Serial or Engine Number 50629
	D28981223	1	Frame	From Serial or Engine Number +50630
78	D28981048	1	Lining	Up to Serial or Engine Number 50629
	D28981224	1	Floor Covering	From Serial or Engine Number 50630
79	D40688000	10	Screw	
80	D41087400	10	Locknut	
81	D20400404	10	Washer	
82	D28980984	2	Bracket	

Item	Part Number	Qty	Description	Comments
83	D46480700	2	Buffer	
84	D28980987	2	Stirrup	
85	D28880301	2	Tensioner	
86	D40404700	4	Hex. Sock. Screw	
87	D20400506	4	Washer	
88	D40404900	X	Hex. Sock. Screw	
89	D41013500	4	Nut	
90	D41087600	4	Locknut	From Serial or Engine Number +52565
91	D28980647	1	Plate	
92	D28980941	1	Bar	Up to Serial or Engine Number 52608
93	D28981215	1	Retainer	From Serial or Engine Number +50798
94	D28981151	1	Strap	(93)
95	D28981149	1	Strap	(93)
96	D28981150	1	Rubber	(93)
97	D20400404	3	Washer	From Serial or Engine Number +50798
98	D41013400	3	Nut	From Serial or Engine Number +50798
99	D28980776	1	Plate	Up to Serial or Engine Number 50629
102	D40405100	4	Hex. Sock. Screw	
103	D28981222	1	Grille	From Serial or Engine Number 50630
104	D40688000	4	Screw	From Serial or Engine Number 50630
105	D28981226	1	Fan	From Serial or Engine Number 50630
106	D20400453	6	Washer	From Serial or Engine Number 50630
107	D40402400	6	Hex. Sock. Screw	From Serial or Engine Number 50630
108	D28981232	1	Floor Covering	From Serial or Engine Number 50630
109	D28981235	1	Floor Covering	From Serial or Engine Number 50630
110	D28981234	1	Floor Covering	From Serial or Engine Number 50630
111	D28981233	1	Floor Covering	From Serial or Engine Number 50630
112	D44735300	X	Gasket	From Serial or Engine Number 50630 Length 0,300 M
113	D28981236	1	Shield	From Serial or Engine Number 50630
114	D44709600	X	Seal Section	From Serial or Engine Number 50630 Length 1,500 M
115	D44706600	X	Seal Section	From Serial or Engine Number 50630 Length 1,500 M
116	D40402400	3	Hex. Sock. Screw	From Serial or Engine Number +50798
117	D45744800	3	Protector	From Serial or Engine Number +50798
118	D28981327	1	Duct	From Serial or Engine Number +51805
119	D28981526	1	Sound Reduction	From Serial or Engine Number 52342
120	D28981525	1	Sound Reduction	From Serial or Engine Number 52342
121	D28981520	1	Sound Reduction	From Serial or Engine Number 52342
122	D28981522	1	Sound Reduction	From Serial or Engine Number 52342
123	D28981523	1	Sound Reduction	From Serial or Engine Number 52342
124	D28981521	1	Sound Reduction	From Serial or Engine Number 52342
125	D28981524	1	Sound Reduction	From Serial or Engine Number 52342
126	D41397400	32	Rivet	From Serial or Engine Number 52342
127	D44732300	1	Grommet	From Serial or Engine Number 52713
128	D28980468	1	Support	From Serial or Engine Number 52609
129	D41010800	2	Nut	From Serial or Engine Number +52565
130	D20400416	4	Washer	From Serial or Engine Number +52565

MF 38/40 COMBINES, |-> 47958 - 63001210  
90C1302



90C1302

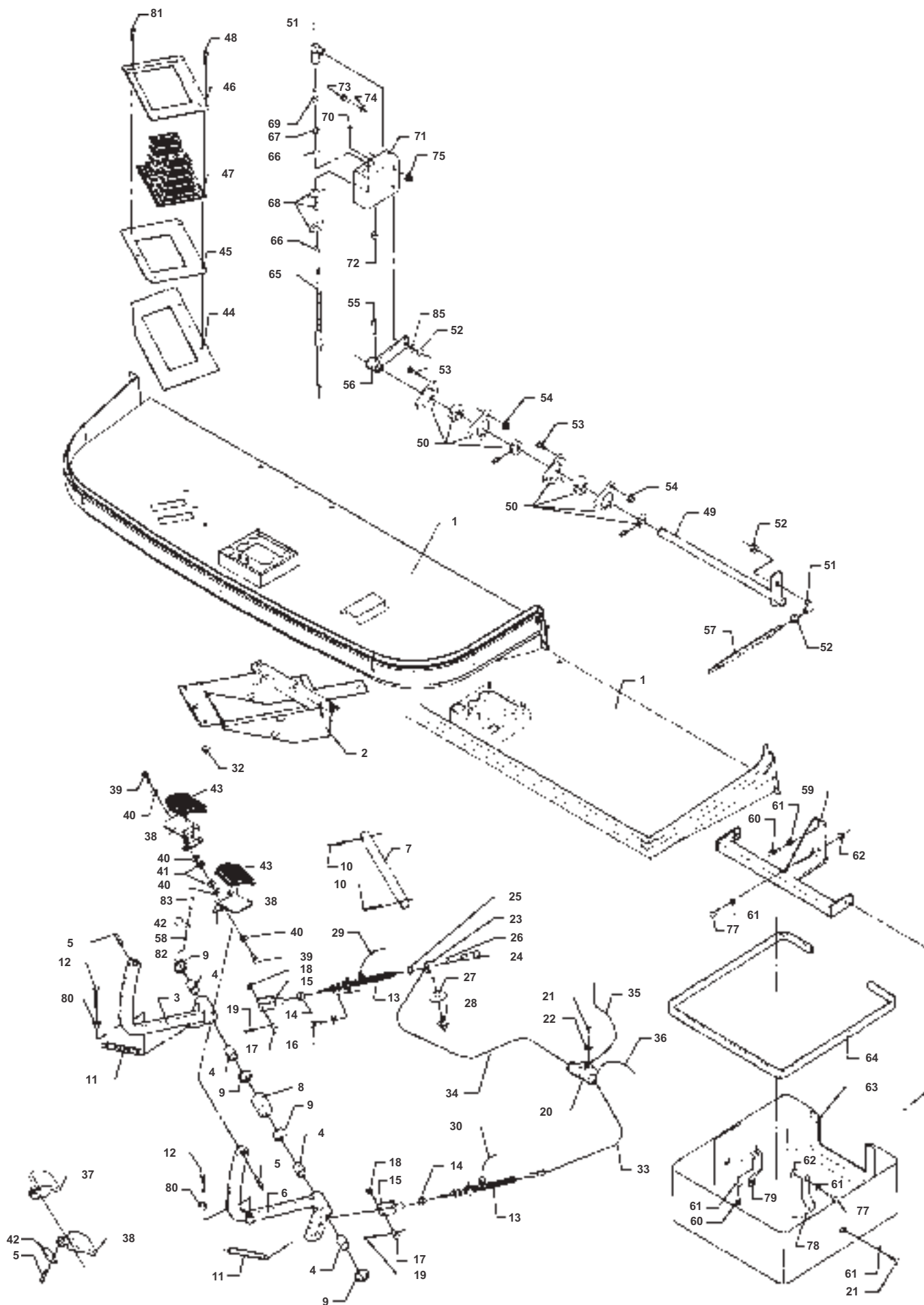
## Cab roof and side members

Item	Part Number	Qty	Description	Comments
1	D28981339	1	Roof	From Serial or Engine Number 53050
	D28981127	1	Roof	Up to Serial or Engine Number 53049
2	D28980100	1	Cab Filter	
3	D28980715	1	Frame	Up to Serial or Engine Number 48312
	D28981106	1	Frame	From Serial or Engine Number 48313
4	D28980713	1	Hinge	
5	D28980714	1	Hinge	
6	D28130287	2	Retainer	Up to Serial or Engine Number 48312
	D28981118	2	Holder	From Serial or Engine Number 48313
7	D40402400	10	Hex. Sock. Screw	
8	D20400470	10	Washer	
9	D44737100	2	Rubber Strap	Up to Serial or Engine Number 48312
	D44737200	2	Rubber Strap	From Serial or Engine Number 48313
10	D41409100	2	Split Pin	
11	D28981368	1	Frame	From Serial or Engine Number 53050
	D28980539	1	Frame	Up to Serial or Engine Number 53049
12	D28981367	1	Frame	From Serial or Engine Number 53050
	D28980546	1	Frame	Up to Serial or Engine Number 53049
13	D28980891	1	Intake	
14	D28980892	1	Intake	
15	D28980890	2	Stay	
16	D41405900	2	Pin	
17	D20400453	8	Washer	
18	D41013400	1	Nut	
19	D40402400	X	Hex. Sock. Screw	
20	D20400470	X	Washer	
21	D28980952	1	Guard	Up to Serial or Engine Number 49639
	D28981170	1	Shield	From Serial or Engine Number 49640
22	D28980951	1	Guard	Up to Serial or Engine Number 49639
	D28981169	1	Shield	From Serial or Engine Number 49640
23	D28980758	1	Bracket	
24	D28980757	1	Bracket	
25	D40405000	X	Hex. Sock. Screw	
26	D20400506	X	Washer	
27	D28980762	2	Arm	
28	D28760286	2	Spring	
29	D20400531	2	Spacer	
30	D42662500	4	Pin	
31	D28980752	4	Washer	
32	D40423600	2	Screw Metric	
33	D20400506	4	Washer	
34	D41087500	2	Locknut	
35	D45086300	2	Mirror	
36	D28981038	1	Hinge	
37	D28981037	1	Hinge	
38	D40404700	4	Hex. Sock. Screw	
39	D28981040	1	Hinge	
40	D28981039	1	Hinge	
41	D28981045	2	Support	
42	D28981046	1	Cowl	
43	D28981047	1	Cowl	
44	D28981044	2	Washer	
45	D43385300	2	Screw	
47	D45702100	X	Hose	Length 3 M
48	D45039100	2	Cable Tie	A.C
49	D45070044	2	Pressure Valve	
50	D45086600	1	Aerial Long	
51	D45703700	X	Hose	Length 0,600 M
52	D28981051	2	Retainer	
53	D40402400	4	Hex. Sock. Screw	
54	D28980783	2	Hinge	Up to Serial or Engine Number 53049
55	D45083300	1	Glass	
56	D40404900	2	Hex. Sock. Screw	
57	D20400506	6	Washer	
58	D41087500	2	Locknut	
59	D40404700	4	Hex. Sock. Screw	
61	D40407600	4	Hex. Sock. Screw	
62	D20400419	4	Washer	
64	D40749100	8	Screw Metric	
65	D20400466	8	Washer	
66	D20400404	6	Washer	

**Massey Ferguson****MF 38/40 COMBINES, |-> 47958 - 63001210****63001210****Cab roof and side members****Page013-0015**

<b>Item</b>	<b>Part Number</b>	<b>Qty</b>	<b>Description</b>	<b>Comments</b>
67	D45058300	1	Hook	
68	D40741200	2	Screw	
69	D40407700	4	Hex. Sock. Screw	
70	D20400419	4	Washer	
71	D45744900	2	Protector	
72	D41013500	2	Nut	
73	D28981424	1	Hinge	From Serial or Engine Number 53050
74	D28981422	1	Hinge	From Serial or Engine Number 53050

MF 38/40 COMBINES, |-> 47958 - 63001210  
90E1303



90E1303

## Brake pedals and gearshift

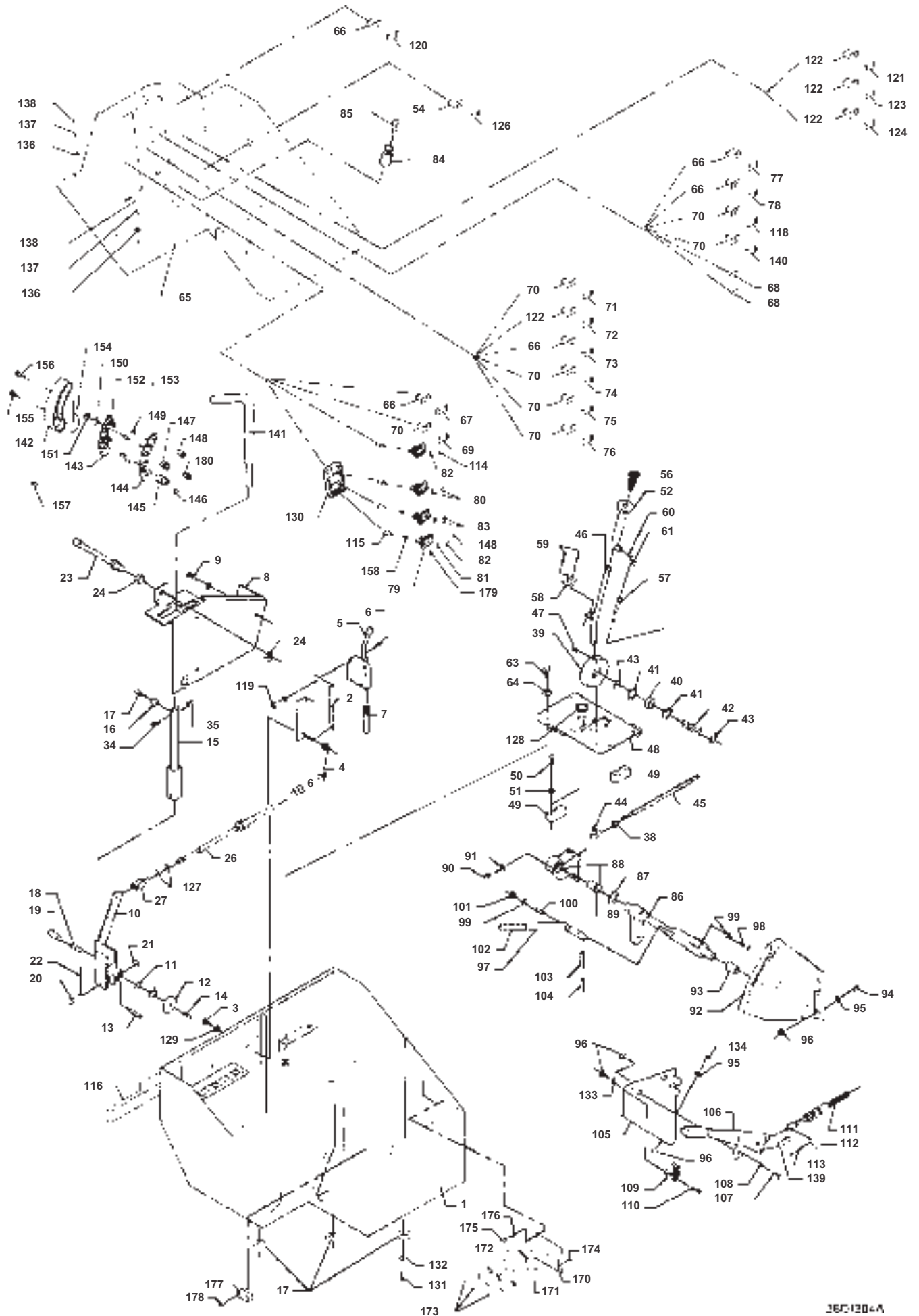
Item	Part Number	Qty	Description	Comments
1	D28981601	1	Frame	From Serial or Engine Number 53050
	D28980528	1	Frame	Up to Serial or Engine Number 53049
2	D28981218	1	Brake Saddle	From Serial or Engine Number +50864
3	D28980677	1	Brake Lever	Up to Serial or Engine Number 50432
	D28981211	1	Brake Pad	From Serial or Engine Number 50433
4	D43364800	4	Bush	
5	D42609000	3	Pin	Up to Serial or Engine Number 50432
6	D28980676	1	Brake Lever	Up to Serial or Engine Number 50432
	D28981212	1	Brake Pad	From Serial or Engine Number 50433
7	D28750436	1	Shaft	
8	D28740948	1	Spacer	
9	D43319300	4	Bush	
10	D41411100	2	Split Pin	
11	D28800460	2	Spring	
12	D40405100	2	Hex. Sock. Screw	From Serial or Engine Number 50433
	D40405600	2	Setscrew	Up to Serial or Engine Number 50432
13	D45908000	2	Ram	
14	D41010800	2	Nut	
15	D45905300	2	Fork Head	
16	D40405000	4	Hex. Sock. Screw	
17	D45905500	2	Bolt	
18	D45905600	2	Washer	
19	D41405700	2	Pin	
20	D45908100	1	Ram	
21	D40404700	3	Hex. Sock. Screw	
22	D20400506	1	Washer	
23	D45908400	1	Connector	
24	D45908500	1	Screw	
25	D45713600	1	Gasket	
26	D45713700	1	Gasket	
27	D28780948	1	Washer	
28	D45908300	1	Switch	
29	D28980948	1	Pipe	
30	D28980947	1	Pipe	
31	D40063600	6	Screw Metric	
32	D41013500	6	Nut	
33	D28980955	1	Pipe	Up to Serial or Engine Number 48459
	D28981159	1	Brake Line	From Serial or Engine Number 48460
34	D28980946	1	Pipe	
35	D28980944	1	Pipe	
36	D28980945	1	Pipe	
37	D28751844	1	Base Plate	Up to Serial or Engine Number 50432
	D28981203	1	Brake Pad	From Serial or Engine Number 50433
38	D28751845	1	Base Plate	Up to Serial or Engine Number 50432
	D28981203	1	Brake Pad	From Serial or Engine Number 50433
39	D40402700	4	Hex. Sock. Screw	From Serial or Engine Number 50433
	D40405100	3	Hex. Sock. Screw	Up to Serial or Engine Number 50432
40	D20400506	2	Washer	Up to Serial or Engine Number 50432
	D20400404	8	Washer	From Serial or Engine Number 50433
41	D41013500	2	Nut	Up to Serial or Engine Number 50432
	D41087400	4	Locknut	From Serial or Engine Number 50433
42	D28751843	1	Pawl	Up to Serial or Engine Number 50432
	D28981202	1	Ratchet	From Serial or Engine Number 50433
43	D44719500	1	Rubber	
44	D28980776	1	Plate	Up to Serial or Engine Number 50629
45	D28980777	1	Plate	
46	D28980811	1	Frame	
47	D28751796	1	Bellows	
48	D40742800	3	Screw	From Serial or Engine Number 50433
	D40742800	5	Screw	Up to Serial or Engine Number 50432
49	D28980801	1	Shaft	
50	D41713600	2	Bearing	
51	D46436200	2	Toggle	
52	D41010800	3	Nut	
53	D40405000	6	Hex. Sock. Screw	
54	D41013500	6	Nut	
55	D42609500	1	Pin	
56	D28980804	1	Arm	
57	D28980805	1	Rod	
59	D28980696	1	Support	Up to Serial or Engine Number 50530
60	D40404900	1	Hex. Sock. Screw	



**Brake pedals and gearshift**

<b>Item</b>	<b>Part Number</b>	<b>Qty</b>	<b>Description</b>	<b>Comments</b>
61	D20400506	4	Washer	
62	D41013500	1	Nut	
63	D28980684	1	Cover	
64	D44735300	X	Gasket	Length 2,000 M
65	D46439500	1	Cable	
66	D46434600	2	Nut	(65)
67	D41010600	1	Nut	(65)
68	D46434800	1	Toggle	
69	D28760913	1	Bolt	
70	D40402600	2	Hex. Sock. Screw	
71	D28980806	1	Bracket	
72	D41013400	2	Nut	
73	D40407800	2	Hex. Sock. Screw	
74	D20400471	2	Washer	
75	D41087600	2	Locknut	From Serial or Engine Number +52565
77	D40405000	1	Hex. Sock. Screw	
78	D28981219	1	Bar	From Serial or Engine Number 50531
79	D28981220	1	Bar	From Serial or Engine Number 50531
80	D41010700	2	Nut	
81	D40742900	2	Screw	From Serial or Engine Number +50433
82	D40400900	1	Setscrew	From Serial or Engine Number 50433
83	D41087300	1	Locknut	From Serial or Engine Number 50433
85	D41101900	X	Spring	From Serial or Engine Number +55795

MF 38/40 COMBINES, |-> 47958 - 63001210  
38D1304A



38D1304A

Item	Part Number	Qty	Description	Comments
1	D28980082	1	Control Box	
2	D28980144	1	Bracket	
3	D40402400	3	Hex. Sock. Screw	
4	D41013400	3	Nut	
5	D46415200	1	Lever	
6	D40317500	4	Screw Metric	
7	D46439300	1	Cable	
8	D28981131	1	Bracket	
9	D40404700	3	Hex. Sock. Screw	
10	D28980094	1	Hub	
11	D43319300	2	Bush	
12	D28750915	1	Brake Disc	
13	D42601000	1	Pin	
14	D40606700	1	Screw	
15	D28981162	1	Handle	
16	<b>D45010092</b>	1	Magnet	
17	D40316400	1	Screw Metric	
18	D28980356	1	Spring	
19	D28980093	1	Plate	
20	D45906000	1	Pin	
21	D45905600	1	Washer	
22	D41405800	1	Split Pin	
23	D28780380	1	Pipe	
24	D41098000	2	Nut	
26	D46439000	1	Cable	
27	D46438700	1	Fork	
34	D40405100	1	Hex. Sock. Screw	
35	D41087400	1	Locknut	Up to Serial or Engine Number 49255
38	D41010800	1	Nut	
39	D28980790	1	Bearing Carrier	
40	D41622500	1	Bearing Ball	
41	D42512900	2	Circlip	
42	D28980789	1	Shaft	
43	D42501300	2	Circlip	
44	D46436200	1	Toggle	
45	D28980805	1	Rod	
46	D28980793	1	Lever	
47	D42609000	1	Pin	From Serial or Engine Number +55657
48	D28980809	1	Plate	
49	D28980788	2	Retainer	
50	D40405100	4	Hex. Sock. Screw	
51	D20400506	4	Washer	
52	D28981083	1	Selector	
54	D45050054	1	Switch	
56	D43383800	1	Handle	
57	D46439400	1	Cable	
58	D28730779	1	Locking Plate	
59	D41405700	2	Pin	
60	D40630900	1	Pin	
61	D40402200	1	Hex. Sock. Screw	
63	D40407600	4	Hex. Sock. Screw	
64	D20400419	4	Washer	
65	D28981305	1	Cover	
66	D45050004	4	Switch	
67	D45050008	1	Switch	
68	D44900017	2	Cover	
69	D45050009	1	Switch	
70	D45050003	8	Magnet	
71	D45050010	1	Switch	
72	D45050015	1	Switch	
73	D45050014	1	Switch	
74	D45050025	1	Switch	
75	D45050029	1	Switch	
76	D45050030	1	Switch	
77	D45050012	1	Switch	
78	D45050013	1	Switch	
79	D45060014	3	Control Light	
80	D45060013	2	Decal	
81	D45060012	1	Decal	
82	D45063800	1	Plate	
83	D45060011	2	Decal	

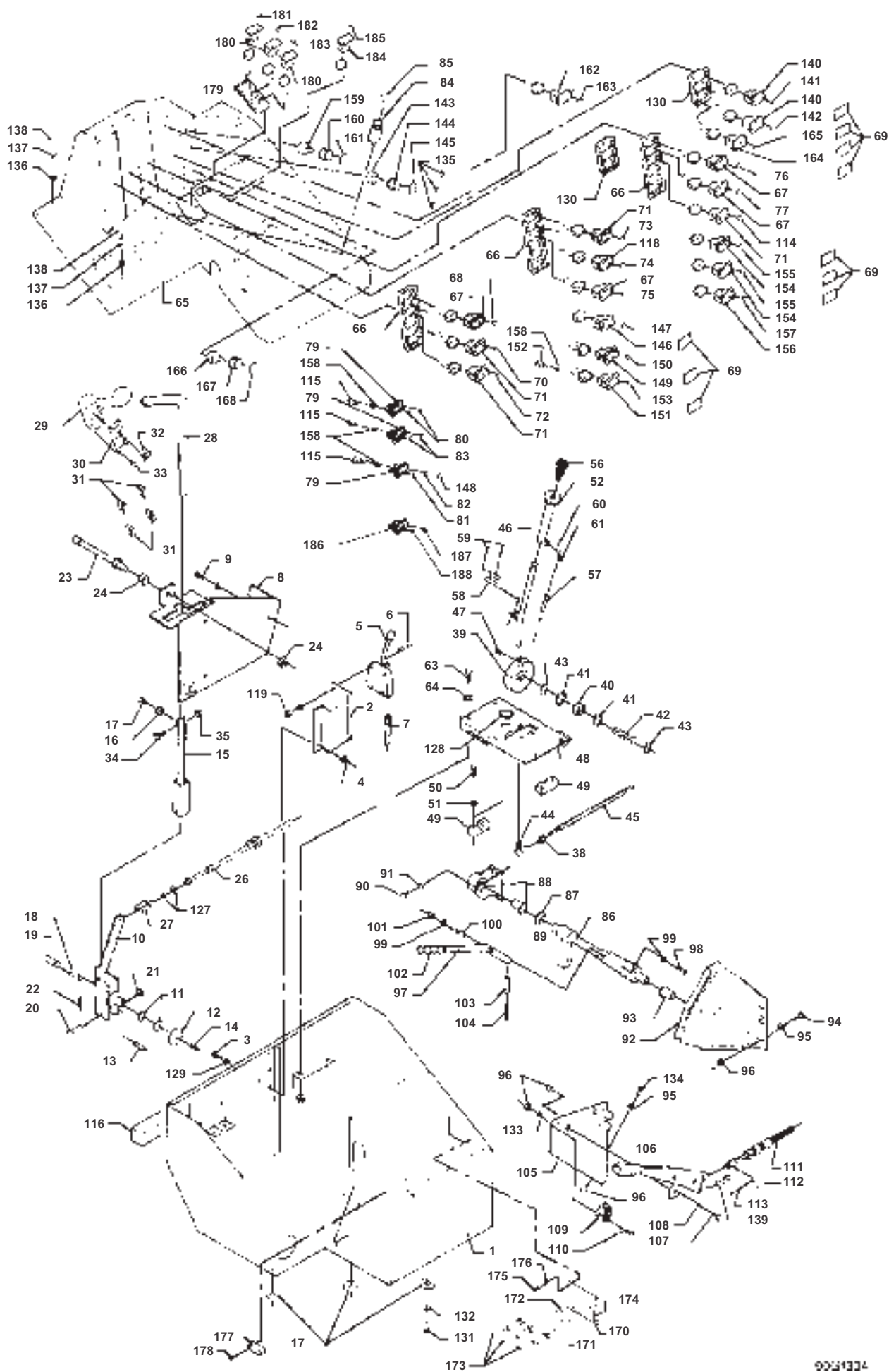
Item	Part Number	Qty	Description	Comments
84	D45082900	1	Switch, Ignition	
85	D45082700	1	Ignition Key	
86	D28980658	1	Shaft	
87	D43319300	1	Bush	
88	D28980640	1	Bearing	
89	D43316200	1	Bush	(88)
90	D40407600	2	Hex. Sock. Screw	
91	D20400419	2	Washer	
92	D28751459	1	Plate	
93	D43317000	1	Bush	(92)
94	D40404900	3	Hex. Sock. Screw	
95	D20400506	X	Washer	
96	D41013500	X	Nut	
97	D28980654	1	Lever	
98	D40422300	1	Hex. Sock. Screw	
99	D20400404	2	Washer	
100	D45666100	1	Spring	
101	D41087400	1	Locknut	
102	D43389700	1	Handle	
103	D42612000	1	Pin	
104	D42605100	1	Pin	
105	D28980685	1	Brake Lever	
106	D28981671	1	Handle	From Serial or Engine Number +56382
107	D40405100	2	Hex. Sock. Screw	
108	D20400506	2	Washer	
109	D45070090	1	Switch	
110	D40352000	2	Screw Metric	
111	D45924400	1	Cable	Up to Serial or Engine Number 52625
111	D45924900	1	Handbrake Cable	From Serial or Engine Number 52626
112	D45906100	1	Bolt	
113	D41402800	1	Pin	
114	D45063800	1	Plate	
115	D45065800	6	Light	
116	D44739400	1	Gasket	
118	D45050011	1	Switch	
119	D41010500	4	Nut	
120	D45050028	1	Switch	
121	D45050033	1	Switch	
122	D45050006	4	Switch	
123	D45050032	1	Switch	
124	D45050031	1	Switch	
126	D45050039	1	Switch	
127	D20400459	2	Washer	
128	D44732300	1	Grommet	
129	D20400470	1	Washer	
130	D45060016	1	Frame	
131	D40407800	3	Hex. Sock. Screw	
132	D20400505	3	Spacer	
133	D20400400	2	Washer	
134	D40405000	2	Hex. Sock. Screw	
135	D45745300	3	Plug	
136	D45745100	5	Washer	
137	D40741100	5	Screw	
138	D45746100	5	Plug	
139	D28882045	1	Tension Spring	
140	D45050027	1	Switch	
141	D28080058	1	Handle	Up to Serial or Engine Number 55489
141	D28980870	1	Lever	From Serial or Engine Number 55490
141	D28981161	1	Handle	
142	D28981340	1	Handle	
143	D28985631	1	Printed Form	From Serial or Engine Number 55490
143	D28080060	1	Plate	Up to Serial or Engine Number 55489
144	D28985639	1	Plate	From Serial or Engine Number 55490
144	D28985241	1	Plate	Up to Serial or Engine Number 55489
145	D28781524	1	Control	
146	D45743400	1	Plug	
147	D28781525	1	Switch	
148	D44900122	1	Switch	
149	D45020066	4	Spacer	
150	D45020065	4	Washer	
151	D41010400	4	Nut	

**Massey Ferguson****MF 38/40 COMBINES, |-> 47958 - 63001210****63001210****Instrument panel and control box - From Serial or Engine Number 53050****Page013-0025**

<b>Item</b>	<b>Part Number</b>	<b>Qty</b>	<b>Description</b>	<b>Comments</b>
152	D44900012	4	Button	
153	D44900002	4	Button	
154	D40631200	1	Pin	
155	D40316900	1	Screw	
156	D40316700	1	Screw	
157	D45060095	X	Connector	
158	D45080500	6	Bulb 12v 1.2w	
170	D28781359	1	Sensor	[A]
170	D28781357	1	Cover	[A] (170)
171	D28781358	1	Block	[A] (170)
172	D28781578	1	Roll	[A] (170)
173	D28781400	3	Sensor	[A] (170)
174	D40351200	8	Screw	[A] (170)
175	D40402300	4	Hex. Sock. Screw	[A]
176	D20400405	4	Washer	[A]
177	D45050019	1	Spirit Level	[A]
178	D40743000	2	Screw	[A]
179	D44900212	1	Decal	[B]

**FOOTNOTE [A] AUTO-LEVEL COMBINE****FOOTNOTE [B] OPTIONAL EXTRA FOR PREHEATER**

MF 38/40 COMBINES, |-> 47958 - 63001210  
90G1304



90G1304

Item	Part Number	Qty	Description	Comments
1	D28980082	1	Control Box	
2	D28980144	1	Bracket	
3	D40402400	3	Hex. Sock. Screw	
4	D41013400	3	Nut	
5	D46415200	1	Lever	
6	D40317500	4	Screw Metric	
7	D46439300	1	Cable	
8	D28981131	1	Bracket	
9	D40404700	3	Hex. Sock. Screw	
10	D28980094	1	Hub	
11	D43319300	2	Bush	
12	D28750915	1	Brake Disc	
13	D42601000	1	Pin	
14	D40606700	1	Screw	
15	D28980592	1	Handle	Up to Serial or Engine Number 49255
	D28981162	1	Handle	From Serial or Engine Number +49256
16	<b>D45010092</b>	1	Magnet	
17	D40316400	1	Screw Metric	
18	D28980356	1	Spring	
19	D28980093	1	Plate	
20	D45906000	1	Pin	
21	D45905600	1	Washer	
22	D41405800	1	Split Pin	
23	D28780380	1	Pipe	
24	D41098000	2	Nut	
26	D46439000	1	Cable	
27	D46438700	1	Fork	
28	D28980943	1	Handle	
	D28981161	1	Handle	(28) From Serial or Engine Number +48937
29	D28980686	1	Handle	(28)
30	D28980659	1	Plate	(28)
31	D45060029	4	Switch	(28)
32	D45060030	1	Switch	(28)
33	D40740200	4	Screw	(28)
34	D40405100	1	Hex. Sock. Screw	From Serial or Engine Number 49640
	D40421800	1	Screw Metric	Up to Serial or Engine Number 49255
35	D41087400	1	Locknut	Up to Serial or Engine Number 49255
38	D41010800	1	Nut	
39	D28980790	1	Bearing Carrier	
40	D41622500	1	Bearing Ball	
41	D42512900	2	Circlip	
42	D28980789	1	Shaft	
43	D42501300	2	Circlip	
44	D46436200	1	Toggle	
45	D28980805	1	Rod	
46	D28980793	1	Lever	
47	D42609100	1	Pin	
48	D28980809	1	Plate	
49	D28980788	2	Retainer	
50	D40405100	4	Hex. Sock. Screw	
51	D20400506	4	Washer	
52	D28981083	1	Selector	
56	D43383800	1	Handle	
57	D46439400	1	Cable	
58	D28730779	1	Locking Plate	
59	D41405700	2	Pin	
60	D40630900	1	Pin	From Serial or Engine Number +50030
61	D40402200	1	Hex. Sock. Screw	
63	D40407600	4	Hex. Sock. Screw	
64	D20400419	4	Washer	
65	D28981519	1	Cover	[L] From Serial or Engine Number 52342
	D28980649	1	Cover	[L] Up to Serial or Engine Number 52341
	D28981506	1	Cover	[J] From Serial or Engine Number 52342
	D28980709	1	Cover	[J] Up to Serial or Engine Number 52341
66	D45064900	3	Frame	
67	D45060002	4	Switch	

Item	Part Number	Qty	Description	Comments
68	D28751654	1	Decal	
69	D45064800	10	Plate	From Serial or Engine Number 49640
70	D28751652	1	Decal	
71	D45065000	4	Switch	
72	D45060007	1	Decal	
73	D28751659	1	Decal	
74	D28751656	1	Decal	
75	D28950520	1	Decal	
76	D45060009	X	Decal	
77	D45082100	1	Decal	
79	D45060014	3	Control Light	
80	D45060013	2	Decal	
81	D45060012	1	Decal	
82	D45063800	1	Plate	
83	D45060011	2	Decal	
84	D45082900	1	Switch, Ignition	From Serial or Engine Number 50145
84	D45089800	1	Switch	Up to Serial or Engine Number 50144
85	D45060040	1	Ignition Key	Up to Serial or Engine Number 50144
85	D45082700	1	Ignition Key	From Serial or Engine Number 50145
86	D28980658	1	Shaft	
87	D43319300	1	Bush	
88	D28980640	1	Bearing	
89	D43316200	1	Bush	(88)
90	D40407600	2	Hex. Sock. Screw	
91	D20400419	2	Washer	
92	D28751459	1	Plate	
93	D43317000	1	Bush	(92)
94	D40404900	3	Hex. Sock. Screw	
95	D20400506	X	Washer	
96	D41013500	X	Nut	
97	D28980654	1	Lever	
98	D40422300	1	Hex. Sock. Screw	
99	D20400404	2	Washer	
100	D45666100	1	Spring	
101	D41087400	1	Locknut	
102	D43389700	1	Handle	
103	D42612000	1	Pin	
104	D42605100	1	Pin	
105	D28980685	1	Brake Lever	
106	D45924500	1	Handbrake Assy	
107	D40405100	2	Hex. Sock. Screw	
108	D20400506	2	Washer	
109	D45070090	1	Switch	
110	D40352000	2	Screw Metric	
111	D45924400	1	Cable	Up to Serial or Engine Number 52626
111	D45924900	1	Handbrake Cable	From Serial or Engine Number 52625
112	D45906100	1	Bolt	
113	D41402800	1	Pin	
114	D28781216	1	Table	From Serial or Engine Number 49640
114	D45063800	1	Plate	
115	D45065800	6	Light	
116	D44739400	1	Gasket	
117	D28980857	3	Shim	Up to Serial or Engine Number 50629
118	D45060003	1	Switch	
119	D41010500	4	Nut	
127	D20400459	2	Washer	
128	D44732300	1	Grommet	
129	D20400470	1	Washer	
130	D45060016	1	Frame	
131	D40407800	3	Hex. Sock. Screw	
132	D20400505	3	Spacer	
133	D20400400	2	Washer	
134	D40405000	2	Hex. Sock. Screw	
135	D45745300	3	Plug	From Serial or Engine Number 49640
136	D45745100	5	Washer	
137	D40741100	5	Screw	
138	D45745200	5	Plug	Up to Serial or Engine Number 52341
138	D45746100	5	Plug	From Serial or Engine Number 52342
139	D28882045	1	Tension Spring	
140	D45065000	2	Switch	[A]
141	D28751652	1	Decal	[A]



Item	Part Number	Qty	Description	Comments
142	D45082200	1	Decal	[A]
143	D28781243	1	Potentiometer	[A]
144	D45020099	1	Button	[A]
145	D28781224	1	Cover	[A]
146	D45065000	1	Switch	[B]
147	D28781207	1	Plate	[B]
148	D45060011	1	Decal	[B]
149	D45065000	1	Switch	[C]
150	D28781207	1	Plate	[C]
151	D45065000	1	Switch	[D]
152	D45065800	1	Light	[D]
153	D45060041	1	Plate	[D]
154	D45060002	1	Switch	[F]
154	D45060002	2	Switch	[E]
155	D28781209	1	Plate	[F]
155	D28781209	2	Plate	[E]
156	D45065000	1	Switch	[G]
157	D28781211	1	Plate	[G]
158	D45080500	6	Bulb 12v 1.2w	
159	D28781243	1	Potentiometer	[H]
160	D45020099	1	Button	[H]
161	D28781223	1	Cover	[H]
162	D45063400	1	Switch	[H]
163	D45060057	1	Decal	[H]
164	D45065000	1	Switch	[I]
165	D45060009	1	Decal	[I]
166	D28781243	1	Potentiometer	[I]
167	D45020099	1	Button	[I]
168	D28781225	1	Indicator	[I]
169	D41010400	2	Nut	
170	D28781359	1	Sensor	[J]
170	D28781357	1	Cover	[J]
171	D28781358	1	Block	(170) [J]
172	D28781578	1	Roll	(170) [J]
173	D28781400	3	Sensor	(170) [J]
174	D40351200	8	Screw	(170) [J]
175	D40402300	4	Hex. Sock. Screw	[J]
176	D20400405	4	Washer	[J]
177	D45050019	1	Spirit Level	[J]
178	D40743000	2	Screw	[J]
179	D45060016	1	Frame	[J]
180	D45063400	3	Switch	[J]
181	D28781361	1	Decal	[J]
182	D28781362	1	Decal	[J]
183	D28781360	1	Decal	[J]
184	D45050020	1	Switch	[J]
185	D45081900	1	Decal	[J]
186	D45060014	1	Control Light	[K]
187	D45063800	1	Plate	[K]
188	D44900212	1	Decal	[K]

**FOOTNOTE [A]** OPTIONAL EQUIPMENT STANDARD COMBINE, STANDARD EQUIPMENT AUTO-LEVEL COMBINE,SLOPES

**FOOTNOTE [B]** OPTIONAL EQUIPMENT ELECTRIC VERTICAL KNIFE RIGHT

**FOOTNOTE [C]** OPTIONAL EQUIPMENT ELECTRIC - VERTICAL KNIFE LEFT

**FOOTNOTE [D]** OPTIONAL EQUIPM 4-WHEEL DRIVE

**FOOTNOTE [E]** OPTIONAL EQUIPM. ELEC. SPREADER PLATE "REKORD"

**FOOTNOTE [F]** OPTIONAL EQUIPM ELEC. SPREADER PLATE "BISO"

**FOOTNOTE [G]** OPTIONAL EQUIPM CHAFF SPREADER

**FOOTNOTE [H]** OPTIONAL EQUIPM AUTO-LEVEL TABLE, STANDARD AUTO-LEVEL COMBINE

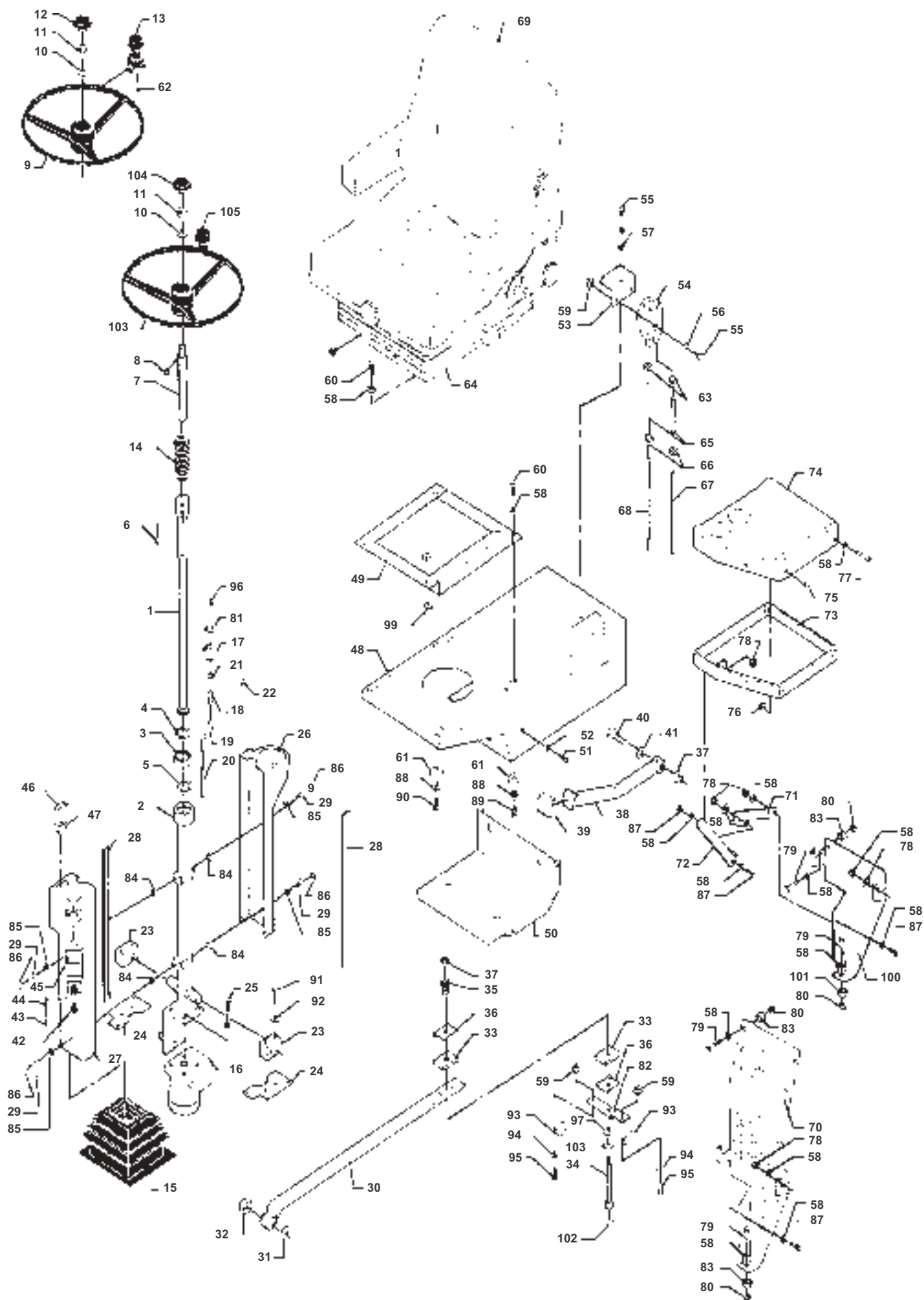
**FOOTNOTE [I]** OPTIONAL EQUIPM FORWARDSPEED CONTROL

**FOOTNOTE [J]** AUTO-LEVEL COMBINE

**FOOTNOTE [K]** OPTIONAL EXTRA FOR PREHEATER

**FOOTNOTE [L]** STANDARD COMBINE

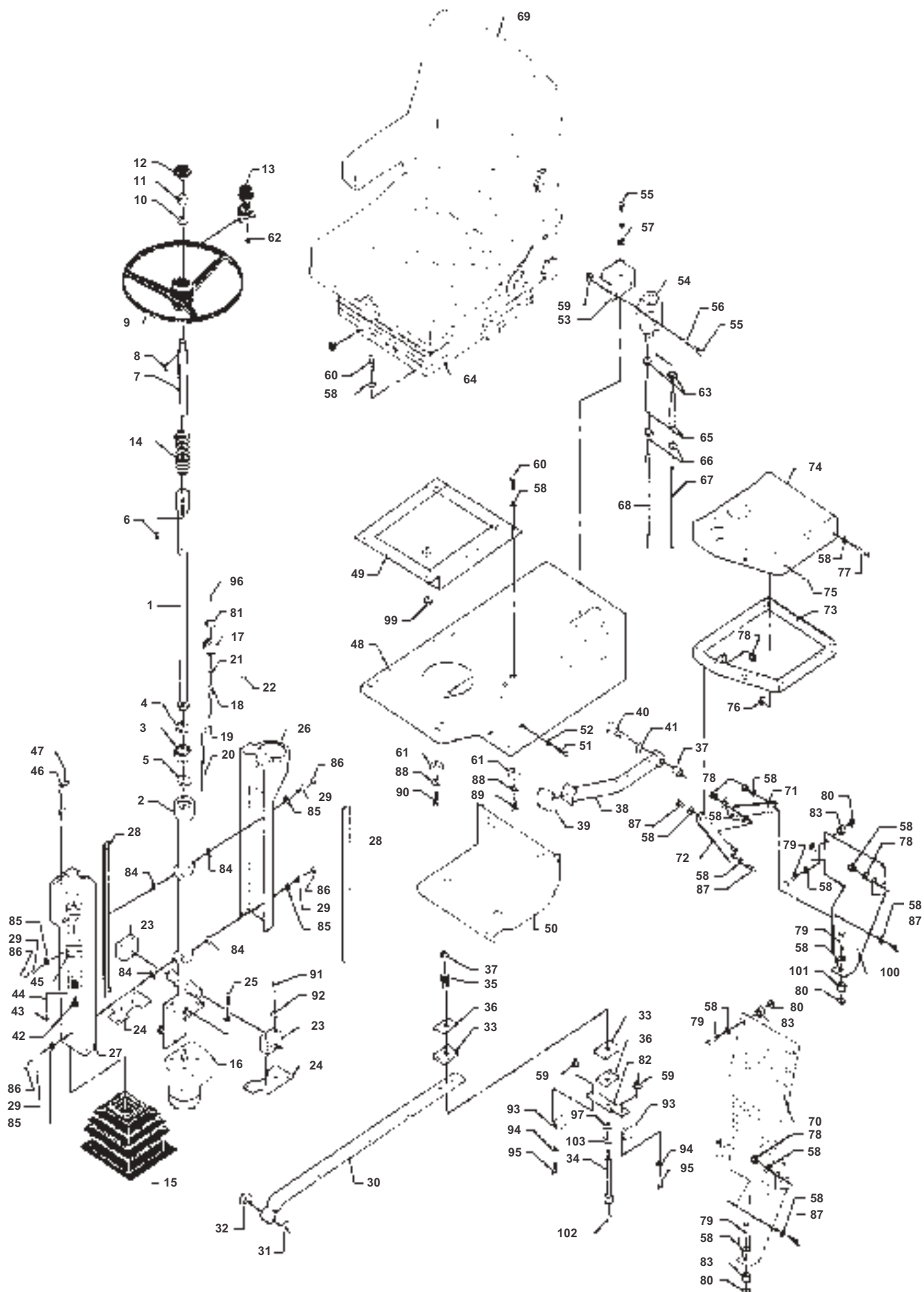
MF 38/40 COMBINES, |-> 47958 - 63001210  
38B1305A



Item	Part Number	Qty	Description	Comments
1	D28980608	1	Shaft	
2	D28981103	1	Steering	
3	D41616900	1	Bearing Ball	
4	D42513700	1	Circlip	
5	D42502300	1	Circlip	
6	D40609000	2	Pin	
7	D28760755	1	Journal	
8	D43101100	1	Key	
9	D45908900	1	Steering Wheel	Up to Serial or Engine Number 54434
10	D20400428	X	Washer	OPTION
11	D41091200	1	Locknut	
12	D45908800	1	Cap	Up to Serial or Engine Number 54434
	D49100133	1	Badge	Up to Serial or Engine Number 54434
13	D45908700	1	Grip	Up to Serial or Engine Number 54434
14	D46437900	1	Bellows	
15	D28980671	1	Bellows	
16	D45166700	1	Valve	From Serial or Engine Number +56440
17	D45083100	1	Manometer	
18	D45276800	1	Connector	
19	D28980410	1	Pipe,Oil	
20	D45130024	1	Hydr Hose	
21	D45276900	1	Packing Ring	
23	D28980604	2	Bearing Carrier	
24	D28980593	2	Plate	
25	D40407600	4	Hex. Sock. Screw	
26	D28981514	1	Cover	
27	D28981381	1	Cover	
28	D28981101	2	Guide	
29	D40742000	4	Screw	
30	D28980612	1	Rod	
31	D20400429	1	Washer	
32	D41087800	1	Locknut	
33	D28980605	2	Brake Lining	
34	D28981241	1	Lever	
35	D28981027	1	Spring	
36	D28980609	2	Guide	
37	D41087800	2	Locknut	
38	D28980616	1	Pedal	
39	D44719900	1	Rubber	
40	D40414500	1	Screw	
41	D20400429	1	Washer	
42	D45019600	1	Switch	
43	D40351900	2	Screw Metric	
44	D20400400	2	Washer	
45	D28980199	1	Reinforcement	
46	D45050007	1	Switch	
47	D45050003	1	Magnet	
48	D28981142	1	Bracket	
49	D28981139	1	Frame Assy	GRAMMER
50	D28980737	1	Shelf	
51	D40740700	4	Screw	
52	D20400466	4	Washer	
53	D28980736	1	Bracket	
54	D45908200	1	Container	
55	D40402400	3	Hex. Sock. Screw	
56	D20400453	2	Washer	
57	D20400470	1	Washer	
58	D20400506	X	Washer	
59	D41013400	4	Nut	
60	D40404900	4	Hex. Sock. Screw	
62	D40740300	4	Screw	Up to Serial or Engine Number 54434
63	D45730800	2	Clip	
64	D45939800	1	Spring Carrier	GRAMMER
65	D28980949	2	Hose	
66	D45730800	2	Clip	
67	D28980948	1	Pipe	
68	D28980947	1	Pipe	
69	D45939600	1	Seat	VIKING
	D45939700	1	Seat	GRAMMER
70	D28981207	1	Plate	From Serial or Engine Number 50357 Up to Serial or Engine Number 50629

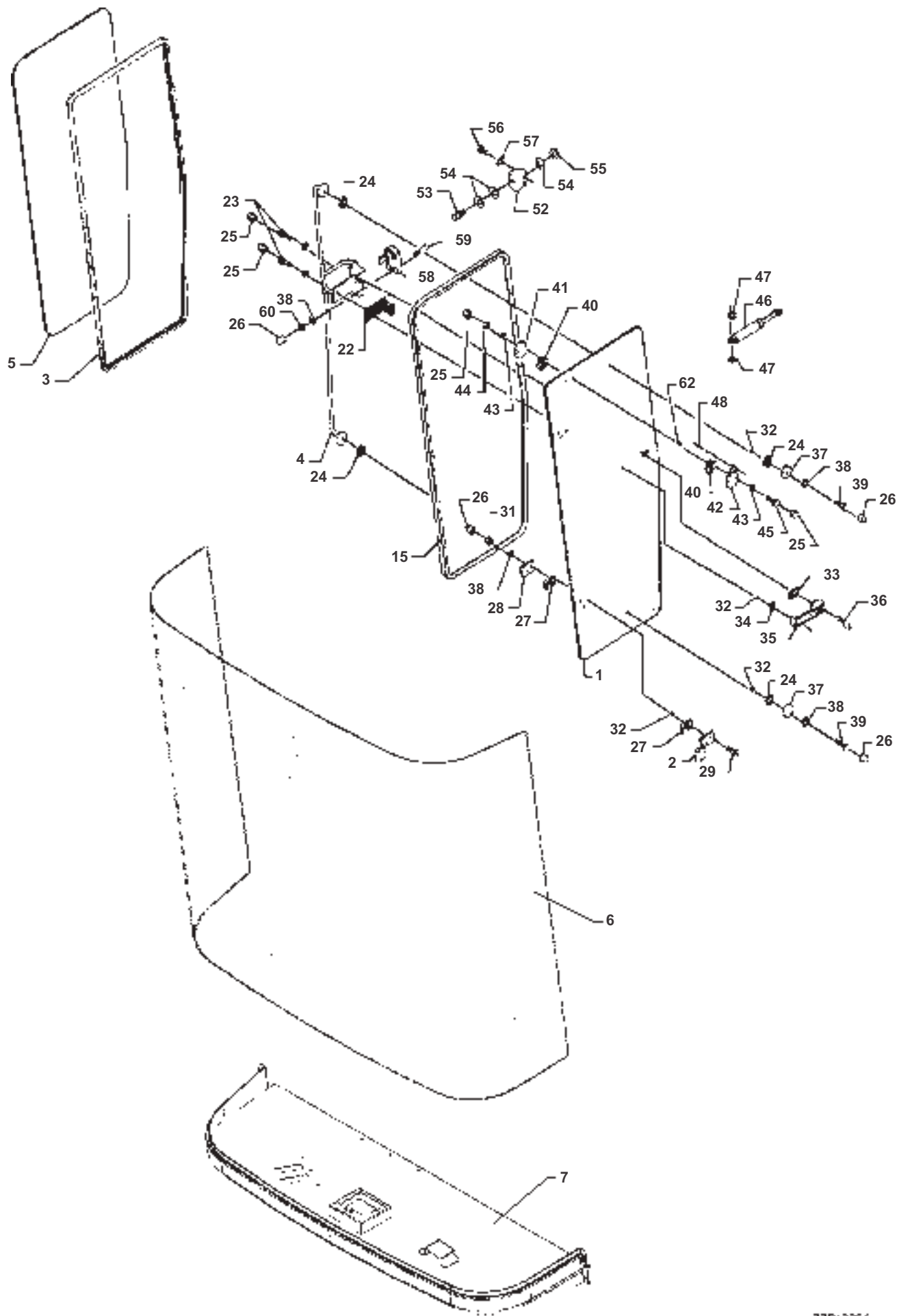
Item	Part Number	Qty	Description	Comments
71	D28980693	1	Link	
72	D28980690	1	Link	
73	D28981099	1	Frame Assy	
74	D28981505	1	Seat	
75	D40688200	3	Screw Metric	
76	D41013400	3	Nut	
77	D40405100	2	Hex. Sock. Screw	
78	D41087500	5	Locknut	
79	D40423800	3	Screw Metric	
80	D41013500	3	Nut	
81	D45070068	1	Glass	
82	D28980942	1	Bar	
83	D28980738	2	Bush	
84	D43429600	4	Clip	
85	D45745100	4	Washer	
86	D45746100	4	Plug	
87	D40405000	3	Hex. Sock. Screw	
88	D20400505	1	Spacer	
89	D40407700	3	Hex. Sock. Screw	
90	D40407800	3	Hex. Sock. Screw	
91	D40426200	4	Screw	
92	D20400419	4	Washer	
93	D45728300	2	Clip	
94	D20400470	2	Washer	
95	D40402600	2	Hex. Sock. Screw	
96	D45016100	1	Bulb 12v 3w	
97	D20400429	X	Washer	OPTIONAL
100	D28981240	1	Plate	From Serial or Engine Number 50630 Up to Serial or Engine Number 52341
101	D28980738	1	Bush	
101	D28981237	1	Bush	From Serial or Engine Number 50630 Up to Serial or Engine Number 52341
102	D41087800	1	Locknut	
103	D45940000	1	Steering Wheel	From Serial or Engine Number 54435
104	D45940100	1	Cap	From Serial or Engine Number 54435
105	D45940200	1	Lever	From Serial or Engine Number 54435

MF 38/40 COMBINES, |-> 47958 - 63001210  
90C1305



Item	Part Number	Qty	Description	Comments
1	D28980608	1	Shaft	
2	D28981103	1	Steering	
3	D41616900	1	Bearing Ball	
4	D42513700	1	Circlip	
5	D42502300	1	Circlip	
6	D40609000	2	Pin	
7	D28760755	1	Journal	
8	D43101100	1	Key	
9	D45900300	1	Steering Wheel	Up to Serial or Engine Number 48980
	D45908900	1	Steering Wheel	From Serial or Engine Number 48981
10	D20400428	X	Washer	OPTION
11	D41091200	1	Locknut	
12	D45900600	1	Cap	Up to Serial or Engine Number 48980
	D45908800	1	Cap	From Serial or Engine Number 48981
	D49100132	1	Decal	DM
	D49100133	1	Badge	MF
13	D45900800	1	Handle	Up to Serial or Engine Number 48980
	D45908700	1	Grip	From Serial or Engine Number 48981
14	D46437900	1	Bellows	
15	D28980671	1	Bellows	
16	D28981244	1	Valve Block	Up to Serial or Engine Number 52341
	D45160055	1	Steering Column	From Serial or Engine Number 52342
17	D45083100	1	Manometer	From Serial or Engine Number 48013
	D45089500	1	Manometer	Up to Serial or Engine Number 48012
18	D45276800	1	Connector	
19	D28980410	1	Pipe,Oil	
20	D45130024	1	Hydr Hose	
21	D45276900	1	Packing Ring	
22	D41033700	1	Locknut	
23	D28980604	2	Bearing Carrier	
24	D28980593	2	Plate	
25	D40407600	4	Hex. Sock. Screw	
26	D28981105	1	Cover	Up to Serial or Engine Number 52341
	D28981514	1	Cover	From Serial or Engine Number 52342
27	D28981104	1	Cover	Up to Serial or Engine Number 52341
	D28981513	1	Cover	From Serial or Engine Number 52342
28	D28981101	2	Guide	
29	D40742000	4	Screw	
30	D28980612	1	Rod	
31	D20400429	1	Washer	
32	D41087800	1	Locknut	
33	D28980605	2	Brake Lining	
34	D28981241	1	Lever	From Serial or Engine Number +50671
35	D28981027	1	Spring	
36	D28980609	2	Guide	
37	D41087800	2	Locknut	
38	D28980616	1	Pedal	
39	D44719900	1	Rubber	
40	D40414500	1	Screw	
41	D20400429	1	Washer	
42	D45019600	1	Switch	
43	D40351900	2	Screw Metric	
44	D20400400	2	Washer	
45	D28980199	1	Reinforcement	
46	D45065000	1	Switch	
47	D28751654	1	Decal	
48	D28981142	1	Bracket	
49	D28981139	1	Frame Assy	GRAMMER
50	D28980737	1	Shelf	
51	D40740700	4	Screw	
52	D20400466	4	Washer	
53	D28980736	1	Bracket	
54	D45908200	1	Container	
55	D40402400	3	Hex. Sock. Screw	
56	D20400453	2	Washer	
57	D20400470	1	Washer	
58	D20400506	X	Washer	
59	D41013400	4	Nut	
60	D40404900	4	Hex. Sock. Screw	
61	D28980857	4	Shim	Up to Serial or Engine Number 50629
62	D40740300	4	Screw	

Item	Part Number	Qty	Description	Comments
63	D45730800	2	Clip	
64	D45939800	1	Spring Carrier	GRAMMER
65	D28980949	2	Hose	
66	D45730800	2	Clip	
67	D28980948	1	Pipe	
68	D28980947	1	Pipe	
69	D45939600	1	Seat	VIKING
69	D45939700	1	Seat	GRAMMER
70	D28981097	1	Plate	Up to Serial or Engine Number 50356
70	D28981207	1	Plate	From Serial or Engine Number 50357 Up to Serial or Engine Number 50629
71	D28980693	1	Link	
72	D28980690	1	Link	
73	D28981099	1	Frame Assy	
74	D28980670	1	Seat	Up to Serial or Engine Number 52341
74	D28981505	1	Seat	From Serial or Engine Number 52342
75	D40688200	3	Screw Metric	
76	D41013400	3	Nut	
77	D40405100	2	Hex. Sock. Screw	
78	D41087500	5	Locknut	
79	D40423800	5	Screw Metric	Up to Serial or Engine Number 50629
79	D40423800	3	Screw Metric	From Serial or Engine Number 50630
80	D41013500	5	Nut	Up to Serial or Engine Number 50629
80	D41013500	3	Nut	From Serial or Engine Number 50630
81	D45070068	1	Glass	
82	D28980942	1	Bar	
83	D28980738	5	Bush	Up to Serial or Engine Number 50629
83	D28980738	2	Bush	From Serial or Engine Number 50630
84	D43429600	4	Clip	
85	D45745100	4	Washer	
86	D45745200	4	Plug	Up to Serial or Engine Number 52341
86	D45746100	4	Plug	From Serial or Engine Number 52342
87	D40405000	3	Hex. Sock. Screw	
88	D20400505	1	Spacer	
89	D40407700	3	Hex. Sock. Screw	
90	D40407800	3	Hex. Sock. Screw	
91	D40426200	4	Screw	
92	D20400419	4	Washer	
93	D45728300	2	Clip	
94	D20400470	2	Washer	
95	D40402600	2	Hex. Sock. Screw	
96	D45016100	1	Bulb 12v 3w	
97	D20400429	X	Washer	OPTIONAL
100	D28981240	1	Plate	From Serial or Engine Number 50630
101	D28980738	1	Bush	From Serial or Engine Number 52342
101	D28981237	1	Bush	From Serial or Engine Number 50630 Up to Serial or Engine Number 52341
102	D41087800	1	Locknut	From Serial or Engine Number +50671
103	D20400428	4	Washer	Up to Serial or Engine Number 50670



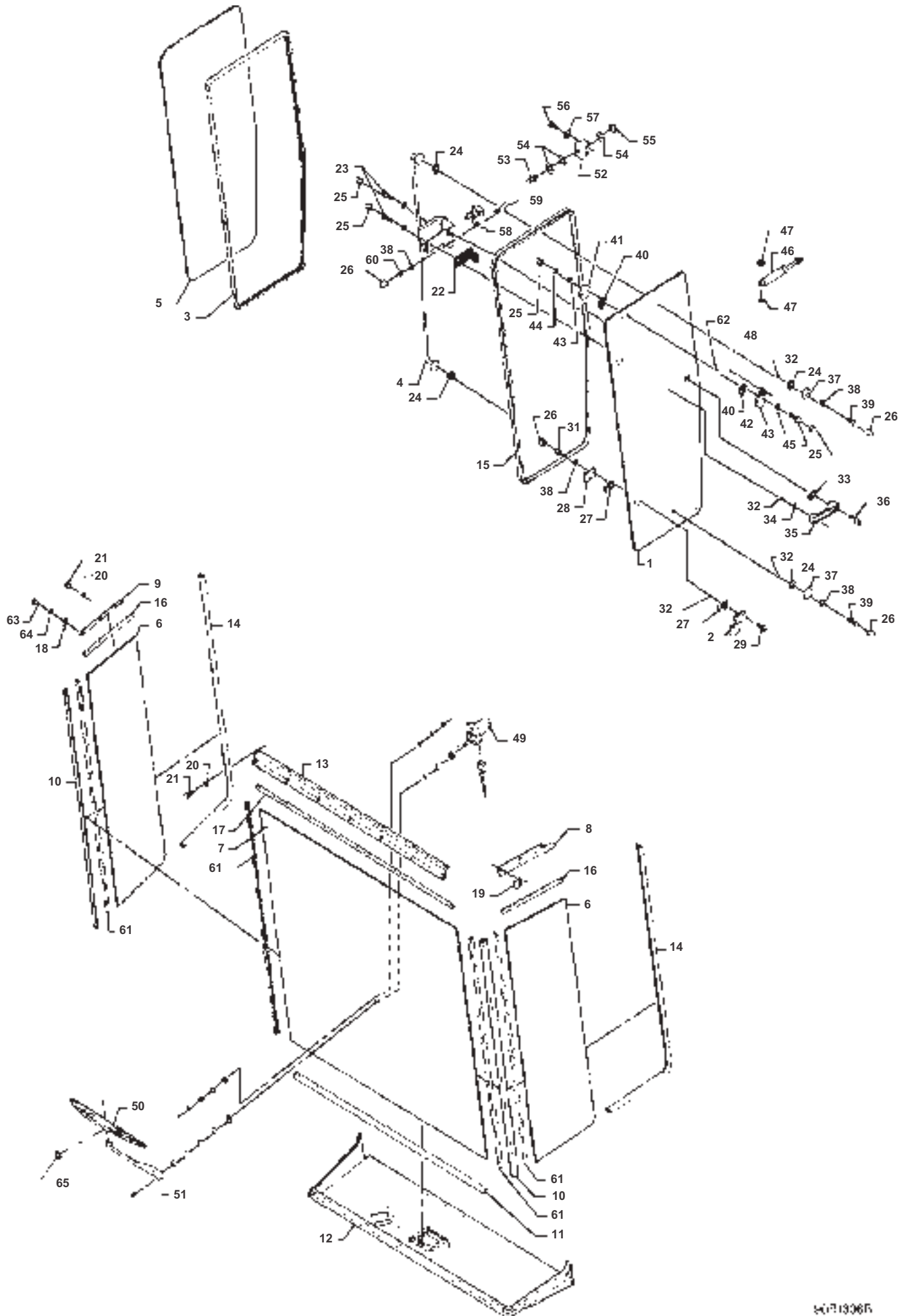


**Massey Ferguson****MF 38/40 COMBINES, |-> 47958 - 63001210****63001210****Window panes - From Serial or Engine Number 53050****Page013-0045**

Item	Part Number	Qty	Description	Comments
1	D28980561	1	Glass Pane	
2	D28980477	2	Hinge	
3	D28980034	X	Seal Section	Length 3,980 M
4	D28981186	1	Fitting	
5	D28980562	1	Window	
6	D28081587	1	Windscreen	[A]
	D28981592	1	Kit, Repair	[B]
7	D28981601	1	Frame	
15	D44737400	X	Seal	Length 4,100 M
22	D28980489	1	Shim	
23	D40402600	3	Hex. Sock. Screw	
24	D28980463	4	Plate	
25	D45744800	X	Protector	
26	D45744900	X	Protector	
27	D28980478	4	Plate	
28	D28980485	2	Plate	
29	D40601800	6	Screw	
31	D41087500	6	Locknut	
32	D28980322	6	Bush	
33	D28980486	1	Shim	
34	D28980487	1	Shim	
35	D43419100	1	Door Handle	
36	D43418700	1	Spanner	
37	D28980466	2	Washer	
38	D20400506	X	Washer	
39	D40405100	2	Hex. Sock. Screw	
40	D28980461	2	Washer	
41	D28980464	1	Washer	
42	D28980470	1	Bracket	
43	D20400453	4	Washer	
44	D41087400	2	Locknut	
45	D40421800	2	Screw Metric	
46	D45061800	1	Gas Strut	
47	D20400500	2	Spacer	
48	D41405700	2	Pin	
52	D28980916	1	Bracket	
53	D43419400	1	Bolt	
54	D20400426	3	Washer	
55	D46434600	1	Nut	
56	D40404700	2	Hex. Sock. Screw	
57	D20400506	2	Washer	
58	D43419200	1	Lock	
59	D40601900	2	Screw	
60	D41087500	2	Locknut	
62	D28980322	2	Bush	

**FOOTNOTE [A]** USE MOUNTING KIT NO 28981592**FOOTNOTE [B]** NOTE CONTAINS GLUE OF LTD KEEPING QUALITIES

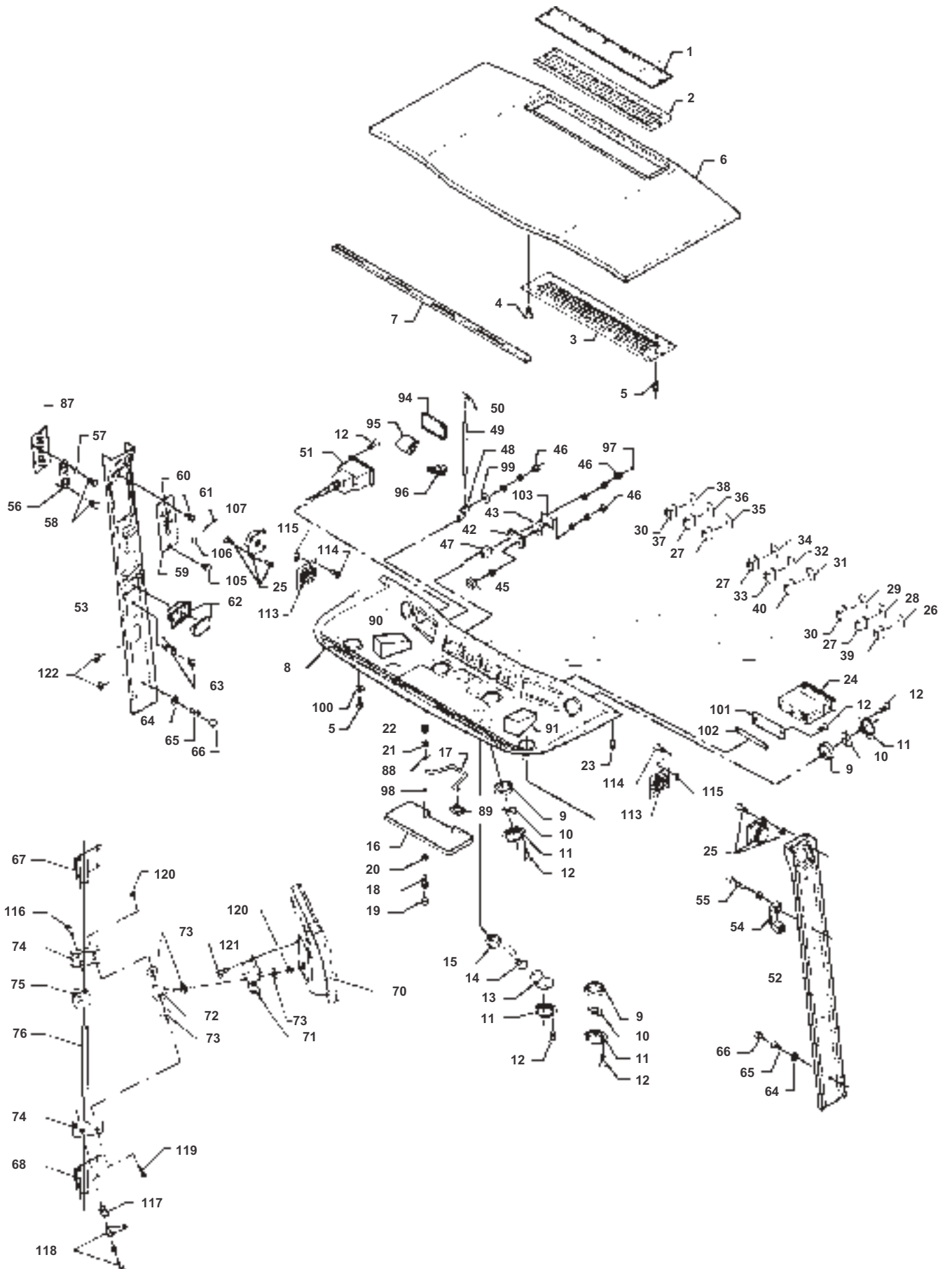
MF 38/40 COMBINES, |-> 47958 - 63001210  
90B1306B



90B1306B

Item	Part Number	Qty	Description	Comments
1	D28980561	1	Glass Pane	
2	D28980477	2	Hinge	
3	D28980034	X	Seal Section	Length 3.980 M
4	D28981186	1	Fitting	From Serial or Engine Number +49662
5	D28980562	1	Window	
6	D28980064	2	Glass Pane	
7	D28980066	1	Windscreen	
8	D28980885	1	Strip	
9	D28980886	1	Strip	
10	D28980015	2	Profile	
11	D28980034	X	Seal Section	Length 1,410 M
12	D28980528	1	Frame	
13	D28980889	1	Strip	
14	D28980034	X	Seal Section	Length 1,900 M
15	D44737400	X	Seal	Length 4,100 M
16	D44736700	X	Strip	Length 0,410 M
17	D44736700	X	Strip	Length 1,410 M
18	D28980888	1	Stop	
19	D28980887	1	Stop	
20	D20400466	11	Washer	
21	D40749100	11	Screw Metric	
22	D28980489	1	Shim	
23	D40402600	3	Hex. Sock. Screw	
24	D28980463	4	Plate	
25	D45744800	X	Protector	
26	D45744900	X	Protector	
27	D28980478	4	Plate	
28	D28980485	2	Plate	
29	D40601800	6	Screw	
31	D41087500	6	Locknut	
32	D28980322	6	Bush	
33	D28980486	1	Shim	
34	D28980487	1	Shim	
35	D43419100	1	Door Handle	
36	D43418700	1	Spanner	
37	D28980466	2	Washer	
38	D20400506	X	Washer	
39	D40405100	2	Hex. Sock. Screw	
40	D28980461	2	Washer	
41	D28980464	1	Washer	
42	D28980470	1	Bracket	
43	D20400453	4	Washer	
44	D41087400	2	Locknut	
45	D40421800	2	Screw Metric	
46	D45061800	1	Gas Strut	
47	D20400500	2	Spacer	
48	D41405700	2	Pin	
49	D45060026	1	Wiper Motor	
50	D45060025	1	Wiper Blade	
51	D45060027	1	Wiper Arm	
52	D28980916	1	Bracket	
53	D43419400	1	Bolt	
54	D20400426	3	Washer	
55	D46434600	1	Nut	
56	D40404700	2	Hex. Sock. Screw	
57	D20400506	2	Washer	
58	D43419200	1	Lock	
59	D40601900	2	Screw	
60	D41087500	2	Locknut	
61	D44737300	X	Gasket	Length 1,525 M
62	D28980322	2	Bush	From Serial or Engine Number 49834
63	D40404900	2	Hex. Sock. Screw	
64	D20400506	2	Washer	
65	D45050002	1	Adaptor	From Serial or Engine Number +52595

MF 38/40 COMBINES, |-> 47958 - 63001210  
38C1307A

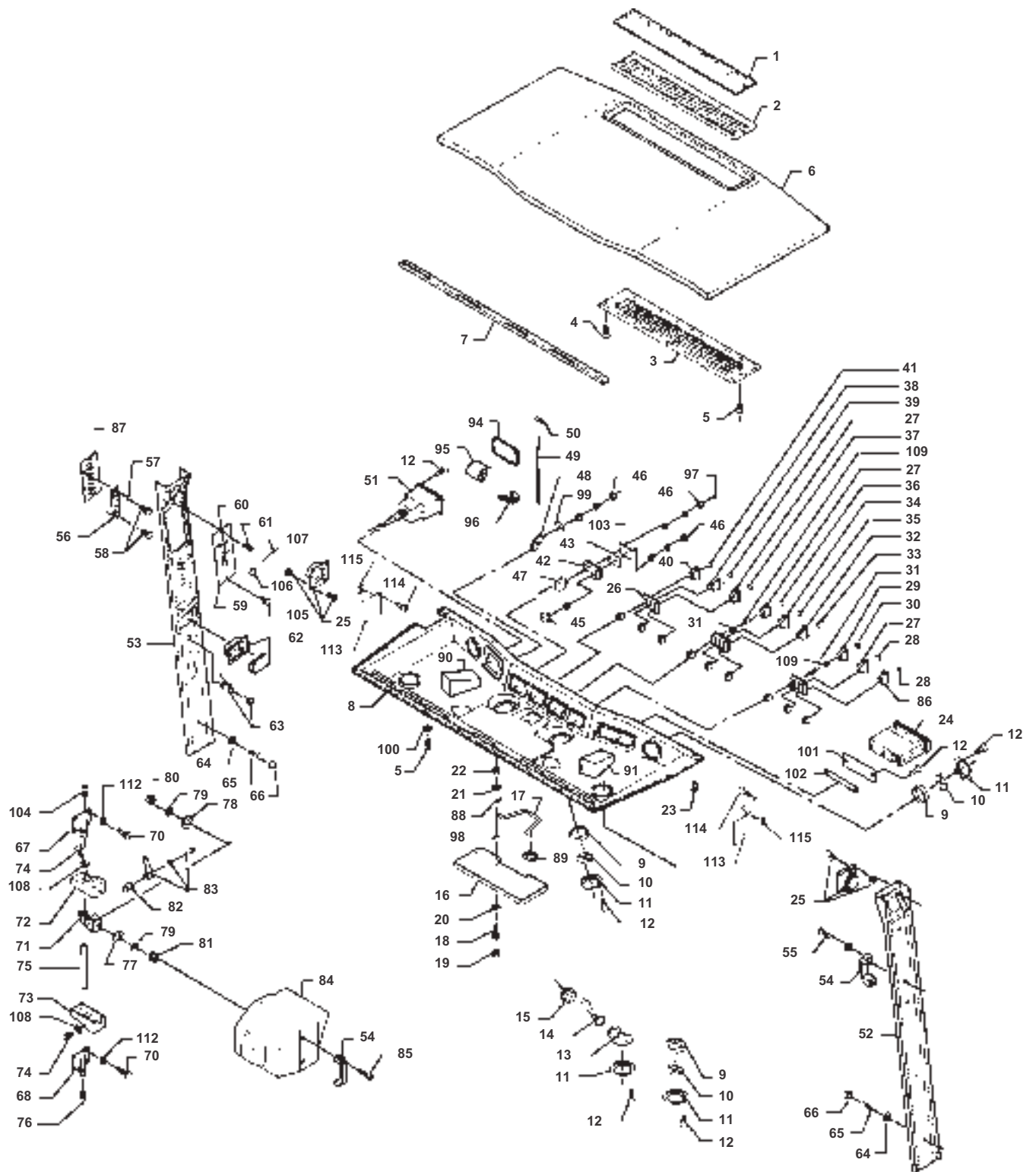


Item	Part Number	Qty	Description	Comments
1	D28980849	1	Filter	
2	D28980923	1	Shutter	
3	D28981508	1	Grate	
4	D40740100	12	Screw	
5	D43385100	4	Screw	
6	D28980855	1	Lining	
7	D28981357	1	Grille	
8	D28981356	1	Panel	
9	D28980554	6	Retainer	
10	D28980553	6	Shutter	
11	D28980555	8	Ring	
12	D40740200	24	Screw	
13	D28980839	2	Holder	
14	D45060001	2	Light	
15	D28980771	2	Cover	
16	D28981507	1	Canopy	
17	D28980664	1	Stirrup	
18	D40400900	2	Setscrew	
19	D45746100	2	Plug	
20	D45745100	2	Washer	
21	D20400466	2	Washer	
22	D41087300	2	Locknut	
23	D45745600	22	Rivet	
24	D45086400	1	Radio	
25	D45090091	1	Speaker	
26	D45050040	1	Light Switch	From Serial or Engine Number +53455
27	D45050003	5	Magnet	
28	D45050040	1	Light Switch	From Serial or Engine Number +53455
29	D45050017	1	Switch	
30	D45050005	2	Dummy	
31	D45050018	1	Switch	
32	D45050052	1	Switch	
33	D45050051	1	Switch	
34	D45050021	1	Switch	
35	D45050022	1	Switch	
36	D45050023	1	Switch	
37	D45050041	1	Switch	
38	D45050024	1	Switch	
39	D45050049	1	Switch	
40	D45050050	1	Switch	
42	D28980928	1	Frame	
43	D28980436	1	Plate	
45	D45070024	1	Switch	
46	D45070026	2	Button	
47	D45093000	1	Thermostat	
48	D45070025	1	Adjuster	
49	D45070027	1	Cable	
50	D45070028	1	Bracket	
51	D28981536	1	Printer	
	D28981575	1	Printer	
52	D28981535	1	Cover	
53	D28980483	1	Cover	
54	D43386900	1	Handle	
55	D40690300	2	Screw	
56	D28980772	1	Hinge	
57	D20400404	2	Washer	
58	D40402200	2	Hex. Sock. Screw	
59	D28981529	1	Cover	
60	D45059600	1	Hammer	
61	D43385100	2	Screw	
62	D45060024	1	Ashtray	
63	D45060037	1	Lighter	
64	D45745100	6	Washer	
65	D40352300	6	Screw Metric	
66	D45746100	6	Plug	
67	D28981042	1	Suspension	
68	D28980764	1	Suspension	
70	D28981672	1	Terminal	
71	D28981328	1	Fitting	
72	D28981330	1	Threaded Part	
73	D28981331	4	Washer	

**Massey Ferguson****MF 38/40 COMBINES, |-> 47958 - 63001210****63001210****Frontpanel, side members and datavision - From Serial or Engine Number 53050****Page013-0055**

<b>Item</b>	<b>Part Number</b>	<b>Qty</b>	<b>Description</b>	<b>Comments</b>
74	D28981332	2	Clamp	
75	D28980501	1	Fitting	
76	D28981360	1	Rod	
86	D45066100	1	Switch,Indirect	
87	D28980775	1	Panel	
88	D28980665	2	Retainer	
89	D45060031	1	Support	
90	D28980977	1	Gasket	
91	D28980976	1	Gasket	
94	D28981509	1	Plate	
95	D45010063	1	Paper	
96	D45010062	1	Ribbon	
97	D45745300	1	Plug	
98	D28981143	2	Support	
99	D49189000	1	Decal	
100	D20400404	2	Washer	
101	D28981510	1	Plate	
102	D28981511	1	Plate	
103	D49187900	1	Decal	
105	D40741200	2	Screw	
106	D43407400	1	Seal	
107	D1906800	X	Wire	Length 0,150 M
113	D45090093	2	Plate	
114	D40740000	8	Screw	
115	D43429500	8	Clip	
116	D40072200	1	Screw	
117	D28980748	1	Bush	
118	D43387500	1	Lever	
119	D40438800	1	Screw	
120	D41017500	2	Locknut	
121	D40689500	4	Screw	
122	D44900071	2	Clip	

MF 38/40 COMBINES, |-> 47958 - 63001210  
90C1307

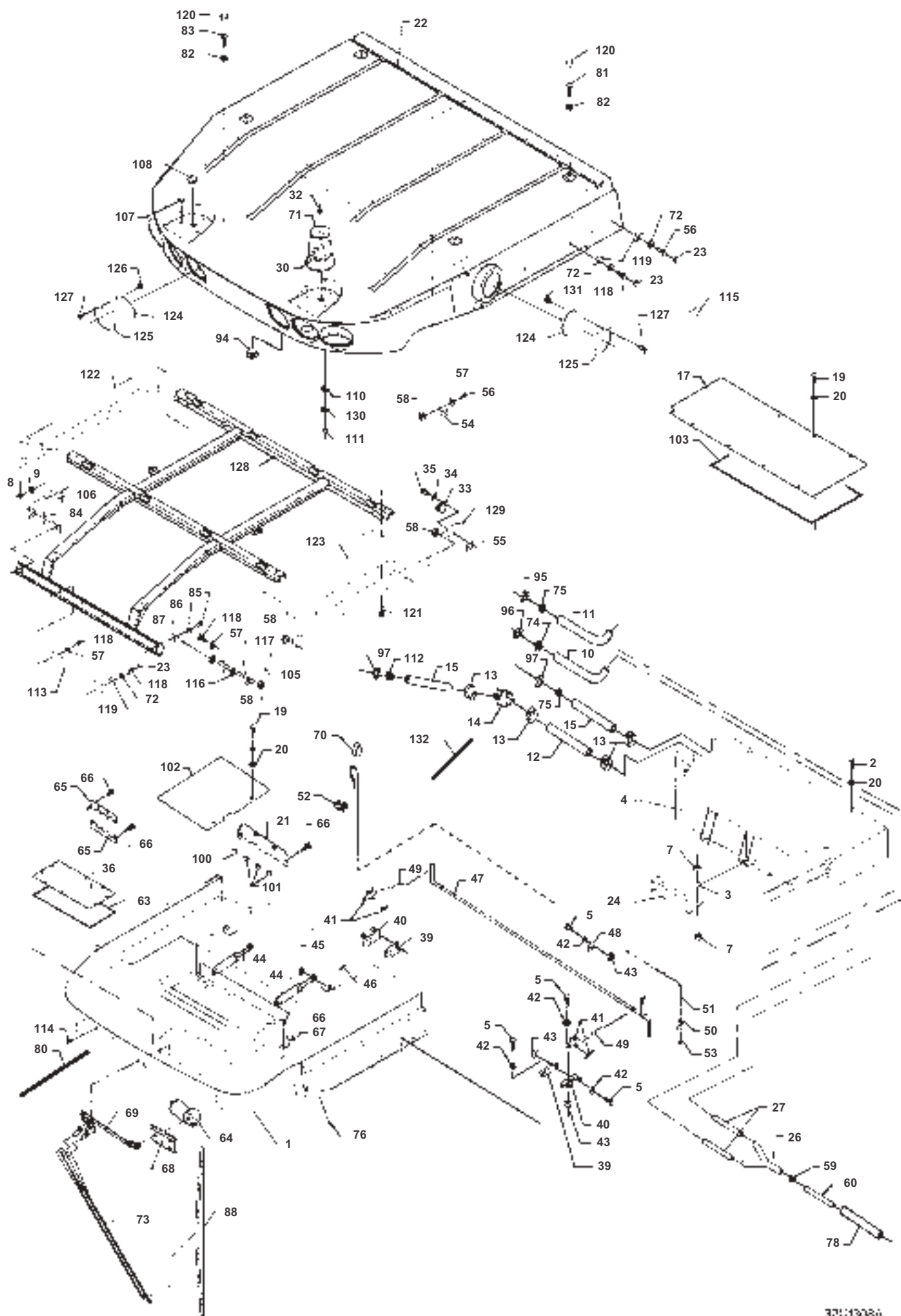


Item	Part Number	Qty	Description	Comments
1	D28980849	1	Filter	
2	D28980923	1	Shutter	
3	D28980778	1	Grille	Up to Serial or Engine Number 52341
	D28981508	1	Grate	From Serial or Engine Number 52342
4	D40740100	12	Screw	
5	D43385100	4	Screw	
6	D28980855	1	Lining	
7	D28980840	1	Damper	
8	D28980204	1	Panel	Up to Serial or Engine Number 52341
	D28981502	1	Panel	From Serial or Engine Number 52342
9	D28980554	6	Retainer	
10	D28980553	6	Shutter	
11	D28980555	8	Ring	
12	D40740200	24	Screw	
13	D28980839	2	Holder	
14	D45060001	2	Light	
15	D28980771	2	Cover	
16	D28980746	1	Visor	Up to Serial or Engine Number 52341
	D28981507	1	Canopy	From Serial or Engine Number 52342
17	D28980664	1	Stirrup	
18	D40400900	2	Setscrew	
19	D45745200	2	Plug	Up to Serial or Engine Number 52341
	D45746100	2	Plug	From Serial or Engine Number 52342
20	D45745100	2	Washer	
21	D20400466	2	Washer	
22	D41087300	2	Locknut	
23	D45745600	22	Rivet	
24	D45086400	1	Radio	
25	D45086500	1	Kit	
26	D45060016	3	Frame	
27	D45065000	3	Switch	
28	D45065400	2	Decal	
29	D45063700	1	Switch	
30	D45060005	1	Decal	
31	D45065800	2	Light	
32	D45065100	1	Switch	
33	D45065300	1	Decal	
34	D45063600	1	Switch	
35	D28751650	1	Decal	
36	D45060006	1	Decal	
37	D28751657	1	Decal	
38	D45063500	1	Switch	
39	D28751658	1	Decal	
40	D45063700	1	Switch	
41	D28751653	1	Decal	
42	D28980928	1	Frame	
43	D28980436	1	Plate	
45	D45070024	1	Switch	
46	D45070026	2	Button	
47	D45093000	1	Thermostat	
48	D45070025	1	Adjuster	
49	D45070027	1	Cable	
50	D45070028	1	Bracket	
51	D28981536	1	Printer	Up to Serial or Engine Number 52341
	D28981532	1	Printer	From Serial or Engine Number 52342
	D28780706	1	Printer	Up to Serial or Engine Number 52341
	D28981534	1	Printer	From Serial or Engine Number 52342
52	D28980326	1	Cover	Up to Serial or Engine Number 52341
	D28981504	1	Cover	From Serial or Engine Number 52342
53	D28980325	1	Cover	Up to Serial or Engine Number 52341
	D28981503	1	Cover	From Serial or Engine Number 52342
54	D43386900	1	Handle	
55	D40690300	2	Screw	
56	D28980772	1	Hinge	
57	D20400404	2	Washer	
58	D40402200	2	Hex. Sock. Screw	
59	D28980763	1	Cover	Up to Serial or Engine Number 52341
	D28981529	1	Cover	From Serial or Engine Number 52342
60	D45059600	1	Hammer	
61	D43385100	2	Screw	
62	D45060024	1	Ashtray	



Item	Part Number	Qty	Description	Comments
63	D45060037	1	Lighter	
64	D45745100	6	Washer	
65	D40352300	6	Screw Metric	
66	D45745200	6	Plug	Up to Serial or Engine Number 52341
66	D45746100	6	Plug	From Serial or Engine Number 52342
67	D28981042	1	Suspension	
68	D28980764	1	Suspension	
70	D40404900	8	Hex. Sock. Screw	
71	D28980721	1	Lever	
72	D28980744	1	Cover	Up to Serial or Engine Number 52341
72	D28981516	1	Cover	From Serial or Engine Number 52342
73	D28980739	1	Cover	Up to Serial or Engine Number 52341
73	D28981515	1	Cover	From Serial or Engine Number 52342
74	D40351800	2	Screw	
75	D28981043	1	Rod	
76	D40688400	1	Screw	
77	D28980694	1	Washer	
78	D28980695	1	Washer	
79	D20400459	2	Washer	
80	D41087900	1	Locknut	
81	D46437800	1	Bellows	
82	D28980748	1	Bush	
83	D43387500	1	Lever	
84	D28780628	1	Monitor	Up to Serial or Engine Number 52341
84	D28981500	1	Monitor	From Serial or Engine Number 52342
84	D28781012	1	Harness	(84)
85	D40690500	2	Screw Metric	(84)
86	D45066100	1	Switch,Indirect	
87	D28980775	1	Panel	
88	D28980665	2	Retainer	
89	D45060031	1	Support	
90	D28980977	1	Gasket	
91	D28980976	1	Gasket	
94	D28981026	1	Plate	Up to Serial or Engine Number 52341
94	D28981509	1	Plate	From Serial or Engine Number 52342
95	D45010063	1	Paper	
96	D45010062	1	Ribbon	
97	D45745300	1	Plug	
98	D28981143	2	Support	
99	D49189000	1	Decal	
100	D20400404	2	Washer	
101	D28981056	1	Plate	Up to Serial or Engine Number 52341
101	D28981510	1	Plate	From Serial or Engine Number 52342
102	D28981057	1	Plate	Up to Serial or Engine Number 52341
102	D28981511	1	Plate	From Serial or Engine Number 52342
103	D49187900	1	Decal	
104	D40697500	1	Screw	
105	D40741200	2	Screw	
106	D43407400	1	Seal	
107	D1906800	X	Wire	Length 0,150 M
108	D20400400	2	Washer	
109	D45080500	X	Bulb 12v 1.2w	
112	D20400506	8	Washer	
113	D28981058	2	Plate	Up to Serial or Engine Number 52341
113	D28981512	2	Plate	From Serial or Engine Number 52342
114	D40740100	8	Screw	
115	D43429500	8	Clip	

MF 38/40 COMBINES, |-> 47958 - 63001210  
32C1308A



32C1308A

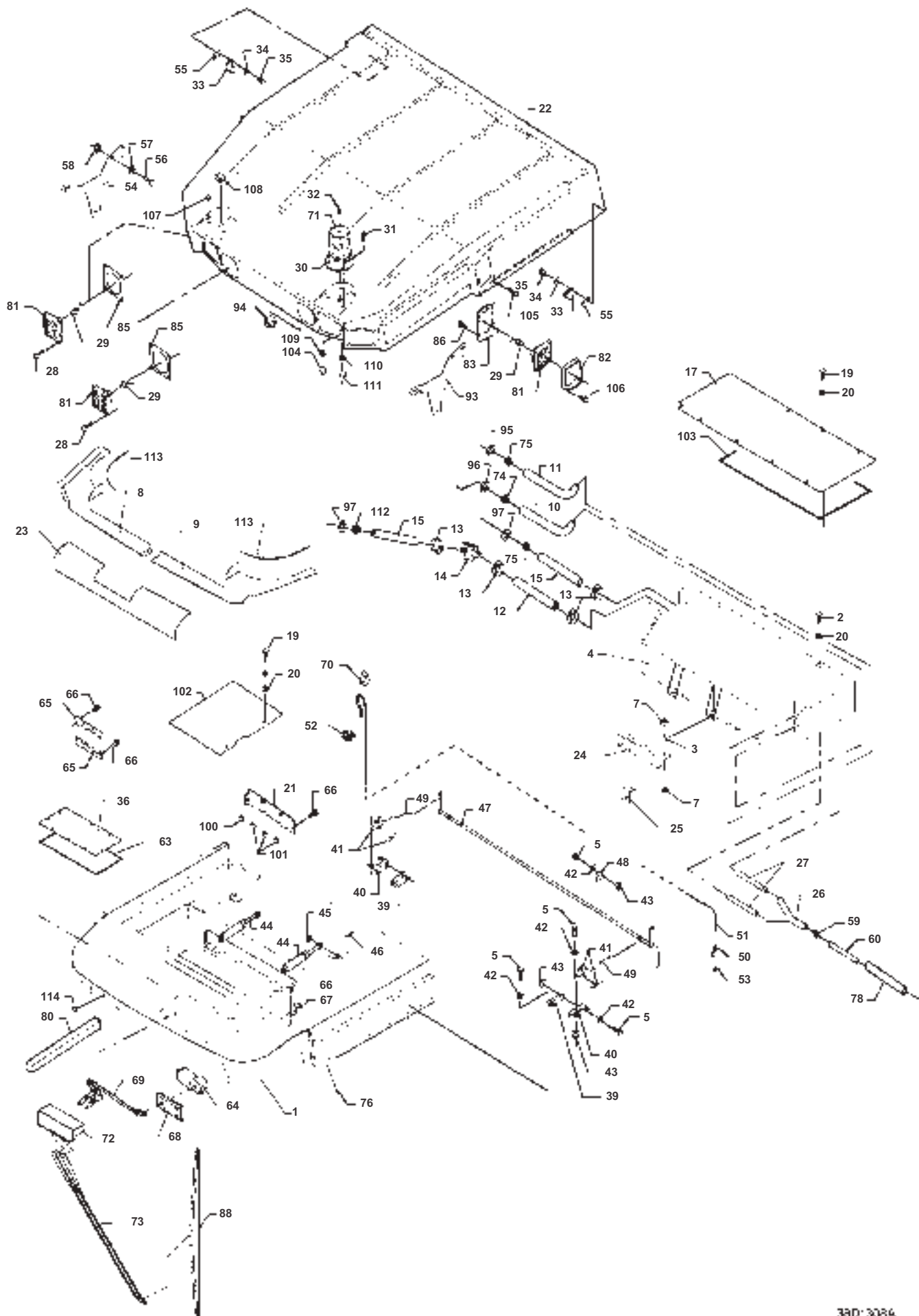
Item	Part Number	Qty	Description	Comments
1	D28981339	1	Roof	
2	D40423700	4	Screw Metric	
3	D28981587	1	Spacer	From Serial or Engine Number +54071
4	D45080055	1	Air Conditioner	
5	D40402400	X	Hex. Sock. Screw	
6	D20400470	7	Washer	
7	D45080096	8	Damper	
8	D40407700	4	Hex. Sock. Screw	
9	D20400419	1	Washer	
10	D45080051	1	Hose	
11	D45080052	1	Hose	
12	D44717700	X	Hose	Length 0,050 M
13	D45726800	4	Clamp	
14	D45070008	1	Valve	
15	D44717700	2	Hose	Length 4,650 M
17	D28981123	1	Door	
19	D40404700	X	Hex. Sock. Screw	
20	D20400506	X	Washer	
21	D28981112	1	Plate	
22	D28981463	1	Roof	
23	D45748500	13	Cap	From Serial or Engine Number 54526
	D45749100	13	Cap	Up to Serial or Engine Number 54525
24	D28981448	1	Fitting	
26	D45080094	2	Hose	
27	D45702100	4	Hose	
28	D40741400	X	Screw	
29	D45080200	8	Bulb	
30	D45050200	1	Rotating Light	
	D45060046	1	Rotating Light	[A]
31	D40402600	3	Hex. Sock. Screw	
32	D45081000	1	Bulb	
33	D43419700	2	Pin	
34	D20400466	4	Washer	
35	D40400900	4	Setscrew	
36	D28981364	1	Cover	
37	D40402600	14	Hex. Sock. Screw	
38	D20400470	28	Washer	
39	D28980933	2	Elbow	
40	D28980932	2	Bracket	
41	D43419800	2	Lock	
42	D20400404	X	Washer	
43	D41013400	8	Nut	
44	D45061800	2	Gas Strut	Up to Serial or Engine Number 53919
	D45061900	2	Gas Strut	Up to Serial or Engine Number 53764
	D45061901	2	Gas Strut	From Serial or Engine Number 53920
45	D20400506	4	Washer	
46	D41405900	4	Pin	
47	D28980880	1	Rod	
48	D28980876	3	Bar	
49	D28980881	2	Rod	
50	D43384800	1	Lever	
51	D44719400	X	String	Length 2,600 M
52	D43405900	1	Bracket	
53	D43407800	1	Bracket	
54	D28981498	1	Bracket	
55	D28980993	2	Gauge	
56	D40402600	6	Hex. Sock. Screw	
57	D20400470	13	Washer	
58	D41013400	16	Nut	
59	D28980863	2	Bush	
60	D45702100	X	Hose	Length 3,000 M
63	D44709600	X	Seal Section	
64	D45080042	1	Wiper Motor	
65	D28981145	2	Locking Plate	
66	D40749100	6	Screw Metric	
67	D28980970	2	Retainer	
68	D28985184	1	Bracket	
69	D45080044	1	Wiper	
70	D43408800	1	Thimble	
71	D45050100	1	Glass	LUCAS 60840628

Item	Part Number	Qty	Description	Comments
71	D45060047	1	Glass	H.CHRISTENSEN 170492
71	D45085700	1	Glass	HELLA 9 EL 857944-001 [B]
71	D45080012	1	Glass	
72	D20400453	13	Washer	
73	D45080048	1	Wiper Arm	
74	D44733100	1	Bush	
75	D44733100	3	Bush	
76	D44719100	2	Rivet	
77	D45744600	2	Plug	
78	D28980991	2	Hose	
80	D28980967	6	Gasket	
81	D40423600	4	Screw Metric	
82	D45713900	6	Gasket	
83	D40405000	2	Hex. Sock. Screw	
84	D28981495	2	Fitting	
85	D40404900	4	Hex. Sock. Screw	
86	D20400506	4	Washer	
87	D28981494	2	Bracket	
88	D45080049	2	Wiper Blade	
89	D43386900	2	Handle	
90	D40690300	4	Screw	
91	D41013500	4	Nut	
92	D43385100	3	Screw	
93	D28981425	1	Hinge	
94	D45745500	2	Plug	
95	D44732600	1	Grommet	
96	D44732800	1	Grommet	
97	D44732700	2	Grommet	
98	D44731100	2	Grommet	
100	D45744000	1	Plug	
101	D44731900	3	Grommet	From Serial or Engine Number +53389
102	D28981124	1	Trap	
103	D44705200	X	Seal Section	Length 4,000 M
104	D41087400	17	Locknut	
105	D28981469	1	Hinge	
106	D28981468	1	Hinge	
107	D45744100	3	Plug	
108	D45744500	1	Plug	
109	D20400453	3	Washer	
110	D20400404	3	Washer	Up to Serial or Engine Number 54192
110	D20400466	3	Washer	From Serial or Engine Number 54193
111	D41010500	3	Nut	Up to Serial or Engine Number 54192
111	D41010400	3	Nut	From Serial or Engine Number 54193
112	D44732900	1	Grommet	
113	D28981578	1	Bracket	
114	D44731900	1	Grommet	
116	D20400507	4	Spacer	
117	D41405900	2	Pin	
118	D40402400	8	Hex. Sock. Screw	
119	D45749200	13	Washer	
120	D45744900	6	Protector	
121	D40685000	8	Screw	
122	D28981580	1	Stay	
123	D28981579	1	Stay	
124	D45080002	8	Headlamp	
125	D28981482	8	Muff	
126	D43429800	18	Clip	
127	D40740500	24	Screw	
128	D28981478	1	Frame	
129	D28980873	2	Plate	
130	D41100300	3	Washer	From Serial or Engine Number 54193
131	D43429900	6	Clip	From Serial or Engine Number +54481

FOOTNOTE [A] ONLY FOR SWITZERLAND

FOOTNOTE [B] ORANGE BASE HELLA

MF 38/40 COMBINES, |-> 47958 - 63001210  
38D1308A



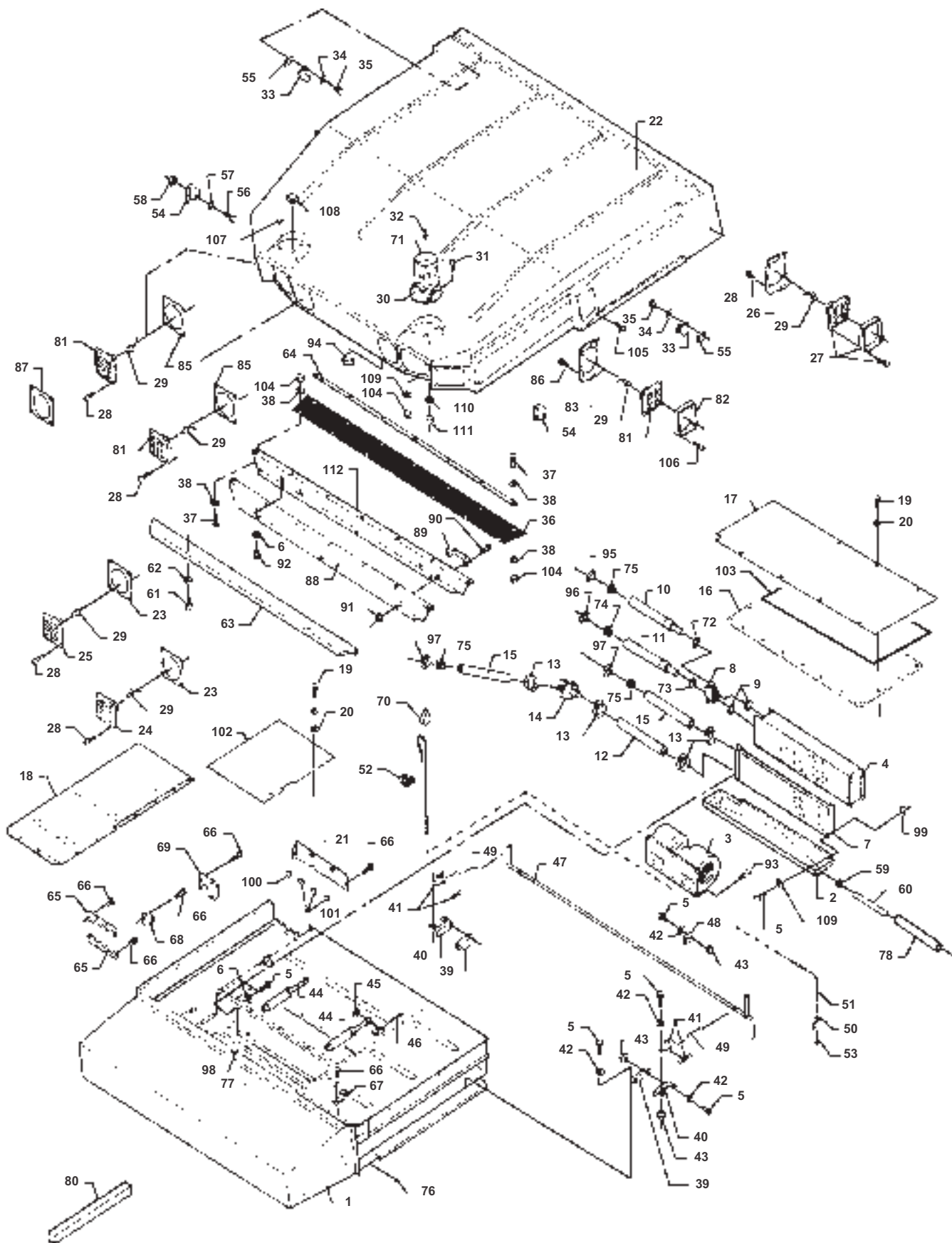
38D1308A

Item	Part Number	Qty	Description	Comments
1	D28981339	1	Roof	
2	D40423700	4	Screw Metric	
3	D45080097	4	Spacer	
4	D45080055	1	Air Conditioner	
5	D40402400	X	Hex. Sock. Screw	
6	D20400470	7	Washer	
7	D45080096	8	Damper	
8	D28981440	1	Cover	
9	D28981427	1	Cover	
10	D45080051	1	Hose	
11	D45080052	1	Hose	
12	D44717700	X	Hose	Length 0,050 M
13	D45726800	4	Clamp	
14	D45070008	1	Valve	
15	D44717700	2	Hose	Length 4,650 M
17	D28981123	1	Door	
19	D40404700	X	Hex. Sock. Screw	
20	D20400506	X	Washer	
21	D28981112	1	Plate	
22	D28981180	1	Roof	
23	D28981417	1	Cover	
24	D28981448	1	Fitting	From Serial or Engine Number 53137
25	D28981406	2	Fitting	Up to Serial or Engine Number 53136
26	D45080094	2	Hose	
27	D45702100	4	Hose	
28	D40741400	X	Screw	
29	D45080200	8	Bulb	
30	D45050200	1	Rotating Light	
	D45060046	1	Rotating Light	[A]
31	D40402600	3	Hex. Sock. Screw	
32	D45081000	1	Bulb	
33	D43419700	2	Pin	
34	D20400466	4	Washer	
35	D40400900	4	Setscrew	
36	D28981364	1	Cover	
37	D40402600	14	Hex. Sock. Screw	
38	D20400470	28	Washer	
39	D28980933	2	Elbow	
40	D28980932	2	Bracket	
41	D43419800	2	Lock	
42	D20400404	X	Washer	
43	D41013400	8	Nut	
44	D45061900	2	Gas Strut	
45	D20400506	4	Washer	
46	D41405900	4	Pin	
47	D28980880	1	Rod	
48	D28980876	3	Bar	
49	D28980881	2	Rod	
50	D43384800	1	Lever	
51	D44719400	X	String	Length 2,600 M
52	D43405900	1	Bracket	
53	D43407800	1	Bracket	
54	D28981439	1	Hinge	
55	D28980993	2	Gauge	
56	D40404900	4	Hex. Sock. Screw	
57	D20400506	8	Washer	
58	D41087500	4	Locknut	
59	D28980863	2	Bush	
60	D45702100	X	Hose	Length 3,000 M
63	D44709600	X	Seal Section	
64	D45080042	1	Wiper Motor	
65	D28981145	2	Locking Plate	
66	D40749100	6	Screw Metric	
67	D28980970	2	Retainer	
68	D28985184	1	Bracket	
69	D45080044	1	Wiper	
70	D43408800	1	Thimble	
71	D45050100	1	Glass	LUCAS 60840628
	D45060047	1	Glass	H.CHRISTENSEN 170492

Item	Part Number	Qty	Description	Comments
71	D45085700	1	Glass	HELLA 9 EL 857944-001
72	D28981428	1	Cover	
73	D45080048	1	Wiper Arm	
74	D44732900	1	Grommet	Up to Serial or Engine Number 53136
74	D44733100	1	Bush	From Serial or Engine Number 53137
75	D44733100	3	Bush	
76	D44719100	2	Rivet	
77	D45744600	2	Plug	
78	D28980991	2	Hose	
80	D28980967	6	Gasket	
81	D45080002	8	Headlamp	
82	D45080003	2	Frame	
83	D28981155	2	Plate	
85	D28981154	6	Plate	
86	D40741200	4	Screw	
87	D28981153	6	Tie	From Serial or Engine Number 48753 Up to Serial or Engine Number 49164
88	D45080049	2	Wiper Blade	
89	D43386900	2	Handle	
90	D40690300	4	Screw	
91	D41013500	4	Nut	
92	D43385100	3	Screw	
93	D28981425	1	Hinge	
94	D45745500	2	Plug	
95	D44732600	1	Grommet	
96	D44732800	1	Grommet	
97	D44732700	2	Grommet	
98	D44731100	2	Grommet	
100	D45744000	1	Plug	
101	D44731900	3	Grommet	From Serial or Engine Number +53389
102	D28981124	1	Trap	
103	D44705200	X	Seal Section	Length 4,000 M
104	D41087400	17	Locknut	
105	D40741600	4	Screw	
106	D40743000	8	Screw	
107	D45744100	6	Plug	
108	D45744500	1	Plug	
109	D20400453	3	Washer	
110	D20400521	1	Spacer	H. CHRISTENSEN
111	D41038500	1	Nut Metric	H. CHRISTENSEN
112	D44732900	1	Grommet	From Serial or Engine Number 53211
112	D44733100	1	Bush	Up to Serial or Engine Number 53210
113	D44735900	1	Seal Section	
114	D44731900	1	Grommet	From Serial or Engine Number 53529

FOOTNOTE [A] ONLY FOR SWITZERLAND

MF 38/40 COMBINES, |-> 47958 - 63001210  
90D1308



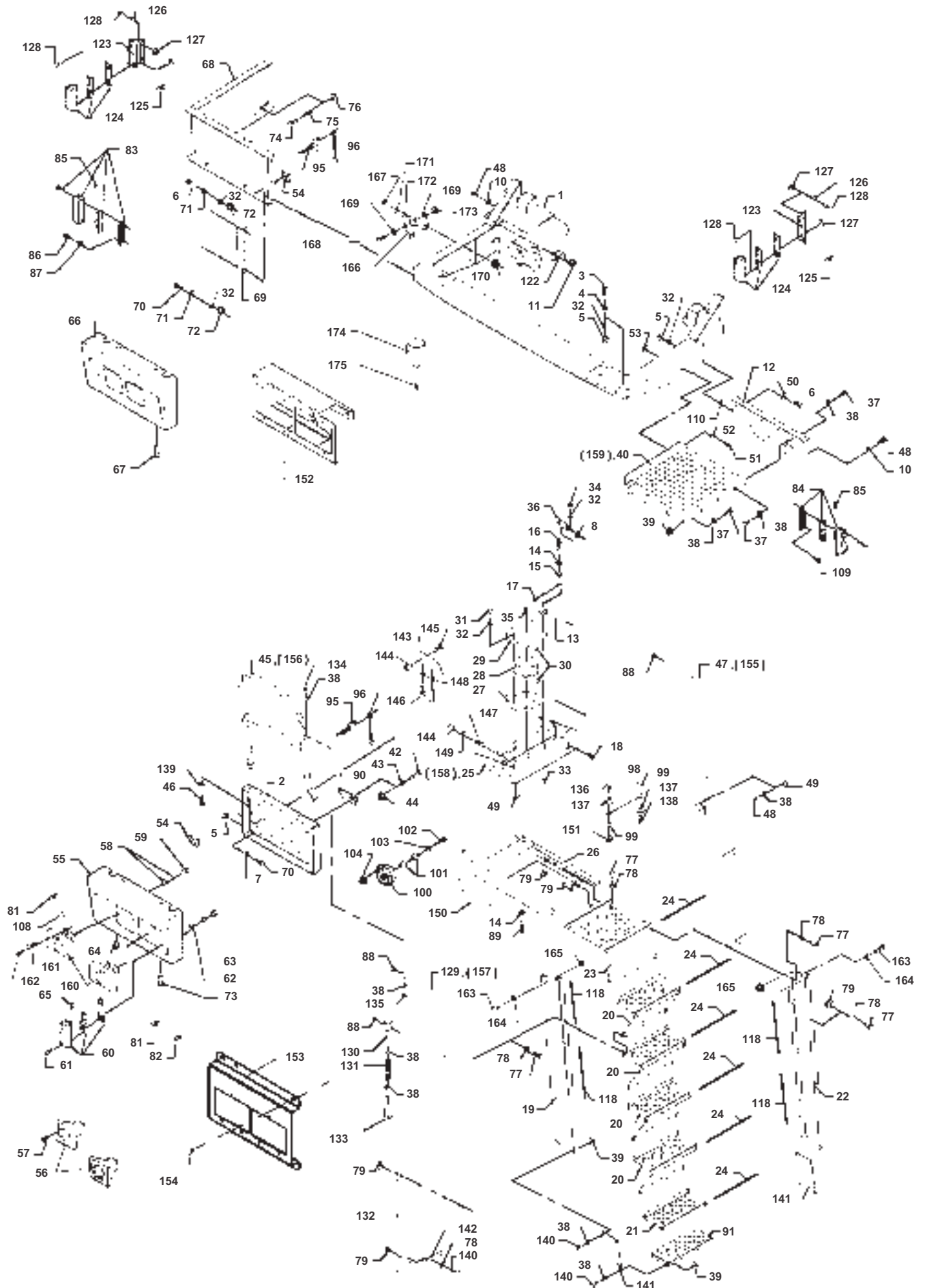


Item	Part Number	Qty	Description	Comments
1	D28981127	1	Roof	
2	D28980595	1	Tray	
3	D45053200	1	Fan	
4	D45070022	1	Cooler	FREON R12
	D28080608	X	Fluid	
	D45080058	1	Cooler	FREON R134
	D28080608	X	Fluid	
5	D40402400	X	Hex. Sock. Screw	
6	D20400470	7	Washer	
7	D45070012	1	Element	
8	D45092100	1	Valve	
9	D45450100	X	O Ring	
10	D45070021	1	Hose	Up to Serial or Engine Number 50581
	D45080067	1	Hose	From Serial or Engine Number 50582
11	D45070020	1	Hose	FREON R12
	D45080065	1	Hose	FREON R134
12	D44717700	X	Hose	Length 0,050 M
13	D45726800	4	Clamp	
14	D45070008	1	Valve	
15	D44717700	2	Hose	Length 4,650 M
16	D28980997	1	Insulation	Up to Serial or Engine Number 48312
17	D28980742	1	Cover	Up to Serial or Engine Number 48312
	D28981123	1	Door	From Serial or Engine Number 48313
18	D28980743	1	Plate	Up to Serial or Engine Number 48312
19	D40402400	X	Hex. Sock. Screw	Up to Serial or Engine Number 48312
	D40404700	X	Hex. Sock. Screw	From Serial or Engine Number 48313
20	D20400453	X	Washer	Up to Serial or Engine Number 48312
	D20400506	X	Washer	From Serial or Engine Number 48313
21	D28980929	1	Plate	Up to Serial or Engine Number 48312
	D28981112	1	Plate	From Serial or Engine Number 48313
22	D28980708	1	Roof	Up to Serial or Engine Number 49164
	D28981180	1	Roof	From Serial or Engine Number +49165
23	D28980835	6	Plate	Up to Serial or Engine Number 48752
24	D45060034	4	Headlamp	Up to Serial or Engine Number 48752
25	D45060035	2	Headlamp	Up to Serial or Engine Number 48752
26	D28980866	2	Plate	Up to Serial or Engine Number 48752
27	D45060036	2	Headlamp	Up to Serial or Engine Number 48752
28	D40741400	X	Screw	
29	D45080200	8	Bulb	
30	D45050200	1	Rotating Light	
	D45060046	1	Rotating Light	[A]
31	D40402600	3	Hex. Sock. Screw	
32	D45081000	1	Bulb	
33	D43419700	2	Pin	
34	D20400466	4	Washer	
35	D40400900	4	Setscrew	
36	D28980868	1	Cover	
37	D40402600	14	Hex. Sock. Screw	
38	D20400470	28	Washer	
39	D28980933	2	Elbow	
40	D28980932	2	Bracket	
41	D43419800	2	Lock	
42	D20400404	X	Washer	
43	D41013400	8	Nut	
44	D45061900	2	Gas Strut	
45	D20400506	4	Washer	
46	D41405900	4	Pin	
47	D28980880	1	Rod	
48	D28980876	3	Bar	
49	D28980881	2	Rod	
50	D43384800	1	Lever	
51	D44719400	X	String	Length 2,600 M
52	D43405900	1	Bracket	
53	D43407800	1	Bracket	
54	D28980784	2	Hinge	
55	D28980993	2	Gauge	
56	D40404900	4	Hex. Sock. Screw	
57	D20400506	8	Washer	
58	D41087500	4	Locknut	
59	D28980863	2	Bush	
60	D45702100	X	Hose	Length 3,000 M

Item	Part Number	Qty	Description	Comments
61	D43427200	2	Pin	Up to Serial or Engine Number 48980
62	D42555500	2	Circlip	Up to Serial or Engine Number 48980
63	D28980864	1	Bush	Up to Serial or Engine Number 48980
64	D28980937	1	Tensioner	
65	D28980927	2	Plate	Up to Serial or Engine Number 48312
65	D28981145	2	Locking Plate	From Serial or Engine Number 48313
66	D40749100	6	Screw Metric	
67	D28980970	2	Retainer	
68	D28980966	1	Plate	
69	D28980964	1	Plate	
70	D43408800	1	Thimble	
71	D45050100	1	Glass	LUCAS 60840628
71	D45060047	1	Glass	H.CHRISTENSEN 170492
71	D45085700	1	Glass	HELLA 9 EL 857944-001
72	D45450000	1	O Ring	
73	D45450200	1	O Ring	
74	D44732900	1	Grommet	
75	D44733100	3	Bush	
76	D44719100	2	Rivet	
77	D45744600	2	Plug	
78	D28980991	2	Hose	
80	D28980967	6	Gasket	
81	D45080002	8	Headlamp	From Serial or Engine Number 48753
82	D45080003	2	Frame	From Serial or Engine Number 48753
83	D28981155	2	Plate	From Serial or Engine Number 48753
85	D28981154	6	Plate	From Serial or Engine Number 48753
86	D40741200	4	Screw	
87	D28981153	6	Tie	From Serial or Engine Number 48753 Up to Serial or Engine Number 49164
88	D28981167	1	Cover	From Serial or Engine Number 48981
89	D43386900	2	Handle	From Serial or Engine Number 48981
90	D40690300	4	Screw	
91	D41013500	4	Nut	
92	D43385100	3	Screw	From Serial or Engine Number 48981
93	D40741200	4	Screw	
94	D45745500	2	Plug	
95	D44732600	1	Grommet	
96	D44732800	1	Grommet	
97	D44732700	2	Grommet	
98	D44731100	2	Grommet	
99	D43429100	4	Clip	
100	D45744000	1	Plug	
101	D44731900	3	Grommet	From Serial or Engine Number +53389
102	D28981124	1	Trap	From Serial or Engine Number 48313
103	D44705200	X	Seal Section	Length 4,000 M
104	D41087400	17	Locknut	
105	D40741600	4	Screw	
106	D40743000	8	Screw	
107	D45744100	6	Plug	
108	D45744500	1	Plug	
109	D20400453	3	Washer	
110	D20400521	1	Spacer	H. CHRISTENSEN
111	D41038500	1	Nut Metric	H. CHRISTENSEN
112	D28981199	1	Roof	From Serial or Engine Number 48981

**FOOTNOTE [A] ONLY FOR SWITZERLAND**

MF 38/40 COMBINES, |-> 47958 - 63001210  
90E1309A



**Massey Ferguson****MF 38/40 COMBINES, |-> 47958 - 63001210****63001210****Platform and ladder - F.50992-T.51009 & F.51086****Page013-0080**

Item	Part Number	Qty	Description	Comments
1	D28980575	1	Suspension	
2	D28980978	1	Plate	Up to Serial or Engine Number 53049
	D28981402	1	Plate	From Serial or Engine Number 53050
3	D40407900	1	Hex. Sock. Screw	
4	D20400420	3	Washer	
5	D41087600	1	Locknut	From Serial or Engine Number +52565
6	D40407800	3	Hex. Sock. Screw	
7	D20400419	2	Washer	
8	D44731100	1	Grommet	
9	D40404900	8	Hex. Sock. Screw	
10	D20400506	X	Washer	
11	D41013500	4	Nut	
12	D28981165	1	Runner	Up to Serial or Engine Number 51247
	D28981299	1	Runner	From Serial or Engine Number 51248
13	D28981272	1	Lever	
14	D20400426	3	Washer	
15	D28981263	1	Pin	
16	D28210500	1	Spring	
17	D41408900	1	Split Pin	
18	D43383900	1	Lever	
19	D28981267	1	Plate	
20	D28981265	4	Step	
21	D28981270	1	Step	
22	D28981266	1	Support	
23	D28981268	1	Step	
24	D44738900	X	Strip	Length 0.340M X 6
25	D28981252	1	Bracket	Up to Serial or Engine Number 51332
	D28981298	1	Bracket	From Serial or Engine Number +51333
26	D28981261	1	Support	
27	D28981258	1	Flange	
28	D28981257	1	Flange	
29	D28981259	1	Flange	
30	D41648300	76	Ball	
31	D40408300	2	Screw Metric	
32	D20400416	6	Washer	
33	D40067600	4	Screw	
34	D41087600	4	Locknut	
35	D43002700	1	Greaser	
36	D28981262	1	Support	
37	D40404900	X	Hex. Sock. Screw	
38	D20400506	X	Washer	
39	D41013500	X	Nut	
40	D28980894	1	Plate	
42	D40404900	2	Hex. Sock. Screw	
43	D20400506	2	Washer	
44	D41013500	2	Nut	
45	D28980118	1	Rail	
46	D40407600	2	Hex. Sock. Screw	
47	D28981314	1	Tube	
48	D40405000	X	Hex. Sock. Screw	
49	D41013500	X	Nut	
50	D20400416	3	Washer	
51	D40402600	X	Hex. Sock. Screw	
52	D20400404	X	Washer	
53	D41013400	X	Nut	
54	D28980980	2	Cover	
55	D28980075	1	Shield	Up to Serial or Engine Number 53049
	D28981398	1	Shield	From Serial or Engine Number 53050
56	D45085800	4	Lamp	[E] Up to Serial or Engine Number 53049
	D45085900	4	Lamp	[F] Up to Serial or Engine Number 53049
57	D40316600	8	Screw Metric	Up to Serial or Engine Number 53049
58	D20400400	16	Washer	
59	D41010400	8	Nut	
60	D45086100	2	Flasher	
61	D40351400	4	Screw	
62	D20400400	4	Washer	
63	D41010400	4	Nut	
64	D43385200	3	Screw	
65	D45080600	X	Bulb 12v 21w Sbc	

Item	Part Number	Qty	Description	Comments
66	D28980076	1	Shield	Up to Serial or Engine Number 53049
66	D28981399	1	Shield	From Serial or Engine Number 53050
67	D43385200	4	Screw	
68	D28981176	1	Platform	Up to Serial or Engine Number 53049
68	D28981403	1	Platform	From Serial or Engine Number 53050
69	D28980986	1	Support	
70	D40407700	4	Hex. Sock. Screw	
71	D20400419	5	Washer	
72	D41087600	5	Locknut	From Serial or Engine Number +52565
73	D40404700	1	Hex. Sock. Screw	
74	D40404900	2	Hex. Sock. Screw	
75	D20400414	2	Washer	
76	D41013500	2	Nut	
77	D40404900	X	Hex. Sock. Screw	
78	D20400506	X	Washer	
79	D41013500	X	Nut	
81	D45080800	4	Bulb H/L 45/40w	[F]
81	D45081100	4	Bulb	[E]
82	D45015600	2	Bulb 12v 4w	Up to Serial or Engine Number 53049
83	D45077500	1	Flasher	
84	D45077600	1	Flasher	
85	D45080600	2	Bulb 12v 21w Sbc	
86	D40400300	2	Screw Metric	
87	D20400400	2	Washer	
88	D45744200	3	Ferrule	
89	D40410900	4	Hex. Sock. Screw	
90	D28980995	1	Stop	
91	D28981269	1	Step	[B]
95	D45068200	2	Electric Socket	
96	D45068300	2	Dustcap	
98	D28981302	1	Wire	Up to Serial or Engine Number 52712
99	D28981301	2	Bush	Up to Serial or Engine Number 52712
100	D45019500	1	Horn	
101	D28480172	2	Spacer	
102	D40423900	1	Hex. Sock. Screw	
103	D20400506	1	Washer	
104	D41013500	1	Nut	
108	D45743400	2	Plug	Up to Serial or Engine Number 53049
109	D40742000	2	Screw	
110	D20400415	1	Washer	
111	D40400900	3	Setscrew	
112	D20400466	6	Washer	
113	D41087300	3	Locknut	
114	D40410900	1	Hex. Sock. Screw	
115	D20400426	2	Washer	
116	D41087700	1	Locknut	
118	D44735900	X	Seal Section	Length 0,425M X 4
119	D40433800	1	Screw	
120	D20400459	2	Washer	
121	D41087900	1	Locknut	
122	D28780772	1	Retainer	[A]
123	D28781364	2	Bracket	
124	D45080005	2	Lamp	
125	D45081300	2	Bulb	
126	D20400466	2	Washer	
127	D41087300	4	Locknut	
128	D40400700	6	Hex. Sock. Screw	
129	D28981309	1	Handle	From Serial or Engine Number 01.01.95
130	D28981311	1	Trunnion	From Serial or Engine Number 01.01.95
131	D25400086	1	Spring	From Serial or Engine Number 01.01.95
132	D28981312	1	Tube	From Serial or Engine Number 01.01.95
133	D42612000	1	Pin	From Serial or Engine Number 01.01.95
134	D40423800	2	Screw Metric	From Serial or Engine Number 01.01.95
135	D41087500	2	Locknut	From Serial or Engine Number 01.01.95
136	D40423600	1	Screw Metric	Up to Serial or Engine Number 52712
137	D20400411	2	Washer	Up to Serial or Engine Number 52712
138	D40476300	1	Screw	Up to Serial or Engine Number 52712
139	D20400420	2	Washer	From Serial or Engine Number 01.01.95
140	D40405100	8	Hex. Sock. Screw	
141	D28981271	2	Gasket	[B]
142	D28981318	2	Support	[G]

Item	Part Number	Qty	Description	Comments
143	D28981341	1	Fitting	From Serial or Engine Number 52713
144	D28700666	2	Damper	From Serial or Engine Number 52713
145	D40603100	1	Screw	From Serial or Engine Number 52713
146	D40476100	2	Hex. Sock. Screw	From Serial or Engine Number 52713
147	D40407600	1	Hex. Sock. Screw	From Serial or Engine Number 52713
148	D20400413	2	Washer	From Serial or Engine Number 52713
149	D20400471	1	Washer	From Serial or Engine Number 52713
150	D28981342	1	Fitting	Up to Serial or Engine Number 52712
151	D41013500	1	Nut	Up to Serial or Engine Number 52712
152	D28981436	X	Retainer	From Serial or Engine Number 53050
153	D28981437	1	Retainer	From Serial or Engine Number 53050
154	D43385200	3	Screw	From Serial or Engine Number 53050
155	D28981410	1	Rail	[C] From Serial or Engine Number 51086
156	D28981412	1	Guideway	[C] From Serial or Engine Number 51086
157	D28981408	1	Guideway	[C] From Serial or Engine Number 51086
158	D28981286	1	Bracket	[C] From Serial or Engine Number 51086
159	D28981289	1	Plate	[C] From Serial or Engine Number 51086
160	D45080006	4	Head Lamp Ass Rh	From Serial or Engine Number 53050
160	D45080009	4	Head Lamp Ass Lh	From Serial or Engine Number 53050
161	D45080008	12	Spring	From Serial or Engine Number 53050
162	D45080011	12	Screw	From Serial or Engine Number 53050
163	D40404900	4	Hex. Sock. Screw	From Serial or Engine Number 53602
164	D20400506	4	Washer	From Serial or Engine Number 53602
165	D41013500	4	Nut	From Serial or Engine Number 53602
166	D28752408	4	Support	[D] From Serial or Engine Number 54340
167	D40407900	3	Hex. Sock. Screw	[D] From Serial or Engine Number 54340
168	D40424300	2	Hex. Sock. Screw	[D] From Serial or Engine Number 54340
169	D20400413	4	Washer	[D] From Serial or Engine Number 54340
170	D41010800	3	Nut	[D] From Serial or Engine Number 54340
171	D20400415	6	Washer	[D] From Serial or Engine Number 54340
172	D41100800	6	Spring Washers	[D] From Serial or Engine Number 54340
173	D41087500	2	Locknut	[D] From Serial or Engine Number 54340
174	D28781981	1	Accumulator	[D] From Serial or Engine Number 54340
174	D45148500	2	Accumulator	[D] From Serial or Engine Number 54340
175	D45250500	2	Union	[D] From Serial or Engine Number 54340

**FOOTNOTE [A]** OPTIONAL EQUIPMENT STANDARD COMBINE, STANDARD EQUIPMENT AUTO-LEVEL COMBINE,SLOPES

**FOOTNOTE [B]** AUTO-LEVEL COMBINE

**FOOTNOTE [C]** ONLY USED FOR TRACTION WHEEL (TERRATYRES) 73X44 00-32

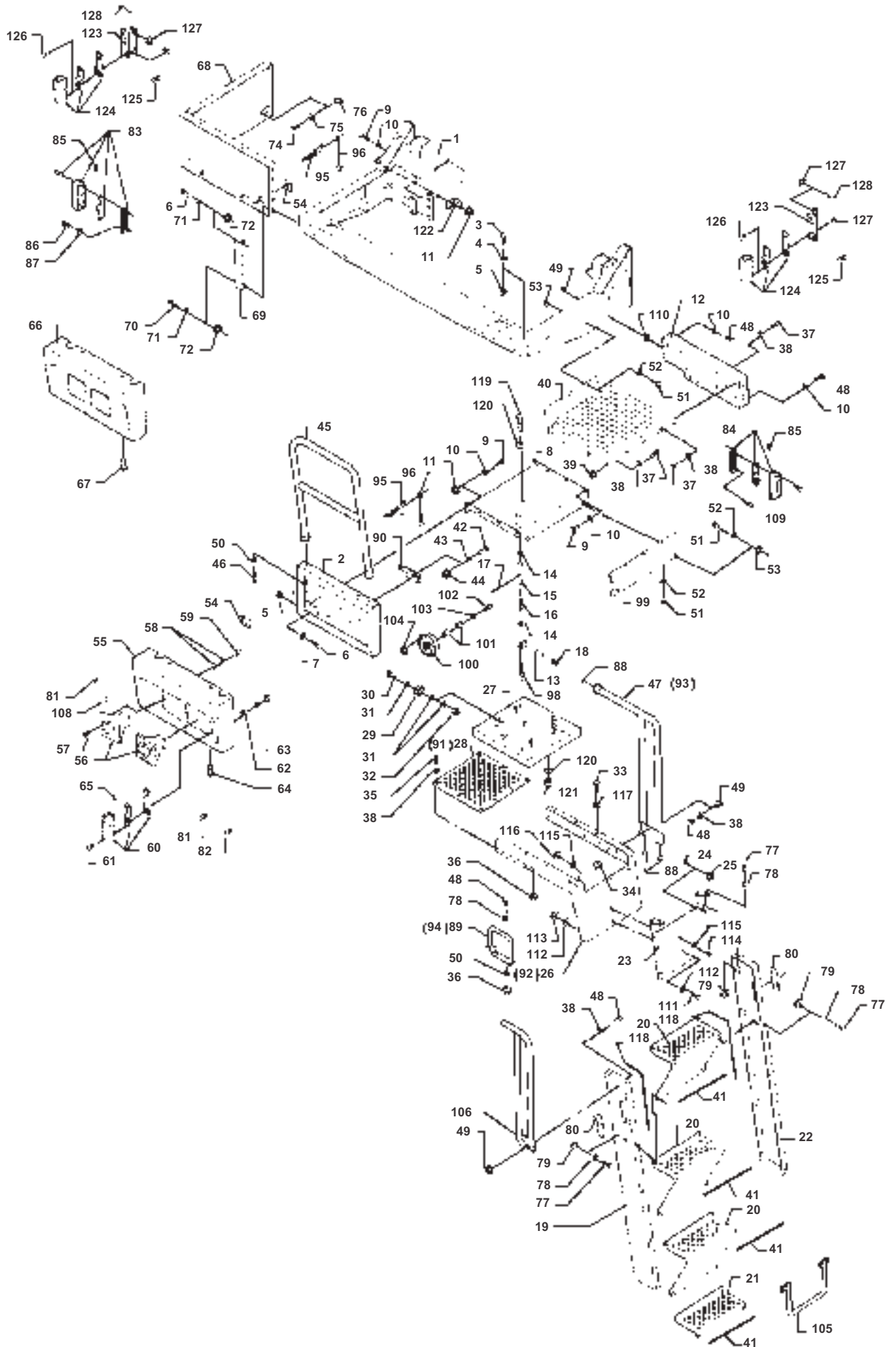
**FOOTNOTE [D]** FOR ALL MACHINE AND STANDARD MAC. WITH AL TABLE 18" PF AND 20-25 FF/PF

**FOOTNOTE [E]** FOR ASSYMMETRIC LIGHT

**FOOTNOTE [F]** FOR SYMMETRIC LIGHT

**FOOTNOTE [G]** WHEELS 30.5 LR32 FOR TRACTION

MF 38/40 COMBINES, |-> 47958 - 63001210  
90-1309B



Massey Ferguson

MF 38/40 COMBINES, |-> 47958 - 63001210

63001210

Platform and ladder - T.50991& F.51010 -T.51085

Page013-0085

Item	Part Number	Qty	Description	Comments
1	D28980575	1	Suspension	
2	D28980978	1	Plate	
3	D40407900	1	Hex. Sock. Screw	
4	D20400420	3	Washer	
5	D41013600	1	Nut	
6	D40407800	1	Hex. Sock. Screw	
7	D20400419	2	Washer	
8	D28980905	1	Suspension	
9	D40404900	8	Hex. Sock. Screw	
10	D20400506	X	Washer	
11	D41013500	4	Nut	
12	D28980896	1	Runner	Up to Serial or Engine Number 49639
	D28981165	1	Runner	From Serial or Engine Number 49640
13	D28980920	1	Lever	
14	D20400471	2	Washer	
15	D28981052	1	Ratchet	
16	D26600305	1	Spring	
17	D41408900	1	Split Pin	
18	D43383900	1	Lever	
19	D28980619	1	Support	
20	D28980614	3	Step	
21	D28980632	1	Step	
22	D28980620	1	Support	
23	D28980613	1	Plate	
24	D40601500	4	Screw Metric	
25	D41013500	4	Nut	
26	D28980992	1	Suspension	
27	D28980914	1	Plate	
28	D28980856	1	Step	
29	D41622300	7	Bearing Ball	
30	D40408000	7	Hex. Sock. Screw	
31	D20400507	21	Spacer	
32	D41087600	7	Locknut	
33	D40407700	6	Hex. Sock. Screw	
34	D41013600	6	Nut	
35	D40404900	6	Hex. Sock. Screw	
36	D41013500	10	Nut	
37	D40404900	X	Hex. Sock. Screw	
38	D20400506	X	Washer	
39	D41013500	X	Nut	
40	D28980894	1	Plate	
41	D44738900	X	Strip	Length 0,340M X 4
42	D40404900	2	Hex. Sock. Screw	
43	D20400506	2	Washer	
44	D41013500	2	Nut	
45	D28980118	1	Rail	
46	D40407600	2	Hex. Sock. Screw	
47	D28980884	1	Guideway	
48	D40407800	X	Hex. Sock. Screw	
49	D41013500	X	Nut	
50	D20400416	3	Washer	
51	D40402600	X	Hex. Sock. Screw	
52	D20400404	X	Washer	
53	D41013400	X	Nut	
54	D28980980	2	Cover	
55	D28980075	1	Shield	
56	D45085800	4	Lamp	[A]
	D45085900	4	Lamp	[B]
57	D40316600	8	Screw Metric	
58	D20400400	16	Washer	
59	D41010400	8	Nut	
60	D45086100	2	Flasher	
61	D40351400	4	Screw	
62	D20400400	4	Washer	
63	D41010400	4	Nut	
64	D43385200	4	Screw	
65	D45080600	2	Bulb 12v 21w Sbc	
66	D28980076	1	Shield	
67	D43385200	4	Screw	
68	D28980843	1	Platform	Up to Serial or Engine Number 49639
	D28981176	1	Platform	From Serial or Engine Number 49640

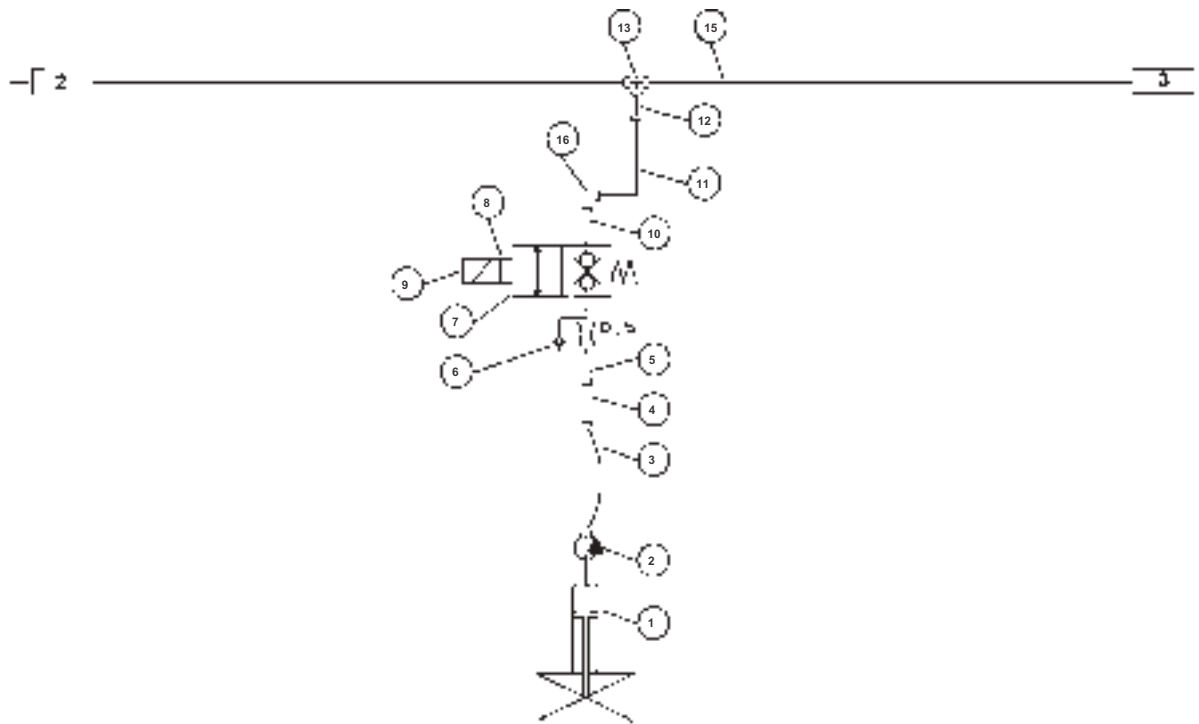


Item	Part Number	Qty	Description	Comments
69	D28980986	1	Support	
70	D40407700	4	Hex. Sock. Screw	
71	D20400419	5	Washer	
72	D41013600	5	Nut	
74	D40404900	2	Hex. Sock. Screw	
75	D20400414	2	Washer	
76	D41013500	2	Nut	
77	D40404900	16	Hex. Sock. Screw	
78	D20400506	18	Washer	
79	D41013500	16	Nut	
80	D44735900	X	Seal Section	Length 0,380 M
81	D45080800	4	Bulb H/L 45/40w	[B]
81	D45081100	4	Bulb	[A]
82	D45015600	2	Bulb 12v 4w	
83	D45077500	1	Flasher	
84	D45077600	1	Flasher	
85	D45080600	2	Bulb 12v 21w Sbc	
86	D40400300	2	Screw Metric	
87	D20400400	2	Washer	
88	D45744200	3	Ferrule	
89	D28981031	1	Safety Frame	
90	D28980995	1	Stop	
91	D28981021	1	Step	[C]
92	D28981022	1	Suspension	[C]
93	D28981014	1	Guideway	[C]
94	D28981013	1	Guideway	[C]
95	D45068200	2	Electric Socket	
96	D45068300	2	Dustcap	
98	D28210500	1	Spring	
99	D28980898	1	Cover	
100	D45019500	1	Horn	
101	D28480172	2	Spacer	
102	D40423900	1	Hex. Sock. Screw	
103	D20400506	1	Washer	
104	D41013500	1	Nut	
105	D28981028	1	Elbow	For UK only or any text in English only
106	D28981092	1	Guideway	For France only or any text in French only
108	D45743400	2	Plug	
109	D40742000	2	Screw	
110	D20400415	1	Washer	
111	D40400900	3	Setscrew	
112	D20400466	6	Washer	
113	D41087300	3	Locknut	
114	D40410900	1	Hex. Sock. Screw	
115	D20400426	2	Washer	
116	D41087700	1	Locknut	
117	D20400416	6	Washer	
118	D44735900	X	Seal Section	Length 0,500 M
119	D40433800	1	Screw	
120	D20400459	2	Washer	
121	D41087900	1	Locknut	
122	D28780772	1	Retainer	ACC AUTO-LEVEL
123	D28781364	2	Bracket	From Serial or Engine Number 50838
124	D45080005	2	Lamp	From Serial or Engine Number 50838
125	D45081300	2	Bulb	From Serial or Engine Number 50838
126	D40400500	2	Screw Metric	From Serial or Engine Number 50838
127	D41010500	4	Nut	From Serial or Engine Number 50838
128	D40400700	2	Hex. Sock. Screw	From Serial or Engine Number 50838

**FOOTNOTE [A]** FOR ASSYMMETRIC LIGHT

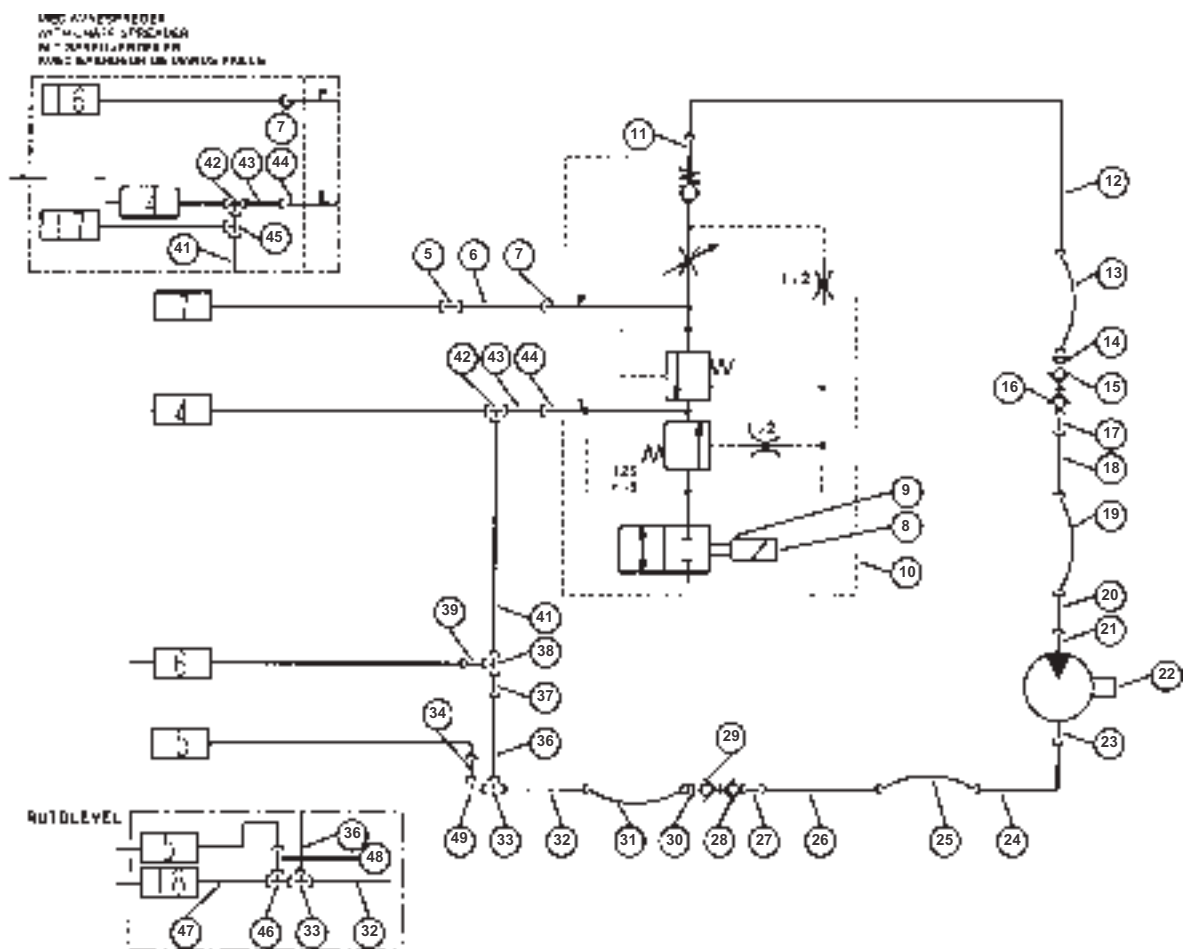
**FOOTNOTE [B]** FOR SYMMETRIC LIGHT

**FOOTNOTE [C]** OPTIONAL EQUIPMENT



1:1

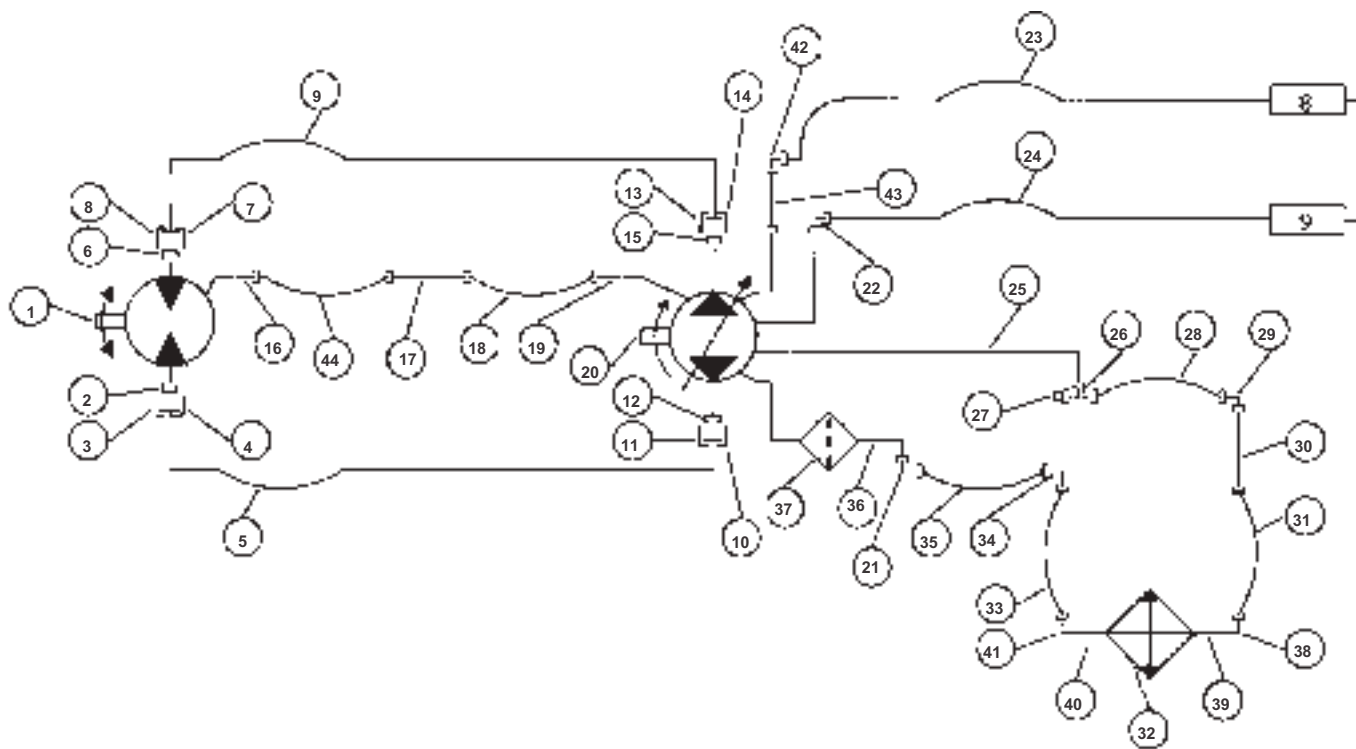
<b>Item</b>	<b>Part Number</b>	<b>Qty</b>	<b>Description</b>
1	D28382095	1	Variator
2	D28380017	1	Clutch
3	D45130034	1	Hydraulic Hose
4	D28780423	1	Pipe,Oil
5	D45252600	1	Union
6	D28780700	1	Washer
7	D45110014	1	Kit, Joint
	D45110054	1	Valve
8	<b>D45110065</b>	1	Mandrel
9	<b>D45110064</b>	1	Coil
10	D45252600	1	Union
11	D28780960	1	Pipe,Oil
12	D45272100	1	Connector
13	D45256200	1	Union
15	D28780663	1	Pipe,Oil
16	D45263900	1	Union



6.12.15

## Hydraulics - Reel Speed

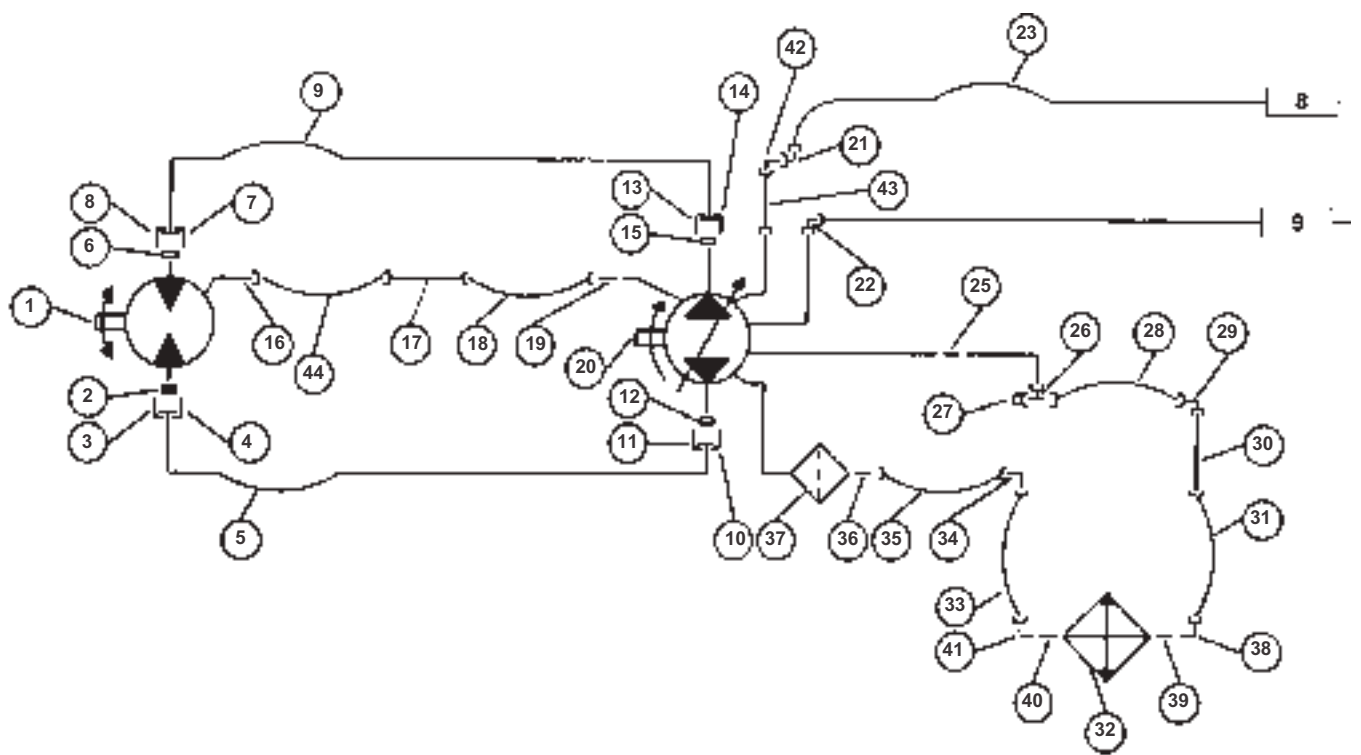
Item	Part Number	Qty	Description	Comments
5	D45254100	1	Union	
6	D28780665	1	Pipe,Oil	
7	D45253400	1	Union	
8	D45110043	1	Solenoid	
9	<b>D45110060</b>	1	Pressure Valve	
10	D45110069	1	Flow Regulator	
	D45110011	1	Kit, Seal	
11	D45250700	1	Union	
12	D28780993	1	Pipe,Oil	
13	D45130019	1	Hydr Hose	
14	D45135400	1	Union	
15	D45462200	1	O Ring	
16	D45135300	1	Union	
17	D45250700	1	Union	
18	D28283442	1	Pipe,Oil	16' - 4,95M
	D28283443	1	Pipe,Oil	18' - 5,56M
	D28283444	1	Pipe,Oil	20' - 6,16M
	D28283863	1	Pipe,Oil	22' - 6,77M
19	D45130013	1	Hydr Hose	FREEFLOW
	D45130015	1	Hydr Hose	POWERFLOW
20	D28280676	1	Pipe,Oil	
21	D45250700	1	Union	
22	D45120700	1	Hydraulic Motor	
23	D45250700	1	Union	
24	D28280677	1	Pipe,Oil	
25	D45130013	1	Hydr Hose	FREEFLOW
	D45130015	1	Hydr Hose	POWERFLOW
26	D28283442	1	Pipe,Oil	16' - 4,95M
	D28283443	1	Pipe,Oil	18' - 5,56M
	D28283444	1	Pipe,Oil	20' - 6,16M
	D28283863	1	Pipe,Oil	22'- 6,77M
27	D45250700	1	Union	
28	D45135400	1	Union	
29	D45135300	1	Union	
30	D45462200	1	O Ring	
31	D45130019	1	Hydr Hose	
32	D28780995	1	Pipe,Oil	
33	D45256200	1	Union	
34	D45272100	1	Connector	
36	D28780994	1	Pipe,Oil	
37	D45272800	1	Union	
38	D45256400	1	Union	
39	D45272600	1	Union	
41	D28780668	1	Pipe,Oil	
42	D45256400	1	Union	
43	D28780669	1	Pipe,Oil	
44	D45251500	1	Union	
45	D45266100	1	Union	
46	D45266200	1	Union	
47	D28780402	1	Hydr.Hose Assy.	
48	D45272100	1	Connector	
49	D45264100	1	Union	



11

**Massey Ferguson****MF 38/40 COMBINES, |-> 47958 - 63001210****63001210****Propulsion Hydraulic - AL CB & CB W. AL TABLE & STD CB F.52828****Page014-0015**

<b>Item</b>	<b>Part Number</b>	<b>Qty</b>	<b>Description</b>	<b>Comments</b>
1	D45165100	1	Hydraulic Motor	
2	D45463900	1	O Ring	
3	D45160800	1	Flange	
4	D45160800	1	Flange	
5	D45130010	1	Hydr Hose	
6	D45463900	1	O Ring	
7	D45160800	1	Flange	
8	D45160800	1	Flange	
9	D45130009	1	Hydr Hose	
10	D45160800	1	Flange	
11	D45160800	1	Flange	
12	D45463900	1	O Ring	
13	D45160800	1	Flange	
14	D45160800	1	Flange	
15	D45463900	1	O Ring	
16	D45251100	1	Union	
17	D28780872	1	Pipe,Oil	
18	D45128300	1	Hydr Hose	
19	D45251100	1	Union	
20	D45163000	1	Hydraulic Pump	
21	D45264200	1	Union	
22	D45264200	1	Union	
23	D45130050	1	Hose	From Serial or Engine Number 53765
	D45130032	1	Hydr Hose	Up to Serial or Engine Number 53764
24	D45130050	1	Hose	From Serial or Engine Number 53765
	D45130032	1	Hydr Hose	Up to Serial or Engine Number 53764
25	D45251100	1	Union	
26	D45267200	1	Union	
27	D45219900	1	Plug	
28	D45130022	1	Hydr Hose	
29	D45269900	1	Connector	
30	D28780533	1	Pipe,Oil	
31	D45130030	1	Hydr Hose	
32	D28781600	1	Cooler	
33	D45130030	1	Hydr Hose	
34	D45269900	1	Connector	
35	D45130022	1	Hydr Hose	
36	D45251100	1	Union	
37	<b>D45161300</b>	1	Oil Filter	
38	D45264300	1	Connectors	
39	D45251500	1	Union	
40	D45251500	1	Union	
41	D45264300	1	Connectors	
42	D45258700	1	Connector	
43	D28781242	1	Pipe	
44	D45130600	1	Hose	

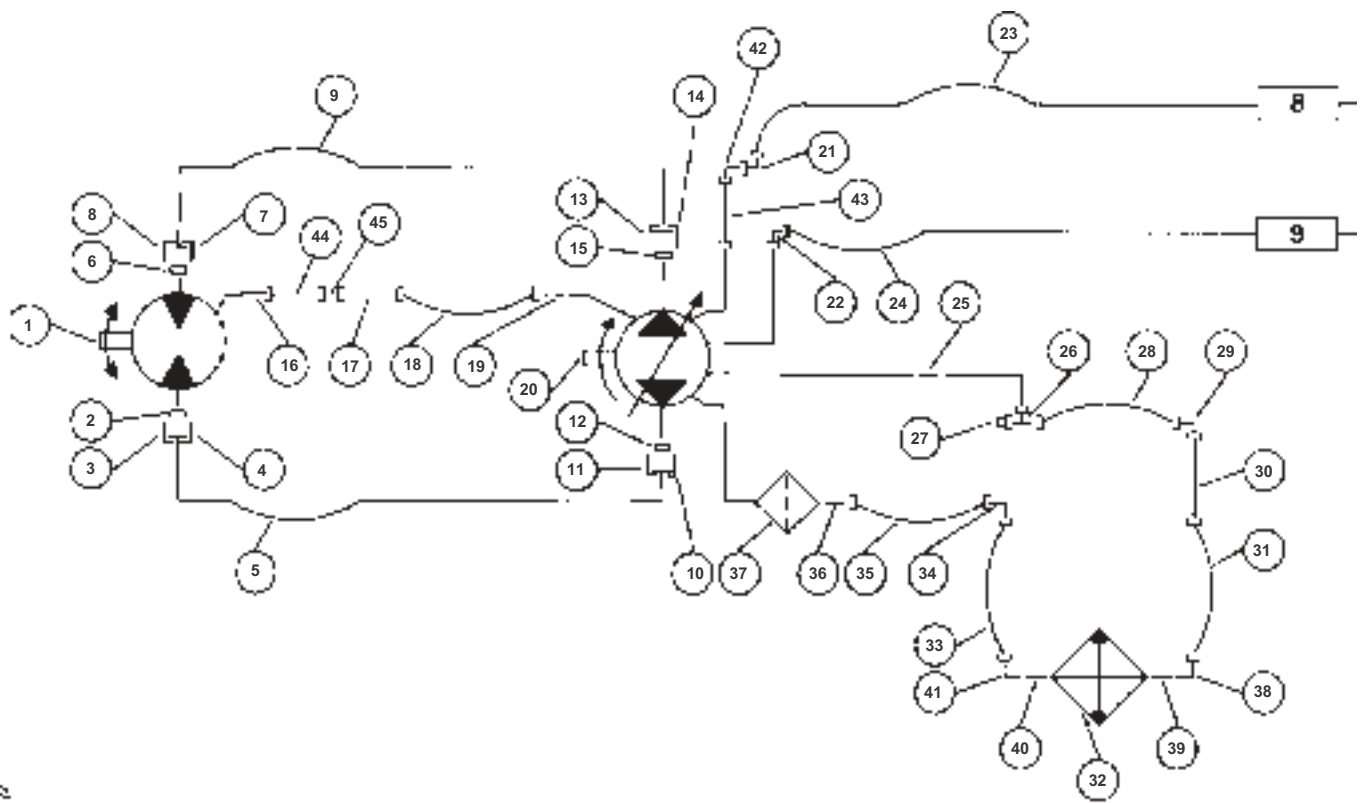


1: 4-14



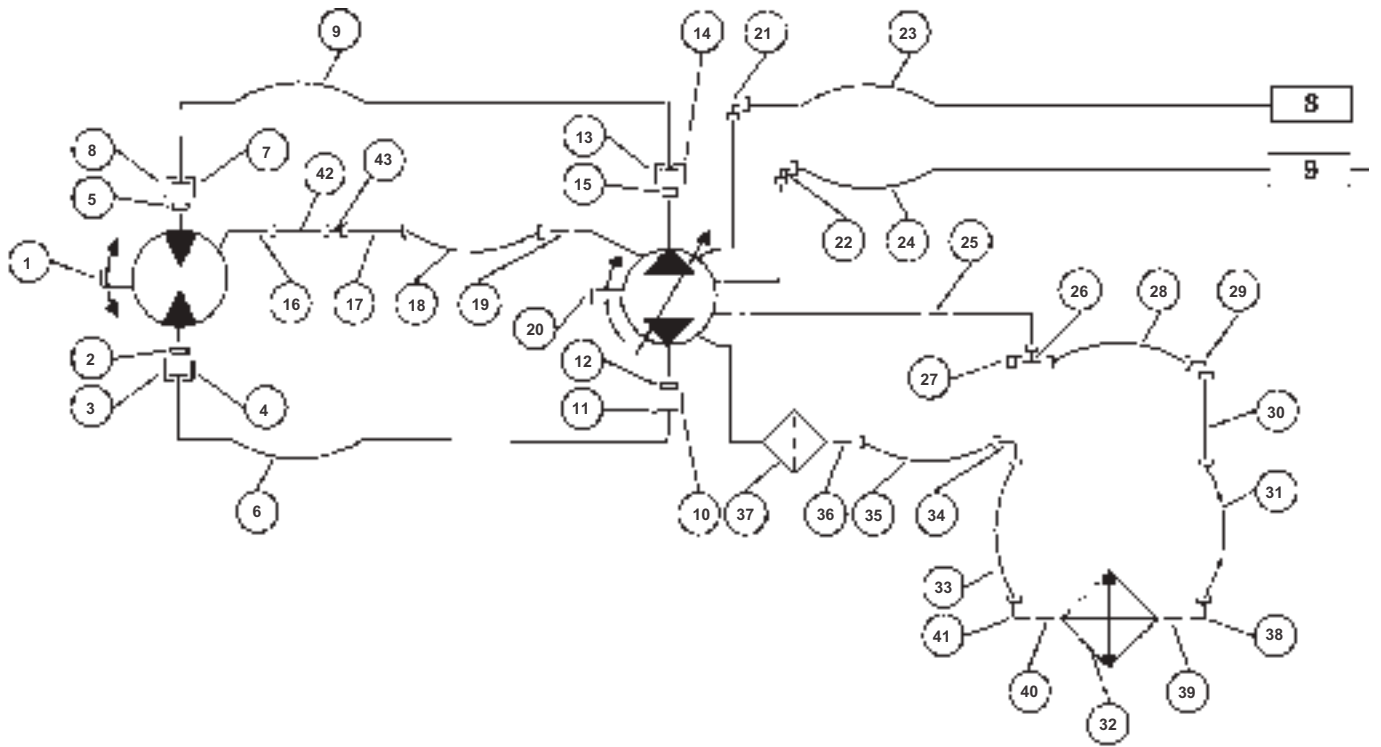
**Massey Ferguson****MF 38/40 COMBINES, |-> 47958 - 63001210****63001210****Propulsion Hydraulic - F.52011-T.52827****Page014-0020**

<b>Item</b>	<b>Part Number</b>	<b>Qty</b>	<b>Description</b>
1	D45165100	1	Hydraulic Motor
2	D45463900	1	O Ring
3	D45160800	1	Flange
4	D45160800	1	Flange
5	D45130010	1	Hydr Hose
6	D45463900	1	O Ring
7	D45160800	1	Flange
8	D45160800	1	Flange
9	D45130009	1	Hydr Hose
10	D45160800	1	Flange
11	D45160800	1	Flange
12	D45463900	1	O Ring
13	D45160800	1	Flange
14	D45160800	1	Flange
15	D45463900	1	O Ring
16	D45251100	1	Union
17	D28780872	1	Pipe,Oil
18	D45128300	1	Hydr Hose
19	D45251100	1	Union
20	D45163000	1	Hydraulic Pump
21	D45264200	1	Union
22	D45264200	1	Union
23	D45130032	1	Hydr Hose
25	D45251100	1	Union
26	D45267200	1	Union
27	D45219900	1	Plug
28	D45130022	1	Hydr Hose
29	D45269900	1	Connector
30	D28780533	1	Pipe,Oil
31	D45130030	1	Hydr Hose
32	D28784064	1	Oil Cooler
33	D45130030	1	Hydr Hose
34	D45269900	1	Connector
35	D45130022	1	Hydr Hose
36	D45251100	1	Union
37	<b>D45161300</b>	1	Oil Filter
38	D45264300	1	Connectors
39	D45251500	1	Union
40	D45251500	1	Union
41	D45264300	1	Connectors
42	D45258700	1	Connector
43	D28781242	1	Pipe
44	D45130600	1	Hose



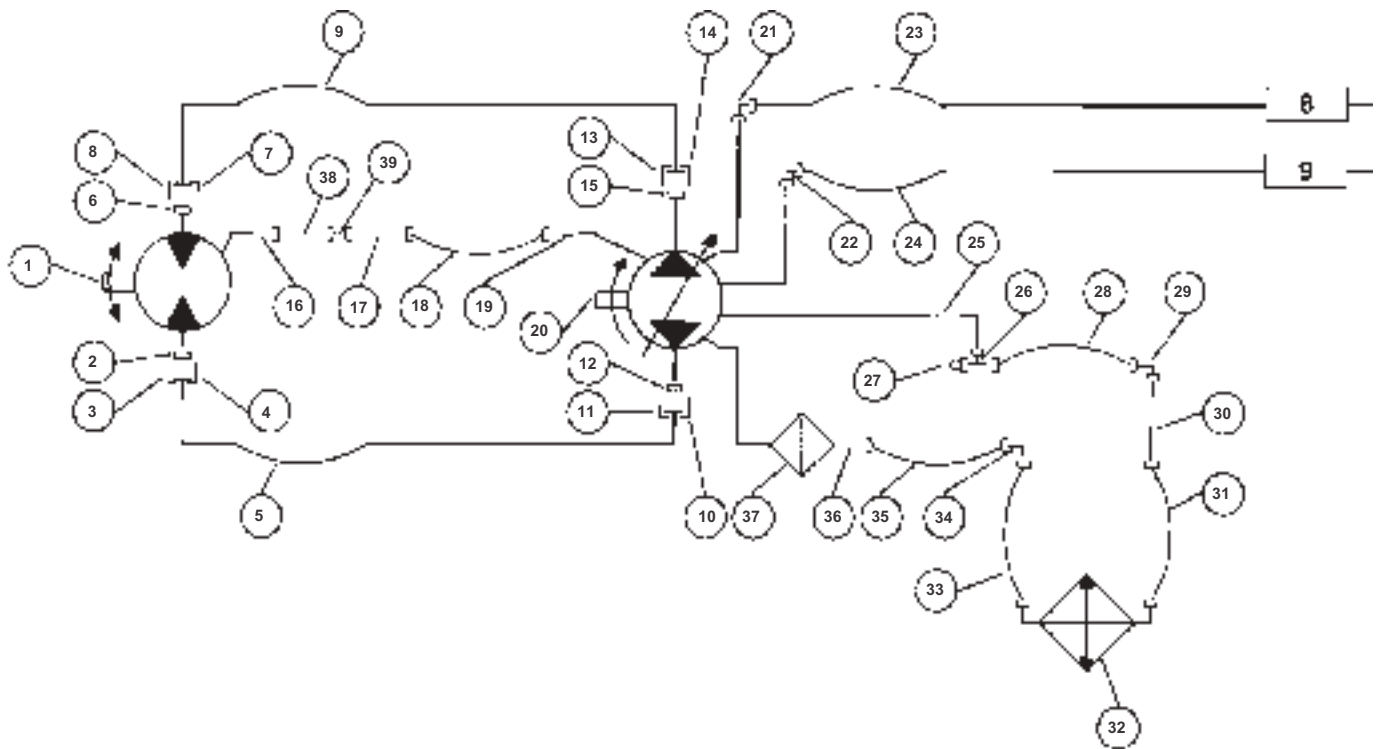
02/11/10

Item	Part Number	Qty	Description
1	D45163100	1	Hydraulic Motor
2	D45463900	1	O Ring
3	D45160800	1	Flange
4	D45160800	1	Flange
5	D45130010	1	Hydr Hose
6	D45463900	1	O Ring
7	D45160800	1	Flange
8	D45160800	1	Flange
9	D45130009	1	Hydr Hose
10	D45160800	1	Flange
11	D45160800	1	Flange
12	D45463900	1	O Ring
13	D45160800	1	Flange
14	D45160800	1	Flange
15	D45463900	1	O Ring
16	D45251100	1	Union
17	D28780690	1	Pipe,Oil
18	D45128300	1	Hydr Hose
19	D45251100	1	Union
20	D45163000	1	Hydraulic Pump
21	D45264200	1	Union
22	D45264200	1	Union
23	D45130032	1	Hydr Hose
24	D45130025	1	Hydr Hose
25	D45251100	1	Union
26	D45267200	1	Union
27	D45219900	1	Plug
28	D45130022	1	Hydr Hose
29	D45269900	1	Connector
30	D28780533	1	Pipe,Oil
31	D45130030	1	Hydr Hose
32	D28784064	1	Oil Cooler
33	D45130030	1	Hydr Hose
34	D45269900	1	Connector
35	D45130022	1	Hydr Hose
36	D45251100	1	Union
37	<b>D45161300</b>	1	Oil Filter
38	D45264300	1	Connectors
39	D45251500	1	Union
40	D45251500	1	Union
41	D45264300	1	Connectors
42	D45258700	1	Connector
43	D28781242	1	Pipe
44	D28780650	1	Pipe,Oil
45	D45254300	1	Connector



1477010

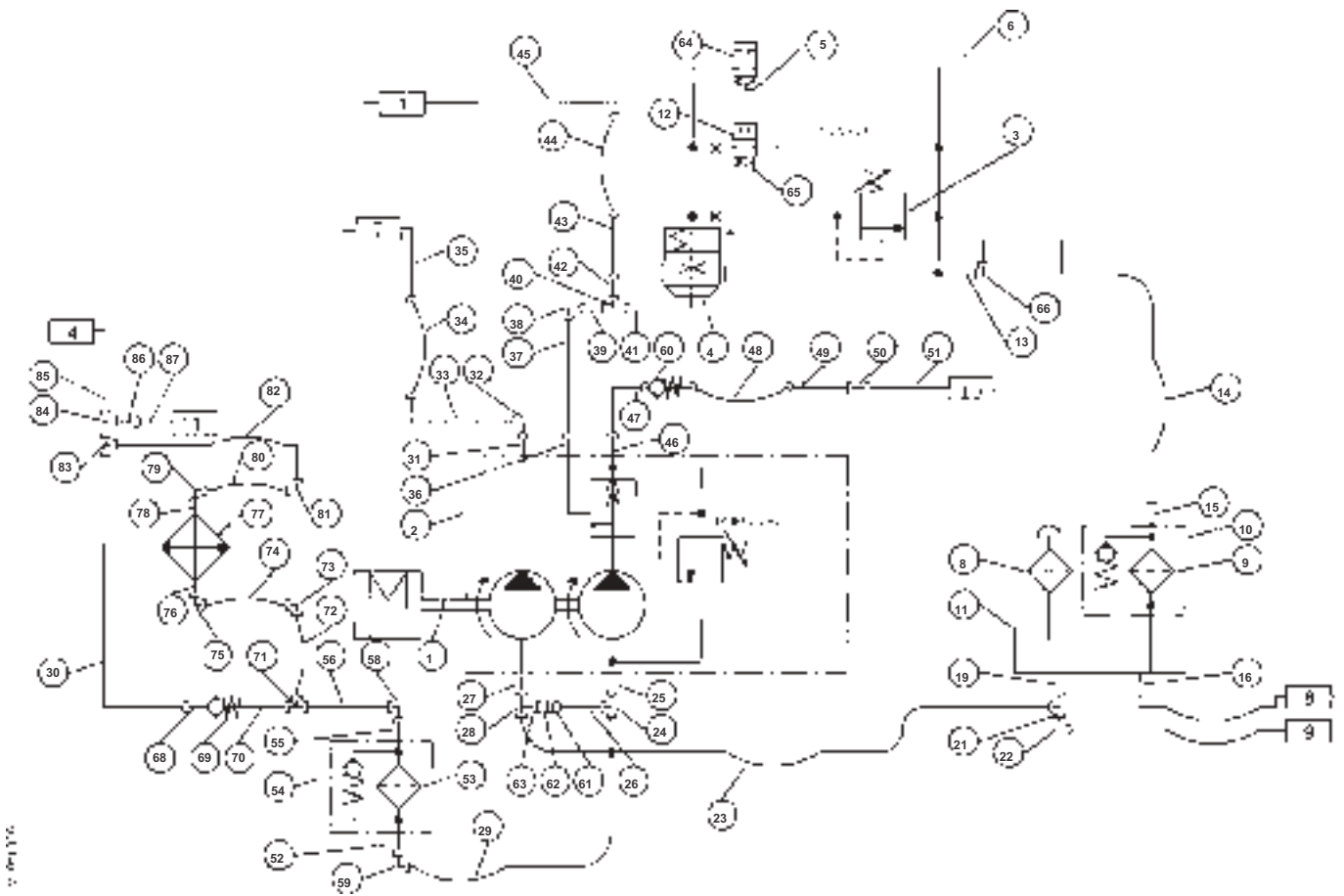
Item	Part Number	Qty	Description
1	D45163100	1	Hydraulic Motor
2	D45463900	1	O Ring
3	D45160800	1	Flange
4	D45160800	1	Flange
5	D45130010	1	Hydr Hose
6	D45463900	1	O Ring
7	D45160800	1	Flange
8	D45160800	1	Flange
9	D45130009	1	Hydr Hose
10	D45160800	1	Flange
11	D45160800	1	Flange
12	D45463900	1	O Ring
13	D45160800	1	Flange
14	D45160800	1	Flange
15	D45463900	1	O Ring
16	D45251100	1	Union
17	D28780690	1	Pipe,Oil
18	D45128300	1	Hydr Hose
19	D45251100	1	Union
20	D45163000	1	Hydraulic Pump
21	D45264200	1	Union
22	D45264200	1	Union
23	D45130025	1	Hydr Hose
24	D45130025	1	Hydr Hose
25	D45251100	1	Union
26	D45267200	1	Union
27	D45219900	1	Plug
28	D45130022	1	Hydr Hose
29	D45269900	1	Connector
30	D28780533	1	Pipe,Oil
31	D45130030	1	Hydr Hose
32	D28784064	1	Oil Cooler
33	D45130030	1	Hydr Hose
34	D45269900	1	Connector
35	D45130022	1	Hydr Hose
36	D45251100	1	Union
37	<b>D45161300</b>	1	Oil Filter
38	D45264300	1	Connectors
39	D45251500	1	Union
40	D45251500	1	Union
41	D45264300	1	Connectors
42	D28780650	1	Pipe,Oil
43	D45254300	1	Connector



1.1.1.1

**Massey Ferguson****MF 38/40 COMBINES, |-> 47958 - 63001210****63001210****Propulsion Hydraulic - Up to Serial or Engine Number 78792****Page014-0035**

<b>Item</b>	<b>Part Number</b>	<b>Qty</b>	<b>Description</b>
1	D45163100	1	Hydraulic Motor
2	D45463900	1	O Ring
3	D45160800	1	Flange
4	D45160800	1	Flange
5	D45130010	1	Hydr Hose
6	D45463900	1	O Ring
7	D45160800	1	Flange
8	D45160800	1	Flange
9	D45130009	1	Hydr Hose
10	D45160800	1	Flange
11	D45160800	1	Flange
12	D45463900	1	O Ring
13	D45160800	1	Flange
14	D45160800	1	Flange
15	D45463900	1	O Ring
16	D45251100	1	Union
17	D28780690	1	Pipe,Oil
18	D45128300	1	Hydr Hose
19	D45251100	1	Union
20	D45163000	1	Hydraulic Pump
21	D45264200	1	Union
22	D45264200	1	Union
23	D45130025	1	Hydr Hose
24	D45130025	1	Hydr Hose
25	D45251100	1	Union
26	D45267200	1	Union
27	D45219900	1	Plug
28	D45130022	1	Hydr Hose
29	D45269900	1	Connector
30	D28780533	1	Pipe,Oil
31	D45130023	1	Hydr Hose
32	D28780544	1	Radiator
33	D45130023	1	Hydr Hose
34	D45269900	1	Connector
35	D45130022	1	Hydr Hose
36	D45251100	1	Union
37	<b>D45161300</b>	1	Oil Filter
38	D28780690	1	Pipe,Oil
39	D45254300	1	Connector



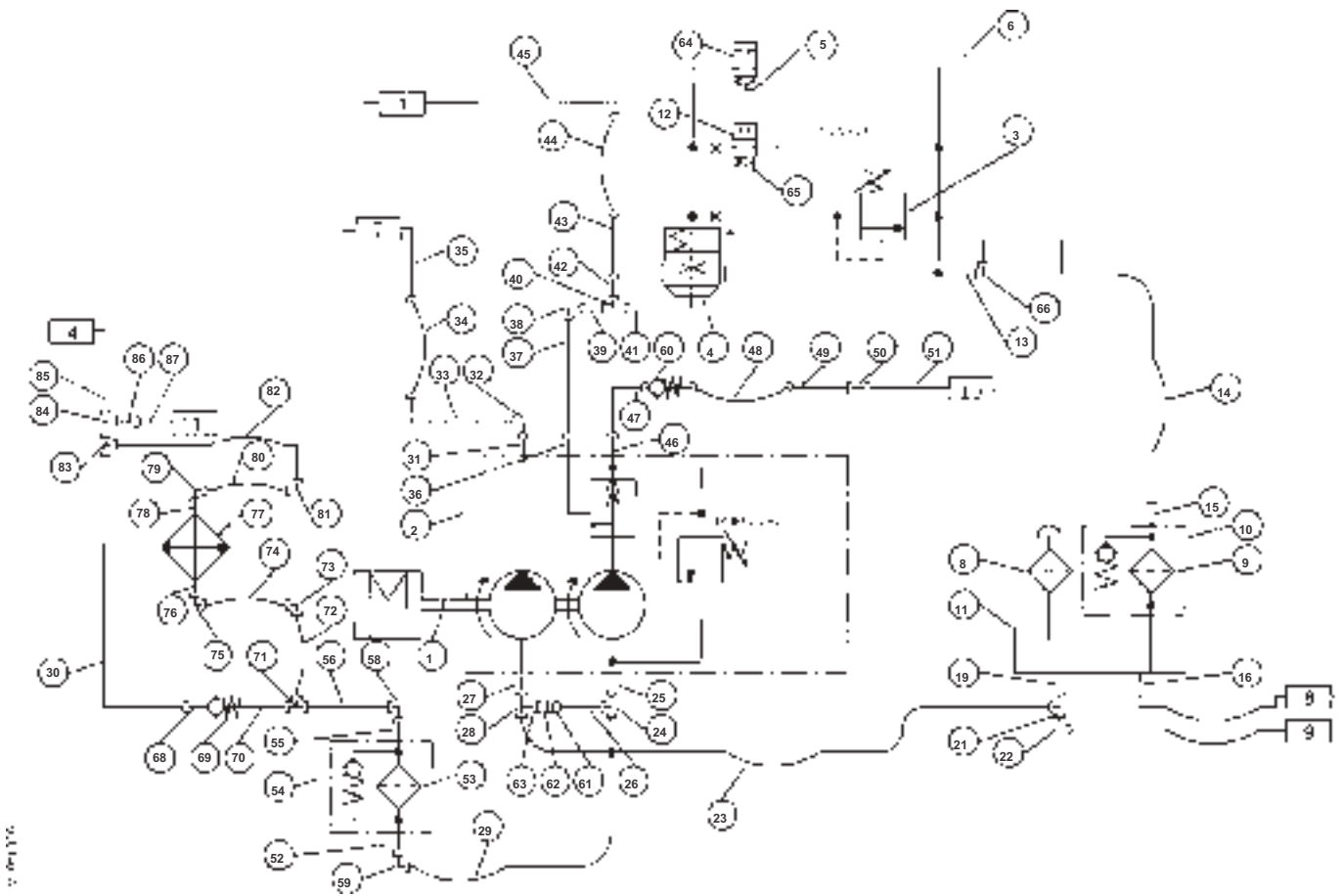


Item	Part Number	Qty	Description	Comments
1	D45110041	1	Pinion	
2	D45110006	1	Kit,Joint/Gasket	
	D45110016	1	Kit, Gasket	
	D45160054	1	Hydraulic Pump	
3	D45120003	1	Pressure Valve	[A]
4	<b>D45120002</b>	1	Pressure Valve	
5	<b>D45110064</b>	1	Coil	
6	D45110070	1	Block	
	D45120001	1	Kit, Seal	
8	<b>D45103000</b>	1	Filter	
9	<b>D45165900</b>	1	Filter	
10	D45165800	1	Seal	
11	D28781816	1	Tank	
	D28781818	1	Plate	
	D28781819	1	Kit, Seal	
12	D45120004	1	Bypass	
13	D45255500	1	Fitting	
14	D45130005	1	Hydr.Hose Assy.	
15	D45255300	1	Union	
16	D45251500	1	Union	
19	D45251500	1	Union	
21	D45266600	1	Union	
22	D45264200	1	Union	
23	D44715500	1	Hose	
24	D45727500	1	Clamp	
25	D45273100	1	Reducer	
30	D28781758	1	Pipe,Oil	
31	D45250700	1	Union	
32	D45264100	1	Union	
33	D28780342	1	Pipe,Oil	
34	D45132500	1	Hydr Hose	
35	D28780658	1	Pipe,Oil	
36	D45251000	1	Union	
37	D28780340	1	Pipe,Oil	
38	D45264200	1	Union	
39	D45272700	1	Union	
40	D45266600	1	Union	
41	D45251500	1	Union	
42	D45272800	1	Union	
43	D28780342	1	Pipe,Oil	
44	D45132500	1	Hydr Hose	
45	D28780673	1	Pipe,Oil	
46	D45250800	1	Union	
47	D28780659	1	Pipe,Oil	
48	D45124400	1	Hydr Hose	
49	D28780672	1	Pipe,Oil	
50	D45254100	1	Union	
51	D28780656	1	Pipe,Oil	
52	D44715500	1	Hose	
53	D45727500	1	Clamp	
54	D45727500	1	Clamp	
55	D45726800	1	Clamp	
56	D45130048	1	Hose	
58	D45726800	1	Clamp	
60	D45146600	1	Non Return Valve	
61	D28781675	1	Bracket	
62	D28781675	1	Bracket	
63	D45727500	1	Clamp	
64	D45120004	1	Bypass	
65	<b>D45110064</b>	1	Coil	
66	D45266800	1	Fitting	
68	D45255600	1	Union	
69	D45110097	1	Bypass	
70	D45255600	1	Union	
71	D45266600	1	Union	
72	D45130038	1	Hydraulic Hose	
73	D45269900	1	Connector	
74	D45130037	1	Hydraulic Hose	
75	D45264300	1	Connectors	
76	D45251500	1	Union	
77	D28781600	1	Cooler	

**Massey Ferguson****MF 38/40 COMBINES, |-> 47958 - 63001210****63001210****Hydraulics - Pump And Main Valve - From Serial or Engine Number 53765****Page014-0040**

<b>Item</b>	<b>Part Number</b>	<b>Qty</b>	<b>Description</b>	<b>Comments</b>
78	D45251500	1	Union	
79	D45264300	1	Connectors	
80	D45130037	1	Hydraulic Hose	
81	D45269900	1	Connector	
82	D45130039	1	Hydraulic Hose	
83	D45266600	1	Union	
84	D45256400	1	Union	
85	D28780671	1	Pipe,Oil	
86	D45272000	1	Connector	
87	D28780675	1	Pipe,Oil	

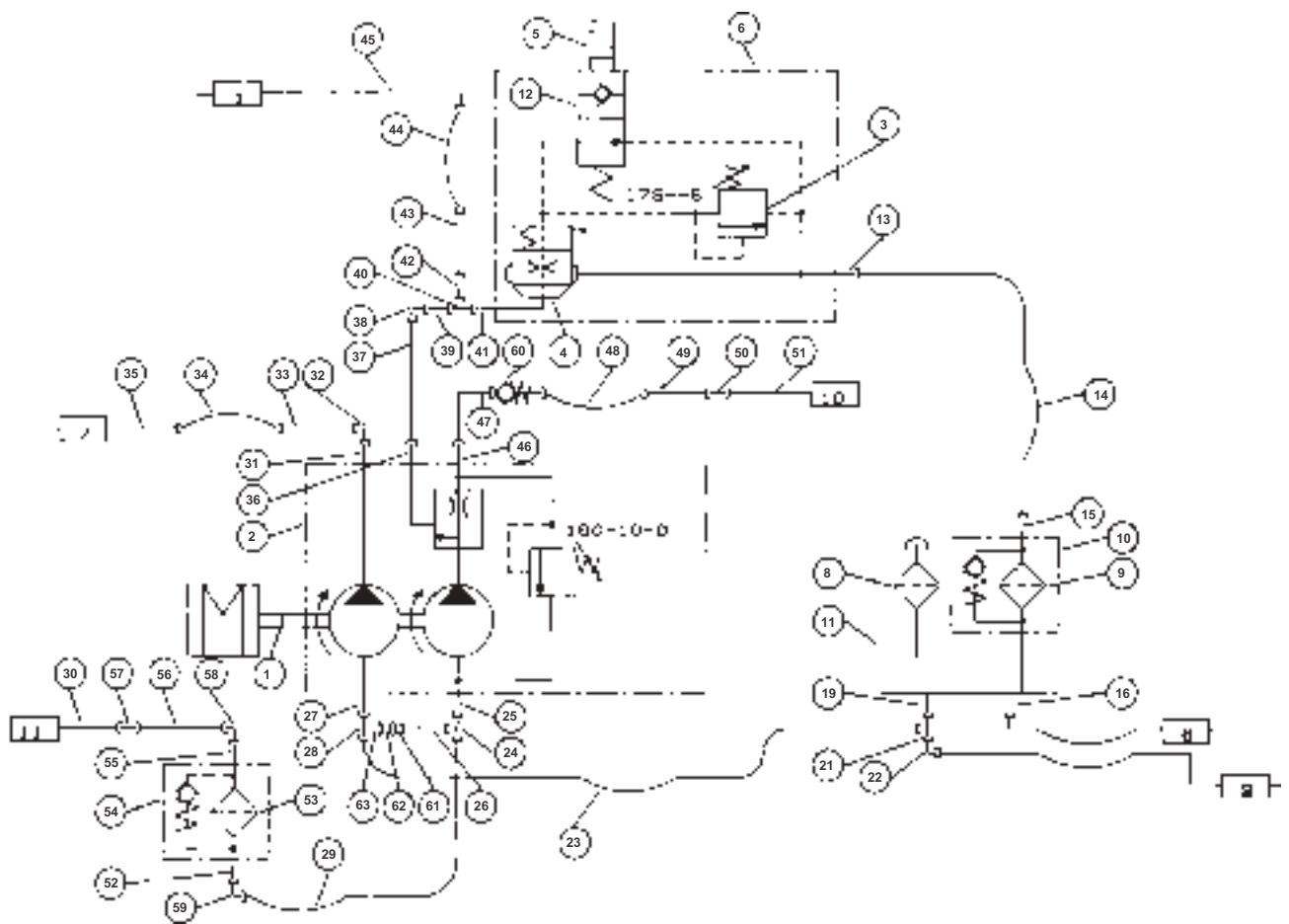
**FOOTNOTE [A] AL.COMBINES & COMB. W. AL.TABLE + STD. COMBINES FROM 52828**



Item	Part Number	Qty	Description
1	D45110041	1	Pinion
2	D45110006	1	Kit,Joint/Gasket
	D45110016	1	Kit, Gasket
	D45160054	1	Hydraulic Pump
3	D45120003	1	Pressure Valve
4	<b>D45120002</b>	1	Pressure Valve
5	<b>D45110064</b>	1	Coil
6	D45110070	1	Block
	D45120001	1	Kit, Seal
8	<b>D45103000</b>	1	Filter
9	D45145300	1	Filter Element
10	D45146400	1	Oil Filter
11	D28780045	1	Oil Tank
12	D45120004	1	Bypass
13	D45251500	1	Union
14	D45130005	1	Hydr.Hose Assy.
15	D45251500	1	Union
16	D45251500	1	Union
19	D45251500	1	Union
21	D45266600	1	Union
22	D45264200	1	Union
23	D45130027	1	Hydr Hose
24	D45266600	1	Union
25	D45251500	1	Union
26	D28781340	1	Pipe,Oil
27	D45251500	1	Union
28	D45266600	1	Union
29	D45130005	1	Hydr.Hose Assy.
30	D28781758	1	Pipe,Oil
31	D45250700	1	Union
32	D45264100	1	Union
33	D28780342	1	Pipe,Oil
34	D45132500	1	Hydr Hose
35	D28780658	1	Pipe,Oil
36	D45251000	1	Union
37	D28780340	1	Pipe,Oil
38	D45264200	1	Union
39	D45272700	1	Union
40	D45266600	1	Union
41	D45251500	1	Union
42	D45272800	1	Union
43	D28780342	1	Pipe,Oil
44	D45132500	1	Hydr Hose
45	D28780673	1	Pipe,Oil
46	D45250800	1	Union
47	D28780659	1	Pipe,Oil
48	D45124400	1	Hydr Hose
49	D28780672	1	Pipe,Oil
50	D45254100	1	Union
51	D28780656	1	Pipe,Oil
52	D45251500	1	Union
53	D45110081	1	Filter Element
54	D45110080	1	Filter Insert
55	D45251500	1	Union
56	D28781757	1	Pipe,Oil
58	D45264300	1	Connectors
59	D45264300	1	Connectors
60	D45146600	1	Non Return Valve
61	D45234100	1	Union Nut
62	D45234200	1	Ring
63	D45234300	1	Ring
64	D45120004	1	Bypass
65	<b>D45110064</b>	1	Coil
66	D45264300	1	Connectors
68	D45251500	1	Union
69	D45110097	1	Bypass
70	D45251500	1	Union
71	D45266600	1	Union
72	D45130038	1	Hydraulic Hose
73	D45269900	1	Connector
74	D45130037	1	Hydraulic Hose

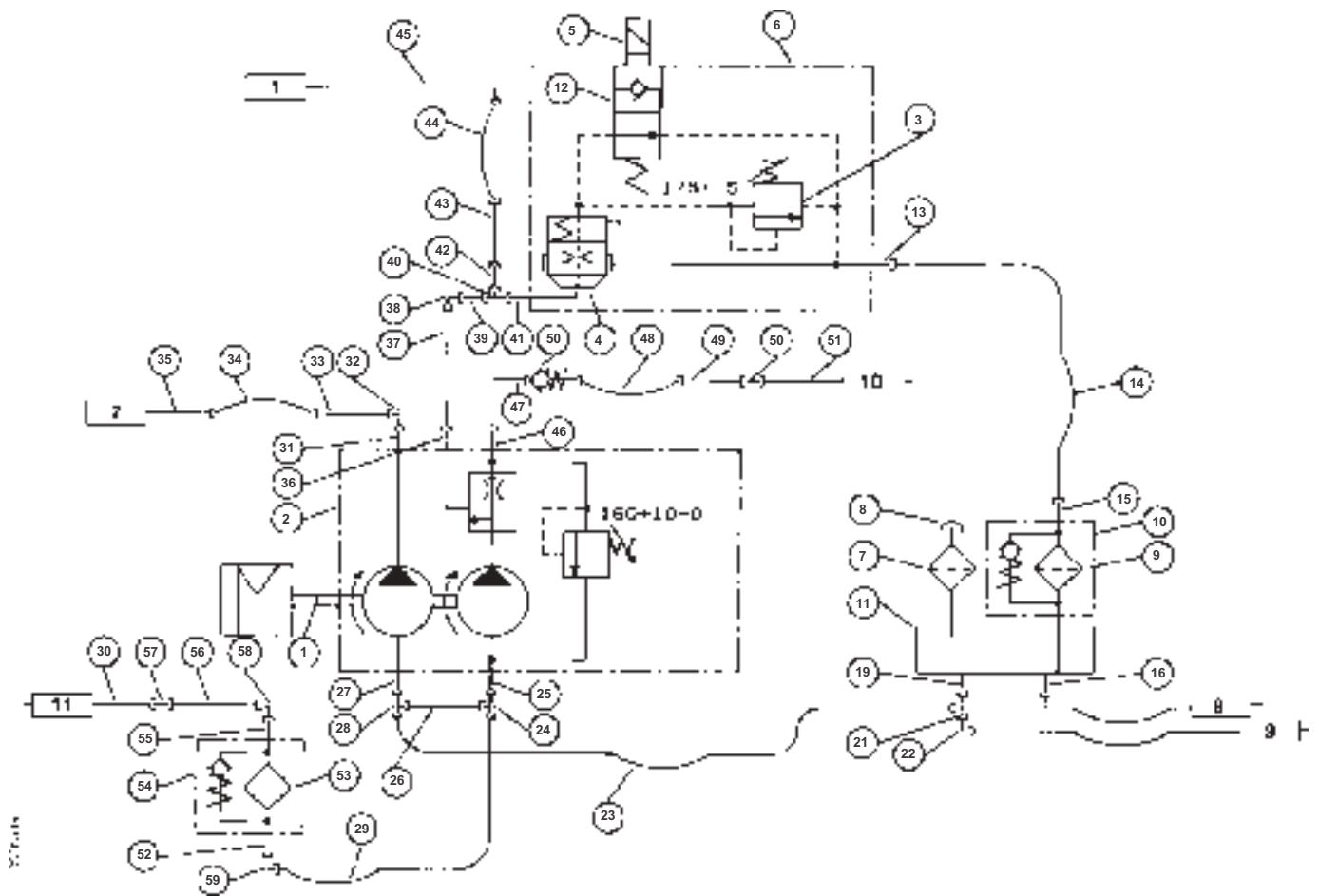
**Massey Ferguson****MF 38/40 COMBINES, |-> 47958 - 63001210****63001210****Hydraulics - Pump And Main Valve - AL CB & CB WITH TABLE & STD CB F.52828 T.53765****Page014-0045**

<b>Item</b>	<b>Part Number</b>	<b>Qty</b>	<b>Description</b>
75	D45264300	1	Connectors
76	D45251500	1	Union
77	D28781600	1	Cooler
78	D45251500	1	Union
79	D45264300	1	Connectors
80	D45130037	1	Hydraulic Hose
81	D45269900	1	Connector
82	D45130039	1	Hydraulic Hose
83	D45266600	1	Union
84	D45256400	1	Union
85	D28780671	1	Pipe,Oil
86	D45272000	1	Connector
87	D28780675	1	Pipe,Oil



**Massey Ferguson****MF 38/40 COMBINES, |-> 47958 - 63001210****63001210****Hydraulics - Pump And Main Valve - F.50531 - T.52827****Page014-0050**

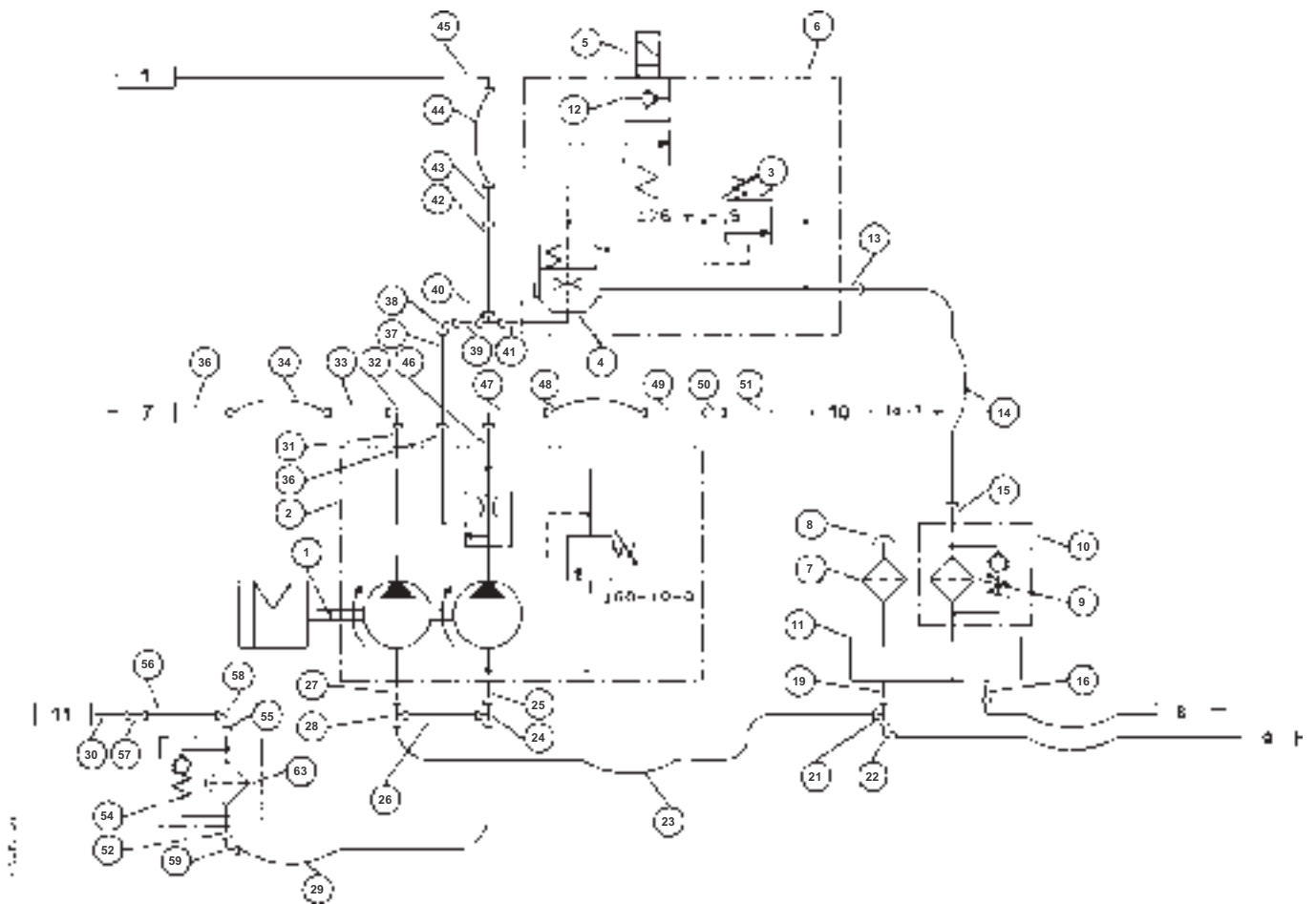
Item	Part Number	Qty	Description	Comments
1	D45110041	1	Pinion	
2	D45163200	1	Hydraulic Pump	T.52341
	D45160054	1	Hydraulic Pump	F.52342
	D45110006	1	Kit,Joint/Gasket	SALAMI
	D45110016	1	Kit, Gasket	ULTRA
3	D45110063	1	Pressure Valve	
4	D45110062	1	Pressure Valve	
5	<b>D45110064</b>	1	Coil	
6	D45110053	1	Bypass	
	D45110013	1	Gasket	
8	<b>D45103000</b>	1	Filter	
9	D45145300	1	Filter Element	
10	D45146400	1	Oil Filter	
11	D28780045	1	Oil Tank	
12	D45110061	1	Bypass	
13	D45251500	1	Union	
14	D45130031	1	Hydr Hose	
15	D45251500	1	Union	
16	D45251500	1	Union	
19	D45251500	1	Union	
21	D45266600	1	Union	
22	D45264200	1	Union	
23	D45130027	1	Hydr Hose	
24	D45266600	1	Union	
25	D45251500	1	Union	
26	D28781340	1	Pipe,Oil	
27	D45251500	1	Union	
28	D45266600	1	Union	
29	D45130005	1	Hydr.Hose Assy.	
30	D28780674	1	Pipe,Oil	
31	D45250700	1	Union	
32	D45264100	1	Union	
33	D28780342	1	Pipe,Oil	
34	D45132500	1	Hydr Hose	
35	D28780658	1	Pipe,Oil	
36	D45251000	1	Union	
37	D28780340	1	Pipe,Oil	
38	D45264200	1	Union	
39	D45272700	1	Union	
40	D45266600	1	Union	
41	D45251500	1	Union	
42	D45272800	1	Union	
43	D28780342	1	Pipe,Oil	
44	D45132500	1	Hydr Hose	
45	D28780673	1	Pipe,Oil	
46	D45250800	1	Union	
47	D28780659	1	Pipe,Oil	
48	D45124400	1	Hydr Hose	
49	D28780672	1	Pipe,Oil	
50	D45254100	1	Union	
51	D28780656	1	Pipe,Oil	
52	D45110081	1	Filter Element	
	D45251500	1	Union	
54	D45110080	1	Filter Insert	
55	D45251500	1	Union	
56	D28781241	1	Pipe	
57	D45254500	1	Union	
58	D45264300	1	Connectors	
59	D45264300	1	Connectors	
60	D45146600	1	Non Return Valve	
61	D45234100	1	Union Nut	
62	D45234200	1	Ring	
63	D45234300	1	Ring	





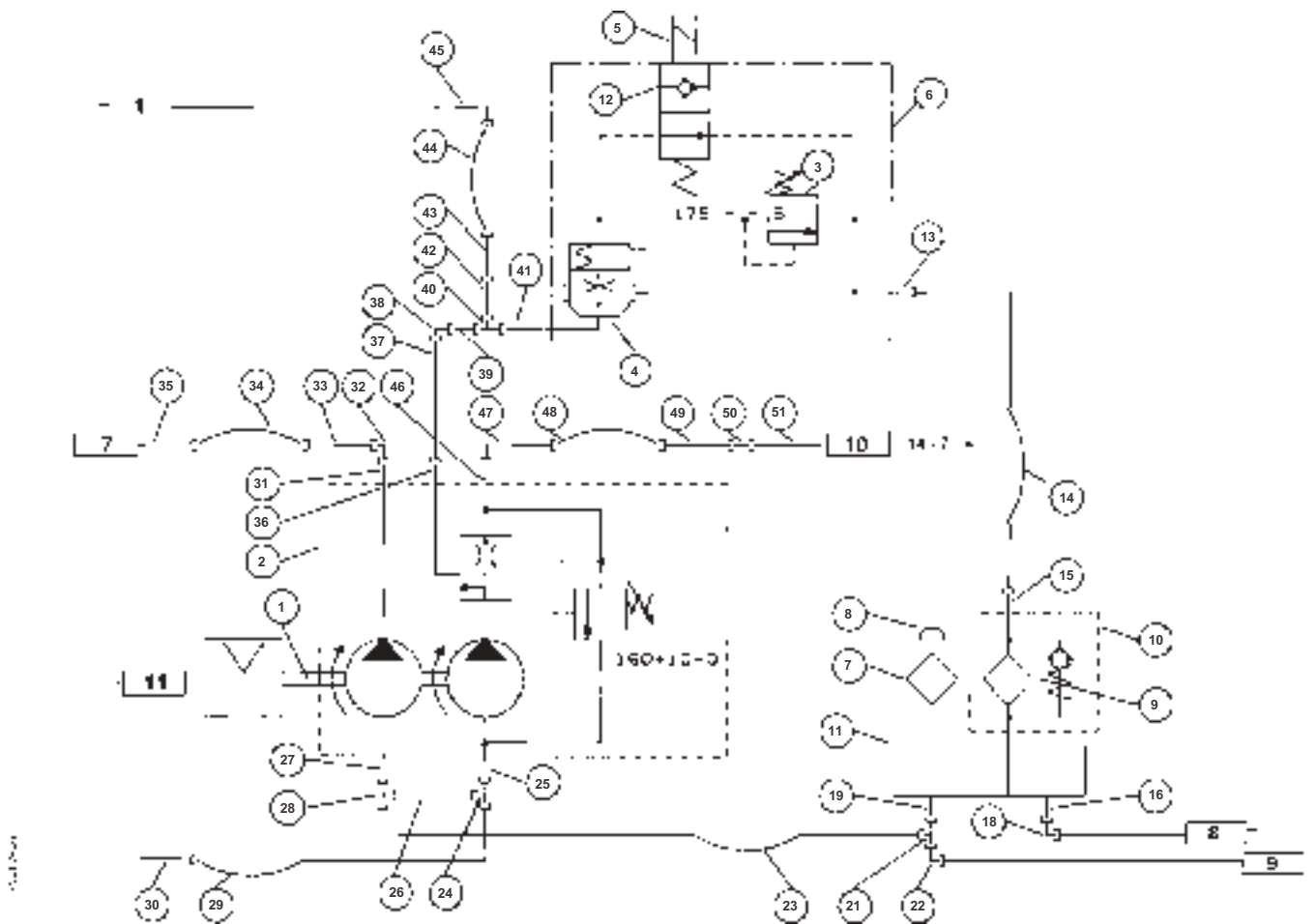
**Massey Ferguson****MF 38/40 COMBINES, |-> 47958 - 63001210****63001210****Hydraulics - Pump And Main Valve - F.50174 - T.50530****Page014-0055**

Item	Part Number	Qty	Description	Comments
1	D45110041	1	Pinion	
2	D45163200	1	Hydraulic Pump	
	D45110006	1	Kit,Joint/Gasket	SALAMI
	D45110016	1	Kit, Gasket	ULTRA
3	D45110063	1	Pressure Valve	
4	D45110062	1	Pressure Valve	
5	<b>D45110064</b>	1	Coil	
6	D45110013	1	Gasket	
	D45110053	1	Bypass	
7	D45103200	1	Filter	
8	<b>D45103000</b>	1	Filter	
9	D45145300	1	Filter Element	
10	D45146400	1	Oil Filter	
11	D28780045	1	Oil Tank	
12	D45110061	1	Bypass	
13	D45251500	1	Union	
14	D45130031	1	Hydr Hose	
15	D45251500	1	Union	
16	D45251500	1	Union	
19	D45251500	1	Union	
21	D45266600	1	Union	
22	D45264200	1	Union	
23	D45130027	1	Hydr Hose	
24	D45266600	1	Union	
25	D45251500	1	Union	
26	D28780343	1	Pipe,Oil	
27	D45251500	1	Union	
28	D45266600	1	Union	
29	D45130005	1	Hydr.Hose Assy.	
30	D28780674	1	Pipe,Oil	
31	D45250700	1	Union	
32	D45264100	1	Union	
33	D28780342	1	Pipe,Oil	
34	D45132500	1	Hydr Hose	
35	D28780658	1	Pipe,Oil	
36	D45151000	1	Ring	
37	D28780340	1	Pipe,Oil	
38	D45264200	1	Union	
39	D45272700	1	Union	
40	D45266600	1	Union	
41	D45251500	1	Union	
42	D45272800	1	Union	
43	D28780342	1	Pipe,Oil	
44	D45132500	1	Hydr Hose	
45	D28780673	1	Pipe,Oil	
46	D45250800	1	Union	
47	D28780659	1	Pipe,Oil	
48	D45124400	1	Hydr Hose	
49	D28780672	1	Pipe,Oil	
50	D45254100	1	Union	
51	D28780656	1	Pipe,Oil	
52	D45251500	1	Union	
53	D45110081	1	Filter Element	
54	D45110080	1	Filter Insert	
55	D45251500	1	Union	
56	D28781241	1	Pipe	
57	D45254500	1	Union	
58	D45264300	1	Connectors	
59	D45264300	1	Connectors	
60	D45146600	1	Non Return Valve	



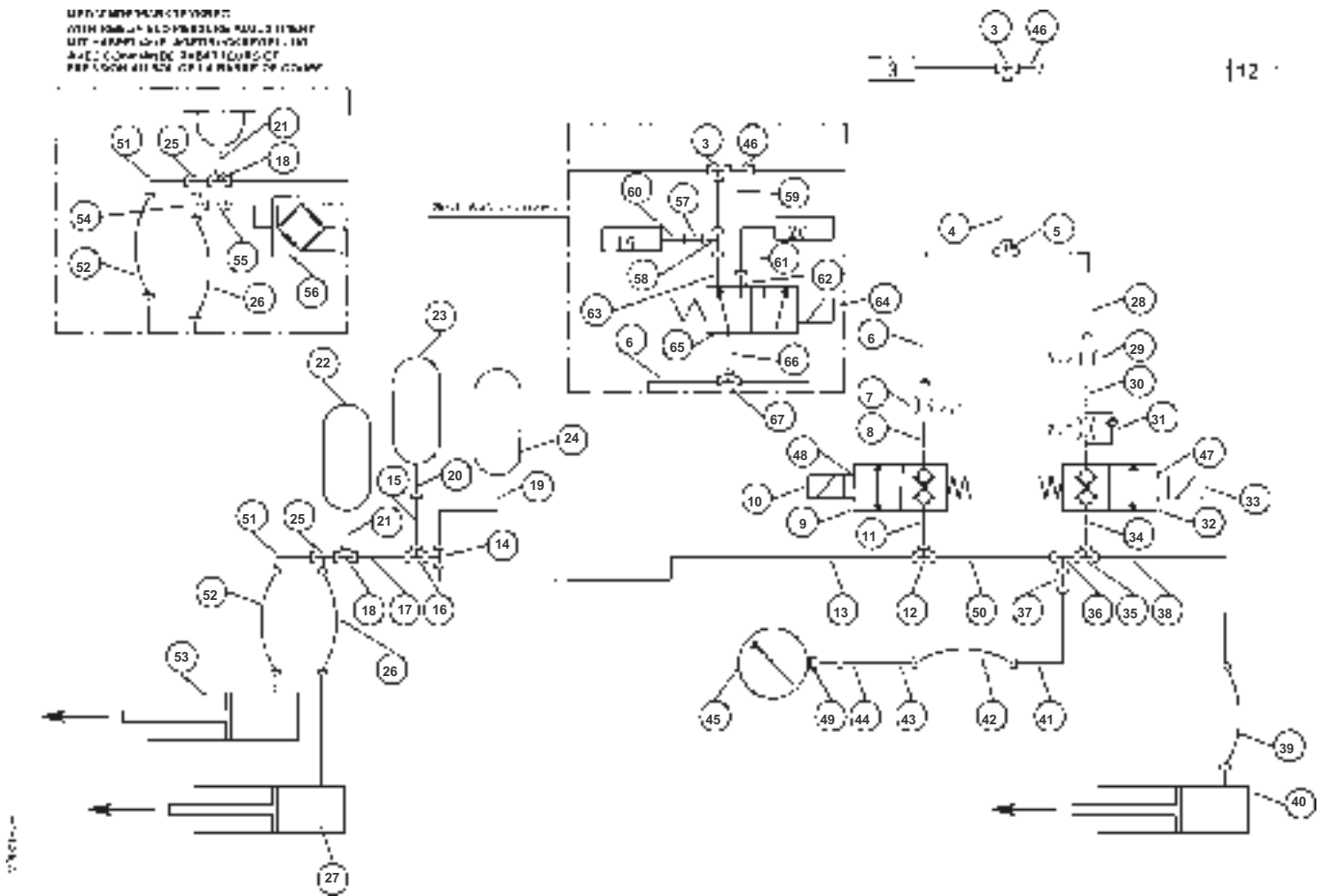
**Massey Ferguson****MF 38/40 COMBINES, |-> 47958 - 63001210****63001210****Hydraulics - Pump And Main Valve - F.49834 - T.50173****Page014-0060**

Item	Part Number	Qty	Description	Comments
1	D45110041	1	Pinion	
2	D45163200	1	Hydraulic Pump	
	D45110006	1	Kit,Joint/Gasket	SALAMI
	D45110016	1	Kit, Gasket	ULTRA
3	D45110063	1	Pressure Valve	
4	D45110062	1	Pressure Valve	
5	<b>D45110064</b>	1	Coil	
6	D45110013	1	Gasket	
	D45110053	1	Bypass	
7	D45103200	1	Filter	
8	<b>D45103000</b>	1	Filter	
9	D45145300	1	Filter Element	
10	D45146400	1	Oil Filter	
11	D28780045	1	Oil Tank	
12	D45110061	1	Bypass	
13	D45251500	1	Union	
14	D45130031	1	Hydr Hose	
15	D45251500	1	Union	
16	D45251500	1	Union	
19	D45251500	1	Union	
21	D45266600	1	Union	
22	D45264200	1	Union	
23	D45130027	1	Hydr Hose	
24	D45266600	1	Union	
25	D45251500	1	Union	
26	D28780343	1	Pipe,Oil	
27	D45251500	1	Union	
28	D45266600	1	Union	
29	D45130005	1	Hydr.Hose Assy.	
30	D28780674	1	Pipe,Oil	
31	D45250700	1	Union	
32	D45264100	1	Union	
33	D28780342	1	Pipe,Oil	
34	D45132500	1	Hydr Hose	
35	D28780658	1	Pipe,Oil	
36	D45251000	1	Union	
37	D28780340	1	Pipe,Oil	
38	D45264200	1	Union	
39	D45272700	1	Union	
40	D45266600	1	Union	
41	D45251500	1	Union	
42	D45272800	1	Union	
43	D28780342	1	Pipe,Oil	
44	D45132500	1	Hydr Hose	
45	D28780673	1	Pipe,Oil	
46	D45250800	1	Union	
47	D28780659	1	Pipe,Oil	
48	D45124400	1	Hydr Hose	
49	D28780672	1	Pipe,Oil	
50	D45254900	1	Union	
51	D28780656	1	Pipe,Oil	
52	D45251500	1	Union	
53	D45110081	1	Filter Element	
54	D45110080	1	Filter Insert	
55	D45251500	1	Union	
56	D28781241	1	Pipe	
57	D45254500	1	Union	
58	D45264300	1	Connectors	
59	D45264300	1	Connectors	



**Massey Ferguson****MF 38/40 COMBINES, |-> 47958 - 63001210****63001210****Hydraulics - Pump And Main Valve - Up to Serial or Engine Number 49833****Page014-0065**

Item	Part Number	Qty	Description	Comments
1	D45110041	1	Pinion	
2	D45163200	1	Hydraulic Pump	
	D45110006	1	Kit,Joint/Gasket	SALAMI
	D45110016	1	Kit, Gasket	ULTRA
3	D45110063	1	Pressure Valve	
4	D45110062	1	Pressure Valve	
5	<b>D45110064</b>	1	Coil	
6	D45110013	1	Gasket	
	D45110053	1	Bypass	
7	D45103200	1	Filter	
8	<b>D45103000</b>	1	Filter	
9	D45145300	1	Filter Element	
10	D45146400	1	Oil Filter	
11	D28780045	1	Oil Tank	
12	D45110061	1	Bypass	
13	D45251500	1	Union	
14	D45130031	1	Hydr Hose	
15	D45251500	1	Union	
16	D45251500	1	Union	
18	D45264200	1	Union	
19	D45251500	1	Union	
21	D45266600	1	Union	
22	D45264200	1	Union	
23	D45130027	1	Hydr Hose	
24	D45266600	1	Union	
25	D45251500	1	Union	
26	D28780343	1	Pipe,Oil	
27	D45251500	1	Union	
28	D45266600	1	Union	
29	D45128400	1	Hydr Hose	
30	D28780674	1	Pipe,Oil	
31	D45250700	1	Union	
32	D45264100	1	Union	
33	D28780342	1	Pipe,Oil	
34	D45132500	1	Hydr Hose	
35	D28780658	1	Pipe,Oil	
36	D45251000	1	Union	
37	D28780340	1	Pipe,Oil	
38	D45264200	1	Union	
39	D45272700	1	Union	
40	D45266600	1	Union	
41	D45251500	1	Union	
42	D45272800	1	Union	
43	D28780342	1	Pipe,Oil	
44	D45132500	1	Hydr Hose	
45	D28780673	1	Pipe,Oil	
46	D45250800	1	Union	
47	D28780659	1	Pipe,Oil	
48	D45124400	1	Hydr Hose	
49	D28780672	1	Pipe,Oil	
50	D45254900	1	Union	
51	D28780656	1	Pipe,Oil	



Item	Part Number	Qty	Description	Comments
3	D45256200	1	Union	
4	D28780662	1	Pipe,Oil	
5	D45256200	1	Union	
6	D28780655	1	Pipe,Oil	
7	D28780711	1	Washer	
8	D45255200	1	Connector	
9	D45110014	1	Kit, Joint	
	D45110054	1	Valve	
10	<b>D45110064</b>	1	Coil	
11	D45250800	1	Union	
12	D45266300	1	Union	
13	D28781528	1	Pipe,Oil	
14	D45266300	1	Union	
15	D28711881	1	Pipe,Oil	
16	D45266300	1	Union	
17	D28782135	1	Pipe	
18	D45267100	1	Union	
19	D45250500	1	Union	
20	D45250500	1	Union	
21	D45250500	1	Union	
22	D45100300	1	Accumulator	
23	D45100300	1	Accumulator	
24	D45100300	1	Accumulator	
25	D45266300	1	Union	
26	D45130016	1	Hydr Hose	
27	D45140002	1	Ram	
	D28080609	X	Epicyclic	
28	D28780655	1	Pipe,Oil	
29	D28780712	1	Washer	
30	D45255200	1	Connector	
31	D28780319	1	Washer	
32	D45110014	1	Kit, Joint	
	D45110054	1	Valve	
33	<b>D45110064</b>	1	Coil	
34	D45250800	1	Union	
35	D45267100	1	Union	
36	D45266300	1	Union	
37	D45272300	1	Connector	
38	D28780329	1	Pipe,Oil	
39	D45130016	1	Hydr Hose	
40	D45140002	1	Ram	
	D28080609	X	Epicyclic	[A]
41	D28780457	1	Hydr.Hose Assy.	[A]
	D28780660	1	Pipe,Oil	[B]
42	D45130024	1	Hydr Hose	
43	D28980410	1	Pipe,Oil	
44	D45276800	1	Connector	
45	D45083100	1	Manometer	
46	D45272100	1	Connector	
47	<b>D45110065</b>	1	Mandrel	
48	<b>D45110065</b>	1	Mandrel	
49	D45276900	1	Packing Ring	
50	D28780331	1	Pipe,Oil	
51	D45264000	1	Union	
52	D45130016	1	Hydr Hose	
53	D45140002	1	Ram	
54	D45266300	1	Union	
	D28080609	X	Epicyclic	
55	D45277000	1	Connector	
56	D28781255	1	Sensor	
57	D45272200	1	Union	
58	D45266200	1	Union	
59	D28780456	1	Hydr.Hose Assy.	
60	D28780400	1	Hydr.Hose Assy.	Up to Serial or Engine Number 52083
61	D28781395	1	Pipe,Oil	
62	D45250700	1	Union	
63	D45250700	1	Union	
64	<b>D45110064</b>	1	Coil	
65	D45110039	1	Valve	
66	D45250700	1	Union	
67	D45267300	1	Union	

**Massey Ferguson**

**MF 38/40 COMBINES, |-> 47958 - 63001210**

**63001210**

**Hydraulics - Table Up/Down - From Serial or Engine Number 51401**

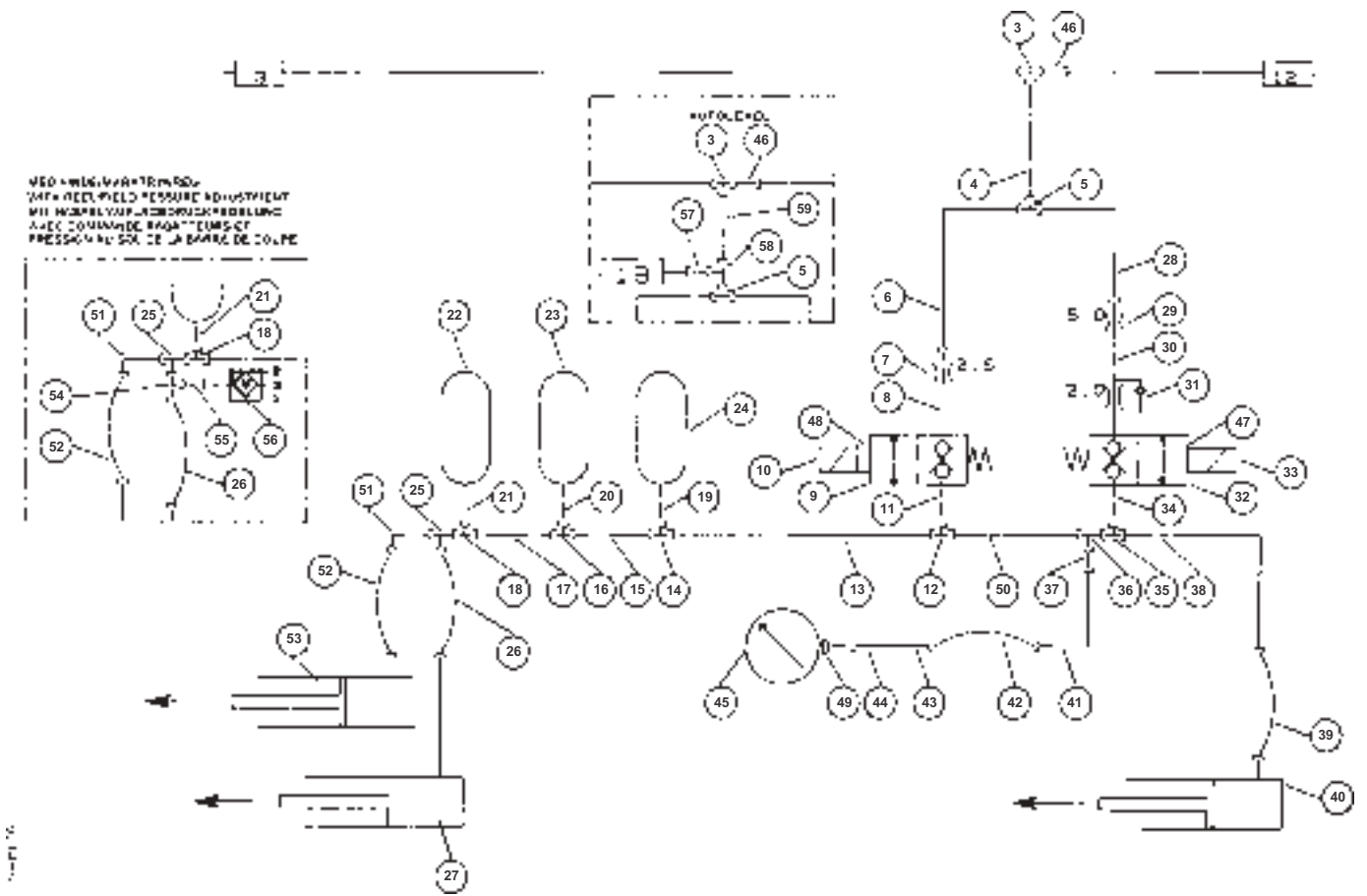
**Page014-0070**

Item	Part Number	Qty	Description	Comments
------	-------------	-----	-------------	----------

FOOTNOTE [A] AUTO-LEVEL COMBINE

FOOTNOTE [B] STANDARD COMBINE





Item	Part Number	Qty	Description	Comments
3	D45256200	1	Union	
4	D28780662	1	Pipe,Oil	
5	D45256200	1	Union	
6	D28780655	1	Pipe,Oil	
7	D28780711	1	Washer	
8	D45255200	1	Connector	
9	D45110014	1	Kit, Joint	
	D45110054	1	Valve	
10	<b>D45110064</b>	1	Coil	
11	D45250800	1	Union	
12	D45267100	1	Union	
13	D28780330	1	Pipe,Oil	
14	D45267100	1	Union	
15	D28730695	1	Pipe	
16	D45267100	1	Union	
17	D28730695	1	Pipe	
18	D45267100	1	Union	
19	D45250500	1	Union	
20	D45250500	1	Union	
21	D45250500	1	Union	
22	D45100300	1	Accumulator	
23	D45100300	1	Accumulator	
24	D45100300	1	Accumulator	
25	D45266300	1	Union	
26	D45130016	1	Hydr Hose	
27	D45100057	1	Hydraulic, Cylin	Up to Serial or Engine Number 50811
	D28080609	X	Epicyclic	
	D45140001	1	Hydraulic, Cylin	From Serial or Engine Number 50812
	D28080609	X	Epicyclic	
28	D28780655	1	Pipe,Oil	
29	D28780712	1	Washer	
30	D45255200	1	Connector	
31	D28780319	1	Washer	
32	D45110014	1	Kit, Joint	
	D45110054	1	Valve	
33	<b>D45110064</b>	1	Coil	
34	D45250800	1	Union	
35	D45267100	1	Union	
36	D45266300	1	Union	
37	D45272300	1	Connector	
38	D28780329	1	Pipe,Oil	
39	D45130016	1	Hydr Hose	
40	D45100058	1	Hydraulic, Cylin	Up to Serial or Engine Number 50811
	D28080609	X	Epicyclic	[A]
	D45140002	1	Ram	From Serial or Engine Number 50812
	D28080609	X	Epicyclic	[B]
41	D28780457	1	Hydr.Hose Assy.	[A]
	D28780660	1	Pipe,Oil	[B]
42	D45130024	1	Hydr Hose	
43	D28980410	1	Pipe,Oil	
44	D45276800	1	Connector	
45	D45083100	1	Manometer	
46	D45272100	1	Connector	
47	<b>D45110065</b>	1	Mandrel	
48	<b>D45110065</b>	1	Mandrel	
49	D45276900	1	Packing Ring	
50	D28780331	1	Pipe,Oil	[B]
	D28780399	1	Hydr.Hose Assy.	[A]
51	D45264000	1	Union	
52	D45130016	1	Hydr Hose	
53	D45100057	1	Hydraulic, Cylin	Up to Serial or Engine Number 50811
	D28080609	X	Epicyclic	
	D45140001	1	Hydraulic, Cylin	From Serial or Engine Number 50812
	D28080609	X	Epicyclic	
54	D45266300	1	Union	
55	D45277000	1	Connector	
56	D28781255	1	Sensor	
57	D45272200	1	Union	
58	D45266200	1	Union	
59	D28780456	1	Hydr.Hose Assy.	

**Massey Ferguson**

**MF 38/40 COMBINES, |-> 47958 - 63001210**

**63001210**

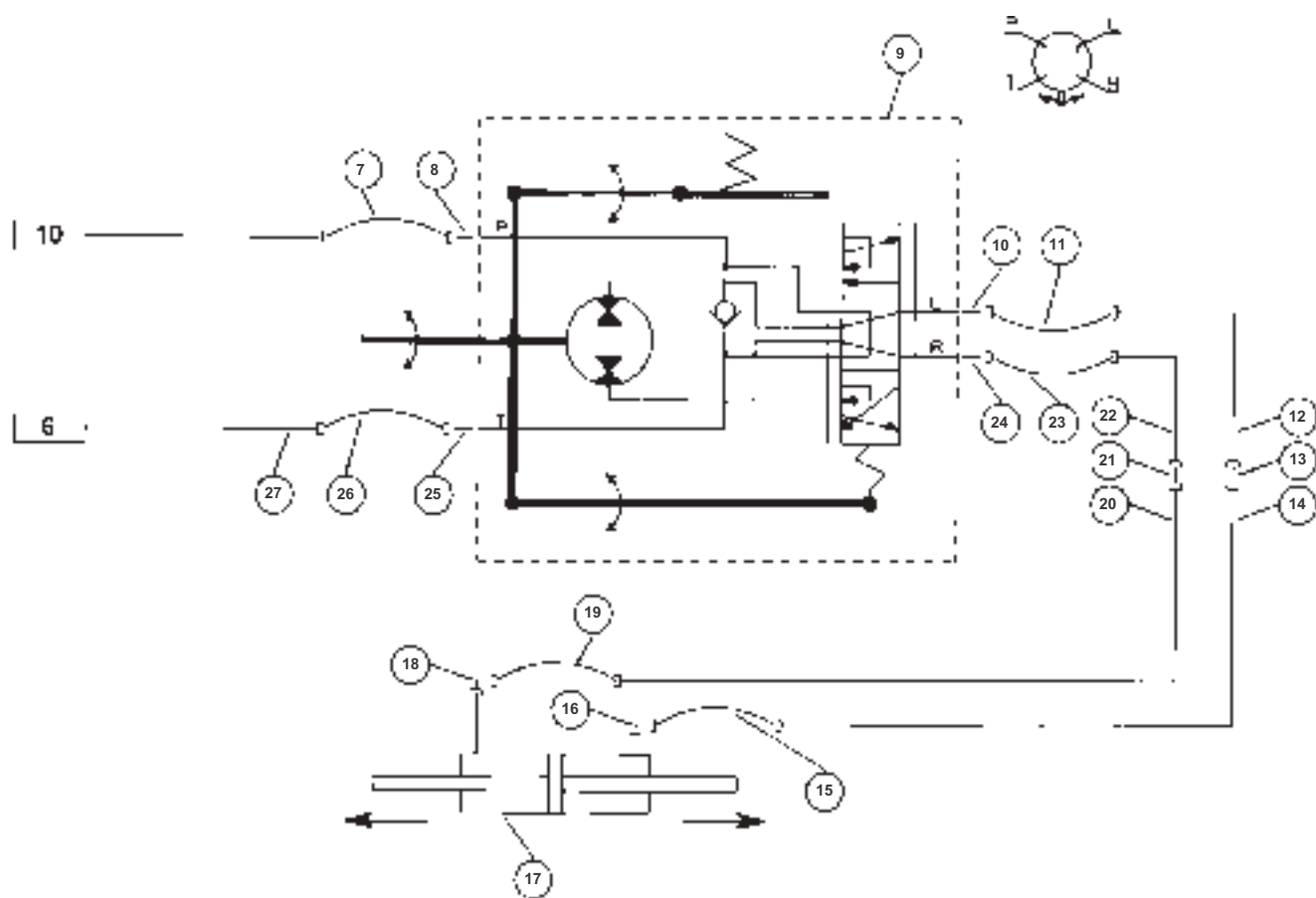
**Hydraulics - Table Up/Down - Up to Serial or Engine Number 51400**

**Page014-0075**

Item	Part Number	Qty	Description	Comments
------	-------------	-----	-------------	----------

FOOTNOTE [A] AUTO-LEVEL COMBINE

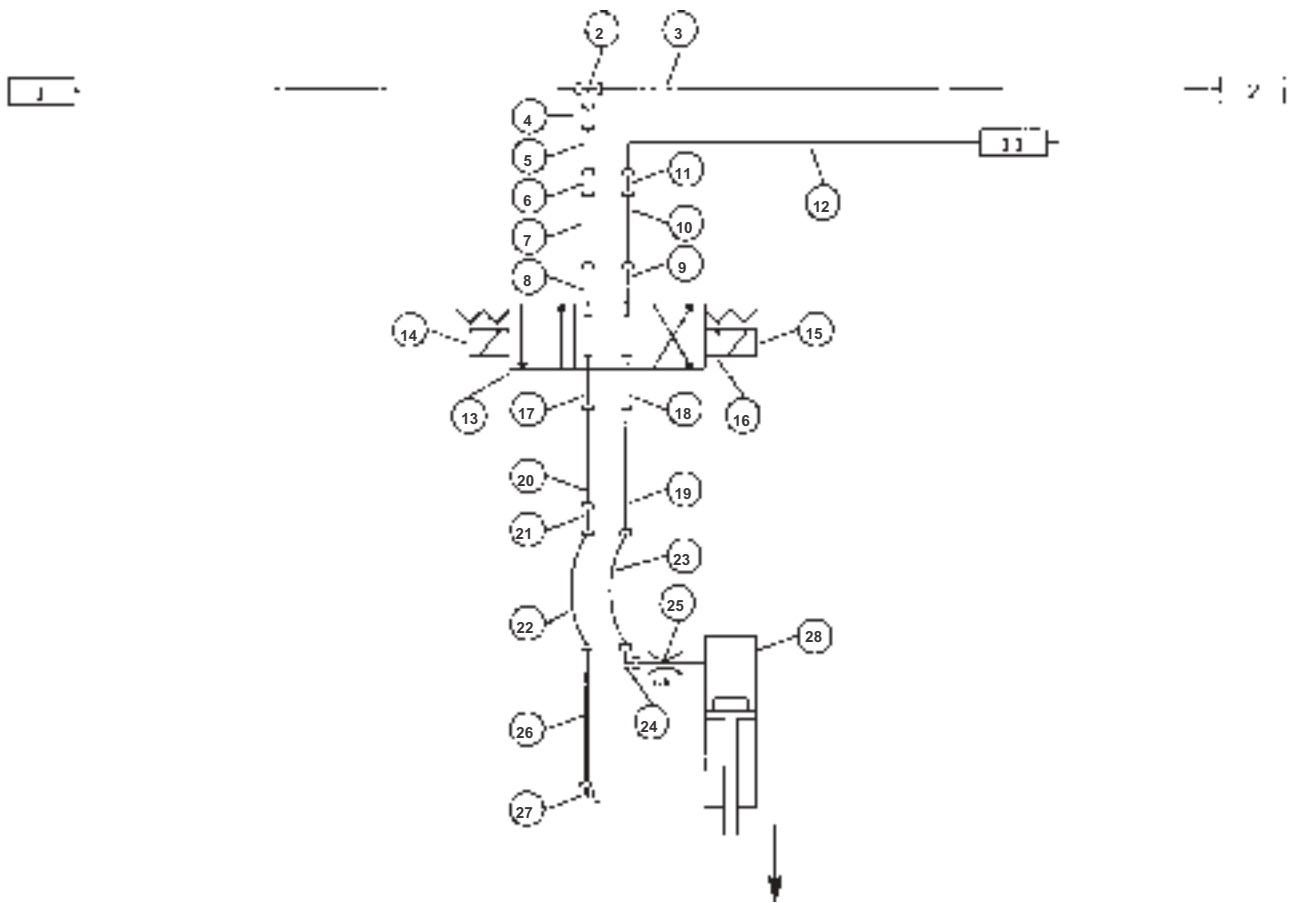
FOOTNOTE [B] STANDARD COMBINE



21210-04

**Massey Ferguson****MF 38/40 COMBINES, |-> 47958 - 63001210****63001210****Hydraulics - Steering Gear****Page014-0080**

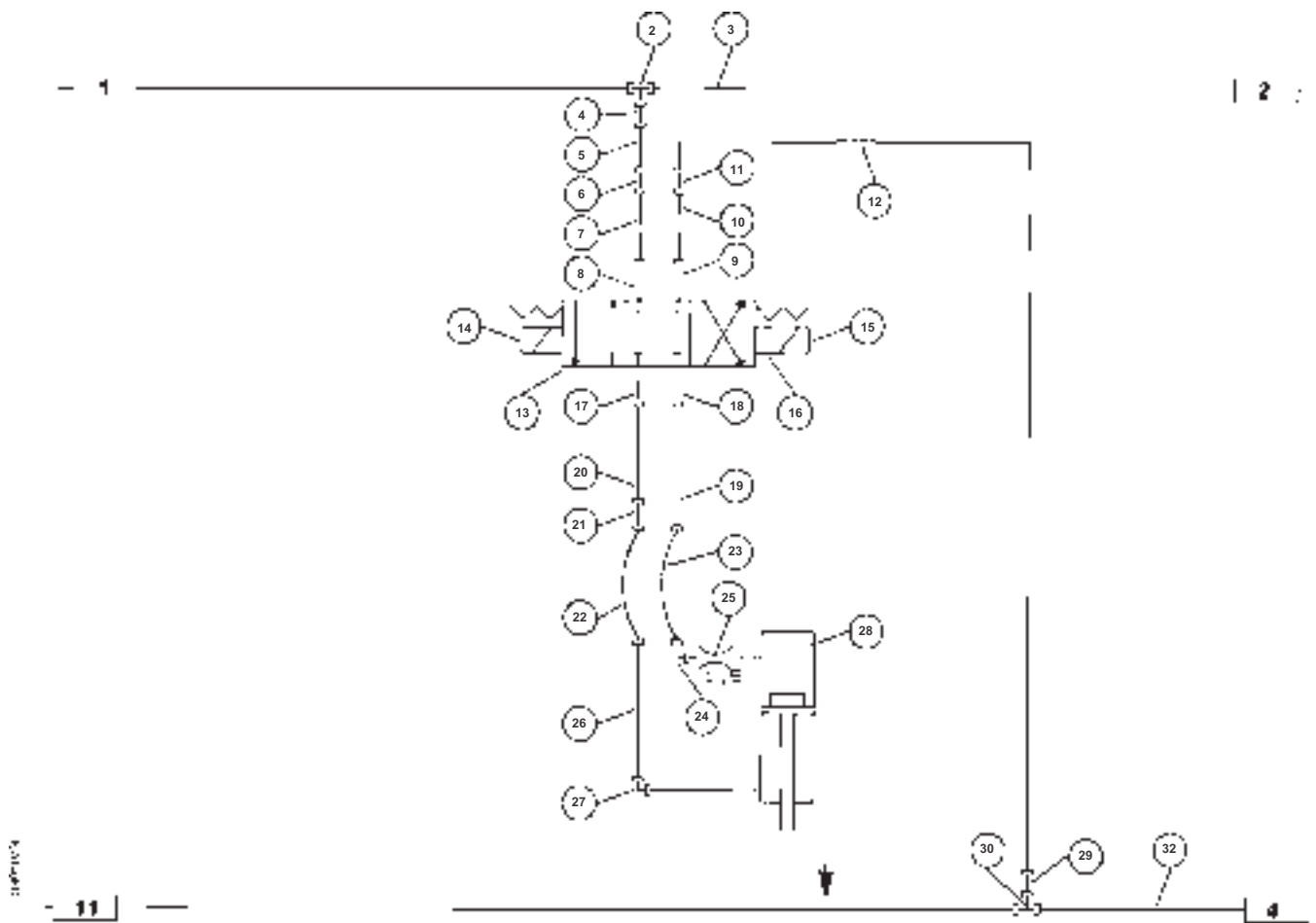
<b>Item</b>	<b>Part Number</b>	<b>Qty</b>	<b>Description</b>	<b>Comments</b>
7	D45130026	1	Hydr Hose	
8	D45252700	1	Union	
9	D28981244	1	Valve Block	Up to Serial or Engine Number 52341
	D45160055	1	Steering Column	From Serial or Engine Number 52342
	D45100002	1	Kit, Seal	LIFAM
	D45100003	1	Kit	EATON
	D45114000	1	Kit, Joint	DANFOSS
10	D45252700	1	Union	
11	D45130026	1	Hydr Hose	
12	D28780653	1	Pipe,Oil	
13	D45254100	1	Union	
14	D28780651	1	Pipe,Oil	
15	D45124400	1	Hydr Hose	
16	D45264000	1	Union	
17	D45100025	1	Ram	
18	D45264000	1	Union	
19	D45124400	1	Hydr Hose	
20	D28780652	1	Pipe,Oil	
21	D45254100	1	Union	
22	D28780654	1	Pipe,Oil	
23	D45130026	1	Hydr Hose	
24	D45252700	1	Union	
25	D45252700	1	Union	
26	D45130026	1	Hydr Hose	
27	D28780657	1	Pipe,Oil	



01408A

**Massey Ferguson****MF 38/40 COMBINES, |-> 47958 - 63001210****63001210****Hydraulics - Unloading Auger - AL CB & CB W. AL TABLE & STD CB F.52828****Page014-0085**

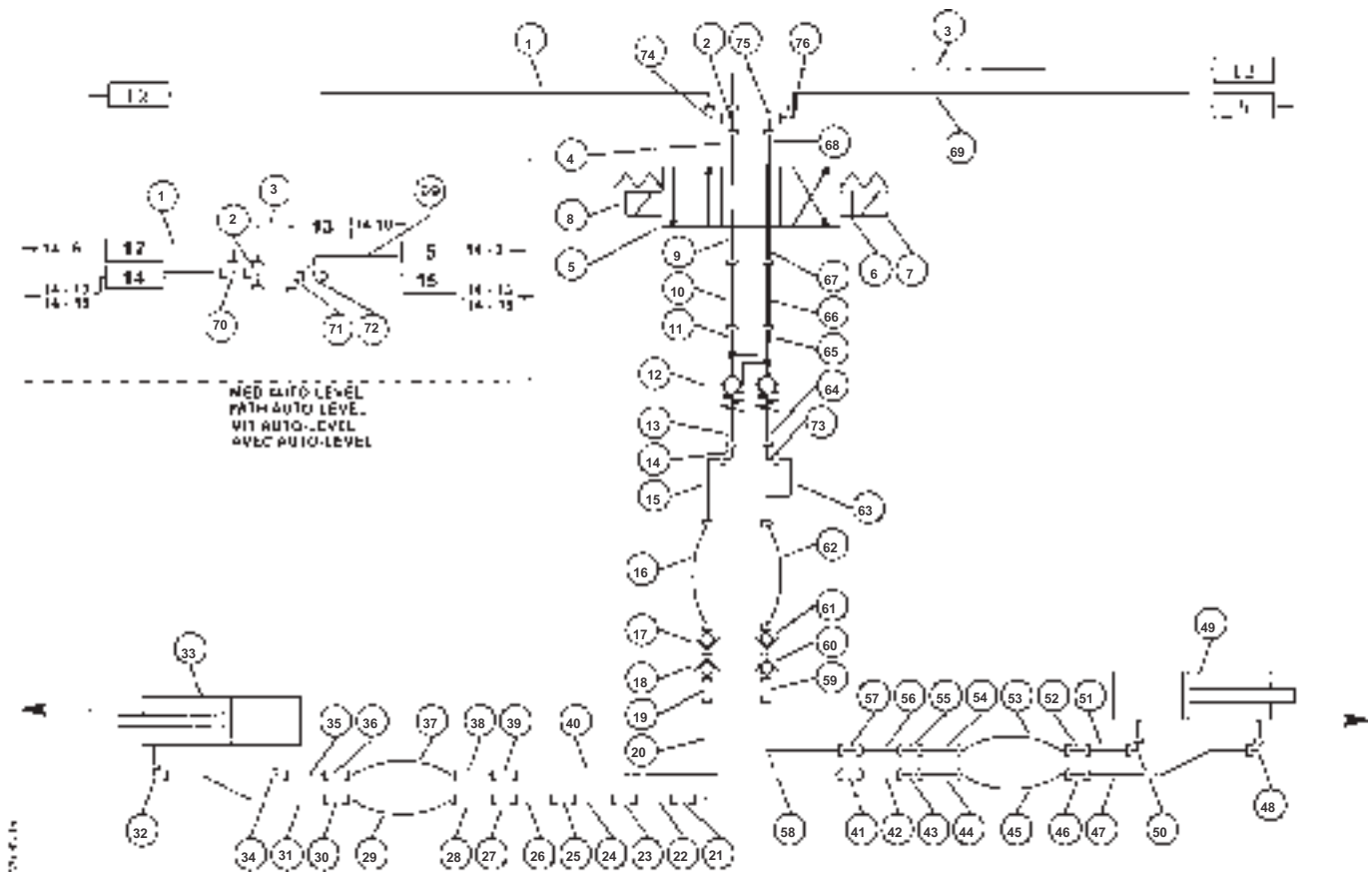
<b>Item</b>	<b>Part Number</b>	<b>Qty</b>	<b>Description</b>
2	D45256200	1	Union
3	D28780664	1	Pipe,Oil
4	D45272100	1	Connector
5	D28780677	1	Pipe,Oil
6	D45254000	1	Union
7	D28780678	1	Pipe,Oil
8	D45252600	1	Union
9	D45252600	1	Union
10	D28780676	1	Pipe,Oil
11	D45254000	1	Union
12	D28780675	1	Pipe,Oil
13	<b>D45110055</b>	1	Pressure Valve
	D45110015	1	Gasket
14	<b>D45110064</b>	1	Coil
15	<b>D45110064</b>	1	Coil
16	<b>D45110066</b>	1	Parts Pack
17	D45252600	1	Union
18	D45252600	1	Union
19	D28780680	1	Pipe,Oil
20	D28780679	1	Pipe,Oil
21	D45254000	1	Union
22	D45123600	1	Hydr Hose
23	D45123600	1	Hydr Hose
24	D45263900	1	Union
25	D28780324	1	Washer
26	D28780425	1	Pipe,Oil
27	D45263900	1	Union
28	D45100065	1	Ram
	D28080609	X	Epicyclic





**Massey Ferguson****MF 38/40 COMBINES, |-> 47958 - 63001210****63001210****Hydraulics - Unloading Auger - Up to Serial or Engine Number 52827****Page014-0090**

<b>Item</b>	<b>Part Number</b>	<b>Qty</b>	<b>Description</b>
2	D45256200	1	Union
3	D28780664	1	Pipe,Oil
4	D45272100	1	Connector
5	D28780677	1	Pipe,Oil
6	D45254000	1	Union
7	D28780678	1	Pipe,Oil
8	D45252600	1	Union
9	D45252600	1	Union
10	D28780676	1	Pipe,Oil
11	D45254000	1	Union
12	D28780675	1	Pipe,Oil
13	D45110015	1	Gasket
	<b>D45110055</b>	1	Pressure Valve
14	<b>D45110064</b>	1	Coil
15	<b>D45110064</b>	1	Coil
16	<b>D45110066</b>	1	Parts Pack
17	D45252600	1	Union
18	D45252600	1	Union
19	D28780680	1	Pipe,Oil
20	D28780679	1	Pipe,Oil
21	D45254000	1	Union
22	D45123600	1	Hydr Hose
23	D45123600	1	Hydr Hose
24	D45263900	1	Union
25	D28780324	1	Washer
26	D28780425	1	Pipe,Oil
27	D45263900	1	Union
28	D45100065	1	Ram
29	D45272000	1	Connector
30	D45256400	1	Union
32	D28780671	1	Pipe,Oil



Massey Ferguson

MF 38/40 COMBINES, |-> 47958 - 63001210

63001210

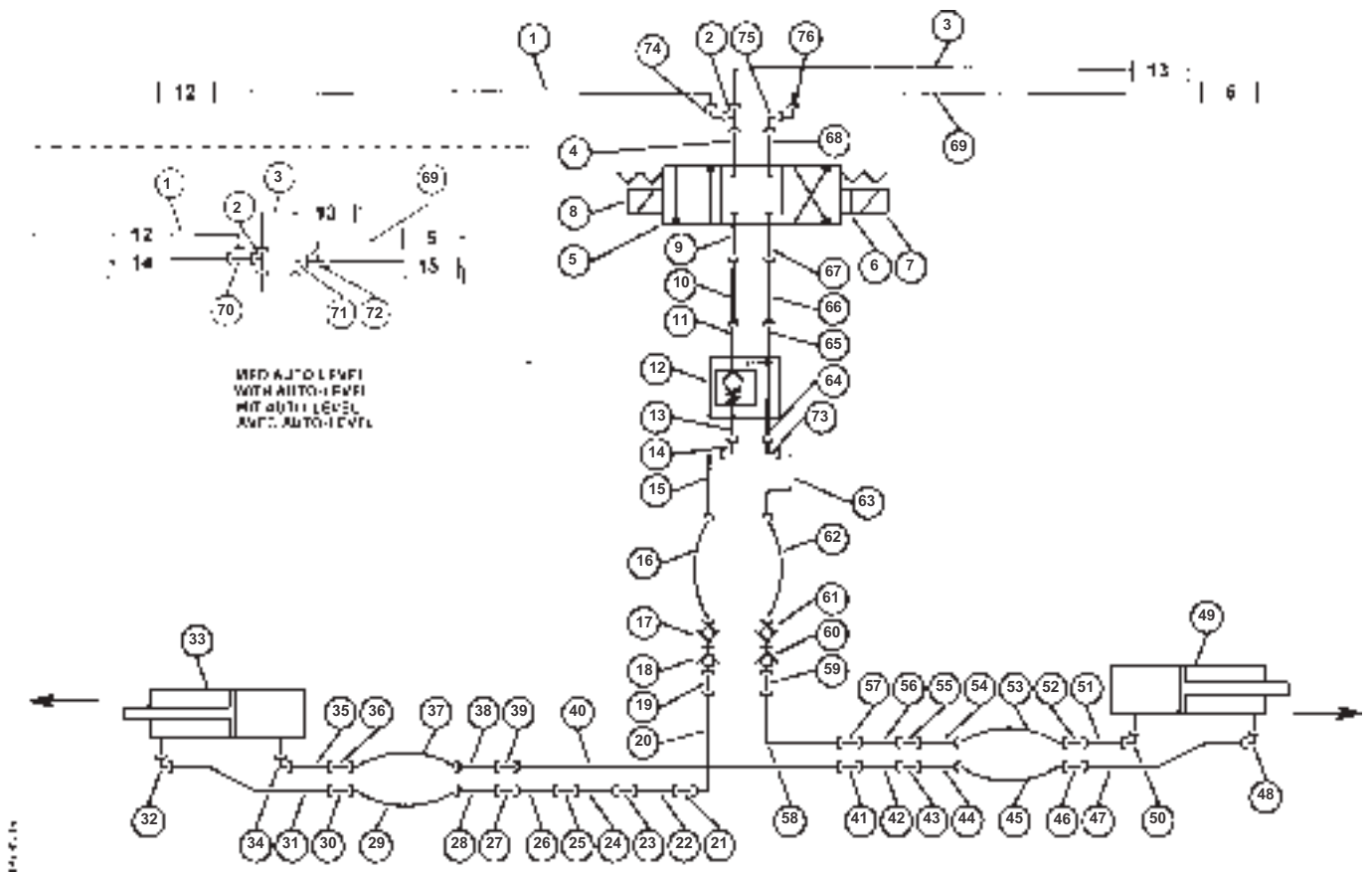
Hydraulic - Reel Fore/Aft. - AL CB & CB W. AL TABLE & STD CB F.52828

Page014-0095

Item	Part Number	Qty	Description	Comments
1	D28780458	1	Pipe	
2	D45266100	1	Union	
3	D28280653	1	Pipe,Oil	
4	D45252600	1	Union	
5	D45110015	1	Gasket	
	D45110095	1	Pressure Valve	
6	<b>D45110096</b>	1	Distributor	
7	<b>D45110064</b>	1	Coil	
8	<b>D45110064</b>	1	Coil	
9	D45252600	1	Union	
10	D28780988	1	Pipe,Oil	
11	D45252600	1	Union	
12	D45110098	1	Pressure Valve	
13	D45252600	1	Union	
14	D45263900	1	Union	
15	D28780991	1	Pipe,Oil	
16	D45130020	1	Hydr Hose	
17	D45110017	1	Gasket	
	D45138800	1	Union	
18	D45138900	1	Union	
19	D45252800	1	Union	
20	D28283434	1	Pipe,Oil	
21	D45254000	1	Union	
22	D28283436	1	Pipe,Oil	
23	D45254000	1	Union	
24	D28283436	1	Pipe,Oil	
25	D45254000	1	Union	
26	D28283436	1	Pipe,Oil	22' - 6,77M
	D28283437	1	Pipe,Oil	18' - 5,56M
	D28283438	1	Pipe,Oil	16' - 4,95M
27	D45254000	1	Union	
28	D28283439	1	Pipe,Oil	22' - 6,77M
29	D45130017	1	Hydr Hose	
30	D45254000	1	Union	
31	D28281208	1	Pipe,Oil	FREEFLOW
	D28283571	1	Pipe,Oil	POWERFLOW
32	D45263900	1	Union	
33	D45100028	1	Cylinder	
	D28080609	X	Epicyclic	
34	D45263900	1	Union	
35	D28281207	1	Pipe,Oil	FREEFLOW
	D28283572	1	Pipe,Oil	POWERFLOW
36	D45254000	1	Union	
37	D45130017	1	Hydr Hose	
38	D28283439	1	Pipe,Oil	22' - 6,77M
39	D45254000	1	Union	
40	D28283435	1	Pipe,Oil	
41	D45254000	1	Union	
42	D28283436	1	Pipe,Oil	22' - 6,77M
	D28283437	1	Pipe,Oil	18' - 5,56M
	D28283438	1	Pipe,Oil	16' - 4,95M
43	D45254000	1	Union	
44	D28283439	1	Pipe,Oil	22' - 6,77M
45	D45130017	1	Hydr Hose	
46	D45254000	1	Union	
47	D28281208	1	Pipe,Oil	FREEFLOW
	D28283571	1	Pipe,Oil	POWERFLOW
48	D45263900	1	Union	
49	D45100027	1	Cylinder	
	D28080609	X	Epicyclic	
50	D45263900	1	Union	
51	D28281207	1	Pipe,Oil	FREEFLOW
	D28283572	1	Pipe,Oil	POWERFLOW
52	D45254000	1	Union	
53	D45130017	1	Hydr Hose	
54	D28283439	1	Pipe,Oil	22' - 6,77M
55	D45254000	1	Union	
56	D28283436	1	Pipe,Oil	20' - 6,16M
				22' - 6,77M
	D28283437	1	Pipe,Oil	18' - 5,56M
	D28283438	1	Pipe,Oil	16' - 4,95M

**Massey Ferguson****MF 38/40 COMBINES, |-> 47958 - 63001210****63001210****Hydraulic - Reel Fore/Aft. - AL CB & CB W. AL TABLE & STD CB F.52828****Page014-0095**

Item	Part Number	Qty	Description	Comments
57	D45254000	1	Union	
58	D28283434	1	Pipe,Oil	
59	D45252800	1	Union	
60	D45110017	1	Gasket	
60	D45138800	1	Union	
61	D45138900	1	Union	
62	D45130020	1	Hydr Hose	
63	D28781427	1	Pipe,Oil	
64	D45252600	1	Union	
65	D45252600	1	Union	
66	D28780988	1	Pipe,Oil	
67	D45252600	1	Union	
68	D45252600	1	Union	
69	D28780460	1	Pipe	
70	D45266100	1	Union	
71	D45263900	1	Union	
72	D45266100	1	Union	
73	D45263900	1	Union	
74	D45263900	1	Union	
75	D45263900	1	Union	
76	D45263900	1	Union	



Massey Ferguson

MF 38/40 COMBINES, |-> 47958 - 63001210

63001210

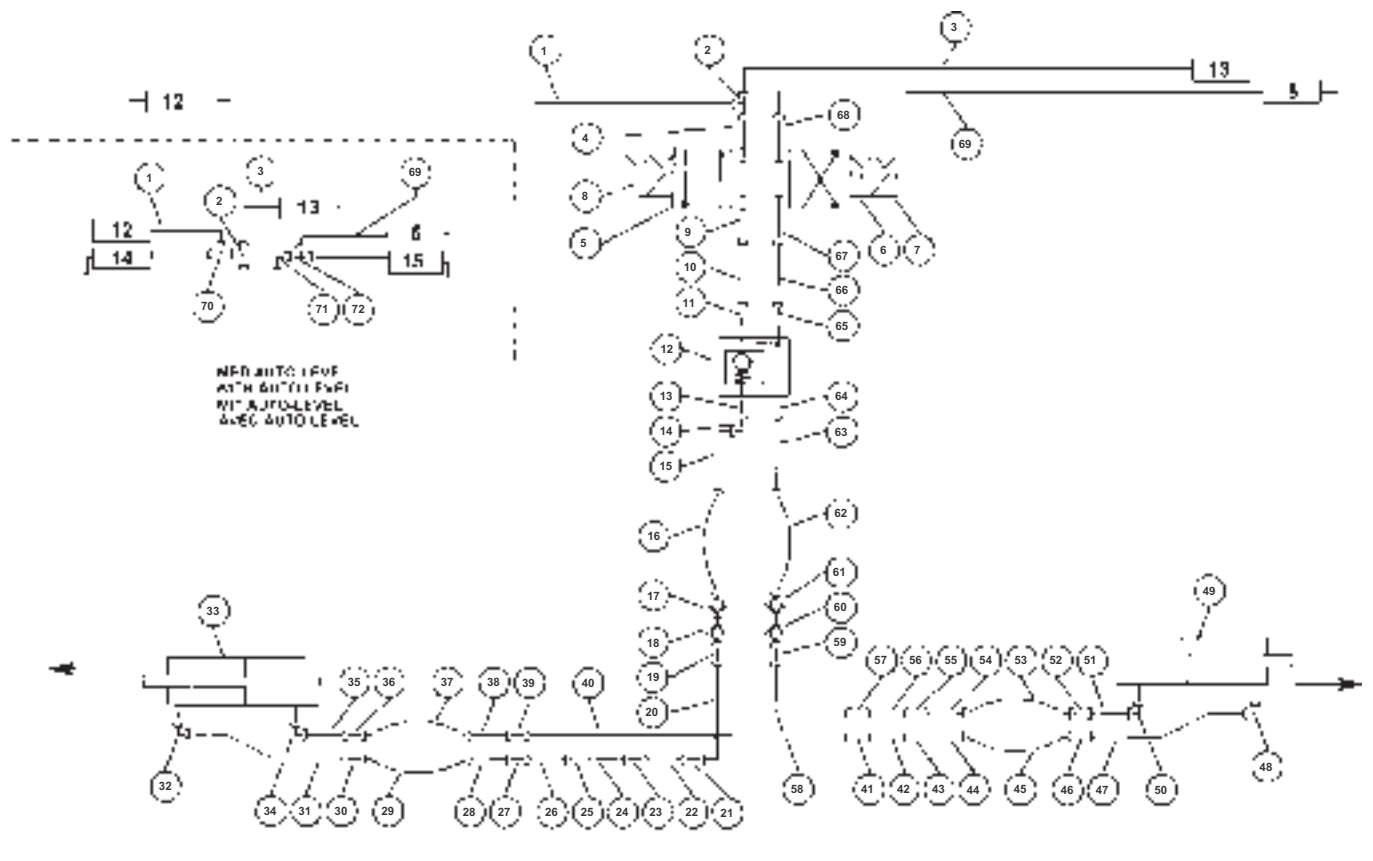
Hydraulic - Reel Fore/Aft. - F.51938 - T.52827

Page014-0100

Item	Part Number	Qty	Description	Comments
1	D28780458	1	Pipe	
2	D45266100	1	Union	
3	D28280653	1	Pipe,Oil	
4	D45252600	1	Union	
5	D45110015	1	Gasket	
	<b>D45110055</b>	1	Pressure Valve	
6	<b>D45110066</b>	1	Parts Pack	
7	<b>D45110064</b>	1	Coil	
8	<b>D45110064</b>	1	Coil	
9	D45252600	1	Union	
10	D28780988	1	Pipe,Oil	
11	D45252600	1	Union	
12	D45110078	1	Non Return Valve	
13	D45252600	1	Union	
14	D45263900	1	Union	
15	D28780991	1	Pipe,Oil	
16	D45130020	1	Hydr Hose	
17	D45110017	1	Gasket	
	D45138800	1	Union	
18	D45138900	1	Union	
19	D45252800	1	Union	
20	D28283434	1	Pipe,Oil	
21	D45254000	1	Union	
22	D28283436	1	Pipe,Oil	
23	D45254000	1	Union	
24	D28283436	1	Pipe,Oil	
25	D45254000	1	Union	
26	D28283436	1	Pipe,Oil	20' - 6,16M 22' - 6,77M
	D28283437	1	Pipe,Oil	18' - 5,56M
	D28283438	1	Pipe,Oil	16' - 4,95M
27	D45254000	1	Union	
28	D28283439	1	Pipe,Oil	22' - 6,77M
29	D45130017	1	Hydr Hose	
30	D45254000	1	Union	
31	D28281208	1	Pipe,Oil	FREEFLOW
	D28283571	1	Pipe,Oil	POWERFLOW
32	D45263900	1	Union	
33	D45100028	1	Cylinder	
	D28080609	X	Epicyclic	
34	D45263900	1	Union	
35	D28281207	1	Pipe,Oil	FREEFLOW
	D28283572	1	Pipe,Oil	POWERFLOW
36	D45254000	1	Union	
37	D45130017	1	Hydr Hose	
38	D28283439	1	Pipe,Oil	22' - 6,77M
39	D45254000	1	Union	
40	D28283435	1	Pipe,Oil	
41	D45254000	1	Union	
42	D28283436	1	Pipe,Oil	20' - 6,16M 22' - 6,77M
	D28283437	1	Pipe,Oil	18' - 5,56M
	D28283438	1	Pipe,Oil	16' - 4,95M
43	D45254000	1	Union	
44	D28283439	1	Pipe,Oil	22' - 6,77M
45	D45130017	1	Hydr Hose	
46	D45254000	1	Union	
47	D28281208	1	Pipe,Oil	FREEFLOW
	D28283571	1	Pipe,Oil	POWERFLOW
48	D45263900	1	Union	
49	D45100027	1	Cylinder	
	D28080609	X	Epicyclic	
50	D45263900	1	Union	
51	D28281207	1	Pipe,Oil	FREEFLOW
	D28283572	1	Pipe,Oil	POWERFLOW
52	D45254000	1	Union	
53	D45130017	1	Hydr Hose	
54	D28283439	1	Pipe,Oil	22' - 6,77M
55	D45254000	1	Union	
56	D28283436	1	Pipe,Oil	20' - 6,16M 22' - 6,77M

**Massey Ferguson****MF 38/40 COMBINES, |-> 47958 - 63001210****63001210****Hydraulic - Reel Fore/Aft. - F.51938 - T.52827****Page014-0100**

<b>Item</b>	<b>Part Number</b>	<b>Qty</b>	<b>Description</b>	<b>Comments</b>
56	D28283437	1	Pipe,Oil	18' - 5,56M
56	D28283438	1	Pipe,Oil	16' - 4,95M
57	D45254000	1	Union	
58	D28283434	1	Pipe,Oil	
59	D45252800	1	Union	
60	D45110017	1	Gasket	
60	D45138800	1	Union	
61	D45138900	1	Union	
62	D45130020	1	Hydr Hose	
63	D28781427	1	Pipe,Oil	
64	D45252600	1	Union	
65	D45252600	1	Union	
66	D28780988	1	Pipe,Oil	
67	D45252600	1	Union	
68	D45252600	1	Union	
69	D28780460	1	Pipe	
70	D45266100	1	Union	
71	D45263900	1	Union	
72	D45266100	1	Union	
73	D45263900	1	Union	
74	D45263900	1	Union	
75	D45263900	1	Union	
76	D45263900	1	Union	

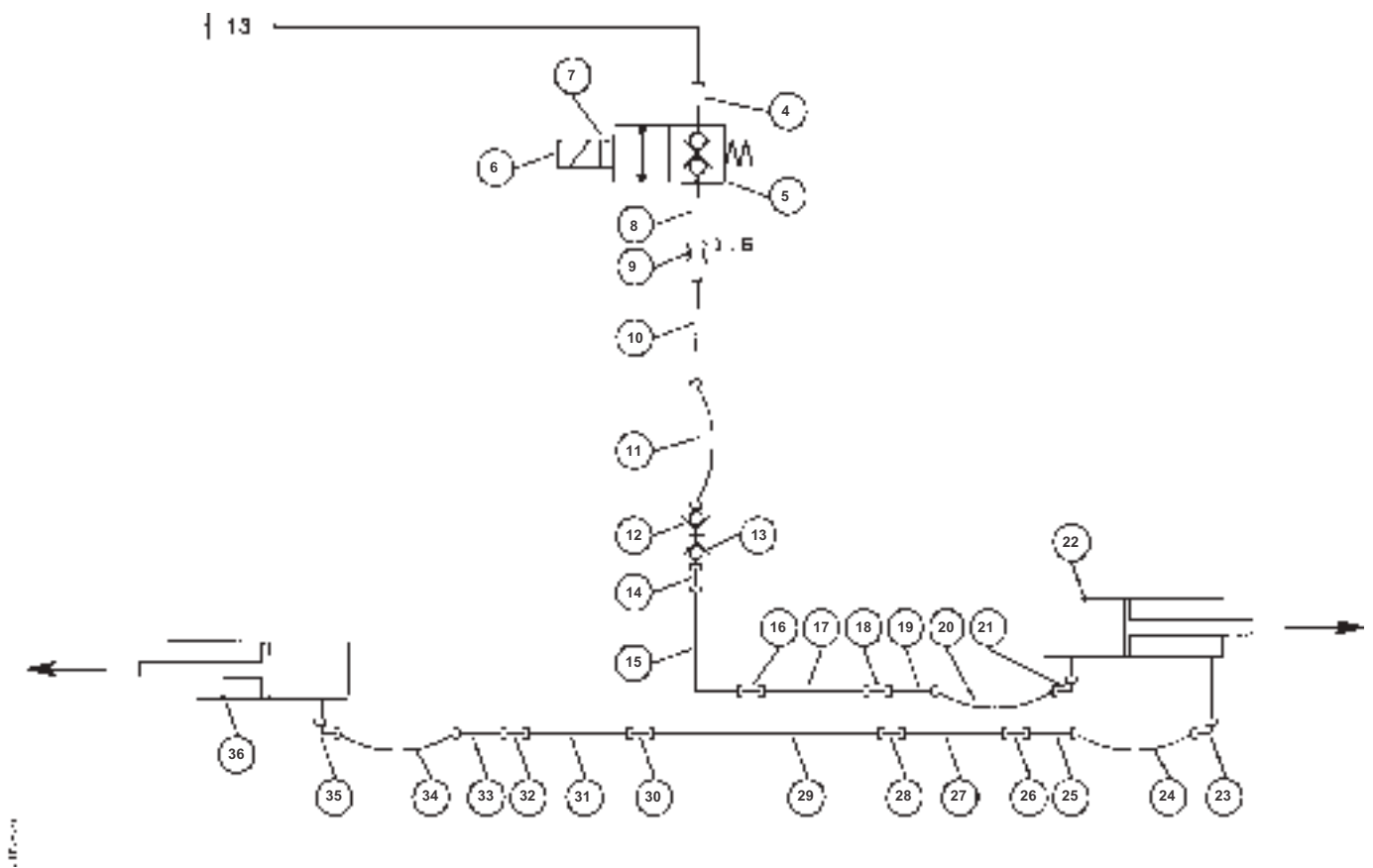




Item	Part Number	Qty	Description	Comments
1	D28782037	1	Pipe,Oil	
2	D45266100	1	Union	
3	D28280653	1	Pipe,Oil	
4	D45252600	1	Union	
5	D45110015	1	Gasket	
6	<b>D45110055</b>	1	Pressure Valve	
7	<b>D45110066</b>	1	Parts Pack	
8	<b>D45110064</b>	1	Coil	
9	<b>D45110064</b>	1	Coil	
10	D45252600	1	Union	
11	D28780988	1	Pipe,Oil	
12	D45252800	1	Union	
13	D45110059	1	Non Return Valve	
14	D45252800	1	Union	
15	D45263900	1	Union	
16	D28780991	1	Pipe,Oil	
17	D45130020	1	Hydr Hose	
18	D45110017	1	Gasket	
19	D45138800	1	Union	
20	D45138900	1	Union	
21	D45252800	1	Union	
22	D28283434	1	Pipe,Oil	
23	D45254000	1	Union	
24	D28283436	1	Pipe,Oil	
25	D45254000	1	Union	
26	D28283436	1	Pipe,Oil	20' - 6,16M 22' - 6,77M
	D28283437	1	Pipe,Oil	18' - 5,56M
	D28283438	1	Pipe,Oil	16' - 4,95M
27	D45254000	1	Union	
28	D28283439	1	Pipe,Oil	22' - 6,77M
29	D45130017	1	Hydr Hose	
30	D45254000	1	Union	
31	D28281208	1	Pipe,Oil	FREEFLOW
	D28283571	1	Pipe,Oil	POWERFLOW
32	D45263900	1	Union	
33	D45100028	1	Cylinder	
	D28080609	X	Epicyclic	
34	D45263900	1	Union	
35	D28281207	1	Pipe,Oil	FREEFLOW
	D28283572	1	Pipe,Oil	POWERFLOW
36	D45254000	1	Union	
37	D45130017	1	Hydr Hose	
38	D28283439	1	Pipe,Oil	22' - 6,77M
39	D45254000	1	Union	
40	D28283435	1	Pipe,Oil	
41	D45254000	1	Union	
42	D28283436	1	Pipe,Oil	20' - 6,16M 22' - 6,77M
	D28283437	1	Pipe,Oil	18' - 5,56M
	D28283438	1	Pipe,Oil	16' - 4,95M
43	D45254000	1	Union	
44	D28283439	1	Pipe,Oil	22' - 6,77M
45	D45130017	1	Hydr Hose	
46	D45254000	1	Union	
47	D28281208	1	Pipe,Oil	FREEFLOW
	D28283571	1	Pipe,Oil	POWERFLOW
48	D45263900	1	Union	
49	D45100027	1	Cylinder	
	D28080609	X	Epicyclic	
50	D45263900	1	Union	
51	D28281207	1	Pipe,Oil	FREEFLOW
	D28283572	1	Pipe,Oil	POWERFLOW
52	D45254000	1	Union	
53	D45130017	1	Hydr Hose	
54	D28283439	1	Pipe,Oil	22' - 6,77M
55	D45254000	1	Union	
56	D28283436	1	Pipe,Oil	20' - 6,16M 22' - 6,77M

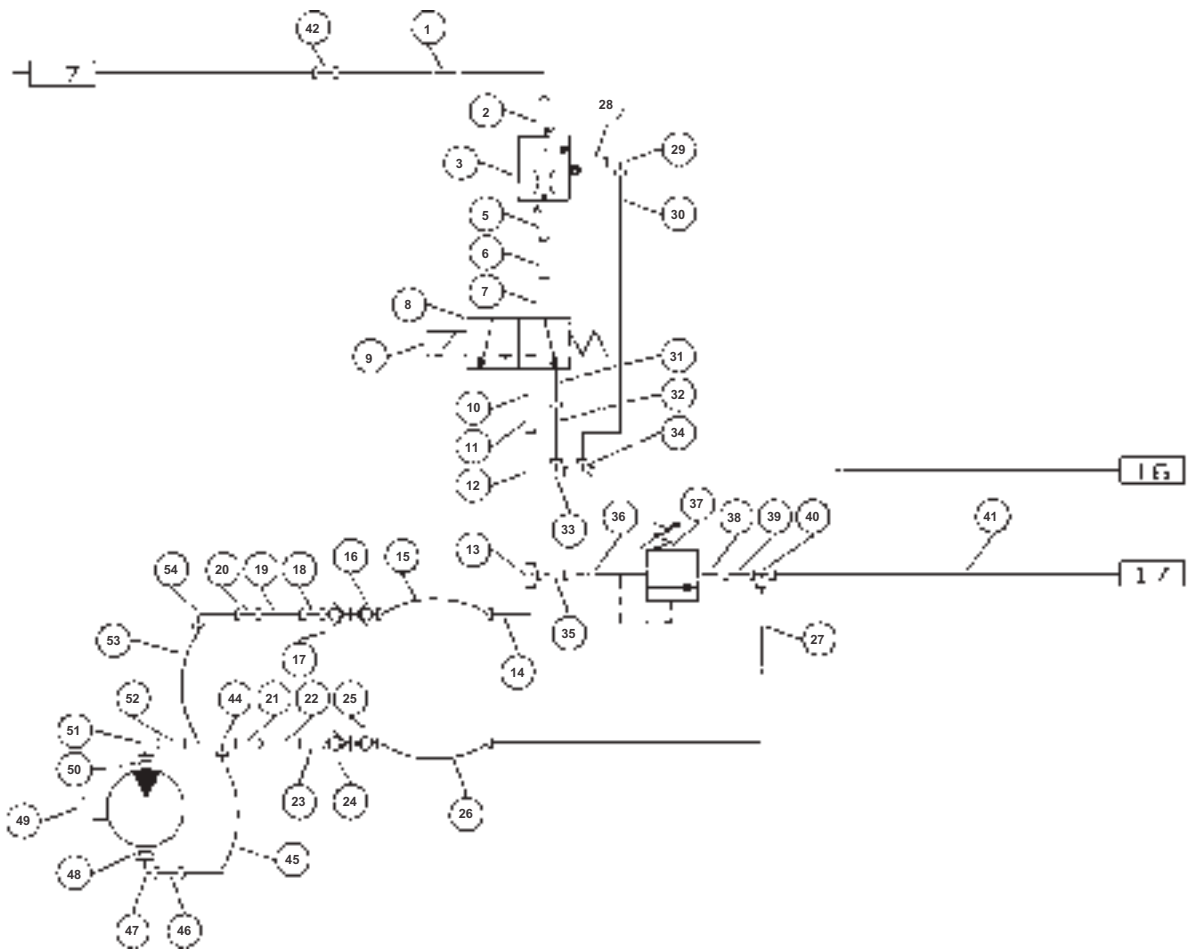
**Massey Ferguson****MF 38/40 COMBINES, |-> 47958 - 63001210****63001210****Hydraulic - Reel Fore/Aft. - Up to Serial or Engine Number 51937****Page014-0105**

<b>Item</b>	<b>Part Number</b>	<b>Qty</b>	<b>Description</b>	<b>Comments</b>
56	D28283437	1	Pipe,Oil	18' - 5,56M
56	D28283438	1	Pipe,Oil	16' - 4,95M
57	D45254000	1	Union	
58	D28283434	1	Pipe,Oil	
59	D45252800	1	Union	
60	D45138900	1	Union	
61	D45110017	1	Gasket	
61	D45138800	1	Union	
62	D45130020	1	Hydr Hose	
63	D28780992	1	Pipe,Oil	
64	D45252800	1	Union	
65	D45252800	1	Union	
66	D28780988	1	Pipe,Oil	
67	D45252600	1	Union	
68	D45252600	1	Union	
69	D28780989	1	Pipe,Oil	
70	D45266100	1	Union	
71	D45263900	1	Union	
72	D45266100	1	Union	

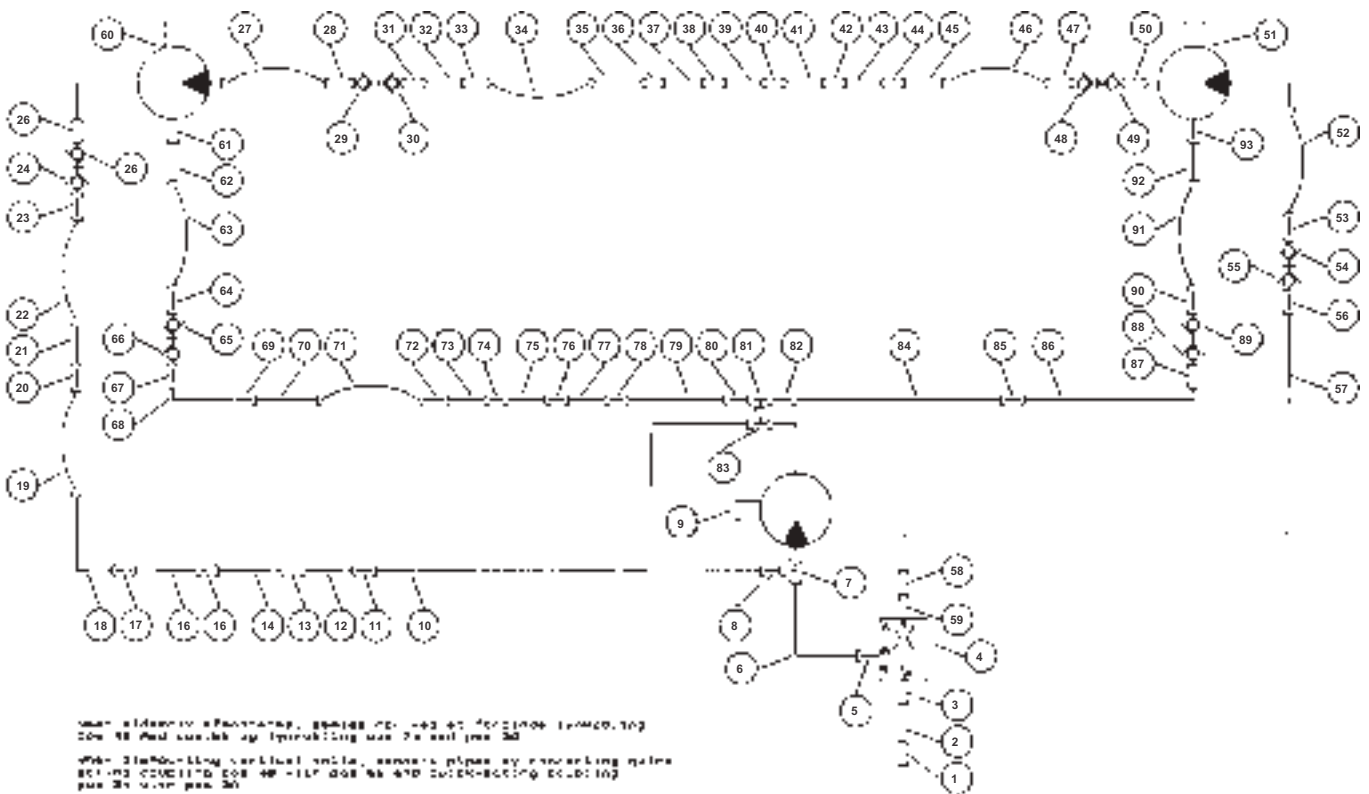


## Hydraulics - Reel Up/Down

Item	Part Number	Qty	Description	Comments
4	D45252600	1	Union	
5	D45110014	1	Kit, Joint	
	D45110054	1	Valve	
6	<b>D45110064</b>	1	Coil	
7	<b>D45110065</b>	1	Mandrel	
8	D45252600	1	Union	
9	D28781055	1	Washer	
10	D28780459	1	Pipe	
11	D45130020	1	Hydr Hose	
12	D45110017	1	Gasket	
	D45138800	1	Union	
13	D45138900	1	Union	
14	D45252800	1	Union	
15	D28283434	1	Pipe,Oil	
16	D45254000	1	Union	
17	D28283436	1	Pipe,Oil	20' - 6,16M 22' - 6,77M
	D28283437	1	Pipe,Oil	18' - 5,56M
	D28283438	1	Pipe,Oil	16' - 4,95M
18	D45254000	1	Union	
19	D28283439	1	Pipe,Oil	22' - 6,77M
20	D45130017	1	Hydr Hose	FREEFLOW
	D45130029	1	Hydr Hose	POWERFLOW
21	D45263900	1	Union	
22	D45100066	1	Cylinder	
	D28080609	X	Epicyclic	
23	D45263900	1	Union	
24	D45130017	1	Hydr Hose	FREEFLOW
	D45130029	1	Hydr Hose	POWERFLOW
25	D28283439	1	Pipe,Oil	22' - 6,77M
26	D45254000	1	Union	
27	D28283436	1	Pipe,Oil	20' - 6,16M 22' - 6,77M
	D28283437	1	Pipe,Oil	18' - 5,56M
	D28283438	1	Pipe,Oil	16' - 4,95M
28	D45254000	1	Union	
29	D28283435	1	Pipe,Oil	
30	D45254000	1	Union	
31	D28283436	1	Pipe,Oil	20' - 6,16M 22' - 6,77M
	D28283437	1	Pipe,Oil	18' - 5,56M
	D28283438	1	Pipe,Oil	16' - 4,95M
32	D45254000	1	Union	
33	D28283439	1	Pipe,Oil	22' - 6,77M
34	D45130017	1	Hydr Hose	FREEFLOW
	D45130029	1	Hydr Hose	POWERFLOW
35	D45263900	1	Union	
36	D45100067	1	Cylinder	
	D28080609	X	Epicyclic	



Item	Part Number	Qty	Description
1	D28781029	1	Hydr.Hose Assy.
2	D45250900	1	Union
3	D45110068	1	Pressure Valve
5	D45250900	1	Union
6	D28781030	1	Pipe,Oil
7	D45250700	1	Union
8	D45110039	1	Valve
9	D45110012	1	Kit, Joint
	<b>D45110064</b>	1	Coil
10	D45250700	1	Union
11	D45272100	1	Connector
12	D28781033	1	Hydr.Hose Assy.
13	D45266900	1	Connector
14	D28781035	1	Hydr.Hose Assy.
15	D45130020	1	Hydr Hose
16	D45135000	1	Union
17	D45134900	1	Union
18	D45252800	1	Union
19	D28780423	1	Pipe,Oil
20	D45254000	1	Union
21	D45254000	1	Union
22	D28780423	1	Pipe,Oil
23	D45252800	1	Union
24	D45135000	1	Union
25	D45134900	1	Union
26	D45130020	1	Hydr Hose
27	D28781034	1	Hydr.Hose Assy.
28	D45250900	1	Union
29	D45264100	1	Union
30	D28781031	1	Pipe
31	D45250700	1	Union
32	D28780655	1	Pipe,Oil
33	D45264100	1	Union
34	D45266200	1	Union
35	D45272100	1	Connector
36	D45250700	1	Union
37	D45110036	1	Valve
38	D45250700	1	Union
39	D45272100	1	Connector
40	D45266100	1	Union
41	D28781032	1	Hydr.Hose Assy.
42	D45254100	1	Union
44	D45263900	1	Union
45	D49077800	1	Hydr Hose
46	D45272100	1	Connector
47	D49078000	1	Connection
48	D45462400	1	O Ring
49	D42512400	1	Circlip
	D49077200	1	Kit, Gasket
	D49077300	1	Kit, Gasket
	D49078100	1	Hydraulic Motor
50	D45461900	1	O Ring
51	D49077900	1	Connection
52	D45272100	1	Connector
53	D49077700	1	Hydr Hose
54	D45263900	1	Union



Указанные обозначения, данные на рис. 1-4 относятся к рис. 100  
 для 40 и 45 мод. при оборудовании с 2-м валом рис. 100  
 При оборудовании вертикальной валом, данные даны по оборудованию  
 с 2-м валом рис. 100 - для мод. 40 и 45 с 2-м валом рис. 100  
 При оборудовании вертикальной валом, данные даны по оборудованию  
 с 2-м валом рис. 100 - для мод. 40 и 45 с 2-м валом рис. 100  
 В зависимости от мод. машины, данные на рис. 1-4 относятся  
 к рис. 100 для мод. 40 и 45 с 2-м валом рис. 100  
 для мод. 40

1-171

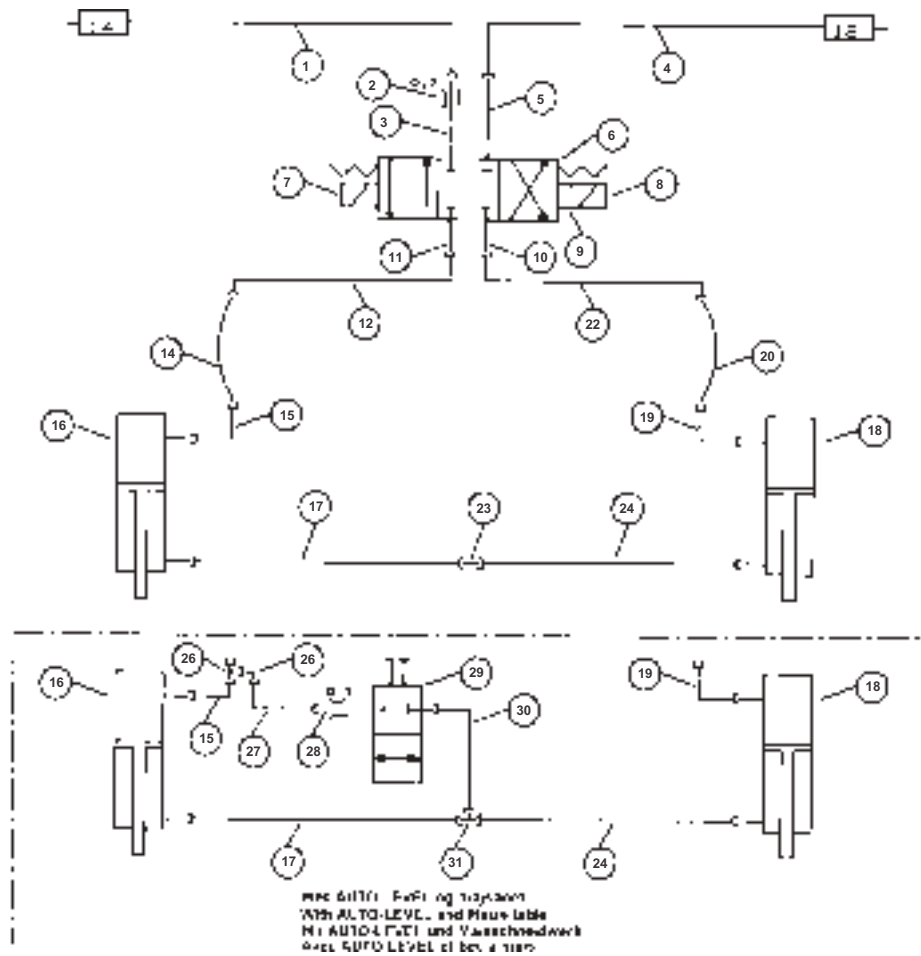
## Hydraulics - Vertical Knife

Item	Part Number	Qty	Description	Comments
1	D45254900	1	Union	
2	D28281011	1	Pipe,Oil	
3	D45250900	1	Union	
4	D45110046	1	Valve	
5	D45250900	1	Union	
6	D28281012	1	Pipe,Oil	
7	D45266200	1	Union	
8	D45272200	1	Union	
9	D45120700	1	Hydraulic Motor	
10	D28283977	1	Pipe,Oil	
11	D45254100	1	Union	
12	D28283478	1	Pipe,Oil	
13	D45254100	1	Union	
14	D28281514	4	Pipe,Oil	20' - 6,16M
	D28281514	2	Pipe,Oil	16' - 18' 4,95M - 5,56M
15	D45254100	1	Union	
16	D28281506	2	Pipe,Oil	18' - 5,56M
17	D45254100	1	Union	
18	D28283481	1	Pipe,Oil	
19	D45125300	1	Pipe	
20	D45254100	1	Union	
21	D28283480	1	Pipe,Oil	FREEFLOW
	D28283482	1	Pipe,Oil	POWERFLOW
22	D45125300	1	Pipe	
23	D45250800	1	Union	
24	D45135100	1	Union	
25	D45135200	1	Union	
26	D45250800	1	Union	
27	D45125300	1	Pipe	
28	D45250800	1	Union	
29	D45135100	1	Union	
30	D45135200	1	Union	
31	D45250800	1	Union	
32	D28283480	1	Pipe,Oil	FREEFLOW
	D28283482	1	Pipe,Oil	POWERFLOW
33	D45254100	1	Union	
34	D45125300	1	Pipe	
35	D28283481	1	Pipe,Oil	
36	D45254100	1	Union	
37	D28281506	2	Pipe,Oil	18' - 5,56M
38	D45254100	1	Union	
39	D28281514	2	Pipe,Oil	20' - 6,16M
	D28281514	1	Pipe,Oil	16' - 18' 4,95M - 5,56M
40	D45254100	1	Union	
41	D28283479	1	Pipe,Oil	
42	D45254100	1	Union	
43	D28283477	1	Pipe,Oil	FREEFLOW
	D28283983	1	Pipe,Oil	POWERFLOW
44	D45254100	1	Union	
45	D28281013	1	Pipe,Oil	POWERFLOW
	D28281025	1	Pipe,Oil	FREEFLOW
46	D45125300	1	Pipe	
47	D45250800	1	Union	
48	D45135100	1	Union	
49	D45135200	1	Union	
50	D45250800	1	Union	
51	D44122000	1	Steering Unit	
52	D45125300	1	Pipe	
53	D45250800	1	Union	
54	D45135100	1	Union	
55	D45135200	1	Union	
56	D45250800	1	Union	
57	D28281014	1	Pipe,Oil	POWERFLOW
	D28281026	1	Pipe,Oil	FREEFLOW
58	D45272200	1	Union	
59	D45250900	1	Union	
60	D44122000	1	Steering Unit	
61	D45252500	1	Connector	
62	D28281673	1	Pipe,Oil	



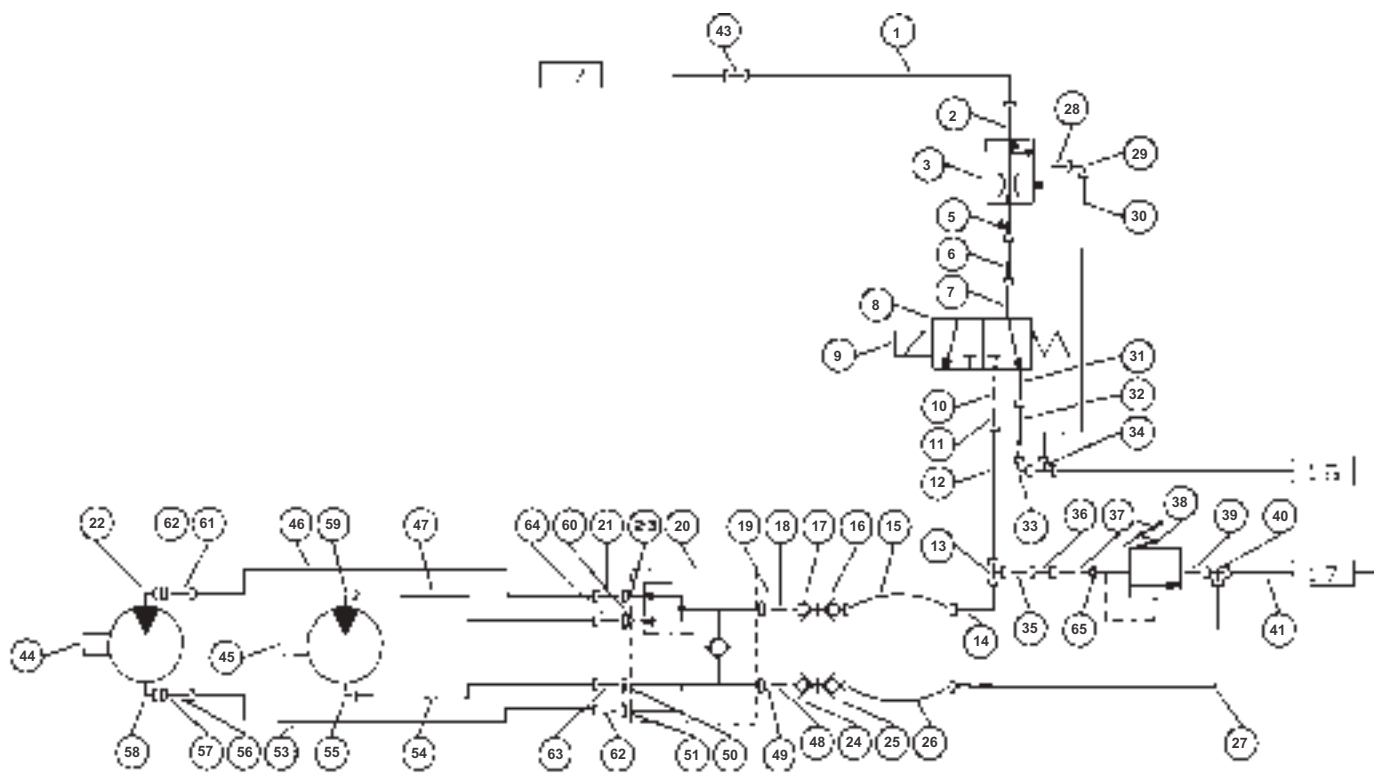
## Hydraulics - Vertical Knife

Item	Part Number	Qty	Description	Comments
63	D45130017	1	Hydr Hose	
64	D45252800	1	Union	
65	D45135000	1	Union	
66	D45134900	1	Union	
67	D45252800	1	Union	
68	D28281670	1	Pipe,Oil	
69	D45254000	1	Union	
70	D28283979	1	Pipe,Oil	
71	D45130017	1	Hydr Hose	
72	D45254000	1	Union	
73	D28283439	1	Pipe,Oil	
74	D45254000	1	Union	
75	D28283436	2	Pipe,Oil	16' - 18' 4,95M - 5,56M
75	D28283436	3	Pipe,Oil	20' - 6,16M
76	D45254000	1	Union	
77	D28283438	1	Pipe,Oil	18' - 5,56M
78	D45254000	1	Union	
79	D28283978	1	Pipe,Oil	
80	D45272100	1	Connector	
81	D45267300	1	Union	
82	D45272100	1	Connector	
83	D45266200	1	Union	
84	D28281671	1	Pipe,Oil	
85	D45254000	1	Union	
86	D28281670	1	Pipe,Oil	
87	D45252800	1	Union	
88	D45134900	1	Union	
89	D45135000	1	Union	
90	D45252800	1	Union	
91	D45130017	1	Hydr Hose	
92	D28281672	1	Pipe,Oil	
93	D45252500	1	Connector	



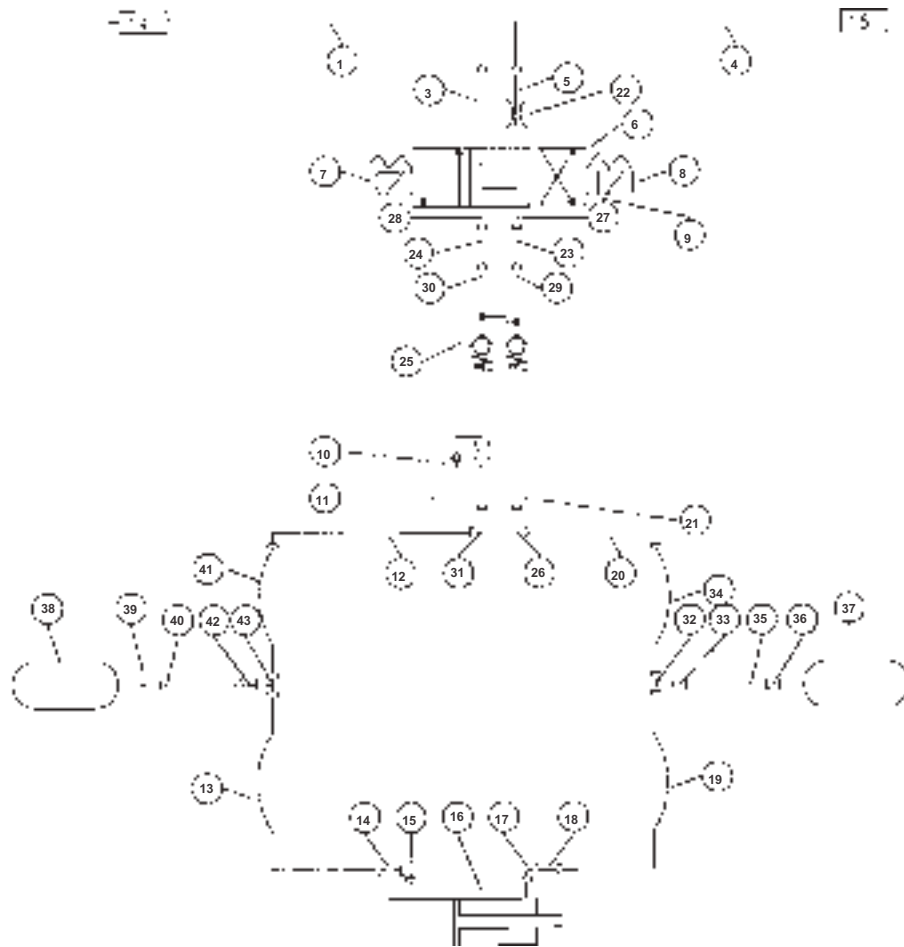
**Massey Ferguson****MF 38/40 COMBINES, |-> 47958 - 63001210****63001210****A-L Table - Standard Combine - Up to Serial or Engine Number 52647****Page014-0125**

<b>Item</b>	<b>Part Number</b>	<b>Qty</b>	<b>Description</b>
1	D28781220	1	Pipe
2	D28780322	1	Throttle Bush
3	D45252600	1	Union
4	D28781219	1	Pipe
5	D45252600	1	Union
6	D45110015	1	Gasket
	<b>D45110055</b>	1	Pressure Valve
7	<b>D45110064</b>	1	Coil
8	<b>D45110064</b>	1	Coil
9	<b>D45110066</b>	1	Parts Pack
10	D45252600	1	Union
11	D45252600	1	Union
12	D28781218	1	Pipe
14	D45127900	1	Hydr.Hose Assy.
15	D28781228	1	Pipe
16	D45100045	1	Hydraulic, Cylin
	D28080609	X	Epicyclic
17	D28781227	1	Pipe
18	D45100045	1	Hydraulic, Cylin
	D28080609	X	Epicyclic
19	D28781226	1	Pipe
20	D45127900	1	Hydr.Hose Assy.
22	D28781217	1	Pipe
23	D45254000	1	Union
24	D28781244	1	Pipe
25	D45266100	1	Union
26	D45263900	1	Union
27	D28781321	1	Pipe,Oil
28	D28780322	1	Throttle Bush
29	D45146700	1	Ball
30	D28781320	1	Pipe,Oil
31	D45256000	1	Connector



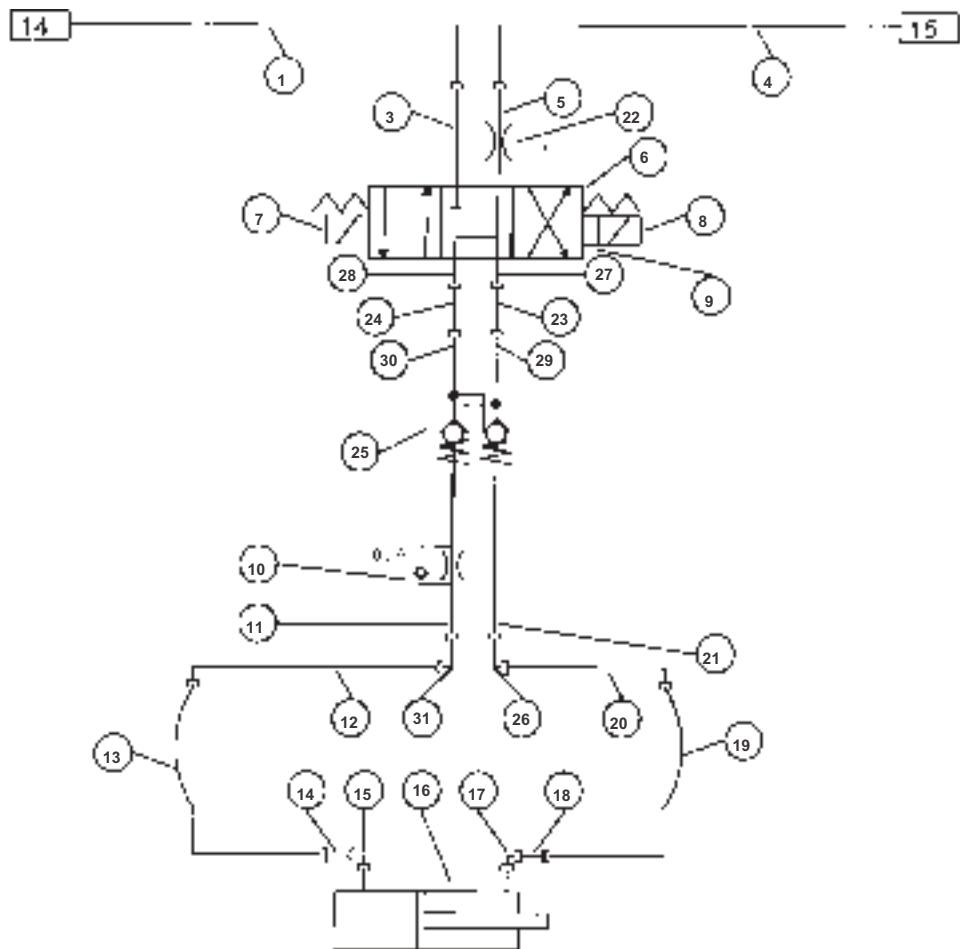
110000

Item	Part Number	Qty	Description
1	D28781029	1	Hydr.Hose Assy.
2	D45250900	1	Union
3	D45110068	1	Pressure Valve
5	D45250900	1	Union
6	D28781030	1	Pipe,Oil
7	D45250700	1	Union
8	D45110039	1	Valve
9	<b>D45110064</b>	1	Coil
	D45110012	1	Kit, Joint
10	D45250700	1	Union
11	D45272100	1	Connector
12	D28781033	1	Hydr.Hose Assy.
13	D45266900	1	Connector
14	D28781035	1	Hydr.Hose Assy.
15	D45130020	1	Hydr Hose
16	D45135000	1	Union
17	D45134900	1	Union
18	D49070031	1	Connector
19	D49070022	1	Seal
20	D49070018	1	Distributor
	D49070019	1	Bypass
	D49070020	1	Kit, Gasket
	D49070021	1	Non Return Valve
21	D45252600	1	Union
22	D49070026	1	Flange
23	D49070027	1	Seal
24	D45135000	1	Union
25	D45134900	1	Union
26	D45130020	1	Hydr Hose
27	D28781034	1	Hydr.Hose Assy.
28	D45250900	1	Union
29	D45264100	1	Union
30	D28781031	1	Pipe
31	D45250700	1	Union
32	D28780655	1	Pipe,Oil
33	D45264100	1	Union
34	D45266200	1	Union
35	D45254000	1	Union
36	D45272100	1	Connector
37	D45252600	1	Union
38	D45110036	1	Valve
39	D45252600	1	Union
40	D45266100	1	Union
41	D28781032	1	Hydr.Hose Assy.
43	D45254900	1	Union
44	D49070023	1	Hydraulic Motor
45	D49070024	1	Hydraulic Motor
46	D49070029	1	Pipe
47	D49070030	1	Pipe
48	D49070031	1	Connector
49	D49070022	1	Seal
50	D49070022	1	Seal
51	D49070027	1	Seal
52	D45252600	1	Union
53	D49070029	1	Pipe
54	D49070030	1	Pipe
55	D49070026	1	Flange
56	D45252600	1	Union
57	D49070027	1	Seal
58	D49070026	1	Flange
59	D49070026	1	Flange
60	D49070022	1	Seal
61	D45252600	1	Union
62	D49070027	1	Seal
63	D45252800	1	Union
64	D45252800	1	Union
65	D45420200	1	Seal



**Massey Ferguson****MF 38/40 COMBINES, |-> 47958 - 63001210****63001210****Auto Level Combine - Table - From Serial or Engine Number 54241****Page014-0135**

<b>Item</b>	<b>Part Number</b>	<b>Qty</b>	<b>Description</b>
1	D28781220	1	Pipe
3	D45252600	1	Union
4	D28781219	1	Pipe
5	D45252600	1	Union
6	D45110015	1	Gasket
	D45110095	1	Pressure Valve
7	<b>D45110064</b>	1	Coil
8	<b>D45110064</b>	1	Coil
9	<b>D45110096</b>	1	Distributor
10	D28780488	1	Washer
11	D28181678	1	Union
12	D28781756	1	Pipe,Oil
13	D45130024	1	Hydr Hose
14	D28280653	1	Pipe,Oil
15	D45263900	1	Union
16	D45100029	1	Ram
	D28080609	X	Epicyclic
17	D45263900	1	Union
18	D28280653	1	Pipe,Oil
19	D45130024	1	Hydr Hose
20	D28781755	1	Pipe,Oil
21	D45252600	1	Union
22	D28780720	1	Washer
23	D28780988	1	Pipe,Oil
24	D28780988	1	Pipe,Oil
25	D45110098	1	Pressure Valve
26	D45263900	1	Union
27	D45252600	1	Union
28	D45252600	1	Union
29	D45252600	1	Union
30	D45252600	1	Union
31	D45263900	1	Union

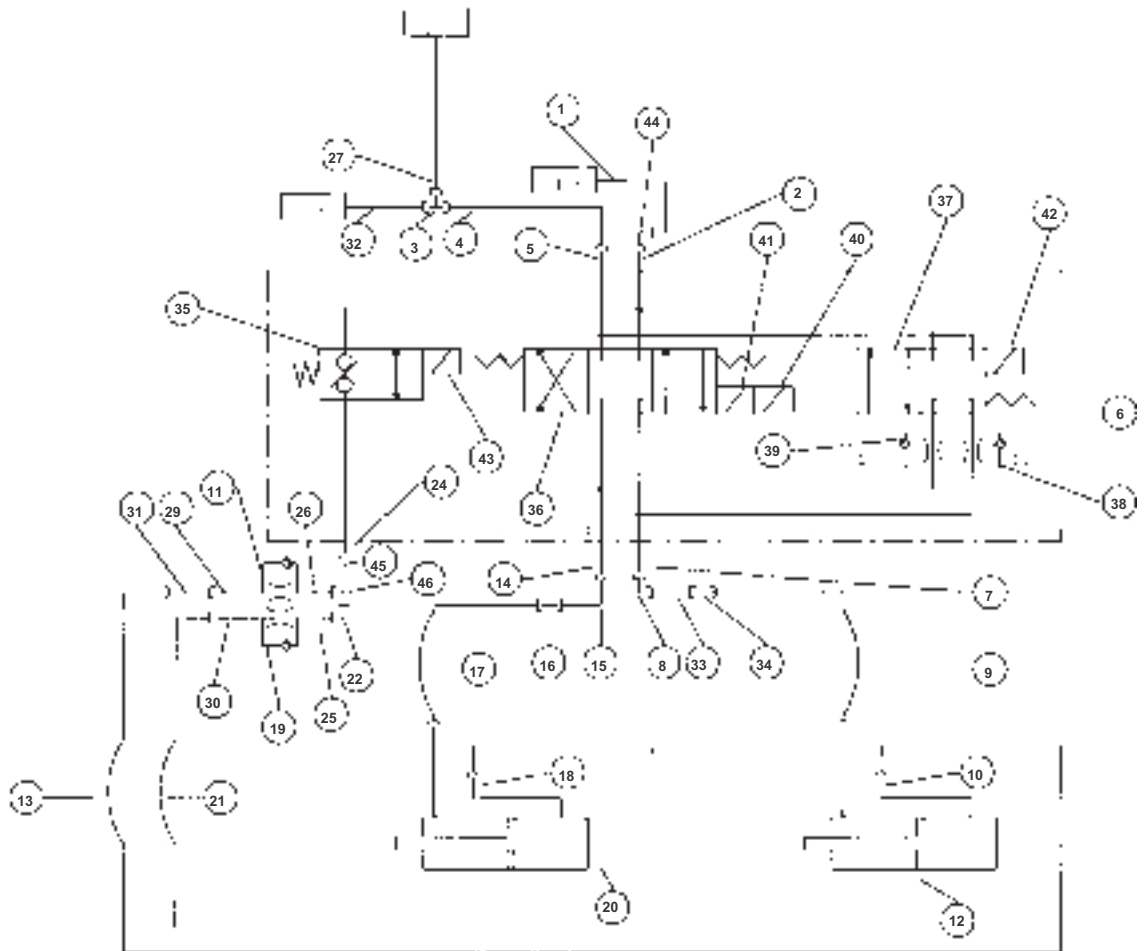


0140140



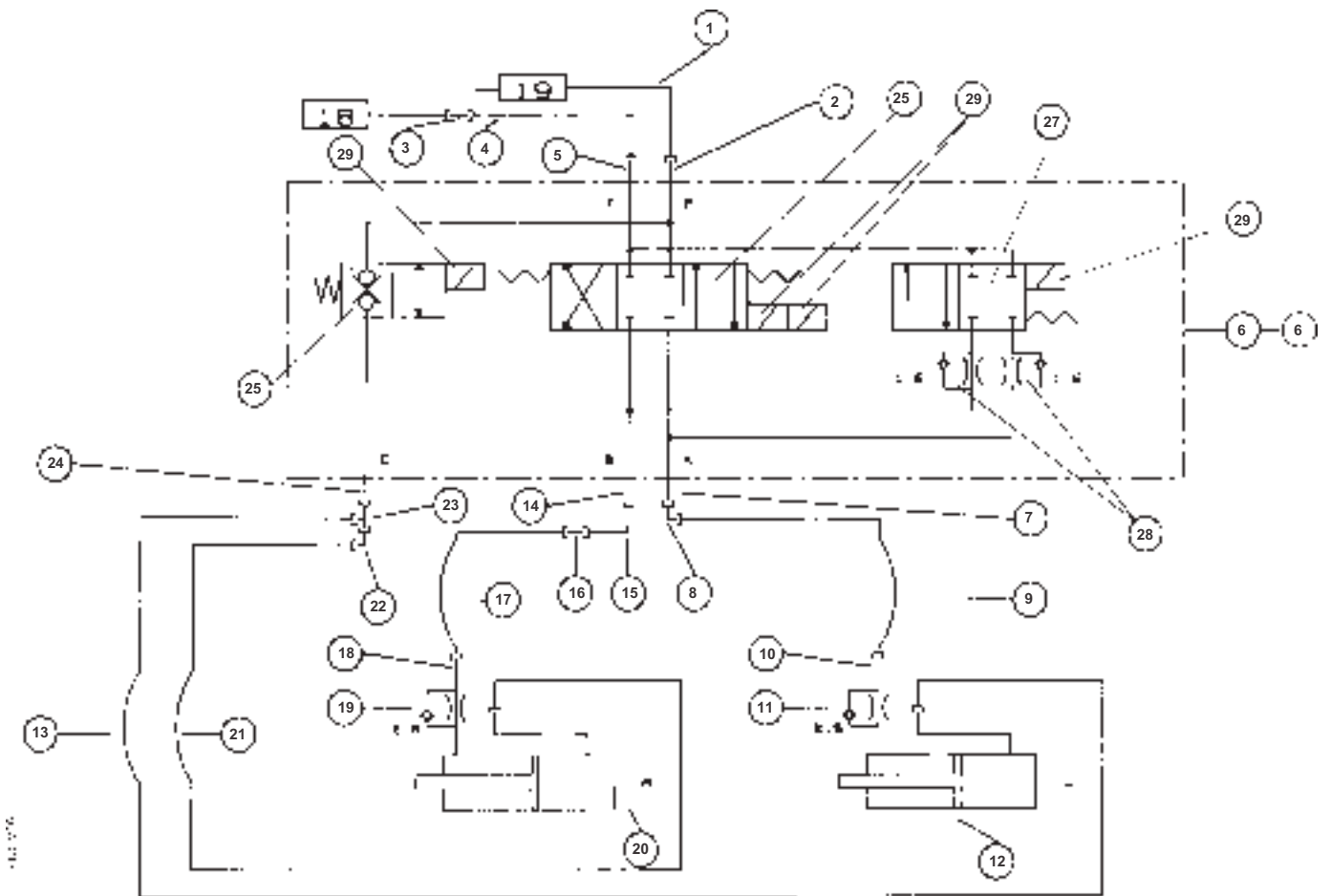
**Massey Ferguson****MF 38/40 COMBINES, |-> 47958 - 63001210****63001210****Auto Level Combine - Table - AL CB & CB WITH AL TABLE F.52648-T.54240****Page014-0140**

<b>Item</b>	<b>Part Number</b>	<b>Qty</b>	<b>Description</b>
1	D28781220	1	Pipe
3	D45252600	1	Union
4	D28781219	1	Pipe
5	D45252600	1	Union
6	D45110015	1	Gasket
	D45110095	1	Pressure Valve
7	<b>D45110064</b>	1	Coil
8	<b>D45110064</b>	1	Coil
9	<b>D45110096</b>	1	Distributor
10	D28780488	1	Washer
11	D28181678	1	Union
12	D28781756	1	Pipe,Oil
13	D45130024	1	Hydr Hose
14	D28280653	1	Pipe,Oil
15	D45263900	1	Union
16	D45100029	1	Ram
	D28080609	X	Epicyclic
17	D45263900	1	Union
18	D28280653	1	Pipe,Oil
19	D45130024	1	Hydr Hose
20	D28781755	1	Pipe,Oil
21	D45252600	1	Union
22	D28780720	1	Washer
23	D28780988	1	Pipe,Oil
24	D28780988	1	Pipe,Oil
25	D45110098	1	Pressure Valve
26	D45263900	1	Union
27	D45252600	1	Union
28	D45252600	1	Union
29	D45252600	1	Union
30	D45252600	1	Union
31	D45263900	1	Union



**Massey Ferguson****MF 38/40 COMBINES, |-> 47958 - 63001210****63001210****Auto-Level Combine - From Serial or Engine Number 51401****Page014-0145**

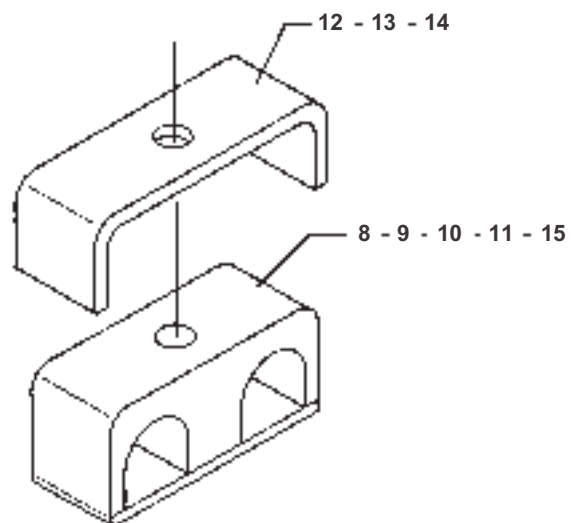
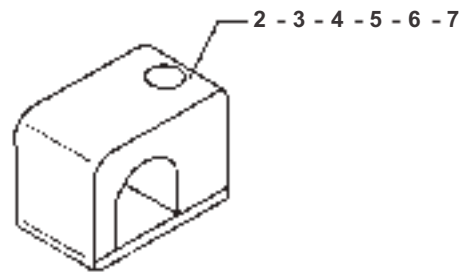
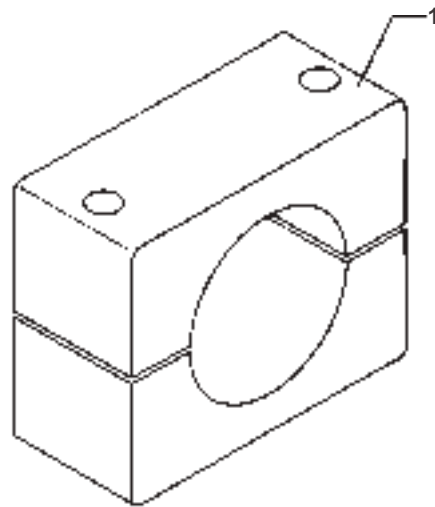
<b>Item</b>	<b>Part Number</b>	<b>Qty</b>	<b>Description</b>
1	D28782206	1	Pipe
2	D45250800	1	Union
3	D45256100	1	Union
4	D28780401	1	Pipe,Oil
5	D45255200	1	Connector
6	D45110094	1	Pressure Valve
	D45120008	1	Seal
7	D45250800	1	Union
8	D45264000	1	Union
9	D45130016	1	Hydr Hose
10	D45252700	1	Union
11	D28780316	1	Washer
12	D45100030	1	Ram
13	D45132300	1	Hydr Hose
14	D45250800	1	Union
15	D28780329	1	Pipe,Oil
16	D45254100	1	Union
17	D45132300	1	Hydr Hose
18	D45252700	1	Union
19	D28780316	1	Washer
20	D45100030	1	Ram
21	D45130028	1	Hydr Hose
22	D45264000	1	Union
24	D45250800	1	Union
25	D28181683	1	Connector
26	D28181683	1	Connector
27	D28781395	1	Pipe,Oil
29	D45250800	1	Union
30	D45250800	1	Union
31	D28711881	1	Pipe,Oil
32	D28780402	1	Hydr.Hose Assy.
33	D28711881	1	Pipe,Oil
34	D45254100	1	Union
35	D45120005	1	Distributor
36	<b>D45110066</b>	1	Parts Pack
37	D45120006	1	Distributor
38	D45120007	1	Pressure Valve
39	D45120007	1	Pressure Valve
40	<b>D45110064</b>	1	Coil
41	<b>D45110064</b>	1	Coil
42	<b>D45110064</b>	1	Coil
43	<b>D45110064</b>	1	Coil
44	D45264000	1	Union
45	D28711881	X	Pipe,Oil
46	D45256100	X	Union



14.1.1.1.1.1

**Massey Ferguson****MF 38/40 COMBINES, |-> 47958 - 63001210****63001210****Auto-Level Combine - Up to Serial or Engine Number 51400****Page014-0150**

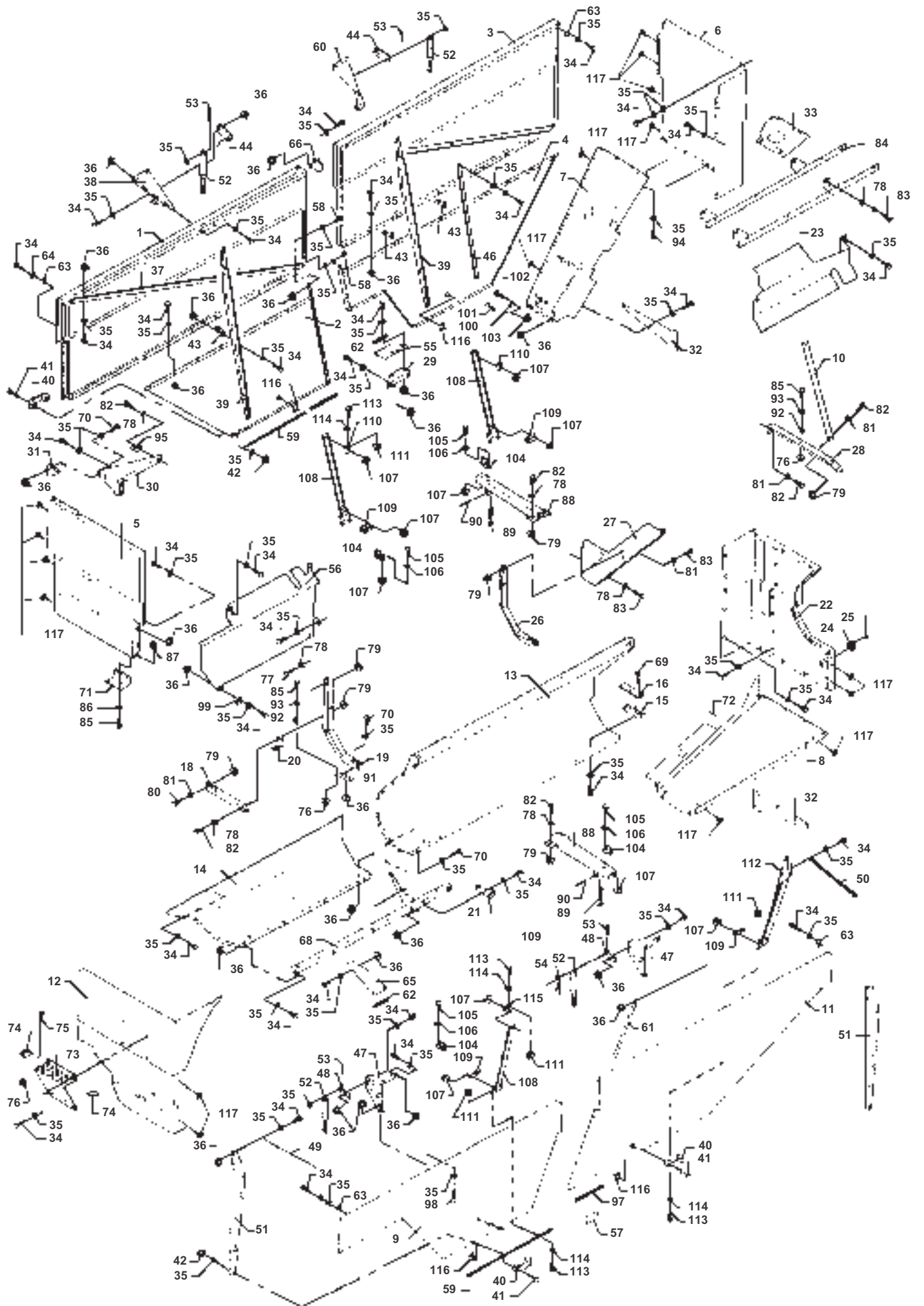
<b>Item</b>	<b>Part Number</b>	<b>Qty</b>	<b>Description</b>
1	D28780400	1	Hydr.Hose Assy.
2	D45255200	1	Connector
3	D45254900	1	Union
4	D28780401	1	Pipe,Oil
5	D45255200	1	Connector
6	D45110076	1	Valve
	D45120008	1	Seal
7	D45250800	1	Union
8	D45264000	1	Union
9	D45130016	1	Hydr Hose
10	D28181675	1	Union
11	D28780316	1	Washer
12	D45100030	1	Ram
13	D45132300	1	Hydr Hose
14	D45250800	1	Union
15	D28780329	1	Pipe,Oil
16	D45254100	1	Union
17	D45132300	1	Hydr Hose
18	D28181675	1	Union
19	D28780316	1	Washer
20	D45100030	1	Ram
21	D45130028	1	Hydr Hose
22	D45264000	1	Union
23	D45266300	1	Union
24	D45250800	1	Union
25	D45120005	1	Distributor
26	<b>D45110066</b>	1	Parts Pack
27	D45120006	1	Distributor
28	D45120007	2	Pressure Valve
29	<b>D45110064</b>	4	Coil



**Pipe Support**

<b>Item</b>	<b>Part Number</b>	<b>Qty</b>	<b>Description</b>	<b>Comments</b>
1	D45737900	X	Support	
2	D45738700	X	Support	
3	D45739900	X	Bridle	
4	D45739800	X	Clip	
5	D45739600	X	Support	
6	D45739500	X	Support	
7	D45739700	X	Support	
8	D45739100	X	Support	
9	D45739400	X	Support	
10	D45739200	X	Support	
11	D45736600	X	Support	
12	D28750783	X	Reinforcement	From Serial or Engine Number 45739100
13	D28750784	X	Bracket	From Serial or Engine Number 45739400
14	D28250656	X	Arm	From Serial or Engine Number 45739200
15	D45736400	X	Clip	

MF 38/40 COMBINES, |-> 47958 - 63001210  
90G1501A



90G1501A

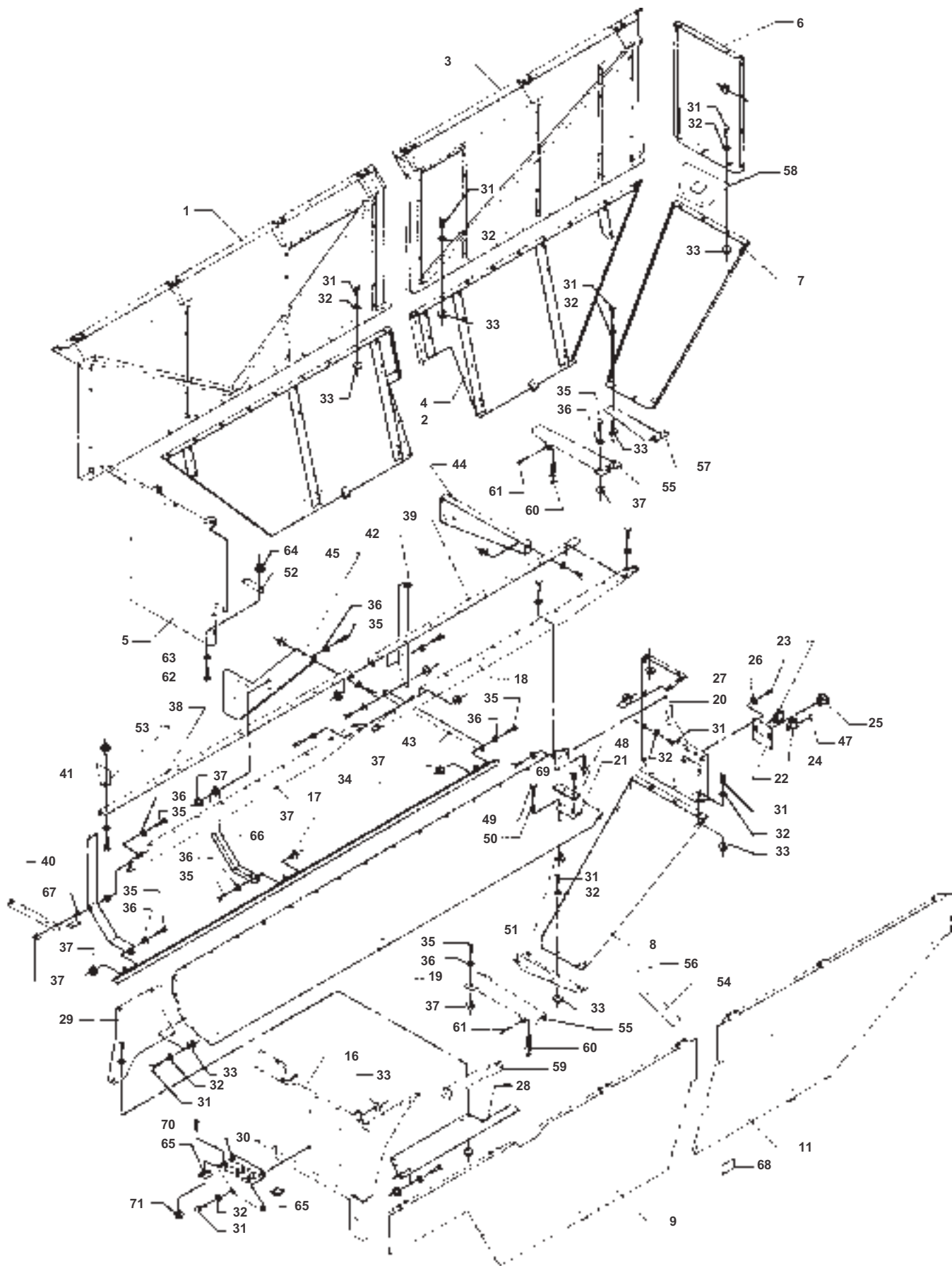


Item	Part Number	Qty	Description	Comments
1	D28181431	1	Cowl	Up to Serial or Engine Number 50991
	D28181669	1	Plate	From Serial or Engine Number 50992
2	D28181385	1	Guard	From Serial or Engine Number 51298
	D28181436	1	Cowl	Up to Serial or Engine Number 50991
	D28181668	1	Plate	From Serial or Engine Number 50992 Up to Serial or Engine Number 51297
3	D28181418	1	Shield	
4	D28181384	1	Guard	From Serial or Engine Number 51298
	D28181420	1	Shield	Up to Serial or Engine Number 51297
5	D28181355	1	Shield	Up to Serial or Engine Number 50991
	D28181666	1	Shield	From Serial or Engine Number 50992
6	D28181409	1	Shield	
7	D28181407	1	Shield	
8	D28181452	1	Guard	
9	D28181344	1	Guard	From Serial or Engine Number 51298
	D28181464	1	Cowl	Up to Serial or Engine Number 50991
	D28181670	1	Plate	From Serial or Engine Number 50992 Up to Serial or Engine Number 51297
10	D28180480	1	Tensioner	
11	D28181223	1	Guard	From Serial or Engine Number 51298
	D28181465	1	Cowl	Up to Serial or Engine Number 51297
12	D28181376	1	Corner	Up to Serial or Engine Number 50991
	D28181667	1	Corner	From Serial or Engine Number 50992
13	D28181454	1	Guard	
14	D28181460	1	Guard	
15	D28181034	1	Stop	
16	D28181033	1	Stop	
18	D28180796	1	Support	
19	D28181067	1	Support	
20	D28780381	1	Retainer	
21	D28181514	1	Hinge	
22	D28181756	1	Guard	From Serial or Engine Number 53070
	D28181446	1	Guard	Up to Serial or Engine Number 53069
23	D28780729	1	Support	
24	D45050003	1	Magnet	From Serial or Engine Number 53070
	D45065000	1	Switch	Up to Serial or Engine Number 53069
25	D45050040	1	Light Switch	From Serial or Engine Number 53070
	D45065400	1	Decal	Up to Serial or Engine Number 53069
26	D28180799	1	Bracket	
27	D28180802	1	Bracket	
28	D28180479	1	Bracket	
29	D28180733	1	Stay	
30	D28181350	1	Bracket	
31	D28181348	1	Hinge	
32	D28181507	2	Support	
33	D28181482	1	Stay	[A]
34	D40405000	X	Hex. Sock. Screw	From Serial or Engine Number +52565
35	D20400506	X	Washer	
36	D41013500	X	Nut	
37	D28184117	1	Reinforcement	
38	D28181486	1	Support	
39	D28184119	2	Stay	
40	D43386900	4	Handle	
41	D40690400	8	Screw	
42	D41087500	8	Locknut	
43	D28181698	3	Angle	From Serial or Engine Number 52231
	D28184114	3	Angle	Up to Serial or Engine Number 52230
44	D28180739	2	Bracket	
45	D28184159	1	Stay	
46	D28184277	1	Stay	
47	D28181480	2	Support	
48	D28184249	2	Bracket	
49	D28184291	1	Stay	
50	D28181484	1	Stay	
51	D28184247	2	Stay	Up to Serial or Engine Number 51297
	D28184247	1	Stay	From Serial or Engine Number 51298
52	D45056700	4	Gas Strut	
53	D41404400	8	Split Pin	
54	D28181190	1	Ratchet	
55	D28184276	1	Support	
56	D28780727	1	Support	

Item	Part Number	Qty	Description	Comments
57	D45084600	2	Reflector	
58	D40685000	2	Screw	
59	D44735900	2	Seal Section	Length 1M X 2
60	D28181485	1	Support	
61	D28181483	1	Stay	
62	D44706600	X	Seal Section	Length 0,11M
63	D28184166	2	Locking Plate	
64	D20400414	1	Washer	
65	D28184382	1	Support	
66	D28181511	1	Hinge	
68	D28181461	1	Profile	
69	D40600500	2	Screw Metric	
70	D40405000	2	Hex. Sock. Screw	
71	D28781153	1	Retainer	
73	D28181251	1	Step	
74	D28181252	2	Support	
75	D40600700	2	Screw Metric	
76	D41013400	3	Nut	
77	D40407900	1	Hex. Sock. Screw	
78	D20400419	X	Washer	
79	D41087600	X	Locknut	From Serial or Engine Number +52565
80	D40408000	1	Hex. Sock. Screw	
81	D20400416	X	Washer	
82	D40407700	X	Hex. Sock. Screw	
83	D40407800	4	Hex. Sock. Screw	From Serial or Engine Number +52565
84	D28780281	2	Support	
85	D40402600	X	Hex. Sock. Screw	
86	D20400470	2	Washer	
87	D41013400	X	Nut	From Serial or Engine Number +52565
88	D28180830	2	Support	
89	D44737100	2	Rubber Strap	
90	D41411100	2	Split Pin	
91	D28180973	1	Holder	
92	D28860313	1	Retainer	
93	D20400404	1	Washer	
94	D40405000	2	Hex. Sock. Screw	
95	D28780772	1	Retainer	
96	D40407600	1	Hex. Sock. Screw	
97	D44735900	X	Seal Section	Length 0,35M
98	D40684800	2	Screw	From Serial or Engine Number +52565
99	D28880370	1	Support	
100	D28560162	1	Lever	From Serial or Engine Number 51298
101	D27100120	1	Hair Pin	From Serial or Engine Number 51298
102	D40402700	1	Hex. Sock. Screw	From Serial or Engine Number 51298
103	D41087400	1	Locknut	From Serial or Engine Number 51298
104	D28181157	4	Clamp	From Serial or Engine Number 51298
105	D40404900	8	Hex. Sock. Screw	From Serial or Engine Number 51298
106	D20400506	8	Washer	From Serial or Engine Number 51298
107	D41013500	X	Nut	From Serial or Engine Number 51298
108	D28181154	3	Bracket	From Serial or Engine Number 51298
109	D43419900	4	Lock	From Serial or Engine Number 51298
110	D28181159	2	Support	From Serial or Engine Number 51298
111	D41013400	X	Nut	From Serial or Engine Number 51298
112	D28181383	1	Stay	From Serial or Engine Number 51298
113	D40688200	X	Screw Metric	From Serial or Engine Number 51298
114	D20400404	X	Washer	From Serial or Engine Number 51298
115	D28181203	1	Support	From Serial or Engine Number 51298
116	D44732700	4	Grommet	
117	D45742200	16	Plug	From Serial or Engine Number 53137

FOOTNOTE [A] 400 L FUEL TANK

MF 38/40 COMBINES, |-> 47958 - 63001210  
90A1501B



Item	Part Number	Qty	Description	Comments
1	D28181137	1	Shield	[B]
	D28181167	1	Cowl	
2	D28180732	1	Cowl	
	D28181134	1	Shield	[B]
3	D28181168	1	Cowl	
4	D28180759	1	Cowl	
5	D28180501	1	Plate	
6	D28180788	1	Cowl	
7	D28181198	1	Guard	From Serial or Engine Number +48313
8	D28181197	1	Guard	From Serial or Engine Number +48313
9	D28181040	1	Cowl	
	D28181148	1	Shield	[B]
11	D28181045	1	Cowl	
16	D28180510	1	Guard	
17	D28180613	1	Cowl	
18	D28180614	1	Cowl	
19	D28180616	1	Cowl	
20	D28180615	1	Cowl	Up to Serial or Engine Number 48312
	D28180618	1	Shield	From Serial or Engine Number 48313
21	D28181034	1	Stop	From Serial or Engine Number +46220
22	D28180621	1	Plate	Up to Serial or Engine Number 47597
23	D45088300	1	Switch,Indirect	Up to Serial or Engine Number 47597 FAN
24	D45065000	1	Switch	[A]
25	D45060022	1	Rev Indicator	Up to Serial or Engine Number 47597
26	D40688000	4	Screw	
27	D20400470	4	Washer	
28	D28180619	1	Cowl	
29	D28180620	1	Cowl	
30	D28180878	1	Step	
31	D40404900	4	Hex. Sock. Screw	
32	D20400506	4	Washer	
33	D41013500	4	Nut	
34	D28180790	1	Band	
35	D40407700	3	Hex. Sock. Screw	
36	D20400419	3	Washer	
37	D41013600	3	Nut	
38	D28180794	1	Band	
39	D28180793	1	Band	
40	D28180796	1	Support	
41	D28181067	1	Support	
42	D28180479	1	Bracket	
43	D28180480	1	Tensioner	
44	D28180487	1	Bracket	
45	D28180802	1	Bracket	
47	D45065400	1	Decal	
48	D28181033	1	Stop	From Serial or Engine Number +46220
49	D40601500	2	Screw Metric	
50	D20400414	2	Washer	
52	D28781001	1	Holder	
53	D28180798	1	Support	
54	D28180757	1	Support	
55	D28180830	2	Support	
56	D28180846	1	Support	
57	D28180849	1	Support	
58	D28180935	1	Plate	
59	D28180939	1	Chock	
60	D44737100	2	Rubber Strap	
61	D41411100	2	Split Pin	
62	D40402600	2	Hex. Sock. Screw	
63	D20400470	2	Washer	
64	D41013400	2	Nut	
65	D28181252	2	Support	From Serial or Engine Number +48555
66	D28180799	1	Bracket	
67	D28780381	1	Retainer	
68	D45084600	2	Reflector	[B]
69	D40600500	2	Screw Metric	
70	D40600700	2	Screw Metric	From Serial or Engine Number +48555
71	D41013400	2	Nut	From Serial or Engine Number +48555

**Massey Ferguson**

**MF 38/40 COMBINES, |-> 47958 - 63001210**

**63001210**

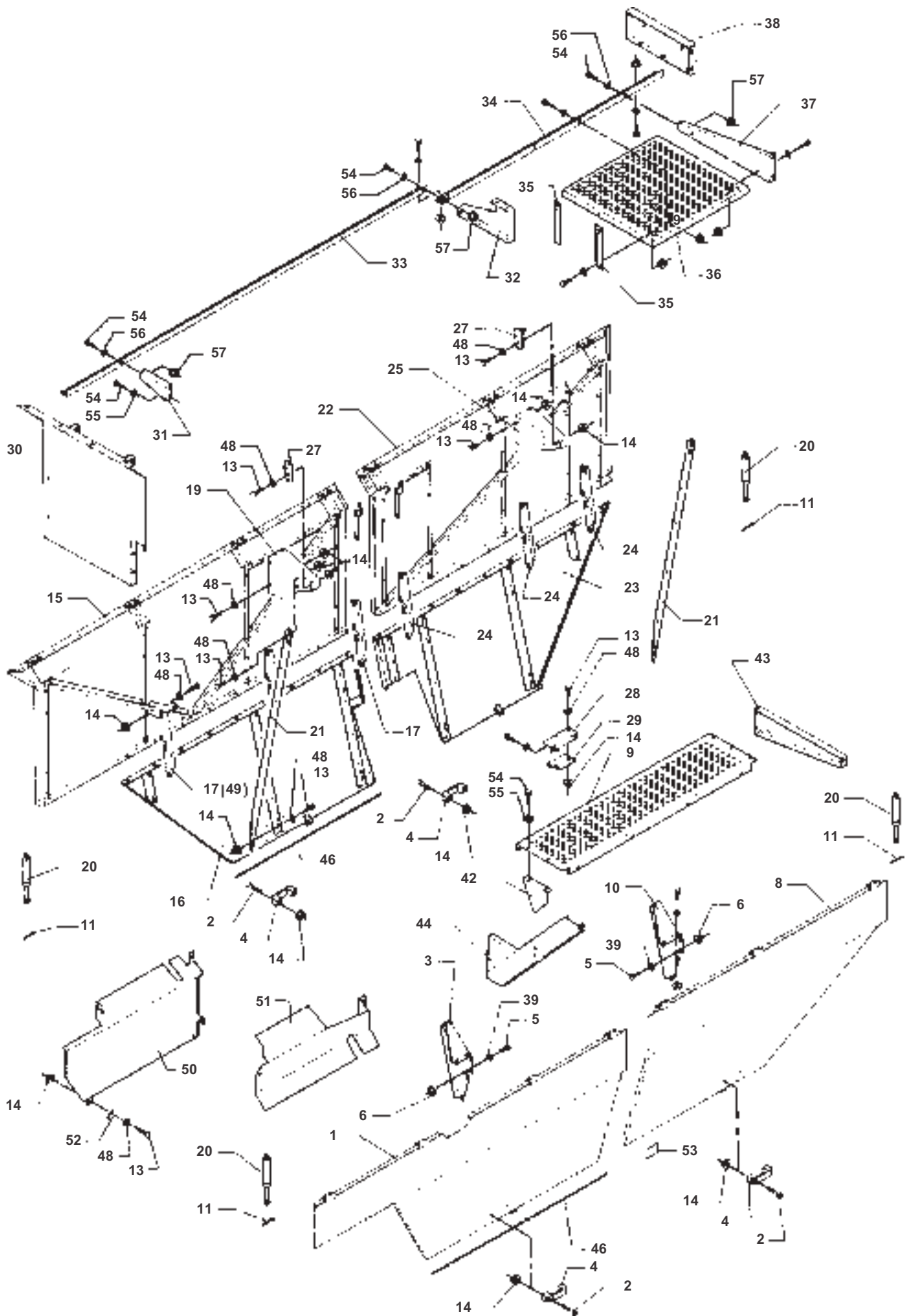
**Lower Guarding - Up to Serial or Engine Number 49639 - TYPE 1**

**Page015-0010**

**Item Part Number Qty Description Comments**

**FOOTNOTE [B] OPTIONAL EQUIPMENT**

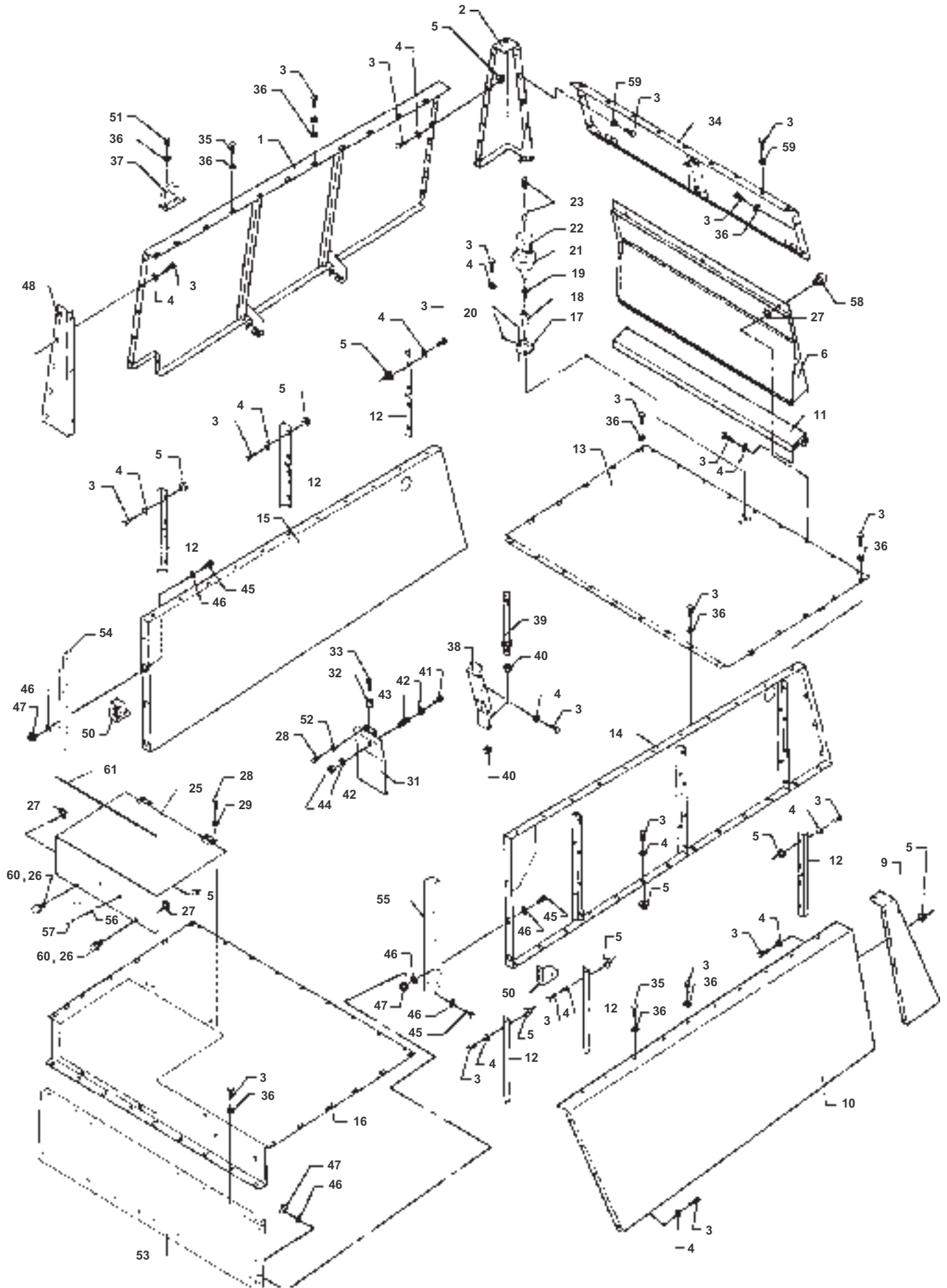
MF 38/40 COMBINES, |-> 47958 - 63001210  
90B1502



Item	Part Number	Qty	Description	Comments
1	D28181040	1	Cowl	
	D28181148	1	Shield	[A]
2	D40690300	8	Screw	
3	D28180676	1	Bracket	
4	D43386900	4	Handle	
5	D40404900	2	Hex. Sock. Screw	
6	D41013500	2	Nut	
8	D28181045	1	Cowl	
9	D28180889	1	Step	
10	D28180751	1	Bracket	
11	D41404400	4	Split Pin	
13	D40404900	X	Hex. Sock. Screw	
14	D41013500	X	Nut	
15	D28181137	1	Shield	[A]
	D28181167	1	Cowl	
16	D28180732	1	Cowl	
	D28181134	1	Shield	[A]
17	D28180679	3	Bracket	
	D28181231	1	Bracket	[A]
19	D28180677	1	Bracket	
20	D45056700	4	Gas Strut	
21	D28180734	2	Support	
22	D28181168	1	Cowl	
23	D28180759	1	Cowl	
24	D28180679	3	Bracket	
25	D28181108	1	Support	
27	D28180739	2	Bracket	
28	D28180733	1	Stay	
29	D28180745	1	Stay	
30	D28180501	1	Plate	
31	D28180812	1	Bracket	
32	D28180811	1	Bracket	
33	D28180809	1	Band	
34	D28180810	1	Band	
35	D28180564	2	Retainer	
36	D28180565	1	Step	
37	D28180813	1	Bracket	
38	D28180905	1	Shield	
39	D20400405	X	Washer	
42	D28181021	1	Bracket	
43	D28180487	1	Bracket	
44	D28180802	1	Bracket	
46	D44735900	X	Seal Section	Length 1,000M
48	D20400506	X	Washer	
50	D28780727	1	Support	
51	D28780729	1	Support	
52	D28880370	1	Support	
53	D45084600	2	Reflector	

FOOTNOTE [A] OPTIONAL EQUIPMENT

MF 38/40 COMBINES, |-> 47958 - 63001210  
90F1503A





Item	Part Number	Qty	Description	Comments
1	D28181356	1	Cowl	
2	D28181334	1	Guard	
3	D40404900	X	Hex. Sock. Screw	
4	D20400506	X	Washer	
5	D41013500	X	Nut	
6	D28181324	X	Door	
9	D28181339	1	Guard	
10	D28181359	1	Cowl	
11	D28181317	1	Crossmember	
12	D28184139	6	Fitting	
13	D28181312	1	Plate	
14	D28181268	1	Cowl	
15	D28181267	1	Cowl	
16	D28181308	1	Plate	
17	D28950553	1	Bracket	
18	D45051300	1	Retainer	
19	D45068200	1	Electric Socket	
20	D40630900	2	Pin	
21	D45051200	1	Lamp	
22	D45051900	1	Glass	[A]
	D45060043	1	Glass	[B]
	D45060044	1	Glass	[C]
	D45080012	1	Glass	[D]
23	D45006200	1	Bulb	
	D45081000	1	Bulb	
25	D28181374	1	Roof Glass	
26	D43427200	2	Pin	
27	D42555500	5	Circlip	
28	D40402400	X	Hex. Sock. Screw	
29	D20400404	X	Washer	
31	D28181535	1	Flap	
32	<b>D45010092</b>	1	Magnet	
33	D40316400	1	Screw Metric	
34	D28181316	1	Plate	
35	D40423600	8	Screw Metric	
36	D20400414	X	Washer	
37	D28981031	1	Safety Frame	
38	D28181530	1	Support	
39	D28780365	1	Cable	
40	D41098000	2	Nut	
41	D40424100	1	Bolt	
42	D20400506	2	Washer	
43	D26600305	1	Spring	
44	D41087500	1	Locknut	
45	D40407900	X	Hex. Sock. Screw	
46	D20400473	X	Washer	
47	D41092500	X	Nut	
48	D28181357	1	Plate	
50	D28181476	2	Support	From Serial or Engine Number +53816
51	D40405100	X	Hex. Sock. Screw	
52	D20400470	2	Washer	
53	D28181314	1	Stay	
54	D28181561	1	Frame	From Serial or Engine Number 49777
55	D28181562	1	Profile	From Serial or Engine Number 49777
56	D43386900	1	Handle	From Serial or Engine Number 51903
57	D40690300	2	Screw	From Serial or Engine Number 51903
58	D43427500	3	Pin	From Serial or Engine Number +52342
59	D20400411	4	Washer	From Serial or Engine Number +52498
60	D43427300	1	Spring	
61	D44738900	X	Strip	From Serial or Engine Number +53389

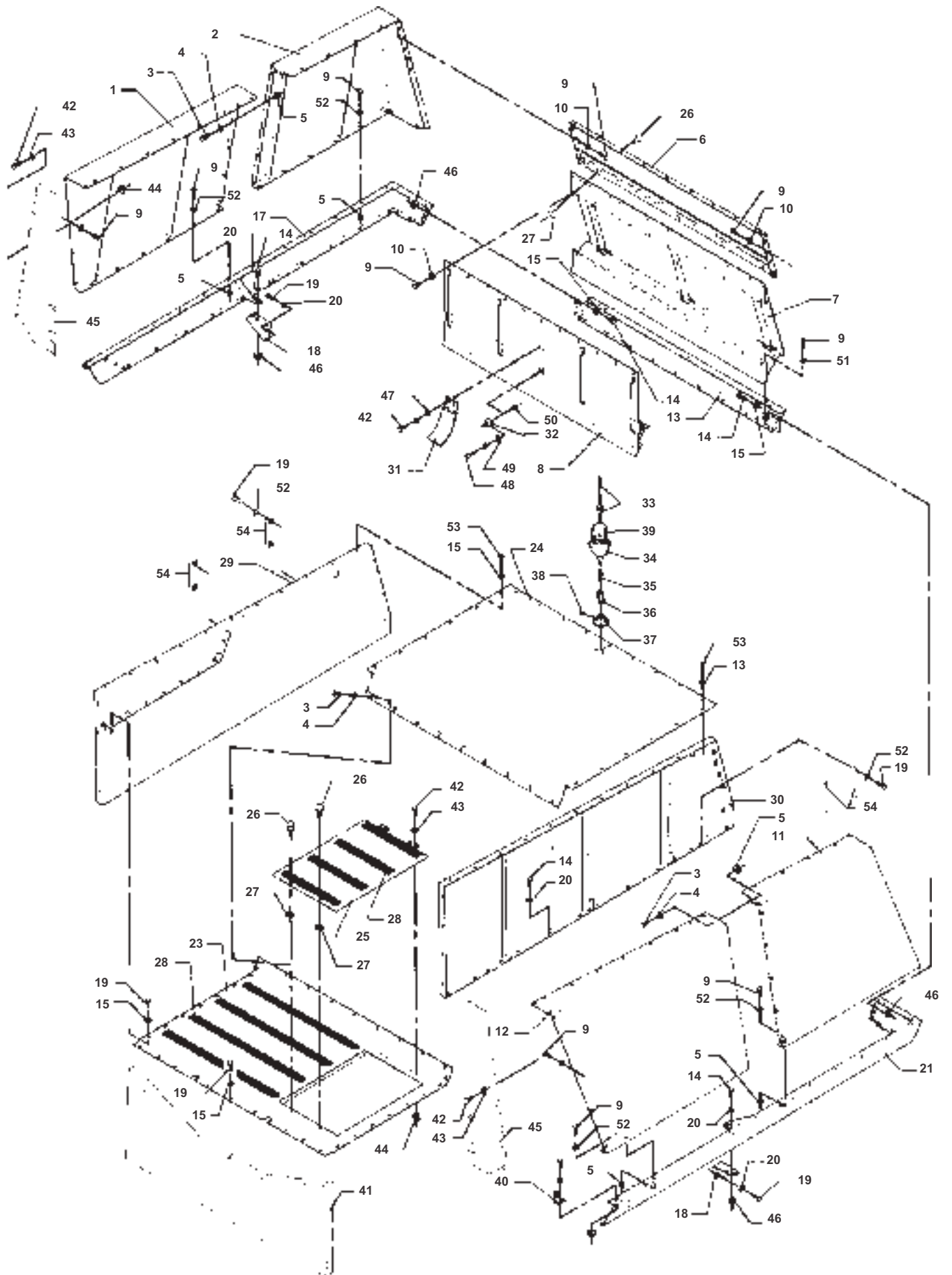
FOOTNOTE [A] HELLA WITH METAL BOTTOM

FOOTNOTE [B] AEB 590

FOOTNOTE [C] OPTILUX AND HELLA WITH PLAST BOTTOM

FOOTNOTE [D] HELLA WITH PLAST BOTTOM, ORANGE.

MF 38/40 COMBINES, |-> 47958 - 63001210  
90A1503B



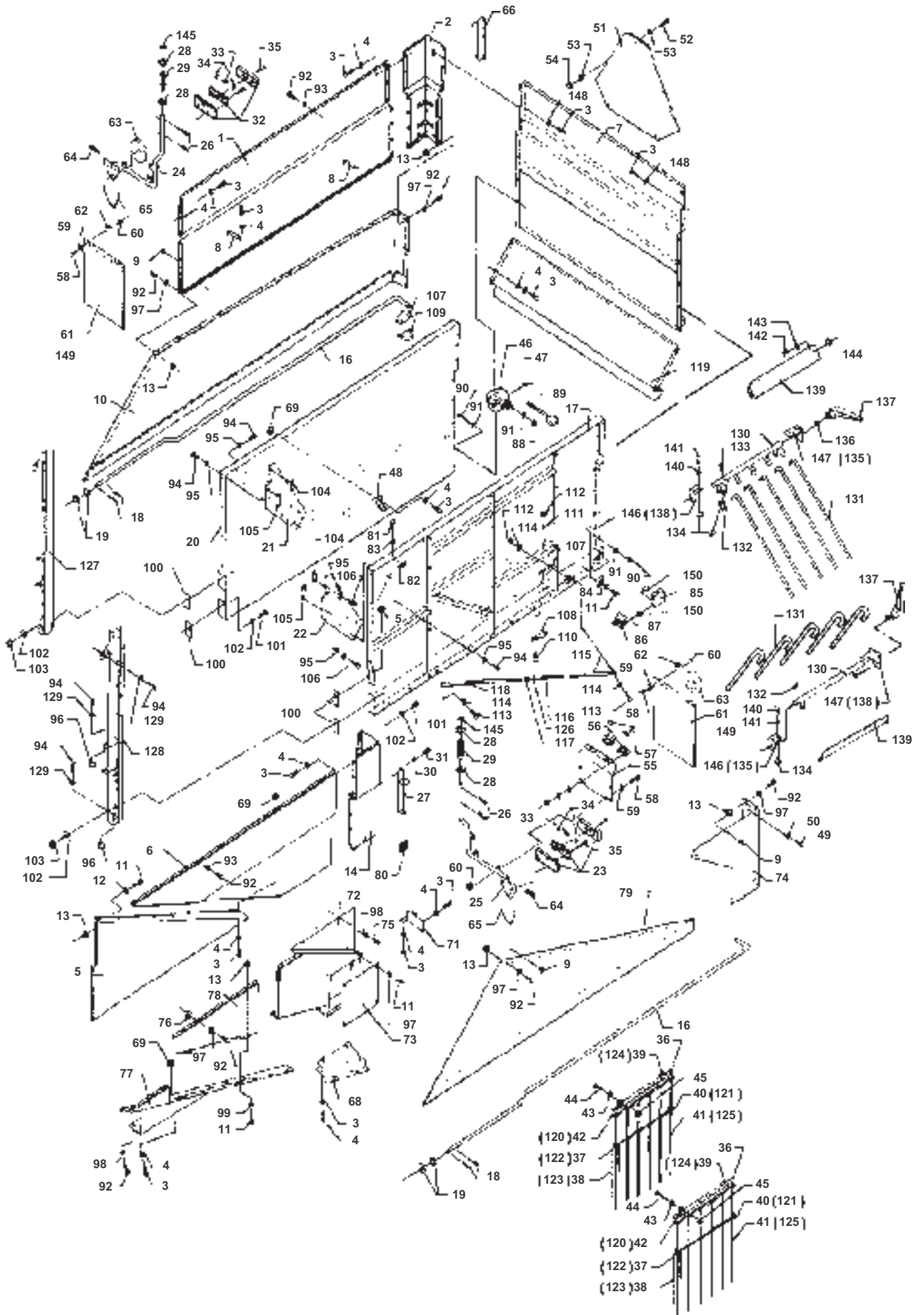
Item	Part Number	Qty	Description	Comments
1	D28180326	1	Cowl	
2	D28180324	1	Cowl	
3	D40404700	X	Hex. Sock. Screw	
4	D20400506	X	Washer	
5	D41013500	X	Nut	
6	D28180169	1	Plate	
7	D28180146	1	Shutter	
8	D28180173	1	Cowl	
9	D40404900	X	Hex. Sock. Screw	
10	D20400506	X	Washer	
11	D28180325	1	Guard	
12	D28180327	1	Cowl	
13	D28180181	1	Panel	
14	D40407700	4	Hex. Sock. Screw	
15	D20400471	X	Washer	
17	D28180276	1	Shield	
18	D28180177	2	Bracket	
19	D40407800	X	Hex. Sock. Screw	
20	D20400416	X	Washer	
21	D28180277	1	Panel	
23	D28180159	1	Shield	
24	D28180167	1	Shield	
25	D28150137	1	Shutter	
26	D43427200	2	Pin	
27	D42555500	2	Circlip	
28	D44738900	X	Strip	Length 4,5 M
29	D28180137	1	Shield	
30	D28180138	1	Shield	
31	D28780545	1	Alarm	
32	D45087200	1	Switch,Indirect	
33	D45006200	1	Bulb	
	D45081000	1	Bulb	
34	D45051200	1	Lamp	
35	D45068200	1	Electric Socket	
36	D45051300	1	Retainer	
37	D28950553	1	Bracket	
38	D40630900	2	Pin	
39	D45051900	1	Glass	[A]
	D45060043	1	Glass	[B]
	D45060044	1	Glass	[C]
40	D28180929	1	Elbow	
41	D28180381	1	Support	
42	D40402400	X	Hex. Sock. Screw	
43	D20400470	X	Washer	
44	D41013400	X	Nut	
45	D28180915	2	Plate	
46	D41013600	X	Nut	
47	D20400404	2	Washer	
48	D40352000	2	Screw Metric	
49	D20400400	2	Washer	
50	D41010400	2	Nut	
51	D20400414	6	Washer	
52	D20400419	X	Washer	
53	D40407600	X	Hex. Sock. Screw	
54	D28180661	4	Clamp	

FOOTNOTE [A] HELLA WITH METAL BOTTOM

FOOTNOTE [B] AEB 590

FOOTNOTE [C] OPTILUX AND HELLA WITH PLAST BOTTOM

MF 38/40 COMBINES, |-> 47958 - 63001210  
90E1504A



90E1504A

Item	Part Number	Qty	Description	Comments
1	D28181341	1	Guard	
2	D28181332	1	Guard	
3	D40404900	X	Hex. Sock. Screw	
4	D20400506	X	Washer	
5	D28181361	1	Plate	
6	D28181360	1	Plate	
7	D28181319	1	Plate	
8	D28181340	2	Spacer	
9	D43427400	X	Fastener	
10	D28181371	1	Shield	
11	D40402400	X	Hex. Sock. Screw	
12	D20400470	X	Washer	
13	D41013400	X	Nut	
14	D28181333	1	Guard	
16	D28181372	2	Pipe	
17	D28181336	1	Plate	
18	D41405800	X	Split Pin	
19	D20400516	X	Spacer	
20	D28181335	1	Plate	
21	D28181084	1	Reinforcement	
22	D28181010	1	Reinforcement	
23	D45077100	1	Rh Rear Lamp	
24	D28781215	1	Arm	
25	D28781214	1	Arm	
26	D42612300	4	Pin	
27	D28784163	1	Bracket	
28	D20400467	8	Washer	
29	D28760286	2	Spring	
30	D40404900	6	Hex. Sock. Screw	
31	D20400506	6	Washer	
32	D45077300	1	Lh Rear Lamp	
33	D45080700	2	Bulb 12v 10w	
34	D45080600	4	Bulb 12v 21w Sbc	
35	D40400700	2	Hex. Sock. Screw	
36	D28180352	2	Guide	Up to Serial or Engine Number 50052
	D28181025	2	Deflector	(36) Up to Serial or Engine Number 50052
37	D28100327	2	Chain	(36) Up to Serial or Engine Number 50052
38	D42386000	4	Hook	(36) Up to Serial or Engine Number 50052
39	D28160299	4	Hinge	(36) Up to Serial or Engine Number 50052
40	D28181024	2	Frame	(36) Up to Serial or Engine Number 50052
41	D28181046	14	Spring Wire	(36) Up to Serial or Engine Number 50052
42	D28181047	2	Hinge Rod	(36) Up to Serial or Engine Number 50052
43	D20400470	8	Washer	(36) Up to Serial or Engine Number 50052
44	D40402400	8	Hex. Sock. Screw	(36) Up to Serial or Engine Number 50052
45	D41013400	8	Nut	(36) Up to Serial or Engine Number 50052
46	D45060045	1	Work Light	
47	D45080200	1	Bulb	
48	D28120328	2	Retainer	Up to Serial or Engine Number 50052
49	D40688200	3	Screw Metric	From Serial or Engine Number +56077
50	D20400470	3	Washer	From Serial or Engine Number +56077
51	D45084500	1	Reflector	
52	D40400900	3	Setscrew	
53	D20400401	6	Washer	
54	D41087300	3	Locknut	
55	D28752224	1	Licence Plate	
56	D45085500	2	Lamp	
57	D45080900	2	Bulb	
58	D40402600	X	Hex. Sock. Screw	
59	D20400470	X	Washer	
60	D41013400	X	Nut	
61	D28761501	2	Plate	

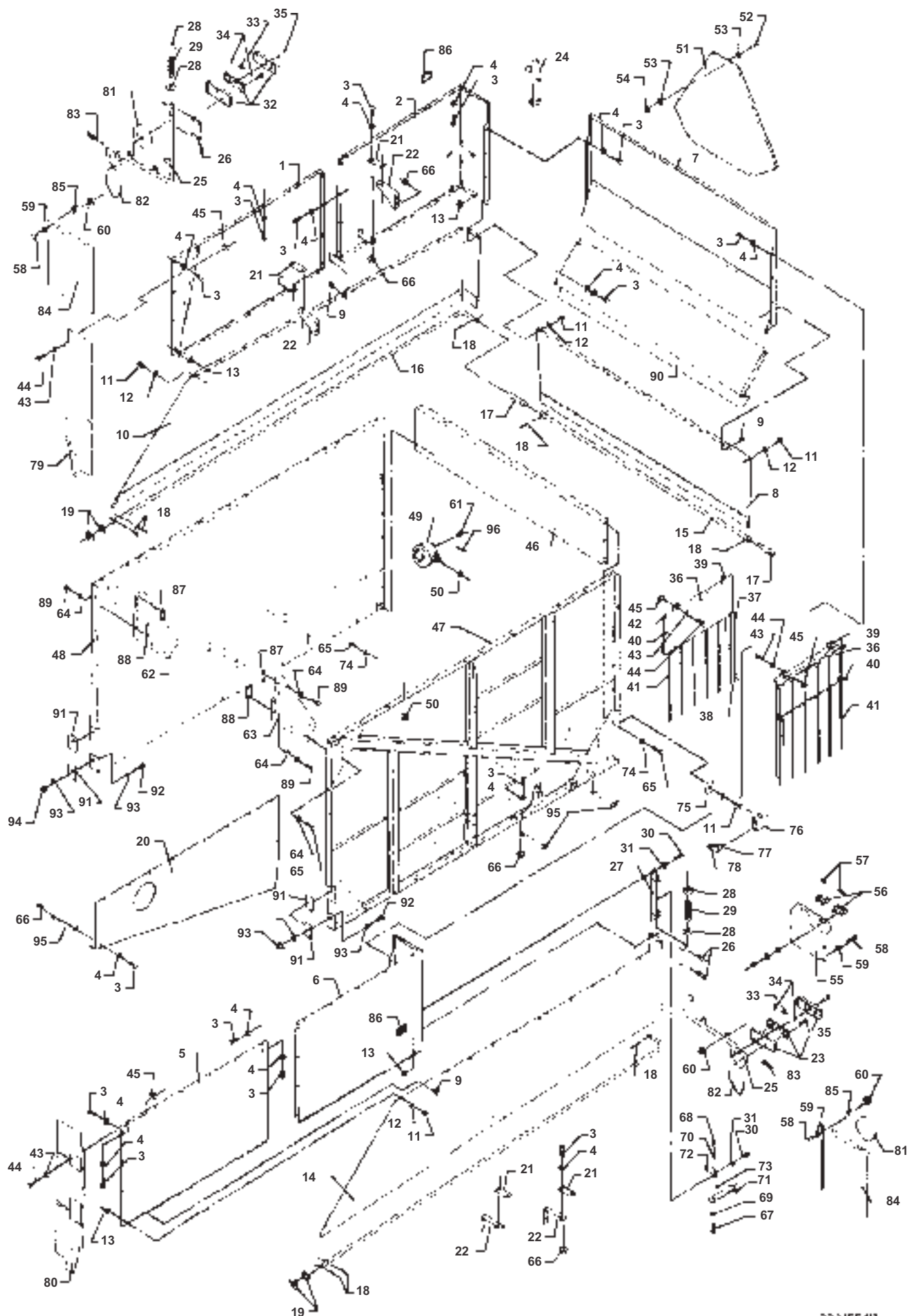
Item	Part Number	Qty	Description	Comments
62	D45729800	2	Clamp	
63	D45085600	2	Reflector	
64	D45020001	X	Hose	Length 0,150 M
65	D44735900	X	Seal Section	Length 0,215 M
66	D28784164	1	Support	
68	D28181475	1	Plate	
69	D41013500	X	Nut	
71	D28181367	1	Fitting	
72	D28181386	1	Guard	
73	D28181364	1	Plate	
74	D28181370	1	Summer Jacket	
75	D40685000	4	Screw	
76	D43428200	3	Nut	
77	D28181363	1	Guard	
78	D28181368	1	Door	
79	D28181369	1	Protector	
80	D45084600	2	Reflector	
81	D40405000	1	Hex. Sock. Screw	
82	D28780686	1	Fitting	
83	D20400414	1	Washer	
84	D28780326	1	Plate	
85	D28781903	1	Connector	From Serial or Engine Number 53422
85	D28780520	1	Frame	Up to Serial or Engine Number 53421
86	D45068200	1	Electric Socket	
87	D45068300	1	Dustcap	Up to Serial or Engine Number 53421
88	D41087600	1	Locknut	From Serial or Engine Number +52565
89	D45070041	1	Fuse	
90	D40407700	2	Hex. Sock. Screw	
91	D20400416	X	Washer	
92	D40688000	X	Screw	
93	D20400413	X	Washer	
94	D40407800	X	Hex. Sock. Screw	
95	D20400416	X	Washer	
96	D41087600	X	Locknut	From Serial or Engine Number +52565
97	D20400404	4	Washer	
98	D20400413	X	Washer	
99	D20400405	X	Washer	
100	D28180785	X	Plate	OPTIONAL
101	D40433400	4	Screw Metric	
102	D28181284	8	Washer	
103	D41087900	4	Locknut	
104	D28181086	2	Tensioner	
105	D28181087	2	Tensioner	
106	D40408000	8	Hex. Sock. Screw	
107	D28184275	2	Stay	
108	D28180743	1	Plate	[A]
109	D28180744	1	Plate	[A]
110	D40070300	4	Screw	
111	D20400537	4	Spacer	
112	D41087700	8	Locknut	
113	D40410900	4	Hex. Sock. Screw	
114	D20400426	8	Washer	
115	D28181608	2	Stay	From Serial or Engine Number 50030
115	D28184317	2	Stay	Up to Serial or Engine Number 50029
116	D41035000	2	Tightener	From Serial or Engine Number 50030
116	D41035100	2	Tensioner	Up to Serial or Engine Number 50029
117	D41010900	2	Nut	Up to Serial or Engine Number 50029
117	D41011100	2	Nut	From Serial or Engine Number 50030
118	D28181304	2	Stay	Up to Serial or Engine Number 50029
118	D28181610	2	Stay	From Serial or Engine Number 50030
119	D28880465	1	Deflector	Up to Serial or Engine Number 79659
				REKORD
119	D28880484	1	Plate	From Serial or Engine Number 79660
120	D28181580	2	Deflector	[C]
				Up to Serial or Engine Number 50052
120	D28150563	2	Hinge Rod	[B]
				(120)
				Up to Serial or Engine Number 50052
121	D28150560	2	Guard	[B]
				(120)
				Up to Serial or Engine Number 50052

**Massey Ferguson****MF 38/40 COMBINES, |-> 47958 - 63001210****63001210****Straw Nose - Lower Guards And Wind Guard - From Serial or Engine Number 49640****Page015-0030**

Item	Part Number	Qty	Description	Comments
122	D28100327	2	Chain	[B] (120) Up to Serial or Engine Number 50052
123	D42386000	4	Hook	[B] (120) Up to Serial or Engine Number 50052
124	D28160299	4	Hinge	[B] (120) Up to Serial or Engine Number 50052
125	D28181046	10	Spring Wire	[B] (120) Up to Serial or Engine Number 50052
126	D20400518	2	Spacer	From Serial or Engine Number 50030
127	D28181561	1	Frame	Up to Serial or Engine Number 49777
128	D28181562	1	Profile	Up to Serial or Engine Number 49777
129	D20400415	X	Washer	Up to Serial or Engine Number 49777
130	D28181527	2	Tube	From Serial or Engine Number 50053 Up to Serial or Engine Number 50589
130	D28181623	2	Tube	From Serial or Engine Number 50590
131	D28181046	10	Spring Wire	From Serial or Engine Number 50053
132	D28181537	10	Clamp	From Serial or Engine Number 50053
133	D40063700	20	Screw Metric	From Serial or Engine Number 50053
134	D41013500	X	Nut	From Serial or Engine Number 50053
135	D28181583	2	Guide	From Serial or Engine Number 50053 Up to Serial or Engine Number 50589
136	D20400423	2	Washer	From Serial or Engine Number 50053
137	D43387500	2	Lever	From Serial or Engine Number 50053
138	D28181586	2	Guide	From Serial or Engine Number 50053 Up to Serial or Engine Number 50589
139	D28181539	2	Deflector	From Serial or Engine Number 50053 Up to Serial or Engine Number 50589
140	D40405000	12	Hex. Sock. Screw	From Serial or Engine Number +52683
141	D20400506	12	Washer	From Serial or Engine Number 50053
142	D40402400	4	Hex. Sock. Screw	From Serial or Engine Number 50053 Up to Serial or Engine Number 50589
143	D20400470	4	Washer	From Serial or Engine Number 50053
144	D41013400	4	Nut	From Serial or Engine Number 50053 Up to Serial or Engine Number 50589
145	D45743000	2	Plug	From Serial or Engine Number +50230
146	D28180018	2	Fitting	[B]
146	D28181620	2	Fitting	From Serial or Engine Number 50590
147	D28180019	2	Locking Plate	[B]
147	D28181621	2	Locking Plate	From Serial or Engine Number 50590
148	D20400411	16	Washer	From Serial or Engine Number +52498
149	D49157500	2	Decal	
150	D20400519	2	Washer	From Serial or Engine Number +55317

**FOOTNOTE [A] ONLY FOR STRAW CHOPPER****FOOTNOTE [B] OPTIONAL EQUIPM CHAFF SPREADER****FOOTNOTE [C] OPTIONAL EQUIPM CHAFF SPREADER**

MF 38/40 COMBINES, |-> 47958 - 63001210  
90A1504B



90A1504B



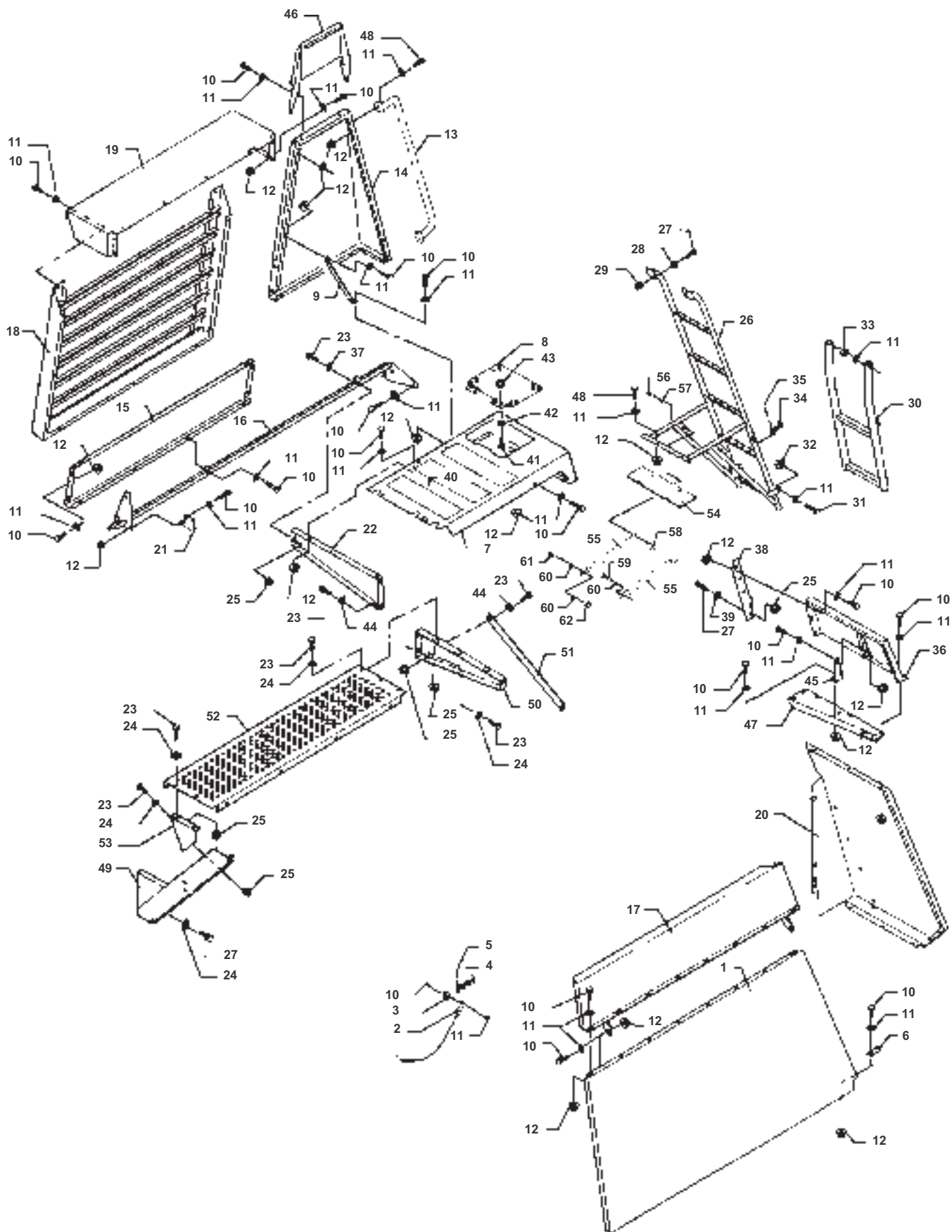
Item	Part Number	Qty	Description	Comments
1	D28180335	1	Plate	
2	D28180346	1	Plate	
3	D40404900	X	Hex. Sock. Screw	
4	D20400506	X	Washer	
5	D28180331	1	Plate	
6	D28180347	1	Plate	
7	D28180171	1	Cowl	
8	D28180334	1	Guard	[B]
9	D43427400	X	Fastener	
10	D28180710	1	Shield	
11	D40402400	X	Hex. Sock. Screw	
12	D20400404	X	Washer	
13	D41013400	X	Nut	
14	D28180338	1	Guard	
15	D28180340	1	Pipe	[B]
16	D28180341	2	Pipe	
17	D28150175	2	Pin	[B]
18	D41405800	X	Split Pin	
19	D20400516	X	Spacer	
20	D28180596	1	Guard	BISO
21	D28180998	4	Plate	
22	D28180777	4	Bracket	
23	D45077100	1	Rh Rear Lamp	
24	D28751068	1	Bracket	Up to Serial or Engine Number 48037
	D28784164	1	Support	From Serial or Engine Number 48038
25	D28780819	1	Arm	[A]
	D28780820	1	Arm	[A]
	D28780816	2	Arm	[A] (25)
26	D42612300	4	Pin	(25)
27	D28751069	1	Bracket	(25) Up to Serial or Engine Number 48037
	D28784163	1	Bracket	(25) From Serial or Engine Number 48038
28	D20400467	8	Washer	(25)
29	D28760286	2	Spring	(25)
30	D40404900	X	Hex. Sock. Screw	
31	D20400506	X	Washer	
32	D45077300	1	Lh Rear Lamp	
33	D45080700	2	Bulb 12v 10w	
34	D45080600	4	Bulb 12v 21w Sbc	
35	D40400700	4	Hex. Sock. Screw	
36	D28180352	2	Guide	
	D28181025	2	Deflector	(36)
37	D28100327	2	Chain	(36)
38	D42386000	4	Hook	(36)
39	D28160299	4	Hinge	(36)
40	D28181024	2	Frame	(36)
41	D28181046	14	Spring Wire	(36)
42	D28181047	2	Hinge Rod	(36)
43	D20400470	X	Washer	(36)
44	D40402400	X	Hex. Sock. Screw	(36)
45	D41013400	X	Nut	(36)
46	D28180692	1	Frame	
47	D28180688	1	Shield	
48	D28180689	1	Shield	
49	D45060045	1	Work Light	
50	D41013600	X	Nut	
51	D45084500	1	Reflector	
52	D40400900	3	Setscrew	
53	D20400401	6	Washer	
54	D41087300	3	Locknut	
55	D28752224	1	Licence Plate	
56	D45085500	2	Lamp	
57	D45080900	2	Bulb	
58	D40402600	3	Hex. Sock. Screw	
59	D20400470	3	Washer	
60	D41013400	3	Nut	
61	D45080200	1	Bulb	
62	D28181084	1	Reinforcement	
63	D28181010	1	Reinforcement	

**Massey Ferguson****MF 38/40 COMBINES, |-> 47958 - 63001210****63001210****Straw Nose - Lower Guards And Wind Guard - Up to Serial or Engine Number 49639 - TYPE 1****Page015-0035**

Item	Part Number	Qty	Description	Comments
64	D20400416	X	Washer	
65	D40407800	X	Hex. Sock. Screw	
66	D41013500	X	Nut	
67	D40426000	2	Hex. Sock. Screw	BISO
68	D41087600	2	Locknut	BISO
69	D20400471	2	Washer	BISO
70	D27800277	2	Spring	BISO
71	D28850684	2	Spring	BISO
72	D28880403	2	Bracket	BISO
73	D42608700	2	Pin	BISO
74	D20400419	X	Washer	
75	D28780326	1	Plate	
76	D28780520	1	Frame	
77	D45068200	1	Electric Socket	
78	D45068300	1	Dustcap	
79	D28180916	1	Plate	
80	D28180917	1	Plate	
81	D45085600	2	Reflector	
82	D44735900	X	Seal Section	Length 0,215 M
83	D45020001	X	Hose	Length 0,150 M
84	D28761501	2	Plate	
85	D45729800	2	Clamp	
86	D45084600	2	Reflector	
87	D28181086	2	Tensioner	
88	D28181087	2	Tensioner	
89	D40408000	8	Hex. Sock. Screw	
90	D28880465	1	Deflector	REKORD
91	D28180785	4	Plate	
92	D40433400	4	Screw Metric	
93	D28181284	8	Washer	
94	D41087400	4	Locknut	
95	D28180595	3	Shield	BISO
96	D45070041	1	Fuse	From Serial or Engine Number +49640

**FOOTNOTE [A] USED +F.46220****FOOTNOTE [B] OPTIONAL EQUIPMENT**

MF 38/40 COMBINES, |-> 47958 - 63001210  
90C1505A

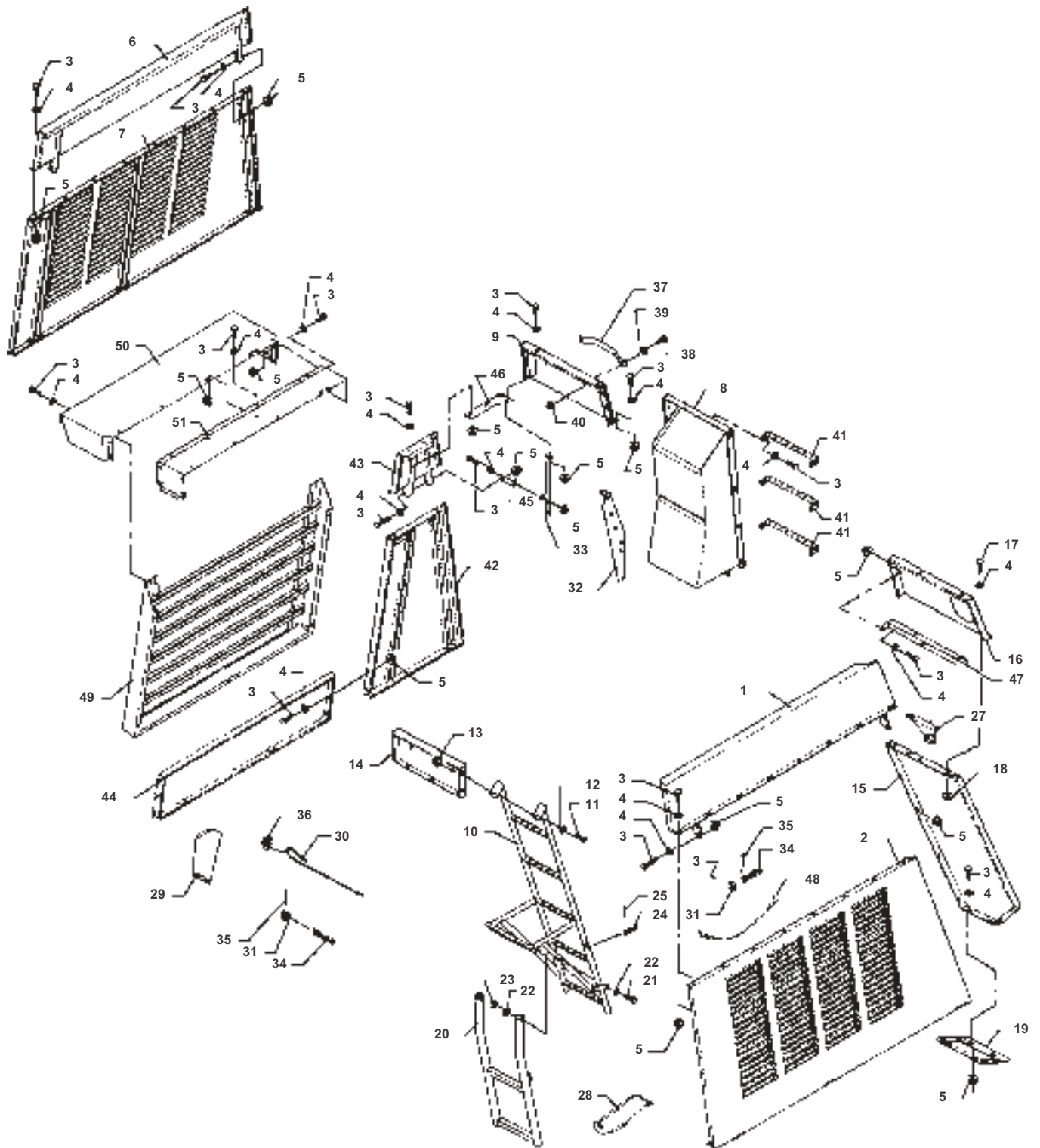


**Massey Ferguson****MF 38/40 COMBINES, |-> 47958 - 63001210****63001210****Upper Guarding - Engine - From Serial or Engine Number 49640****Page015-0040**

Item	Part Number	Qty	Description	Comments
1	D28181466	1	Cowl	
2	D28160688	2	Wire	
3	D28180969	2	Bracket	
4	D44737100	2	Rubber Strap	
5	D41411100	2	Split Pin	
6	D28181263	1	Locking Plate	
7	D28181389	1	Platform	
8	D28184285	1	Cover	
9	D28181391	1	Stay	
10	D40404900	X	Hex. Sock. Screw	
11	D20400506	X	Washer	
12	D41013500	X	Nut	
13	D28752355	1	Lever	
14	D28181393	1	Panel	
15	D28181403	1	Shield	
16	D28181396	1	Profile	
17	D28181473	1	Trap	
18	D28781164	1	Grille	
19	D28781169	1	Shield	
20	D28181441	1	Shield	
21	D28181511	1	Hinge	
22	D28181388	1	Support	
23	D40407700	X	Hex. Sock. Screw	
24	D20400419	X	Washer	
25	D41087600	X	Locknut	From Serial or Engine Number +52565
26	D28181492	1	Ladder	
27	D40407800	2	Hex. Sock. Screw	
28	D20400471	2	Washer	
29	D41087600	2	Locknut	From Serial or Engine Number +52565
30	D28151081	1	Step	
31	D40423900	2	Hex. Sock. Screw	
32	D20400500	2	Spacer	
33	D41087500	2	Locknut	
34	D44737200	1	Rubber Strap	
35	D41411100	1	Split Pin	
36	D28181505	1	Guard	
37	D20400471	1	Washer	
38	D28181501	1	Stay	
39	D20400414	X	Washer	
40	D44738900	X	Strip	Length 1,440 M
41	D40402400	4	Hex. Sock. Screw	From Serial or Engine Number +53602
42	D20400470	4	Washer	
43	D41013400	4	Nut	
44	D20400416	X	Washer	
45	D28181502	1	Stay	
46	D28181512	1	Guard	
47	D28181498	1	Stay	
49	D28180802	1	Bracket	
50	D28180487	1	Bracket	
51	D28180480	1	Tensioner	
52	D28180889	1	Step	
53	D28181021	1	Bracket	
54	D28181142	1	Spacer	[A]
55	D28182162	2	Stay	[B]
56	D40405100	2	Hex. Sock. Screw	[B]
57	D20400506	2	Washer	[B]
58	D41087500	2	Locknut	[B]
59	D40408000	1	Hex. Sock. Screw	[B]
60	D20400415	1	Washer	[B]
61	D40477200	1	Hex. Sock. Screw	[B]
62	D41087600	X	Locknut	[B]

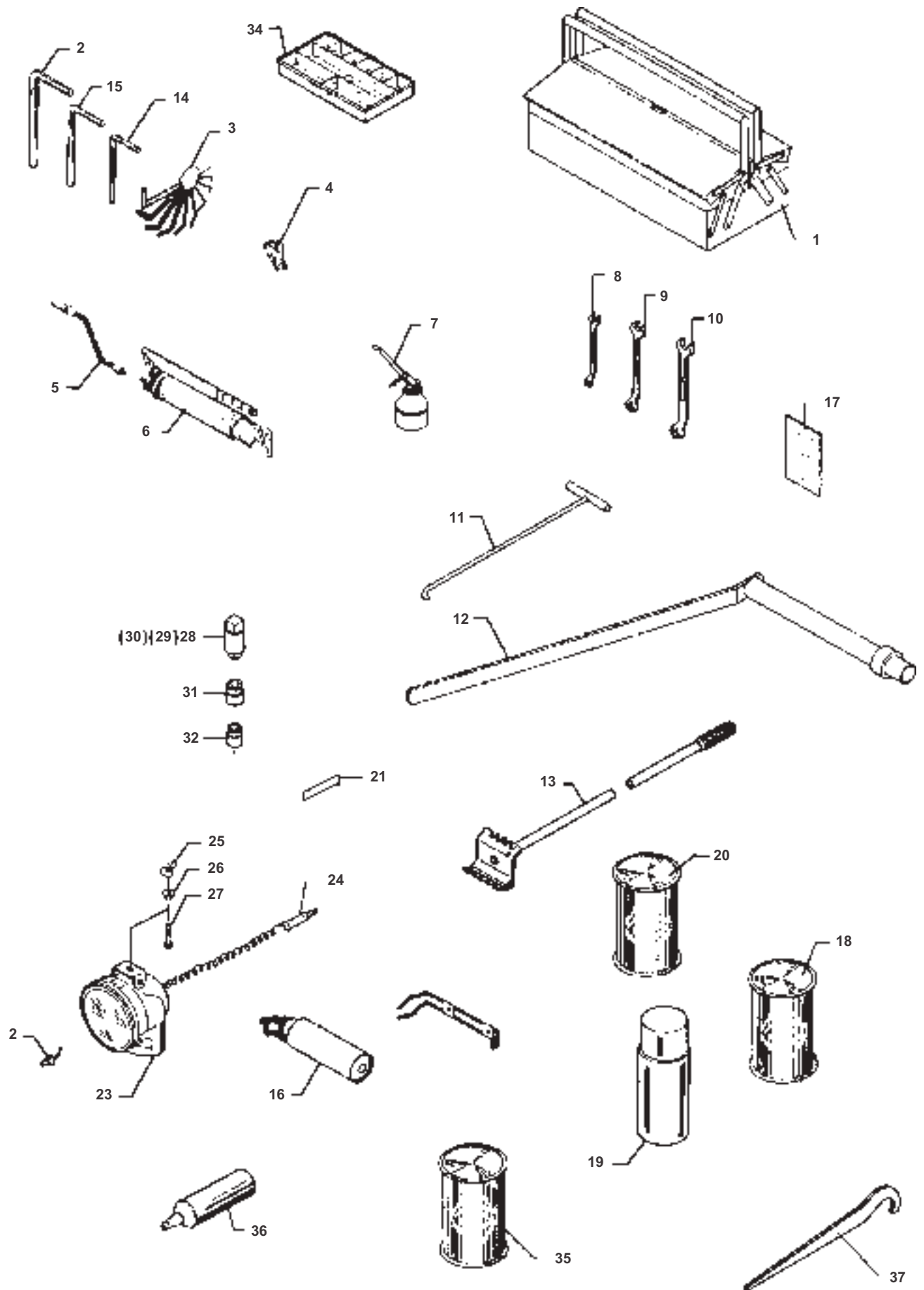
**FOOTNOTE [A] OPTIONAL EQUIPM 4-WHEEL DRIVE****FOOTNOTE [B] 600 L FUEL TANK**

MF 38/40 COMBINES, |-> 47958 - 63001210  
90-1505B



Item	Part Number	Qty	Description	Comments
1	D28180894	1	Cover	
2	D28180896	1	Shutter	
3	D40404900	X	Hex. Sock. Screw	OPTIONAL
4	D20400506	X	Washer	OPTIONAL
5	D41013500	X	Nut	OPTIONAL
6	D28180895	1	Shutter	Up to Serial or Engine Number 48792
7	D28180897	1	Shutter	Up to Serial or Engine Number 48792
8	D28180209	1	Hydr Hose	
9	D28180906	1	Corner	
10	D28180684	1	Ladder	
11	D40407800	2	Hex. Sock. Screw	
12	D20400471	2	Washer	
13	D41013600	2	Nut	
14	D28180905	1	Shield	
15	D28180907	1	Plate	
16	D28180904	1	Corner	
17	D40404700	X	Hex. Sock. Screw	
18	D41013500	X	Nut	
19	D28180625	1	Band	
20	D28151081	1	Step	
21	D40423700	2	Screw Metric	
22	D20400506	4	Washer	
23	D41087500	2	Locknut	
24	D44737200	1	Rubber Strap	
25	D41411100	1	Split Pin	
27	D28180955	1	Bracket	
28	D28180950	1	Bracket	
29	D28181297	1	Support	From Serial or Engine Number 48793
	D28180949	1	Bracket	Up to Serial or Engine Number 48792
30	D28180957	2	Stem	From Serial or Engine Number 48793
	D28180957	4	Stem	Up to Serial or Engine Number 48792
31	D28180969	2	Bracket	
32	D28180912	1	Reinforcement	
33	D28181291	1	Support	From Serial or Engine Number 48793
	D28180945	1	Bracket	Up to Serial or Engine Number 48792
34	D44737100	4	Rubber Strap	
35	D41411100	4	Split Pin	
36	D43405900	8	Bracket	From Serial or Engine Number 48792
	D43405900	16	Bracket	Up to Serial or Engine Number 48792
37	D28130373	1	Lever	
38	D40402400	2	Hex. Sock. Screw	
39	D20400404	2	Washer	
40	D41013400	2	Nut	
41	D28181017	3	Support	
42	D28181286	1	Bottom	From Serial or Engine Number 48793
43	D28181294	1	Trap	From Serial or Engine Number 48793
44	D28181287	1	Door	From Serial or Engine Number 48793
45	D28181295	1	Angle	From Serial or Engine Number 48793
46	D28181345	1	Brace	From Serial or Engine Number 48793
47	D28180910	1	Reinforcement	
48	D28160688	2	Wire	From Serial or Engine Number +48793
49	D28784280	1	Grille	From Serial or Engine Number 48793
50	D28784275	1	Grille	From Serial or Engine Number 48793
51	D28781105	1	Adaptor	From Serial or Engine Number 48793

MF 38/40 COMBINES, |-> 47958 - 63001210  
90B1601



## Tools - Paint

Item	Part Number	Qty	Description	Comments
1	D43712600	1	Tool Box	
2	D43704400	1	Allen Key	
3	D43705100	1	Kit	
4	D27300186	1	Feeler Guage	
5	D43709800	1	Hose	
6	D43709700	1	Grease Gun	
7	D43710300	1	Oil Can	
8	D43707700	1	Spanner	
9	D43707800	1	Spanner	
10	D43707900	1	Spanner	
11	D28530187	1	Tool	
12	D28380136	1	Key	
13	D28450569	1	Scraper	
14	D43705500	1	Allen Key	
15	D43715200	1	Spanner	From Serial or Engine Number +50531
16	D43713400	1	Extinguisher	6 KG
	D43713500	1	Extinguisher	3 KG
	D43714200	1	Extinguisher	2 KG
17	D28580181	1	Bag	
18	D49205500	X	Paint Red	3/4 L
19	D49205900	X	Paint Red	SPRAY
20	D49205700	X	Paint Red	5 L
21	D28780689	1	Spring	
22	D28761343	1	Work Light	
	D45080200	1	Bulb	(22)
23	D45077700	1	Work Light	(22)
24	D45026600	1	Intake	(22)
25	D41057200	1	Nut	(22)
26	D41010800	1	Nut	(22)
				From Serial or Engine Number +52565
27	D40408300	1	Screw Metric	(22)
28	D28151359	1	Connector	
	D28151358	1	Connector	(28)
29	D28151357	1	Spring	(28)
30	D41647600	1	Ball	(28)
31	D43709600	1	Key	
32	D43708900	1	Key	
34	D28780770	1	Parts Pack	
35	D49205200	1	Paint	DS 3/4L
36	D49208700	1	Grease	
37	D28280440	1	Tool	



NO ILLUSTRATED  
NON ILLUSTRE  
NICHT ABGEBILDET  
NO ILLUSTRADO  
NO ILLUSTRATED

## WIRING HARNESS DV2 +

Item	Part Number	Qty	Description	Comments
1	D28752249	X	Wiring Harness	[A]
2	D28850906	X	Harness	[B]
3	D28280613	X	Harness	[C]
4	D28780205	X	Cable	+
5	D28780365	X	Cable	[D] From Serial or Engine Number 49640
6	<b>D45010092</b>	X	Magnet	[D] From Serial or Engine Number 49640
7	D28780800	X	Harness	[D] Up to Serial or Engine Number 49639
8	D28780388	X	Wiring Harness	[E]
9	D28780390	X	Wiring Harness	[F] Up to Serial or Engine Number 53049
10	D28781584	X	Harness	[F] From Serial or Engine Number 53050
11	D28780391	X	Connectors	[G]
12	D28780393	X	Wiring Harness	[H] Up to Serial or Engine Number 53049
13	D28780394	X	Wiring Harness	[I] Up to Serial or Engine Number 53049

**FOOTNOTE [A]** REGISTRATION PLATE LIGHT

**FOOTNOTE [B]** FOR MAGNET

**FOOTNOTE [C]** FOR TABLE TRAILER 1

**FOOTNOTE [D]** FOR STRAW ALARM

**FOOTNOTE [E]** FRONT LIGHT

**FOOTNOTE [F]** CAB

**FOOTNOTE [G]** FOR CAB

**FOOTNOTE [H]** DATAVISION (MONITOR, PRINTER)

**FOOTNOTE [I]** DVI/FLOW CONTROL (FLOW CONTROL, GRAIN LOSS MONITOR)

NO ILLUSTRATED  
NON ILLUSTRE  
NICHT ABGEBILDET  
NO ILLUSTRADO  
NO ILLUSTRATED

Item	Part Number	Qty	Description	Comments
1	D28781583	X	Harness	[A] From Serial or Engine Number 53050
2	D28780396	X	Wiring Harness	[B] Up to Serial or Engine Number 53049
3	D28780461	X	Harness	[C] Up to Serial or Engine Number 53049
4	D28781595	X	Harness	[D] From Serial or Engine Number 53050
5	D28780467	X	Harness	[E] Up to Serial or Engine Number 53049
6	D28780470	X	Harness	[F] Up to Serial or Engine Number 53049
7	D28781618	X	Harness	[F] From Serial or Engine Number 53050
8	D28780506	X	Cable	-
9	D28780515	X	Cable	[G]
10	D28780612	X	Harness	[H] Up to Serial or Engine Number 53049
11	D28780613	X	Wiring Harness	[I]
12	D28780640	X	Wiring Harness	[J] Up to Serial or Engine Number 53764
13	D28780641	X	Harness	[K]

**FOOTNOTE [A]** DATAVISION, GRAIN LOSS MONITOR

**FOOTNOTE [B]** DATAVISION I, BUS CABLE

**FOOTNOTE [C]** FRONT AXLE, AUTO-LEVEL COMBINE

**FOOTNOTE [D]** DATAVISION II, FRONT AXLE, LEVELLING

**FOOTNOTE [E]** FOR SWITCH, AUTO-LEVEL COMBINE

**FOOTNOTE [F]** FOR TILT SENSOR

**FOOTNOTE [G]** BATTERY-MAIN SWITCH

**FOOTNOTE [H]** FOR WIPER

**FOOTNOTE [I]** WORK LIGHT (CAB ROOF)

**FOOTNOTE [J]** ENGINE WIRING

**FOOTNOTE [K]** LEFT (TRESHING ENGAGEMENT, JUNCTION BOX REAR)

NO ILLUSTRATED  
NON ILLUSTRE  
NICHT ABGEBILDET  
NO ILLUSTRADO  
NO ILLUSTRATED

Item	Part Number	Qty	Description	Comments
1	D28780688	X	Harness	[A] FREON R12
2	D28781363	X	Harness	[A] FREON R134
3	D28780961	X	Harness	[B]
4	D28780962	X	Cable	[C]
5	D28780964	X	Harness	[D]
6	D28780965	X	Wire	[E] Up to Serial or Engine Number 53049
7	D28781520	X	Wiring Harness	[E] From Serial or Engine Number 53050
8	D28781601	X	Switch Box	[F] From Serial or Engine Number 53050
9	D28780985	X	Harness	[G] Up to Serial or Engine Number 931569
10	D28780986	X	Harness	[H] Up to Serial or Engine Number 931569
11	D28780987	X	Harness	[I]
12	D28781012	X	Harness	[J]
13	D28781018	X	Harness	[K]

**FOOTNOTE [A]** A.C. CLUTCH

**FOOTNOTE [B]** RIGHT(GRAIN TANK-FUEL TANK-CYLINDER REVOL-FAN REVO UNLOADING AUGER CLUTCH)

**FOOTNOTE [C]** ENGINE CABLE, REVERSE DRIVE

**FOOTNOTE [D]** HARVEST FUNCTION, FRONT

**FOOTNOTE [E]** FOR STD ELECTRIC BOX

**FOOTNOTE [F]** FOR AL ELECTRIQUE BOX

**FOOTNOTE [G]** FOR TABLE TRAILER 2

**FOOTNOTE [H]** TENSION ROD

**FOOTNOTE [I]** LIGHT BAR

**FOOTNOTE [J]** REAR (STRAW HOOD)

**FOOTNOTE [K]** DATAVISION/MONITORING(REV.CUTTING HEIGHT, STONE TRAP, TRACTION)

NO ILLUSTRATED  
NON ILLUSTRE  
NICHT ABGEBILDET  
NO ILLUSTRADO  
NO ILLUSTRATED

Item	Part Number	Qty	Description	Comments
1	D28980943	X	Handle	[A] Up to Serial or Engine Number 53049
2	D28781999	X	Harness	[A] From Serial or Engine Number +54690
3	D28980996	X	Wiring Harness	[B]
4	D28780752	X	Protector	[C,I] FOR D45060097
5	D28780778	X	Harness	[D,I] 4 POLE FLAT PLUG
6	D45050067	X	Harness	[D,I] 3 POLE ROUNDPLUG
7	D28780883	X	Cable	[E,I] BISO
8	D28780901	X	Cable	[F,I] Up to Serial or Engine Number 53049
9	D28781608	X	Harness	[F,I] From Serial or Engine Number 53050
10	D28780938	X	Harness	[G,I] Up to Serial or Engine Number 53049
11	D28781759	X	Harness	[G,I] From Serial or Engine Number 53050
12	D28780945	X	Harness	[H,I] Up to Serial or Engine Number 53049
13	D28781612	X	Harness	[H,I] From Serial or Engine Number 53050

**FOOTNOTE [A]** MULTI-FUNCTION LEVER

**FOOTNOTE [B]** FOR RADIO CPL.

**FOOTNOTE [C]** GRAIN LOSS MONITOR

**FOOTNOTE [D]** PIPE SENSOR - FOR D45062700

**FOOTNOTE [E]** ELEC. SPREADER PLATE

**FOOTNOTE [F]** CHAFF SPREADER

**FOOTNOTE [G]** REEL/FIELD PRESSURE ADJUSTMENT

**FOOTNOTE [H]** FORWARD SPEED CONTROL

**FOOTNOTE [I]** OPTIONAL EQUIPMENT



NO ILLUSTRATED  
NON ILLUSTRE  
NICHT ABGEBILDET  
NO ILLUSTRADO  
NO ILLUSTRATED

Item	Part Number	Qty	Description	Comments
1	D28780968	X	Harness	[A,M] Up to Serial or Engine Number 53049
2	D28781657	X	Harness	[B,M] From Serial or Engine Number 53050
3	D28781658	X	Harness	[O,M] From Serial or Engine Number 53050
4	D28781011	X	Harness	[C,M]
5	D28781017	X	Wire	[D,M] Up to Serial or Engine Number 53049
6	D28781022	X	Harness	[E,M] Up to Serial or Engine Number 49640
7	D28781025	X	Harness	[F,M] Up to Serial or Engine Number 53049
8	D28781078	X	Wire	[G,M] Up to Serial or Engine Number 49640
9	D28781188	X	Harness	[H,M]
10	D28781189	X	Harness	[I,M]
11	D28781190	X	Harness	[J,M]
12	D28781191	X	Harness	[K,M]
13	D28781192	X	Harness	[L,M]

**FOOTNOTE [A]** RETURNS VOLUME, STRAW CHOPPER

**FOOTNOTE [B]** RETURNS VOLUME

**FOOTNOTE [C]** FOR TABLE

**FOOTNOTE [D]** CAB, ADJUSTMENT

**FOOTNOTE [E]** ELECTRIC BOX, REEL FIELD PRESSURE ADJUSTMENT

**FOOTNOTE [F]** ELECT. BOX, FORWARD SPEED CONTROL

**FOOTNOTE [G]** CAB.ELECT.BOX, ADJUSTMENT

**FOOTNOTE [H]** RH VERTICAL KNIFE, ELECTRIC BOX

**FOOTNOTE [I]** RH VERTICAL KNIFE , ELECTRIC BOX - TABLE

**FOOTNOTE [J]** RH VERTICAL KNIFE , TABLE

**FOOTNOTE [K]** LH VERTICAL KNIFE, ELECTRIC BOX

**FOOTNOTE [L]** LH VERTICAL KNIFE, TABLE

**FOOTNOTE [M]** OPTIONAL EQUIPMENT

**FOOTNOTE [O]** STRAW CHOPPER VIBRATION SENSOR

NO ILLUSTRATED  
NON ILLUSTRE  
NICHT ABGEBILDET  
NO ILLUSTRADO  
NO ILLUSTRATED

Item	Part Number	Qty	Description	Comments
1	D28781193	X	Cable	[A,B] Up to Serial or Engine Number 49639
2	D28781194	X	Harness	[B] Up to Serial or Engine Number 53049
3	D28781585	X	Harness	[B] From Serial or Engine Number 53050
4	D28781199	X	Harness	[D,B] Up to Serial or Engine Number 53049
5	D28781200	X	Wiring Harness	[E,B] Up to Serial or Engine Number 53049
6	D28781622	X	Harness	[F,B] From Serial or Engine Number 53050
7	D28781201	X	Harness	[G,B] Up to Serial or Engine Number 53049
8	D28781202	X	Harness	[H,B] Up to Serial or Engine Number 53049
9	D28781258	X	Harness	[I] Up to Serial or Engine Number 53049
10	D28781339	X	Table Elevator	[J,B] Up to Serial or Engine Number 53049
11	D28781798	X	Wiring Harness	[K] From Serial or Engine Number 931570
12	D28781805	X	Harness	[L,B] From Serial or Engine Number +54007
13	D28781195	X	Harness	[C,B] Up to Serial or Engine Number 53049

**FOOTNOTE [A]** VERTICAL KNIFE, TABLE

**FOOTNOTE [B]** OPTIONAL EQUIPMENT

**FOOTNOTE [C]** ELECTRIC BOX, REEL FIELD PRESSURE ADJUSTMENT

**FOOTNOTE [D]** SPREADER PLATE, ELECTRIC BOX-SPREADER SPOUT (REKORD)

**FOOTNOTE [E]** SPREADER PLATE, ELECTRIC BOX (REKORD)

**FOOTNOTE [F]** DEFLECTORS

**FOOTNOTE [G]** FOR AL ELECTRIQUE BOX

**FOOTNOTE [H]** TABLE, AUTO-LEVEL, POWERFLOW

**FOOTNOTE [I]** AUTO-LEVEL, FREEFLOW

**FOOTNOTE [J]** TABLE, SLOW LIFT

**FOOTNOTE [K]** FOR TABLE TRAILER

**FOOTNOTE [L]** FOR PREHEATER

NO ILLUSTRATED  
NON ILLUSTRE  
NICHT ABGEBILDET  
NO ILLUSTRADO  
NO ILLUSTRATED

## WIRING HARNESS DV2 +

Item	Part Number	Qty	Description	Comments
1	D28781806	X	Harness	[A,P] From Serial or Engine Number +54007
2	D28781807	X	Pointer	[B,P] From Serial or Engine Number 54007+
3	D28782143	X	Harness	[C,P] From Serial or Engine Number +53765
4	D28781603	X	Harness	[D] From Serial or Engine Number 53050
5	D28781553	X	Wiring Harness	[E] From Serial or Engine Number 53050
6	D28781497	X	Harness	[F]
7	D28781611	X	Wiring Harness	[D]
8	D28781813	X	Wiring Harness	[G]
9	D28782051	X	Harness	[H]
10	D28781478	X	Harness	[I]
11	D28781632	X	Wiring Harness	[J]
12	D28781638	X	Harness	[K]
13	D28781647	X	Harness	[L] From Serial or Engine Number 53050
14	D28781833	X	Harness	
15	D28785457	X	Harness	

FOOTNOTE [A] FOR TIMER RELAY

FOOTNOTE [B] FOR PILOT LAMP

FOOTNOTE [C] FOR ENGINE

FOOTNOTE [D] FOR STD ELECTRIC BOX

FOOTNOTE [E] CAB

FOOTNOTE [F] LH JOBCOMPUTER, STD

FOOTNOTE [G] FOR BATTERY 2

FOOTNOTE [H] CUTTING HEIGHT

FOOTNOTE [I] 4 WD

FOOTNOTE [J] FOR FLOW DIVIDER

FOOTNOTE [K] FOR COM UNIT

FOOTNOTE [L] FOR CHOPPER VIBRATION MONITOR

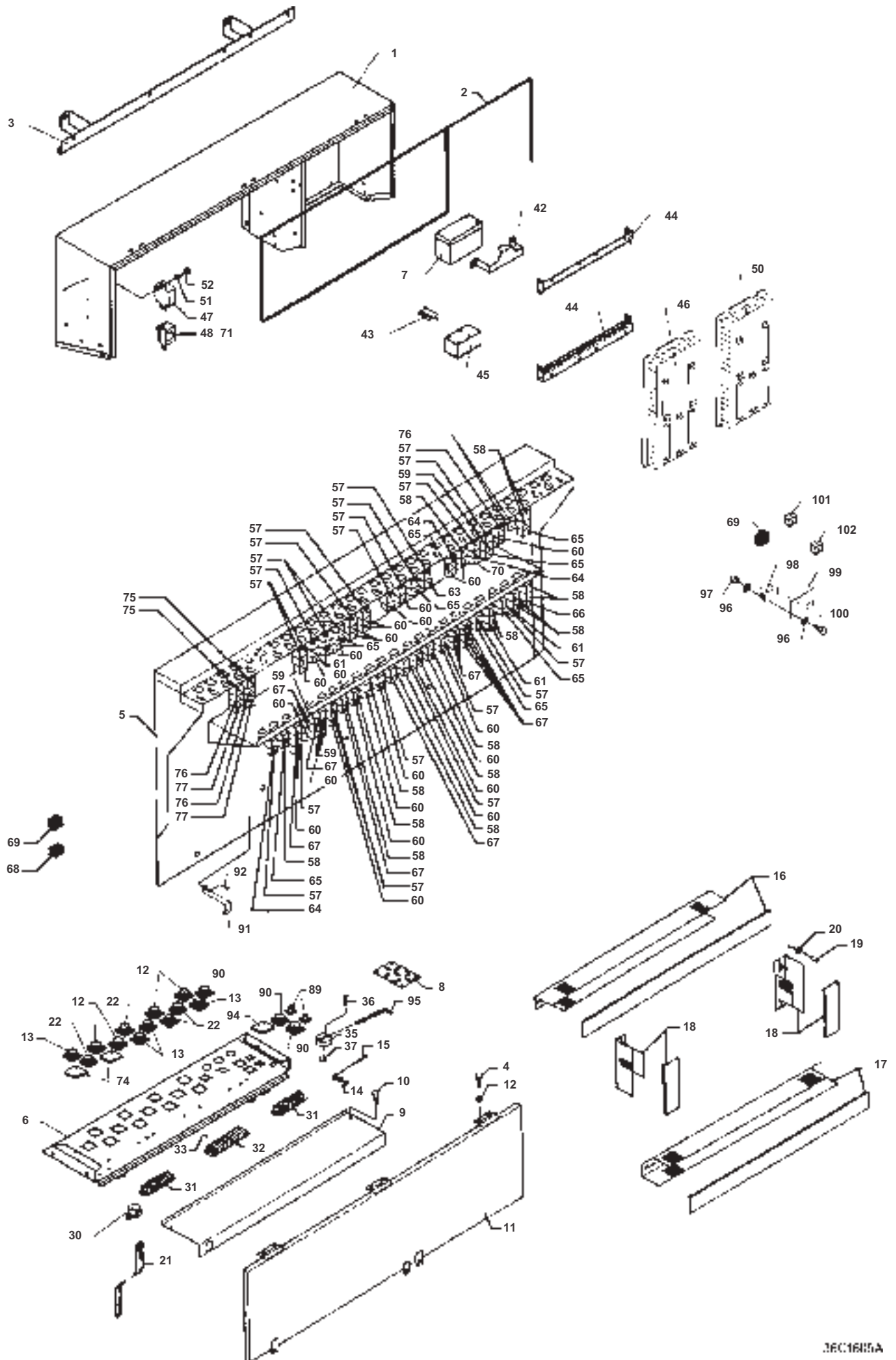
FOOTNOTE [M] MICRO TRAK YELDMETER

FOOTNOTE [N] 25' TABLE, LEFT

FOOTNOTE [O] 25' TABLE, RIGHT

FOOTNOTE [P] OPTIONAL EQUIPMENT

MF 38/40 COMBINES, |-> 47958 - 63001210  
38C1605A



Item	Part Number	Qty	Description	Comments
1	D28781625	1	Electronic Box	
2	D44735300	X	Gasket	Length 3,200 M
3	D28781530	2	Fitting	
5	D28781482	1	Plate	
6	D28781480	1	Plate	
7	D44900050	1	Battery	
8	D28781696	1	Cover	
9	D28781486	1	Cover	
10	D43385100	1	Screw	
11	D28781488	1	Cover	
12	D45010020	4	Intake	
13	D45010007	4	Intake	
14	D44737200	2	Rubber Strap	
15	D41410800	2	Split Pin	
16	D28781180	1	Duct	
17	D28780526	1	Fence	
18	D28780527	2	Fence	
19	D41399800	10	Rivet	
20	D20400401	10	Washer	
21	D28760642	1	Earth Strap	
22	D45010018	4	Intake	
30	D45026300	1	Electric Socket	
31	D45010099	2	Rail	
32	D45010096	1	Rail	
33	D45010097	3	Wire	
35	D28780351	1	Screw	
36	D40318300	2	Screw Metric	
37	D40600900	1	Screw Metric	
42	D28781629	1	Fitting	
43	D28781212	1	Bracket	
44	D28781628	2	Bracket	
45	D28781617	1	Box	
46	D28782235	1	Computer	From Serial or Engine Number +55529
47	D45088800	1	Relay	
48	D45086800	1	Relay	
50	D28782233	1	Computer	From Serial or Engine Number +56011
	D28080800	1	Computer	Up to Serial or Engine Number 56010
51	D20400400	6	Washer	
57	D45060021	22	Relay	
58	D45087700	16	Relay	
59	<b>D45070089</b>	2	Relay	
60	D45010069	19	Fuse	
61	D45010073	3	Fuse	
63	D45010070	3	Fuse	
64	D45010075	2	Fuse	
65	D45010071	3	Fuse	
66	D45010074	1	Fuse	
67	D45010094	12	Diode	
68	D45010076	X	Fuse Holder	
69	D45010068	2	Case Assy	
70	D28781604	1	Diode	
71	D45020000	1	Intake	
74	D28780471	2	Plate	
75	D45087700	2	Relay	ACC AUTO-LEVEL
76	D45010094	2	Diode	ACC AUTO-LEVEL
77	D45010069	2	Fuse	[E] ACC AUTO-LEVEL
81	D45010071	2	Fuse	[A]
83	D45010069	1	Fuse	[B]
89	D28781298	1	Relay	[C]
	D45010006	2	Plug	
90	D45010009	2	Intake	
	D45010070	1	Fuse	[D]
91	D28781347	1	Fitting	[C]
92	D40740100	1	Screw	[C]
94	D28781671	1	Plate	
95	D28780837	1	Harness	
96	D20400400	4	Washer	From Serial or Engine Number 54842
97	D41087200	2	Locknut	From Serial or Engine Number 54842
98	D45080024	1	Relay	From Serial or Engine Number 54842
99	D28782222	1	Support	From Serial or Engine Number 54842

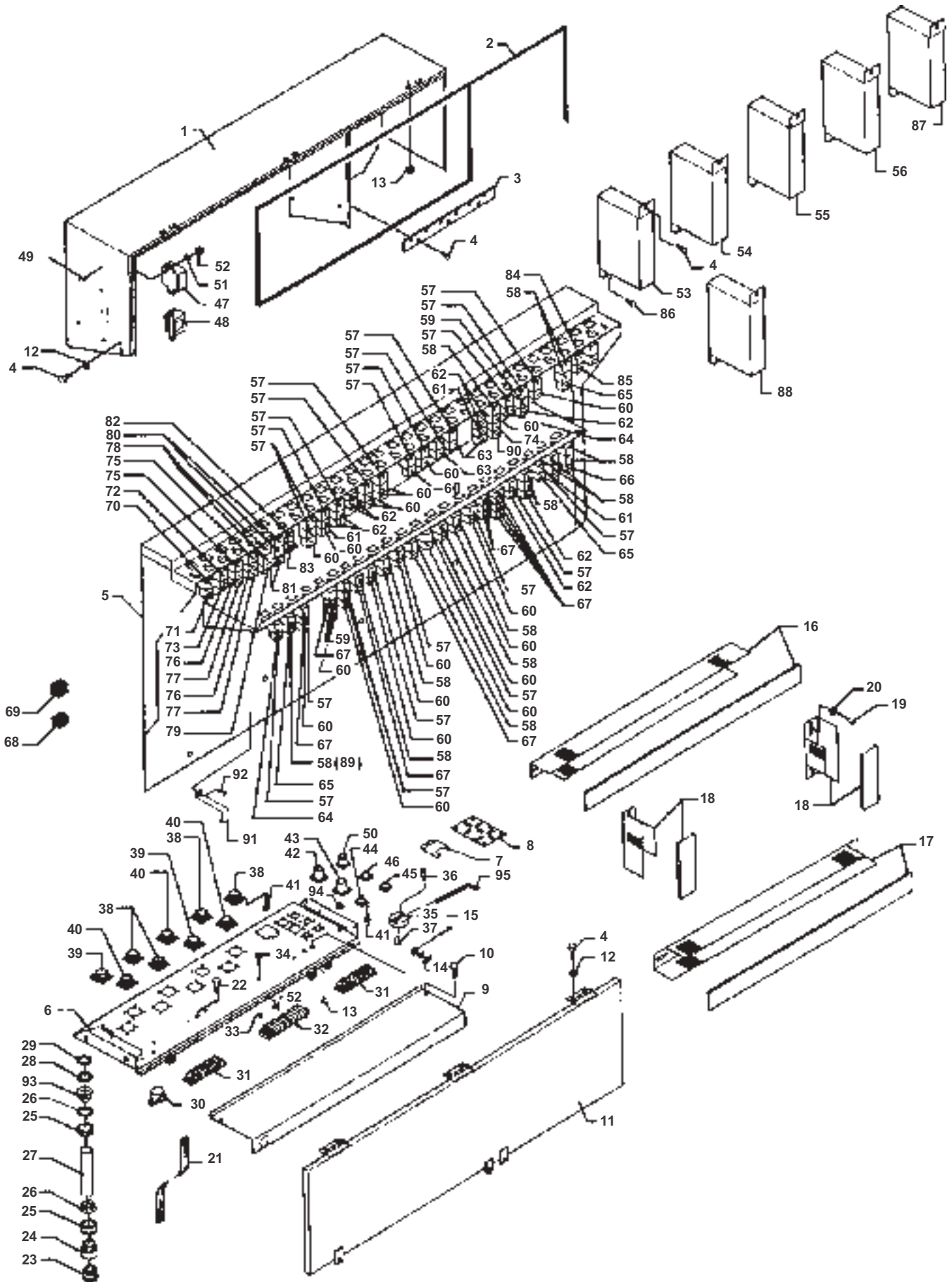


**Massey Ferguson****MF 38/40 COMBINES, |-> 47958 - 63001210****63001210****Electric Box - Standard Machine - From Serial or Engine Number 53050****Page016-0045**

<b>Item</b>	<b>Part Number</b>	<b>Qty</b>	<b>Description</b>	<b>Comments</b>
100	D40351800	2	Screw	From Serial or Engine Number 54842
101	<b>D45070089</b>	1	Relay	
102	D44900589	1	Diode	

**FOOTNOTE [A]** OPTIONAL EQUIPM. ELEC. SPREADER PLATE "REKORD"**FOOTNOTE [B]** OPTIONAL EQUIPM CHAFF SPREADER**FOOTNOTE [C]** OPTIONAL EXTRA MAIZE**FOOTNOTE [D]** OPTIONAL EQUIPM FORWARDSPEED CONTROL**FOOTNOTE [E]** OPTIONAL EQUIPMENT REEL/FIELD PRESSURE ADJUSTMENT

MF 38/40 COMBINES, |-> 47958 - 63001210  
84D1605



Massey Ferguson

MF 38/40 COMBINES, |-> 47958 - 63001210

63001210

Electric Box - Standard Machine - Up to Serial or Engine Number 53049

Page016-0050

Item	Part Number	Qty	Description	Comments
1	D28780886	1	Electronic Box	
2	D44735300	X	Gasket	Length 3.200 M
3	D28780721	1	Slipper	
4	D40402400	X	Hex. Sock. Screw	
5	D28781178	1	Plate	
6	D28781177	1	Plate	
7	D28880287	1	Cover	
8	D28781179	1	Plate	
9	D28780891	1	Plate	
10	D43385100	2	Screw	
11	D28780892	1	Cover	
12	D20400470	X	Washer	
13	D41013400	X	Nut	
14	D44737200	2	Rubber Strap	
15	D41410800	2	Split Pin	
16	D28781180	1	Duct	
17	D28780526	1	Fence	
18	D28780527	2	Fence	
19	D41399800	10	Rivet	
20	D20400401	10	Washer	
21	D28760642	1	Earth Strap	
22	D40405000	1	Hex. Sock. Screw	
23	D45010008	1	Intake	
24	D28780306	1	Union	
25	D45020082	2	Union	
26	D45020092	2	Gasket	
27	D45020003	X	Hose	Length 0.54M
28	D45020052	1	Nut	
29	D45020042	1	Gasket	
30	D45026300	1	Electric Socket	
31	D45010099	2	Rail	
32	D45010096	1	Rail	
33	D45010097	3	Wire	
34	D40352000	8	Screw Metric	
35	D28780351	1	Screw	
36	D40318300	2	Screw Metric	
37	D40600900	1	Screw Metric	
38	D45010020	4	Intake	
39	D45010007	2	Intake	
40	D45010018	3	Intake	
41	D40741200	X	Screw	
42	D45010009	1	Intake	[A]
43	D45010011	1	Plug	[B]
44	D45010006	1	Plug	[C]
	D45010011	1	Plug	[D]
45	D45010006	1	Plug	[E]
46	D45010006	1	Plug	ACC AUTO-LEVEL
47	D45088800	1	Relay	
48	D45086800	1	Relay	
49	D40400200	3	Hex. Sock. Screw	
50	D45010020	1	Intake	[F]
51	D20400400	6	Washer	
52	D41010400	4	Nut	
53	D45070092	1	Module	Up to Serial or Engine Number 48792
	D45070056	1	Module	From Serial or Engine Number 48793
				Up to Serial or Engine Number 50991
	D45070096	1	Module	Up to Serial or Engine Number 49924
				JUGOSLAVIA
	D45080079	1	Module	From Serial or Engine Number +51598
				Up to Serial or Engine Number 52594
	D45080083	1	Module	From Serial or Engine Number 52565
54	D45070098	1	Module	Up to Serial or Engine Number 49924
				JUGOSLAVIA
	D45070057	1	Module	From Serial or Engine Number 48793
				Up to Serial or Engine Number 50991
	D45070091	1	Module	Up to Serial or Engine Number 48792
	D45080082	1	Module	Up to Serial or Engine Number 52564

Item	Part Number	Qty	Description	Comments
54	D45080082	1	Module	From Serial or Engine Number 51598 Up to Serial or Engine Number 52594
54	D45080084	1	Module	From Serial or Engine Number +52565
55	D45070099	1	Flow Regulator	Up to Serial or Engine Number 49924 JUGOSLAVIA
55	D45070058	1	Module	[G] Up to Serial or Engine Number 50991
55	D45080075	1	Module	[H] Up to Serial or Engine Number 52564
55	D45080087	1	Module	From Serial or Engine Number +52565
56	D45080072	1	Module	[A] ACC AUTO-LEVEL From Serial or Engine Number +50531 Up to Serial or Engine Number 50991
56	D45080078	1	Module	Up to Serial or Engine Number 51807
56	D45080086	1	Module	From Serial or Engine Number +52564
57	D45060021	22	Relay	
58	D45087700	16	Relay	
59	<b>D45070089</b>	2	Relay	
60	D45010069	19	Fuse	
61	D45010073	3	Fuse	
62	D45010072	9	Fuse	
63	D45010070	3	Fuse	
64	D45010075	2	Fuse	
65	D45010071	3	Fuse	
66	D45010074	1	Fuse	
67	D45010094	12	Diode	
68	D45010076	X	Fuse Holder	
69	D45010068	X	Case Assy	
70	D45060021	1	Relay	[I]
71	D45010075	1	Fuse	[I]
72	D45060021	1	Relay	[J]
73	D45010075	1	Fuse	[J]
74	D45010069	1	Fuse	[A]
75	D45087700	2	Relay	ACC AUTO-LEVEL
76	D45010094	2	Diode	ACC AUTO-LEVEL
77	D45010069	2	Fuse	[A] ACC AUTO-LEVEL
78	D45087700	2	Relay	[K]
79	D45010074	1	Fuse	[D]
80	D45087700	2	Relay	[C]
81	D45010071	2	Fuse	[C]
82	D45060021	1	Relay	[E]
83	D45010069	1	Fuse	[E]
84	D45060021	1	Relay	[M]
85	D45010069	1	Fuse	[M]
86	D40402200	X	Hex. Sock. Screw	
87	D45070095	1	Monitor	[A] Up to Serial or Engine Number 48792
88	D45062400	1	Module	Up to Serial or Engine Number 48792
88	D45070097	1	Module	Up to Serial or Engine Number 49924 JUGOSLAVIA
89	D28781298	1	Relay	[L]
90	D45010070	1	Fuse	[F]
91	D28781347	1	Fitting	[L]
92	D40740100	1	Screw	[L]
93	D45020037	1	Union	
94	D44732000	1	Grommet	
95	D28780837	1	Harness	

**FOOTNOTE [A]** OPTIONAL EQUIPMENT REEL/FIELD PRESSURE ADJUSTMENT

**FOOTNOTE [B]** OPTIONAL EQUIPM VERTICAL KNIFE

**FOOTNOTE [C]** OPTIONAL EQUIPM. ELEC. SPREADER PLATE "REKORD"

**FOOTNOTE [D]** OPTIONAL EQUIPM ELEC. SPREADER PLATE "BISO"

**FOOTNOTE [E]** OPTIONAL EQUIPM CHAFF SPREADER

**FOOTNOTE [F]** OPTIONAL EQUIPM FORWARDSPEED CONTROL

**FOOTNOTE [G]** OPTIONAL EQUIPMENT GRAIN LOSS INDICATOR

**FOOTNOTE [H]** OPTIONAL EQUIP.GRAIN LOSS MONITOR F.50992 T.52564

**FOOTNOTE [I]** OPTIONAL EQUIPMENT ELECTRIC - VERTICAL KNIFE LEFT

**FOOTNOTE [J]** OPTIONAL EQUIPMENT ELECTRIC VERTICAL KNIFE RIGHT

**Massey Ferguson**

**MF 38/40 COMBINES, |-> 47958 - 63001210**

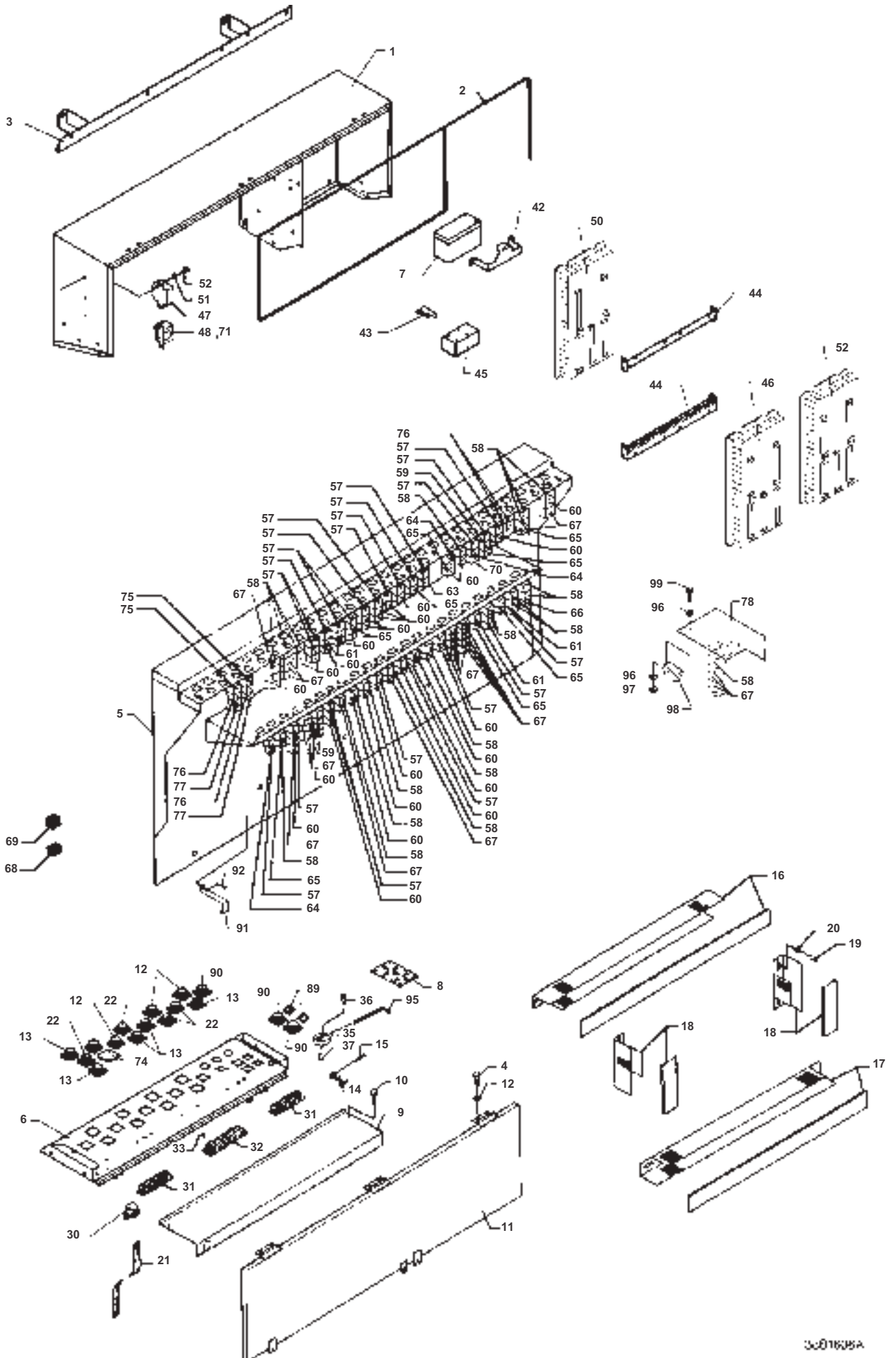
**63001210**

**Electric Box - Standard Machine - Up to Serial or Engine Number 53049**

**Page016-0050**

<b>Item</b>	<b>Part Number</b>	<b>Qty</b>	<b>Description</b>	<b>Comments</b>
<b>FOOTNOTE</b>	<b>[K]</b>		OPTIONAL EQUIPM ELEC. SPREADER PLATE, BISO AND REKORD	
<b>FOOTNOTE</b>	<b>[L]</b>		OPTIONAL EXTRA MAIZE	
<b>FOOTNOTE</b>	<b>[M]</b>		OPTIONAL EQUIPM 4-WHEEL DRIVE	

MF 38/40 COMBINES, |-> 47958 - 63001210  
38B1606A



Item	Part Number	Qty	Description	Comments
1	D28781625	1	Electronic Box	
2	D44735300	X	Gasket	Length 3,200 M
3	D28781530	2	Fitting	
5	D28781482	1	Plate	
6	D28781480	1	Plate	
7	D44900050	1	Battery	
8	D28781696	1	Cover	
9	D28781486	1	Cover	
10	D43385100	1	Screw	
11	D28781488	1	Cover	
12	D45010020	4	Intake	
13	D45010007	5	Intake	
14	D44737200	2	Rubber Strap	
15	D41410800	2	Split Pin	
16	D28781180	1	Duct	
17	D28780526	1	Fence	
18	D28780527	2	Fence	
19	D41399800	10	Rivet	
20	D20400401	10	Washer	
21	D28760642	1	Earth Strap	
22	D45010018	4	Intake	
30	D45026300	1	Electric Socket	
31	D45010099	2	Rail	
32	D45010096	1	Rail	
33	D45010097	3	Wire	
35	D28780351	1	Screw	
36	D40318300	2	Screw Metric	
37	D40600900	1	Screw Metric	
42	D28781629	1	Fitting	
43	D28781212	1	Bracket	
44	D28781628	2	Bracket	
45	D28781617	1	Box	
46	D28782235	1	Computer	From Serial or Engine Number +55529
47	D45088800	1	Relay	
48	D45086800	1	Relay	
50	D28782233	1	Computer	From Serial or Engine Number +56011
	D28080800	1	Computer	Up to Serial or Engine Number 56010
51	D20400400	6	Washer	
52	D28782418	1	Computer	From Serial or Engine Number +56941
57	D45060021	22	Relay	
58	D45087700	16	Relay	
59	<b>D45070089</b>	2	Relay	
60	D45010069	19	Fuse	
61	D45010073	3	Fuse	
63	D45010070	3	Fuse	
64	D45010075	2	Fuse	
65	D45010071	3	Fuse	
66	D45010074	1	Fuse	
67	D45010094	12	Diode	
68	D45010076	X	Fuse Holder	
69	D45010068	X	Case Assy	
70	D28781604	1	Diode	
71	D45020000	1	Intake	
74	D28780471	1	Plate	
75	D45087700	2	Relay	ACC AUTO-LEVEL
76	D45010094	2	Diode	ACC AUTO-LEVEL
77	D45010069	2	Fuse	[E] ACC AUTO-LEVEL
78	D28782222	1	Support	From Serial or Engine Number +54842
	D28781212	1	Bracket	Up to Serial or Engine Number 54841
81	D45010071	2	Fuse	[A]
83	D45010069	1	Fuse	[B]
89	D28781298	1	Relay	[C]
	D45010006	2	Plug	
90	D45010009	2	Intake	
	D45010070	1	Fuse	[D]
91	D28781347	1	Fitting	[C]
92	D40740100	1	Screw	[C]
95	D28780837	1	Harness	
96	D20400400	4	Washer	From Serial or Engine Number 54842
97	D41087200	2	Locknut	From Serial or Engine Number 54842

**Massey Ferguson**

**MF 38/40 COMBINES, |-> 47958 - 63001210**

**63001210**

**Electric Box Auto-Level Combine - From Serial or Engine Number 53050**

**Page016-0055**

<b>Item</b>	<b>Part Number</b>	<b>Qty</b>	<b>Description</b>	<b>Comments</b>
98	D45080024	1	Relay	From Serial or Engine Number 54842
99	D40351800	2	Screw	From Serial or Engine Number 54842

**FOOTNOTE [A]** OPTIONAL EQUIPM. ELEC. SPREADER PLATE "REKORD"

**FOOTNOTE [B]** OPTIONAL EQUIPM CHAFF SPREADER

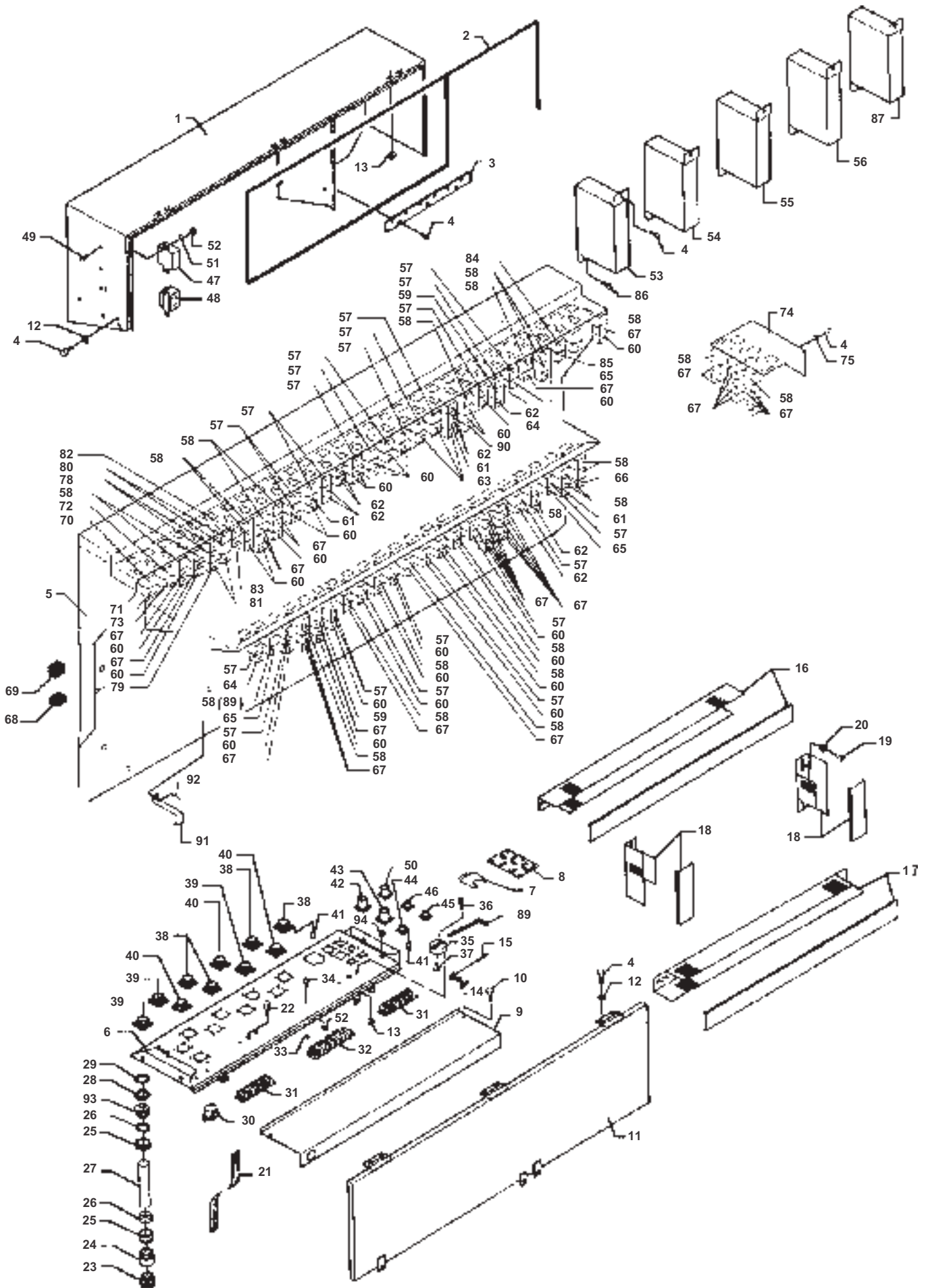
**FOOTNOTE [C]** OPTIONAL EXTRA MAIZE

**FOOTNOTE [D]** OPTIONAL EQUIPM FORWARDSPEED CONTROL

**FOOTNOTE [E]** OPTIONAL EQUIPMENT REEL/FIELD PRESSURE ADJUSTMENT



MF 38/40 COMBINES, |-> 47958 - 63001210  
90B1605



Item	Part Number	Qty	Description	Comments
1	D28780886	1	Electronic Box	
2	D44735300	X	Gasket	Length 3,200 M
3	D28780721	1	Slipper	
4	D40402400	X	Hex. Sock. Screw	
5	D28781178	1	Plate	
6	D28781177	1	Plate	
7	D28880287	1	Cover	
8	D28780704	1	Plate	
9	D28780891	1	Plate	
10	D43385100	2	Screw	
11	D28780892	1	Cover	
12	D20400470	X	Washer	
13	D41013400	X	Nut	
14	D44737200	2	Rubber Strap	
15	D41410800	2	Split Pin	
16	D28781180	1	Duct	
17	D28780526	1	Fence	
18	D28780527	2	Fence	
19	D41399800	10	Rivet	
20	D20400401	10	Washer	
21	D28760642	1	Earth Strap	
22	D40405000	1	Hex. Sock. Screw	
23	D45010008	1	Intake	
24	D28780306	1	Union	
25	D45020082	2	Union	
26	D45020092	2	Gasket	
27	D45020003	X	Hose	Length 0,54 M
28	D45020052	1	Nut	
29	D45020042	1	Gasket	
30	D45026300	1	Electric Socket	
31	D45010099	2	Rail	
32	D45010096	1	Rail	
33	D45010097	3	Wire	
34	D40352000	8	Screw Metric	
35	D28780351	1	Screw	
36	D40318300	2	Screw Metric	
37	D40600900	1	Screw Metric	
38	D45010020	4	Intake	
39	D45010007	3	Intake	
40	D45010008	3	Intake	
41	D40741200	X	Screw	
42	D45010009	1	Intake	
43	D45010011	1	Plug	[A]
44	D45010006	1	Plug	[B]
	D45010011	1	Plug	[C]
45	D45010006	1	Plug	[D]
46	D45010006	1	Plug	
47	D45088800	1	Relay	
48	D45086800	1	Relay	
49	D40400200	3	Hex. Sock. Screw	
50	D45010035	1	Electric Socket	[E]
51	D20400400	6	Washer	
52	D41010400	4	Nut	
53	D45080079	1	Module	Up to Serial or Engine Number 52564
	D45080079	1	Module	From Serial or Engine Number 51598
				Up to Serial or Engine Number 52594
	D45080083	1	Module	From Serial or Engine Number +52565
54	D45080082	1	Module	Up to Serial or Engine Number 52564
	D45080082	1	Module	From Serial or Engine Number 51598
				Up to Serial or Engine Number 52594
	D45080084	1	Module	From Serial or Engine Number 52565
55	D45080078	1	Module	From Serial or Engine Number +51298
				Up to Serial or Engine Number 51807
	D45080086	1	Module	From Serial or Engine Number +51808
56	D45080081	1	Module	From Serial or Engine Number +51298
57	D45060021	24	Relay	
58	D45087700	25	Relay	
59	<b>D45070089</b>	2	Relay	
60	D45010069	27	Fuse	
61	D45010073	3	Fuse	
62	D45010072	9	Fuse	

Item	Part Number	Qty	Description	Comments
63	D45010070	3	Fuse	
64	D45010075	2	Fuse	
65	D45010071	3	Fuse	
66	D45010074	1	Fuse	
67	D45010094	35	Diode	
68	D45010076	X	Fuse Holder	
69	D45010068	X	Case Assy	
70	D45060021	1	Relay	[F]
71	D45010075	1	Fuse	[F]
72	D45060021	1	Relay	[G]
73	D45010075	1	Fuse	[G]
74	D28781212	1	Bracket	
75	D20400404	2	Washer	
78	D45087700	2	Relay	[H]
79	D45010074	1	Fuse	[C]
80	D45087700	2	Relay	[B]
81	D45010071	2	Fuse	[B]
82	D45060021	1	Relay	[D]
83	D45010069	1	Fuse	[D]
84	D45060021	1	Relay	[J]
85	D45010069	1	Fuse	[J]
86	D40402200	X	Hex. Sock. Screw	
87	D45080075	1	Module	Up to Serial or Engine Number 52564
87	D45080087	1	Module	From Serial or Engine Number +52565
89	D28781298	1	Relay	[I]
90	D45010070	1	Fuse	[E]
91	D28781347	1	Fitting	[I]
92	D40740100	1	Screw	[I]
93	D45020037	1	Union	
94	D44732000	1	Grommet	
95	D28780837	1	Harness	

**FOOTNOTE [A]** OPTIONAL EQUIPM VERTICAL KNIFE

**FOOTNOTE [B]** OPTIONAL EQUIPM. ELEC. SPREADER PLATE "REKORD"

**FOOTNOTE [C]** OPTIONAL EQUIPM ELEC. SPREADER PLATE "BISO"

**FOOTNOTE [D]** OPTIONAL EQUIPM CHAFF SPREADER

**FOOTNOTE [E]** OPTIONAL EQUIPM FORWARDSPEED CONTROL

**FOOTNOTE [F]** OPTIONAL EQUIPMENT ELECTRIC - VERTICAL KNIFE LEFT

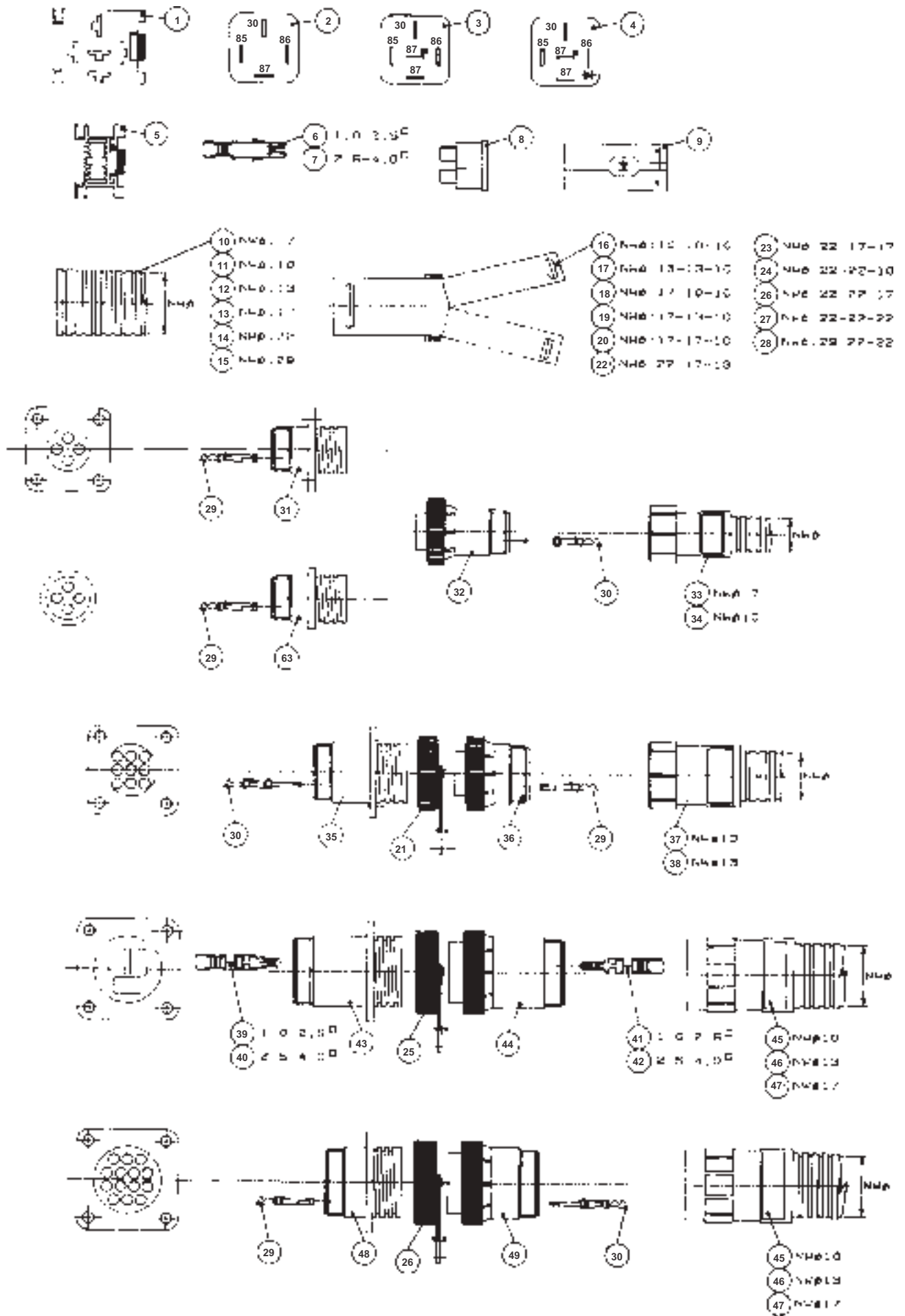
**FOOTNOTE [G]** OPTIONAL EQUIPMENT ELECTRIC VERTICAL KNIFE RIGHT

**FOOTNOTE [H]** OPTIONAL EQUIPM ELEC. SPREADER PLATE, BISO AND REKORD

**FOOTNOTE [I]** OPTIONAL EXTRA MAIZE

**FOOTNOTE [J]** OPTIONAL EQUIPM 4-WHEEL DRIVE

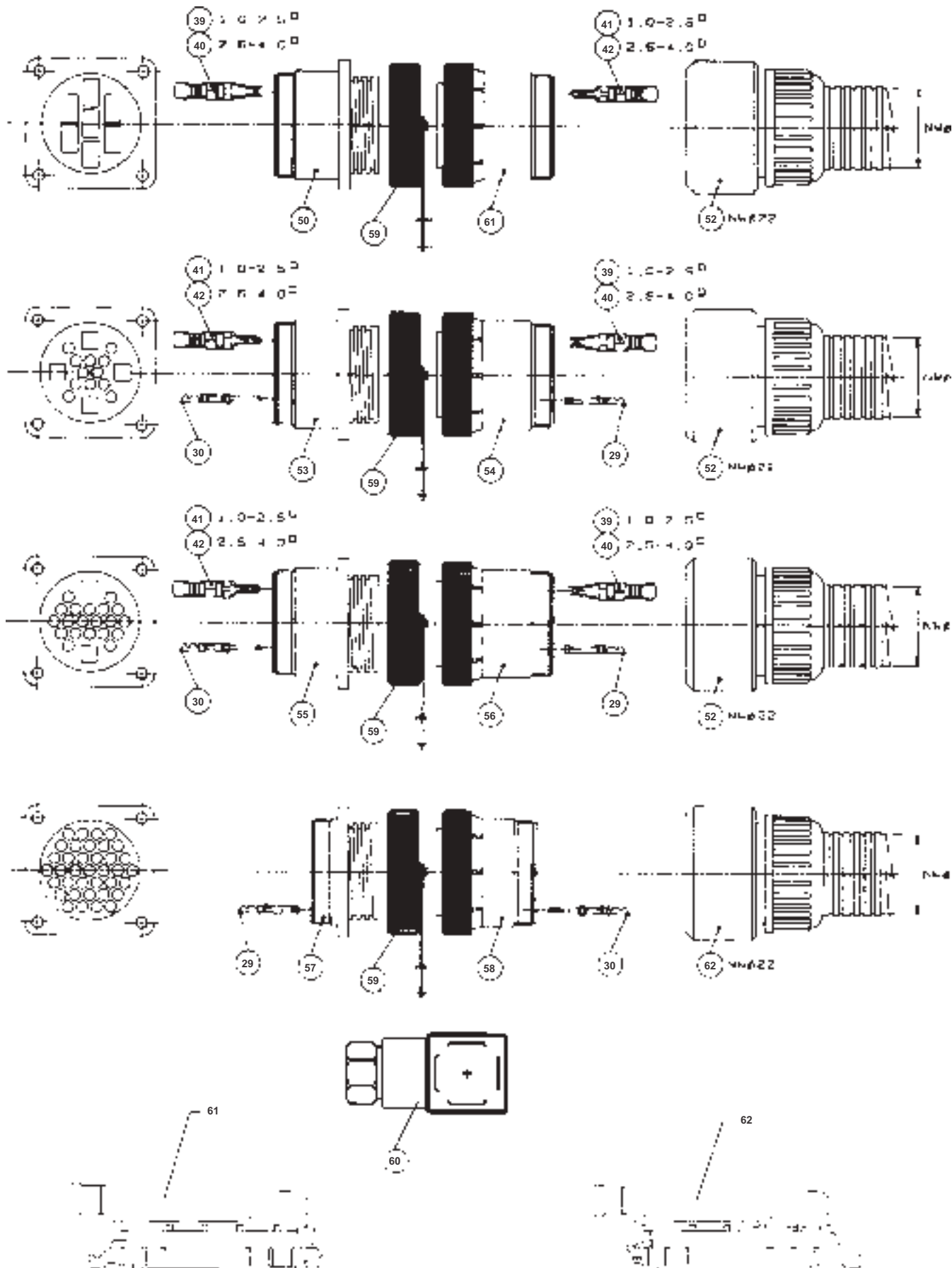
MF 38/40 COMBINES, |-> 47958 - 63001210  
90B1606



90B1606

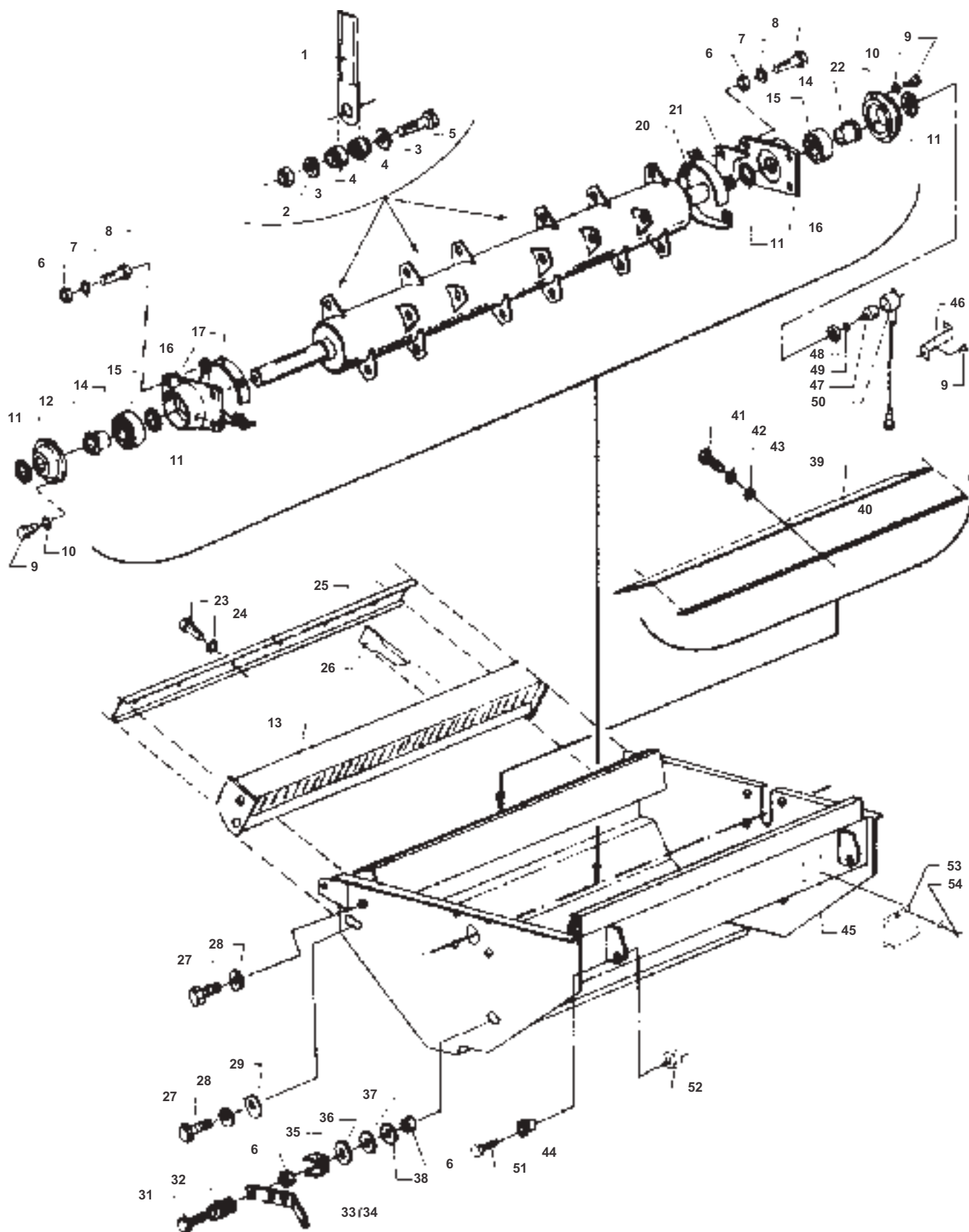
## Electrical Parts

Item	Part Number	Qty	Description	Comments
1	D45010068	X	Case Assy	
2	D45060021	X	Relay	
3	D45087700	X	Relay	
4	<b>D45070089</b>	X	Relay	
5	D45010076	X	Fuse Holder	
6	<b>D45010027</b>	X	Connector	
7	<b>D45010028</b>	X	Connector	
8	D45010069	X	Fuse	5 AMP
	D45010070	X	Fuse	7.5 AMP
	D45010071	X	Fuse	10 AMP
	D45010072	X	Fuse	15 AMP
	D45010073	X	Fuse	20 AMP
	D45010074	X	Fuse	25 AMP
	D45010075	X	Fuse	30 AMP
9	D45010094	X	Diode	
10	D45020006	X	Sheath	
11	D45020001	X	Hose	
12	D45020005	X	Sheath	
13	D45020002	X	Sheath	
14	D45020003	X	Hose	
15	D45020004	X	Sheath	
16	D45020010	X	Connector	
17	D45020019	X	Rear Landside	
18	D45020011	X	Connector	
19	D45020022	X	Connector	
20	D45020012	X	Connector	
21	D45010082	X	Cover	
22	D45020023	X	Connector	
23	D45020015	X	Connector	
24	D45020013	X	Connector	
25	D45010083	X	Cover	
26	D45020014	X	Connector	
27	D45020016	X	Connector	
28	D45020017	X	Connector	
29	<b>D45060094</b>	X	Connector	
30	<b>D45060093</b>	X	Connector	
31	D45010006	X	Plug	
32	D45010005	X	Intake	
33	D45010040	X	Connector	
34	D45010041	X	Union	
35	D45010042	X	Plug	
36	D45010043	X	Intake	
37	D45010037	X	Connector	
38	D45010038	X	Union	
39	<b>D45010024</b>	X	Connector	
40	<b>D45010026</b>	X	Connector	
41	<b>D45010023</b>	X	Connector	
42	<b>D45010025</b>	X	Connector	
43	D45010011	X	Plug	
44	D45010012	X	Plug	
45	D28780339	X	Gasket	
	D45020080	X	Union	
	D45020090	X	Gasket	
46	D45010056	X	Connection	
47	D45010047	X	Union	
48	D45010009	X	Intake	
49	D45010010	X	Intake	
63	D45030078	1	Intake	



**Electrical Parts**

<b>Item</b>	<b>Part Number</b>	<b>Qty</b>	<b>Description</b>
29	<b>D45060094</b>	X	Connector
30	<b>D45060093</b>	X	Connector
39	<b>D45010024</b>	X	Connector
40	<b>D45010026</b>	X	Connector
41	<b>D45010023</b>	X	Connector
42	<b>D45010025</b>	X	Connector
50	D45010013	X	Intake
51	D45010014	X	Intake
52	D28780306	X	Union
	D45020082	X	Union
	D45020092	X	Gasket
53	D45010018	X	Intake
54	D45010017	X	Plug
55	D45010020	X	Intake
56	D45010019	X	Plug
57	D45010007	X	Intake
58	D45010008	X	Intake
59	D45010080	X	Cover
60	D45010034	X	Plug
61	D45043800	X	Housing
62	D45043900	X	Housing



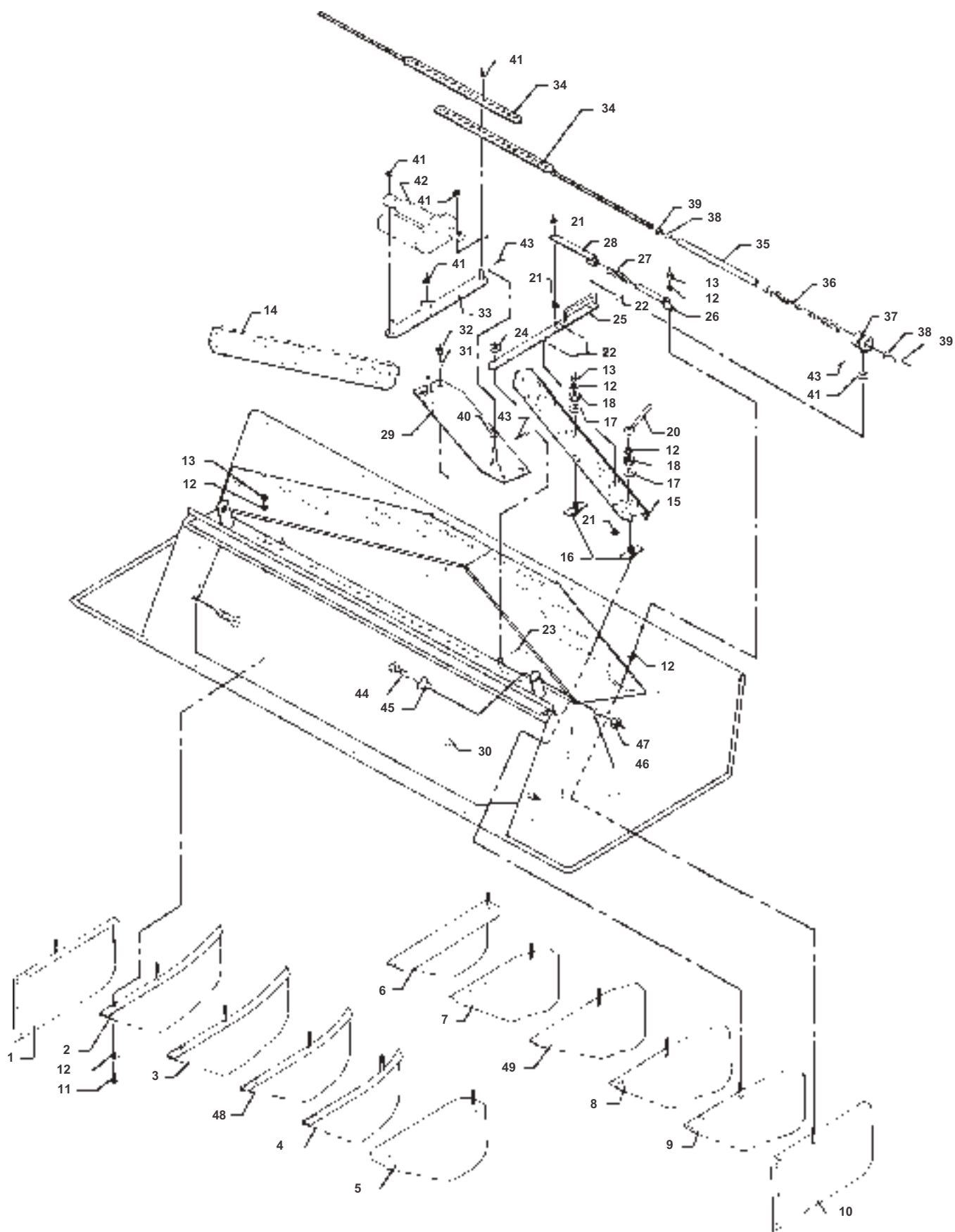


## Straw Chopper - Biso

Item	Part Number	Qty	Description	Comments
1	D49092000	1	Grinder	
	D49098100	1	Drum	
	D49017800	68	Knife	(1)
	D49062900	68	Knife	[A]
				(1)
2	D41010800	34	Nut	(1)
3	D49018000	68	Washer	(1)
4	D49017900	68	Bush	(1)
5	D40426000	34	Hex. Sock. Screw	(1)
6	D41010900	12	Nut	(1)
7	D41100900	8	Spring Washers	(1)
8	D40410900	8	Hex. Sock. Screw	(1)
9	D40402600	6	Hex. Sock. Screw	(1)
10	D41100600	6	Spring Washers	(1)
11	D49090200	4	Seal	(1)
12	D49090300	1	Cover	(1)
13	D49090400	1	Blade Holder	(1)
14	D41641100	2	Adaptor	(1)
15	D41603800	2	Bearing Ball	(1)
16	D49090600	2	Bearing Carrier	(1)
17	D49090700	1	Guard	(1)
20	D49090900	1	Guard	(1)
21	D49091000	1	Plate	(1)
22	D49091100	1	Cover	(1)
23	D40405100	11	Hex. Sock. Screw	(1)
25	D49091200	1	Locking Plate	(1)
26	D49018300	64	Knife	(1)
	D49096600	64	Knife	[A]
				(1)
31	D40428800	2	Hex. Sock. Screw	(1)
32	D49091300	2	Spring	(1)
33	D49091400	1	Lever	(1)
34	D49091500	1	Lever	(1)
35	D49091600	1	Guide	(1)
36	D49091700	2	Spacer	(1)
39	D49091800	1	Plate	(1)
40	D49091900	1	Rail	(1)
41	D40402400	8	Hex. Sock. Screw	(1)
42	D41100600	8	Spring Washers	(1)
44	D49092200	2	Bush	(1)
45	D49098500	1	Housing	(1)
46	D28780743	1	Fitting	
47	<b>D28780516</b>	1	Inductive Taker	
48	D41622600	1	Bearing Ball	
49	D20400419	1	Washer	
50	<b>D28780514</b>	1	Sensor	
51	D40416600	2	Screw Metric	
52	D41087900	2	Locknut	
53	D28780852	1	Indicator	[B]
54	D40689000	4	Screw	[B]

FOOTNOTE [A] KNIFE SERRATED

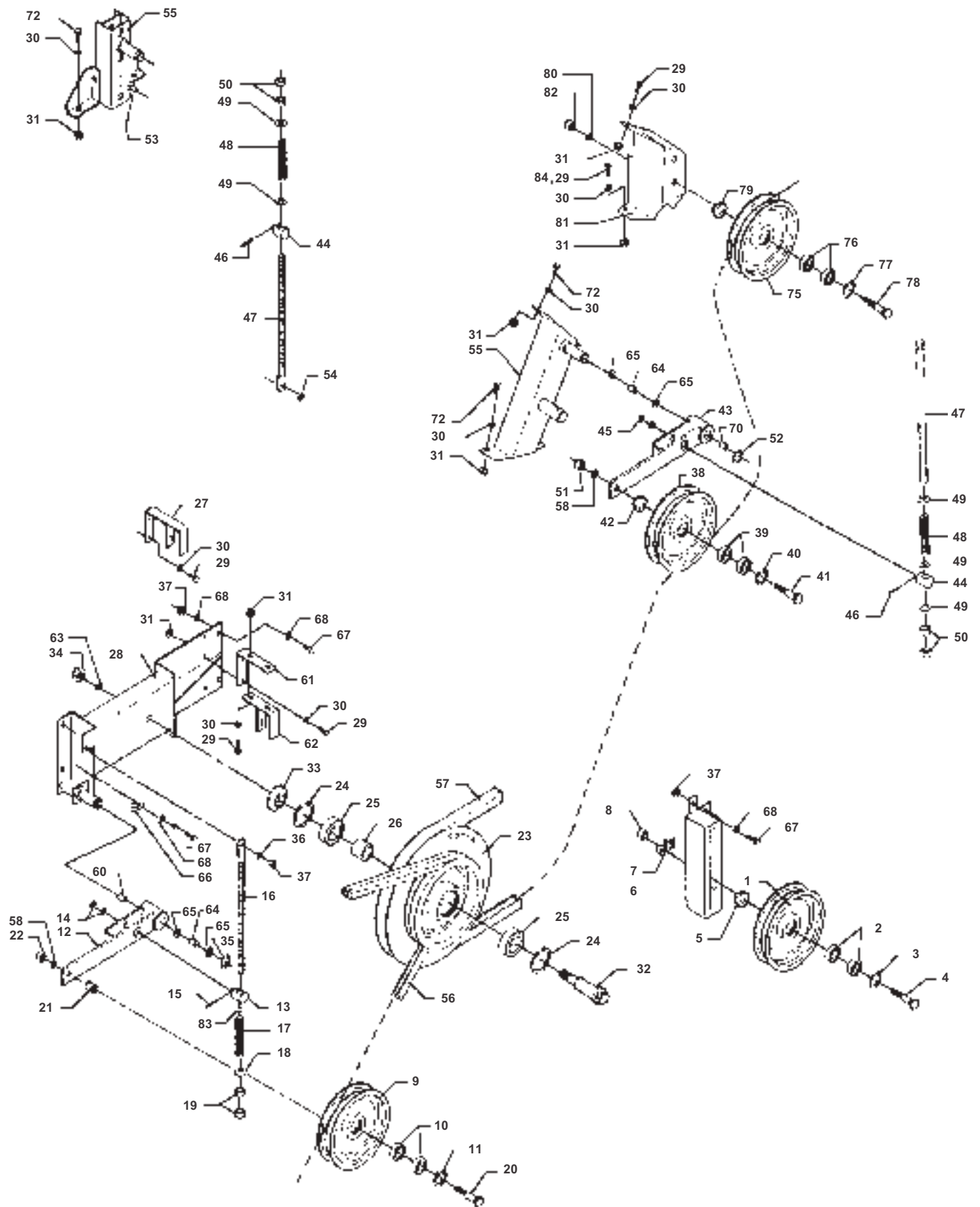
FOOTNOTE [B] CHOPPER VIBRATION MONITOR



## Spreader Plate - Biso

Item	Part Number	Qty	Description	Comments
1	D49092100	1	Wing	
	D28080607	X	Hood	(1)
	D49097700	1	Flap	(1)
2	D49080011	1	Wing	(1)
3	D49080013	1	Plate	(1)
4	D49080017	1	Wing	(1)
5	D49093200	1	Wing	(1)
6	D49093100	1	Wing	(1)
7	D49080016	1	Wing	(1)
8	D49080012	X	Plate	(1)
9	D49080010	1	Wing	(1)
10	D49097600	1	Flap	(1)
11	D40404900	X	Hex. Sock. Screw	(1)
12	D20400506	X	Washer	(1)
13	D41087500	X	Locknut	(1)
14	D49096800	1	Guide	(1)
15	D49093300	1	Guide	(1)
16	D49096900	10	Screw	(1)
17	D20400459	10	Washer	(1)
18	D41012300	10	Nut Metric	(1)
19	D20400506	X	Washer	(1)
20	D49097100	2	Latch	(1)
21	D20400471	X	Washer	(1)
22	D41405800	X	Split Pin	(1)
23	D41408800	2	Split Pin	(1)
24	D20400426	2	Washer	(1)
25	D49097000	2	Lever	(1)
26	D49080019	2	Pipe	(1)
27	D49080020	2	Spring	(1)
28	D49080018	2	Plate	(1)
29	D28880413	1	Bracket	
30	D40603200	4	Screw Metric	
31	D20400471	X	Washer	
32	D41087600	4	Locknut	
33	D28880421	1	Swivel Arm	
34	D28880417	2	Tensioner	
35	D28880414	2	Bush	
36	D28880422	2	Spring	
37	D28880407	2	Rail	
38	D20400446	4	Washer	
39	D41010900	X	Nut	
40	D20400447	1	Washer	
41	D20400426	4	Washer	
42	D28880423	1	Ram	
43	D41406000	6	Split Pin	
44	D40416600	2	Screw Metric	
45	D49092200	2	Bush	
46	D20400459	2	Washer	
47	D41087900	2	Locknut	
48	D49080015	1	Plate	(1)
49	D49080014	1	Plate	(1)

MF 38/40 COMBINES, |-> 47958 - 63001210  
90D1703



## Counter Drive - Straw Chopper

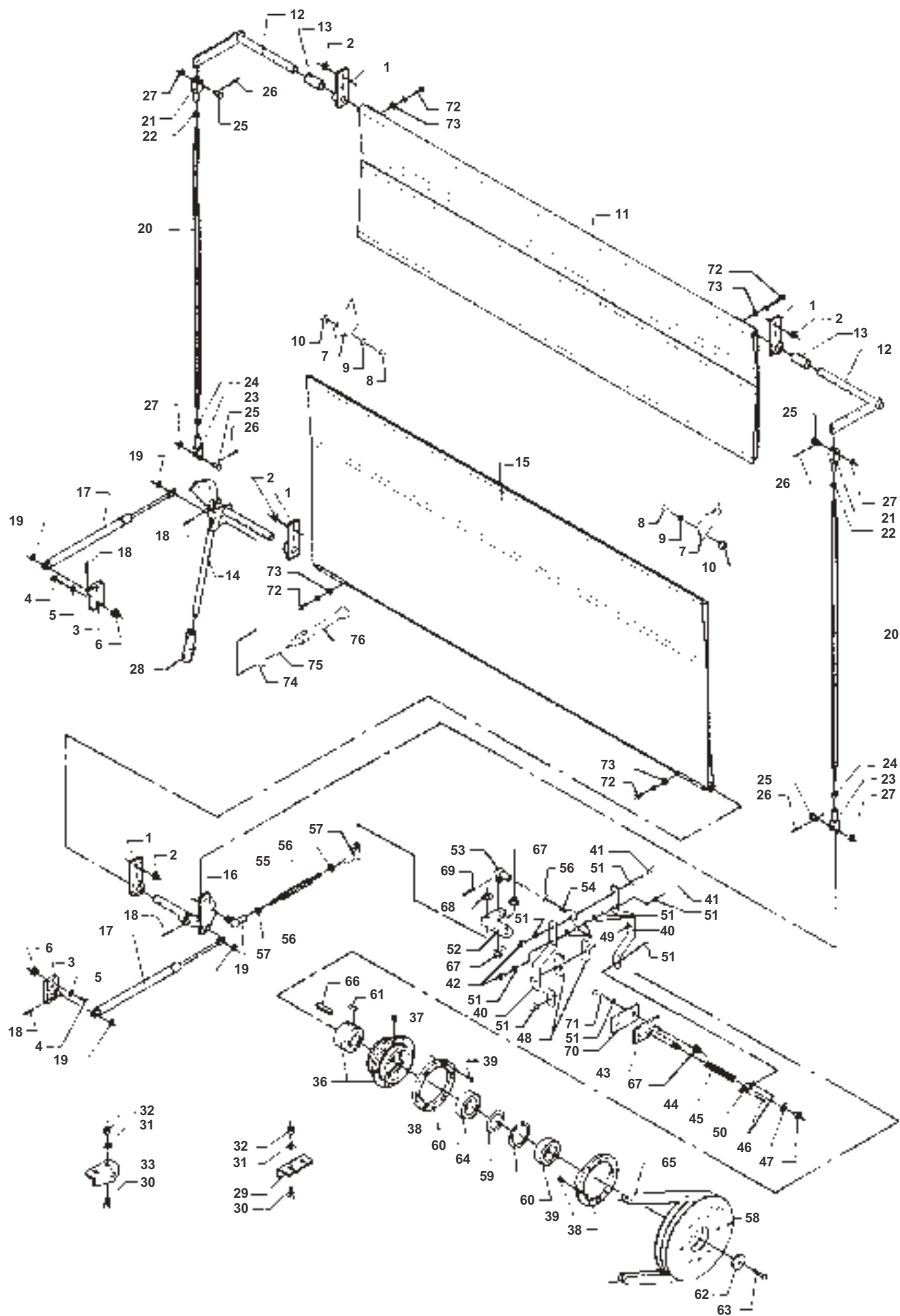
Item	Part Number	Qty	Description	Comments
1	D28250441	1	Pulley	Up to Serial or Engine Number 49639
2	D41622700	2	Bearing Ball	Up to Serial or Engine Number 49639
3	D42513700	1	Circlip	Up to Serial or Engine Number 49639
4	D28250444	1	Bolt	Up to Serial or Engine Number 49639
5	D28880354	1	Spacer	Up to Serial or Engine Number 49639
6	D28880267	1	Bracket	Up to Serial or Engine Number 49639
7	D28251476	1	Retainer	Up to Serial or Engine Number 49639
8	D41087900	1	Locknut	Up to Serial or Engine Number 49639
9	D28250441	1	Pulley	
10	D41622700	2	Bearing Ball	
11	D42513700	1	Circlip	
12	D28880404	1	Lever	
13	D28780030	1	Pivot	
14	D20400426	2	Washer	
15	D41405900	1	Pin	
16	D28380011	1	Tie Rod	
17	D28210881	1	Comp.Spring	
18	D28181284	1	Washer	
19	D41011100	2	Nut	
20	D28250444	1	Bolt	
21	D28880354	1	Spacer	
22	D41087900	1	Locknut	
23	D28880263	1	Pulley	
24	D42515000	2	Circlip	
25	D41623000	2	Bear. 6207 2rs	
26	D28880254	1	Spacer	
27	D28880265	1	Fork	Up to Serial or Engine Number 50006
28	D28880249	1	Bracket	
29	D40405000	X	Hex. Sock. Screw	
30	D20400506	X	Washer	
31	D41087600	X	Locknut	From Serial or Engine Number +52565
32	D28880261	1	Bolt	
33	D28851036	1	Disc	
34	D41088100	1	Locknut	
35	D42502300	1	Circlip	
36	D20400471	1	Washer	
37	D41087600	1	Locknut	
38	D28250441	1	Pulley	
39	D41622700	2	Bearing Ball	
40	D42513700	1	Circlip	
41	D28250444	1	Bolt	
42	D28880354	1	Spacer	
43	D28880404	1	Lever	
44	D28780030	1	Pivot	
45	D20400426	1	Washer	
46	D41405900	1	Pin	
47	D28380011	1	Tie Rod	Up to Serial or Engine Number 49639
	D28884141	1	Tensioner	From Serial or Engine Number 49640
48	D28880197	1	Spring	
49	D28181284	2	Washer	
50	D41011100	2	Nut	
51	D41087900	1	Locknut	
52	D42502300	1	Circlip	
53	D41405900	1	Pin	Up to Serial or Engine Number 49639
54	D20400471	1	Washer	Up to Serial or Engine Number 49639
55	D28880260	1	Bracket	Up to Serial or Engine Number 49639
	D28884125	1	Support	From Serial or Engine Number 49640
56	<b>D41979600</b>	1	Belt	
	D41990049	1	Belt	[A]
57	<b>D41978400</b>	1	Belt	[A]
	<b>D41978900</b>	1	Belt	
58	D20400459	2	Washer	
59	D43364000	1	Bush	(12)
60	D43364300	1	Bush	(12)
61	D28880469	1	Fitting	From Serial or Engine Number +50007
62	D28880471	1	Yoke	From Serial or Engine Number +50007
63	D20400523	1	Spacer	
64	D28880489	1	Bush	From Serial or Engine Number +55813
65	D20400530	2	Spacer	From Serial or Engine Number +55813
66	D45731100	1	Retainer	
67	D40407800	X	Hex. Sock. Screw	

**Counter Drive - Straw Chopper**

<b>Item</b>	<b>Part Number</b>	<b>Qty</b>	<b>Description</b>	<b>Comments</b>
68	D20400416	X	Washer	
70	D43364000	1	Bush	(43)
71	D43364300	1	Bush	(43)
72	D40405000	X	Hex. Sock. Screw	From Serial or Engine Number +52565
75	D28250441	1	Pulley	From Serial or Engine Number 49640
76	D41622700	2	Bearing Ball	From Serial or Engine Number 49640
77	D42513700	1	Circlip	From Serial or Engine Number 49640
78	D28250444	1	Bolt	From Serial or Engine Number 49640
79	D28880354	1	Spacer	From Serial or Engine Number 49640
80	D20400459	1	Washer	From Serial or Engine Number 49640
81	D28884133	1	Bracket	From Serial or Engine Number 49640
82	D41087900	1	Locknut	From Serial or Engine Number 49640
83	D20400459	1	Washer	
84	D40405100	X	Hex. Sock. Screw	

**FOOTNOTE [A] REDUCED CHOP SPEED**

MF 38/40 COMBINES, |-> 47958 - 63001210  
90A1704



90A1704

Item	Part Number	Qty	Description	Comments
1	D28880091	4	Bracket	
2	D41013500	8	Nut	
3	D28880097	2	Bracket	
4	D40407800	4	Hex. Sock. Screw	
5	D20400471	4	Washer	
6	D41087600	4	Locknut	From Serial or Engine Number +52565
7	D28880098	4	Bracket	
8	D40407600	8	Hex. Sock. Screw	
9	D20400471	8	Washer	
10	D41087600	8	Locknut	From Serial or Engine Number +52565
11	D28880101	1	Plate	
12	D28880093	2	Lever	
13	D28880095	2	Tube	
14	D28880107	1	Arm	
15	D28880102	1	Plate	
16	D28880084	1	Arm	
17	D45059500	2	Gas Strut	
18	D41404400	4	Split Pin	
19	D20400506	4	Washer	
20	D28880094	2	Rod	
21	D45905300	2	Fork Head	
22	D41010800	2	Nut	
23	D45905400	2	Fork	
24	D41014300	2	Nut	
25	D45905500	4	Bolt	
26	D41404400	4	Split Pin	
27	D20400471	4	Washer	
28	D43384000	1	Lever	
29	D28180743	1	Plate	
30	D40070200	4	Screw Metric	
31	D20400426	4	Washer	
32	D41087700	2	Locknut	
33	D28180744	1	Plate	
34	D41087600	2	Locknut	
36	D28880201	1	Hub	
37	D43001500	1	Greaser	
38	D28880199	2	Coupling	
39	D40608800	4	Screw Metric	
40	D28880214	2	Lever	
41	D40425900	2	Screw	
42	D41087600	2	Locknut	
43	D28880208	1	Retainer	
44	D25400086	1	Spring	
45	D28880207	1	Pin	
46	D20400426	1	Washer	
47	D41087700	1	Locknut	
48	D28880262	2	Block	
49	D20400419	3	Washer	
50	D41405900	2	Pin	
51	D20400471	10	Washer	
52	D28880205	1	Arm	
53	D46436200	1	Toggle	
54	D45697900	1	Toggle	
55	D28880206	1	Rod	
56	D41010800	4	Nut	
57	D46436200	2	Toggle	
58	D28880264	1	Pulley	
59	D42515400	1	Circlip	
60	D41623100	2	Bearing Ball	
61	D42694900	4	Pin	
62	D28880472	1	Washer	
63	D40466500	1	Setscrew	
64	D42599200	1	Disc	
65	<b>D41978400</b>	1	Belt	[A]
	<b>D41978900</b>	1	Belt	
66	D43106200	1	Key	
67	D41010800	4	Nut	From Serial or Engine Number +52565
68	D20400537	1	Spacer	
69	D41405900	1	Pin	
70	D28880391	1	Shim	
71	D40408000	2	Hex. Sock. Screw	



**Massey Ferguson**

**MF 38/40 COMBINES, |-> 47958 - 63001210**

**63001210**

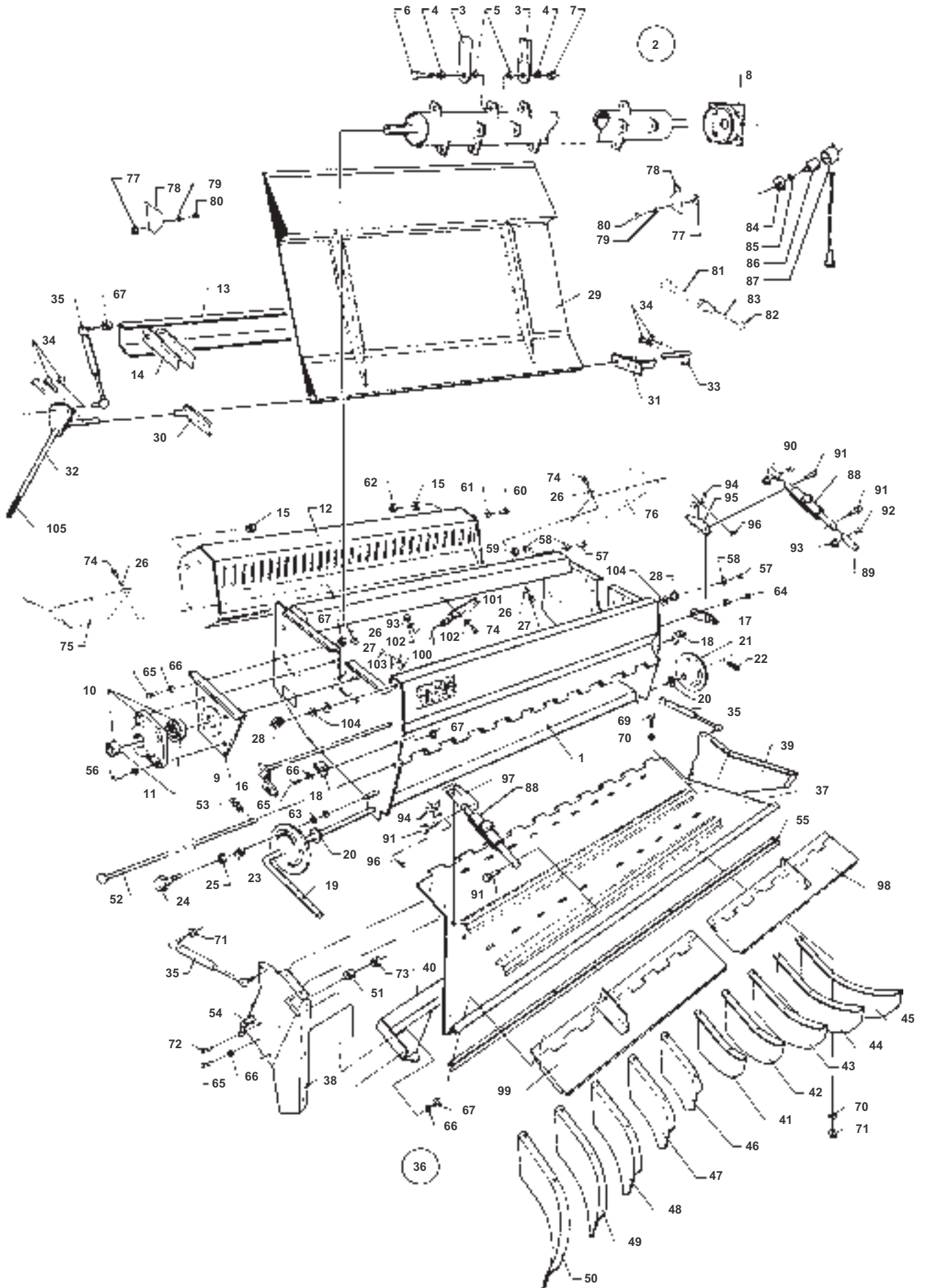
**Adjustment - Straw Chopper - Biso**

**Page017-0020**

<b>Item</b>	<b>Part Number</b>	<b>Qty</b>	<b>Description</b>	<b>Comments</b>
72	D40684800	6	Screw	
73	D20400506	6	Washer	
74	<b>D45010092</b>	1	Magnet	
75	D40316400	1	Screw Metric	
76	D28780365	1	Cable	

**FOOTNOTE [A] REDUCED CHOP SPEED**

MF 38/40 COMBINES, |-> 47958 - 63001210  
38B1705A



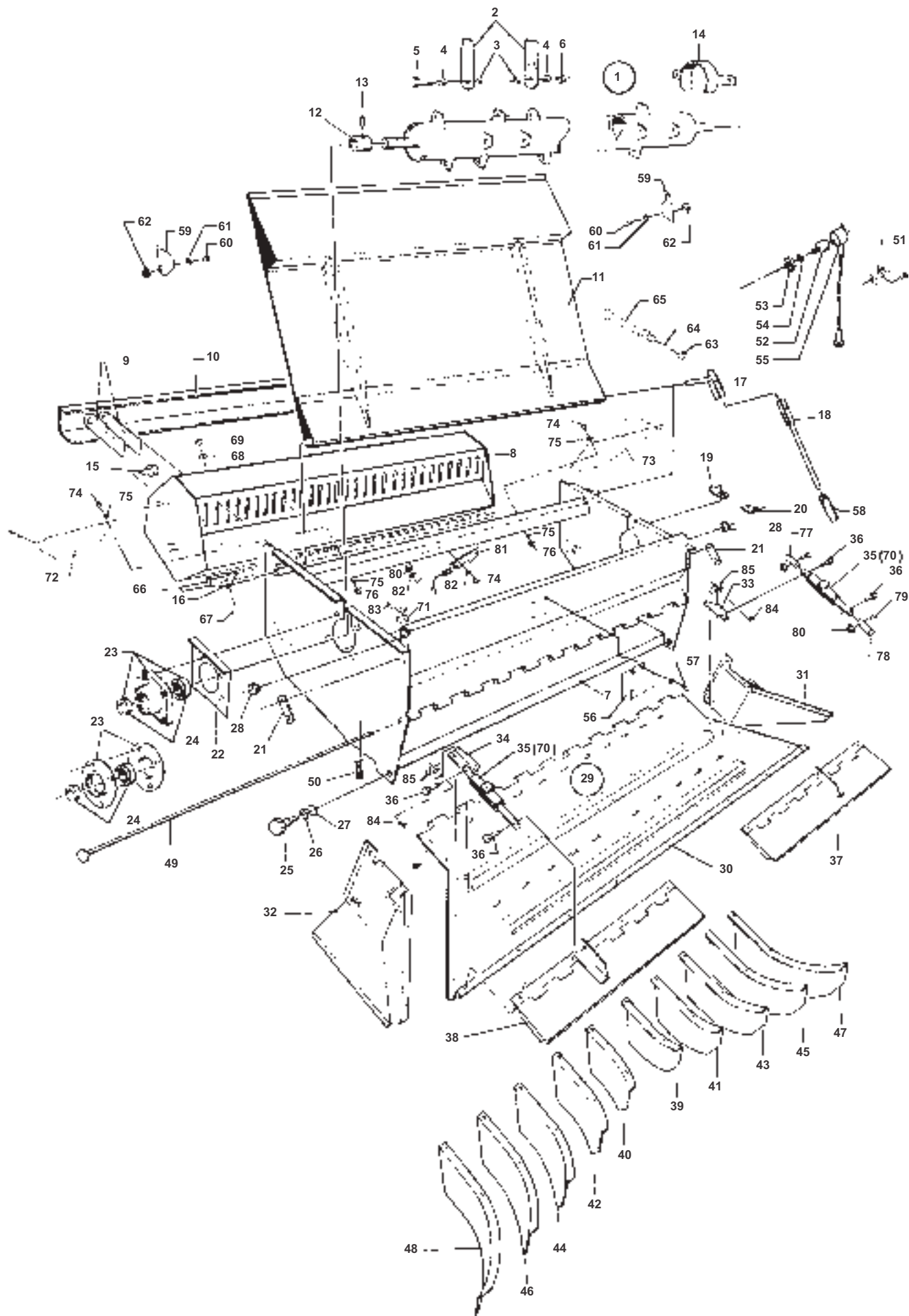
Item	Part Number	Qty	Description	Comments
1	D49060001	1	Grinder	
	D49060006	1	Housing	(1)
2	D49060007	1	Spacer	(1)
3	D49074600	68	Knife	(2)
	<b>D49080066</b>	68	Knife	(2)
4	<b>D49080067</b>	68	Insert	(2)
5	<b>D49017100</b>	68	Bush	(2)
6	<b>D40438600</b>	34	Screw	(2)
7	D41092500	34	Nut	(2)
8	D49060009	2	Guard	(1)
9	D49060010	2	Reinforcement	(1)
10	D41703000	2	Bearing	(1)
11	D41701900	2	Bearing Ball	(1)
12	D49060011	1	Bar	(1)
13	D49070500	1	Plate	(1)
14	<b>D49005700</b>	68	Knife	(1)
15	D49073400	2	Bush	(1)
16	D49060012	1	Shaft	(1)
17	D49060013	1	Hook	(1)
18	D49060014	2	Stop	(1)
19	D49060015	1	Lever	(1)
20	D20400468	2	Washer	(1)
21	D49060016	1	Washer	(1)
22	D42615800	1	Pin	(1)
23	D49060017	1	Cone	(1)
24	D43386000	1	Handle	(1)
25	D41101900	1	Spring	(1)
26	D20400453	X	Washer	
27	D41087400	X	Locknut	
28	D49071600	2	Bush	(1)
29	D49060019	1	Deflector	(1)
30	D49060020	1	Bearing	(1)
31	D49060021	1	Bearing	(1)
32	D49060022	1	Lever	(1)
33	D49060023	1	Deflector	(1)
34	D40601500	5	Screw Metric	(1)
35	D45070067	3	Gas Strut	
36	D49060002	1	Spreader	(35)
37	D49060024	1	Deflector	(35)
38	D49060025	1	Plate	(35)
39	D49060026	1	Plate	(35)
40	D49060027	1	Reinforcement	(35)
41	D49060028	1	Deflector	(35)
42	D49060029	1	Deflector	(35)
43	D49060030	1	Deflector	(35)
44	D49060031	1	Deflector	(35)
45	D49060032	1	Deflector	(35)
46	D49060033	1	Deflector	(35)
47	D49060034	1	Deflector	(35)
48	D49060035	1	Deflector	(35)
49	D49060036	1	Deflector	(35)
50	D49060037	1	Deflector	(35)
51	D49060038	2	Bush	(35)
52	D49060039	1	Bar	(35)
53	D44358000	1	Hair Pin	(35)
54	D49069200	2	Handle	(35)
55	D28980529	1	Plate	TOEF
56	D40411000	8	Hex. Sock. Screw	(1)
57	D40416500	4	Screw Metric	(1)
58	D20400433	6	Washer	(1)
59	D41087900	2	Locknut	(1)
60	D40407800	2	Hex. Sock. Screw	(1)
61	D20400416	2	Washer	(1)
62	D41087600	2	Locknut	(1)
63	D20400416	2	Washer	(1)
64	D40410900	1	Hex. Sock. Screw	(1)
65	D40404900	4	Hex. Sock. Screw	(1)
	D40404900	4	Hex. Sock. Screw	(35)
66	D20400414	6	Washer	(1)
	D20400414	6	Washer	(35)
67	D41087500	2	Locknut	(1)

**Massey Ferguson****MF 38/40 COMBINES, |-> 47958 - 63001210****63001210****Straw Chopper - Rekord - From Serial or Engine Number 79660****Page017-0025**

<b>Item</b>	<b>Part Number</b>	<b>Qty</b>	<b>Description</b>	<b>Comments</b>
67	D41087500	2	Locknut	(35)
68	D40404900	8	Hex. Sock. Screw	
69	D40404700	28	Hex. Sock. Screw	(35)
70	D20400414	72	Washer	(35)
71	D41087500	40	Locknut	(35)
72	D40407800	2	Hex. Sock. Screw	(35)
73	D41087600	2	Locknut	(35)
74	D40402600	X	Hex. Sock. Screw	
75	D28181760	X	Plate	
76	D28181761	X	Plate	
77	D41087600	4	Locknut	
78	D28880098	2	Bracket	
79	D20400471	4	Washer	
80	D40407600	4	Hex. Sock. Screw	
81	D28780365	1	Cable	
82	<b>D45010092</b>	1	Magnet	
83	D40316400	1	Screw Metric	
84	D41622600	1	Bearing Ball	
85	D20400419	1	Washer	
86	<b>D28780516</b>	1	Inductive Taker	
87	<b>D28780514</b>	X	Sensor	
88	D28781672	2	Ram	[B]
89	D28781684	2	End	[B]
90	D28781683	2	End	[B]
91	D49072600	4	Bolt	[B]
92	D40421800	4	Screw Metric	[B]
93	D41087400	8	Locknut	[B]
94	D28781056	2	Retainer	[B]
95	D49072300	1	Bracket	[B]
96	D40740400	8	Screw	[B]
97	D49072400	1	Bracket	[B]
98	D49074700	1	Guide	[B]
99	D49074800	1	Guide	[B]
100	D28780381	1	Retainer	[B]
101	D28080089	1	Buzzer	[A]
102	D20400470	8	Washer	[A]
103	D40741200	4	Screw	
104	D20400516	3	Spacer	

**FOOTNOTE [A] CHOPPER VIBRATION MONITOR****FOOTNOTE [B] OPTIONAL EQUIPMENT**

MF 38/40 COMBINES, |-> 47958 - 63001210  
90E1705



Massey Ferguson

MF 38/40 COMBINES, |-> 47958 - 63001210

63001210

Straw Chopper - Rekord - Up to Serial or Engine Number 79659

Page017-0030

Item	Part Number	Qty	Description	Comments
1	D49069600	1	Straw Chopper	[B]
	D49070100	1	Drum	[A]
				(1)
	D49075000	1	Drum	[B]
				(1)
2	<b>D49080066</b>	68	Knife	(1)
3	<b>D49017100</b>	68	Bush	(1)
4	<b>D49080067</b>	68	Insert	(1)
5	<b>D40439200</b>	34	Screw	(1)
6	D41092500	34	Nut	(1)
7	D49070300	1	Housing	[A]
				(1)
	D49075200	1	Housing	[B]
				(1)
8	D49074400	1	Bar	(1)
9	<b>D49005700</b>	68	Knife	(1)
10	D49070500	1	Plate	(1)
11	D49070700	1	Flap	(1)
12	D49073300	1	Bush	(1)
13	D40632000	2	Stud	(1)
14	D49080076	2	Shield	(1)
15	D49073400	2	Bush	(1)
16	D49070900	1	Axle	(1)
17	D49071000	1	Axle	(1)
18	D49071100	1	Lever	(1)
19	D49071200	1	Stop	(1)
20	D49071300	1	Stop	(1)
21	D49071400	2	Hook	(1)
22	D49071500	2	Reinforcement	[A]
				(1)
	D49075300	2	Strut	[B]
				(1)
23	D41703000	2	Bearing	[B]
				(1)
	D41712200	4	Flange	[A]
				(1)
24	D41701900	2	Bearing Ball	[B]
				(1)
	D41702300	2	Bearing	[A]
				(1)
25	D49070800	2	Screw	(1)
26	D41100900	2	Spring Washers	(1)
27	D20400423	2	Washer	(1)
28	D49071600	2	Bush	(1)
29	D49069400	1	Deflector	
	D28080607	X	Hood	(29)
30	D49072000	1	Plate	(29)
31	D49072100	1	Plate	(29)
32	D49072200	1	Plate	(29)
33	D49072300	1	Bracket	(29)
34	D49072400	1	Bracket	(29)
35	D49072500	2	Kit, Adjuster	(29)
36	D49072600	1	Bolt	(29)
37	D49074700	1	Guide	(29)
38	D49074800	1	Guide	(29)
39	D49080091	1	Wing	(29)
40	D49080092	1	Wing	(29)
41	D49080093	1	Wing	(29)
42	D49080094	1	Wing	(29)
43	D49080095	1	Wing	(29)
44	D49080096	1	Wing	(29)
45	D49080057	1	Wing	(29)
46	D49080058	1	Wing	(29)
47	D49072900	1	Wing	(29)
48	D49073000	1	Wing	(29)
49	D49073200	1	Rod	(29)
50	D44358000	1	Hair Pin	(29)
51	D28780522	1	Support	[A]
52	<b>D28780516</b>	1	Inductive Taker	
53	D41622600	1	Bearing Ball	
54	D20400419	1	Washer	

Item	Part Number	Qty	Description	Comments
55	<b>D28780514</b>	1	Sensor	
56	D28780852	1	Indicator	[C] Up to Serial or Engine Number 53049
57	D40689000	4	Screw	[C]
58	D43384000	1	Lever	
59	D28880098	2	Bracket	
60	D40407600	4	Hex. Sock. Screw	
61	D20400471	4	Washer	
62	D41087600	4	Locknut	
63	<b>D45010092</b>	1	Magnet	
64	D40316400	1	Screw Metric	
65	D28780365	1	Cable	
66	D49075800	1	Stop	[D]
66	D49076200	1	Stop	[D] (66)
67	D40603300	3	Screw Metric	[D] (66)
68	D20400420	3	Washer	[D] (66)
69	D41087600	3	Locknut	[D] (66)
70	D28781203	2	Ram	[D] Up to Serial or Engine Number 53049
70	D28781672	2	Ram	[D] From Serial or Engine Number 53050
71	D28780381	1	Retainer	[D] From Serial or Engine Number 53050
71	D28781221	3	Retainer	[D] Up to Serial or Engine Number 53049
72	D28181760	1	Plate	From Serial or Engine Number 52903
73	D28181761	1	Plate	From Serial or Engine Number 52903
74	D40402600	10	Hex. Sock. Screw	From Serial or Engine Number 52903
75	D20400453	12	Washer	From Serial or Engine Number 52903
76	D41087400	6	Locknut	From Serial or Engine Number 52903
77	D28781684	1	End	From Serial or Engine Number 53282
78	D28781683	1	End	From Serial or Engine Number 53282
79	D40421800	2	Screw Metric	From Serial or Engine Number 53282
80	D41087400	6	Locknut	From Serial or Engine Number 53282
81	D28080089	1	Buzzer	From Serial or Engine Number 53050
82	D20400470	8	Washer	From Serial or Engine Number 53050
83	D40741200	4	Screw	
84	D40740400	8	Screw	
85	D28781056	1	Retainer	[D] From Serial or Engine Number 53050
85	D28781221	1	Retainer	[D] Up to Serial or Engine Number 53049

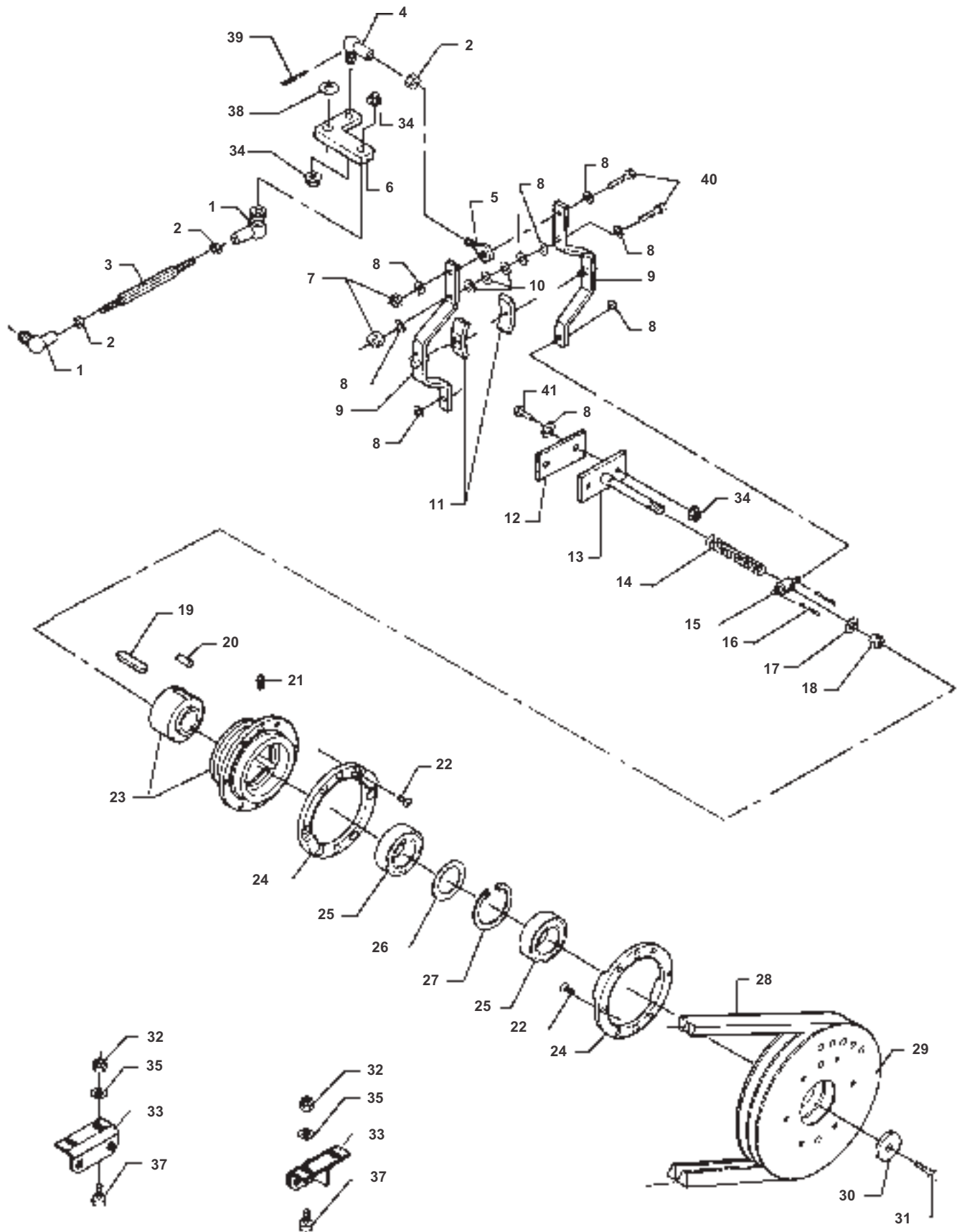
**FOOTNOTE [A]** TO STRAW CHOPP.NO. 74099

**FOOTNOTE [B]** FROM STRAW CHOPPER NO. 74100

**FOOTNOTE [C]** CHOPPER VIBRATION MONITOR

**FOOTNOTE [D]** OPTIONAL EQUIPMENT

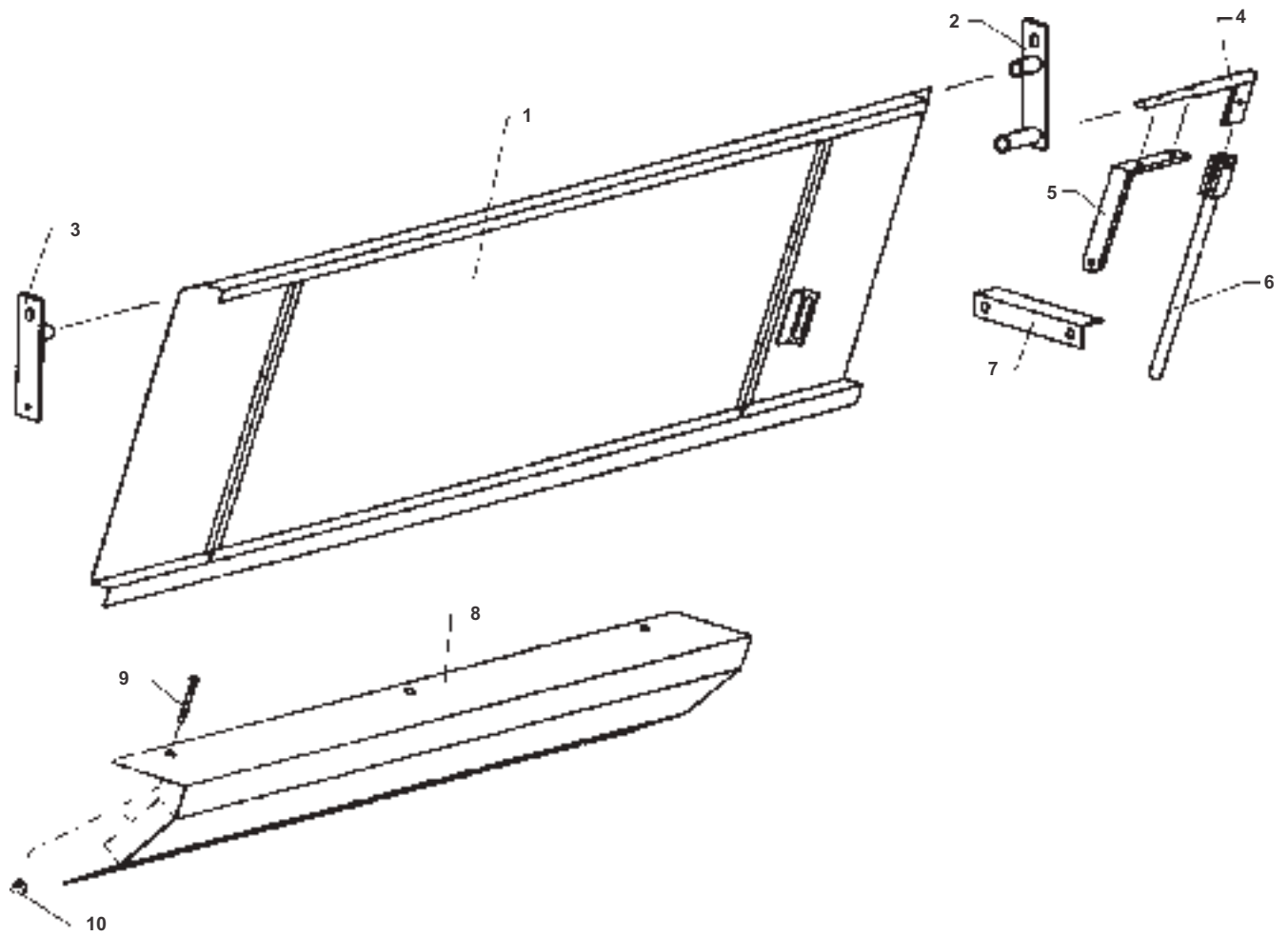
MF 38/40 COMBINES, |-> 47958 - 63001210  
34-1706





Item	Part Number	Qty	Description	Comments
1	D46436200	2	Toggle	
2	D41010800	4	Nut	
3	D28880206	1	Rod	Up to Serial or Engine Number 79659 NO REKORD
	D28880485	1	Rocker	From Serial or Engine Number 76660 NO REKORD
4	D46436200	1	Toggle	
5	D45697900	1	Toggle	
6	D28880205	1	Arm	
7	D41087600	2	Locknut	
8	D20400471	10	Washer	
9	D28880214	2	Lever	
10	D20400419	3	Washer	
11	D28880262	2	Block	
12	D28880391	1	Shim	
13	D28880208	1	Retainer	
14	D25400086	1	Spring	
15	D28880207	1	Pin	
16	D41405900	2	Pin	
17	D20400426	1	Washer	
18	D41087700	1	Locknut	
19	D43106200	1	Key	
20	D42694900	4	Pin	
21	D43001500	1	Greaser	
22	D40608800	4	Screw Metric	
23	D28880201	1	Hub	
24	D28880199	2	Coupling	
25	D41623100	2	Bearing Ball	
26	D42599200	1	Disc	
27	D42515400	1	Circlip	
28	<b>D41978400</b>	1	Belt	[A]
	<b>D41978900</b>	1	Belt	
29	D28880264	1	Pulley	
30	D28880472	1	Washer	
31	D40466500	1	Setscrew	
32	D41087700	4	Locknut	
33	D28180744	2	Plate	From Serial or Engine Number +53816
34	D41010800	4	Nut	From Serial or Engine Number +52565
35	D20400426	4	Washer	
37	D40066800	4	Screw Metric	
38	D20400537	1	Spacer	
39	D41405900	1	Pin	
40	D40425900	2	Screw	
41	D40408000	2	Hex. Sock. Screw	

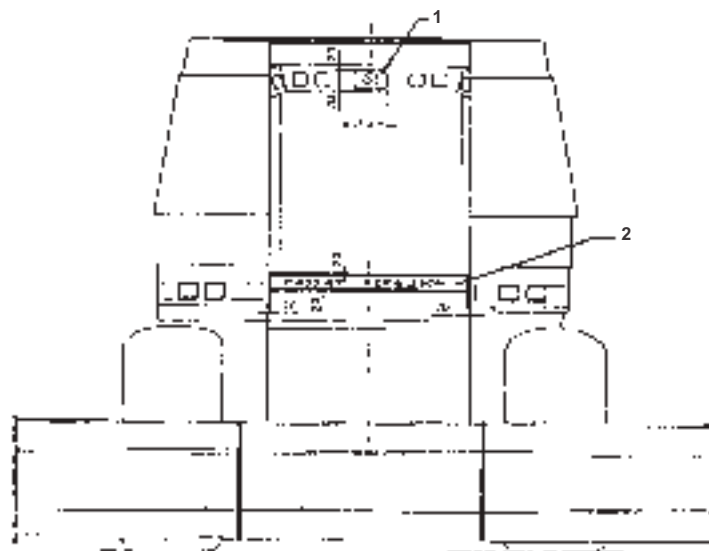
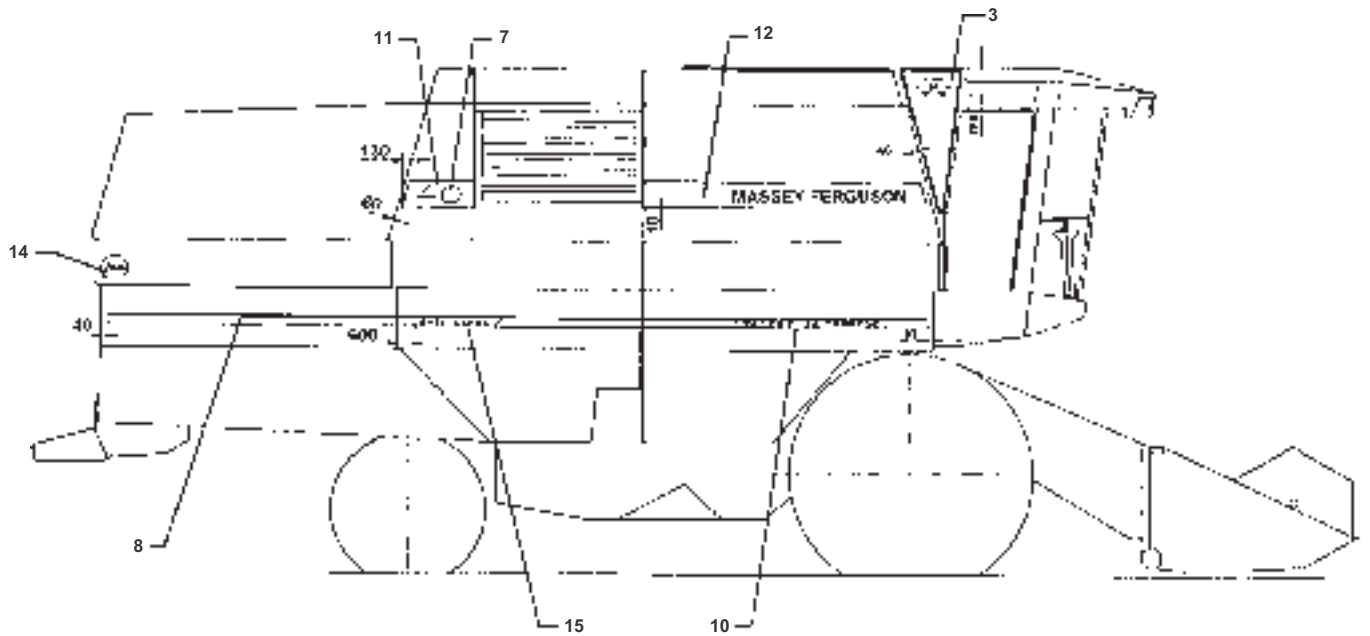
**FOOTNOTE [A]** REDUCED CHOP SPEED



**Massey Ferguson****MF 38/40 COMBINES, |-> 47958 - 63001210****63001210****Straw Chopper - Rekord - Maize Equipment****Page017-0040**

<b>Item</b>	<b>Part Number</b>	<b>Qty</b>	<b>Description</b>	<b>Comments</b>
1	D49074000	1	Plate	
2	D49073600	1	Support	
3	D49073500	1	Support	
4	D49073700	1	Shaft	
5	D49073800	1	Arm	
6	D49071100	1	Lever	
7	D49073900	1	Stop	
8	D49076500	1	Shield	From Serial or Engine Number 77757
	D49074200	1	Shield	Up to Serial or Engine Number 77756
9	D40068000	3	Screw	
10	D41087600	3	Locknut	

MF 38/40 COMBINES, |-> 47958 - 63001210  
38A1801



## Decal, front and right side

Item	Part Number	Qty	Description	Comments
1	D49100121	1	Decal	
2	D49100120	1	Decal	Up to Serial or Engine Number 53049
	D49120002	1	Decal	From Serial or Engine Number 53050
3	D49190400	1	Decal	
7	D49100118	1	Decal	MF 40
	D49100128	1	Decal	MF 38
8	D49100129	X	Decal	Length 6,500M
10	D49100122	1	Decal	[A]
11	D49100117	1	Decal	
12	D49100119	1	Decal	
14	D49160400	1	Decal	[B]
15	D49100143	1	Decal	AUTO-LEVEL
17	D49100150	1	Decal	[C]
18	D49100160	1	Decal	[D]
19	D49100182	1	Decal	[E]
20	D49100183	2	Decal	
21	D49100184	X	Decal	
22	D49100161	2	Decal	
23	D49100162	2	Decal	[F] FREEFLOW
24	D49100149	X	Decal	[G]
25	D49180900	2	Decal	
26	D49100041	1	Decal	FI
	D49100189	1	Decal	ES
	D49195600	1	Decal	DK
	D49195700	1	Decal	GB
	D49195800	1	Decal	DE
	D49195900	1	Decal	FR
	D49196000	1	Decal	SE
27	D49100037	1	Decal	FI
	D49100188	1	Decal	ES
	D49151900	1	Decal	DK
	D49152000	1	Decal	SE
	D49152100	1	Decal	GB
	D49152200	1	Decal	DE
	D49152300	1	Decal	FR
28	D49100009	1	Decal	[B]
29	D49196100	1	Decal	DK, SE
	D49196200	1	Decal	GB,DE,FR
30	D49113300	1	Decal	[H]
31	D49125400	1	Decal	[I]

**FOOTNOTE [A]** FOR MACHINES WITH GRAIN SEPARATOR

**FOOTNOTE [B]** EQUIPMENT REQUIRED AND APPROVED BY THE TOV AUTHORITIES

**FOOTNOTE [C]** FOR MACHINE CPL

**FOOTNOTE [D]** FOR TABLE

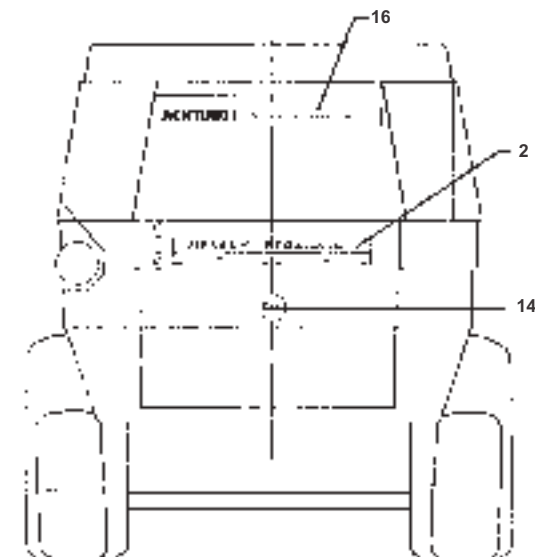
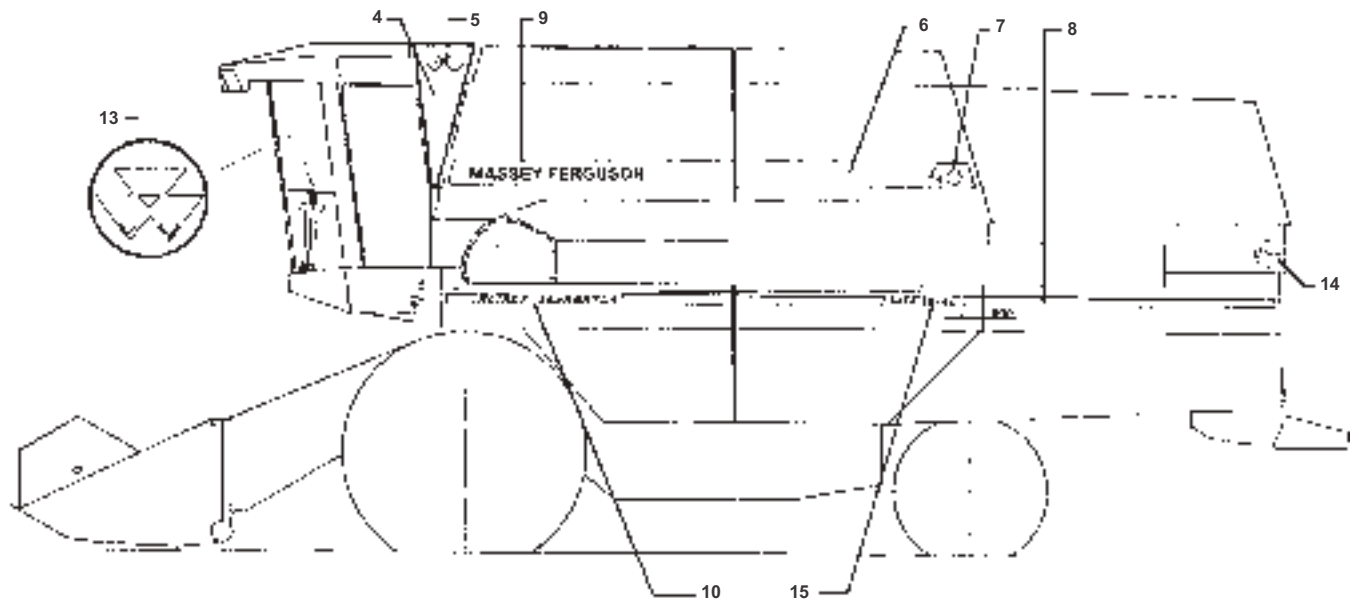
**FOOTNOTE [E]** WARNING BEFORE START

**FOOTNOTE [F]** WARNING SENSORS TABLE

**FOOTNOTE [G]** WARNING BEFORE REPAIR

**FOOTNOTE [H]** "KEEP OFF"

**FOOTNOTE [I]** TO BATTERY



**Decal, rear and left side**

<b>Item</b>	<b>Part Number</b>	<b>Qty</b>	<b>Description</b>	<b>Comments</b>
2	D49100120	1	Decal	
4	D49190500	1	Decal	
5	D49194000	2	Emblem	
6	D49100130	1	Decal	
7	D49100118	1	Decal	MF 40
	D49100128	1	Decal	MF 38
8	D49100129	X	Decal	Length 6,500M
9	D49100131	1	Decal	
10	D49100122	1	Decal	[A]
13	D49100133	1	Badge	
14	D49160400	2	Decal	[B]
15	D49100143	1	Decal	AUTO-LEVEL
16	D49150300	1	Decal	[B]

**FOOTNOTE [A]** FOR MACHINES WITH GRAIN SEPARATOR

**FOOTNOTE [B]** EQUIPMENT REQUIRED AND APPROVED BY THE TOV AUTHORITIES