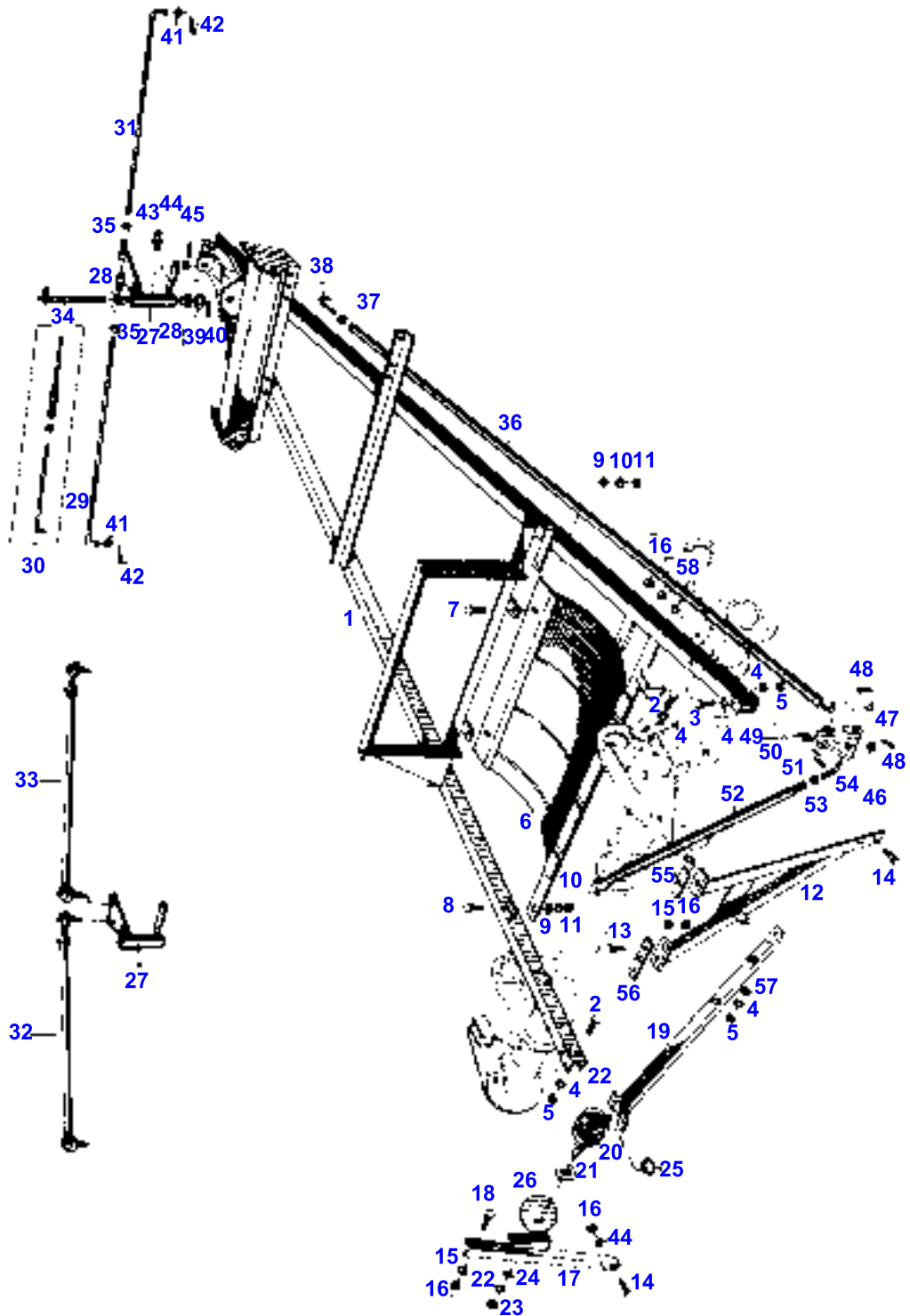


10-1

FAMGESTELL UND
LENKGESTÄNDE

CHASSIS AND
STEERING CARRIAGE

CHASSIS ET
TIGES DE DIRECTION



Motorschnepper MF 31

415 718 A02 (Ausgabe 2) 1/75

**MASSEY FERGUSON
MF 31 COMBINE - 415718**

415718
10-1

CHASSIS AND STEERING CARRIAGE

Item	Part Number	Qty	Description	Comments
1	410445M92	1	Chassis	(G, H)
	416313M91	1	Chassis	(J)
2	339401X1	6	Screw Metric	
3	339451X1	2	Screw Metric	
4	339376X1	16	Lock Washer	
5	339402X1	8	Nut Metric	
6	410507M91	1	Guard	
7	339123X1	2	Screw Metric	
8	339337X1	1	Screw Metric	
9	339024X1	4	Washer Metric	
10	339374X1	4	Lock Washer	
11	339169X1	4	Nut Metric	
12	410511M91	1	Angle	(C)
	414518M91	1	Angle	(D, K)
	417294M91	1	Angle	(L)
13	339299X1	3	Screw Metric	
14	391375X1	4	Screw Metric	
15	339369X1	7	Lock Washer	
16	339054X1	13	Nut Metric	
17	410866M91	1	Brace	(H) Right Hand
	416315M91	1	Brace	(J) Right Hand
18	339020X1	2	Bolt Metric	
19	410536M91	1	Brace	Left Hand
20	416580M91	1	Pulley	
21	416584M1	1	Washer	
22	339380X1	1	Washer	
23	339070X1	1	Nut	
24	339072X1	1	Washer	
25	391062X1	1	Segment	(E)
26	410868M2	1	Disc	
27	417590M91	1	Lever	(M)
	1724575M91	1	Lever	(N, O, P)
28	320222M1	2	Bush	
29	324377M2	1	Bar	(A) Right Hand
30		1	Rod	(B, F) Left Hand
		1	Rod	(B, F) Right Hand
31	324381M1	1	Bar	(M) Left Hand
32	1724578M1	1	Rod	(N) Right Hand
	390759X1	2	Nut Metric	(N)
	339580X1	2	Pin	(N)
	339580X1	2	Pin	(N)
33	1724581M1	1	Rod	(N) Left Hand
	390759X1	2	Nut Metric	(N)
	339580X1	2	Pin	(N)
34	320528M91	1	Clevis Pin	
35	339571X1	2	Nut Metric	(M)
36	410562M91	1	Stem	(M)
	1724572M91	1	Rod	(N, O)
37	339571	1	Nut	(M)
38	324386M1	1	Stub	(M)
	1442089X1	2	Ball	(N)
	390759X1	2	Nut Metric	(N)
	339580X1	2	Pin	(N)
39	339300X1	1	Washer Metric	
40	339058X1	1	Pin	(M)
41	339300X1	2	Washer Metric	(M)
42	339058X1	2	Pin	(M)
43	339003X1	1	Greaser	
44	339300X1	1	Washer Metric	(M)
45	339058X1	1	Pin	(M)
46	410564M91	1	Lever	(M)
	1724570M91	1	Lever	(N)

CHASSIS AND STEERING CARRIAGE

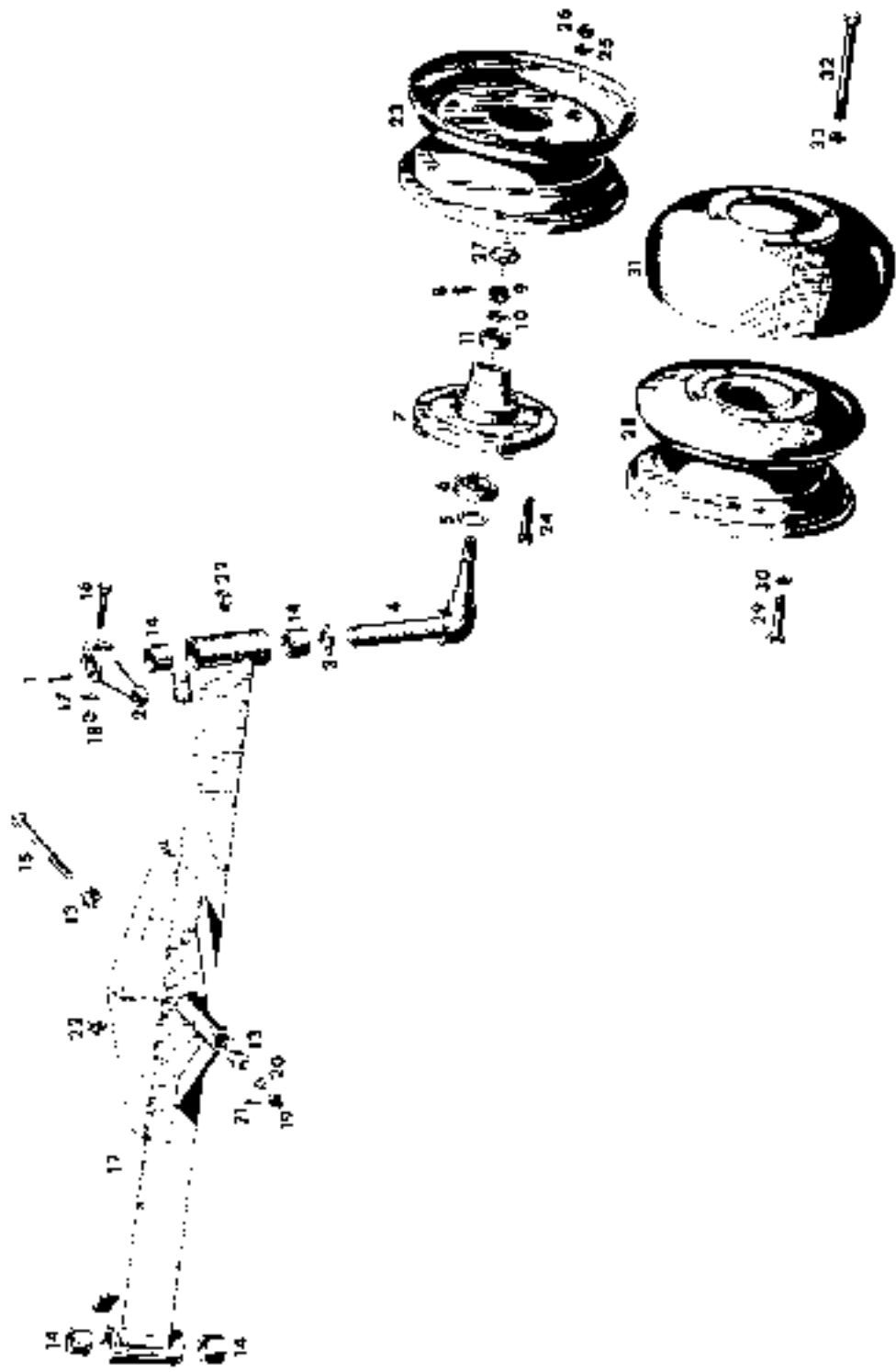
Item	Part Number	Qty	Description	Comments
47	339300X1	2	Washer Metric	(N)
48	339058X1	2	Pin	(M)
49	339003X1	1	Greaser	
50	339328X1	1	Washer	
51	339133X1	1	Pin	
52	410567M1	1	Stem	(M)
	1724567M1	1	Rod	(N)
53	339571X1	1	Nut Metric	(M)
54	410568M1	1	Stub	(M)
	1442089X1	2	Ball	(N)
	390579X1	2	Washer	(N)
	339580X1	2	Pin	(N)
55	411464M1	1	Shim	
56	411465M1	1	Shim	
57	339025X1	2	Washer Metric	
58	339795X1	4	Washer Metric	
				(A)
				From Serial or Engine Number 2918
				(B)
				Up to Serial or Engine Number 2917
				(C)
				WITH TYRES 9-24 AND 10-24
				(D)
				WITH TYRES 14, 5-20
				(E)
				Up to Serial or Engine Number 6914
				(F)
				Not serviced, order 324377M2
				(G)
				Up to Serial or Engine Number 4634
				Not serviced, order 391150X1, 390973X1
				391151X1 AND 11483X
				(H)
				Up to Serial or Engine Number 6264
				(J)
				From Serial or Engine Number 6265
				(K)
				Up to Serial or Engine Number 8109
				(L)
				From Serial or Engine Number 8110
				(M)
				Up to Serial or Engine Number
				(N)
				From Serial or Engine Number
				(O)
				FOR ROD, CONNECTING WITH BALL, JOINT
				(P)
				FOR ROD WITH BALL, JOINT

10-2

DISASSEMBLY

REASSEMBLY

POINT A



Manufacturer: IH

415718 M2 (A) Issue 11/12/70

REAR AXLE

Item	Part Number	Qty	Description	Comments
1	390150X1	2	Key	
2	410881M1	2	Lever	(G)
	1724584M1	2	Lever	(H, I)
3	410876M1	2	Washer	
4	410877M92	1	Spindle	Left Hand
	410880M92	1	Spindle	Right Hand
5	321659M1	2	Washer	
6	1440495X1	2	Bearing Ball	
7	410875M1	2	Hub	(C)
	416120M1	2	Hub	(D)
8	339058X1	2	Pin	
9	390763X1	2	Nut	
10	339027X1	2	Washer Metric	
11	339073X1	2	Bearing Ball	
12	410869M92	1	Bridge	
13	320222M1	2	Bush	
14	1706544M1	4	Bush	
15	4110882M91	1	Pin	(A)
	391150X1	1	Bolt	(B)
16	339556X1	2	Bolt Metric	
17	339376X1	2	Lock Washer	
18	339402X1	2	Nut Metric	
19	339196X1	1	Nut Metric	(A)
	391151X1	1	Nut Metric	(B)
20	339615X1	X	Washer Metric	(A)
	390973X1	X	Washer Metric	(B)
	391472X1	X	Washer Metric	
21	339129X1	1	Pin	(A)
	339747X1	1	Pin	(B)
22	339004X1	3	Greaser	
23	410941M1	2	Rim	(E)
	417212M1	2	Wheel	(F)
24	391375X1	8	Screw Metric	(E)
25	339369X1	8	Lock Washer	(E)
26	339054X1	8	Nut Metric	(E)
27	320225M2	2	Cap	(C, E)
	416121M1	2	Cap	(D, E)
	11517162	1	Weight	(F)
28	410885M1	2	Rim	
29	390912X1	8	Screw Metric	
30	339369X1	8	Lock Washer	
31	410884M1	2	Weight	
32	390806X1	8	Bolt Metric	
33	339369X1	8	Lock Washer	

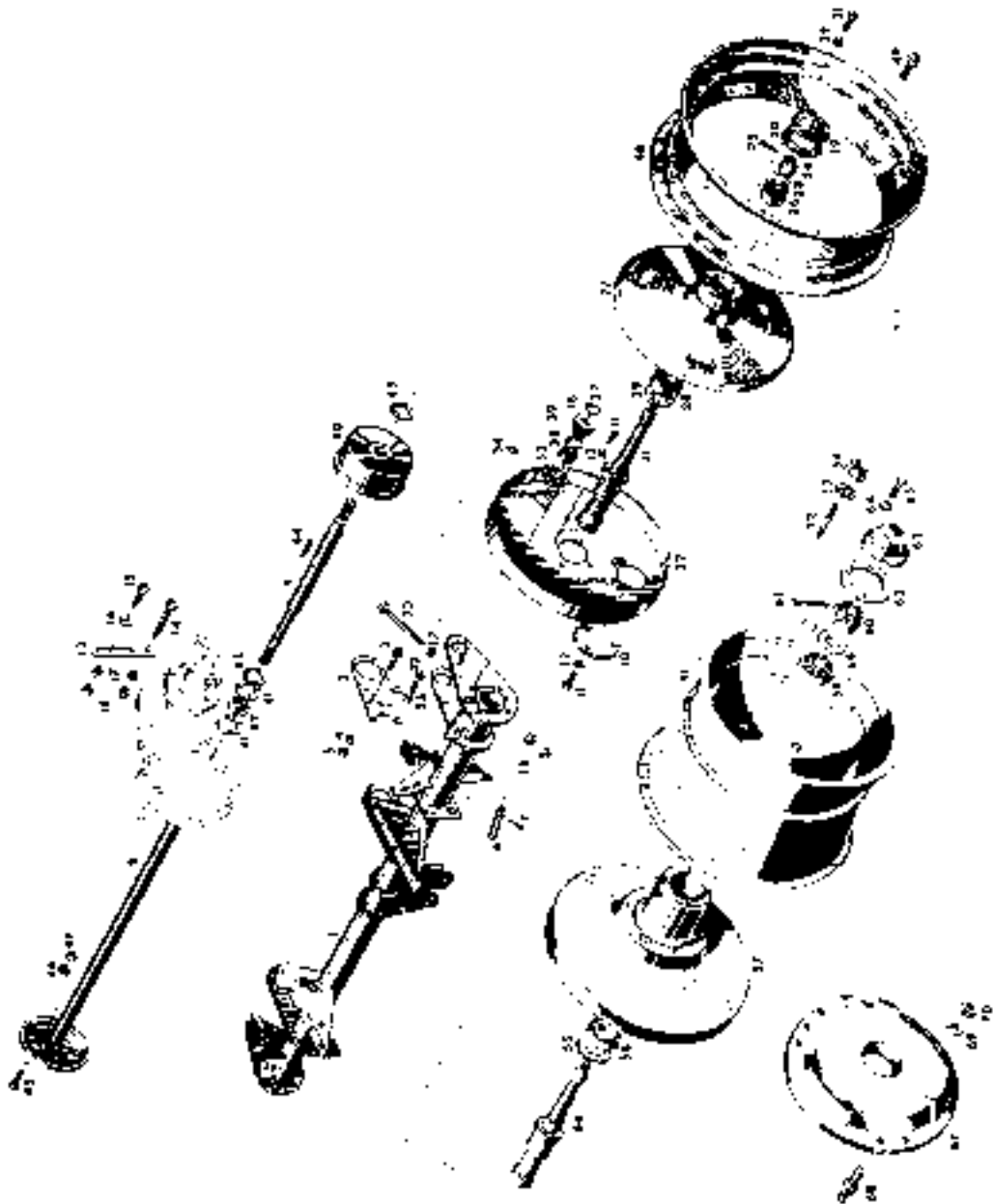
(A)
Up to Serial or Engine Number 4634
(B)
From Serial or Engine Number 4635
(C)
Up to Serial or Engine Number 5780
(D)
From Serial or Engine Number 5781
(E)
FOR COMBINES WITH PRESS
(F)
BRAZIL ONLY
(G)
Up to Serial or Engine Number
(H)
From Serial or Engine Number
(I)
FOR ROD WITH BALL, JOINT

12-3

VORDERACHSEL
bis Serien-Nr. 6254

FRONT AXLE
up to No. 6264

FRONT AX
part no. No. 6264



Modelljahr MF 31

415718 r/2 (Ausgabe 1) 12/70

FRONT AXLE

Item	Part Number	Qty	Description	Comments
				Up to Serial or Engine Number 6264
1	410960M91	1	Axle	(A)
	414513M91	1	Axle	(B, C)
2		1	Plate	
3	339401X1	3	Screw Metric	
4	339376X1	3	Lock Washer	
5	339402X1	3	Nut Metric	
6	410982M1	1	Pin	
7	339783X1	1	Pin	
8	323238M3	1	Shaft	Right Hand
9	411194M1	1	Shaft	(A) Left Hand
	414515M1	1	Shaft	(B) Left Hand
10	320288M1	2	Plate	
11	339228X1	14	Screw Metric	
12	339374X1	20	Lock Washer	
13	411195M1	1	Bracket	
14	339208X1	1	Screw	
15	339299X1	1	Screw Metric	
16	339026X1	1	Washer Metric	
17	339639X1	2	Screw	
18	339054X1	4	Nut Metric	
	339186X1	2	Nut Metric	(B)
19	323253M2	2	Cap	
20	323254M1	2	Gasket	
21	339560X1	6	Screw Metric	
22	339375X1	6	Lock Washer	
23	323255M3	2	Washer	
24	339046X1	2	Nut Metric	
25	391407X1	2	Pin	
26	339393X1	2	Bearing	
27	324538M3	2	Disc	
28	339394X1	2	Bearing Assy	
29	323256M2	2	Washer	
30	390826X1	2	Bolt Metric	
31	323491M3	2	Axle	
32	320285M91	1	Shield	Left Hand
	320287M91	1	Disc	Right Hand
33	320264M1	2	Housing	
34	339003X1	2	Greaser	
35	339123X1	6	Screw Metric	
36	324540M2	2	Pinion	Number of teeth/spines 12
37	1440476X1	2	Circlip	
38	1440491X1	2	Bearing Ball	
39	339126X1	2	Circlip	
40		2	Brake	See Page - Reference Number 19-2
41	411196M1	4	Washer	
42	411197M1	2	Ring	
43	339438X1	4	Ring	
44	339474X1	2	Key Door	
45	339761X1	16	Screw Metric	
46	339585X1	16	Washer	
47	339169X1	16	Nut Metric	
48	411190M91	2	Rim	FOR TYRES 9-24
	411192M91	2	Rim	FOR TYRES 10-24
49	322761M1	12	Bolt	
50	339186X1	2	Nut Metric	
51	411476M2	2	Wheel	(B)
52	390851X1	12	Stud	(B)
53	339448X1	12	Washer	(B)
54	339447X1	12	Nut Metric	(B)
55	411480M1	2	Washer	(B)
56	390859X1	2	Bearing	(B)
57	411475M2	2	Disc	(B)
58	339440X1	2	Bearing	(B)
59	339213X1	2	Washer Metric	(B)
60	390761X1	2	Nut Metric	(B)
61	339040X1	2	Pin	(B)
62	401018M2	2	Cap	(B)

FRONT AXLE

Item	Part Number	Qty	Description	Comments
63	401044M1	2	Joint	(B)
64	339375X1	8	Lock Washer	(B)
65	339560X1	8	Screw Metric	(B)
66	411479M1	2	Stub Axle	(B)
67	323460M2	1	Weight	Right Hand
68	323461M2	6	Bolt	
69	339072X1	6	Washer	
70	339079X1	6	Nut	

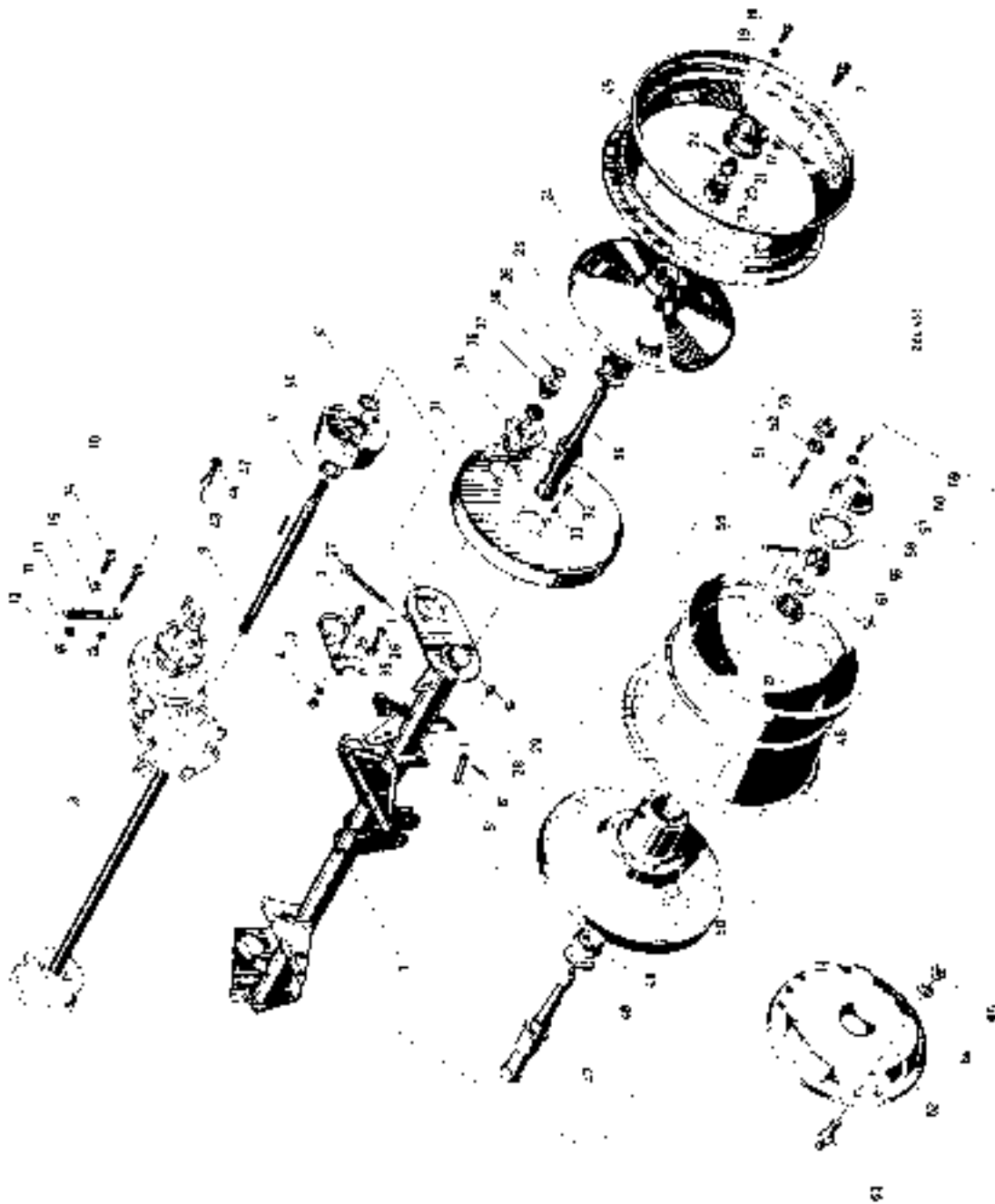
(A)
WITH TYRES 9-24 AND 10-24
(B)
WITH TYRES 14, 5-20
(C)
NOT SERVICED SEPARATELY.

10-4

VORDERACHSE
 uti Serien-Nr. 6265

FRONT AXLE
 Form No. 6265

ROTOR AV
 8 surtiu da No. 6265



Mb-drecher MF 31

415718 M2 (Ausgabe 11/12/70)

FRONT AXLE

Item	Part Number	Qty	Description	Comments
				From Serial or Engine Number 6265
1	416301M91	1	Axle	
2	339401X1	3	Screw Metric	
3	339376X1	3	Lock Washer	
4	339402X1	3	Nut Metric	
5	410982M1	1	Pin	
6	339783X1	1	Pin	
7	322761M1	12	Bolt	
8	416306M1	1	Shaft	Right Hand
9	416307M1	1	Shaft	Left Hand
10	339208X1	1	Screw	
11	339369X1	2	Lock Washer	
12	339054X1	2	Nut Metric	
13	411195M1	1	Bracket	
14	339299X1	1	Screw Metric	
15	339026X1	1	Washer Metric	
16	323253M2	2	Cap	
17	323254M1	2	Gasket	
18	339560X1	6	Screw Metric	
19	339375X1	6	Lock Washer	
20	323255M3	2	Washer	
21	339046X1	2	Nut Metric	
22	391407X1	2	Pin	
23	339393X1	2	Bearing	
24	324538M3	2	Disc	
25	391310X1	2	Bearing	
26	416308M1	2	Washer	
27	390826X1	2	Bolt Metric	
28	339186X1	2	Nut Metric	
29	339054X1	2	Nut Metric	
30	416312M1	2	Spindle	
31	416309M1	2	Disc	
32	339228X1	8	Screw Metric	
33	339374X1	8	Lock Washer	
34	416310M1	2	Housing	
35	390991X1	12	Bolt Metric	
36	339374X1	12	Lock Washer	
37	416311M1	2	Pinion	Number of teeth/spines 12
38	1440477X1	2	Circlip	
39	415331M1	2	Bearing	
40		2	Brake	(A)
41	339438X1	4	Ring	
42	339474X1	2	Key Door	
43	391148X1	16	Screw Metric	
44	339585X1	16	Washer	
45	411190M91	2	Rim	FOR TYRES 9-24
	411192M91	2	Rim	FOR TYRES 10-24
46	411476M2	2	Wheel	(B)
47	411479M1	2	Axle	(B)
48	411480M1	2	Washer	(B)
49	390859X1	2	Bearing	(B)
50	411475M2	2	Disc	(B)
51	390851X1	12	Stud	(B)
52	339448X1	12	Washer	(B)
53	339447X1	12	Nut Metric	(B)
54	339440X1	2	Bearing	(B)
55	390761X1	2	Nut Metric	(B)
56	339040X1	2	Pin	(B)
57	401018M2	2	Cap	(B)
58	401044M1	2	Joint	(B)
59	339560X1	8	Screw Metric	(B)
60	339375X1	8	Lock Washer	(B)
61	391309X1	2	Washer Metric	(B)
62	323460M2	1	Weight	
63	323461M2	6	Bolt	
64	339072X1	6	Washer	
65	339079X1	6	Nut	

(A)
 See Page - Reference Number 19-2
 (B)

MASSEY FERGUSON
MF 31 COMBINE - 415718

415718

FRONT AXLE

10-4

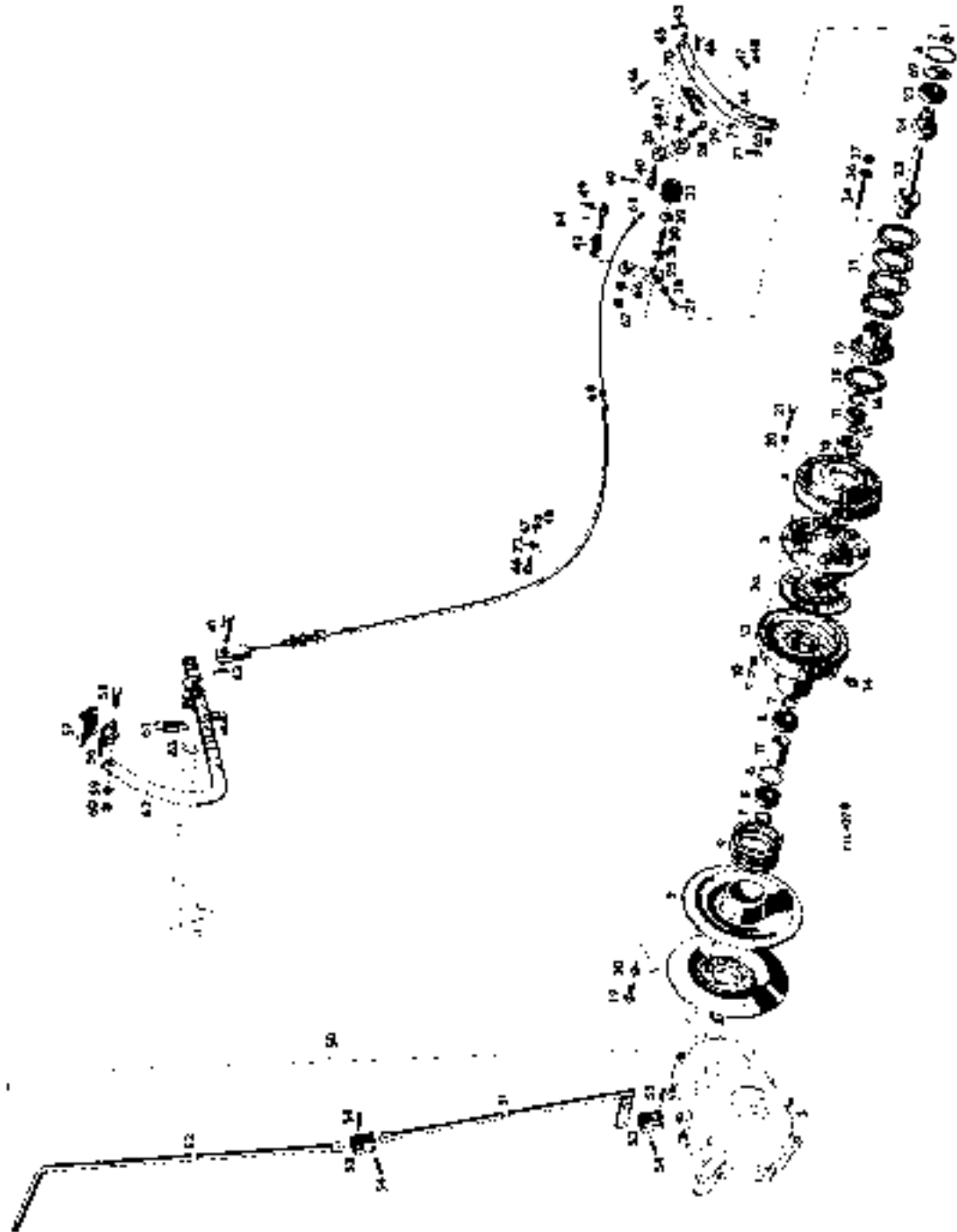
Item	Part Number	Qty	Description	Comments
				WITH TYRES 14, 5-20

10-5

KUPLUNG

CLUTCH

EMBRAYAGE



Motortesch MF 31

415 710 MF 14 Ausgabe: 11/12/76

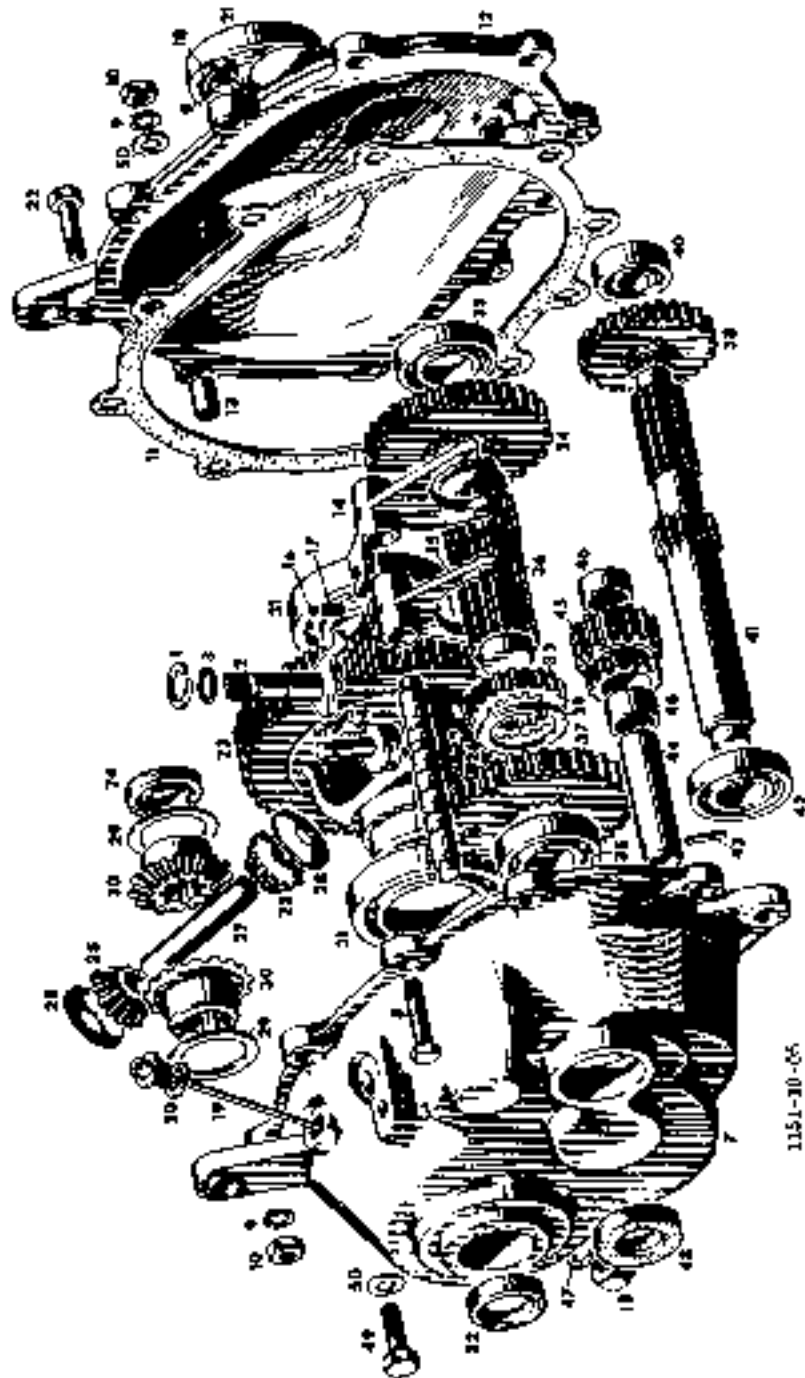
CLUTCH

Item	Part Number	Qty	Description	Comments
1	411233M1	1	Disc	Right Hand
2	411234M1	1	Disc	Left Hand
3	417541M1	1	Plate	
	1700850M1	1	Plate	
	1700851M1	6	Spring	
	1700852M1	3	Lever	
	1700853M1	3	Bolt	
	1700854M1	6	Race	
	1700855M1	3	Nut	
	1700856M1	3	Bail	
	1700857M1	3	Spring	
	1700858M1	1	Plate	
	1700843M1	6	Rivet	
	1700859M1	3	Angle	
3A	417540M1	1	Disc	
	1700854M1	12	Race	
	1700861M1	2	Facing	
4	411279M2	1	Cover	
5	410715M91	1	Gearbox	See Page - Reference Number 10-5
6	390942X1	2	Circlip	
7	390939X1	3	Segment	
8	390795X1	2	Bearing Ball	(A)
	390941X1	2	Bearing Ball	(B)
9	1706043M1	1	Spring	
10	410739M1	1	Key Door	
11	339892X1	1	Bearing Ball	(A)
	391057X1	1	Bearing Ball	(B)
12	411298M2	1	Hub	(B)
	414467M91	1	Hub	(A)
				INCL. 6, 7, AND 69
13	411236M92	1	Disc	
14	390843X1	1	Nipple	
15	390310X1	1	Circlip	
16	339895X1	1	Ring	
17	1706448M1	1	Bush	
18	411297M1	1	Bush	
19	339761X1	6	Screw Metric	
20	339374X1	12	Lock Washer	
21	339168X1	6	Bolt Metric	
22	390795X1	1	Bearing Ball	(A)
	390941X1	1	Bearing Ball	(B)
23	410741M92	1	Bolt	
24	410744M1	1	Lever	
25	410745M1	1	Lever	
26	410746M1	1	Lever	
27	339744X1	2	Bolt	
28	339030X1	4	Nut Metric	
29	390794X1	2	Bolt	
30	1706010M1	1	Spring	
31	410848M1	1	Bush	
32	410849M1	1	Washer	
33	410850M1	1	Sleeve	
34	390844X1	3	Stud	
35	411299M1	4	Washer	
36	339179X1	3	Washer	
37	339169X1	3	Nut Metric	
38	411308M1	X	Washer	
39	411184M2	1	Cable	
40	411185M3	1	Clevis Pin	
41	339727X1	1	Clevis Pin	
42	339817X1	3	Washer Metric	
43	339087X1	2	Pin	
44	411186M2	1	Strap	(D)
	414522M1	1	Strap	(E)
45	411187M1	1	Clip	
46	339560X1	3	Screw Metric	
47	339375X1	3	Lock Washer	
48	339030X1	3	Nut Metric	
49	391400X1	2	Pin	
50	411130M91	1	Lever	

CLUTCH

Item	Part Number	Qty	Description	Comments
51	411131M91	1	Rod	
52	411133M1	1	Rod	
53	320534M2	2	Block	
54	339080X1	3	Roll Pin	
55	339080X1	1	Roll Pin	
56	411113M91	1	Pedal	
57	401741M1	1	Cap	
58	339401X1	1	Screw Metric	
59	339376X1	1	Lock Washer	
60	339402X1	1	Nut Metric	
61	1706114M1	1	Spring	
62	414720M91	1	Lever	(F, G)
63	390975X1	1	Washer Metric	(G)
64	411491M1	1	Bolt	
65	339024X1	2	Washer Metric	
66	339374X1	1	Lock Washer	
67	339169X1	1	Nut Metric	
68	411492M1	2	Washer	
69	414435M1	1	Cap	(B)
70	414608M1	1	Bracket	(E)
71	391401X1	1	Pin	
72	327201M1	1	Clip	
73	414609M1	1	Clip	

(A)
NON-SEALED BEARINGS
(B)
SEALED BEARINGS
(D)
WITH TYRES 9-24 AND 10-24
Up to Serial or Engine Number 6264
(E)
WITH TYRES 9-24 AND 10-24
WITH TYRES 14, 5-20
From Serial or Engine Number 6265
WITH TYRES 14, 5-20
(F)
Up to Serial or Engine Number 4634
Not serviced, order 390975X1
(G)
From Serial or Engine Number 4635



Motordrucker MF 31

415 718 M2 (August 1970)

TRANSMISSION

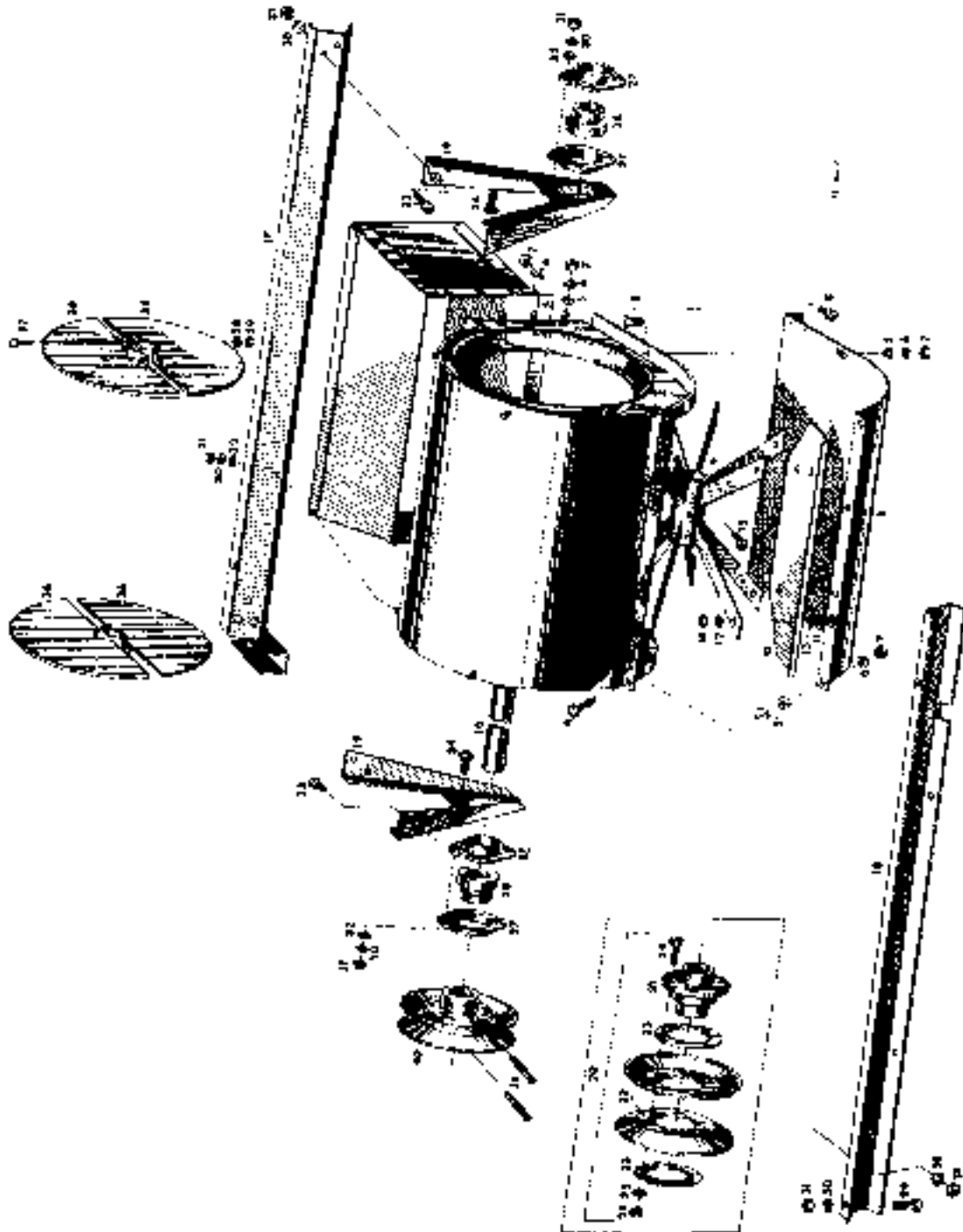
Item	Part Number	Qty	Description	Comments
	410715M91	1	Gearbox	
1	1440475X1	1	Circlip	
2	618918M92	1	Finger	
3	390235X1	1	Ring	
4	618916M1	1	Lock	
5	391463X1	1	Pin	
6	618921M1	1	Guide	
7	618948M4	1	Housing	
8	339246X1	7	Bolt Metric	
9	339376X1	12	Lock Washer	
10	339402X1	10	Nut Metric	
11	618924M1	1	Gasket	
12	618949M4	1	Cover	
13	1441463X1	2	Pin	
14	618923M1	1	Fork	
15	618922M1	1	Fork	
16	339879X1	2	Seal	
17	1706035M1	1	Spring	
18	195466M1	1	Plug	
19	618913M91	1	Plug	
20	618910M1	1	Gasket	
21	1441031X1	1	Seal	
22	339556X1	1	Bolt Metric	
	410344M91	1	Differential	
23	618947M92	1	Housing	
	614338M1	2	Dowel	
24	1441027X1	1	Seal	
25	655863M1	2	Pinion	Number of teeth/spines 10
26	623976M1	1	Pin	
27	623975M1	1	Clevis Pin	
28	623160M1	2	Washer	
29	618952M2	2	Washer	
30	618945M2	2	Pinion	
31	339673X1	2	Bearing Ball	
32	1441028X1	1	Seal	
33	618928M1	1	Pinion	
34	619077M1	1	Gear	
35	1440507X1	2	Bearing Ball	
36	618931M1	1	Shaft	
37	618932M1	1	Gear	
38		1	Gear	Not serviced, order 411310M91
39	1440526X1	1	Ring	
40	1440506X1	1	Bearing Ball	
41	411310M91	1	Shaft	
42	1440494X1	1	Bearing Ball	
43	618911M1	1	Pin	
44	618917M1	1	Shaft	
45	618925M91	1	Pinion	
46	1440513X1	2	Bearing	
47	180474M1	1	Gasket	
48	1441029X1	1	Seal	
49	339019X1	2	Bolt Metric	
50	339424X1	4	Washer	

10-7

GEHÄUSE

FÄNNINGSMULL

VENTILATUR



Muldruchte: M8 28

415 718 M2 (Ausgabe 1) 12/70

FANNING MILL

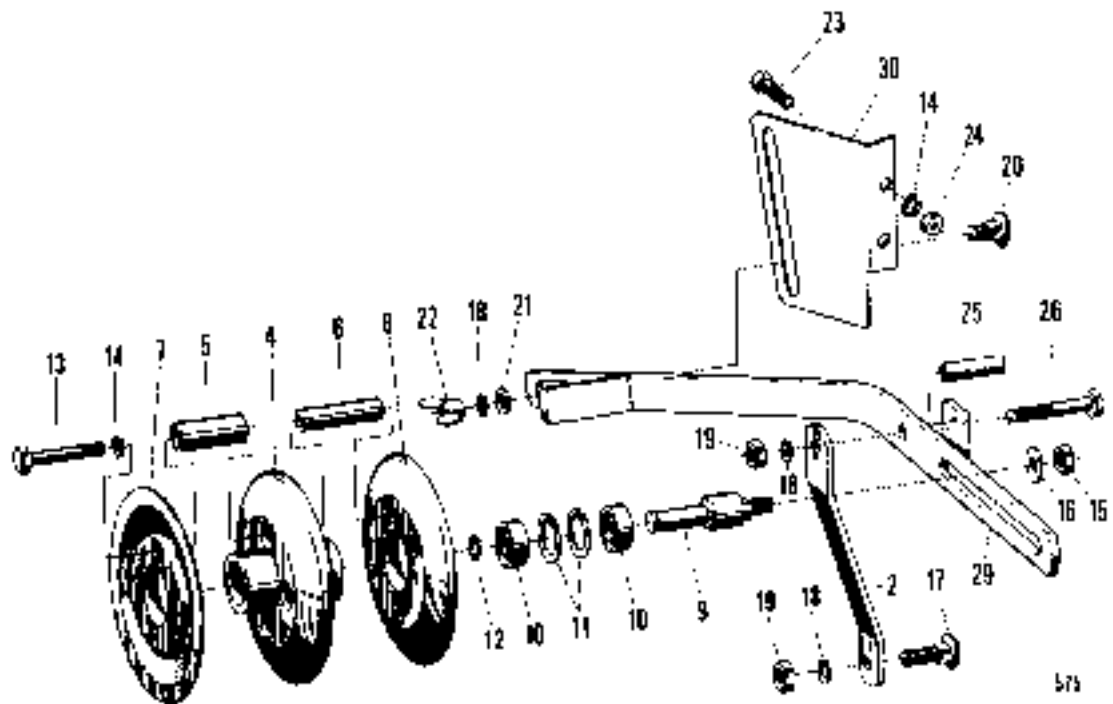
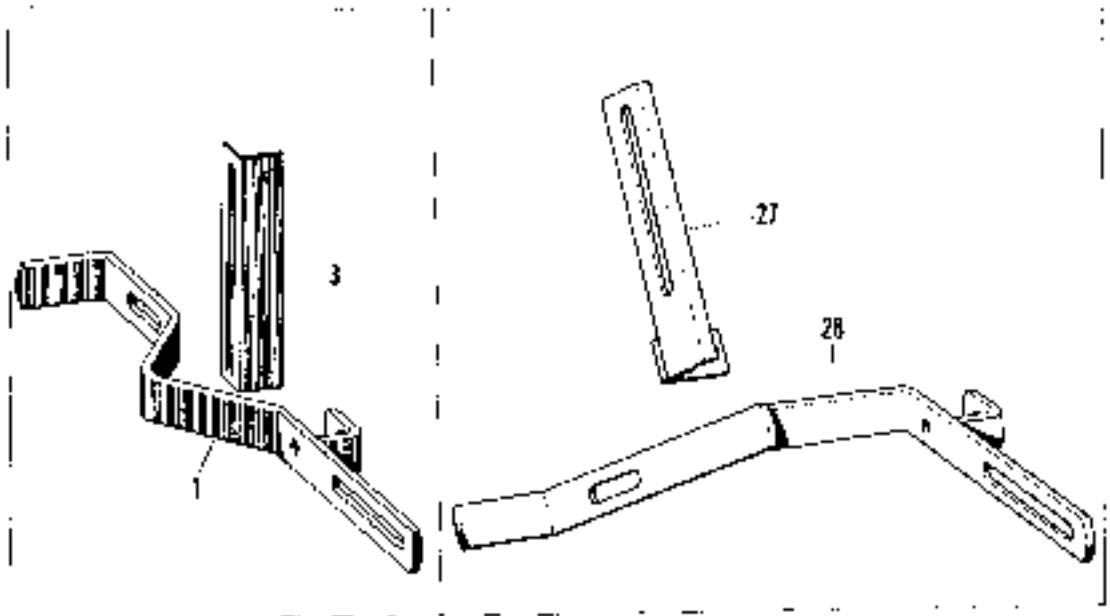
Item	Part Number	Qty	Description	Comments
1	410478M91	1	Fan	
2	410482M1	1	Housing	
3	410488M91	1	Hopper	
4	339666X1	4	Screw Metric	
5	390971X1	20	Washer Metric	
6	339375X1	16	Lock Washer	
7	339030X1	16	Nut Metric	
8	339230X1	6	Screw Metric	
	410493M91	1	Fan	(A)
	414685M91	1	Fan	(B)
9	410494M91	1	Spider	(A)
	402284M91	1	Spider	(B)
10	410498M1	6	Blade Cutter	(A)
	414686M1	6	Blade Cutter	(B)
11	339123X1	12	Screw Metric	(A)
	339560X1	24	Screw Metric	(B)
12	339374X1	12	Lock Washer	(A)
	339375X1	24	Lock Washer	(B)
13	339817X1	12	Washer Metric	(A)
	390971X1	24	Washer Metric	(B)
14	339169X1	12	Nut Metric	(A)
	339030X1	24	Nut Metric	(B)
15	390228X1	1	Key Parallel	(A)
	390594X1	1	Bolt Metric	(B)
	339169X1	1	Nut Metric	
16	410499M1	1	Shaft	(A)
	414687M1	1	Shaft	(B)
17	410500M92	1	Carrier	
18	410504M1	1	Carrier	
19	410505M1	2	Bearer	
20	410506M91	1	Pulley	(C)
21	322935M2	1	Hub	(C)
22	402272M1	2	Pulley	(C)
23	402273M1	2	Spacer	(C)
24	339804X1	6	Screw Metric	(C)
25	339375X1	6	Lock Washer	(C)
26	339030X1	6	Nut Metric	(C)
27	410559M1	4	Flange	
28	410560M1	2	Bearing	
29	339123X1	4	Screw Metric	
30	339374X1	18	Lock Washer	
31	339169X1	18	Nut Metric	
32	339817X1	6	Washer Metric	
33	339124X1	6	Screw Metric	
34	339170X1	4	Screw	
35	339192X1	2	Pin	
36	414613M91	4	Plate	(C)
37	339761X1	4	Screw Metric	(C)
38	339374X1	4	Lock Washer	(C)
39	339169X1	4	Nut Metric	(C)
40	416519M91	1	Pulley	(A)
				Up to Serial or Engine Number 4154
				(B)
				From Serial or Engine Number 4155
				(C)
				SPECIAL EQUIPMENT

10-8

GEULÖSEVERSTELLTRIEB

FANNING MILL
ADJUSTMENT

VARIABLE DE VITESSES
POUR VENTILATEUR



Abstraktor MF 31

415 718 M2 (с. 15/20)

FANNING MILL ADJUSTMENT

Item	Part Number	Qty	Description	Comments
1	410530M91	1	Lever	(A)
2	410533M1	1	Support	
3	410534M1	1	Strap	(A)
4	412138M1	1	Disc	
5	412139M1	4	Bush	
6	412140M1	4	Bush	
7	412141M1	1	Disc	
8	412142M1	1	Disc	
9	410541M1	1	Pin	
10	339656X1	2	Bearing Ball	
11	339657X1	2	Circlip	
12	339069X1	1	Circlip	
13	339368X1	4	Bolt Metric	
14	339374X1	6	Lock Washer	
15	339054X1	1	Nut Metric	
16	339026X1	1	Washer Metric	
17	390397X1	1	Bolt	
18	339376X1	3	Lock Washer	
19	339402X1	2	Nut Metric	
20	339131X1	1	Bolt	
21	339025X1	1	Washer Metric	
22	339539X1	1	Nut Metric	
23	339761X1	2	Screw Metric	
24	339169X1	2	Nut Metric	
25	1706396M1	1	Bush	
26	339204X1	1	Screw	
27	406682M91	1	Strap	(B)
28	406685M91	1	Arm	(B)
29	417487M91	1	Arm	(C)
30	417490M91	1	Strap	(C)

(A)

FOR COMBINES WITHOUT STRAW CHOPPER

Up to Serial or Engine Number 8493

(B)

FOR SUPPLEMENTARY FITTING OF STRAW CHOPPER

Up to Serial or Engine Number 8493

(C)

From Serial or Engine Number 8494

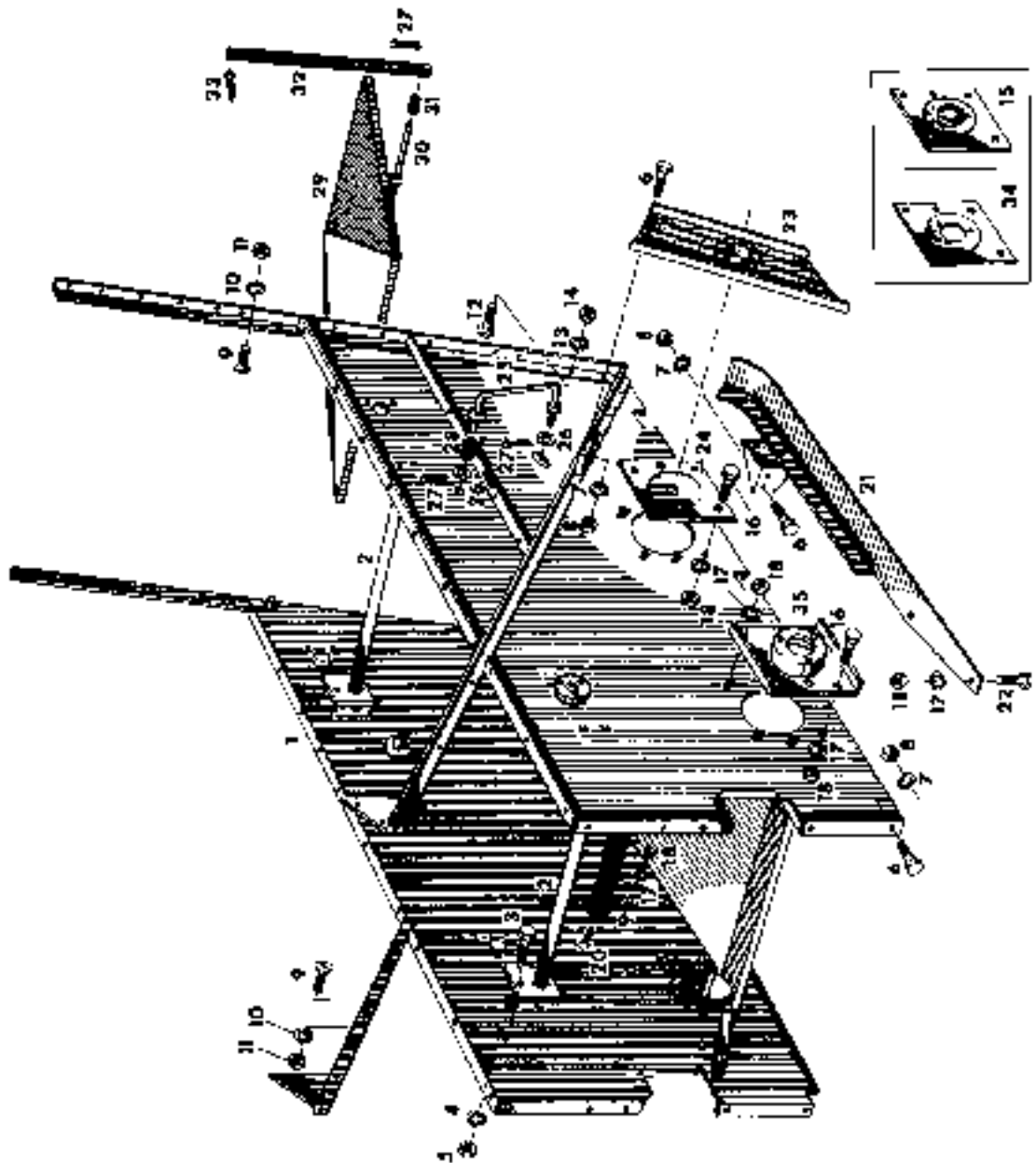
11-1

UNTERES MASCHINENGEHAUSE

LOWER MACHINE HOUSING

BAPI INTERIEUR

57



Машиница - MF 31

415 718 M2 / Ausgabe 15.12/70

LOWER MACHINE HOUSING

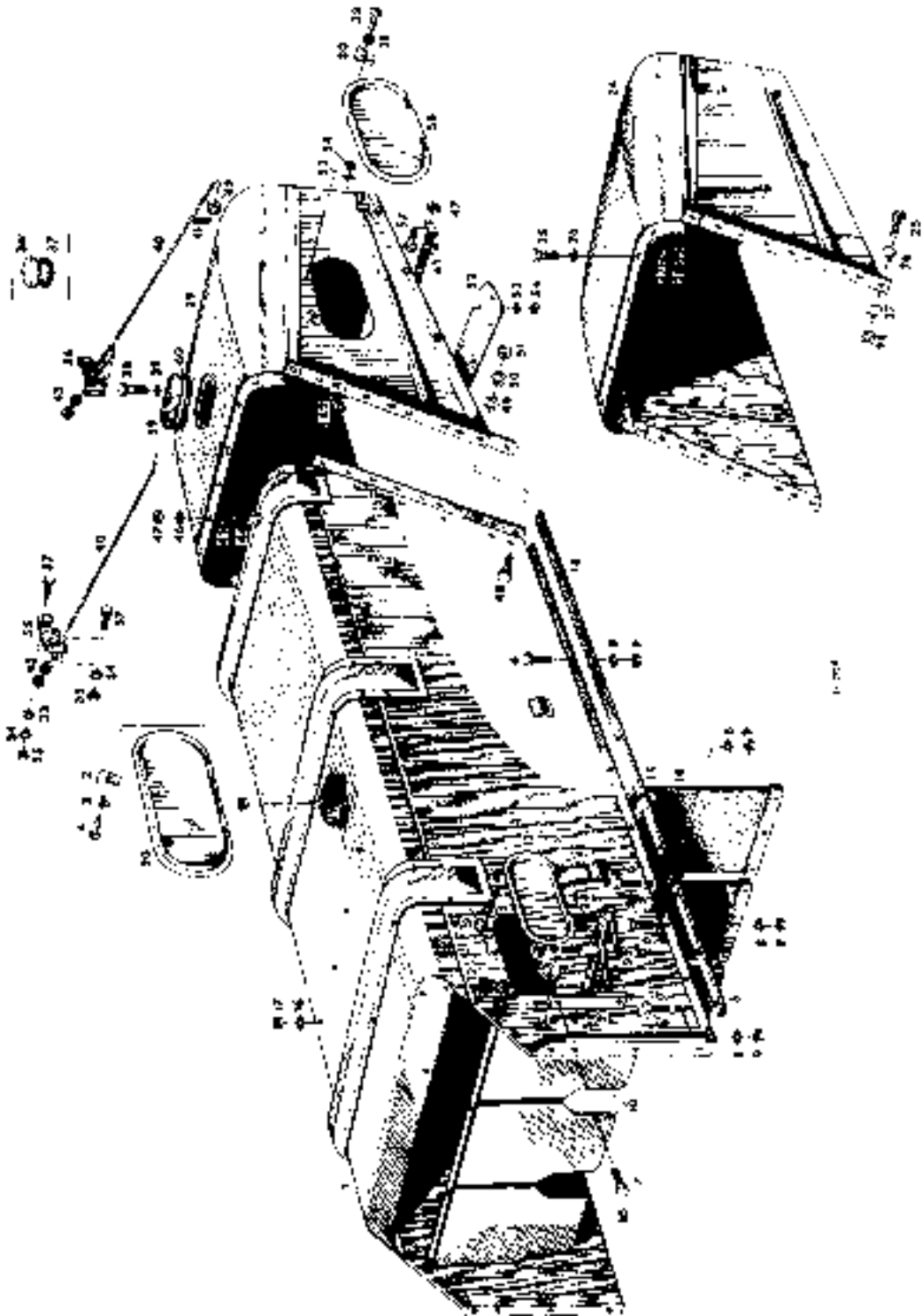
Item	Part Number	Qty	Description	Comments
1	410412M91	1	Housing	(A)
	411749M91	1	Frame	(B)
	417284M91	1	Frame	(E)
2	410417M91	2	Stiffener	(B)
	417247M91	1	Spacer	(E)
3	339560X1	16	Screw Metric	(B)
	339124X1	8	Screw Metric	(E)
4	339375X1	16	Lock Washer	(B)
	339374X1	8	Lock Washer	(E)
5	339030X1	16	Nut Metric	(B)
	339169X1	8	Nut Metric	(E)
6	339123X1	15	Screw Metric	
7	339374X1	15	Lock Washer	
8	339169X1	15	Nut Metric	
9	339150X1	16	Screw Metric	
10	339375X1	16	Lock Washer	
11	339030X1	16	Nut Metric	
12	339401X1	8	Screw Metric	
13	339376X1	8	Lock Washer	
14	339402X1	8	Nut Metric	
15	324950M1	1	Plate	(C)
16	339230X1	4	Screw Metric	
17	339375X1	23	Lock Washer	
18	339030X1	23	Nut Metric	
19	410690M1	1	Gasket	
20	339560X1	5	Screw Metric	
21	324550M91	1	Guard	
22	339666X1	2	Screw Metric	
23	321126M2	1	Support	(C)
	411894M91	1	Support	(D)
24	410698M1	1	Plate	
25	322117M91	2	Crank	
26	391396X1	4	Washer Metric	
27	391401X1	6	Pin	
28	320507M1	2	Sleeve	
29	410294M91	1	Fender	
30	410297M1	1	Clevis Pin	
31	1706393M1	2	Spacer	
32	410298M1	2	Rod Link	
33	410366M1	2	Pin	
34	411879M1	1	Plate	(D, F)
35	417257M1	1	Flange	(G)
				(A)
			NON-SEALED BEARINGS	
				(B)
			SEALED BEARINGS	
			Up to Serial or Engine Number 7375	
				(C)
			Up to Serial or Engine Number 3043	
				(D)
			From Serial or Engine Number 3044	
				(E)
			SEALED BEARINGS	
			From Serial or Engine Number 7376	
				(F)
			Up to Serial or Engine Number 7375	
				(G)
			From Serial or Engine Number 7376	

11-2

СЕРБЕС МАШИННИЧЪЛИК

UPPER MACHINE
MOUNTING

MATI-FURFEREJR



Машиниер MF 31

415 718 №2 (6. Ausgabe) '11/2/70

**MASSEY FERGUSON
MF 31 COMBINE - 415718**

415718

11-2

UPPER MACHINE HOUSING

Item	Part Number	Qty	Description	Comments
1	410425M94	1	Hood	
2	320719M2	3	Tie	
3	390971X1	3	Washer Metric	
4	339082X1	3	Rivet	
5	320602M1	2	Bar-Front	
6	339124X1	18	Screw Metric	
7	339123X1	6	Screw Metric	
8	339374X1	24	Lock Washer	
9	339169X1	24	Nut Metric	
10	410437M2	3	Dust Shield	
11	324372M1	1	Rod	
12	339076X1	1	Pin	
13	410438M1	1	Plate	(C)
	415201M91	1	Gate	(D)
14	410439M91	1	Curtain	
15	410441M91	1	Bracket	
16	339375X1	4	Lock Washer	
17	339030X1	4	Nut Metric	
18	320668M1	2	Bar-Rear	
19	390556X1	12	Screw	
	339169X1	12	Nut Metric	
20	321169M1	1	Door	
21	323723M91	1	Bearer	(E)
22	410813M91	1	Guide	(E)
23	339531X1	2	Pin	(E)
24	410999M91	1	Hood	(A)
25	339124X1	24	Screw Metric	
26	339817X1	24	Washer Metric	
27	339374X1	24	Lock Washer	
28	339169X1	24	Nut Metric	
	11517161	1	Hood	(B)
29	416230M91	1	Hood	(B)
30	320719M2	4	Tie	
31	390971X1	4	Washer Metric	
32	339082X1	4	Rivet	
33	339817X1	4	Washer Metric	
34	339374X1	8	Lock Washer	
35	339169X1	8	Nut Metric	
36	411599M1	1	Cover	(E)
37	411600M1	1	Joint	(E)
38	339560X1	8	Screw Metric	
39	339375X1	8	Lock Washer	
40	411601M1	2	Bolt	
41	390739X1	2	Pin	
42	339025X1	2	Washer Metric	
43	339402X1	4	Nut Metric	
44	339124X1	7	Screw Metric	
45	339817X1	7	Washer Metric	
46	339374X1	7	Lock Washer	
47	339169X1	11	Nut Metric	
48	339123X1	20	Screw Metric	
49	339817X1	20	Washer Metric	
50	339374X1	20	Lock Washer	
51	339169X1	20	Nut Metric	
52	411602M1	1	Cover	
53	339375X1	8	Lock Washer	
54	339030X1	8	Nut Metric	
55	406671M91	1	Bearer	Right Hand
56	406667M91	1	Bearer	Left Hand
57	339123X1	12	Screw Metric	
58	321169M1	2	Door	(D)
59	416243M1	1	Cover	(F)
60	416244M1	1	Joint	(F)
61	409698M91	1	Support	(B)
	411603M2	5	Filling	(A)
				Up to Serial or Engine Number 3043
				(B)
				From Serial or Engine Number 3044
				(C)

**MASSEY FERGUSON
MF 31 COMBINE - 415718**

415718

UPPER MACHINE HOUSING

11-2

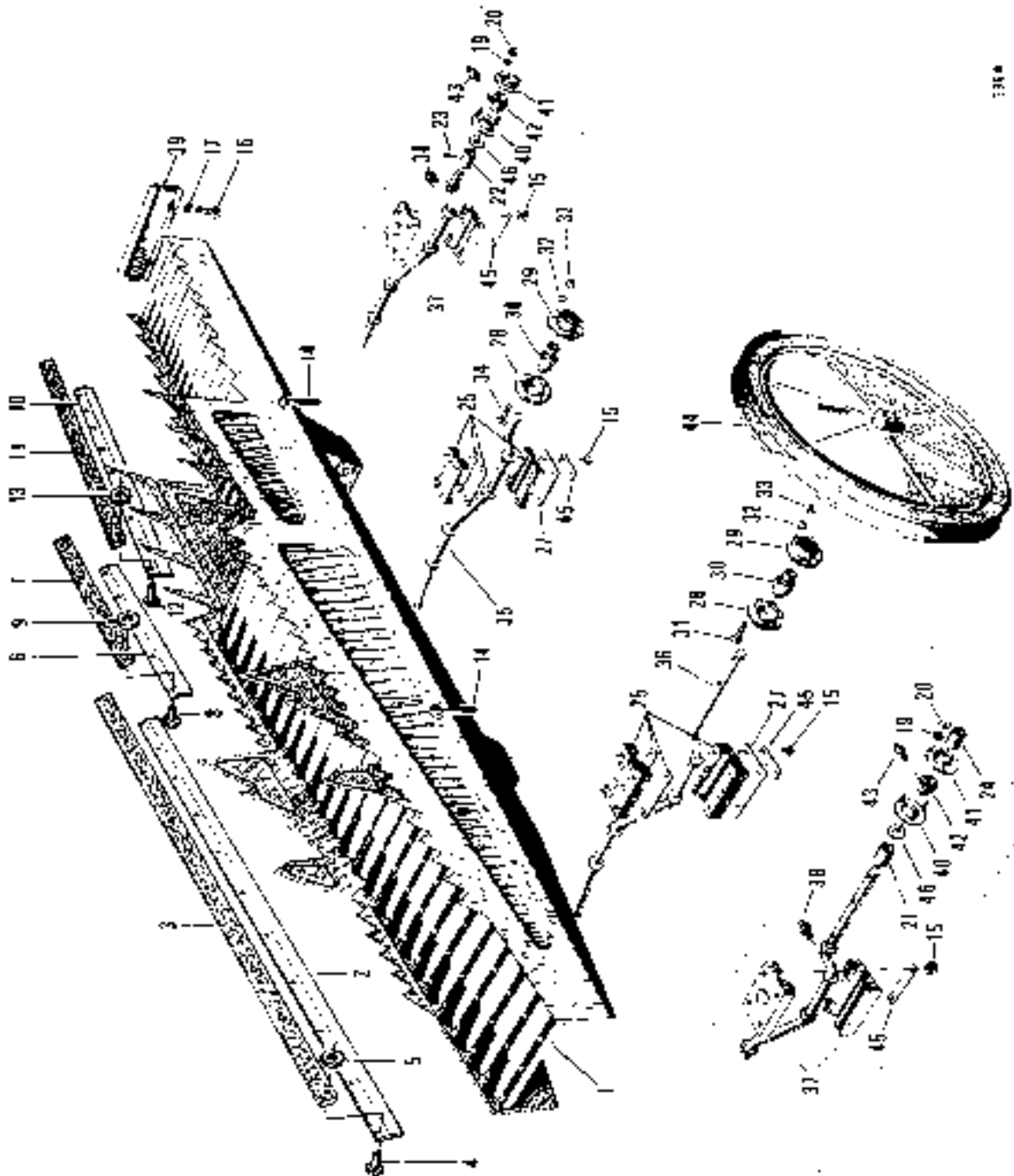
Item	Part Number	Qty	Description	Comments
				Up to Serial or Engine Number 4634 (D)
				From Serial or Engine Number 4635 (E)
				Up to Serial or Engine Number 6264 (F)
				From Serial or Engine Number 6265

11-3

SCHITTELFIND ANTRIEB

STRAW WALKERS
AND DRIVE

SECOURS ANSC
COMMANDE



336

MF Drescher MF 31

415 718 M2 (Ausgabe 1) 12/70

STRAW WALKERS AND DRIVE - WITHOUT SEALINGS

Item	Part Number	Qty	Description	Comments
				WITHOUT SEALINGS Up to Serial or Engine Number 9111
1	324031M94	3	Walker	
				WITH SEALINGS From Serial or Engine Number 9112
1	324031M94	1	Walker	
	416604M91	1	Walker	Left Hand INCL. 324031M94
2	416606M91	1	Sealer	(G)
3	416608M1	1	Seal	
4	391356X1	11	Rivet	
5	339102X1	11	Washer Metric	
6	416609M91	1	Sealer	(G)
7	416611M1	1	Sealer	
8	391356X1	5	Rivet	
9	339102X1	5	Washer Metric	
10	416612M91	1	Sealer	(G)
11	416614M1	1	Sealer	
12	391356X1	9	Rivet	
13	339102X1	9	Washer Metric	
1	416605M91	1	Walker	Right Hand INCL. 324031M94
2	416606M91	1	Sealer	(G)
3	416608M1	1	Seal	
4	391356X1	11	Rivet	
5	339102X1	11	Washer Metric	
6	416609M91	1	Sealer	(G)
7	416611M1	1	Sealer	
8	391356X1	5	Rivet	
9	339102X1	5	Washer Metric	
10	416612M91	1	Sealer	(G)
11	416614M1	1	Sealer	
12	391356X1	9	Rivet	
13	339102X1	9	Washer Metric	
14	339127X1	24	Bolt	(A)
	339256X1	24	Bolt Metric	
15	339169X1	24	Nut Metric	
16	339228X1	6	Screw Metric	
17	339374X1	6	Lock Washer	
18	339135X1	2	Pin	
19	339375X1	12	Lock Washer	
20	339030X1	12	Nut Metric	
21	411579M1	1	Bush	(D)
22	411580M1	3	Insert	(D)
23	339258X1	3	Pin	(D)
24	411582M1	1	Bush	(D)
25	414924M91	6	Bearing	(B)
27	411746M1	6	Plate	(B)
28	411745M1	4	Ring	(B)
29	412245M1	4	Ring	(B)
30	412243M1	4	Bearing	(B)
31	339247X1	3	Bolt	(B)
32	339374X1	12	Lock Washer	(B)
33	339169X1	12	Nut Metric	(B)
34	390018X1	9	Bolt	(B)
35	324061M91	1	Crankshaft	(C)
	411647M91	1	Crankshaft	(D)
	411742M91	1	Crankshaft	(B, E)
	417252M91	1	Crankshaft	(F)
36	320037M92	1	Shaft	(C)
	411648M91	1	Crankshaft	(A)
	411790M91	1	Crankshaft	(D, E)
	417255M91	1	Crankshaft	(F)
37	323300M92	6	Bearing	(A)
38	390843X1	6	Nipple	(A)
39	324044M91	3	Gate	
40	322118M93	4	Ring	(A)
41	320235M2	4	Ring	(C)
	411577M1	4	Flange	(D)
42	323378M91	4	Bearing	(C)

MASSEY FERGUSON**MF 31 COMBINE - 415718****415718****STRAW WALKERS AND DRIVE - WITHOUT SEALINGS****11-3**

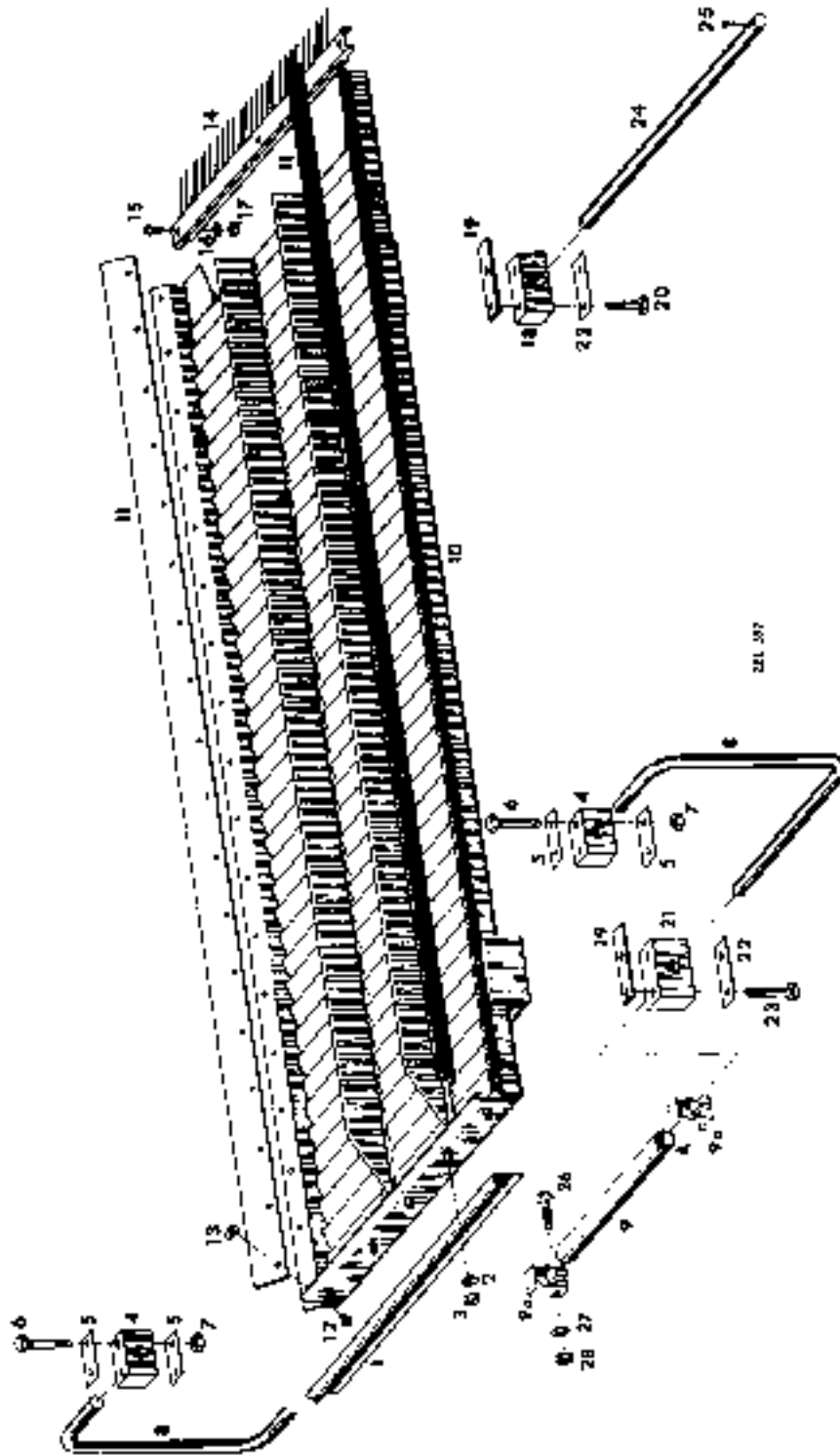
Item	Part Number	Qty	Description	Comments
	411649M91	4	Bearing	(D)
43	390843X1	4	Nipple	
44	321276M93	1	Pulley	
45	321147M1	12	Pad	
46	391382X1	X	Washer Metric	(C)
	391109X1	X	Washer Metric	(D)
				(A)
				FOR COMBINES WITH NON-SEALED BEARINGS
				(B)
				FOR COMBINES WITH SEALED BEARINGS
				(C)
				Up to Serial or Engine Number 2243
				(D)
				NO. 2244 - A
				(E)
				Up to Serial or Engine Number 7375
				(F)
				From Serial or Engine Number 7376
				(G)
				FOR SUPPLEMENTARY FITTING
				Up to Serial or Engine Number 9111

11-4

STUFENBÖDEN

PAN TO SHAKER SH-01

REFFLEUR A 280 MS



Wendeschär MF 31

415 718 M2 (Ausgabe 1) 12/76

**MASSEY FERGUSON
MF 31 COMBINE - 415718**

415718

11-4

PAN TO SHAKER SHOE

Item	Part Number	Qty	Description	Comments
1	410624M1	1	Support	
2	339375X1	5	Lock Washer	
3	339030X1	5	Nut Metric	
4	403961M1	2	Block	
5	403962M1	4	Thruster	
6	339368X1	4	Bolt Metric	
7	339169X1	4	Nut Metric	
8	410625M1	2	Bracket	
9	414659M91	1	Tube	(A)
	410627M2	1	Tube	(B)
9A	410628M2	2	Clip	(B)
	410629M91	1	Grain Pan	
10	410630M91	1	Pan	
11	410641M1	2	Seal	
12	339280X1	34	Rivet	
13	339362X1	34	Washer	
14	410642M91	1	Finger	
15	391484X1	3	Screw Metric	
16	339375X1	3	Lock Washer	
17	339030X1	3	Nut Metric	
18	410645M1	2	Bearing	
19	410646M1	4	Plate	
20	339010X1	4	Bolt Metric	
21	403961M1	2	Block	
22	403962M1	4	Thruster	
23	339291X1	4	Bolt Metric	
24	410661M1	1	Clevis Pin	
25	339133X1	2	Pin	
26	339010X1	1	Bolt Metric	
27	339374X1	2	Lock Washer	
28	339169X1	2	Nut Metric	

(A)

Up to Serial or Engine Number 4177

(B)

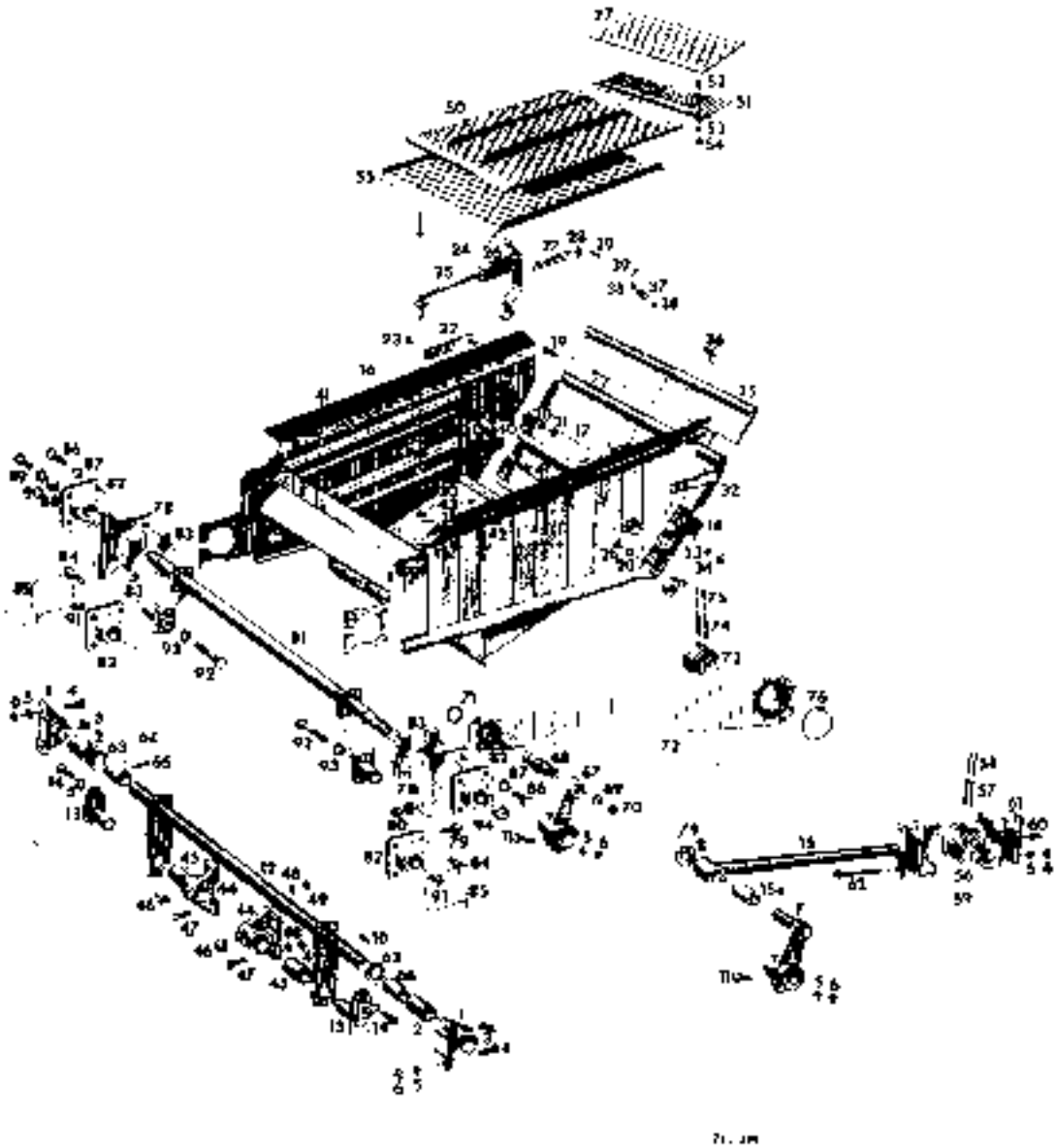
From Serial or Engine Number 4178

11-5

REINIGUNG UND ANRIß

SHAKER SHOE AND
DRIVE

COFFER DE NETTOYAGE
ET COMMANDE



Mu-direktive 69 31

415 718 M2 (August to 11/70)

**MASSEY FERGUSON
MF 31 COMBINE - 415718**

415718

11-5

SHAKER SHOE AND DRIVE

Item	Part Number	Qty	Description	Comments
1	410649M91	2	Support	(A)
	411650M91	2	Support	(B, G)
2	410651M1	2	Bush	(A)
	411652M1	2	Bush	(B, G)
3	339002X1	2	Lubricator	(G)
4	339451X1	8	Screw Metric	
5	339376X1	7	Lock Washer	
6	339402X1	7	Nut Metric	
7	410652M92	1	Crank	(C)
8	391382X1	1	Washer Metric	
9	339133X1	1	Pin	
10	339310X1	1	Key Parallel	
11	339451X1	1	Screw Metric	
12	410655M91	1	Shaft	(A)
	411655M91	1	Shaft	(B, G)
13	410658M92	2	Eccentric	(G)
14	339081X1	2	Screw Metric	
15	410662M91	1	Pitman	(C)
15A	410666M1	1	Bearing	(C)
	410667M92	1	Case	(G)
	414480M91	1	Case	(H)
16	410668M91	1	Case	(G)
	414481M91	1	Case	(H)
17	323958M91	1	Bearer	
18	323959M1	2	Packing	
19	339560X1	8	Screw Metric	
20	339375X1	8	Lock Washer	
21	339030X1	8	Nut Metric	
22	410309M91	2	Plate	
23	391488X1	4	Rivet	
24	410680M91	2	Bar	
25	410681M91	2	Stem	
26	410683M91	2	Bar	
27	1706004M1	2	Spring	
28	339024X1	2	Washer Metric	
29	391401X1	2	Pin	
30	339056X1	2	Washer Metric	
31	391401X1	2	Pin	
32	410305M91	1	Plate	
33	339179X1	2	Washer	
34	339106X1	2	Nut Metric	
35	410307M92	1	Plate	
36	324986M92	1	Handle	
37	324985M1	1	Bumper	
38	339817X1	2	Washer Metric	
39	390511X1	1	Pin	
40	320507M1	2	Sleeve	
41	410687M1	2	Gasket	
42	339280X1	26	Rivet	
43	339362X1	26	Washer	
44	410649M91	2	Support	(G)
45	410651M1	2	Bush	(G)
46	339002X1	2	Lubricator	(G)
47	339401X1	4	Screw Metric	
48	339376X1	4	Lock Washer	
49	339402X1	4	Nut Metric	
	410688M91	1	Screen	UPPER, INCL.
	411737M91	1	Grille	2"
				(E)
	9138078	1	Screen	(F)
				"GRAEPEL"
50	410689M1	1	Chaffer	
		1	Screen	(E) UPPER 2"
	411519M1	1	Screen	UPPER "GRAEPEL"
51	322150M93	1	Carrier	
52	391375X1	3	Screw Metric	
53	339375X1	3	Lock Washer	
54	339030X1	3	Nut Metric	
55	320508M4	1	Screen	
	9138070	1	Screen	

SHAKER SHOE AND DRIVE

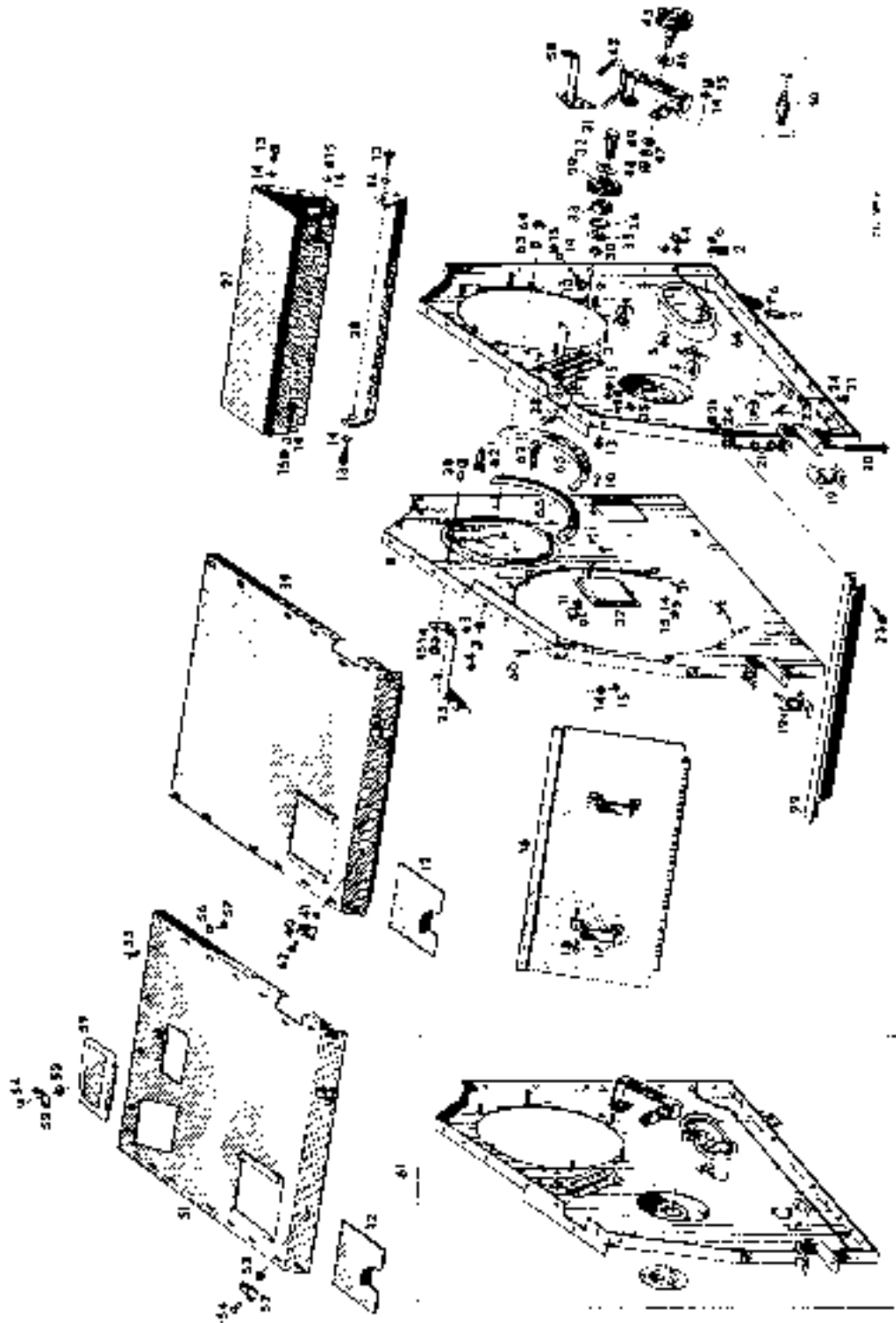
Item	Part Number	Qty	Description	Comments
	9138069	1	Screen	
56	410695M1	1	Eccentric	(C)
57	390536X1	2	Pin	(C)
58	390736X1	2	Pin	(C)
59	410696M91	1	Bearing	(C)
60	390843X1	1	Nipple	
	339003X1	1	Greaser	
61	410663M1	1	Plate	(C)
62	339234X1	2	Bolt Metric	
63	391393X1	2	Washer Metric	(G)
64	413364M1	1	Bush	(B, G)
65	339662X1	1	Pin	(B, G)
66	411658M1	1	Bush	(B, G)
67	410653M1	1	Crank	(D)
68	411870M1	1	Trunnion	(D)
69	339378X1	1	Lock Washer	(D)
70	339592X1	1	Nut Metric	(D)
71	390310X1	1	Circlip	(D)
72	411863M91	1	Conrod	(D, G)
	414478M91	1	Conrod	(H)
73	411871M1	1	Eccentric	(D)
74	339414X1	2	Pin	(D)
75	390736X1	2	Pin	(D)
76	391106X1	1	Ring	(D)
77	411912M1	1	Plate	(E)
78	414472M1	2	Support	(H)
79	391115X1	4	Bolt	(H)
80	339402X1	8	Nut Metric	(H)
81	414475M92	1	Shaft	(H)
82	414487M1	4	Flange	(H)
83	414488M1	8	Plate	(H)
84	391116X1	8	Bolt Metric	(H)
85	414490M1	2	Wire	(H)
86	339123X1	8	Screw Metric	(H)
87	339374X1	8	Lock Washer	(H)
88	414491M1	1	Cone	(H)
89	339814X1	1	Screw Metric	(H)
90	339376X1	1	Lock Washer	(H)
91	414494M91	2	Cone	(H)
92	339168X1	2	Bolt Metric	(H)
93	339374X1	2	Lock Washer	(H)
94	1706434M1	1	Spacer	(H)
				(B)
				From Serial or Engine Number 2244
				(C)
				Up to Serial or Engine Number 3043
				(D)
				From Serial or Engine Number 3044
				(E)
				FOR CORN SEED
				(F)
				For UK only or any text in English only
				(G)
				Up to Serial or Engine Number 4634
				(H)
				From Serial or Engine Number 4635

12-1

ГРЕШКАРАМЕЗ

CYLINDER HOUSING

CAJESON DE BATAJO



Механизм № 31

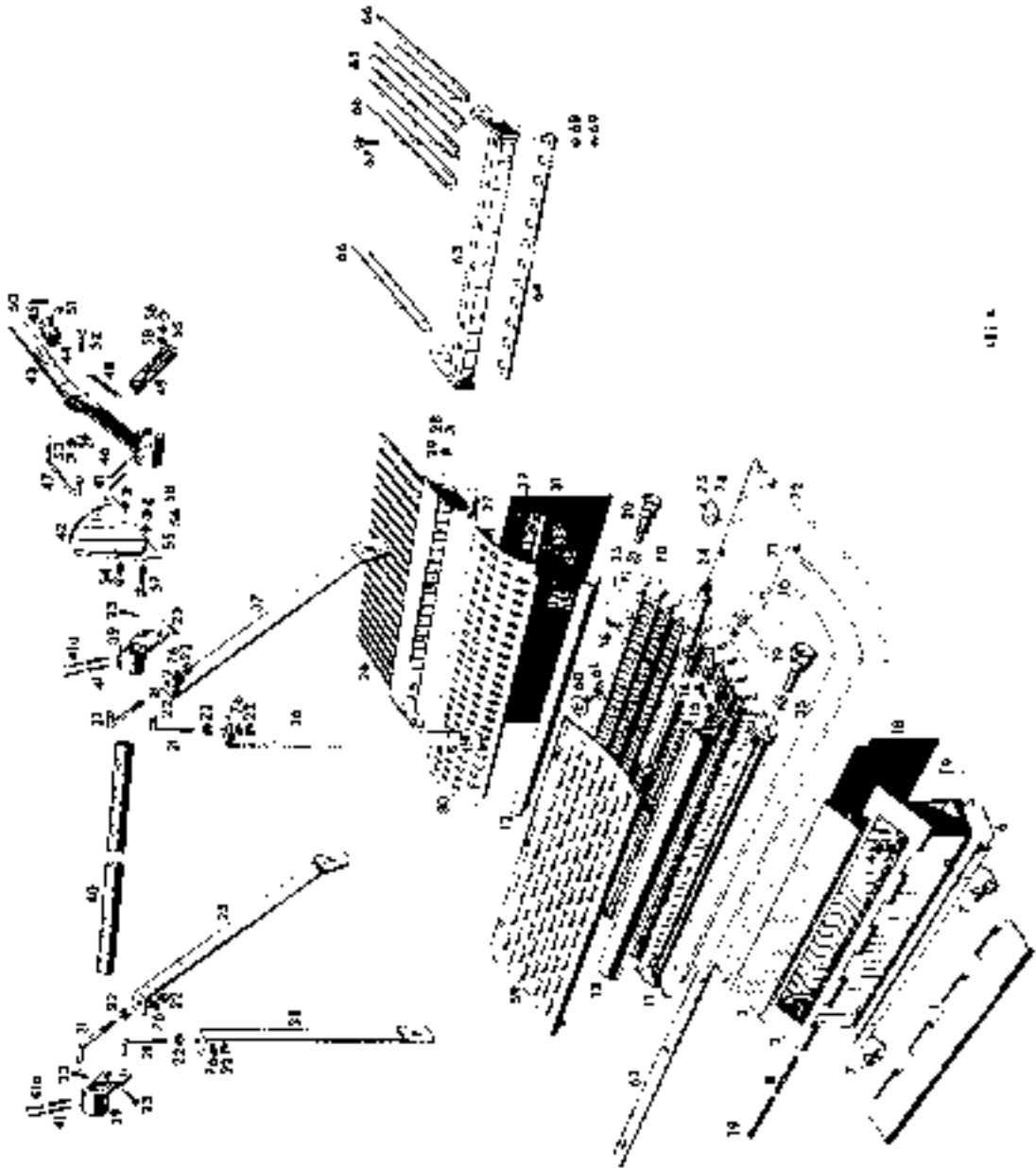
415718 A2 (Колхозы II 12/70)

CYLINDER HOUSING

Item	Part Number	Qty	Description	Comments
1	410750M95	1	Side	Left Hand (D, A, B)
2	401550M1	2	Door	(A, B)
3	321675M1	1	Slipper	(A, B)
4	320719M2	1	Tie	(A, B)
5	339212X1	3	Rivet	(A, B)
6	390971X1	3	Washer Metric	(A, B)
7	339281X1	6	Rivet	(A, B)
8	410759M94	1	Side	Right Hand (A, B)
9	320719M2	1	Tie	(A, B)
10	339212X1	1	Rivet	(A, B)
11	390971X1	1	Washer Metric	(A, B)
12	410767M1	1	Gate	(A, B)
13	339124X1	27	Screw Metric	(A)
	339124X1	25	Screw Metric	(B)
14	339374X1	39	Lock Washer	(A)
	339374X1	49	Lock Washer	(B)
15	339169X1	31	Nut Metric	(A, B)
16	410768M91	1	Cover	(A, B)
17	320090M2	2	Handle	(A, B)
18	339082X1	4	Rivet	(A, B)
19	320183M2	2	Bearing Carrier	(A, B)
20	339234X1	2	Bolt Metric	(A, B)
21	339402X1	18	Nut Metric	(A, B)
22	410772M91	1	Seal	(A, B)
23	339401X1	14	Screw Metric	(A, B)
24	339376X1	14	Lock Washer	(A, B)
25	410808M91	1	Bracket	(A, B)
27	410824M91	1	Scraper	(A, B)
28	410827M92	1	Scraper	(A, B)
29	321679M2	1	Sprocket	(A, B)
30	417261M1	1	Ring	(A, B)
31	321676M2	1	Bolt	(A, B)
32	321856M1	1	Washer	(A, B)
33	339200X1	1	Bearing Ball	(A, B)
34	339199X1	1	Ring	(A, B)
35	321855M2	1	Washer	(A, B)
36	391473X1	1	Nut Metric	(A, B)
37	323146M1	1	Gate	(F, A, B)
	410438M1	1	Plate	(G, A, B)
38	339123X1	3	Screw Metric	(A, B)
39	410765M91	1	Plate	(A)
40	320719M2	2	Tie	(A)
41	390971X1	2	Washer Metric	(A)
42	391489X1	2	Rivet	(A)
43	410648M1	1	Bail	(F, A)
	416339M91	1	Bracket	(G, A)
44	339170X1	2	Screw	(A)
	416579M91	1	Pulley	(A)
45	416580M91	1	Pulley	(A)
46	416584M1	1	Washer	(A)
47	339380X1	1	Washer	(A)
48	339070X1	1	Nut	(A)
49	339072X1	1	Washer	(A)
50	412446M1	1	Pin	(H, A)
	391062X1	1	Segment	(H, A)
51	411332M91	1	Plate	(B)
52	320719M2	4	Tie	(B)
53	390971X1	4	Washer Metric	(B)
54	339082X1	4	Rivet	(B)
55	339230X1	4	Screw Metric	(B)
56	339375X1	4	Lock Washer	(B)
57	339030X1	4	Nut Metric	(B)
58	411451M91	1	Bracket	(B)
59	410438M1	1	Cover	(B)
60	339337X1	1	Screw Metric	(A, B)
61	411685M92	1	Side	Left Hand (C, A, B)
	414674M91	1	Side	Left Hand

CYLINDER HOUSING

Item	Part Number	Qty	Description	Comments
62	390903X1	8	Screw Metric	(D, F, A, B)
63	339375X1	8	Lock Washer	(A, B)
64	339030X1	8	Nut Metric	(A, B)
65	411950M1	2	Cowl	(E, A, B)
66	323146M1	1	Gate	(F, A, B)
	415201M91	1	Gate	(G, A, B)
				(A)
				TANK MACHINES
				(B)
				BAGGER MACHINES
				(C)
				Up to Serial or Engine Number 2255
				(D)
				From Serial or Engine Number 2256
				(E)
				FOR COMBINES WITH REAR BEATER-FOUR BLADES
				(F)
				Up to Serial or Engine Number
				4634
				(G)
				From Serial or Engine Number 4635



Автомобиль MF 31

415718 M2 (А.с.пат. 1. 1973)

CONCAVE

Item	Part Number	Qty	Description	Comments
1	410776M91	1	Plate	
2	410778M91	1	Trap	
3	410783M91	1	Plate	
4	339374X1	2	Lock Washer	
5	339169X1	2	Nut Metric	
6	410786M91	1	Door	
7	811201M91	2	Lynch Pin 6mm	
8	410788M1	1		
9	339058X1	2	Pin	
10	1721782M91	1	Concave	
11	413475M1	30	Stem	(B, E)
	410854M1	35	Wire	(A, D)
12	410793M1	1	Plate	
13	1723626M91	1	Plate	
14	339761X1	3	Screw Metric	
15	339374X1	6	Lock Washer	
16	339761X1	3	Screw Metric	
17	339169X1	3	Nut Metric	
18	410799M1	1	Seal	
19	410800M1	2	Trunnion	
20	410801M1	2	Bolt	
21	410802M1	4	Knotter Hook	
22	339054X1	8	Nut Metric	
23	339076X1	4	Pin	
24	410803M91	3	Strip	(A, D)
	411729M91	3	Strip	(B, E, F)
25	410805M92	1	Draglink	Right Hand
26	410810M91	1	Finger	
27	339124X1	4	Screw Metric	
28	339374X1	4	Lock Washer	
29	339169X1	4	Nut Metric	
30	410816M91	1	Grille	
31	410822M1	1	Curtain	
32	410823M1	1	Plate	
33	339374X1	4	Lock Washer	
34	339169X1	4	Nut Metric	
30	411915M91	1	Plate	(C)
31	411919M1	1	Curtain	(C)
32	411920M1	1	Plate	(C)
33	339374X1	4	Lock Washer	(C)
34	339169X1	4	Nut Metric	(C)
35	339574X1	X	Washer Metric	
36	410829M92	1	Draglink	Left Hand
37	410833M92	1	Draglink	Left Hand
38	410833M92	1	Draglink	Right Hand
39	410837M91	2	Lever	
40	410838M1	1	Shaft	
41	339135X1	6	Pin	
41A	390294X1	6	Pin	
42	410839M1	1	Sector	
43	410840M91	1	Lever	
44	410014M1	1	Handle	
45	391489X1	1	Rivet	
46	410018M1	1	Latch	
47	410844M1	1	Stem	
48	410019M1	1	Spring	
49	410845M91	1	Arm	
50	339087X1	1	Pin	
51	390971X1	1	Washer Metric	
52	339804X1	1	Screw Metric	
53	339030X1	1	Nut Metric	
54	339401X1	1	Screw Metric	
55	339376X1	3	Lock Washer	
56	339402X1	3	Nut Metric	
57	390799X1	1	Screw Metric	
58	339424X1	2	Washer	
59	411228M91	1	Grille	(A)
60	412560M1	3	Washer	(A)
61	411235M1	3	Nut	(A)
59	411925M91	1	Grille	(B, F)

CONCAVE

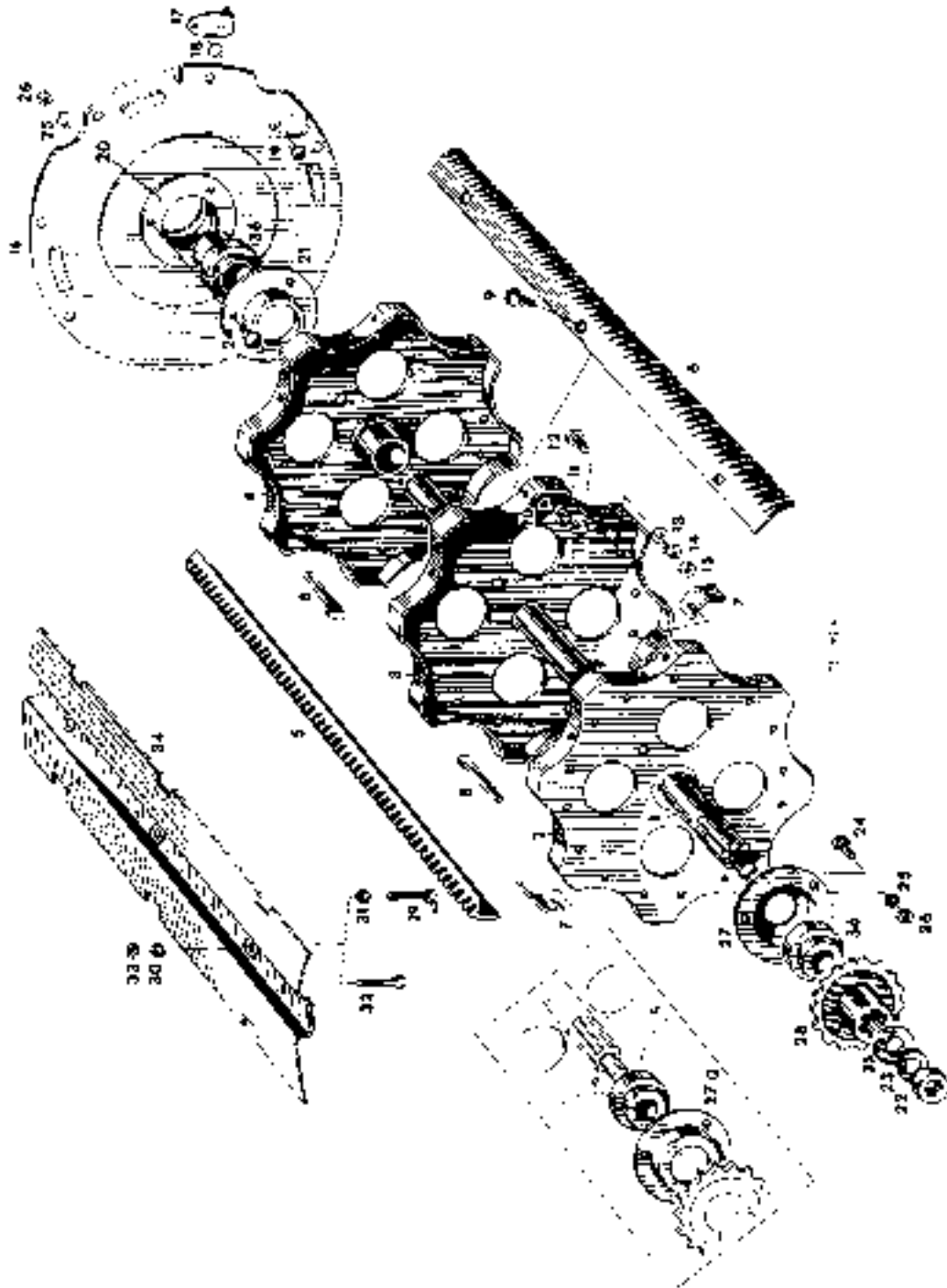
Item	Part Number	Qty	Description	Comments
60	412560M1	3	Washer	(B, F)
61	411235M1	3	Nut	(B, F)
62	411929M1	1	Strap	(B, F)
	411906M91	1	Rake	(C)
63	411907M91	1	Carrier	(C)
64	411910M1	1	Plate	(C)
65	413489M2	6	Tine	(C)
66	411911M1	6	Tine	(C)
67	339237X1	12	Screw	(C)
68	339376X1	12	Lock Washer	(C)
69	339402X1	12	Nut Metric	(C)
70	414661M91	1	Plate	(D, G)
	414664M91	1	Plate	(E, G)
71	414667M1	1	Plate	(D, G)
	414668M1	1	Plate	(E, G)
72	414665M1	1	Plate	(D, G)
	414666M1	1	Plate	(E, G)
74	195347M1	1	Ring	(G)
75	645677M1	1	Pin	(G)
76	390294X1	4	Pin	(G)
				(A)
				Up to Serial or Engine Number 3043
				(B)
				From Serial or Engine Number 3044
				(C)
				FOR CORN SEED
				(D)
				NORMAL DUTY
				(E)
				HEAVY DUTY
				(F)
				Up to Serial or Engine Number 4634
				(G)
				From Serial or Engine Number 4635

12-3

CRANKPITZAMMEL
for Series-Nr. 4634

CYLINDER
for Series-Nr. 4634

BAUZEICHEN
nach DIN 52 434



Monteurplan MF 31

415 710 A67 (August 1972) 12/72

CYLINDER

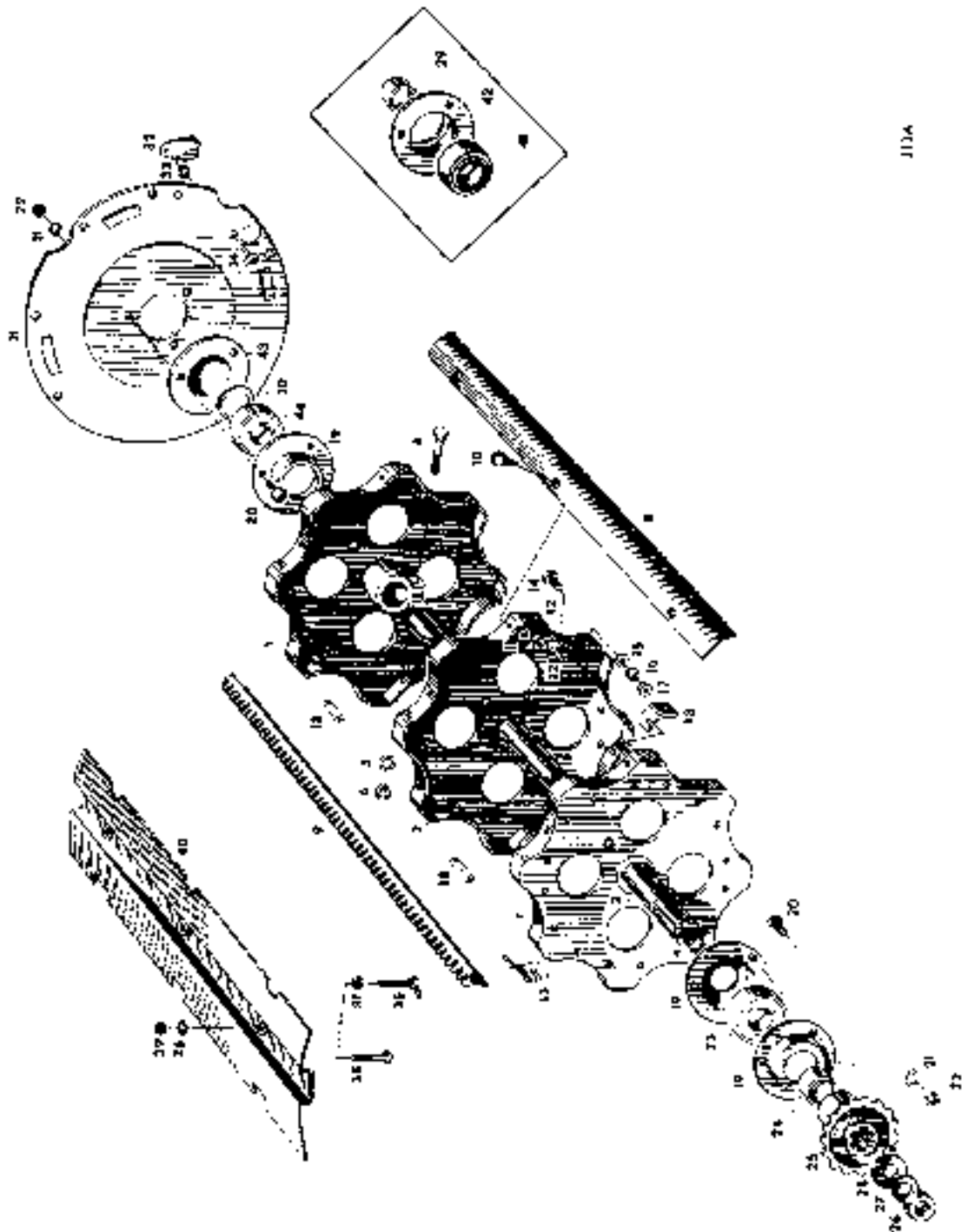
Item	Part Number	Qty	Description	Comments
				Up to Serial or Engine Number 4634
	416343M91	1	Cylinder	
1	410542M2	1	Shaft	
2	410543M91	1	Disc	Left Hand
3	411694M1	1	Disc	
4	410547M91	1	Disc	Right Hand
5	410549M1	4	Bar	(A) Left Hand
	411945M1	4	Bar	(B) Left Hand
6	410550M1	4	Bar	(A) Right Hand
	411946M1	4	Bar	(B) Right Hand
7	410555M1	X	Shim	
	410556M1	X	Shim	
	410557M1	X	Shim	
8	390946X1	2	Key	
9	410558M2	24	Bolt	(A)
	411947M2	24	Bolt	(B)
10	391396X1	24	Washer Metric	(A)
	390735X1	24	Washer Metric	(B)
11	339402X1	48	Nut Metric	(A)
	339054X1	48	Nut Metric	(B)
12	339123X1	X	Screw Metric	(C)
13	339609X1	X	Washer	(C)
14	339374X1	X	Lock Washer	(C)
15	339169X1	X	Nut Metric	(C)
16	414719M91	1	Plate	
17	401550M1	2	Cover	
18	390971X1	2	Washer Metric	
19	339212X1	2	Rivet	
20	410585M1	1	Ring	
21	410584M1	1	Ring	
22	339035X1	1	Nut Metric	
23	339378X1	1	Lock Washer	
24	339172X1	6	Bolt Metric	
25	339376X1	6	Lock Washer	
26	339402X1	6	Nut Metric	
27	410584M1	1	Ring	(D)
27A	410585M1	1	Ring	(E)
28	324794M91	1	Sprocket	Number of teeth/spines 19
	324796M91	1	Sprocket	Number of teeth/spines 22
	324798M91	1	Pinion	Number of teeth/spines 25
	324804M91	1	Sprocket	Number of teeth/spines 29
	324802M91	1	Pinion	Number of teeth/spines 34
	324800M91	1	Pinion	Number of teeth/spines 45
	411904M91	1	Pinion	Number of teeth/spines 54 (F)
29	411921M91	3	Bolt	(F)
30	339376X1	24	Lock Washer	(F)
31	339402X1	3	Nut Metric	(F)
32	390398X1	21	Bolt Metric	(F)
33	339402X1	24	Nut Metric	(F)
34	411913M91	8	Plate	(F)
35	320096M1		Washer	
36	410583M1	2	Bearing	(A) Up to Serial or Engine Number 3276 (B) From Serial or Engine Number 3277 (C) BALANCE MATERIAL (D) From Serial or Engine Number 2256 (E) Up to Serial or Engine Number 2255 (F) SPECIAL EQUIPMENT FOR CORN SEED

12-4

DRUCKKAMMERN
ab Serien-Nr. 4635

ZYLINDER
vom No. 4635

KAMMERN
2 seitig ab No. 4635



Motorschnepper MF 31

415 715 M2 (Ausgabe 1/1973)

CYLINDER

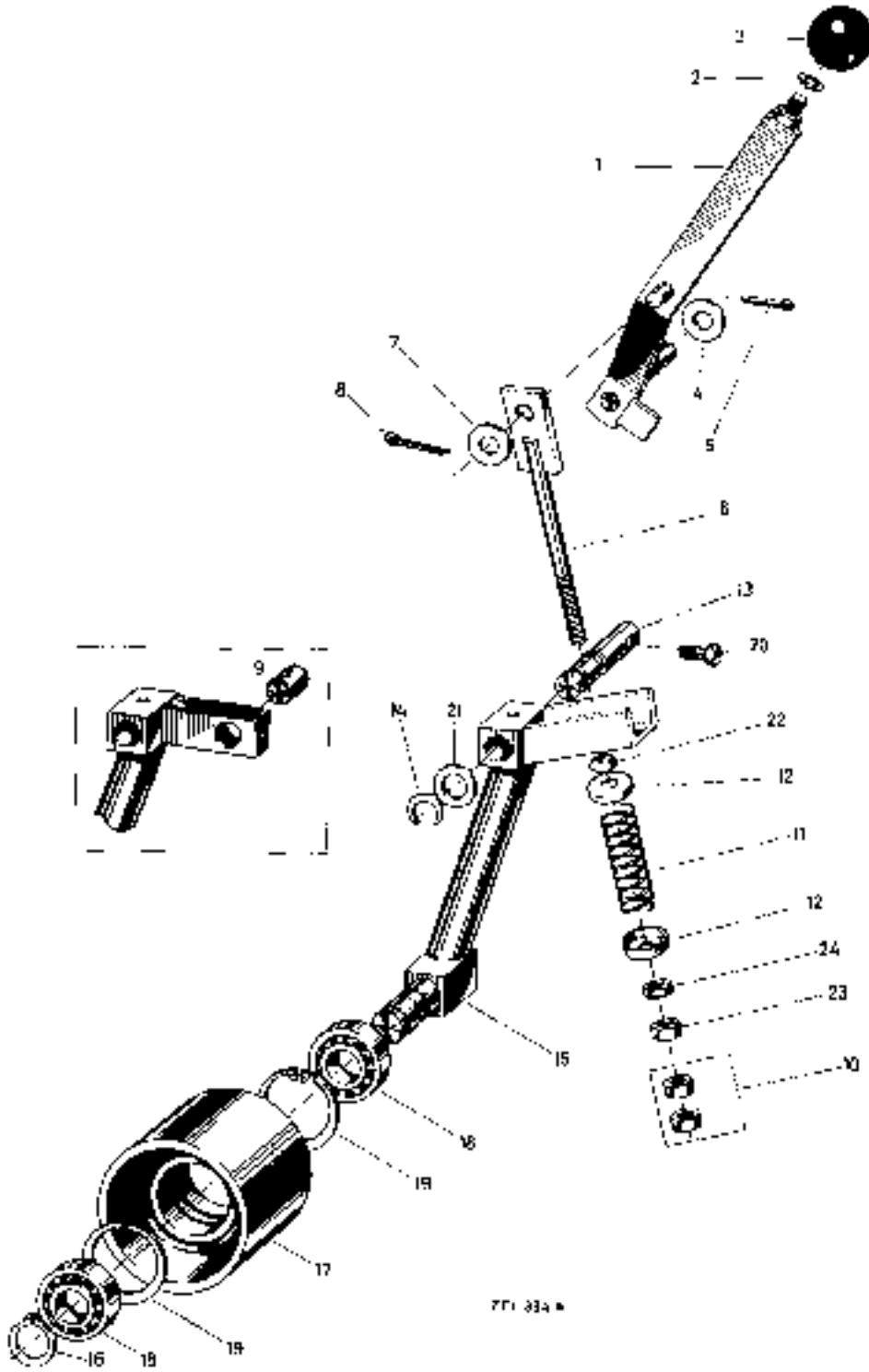
Item	Part Number	Qty	Description	Comments
				From Serial or Engine Number 4635
	414932M91	1	Cylinder	
1	414697M91	1	Support	Right Hand
2	414717M1	1	Support	
3	414692M1	1	Shaft	
4	339182X1	2	Bolt Metric	
5	339377X1	2	Lock Washer	
6	339034X1	2	Nut Metric	
7	414696M91	1	Support	
8	411946M1	4	Bar	Right Hand
9	411945M1	4	Bar	Left Hand
10	411947M2	24	Bolt	
11	390735X1	24	Washer Metric	
12	339054X1	48	Nut Metric	
13	410555M1	X	Shim	
	410556M1	X	Shim	
	410557M1	X	Shim	
14	339123X1	X	Screw Metric	(B)
15	339609X1	X	Washer	(B)
16	339374X1	X	Lock Washer	(B)
17	339169X1	X	Nut Metric	(B)
18	390611X1	2	Key Door	
19	414691M1	3	Cage	
20	339172X1	6	Bolt Metric	
21	339376X1	6	Lock Washer	
22	339402X1	6	Nut Metric	
23	414690M1	1	Bearing	
24	1706479M1	1	Bush	
25	324794M91	1	Sprocket	Number of teeth/spines 19
	324796M91	1	Sprocket	Number of teeth/spines 22
	324798M91	1	Pinion	Number of teeth/spines 25
	324804M91	1	Sprocket	Number of teeth/spines 29
	324802M91	1	Pinion	Number of teeth/spines 34
	324800M91	1	Pinion	Number of teeth/spines 45
	411904M91	1	Pinion	Number of teeth/spines 54 (A)
26	339035X1	1	Nut Metric	
27	339378X1	1	Lock Washer	
28	320096M1	1	Washer	
29	1706480M1	1	Bush	(C)
30	339469X1	1	Segment	
31	417148M91	1	Plate	
32	401550M1	2	Cover	
33	390971X1	2	Washer Metric	
34	339212X1	2	Rivet	
35	411921M91	3	Bolt	(A)
36	339376X1	24	Lock Washer	(A)
37	339402X1	3	Nut Metric	(A)
38	390398X1	21	Bolt Metric	(A)
39	339402X1	24	Nut Metric	(A)
40	411913M91	8	Plate	(A)
41	414690M1	1	Bearing	(C)
42	414690M1	1	Bearing	(C)
43	417466M1	1	Cage	(D)
44	417465M1	1	Bearing	(D)
				(A)
				SPECIAL EQUIPMENT FOR CORN SEED
				(B)
				BALANCE MATERIAL
				(C)
				Up to Serial or Engine Number 7624
				(D)
				From Serial or Engine Number 7625

12-5

CRUSCHKUPPLUNG

LIGHTNER PALEY

EMERGENCY STOP SYSTEM OF BATTAGE



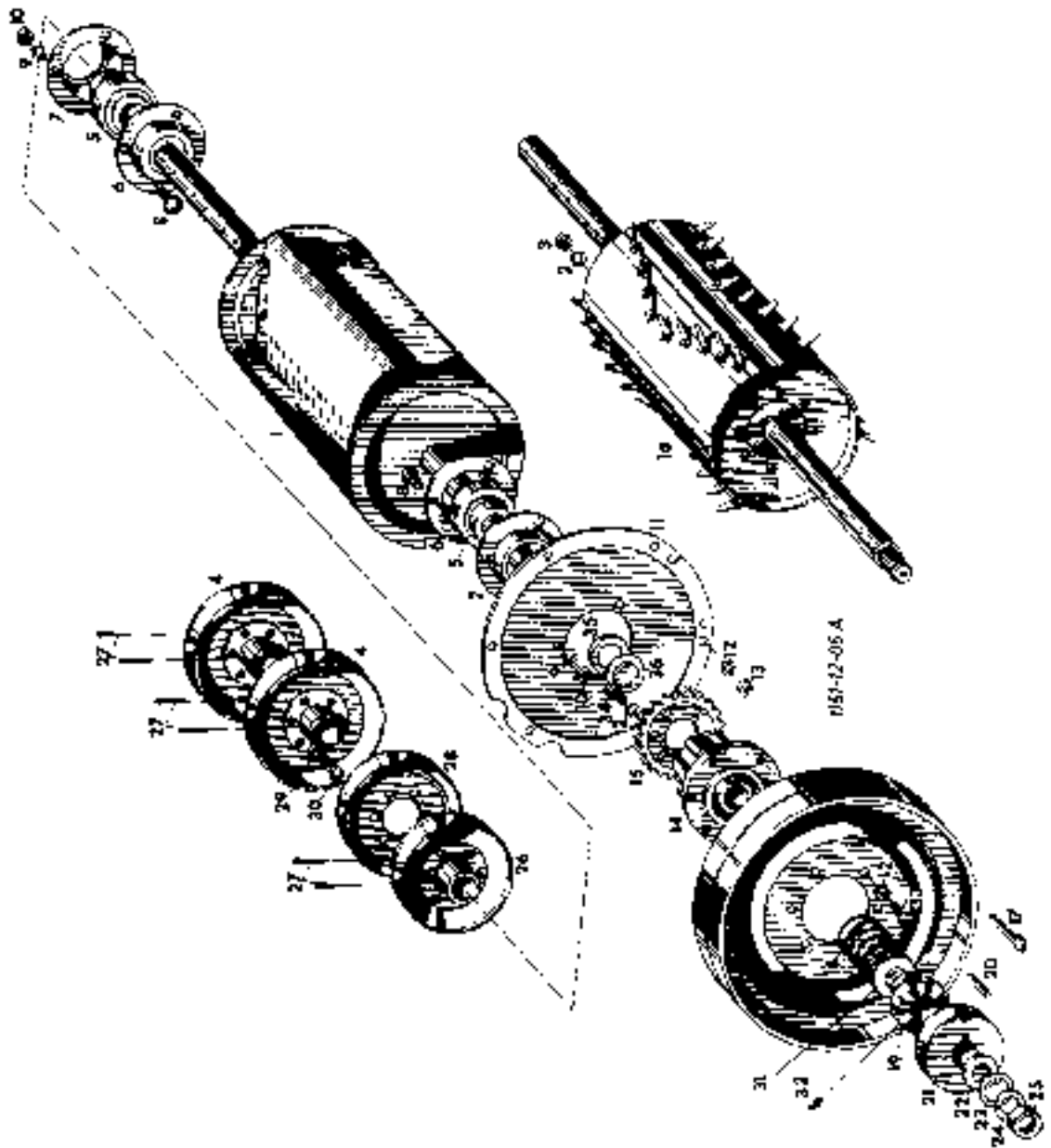
771 334 *

Мобильный MF 31

415/16 M2 Ausg. Nr. 11/77

TIGHTENER PULLEY

Item	Part Number	Qty	Description	Comments
1	410520M91	1	Lever	(B)
	417379M91	1	Lever	(C)
2	339374X1	1	Lock Washer	
3	339425X1	1	Knob Assy	
4	390187X1	1	Washer Metric	
5	339076X1	1	Pin	
6	410522M1	1	Rod	(B)
	417381M91	1	Rod	(C)
7	339424X1	1	Washer	
8	391401X1	1	Pin	
9	320365M1	1	Guide	(A)
10	339169X1	2	Nut Metric	(B)
11	403396M1	1	Spring	(B)
	1706009M1	1	Spring	(C)
12	339024X1	2	Washer Metric	(B)
	416564M1	2	Plate	(C)
13	410523M1	1	Bolt	
14	390777X1	1	Clip	
15	410524M93	1	Arm	(B)
	417384M91	1	Arm	(C)
16	1440475X1	1	Circlip	
17	410529M1	1	Pulley	
18	1440489X1	2	Bearing Ball	
19	339199X1	2	Ring	
20	390228X1	1	Key Parallel	
21	411499M1	1	Washer	
22	417383M1	1	Washer	(C)
23	339054X1	1	Nut Metric	(C)
24	339186X1	1	Nut Metric	(C)
				(A)
				Up to Serial or Engine Number 4190
				(B)
				Up to Serial or Engine Number 7409
				(C)
				From Serial or Engine Number 7410



REAR BEATER

Item	Part Number	Qty	Description	Comments
1	411952M91	1	Drum	(A, B)
1A	410578M93	1	Beater	(B)
2	339375X1	8	Lock Washer	
3	339030X1	8	Nut Metric	
4	405929M91	2	Pulley	
5	410583M1	2	Bearing	
6	410584M1	2	Ring	
7	410585M1	2	Ring	
8	339172X1	6	Bolt Metric	
9	339376X1	6	Lock Washer	
10	339402X1	6	Nut Metric	
11	410586M92	1	Plate	
12	339374X1	17	Lock Washer	
13	339169X1	5	Nut Metric	
14	410589M1	1	Hub	
15	410590M1	1	Sprocket	Number of teeth/spines 22
16	410591M91	1	Pulley	
17	339711X1	1	Key	
18	1706029M1	1	Spring	
19	410594M1	1	Coupling	Number of teeth/spines 8
20	410595M1	1	Key	
21	410596M1	1	Pulley	
22	320124M1	1	Washer	
23	322714M1	1	Washer	
24	339379X1	1	Washer	
25	339089X1	1	Nut Metric	
26	410597M91	1	Pulley	
27	339307X1	6	Roll Pin	
28	411940M91	1	Pulley	
29	339560X1	6	Screw Metric	
30	339375X1	6	Lock Washer	
31	391470X1	4	Washer Metric	
32	339003X1	1	Greaser	
33	390271X1	6	Bolt	
34	339761X1	6	Screw Metric	
35	410600M1	2	Washer	
36	410601M1	X	Washer	

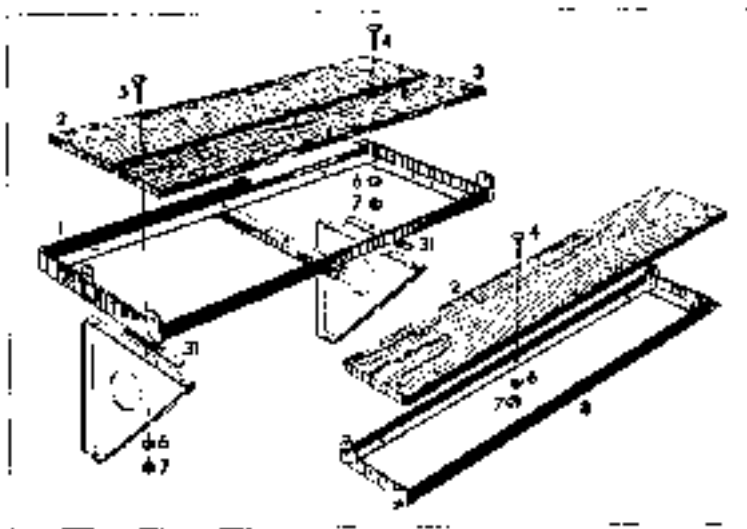
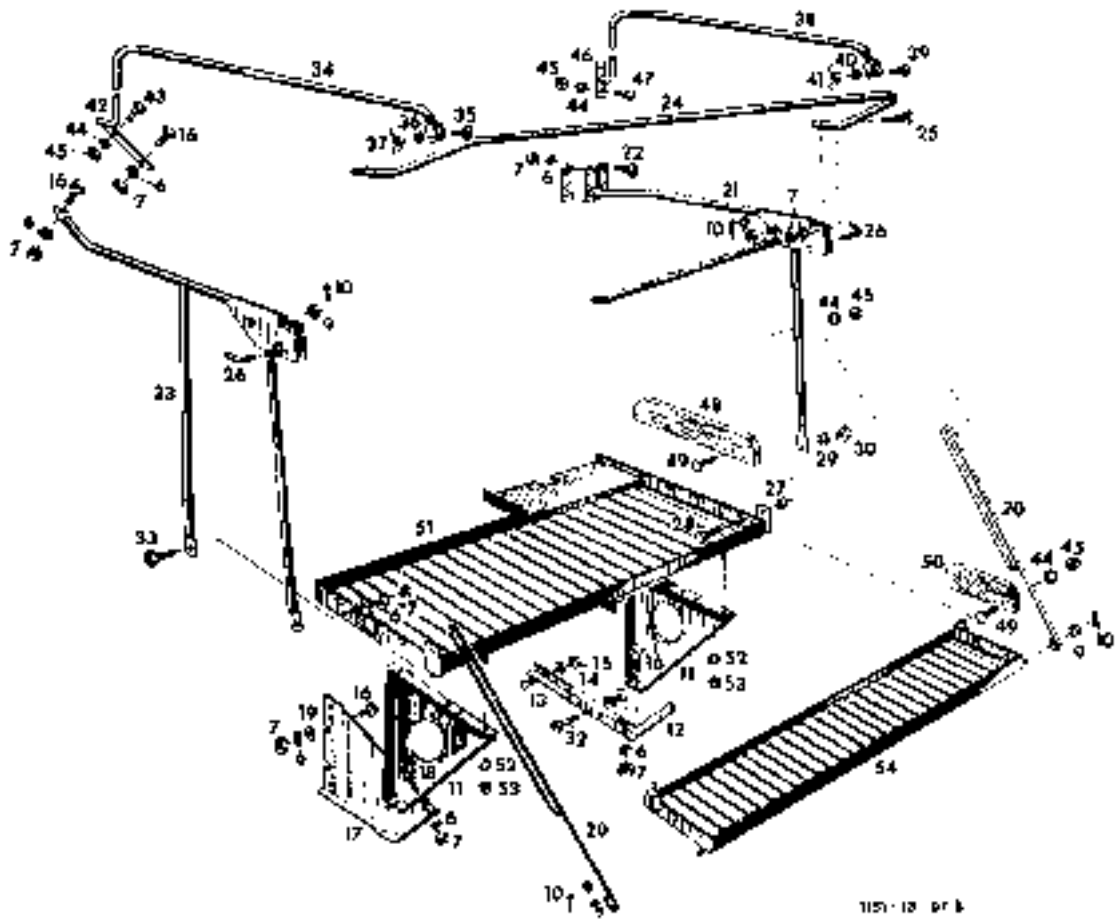
(A)
From Serial or Engine Number 3190
(B)
ALTERNATIVE

13-1

ABSACKPLATTFORM

PLATFORM

PLATE-FORME
D'ENRACHEMENT



Автомобиль № 31

415 718 №2 (Ausgabe 1) 12/70

PLATFORM

Item	Part Number	Qty	Description	Comments
1	411324M92	1	Frame	(A)
2	411317M1	2	Platform	(A)
3	411318M1	1	Platform	(A)
4	339148X1	21	Bolt	(A)
5	339418X1	9	Bolt Metric	(A)
6	339374X1	48	Lock Washer	(A)
7	339169X1	52	Nut Metric	(A)
8	411314M92	1	Frame	(A)
9	339795X1	4	Washer Metric	
10	339076X1	4	Pin	
11	411320M2	2	Support	
12	411321M91	1	Angle	
13	339081X1	2	Screw Metric	
14	339376X1	5	Lock Washer	
15	339402X1	5	Nut Metric	
16	339123X1	6	Screw Metric	
17	411319M1	1	Support	
18	339124X1	7	Screw Metric	
19	339024X1	2	Washer Metric	
20	413091M1	2	Brace	
21	411349M91	1	Bar	
22	339247X1	4	Bolt	
23	411360M91	1	Bar	
24	411336M1	1	Rail	
25	339011X1	2	Bolt Metric	
26	413092M1	2	Pin	
27	1706403M1	2	Bush	
28	390258X1	2	Screw Metric	
29	339380X1	2	Washer	
30	339079X1	2	Nut	
31	413111M1	2	Shim	(A)
32	339556X1	3	Bolt Metric	
33	339761X1	1	Screw Metric	
34	411695M91	1	Rail	(B)
35	339127X1	1	Bolt	(B)
36	339374X1	1	Lock Washer	(B)
37	339106X1	1	Nut Metric	(B)
38	411698M91	1	Rail	(B)
39	339127X1	1	Bolt	(B)
40	339374X1	1	Lock Washer	(B)
41	339106X1	1	Nut Metric	(B)
42	411703M91	1	Bracket	(B)
43	339761X1	1	Screw Metric	(B)
44	339374X1	13	Lock Washer	(B)
45	339169X1	13	Nut Metric	(B)
46	411700M91	1	Bracket	(B)
47	339170X1	2	Screw	(B)
48	411706M1	2	Slat	(B)
49	339148X1	8	Bolt	(B)
50	411705M1	2	Slat	(B)
51	411771M91	1	Frame	(C)
52	339374X1	4	Lock Washer	(C)
53	339169X1	4	Nut Metric	(C)
54	411782M91	1	Platform	(C)

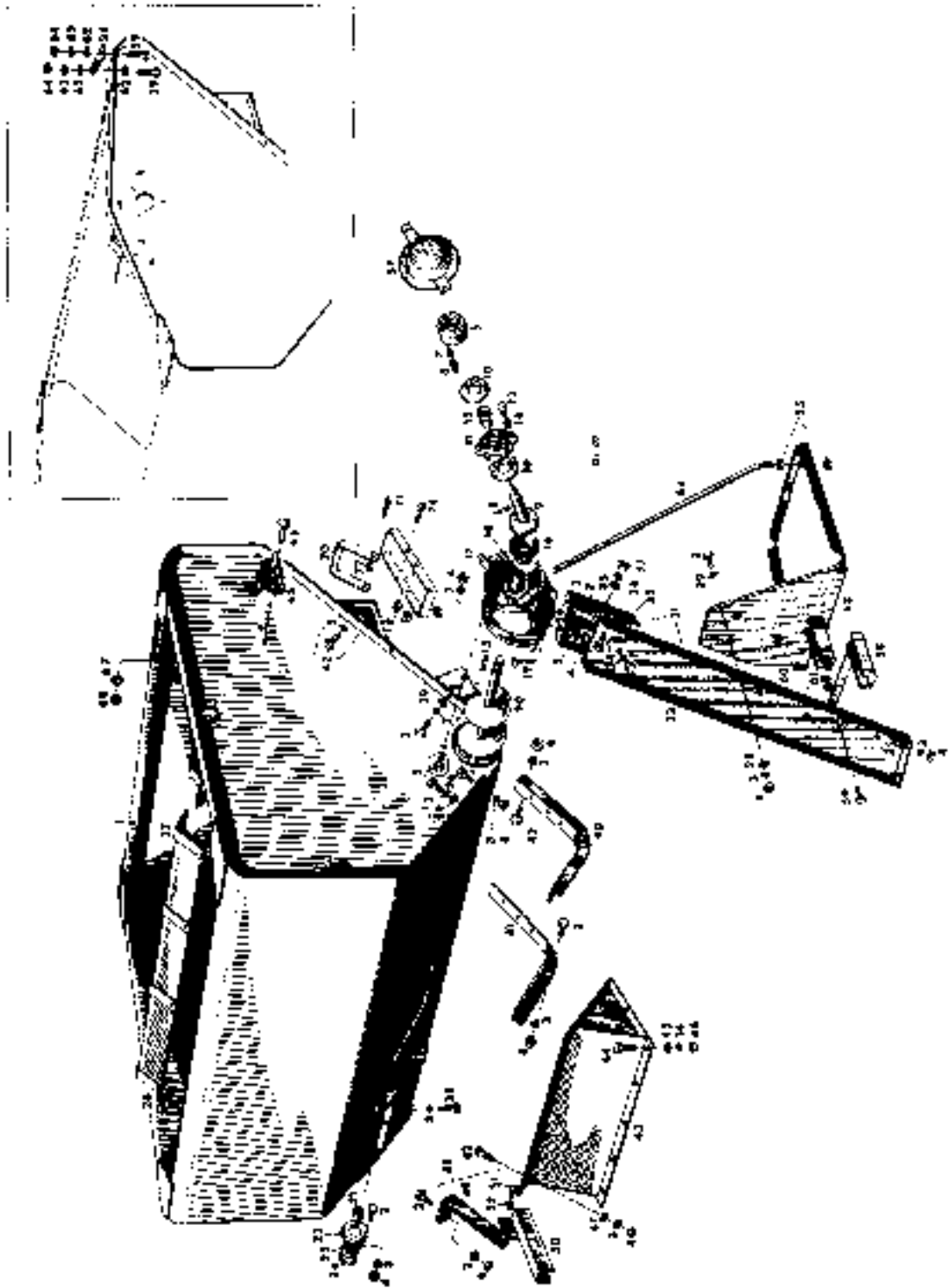
(A)
Up to Serial or Engine Number 3043
(B)
For UK only or any text in English only
From Serial or Engine Number 2230
(C)
From Serial or Engine Number 3044

14-1

KORN-TANK

GRAIN TANK

RESERVOIR A GRAINE



Abstrichheber MF 31

415 718 042 (Ausgabe 11/1970)

GRAIN TANK

Item	Part Number	Qty	Description	Comments
1	410469M92	1	Tank	(A)
	411885M91	1	Reservoir	(B)
	414934M91	1	Tank	
2	339123X1	30	Screw Metric	
3	339374X1	49	Lock Washer	
4	339169X1	31	Nut Metric	
5	324592M1	1	Body	
6	1706028M1	1	Spring	
7	324594M1	1	Pin	
8	339414X1	1	Pin	
9	324595M1	1	Gear	
10	339797X1	1	Washer	
11	324596M93	1	Cover	
12	1706216M1	1	Bush	
13	339666X1	2	Screw Metric	
14	339375X1	11	Lock Washer	
15	390128X1	1	Key Door	
16	324598M1	1	Pinion	
17	324599M93	1	Housing	
18	1706216M1	1	Bush	
19	339421X1	1	Bolt Metric	
20	324601M91	1	Auger	
21	1706267M1	1	Bush	
22	339599X1	1	Bearing Ball	
23	324606M1	1	Housing	
24	339199X1	1	Ring	
25	324957M2	1	Plate	(A)
26	339761X1	2	Screw Metric	
27	324608M91	1	Plate	
28	324610M1	6	Pin	
29	339056X1	18	Washer Metric	
30	339788X1	1	Washer	
31	411180M92	1	Support	
32	324952M1	1	Compensator	
33	324953M2	1	Support	
34	339123X1	3	Screw Metric	
35	339024X1	5	Washer Metric	
36	339374X1	3	Lock Washer	
37	339169X1	3	Nut Metric	
38	339423X1	1	Bolt Metric	
39	339761X1	2	Screw Metric	(A)
40	410476M91	1	Support	Left Hand
41	410477M91	1	Support	Right Hand
42	339124X1	15	Screw Metric	
43	411063M91	1	Panel	
44	339561X1	9	Bolt	
45	390971X1	9	Washer Metric	
46	339030X1	6	Nut Metric	
47	339817X1	3	Washer Metric	
48	411173M91	1	Bracket	(D)
	414527M91	1	Bracket	(E)
49	411174M1	1	Bracket	(D)
	414528M1	1	Bracket	(E)
50	326616M1	1	Bracket	
51	391489X1	1	Rivet	
52	390971X1	1	Washer Metric	
53	411069M92	1	Platform	(D)
	414526M91	1	Platform	(E)
54	411062M1	1	Rod	
55	339054X1	2	Nut Metric	
56	339024X1	2	Washer Metric	
57	411461M91	1	Plug	
58	411515M91	1	Support	(C, D)
	414529M91	1	Support	(C, E)
59	339081X1	2	Screw Metric	(C)
60	339376X1	2	Lock Washer	(C)
61	339402X1	2	Nut Metric	(C)
62	339056X1	3	Washer Metric	(A)
63	339374X1	2	Lock Washer	(A)
64	339169X1	2	Nut Metric	(A)

GRAIN TANK

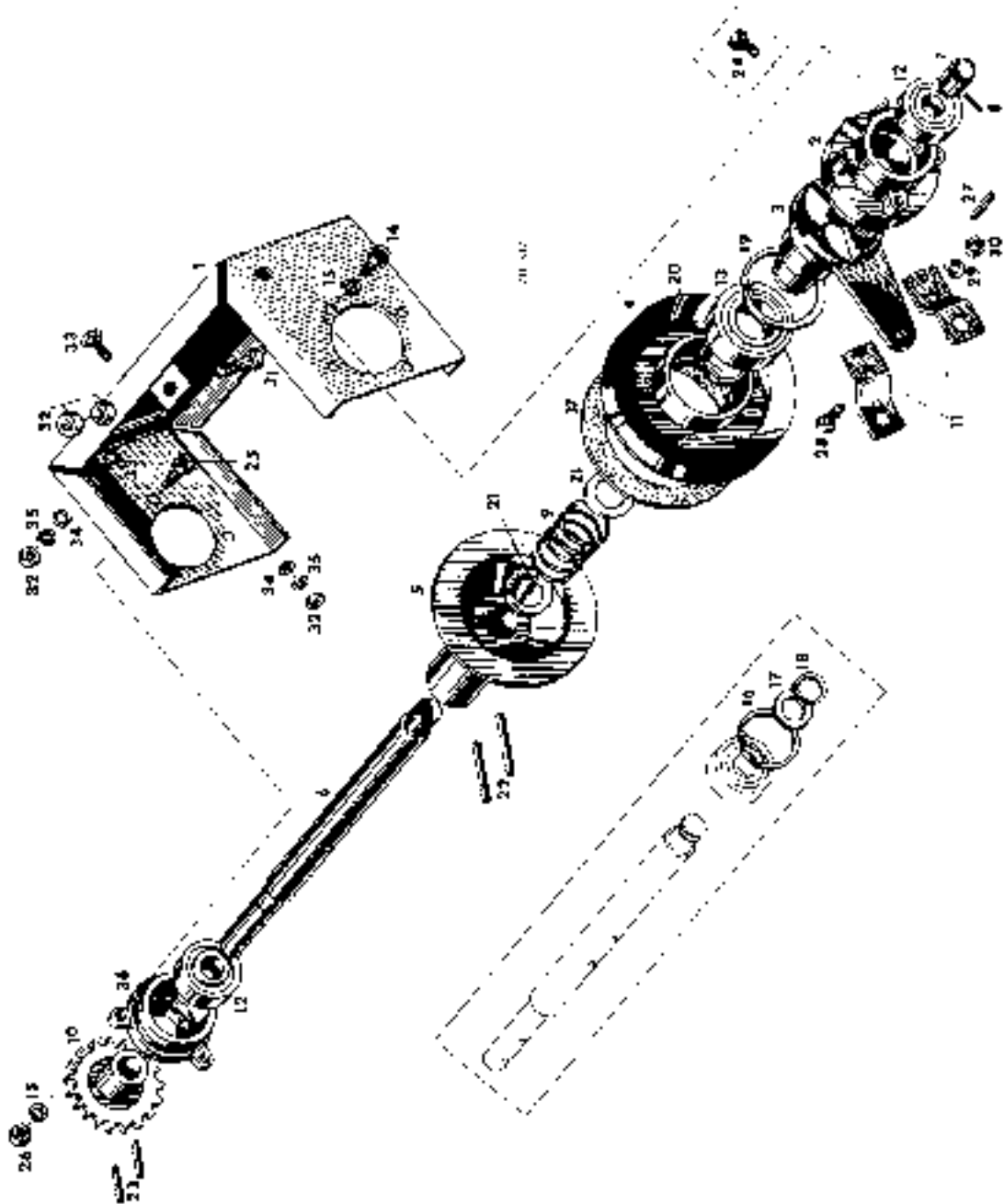
Item	Part Number	Qty	Description	Comments
65	411903M1	1	Angle	(B)
66	339170X1	2	Screw	(B)
67	339374X1	2	Lock Washer	(B)
68	339169X1	2	Nut Metric	(B)
69	322075M1	1	Holder	(F)
70	322076M1	1	Fastener	(F)
71	391485X1	2	Screw	(F)
72	339056X1	2	Washer Metric	(F)
73	391056X1	4	Nut Metric	(F)
74	339061X1	2	Screw Metric	(F)
				(A)
				Up to Serial or Engine Number 3043
				(B)
				From Serial or Engine Number 3044
				(C)
				FOR COMBINES WITHOUT ROTARY SCREEN
				(D)
				Up to Serial or Engine Number 6264
				(E)
				From Serial or Engine Number 6265
				(F)
				From Serial or Engine Number 6015
				Not serviced, order 69-74

14-2

KORN-ANKKUPPLUNG

GRAIN TANK CLUTCH

EMBRAYAGE DE
DECHARGEUR



Maharashtra MF 31

415 718 M2 (Simpson T) 12/70

CLUTCH

Item	Part Number	Qty	Description	Comments
1	411009M91	1	Support	CLUTCH
2	416226M1	1	Hub	
3	410603M92	1	Lever	
4	411013M1	1	Pulley	
5	411014M1	1	Disc	
6	411015M2	1	Shaft	
7	411711M1	1	Bush	(A)
8	339071X1	1	Pin	(A)
9	1706026M1	1	Spring	
10	411016M91	1	Pinion	Number of teeth/spines 19
11	411019M1	2	Bracket	
12	339200X1	2	Bearing Ball	
13	339800X1	1	Bearing Ball	
14	339123X1	4	Screw Metric	
15	339374X1	7	Lock Washer	
16	339199X1	1	Ring	(A)
17	390798X1	1	Washer	(A)
18	1440475X1	1	Circlip	(A)
19	1440479X1	1	Circlip	
20	391064X1	1	Segment	
21	390068X1	2	Washer	
22	339052X1	1	Strip	
23	339662X1	2	Pin	
24	390066X1	1	Plug	(B)
25	339123X1	3	Screw Metric	
26	339169X1	3	Nut Metric	
27	339806X1	1	Pin	
28	339804X1	1	Screw Metric	
29	339375X1	1	Lock Washer	
30	339030X1	1	Nut Metric	
31	390122X1	1	Bolt Metric	
32	339402X1	6	Nut Metric	
33	410558M2	4	Bolt	
34	391396X1	4	Washer Metric	
35	339376X1	4	Lock Washer	
36	324606M1	1	Housing	
37	324623M1	1	Lining	

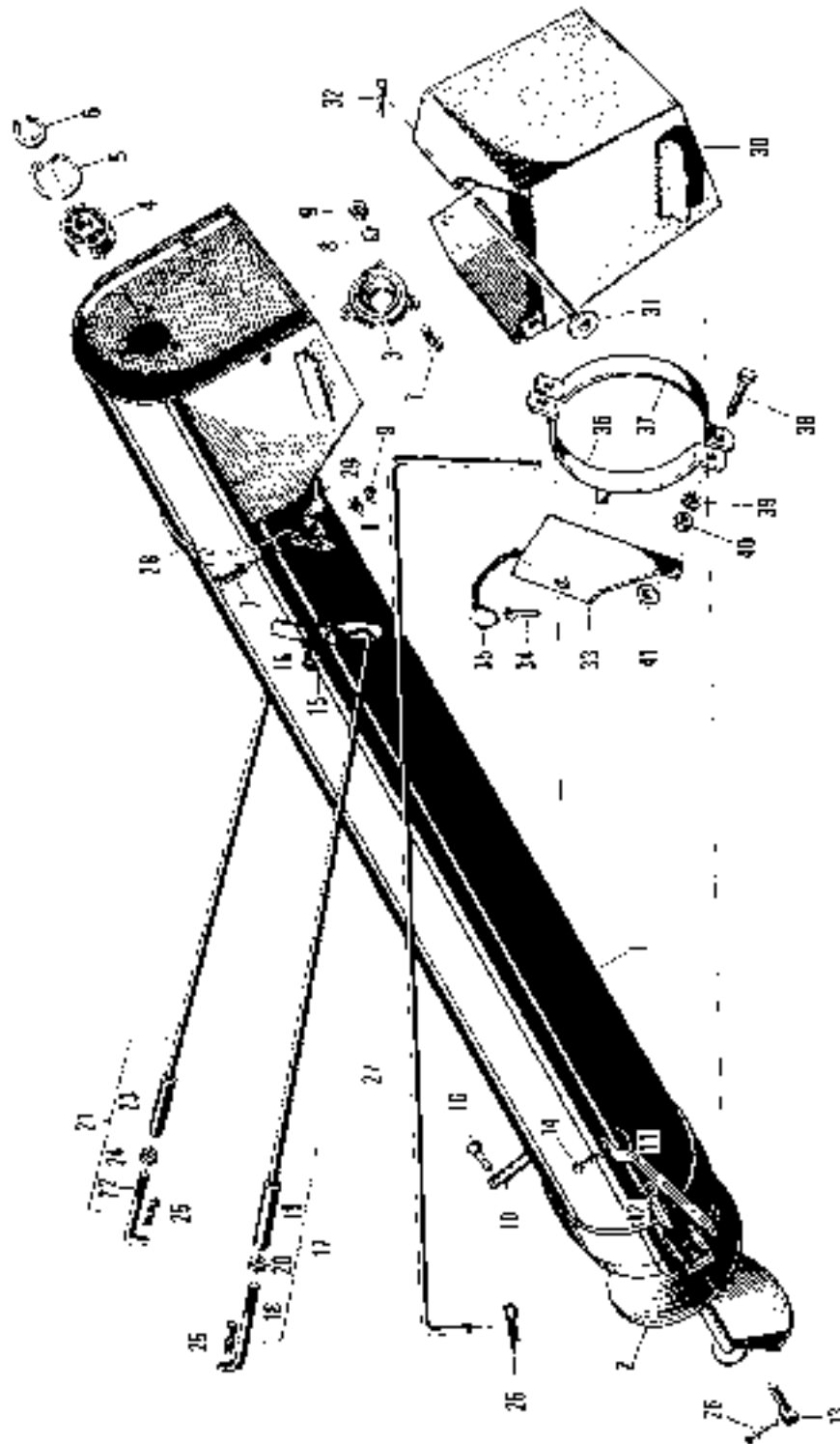
(A)
Up to Serial or Engine Number 2243
(B)
Up to Serial or Engine Number 5761

14-3

ALS LAJFRÖHR UND SCHALTER
FÜR KORNANKENNLEHUNG

UNICABLE PIPE AND
CONTROL FOR GRAIN
TANK L.A. GAIRING

DECHARGEUR AVEC
COMMANDE



314

Mähdrescher MF 31

415 718 M2 (Ausgabe 11/02/78)

**MASSEY FERGUSON
MF 31 COMBINE - 415718**

415718

14-3

UNLOADER PIPE AND CONTROL FOR GRAIN TANK UNLOADING

Item	Part Number	Qty	Description	Comments
1	324562M93	1	Pipe	
	417109M91	1	Tube	
2	324573M94	1	Auger	(B)
	417113M91	1	Auger	(A)
3	324606M1	1	Housing	
4	339599X1	1	Bearing Ball	
5	339199X1	1	Ring	
6	390310X1	1	Circlip	
7	339123X1	5	Screw Metric	
8	339374X1	5	Lock Washer	
9	339169X1	5	Nut Metric	
10	324578M1	1	Clevis Pin	
11	324579M91	1	Handle	
12	324581M1	1	Bush	
13	390129X1	1	Bolt Metric	
15	339763X1	2	Washer	
16	339058X1	4	Pin	
17	324927M91	1	Rod	(B)
	417388M91	1	Stem	(A)
18	324924M1	1	Stem	(B)
	417391M1	1	Rod	(A)
19	324926M91	1	Rod	(B)
	417389M91	1	Rod	(A)
20	339054X1	1	Nut Metric	
21	324928M91	1		(B)
	417392M91	1	Stem	(A)
22	324925M1	1	Stem	(B)
	417391M1	1	Rod	(A)
23	324926M91	1	Rod	(B)
	417393M91	1	Rod	(A)
24	339054X1	1	Nut Metric	
25	346162X1	3	Pin	
26	390157X1	1	Pin	
27	324584M1	1	Stem	(B)
	417130M1	1	Rod	(A)
28	324586M1	1	Clamp	
29	324587M1	1	Clamp	
30	410377M91	1	Extension	
31	410382M91	2	Rod	
32	410366M1	2	Pin	
33	417497M91	1	Support	
34	195346M1	1	Pin	
35	195347M1	1	Ring	
36	417499M91	1	Clip	
37	324587M1	1	Clamp	
38	339761X1	2	Screw Metric	
39	339374X1	2	Lock Washer	
40	339169X1	2	Nut Metric	
41	391166X1	3	Washer Metric	

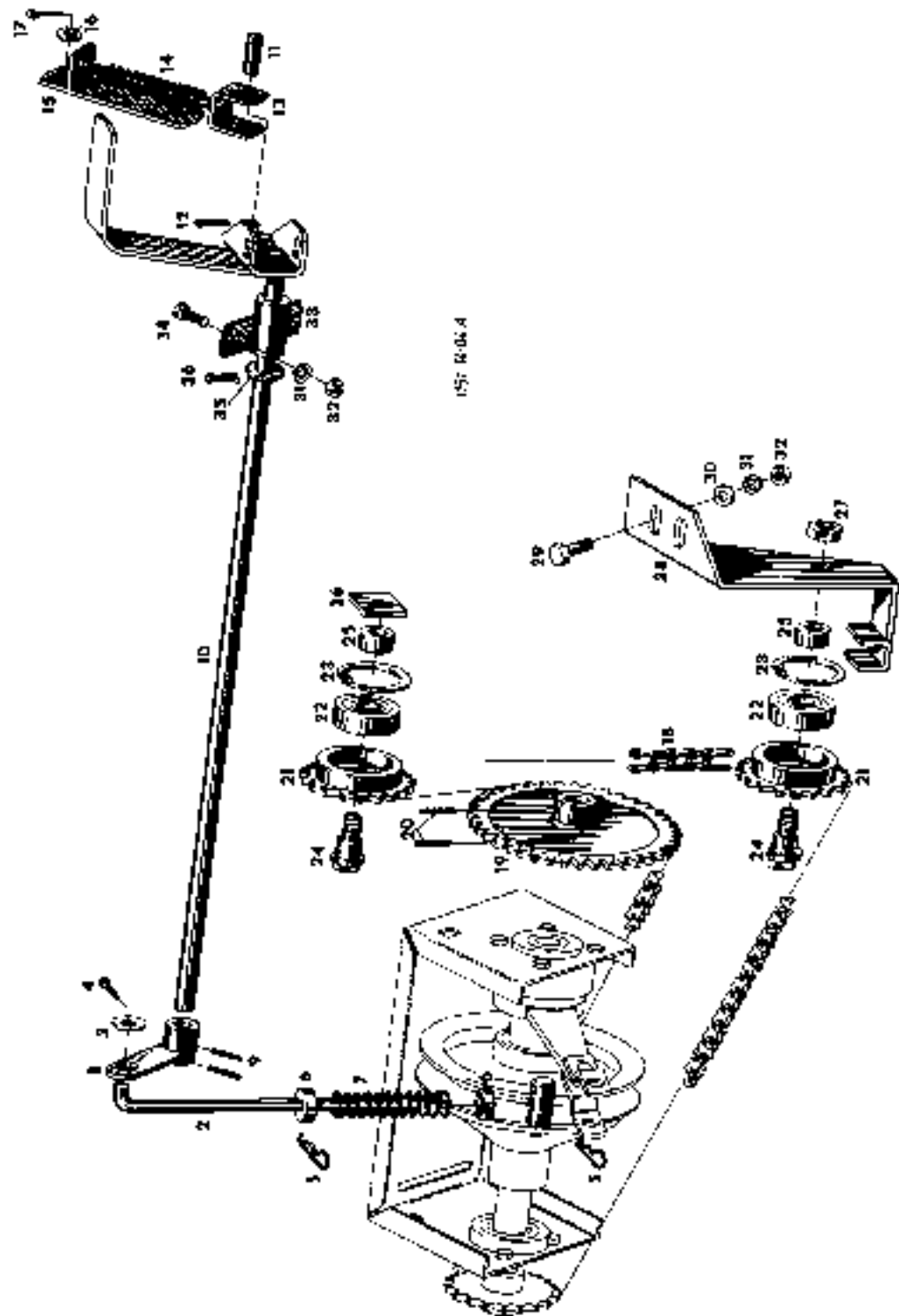
(A)
W / UNLOADING PIPE 2395 MM
(B)
W / UNLOADING PIPE 1395 MM

14-4

KORNANKENTLEERUNGS-
ANTRIEB

DRIVING SHAFT FOR
TANK UNLOADING

COMMANDE DE
DECHARGFUP



Mohndwacher MF 31

415 716 M2 (A Ausgabe 11/1970)

DRIVING SHAFT FOR TANK UNLOADING

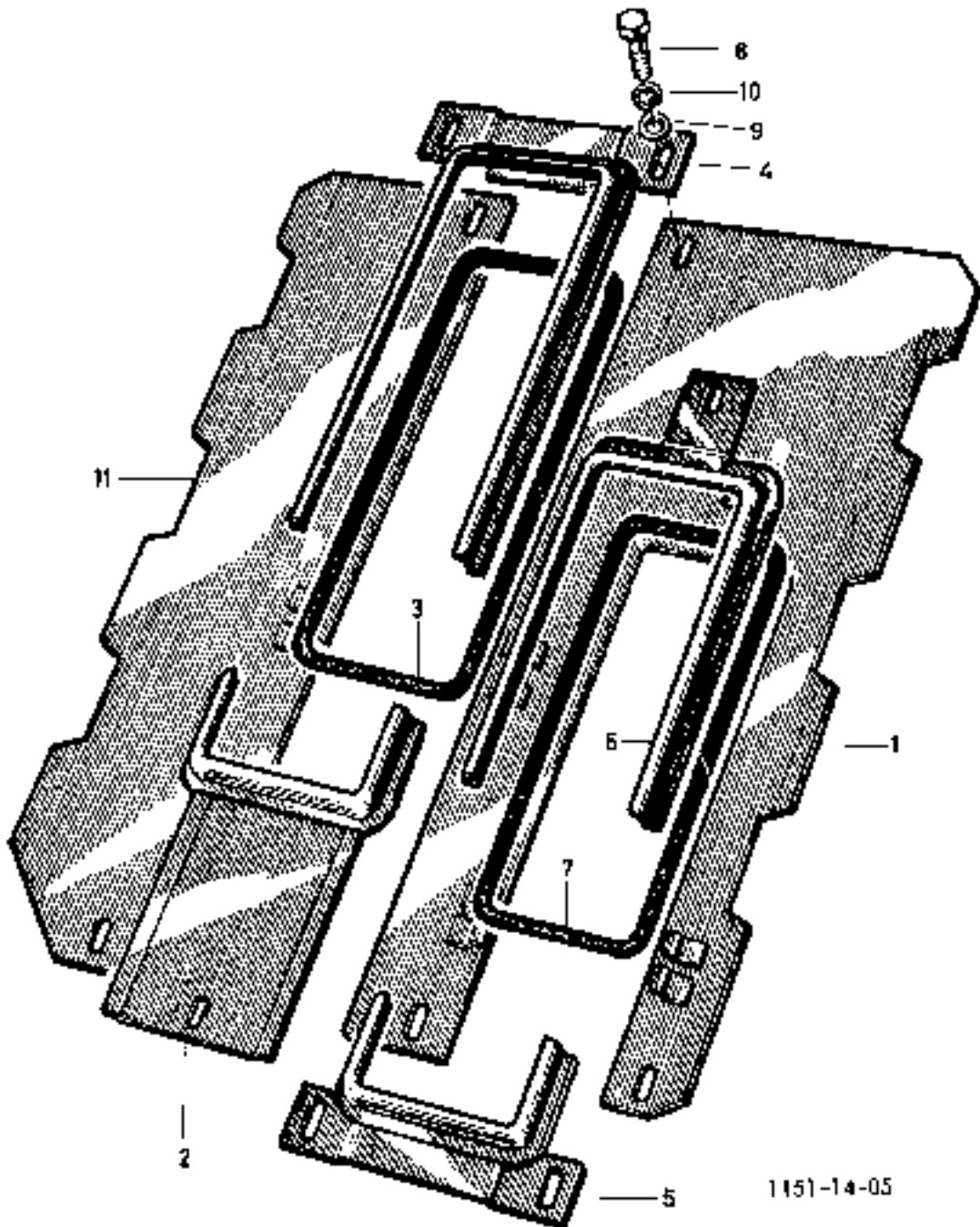
Item	Part Number	Qty	Description	Comments
1	410709M1	1	Pin	
2	410699M1	1	Stem	
3	339424X1	1	Washer	
4	391402X1	1	Pin	
5	410366M1	2	Pin	
6	410700M1	2	Catch	
7	1706017M1	1	Spring	
8	411222M91	1	Arm	
9	339671X1	2	Pin	
10	410705M93	1	Lever	
11	390119X1	1	Clevis Pin	
12	339747X1	1	Pin	
13	324664M91	1	Fork	
14	1706027M1	1	Spring	
15	324660M91	1	Guide	
16	339285X1	1	Washer	
17	339058X1	1	Pin	
18	410703M1	1	Chain	(A)
	411928M91	1	Chain	(B)
19	324653M91	1	Pinion	Number of teeth/spines 41
				(A)
	411926M91	1	Pinion	Number of teeth/spines 35
				(B)
20	339052X1	2	Strip	
21	324652M1	2	Sprocket	Number of teeth/spines 19
22	339200X1	2	Bearing Ball	
23	339199X1	2	Ring	
24	324651M1	2	Bolt	
25	1706329M1	2	Bush	
26	391473X1	1	Nut Metric	
27	339682X1	1	Nut Metric	
28	410707M91	1	Bracket	
29	339123X1	2	Screw Metric	
30	339024X1	2	Washer Metric	
31	339374X1	4	Lock Washer	
32	339169X1	4	Nut Metric	
33	411221M91	1	Bearing Carrier	
34	339124X1	2	Screw Metric	
35	339596X1	1	Washer Metric	
36	390448X1	1	Pin	
				(A)
				Up to Serial or Engine Number 3359
				(B)
				From Serial or Engine Number 3360

14-5

ASB CHEBLECHE

SEALING PLATES

PLAQUE D'ETANCHÉITE



1151-14-05

Motofresche MF 31

415 713 6/2 (Ausgabe 1) 12/73

SEALING PLATES

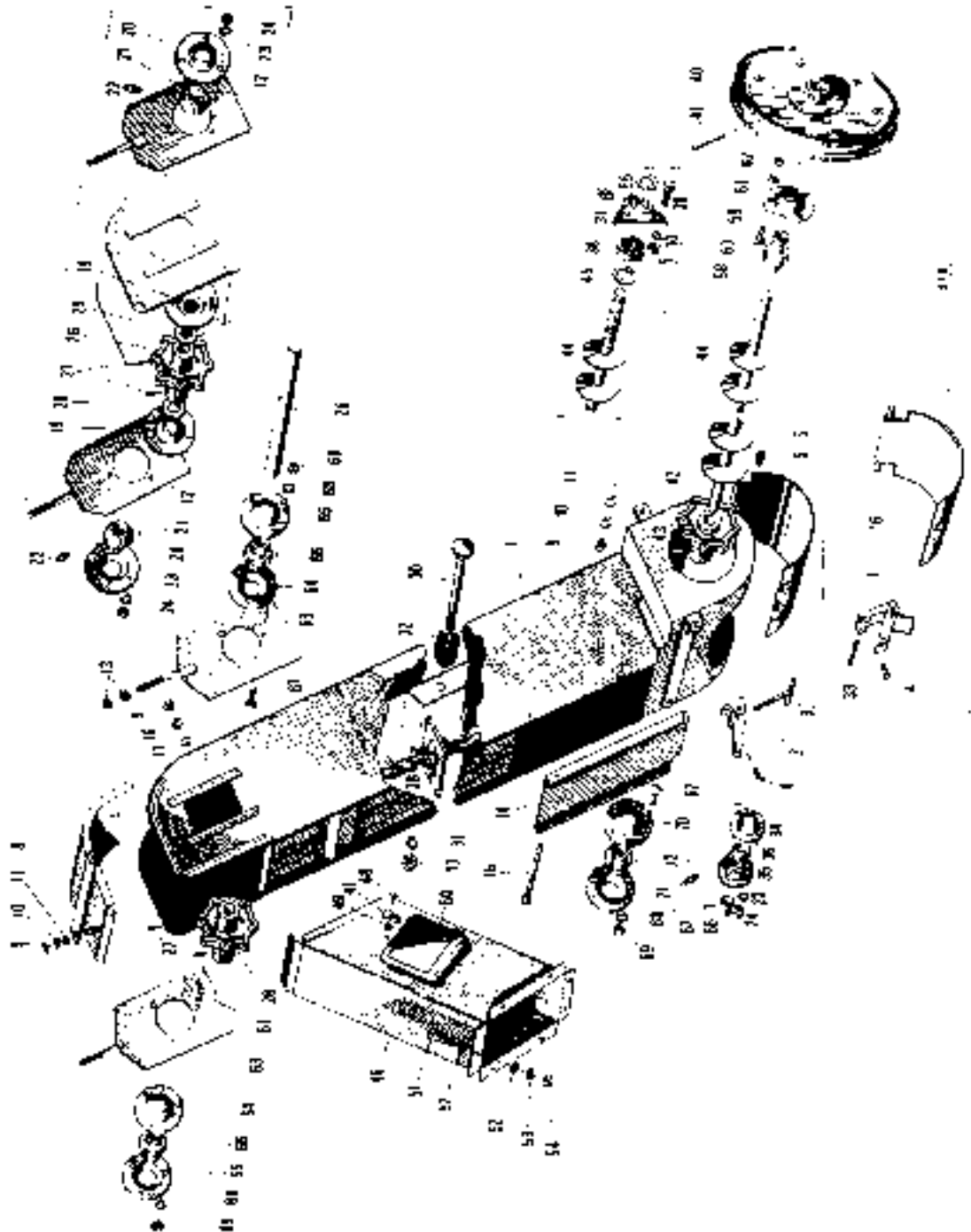
Item	Part Number	Qty	Description
1	324330M91	1	Plate
2	324333M91	1	Frame
3	324337M1	1	Gasket
4	324338M91	1	Frame
5	324342M91	1	Frame
6	324344M91	1	Frame
7	324347M1	1	Gasket
8	339124X1	7	Screw Metric
9	339024X1	7	Washer Metric
10	339374X1	7	Lock Washer
	339169X1	6	Nut Metric
11	324864M91	1	Plate

15-1

UMKEHRELEVATOR
Torkmaschinen
s.1 Serien-Nr. 0109

UNLOADING ELEVATOR
Tork Machines
up to No. 8109

ELEVATEUR à COTONS
machines avec réservoir à gauche
jusqu'à No. 8109



Assembleur 48 31

415 718 M2 (A) symbo 11 12/70

GLEANINGS ELEVATOR - TANK MACHINES

Item	Part Number	Qty	Description	Comments
				TANK MACHINES
				Up to Serial or Engine Number 8109
1	410538M92	1	Housing	(A)
	411775M91	1	Housing	(B)
2	417461M91	1	Fastener	(F)
3	417472M91	1	Knotter Hook	(F)
4	339431X1	2	Rivet	
5	417470M91	1	Gate	(F)
6	320617M1	2	Sleeve	(F)
7	320273M1	1	Hasp	(E)
8	324680M91	1	Cover	
9	339169X1	7	Nut Metric	
10	339374X1	7	Lock Washer	
11	339056X1	4	Washer Metric	
12	324683M91	2	Plate	(A)
13	339402X1	5	Nut Metric	
14	320763M2	1	Cover	
15	339138X1	1	Pin	
16	320280M92	1	Bottom	(E)
19	322118M93	2	Ring	(A)
20	320235M2	2	Ring	(A)
21	323378M91	2	Bearing	(A)
22	390843X1	2	Nipple	(A)
23	339375X1	9	Lock Washer	
24	339030X1	9	Nut Metric	
25	320881M1	1	Shaft	(A)
	411781M1	1	Shaft	(B)
26	320030M3	1	Sprocket	Number of teeth/spines 8
27	339135X1	2	Pin	
28	410169M91	1	Chain	
29	391382X1	2	Washer Metric	(A)
30	339151X1	1	Bolt	
31	339025X1	1	Washer Metric	
32	324791M1	1	Block	
33	339232X1	1	Pin	(E)
34	401315M91	1	Thruster	(A)
35	323590M1	1	Plate	(C)
	412620M1	1	Plate	(D)
36	328544M91	1	Bearing	(C)
	412618M91	1	Bearing	(D)
	390843X1	1	Nipple	
37	320003M1	1	Bearing Carrier	(A)
	339003X1	1	Greaser	(A)
38	1440491X1	1	Bearing Ball	(A)
39	339123X1	3	Screw Metric	
40	410691M91	1	Pulley	
41	339192X1	2	Pin	
42	405264M1	1	Sprocket	
43	339052X1	2	Strip	
44	410692M91	1	Auger	(C)
	411656M91	1	Auger	(D)
	411868M91	1	Auger	(B)
45	391384X1	X	Washer Metric	(A)
46	324693M91	1	Channel	
47	320719M2	1	Tie	
48	390082X1	1	Bracket	
49	390971X1	2	Washer Metric	
50	321756M1	1	Trap	
51	339560X1	7	Screw Metric	
52	339588X1	14	Washer	
53	339375X1	7	Lock Washer	
54	339030X1	7	Nut Metric	
55	390393X1	X		(A)
56	413364M1	1	Bush	(D)
57	339662X1	1	Pin	(D)
58	412260M1	1	Bearing Assy	(B)
59	411897M1	1	Cage	(B)
60	339247X1	3	Bolt	(B)
61	339374X1	3	Lock Washer	(B)
62	339169X1	3	Nut Metric	(B)

GLEANINGS ELEVATOR - TANK MACHINES

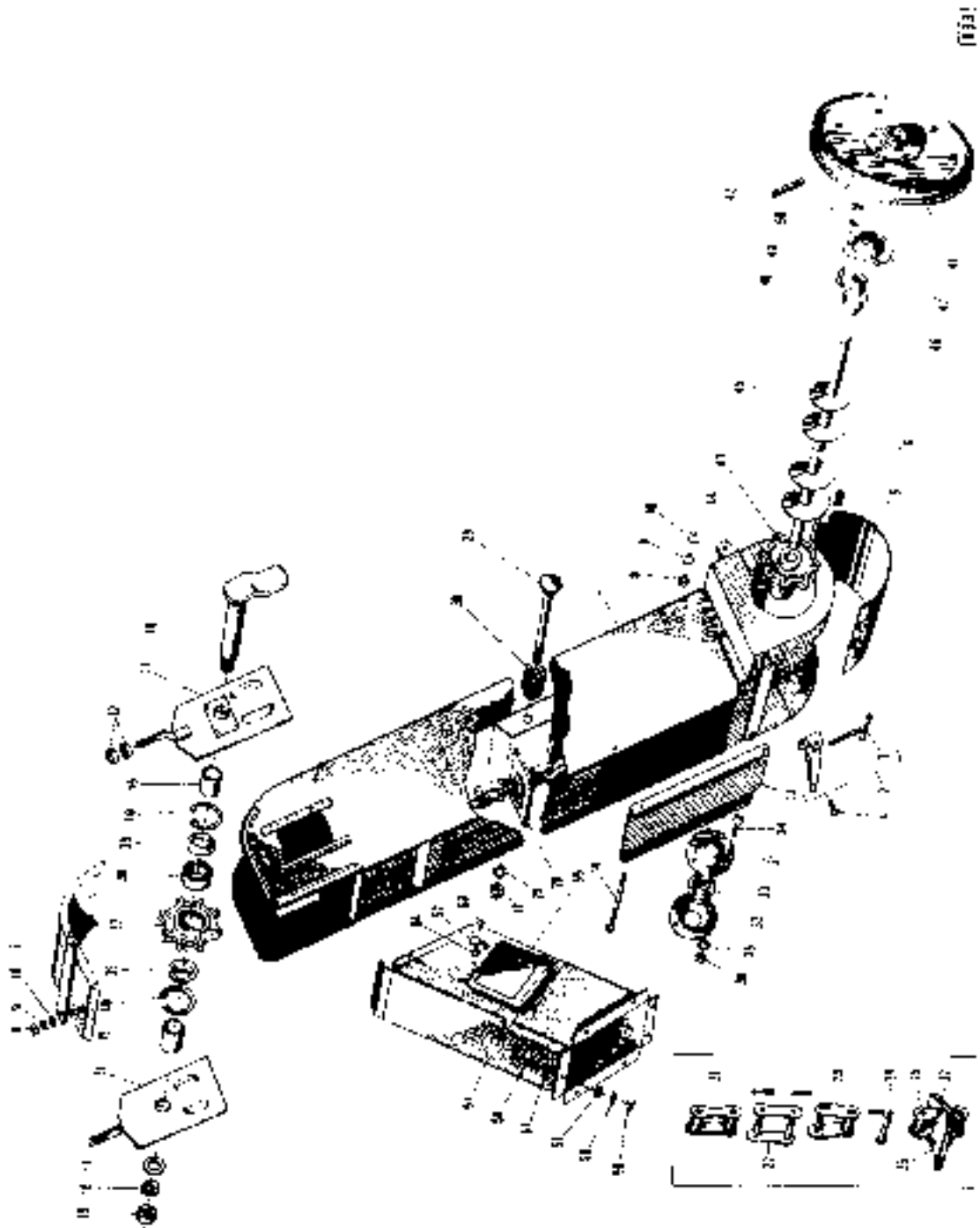
Item	Part Number	Qty	Description	Comments
63	411779M92	2	Plate	(B)
64	411745M1	2	Ring	(B)
65	412245M1	2	Ring	(B)
66	412243M1	2	Bearing	(B)
67	339247X1	9	Bolt	(B)
68	339374X1	9	Lock Washer	(B)
69	339169X1	9	Nut Metric	(B)
70	412315M1	1	Ring	(B)
71	412261M1	1	Ring	(B)
72	412260M1	1	Bearing Assy	(B)
				(A)
				Up to Serial or Engine Number 3043
				(B)
				From Serial or Engine Number 3044
				(C)
				NO. 2244 - NO. 3043

15-2

ÜBERKEHRELEVATOR
Torkmaschinen
di Serien-Nr. 8110

СЕРИЙННІ ПІВРАТІВ
Турк-Машина
№ сер. № 8110

ÉLEVATEUR À OTONS
machines avec rotor à point
à partir de No. 8110



Mohndruck Nr 31

415 710 602 (Ausgabe 1) 12/70

GLEANINGS ELEVATOR - TANK MACHINES

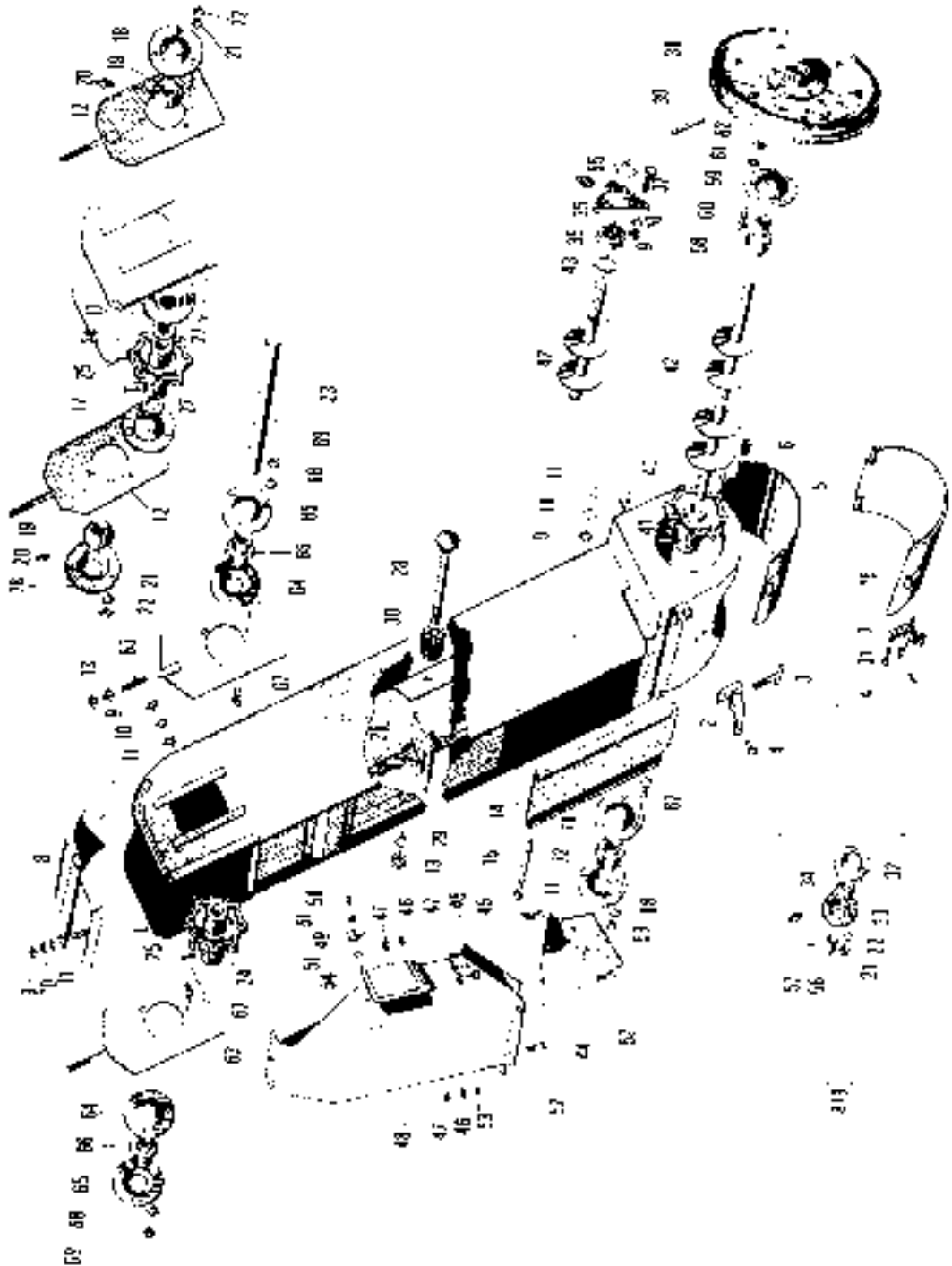
Item	Part Number	Qty	Description	Comments
				TANK MACHINES
				From Serial or Engine Number 8110
1	411775M91	1	Housing	
2	417461M91	1	Fastener	
3	417472M91	1	Knotter Hook	
4	339431X1	2	Rivet	
5	417470M91	1	Gate	Bottom
6	320617M1	2	Sleeve	
7	324680M91	1	Cover	
8	339169X1	4	Nut Metric	
9	339374X1	4	Lock Washer	
10	339056X1	4	Washer Metric	
11	417662M91	2	Plate	
12	339402X1	5	Nut Metric	
13	320763M2	1	Cover	
14	339138X1	1	Pin	
15	417670M1	2	Spacer	
16	417665M91	1	Clevis Pin	
17	391387X1	1	Washer Metric	
18	339054X1	1	Nut Metric	
19	339054X1	1	Nut Metric	
20	410169M91	1	Chain	
21	329176M91	X	Link	
22	329797M91	X	Connecting Link	
23	329179M91	X	Link	
24	329847M91	X	Clevis Pin	
25	410172M91	24	Link	
26	320335M1	24	Plate	
27	390062X1	48	Rivet	
28	339151X1	1	Bolt	
29	339025X1	1	Washer Metric	
30	324791M1	1	Block	
31	412315M1	1	Ring	
32	412261M1	1	Ring	
33	412260M1	1	Bearing Assy	
34	339247X1	3	Bolt	
35	339374X1	3	Lock Washer	
36	339169X1	3	Nut Metric	
37	414842M1	1	Sprocket	
38	391057X1	1	Bearing Ball	
39	417669M1	2	Cap	
40	391061X1	2	Circlip	
41	410691M91	1	Pulley	
42	339192X1	2	Pin	
43	414462M1	1	Sprocket	
44	339052X1	2	Strip	
45	411868M91	1	Auger	
46	412260M1	1	Bearing Assy	
47	411897M1	1	Cage	
48	339247X1	3	Bolt	
49	339374X1	3	Lock Washer	
50	339169X1	3	Nut Metric	
51	324693M91	1	Channel	
52	320719M2	1	Tie	
53	339082X1	1	Rivet	
54	390971X1	2	Washer Metric	
55	321756M1	1	Trap	
56	339560X1	7	Screw Metric	
57	339588X1	14	Washer	
58	339375X1	7	Lock Washer	
59	339030X1	7	Nut Metric	

15-3

CHERKHELEVATOR
Abdeckmaschinen
bis Serien-Nr. 8109

CHERKHELEVATOR
Bagger-Maschinen
us to Nr. 8109

ELEVATEUR A COUVER
machines usées antérieur
jusqu'à Nr. 8109



Мануал MF 31

415-18.M2 (Ausgabe 1) 12/70

GLEANINGS ELEVATOR - BAGGER MACHINES

Item	Part Number	Qty	Description	Comments
				BAGGER MACHINES Up to Serial or Engine Number 8109
1	410538M92	1	Housing	(A)
	411775M91	1	Housing	(B)
2	417461M91	1	Fastener	(F)
3	417472M91	1	Knotter Hook	(F)
4	339431X1	2	Rivet	
5	417470M91	1	Gate	Bottom (F)
6	320617M1	2	Sleeve	(F)
7	320273M1	1	Hasp	(E)
8	324680M91	1	Cover	
9	339169X1	7	Nut Metric	
10	339374X1	7	Lock Washer	
11	339056X1	4	Washer Metric	
12	324683M91	2	Plate	(A)
13	339402X1	5	Nut Metric	
14	320763M2	1	Cover	
15	339138X1	1	Pin	
16	320280M92	1	Bottom	Bottom (E)
17	322118M93	2	Ring	(A)
18	320235M2	2	Ring	(A)
19	323378M91	2	Bearing	(A)
20	390843X1	2	Nipple	(A)
21	339375X1	9	Lock Washer	
22	339030X1	9	Nut Metric	
23	320881M1	1	Shaft	(A)
	411781M1	1	Shaft	(B)
24	320030M3	1	Sprocket	Number of teeth/spines 8
25	339135X1	2	Pin	
26	410169M91	1	Chain	
27	391382X1	2	Washer Metric	(A)
28	339151X1	1	Bolt	
29	339025X1	1	Washer Metric	
30	321154M1	1	Block	
31	339232X1	1	Pin	(E)
32	401315M91	1	Thruster	(A)
33	323590M1	1	Plate	(C)
	412620M1	1	Plate	(D)
34	328544M91	1	Bearing	(C)
	412618M91	1	Bearing	(D)
	390843X1	1	Nipple	
35	320003M1	1	Bearing Carrier	(A)
	339003X1	1	Greaser	(A)
36	1440491X1	1	Bearing Ball	(A)
37	339123X1	3	Screw Metric	
38	410691M91	1	Pulley	
39	339192X1	2	Pin	
40	405264M1	1	Sprocket	
41	339052X1	2	Strip	
42	410692M91	1	Auger	(C)
	411656M91	1	Auger	(D)
	411868M91	1	Auger	(B)
43	391384X1	X	Washer Metric	(A)
44	411449M1	1	Guard	
45	339560X1	2	Screw Metric	
46	339375X1	6	Lock Washer	
47	339030X1	6	Nut Metric	
48	411327M91	1	Channel	
49	320719M2	1	Tie	
	411327M91		Channel	
50	339082X1	1	Rivet	
51	390971X1	2	Washer Metric	
52	339230X1	4	Screw Metric	
53	390971X1	3	Washer Metric	
54	321756M1	1	Trap	
55	391393X1	3	Washer Metric	(A)
56	413364M1	1	Bush	(D)
57	339662X1	1	Pin	(D)

**MASSEY FERGUSON
MF 31 COMBINE - 415718**

415718

15-3

GLEANINGS ELEVATOR - BAGGER MACHINES

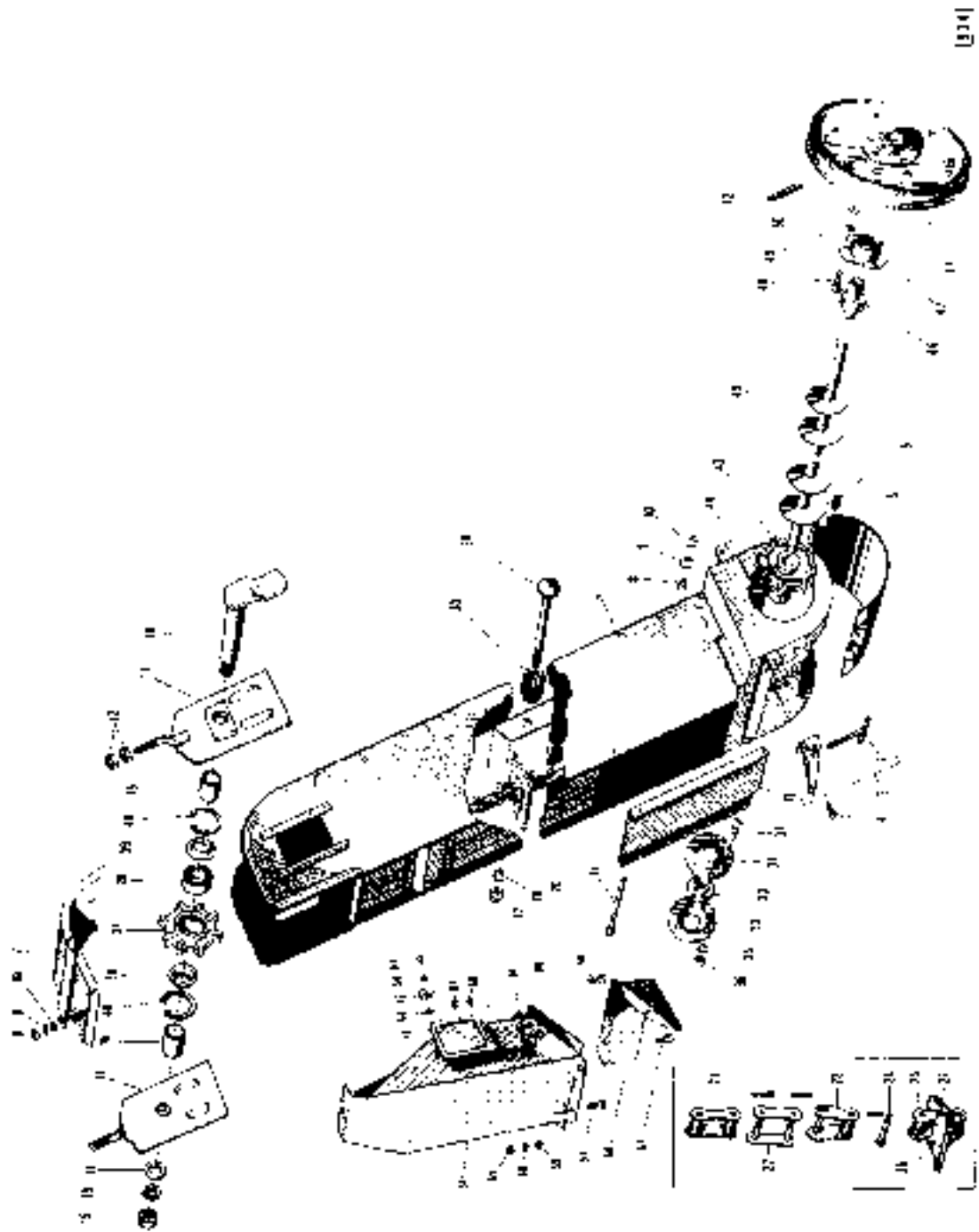
Item	Part Number	Qty	Description	Comments
58	412260M1	1	Bearing Assy	(B)
59	411897M1	1	Cage	(B)
60	339247X1	3	Bolt	(B)
61	339374X1	3	Lock Washer	(B)
62	339169X1	3	Nut Metric	(B)
63	411779M92	2	Plate	(B)
64	411745M1	2	Ring	(B)
65	412245M1	2	Ring	(B)
66	412243M1	2	Bearing	(B)
67	339247X1	9	Bolt	(B)
68	339374X1	9	Lock Washer	(B)
69	339169X1	1	Nut Metric	(B)
70	412315M1	1	Ring	(B)
71	412261M1	1	Ring	(B)
72	412260M1	1	Bearing Assy	(B) (A) Up to Serial or Engine Number 3043 (B) From Serial or Engine Number 3044 (D) NO. 2244 - NO. 3043

15-4

LIÈVREUR À OTONS
Abackmaschine
no. Série-Nr 8110

GEARINGS ELEVATOR
Bagger-Maschine
No. 8110

LEVATEUR A OTONS
machine avec engrenage
à no. de S. 8110



1314

Motorkreuzer MF 31

415/18 M2 (Ausgabe 11/77)

GLEANINGS ELEVATOR - BAGGER MACHINES

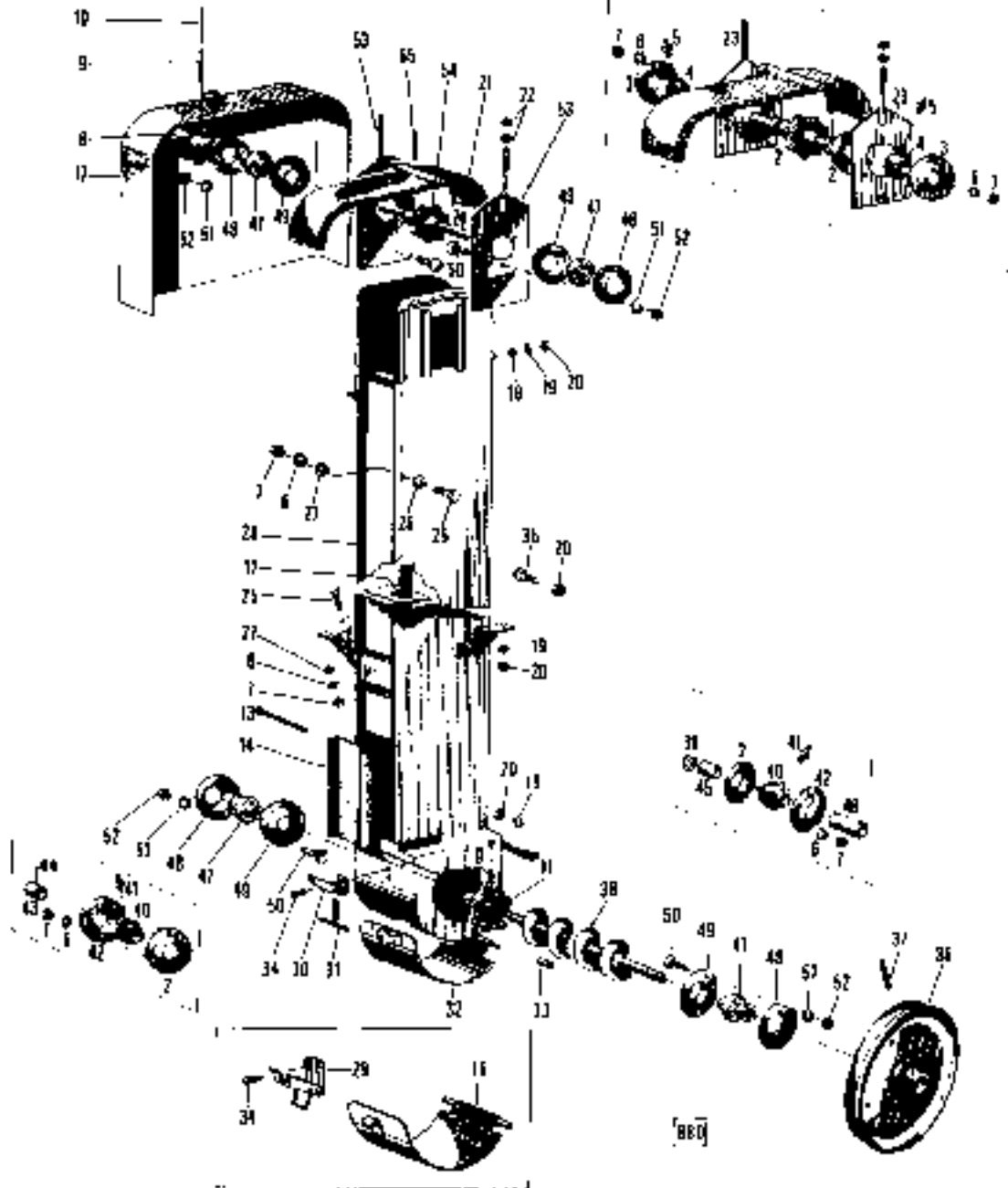
Item	Part Number	Qty	Description	Comments
				BAGGER MACHINES From Serial or Engine Number 8110
1	411775M91	1	Housing	
2	417461M91	1	Fastener	
3	417472M91	1	Knotter Hook	
4	339431X1	2	Rivet	
5	417470M91	1	Gate	Bottom
6	320617M1	2	Sleeve	
7	324680M91	1	Cover	
8	339169X1	4	Nut Metric	
9	339374X1	4	Lock Washer	
10	339056X1	4	Washer Metric	
11	417662M91	2	Plate	
12	339402X1	5	Nut Metric	
13	320763M2	1	Cover	
14	339138X1	1	Pin	
15	417670M1	2	Spacer	
16	417665M91	1	Clevis Pin	
17	391387X1	1	Washer Metric	
18	339369X1	1	Lock Washer	
19	339054X1	1	Nut Metric	
20	410169M91	1	Chain	
21	329176M91	X	Link	
22	329797M91	X	Connecting Link	
23	329179M91	X	Link	
24	329847M91	X	Clevis Pin	
25	410172M91	24	Link	
26	320335M1	24	Plate	
27	390062X1	48	Rivet	
28	339151X1	1	Bolt	
29	339025X1	1	Washer Metric	
30	324791M1	1	Block	
31	412315M1	1	Ring	
32	412261M1	1	Ring	
33	412260M1	1	Bearing Assy	
34	339247X1	3	Bolt	
35	339374X1	3	Lock Washer	
36	339169X1	3	Nut Metric	
37	414842M1	1	Sprocket	Number of teeth/spines 8
38	391057X1	1	Bearing Ball	
39	417669M1	2	Cap	
40	391061X1	2	Circlip	
41	410691M91	1	Pulley	
42	339192X1	2	Pin	
43	405264M1	1	Sprocket	
44	339052X1	2	Strip	
45	411868M91	1	Auger	
46	412260M1	1	Bearing Assy	
47	411897M1	1	Cage	
48	339247X1	3	Bolt	
49	339374X1	3	Lock Washer	
50	339169X1	3	Nut Metric	
51	411327M91	1	Channel	
52	320719M2	1	Tie	
53	339082X1	1	Rivet	
54	390971X1	2	Washer Metric	
55	321756M1	1	Trap	
56	411449M1	1	Guard	
57	339230X1	4	Screw Metric	
58	339560X1	2	Screw Metric	
59	390971X1	3	Washer Metric	
60	339375X1	6	Lock Washer	
61	339030X1	6	Nut Metric	

15-5

KORNERHEBER
 harvmachinen
 (Für Maschinen mit Seiltrommel)

GRAIN ELEVATOR
 Tank (Machines
 with Rotary Drum)

ÉLEVATEUR À GRAINE
 machines avec tambour à grains
 (avec tambour cylindrique)



Hersteller Nr. 31

415 718 M2 (Ausgabe 1) 12/70

**MASSEY FERGUSON
MF 31 COMBINE - 415718**

415718

15-5

GRAIN ELEVATOR - TANK MACHINES

Item	Part Number	Qty	Description	Comments
				TANK MACHINES WITH ROTARY SCREEN
1	391382X1	2	Washer Metric	(A)
2	322118M933	4	Flange	(A)
3	320235M2	3	Ring	(A)
4	323378M91	3	Bearing	(A)
5	390843X1	3	Nipple	(A)
6	339375X1	16	Lock Washer	
7	339030X1	16	Nut Metric	
8	324728M1	1	Pinion	Number of teeth/spines 6
9	339135X1	4	Pin	
10	390294X1	2	Pin	
11	320030M3	1	Sprocket	Number of teeth/spines 8
12	410170M91	1	Chain	(A)
	411820M91	1	Chain	(B)
	410170M91	1	Chain	(E)
13	339138X1	1	Pin	
14	320763M2	1	Cover	
16	320280M92	1	Bottom	Bottom (H)
	339232X1	2	Pin	
17	324850M91	1	Guard	
	339232X1	2	Pin	
18	339056X1	2	Washer Metric	
19	339374X1	5	Lock Washer	
20	339169X1	6	Nut Metric	
21	324777M91	1	Cover	
22	339402X1	4	Nut Metric	
23	324683M91	2	Plate	(A)
24	324779M1	1	Shaft	(A)
	411787M1	1	Shaft	(B)
25	339560X1	4	Screw Metric	
26	339588X1	1	Washer	
27	339692X1	4	Washer	
28	411067M91	1	Riser	(A)
	411821M91	1	Riser	(B)
	416123M91	1	Housing	(E)
29	417461M91	1	Fastener	(J)
30	417472M91	1	Knotter Hook	(J)
31	417470M91	1	Gate	Bottom (J)
32	339074X1	2	Rivet	
34	320273M1	1	Hasp	(H)
	339232X1	2	Pin	(H)
35	339228X1	1	Screw Metric	
36	320019M92	1	Pulley	
37	339192X1	2	Pin	
38	322116M92	1	Auger	(C)
	411653M91	1	Auger	(D)
	411866M91	1	Auger	(B, F)
	417279M91	1	Auger	(G)
39	391382X1	X	Washer Metric	
40	323378M91	2	Bearing	(C)
	411649M91	2	Bearing	(D)
41	390843X1	2	Nipple	
42	320235M2	2	Ring	(C)
	411577M1	2	Flange	(D)
43	411580M1	1	Insert	(D)
44	339258X1	1	Pin	(D)
45	411579M1	1	Bush	(D)
46	411581M1	1	Bush	(D)
47	412243M1	4	Bearing	(B)
48	412245M1	4	Ring	(B)
49	411745M1	4	Ring	(B)
50	339247X1	12	Bolt	(B)
51	339374X1	12	Lock Washer	(B)
53	411779M92	2	Plate	(B)
54	414308M1	1	Sprocket	Number of teeth/spines 8
55	339052X1	2	Strip	(A)

**MASSEY FERGUSON
MF 31 COMBINE - 415718**

415718

GRAIN ELEVATOR - TANK MACHINES

15-5

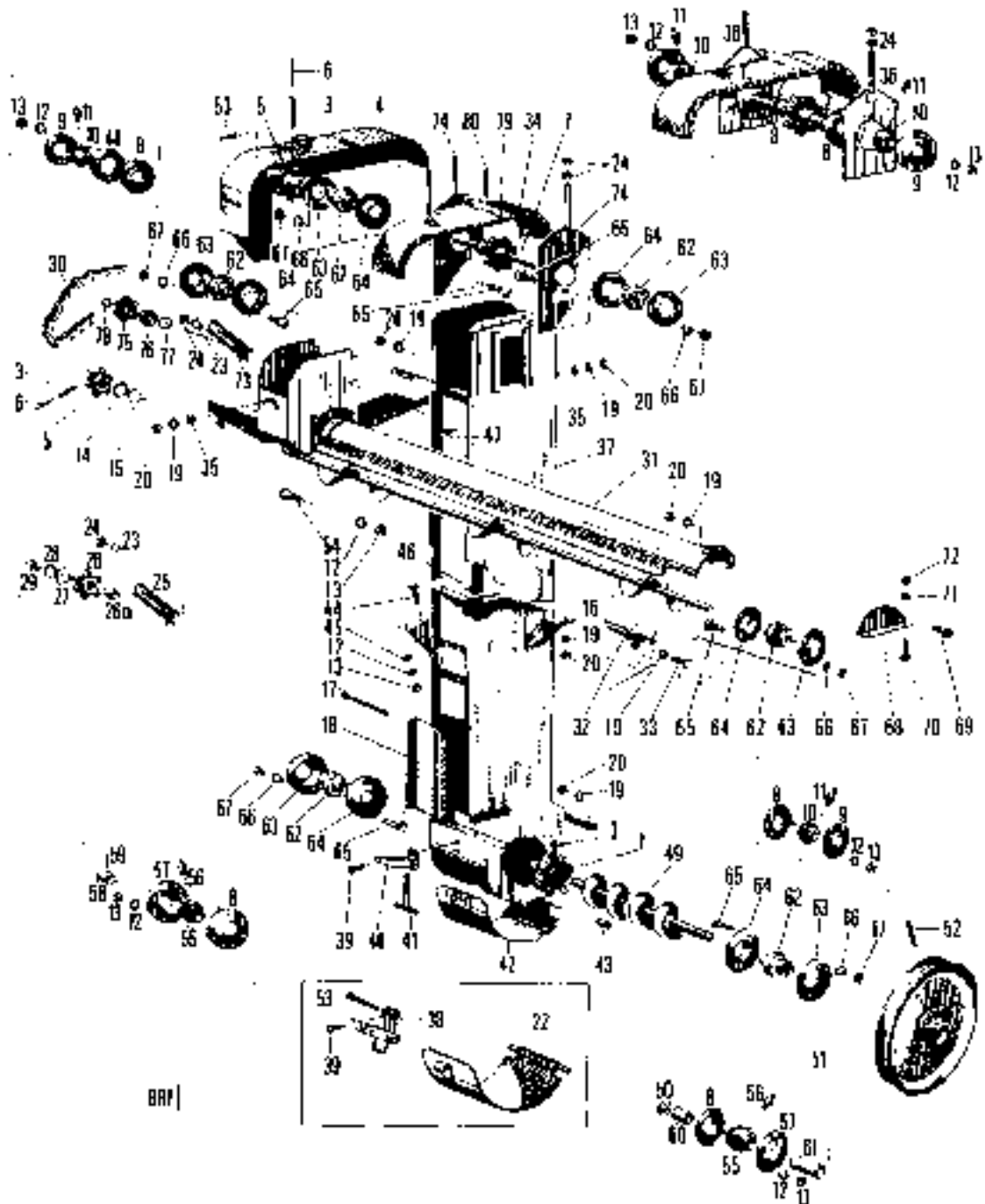
Item	Part Number	Qty	Description	Comments
				Up to Serial or Engine Number 3043 (B)
				From Serial or Engine Number 3044 (C)
				Up to Serial or Engine Number 2243 (D)
				NO. 2244 - NO. 3043 (E)
				FOR GRAIN TANK 500 KG (F)
				Up to Serial or Engine Number 7375 (G)
				From Serial or Engine Number 7376 (H)
				Up to Serial or Engine Number 8449 (J)
				From Serial or Engine Number 8450

15-6

KÖRNERELEVATOR
 Tank machine
 (U-Mass - non ohne Sortierung
 mit einer Vertikalwalze)

GRAIN ELEVATOR
 Tank Machine
 (w/ their Rotary Screen
 with Divider Auger)

ELEVATEUR A GRAINS
 machine avec tambour à grains
 (sans tamis rotatif avec
 vis sans fin)



Motorschnepper MF 31

415718 M2 (Ausgabe 1) 12/70

**MASSEY FERGUSON
MF 31 COMBINE - 415718**

415718

15-6

GRAIN ELEVATOR - TANK MACHINES

Item	Part Number	Qty	Description	Comments
				TANK MACHINES WITHOUT ROTARY SCREEN WITH DIVIDER AUGER
1	320030M3	1	Sprocket	Number of teeth/spines 8
2	391382X1	2	Washer Metric	(A)
3	339135X1	6	Pin	
4	411204M91	1	Shield	
5	324728M1	2	Pinion	Number of teeth/spines 6
6	390294X1	4	Pin	
7	324779M1	1	Shaft	(A)
	411787M1	1	Shaft	(B)
8	32218M93	6	Flange	(A)
9	320235M2	4	Ring	(A)
10	323378M91	4	Bearing	(A)
11	390843X1	4	Nipple	
12	39375X1	22	Washer	
13	339030X1	22	Nut Metric	
14	1440475X1	1	Circlip	
15	390039X1	1	Washer	
16	411213M91	1	Auger	(A)
	411805M91	1	Auger	(B)
17	339138X1	1	Pin	
18	320763M2	1	Cover	
19	339374X1	15	Lock Washer	
20	339169X1	13	Nut Metric	
22	320280M92	1	Bottom	Bottom (G)
23	339534X1	1	Washer Metric	
24	339402X1	5	Nut Metric	
	324730M91	1	Pinion	(A)
25	324731M91	1	Bearer	(A)
26	322499M92	1	Pinion	(A)
26A	321900M1	1	Bush	(A)
27	339027X1	1	Washer Metric	(A)
28	339276X1	1	Circlip	(A)
29	339002X1	1	Lubricator	(A)
30	411203M1	1	Chain	
31	411207M91	1	Guard	(A)
	411803M91	1	Housing	(B)
32	411188M91	1	Plate	
33	339124X1	8	Screw Metric	
34	324777M91	1	Cover	Top
35	339056X1	2	Washer Metric	
36	324683M91	2	Plate	(A)
37	411171M92	1	Housing	(A)
	411798M91	1	Riser	(B)
38	417461MN91	1	Fastener	(H)
39	417472M91	1	Knotter Hook	(H)
40	417470M91	1	Gate	Bottom (H)
41	320617M1	2	Sleeve	
42	339074X1	2	Rivet	
43	320273M1	1	Hasp	(G)
44	339560X1	3	Screw Metric	
45	339692X1	3	Washer	
46	410169M91	1	Chain	
	411843M91	1	Chain	
47	339136X1	1	Bolt	
48	322285M1	1	Washer	(A)
49	322116M92	1	Auger	(C)
	411653M91	1	Auger	(D)
	411866M91	1	Auger	(B, E)
	417279M91	1	Auger	(F)
50	391382X1	X	Washer Metric	(A)
51	320019M92	1	Pulley	
52	339192X1	2	Pin	
53	339232X1	2	Pin	(G)
54	339230X1	1	Screw Metric	
55	323378M91	2	Bearing	(C)
	411649M91	2	Bearing	(D)
56	390843X1	2	Nipple	

**MASSEY FERGUSON
MF 31 COMBINE - 415718**

415718

15-6

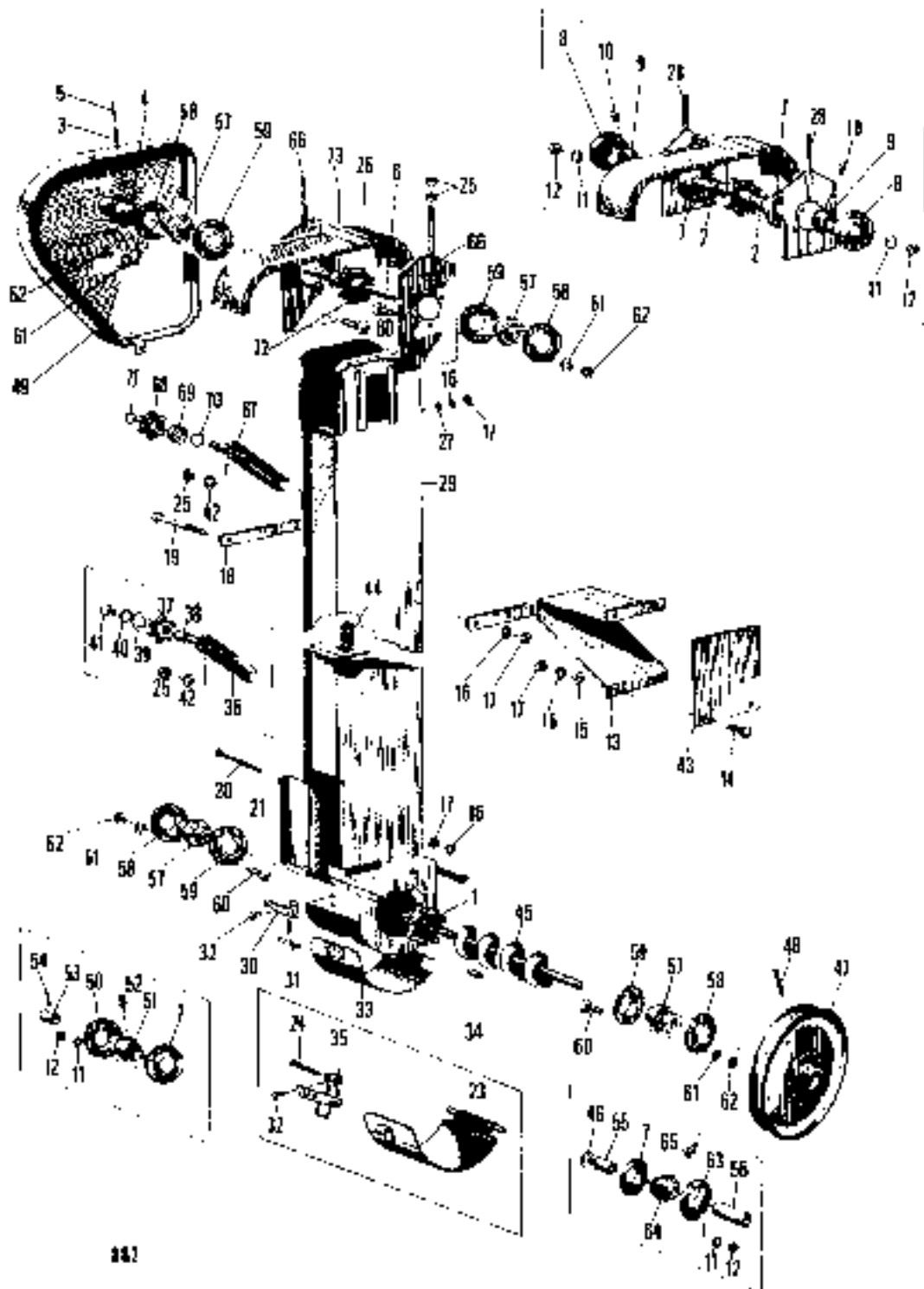
GRAIN ELEVATOR - TANK MACHINES

Item	Part Number	Qty	Description	Comments
57	320235M2	2	Ring	(C)
	411577M1	2	Flange	
58	411580M1	2	Insert	(D)
59	339258X1	1	Pin	(D)
60	411579M1	1	Bush	(D)
61	411581M1	1	Bush	(D)
62	412243M1	6	Bearing	(B)
63	412245M1	6	Ring	(B)
64	411745M1	6	Ring	(B)
65	339247X1	18	Bolt	(B)
66	339374X1	18	Lock Washer	(B)
67	339169X1	18	Nut Metric	(B)
68	411807M1	1	Plate	(B)
69	339228X1	1	Screw Metric	
70	339230X1	2	Screw Metric	
71	339375X1	2	Lock Washer	
72	339030X1	2	Nut Metric	
73	411785M91	1	Lever	(B)
74	411779M92	2	Plate	(B)
75	411845M1	1	Pinion	Thickness 6 (B)
76	339932X1	1	Bearing Assy	(B)
77	339657X1	1	Circlip	(B)
78	391062X1	1	Segment	(B)
79	414308M1	1	Sprocket	
80	339052X1	2	Strip	(A) Up to Serial or Engine Number 3043 (B) From Serial or Engine Number 3044 (C) Up to Serial or Engine Number 2243 (D) NO. 2244 - NO. 3043 (G) Up to Serial or Engine Number 8449

GRINDERLEVATOR
Abdeckmaschine

GRAIN LEVATOR
Saggi Mulino

LEVATEUR A GRAINS
moulin des sacs enrouleur



442

Nachrücker MF 31

415 718 M2 (Ausgabe 15/79)

**MASSEY FERGUSON
MF 31 COMBINE - 415718**

415718

15-7

GRAIN ELEVATOR - BAGGER MACHINES

Item	Part Number	Qty	Description	Comments
				BAGGER MACHINES
1	320030M3	1	Sprocket	Number of teeth/spines 8
2	A391382X1	2	Washer	(A)
3	339135X1	4	Pin	
4	324728M1	1	Pinion	Number of teeth/spines 6
5	390294X1	2	Pin	
6	324779M1	1	Shaft	(A)
	411787M1	1	Shaft	(B)
7	332118M93	4	Flange	(A)
8	320235M2	2	Ring	(A)
9	323378M91	2	Bearing	(A)
10	390843X1	2	Nipple	
11	339375X1	12	Lock Washer	
12	339030X1	12	Nut Metric	
13	411412M91	1	Support	
14	339170X1	4	Screw	
15	339024X1	4	Washer Metric	
16	339374X1	9	Lock Washer	
17	339169X1	9	Nut Metric	
18	321371M1	1	Plate	
19	339084X1	2	Bolt Metric	
20	339138X1	1	Pin	
21	320763M2	1	Cover	
23	320280M92	1	Bottom	Bottom (J)
24	339232X1	1	Pin	(J)
25	339402X1	5	Nut Metric	
26	411406M91	1	Plate	Top
27	339056X1	1	Washer Metric	
28	324683M91	2	Plate	(A)
29	411313M92	1	Riser	(A)
	411783M91	1	Riser	(B)
30	417461M91	1	Fastener	(K)
31	417472M91	1	Knotter Hook	(K)
32	339431X1	2	Rivet	
33	417470M91	1	Gate	Bottom (K)
34	320617M1	2	Sleeve	
35	320273M1	1	Hasp	(J)
	324730M91	1	Pinion	(A)
36	324731M91	1	Bearer	(A)
37	322499M92	1	Pinion	(A)
38	321900M1	1	Bush	(A)
39	339027X1	1	Washer Metric	(A)
40	339276X1	1	Circlip	(A)
41	339002X1	1	Lubricator	(A)
42	339534X1	1	Washer Metric	
43	411432M1	1	Plate	
44	410169M91	1	Chain	
45	322116M92	1	Auger	(C)
	411653M91	1	Auger	(D)
	411866M91	1	Auger	(B, G)
	417279M91	1	Auger	(H)
46	391382X1	X	Washer Metric	
47	320019M92	1	Pulley	
48	339192X1	2	Pin	
49	411408M91	1	Guard	(A)
	411765M91	1	Guard	(B)
50	320235M2	1	Ring	(E)
	411577M1	1	Flange	(F)
51	323378M91	1	Bearing	(E)
	411649M91	1	Bearing	(F)
52	390843X1	1	Nipple	
53	411580M1	1	Insert	(F)
54	339258X1	1	Pin	(F)
55	411579M1	1	Bush	(D)
56	411581M1	1	Bush	(D)
57	412243M1	4	Bearing	(B)
58	412245M1	4	Ring	(B)
59	411745M1	4	Ring	(B)

**MASSEY FERGUSON
MF 31 COMBINE - 415718**

415718

15-7

GRAIN ELEVATOR - BAGGER MACHINES

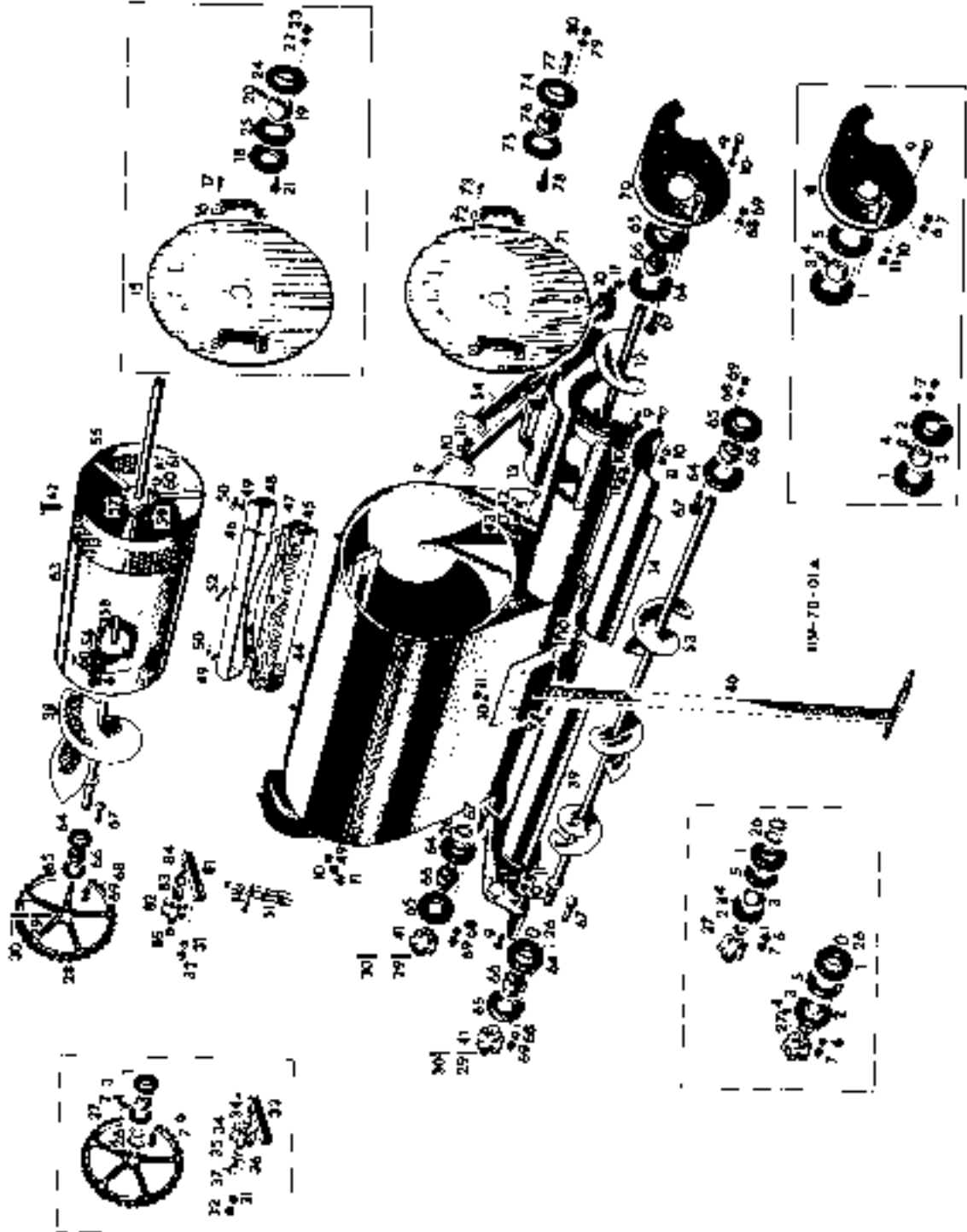
Item	Part Number	Qty	Description	Comments
60	339247X1	12	Bolt	(B)
61	339374X1	12	Lock Washer	(B)
62	339169X1	12	Nut Metric	(B)
63	320235M2	1	Ring	(A)
	411577M1	1	Flange	(D)
64	323378M91	1	Bearing	(A)
	411649M91	1	Bearing	(D)
65	390843X1	1	Nipple	
66	411779M92	2	Plate	(B)
67	411785M91	1	Lever	(B)
68	411845M1	1	Pinion	(B)
69	339932X1	1	Bearing Assy	(B)
70	339657X1	1	Circlip	(B)
71	391062X1	1	Segment	(B)
72	414308M1	1	Sprocket	Number of teeth/spines 8
73	339052X1	2	Strip	(A) Up to Serial or Engine Number 3043 (B) From Serial or Engine Number 3044 (C) Up to Serial or Engine Number 2243 (D) NO. 2244 - NO. 3043 (E) Up to Serial or Engine Number 2529 (F) NO. 2530 - NO. 3043 (G) Up to Serial or Engine Number 7375 (H) From Serial or Engine Number 7376 (J) Up to Serial or Engine Number 8449 (K) From Serial or Engine Number 8450

17-1

SORTING
Tonnages: 2000

ROTARY SCREEN
Tonnages: 2000

LAWN CYLINDRICAL
rocking over roller with 8 grain



Malakhov MF 31

415718 M2 (A) page 11 of 20

**MASSEY FERGUSON
MF 31 COMBINE - 415718**

415718

17-1

ROTARY SCREEN - TANK MACHINES - TANK MACHINES

Item	Part Number	Qty	Description	Comments
				TANK MACHINES
1	322118M93	5	Ring	(A)
2	320235M2	4	Ring	(A)
3	323378M91	5	Bearing	(A)
4	390843X1	5	Nipple	
5	322285M1	3	Washer	(A)
6	339375X1	15	Lock Washer	
7	339030X1	15	Nut Metric	
8	324854M91	1	Plate	Left Hand (A)
9	339124X1	26	Screw Metric	
10	339374X1	27	Lock Washer	
11	339169X1	25	Nut Metric	
12	324720M92	1	Auger	(A)
	411796M91	1	Auger	(B)
13	324723M91	1	Cover	
14	324725M91	1	Cover	Left Hand
	322058M94	1	Cover	(A)
	322757M91	1	Cover	(A)
15	320090M2	2	Handle	(A)
16	339082X1	4	Rivet	(A)
17	320234M2	1	Flange	(A)
18	323378M91	1	Bearing	(A)
19	390843X1	1	Nipple	(A)
20	339560X1	3	Screw Metric	(A)
21	339375X1	1	Lock Washer	(A)
22	339030X1	3	Nut Metric	(A)
23	320235M2	1	Ring	(A)
24	322285M1	1	Washer	(A)
25	1440475X1	4	Circlip	
26	390039X1	4	Washer	
27	324729M1	1	Pinion	Number of teeth/spines 38
28	339135X1	6	Pin	
29	390294X1	6	Pin	
30	339534X1	1	Washer Metric	
31	339402X1	1	Nut Metric	
32	324730M91	1	Pinion	(A)
33	324731M91	1	Bearer	(A)
34	322499M92	1	Pinion	(A)
34A	321900M1	1	Bush	(A)
35	339027X1	1	Washer Metric	(A)
36	339276X1	1	Circlip	(A)
37	339002X1	1	Lubricator	(A)
38	324736M91	1	Auger	(A)
	411794M91	1	Auger	(B)
39	324739M92	1	Guard	(A)
	411814M91	1	Guard	(B)
40	324746M91	1	Support	(A, C)
	411810M91	1	Support	(B)
41	324728M1	2	Pinion	Number of teeth/spines 6
42	339106X1	1	Nut Metric	
43	322055M1	1	Fastener	
44	324755M91	1	Sieve	(A)
	411812M91	1	Body	(B)
	322027M91	1	Brush	
45	322028M1	1	Brush	
46	339103X1	2	Screw	
47	322042M1	1	Spring	
48	322078M2	1	Cover	
49	339056X1	3	Washer Metric	
50	339106X1	2	Nut Metric	
51	324780M91	1	Chain	
52	391408X1	1	Pin	
53	324781M92	1	Auger	(A)
	411792M91	1	Auger	(B)
54	324785M91	2	Support	(A, C)
	411941M91	1	Support	(B)
55	9138063	1	Cylinder	2,5 MM
	9138061	1	Cylinder	1,7 MM
	9138062	1	Cylinder	2,0 MM

**MASSEY FERGUSON
MF 31 COMBINE - 415718**

415718

17-1

ROTARY SCREEN - TANK MACHINES - TANK MACHINES

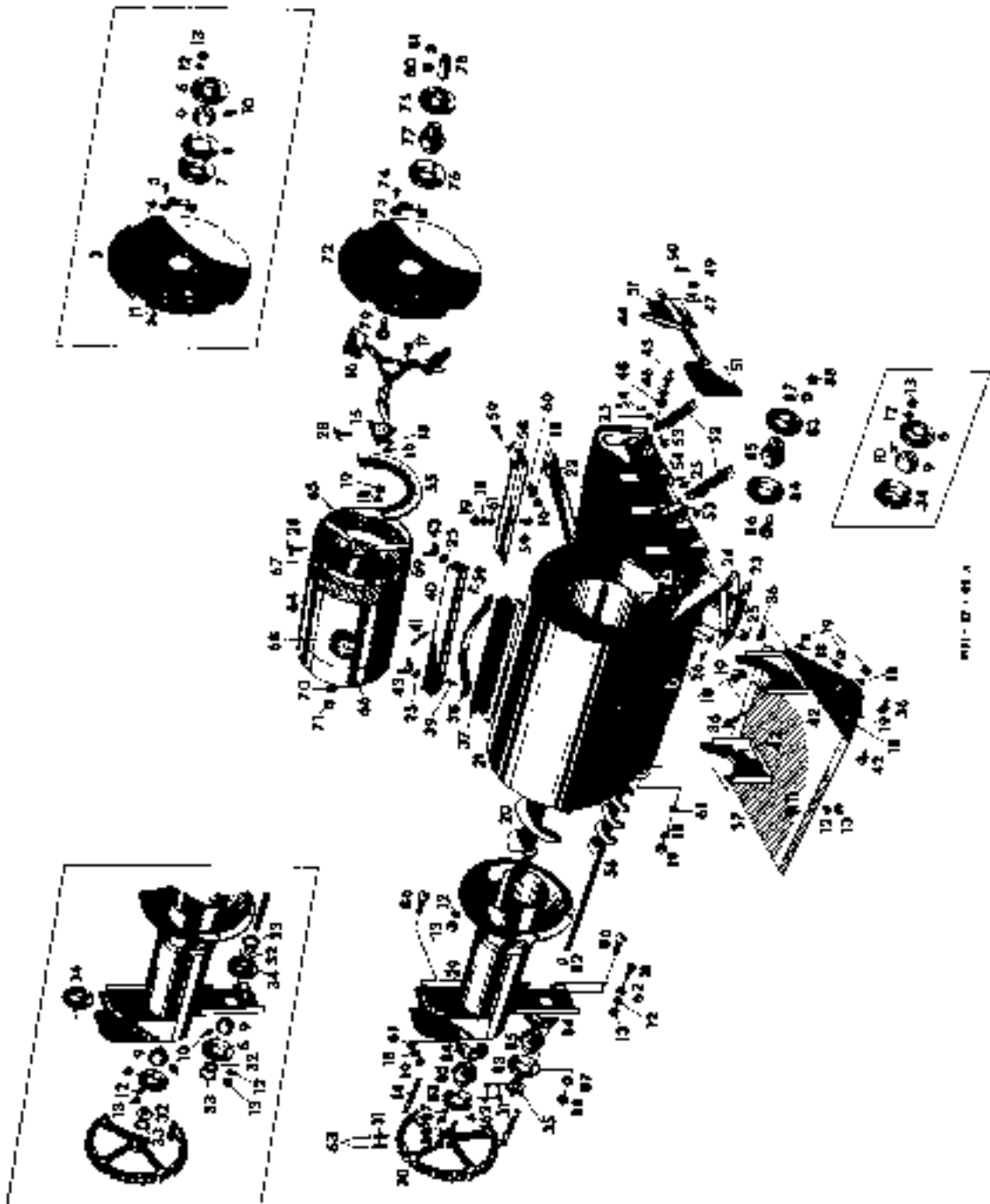
Item	Part Number	Qty	Description	Comments
56	322043M1	1	Plate	
57	320349M2	1	Bearing	
58	339123X1	3	Screw Metric	
59	339761X1	3	Screw Metric	
60	339374X1	6	Lock Washer	
61	339169X1	6	Nut Metric	
62	322056M91	1	Screw	
63	322555M2	1	Housing	
64	411745M1	5	Ring	(B)
65	412245M1	5	Ring	(B)
66	412243M1	5	Bearing	(B)
67	339247X1	15	Bolt	(B)
68	339374X1	15	Lock Washer	(B)
69	339169X1	15	Nut Metric	(B)
70	411817M92	1	Plate	(B)
				Left Hand
	411753M91	1	Cover	(B)
71	411754M91	1	Cover	(B)
72	320090M2	2	Handle	(B)
73	339082X1	4	Rivet	(B)
74	412261M1	1	Ring	(B)
75	412315M1	1	Ring	(B)
76	412260M1	1	Bearing Assy	(B)
77	411757M1	1	Bush	(B)
78	339247X1	3	Bolt	(B)
79	339374X1	3	Lock Washer	(B)
80	339169X1	3	Nut Metric	(B)
81	411785M91	1	Lever	(B)
82	411845M1	1	Pinion	Number of teeth/spines 6 (B)
83	339932X1	1	Bearing Assy	(B)
84	339657X1	1	Circlip	(B)
85	391062X1	1	Segment	(B)
				(A)
				Up to Serial or Engine Number 3043 (B)
				From Serial or Engine Number 3044 (C)
				FOR GRAIN TANK 500 KG

17-2

SOEHLUNG
Abstaubmaschinen

ROTARY SCREEN
Digger Machines

TAMIS CYLINDRIQUE
machines avec anneau



Mohndreher MF 31

415 718 M2 (Ausgabe 1) 12/70

**MASSEY FERGUSON
MF 31 COMBINE - 415718**

415718

17-2

ROTARY SCREEN - BAGGER MACHINES - BAGGER MACHINES

Item	Part Number	Qty	Description	Comments
				BAGGER MACHINES
1	322055M1	1	Fastener	
2	339106X1	1	Nut Metric	
	402569M94	1	Cover	(A)
3	402570M93	1	Cover	(A)
4	320090M2	2	Handle	(A)
5	339082X1	4	Rivet	(A)
6	320235M2	4	Ring	(A)
7	320234M2	1	Flange	(A)
8	322285M1	1	Washer	(A)
9	323378M91	4	Bearing	(A)
10	390843X1	4	Nipple	(A)
11	339560X1	8	Screw Metric	
12	339375X1	25	Lock Washer	
13	339030X1	25	Nut Metric	
14	411390M1	1	Chain	
15	320349M2	1	Bearing	
16	411379M91	1	Shovel	
17	339761X1	3	Screw Metric	
18	339374X1	32	Lock Washer	
19	339169X1	32	Nut Metric	
20	411383M91	1	Auger	(A)
	411758M91	1	Auger	(B)
21	411364M91	1	Housing	(A)
	411760M91	1	Housing	(B)
22	402502M1	1	Cover	
23	322075M1	1	Holder	
24	322076M1	1	Fastener	
25	339056X1	6	Washer Metric	
26	391491X1	2	Rivet	
27	339292X1	2	Rivet	
28	322056M91	2	Screw	
29	411450M91	1	Trough	(A)
	411762M91	1	Trough	(B)
30	324729M1	1	Pinion	Number of teeth/spines 38
31	339135X1	4	Pin	
32	339574X1	3	Washer Metric	(A)
33	1440475X1	3	Circlip	(A)
34	322118M93	3	Ring	(A)
35	324728M1	1	Pinion	Number of teeth/spines 6
36	339124X1	8	Screw Metric	
	322027M91	1	Brush	
37	322028M1	1	Brush	
38	322042M1	1	Spring	
39	339103X1	2	Screw	
40	322078M2	1	Cover	
41	391408X1	1	Pin	
42	339123X1	14	Screw Metric	
43	339106X1	2	Nut Metric	
44	404435M91	1	Lever	
45	402558M1	1	Bolt	
46	339369X1	1	Lock Washer	
47	390056X1	1	Washer	
48	339054X1	1	Nut Metric	
49	339763X1	1	Washer	
50	339076X1	1	Pin	
51	404916M91	2	Gate	
52	402565M3	2	Handle	
53	339610X1	2	Pin	
54	339087X1	2	Pin	
55	411389M1	1	Brush	
56	411386M91	1	Auger	(A)
	411767M91	1	Auger	(B)
57	411434M91	1	Plate	
58	411455M91	1	Support	
59	339247X1	6	Bolt	
60	339697X1	2	Washer	
61	339024X1	11	Washer Metric	
62	339692X1	2	Washer	
63	390294X1	4	Pin	

**MASSEY FERGUSON
MF 31 COMBINE - 415718**

415718

ROTARY SCREEN - BAGGER MACHINES - BAGGER MACHINES

17-2

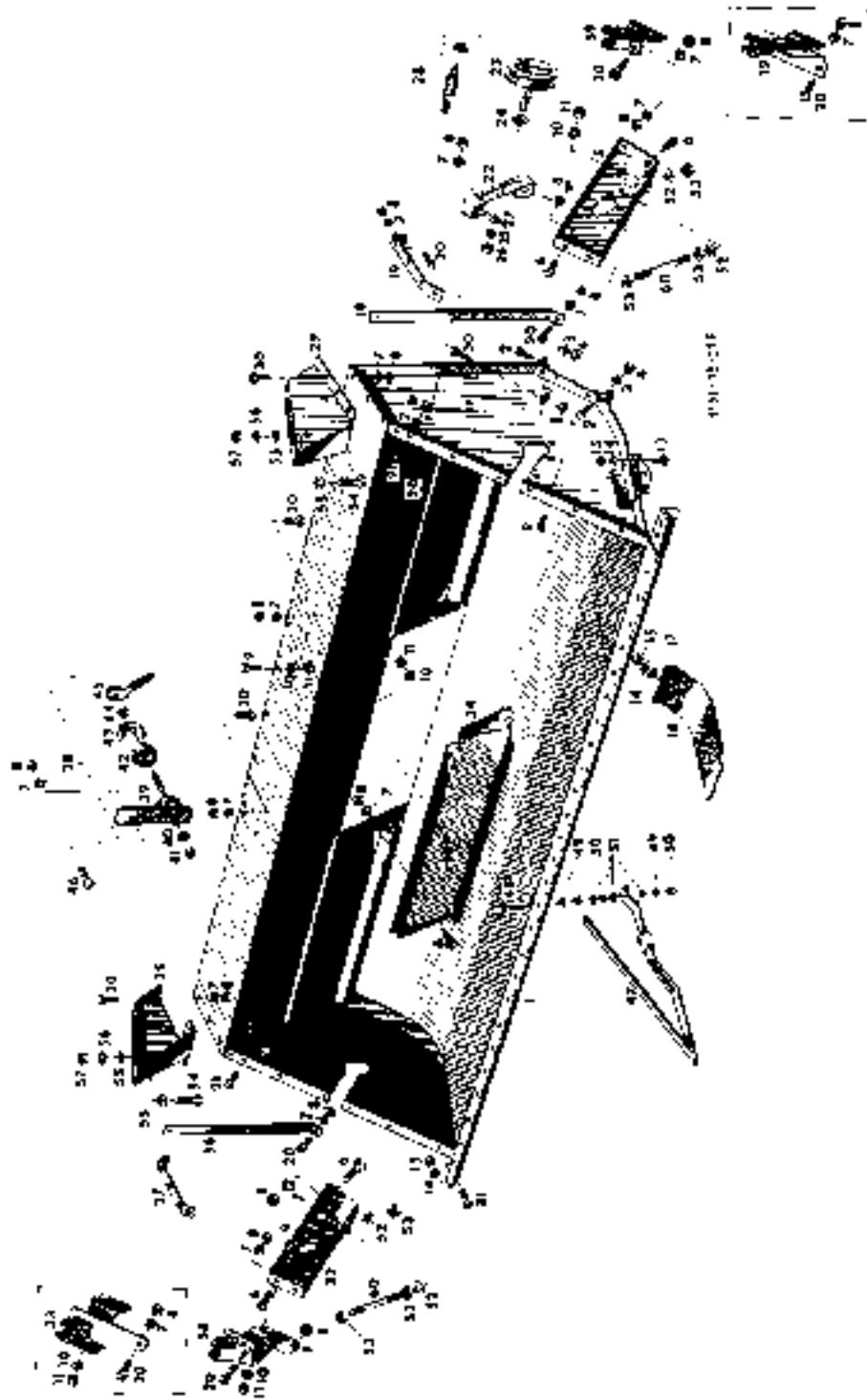
Item	Part Number	Qty	Description	Comments
64	322555M2	1	Housing	
65	9138063	1	Cylinder	
	9138061	1	Cylinder	
	9138062	1	Cylinder	
66	322043M1	1	Plate	
67	320349M2	1	Bearing	
68	339123X1	3	Screw Metric	
69	339761X1	3	Screw Metric	
70	339374X1	6	Lock Washer	
71	339169X1	6	Nut Metric	
	411753M91	1	Cover	(B)
72	411754M91	1	Cover	(B)
73	320090M2	2	Handle	(B)
74	339082X1	4	Rivet	(B)
75	412261M1	1	Ring	(B)
76	412315M1	1	Ring	(B)
77	412260M1	1	Bearing Assy	(B)
78	411757M1	1	Bush	(B)
79	339247X1	3	Bolt	(B)
80	339374X1	3	Lock Washer	(B)
81	339169X1	3	Nut Metric	(B)
82	1440475X1	1	Circlip	(B)
83	412245M1	3	Ring	(B)
84	411745M1	3	Ring	(B)
85	412243M1	3	Bearing	(B)
86	339247X1	9	Bolt	(B)
87	339374X1	9	Lock Washer	(B)
88	339169X1	9	Nut Metric	(B)
				(A)
				Up to Serial or Engine Number 3043
				(B)
				From Serial or Engine Number 3044

18-1

TISCH

TABLE

TABLE



Möbeldruck MF 31

415 718 M2 (Ausgabe 1) 12/70

TABLE

Item	Part Number	Qty	Description	Comments
1	411021M91	1	Table	(A, C)
	411572M92	1	Table	(A, D)
	411393M91	1	Table	(C, B)
	411573M93	1	Table	(D, B)
2	339123X1	7	Screw Metric	(A)
	339123X1	10	Screw Metric	(B)
3	339374X1	7	Lock Washer	(A)
	339374X1	10	Lock Washer	(B)
4	339169X1	7	Nut Metric	(A)
	339169X1	10	Nut Metric	(B)
5	404413M1	1	Shield	Left Hand (C, A, B)
	413562M91	1	Plate	Left Hand (D, A, B)
6	339124X1	18	Screw Metric	(A)
	339124X1	17	Screw Metric	(B)
7	339374X1	56	Lock Washer	(A, B)
8	339169X1	56	Nut Metric	(A, B)
9	339560X1	18	Screw Metric	(A)
	339560X1	20	Screw Metric	(B)
10	339375X1	18	Lock Washer	(A)
	339375X1	20	Lock Washer	(B)
11	339030X1	18	Nut Metric	(A)
	339030X1	20	Nut Metric	(B)
12	412373M91	1	Support	Left Hand (C, A, B)
	413586M91	1	Support	Left Hand (D, E, A, B)
13	339172X1	6	Bolt Metric	(A, B)
14	339376X1	12	Lock Washer	(A, B)
15	339402X1	12	Nut Metric	(A, B)
16	404412M1	4	Shoe	(A, B)
	404858M91	1	Plate	Alternative 2-404412M1 (A, B)
17	391396X1	4	Washer Metric	(A, B)
18	402632M1	1	Brace	Left Hand (A, B)
19	402633M1	1	Angle	(A, B)
20	339123X1	17	Screw Metric	(A, B)
21	339228X1	9	Screw Metric	(A, B)
22	412377M1	1	Support	(A, B)
	416579M91	1	Pulley	(A, B)
23	416580M91	1	Pulley	(A, B)
24	416584M1	1	Washer	(A, B)
25	339380X1	1	Washer	(A, B)
26	339070X1	1	Nut	(A, B)
27	339072X1	1	Washer	(A, B)
28	412446M1	1	Pin	(G, A, B)
	391062X1	1	Segment	(G, A, B)
29	413499M1	1	Bearer	Left Hand (A, B)
30	339337X1	12	Screw Metric	(A, B)
31	339081X1	2	Screw Metric	(A, B)
32	404414M1	1	Shield	Right Hand (A, B, C)
	413559M91	1	Plate	Right Hand (D, A, B)
33	412457M91	1	Support	Right Hand (E, A, B)
34	411060M1	1	Plate	(A, B)
35	402640M1	1	Support	Right Hand (A, B)
36	402642M2	1	Reinforcement	Right Hand (A, B)
37	402633M1	1	Angle	(A, B)
38	412439M91	1	Lever	(A, B)
39	412440M91	1	Support	(A, B)
40	339376X1	1	Lock Washer	(A, B)
41	339402X1	1	Nut Metric	(A, B)
42	412442M1	1	Segment	(A, B)

TABLE

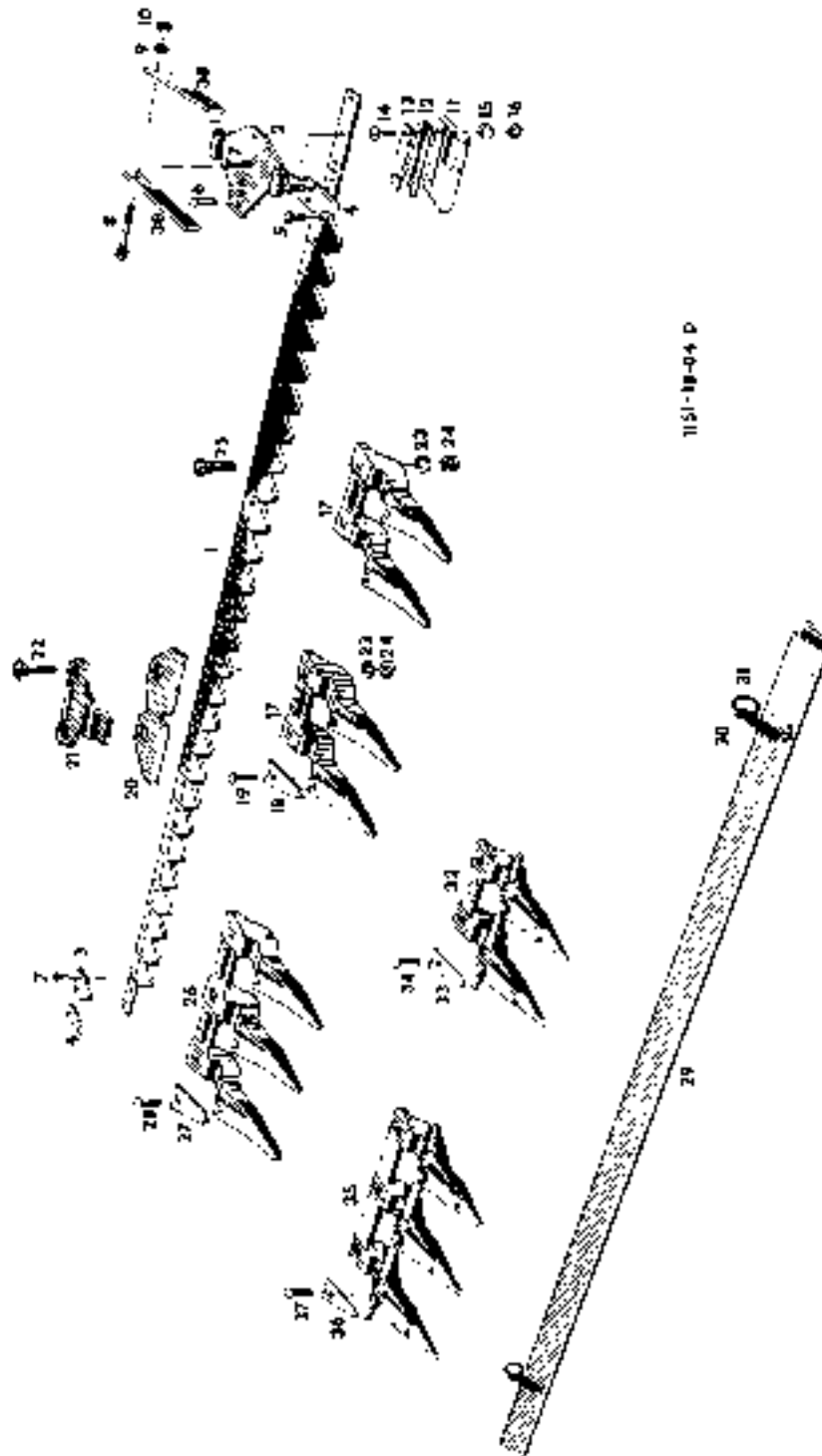
Item	Part Number	Qty	Description	Comments
43	412443M1	1	Bracket	(A, B)
	412439M91		Lever	
44	339025X1	1	Washer Metric	(A, B)
45	412444M1	1	Handle	(A, B)
46	339337X1	1	Screw Metric	(A, B)
47	1723866M91	AR	Ear Lifter	(A, B)
48	390122X1	AR	Bolt Metric	(A, B)
49	339376X1	AR	Lock Washer	(A, B)
50	339402X1	AR	Nut Metric	(A, B)
51	1440287X1	AR	Washer Metric	(A, B)
52	339026X1	4	Washer Metric	(A, B, D)
53	339054X1	6	Nut Metric	(D, A, B)
54	339123X1	1	Screw Metric	(A, B)
55	339817X1	2	Washer Metric	(A, B)
56	339374X1	1	Lock Washer	(A, B)
57	339169X1	1	Nut Metric	(A, B)
50	404407M91	1	Suspension	Right Hand (F, B)
59	414024M91	1	Support	Left Hand (F, A, B)
60	413570M1	2	Bolt	(D, A, B) (A) 6' TABLE (B) 7' TABLE (C) Up to Serial or Engine Number 1612 (D) From Serial or Engine Number 1613 (E) Up to Serial or Engine Number 2043 (F) From Serial or Engine Number 3044 (G) Up to Serial or Engine Number 6914

18-2

MESSEI

K.S. FE

LAMLE UC CO. PF



Abbildeschner MF 31

415 718 M7 (Ausgabe 1) 12/70

KNIFE

Item	Part Number	Qty	Description	Comments
1	411043M91	1	Knife	(F, A)
	417833M91	1	Knife	(G, A)
	411414M91	1	Knife	(F, B)
	417834M91	1	Knife	(G, B)
2	1724499M91	1	Head	(A, B)
3	206236M1	24	Section	(F, A)
	206236M1	28	Section	(F, B)
	210987M1	24	Section	(G, A)
	210987M1	28	Section	(G, B)
4	322638M1	2	Plate	(A, B)
5	391493X1	50	Rivet	(A)
	391493X1	58	Rivet	(B)
6	339419X1	4	Rivet	(A, B)
7	391498X1	3	Rivet	(A, B)
8	339204X1	2	Screw	(A, B)
9	339376X1	2	Lock Washer	(A, B)
10	339402X1	2	Nut Metric	(A, B)
11	404410M1	1	Guide	(A, B)
12	404409M1	1	Guide	(A, B)
13	404795M1	1	Plate	(A, B)
14	390640X1	2	Screw Metric	(A, B)
15	339376X1	2	Lock Washer	(A, B)
16	339402X1	2	Nut Metric	(A, B)
17	205977M21	11	Guard	(C, E, A)
	205977M21	13	Guard	(C, E, B)
18	206280M1	22	Plate	(A)
	206280M1	26	Plate	(B)
19	391500X1	22	Rivet	(A)
	391500X1	26	Rivet	(B)
20	206196M1	5	Guide	(A)
	206196M1	6	Guide	(B)
21	206195M1	5	Clip	(A)
	206195M1	6	Clip	(B)
.22	339236X1	10	Bolt Metric	(A)
22	339236X1	12	Bolt Metric	(B)
23	339376X1	25	Lock Washer	(A)
	339376X1	29	Lock Washer	(B)
24	339402X1	25	Nut Metric	(A)
	339402X1	29	Nut Metric	(B)
25	339237X1	15	Screw	(A)
	339237X1	17	Screw	(B)
26	205913M21	1	Finger	(C, A, B)
27	206280M1	3	Plate	(A, B)
28	391500X1	3	Rivet	(A, B)
29	411051M91	1	Guard	(A)
	411361M91	1	Guard	(B)
30	322980M1	2	Spring	(A, B)
31	322979M1	2	Knotter Hook	(A, B)
32	640590M91	11	Finger	(D, A)
	640590M91	13	Finger	(D, B)
33	206280M1	22	Plate	(A)
	206280M1	26	Plate	(B)
34	340601X1	22	Rivet	(A)
	340601X1	26	Rivet	(B)
35	411646M91	1	Finger	(D, A, B)
36	206280M1	3	Plate	(A, B)
37	340601X1	3	Rivet	(A, B)
38	402321M1	2	Plate	(A, B)

(A)

6' TABLE

(B)

7' TABLE

(C)

Up to Serial or Engine Number 2673

(D)

From Serial or Engine Number 2674

(E)

Not serviced, order 1724652M91

(F)

SERRATED VERSION

**MASSEY FERGUSON
MF 31 COMBINE - 415718**

415718

KNIFE

18-2

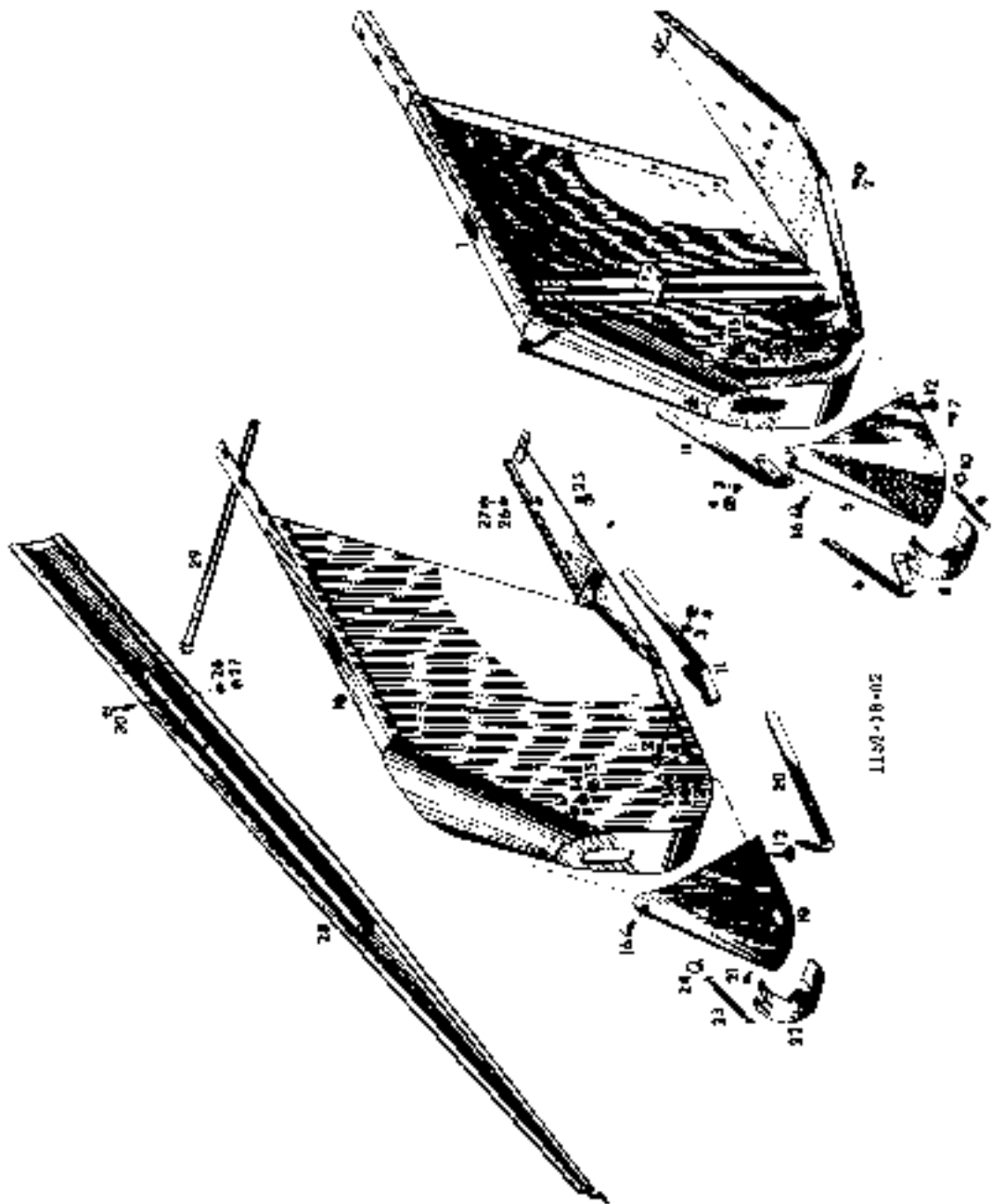
Item	Part Number	Qty	Description	Comments
				(G) SMOOTH VERSION

18-3

ABTEILER
hls. Serien-Nr. 3043

DIVIDERS
up to No. 3043

DIVISORS
Tuscul' au No. 3043



Abteiler MF 31

415718 M2 (Ausgabe II) 12/70

**MASSEY FERGUSON
MF 31 COMBINE - 415718**

415718

DIVIDERS - UP TO NO. 3043

18-3

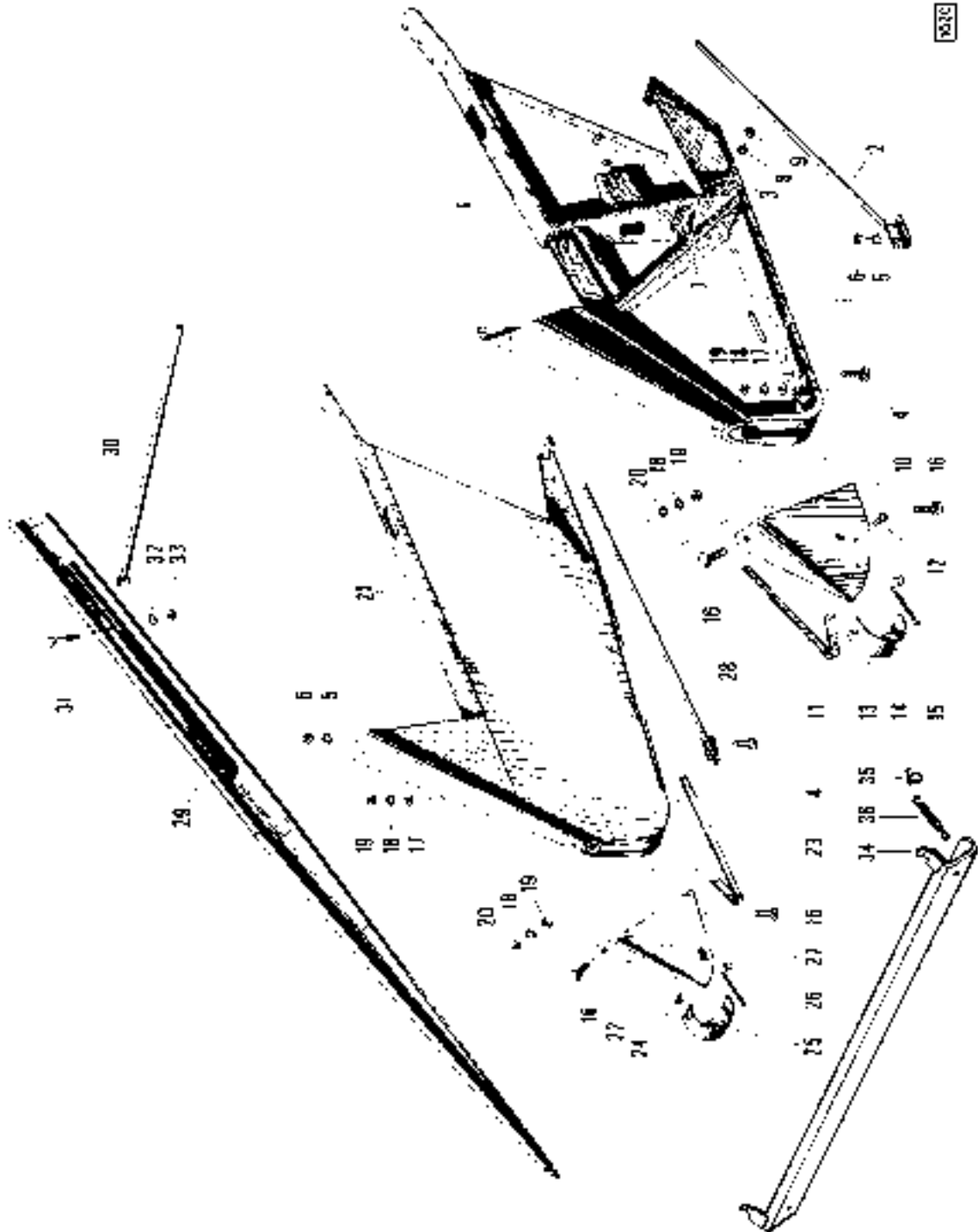
Item	Part Number	Qty	Description	Comments
				Up to Serial or Engine Number 3043
1	412360M91	1	Divider	Left Hand
2	339123X1	4	Screw Metric	
3	339374X1	4	Lock Washer	
4	339169X1	4	Nut Metric	
5	404559M92	1	Shoe	Left Hand
6	404765M1	1	Bracket	
7	391489X1	2	Rivet	
8	404790M92	1	Guard	Left Hand
9	1706101M1	1	Spring	
10	322979M1	1	Knotter Hook	
11	412388M1	2	Stem	
12	339170X1	2	Screw	
13	339056X1	2	Washer Metric	
14	339374X1	4	Lock Washer	
15	339169X1	4	Nut Metric	
16	339170X1	2	Screw	
17	339534X1	2	Washer Metric	
18	412447M91	1	Divider	Right Hand
19	404458M92	1	Divider	Right Hand
20	404765M1	1	Bracket	
21	391489X1	2	Rivet	
22	404794M92	1	Guard	Right Hand
23	1706101M1	1	Spring	
24	322979M1	1	Knotter Hook	
25	339172X1	3	Bolt Metric	
26	339376X1	4	Lock Washer	
27	339402X1	4	Nut Metric	
28	412461M91	1	Fender	
29	404642M91	1	Tube	
30	339019X1	1	Bolt Metric	

18-4

ABTILÉP
szérius-Nr. 3344

DIVISORS
hor. No. 3044

DIVISEURS
à partir du No. 3044



Abtildesche: MF 31

41: 7'8 M2 (Ausgabe 1) 12/70

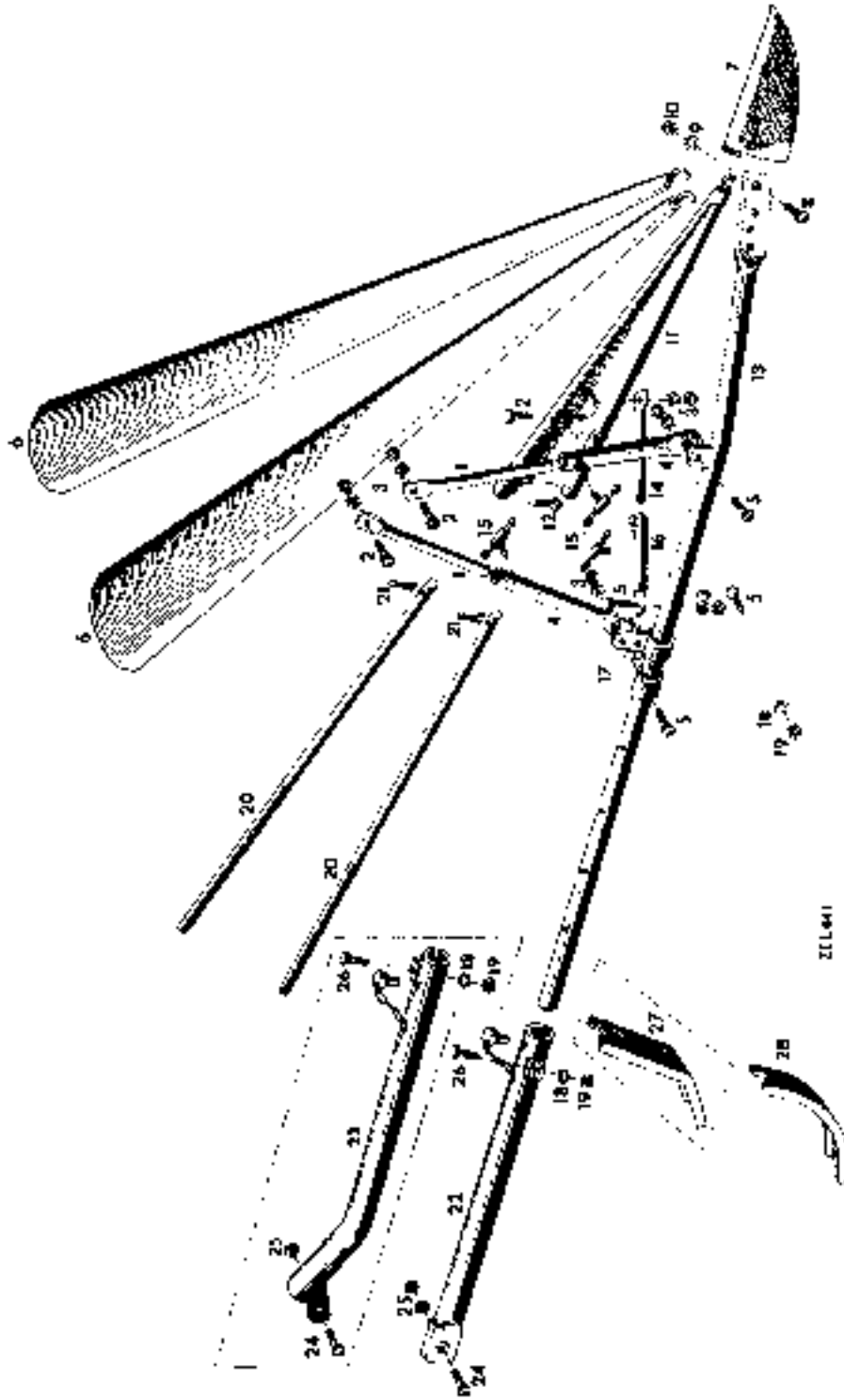
**MASSEY FERGUSON
MF 31 COMBINE - 415718**

415718

18-4

DIVIDERS - FROM NO. 3044

Item	Part Number	Qty	Description	Comments
				From Serial or Engine Number 3044
1	404547M93	1	Divider	Left Hand
2	404562M91	1	Tube	Left Hand
3	404565M91	1	Plate	
4	339170X1	4	Screw	
5	339374X1	4	Lock Washer	
6	339169X1	4	Nut Metric	
7	339560X1	2	Screw Metric	
8	339375X1	2	Lock Washer	
9	339030X1	2	Nut Metric	
10	404559M92	1	Shoe	Left Hand
11	404765M1	1	Bracket	
12	391489X1	2	Rivet	
13	404790M92	1	Guard	(A) Left Hand
14	1706101M1	1	Spring	
15	322979M1	1	Knotter Hook	
16	339170X1	4	Screw	
17	339056X1	2	Washer Metric	
18	339374X1	4	Lock Washer	
19	339169X1	4	Nut Metric	
20	339534X1	2	Washer Metric	
21	404444M93	1	Divider	Right Hand
22	404458M92	1	Divider	Right Hand
23	404765M1	1	Bracket	
24	391489X1	2	Rivet	
25	404794M92	1	Guard	(A) Right Hand
26	1706101M1	1	Spring	
27	322979M1	1	Knotter Hook	
	322979M1	1	Knotter Hook	
28	404461M91	1	Tube	Right Hand
29	404631M91	1	Cone	
30	404642M91	1	Tube	
31	339019X1	1	Bolt Metric	
32	339376X1	1	Lock Washer	
33	339402X1	1	Nut Metric	
34	1723340M91	1	Cowl	6' (B)
	1723342M91	1	Guard	7' (B)
35	322979M1	2	Knotter Hook	
36	1706101M1	2	Spring	
				(A) NOT FOR GERMANY AND AUSTRIA
				(B) ONLY FOR GERMANY AND AUSTRIA



Mehrscher MF 31

415 718 M2 (Ausgabe 11/2/70)

EXTENSION DIVIDERS

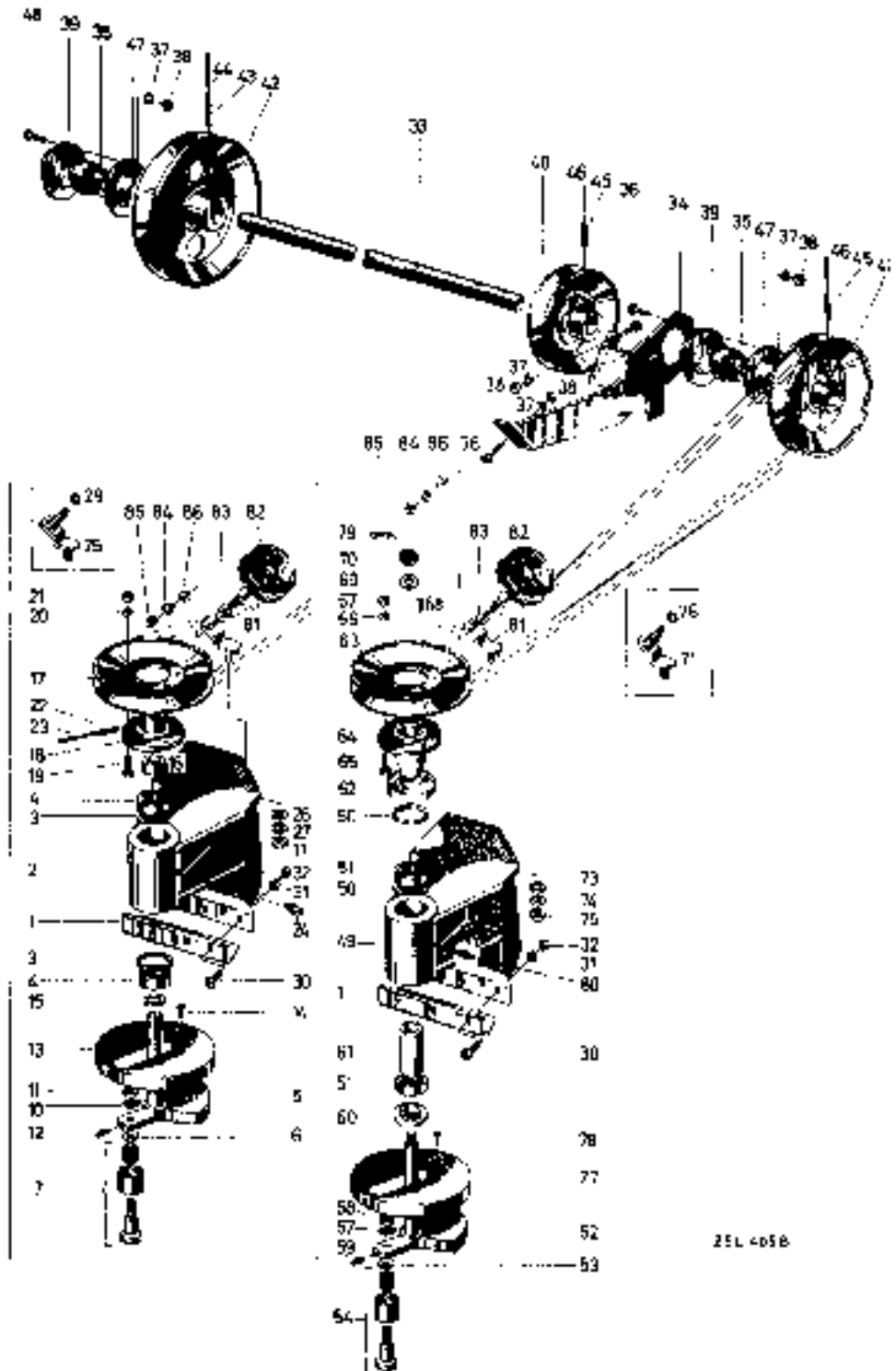
Item	Part Number	Qty	Description	Comments
1	404480M1	2	Tube	
2	339139X1	3	Screw Metric	
3	339186X1	12	Nut Metric	
4	404481M91	2	Tube	
5	339912X1	5	Bolt	
6	404473M91	2	Cone	(A, E)
	410571M91	2	Cone	(B, C, E)
	404748M91	2	Cone	(B, D, E)
	404473M91	4	Cone	(A, B, F)
7	404468M91	1	Shoe	
8	339761X1	2	Screw Metric	
9	339374X1	2	Lock Washer	
10	339169X1	2	Nut Metric	
11	404477M92	1	Segment	
12	339124X1	2	Screw Metric	
13	404956M91	1	Tube	(A, E)
	404464M91	1	Tube	(B, E)
	414906M91	2	Tube	(A, B, F)
14	404484M1	1	Tube	
15	404596M91	3	Bolt	
16	404485M91	1	Tube	
17	404491M91	2	Clamp	
18	339369X1	3	Lock Washer	
19	339054X1	3	Nut Metric	
20	404720M1	2	Clevis Pin	
21	390446X1	2	Pin	
22	404738M93	1	Tube	(A, E)
	414905M91	2	Tube	(A, B, F)
23	410573M91	1	Tube	(B, C)
	404746M92	1	Tube	(B, D, E)
24	339275X1	1	Screw Metric	(C)
	339275X1	1	Screw Metric	(D)
	339881X1	1	Bolt Metric	(D)
	391196X1	2	Bolt Metric	(F)
25	339495X1	2	Nut	
26	339053X1	1	Bolt Metric	
27	410576M1	1	Shield	(C)
28	404743M1	1	Plate	(D)
				(A)
				RIGHT
				(B)
				LEFT
				(C)
				Up to Serial or Engine Number 3043
				(D)
				From Serial or Engine Number 3044
				(E)
				Up to Serial or Engine Number
				(F)
				From Serial or Engine Number

18-6

SCHNEIDWERK VORGELEGE
AND MESSERANTRIEB

REDUCTION AND
KNIFE DRIVE

REDUCTEUR ET
COMMANDE DE LA ME DE COUPE



25L 405B

Motorschneid MF 31

415 715 M2 (Auguste 11 12/70)

**MASSEY FERGUSON
MF 31 COMBINE - 415718**

415718

18-6

REDUCTION AND KNIFE DRIVE

Item	Part Number	Qty	Description	Comments
1	404411M1	1	Anglepiece	
	412380M93	1	Bracket	(A) Not serviced, order 417264M91
2	404401M3	1	Bearing Carrier	(A)
3	339199X1	2	Ring	
4	1440489X1	2	Bearing Ball	(A)
5	402462M91	1	Shaft	(A)
6	412381M1	1	Washer	
7	417292M91	1	Clevis Pin	
10	412383M1	1	Plate	
11	339070X1	2	Nut	
12	390843X1	1	Nipple	
13	402997M1	1	Cover	
14	339153X1	2	Screw Metric	
15	390039X1	1	Washer	(A)
16	1706332M1	1	Bush	(A)
	402459M92	1	Pulley	(A)
17	403735M91	1	Pulley	(A)
18	402461M2	1	Hub	(A)
19	339666X1	6	Screw Metric	
20	339375X1	6	Lock Washer	
21	339030X1	6	Nut Metric	
22	339052X1	2	Strip	(A)
23	339174X1	2	Pin	(A)
24	339003X1	1	Greaser	(A)
25	402465M93	1	Bearer	(E)
26	339072X1	1	Washer	
27	339380X1	1	Washer	
29	339069X1	1	Circlip	(A)
30	339451X1	3	Screw Metric	
31	339376X1	3	Lock Washer	
32	339402X1	3	Nut Metric	
33	410952M1	1	Shaft	(C)
	411363M1	1	Shaft	(D)
34	410953M91	1	Support	
35	412260M1	2	Bearing Assy	
36	339123X1	7	Screw Metric	
37	339374X1	10	Lock Washer	
38	339169X1	10	Nut Metric	
39	412315M1	2	Ring	
40	412394M91	1	Pulley	
41	402325M92	1	Pulley	
42	410910M91	1	Pulley	
43	339192X1	2	Pin	
44	390533X1	2	Pin	
45	390383X1	4	Pin	
46	390543X1	4	Pin	
47	412261M1	2	Ring	
48	339124X1	3	Screw Metric	(C)
	390379X1	3	Bolt Metric	(D)
	417264M91	1	Bracket	(B)
49	414699M1	1	Housing	(B, H)
	417265M1	1	Bracket	(J)
50	339199X1	2	Ring	
51	339599X1	2	Bearing Ball	(B, H)
	1440489X1	2	Bearing Ball	(J)
	417264M91		Bracket	
52	414700M91	1	Shaft	(B, H)
	417270M91	1	Shaft	(J)
53	412381M1	1	Washer	
54	417292M91	1	Clevis Pin	
57	412383M1	1	Plate	
58	339070X1	1	Nut	
59	390843X1	1	Nipple	
60	414703M1	1	Ring	(B, H)
	417273M1	1	Washer	(J)
61	414704M1	1	Tube	(B, H)
	1706404M1	1	Tube	(J)
62	414705M1	1	Washer	(B, H)
	417268M1	1	Plate	(J)

REDUCTION AND KNIFE DRIVE

Item	Part Number	Qty	Description	Comments
	414706M91	1	Pulley	(B, H)
	417266M91	1	Pulley	(J)
63	403735M91	1	Pulley	(B)
64	414707M1	1	Hub	(B, H)
	417267M1	1	Hub	(J)
65	339666X1	6	Screw Metric	
66	339375X1	6	Lock Washer	
67	339030X1	6	Nut Metric	
68	391186X1	1	Key Door	(B, H)
	391411X1	1	Key Door	(J)
69	391212X1	1	Washer Metric	(B, H)
	391459X1	1	Washer Metric	(J)
70	391214X1	1	Nut Metric	(B, H)
	391232X1	1	Nut	(J)
71	402465M93	1	Bearer	(E)
73	339072X1	1	Washer	
74	339380X1	1	Washer	
75	339070X1	1	Nut	
76	391062X1	1	Segment	(B, E)
77	402997M1	1	Cover	
78	339153X1	2	Screw Metric	
79	390447X1	1	Pin	(H)
	390448X1	1	Pin	(J)
80	339003X1	1	Greaser	(J)
81	417205M91	1	Bearer	(F)
	416579M91	1	Pulley	(G)
82	416580M91	1	Pulley	(G)
83	416584M1	1	Washer	
84	339380X1	1	Washer	
85	339070X1	1	Nut	
86	339072X1	1	Washer	

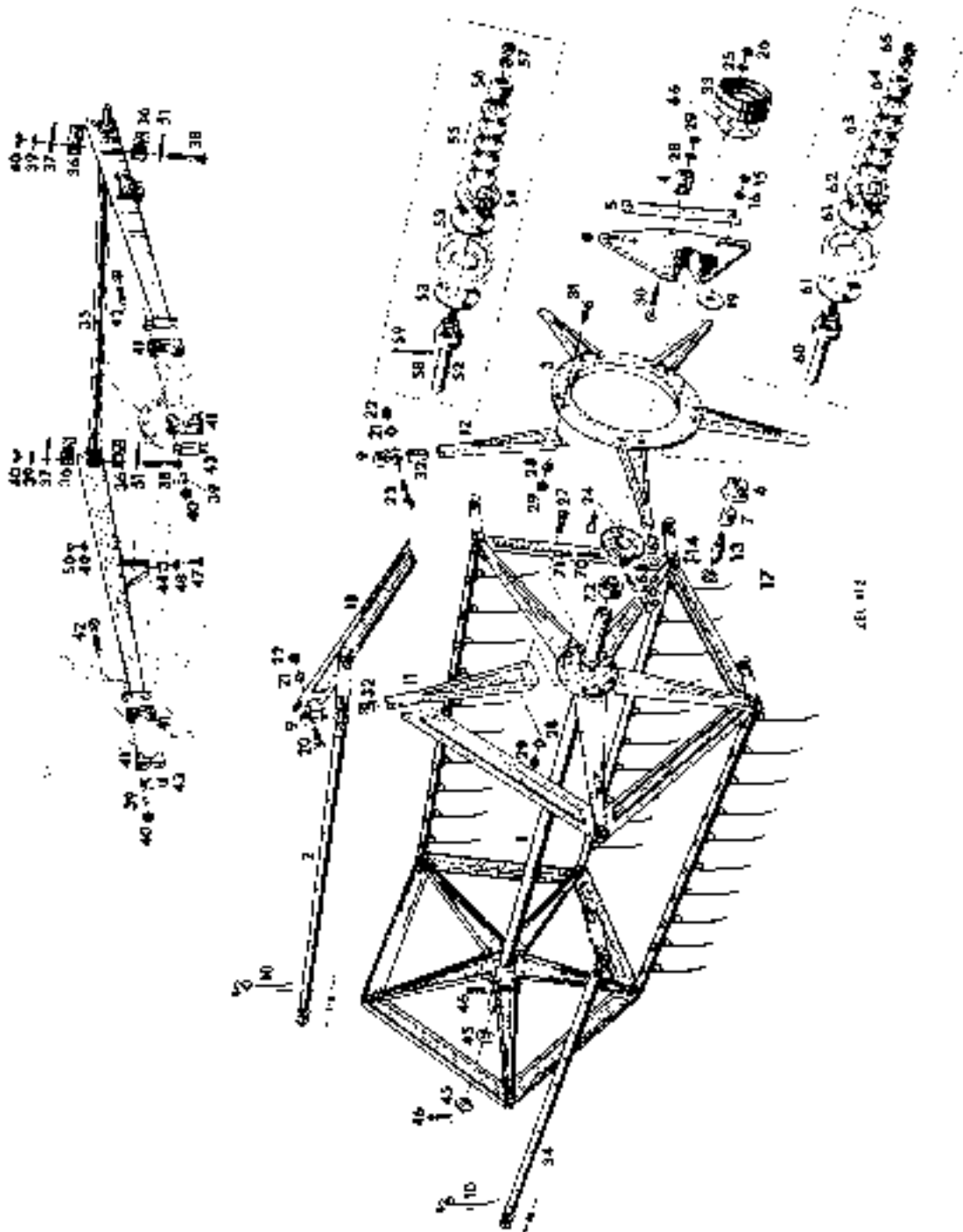
(A)
Up to Serial or Engine Number 4634
(B)
From Serial or Engine Number 4635
(C)
6' TABLE
(D)
7' TABLE
(E)
Up to Serial or Engine Number 6914
(F)
From Serial or Engine Number 6915
(G)
Up to Serial or Engine Number 6914
Not serviced, order 417205M91
(H)
Up to Serial or Engine Number 7332
(J)
From Serial or Engine Number 7333

18-7

FASPEL (ROHR) LIND
FAJPEL'KAGRODIR

REEL (TUBE) AND
REEL CARRIER

RABATEUR (TUBE)
ET BRAS DE RABATEUR



Материал № 21

415 715 М2 (Augusta) 1: 12/70

**MASSEY FERGUSON
MF 31 COMBINE - 415718**

415718

18-7

REEL (TUBE) AND REEL CARRIER

Item	Part Number	Qty	Description	Comments
1	411087M91	1	Shaft	(D, A)
	411391M91	1	Shaft	(D, B)
	411669M92	1	Shaft	INCL. REF. 67-72 (E, A)
	411671M92	1	Shaft	INCL. REF. 67-72 (E, B)
	411716M91	1	Shaft	(F, A)
	411718M91	1	Shaft	(F, B)
2	411490M91	2	Bar	(A)
	411419M91	2	Bar	(B)
3	401903M91	1	Head	(A, B)
4	320614M1	1	Block	(A, B)
5	320610M1	1	Strap	(A, B)
6	320018M2	2	Trunnion	(A, B, M)
	415262M91	2	Roller	(N, A, B)
7	1706473M1	2	Bush	(N, A, B)
	320016M1	2	Bush	(M, A, B)
8	322344M91	1	Plate	(A, B)
9	320603M1	15	Clamp	(A, B)
10	411467M1	50	Tine	(A)
	411467M1	60	Tine	(B)
11	401905M2	10	Arm	(A, B)
12	403521M91	5	Arm	(A, B)
13	320017M1	2	Bolt	(M, A, B)
	415266M1	2	Bolt	(N, A, B)
14	339133X1	2	Pin	(N, A, B)
15	339623X1	2	Nut Metric	(A, B)
16	339377X1	2	Lock Washer	(A, B)
17	339027X1	2	Washer	(M, A, B)
			Metric	
	390461X1	2	Washer	(N, A, B)
18	401908M1	10	Shield	(A, B)
19	391390X1	2	Washer	(M, A, B)
			Metric	
	415265M1	2	Washer	(N, A, B)
20	339229X1	20	Bolt Metric	(A, B)
21	339375X1	30	Lock Washer	(A, B)
22	339030X1	30	Nut Metric	(A, B)
23	339215X1	10	Bolt	(A, B)
24	339451X1	3	Screw Metric	(A, B)
25	339376X1	3	Lock Washer	(A, B)
26	339402X1	3	Nut Metric	(A, B)
27	339124X1	20	Screw Metric	(A, B)
28	339374X1	31	Lock Washer	(A, B)
29	339169X1	31	Nut Metric	(A, B)
30	339013X1	1	Bolt Metric	(A, B)
31	339153X1	10	Screw Metric	(A, B)
32	401729M1	15	Bearing	(A, B)
33	322354M91	1	Pulley	(D, A, B)
	411659M1	1	Pulley	(G, A, B)
34	411488M91	3	Bar	(A)
	411418M91	3	Tube	(B)
35	411034M93	1	Carrier	6' (C, A)
	411421M93	1	Carrier	7' (C, B)
36	320713M1	4	Bearing	(A, B)
37	320714M1	2	Plate	(A, B)
38	339557X1	4	Screw	(A, B)
39	321728M1	8	Plate	(A, B)
40	339169X1	8	Nut Metric	(A, B)
41	320712M1	4	Bearing	(A, B)
42	339132X1	4	Screw	(A, B)
43	320715M1	2	Plate	(H, A, B)
44	411061M1	1	Bumper	(A)
45	391395X1	2	Washer	(A, B)
			Metric	
46	339039X1	2	Pin	(A, B)
47	339709X1	1	Bolt	(A)

REEL (TUBE) AND REEL CARRIER

Item	Part Number	Qty	Description	Comments
48	390469X1	1	Washer Metric	(A)
49	339381X1	1	Lock Washer	(A)
50	339029X1	1	Nut	(A)
51	411645M1	2	Plate	(A, B)
52	411693M1	1	Trunnion	(J, A, B)
53	411687M1	2	Lining	(J, A, B)
54	411688M1	1	Washer	(J, A, B)
55	1441178X1	5	Spring	(J, A, B)
56	411692M91	1	Bush	(J, A, B)
57	339592X1	2	Nut Metric	(J, A, B)
58	339193X1	1	Pin	(J, A, B)
59	339248X1	1	Pin	(J, A, B)
60	411686M1	1	Trunnion	(K, A, B)
61	411687M1	2	Lining	(K, A, B)
62	411688M1	1	Washer	(K, A, B)
63	1441178X1	5	Spring	(K, A, B)
64	411692M91	1	Bush	(K, A, B)
65	339592X1	2	Nut Metric	(K, A, B)
66	411661M1	1	Washer	(A, B)
67	411713M91	1	Disc	(L, A, B)
68	339193X1	1	Pin	(L, A, B)
69	339248X1	1	Pin	(L, A, B)
70	339192X1	1	Pin	(L, A, B)
71	390533X1	1	Pin	(L, A, B)
72	1706427M1	1	Spacer	(L, A, B)

(A)

6' TABLE

(B)

7' TABLE

(C)

Up to Serial or Engine Number 2443

Not serviced, order 390070X1

(D)

Up to Serial or Engine Number 1960

(E)

NO. 1961-NO. 2456

(F)

From Serial or Engine Number 2457

(G)

From Serial or Engine Number 1961

(H)

U.K. 1 ONLY

(J)

SPECIAL EQUIPMENT - NO. 1961 - NO. 2127, NO. 2150 - NO. 2159, NO. 2162 - NO. 2243

(K)

From Serial or Engine Number 2244

(L)

From Serial or Engine Number

(M)

Up to Serial or Engine Number 4634

(N)

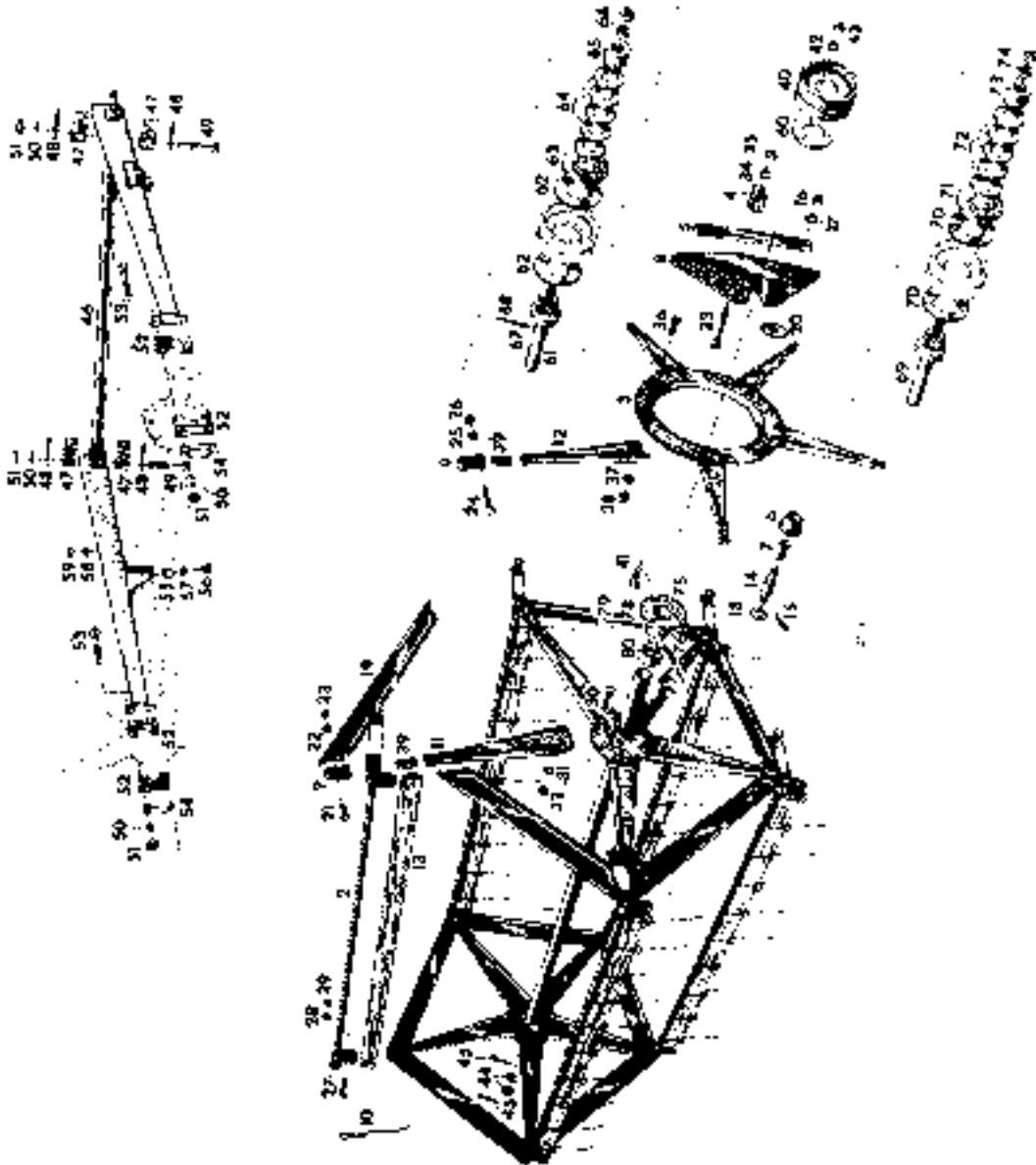
From Serial or Engine Number 4635

18-8

HASEL (LATTEN) UND
HASELTRAGROHR

REEL (SLATS) AND
REEL CARRIER

RABATTE: 1 D ATTIFQ 57
BRAS DE RABATTEUR



Машинист MF 31

415 718 M2 (Ausgabe 1) 12/70

**MASSEY FERGUSON
MF 31 COMBINE - 415718**

415718

18-8

REEL (SLATS) AND REEL CARRIER

Item	Part Number	Qty	Description	Comments
1	411087M91	1	Shaft	(D, A)
	411391M91	1	Shaft	(D, B)
	411669M92	1	Shaft	INCL. REF. 75-80 (E, A)
	411671M92	1	Shaft	INCL. REF. 75-80 (E, B)
	411716M91	1	Shaft	(F, A)
	411718M91	1	Shaft	(F, B)
2	411493M91	5	Tube	(A)
	411496M91	5	Carrier	(B)
3	401903M1	1	Ring	(A, B)
4	320614M1	1	Block	(A, B)
5	320610M1	1	Strap	(A, B)
6	320018M2	2	Trunnion	(M, A, B)
	415262M91	2	Roller	(N, A, B)
7	1706473M1	2	Bush	(N, A, B)
	320016M1	2	Bush	(M, A, B)
8	322344M91	1	Plate	(A, B)
9	320603M1	15	Clamp	(A, B)
10	320206M1	50	Tine	(A)
	320206M1	60	Tine	(B)
11	401905M2	10	Arm	(A, B)
12	403521M91	5	Arm	(A, B)
13	411495M1	5	Slat	(A)
	411498M1	5	Slat	(B)
14	320017M1	2	Bolt	(M, A, B)
	415266M1	2	Bolt	(N, A, B)
15	339133X1	2	Pin	(N, A, B)
16	339623X1	2	Nut Metric	(A, B)
17	339377X1	2	Lock Washer	(A, B)
18	339027X1	2	Washer	(A, B)
			Metric	
	390461X1	2	Washer	(A, B)
19	401908M1	10	Shield	(A, B)
20	391390X1	2	Washer	(M, A, B)
			Metric	
	415265M1	2	Washer	(N, A, B)
21	339229X1	20	Bolt Metric	(A, B)
22	339375X1	20	Lock Washer	(A, B)
23	339030X1	20	Nut Metric	(A, B)
24	339215X1	10	Bolt	(A, B)
25	339375X1	10	Lock Washer	(A, B)
26	339030X1	10	Nut Metric	(A, B)
27	339215X1	20	Bolt	(A)
	339215X1	30	Bolt	(B)
28	339375X1	20	Lock Washer	(A)
	339375X1	30	Lock Washer	(B)
29	339030X1	20	Nut Metric	(A)
	339030X1	30	Nut Metric	(B)
30	339124X1	20	Screw Metric	(A, B)
31	339374X1	20	Lock Washer	(A, B)
32	339169X1	20	Nut Metric	(A, B)
33	339013X1	1	Bolt Metric	(A, B)
34	339374X1	1	Lock Washer	(A, B)
35	339169X1	1	Nut Metric	(A, B)
36	339153X1	10	Screw Metric	(A, B)
37	339374X1	10	Lock Washer	(A, B)
38	339169X1	10	Nut Metric	(A, B)
39	401729M1	15	Bearing	(A, B)
40	322354M91	1	Pulley	(D, A, B)
	411659M1	1	Pulley	(G, A, B)
41	339451X1	3	Screw Metric	(A, B)
42	339376X1	3	Lock Washer	(A, B)
43	339402X1	3	Nut Metric	(A, B)
44	391395X1	2	Washer	(A, B)
			Metric	
45	339039X1	2	Pin	(A, B)
46	411034M93	1	Carrier	(C, A)
	411421M93	1	Carrier	(C, B)
47	320713M1	4	Bearing	(A, B)

REEL (SLATS) AND REEL CARRIER

Item	Part Number	Qty	Description	Comments
48	320714M1	4	Plate	(A, B)
49	339587X1	4	Washer	(A, B)
50	321728M1	8	Plate	(A, B)
51	339169X1	8	Nut Metric	(A, B)
52	320712M1	4	Bearing	(A, B)
53	339132X1	4	Screw	(A, B)
54	320715M1	2	Plate	(H, A, B)
55	411061M1	1	Bumper	(A)
56	339709X1	1	Bolt	(A)
57	390469X1	1	Washer Metric	(A)
58	339381X1	1	Lock Washer	(A)
59	339029X1	1	Nut	(A)
60	411661M1	1	Washer	(A, B)
61	411693M1	1	Trunnion	(J, A, B)
62	411684M1	2	Lining	(J, A, B)
63	411688M1	1	Washer	(J, A, B)
64	1441178X1	5	Spring	(J, A, B)
65	411692M91	1	Bush	(J, A, B)
66	339592X1	2	Nut Metric	(J, A, B)
67	339193X1	1	Pin	(J, A, B)
68	339248X1	1	Pin	(J, A, B)
69	411686M1	1	Trunnion	(K, A, B)
70	411687M1	2	Lining	(K, A, B)
71	411688M1	1	Washer	(K, A, B)
72	1441178X1	5	Spring	(K, A, B)
73	411692M91	1	Bush	(K, A, B)
74	339592X1	2	Nut Metric	(K, A, B)
75	411713M91	1	Disc	(L, A, B)
76	339193X1	1	Pin	(L, A, B)
77	339248X1	1	Pin	(L, A, B)
78	339192X1	1	Pin	(L, A, B)
79	390533X1	1	Pin	(L, A, B)
80	1706427M1	1	Spacer	(L, A, B)

(A)

6' TABLE

(B)

7' TABLE

(C)

Up to Serial or Engine Number 2243

Not serviced, order 390070X1

(D)

Up to Serial or Engine Number 1960

(E)

NO. 1961 - NO. 2456

(F)

From Serial or Engine Number 2457

(G)

From Serial or Engine Number 1961

(H)

U.K. 1 ONLY

(J)

SPECIAL EQUIPMENT - NO. 1961 - NO. 2127, NO. 2150 - NO. 2159, NO. 2162 - NO. 2243

(K)

From Serial or Engine Number 2244

(L)

From Serial or Engine Number

(M)

Up to Serial or Engine Number 4634

(N)

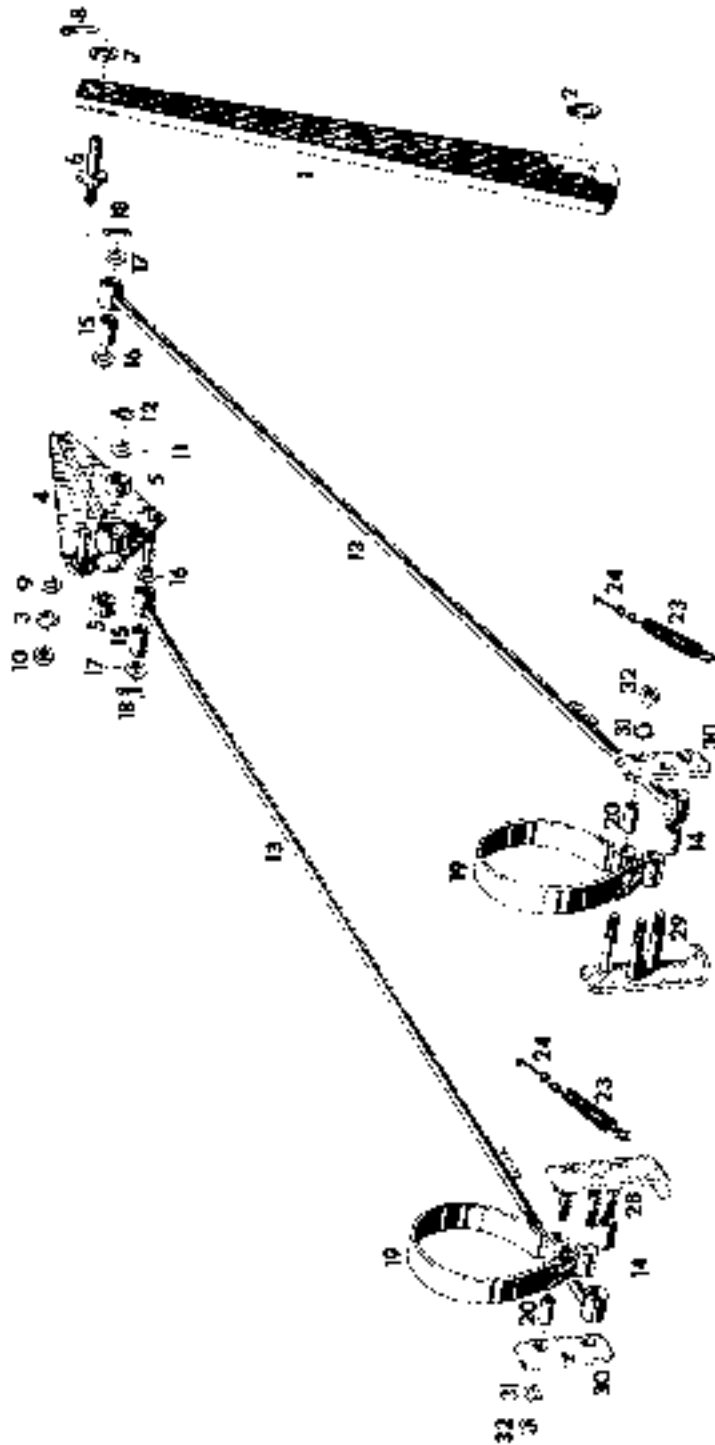
From Serial or Engine Number 4635

18-9

HASPELANTRIEB

REEL DRIVE

COMMANDE DE RABATTEUR



602.6



Motormaschine MF 31

415 718 MF (Ausgabe Ti 12/73)

**MASSEY FERGUSON
MF 31 COMBINE - 415718**

415718

18-9

REEL DRIVE-HYDRAULIC ADJUSTING

Item	Part Number	Qty	Description	Comments
1	413582M91	1	Rod	
2	1440475X1	1	Circlip	
3	339369X1	1	Lock Washer	
4	410946M91	1	Plate	(A)
	411666M91	1	Plate	(B)
5	1706307M1	2	Bush	
6	410950M1	1	Clevis Pin	(A)
	401910M3	1	Pin	(B)
7	339027X1	1	Washer Metric	
8	339058X1	1	Pin	
9	391387X1	1	Washer Metric	
10	339054X1	1	Nut Metric	
11	390087X1	1	Washer	
12	1440476X1	1	Circlip	
13	322256M91	2	Conrod	(A)
	401926M93	2	Rod	(B)
14	1706467M1	2	Bush	
15	1706466M1	2	Bush	
16	390701X1	2	Washer Metric	(A)
17	339026X1	2	Washer Metric	
18	391402X1	2	Pin	
19	322254M93	2	Band	(A)
	1721307M91	2	Band	(B)
20	1706467M1	4	Bush	
21	320706M2	2	Support	(A)
22	320443M1	4	Bush	(A)
23	1706119M1	2	Spring	
24	321203M1	2	Knotter Hook	
25	339375X1	8	Lock Washer	(A)
26	339030X1	8	Nut Metric	(A)
27	320707M1	4	Roller	(A)
28	403285M92	1	Plate	Right Hand (B)
29	403282M92	1	Lever	Left Hand (B)
30	403287M1	2	Plate	(B)
31	339376X1	6	Lock Washer	(B)
32	339402X1	6	Nut Metric	(B)
33	322255M92	2	Support	(A) (A)

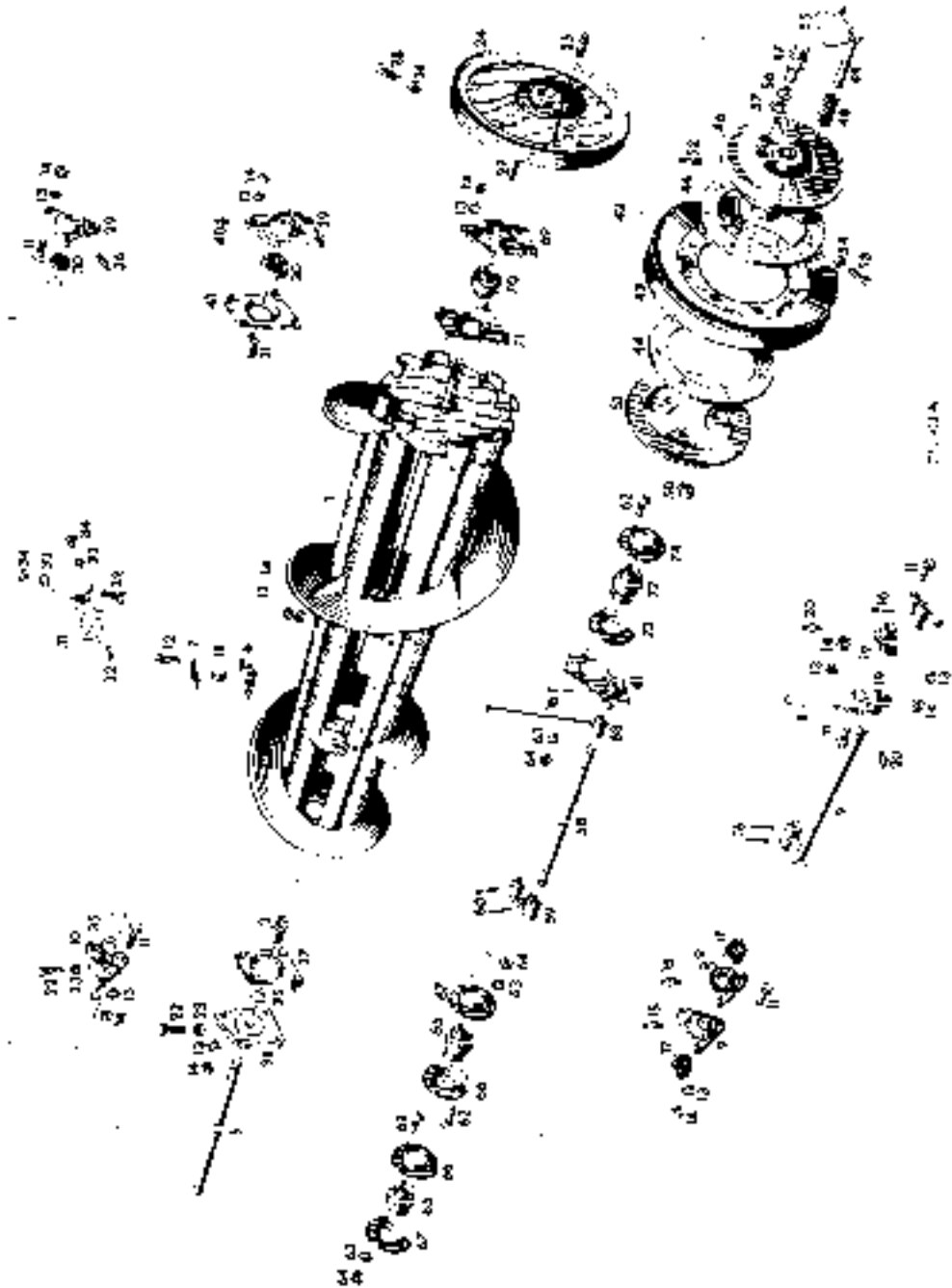
Up to Serial or Engine Number 1960
(B)
From Serial or Engine Number 1961

18-10

FRONTSCHECKE

FRONT AUGER

VIE D'ALIMENTATION



Mot-dressage MF 31

415 718 MF (Auger) 31 12/70

**MASSEY FERGUSON
MF 31 COMBINE - 415718**

415718

18-10

FRONT AUGER

Item	Part Number	Qty	Description	Comments
1	411075M92	1	Auger	(A)
	411872M92	1	Screw	(B)
	411424M92	1	Screw	(A)
	411846M92	1	Auger	(B)
2	320212M92	1	Shaft	(A)
3	411083M1	1	Bush	(A)
4	320233M91	1	Crank	(A)
5	411084M1	1	Shaft	(C)
	411641M1	1	Shaft	(A)
	411878M1	1	Shaft	(B)
	411640M1	1	Shaft	(A)
	411859M1	1	Shaft	(B)
6	320208M1	8	Clamp	(A)
	401881M1	8	Clamp	(B)
7	320209M1	8	Clamp	(A)
	401880M1	8	Clamp	(B)
8	320259M1	8	Finger	(A)
9	320002M1	2	Bearing Carrier	(A)
10	320349M2	1	Bearing	(C)
11	339123X1	21	Screw Metric	
12	339043X1	16	Screw Metric	
13	339374X1	37	Lock Washer	
14	339169X1	38	Nut Metric	
15	339003X1	2	Greaser	
16	339071X1	3	Pin	
17	1440489X1	2	Bearing Ball	(A)
18	204660M3	8	Bearing	(A)
	401733M1	8	Guide	(B)
19	323293M93	9	Bearing	(A)
20	390843X1	9	Nipple	(A)
21	411278M1	1	Bush	(A)
22	339400X1	1	Bolt	
23	339402X1	1	Nut Metric	
24	411085M91	1	Pulley	
25	411086M1	1	Clevis Pin	
26	339071X1	1	Pin	
27	339310X1	1	Key Parallel	
28	390594X1	1	Bolt Metric	
29	320003M1	1	Bearing Carrier	(C)
30	1440491X1	1	Bearing Ball	(A)
31	324875M91	2	Shovel	
32	339230X1	6	Screw Metric	
33	339375X1	6	Lock Washer	
34	339030X1	6	Nut Metric	
35	339574X1	X	Washer Metric	(A)
36	339004X1	1	Greaser	(C)
37	413565M91	1	Ring	Right Hand (D)
38	411555M1	1	Cage	(D)
39	413569M1	1	Cage	(A)
40	339003X1	1	Greaser	(A)
41	413567M91	1	Bearing Carrier	Left Hand (A)
42	411673M91	1	Clutch	
43	413899M91	1	Pulley	
44	413830M1	2	Lining	
45	390928X1	8	Rivet	
46	413831M1	1	Disc	
47	413832M2	1	Bolt	
48	1706005M1	3	Spring	
	411673M91		Clutch	
49	413834M1	3	Bolt	
50	339682X1	3	Nut Metric	
51	413835M1	1	Disc	
52	339080X1	1	Roll Pin	
53	390594X1	1	Bolt Metric	
54	339169X1	1	Nut Metric	
55	413836M1	1	Wire	
56	339574X1	1	Washer Metric	
57	391391X1	1	Washer Metric	

FRONT AUGER

Item	Part Number	Qty	Description	Comments
58	411854M1	1	Shaft	(B)
59	411858M1	1	Crank	(B)
60	339783X1	4	Pin	(B)
61	415303M91	1	Flange	(B)
62	339170X1	9	Screw	(B)
63	339374X1	9	Lock Washer	(B)
64	339169X1	2	Nut Metric	(B)
65	412243M1	2	Bearing	(B)
66	412245M1	2	Ring	(B)
67	411745M1	2	Ring	(B)
68	413552M91	8	Finger	(B)
69	411860M1	1	Housing	(B)
70	412260M1	1	Bearing Assy	(B)
71	411861M91	1	Ring	Left Hand (B)
72	412260M1	1	Bearing Assy	(B)
73	412315M1	1	Ring	(B)
74	412261M1	1	Ring	(B) (A)

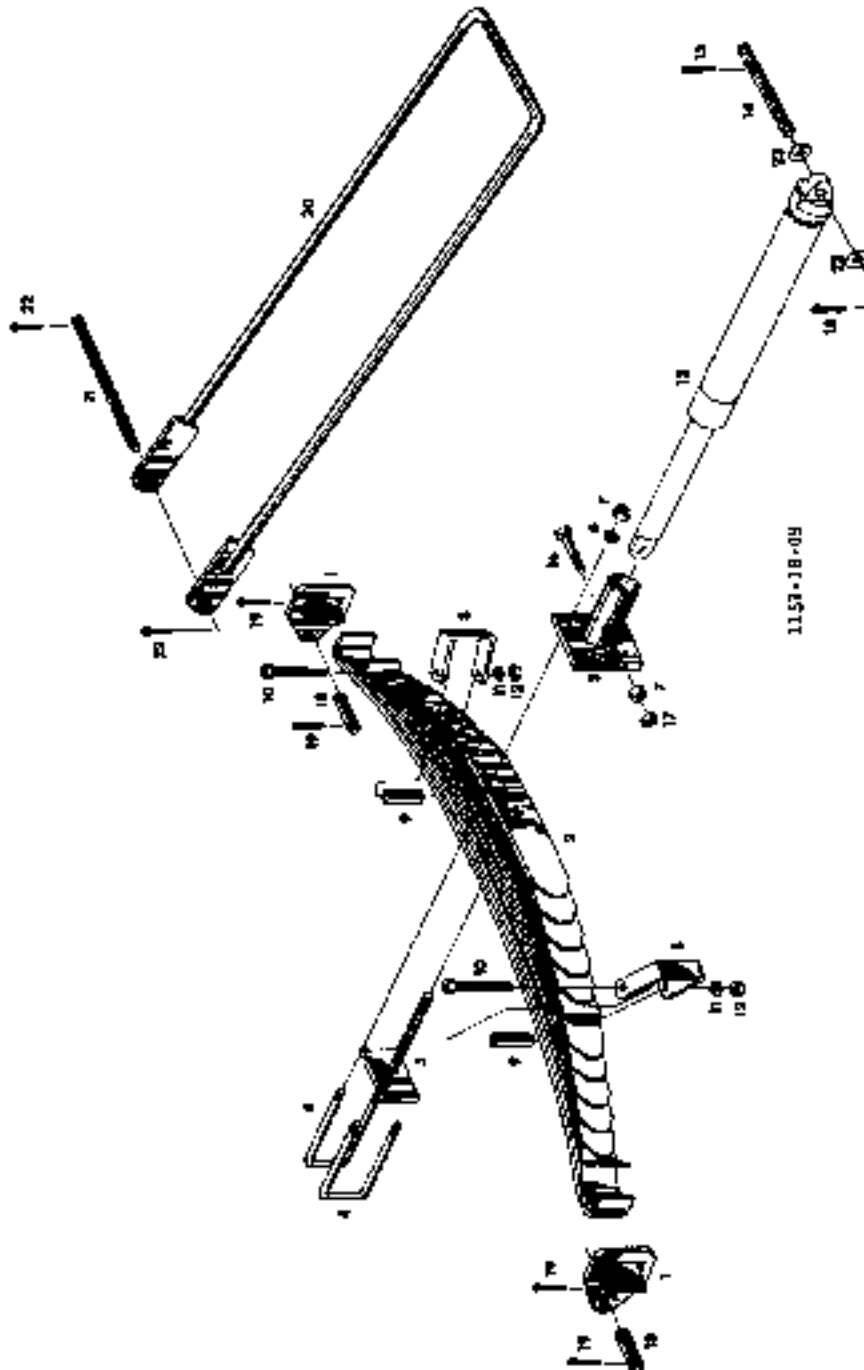
NON-SEALED BEARINGS
(B)
SEALED BEARINGS
(C)
Up to Serial or Engine Number 1612
(D)
From Serial or Engine Number 1613

18-11

TISCHAUSHEBUNG

TABLE LIT

RELEVAGE DE TABLE



Каталог № MF 31

415 218 M2 (Ausgabe 1/12/73)

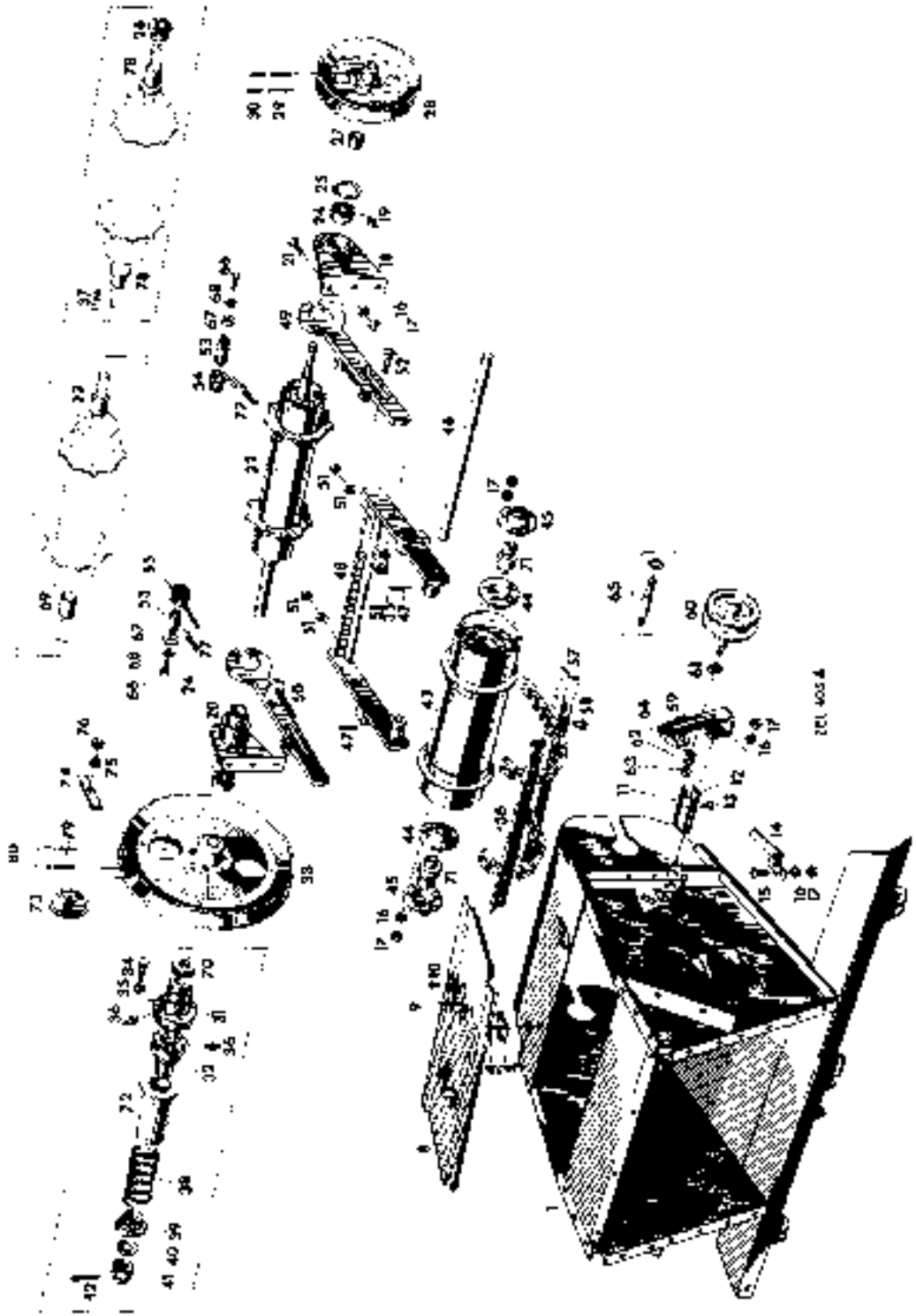
TABLE LIFT

Item	Part Number	Qty	Description
1	412478M91	2	Bearer
	411158M91	1	Spring
2	411159M1	1	Knife
3	411160M91	1	Bearer
4	411164M1	2	Bail
5	411165M91	1	Guide
6	339369X1	4	Lock Washer
7	339054X1	5	Nut Metric
8	411164M1	2	Bail
9	1706437M1	2	Bush
10	339891X1	2	Screw Metric
11	339374X1	2	Lock Washer
12	339169X1	2	Nut Metric
13		1	Ram
14	412996M1	1	Clevis Pin
15	339038X1	2	Pin
16	339484X1	1	Bolt Metric
17	339186X1	1	Nut Metric
18	412483M1	2	Bolt
19	339133X1	4	Pin
20	411268M91	1	Bail
21	412995M1	2	Clevis Pin
22	339058X1	2	Pin
23	339914X1	2	Washer Metric

18-12

KANAL MIT EINZUGSELEKTOR FLEDERULLVAIGS WITH HOUSING

CANAL D'ALIMENTATION



Abhdrecher MF 31

415 718 M2 (Ausgabe 1) 12/73

**MASSEY FERGUSON
MF 31 COMBINE - 415718**

415718

FEEDER ELEVATOR WITH HOUSING

18-12

Item	Part Number	Qty	Description	Comments
1	410886M92	1	Boot	
2	320719M2	2	Tie	
3	390971X1	2	Washer Metric	
4	339082X1	2	Rivet	
5	401550M1	2	Door	
6	390971X1	2	Washer Metric	
7	339212X1	2	Rivet	
8	410898M91	1	Door	
9	320090M2	2	Handle	
10	339082X1	4	Rivet	
11	320487M2	1	Plate	
12	320489M2	1	Support	
13	339109X1	11	Rivet	
14	412217M1	2	Guide	
15	339170X1	4	Screw	
16	339374X1	12	Lock Washer	
17	339169X1	24	Nut Metric	
18	410900M91	1	Bearing	(C) Left Hand
	414713M91	1	Bracket	(D, E) Left Hand
	416508M91	1	Bearing Carrier	(F) Left Hand
19	339004X1	1	Greaser	(C)
20	410902M91	1	Bearing	(E) Right Hand
	416510M91	1	Bearing Carrier	(F) Right Hand
21	339123X1	8	Screw Metric	
22	414718M91	1	Drum	(C)
	414708M91	1	Drum	(D, E)
	416512M91	1	Drum	(F)
23	410908M1	1	Bush	(C)
24	1440491X1	2	Bearing Ball	(C)
	339581X1	2	Bearing Ball	(D)
25	339126X1	1	Circlip	
26	320069M2	1	Spacer	(E)
27	410909M1	1	Bush	(E)
	1706435M1	1	Spacer	(F)
28	410910M91	1	Pulley	
29	339192X1	2	Pin	
30	390533X1	2	Pin	
31	410911M1	1	Coupler	(E) Number of teeth/spines 8
32	410912M2	1	Coupler	(E) Number of teeth/spines 8
33	410913M92	1	Pulley	
	416515M91	1	Pulley	(F)
34	339451X1	4	Screw Metric	
35	339376X1	6	Lock Washer	
36	390843X1	2	Nipple	(E)
37	410916M1	1	Key	(E)
38	1706014M1	1	Spring	(E)
39	410918M1	1	Washer	(E)
40	339028X1	1	Washer	(E)
41	339046X1	1	Nut Metric	(E)
42	339038X1	1	Pin	(E)
43	410920M93	1	Drum	
44	412244M1	2	Ring	(A)
45	412245M1	2	Ring	
46	410922M1	1	Clevis Pin	
47	339541X1	2	Peg	
48	410923M91	1	Bearer	
49	410927M93	1	Support	Left Hand
50	410932M93	1	Support	Right Hand
51	339402X1	6	Nut Metric	
52	390809X1	2	Bolt Metric	
53	410933M2	2	Guide	
54	412255M1	1	Spring	Left Hand
55	412256M1	1	Spring	Right Hand

**MASSEY FERGUSON
MF 31 COMBINE - 415718**

415718

FEEDER ELEVATOR WITH HOUSING

18-12

Item	Part Number	Qty	Description	Comments
56	410934M91	1	Chain	
57	410935M1	8	Strap	
58	339086X1	32	Rivet	
59	410937M91	1	Bracket	
	416579M91	1	Pulley	
60	416580M91	1	Pulley	
61	416584M1	1	Washer	
62	339380X1	1	Washer	
63	339070X1	1	Nut	
64	339072X1	1	Washer	
65	412446M1	1	Pin	(G)
	391062X1	2	Segment	(G)
66	339299X1	2	Screw Metric	
67	391187X1	2	Washer	
68	339369X1	2	Lock Washer	
69	410940M1	1	Bush	(C)
70	390803X1	1	Bearing Thrust	(E)
71	412243M1	2	Bearing	
72	411511M91	1	Bush	(B, E)
73	411509M91	2	Disc	(B)
74	411508M1	2	Retainer	(B)
75	339375X1	2	Lock Washer	(B)
76	339030X1	2	Nut Metric	(B)
77	339531X1	2	Pin	
78	414715M1	2	Bush	(D, E)
79	339192X1	2	Pin	(F)
80	390533X1	2	Pin	(F)
				(A)
				Up to Serial or Engine Number 2259
				(B)
				SPECIAL EQUIPMENT FOR U.K.
				(C)
				Up to Serial or Engine Number 4634
				(D)
				From Serial or Engine Number 4635
				(E)
				Up to Serial or Engine Number 6264
				(F)
				From Serial or Engine Number 6265
				(G)
				Up to Serial or Engine Number 6914

19-1

FA-REKSTAND

OPERATOR PLATFORM

PLATT-FORME DE TRAVAIL

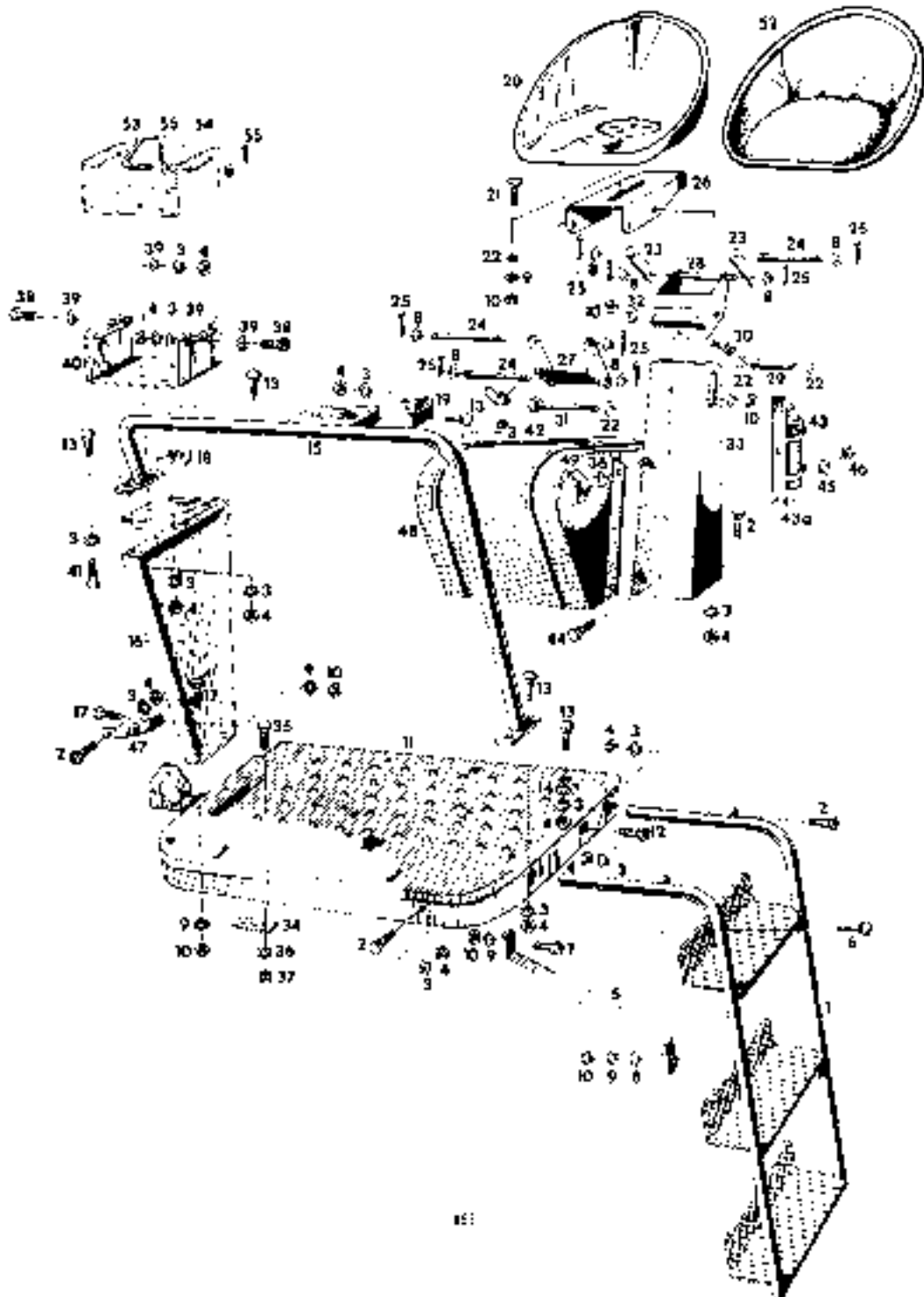


Иллюстрация № 11

415718 M2 (Auguste 11 12/70)

**MASSEY FERGUSON
MF 31 COMBINE - 415718**

415718

19-1

OPERATORS PLATFORM

Item	Part Number	Qty	Description	Comments
1	411096M93	1	Ladder	(A, D)
	416317M91	1	Ladder	(A, E)
	414507M91	1	Ladder	(B)
	411471M92	1	Ladder	(B, F)
2	339123X1	12	Screw Metric	
3	339374X1	29	Lock Washer	
4	339169X1	24	Nut Metric	
5	411101M2	1	Brace	(A, D)
	416319M1	1	Brace	(A, E)
	411474M1	1	Brace	(B, F)
	414509M1	1	Brace	(B)
6	390397X1	1	Bolt	
7	339451X1	1	Screw Metric	
8	391381X1	9	Washer Metric	
9	339376X1	6	Lock Washer	
10	339402X1	8	Nut Metric	
11	411104M93	1	Platform	
12	339124X1	2	Screw Metric	
13	339170X1	8	Screw	
14	390216X1	2	Washer Metric	
15	411109M91	1	Rail	
16	411115M92	1	Support	
17	339081X1	3	Screw Metric	
18	411118M1	1	Bracket	
19	411119M1	1	Clip	
20	401966M2	1	Seat	(G)
	417626M1	1	Seat	(H)
21	339401X1	2	Screw Metric	(G)
	390397X1	2	Bolt	(H)
22	391396X1	6	Washer Metric	
23	411500M1	2	Lever	(G)
	401958M1	2	Lever	(H)
24	339980X1	3	Pin	
25	391401X1	8	Pin	
26	411120M1	1	Rest	
	417628M1	1	Rest	(H)
27	401953M91	1	Lever	
28	401950M91	1	Support	
29	405400M1	1	Bush	
30	339172X1	1	Bolt Metric	
31	339981X1	1	Bolt Metric	
32	339794X1	1	Washer Metric	
33	410718M91	1	Pedestal	
34	411135M1	1	Plate	
35	339560X1	2	Screw Metric	
36	339375X1	4	Lock Washer	
37	339030X1	2	Nut Metric	
38	339337X1	2	Screw Metric	
39	339056X1	4	Washer Metric	
40	411634M91	1	Support	
41	339124X1	3	Screw Metric	
42	339106X1	1	Nut Metric	
43	416390M1	1	Extinguisher	
43A	1701133M1	1	Suspension	
44	339560X1	3	Screw Metric	
45	339375X1	3	Lock Washer	
46	339030X1	3	Nut Metric	
47	411286M2	1	Reinforcement	
48	411121M91	1	Cowl	
49	339722X1	2	Nut	
50	339247X1	1	Bolt	
52	411554M1	1	Bearing	(G)
	417629M1	1	Cushion	(H)
53	411637M1	1	Device	(C)
54	339817X1	2	Washer Metric	
55	390511X1	2	Pin	

(A)
WITH TYRES 9-24 AND 10-24

(B)
WITH TYRES 14, 5-20

OPERATORS PLATFORM

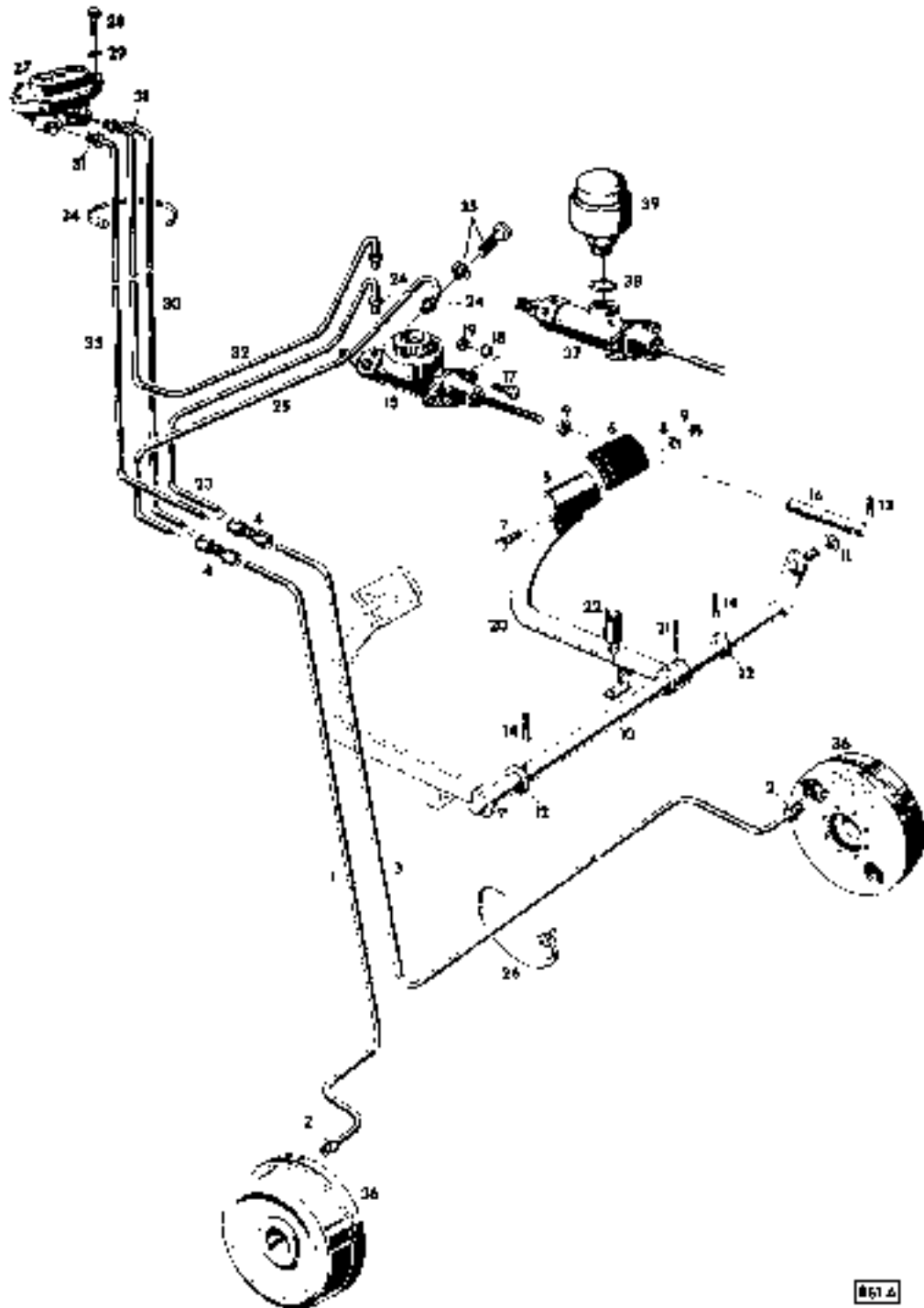
Item	Part Number	Qty	Description	Comments
				(C) From Serial or Engine Number 1789
				(D) Up to Serial or Engine Number 6264
				(E) From Serial or Engine Number 6265
				(F) NO. 1635 - NO. 3679
				(G) Up to Serial or Engine Number 7407
				(H) From Serial or Engine Number 7408

19-2

FUSSBREMSSE

FOOT BRAKE

PEDALES DE FREN



8614

Modèle MF 31

415718 MF (Ausgabe 1) 12/70

FOOTBRAKE

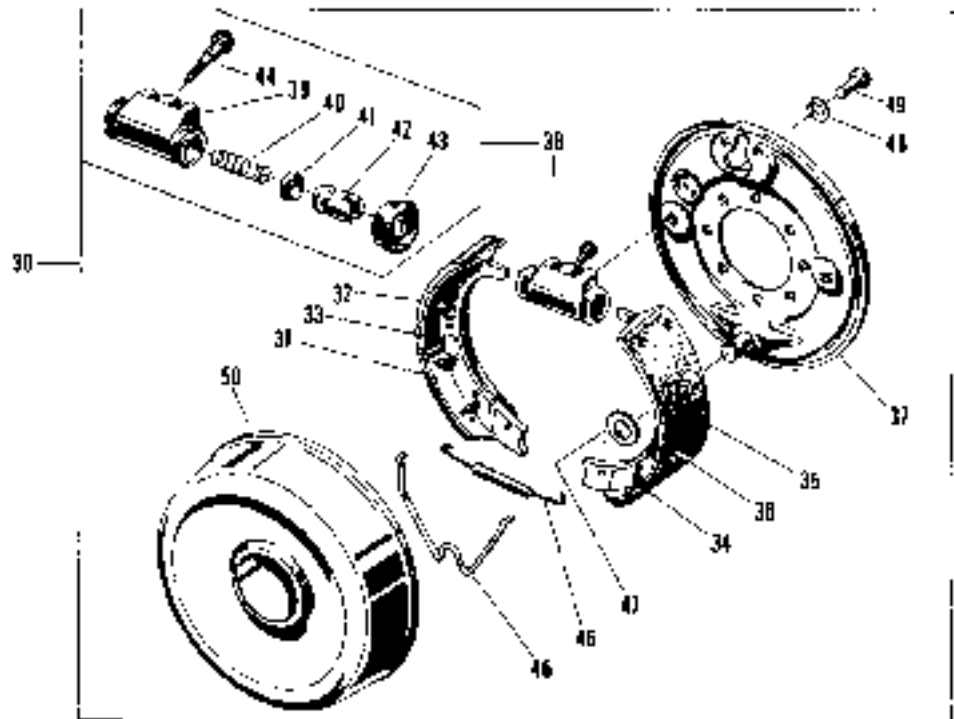
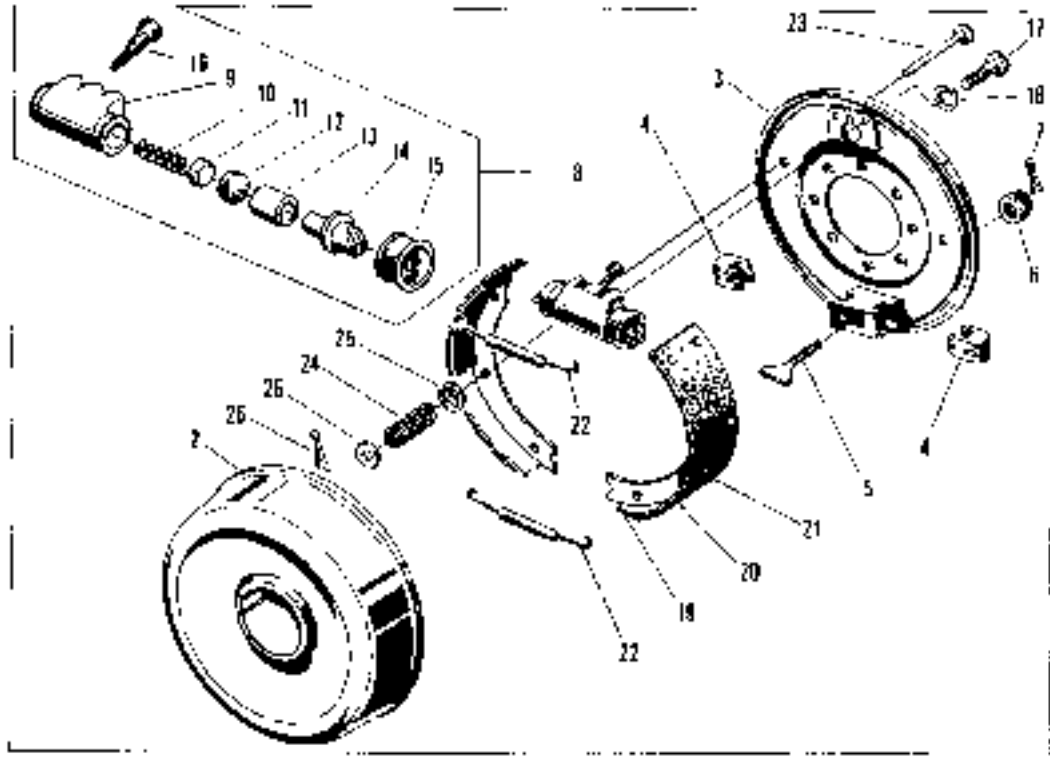
Item	Part Number	Qty	Description	Comments
1	411102M1	1	Tube	Left Hand
2	390835X1	2	Bolt	
3	411103M2	1	Tube	Right Hand
4	390813X1	2	Connection	
5	411113M91	1	Pedal	
6	401741M1	1	Cap	
7	339401X1	1	Screw Metric	
8	339376X1	3	Lock Washer	
9	339402X1	4	Nut Metric	
10	411137M92	1	Shaft	
11	339424X1	1	Washer	
12	339574X1	2	Washer Metric	
13	390446X1	1	Pin	
14	390448X1	2	Pin	
15	412705M2	1	Cylinder	See Page - Reference Number 19-4
	1700890M1	1	Switch	(F)
16	411141M1	1	Tappet	
17	339123X1	1	Screw Metric	
18	339374X1	4	Lock Washer	
19	339169X1	4	Nut Metric	
20	411147M91	1	Lever	
21	339071X1	2	Pin	
22	1706114M1	1	Spring	
23	411156M1	1	Tube	(D) Right Hand
24	390835X1	2	Bolt	(D)
25	411155M1	1	Tube	(D) Left Hand
26	410403M1	4	Band	
	411280M1	4	Band	
27	412720M1	1	Valve	(E)
28	339124X1	2	Screw Metric	(E)
29	339374X1	2	Lock Washer	(E)
30	411153M1	1	Tube	(E) Left Hand
31	390835X1	2	Bolt	(E)
32	411154M1	1	Tube	(E)
33	411155M1	1	Tube	(E) Right Hand
34	321591M1	2	Band	(E)
35	1440994X1	1	Plug	(E)
	1440993X1	1	Seal	(E)
36	414342M1	1	Brake	(B) See Page - Reference Number 19-2A
	411202M1	1	Brake	(A) See Page - Reference Number 19-2A
37	413263M1	1	Cylinder	(C) See Page - Reference Number 19-2B
38	390855X1	1	Ring	(C)
39	411420M1	1	Reservoir	(C) (A) INTERCHANGEABLE WITH 414342M1, FOR REPLACE USE THE SAME MAKE (B) INTERCHANGEABLE WITH 411202M1, FOR REPLACE USE THE SAME MAKE (C) SPECIAL EQUIPMENT FOR FRANCE (D) NOT USED IF SINGLE WHEEL BRAKE IS FITTED (E) SPECIAL EQUIPMENT - SINGLE WHEEL BRAKE (F) FOR AUSTRIA ONLY

19-3

TROMMEL BREMSE

DRUM BRAKE

FRIN TAMBOUR



863

Машини MF 31

415 718 M2 (Ausgabe '1 12/70)

**MASSEY FERGUSON
MF 31 COMBINE - 415718**

415718

19-3

DRUM BRAKE - 414342M1 KNOTT

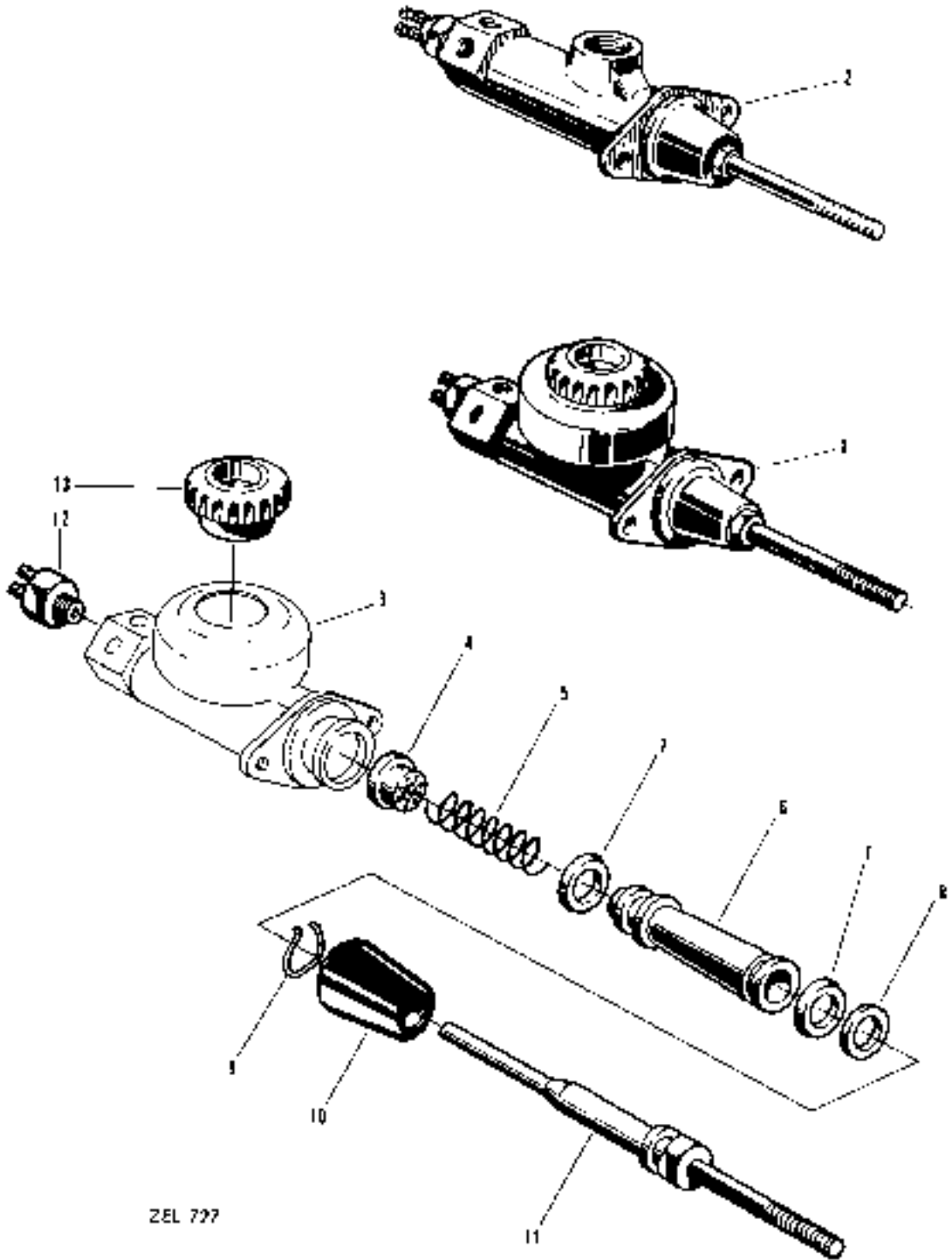
Item	Part Number	Qty	Description	Comments
				414342M1 KNOTT
1	414342M1	2	Brake	
2	1701022M1	1	Drum	
3	1701024M91	1	Flange	
4	1701028M1	2	Cleat	
5	1701029M1	1	Spanner	
6	390881X1	1	Nut Metric	
7	391401X1	1	Pin	
8	1701030M1	1	Cylinder	
9		1	Cylinder	Not serviced, order 1701030M1
10	1700871M1	1	Spring	
11	1701040M1	2	Seat	
12	1701041M1	2	Ring	
13	1701042M1	2	Piston	
14	1701043M1	2	Clevis Pin	
15	1701044M1	2	Cap	
16	1700875M1	1	Breather	
17	339666X1	2	Screw Metric	
18	391130X1	2	Washer	
19	1701031M91	2	Shoe	
20	1701033M1	2	Facing	
21	391131X1	14	Rivet	
22	1701034M1	2	Spring	
23	1701035M1	2	Pin	
24	1701036M1	2	Spring	
25	1701037M1	4	Cover	
26	391132X1	2	Pin	
				411202M1 PERROT
30	411202M1	2	Brake	
31	1700865M91	1	Shoe	
32	1700866M1	1	Lining	
33	390904X1	14	Rivet	
34	1700867M91	1	Shoe	
35	1700866M1	1	Lining	
36	390904X1	14	Rivet	
37	1700868M1	1	Flange	
38	1700869M91	1	Cylinder	
39		1	Housing	Not serviced, order 1700869M91
40	1700871M1	1	Spring	
41	1700872M1	2	Ring	
42	1700873M1	2	Piston	
43	1700874M1	2	Cap	
44	1700875M1	1	Breather	
45	1700876M1	1	Spring	
46	1700877M1	1	Spring	
47	1700878M1	1	Washer	
48	390902X1	2	Washer	
49	390903X1	2	Screw Metric	

19-4

HAUPTDRUCKZYLINDER

MASTER CYLINDER

CYLINDER PRINCIPAL



ZEL 727

Motorschnecker MF 31

415 715 M2 (Ausgabe 1: 12/70)

**MASSEY FERGUSON
MF 31 COMBINE - 415718**

415718

19-4

MASTER CYLINDER - 412705M2

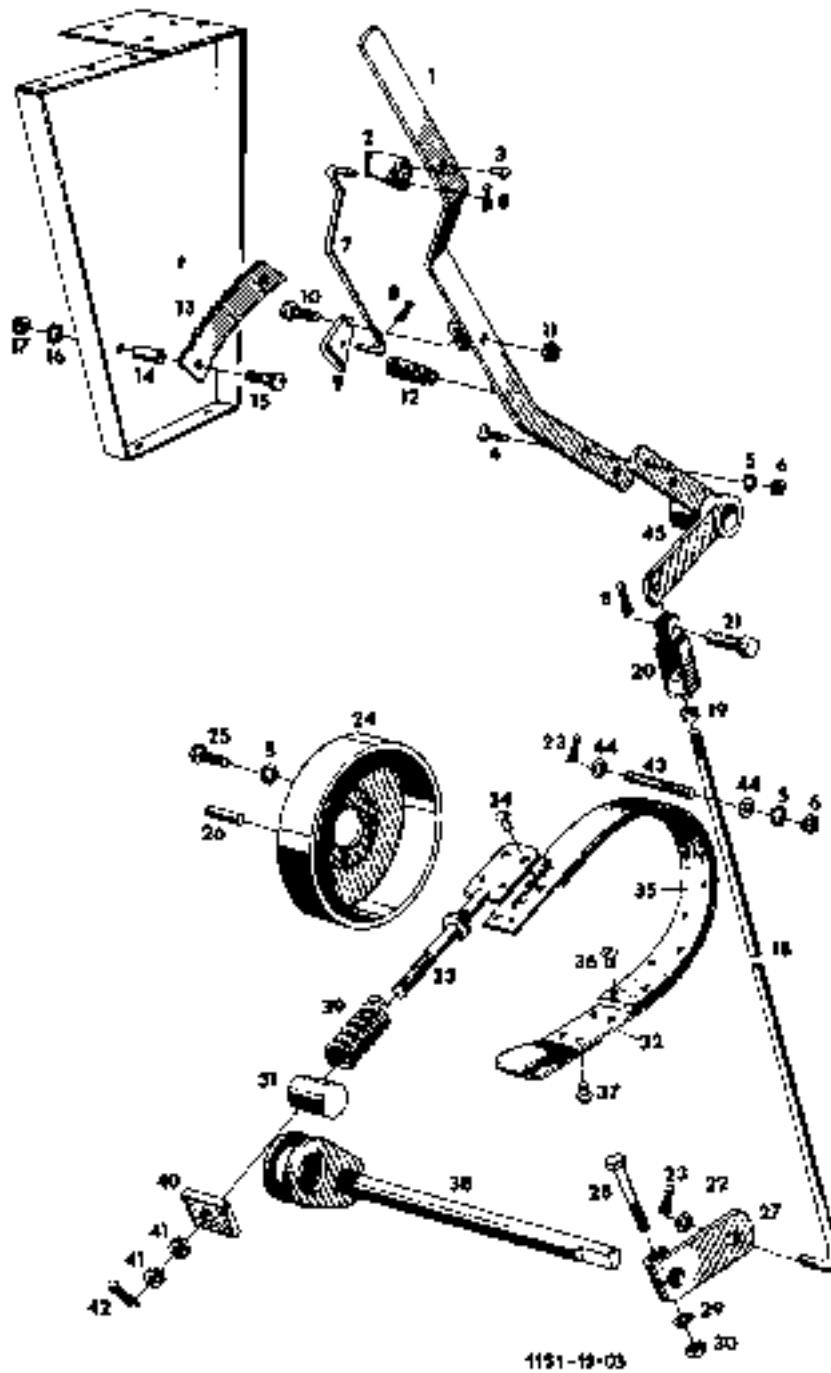
Item	Part Number	Qty	Description	Comments
				412705M2
1	412705M2	1	Cylinder	
3		1	Housing	Not serviced, order 412705M2
4	1700882M1	1	Valve	
5	1700883M1	1	Spring	
6	1700884M1	1	Piston	
7	1700885M1	2	Ring	
8	1700886M1	1	Washer	
9	1700887M1	1	Circlip	
10	1700888M1	1	Boot	
11	1700889M1	1	Stem	
12	1700891M1	2	Plug	
13	1700895M1	1	Cap	
				413263M2
2	413263M2	1	Cylinder	
3		1	Housing	Not serviced, order 413263M2
4	1700882M1	1	Valve	
5	1700883M1	1	Spring	
6	1700884M1	1	Piston	
7	1700885M1	2	Ring	
8	1700886M1	1	Washer	
9	1700887M1	1	Circlip	
10	1700888M1	1	Boot	
11	1700889M1	1	Stem	
12	1700891M1	2	Plug	

19-5

HANDBREMSE

HANDBRAKE

FREIN A MAIN-



Mohndreher MF 31

415 716 M2 (Ausgabe '1 12/70

HANDBRAKE

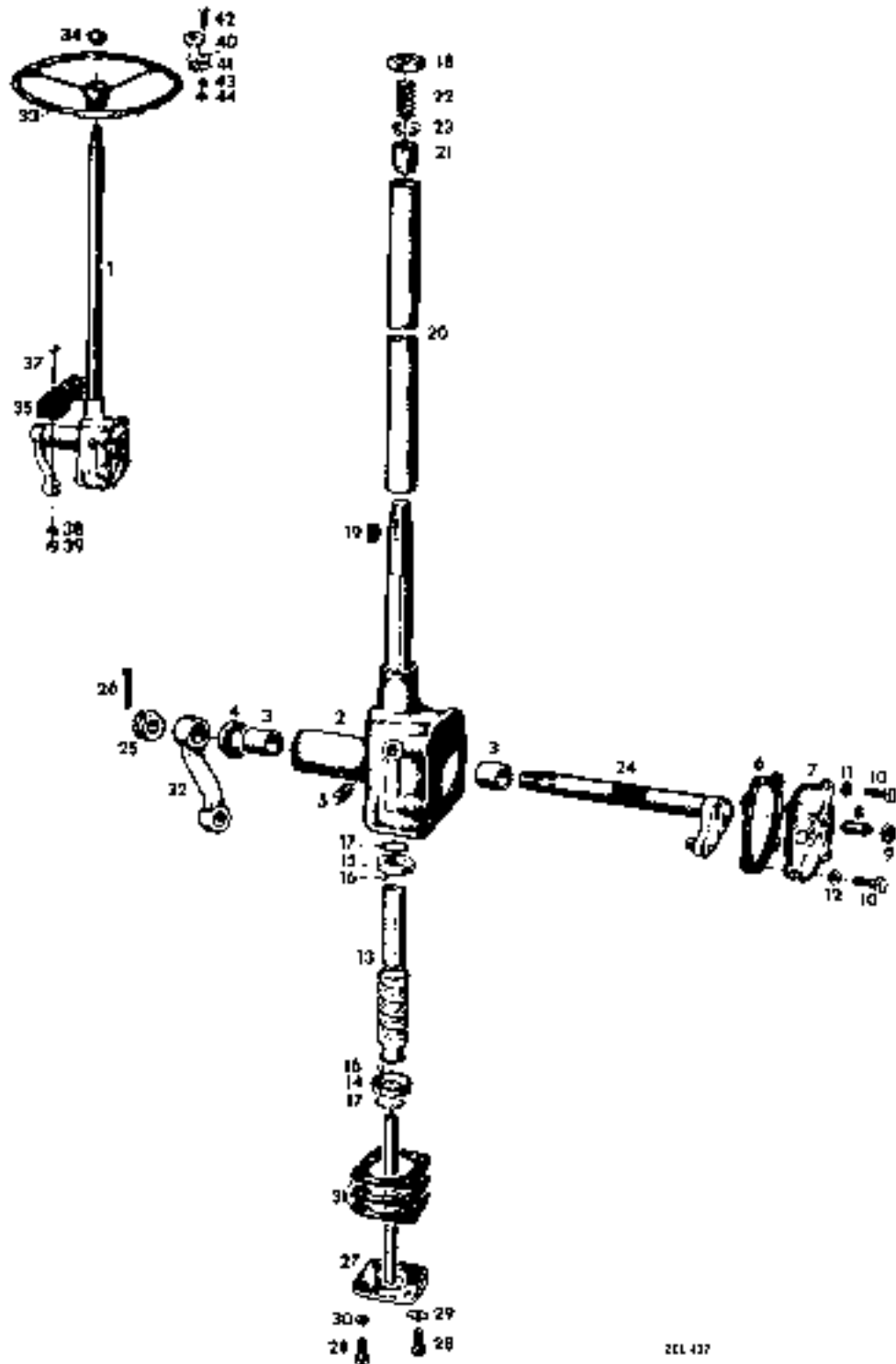
Item	Part Number	Qty	Description
1	410451M91	1	Lever
2	410014M1	1	Handle
3	339045X1	1	Rivet
4	390766X1	2	Bolt
5	339374X1	9	Lock Washer
6	339169X1	4	Nut Metric
7	410454M1	1	Rod
8	339087X1	4	Pin
9	410018M1	1	Latch
10	339804X1	1	Screw Metric
11	339030X1	1	Nut Metric
12	1706115M1	1	Spring
13	410455M1	1	Sector
14	1706397M1	2	Bush
15	339018X1	2	Bolt Metric
16	339376X1	2	Lock Washer
17	339402X1	2	Nut Metric
18	410457M91	1	Rod
19	339169X1	1	Nut Metric
20	390552X1	1	Yoke
21	339610X1	1	Pin
22	339024X1	1	Washer Metric
23	391401X1	3	Pin
24	320144M2	1	Drum
25	339123X1	4	Screw Metric
26	339329X1	2	Dowel
27	411307M1	1	Lever
28	339019X1	1	Bolt Metric
29	339025X1	1	Washer Metric
30	339402X1	1	Nut Metric
31	410570M1	1	Clevis Pin
32	410461M91	1	Band
33	321780M91	1	Stem
34	339109X1	4	Rivet
35	320493M3	1	Lining
36	339101X1	12	Rivet
37	391486X1	4	Rivet
38	410459M91	1	Lever
39	1706033M1	1	Drum
40	321843M1	1	Shim
41	339252X1	2	Nut Metric
42	391402X1	1	Pin
43	1700097M1	2	Guide
44	1700098M1	4	Washer
45	411143M91	1	Bearer

19-6

LENKUNG

STEFRING-GEAR

D RECTION



ZLL 437

MBHochleister MF 31

4:5 718 M2 (Alugabe 11 12/70

STEERING GEAR

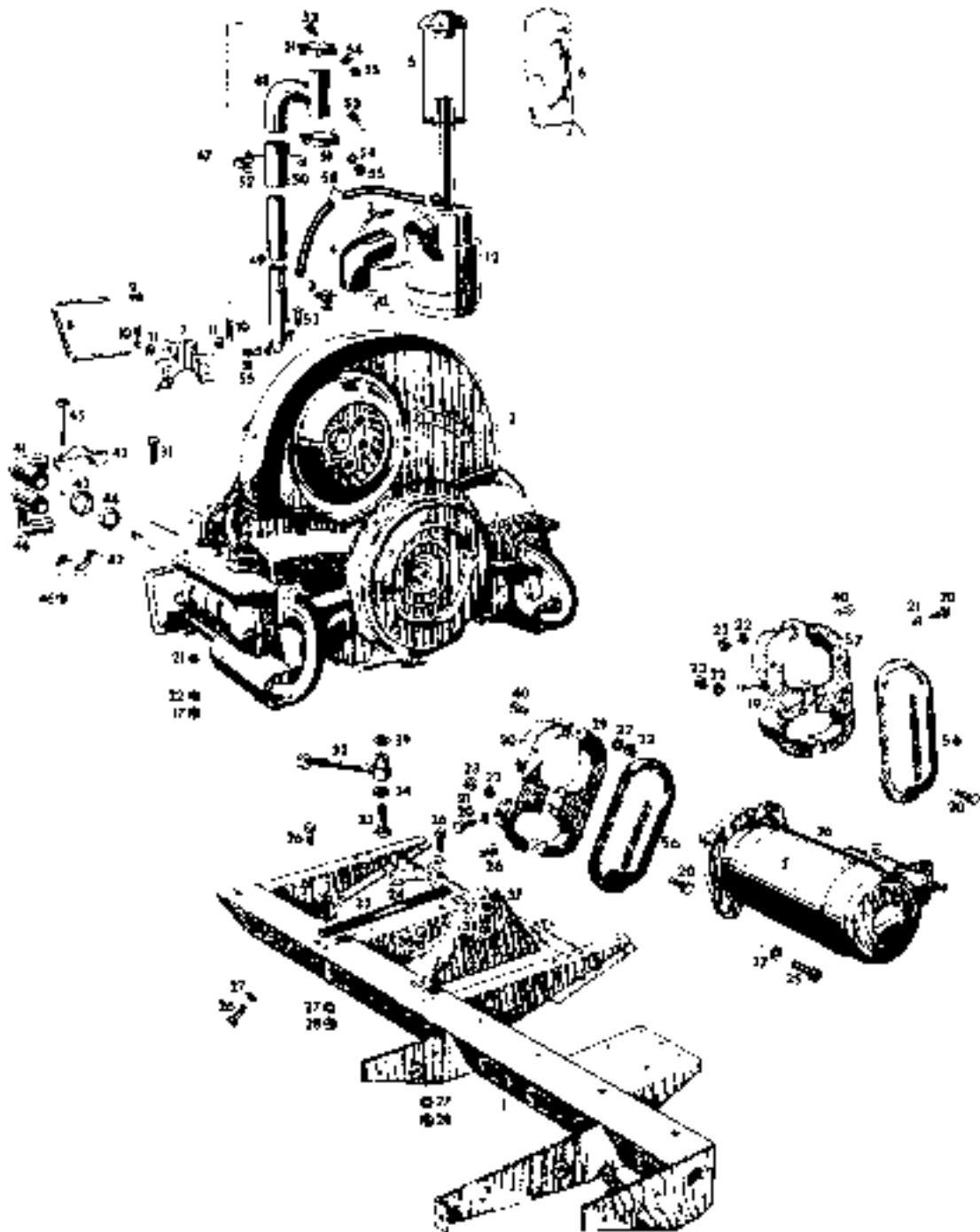
Item	Part Number	Qty	Description	Comments
1	322293M91	1	Gear	
	320392M1	1	Housing	
2	1700491M1	1	Housing	
3	1700482M1	2	Bush	
4	1700492M1	1	Bush	
5	1700500M1	1	Plug	
6	1700494M1	1	Gasket	
7	1717738M1	1	Cover	
8	1700498M1	1	Bolt	
9	339252X1	1	Nut Metric	
10	339761X1	4	Screw Metric	
11	339374X1	2	Lock Washer	
12	1700501M1	2	Washer	
13	1700479M1	1	Spindle	
14	1700485M1	1	Bearing Assy	
15	1700486M1	1	Bearing Assy	
16	1700807M1	26	Ball	
17	1700487M1	2	Ring	
18	339592X1	1	Nut Metric	
19	1700497M1	1	Key	
20	1700478M1	1	Tubular Shaft	
21	1700481M1	1	Sleeve	
22	1700496M1	1	Spring	
23	1700495M1	1	Ring	
24	1701476M1	1	Shaft	
25	1700503M1	1	Pin	
26	339765X1	1	Pin	
27	1700484M1	1	Cover	
28	339560X1	4	Screw Metric	
29	1700808M1	2	Plate	
30	339375X1	2	Lock Washer	
31	1700488M1	X	Plate	
	1700489M1	X	Plate	
	1700490M1	X	Plate	
32	320291M1	1	Crank	(A)
	1724585M1	1	Lever	(B, D)
33	320393M2	1	Wheel	
34	322496M1	1	Button	
35	321774M1	1	Bearer	
37	339272X1	2	Bolt	
38	339376X1	2	Lock Washer	
39	339402X1	2	Nut Metric	
40	403288M91	1	Handle	(C)
41	403293M1	1	Clamp	(C)
42	339418X1	2	Bolt Metric	(C)
43	339374X1	2	Lock Washer	(C)
44	339169X1	2	Nut Metric	(C)
				(A)
				Up to Serial or Engine Number
				(B)
				From Serial or Engine Number
				(C)
				SPECIAL EQUIPMENT
				(D)
				FOR ROD, STEERING WITH BALL JOINT

20-1

VW-MOTOR 1200 ccm

VW ENGINE 1200 ccm

MOTOREN VW 1200 ccm



Mehrbrecher MF 31

415 718 M2 (Ausgabe 11/12/70)

MASSEY FERGUSON

MF 31 COMBINE - 415718

415718

20-1

VW ENGINE 1200 CCM - 1200 CCM

Item	Part Number	Qty	Description	Comments
				1200 CCM
1	410985M92	1	Support	
2	411303M92	1	Engine	
3	410403M1	2	Band	
		2	Band	
4	323888M1	1	Water Hose	
5	324246M91	1	Cap	(C)
6	321618M2	1	Bag	(C)
	404595M1	1	Bag	(D)
7	320682M2	1	Bearer	
8	323881M1	1	Lever	
9	339112X1	1	Screw Metric	
10	339087X1	2	Pin	
11	339056X1	2	Washer Metric	
12	414622M1	1	Filter	(E)
				See Page - Reference Number 20-4
	411562M1	1	Filter	(E)
				See Page - Reference Number 20-4
19	410069M91	1	Plate	
20	339230X1	10	Screw Metric	
21	390971X1	4	Washer Metric	
22	339375X1	18	Lock Washer	
23	339030X1	16	Nut Metric	
24	320632M1	1	Strap	
25	410864M1	2	Angle	
26	339451X1	4	Screw Metric	
27	339376X1	11	Lock Washer	
28	339402X1	5	Nut Metric	
29	410071M92	1	Plate	
30	410074M92	1	Plate	
31	339560X1	2	Screw Metric	
32	410093M91	1	Extension	
33	324946M1	1	Screw	
34	390591X1	1	Seal	
35	390580X1	2	Screw Metric	
36	320828M1	1	Startermotor	
37	410076M1	1	Support	
38	339081X1	5	Screw Metric	
39	390688X1	1	Seal	
40	391483X1	8	Screw Metric	
41	410197M1	2	Exhaust Pipe	(A)
	411712M1	1	Exhaust Pipe	(B)
42	1700464M1	2	Clamp	
43	1701057M1	1	Gasket	
44	1701058M1	1	Cone	
45	339229X1	2	Bolt Metric	
46	339030X1	2	Nut Metric	
47	9138077	1	Heater	
48	410099M91	1	Tube	
49	410102M91	1	Tube	
50	410105M1	1	Tube	
51	323939M1	4	Clip	
52	410403M1	1	Band	
		1	Band	
53	339560X1	1	Screw Metric	
	339666X1	4	Screw Metric	
54	339375X1	5	Lock Washer	
55	339030X1	5	Nut Metric	
56	410063M1	2	Cover	
57	410064M91	1	Plate	
58	1723369M1	1	Hose	(D)
				(A)
				Up to Serial or Engine Number 1906
				(B)
				From Serial or Engine Number 1907
				(C)
				Up to Serial or Engine Number 9751
				(D)
				From Serial or Engine Number 9752
				(E)

MASSEY FERGUSON

MF 31 COMBINE - 415718

415718

VW ENGINE 1200 CCM - 1200 CCM

20-1

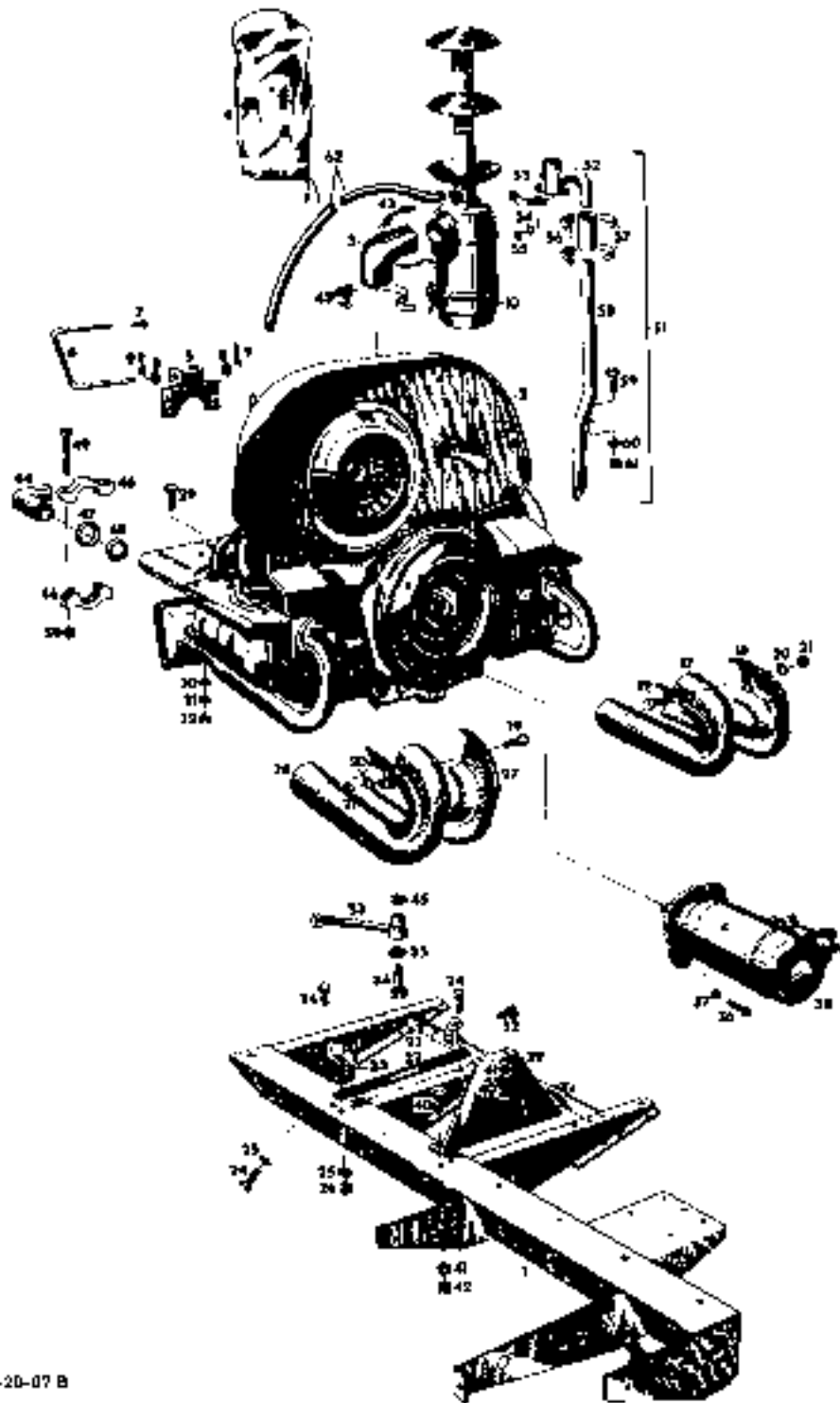
Item	Part Number	Qty	Description	Comments
				Not serviced, order 1723372M1

20-2

VW-MOTOR 1600 ccm

VW-ENGINE 1600 ccm

MOTEUR VW 1600 ccm



1151-20-07 B

Машинска MF 31

415 716 M2 (Ausgabe 1/17/70)

**MASSEY FERGUSON
MF 31 COMBINE - 415718**

415718

20-2

VW ENGINE 1600 CCM - 1600 CCM

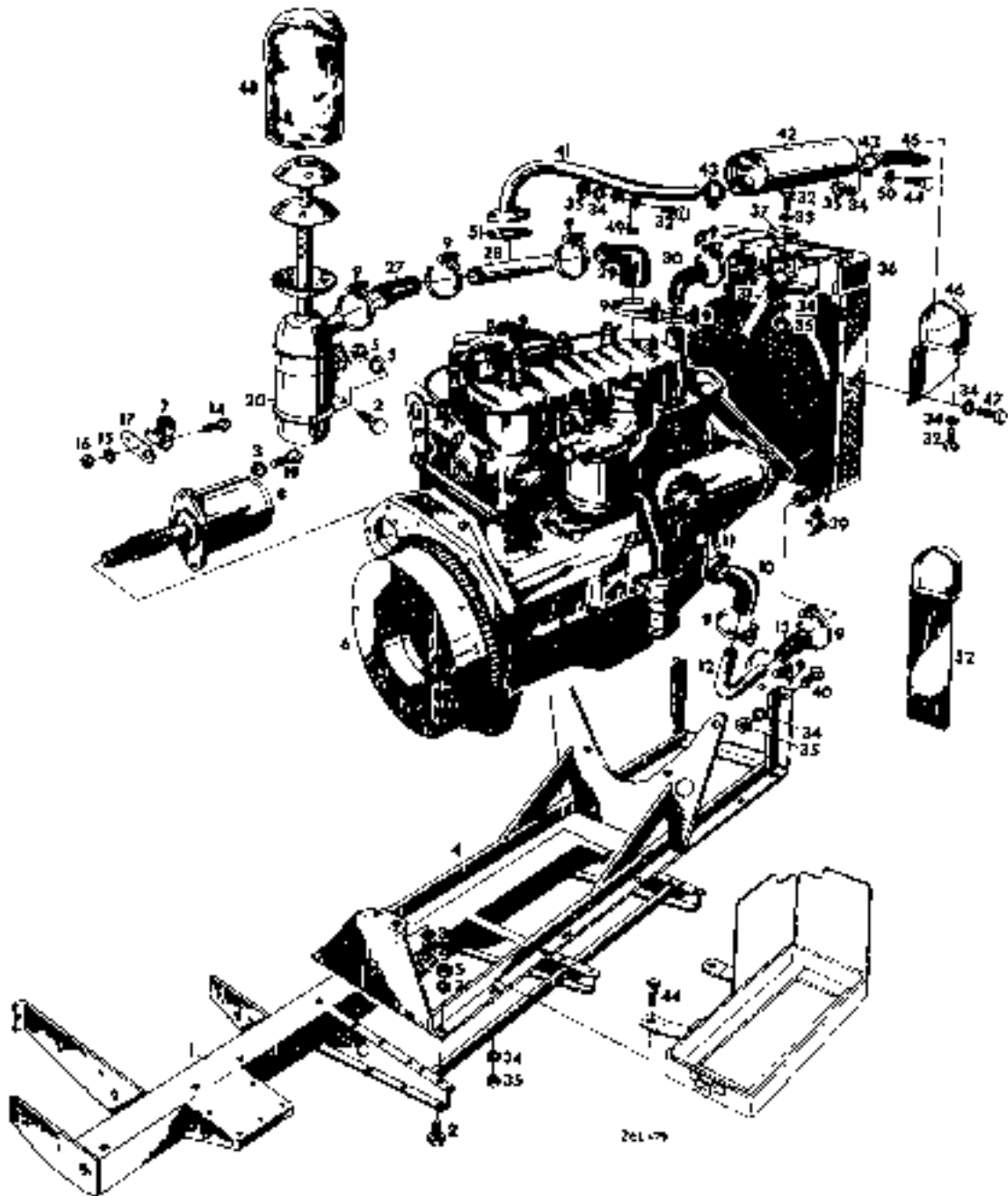
Item	Part Number	Qty	Description	Comments
				1600 CCM
1	410985M92	1	Support	
2	411557M92	1	Engine	
3	323888M1	1	Water Hose	
4	1721380M1	1	Bag	
5	320682M2	1	Bearer	
6	323881M1	1	Lever	
7	339112X1	1	Screw Metric	
8	339056X1	2	Washer Metric	
9	339087X1	2	Pin	
10	414622M1	1	Filter	(A) See Page - Reference Number 20-4
	411562M1	1	Filter	(A) See Page - Reference Number 20-4
17	411563M91	1	Guard	Right Hand
18	411567M91	1	Guard	Right Hand
19	339230X1	10	Screw Metric	
20	339375X1	10	Lock Washer	
21	339030X1	10	Nut Metric	
22	320632M1	1	Strap	
23	410864M1	2	Angle	
24	339451X1	4	Screw Metric	
25	339376X1	4	Lock Washer	
26	339402X1	2	Nut Metric	
27	411569M91	1	Guard	Left Hand
28	411571M91	1	Guard	Left Hand
29	339560X1	2	Screw Metric	
30	390971X1	2	Washer Metric	
31	339375X1	2	Lock Washer	
32	339030X1	1	Nut Metric	
33	410093M91	1	Extension	
34	324946M1	1	Screw	
35	390591X1	1	Seal	
36	390580X1	2	Screw Metric	
37	339376X1	2	Lock Washer	
38	320828M1	1	Startermotor	
39	410076M1	1	Support	
40	339081X1	5	Screw Metric	
41	339376X1	5	Lock Washer	
42	339402X1	3	Nut Metric	
43	410403M1	2	Band	
		2	Band	
44	411712M1	1	Exhaust Pipe	(B)
45	390688X1	1	Seal	
46	1700464M1	2	Clamp	(B)
47	1700465M1	1	Washer	(B)
48	1700466M1	1	Cone	(B)
49	339229X1	2	Bolt Metric	(B)
50	339030X1	2	Nut Metric	(B)
51	11517077	1	Heater	
52	411679M91	1	Tube	
53	411561M2	1	Clip	
54	339375X1	2	Lock Washer	
55	339030X1	2	Nut Metric	
56	411682M1	1	Water Hose	
57	410403M1	2	Band	
		2	Band	
58	411676M91	1	Tube	
59	339560X1	1	Screw Metric	
60	339375X1	1	Lock Washer	
61	339030X1	1	Nut Metric	
62	1723369M1	1	Hose	(C) (A) Not serviced, order 1723372M1 (B) Up to Serial or Engine Number 1906 (C) From Serial or Engine Number 9752

20-3

PERKINS-MOTOR

PERKINS ENGINE

MOTORE PERKINS



Motorkapitel MF 31

415718 M2 (Ausgabe 1) 12/70

PERKINS ENGINE

Item	Part Number	Qty	Description	Comments
1	410985M92	1	Support	
2	339081X1	10	Screw Metric	
3	339376X1	11	Lock Washer	
4	618975M94	1	Frame	
5	339402X1	7	Nut Metric	
6		1	Engine	* (A) Not serviced, order 410324M2
	410324M2	1	Engine	A 4.107 * (A)
	410324M2	1	Engine	A 4.107 UA **
	416594M1	1	Engine	A 4.107 FA **
7	1446153M91	1	Relay	
8	1714939M1	1	Starter Clutch	
9	410403M1	10	Band	
	410402M1	10	Band	
10	619053M1	1	Elbow	
11	390708X1	1	Clip	
12	619061M1	1	Elbow	
13	619054M1	1	Connector	
14	339721X1	2	Screw Metric	
15	339381X1	2	Lock Washer	
16	339029X1	2	Nut	
17	619009M1	1	Bracket	(C)
	416364M1	1	Bracket	(D)
19	353537X1	1	Screw Unf	
20	414623M1	1	Filter	(A) See Page - Reference Number 20-4
	410327M2	1	Filter	(A) See Page - Reference Number 20-4
27	619058M1	1	Elbow	
28	619057M1	1	Tube	
29	619060M1	1	Elbow	
30	619059M1	1	Elbow	
31	410364M1	1	Bracket	
32	339123X1	3	Screw Metric	
33	339817X1	1	Washer Metric	
34	339374X1	11	Lock Washer	
35	339169X1	8	Nut Metric	
36	410350M2	1	Radiator	(E)
	417830M1	1	Radiator	(F)
37	411552M1	1	Cap	(E)
	417855M1	1	Plug	(F)
39	1851095M2	1	Tap	
40	339153X1	2	Screw Metric	
41	410351M91	1	Tube	
42	410343M2	1	Silencer	
43	410363M2	2	Clip	
44	339761X1	4	Screw Metric	
45	410355M1	1	Stub	
46	410357M91	1	Clamp	
47	339228X1	2	Screw Metric	
48	1721380M1	1	Bag	
49	410356M1	1	Bracket	
50	339817X1	2	Washer Metric	
51	619044M1	1	Gasket	
52	411735M91	1	Support	(B) Up to Serial or Engine Number 6264 ** From Serial or Engine Number 6265 (A) ALTERNATIVE (B) For UK only or any text in English only (C) Up to Serial or Engine Number 6264 (D) From Serial or Engine Number 6265

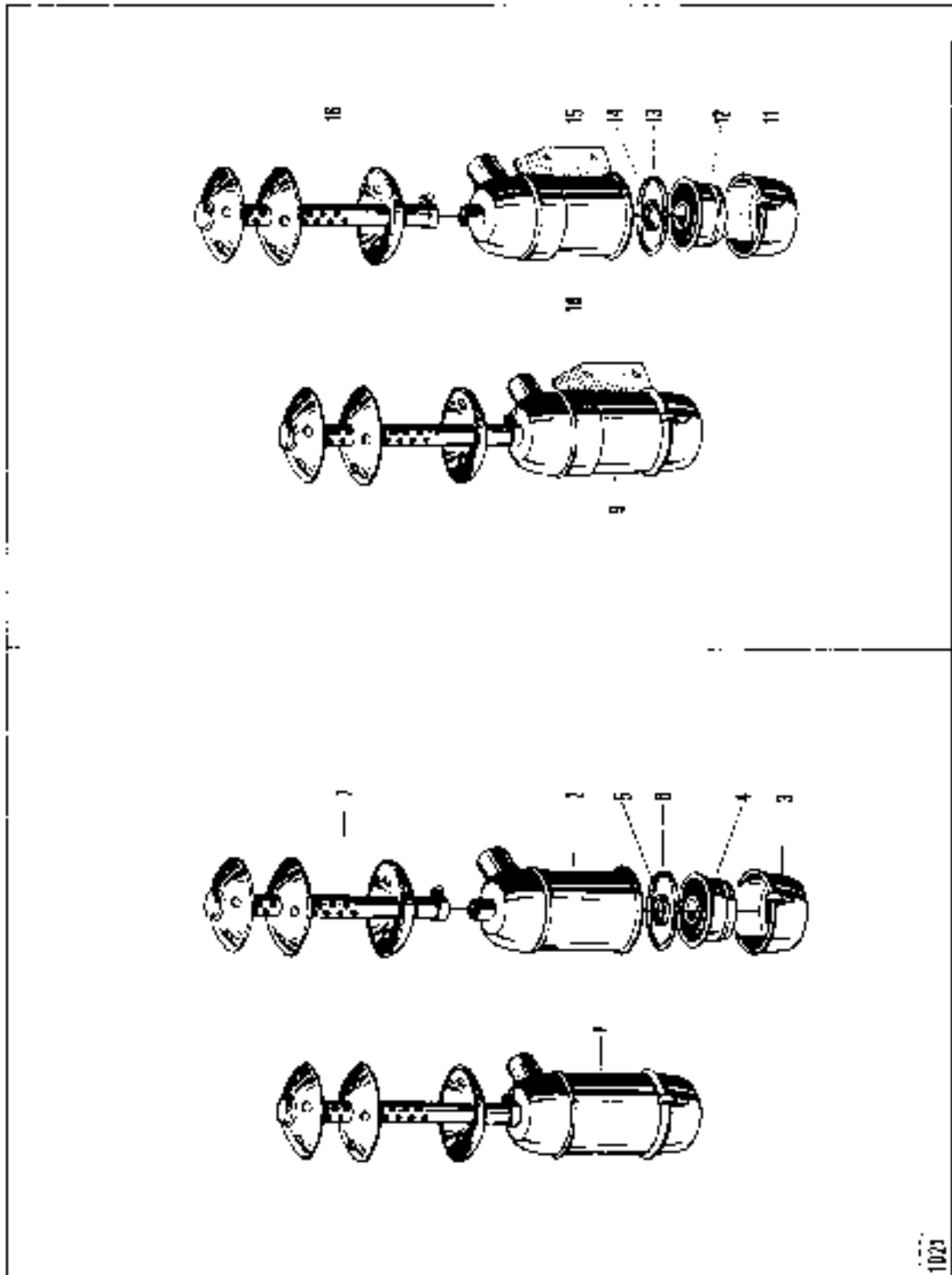
MASSEY FERGUSON
MF 31 COMBINE - 415718

415718

PERKINS ENGINE

20-3

Item	Part Number	Qty	Description	Comments
				(E) STANDARD VERSION
				(F) TROPICS VERSION (ABOVE 35 C)



1023

AIR FILTER

Item	Part Number	Qty	Description	Comments
1	411562M1	1	Filter	
	414622M1	1	Filter	
2		1	Filter	
3	1700515M1	1	Container	
4	1700517M1	1	Element	
5	1700518M1	1	Joint	
6	1700519M1	1	Gasket	
7	1700522M1	1	Pipe	
9	410327M2	1	Filter	
	414623M1	1	Filter	
10		1	Housing	Not serviced, order FILTER ASSEMBLY
11	1700515M1	1	Container	
12	1700517M1	1	Element	
13	1700518M1	1	Joint	
14	1700519M1	1	Gasket	
15	1700521M1	1	Strap	
16	1700522M1	1	Pipe	

20-5

MOTOREASTRUKTUR - VW

MAIN DRIVE SHAFT - VW

CARTER ET PRISE DE FORCE - VW



Antriebsstrich MF 31

415 710 02 (Ausgabe 1) 12/70

MAIN DRIVE SHAFT - VW

Item	Part Number	Qty	Description	Comments
1	324095M91	1	Lever	
2	339374X1	1	Lock Washer	
3	339425X1	1	Knob Assy	
4	339143X1	1	Clevis Pin	
5	339025X1	1	Washer Metric	
6	391401X1	1	Pin	
7	324093M92	2	Guide	
8	339761X1	2	Screw Metric	
9	339169X1	4	Nut Metric	
10	320601M3	2	Stud	
11	339091X1	2	Screw	
12	339025X1	2	Washer Metric	
13	339376X1	5	Lock Washer	
14	339402X1	5	Nut Metric	
15	322334M93	1	Disc	
16	339123X1	7	Screw Metric	
17	1706044M1	1	Spring	
18	324112M93	1	Stem	
19	339763X1	5	Washer	
20	339076X1	5	Pin	
21	410620M91	1	Plate	
22	339003X1	3	Greaser	
	390066X1	1	Plug	(B)
23	324107M1	1	Screw	
24	391382X1	1	Washer Metric	
25	410605M91	1	Stem	
26	410607M2	1	Shaft	
27	1440509X1	1	Bearing Ball	(A)
	390384X1	1	Bearing Ball	(B)
28	1440480X1	1	Circlip	
29	410608M92	1	Pulley	Right Hand
30		1	Hub	Not serviced, order 410608M92
31	339374X1	6	Lock Washer	
32	339761X1	6	Screw Metric	
33	410622M1	1	Bush	(C)
34	320622M1	1	Plate	
35	320621M1	1	Nut	
36	410611M91	1	Pulley	Left Hand
				(C)
	411638M91	1	Pulley	(D)
37	339094X1	1	Circlip	
38	1440504X1	1	Bearing Ball	(A)
	339601X1	1	Bearing Ball	(B)
39	320265M4	1	Housing	(A)
	414605M1	1	Housing	(B)
40	320266M1	1	Ring	
41	1440478X1	1	Circlip	
42	410614M1	1	Housing	
43	339027X1	1	Washer Metric	
44	339058X1	1	Pin	
45	322596M2	1	Stem	
46	339881X1	1	Bolt Metric	
47	339377X1	1	Lock Washer	
48	339034X1	1	Nut Metric	
49	410723M1	1	Tube	
50	339026X1	2	Washer Metric	
51	339054X1	3	Nut Metric	
52	410720M91	1	Brace	
53	339016X1	1	Bolt	
54	410616M1	2	Lever	
55	324101M92	1	Sector	
56	410623M1	1	Key Door	
57	339002X1	1	Lubricator	
58	410619M1	1	Pulley	
59	410618M1	1	Washer	
60	339560X1	4	Screw Metric	
61	339375X1	4	Lock Washer	
62	390843X1	1	Nipple	
63	390838X1	1	Stud	
64	339030X1	1	Nut Metric	

**MASSEY FERGUSON
MF 31 COMBINE - 415718**

415718

MAIN DRIVE SHAFT - VW

20-5

Item	Part Number	Qty	Description	Comments
65	411281M1	1	Bolt	(A) NON-SEALED BEARINGS
66	339369X1	1	Lock Washer	(B) SEALED BEARINGS
				(C) Up to Serial or Engine Number 1826
				(D) From Serial or Engine Number 1827

20-6

MOTOR/ATRIER - PERKINS

MAIN DRIVE SHAFT - PERKINS

CARTER ET PRISE DE FORCE - PERKINS



Motorkombi MF 31

415 716 M2 (Ausgabe 1/12/70)

MASSEY FERGUSON

MF 31 COMBINE - 415718

415718

MAIN DRIVE SHAFT - PERKINS

20-6

Item	Part Number	Qty	Description	Comments
1	324095M91	1	Lever	
2	339374X1	16	Lock Washer	
3	339425X1	1	Knob Assy	
4	339143X1	1	Clevis Pin	
5	339025X1	1	Washer Metric	
6	391401X1	1	Pin	
7	324093M92	1	Guide	
8	339761X1	2	Screw Metric	
9	339169X1	4	Nut Metric	
10	353521X1	4	Bolt Unf	
11	353548X1	2	Bolt Unf	
12	339376X1	5	Lock Washer	
13	353431X1	4	Nut Unf	
14	353527X1	2	Screw	
15	353544X1	1	Screw Unf	
16	354514X1	1	Bolt	
17	330415X1	2	Pin	
18	613950M1	1	Plug	
19	412188M91	1	Disc	
20	353517X1	6	Screw Unf	
21	1706044M1	1	Spring	
22	324112M93	1	Stem	
23	339763X1	5	Washer	
24	339076X1	5	Pin	
25	410620M91	1	Plate	
26	339003X1	3	Greaser	
	390066X1	1	Plug	(B)
27	324107M1	1	Screw	
28	391382X1	1	Washer Metric	
29	410605M91	1	Stem	
30	410852M2	1	Shaft	
31	1440509X1	1	Bearing Ball	(A)
	390384X1	1	Bearing Ball	(B)
32	1440480X1	1	Circlip	
33	410608M92	1	Pulley	Right Hand
34		1	Hub	Not serviced, order 410608M92
35	339374X1	6	Lock Washer	
36	339761X1	6	Screw Metric	
37	410622M1	1	Bush	(C)
38	320622M1	1	Plate	
39	320621M1	1	Nut	
40	410611M91	1	Pulley	Left Hand
				(C)
	411638M91	1	Pulley	Left Hand
				(D)
41	339094X1	1	Circlip	
42	1440504X1	1	Bearing Ball	(A)
	339601X1	1	Bearing Ball	(B)
43	320265M4	1	Housing	(A)
	414605M1	1	Housing	(B)
44	320266M1	1	Ring	
45	1440478X1	1	Circlip	
46	410851M2	1	Housing	(E)
	411881M1	1	Housing	(F)
	410374M1	1	Plug	
47	339027X1	1	Washer Metric	
48	339058X1	1	Pin	
49	322596M2	1	Stem	
50	339881X1	1	Bolt Metric	
51	339377X1	1	Lock Washer	
52	339034X1	1	Nut Metric	
53	410723M1	1	Tube	
54	339026X1	2	Washer Metric	
55	339054X1	3	Nut Metric	
56	410720M91	1	Brace	
57	339451X1	1	Screw Metric	
58	339402X1	1	Nut Metric	
59	410616M1	2	Lever	
60	324101M92	1	Sector	
61	410623M1	1	Key Door	

MASSEY FERGUSON
MF 31 COMBINE - 415718

415718

20-6

MAIN DRIVE SHAFT - PERKINS

Item	Part Number	Qty	Description	Comments
62	339002X1	1	Lubricator	
63	410619M1	1	Pulley	
64	410618M1	1	Washer	
65	339560X1	4	Screw Metric	
66	339375X1	4	Lock Washer	
67	339123X1	1	Screw Metric	
68	390843X1	1	Nipple	
69	390838X1	1	Stud	
70	339030X1	1	Nut Metric	
71	411281M1	1	Bolt	
72	339369X1	1	Lock Washer	

(A)

NON-SEALED BEARINGS

(B)

SEALED BEARINGS

(C)

Up to Serial or Engine Number 1826

(D)

From Serial or Engine Number 1827

(E)

Up to Serial or Engine Number 3359

(F)

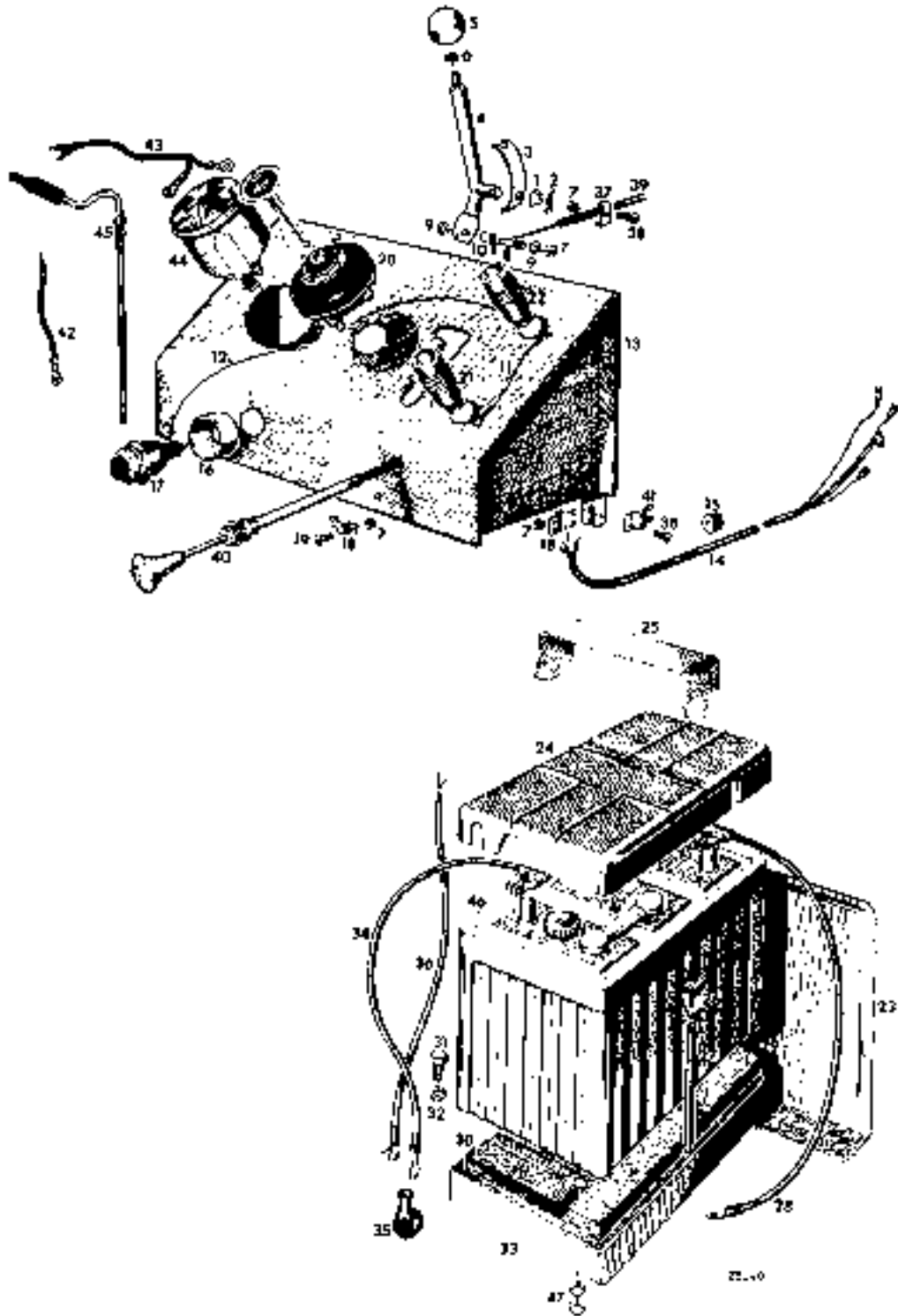
From Serial or Engine Number 3360

20-7

INSTRUMENTENBETT UND
ELEKTRISCHE ANLAGE - VW

INSTRUMENT PANEL
AND ELECTRICAL
EQUIPMENT - VW

TABEAU DE BORD ET
EQUIPEMENT ELECTRIQUE - VW



Wandzeitung MF 31

415/1E M2 (Ausgabe 11/12/70)

**MASSEY FERGUSON
MF 31 COMBINE - 415718**

415718

20-7

INSTRUMENT PANEL AND ELECTRICAL EQUIPMENT - VW

Item	Part Number	Qty	Description	Comments
1	339056X1	1	Washer Metric	
2	339087X1	1	Pin	
3	323886M1	1	Spring	
4	323837M92	1	Lever	
5	339426X1	1	Knob	
6	339375X1	1	Lock Washer	
7	339111X1	8	Nut	
8	323883M2	1	Bolt	
9	339362X1	2	Washer	
10	323884M2	1	Spacer	
11	323901M2	1	Harness	
12	323909M1	1	Cable	
13	323862M93	1	Panel	
14	410387M2	1	Harness	
15	320858M1	1	Grommet	
16	320797M2	1	Sleeve	
17	320808M1	1	Switch	
18	323914M1	2	Clip	
19	339268X1	2	Screw Metric	
20	320807M1	1	Switch, Ignition	
	1700112M1	1	Key Door	
21	413581M1	1	Lamp	
	320824M1	1	Bulb	
22	413580M1	1	Lamp	
	320824M1	1	Bulb	
23	410865M1	1	Guard	
24	320403M2	1	Cover	
25	321735M2	1	Bridle	
26	320637M1	2	Hook	
27	1706122M1	2	Spring	
28	323921M1	1	Cable	NEGATIVE
29	321587M1	2	Gasket	
30	321586M1	2	Gasket	
31	339081X1	3	Screw Metric	
32	339376X1	3	Lock Washer	
33	410862M1	1	Carrier	
34	323922M1	1	Cable	POSITIVE
35	320829M1	1	Cap	
36	410386M1	1	Harness	
37	323885M1	1	Clip	
38	339112X1	5	Screw Metric	
39	323882M1	1	Pull	
40	323916M1	1	Control	
	1700809M1	1	Button	
41	323913M1	2	Strap	
42	324009M91	1	Cable	(A)
43	324008M91	1	Cable	(A)
44	323996M1	1	Manometer	(A)
45	410171M1	1	Connection	(A)
46		1	Battery	6V, 75 AH
47	339735X1	4	Washer	(A)

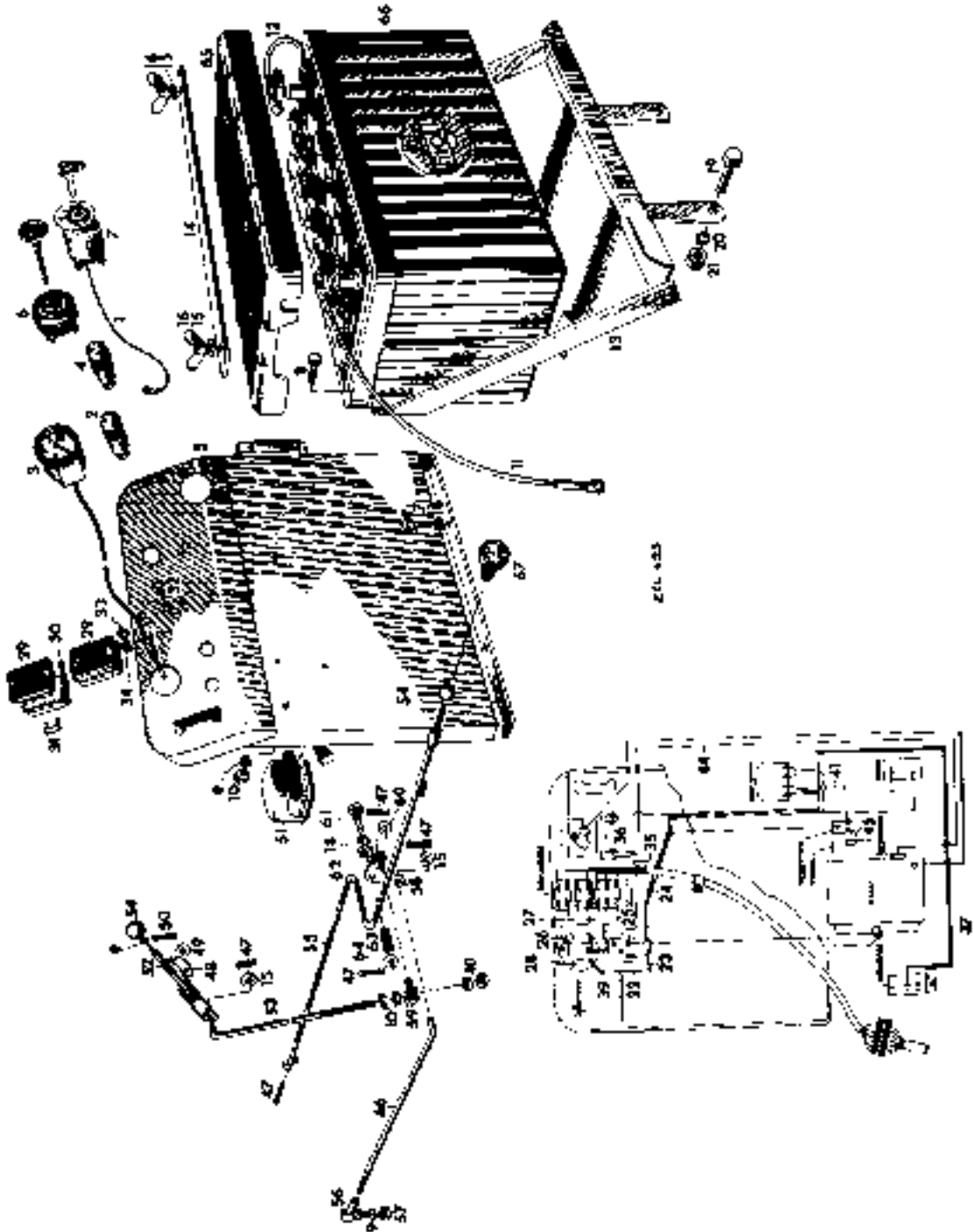
SPECIAL EQUIPMENT

20-8

INSTRUMENTENBREIT UND
ELEKTRISCHE ANLAGE -
PERKINS
bis Serien-Nr. 3359

INSTRUMENT PANEL
AND ELECTRICAL
EQUIPMENT - PERKINS
up to No. 3359

TAB. EAU DE BORD L'
EQUIPEMENT ELECTRIQUE -
PERKINS
jusqu'à No. 3359



Abhanger MF 31

415 718 M2 (Ausgabe II 12/70)

Item	Part Number	Qty	Description	Comments
				Up to Serial or Engine Number 3359
1	410408M1	1	Cable	
2	413580M1	1	Lamp	
	322795M1	1	Bulb	
3	410315M1	1	Thermometer	
4	413581M1	1	Lamp	
	322795M1	1	Bulb	
5	410409M93	1	Panel	
6	320807M1	1	Switch, Ignition	
	1700112M1	1	Key Door	
7	417402M1	1	Switch	
	1714521M1	1	Key	
	967420M1	1	Plate	
8	339804X1	2	Screw Metric	
9	339375X1	4	Lock Washer	
10	339030X1	6	Nut Metric	
11	410312M1	1	Cable	NEGATIVE
12	410333M1	1	Cable	POSITIVE
13	410287M91	1	Frame	
14	410289M1	1	Strap	
15	390971X1	4	Washer Metric	
16	339722X1	2	Nut	
17	339761X1	2	Screw Metric	
18	339374X1	3	Lock Washer	
19	339451X1	2	Screw Metric	
20	339376X1	2	Lock Washer	
21	339402X1	2	Nut Metric	
22	410266M1	1	Cable	
23	410267M2	1	Cable	
24	410409M1	1	Cable	
25	410269M1	1	Cable	(A)
26	410270M1	1	Cable	(A)
27	410271M1	1	Cable	(A)
28	410272M1	1	Cable	(A)
29	320809M2	2	Box	(A)
30	320810M2	7	Fuse	(A)
31	320823M1	3	Rail	(A)
32	339112X1	4	Screw Metric	(A)
33	339382X1	4	Lock Washer	(A)
34	339111X1	4	Nut	(A)
35	410273M2	1	Cable	
36	410274M2	1	Cable	
37	410275M2	1	Cable	
39	410410M1	1	Cable	
41	410280M2	1	Cable	
	391483X1	1	Screw Metric	
	339375X1	1	Lock Washer	
	339030X1	1	Nut Metric	
44	410281M2	1	Cable	
45	410334M1	1	Cable	
46	410372M1	1	Rod	
47	391400X1	5	Pin	
48	323886M1	1	Spring	
49	339024X1	1	Washer Metric	
50	391402X1	1	Pin	
51	1700892M1	1	Control Box	
52	410370M91	1	Lever	
53	410371M1	1	Rod	
54	339426X1	2	Knob	
55	411504M91	1	Rod	
56	390705X1	1	Toggle	
57	339030X1	1	Nut Metric	(B)
58	619018M1	1	Lever	
59	619023M1	1	Eye	
60	390050X1	1	Washer	
61	619022M1	1	Joint	
62	339169X1	1	Nut Metric	
63	1706018M1	1	Spring	
64	339588X1	1	Washer	
65	404951M1	1	Cover	

MASSEY FERGUSON**MF 31 COMBINE - 415718****415718****INSTRUMENT PANEL AND ELECTRICAL EQUIPMENT - PERKINS****20-8**

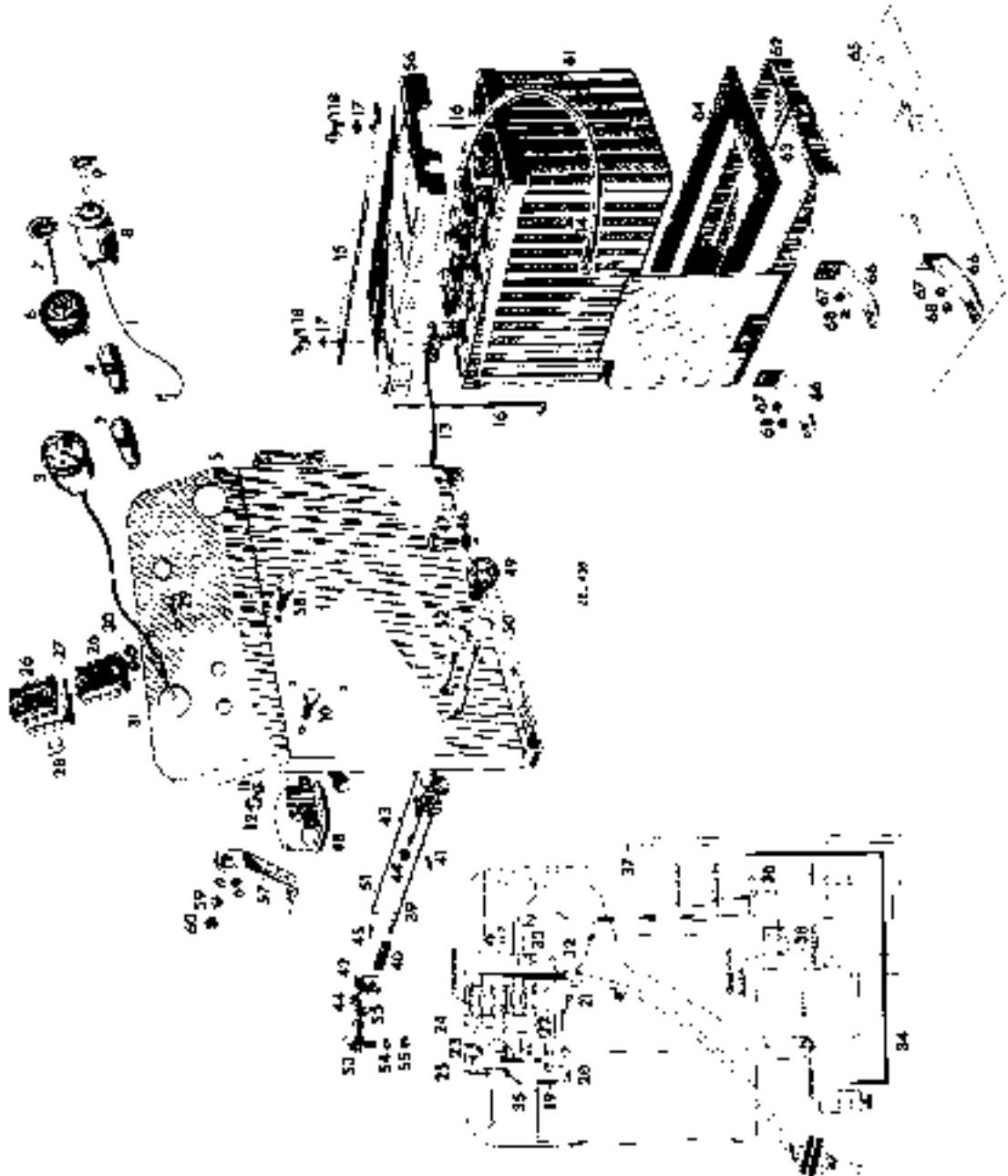
Item	Part Number	Qty	Description	Comments
66		1	Battery	12V, 70 AH
67	411556M1	1	Knob	(C) (A) FOR COMBINES WITH LIGHTING EQUIPMENT ONLY (B) NOT USED IF 390705X1 IS FITTED (C) U.K. ONLY

20-9

INSTRUMENTENPANEL UND
ELEKTRISCHE ANLAGE -
PERKINS
nb Serien-No. 3360

INSTRUMENT PANEL
AND ELECTRICAL
EQUIPMENT - PERKINS
Tran. No. 3360

TABLEAU OF BORD ET
EQUIPEMENT ELECTRIQUE -
PERKINS
N° partie No. 3360



Waltwhercher MF 31

415 718 M2 (Ausgabe II 12/70)

**MASSEY FERGUSON
MF 31 COMBINE - 415718**

415718

INSTRUMENT PANEL AND ELECTRICAL EQUIPMENT - PERKINS

20-9

Item	Part Number	Qty	Description	Comments
				From Serial or Engine Number 3360
1	410408M1	1	Cable	
2	413580M1	1	Lamp	
	322795M1	1	Bulb	
3	410315M1	1	Thermometer	
4	413581M1	1	Lamp	
	322795M1	1	Bulb	
5	411883M91	1	Panel	(N)
	416598M91	1	Panel	(F, M)
6	320807M1	1	Switch, Ignition	
7	1700112M1	1	Key Door	
8	417402M1	1	Switch	
9	1714521M1	1	Key	(G)
	1701282M1	1	Spanner	(H, J)
	968826M2	1	Plate	(F)
	967420M1	1	Plate	
10	339804X1	2	Screw Metric	
11	339375X1	2	Lock Washer	
12	339030X1	2	Nut Metric	
13	411882M1	1	Cable	
14	323922M1	1	Cable	
15	410289M1	1	Strap	
16	412833M1	2	Bolt	
17	390971X1	2	Washer Metric	
18	339722X1	2	Nut	
19	410266M1	1	Cable	
20	410267M2	1	Cable	
21	410409M1	1	Cable	
22	410269M1	1	Cable	(A)
23	410270M1	1	Cable	(A)
24	410271M1	1	Cable	(A)
25	410272M1	1	Cable	(A)
26	320809M2	2	Box	(A)
27	320810M2	7	Fuse	(A)
28	320823M1	3	Rail	(A)
29	339112X1	4	Screw Metric	(A)
30	339382X1	4	Lock Washer	(A)
31	339111X1	4	Nut	(A)
32	410273M2	1	Cable	
33	410274M2	1	Cable	
34	410275M2	1	Cable	
35	410410M1	1	Cable	
36	410280M2	1	Cable	
	391483X1	1	Screw Metric	
	339375X1	1	Lock Washer	
	339030X1	1	Nut Metric	
37	410281M2	1	Cable	(K)
	1722533M1	1	Cable	(L)
38	410334M1	1	Cable	
	411826M91	1	Rod	
39	411827M91	1	Rod	
40	1706021M1	1	Spring	
41	339087X1	1	Pin	
42	411830M1	1	Bracket	
43	411828M91	1	Rod	
44	339030X1	2	Nut Metric	
45	391400X1	1	Pin	
46	339374X1	2	Lock Washer	
47	339761X1	2	Screw Metric	
48	1700892M1	1	Control Box	
49	411556M1	1	Knob	(B)
50	339426X1	1	Knob	
51	411833M91	1	Rod	
52	339426X1	1	Knob	
53	390705X1	1	Toggle	
54	339375X1	1	Lock Washer	
55	339030X1	2	Nut Metric	(E)
56	404951M1	1	Cover	
57	411836M1	1	Bracket	
58	390737X1	1	Bolt	

**MASSEY FERGUSON
MF 31 COMBINE - 415718**

415718

INSTRUMENT PANEL AND ELECTRICAL EQUIPMENT - PERKINS

20-9

Item	Part Number	Qty	Description	Comments
59	339375X1	1	Lock Washer	
60	339030X1	1	Nut Metric	
61		1	Battery	
	411837M92	1	Frame	
62	411838M92	1	Frame	(D)
63	404944M1	2	Strip	
64	404943M1	2	Strip	
65	414658M91	1	Frame	(C)
66	411839M2	2	Bracket	
67	339374X1	2	Lock Washer	
68	339169X1	2	Nut Metric	
69	390971X1	1	Washer Metric	

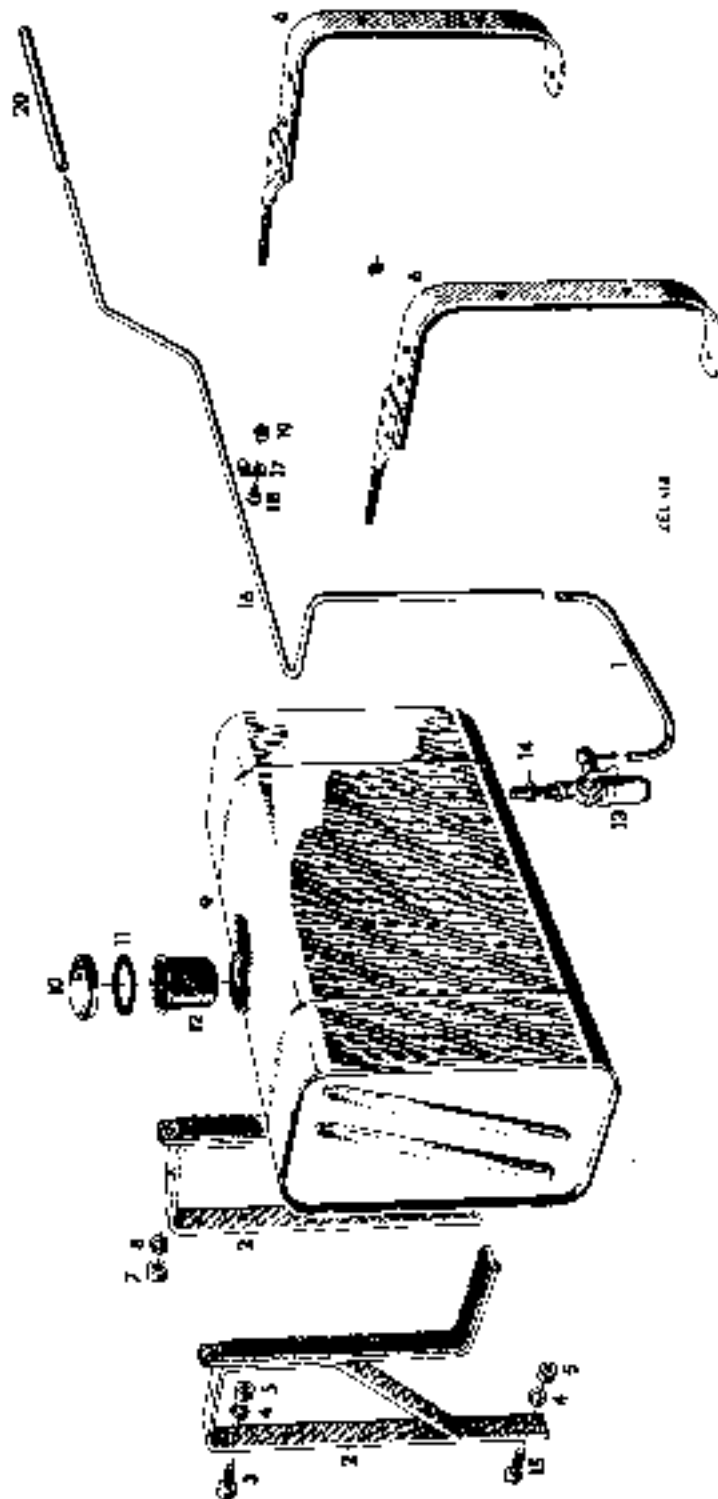
(A)
FOR COMBINES WITH LIGHTING EQUIPMENT ONLY
(B)
U.K. ONLY
(C)
Up to Serial or Engine Number 4254
(D)
From Serial or Engine Number 4255
(E)
NOT USED IF 390705X1 IS FITTED
(F)
FRANCE ONLY
(G)
Up to Serial or Engine Number
(H)
From Serial or Engine Number
(J)
USED WITH 417402M1
(K)
Up to Serial or Engine Number
(L)
From Serial or Engine Number
(M)
Up to Serial or Engine Number 4436
(N)
FOR FRANCE ALSO
From Serial or Engine Number 4437

20-10

KRAFTSTOFFBEHALTER UND
LEITUNGEN - VW

FUEL TANK AND
FUEL LINES - VW

RESERVOIR A CARBURANT
ET TUYAUTES ES - VW



Mahindra MF 31

415718 M2 (Ausgabe 1) 12/20

MASSEY FERGUSON**MF 31 COMBINE - 415718**

415718

FUEL TANK AND FUEL LINES - VW

20-10

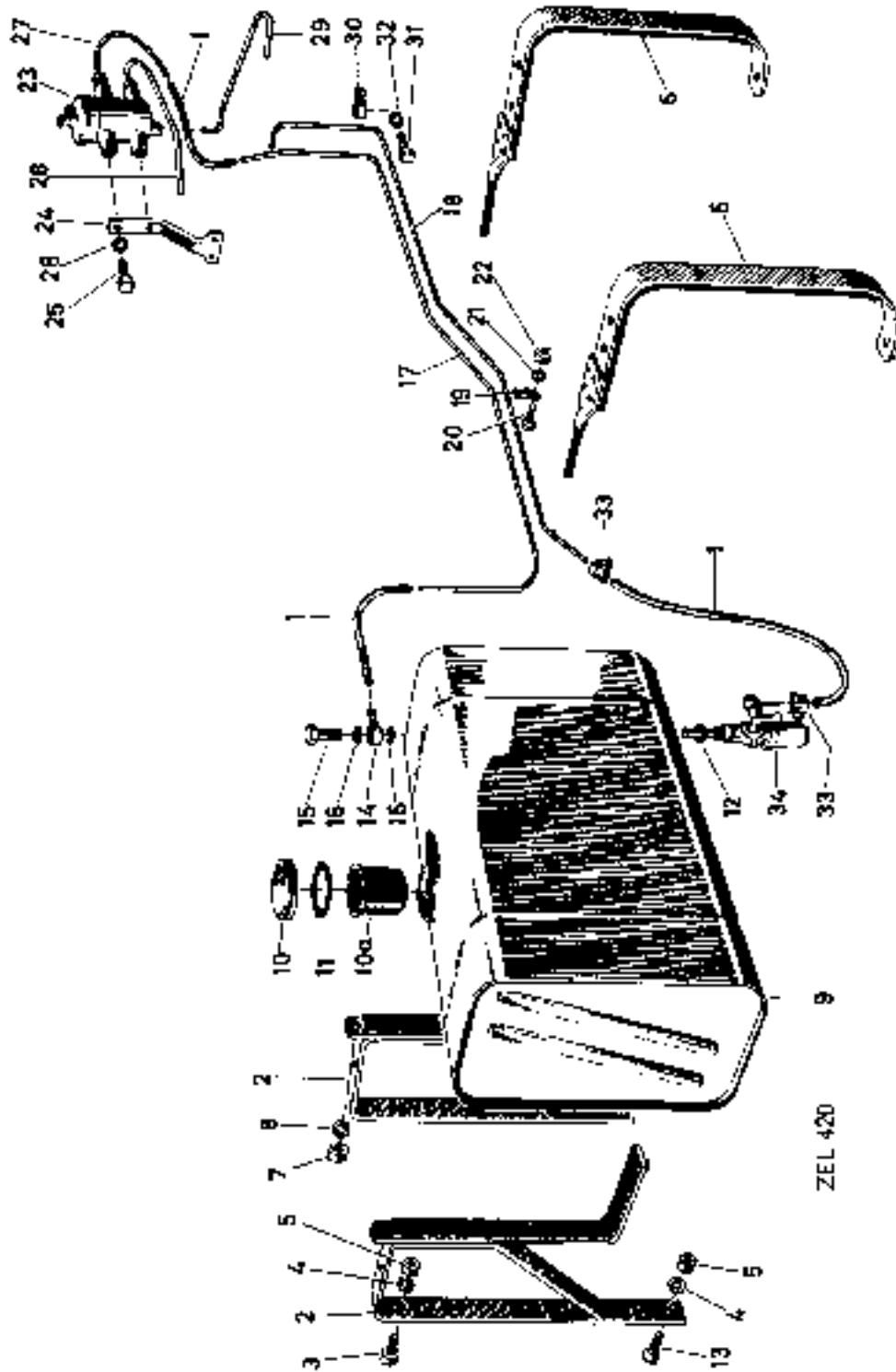
Item	Part Number	Qty	Description
1	321435M2	1	Hose
2	322273M94	2	Support
3	339123X1	4	Screw Metric
4	339374X1	6	Lock Washer
5	339169X1	6	Nut Metric
6	322681M94	2	Strap
7	339402X1	2	Nut Metric
8	339376X1	2	Lock Washer
9	323819M94	1	Reservoir
10	322507M2	1	Cap
11	1700180M1	1	Gasket
12	411674M1	1	Fuel Filter
13	417880M1	1	Cock
14	321019M1	2	Gasket
15	339153X1	2	Screw Metric
16	410467M1	1	Tube
17	321564M1	1	Clip
18	391484X1	1	Screw Metric
19	339030X1	1	Nut Metric
20	416553M1	1	Hose

20-11

KRAFTSTOFFFILTER UND
LEITUNGEN - PERKINS

FUEL TANKS AND
FUEL LINES - PERKINS

RESERVOIR A CARBURANT ET
TUYAUX PERKINS



Aschmaschinen MF 31

415 718 62 Ausgabe 11 12/70

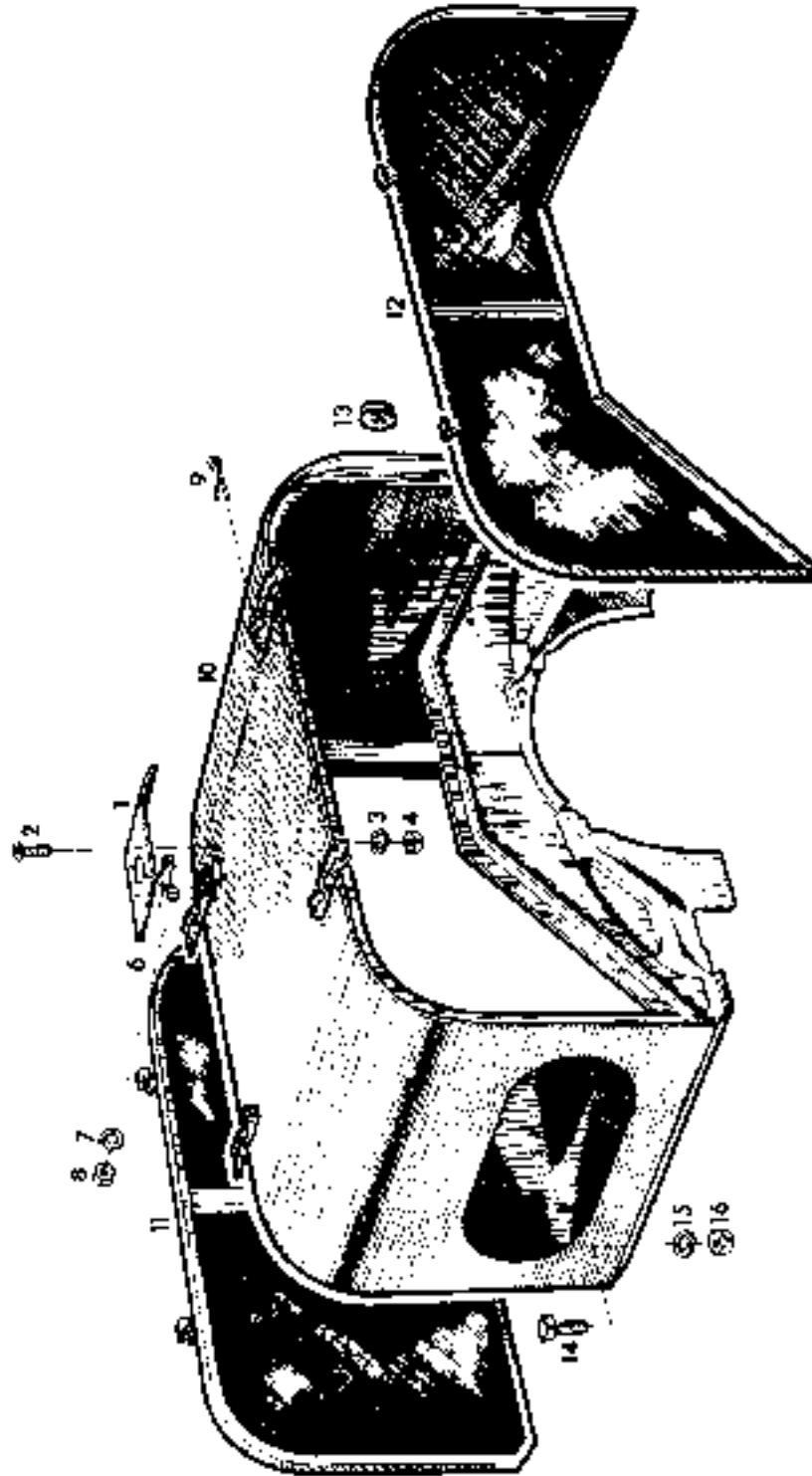
**MASSEY FERGUSON
MF 31 COMBINE - 415718**

415718

FUEL TANK AND FUEL LINES - PERKINS

20-11

Item	Part Number	Qty	Description
1	321435M2	3	Hose
2	322273M94	2	Support
3	339123X1	4	Screw Metric
4	339374X1	6	Lock Washer
5	339169X1	6	Nut Metric
6	322681M94	2	Strap
7	339402X1	2	Nut Metric
8	339376X1	2	Lock Washer
9	324815M95	1	Tank
10	322507M2	1	Cap
10A	411674M1	1	Fuel Filter
11	1700180M1	1	Gasket
12	321019M1	X	Gasket
13	339153X1	2	Screw Metric
14	390321X1	1	Union
15	390138X1	1	Screw
16	339655X1	2	Gasket
17	410466M1	1	Pipe
18	410465M1	1	Tube
19	619090M1	1	Clip
20	391484X1	1	Screw Metric
21	339375X1	1	Lock Washer
22	339030X1	1	Nut Metric
23	41374425	1	Container
24	619088M1	1	Strap
25	353501X1	2	Screw Unf
26	339714X1	2	Washer
27	619086M2	1	Tube
28	619087M2	1	Tube
29	410396M1	1	Tube
30	619091M1	1	Strap
31	353557X1	1	Screw Unf
32	339369X1	1	Lock Washer
33	390549X1	2	Clip
34	417880M1	11	Cock



883

Motorhaube MF 31

415/12 M2 (Ausgabe 11/12/70)

**MASSEY FERGUSON
MF 31 COMBINE - 415718**

415718

ENGINE HOOD - VW

20-12

Item	Part Number	Qty	Description	Comments
1	323937M91	1	Support	(A)
	411559M92	1	Support	(B)
	411559M92	1	Support	
2	391483X1	6	Screw Metric	
3	339375X1	6	Lock Washer	
4	339030X1	6	Nut Metric	
6	323939M1	1	Clip	(A)
	411561M2	1	Clip	(B)
	411561M2	1	Clip	
7	339375X1	2	Lock Washer	
8	339030X1	2	Nut Metric	
9	339232X1	4	Pin	
10	410081M92	1	Hood	
11	323840M91	1	Frame	
12	323868M91	1	Frame	
13	323915M1	1	Grommet	
14	339560X1	2	Screw Metric	
15	339375X1	2	Lock Washer	
16	339030X1	2	Nut Metric	

(A)

Up to Serial or Engine Number 9751

(B)

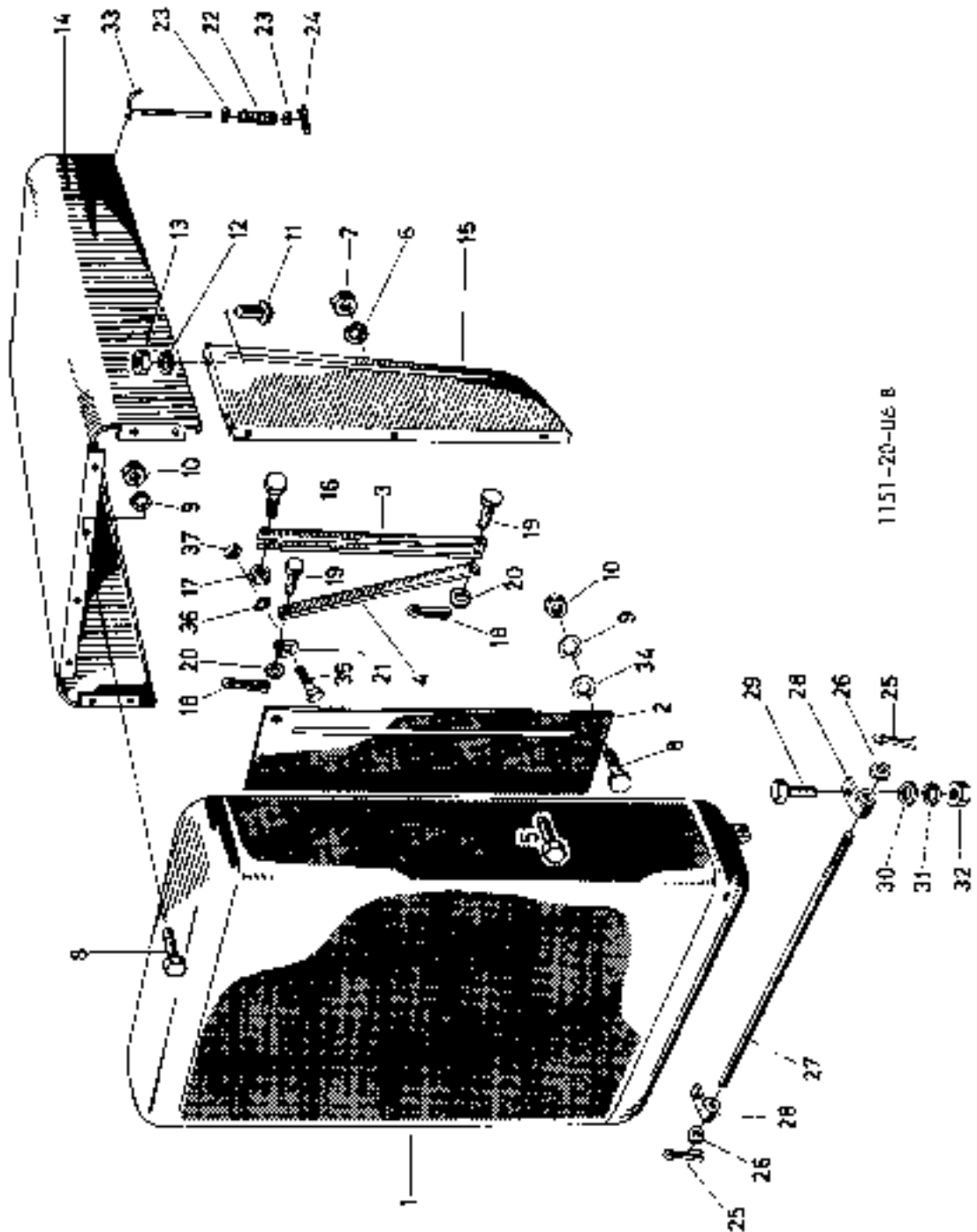
From Serial or Engine Number 9752

20-13

МOTORHAUB - PERKINS

ENGINE HOOD - PERKINS

CAPOT - PERKINS



Моторная крышка MF 31

415718 M2 (Ausgabe 1) 12/78

**MASSEY FERGUSON
MF 31 COMBINE - 415718**

415718

ENGINE HOOD - PERKINS

20-13

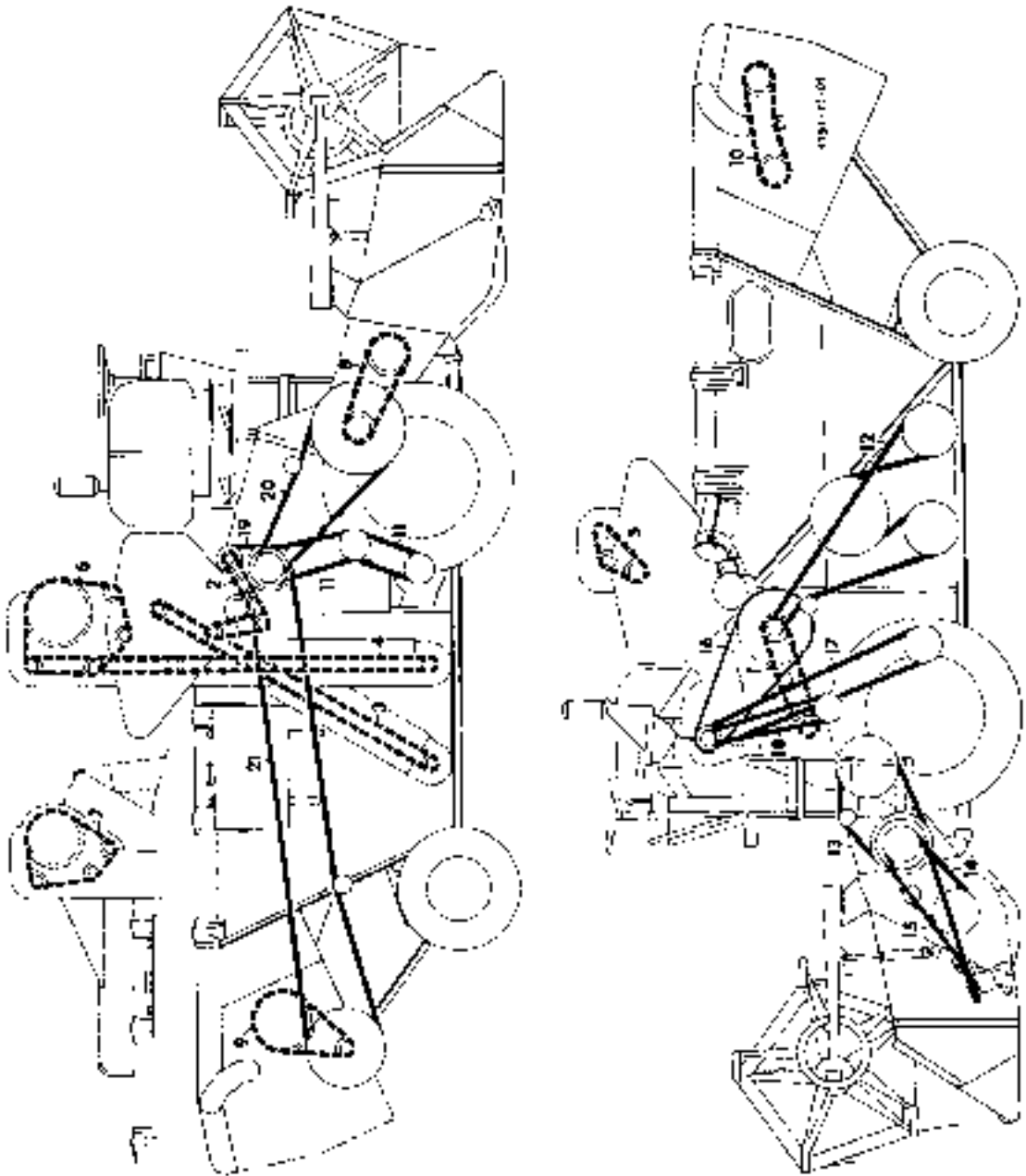
Item	Part Number	Qty	Description
	410328M93	1	Hood
1	619039M92	1	Pre Filter
2	614880M1	1	Deflector
3	614877M1	1	Support
4	614879M1	1	Support
5	339230X1	2	Screw Metric
6	339375X1	2	Lock Washer
7	339030X1	2	Nut Metric
8	339124X1	11	Screw Metric
9	339374X1	11	Lock Washer
10	339169X1	11	Nut Metric
11	339112X1	2	Screw Metric
12	339382X1	2	Lock Washer
13	339111X1	2	Nut
14	619034M91	1	Hood
15	614881M1	1	Guard
16	33966X1	1	Bolt
17	339030X1	1	Nut Metric
18	339851X1	2	Pin
19	339850X1	2	Pin
20	339692X1	2	Washer
21	411312M1	1	Angle
22	1706012M1	2	Spring
23	339588X1	4	Washer
24	339087X1	2	Pin
25	339058X1	2	Pin
26	339704X1	2	Washer
27	324014M1	1	Rod
28	619153M91	2	Hinge
29	339401X1	2	Screw Metric
30	339025X1	2	Washer Metric
31	339376X1	2	Lock Washer
32	339402X1	2	Nut Metric
33	324023M91	2	Stem
34	339609X1	4	Washer
35	339560X1	1	Screw Metric
36	339375X1	1	Lock Washer
37	339030X1	1	Nut Metric

21-1

TREIBRIEMEN UND KETTEN

DRIVE BELTS AND
C-CHAINS

COURROIES ET
CHAINES



MF-реактор MF 31

415 718 M2 (Ausgabe 1) 12/79

DRIVE BELTS AND CHAINS

Item	Part Number	Qty	Description	Comments
1	410815M91	1	Chain	Not serviced, order 416384M91 * (A, B)
			Chain	
	323688M92	AR	Extension	Number of teeth/spines 22 * (A, B)
	323690M92	AR	Extension	Number of teeth/spines 25 * (A, B)
	323688M92	AR	Extension	Number of teeth/spines 29 * (A, B)
	323690M92	AR	Extension	Number of teeth/spines 29 * (A, B)
	323692M92	AR	Extension	Number of teeth/spines 34 * (A, B)
	323694M92	AR	Extension	Number of teeth/spines 45 * (A, B)
	323694M92	AR	Extension	Number of teeth/spines 54 * (A, B)
	323690M92	AR	Extension	Number of teeth/spines 54 * (A, B)
	416384M91	1	Chain	** (A, B)
			Chain	
	416385M91	AR	Extension	Number of teeth/spines 22 ** (A, B)
	416386M91	AR	Extension	Number of teeth/spines 25 ** (A, B)
	416385M91	AR	Extension	Number of teeth/spines 29 ** (A, B)
	416386M91	AR	Extension	Number of teeth/spines 29 ** (A, B)
	416387M91	AR	Extension	Number of teeth/spines 34 ** (A, B)
	416388M91	AR	Extension	Number of teeth/spines 45 ** (A, B)
	416388M91	AR	Extension	Number of teeth/spines 54 ** (A, B)
	416386M91	AR	Extension	Number of teeth/spines 54 ** (A, B)
2	410703M1	1	Chain	118 LINKS (A)
	411928M91	1	Chain	116 LINKS (A)
3	410169M91	1	Chain	94 LINKS (A, B)
4	410170M91	1	Chain	112 LINKS (A)
	411820M91	1	Chain	120 LINKS (A)
	410169M91	1	Chain	94 LINKS (B)
	410169M91	1	Chain	94 LINKS (A)
	411843M91	1	Chain	102 LINKS (A)
5	411203M1	1	Chain	23 LINKS (A)
6	324780M91	1	Chain	57 LINKS (A)
7	411390M1	1	Chain	51 LINKS (B)
8	410934M91	1	Chain	(A, B)
9	325776M91	1	Chain	(A, B)
10	325777M91	1	Chain	(A, B)
11	402604M1	2	Belt	(A, B)
12	410647M1	1	Belt	(A, B)
13	410957M1	1	Belt	(A, B)
14	410958M1	1	Belt	(A, B)
15	410959M1	1	Belt	(A, B)
16	410617M1	1	Belt	(A, B)
17	411218M1	1	Belt	(A, B)
18	411125M1	1	Belt	(A, B)

**MASSEY FERGUSON
MF 31 COMBINE - 415718**

415718

21-1

DRIVE BELTS AND CHAINS

Item	Part Number	Qty	Description	Comments
19	411020M1	1	Belt	(A)
20	410919M1	1	Belt	(A)
21	405928M1	1	Belt	(A, B)

(A)

TANK MACHINES

(B)

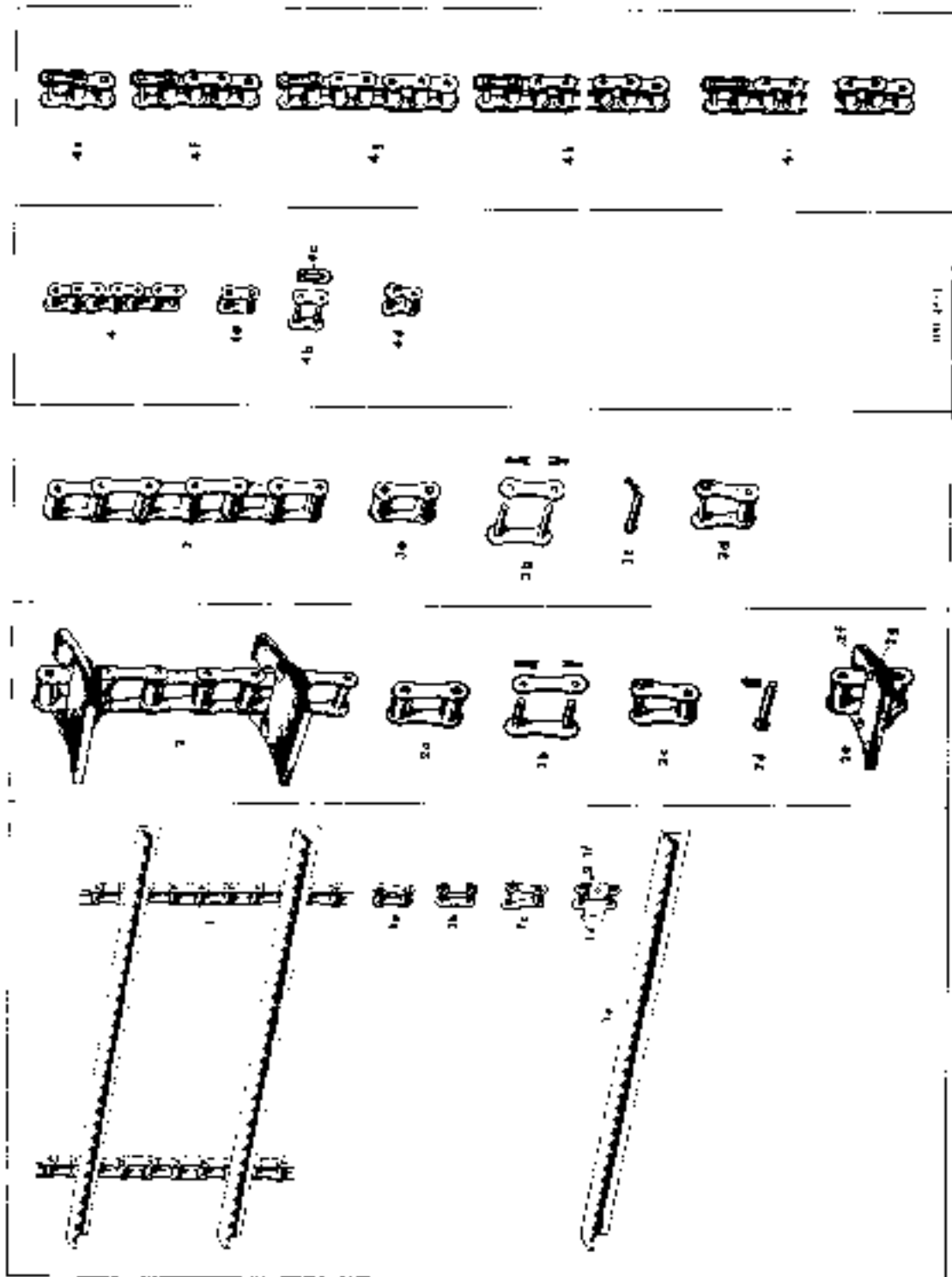
BAGGER MACHINES

WITHOUT PLASTIC SLEEVES

**

WITH PLASTIC SLEEVES

USE ONLY CHAIN EXTENSIONS TOGETHER WITH CHAINS OF SAME TYPE.



CHAINS AND LINKS

Item	Part Number	Description	Comments
1	410934M91	Chain	
1A	329312M91	Link	
1B	329315M91	Link	
1C	329316M91	Cranked Link	
1D	329868M91	Link	
1E	410935M1	Strap	
1F	339086X1	Rivet	
2	410170M91	Chain	
	410169M91	Chain	
	411820M91	Chain	
	411843M91	Chain	
2A	329176M91	Link	
2B	329797M91	Connecting Link	
2C	329179M91	Link	
2D	329847M91	Clevis Pin	
2E	410172M91	Link	
2F	320335M1	Plate	
2G	390062X1	Rivet	
3	324780M91	Chain	
	411203M1	Chain	
	411390M1	Chain	
3A	329838M91	Link	
3B	329199M91	Link	
3C	329848M91	Clevis Pin	
3D	329200M91	Cranked Link	
4	410703M1	Chain	
	411928M91	Chain	
4A	329403M91	Link	
4B	329407M91	Link	
4C	329384M1	Clip	
4	325776M91	Chain	
	325777M91	Chain	
4A	329257M91	Link	
4B	329262M91	Link	
4C	329255M1	Tie	
4D	329266M91	Cranked Link	
4	410815M91	Chain	
4E	323688M92	Extension	Number of teeth/spines 22
4F	323690M92	Extension	Number of teeth/spines 25
4G	323688M92	Extension	Number of teeth/spines 29
	323690M92	Extension	Number of teeth/spines 29
4H	323692M92	Extension	Number of teeth/spines 34
4I	323694M92	Extension	Number of teeth/spines 45
	323694M92	Extension	Number of teeth/spines 54
	323690M92	Extension	Number of teeth/spines 54
4A	329558M91	Link	
4B	329560M91	Link	
4C	329057M1	Spring	
4	416384M91	Chain	**
4E	416385M91	Extension	**
			Number of teeth/spines 22
4F	416386M91	Extension	**
			Number of teeth/spines 25
4G	416385M91	Extension	**
			Number of teeth/spines 29
	416386M91	Extension	**
			Number of teeth/spines 29
4H	416387M91	Extension	**
			Number of teeth/spines 34
4I	416388M91	Extension	**
			Number of teeth/spines 45
	416388M91	Extension	**

CHAINS AND LINKS

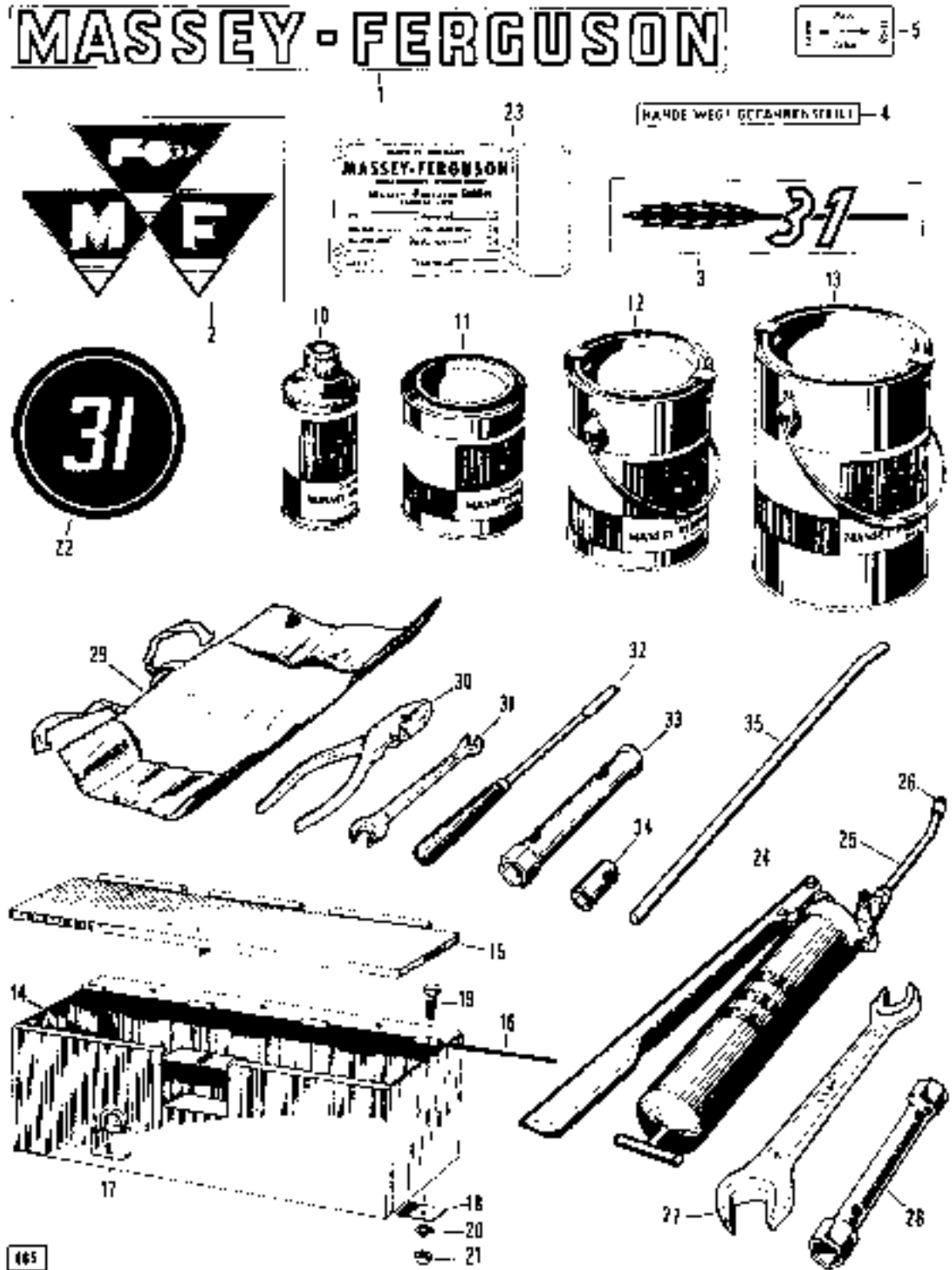
Item	Part Number	Description	Comments
	416386M91	Extension	Number of teeth/spines 54 **
4A	329972M91	Link	Number of teeth/spines 54 **
4B	329277M91	Connecting Link	**
4C	329057M1	Spring	**
4D	329973M91	Link	**

WITHOUT PLASTIC SLEEVES

**

WITH PLASTIC SLEEVES

USE ONLY CHAIN EXTENSIONS TOGETHER WITH CHAINS OF SAME TYPE.



465

1/19/68 (Rev. 1) MF 31

415 710 M2 (Ausgabe 1) 12/70

TRANSFERS AND TOOLS

Item	Part Number	Qty	Description	Comments
1	196201M1	1	Transfer	
	196222M1	2	Transfer	
2	196218M1	1	Decal	
	196219M1	1	Decal	(C)
	196219M1	1	Decal	
3	410221M1	2	Decal	(G)
4	410230M1	1	Decal	(D)
5	410246M1	1	Transfer	(E)
10	328745M1	X	Spray	
11	411350M1	X	Mf Red	
12	411351M1	X	Mf Red	
13	411352M1	X	Mf Red	
14	411337M92	1	Tool Box	
15	411345M91	1	Door	
16	411348M1	1	Rod	
17	321494M2	1	Pad	
18	411441M1	1	Shim	(B)
19	339123X1	4	Screw Metric	
20	339374X1	4	Lock Washer	
21	339169X1	4	Nut Metric	
22	415703M1	2	Decal	(H)
23	324292M4	1	Nameplate	
	903084M2	1	Nameplate	(F)
	391349X1	4	Rivet	
24	320678M1	1	Pump	
25	1700124M1	1	Tube	
26	1700125M1	1	Stub	
27	390184X1	1	Wrench	9 X 11
	390860X1	1	Wrench	19 X 24
	322686M1	1	Wrench	17 X 19
	322687M1	1	Spanner	22 X 24
	323485M1	1	Spanner	30 X 36
	391108X1	1	Wrench	13 X 14
28	391113X1	1	Spanner	
29	321492M2	1	Tool Bag	(A)
30		1	Pliers	(A)
31		1	Wrench	(A)
32		1	Screw	(A)
33	1700115M1	1	Spanner	(A)
34	1700118M1	1	Spanner	(A)
35	1700116M1	1	Tommy Screw	(A)

(A)
FOR VW ENGINE ONLY

(B)

FOR TANK MACHINES ONLY

(C)

ROTARY SCREEN, AUSTRIA

(D)

GERMAN

(E)

ENGLISH

(F)

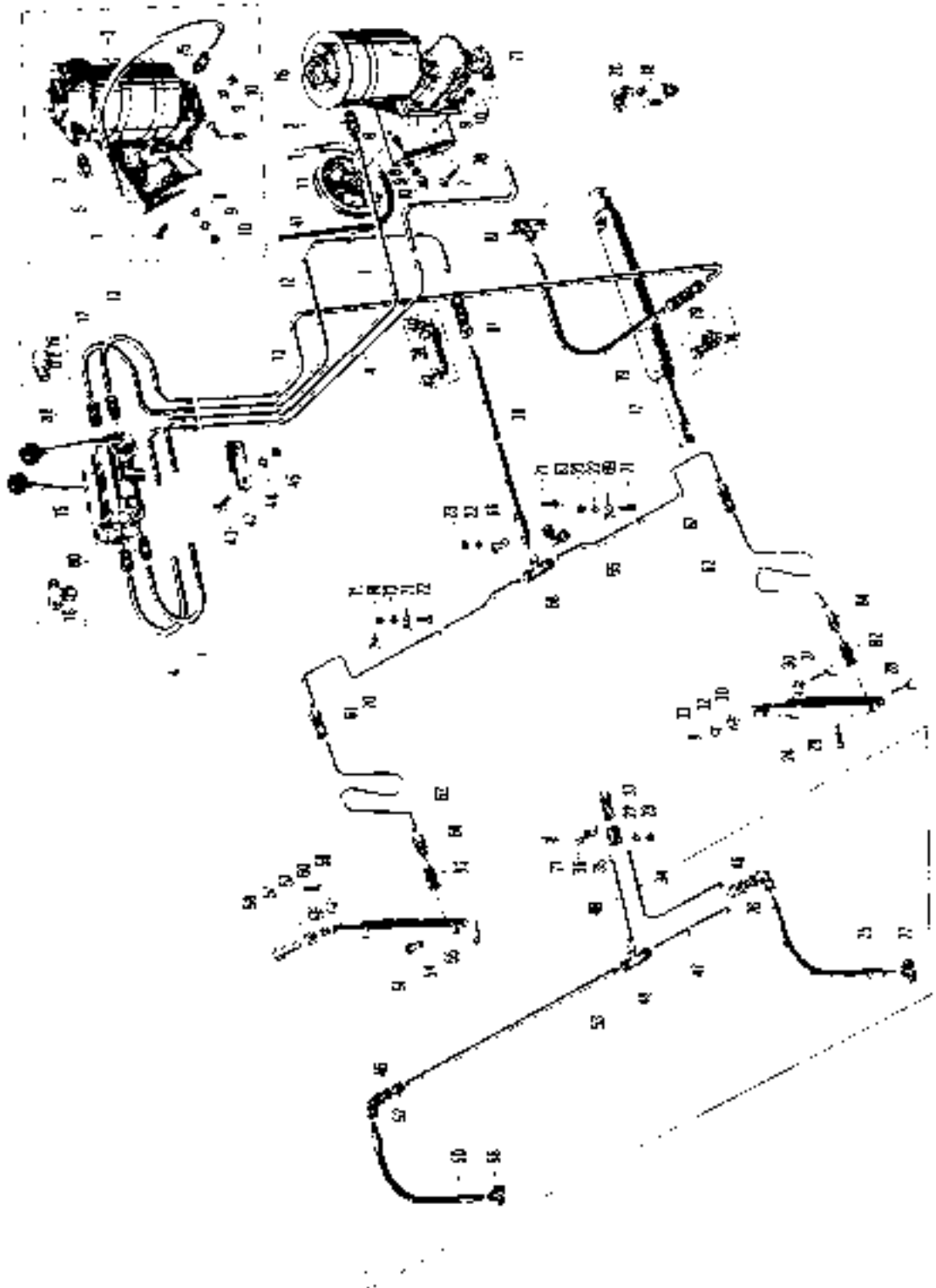
FRENCH

(G)

Up to Serial or Engine Number

(H)

From Serial or Engine Number



Motorkombi MF 31

415 718 M2 (Ausgabe 3) 1/75

HYDRAULIC EQUIPMENT

Item	Part Number	Qty	Description	Comments
1	411124M1	1	Tube	(J)
	417735M1	1	Tube	(K)
2	402414M1	1	Union	
	339526X1	1	Seal	
3	402178M1	1	Pump	(J) See Page - Reference Number 70-8
4	411126M1	1	Pipe	(J)
	417736M1	1	Tube	(K)
5	411127M1	1	Support	(J)
6	339401X1	2	Screw Metric	
7	339509X1	4	Screw Metric	
8	391396X1	2	Washer Metric	
9	339376X1	6	Lock Washer	
10	339402X1	6	Nut Metric	
11	411128M1	1	Pulley	(J)
	417739M1	1	Pulley	(K)
12	411129M1	1	Tube	
	414512M1	1	Pipe	(J)
	417296M1	1	Pipe	(K)
13	411134M1	1	Tube	(J)
	417297M1	1	Tube	(K)
14	390065X1	1	Connection	(J)
15	410133M1	1	Distributor	See Page - Reference Number 70-7
16	413349M1	4	Connection	(J)
	339526X1	4	Seal	
17		1	Ram	(N) See Page - Reference Number 70-6
		1	Ram	(N) See Page - Reference Number 70-6
	1748078M92	1	Ram	(O) See Page - Reference Number 70-6B
18	4130205M1	1	Cock	(C)
19	411309M1	1	Hydr Hose	(C)
	401629M1	1	Hose	(D)
20	390849X1	1	Connection	(C)
21	339560X1	2	Screw Metric	
22	339375X1	2	Lock Washer	
23	339030X1	2	Nut Metric	
24		1	Ram	(J) See Page - Reference Number 70-6A
		1	Ram	See Page - Reference Number 70-6A
	1748022M93	1	Ram	(M) See Page - Reference Number 70-6C
25	401631M2	1	Hydr Hose	(G)
26	390065X1	1	Connection	(G)
27	413349M1	1	Connection	(G)
	339526X1	1	Seal	
28	390081X1	1	Pin	
29	327669M1	1	Pin	
30	411042M2	2	Sleeve	(E)
31	339707X1	1	Clevis Pin	(E)
	390070X1	1	Bolt	(F)
32	339027X1	1	Washer Metric	
33	339058X1	1	Pin	
34	411053M1	1	Tube	(A, G)
35	320507M1	1	Sleeve	(G)
36	390057X1	1	Clip	(G)
37	390063X1	1	Connection	
38	401628M1	1	Hose	(G)
	414688M2	1	Hose	(H, J)
	401631M2	1	Hydr Hose	(K)
39	413353M91	1	Union	(J)
40	339995X1	2	Union	(J)
	339994X1	2	Olive	(J)
41	411125M1	1	Belt	
42	411142M1	1	Clip	
43	339123X1	1	Screw Metric	
44	339374X1	1	Lock Washer	
45	339169X1	1	Nut Metric	
46	339617X1	2	Nut Metric	(B, G)

HYDRAULIC EQUIPMENT

Item	Part Number	Qty	Description	Comments
47	411447M1	1	Tube	(B, G)
48	402715M2	1	Tube	(B, G)
49	390052X1	1	Union	(B, G)
50	401631M2	1	Hydr Hose	(B, G)
51		1	Ram	(B, J)
		1	Ram	See Page - Reference Number 70-6A (B, L)
	1748022M93	1	Ram	See Page - Reference Number 70-6A (B, M)
				See Page - Reference Number 70-6C
52	390065X1	1	Connection	(B, G)
53	411448M1	1	Tube	Right Hand (B, G)
	390082X1	1	Bracket	(B, G)
	339123X1	1	Screw Metric	(B, G)
	339374X1	1	Lock Washer	(B, G)
	339169X1	1	Nut Metric	(B, G)
54	390081X1	1	Pin	(B)
55	327669M1	1	Pin	(B)
56	413349M1	1	Connection	(B, G)
	339526X1	1	Seal	(B)
57	411042M2	2	Sleeve	(B, E)
58	339707X1	1	Clevis Pin	(B, F)
	390070X1	1	Bolt	(B, F)
59	339027X1	1	Washer Metric	(B)
60	339058X1	1	Pin	(B)
61	413349M1	1	Connection	(B, D)
	339526X1	1	Seal	(B, D)
62	415094M1	2	Tube	(H)
63	414679M1	1	Connection	(A, H)
64	415090M1	2	Union	(H)
	339526X1	2	Seal	
	1442426X1	2	Union	(O)
65	414677M1	1	Pipe	(A, H)
	414675M1	1	Tube	(B, H)
66	415092M1	1	Tie	(H)
67	415089M1	2	Union	(H)
68	415091M1	1	Connection	(B, H)
69	327201M1	1	Clip	(B, H)
70	414676M1	1	Tube	Right Hand (B, H)
71	327201M1	2	Clip	(B, H)
72	339560X1	2	Screw Metric	(B, H)
73	339375X1	2	Lock Washer	(B, H)
74	339030X1	2	Nut Metric	(B, H)
75	402414M1	1	Union	(J)
76	417737M1	1	Pump	(K)
				See Page - Reference Number 70-9
77	417732M1	1	Connection	(K)
78	417738M1	1	Support	(K)
79	339993X1	1	Connection	(K)
80	402414M1	4	Union	(K)
	401625M1	4	Washer	
81	339993X1	1	Connection	(K)
82	1726011M1	2	Union	(O)
	339526X1	2	Seal	(O)
				(A)
				6' TABLE
				(B)
				7' TABLE
				(C)
				Up to Serial or Engine Number 1788
				(D)
				From Serial or Engine Number 1789
				(E)
				Up to Serial or Engine Number 2243
				(F)
				From Serial or Engine Number 2244
				(G)
				Up to Serial or Engine Number 4634

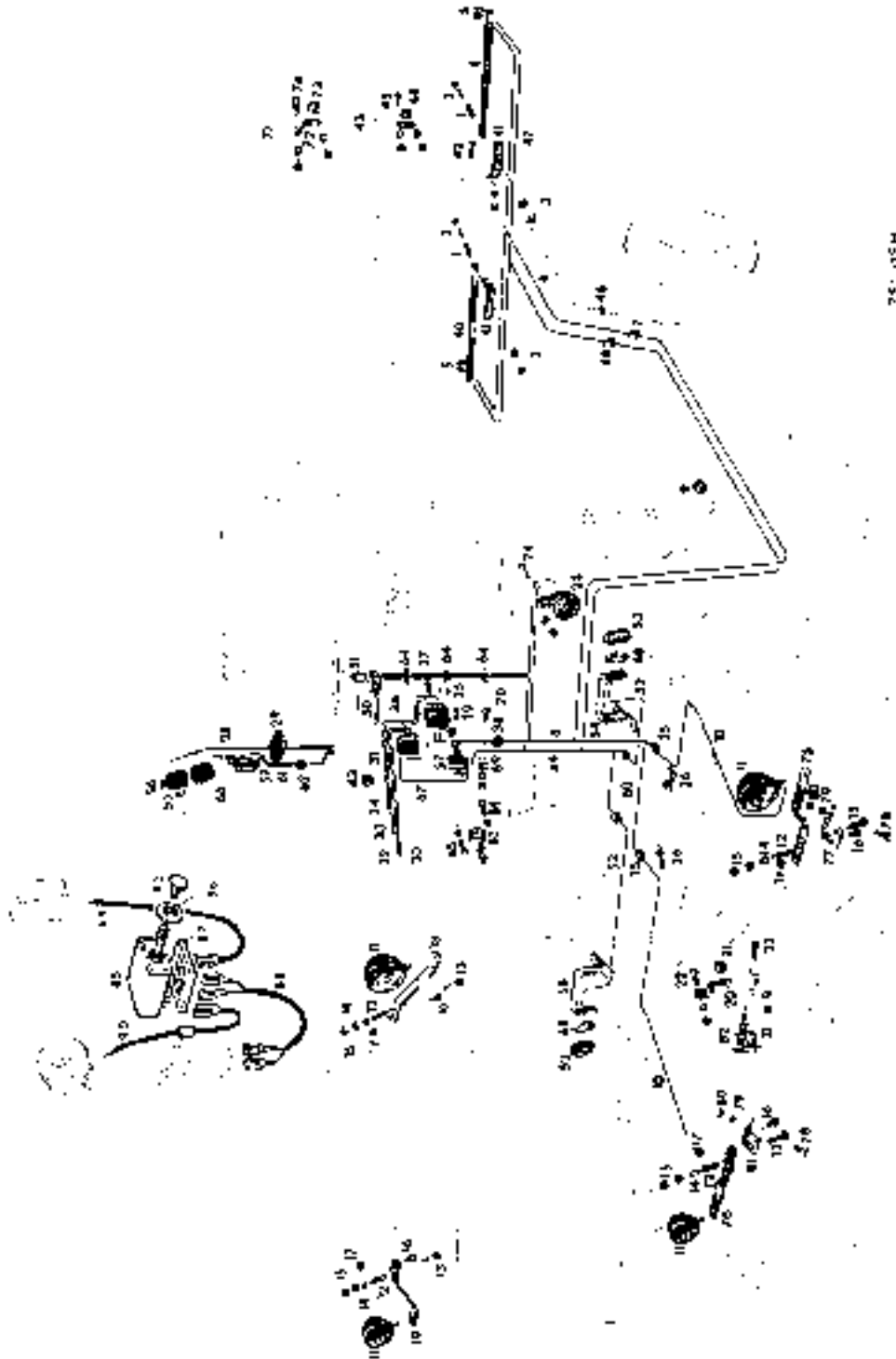
Item	Part Number	Qty	Description	Comments
				(H) From Serial or Engine Number 4635
				(J) Up to Serial or Engine Number 8109
				(K) From Serial or Engine Number 8110
				(L) From Serial or Engine Number 8110 Up to Serial or Engine Number TB10098
				(M) From Serial or Engine Number TB10099
				(N) Up to Serial or Engine Number WB10521
				(O) From Serial or Engine Number WB10522

70-2

BELEUCHTUNG UND
BELEUCHTUNGSGERÄTE

LIGHTING AND
LIGHTING EQUIPMENT

ECLAIRAGE ET
SIGNALISATION



Подраздел MF 31

4 5 7 8 M2 (Английский) 10/73

**MASSEY FERGUSON
MF 31 COMBINE - 415718**

415718

70-2

LIGHTING AND BLINKING EQUIPMENT

Item	Part Number	Qty	Description	Comments
1	1706040M1	2	Spring	
2	339418X1	2	Bolt Metric	
3	339169X1	4	Nut Metric	
4	411238M91	1	Bracket	Left Hand (A, C, E)
	411936M91	1	Bracket	Left Hand (A, C, F)
	411248M91	1	Bracket	Left Hand (B, D, E)
	411934M91	1	Bracket	Left Hand (B, D, F)
5	327844M1	2	Light	(K)
	406204M1	2	Lamp	(K)
	412912M1	2	Bulb	(A, B)
	327711M1	2	Bulb	(C, D)
	410390M1	2	Bulb	(A, B)
	405813M1	2	Bulb 2w Instr.	(C, D)
6	411294M2	1	Harness	(A, C)
	411260M2	1	Harness	(B, D)
7	328999M1	1	Connector	
8	411240M2	2	Reflector	
9	321563M3	2	Reflector	
10	411293M2	2	Harness	(G)
	411482M2	2	Harness	(H)
11	403213M1	2	Light	(P)
	403212M1	2	Light	(P)
	320824M1	2	Bulb	(A, B)
	322795M1	2	Bulb	(C, D)
	320863M1	2	Bulb	(A, B)
	326917M1	2	Bulb	(C, D)
12	1706040M1	2	Spring	
13	339256X1	2	Bolt Metric	
14	339056X1	2	Washer Metric	
15	339169X1	4	Nut Metric	
16	391484X1	2	Screw Metric	
17	339030X1	2	Nut Metric	
18	412888M91	1	Support	(E) Left Hand
19	411291M91	1	Support	(E) Right Hand
20	403214M1	1	Bracket	(L) Right Hand
21	321563M3	1	Reflector	(Q)
22	339123X1	2	Screw Metric	
	339374X1	2	Lock Washer	
	339169X1	2	Nut Metric	
23	320811M1	1	Horn	(A, B, N)
	416360M1	1	Horn	(A, B, O)
	322798M1	1	Horn	(C, D, N)
	416361M1	1	Horn	(C, D, O)
24	339123X1	1	Screw Metric	
	339374X1	1	Lock Washer	
	339169X1	1	Nut Metric	
25	328999M1	2	Connector	
26	619091M1	2	Strap	
28	410325M1	1	Harness	(C, D)
29	328999M1	1	Connector	(C, D)
30	323906M1	1	Cable	(A, B)
31	327129M1	1	Grommet	(A, B)
32	410271M1	1	Cable	(A, B)
33	323907M2	1	Cable	(A, B)
34	323908M1	1	Cable	(A, B)
35	320823M1	4	Rail	(A, B)
36	320809M2	2	Box	(A, B)
37	339112X1	4	Screw Metric	(A, B)
	339382X1	4	Lock Washer	(A, B)
	339111X1	4	Nut	(A, B)
38	321011M1	1	Grommet	
39	320810M2	8	Fuse	(A, B)
40	411245M91	1	Bracket	Right Hand

**MASSEY FERGUSON
MF 31 COMBINE - 415718**

415718

70-2

LIGHTING AND BLINKING EQUIPMENT

Item	Part Number	Qty	Description	Comments
	411938M91	1	Bracket	(A, C, E) Right Hand
	411248M91	1	Bracket	(A, C, F) Right Hand
	411934M91	1	Bracket	(B, D, E) Right Hand
41	411247M1	2	Bracket	(B, D, F) (A, C)
42	339666X1	4	Screw Metric	(A, C)
	339375X1	4	Lock Washer	(A, C)
	339030X1	4	Nut Metric	(A, C)
43	410361M91	1	Reflector	(B, D, Q)
44	321563M3	1	Reflector	(B, D, Q)
45	339721X1	1	Screw Metric	(B, D, Q)
	339381X1	1	Lock Washer	(B, D, Q)
	339029X1	1	Nut	(B, D, Q)
46	323760M1	2	Clip	(A, C)
47	411294M2	1	Harness	(A, C)
	411260M2	1	Harness	(B, D)
48	328999M1	1	Connector	
49	411255M1	1	Harness	(C, D, R)
	416362M1	1	Cable	(A, B, O, R)
50	324134M1	1	Switch	(N)
	416365M1	1	Bulb	(A, B)
	419040M1	1	Bulb	(A, B)
	403704M1	1	Bulb 12v 2w	(C, D)
	419264M1	1	Bulb	(C, D)
51	324138M1	2	Spacer	
52	411256M1	2	Harness	(G)
	411481M1	2	Harness	(H)
53	324130M1	2	Flasher	
	410390M1	2	Bulb	(A, B)
	405813M1	2	Bulb 2w Instr.	(C, D)
54	411257M92	1	Bracket	Left Hand
55	320823M1	1	Rail	
56	320810M2	1	Fuse	
57	416368M1	1	Blinker Unit	(A, B, N)
	416366M1	1	Blinker Unit	(A, B, O)
	416369M1	1	Blinker Unit	(C, D, N)
	406220M1	1	Blinker	(C, D, O)
58	411258M92	1	Bracket	H
60	328999M1	2	Connector	
61	410391M1	1	Harness	(C, D, R)
	1723189M1	1	Harness	(C, D, S)
62	328999M1	1	Connector	(C, D)
63	327129M1	1	Grommet	(A, B)
64	321591M1	3	Band	
65	339230X1	1	Screw Metric	(A, B)
	339375X1	1	Lock Washer	(A, B)
	339030X1	1	Nut Metric	(A, B)
66	410330M1	1	Cable	(C, D, N)
	416377M1	1	Cable	(C, D, O, R)
	1723187M1	1	Harness	(C, D, S)
67	324126M1	1	Cable	(A, B, N)
	416376M1	1	Harness	(C, D, O, R)
	1723188M1	1	Harness	(C, D, S)
68	413006M1	2	Plate	(J)
69	1441451X1	1	Clip	(A, B)
70	339112X1	1	Screw Metric	Right Hand
	339382X1	1	Lock Washer	(A, B)
	339111X1	1	Nut	(A, B)
71	411604M91	1	Reflector	(A, C, Q)
72	411605M1	1	Bracket	(A, C, Q)
73	321563M3	1	Reflector	(A, C, Q)
74	339560X1	1	Screw Metric	(A, C, Q)
	339375X1	1	Lock Washer	(A, C, Q)
	339030X1	1	Nut Metric	(A, C, Q)
75	411930M91	1	Support	Left Hand
				(F)

LIGHTING AND BLINKING EQUIPMENT

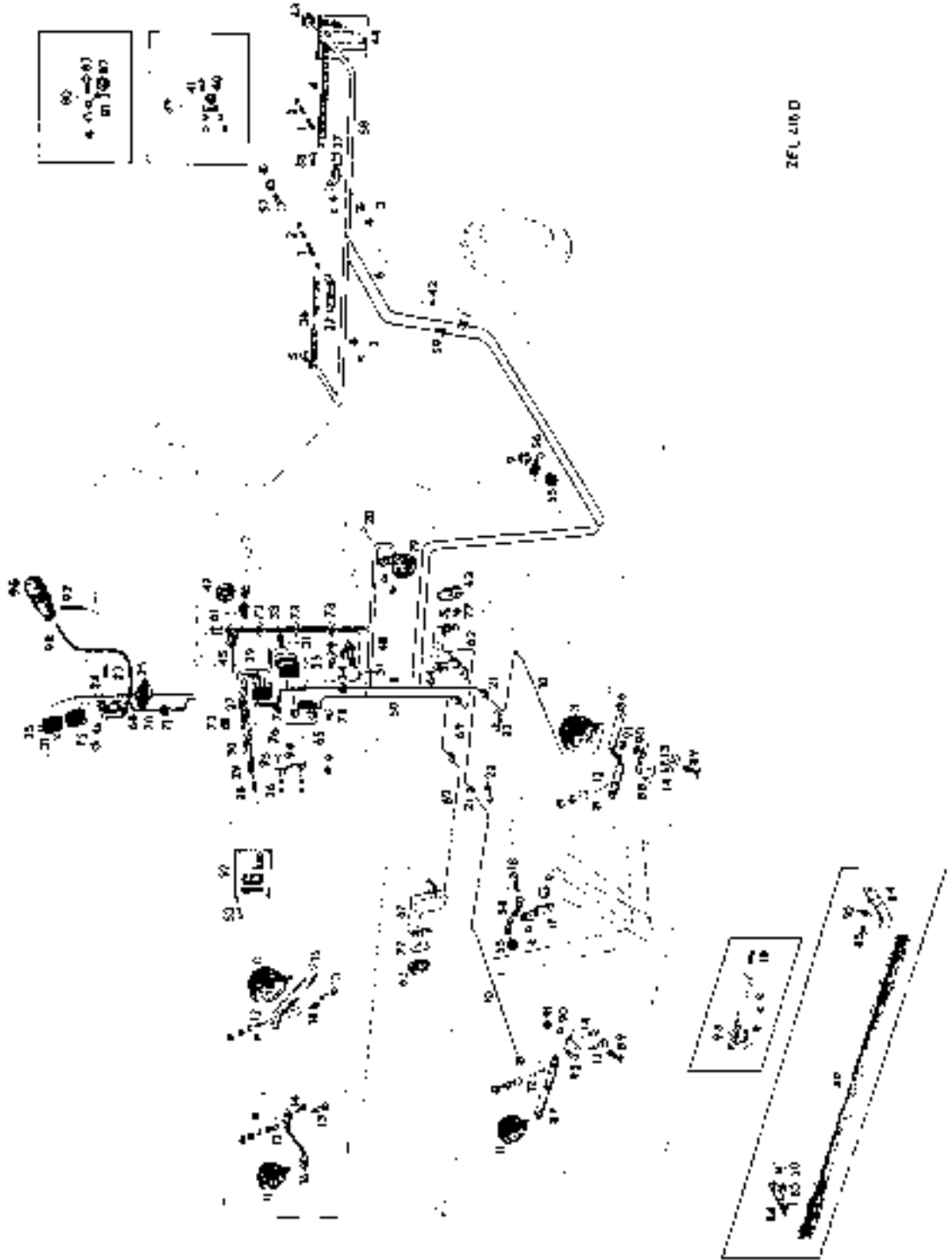
Item	Part Number	Qty	Description	Comments
76	411932M91	1	Support	Right Hand (F)
77	404964M1	1	Bracket	Left Hand (F)
78	339123X1	4	Screw Metric	(F)
79	339374X1	4	Lock Washer	(F)
80	339169X1	4	Nut Metric	(F)
81	404968M1	1	Bracket	Right Hand (F)
82	414639M91	1	Support	(M, Q)
83	414620M1	1	Bracket	(N)
	416363M1	1	Ring	(O)
84	339560X1	1	Screw Metric	
	390971X1	1	Washer Metric	
	339375X1	1	Lock Washer	
	339030X1	1	Nut Metric	
85	1723193M1	1	Switch	(S)
	1723192M1	1	Switch	(S)
	1723241M1	1	Bulb	
	403704M1	1	Bulb 12v 2w	
86	1724310M1	1	Guard	(S)
87	1724311M1	1	Guard	(S)
88	1723190M1	1	Harness	(S)
89	1723110M1	1	Cable	(S)
90	1723109M1	1	Cable	(S)
	1724363M91	1	Blinker	(T, R)
	1724364M91	1	Blinker	(T, R)
				(A)
				WITHOUT PRESS - VW ENGINE
				(B)
				WITH PRESS - VW ENGINE
				(C)
				W/O PRESS - PERKINS ENGINE
				(D)
				WITH PRESS - PERKINS ENGINE
				(E)
				Up to Serial or Engine Number 3043
				(F)
				From Serial or Engine Number 3044
				(G)
				6' TABLE
				(H)
				7' TABLE
				(J)
				FOR BLINKER LIGHT BOSCH ONLY
				(M)
				From Serial or Engine Number 3760
				(N)
				Up to Serial or Engine Number 6364
				(O)
				From Serial or Engine Number 6365
				(Q)
				Up to Serial or Engine Number
				(R)
				Up to Serial or Engine Number 9211
				(S)
				From Serial or Engine Number 9212
				(T)
				FOR SUPPLEMENTARY FITTING

70-3

BELEUCHTUNG UND
BLINKANLAGE
Ausführung Österreich

LIGHTING AND
BLINKING EQUIPMENT
for Austria

ECLAIRAGE ET
SIGNALISATION
pour l'Autriche



ZFL 216 D

Motoren MF 31

415 718 M2 (Ausgabe 1) 13/70

LIGHTING AND BLINKING EQUIPMENT - FOR AUSTRIA

Item	Part Number	Qty	Description	Comments
				FOR AUSTRIA
1	1706040M1	2	Spring	
2	339418X1	2	Bolt Metric	
3	339169X1	4	Nut Metric	
4	411238M91	1	Bracket	(A, C, E) Left Hand
	411936M91	1	Bracket	(C, D, F) Left Hand
	411248M91	1	Bracket	(B, D, E) Left Hand
	411934M91	1	Bracket	(D, F) Left Hand
5	327844M1	1	Light	(K)
	406204M1	1	Lamp	(K)
	412912M1	1	Bulb	(A, B)
	327711M1	1	Bulb	(C, D)
	410390M1	1	Bulb	(A, B)
	405813M1	1	Bulb 2w Instr.	(C, D)
6	411294M2	1	Harness	(A, C)
	411260M2	1	Harness	(B, D)
7	328999M1	1	Connector	
8	411240M2	1	Harness	
9	321563M3	2	Reflector	
10	411293M2	2	Harness	(G)
	411482M2	2	Harness	(H)
11	403213M1	2	Light	(K)
	403212M1	2	Light	(K)
	320824M1	2	Bulb	(A, B)
	322795M1	2	Bulb	(C, D)
	320863M1	2	Bulb	(A, B)
	326917M1	2	Bulb	(C, D)
12	1706040M1	2	Spring	
13	339256X1	2	Bolt Metric	
	339056X1	2	Washer Metric	
	339169X1	4	Nut Metric	
14	391484X1	2	Screw Metric	
	339030X1	2	Nut Metric	
15	412888M91	1	Support	(E) Left Hand
16	412890M91	1	Support	(E) Right Hand
17	403214M1	1	Bracket	(L) Right Hand
18	339123X1	2	Screw Metric	(P)
	339374X1	2	Lock Washer	(P)
	339169X1	2	Nut Metric	(P)
19	320811M1	1	Horn	(A, B, N)
	416360M1	1	Horn	(A, B, O)
	322798M1	1	Horn	(C, D, N)
	416361M1	1	Horn	(C, D, O)
20	339124X1	1	Screw Metric	
	339374X1	1	Lock Washer	
	339169X1	1	Nut Metric	
21	328999M1	2	Connector	
22	619091M1	2	Strap	
23	339666X1	1	Screw Metric	(C, D)
	339375X1	1	Lock Washer	(C, D)
	339030X1	1	Nut Metric	(C, D)
24	410325M1	1	Harness	(C, D)
25	328999M1	1	Connector	(C, D)
26	323906M1	1	Cable	(A, B)
27	327129M1	1	Grommet	(A, B)
28	410271M1	1	Cable	(A, B)
29	323907M2	1	Cable	(A, B)
30	323908M1	1	Cable	(A, B)
31	320823M1	4	Rail	
32	320809M2	2	Box	(A, B)
33	339112X1	4	Screw Metric	(A, B)
	339382X1	4	Lock Washer	(A, B)
	339111X1	4	Nut	(A, B)

LIGHTING AND BLINKING EQUIPMENT - FOR AUSTRIA

Item	Part Number	Qty	Description	Comments
34	321011M1	1	Grommet	
35	320810M2	8	Fuse	
36	411245M91	1	Bracket	(A, C, E) Right Hand
	411938M91	1	Bracket	(C, F) Right Hand
	411248M91	1	Bracket	(B, D, E) Right Hand
	411934M91	1	Bracket	(D, F) Right Hand
37	411247M1	2	Bracket	(A, C)
38	339666X1	4	Screw Metric	(A, C)
	339375X1	4	Lock Washer	(A, C)
	339030X1	4	Nut Metric	(A, C)
39	410361M91	1	Reflector	(B, D, P)
40	321563M3	1	Reflector	(B, D, P)
41	339721X1	1	Screw Metric	(B, D, P)
	339381X1	1	Lock Washer	(B, D, P)
	339029X1	1	Nut	(B, D, P)
42	323760M1	2	Clip	(A, C)
43	322799M1	1	Lamp	(K)
	414524M1	1	Lamp	(K)
	412912M1	1	Bulb	(A, B)
	327711M1	1	Bulb	(C, D, Q)
	410390M1	1	Bulb	(A, B)
	405813M1	1	Bulb 2w Instr.	(C, D)
44	324128M1	1	Plate	
45	1723225M1	1	Blinker Switch	
	324132M1	1	Bulb	(A, B)
	419040M1	1	Bulb	(A, B)
	403704M1	1	Bulb 12v 2w	(C, D)
	419264M1	1	Bulb	(C, D)
46	411263M1	1	Clamp	
47	324142M1	1	Mirror	
48	417116M1	1	Cable	
49	411262M2	1	Guard	(G, H, P)
50	339106X1	2	Nut Metric	(P)
51	410395M1	1	Cable	
52	324135M1	1	Plate	16 KM
53	339112X1	4	Screw Metric	
	339382X1	4	Lock Washer	
	339111X1	4	Nut	
54	411944M1	1	Bracket	
55	403697M1	2	Reflector	
56	410360M1	1	Bracket	
57	339124X1	1	Screw Metric	(B, D)
	339374X1	1	Lock Washer	(B, D)
	339169X1	1	Nut Metric	(B, D)
58	411294M2	1	Harness	(A, C)
	411260M2	1	Harness	(B, D)
59	328999M1	1	Connector	
60	1723234M1	1	Harness	(C, D)
	1723233M1	1	Harness	(A, B)
61	324138M1	2	Spacer	
62	411256M1	2	Harness	(G)
	411481M1	2	Harness	(H)
63	324130M1	2	Flasher	
	410390M1	2	Bulb	(A, B)
	405813M1	2	Bulb 2w Instr.	(C, D)
64	411257M92	1	Bracket	Left Hand
65	416368M1	1	Blinker Unit	(A, B, N)
	416366M1	1	Blinker Unit	(A, B, O)
66	416369M1	1	Blinker Unit	(C, D, N)
	406220M1	1	Blinker	(C, D, O)
67	411258M92	1	Bracket	Right Hand
69	328999M1	2	Connector	
70	410391M1	1	Harness	(C, D, R)
	1723189M1	1	Cable	(C, D, S)
71	328999M1	1	Connector	(C, D)
72	327129M1	1	Grommet	

LIGHTING AND BLINKING EQUIPMENT - FOR AUSTRIA

Item	Part Number	Qty	Description	Comments
73	321591M1	3	Band	
74	339230X1	1	Screw Metric	(A, B)
	339375X1	1	Lock Washer	(A, B)
	339030X1	1	Nut Metric	(A, B)
75	410330M1	1	Cable	(C, D, N)
	416377M1	1	Cable	(C, D, O)
76	324126M1	1	Cable	(A, B, N)
	416376M1	1	Harness	(O)
77	413006M1	2	Plate	(J)
78	1441451X1	1	Clip	(A, B)
79	339112X1	1	Screw Metric	(A, B)
	339382X1	1	Lock Washer	(A, B)
	339111X1	1	Nut	(A, B)
80	411604M91	1	Reflector	(A, C, P)
81	411605M1	1	Bracket	(A, C, P)
82	321563M3	1	Reflector	(A, C, P)
83	339560X1	1	Screw Metric	(A, C, P)
	339375X1	1	Lock Washer	(A, C, P)
	339030X1	1	Nut Metric	(A, C, P)
84	404995M91	2	Angle	(P)
85	339103X1	6	Screw	(P)
86	411930M91	1	Support	(C, D, F) Left Hand
87	411932M91	1	Support	(C, D, F) Right Hand
88	404964M1	1	Bracket	(C, D, F) Left Hand
89	339123X1	4	Screw Metric	(C, D)
90	339374X1	4	Lock Washer	(C, D)
91	339169X1	4	Nut Metric	(C, D)
92	404968M1	1	Bracket	(C, D, F) Right Hand
93	414639M91	1	Support	(M, P)
94	414620M1	1	Bracket	(N)
	416363M1	1	Ring	(O)
95	339560X1	1	Screw Metric	
	390971X1	1	Washer Metric	
	339375X1	1	Lock Washer	
	339030X1	1	Nut Metric	
96	413580M1	1	Lamp	
	320824M1	1	Bulb	
	322795M1	1	Bulb	
97	410280M2	1	Cable	(A, B)
98	1723113M1	1	Cable	(C, D)
	1700890M1	1	Switch	NOT ILLUSTRATED (A) WITHOUT PRESS - VW ENGINE (B) WITH PRESS - VW ENGINE (C) W/O PRESS - PERKINS ENGINE (D) WITH PRESS - PERKINS ENGINE (E) Up to Serial or Engine Number 3043 (F) From Serial or Engine Number 3044 (G) 6' TABLE (H) 7' TABLE (J) FOR BLINKER LIGHT BOSCH ONLY (K) ALTERNATIVE (L) Up to Serial or Engine Number 3759 (M) From Serial or Engine Number 3760

**MASSEY FERGUSON
MF 31 COMBINE - 415718**

415718

LIGHTING AND BLINKING EQUIPMENT - FOR AUSTRIA

70-3

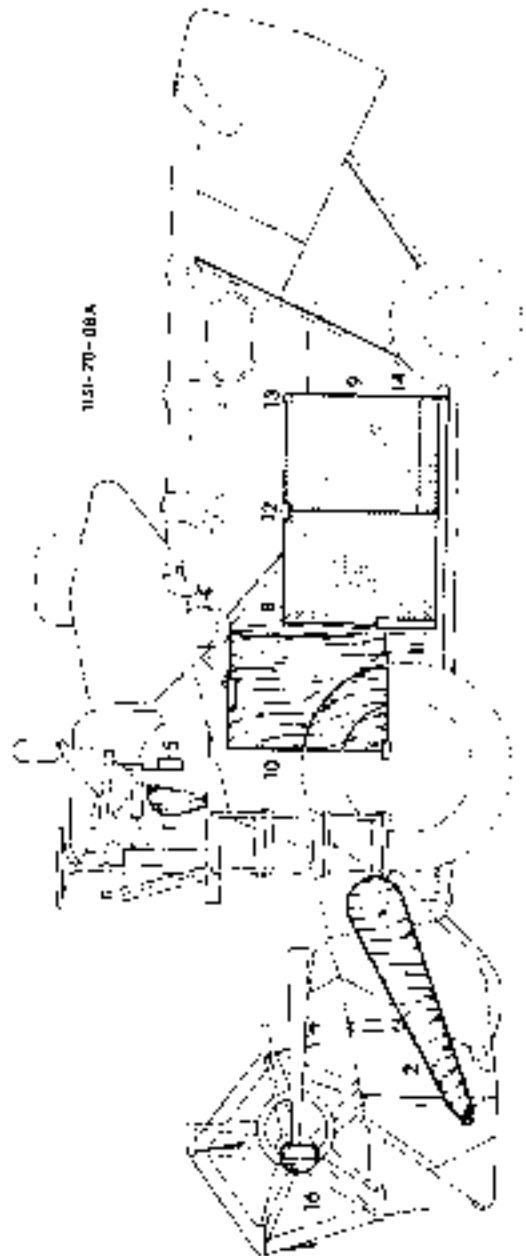
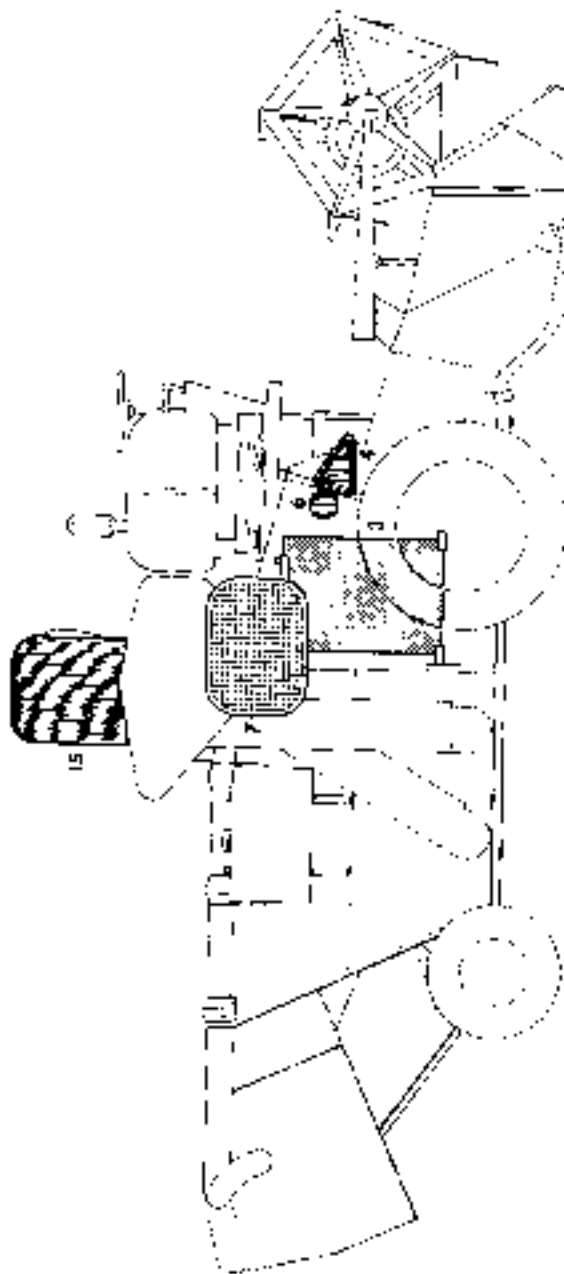
Item	Part Number	Qty	Description	Comments
				(N) Up to Serial or Engine Number 6364
				(O) From Serial or Engine Number 6365
				(P) Up to Serial or Engine Number
				(Q) Up to Serial or Engine Number
				(R) Up to Serial or Engine Number 9211
				(S) From Serial or Engine Number 9212

70-4

SCHUTZBLECHE
Track Machine

GLARDS
Track Machine

GARANTIS
MACHINES avec rétroviseur à grain



Waldschnecke, Art. 31

415718/2 (Ausgabe 1) 12/70

GUARDS-TRANSMISSION - TANK MACHINES

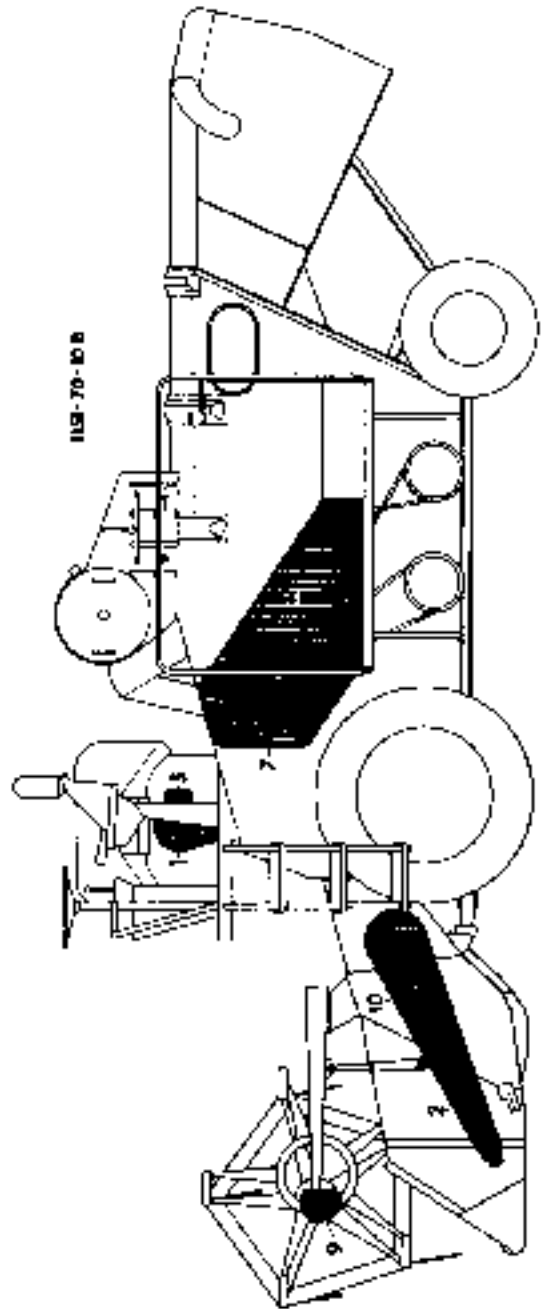
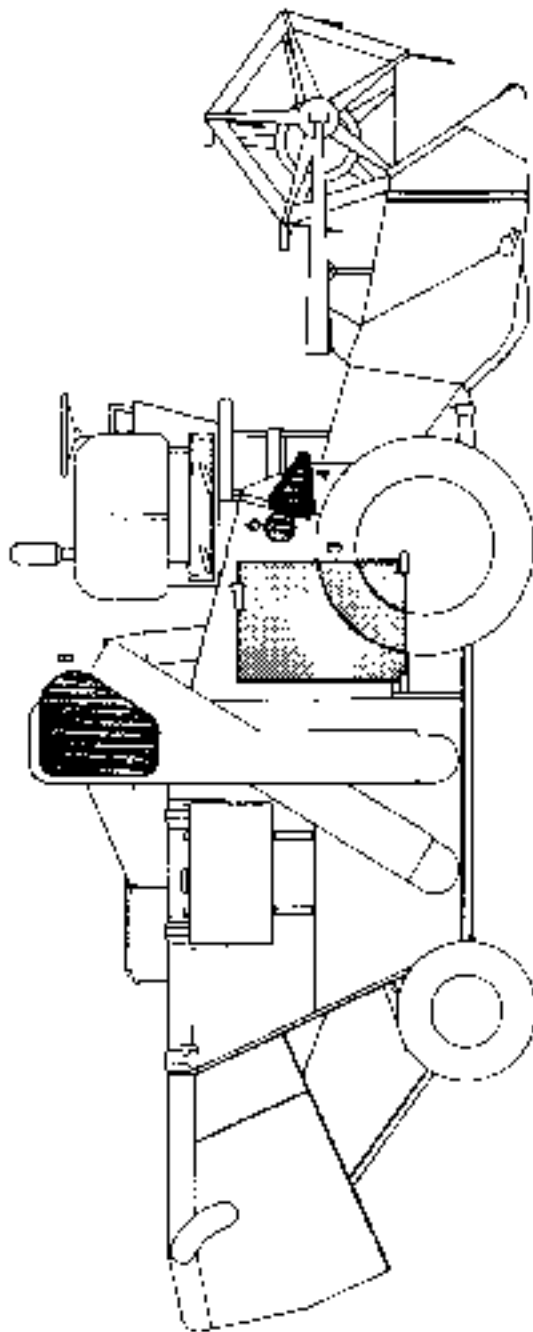
Item	Part Number	Qty	Description	Comments
				TANK MACHINES
1	411121M91	1	Cowl	
	339375X1	2	Lock Washer	
	339722X1	2	Nut	
2	411045M92	1	Shield	
3	320510M4	1	Screen	
4	411226M1	1	Guard	
	339560X1	2	Screw Metric	
	339375X1	2	Lock Washer	
	339030X1	2	Nut Metric	
5	411301M1	1	Guard	
6	410868M2	1	Disc	
7	411175M92	1	Guard	
8	9467048	1	Screen	
9	320506M4	1	Chaffer	
10	324905M2	1	Guard	
11	324684M91	1	Support	
	339560X1	2	Screw Metric	
	339375X1	2	Lock Washer	
	339030X1	2	Nut Metric	
	339123X1	1	Screw Metric	
	339375X1	1	Lock Washer	
	339169X1	1	Nut Metric	
	339081X1	2	Screw Metric	
	339376X1	2	Lock Washer	
	339402X1	2	Nut Metric	
12	324688M91	1	Latch	
	391402X1	1	Pin	
13	411227M91	1	Bracket	
	391402X1	1	Pin	
14	321665M1	1	Finger	
15	324850M91	1	Guard	
	411204M91	1	Shield	
16	411048M92	1	Plate	(A, C, E)
	414650M1	1	Guard	(B, E)
	411728M1	1	Support	(A, D, E)
	414651M1	1	Support	(B, E)
	339123X1	2	Screw Metric	(A, E)
	339560X1	2	Screw Metric	(B, E)
	339374X1	2	Lock Washer	(A, E)
	339375X1	2	Lock Washer	(B, E)
	339169X1	2	Nut Metric	(A, E)
	339030X1	2	Nut Metric	(B, E)
				(A)
				Up to Serial or Engine Number 3820
				(B)
				From Serial or Engine Number 3821
				(C)
				Up to Serial or Engine Number 2071
				Not serviced, order 411728M1
				(D)
				Up to Serial or Engine Number 2071
				Not serviced, order 411048M92
				(E)
				U.K. ONLY

70-5

SCHUTZBLECH
Abreicemaschine

GUARDS
Sugar Mower

GABANIS
macchina a tre ruote



Motodrucker MF 31

415 718 M2 (Ausgabe 1) 12/70

GUARDS-TRANSMISSION - BAGGER MACHINES

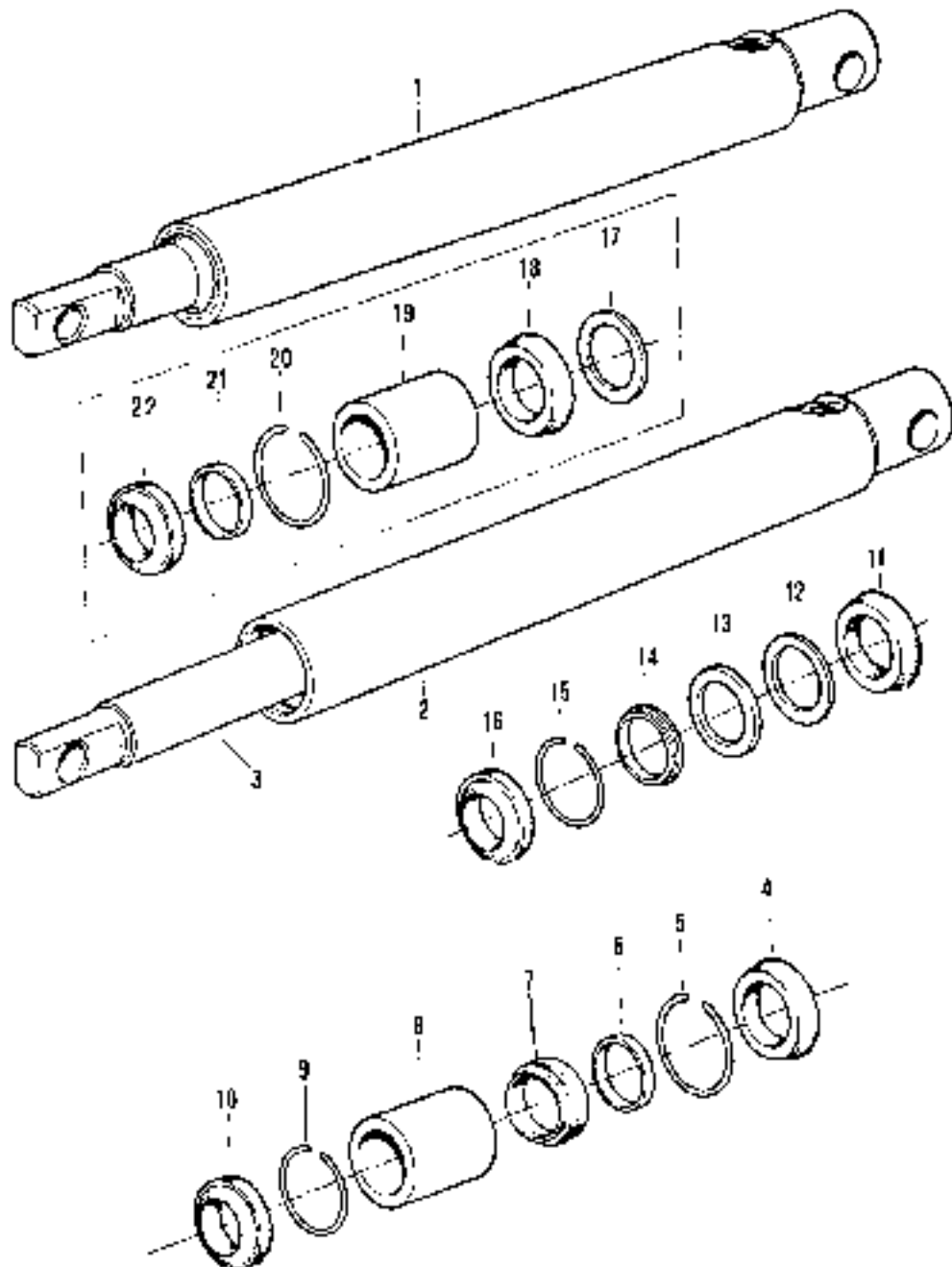
Item	Part Number	Qty	Description	Comments
				BAGGER MACHINES
1	411121M91	1	Cowl	
	339375X1	2	Lock Washer	
	339722X1	2	Nut	
2	411045M92	1	Shield	
3	320510M4	1	Screen	
4	411226M1	1	Guard	
	339560X1	2	Screw Metric	
	339375X1	2	Lock Washer	
	339030X1	2	Nut Metric	
5	411301M1	1	Guard	
6	410868M2	1	Disc	
7	411355M91	1	Guard	
	411416M1	1	Pin	
	339169X1	2	Nut Metric	
8	411408M91	1	Guard	(F)
	411765M91	1	Guard	(G)
	339106X1	1	Nut Metric	
	339374X1	1	Lock Washer	
	339056X1	1	Washer Metric	
9	411048M92	1	Plate	(A, C, E)
	414650M1	1	Guard	(B, E)
	411728M1	1	Support	(A, D, E)
	414651M1	1	Support	(B, E)
	339123X1	2	Screw Metric	(A, E)
	339560X1	2	Screw Metric	(B, E)
	339374X1	2	Lock Washer	(A, E)
	339375X1	2	Lock Washer	(B, E)
	339169X1	2	Nut Metric	(A, E)
	339030X1	2	Nut Metric	(B, E)
10	419105M1	1	Guard	
	9467048	1	Screen	(H)
				NOT ILLUSTRATED
	320506M4	1	Chaffer	(H)
				NOT ILLUSTRATED
	321665M1	1	Finger	(H)
				NOT ILLUSTRATED
				(A)
				Up to Serial or Engine Number 3820
				(B)
				From Serial or Engine Number 3821
				(C)
				Up to Serial or Engine Number 2071
				Not serviced, order 411728M1
				(D)
				Up to Serial or Engine Number 2071
				Not serviced, order 411048M92
				(E)
				U.K. ONLY
				(F)
				Up to Serial or Engine Number 3043
				(G)
				From Serial or Engine Number 3044
				(H)
				SUPPLIED LOOSE

70-6

HYDRAULIKZYLINDER
für Tischheber 1

RAM
für table

VERIN
pour table



Motorschnecke MF 31

415718 M2 (Ausgabe 2) 1/73

RAM

Item	Part Number	Qty	Description	Comments
1		1	Ram	(A, C)
2		1	Barrel	(D)
3	1717000M1	1	Rod	
4	1717006M1	1	Ring	
5	1717016M1	1	Ring	
6	1717011M1	1	Washer	
7	1717003M1	1	Ring	
8	1717009M1	1	Bush	
9	1717015M1	1	Ring	
10	1717014M1	2	Ring	
1		1	Ram	(B, C)
2		1	Barrel	(D)
3		1	Rod	(D)
11	1806949M1	1	Ring	
12	1717477M1	1	Washer	
13	1717478M1	1	Washer	
14	1441775X1	1	Ring	
15	1806950M1	1	Gasket	
16	1717480M1	1	Ring	
17	1717480M1	1	Ring	
18	1717481M1	1	Ring	
19	1441775X1	1	Ring	
20	1717482M1	1	Bush	
21	1806949M1	1	Ring	
22	1717483M1	1	Ring	

EARLY MODELS

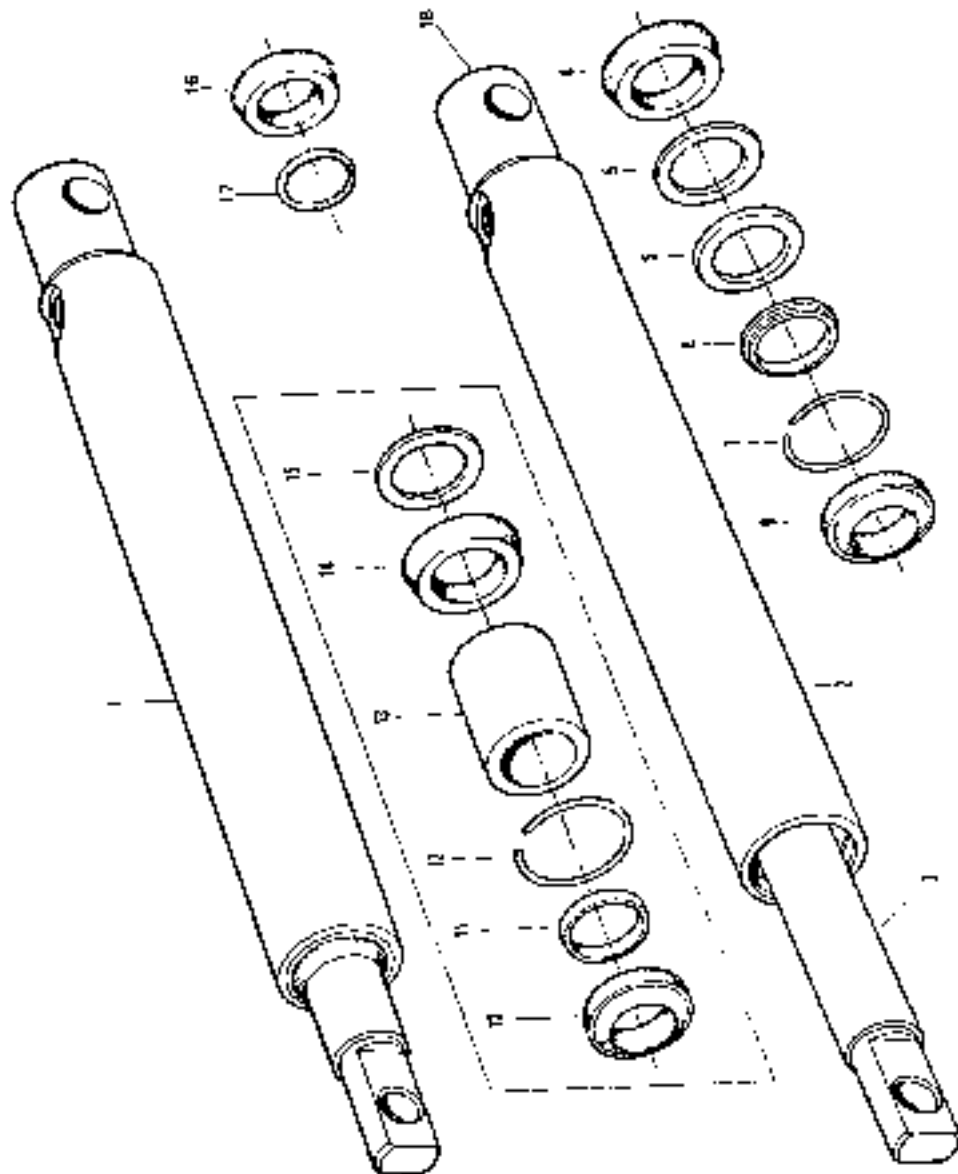
(A)
RAM STOCKEY & SCHMITZ
(B)
RAM BOSCH
(C)
Not serviced, order 1748078M92
See Page - Reference Number 70-6B
COMPLETE RAMS ARE INTERCHANGEABLE
(D)
Not serviced, order RAM ASSY.

70 6A

HYDRAULIC CYLINDER
for Pulpit Control

RAM.
for reel

VÉPIN
pour cintré



Модельный № 21

415718 №2 (Аналог 31 1/2)

RAM

Item	Part Number	Qty	Description	Comments
1		1	Ram	(A, C)
2		1	Barrel	(D)
3	1717001M1	1	Rod	
16	1717007M1	1	Ring	
17	1717004M1	1	O Ring	
18	1717012M1	1	Bearing	
1		1	Ram	(B, C)
2		1	Barrel	(D)
3		1	Rod	(D)
4	1717364M1	1	Ring	
5	1717365M1	1	Washer	
6	1717366M1	1	Washer	
7	1717367M1	1	Ring	
8	1717368M1	1	Ring	
9	1700285M1	1	Ring	

EARLY MODELS

10	1700285M1	1	Ring	
11	1717369M1	1	Ring	
12	1717367M1	1	Ring	
13	1717370M1	1	Bush	
14	1717364M1	1	Ring	

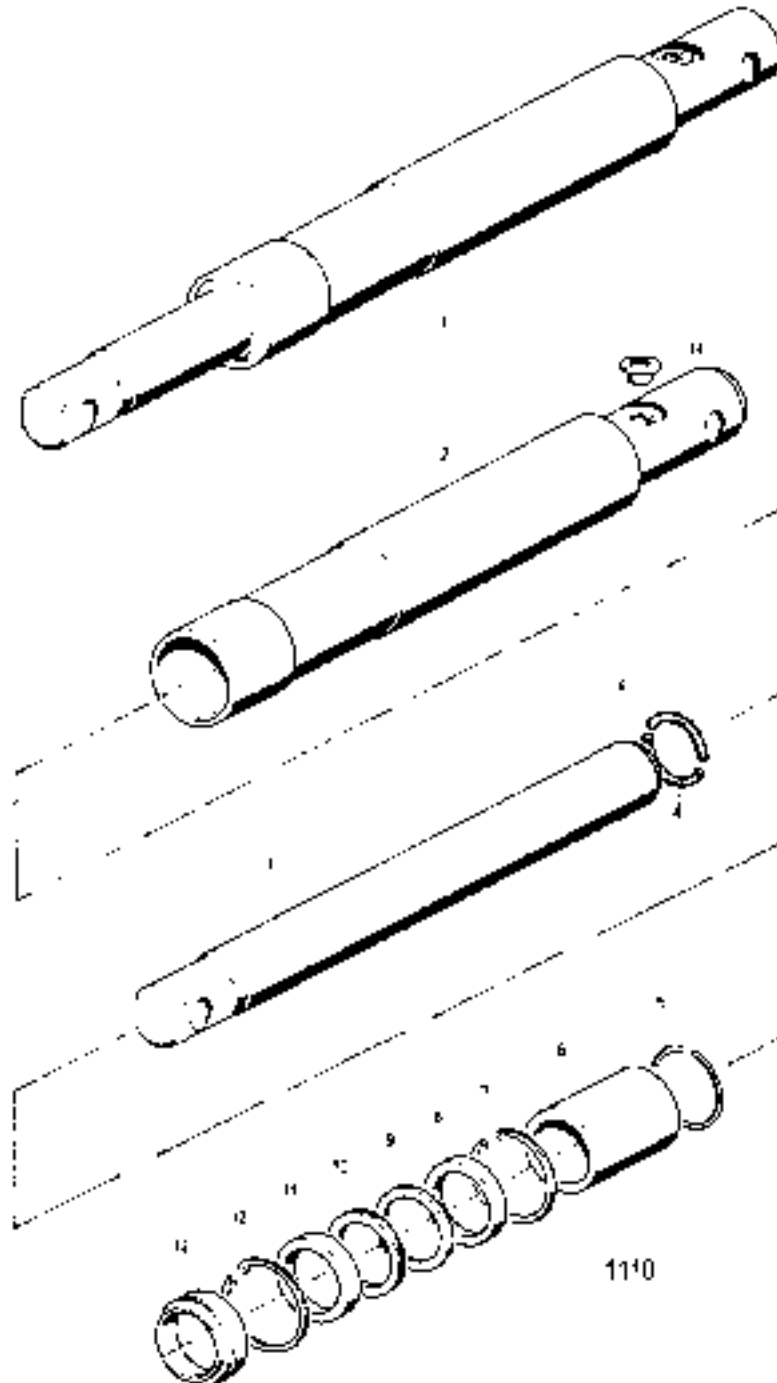
(A)
Up to Serial or Engine Number 8109
(B)
From Serial or Engine Number 8110
(C)
Not serviced, order 1748022M93,
1442426X1, 1726011M1
COMPLETE RAMS ARE INTERCHANGEABLE
(D)
Not serviced, order RAM ASSY.

70-6B

HYDRAULIK ZYLINDER
für Trichoushebung

RAM
für 1005e

VERN
pour 1010e



Motorschnecke MF 31

415 718 M2 (Ausgabe 2: 1/75)

RAM

Item	Part Number	Qty	Description	Comments
1	1748078M92	1	Ram	
2		1	Barrel	(A)
3		1	Piston Rod	(A)
4		2	Ring	(A)
5		1	Snpring	(A)
6	1748106M1	1	Bush	
7	1441825X1	1	Circlip	
8	1441843X1	1	Bush	
9	1748019M1	1	Ring	
10	1748020M1	1	Ring	
11	1748021M1	1	Ring	
12	1441775X1	1	Ring	
13	1441848X1	1	Ring	
14		1	Plug	

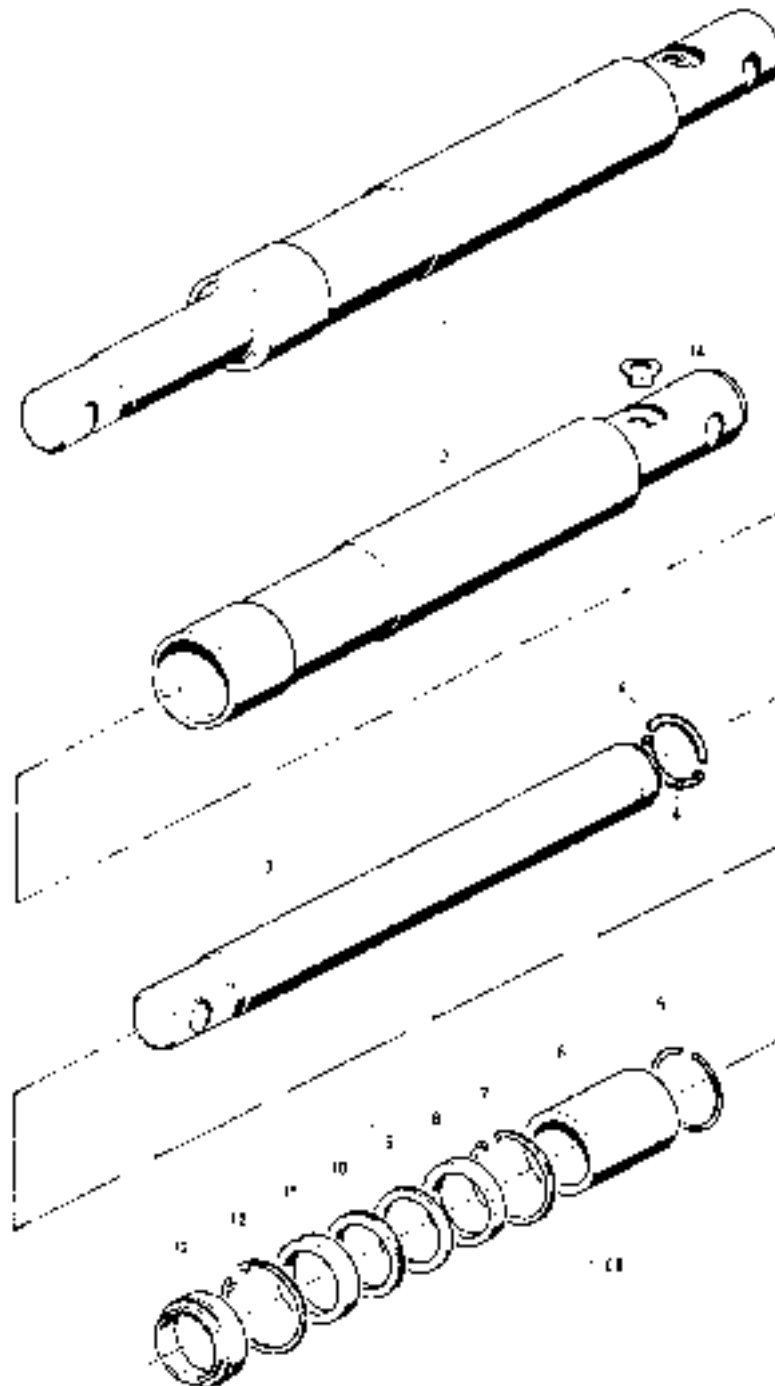
(A)
Not serviced, order 1748078M92

70-6C

HYDRAULIK ZYLINDER
für Hopelvorrichtung

BAM
for root

VERIN
pour robotteur



Zeichnung MF 31

415 718 M2 (Ausgabe 2, 1/75)

RAM

Item	Part Number	Qty	Description	Comments
1	1748022M92	1	Ram	(A)
	1748022M93	1	Ram	
2		1	Barrel	(B)
		1	Barrel	(B)
3		1	Piston Rod	(B)
4		2	Stop	(B)
5		1	Snpring	(B)
	1748118M1	1	Bush	
7	1441827X1	1	Ring	
8	1441846X1	1	Seal	
9	1748030M1	1	Ring	
10	1748031M1	1	Ring	
11	1748032M1	1	Ring	
	1748319M1	1	Ring	
12	1441827X1	1	Ring	
	1748318M1	1	Ring	
13	1441847X1	1	Seal	
14	1748042M1	1	Plug	

(A)

IN CASE OF REQUIREMENT OF COMPLETE RAMS, ORDER 174 8022M93.
COMPLETE RAMS OF INTERCHANGEABLE

(B)

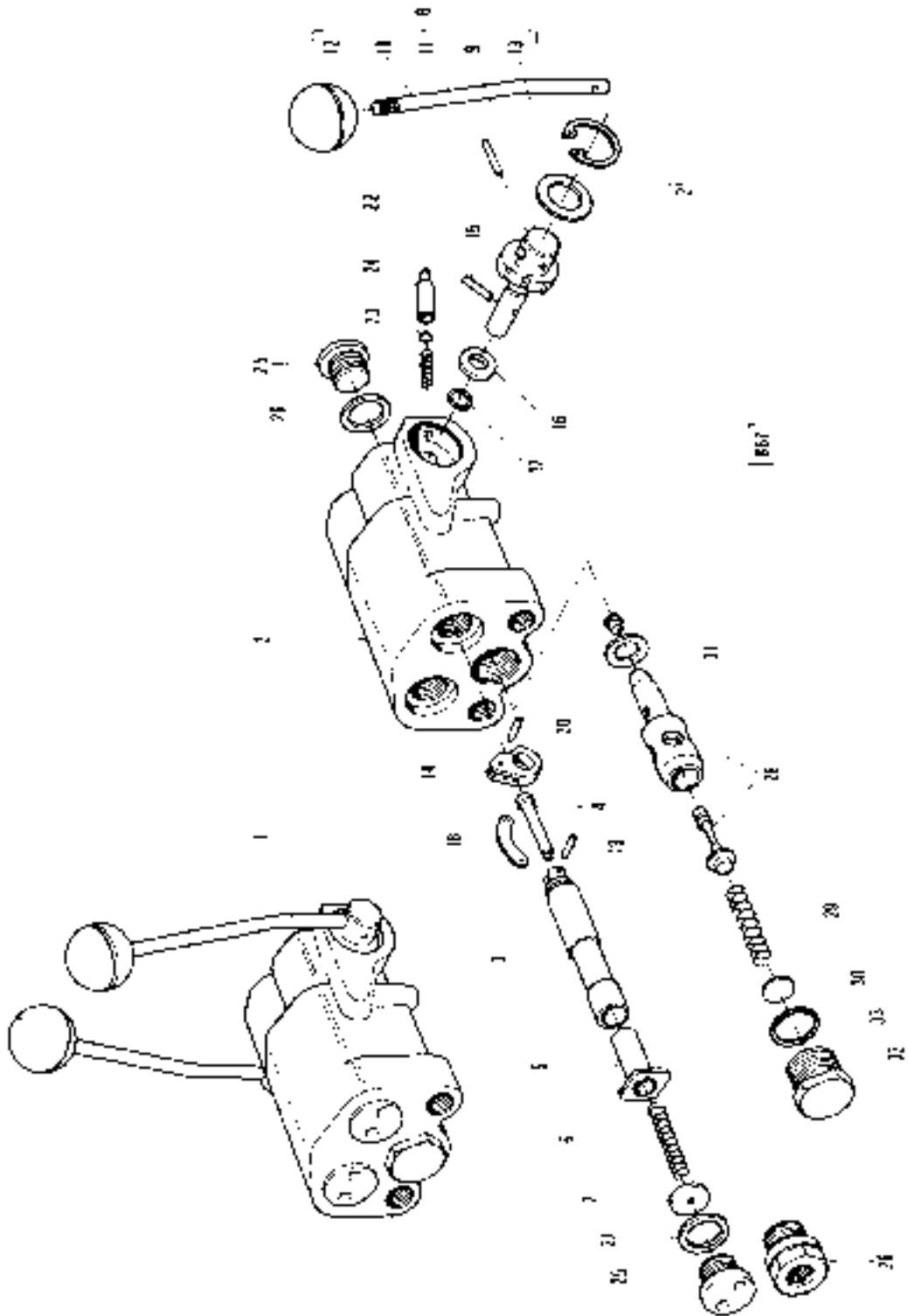
Not serviced, order 1748022M93

70-7

REFRIGERANT

CONTROL VALVE

VALVE DOUBLE



Мобильный MF 31

415718 MF (оборуд. 2) 1/1/71

CONTROL VALVE

Item	Part Number	Qty	Description	Comments
1	410133M1	1	Distributor	
2		1	Housing	Not serviced, order CONTROL VALVE ASSY.
3		2	Spindle	Not serviced, order CONTROL VALVE ASSY.
4	1717334M1	2	Pin	
5	1700525M1	2	Sleeve	
6	1700334M2	2	Spring	
7	1700335M1	2	Washer	
8	1717337M91	1	Lever	Left Hand
	1717338M91	1	Lever	Right Hand
9	1700527M1	1	Clevis Pin	Left Hand
	1700529M1	1	Clevis Pin	Right Hand
10	1717339M1	1	Lever	Left Hand
	1717339M1	1	Lever	Right Hand
11	1440398X1	1	Pin	
12	1700343M1	1	Knob Assy	
13	1700534M1	1	Washer	
14	1700532M1	2	Lever	
15	1440393X1	2	Pin	(A)
16	1441769X1	2	Washer Metric	(A)
17	1700346M1	2	Bush	(A)
18	1700536M1	2	Plate	
19	339548X1	2	Pin	(A)
20	1440961X1	2	Pin	(A)
21	1441240X1	2	Circlip	(A)
22	1700348M1	2	Clevis Pin	
23	1700349M1	2	Spring	
24	1700395M1	X	Washer	
25	1700350M1	4	Plug	
27	391265X1	4	Gasket	(A)
28	1700352M1	1	Valve	
29	1717363M1	1	Spring	
30	1700354M1	X	Shim	
	1700355M1	X	Shim	
31	1700394M1	1	Gasket	(A)
32	1700357M1	1	Plug	
33	1700358M1	1	Ring	

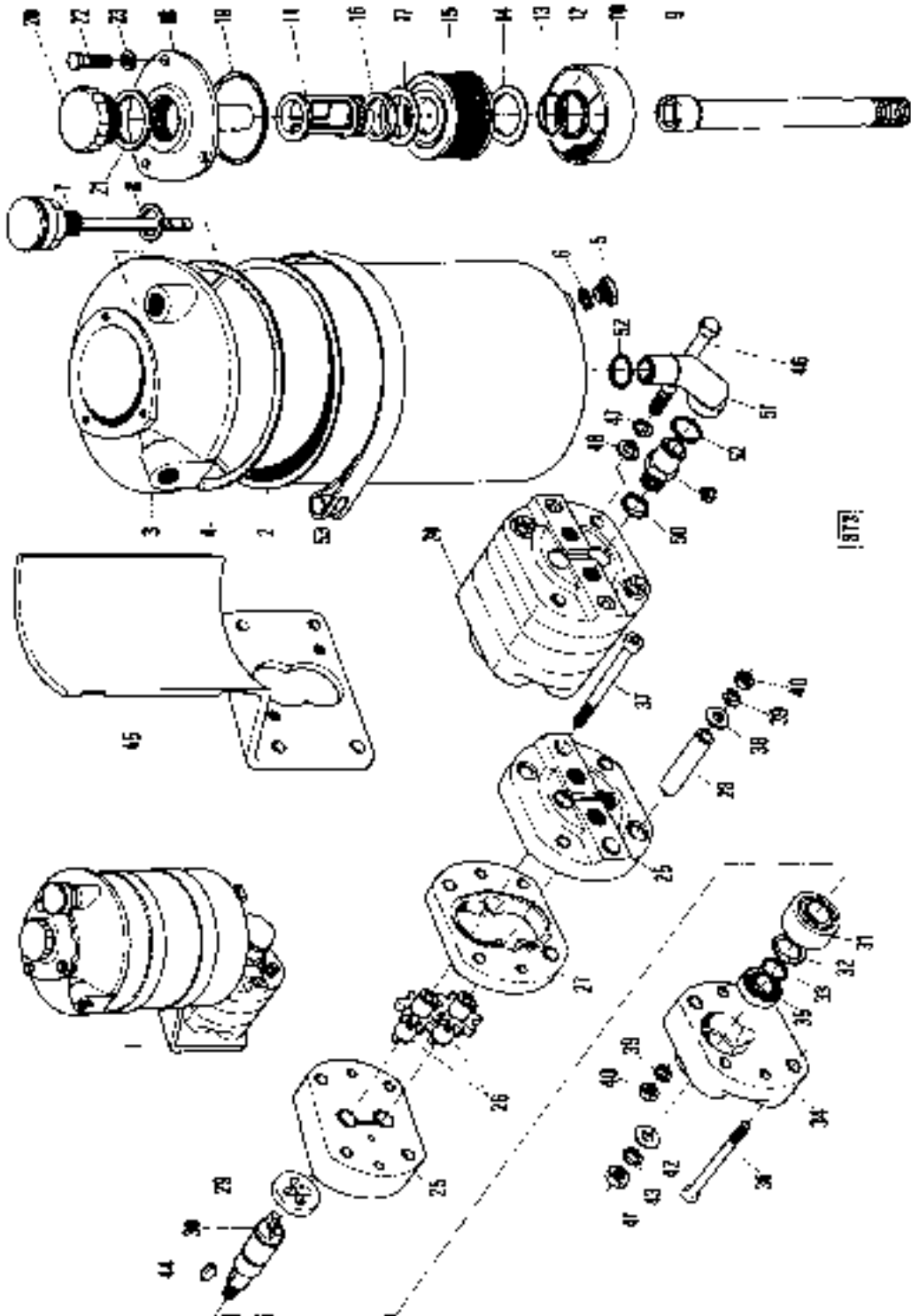
(A)
WEARING PARTS

70-8

HYDRAULIKPUMPE
MIT ÖLBEHÄLTNER
5/6 Serie-Nr. 8109

HYDRAULIC PUMP
WITH OIL CONTAINER
up to No. 8109

POUMPE HYDRAULIQUE
AVEC CUVE D'HUILE
jusqu'au No. 8109



Zeichnung № 31

415718 M2 (August 1, 1973)

**MASSEY FERGUSON
MF 31 COMBINE - 415718**

415718

70-8

HYDRAULIC PUMP WITH OIL CONTAINER

Item	Part Number	Qty	Description	Comments
				Up to Serial or Engine Number 8109
1	402178M1	1	Pump	
2	1717361M1	1	Container	
3	1717362M1	1	Cover	
4	1700300M1	1	Plug	(A)
5	1441060X1	1	Plug	
6	1440993X1	1	Seal	(A)
7	1717354M1	1	Air Filter	
8	1700551M1	1	Ring	(A)
9	1700370M1	1	Tube	
10	1700315M1	1	Housing	
11	1700316M1	1	Tube	
12	1700317M1	1	Bush	(A)
13	1441762X1	1	Ring	
14	1700319M1	1	Washer	
15	1700320M1	1	Filter	
16	1700321M1	1	Bush	(A)
17	1700319M1	X	Shim	
18	1700322M1	1	Cover	
19	1717350M1	1	Gasket	(A)
20	1717351M1	1	Plug	
21	1700330M1	1	Washer	(A)
22	339666X1	3	Screw Metric	
23	390971X1	3	Washer Metric	
24	1700304M1	1	Pump	
25			Housing	Not serviced, order PUMP ASSY.
26			Pinion	Not serviced, order PUMP ASSY.
27			Spacer	Not serviced, order PUMP ASSY.
28			Sleeve	Not serviced, order PUMP ASSY.
29	1700399M1	1	Coupler	
30	1700386M1	1	Shaft	
31	1441170X1	1	Bearing	(A)
32	1700389M1	1	Washer	
33	1441761X1	1	Circlip	(A)
34			Cover	Not serviced, order PUMP ASSY.
35	1700390M1	1	Bush	(A)
36	1441763X1	2	Screw Metric	
37	1441471X1	2	Screw Metric	
38	1700403M1	2	Washer	
39	339374X1	4	Lock Washer	
40	339169X1	4	Nut Metric	
41	1440219X1	1	Nut Metric	
42	339424X1	1	Washer	
43	339376X1	1	Lock Washer	
44	391728X1	1	Key Door	
45	1700305M1	1	Plate	
46	339365X1	2	Bolt Metric	
47	339376X1	2	Lock Washer	
48	339424X1	X	Washer	
49	1700306M1	1	Connection	
50	390855X1	1	Ring	
51	1700308M1	1	Elbow	
52	1700309M1	2	Gasket	(A)
53	1717401M1	2	Band	

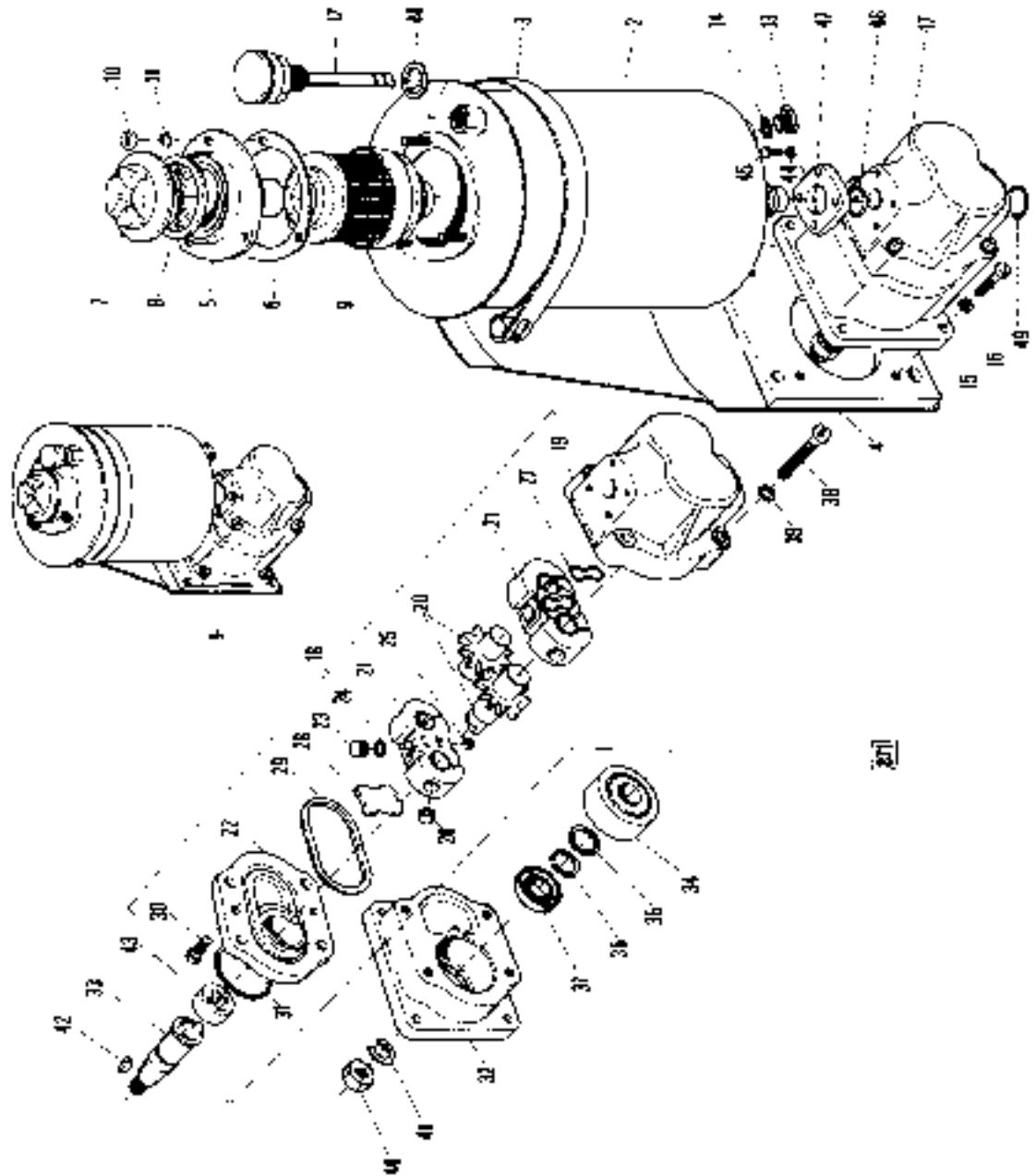
(A)
WEARING PARTS

70-9

HYDRAULIKPUMPE
MIT ÖLBEHALTER
ab Serien-Nr. 8110

HYDRAULIC PUMP
WITH OIL CONTAINER
from No. 8110

POMPE HYDRAULIQUE
AVEC CUVE D'HUILE
à partir du No. 8110



Механика MF 31

415 718 62 (Ausgabe 1) 12/70

**MASSEY FERGUSON
MF 31 COMBINE - 415718**

415718

70-9

HYDRAULIC PUMP WITH OIL CONTAINER

Item	Part Number	Qty	Description	Comments
				From Serial or Engine Number 8110
1	417737M1	1	Pump	
2	1717422M1	1	Reservoir	
3	1717423M1	1	Clamp	
4	1717424M1	1	Plate	
5	1717425M1	1	Cover	
6	1717426M1	1	Gasket	(A)
7	1717427M1	1	Plug	
8	1717428M1	1	Ring	(A)
9	1717429M1	1	Element	(A)
10	339030X1	3	Nut Metric	
11	339375X1	3	Lock Washer	
12	1717421M1	1	Filter	
13	1441060X1	1	Plug	
14	1440993X1	1	Seal	(A)
15	339374X1	4	Lock Washer	
16	391485X1	4	Screw	
17	1717430M91	1	Pump	
18	1717432M91	1	Body	
19			Housing	Not serviced, order BODY ASSY.
20			Pinion	Not serviced, order BODY ASSY.
21			Bearing	Not serviced, order BODY ASSY.
22	1717434M1	1	Cover	
23	1717435M1	2	Plug	
24	1717436M1	2	Ring	
25	1717437M1	2	Plug	
26	1717438M1	4	Plug	
27	1717439M1	2	Gasket	(A)
28	1717440M1	1	Spacer	
29	1717441M1	1	Ring	(A)
30	391308X1	2	Screw Metric	
31	1717442M1	1	Gasket	
32	1717443M1	1	Cover	
33	1717444M1	1	Shaft	
34	1441768X1	1	Bearing	
35	1717445M1	1	Washer	
36	1440475X1	1	Circlip	
37	1717446M1	1	Ring	(A)
38	339505X1	4	Screw Metric	
39	339374X1	4	Lock Washer	
40	339571X1	1	Nut Metric	
41	339380X1	1	Washer	
42	1440360X1	1	Key Door	
43	1717476M1	1	Driving	
44	339375X1	4	Lock Washer	
45	339666X1	4	Screw Metric	
	1717371M1	1	Ring	(A)
47	1717447M1	1	Flange	
48	1700551M1	1	Ring	
49	1717475M1	1	Ring	

(A)
WEARING PARTS