

**VOLVO CONSTRUCTION EQUIPMENT**

**RECYCLING MANUAL**

# **L150F, L180F, L220F**



**MORE CARE. BUILT IN.**



---

# Foreword

## Foreword

Caring for the environment is one of Volvo's core values, along with quality and safety.

This brochure is for all those who work with dismantling and scrapping of a complete machine, both service workshops as well as dismantling companies and recycling companies. It can also be used for service work during the machine's lifetime, as a guide for handling used products that are replaced during repairs and service.

The purpose is to facilitate correct handling of hazardous waste or other equipment and components that may cause personal injury and environmental damage. It also serves as a material map to see which materials are included in the product.

The brochure does not include any instructions for recycling technicians since these will change with time, and an instruction from today may prove to be completely different in the future. There is also national legislation and a variety of local regulations that differ significantly.

The information in the brochure is developed for Volvo L150F, L180F, and L220F, and shall not be used in any way for other products.

Information and data included in the brochure are valid at the time of publication. We reserve the right to change specifications and equipment without prior notice.

This recycling manual is for a so-called 'basic machine'. When the machine is purchased, a variety of optional equipment may be selected and all of these are not included or described in this manual.

## Overall perspective

Volvo Construction Equipment's overall perspective on how environmental aspects shall be fulfilled means that the company's products are regarded in a much greater context:

- Society works for common environmental legislation and facilitates good work planning and provides systems for recycling.
- Volvo and its sub-suppliers replace materials that have negative impact on man and the environment, and improve use of products and manufacturing methods.
- Dealers make sure that the customers get the right machines that are exactly adapted to their applications.
- Operators and owners handle the machines correctly with regards to use, service, and maintenance.
- Recycling is performed in a manner that is safe to both man and the environment. Scrapping and dismantling take place in a way that enables maximized reuse or recycling of the machine.

# Safety

## **Safety**

Volvo Construction Equipment AB assumes that work with our machines follows the safety and work instructions included in the Service manual and Operator's manual for the model in question.

Dismantling and recycling of machines shall be performed by personnel with sufficient knowledge, and in a professional manner in order to avoid personal injury and environmental damage.

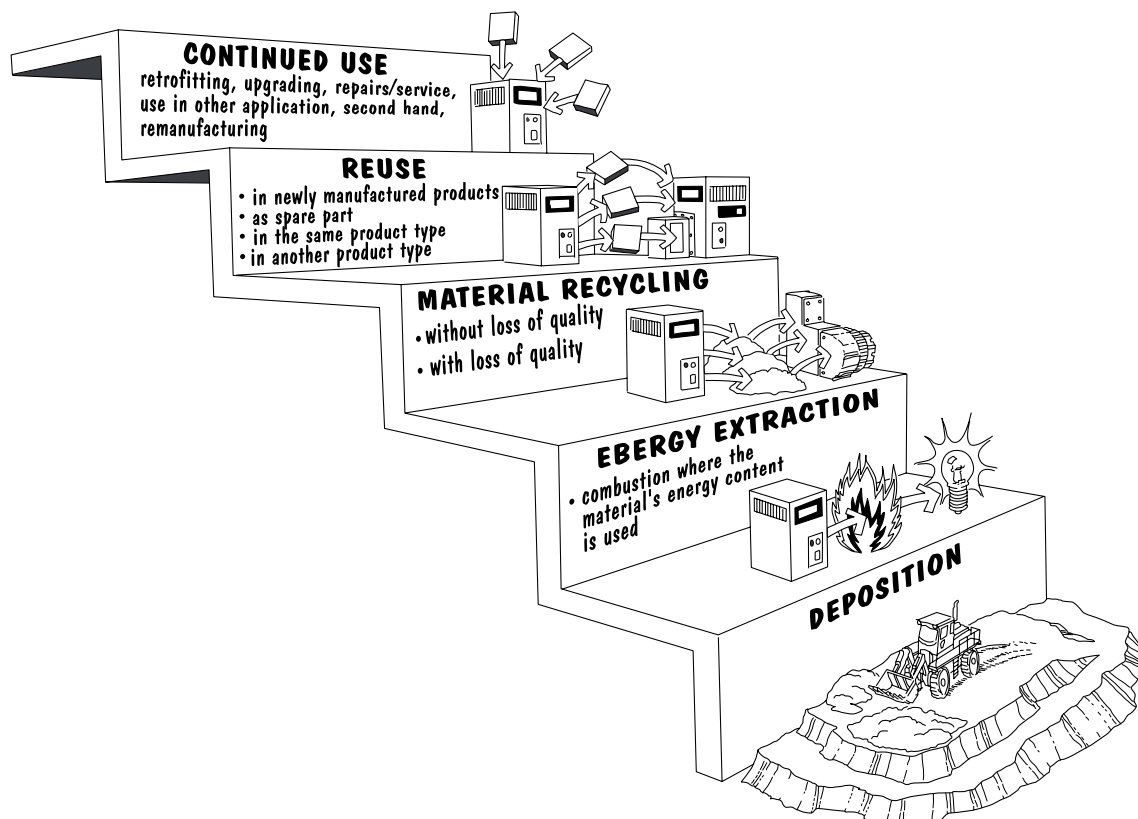
If in effect, national legislation governing dismantling of machines is the primary legislation to be followed. This Recycling manual is only a supplement to the valid Service manual and Operator's manual for Volvo L150F, L180F, and L220F.

# Recycling Work

## Work and recycling

A Volvo wheel loader consists of metals to approx. 80%. In general, metals are suitable for recycling. However, in certain cases the components' design and installation may make recycling impossible, both practically and economically, despite the included materials themselves being recyclable.

The recycling process has 5 readily identifiable steps, where one should strive to get the biggest fractions of the machine's material as high up as possible on the recycling steps.



### Recycling steps

Strive to get as much material as possible, as high as possible, on the steps.

Source: Thomas Magnusson IVF

## Main work process when dismantling Volvo wheel loaders

This work process should be followed for dismantling work to proceed in an optimal way:

- 1 **Identify** the machine by reading signs and plates as well as the instructions in the manual.
- 2 **Check** governing regulations/legislation for recycling and producer responsibility. Also check if there are special safety aspects for dismantling.
- 3 **Decontaminate** the machine from fluids and specially marked components that have to be removed and sorted out for special handling.
- 4 **Dismantle** the machine in a safe and environmentally correct manner.
- 5 **Sort** the dismantled parts and components in fractions for recycling.

---

# Sorting

## Sorting

There is a number of thought fractions in which to sort the material, examples of these are found below. Handling of these fractions is governed by national legislation and local regulations, which shall be followed.

- Materials and components that can be reused as components in old and/or new machines. These may be in need of repairs or upgrades in order to meet quality requirements. For example, this may be engine, axles, transmission, and hydraulic cylinders.
- Materials that can be material-recycled with or without loss of quality. Examples of material recycling without loss of quality are metals and certain plastics. Loss of quality refers to, e.g., plastics that only can be given a dark colour when material-recycled.
- Materials for energy extraction are, among others, unsorted plastics and oils.
- Materials that have to be deposited mainly come from fragmentation and unsorted materials.

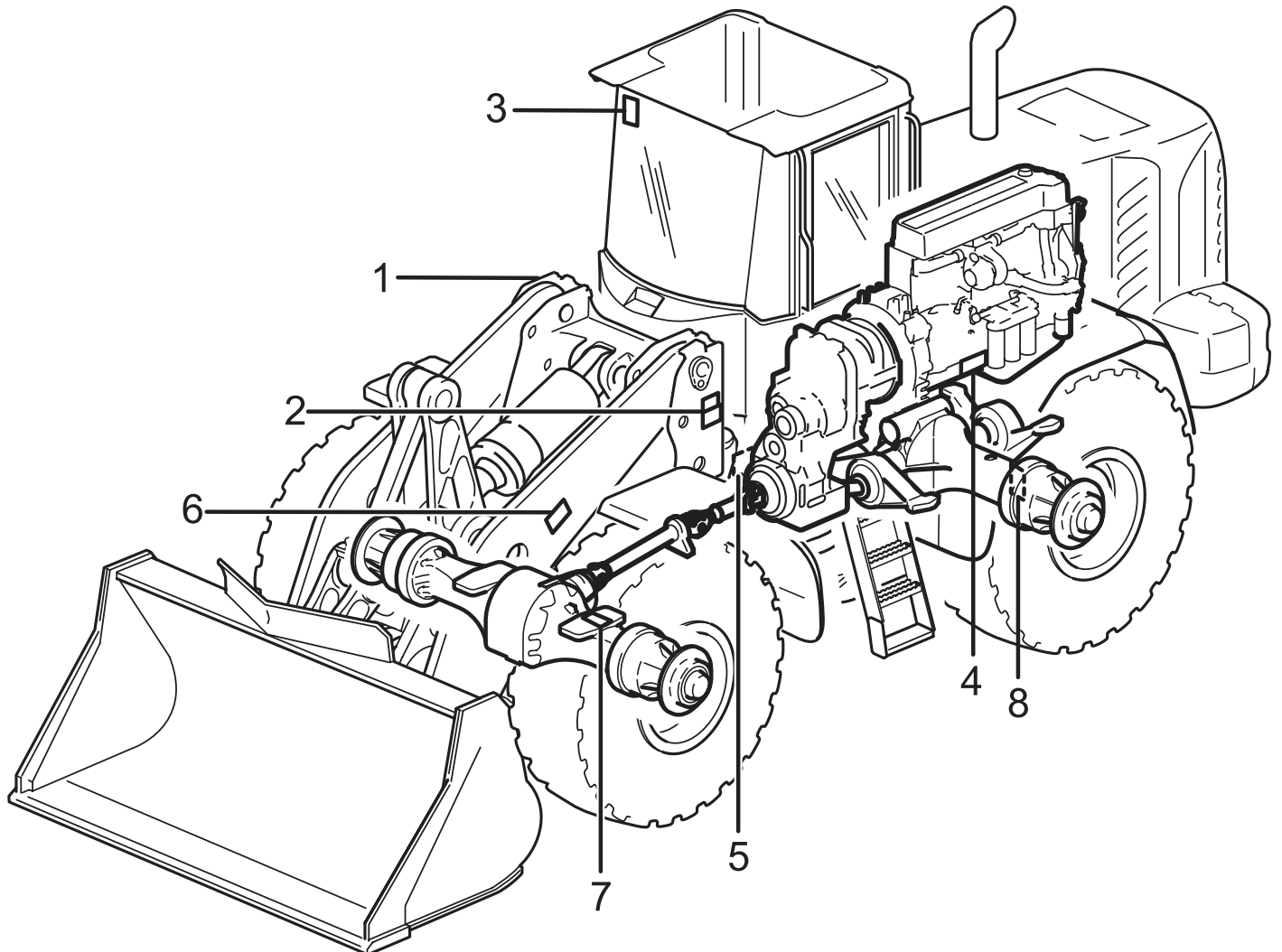
## Producer responsibility

A number of the machine's components are governed by the principle of producer responsibility, which means that they shall be taken care of according to special instructions. These instructions may vary from one country to another. If you do not know what this includes or are unsure about applicable governing regulations, contact your Volvo dealer or Volvo directly.

# Identifying

## Identifying the machines

This manual is only valid for the stated models; Volvo L150F, L180F, and L220F, see illustration below for identification marking. The machines have been manufactured in Sweden by Volvo Construction Equipment AB from the year 2007. The primary colour is yellow.



- 1 Machine PIN, Product Identification Number (stamped on right side).
- 2 Product plate including, among other things, machine type and PIN. Additional plate with, among other things, CE-marking (only for country of origin within the EU), as well as an emission plate. A total of three plates.
- 3 Plate identifying that ROPS-test has been performed and approved.
- 4 CIN-plate (Component Identification Number) for engine.
- 5 CIN-plate for transmission
- 6 CIN-plate for boom
- 7 CIN-plate for front axle
- 8 CIN-plate for rear axle

## Materials - Identifying

A marking system is used where all plastic parts are marked with a material code, making the materials easy to identify. Many materials can be granulated and reused, while other plastics are used for energy extraction by incineration. Certain plastics must be taken care of in a special way or destroyed, through some form of pre-treatment.

Volvo standards applicable to these machines are:

- Std 103-0002 Material identification and marking of components made of plastic or elastic material
- Std 5052,41 Material identification and marking of plastic parts
- Std 5052,411 Symbols and abbreviations
- Std 5052,412 Symbols for plastic containers

The following few examples show what the marking may look like:	
>ABS<	Part consisting of one material, in this case ABS-plastic.
>ABS+PC<	Part consisting of a mix of two materials.
>PVC,PUR,ABS<	Part consisting of 3 materials where PVD is the visible (coating) and PUR with inclusion of ABS. ABS is biggest by weight (underlined).
>PP - MD30<	Part containing reinforcing or filler material with 30 percent by weight.

For more complicated mixtures, see Std 103-0002.

Contact your Volvo dealer or Volvo directly to obtain these standards.

# Decontamination

## Draining fluids

It is important that fluids are handled in a safe and correct manner, with regards to national legislation as well as local regulations. Follow instructions in the Service manual and Operator's manual for draining fluids in axles, tanks, and other containers and/or reservoirs.

The following table is intended to serve as a checklist.

Position	Total volume in litres Machine type		
	L150F	L180F	L220F
Engine, including filters	49	49	49
Transmission and torque converter, including filters	50	50	48
Front axle, including hub reduction	49	49	82
Rear axle, including hub reduction	59	59	76
Rear axle cradle	-	-	3
Hydraulic system	261	265	330
Hydraulic oil tank	156	156	226
Fuel tank	335	335	335
Cooling system	60	60	60
Oil bath pre-cleaner	9,1	9,1	9,1
Refrigerant (R134a)	2,1 kg	2,1 kg	2,1 kg
Washer fluid reservoir	5	5	5

## Filter

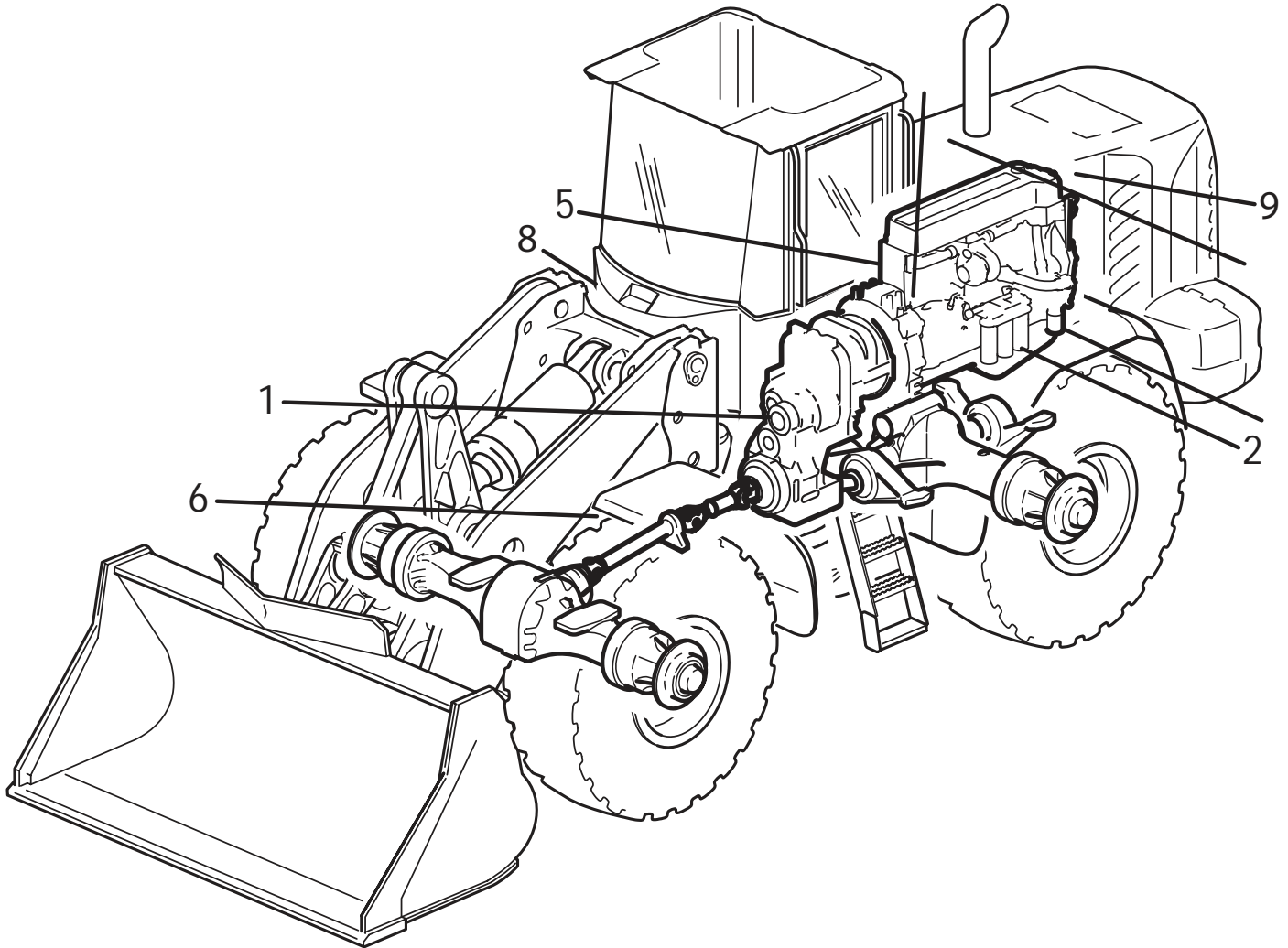
There is a wide range of filters on the machine that, when dismantled, contain impurities and the medium which they filter. Note that there are special regulations for handling of filters.

Filter table. This table is intended to serve as a checklist.

Number	Position	Medium	Quantity	Comments
1	Transmission	Transmission oil	1	
2	Engine	Oil	3	
3	Engine	Coolant	1	
4	Hydraulic tank	Hydraulic fluid	1	
5	Rear axle	Oil	1	In comb. with axle oil cooling
6	Front axle	Oil	1	In comb. with axle oil cooling
7	Air cleaner	Air	2	Paper + filter
8	Cab	Air	2	Paper filter
9	Engine compartment	Diesel	2	
-	Breathing	Air / oil mist	5	Axles, transmission, hydraulic tank, and fuel tank



# 8 Components with special safety and environmental aspects



## Components with special safety and environmental aspects

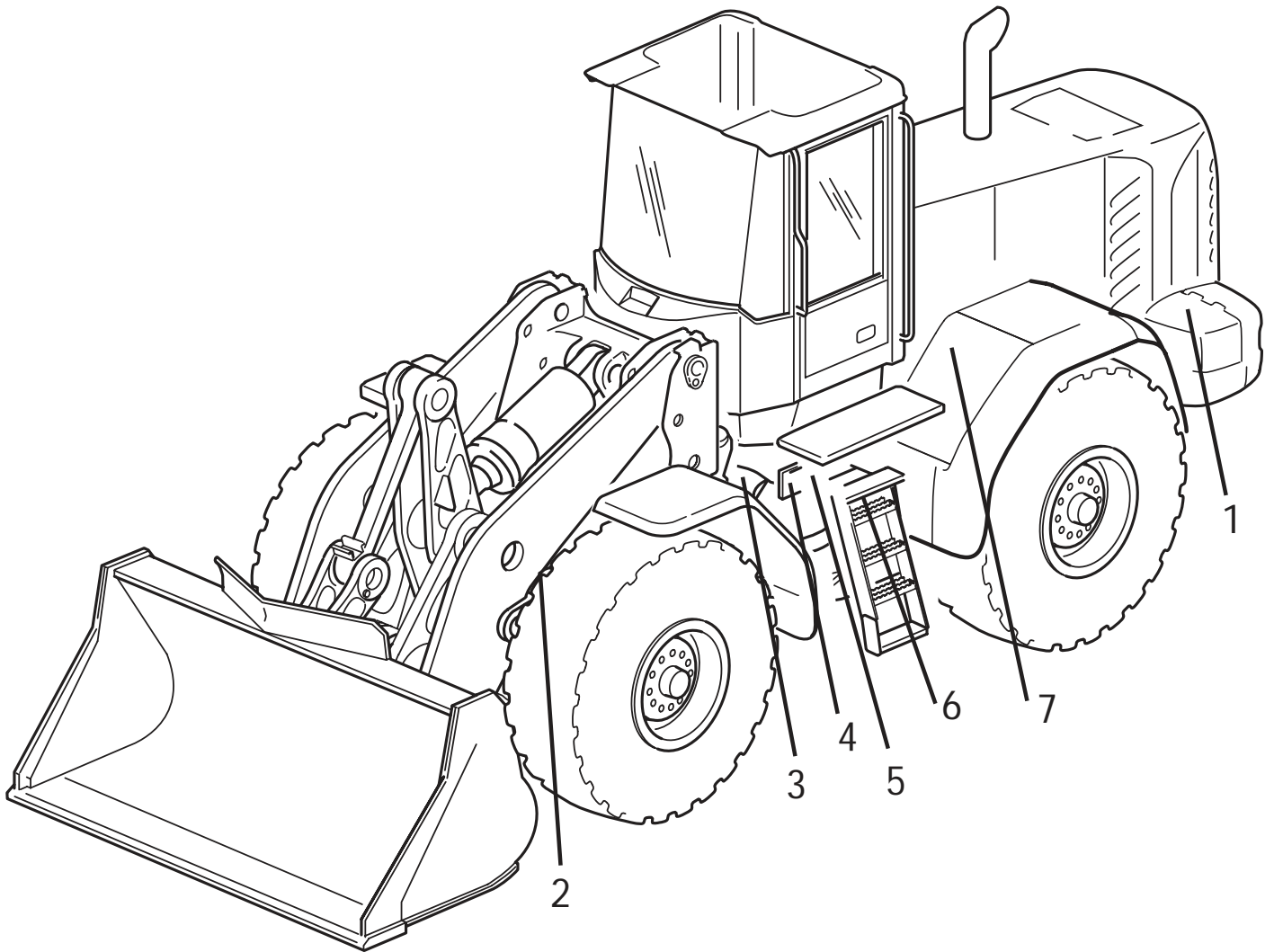
The following components shall be handled with the extreme care and highest safety. For handling, see Service manual and Operator's manual.

Number	Component	Aspect
1	Battery	Sulphuric acid
2	Accumulators for Boom Suspension System	Pressurized container
3	Accumulators for lowering load	Pressurized container
4	Accumulators for steering	Pressurized container
5	Accumulators for service brake	Pressurized container
6	Accumulators for P-brake	Pressurized container
7	Air conditioning unit	Refrigerant*
-	Gaskets of fluor rubber/fluor silicone (used to withstand high temperatures in, e.g., engines, transmissions, axles, hydraulic motors, and pumps)	Generate hydrogen fluoride and hydrofluoric acid when exposed to intense heat (fire). **

\* Note that special regulations apply when working with refrigerant.

\*\* Be extremely careful where you suspect presence of fluor rubber.

See Service manual and Operator's manual for more information.



# Dismantling

## Material weights, complete machine

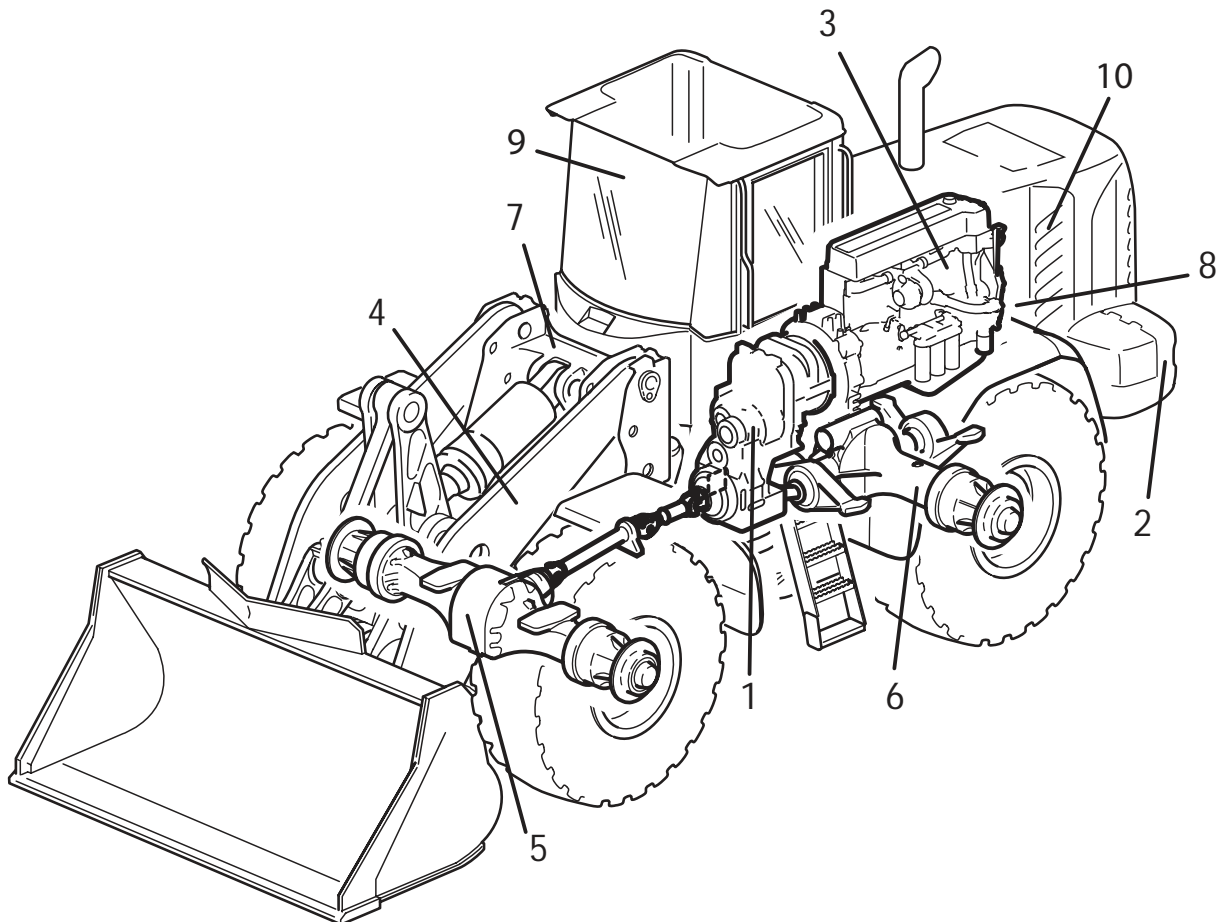
The following weights are approximate. They do not apply to machines with optional equipment.

Volvo's wheel loaders consist of metals to approx. 80%. In general, metals are suitable for material recycling.

Material	Weight in kg Machine type		
	L150F	L180F	L220F
Steel/iron	18290	21610	25630
Copper	43	43	43
Aluminium	140	140	140
Bronze bushings	35	35	35
Lead batteries	81	81	81
Glass	74	74	74
Polymer materials & rubber	120	120	130
Tires	2400	2400	2720
Fluids, oils, and chemicals	740	740	850
Other	1000	1110	1400
Total*	22920	26350	31110
* Varies depending on equipment, e.g., tires and bucket.			

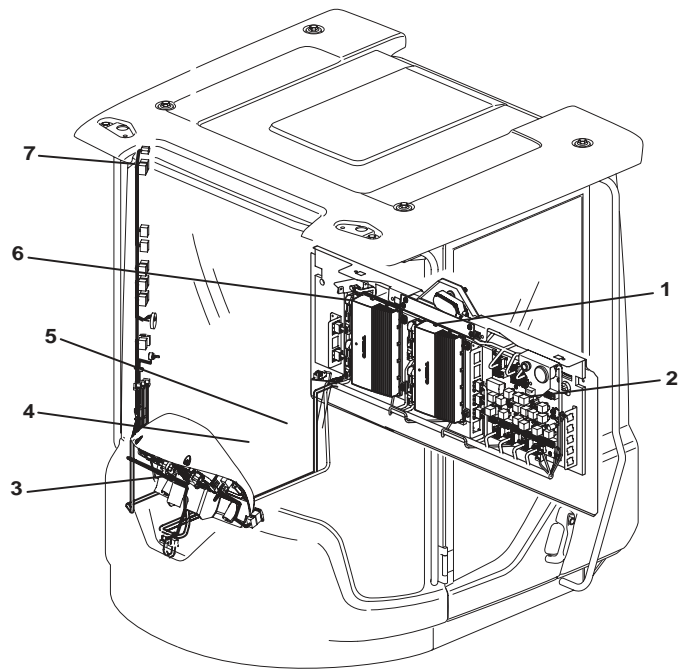
# Components

Number	Component	Weight in kg		
		L150F	L180F	L220F
1	Transmission	830	830	830
2	Counterweight	1450	3360	4250
3	Engine	1200	1200	1200
4	Boom	1625	1749	2028
5	Front axle, complete	1460	1460	2183
6	Rear axle, complete	1630	1650	2050
7	Front frame	1980	2545	2590
8	Rear frame	1840	1840	1940
9	Radiator for engine	126	126	126
10	Cab, complete	831	831	831
	• Steel	610	610	610
	• Plastics	81	81	81
	• Glass	74	74	74
	• Seat	36	36	36



# Electronics

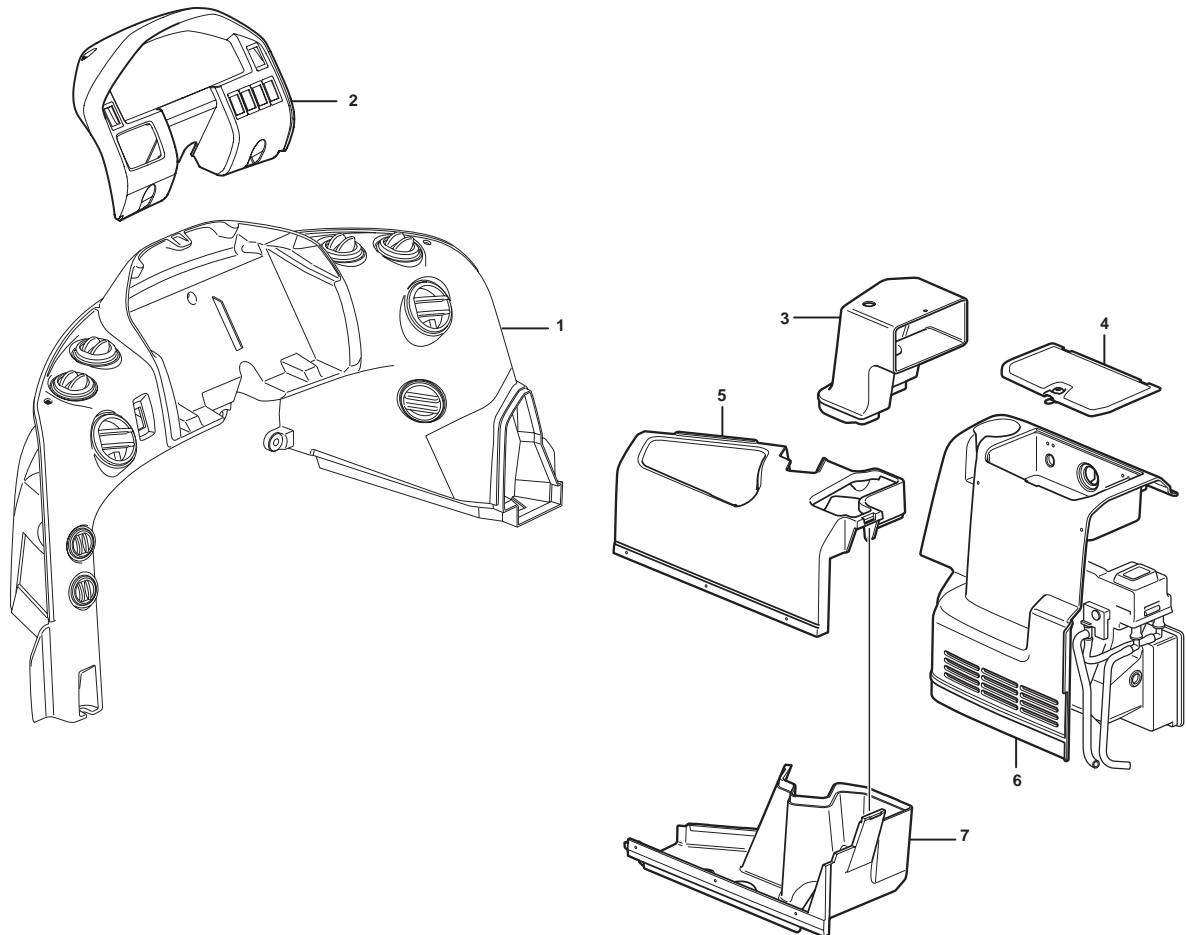
The machines have 4-6 so-called ECUs (Electronic Control Unit), and the number of ECUs depends on what equipment is installed on the machine. One is on the engine, one or two on the back wall in the cab, one in the instrument panel, and one or two on the right side in the cab. In the cab there are also two circuit boards, containing a number of relays and fuses. One circuit board is located on the back wall and the other one is on the right front pillar.



Number	Part	Material	Note
1	V-ECU	Circuit board + metal	
2	Circuit board	Circuit board	
3	I-ECU	Circuit board + plastic	Instrument panel
4	ECC	Circuit board + plastic	Climate control unit (AC)
5	W-ECU	Circuit board + plastic	CareTrack
6	V2-ECU	Circuit board + metal	CDC + electric servo
7	Circuit board	Circuit board	Control panel

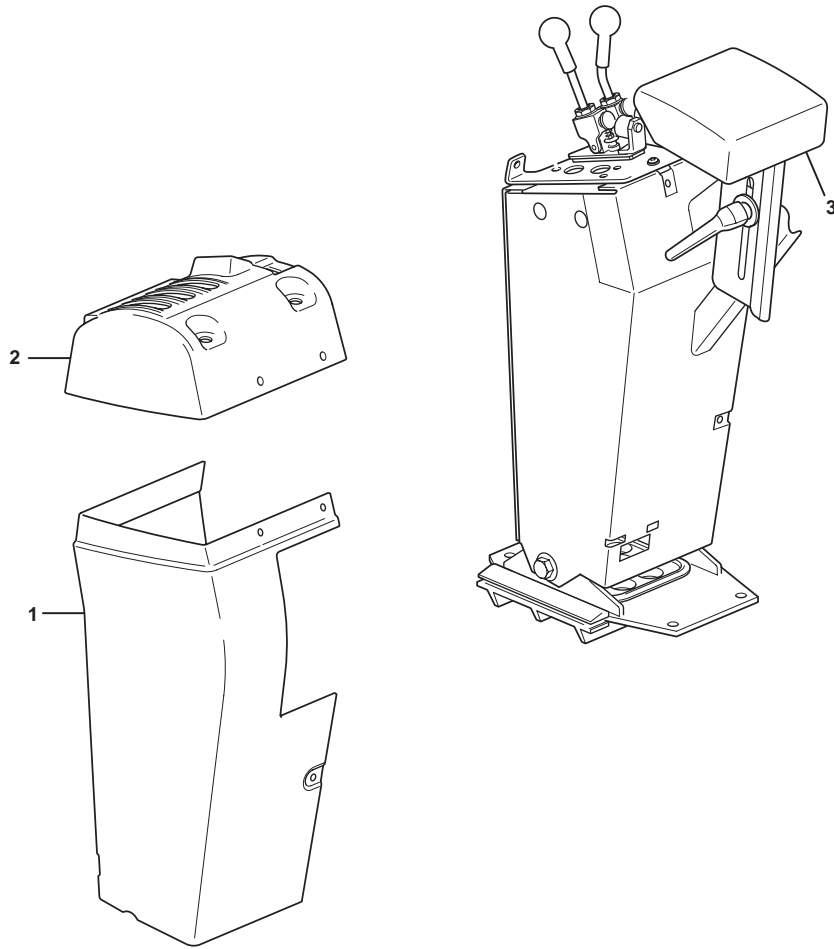
# Plastics

## Plastics



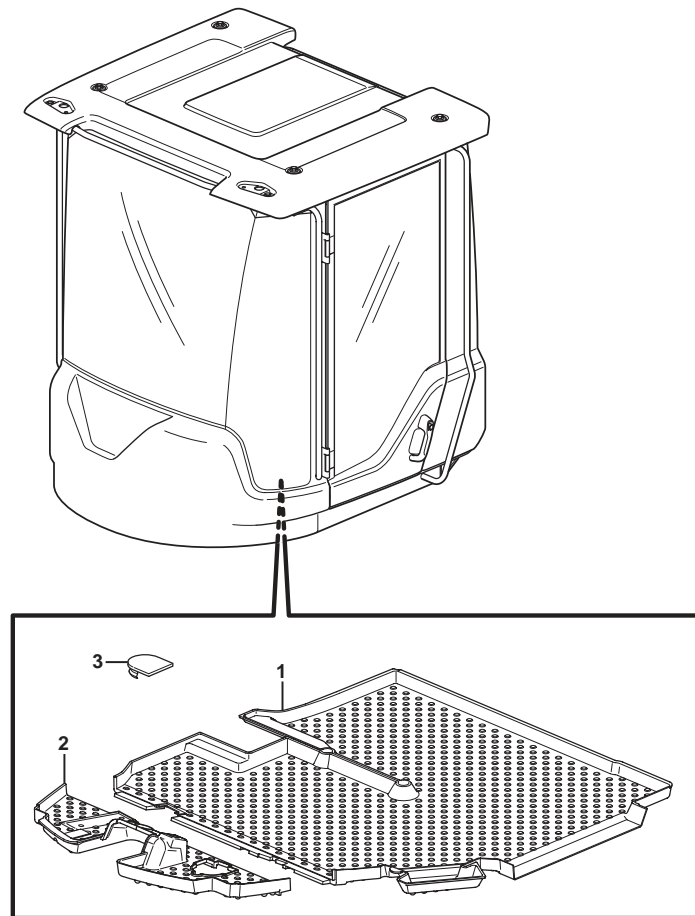
Number	Part	Material	Note
1	Air ducts	PP+elastic+mineral	
2	Instrument panel	PP+elastic+mineral	
3	Air duct	ABS	
4	Cover	PP	
5	Side panel	PP	
6	Air duct	PP+elastic+mineral	
7	Bottom part	PP+elastic+mineral	

Plastics



Number	Part	Material	Note
1	Casing	ABS	
2	Casing	PC+ABS	
3	Wrist support	PUR	

**Plastics**

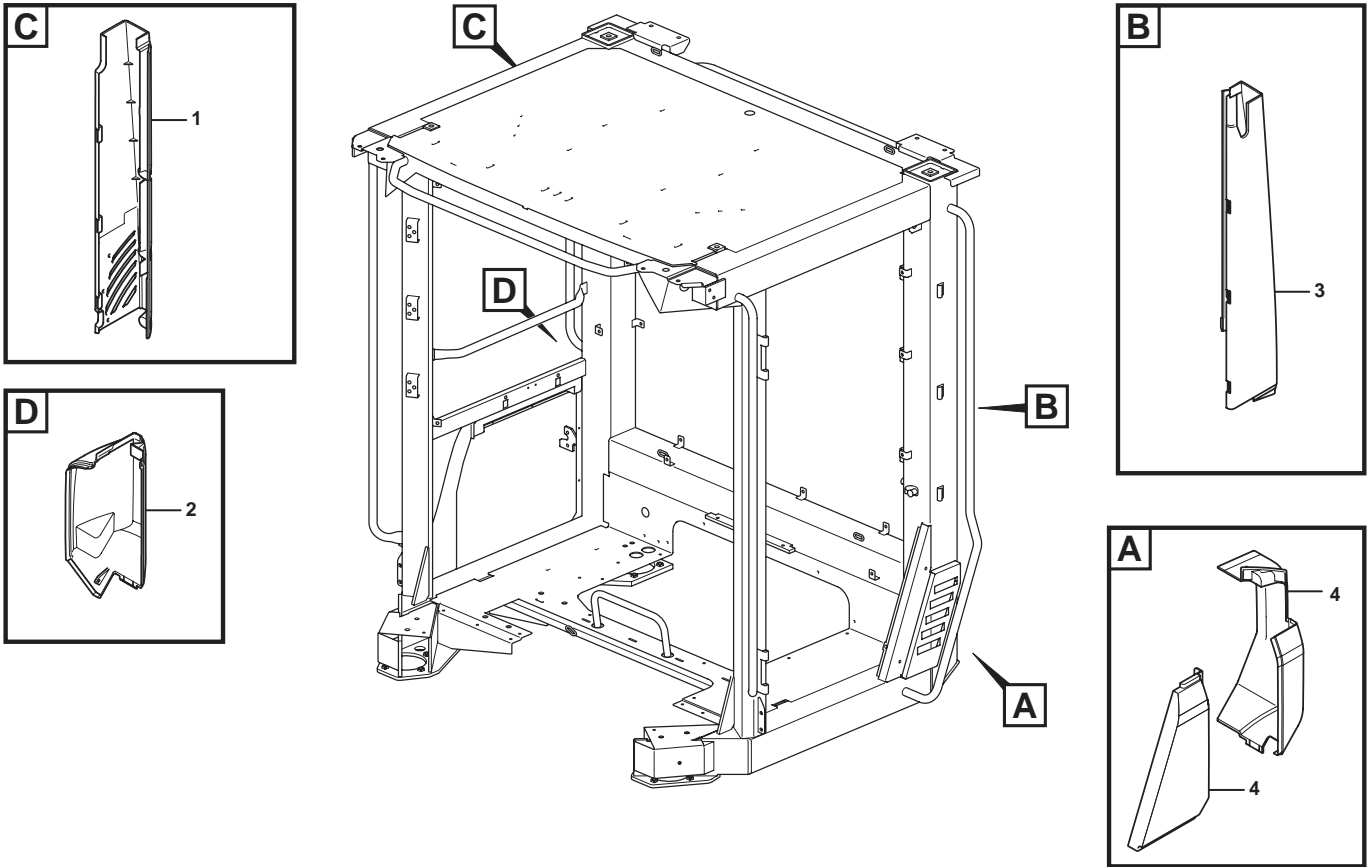


Volvo Construction  
 Equipment  
 1032102

Number	Part	Material	Note
1	Floor mat	PUR	
2	Floor mat	PUR	
3	Exterior roof	ABS + PMMA foil	

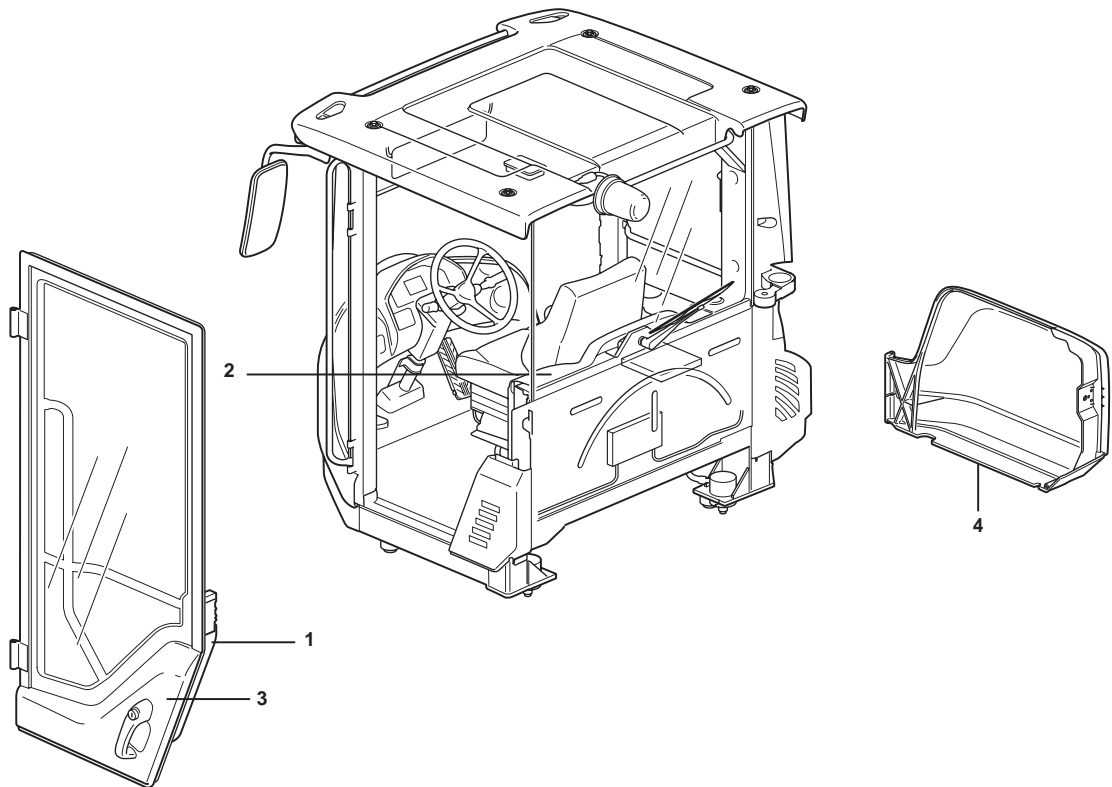


Plastics



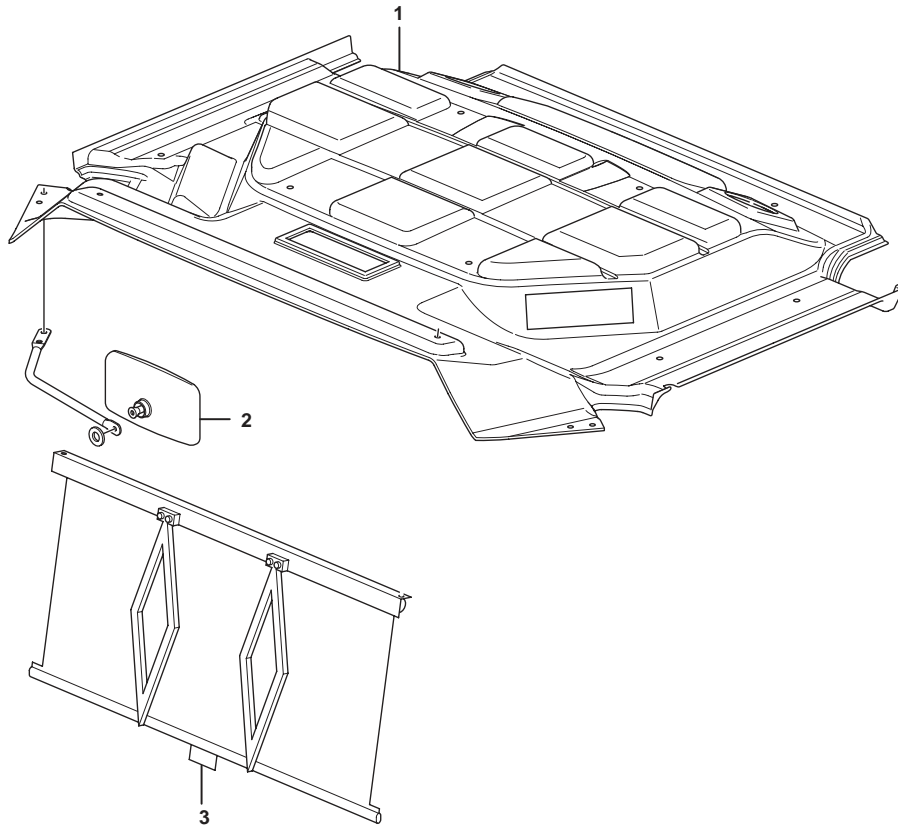
Number	Part	Material	Note
1	Exterior panel right	PP+elastic+mineral	
2	Cover right	PP+elastic+mineral	
3	Exterior panel left	PP+elastic+mineral	
4	Cover left	PP+elastic+mineral	2 parts

**Plastics**



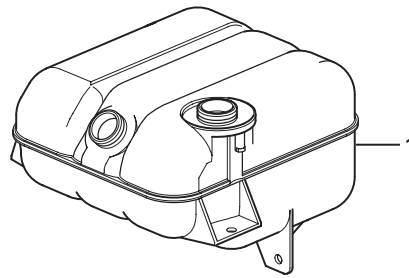
Number	Part	Material	Note
1	Panel inside door	ABS	
2	Panel inside rear	ABS	
3	Climate cover	PP+elastic+mineral	
4	Climate cover	PP+elastic+mineral	

Plastics



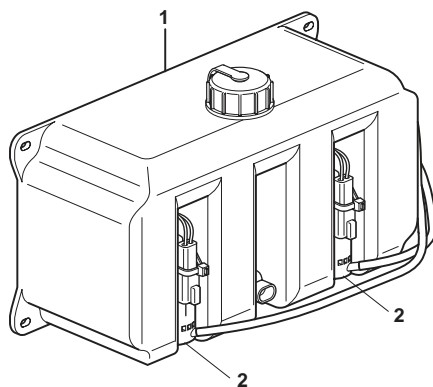
Number	Part	Material	Note
1	Ceiling (headlining)	Polyester	
2	Rearview mirror inside	ABS	2 pcs.
3	Sun visor	VELBEX	Contains PVC

Plastics



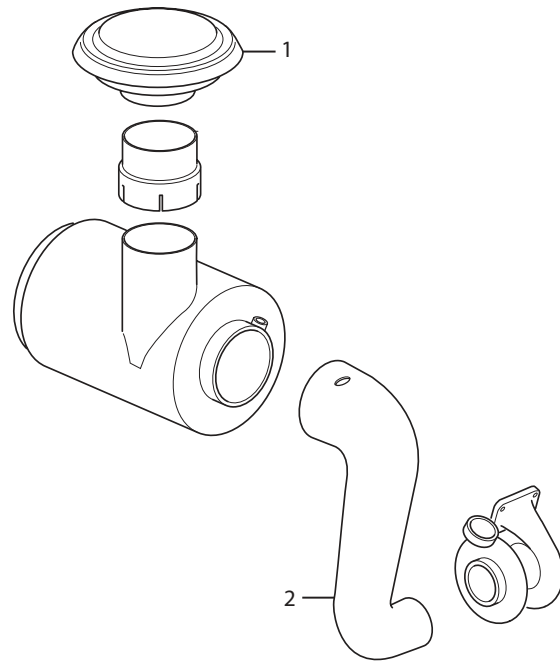
Number	Part	Material	Note
1	Expansion tank	PP	

Plastics



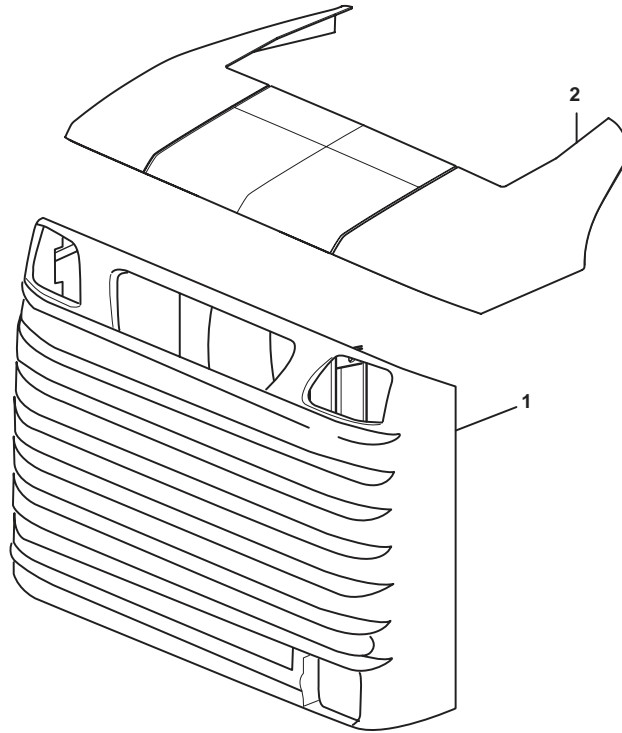
Number	Part	Material	Note
1	Washer fluid reservoir	PP	Motors (2) can easily be removed.

Plastics



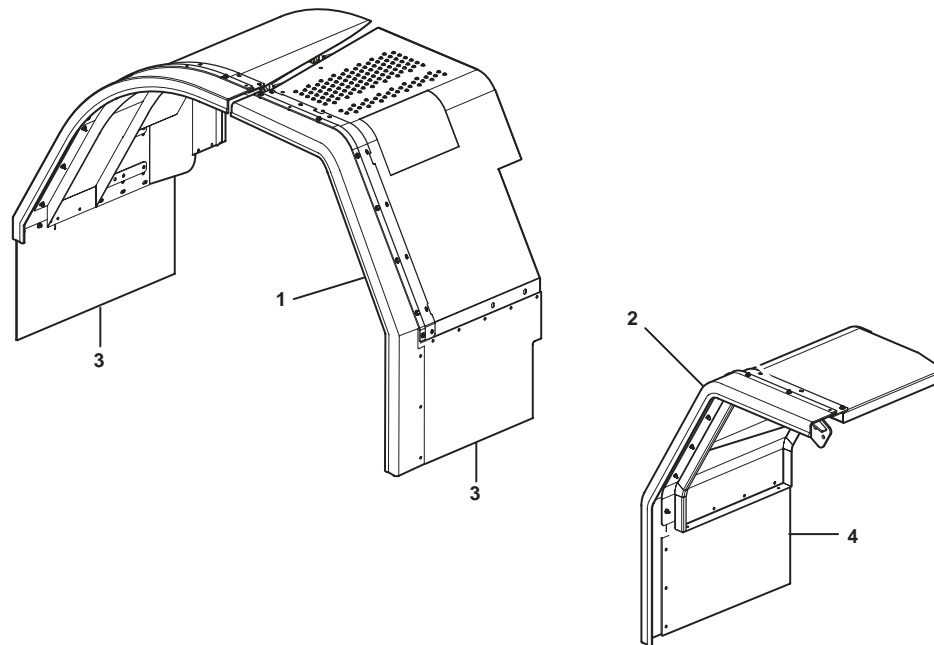
Number	Part	Material	Note
1	Cover for air cleaner	PP	
2	Hose for air cleaner	EPDM	

Plastics



Number	Part	Material	Note
1	Grill	PDCPD	Embedded steel bushings
2	Top part	PDCPD	

**Plastics**



Number	Part	Material	Note
1	Fender widener, front	Styrene rubber	
2	Fender widener, rear	Styrene rubber	
3	Splash guard, front	Reinforced rubber cloth	
4	Splash guard, rear	Reinforced rubber cloth	2 pcs.



**VOLVO**

**Construction Equipment**

Web Version

Volvo, Eskilstuna

English  
WLO