

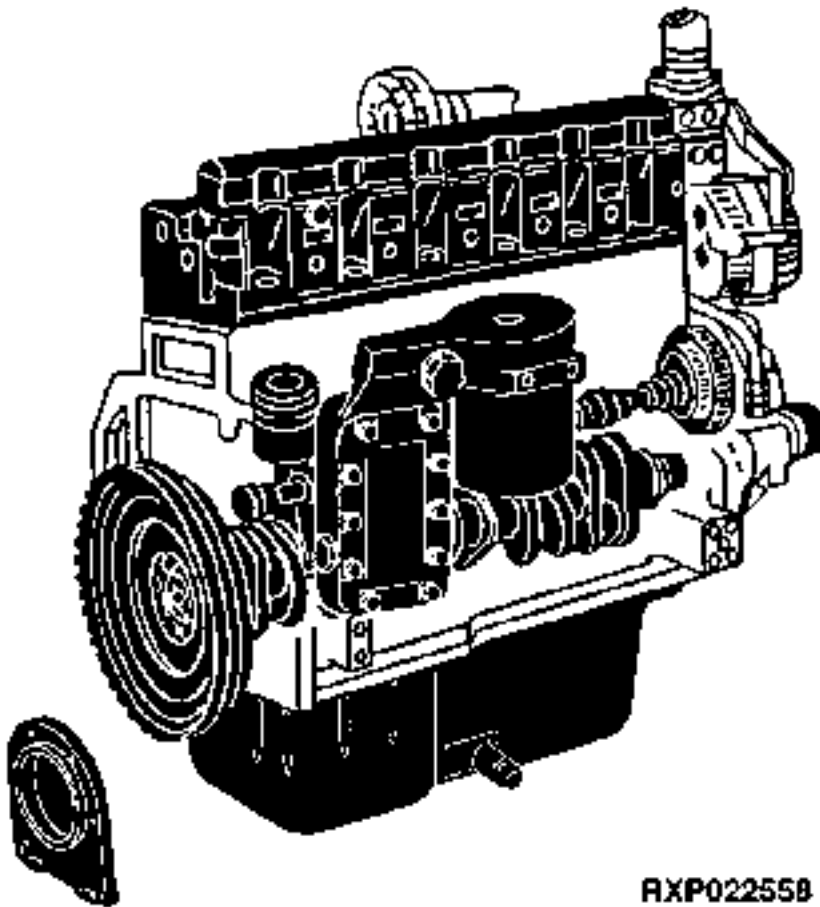
# 1A2

8100, 8200, 8300, 8400 TRACTORS

PRIMARY INDEX  
INDEX PRINCIPAL  
HAUPTINDEX  
INDICE PRINCIPALE  
INDICE DE MATERIAS  
HUVUDFORTECKNING  
RXP022558 -UN-11MAY99

|      |      |
|------|------|
| 20 - | 1D10 |
| 30 - | 2D6  |
| 40 - | 3D12 |
| 41 - | 3I9  |
| 42 - | 4D3  |
| 43 - | 4E4  |
| 51 - | 4E19 |
| 53 - | 5D3  |
| 54 - | 5E13 |
| 60 - | 6D4  |
| 70 - | 7D5  |
| 71 - | 8D2  |
| 80 - | 8E4  |
| 90 - | 8H3  |
| 91 - | 9D3  |
| 92 - | 9F15 |

## 20



**RXP022558**

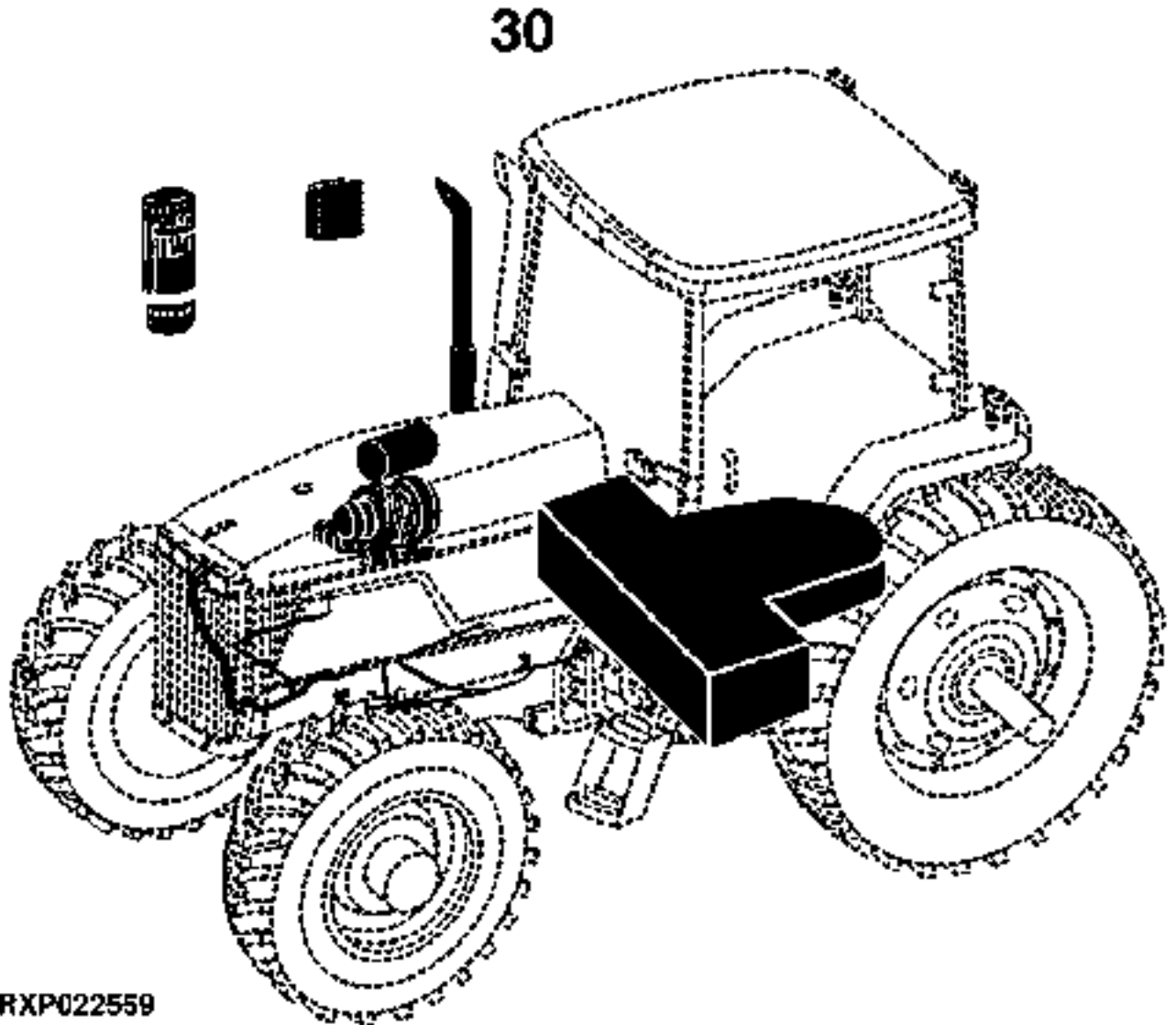
# 1A3

8100, 8200, 8300, 8400 TRACTORS

PRIMARY INDEX  
INDEX PRINCIPAL  
HAUPTINDEX  
INDICE PRINCIPALE  
INDICE DE MATERIAS  
HUVUDFORTECKNING

RXP022559 -UN-11MAY99

|      |      |
|------|------|
| 20 - | 1D10 |
| 30 - | 2D6  |
| 40 - | 3D12 |
| 41 - | 3I9  |
| 42 - | 4D3  |
| 43 - | 4E4  |
| 51 - | 4E19 |
| 53 - | 5D3  |
| 54 - | 5E13 |
| 60 - | 6D4  |
| 70 - | 7D5  |
| 71 - | 8D2  |
| 80 - | 8E4  |
| 90 - | 8H3  |
| 91 - | 9D3  |
| 92 - | 9F15 |



RXP022559

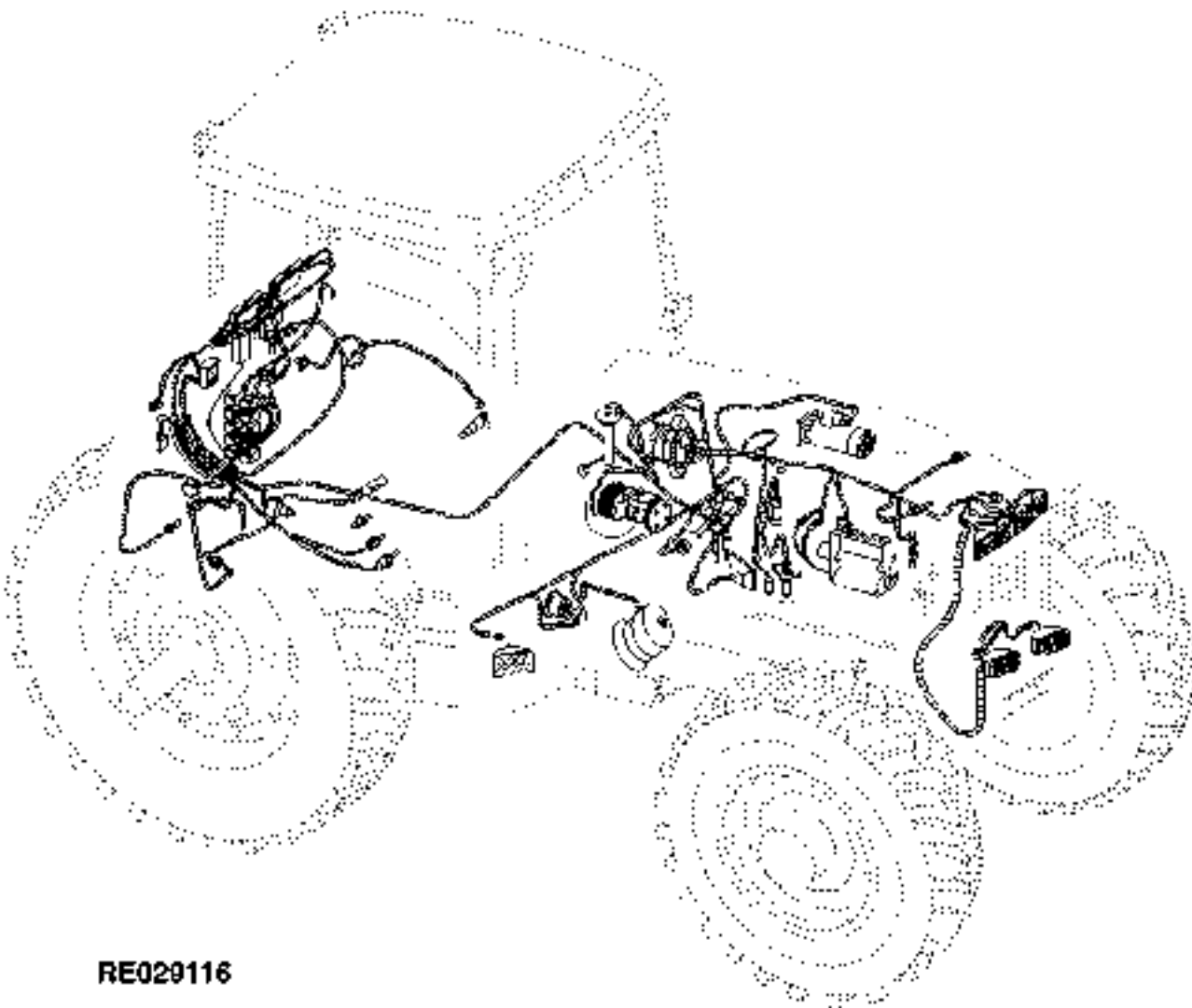
# 1A4

8100, 8200, 8300, 8400 TRACTORS

PRIMARY INDEX  
INDEX PRINCIPAL  
HAUPTINDEX  
INDICE PRINCIPALE  
INDICE DE MATERIAS  
HUVUDFORTECKNING  
RE029116 -UN-10MAY99

|      |      |
|------|------|
| 20 - | 1D10 |
| 30 - | 2D6  |
| 40 - | 3D12 |
| 41 - | 3I9  |
| 42 - | 4D3  |
| 43 - | 4E4  |
| 51 - | 4E19 |
| 53 - | 5D3  |
| 54 - | 5E13 |
| 60 - | 6D4  |
| 70 - | 7D5  |
| 71 - | 8D2  |
| 80 - | 8E4  |
| 90 - | 8H3  |
| 91 - | 9D3  |
| 92 - | 9F15 |

**40**



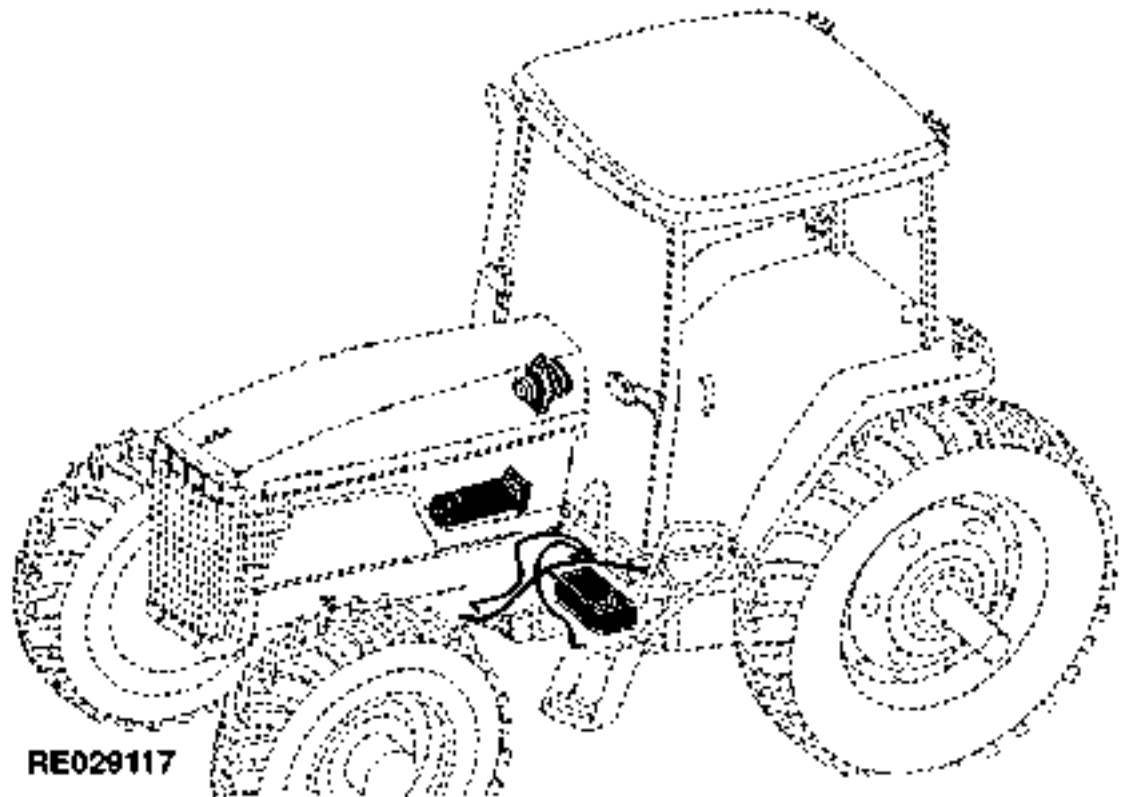
**RE029116**

PRIMARY INDEX  
INDEX PRINCIPAL  
HAUPTINDEX  
INDICE PRINCIPALE  
INDICE DE MATERIAS  
HUVUDFORTECKNING

RE029117 -UN-10MAY99

|      |      |
|------|------|
| 20 - | 1D10 |
| 30 - | 2D6  |
| 40 - | 3D12 |
| 41 - | 3I9  |
| 42 - | 4D3  |
| 43 - | 4E4  |
| 51 - | 4E19 |
| 53 - | 5D3  |
| 54 - | 5E13 |
| 60 - | 6D4  |
| 70 - | 7D5  |
| 71 - | 8D2  |
| 80 - | 8E4  |
| 90 - | 8H3  |
| 91 - | 9D3  |
| 92 - | 9F15 |

## 41



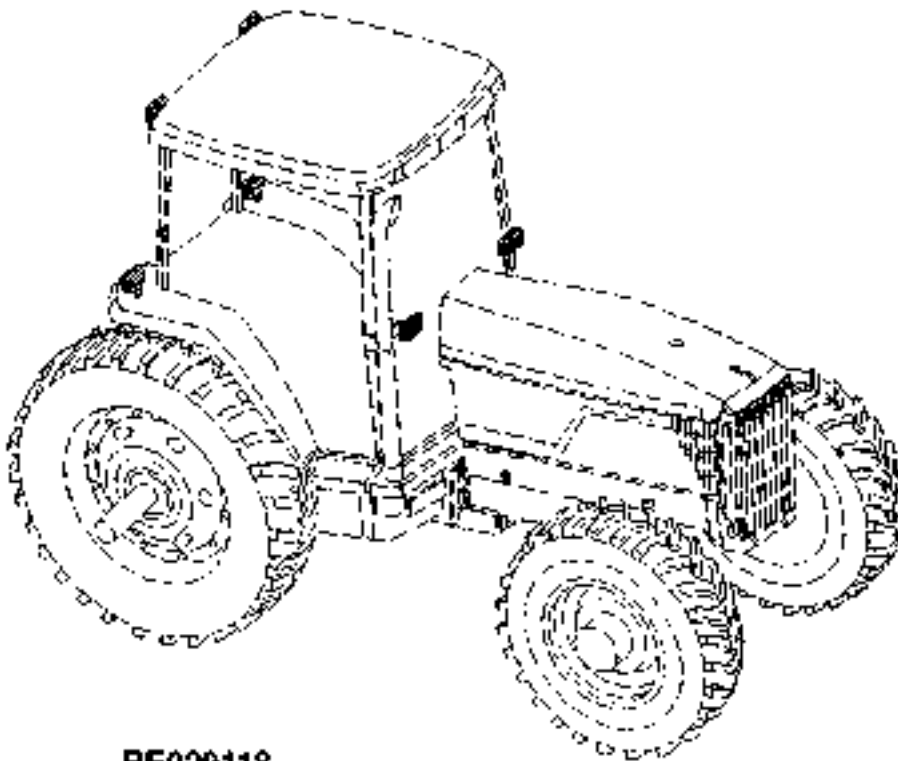
# 1A6

8100, 8200, 8300, 8400 TRACTORS

PRIMARY INDEX  
INDEX PRINCIPAL  
HAUPTINDEX  
INDICE PRINCIPALE  
INDICE DE MATERIAS  
HUVUDFORTECKNING  
RE029118 -UN-10MAY99

|      |      |
|------|------|
| 20 - | 1D10 |
| 30 - | 2D6  |
| 40 - | 3D12 |
| 41 - | 3I9  |
| 42 - | 4D3  |
| 43 - | 4E4  |
| 51 - | 4E19 |
| 53 - | 5D3  |
| 54 - | 5E13 |
| 60 - | 6D4  |
| 70 - | 7D5  |
| 71 - | 8D2  |
| 80 - | 8E4  |
| 90 - | 8H3  |
| 91 - | 9D3  |
| 92 - | 9F15 |

## 42



**RE029118**

PRIMARY INDEX  
INDEX PRINCIPAL  
HAUPTINDEX  
INDICE PRINCIPALE  
INDICE DE MATERIAS  
HUVUDFORTECKNING

RE029503 -UN-11MAY99

|      |      |
|------|------|
| 20 - | 1D10 |
| 30 - | 2D6  |
| 40 - | 3D12 |
| 41 - | 3I9  |
| 42 - | 4D3  |
| 43 - | 4E4  |
| 51 - | 4E19 |
| 53 - | 5D3  |
| 54 - | 5E13 |
| 60 - | 6D4  |
| 70 - | 7D5  |
| 71 - | 8D2  |
| 80 - | 8E4  |
| 90 - | 8H3  |
| 91 - | 9D3  |
| 92 - | 9F15 |

## 43



**RE029503**

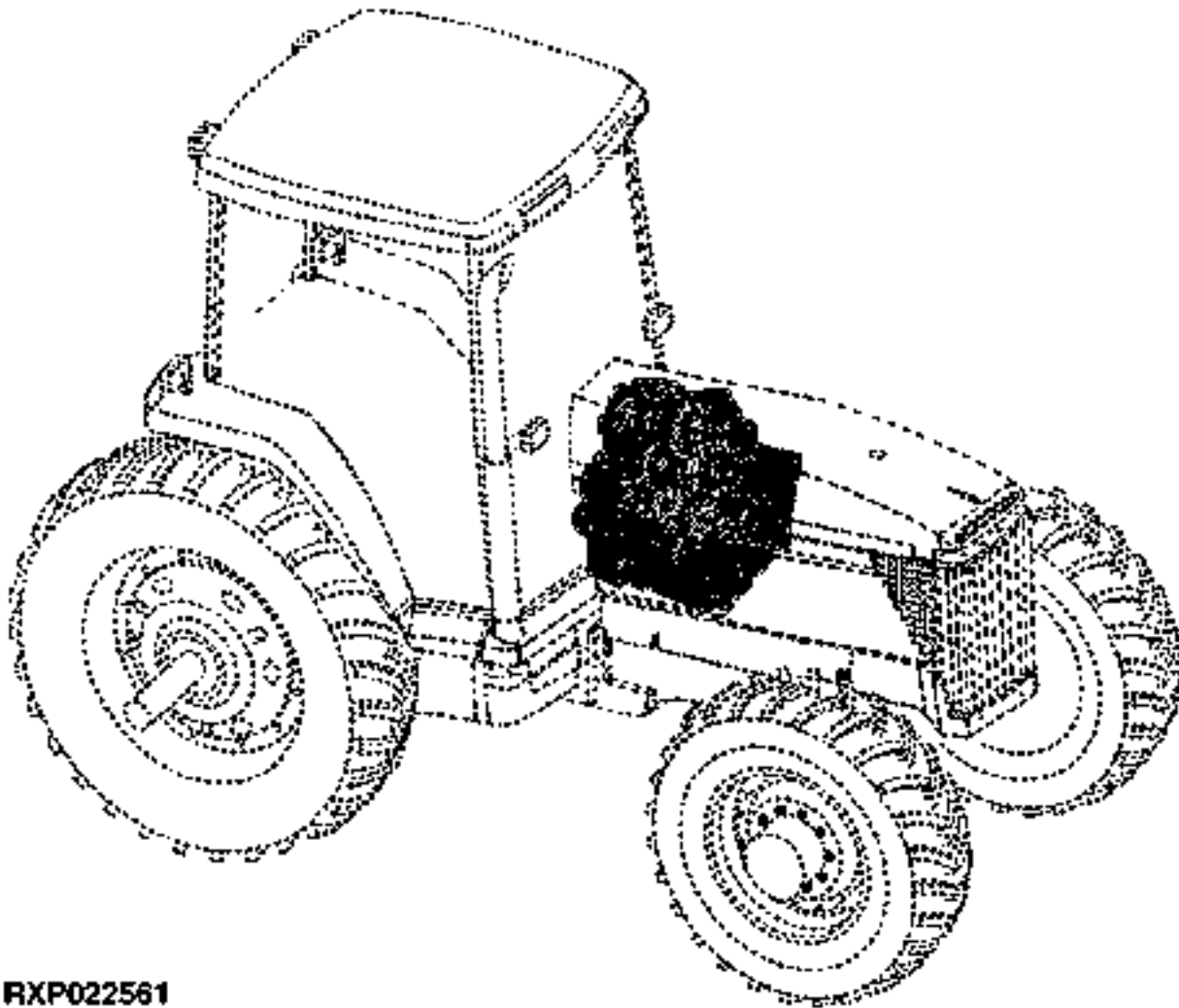
# 1A8

8100, 8200, 8300, 8400 TRACTORS

PRIMARY INDEX  
INDEX PRINCIPAL  
HAUPTINDEX  
INDICE PRINCIPALE  
INDICE DE MATERIAS  
HUVUDFORTECKNING  
RXP022561 -UN-09JUN98

|      |      |
|------|------|
| 20 - | 1D10 |
| 30 - | 2D6  |
| 40 - | 3D12 |
| 41 - | 3I9  |
| 42 - | 4D3  |
| 43 - | 4E4  |
| 51 - | 4E19 |
| 53 - | 5D3  |
| 54 - | 5E13 |
| 60 - | 6D4  |
| 70 - | 7D5  |
| 71 - | 8D2  |
| 80 - | 8E4  |
| 90 - | 8H3  |
| 91 - | 9D3  |
| 92 - | 9F15 |

**51**



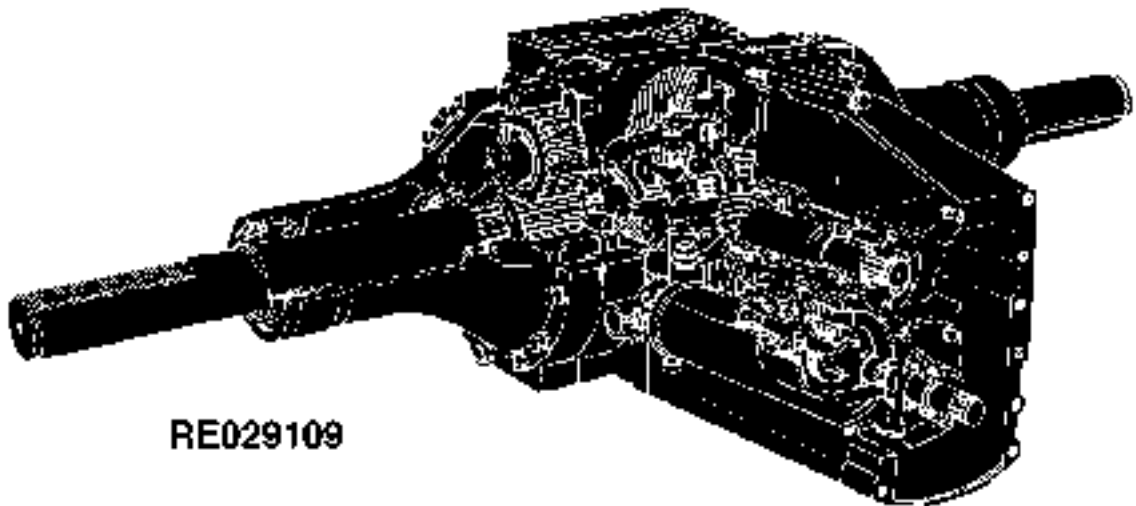
**RXP022561**

PRIMARY INDEX  
INDEX PRINCIPAL  
HAUPTINDEX  
INDICE PRINCIPALE  
INDICE DE MATERIAS  
HUVUDFORTECKNING

RE029109 -UN-10MAY99

|      |      |
|------|------|
| 20 - | 1D10 |
| 30 - | 2D6  |
| 40 - | 3D12 |
| 41 - | 3I9  |
| 42 - | 4D3  |
| 43 - | 4E4  |
| 51 - | 4E19 |
| 53 - | 5D3  |
| 54 - | 5E13 |
| 60 - | 6D4  |
| 70 - | 7D5  |
| 71 - | 8D2  |
| 80 - | 8E4  |
| 90 - | 8H3  |
| 91 - | 9D3  |
| 92 - | 9F15 |

## 53



RE029109



# 1A10

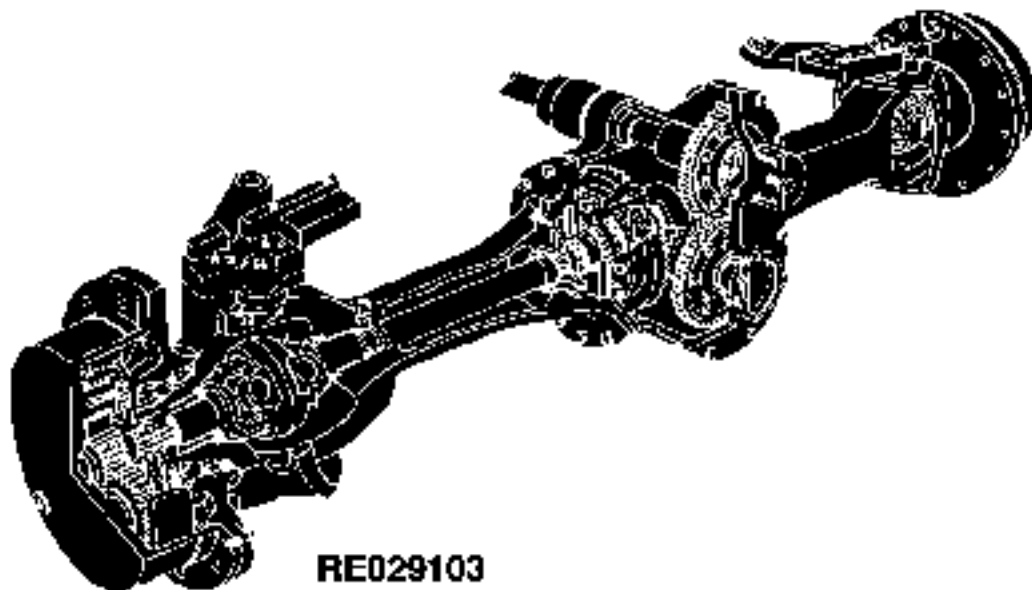
8100, 8200, 8300, 8400 TRACTORS

PRIMARY INDEX  
INDEX PRINCIPAL  
HAUPTINDEX  
INDICE PRINCIPALE  
INDICE DE MATERIAS  
HUVUDFORTECKNING

RE029103 -UN-10MAY99

|      |      |
|------|------|
| 20 - | 1D10 |
| 30 - | 2D6  |
| 40 - | 3D12 |
| 41 - | 3I9  |
| 42 - | 4D3  |
| 43 - | 4E4  |
| 51 - | 4E19 |
| 53 - | 5D3  |
| 54 - | 5E13 |
| 60 - | 6D4  |
| 70 - | 7D5  |
| 71 - | 8D2  |
| 80 - | 8E4  |
| 90 - | 8H3  |
| 91 - | 9D3  |
| 92 - | 9F15 |

## 54



# 1A11

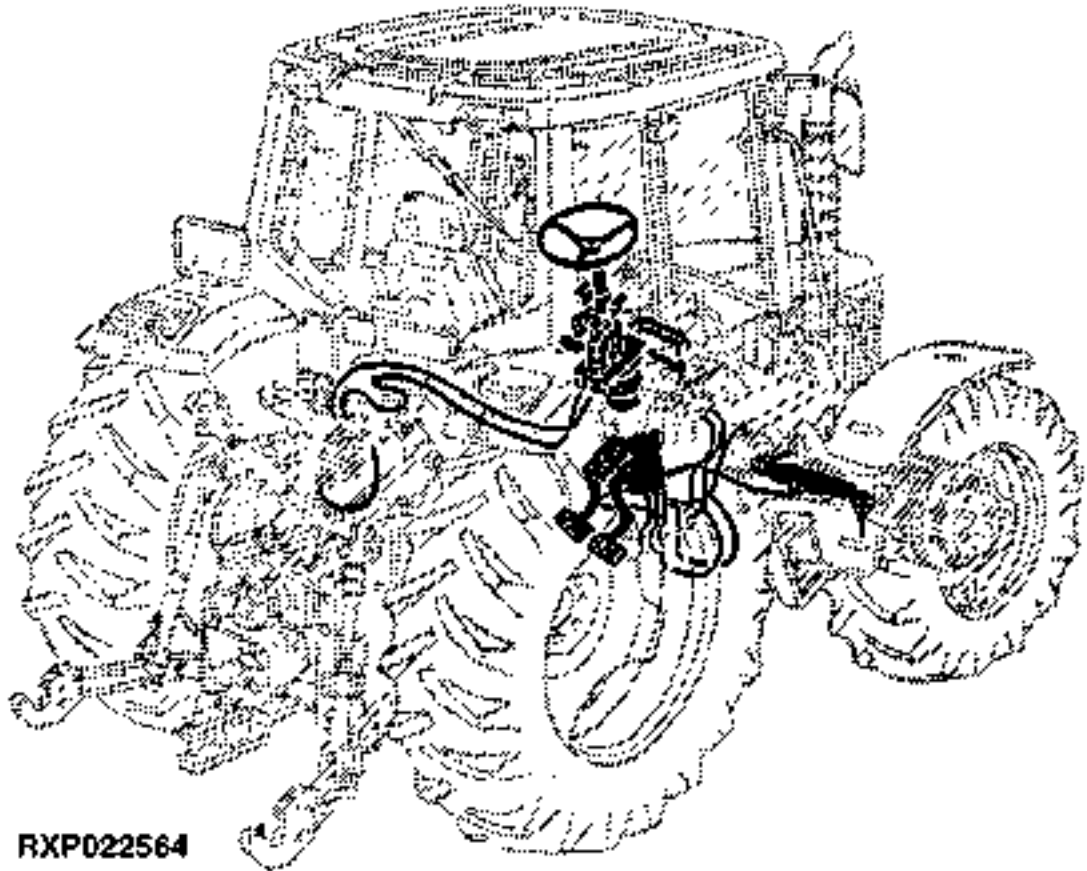
8100, 8200, 8300, 8400 TRACTORS

PRIMARY INDEX  
INDEX PRINCIPAL  
HAUPTINDEX  
INDICE PRINCIPALE  
INDICE DE MATERIAS  
HUVUDFORTECKNING

RXP022564 -UN-11MAY99

|      |      |
|------|------|
| 20 - | 1D10 |
| 30 - | 2D6  |
| 40 - | 3D12 |
| 41 - | 3I9  |
| 42 - | 4D3  |
| 43 - | 4E4  |
| 51 - | 4E19 |
| 53 - | 5D3  |
| 54 - | 5E13 |
| 60 - | 6D4  |
| 70 - | 7D5  |
| 71 - | 8D2  |
| 80 - | 8E4  |
| 90 - | 8H3  |
| 91 - | 9D3  |
| 92 - | 9F15 |

**60**



**RXP022564**

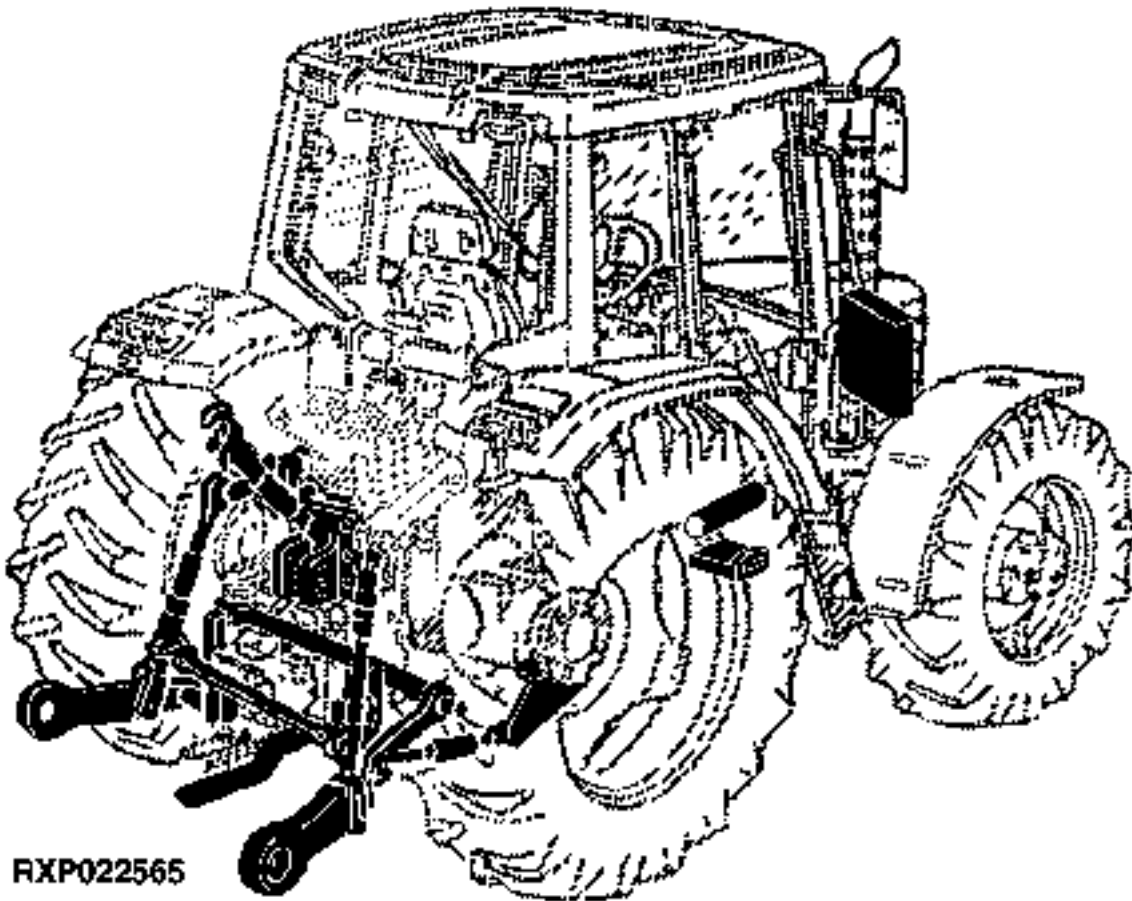
# 1A12

8100, 8200, 8300, 8400 TRACTORS

PRIMARY INDEX  
INDEX PRINCIPAL  
HAUPTINDEX  
INDICE PRINCIPALE  
INDICE DE MATERIAS  
HUVUDFORTECKNING  
RXP022565 -UN-11MAY99

|      |      |
|------|------|
| 20 - | 1D10 |
| 30 - | 2D6  |
| 40 - | 3D12 |
| 41 - | 3I9  |
| 42 - | 4D3  |
| 43 - | 4E4  |
| 51 - | 4E19 |
| 53 - | 5D3  |
| 54 - | 5E13 |
| 60 - | 6D4  |
| 70 - | 7D5  |
| 71 - | 8D2  |
| 80 - | 8E4  |
| 90 - | 8H3  |
| 91 - | 9D3  |
| 92 - | 9F15 |

## 70



RXP022565

# 1A13

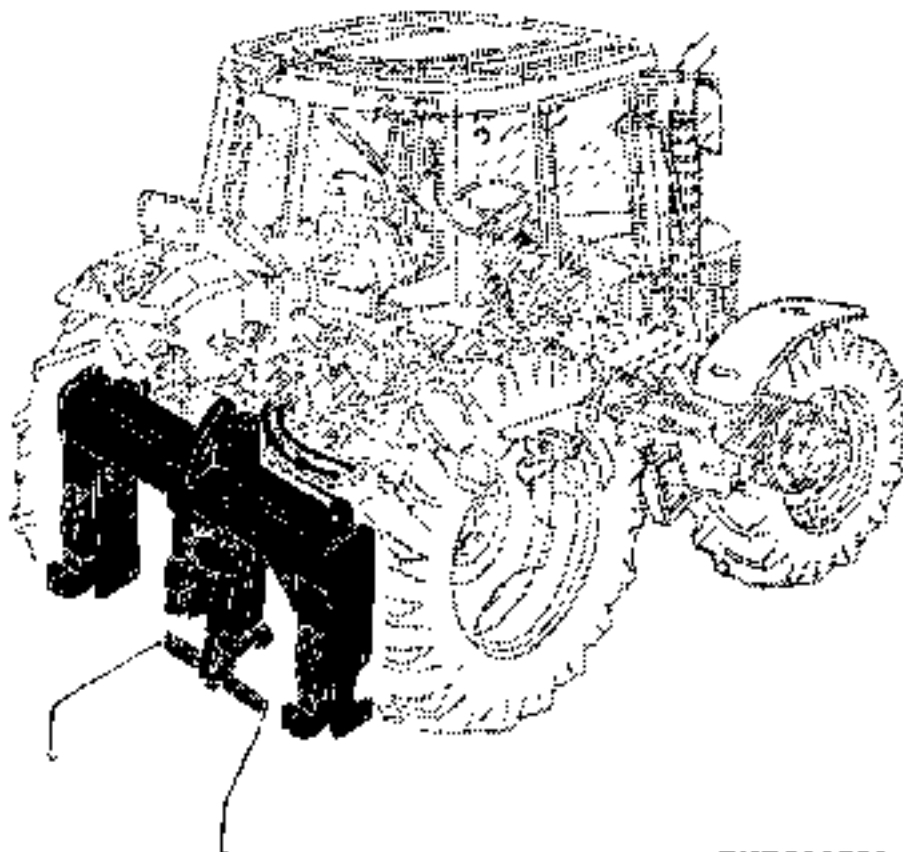
8100, 8200, 8300, 8400 TRACTORS

PRIMARY INDEX  
INDEX PRINCIPAL  
HAUPTINDEX  
INDICE PRINCIPALE  
INDICE DE MATERIAS  
HUVUDFORTECKNING

RXP022566 -UN-11MAY99

|      |      |
|------|------|
| 20 - | 1D10 |
| 30 - | 2D6  |
| 40 - | 3D12 |
| 41 - | 3I9  |
| 42 - | 4D3  |
| 43 - | 4E4  |
| 51 - | 4E19 |
| 53 - | 5D3  |
| 54 - | 5E13 |
| 60 - | 6D4  |
| 70 - | 7D5  |
| 71 - | 8D2  |
| 80 - | 8E4  |
| 90 - | 8H3  |
| 91 - | 9D3  |
| 92 - | 9F15 |

## 71



**RXP022566**

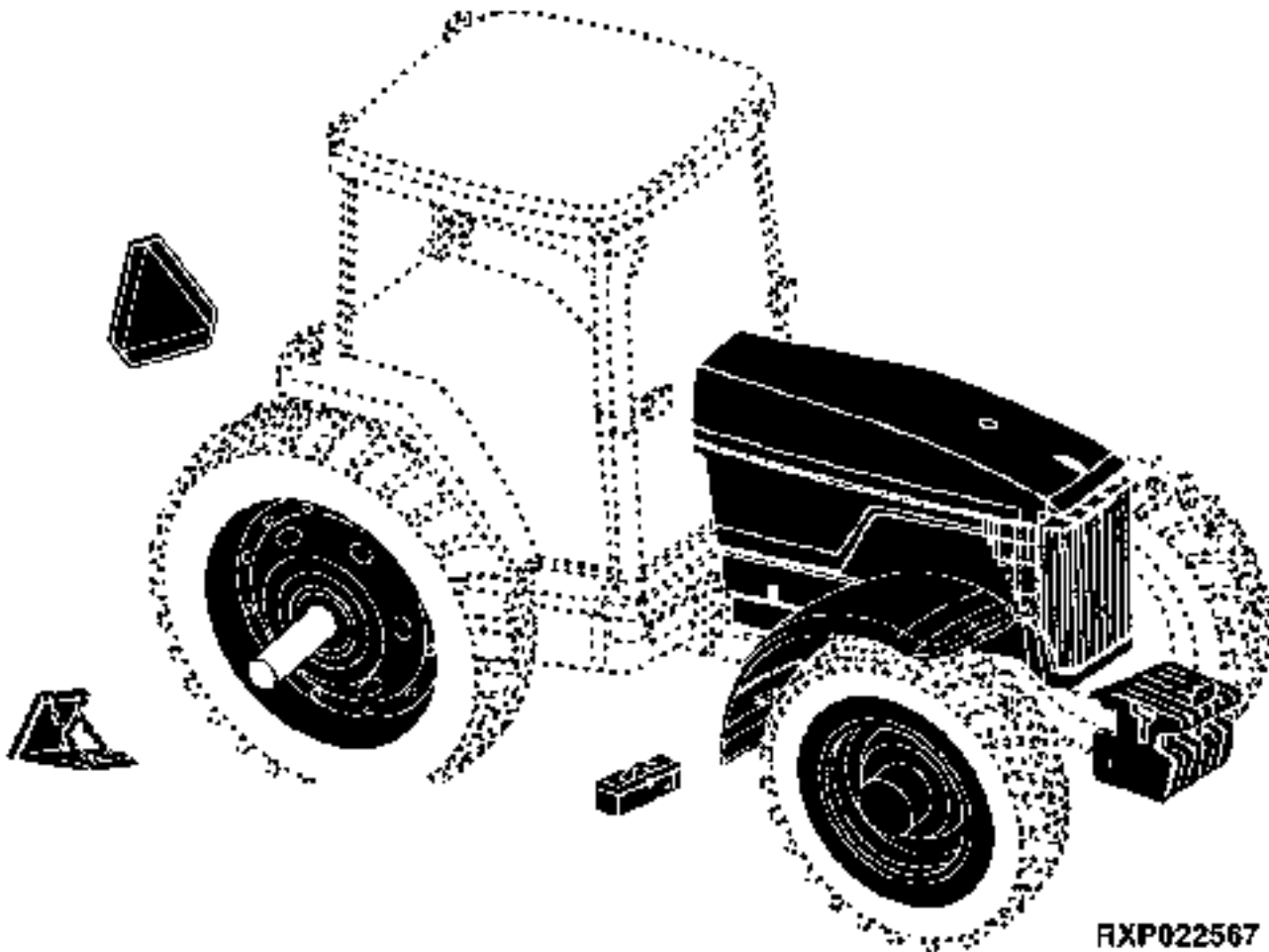
# 1A14

8100, 8200, 8300, 8400 TRACTORS

PRIMARY INDEX  
INDEX PRINCIPAL  
HAUPTINDEX  
INDICE PRINCIPALE  
INDICE DE MATERIAS  
HUVUDFORTECKNING  
RXP022567 -UN-11MAY99

|      |      |
|------|------|
| 20 - | 1D10 |
| 30 - | 2D6  |
| 40 - | 3D12 |
| 41 - | 3I9  |
| 42 - | 4D3  |
| 43 - | 4E4  |
| 51 - | 4E19 |
| 53 - | 5D3  |
| 54 - | 5E13 |
| 60 - | 6D4  |
| 70 - | 7D5  |
| 71 - | 8D2  |
| 80 - | 8E4  |
| 90 - | 8H3  |
| 91 - | 9D3  |
| 92 - | 9F15 |

80



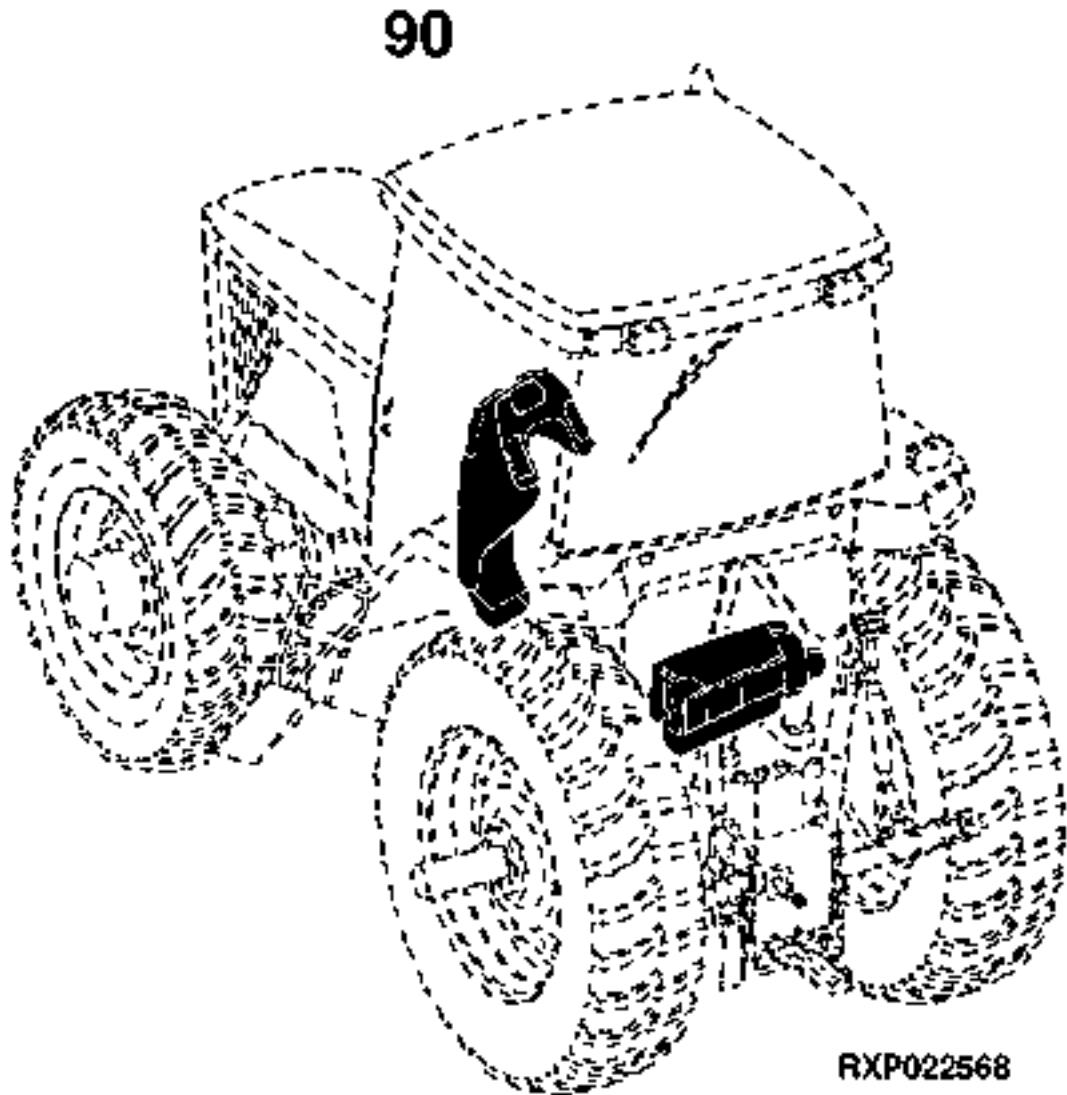
# 1A15

8100, 8200, 8300, 8400 TRACTORS

PRIMARY INDEX  
INDEX PRINCIPAL  
HAUPTINDEX  
INDICE PRINCIPALE  
INDICE DE MATERIAS  
HUYUDFORTECKNING

RXP022568 -UN-11MAY99

|      |      |
|------|------|
| 20 - | 1D10 |
| 30 - | 2D6  |
| 40 - | 3D12 |
| 41 - | 3I9  |
| 42 - | 4D3  |
| 43 - | 4E4  |
| 51 - | 4E19 |
| 53 - | 5D3  |
| 54 - | 5E13 |
| 60 - | 6D4  |
| 70 - | 7D5  |
| 71 - | 8D2  |
| 80 - | 8E4  |
| 90 - | 8H3  |
| 91 - | 9D3  |
| 92 - | 9F15 |



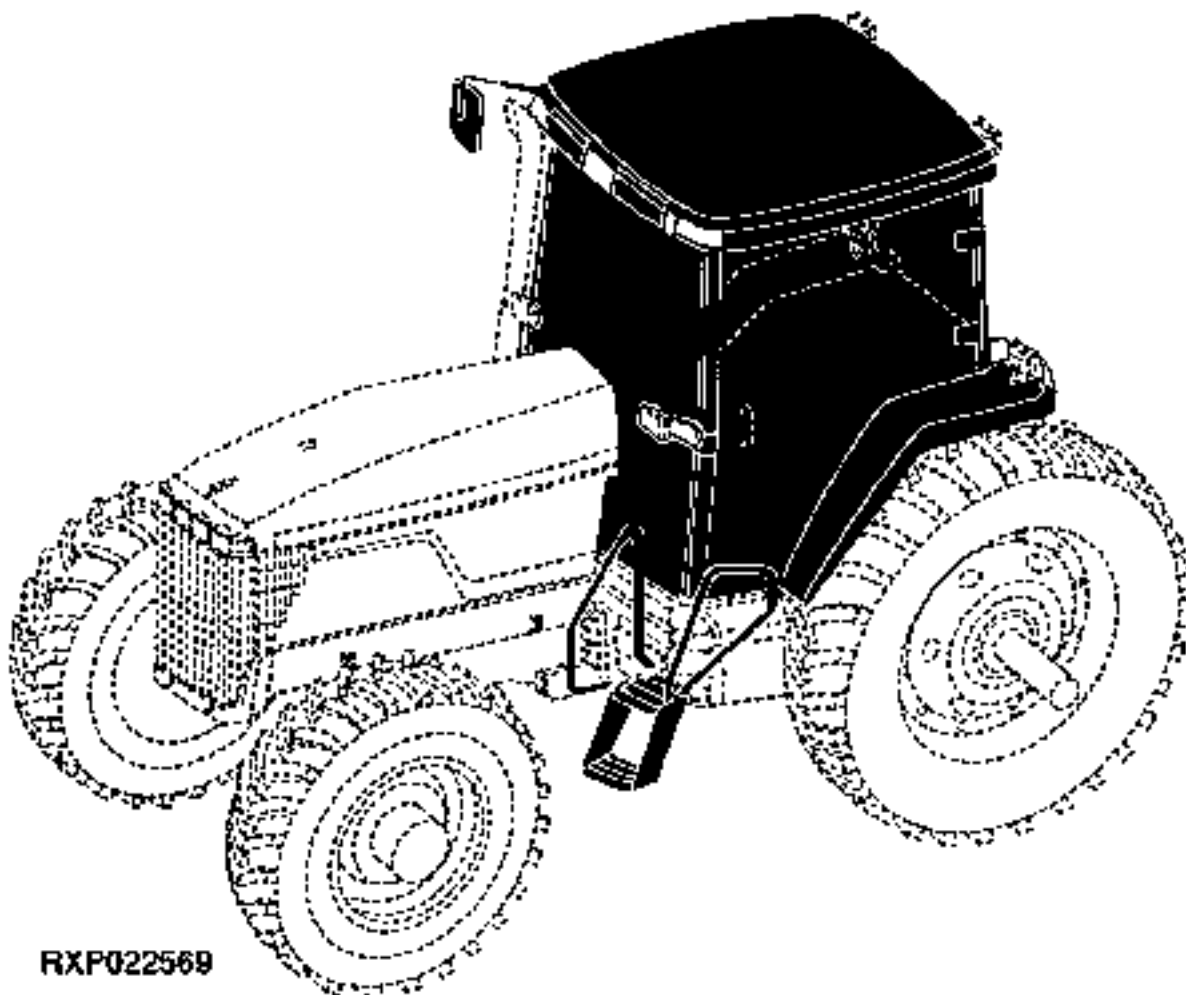
# 1A16

8100, 8200, 8300, 8400 TRACTORS

PRIMARY INDEX  
INDEX PRINCIPAL  
HAUPTINDEX  
INDICE PRINCIPALE  
INDICE DE MATERIAS  
HUYUDFORTECKNING  
RXP022569 -UN-11MAY99

|      |      |
|------|------|
| 20 - | 1D10 |
| 30 - | 2D6  |
| 40 - | 3D12 |
| 41 - | 3I9  |
| 42 - | 4D3  |
| 43 - | 4E4  |
| 51 - | 4E19 |
| 53 - | 5D3  |
| 54 - | 5E13 |
| 60 - | 6D4  |
| 70 - | 7D5  |
| 71 - | 8D2  |
| 80 - | 8E4  |
| 90 - | 8H3  |
| 91 - | 9D3  |
| 92 - | 9E15 |

**91**



**RXP022569**

# 1A17

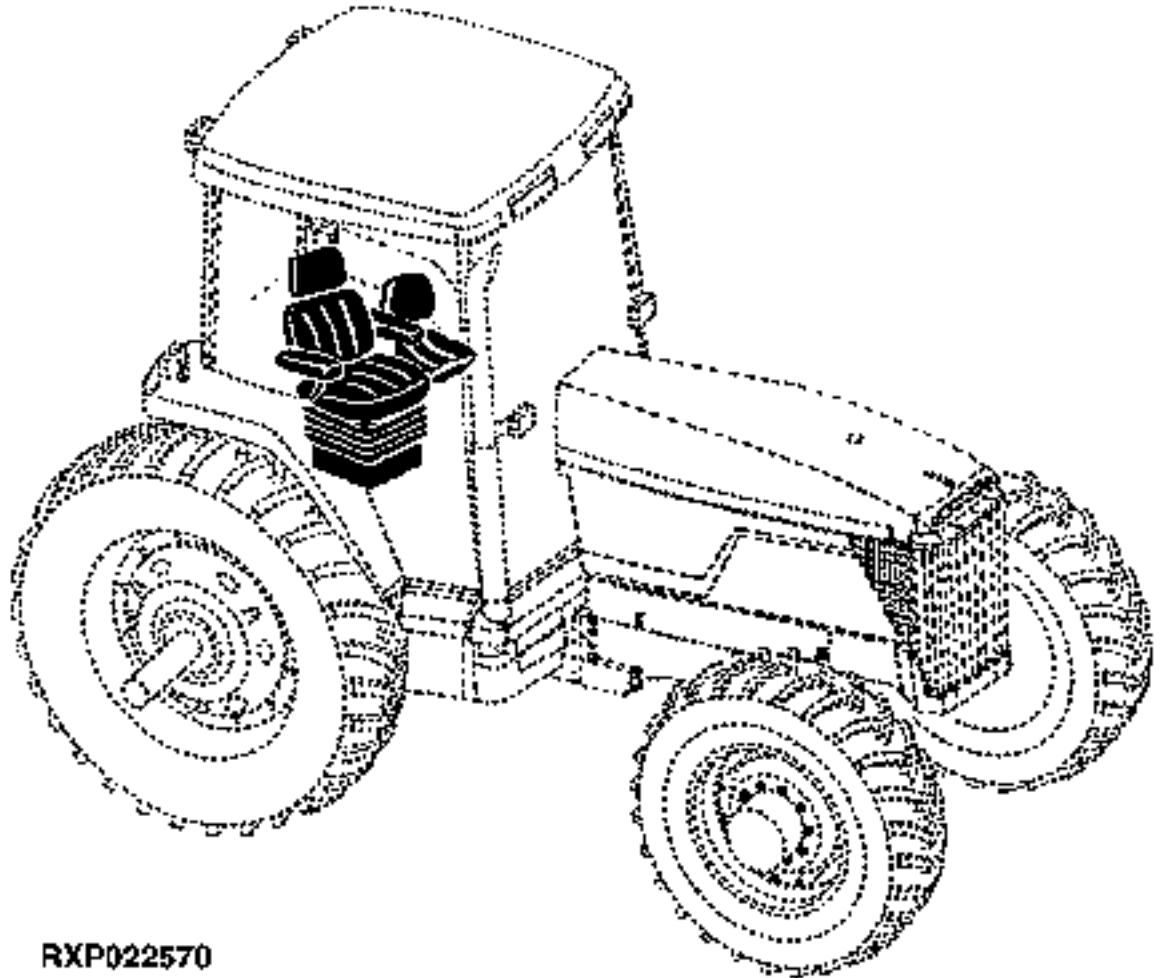
8100, 8200, 8300, 8400 TRACTORS

PRIMARY INDEX  
INDEX PRINCIPAL  
HAUPTINDEX  
INDICE PRINCIPALE  
INDICE DE MATERIAS  
HUYUDFORTECKNING

RXP022570 -UN-11MAY99

|      |      |
|------|------|
| 20 - | 1D10 |
| 30 - | 2D6  |
| 40 - | 3D12 |
| 41 - | 3I9  |
| 42 - | 4D3  |
| 43 - | 4E4  |
| 51 - | 4E19 |
| 53 - | 5D3  |
| 54 - | 5E13 |
| 60 - | 6D4  |
| 70 - | 7D5  |
| 71 - | 8D2  |
| 80 - | 8E4  |
| 90 - | 8H3  |
| 91 - | 9D3  |
| 92 - | 9F15 |

92



RXP022570



# 1A18

8100, 8200, 8300, 8400 TRACTORS

RXP010147 -UN-01JAN94



*JOHN DEERE 8100, 8200, 8300 OR 8400 TRACTOR  
(MANUFACTURED 1994- )*

*(SPECIFICATIONS AND DESIGN SUBJECT TO CHANGE WITHOUT NOTICE)*

*COPYRIGHT (C) 1999. DEERE & COMPANY, MOLINE, ILLINOIS. ALL RIGHTS RESERVED.*

## CODES USED IN "REMARKS" COLUMN

RXP022211 -UN-01JUL97

|            | ENGLISH                        | FRANCAIS                           | DEUTSCH                           |
|------------|--------------------------------|------------------------------------|-----------------------------------|
| ALSO ORDER | ALSO ORDER                     | COMMANDER AUSSI                    | EBENSO BESTELLEN                  |
| AMP        | AMPERE                         | AMPERE                             | AMPERE                            |
| AND        | AND                            | ET                                 | UND                               |
| APPL       | THIS APPLICATION ONLY          | UNIQUEMENT POUR CETTE UTILISATION  | NUR FÜR DIESE ANWENDUNG           |
| AR         | AS REQUIRED                    | SELON LE BESOIN                    | NACH BEDARF                       |
| ASSY       | COMPLETE ASSEMBLY              | ENSEMBLE COMPLET                   | KÖMPLETTE BAUGRUPPE               |
| COMPLETE   | COMPLETE                       | COMPLET                            | VOLLSTÄNDIG                       |
| FRONT      | FRONT                          | AVANT                              | VORN                              |
| HP         | HORSEPOWER                     | PUISSANCE EN CV                    | PFERDESTÄRKE                      |
| ID         | INSIDE DIAMETER                | DIAMETRE INTERIEUR                 | INNENDURCHMESSER                  |
| INCL KEYS  | INCLUDES KEYS                  | COMPREND LES REPERES               | EINSCHLIEßLICH TEILE              |
| KIT        | KIT                            | JEU                                | SATZ                              |
| LH         | LEFT-HAND                      | GAUCHE                             | LINKS                             |
| LOW        | LOWER                          | INFERIEUR                          | UNTEN                             |
| MARKED     | MARKED                         | MARQUE                             | MARKIERT                          |
| NF         | MAKE FROM                      | REALISER AVEC                      | HERSTELLEN VON                    |
| MFWD       | MECHANICAL FRONT WHEEL DRIVE   | TRACTION AVANT MECANIQUE           | MECHANISCHER FRONTRADANTRIEB      |
| NA         | NOT USED THIS APPLICATION      | NE SERT PAS POUR CETTE APPLICATION | IN DIESER ANWENDUNG NICHT BENUTZT |
| NLA        | NO LONGER AVAILABLE            | EPUISE                             | NICHT MEHR LIEFERBAR              |
| NSEP       | NOT SUPPLIED SEPARATELY        | NON LIVRE SEPARÉMENT               | EINZELN NICHT LIEFERBAR           |
| OD         | OUTSIDE DIAMETER               | DIAMETRE EXTERIEUR                 | AUßENDURCHMESSER                  |
| OR         | OR                             | OU                                 | ODER                              |
| ORD        | ORDER                          | COMMANDER                          | BESTELLE                          |
| OS         | OVERSIZE                       | SURDIMENSIONNE                     | ÜBERGRÖSSE                        |
| PKG        | PACKAGE                        | PAR PAQUET DE                      | VERPACKT ZU                       |
| REAR       | REAR                           | ARRIERE                            | HINTEN                            |
| RH         | RIGHT-HAND                     | DROIT                              | RECHTS                            |
| STD        | STANDARD                       | STANDARD                           | STANDARD                          |
| SUB        | REPLACED BY                    | REMPLACÉ PAR                       | ERSETZT DURCH                     |
| SUB FOR    | SUBSTITUTES FOR                | REMPLACÉ                           | ERSATZ FÜR                        |
| TK         | THICKNESS                      | EPAISSEUR                          | STÄRKE                            |
| UP         | UPPER                          | SUPERIEUR                          | OBEN                              |
| US         | UNDERSIZE                      | SOUS-DIMENSIONNE                   | UNTERGRÖSSE                       |
| USE WITH   | USE WITH                       | A UTILISER AVEC                    | BENUTZEN MIT                      |
| W /        | WITH                           | AVEC                               | MIT                               |
| W/O        | WITHOUT                        | SANS                               | OHNE                              |
| Z          | GEAR AND SPROCKET TEETH NUMBER | NOMBRE DE DENTS DES PIGNONS        | ZAHNEZAHL FÜR KETTEN- UND ZAHNRAD |

RXP022211

## CODES USED IN "REMARKS" COLUMN

RXP9419 -UN-26AUG94

|            | ITALIANO                         | ESPAÑOL                             | SVENSKA                           |
|------------|----------------------------------|-------------------------------------|-----------------------------------|
| ALSO ORDER | ORDINARE ANCHE                   | PEDIR TAMBIEN                       | BES IALL AVEN                     |
| AMP        | AMPERE                           | AMPERIO                             | AMPERE                            |
| AND        | E                                | Y                                   | OCH                               |
| APPL       | SOLO PER QUESTO IMPIEGO          | TAN SOLO PARA ESTE PROPOSITO        | ENDAST FOR DENNA ANVANDNING       |
| AR         | SECONDO NECESSITA                | SEGUN NECESIDAD                     | VID BEHOV                         |
| ASSY       | GRUPPO COMPLETO                  | CONJUNTO COMPLETO                   | KOMPLETT SATS                     |
| COMPLETE   | COMPLETO                         | COMPLETO                            | FULLSTANDIG                       |
| FRONT      | ANTERIORE                        | FRENTE                              | FRAM                              |
| HP         | POTENZA IN CAVALLI               | POTENCIA                            | HASTKRAFT                         |
| ID         | DIAMETRO INTERNO                 | DIAMETRO INTERIOR                   | INRE DIAMETER                     |
| INCL KEYS  | CHIAVETTE INCLUSE                | INCLUYE LAS POSICIONES              | INKLUSIVE NYCKLAR                 |
| KIT        | CORREDO                          | JUEGO                               | SATS                              |
| LH         | SINISTRA                         | IZQUIERDA                           | VANSTER SIDA                      |
| LOW        | INFERIORE                        | MAS BAJO                            | NEDRE                             |
| MARKED     | MARCATO                          | MARCADO                             | MARKT                             |
| MF         | FABBRICARE DI                    | HACER DE                            | TILLVERKA AV                      |
| MFWD       | TRAZIONE ANTERIORE MECCANICA     | TRACCION DELANTERA MECCANICA        | MEKANISK FRAMHJULSDRIFT           |
| NA         | NON USATO IN QUESTA APPLICAZIONE | NO SE USA EN ESTA APLICACION        | EJ ANVAND I DETTA SAMMANHANG      |
| NLA        | NON PIU' DISPONIBILE             | DESCONTINUADO                       | EJ LANGRE TILLGANGLIG             |
| NSEP       | NON LORNITO SEPARATAMENTE        | NO SE SUMINISTRA POR SEPARADO       | KAN EJ ERHALLAS SEPARAT           |
| OD         | DIAMETRO ESTERNO                 | DIAMETRO EXTERIOR                   | YTRE DIAMETER                     |
| OR         | OPPURE                           | O                                   | ELLER                             |
| ORD        | ORDINARE                         | PIQASE                              | ORDER, REKVISITION                |
| OS         | EXTRA GRANDE                     | SOPRETIAMANO                        | OEVERDIMENSIONERAD                |
| PKG        | IN CONFEZIONE DA                 | POR PAQUETE DE                      | I SATS FILLER PAKET               |
| REAR       | POSTERIORE                       | TRASERO                             | BAK, BAKRE                        |
| RH         | DESTRA                           | DERECHA                             | HOGER                             |
| STD        | STANDARD                         | NORMAL                              | STANDARD                          |
| SUB        | SOSTITUI TO PER                  | SUSTITUIDO POR                      | ERSATT MED                        |
| SUB FOR    | SOSTITUISCE                      | SUSTITUCION PARA                    | ERSATTER                          |
| TK         | SPESSORE                         | ESPESOR                             | TJOCKLEK                          |
| UP         | SUPERIORE                        | SUPERIOR                            | OEVRE                             |
| US         | EXTRA PICCOLO                    | SUBTAMANO                           | UNDERDIMENSIONERAD                |
| USE WITH   | USARE CON                        | USAR CON                            | ANVAND MED                        |
| W /        | CON                              | CON                                 | MED, INKLUSIVE                    |
| W/O        | SENZA                            | SIN                                 | UTAN, EXKLUSIV                    |
| Z          | NO DENTI CORONA O PIGNONE        | NUMERO DE DIENTES DE LOS ENGRANAJES | ANTAL TANDER PA DREV OCH KUGGHJUL |

RXP9419

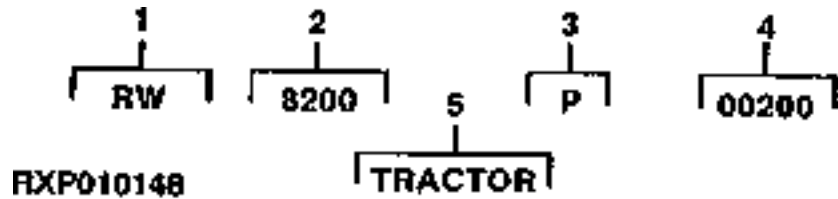
## SERIAL NUMBERS

EACH 8000 SERIES TRACTOR HAS THE FOLLOWING SERIAL NUMBER PLATES: BASIC TRACTOR, ENGINE, TRANSMISSION, COMFORTVIEW CAB AND MECHANICAL FRONT WHEEL DRIVE.

### BASIC TRACTOR SERIAL NUMBER

(PRODUCT IDENTIFICATION NUMBER)

RXP010148 -UN-01JAN94



1. DESIGNATES TRACTOR MANUFACTURER
2. DESIGNATES TRACTOR MODEL
3. DESIGNATES TRANSMISSION TYPE
4. DESIGNATES TRACTOR SERIAL NUMBER
5. DESIGNATES UNIT TYPE

RW- JOHN DEERE WATERLOO WORKS  
8200  
P - POWER SHIFT  
TRACTOR

RXP010149 -UN-01JAN94



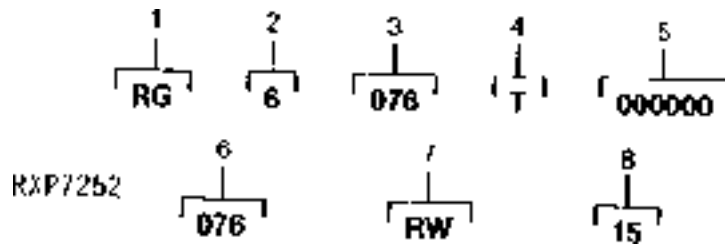
THE BASIC TRACTOR SERIAL NUMBER PLATE IS LOCATED AT THE REAR OF THE HITCH FRAME.

# 1A22

8100, 8200, 8300, 8400 TRACTORS

RXP7252 -UN-01JAN94

## ENGINE SERIAL NUMBER



1. DESIGNATES ENGINE MANUFACTURER
2. DESIGNATES NUMBER OF CYLINDERS
3. DESIGNATES CUBIC LITER DISPLACEMENT
4. DESIGNATES TYPE OF AIR INTAKE SYSTEM
5. DESIGNATES ENGINE SERIAL NUMBER
6. DESIGNATES MODEL
7. DESIGNATES FACTORY USER
8. DESIGNATES APPLICATION

RG - JOHN DEERE ENGINE WORKS

6

076 (7.6 LITERS)

H - AIR TO AIR

076

RW - JOHN DEERE WATERLOO WORKS

RXP010150 -UN-01JAN94



THE ENGINE SERIAL NUMBER PLATE IS LOCATED ON THE LEFT-HAND SIDE OF THE ENGINE BEHIND THE STARTING MOTOR.

## TWO-LINE BAR-CODED ENGINE SERIAL NUMBER PLATE (LOCATED ON STARTER SIDE OF ENGINE)

RGP3513 -UN-01JAN94



RGP3513

### FIRST LINE

- |  |                                      |
|--|--------------------------------------|
| 1. DESIGNATES ENGINE MANUFACTURER.       | RG - WATERLOO ENGINE WORKS           |
| 2. DESIGNATES NUMBER OF CYLINDERS.       | 6                                    |
| 3. DESIGNATES LITER DISPLACEMENT.        | 076 (7.6 LITERS)<br>081 (8.1 LITERS) |
| 4. DESIGNATES TYPE OF AIR INTAKE SYSTEM. | H - AIR TO AIR                       |
| 5. DESIGNATES TRACTOR WORKS VEHICLE.     | RW - TRACTOR WORKS                   |
| 6. DESIGNATES ENGINE SERIAL NUMBER.      | XXXXXX                               |

### SECOND LINE

THE FIRST FIVE DIGITS ARE THE SAME AS TWO THRU FOUR FROM ABOVE. THE SIXTH DIGIT THRU THE NINTH DIGIT DESIGNATE THE FACTORY USER AND APPLICATION.

|           |                     |
|-----------|---------------------|
| 6076HRW33 | 8100 (TSN -009999)  |
| 6081HRW06 | 8100 (TSN 010000- ) |
| 6076HRW34 | 8200 (TSN -009999)  |
| 6081HRW07 | 8200 (TSN 010000- ) |
| 6076HRW35 | 8300 (TSN -009999)  |
| 6081HRW08 | 8300 (TSN 010000- ) |
| 6081HRW01 | 8400                |

# 1A24

8100, 8200, 8300, 8400 TRACTORS

## SHORT BLOCK SERIAL NUMBER PLATE ( -RGSB076882500)

RGP4573 -UN-25SEP95



A SHORT BLOCK SERIAL NUMBER PLATE PLUS 2-37H44 DRIVE SCREWS ARE USED TO ATTACH TO REPLACEMENT SHORT BLOCK ASSEMBLIES. THIS NUMBER WILL BE REFERRED TO WHEN NEW PARTS AFFECT THE SHORT BLOCK ASSEMBLY. THE PREVIOUS ENGINE SERIAL NUMBER SHOULD BE STAMPED INTO THE BLANK SPACE PROVIDED, AS A REFERENCE FOR YOUR DEALER.

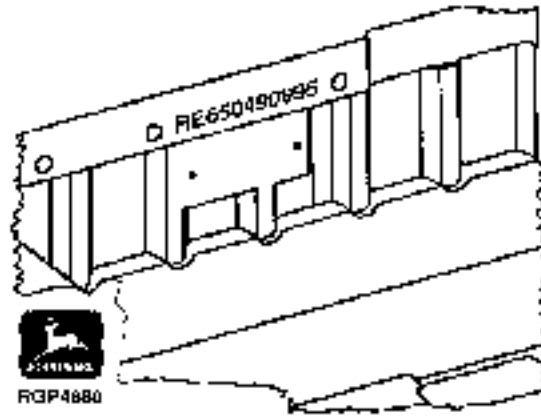
- |                                       |                            |
|---------------------------------------|----------------------------|
| 1. DESIGNATES ENGINE MANUFACTURER     | RG - WATERLOO ENGINE WORKS |
| 2. DESIGNATES REPLACEMENT SHORT BLOCK | SB                         |
| 3. DESIGNATES LITERS                  | 076                        |
|                                       | 081                        |
| 4. DESIGNATES THE PRODUCTION DATE     | 8825                       |

# 1A25

8100, 8200, 8300, 8400 TRACTORS

## SHORT BLOCK SERIAL NUMBER IDENTIFICATION

(RE650490995- )  
RGP4680 -UN-24MAY96



SERIAL NUMBER STAMPED INTO CASTING OF BLOCK NEAR PREVIOUS SERIAL NUMBER PLATE.

EXAMPLE: RE650490995

- |                                   |         |
|-----------------------------------|---------|
| 1. DESIGNATES SERVICE PART NUMBER | RE65049 |
| 2. DESIGNATES MONTH ASSEMBLED     | 09      |
| 3. DESIGNATES YEAR ASSEMBLED      | 95      |



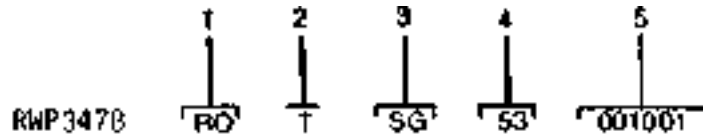
## SERIAL NUMBER CODES

THE FOLLOWING CODES ARE USED TO DESIGNATE SERIAL NUMBER TYPES IN GROUP HEADINGS AND FOOTNOTES BECAUSE OF LIMITED SPACE. THEY WILL BE USED ONLY WHEN THE TYPE IS DIFFERENT THAN THE SERIAL COLUMN HEADING SHOWN ON THE PAGE.

RG--ROLL-GARD  
SGB--SOUND-GARD BODY  
CSN--CAB SERIAL NUMBER  
ESN--ENGINE SERIAL NUMBER  
ASN--AXLE SERIAL NUMBER  
PSN--HYDRAULIC PUMP SERIAL NUMBER  
TSN--TRACTOR SERIAL NUMBER  
PQT--POWRQUAD TRANSMISSION SERIAL NUMBER  
PST--POWER SHIFT TRANSMISSION SERIAL NUMBER  
QRT--QUADRANGE TRANSMISSION SERIAL NUMBER  
SPT--SYNCROPLUS TRANSMISSION SERIAL NUMBER  
SRT--SYNCRO-RANGE TRANSMISSION SERIAL NUMBER  
DSN--DIFFERENTIAL SERIAL NUMBER

## TRANSMISSION SERIAL NUMBER

RWP3478 -UN-01JAN94



1. DESIGNATES TRANSMISSION MANUFACTURER RO- JOHN DEERE WATERLOO WORKS
2. DESIGNATES TYPE T - TRANSMISSION
3. DESIGNATES TRANSMISSION TYPE PF- POWER SHIFT
4. DESIGNATES INPUT TORQUE (ROUNDED TO NEAREST 10 NEWTON METERS) 01-99 - 10-990 NM (7-730 LB-FT)
5. DESIGNATES TRANSMISSION SERIAL NUMBER

RXP020901 -UN-01JAN94



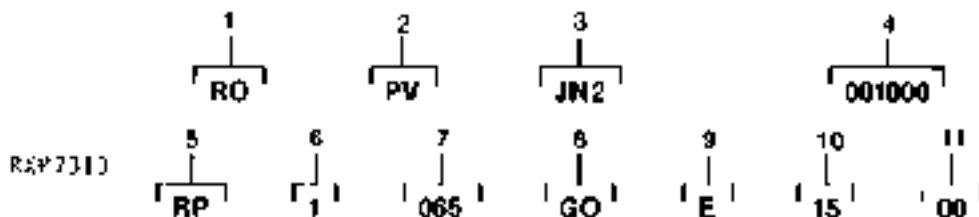
THE TRANSMISSION SERIAL NUMBER PLATE IS LOCATED ON THE RIGHT-HAND SIDE OF THE TRANSMISSION.

# 1B3

8100, 8200, 8300, 8400 TRACTORS

## HYDRAULIC PUMP SERIAL NUMBER

RXP7313 -UN-01JAN94



- |  |                                |
|--|--------------------------------|
| 1. DESIGNATES MANUFACTURING FACTORY      | RO - JOHN DEERE WATERLOO WORKS |
| 2. DESIGNATES COMPONENT                  | PV - PUMP VARIABLE             |
| 3. DESIGNATES MODEL NUMBER               | JN2- 65 CM3 (4 IN3)            |
| 4. DESIGNATES COMPONENT NUMERIC NUMBER   |                                |
| 5. DESIGNATES TYPE COMPONENT             | RP - RADIAL PISTON PUMP        |
| 6. DESIGNATES FAMILY                     | 1 - FRAME SIZE                 |
| 7. DESIGNATES SIZE                       | 65 - 65 CM3                    |
| 8. DESIGNATES PORT ARRANGEMENT           | GO - PRIMARY HOUSING           |
| 9. DESIGNATES SHAFT ROTATION             | E - EITHER                     |
|  | R - RIGHT                      |
|  | L - LEFT                       |
| 10. DESIGNATES STROKE CONTROL VALVE TYPE | 15 - STROKE CONTROL VALVE CODE |
| 11. NO SIGNIFICANCE                      | 00 - NO SIGNIFICANCE           |

RXP020902 -UN-01JAN94



RXP020902

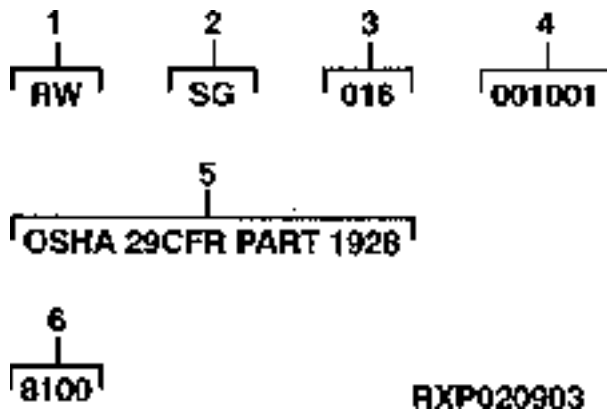
THE HYDRAULIC PUMP SERIAL NUMBER PLATE IS LOCATED ON THE TOP RIGHT-HAND SIDE OF THE PUMP.

# 1B4

8100, 8200, 8300, 8400 TRACTORS

## COMFORTVIEW CAB SERIAL NUMBER

RXP020903 -UN-01JAN94



1. DESIGNATES CAB MANUFACTURER
2. DESIGNATES TYPE
3. DESIGNATES VERSION
4. DESIGNATES SERIAL NUMBER
5. DESIGNATES CERTIFICATION
6. DESIGNATES MODEL

RW - JOHN DEERE WATERLOO WORKS  
SG - COMFORTVIEW CAB  
016- SIXTEENTH  
CERTIFICATION DATA  
8100, 8200, 8300 OR 8400

RXP020904 -UN-01JAN94



THE COMFORTVIEW CAB SERIAL NUMBER PLATE IS LOCATED ON THE RIGHT-HAND SIDE WINDOW AT THE FENDER LEVEL TOWARD THE REAR.

# 1B5

8100, 8200, 8300, 8400 TRACTORS

## JOHN DEERE AXLE SERIAL NUMBER

RXP6447 -UN-01JAN94

RXP6447

1  
RO

2  
AH

3  
335

4  
000000

5  
255

6  
O

7  
R

8  
1

9  
1

10  
1

11  
1

12  
1

13  
1

14  
1

15  
1

16  
1

17  
1

18  
1

19  
1

- |   |  |
|---|--|
| 1. DESIGNATES MANUFACTURING UNIT                        | RO - JOHN DEERE WATERLOO WORKS                                       |
| 2. DESIGNATES COMPONENT IDENTIFICATION                  | AH - OUTBOARD AXLES  |
| 3. DESIGNATES CONFIGURATION IDENTITY                    | 335 - WHEEL BOLT CIRCLE DIAMETER<br>425 - WHEEL BOLT CIRCLE DIAMETER |
| 4. DESIGNATES SERIAL NUMBER                             |  |
| 5. DESIGNATES MASTER MACHINE CODE                       | 255<br>256   |
| 6. DESIGNATES FAMILY CODE                               | 0  |
| 7. DESIGNATES MANUFACTURING UNIT                        | R - JOHN DEERE WATERLOO WORKS  |
| 8. DESIGNATES PRIMARY INPUT<br>ROTATION AND AXLE TRAVEL | 2 - CW AWAY FROM INPUT<br>4 - CCW AWAY FROM INPUT                    |
| 9. DESIGNATES SPIRAL BEVEL REDUCTION                    | 1 - 1.993:1<br>2 - 2.588:1<br>3 - 3.071:1<br>5 - 3.727:1             |
| 10. DESIGNATES INPUT YOKE                               | 2 - DANA 1480  |
| 11. DESIGNATES FLANGE TO FLANGE DIMENSION               | 1 - 1831MM   |
| 12. DESIGNATES STEERING SYSTEM                          | 2 - STEERABLE STEERING ARMS ONLY-<br>INPUT SIDE-13 DEGREE CASTER     |
| 13. DESIGNATES MOUNTING TYPE                            | 4 - OSCILLATING-TOP PIVOT-CENTER DRIVE                               |
| 14. DESIGNATES BRAKE TYPE                               | 1 - NO BRAKES  |
| 15. DESIGNATES DIFFERENTIAL TYPE                        | 3 - LIMITED SLIP DIFFERENTIAL  |
| 16. DESIGNATES WHEEL MOUNT CONFIGURATION                | 1 - TYPE 1   |
| 17. DESIGNATES FINAL DRIVE REDUCTION                    | 1 - 5.2:1  |
| 18. DESIGNATES PAINT                                    | 2 - JOHN DEERE GREEN   |
| 19. DESIGNATES SHIPPING CONTAINER                       | 1 - PALLET   |

# 1B6

8100, 8200, 8300, 8400 TRACTORS

## JOHN DEERE MECHANICAL FRONT WHEEL DRIVE SERIAL NUMBER

RXP020905 -UN-01JAN94



THE SERIAL NUMBER PLATE IS LOCATED ON THE REAR RIGHT-HAND SIDE OF THE AXLE HOUSING.

## REAR AXLE SERIAL NUMBER

RXP020906 -UN-01JAN94



THE DIFFERENTIAL HOUSING SERIAL NUMBER IS LOCATED ON THE TOP RIGHT-HAND SIDE.

## SERIAL NUMBER LISTING INFORMATION

SERIAL NUMBER INFORMATION IS LISTED TO SHOW ON WHICH MACHINES EACH PART CAN BE USED; FOR EXAMPLE:

- THE PART CAN BE USED ON ALL MACHINES.
- 000000- THE PART CAN BE USED ON ALL MACHINES BEGINNING WITH THE SERIAL NUMBER LISTED.
- 000000 THE PART CAN BE USED ON ALL MACHINES UP TO AND INCLUDING THE SERIAL NUMBER LISTED.
- 000000-000000 THE PART CAN BE USED ON ALL MACHINES BETWEEN AND INCLUDING THE SERIAL NUMBERS LISTED.

WHEN XXXXXX'S ARE LISTED IN PLACE OF A SERIAL NUMBER, A SERIAL NUMBER CHANGE WAS MADE BUT THE EXACT SERIAL NUMBER WAS NOT AVAILABLE WHEN THE CATALOG WAS PRODUCED.

THROUGHOUT THIS CATALOG YOU WILL FIND PAGES THAT ARE DESIGNATED AS EUROPEAN VERSION OR NORTH AMERICAN VERSION. THIS IS DONE TO HELP THE PARTS PERSON IN A FOREIGN COUNTRY DETERMINE CORRECT SERVICE PARTS BY RECOGNIZING THAT THERE MAY BE MORE THAN ONE VERSION.

EUROPEAN VERSION IS ALSO SHOWN AS A FOOTNOTE ON SOME PAGES. PARTS WITHOUT THIS FOOTNOTE ARE FOR NORTH AMERICAN VERSION. DECALS ARE IN ENGLISH UNLESS OTHERWISE SPECIFIED.

## QUANTITY COLUMN OR REMARKS COLUMN

GENERALLY THE QUANTITY SHOWN IS FOR THE ENTIRE TRACTOR AT ANY GIVEN LOCATION. THERE ARE EXCEPTIONS AS IN WHEEL HARDWARE WHERE ONLY ENOUGH IS SHOWN FOR ONE WHEEL.

THE FOLLOWING ABBREVIATIONS ARE USED IN THE REMARKS COLUMN:

NLR - NO LONGER REQUIRED

NA - NOT APPLICABLE

NLA - NO LONGER AVAILABLE

**FI - FIELD INSTALLED**

FI IS AN OPTION THAT MUST BE ORDERED DIRECT FROM THE PRODUCING FACTORY.

## DIRECTION ARROW

ARROWS ARE USED WITH ILLUSTRATIONS TO INDICATE THE FRONT OF THE UNIT. "RIGHT-HAND" AND "LEFT-HAND" SIDES ARE DETERMINED BY FACING IN THE DIRECTION OF MACHINE FORWARD TRAVEL.

## BOX-ENCLOSED ILLUSTRATIONS

A KEY NUMBER, SHOWN IN THE PARTS LIST, IS ASSIGNED TO A BOX ENCLOSING ALL PARTS SOLD AS A SERVICE ASSEMBLY.

## BOLT AND CAP SCREW STRENGTH IDENTIFICATION

U.S. CUSTOMARY DIMENSIONED PRODUCT: BOLTS AND CAP SCREWS REQUIRED TO HAVE HIGH-STRENGTH QUALITIES EQUIVALENT TO SAE GRADE 8 ARE IDENTIFIED THROUGHOUT THIS CATALOG BY THE DESCRIPTION HS SAE 8. ALL STANDARD BOLTS AND CAP SCREWS ARE SAE GRADE 5.

METRIC DIMENSIONED PRODUCT: BOLTS AND CAP SCREWS REQUIRED TO HAVE HIGH-STRENGTH QUALITIES EQUIVALENT TO PROPERTY CLASS 10.9 ARE IDENTIFIED THROUGHOUT THIS CATALOG BY THE DESCRIPTION HS 10.9. ALL STANDARD BOLTS AND CAP SCREWS ARE PROPERTY CLASS 8.8.

## JDM REMANUFACTURED COMPONENTS

THE SERVICE PARTS LISTED IN THIS CATALOG ARE INTENDED FOR THE REPAIR OF ORIGINAL EQUIPMENT COMPONENTS. ALTHOUGH MOST SERVICE PARTS MAY BE USED TO REPAIR REMANUFACTURED COMPONENTS, THE REMANUFACTURING PROCESS MAY CHANGE PARTS SUFFICIENTLY SO THAT SERVICE PARTS ARE INADEQUATE OR NOT USABLE.

## TRADEMARKS

THROUGHOUT THIS PARTS CATALOG, YOU WILL FIND THE FOLLOWING DEERE AND COMPANY TRADEMARKS:

INTELLITRAK®  
COMMANDARM™  
PERSONAL-POSTURE™  
TOUCHSET™  
PERFORMANCE TRAK™ II  
TOUCH-N-FLOW™  
OVERDRIVE™  
ULTRA-TURN™

HYDRACUSHIONED™  
COMFORTVIEW CAB™  
TORQ-GARD PLUS 50®  
HY-GARD®  
QUIK-TATCH®  
PATHFINDER™  
FIELD CRUISE™  
ROW-TRAK™

## CHANGE INDICATOR LINE (MICROFICHE CATALOGS ONLY)

CHANGES AFFECTING THE ORDERING OF PARTS ARE IDENTIFIED BY VERTICAL LINES MARKED IN THE LEFT-HAND MARGIN OF REVISED PARTS LISTING IMAGES. A LINE IS ALSO AT THE LEFT-HAND EDGE OF THE SAME PART NUMBER IN THE NUMERICAL INDEX TO SHOW THE LOCATION OF REVISED INFORMATION.



# 1B9

8100, 8200, 8300, 8400 TRACTORS

SYMBOL DESCRIPTION  
 DESCRIPTION DE SYMBOLE  
 SYMBOL-BESCHREIBUNG  
 DESCRIZIONE DEI SIMBOLI  
 DESCRIPCION DEL SIMBOLO  
 SYMBOLBESKRIVNING  
 RXP020929 -UN-15APR98

|   | ENGLISH                    | FRANCAIS                               | DEUTSCH                    |
|---|----------------------------|--|----------------------------|
|    | HORN                       | AVERTISSEUR SONORE                     | SIGNALHORN                 |
|    | LIGHTS                     | ECLAIRAGE                              | BELEUCHTUNG                |
|    | MFWD                       | MFWD                                   | MFWD                       |
|    | LIGHTER                    | ALLUME-CIGARE                          | ZIGARETTENZÜNDLER          |
|    | TURN SIGNAL                | FEU DE CHANGEMENT DE DIRECTION         | FAHRRICHTUNGSANZEIGER      |
|    | ENGINE OIL PRESSURE        | PRESSION D'HUILE MOTEUR                | MOTORÖLDRUCK               |
|    | ENGINE OIL TEMPERATURE     | TEMPERATURE D'HUILE MOTEUR             | MOTORÖLTEMPERATUR          |
|    | ENGINE COOLANT TEMPERATURE | TEMPERATURE DU LIQUIDE DE REPOISSÉMENT | MOTORKÜHLMITTEL-TEMPERATUR |
|   | HYDRAULIC OIL FILTER       | FILTRE À HUILE HYDRAULIQUE             | HYDRAULIKÖLFILTER          |
|  | HYDRAULIC OIL PRESSURE     | PRESSION D'HUILE HYDRAULIQUE           | HYDRAULIKÖLDRUCK           |
|  | HYDRAULIC OIL TEMPERATURE  | TEMPERATURE D'HUILE HYDRAULIQUE        | HYDRAULIKÖL-TEMPERATUR     |
|  | HITCH                      | ATTelage                               | ANHÄNGEVORRICHTUNG         |
|  | FUEL                       | CARBURANT                              | KRAFTSTOFF                 |
|  | WINDSHIELD WIPER           | ESSUIE-GLACE                           | SCHIEBENWISCHER            |
|  | WINDSHIELD WIPER           | ESSUIE-GLACE                           | SCHIEBENWISCHER            |
|  | WINDSHIELD WASHER          | LAVE-GLACE                             | SCHIEBENWASCHANLAGE        |
|  | BLOWER                     | SOUFFLERIE                             | GEBLÄSE                    |
|  | AIR CONDITIONER            | CLIMATISEUR                            | KÜLVORRICHTUNG             |
|  | HEATER                     | CHAUFFAGE                              | HEIZUNG                    |
|  | WARNING                    | AVERTISSEMENT                          | WARNUNG                    |
|  | ON/OFF                     | MARCHE/ARRÊT                           | EIN/AUS                    |
|  | NEUTRAL START              | CEMARRAGE AU POINT MORT                | LEERLAUF-ANLASSPERKE       |























RXP020929

# 1B10

8100, 8200, 8300, 8400 TRACTORS

SYMBOL DESCRIPTION  
 DESCRIPTION DE SYMBOLE  
 SYMBOL-BESCHREIBUNG  
 DESCRIZIONE DEI SIMBOLI  
 DESCRIPCION DEL SIMBOLO  
 SYMBOLBESKRIVNING

RXP020930 -UN-15APR98

|   | ITALIANO                                | ESPANOL                                | SVENSKA                     |
|---|---|--|-----------------------------|
|    | AVVISATORE ACUSTICO                     | BOCINA                                 | SÖNNHÖRN                    |
|    | LUCI                                    | LUCES                                  | DELYSNING                   |
|    | MEVIO                                   | MEVIO                                  | MEVIO                       |
|    | ACCENDISIGARI                           | ENCENDEDOR                             | TÄGNARE                     |
|    | INDICATORI DI DIREZIONE                 | SEÑALIZADOR DE VIRAJE                  | RIKTERPÅTÄNINGSVISAPE       |
|    | PRESSIONE DELL'OLIO DEL MOTORE          | PRESION DEL ACEITE DEL MOTOR           | MOTOROLJETRYCK              |
|    | TEMPERATURA DELL'OLIO DEL MOTORE        | TEMPERATURA DE ACEITE DEL MOTOR        | MOTOROLJETEMPÉRATUR         |
|    | TEMPERATURA DEL REFRIGERANTE DEL MOTORE | TEMPERATURA DEL REFRIGERANTE DEL MOTOR | MOTORKYLNINGELSTITEMPERATUR |
|   | FILTRO DELL'OLIO IDRAULICO              | FILTRO DE ACEITE HIDRAULICO            | HYDRAULIKFILTTER            |
|  | PRESSIONE DELL'OLIO IDRAULICO           | PRESION DE ACEITE HIDRAULICO           | HYDRAULIKTRYCK              |
|  | TEMPERATURA DELL'OLIO IDRAULICO         | TEMPERATURA DE ACEITE HIDRAULICO       | HYDRAULIKJETEMPÉRATUR       |
|  | ATTACCO                                 | ENGAÑCHE                               | DRAG                        |
|  | GASOLIO                                 | COMBUSTIBLE                            | BRÄNSLE                     |
|  | TERGICRISTALLI                          | LIMPIAPARABRISAS                       | VINDRUTETORKARE             |
|  | TERGICRISTALLI                          | LIMPIAPARABRISAS                       | VINDRUTETORKARE             |
|  | LAVACRISTALLI                           | LAVAPARABRISAS                         | VINDRUTESPOLARE             |
|  | VENTILATORE                             | SOPLADOR                               | RIAFAT                      |
|  | CONDIZIONATORE                          | ACONDICIONADOR DE AIRE                 | LUFTRÄNDIONERING            |
|  | RISCALDAMENTO                           | CALENTADOR                             | VÄRMEANLÄGGNING             |
|  | AVVERTENZA                              | ADVERTENCIA                            | VARNING                     |
|  | ON/OFF                                  | CONECTADO/DESCONECTADO                 | TILL/FRÅN                   |
|  | START SENZA MARCIA                      | ARRANQUE EN NEUTRAL                    | START I NEUTRALLÄGGE        |

RXP020930





## SECTION INDEX

|  |    |
|--|----|
| GENERAL INFORMATION .....                            | 10 |
| ENGINE .....   | 20 |
| FUEL AND AIR .....                                   | 30 |
| ELECTRICAL .....                                     | 40 |
| ALTERNATOR, STARTER, BATTERY AND BATTERY CABLE ..... | 41 |
| LIGHTS .....   | 42 |
| ELECTRICAL CONNECTORS .....                          | 43 |
| POWER SHIFT TRANSMISSION .....                       | 51 |
| DIFFERENTIAL AND REAR PTO .....                      | 53 |
| MFWD .....   | 54 |
| STEERING AND BRAKES .....                            | 60 |
| HYDRAULICS .....                                     | 70 |
| ROW-TRAK .....                                       | 71 |
| WHEELS, FRONT AXLES, SHEET METAL .....               | 80 |
| OPERATOR'S STATION ACCESSORIES .....                 | 90 |
| OPERATOR STATION .....                               | 91 |
| SEAT .....   | 92 |
| NUMERICAL INDEX .....                                | 95 |

## ALPHABETICAL INDEX

| GRID | A  | PAGE   | GRID | PAGE  |        |
|------|--|--------|------|---|--------|
| 3E1  | A/C COMPRESSOR(TSN -009999)  | 40-8   | 3E3  | AIR FILTER RESTRICTION SENSOR(TSN -009999)          | 40-9A  |
| 3E3  | A/C COMPRESSOR(TSN -009999)  | 40-9A  | 3E7  | AIR FILTER RESTRICTION SENSOR(TSN 010000- )         | 40-12  |
| 3E7  | A/C COMPRESSOR(TSN 010000- )   | 40-12  | 3E1  | AIR INTAKE TEMPERTURE SENSOR(TSN -009999)           | 40-8   |
| 8H9  | A/C DRYER  | 90-6   | 3E3  | AIR INTAKE TEMPERTURE SENSOR(TSN -009999)           | 40-9A  |
| 8H9  | A/C LINES  | 90-6   | 3E7  | AIR INTAKE TEMPERTURE SENSOR(TSN 010000- )          | 40-12  |
| 8H9  | A/C LINES BRACKET  | 90-6   | 9F22 | AIR SPRING SEAT KIT                                 | 92-8   |
| 3F2  | ADAPTER PLUG(TSN -009999)  | 40-32  | 6H12 | AIR TANK, AIR BRAKE (LATE DESIGN)                   | 60-100 |
| 3F3  | ADAPTER PLUG(TSN 010000- )   | 40-33  | 3E13 | ALARM,WARNING(EUROPEAN VERSION)(TSN -009999)        | 40-18  |
| 1G14 | ADAPTER, OIL COOLER (8100, 8200, 8300) (LATE TSN)                        | 20-66  | 3E15 | ALARM,WARNING(EUROPEAN VERSION)(TSN 010000- )       | 40-20  |
| 1I4  | ADAPTER, OIL COOLER (8400)   | 20-107 | 3E11 | ALARM,WARNING(NORTH AMERICAN VERSION)(TSN 010000- ) | 40-16  |
| 1G13 | ADAPTER, OIL COOLER BYPASS (6081) (LATE TSN-81,82,8300)                  | 20-65  | 3E9  | ALARM,WARNING(NORTH AMERICAN VERSION)(-009999)      | 40-14  |
| 3F2  | ADAPTER,ELECTRICAL(TSN -009999)  | 40-32  | 3E17 | ALARM,WARNING(UKRAINIAN VERSION)                    | 40-22  |
| 3F3  | ADAPTER,ELECTRICAL(TSN 010000- )   | 40-33  | 3I11 | ALTERNATOR  | 41-1   |
| 8F5  | ADJUSTABLE FRONT AXLE EXTENSION (8100, 8200, 8300)                       | 80-26  | 3I12 | ALTERNATOR  | 41-2   |
| 2D14 | AFTERCOOLER  | 30-6   | 3I11 | ALTERNATOR WIRING LEAD(NEGATIVE)                    | 41-1   |
| 6H18 | AIR BRAKE AIR COMPRESSOR (EUROPEAN VERSION)                              | 60-106 | 3E1  | ALTERNATOR(TSN -009999)                             | 40-8   |
| 6H10 | AIR BRAKE AIR TANK (EUROPEAN VERSION)                                    | 60-98  | 3E3  | ALTERNATOR(TSN -009999)                             | 40-9A  |
| 6H12 | AIR BRAKE AIR TANK (LATE DESIGN)   | 60-100 | 3E7  | ALTERNATOR(TSN 010000- )                            | 40-12  |
| 6I5  | AIR BRAKE CABLE (EUROPEAN VERSION)                                       | 60-116 | 3I11 | ALTERNATOR,REMANUFACTURED                           | 41-1   |
| 6G19 | AIR BRAKE CONTROL VALVE (EUROPEAN VERSION)                               | 60-82  | 3I12 | ALTERNATOR,REMANUFACTURED                           | 41-2   |
| 6G21 | AIR BRAKE CONTROL VALVE (EUROPEAN VERSION) (LATE DESIGN)                 | 60-84  | 3H19 | ANTENNA,RADIO                                       | 40-99  |
| 6H14 | AIR BRAKE CONTROL VALVE (EUROPEAN VERSION)                               | 60-102 | 3H21 | ANTENNA,RADIO                                       | 40-102 |
| 6H16 | AIR BRAKE CONTROL VALVE (EUROPEAN VERSION) (LATE DESIGN)                 | 60-104 | 5F1  | ARM, STEERING                                       | 54-14  |
| 6G23 | AIR BRAKE CONTROL VALVE BRACKETS (EUROPEAN VERSION)                      | 60-86  | 5F3  | ARM, STEERING                                       | 54-16  |
| 6H1  | AIR BRAKE CONTROL VALVE BRACKETS (EUROPEAN VERSION)                      | 60-88  | 5F24 | ARM, STEERING                                       | 54-36  |
| 6H7  | AIR BRAKE CONTROL VALVE LINES (EUROPEAN VERSION) (LATE DESIGN) (83,8400) | 60-94  | 4E1  | ARM,EXTREMITY WARNING LAMP(027100- )                | 42-22  |
| 6H5  | AIR BRAKE CONTROL VALVE LINES (EUROPEAN VERSION) (LATE DESIGN)(81,8200)  | 60-92  | 3I17 | ARMATURE,STARTING MOTOR(8100,8200,8300,8400)        | 41-6   |
| 6H3  | AIR BRAKE CONTROL VALVE LINES (EUROPEAN VERSION)(EARLY DESIGN)           | 60-90  | 9F24 | ARMREST BRACKET, R.H.                               | 92-10  |
| 6H14 | AIR BRAKE COUPLERS (EUROPEAN VERSION)                                    | 60-102 | 9G7  | ARMREST CONTROL HOUSING                             | 92-18  |
| 6H16 | AIR BRAKE COUPLERS (EUROPEAN VERSION) (LATE DESIGN)                      | 60-104 | 3G3  | ARMREST CONTROLLER UNIT COVER                       | 40-60  |
| 6I3  | AIR BRAKE LINE (REAR) (LATE DESIGN)                                      | 60-114 | 3F24 | ARMREST CONTROLLER UNIT(ACU)                        | 40-56  |
| 6H22 | AIR BRAKE LINES (FRONT)  | 60-108 | 3G3  | ARMREST CONTROLLER UNIT(ACU)                        | 40-60  |
| 6H24 | AIR BRAKE LINES (FRONT)  | 60-110 | 9F17 | ARMREST KIT, LEFT-HAND                              | 92-2   |
| 6I1  | AIR BRAKE LINES (REAR) (EARLY DESIGN)                                    | 60-112 | 3G1  | ARMREST PLUG  | 40-58  |
| 6G17 | AIR BRAKE PRESSURE REGULATING VALVE (EUROPEAN VERSION)                   | 60-80  | 9F24 | ARMREST SUPPORT PLATE, R.H.                         | 92-10  |
| 6G17 | AIR BRAKE PRESSURE RELEIF VALVE (EUROPEAN VERSION)                       | 60-80  | 3G11 | ARMREST TO CAB WIRING HARNESS                       | 40-68  |
| 6H9  | AIR BRAKE PRESSURE SWITCH MANIFOLD (EUROPEAN VERSION)                    | 60-97  | 9G5  | ARMREST, LEFT-HAND                                  | 92-16  |
| 3F5  | AIR BRAKE PRESSURE SWITCH(EUROPEAN VERSION)                              | 40-35  | 9G7  | ARMREST, RIGHT-HAND                                 | 92-18  |
| 3F5  | AIR BRAKE WIRING HARNESS(EUROPEAN VERSION)                               | 40-35  | 1D21 | ARMS, ROCKER (6076) (EARLY TSN 8100,8200,8300)      | 20-8   |
| 8H17 | AIR CIRCULATION DUCT   | 90-14  | 1F15 | ARMS, ROCKER (6081) (LATE TSN-8100,8200,8300)       | 20-44  |
| 8H17 | AIR CIRCULATION SEAL   | 90-14  | 1H2  | ARMS, ROCKER (8400)                                 | 20-80  |
| 2D10 | AIR CLEANER  | 30-2   | 9D14 | ASHTRAY   | 91-9   |
| 8H5  | AIR CONDITIONING COMPRESSOR  | 90-1   | 9D15 | ASHTRAY   | 91-10  |
| 7E1  | AIR CONDITIONING CONDENSOR   | 70-19  | 5F1  | ASSEMBLY, CROSS SPIDER                              | 54-14  |
| 3E1  | AIR FILTER RESTRICTION SENSOR(TSN -009999)                               | 40-8   | 5F3  | ASSEMBLY, CROSS SPIDER                              | 54-16  |
|      |  |        | 5F24 | ASSEMBLY, CROSS SPIDER                              | 54-36  |
|      |  |        | 4G15 | ASSEMBLY, DRIVE SHAFT                               | 51-44  |
|      |  |        | 5E23 | ASSEMBLY, TIE ROD                                   | 54-12  |
|      |  |        | 5F1  | ASSEMBLY, U-JOINT                                   | 54-14  |
|      |  |        | 5F3  | ASSEMBLY, U-JOINT                                   | 54-16  |
|      |  |        | 5F24 | ASSEMBLY, U-JOINT                                   | 54-36  |
|      |  |        | 6F7  | ATTENUATOR, BRAKE VALVE                             | 60-51A |
|      |  |        | 3F11 | AUXILARY POWER STRIP                                | 40-42  |
|      |  |        | 3F11 | AUXILARY POWER STRIP BRACKET                        | 40-42  |
|      |  |        | 3F11 | AUXILARY POWER STRIP CONNECTOR                      | 40-42  |

## ALPHABETICAL INDEX - CONTINUED

| GRID     |   | PAGE     | GRID |  | PAGE     |
|----------|---|----------|------|--|----------|
| 3F11     | AUXILARY POWER STRIP,CAP .....  | 40 - 42  | 1H6  | BLOCK, SHORT(8400)<br>(WITHOUT HEAD BOLTS) .....                         | 20 - 84  |
| 5E23     | AXLE HOUSING .....  | 54 - 12  | 1E1  | BLOCK,SHORT(6076)(EARLT TSN-8100,8200,83<br>00)(WITHOUT HEAD BLOTS)..... | 20 - 12  |
| 5F18     | AXLE HOUSING, MFWD LH,<br>(ASN 000001-000747; 800001- ) .....                     | 54 - 30  | 3E13 | BLOWER MOTOR(AQS)(EUROPEAN VERSION)(TSN<br>-009999) .....                | 40 - 18  |
| 5F20     | AXLE HOUSING, MFWD RH,<br>(ASN 000001-000747; 800001- ) .....                     | 54 - 32  | 3E15 | BLOWER MOTOR(AQS)(EUROPEAN VERSION)(TSN<br>010000- ) .....               | 40 - 20  |
| 5F1      | AXLE RETAINING SLEEVE .....   | 54 - 14  | 3E9  | BLOWER MOTOR(AQS)(NORTH AMERICAN<br>VERSION)(TSN -009999) .....          | 40 - 14  |
| 5F3      | AXLE RETAINING SLEEVE .....   | 54 - 16  | 3E11 | BLOWER MOTOR(AQS)(NORTH AMERICAN<br>VERSION)(TSN 010000- ) .....         | 40 - 16  |
| 5F24     | AXLE RETAINING SLEEVE .....   | 54 - 36  | 3E17 | BLOWER MOTOR(AQS)(UKRAINIAN VERSION).....                                | 40 - 22  |
| 5D17     | AXLE SHAFT .....  | 53 - 14  | 3E13 | BLOWER MOTOR,PRESSURIZER(EUROPEAN<br>VERSION)(TSN -009999) .....         | 40 - 18  |
| 5D19     | AXLE SHAFT .....  | 53 - 16  | 3E15 | BLOWER MOTOR,PRESSURIZER(EUROPEAN<br>VERSION)(TSN 010000- ) .....        | 40 - 20  |
| 5D21     | AXLE SHAFT .....  | 53 - 18  | 3E9  | BLOWER MOTOR,PRESSURIZER(NORTH AMERICAN<br>VERSION)(TSN -009999) .....   | 40 - 14  |
| 5E23     | AXLE SHAFT .....  | 54 - 12  | 3E11 | BLOWER MOTOR,PRESSURIZER(NORTH AMERICAN<br>VERSION)(TSN 010000- ) .....  | 40 - 16  |
| 8E8      | AXLE, FRONT CENTER .....  | 80 - 1   | 3E17 | BLOWER MOTOR,PRESSURIZER(UKRAINIAN<br>VERSION).....                      | 40 - 22  |
| <b>B</b> |   |          | 4E14 | BLOWER SWITCH CONNECTOR.....   | 43 - 9   |
| 3I5      | BACK-UP ALARM BRACKET .....   | 40 - 110 | 1D17 | BOLTS, CYLINDER HEAD (6076)<br>(EARLY TSN-8100,8200,8300) .....          | 20 - 4   |
| 3I5      | BACK-UP ALARM FUSE .....  | 40 - 110 | 1F10 | BOLTS, CYLINDER HEAD (6081)<br>(LATE TSN-8100,8200,8300).....            | 20 - 40  |
| 3I5      | BACK-UP ALARM KIT .....   | 40 - 110 | 1G22 | BOLTS, CYLINDER HEAD (8400).....   | 20 - 76  |
| 3I5      | BACK-UP ALARM RELAY .....   | 40 - 110 | 1D17 | BOLTS, HEAD (6076)<br>(EARLY TSN-8100,8200,8300) .....                   | 20 - 4   |
| 3I5      | BACK-UP ALARM WIRING HARNESS .....  | 40 - 110 | 9F20 | BOOT ATTACHING HARDWARE KIT.....   | 92 - 6   |
| 8F10     | BAFFLE, GRILLE SCREEN .....   | 80 - 31  | 4D23 | BOOT,REAR FENDER WORK LIGHT(TSN XXXXXX-<br>).....                        | 42 - 19  |
| 2F5      | BASE, FUEL FILTER (6081)<br>(LATE TSN-8100,8200,8300).....                        | 30 - 44  | 9E7  | BRACE, REAR FENDER .....   | 91 - 26  |
| 2G2      | BASE, FUEL FILTER (6081)<br>(8400) .....  | 30 - 66  | 9E9  | BRACE, REAR FENDER (ERUOPEAN VERSION) .....                              | 91 - 28  |
| 2G4      | BASE, FUEL FILTER (6081) (8400) .....   | 30 - 68  | 6E17 | BRACKET, BRAKE VALVE .....   | 60 - 36  |
| 1G15     | BASE, OIL FILTER (6081)<br>(LATE TSN-8100,8200,8300).....                         | 20 - 68  | 7F21 | BRACKET, CENTER LINK (EUROPEAN VERSION) .....                            | 70 - 66  |
| 1I1      | BASE, OIL FILTER (8400) .....   | 20 - 104 | 7F19 | BRACKET, CENTER LINK (HIGH-LIFT HITCH)<br>(NORTH AMERICAN VERSION).....  | 70 - 64  |
| 2E16     | BASE, PRE-FUEL FILTER (6081) .....  | 30 - 31A | 7F17 | BRACKET, CENTER LINK (REGULAR HITCH)<br>(NORTH AMERICAN VERSION).....    | 70 - 62  |
| 2F17     | BASE, PRE-FUEL FILTER (8400) .....  | 30 - 54  | 7F15 | BRACKET, CENTER LINK HOOK (EUROPEAN<br>VERSION).....                     | 70 - 60  |
| 3H21     | BASE,RADIO ANTENNA .....  | 40 - 102 | 2E13 | BRACKET, ETHER AID (6076) .....  | 30 - 29B |
| 3I22     | BATTERY .....   | 41 - 12  | 2E12 | BRACKET, ETHER AID (6081)<br>(LATE TSN-8100,8200,8300).....              | 30 - 29A |
| 8G3      | BATTERY BOX COVER.....  | 80 - 50  | 2E11 | BRACKET, ETHER AID (8400 TRACTOR).....                                   | 30 - 29  |
| 3I23     | BATTERY CABLE,NEGATIVE .....  | 41 - 13  | 7H17 | BRACKET, PICK-UP HITCH DRAWBAR<br>(EUROPEAN VERSION) .....               | 70 - 110 |
| 3E21     | BATTERY CABLE,POSITIVE .....  | 40 - 26  | 2E16 | BRACKET, PRE-FUEL FILTER SUPPORT (6081).....                             | 30 - 31A |
| 3I23     | BATTERY CABLE,POSITIVE .....  | 41 - 13  | 2F17 | BRACKET, PRE-FUEL FILTER SUPPORT (8400).....                             | 30 - 54  |
| 3I22     | BATTERY CLAMP .....   | 41 - 12  | 4D20 | BRACKET, REAR ROOF WORK LAMP(TSN<br>-XXXXXX) .....                       | 42 - 16  |
| 1G2      | BEARING KIT, UNDERSIZED MAIN BEARING<br>CRANKSHAFT (6081) (8100, 8200, 8300)..... | 20 - 55A | 4D21 | BRACKET, REAR ROOF WORK LAMP(TSN<br>XXXXXX- ) .....                      | 42 - 17  |
| 1E15     | BEARING, THRUST (6076)<br>(EARLT TSN 8100,8200,8300) .....                        | 20 - 21  | 7E10 | BRACKET, ROCKSHAFT POSITION SENSOR .....                                 | 70 - 30  |
| 1G5      | BEARING, THRUST (6081)<br>(LATE TSN-8100,8200,8300).....                          | 20 - 57  | 6D13 | BRACKET, STEERING VALVE .....  | 60 - 9   |
| 1H18     | BEARING, THRUST (8400) .....  | 20 - 96  | 8H9  | BRACKET,A/C LINES.....   | 90 - 6   |
| 1F2      | BEARING, WATER PUMP (6076)<br>(EARLY TSN-8100,8200,8300) .....                    | 20 - 34  | 3F11 | BRACKET,AUXILARY POWER STRIP .....                                       | 40 - 42  |
| 1E15     | BEARINGS, MAIN (6076)<br>(EARLY TSN 8100,8200,8300) .....                         | 20 - 21  | 3I5  | BRACKET,BACK-UP ALARM.....   | 40 - 110 |
| 1G5      | BEARINGS, MAIN (6081)<br>(LATE TSN-8100,8200,8300).....                           | 20 - 57  | 3I1  | BRACKET,COLD WEATHER START(NORTH<br>AMREICAN VERSION) .....              | 40 - 106 |
| 1H18     | BEARINGS, MAIN (8400).....  | 20 - 96  | 4D14 | BRACKET,DIRECTION INDICATOR(CAB)(EV).....                                | 42 - 10  |
| 1J6      | BELT, COMPRESSOR .....  | 20 - 134 | 3F12 | BRACKET,ELECTRICAL 7-TERMINAL<br>OUTLET(NORTH AMERICAN VERSION).....     | 40 - 43  |
| 1J8      | BELT, COMPRESSOR .....  | 20 - 136 |      |  |          |
| 5D25     | BEVEL SHAFT .....   | 53 - 22  |      |  |          |
| 5D25     | BEVEL, SPIRAL .....   | 53 - 22  |      |  |          |
| 5E18     | BEVEL, SPIRAL .....   | 54 - 5   |      |  |          |
| 3H16     | BEZEL BRACKET,RADIO .....   | 40 - 96  |      |  |          |
| 3H16     | BEZEL,RADIO.....  | 40 - 96  |      |  |          |
| 1F19     | BLOCK, SHORT (WITH HEAD BOLTS)(6081)<br>(LATE TSN-81,82,8300).....                | 20 - 48  |      |  |          |
| 1E3      | BLOCK, SHORT (6076)(EARLY TSN 8100<br>8200,8300)(WITH HEAD BOLTS) .....           | 20 - 13A |      |  |          |
| 1H8      | BLOCK, SHORT (8400) (WITH HEAD BOLTS) .....                                       | 20 - 86  |      |  |          |

## ALPHABETICAL INDEX - CONTINUED

| GRID |  | PAGE     | GRID |  | PAGE     |
|------|--|----------|------|--|----------|
| 3F13 | BRACKET,ELECTRICAL 7-TERMINAL OUTLET<br>SOCKET(EUROPEAN VERSION) .....           | 40 - 44  | 6F1  | BRAKE PRESSURE INLET CHECK VALVE KIT .....                                       | 60 - 45  |
| 3F22 | BRACKET,ENGINE SPEED CONTROL(ARMREST) .....                                      | 40 - 54  | 3G25 | BRAKE SWITCH.....  | 40 - 81  |
| 4D24 | BRACKET,EXTREMITY WARNING LAMP( -027099).....                                    | 42 - 20  | 3G25 | BRAKE SWITCH RETAINER.....   | 40 - 81  |
| 4E1  | BRACKET,EXTREMITY WARNING LAMP(027100- ).....                                    | 42 - 22  | 6E19 | BRAKE VALVE .....  | 60 - 38  |
| 4D17 | BRACKET,FRONT HEADLIGHTS(EV) .....   | 42 - 13  | 6F7  | BRAKE VALVE ATTENUATOR .....   | 60 - 51A |
| 4D16 | BRACKET,FRONT HEADLIGHTS(UNITED<br>KINGDOM) .....                                | 42 - 12  | 6F7  | BRAKE VALVE ATTENUATOR LINES .....   | 60 - 51A |
| 3I3  | BRACKET,GEAR PUMP HEATER(EUROPEAN<br>VERSION).....                               | 40 - 108 | 6E17 | BRAKE VALVE BRACKET .....  | 60 - 36  |
| 3G18 | BRACKET,HITCH CONTROL SWITCH(NORTH<br>AMERICAN VERSION).....                     | 40 - 74  | 6E23 | BRAKE VALVE HARDWARE KIT .....   | 60 - 42  |
| 3G5  | BRACKET,HYDRAULIC CONTROL<br>LEVER(ARMREST) .....                                | 40 - 62  | 6E21 | BRAKE VALVE OVERHAUL KIT .....   | 60 - 40  |
| 3F21 | BRACKET,KEY AND ETHER AID SWITCHES.....  | 40 - 53  | 6G4  | BRAKE VALVE OVERHAUL KIT .....   | 60 - 69C |
| 3F6  | BRACKET,LOAD CENTER .....  | 40 - 36  | 5E22 | BRAKES, WET DISK .....   | 54 - 10  |
| 3H23 | BRACKET,MOBILE RADIO .....   | 40 - 104 | 5F14 | BRAKES, WET DISK .....   | 54 - 26  |
| 3H10 | BRACKET,PERFORMANCE MONITOR .....  | 40 - 90  | 4D12 | BULB,CAB WORK LAMP(LOWER MID-BODY)(TSN<br>-XXXXXX ) .....                        | 42 - 8   |
| 8H16 | BRACKET,PRESSURIZER BLOWER MOTOR .....   | 90 - 13  | 4D13 | BULB,CAB WORK LAMP(LOWER MID-BODY)(TSN<br>XXXXXX- ) .....                        | 42 - 9   |
| 3H4  | BRACKET,RADAR(TSN -XXXXXX ) .....  | 40 - 84  | 4D10 | BULB,CAB WORK LAMP(UPPER MID-BODY)<br>(EUROPEAN VERSION)(TSN -XXXXXX) .....      | 42 - 6   |
| 3H8  | BRACKET,RADAR(TSN XXXXXX- ) .....  | 40 - 88  | 4D11 | BULB,CAB WORK LAMP(UPPER MID-BODY)<br>(EUROPEAN VERSION)(TSN XXXXXX-) .....      | 42 - 7   |
| 3H6  | BRACKET,RADAR(TSN XXXXXX-XXXXXX ) .....  | 40 - 86  | 4D8  | BULB,CAB WORKLAMP(UPPER MID-BODY)(NORTH<br>AMERICAN VERSION)(TSN -XXXXXX ) ..... | 42 - 4   |
| 4D23 | BRACKET,REAR FENDER WORK LIGHT(TSN<br>XXXXXX- ) .....                            | 42 - 19  | 4D9  | BULB,CAB WORKLAMP(UPPER MID-BODY)(NORTH<br>AMERICAN VERSION)(TSN XXXXXX- ) ..... | 42 - 5   |
| 3H13 | BRACKET,ROW-TRAK MONITOR.....  | 40 - 93  | 3G23 | BULB,CONSOLE LIGHT .....   | 40 - 79  |
| 3G7  | BRACKET,SELECTIVE CONTROL(ARMREST) .....   | 40 - 64  | 3H12 | BULB,CORNER POST DISPLAY.....  | 40 - 92  |
| 3F24 | BRACKET,TRANSMISSION CONTROL(ARMREST) .....                                      | 40 - 56  | 4D14 | BULB,DIRECTION INDICATOR LAMP(EV).....   | 42 - 10  |
| 4D8  | BRACKET,WORK LAMP(UPPER MID-BODY)(NORTH<br>AMERICAN VERSION)(TSN -XXXXXX ) ..... | 42 - 4   | 3G20 | BULB,DOME LIGHT .....  | 40 - 76  |
| 4D9  | BRACKET,WORK LAMP(UPPER MID-BODY)(NORTH<br>AMERICAN VERSION)(TSN XXXXXX- ) ..... | 42 - 5   | 4D24 | BULB,EXTREMITY WARNING LAMP( -027099) .....                                      | 42 - 20  |
| 4D10 | BRACKET,WORK LAMPS(CAB)(UPPER MID-BODY)<br>(EUROPEAN VERSION)(TSN -XXXXXX) ..... | 42 - 6   | 4E1  | BULB,EXTREMITY WARNING LAMP(027100- ) .....                                      | 42 - 22  |
| 4D11 | BRACKET,WORK LAMPS(CAB)(UPPER MID-BODY)<br>(EUROPEAN VERSION)(TSN XXXXXX-) ..... | 42 - 7   | 4D17 | BULB,HEADLIGHT(EV) .....   | 42 - 13  |
| 4D13 | BRACKET,WORKING LAMPS(LOWER<br>MID-BODY)(TSN XXXXXX- ).....                      | 42 - 9   | 4D16 | BULB,HEADLIGHT(UNITED KINGDOM).....  | 42 - 12  |
| 4D12 | BRACKET,WORKING LAMPS(LOWER MID-BODY)<br>(TSN -XXXXXX ) .....                    | 42 - 8   | 4D15 | BULB,HOOD HEADLIGHT .....  | 42 - 11  |
| 6G23 | BRACKETS, AIR BRAKE CONTROL VALVE<br>(EUROPEAN VERSION) .....                    | 60 - 86  | 3F20 | BULB,INSTRUMENT CONTROL PANEL(ICU) .....   | 40 - 52  |
| 6H1  | BRACKETS, AIR BRAKE CONTROL VALVE<br>(EUROPEAN VERSION) .....                    | 60 - 88  | 3H10 | BULB,PERFORMANCE MONITOR .....   | 40 - 90  |
| 7E4  | BRACKETS, OIL COOLER LINE.....   | 70 - 22  | 4D22 | BULB,REAR FENDER WORK LIGHT(TSN -XXXXXX<br>).....                                | 42 - 18  |
| 2E16 | BRACKETS, PRE-FUEL FILTER (6081) .....   | 30 - 31A | 4D23 | BULB,REAR FENDER WORK LIGHT(TSN XXXXXX-<br>).....                                | 42 - 19  |
| 2F17 | BRACKETS, PRE-FUEL FILTER (8400) .....   | 30 - 54  | 4D20 | BULB,REAR ROOF WORK LAMP(TSN -XXXXXX ).....                                      | 42 - 16  |
| 6F4  | BRAKE DISK .....   | 60 - 49  | 4D21 | BULB,REAR ROOF WORK LAMP(TSN XXXXXX- ) .....                                     | 42 - 17  |
| 6F13 | BRAKE LEVER, SECONDARY (EUROPEAN<br>VERSION) (EARLY DESIGN) .....                | 60 - 56  | 4D18 | BULB,ROOF WARNING LIGHT(NAV) .....   | 42 - 14  |
| 6F15 | BRAKE LEVER, SECONDARY (EUROPEAN<br>VERSION) (LATE DESIGN).....                  | 60 - 58  | 3H13 | BULB,ROW-TRAK MONITOR .....  | 40 - 93  |
| 6F19 | BRAKE LEVER, SECONDARY (EUROPEAN<br>VERSION) (LATEST DESIGN) .....               | 60 - 62  | 3F20 | BULB,SCV SETUP PANEL(SUP) .....  | 40 - 52  |
| 3F4  | BRAKE LIGHT EXTENSION WIRING HARNESS.....  | 40 - 34  | 4D5  | BULB,TAIL LIGHT(NAV).....  | 42 - 1   |
| 3F4  | BRAKE LIGHT RELAY .....  | 40 - 34  | 4D6  | BULB,TAIL/STOP(EV)(TSN -009999) .....  | 42 - 2   |
| 6E25 | BRAKE MAKE-UP CHECK VALVE KIT .....  | 60 - 44  | 4D7  | BULB,TAIL/STOP(TSN 010000-) .....  | 42 - 3   |
| 6F5  | BRAKE OIL LINES (EARLY DESIGN) .....   | 60 - 50  | 4D6  | BULB,TURN SIGNAL/HAZARD WARNING(EV) .....  | 42 - 2   |
| 6F9  | BRAKE OIL LINES (REAR) (W/ TRAILER<br>BRAKE) (LATE DESIGN).....                  | 60 - 52  | 4D7  | BULB,TURN SIGNAL/HAZARD WARNING(TSN<br>010000).....                              | 42 - 3   |
| 6F11 | BRAKE OIL LINES (REAR) (W/O TRAILER<br>BRAKE) (LATE DESIGN).....                 | 60 - 54  | 7F12 | BUMPER, DRAFT LINK .....   | 70 - 57  |
| 6F2  | BRAKE PEDALS.....  | 60 - 46  | 1D23 | BUSHING, CAMSHAFT (6076)<br>(EARLY TSN -009999) .....                            | 20 - 10  |
| 5E22 | BRAKE PISTON .....   | 54 - 10  | 1D22 | BUSHING, CAMSHAFT (6076)<br>(EARLY TSN-8100,8200,8300) .....                     | 20 - 9   |
| 5F14 | BRAKE PISTON .....   | 54 - 26  | 1F17 | BUSHING, CAMSHAFT (6081)<br>(LATE TSN-81,82,8300).....                           | 20 - 46  |
| 5D5  | BRAKE PISTON, PTO .....  | 53 - 2   | 1F16 | BUSHING, CAMSHAFT (6081)<br>(LATE TSN-8100,8200,8300).....                       | 20 - 45  |
| 5D7  | BRAKE PISTON, PTO .....  | 53 - 4   | 1H3  | BUSHING, CAMSHAFT (8400) .....   | 20 - 81  |
| 6F1  | BRAKE PRE-FILL PISTON KIT .....  | 60 - 45  | 1H4  | BUSHING, CAMSHAFT (8400) .....   | 20 - 82  |
|      |  |          | 3I19 | BYPASS START LABEL .....   | 41 - 8   |
|      |  |          | 3I20 | BYPASS START LABEL(8100,8200,8300,8400).....                                     | 41 - 10  |
|      |  |          | 3I16 | BYPASS START LABEL(8400) .....   | 41 - 5   |
|      |  |          | 1G13 | BYPASS TUBES, OIL COOLER (6081)<br>(LATE TSN-81,82,8300).....                    | 20 - 65  |
|      |  |          | 1I3  | BYPASS VALVE, OIL COOLER (6081) .....  | 20 - 106 |



## ALPHABETICAL INDEX - CONTINUED

| GRID     |  | PAGE     |  | GRID |   | PAGE     |
|----------|--|----------|--|------|---|----------|
| 1E22     | BYPASS VALVE, OIL FILTER (6076) .....                              | 20 - 28  |  | 3I23 | CAP, POSITIVE TERMINAL .....  | 41 - 13  |
| 1G15     | BYPASS VALVE, OIL FILTER (6081)<br>(LATE TSN-8100,8200,8300) ..... | 20 - 68  |  | 3H21 | CAP, W/O RADIO .....  | 40 - 102 |
| 111      | BYPASS VALVE, OIL FILTER (8400) .....                              | 20 - 104 |  | 1D23 | CAPS, MAIN BEARING (6076)<br>(EARLY TSN -009999) .....                  | 20 - 10  |
| <b>C</b> |  |          |  | 1F17 | CAPS, MAIN BEARING (6081)<br>(LATE TSN-81,82,8300) .....                | 20 - 46  |
| 9D7      | CAB .....  | 91 - 2   |  | 1H4  | CAPS, MAIN BEARING (8400) .....   | 20 - 82  |
| 3F8      | CAB AND CHASSIS GROUND CABLE .....                                 | 40 - 39  |  | 5D17 | CARRIER, PLANET PINION .....  | 53 - 14  |
| 3F10     | CAB ELECTRICAL JUNCTION BLOCK .....                                | 40 - 41  |  | 5D19 | CARRIER, PLANET PINION .....  | 53 - 16  |
| 3F10     | CAB JUNCTION BLOCK, ELECTRICAL .....                               | 40 - 41  |  | 5D21 | CARRIER, PLANET PINION .....  | 53 - 18  |
| 9D9      | CAB MOUNTS .....   | 91 - 4   |  | 5F9  | CARRIER, PLANETARY .....  | 54 - 20  |
| 3E21     | CAB POWER CABLE .....  | 40 - 26  |  | 5F22 | CARRIER, PLANETARY .....  | 54 - 34  |
| 8G5      | CAB REAR COVER .....   | 80 - 52  |  | 5G5  | CARRIER, PLANETARY .....  | 54 - 42  |
| 9D7      | CAB REPLACEMENT .....  | 91 - 2   |  | 5D13 | CASE, DIFFERENTIAL .....  | 53 - 10  |
| 9D9      | CAB SUPPORTS .....   | 91 - 4   |  | 5E17 | CASE, DIFFERENTIAL (MFWD) .....   | 54 - 4   |
| 3F6      | CAB WIRING HARNESS (EUROPEAN VERSION) .....                        | 40 - 36  |  | 4G13 | CASE, TRANSMISSION .....  | 51 - 42  |
| 3F6      | CAB WIRING HARNESS (NORTH AMERICAN<br>VERSION) .....               | 40 - 36  |  | 4I17 | CASE, TRANSMISSION .....  | 51 - 94  |
| 3F6      | CAB WIRING HARNESS (UKRAINIAN VERSION) .....                       | 40 - 36  |  | 8E21 | CAST REAR WHEELS .....  | 80 - 16  |
| 6I5      | CABLE, AIR BRAKE (EUROPEAN VERSION) .....                          | 60 - 116 |  | 2D17 | CENTER HOUSING, TURBOCHARGER (SCHWITZER)<br>(6076) .....                | 30 - 9   |
| 7F16     | CABLE, DRAFT LINK RELEASE (EUROPEAN<br>VERSION) .....              | 70 - 61  |  | 2E3  | CENTER HOUSING, TURBOCHARGER (SCHWITZER)<br>(6081) .....                | 30 - 20  |
| 7H15     | CABLE, PICK-UP HITCH CONTROL (EUROPEAN<br>VERSION) .....           | 70 - 108 |  | 7F21 | CENTER LINK (EUROPEAN VERSION) .....                                    | 70 - 66  |
| 9D11     | CABLE, TOW DISCONNECT LEVER (CAB) .....                            | 91 - 6   |  | 7F19 | CENTER LINK (HIGH-LIFT HITCH) (NORTH<br>AMERICAN VERSION) .....         | 70 - 64  |
| 3F8      | CABLE, CAB AND CHASSIS GROUND .....                                | 40 - 39  |  | 7F17 | CENTER LINK (REGULAR HITCH) (NORTH<br>AMERICAN VERSION) .....           | 70 - 62  |
| 3E21     | CABLE, CAB POWER .....   | 40 - 26  |  | 7F21 | CENTER LINK BRACKET SPACER KIT<br>(EUROPEAN VERSION) .....              | 70 - 66  |
| 3H23     | CABLE, MOBILE RADIO ANTENNA .....                                  | 40 - 104 |  | 7F15 | CENTER LINK TRANSPORT HOOK (EUROPEAN<br>VERSION) .....                  | 70 - 60  |
| 3H21     | CABLE, RADIO ANTENNA .....   | 40 - 102 |  | 3G13 | CENTRAL CONTROL UNIT (CCU) .....  | 40 - 70  |
| 8H19     | CABLE, TEMPERATURE CONTROL .....                                   | 90 - 16  |  | 3G15 | CENTRAL CONTROL UNIT (CCU) .....  | 40 - 72  |
| 1D22     | CAMSHAFT (6076)<br>(EARLY TSN-8100,8200,8300) .....                | 20 - 9   |  | 3E5  | CENTRAL CONTROL UNIT (CCU) (TSN 010000-<br>) .....                      | 40 - 10  |
| 1F16     | CAMSHAFT (6081)<br>(LATE TSN-8100,8200,8300) .....                 | 20 - 45  |  | 7G18 | CHAIN, IMPLEMENT SAFETY .....   | 70 - 89  |
| 1H3      | CAMSHAFT (8400) .....  | 20 - 81  |  | 6E9  | CHARGE PUMP .....   | 60 - 28  |
| 1D23     | CAMSHAFT BUSHING (6076)<br>(EARLY TSN -009999) .....               | 20 - 10  |  | 6E13 | CHARGE PUMP REAR LINES .....  | 60 - 32  |
| 1D22     | CAMSHAFT BUSHING (6076)<br>(EARLY TSN-8100,8200,8300) .....        | 20 - 9   |  | 6E10 | CHARGE PUMP/STEERING PUMP .....   | 60 - 29  |
| 1F17     | CAMSHAFT BUSHING (6081)<br>(LATE TSN-81,82,8300) .....             | 20 - 46  |  | 6E25 | CHECK VALVE KIT, BRAKE MAKE-UP .....                                    | 60 - 44  |
| 1F16     | CAMSHAFT BUSHING (6081)<br>(LATE TSN-8100,8200,8300) .....         | 20 - 45  |  | 6F1  | CHECK VALVE KIT, BRAKE PRESSURE INLET .....                             | 60 - 45  |
| 1H3      | CAMSHAFT BUSHING (8400) .....                                      | 20 - 81  |  | 8G4  | CHOCK BLOCK HOLDER (EUROPEAN VERSION) .....                             | 80 - 51  |
| 1H4      | CAMSHAFT BUSHING (8400) .....                                      | 20 - 82  |  | 3E13 | CIGAR LIGHTER (EUROPEAN VERSION) (TSN<br>-009999) .....                 | 40 - 18  |
| 1D21     | CAMSHAFT FOLLOWER (6076)<br>(EARLY TSN 8100,8200,8300) .....       | 20 - 8   |  | 3E15 | CIGAR LIGHTER (EUROPEAN VERSION) (TSN<br>010000- ) .....                | 40 - 20  |
| 1D22     | CAMSHAFT FOLLOWER (6076)<br>(EARLY TSN-8100,8200,8300) .....       | 20 - 9   |  | 3E9  | CIGAR LIGHTER (NORTH AMERICAN<br>VERSION) (TSN -009999) .....           | 40 - 14  |
| 1F15     | CAMSHAFT FOLLOWER (6081)<br>(LATE TSN-8100,8200,8300) .....        | 20 - 44  |  | 3E11 | CIGAR LIGHTER (NORTH AMERICAN<br>VERSION) (TSN 010000- ) .....          | 40 - 16  |
| 1F16     | CAMSHAFT FOLLOWER (6081)<br>(LATE TSN-8100,8200,8300) .....        | 20 - 45  |  | 3F16 | CIGAR LIGHTER (TSN -009999) .....                                       | 40 - 48  |
| 1H2      | CAMSHAFT FOLLOWER (8400) .....                                     | 20 - 80  |  | 3F18 | CIGAR LIGHTER (TSN 010000- ) .....                                      | 40 - 50  |
| 1H3      | CAMSHAFT FOLLOWER (8400) .....                                     | 20 - 81  |  | 3E17 | CIGAR LIGHTER (UKRAINIAN VERSION) .....                                 | 40 - 22  |
| 1D22     | CAMSHAFT GEAR (6076)<br>(EARLY TSN-8100,8200,8300) .....           | 20 - 9   |  | 3F24 | CIRCUIT BOARD COVER (ARMREST) .....                                     | 40 - 56  |
| 1F16     | CAMSHAFT GEAR (6081)<br>(LATE TSN-8100,8200,8300) .....            | 20 - 45  |  | 3I22 | CLAMP, BATTERY .....  | 41 - 12  |
| 1H3      | CAMSHAFT GEAR (8400) .....   | 20 - 81  |  | 8H13 | CLAMP, HEATER HOSE .....  | 90 - 10  |
| 1D22     | CAMSHAFT THRUST WASHER (6076)<br>(EARLY TSN-8100,8200,8300) .....  | 20 - 9   |  | 7E4  | CLAMPS, OIL COOLER LINE .....   | 70 - 22  |
| 8F11     | CAP, COOLANT FILL ACCESS .....                                     | 80 - 32  |  | 7G21 | CLEVIS, DRAWBAR (EUROPEAN VERSION) .....                                | 70 - 92  |
| 2G8      | CAP, FUEL .....  | 30 - 72  |  | 7G5  | CLEVIS, DRAWBAR (8100, 8200, 8300)<br>(EARLY DESIGN) .....              | 70 - 74  |
| 3F11     | CAP, AUXILIARY POWER STRIP .....                                   | 40 - 42  |  | 7G7  | CLEVIS, DRAWBAR (NORTH AMERICAN VERSION)<br>(LATE DESIGN) .....         | 70 - 76  |
|          |  |          |  | 7G15 | CLEVIS, DRAWBAR (NORTH AMERICAN VERSION)<br>(LATE DESIGN) .....         | 70 - 84  |
|          |  |          |  | 7G13 | CLEVIS, DRAWBAR (NORTH AMERICAN VERSION)<br>(8400) (EARLY DESIGN) ..... | 70 - 82  |
|          |  |          |  | 3H3  | CLOCK (EUROPEAN VERSION) .....  | 40 - 83  |

## ALPHABETICAL INDEX - CONTINUED

| <i>GRID</i> |   | <i>PAGE</i> | <i>GRID</i> |   | <i>PAGE</i> |
|-------------|---|-------------|-------------|---|-------------|
| 3E13        | CLOCK(EUROPEAN VERSION)(TSN -009999) .....  | 40 - 18     | 3E15        | CONSOLE LIGHT(EUROPEAN VERSION)(TSN<br>010000- ) .....                            | 40 - 20     |
| 3F16        | CLOCK(EUROPEAN VERSION)(TSN -009999) .....  | 40 - 48     | 3E9         | CONSOLE LIGHT(NORTH AMERICAN<br>VERSION)(TSN -009999) .....                       | 40 - 14     |
| 3E15        | CLOCK(EUROPEAN VERSION)(TSN 010000- ) .....                                       | 40 - 20     | 3E11        | CONSOLE LIGHT(NORTH AMERICAN<br>VERSION)(TSN 010000- ) .....                      | 40 - 16     |
| 3F18        | CLOCK(EUROPEAN VERSION)(TSN 010000- ) .....                                       | 40 - 50     | 3E17        | CONSOLE LIGHT(UKRAINIAN VERSION) .....  | 40 - 22     |
| 9E6         | CLOTHES HOOK .....  | 91 - 25     | 9D15        | CONTROL CONSOLE .....   | 91 - 10     |
| 5E22        | CLUTCH DRIVE PLATE .....  | 54 - 10     | 7H15        | CONTROL LEVER, PICK-UP HITCH (EUROPEAN<br>VERSION) .....                          | 70 - 108    |
| 5F14        | CLUTCH DRIVE PLATE .....  | 54 - 26     | 2E24        | CONTROL UNIT, ELECTRONIC (6076) .....   | 30 - 38     |
| 5D5         | CLUTCH DRUM .....   | 53 - 2      | 2F9         | CONTROL UNIT, ELECTRONIC (6081)<br>(LATE TSN-8100,8200,8300) .....                | 30 - 48     |
| 5D7         | CLUTCH DRUM .....   | 53 - 4      | 2F11        | CONTROL UNIT, ELECTRONIC (6081)<br>(LATE TSN-8100,8200,8300) .....                | 30 - 49A    |
| 5D5         | CLUTCH HUB .....  | 53 - 2      | 2F21        | CONTROL UNIT, ELECTRONIC (8400) .....   | 30 - 58     |
| 5D7         | CLUTCH HUB .....  | 53 - 4      | 6G23        | CONTROL VALVE BRACKETS, AIR BRAKE<br>(EUROPEAN VERSION) .....                     | 60 - 86     |
| 4E23        | CLUTCH PEDAL .....  | 51 - 2      | 6H1         | CONTROL VALVE BRACKETS, AIR BRAKE<br>(EUROPEAN VERSION) .....                     | 60 - 88     |
| 4H1         | CLUTCH PEDAL .....  | 51 - 54     | 6H3         | CONTROL VALVE LINES, AIR BRAKE<br>(EUROPEAN VERSION) (EARLY DESIGN) .....         | 60 - 90     |
| 4G11        | CLUTCH, MFWD .....  | 51 - 40     | 6H7         | CONTROL VALVE LINES,AIR BRAKE (EUROPEAN<br>VERSION) (LATE DESIGN) (83,8400) ..... | 60 - 94     |
| 4I15        | CLUTCH, MFWD .....  | 51 - 92     | 6H5         | CONTROL VALVE LINES,AIR BRAKE (EUROPEAN<br>VERSION) (LATE DESIGN)(81,8200) .....  | 60 - 92     |
| 5D5         | CLUTCH, PTO .....   | 53 - 2      | 6G19        | CONTROL VALVE, AIR BRAKE<br>(EUROPEAN VERSION) .....                              | 60 - 82     |
| 5D7         | CLUTCH, PTO .....   | 53 - 4      | 6G21        | CONTROL VALVE, AIR BRAKE<br>(EUROPEAN VERSION) (LATE DESIGN) .....                | 60 - 84     |
| 3117        | CLUTCH,STATING MOTOR(8100,8200,8300,8400<br>) .....                               | 41 - 6      | 7H20        | CONTROL VALVE, SELECTIVE .....  | 70 - 114    |
| 3120        | CLUTCH,STATING MOTOR(8100,8200,8300,8400<br>) .....                               | 41 - 10     | 3G3         | CONTROLLER UNIT,ARMREST(ACU) .....  | 40 - 60     |
| 311         | COLD WEATHER START BRACKET(NORTH<br>AMERICAN VERSION) .....                       | 40 - 106    | 3E5         | CONTROLLER,ENGINE CONTROL UNIT(ECU)(TSN<br>010000- ) .....                        | 40 - 10     |
| 311         | COLD WEATHER START HEATER(NORTH<br>AMERICAN VERSION) .....                        | 40 - 106    | 3G13        | CONTROLLER,ENGINE(ECU) .....  | 40 - 70     |
| 313         | COLD WEATHER START KIT(EUROPEAN<br>VERSION) .....                                 | 40 - 108    | 3G15        | CONTROLLER,ENGINE(ECU) .....  | 40 - 72     |
| 311         | COLD WEATHER START KIT(NORTH AMERICAN<br>VERSION) .....                           | 40 - 106    | 3E23        | CONTROLLER,HITCH .....  | 40 - 28     |
| 313         | COLD WEATHER START WIRING<br>HRANESS(EUROPEAN VERSION) .....                      | 40 - 108    | 3G13        | CONTROLLER,HITCH(HCU/SCU) .....   | 40 - 70     |
| 311         | COLD WEATHER START WIRING HARNESS(NORTH<br>AMERICAN VERSION) .....                | 40 - 106    | 3G15        | CONTROLLER,HITCH(HCU/SCU) .....   | 40 - 72     |
| 2E8         | COLD WEATHER STARTING AID .....   | 30 - 26     | 3G13        | CONTROLLER,POWER SHIFT(CCU/PCU) .....   | 40 - 70     |
| 1J6         | COMPRESSOR BELT .....   | 20 - 134    | 3G15        | CONTROLLER,POWER SHIFT(CCU/PCU) .....   | 40 - 72     |
| 1J8         | COMPRESSOR BELT .....   | 20 - 136    | 3E5         | CONTROLLER,POWERSHIFT CONTROL<br>UNIT(PCU)(TSN 010000- ) .....                    | 40 - 10     |
| 8H8         | COMPRESSOR CLUTCH .....   | 90 - 4      | 3E5         | CONTROLLER,SCV/HITCH CONTROL<br>UNIT(HCU/SCU)(TSN 010000- ) .....                 | 40 - 10     |
| 9F22        | COMPRESSOR FILTER KIT .....   | 92 - 8      | 7H15        | CONTROLS, PICK-UP HITCH (EUROPEAN<br>VERSION) .....                               | 70 - 108    |
| 8H7         | COMPRESSOR HARDWARE KIT .....   | 90 - 3      | 7H9         | CONTROLS, WAGON HITCH (EUROPEAN<br>VERSION) .....                                 | 70 - 102    |
| 8H5         | COMPRESSOR, A/C .....   | 90 - 1      | 3F15        | CONVENIENCE OUTLET SOCKET .....   | 40 - 46     |
| 6H18        | COMPRESSOR, AIR BRAKE AIR (EUROPEAN<br>VERSION) .....                             | 60 - 106    | 3F15        | CONVENIENCE OUTLET SOCKET ELECTRICAL<br>PLUG .....                                | 40 - 46     |
| 7E1         | CONDENSOR, AIR CONDITIONING .....   | 70 - 19     | 3F2         | CONVENIENCE OUTLET(TSN -009999) .....   | 40 - 32     |
| 4E15        | CONDUIT .....   | 43 - 10     | 3F16        | CONVENIENCE OUTLET(TSN -009999) .....   | 40 - 48     |
| 1E14        | CONNECTING RODS (6076)<br>(EARLY TSN 8100,8200,8300) .....                        | 20 - 20     | 3F3         | CONVENIENCE OUTLET(TSN 010000- ) .....  | 40 - 33     |
| 1G6         | CONNECTING RODS (6081)<br>(LATE TSN-8100,8200,8300) .....                         | 20 - 58     | 3F18        | CONVENIENCE OUTLET(TSN 010000- ) .....  | 40 - 50     |
| 1H17        | CONNECTING RODS (6081HRW01)(8400) .....   | 20 - 95     | 8F11        | COOLANT FILL ACCESS CAP .....   | 80 - 32     |
| 4E14        | CONNECTOR,BLOWER SWITCH .....   | 43 - 9      | 1F1         | COOLANT HEATER, ENGINE (220V) .....   | 20 - 32     |
| 4E13        | CONNECTOR,ELECTRICAL .....  | 43 - 8      | 1E24        | COOLANT HEATER, ENGINE (6076) .....   | 20 - 30     |
| 4E11        | CONNECTOR,METRI-PACK .....  | 43 - 6      | 1I12        | COOLANT RECOVERY TANK .....   | 20 - 114    |
| 3F14        | CONNECTOR,NINE-PIN IMPLEMENT FEEDBACK .....                                       | 40 - 45     | 1E22        | COOLER AND OIL FILTER HOUSING (6076) .....  | 20 - 28     |
| 4E14        | CONNECTOR,REAR WINDSHIELD WIPER .....   | 43 - 9      | 7E4         | COOLER LINE CLAMPS AND BRACKETS .....   | 70 - 22     |
| 4E14        | CONNECTOR,START SWITCH .....  | 43 - 9      | 1E22        | COOLER, ENGINE OIL (6076) .....   | 20 - 28     |
| 4E7         | CONNECTOR,WEATHERPACK .....   | 43 - 2      | 1G14        | COOLER, ENGINE OIL (8100, 8200, 8300)<br>(LATE TSN) .....                         | 20 - 66     |
| 2F1         | CONNECTORS, FUEL INJECTION PUMP HOUSING<br>(6076) .....                           | 30 - 40     | 1I4         | COOLER, ENGINE OIL (8400) .....   | 20 - 107    |
| 2F13        | CONNECTORS, FUEL INJECTION PUMP HOUSING<br>(6081) (LATE TSN-8100,8200,8300) ..... | 30 - 50     | 7E1         | COOLER, HYDRAULIC OIL .....   | 70 - 19     |
| 2F23        | CONNECTORS, FUEL INJECTION PUMP HOUSING<br>(8400) .....                           | 30 - 60     |             |   |             |
| 4E9         | CONNECTORS,METRI-PACK .....   | 43 - 4      |             |   |             |
| 3G23        | CONSOLE LIGHT HOUSING .....   | 40 - 79     |             |   |             |
| 3E13        | CONSOLE LIGHT(EUROPEAN VERSION)(TSN<br>-009999) .....                             | 40 - 18     |             |   |             |

## ALPHABETICAL INDEX - CONTINUED

| <i>GRID</i> |   | <i>PAGE</i> | <i>GRID</i> |  | <i>PAGE</i> |
|-------------|---|-------------|-------------|--|-------------|
| 8H19        | CORE, EVAPORATOR/HEATER.....  | 90 - 16     | 1G8         | COVER, TIMING GEAR (6081)<br>(LATE TSN-8100,8200,8300).....                      | 20 - 60     |
| 3H12        | CORNER POST DISPLAY.....  | 40 - 92     | 1H20        | COVER, TIMING GEAR (8400 TRACTOR).....   | 20 - 98     |
| 4G1         | COUNTERSHAFT.....   | 51 - 30     | 4F17        | COVER, TRANSMISSION CASE REAR.....   | 51 - 20     |
| 4I5         | COUNTERSHAFT.....   | 51 - 82     | 4F19        | COVER, TRANSMISSION CASE REAR.....   | 51 - 22     |
| 4G1         | COUNTERSHAFT GEAR.....  | 51 - 30     | 4H19        | COVER, TRANSMISSION CASE REAR.....   | 51 - 72     |
| 4I5         | COUNTERSHAFT GEAR.....  | 51 - 82     | 4H21        | COVER, TRANSMISSION CASE REAR.....   | 51 - 74     |
| 7I21        | COUPLER KIT, POWER BEYOND (W/ TRAILER<br>BRAKE) (EUROPEAN VERSION).....       | 70 - 140    | 1G24        | COVER, VALVE<br>(ESN -018791)(8400).....   | 20 - 78     |
| 7I19        | COUPLER KIT, POWER BEYOND (W/O TRAILER<br>BRAKE).....                         | 70 - 138    | 1D19        | COVER, VALVE (6076)<br>(EARLY TSN-8100,8200,8300).....                           | 20 - 6      |
| 8D14        | COUPLER, ROW-TRAK QUICK.....  | 71 - 12     | 1F12        | COVER, VALVE (6081)<br>(LATE TSN-8100,8200,8300).....                            | 20 - 42     |
| 7H22        | COUPLER, SELECTIVE CONTROL VALVE.....   | 70 - 116    | 1G25        | COVER, VALVE (ESN 018792- ) (8400).....  | 20 - 78A    |
| 7H5         | COUPLER, WAGON HITCH (EUROPEAN VERSION)<br>(LATE DESIGN).....                 | 70 - 100    | 1F13        | COVER, VALVE (6081)<br>(LATE TSN-8100,8200,8300).....                            | 20 - 42A    |
| 7H7         | COUPLER, WAGON HITCH (EUROPEAN VERSION)<br>(LATE DESIGN).....                 | 70 - 101A   | 1G17        | COVER, WATER PUMP (6081)<br>(LATE TSN-8100,8200,8300).....                       | 20 - 70     |
| 6H14        | COUPLERS, AIR BRAKE (EUROPEAN VERSION).....                                   | 60 - 102    | 1I5         | COVER, WATER PUMP (8400).....  | 20 - 108    |
| 6H16        | COUPLERS, AIR BRAKE (EUROPEAN VERSION)<br>(LATE DESIGN).....                  | 60 - 104    | 3G3         | COVER, ARMREST CONTROLLER UNIT.....  | 40 - 60     |
| 7H3         | COUPLING, WAGON HITCH (EUROPEAN<br>VERSION).....                              | 70 - 98     | 3F24        | COVER, CIRCUIT BOARD (ARMREST).....  | 40 - 56     |
| 3I14        | COVER STARTER SOLENOID (DENSO)<br>(6076).....                                 | 41 - 4      | 8H15        | COVER, FRESH AIR FILTER HOUSING.....   | 90 - 12     |
| 3I15        | COVER STARTER SOLENOID (NIPPONDENSO)<br>(6081) (LATE TSN-8100,8200,8300)..... | 41 - 4A     | 8H21        | COVER, HEATER AND A/C COMPARTMENT.....   | 90 - 18     |
| 8G3         | COVER, BATTERY BOX.....   | 80 - 50     | 3F24        | COVER, NEUTRAL START SWITCH.....   | 40 - 56     |
| 8G5         | COVER, CAB REAR.....  | 80 - 52     | 3H4         | COVER, RADAR (TSN -XXXXXX).....  | 40 - 84     |
| 9D17        | COVER, COWL.....  | 91 - 12     | 3H6         | COVER, RADAR (TSN XXXXXX-XXXXXX).....  | 40 - 86     |
| 5E15        | COVER, DIFFERENTIAL CASE.....   | 54 - 2      | 3G9         | COVER, ROCKSHAFT CONTROL (ARMREST).....  | 40 - 66     |
| 5F12        | COVER, DIFFERENTIAL CASE.....   | 54 - 24     | 3F9         | COVER, STARTING CIRCUIT RELAY.....   | 40 - 40     |
| 5E17        | COVER, DIFFERENTIAL CASE (MFWD).....  | 54 - 4      | 3I19        | COVER, STARTING MOTOR SOLENOID SWITCH.....                                       | 41 - 8      |
| 5D15        | COVER, DIFFERENTIAL HOUSING.....  | 53 - 12     | 3I16        | COVER, STARTING MOTOR (8400).....  | 41 - 5      |
| 7E12        | COVER, DRAFT LINK SUPPORT.....  | 70 - 32     | 4D8         | COVER, WORK LAMP (UPPER MID-BODY) (NORTH<br>AMERICAN VERSION (TSN -XXXXXX).....  | 42 - 4      |
| 8F18        | COVER, FRONT FRAME (8100, 8200, 8300).....                                    | 80 - 39     | 4D9         | COVER, WORK LAMP (UPPER MID-BODY) (NORTH<br>AMERICAN VERSION (TSN XXXXXX- )..... | 42 - 5      |
| 1H20        | COVER, INJECTION PUMP ACCESS<br>(8400 TRACTOR).....                           | 20 - 98     | 9D17        | COWL ASSEMBLY.....   | 91 - 12     |
| 1E17        | COVER, INJECTION PUMP ACCESS (6076)<br>(EARLY TSN-8100,8200,8300).....        | 20 - 23     | 9D17        | COWL COVER.....  | 91 - 12     |
| 1G8         | COVER, INJECTION PUMP ACCESS (6081)<br>(LATE TSN-8100,8200,8300).....         | 20 - 60     | 1E12        | CRANKSHAFT (6076)<br>(EARLY TSN 8100,8200,8300).....                             | 20 - 18     |
| 4F13        | COVER, MANIFOLD.....  | 51 - 16     | 1G1         | CRANKSHAFT (6081)<br>(LATE TSN-81,82,8300).....                                  | 20 - 55     |
| 4H15        | COVER, MANIFOLD.....  | 51 - 68     | 1H15        | CRANKSHAFT (8400).....   | 20 - 93     |
| 4G11        | COVER, MFWD CLUTCH.....   | 51 - 40     | 1E11        | CRANKSHAFT DAMPER (6076).....  | 20 - 17     |
| 4I15        | COVER, MFWD CLUTCH.....   | 51 - 92     | 1H14        | CRANKSHAFT DAMPER (6081).....  | 20 - 92     |
| 1G14        | COVER, OIL COOLER (8100, 8200, 8300)<br>(LATE TSN).....                       | 20 - 66     | 1F25        | CRANKSHAFT DAMPER (6081)<br>(LATE TSN-81,82,8300).....                           | 20 - 54     |
| 1I4         | COVER, OIL COOLER (8400).....   | 20 - 107    | 1H20        | CRANKSHAFT FRONT OIL SEAL<br>(8400 TRACTOR).....                                 | 20 - 98     |
| 7H15        | COVER, PICK-UP HITCH CONTROL LEVER<br>(EUROPEAN VERSION).....                 | 70 - 108    | 1E17        | CRANKSHAFT FRONT OIL SEAL (6076)<br>(EARLY TSN-8100,8200,8300).....              | 20 - 23     |
| 9F12        | COVER, REAR WIPER HOLE.....   | 91 - 54     | 1G8         | CRANKSHAFT FRONT OIL SEAL (6081)<br>(LATE TSN-8100,8200,8300).....               | 20 - 60     |
| 1G24        | COVER, ROCKER ARM<br>(ESN -018791)(8400).....                                 | 20 - 78     | 1G3         | CRANKSHAFT KIT, UNDERSIZE (6081)<br>(CONNECTING ROD JOURNAL) (81, 82, 83).....   | 20 - 55B    |
| 1G25        | COVER, ROCKER ARM<br>(ESN 018792- ) (8400).....                               | 20 - 78A    | 1E11        | CRANKSHAFT PULLEY (6076).....  | 20 - 17     |
| 1D19        | COVER, ROCKER ARM (6076)<br>(EARLY TSN-8100,8200,8300).....                   | 20 - 6      | 1H14        | CRANKSHAFT PULLEY (6081).....  | 20 - 92     |
| 1F12        | COVER, ROCKER ARM (6081)<br>(LATE TSN-8100,8200,8300).....                    | 20 - 42     | 1F25        | CRANKSHAFT PULLEY (6081)<br>(LATE TSN-81,82,8300).....                           | 20 - 54     |
| 1F13        | COVER, ROCKER ARM (6081)<br>(LATE TSN-8100,8200,8300).....                    | 20 - 42A    | 5F1         | CROSS SPIDER ASSEMBLY.....   | 54 - 14     |
| 6F21        | COVER, SECONDARY BRAKE LEVER (EUROPEAN<br>VERSION).....                       | 60 - 64     | 5F3         | CROSS SPIDER ASSEMBLY.....   | 54 - 16     |
| 7H19        | COVER, SELECTIVE CONTROL VALVE END.....                                       | 70 - 113    | 5F24        | CROSS SPIDER ASSEMBLY.....   | 54 - 36     |
| 9D17        | COVER, STEERING COLUMN.....   | 91 - 12     | 9G3         | CUSHIONS, SEAT.....  | 92 - 14     |
| 1E17        | COVER, TIMING GEAR (6076)<br>(EARLY TSN-8100,8200,8300).....                  | 20 - 23     | 1D23        | CYLINDER BLOCK FITTINGS (6076)<br>(EARLY TSN -009999).....                       | 20 - 10     |
|             |   |             | 1F17        | CYLINDER BLOCK FITTINGS (6081)<br>(LATE TSN-81,82,8300).....                     | 20 - 46     |
|             |   |             | 1H4         | CYLINDER BLOCK FITTINGS (8400).....  | 20 - 82     |

## ALPHABETICAL INDEX - CONTINUED

| GRID | PAGE  | GRID | PAGE  |
|------|---|------|---|
| 1D17 | CYLINDER HEAD (6076)<br>(EARLY TSN-8100,8200,8300) .....          | 8G21 | DECALS KIT (CANADA) .....   |
|      | 20 - 4  | 8G19 | DECALS KIT (SPANISH) .....  |
| 1F10 | CYLINDER HEAD (6081)<br>(LATE TSN-8100,8200,8300).....            | 8G9  | DECALS, MODEL DESIGNATION (8100,<br>8200)(010000- ).....                        |
|      | 20 - 40   |      | 80 - 56   |
| 1G22 | CYLINDER HEAD (8400).....   | 8G7  | DECALS, MODEL DESIGNATION (8100, 8200)<br>( -009999) .....                      |
|      | 20 - 76   |      | 80 - 54   |
| 1D17 | CYLINDER HEAD BOLTS (6076)<br>(EARLY TSN-8100,8200,8300) .....    | 8G10 | DECALS, MODEL DESIGNATION (8300,<br>8400)(010000- ).....                        |
|      | 20 - 4  |      | 80 - 57   |
| 1F10 | CYLINDER HEAD BOLTS (6081)<br>(LATE TSN-8100,8200,8300).....      | 8G8  | DECALS, MODEL DESIGNATION (8300, 8400)(<br>009999).....                         |
|      | 20 - 40   |      | 80 - 55   |
| 1G22 | CYLINDER HEAD BOLTS (8400).....                                   | 8G17 | DECALS, RH CONTROL .....  |
|      | 20 - 76   | 9D17 | DEFROST LOUVERS.....  |
| 1D17 | CYLINDER HEAD GASKET (6076)<br>(EARLY TSN-8100,8200,8300) .....   | 3G9  | DIAL ADJUSTMENT,ROCKSHAFT<br>CONTROL(ARMREST) .....                             |
|      | 20 - 4  |      | 40 - 66   |
| 1F10 | CYLINDER HEAD GASKET (6081)<br>(LATE TSN-8100,8200,8300).....     | 5D15 | DIFFERENTIAL.....   |
|      | 20 - 40   | 5D13 | DIFFERENTIAL CASE .....   |
| 1G22 | CYLINDER HEAD GASKET (8400).....                                  | 5E17 | DIFFERENTIAL CASE (MFWD).....   |
|      | 20 - 76   | 5E15 | DIFFERENTIAL CASE COVER .....   |
| 1F7  | CYLINDER HEAD GASKET KIT<br>(6076) .....                          | 5F12 | DIFFERENTIAL CASE COVER .....   |
|      | 20 - 38   | 5E15 | DIFFERENTIAL DRIVE SHAFT .....  |
| 1I8  | CYLINDER HEAD GASKET KIT (6081) .....                             | 5F12 | DIFFERENTIAL DRIVE SHAFT .....  |
|      | 20 - 110  | 5D15 | DIFFERENTIAL HOUSING COVER .....  |
| 1G20 | CYLINDER HEAD GASKET KIT (6081)<br>(LATE TSN-8100,8200,8300)..... | 5E19 | DIFFERENTIAL HOUSING SET (MFWD) .....   |
|      | 20 - 74   | 5E20 | DIFFERENTIAL QUILL .....  |
| 1E14 | CYLINDER LINERS (6076)<br>(EARLY TSN 8100,8200,8300) .....        | 5G3  | DIFFERENTIAL, MFWD, HIGH CAPACITY,<br>(ASN 000001-000747; 800001- ) .....       |
|      | 20 - 20   |      | 54 - 40   |
| 1G6  | CYLINDER LINERS (6081)<br>(LATE TSN-8100,8200,8300).....          | 5G1  | DIFFERENTIAL, MFWD, STANDARD,<br>(ASN 000001-000747; 800001- ) .....            |
|      | 20 - 58   |      | 54 - 38   |
| 1H17 | CYLINDER LINERS (6081HRW01)(8400).....                            | 5E17 | DIFFERENTIAL CASE COVER (MFWD).....   |
|      | 20 - 95   | 5D15 | DIFFERENTIAL HUB .....  |
| 7E24 | CYLINDER, LIFT (100 MM) (HIGH-LIFT)<br>(EARLY DESIGN).....        | 5D15 | DIFFERENTIAL QUILL .....  |
|      | 70 - 44   | 5D15 | DIFFERENTIAL SHAFT .....  |
| 7E25 | CYLINDER, LIFT (100 MM) (HIGH-LIFT)<br>(LATE DESIGN) .....        | 5E20 | DIFFERENTIAL SHAFT .....  |
|      | 70 - 45   | 3F6  | DIODE,LOAD CENTER .....   |
| 7E18 | CYLINDER, LIFT (8100, 8200) (EUROPEAN<br>VERSION).....            | 1E10 | DIPSTICK, ENGINE OIL (6076)<br>(EARLY TSN-8100,8200,8300) .....                 |
|      | 70 - 38   |      | 20 - 16   |
| 7E20 | CYLINDER, LIFT (8100,8200) (EARLY<br>DESIGN).....                 | 1H13 | DIPSTICK, ENGINE OIL (6081).....  |
|      | 70 - 40   |      | 20 - 91   |
| 7E15 | CYLINDER, LIFT (8100,8200) (NORTH<br>AMERICAN HIGH-LIFT).....     | 1F24 | DIPSTICK, ENGINE OIL (6081)<br>(LATE TSN-81,82,8300).....                       |
|      | 70 - 35   |      | 20 - 53   |
| 7E21 | CYLINDER, LIFT (8100,8200)(LATE DESIGN) .....                     | 4D14 | DIRECTION INDICATOR<br>BRACKET(CAB)(EV) .....                                   |
|      | 70 - 41   |      | 42 - 10   |
| 7E19 | CYLINDER, LIFT (8300,8400) (EUROPEAN<br>VERSION).....             | 4D14 | DIRECTION INDICATOR LAMP(CAB)(EV) .....   |
|      | 70 - 39   | 6F4  | DISK, BRAKE .....   |
| 7E17 | CYLINDER, LIFT (8300,8400) (NORTH<br>AMERICAN HIGH-LIFT).....     | 5G3  | DISK, DIFFERENTIAL, MFWD, HIGH CAPACITY,<br>(ASN 000001-000747; 800001- ) ..... |
|      | 70 - 37   |      | 54 - 40   |
| 7E22 | CYLINDER, LIFT (90 MM) (EARLY DESIGN) .....                       | 5G1  | DISK, DIFFERENTIAL, MFWD, STANDARD,<br>(ASN 000001-000747; 800001- ) .....      |
|      | 70 - 42   |      | 54 - 38   |
| 7E23 | CYLINDER, LIFT (90 MM) (LATE DESIGN) .....                        | 3G20 | DOME LIGHT .....  |
|      | 70 - 43   | 3G20 | DOME LIGHT SWITCH .....   |
| 6D20 | CYLINDER, STEERING (ADJUSTABLE AXLE) .....                        | 3E13 | DOME LIGHT(EUROPEAN VERSION)(TSN<br>-009999) .....                              |
|      | 60 - 16   |      | 40 - 18   |
| 6D22 | CYLINDER, STEERING (ADJUSTABLE AXLE) .....                        | 3E15 | DOME LIGHT(EUROPEAN VERSION)(TSN<br>010000- ) .....                             |
|      | 60 - 17B  |      | 40 - 20   |
| 6D23 | CYLINDER, STEERING (MFWD) .....                                   | 3E9  | DOME LIGHT(NORTH AMERICAN VERSION)(TSN<br>-009999) .....                        |
|      | 60 - 18   |      | 40 - 14   |
| 6D25 | CYLINDER, STEERING (MFWD) (LATE DESIGN).....                      | 3E11 | DOME LIGHT(NORTH AMERICAN VERSION)(TSN<br>010000- ) .....                       |
|      | 60 - 21   |      | 40 - 16   |
| 6E1  | CYLINDER, STEERING (MFWD) (LATE DESIGN).....                      | 3E17 | DOME LIGHT(UKRAINIAN VERSION) .....   |
|      | 60 - 21A  | 3G21 | DOME SWITCH,DOOR .....  |
| 6E2  | CYLINDER, STEERING (MFWD) (LATE DESIGN).....                      | 9F6  | DOOR HANDLE .....   |
|      | 60 - 21B  | 9F6  | DOOR HANDRAIL .....   |
| 7H13 | CYLINDERS, PICK-UP HITCH (EUROPEAN<br>VERSION).....               | 9F6  | DOOR LATCH .....  |
|      | 70 - 106  | 3E13 | DOOR LIGHT SWITCH(EUROPEAN VERSION)(TSN<br>-009999) .....                       |
|      |   |      | 40 - 18   |
|      | <b>D</b>  | 3E15 | DOOR LIGHT SWITCH(EUROPEAN VERSION)(TSN<br>010000- ) .....                      |
| 1G1  | DAMPER KEY (6081)<br>(LATE TSN-81,82,8300).....                   |      | 40 - 20   |
|      | 20 - 55   |      |   |
| 1H15 | DAMPER KEY (8400).....  |      |   |
|      | 20 - 93   |      |   |
| 1E11 | DAMPER, CRANKSHAFT (6076) .....                                   |      |   |
|      | 20 - 17   |      |   |
| 1H14 | DAMPER, CRANKSHAFT (6081) .....                                   |      |   |
|      | 20 - 92   |      |   |
| 1F25 | DAMPER, CRANKSHAFT (6081)<br>(LATE TSN-81,82,8300).....           |      |   |
|      | 20 - 54   |      |   |
| 8G15 | DECAL, A/C FILTER SERVICE .....                                   |      |   |
|      | 80 - 62   |      |   |
| 8G13 | DECAL, FIRST SCV.....   |      |   |
|      | 80 - 60   |      |   |
| 8G15 | DECAL, SCV COUPLER .....  |      |   |
|      | 80 - 62   |      |   |
| 8G13 | DECAL, SECOND SCV .....   |      |   |
|      | 80 - 60   |      |   |
| 8G7  | DECALS (8100, 8200)( -009999) .....                               |      |   |
|      | 80 - 54   |      |   |
| 8G8  | DECALS (8300, 8400)( -009999) .....                               |      |   |
|      | 80 - 55   |      |   |

## ALPHABETICAL INDEX - CONTINUED

| GRID |  | PAGE     | GRID |   | PAGE     |
|------|--|----------|------|---|----------|
| 3E9  | DOOR LIGHT SWITCH(NORTH AMERICAN VERSION)(TSN -009999) .....       | 40 - 14  | 8H17 | DUCT,AIR CIRCULATION .....  | 90 - 14  |
| 3E11 | DOOR LIGHT SWITCH(NORTH AMERICAN VERSION)(TSN 010000- ) .....      | 40 - 16  | 8H16 | DUCT,PRESSURIZER BLOWER MOTOR .....                                     | 90 - 13  |
| 3E17 | DOOR LIGHT SWITCH(UKRAINIAN VERSION).....                          | 40 - 22  | E    |   |          |
| 9F6  | DOOR, LEFT-HAND (NORTH AMERICAN VERSION).....                      | 91 - 50  | 2E24 | E.C.U. (6076) .....   | 30 - 38  |
| 9F8  | DOOR, LEFT-HAND, LATE DESIGN.....                                  | 91 - 52  | 2F9  | E.C.U. (6081)<br>(LATE TSN-8100,8200,8300).....                         | 30 - 48  |
| 9F10 | DOOR, LEFT-HAND, LATE DESIGN.....                                  | 91 - 53A | 2F11 | E.C.U. (6081)<br>(LATE TSN-8100,8200,8300).....                         | 30 - 49A |
| 9F2  | DOOR, RIGHT-HAND OPENING (EUROPEAN VERSION).....                   | 91 - 47  | 2F21 | E.C.U. (8400) .....   | 30 - 58  |
| 7F13 | DRAFT LINK (EUROPEAN VERSION) .....                                | 70 - 58  | 3F2  | ELECTRICAL ADAPTER(TSN -009999) .....                                   | 40 - 32  |
| 7F9  | DRAFT LINK (NORTH AMERICAN VERSION).....                           | 70 - 54  | 3F3  | ELECTRICAL ADAPTER(TSN 010000- ) .....                                  | 40 - 33  |
| 7F12 | DRAFT LINK BUMPER .....  | 70 - 57  | 4E13 | ELECTRICAL CONNECTOR .....  | 43 - 8   |
| 7E12 | DRAFT LINK POTENTIOMETER.....                                      | 70 - 32  | 4E6  | ELECTRICAL CONNECTORS AND TERMINALS KIT .....                           | 43 - 1   |
| 7F16 | DRAFT LINK RELEASE CABLE (EUROPEAN VERSION).....                   | 70 - 61  | 3H23 | ELECTRICAL JUNCTION BLOCK.....  | 40 - 104 |
| 7E12 | DRAFT LINK SUPPORT .....   | 70 - 32  | 3E21 | ELECTRICAL JUNCTION BLOCK(CAB POWER) .....                              | 40 - 26  |
| 7I17 | DRAIN LINE, SELECTIVE CONTROL VALVE .....                          | 70 - 136 | 3E13 | ELECTRICAL JUNCTION BLOCK(EUROPEAN VERSION)(TSN -009999) .....          | 40 - 18  |
| 7G21 | DRAWBAR CLEVIS (EUROPEAN VERSION) .....                            | 70 - 92  | 3E15 | ELECTRICAL JUNCTION BLOCK(EUROPEAN VERSION)(TSN 010000- ).....          | 40 - 20  |
| 7G7  | DRAWBAR CLEVIS (NORTH AMERICAN VERSION) (LATE DESIGN) .....        | 70 - 76  | 3E9  | ELECTRICAL JUNCTION BLOCK(NORTH AMERICAN VERSION)(TSN -009999) .....    | 40 - 14  |
| 7G15 | DRAWBAR CLEVIS (NORTH AMERICAN VERSION) (LATE DESIGN) .....        | 70 - 84  | 3E11 | ELECTRICAL JUNCTION BLOCK(NORTH AMERICAN VERSION)(TSN 010000- ).....    | 40 - 16  |
| 7G13 | DRAWBAR CLEVIS (NORTH AMERICAN VERSION) (8400) (EARLY DESIGN)..... | 70 - 82  | 3E1  | ELECTRICAL JUNCTION BLOCK(TSN -009999).....                             | 40 - 8   |
| 7G5  | DRAWBAR CLEVIS (8100, 8200, 8300) (EARLY DESIGN).....              | 70 - 74  | 3E3  | ELECTRICAL JUNCTION BLOCK(TSN -009999).....                             | 40 - 9A  |
| 7G3  | DRAWBAR FRONT SUPPORT (8100,8200,8300) .....                       | 70 - 72  | 3F16 | ELECTRICAL JUNCTION BLOCK(TSN -009999).....                             | 40 - 48  |
| 7G9  | DRAWBAR FRONT SUPPORT (8400) .....                                 | 70 - 78  | 3E7  | ELECTRICAL JUNCTION BLOCK(TSN 010000- ) .....                           | 40 - 12  |
| 7G19 | DRAWBAR KIT, REVERSIBLE (EUROPEAN VERSION).....                    | 70 - 90  | 3F18 | ELECTRICAL JUNCTION BLOCK(TSN 010000- ) .....                           | 40 - 50  |
| 7G3  | DRAWBAR RETAINER (8100,8200,8300).....                             | 70 - 72  | 3E17 | ELECTRICAL JUNCTION BLOCK(UKRAINIAN VERSION).....                       | 40 - 22  |
| 7G9  | DRAWBAR RETAINER (8400).....                                       | 70 - 78  | 3F10 | ELECTRICAL JUNCTION BLOCK,CAB.....                                      | 40 - 41  |
| 7G5  | DRAWBAR STRAP (8100,8200,8300) (EARLY DESIGN).....                 | 70 - 74  | 3F2  | ELECTRICAL JUNCTION BLOCK,FIELD OFFICE(TSN -009999).....                | 40 - 32  |
| 7H17 | DRAWBAR, PICK-UP HITCH (EUROPEAN VERSION).....                     | 70 - 110 | 3F3  | ELECTRICAL JUNCTION BLOCK,FIELD OFFICE(TSN 010000- ) .....              | 40 - 33  |
| 7G17 | DRAWBAR, REGULAR (EUROPEAN VERSION).....                           | 70 - 88  | 3F15 | ELECTRICAL PLUG,CONVENIENCE OUTLET SOCKET .....                         | 40 - 46  |
| 7G3  | DRAWBAR, REGULAR (8100,8200,8300).....                             | 70 - 72  | 3F12 | ELECTRICAL PLUG,7-TERMINAL OUTLET(NORTH AMERICAN VERSION) .....         | 40 - 43  |
| 7G9  | DRAWBAR, REGULAR (8400) .....                                      | 70 - 78  | 4E13 | ELECTRICAL TERMINAL.....  | 43 - 8   |
| 9G1  | DRAWER .....   | 92 - 12  | 3F12 | ELECTRICAL 7- TERMINAL OUTLET(NORTH AMERICAN VERSION) .....             | 40 - 43  |
| 9G1  | DRAWER W/LATCH.....  | 92 - 12  | 3F13 | ELECTRICAL 7-TERMINAL OUTLET SOCKET(EUROPEAN VERSION).....              | 40 - 44  |
| 1E12 | DRIVE GEAR, OIL PUMP (6076) (EARLY TSN 8100,8200,8300) .....       | 20 - 18  | 2E24 | ELECTRONIC CONTROL UNIT (6076).....                                     | 30 - 38  |
| 1G1  | DRIVE GEAR, OIL PUMP (6081) (LATE TSN-81,82,8300).....             | 20 - 55  | 2F9  | ELECTRONIC CONTROL UNIT (6081)<br>(LATE TSN-8100,8200,8300).....        | 30 - 48  |
| 1H15 | DRIVE GEAR, OIL PUMP (8400) .....                                  | 20 - 93  | 2F11 | ELECTRONIC CONTROL UNIT (6081)<br>(LATE TSN-8100,8200,8300).....        | 30 - 49A |
| 4G15 | DRIVE SHAFT ASSEMBLY .....   | 51 - 44  | 2F21 | ELECTRONIC CONTROL UNIT (8400).....                                     | 30 - 58  |
| 1119 | DRIVE, FAN .....   | 20 - 122 | 2E24 | ELECTRONIC FUEL INJECTION PUMP (6076) .....                             | 30 - 38  |
| 1123 | DRIVE, FAN .....   | 20 - 126 | 2F21 | ELECTRONIC FUEL INJECTION PUMP (8400) .....                             | 30 - 58  |
| 1121 | DRIVE, FAN (8100,8200 010000-) .....                               | 20 - 124 | 2F9  | ELECTRONIC FUEL INJECTION PUMP (6081)<br>(LATE TSN-8100,8200,8300)..... | 30 - 48  |
| 5F9  | DRIVE, FINAL.....  | 54 - 20  | 2F11 | ELECTRONIC FUEL INJECTION PUMP (6081)<br>(LATE TSN-8100,8200,8300)..... | 30 - 49A |
| 5F22 | DRIVE, FINAL.....  | 54 - 34  | 8G12 | EMBLEM, LEAPING DEERE .....   | 80 - 59  |
| 5G5  | DRIVE, FINAL.....  | 54 - 42  | 8G5  | EMBLEM, SLOW MOVING VEHICLE .....                                       | 80 - 52  |
| 7D10 | DRIVE, HYDRAULIC PUMP.....   | 70 - 2   | 7H19 | END COVER, SELECTIVE CONTROL VALVE.....                                 | 70 - 113 |
| 5E15 | DRIVE, SPUR GEAR .....   | 54 - 2   | 3G13 | ENGINE CONTROL UNIT(ECU) .....  | 40 - 70  |
| 5F12 | DRIVE, SPUR GEAR .....   | 54 - 24  | 3G15 | ENGINE CONTROL UNIT(ECU) .....  | 40 - 72  |
| 1J1  | DRIVE,FAN (8100,8200 010000-) .....                                | 20 - 128 | 3E5  | ENGINE CONTROL UNIT(ECU)(TSN 010000- ) .....                            | 40 - 10  |
| 5F11 | DRIVELINE SHIELD .....   | 54 - 22  |      |   |          |
| 5D5  | DRUM, CLUTCH.....  | 53 - 2   |      |   |          |
| 5D7  | DRUM, CLUTCH.....  | 53 - 4   |      |   |          |
| 4G5  | DRUM, OUTPUT SHAFT .....   | 51 - 34  |      |   |          |
| 4G7  | DRUM, OUTPUT SHAFT .....   | 51 - 36  |      |   |          |
| 4I9  | DRUM, OUTPUT SHAFT .....   | 51 - 86  |      |   |          |
| 4I11 | DRUM, OUTPUT SHAFT .....   | 51 - 88  |      |   |          |
| 8F1  | DUAL HUB EXTENSION (10-BOLT HUB ONLY).....                         | 80 - 21  |      |   |          |

## ALPHABETICAL INDEX - CONTINUED

| GRID |   | PAGE     | GRID |   | PAGE    |
|------|---|----------|------|---|---------|
| 3G13 | ENGINE CONTROLLER(ECU).....                 | 40 - 70  | 2E10 | ETHER STARTING FITTINGS (6076).....           | 30 - 28 |
| 3G15 | ENGINE CONTROLLER(ECU).....                 | 40 - 72  | 8H19 | EVAPORATOR/HEATER CORE .....                  | 90 - 16 |
| 1F1  | ENGINE COOLANT HEATER (220V) .....          | 20 - 32  | 2D20 | EXHAUST MANIFOLD (6076)                       |         |
| 1E24 | ENGINE COOLANT HEATER (6076) .....          | 20 - 30  |      | (EARLY TSN - 8100,8200,8300).....             | 30 - 12 |
| 1D14 | ENGINE OIL (TORQ-GARD) .....                | 20 - 1   | 2D20 | EXHAUST MANIFOLD GASKETS (6076)               |         |
| 1E22 | ENGINE OIL COOLER (6076).....               | 20 - 28  |      | (EARLY TSN - 8100,8200,8300).....             | 30 - 12 |
| 1G14 | ENGINE OIL COOLER (8100, 8200, 8300)        |          | 2D24 | EXHAUST MANIFOLD GASKETS (6081)               |         |
|      | (LATE TSN) .....                            | 20 - 66  |      | (LATE TSN-8100,8200,8300).....                | 30 - 16 |
| 1I4  | ENGINE OIL COOLER (8400).....               | 20 - 107 | 2E4  | EXHAUST MANIFOLD GASKETS (8400) .....         | 30 - 21 |
| 1E10 | ENGINE OIL DIPSTICK (6076)                  |          | 2D24 | EXHAUST MANIFOLDS (6081)                      |         |
|      | (EARLY TSN-8100,8200,8300) .....            | 20 - 16  |      | (LATE TSN-8100,8200,8300).....                | 30 - 16 |
| 1H13 | ENGINE OIL DIPSTICK (6081) .....            | 20 - 91  | 2E4  | EXHAUST MANIFOLDS (8400) .....                | 30 - 21 |
| 1F24 | ENGINE OIL DIPSTICK (6081)                  |          | 2E6  | EXHAUST PIPE .....                            | 30 - 24 |
|      | (LATE TSN-81,82,8300).....                  | 20 - 53  | 8F11 | EXHAUST PIPE SHIELD .....                     | 80 - 32 |
| 1E10 | ENGINE OIL DIPSTICK TUBE (6076)             |          | 2E5  | EXHAUST SHIELDS.....                          | 30 - 23 |
|      | (EARLY TSN-8100,8200,8300) .....            | 20 - 16  | 1D17 | EXHAUST VALVE SHIELD (6076)                   |         |
| 1H13 | ENGINE OIL DIPSTICK TUBE (6081).....        | 20 - 91  |      | (EARLY TSN-8100,8200,8300) .....              | 20 - 4  |
| 1F24 | ENGINE OIL DIPSTICK TUBE (6081)             |          | 1F10 | EXHAUST VALVE SHIELD (6081)                   |         |
|      | (LATE TSN-81,82,8300).....                  | 20 - 53  |      | (LATE TSN-8100,8200,8300).....                | 20 - 40 |
| 1E22 | ENGINE OIL FILTER (6076) .....              | 20 - 28  | 1G22 | EXHAUST VALVE SHIELD (8400) .....             | 20 - 76 |
| 1G15 | ENGINE OIL FILTER (6081)                    |          | 1D17 | EXHAUST VALVES (6076)                         |         |
|      | (LATE TSN-8100,8200,8300).....              | 20 - 68  |      | (EARLY TSN-8100,8200,8300) .....              | 20 - 4  |
| 1I1  | ENGINE OIL FILTER (8400) .....              | 20 - 104 | 1F10 | EXHAUST VALVES (6081)                         |         |
| 1E20 | ENGINE OIL PUMP (6076) .....                | 20 - 26  |      | (LATE TSN-8100,8200,8300).....                | 20 - 40 |
| 1G10 | ENGINE OIL PUMP (6081)                      |          | 1G22 | EXHAUST VALVES (8400) .....                   | 20 - 76 |
|      | (LATE TSN-81,82,8300).....                  | 20 - 62  | 8H19 | EXPANSION VALVE,HEATER AND A/C .....          | 90 - 16 |
| 1H23 | ENGINE OIL PUMP (8400) .....                | 20 - 102 | 8F5  | EXTENSION, ADJUSTABLE FRONT AXLE (8100,       |         |
| 1E19 | ENGINE OIL PUMP INTAKE (6076)               |          |      | 8200, 8300) .....                             | 80 - 26 |
|      | (EARLY TSN-8100,8200,8300) .....            | 20 - 25  | 8F1  | EXTENSION, DUAL HUB (10-BOLT HUB ONLY) .....  | 80 - 21 |
| 1G12 | ENGINE OIL PUMP INTAKE (6081)               |          | 8F13 | EXTENSION, HOOD.....                          | 80 - 34 |
|      | (LATE TSN-8100,8200,8300).....              | 20 - 64  | 9E9  | EXTENSION, REAR FENDER (EUROPEAN              |         |
| 1H22 | ENGINE OIL PUMP INTAKE (8400) .....         | 20 - 101 |      | VERSION).....                                 | 91 - 28 |
| 1F21 | ENGINE OVERHAUL KIT (6081)                  |          | 7F11 | EXTENSION, SWAY BLOCK.....                    | 70 - 56 |
|      | (LATE TSN-81,82,8300).....                  | 20 - 50  | 4E1  | EXTREMITY WARNING LAMP ARM KIT(027100- )..... | 42 - 22 |
| 1H10 | ENGINE OVERHAUL KIT (8400).....             | 20 - 88  | 4E1  | EXTREMITY WARNING LAMP ARM(027100- ) .....    | 42 - 22 |
| 1F7  | ENGINE REBUILD GASKET KIT                   |          | 4D24 | EXTREMITY WARNING LAMP BRACKET( -027099)..... | 42 - 20 |
|      | (6076) .....                                | 20 - 38  | 4E1  | EXTREMITY WARNING LAMP BRACKET(027100- )..... | 42 - 22 |
| 1I8  | ENGINE REBUILD GASKET KIT (6081).....       | 20 - 110 | 4E1  | EXTREMITY WARNING LAMP BULB(027100- ) .....   | 42 - 22 |
| 1G20 | ENGINE REBUILD GASKET KIT (6081)            |          | 4D24 | EXTREMITY WARNING LAMP KIT( -027099) .....    | 42 - 20 |
|      | (LATE TSN-8100,8200,8300).....              | 20 - 74  | 4E1  | EXTREMITY WARNING LAMP REFLECTOR LABEL(0      |         |
| 8F11 | ENGINE SIDE PANEL .....                     | 80 - 32  |      | 27100- ) .....                                | 42 - 22 |
| 8F19 | ENGINE SIDE SHIELDS .....                   | 80 - 40  | 4E1  | EXTREMITY WARNING LAMP SHIELD(027100- ) ..... | 42 - 22 |
| 3F22 | ENGINE SPEED CONTROL                        |          | 4E1  | EXTREMITY WARNING LAMP WIRING HARNESS(02      |         |
|      | POTENTIOMETER(ARMREST).....                 | 40 - 54  |      | 7100- ) .....                                 | 42 - 22 |
| 3F22 | ENGINE SPEED CONTROL BRACKET(ARMREST) ..... | 40 - 54  | 4E1  | EXTREMITY WARNING LAMP(027100- ).....         | 42 - 22 |
| 3F22 | ENGINE SPEED CONTROL GEAR(ARMREST).....     | 40 - 54  |      |   |         |
| 3F22 | ENGINE SPEED CONTROL KNOB(ARMREST).....     | 40 - 54  |      |   |         |
| 3F22 | ENGINE SPEED CONTROL LEVER(ARMREST).....    | 40 - 54  |      |   |         |
| 1E18 | ENGINE SPEED SENSOR (6076)                  |          |      |   |         |
|      | (EARLY TSN-8100,8200,8300) .....            | 20 - 24  |      |   |         |
| 1H21 | ENGINE SPEED SENSOR (6081).....             | 20 - 99  |      |   |         |
| 1G9  | ENGINE SPEED SENSOR (6081)                  |          |      |   |         |
|      | (LATE TSN-81,82,8300).....                  | 20 - 61  |      |   |         |
| 3E1  | ENGINE SPEED SENSOR(TSN -009999) .....      | 40 - 8   |      |   |         |
| 3E3  | ENGINE SPEED SENSOR(TSN -009999) .....      | 40 - 9A  |      |   |         |
| 3E7  | ENGINE SPEED SENSOR(TSN 010000- ).....      | 40 - 12  |      |   |         |
| 1E7  | ENGINE UNDERHAUL KIT (6076) .....           | 20 - 13E |      |   |         |
| 3F20 | ENGINE WATER TEMPERATURE GAUGE .....        | 40 - 52  |      |   |         |
| 2E8  | ETHER .....                                 | 30 - 26  |      |   |         |
| 2E13 | ETHER AID BRACKET (6076).....               | 30 - 29B |      |   |         |
| 2E12 | ETHER AID BRACKET (6081)                    |          |      |   |         |
|      | (LATE TSN-8100,8200,8300).....              | 30 - 29A |      |   |         |
| 2E11 | ETHER AID BRACKET (8400 TRACTOR) .....      | 30 - 29  |      |   |         |
| 3F21 | ETHER AID SWITCH.....                       | 40 - 53  |      |   |         |
| 2D21 | ETHER NOZZLE (6081)                         |          |      |   |         |
|      | (LATE TSN-8100,8200,8300).....              | 30 - 13  |      |   |         |
| 2D25 | ETHER NOZZLE (8400).....                    | 30 - 17  |      |   |         |

## F

|      |  |          |
|------|--|----------|
| 1I19 | FAN .....                              | 20 - 122 |
| 1I23 | FAN .....                              | 20 - 126 |
| 1I19 | FAN DRIVE.....                         | 20 - 122 |
| 1I23 | FAN DRIVE.....                         | 20 - 126 |
| 1I21 | FAN DRIVE (8100,8200 010000-) .....    | 20 - 124 |
| 1J1  | FAN DRIVE (8100,8200 010000-) .....    | 20 - 128 |
| 8F25 | FENDER SUPPORT.....                    | 80 - 46  |
| 8F25 | FENDER SUPPORT BRACKET.....            | 80 - 46  |
| 8F25 | FENDER SUPPORT KIT .....               | 80 - 46  |
| 9D19 | FENDER UPHOLSTERY, L.H. (CAB) .....    | 91 - 14  |
| 8F23 | FENDER, FRONT (MFWD) .....             | 80 - 44  |
| 8F23 | FENDER, FRONT (600/65 R28 TIRES) ..... | 80 - 44  |
| 9E9  | FENDER, REAR (EUROPEAN VERSION) .....  | 91 - 28  |
| 3E13 | FIELD CRUISE CONTROL(EUROPEAN          |          |
|      | VERSION)(TSN -009999) .....            | 40 - 18  |
| 3E15 | FIELD CRUISE CONTROL(EUROPEAN          |          |
|      | VERSION)(TSN 010000- ).....            | 40 - 20  |

## ALPHABETICAL INDEX - CONTINUED

| GRID | PAGE   | GRID     | PAGE |   |          |
|------|--|----------|------|---|----------|
| 3E9  | FIELD CRUISE CONTROL(NORTH AMERICAN VERSION)(-009999) .....                | 40 - 14  | 3E17 | FLOOD LIGHTS,REAR FENDER(UKRAINIAN VERSION).....                  | 40 - 22  |
| 3E11 | FIELD CRUISE CONTROL(NORTH AMERICAN VERSION)(TSN 010000- ) .....           | 40 - 16  | 3E19 | FLOOD LIGHTS,REAR ROOF .....                                      | 40 - 24  |
| 3E17 | FIELD CRUISE CONTROL(UKRAINIAN VERSION).....                               | 40 - 22  | 9D11 | FLOOR (CAB).....  | 91 - 6   |
| 9D21 | FIELD OFFICE .....   | 91 - 16  | 9D13 | FLOOR MAT .....   | 91 - 8   |
| 3F2  | FIELD OFFICE JUNCTION BLOCK,ELECTRICAL(TSN -009999) .....                  | 40 - 32  | 1E13 | FLYWHEEL (6076) (EARLY TSN 8100,8200,8300) .....                  | 20 - 19  |
| 3F3  | FIELD OFFICE JUNCTION BLOCK,ELECTRICAL,(TSN 010000- ) .....                | 40 - 33  | 1G4  | FLYWHEEL (6081) (LATE TSN-8100,8200,8300).....                    | 20 - 56  |
| 3F2  | FIELD OFFICE WIRING HARNESS(TSN -009999) .....                             | 40 - 32  | 1H16 | FLYWHEEL (8400) .....   | 20 - 94  |
| 3F3  | FIELD OFFICE WIRING HARNESS(TSN 010000- ).....                             | 40 - 33  | 1J4  | FLYWHEEL COVER.....   | 20 - 131 |
| 3117 | FIELD WINDING COIL,STARTING MOTOR (8100,8200,8300,8400).....               | 41 - 6   | 1D21 | FOLLOWER, CAMSHAFT (6076) (EARLY TSN 8100,8200,8300) .....        | 20 - 8   |
| 715  | FIFTH REMOTE CYLINDER CONTROL KIT .....                                    | 70 - 124 | 1D22 | FOLLOWER, CAMSHAFT (6076) (EARLY TSN-8100,8200,8300) .....        | 20 - 9   |
| 1E22 | FILTER, ENGINE OIL (6076).....   | 20 - 28  | 1F15 | FOLLOWER, CAMSHAFT (6081) (LATE TSN-8100,8200,8300).....          | 20 - 44  |
| 1G15 | FILTER, ENGINE OIL (6081) (LATE TSN-8100,8200,8300).....                   | 20 - 68  | 1F16 | FOLLOWER, CAMSHAFT (6081) (LATE TSN-8100,8200,8300).....          | 20 - 45  |
| 111  | FILTER, ENGINE OIL (8400).....   | 20 - 104 | 1H2  | FOLLOWER, CAMSHAFT (8400) .....                                   | 20 - 80  |
| 2E18 | FILTER, FUEL (6076).....   | 30 - 32  | 1H3  | FOLLOWER, CAMSHAFT (8400) .....                                   | 20 - 81  |
| 2E20 | FILTER, FUEL (6076).....   | 30 - 34  | 3G17 | FOOT THROTTLE .....   | 40 - 73  |
| 2F5  | FILTER, FUEL (6081) (LATE TSN-8100,8200,8300).....                         | 30 - 44  | 3G17 | FOOT THROTTLE KIT .....   | 40 - 73  |
| 2G2  | FILTER, FUEL (6081) (8400) .....   | 30 - 66  | 3G17 | FOOT THROTTLE SENSOR .....  | 40 - 73  |
| 2G4  | FILTER, FUEL (6081) (8400).....  | 30 - 68  | 9D11 | FOOTREST .....  | 91 - 6   |
| 2E16 | FILTER, PRE-FUEL (6081) .....  | 30 - 31A | 715  | FOURTH REMOTE CYLINDER CONTROL KIT .....                          | 70 - 124 |
| 2F17 | FILTER, PRE-FUEL (8400) .....  | 30 - 54  | 8F15 | FRAME WEIGHTS (EUROPEAN VERSION) .....                            | 80 - 36  |
| 1F2  | FILTER, WEEP HOLE (WATER PUMP)(6076) (EARLY TSN-8100,8200,8300) .....      | 20 - 34  | 8F17 | FRAME WEIGHTS AND FRONT WEIGHT SUPPORT .....                      | 80 - 38  |
| 8H15 | FILTER,FRESH AIR .....   | 90 - 12  | 8F9  | FRAME, FRONT .....  | 80 - 30  |
| 5F9  | FINAL DRIVE .....  | 54 - 20  | 8F18 | FRAME, FRONT COVER (8100, 8200, 8300) .....                       | 80 - 39  |
| 5F22 | FINAL DRIVE .....  | 54 - 34  | 1F23 | FRAME, FRONT SUMP (6081) (OIL PAN) (LATE TSN-8100,8200,8300)..... | 20 - 52  |
| 5G5  | FINAL DRIVE .....  | 54 - 42  | 1H12 | FRAME, FRONT SUMP (8400) (OIL PAN).....                           | 20 - 90  |
| 5D23 | FINAL DRIVE KIT, HEAVY DUTY .....  | 53 - 20  | 7F5  | FRAME, HITCH.....   | 70 - 50  |
| 1D23 | FITTINGS, CYLINDER BLOCK (6076) (EARLT TSN -009999) .....                  | 20 - 10  | 8F7  | FRAME, MID ASSEMBLY .....   | 80 - 28  |
| 1F17 | FITTINGS, CYLINDER BLOCK (6081) (LATE TSN-81,82,8300).....                 | 20 - 46  | 8H15 | FRESH AIR FILTER .....  | 90 - 12  |
| 1H4  | FITTINGS, CYLINDER BLOCK (8400) .....                                      | 20 - 82  | 8H15 | FRESH AIR FILTER HOUSING .....                                    | 90 - 12  |
| 2E10 | FITTINGS, ETHER STARTING (6076) .....                                      | 30 - 28  | 8H15 | FRESH AIR FILTER HOUSING COVER.....                               | 90 - 12  |
| 7J9  | FITTINGS, IMPLEMENT HYDRAULIC OIL .....                                    | 70 - 152 | 9E22 | FRONT AND REAR WIPER ASSEMBLY KIT.....                            | 91 - 42  |
| 5D9  | FITTINGS, PTO .....  | 53 - 6   | 8E8  | FRONT AXLE CENTER .....   | 80 - 1   |
| 3F16 | FLASHER(EUROPEAN VERSION)(TSN -009999) .....                               | 40 - 48  | 8E11 | FRONT AXLE FRONT PIVOT FRONT SUPPORT (MFWD) .....                 | 80 - 4   |
| 3F18 | FLASHER(EUROPEAN VERSION)(TSN 010000- ) .....                              | 40 - 50  | 8E13 | FRONT AXLE KNEE SPINDLE KNUCKLE .....                             | 80 - 6   |
| 3E17 | FLOOD LAMPS,CAB UPPER MID-BODY(UKRAINIAN VERSION) .....                    | 40 - 22  | 8E9  | FRONT AXLE REAR PIVOT SUPPORT .....                               | 80 - 2   |
| 3E9  | FLOOD LAMPS,CAB UPPER MID-BODY(NORTH AMERICAN VERSION)(TSN -009999) .....  | 40 - 14  | 8F23 | FRONT FENDER ASSEMBLY, MFWD .....                                 | 80 - 44  |
| 3E11 | FLOOD LAMPS,CAB UPPER MID-BODY(NORTH AMERICAN VERSION)(TSN 010000- ) ..... | 40 - 16  | 8G1  | FRONT FENDER SUPPORT .....  | 80 - 48  |
| 3E13 | FLOOD LAMPS,UPPER MID-BODY(EUROPEAN VERSION)(TSN -009999) .....            | 40 - 18  | 8F9  | FRONT FRAME .....   | 80 - 30  |
| 3E15 | FLOOD LAMPS,UPPER MID-BODY(EUROPEAN VERSION)(TSN 010000- ) .....           | 40 - 20  | 8F9  | FRONT FRAME AND FRONT SUPPORT.....                                | 80 - 30  |
| 3E19 | FLOOD LIGHTS,FRONT ROOF.....   | 40 - 24  | 8F18 | FRONT FRAME COVER (8100, 8200, 8300) .....                        | 80 - 39  |
| 3E13 | FLOOD LIGHTS,REAR FENDER(EUROPEAN VERSION)(TSN -009999) .....              | 40 - 18  | 1F23 | FRONT FRAME SUMP (6081) (OIL PAN) (LATE TSN-8100,8200,8300).....  | 20 - 52  |
| 3E15 | FLOOD LIGHTS,REAR FENDER(EUROPEAN VERSION)(TSN 010000- ) .....             | 40 - 20  | 1H12 | FRONT FRAME SUMP (8400) (OIL PAN).....                            | 20 - 90  |
| 3E9  | FLOOD LIGHTS,REAR FENDER(NORTH AMERICAN VERSION)(TSN -009999) .....        | 40 - 14  | 4D17 | FRONT HEADLIGHTS BRACKET(EV) .....                                | 42 - 13  |
| 3E11 | FLOOD LIGHTS,REAR FENDER(NORTH AMERICAN VERSION)(TSN 010000- ).....        | 40 - 16  | 4D16 | FRONT HEADLIGHTS BRACKET(UNITED KINGDOM) .....                    | 42 - 12  |
|      |  |          | 4D17 | FRONT HEADLIGHTS WIRING HARNESS(EV) .....                         | 42 - 13  |
|      |  |          | 1E17 | FRONT OIL SEAL (6076) (EARLY TSN-8100,8200,8300) .....            | 20 - 23  |
|      |  |          | 1G8  | FRONT OIL SEAL (6081) (LATE TSN-8100,8200,8300).....              | 20 - 60  |
|      |  |          | 1H20 | FRONT OIL SEAL (8400 TRACTOR) .....                               | 20 - 98  |
|      |  |          | 3E19 | FRONT ROOF FLOOD LIGHTS .....                                     | 40 - 24  |
|      |  |          | 8F9  | FRONT SUPPORT .....   | 80 - 30  |
|      |  |          | 7G9  | FRONT SUPPORT, DRAWBAR (8400).....                                | 70 - 78  |

## ALPHABETICAL INDEX - CONTINUED

| GRID |   | PAGE     | GRID     |  | PAGE     |
|------|---|----------|----------|--|----------|
| 1F6  | FRONT WATER MANIFOLD (6076) .....   | 20 - 37A | 2F23     | FUEL INJECTION PUMP HOUSING CONNECTORS<br>(8400) .....                 | 30 - 60  |
| 1F5  | FRONT WATER MANIFOLD (6076)<br>(EARLY TSN-8100,8200,8300) .....                 | 20 - 37  | 2E22     | FUEL LEAK-OFF LINES (6076).....  | 30 - 36  |
| 1G19 | FRONT WATER MANIFOLD (6081)<br>(LATE TSN-8100,8200,8300).....                   | 20 - 73  | 2E24     | FUEL LEAK-OFF LINES (6076).....  | 30 - 38  |
| 1I7  | FRONT WATER MANIFOLD (8400) .....   | 20 - 109 | 2F7      | FUEL LEAK-OFF LINES (6081 ENGINE)<br>(LATE TSN-8100,8200,8300).....    | 30 - 46  |
| 8F15 | FRONT WEIGHT (EUROPEAN VERSION).....  | 80 - 36  | 2F9      | FUEL LEAK-OFF LINES (6081)<br>(LATE TSN-8100,8200,8300).....           | 30 - 48  |
| 8F17 | FRONT WEIGHT SUPPORT AND FRAME WEIGHTS .....                                    | 80 - 38  | 2F11     | FUEL LEAK-OFF LINES (6081)<br>(LATE TSN-8100,8200,8300).....           | 30 - 49A |
| 8E17 | FRONT WHEEL .....   | 80 - 10  | 2F19     | FUEL LEAK-OFF LINES (6081)<br>(8400 ONLY) .....                        | 30 - 56  |
| 8E19 | FRONT WHEELS (MFWD).....  | 80 - 14  | 2F21     | FUEL LEAK-OFF LINES (8400).....  | 30 - 58  |
| 9E24 | FRONT WINDOW.....   | 91 - 44  | 2G6      | FUEL LINES .....   | 30 - 70  |
| 3E19 | FRONT WIPER MOTOR .....   | 40 - 24  | 3E1      | FUEL SENDER(TSN -009999).....  | 40 - 8   |
| 2E18 | FUEL CHECK VALVE (6076) .....   | 30 - 32  | 3E3      | FUEL SENDER(TSN -009999).....  | 40 - 9A  |
| 2E20 | FUEL CHECK VALVE (6076) .....   | 30 - 34  | 3E7      | FUEL SENDER(TSN 010000- ) .....  | 40 - 12  |
| 2F5  | FUEL CHECK VALVE (6081)<br>(LATE TSN-8100,8200,8300).....                       | 30 - 44  | 2E24     | FUEL SHUT-OFF SOLENOID (6076) .....                                    | 30 - 38  |
| 2G2  | FUEL CHECK VALVE (6081)<br>(8400) .....   | 30 - 66  | 2F9      | FUEL SHUT-OFF SOLENOID (6081)<br>(LATE TSN-8100,8200,8300).....        | 30 - 48  |
| 2G4  | FUEL CHECK VALVE (6081) (8400).....   | 30 - 68  | 2F11     | FUEL SHUT-OFF SOLENOID (6081)<br>(LATE TSN-8100,8200,8300).....        | 30 - 49A |
| 2E18 | FUEL FILTER (6076) .....  | 30 - 32  | 2F21     | FUEL SHUT-OFF SOLENOID (8400) .....                                    | 30 - 58  |
| 2E20 | FUEL FILTER (6076) .....  | 30 - 34  | 2G8      | FUEL TANK .....  | 30 - 72  |
| 2F5  | FUEL FILTER (6081)<br>(LATE TSN-8100,8200,8300).....                            | 30 - 44  | 3E1      | FUEL TEMPERTURE SENSOR(TSN -009999) .....                              | 40 - 8   |
| 2G2  | FUEL FILTER (6081)<br>(8400) .....  | 30 - 66  | 3E3      | FUEL TEMPERTURE SENSOR(TSN -009999) .....                              | 40 - 9A  |
| 2G4  | FUEL FILTER (6081) (8400) .....   | 30 - 68  | 3E7      | FUEL TEMPERTURE SENSOR(TSN 010000- ).....                              | 40 - 12  |
| 2F5  | FUEL FILTER BASE (6081)<br>(LATE TSN-8100,8200,8300).....                       | 30 - 44  | 2F2      | FUEL TRANSFER PUMP (ROBERT BOSCH)<br>(6076) .....                      | 30 - 41  |
| 2G2  | FUEL FILTER BASE (6081)<br>(8400) .....   | 30 - 66  | 2F14     | FUEL TRANSFER PUMP (ROBERT BOSCH)<br>(6081) (LATE TSN-81,82,8300)..... | 30 - 51  |
| 2G4  | FUEL FILTER BASE (6081) (8400).....   | 30 - 68  | 2F24     | FUEL TRANSFER PUMP (ROBERT BOSCH)<br>(8400 TRACTOR).....               | 30 - 61  |
| 2E18 | FUEL FILTER LINES (6076)<br>(EARLY DESIGN).....                                 | 30 - 32  | 4E14     | FUSE TERMINAL BOARD .....  | 43 - 9   |
| 2E20 | FUEL FILTER LINES (6076)<br>(LATE DESIGN) .....                                 | 30 - 34  | 3I5      | FUSE,BACK-UP ALARM .....   | 40 - 110 |
| 2G2  | FUEL FILTER LINES (6081)<br>(EARLY DESIGN) (8400).....                          | 30 - 66  | 3F6      | FUSE,LOAD CENTER .....   | 40 - 36  |
| 2F5  | FUEL FILTER LINES (6081)<br>(LATE TSN-8100,8200,8300).....                      | 30 - 44  | <b>G</b> |  |          |
| 2G4  | FUEL FILTER LINES (6081) (8400)<br>(LATE DESIGN ENGINE) .....                   | 30 - 68  | 1F7      | GASKET KIT, CYLINDER HEAD<br>(6076) .....                              | 20 - 38  |
| 3F20 | FUEL GAUGE.....   | 40 - 52  | 1I8      | GASKET KIT, CYLINDER HEAD (6081).....                                  | 20 - 110 |
| 2E22 | FUEL INJ LINES (6076).....  | 30 - 36  | 1G20     | GASKET KIT, CYLINDER HEAD (6081)<br>(LATE TSN-8100,8200,8300).....     | 20 - 74  |
| 2F7  | FUEL INJ LINES (6081 ENGINE)<br>(LATE TSN-8100,8200,8300).....                  | 30 - 46  | 1F7      | GASKET KIT, ENGINE REBUILD<br>(6076) .....                             | 20 - 38  |
| 2F19 | FUEL INJ LINES (6081)<br>(8400 ONLY) .....                                      | 30 - 56  | 1I8      | GASKET KIT, ENGINE REBUILD (6081) .....                                | 20 - 110 |
| 2F3  | FUEL INJECTION NOZZLE (NIPPONDENSO)<br>(EARLY TSN-8100,8200,8300) .....         | 30 - 42  | 1G20     | GASKET KIT, ENGINE REBUILD (6081)<br>(LATE TSN-8100,8200,8300).....    | 20 - 74  |
| 2F15 | FUEL INJECTION NOZZLE (6081)<br>(LATE TSN-8100, 8200, 8300) .....               | 30 - 52  | 1F7      | GASKET KIT, SHORT BLOCK<br>(6076) .....                                | 20 - 38  |
| 2F25 | FUEL INJECTION NOZZLE (8400) .....  | 30 - 62  | 1I8      | GASKET KIT, SHORT BLOCK (6081) .....                                   | 20 - 110 |
| 2E22 | FUEL INJECTION NOZZLES (6076) .....   | 30 - 36  | 1G20     | GASKET KIT, SHORT BLOCK (6081)<br>(LATE TSN-8100,8200,8300).....       | 20 - 74  |
| 2F7  | FUEL INJECTION NOZZLES (6081 ENGINE)<br>(LATE TSN-8100,8200,8300).....          | 30 - 46  | 1D17     | GASKET, CYLINDER HEAD (6076)<br>(EARLY TSN-8100,8200,8300) .....       | 20 - 4   |
| 2F19 | FUEL INJECTION NOZZLES (6081)<br>(ROBERT BOSCH) (8400 ONLY) .....               | 30 - 56  | 1F10     | GASKET, CYLINDER HEAD (6081)<br>(LATE TSN-8100,8200,8300).....         | 20 - 40  |
| 2E24 | FUEL INJECTION PUMP (6076) .....  | 30 - 38  | 1G22     | GASKET, CYLINDER HEAD (8400) .....                                     | 20 - 76  |
| 2F9  | FUEL INJECTION PUMP (6081)<br>(LATE TSN-8100,8200,8300).....                    | 30 - 48  | 1E22     | GASKET, OIL COOLER (6076) .....  | 20 - 28  |
| 2F11 | FUEL INJECTION PUMP (6081)<br>(LATE TSN-8100,8200,8300).....                    | 30 - 49A | 1I1      | GASKET, OIL FILTER HOUSING<br>(8400) .....                             | 20 - 104 |
| 2F21 | FUEL INJECTION PUMP (8400) .....  | 30 - 58  | 1E22     | GASKET, OIL FILTER HOUSING (6076) .....                                | 20 - 28  |
| 2F1  | FUEL INJECTION PUMP HOUSING CONNECTOR<br>(6076) .....                           | 30 - 40  | 1G15     | GASKET, OIL FILTER HOUSING (6081)<br>(LATE TSN-8100,8200,8300).....    | 20 - 68  |
| 2F13 | FUEL INJECTION PUMP HOUSING CONNECTORS<br>(6081) (LATE TSN-8100,8200,8300)..... | 30 - 50  |          |  |          |



## ALPHABETICAL INDEX - CONTINUED

| GRID |  | PAGE     | GRID |   | PAGE     |
|------|--|----------|------|---|----------|
| 1E9  | GASKET, OIL PAN (6076)<br>(EARLY TSN 8100,8200,8300) .....             | 20 - 15  | 1F16 | GEAR, CAMSHAFT (6081)<br>(LATE TSN-8100,8200,8300).....         | 20 - 45  |
| 1F23 | GASKET, OIL PAN (6081)<br>(LATE TSN-8100,8200,8300).....               | 20 - 52  | 1H3  | GEAR, CAMSHAFT (8400) .....                                     | 20 - 81  |
| 1H12 | GASKET, OIL PAN (8400) .....   | 20 - 90  | 4G1  | GEAR, COUNTERSHAFT .....  | 51 - 30  |
| 1G10 | GASKET, OIL PUMP (6081)<br>(LATE TSN-81,82,8300).....                  | 20 - 62  | 4I5  | GEAR, COUNTERSHAFT .....  | 51 - 82  |
| 1H23 | GASKET, OIL PUMP (8400) .....  | 20 - 102 | 2E24 | GEAR, INJECTION PUMP (6076) .....                               | 30 - 38  |
| 1G12 | GASKET, OIL PUMP INTAKE<br>(LATE TSN-8100,8200,8300).....              | 20 - 64  | 2F9  | GEAR, INJECTION PUMP (6081)<br>(LATE TSN-8100,8200,8300).....   | 30 - 48  |
| 1E19 | GASKET, OIL PUMP INTAKE (6076)<br>(EARLT TSN-8100,8200,8300) .....     | 20 - 25  | 2F11 | GEAR, INJECTION PUMP (6081)<br>(LATE TSN-8100,8200,8300).....   | 30 - 49A |
| 1H22 | GASKET, OIL PUMP INTAKE (8400) .....                                   | 20 - 101 | 2F21 | GEAR, INJECTION PUMP (8400) .....                               | 30 - 58  |
| 1G7  | GASKET, REAR OIL SEAL (6081)<br>(LATE TSN-8100,8200,8300).....         | 20 - 59  | 1E20 | GEAR, OIL PUMP (6076).....                                      | 20 - 26  |
| 1H19 | GASKET, REAR OIL SEAL (8400) .....                                     | 20 - 97  | 1E12 | GEAR, OIL PUMP DRIVE (6076)<br>(EARLY TSN 8100,8200,8300) ..... | 20 - 18  |
| 1G24 | GASKET, ROCKER ARM COVER<br>(ESN -018791)(8400) .....                  | 20 - 78  | 1G1  | GEAR, OIL PUMP DRIVE (6081)<br>(LATE TSN-81,82,8300).....       | 20 - 55  |
| 1G25 | GASKET, ROCKER ARM COVER<br>(ESN 018792- ) (8400).....                 | 20 - 78A | 1G10 | GEAR, OIL PUMP DRIVE (6081)<br>(LATE TSN-81,82,8300).....       | 20 - 62  |
| 1D19 | GASKET, ROCKER ARM COVER (6076)<br>(EARLY TSN-8100,8200,8300) .....    | 20 - 6   | 1H15 | GEAR, OIL PUMP DRIVE (8400) .....                               | 20 - 93  |
| 1F12 | GASKET, ROCKER ARM COVER (6081)<br>(LATE TSN-8100,8200,8300).....      | 20 - 42  | 1H23 | GEAR, OIL PUMP DRIVE (8400) .....                               | 20 - 102 |
| 1F13 | GASKET, ROCKER ARM COVER (6081)<br>(LATE TSN-8100,8200,8300).....      | 20 - 42A | 4G5  | GEAR, OUTPUT SHAFT .....  | 51 - 34  |
| 1E17 | GASKET, TIMING GEAR COVER (6076)<br>(EARLY TSN-8100,8200,8300) .....   | 20 - 23  | 4G7  | GEAR, OUTPUT SHAFT .....  | 51 - 36  |
| 1G8  | GASKET, TIMING GEAR COVER (6081)<br>(LATE TSN-8100,8200,8300).....     | 20 - 60  | 4I9  | GEAR, OUTPUT SHAFT .....  | 51 - 86  |
| 1H20 | GASKET, TIMING GEAR COVER (8400 TRACTOR) .....                         | 20 - 98  | 4I11 | GEAR, OUTPUT SHAFT .....  | 51 - 88  |
| 2D18 | GASKET, TURBOCHARGER (6076)<br>(EARLY TSN 8100,8200,8300) .....        | 30 - 10  | 4F21 | GEAR, REVERSE IDLER.....  | 51 - 24  |
| 2D22 | GASKET, TURBOCHARGER (6081)<br>(LATE TSN-8100,8200,8300).....          | 30 - 14  | 4H23 | GEAR, REVERSE IDLER.....  | 51 - 76  |
| 2E1  | GASKET, TURBOCHARGER (8400) .....                                      | 30 - 18  | 1E13 | GEAR, STARTER (6076)<br>(EARLY TSN 8100,8200,8300) .....        | 20 - 19  |
| 1F6  | GASKET, WATER MANIFOLD (6076).....                                     | 20 - 37A | 1G4  | GEAR, STARTER (6081)<br>(LATE TSN-8100,8200,8300).....          | 20 - 56  |
| 1F5  | GASKET, WATER MANIFOLD (6076)<br>(EARLY TSN-8100,8200,8300) .....      | 20 - 37  | 1H16 | GEAR, STARTER (8400) .....                                      | 20 - 94  |
| 1G19 | GASKET, WATER MANIFOLD (6081)<br>(LATE TSN-8100,8200,8300).....        | 20 - 73  | 3F22 | GEAR,ENGINE SPEED CONTROL(ARMREST).....                         | 40 - 54  |
| 1I7  | GASKET, WATER MANIFOLD (8400).....                                     | 20 - 109 | 9E24 | GLASS, CAB FRONT .....  | 91 - 44  |
| 1F2  | GASKET, WATER PUMP (6076)<br>(EARLY TSN-8100,8200,8300) .....          | 20 - 34  | 9F6  | GLASS, DOOR .....   | 91 - 50  |
| 1G17 | GASKET, WATER PUMP (6081)<br>(LATE TSN-8100,8200,8300).....            | 20 - 70  | 9F2  | GLASS, DOOR, RIGHT-HAND OPENING<br>(EUROPEAN VERSION) .....     | 91 - 47  |
| 1I5  | GASKET, WATER PUMP (8400).....   | 20 - 108 | 9F1  | GLASS, STATIONARY RIGHT-HAND GLASS .....                        | 91 - 46  |
| 2D20 | GASKETS, EXHAUST MANIFOLD (6076)<br>(EARLY TSN - 8100,8200,8300) ..... | 30 - 12  | 7I3  | GLYD RING KIT, SCV SOLENOID .....                               | 70 - 122 |
| 2D24 | GASKETS, EXHAUST MANIFOLD (6081)<br>(LATE TSN-8100,8200,8300).....     | 30 - 16  | 8F10 | GRILLE SCREEN .....   | 80 - 31  |
| 2E4  | GASKETS, EXHAUST MANIFOLD (8400) .....                                 | 30 - 21  | 3H18 | GRILLE,RADIO SPEAKER.....                                       | 40 - 98  |
| 2D16 | GASKETS, INTAKE MANIFOLD (6076) .....                                  | 30 - 8   | 3F24 | GUIDE,SHIFT LEVER(ARMREST).....                                 | 40 - 56  |
| 2D21 | GASKETS, INTAKE MANIFOLD (6081)<br>(LATE TSN-8100,8200,8300).....      | 30 - 13  | H    |   |          |
| 2D25 | GASKETS, INTAKE MANIFOLD (8400) .....                                  | 30 - 17  | 9F6  | HANDLE, DOOR.....   | 91 - 50  |
| 5E9  | GAUGE, OIL FILL.....   | 53 - 32  | 9F6  | HANDRAIL, DOOR .....  | 91 - 50  |
| 3F20 | GAUGE,ENGINE WATER TEMPERATURE .....                                   | 40 - 52  | 9E13 | HANDRAIL, LEFT HAND .....                                       | 91 - 32  |
| 3F20 | GAUGE,FUEL .....   | 40 - 52  | 9F3  | HANDRAIL, RIGHT-HAND (OPENING R.H.DOOR) .....                   | 91 - 47A |
| 3I3  | GEAR PUMP HEATER BRACKET(EUROPEAN<br>VERSION).....                     | 40 - 108 | 2E24 | HARNES, WIRING (6076) .....                                     | 30 - 38  |
| 3I3  | GEAR PUMP HEATER(EUROPEAN VERSION) .....                               | 40 - 108 | 2F9  | HARNES, WIRING (6081)<br>(LATE TSN-8100,8200,8300).....         | 30 - 48  |
| 3I1  | GEAR PUMP HEATER(NORTH AMERICAN<br>VERSION).....                       | 40 - 106 | 2F11 | HARNES, WIRING (6081)<br>(LATE TSN-8100,8200,8300).....         | 30 - 49A |
| 1D22 | GEAR, CAMSHAFT (6076)<br>(EARLY TSN-8100,8200,8300) .....              | 20 - 9   | 2F21 | HARNES, WIRING (8400) .....                                     | 30 - 58  |
|      |  |          | 1D17 | HEAD BOLT KIT (6076)<br>(EARLY TSN-8100,8200,8300) .....        | 20 - 4   |
|      |  |          | 1F10 | HEAD BOLT KIT (6081)<br>(LATE TSN-8100,8200,8300).....          | 20 - 40  |
|      |  |          | 1G22 | HEAD BOLT KIT (8400).....                                       | 20 - 76  |
|      |  |          | 1D17 | HEAD BOLTS (6076)<br>(EARLY TSN-8100,8200,8300) .....           | 20 - 4   |
|      |  |          | 1D17 | HEAD, CYLINDER (6076)<br>(EARLY TSN-8100,8200,8300) .....       | 20 - 4   |
|      |  |          | 1F10 | HEAD, CYLINDER (6081)<br>(LATE TSN-8100,8200,8300).....         | 20 - 40  |
|      |  |          | 1G22 | HEAD, CYLINDER (8400) .....                                     | 20 - 76  |

## ALPHABETICAL INDEX - CONTINUED

| <i>GRID</i> |  | <i>PAGE</i> | <i>GRID</i> |  | <i>PAGE</i> |
|-------------|--|-------------|-------------|--|-------------|
| 8F14        | HEADLIGHT HOUSING .....  | 80 - 35     | 7H9         | HITCH CONTROLS, WAGON (EUROPEAN<br>VERSION).....                                 | 70 - 102    |
| 4D15        | HEADLIGHT,HOOD .....   | 42 - 11     | 7H3         | HITCH COUPLING, WAGON (EUROPEAN<br>VERSION).....                                 | 70 - 98     |
| 3E7         | HEADLIGHTS(LEFT-HAND TRAFFIC),UNITED KIN<br>GDOM(TSN 010000- ) ..... | 40 - 12     | 7F5         | HITCH FRAME .....  | 70 - 50     |
| 4D16        | HEADLIGHTS(LEFT-HAND TRAFFIC)UNITED KING<br>DOM) .....               | 42 - 12     | 7G1         | HITCH KIT (W/O LIFT CYLINDERS).....  | 70 - 70     |
| 4D17        | HEADLIGHTS(RIGHT-HAND TRAFFIC)(EV).....                              | 42 - 13     | 3G1         | HITCH RAISE LIMIT POTENTIOMETER(ARMREST) .....                                   | 40 - 58     |
| 3E1         | HEADLIGHTS(RIGHT-HAND TRAFFIC),EUROPEAN(<br>TSN -009999) .....       | 40 - 8      | 3G1         | HITCH RAISE/LOWER SWITCH(ARMREST) .....  | 40 - 58     |
| 3E3         | HEADLIGHTS(RIGHT-HAND TRAFFIC),EUROPEAN(<br>TSN -009999).....        | 40 - 9A     | 3G1         | HITCH RATE OF DROP POTENTIOMETER(ARMREST<br>).....                               | 40 - 58     |
| 3E7         | HEADLIGHTS(RIGHT-HAND TRAFFIC),EUROPEAN(<br>TSN 010000- ) .....      | 40 - 12     | 7F5         | HITCH SIGHT GAUGE .....  | 70 - 50     |
| 3E1         | HEADLIGHTS(TSN -009999) .....  | 40 - 8      | 7J5         | HITCH STABILIZER (EUROPEAN VERSION)<br>(EARLY DESIGN).....                       | 70 - 148    |
| 3E3         | HEADLIGHTS(TSN -009999) .....  | 40 - 9A     | 7J7         | HITCH STABILIZER (EUROPEAN VERSION)<br>(LATE DESIGN) .....                       | 70 - 150    |
| 3E7         | HEADLIGHTS(TSN 010000- ) .....                                       | 40 - 12     | 3G1         | HITCH SWITCH KNOB(ARMREST) .....   | 40 - 58     |
| 3E1         | HEADLIGHTS,(LEFT-HAND TRAFFIC),UNITED KI<br>NGDOM(TSN -009999) ..... | 40 - 8      | 7I7         | HITCH VALVE .....  | 70 - 126    |
| 3E3         | HEADLIGHTS,(LEFT-HAND TRAFFIC),UNITED KI<br>NGDOM(TSN -009999) ..... | 40 - 9A     | 7I9         | HITCH VALVE .....  | 70 - 128    |
| 9E1         | HEADLINER .....  | 91 - 20     | 7I11        | HITCH VALVE OVERHAUL KIT .....   | 70 - 130    |
| 9E1         | HEADLINER SUPPORTS.....  | 91 - 20     | 7I13        | HITCH VALVE RELIEF VALVE .....   | 70 - 132    |
| 8H19        | HEATER AND A/C BLOWER MOTOR .....                                    | 90 - 16     | 7H11        | HITCH, PICK-UP (EUROPEAN VERSION)<br>(EARLY DESIGN).....                         | 70 - 104    |
| 8H19        | HEATER AND A/C BLOWER MOTOR IMPELLER .....                           | 90 - 16     | 8F11        | HOOD .....   | 80 - 32     |
| 8H21        | HEATER AND A/C COMPARTMENT COVER .....                               | 90 - 18     | 8F13        | HOOD EXTENSION .....   | 80 - 34     |
| 8H21        | HEATER AND A/C COMPARTMENT SEAL .....                                | 90 - 18     | 4D15        | HOOD HEADLIGHT .....   | 42 - 11     |
| 8H19        | HEATER AND A/C EXPANSION VALVE .....                                 | 90 - 16     | 7F15        | HOOK, CENTER LINK TRANSPORT (EUROPEAN<br>VERSION).....                           | 70 - 60     |
| 8H19        | HEATER AND A/C HOUSING .....   | 90 - 16     | 9E6         | HOOK, CLOTHES.....   | 91 - 25     |
| 8H19        | HEATER AND A/C RESISTOR .....  | 90 - 16     | 3H1         | HORN( -026686).....  | 40 - 82     |
| 8H19        | HEATER AND A/C THERMOSTAT .....                                      | 90 - 16     | 3E1         | HORN(TSN -009999) .....  | 40 - 8      |
| 8H13        | HEATER HOSE .....  | 90 - 10     | 3E3         | HORN(TSN -009999) .....  | 40 - 9A     |
| 8H13        | HEATER HOSE CLAMP .....  | 90 - 10     | 3E7         | HORN(TSN 010000- ) .....   | 40 - 12     |
| 1F1         | HEATER, ENGINE COOLANT (220V).....                                   | 20 - 32     | 3H2         | HORN(026687- ).....  | 40 - 82A    |
| 1E24        | HEATER, ENGINE COOLANT (6076).....                                   | 20 - 30     | 7J11        | HOSE IDENTIFICATION KIT .....  | 70 - 154    |
| 311         | HEATER,COLD WEATHER START(NORTH<br>AMERICAN VERSION) .....           | 40 - 106    | 1I10        | HOSE, RADIATOR .....   | 20 - 112    |
| 313         | HEATER,GEAR PUMP(EUROPEAN VERSION).....                              | 40 - 108    | 8H13        | HOSE,HEATER.....   | 90 - 10     |
| 311         | HEATER,GEAR PUMP(NORTH AMERICAN<br>VERSION).....                     | 40 - 106    | 5F1         | HOUSING .....  | 54 - 14     |
| 313         | HEATER,TRANSMISSION(EUROPEAN VERSION) .....                          | 40 - 108    | 5F3         | HOUSING .....  | 54 - 16     |
| 311         | HEATER,TRANSMISSION(NORTH AMERICAN<br>VERSION).....                  | 40 - 106    | 5F24        | HOUSING .....  | 54 - 36     |
| 5D23        | HEAVY DUTY FINAL DRIVE KIT .....                                     | 53 - 20     | 2F1         | HOUSING CONNECTORS, FUEL INJECTION PUMP<br>(6076) .....                          | 30 - 40     |
| 9F4         | HINGE ASSEMBLY, REAR WINDOW.....                                     | 91 - 48     | 2F13        | HOUSING CONNECTORS, FUEL INJECTION PUMP<br>(6081) (LATE TSN-8100,8200,8300)..... | 30 - 50     |
| 7G23        | HITCH BRACKETS, WAGON (EUROPEAN<br>VERSION) (EARLY DESIGN) .....     | 70 - 94     | 2F23        | HOUSING CONNECTORS, FUEL INJECTION PUMP<br>(8400) .....                          | 30 - 60     |
| 7H1         | HITCH BRACKETS, WAGON (EUROPEAN<br>VERSION) (LATE DESIGN).....       | 70 - 96     | 5E23        | HOUSING, AXLE .....  | 54 - 12     |
| 3G9         | HITCH COMMAND POTENTIOMETER(ARMREST).....                            | 40 - 66     | 5D15        | HOUSING, DIFFERENTIAL COVER .....  | 53 - 12     |
| 3G19        | HITCH CONTROL LABEL(EUROPEAN VERSION) .....                          | 40 - 75     | 5E19        | HOUSING, DIFFERENTIAL SET (MFWD) .....   | 54 - 6      |
| 3G18        | HITCH CONTROL LABEL(NORTH AMERICAN<br>VERSION).....                  | 40 - 74     | 8F14        | HOUSING, HEADLIGHT.....  | 80 - 35     |
| 3G1         | HITCH CONTROL LEVER<br>POTENTIOMETER(ARMREST) .....                  | 40 - 58     | 5D11        | HOUSING, INPUT.....  | 53 - 8      |
| 3G19        | HITCH CONTROL SWITCH (EUROPEAN VERSION) .....                        | 40 - 75     | 1E22        | HOUSING, OIL COOLER AND FILTER (6076) .....                                      | 20 - 28     |
| 3G18        | HITCH CONTROL SWITCH BRACKET(NORTH<br>AMERICAN VERSION).....         | 40 - 74     | 1G15        | HOUSING, OIL FILTER (6081)<br>(LATE TSN-8100,8200,8300).....                     | 20 - 68     |
| 3G18        | HITCH CONTROL SWITCH(NORTH<br>AMERICAN VERSION) .....                | 40 - 74     | 1I1         | HOUSING, OIL FILTER (8400) .....   | 20 - 104    |
| 3E23        | HITCH CONTROL UNIT(HCU) .....  | 40 - 28     | 4G9         | HOUSING, PTO .....   | 51 - 38     |
| 3G13        | HITCH CONTROL UNIT(HCU) .....  | 40 - 70     | 4I13        | HOUSING, PTO .....   | 51 - 90     |
| 3G15        | HITCH CONTROL UNIT(HCU) .....  | 40 - 72     | 5E1         | HOUSING, PTO .....   | 53 - 24     |
| 3E5         | HITCH CONTROL UNIT(HCU)(TSN 010000- ).....                           | 40 - 10     | 5E3         | HOUSING, PTO .....   | 53 - 26     |
| 3E23        | HITCH CONTROLLER .....   | 40 - 28     | 5E5         | HOUSING, PTO .....   | 53 - 28     |
| 3G13        | HITCH CONTROLLER(HCU/SCU).....                                       | 40 - 70     | 1E16        | HOUSING, REAR OIL SEAL (6076)<br>(EARLY TSN 8100, 8200, 8300).....               | 20 - 22     |
| 3G15        | HITCH CONTROLLER(HCU/SCU).....                                       | 40 - 72     | 1G7         | HOUSING, REAR OIL SEAL (6081)<br>(LATE TSN-8100,8200,8300).....                  | 20 - 59     |
|             |  |             | 1H19        | HOUSING, REAR OIL SEAL (8400) .....  | 20 - 97     |
|             |  |             | 1F6         | HOUSING, THERMOSTAT, FRONT (6076) .....  | 20 - 37A    |
|             |  |             | 1F5         | HOUSING, THERMOSTAT, FRONT (6076)<br>(EARLY TSN-8100,8200,8300) .....            | 20 - 37     |

## ALPHABETICAL INDEX - CONTINUED

| GRID   | PAGE     | GRID  | PAGE     |
|--|----------|---|----------|
| 1G19 HOUSING, THERMOSTAT, FRONT (6081)<br>(LATE TSN-8100,8200,8300).....     | 20 - 73  | 2F21 INJECTION PUMP GEAR (8400) .....   | 30 - 58  |
| 117 HOUSING, THERMOSTAT, FRONT (8400) .....                                  | 20 - 109 | 2E24 INJECTION PUMP LUBE LINE (6076) .....                                      | 30 - 38  |
| 2D17 HOUSING, TURBOCHARGER CENTER (SCHWITZER)<br>(6076) .....                | 30 - 9   | 2F9 INJECTION PUMP LUBE LINE (6081)<br>(LATE TSN-8100,8200,8300).....           | 30 - 48  |
| 2E3 HOUSING, TURBOCHARGER CENTER (SCHWITZER)<br>(6081) .....                 | 30 - 20  | 2F11 INJECTION PUMP LUBE LINE (6081)<br>(LATE TSN-8100,8200,8300).....          | 30 - 49A |
| 3G23 HOUSING, CONSOLE LIGHT .....  | 40 - 79  | 2F21 INJECTION PUMP LUBE LINE (8400) .....                                      | 30 - 58  |
| 8H15 HOUSING, FRESH AIR FILTER .....   | 90 - 12  | 3E1 INJECTION PUMP(TSN -009999) .....   | 40 - 8   |
| 8H19 HOUSING, HEATER AND A/C .....   | 90 - 16  | 3E3 INJECTION PUMP(TSN -009999) .....   | 40 - 9A  |
| 3H18 HOUSING, RADIO SPEAKER .....  | 40 - 98  | 3E7 INJECTION PUMP(TSN 010000- ) .....  | 40 - 12  |
| 5D5 HUB, CLUTCH .....  | 53 - 2   | 2E24 INJECTION PUMP, ELECTRONIC FUEL<br>(6076) .....                            | 30 - 38  |
| 5D7 HUB, CLUTCH .....  | 53 - 4   | 2F21 INJECTION PUMP, ELECTRONIC FUEL<br>(8400) .....                            | 30 - 58  |
| 5D15 HUB, DIFFERENTIAL .....   | 53 - 12  | 2F9 INJECTION PUMP, ELECTRONIC FUEL (6081)<br>(LATE TSN-8100,8200,8300).....    | 30 - 48  |
| 5F9 HUB, WHEEL .....   | 54 - 20  | 2F11 INJECTION PUMP, ELECTRONIC FUEL (6081)<br>(LATE TSN-8100,8200,8300).....   | 30 - 49A |
| 5F22 HUB, WHEEL .....  | 54 - 34  | 9F12 INNER ROOF .....   | 91 - 54  |
| 5G5 HUB, WHEEL .....   | 54 - 42  | 5D11 INPUT HOUSING .....  | 53 - 8   |
| 7D9 HYDRAULIC AND TRANSMISSION OIL.....                                      | 70 - 1   | 4F22 INPUT SHAFT .....  | 51 - 26  |
| 3G24 HYDRAULIC DIFFERENTIAL LOCK LABEL.....                                  | 40 - 80  | 4F24 INPUT SHAFT .....  | 51 - 28  |
| 3G24 HYDRAULIC DIFFERENTIAL LOCK SWITCH .....                                | 40 - 80  | 4I1 INPUT SHAFT .....   | 51 - 78  |
| 7J1 HYDRAULIC MOTOR RETURN KIT, MULTIPLE .....                               | 70 - 144 | 4I3 INPUT SHAFT .....   | 51 - 80  |
| 7I23 HYDRAULIC MOTOR RETURN OR SUMP KIT.....                                 | 70 - 142 | 1D17 INSERTS, VALVE SEAT (6076)<br>(EARLY TSN-8100,8200,8300) .....             | 20 - 4   |
| 7E1 HYDRAULIC OIL COOLER .....   | 70 - 19  | 1F10 INSERTS, VALVE SEAT (6081)<br>(LATE TSN-8100,8200,8300).....               | 20 - 40  |
| 7E2 HYDRAULIC OIL COOLER LINES .....   | 70 - 20  | 1G22 INSERTS, VALVE SEAT (8400) .....   | 20 - 76  |
| 7E6 HYDRAULIC OIL FILTER.....  | 70 - 24  | 9E4 INSIDE REAR VIEW MIRROR .....   | 91 - 23  |
| 7D14 HYDRAULIC PUMP (45 CM3 (2.75 IN3)) .....                                | 70 - 6   | 3F20 INSTRUMENT CONTROL UNIT(ICU) .....   | 40 - 52  |
| 7D18 HYDRAULIC PUMP (57 CM3 (3.5 IN3)) .....                                 | 70 - 10  | 3E13 INSTRUMENT CONTROL UNIT(ICU)(EUROPEAN<br>VERSION)(TSN -009999) .....       | 40 - 18  |
| 7D10 HYDRAULIC PUMP DRIVE .....  | 70 - 2   | 3F16 INSTRUMENT CONTROL UNIT(ICU)(EUROPEAN<br>VERSION)(TSN -009999) .....       | 40 - 48  |
| 7D16 HYDRAULIC PUMP SEAL KIT (45 CM3 (2.75<br>IN3)) .....                    | 70 - 8   | 3E15 INSTRUMENT CONTROL UNIT(ICU)(EUROPEAN<br>VERSION)(TSN 010000- ).....       | 40 - 20  |
| 7D20 HYDRAULIC PUMP SEAL KIT (57 CM3 (3.5<br>IN3)) .....                     | 70 - 12  | 3F18 INSTRUMENT CONTROL UNIT(ICU)(EUROPEAN<br>VERSION)(TSN 010000- ).....       | 40 - 50  |
| 9F4 HYDROPNEUMATIC SPRING, REAR WINDOW .....                                 | 91 - 48  | 3E9 INSTRUMENT CONTROL UNIT(ICU)(NORTH<br>AMERICAN VERSION)(-009999) .....      | 40 - 14  |
| 7D22 HYDRAULIC PUMP LINES (45 CM3 (2.75<br>IN3)) .....                       | 70 - 14  | 3F16 INSTRUMENT CONTROL UNIT(ICU)(NORTH<br>AMERICAN VERSION)(TSN -009999) ..... | 40 - 48  |
| 7D24 HYDRAULIC PUMP LINES (57 CM3 (3.5 IN3)) .....                           | 70 - 16  | 3E11 INSTRUMENT CONTROL UNIT(ICU)(NORTH<br>AMERICAN VERSION)(TSN 010000- )..... | 40 - 16  |
| I  |          |   |          |
| 7J11 IDENTIFICATION KIT, HOSE .....  | 70 - 154 | 3F18 INSTRUMENT CONTROL UNIT(ICU)(NORTH<br>AMERICAN VERSION)(TSN 010000- )..... | 40 - 50  |
| 4F21 IDLER, REVERSE .....  | 51 - 24  | 3E17 INSTRUMENT CONTROL UNIT(ICU)(UKRAINIAN<br>VERSION).....                    | 40 - 22  |
| 4H23 IDLER, REVERSE .....  | 51 - 76  | 2D16 INTAKE MANIFOLD (6076) .....   | 30 - 8   |
| 1F2 IMPELLER, WATER PUMP (6076)<br>(EARLY TSN-8100,8200,8300) .....          | 20 - 34  | 2D21 INTAKE MANIFOLD (6081)<br>(LATE TSN-8100,8200,8300).....                   | 30 - 13  |
| 8H19 IMPELLER, HEATER AND A/C BLOWER MOTOR.....                              | 90 - 16  | 2D25 INTAKE MANIFOLD (8400) .....   | 30 - 17  |
| 8H16 IMPELLER, PRESSURIZER BLOWER MOTOR .....                                | 90 - 13  | 2D16 INTAKE MANIFOLD GASKETS (6076) .....                                       | 30 - 8   |
| 7J9 IMPLEMENT HYDRAULIC OIL LINES AND<br>FITTINGS .....                      | 70 - 152 | 2D21 INTAKE MANIFOLD GASKETS (6081)<br>(LATE TSN-8100,8200,8300).....           | 30 - 13  |
| 7F23 IMPLEMENT QUICK COUPLER (CATEGORY<br>III/IIIN) .....                    | 70 - 68  | 2D25 INTAKE MANIFOLD GASKETS (8400) .....                                       | 30 - 17  |
| 7G18 IMPLEMENT SAFETY CHAIN .....  | 70 - 89  | 1D17 INTAKE VALVES (6076)<br>(EARLY TSN-8100,8200,8300) .....                   | 20 - 4   |
| 3H14 IMPLEMENT SWITCH .....  | 40 - 94  | 1F10 INTAKE VALVES (6081)<br>(LATE TSN-8100,8200,8300).....                     | 20 - 40  |
| 3H14 IMPLEMENT SWITCH WIRING HARNESS .....                                   | 40 - 94  | 1G22 INTAKE VALVES (8400) .....   | 20 - 76  |
| 2F3 INJECTION NOZZLE, FUEL (NIPPONDENSO)<br>(EARLY TSN-8100,8200,8300) ..... | 30 - 42  | 1E19 INTAKE, ENGINE OIL PUMP (6076)<br>(EARLY TSN-8100,8200,8300) .....         | 20 - 25  |
| 1H20 INJECTION PUMP ACCESS COVER<br>(8400 TRACTOR).....                      | 20 - 98  | 1G12 INTAKE, ENGINE OIL PUMP (6081)<br>(LATE TSN-8100,8200,8300).....           | 20 - 64  |
| 1E17 INJECTION PUMP ACCESS COVER (6076)<br>(EARLY TSN-8100,8200,8300) .....  | 20 - 23  | 1H22 INTAKE, ENGINE OIL PUMP (8400) .....                                       | 20 - 101 |
| 1G8 INJECTION PUMP ACCESS COVER (6081)<br>(LATE TSN-8100,8200,8300).....     | 20 - 60  |   |          |
| 2E24 INJECTION PUMP GEAR (6076) .....  | 30 - 38  |   |          |
| 2F9 INJECTION PUMP GEAR (6081)<br>(LATE TSN-8100,8200,8300).....             | 30 - 48  |   |          |
| 2F11 INJECTION PUMP GEAR (6081)<br>(LATE TSN-8100,8200,8300).....            | 30 - 49A |   |          |

## ALPHABETICAL INDEX - CONTINUED

| GRID |  | PAGE     | GRID |  | PAGE     |
|------|--|----------|------|--|----------|
| 1114 | INTERCOOLER.....   | 20 - 116 | 7E14 | KIT, LIFT CYLINDER (8100, 8200) (NORTH AMERICAN VERSION) .....       | 70 - 34  |
| 1116 | INTERCOOLER.....   | 20 - 118 | 7E16 | KIT, LIFT CYLINDER (8300, 8400) (NORTH AMERICAN VERSION) .....       | 70 - 36  |
| J    |  |          |      |  |          |
| 1D23 | JETS, PISTON COOLING (6076) (EARLT TSN -009999) .....                | 20 - 10  | 7I9  | KIT, MANUAL LOWER (HITCH VALVE).....                                 | 70 - 128 |
| 1F17 | JETS, PISTON COOLING (6081) (LATE TSN-81,82,8300).....               | 20 - 46  | 7J1  | KIT, MULTIPLE HYDRAULIC MOTOR RETURN .....                           | 70 - 144 |
| 1H4  | JETS, PISTON COOLING (8400) .....                                    | 20 - 82  | 7J10 | KIT, O-RING .....  | 70 - 153 |
| 3H23 | JUNCTION BLOCK,ELECTRICAL .....                                      | 40 - 104 | 9F20 | KIT, OPERATOR PRESENCE SWITCH .....                                  | 92 - 6   |
| 3E21 | JUNCTION BLOCK,ELECTRICAL(CAB POWER).....                            | 40 - 26  | 9E15 | KIT, OUTER MIRRORS .....   | 91 - 34  |
| 3E13 | JUNCTION BLOCK,ELECTRICAL(EUROPEAN VERSION)(TSN -009999) .....       | 40 - 18  | 1G6  | KIT, PISTON/LINER (6081) (LATE TSN-8100,8200,8300).....              | 20 - 58  |
| 3E15 | JUNCTION BLOCK,ELECTRICAL(EUROPEAN VERSION)(TSN 010000- ) .....      | 40 - 20  | 1H17 | KIT, PISTON/LINER (6081HRW01)(8400).....                             | 20 - 95  |
| 3E9  | JUNCTION BLOCK,ELECTRICAL(NORTH AMERICAN VERSION)(TSN -009999) ..... | 40 - 14  | 7I21 | KIT, POWER BEYOND COUPLER (W/ TRAILER BRAKE) (EUROPEAN VERSION)..... | 70 - 140 |
| 3E11 | JUNCTION BLOCK,ELECTRICAL(NORTH AMERICAN VERSION)(TSN 010000- )..... | 40 - 16  | 7I19 | KIT, POWER BEYOND COUPLER (W/O TRAILER BRAKE).....                   | 70 - 138 |
| 3E17 | JUNCTION BLOCK,ELECTRICAL(UKRAINIAN VERSION).....                    | 40 - 22  | 9E11 | KIT, REAR FENDER SIDE EXTENSION AND MUD GUARD.....                   | 91 - 30  |
| K    |  |          |      |  |          |
| 3F21 | KEY AND ETHER AID SWITCHES BRACKET.....                              | 40 - 53  | 8H22 | KIT, RECIRCULATION FILTER KIT.....                                   | 90 - 19  |
| 3F21 | KEY SWITCH .....   | 40 - 53  | 7G19 | KIT, REVERSIBLE DRAWBAR (EUROPEAN VERSION).....                      | 70 - 90  |
| 1G1  | KEY, DAMPER (6081) (LATE TSN-81,82,8300).....                        | 20 - 55  | 9F22 | KIT, RIDE ZONE PROTECTOR .....                                       | 92 - 8   |
| 1H15 | KEY, DAMPER (8400) .....   | 20 - 93  | 8D4  | KIT, ROW-TRAK.....   | 71 - 2   |
| 3F21 | KEYS.....  | 40 - 53  | 8D12 | KIT, ROW-TRAK PROBE BOX .....  | 71 - 10  |
| 9F22 | KIT, AIR SPRING SEAT .....   | 92 - 8   | 8D10 | KIT, ROW-TRAK WAND PROBE .....                                       | 71 - 8   |
| 9F17 | KIT, ARMREST, LEFT-HAND .....  | 92 - 2   | 8D8  | KIT, ROW-TRAK 2 BALL PROBE .....                                     | 71 - 6   |
| 9F20 | KIT, BOOT ATTACHING HARDWARE .....                                   | 92 - 6   | 8D6  | KIT, ROW-TRAK 3 BALL PROBE .....                                     | 71 - 4   |
| 6E25 | KIT, BRAKE MAKE-UP CHECK VALVE .....                                 | 60 - 44  | 7I3  | KIT, SCV PILOT VALVE SEAL .....                                      | 70 - 122 |
| 6F1  | KIT, BRAKE PRE-FILL PISTON .....                                     | 60 - 45  | 8H6  | KIT, SEAL (A/C COMPRESSOR) .....                                     | 90 - 2   |
| 6F1  | KIT, BRAKE PRESSURE INLET CHECK VALVE.....                           | 60 - 45  | 7I9  | KIT, SEAL SECTION INTERFACE (HITCH VALVE).....                       | 70 - 128 |
| 6E23 | KIT, BRAKE VALVE HARDWARE .....                                      | 60 - 42  | 9F20 | KIT, SEAT ADJUSTMENT CABLE .....                                     | 92 - 6   |
| 6E21 | KIT, BRAKE VALVE OVERHAUL .....                                      | 60 - 40  | 9F23 | KIT, SEAT AIR SPRING .....   | 92 - 9   |
| 6G4  | KIT, BRAKE VALVE OVERHAUL .....                                      | 60 - 69C | 9F20 | KIT, SEAT ATTENUATOR SPRING .....                                    | 92 - 6   |
| 7F21 | KIT, CENTER LINK BRACKET SPACER (EUROPEAN VERSION) .....             | 70 - 66  | 9F20 | KIT, SEAT BEARING ROLLER .....                                       | 92 - 6   |
| 9F22 | KIT, COMPRESSOR FILTER.....  | 92 - 8   | 9F23 | KIT, SEAT COMPRESSOR FILTER .....                                    | 92 - 9   |
| 1F21 | KIT, ENGINE OVERHAUL (6081) (LATE TSN-81,82,8300).....               | 20 - 50  | 9F22 | KIT, SEAT COMPRESSOR VALVE.....                                      | 92 - 8   |
| 1H10 | KIT, ENGINE OVERHAUL (8400) .....                                    | 20 - 88  | 9F23 | KIT, SEAT COMPRESSOR VALVE.....                                      | 92 - 9   |
| 8F25 | KIT, FENDER SUPPORT.....   | 80 - 46  | 9F20 | KIT, SEAT CONTROL LEVER.....   | 92 - 6   |
| 7I5  | KIT, FIFTH REMOTE CYLINDER CONTROL.....                              | 70 - 124 | 9F23 | KIT, SEAT FORE-AFT ATTENUATOR .....                                  | 92 - 9   |
| 5D23 | KIT, FINAL DRIVE, HEAVY DUTY .....                                   | 53 - 20  | 9F17 | KIT, SEAT HEIGHT SWITCH .....  | 92 - 2   |
| 7I5  | KIT, FOURTH REMOTE CYLINDER CONTROL .....                            | 70 - 124 | 9F20 | KIT, SEAT KNOB .....   | 92 - 6   |
| 9E22 | KIT, FRONT AND REAR WIPER ASSEMBLY .....                             | 91 - 42  | 9F23 | KIT, SEAT LATERAL ATTENUATOR SHOCK .....                             | 92 - 9   |
| 1D17 | KIT, HEAD BOLT (6076) (EARLY TSN-8100,8200,8300) .....               | 20 - 4   | 9F23 | KIT, SEAT RIDE ZONE PROTECTOR .....                                  | 92 - 9   |
| 1F10 | KIT, HEAD BOLT (6081) (LATE TSN-8100,8200,8300).....                 | 20 - 40  | 9F22 | KIT, SEAT SHOCK ABSORBER .....                                       | 92 - 8   |
| 1G22 | KIT, HEAD BOLT (8400) .....  | 20 - 76  | 9F17 | KIT, SEAT SLIDE TRACK .....  | 92 - 2   |
| 7G1  | KIT, HITCH (W/O LIFT CYLINDERS) .....                                | 70 - 70  | 9F20 | KIT, SEAT SUSPENSION BOOT .....                                      | 92 - 6   |
| 7I11 | KIT, HITCH VALVE OVERHAUL .....                                      | 70 - 130 | 9F17 | KIT, SEAT SWIVEL .....   | 92 - 2   |
| 7J11 | KIT, HOSE IDENTIFICATION .....                                       | 70 - 154 | 9F22 | KIT, SEAT WIRING HARNESS .....                                       | 92 - 8   |
| 7I23 | KIT, HYDRAULIC MOTOR RETURN OR SUMP .....                            | 70 - 142 | 6F17 | KIT, SECONDARY BRAKE (EUROPEAN VERSION) (EARLY DESIGN).....          | 60 - 60  |
| 7D16 | KIT, HYDRAULIC PUMP SEAL (45 CM3 (2.75 IN3)) .....                   | 70 - 8   | 7H24 | KIT, SELECTIVE CONTROL VALVE OVERHAUL .....                          | 70 - 118 |
| 7D20 | KIT, HYDRAULIC PUMP SEAL (57 CM3 (3.5 IN3)) .....                    | 70 - 12  | 6D21 | KIT, STEERING CYLINDER SEAL (ADJUSTABLE AXLE) (EARLY DESIGN).....    | 60 - 17  |
| 7G18 | KIT, IMPLEMENT SAFETY CHAIN ADAPTER.....                             | 70 - 89  | 6D17 | KIT, STEERING VALVE SEAL .....                                       | 60 - 13  |
|      |  |          | 6G13 | KIT, TRAILER BRAKE VALVE (EUROPEAN VERSION).....                     | 60 - 76  |
|      |  |          | 1E7  | KIT, UNDERHAUL ENGINE (6076).....                                    | 20 - 13E |
|      |  |          | 7J3  | KIT, WAGON TILT .....  | 70 - 146 |
|      |  |          | 9E21 | KIT, WINDSHIELD AND REAR WASHER .....                                | 91 - 40  |
|      |  |          | 3I5  | KIT,BACK-UP ALARM .....  | 40 - 110 |
|      |  |          | 3I3  | KIT,COLD WEATHER START(EUROPEAN VERSION).....                        | 40 - 108 |
|      |  |          | 3I1  | KIT,COLD WEATHER START(NORTH AMERICAN VERSION).....                  | 40 - 106 |
|      |  |          | 4E6  | KIT,ELECTRICAL CONNECTORS AND TERMINALS .....                        | 43 - 1   |
|      |  |          | 4E1  | KIT,EXTREMITY WARNING LAMP ARM(027100- ).....                        | 42 - 22  |

## ALPHABETICAL INDEX - CONTINUED

| <i>GRID</i> |  | <i>PAGE</i> | <i>GRID</i> |  | <i>PAGE</i> |
|-------------|--|-------------|-------------|--|-------------|
| 4D24        | KIT,EXTREMITY WARNING LAMP( -027099) .....                                   | 42 - 20     | 8G19        | LABEL, ROPS WARNING (SPANISH/ENGLISH) .....                                | 80 - 66     |
| 3G17        | KIT,FOOT THROTTLE .....  | 40 - 73     | 8G15        | LABEL, ROW GUIDANCE & SCV .....  | 80 - 62     |
| 3H4         | KIT,RADAR(TSN -XXXXXX ) .....  | 40 - 84     | 8G11        | LABEL, SAFETY .....  | 80 - 58     |
| 3H8         | KIT,RADAR(TSN XXXXXX- ) .....  | 40 - 88     | 8G15        | LABEL, SAFETY .....  | 80 - 62     |
| 3H6         | KIT,RADAR(TSN XXXXXX-XXXXXX ) .....  | 40 - 86     | 8G17        | LABEL, SAFETY (GERMANY).....   | 80 - 64     |
| 3H16        | KIT,RADIO KNOB.....  | 40 - 96     | 8G17        | LABEL, SCV & HITCH .....   | 80 - 64     |
| 3H19        | KIT,RADIO,ANTENNA AND SPEAKER.....   | 40 - 99     | 8G13        | LABEL, SPEED CONTROL .....   | 80 - 60     |
| 3H20        | KIT,REAR SPEAKER .....   | 40 - 100    | 8G13        | LABEL, THIRD SCV .....   | 80 - 60     |
| 3G22        | KIT,ROTATING BEACON SWITCH.....  | 40 - 78     | 8G17        | LABEL, TRACTOR TOW, EXPORT .....   | 80 - 64     |
| 1F4         | KIT,WATER PUMP REPAIR (6076)<br>(EARLY TSN 8100,8200,8300) .....             | 20 - 36     | 8G19        | LABEL, TRANSMISSION (SPANISH) .....  | 80 - 66     |
| 4D10        | KIT,WORK LAMP(CAB)(UPPER MID-BODY)<br>(EUROPEAN VERSION)(TSN -XXXXXX) .....  | 42 - 6      | 8G17        | LABEL, TRANSMISSION PARK .....   | 80 - 64     |
| 4D11        | KIT,WORK LAMP(CAB)(UPPER MID-BODY)<br>(EUROPEAN VERSION)(TSN XXXXXX-) .....  | 42 - 7      | 8G21        | LABEL, TRANSMISSION PARK .....   | 80 - 68     |
| 4D8         | KIT,WORK LAMP(UPPER MID-BODY)(NORTH<br>AMERICAN VERSION)(TSN -XXXXXX ) ..... | 42 - 4      | 8G17        | LABEL, 40 KM/H .....   | 80 - 64     |
| 4D9         | KIT,WORK LAMP(UPPER MID-BODY)(NORTH<br>AMERICAN VERSION)(TSN XXXXXX- ) ..... | 42 - 5      | 3I19        | LABEL,BYPASS START .....   | 41 - 8      |
| 8E13        | KNEE SPINDLE KNUCKLE, FRONT AXLE .....                                       | 80 - 6      | 3I20        | LABEL,BYPASS START(8100,8200,8300,8400) .....                              | 41 - 10     |
| 3F22        | KNOB,ENGINE SPEED CONTROL(ARMREST).....                                      | 40 - 54     | 3I16        | LABEL,BYPASS START(8400) .....   | 41 - 5      |
| 3G1         | KNOB,HITCH SWITCHES(ARMREST) .....   | 40 - 58     | 3F16        | LABEL,CONSOLE CONTROLS(TSN -009999) .....                                  | 40 - 48     |
| 3G9         | KNOB,ROCKSHAFT CONTROL(ARMREST) .....  | 40 - 66     | 3F18        | LABEL,CONSOLE CONTROLS(TSN 010000- ) .....                                 | 40 - 50     |
| 3H13        | KNOB,ROW-TRAK MONITOR .....  | 40 - 93     | 3G19        | LABEL,HITCH CONTROL(EUROPEAN VERSION) .....                                | 40 - 75     |
| 3F20        | KNOB,SCV SETUP MODULE .....  | 40 - 52     | 3G18        | LABEL,HITCH CONTROL(NORTH AMERICAN<br>VERSION).....                        | 40 - 74     |
| 3F24        | KNOB,SHIFT LEVER(ARMREST) .....  | 40 - 56     | 3G1         | LABEL,HITCH RAISE /LOWER(ARMREST) .....                                    | 40 - 58     |
| 3H16        | KNOBS,RADIO .....  | 40 - 96     | 3G1         | LABEL,HITCH(ARMREST) .....   | 40 - 58     |
| 8E13        | KNUCKLE, FRONT AXLE KNEE SPINDLE .....                                       | 80 - 6      | 3G24        | LABEL,HYDRAULIC DIFFERENTIAL LOCK .....                                    | 40 - 80     |
| L           |  |             | 3F6         | LABEL,LOAD CENTER .....  | 40 - 36     |
| 8G11        | LABEL, ACCUMULATOR .....   | 80 - 58     | 3G5         | LABEL,NO.1 SCV(ARMREST).....   | 40 - 62     |
| 8G21        | LABEL, BY-PASS START (CANADA) .....  | 80 - 68     | 3G5         | LABEL,NO.2 SCV(ARMREST).....   | 40 - 62     |
| 8G19        | LABEL, BY-PASS START (SPANISH) .....   | 80 - 66     | 3G5         | LABEL,NO.3 SCV(ARMREST).....   | 40 - 62     |
| 8G12        | LABEL, BYPASS START .....  | 80 - 59     | 3G7         | LABEL,NO.4 SCV(ARMREST).....   | 40 - 64     |
| 8G12        | LABEL, DIFFERENTIAL .....  | 80 - 59     | 3H4         | LABEL,RADAR(TSN -XXXXXX ) .....  | 40 - 84     |
| 8G13        | LABEL, DRAWBAR .....   | 80 - 60     | 3H6         | LABEL,RADAR(TSN XXXXXX-XXXXXX ) .....                                      | 40 - 86     |
| 8G17        | LABEL, DRAWBAR .....   | 80 - 64     | 3G1         | LABEL,REAR PTO(ARMREST) .....  | 40 - 58     |
| 8G15        | LABEL, ELECTRIC LOAD CENTER .....  | 80 - 62     | 3G3         | LABEL,SPEED CONTROL(ARMREST).....  | 40 - 60     |
| 8G12        | LABEL, ELECTRICAL LOAD CENTER .....  | 80 - 59     | 3F13        | LABEL,7-TERMINAL ELECTRICAL OUTLET<br>SOCKET(EUROPEAN VERSION).....        | 40 - 44     |
| 8G21        | LABEL, ENGINE START & SLOW SPEED .....                                       | 80 - 68     | 3F12        | LABEL,7-TERMINAL ELECTRICAL OUTLET<br>SOCKET(NORTH AMERICAN VERSION) ..... | 40 - 43     |
| 8G17        | LABEL, FILED CRUISE .....  | 80 - 64     | 8G6         | LAMP, LICENSE PLATE .....  | 80 - 53     |
| 8G13        | LABEL, FOURTH SCV .....  | 80 - 60     | 4D14        | LAMP,DIRECTION INDICATOR(CAB)(EV) .....                                    | 42 - 10     |
| 8G12        | LABEL, FROMT ARMREST.....  | 80 - 59     | 4E1         | LAMP,EXTREMITY WARNING(027100- ) .....                                     | 42 - 22     |
| 8G13        | LABEL, HITCH .....   | 80 - 60     | 4D19        | LAMP,FRONT CAB ROOF.....   | 42 - 15     |
| 8G12        | LABEL, HITCH ADJUSTMENT .....  | 80 - 59     | 4D20        | LAMP,REAR ROOF WORK(TSN -XXXXXX ) .....                                    | 42 - 16     |
| 8G17        | LABEL, HITCH ADJUSTMENT .....  | 80 - 64     | 4D21        | LAMP,REAR ROOF WORK(TSN XXXXXX- ) .....                                    | 42 - 17     |
| 8G15        | LABEL, IMPORTER .....  | 80 - 62     | 4D12        | LAMPS,WORKING(LOWER MID-BODY)(TSN<br>-XXXXXX ) .....                       | 42 - 8      |
| 8G11        | LABEL, INJECTION PUMP .....  | 80 - 58     | 4D13        | LAMPS,WORKING(LOWER MID-BODY)(TSN<br>XXXXXX- ) .....                       | 42 - 9      |
| 8G21        | LABEL, INJECTION PUMP .....  | 80 - 68     | 8G3         | LATCH, BATTERY BOX COVER .....   | 80 - 50     |
| 8G19        | LABEL, INJECTION PUMP (SPANISH).....   | 80 - 66     | 9F6         | LATCH, DOOR .....  | 91 - 50     |
| 8G15        | LABEL, POWER SHAFT ADAPTER .....   | 80 - 62     | 9E13        | LEFT HAND STEP W/HANDRAIL .....  | 91 - 32     |
| 8G13        | LABEL, PTO .....   | 80 - 60     | 9G5         | LEFT-HAND ARMREST .....  | 92 - 16     |
| 8G21        | LABEL, PTO SAFETY (CANADA) .....   | 80 - 68     | 9F6         | LEFT-HAND DOOR (NORTH AMERICAN VERSION) .....                              | 91 - 50     |
| 8G19        | LABEL, PTO SAFETY (SPANISH) .....  | 80 - 66     | 9F8         | LEFT-HAND DOOR, LATE DESIGN .....  | 91 - 52     |
| 8G11        | LABEL, QUICK COUPLER.....  | 80 - 58     | 9F10        | LEFT-HAND DOOR, LATE DESIGN .....  | 91 - 53A    |
| 8G21        | LABEL, QUICK COUPLER (CANADA) .....  | 80 - 68     | 6F21        | LEVER COVER, SECONDARY BRAKE (EUROPEAN<br>VERSION).....                    | 60 - 64     |
| 8G19        | LABEL, QUICK COUPLER (SPANISH) .....   | 80 - 66     | 7E10        | LEVER, ROCKSHAFT POSITION SENSOR.....                                      | 70 - 30     |
| 8G11        | LABEL, RADAR SENSOR .....  | 80 - 58     | 6F13        | LEVER, SECONDARY BRAKE (EUROPEAN<br>VERSION) (EARLY DESIGN) .....          | 60 - 56     |
| 8G12        | LABEL, RADAR WARNING .....   | 80 - 59     | 6F15        | LEVER, SECONDARY BRAKE (EUROPEAN<br>VERSION) (LATE DESIGN).....            | 60 - 58     |
| 8G21        | LABEL, RADAR WARNING (CANADA).....   | 80 - 68     | 6F19        | LEVER, SECONDARY BRAKE (EUROPEAN<br>VERSION) (LATEST DESIGN) .....         | 60 - 62     |
| 8G19        | LABEL, RADAR WARNING (SPANISH) .....   | 80 - 66     | 7H20        | LEVER, SELECTIVE CONTROL VALVE .....                                       | 70 - 114    |
| 8G11        | LABEL, ROPS WARNING .....  | 80 - 58     | 3F22        | LEVER,ENGINE SPEED CONTROL(ARMREST) .....                                  | 40 - 54     |
| 8G12        | LABEL, ROPS WARNING .....  | 80 - 59     | 3G5         | LEVER,SELECTIVE CONTROLS 1,2,3(ARMREST) .....                              | 40 - 62     |
| 8G15        | LABEL, ROPS WARNING .....  | 80 - 62     |             |  |             |
| 8G21        | LABEL, ROPS WARNING (CANADA).....  | 80 - 68     |             |  |             |

## ALPHABETICAL INDEX - CONTINUED

| GRID | PAGE   | GRID | PAGE  |
|------|--|------|---|
| 3G7  | LEVERS,SELECTIVE CONTROL 4 AND<br>5(ARMREST) .....                 | 1G6  | LINERS, CYLINDER (6081)<br>(LATE TSN-8100,8200,8300) .....                |
|      | 40 - 64  |      | 20 - 58   |
| 3E25 | LICENCE PLATE LAMP WIRING HARNESS<br>(EUROPEAN VERSION) .....      | 1H17 | LINERS, CYLINDER (6081HRW01)(8400) .....                                  |
|      | 40 - 30  |      | 20 - 95   |
| 8G6  | LICENSE PLATE AND LAMP .....                                       | 6H22 | LINES, AIR BRAKE (FRONT) .....  |
|      | 80 - 53  |      | 60 - 108  |
| 7E8  | LIFT ARM, ROCKSHAFT (EARLY DESIGN) .....                           | 6H24 | LINES, AIR BRAKE (FRONT) .....  |
|      | 70 - 28  |      | 60 - 110  |
| 7E9  | LIFT ARM, ROCKSHAFT (LATE DESIGN) .....                            | 6I1  | LINES, AIR BRAKE (REAR) (EARLY DESIGN) .....                              |
|      | 70 - 29  |      | 60 - 112  |
| 7E24 | LIFT CYLINDER (100 MM) (HIGH-LIFT)<br>(EARLY DESIGN).....          | 6H3  | LINES, AIR BRAKE CONTROL VALVE<br>(EUROPEAN VERSION) (EARLY DESIGN) ..... |
|      | 70 - 44  |      | 60 - 90   |
| 7E25 | LIFT CYLINDER (100 MM) (HIGH-LIFT)<br>(LATE DESIGN) .....          | 6F5  | LINES, BRAKE OIL (EARLY DESIGN) .....                                     |
|      | 70 - 45  |      | 60 - 50   |
| 7E18 | LIFT CYLINDER (8100, 8200) (EUROPEAN<br>VERSION).....              | 6F9  | LINES, BRAKE OIL (REAR) (W/ TRAILER<br>BRAKE) (LATE DESIGN).....          |
|      | 70 - 38  |      | 60 - 52   |
| 7E20 | LIFT CYLINDER (8100,8200) (EARLY<br>DESIGN) .....                  | 6F11 | LINES, BRAKE OIL (REAR) (W/O TRAILER<br>BRAKE) (LATE DESIGN) .....        |
|      | 70 - 40  |      | 60 - 54   |
| 7E21 | LIFT CYLINDER (8100,8200) (LATE DESIGN).....                       | 6F7  | LINES, BRAKE VALVE ATTENUATOR.....  |
|      | 70 - 41  |      | 60 - 51A  |
| 7E15 | LIFT CYLINDER (8100,8200) (NORTH<br>AMERICAN HIGH-LIFT).....       | 6E13 | LINES, CHARGE PUMP REAR .....   |
|      | 70 - 35  |      | 60 - 32   |
| 7E19 | LIFT CYLINDER (8300,8400) (EUROPEAN<br>VERSION).....               | 2G6  | LINES, FUEL .....   |
|      | 70 - 39  |      | 30 - 70   |
| 7E17 | LIFT CYLINDER (8300,8400) (NORTH<br>AMERICAN HIGH-LIFT).....       | 2E18 | LINES, FUEL FILTER (6076)<br>(EARLY DESIGN).....                          |
|      | 70 - 37  |      | 30 - 32   |
| 7E22 | LIFT CYLINDER (90 MM) (EARLY DESIGN) .....                         | 2E20 | LINES, FUEL FILTER (6076)<br>(LATE DESIGN) .....                          |
|      | 70 - 42  |      | 30 - 34   |
| 7E23 | LIFT CYLINDER (90 MM) (LATE DESIGN) .....                          | 2G2  | LINES, FUEL FILTER (6081)<br>(EARLY DESIGN) (8400) .....                  |
|      | 70 - 43  |      | 30 - 66   |
| 7E14 | LIFT CYLINDER KIT (8100, 8200) (NORTH<br>AMERICAN VERSION) .....   | 2F5  | LINES, FUEL FILTER (6081)<br>(LATE TSN-8100,8200,8300).....               |
|      | 70 - 34  |      | 30 - 44   |
| 7E16 | LIFT CYLINDER KIT (8300, 8400) (NORTH<br>AMERICAN VERSION) .....   | 2G4  | LINES, FUEL FILTER (6081) (8400)<br>(LATE DESIGN ENGINE) .....            |
|      | 70 - 36  |      | 30 - 68   |
| 7F3  | LIFT CYLINDER LINES (EUROPEAN VERSION) .....                       | 2E22 | LINES, FUEL INJ (6076) .....  |
|      | 70 - 48  |      | 30 - 36   |
| 7F1  | LIFT CYLINDER LINES (NORTH AMERICAN<br>VERSION).....               | 2F7  | LINES, FUEL INJ (6081 ENGINE)<br>(LATE TSN-8100,8200,8300).....           |
|      | 70 - 46  |      | 30 - 46   |
| 7F7  | LIFT LINK .....  | 2F19 | LINES, FUEL INJ (6081)<br>(8400 ONLY) .....                               |
|      | 70 - 52  |      | 30 - 56   |
| 1D20 | LIFT STRAPS, ENGINE (6076) .....                                   | 2E22 | LINES, FUEL LEAK-OFF (6076) .....   |
|      | 20 - 7   |      | 30 - 36   |
| 1H1  | LIFT STRAPS, ENGINE (6081) .....                                   | 2E24 | LINES, FUEL LEAK-OFF (6076) .....   |
|      | 20 - 79  |      | 30 - 38   |
| 1F14 | LIFT STRAPS, ENGINE (6081)<br>(LATE TSN-81,82,8300).....           | 2F7  | LINES, FUEL LEAK-OFF (6081 ENGINE)<br>(LATE TSN-8100,8200,8300).....      |
|      | 20 - 43  |      | 30 - 46   |
| 3G20 | LIGHT,DOME .....   | 2F9  | LINES, FUEL LEAK-OFF (6081)<br>(LATE TSN-8100,8200,8300).....             |
|      | 40 - 76  |      | 30 - 48   |
| 3E13 | LIGHT,LICENCE PLATE(EUROPEAN<br>VERSION)(TSN -009999) .....        | 2F11 | LINES, FUEL LEAK-OFF (6081)<br>(LATE TSN-8100,8200,8300).....             |
|      | 40 - 18  |      | 30 - 49A  |
| 3E15 | LIGHT,LICENCE PLATE(EUROPEAN<br>VERSION)(TSN 010000- ) .....       | 2F19 | LINES, FUEL LEAK-OFF (6081)<br>(8400 ONLY) .....                          |
|      | 40 - 20  |      | 30 - 56   |
| 4D7  | LIGHT,TAIL(EV)(TSN 010000-) .....                                  | 2F21 | LINES, FUEL LEAK-OFF (8400) .....   |
|      | 42 - 3   |      | 30 - 58   |
| 4D6  | LIGHT,TAIL(EV)(TSN -009999) .....                                  | 7E2  | LINES, HYDRAULIC OIL COOLER .....   |
|      | 42 - 2   |      | 70 - 20   |
| 4D5  | LIGHT,TAIL(NAV) .....  | 7D22 | LINES, HYDRAULIC PUMP (45 CM3 (2.75<br>IN3)) .....                        |
|      | 42 - 1   |      | 70 - 14   |
| 9D14 | LIGHTER .....  | 7D24 | LINES, HYDRAULIC PUMP(57 CM3 (3.5 IN3)) .....                             |
|      | 91 - 9   |      | 70 - 16   |
| 6I3  | LINE, AIR BRAKE (REAR) (LATE DESIGN).....                          | 7J9  | LINES, IMPLEMENT HYDRAULIC OIL .....                                      |
|      | 60 - 114   |      | 70 - 152  |
| 7E6  | LINE, HYDRAULIC OIL FILTER .....                                   | 7F3  | LINES, LIFT CYLINDER (EUROPEAN VERSION) .....                             |
|      | 70 - 24  |      | 70 - 48   |
| 2E24 | LINE, INJECTION PUMP LUBE (6076).....                              | 7F1  | LINES, LIFT CYLINDER (NORTH AMERICAN<br>VERSION).....                     |
|      | 30 - 38  |      | 70 - 46   |
| 2F9  | LINE, INJECTION PUMP LUBE (6081)<br>(LATE TSN-8100,8200,8300)..... | 7H13 | LINES, PICK-UP HITCH CYLINDER (EUROPEAN<br>VERSION).....                  |
|      | 30 - 48  |      | 70 - 106  |
| 2F11 | LINE, INJECTION PUMP LUBE (6081)<br>(LATE TSN-8100,8200,8300)..... | 2E16 | LINES, PRE-FUEL (6081) .....  |
|      | 30 - 49A   |      | 30 - 31A  |
| 2F21 | LINE, INJECTION PUMP LUBE (8400).....                              | 2F17 | LINES, PRE-FUEL (8400) .....  |
|      | 30 - 58  |      | 30 - 54   |
| 7I15 | LINE, SELECTIVE CONTROL VALVE PILOT .....                          | 6D18 | LINES, PRIORITY VALVE .....   |
|      | 70 - 134   |      | 60 - 14   |
| 6E15 | LINE, STEERING PUMP FRONT .....                                    | 7D12 | LINES, PUMP DRIVE .....   |
|      | 60 - 34  |      | 70 - 4  |
| 1E14 | LINER O-RINGS (6076)<br>(EARLY TSN 8100,8200,8300) .....           | 8H11 | LINES, REFRIGERANT .....  |
|      | 20 - 20  |      | 90 - 8  |
| 1G6  | LINER O-RINGS (6081)<br>(LATE TSN-8100,8200,8300).....             | 8D18 | LINES, ROW-TRAK QUICK COUPLER CYLINDER.....                               |
|      | 20 - 58  |      | 71 - 16   |
| 1H17 | LINER O-RINGS (6081HRW01)(8400) .....                              | 6G7  | LINES, SECONDARY BRAKE (EUROPEAN<br>VERSION) (EARLY DESIGN) .....         |
|      | 20 - 95  |      | 60 - 70   |
| 1E14 | LINER SHIM (6076)<br>(EARLY TSN 8100,8200,8300) .....              | 6G9  | LINES, SECONDARY BRAKE (EUROPEAN<br>VERSION) (LATE DESIGN).....           |
|      | 20 - 20  |      | 60 - 72   |
| 1G6  | LINER SHIM (6081)<br>(LATE TSN-8100,8200,8300).....                | 6G11 | LINES, SECONDARY BRAKE (EUROPEAN<br>VERSION) (LATE DESIGN).....           |
|      | 20 - 58  |      | 60 - 74   |
| 1H17 | LINER SHIM (6081HRW01)(8400).....                                  | 7I17 | LINES, SELECTIVE CONTROL VALVE DRAIN .....                                |
|      | 20 - 95  |      | 70 - 136  |
| 1E14 | LINERS, CYLINDER (6076)<br>(EARLY TSN 8100,8200,8300) .....        | 6E3  | LINES, STEERING CYLINDER (MFWD).....                                      |
|      | 20 - 20  |      | 60 - 22   |

## ALPHABETICAL INDEX - CONTINUED

| GRID |   | PAGE     | GRID |  | PAGE     |
|------|---|----------|------|--|----------|
| 6E5  | LINES, STEERING CYLINDER (W/O MFWD)<br>(EARLY DESIGN).....                        | 60 - 24  | 4F3  | MANIFOLD .....   | 51 - 6   |
| 6E7  | LINES, STEERING CYLINDER (W/O MFWD)<br>(LATE DESIGN) .....                        | 60 - 26  | 4F5  | MANIFOLD .....   | 51 - 8   |
| 6E13 | LINES, STEERING PUMP REAR .....   | 60 - 32  | 4F7  | MANIFOLD .....   | 51 - 10  |
| 4G19 | LINES, TRANSMISSION .....   | 51 - 48  | 4F9  | MANIFOLD .....   | 51 - 12  |
| 4G21 | LINES, TRANSMISSION .....   | 51 - 50  | 4F11 | MANIFOLD .....   | 51 - 14  |
| 4G23 | LINES, TRANSMISSION .....   | 51 - 52  | 4F13 | MANIFOLD .....   | 51 - 16  |
| 2D18 | LINES, TURBOCHARGER OIL (6076)<br>(EARLY TSN 8100,8200,8300) .....                | 30 - 10  | 4H3  | MANIFOLD .....   | 51 - 56  |
| 2D22 | LINES, TURBOCHARGER OIL (6081)<br>(LATE TSN-8100,8200,8300).....                  | 30 - 14  | 4H5  | MANIFOLD .....   | 51 - 58  |
| 2E1  | LINES, TURBOCHARGER OIL (8400) .....  | 30 - 18  | 4H7  | MANIFOLD .....   | 51 - 60  |
| 6H7  | LINES,AIR BRAKE CONTROL VALVE (EUROPEAN<br>VERSION) (LATE DESIGN) (83,8400) ..... | 60 - 94  | 4H9  | MANIFOLD .....   | 51 - 62  |
| 6H5  | LINES,AIR BRAKE CONTROL VALVE (EUROPEAN<br>VERSION) (LATE DESIGN)(81,8200) .....  | 60 - 92  | 4H11 | MANIFOLD .....   | 51 - 64  |
| 7F21 | LINK, CENTER (EUROPEAN VERSION) .....   | 70 - 66  | 4H13 | MANIFOLD .....   | 51 - 66  |
| 7F19 | LINK, CENTER (HIGH-LIFT HITCH) (NORTH<br>AMERICAN VERSION) .....                  | 70 - 64  | 4H15 | MANIFOLD .....   | 51 - 68  |
| 7F17 | LINK, CENTER (REGULAR HITCH) (NORTH<br>AMERICAN VERSION) .....                    | 70 - 62  | 4F13 | MANIFOLD COVER .....   | 51 - 16  |
| 7F13 | LINK, DRAFT (EUROPEAN VERSION).....   | 70 - 58  | 4H15 | MANIFOLD COVER .....   | 51 - 68  |
| 7F9  | LINK, DRAFT (NORTH AMERICAN VERSION) .....  | 70 - 54  | 4F1  | MANIFOLD VALVE.....  | 51 - 4   |
| 7F7  | LINK, LIFT.....   | 70 - 52  | 4F3  | MANIFOLD VALVE.....  | 51 - 6   |
| 3F6  | LOAD CENTER.....  | 40 - 36  | 4F5  | MANIFOLD VALVE.....  | 51 - 8   |
| 3F6  | LOAD CENTER BRACKET .....   | 40 - 36  | 4F7  | MANIFOLD VALVE.....  | 51 - 10  |
| 3F6  | LOAD CENTER DIODE .....   | 40 - 36  | 4F9  | MANIFOLD VALVE.....  | 51 - 12  |
| 3F6  | LOAD CENTER FUSE .....  | 40 - 36  | 4F11 | MANIFOLD VALVE.....  | 51 - 14  |
| 3F6  | LOAD CENTER LABEL .....   | 40 - 36  | 4F13 | MANIFOLD VALVE.....  | 51 - 16  |
| 3F6  | LOAD CENTER RELAY .....   | 40 - 36  | 4H3  | MANIFOLD VALVE.....  | 51 - 56  |
| 3F6  | LOAD CENTER TREMINAL BOARD.....   | 40 - 36  | 4H5  | MANIFOLD VALVE.....  | 51 - 58  |
| 3E13 | LOAD CENTER(EUROPEAN VERSION)(TSN<br>-009999) .....                               | 40 - 18  | 4H7  | MANIFOLD VALVE.....  | 51 - 60  |
| 3E15 | LOAD CENTER(EUROPEAN VERSION)(TSN<br>010000- ) .....                              | 40 - 20  | 4H9  | MANIFOLD VALVE.....  | 51 - 62  |
| 3E9  | LOAD CENTER(NORTH AMERICAN VERSION)(TSN<br>-009999) .....                         | 40 - 14  | 4H11 | MANIFOLD VALVE.....  | 51 - 64  |
| 3E11 | LOAD CENTER(NORTH AMERICAN VERSION)(TSN<br>010000- ) .....                        | 40 - 16  | 4H13 | MANIFOLD VALVE.....  | 51 - 66  |
| 3E17 | LOAD CENTER(UKRAINIAN VERSION).....   | 40 - 22  | 4H15 | MANIFOLD VALVE.....  | 51 - 68  |
| 7H22 | LOAD CHECK VENT CARTRIDGE KIT (SCV).....  | 70 - 116 | 6H9  | MANIFOLD, AIR BRAKE PRESSURE SWITCH<br>(EUROPEAN VERSION) .....          | 60 - 97  |
| 8F21 | LOUVER, SIDE PANEL (8100, 8200, 8300).....  | 80 - 42  | 2D20 | MANIFOLD, EXHAUST (6076)<br>(EARLY TSN - 8100,8200,8300) .....           | 30 - 12  |
| 8F22 | LOUVER, SIDE PANEL (8400) .....   | 80 - 43  | 2D16 | MANIFOLD, INTAKE (6076).....   | 30 - 8   |
| 9F23 | LUBRICATION HARNESS .....   | 92 - 9   | 2D21 | MANIFOLD, INTAKE (6081)<br>(LATE TSN-8100,8200,8300).....                | 30 - 13  |
|      | <b>M</b>  |          | 2D25 | MANIFOLD, INTAKE (8400).....   | 30 - 17  |
| 4G18 | MAGNETIC PICK-UP .....  | 51 - 47  | 8D18 | MANIFOLD, ROW-TRAK QUICK COUPLER .....                                   | 71 - 16  |
| 1E18 | MAGNETIC PICK-UP (6076)<br>(EARLY TSN-8100,8200,8300) .....                       | 20 - 24  | 7I7  | MANIFOLD, SELECTIVE CONTROL VALVE (W/O<br>HITCH) .....                   | 70 - 126 |
| 1H21 | MAGNETIC PICK-UP (6081) .....   | 20 - 99  | 1F6  | MANIFOLD, WATER, FRONT (6076) .....                                      | 20 - 37A |
| 1G9  | MAGNETIC PICK-UP (6081)<br>(LATE TSN-81,82,8300).....                             | 20 - 61  | 1F5  | MANIFOLD, WATER, FRONT (6076)<br>(EARLY TSN-8100,8200,8300) .....        | 20 - 37  |
| 4G18 | MAGNETIC SENSOR.....  | 51 - 47  | 1G19 | MANIFOLD, WATER, FRONT (6081)<br>(LATE TSN-8100,8200,8300).....          | 20 - 73  |
| 1D23 | MAIN BEARING CAPS (6076)<br>(EARLY TSN -009999) .....                             | 20 - 10  | 1I7  | MANIFOLD, WATER, FRONT (8400) .....                                      | 20 - 109 |
| 1F17 | MAIN BEARING CAPS (6081)<br>(LATE TSN-81,82,8300).....                            | 20 - 46  | 2D24 | MANIFOLDS, EXHAUST (6081)<br>(LATE TSN-8100,8200,8300).....              | 30 - 16  |
| 1H4  | MAIN BEARING CAPS (8400).....   | 20 - 82  | 2E4  | MANIFOLDS, EXHAUST (8400) .....  | 30 - 21  |
| 1E15 | MAIN BEARINGS (6076)<br>(EARLY TSN 8100,8200,8300) .....                          | 20 - 21  | 7I9  | MANUAL LOWER KIT (HITCH VALVE) .....                                     | 70 - 128 |
| 1G5  | MAIN BEARINGS (6081)<br>(LATE TSN-8100,8200,8300).....                            | 20 - 57  | 9D13 | MAT, FLOOR .....   | 91 - 8   |
| 1H18 | MAIN BEARINGS (8400) .....  | 20 - 96  | 4E11 | METRI-PACK CONNECTOR .....   | 43 - 6   |
| 4F1  | MANIFOLD .....  | 51 - 4   | 4E9  | METRI-PACK CONNECTORS .....  | 43 - 4   |
|      |   |          | 4E11 | METRI-PACK TERMINAL.....   | 43 - 6   |
|      |   |          | 4E9  | METRI-PACK TERMINALS .....   | 43 - 4   |
|      |   |          | 5F18 | MFWD AXLE HOUSING, LH,<br>(ASN 000001-000747; 800001- ) .....            | 54 - 30  |
|      |   |          | 5F20 | MFWD AXLE HOUSING, RH,<br>(ASN 000001-000747; 800001- ) .....            | 54 - 32  |
|      |   |          | 5F16 | MFWD AXLE PIVOT PIN<br>(ASN 000001-000747; 800001- ) .....               | 54 - 28  |
|      |   |          | 4G11 | MFWD CLUTCH .....  | 51 - 40  |
|      |   |          | 4I15 | MFWD CLUTCH .....  | 51 - 92  |
|      |   |          | 4G11 | MFWD CLUTCH COVER .....  | 51 - 40  |
|      |   |          | 4I15 | MFWD CLUTCH COVER .....  | 51 - 92  |
|      |   |          | 5G3  | MFWD DIFFERENTIAL, HIGH CAPACITY,<br>(ASN 000001-000747; 800001- ) ..... | 54 - 40  |

## ALPHABETICAL INDEX - CONTINUED

| GRID |  | PAGE     | GRID |   | PAGE     |
|------|--|----------|------|---|----------|
| 5G1  | MFWD DIFFERENTIAL, STANDARD,<br>(ASN 000001-000747; 800001- )              | 54 - 38  |      | O   |          |
| 8F23 | MFWD FRONT FENDER ASSEMBLY   | 80 - 44  | 7J10 | O-RING KIT  | 70 - 153 |
| 3D19 | MFWD SOLENOID(TSN -019999)   | 40 - 2   | 1E14 | O-RINGS, LINER (6076)<br>(EARLY TSN 8100,8200,8300)           | 20 - 20  |
| 3D21 | MFWD SOLENOID(TSN 020000-)   | 40 - 4   | 1G6  | O-RINGS, LINER (6081)<br>(LATE TSN-8100,8200,8300)            | 20 - 58  |
| 5F7  | MFWD U-JOINT/WHEEL HUB RETROFIT SEAL<br>KIT                                | 54 - 18  | 1H17 | O-RINGS, LINER (6081HRW01)(8400)                              | 20 - 95  |
| 8F7  | MIDFRAME ASSEMBLY  | 80 - 28  | 1G14 | OIL COOLER ADAPTER (8100, 8200, 8300)<br>(LATE TSN)           | 20 - 66  |
| 8F7  | MIDFRAME COVER   | 80 - 28  | 1I4  | OIL COOLER ADAPTER (8400)                                     | 20 - 107 |
| 8F7  | MIDFRAME SHIELD  | 80 - 28  | 1G13 | OIL COOLER BYPASS ADAPTER (6081)<br>(LATE TSN-81,82,8300)     | 20 - 65  |
| 9E4  | MIRROR, INSIDE REAR VIEW   | 91 - 23  | 1G13 | OIL COOLER BYPASS TUBES (6081)<br>(LATE TSN-81,82,8300)       | 20 - 65  |
| 9E17 | MIRROR, REMOTE (EUROPEAN VERSION)  | 91 - 36  | 1I3  | OIL COOLER BYPASS VALVE (6081)                                | 20 - 106 |
| 9E19 | MIRROR, REMOTE POWER (EUROPEAN VERSION)                                    | 91 - 38  | 1G14 | OIL COOLER COVER (8100, 8200, 8300)<br>(LATE TSN)             | 20 - 66  |
| 9E15 | MIRRORS, OUTER, KIT  | 91 - 34  | 1I4  | OIL COOLER COVER (8400)                                       | 20 - 107 |
| 3H23 | MOBILE RADIO ANTENNA CABLE   | 40 - 104 | 1E22 | OIL COOLER GASKET (6076)                                      | 20 - 28  |
| 3H23 | MOBILE RADIO BRACKET   | 40 - 104 | 7E4  | OIL COOLER LINE CLAMPS AND BRACKETS                           | 70 - 22  |
| 3H23 | MOBILE RADIO WIRING HARNESS  | 40 - 104 | 1G14 | OIL COOLER TUBES (8100, 8200, 8300)<br>(LATE TSN)             | 20 - 66  |
| 8G7  | MODEL DESIGNATION (8100, 8200)<br>( -009999)                               | 80 - 54  | 1I4  | OIL COOLER TUBES (8400)                                       | 20 - 107 |
| 8G9  | MODEL DESIGNATION (8100, 8200)(010000- )                                   | 80 - 56  | 1E22 | OIL COOLER TUBES (8400)                                       | 20 - 107 |
| 8G8  | MODEL DESIGNATION (8300, 8400)( -009999)                                   | 80 - 55  | 1G14 | OIL COOLER, ENGINE (8100, 8200, 8300)<br>(LATE TSN)           | 20 - 66  |
| 8G10 | MODEL DESIGNATION DECALS (8300, 8400)(010000- )                            | 80 - 57  | 1I4  | OIL COOLER, ENGINE (8400)                                     | 20 - 107 |
| 9E24 | MOLDING, FRONT CLASS   | 91 - 44  | 1G14 | OIL COOLER, ENGINE (8400)                                     | 20 - 107 |
| 3H10 | MONITOR, PERFORMANCE   | 40 - 90  | 5E9  | OIL FILL GAUGE  | 53 - 32  |
| 3E23 | MONITOR, ROW-TRAC  | 40 - 28  | 5E9  | OIL FILL TUBE   | 53 - 32  |
| 3H13 | MONITOR, ROW-TRAK  | 40 - 93  | 1G15 | OIL FILTER BASE (6081)<br>(LATE TSN-8100,8200,8300)           | 20 - 68  |
| 7I23 | MOTOR RETURN OR SUMP KIT, HYDRAULIC  | 70 - 142 | 1I1  | OIL FILTER BASE (8400)  | 20 - 104 |
| 3I14 | MOTOR, STARTING (DENSO)<br>(12V F4) (6076)                                 | 41 - 4   | 1E22 | OIL FILTER BYPASS VALVE (6076)                                | 20 - 28  |
| 3I15 | MOTOR, STARTING (NIPPONDENSO) (12V F4)<br>(6081) (LATE TSN-8100,8200,8300) | 41 - 4A  | 1G15 | OIL FILTER BYPASS VALVE (6081)<br>(LATE TSN-8100,8200,8300)   | 20 - 68  |
| 8H19 | MOTOR, HEATER AND A/C BLOWER   | 90 - 16  | 1I1  | OIL FILTER BYPASS VALVE (8400)                                | 20 - 104 |
| 8H16 | MOTOR, PRESSURIZER BLOWER  | 90 - 13  | 1G15 | OIL FILTER HOUSING (6081)<br>(LATE TSN-8100,8200,8300)        | 20 - 68  |
| 3I17 | MOTOR, STARTING(8100,8200,8300,8400)                                       | 41 - 6   | 1I1  | OIL FILTER HOUSING (8400)                                     | 20 - 104 |
| 3I20 | MOTOR, STARTING(8100,8200,8300,8400)                                       | 41 - 10  | 1E22 | OIL FILTER HOUSING GASKET (6076)                              | 20 - 28  |
| 3I16 | MOTOR, STARTING(8400)  | 41 - 5   | 1G15 | OIL FILTER HOUSING GASKET (6081)<br>(LATE TSN-8100,8200,8300) | 20 - 68  |
| 8D16 | MOUNTING RAIL, ROW-TRAK PROBE BOX  | 71 - 14  | 1I1  | OIL FILTER HOUSING GASKET (8400)                              | 20 - 104 |
| 9D9  | MOUNTS, CAB  | 91 - 4   | 1E22 | OIL FILTER, ENGINE (6076)                                     | 20 - 28  |
| 9E11 | MUD GUARD, REAR FENDER   | 91 - 30  | 1G15 | OIL FILTER, ENGINE (6081)<br>(LATE TSN-8100,8200,8300)        | 20 - 68  |
| 2E6  | MUFFLER  | 30 - 24  | 1I1  | OIL FILTER, ENGINE (8400)                                     | 20 - 104 |
| 8E25 | MULTI-POSITION (DUALS)   | 80 - 20  | 7E6  | OIL FILTER, HYDRAULIC   | 70 - 24  |
| 7J1  | MULTIPLE HYDRAULIC MOTOR RETURN KIT  | 70 - 144 | 7J9  | OIL LINES, IMPLEMENT HYDRAULIC                                | 70 - 152 |
| N    |  |          |      |   |          |
| 3F14 | NINE-PIN IMPLEMENT FEEDBACK CONNECTOR                                      | 40 - 45  | 2D18 | OIL LINES, TURBOCHARGER (6076)<br>(EARLY TSN 8100,8200,8300)  | 30 - 10  |
| 2D21 | NOZZLE, ETHER (6081)<br>(LATE TSN-8100,8200,8300)                          | 30 - 13  | 2D22 | OIL LINES, TURBOCHARGER (6081)<br>(LATE TSN-8100,8200,8300)   | 30 - 14  |
| 2D25 | NOZZLE, ETHER (8400)   | 30 - 17  | 2E1  | OIL LINES, TURBOCHARGER (8400)                                | 30 - 18  |
| 2F3  | NOZZLE, FUEL INJECTION (NIPPONDENSO)<br>(EARLY TSN-8100,8200,8300)         | 30 - 42  | 1E9  | OIL PAN (6076)<br>(EARLY TSN 8100,8200,8300)                  | 20 - 15  |
| 2F15 | NOZZLE, FUEL INJECTION (6081)<br>(LATE TSN-8100, 8200, 8300)               | 30 - 52  | 1F23 | OIL PAN (6081)<br>(LATE TSN-8100,8200,8300)                   | 20 - 52  |
| 2F25 | NOZZLE, FUEL INJECTION (8400)  | 30 - 62  | 1H12 | OIL PAN (8400)  | 20 - 90  |
| 2E22 | NOZZLES, FUEL INJECTION (6076)   | 30 - 36  | 1E9  | OIL PAN GASKET (6076)<br>(EARLY TSN 8100,8200,8300)           | 20 - 15  |
| 2F7  | NOZZLES, FUEL INJECTION (6081 ENGINE)<br>(LATE TSN-8100,8200,8300)         | 30 - 46  | 1F23 | OIL PAN GASKET (6081)<br>(LATE TSN-8100,8200,8300)            | 20 - 52  |
| 2F19 | NOZZLES, FUEL INJECTION (6081)<br>(ROBERT BOSCH) (8400 ONLY)               | 30 - 56  | 1H12 | OIL PAN GASKET (8400)   | 20 - 90  |
|      |  |          | 1I1  | OIL PRESSURE REGULATING VALVE<br>(8400)                       | 20 - 104 |
|      |  |          | 1E22 | OIL PRESSURE REGULATING VALVE (6076)                          | 20 - 28  |



## ALPHABETICAL INDEX - CONTINUED

| GRID |  | PAGE     | GRID |  | PAGE     |
|------|--|----------|------|--|----------|
| 1G15 | OIL PRESSURE REGULATING VALVE (6081)<br>(LATE TSN-8100,8200,8300)..... | 20 - 68  | 4I11 | OUTPUT SHAFT DRUM .....                                      | 51 - 88  |
| 1G14 | OIL PRESSURE REGULATING VALVE (8100, 820<br>0, 8300) (LATE TSN).....   | 20 - 66  | 4G5  | OUTPUT SHAFT GEAR.....                                       | 51 - 34  |
| 1I4  | OIL PRESSURE REGULATING VALVE (8400) .....                             | 20 - 107 | 4G7  | OUTPUT SHAFT GEAR.....                                       | 51 - 36  |
| 3E1  | OIL PRESSURE TRANSDUCER SWITCH(TSN<br>-009999) .....                   | 40 - 8   | 4I9  | OUTPUT SHAFT GEAR.....                                       | 51 - 86  |
| 3E3  | OIL PRESSURE TRANSDUCER SWITCH(TSN<br>-009999) .....                   | 40 - 9A  | 4I11 | OUTPUT SHAFT GEAR.....                                       | 51 - 88  |
| 3E7  | OIL PRESSURE TRANSDUCER SWITCH(TSN<br>010000- ) .....                  | 40 - 12  | 7D15 | OUTTEXT .....  | 70 - 7   |
| 4G3  | OIL PUMP .....   | 51 - 32  | 7I4  | OUTTEXT .....  | 70 - 123 |
| 4I7  | OIL PUMP.....  | 51 - 84  | 8F16 | OUTTEXT .....  | 80 - 37  |
| 1E12 | OIL PUMP DRIVE GEAR (6076)<br>(EARLY TSN 8100,8200,8300) .....         | 20 - 18  | 9D20 | OUTTEXT .....  | 91 - 15  |
| 1G1  | OIL PUMP DRIVE GEAR (6081)<br>(LATE TSN-81,82,8300).....               | 20 - 55  | 9D22 | OUTTEXT .....  | 91 - 17  |
| 1G10 | OIL PUMP DRIVE GEAR (6081)<br>(LATE TSN-81,82,8300).....               | 20 - 62  | 6E21 | OVERHAUL KIT, BRAKE VALVE .....                              | 60 - 40  |
| 1H15 | OIL PUMP DRIVE GEAR (8400).....  | 20 - 93  | 6G4  | OVERHAUL KIT, BRAKE VALVE .....                              | 60 - 69C |
| 1H23 | OIL PUMP DRIVE GEAR (8400).....  | 20 - 102 | 1F21 | OVERHAUL KIT, ENGINE (6081)<br>(LATE TSN-81,82,8300).....    | 20 - 50  |
| 1G10 | OIL PUMP GASKET (6081)<br>(LATE TSN-81,82,8300).....                   | 20 - 62  | 1H10 | OVERHAUL KIT, ENGINE (8400) .....                            | 20 - 88  |
| 1H23 | OIL PUMP GASKET (8400).....  | 20 - 102 | 7I11 | OVERHAUL KIT, HITCH VALVE .....                              | 70 - 130 |
| 1E19 | OIL PUMP INTAKE (6076)<br>(EARLY TSN-8100,8200,8300) .....             | 20 - 25  | 7H24 | OVERHAUL KIT, SELECTIVE CONTROL VALVE .....                  | 70 - 118 |
| 1G12 | OIL PUMP INTAKE (6081)<br>(LATE TSN-8100,8200,8300).....               | 20 - 64  |      |  |          |
| 1H22 | OIL PUMP INTAKE (8400).....  | 20 - 101 |      | P  |          |
| 1G12 | OIL PUMP INTAKE GASKET<br>(LATE TSN-8100,8200,8300).....               | 20 - 64  | 1E9  | PAN, ALUMINUM OIL (6076)<br>(EARLY TSN 8100,8200,8300) ..... | 20 - 15  |
| 1E19 | OIL PUMP INTAKE GASKET (6076)<br>(EARLY TSN-8100,8200,8300) .....      | 20 - 25  | 1E9  | PAN, OIL (6076)<br>(EARLY TSN 8100,8200,8300) .....          | 20 - 15  |
| 1H22 | OIL PUMP INTAKE GASKET (8400).....                                     | 20 - 101 | 1F23 | PAN, OIL (6081)<br>(LATE TSN-8100,8200,8300).....            | 20 - 52  |
| 4G3  | OIL PUMP QUILL.....  | 51 - 32  | 1H12 | PAN, OIL (8400).....   | 20 - 90  |
| 4I7  | OIL PUMP QUILL.....  | 51 - 84  | 8F21 | PANEL, SIDE (8100, 8200, 8300).....                          | 80 - 42  |
| 1E20 | OIL PUMP, ENGINE (6076).....   | 20 - 26  | 8F22 | PANEL, SIDE (8400) .....                                     | 80 - 43  |
| 1G10 | OIL PUMP, ENGINE (6081)<br>(LATE TSN-81,82,8300).....                  | 20 - 62  | 3F16 | PANEL,SCV SET-UP(TSN -009999) .....                          | 40 - 48  |
| 1H23 | OIL PUMP, ENGINE (8400).....   | 20 - 102 | 3F18 | PANEL,SCV SET-UP(TSN 010000- ) .....                         | 40 - 50  |
| 1H20 | OIL SEAL, CRANKSHAFT FRONT<br>(8400 TRACTOR).....                      | 20 - 98  | 9G9  | PASSENGER SEAT (EUROPEAN VERSION) .....                      | 92 - 20  |
| 1E17 | OIL SEAL, CRANKSHAFT FRONT (6076)<br>(EARLY TSN-8100,8200,8300) .....  | 20 - 23  | 9G11 | PASSENGER SEAT MOUNTING KIT (EUROPEAN<br>VERSION).....       | 92 - 22  |
| 1G8  | OIL SEAL, CRANKSHAFT FRONT (6081)<br>(LATE TSN-8100,8200,8300).....    | 20 - 60  | 4E23 | PEDAL, CLUTCH .....  | 51 - 2   |
| 1E16 | OIL SEAL, REAR (6076)<br>(EARLY TSN (8100, 8200, 8300) .....           | 20 - 22  | 4H1  | PEDAL, CLUTCH .....  | 51 - 54  |
| 1G7  | OIL SEAL, REAR (6081)<br>(LATE TSN-8100,8200,8300).....                | 20 - 59  | 6D12 | PEDAL, PIVOT RELEASE .....                                   | 60 - 8   |
| 1H19 | OIL SEAL, REAR (8400) .....  | 20 - 97  | 6F2  | PEDALS, BRAKE .....  | 60 - 46  |
| 7E1  | OIL, HYDRAULIC, COOLER .....   | 70 - 19  | 3H10 | PERFORMANCE MONITOR .....                                    | 40 - 90  |
| 7D9  | OIL, TRANSMISSION AND HYDRAULIC .....                                  | 70 - 1   | 3H10 | PERFORMANCE MONITOR BRACKET .....                            | 40 - 90  |
| 9F20 | OPERATOR PRESENCE SWITCH KIT.....                                      | 92 - 6   | 7H11 | PICK-UP HITCH (EUROPEAN VERSION) (EARLY<br>DESIGN).....      | 70 - 104 |
| 3F1  | OPERATOR PRESENCE SWITCH(SEAT) .....                                   | 40 - 31  | 7H15 | PICK-UP HITCH CONTROLS (EUROPEAN<br>VERSION).....            | 70 - 108 |
| 5E3  | OPTIONAL PTO .....   | 53 - 26  | 7H13 | PICK-UP HITCH CYLINDERS (EUROPEAN<br>VERSION).....           | 70 - 106 |
| 5E5  | OPTIONAL PTO .....   | 53 - 28  | 7H17 | PICK-UP HITCH DRAWBAR (EUROPEAN<br>VERSION).....             | 70 - 110 |
| 9E15 | OUTER MIRROR GLASS.....  | 91 - 34  | 4G18 | PICK-UP, MAGNETIC .....                                      | 51 - 47  |
| 9E15 | OUTER MIRRORS KIT.....   | 91 - 34  | 1E18 | PICK-UP, MAGNETIC (6076)<br>(EARLY TSN-8100,8200,8300) ..... | 20 - 24  |
| 9F13 | OUTER ROOF .....   | 91 - 55  | 1H21 | PICK-UP, MAGNETIC (6081).....                                | 20 - 99  |
| 4G5  | OUTPUT SHAFT .....   | 51 - 34  | 1G9  | PICK-UP, MAGNETIC (6081)<br>(LATE TSN-81,82,8300).....       | 20 - 61  |
| 4G7  | OUTPUT SHAFT .....   | 51 - 36  | 7I3  | PILOT VALVE SEAL KIT, SCV .....                              | 70 - 122 |
| 4I9  | OUTPUT SHAFT .....   | 51 - 86  | 7I1  | PILOT VALVE, SCV .....                                       | 70 - 120 |
| 4I11 | OUTPUT SHAFT .....   | 51 - 88  | 7I2  | PILOT VALVE, SCV .....                                       | 70 - 121 |
| 4G5  | OUTPUT SHAFT DRUM .....  | 51 - 34  | 5D17 | PINION, PLANET .....   | 53 - 14  |
| 4G7  | OUTPUT SHAFT DRUM .....  | 51 - 36  | 5D19 | PINION, PLANET .....   | 53 - 16  |
| 4I9  | OUTPUT SHAFT DRUM .....  | 51 - 86  | 5D21 | PINION, PLANET .....   | 53 - 18  |
|      |  |          | 5F9  | PINION, SUN .....  | 54 - 20  |
|      |  |          | 5F22 | PINION, SUN .....  | 54 - 34  |
|      |  |          | 5G5  | PINION, SUN .....  | 54 - 42  |
|      |  |          | 1D23 | PISTON COOLING JETS (6076)<br>(EARLT TSN -009999) .....      | 20 - 10  |

## ALPHABETICAL INDEX - CONTINUED

| GRID | PAGE   | GRID    | PAGE |  |          |
|------|--|---------|------|--|----------|
| 1F17 | PISTON COOLING JETS (6081)<br>(LATE TSN-81,82,8300).....                     | 20 - 46 | 3E5  | POTENTIOMETER,HITCH POSITION(TSN<br>010000- ) .....                    | 40 - 10  |
| 1H4  | PISTON COOLING JETS (8400).....  | 20 - 82 | 3G1  | POTENTIOMETER,HITCH RAISE<br>LIMIT(ARMREST).....                       | 40 - 58  |
| 1E14 | PISTON RINGS (6076)<br>(EARLY TSN 8100,8200,8300) .....                      | 20 - 20 | 3G1  | POTENTIOMETER,HITCH RATE OF<br>DROP(ARMREST) .....                     | 40 - 58  |
| 1G6  | PISTON RINGS (6081)<br>(LATE TSN-8100,8200,8300).....                        | 20 - 58 | 3G5  | POTENTIOMETER,SELECTIVE<br>CONTROL(ARMREST) .....                      | 40 - 62  |
| 1H17 | PISTON RINGS (6081HRW01)(8400) .....   | 20 - 95 | 3G9  | POTENTIOMETER,HITCH COMMAND(ARMREST) .....                             | 40 - 66  |
| 1G6  | PISTON/LINER KIT (6081)<br>(LATE TSN-8100,8200,8300).....                    | 20 - 58 | 7I21 | POWER BEYOND COUPLER KIT (W/ TRAILER<br>BRAKE) (EUROPEAN VERSION)..... | 70 - 140 |
| 1H17 | PISTON/LINER KIT (6081HRW01)(8400) .....                                     | 20 - 95 | 7I19 | POWER BEYOND COUPLER KIT (W/O TRAILER<br>BRAKE).....                   | 70 - 138 |
| 5E22 | PISTON, BRAKE .....  | 54 - 10 | 9E19 | POWER MIRROR, REMOTE (EUROPEAN VERSION) .....                          | 91 - 38  |
| 5F14 | PISTON, BRAKE .....  | 54 - 26 | 3G13 | POWER SHIFT CONTROLLER(CCU/PCU) .....                                  | 40 - 70  |
| 1E14 | PISTON, ENGINE (6076)<br>(EARLY TSN 8100,8200,8300) .....                    | 20 - 20 | 3G15 | POWER SHIFT CONTROLLER(CCU/PCU) .....                                  | 40 - 72  |
| 1G6  | PISTON, ENGINE (6081)<br>(LATE TSN-8100,8200,8300).....                      | 20 - 58 | 3E5  | POWERSHIFT CONTROL UNIT(PCU)(TSN<br>010000- ) .....                    | 40 - 10  |
| 1H17 | PISTON, ENGINE (6081HRW01)(8400) .....                                       | 20 - 95 | 3G13 | POWRSHIFT CONTROL UNIT(PCU) .....                                      | 40 - 70  |
| 5D5  | PISTON, PTO BRAKE .....  | 53 - 2  | 3G15 | POWRSHIFT CONTROL UNIT(PCU) .....                                      | 40 - 72  |
| 5D7  | PISTON, PTO BRAKE .....  | 53 - 4  | 2E16 | PRE-FUEL FILTER (6081).....  | 30 - 31A |
| 5F16 | PIVOT PIN,MFWD AXLE<br>(ASN 000001-000747; 800001- ) .....                   | 54 - 28 | 2F17 | PRE-FUEL FILTER (8400).....  | 30 - 54  |
| 6D12 | PIVOT RELEASE PEDAL.....   | 60 - 8  | 2E16 | PRE-FUEL FILTER BASE (6081) .....                                      | 30 - 31A |
| 6D8  | PIVOT, STEERING COLUMN .....   | 60 - 4  | 2F17 | PRE-FUEL FILTER BASE (8400) .....                                      | 30 - 54  |
| 5D17 | PLANET PINION.....   | 53 - 14 | 2E16 | PRE-FUEL FILTER BRACKETS (6081) .....                                  | 30 - 31A |
| 5D19 | PLANET PINION.....   | 53 - 16 | 2F17 | PRE-FUEL FILTER BRACKETS (8400) .....                                  | 30 - 54  |
| 5D21 | PLANET PINION.....   | 53 - 18 | 2E16 | PRE-FUEL FILTER SUPPORT BRACKET (6081) .....                           | 30 - 31A |
| 5D17 | PLANET PINION CARRIER .....  | 53 - 14 | 2F17 | PRE-FUEL FILTER SUPPORT BRACKET (8400) .....                           | 30 - 54  |
| 5D19 | PLANET PINION CARRIER .....  | 53 - 16 | 2D12 | PRESCREENER .....  | 30 - 4   |
| 5D21 | PLANET PINION CARRIER .....  | 53 - 18 | 6G17 | PRESSURE REGULATING VALVE, AIR BRAKE<br>(EUROPEAN VERSION) .....       | 60 - 80  |
| 5F9  | PLANETARY CARRIER .....  | 54 - 20 | 6G17 | PRESSURE RELIEF VALVE, AIR BRAKE<br>(EUROPEAN VERSION) .....           | 60 - 80  |
| 5F22 | PLANETARY CARRIER .....  | 54 - 34 | 6H9  | PRESSURE SWITCH MANIFOLD, AIR BRAKE<br>(EUROPEAN VERSION) .....        | 60 - 97  |
| 5G5  | PLANETARY CARRIER .....  | 54 - 42 | 8H16 | PRESSURIZER BLOWER MOTOR .....   | 90 - 13  |
| 5E22 | PLATE, CLUTCH DRIVE .....  | 54 - 10 | 8H16 | PRESSURIZER BLOWER MOTOR BRACKET .....                                 | 90 - 13  |
| 5F14 | PLATE, CLUTCH DRIVE .....  | 54 - 26 | 8H16 | PRESSURIZER BLOWER MOTOR DUCT .....                                    | 90 - 13  |
| 5G3  | PLATE, DIFFERENTIAL, MFWD,<br>HIGH CAPACITY (ASN 0001-000747; 80001- ) ..... | 54 - 40 | 8H16 | PRESSURIZER BLOWER MOTOR IMPELLER .....                                | 90 - 13  |
| 5G1  | PLATE, DIFFERENTIAL, MFWD, STANDARD,<br>(ASN 000001-000747; 800001- ) .....  | 54 - 38 | 8H22 | PRESSURIZER HOUSING SEAL .....   | 90 - 19  |
| 8G6  | PLATE, LICENSE PLATE AND LAMP .....  | 80 - 53 | 6D14 | PRIORITY VALVE (MFWD) .....  | 60 - 10  |
| 3G1  | PLUG,ARMREST .....   | 40 - 58 | 6D15 | PRIORITY VALVE (W/O MFWD).....   | 60 - 11  |
| 7F5  | PLUGS, HITCH FRAME.....  | 70 - 50 | 6D18 | PRIORITY VALVE LINES.....  | 60 - 14  |
| 7E10 | POSITION SENSOR, ROCKSHAFT .....   | 70 - 30 | 5D5  | PTO BRAKE PISTON.....  | 53 - 2   |
| 3I23 | POSITIVE TERMINAL .....  | 41 - 13 | 5D7  | PTO BRAKE PISTON.....  | 53 - 4   |
| 9D23 | POST UPHOLSTERY (CAB) .....  | 91 - 18 | 5D5  | PTO CLUTCH .....   | 53 - 2   |
| 7E12 | POTENTIOMETER, DRAFT LINK .....  | 70 - 32 | 5D7  | PTO CLUTCH .....   | 53 - 4   |
| 3F22 | POTENTIOMETER,ENGINE SPEED<br>CONTROL(ARMREST) .....                         | 40 - 54 | 4G15 | PTO DRIVELINE SHIELD .....   | 51 - 44  |
| 3E13 | POTENTIOMETER,FOOT THROTTLE(EUROPEAN<br>VERSION)(TSN -009999) .....          | 40 - 18 | 5D9  | PTO FITTINGS .....   | 53 - 6   |
| 3E15 | POTENTIOMETER,FOOT THROTTLE(EUROPEAN<br>VERSION)(TSN 010000- ) .....         | 40 - 20 | 4G9  | PTO HOUSING.....   | 51 - 38  |
| 3E9  | POTENTIOMETER,FOOT THROTTLE(NORTH<br>AMERICAN VERSION)(TSN -009999) .....    | 40 - 14 | 4I13 | PTO HOUSING.....   | 51 - 90  |
| 3E11 | POTENTIOMETER,FOOT THROTTLE(NORTH<br>AMERICAN VERSION)(TSN 010000- ).....    | 40 - 16 | 5E1  | PTO HOUSING .....  | 53 - 24  |
| 3E17 | POTENTIOMETER,FOOT THROTTLE(UKRAINIAN<br>VERSION).....                       | 40 - 22 | 5E3  | PTO HOUSING.....   | 53 - 26  |
| 3G1  | POTENTIOMETER,HITCH CONTROL<br>LEVER(ARMREST) .....                          | 40 - 58 | 5E5  | PTO HOUSING.....   | 53 - 28  |
| 3D23 | POTENTIOMETER,HITCH DRAFT SENSOR(TSN<br>-009999) .....                       | 40 - 6  | 5E7  | PTO MASTER SHIELD .....  | 53 - 30  |
| 3E5  | POTENTIOMETER,HITCH DRAFT SENSOR(TSN<br>010000- ) .....                      | 40 - 10 | 5E1  | PTO OUTPUT SHAFT .....   | 53 - 24  |
| 3D23 | POTENTIOMETER,HITCH POSITION(TSN<br>-009999) .....                           | 40 - 6  | 5E3  | PTO OUTPUT SHAFT .....   | 53 - 26  |
|      |  |         | 5E5  | PTO OUTPUT SHAFT .....   | 53 - 28  |
|      |  |         | 4G9  | PTO SHAFT .....  | 51 - 38  |
|      |  |         | 4I13 | PTO SHAFT .....  | 51 - 90  |
|      |  |         | 5D9  | PTO VALVES .....   | 53 - 6   |
|      |  |         | 5D7  | PTO, CLUTCH .....  | 53 - 4   |
|      |  |         | 5E3  | PTO, OPTIONAL .....  | 53 - 26  |
|      |  |         | 5E5  | PTO, OPTIONAL .....  | 53 - 28  |
|      |  |         | 5E1  | PTO, STANDARD.....   | 53 - 24  |
|      |  |         | 1J6  | PULLEY/IDLER PULLEY .....  | 20 - 134 |
|      |  |         | 1J8  | PULLEY/IDLER PULLEY .....  | 20 - 136 |

## ALPHABETICAL INDEX - CONTINUED

| <i>GRID</i> |   | <i>PAGE</i> | <i>GRID</i> |   | <i>PAGE</i> |
|-------------|---|-------------|-------------|---|-------------|
| 1E11        | PULLEY, CRANKSHAFT (6076) .....   | 20 - 17     | 3H8         | RADAR SHIELD(TSN XXXXXX- ) .....                                  | 40 - 88     |
| 1H14        | PULLEY, CRANKSHAFT (6081) .....   | 20 - 92     | 3H4         | RADAR(TSN -XXXXXX ) .....   | 40 - 84     |
| 1F25        | PULLEY, CRANKSHAFT (6081)<br>(LATE TSN-81,82,8300).....                 | 20 - 54     | 3H8         | RADAR(TSN XXXXXX- ) .....   | 40 - 88     |
| 3I12        | PULLEY,ALTERNATOR .....   | 41 - 2      | 3H6         | RADAR(TSN XXXXXX-XXXXXX ) .....                                   | 40 - 86     |
| 7D12        | PUMP DRIVE LINES .....  | 70 - 4      | 1I14        | RADIATOR .....  | 20 - 116    |
| 6E9         | PUMP, CHARGE .....  | 60 - 28     | 1I16        | RADIATOR .....  | 20 - 118    |
| 1E20        | PUMP, ENGINE OIL (6076).....  | 20 - 26     | 1I10        | RADIATOR HOSE .....   | 20 - 112    |
| 2E24        | PUMP, FUEL INJECTION (6076) .....                                       | 30 - 38     | 3H16        | RADIO .....   | 40 - 96     |
| 2F9         | PUMP, FUEL INJECTION (6081)<br>(LATE TSN-8100,8200,8300).....           | 30 - 48     | 3H19        | RADIO .....   | 40 - 99     |
| 2F11        | PUMP, FUEL INJECTION (6081)<br>(LATE TSN-8100,8200,8300).....           | 30 - 49A    | 3H19        | RADIO ANTENNA.....  | 40 - 99     |
| 2F21        | PUMP, FUEL INJECTION (8400) .....                                       | 30 - 58     | 3H21        | RADIO ANTENNA.....  | 40 - 102    |
| 2F2         | PUMP, FUEL TRANSFER (ROBERT BOSCH)<br>(6076) .....                      | 30 - 41     | 3H21        | RADIO ANTENNA BASE .....  | 40 - 102    |
| 2F14        | PUMP, FUEL TRANSFER (ROBERT BOSCH)<br>(6081) (LATE TSN-81,82,8300)..... | 30 - 51     | 3H21        | RADIO ANTENNA CABLE .....   | 40 - 102    |
| 2F24        | PUMP, FUEL TRANSFER (ROBERT BOSCH)<br>(8400 TRACTOR).....               | 30 - 61     | 3H21        | RADIO ANTENNA GROUND PLANE .....                                  | 40 - 102    |
| 7D14        | PUMP, HYDRAULIC (45 CM3 (2.75 IN3)) .....                               | 70 - 6      | 3H16        | RADIO BEZEL .....   | 40 - 96     |
| 7D18        | PUMP, HYDRAULIC (57 CM3 (3.5 IN3)) .....                                | 70 - 10     | 3H16        | RADIO BEZEL BRACKET .....   | 40 - 96     |
| 4G3         | PUMP, OIL .....   | 51 - 32     | 3H16        | RADIO KNOB KIT .....  | 40 - 96     |
| 4I7         | PUMP, OIL .....   | 51 - 84     | 3H16        | RADIO KNOBS.....  | 40 - 96     |
| 1G10        | PUMP, OIL ENGINE (6081)<br>(LATE TSN-81,82,8300).....                   | 20 - 62     | 3H18        | RADIO SPEAKER.....  | 40 - 98     |
| 1H23        | PUMP, OIL ENGINE (8400).....  | 20 - 102    | 3H18        | RADIO SPEAKER HOUSING .....                                       | 40 - 98     |
| 4G9         | PUMP, SCAVENGE .....  | 51 - 38     | 3H18        | RADIO SPEAKER,GRILLE.....   | 40 - 98     |
| 4I13        | PUMP, SCAVENGE .....  | 51 - 90     | 3E13        | RADIO SPEAKERS(EUROPEAN VERSION)(TSN<br>-009999) .....            | 40 - 18     |
| 6E9         | PUMP, STEERING .....  | 60 - 28     | 3E15        | RADIO SPEAKERS(EUROPEAN VERSION)(TSN<br>010000- ) .....           | 40 - 20     |
| 6E10        | PUMP, STEERING/CHARGE.....  | 60 - 29     | 3E9         | RADIO SPEAKERS(NORTH AMERICAN<br>VERSION)(TSN -009999) .....      | 40 - 14     |
| 1F2         | PUMP, WATER (6076)<br>(EARLY TSN-8100,8200,8300) .....                  | 20 - 34     | 3E11        | RADIO SPEAKERS(NORTH AMERICAN<br>VERSION)(TSN 010000- ).....      | 40 - 16     |
| 1G17        | PUMP, WATER (6081)<br>(LATE TSN-8100,8200,8300).....                    | 20 - 70     | 3E17        | RADIO SPEAKERS(UKRAINIAN VERSION).....                            | 40 - 22     |
| 1I5         | PUMP, WATER (8400).....   | 20 - 108    | 3E13        | RADIO(EUROPEAN VERSION)(TSN -009999).....                         | 40 - 18     |
| 1D21        | PUSH RODS (6076)<br>(EARLY TSN 8100 8200 8300).....                     | 20 - 8      | 3E15        | RADIO(EUROPEAN VERSION)(TSN 010000- ) .....                       | 40 - 20     |
| 1F15        | PUSH RODS (6081)<br>(LATE TSN-8100,8200,8300).....                      | 20 - 44     | 3E9         | RADIO(NORTH AMERICAN VERSION)(TSN<br>-009999) .....               | 40 - 14     |
| 1H2         | PUSH RODS (8400).....   | 20 - 80     | 3E11        | RADIO(NORTH AMERICAN VERSION)(TSN<br>010000- ) .....              | 40 - 16     |
| <b>Q</b>    |   |             |             |   |             |
| 8D18        | QUICK COUPLER CYLINDER LINES, ROW-TRAK.....                             | 71 - 16     | 3E17        | RADIO(UKRAINIAN VERSION) .....                                    | 40 - 22     |
| 7F23        | QUICK COUPLER, IMPLEMENT (CATEGORY<br>III/IIIN) .....                   | 70 - 68     | 3H19        | RADIO,ANTENNA AND SPEAKER KIT.....                                | 40 - 99     |
| 5D15        | QUILL, DIFFERENTIAL .....   | 53 - 12     | 8D16        | RAIL, ROW-TRAK PROBE BOX MOUNTING .....                           | 71 - 14     |
| 5E20        | QUILL, DIFFERENTIAL .....   | 54 - 8      | 3F1         | RAISE/LOWER SEAT SWITCH.....                                      | 40 - 31     |
| <b>R</b>    |   |             |             |   |             |
| 3H4         | RADAR BRACKET(TSN -XXXXXX ) .....                                       | 40 - 84     | 9E7         | REAR EXTENSION, REAR FENDER .....                                 | 91 - 26     |
| 3H8         | RADAR BRACKET(TSN XXXXXX- ) .....                                       | 40 - 88     | 9E9         | REAR FENDER (EUROPEAN VERSION).....                               | 91 - 28     |
| 3H6         | RADAR BRACKET(TSN XXXXXX-XXXXXX ) .....                                 | 40 - 86     | 9E9         | REAR FENDER EXTENSION (EUROPEAN<br>VERSION).....                  | 91 - 28     |
| 3H4         | RADAR COVER(TSN -XXXXXX ) .....   | 40 - 84     | 9E11        | REAR FENDER MUD GUARD .....                                       | 91 - 30     |
| 3H6         | RADAR COVER(TSN XXXXXX-XXXXXX ) .....                                   | 40 - 86     | 9E11        | REAR FENDER SIDE EXTENSION .....                                  | 91 - 30     |
| 3H4         | RADAR KIT(TSN -XXXXXX ) .....   | 40 - 84     | 9E12        | REAR FENDER SIDE EXTENSION (EUROPEAN<br>VERSION).....             | 91 - 31     |
| 3H8         | RADAR KIT(TSN XXXXXX- ).....  | 40 - 88     | 9E11        | REAR FENDER SIDE EXTENSION AND MUD<br>GUARD KIT .....             | 91 - 30     |
| 3H6         | RADAR KIT(TSN XXXXXX-XXXXXX ) .....                                     | 40 - 86     | 4D23        | REAR FENDER WORK LIGHT BOOT(TSN XXXXXX-<br>).....                 | 42 - 19     |
| 3H4         | RADAR LABEL(TSN -XXXXXX ) .....   | 40 - 84     | 4D23        | REAR FENDER WORK LIGHT BRACKET(TSN<br>XXXXXX- ) .....             | 42 - 19     |
| 3H6         | RADAR LABEL(TSN XXXXXX-XXXXXX ).....                                    | 40 - 86     | 4D22        | REAR FENDER WORK LIGHT(TSN -XXXXXX ) .....                        | 42 - 18     |
| 3E1         | RADAR SENSOR(TSN -009999).....  | 40 - 8      | 4D23        | REAR FENDER WORK LIGHT(TSN XXXXXX- ) .....                        | 42 - 19     |
| 3E3         | RADAR SENSOR(TSN -009999).....  | 40 - 9A     | 9E7         | REAR FENDER, REAR EXTENSION .....                                 | 91 - 26     |
| 3E7         | RADAR SENSOR(TSN 010000-).....  | 40 - 12     | 1E16        | REAR OIL SEAL (6076)<br>(EARLY TSN 8100, 8200, 8300).....         | 20 - 22     |
|             |   |             | 1G7         | REAR OIL SEAL (6081)<br>(LATE TSN-8100,8200,8300).....            | 20 - 59     |
|             |   |             | 1H19        | REAR OIL SEAL (8400).....   | 20 - 97     |
|             |   |             | 1G7         | REAR OIL SEAL GASKET (6081)<br>(LATE TSN-8100,8200,8300).....     | 20 - 59     |
|             |   |             | 1H19        | REAR OIL SEAL GASKET (8400).....                                  | 20 - 97     |
|             |   |             | 1E16        | REAR OIL SEAL HOUSING (6076)<br>(EARLY TSN 8100, 8200, 8300)..... | 20 - 22     |

## ALPHABETICAL INDEX - CONTINUED

| GRID |   | PAGE     | GRID |  | PAGE     |
|------|---|----------|------|--|----------|
| 1G7  | REAR OIL SEAL HOUSING (6081)<br>(LATE TSN-8100,8200,8300).....      | 20 - 59  | 9F23 | RIDE ZONE PROTECTOR KIT .....                                      | 92 - 9   |
| 1H19 | REAR OIL SEAL HOUSING (8400).....                                   | 20 - 97  | 9D15 | RIGHT-HAND CONSOLE.....  | 91 - 10  |
| 3E19 | REAR ROOF FLOOD LIGHTS .....  | 40 - 24  | 9F1  | RIGHT-HAND GLASS, STATIONARY.....                                  | 91 - 46  |
| 4D20 | REAR ROOF WORK LAMP BRACKET(TSN<br>-XXXXXX).....                    | 42 - 16  | 9F3  | RIGHT-HAND HANDRAIL (OPENING R.H.DOOR).....                        | 91 - 47A |
| 4D21 | REAR ROOF WORK LAMP BRACKET(TSN XXXXXX-<br>).....                   | 42 - 17  | 9F2  | RIGHT-HAND OPENING DOOR (EUROPEAN<br>VERSION).....                 | 91 - 47  |
| 4D20 | REAR ROOF WORK LAMP(TSN -XXXXXX ).....                              | 42 - 16  | 8E19 | RIMS, FRONT WHEELS (MFWD).....                                     | 80 - 14  |
| 4D21 | REAR ROOF WORK LAMP(TSN XXXXXX- ).....                              | 42 - 17  | 1E14 | RINGS, PISTON (6076)<br>(EARLY TSN 8100,8200,8300) .....           | 20 - 20  |
| 3H20 | REAR SPEAKER KIT .....  | 40 - 100 | 1G6  | RINGS, PISTON (6081)<br>(LATE TSN-8100,8200,8300).....             | 20 - 58  |
| 9E3  | REAR UPHOLSTERY (CAB) .....   | 91 - 22  | 1H17 | RINGS, PISTON (6081HRW01)(8400) .....                              | 20 - 95  |
| 9E21 | REAR WASHER KIT .....   | 91 - 40  | 1G24 | ROCKER ARM COVER<br>(ESN -018791)(8400) .....                      | 20 - 78  |
| 8E21 | REAR WHEELS, CAST .....   | 80 - 16  | 1G25 | ROCKER ARM COVER<br>(ESN 018792- )(8400) .....                     | 20 - 78A |
| 9F4  | REAR WINDOW .....   | 91 - 48  | 1D19 | ROCKER ARM COVER (6076)<br>(EARLY TSN-8100,8200,8300) .....        | 20 - 6   |
| 4E14 | REAR WINDSHIELD WIPER CONNECTOR .....                               | 43 - 9   | 1F12 | ROCKER ARM COVER (6081)<br>(LATE TSN-8100,8200,8300).....          | 20 - 42  |
| 9F12 | REAR WIPER HOLE COVER .....   | 91 - 54  | 1F13 | ROCKER ARM COVER (6081)<br>(LATE TSN-8100,8200,8300).....          | 20 - 42A |
| 3E19 | REAR WIPER MOTOR.....   | 40 - 24  | 1G24 | ROCKER ARM COVER GASKET<br>(ESN -018791)(8400) .....               | 20 - 78  |
| 8H22 | RECIRCULATION FILTER .....  | 90 - 19  | 1G25 | ROCKER ARM COVER GASKET<br>(ESN 018792- )(8400).....               | 20 - 78A |
| 8H22 | RECIRCULATION FILTER HOUSING .....                                  | 90 - 19  | 1D19 | ROCKER ARM COVER GASKET (6076)<br>(EARLY TSN-8100,8200,8300) ..... | 20 - 6   |
| 1112 | RECOVERY TANK, COOLANT .....  | 20 - 114 | 1F12 | ROCKER ARM COVER GASKET (6081)<br>(LATE TSN-8100,8200,8300).....   | 20 - 42  |
| 3112 | RECTIFIER,ALTERNATOR .....  | 41 - 2   | 1F13 | ROCKER ARM COVER GASKET (6081)<br>(LATE TSN-8100,8200,8300).....   | 20 - 42A |
| 4E1  | REFLECTOR LABEL,EXTREMITY WARNING LAMP(0<br>27100- ) .....          | 42 - 22  | 1G24 | ROCKER ARM COVER GASKET<br>(ESN -018791)(8400) .....               | 20 - 78  |
| 8H11 | REFRIGERANT LINES.....  | 90 - 8   | 1G25 | ROCKER ARM COVER GASKET<br>(ESN 018792- )(8400).....               | 20 - 78A |
| 7G17 | REGULAR DRAWBAR (EUROPEAN VERSION) .....                            | 70 - 88  | 1D19 | ROCKER ARM COVER GASKET (6076)<br>(EARLY TSN-8100,8200,8300) ..... | 20 - 6   |
| 7G3  | REGULAR DRAWBAR (8100,8200,8300) .....                              | 70 - 72  | 1F12 | ROCKER ARM COVER GASKET (6081)<br>(LATE TSN-8100,8200,8300).....   | 20 - 42  |
| 7G9  | REGULAR DRAWBAR (8400) .....  | 70 - 78  | 1F13 | ROCKER ARM COVER GASKET (6081)<br>(LATE TSN-8100,8200,8300).....   | 20 - 42A |
| 3112 | REGULATOR,ALTERNATOR.....   | 41 - 2   | 1D21 | ROCKER ARM SHAFT (6076)<br>(EARLY TSN 8100,8200,8300) .....        | 20 - 8   |
| 4E14 | RELAY TERMINAL BOARD.....   | 43 - 9   | 1F15 | ROCKER ARM SHAFT (6081)<br>(LATE TSN-8100,8200,8300).....          | 20 - 44  |
| 3I5  | RELAY,BACK-UP ALARM .....   | 40 - 110 | 1H2  | ROCKER ARM SHAFT (8400).....                                       | 20 - 80  |
| 3F4  | RELAY,BRAKE LIGHT .....   | 40 - 34  | 1D21 | ROCKER ARMS (6076)<br>(EARLY TSN 8100,8200,8300) .....             | 20 - 8   |
| 3F6  | RELAY,LOAD CENTER .....   | 40 - 36  | 1F15 | ROCKER ARMS (6081)<br>(LATE TSN-8100,8200,8300).....               | 20 - 44  |
| 3F9  | RELAY,STARTING CIRCUIT .....  | 40 - 40  | 1H2  | ROCKER ARMS (8400) .....   | 20 - 80  |
| 7113 | RELIEF VALVE, HITCH VALVE .....                                     | 70 - 132 | 7E8  | ROCKSHAFT (EARLY DESIGN) .....                                     | 70 - 28  |
| 715  | REMOTE CYLINDER CONTROL KIT .....                                   | 70 - 124 | 7E9  | ROCKSHAFT (LATE DESIGN) .....                                      | 70 - 29  |
| 9E17 | REMOTE MIRROR (EUROPEAN VERSION) .....                              | 91 - 36  | 3G9  | ROCKSHAFT CONTROL ADJUSTMENT<br>DIAL(ARMREST) .....                | 40 - 66  |
| 9E19 | REMOTE POWER MIRROR (EUROPEAN VERSION).....                         | 91 - 38  | 3G9  | ROCKSHAFT CONTROL COVER(ARMREST) .....                             | 40 - 66  |
| 1F4  | REPAIR KIT, WATER PUMP (6076)<br>(EARLY TSN 8100,8200,8300) .....   | 20 - 36  | 3G9  | ROCKSHAFT CONTROL KNOB(ARMREST) .....                              | 40 - 66  |
| 6F21 | RESERVOIR, SECONDARY BRAKE (EUROPEAN<br>VERSION).....               | 60 - 64  | 7E10 | ROCKSHAFT POSITION SENSOR .....                                    | 70 - 30  |
| 3E13 | RESISTOR,BLOWER MOTOR(EUROPEAN<br>VERSION)(TSN -009999) .....       | 40 - 18  | 7F13 | ROD, DRAFT LINK (EUROPEAN VERSION).....                            | 70 - 58  |
| 3E15 | RESISTOR,BLOWER MOTOR(EUROPEAN<br>VERSION)(TSN 010000- ).....       | 40 - 20  | 1E14 | RODS, CONNECTING (6076)<br>(EARLY TSN 8100,8200,8300) .....        | 20 - 20  |
| 3E9  | RESISTOR,BLOWER MOTOR(NORTH AMERICAN<br>VERSION)(TSN -009999) ..... | 40 - 14  | 1G6  | RODS, CONNECTING (6081)<br>(LATE TSN-8100,8200,8300).....          | 20 - 58  |
| 3E11 | RESISTOR,BLOWER MOTOR(NORTH AMERICAN<br>VERSION)(TSN 010000- )..... | 40 - 16  | 1H17 | RODS, CONNECTING (6081HRW01)(8400).....                            | 20 - 95  |
| 3E17 | RESISTOR,BLOWER MOTOR(UKRAINIAN<br>VERSION).....                    | 40 - 22  | 1D21 | RODS, PUSH (6076)<br>(EARLY TSN 8100 8200 8300).....               | 20 - 8   |
| 8H19 | RESISTOR,HEATER AND A/C .....                                       | 90 - 16  | 1F15 | RODS, PUSH (6081)<br>(LATE TSN-8100,8200,8300).....                | 20 - 44  |
| 7G3  | RETAINER, DRAWBAR (8100,8200,8300) .....                            | 70 - 72  | 1H2  | RODS, PUSH (8400) .....  | 20 - 80  |
| 7G9  | RETAINER, DRAWBAR (8400) .....                                      | 70 - 78  | 9E1  | ROOF HEADLINER .....   | 91 - 20  |
| 3G25 | RETAINER,BRAKE SWITCH .....   | 40 - 81  | 3E19 | ROOF WARNING LIGHTS,NORTH AMERICAN<br>VERSION .....                | 40 - 24  |
| 5F7  | RETROFIT SEAL KIT,MFWD,U-JOINT/WHEEL<br>HUB .....                   | 54 - 18  | 3E19 | ROOF WIRING HARNESS .....  | 40 - 24  |
| 4F21 | REVERSE IDLER .....   | 51 - 24  | 4D18 | ROOF WIRING HARNESS .....  | 42 - 14  |
| 4H23 | REVERSE IDLER .....   | 51 - 76  | 4D19 | ROOF WIRING HARNESS .....  | 42 - 15  |
| 4F21 | REVERSE IDLER GEAR .....  | 51 - 24  | 9F12 | ROOF, INNER .....  | 91 - 54  |
| 4H23 | REVERSE IDLER GEAR .....  | 51 - 76  |      |  |          |
| 7G19 | REVERSIBLE DRAWBAR KIT (EUROPEAN<br>VERSION).....                   | 70 - 90  |      |  |          |
| 7G11 | REVERSIBLE DRAWBAR KIT (NORTH AMERICAN<br>VERSION).....             | 70 - 80  |      |  |          |
| 9F22 | RIDE ZONE PROTECTOR KIT .....                                       | 92 - 8   |      |  |          |

## ALPHABETICAL INDEX - CONTINUED

| <i>GRID</i> |   | <i>PAGE</i> | <i>GRID</i> |   | <i>PAGE</i> |
|-------------|---|-------------|-------------|---|-------------|
| 9F13        | ROOF, OUTER .....   | 91 - 55     | 9F20        | SEAT CONTROL LEVER KIT .....                                      | 92 - 6      |
| 3G22        | ROTATING BEACON SWITCH KIT .....                            | 40 - 78     | 9G3         | SEAT CUSHIONS.....  | 92 - 14     |
| 3I12        | ROTOR ASSEMBLY,ALTERNATOR .....                             | 41 - 2      | 9G3         | SEAT CUSHIONS AND SEAT BELT .....                                 | 92 - 14     |
| 3E23        | ROW-TRAC MONITOR .....                                      | 40 - 28     | 9F23        | SEAT FORE-AFT ATTENUATOR KIT .....                                | 92 - 9      |
| 8D4         | ROW-TRAK KIT .....  | 71 - 2      | 9F17        | SEAT HEIGHT SWITCH KIT .....                                      | 92 - 2      |
| 3H13        | ROW-TRAK MONITOR.....                                       | 40 - 93     | 9F20        | SEAT KNOB KIT .....   | 92 - 6      |
| 3H13        | ROW-TRAK MONITOR BRACKET .....                              | 40 - 93     | 9F23        | SEAT LATERAL ATTENUATOR SHOCK KIT.....                            | 92 - 9      |
| 3H13        | ROW-TRAK MONITOR WIRING HARNESS.....                        | 40 - 93     | 3F1         | SEAT OPERATOR PRESENCE SWITCH.....                                | 40 - 31     |
| 8D12        | ROW-TRAK PROBE BOX KIT.....                                 | 71 - 10     | 3F1         | SEAT RAISE/LOWER SWITCH .....                                     | 40 - 31     |
| 8D16        | ROW-TRAK PROBE BOX MOUNTING RAIL .....                      | 71 - 14     | 9F23        | SEAT RIDE ZONE PROTECTOR KIT.....                                 | 92 - 9      |
| 8D14        | ROW-TRAK QUICK COUPLER .....                                | 71 - 12     | 9F22        | SEAT SHOCK ABSORBER KIT .....                                     | 92 - 8      |
| 8D18        | ROW-TRAK QUICK COUPLER CYLINDER LINES .....                 | 71 - 16     | 9F17        | SEAT SLIDE TRACK KIT.....   | 92 - 2      |
| 8D10        | ROW-TRAK WAND PROBE KIT .....                               | 71 - 8      | 9F24        | SEAT SUPPORT .....  | 92 - 10     |
| 3E23        | ROW-TRAK WIRING HARNESS .....                               | 40 - 28     | 9F17        | SEAT SUSPENSION .....   | 92 - 2      |
| 8D8         | ROW-TRAK 2 BALL PROBE KIT .....                             | 71 - 6      | 9F19        | SEAT SUSPENSION ARM.....  | 92 - 5      |
| 8D6         | ROW-TRAK 3 BALL PROBE KIT .....                             | 71 - 4      | 9F20        | SEAT SUSPENSION BOOT KIT .....                                    | 92 - 6      |
|             |   |             | 9F17        | SEAT SWIVEL KIT .....   | 92 - 2      |
|             | <b>S</b>  |             | 3F1         | SEAT WIRING HARNESS .....   | 40 - 31     |
| 7G18        | SAFETY CHAIN ADAPTER KIT,IMPLEMENT .....                    | 70 - 89     | 9F22        | SEAT WIRING HARNESS KIT .....                                     | 92 - 8      |
| 4G9         | SCAVENGE PUMP.....  | 51 - 38     | 6F17        | SECONDARY BRAKE KIT (EUROPEAN VERSION)<br>(EARLY DESIGN).....     | 60 - 60     |
| 4I13        | SCAVENGE PUMP.....  | 51 - 90     | 6F13        | SECONDARY BRAKE LEVER (EUROPEAN<br>VERSION) (EARLY DESIGN) .....  | 60 - 56     |
| 8F10        | SCREEN, GRILLE .....  | 80 - 31     | 6F15        | SECONDARY BRAKE LEVER (EUROPEAN<br>VERSION) (LATE DESIGN).....    | 60 - 58     |
| 7I1         | SCV PILOT VALVE .....                                       | 70 - 120    | 6F19        | SECONDARY BRAKE LEVER (EUROPEAN<br>VERSION) (LATEST DESIGN) ..... | 60 - 62     |
| 7I1         | SCV SOLENOID.....   | 70 - 120    | 6F21        | SECONDARY BRAKE LEVER COVER (EUROPEAN<br>VERSION).....            | 60 - 64     |
| 7I2         | SCV SOLENOID.....   | 70 - 121    | 6G7         | SECONDARY BRAKE LINES (EUROPEAN<br>VERSION) (EARLY DESIGN) .....  | 60 - 70     |
| 7I3         | SCV SOLENOID GLYD RING KIT .....                            | 70 - 122    | 6G9         | SECONDARY BRAKE LINES (EUROPEAN<br>VERSION) (LATE DESIGN).....    | 60 - 72     |
| 8H6         | SEAL KIT, A/C COMPRESSOR .....                              | 90 - 2      | 6G11        | SECONDARY BRAKE LINES (EUROPEAN<br>VERSION) (LATE DESIGN).....    | 60 - 74     |
| 7D16        | SEAL KIT, HYDRAULIC PUMP ( 45 CM3 (2.75<br>IN3)) .....      | 70 - 8      | 6F21        | SECONDARY BRAKE RESERVOIR (EUROPEAN<br>VERSION).....              | 60 - 64     |
| 7D20        | SEAL KIT, HYDRAULIC PUMP (57 CM3 (3.5<br>IN3)) .....        | 70 - 12     | 6F23        | SECONDARY BRAKE VALVE .....                                       | 60 - 66     |
| 6D17        | SEAL KIT, STEERING VALVE .....                              | 60 - 13     | 6G2         | SECONDARY BRAKE VALVE .....                                       | 60 - 69A    |
| 5F7         | SEAL KIT,MFWD,U-JOINT/WHEEL HUB<br>RETROFIT .....           | 54 - 18     | 3G5         | SELECTIVE CONTROL LEVERS 1,2,3 WIRING<br>HARNESS(ARMREST).....    | 40 - 62     |
| 7I9         | SEAL SECTION INTERFACE KIT (HITCH VALVE) .....              | 70 - 128    | 3G7         | SELECTIVE CONTROL BRACKET(ARMREST) .....                          | 40 - 64     |
| 7H22        | SEAL SECTION INTERFACE KIT (SCV) .....                      | 70 - 116    | 3G5         | SELECTIVE CONTROL LEVER<br>BRACKET(ARMREST).....                  | 40 - 62     |
| 1E17        | SEAL, FRONT OIL (6076)<br>(EARLY TSN-8100,8200,8300) .....  | 20 - 23     | 3G7         | SELECTIVE CONTROL LEVER SENSOR(ARMREST) .....                     | 40 - 64     |
| 1G8         | SEAL, FRONT OIL (6081)<br>(LATE TSN-8100,8200,8300).....    | 20 - 60     | 3G5         | SELECTIVE CONTROL LEVERS 1,2,3(ARMREST).....                      | 40 - 62     |
| 1H20        | SEAL, FRONT OIL (8400 TRACTOR).....                         | 20 - 98     | 3G7         | SELECTIVE CONTROL LEVERS 4 AND<br>5(ARMREST) .....                | 40 - 64     |
| 1E16        | SEAL, REAR OIL (6076)<br>(EARLY TSN 8100, 8200, 8300).....  | 20 - 22     | 3G7         | SELECTIVE CONTROL LEVERS 4 AND 5 WIRING<br>HARNESS(ARMREST).....  | 40 - 64     |
| 1G7         | SEAL, REAR OIL (6081)<br>(LATE TSN-8100,8200,8300).....     | 20 - 59     | 3E23        | SELECTIVE CONTROL OPTION(SCO) .....                               | 40 - 28     |
| 1H19        | SEAL, REAR OIL (8400) .....                                 | 20 - 97     | 3G13        | SELECTIVE CONTROL OPTION(SCO) .....                               | 40 - 70     |
| 1G17        | SEAL, TUBE (6081)<br>(LATE TSN-8100,8200,8300).....         | 20 - 70     | 3G15        | SELECTIVE CONTROL OPTION(SCO) .....                               | 40 - 72     |
| 1I5         | SEAL, TUBE (8400) .....                                     | 20 - 108    | 3D23        | SELECTIVE CONTROL OPTION(SCO)(TSN<br>-009999) .....               | 40 - 6      |
| 1F2         | SEAL, WATER PUMP (6076)<br>(EARLY TSN-8100,8200,8300) ..... | 20 - 34     | 3E5         | SELECTIVE CONTROL OPTION(SCO)(TSN<br>010000- ) .....              | 40 - 10     |
| 9E24        | SEAL, WINDSHIELD .....                                      | 91 - 44     | 3G5         | SELECTIVE CONTROL POTENTIOMETER(ARMREST) ....                     | 40 - 62     |
| 8H17        | SEAL,AIR CIRCULATION.....                                   | 90 - 14     | 3G13        | SELECTIVE CONTROL UNIT(SCU) .....                                 | 40 - 70     |
| 8H21        | SEAL,HEATER AND A/C COMPARTMENT .....                       | 90 - 18     | 3G15        | SELECTIVE CONTROL UNIT(SCU) .....                                 | 40 - 72     |
| 9F20        | SEAT ADJUSTMENT CABLE KIT .....                             | 92 - 6      | 3D23        | SELECTIVE CONTROL UNIT(SCU)(TSN<br>-009999) .....                 | 40 - 6      |
| 9F23        | SEAT AIR SPRING KIT .....                                   | 92 - 9      | 3E5         | SELECTIVE CONTROL UNIT(SCU)(TSN<br>010000- ) .....                | 40 - 10     |
| 9F20        | SEAT ATTENUATOR SPRING KIT .....                            | 92 - 6      | 7H20        | SELECTIVE CONTROL VALVE.....                                      | 70 - 114    |
| 9G2         | SEAT BACKREST SUPPORTS .....                                | 92 - 13     | 7H22        | SELECTIVE CONTROL VALVE COUPLER .....                             | 70 - 116    |
| 9F20        | SEAT BEARING ROLLER KIT.....                                | 92 - 6      | 7I17        | SELECTIVE CONTROL VALVE DRAIN LINES .....                         | 70 - 136    |
| 9G3         | SEAT BELT.....  | 92 - 14     |             |   |             |
| 9G13        | SEAT BELT.....  | 92 - 24     |             |   |             |
| 9G3         | SEAT BELT AND SEAT CUSIONS .....                            | 92 - 14     |             |   |             |
| 9F23        | SEAT COMPRESSOR FILTER KIT.....                             | 92 - 9      |             |   |             |
| 9F22        | SEAT COMPRESSOR VALVE KIT .....                             | 92 - 8      |             |   |             |
| 9F23        | SEAT COMPRESSOR VALVE KIT .....                             | 92 - 9      |             |   |             |

## ALPHABETICAL INDEX - CONTINUED

| <i>GRID</i> |   | <i>PAGE</i> | <i>GRID</i> |  | <i>PAGE</i> |
|-------------|---|-------------|-------------|--|-------------|
| 7H19        | SELECTIVE CONTROL VALVE END COVER .....                                 | 70 - 113    | 3E5         | SENSOR,REAR PTO SPEED(TSN 010000- ) .....  | 40 - 10     |
| 7I7         | SELECTIVE CONTROL VALVE MANIFOLD (W/O<br>HITCH) .....                   | 70 - 126    | 3E13        | SENSOR,SECONDARY HAND BRAKE RESERVOIR<br>LEVEL(EUROPEAN VERSION)(TSN -009999) .....  | 40 - 18     |
| 7H24        | SELECTIVE CONTROL VALVE OVERHAUL KIT.....                               | 70 - 118    | 3E15        | SENSOR,SECONDARY HAND BRAKE RESERVOIR<br>LEVEL(EUROPEAN VERSION)(TSN 010000- ) ..... | 40 - 20     |
| 7I15        | SELECTIVE CONTROL VALVE PILOT LINE .....                                | 70 - 134    | 3G7         | SENSOR,SELECTIVE CONTROL LEVER(ARMREST) .....  | 40 - 64     |
| 3D23        | SELECTIVE CONTROL VALVE(SCV)(TSN<br>-009999) .....                      | 40 - 6      | 3E1         | SENSOR,WATER TEMPERTURE(TSN -009999).....  | 40 - 8      |
| 3E5         | SELECTIVE CONTROL VALVE(SCV)(TSN<br>010000- ) .....                     | 40 - 10     | 3E3         | SENSOR,WATER TEMPERTURE(TSN -009999).....  | 40 - 9A     |
| 3F24        | SELECTOR,TRANSMISSION CONTROL(ARMREST) .....                            | 40 - 56     | 3E7         | SENSOR,WATER TEMPERTURE(TSN 010000- ) .....  | 40 - 12     |
| 2G8         | SENDER, FUEL .....  | 30 - 72     | 2E14        | SEPARATOR, WATER .....   | 30 - 30     |
| 2D25        | SENSOR, AIR INTAKE TEMPERATURE<br>(8400) .....                          | 30 - 17     | 3F20        | SET-UP PANEL(SUP) .....  | 40 - 52     |
| 2D21        | SENSOR, AIR INTAKE TEMPERATURE (6081)<br>(LATE TSN-8100,8200,8300)..... | 30 - 13     | 3E13        | SET-UP PANEL(SUP)(EUROPEAN VERSION)(TSN<br>-009999) .....                            | 40 - 18     |
| 1E18        | SENSOR, ENGINE SPEED (6076)<br>(EARLY TSN-8100,8200,8300) .....         | 20 - 24     | 3E15        | SET-UP PANEL(SUP)(EUROPEAN VERSION)(TSN<br>010000- ) .....                           | 40 - 20     |
| 1H21        | SENSOR, ENGINE SPEED (6081) .....                                       | 20 - 99     | 3E9         | SET-UP PANEL(SUP)(NORTH AMERICAN<br>VERSION)(-009999) .....                          | 40 - 14     |
| 1G9         | SENSOR, ENGINE SPEED (6081)<br>(LATE TSN-81,82,8300).....               | 20 - 61     | 3E11        | SET-UP PANEL(SUP)(NORTH AMERICAN<br>VERSION)(TSN 010000- ).....                      | 40 - 16     |
| 4G18        | SENSOR, MAGNETIC .....  | 51 - 47     | 3F16        | SET-UP PANEL(SUP)(TSN -009999) .....   | 40 - 48     |
| 7E10        | SENSOR, ROCKSHAFT POSITION .....  | 70 - 30     | 3F18        | SET-UP PANEL(SUP)(TSN 010000- ).....   | 40 - 50     |
| 2E24        | SENSOR, TEMPERATURE (6076) .....  | 30 - 38     | 3E17        | SET-UP PANEL(SUP)(UKRAINIAN VERSION).....  | 40 - 22     |
| 2F9         | SENSOR, TEMPERATURE (6081)<br>(LATE TSN-8100,8200,8300).....            | 30 - 48     | 3E13        | SEVEN-TERMINAL OUTLET SOCKET(EUROPEAN<br>VERSION)(TSN -009999) .....                 | 40 - 18     |
| 2F11        | SENSOR, TEMPERATURE (6081)<br>(LATE TSN-8100,8200,8300).....            | 30 - 49A    | 3E15        | SEVEN-TERMINAL OUTLET SOCKET(EUROPEAN<br>VERSION)(TSN 010000- ) .....                | 40 - 20     |
| 2F21        | SENSOR, TEMPERATURE (8400) .....  | 30 - 58     | 3E9         | SEVEN-TERMINAL OUTLET SOCKET(NORTH<br>AMERICAN VERSION)(TSN -009999) .....           | 40 - 14     |
| 3E1         | SENSOR,AIR FILTER RESTRICTION(TSN<br>-009999) .....                     | 40 - 8      | 3E11        | SEVEN-TERMINAL OUTLET SOCKET(NORTH<br>AMERICAN VERSION)(TSN 010000- ).....           | 40 - 16     |
| 3E3         | SENSOR,AIR FILTER RESTRICTION(TSN<br>-009999) .....                     | 40 - 9A     | 3E17        | SEVEN-TERMINAL OUTLET SOCKET(UKRAINIAN<br>VERSION).....                              | 40 - 22     |
| 3E7         | SENSOR,AIR FILTER RESTRICTION(TSN<br>010000- ) .....                    | 40 - 12     | 5D17        | SHAFT, AXLE .....  | 53 - 14     |
| 3E7         | SENSOR,AIR INTAKE TEMPERTURE .....                                      | 40 - 12     | 5D19        | SHAFT, AXLE .....  | 53 - 16     |
| 3E1         | SENSOR,AIR INTAKE TEMPERTURE(TSN<br>-009999) .....                      | 40 - 8      | 5D21        | SHAFT, AXLE .....  | 53 - 18     |
| 3E3         | SENSOR,AIR INTAKE TEMPERTURE(TSN<br>-009999) .....                      | 40 - 9A     | 5E23        | SHAFT, AXLE .....  | 54 - 12     |
| 3D23        | SENSOR,CLEAN OIL LEVEL(TSN -009999) .....                               | 40 - 6      | 5D25        | SHAFT, BEVEL.....  | 53 - 22     |
| 3E5         | SENSOR,CLEAN OIL LEVEL(TSN 010000- ).....                               | 40 - 10     | 5D15        | SHAFT, DIFFERENTIAL.....   | 53 - 12     |
| 3E1         | SENSOR,ENGINE SPEED(TSN -009999).....                                   | 40 - 8      | 5E20        | SHAFT, DIFFERENTIAL.....   | 54 - 8      |
| 3E3         | SENSOR,ENGINE SPEED(TSN -009999).....                                   | 40 - 9A     | 5E15        | SHAFT, DIFFERENTIAL DRIVE .....  | 54 - 2      |
| 3E7         | SENSOR,ENGINE SPEED(TSN 010000- ) .....                                 | 40 - 12     | 5F12        | SHAFT, DIFFERENTIAL DRIVE .....  | 54 - 24     |
| 3G17        | SENSOR,FOOT THROTTLE .....  | 40 - 73     | 4F22        | SHAFT, INPUT .....   | 51 - 26     |
| 3E1         | SENSOR,FUEL TEMPERTURE(TSN -009999).....                                | 40 - 8      | 4F24        | SHAFT, INPUT .....   | 51 - 28     |
| 3E3         | SENSOR,FUEL TEMPERTURE(TSN -009999).....                                | 40 - 9A     | 4I1         | SHAFT, INPUT .....   | 51 - 78     |
| 3E7         | SENSOR,FUEL TEMPERTURE(TSN 010000- ) .....                              | 40 - 12     | 4I3         | SHAFT, INPUT .....   | 51 - 80     |
| 3D23        | SENSOR,HYDRAULIC OIL FILTER<br>RESTRICTION(TSN -009999) .....           | 40 - 6      | 4G5         | SHAFT, OUTPUT .....  | 51 - 34     |
| 3E5         | SENSOR,HYDRAULIC OIL FILTER RESTRICTION<br>(TSN 010000- ) .....         | 40 - 10     | 4G7         | SHAFT, OUTPUT .....  | 51 - 36     |
| 3D23        | SENSOR,HYDRAULIC OIL PRESSURE(TSN<br>-009999) .....                     | 40 - 6      | 4I9         | SHAFT, OUTPUT .....  | 51 - 86     |
| 3E5         | SENSOR,HYDRAULIC OIL PRESSURE(TSN<br>010000- ) .....                    | 40 - 10     | 4I11        | SHAFT, OUTPUT .....  | 51 - 88     |
| 3D23        | SENSOR,HYDRAULIC OIL TEMPERATURE(TSN<br>-009999) .....                  | 40 - 6      | 4G9         | SHAFT, PTO .....   | 51 - 38     |
| 3E5         | SENSOR,HYDRAULIC OIL TEMPERATURE(TSN<br>010000- ) .....                 | 40 - 10     | 4I13        | SHAFT, PTO .....   | 51 - 90     |
| 3D23        | SENSOR,PTO SPEED(STANDARD)(TSN -009999).....                            | 40 - 6      | 5E1         | SHAFT, PTO OUTPUT.....   | 53 - 24     |
| 3E5         | SENSOR,PTO SPEED(STANDARD)(TSN 010000-<br>).....                        | 40 - 10     | 5E3         | SHAFT, PTO OUTPUT.....   | 53 - 26     |
| 3E1         | SENSOR,RADAR(TSN -009999) .....   | 40 - 8      | 5E5         | SHAFT, PTO OUTPUT.....   | 53 - 28     |
| 3E3         | SENSOR,RADAR(TSN -009999) .....   | 40 - 9A     | 1D21        | SHAFT, ROCKER ARM (6076)<br>(EARLY TSN 8100,8200,8300) .....                         | 20 - 8      |
| 3E7         | SENSOR,RADAR(TSN 010000- ) .....  | 40 - 12     | 1F15        | SHAFT, ROCKER ARM (6081)<br>(LATE TSN-8100,8200,8300).....                           | 20 - 44     |
| 3D23        | SENSOR,REAR PTO SPEED(TSN -009999) .....                                | 40 - 6      | 1H2         | SHAFT, ROCKER ARM (8400) .....   | 20 - 80     |
|             |   |             | 6D10        | SHAFT, STEERING .....  | 60 - 6      |
|             |   |             | 5F11        | SHIELD, DRIVELINE .....  | 54 - 22     |
|             |   |             | 8F11        | SHIELD, EXHAUST PIPE.....  | 80 - 32     |
|             |   |             | 1D17        | SHIELD, EXHAUST VALVE (6076)<br>(EARLY TSN-8100,8200,8300) .....                     | 20 - 4      |
|             |   |             | 1F10        | SHIELD, EXHAUST VALVE (6081)<br>(LATE TSN-8100,8200,8300).....                       | 20 - 40     |
|             |   |             | 1G22        | SHIELD, EXHAUST VALVE (8400) .....   | 20 - 76     |

## ALPHABETICAL INDEX - CONTINUED

| GRID |  | PAGE   | GRID |  | PAGE   |
|------|--|--------|------|--|--------|
| 2E6  | SHIELD, MUFFLER .....  | 30-24  | 4H13 | SOLENOID VALVE .....   | 51-66  |
| 4G15 | SHIELD, PTO DRIVELINE .....  | 51-44  | 5D13 | SOLENOID VALVE .....   | 53-10  |
| 5E7  | SHIELD, PTO MASTER .....   | 53-30  | 2E24 | SOLENOID, FUEL SHUT-OFF (6076) .....   | 30-38  |
| 9E7  | SHIELD, REAR FENDER .....  | 91-26  | 2F9  | SOLENOID, FUEL SHUT-OFF (6081)<br>(LATE TSN-8100,8200,8300) .....              | 30-48  |
| 9E9  | SHIELD, REAR FENDER (EUROPEAN VERSION) .....                             | 91-28  | 2F11 | SOLENOID, FUEL SHUT-OFF (6081)<br>(LATE TSN-8100,8200,8300) .....              | 30-49A |
| 4E1  | SHIELD, EXTREMITY WARNING LAMP(027100- ) .....                           | 42-22  | 2F21 | SOLENOID, FUEL SHUT-OFF (8400) .....   | 30-58  |
| 3H8  | SHIELD, RADAR(TSN XXXXXX- ) .....  | 40-88  | 7I1  | SOLENOID, SCV .....  | 70-120 |
| 2E5  | SHIELDS, EXHAUST .....   | 30-23  | 2E24 | SOLENOID, SHUT-OFF HOUSING (6076) .....  | 30-38  |
| 8F19 | SHIELDS, SIDE, ENGINE .....  | 80-40  | 2F9  | SOLENOID, SHUT-OFF HOUSING (6081)<br>(LATE TSN-8100,8200,8300) .....           | 30-48  |
| 3F24 | SHIFT LEVER GUIDE(ARMREST) .....   | 40-56  | 2F11 | SOLENOID, SHUT-OFF HOUSING (6081)<br>(LATE TSN-8100,8200,8300) .....           | 30-49A |
| 3F24 | SHIFT LEVER KNOB(ARMREST) .....  | 40-56  | 2F21 | SOLENOID, SHUT-OFF HOUSING (8400) .....  | 30-58  |
| 3F24 | SHIFT LEVER, TRANSMISSION<br>CONTROL(ARMREST) .....                      | 40-56  | 3D19 | SOLENOID, MFWD(TSN -019999) .....  | 40-2   |
| 1E14 | SHIM, LINER (6076)<br>(EARLY TSN 8100,8200,8300) .....                   | 20-20  | 3D21 | SOLENOID, MFWD(TSN 020000-) .....  | 40-4   |
| 1G6  | SHIM, LINER (6081)<br>(LATE TSN-8100,8200,8300) .....                    | 20-58  | 3D23 | SOLENOID, PTO(TSN -009999) .....   | 40-6   |
| 1H17 | SHIM, LINER (6081HRW01)(8400) .....                                      | 20-95  | 3E5  | SOLENOID, PTO(TSN 010000- ) .....  | 40-10  |
| 1F19 | SHORT BLOCK (WITH HEAD BOLTS)(6081)<br>(LATE TSN-81,82,8300) .....       | 20-48  | 3D23 | SOLENOID, SCV(TSN -009999) .....   | 40-6   |
| 1E3  | SHORT BLOCK (6076)(EARLY TSN 8100<br>8200,8300)(WITH HEAD BOLTS) .....   | 20-13A | 3E5  | SOLENOID, SCV(TSN 010000-) .....   | 40-10  |
| 1H6  | SHORT BLOCK (8400)<br>(WITHOUT HEAD BOLTS) .....                         | 20-84  | 3D19 | SOLENOIDS, TRANSMISSION(TSN -019999) .....                                     | 40-2   |
| 1H8  | SHORT BLOCK (8400) (WITH HEAD BOLTS) .....                               | 20-86  | 3D21 | SOLENOIDS, TRANSMISSION(TSN 020000-) .....                                     | 40-4   |
| 1F7  | SHORT BLOCK GASKET KIT<br>(6076) .....                                   | 20-38  | 7F21 | SPACER KIT, CENTER LINK BRACKET<br>(EUROPEAN VERSION) .....                    | 70-66  |
| 1I8  | SHORT BLOCK GASKET KIT (6081) .....                                      | 20-110 | 3H19 | SPEAKER .....  | 40-99  |
| 1G20 | SHORT BLOCK GASKET KIT (6081)<br>(LATE TSN-8100,8200,8300) .....         | 20-74  | 3H18 | SPEAKER, RADIO .....   | 40-98  |
| 1E1  | SHORT BLOCK(6076)(EARLY TSN-8100,8200,83<br>00)WITHOUT HEAD BLOTS) ..... | 20-12  | 5D25 | SPIRAL BEVEL .....   | 53-22  |
| 2E24 | SHUT-OFF HOUSING SOLENOID (6076) .....                                   | 30-38  | 5E18 | SPIRAL BEVEL .....   | 54-5   |
| 2F9  | SHUT-OFF HOUSING SOLENOID (6081)<br>(LATE TSN-8100,8200,8300) .....      | 30-48  | 5G3  | SPIRAL BEVEL GEAR SET, MFWD,<br>HIGH CAPACITY (ASN 0001-000747; 80001- ) ..... | 54-40  |
| 2F11 | SHUT-OFF HOUSING SOLENOID (6081)<br>(LATE TSN-8100,8200,8300) .....      | 30-49A | 5G1  | SPIRAL BEVEL GEAR SET, MFWD, STANDARD,<br>(ASN 000001-000747; 800001- ) .....  | 54-38  |
| 2F21 | SHUT-OFF HOUSING SOLENOID (8400) .....                                   | 30-58  | 7F13 | SPRING, DRAFT LINK (EUROPEAN VERSION) .....                                    | 70-58  |
| 9E11 | SIDE EXTENSION, REAR FENDER .....  | 91-30  | 5E15 | SPUR GEAR DRIVE .....  | 54-2   |
| 9E12 | SIDE EXTENSION, REAR FENDER (EUROPEAN<br>VERSION) .....                  | 91-31  | 5F12 | SPUR GEAR DRIVE .....  | 54-24  |
| 8F21 | SIDE PANEL (8100, 8200, 8300) .....                                      | 80-42  | 7J5  | STABILIZER, HITCH (EUROPEAN VERSION)<br>(EARLY DESIGN) .....                   | 70-148 |
| 8F22 | SIDE PANEL (8400) .....  | 80-43  | 7J7  | STABILIZER, HITCH (EUROPEAN VERSION)<br>(LATE DESIGN) .....                    | 70-150 |
| 8F19 | SIDE SHIELDS, ENGINE .....   | 80-40  | 5E1  | STANDARD PTO .....   | 53-24  |
| 7F5  | SIGHT GAUGE, HITCH .....   | 70-50  | 4E14 | START SWITCH CONNECTOR .....   | 43-9   |
| 5F1  | SLEEVE, AXLE RETAINING .....   | 54-14  | 1E13 | STARTER GEAR (6076)<br>(EARLY TSN 8100,8200,8300) .....                        | 20-19  |
| 5F3  | SLEEVE, AXLE RETAINING .....   | 54-16  | 1G4  | STARTER GEAR (6081)<br>(LATE TSN-8100,8200,8300) .....                         | 20-56  |
| 5F24 | SLEEVE, AXLE RETAINING .....   | 54-36  | 1H16 | STARTER GEAR (8400) .....  | 20-94  |
| 8G5  | SLOW MOVING VEHICLE EMBLEM .....   | 80-52  | 3I14 | STARTER SOLENOID COVER (DENSO)<br>(6076) .....                                 | 41-4   |
| 8G5  | SMV EMBLEM .....   | 80-52  | 3I15 | STARTER SOLENOID COVER (NIPPONDENSO)<br>(6081) (LATE TSN-8100,8200,8300) ..... | 41-4A  |
| 3E1  | SOLENOID STARTING AID(TSN -009999) .....                                 | 40-8   | 3E1  | STARTER(TSN -009999) .....   | 40-8   |
| 3E3  | SOLENOID STARTING AID(TSN -009999) .....                                 | 40-9A  | 3E3  | STARTER(TSN -009999) .....   | 40-9A  |
| 3E7  | SOLENOID STARTING AID(TSN 010000) .....                                  | 40-12  | 3E7  | STARTER(TSN 010000- ) .....  | 40-12  |
| 3I17 | SOLENOID SWITCH, STARTING MOTOR<br>(8100,8200,8300,8400) .....           | 41-6   | 2E8  | STARTING AID .....   | 30-26  |
| 3I20 | SOLENOID SWITCH, STARTING MOTOR<br>(8100,8200,8300,8400) .....           | 41-10  | 3E1  | STARTING AID SOLENOID(TSN -009999) .....                                       | 40-8   |
| 4F3  | SOLENOID VALVE .....   | 51-6   | 3E3  | STARTING AID SOLENOID(TSN -009999) .....                                       | 40-9A  |
| 4F5  | SOLENOID VALVE .....   | 51-8   | 3E7  | STARTING AID SOLENOID(TSN 010000) .....  | 40-12  |
| 4F7  | SOLENOID VALVE .....   | 51-10  | 3F9  | STARTING CIRCUIT RELAY .....   | 40-40  |
| 4F9  | SOLENOID VALVE .....   | 51-12  | 3F9  | STARTING CIRCUIT RELAY COVER .....   | 40-40  |
| 4F11 | SOLENOID VALVE .....   | 51-14  | 3E1  | STARTING CIRCUIT RELAY(TSN -009999) .....                                      | 40-8   |
| 4G17 | SOLENOID VALVE .....   | 51-46  | 3E3  | STARTING CIRCUIT RELAY(TSN -009999) .....                                      | 40-9A  |
| 4H5  | SOLENOID VALVE .....   | 51-58  | 3E7  | STARTING CIRCUIT RELAY(TSN 010000- ) .....                                     | 40-12  |
| 4H7  | SOLENOID VALVE .....   | 51-60  | 2E10 | STARTING FITTINGS, ETHER (6076) .....  | 30-28  |
| 4H9  | SOLENOID VALVE .....   | 51-62  | 3I14 | STARTING MOTOR (DENSO)<br>(12V F4) (6076) .....                                | 41-4   |
| 4H11 | SOLENOID VALVE .....   | 51-64  |      |  |        |

## ALPHABETICAL INDEX - CONTINUED

| GRID | PAGE   | GRID     | PAGE   |
|------|--|----------|--|
| 3115 | STARTING MOTOR (NIPPONDENSO) (12V F4)<br>(6081) (LATE TSN-8100,8200,8300).....       | 41 - 4A  | 1D20 STRAPS, ENGINE LIFT (6076).....                                     |
| 3117 | STARTING MOTOR ARMATURE(8100,8200,8300,8400).....                                    | 41 - 6   | 1H1 STRAPS, ENGINE LIFT (6081).....                                      |
| 3117 | STARTING MOTOR CLUTCH(8100,8200,8300,8400).....                                      | 41 - 6   | 1F14 STRAPS, ENGINE LIFT (6081)<br>(LATE TSN-81,82,8300).....            |
| 3120 | STARTING MOTOR CLUTCH(8100,8200,8300,8400).....                                      | 41 - 10  | 5F9 SUN PINION.....  |
| 3116 | STARTING MOTOR COVER(8400).....  | 41 - 5   | 5F22 SUN PINION.....   |
| 3117 | STARTING MOTOR FIELD WINDING COIL<br>(8100,8200,8300,8400).....                      | 41 - 6   | 5G5 SUN PINION.....  |
| 3119 | STARTING MOTOR SOLENOID SWITCH.....  | 41 - 8   | 9D25 SUN VISOR.....  |
| 3117 | STARTING MOTOR SOLENOID SWITCH<br>(8100,8200,8300,8400).....                         | 41 - 6   | 9E5 SUN VISOR.....   |
| 3120 | STARTING MOTOR SOLENOID SWITCH<br>(8100,8200,8300,8400).....                         | 41 - 10  | 7E12 SUPPORT, DRAFT LINK.....  |
| 3119 | STARTING MOTOR SOLENOID SWITCH COVER.....  | 41 - 8   | 7F16 SUPPORT, DRAFT LINK RELEASE CABLE<br>(EUROPEAN VERSION).....        |
| 3117 | STARTING MOTOR(8100,8200,8300,8400).....   | 41 - 6   | 7G3 SUPPORT, DRAWBAR FRONT (8100,8200,8300).....                         |
| 3120 | STARTING MOTOR(8100,8200,8300,8400).....   | 41 - 10  | 7G9 SUPPORT, DRAWBAR FRONT (8400).....                                   |
| 3116 | STARTING MOTOR(8400).....  | 41 - 5   | 8E9 SUPPORT, FRONT AXLE REAR PIVOT.....                                  |
| 9F1  | STATIONARY RIGHT-HAND GLASS.....   | 91 - 46  | 7E1 SUPPORT, HYDRAULIC OIL COOLER.....                                   |
| 8H8  | STATOR,A/C.....  | 90 - 4   | 7G17 SUPPORT, REGULAR DRAWBAR FRONT<br>(EUROPEAN VERSION).....           |
| 8F4  | STEEL DISK REAR WHEEL WEIGHTS (10-BOLT<br>HUB ONLY)(34", 38", 42", 46", OR 50")..... | 80 - 24  | 9E1 SUPPORTS, HEADLINER.....   |
| 8E23 | STEEL DISK REAR WHEELS (10-BOLT HUB).....  | 80 - 18  | 9G2 SUPPORTS, SEAT BACKREST.....   |
| 5F1  | STEERING ARM.....  | 54 - 14  | 7F11 SWAY BLOCK.....   |
| 5F3  | STEERING ARM.....  | 54 - 16  | 7E6 SWITCH, HYDRAULIC OIL FILTER.....                                    |
| 5F24 | STEERING ARM.....  | 54 - 36  | 6D6 SWITCH, TURN SIGNAL.....   |
| 8E15 | STEERING ARM.....  | 80 - 8   | 3F16 SWITCH,A/C HEATING FAN(TSN -009999).....                            |
| 9D17 | STEERING COLUMN COVER.....   | 91 - 12  | 3F18 SWITCH,A/C / HEATING FAN(TSN 010000- ).....                         |
| 6D8  | STEERING COLUMN PIVOT.....   | 60 - 4   | 3E13 SWITCH,A/C COMPRESSOR(EUROPEAN<br>VERSION)(TSN -009999).....        |
| 3E13 | STEERING COLUMN(EUROPEAN VERSION)(TSN<br>-009999).....                               | 40 - 18  | 3E15 SWITCH,A/C COMPRESSOR(EUROPEAN<br>VERSION)(TSN 010000- ).....       |
| 3E15 | STEERING COLUMN(EUROPEAN VERSION)(TSN<br>010000- ).....                              | 40 - 20  | 3E9 SWITCH,A/C COMPRESSOR(NORTH AMERICAN<br>VERSION)( -009999).....      |
| 3E9  | STEERING COLUMN(NORTH AMERICAN<br>VERSION)(TSN -009999).....                         | 40 - 14  | 3E11 SWITCH,A/C COMPRESSOR(NORTH AMERICAN<br>VERSION)(TSN 010000- )..... |
| 3E11 | STEERING COLUMN(NORTH AMERICAN<br>VERSION)(TSN 010000- ).....                        | 40 - 16  | 3F16 SWITCH,A/C COMPRESSOR(TSN -009999).....                             |
| 3E17 | STEERING COLUMN(UKRAINIAN VERSION).....  | 40 - 22  | 3F18 SWITCH,A/C COMPRESSOR(TSN 010000- ).....                            |
| 6D20 | STEERING CYLINDER (ADJUSTABLE AXLE).....   | 60 - 16  | 3E17 SWITCH,A/C COMPRESSOR(UKRAINIAN<br>VERSION).....                    |
| 6D22 | STEERING CYLINDER (ADJUSTABLE AXLE).....   | 60 - 17B | 3E13 SWITCH,A/C DEICING(EUROPEAN<br>VERSION)(TSN -009999).....           |
| 6D23 | STEERING CYLINDER (MFWD).....  | 60 - 18  | 3E15 SWITCH,A/C DEICING(EUROPEAN<br>VERSION)(TSN 010000- ).....          |
| 6D25 | STEERING CYLINDER (MFWD) (LATE DESIGN).....  | 60 - 21  | 3E9 SWITCH,A/C DEICING(NORTH AMERICAN<br>VERSION)(TSN -009999).....      |
| 6E1  | STEERING CYLINDER (MFWD) (LATE DESIGN).....  | 60 - 21A | 3E11 SWITCH,A/C DEICING(NORTH AMERICAN<br>VERSION)(TSN 010000- ).....    |
| 6E2  | STEERING CYLINDER (MFWD) (LATE DESIGN).....  | 60 - 21B | 3E17 SWITCH,A/C DEICING(UKRAINIAN VERSION).....                          |
| 6E3  | STEERING CYLINDER LINES (MFWD).....  | 60 - 22  | 3E13 SWITCH,A/C HIGH PRESSURE(EUROPEAN<br>VERSION)(TSN -009999).....     |
| 6E5  | STEERING CYLINDER LINES (W/O MFWD)<br>(EARLY DESIGN).....                            | 60 - 24  | 3E15 SWITCH,A/C HIGH PRESSURE(EUROPEAN<br>VERSION)(TSN 010000- ).....    |
| 6E7  | STEERING CYLINDER LINES (W/O MFWD)<br>(LATE DESIGN).....                             | 60 - 26  | 3E9 SWITCH,A/C HIGH(NORTH AMERICAN<br>VERSION)( -009999).....            |
| 6D21 | STEERING CYLINDER SEAL KIT (ADJUSTABLE<br>AXLE) (EARLY DESIGN).....                  | 60 - 17  | 3E11 SWITCH,A/C HIGH(NORTH AMERICAN<br>VERSION)(TSN 010000- ).....       |
| 6E9  | STEERING PUMP.....   | 60 - 28  | 3E17 SWITCH,A/C HIGH(UKRAINIAN VERSION).....                             |
| 6E15 | STEERING PUMP FRONT LINE.....  | 60 - 34  | 3E13 SWITCH,A/C LOW PRESSURE(EUROPEAN<br>VERSION)(TSN -009999).....      |
| 6E13 | STEERING PUMP REAR LINES.....  | 60 - 32  | 3E15 SWITCH,A/C LOW PRESSURE(EUROPEAN<br>VERSION)(TSN 010000- ).....     |
| 6E10 | STEERING PUMP/CHARGE PUMP.....   | 60 - 29  | 3E9 SWITCH,A/C LOW(NORTH AMERICAN<br>VERSION)(TSN -009999).....          |
| 6D10 | STEERING SHAFT.....  | 60 - 6   | 3E11 SWITCH,A/C LOW(NORTH AMERICAN<br>VERSION)(TSN 010000- ).....        |
| 6D14 | STEERING VALVE (MFWD).....   | 60 - 10  | 3E17 SWITCH,A/C LOW(UKRAINIAN VERSION).....                              |
| 6D15 | STEERING VALVE (W/O MFWD).....   | 60 - 11  | 3E13 SWITCH,A/C HEATING FAN(EUROPEAN<br>VERSION)(TSN -009999).....       |
| 6D13 | STEERING VALVE BRACKET.....  | 60 - 9   |  |
| 6D17 | STEERING VALVE SEAL KIT.....   | 60 - 13  |  |
| 6D6  | STEERING WHEEL.....  | 60 - 2   |  |
| 9E13 | STEP, LEFT HAND.....   | 91 - 32  |  |
| 9D21 | STORAGE TRAY.....  | 91 - 16  |  |
| 7G5  | STRAP, DRAWBAR (8100,8200,8300) (EARLY<br>DESIGN).....                               | 70 - 74  |  |



## ALPHABETICAL INDEX - CONTINUED

| <i>GRID</i>   | <i>PAGE</i> | <i>GRID</i>  | <i>PAGE</i> |
|---|-------------|--|-------------|
| 3E15 SWITCH,A/C-HEATING FAN(EUROPEAN<br>VERSION)(TSN 010000- ) .....          | 40 - 20     | 3F16 SWITCH,FRONT WIPER/WASHER(TSN -009999).....                         | 40 - 48     |
| 3E9 SWITCH,A/C-HEATING FAN(NORTH AMERICAN<br>VERSION)( -009999) .....         | 40 - 14     | 3F18 SWITCH,FRONT WIPER/WASHER(TSN 010000- ) .....                       | 40 - 50     |
| 3E11 SWITCH,A/C-HEATING FAN(NORTH AMERICAN<br>VERSION)(TSN 010000- ) .....    | 40 - 16     | 3E17 SWITCH,FRONT WIPER/WASHER(UKRAINIAN<br>VERSION).....                | 40 - 22     |
| 3E17 SWITCH,A/C-HEATING FAN(UKRAINIAN<br>VERSION).....                        | 40 - 22     | 3D19 SWITCH,GROUND DRIVE PUMP(TSN -019999).....                          | 40 - 2      |
| 3F5 SWITCH,AIR BRAKE PRESSURE(EUROPEAN<br>VERSION).....                       | 40 - 35     | 3D21 SWITCH,GROUND DRIVE PUMP(TSN 020000-).....                          | 40 - 4      |
| 3G25 SWITCH,BRAKE .....   | 40 - 81     | 3E13 SWITCH,HAZARD LIGHTS(EUROPEAN<br>VERSION)(TSN -009999) .....        | 40 - 18     |
| 3E13 SWITCH,BRAKE(EUROPEAN VERSION)(TSN<br>-009999) .....                     | 40 - 18     | 3E15 SWITCH,HAZARD LIGHTS(EUROPEAN<br>VERSION)(TSN 010000- ) .....       | 40 - 20     |
| 3E15 SWITCH,BRAKE(EUROPEAN VERSION)(TSN<br>010000- ) .....                    | 40 - 20     | 3E9 SWITCH,HAZARD LIGHTS(NORTH AMERICAN<br>VERSION)(TSN -009999) .....   | 40 - 14     |
| 3E9 SWITCH,BRAKE(NORTH AMERICAN<br>VERSION)(TSN -009999) .....                | 40 - 14     | 3E11 SWITCH,HAZARD LIGHTS(NORTH AMERICAN<br>VERSION)(TSN 010000- ) ..... | 40 - 16     |
| 3E11 SWITCH,BRAKE(NORTH AMERICAN<br>VERSION)(TSN 010000- ) .....              | 40 - 16     | 3F16 SWITCH,HAZARD LIGHTS(TSN -009999) .....                             | 40 - 48     |
| 3E17 SWITCH,BRAKE(UKRAINIAN VERSION) .....                                    | 40 - 22     | 3F18 SWITCH,HAZARD LIGHTS(TSN 010000- ) .....                            | 40 - 50     |
| 3D19 SWITCH,CLUTCH DISENGAGE(TSN -019999) .....                               | 40 - 2      | 3E17 SWITCH,HAZARD LIGHTS(UKRAINIAN VERSION).....                        | 40 - 22     |
| 3D21 SWITCH,CLUTCH DISENGAGE(TSN 020000-) .....                               | 40 - 4      | 8H9 SWITCH,HIGH PRESSURE A/C .....                                       | 90 - 6      |
| 3D19 SWITCH,CLUTCH ENGAGE PRESSURE(TSN<br>-019999) .....                      | 40 - 2      | 3G19 SWITCH,HITCH CONTROL(EUROPEAN VERSION) .....                        | 40 - 75     |
| 3D21 SWITCH,CLUTCH ENGAGE PRESSURE(TSN<br>020000-) .....                      | 40 - 4      | 3G18 SWITCH,HITCH CONTROL(NORTH AMERICAN<br>VERSION).....                | 40 - 74     |
| 3E13 SWITCH,DIFFERENTIAL LOCK(EUROPEAN<br>VERSION)(TSN -009999) .....         | 40 - 18     | 3G1 SWITCH,HITCH RAISE/LOWER(ARMREST) .....                              | 40 - 58     |
| 3E15 SWITCH,DIFFERENTIAL LOCK(EUROPEAN<br>VERSION)(TSN 010000- ) .....        | 40 - 20     | 3E13 SWITCH,HITCH(EUROPEAN VERSION)(TSN<br>-009999) .....                | 40 - 18     |
| 3E9 SWITCH,DIFFERENTIAL LOCK(NORTH AMERICAN<br>VERSION)(TSN -009999) .....    | 40 - 14     | 3E15 SWITCH,HITCH(EUROPEAN VERSION)(TSN<br>010000- ) .....               | 40 - 20     |
| 3E11 SWITCH,DIFFERENTIAL LOCK(NORTH AMERICAN<br>VERSION)(TSN 010000- ) .....  | 40 - 16     | 3E9 SWITCH,HITCH(NORTH AMERICAN<br>VERSION)(TSN -009999) .....           | 40 - 14     |
| 3E17 SWITCH,DIFFERENTIAL LOCK(UKRAINIAN<br>VERSION).....                      | 40 - 22     | 3E11 SWITCH,HITCH(NORTH AMERICAN<br>VERSION)(TSN 010000- ) .....         | 40 - 16     |
| 3G20 SWITCH,DOME LIGHT.....   | 40 - 76     | 3E17 SWITCH,HITCH(UKRAINIAN VERSION).....                                | 40 - 22     |
| 3E13 SWITCH,DOME LIGHT(EUROPEAN VERSION)(TSN<br>-009999) .....                | 40 - 18     | 3G24 SWITCH,HYDRAULIC DIFFERENTIAL LOCK .....                            | 40 - 80     |
| 3E15 SWITCH,DOME LIGHT(EUROPEAN VERSION)(TSN<br>010000- ) .....               | 40 - 20     | 3H14 SWITCH,IMPLEMENT .....  | 40 - 94     |
| 3E9 SWITCH,DOME LIGHT(NORTH AMERICAN<br>VERSION)(TSN -009999) .....           | 40 - 14     | 3F21 SWITCH,KEY .....  | 40 - 53     |
| 3E11 SWITCH,DOME LIGHT(NORTH AMERICAN<br>VERSION)(TSN 010000- ) .....         | 40 - 16     | 3E13 SWITCH,KEY(EUROPEAN VERSION)(TSN<br>-009999) .....                  | 40 - 18     |
| 3E17 SWITCH,DOME LIGHT(UKRAINIAN VERSION).....                                | 40 - 22     | 3E15 SWITCH,KEY(EUROPEAN VERSION)(TSN<br>010000- ) .....                 | 40 - 20     |
| 3G21 SWITCH,DOME,DOOR.....  | 40 - 77     | 3E9 SWITCH,KEY(NORTH AMERICAN VERSION)(TSN<br>-009999) .....             | 40 - 14     |
| 3F21 SWITCH,ETHER AID .....   | 40 - 53     | 3E11 SWITCH,KEY(NORTH AMERICAN VERSION)(TSN<br>010000- ) .....           | 40 - 16     |
| 3E13 SWITCH,ETHER AID(EUROPEAN VERSION)(TSN<br>-009999) .....                 | 40 - 18     | 3E17 SWITCH,KEY(UKRAINIAN VERSION) .....                                 | 40 - 22     |
| 3E15 SWITCH,ETHER AID(EUROPEAN VERSION)(TSN<br>010000- ) .....                | 40 - 20     | 8H9 SWITCH,LOW PRESSURE A/C.....   | 90 - 6      |
| 3E9 SWITCH,ETHER AID(NORTH AMERICAN<br>VERSION)(TSN -009999) .....            | 40 - 14     | 3E13 SWITCH,MAIN LIGHTS(EUROPEAN<br>VERSION)(TSN -009999) .....          | 40 - 18     |
| 3E11 SWITCH,ETHER AID(NORTH AMERICAN<br>VERSION)(TSN 010000- ) .....          | 40 - 16     | 3E15 SWITCH,MAIN LIGHTS(EUROPEAN<br>VERSION)(TSN 010000- ) .....         | 40 - 20     |
| 3E17 SWITCH,ETHER AID(UKRAINIAN VERSION) .....                                | 40 - 22     | 3E9 SWITCH,MAIN LIGHTS(NORTH AMERICAN<br>VERSION)( -009999) .....        | 40 - 14     |
| 3F16 SWITCH,FIELD CRUISE(TSN -009999) .....                                   | 40 - 48     | 3E11 SWITCH,MAIN LIGHTS(NORTH AMERICAN<br>VERSION)(TSN 010000- ) .....   | 40 - 16     |
| 3F18 SWITCH,FIELD CRUISE(TSN 010000- ) .....                                  | 40 - 50     | 3F16 SWITCH,MAIN LIGHTS(TSN -009999) .....                               | 40 - 48     |
| 3E13 SWITCH,FRONT WIPER/WASHER(EUROPEAN<br>VERSION)(TSN -009999) .....        | 40 - 18     | 3F18 SWITCH,MAIN LIGHTS(TSN 010000- ) .....                              | 40 - 50     |
| 3E15 SWITCH,FRONT WIPER/WASHER(EUROPEAN<br>VERSION)(TSN 010000- ) .....       | 40 - 20     | 3E17 SWITCH,MAIN LIGHTS(UKRAINIAN VERSION) .....                         | 40 - 22     |
| 3E9 SWITCH,FRONT WIPER/WASHER(NORTH<br>AMERICAN VERSION)( -009999) .....      | 40 - 14     | 3E13 SWITCH,MFWD(EUROPEAN VERSION)(TSN<br>-009999) .....                 | 40 - 18     |
| 3E11 SWITCH,FRONT WIPER/WASHER(NORTH<br>AMERICAN VERSION)(TSN 010000- ) ..... | 40 - 16     | 3E15 SWITCH,MFWD(EUROPEAN VERSION)(TSN<br>010000- ) .....                | 40 - 20     |
|   |             | 3E9 SWITCH,MFWD(NORTH AMERICAN VERSION)(TSN<br>-009999) .....            | 40 - 14     |
|   |             | 3E11 SWITCH,MFWD(NORTH AMERICAN VERSION)(TSN<br>010000- ) .....          | 40 - 16     |
|   |             | 3F16 SWITCH,MFWD(TSN -009999) .....                                      | 40 - 48     |
|   |             | 3F18 SWITCH,MFWD(TSN 010000- ) .....                                     | 40 - 50     |
|   |             | 3E17 SWITCH,MFWD(UKRAINIAN VERSION).....                                 | 40 - 22     |
|   |             | 3F24 SWITCH,NEUTRAL START .....  | 40 - 56     |

## ALPHABETICAL INDEX - CONTINUED

| GRID   | PAGE    | GRID  | PAGE     |
|--|---------|---|----------|
| 3E1 SWITCH,OIL PRESSURE TRANSDUCER(TSN<br>-009999) .....                     | 40 - 8  | 2F9 TEMPERATURE SENSOR (6081)<br>(LATE TSN-8100,8200,8300) .....              | 30 - 48  |
| 3E3 SWITCH,OIL PRESSURE TRANSDUCER(TSN<br>-009999) .....                     | 40 - 9A | 2F11 TEMPERATURE SENSOR (6081)<br>(LATE TSN-8100,8200,8300) .....             | 30 - 49A |
| 3E7 SWITCH,OIL PRESSURE TRANSDUCER(TSN<br>010000- ) .....                    | 40 - 12 | 2F21 TEMPERATURE SENSOR (8400) .....  | 30 - 58  |
| 3F1 SWITCH,OPERATOR PRESENCE(SEAT) .....                                     | 40 - 31 | 2D25 TEMPERATURE SENSOR, AIR INTAKE<br>(8400) .....                           | 30 - 17  |
| 3F1 SWITCH,RAISE/LOWER SEAT .....  | 40 - 31 | 2D21 TEMPERATURE SENSOR, AIR INTAKE (6081)<br>(LATE TSN-8100,8200,8300) ..... | 30 - 13  |
| 3E13 SWITCH,REAR WIPER/WASHER(EUROPEAN<br>VERSION)(TSN -009999) .....        | 40 - 18 | 4E14 TERMINAL BOARD,FUSE .....  | 43 - 9   |
| 3E15 SWITCH,REAR WIPER/WASHER(EUROPEAN<br>VERSION)(TSN 010000- ) .....       | 40 - 20 | 4E14 TERMINAL BOARD,RELAY .....   | 43 - 9   |
| 3E9 SWITCH,REAR WIPER/WASHER(NORTH AMERICAN<br>VERSION)(TSN -009999) .....   | 40 - 14 | 3I23 TERMINAL CAP .....   | 41 - 13  |
| 3E11 SWITCH,REAR WIPER/WASHER(NORTH AMERICAN<br>VERSION)(TSN 010000- ) ..... | 40 - 16 | 4E13 TERMINAL,ELECTRICAL .....  | 43 - 8   |
| 3F16 SWITCH,REAR WIPER/WASHER(TSN -009999) .....                             | 40 - 48 | 4E11 TERMINAL,METRI-PACK .....  | 43 - 6   |
| 3F18 SWITCH,REAR WIPER/WASHER(TSN 010000- ) .....                            | 40 - 50 | 3I23 TERMINAL,POSITIVE .....  | 41 - 13  |
| 3E17 SWITCH,REAR WIPER/WASHER(UKRAINIAN<br>VERSION) .....                    | 40 - 22 | 4E7 TERMINAL,WEATHERPACK .....  | 43 - 2   |
| 3E13 SWITCH,SECONDARY HAND BRAKE(EUROPEAN<br>VERSION)(TSN -009999) .....     | 40 - 18 | 4E9 TERMINALS,METRI-PACK .....  | 43 - 4   |
| 3E15 SWITCH,SECONDARY HAND BRAKE(EUROPEAN<br>VERSION)(TSN 010000- ) .....    | 40 - 20 | 1F6 THERMOSTAT HOUSING, FRONT (6076) .....                                    | 20 - 37A |
| 3I19 SWITCH,STARTING MOTOR SOLENOID .....                                    | 41 - 8  | 1F5 THERMOSTAT HOUSING, FRONT (6076)<br>(EARLY TSN-8100,8200,8300) .....      | 20 - 37  |
| 3D19 SWITCH,TRANSMISSION PRESSURE(TSN<br>-019999) .....                      | 40 - 2  | 1G19 THERMOSTAT HOUSING, FRONT (6081)<br>(LATE TSN-8100,8200,8300) .....      | 20 - 73  |
| 3D21 SWITCH,TRANSMISSION PRESSURE(TSN<br>020000-) .....                      | 40 - 4  | 1I7 THERMOSTAT HOUSING, FRONT (8400) .....                                    | 20 - 109 |
| 3E13 SWITCH,WORK LIGHT(EUROPEAN VERSION)(TSN<br>-009999) .....               | 40 - 18 | 8H19 THERMOSTAT,HEATER AND A/C .....  | 90 - 16  |
| 3E15 SWITCH,WORK LIGHT(EUROPEAN VERSION)(TSN<br>010000- ) .....              | 40 - 20 | 3G17 THROTTLE,FOOT .....  | 40 - 73  |
| 3F16 SWITCH,WORK LIGHTS(TSN -009999) .....                                   | 40 - 48 | 1E15 THRUST BEARING (6076)<br>(EARLT TSN 8100,8200,8300) .....                | 20 - 21  |
| 3F18 SWITCH,WORK LIGHTS(TSN 010000- ) .....                                  | 40 - 50 | 1G5 THRUST BEARING (6081)<br>(LATE TSN-8100,8200,8300) .....                  | 20 - 57  |
|  |         | 1H18 THRUST BEARING (8400) .....  | 20 - 96  |
|  |         | 1E15 THRUST WASHER (6076)<br>(EARLY TSN 8100,8200,8300) .....                 | 20 - 21  |
|  |         | 1G5 THRUST WASHER (6081)<br>(LATE TSN-8100,8200,8300) .....                   | 20 - 57  |
|  |         | 1H18 THRUST WASHER (8400) .....   | 20 - 96  |
|  |         | 8E15 TIE ROD .....  | 80 - 8   |
|  |         | 5E23 TIE ROD ASSEMBLY .....   | 54 - 12  |
|  |         | 1E17 TIMING GEAR COVER (6076)<br>(EARLY TSN-8100,8200,8300) .....             | 20 - 23  |
|  |         | 1G8 TIMING GEAR COVER (6081)<br>(LATE TSN-8100,8200,8300) .....               | 20 - 60  |
|  |         | 1H20 TIMING GEAR COVER (8400 TRACTOR) .....                                   | 20 - 98  |
|  |         | 1E17 TIMING GEAR COVER GASKET (6076)<br>(EARLY TSN-8100,8200,8300) .....      | 20 - 23  |
|  |         | 1G8 TIMING GEAR COVER GASKET (6081)<br>(LATE TSN-8100,8200,8300) .....        | 20 - 60  |
|  |         | 1H20 TIMING GEAR COVER GASKET (8400 TRACTOR) .....                            | 20 - 98  |
|  |         | 8G2 TOOL BOX .....  | 80 - 49  |
|  |         | 1D14 TORQ-GARD ENGINE OIL .....   | 20 - 1   |
|  |         | 9D11 TOW DISCONNECT LEVER (CAB) .....   | 91 - 6   |
|  |         | 6G15 TRAILER BRAKE VALVE (EUROPEAN VERSION) .....                             | 60 - 78  |
|  |         | 6G13 TRAILER BRAKE VALVE KIT (EUROPEAN<br>VERSION) .....                      | 60 - 76  |
|  |         | 2F2 TRANSFER PUMP, FUEL (ROBERT BOSCH)<br>(6076) .....                        | 30 - 41  |
|  |         | 2F14 TRANSFER PUMP, FUEL (ROBERT BOSCH)<br>(6081) (LATE TSN-81,82,8300) ..... | 30 - 51  |
|  |         | 2F24 TRANSFER PUMP, FUEL (ROBERT BOSCH)<br>(8400 TRACTOR) .....               | 30 - 61  |
|  |         | 7D9 TRANSMISSION AND HYDRAULIC OIL .....                                      | 70 - 1   |
|  |         | 4G13 TRANSMISSION CASE .....  | 51 - 42  |
|  |         | 4I17 TRANSMISSION CASE .....  | 51 - 94  |
|  |         | 4F17 TRANSMISSION CASE REAR COVER .....                                       | 51 - 20  |
|  |         | 4F19 TRANSMISSION CASE REAR COVER .....                                       | 51 - 22  |
|  |         | 4H19 TRANSMISSION CASE REAR COVER .....                                       | 51 - 72  |
|  |         | 4H21 TRANSMISSION CASE REAR COVER .....                                       | 51 - 74  |
|  |         | 3F24 TRANSMISSION CONTROL BRACKET(ARMREST) .....                              | 40 - 56  |

## T

|  |          |
|--|----------|
| 3E13 TACHOMETER(EUROPEAN VERSION)(TSN<br>-009999) .....        | 40 - 18  |
| 3E15 TACHOMETER(EUROPEAN VERSION)(TSN<br>010000- ) .....       | 40 - 20  |
| 3E11 TACHOMETER(NORTH AMERICAN VERSION)(TSN<br>010000- ) ..... | 40 - 16  |
| 3E9 TACHOMETER(NORTH AMERICAN VERSION)(TSN<br>-009999) .....   | 40 - 14  |
| 3E17 TACHOMETER(UKRAINIAN VERSION) .....                       | 40 - 22  |
| 8F9 TACTOR FRONT SUPPORT .....                                 | 80 - 30  |
| 8G19 TAG, BATTERY CABLE (SPANISH) .....                        | 80 - 66  |
| 3E13 TAIL LIGHT(EUROPEAN VERSION)(TSN<br>-009999) .....        | 40 - 18  |
| 3E15 TAIL LIGHT(EUROPEAN VERSION)(TSN<br>010000- ) .....       | 40 - 20  |
| 4D6 TAIL LIGHT(EV)(TSN -009999) .....                          | 42 - 2   |
| 4D7 TAIL LIGHT(EV)(TSN 010000-) .....                          | 42 - 3   |
| 4D5 TAIL LIGHT(NAV) .....                                      | 42 - 1   |
| 3E9 TAIL LIGHT(NORTH AMERICAN VERSION)(TSN<br>-009999) .....   | 40 - 14  |
| 3E11 TAIL LIGHT(NORTH AMERICAN VERSION)(TSN<br>010000- ) ..... | 40 - 16  |
| 3E17 TAIL LIGHT(UKRAINIAN VERSION) .....                       | 40 - 22  |
| 6H10 TANK, AIR BRAKE AIR (EUROPEAN VERSION) .....              | 60 - 98  |
| 6H12 TANK, AIR BRAKE AIR (LATE DESIGN) .....                   | 60 - 100 |
| 2G8 TANK, FUEL .....   | 30 - 72  |
| 8H19 TEMPERATURE CONTROL CABLE .....                           | 90 - 16  |
| 2E24 TEMPERATURE SENSOR (6076) .....                           | 30 - 38  |



## ALPHABETICAL INDEX - CONTINUED

| GRID |   | PAGE      | GRID |   | PAGE     |
|------|---|-----------|------|---|----------|
| 1I3  | VALVE, OIL COOLER BYPASS (6081) .....                                   | 20 - 106  | 3F18 | WARNING ALARM(TSN 010000- ) .....   | 40 - 50  |
| 1E22 | VALVE, OIL FILTER BYPASS (6076) .....                                   | 20 - 28   | 4D18 | WARNING LIGHTS,ROOF(NAV) .....  | 42 - 14  |
| 1G15 | VALVE, OIL FILTER BYPASS (6081)<br>(LATE TSN-8100,8200,8300) .....      | 20 - 68   | 3E19 | WARNING LIGHTS,ROOF,NORTH AMERICAN<br>VERSION .....                                   | 40 - 24  |
| 1I1  | VALVE, OIL FILTER BYPASS (8400) .....                                   | 20 - 104  | 9E21 | WASHER KIT, WINDSHIELD AND REAR .....   | 91 - 40  |
| 1I1  | VALVE, OIL PRESSURE REGULATING<br>(8400) .....                          | 20 - 104  | 1E15 | WASHER THRUST (6076)<br>(EARLY TSN 8100,8200,8300) .....                              | 20 - 21  |
| 1E22 | VALVE, OIL PRESSURE REGULATING (6076).....                              | 20 - 28   | 1D22 | WASHER, CAMSHAFT THRUST (6076)<br>(EARLY TSN-8100,8200,8300) .....                    | 20 - 9   |
| 1G15 | VALVE, OIL PRESSURE REGULATING (6081)<br>(LATE TSN-8100,8200,8300)..... | 20 - 68   | 1G5  | WASHER, THRUST (6081)<br>(LATE TSN-8100,8200,8300).....                               | 20 - 57  |
| 1G14 | VALVE, OIL PRESSURE REGULATING (8100, 82<br>00, 8300) (LATE TSN) .....  | 20 - 66   | 1H18 | WASHER, THRUST (8400) .....   | 20 - 96  |
| 1I4  | VALVE, OIL PRESSURE REGULATING (8400).....                              | 20 - 107  | 1F6  | WATER MANIFOLD GASKET (6076) .....  | 20 - 37A |
| 6D14 | VALVE, PRIORITY (MFWD).....   | 60 - 10   | 1F5  | WATER MANIFOLD GASKET (6076)<br>(EARLY TSN-8100,8200,8300) .....                      | 20 - 37  |
| 6D15 | VALVE, PRIORITY (W/O MFWD) .....  | 60 - 11   | 1G19 | WATER MANIFOLD GASKET (6081)<br>(LATE TSN-8100,8200,8300).....                        | 20 - 73  |
| 7I1  | VALVE, SCV PILOT .....  | 70 - 120  | 1I7  | WATER MANIFOLD GASKET (8400) .....  | 20 - 109 |
| 7I2  | VALVE, SCV PILOT .....  | 70 - 121  | 1F5  | WATER MANIFOLD TUBE (6076)<br>(EARLY TSN-8100,8200,8300) .....                        | 20 - 37  |
| 6F23 | VALVE, SECONDARY BRAKE .....  | 60 - 66   | 1F6  | WATER MANIFOLD TUBE (6076)<br>(LATE DESIGN) .....                                     | 20 - 37A |
| 6G2  | VALVE, SECONDARY BRAKE .....  | 60 - 69A  | 1F6  | WATER MANIFOLD, FRONT (6076).....   | 20 - 37A |
| 7H20 | VALVE, SELECTIVE CONTROL .....  | 70 - 114  | 1F5  | WATER MANIFOLD, FRONT (6076)<br>(EARLY TSN-8100,8200,8300) .....                      | 20 - 37  |
| 4F3  | VALVE, SOLENOID .....   | 51 - 6    | 1G19 | WATER MANIFOLD, FRONT (6081)<br>(LATE TSN-8100,8200,8300).....                        | 20 - 73  |
| 4F5  | VALVE, SOLENOID .....   | 51 - 8    | 1I7  | WATER MANIFOLD, FRONT (8400).....   | 20 - 109 |
| 4F7  | VALVE, SOLENOID .....   | 51 - 10   | 1F2  | WATER PUMP (6076)<br>(EARLY TSN-8100,8200,8300) .....                                 | 20 - 34  |
| 4F9  | VALVE, SOLENOID .....   | 51 - 12   | 1G17 | WATER PUMP (6081)<br>(LATE TSN-8100,8200,8300).....                                   | 20 - 70  |
| 4F11 | VALVE, SOLENOID .....   | 51 - 14   | 1I5  | WATER PUMP (8400) .....   | 20 - 108 |
| 4G17 | VALVE, SOLENOID .....   | 51 - 46   | 1F2  | WATER PUMP BEARING (6076)<br>(EARLY TSN-8100,8200,8300) .....                         | 20 - 34  |
| 4H5  | VALVE, SOLENOID .....   | 51 - 58   | 1G17 | WATER PUMP COVER<br>(LATE TSN=81,82,8300) .....                                       | 20 - 70  |
| 4H7  | VALVE, SOLENOID .....   | 51 - 60   | 1I5  | WATER PUMP COVER (8400) .....   | 20 - 108 |
| 4H9  | VALVE, SOLENOID .....   | 51 - 62   | 1F2  | WATER PUMP GASKET (6076)<br>(EARLY TSN-8100,8200,8300) .....                          | 20 - 34  |
| 4H11 | VALVE, SOLENOID .....   | 51 - 64   | 1G17 | WATER PUMP GASKET (6081)<br>(LATE TSN-8100,8200,8300).....                            | 20 - 70  |
| 4H13 | VALVE, SOLENOID .....   | 51 - 66   | 1I5  | WATER PUMP GASKET (8400) .....  | 20 - 108 |
| 5D13 | VALVE, SOLENOID .....   | 53 - 10   | 1F2  | WATER PUMP IMPELLER (6076)<br>(EARLY TSN-8100,8200,8300) .....                        | 20 - 34  |
| 6D14 | VALVE, STEERING (MFWD).....   | 60 - 10   | 1F4  | WATER PUMP REPAIR KIT (6076)<br>(EARLY TSN 8100,8200,8300) .....                      | 20 - 36  |
| 6D15 | VALVE, STEERING (W/O MFWD).....   | 60 - 11   | 1F2  | WATER PUMP SEAL (6076)<br>(EARLT TSN-8100,8200,8300) .....                            | 20 - 34  |
| 6G15 | VALVE, TRAILER BRAKE (EUROPEAN VERSION) .....                           | 60 - 78   | 2E14 | WATER SEPARATOR .....   | 30 - 30  |
| 8H19 | VALVE,WATER.....  | 90 - 16   | 3E1  | WATER TEMPERTURE SENSOR(TSN -009999).....   | 40 - 8   |
| 3E23 | VALVE,5TH SCV .....   | 40 - 28   | 3E3  | WATER TEMPERTURE SENSOR(TSN -009999).....   | 40 - 9A  |
| 1D17 | VALVES, EXHAUST (6076)<br>(EARLY TSN-8100,8200,8300) .....              | 20 - 4    | 3E7  | WATER TEMPERTURE SENSOR(TSN 010000- ).....  | 40 - 12  |
| 1F10 | VALVES, EXHAUST (6081)<br>(LATE TSN-8100,8200,8300).....                | 20 - 40   | 8H19 | WATER VALVE .....   | 90 - 16  |
| 1G22 | VALVES, EXHAUST (8400).....   | 20 - 76   | 7F11 | WEAR PLATE, SWAY BLOCK .....  | 70 - 56  |
| 1D17 | VALVES, INTAKE (6076)<br>(EARLY TSN-8100,8200,8300) .....               | 20 - 4    | 4E7  | WEATHERPACK CONNECTOR .....   | 43 - 2   |
| 1F10 | VALVES, INTAKE (6081)<br>(LATE TSN-8100,8200,8300).....                 | 20 - 40   | 4E7  | WEATHERPACK TERMINAL .....  | 43 - 2   |
| 1G22 | VALVES, INTAKE (8400) .....   | 20 - 76   | 1F2  | WEEP HOLE FILTER (WATER PUMP)(6076)<br>(EARLY TSN-8100,8200,8300) .....               | 20 - 34  |
| 5D9  | VALVES, PTO.....  | 53 - 6    | 8F17 | WEIGHT SUPPORT .....  | 80 - 38  |
| 2G8  | VENT, FUEL .....  | 30 - 72   | 8F2  | WEIGHTS FOR CAST AND HEAVY CAST REAR<br>WHEELS.....                                   | 80 - 22  |
| 9D25 | VISOR, SUN .....  | 91 - 19A  | 8F3  | WEIGHTS FOR CAST WHEELS .....   | 80 - 23  |
| 9E5  | VISOR, SUN .....  | 91 - 24   | 8F17 | WEIGHTS, FRAME.....   | 80 - 38  |
|      | W   |           | 8F15 | WEIGHTS, FRAME (EUROPEAN VERSION).....  | 80 - 36  |
| 7H1  | WAGON HITCH BRACKETS (EUROPEAN<br>VERSION)(LATE DESIGN) .....           | 70 - 96   | 8F4  | WEIGHTS, STEEL DISK REAR WHEEL (10-BOLT<br>HUB ONLY)(34", 38", 42", 46". OR 50")..... | 80 - 24  |
| 7G23 | WAGON HITCH BRACKETS (EUROPEAN VERSION)<br>(EARLY DESIGN).....          | 70 - 94   |      |   |          |
| 7H9  | WAGON HITCH CONTROLS (EUROPEAN VERSION) .....                           | 70 - 102  |      |   |          |
| 7H5  | WAGON HITCH COUPLER (EUROPEAN VERSION)<br>(LATE DESIGN) .....           | 70 - 100  |      |   |          |
| 7H7  | WAGON HITCH COUPLER (EUROPEAN VERSION)<br>(LATE DESIGN) .....           | 70 - 101A |      |   |          |
| 7H3  | WAGON HITCH COUPLING (EUROPEAN VERSION) .....                           | 70 - 98   |      |   |          |
| 7J3  | WAGON TILT KIT.....   | 70 - 146  |      |   |          |
| 3F16 | WARNING ALARM(TSN -009999) .....  | 40 - 48   |      |   |          |



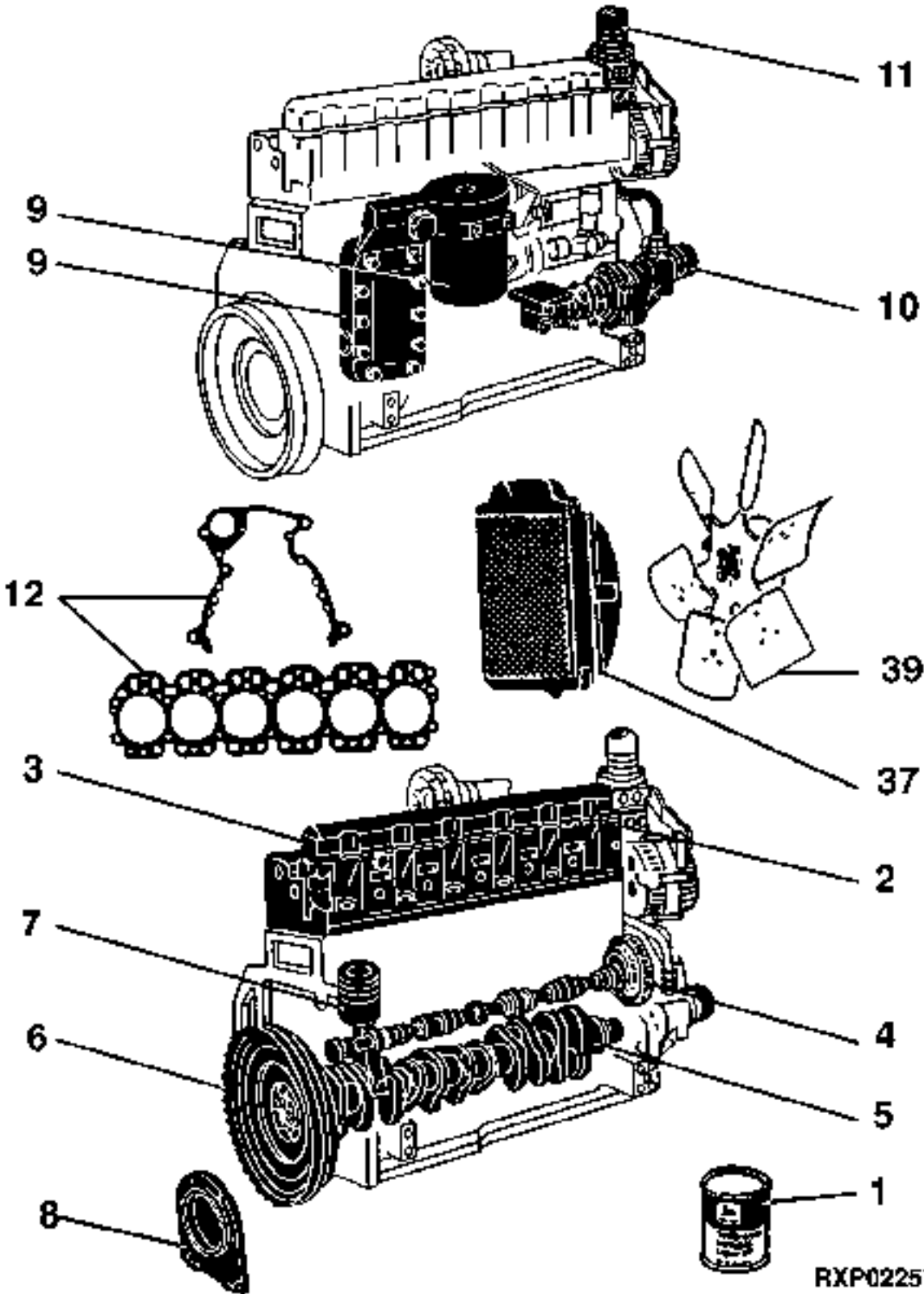
## ALPHABETICAL INDEX - CONTINUED

| <i>GRID</i>                                | <i>PAGE</i> | <i>GRID</i> | <i>PAGE</i> |
|--|-------------|-------------|-------------|
| 4D10                                       |             |             |             |
| WORK LAMPS,(CAB)(UPPER MID-BODY            |             |             |             |
| (EUROPEAN VERSION)(TSN -XXXXXX) .....      | 42 - 6      |             |             |
| 4D11                                       |             |             |             |
| WORK LAMPS,(CAB)(UPPER MID-BODY            |             |             |             |
| (EUROPEAN VERSION)(TSN XXXXXX-) .....      | 42 - 7      |             |             |
| 4D19                                       |             |             |             |
| WORK LIGHT,FRONT CAB ROOF .....            | 42 - 15     |             |             |
| 4D22                                       |             |             |             |
| WORK LIGHT,REAR FENDER(TSN -XXXXXX ) ..... | 42 - 18     |             |             |
| 4D23                                       |             |             |             |
| WORK LIGHT,REAR FENDER(TSN XXXXXX- ) ..... | 42 - 19     |             |             |
| 4D13                                       |             |             |             |
| WORKING LAMP BRACKET(LOWER                 |             |             |             |
| MID-BODY)(TSN XXXXXX- ).....               | 42 - 9      |             |             |
| 4D12                                       |             |             |             |
| WORKING LAMP BRACKET(LOWER                 |             |             |             |
| MID-BODY)(TSN-XXXXXX ) .....               | 42 - 8      |             |             |
| 4D12                                       |             |             |             |
| WORKING LAMPS(LOWER MID-BODY)(TSN          |             |             |             |
| -XXXXXX) .....                             | 42 - 8      |             |             |
| 4D13                                       |             |             |             |
| WORKING LAMPS(LOWER MID-BODY)(TSN          |             |             |             |
| XXXXXX-) .....                             | 42 - 9      |             |             |
| 4D8  |             |             |             |
| WORKLAMPS(CAB)(UPPER MID-BODY)(NORTH       |             |             |             |
| AMERICAN VERSION)(TSN -XXXXXX ) .....      | 42 - 4      |             |             |
| 4D9  |             |             |             |
| WORKLAMPS(CAB)(UPPER MID-BODY)(NORTH       |             |             |             |
| AMERICAN VERSION)(TSN XXXXXX ) .....       | 42 - 5      |             |             |

# 1D10

ENGINE

SECTIONAL INDEX (8100,8200,8300 TSN -009999)  
 INDEX DE SECTION (8100,8200,8300 TSN -009999)  
 GRUPPENINDEX (8100,8200,8300 TSN -009999)  
 INDICE DELLA SEZIONE (8100,8200,8300 TSN -009999)  
 INDICE DE SECCION (8100,8200,8300 TSN -009999)  
 GRUPPSFORTECKNING (8100,8200,8300 TSN -009999)  
 RXP022571 -UN-11MAY99



|      |      |
|------|------|
| 1 -  | 1D14 |
| 5 -  | 1E12 |
| 6 -  | 1E13 |
| 7 -  | 1E14 |
| 8 -  | 1E16 |
| 9 -  | 1E22 |
| 10 - | 1F2  |
| 16 - | 1G1  |
| 37 - | 1I14 |
| 38 - | 1I16 |
| 39 - | 1I19 |
| 40 - | 1I21 |
| 41 - | 1I23 |

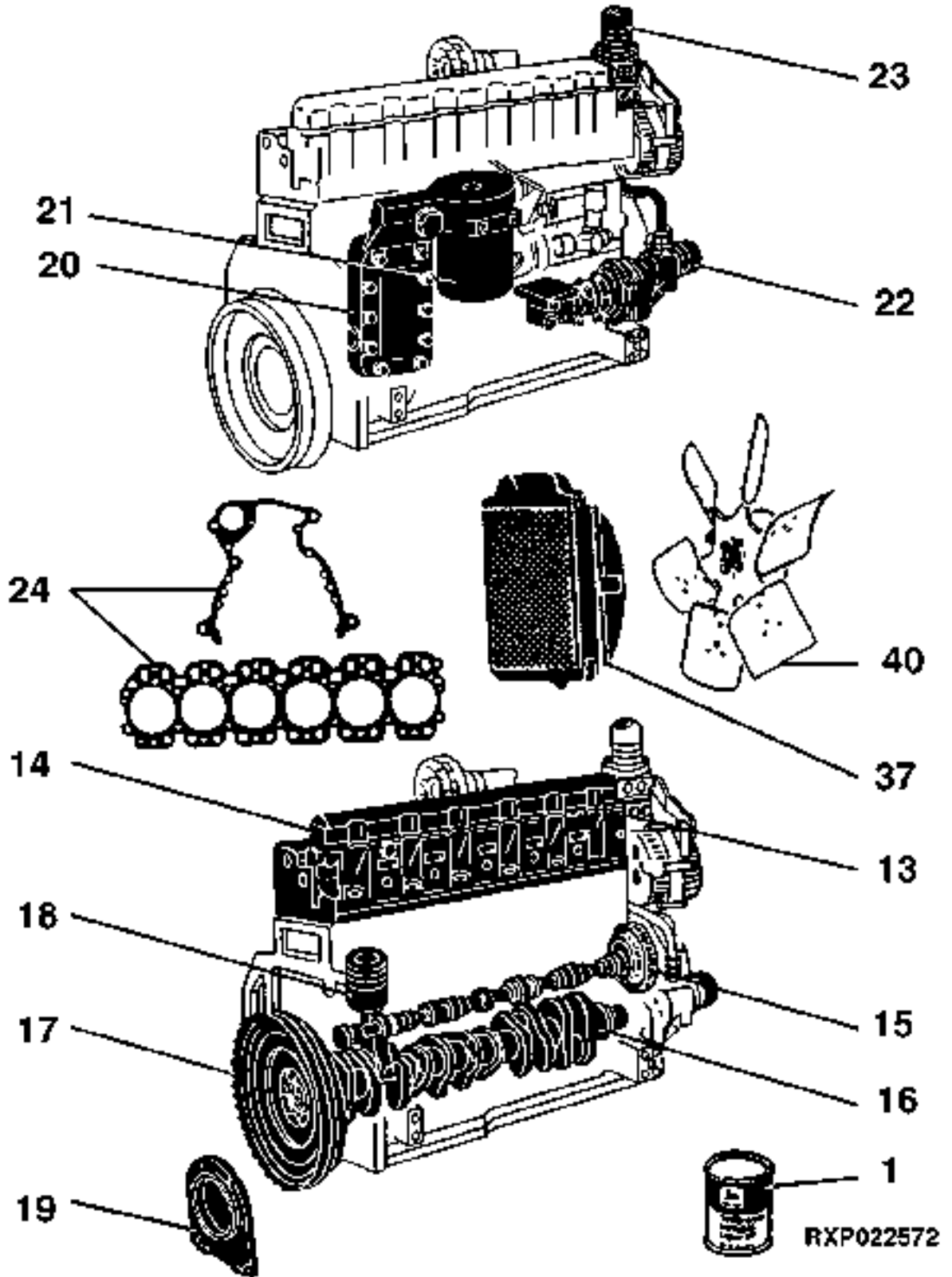
RXP022571

# 1D11

ENGINE

SECTIONAL INDEX (8100,8200,8300 TSN 010000- )  
 INDEX DE SECTION (8100,8200,8300 TSN 010000- )  
 GRUPPENINDEX (8100,8200,8300 TSN 010000- )  
 INDICE DELLA SEZIONE (8100,8200,8300 TSN 010000- )  
 INDICE DE SECCION (8100,8200,8300 TSN 010000- )  
 GRUPPSFORTECKNING (8100,8200,8300 TSN 010000- )  
 RXP022572 -UN-11MAY99

|      |      |
|------|------|
| 1 -  | 1D14 |
| 5 -  | 1E12 |
| 6 -  | 1E13 |
| 7 -  | 1E14 |
| 8 -  | 1E16 |
| 9 -  | 1E22 |
| 10 - | 1F2  |
| 16 - | 1G1  |
| 37 - | 1I14 |
| 38 - | 1I16 |
| 39 - | 1I19 |
| 40 - | 1I21 |
| 41 - | 1I23 |

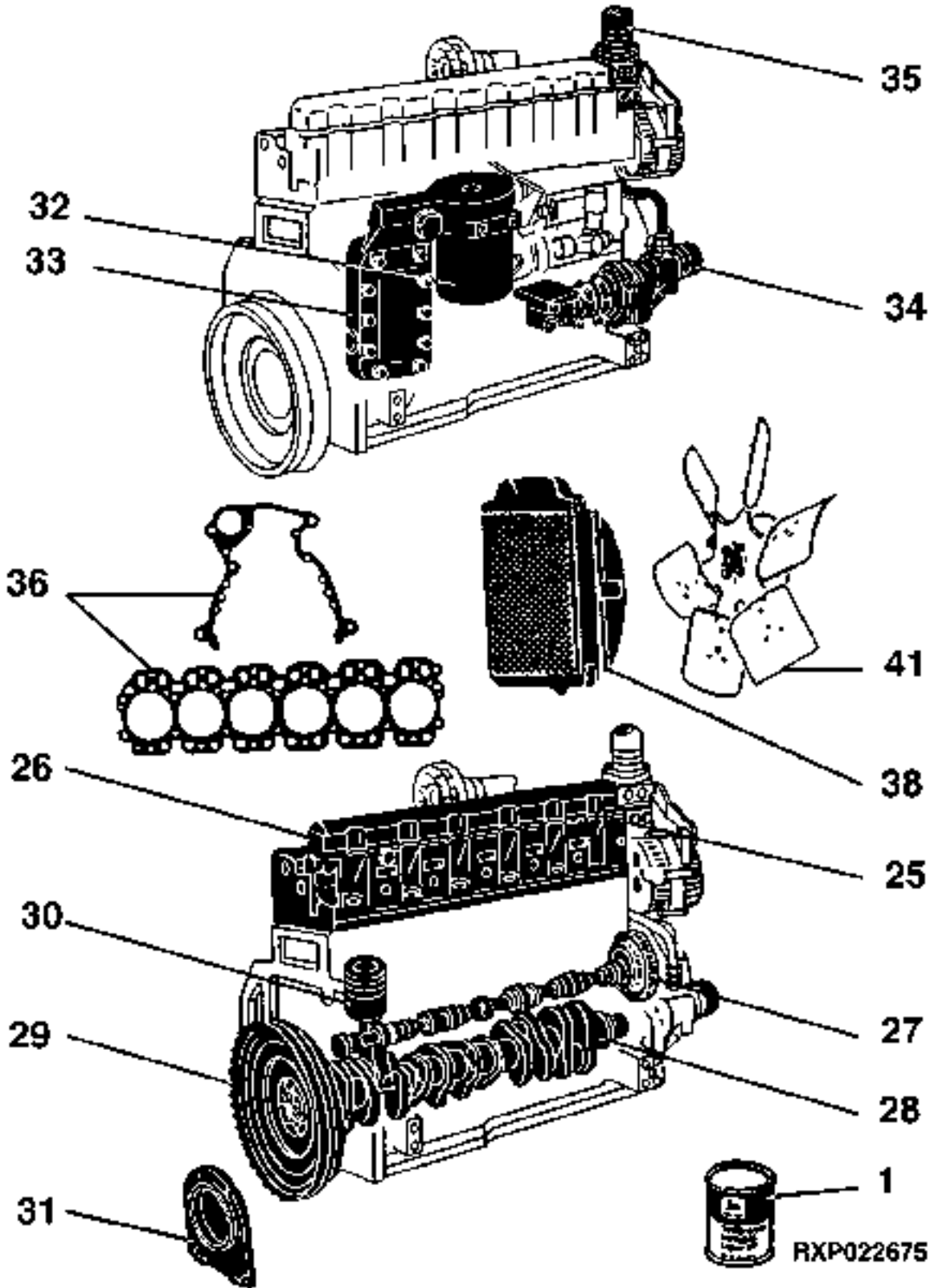




# 1D12

SECTIONAL INDEX (8400)  
 INDEX DE SECTION (8400)  
 GRUPPENINDEX (8400)  
 INDICE DELLA SEZIONE (8400)  
 INDICE DE SECCION (8400)  
 GRUPPSFORTECKNING (8400)  
 RXP022675 -UN-11MAY99

|      |      |
|------|------|
| 1 -  | 1D14 |
| 5 -  | 1E12 |
| 6 -  | 1E13 |
| 7 -  | 1E14 |
| 8 -  | 1E16 |
| 9 -  | 1E22 |
| 10 - | 1F2  |
| 16 - | 1G1  |
| 37 - | 1I14 |
| 38 - | 1I16 |
| 39 - | 1I19 |
| 40 - | 1I21 |
| 41 - | 1I23 |



# 1D13

ENGINE

SECTIONAL INDEX  
INDEX DE SECTION  
GRUPPENINDEX  
INDICE DELLA SEZIONE  
INDICE DE SECCION  
GRUPPSFORTECKNING

# 1D14

ENGINE

TORQ-GARD PLUS-50 ENGINE OIL  
 HUILE MOTEUR TORQ-GARD OIL  
 TORQ-GARD PLUS 50 MOTOROEL  
 OLIO MOTORE TORQ-GARD PLUS 50  
 ACEITE DE MOTOR TORQ-GARD PLUS 50  
 TORQ-GARD PLUS 50 MOTOROLJA  
 RGP3291 -UN-01JAN94



RGP 3291

| KEY     | PART NO. | PART NAME | QTY | ENGINE SERIAL NO. | A | REMARKS  |                                |
|---------|----------|-----------|-----|-------------------|---|--|--------------------------------|
|         |          |           |     |                   | L |  |                                |
| 1       | TY6359   | OIL       | 1   |                   | X | (SAE 5W/30), 0.9 L (1 QUART)                             |                                |
|         | TY22064  | OIL       | 1   |                   | X | (SAE 5W/30), 0.9L (1 QUART)                              |                                |
|         | TY6360   | OIL       | 1   |                   | X | (SAE 5W/30), 19 L (5 GALLON)                             |                                |
|         | TY22065  | OIL       | 1   |                   | X | (SAE 5W/30), 19L (5 GALLON)                              |                                |
|         | TY6361   | OIL       | 1   |                   | X | (SAE 5W/30), 208 L (55 GALLON) DRUM                      |                                |
|         | TY22066  | OIL       | 1   |                   | X | (SAE 5W/30), 208L (55 GALLON)                            |                                |
|         | TY6364   | OIL       | 1   |                   | X | (SAE 10W/30), 0.9 L (1 QUART) (BREAK-IN)                 |                                |
|         | TY6297   | OIL       | 1   |                   | X | (SAE 15W/40), 0.9 L (1 QUART)                            |                                |
|         | TY6298   | OIL       | 1   |                   | X | (SAE 15W/40), 19 L (5 GALLON)                            |                                |
|         | TY6300   | OIL       | 1   |                   | X | (SAE 15W/40), 114 L (30 GALLON)                          |                                |
|         | TY6301   | OIL       | 1   |                   | X | (SAE 15W/40), 208 L (55 GALLON)                          |                                |
|         | TY6311   | OIL       | 1   |                   | X | (SAE 10W), 0.9 L (1 QUART) (NLA)                         |                                |
|         | TY22009  | OIL       | 1   |                   | X | (SAE 10W), 3.8 L (1 GALLON)                              |                                |
|         | TY22067  | OIL       | 1   |                   | X | (SAE 10W), .9L (1 GALLON)                                |                                |
|         | TY6312   | OIL       | 1   |                   | X | (SAE 10W), 19 L (5 GALLON)                               |                                |
|         | TY22068  | OIL       | 1   |                   | X | (SAE 10W), 19L (5 GALLON)                                |                                |
|         | TY6313   | OIL       | 1   |                   | X | (SAE 10W), 208 L (55 GALLON)                             |                                |
|         | TY22069  | OIL       | 1   |                   | X | (SAE 10W), 208L (55 GALLON)                              |                                |
|         | 2        | AR63979   | OIL | 1                 |   | X  | (SAE 30W), 0.2 L (1 HALF PINT) |
|         |          | AR63218   | OIL | 1                 |   | X  | (SAE 30W), 0.9 L (1 QUART)     |
| TY22070 |          | OIL       | 1   |                   | X | (SAE 30W), 0.9L (1 GALLON)                               |                                |
| AR63219 |          | OIL       | 1   |                   | X | (SAE 30W), 19 L (5 GALLON)                               |                                |
| TY22073 |          | OIL       | 1   |                   | X | (SAE 30W), 19L (5 GALLON)                                |                                |
| TY6280  |          | OIL       | 1   |                   | X | (SAE 30W), 114 L (30 GALLON)                             |                                |
| AR63222 |          | OIL       | 1   |                   | X | (SAE 30W), 208 L (55 GALLON)                             |                                |
| TY22074 |          | OIL       | 1   |                   | X | (SAE 30W), 208L (55 GALLON)                              |                                |
| TY6389  |          | OIL       | 1   |                   | X | (SAE 15W/40), 0.9 L (1 QUART)                            |                                |
| TY22008 |          | OIL       | 1   |                   | X | (SAE 15W/40), 3.8 L (1 GALLON)                           |                                |
| TY6390  |          | OIL       | 1   |                   | X | (SAE 15W/40), 19 L (5 GALLON)                            |                                |
| TY22010 |          | OIL       | 1   |                   | X | (SAE 15W/40), 113.6 L (30 GALLON)                        |                                |
| ..      | TY6391   | OIL       | 1   |                   | X | (SAE 15W/40), 208 L (55 GALLON)                          |                                |
|         | TY6392   | OIL       | 1   |                   | X | (SAE 30W), 0.9 L (1 QUART)                               |                                |
|         | TY22007  | OIL       | 1   |                   | X | (SAE 30W), 3.8 L (1 GALLON)                              |                                |
|         | TY6393   | OIL       | 1   |                   | X | (SAE 30W), 19 L (5 GALLON)                               |                                |
|         | TY22011  | OIL       | 1   |                   | X | (SAE 30W), 113.6 L (30 GALLON)                           |                                |
|         | TY6394   | OIL       | 1   |                   | X | (SAE 30W), 208 L (55 GALLON)                             |                                |
|         | TY22041  | OIL       | 1   |                   | X | (SAE 10W/30), 3.8 L (1 GALLON) (FACTORY SPEC. BREAK-IN)  |                                |
|         | TY22042  | OIL       | 1   |                   | X | (SAE 10W/30), 208 L (55 GALLON) (FACTORY SPEC. BREAK-IN) |                                |

# 1D15

ENGINE

ACCESSORY PARTS

ACCESSOIRES

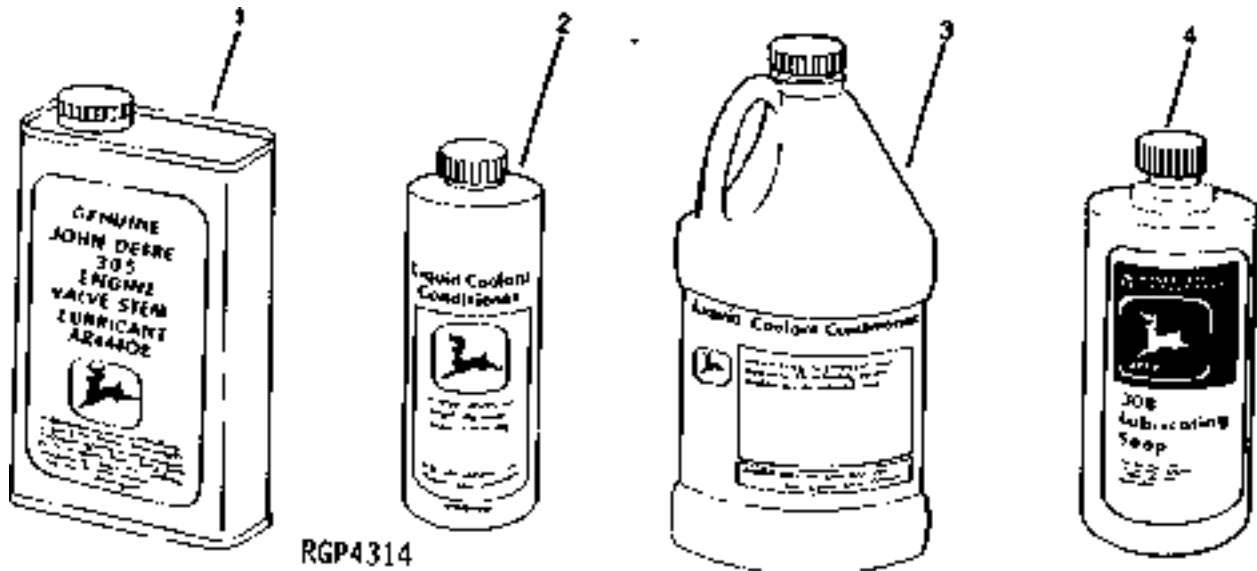
ZUBEHOERTEILE

ACCESSORI

ACCESORIOS

TILLBEHOR

RGP4314 -UN-01JAN94



| KEY | PART NO. | PART NAME                  | QTY | ENGINE SERIAL NO. | REMARKS |   |
|-----|----------|----------------------------|-----|-------------------|---------|---|
|     |          |                            |     |                   | A       | L   |
| 1   | AR44402  | OIL                        | 1   |                   | X       | .473 ML (32 OZ.)                                  |
| 2   | RE23182  | ENGINE COOLANT CONDITIONER | 1   |                   | X       | 0.473 L (16 OZ.) (PHOSPHATE - FREE) (SUB TY16004) |
| 3   | TY16004  | ENGINE COOLANT CONDITIONER | 1   |                   | X       | 0.472 L (16 OZ.)                                  |
|     | RE35992  | ENGINE COOLANT CONDITIONER | 1   |                   | X       | 3.8 L (1 GAL.) (PHOSPHATE - FREE) (SUB TY16005)   |
| 4   | TY16005  | ENGINE COOLANT CONDITIONER | 1   |                   | X       | 1.9 L (1/2 GAL.)                                  |
|     | AR54749  | LUBRICANT                  | 1   |                   | X       | .9 L (1 QT.)                                      |
|     | AT66865  | LUBRICANT                  | 1   |                   | X       | (ELECTRICAL CONNECTION)                           |
| ..  | AR21969  | KIT                        | 1   |                   | X       | (DUST CAP/COVER KIT)                              |
| ..  | DS0251   | KIT                        | 1   |                   | X       | (COOLANT SCAN TEST)                               |
| ..  | IPSKIT1  | KIT                        | 1   |                   | X       | (OIL SCAN TEST)                                   |
| ..  | DS0557   | VALVE                      | 1   |                   | X       | (SAMPLING SYSTEM)                                 |
| ..  | TY16423  | INDICATOR                  | 1   |                   | X       | (COOLING EYE)                                     |

# 1D16

ENGINE

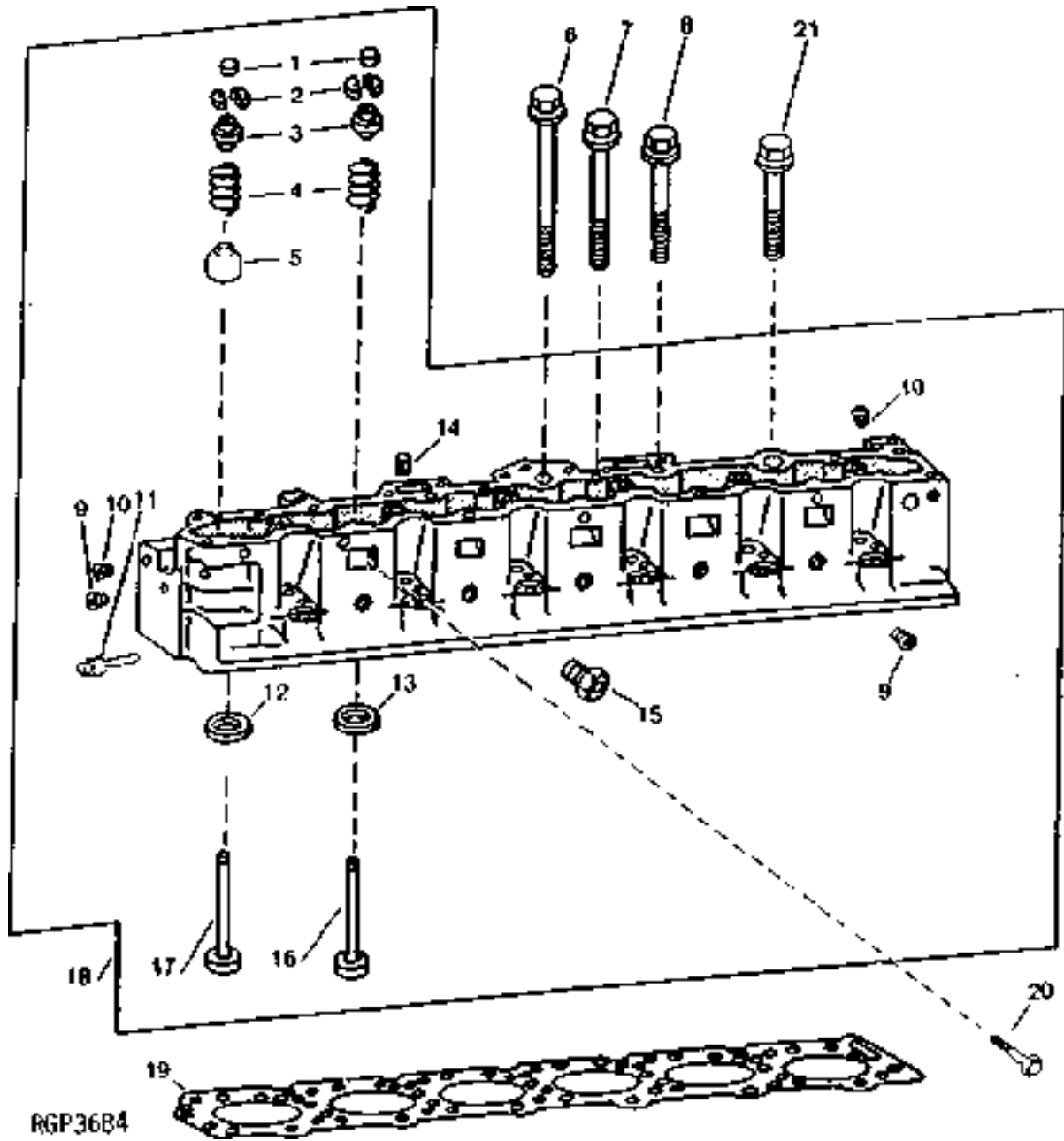
KIT FOR OFF-SEASON STORAGE  
JEU DE PIECE POUR STOCKAGE HORS SAISON  
EINLAGERUNGSSATZ  
SERIE PEZZI PER STORAGGIO FUORI STAGIONE  
JUEGO PARA ALMACENAMIENTO DURANTE TEMPORADA DE DESUSO  
SATS FOER LAANGTIDSLAGRING

| KEY | PART NO. | PART NAME | QTY | ENGINE<br>SERIAL NO. | A<br>L<br>L | REMARKS                 |
|-----|----------|-----------|-----|----------------------|-------------|-------------------------|
| ..  | AR41785  | KIT       | 1   |                      | X           | 0.9L (1 QT) (NOT SHOWN) |

# 1D17

ENGINE

CYLINDER HEAD AND VALVES (6076) (8100,8200,8300 TSN -009999)  
CULASSE (6076) (8100,8200,8300 TSN -009999)  
ZYLINDERKOPF (6076) (8100,8200,8300 TSN -009999)  
ZYLINDERKOPF (6076) (8100,8200,8300 TSN -009999)  
TESTATA (6076) (8100,8200,8300 TSN -009999)  
CYLINDERTOPP (6076) (8100,8200,8300 TSN -009999)  
RGP3684 -UN-01JAN94



# 1D18

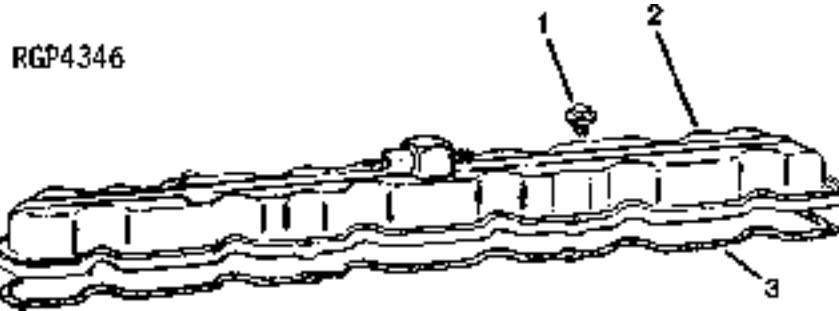
ENGINE

| KEY | PART NO. | PART NAME                   | QTY | ENGINE     |       |       | REMARKS                              |
|-----|----------|-----------------------------|-----|------------|-------|-------|--------------------------------------|
|     |          |                             |     | SERIAL NO. | 8 8 8 | 1 2 3 |                                      |
|     |          |                             |     | 0 0 0      | 0 0 0 | 0 0 0 |                                      |
| 1   | T20129   | CAP                         | 12  | X          | X     | X     |                                      |
| 2   | T20077   | RETAINER                    | 24  | X          | X     | X     |                                      |
| 3   | RE11410  | ROTATOR                     | 12  | X          | X     | X     |                                      |
| 4   | R91822   | SPRING                      | 12  | X          | X     | X     |                                      |
| 5   | R102882  | SHIELD                      | 6   | X          | X     | X     | (EXHAUST VALVES ONLY)                |
| 6   | R121491  | CAP SCREW                   | 7   | X          | X     | X     | (MARKED "SPECIAL")                   |
| 7   | R121490  | CAP SCREW                   | 8   | X          | X     | X     | (MARKED "SPECIAL")                   |
| 8   | R121320  | CAP SCREW                   | 6   | X          | X     | X     | (MARKED "SPECIAL")                   |
| 9   | 15H690   | PIPE PLUG                   | 10  | X          | X     | X     | 3/4"                                 |
| 10  | 15H584   | PIPE PLUG                   | 2   | X          | X     | X     | 1/2"                                 |
| 11  | AT107509 | PLUG                        | 1   | X          | X     | X     |                                      |
| 12  | R84976   | VALVE SEAT INSERT           | 6   | X          | X     | X     | EXHAUST                              |
|     | R93350   | VALVE SEAT INSERT           | AR  | X          | X     | X     | 0.25MM (.010") OS                    |
| 13  | R84977   | VALVE SEAT INSERT           | 6   | X          | X     | X     | INTAKE                               |
|     | R93349   | VALVE SEAT INSERT           | AR  | X          | X     | X     | 0.25MM (.010") OS                    |
| 14  | 34H387   | SPRING PIN                  | 1   | X          | X     | X     | 3/16" X 3/4"                         |
| 15  | R76491   | PIPE PLUG                   | 1   | X          | X     | X     |                                      |
| 16  | R84618   | INTAKE VALVE                | 6   | X          | X     | X     | STD                                  |
|     | R93308   | INTAKE VALVE                | AR  | X          | X     | X     | 0.08MM (.003") OS                    |
|     | R93312   | INTAKE VALVE                | AR  | X          | X     | X     | 0.38MM (.015") OS                    |
|     | R93314   | INTAKE VALVE                | AR  | X          | X     | X     | 0.76MM (.030") OS                    |
| 17  | R84619   | EXHAUST VALVE               | 6   | X          | X     | X     | STD                                  |
|     | R93311   | EXHAUST VALVE               | AR  | X          | X     | X     | 0.08MM (.003") OS                    |
|     | R93313   | EXHAUST VALVE               | AR  | X          | X     | X     | 0.38MM (.015") OS                    |
|     | R93315   | EXHAUST VALVE               | AR  | X          | X     | X     | 0.76MM (.030") OS                    |
| 18  | RE58516  | CYLINDER HEAD               | 1   | X          | X     | X     | (MARKED R122112 OR R122491)          |
| 19  | RE47336  | ENGINE CYLINDER HEAD GASKET | 1   | X          | X     | X     |                                      |
| 20  | 19H2367  | CAP SCREW                   | 1   | X          | X     | X     | 5/8" X 3/4"                          |
| 21  | R121489  | CAP SCREW                   | 5   | X          | X     | X     | (MARKED "SPECIAL")                   |
| ..  | RG24026  | KIT                         | 1   | X          | X     | X     | (CONTAINS (26) "SPECIAL" HEAD BOLTS) |

# 1D19

ENGINE

ROCKER ARM COVER (6076) (8100,8200,8300 TSN -009999)  
 CULBUTEURS (6076) (8100,8200,8300 TSN -009999)  
 ZYLINDERKOPFHAUBE (6076) (8100,8200,8300 TSN -009999)  
 COPERCHIO BILANCIERI (6076) (8100,8200,8300 TSN -009999)  
 TAPA DE BALANCINES (6076) (8100,8200,8300 TSN -009999)  
 VENTILKAPA (6076) (8100,8200,8300 TSN -009999)  
 RGP4346 -UN-01JAN94



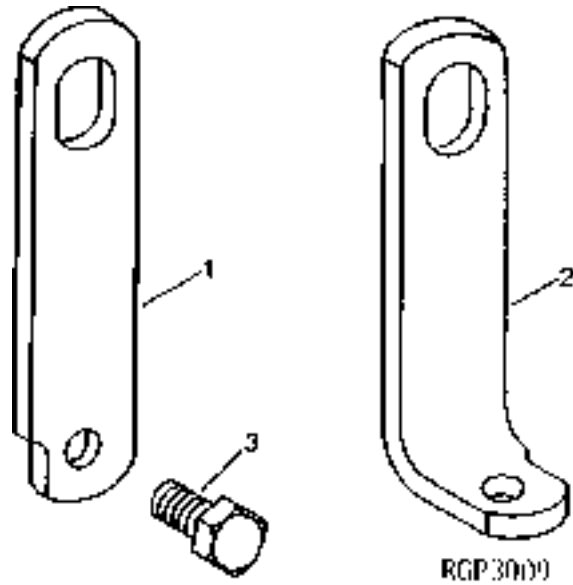
| KEY | PART NO. | PART NAME          | QTY | ENGINE SERIAL NO.                | REMARKS                 |
|-----|----------|--------------------|-----|----------------------------------|-------------------------|
|     |          |                    |     | 8 8 8<br>1 2 3<br>0 0 0<br>0 0 0 |                         |
| 1   | AR100124 | SCREW, WITH WASHER | 8   |                                  | X X X                   |
| 2   | RE37448  | COVER              | 1   |                                  | X X X                   |
| 3   | R49866   | GASKET             | 1   |                                  | X X X                   |
| ..  | TY24446  | ADHESIVE           | 1   |                                  | X X X (SUB FOR AR31790) |



# 1D20

ENGINE

LIFT STRAPS (6076) (8100,8200,8300 TSN -009999)  
 ECLISSES D'APAREIL DE LEVAGE (6076) (8100,8200,8300 TSN -00009999)  
 HUBSTREBE (6076) (8100,8200,8300 TSN -009999)  
 FASCETTE DEL PARANCO (6076) (8100,8200,8300 TSN -009999)  
 TIRAS DE ELEVADOR (6076) (8100,8200,8300 TSN -009999)  
 MOTORLYFTSFAESTEN (6076) (8100,8200,8300 TSN -009999)  
 RGP3009 -UN-01JAN94

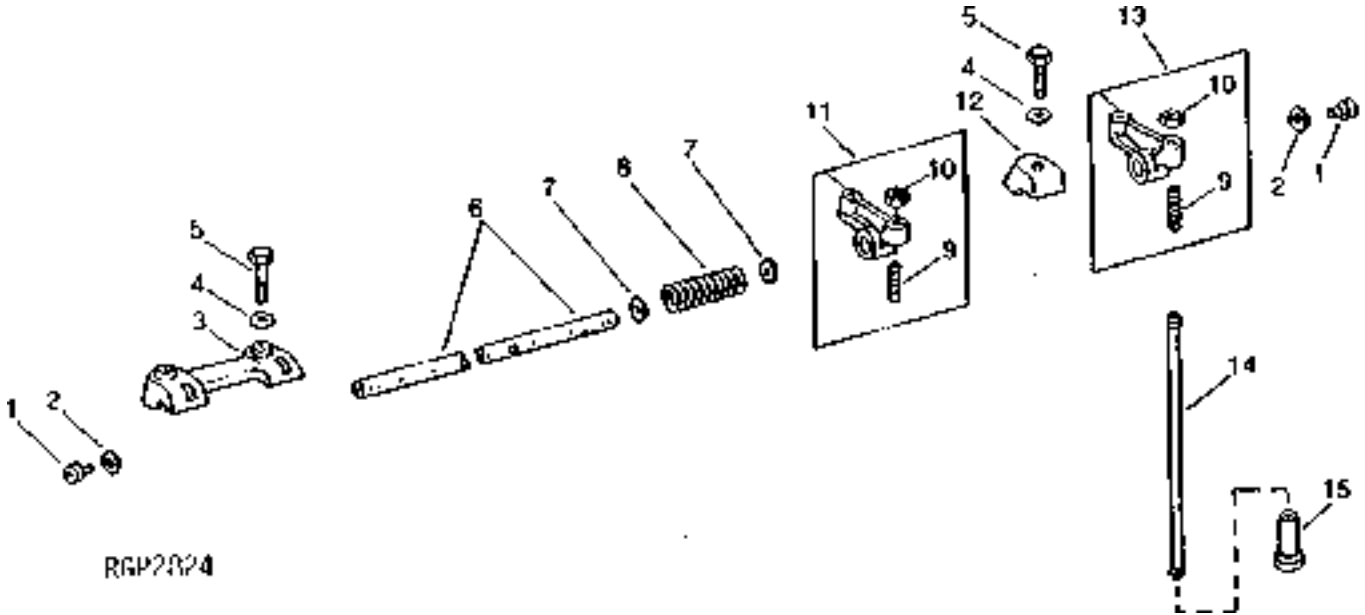


| KEY | PART NO. | PART NAME | QTY | ENGINE SERIAL NO. | REMARKS       |
|-----|----------|-----------|-----|-------------------|---------------|
|     |          |           |     | 8 8 8             |               |
|     |          |           |     | 1 2 3             |               |
|     |          |           |     | 0 0 0             |               |
|     |          |           |     | 0 0 0             |               |
| 1   | R61497   | STRAP     | 1   | X X X             |               |
| 2   | R86571   | ANGLE     | 1   | X X X             |               |
| 3   | 19H1756  | CAP SCREW | 2   | X X X             | 5/8" X 1-1/2" |

# 1D21

ENGINE

ROCKER ARMS, SHAFT AND PUSH RODS (6076) (8100,8200,8300 TSN -009999)  
 ARBRES DES CULBUTEURS (6076) (8100,8200,8300 TSN -009999)  
 KIPPEBELWELLE (6076) (8100,8200,8300 TSN -009999)  
 ALBERO BILANCIERI (6076) (8100,8200,8300 TSN -009999)  
 EJE DE BALANCINES (6076) (8100,8200,8300 TSN -009999)  
 VIPPARMSAXEL (6076) (8100,8200,8300 TSN -009999)  
 RGP2824 -UN-01JAN94



RGP2824

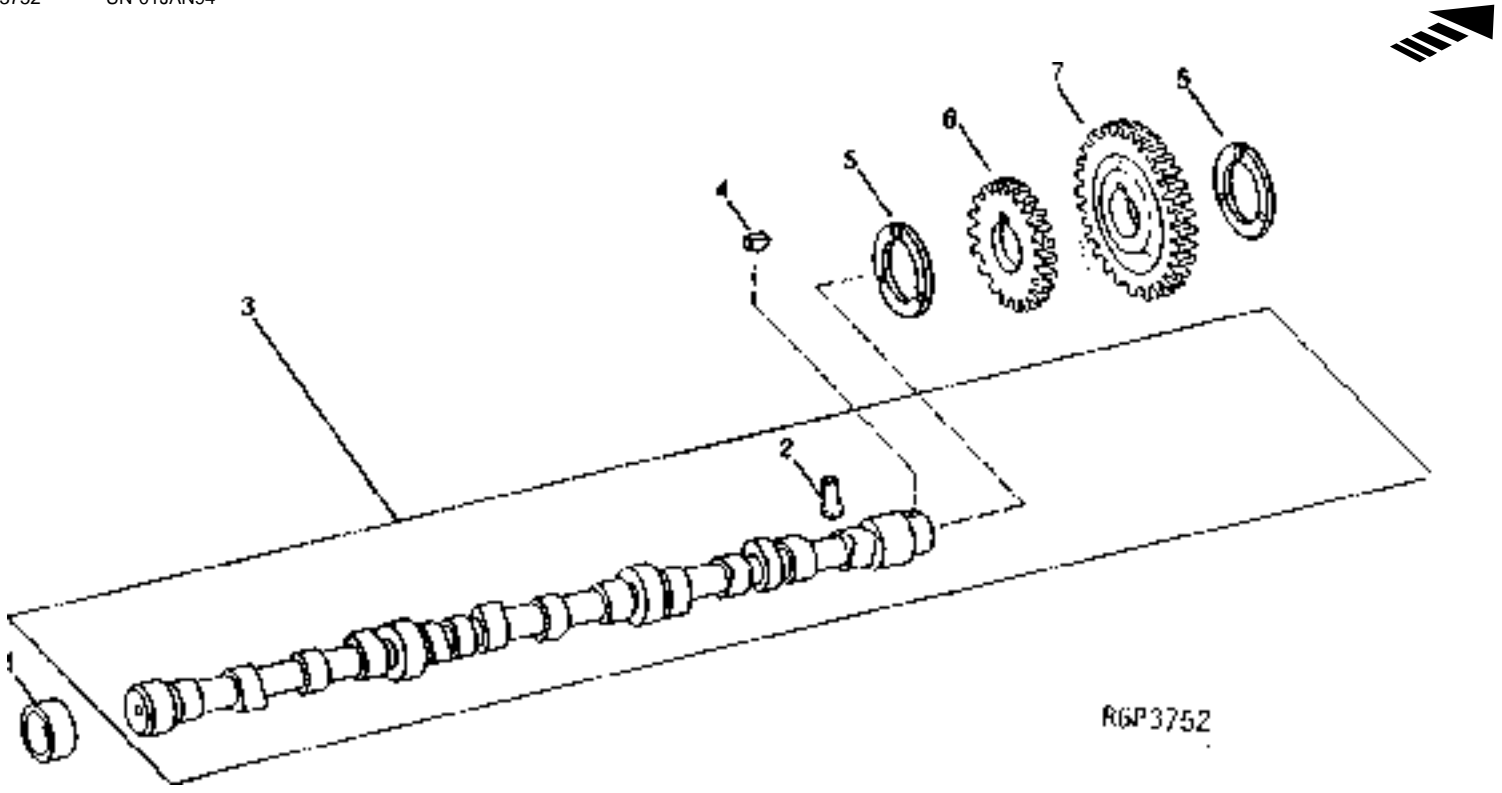
| KEY | PART NO. | PART NAME        | QTY | ENGINE SERIAL NO. | REMARKS                           |
|-----|----------|------------------|-----|-------------------|-----------------------------------|
|     |          |                  |     | 8 8 8             |                                   |
|     |          |                  |     | 1 2 3             |                                   |
|     |          |                  |     | 0 0 0             |                                   |
|     |          |                  |     | 0 0 0             |                                   |
| 1   | R54565   | PLUG             | 2   |                   |                                   |
| 2   | R26081   | WASHER           | 2   |                   |                                   |
| 3   | R136083  | CLAMP            | 2   |                   | (SUB FOR R65553)                  |
| 4   | R26559   | WASHER           | 6   |                   |                                   |
| 5   | 19H1740  | CAP SCREW        | 6   |                   | 7/16" X 1-3/4"                    |
| 6   | R70826   | ROCKER ARM SHAFT | 1   |                   |                                   |
| 7   | R71208   | WASHER           | 10  |                   |                                   |
| 8   | R26079   | SPRING           | 5   |                   |                                   |
| 9   | R27443   | SET SCREW        | 12  |                   |                                   |
| 10  | 14H1080  | NUT              | 12  |                   | 3/8"                              |
| 11  | RE24045  | ROCKER ARM       | 6   |                   | (A) (1E, 2I, 3E, 4I, 5E, 6I) (RH) |
| 12  | R26748   | CLAMP            | 2   |                   |                                   |
| 13  | RE24046  | ROCKER ARM       | 6   |                   | (A) (1I, 2E, 3I, 4E, 5I, 6E) (LH) |
| 14  | R85027   | PUSH ROD         | 12  |                   |                                   |
| 15  | R110126  | CAM FOLLOWER     | 12  |                   |                                   |

(A) - E (EXHAUST VALVE) I (INTAKE VALVE)

# 1D22

ENGINE

CAMSHAFT AND GEAR (6076) (8100,8200,8300 TSN -009999)  
 ARBRE A CAMES (6076) (8100,8200,8300 TSN -009999)  
 NOCKENWELLE (6076) (8100,8200,8300 TSN -009999)  
 ALBERO A CAMME (6076) (8100,8200,8300 TSN -009999)  
 EJE DE LEVAS (6076) (8100,8200,8300 TSN -009999)  
 KAMAXEL/VENTILER (6076) (8100,8200,8300 TSN -009999)  
 RGP3752 -UN-01JAN94

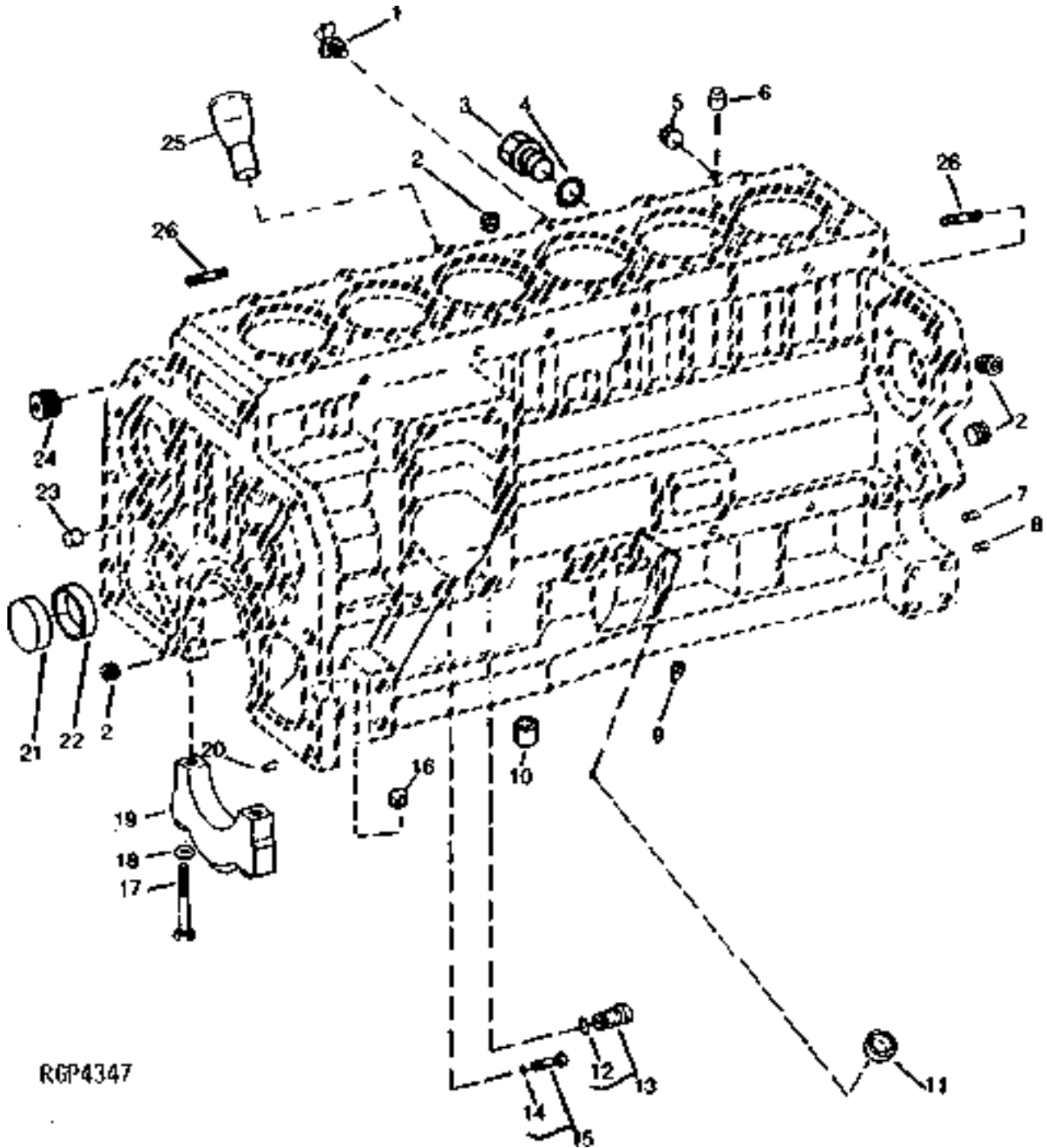


| KEY | PART NO. | PART NAME     | QTY | ENGINE SERIAL NO. | 8 | 8 | 8 | REMARKS            |
|-----|----------|---------------|-----|-------------------|---|---|---|--------------------|
|     |          |               |     |                   | 1 | 2 | 3 |                    |
| 1   | R87561   | BUSHING       | 4   |                   | X | X | X |                    |
| 2   | R110126  | CAM FOLLOWER  | 12  |                   | X | X | X | (USE WITH R120872) |
| 3   | RE57054  | CAMSHAFT      | 1   |                   | X | X | X | (MARKED R120872)   |
| 4   | 26H91    | SHAFT KEY     | 1   |                   | X | X | X | 3/16" X 1-1/4"     |
| 5   | R104656  | THRUST WASHER | 2   |                   | X | X | X |                    |
| 6   | R104589  | GEAR          | 1   |                   | X | X | X |                    |
| 7   | R112053  | GEAR          | 1   |                   | X | X | X |                    |

# 1D23

ENGINE

CYLINDER BLOCK FITTINGS (6076) (8100,8200,8300 TSN -009999)  
RACCORDS DE BLOC-CYLINDRES (6076) (8100,8200,8300 TSN -009999)  
ZYLINDERBLOCK-FITTINGS (6076) (8100,8200,8300 TSN -009999)  
RACCORDI DEL MONOBLOQUE DE CILINDRO (6076) (8100,8200,8300 TSN -009999)  
CONECTORES DEL BLOQUE DE CILINDRO (6076) (8100,8200,8300 TSN -009999)  
SKRUVFOERBINDNINGAR FOER CYLINDERBLOCK (6076) (8100,8200,8300 TSN -009999)  
RGP4347 -UN-01JAN94



RGP4347

# 1D24

ENGINE

| KEY | PART NO. | PART NAME     | QTY | ENGINE     |       |       | REMARKS                            |
|-----|----------|---------------|-----|------------|-------|-------|------------------------------------|
|     |          |               |     | SERIAL NO. | 8 8 8 | 1 2 3 |                                    |
| 1   | AT13740  | DRAIN VALVE   | 1   |            | X X X |       |                                    |
| 2   | R36599   | PLUG          | 1   |            | X X X |       | (FROST PLUG NOT AS SHOWN)          |
| 3   | R39741   | DRAIN PLUG    | 1   |            | X X X |       |                                    |
| 4   | U13639   | O-RING        | 1   |            | X X X |       |                                    |
| 5   | 15H690   | PIPE PLUG     | 1   |            | X X X |       | 3/4"                               |
|     | 15H624   | PIPE PLUG     | 2   |            | X X X |       |                                    |
| 6   | R42340   | BUSHING       | 2   |            | X X X |       |                                    |
| 7   | R1612R   | DOWEL PIN     | NA  |            | X X X |       |                                    |
| 8   | F1743R   | DOWEL PIN     | 2   |            | X X X |       |                                    |
| 9   | R43621   | ORIFICE       | 6   |            | X X X |       |                                    |
| 10  | R500642  | BUSHING       | 2   |            | X X X |       | (SUB FOR R62930, THIS APPLICATION) |
| 11  | T35390   | CAP           | 1   |            | X X X |       | (R.H.)                             |
| 12  | R27149   | O-RING        | 1   |            | X X X |       |                                    |
| 13  | AR61533  | PLUG          | 1   |            | X X X |       |                                    |
| 14  | A4365R   | O-RING        | 1   |            | X X X |       |                                    |
| 15  | AR61589  | PLUG          | 1   |            | X X X |       |                                    |
| 16  | R104592  | PIPE PLUG     | 6   |            | X X X |       |                                    |
| 17  | R42365   | BOLT          | 14  |            | X X X |       |                                    |
| 18  | R70268   | WASHER        | 14  |            | X X X |       |                                    |
| 19  | R57158   | BEARING CAP   | 6   |            | X X X |       | (A)                                |
|     | R57159   | BEARING CAP   | 1   |            | X X X |       | (B)                                |
| 20  | H79910   | DOWEL PIN     | NA  |            | X X X |       |                                    |
| 21  | R82007   | CAP           | 1   |            | X X X |       |                                    |
| 22  | R87561   | BUSHING       | 4   |            | X X X |       |                                    |
| 23  | R61288   | DOWEL PIN     | 1   |            | X X X |       |                                    |
| 24  | 15H562   | PIPE PLUG     | 1   |            | X X X |       | 1"                                 |
| 25  | R120801  | DIPSTICK TUBE | 1   |            | X     |       | 107.5 MM (4.23") (6076HRW33)(L.H.) |
|     | R121764  | DIPSTICK TUBE | 1   |            | X     |       | 118.5 MM (4.66") (6076HRW34)(L.H.) |
|     | R121765  | DIPSTICK TUBE | 1   |            | X     |       | 126 MM (4.96") (6076HRW35)(L.H.)   |
| 26  | R114130  | STUD          | 5   |            | X X X |       |                                    |
| ..  | RE57420  | SCREW         | 1   |            | X X X |       | (FRONT LH)                         |

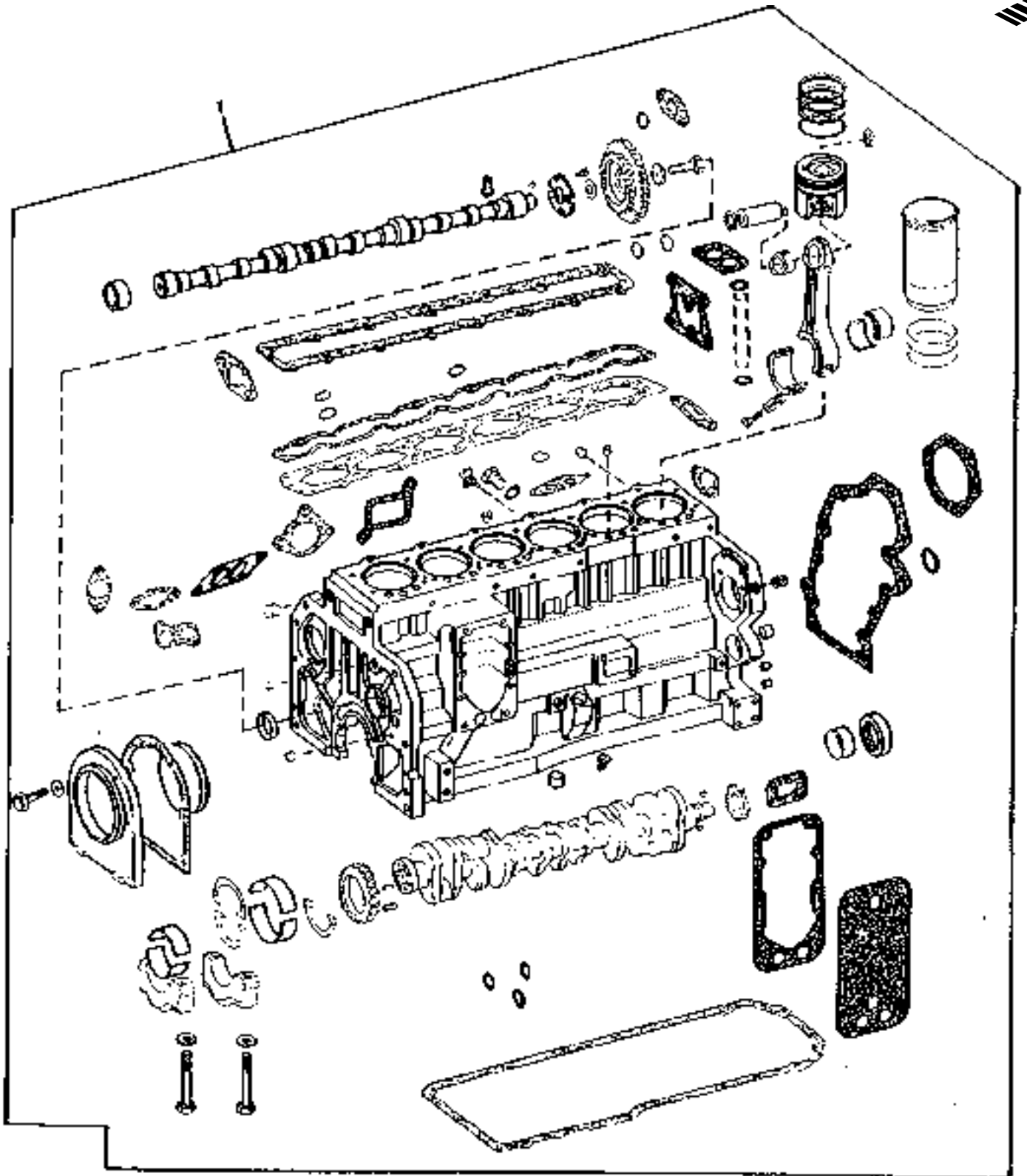
(A) MAIN  
 PRINCIPAL  
 HAUPT  
 PRINCIPALE  
 PRINCIPAL  
 HUVUD

(B) THRUST  
 EPAULEMENT  
 SCHUB  
 SPINTA  
 EMPUJE  
 TRYCK

# 1E1

ENGINE

ENGINE SHORT BLOCK (6076) (8100,8200,8300 TSN -009999) (WITHOUT HEAD BOLTS)  
MOTEUR DEPOUILLE POUR RECHANGE (SANS BOULONS DE CALASSE) (6076) (8100,8200,8300 TSN -009999)  
KURZMOTOR (OHNE ZYLINDERKOPFSCHRAUBEN) (6076) (8100,8200,8300 TSN -009999)  
MOTORE CORTO (SENZA VITI DELLA TESTATA) (6076) (8100,8200,8300 TSN -009999)  
MOTOR BASICO (SIN PERNOS DE CABEZA) (6076) (8100,8200,8300 TSN -009999)  
KORTMOTOR (UTAN TOPPLOCKSSKRUVAR) (6076) (8100,8200,8300 TSN -009999)  
RGP3581 -UN-01JAN94



RGP3581

# 1E2

ENGINE

| KEY | PART NO. | PART NAME | QTY | ENGINE<br>SERIAL NO. | REMARKS |
|-----|----------|-----------|-----|----------------------|---------|
|-----|----------|-----------|-----|----------------------|---------|

8 8 8  
1 2 3  
0 0 0  
0 0 0

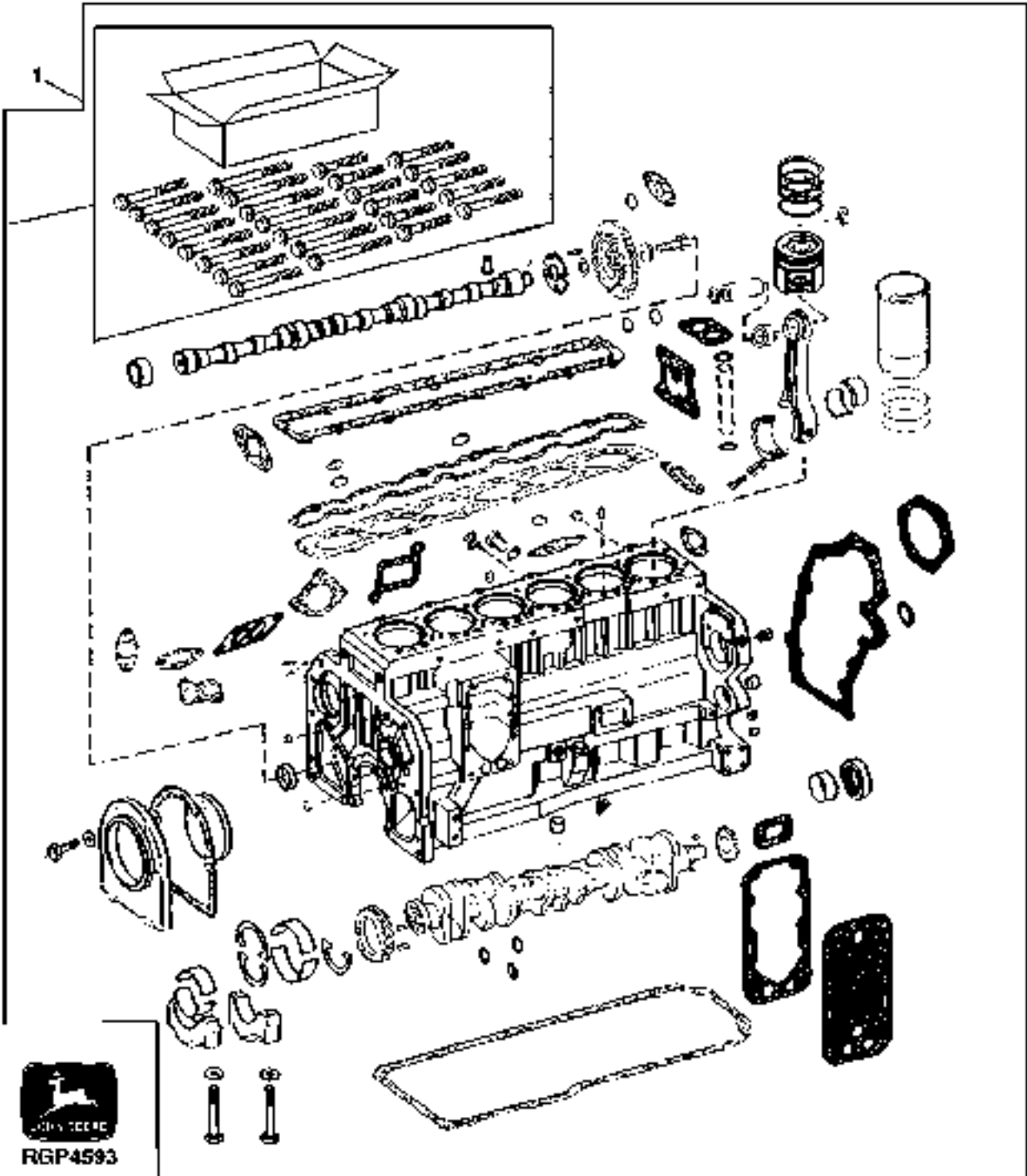
|   |         |                      |   |       |   |
|---|---------|----------------------|---|-------|---|
| 1 | RE60458 | SHORT BLOCK ASSEMBLY | 1 | X X X | (A) (MARKED R122741) (ALSO ORDER R125855) (SUB RE65081) |
|---|---------|----------------------|---|-------|---|

(A) - (ALSO ORDER R120801, 8100; R121764, 8200; R121765, 8300)

# 1E3

ENGINE

SHORT ENGINE (WITH ) HEAD BOLTS) (6076) (8100,8200,8300 TSN-009999)  
MOTEUR DEPOUILLE POUR RECHANGE (AVEC (26) BOULONS DE CULASSE) (6076) (8100,8200,8300 TSN -009999)  
KURZMOTOR (MIT (26) ZYLINDERKOPFSCHRAUBEN) (6076) (8100,8200,8300 TSN -009999)  
MOTORE CORTO (CON (26) VITI DELLA TESTATA) (6076) (8100,8200,8300 TSN -009999)  
MOTOR BASICO (CON (26) PERNOS DE CABEZA) (6076) (8100,8200,8300 TSN -009999)  
KORTMOTOR (MED (26) TOPLOCKSSKRUVAR) (6076) (8100,8200,8300 TSN -009999)  
RGP4593 -UN-26OCT95





# 1E4

ENGINE

| KEY | PART NO. | PART NAME | QTY | ENGINE<br>SERIAL NO. | REMARKS |
|-----|----------|-----------|-----|----------------------|---------|
|-----|----------|-----------|-----|----------------------|---------|

8 8 8  
1 2 3  
0 0 0  
0 0 0

|   |         |                      |   |       |   |
|---|---------|----------------------|---|-------|---|
| 1 | RE65081 | SHORT BLOCK ASSEMBLY | 1 | X X X | (A) (MARKED R122741) (ALSO ORDER R125855) (CONTAINED (26) "SPECIAL" HEAD BOLTS) |
|---|---------|----------------------|---|-------|---|

(A) - (ALSO ORDER R120801, 8100; R121764, 8200; R121765, 8300)

# 1E5

ENGINE

| KEY | PART NO. | PART NAME | QTY | ENGINE<br>SERIAL NO. | REMARKS |
|-----|----------|-----------|-----|----------------------|---------|
|-----|----------|-----------|-----|----------------------|---------|

8 8 8  
1 2 3  
0 0 0  
0 0 0

|   |         |                      |   |       |   |
|---|---------|----------------------|---|-------|---|
| 1 | RE65081 | SHORT BLOCK ASSEMBLY | 1 | X X X | (A) (MARKED R122741) (ALSO ORDER R125855) (CONTAINED (26) "SPECIAL" HEAD BOLTS) |
|---|---------|----------------------|---|-------|---|

(A) - (ALSO ORDER R120801, 8100; R121764, 8200; R121765, 8300)

# 1E6

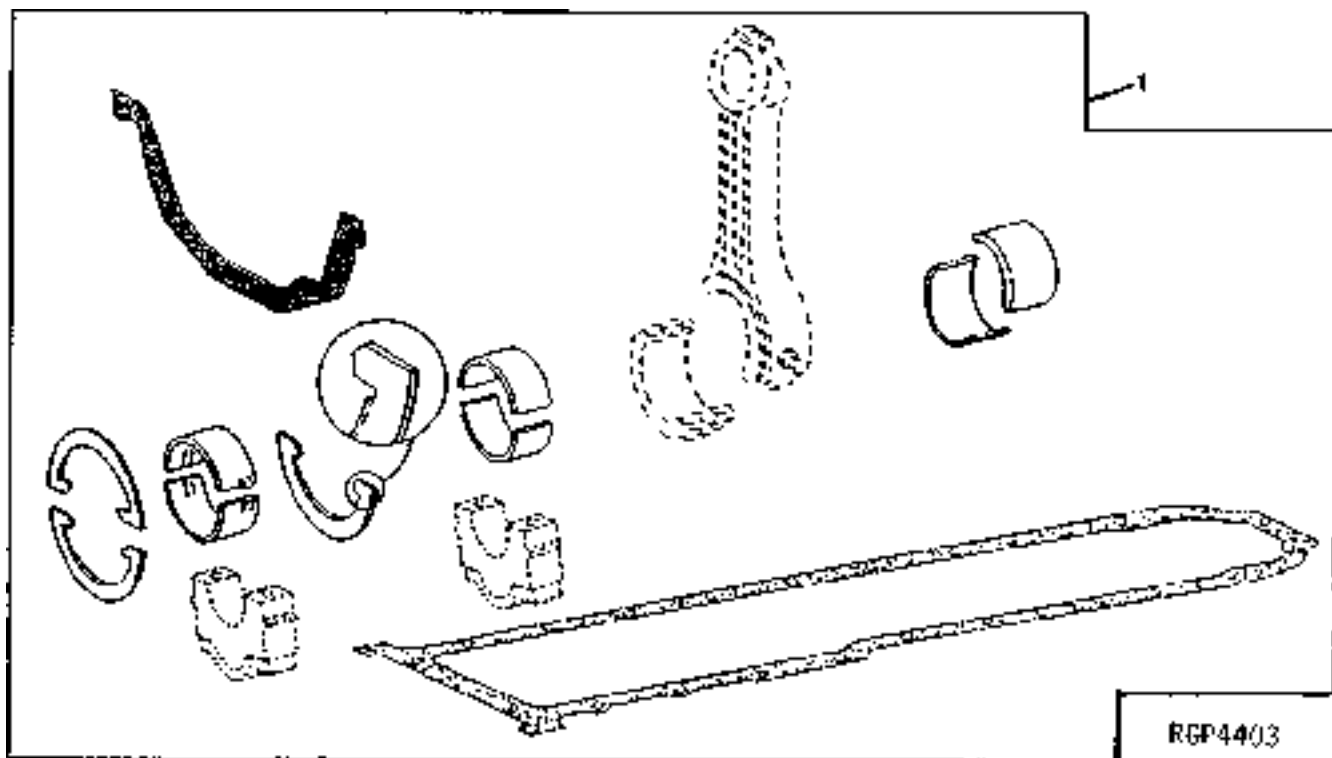
ENGINE

| KEY | PART NO. | PART NAME           | QTY | ENGINE<br>SERIAL NO. | 8 8 8 | REMARKS   |
|-----|----------|---------------------|-----|----------------------|-------|---|
|     |          |                     |     |                      | 1 2 3 |   |
|     |          |                     |     |                      | 0 0 0 |   |
|     |          |                     |     |                      | 0 0 0 |   |
| 1   | RG27914  | ENGINE OVERHAUL KIT | 1   |                      | X X X | (AS SHOWN) (CONTAINS (6) RE60294 PISTON LINERS, GASKET KIT, STD BEARINGS, FRONT/REAR SEALS, AND SNAP RINGS) (ALSO ORDER R66452 ROD BOLTS) (SUB FOR RE64212) (ALSO ORDER R125855)  |
|     | RG27920  | ENGINE OVERHAUL KIT | 1   |                      | X X X | (NOT AS SHOWN) (EXPANDED - STD BEARINGS KIT) (CONTAINS RG27914 PARTS, (12) R66492, (6) R57771, (6) R74008 AND (4) R87561) (SUB FOR RE66784) (ALSO ORDER R125855)  |
|     | RG27921  | ENGINE OVERHAUL KIT | 1   |                      | X X X | (NOT AS SHOWN) (EXPANDED .010" US BRG KIT) (CONTAINS (6) RE60294, (6) AR73279, (6) AR74816, AR77750, AR77753, RG27881, AR49025, RE22764, (12) E1343FN, (12) R66452, (6) R74008, (6) R57771 AND (4) R87561) (ALSO ORDER R125855) (SUB FOR RE66785) |

# 1E7

ENGINE

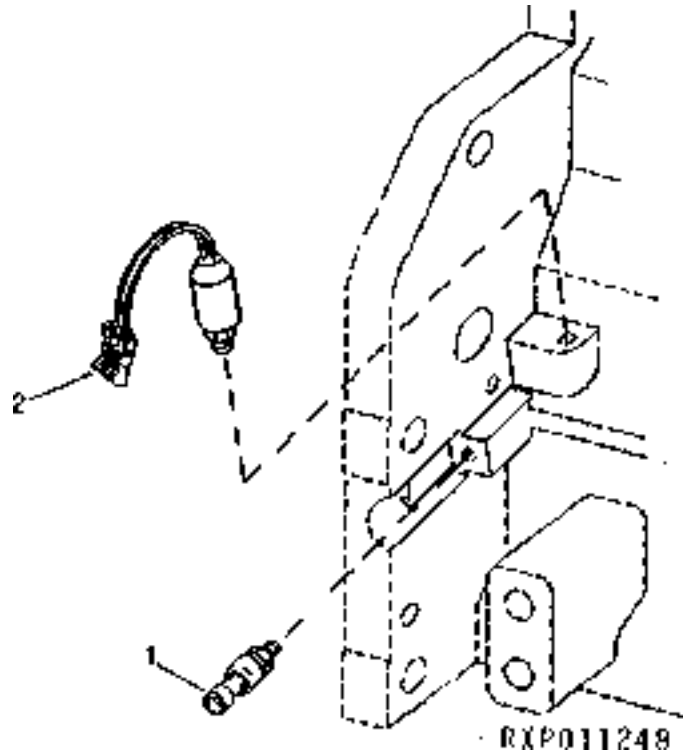
ENGINE UNDERHAUL KIT (STANDARD BEARINGS) (6076) (8100,8200,8300 TSN -009999)  
 KIT D'ENTRETIEN DU MOTEUR SUR LE TRACTEUR (6076) (8100,8200, 8300 TSN -009999)  
 TEILESATZ FUER DIE WARTUNG DES EINGEBAUTEN MOTORSTEILESATZ FUER (6076) (81,82,83 TSN -009999)  
 KIT PER LA REVISIONE DEL MOTORE DA SOTTO (6076) (8100,8200,8300 TSN -009999)  
 JUEGO DE REACONDICIONAMIENTO PARCIAL DEL MOTOR (6076)(8100,8200,8300 TSN -009999)  
 SATS FOER REPARATION AV MOTORN PAA PLATS (6076) (8100,8200,8300 TSN -009999)  
 RGP4403 -UN-14DEC94



| KEY | PART NO. | PART NAME | QTY | ENGINE SERIAL NO.                | REMARKS                          |
|-----|----------|-----------|-----|----------------------------------|----------------------------------|
| 1   | RG23426  | KIT       | 1   | 8 8 8<br>1 2 3<br>0 0 0<br>0 0 0 | X X X (ALSO ORDER R125855, APPL) |

MEMORANDA  
MEMORANDA  
MEMORANDA  
MEMORANDA  
MEMORANDA

ENGINE OIL PRESSURE SENDING UNIT  
 PRESSION D'HUILE MOTEUR  
 MOTOROELDRUCK  
 CONTATTO PRESS.OLIO  
 PRESION ACEITE MOTOR  
 MOTOROLJETRYCK-GIVARE  
 RXP011248 -UN-01JAN94



| KEY | PART NO. | PART NAME                | QTY | ENGINE SERIAL NO. | A | REMARKS                       |
|-----|----------|--------------------------|-----|-------------------|---|-------------------------------|
|     |          |                          |     |                   | L |                               |
| 1   | RE56009  | ENGINE OIL PRESS. SENSOR | 1   |                   | X | (A) 3-TERMINAL                |
| 2   | RE63289  | SWITCH                   | 1   |                   | X | (B) 2-WIRE, (SUB FOR RE52866) |

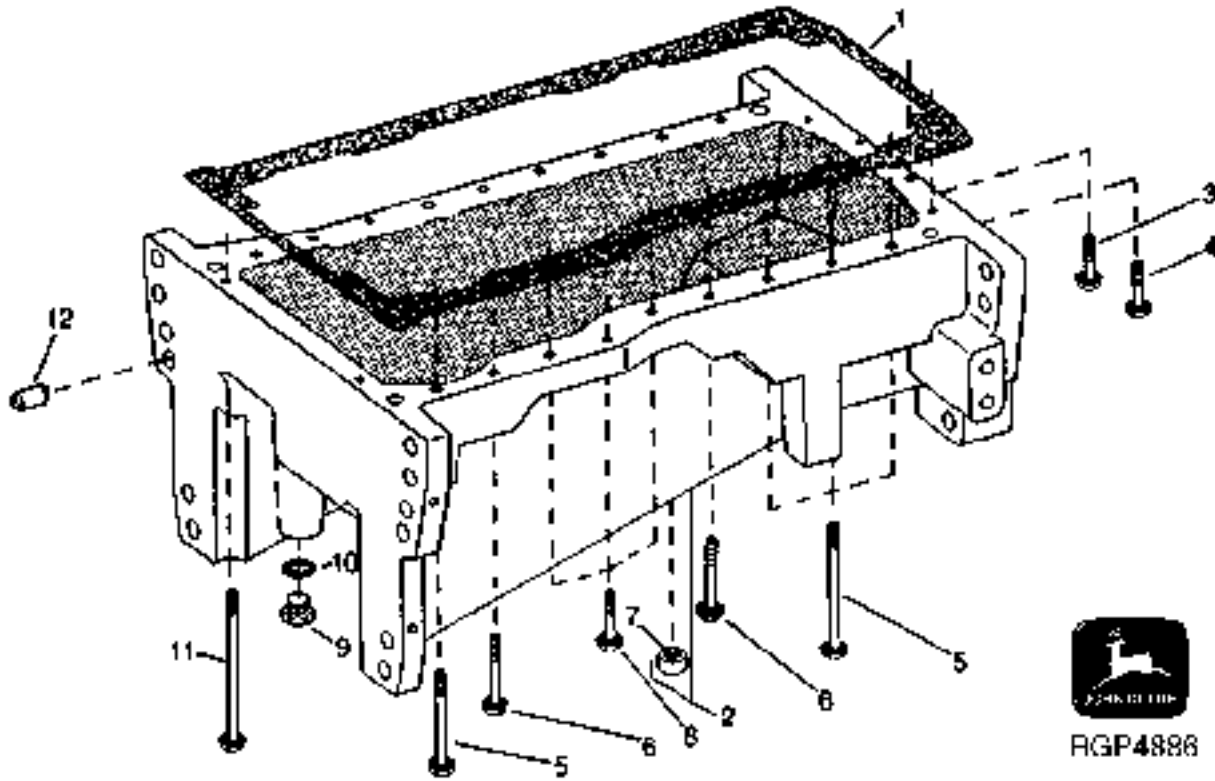
(A) DELUXE CAB  
 CABINE DELUXE  
 LUKUSKABINE  
 CABINA DELUXE  
 CABINA DE LUJO  
 LYXHYYT

(B) ECONOMY CAB  
 CABINE "ECONOMIE"  
 EINFACHE KABINE  
 CABINA ECONOMICA  
 CABINA ECONOMICA  
 EKONOMIHYTT

# 1E9

ENGINE

OIL PAN (6076) (8100,8200,8300 TSN -009999)  
 CARTER D'HUILE (6076) (8100,8200,8300 TSN -009999)  
 OELWANNE (6076) (8100,8200,8300 TSN -009999)  
 COPPA DELL'OLIO (6076) (8100,8200,8300 TSN -009999)  
 CARTER DEL ACEITE (6076) (8100,8200,8300 TSN -009999)  
 OLJETRAG (6076) (8100,8200,8300 TSN -009999)  
 RGP4886 -UN-13MAY97

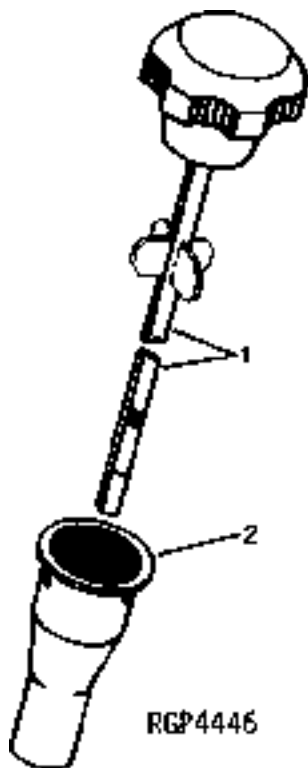


| KEY | PART NO. | PART NAME  | QTY | ENGINE SERIAL NO. | 8 8 8 |   |   | REMARKS                                       |
|-----|----------|------------|-----|-------------------|-------|---|---|---|
|     |          |            |     |                   | 1     | 2 | 3 |   |
| 1   | R125855  | GASKET     | 1   |                   | X     | X | X | (SUB FOR R107343)                             |
| 2   | RE71509  | OIL PAN    | 1   | -XXXXXX           | X     | X | X | (MARKED R136471 OR R107229) (SUB FOR RE50889) |
|     | RE161680 | OIL PAN    | 1   | XXXXXX-           | X     | X | X |   |
|     | 19M7963  | CAP SCREW  | 2   | XXXXXX-           | X     | X | X |   |
| 3   | R122474  | CAP SCREW  | 2   |                   | X     | X | X | .375 X 2.25                                   |
| 4   | R121395  | CAP SCREW  | 2   |                   | X     | X | X | .375 X 1.875                                  |
| 5   | R122477  | CAP SCREW  | 8   |                   | X     | X | X | .500 X 6.000                                  |
| 6   | R122476  | CAP SCREW  | 4   |                   | X     | X | X | .500 X 4.000                                  |
| 7   | ET14521  | BUSHING    | 4   |                   | X     | X | X |   |
| 8   | R122475  | CAP SCREW  | 6   |                   | X     | X | X | .500 X 2.500                                  |
| 9   | R27175   | DRAIN PLUG | 1   |                   | X     | X | X |   |
| 10  | F3171R   | O-RING     | 1   |                   | X     | X | X |   |
| 11  | R126912  | CAP SCREW  | 2   |                   | X     | X | X | .375 X 7.750                                  |
| 12  | .....    | DOWEL PIN  | 4   |                   | X     | X | X | (SUB RE71509)                                 |

# 1E10

ENGINE

ENGINE OIL DIPSTICK (6076) (8100,8200,8300 TSN -009999)  
 JAUGE A HUILE MOTEUR (6076) (8100,8200,8300 TSN -009999)  
 MOTORDELMESSTAB (6076) (8100,8200,8300 TSN -009999)  
 ASTINA DE LIVELLO OLIO MOTORE (6076) (8100,8200,8300 TSN -009999)  
 ASPILLA PARA MEDIR EL NIVEL DE ACEITE DEL MOTORE (6076) (8100,8200,8300 TSN -009999)  
 MOTORNS OLJETICKA (6076) (8100,8200,8300 TSN -009999)  
 RGP4446 -UN-03MAR95



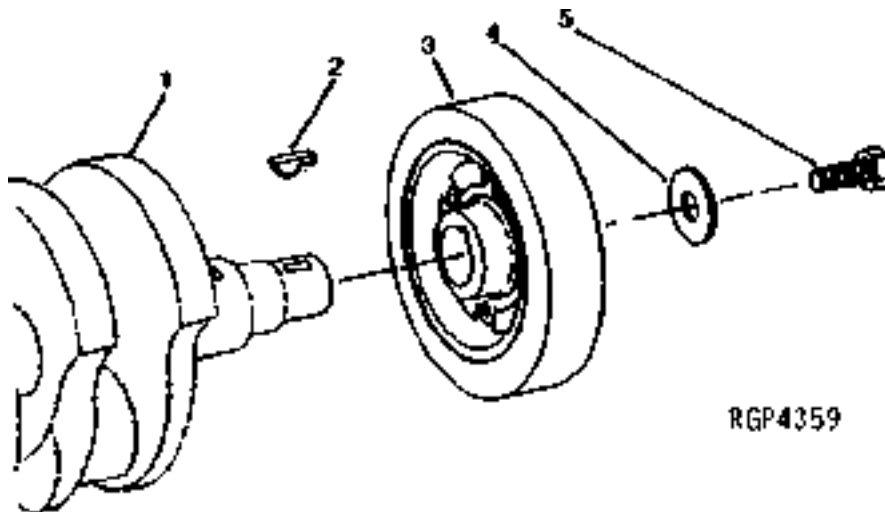
| KEY | PART NO. | PART NAME     | QTY | ENGINE SERIAL NO. | REMARKS                             |
|-----|----------|---------------|-----|-------------------|-------------------------------------|
|     |          |               |     | 8 8 8             |                                     |
|     |          |               |     | 1 2 3             |                                     |
|     |          |               |     | 0 0 0             |                                     |
|     |          |               |     | 0 0 0             |                                     |
| 1   | RE500209 | DIPSTICK      | 1   | X X X             | (6076HRW33,34,35) (SUB FOR RE56493) |
| 2   | R120801  | DIPSTICK TUBE | 1   | X                 | (6076HRW33) 107.5 MM (4.23")        |
|     | R121764  | DIPSTICK TUBE | 1   | X                 | (6076HRW34) 118.5 MM (4.66")        |
|     | R121765  | DIPSTICK TUBE | 1   | X                 | (6076HRW35) 126.0 MM (4.96")        |



# 1E11

ENGINE

CRANKSHAFT PULLEY (6076) (8100,8200,8300 TSN -009999)  
 POULIE DE VILEBREQUIN (6076) (8100,8200,8300 TSN -009999)  
 KURBELWELLENRIEMENSCHIEBE (6076) (8100,8200,8300 TSN -009999)  
 PULEGGIA DELL'ALBERO A GOMITI (6076) (8100,8200,8300 TSN -009999)  
 POLEA DEL CIGUENAL (6076) (8100,8200,8300 TSN -009999)  
 VEVAXELREMSKIVA (6076) (8100,8200,8300 TSN -009999)  
 RGP4359 -UN-01JAN94

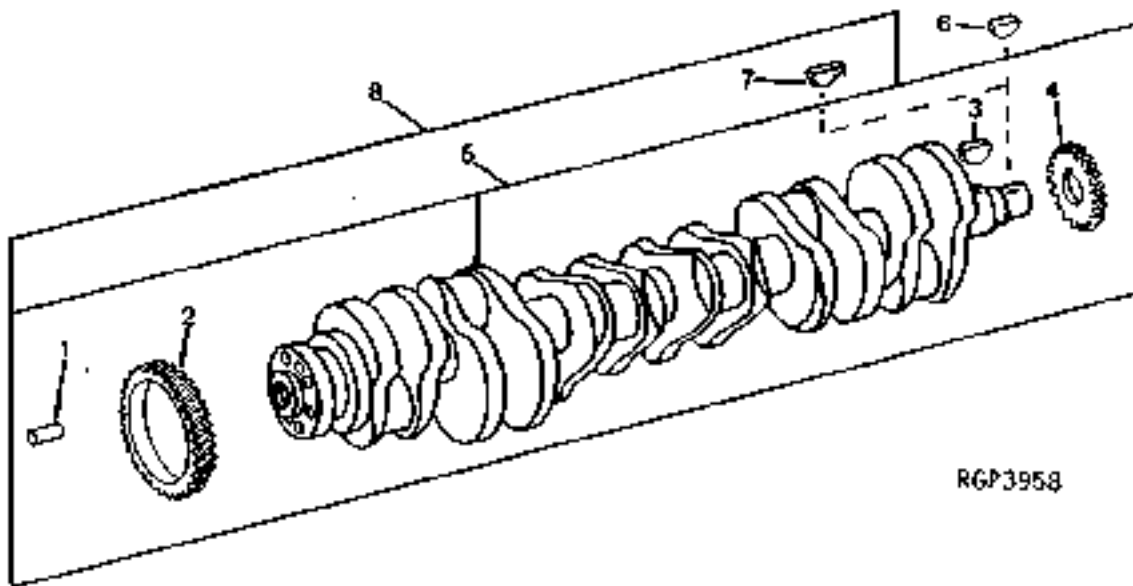


| KEY | PART NO. | PART NAME          | QTY | ENGINE SERIAL NO. | REMARKS |
|-----|----------|--------------------|-----|-------------------|---------|
|     |          |                    |     | 8 8 8             |         |
|     |          |                    |     | 1 2 3             |         |
|     |          |                    |     | 0 0 0             |         |
|     |          |                    |     | 0 0 0             |         |
| 1   | .....    | CRANKSHAFT         | 1   | X X X             |         |
| 2   | R116311  | KEY                | 1   | X X X             |         |
| 3   | RE24975  | TORSIONAL DAMPENER | 1   | X X X             |         |
| 4   | R26333   | WASHER             | 1   | X X X             |         |
| 5   | R79846   | CAP SCREW          | 1   | X X X             |         |

# 1E12

ENGINE

CRANKSHAFT (6076) (8100,8200,8300 TSN -009999)  
 VILEBREQUIN (6076) (8100,8200,8300 TSN -009999)  
 KURBELWELLE (6076) (8100,8200,8300 TSN -009999)  
 ALBERO A COLLI (6076) (8100,8200,8300 TSN -009999)  
 CIGUENAL (6076) (8100,8200,8300 TSN -009999)  
 VEVAXEL (6076) (8100,8200,8300 TSN -009999)  
 RGP3958 -UN-01JAN94

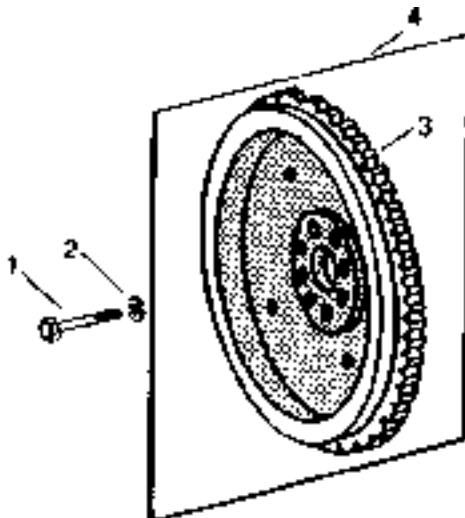


| KEY | PART NO. | PART NAME  | QTY | ENGINE<br>SERIAL NO. | 8 8 8 | REMARKS                         |
|-----|----------|------------|-----|----------------------|-------|---------------------------------|
|     |          |            |     |                      | 1 2 3 |                                 |
|     |          |            |     |                      | 0 0 0 |                                 |
|     |          |            |     |                      | 0 0 0 |                                 |
| 1   | R41934   | DOWEL PIN  | 1   |                      | X X X |                                 |
| 2   | R63326   | GEAR       | 1   |                      | X X X | (SUB RG23551, THIS APPLICATION) |
| 3   | R120752  | KEY        | 1   |                      | X X X |                                 |
| 4   | R104587  | GEAR       | 1   |                      | X X X |                                 |
| 5   | RE53199  | CRANKSHAFT | 1   |                      | X X X | (MARKED RE53199) (SUB RG23551)  |
| 6   | .....    | SHAFT KEY  | 1   |                      | X X X |                                 |
| 7   | R116311  | KEY        | 1   |                      | X X X |                                 |
| 8   | RG23551  | CRANKSHAFT | 1   |                      | X X X | (MARKED RE53199)                |

# 1E13

ENGINE

FLYWHEEL (6076) (8100,8200,8300 TSN -009999)  
 VOLANT (6076) (8100,8200,8300 TSN -009999)  
 SCHWUNGRAD (6076) (8100,8200,8300 TSN -009999)  
 VOLANO (6076) (8100,8200,8300 TSN -009999)  
 VOLANTE (6076) (8100,8200,8300 TSN -009999)  
 SVANGHJUL (6076) (8100,8200,8300 TSN -009999)  
 RGP3073 -UN-01JAN94



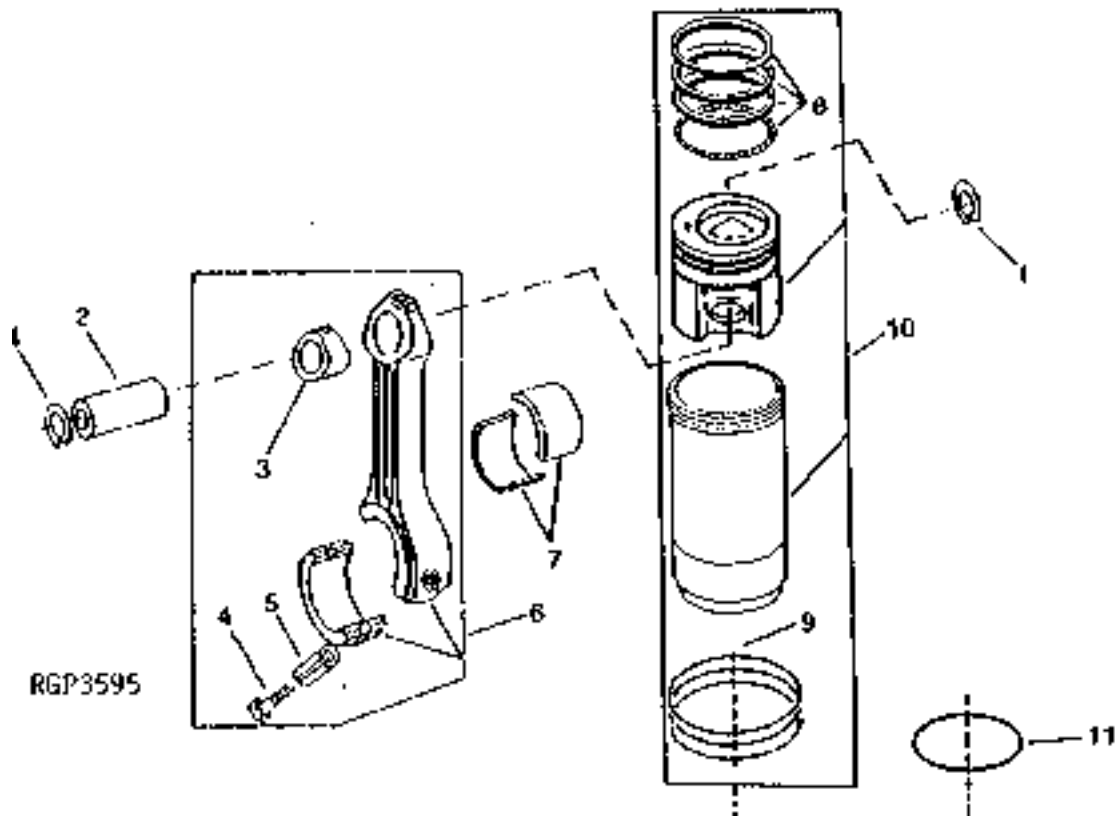
RGP3073

| KEY | PART NO. | PART NAME | QTY | ENGINE<br>SERIAL NO. | 8 8 8 | REMARKS   |
|-----|----------|-----------|-----|----------------------|-------|---|
|     |          |           |     |                      | 1 2 3 |   |
|     |          |           |     |                      | 0 0 0 |   |
|     |          |           |     |                      | 0 0 0 |   |
| 1   | 19H3579  | CAP SCREW | 6   |                      | X X X | 12.700 X 34.925 MM (1/2" X 1-3/8") (SUB FOR R41049 OR R52634, THIS APPLICATION) |
| 2   | T23891   | WASHER    | 6   |                      | X X X | 13.487 X 20.625 X 1.524 MM (17/32" X 13/16" X 0.060")                           |
| 3   | R28811   | RING GEAR | 1   |                      | X X X |   |
| 4   | RE44632  | FLYWHEEL  | 1   |                      | X X X | (MARKED R107339)  |

# 1E14

ENGINE

PISTON/CONNECTING RODS/CYLINDER LINER (6076) (8100,8200,8300 TSN -009999)  
 PISTON/BIELLE/CHEMISE DE CYLINDRE (6076) (8100,8200,8300 TSN -009999)  
 KOLBEIN/PLEUELSTANGE/ZYLINDERLAUFBUCHSE (6076) (8100,8200,8300 TSN -009999)  
 PISTONE/BIELLA/CAMICIE (6076) (8100,8200,8300 TSN -009999)  
 PISTON/BIELA/CAMISA DEL CILINDRO (6076) (8100,8200,8300 TSN -009999)  
 KOLV/KOLVSTAKE/CYLINDERFODER (6076) (8100,8200,8300 TSN -009999)  
 RGP3595 -UN-01JAN94

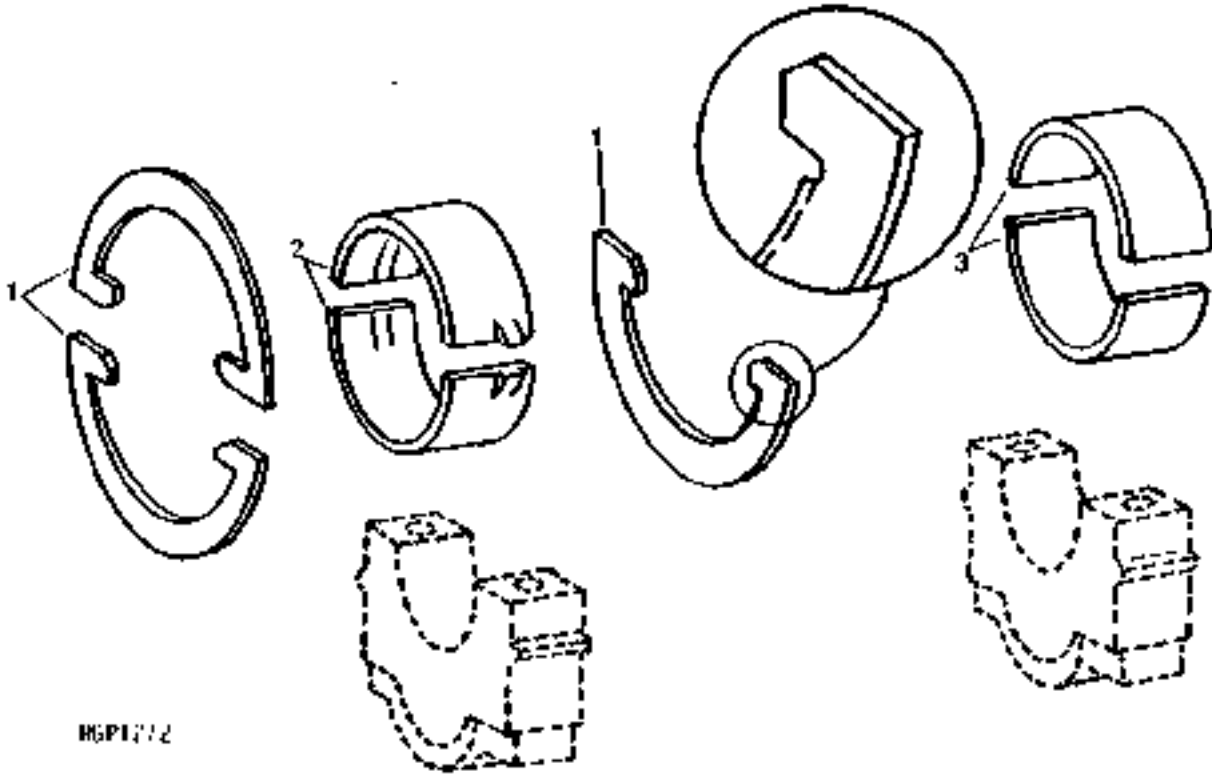


| KEY | PART NO. | PART NAME      | QTY | ENGINE SERIAL NO. |   |   | REMARKS                            |
|-----|----------|----------------|-----|-------------------|---|---|------------------------------------|
|     |          |                |     | 8                 | 8 | 8 |                                    |
|     |          |                |     | 1                 | 2 | 3 |                                    |
|     |          |                |     | 0                 | 0 | 0 |                                    |
|     |          |                |     | 0                 | 0 | 0 |                                    |
| 1   | E1343FN  | SNAP RING      | 12  | X                 | X | X |                                    |
| 2   | R57771   | PISTON PIN     | 6   | X                 | X | X |                                    |
| 3   | R74008   | BUSHING        | 6   | X                 | X | X |                                    |
| 4   | R66452   | CAP SCREW      | 12  | X                 | X | X |                                    |
| 5   | R53292   | SLEEVE         | 12  | X                 | X | X |                                    |
| 6   | AR93341  | CONNECTING ROD | 6   | X                 | X | X | (MARKED R71074)                    |
| 7   | AR73277  | BEARING        | AR  | X                 | X | X | STD (PKG (2) R57583)               |
|     | AR73278  | BEARING        | AR  | X                 | X | X | 0.05MM (.002") US (PKG (2) R60485) |
|     | AR73279  | BEARING        | AR  | X                 | X | X | 0.25MM (.010") US (PKG (2) R60486) |
|     | AR73280  | BEARING        | AR  | X                 | X | X | 0.51MM (.020") US (PKG (2) R60487) |
|     | AR73281  | BEARING        | AR  | X                 | X | X | 0.76MM (.030") US (PKG (2) R60488) |
| 8   | RE57517  | PISTON RING    | 6   | X                 | X | X | (USE WITH RE57512)                 |
| 9   | AR98850  | KIT            | 6   | X                 | X | X |                                    |
| 10  | RE60294  | KIT            | 6   | X                 | X | X | (MARKED RE57512)                   |
| 11  | R93948   | SHIM           | 2   | X                 | X | X | 0.05MM (.002") (MAX)               |

# 1E15

ENGINE

MAIN BEARINGS (6076) (8100,8200,8300 TSN -009999)  
 PALIERS PRINCIPAUX (6076) (8100,8200,8300 TSN -009999)  
 HAUPTLAGER (6076) (8100,8200,8300 TSN -009999)  
 CUSCINETTI PRINCIPALI (6076) (8100,8200,8300 TSN -009999)  
 COJINETES DE BANCADA (6076) (8100,8200,8300 TSN -009999)  
 RAMLAGER (6076) (8100,8200,8300 TSN -009999)  
 RGP1272 -UN-01JAN94



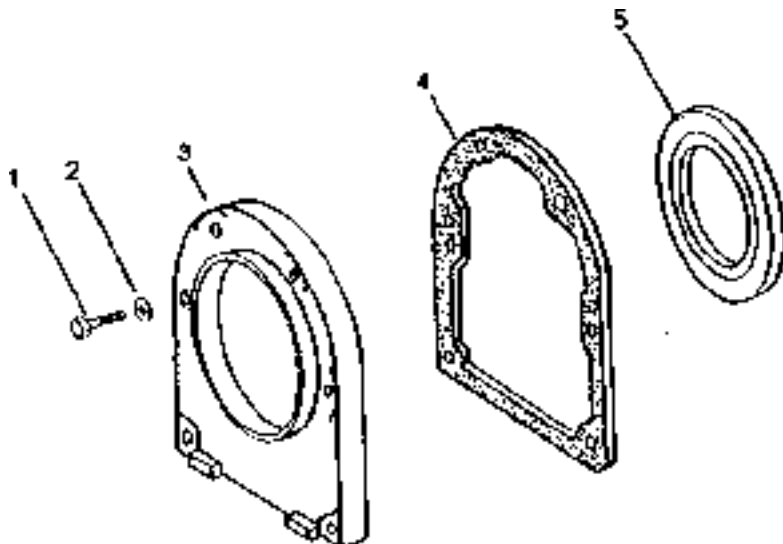
RGP1272

| KEY | PART NO. | PART NAME      | QTY | ENGINE SERIAL NO. |   |   | REMARKS   |
|-----|----------|----------------|-----|-------------------|---|---|---|
|     |          |                |     | 8                 | 8 | 8 |   |
| 1   | AR77747  | THRUST WASHER  | 1   | X                 | X | X | STD (PKG (3) R62986)                                  |
|     | AR77753  | THRUST WASHER  | 1   | X                 | X | X | 0.18 MM (.007") OS FLANGE (PKG (2) R63010 AND R62986) |
| 2   | AR77748  | THRUST BEARING | 1   | X                 | X | X | STD (PKG R62987 AND R62988)                           |
|     | AR77749  | THRUST BEARING | 1   | X                 | X | X | 0.05 MM (.002") US (PKG R63002 AND R63006)            |
|     | AR77750  | THRUST BEARING | 1   | X                 | X | X | 0.25 MM (.010") US (PKG R63003 AND R63007)            |
|     | AR77751  | THRUST BEARING | 1   | X                 | X | X | 0.51 MM (.020") US (PKG R63004 AND R63008)            |
|     | AR77752  | THRUST BEARING | 1   | X                 | X | X | 0.76 MM (.030") US (PKG R63005 AND R63009)            |
| 3   | AR74814  | BEARING        | AR  | X                 | X | X | STD (PKG R61289 AND R57584)                           |
|     | AR74815  | BEARING        | AR  | X                 | X | X | 0.05 MM (.002") US (PKG R61608 AND R60472)            |
|     | AR74816  | BEARING        | AR  | X                 | X | X | 0.25 MM (.010") US (PKG R61609 AND R60473)            |
|     | AR74817  | BEARING        | AR  | X                 | X | X | 0.51 MM (.020") US (PKG R61610 AND R60474)            |
|     | AR74818  | BEARING        | AR  | X                 | X | X | 0.76 MM (.030") US (PKG R61611 AND R60475)            |
|     |          |                |     |                   |   |   |   |

# 1E16

ENGINE

CRANKSHAFT OIL SEAL AND HOUSING (6076) (8100,8200,8300 TSN -009999)  
 JOINT A LEVRE ET CARTER DE VILEBREQUIN (6076) (8100,8200,8300 TSN -009999)  
 KURBELWELLENDICHTRING UND GEHAEUSE (6076) (8100,8200,8300 TSN -009999)  
 ANELLO DI TENUTA E CARCASSA DELL'ALBERO A GOMITI (6076) (8100,8200,8300 TSN -009999)  
 RETEN Y CARACASA DEL ACEITE CIGUENAL (6076) (8100,8200,8300 TSN -009999)  
 VEVAXELNS TAETNINGSRING OCH HUS (6076) (8100,8200,8300 TSN -009999)  
 RGP2382 -UN-01JAN94



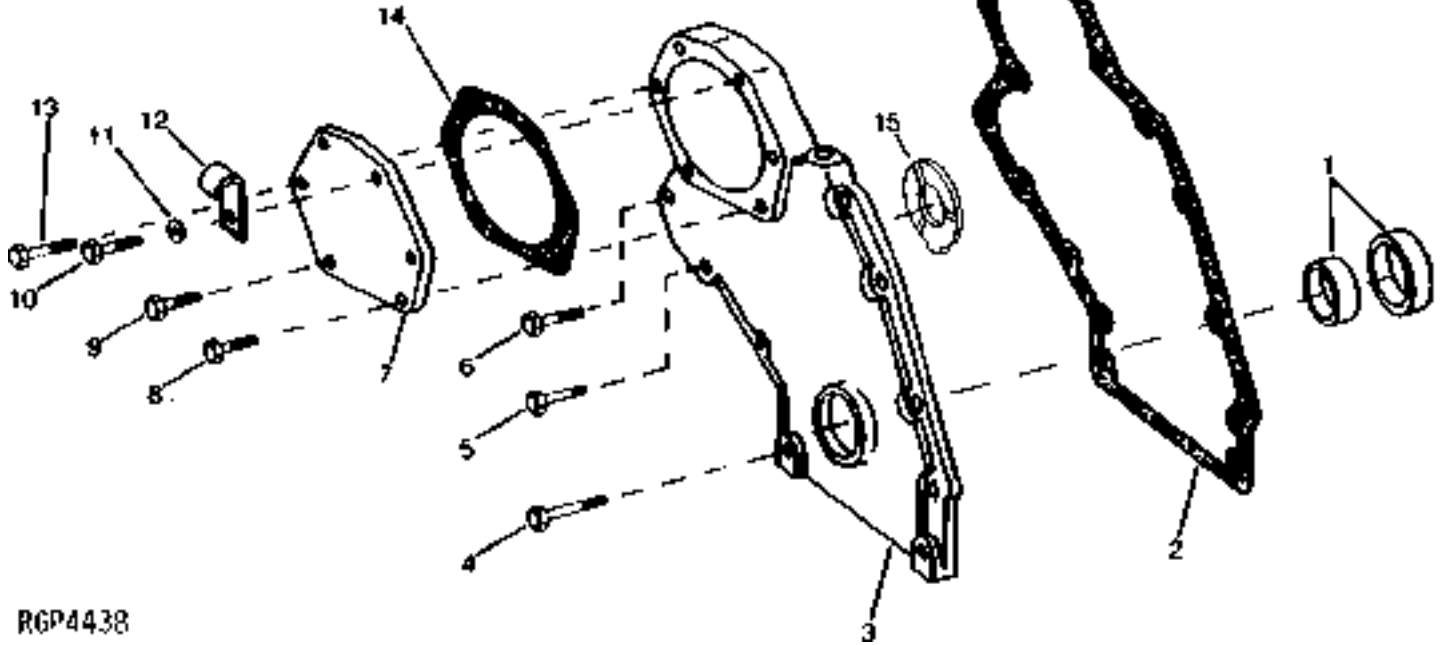
RGP2382

| KEY | PART NO. | PART NAME | QTY | ENGINE SERIAL NO. | REMARKS                            |
|-----|----------|-----------|-----|-------------------|------------------------------------|
|     |          |           |     | 8 8 8             |                                    |
|     |          |           |     | 1 2 3             |                                    |
|     |          |           |     | 0 0 0             |                                    |
|     |          |           |     | 0 0 0             |                                    |
| 1   | R47074   | CAP SCREW | 6   | X X X             | 7.925 X 28.448 MM (5/16" X 1.120") |
| 2   | T27860   | WASHER    | 6   | X X X             | 11/32" X 11/16" X 0.065"           |
| 3   | R125027  | HOUSING   | 1   | X X X             |                                    |
| 4   | R26058   | GASKET    | 1   | X X X             |                                    |
| 5   | RE22764  | SEAL      | 1   | X X X             |                                    |

# 1E17

ENGINE

TIMING GEAR COVER (6076) (8100,8200,8300 TSN -009999)  
 COUVERCLE DE DISTRIBUTION (6076) (8100,8200,8300 TSN -009999)  
 STEUERGEHAEUSE (6076) (8100,8200,8300 TSN -009999)  
 COPERCHIO DISTRIBUZIONE (6076) (8100,8200,8300 TSN -009999)  
 TAPA DE LA DISTRIBUCION (6076) (8100,8200,8300 TSN -009999)  
 TIDHJULSKAPA (6076) (8100,8200,8300 TSN -009999)  
 RGP4438 -UN-28FEB95



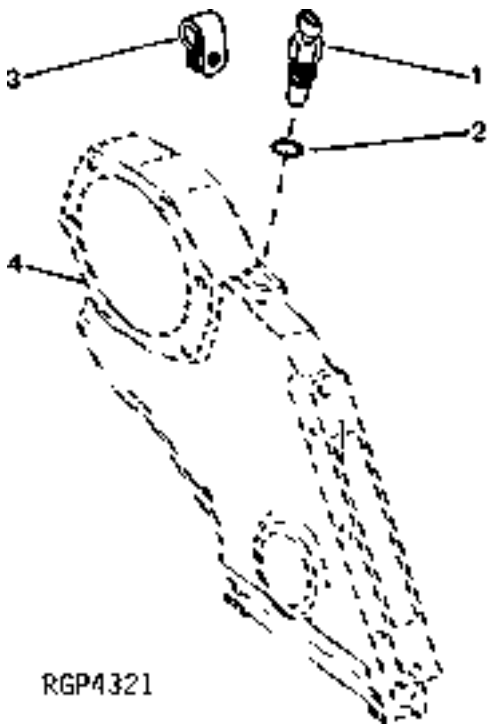
RGP4438

| KEY | PART NO. | PART NAME     | QTY | ENGINE SERIAL NO. |   |   |   | REMARKS                  |
|-----|----------|---------------|-----|-------------------|---|---|---|--------------------------|
|     |          |               |     |                   | 8 | 8 | 8 |                          |
| 1   | AR49025  | SEAL          | 1   |                   | X | X | X |                          |
| 2   | R104623  | GASKET        | 1   |                   | X | X | X |                          |
| 3   | R124178  | COVER         | 1   |                   | X | X | X |                          |
| 4   | R104859  | CAP SCREW     | 7   |                   | X | X | X |                          |
| 5   | R104861  | CAP SCREW     | 1   |                   | X | X | X |                          |
|     | 12H303   | LOCK WASHER   | 1   |                   | X | X | X | 5/16"                    |
| 6   | R112269  | CAP SCREW     | 1   |                   | X | X | X |                          |
| 7   | R99463   | COVER         | 1   |                   | X | X | X |                          |
| 8   | R112268  | CAP SCREW     | 1   |                   | X | X | X |                          |
| 9   | R112267  | CAP SCREW     | 1   |                   | X | X | X |                          |
|     | 12H303   | LOCK WASHER   | 1   |                   | X | X | X | 5/16"                    |
| 10  | R112273  | CAP SCREW     | 3   |                   | X | X | X |                          |
| 11  | 24H1136  | WASHER        | 1   |                   | X | X | X | 11/32" X 11/16" X 0.065" |
| 12  | R72853   | CLAMP         | NA  |                   | X | X | X |                          |
|     | AH89557  | CLIP          | NA  |                   | X | X | X |                          |
| 13  | R105732  | CAP SCREW     | NA  |                   | X | X | X |                          |
| 14  | R99464   | GASKET        | 1   |                   | X | X | X |                          |
| 15  | R104656  | THRUST WASHER | 1   |                   | X | X | X |                          |

# 1E18

ENGINE

MAGNETIC PICK-UP (ENGINE SPEED SENSOR)(6076) (8100,8200,8300 TSN -009999)  
 OUTIL AIMANTE A MANCHE (6076) (8100,8200,8300 TSN -009999)  
 MAGNETISCHER MESSWERTGEBER (6076) (8100,8200,8300 TSN -009999)  
 CALAMITA RACCATTAPEZZI (6076) (8100,8200,8300 TSN -009999)  
 CAPTADOR MAGNETICO (6076) (8100,8200,8300 TSN -009999)  
 MAGNETISK GIVARE (6076) (8100,8200,8300 TSN -009999)  
 RGP4321 -UN-01JAN94



RGP4321

| KEY | PART NO. | PART NAME | QTY | ENGINE SERIAL NO. |   |   | REMARKS   |
|-----|----------|-----------|-----|-------------------|---|---|---|
|     |          |           |     | 8                 | 8 | 8 |   |
| 1   | RE71121  | SENSOR    | 1   | X                 | X | X | (SUB FOR RE43511)                                     |
| 2   | 51M7044  | O-RING    | 1   | X                 | X | X | 17,300 X 2,200 MM, (SUB FOR R54856, THIS APPLICATION) |
| 3   | .....    | CLAMP     | NA  | X                 | X | X |   |
| 4   | .....    | COVER     | 1   | X                 | X | X |   |

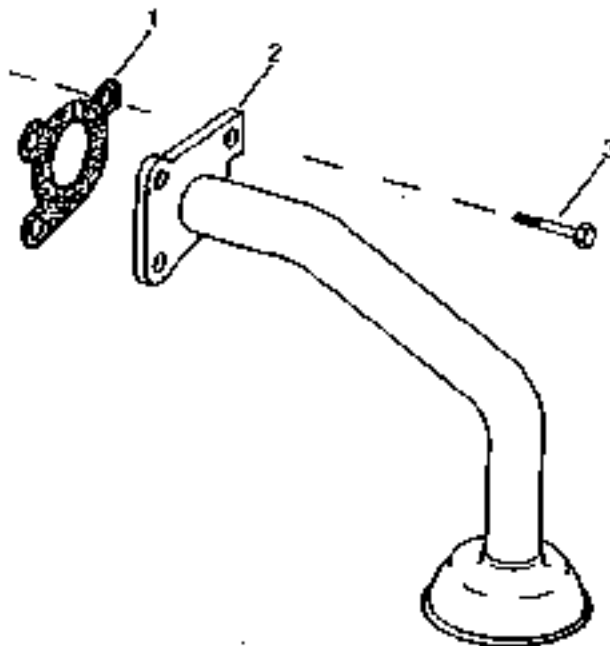


# 1E19

ENGINE

ENGINE OIL PUMP INTAKE (6076)(8100,8200,8300 TSN-009999)  
 ADMISSION DE LA POMPE A HUILE MOTEUR (6076)(8100,8200,8300 TSN-009999)  
 MOTOROELPUMPENEINLASS (6076)(8100,8200,8300 TSN-009999)  
 ASPIRAZIONE DELLA POMPA DELL'OLIO DEL MOTORE (6076)(8100,8200,  
 ADMISION DE LA BOMBA DE ACEITE DEL MOTOR (6076)(8100,8200,8300  
 MOTOROLJEPUMP, INSUGNING (6076)(8100,8200,8300 TSN-009999)  
 RGP3629 -UN-01JAN94

8300 TSN-009999)  
 TSN-009999)



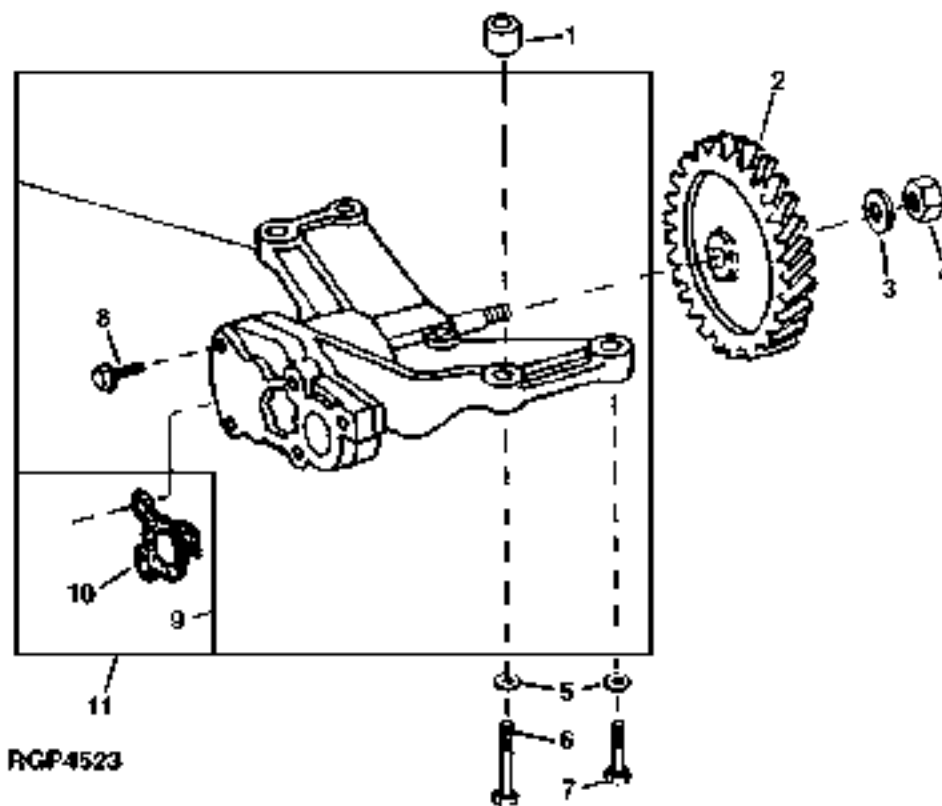
RGP3629

| KEY | PART NO. | PART NAME       | QTY | ENGINE<br>SERIAL NO. | 8 8 8<br>1 2 3<br>0 0 0<br>0 0 0 | REMARKS |
|-----|----------|-----------------|-----|----------------------|----------------------------------|---------|
| 1   | R100569  | GASKET          | 1   |                      | X X X                            |         |
| 2   | RE42809  | OIL PUMP INTAKE | 1   |                      | X X X                            |         |
| 3   | R104628  | CAP SCREW       | 3   |                      | X X X                            |         |

# 1E20

ENGINE

OIL PUMP (6076) (8100,8200,8300 TSN -009999)  
POMPE A HUILE (6076) (8100,8200,8300 TSN -009999)  
OELPUMPE (6076) (8100,8200,8300 TSN -009999)  
POMPA OLIO (6076) (8100,8200,8300 TSN -009999)  
BOMBA DE ACEITE (6076) (8100,8200,8300 TSN -009999)  
OLJEPUMP (6076) (8100,8200,8300 TSN -009999)  
RGP4523 -UN-10AUG95



# 1E21

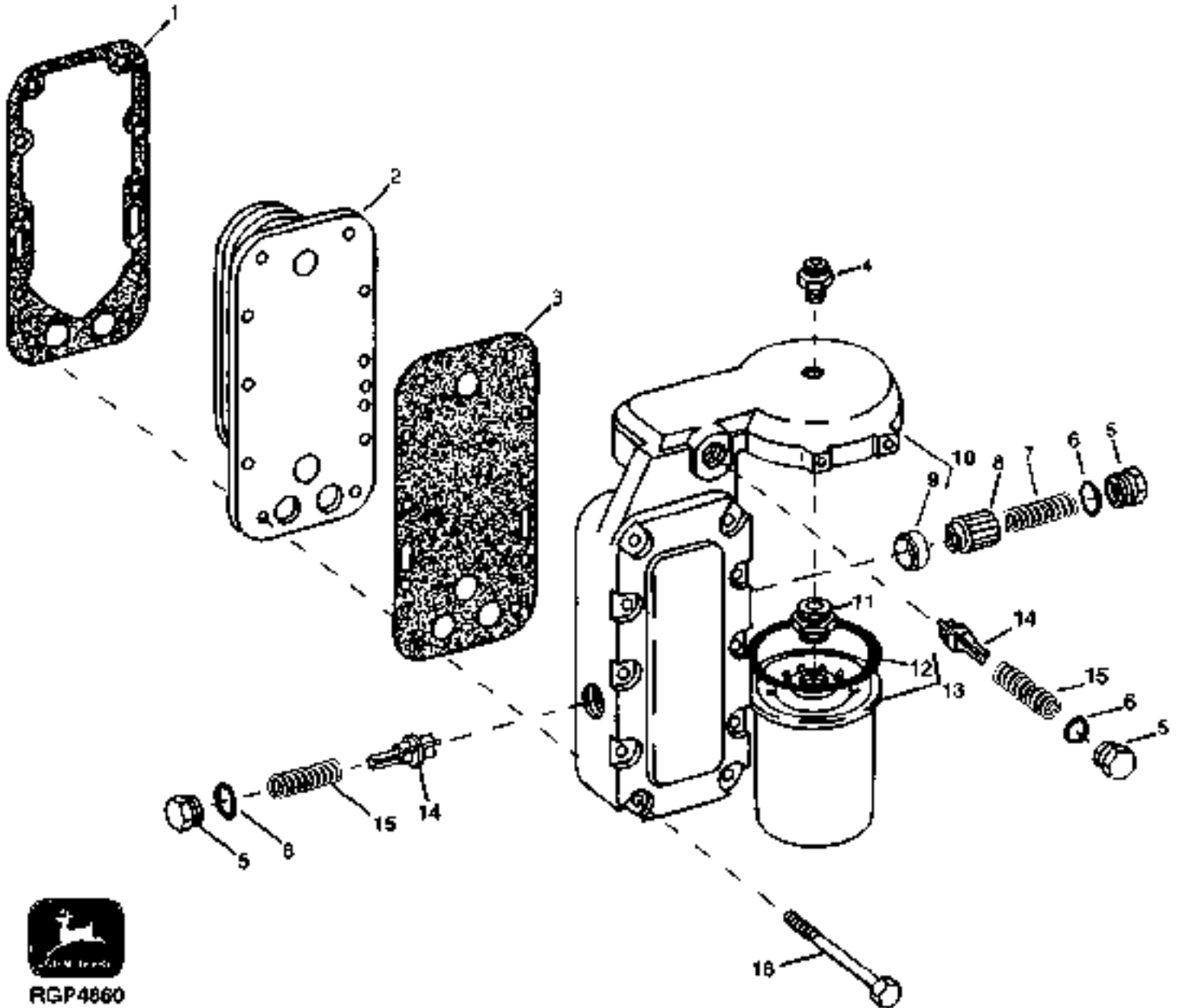
ENGINE

| KEY | PART NO. | PART NAME | QTY | ENGINE     |       |                                    | REMARKS |
|-----|----------|-----------|-----|------------|-------|------------------------------------|---------|
|     |          |           |     | SERIAL NO. | 8 8 8 | 1 2 3                              |         |
| 1   | R500642  | BUSHING   | 2   |            | X X X | (SUB FOR R62930, THIS APPLICATION) |         |
| 2   | R62938   | GEAR      | 1   |            | X X X |                                    |         |
| 3   | T21242   | WASHER    | 1   |            | X X X |                                    |         |
| 4   | 14H826   | NUT       | 1   |            | X X X | 1/2"                               |         |
| 5   | R57696   | WASHER    | 4   |            | X X X |                                    |         |
| 6   | 19H2549  | CAP SCREW | 2   |            | X X X | 3/8" X 1-7/8"                      |         |
| 7   | 19H3219  | CAP SCREW | 2   |            | X X X | 3/8" X 1-3/8"                      |         |
| 8   | R104628  | CAP SCREW | 2   |            | X X X |                                    |         |
|     | R104628  | CAP SCREW | 3   |            | X X X | (OIL PUMP INTAKE TO COVER)         |         |
| 9   | RE62723  | OIL PUMP  | 1   |            | X X X | (SUB FOR RE52277) (SUB RE63115)    |         |
| 10  | R100569  | GASKET    | 1   |            | X X X |                                    |         |
| 11  | RE63115  | OIL PUMP  | 1   |            | X X X | (MARKED R124746)                   |         |

# 1E22

ENGINE

ENGINE OIL COOLER/ENGINE OIL FILTER (6076) (8100,8200,8300 TSN -009999)  
REFROIDISSEUR D'HUILE MOTEUR/FILTRE A HUILE MOTEUR (6076) (8100,8200,8300 TSN -009999)  
MOTOR-OELKUEHLER/MOTOROELFILTER (6076) (8100,8200,8300 TSN -009999)  
RAFFREDDATORE OLIO MOTORE/FILTRO OLIO MOTORE (6076) (8100,8200,8300 TSN -009999)  
REFRIGERADOR DEL ACEITE DEL MOTOR/FILTRO DE ACEITE DEL MOTORE (6076) (8100,8200,8300 TSN -009999)  
MOTOROLJEKYLARE/MOTOROLJEFILTER (6076) (8100,8200,8300 TSN -009999)  
RGP4860 -UN-11FEB97



RGP4860

# 1E23

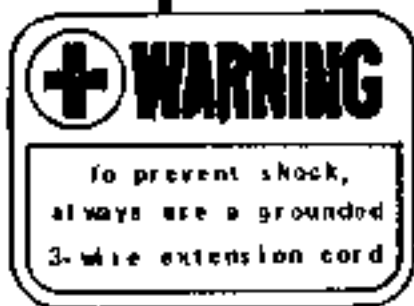
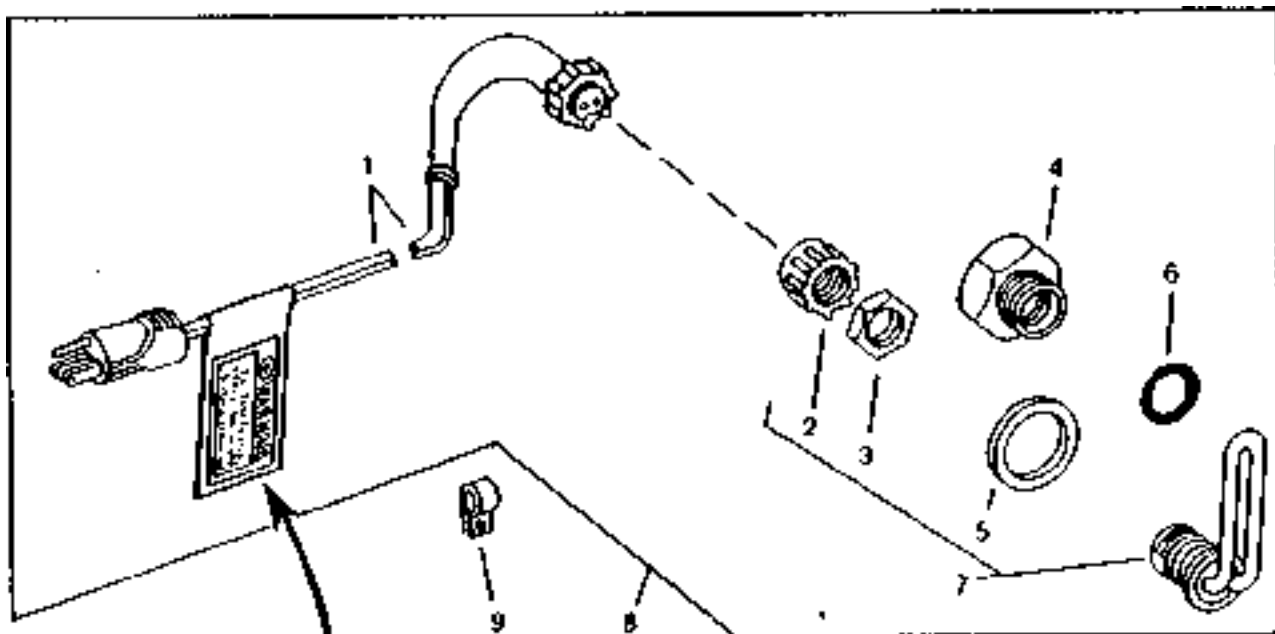
ENGINE

| KEY | PART NO. | PART NAME    | QTY | ENGINE     |       |       | REMARKS                           |
|-----|----------|--------------|-----|------------|-------|-------|-----------------------------------|
|     |          |              |     | SERIAL NO. | 8 8 8 | 1 2 3 |                                   |
| 1   | R94618   | GASKET       | 1   | -547515    | X X X |       | (SUB R128557)                     |
|     | R128557  | GASKET       | 1   | 547516-    | X X X |       |                                   |
| 2   | RE36367  | OIL COOLER   | 1   |            | X X X |       |                                   |
| 3   | R94619   | GASKET       | 1   | -547515    | X X X |       | (SUB R128558)                     |
|     | R128558  | GASKET       | 1   | 547516-    | X X X |       |                                   |
| 4   | R51133   | FITTING      | 1   |            | X X X |       |                                   |
| 5   | R134727  | PLUG         | 3   |            | X X X |       | (SUB FOR R100499)                 |
| 6   | U17409   | O-RING       | 3   |            | X X X |       |                                   |
| 7   | R102844  | SPRING       | 1   | -591825    | X X X |       | (SUB R500330)                     |
|     | R500330  | SPRING       | 1   | 591826-    | X X X |       |                                   |
| 8   | R124186  | RELIEF VALVE | 1   |            | X X X |       | (SUB FOR R94615)                  |
| 9   | R94620   | BUSHING      | 1   |            | X X X |       |                                   |
| 10  | RE39890  | HOUSING      | 1   |            | X X X |       | (MARKED R120412)                  |
| 11  | R104621  | ADAPTER      | 1   |            | X X X |       |                                   |
| 12  | R43660   | PACKING      | 1   |            | X X X |       |                                   |
| 13  | RE57394  | OIL FILTER   | 1   |            | X X X |       | (MARKED RE57394)                  |
| 14  | R108867  | VALVE        | 2   |            | X X X |       |                                   |
| 15  | R98064   | SPRING       | 2   |            | X X X |       |                                   |
| 16  | 19H3769  | CAP SCREW    | 10  |            | X X X |       | 5/16" X 2-1/2", (SUB FOR R104862) |

# 1E24

ENGINE

ENGINE COOLANT HEATER (110 V) (NORTH AMERICAN VERSION)  
RECHAUFFEUR DU LIQUIDE DE REFROIDISSEMENT (110 V) (VERSION NORD AMERICAINE)  
KUEHLWASSER-VORWAERMER (110 V) (NORDAMERIKANISCHE AUSFUEHRUNG)  
RISACALDATORE REFRIGERANTE (110 V) (VERSIONE NORDAMERICANA)  
DISPOSITIVO PARA EL CALENTAMIENTO DEL LIQUIDO REFRIGERANTE (110 V) (VERSION NORTEAMERICANA)  
KYLVATSKEVARMARE (110 V) (NORDAMERIKANSK VERSION)  
HP3746 -UN-01JAN94



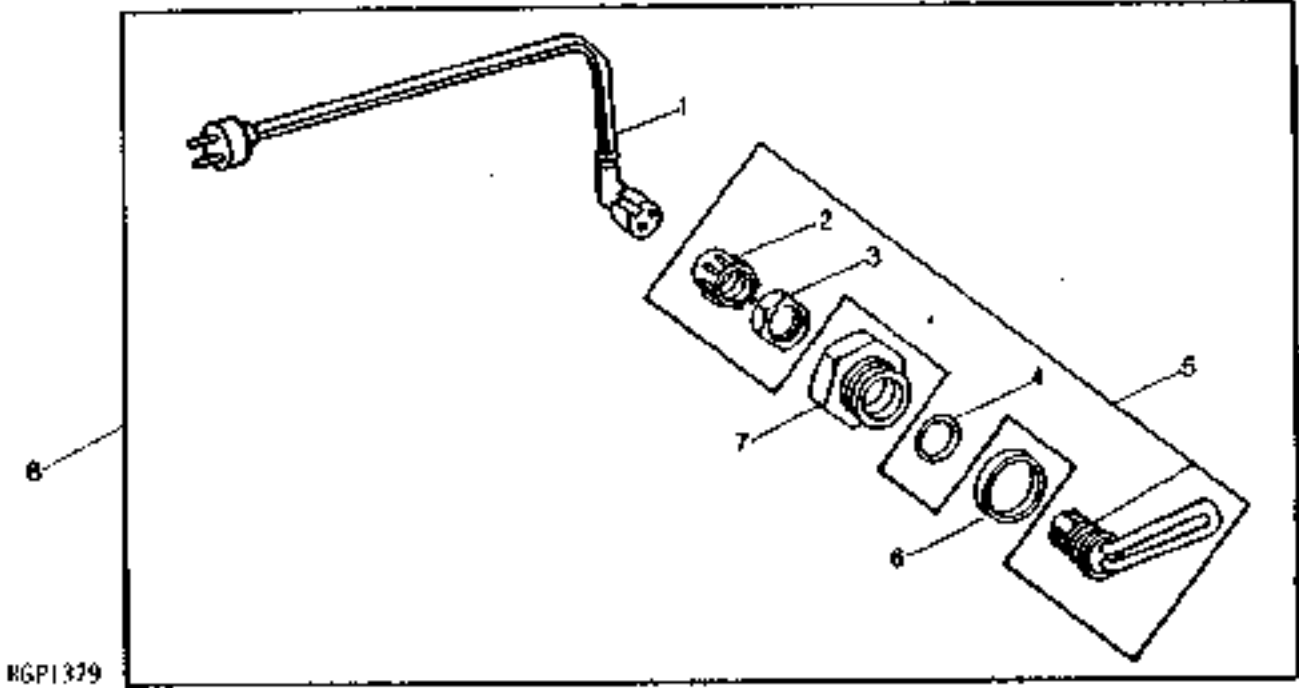
HP3746

# 1E25

ENGINE

| KEY | PART NO. | PART NAME      | QTY | ENGINE<br>SERIAL NO. | A<br>L<br>L | REMARKS    |
|-----|----------|----------------|-----|----------------------|-------------|------------|
| 1   | AR50411  | WIRING LEAD    | 1   |                      | X           |            |
| 2   | R54510   | CAP            | 1   |                      | X           |            |
| 3   | R54511   | NUT            | 1   |                      | X           |            |
| 4   | R54123   | ADAPTER        | 1   |                      | X           |            |
| 5   | U13639   | O-RING         | 1   |                      | X           |            |
| 6   | R47693   | GASKET         | 1   |                      | X           |            |
| 7   | AR62399  | COOLANT HEATER | 1   |                      | X           | (110 VOLT) |
| 8   | AR62492  | COOLANT HEATER | 1   |                      | X           |            |
| 9   | R72853   | CLAMP          | 1   |                      | X           |            |

ENGINE COOLANT HEATER (220 V) (EUROPEAN VERSION)  
 RECHAUFFEUR DU LIQUIDE DE REFROIDISSEMENT (220 V) (VERSION EUROPEENNE)  
 KUEHLWASSER-VORWAERMER (220 V) (EUROPAEISCHE AUSFUEHRUNG)  
 RISACALDATORE REFRIGERANTE (220 V) (VERSION EUROPEA)  
 DISPOSITIVO PARA EL CALENTAMIENTO DEL LIQUIDO REFRIGERANTE (220 V) (VERSION EUROPEA)  
 KYLVATSKEVARMARE (220 V) (EUROPEISK VERSION)  
 RGP1379 -UN-01JAN94



RGP1379

| KEY | PART NO. | PART NAME  | QTY | ENGINE SERIAL NO. | A | REMARKS                          |
|-----|----------|------------|-----|-------------------|---|----------------------------------|
|     |          |            |     |                   | L |                                  |
| 1   | AR87079  | POWER CORD | 1   |                   | X |                                  |
| 2   | R54510   | CAP        | 1   |                   | X | (SUB AR103807, THIS APPLICATION) |
| 3   | R54511   | NUT        | 1   |                   | X | (SUB AR103807, THIS APPLICATION) |
| 4   | R47693   | GASKET     | 1   |                   | X |                                  |
| 5   | AR103807 | HEATER     | 1   |                   | X | (220 VOLT)                       |
| 6   | U13639   | O-RING     | 1   |                   | X |                                  |
| 7   | R54123   | ADAPTER    | 1   |                   | X |                                  |
| 8   | RE39476  | HEATER     | 1   |                   | X | (ORDER COMPONENT PARTS)          |



MEMORANDA  
MEMORANDA  
MEMORANDA  
MEMORANDA  
MEMORANDA



# 1F3

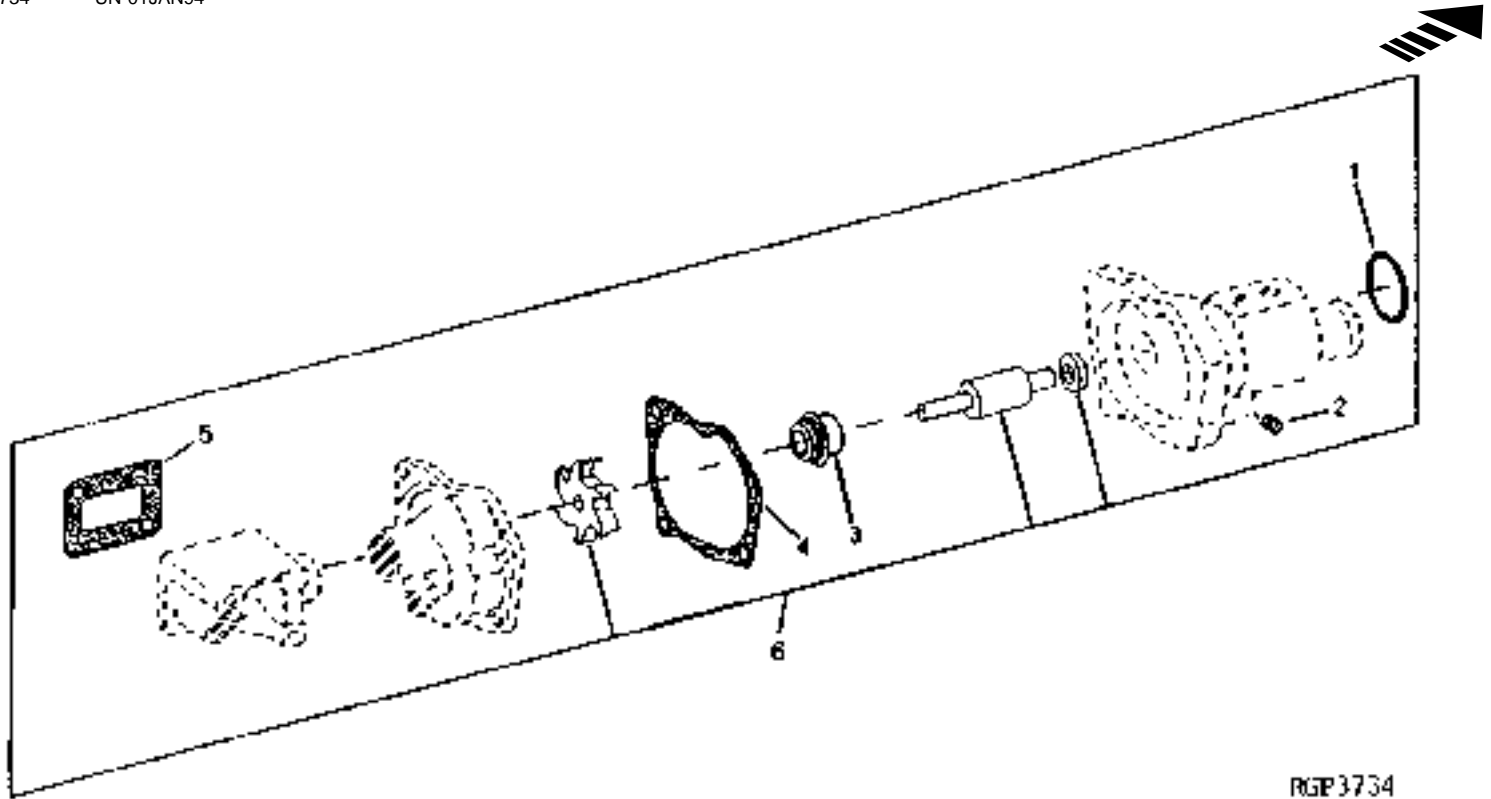
ENGINE

| KEY | PART NO. | PART NAME   | QTY | ENGINE        |       |   | REMARKS |
|-----|----------|-------------|-----|---------------|-------|---|---------|
|     |          |             |     | SERIAL NO.    | 8 8 8 | 1 2 3   |         |
|     |          |             |     |               | 0 0 0 |   |         |
|     |          |             |     |               | 0 0 0 |   |         |
| 1   | R104591  | GEAR        | 1   |               | X X X |   |         |
| 2   | R101042  | O-RING      | 1   |               | X X X |   |         |
| 3   | R72328   | O-RING      | 1   |               | X X X |   |         |
| 4   | 12H303   | LOCK WASHER | NA  |               | X X X |   |         |
| 5   | R112267  | CAP SCREW   | 1   |               | X X X |   |         |
| 6   | R104861  | CAP SCREW   | 1   |               | X X X |   |         |
| 7   | R41285   | ADAPTER     | 1   |               | X X X |   |         |
| 8   | 15H624   | PIPE PLUG   | 2   |               | X X X | 1/2"  |         |
| 9   | R100369  | FILTER      | 2   |               | X X X |   |         |
| 10  | RE69839  | SEAL        | 1   |               | X X X | (SUB FOR RE45337) (SUB RE500214 OR RG28370, THIS APPLICATION) |         |
| 11  | R100367  | GASKET      | 1   |               | X X X |   |         |
| 12  | R100364  | COVER       | 1   |               | X X X |   |         |
| 13  | AT13740  | DRAIN VALVE | 1   |               | X X X |   |         |
| 14  | R112268  | CAP SCREW   | 1   |               | X X X |   |         |
| 15  | RE39121  | WATER PUMP  | 1   | -557384       | X X X | (MARKED RE39121) (SUB RE500214 OR RG28370, THIS APPLICATION)  |         |
|     | RE49540  | WATER PUMP  | 1   | 557385-XXXXXX | X X X | (MARKED RE49540) (SUB RE500214 OR RG28370, THIS APPLICATION)  |         |
|     | RE68229  | WATER PUMP  | 1   | XXXXXX-       | X X X | (MARKED RE68229) (SUB RE500214 OR RG28370, THIS APPLICATION)  |         |
|     | RE500214 | WATER PUMP  | 1   |               | X X X |   |         |
|     | RG28370  | WATER PUMP  | 1   |               | X X X | (REMANUFACTURED)  |         |
|     | RE503260 | KIT         | 1   |               | X X X | (REPAIR KIT LOW FLOW PUMP)                                    |         |
| 16  | R96622   | HOSE        | 1   |               | X X X |   |         |
| 17  | R96606   | COVER       | 1   |               | X X X |   |         |
| 18  | R96616   | GASKET      | 1   |               | X X X |   |         |
| 19  | R105732  | CAP SCREW   | 2   |               | X X X |   |         |
| 20  | RE67208  | CLAMP       | 2   |               | X X X | (SUB FOR RE43166, THIS APPLICATION)                           |         |

# 1F4

ENGINE

WATER PUMP SEAL KIT (6076) (8100,8200,8300 TSN -009999)  
 POMPE A EAU/JEU DE JOINTS (6076) (8100,8200,8300 TSN -009999)  
 WASSERPUMPE/DICHTUNGSSATZ (6076) (8100,8200,8300 TSN -009999)  
 POMPA DELL'ACQUA/CORREDO DI GUARNIZIONI (6076) (8100,8200,8300 TSN -009999)  
 BOMBA DE AGUA/JUEGO DE JUNTAS (6076) (8100,8200,8300 TSN -009999)  
 VATTENPUMP/REPARATIONSSATS (6076) (8100,8200,8300 TSN -009999)  
 RGP3734 -UN-01JAN94



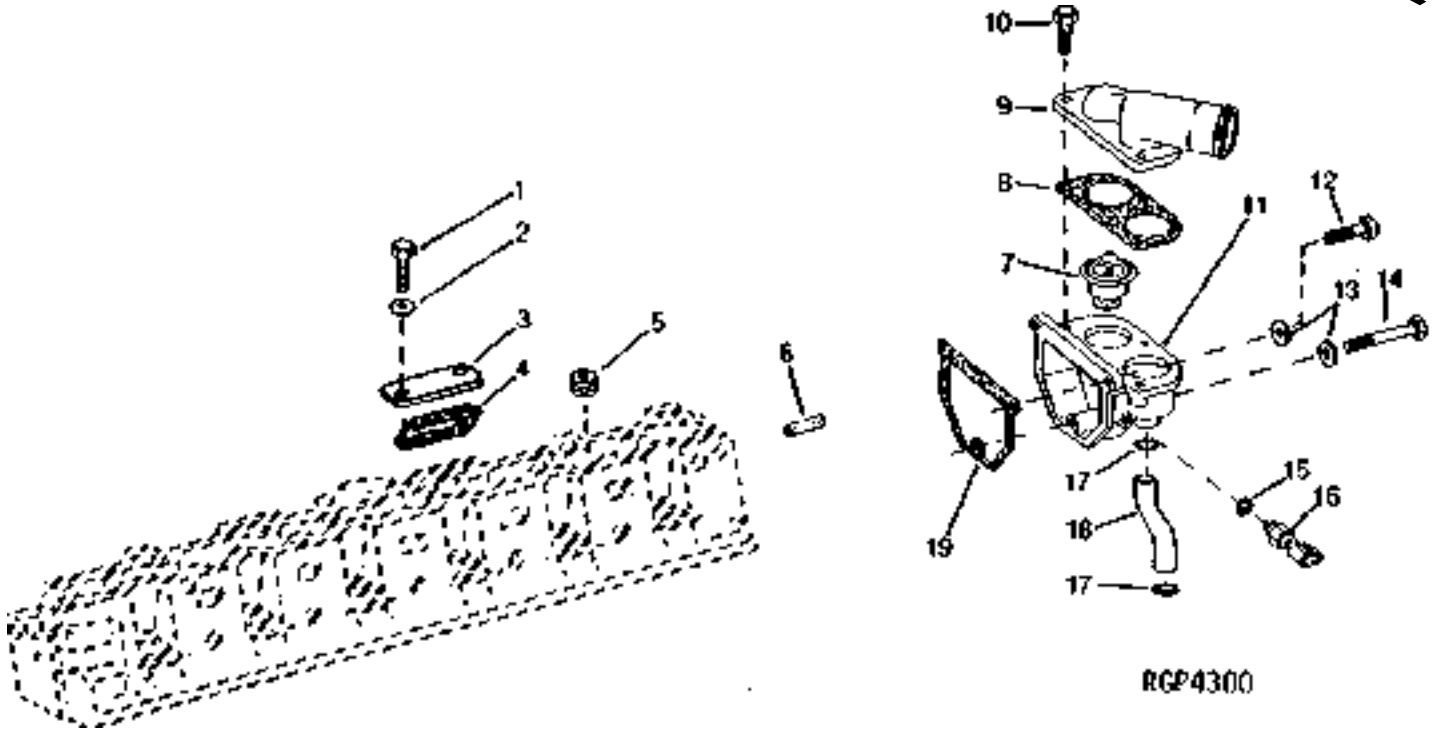
RGP3734

| KEY | PART NO. | PART NAME  | QTY | ENGINE SERIAL NO. | 8 8 8 |   |   | REMARKS   |
|-----|----------|------------|-----|-------------------|-------|---|---|---|
|     |          |            |     |                   | 1     | 2 | 3 |   |
| 1   | R101042  | O-RING     | 1   |                   | X     | X | X |   |
| 2   | R100369  | FILTER     | 2   |                   | X     | X | X |   |
| 3   | RE69839  | SEAL       | 1   |                   | X     | X | X | (SUB FOR RE45337) (SUB RE500214 OR RG28370, THIS APPLICATION)                                 |
| 4   | R100367  | GASKET     | 1   |                   | X     | X | X |   |
| 5   | R96616   | GASKET     | 1   |                   | X     | X | X |   |
| 6   | RE58350  | KIT        | 1   | -557384           | X     | X | X | (USE WITH RE39121) (SUB RE500214 OR RG28370, THIS APPLICATION) (HIGH FLOW)                    |
|     | RE58356  | KIT        | 1   | 557385-XXXXXX     | X     | X | X | (USE WITH RE49540) (SUB RE500214 OR RG28370, THIS APPLICATION) (LOW FLOW)                     |
|     | RE68315  | KIT        | 1   | XXXXXX-           | X     | X | X | (USE WITH RE39121, RE49540 OR RE68229) (SUB RE500214 OR RG28370, THIS APPLICATION) (LOW FLOW) |
|     | RE500214 | WATER PUMP | 1   | XXXXXX-           | X     | X | X | (SUB FOR RE68315) (LOW FLOW)  |

# 1F5

ENGINE

WATER MANIFOLD AND THERMOSTAT (6076) (8100,8200,8300 TSN -009999) (ESN -548694)  
 PIPE D'EAU/THERMOSTAT (6076) (8100,8200,8300 TSN -009999) (ESN -548694)  
 KUEHLWASSERKRUEMMER/THERMOSTAT (6076) (8100,8200,8300 TSN -009999) (ESN -548694)  
 COLLETTORE DELL'ACQUA/TERMOSTATO (6076) (8100,8200,8300 TSN -009999)(ESN -548694)  
 COLECTOR DEL AQUA DE REFRIGERACION/TERMOSTATO (6076)8100,8200,8300 TSN -009999(ESN-548694)  
 VATTENMANTEL/TERMOSTAT (6076) (8100,8200,8300 TSN -009999) (ESN -548694)  
 RGP4300 -UN-01JAN94

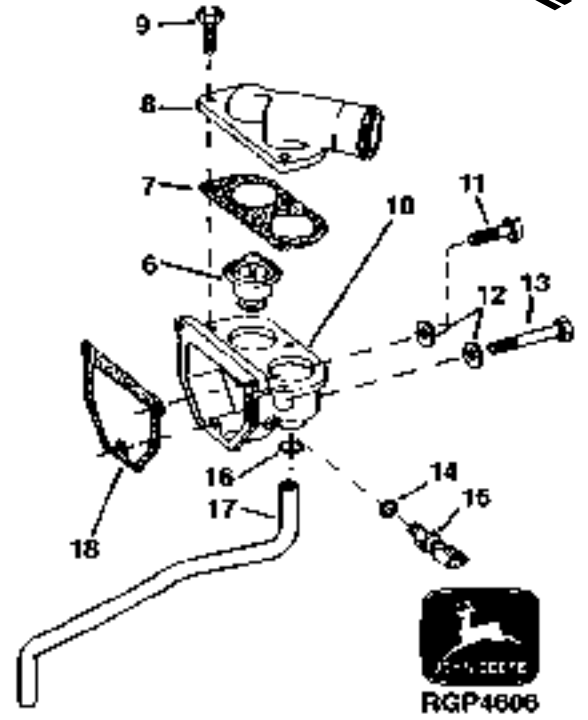
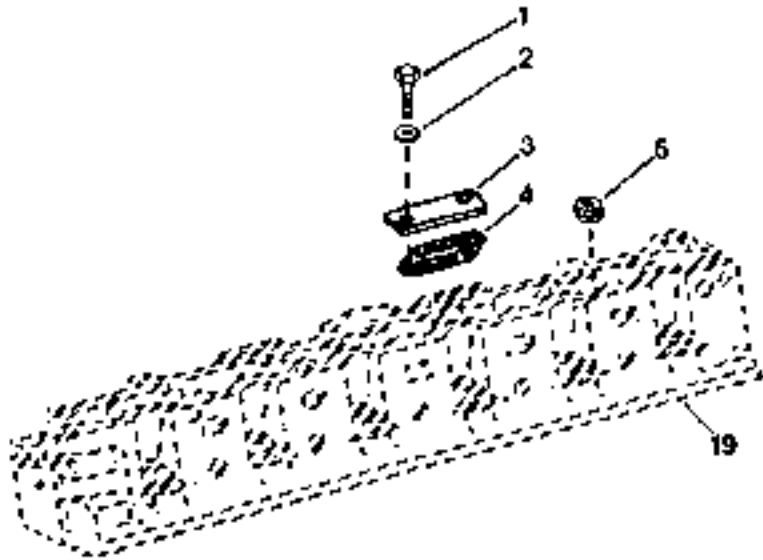


| KEY | PART NO. | PART NAME                | QTY | ENGINE SERIAL NO. |   |   |   | REMARKS                  |
|-----|----------|--------------------------|-----|-------------------|---|---|---|--------------------------|
|     |          |                          |     |                   | 8 | 8 | 8 |                          |
|     |          |                          |     |                   | 1 | 2 | 3 |                          |
|     |          |                          |     |                   | 0 | 0 | 0 |                          |
|     |          |                          |     |                   | 0 | 0 | 0 |                          |
| 1   | 19H2284  | CAP SCREW                | 4   |                   | X | X | X | 3/8" X 7/8"              |
| 2   | 24H1305  | WASHER                   | 4   |                   | X | X | X | 13/32" X 13/16" X 0.065" |
| 3   | R86061   | STRAP                    | 2   |                   | X | X | X |                          |
| 4   | R88397   | GASKET                   | 2   |                   | X | X | X |                          |
| 5   | 15H691   | PIPE BUSHING             | NA  |                   | X | X | X | 1/8"                     |
| 6   | 34H329   | SPRING PIN               | 1   |                   | X | X | X | 5/16" X 1-1/4"           |
| 7   | AR48675  | THERMOSTAT               | 2   |                   | X | X | X | 82°C (180°F)             |
| 8   | R124607  | GASKET                   | 1   |                   | X | X | X |                          |
| 9   | R122196  | COVER                    | 1   |                   | X | X | X |                          |
| 10  | 19H2284  | CAP SCREW                | 3   |                   | X | X | X | 3/8" X 7/8"              |
| 11  | R122195  | HOUSING                  | 1   |                   | X | X | X |                          |
| 12  | 19H3483  | CAP SCREW                | 2   |                   | X | X | X | 3/8" X 1-1/8"            |
| 13  | 24M7096  | WASHER                   | 3   |                   | X | X | X | 10.500 X 18 X 1.600 MM   |
| 14  | 19H1819  | CAP SCREW                | 1   |                   | X | X | X | 3/8" X 2-1/8"            |
| 15  | R77673   | O-RING                   | 1   |                   | X | X | X |                          |
| 16  | RE151433 | WATER TEMPERATURE SENSOR | 1   |                   | X | X | X | (SUB FOR RE48073)        |
| 17  | R72328   | O-RING                   | 2   |                   | X | X | X |                          |
| 18  | R121990  | TUBE                     | 1   |                   | X | X | X | (SUB R127595)            |
| 19  | R124211  | GASKET                   | 1   |                   | X | X | X |                          |

# 1F6

ENGINE

WATER MANIFOLD (6076) (8100,8200,8300 TSN -009999) (ESN 548695- )  
 PIPE D'EAU/THERMOSTAT (6076) (8100,8200,8300 TSN -009999) (ESN 548695- )  
 KUEHLWASSERKRUEMMER/THERMOSTAT (6076) (8100,8200,8300 TSN -009999) (ESN 548695- )  
 COLLETTORE DELL'ACQUA/TERMOSTATO (6076) (8100,8200,8300 TSN -009999) (ESN 548695- )  
 COLECTOR DEL AGUQ DE REFRIGACION/TERMOSTATO (6076)8100,8200,8300 TSN -009999)(ESN 548695- )  
 VATTENMANTEL/TERMOSTAT (6076) (8100,8200,8300 TSN -009999) (ESN 548695- )  
 RGP4606 -UN-14NOV95



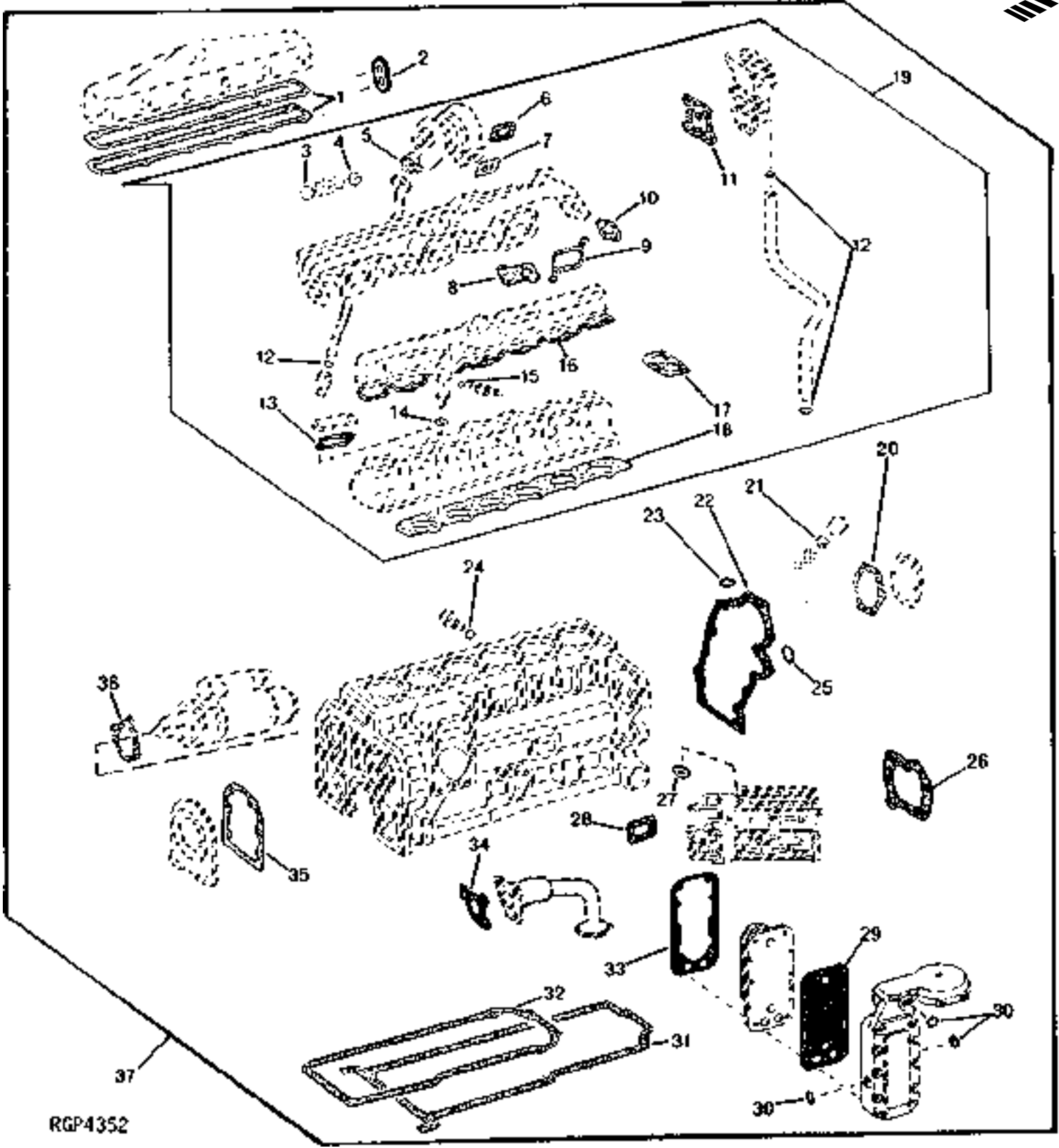
| KEY | PART NO. | PART NAME                | QTY | ENGINE SERIAL NO. |   |   | REMARKS                  |
|-----|----------|--------------------------|-----|-------------------|---|---|--------------------------|
|     |          |                          |     | 8                 | 8 | 8 |                          |
| 1   | 19H2284  | CAP SCREW                | 4   | X                 | X | X | 3/8" X 7/8"              |
| 2   | 24H1305  | WASHER                   | 4   | X                 | X | X | 13/32" X 13/16" X 0.065" |
| 3   | R86061   | STRAP                    | 2   | X                 | X | X |                          |
| 4   | R88397   | GASKET                   | 2   | X                 | X | X |                          |
| 5   | 15H691   | PIPE BUSHING             | NA  | X                 | X | X | 1/8"                     |
| 6   | AR48675  | THERMOSTAT               | 2   | X                 | X | X | 82°C (180°F)             |
| 7   | R124607  | GASKET                   | 1   | X                 | X | X |                          |
| 8   | R122196  | COVER                    | 1   | X                 | X | X |                          |
| 9   | 19H2284  | CAP SCREW                | 3   | X                 | X | X | 3/8" X 7/8"              |
| 10  | R122195  | HOUSING                  | 1   | X                 | X | X |                          |
| 11  | 19H3483  | CAP SCREW                | 2   | X                 | X | X | 3/8" X 1-1/8"            |
| 12  | 24M7096  | WASHER                   | 3   | X                 | X | X | 10.500 X 18 X 1.600 MM   |
| 13  | 19H1819  | CAP SCREW                | 1   | X                 | X | X | 3/8" X 2-1/8"            |
| 14  | R77673   | O-RING                   | 1   | X                 | X | X |                          |
| 15  | RE151433 | WATER TEMPERATURE SENSOR | 1   | X                 | X | X | (SUB FOR RE48073)        |
| 16  | R72328   | O-RING                   | 2   | X                 | X | X |                          |
| 17  | R127595  | TUBE                     | 1   | X                 | X | X |                          |
| 18  | R124211  | GASKET                   | 1   | X                 | X | X |                          |
| 19  | RE58516  | CYLINDER HEAD            | 1   | X                 | X | X |                          |
|     | 34H329   | SPRING PIN               | 1   | X                 | X | X | 5/16" X 1-1/4"           |

MEMORANDA  
MEMORANDA  
MEMORANDA  
MEMORANDA  
MEMORANDA

# 1F7

ENGINE

ENGINE GASKET KITS (6076) (8100,8200,8300 TSN -009999)  
JEU DE JOINTS MOTEUR (6076) (8100,8200,8300 TSN -009999)  
MOTOR-DICHTUNGSSATZ (6076) (8100,8200,8300 TSN -009999)  
SERIE GUARNIZIONI MORORE (6076) (8100,8200,8300 TSN -009999)  
JUEGO DE JUNTAS PARA EL MOTOR (6076) (8100,8200,8300 TSN -009999)  
PACKNINGSSATS FOR MOTOR (6076) (8100,8200,8300 TSN -009999)  
RGP4352 -UN-01JAN94



RGP4352



# 1F8

ENGINE

| KEY | PART NO. | PART NAME                   | QTY | ENGINE SERIAL NO. | 8 8 8 |       |       | REMARKS   |
|-----|----------|-----------------------------|-----|-------------------|-------|-------|-------|---|
|     |          |                             |     |                   | 0 0 0 | 1 2 3 | 0 0 0 |   |
| 1   | R88993   | GASKET                      | NA  |                   | X     | X     | X     |   |
| 2   | R100911  | SEAL                        | NA  |                   | X     | X     | X     |   |
| 3   | R50405   | O-RING                      | NA  |                   | X     | X     | X     |   |
| 4   | R86743   | O-RING                      | NA  |                   | X     | X     | X     |   |
| 5   | R105346  | GASKET                      | 1   |                   | X     | X     | X     |   |
| 6   | R92097   | GASKET                      | 1   |                   | X     | X     | X     |   |
| 7   | R89879   | GASKET                      | 1   |                   | X     | X     | X     |   |
| 8   | RE62776  | GASKET                      | 2   |                   | X     | X     | X     | (SUB FOR R83020 OR R122503, APPL)   |
| 9   | R120646  | GASKET                      | 3   |                   | X     | X     | X     |   |
| 10  | RE62777  | GASKET                      | 2   |                   | X     | X     | X     | (SUB FOR R83021 OR R122504, APPL)   |
| 11  | R86062   | GASKET                      | 1   |                   | X     | X     | X     |   |
| 12  | R72328   | O-RING                      | 2   |                   | X     | X     | X     |   |
| 13  | R88397   | GASKET                      | 2   |                   | X     | X     | X     |   |
| 14  | R84472   | WASHER                      | 6   |                   | X     | X     | X     |   |
| 15  | R77551   | O-RING                      | 6   |                   | X     | X     | X     |   |
| 16  | R49866   | GASKET                      | 1   |                   | X     | X     | X     |   |
| 17  | R124607  | GASKET                      | 1   |                   | X     | X     | X     | (SUB FOR R46479)  |
| 18  | RE47336  | ENGINE CYLINDER HEAD GASKET | 1   |                   | X     | X     | X     |   |
| 19  | RG27880  | GASKET KIT                  | 1   |                   | X     | X     | X     | (SUB FOR RE29859 OR RG22248, APPL)<br>CYLINDER HEAD                                 |
| 20  | R99464   | GASKET                      | 1   |                   | X     | X     | X     |   |
| 21  | T20328   | GASKET                      | 1   |                   | X     | X     | X     |   |
| 22  | R104623  | GASKET                      | 1   |                   | X     | X     | X     |   |
| 23  | R79915   | O-RING                      | 1   |                   | X     | X     | X     |   |
| 24  | U13639   | O-RING                      | 1   |                   | X     | X     | X     |   |
| 25  | R101042  | O-RING                      | 1   |                   | X     | X     | X     |   |
| 26  | R100367  | GASKET                      | 1   |                   | X     | X     | X     |   |
| 27  | R53899   | WASHER                      | 1   |                   | X     | X     | X     | (USE WITH R83490)   |
|     | R53901   | WASHER                      | 1   |                   | X     | X     | X     | (USE WITH R83489)   |
| 28  | R96616   | GASKET                      | 1   |                   | X     | X     | X     |   |
| 29  | R94619   | GASKET                      | 1   | -547515           | X     | X     | X     | (SUB R128558)   |
|     | R128558  | GASKET                      | 1   | 547516-           | X     | X     | X     |   |
| 30  | U17409   | O-RING                      | 3   |                   | X     | X     | X     |   |
| 31  | .....    | GASKET                      | NA  |                   | X     | X     | X     |   |
| 32  | .....    | GASKET                      | NA  |                   | X     | X     | X     |   |
| 33  | R94618   | GASKET                      | 1   | -547515           | X     | X     | X     | (SUB R128557)   |
|     | R128557  | GASKET                      | 1   | 547516-           | X     | X     | X     |   |
| 34  | R100569  | GASKET                      | 1   |                   | X     | X     | X     |   |
| 35  | R26058   | GASKET                      | 1   |                   | X     | X     | X     |   |
| 36  | R53108   | GASKET                      | 1   |                   | X     | X     | X     |   |
| 37  | RG27881  | GASKET KIT                  | 1   |                   | X     | X     | X     | (A) ENGINE REBUILD, (SUB FOR RE64206)<br>(ALSO ORDER R124607, AND R124211,<br>APPL) |

(A) ALSO ORDER R125855 OIL PAN GASKET, AS REQUIRED.

# 1F9

ENGINE

| KEY | PART NO. | PART NAME               | QTY | ENGINE SERIAL NO. | 8 8 8 |   |   | REMARKS   |
|-----|----------|-------------------------|-----|-------------------|-------|---|---|---|
|     |          |                         |     |                   | 1     | 2 | 3 |   |
|     |          |                         |     |                   | 0     | 0 | 0 |   |
|     |          |                         |     |                   | 0     | 0 | 0 |   |
| 2   | R51936   | PACKING                 | 6   |                   | X     | X | X |   |
| 3   | RE30920  | FUEL LINE               | 1   |                   | X     | X | X |   |
| 4   | R97061   | TEE FITTING             | 1   |                   | X     | X | X |   |
| 5   | RE30833  | FUEL LINE               | 1   |                   | X     | X | X |   |
| 6   | R91824   | FITTING                 | 1   |                   | X     | X | X |   |
| 7   | R48693   | WASHER                  | 1   |                   | X     | X | X |   |
| 8   | RE35684  | FUEL LINE               | 1   |                   | X     | X | X |   |
| 9   | R67364   | ELBOW FITTING           | 1   |                   | X     | X | X |   |
| 10  | RE57372  | FUEL INJECTION PUMP     | 1   | -XXXXXX           | X     | X | X | (A) (ROBERT BOSCH) (PES6P120A720RS3184)<br>(SUB RE63514, R121164 AND (4)<br>R121195)                    |
|     | RE63514  | FUEL INJECTION PUMP     | 1   | XXXXXX-XXXXXX     | X     | X | X | (A) (ROBERT BOSCH) (PES6P120A720RS3347)<br>(SUB RE502259, R121164 AND (4)<br>R121195, THIS APPLICATION) |
|     | RE502259 | FUEL INJECTION PUMP     | 1   | XXXXXX-           | X     | X | X |   |
| 11  | R104590  | GEAR                    | 1   | -XXXXXX           | X     | X | X | (USE WITH RE57372 OR RE63514)   |
|     | R121164  | GEAR                    | 1   | XXXXXX-           | X     | X | X | (USE WITH RE502259)   |
| 12  | R63845   | WASHER                  | 4   | -XXXXXX           | X     | X | X | (USE WITH RE57372 OR RE63514)   |
| 13  | 19H3690  | CAP SCREW               | 4   | -XXXXXX           | X     | X | X | 3/8" X 3/4", (USE WITH RE57372 OR<br>RE63514)   |
|     | R121195  | CAP SCREW               | 4   | XXXXXX-           | X     | X | X | (USE WITH RE502259)   |
| 14  | R114130  | STUD                    | 4   |                   | X     | X | X | (SUB FOR R55396, APPL)  |
| 15  | M72490   | WASHER                  | 4   |                   | X     | X | X |   |
| 16  | 14H1090  | NUT                     | 4   |                   | X     | X | X | 3/8", (SUB FOR E55662, APPL)  |
| 17  | RE46252  | FUEL PUMP               | 1   |                   | X     | X | X |   |
| 18  | R79060   | O-RING                  | 1   |                   | X     | X | X | (SUB FOR R73858)  |
| 19  | AR88903  | ELBOW FITTING           | 1   |                   | X     | X | X |   |
| 20  | R67264   | PACKING                 | 2   |                   | X     | X | X |   |
| 21  | RE43369  | OIL LINE                | 1   |                   | X     | X | X |   |
| 22  | R76822   | FITTING                 | 1   |                   | X     | X | X |   |
| 23  | RE28217  | FUEL TEMPERATURE SENSOR | 1   |                   | X     | X | X | (TEMPERATURE)   |
| 24  | R89014   | SOLENOID                | 1   |                   | X     | X | X | (SHUT-OFF HOUSING)  |
|     | R99047   | O-RING                  | 1   |                   | X     | X | X | (TO SOLENOID AND PUMP)  |
|     | 12H296   | WASHER                  | 1   |                   | X     | X | X | (TO SOLENOID)   |
|     | 14M7297  | NUT                     | 1   |                   | X     | X | X | (TO SOLENOID)   |
| 25  | R98500   | O-RING                  | 1   |                   | X     | X | X |   |
| 26  | R53899   | WASHER                  | 1   |                   | X     | X | X |   |
| ..  | R105388  | TIE BAND                | 2   |                   | X     | X | X |   |

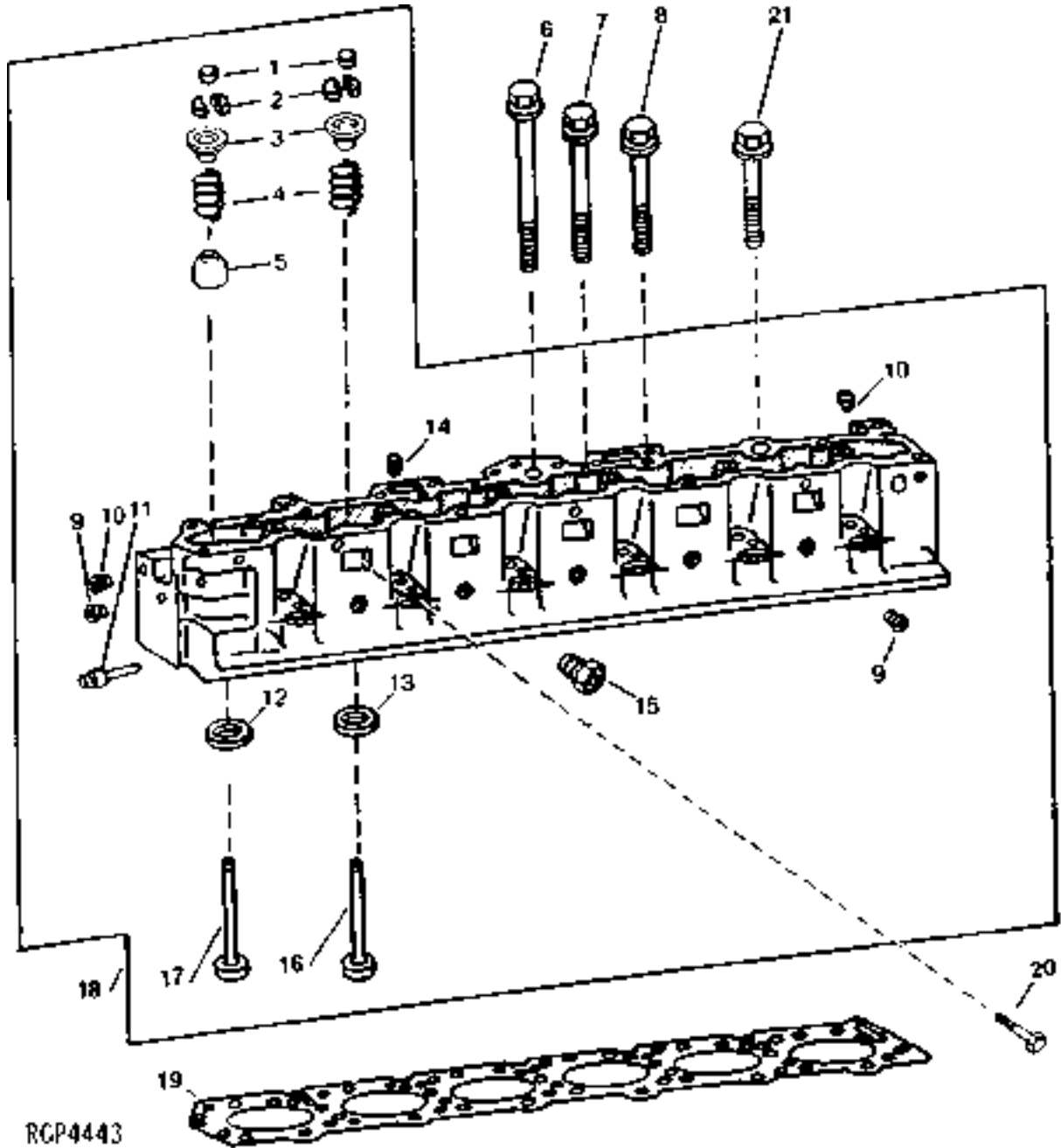
(A) "SEE YOUR AUTHORIZED PUMP REPAIR STATION FOR PARTS NOT LISTED"

MEMORANDA  
MEMORANDA  
MEMORANDA  
MEMORANDA  
MEMORANDA

# 1F10

ENGINE

CYLINDER HEAD AND VALVES (6081) (8100,8200,8300 TSN 010000- )  
CULASSE (6081) (8100,8200,8300 TSN 010000- )  
ZYLINDERKOPF (6081) (8100,8200,8300 TSN 010000- )  
TESTATA (6081) (8100,8200,8300 TSN 010000- )  
CULATA (6081) (8100,8200,8300 TSN 010000- )  
CYLINDERTOPP (6081) (8100,8200,8300 TSN 010000- )  
RGP4443 -UN-28FEB95



# 1F11

ENGINE

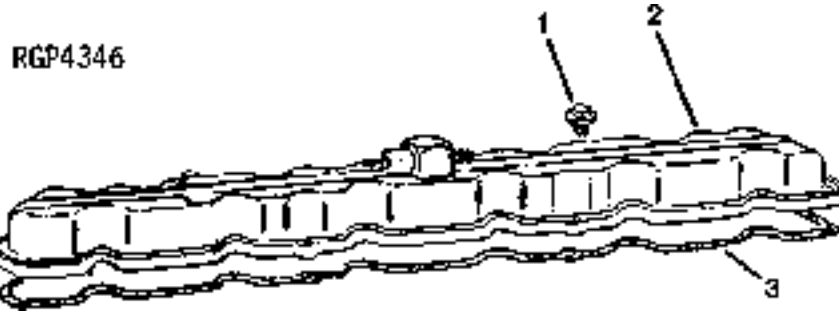
| KEY | PART NO. | PART NAME                   | QTY | ENGINE     |       |       | REMARKS                                  |
|-----|----------|-----------------------------|-----|------------|-------|-------|--|
|     |          |                             |     | SERIAL NO. | 8 8 8 | 1 2 3 |  |
| 1   | T20129   | CAP                         | 12  |            | X X X |       |  |
| 2   | T20077   | RETAINER                    | 24  |            | X X X |       |  |
| 3   | R136320  | CAP                         | 12  |            | X X X |       | (SUB FOR R104534)                        |
| 4   | R91822   | SPRING                      | 12  |            | X X X |       |  |
| 5   | R102882  | SHIELD                      | 6   |            | X X X |       | (EXHAUST VALVES ONLY)                    |
| 6   | R121491  | CAP SCREW                   | 7   |            | X X X |       | 203 MM (8.0") (MARKED "SPECIAL")         |
| 7   | R121490  | CAP SCREW                   | 8   |            | X X X |       | 175 MM (6.9") (MARKED "SPECIAL")         |
| 8   | R121320  | CAP SCREW                   | 6   |            | X X X |       | 134 MM (5.3") (MARKED "SPECIAL")         |
| 9   | 15H690   | PIPE PLUG                   | 10  |            | X X X |       | 3/4"                                     |
| 10  | 15H584   | PIPE PLUG                   | 2   |            | X X X |       | 1/2"                                     |
| 11  | AT107509 | PLUG                        | 1   |            | X X X |       |  |
| 12  | R119132  | VALVE SEAT INSERT           | 6   |            | X X X |       | EXHAUST                                  |
| 13  | R121193  | VALVE SEAT INSERT           | 6   |            | X X X |       | INTAKE                                   |
| 14  | 34H387   | SPRING PIN                  | 1   |            | X X X |       | 3/16" X 3/4"                             |
| 15  | R76491   | PIPE PLUG                   | 1   |            | X X X |       |  |
| 16  | R84618   | INTAKE VALVE                | 6   |            | X X X |       | STD                                      |
|     | R93308   | INTAKE VALVE                | AR  |            | X X X |       | 0.08MM (.003") OS                        |
|     | R93312   | INTAKE VALVE                | AR  |            | X X X |       | 0.38MM (.015") OS                        |
|     | R93314   | INTAKE VALVE                | AR  |            | X X X |       | 0.76MM (.030") OS                        |
| 17  | R84619   | EXHAUST VALVE               | 6   |            | X X X |       | STD                                      |
|     | R93311   | EXHAUST VALVE               | AR  |            | X X X |       | 0.08MM (.003") OS                        |
|     | R93313   | EXHAUST VALVE               | AR  |            | X X X |       | 0.38MM (.015") OS                        |
|     | R93315   | EXHAUST VALVE               | AR  |            | X X X |       | 0.76MM (.030") OS                        |
| 18  | RE57750  | CYLINDER HEAD               | 1   |            | X X X |       | (MARKED R122419 OR R122492)              |
| 19  | RE55475  | ENGINE CYLINDER HEAD GASKET | 1   |            | X X X |       |  |
| 20  | 19H2367  | CAP SCREW                   | 1   |            | X X X |       | 5/8" X 3/4"                              |
| 21  | R121489  | CAP SCREW                   | 5   |            | X X X |       | 149 MM (5.9") (MARKED "SPECIAL")         |
| ..  | RG24026  | KIT                         | 1   |            | X X X |       | (A) (CONTAINS (26) "SPECIAL" HEAD BOLTS) |

(A) ALSO CONTAINED IN NEW SHORT BLOCK ASSEMBLY

# 1F12

ENGINE

ROCKER ARM COVER (6081) (8100,8200,8300 TSN 010000- ) )  
 CULBUTEURS (6081) (8100,8200,8300 TSN 010000- ) )  
 ZYLINDERKOPFHAUBE (6081) (8100,8200,8300 TSN 010000- ) )  
 COPERCHIO BILANCIERI (6081) (8100,8200,8300 TSN 010000- ) )  
 TAPA DE BALANCINES (6081) (8100,8200,8300 TSN 010000- ) )  
 VENTILKAPA (6081) (8100,8200,8300 TSN 010000- ) )  
 RGP4346 -UN-01JAN94

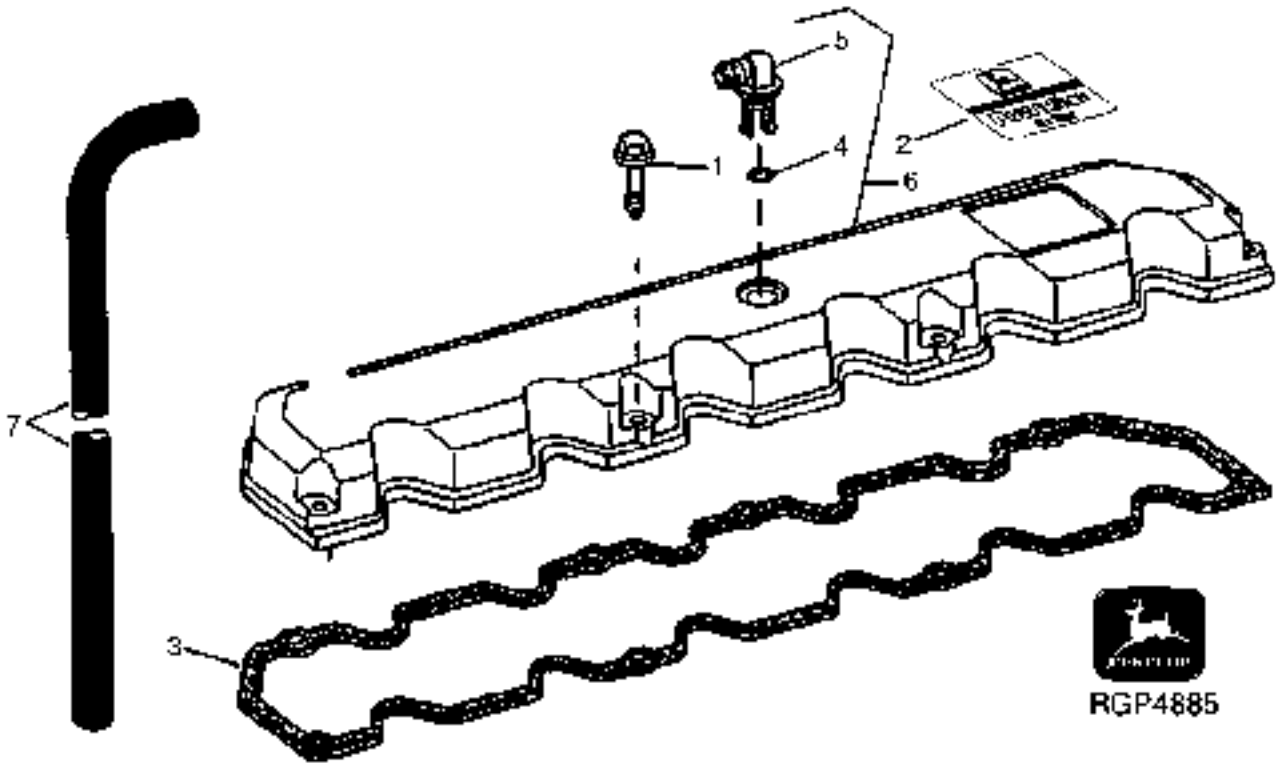


| KEY | PART NO. | PART NAME          | QTY | ENGINE SERIAL NO. | 8 8 8<br>1 2 3<br>0 0 0<br>0 0 0 | REMARKS           |
|-----|----------|--------------------|-----|-------------------|----------------------------------|-------------------|
| 1   | AR100124 | SCREW, WITH WASHER | 8   | -018791           | X X X                            |                   |
| 2   | RE37448  | COVER              | 1   | -018791           | X X X                            |                   |
| 3   | R49866   | GASKET             | 1   | -018791           | X X X                            |                   |
| ..  | AR31790  | ADHESIVE           | 1   | -018791           | X X X                            | (SUB TY24446)     |
| ..  | TY24446  | ADHESIVE           | 1   |                   | X X X                            | (SUB FOR AR31790) |

# 1F13

ENGINE

ROCKER ARM COVER (6081) (8100, 8200, 8300 TSN 010000- ) )  
 CULBUTEURS (6081) (8100,8200,8300 TSN 010000- ) )  
 ZYLINDERKOPFHAUBE (6081) (8100,820,8300 TSN 010000- ) )  
 COPERCHIO BILANCIERI (6081) (8100,8200,8300 TSN 010000- ) )  
 TAPA DE BALANCINES (6081) (8100,8200,8300 TSN 010000- ) )  
 VENTILKAPA (6081) (8100,8200, 8300 TSN 010000- ) )  
 RGP4885 -UN-13MAY97



| KEY | PART NO. | PART NAME          | QTY | ENGINE SERIAL NO. | 8 | 8 | 8 | REMARKS |
|-----|----------|--------------------|-----|-------------------|---|---|---|---------|
|     |          |                    |     |                   | 0 | 0 | 0 |         |
| 1   | RE57632  | SCREW, WITH WASHER | 8   | 018792-           | X | X | X |         |
| 2   | R116932  | MEDALLION          | 1   | 018792-           | X | X | X |         |
| 3   | RE54368  | GASKET             | 1   | 018792-           | X | X | X |         |
| 4   | R72328   | O-RING             | 1   | 018792-           | X | X | X |         |
| 5   | R120467  | ELBOW FITTING      | 1   | 018792-           | X | X | X |         |
| 6   | RE70023  | COVER              | 1   | 018792-           | X | X | X |         |
| 7   | R126432  | HOSE               | 1   | 018792-           | X | X | X |         |
| ..  | R72659   | CLAMP              | 1   | 018792-           | X | X | X |         |

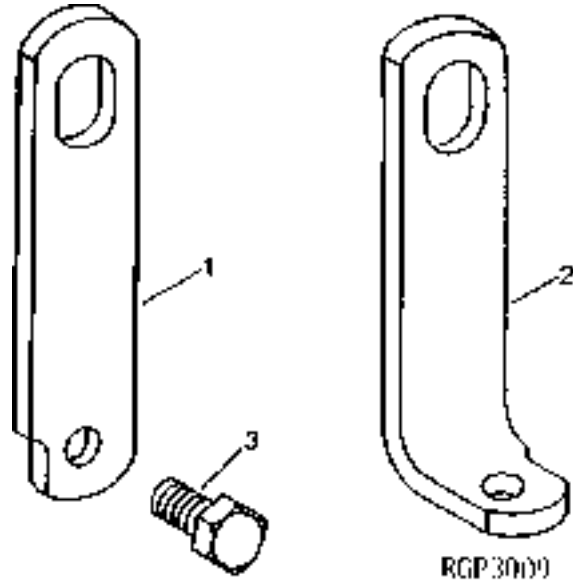
MEMORANDA  
MEMORANDA  
MEMORANDA  
MEMORANDA  
MEMORANDA



# 1F14

ENGINE

LIFT STRAPS (6081) (8100,8200,8300 TSN 010000- )  
 ECLISSES D'APAREIL DE LEVAGE (6081) (8100,8200,8300 TSN 010000- )  
 HUBSTREBE (6081) (8100,8200,8300 TSN 010000- )  
 FASCETTE DEL PARANCO (6081) (8100,8200,8300 TSN 010000- )  
 TIRAS DE ELEVADOR (6081) (8100,8200,8300 TSN 010000- )  
 MOTORLYFTSFAESTEN (6081) (8100,8200,8300 TSN 010000- )  
 RGP3009 -UN-01JAN94

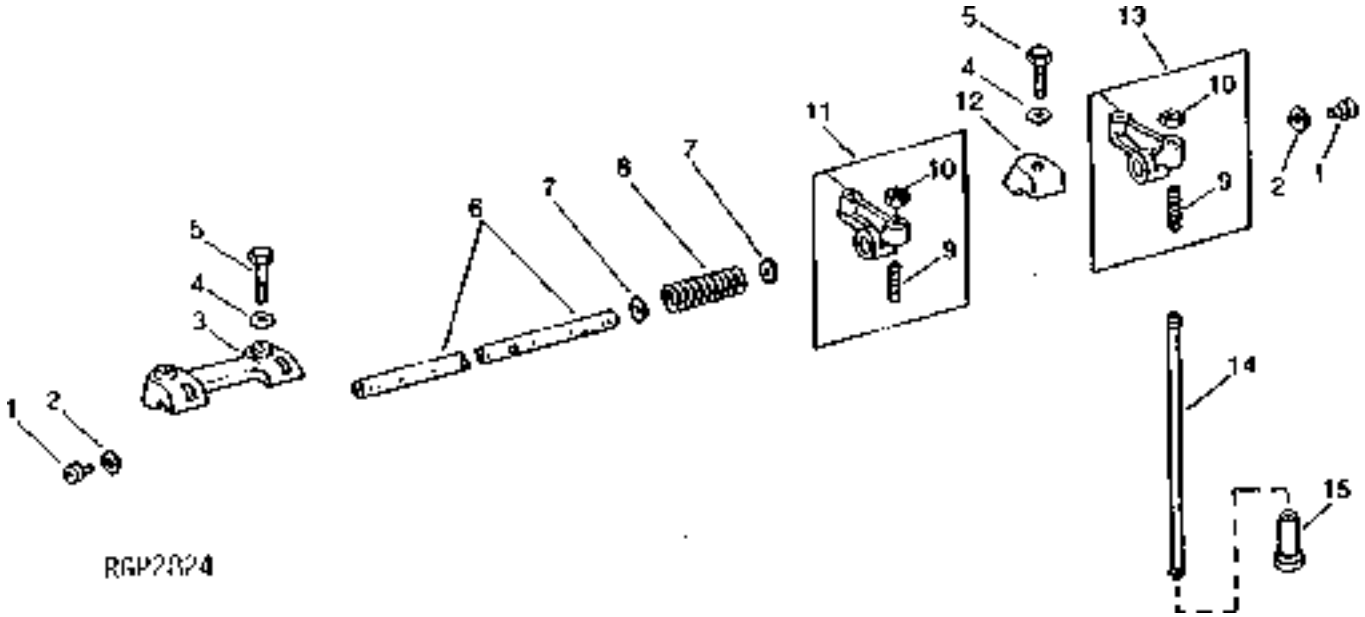


| KEY | PART NO. | PART NAME | QTY | ENGINE SERIAL NO.                | REMARKS       |
|-----|----------|-----------|-----|----------------------------------|---------------|
|     |          |           |     | 8 8 8<br>1 2 3<br>0 0 0<br>0 0 0 |               |
| 1   | R61497   | STRAP     | 1   | X X X                            |               |
| 2   | R86571   | ANGLE     | 1   | X X X                            |               |
| 3   | 19H1756  | CAP SCREW | 2   | X X X                            | 5/8" X 1-1/2" |

# 1F15

ENGINE

ROCKER ARMS, SHAFT AND PUSH RODS (6081) (8100,8200,8300 TSN 010000- )  
 ARBRES DES CULBUTEURS (6081) (8100,8200,8300 TSN 010000- )  
 KIPPEBELWELLE (6081) (8100,8200,8300 TSN 010000- )  
 ALBERO BILANCIERI (6081) (8100,8200,8300 TSN 010000- )  
 EJE DE BALANCINES (6081) (8100,8200,8300 TSN 010000- )  
 VIPPARMSAXEL (6081) (8100,8200,8300 TSN 010000- )  
 RGP2824 -UN-01JAN94



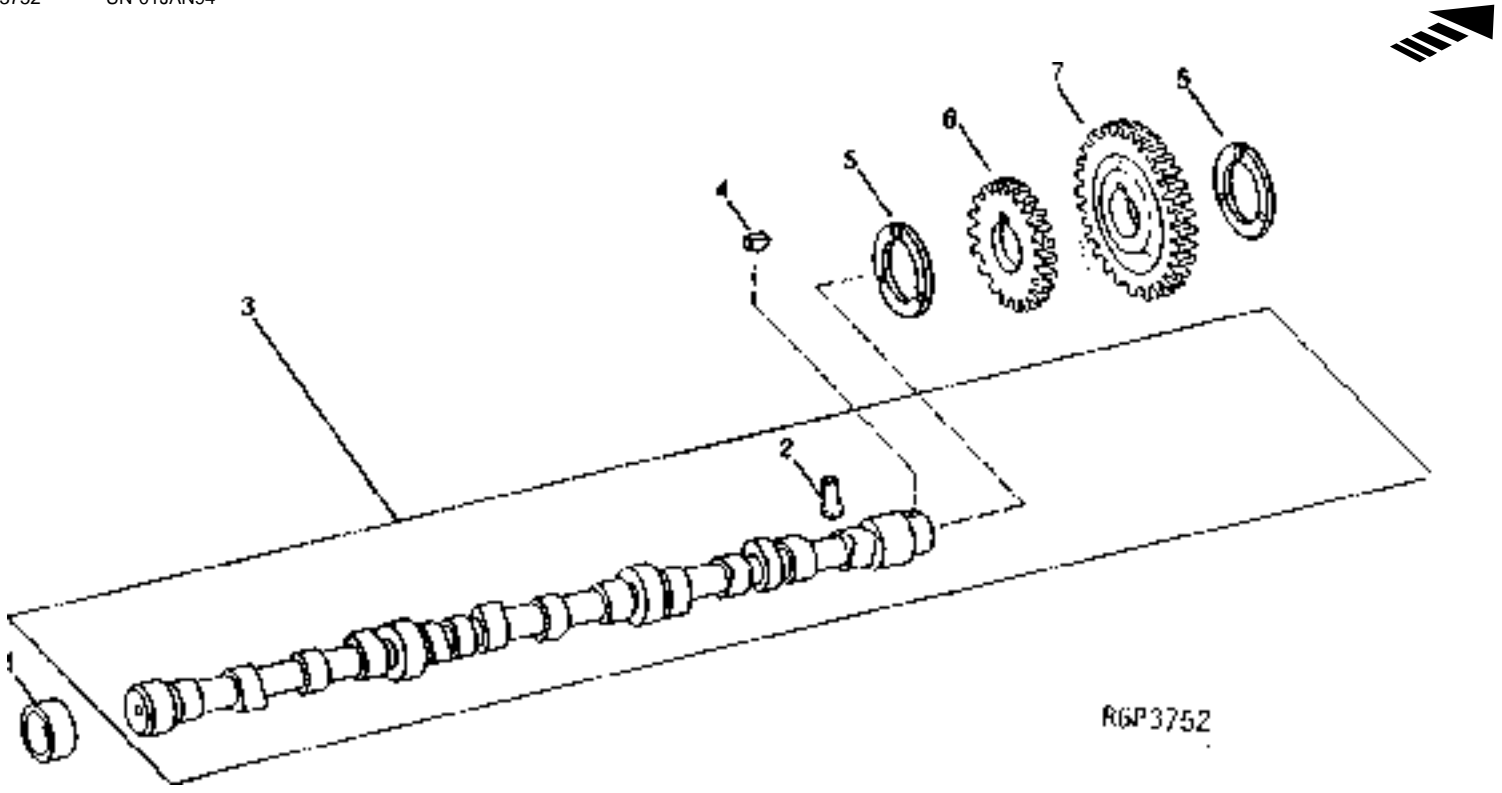
| KEY | PART NO. | PART NAME        | QTY | ENGINE SERIAL NO. | REMARKS                           |
|-----|----------|------------------|-----|-------------------|-----------------------------------|
|     |          |                  |     | 8 8 8             |                                   |
|     |          |                  |     | 1 2 3             |                                   |
|     |          |                  |     | 0 0 0             |                                   |
|     |          |                  |     | 0 0 0             |                                   |
| 1   | R54565   | PLUG             | 2   |                   |                                   |
| 2   | R26081   | WASHER           | 2   |                   |                                   |
| 3   | R136083  | CLAMP            | 2   |                   | (SUB FOR R65553)                  |
| 4   | R26559   | WASHER           | 6   |                   |                                   |
| 5   | 19H1740  | CAP SCREW        | 6   |                   | 7/16" X 1-3/4"                    |
| 6   | R70826   | ROCKER ARM SHAFT | 1   |                   |                                   |
| 7   | R71208   | WASHER           | 10  |                   |                                   |
| 8   | R26079   | SPRING           | 5   |                   |                                   |
| 9   | R27443   | SET SCREW        | 12  |                   |                                   |
| 10  | 14H1080  | NUT              | 12  |                   | 3/8"                              |
| 11  | RE24045  | ROCKER ARM       | 6   |                   | (A) (1E, 2I, 3E, 4I, 5E, 6I) (RH) |
| 12  | R26748   | CLAMP            | 2   |                   |                                   |
| 13  | RE24046  | ROCKER ARM       | 6   |                   | (A) (1I, 2E, 3I, 4E, 5I, 6E) (LH) |
| 14  | R85027   | PUSH ROD         | 12  |                   |                                   |
| 15  | R110126  | CAM FOLLOWER     | 12  |                   |                                   |

(A) - E (EXHAUST VALVE) - I (INTAKE VALVE)

# 1F16

ENGINE

CAMSHAFT AND GEAR (6081) (8100,8200,8300 TSN 010000- )  
 ARBRE A CAMES (6081) (8100,8200,8300 TSN 010000- )  
 NOCKENWELLE (6081) (8100,8200,8300 TSN 010000- )  
 ALBERO A CAMME (6081) (8100,8200,8300 TSN 010000- )  
 EJE DE LEVAS (6081) (8100,8200,8300 TSN 010000- )  
 KAMAXEL/VENTILER (6081) (8100,8200,8300 TSN 010000- )  
 RGP3752 -UN-01JAN94

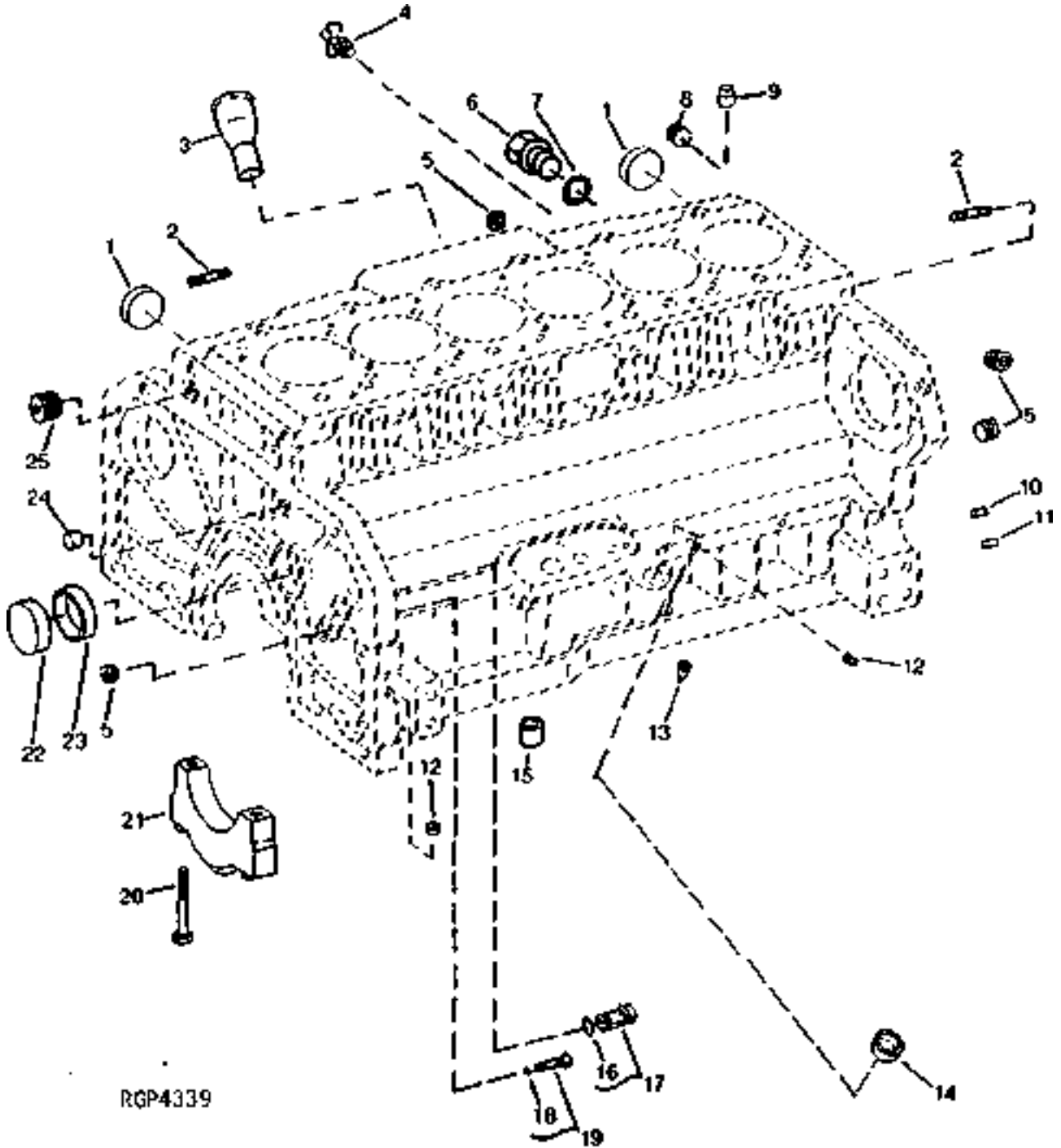


| KEY | PART NO. | PART NAME     | QTY | ENGINE SERIAL NO. | 8 | 8 | 8 | REMARKS          |
|-----|----------|---------------|-----|-------------------|---|---|---|------------------|
|     |          |               |     |                   | 1 | 2 | 3 |                  |
| 1   | R87561   | BUSHING       | 4   |                   | X | X | X |                  |
| 2   | R110126  | CAM FOLLOWER  | 12  |                   | X | X | X |                  |
| 3   | RE57054  | CAMSHAFT      | 1   |                   | X | X | X | (MARKED R120872) |
| 4   | 26H91    | SHAFT KEY     | 1   |                   | X | X | X | 3/16" X 1-1/4"   |
| 5   | R104656  | THRUST WASHER | 2   |                   | X | X | X |                  |
| 6   | R104589  | GEAR          | 1   |                   | X | X | X |                  |
| 7   | R112053  | GEAR          | 1   |                   | X | X | X |                  |

# 1F17

ENGINE

CYLINDER BLOCK FITTINGS (6081) (8100,8200,8300 TSN 010000- )  
RACCORDS DE BLOC-CYLINDRES (6081) (8100,8200,8300 TSN 010000- )  
ZYLINDERBLOCK-FITTINGS (6081) (8100,8200,8300 TSN 010000- )  
RACCORDI DEL MONOBLOQUE DE CILANDRO (6081) (8100,8200,8300 TSN 010000- )  
CONECTORES DEL BLOQUE DE CILANDRO (6081) (8100,8200,8300 TSN 010000- )  
SKRUVFOER BINDNINGAR FOER CYLINDERBLOCK (6081) (8100,8200,8300 TSN 010000- )  
RGP4339 -UN-01JAN94



# 1F18

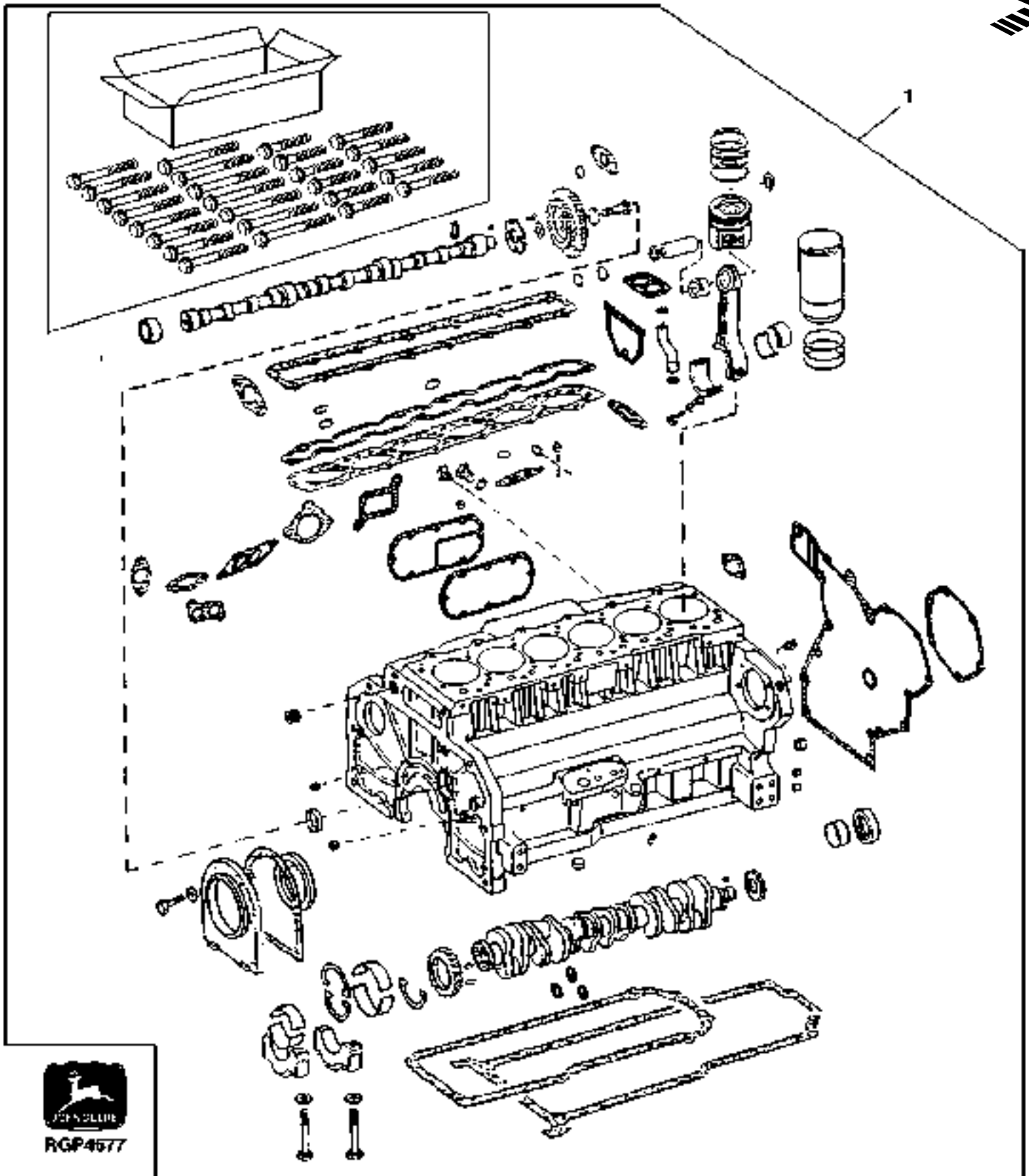
ENGINE

| KEY | PART NO. | PART NAME      | QTY | ENGINE     | REMARKS                                   |
|-----|----------|----------------|-----|------------|---|
|     |          |                |     | SERIAL NO. |   |
|     |          |                |     | 8 8 8      |   |
|     |          |                |     | 1 2 3      |   |
|     |          |                |     | 0 0 0      |   |
|     |          |                |     | 0 0 0      |   |
| 1   | R43409   | CAP            | 2   | X X X      |   |
| 2   | R114130  | STUD           | 5   | X X X      |   |
| 3   | R120864  | DIPSTICK TUBE  | 1   | X X X      | 141.5 MM (5.57")                          |
| 4   | AT13740  | DRAIN VALVE    | 1   | X X X      |   |
| 5   | R36599   | PLUG           | 1   | X X X      | (NOT AS SHOWN)                            |
| 6   | R39741   | DRAIN PLUG     | 1   | X X X      |   |
| 7   | U13639   | O-RING         | 1   | X X X      |   |
| 8   | 15H690   | PIPE PLUG      | 1   | X X X      | 3/4"                                      |
| 9   | R42340   | BUSHING        | 2   | X X X      |   |
| 10  | R1612R   | DOWEL PIN      | 2   | X X X      |   |
| 11  | F1743R   | DOWEL PIN      | 2   | X X X      |   |
| 12  | R104592  | PIPE PLUG      | 6   | X X X      |   |
| 13  | R43621   | ORIFICE        | 6   | X X X      |   |
| 14  | T35390   | CAP            | 1   | X X X      |   |
| 15  | R500642  | BUSHING        | 2   | X X X      | (SUB FOR R62930, THIS APPLICATION)        |
| 16  | R27149   | O-RING         | 1   | X X X      |   |
| 17  | AR61533  | PLUG           | 1   | X X X      |   |
| 18  | A4365R   | O-RING         | 1   | X X X      |   |
| 19  | AR61589  | PLUG           | 1   | X X X      |   |
| 20  | R122364  | BOLT           | 14  | X X X      |   |
| 21  | R120953  | BEARING CAP    | 6   | X X X      | (MAIN)                                    |
|     | R120954  | BEARING CAP    | 1   | X X X      | (THRUST)                                  |
| 22  | R82007   | CAP            | 1   | X X X      |   |
| 23  | R87561   | BUSHING        | 4   | X X X      |   |
| 24  | R61288   | DOWEL PIN      | 1   | X X X      |   |
| 25  | 15H562   | PIPE PLUG      | 1   | X X X      | 1"  |
| ..  | 15H686   | PIPE PLUG      | 1   | X X X      | 1", (CYLINDER BLOCK REAR COOLANT OPENING) |
| ..  | .....    | CYLINDER BLOCK | NA  | X X X      | (NOT AVAILABLE)                           |
| ..  | 15H624   | PIPE PLUG      | 2   | X X X      |   |

# 1F19

ENGINE

ENGINE SHORT BLOCK (WITH HEAD BOLTS) (6081) (8100,8200,8300 TSN 010000- )  
MONTEUR DEPOUILLE POUR RECHANGE (AVEC (26) BOULONS DE CULASSE) (6081) (8100,8200,8300 TSN 010000- )  
KURZMOTOR (MIT (26) ZYLINDERKOPFSCHRAUBEN) (6081) (8100,8200,8300 TSN 010000- )  
MOTORE CORTO (CON (26) VITI DELLA TESTATA) (6081) (8100,8200,8300 TSN 010000- )  
MOTOR BASICO (CON (26) PERNOS DE CABEZA) (6081) (8100,8200,8300 TSN 010000- )  
KORTMOTOR (MED (26) TOPPLOCKSSKRUVAR) (6081) (8100,8200,8300 TSN 010000- )  
RGP4577 -UN-02NOV95



# 1F20

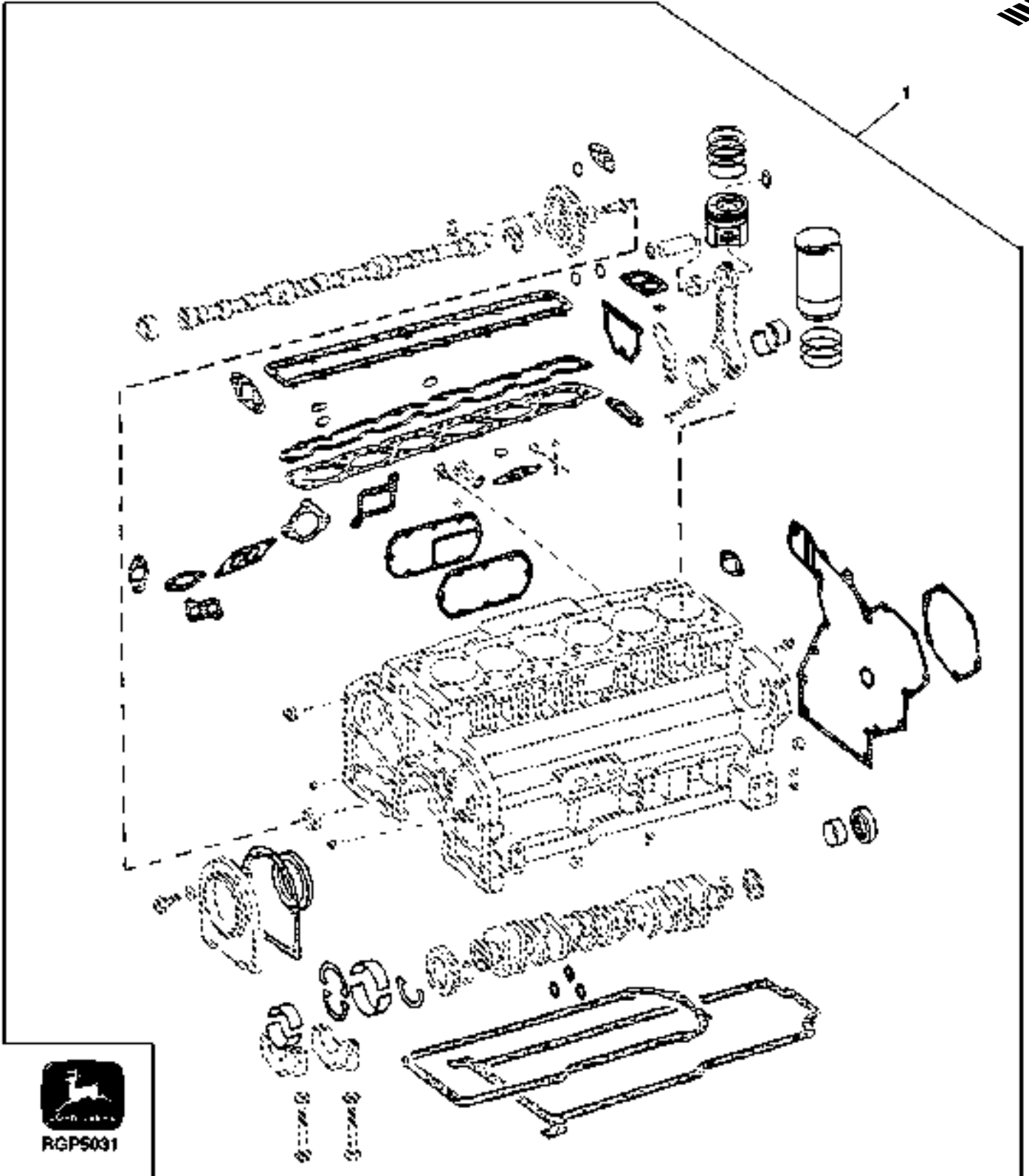
ENGINE

| KEY | PART NO. | PART NAME            | QTY | ENGINE<br>SERIAL NO.             | REMARKS  |
|-----|----------|----------------------|-----|----------------------------------|--|
| 1   | RE65049  | SHORT BLOCK ASSEMBLY | 1   | 8 8 8<br>1 2 3<br>0 0 0<br>0 0 0 | (MARKED R120032) (ALSO ORDER R125855<br>AND R120864, APPL) |

# 1F21

ENGINE

ENGINE OVERHAUL KIT (6081) (8100,8200,8300 TSN 010000- )  
JEU POUR LA REVISION DU MOTEUR (6081) (8100,8200,8300 TSN 01000 0- )  
MOTOR-UEBERHILSATZ (6081) (8100,8200,8300 TSN 010000- )  
KIT DI REVISIONE DEL MOTORE (6081) (8100,8200,8300 TSN 010000- )  
CONJUNTO DE RECONDICIONAMIENTO DEL MOTOR (6081) (8100,8200,8300 )  
MOTOROEVERSYNSSATS (6081) (8100,8200,8300 TSN 010000- )  
RGP5031 -UN-11MAY98





# 1F22

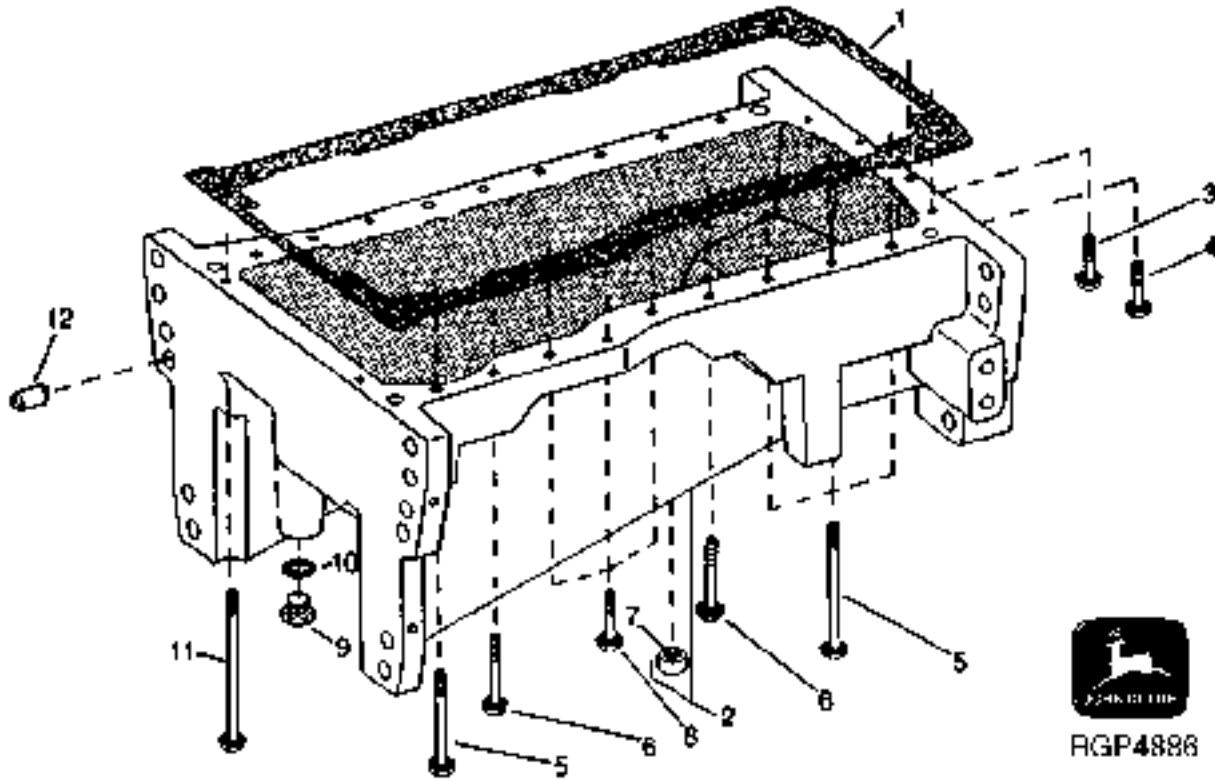
ENGINE

| KEY | PART NO. | PART NAME           | QTY | ENGINE     |       |  | REMARKS |
|-----|----------|---------------------|-----|------------|-------|--|---------|
|     |          |                     |     | SERIAL NO. | 8 8 8 | 1 2 3  |         |
| 1   | RE67677  | ENGINE OVERHAUL KIT | 1   |            | X X X | (CONTAINS (6) RE64509 PISTON/LINERS, GASKET KIT, STD BEARINGS, FRONT/REAR SEALS, AND SNAP RINGS) (ALSO ORDER R66452 ROD BOLTS) (HIGH COMPRESSION) (ALSO ORDER R125855) |         |

# 1F23

ENGINE

OIL PAN (6081) (8100,8200,8300 TSN 010000- )  
 CARTER D'HUILE (6081) (8100,8200,8300 TSN 010000- )  
 DELWANNE (6081) (8100,8200,8300 TSN 010000- )  
 COPPA DELL'OLIO (6081) (8100,8200,8300 TSN 010000- )  
 CARTER DEL ACEITE (6081) (8100,8200,8300 TSN 010000- )  
 OLJETRAG (6081) (8100,8200,8300 TSN 010000- )  
 RGP4886 -UN-13MAY97

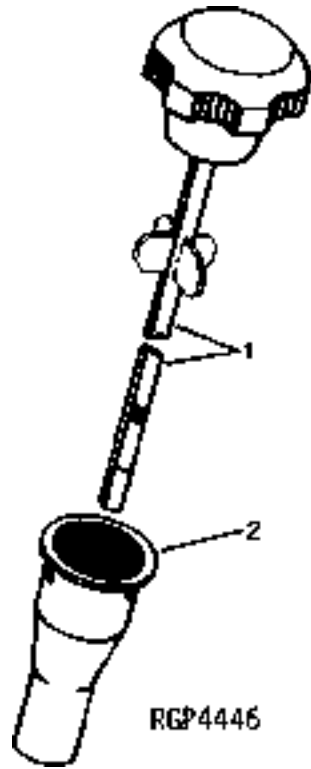


| KEY | PART NO. | PART NAME  | QTY | ENGINE SERIAL NO. | 8 8 8 |   |   | REMARKS                                       |
|-----|----------|------------|-----|-------------------|-------|---|---|---|
|     |          |            |     |                   | 1     | 2 | 3 |   |
| 1   | R125855  | GASKET     | 1   |                   | X     | X | X |   |
| 2   | RE71509  | OIL PAN    | 1   | -XXXXXX           | X     | X | X | (MARKED R136471 OR R107229) (SUB FOR RE50889) |
|     | RE161680 | OIL PAN    | 1   | XXXXXX-           | X     | X | X |   |
|     | 19M7963  | CAP SCREW  | 2   | XXXXXX-           | X     | X | X |   |
| 3   | R122474  | CAP SCREW  | 2   |                   | X     | X | X | .375 X 2.25                                   |
| 4   | R121395  | CAP SCREW  | 2   |                   | X     | X | X | .375 X 1.875                                  |
| 5   | R122477  | CAP SCREW  | 8   |                   | X     | X | X | .500 X 6.000                                  |
| 6   | R122476  | CAP SCREW  | 4   |                   | X     | X | X | .500 X 4.000                                  |
| 7   | ET14521  | BUSHING    | 4   |                   | X     | X | X |   |
| 8   | R122475  | CAP SCREW  | 6   |                   | X     | X | X | .500 X 2.500                                  |
| 9   | R27175   | DRAIN PLUG | 1   |                   | X     | X | X |   |
| 10  | F3171R   | O-RING     | 1   |                   | X     | X | X |   |
| 11  | R126912  | CAP SCREW  | 2   |                   | X     | X | X | .375 X 7.750                                  |
| 12  | .....    | DOWEL PIN  | 6   |                   | X     | X | X | (SUB RE71509)                                 |

# 1F24

ENGINE

ENGINE OIL DIPSTICK AND TUBE (6081) (8100,8200,8300 TSN 010000- )  
 JAUGE A HUILE MOTEUR (6081) (8100,8200,8300 TSN 010000- )  
 MOTORDELMESSTAB (6081) (8100,8200,8300 TSN 010000- )  
 ASTINA DE LIVELLO OLIO MOTORE (6081) (8100,8200,8300 TSN 010000- )  
 ASPILLA PARA MEDIR EL NIVEL DE ACEITE DEL MOTORE (6081) (8100, 8200,8300 TSN 010000- )  
 MOTORS OLJETICKA (6081) (8100,8200,8300 TSN 010000- )  
 RGP4446 -UN-03MAR95

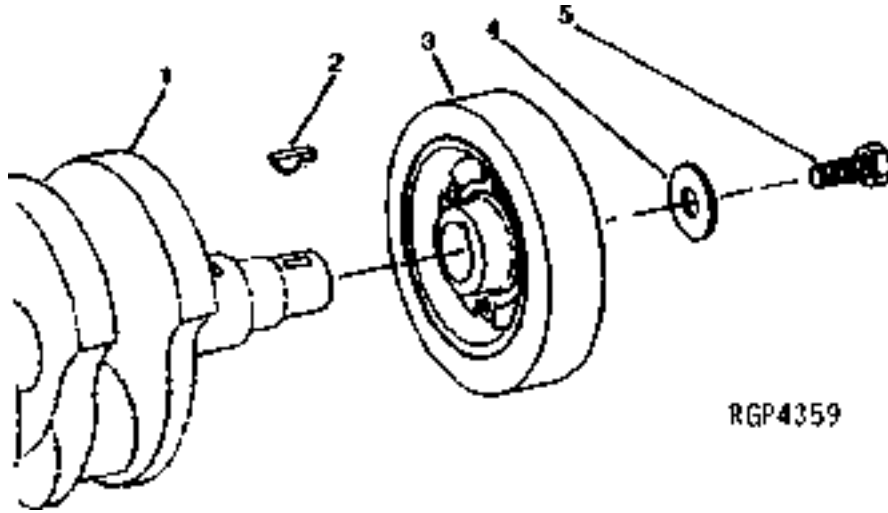


| KEY | PART NO. | PART NAME     | QTY | ENGINE SERIAL NO. | 8 8 8<br>1 2 3<br>0 0 0<br>0 0 0 | REMARKS                             |
|-----|----------|---------------|-----|-------------------|----------------------------------|-------------------------------------|
| 1   | RE500209 | DIPSTICK      | 1   |                   | X X X                            | (6081HRW06,07,08) (SUB FOR RE56493) |
| 2   | R120801  | DIPSTICK TUBE | 1   |                   | X                                | (6081HRW06) 107.5 MM (4.23")        |
|     | R121764  | DIPSTICK TUBE | 1   |                   | X                                | (6081HRW07) 118.5 MM (4.66")        |
|     | R121765  | DIPSTICK TUBE | 1   |                   | X                                | (6081HRW08) 126.0 MM (4.96")        |

# 1F25

ENGINE

CRANKSHAFT PULLEY AND DAMPER (6081) (8100,8200,8300 TSN 010000- ) )  
 POULIE DE VILEBREQUIN (6081) (8100,8200,8300 TSN 010000- ) )  
 KURBELWELLENRIEMENSCHIEBE (6081) (8100,8200,8300 TSN 010000- ) )  
 PULLEGIA DELL'ALBERO A GOMITI (6081) (8100,8200,8300 TSN 010000- ) )  
 POLEA DEL CIGUENAL (6081) (8100,8200,8300 TSN 010000- ) )  
 VEVAXELREMSKIVA (6081) (8100,8200,8300 TSN 010000- ) )  
 RGP4359 -UN-01JAN94

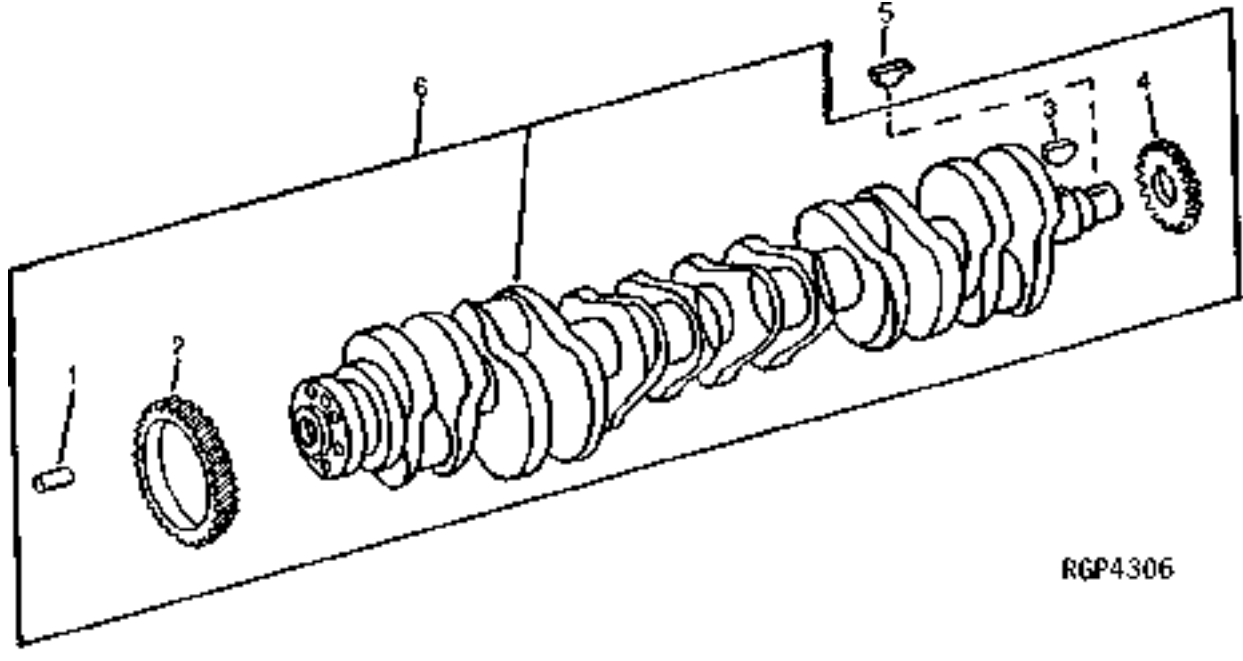


| KEY | PART NO. | PART NAME          | QTY | ENGINE SERIAL NO. | 8 8 8<br>1 2 3<br>0 0 0<br>0 0 0 | REMARKS             |
|-----|----------|--------------------|-----|-------------------|----------------------------------|---------------------|
| 1   | .....    | CRANKSHAFT         | 1   |                   | X X X                            |                     |
| 2   | R116311  | KEY                | 1   |                   | X X X                            |                     |
| 3   | RE57603  | TORSIONAL DAMPENER | 1   | -016632           | X X X                            | (SUB RE24975, APPL) |
| 4   | RE24975  | TORSIONAL DAMPENER | 1   | 016633-           | X X X                            |                     |
| 4   | R26333   | WASHER             | 1   |                   | X X X                            |                     |
| 5   | R79846   | CAP SCREW          | 1   |                   | X X X                            |                     |

# 1G1

ENGINE

CRANKSHAFT (6081) (8100,8200,8300 TSN 010000- )  
 VILEBREQUIN (6081) (8100,8200,8300 TSN 010000- )  
 KURBELWELLE (6081) (8100,8200,8300 TSN 010000- )  
 ALBERO A COLLI (6081) (8100,8200,8300 TSN 010000- )  
 CIGUENAL (6081) (8100,8200,8300 TSN 010000- )  
 VEVAXEL (6081) (8100,8200,8300 TSN 010000- )  
 RGP4306 -UN-01JAN94



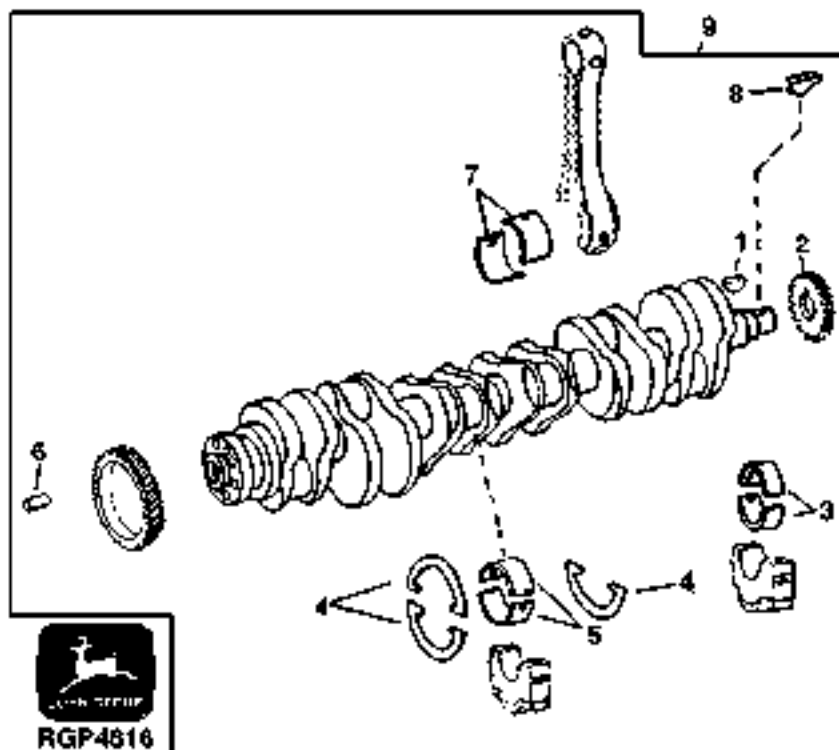
RGP4306

| KEY | PART NO. | PART NAME  | QTY | ENGINE SERIAL NO. | REMARKS                         |
|-----|----------|------------|-----|-------------------|---------------------------------|
|     |          |            |     | 8 8 8             |                                 |
|     |          |            |     | 1 2 3             |                                 |
|     |          |            |     | 0 0 0             |                                 |
|     |          |            |     | 0 0 0             |                                 |
| 1   | R41934   | DOWEL PIN  | 1   | X X X             |                                 |
| 2   | R63326   | GEAR       | 1   | X X X             | (SUB RE55522, THIS APPLICATION) |
| 3   | R120752  | KEY        | 1   | X X X             | 1/8" X 0.625"                   |
| 4   | R104587  | GEAR       | 1   | X X X             |                                 |
| 5   | R116311  | KEY        | 1   | X X X             |                                 |
| 6   | RE55522  | CRANKSHAFT | 1   | X X X             | (MARKED RE55522)                |

# 1G2

ENGINE

UNDERSIZE MAIN BEARING CRANKSHAFT AND BEARING KIT (6081) (TSN 0100- )  
 JEU DE PALIER POUR VILEBREQUIN SOUS-DIMENSIONNE (6081)  
 HAUPTLAGERSATZ FUER UNTERGROESSE KURBELWELLE (6081)  
 KIT CUSCINETTO DI BANCO PER ALBERO A GOMITI MINORATO (6081)  
 JUEGO DE COJINETES DE BANCADA DE SUBTAMANO (6081)  
 SATS MED RAMLAGER FOER UNDERDIMENSIONERAD VEVAXEL (6081)  
 RGP4816 -UN-21OCT96

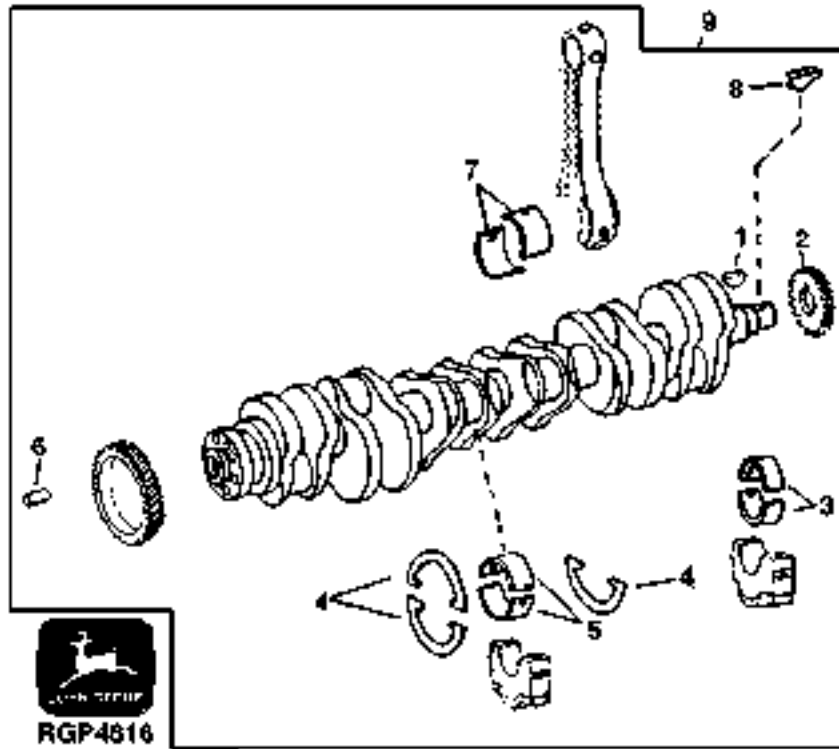


| KEY | PART NO. | PART NAME      | QTY | ENGINE<br>SERIAL NO. | 8 | 8 | 8 | REMARKS                                       |
|-----|----------|----------------|-----|----------------------|---|---|---|---|
|     |          |                |     |                      | 1 | 2 | 3 |   |
| 1   | R120752  | KEY            | 1   |                      | X | X | X | 1/8" X 0.625"                                 |
| 2   | R104587  | GEAR           | 1   |                      | X | X | X |   |
| 3   | RE57172  | BEARING        | 6   |                      | X | X | X | .292 MM (.011") US (PKG R121342 AND, R121346) |
| 4   | RE61851  | THRUST WASHER  | 1   |                      | X | X | X | 0.18MM (.007") OS FLANGE (PKG (3) R124842)    |
| 5   | RE57177  | THRUST BEARING | 1   |                      | X | X | X | .292 MM (.011") US (PKG R121350 AND, R121354) |
| 6   | R41934   | DOWEL PIN      | 1   |                      | X | X | X |   |
| 7   | R116081  | BEARING        | 6   |                      | X | X | X | STD   |
| 8   | R116311  | KEY            | 1   |                      | X | X | X |   |
| 9   | RE61268  | CRANKSHAFT     | 1   |                      | X | X | X | (MARKED R122654 OR RE58781)                   |

# 1G3

ENGINE

UNDERSIZE CONNECTING ROD JOURNAL CRANKSHAFT AND BEARING KIT (TSN 010000- )  
 JEU DE TOURILLON DE BIELLE POUR VILEBREQUIN SOUS-DIMENSIONNE  
 PLEUELSTANGENZAPFENSATZ FUER UNTERGROESSE KURBELWELLE  
 KIT PERNI DI BANCO DELLE BIELLE PER ALBERO A GOMITI MINORATO  
 JUEGO DE MUNONES DE BIELA DE SUBTAMANO  
 SATS MED VEVSTAKSLAGERGAANG FOER UNDERDIMENSIONERAD VEVAXEL  
 RGP4816 -UN-21OCT96

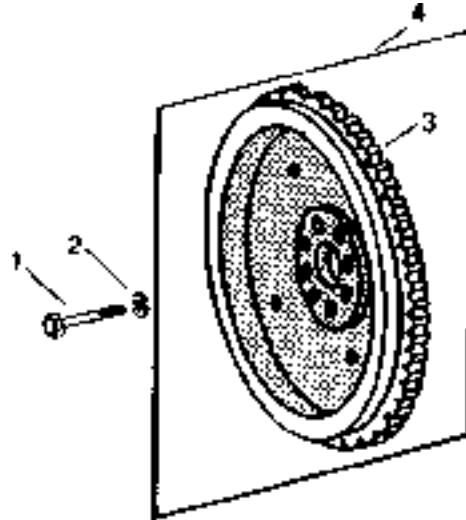


| KEY | PART NO. | PART NAME      | QTY | ENGINE SERIAL NO. | 8 | 8 | 8 | REMARKS   |
|-----|----------|----------------|-----|-------------------|---|---|---|---|
|     |          |                |     |                   | 1 | 2 | 3 |   |
| 1   | R120752  | KEY            | 1   |                   | X | X | X |   |
| 2   | R104587  | GEAR           | 1   |                   | X | X | X |   |
| 3   | RE57170  | BEARING        | 6   |                   | X | X | X | STD   |
| 4   | RE61253  | THRUST WASHER  | 1   |                   | X | X | X | STD (PKG R116084 AND, R116085)                  |
| 5   | RE57175  | THRUST BEARING | 1   |                   | X | X | X | STD (PKG R116085)                               |
| 6   | R41934   | DOWEL PIN      | 1   |                   | X | X | X |   |
| 7   | RE57167  | BEARING        | 6   |                   | X | X | X | .292 MM (.011") US (PKG (2) R121338)            |
| 8   | R116311  | KEY            | 1   |                   | X | X | X |   |
| 9   | RE61267  | CRANKSHAFT     | 1   |                   | X | X | X | .292 MM (.011") US, (MARKED RE58780 OR R122653) |

# 1G4

ENGINE

FLYWHEEL (6081) (8100,8200,8300 TSN 010000- ) )  
 VOLANT (6081) (8100,8200,8300 TSN 010000- ) )  
 SCHWUNGRAD (6081) (8100,8200,8300 TSN 010000- ) )  
 VOLANO (6081) (8100,8200,8300 TSN 010000- ) )  
 VOLANTE (6081) (8100,8200,8300 TSN 010000- ) )  
 SVANGHJUL (6081) (8100,8200,8300 TSN 010000- ) )  
 RGP3073 -UN-01JAN94



RGP3073

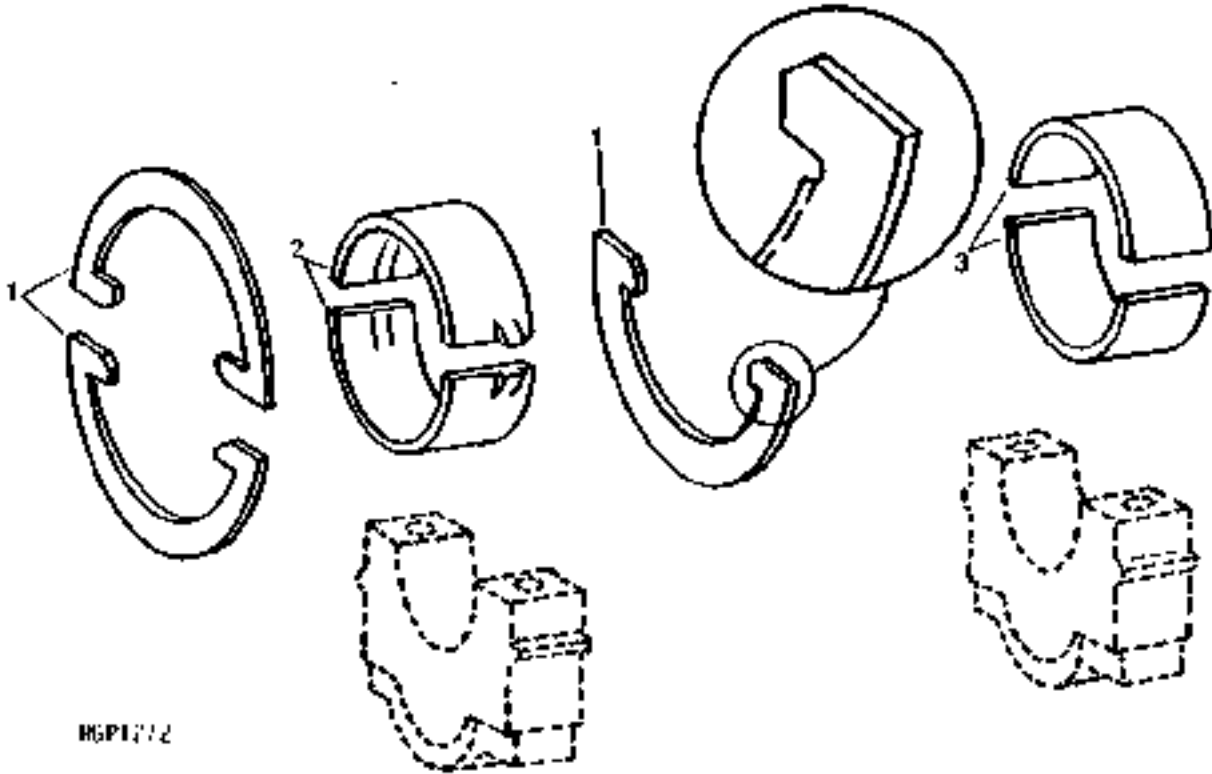
| KEY | PART NO. | PART NAME | QTY | ENGINE SERIAL NO.                | REMARKS   |
|-----|----------|-----------|-----|----------------------------------|---|
|     |          |           |     | 8 8 8<br>1 2 3<br>0 0 0<br>0 0 0 |   |
| 1   | 19H3579  | CAP SCREW | 6   | X X X                            | (SUB FOR R41049 OR R52634 THIS APPLICATION)           |
| 2   | T23891   | WASHER    | 6   | X X X                            | 13.487 X 20.625 X 1.524 MM (17/32" X 13/16" X 0.060") |
| 3   | R28811   | RING GEAR | 1   | X X X                            |   |
| 4   | RE44632  | FLYWHEEL  | 1   | X X X                            | (MARKED R107339)                                      |



# 1G5

ENGINE

MAIN AND MAIN THRUST BEARINGS (6081) (8100,8200,8300 TSN 010000- )  
 PALIERS PRINCIPAUX (6081) (8100,8200,8300 TSN 010000- )  
 HAUPTLAGER (6081) (8100,8200,8300 TSN 010000- )  
 CUSCINETTI PRINCIPALI (6081) (8100,8200,8300 TSN 010000- )  
 COJINETES DE BANCADA (6081) (8100,8200,8300 TSN 010000- )  
 RAMLAGER (6081) (8100,8200,8300 TSN 010000- )  
 RGP1272 -UN-01JAN94



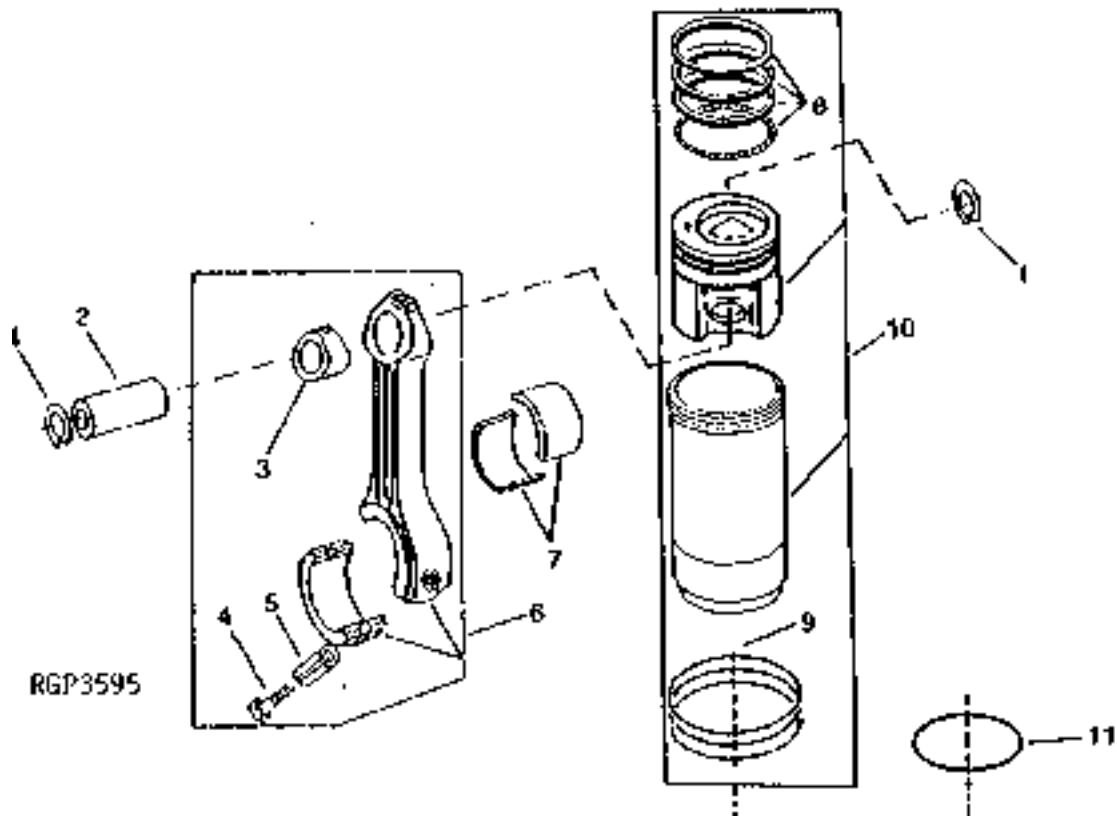
RGP1272

| KEY | PART NO. | PART NAME      | QTY | ENGINE SERIAL NO. |   |   | REMARKS                             |
|-----|----------|----------------|-----|-------------------|---|---|-------------------------------------|
|     |          |                |     | 8                 | 8 | 8 |                                     |
| 1   | RE61253  | THRUST WASHER  | 1   | 1                 | 2 | 3 | X X X STD (PKG (3) R124381)         |
| 2   | RE57175  | THRUST BEARING | 1   | 0                 | 0 | 0 | X X X STD (PKG R116084 AND R116085) |
| 3   | RE57170  | BEARING        | AR  | 0                 | 0 | 0 | X X X STD (PKG R116082 AND R116083) |

# 1G6

ENGINE

PISTON/CONNECTING RODS/CYLINDER LINER (6081) (8100,8200,8300 TSN 010000- )  
 PISTON/BIELLE/CHEMISE DE CYLINDRE(6081)(8100,8200,8300 TSN 0100 00- )  
 KOLBEIN/PLEUELSTANGE/ZYLINDERLAUFBUCHSE(6081)(8100,8200,8300 TSN 010000- )  
 PISTONE/BIELLA/CAMACIE (6081) (8100,8200,8300 TSN 010000- )  
 PISTON/BIELA/CAMISA DEL CILANDRO(6081)(8100,8200,8300 TSN 010000- )  
 KOLV/KOLVSTAKE/CYLINDERFODER (6081) (8100,8200,8300 TSN 010000- )  
 RGP3595 -UN-01JAN94

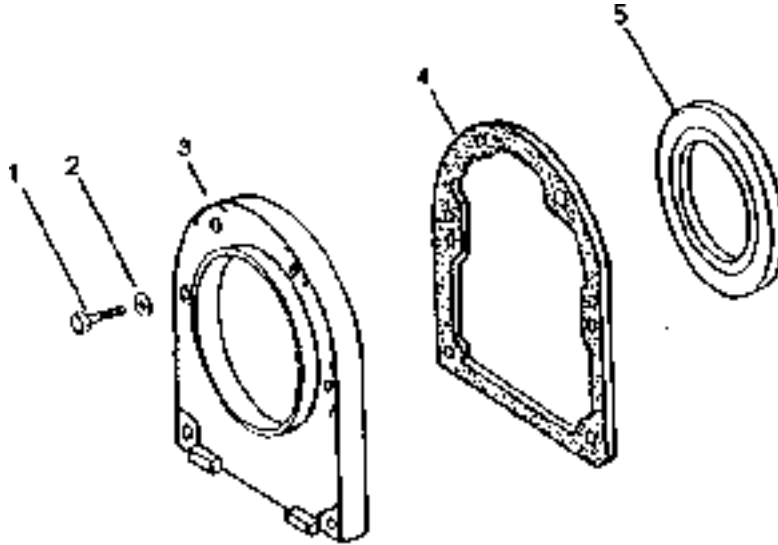


| KEY | PART NO. | PART NAME      | QTY | ENGINE SERIAL NO. | REMARKS                              |
|-----|----------|----------------|-----|-------------------|--------------------------------------|
|     |          |                |     | 8 8 8             |                                      |
|     |          |                |     | 1 2 3             |                                      |
|     |          |                |     | 0 0 0             |                                      |
|     |          |                |     | 0 0 0             |                                      |
| 1   | E1343FN  | SNAP RING      | 12  | X X X             |                                      |
| 2   | R57771   | PISTON PIN     | 6   | X X X             |                                      |
| 3   | R74008   | BUSHING        | 6   | X X X             |                                      |
| 4   | R66452   | CAP SCREW      | 12  | X X X             |                                      |
| 5   | R53292   | SLEEVE         | 12  | X X X             |                                      |
| 6   | RE53154  | CONNECTING ROD | 6   | X X X             | (MARKED R116340)                     |
| 7   | R116081  | BEARING        | AR  | X X X             | STD PKG (2) (SUB FOR RE57165)        |
| 8   | RE57188  | PISTON RING    | 6   | X X X             | (USE WITH RE60328 OR RE62640)        |
| 9   | AR98850  | KIT            | 6   | X X X             |                                      |
| 10  | RE64509  | KIT            | 6   | X X X             | (MARKED RE53000, RE64170 OR RE65289) |
| 11  | R93948   | SHIM           | 2   | X X X             | TK = 0.05MM (.002") (MAX.)           |

# 1G7

ENGINE

CRANKSHAFT OIL SEAL AND HOUSING (6081) (8100,8200,8300 TSN 010000- )  
 JOINT A LEVRE ET CARTER DE VILEBREQUIN (6081) (8100,8200,8300 TSN 010000- )  
 KURBELWELLENDICHTRING UND GEHAEUSE (6081) (8100,8200,8300 TSN 010000- )  
 ANELLO DI TENUTA E CARCASSA DELL'ABERO A GOMITI (6081) (8100,8200,8300 TSN 010000- )  
 RETEN Y CARACASA DEL ACEITE CIGUENAL (6081) (8100,8200,8300 TSN 010000- )  
 VEVAXELNS TAETNINGSRING OCH HUS (6081) (8100,8200,8300 TSN 010000- )  
 RGP2382 -UN-01JAN94



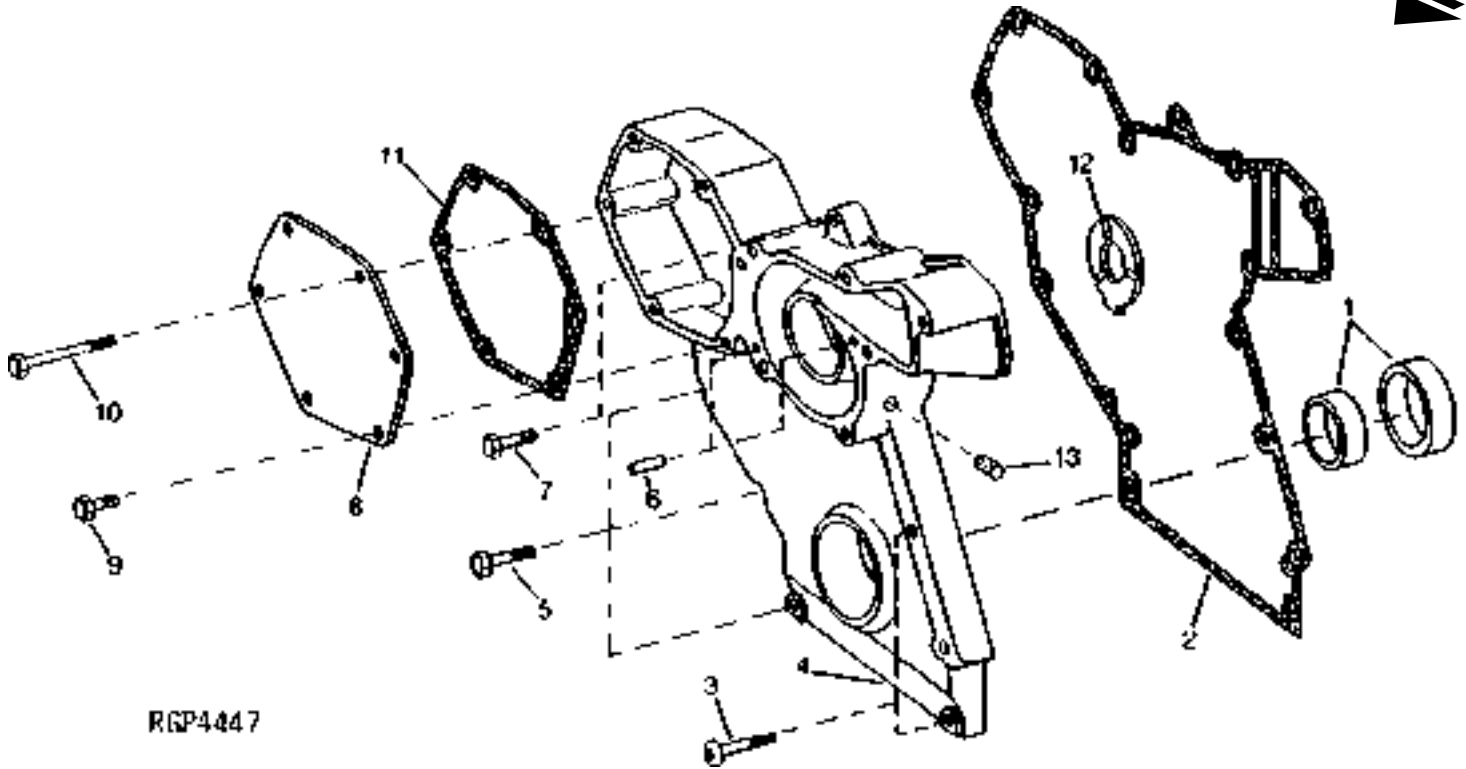
RGP2382

| KEY | PART NO. | PART NAME | QTY | ENGINE SERIAL NO. | REMARKS                            |
|-----|----------|-----------|-----|-------------------|------------------------------------|
|     |          |           |     | 8 8 8             |                                    |
|     |          |           |     | 1 2 3             |                                    |
|     |          |           |     | 0 0 0             |                                    |
|     |          |           |     | 0 0 0             |                                    |
| 1   | R47074   | CAP SCREW | 6   | X X X             | 7.925 X 28.448 MM (5/16" X 1.120") |
| 2   | T27860   | WASHER    | 6   | X X X             | 11/32" X 11/16" X 0.065"           |
| 3   | R125027  | HOUSING   | 1   | X X X             |                                    |
| 4   | R26058   | GASKET    | 1   | X X X             |                                    |
| 5   | RE22764  | SEAL      | 1   | X X X             |                                    |

# 1G8

ENGINE

TIMING GEAR COVER AND FRONT OIL SEAL (6081) (8100,8200,8300 TSN 010000- ) )  
 OUVERCLE DE DISTRIBUTION (6081) (8100,8200,8300 TSN 010000- ) )  
 STEUERGEHAEUSE (6081) (8100,8200,8300 TSN 010000- ) )  
 COPERCHIO DISTRIBUZIONE (6081) (8100,8200,8300 TSN 010000- ) )  
 TAPA DE LA DISTRIBUCION (6081) (8100,8200,8300 TSN 010000- ) )  
 TIDHJULSKAPA (6081) (8100, 8200, 8300 TSN 010000- ) )  
 RGP4447 -UN-28FEB95



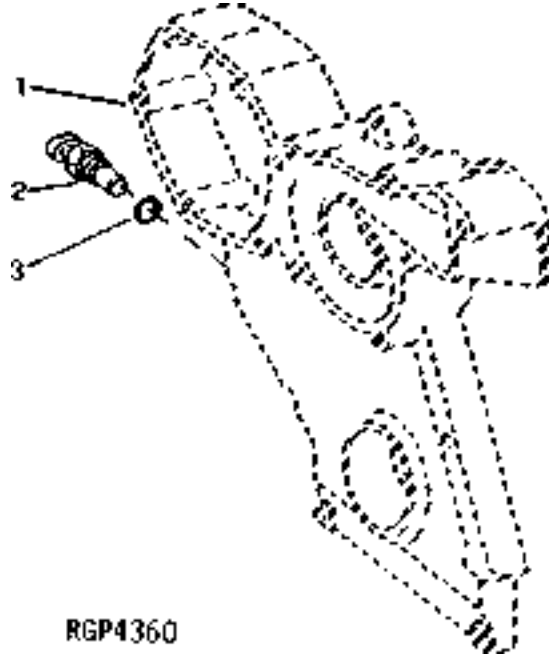
RGP4447

| KEY | PART NO. | PART NAME     | QTY | ENGINE SERIAL NO. | 8 | 8 | 8 | REMARKS       |
|-----|----------|---------------|-----|-------------------|---|---|---|---------------|
|     |          |               |     |                   | 1 | 2 | 3 |               |
| 1   | AR49025  | SEAL          | 1   |                   | X | X | X |               |
| 2   | R119384  | GASKET        | 1   |                   | X | X | X |               |
| 3   | R115129  | CAP SCREW     | 3   |                   | X | X | X |               |
| 4   | R119381  | COVER         | 1   |                   | X | X | X |               |
| 5   | R104859  | CAP SCREW     | 3   |                   | X | X | X |               |
| 6   | R11086   | DOWEL PIN     | 2   |                   | X | X | X |               |
| 7   | 19H3693  | CAP SCREW     | 1   |                   | X | X | X | 3/8" X 1-1/4" |
| 8   | R50393   | COVER         | 1   |                   | X | X | X |               |
| 9   | R112268  | CAP SCREW     | 1   |                   | X | X | X |               |
| 10  | R104861  | CAP SCREW     | 5   |                   | X | X | X |               |
| 11  | R50390   | GASKET        | 1   |                   | X | X | X |               |
| 12  | R104656  | THRUST WASHER | 1   |                   | X | X | X |               |
| 13  | R98527   | FILTER        | 1   |                   | X | X | X |               |

# 1G9

ENGINE

MAGNETIC PICK-UP (6081) (8100,8200,8300 TSN 010000- )  
 OUTIL AIMANTE A MANCHE (6081)(8100,8200,8300 TSN 010000- )  
 MAGNETISCHER MESSWERTGEBER (6081) (8100,8200,8300 TSN 010000- )  
 CALAMITA RACCATTAPEZZI (6081) (8100,8200,8300 TSN 010000- )  
 CAPTADOR MAGNETICO (6081) (8100,8200,8300 TSN 010000- )  
 MAGNETISK GIVARE (6081) (8100,8200,8300 TSN 010000- )  
 RGP4360 -UN-01JAN94



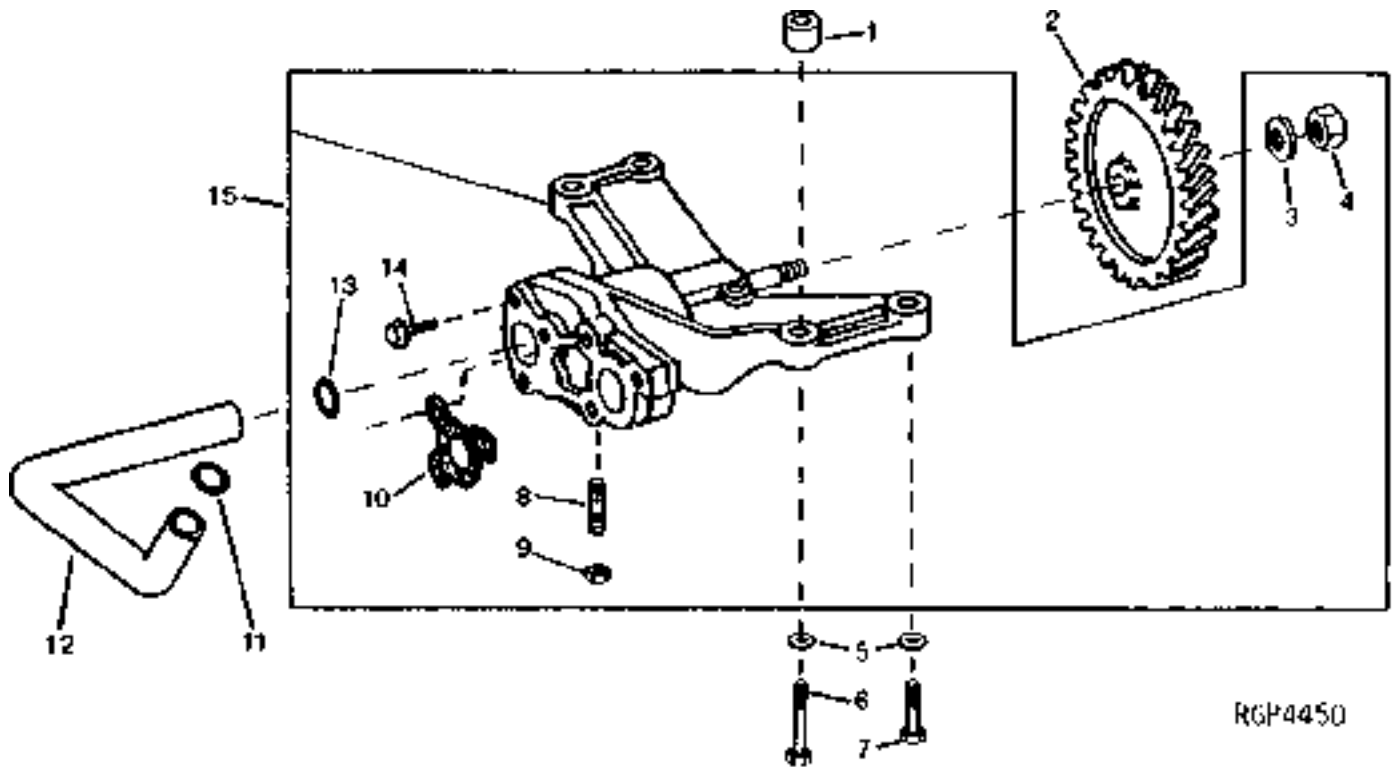
RGP4360

| KEY | PART NO. | PART NAME | QTY | ENGINE SERIAL NO. | REMARKS           |
|-----|----------|-----------|-----|-------------------|-------------------|
|     |          |           |     | 8 8 8             |                   |
|     |          |           |     | 1 2 3             |                   |
|     |          |           |     | 0 0 0             |                   |
|     |          |           |     | 0 0 0             |                   |
| 1   | .....    | COVER     | 1   | X X X             |                   |
| 2   | RE71121  | SENSOR    | 1   | X X X             | (SUB FOR RE43511) |
| 3   | 51M7044  | O-RING    | 1   | X X X             | 17.300 X 2.200 MM |

# 1G10

ENGINE

ENGINE OIL PUMP (6081) (8100,8200,8300 TSN 010000- )  
POMPE A HUILE (6081) (8100,8200,8300 TSN 010000- )  
OELPUMPE (6081) (8100,8200,8300 TSN 010000- )  
POMPA OLIO (6081) (8100,8200,8300 TSN 010000- )  
BOMBA DE ACEITE (6081) (8100,8200,8300 TSN 010000- )  
OLJEPUMP (6081) (8100,8200,8300 TSN 010000- )  
RGP4450 -UN-03MAR95



RGP4450

# 1G11

ENGINE

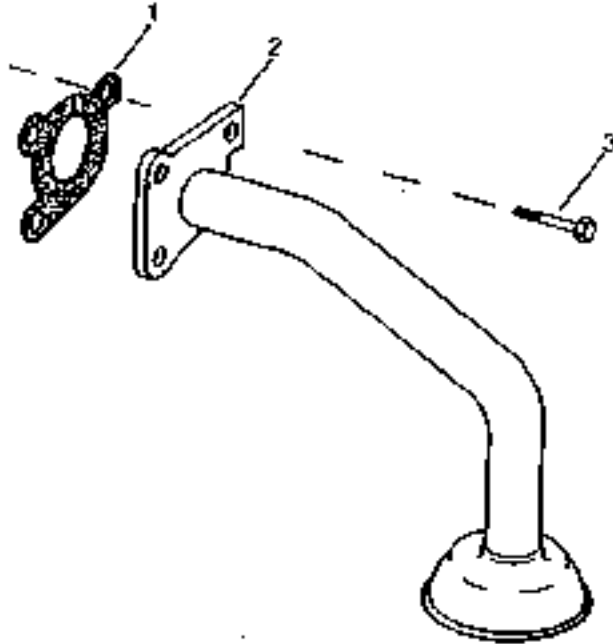
| KEY | PART NO. | PART NAME | QTY | ENGINE     |       |                                    | REMARKS |
|-----|----------|-----------|-----|------------|-------|------------------------------------|---------|
|     |          |           |     | SERIAL NO. | 8 8 8 | 1 2 3                              |         |
| 1   | R500642  | BUSHING   | 2   |            | X X X | (SUB FOR R62930, THIS APPLICATION) |         |
| 2   | R62938   | GEAR      | 1   |            | X X X |                                    |         |
| 3   | T21242   | WASHER    | 1   |            | X X X |                                    |         |
| 4   | 14H826   | NUT       | 1   |            | X X X | 1/2"                               |         |
| 5   | R57696   | WASHER    | 4   |            | X X X |                                    |         |
| 6   | 19H2549  | CAP SCREW | 2   |            | X X X | 3/8" X 1-7/8"                      |         |
| 7   | 19H3219  | CAP SCREW | 2   |            | X X X | 3/8" X 1-3/8"                      |         |
| 8   | 22H1040  | SET SCREW | 1   |            | X X X | 5/16" X 1-1/4"                     |         |
| 9   | 14H785   | NUT       | 1   |            | X X X | 5/16"                              |         |
| 10  | R100569  | GASKET    | 1   |            | X X X |                                    |         |
| 11  | R71732   | O-RING    | 1   |            | X X X |                                    |         |
| 12  | R116718  | OIL TUBE  | 1   |            | X X X |                                    |         |
| 13  | R71732   | O-RING    | 1   |            | X X X |                                    |         |
| 14  | R104628  | CAP SCREW | 5   |            |       |                                    |         |
|     | R104628  | CAP SCREW | 3   |            | X X X | (INTAKE COVER TO HOUSING)          |         |
| 15  | RE60622  | OIL PUMP  | 1   |            | X X X | (MARKED R124328)                   |         |

# 1G12

ENGINE

ENGINE OIL PUMP INTAKE (6081) (8100,8200,8300 TSN 010000- )  
 ADMISSION DE LA POMPE A HUILE MOTEUR (6081) (8100,8200,8300 TSN 010000- )  
 MOTOROELPUMPENEINLASS (6081) (8100,8200,8300 TSN 010000- )  
 ASPIRAZIONE DELLA POMPA DELL'OLIO DEL MOTORE (6081) (8100,8200 TSN 010000- )  
 ADMISION DE LA BOMBA DE ACEITE DEL MOTOR (6081) (8100,8200,8300 TSN 010000- )  
 MOTOROLJEPIMP, INSUGNING (6081) (8100,8200,8300 TSN 010000- )

RGP3629 -UN-01JAN94



RGP3629

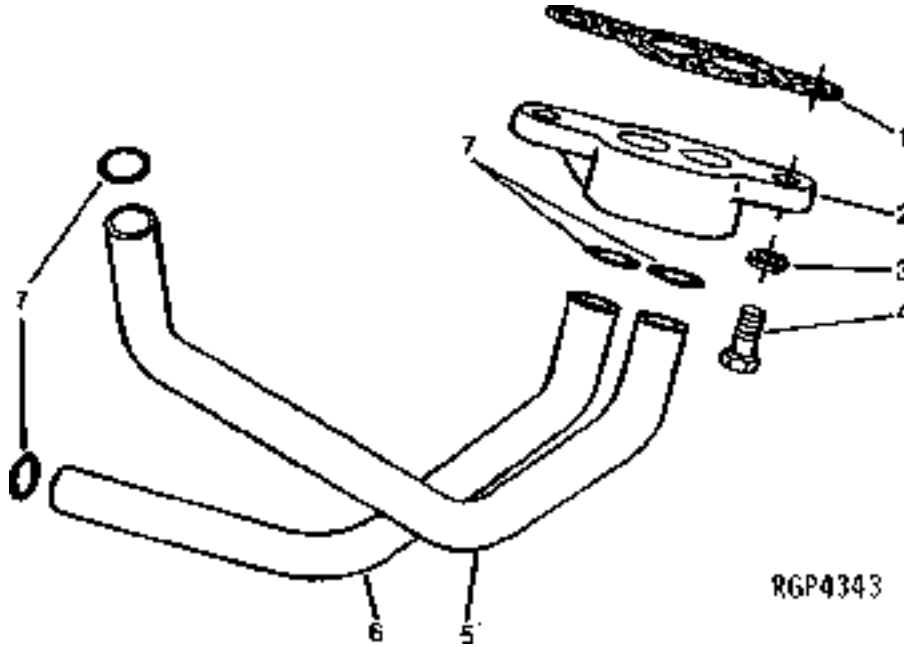
| KEY | PART NO. | PART NAME       | QTY | ENGINE SERIAL NO. | REMARKS |
|-----|----------|-----------------|-----|-------------------|---------|
|     |          |                 |     | 8 8 8             |         |
|     |          |                 |     | 1 2 3             |         |
|     |          |                 |     | 0 0 0             |         |
|     |          |                 |     | 0 0 0             |         |
| 1   | R100569  | GASKET          | 1   | X X X             |         |
| 2   | RE60546  | OIL PUMP INTAKE | 1   | X X X             |         |
| 3   | R104628  | CAP SCREW       | 3   | X X X             |         |



# 1G13

ENGINE

ENGINE OIL COOLER BYPASS TUBES AND ADAPTER (6081) (8100,8200,8300 TSN 010000- )  
 BY-PASS DE REFROIDISSEUR (6081) (8100,8200,8300 TSN 010000- )  
 OELKUEHLER-UMGEHUNGSVENTL (6081) (8100,8200,8300 TSN 010000- )  
 VALVOLA BY-PASS PER REFFREDDATORE OLIO (6081) (8100,8200,8300 TSN 010000- )  
 VALVULA DE DERIVACION DEL RADIADOR (6081) (8100,8200,8300 TSN 010000- )  
 OLJEKYLARENS FORBISTROMNINGSVENTIL (6081) (8100,8200,8300 TSN 010000- )  
 RGP4343 -UN-01JAN94

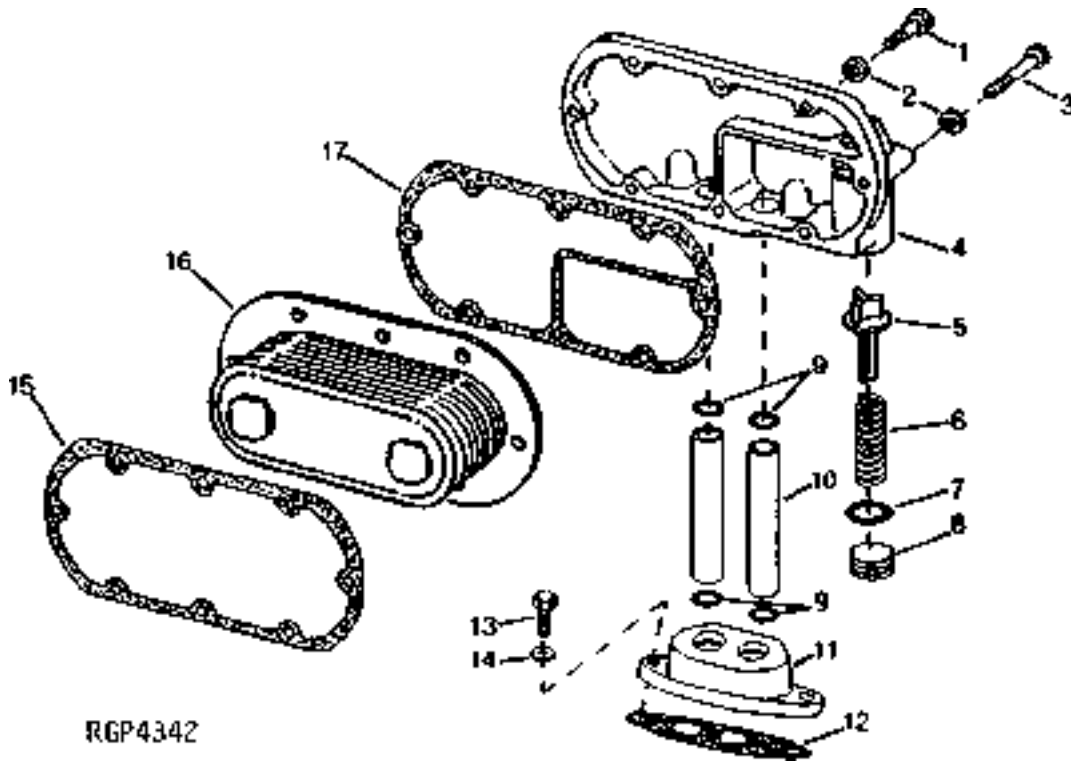


| KEY | PART NO. | PART NAME | QTY | ENGINE<br>SERIAL NO. | 8 | 8 | 8 | REMARKS                |
|-----|----------|-----------|-----|----------------------|---|---|---|------------------------|
|     |          |           |     |                      | 1 | 2 | 3 |                        |
| 1   | R109625  | GASKET    | 1   |                      | X | X | X |                        |
| 2   | R116233  | ADAPTER   | 1   |                      | X | X | X |                        |
| 3   | 24M7096  | WASHER    | 2   |                      | X | X | X | 10.500 X 18 X 1.600 MM |
| 4   | R40236   | CAP SCREW | 2   |                      | X | X | X |                        |
| 5   | R126337  | OIL TUBE  | 1   |                      | X | X | X |                        |
| 6   | R116718  | OIL TUBE  | 1   |                      | X | X | X |                        |
| 7   | R71732   | O-RING    | 4   |                      | X | X | X |                        |

# 1G14

ENGINE

ENGINE OIL COOLER (8100, 8200, 8300 TSN 010000- )  
 REFROIDISSEUR D'HUILE MOTEUR (8400)  
 MOTOR-OELKUELER (8400)  
 RAFFREDDATORE OLIO MOTORE (8400)  
 REFRIGERADOR DEL ACEITE DEL MOTOR (8400)  
 MOTOROLJEKYLARE (8400)  
 RGP4342 -UN-01JAN94



RGP4342

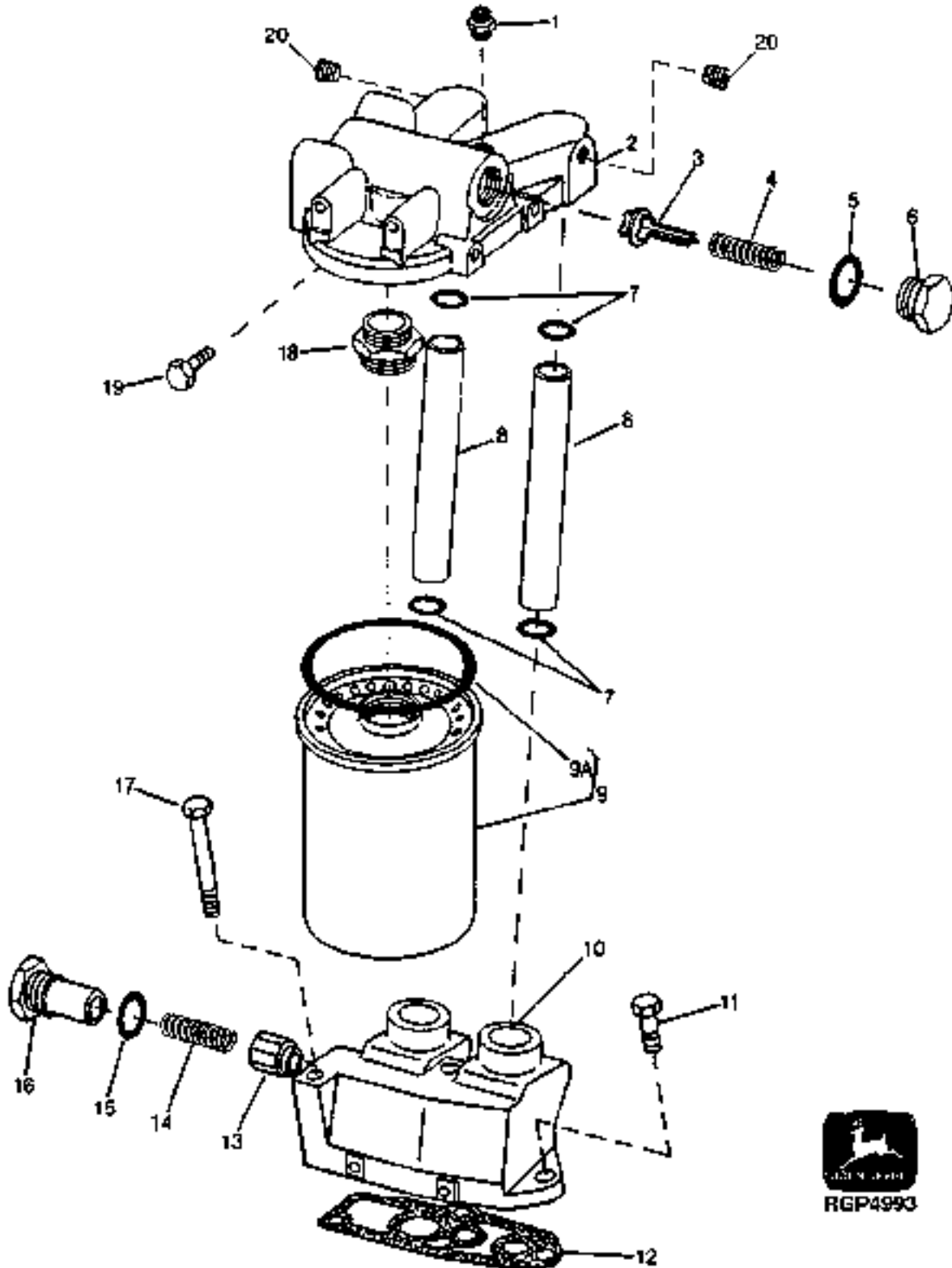
| KEY | PART NO. | PART NAME    | QTY | ENGINE SERIAL NO. | 8 8 8<br>1 2 3<br>0 0 0<br>0 0 0 | REMARKS                |
|-----|----------|--------------|-----|-------------------|----------------------------------|------------------------|
| 1   | 19H2661  | CAP SCREW    | 5   |                   | X X X                            | 5/16" X 1-3/8"         |
| 2   | 24M7055  | WASHER       | 8   |                   | X X X                            | 8.400 X 16 X 1.600 MM  |
| 3   | 19H1949  | CAP SCREW    | 3   |                   | X X X                            | 5/16" X 2-1/2"         |
| 4   | R133135  | COVER        | 1   |                   | X X X                            | (SUB FOR R116237)      |
| 5   | R108867  | VALVE        | 1   |                   | X X X                            |                        |
| 6   | R98064   | SPRING       | 1   |                   | X X X                            |                        |
| 7   | U17409   | O-RING       | 1   |                   | X X X                            |                        |
| 8   | R121163  | FITTING PLUG | 1   |                   | X X X                            |                        |
| 9   | R47153   | O-RING       | 4   |                   | X X X                            |                        |
| 10  | R51053   | OIL TUBE     | 2   |                   | X X X                            | (SUB FOR R124208)      |
| 11  | R127297  | ADAPTER      | 1   |                   | X X X                            | (SUB FOR R121200)      |
| 12  | R50424   | GASKET       | 2   |                   | X X X                            |                        |
| 13  | 19H3483  | CAP SCREW    | 2   |                   | X X X                            | 3/8" X 1-1/8"          |
| 14  | 24M7096  | WASHER       | 2   |                   | X X X                            | 10.500 X 18 X 1.600 MM |
| 15  | AR58952  | GASKET       | 1   |                   | X X X                            |                        |
| 16  | AR55394  | OIL COOLER   | 1   |                   | X X X                            |                        |
| 17  | R117060  | GASKET       | 1   |                   | X X X                            |                        |

MEMORANDA  
MEMORANDA  
MEMORANDA  
MEMORANDA  
MEMORANDA

# 1G15

ENGINE

ENGINE OIL FILTER AND HOUSING (6081) (8100,8200,8300 TSN 010000- )  
REFROIDISSEUR D'HUILE MOTEUR/FILTRE A HUILE MOTEUR (6081) (8100,8200, 8300 TSN 010000- )  
MOTOR-OELKUEHLER/MOTOROEFILTER (6081) (8100,8200,8300 TSN 010000- )  
RAFFREDDATORE OLIO MOTORE/FILTRO OLIO MOTORE (6081) (8100,8200, 8300 TSN 010000- )  
REFRIGERADOR DEL ACEITE DEL MOTOR/FILTRO DE ACEITE DEL MOTORE(6081) (8100, 8200,8300 TSN 010000- )  
MOTOROLJEKYLARE/MOTOROLJEFILTER (6081) (8100,8200,8300 TSN 010000- )  
RGP4993 -UN-26MAR98



# 1G16

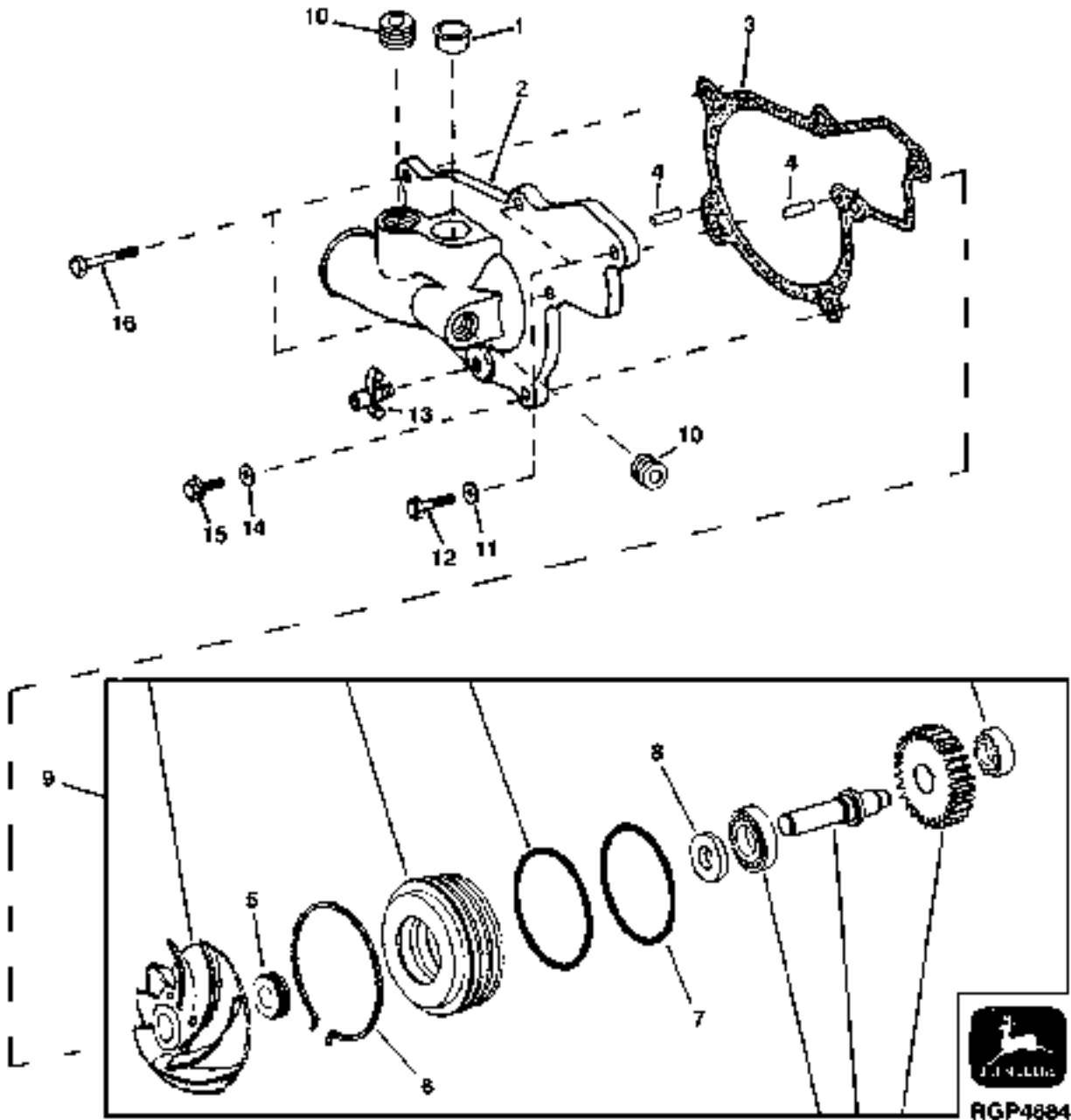
ENGINE

| KEY | PART NO. | PART NAME    | QTY | ENGINE     |       |       | REMARKS            |
|-----|----------|--------------|-----|------------|-------|-------|--------------------|
|     |          |              |     | SERIAL NO. | 8 8 8 | 1 2 3 |                    |
|     |          |              |     | 0 0 0      | 0 0 0 | 0 0 0 |                    |
| 1   | RE58294  | CONNECTOR    | 1   |            | X X X |       |                    |
| 2   | R128694  | BASE         | 1   |            | X X X |       |                    |
| 3   | R108867  | VALVE        | 1   |            | X X X |       |                    |
| 4   | R98064   | SPRING       | 1   |            | X X X |       |                    |
| 5   | U17409   | O-RING       | 1   |            | X X X |       |                    |
| 6   | R117073  | FITTING PLUG | 1   |            | X X X |       |                    |
| 7   | R47153   | O-RING       | 4   |            | X X X |       |                    |
| 8   | R86063   | TUBE         | 2   |            | X X X |       |                    |
| 9   | RE57394  | OIL FILTER   | 1   |            | X X X |       | (MARKED RE57394)   |
| 9A  | R43660   | PACKING      | 1   |            | X X X |       |                    |
| 10  | R129820  | HOUSING      | 1   |            | X X X |       |                    |
| 11  | 19H3239  | CAP SCREW    | 1   |            | X X X |       | 3/8" X 1-1/4"      |
| 12  | R119847  | GASKET       | 1   |            | X X X |       |                    |
| 13  | R124186  | RELIEF VALVE | 1   |            | X X X |       |                    |
| 14  | R102844  | SPRING       | 1   | -024534    | X X X |       | (SUB R500330)      |
|     | R500330  | SPRING       | 1   | 024535-    | X X X |       |                    |
| 15  | U17409   | O-RING       | 1   |            | X X X |       |                    |
| 16  | R129821  | FITTING PLUG | 1   |            | X X X |       | (USE WITH R129820) |
| 17  | 19H3445  | CAP SCREW    | 2   |            | X X X |       | 3/8" X 3-3/4"      |
| 18  | R104621  | ADAPTER      | 1   |            | X X X |       |                    |
| 19  | 19H3104  | CAP SCREW    | 2   |            | X X X |       | 7/16" X 1-1/4"     |
| 20  | R104592  | PIPE PLUG    | 2   |            | X X X |       |                    |

# 1G17

ENGINE

WATER PUMP (6081) (8100,8200,8300 TSN 010000- ) )  
POMPE A EAU (6081) (8100,8200,8300 TSN 010000- ) )  
WASSERPUMPE (6081) (8100,8200,8300 TSN 010000- ) )  
POMPA ACQUA (6081) (8100,8200,8300 TSN 010000- ) )  
BOMBA DE AGUA (6081) (8100,8200,8300 TSN 010000- ) )  
VATTENPUMP (6081) (8100,8200,8300 TSN 010000- ) )  
RGP4684 -UN-01JUN96



# 1G18

ENGINE

| KEY | PART NO. | PART NAME   | QTY | ENGINE     |       |       | REMARKS                                   |
|-----|----------|-------------|-----|------------|-------|-------|---|
|     |          |             |     | SERIAL NO. | 8 8 8 | 1 2 3 |   |
|     |          |             |     | 0 0 0      | 0 0 0 | 0 0 0 |   |
| 1   | RE57190  | SEAL        | 1   | X          | X     | X     |   |
| 2   | R120523  | COVER       | 1   | X          | X     | X     |   |
| 3   | R119383  | GASKET      | 1   | X          | X     | X     |   |
| 4   | R11086   | DOWEL PIN   | 2   | X          | X     | X     |   |
| 5   | RE69844  | KIT         | 1   | X          | X     | X     | (SUB RE502154, THIS APPLICATION)          |
| 6   | R121316  | RING        | 1   | X          | X     | X     | (RETAINING)                               |
| 7   | R122430  | O-RING      | 2   | X          | X     | X     |   |
|     | RE502154 | KIT         | 1   | X          | X     | X     | (CONTAINS RETAINING RING AND (2) O-RINGS) |
| 8   | RE39134  | SEAL        | 1   | X          | X     | X     | (OIL)                                     |
| 9   | RE57154  | WATER PUMP  | 1   | X          | X     | X     | (MARKED RE57154) (16 TEETH)               |
| 10  | 15H624   | PIPE PLUG   | 2   | X          | X     | X     | 1/2"                                      |
| 11  | 24M7096  | WASHER      | 3   | X          | X     | X     | 10.500 X 18 X 1.600 MM                    |
| 12  | 19H1854  | CAP SCREW   | 3   | X          | X     | X     | 3/8" X 3-3/4"                             |
| 13  | AT13740  | DRAIN VALVE | 1   | X          | X     | X     |   |
| 14  | 24H1136  | WASHER      | 1   | X          | X     | X     | 11/32" X 11/16" X 0.065"                  |
| 15  | 19H1897  | CAP SCREW   | 1   | X          | X     | X     | 5/16" X 3-3/4"                            |
| 16  | 19H3411  | CAP SCREW   | 2   | X          | X     | X     | 3/8" X 1-1/8"                             |
| ..  | R98527   | FILTER      | 1   | X          | X     | X     | (CONTAINED IN RE69844)                    |

MEMORANDA  
MEMORANDA  
MEMORANDA  
MEMORANDA  
MEMORANDA

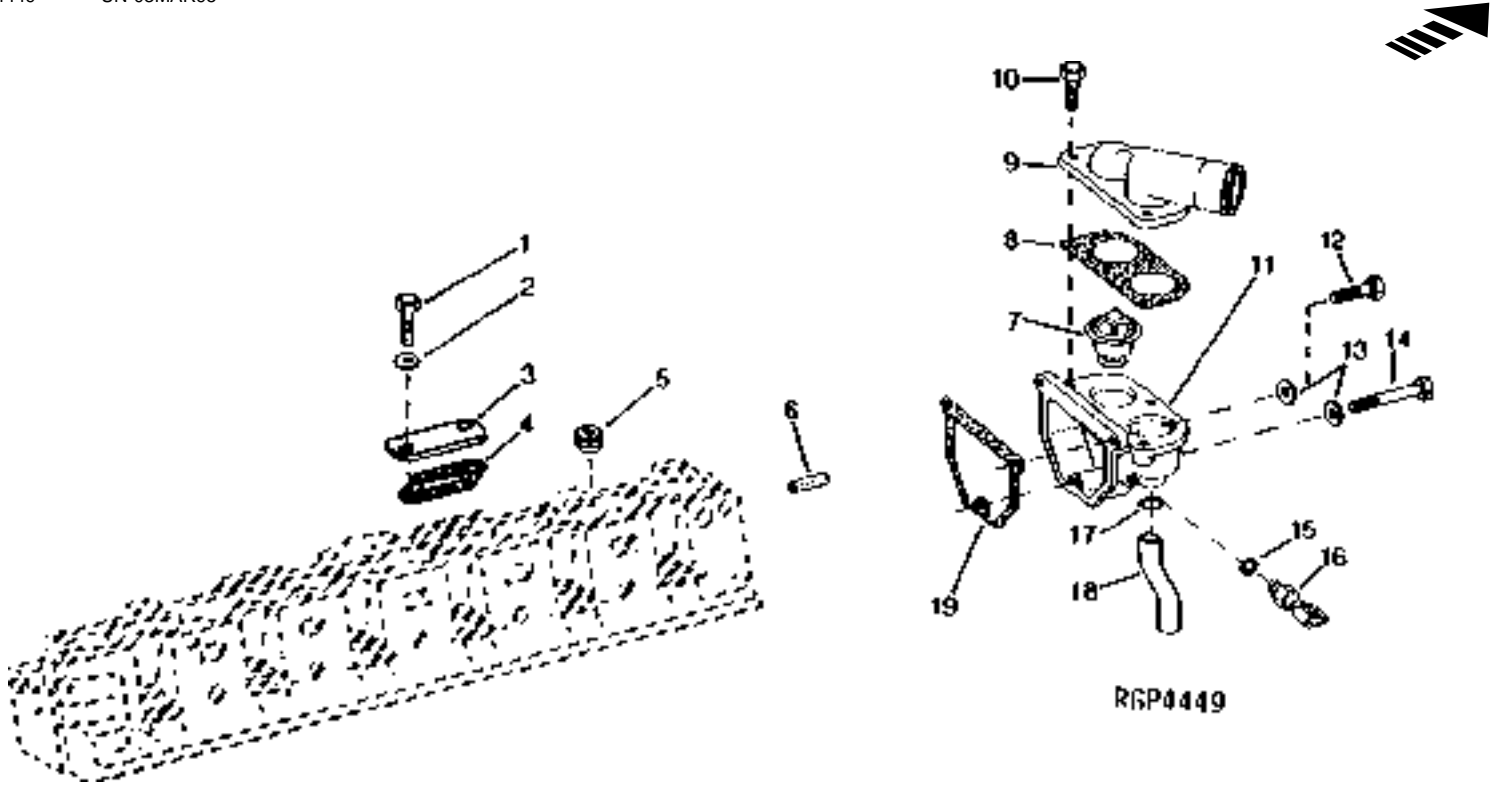


# 1G19

ENGINE

WATER MANIFOLD (6081) (8100,8200,8300 TSN 010000- )  
 PIPE D'EAU/THERMOSTAT (6081) (8100,8200,8300 TSN 010000- )  
 KUEHLWASSERKRUEMMER/THERMOSTAT (6081) (8100,8200,8300 TSN 010000- )  
 COLLETTORE DELL'ACQUA/TERMOSTATO (6081) (8100,8200,8300 TSN 010000- )  
 COLECTOR DEL AGUQ DE REFRIGERACION/TERMOSTATO (6081) (8100,8200,8300 TSN 010000- )  
 VATTENMANTEL/TERMOSTAT (6081) (8100,8200,8300 TSN 010000- )

RGP4449 -UN-03MAR95

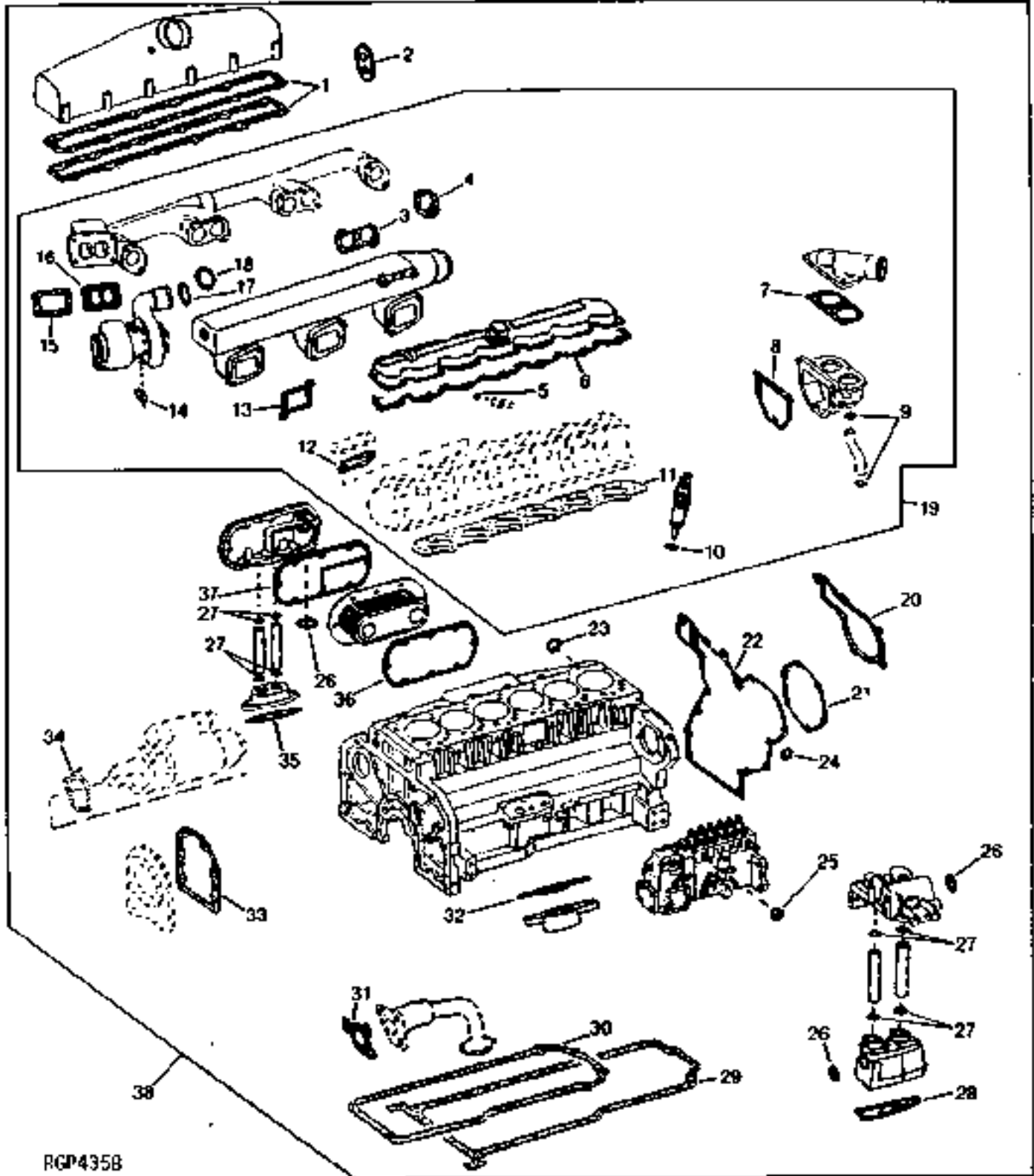


| KEY | PART NO. | PART NAME                | QTY | ENGINE SERIAL NO. | REMARKS |   |   |                          |
|-----|----------|--------------------------|-----|-------------------|---------|---|---|--------------------------|
|     |          |                          |     |                   | 8       | 8 | 8 |                          |
| 1   | 19H2284  | CAP SCREW                | 4   |                   | X       | X | X | 3/8" X 7/8"              |
| 2   | 24H1305  | WASHER                   | 4   |                   | X       | X | X | 13/32" X 13/16" X 0.065" |
| 3   | R86061   | STRAP                    | 2   |                   | X       | X | X |                          |
| 4   | R88397   | GASKET                   | 2   |                   | X       | X | X |                          |
| 5   | 15H691   | PIPE BUSHING             | 1   |                   | X       | X | X | 1/8"                     |
| 6   | 34H329   | SPRING PIN               | 1   |                   | X       | X | X |                          |
| 7   | AR48675  | THERMOSTAT               | 2   |                   | X       | X | X | 82°C (180°F)             |
| 8   | R124607  | GASKET                   | 1   |                   | X       | X | X |                          |
| 9   | R122196  | COVER                    | 1   |                   | X       | X | X |                          |
| 10  | 19H2284  | CAP SCREW                | 3   |                   | X       | X | X | 3/8" X 7/8"              |
| 11  | R122195  | HOUSING                  | 1   |                   | X       | X | X |                          |
| 12  | 19H3483  | CAP SCREW                | 2   |                   | X       | X | X | 3/8" X 1-1/8"            |
| 13  | 24M7096  | WASHER                   | 3   |                   | X       | X | X | 10.500 X 18 X 1.600 MM   |
| 14  | 19H1819  | CAP SCREW                | 1   |                   | X       | X | X | 3/8" X 2-1/8"            |
| 15  | R77673   | O-RING                   | 1   |                   | X       | X | X |                          |
| 16  | RE151433 | WATER TEMPERATURE SENSOR | 1   |                   | X       | X | X | (SUB FOR RE48073)        |
| 17  | R72328   | O-RING                   | 1   |                   | X       | X | X |                          |
| 18  | R120022  | TUBE                     | 1   |                   | X       | X | X |                          |
| 19  | R124211  | GASKET                   | 1   |                   | X       | X | X |                          |

# 1G20

ENGINE

ENGINE GASKET KITS (6081) (8100,8200,8300 TSN 010000- )  
JEU DE JOINTS MOTEUR (6081) (8100,8200,8300 TSN 010000- )  
MOTOR-DICHTUNGSSATZ (6081) (8100,8200,8300 TSN 010000- )  
SERIE GUARNIZIONI MOTORE (6081) (8100,8200,8300 TSN 010000- )  
JUEGO DE JUNTAS PARE EL MOTOR (6081) (8100,8200,8300 TSN 010000- )  
PACKNINGSSATS FOR MOTOR (6081) (8100,8200,8300 TSN 010000- )  
RGP4358 -UN-01JAN94



# 1G21

ENGINE

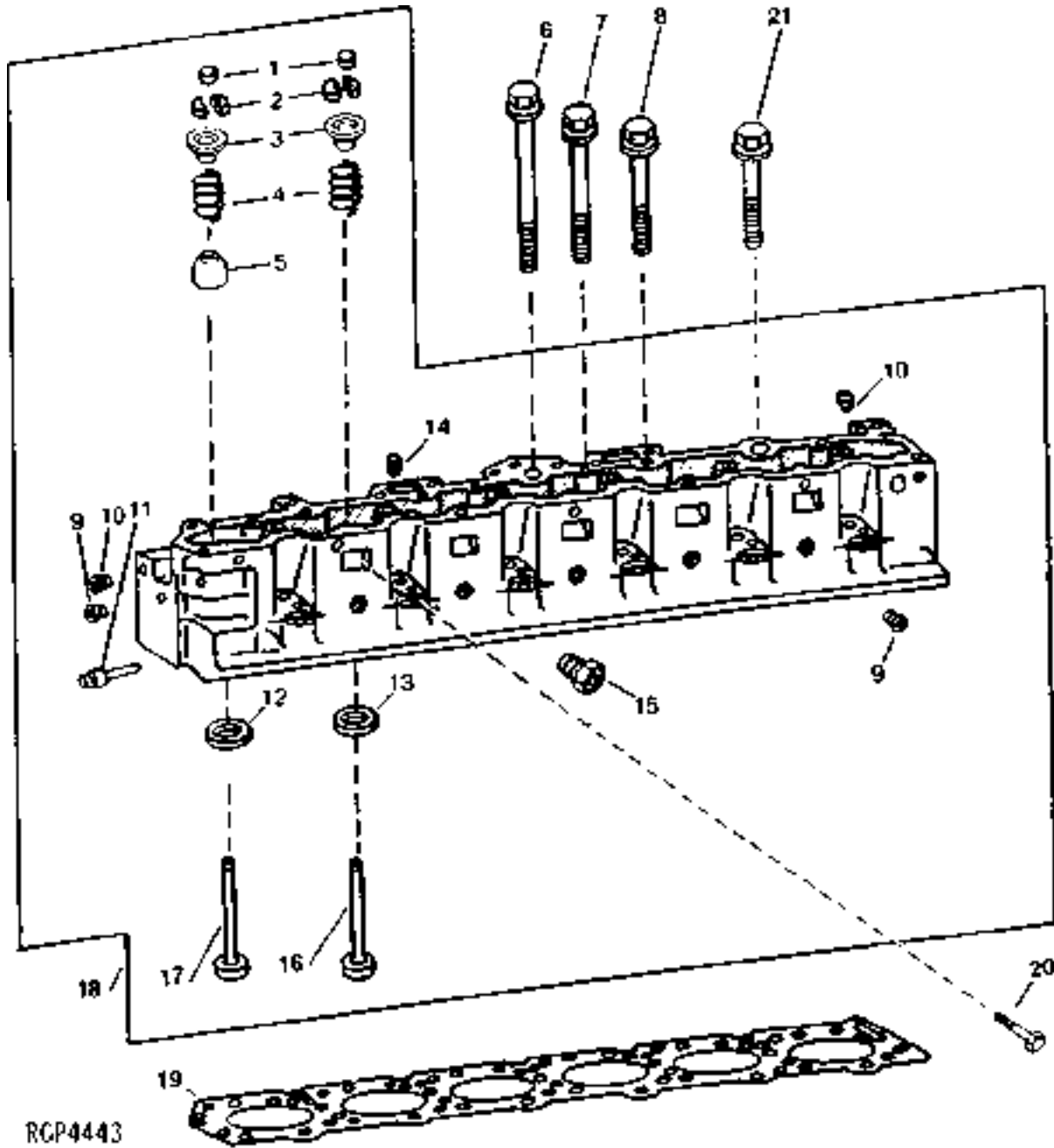
| KEY | PART NO. | PART NAME                   | QTY | ENGINE     | 8 8 8 | REMARKS            |
|-----|----------|-----------------------------|-----|------------|-------|--------------------|
|     |          |                             |     | SERIAL NO. | 1 2 3 |                    |
|     |          |                             |     |            | 0 0 0 |                    |
|     |          |                             |     |            | 0 0 0 |                    |
| 1   | R88993   | GASKET                      | NA  |            |       |                    |
| 2   | R100911  | SEAL                        | NA  |            |       |                    |
| 3   | RE62776  | GASKET                      | 2   |            | X X X |                    |
| 4   | RE62777  | GASKET                      | 2   |            | X X X |                    |
| 5   | R77551   | O-RING                      | 6   |            | X X X |                    |
| 6   | R49866   | GASKET                      | 1   |            | X X X |                    |
| 7   | R124607  | GASKET                      | 1   |            | X X X |                    |
| 8   | R124211  | GASKET                      | 1   |            | X X X |                    |
| 9   | R72328   | O-RING                      | 1   |            | X X X |                    |
| 10  | R84472   | WASHER                      | 6   |            | X X X |                    |
| 11  | RE55475  | ENGINE CYLINDER HEAD GASKET | 1   |            | X X X |                    |
| 12  | R88397   | GASKET                      | 2   |            | X X X |                    |
| 13  | R120646  | GASKET                      | 3   |            | X X X |                    |
| 14  | R105346  | GASKET                      | 1   |            | X X X |                    |
| 15  | R92097   | GASKET                      | NA  |            |       |                    |
| 16  | R89879   | GASKET                      | 1   |            | X X X |                    |
| 17  | R86743   | O-RING                      | 1   |            | X X X |                    |
| 18  | R50405   | O-RING                      | NA  |            |       |                    |
| 19  | RE57186  | GASKET KIT                  | 1   |            | X X X | CYLINDER HEAD      |
| 20  | R119383  | GASKET                      | 1   |            | X X X |                    |
| 21  | R50390   | GASKET                      | 1   |            | X X X |                    |
| 22  | R119384  | GASKET                      | 1   |            | X X X |                    |
| 23  | U13639   | O-RING                      | 1   |            | X X X |                    |
| 24  | R54856   | O-RING                      | 1   |            | X X X |                    |
| 25  | R53899   | WASHER                      | 1   |            | X X X | (USE WITH R83489)  |
|     | R53901   | WASHER                      | 1   |            | X X X | (USE WITH R83490)  |
| 26  | U17409   | O-RING                      | 3   |            | X X X |                    |
| 27  | R47153   | O-RING                      | 4   |            | X X X |                    |
|     | R47153   | O-RING                      | 4   |            | X X X |                    |
| 28  | R119847  | GASKET                      | 1   |            | X X X |                    |
| 29  | .....    | GASKET                      | NA  |            |       |                    |
| 30  | R49377   | GASKET                      | 1   |            | X X X |                    |
| 31  | R100569  | GASKET                      | 1   |            | X X X |                    |
| 32  | R109625  | GASKET                      | 1   |            | X X X |                    |
| 33  | R26058   | GASKET                      | 1   |            | X X X |                    |
| 34  | R53108   | GASKET                      | 1   |            | X X X |                    |
| 35  | R50424   | GASKET                      | 1   |            | X X X |                    |
| 36  | AR58952  | GASKET                      | 1   |            | X X X |                    |
| 37  | R117060  | GASKET                      | 1   |            | X X X |                    |
| 38  | RE57187  | GASKET KIT                  | 1   |            | X X X | (A) ENGINE REBUILD |
| ..  | R124030  | GASKET                      | 1   |            | X X X |                    |

(A) ALSO ORDER R125855 OIL PAN GASKET, AS REQUIRED.

# 1G22

ENGINE

CYLINDER HEAD AND VALVES (8400)  
CULASSE (6081)  
ZYLINDERKOPF  
TESTATA  
TESTATA (6081)  
CULATA (6081)  
RGP4443 -UN-28FEB95



# 1G23

ENGINE

| KEY | PART NO. | PART NAME                   | QTY | ENGINE SERIAL NO. | REMARKS                      |
|-----|----------|-----------------------------|-----|-------------------|------------------------------|
|     |          |                             |     | 8                 |                              |
|     |          |                             |     | 4                 |                              |
|     |          |                             |     | 0                 |                              |
|     |          |                             |     | 0                 |                              |
| 1   | T20129   | CAP                         | 12  |                   | X                            |
| 2   | T20077   | RETAINER                    | 24  |                   | X                            |
| 3   | R136320  | CAP                         | 12  |                   | X (SUB FOR R104534)          |
| 4   | R91822   | SPRING                      | 12  |                   | X                            |
| 5   | R102882  | SHIELD                      | 6   |                   | X (A)                        |
| 6   | R121491  | CAP SCREW                   | 7   |                   | X                            |
| 7   | R121490  | CAP SCREW                   | 8   |                   | X                            |
| 8   | R121320  | CAP SCREW                   | 6   |                   | X                            |
| 9   | 15H690   | PIPE PLUG                   | 10  |                   | X 3/4"                       |
| 10  | 15H584   | PIPE PLUG                   | 2   |                   | X 1/2"                       |
| 11  | AT107509 | PLUG                        | 1   |                   | X                            |
| 12  | R119132  | VALVE SEAT INSERT           | 6   |                   | X (A)                        |
| 13  | R121193  | VALVE SEAT INSERT           | 6   |                   | X (B)                        |
| 14  | 34H387   | SPRING PIN                  | 1   |                   | X 3/16" X 3/4"               |
| 15  | R76491   | PIPE PLUG                   | 1   |                   | X                            |
| 16  | R84618   | INTAKE VALVE                | 6   |                   | X STD                        |
|     | R93308   | INTAKE VALVE                | AR  |                   | X 0.08MM (.003") OS          |
|     | R93312   | INTAKE VALVE                | AR  |                   | X 0.38MM (.015") OS          |
|     | R93314   | INTAKE VALVE                | AR  |                   | X 0.76MM (.030") OS          |
| 17  | R84619   | EXHAUST VALVE               | 6   |                   | X STD                        |
|     | R93311   | EXHAUST VALVE               | AR  |                   | X 0.08MM (.003") OS          |
|     | R93313   | EXHAUST VALVE               | AR  |                   | X 0.38MM (.015") OS          |
|     | R93315   | EXHAUST VALVE               | AR  |                   | X 0.76MM (.030") OS          |
| 18  | RE57750  | CYLINDER HEAD               | 1   |                   | X (MARKED R122419)           |
| 19  | RE55475  | ENGINE CYLINDER HEAD GASKET | 1   |                   | X                            |
| 20  | 19H2367  | CAP SCREW                   | 1   |                   | X 5/8" X 3/4"                |
| 21  | R121489  | CAP SCREW                   | 5   |                   | X                            |
| ..  | RG24026  | KIT                         | 1   |                   | X (CONTAINS (26) HEAD BOLTS) |

(A) EXHAUST VALVE  
 SOUPEPE D'AECHAPPEMENT  
 AUSLASSVENTIL  
 VALVOLA DI SCARICO  
 VALVULA DE ESCAPE  
 AVGASVENTIL

(B) INTAKE VALVE  
 SOUPEPE D'ADMISION  
 EINLASSVENTIL  
 VALVOLA D'ASPIRAZIONE  
 VALVULA DE ADMISION  
 INSUGSVENTIL

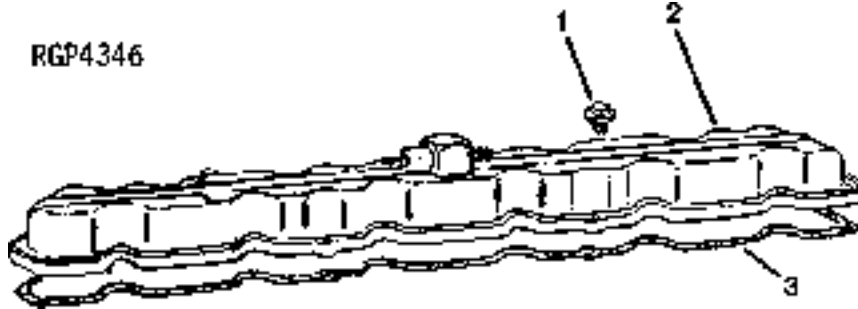
# 1G24

ENGINE

ROCKER ARM COVER  
CULBUTEURS  
ZYLINDERKOPFHAUBE  
COPERCHIO BILANCIERI  
TAPA DE BALANCINES  
VENTILKAPA  
RGP4346 -UN-01JAN94



RGP4346

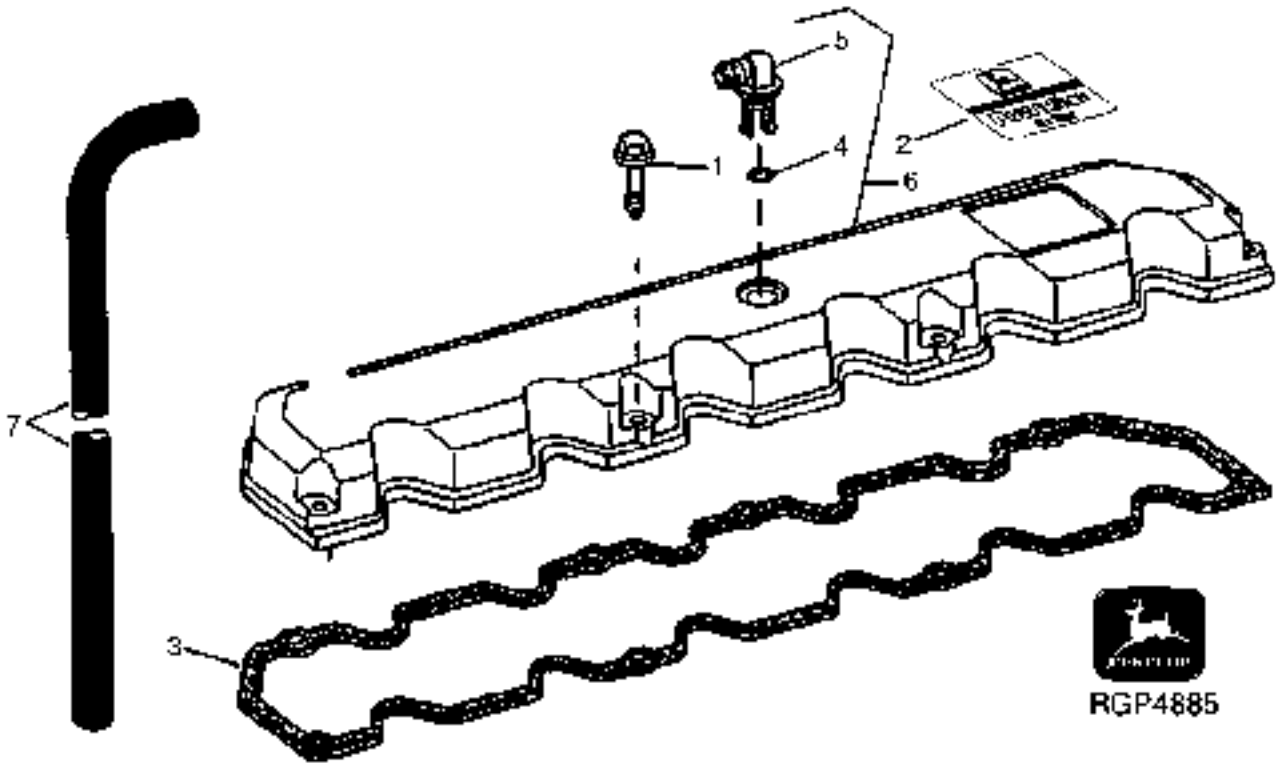


| KEY | PART NO. | PART NAME          | QTY | ENGINE SERIAL NO. | 8<br>4<br>0<br>0 | REMARKS           |
|-----|----------|--------------------|-----|-------------------|------------------|-------------------|
| 1   | AR100124 | SCREW, WITH WASHER | 8   | -018791           | X                |                   |
| 2   | RE37448  | COVER              | 1   | -018791           | X                |                   |
| 3   | R49866   | GASKET             | 1   | -018791           | X                |                   |
| ..  | TY24446  | ADHESIVE           | 1   |                   | X                | (SUB FOR AR31790) |

# 1G25

ENGINE

ROCKER ARM COVER  
 CULBUTEURS  
 ZYLINDERKOPFHAUBE  
 COPERCHIO BILANCIERI  
 TAPA DE BALANCINES  
 VENTILKAPA  
 RGP4885 -UN-13MAY97



| KEY | PART NO. | PART NAME          | QTY | ENGINE SERIAL NO. | REMARKS |
|-----|----------|--------------------|-----|-------------------|---------|
| 1   | RE57632  | SCREW, WITH WASHER | 8   | 018792-           | X       |
| 2   | R116932  | MEDALLION          | 1   | 018792-           | X       |
| 3   | RE54368  | GASKET             | 1   | 018792-           | X       |
| 4   | R72328   | O-RING             | 1   | 018792-           | X       |
| 5   | R120467  | ELBOW FITTING      | 1   | 018792-           | X       |
| 6   | RE70023  | COVER              | 1   | 018792-           | X       |
| 7   | R126432  | HOSE               | 1   | 018792-           | X       |
| ..  | R72659   | CLAMP              | 1   | 018792-           | X       |

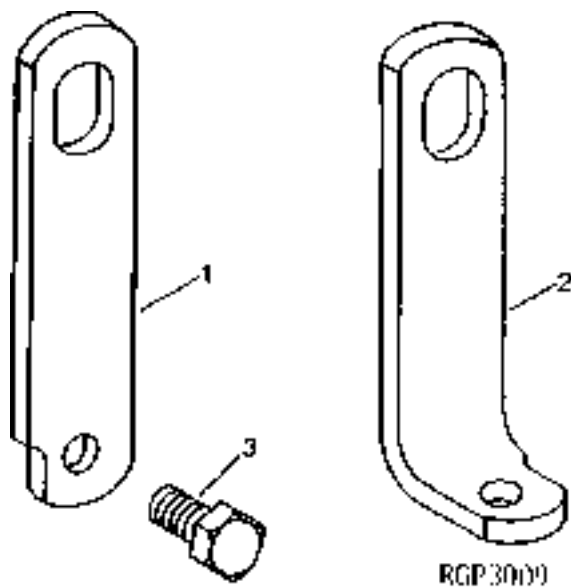
MEMORANDA  
MEMORANDA  
MEMORANDA  
MEMORANDA  
MEMORANDA



# 1H1

ENGINE

LIFT STRAPS (6081)  
 ECLISSES D'APAREIL DE LEVAGE (6081)  
 HUBSTREBE (6081)  
 FASCETTE DEL PARANCO (6081)  
 TIRAS DE ELEVADOR (6081)  
 MOTORLYFTSFAESTEN (6081)  
 RGP3009 -UN-01JAN94

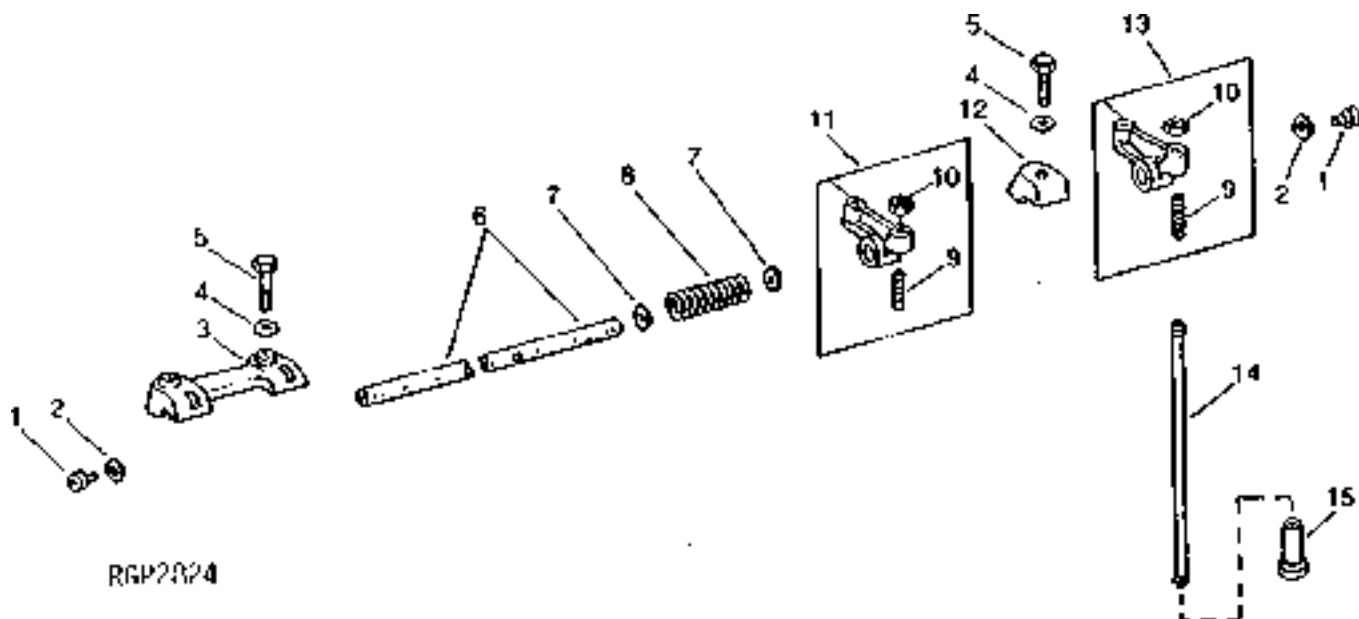


| KEY | PART NO. | PART NAME | QTY | ENGINE SERIAL NO. | REMARKS         |
|-----|----------|-----------|-----|-------------------|-----------------|
| 1   | R61497   | STRAP     | 2   |                   | X               |
| 2   | R86571   | ANGLE     | NA  |                   | X               |
| 3   | 19H1756  | CAP SCREW | 2   |                   | X 5/8" X 1-1/2" |

# 1H2

ENGINE

ROCKER ARMS AND SHAFT (8400)  
 ARBRES DES CULBUTEURS (8400)  
 KIPPHEBELWELLE (8400)  
 ALBERO BILANCIERI (8400)  
 EJE DE BALANCIENES (8400)  
 VIPPARMSAXEL (8400)  
 RGP2824 -UN-01JAN94



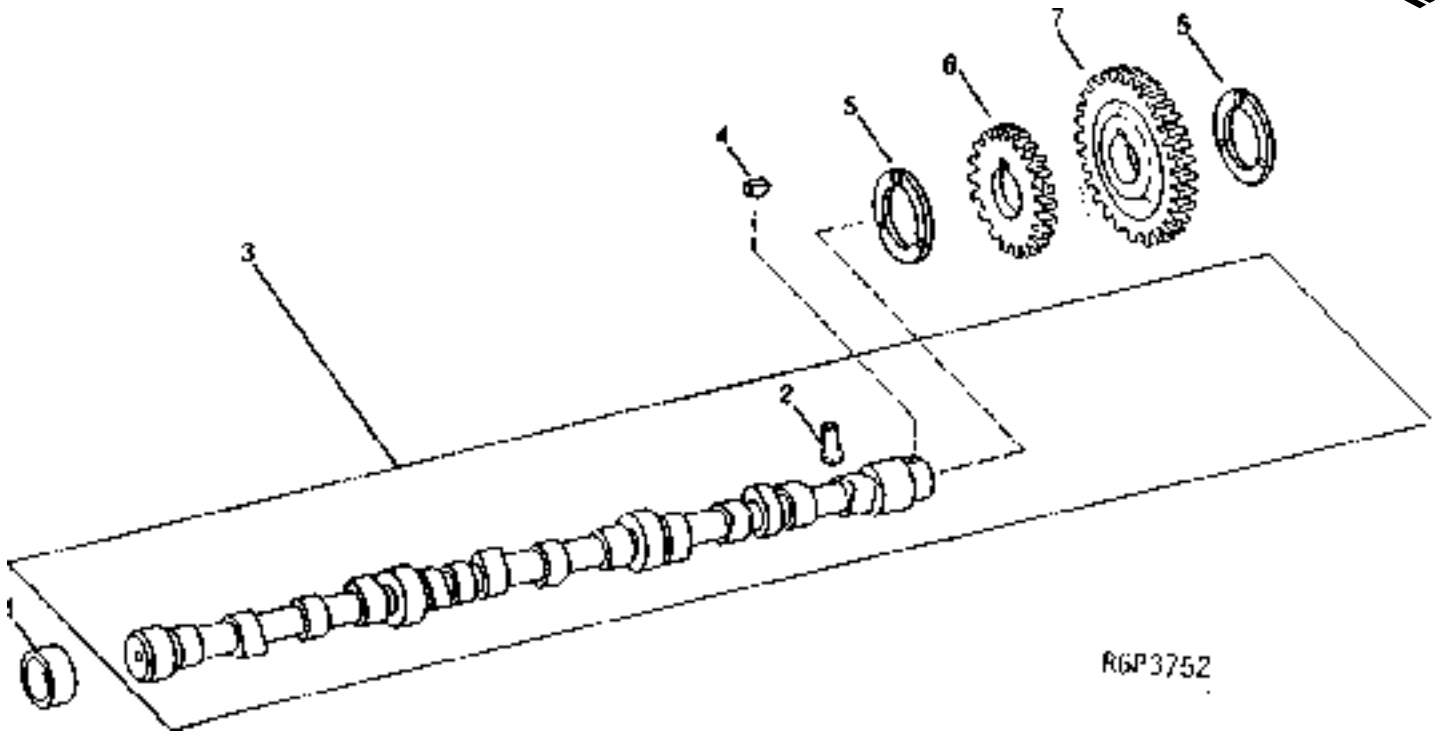
| KEY | PART NO. | PART NAME        | QTY | ENGINE SERIAL NO. | REMARKS                           |
|-----|----------|------------------|-----|-------------------|-----------------------------------|
|     |          |                  |     | 8                 |                                   |
|     |          |                  |     | 4                 |                                   |
|     |          |                  |     | 0                 |                                   |
|     |          |                  |     | 0                 |                                   |
| 1   | R54565   | PLUG             | 2   | X                 |                                   |
| 2   | R26081   | WASHER           | 2   | X                 |                                   |
| 3   | R136083  | CLAMP            | 2   | X                 | (SUB FOR R65553)                  |
| 4   | R26559   | WASHER           | 6   | X                 |                                   |
| 5   | 19H1740  | CAP SCREW        | 6   | X                 | 7/16" X 1-3/4"                    |
| 6   | R70826   | ROCKER ARM SHAFT | 1   | X                 |                                   |
| 7   | R71208   | WASHER           | 10  | X                 |                                   |
| 8   | R26079   | SPRING           | 5   | X                 |                                   |
| 9   | R27443   | SET SCREW        | 12  | X                 |                                   |
| 10  | 14H1080  | NUT              | 12  | X                 | 3/8"                              |
| 11  | RE24045  | ROCKER ARM       | 6   | X                 | (A) (1E, 2I, 3E, 4I, 5E, 6I) (RH) |
| 12  | R26748   | CLAMP            | 2   | X                 |                                   |
| 13  | RE24046  | ROCKER ARM       | 6   | X                 | (A) (1I, 2E, 3I, 4E, 5I, 6E) (LH) |
| 14  | R85027   | PUSH ROD         | 12  | X                 |                                   |
| 15  | R110126  | CAM FOLLOWER     | 12  | X                 |                                   |

(A) - E (EXHAUST VALVE) - I (INTAKE VALVE)

# 1H3

ENGINE

CAMSHAFT AND GEAR  
 ARBRE A CAMES  
 NOCKENWELLE  
 ALBERO A CAMME  
 EJE DE LEVAS  
 KAMAXEL/VENTILER  
 RGP3752 -UN-01JAN94

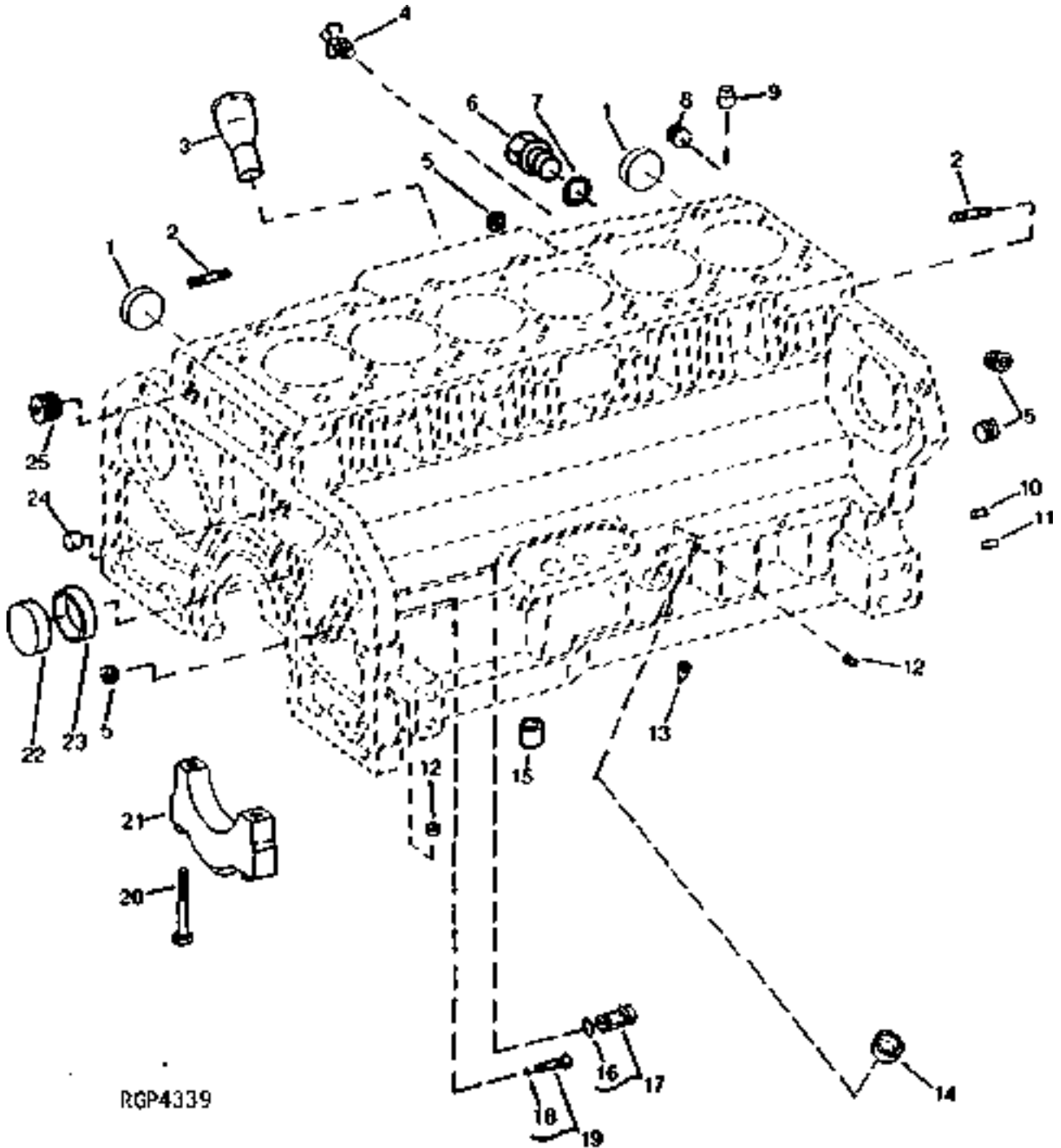


| KEY | PART NO. | PART NAME     | QTY | ENGINE SERIAL NO. | REMARKS          |
|-----|----------|---------------|-----|-------------------|------------------|
|     |          |               |     | 8                 |                  |
|     |          |               |     | 4                 |                  |
|     |          |               |     | 0                 |                  |
|     |          |               |     | 0                 |                  |
| 1   | R87561   | BUSHING       | 4   | X                 |                  |
| 2   | R110126  | CAM FOLLOWER  | 12  | X                 |                  |
| 3   | RE57054  | CAMSHAFT      | 1   | X                 | (MARKED R120872) |
| 4   | 26H91    | SHAFT KEY     | 1   | X                 | 3/16" X 1-1/4"   |
| 5   | R104656  | THRUST WASHER | 2   | X                 |                  |
| 6   | R104589  | GEAR          | 1   | X                 |                  |
| 7   | R112053  | GEAR          | 1   | X                 |                  |

# 1H4

ENGINE

CYLINDER BLOCK FITTINGS  
RACCORDS DE BLOC-CYLINDRES  
ZYLINDERBLOCK-FITTINGS  
RACCORDI DEL MONOBLOQUE DE CILANDRO  
CONECTORES DEL BLOQUE DE CILANDRO  
SKRUVFOERBINDNINGAR FOER CYLINDERBLOCK  
RGP4339 -UN-01JAN94



RGP4339

# 1H5

ENGINE

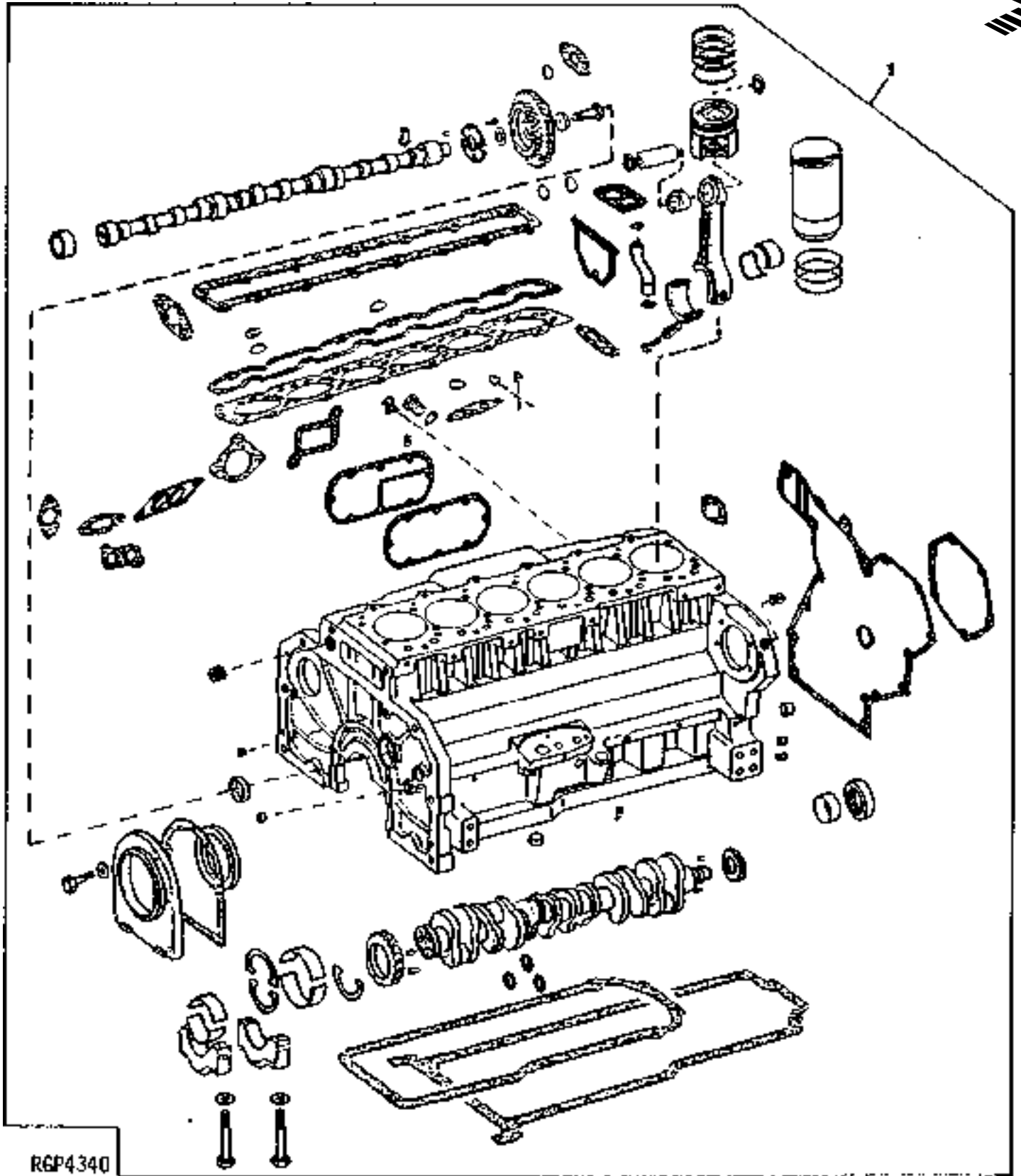
| KEY | PART NO. | PART NAME      | QTY | ENGINE SERIAL NO. | REMARKS                                   |
|-----|----------|----------------|-----|-------------------|---|
|     |          |                |     | 8                 |   |
|     |          |                |     | 4                 |   |
|     |          |                |     | 0                 |   |
|     |          |                |     | 0                 |   |
| 1   | R43409   | CAP            | 2   | X                 |   |
| 2   | R114130  | STUD           | 5   | X                 |   |
| 3   | R120864  | DIPSTICK TUBE  | 1   | X                 | 141.5 MM (5.57")                          |
| 4   | AT13740  | DRAIN VALVE    | 1   | X                 |   |
| 5   | R36599   | PLUG           | 1   | X                 | (NOT AS SHOWN)                            |
| 6   | R39741   | DRAIN PLUG     | 1   | X                 |   |
| 7   | U13639   | O-RING         | 1   | X                 |   |
| 8   | 15H690   | PIPE PLUG      | 1   | X                 | 3/4"                                      |
| 9   | R42340   | BUSHING        | 2   | X                 |   |
| 10  | R1612R   | DOWEL PIN      | 2   | X                 |   |
| 11  | F1743R   | DOWEL PIN      | 2   | X                 |   |
| 12  | R104592  | PIPE PLUG      | 6   | X                 |   |
| 13  | R43621   | ORIFICE        | 6   | X                 |   |
| 14  | T35390   | CAP            | 1   | X                 |   |
| 15  | R500642  | BUSHING        | 2   | X                 | (SUB FOR R62930, THIS APPLICATION)        |
| 16  | R27149   | O-RING         | 1   | X                 |   |
| 17  | AR61533  | PLUG           | 1   | X                 |   |
| 18  | A4365R   | O-RING         | 1   | X                 |   |
| 19  | AR61589  | PLUG           | 1   | X                 |   |
| 20  | R122364  | BOLT           | 14  | X                 |   |
| 21  | R120953  | BEARING CAP    | 6   | X                 | (MAIN)                                    |
|     | R120954  | BEARING CAP    | 1   | X                 | (THRUST)                                  |
| 22  | R82007   | CAP            | 1   | X                 |   |
| 23  | R87561   | BUSHING        | 4   | X                 |   |
| 24  | R61288   | DOWEL PIN      | 1   | X                 |   |
| 25  | 15H562   | PIPE PLUG      | 1   | X                 | 1"  |
| ..  | 15H686   | PIPE PLUG      | 1   | X                 | 1", (CYLINDER BLOCK REAR COOLANT OPENING) |
| ..  | .....    | CYLINDER BLOCK | NA  | X                 | (NOT AVAILABLE)                           |
| ..  | 15H624   | PIPE PLUG      | 2   | X                 |   |

# 1H6

ENGINE

ENGINE SHORT BLOCK (WITHOUT HEAD BOLTS)  
MOTEUR DEPOUILLE POUR RECHANGE (SANS BOULONS DE CULASSE)  
KURZMOTOR (OHNE ZYLINDERKOPFSCHRAUBEN)  
MOTORE CORTO (SENZA VITI DELLA TESTATA)  
MOTOR BASICO (SIN PERNOS DE CABEZA)  
KORTMOTOR (UTAN TOPPLOCKSSKRUVAR)

RGP4340 -UN-01JAN94



# 1H7

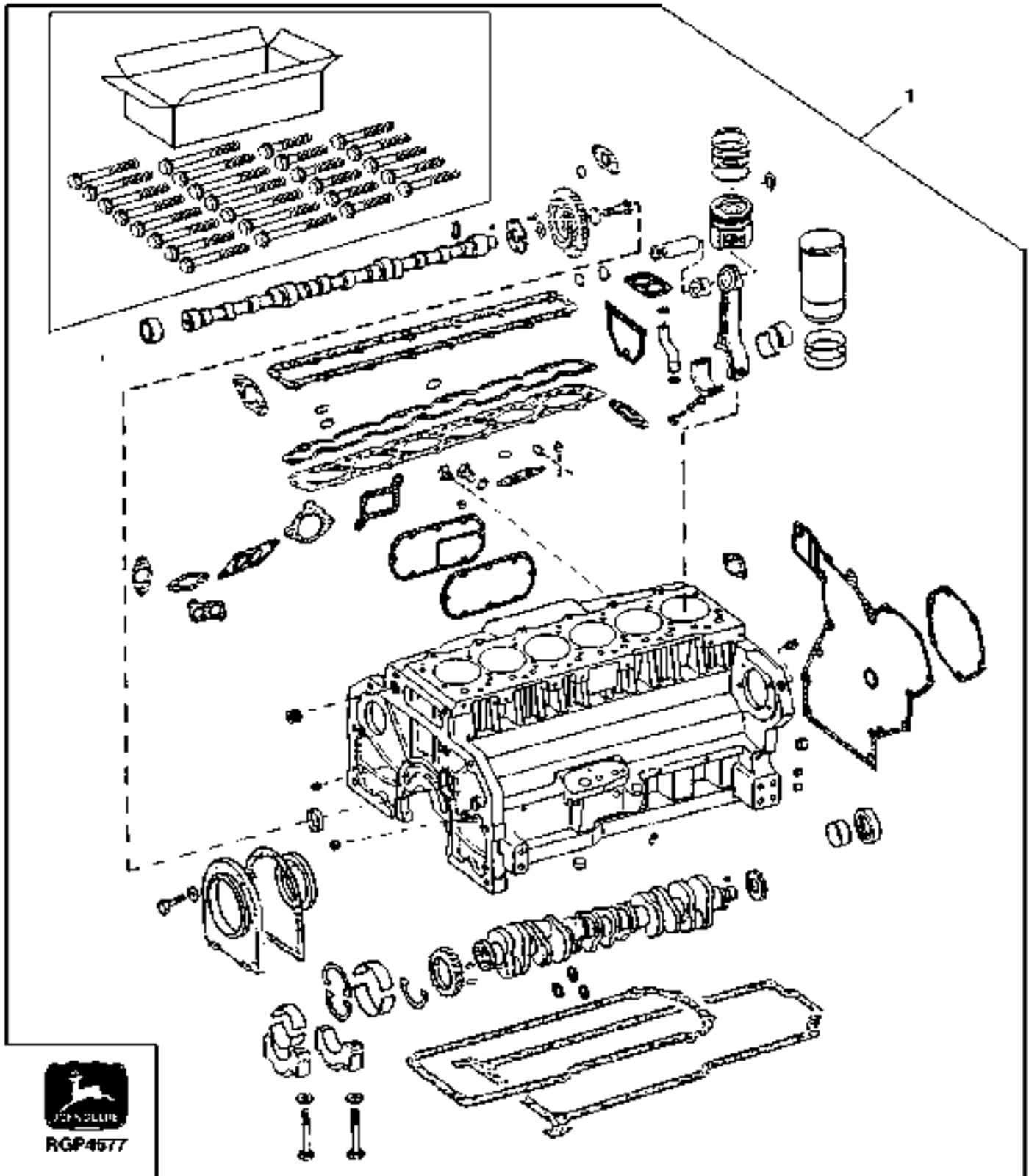
ENGINE

| KEY | PART NO. | PART NAME            | QTY | ENGINE<br>SERIAL NO. | 8<br>4<br>0<br>0 | REMARKS  |
|-----|----------|----------------------|-----|----------------------|------------------|--|
| 1   | RE57181  | SHORT BLOCK ASSEMBLY | 1   |                      | X                | (MARKED R120032) (SUB RE65049, R125855, AND R120864, APPL) |

# 1H8

ENGINE

ENGINE SHORT BLOCK (WITH HEAD BOLTS)  
MONTEUR DEPOUILLE POUR RECHANGE (AVEC BOULONS DE CULASSE)  
KURZMOTOR (MIT ZYLINDERKOPFSCHRAUBEN)  
MOTORE CORTO (CON VITI DELLA TESTATA)  
MOTOR BASICO (CON OERNOS DE CABEZA)  
KORTMOTOR (MED TOPPLOCKSSKRUVAR)  
RGP4577 -UN-02NOV95





# 1H9

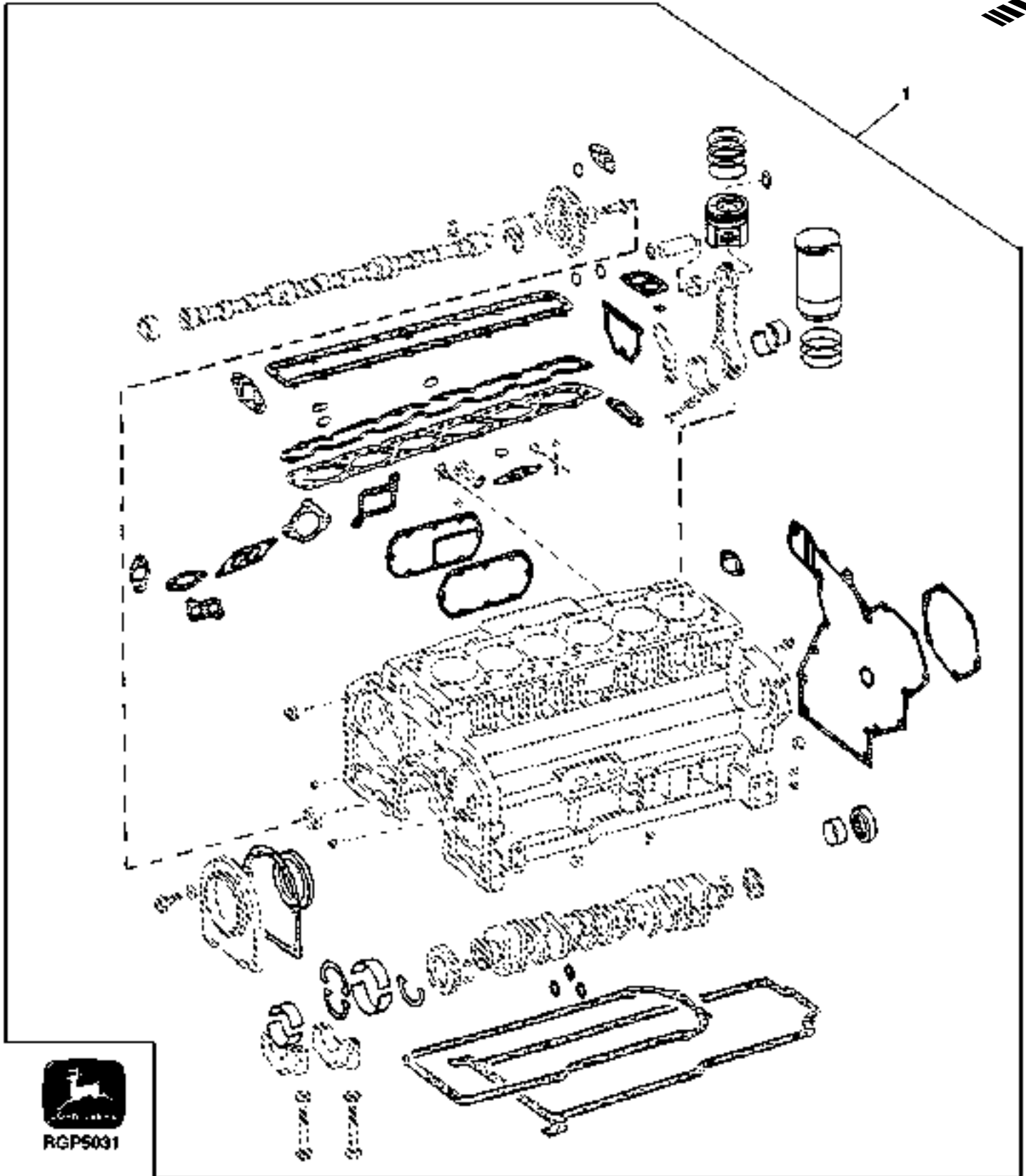
ENGINE

| KEY | PART NO. | PART NAME            | QTY | ENGINE<br>SERIAL NO. | REMARKS   |
|-----|----------|----------------------|-----|----------------------|---|
| 1   | RE65049  | SHORT BLOCK ASSEMBLY | 1   |                      | X (MARKED R120032) (ALSO ORDER R125855 AND R120864, APPL) |

# 1H10

ENGINE

ENGINE OVERHAUL KIT  
JEU POUR LA REVISION DU MOTEUR  
MOTOR-UEBERHILFSATZ  
KIT DI REVISIONE DEL MOTORE  
CONJUNTO DE RECONDICIONAMIENTO DEL MOTOR  
MOTOROEVERSYNSSATS  
RGP5031 -UN-11MAY98



# 1H11

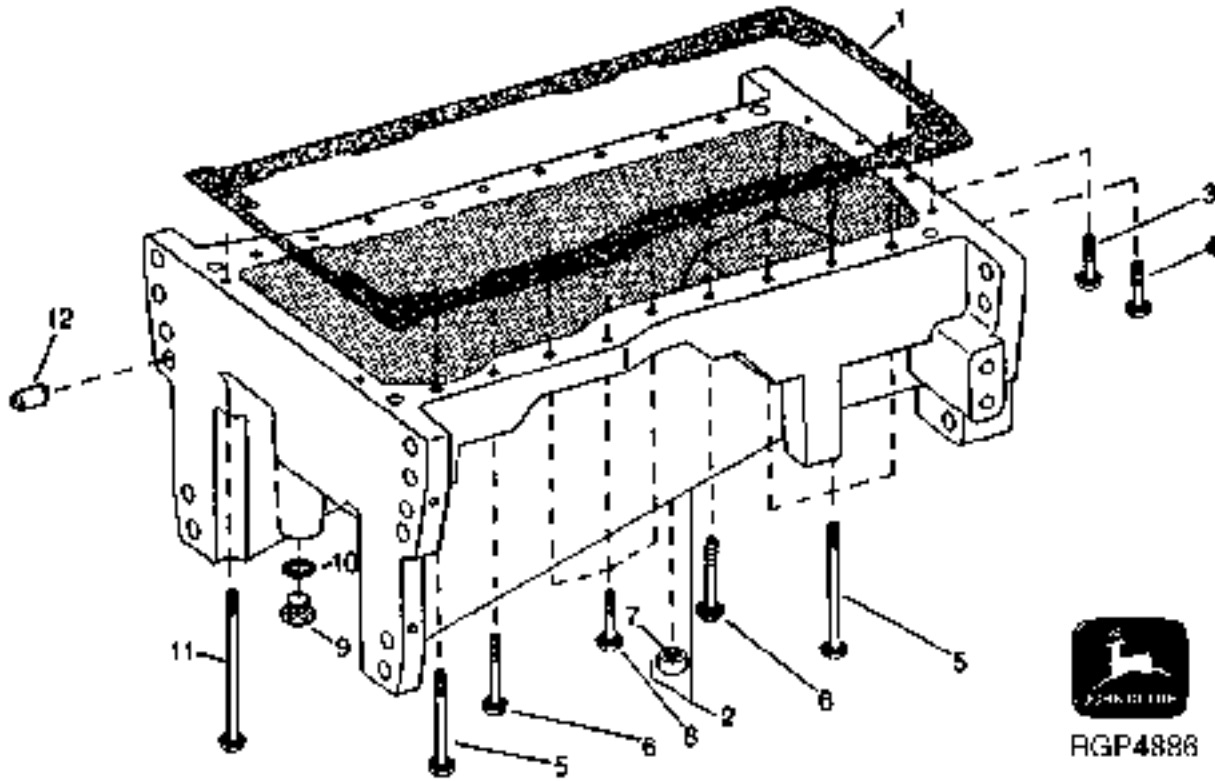
ENGINE

| KEY | PART NO. | PART NAME           | QTY | ENGINE SERIAL NO. | 8<br>4<br>0<br>0 | REMARKS   |
|-----|----------|---------------------|-----|-------------------|------------------|---|
| 1   | RE64907  | ENGINE OVERHAUL KIT | 2   | -002973           | X                | (CONTAINS (6) RE62791 PISTON/LINERS, GASKET KIT, STD BEARINGS, FRONT/REAR SEALS, AND SNAP RINGS) (ALSO ORDER R66452 ROD BOLTS) (SUB RE67677) (ALSO ORDER R125855) |
|     | RE67677  | ENGINE OVERHAUL KIT | 1   | 002974-           | X                | (CONTAINS (6) RE64509 PISTON/LINERS, GASKET KIT, STD BEARINGS, FRONT/REAR SEALS, AND SNAP RINGS) (ALSO ORDER R66452 ROD BOLTS) (ALSO ORDER R125855)               |

# 1H12

ENGINE

OIL PAN  
 CARTER D'HUILE  
 DELWANNE  
 COPPA DELL'OLIO  
 CARTER DEL ACEITE  
 OLJETRAG  
 RGP4886 -UN-13MAY97

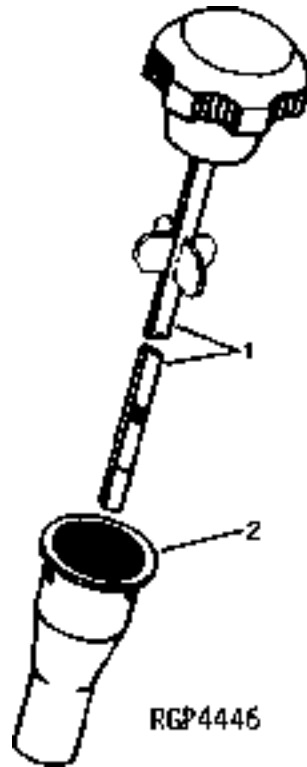


| KEY | PART NO. | PART NAME  | QTY | ENGINE SERIAL NO. | REMARKS   |
|-----|----------|------------|-----|-------------------|---|
| 1   | R125855  | GASKET     | 1   |                   | X (SUB FOR R107343)                             |
| 2   | RE71509  | OIL PAN    | 1   | -XXXXXX           | X (MARKED R136471 OR R107229) (SUB FOR RE50889) |
|     | RE161680 | OIL PAN    | 1   | XXXXXX-           | X   |
|     | 19M7963  | CAP SCREW  | 2   | XXXXXX-           | X   |
| 3   | R122474  | CAP SCREW  | 2   |                   | X .375 X 2.25                                   |
| 4   | R121395  | CAP SCREW  | 2   |                   | X .375 X 1.875                                  |
| 5   | R122477  | CAP SCREW  | 8   |                   | X .500 X 6.000                                  |
| 6   | R122476  | CAP SCREW  | 4   |                   | X .500 X 4.000                                  |
| 7   | ET14521  | BUSHING    | 4   |                   | X   |
| 8   | R122475  | CAP SCREW  | 6   |                   | X .500 X 2.500                                  |
| 9   | R27175   | DRAIN PLUG | 1   |                   | X   |
| 10  | F3171R   | O-RING     | 1   |                   | X   |
| 11  | R126912  | CAP SCREW  | 2   |                   | X .375 X 7.750                                  |
| 12  | .....    | DOWEL PIN  | 6   |                   | X (SUB RE71509)                                 |

# 1H13

ENGINE

ENGINE OIL DIPSTICK AND TUBE  
JAUGE A HUILE MOTEUR  
MOTOROELMESSTAB  
ASTINA DE LIVELLO OLIO MOTORE  
ASPILLA PARA MEDIR EL NIVEL DE ACEITE DEL MOTOR  
MOTORNS OLJETICKA  
RGP4446 -UN-03MAR95

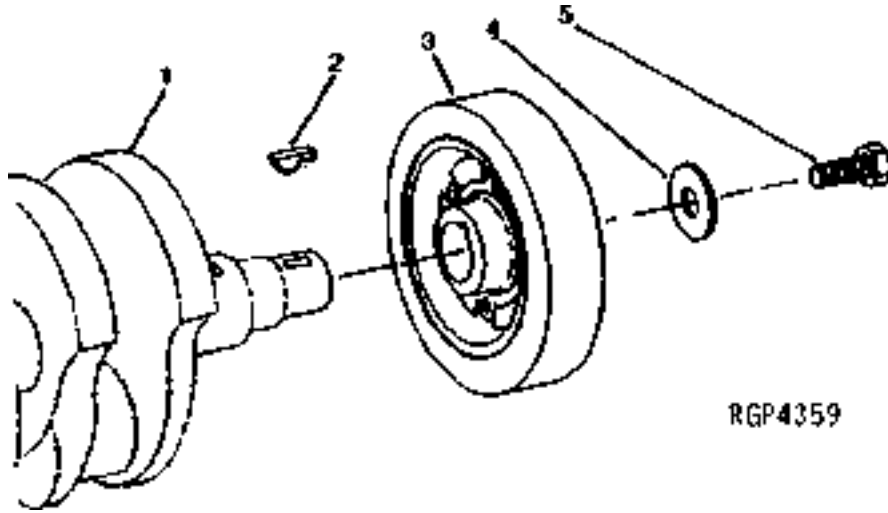


| KEY | PART NO. | PART NAME     | QTY | ENGINE SERIAL NO. | REMARKS                        |
|-----|----------|---------------|-----|-------------------|--------------------------------|
| 1   | RE500209 | DIPSTICK      | 1   | 8                 | X (SUB FOR RE56493)            |
| 2   | R120864  | DIPSTICK TUBE | 1   | 4                 | X 141.5 MM (5.57") (6081HRW01) |
|     |          |               |     | 0                 |                                |
|     |          |               |     | 0                 |                                |

# 1H14

ENGINE

CRANKSHAFT PULLEY AND DAMPER  
 POULE DE VILEBREQUIN  
 KURBELWELLENRIEMENSCHIBE  
 PULEGGIA DELL'ALBERO A GOMITI  
 POLEA DEL CIGUENAL  
 VEVAXELREMSKIVA  
 RGP4359 -UN-01JAN94



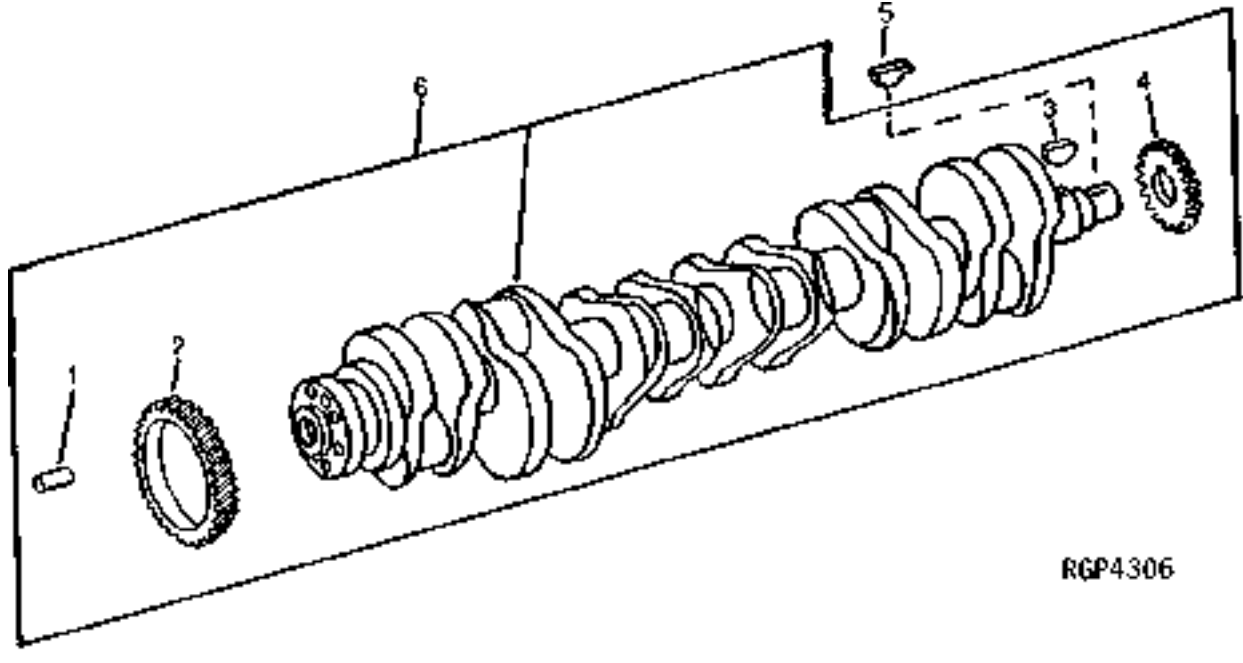
| KEY | PART NO. | PART NAME          | QTY | ENGINE SERIAL NO. | REMARKS |
|-----|----------|--------------------|-----|-------------------|---------|
| 1   | .....    | CRANKSHAFT         | 1   | 8                 | X       |
| 2   | R116311  | KEY                | 1   | 4                 | X       |
| 3   | RE57603  | TORSIONAL DAMPENER | 1   | 0                 | X       |
| 4   | R26333   | WASHER             | 1   | 0                 | X       |
| 5   | R79846   | CAP SCREW          | 1   | 0                 | X       |

# 1H15

ENGINE

CRANKSHAFT  
 VILEBREQUIN  
 KURBELWELLE  
 ALBERO A COLLI  
 CIGUENAL  
 VEVAXEL  
 RGP4306

-UN-01JAN94

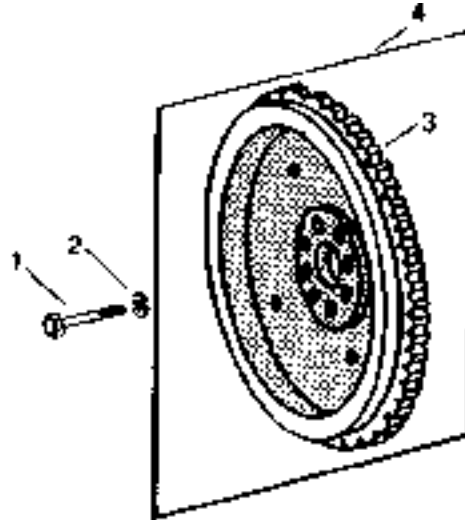


| KEY | PART NO. | PART NAME  | QTY | ENGINE SERIAL NO. | REMARKS               |
|-----|----------|------------|-----|-------------------|-----------------------|
| 1   | R41934   | DOWEL PIN  | 1   | 8                 | X                     |
| 2   | R63326   | GEAR       | 1   | 4                 | X (SUB RE55522, APPL) |
| 3   | R120752  | KEY        | 1   | 0                 | X 1/8" X 0.625"       |
| 4   | R104587  | GEAR       | 1   | 0                 | X                     |
| 5   | R116311  | KEY        | 1   | 0                 | X                     |
| 6   | RE55522  | CRANKSHAFT | 1   | 0                 | X (MARKED RE55522)    |

# 1H16

ENGINE

FLYWHEEL  
 VOLANT  
 SCGWUNGRAD  
 VOLANO  
 VOLANTE  
 SVANGHJUL  
 RGP3073 -UN-01JAN94



RGP3073

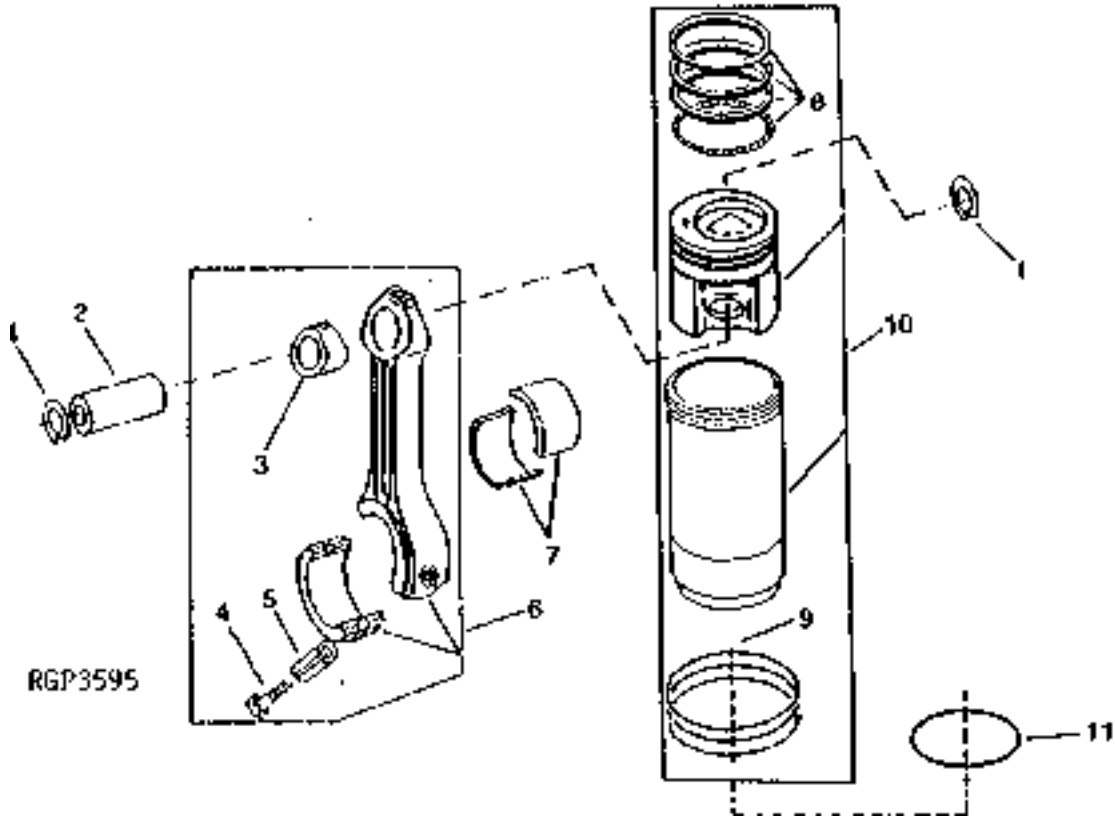
| KEY | PART NO. | PART NAME | QTY | ENGINE SERIAL NO. | REMARKS   |
|-----|----------|-----------|-----|-------------------|---|
|     |          |           |     | 8                 |   |
|     |          |           |     | 4                 |   |
|     |          |           |     | 0                 |   |
|     |          |           |     | 0                 |   |
| 1   | 19H3579  | CAP SCREW | 6   |                   | X (SUB FOR R41049 OR R52634 THIS APPLICATION)           |
| 2   | T23891   | WASHER    | 6   |                   | X 13.487 X 20.625 X 1.524 MM (17/32" X 13/16" X 0.060") |
| 3   | R28811   | RING GEAR | 1   |                   | X   |
| 4   | RE44632  | FLYWHEEL  | 1   |                   | X (MARKED R107339)                                      |



# 1H17

ENGINE

PISTON/CONNECTING RODS/CYLINDER LINER  
 PISTON/BIELLE/CHEMISE DE CYLINDRE  
 KOLBEN/PLEUELSTANGE/ZYLINDERLAUFBUCHSE  
 PISTONE/BIELLA/CAMICIE  
 PISTON/BIELA/CAMISA DEL CILINDRO  
 KOLV/KOLVSTAKE/CYLINDERFODER  
 RGP3595 -UN-01JAN94



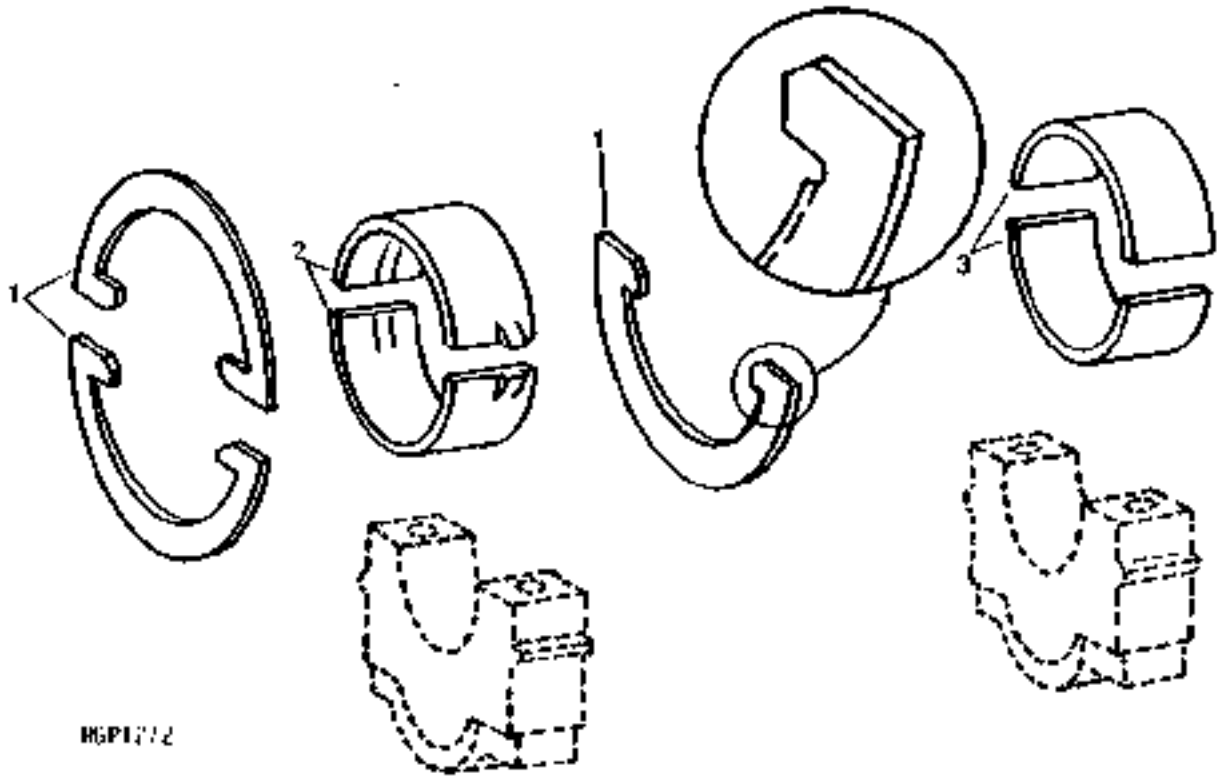
| KEY | PART NO. | PART NAME      | QTY | ENGINE SERIAL NO. | REMARKS   |
|-----|----------|----------------|-----|-------------------|---|
|     |          |                |     | 8                 |   |
|     |          |                |     | 4                 |   |
|     |          |                |     | 0                 |   |
|     |          |                |     | 0                 |   |
| 1   | E1343FN  | SNAP RING      | 12  |                   | X   |
| 2   | R57771   | PISTON PIN     | 6   |                   | X   |
| 3   | R74008   | BUSHING        | 6   |                   | X   |
| 4   | R66452   | CAP SCREW      | 12  |                   | X   |
| 5   | R53292   | SLEEVE         | 12  |                   | X   |
| 6   | RE53154  | CONNECTING ROD | 6   |                   | X (MARKED R116340)  |
| 7   | R116081  | BEARING        | AR  |                   | X STD PKG (2) (SUB FOR RE57165)   |
| 8   | RE57188  | PISTON RING    | 6   |                   | X   |
| 9   | AR98850  | KIT            | 6   |                   | X   |
| 10  | RE62791  | KIT            | 6   | -002973           | X (A) (MARKED RE60328, RE62640 OR RE65407)<br>(SUB FOR RE57189) (LOW COMPRESSION) (SUB<br>RE64509, APPL.) |
|     | RE64509  | KIT            | 6   | 002974-           | X (MARKED RE64170 OR RE65289) (HIGH<br>COMPRESSION)   |
| 11  | R93948   | SHIM           | 2   |                   | X 0.05MM (.002") (MAX.)   |

(A) ORDER (6) RE64509 IF REPLACING ALL SIX OR RE67677 OVERHAUL KIT.

# 1H18

ENGINE

MAIN AND MAIN THRUST BEARINGS  
 PALIERS PRINCIPAUX  
 HAUPTLAGER  
 CUSCINETTI PRINCIPALI  
 COJINETES DE BANCADA  
 RAMLAGER  
 RGP1272 -UN-01JAN94

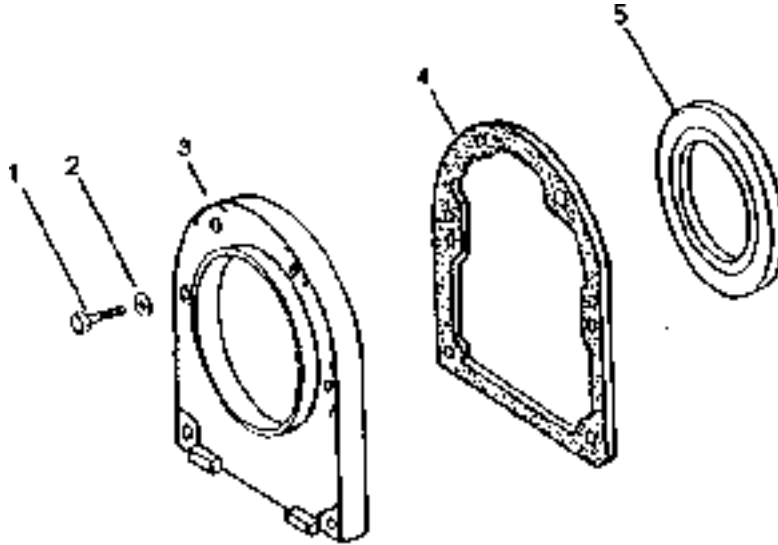


| KEY | PART NO. | PART NAME      | QTY | ENGINE SERIAL NO. | REMARKS                                    |
|-----|----------|----------------|-----|-------------------|--|
|     |          |                |     | 8                 |  |
|     |          |                |     | 4                 |  |
|     |          |                |     | 0                 |  |
|     |          |                |     | 0                 |  |
| 1   | RE61253  | THRUST WASHER  | 1   | X                 | STD (PKG (3) R124381)                      |
|     | RE61851  | THRUST WASHER  | 1   | X                 | 0.18 MM (.007") (PKG (3) R124842)          |
| 2   | RE57175  | THRUST BEARING | 1   | X                 | STD (PKG R116084 AND R116085)              |
|     | RE57177  | THRUST BEARING | 1   | X                 | 0.292 MM (.011") (PKG R121350 AND R121354) |
|     | RE57178  | THRUST BEARING | 1   | X                 | 0.552 MM (.022") (PKG R121351 AND R121355) |
| 3   | RE57170  | BEARING        | AR  | X                 | STD (PKG R116082 AND R116083)              |
|     | RE57172  | BEARING        | AR  | X                 | 0.292 MM (.011") (PKG R121342 AND R121346) |
|     | RE57173  | BEARING        | AR  | X                 | 0.552 MM (.022") (PKG R121343 AND R121347) |

# 1H19

ENGINE

CRANKSHAFT OIL SEAL AND HOUSING  
 JOINT A LEVRE ET CARTER DE VILEBREQUIN (6081)  
 KURBELWELLENDICHTRING UND GEHAEUSE (6081)  
 ANELLO DI TENUTA E CARCASSA DELL'ALBERO A GOMITI (6081)  
 RETEN Y CARACASA DEL ACEITE CIGUENAL (6081)  
 VEVAXELNS TAETNINGSRING OCH HUS (6081)  
 RGP2382 -UN-01JAN94



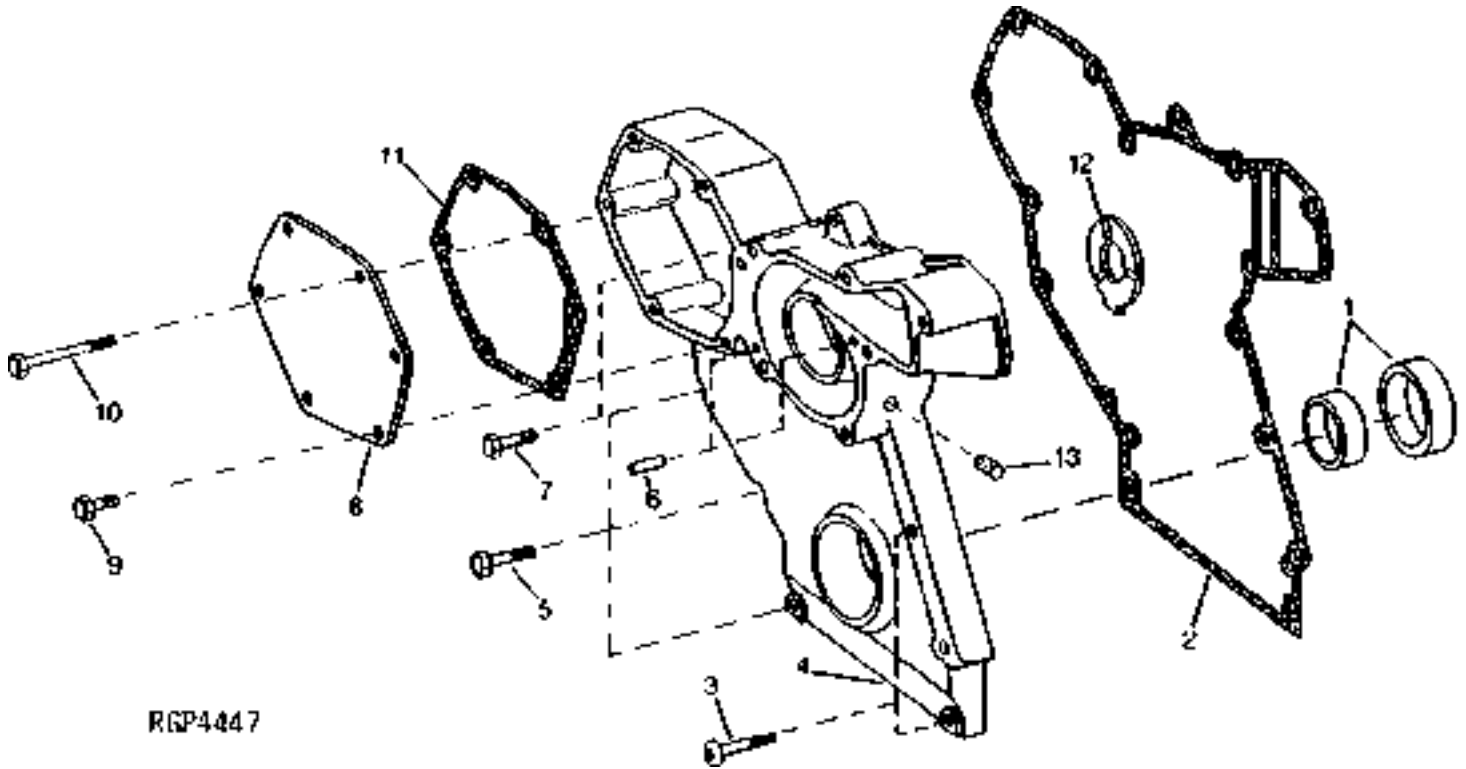
RGP2382

| KEY | PART NO. | PART NAME | QTY | ENGINE SERIAL NO. | REMARKS                              |
|-----|----------|-----------|-----|-------------------|--------------------------------------|
| 1   | R47074   | CAP SCREW | 6   | 8                 | X 7.925 X 28.448 MM (5/16" X 1.120") |
| 2   | T27860   | WASHER    | 6   | 4                 | X 11/32" X 11/16" X 0.065"           |
| 3   | R125027  | HOUSING   | 1   | 0                 | X                                    |
| 4   | R26058   | GASKET    | 1   | 0                 | X                                    |
| 5   | RE22764  | SEAL      | 1   | 0                 | X                                    |

# 1H20

ENGINE

TIMING GEAR COVER AND FRONT OIL SEAL  
 COUVERCLE DE DISTRIBUTUIN  
 STEUERGEHAEUSE  
 COPERCHIO DISTRIBUZIONE  
 TAPA DE LA DISTRIBUCION  
 TIDJULSKAPA  
 RGP4447 -UN-28FEB95

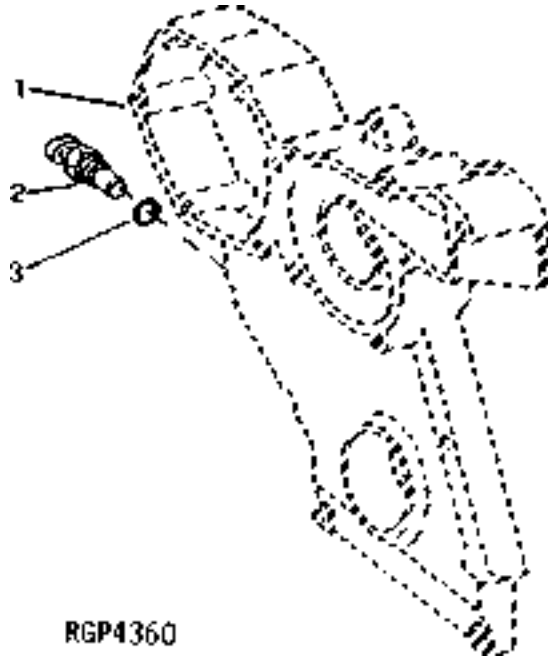


| KEY | PART NO. | PART NAME     | QTY | ENGINE SERIAL NO. | REMARKS         |
|-----|----------|---------------|-----|-------------------|-----------------|
|     |          |               |     | 8                 |                 |
|     |          |               |     | 4                 |                 |
|     |          |               |     | 0                 |                 |
|     |          |               |     | 0                 |                 |
| 1   | AR49025  | SEAL          | 1   |                   | X               |
| 2   | R119384  | GASKET        | 1   |                   | X               |
| 3   | R115129  | CAP SCREW     | 3   |                   | X               |
| 4   | R119381  | COVER         | 1   |                   | X               |
| 5   | R104859  | CAP SCREW     | 3   |                   | X               |
| 6   | R11086   | DOWEL PIN     | 2   |                   | X               |
| 7   | 19H3693  | CAP SCREW     | 1   |                   | X 3/8" X 1-1/4" |
| 8   | R50393   | COVER         | 1   |                   | X               |
| 9   | R112268  | CAP SCREW     | 1   |                   | X               |
| 10  | R104861  | CAP SCREW     | 5   |                   | X               |
| 11  | R50390   | GASKET        | 1   |                   | X               |
| 12  | R104656  | THRUST WASHER | 1   |                   | X               |
| 13  | R98527   | FILTER        | 1   |                   | X               |

# 1H21

ENGINE

MAGNETIC PICK-UP  
 OUTIL AIMANTE A MANCHE  
 MAGNETISCHER MESSWERTGEBER  
 CALAMITA RACCATTAPPEZZI  
 CAPTADOR MAGNETICO  
 MAGNETISK GIVARE  
 RGP4360 -UN-01JAN94



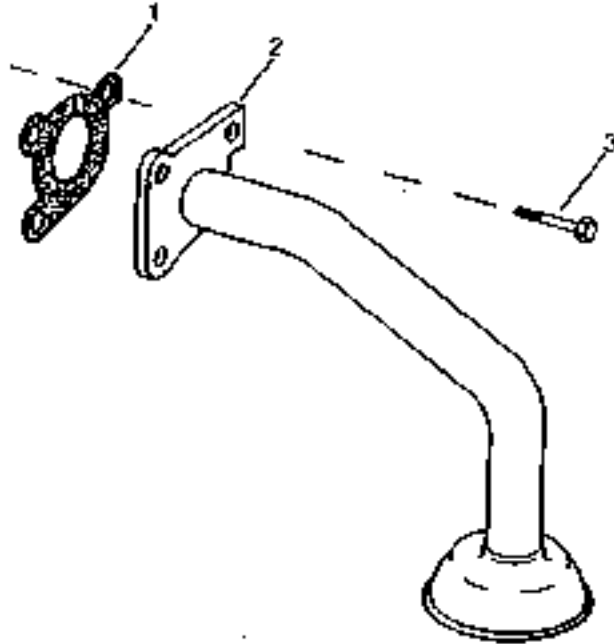
| KEY | PART NO. | PART NAME | QTY | ENGINE SERIAL NO. | REMARKS                                     |
|-----|----------|-----------|-----|-------------------|---|
|     |          |           |     | 8                 |   |
|     |          |           |     | 4                 |   |
|     |          |           |     | 0                 |   |
|     |          |           |     | 0                 |   |
| 1   | .....    | COVER     | 1   |                   | X   |
| 2   | RE71121  | SENSOR    | 1   |                   | X (SUB FOR RE43511)                         |
| 3   | 51M7044  | O-RING    | 1   |                   | X 17.300 X 2.200 MM, (SUB FOR R54856, APPL) |

MEMORANDA  
MEMORANDA  
MEMORANDA  
MEMORANDA  
MEMORANDA

# 1H22

ENGINE

ENGINE OIL PUMP INTAKE (8400)  
 ADMISSION DE LA POMPE A HUILE MOTEUR (8400)  
 MOTOROELPUMPENEINLASS (8400)  
 ASPIRAZIONE DELLA POMPA DELL'OLIO DEL MOTORE (8400)  
 ADMISION DE LA BOMBA DE ACEITE DEL MOTOR (8400)  
 MOTOROLJEPUMP, INSUGNING (8400)  
 RGP3629 -UN-01JAN94



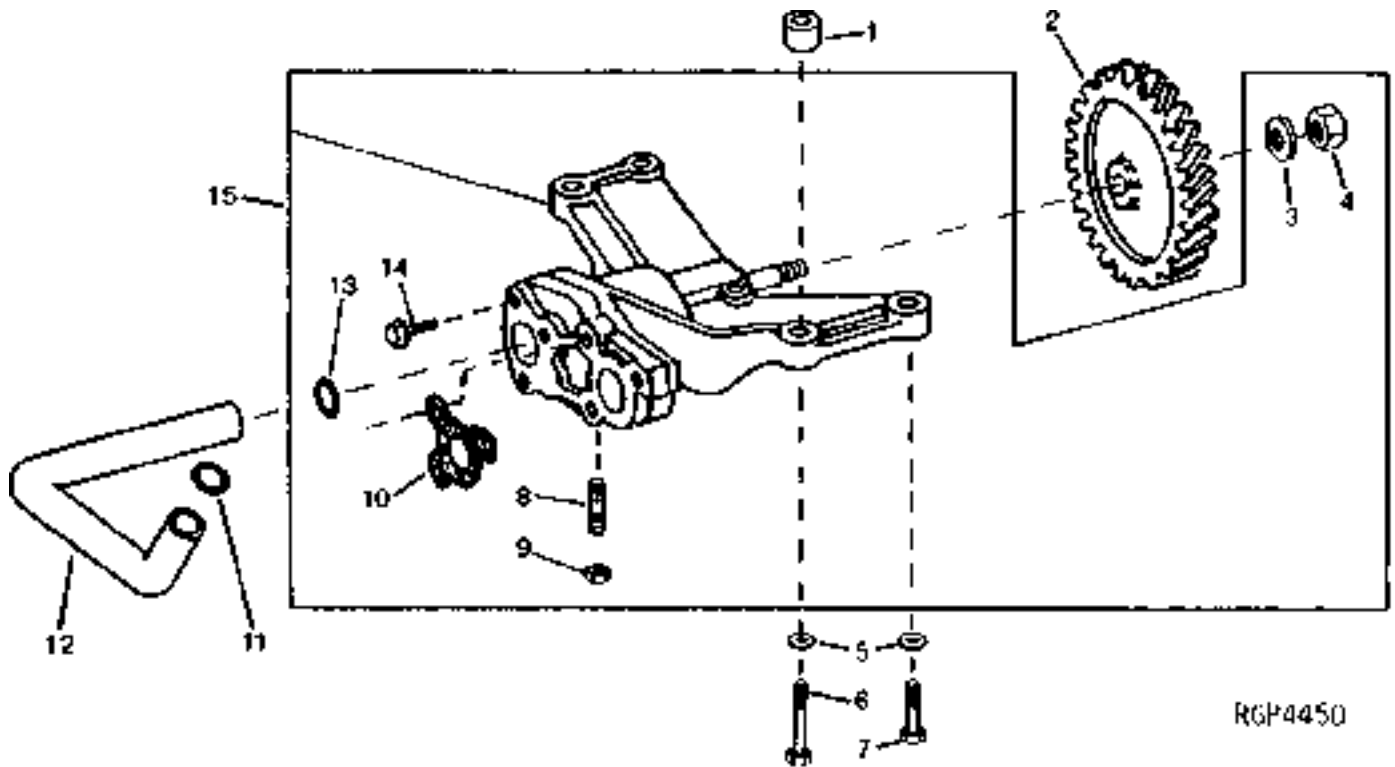
RGP3629

| KEY | PART NO. | PART NAME       | QTY | ENGINE SERIAL NO. | REMARKS |
|-----|----------|-----------------|-----|-------------------|---------|
|     |          |                 |     | 8                 |         |
|     |          |                 |     | 4                 |         |
|     |          |                 |     | 0                 |         |
|     |          |                 |     | 0                 |         |
| 1   | R100569  | GASKET          | 1   |                   | X       |
| 2   | RE60546  | OIL PUMP INTAKE | 1   |                   | X       |
| 3   | R104628  | CAP SCREW       | 3   |                   | X       |

# 1H23

ENGINE

ENGINE OIL PUMP  
POMPE A HUILE  
OELPUMPE  
POMPA OLIO  
BOMBA DE ACEITE  
BOMBA DE ACEITE  
RGP4450 -UN-03MAR95



RGP4450

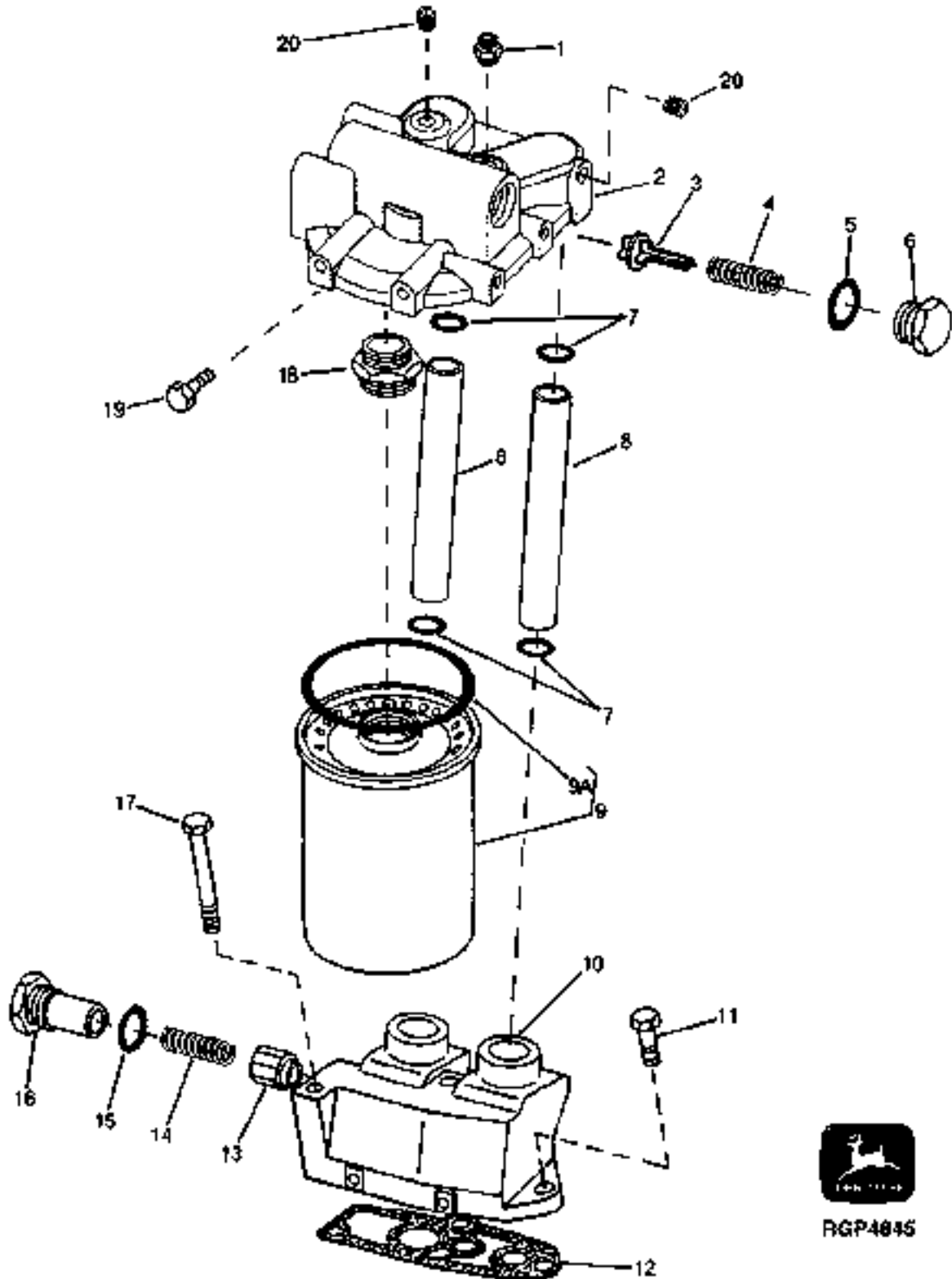


# 1H24

ENGINE

| KEY | PART NO. | PART NAME | QTY | ENGINE<br>SERIAL NO. | 8<br>4<br>0<br>0 | REMARKS                                  |
|-----|----------|-----------|-----|----------------------|------------------|--|
| 1   | R500642  | BUSHING   | 2   |                      | X                | (SUB FOR R62930, THIS APPLICATION)       |
| 2   | R62938   | GEAR      | 1   |                      | X                |  |
| 3   | T21242   | WASHER    | 1   |                      | X                |  |
| 4   | 14H826   | NUT       | 1   |                      | X                | 1/2"                                     |
| 5   | R57696   | WASHER    | 4   |                      | X                |  |
| 6   | 19H2549  | CAP SCREW | 2   |                      | X                | 3/8" X 1-7/8"                            |
| 7   | 19H3219  | CAP SCREW | 2   |                      | X                | 3/8" X 1-3/8"                            |
| 8   | 22H1040  | SET SCREW | 1   |                      | X                | 5/16" X 1-1/4"                           |
| 9   | 14H785   | NUT       | 1   |                      | X                | 5/16"                                    |
| 10  | R100569  | GASKET    | 1   |                      | X                |  |
| 11  | R71732   | O-RING    | 1   |                      | X                |  |
| 12  | R116718  | OIL TUBE  | 1   |                      | X                |  |
| 13  | R71732   | O-RING    | 1   |                      | X                |  |
| 14  | R104628  | CAP SCREW | 5   |                      | X                |  |
| 15  | RE60622  | OIL PUMP  | 1   |                      | X                | (MARKED R124328) (SUB FOR RE44118, APPL) |

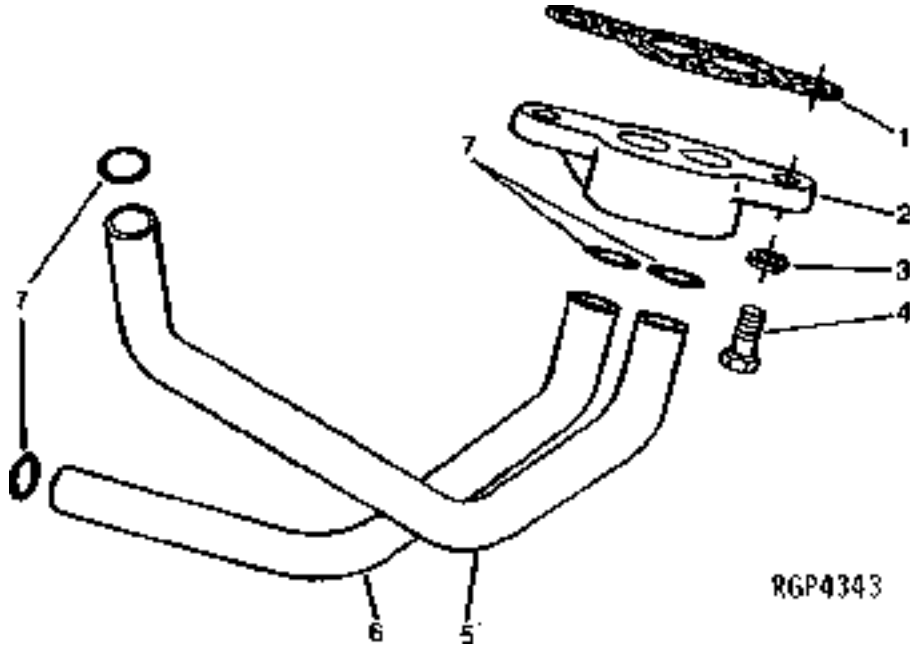
ENGINE OIL FILTER AND HOUSING  
 FILTRE A HUILE MOTEUR  
 MOTOROELFILTER  
 FILTRO OLIO MOTORE  
 FILTRO DE ACEITE DEL MOTOR  
 MOTOROLJEFILTER  
 RGP4845 -UN-18DEC96



RGP4845

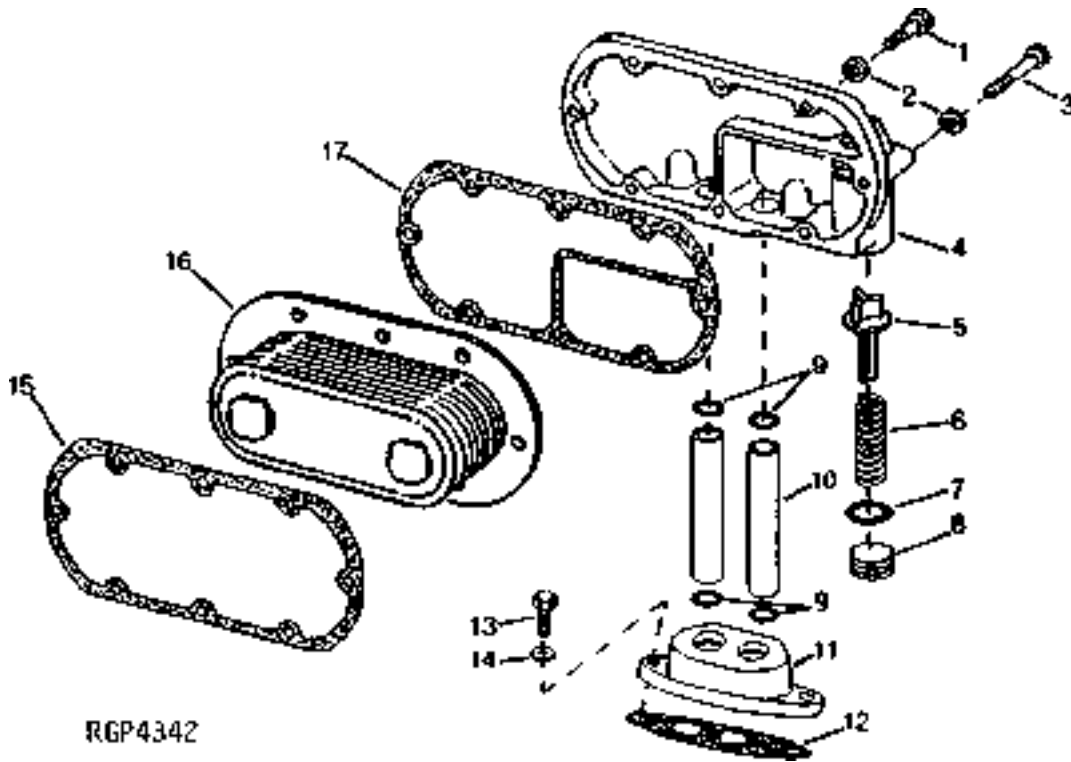
| KEY | PART NO. | PART NAME    | QTY | ENGINE<br>SERIAL NO. | 8<br>4<br>0<br>0 | REMARKS  |
|-----|----------|--------------|-----|----------------------|------------------|--|
| 1   | RE58294  | CONNECTOR    | 1   |                      | X                |  |
| 2   | R127415  | BASE         | 1   |                      | X                | (SUB FOR R116464) (SUB R128694 AND (2)<br>R104592) |
|     | R128694  | BASE         | 1   |                      | X                |  |
| 3   | R108867  | VALVE        | 1   |                      | X                |  |
| 4   | R98064   | SPRING       | 1   |                      | X                |  |
| 5   | U17409   | O-RING       | 1   |                      | X                |  |
| 6   | R117073  | FITTING PLUG | 1   |                      | X                |  |
| 7   | R47153   | O-RING       | 4   |                      | X                |  |
| 8   | R86063   | TUBE         | 2   |                      | X                |  |
| 9   | RE57394  | OIL FILTER   | 1   |                      | X                | (MARKED RE57394)                                   |
| 9A  | R43660   | PACKING      | 1   |                      | X                |  |
| 10  | R116231  | HOUSING      | 1   | -000487              | X                | (SUB R129820 AND R129821)                          |
|     | R127235  | HOUSING      | 1   | 000488-XXXXXX        | X                | (SUB R129820 AND R129821)                          |
|     | R129820  | HOUSING      | 1   | XXXXXX-              | X                | (USE WITH R129821)                                 |
| 11  | 19H3239  | CAP SCREW    | 1   |                      | X                | 3/8" X 1-1/4"                                      |
| 12  | R119847  | GASKET       | 1   |                      | X                |  |
| 13  | R124186  | RELIEF VALVE | 1   |                      | X                |  |
| 14  | R102844  | SPRING       | 1   | -024534              | X                | (SUB R500330)                                      |
|     | R500330  | SPRING       | 1   | 024535-              | X                |  |
| 15  | U17409   | O-RING       | 1   |                      | X                |  |
| 16  | R117074  | FITTING PLUG | 1   | -000487              | X                | (USE WITH R116231)                                 |
|     | R127236  | FITTING PLUG | 1   | 000488-XXXXXX        | X                | (USE WITH R127235)                                 |
|     | R129821  | FITTING PLUG | 1   | XXXXXX-              | X                | (USE WITH R129820)                                 |
| 17  | 19H3445  | CAP SCREW    | 2   |                      | X                | 3/8" X 3-3/4"                                      |
| 18  | R104621  | ADAPTER      | 1   |                      | X                |  |
| 19  | 19H3104  | CAP SCREW    | 2   |                      | X                | 7/16" X 1-1/4"                                     |
| 20  | R104592  | PIPE PLUG    | 2   |                      | X                |  |

OIL COOLER BYPASS VALVE  
 BY-PASS DE REFROIDISSEUR  
 OELKUEHLER-UMGEHUNGSVENTIL  
 VALVOLA BY-PASS PER REFFREDDATORE OLIO  
 VALVULA DE DERIVACION DEL RADIADOR  
 OLJEKYLARENS FORBISTROMNINGSVENTIL  
 RGP4343 -UN-01JAN94



| KEY | PART NO. | PART NAME | QTY | ENGINE SERIAL NO. | REMARKS             |
|-----|----------|-----------|-----|-------------------|---------------------|
| 1   | R109625  | GASKET    | 1   |                   | X                   |
| 2   | R116233  | ADAPTER   | 1   |                   | X                   |
| 3   | 24H7096  | WASHER    | NA  |                   | X                   |
| 4   | R40236   | CAP SCREW | 2   |                   | X                   |
| 5   | R126337  | OIL TUBE  | 1   |                   | X (SUB FOR R116719) |
| 6   | R116718  | OIL TUBE  | 1   |                   | X                   |
| 7   | R71732   | O-RING    | 4   |                   | X                   |

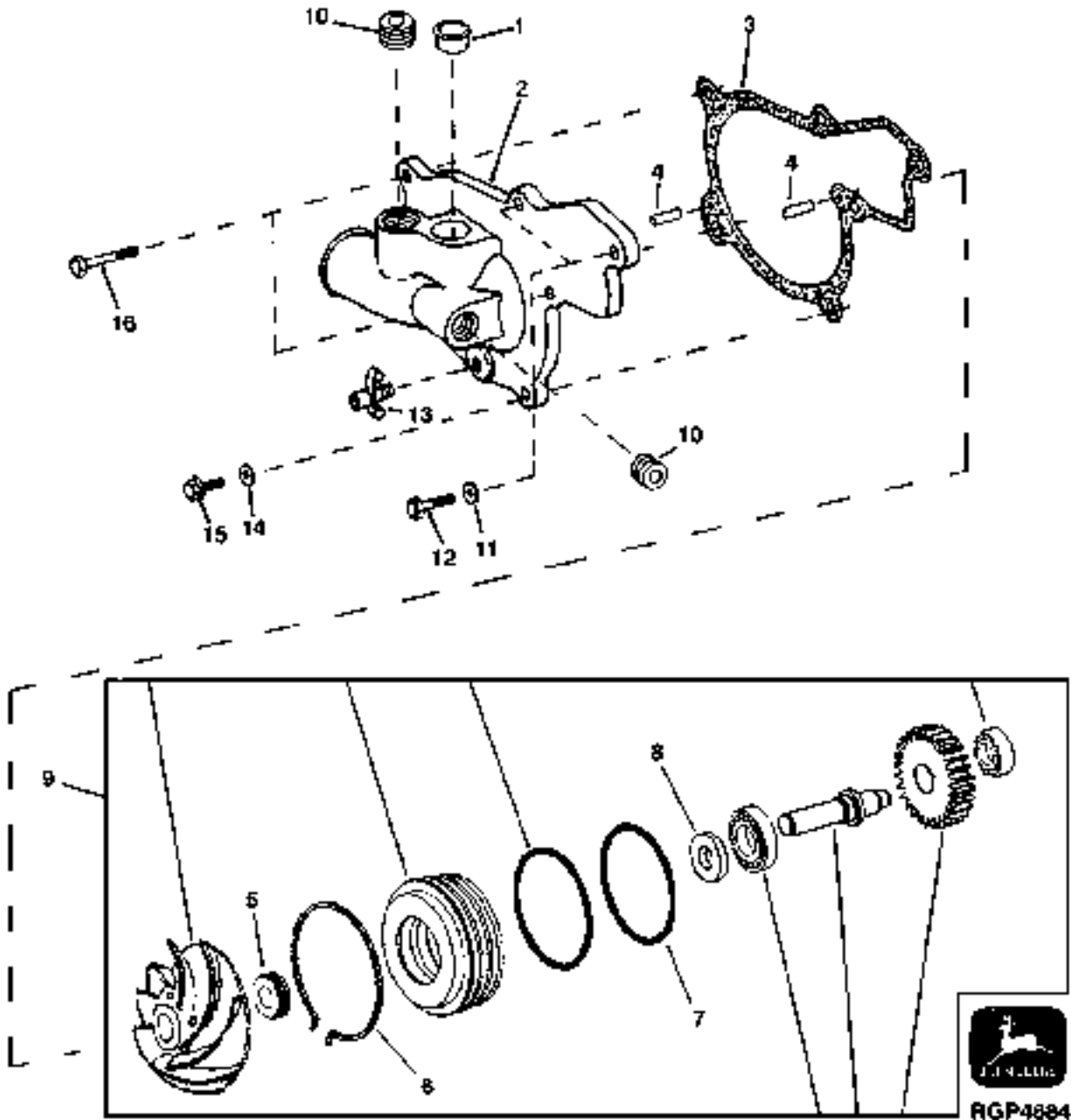
ENGINE OIL COOLER (8400)  
 REFROIDISSEUR D'HUILE MOTEUR (8400)  
 MOTOR-OELKUELER (8400)  
 RAFFREDDATORE OLIO MOTORE (8400)  
 REFRIGERADOR DEL ACEITE DEL MOTOR (8400)  
 MOTOROLJEKYLARE (8400)  
 RGP4342 -UN-01JAN94



RGP4342

| KEY | PART NO. | PART NAME    | QTY | ENGINE SERIAL NO. | REMARKS                  |
|-----|----------|--------------|-----|-------------------|--------------------------|
| 1   | 19H2661  | CAP SCREW    | 5   | 8                 | X 5/16" X 1-3/8"         |
| 2   | 24M7055  | WASHER       | 8   | 4                 | X 8.400 X 16 X 1.600 MM  |
| 3   | 19H1949  | CAP SCREW    | 3   | 0                 | X 5/16" X 2-1/2"         |
| 4   | R133135  | COVER        | 1   | 0                 | X (SUB FOR R116237)      |
| 5   | R108867  | VALVE        | 1   |                   | X                        |
| 6   | R98064   | SPRING       | 1   |                   | X                        |
| 7   | U17409   | O-RING       | 1   |                   | X                        |
| 8   | R121163  | FITTING PLUG | 1   |                   | X                        |
| 9   | R47153   | O-RING       | 4   |                   | X                        |
| 10  | R51053   | OIL TUBE     | 2   |                   | X (SUB FOR R124208)      |
| 11  | R127297  | ADAPTER      | 1   |                   | X (SUB FOR R121200)      |
| 12  | R50424   | GASKET       | 2   |                   | X                        |
| 13  | 19H3483  | CAP SCREW    | 2   |                   | X 3/8" X 1-1/8"          |
| 14  | 24M7096  | WASHER       | 2   |                   | X 10.500 X 18 X 1.600 MM |
| 15  | AR58952  | GASKET       | 1   |                   | X                        |
| 16  | AR55394  | OIL COOLER   | 1   |                   | X                        |
| 17  | R117060  | GASKET       | 1   |                   | X                        |

WATER PUMP  
POMPE A EAU  
WASSERPUMPE  
POMPA ACQUA  
BOMBA DE AQUA  
VATTENPUMP  
RGP4684 -UN-01JUN96



RGP4684

# 116

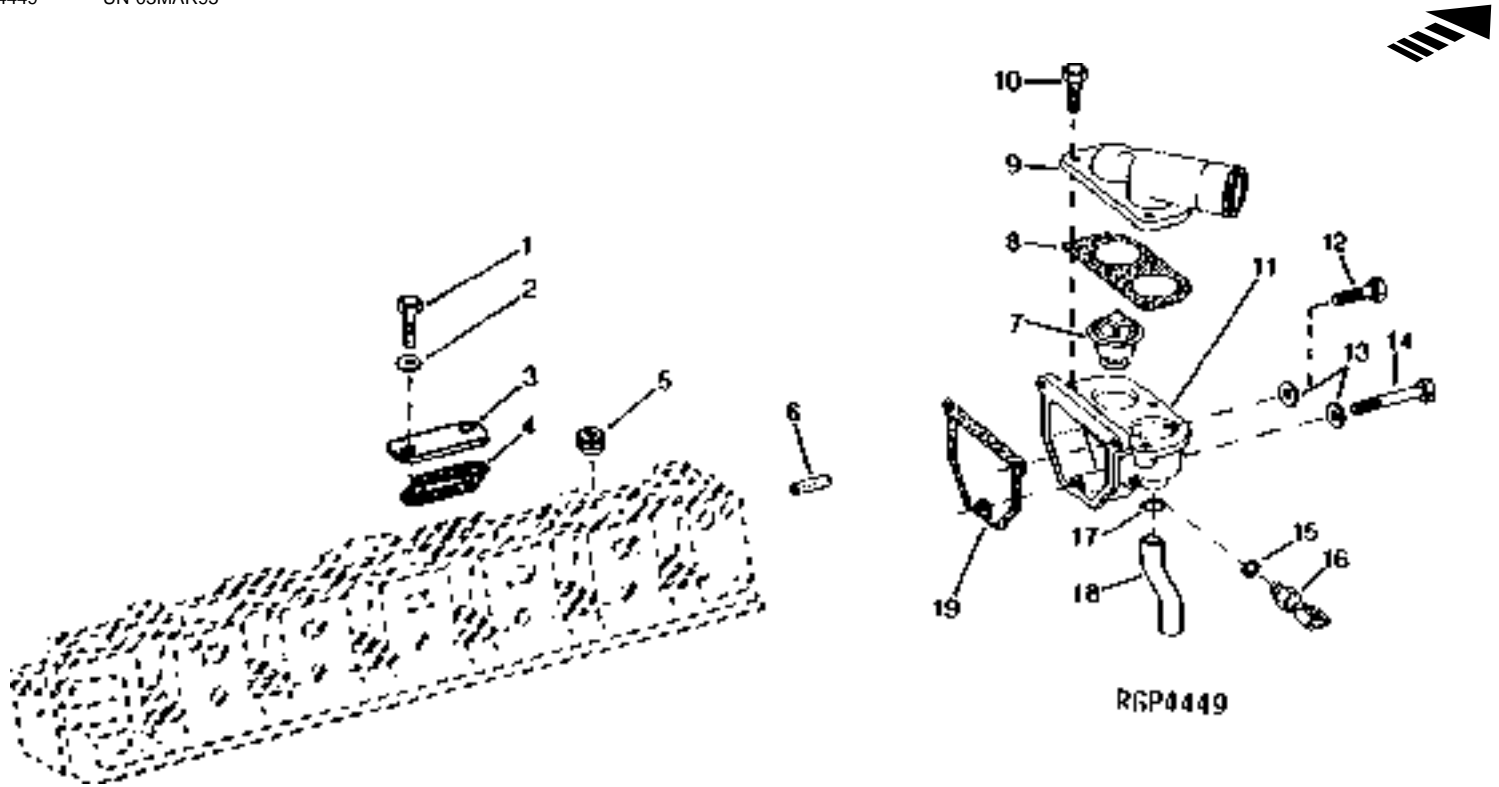
ENGINE

| KEY | PART NO. | PART NAME   | QTY | ENGINE<br>SERIAL NO. | REMARKS  |
|-----|----------|-------------|-----|----------------------|--|
|     |          |             |     | 8                    |  |
|     |          |             |     | 4                    |  |
|     |          |             |     | 0                    |  |
|     |          |             |     | 0                    |  |
| 1   | RE57190  | SEAL        | 1   | X                    |  |
| 2   | R120523  | COVER       | 1   | X                    |  |
| 3   | R119383  | GASKET      | 1   | X                    |  |
| 4   | R11086   | DOWEL PIN   | 2   | X                    |  |
| 5   | RE69844  | KIT         | 1   | X                    | (SUB FOR RE55992) (SUB RE502154, THIS APPLICATION) |
| 6   | R121316  | RING        | 1   | X                    | (RETAINING)  |
| 7   | R122430  | O-RING      | 2   | X                    |  |
|     | RE502154 | KIT         | 1   | X                    | (CONTAINS RETAINING RING AND (2) O-RINGS)          |
| 8   | RE39134  | SEAL        | 1   | X                    | (OIL)  |
| 9   | RE57154  | WATER PUMP  | 1   | X                    | (MARKED RE57154) (16 TEETH)                        |
| 10  | 15H624   | PIPE PLUG   | 2   | X                    | 1/2"   |
| 11  | 24M7096  | WASHER      | 3   | X                    | 10.500 X 18 X 1.600 MM                             |
| 12  | 19H1854  | CAP SCREW   | 3   | X                    | 3/8" X 3-3/4"                                      |
| 13  | AT13740  | DRAIN VALVE | 1   | X                    |  |
| 14  | 24H1136  | WASHER      | 1   | X                    | 11/32" X 11/16" X 0.065"                           |
| 15  | 19H1897  | CAP SCREW   | 1   | X                    | 5/16" X 3-3/4"                                     |
| 16  | 19H3411  | CAP SCREW   | 2   | X                    | 3/8" X 1-1/8"                                      |
| ..  | R98527   | FILTER      | 1   | X                    | (CONTAINED IN RE69844)                             |

MEMORANDA  
MEMORANDA  
MEMORANDA  
MEMORANDA  
MEMORANDA

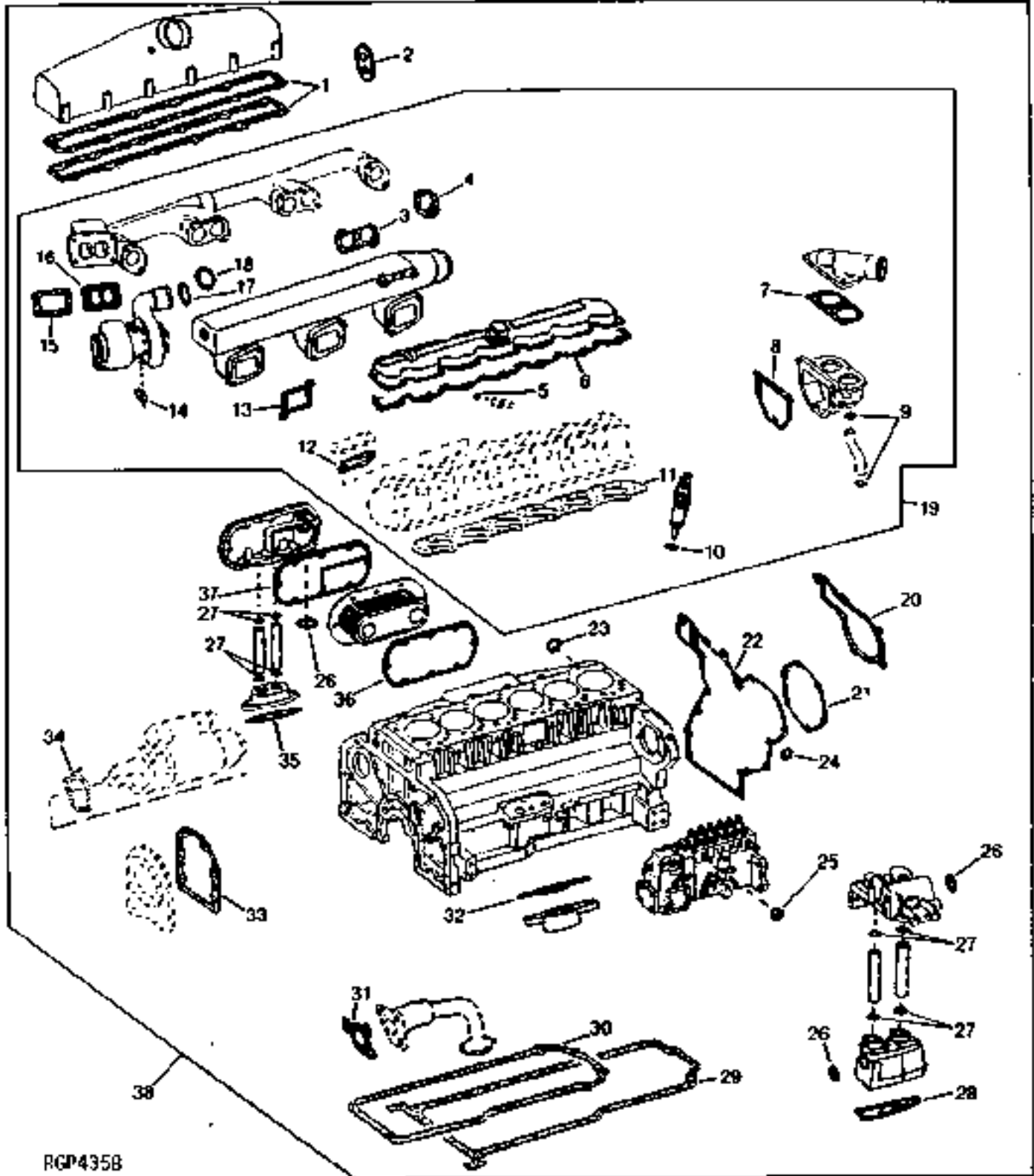


WATER MANIFOLD AND THERMOSTAT  
 PIPE D'EAU/THERMOSTAT  
 KUEHLWASSERKRUEMMER/THERMOSTAT  
 COLLETTORE DELL'ACQUA/TERMOSTATO  
 COLECTOR DEL AGUA DE REFRIGERACION/TERMOSTATO  
 VATTENMANTEL/TERMOSTAT  
 RGP4449 -UN-03MAR95



| KEY | PART NO. | PART NAME                | QTY | ENGINE SERIAL NO. | REMARKS                  |
|-----|----------|--------------------------|-----|-------------------|--------------------------|
|     |          |                          |     | 8                 |                          |
|     |          |                          |     | 4                 |                          |
|     |          |                          |     | 0                 |                          |
|     |          |                          |     | 0                 |                          |
| 1   | 19H2284  | CAP SCREW                | 4   | X                 | 3/8" X 7/8"              |
| 2   | 24H1305  | WASHER                   | 4   | X                 | 13/32" X 13/16" X 0.065" |
| 3   | R86061   | STRAP                    | 2   | X                 |                          |
| 4   | R88397   | GASKET                   | 2   | X                 |                          |
| 5   | 15H691   | PIPE BUSHING             | 1   | X                 | 1/8"                     |
| 6   | 34H329   | SPRING PIN               | 1   | X                 |                          |
| 7   | AR48675  | THERMOSTAT               | 2   | X                 | 82°C (180°F)             |
| 8   | R124607  | GASKET                   | 1   | X                 |                          |
| 9   | R122196  | COVER                    | 1   | X                 |                          |
| 10  | 19H2284  | CAP SCREW                | 3   | X                 | 3/8" X 7/8"              |
| 11  | R122195  | HOUSING                  | 1   | X                 |                          |
| 12  | 19H3483  | CAP SCREW                | 2   | X                 | 3/8" X 1-1/8"            |
| 13  | 24M7096  | WASHER                   | 3   | X                 | 10.500 X 18 X 1.600 MM   |
| 14  | 19H1819  | CAP SCREW                | 1   | X                 | 3/8" X 2-1/8"            |
| 15  | R77673   | O-RING                   | 1   | X                 |                          |
| 16  | RE151433 | WATER TEMPERATURE SENSOR | 1   | X                 | (SUB FOR RE48073)        |
| 17  | R72328   | O-RING                   | 1   | X                 |                          |
| 18  | R120022  | TUBE                     | 1   | X                 |                          |
| 19  | R124211  | GASKET                   | 1   | X                 |                          |

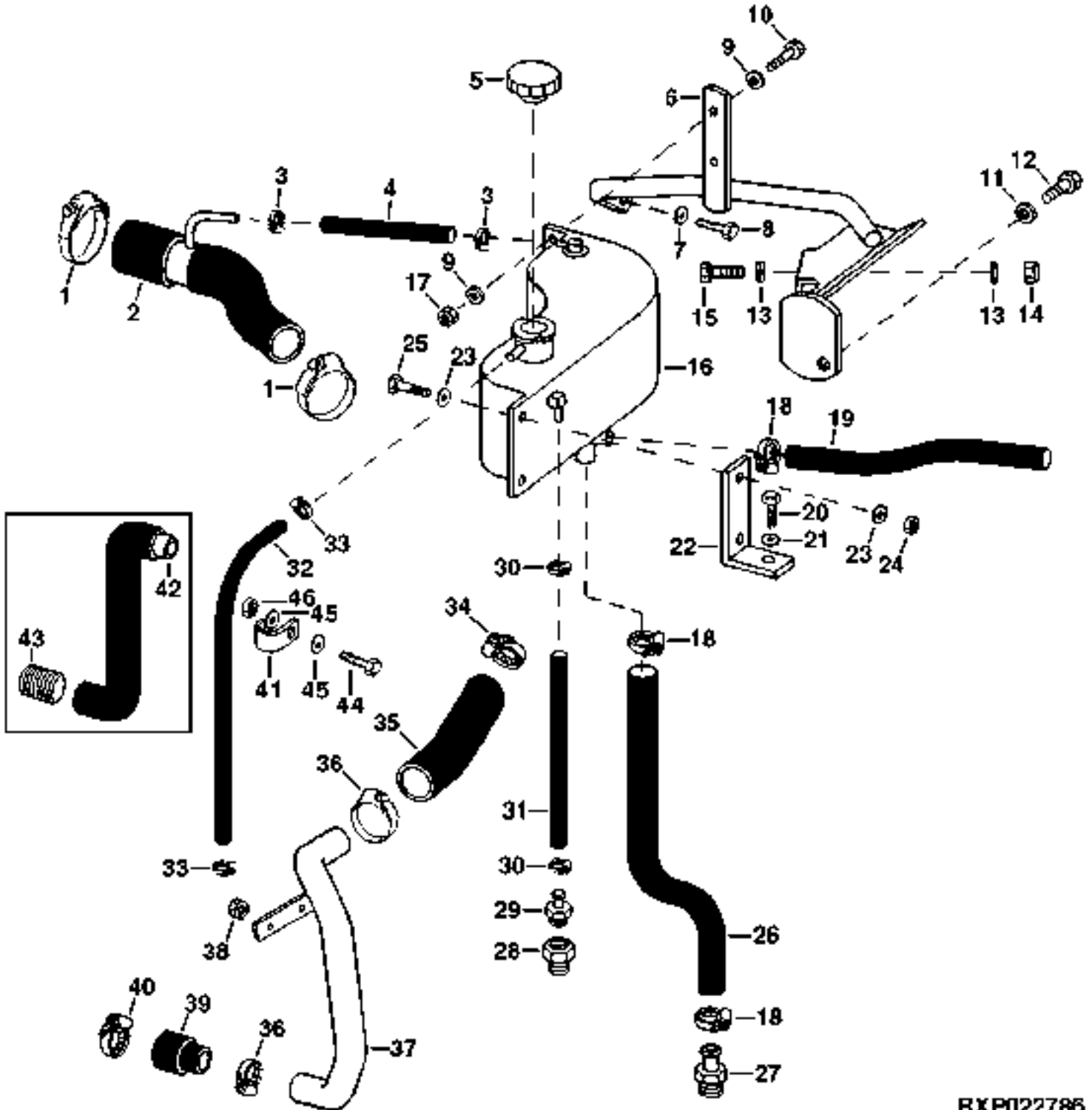
ENGINE GASKET KITS  
 JEU DE JOINTS MOTEUR  
 MOTOR-DICHTUNGSSATZ  
 SERIE GUARNIZIONI MORORE  
 JUEGO DE JUNTAS PARA EL MOTOR  
 PACKNINGSSATS FOR MOTOR  
 RGP4358 -UN-01JAN94



| KEY | PART NO. | PART NAME                   | QTY | ENGINE SERIAL NO. | REMARKS                   |
|-----|----------|-----------------------------|-----|-------------------|---------------------------|
|     |          |                             |     | 8                 |                           |
|     |          |                             |     | 4                 |                           |
|     |          |                             |     | 0                 |                           |
|     |          |                             |     | 0                 |                           |
| 1   | R88993   | GASKET                      | NA  |                   | X                         |
| 2   | R100911  | SEAL                        | NA  |                   | X                         |
| 3   | RE62776  | GASKET                      | 2   |                   | X (SUB FOR R122503, APPL) |
| 4   | RE62777  | GASKET                      | 2   |                   | X (SUB FOR R122504, APPL) |
| 5   | R77551   | O-RING                      | 6   |                   | X                         |
| 6   | R49866   | GASKET                      | 1   |                   | X                         |
| 7   | R124607  | GASKET                      | 1   |                   | X                         |
| 8   | R124211  | GASKET                      | 1   |                   | X                         |
| 9   | R72328   | O-RING                      | 1   |                   | X                         |
| 10  | R84472   | WASHER                      | 6   |                   | X                         |
| 11  | RE55475  | ENGINE CYLINDER HEAD GASKET | 1   |                   | X                         |
| 12  | R88397   | GASKET                      | 2   |                   | X                         |
| 13  | R120646  | GASKET                      | 3   |                   | X                         |
| 14  | R105346  | GASKET                      | 1   |                   | X                         |
| 15  | R92097   | GASKET                      | NA  |                   | X                         |
| 16  | R89879   | GASKET                      | 1   |                   | X                         |
| 17  | R86743   | O-RING                      | 1   |                   | X                         |
| 18  | R50405   | O-RING                      | NA  |                   | X                         |
| 19  | RE57186  | GASKET KIT                  | 1   |                   | X CYLINDER HEAD           |
| 20  | R119383  | GASKET                      | 1   |                   | X                         |
| 21  | R50390   | GASKET                      | 1   |                   | X                         |
| 22  | R119384  | GASKET                      | 1   |                   | X                         |
| 23  | U13639   | O-RING                      | 1   |                   | X                         |
| 24  | R54856   | O-RING                      | 1   |                   | X                         |
| 25  | R53899   | WASHER                      | 1   |                   | X (USE WITH R83489)       |
|     | R53901   | WASHER                      | 1   |                   | X (USE WITH R83490)       |
| 26  | U17409   | O-RING                      | 3   |                   | X                         |
| 27  | R47153   | O-RING                      | 4   |                   | X                         |
| 28  | R119847  | GASKET                      | 1   |                   | X                         |
| 29  | .....    | GASKET                      | NA  |                   | X                         |
| 30  | R49377   | GASKET                      | 1   |                   | X                         |
| 31  | R100569  | GASKET                      | 1   |                   | X                         |
| 32  | R109625  | GASKET                      | 1   |                   | X                         |
| 33  | R26058   | GASKET                      | 1   |                   | X                         |
| 34  | R53108   | GASKET                      | 1   |                   | X                         |
| 35  | R50424   | GASKET                      | 1   |                   | X                         |
| 36  | AR58952  | GASKET                      | 1   |                   | X                         |
| 37  | R117060  | GASKET                      | 1   |                   | X                         |
| 38  | RE57187  | GASKET KIT                  | 1   |                   | X (A) ENGINE REBUILD      |
| ..  | R124030  | GASKET                      | 1   |                   | X                         |

(A) ALSO ORDER R125855 OIL PAN GASKET, AS REQUIRED.

RADIATOR HOSES  
FLEXIBLES (DURITS) DE RADIATEUR  
KUEHLERSSCHLAEUCE  
TUBI FLESSIBILI DEL RADIATORE  
MANGUERAS DEL RADIADOR  
KYLARSLANGAR  
RXP022786 -UN-25AUG98

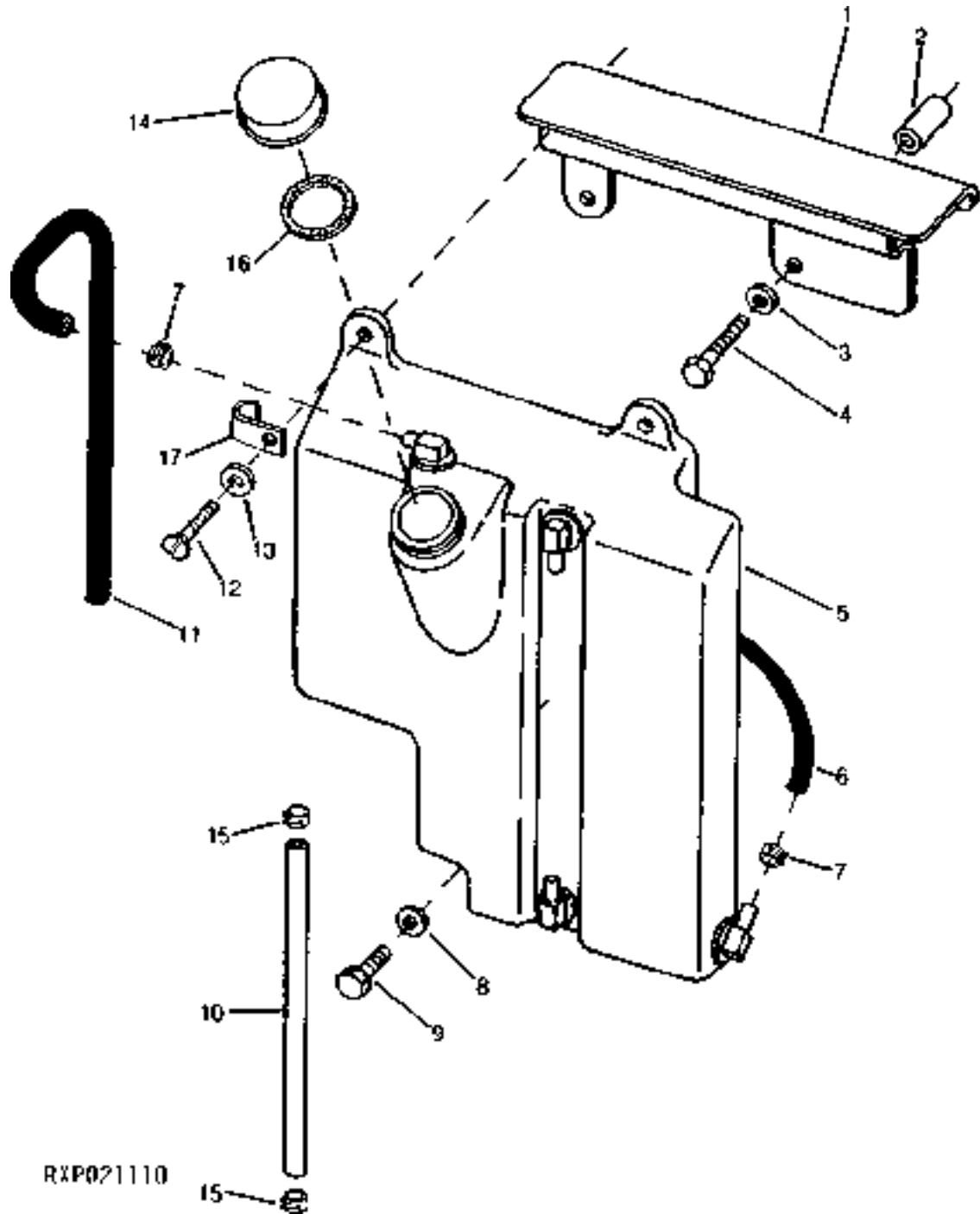
**RXP022786**

| KEY | PART NO. | PART NAME    | QTY | TRACTOR<br>SERIAL NO. | A<br>L<br>L | REMARKS                 |
|-----|----------|--------------|-----|-----------------------|-------------|-------------------------|
| 1   | TY22486  | CLAMP        | 2   |                       | X           |                         |
| 2   | RE61659  | HOSE         | 1   |                       | X           |                         |
| 3   | TY22462  | CLAMP        | 2   |                       | X           | (SUB FOR AR48236)       |
| 4   | R125635  | HOSE         | 1   |                       | X           |                         |
| 5   | RE43593  | FILLER CAP   | 1   |                       | X           |                         |
| 6   | RE60649  | SUPPORT      | 1   |                       | X           |                         |
| 7   | 24M7336  | WASHER       | 2   |                       | X           | 9 X 16 X 1.600 MM       |
| 8   | 19M7407  | CAP SCREW    | 2   |                       | X           | M8 X 25                 |
| 9   | 24M7036  | WASHER       | 4   |                       | X           | 9 X 16 X 1.600 MM       |
| 10  | 19M7881  | SCREW        | 2   |                       | X           | M8 X 20                 |
| 11  | 24M7338  | WASHER       | 4   |                       | X           | 17 X 30 X 3 MM          |
| 12  | RE10901  | SCREW        | 1   |                       | X           |                         |
| 13  | 24M7036  | WASHER       | 2   |                       | X           | 9 X 16 X 1.600 MM       |
| 14  | 14M7273  | NUT          | 1   |                       | X           | M8                      |
| 15  | 19M7881  | SCREW        | 1   |                       | X           | M8 X 20                 |
| 16  | RE154389 | TANK         | 1   |                       | X           | (SUB FOR RE61879)       |
| 17  | 14M7273  | NUT          | 2   |                       | X           | M8                      |
| 18  | R117721  | CLAMP        | 4   |                       | X           |                         |
| 19  | R121969  | HOSE         | 1   |                       | X           | (A) (MAKE FROM TY22413) |
| 20  | 19H1833  | CAP SCREW    | 1   |                       | X           | 5/8" X 1-1/4"           |
| 21  | 24M7338  | WASHER       | 1   |                       | X           | 17 X 30 X 3 MM          |
| 22  | R121738  | BRACKET      | 1   |                       | X           |                         |
| 23  | 24M7336  | WASHER       | 4   |                       | X           | 9 X 16 X 1.600 MM       |
| 24  | 14M7273  | NUT          | 2   |                       | X           | M8                      |
| 25  | 19M7881  | SCREW        | 2   |                       | X           | M8 X 20                 |
| 26  | R107666  | HOSE         | 1   | -009999               |             | (8100, 8200, 8300)      |
|     | R125175  | HOSE         | 1   | 010000-               |             | (8100, 8200, 8300)      |
|     | R125175  | HOSE         | 1   |                       |             | 8400 ONLY               |
| 27  | R41985   | FITTING      | 1   |                       | X           |                         |
| 28  | 15H691   | PIPE BUSHING | 1   |                       | X           | 1/8"                    |
| 29  | E48764   | FITTING      | 1   |                       | X           |                         |
| 30  | N194814  | CLAMP        | 2   |                       | X           |                         |
| 31  | R111932  | HOSE         | 1   |                       | X           |                         |
| 32  | R125166  | HOSE         | 1   |                       | X           |                         |
| 33  | TY22462  | CLAMP        | 2   |                       | X           |                         |
| 34  | RE56098  | CLAMP        | 1   |                       | X           |                         |
| 35  | R131646  | HOSE         | 1   | 010000-               | X           |                         |
| 36  | TY22485  | CLAMP        | 2   | 010000-               | X           |                         |
| 37  | RE66801  | TUBE         | 1   | 010000-               | X           |                         |
| 38  | 14M7296  | FLANGE NUT   | 2   | 010000-               | X           |                         |
| 39  | R131520  | HOSE         | 1   | 010000-               | X           |                         |
| 40  | TY22486  | CLAMP        | 1   |                       | X           |                         |
| 41  | R126404  | CLAMP        | 1   |                       | X           |                         |
| 42  | RE61673  | HOSE         | 1   | -009999               |             | (8100, 8200, 8300)      |
|     | RE61674  | HOSE         | 1   | -009999               |             | 8400 ONLY               |
| 43  | R125365  | BUSHING      | 2   | -009999               | X           |                         |
| 44  | 19M8008  | CAP SCREW    | 2   |                       | X           |                         |
| 45  | 24M7338  | WASHER       | 4   |                       | X           |                         |
| 46  | 14M7273  | NUT          | 2   |                       | X           |                         |

## (A) HEATER RETURN

CONDUIT, RETOUR DE CHAUFFAGE  
 HEIZUNGS-RUECKLAUF  
 TUBO DI RITORNO DEL RISCALDATORE  
 RETORNO DEL CALENTADOR  
 VAERMEAPPARAT, RETUR

COOLANT RECOVERY TANK  
 RESERVOIR DE COMPENSATION, LIQUIDE DE REFROIDISSEMENT  
 KUEHLMITTEL-UEBERLAUFTANK  
 SERBATOIO DI RECUPERO DEL LIQUIDO DI RAFFREDDAMENTO  
 TANQUE DE RECUPERACION DE REFRIGERANTE  
 AATERVINNINGSTANK FOER KYLMEDEL  
 RXP021110 -UN-28MAR95

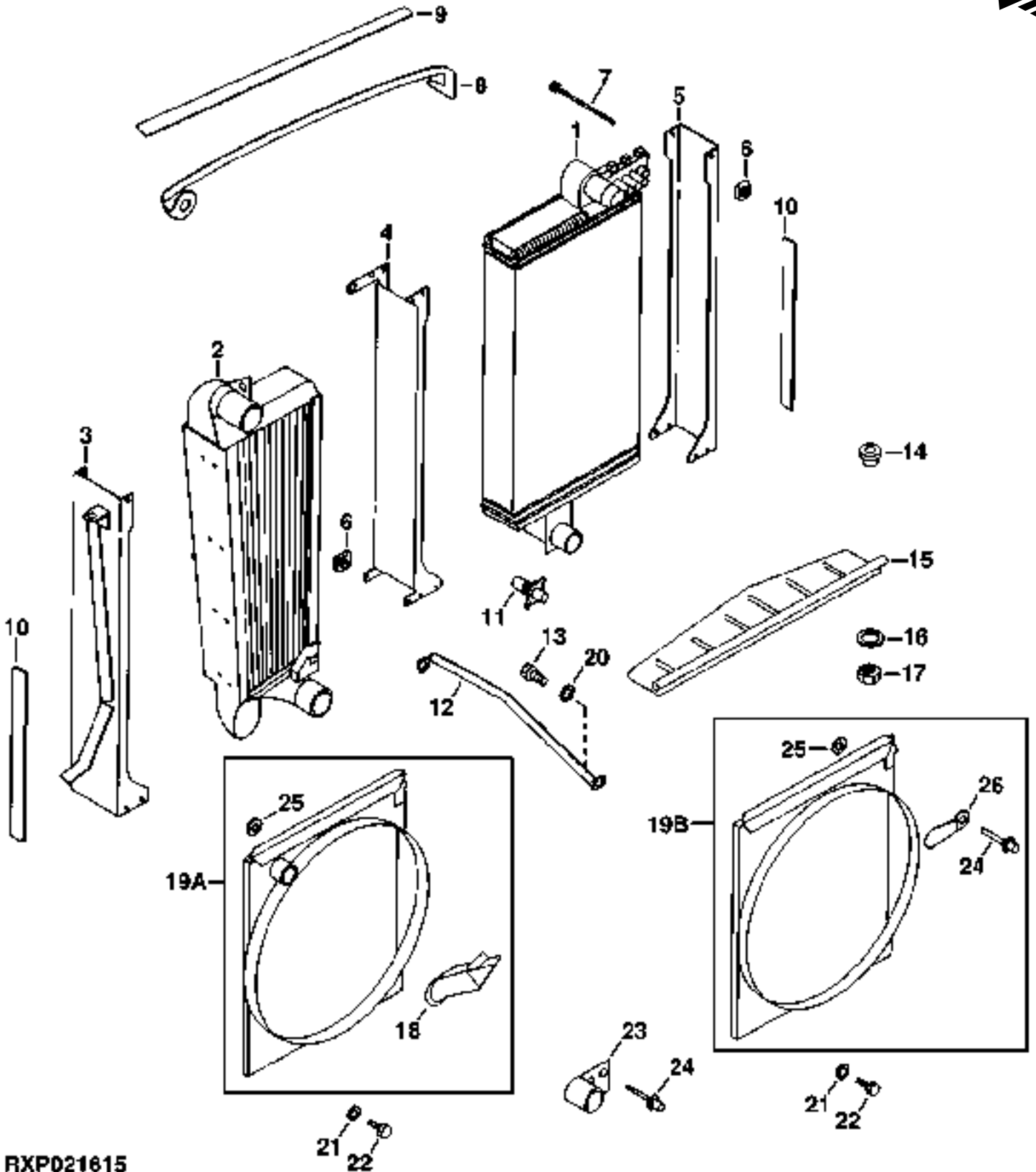


# 1113

ENGINE

| KEY | PART NO. | PART NAME  | QTY | TRACTOR<br>SERIAL NO. | A | REMARKS                      |
|-----|----------|------------|-----|-----------------------|---|------------------------------|
|     |          |            |     |                       | L |                              |
| 1   | R124354  | BRACKET    | 1   |                       | X |                              |
| 2   | 28H3377  | BUSHING    | 2   |                       | X | 0.423" X 0.675" X 1-3/4"     |
| 3   | 24M7106  | WASHER     | 2   |                       | X | 10 X 18 X 2.500 MM           |
| 4   | 19H3031  | CAP SCREW  | 2   |                       | X | 3/8" X 2-1/2"                |
| 5   | RE65458  | TANK       | 1   |                       | X | (SUB FOR RE61394 OR RE65457) |
| 6   | R125166  | HOSE       | 1   |                       | X |                              |
| 7   | TY22462  | CLAMP      | 2   |                       | X |                              |
| 8   | 24M7106  | WASHER     | 1   |                       | X | 0.394" X 0.709" X 0.098"     |
| 9   | 19H1936  | CAP SCREW  | 1   |                       | X | 3/8" X 3/4"                  |
| 10  | R121759  | LINE       | 1   |                       | X |                              |
| 11  | R125170  | HOSE       | 1   |                       | X |                              |
| 12  | 37M7031  | SCREW      | 2   |                       | X | M6 X 16                      |
| 13  | 24M7139  | WASHER     | 1   |                       | X | 6.400 X 18 X 1.600 MM (REAR) |
| 14  | RE63194  | FILLER CAP | 1   |                       | X | (SUB FOR RE49661)            |
| 15  | TY22462  | CLAMP      | 2   |                       | X |                              |
| 16  | R127245  | GASKET     | NA  | -XXXXXX               | X |                              |
| 17  | R126404  | CLAMP      | 1   |                       | X |                              |
|     | AH107416 | CLIP       | 1   |                       | X |                              |
| ..  | R121762  | CABLE      | 1   |                       | X |                              |

RADIATOR/AFTERCOOLER  
RADIATEUR/ECHANGEUR THERMIQUE AIR/EAU  
KUEHLER/LADELUFTKUEHLER  
RADIATORE/REFRIGERATORE SUCCESSIVO  
RADIADOR/POSREFRIGERADOR  
KYLAARE/MELLANKYLARE  
RXP021615 -UN-31JUL96



RXP021615



# 1115

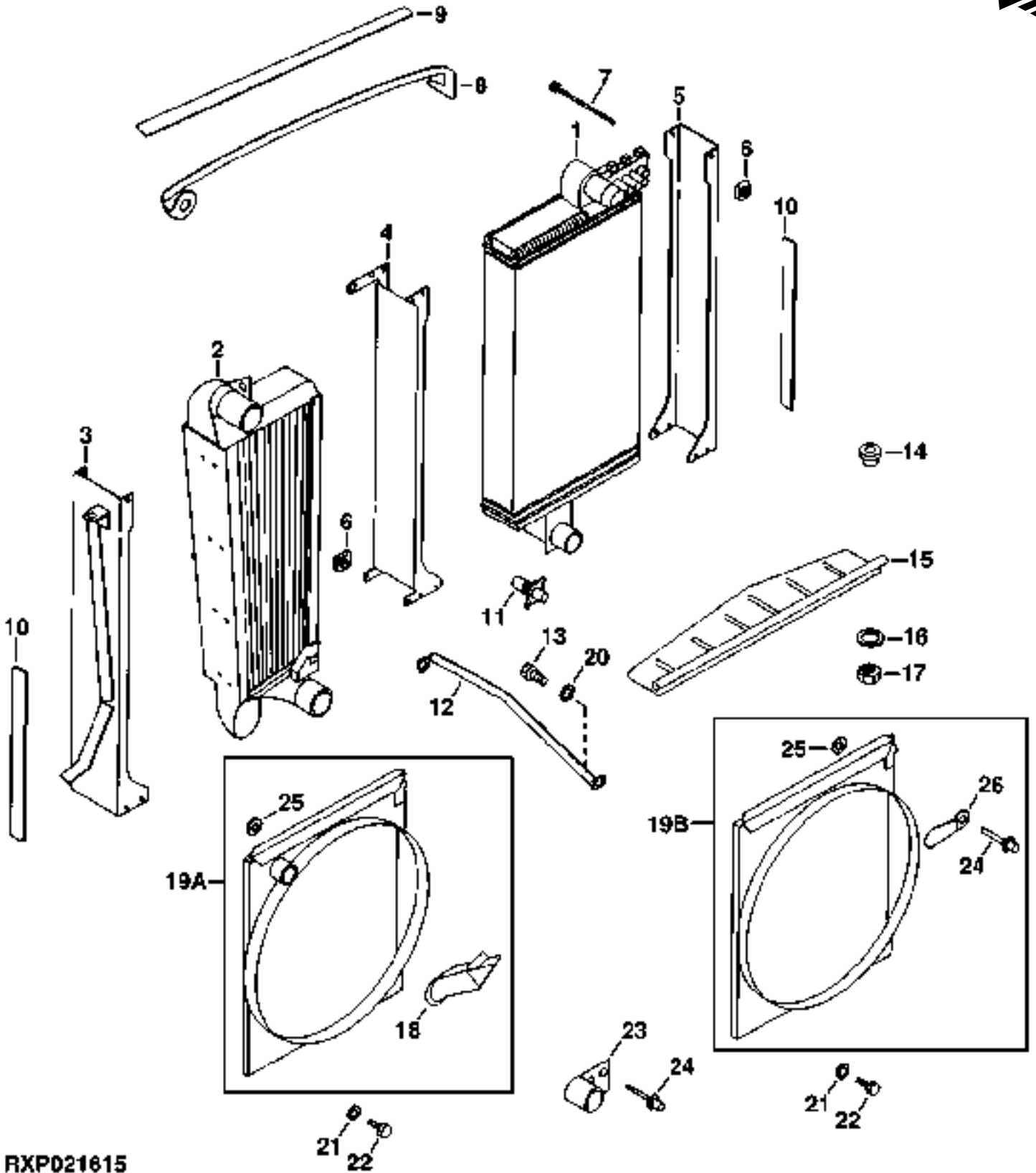
ENGINE

| KEY | PART NO. | PART NAME    | QTY | TRACTOR<br>SERIAL NO. | 8 8 8 |   |   | REMARKS                   |
|-----|----------|--------------|-----|-----------------------|-------|---|---|---------------------------|
|     |          |              |     |                       | 1     | 2 | 3 |                           |
| 1   | RE69135  | RADIATOR     | 1   |                       | X     | X |   | (SUB FOR RE61305)         |
|     | RE69135  | RADIATOR     | 1   | -025859               |       |   | X |                           |
|     | R122268  | RADIATOR TOP | 1   |                       | X     | X |   |                           |
|     | R122268  | RADIATOR TOP | 1   | -025859               |       |   | X |                           |
|     | RE58362  | BOTTOM       | 1   |                       | X     | X |   | BOTTOM TANK               |
|     | RE58362  | BOTTOM       | 1   | -025859               |       |   | X |                           |
|     | R122269  | GASKET       | 2   |                       | X     | X |   |                           |
|     | R122269  | GASKET       | 1   | -025859               |       |   | X |                           |
|     | RE159541 | RADIATOR     | 1   | 025860-               |       |   | X |                           |
| 2   | RE61307  | AFTERCOOLER  | 1   | -009999               | X     | X | X |                           |
|     | RE66342  | AFTERCOOLER  | 1   | 010000-               |       |   | X |                           |
|     | RE66342  | AFTERCOOLER  | 1   | 010000-025859         |       |   | X |                           |
|     | RE61307  | AFTERCOOLER  | 1   | 025860-               |       |   | X |                           |
| 3   | RE69133  | CHANNEL      | 1   |                       | X     | X | X | (SUB FOR RE54925)         |
| 4   | RE70715  | CHANNEL      | 1   |                       | X     | X | X | (SUB FOR RE54927)         |
| 5   | RE69134  | CHANNEL      | 1   |                       | X     | X | X | (SUB FOR RE54928)         |
| 6   | R122267  | CLAMP        | 4   |                       | X     | X | X |                           |
| 7   | R122266  | PIN          | 4   |                       | X     | X | X |                           |
| 8   | RE60504  | PLATE        | 1   |                       | X     | X | X |                           |
| 9   | R122550  | SEAL         | 1   |                       | X     | X | X |                           |
| 10  | R122029  | SEAL         | 3   |                       | X     | X | X |                           |
| 11  | AT13740  | DRAIN VALVE  | 1   |                       | X     | X | X |                           |
| 12  | R120522  | BRACKET      | 1   |                       | X     | X | X |                           |
| 13  | 19H2021  | CAP SCREW    | 1   |                       | X     | X | X | 3/8" X 5/8"               |
| 14  | AT139776 | ISOLATOR     | 2   |                       | X     | X | X |                           |
| 15  | RE70714  | SUPPORT      | 1   |                       | X     | X | X | (SUB FOR RE54930)         |
|     | R124759  | FOAM PAD     | 1   |                       | X     | X | X |                           |
| 16  | 24M7180  | WASHER       | 2   |                       | X     | X | X | 13 X 37 X 3 MM            |
| 17  | 14M7275  | NUT          | 2   |                       | X     | X | X | M12                       |
| 18  | R121714  | SHROUD       | 1   | -009999               | X     | X | X |                           |
| 19A | RE61220  | SHROUD       | 1   | -009999               | X     | X | X |                           |
| 19B | RE69082  | SHROUD       | 1   | 010000-               | X     | X | X |                           |
| 20  | 24M7346  | WASHER       | 1   |                       | X     | X | X | 11 X 20 X 2 MM            |
| 21  | 24H1291  | WASHER       | 4   |                       | X     | X | X | 21/64" X 1-15/32" X 7/64" |
| 22  | 19M7932  | CAP SCREW    | 4   |                       | X     | X | X | M8 X 16                   |
| 23  | R122473  | TUBE         | 1   | -009999               | X     | X | X |                           |
| 24  | M67889   | RIVET        | 3   |                       | X     | X | X |                           |
| 25  | 24M7027  | WASHER       | 3   |                       | X     | X | X | 5.300 X 10 X 1 MM         |
| 26  | R134058  | SHROUD       | 1   | 010000-               | X     | X | X |                           |

# 1116

ENGINE

RADIATOR/AFTERCOOLER  
RADIATEUR/ECHANGEUR THERMIQUE AIR/EAU  
KUEHLER/LADELUFTKUEHLER  
RADIATORE/REFRIGERATORE SUCCESSIVO  
RADIADOR/POSREFRIGERADOR  
KYLAARE/MELLANKYLARE  
RXP021615 -UN-31JUL96



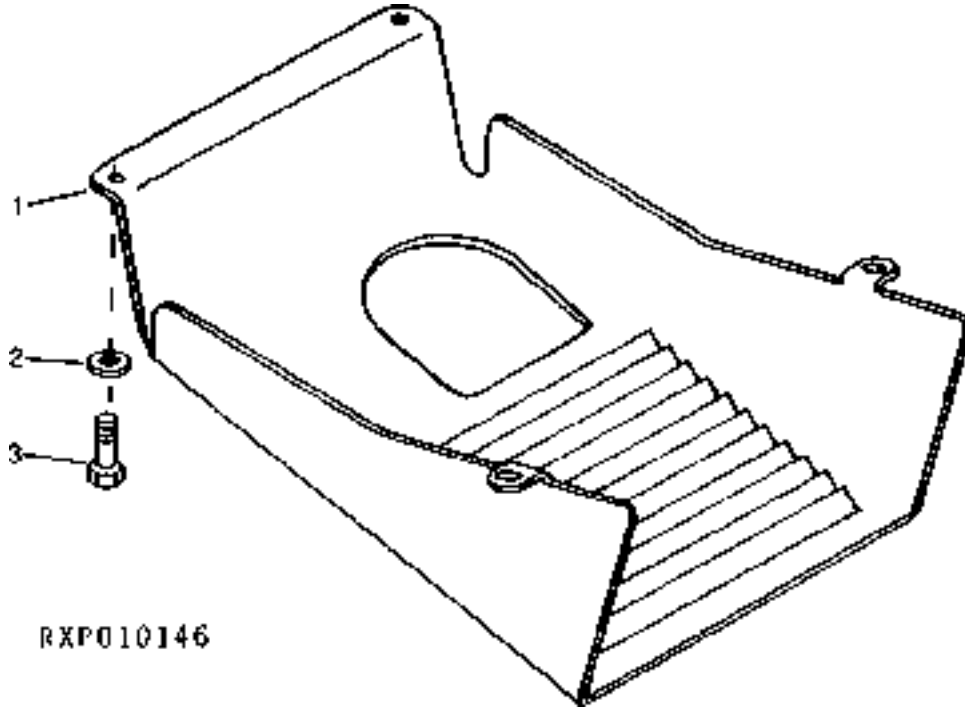
RXP021615

# 1117

ENGINE

| KEY | PART NO. | PART NAME    | QTY | TRACTOR    |   | REMARKS                      |
|-----|----------|--------------|-----|------------|---|------------------------------|
|     |          |              |     | SERIAL NO. |   |                              |
|     |          |              |     |            | 8 |                              |
|     |          |              |     |            | 4 |                              |
|     |          |              |     |            | 0 |                              |
|     |          |              |     |            | 0 |                              |
| 1   | RE69136  | RADIATOR     | 1   | -025855    | X | (SUB FOR RE61306 OR RE61305) |
|     | R122268  | RADIATOR TOP | 1   | -025855    | X |                              |
|     | RE58362  | BOTTOM       | 1   | -025855    | X |                              |
|     | R122269  | GASKET       | 2   | -025855    | X |                              |
|     | RE159541 | RADIATOR     | 1   | 025856-    |   |                              |
| 2   | RE61307  | AFTERCOOLER  | 1   |            | X |                              |
|     | R124838  | WASHER       | 1   |            | X |                              |
|     | RE61307  | AFTERCOOLER  | 1   |            | X |                              |
| 3   | RE69133  | CHANNEL      | 1   |            | X | (SUB FOR RE54925)            |
| 4   | RE70715  | CHANNEL      | 1   |            | X | (SUB FOR RE54927)            |
| 5   | RE69134  | CHANNEL      | 1   |            | X | (SUB FOR RE54928)            |
| 6   | R122267  | CLAMP        | 4   |            | X |                              |
| 7   | R122266  | PIN          | 4   |            | X |                              |
| 8   | RE60504  | PLATE        | 1   |            | X |                              |
| 9   | R122550  | SEAL         | 1   |            | X |                              |
| 10  | R122029  | SEAL         | 3   |            | X |                              |
| 11  | AT13740  | DRAIN VALVE  | 1   |            | X |                              |
| 12  | R120522  | BRACKET      | 1   |            | X |                              |
| 13  | 19H2021  | CAP SCREW    | 1   |            | X | 3/8" X 5/8"                  |
| 14  | AT139776 | ISOLATOR     | 2   |            | X |                              |
| 15  | RE70714  | SUPPORT      | 1   |            | X | (SUB FOR RE54930)            |
|     | R124759  | FOAM PAD     | 1   |            | X |                              |
| 16  | 24M7180  | WASHER       | 2   |            | X | 13 X 37 X 3 MM               |
| 17  | 14M7275  | NUT          | 2   |            | X | M12                          |
| 18  | R121714  | SHROUD       | 1   | -009999    | X |                              |
| 19A | RE61220  | SHROUD       | 1   | -009999    | X |                              |
| 19B | RE69082  | SHROUD       | 1   | 010000-    | X | (SUB FOR RE66337)            |
| 20  | 24M7346  | WASHER       | 1   |            | X | 11 X 20 X 2 MM               |
| 21  | 24H1291  | WASHER       | 4   |            | X | 21/64" X 1-15/32" X 7/64"    |
| 22  | 19M7932  | CAP SCREW    | 4   |            | X | M8 X 16                      |
| 23  | R122473  | TUBE         | 1   | -009999    | X |                              |
| 24  | M67889   | RIVET        | 3   |            | X |                              |
| 25  | 24M7027  | WASHER       | 3   |            | X | 5.300 X 10 X 1 MM            |
| 26  | R134058  | SHROUD       | 1   | 010000-    | X |                              |

SHIELD  
 DISPOSITIF DE PROTECTION  
 ABDECKUNG  
 PROTEZIONE  
 ESCUDO  
 SKYDD  
 RXP010146 -UN-01JAN94



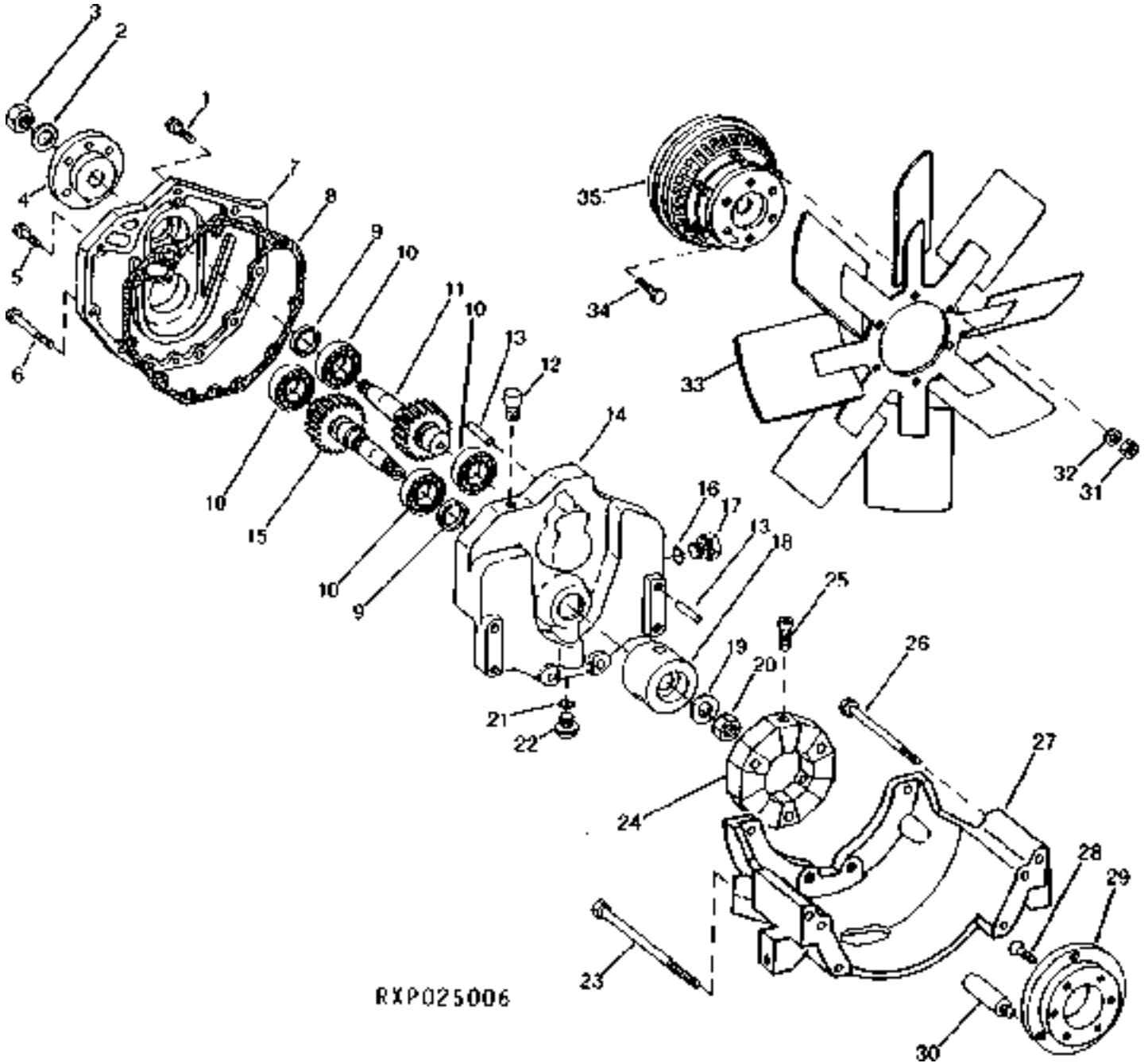
| KEY | PART NO. | PART NAME | QTY | TRACTOR<br>SERIAL NO. | A | REMARKS           |
|-----|----------|-----------|-----|-----------------------|---|-------------------|
|     |          |           |     |                       | L |                   |
| 1   | R131224  | DEFLECTOR | 1   |                       | X | (SUB FOR R124431) |
| 2   | 24M7346  | WASHER    | 4   |                       | X | 11 X 20 X 2 MM    |
| 3   | 19M8324  | CAP SCREW | 4   |                       | X | M10 X 16          |

MEMORANDA  
MEMORANDA  
MEMORANDA  
MEMORANDA  
MEMORANDA

# 1119

ENGINE

FAN DRIVE (8100,8200 -009999)  
VICO-COUPLEUR DE VENTILATEUR (8100,8200 -009999)  
LUEFTERANTRIEB (8100,8200 -009999)  
COMANDO VISCOSO VENTOLA (8100,8200 -009999)  
EMBRAGUE'VISCO' D. VENTILADOR (8100,8200 -009999)  
FLAEKTDREVNING (8100,8200 -009999)  
RXP025006 -UN-01JAN94



RXP025006

# 1120

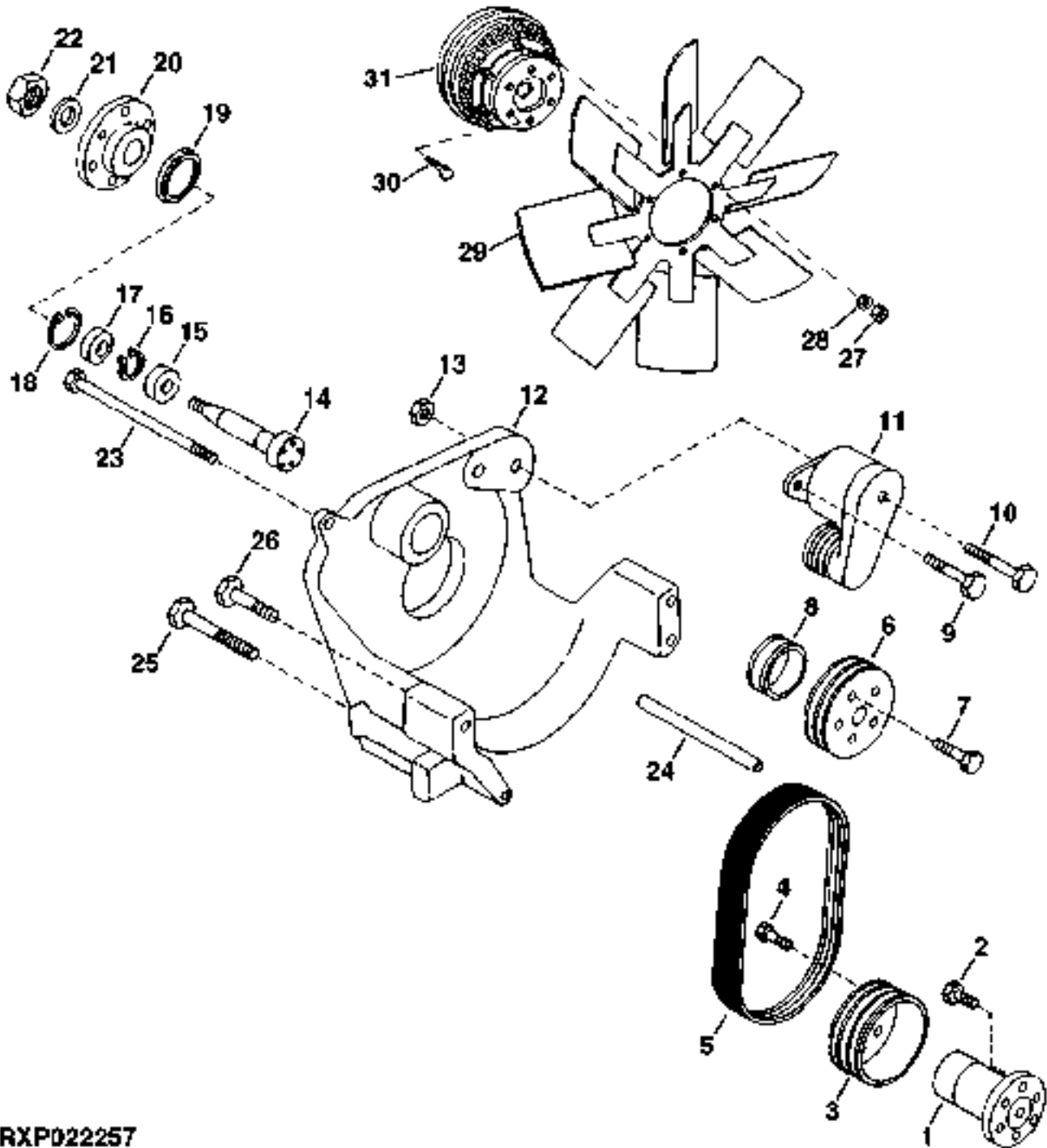
ENGINE

| KEY | PART NO. | PART NAME               | QTY | TRACTOR SERIAL NO. |   |   | REMARKS                   |
|-----|----------|-------------------------|-----|--------------------|---|---|---------------------------|
|     |          |                         |     | 8                  | 8 | 8 |                           |
| 1   | 19M7658  | CAP SCREW               | 1   | X                  | X |   | M10 X 50                  |
| 2   | 24M7242  | WASHER                  | 1   | X                  | X |   | 21.400 X 42 X 5 MM        |
| 3   | 14M7335  | NUT                     | 1   | X                  | X |   | M20                       |
| 4   | R125036  | HUB                     | 1   | X                  | X |   |                           |
| 5   | 19M7662  | CAP SCREW               | 4   | X                  | X |   | M10 X 30                  |
| 6   | 19M8081  | CAP SCREW               | 4   | X                  | X |   | M10 X 80                  |
| 7   | R119397  | COVER                   | 1   | X                  | X |   |                           |
| 8   | R122134  | GASKET                  | 1   | X                  | X |   |                           |
| 9   | RE61409  | SEAL                    | 2   | X                  | X |   |                           |
| 10  | CH14887  | BALL BEARING            | 4   | X                  | X |   |                           |
| 11  | R124165  | SHAFT                   | 1   | -001341            | X |   | (SUB R125217 AND R125216) |
|     | R125217  | SHAFT                   | 1   | 001342-            | X |   |                           |
|     | R125217  | SHAFT                   | 1   | -001341            | X |   |                           |
|     | R124167  | SHAFT                   | 1   | 001342-            | X |   |                           |
| 12  | JD5801   | PRESSURE RELIEF FITTING | 1   |                    | X | X |                           |
| 13  | R125033  | PIN                     | 4   |                    | X | X |                           |
| 14  | R125180  | HOUSING                 | 1   |                    | X | X |                           |
| 15  | R124164  | SHAFT                   | 1   | -001341            | X |   | (SUB R125216 AND R125217) |
|     | R125216  | SHAFT                   | 1   | 001342-            | X |   |                           |
|     | R125216  | SHAFT                   | 1   | -001341            | X |   |                           |
|     | R124166  | SHAFT                   | 1   | 001342-            | X |   |                           |
| 16  | 51M7045  | O-RING                  | 1   |                    | X | X |                           |
| 17  | RE46687  | FITTING                 | 1   |                    | X | X |                           |
| 18  | R125034  | HUB                     | 1   |                    | X | X |                           |
| 19  | 24M7242  | WASHER                  | 1   |                    | X | X | 21.400 X 42 X 5 MM        |
| 20  | 14M7335  | NUT                     | 1   |                    | X | X | M20                       |
| 21  | 51M7042  | O-RING                  | 1   |                    | X | X | 13.300 X 2.200 MM         |
| 22  | RE52242  | PLUG                    | 1   |                    | X | X |                           |
| 23  | 19H3542  | CAP SCREW               | 2   |                    | X | X | 1/2" X 6-1/2"             |
| 24  | RE61441  | COUPLING                | 1   |                    | X | X |                           |
| 25  | RE61558  | SCREW                   | 3   |                    | X | X |                           |
| 26  | 19H3586  | CAP SCREW               | 2   |                    | X | X | 1/2" X 4-1/4", UP, LH     |
| 27  | R124926  | SUPPORT                 | 1   |                    | X | X |                           |
| 28  | R112893  | SCREW                   | 6   |                    | X | X |                           |
| 29  | R125037  | PLATE                   | 1   |                    | X | X |                           |
| 30  | R129839  | SCREW                   | 3   |                    | X | X | (SUB FOR R125035)         |
| 31  | 14M7273  | NUT                     | 6   |                    | X | X | M8                        |
| 32  | 12M7065  | LOCK WASHER             | 6   |                    | X | X | 0.319"                    |
| 33  | RE61236  | FAN                     | 1   |                    | X | X |                           |
| 34  | 19M7402  | CAP SCREW               | 6   |                    | X | X | M10 X 25 HS 10.9          |
| 35  | RE63002  | DRIVE                   | 1   |                    | X | X |                           |

# 1121

ENGINE

FAN DRIVE (8100,8200 010000-)  
VISCO-COUPLEUR DE VENTILATOR (8100,8200 010000-)  
LUEFTERANTRIEB (8100,8200 010000-)  
COMANDO VISCOSO VENTOLA (8100,8200 010000-)  
EMBRAGUE'VISCO' D. VENTILADOR (8100,8200 010000-)  
FLAEKTRIVNING (8100,8200 010000-)  
RXP022257 -UN-12SEP97



RXP022257



# 1122

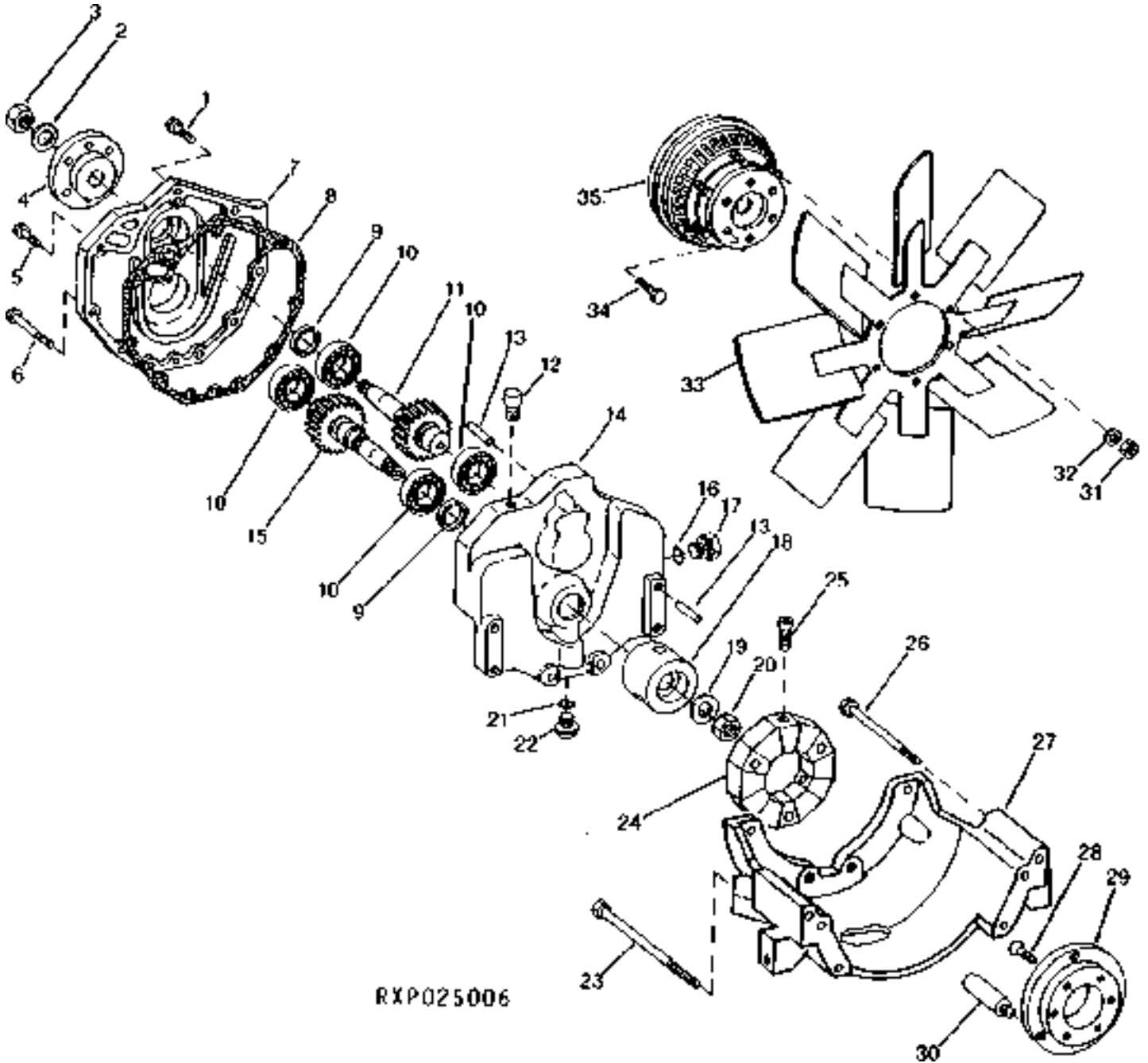
ENGINE

| KEY | PART NO. | PART NAME    | QTY | TRACTOR SERIAL NO. |   |   | REMARKS                |
|-----|----------|--------------|-----|--------------------|---|---|------------------------|
|     |          |              |     | 8                  | 8 | 8 |                        |
|     |          |              |     | 1                  | 2 | 3 |                        |
|     |          |              |     | 0                  | 0 | 0 |                        |
|     |          |              |     | 0                  | 0 | 0 |                        |
| 1   | R131275  | PULLEY       | 1   |                    | X | X |                        |
| 2   | 19H2676  | CAP SCREW    | 6   |                    | X | X | 3/8" X 1"              |
| 3   | R132498  | PULLEY       | 1   | -025869            | X | X |                        |
|     | R163158  | PULLEY       | 1   | 025870-            | X | X |                        |
| 4   | 19M7784  | SCREW        | 5   |                    | X | X | M10 X 20               |
| 5   | R131213  | BELT         | 1   |                    | X | X |                        |
| 6   | R132497  | PULLEY       | 1   | -025869            | X | X |                        |
|     | R163157  | PULLEY       | 1   | 025870-            | X | X |                        |
| 7   | 19M7784  | SCREW        | 5   |                    | X | X | M10 X 20               |
| 8   | R119207  | SEAL         | 1   |                    | X | X |                        |
| 9   | 19M7808  | SCREW        | 1   |                    | X | X | M10 X 65               |
| 10  | 19M7944  | SCREW        | 1   |                    | X | X | M10 X 120              |
| 11  | RE69083  | TIGHTENER    | 1   |                    | X | X |                        |
| 12  | R131222  | DRIVE        | 1   |                    | X | X |                        |
| 13  | 14M7296  | FLANGE NUT   | 2   |                    | X | X | M10                    |
| 14  | R130135  | SHAFT        | 1   |                    | X | X |                        |
|     | R133966  | ROCKSHAFT    | 1   |                    | X | X |                        |
| 15  | RE65610  | BALL BEARING | 1   |                    | X | X |                        |
| 16  | 40M7109  | SNAP RING    | 1   |                    | X | X |                        |
| 17  | RE65651  | BALL BEARING | 1   |                    | X | X |                        |
| 18  | 40M1870  | SNAP RING    | 1   |                    | X | X |                        |
| 19  | R130561  | V-RING SEAL  | 1   |                    | X | X |                        |
| 20  | R130141  | HUB          | 1   |                    | X | X |                        |
| 21  | 24M7242  | WASHER       | 1   |                    | X | X | 21.400 X 42 X 5 MM     |
| 22  | 14M7335  | NUT          | 1   |                    | X | X | M20                    |
| 23  | 19H3767  | CAP SCREW    | 1   |                    | X | X | 3/8" X 10-1/2"         |
| 24  | R129245  | SPACER       | 1   |                    | X | X |                        |
| 25  | 19H3770  | CAP SCREW    | 2   |                    | X | X | 1/2" X 7", LOW         |
| 26  | 19H3542  | CAP SCREW    | 1   |                    | X | X | 1/2" X 6-1/2", L.H. UP |
|     | 19H3586  | CAP SCREW    | 1   |                    | X | X | 1/2" X 4-1/4", L.H. UP |
|     | 19H3057  | CAP SCREW    | 1   |                    | X | X | 1/2" X 2-3/4", R.H. UP |
| 27  | 14M7273  | NUT          | 6   |                    | X | X | M8                     |
| 28  | 12M7065  | LOCK WASHER  | 6   |                    | X | X | 8.100 MM               |
| 29  | RE66338  | FAN          | 1   |                    | X | X |                        |
| 30  | 19M7402  | CAP SCREW    | 6   |                    | X | X | M10 X 25 HS 10.9       |
| 31  | RE71379  | DRIVE        | 1   | -025869            | X | X | (SUB FOR RE65891)      |
|     | RE155581 | DRIVE        | 1   | 025870-            | X | X |                        |

# 1123

ENGINE

FAN DRIVE (8300,8400 -009999)  
VISCO-COUPLEUR DE VENTILATOR (8300,8400 -009999)  
LUEFTERANTRIEB (8300,8400 -009999)  
COMANDO VISCOSO VENTOLA (8300,8400 -009999)  
EMBRAGUE'VISCO' D. VENTILADOR (8300,8400 -009999)  
FLAEKTDREVNING (8300,8400 -009999)  
RXP025006 -UN-01JAN94



RXP025006

# 1124

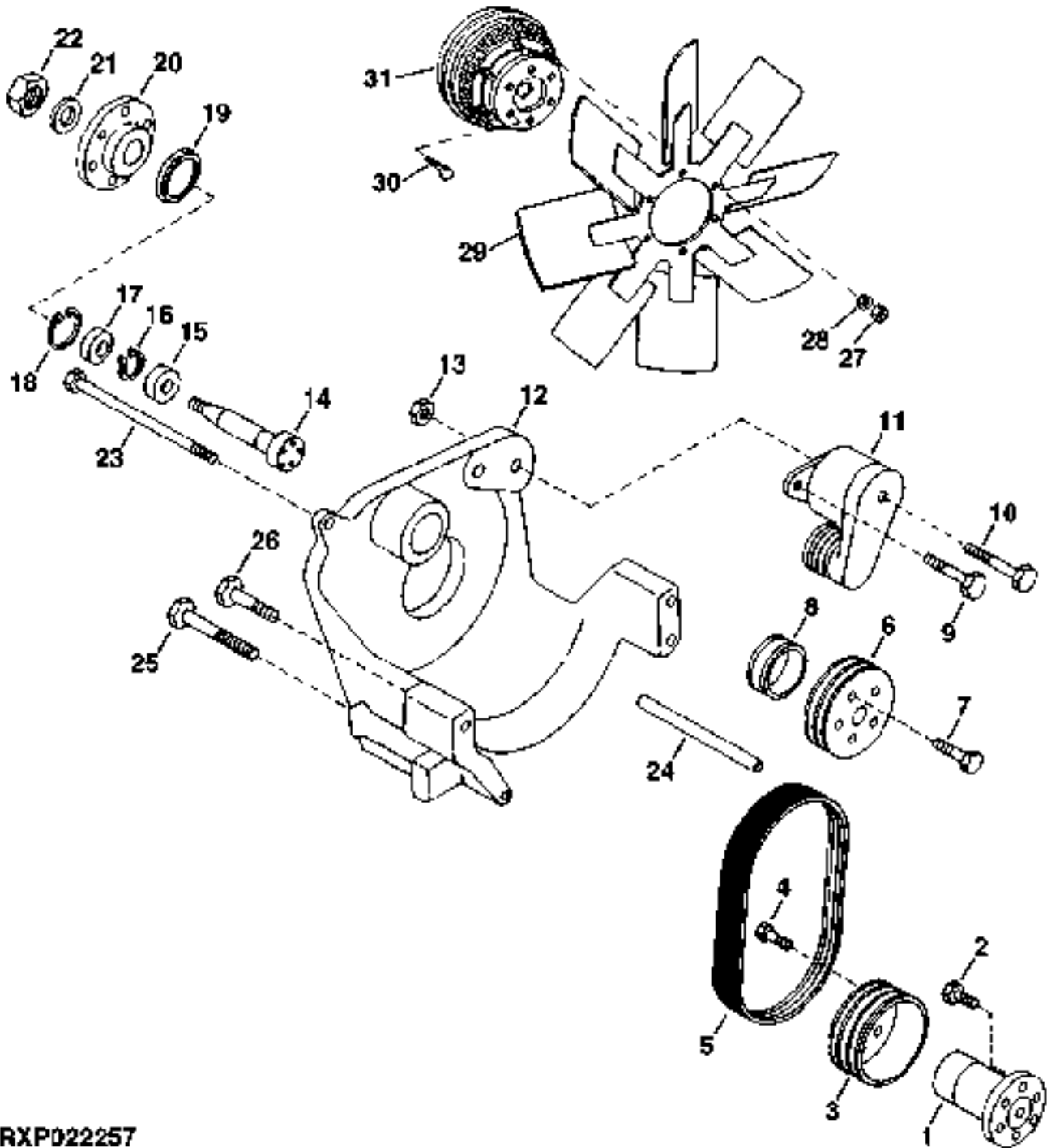
ENGINE

| KEY | PART NO. | PART NAME               | QTY | TRACTOR SERIAL NO. |         |   | REMARKS            |
|-----|----------|-------------------------|-----|--------------------|---------|---|--------------------|
|     |          |                         |     | 8                  | 8       | 8 |                    |
| 1   | 19M7658  | CAP SCREW               | 1   | X                  | X       |   | M10 X 50           |
| 2   | 24M7242  | WASHER                  | 1   | X                  | X       |   | 21.400 X 42 X 5 MM |
| 3   | 14M7335  | NUT                     | 1   | X                  | X       |   | M20                |
| 4   | R125036  | HUB                     | 1   | X                  | X       |   |                    |
| 5   | 19M7662  | CAP SCREW               | 4   | X                  | X       |   | M10 X 30           |
| 6   | 19M8081  | CAP SCREW               | 4   | X                  | X       |   | M10 X 80           |
| 7   | R119397  | COVER                   | 1   | X                  | X       |   |                    |
| 8   | R122134  | GASKET                  | 1   | X                  | X       |   |                    |
| 9   | RE61409  | SEAL                    | 2   | X                  | X       |   |                    |
| 10  | CH14887  | BALL BEARING            | 4   | X                  | X       |   |                    |
| 11  | R124167  | SHAFT                   | 1   |                    | -002162 | X |                    |
|     | R125219  | SHAFT                   | 1   | 002163-            |         | X |                    |
|     | R125219  | SHAFT                   | 1   |                    | -002162 | X |                    |
|     | R126793  | SHAFT                   | 1   | 002163-            |         | X |                    |
| 12  | JD5801   | PRESSURE RELIEF FITTING | 1   |                    |         | X |                    |
| 13  | R125033  | PIN                     | 4   |                    |         | X |                    |
| 14  | R125180  | HOUSING                 | 1   |                    |         | X |                    |
| 15  | R124166  | SHAFT                   | 1   |                    | -002162 | X |                    |
|     | R125218  | SHAFT                   | 1   | 002163-            |         | X |                    |
|     | R125218  | SHAFT                   | 1   |                    | -002162 | X |                    |
|     | R126792  | SHAFT                   | 1   | 002163-            |         | X |                    |
| 16  | 51M7045  | O-RING                  | 1   |                    |         | X |                    |
| 17  | RE46687  | FITTING                 | 1   |                    |         | X |                    |
| 18  | R125034  | HUB                     | 1   |                    |         | X |                    |
| 19  | 24M7242  | WASHER                  | 1   | X                  | X       |   | 21.400 X 42 X 5 MM |
| 20  | 14M7335  | NUT                     | 1   | X                  | X       |   | M20                |
| 21  | 51M7042  | O-RING                  | 1   | X                  | X       |   | 13.300 X 2.200 MM  |
| 22  | RE52242  | PLUG                    | 1   | X                  | X       |   |                    |
| 23  | 19H3542  | CAP SCREW               | 2   | X                  | X       |   | 1/2" X 6-1/2"      |
| 24  | RE61441  | COUPLING                | 1   | X                  | X       |   |                    |
| 25  | RE61558  | SCREW                   | 3   | X                  | X       |   |                    |
| 26  | 19H3586  | CAP SCREW               | 2   | X                  | X       |   | 1/2" X 4-1/4"      |
| 27  | R124926  | SUPPORT                 | 1   | X                  | X       |   | LH                 |
| 28  | R112893  | SCREW                   | 6   | X                  | X       |   |                    |
| 29  | R125037  | PLATE                   | 1   | X                  | X       |   |                    |
| 30  | R129839  | SCREW                   | 3   | X                  | X       |   | (SUB FOR R125035)  |
| 31  | 14M7273  | NUT                     | 6   | X                  | X       |   | M8                 |
| 32  | 12M7065  | LOCK WASHER             | 6   | X                  | X       |   | 8.100 MM           |
| 33  | RE61236  | FAN                     | 1   | X                  | X       |   |                    |
| 34  | 19M7402  | CAP SCREW               | 6   | X                  | X       |   | M10 X 25 HS 10.9   |
| 35  | RE63003  | DRIVE                   | 1   | X                  | X       |   |                    |

# 1J1

ENGINE

FAN DRIVE (8300,8400 010000-)  
VISCO-COUPLEUR DE VENTILATOR (8300,8400 010000-XXXXXX)  
LUEFTERANTRIEB (8300,8400 010000-XXXXXX)  
COMANDO VISCOSO VENTOLA (8300,8400 010000-XXXXXX)  
EMBRAGUE'VISCO' D. VENTILADOR (8300,8400 010000-XXXXXX)  
FLAEKTRIVNING (8300,8400 010000-XXXXXX)  
RXP022257 -UN-12SEP97



RXP022257

# 1J2

ENGINE

| KEY | PART NO. | PART NAME    | QTY | TRACTOR SERIAL NO. |         |   | REMARKS                    |
|-----|----------|--------------|-----|--------------------|---------|---|----------------------------|
|     |          |              |     | 8                  | 8       | 8 |                            |
|     |          |              |     | 0                  | 0       | 0 |                            |
|     |          |              |     | 2                  | 3       | 4 |                            |
|     |          |              |     | 0                  | 0       | 0 |                            |
|     |          |              |     | 0                  | 0       | 0 |                            |
| 1   | R131275  | PULLEY       | 1   |                    |         |   | X X                        |
| 2   | 19H2676  | CAP SCREW    | 6   |                    |         |   | X X                        |
| 3   | R132499  | PULLEY       | 1   |                    | -025855 |   | X X 3/8" X 1"              |
|     | R163158  | PULLEY       | 1   | 025856-            |         |   | X                          |
|     | R132498  | PULLEY       | 1   | 025856-            |         |   | X                          |
| 4   | 19M7784  | SCREW        | 5   |                    |         |   | X X M10 X 20               |
| 5   | R131213  | BELT         | 1   |                    |         |   | X X                        |
| 6   | R132496  | PULLEY       | 1   |                    | -025855 |   | X X                        |
|     | R163157  | PULLEY       | 1   | 025856-            |         |   | X                          |
|     | R152709  | PULLEY       | 1   | 025856-            |         |   | X                          |
| 7   | 19M7784  | SCREW        | 5   |                    |         |   | X X M10 X 20               |
| 8   | R119207  | SEAL         | 1   |                    |         |   | X X                        |
| 9   | 19M7808  | SCREW        | 1   |                    |         |   | X X M10 X 65               |
| 10  | 19M7944  | SCREW        | 1   |                    |         |   | X X M10 X 120              |
| 11  | RE69083  | TIGHTENER    | 1   |                    |         |   | X X                        |
| 12  | R131222  | DRIVE        | 1   |                    |         |   | X X                        |
| 13  | 14M7296  | FLANGE NUT   | 2   |                    |         |   | X X M10                    |
| 14  | R130135  | SHAFT        | 1   |                    | -025855 |   | X X                        |
|     | R133966  | ROCKSHAFT    | 1   | 025856-            |         |   | X X                        |
| 15  | RE65610  | BALL BEARING | 1   |                    |         |   | X X                        |
| 16  | 40M7109  | SNAP RING    | 1   |                    |         |   | X X                        |
| 17  | RE65651  | BALL BEARING | 1   |                    |         |   | X X                        |
| 18  | 40M1870  | SNAP RING    | 1   |                    |         |   | X X                        |
| 19  | R130561  | V-RING SEAL  | 1   |                    |         |   | X X                        |
| 20  | R130141  | HUB          | 1   |                    |         |   | X X                        |
| 21  | 24M7242  | WASHER       | 1   |                    |         |   | X X 21.400 X 42 X 5 MM     |
| 22  | 14M7335  | NUT          | 1   |                    |         |   | X X M20                    |
| 23  | 19H3767  | CAP SCREW    | 1   |                    |         |   | X X 3/8" X 10-1/2"         |
| 24  | R129245  | SPACER       | 1   |                    |         |   | X X                        |
| 25  | 19H3542  | CAP SCREW    | 2   |                    |         |   | X X 1/2" X 6-1/2", LOW     |
| 26  | 19H3586  | CAP SCREW    | 1   |                    |         |   | X X 1/2" X 4-1/4", L.H. UP |
|     | 19H3057  | CAP SCREW    | 1   |                    |         |   | X X 1/2" X 2-3/4", R.H. UP |
| 27  | 14M7273  | NUT          | 6   |                    |         |   | X X M8                     |
| 28  | 12M7065  | LOCK WASHER  | 6   |                    |         |   | X X 8.100 MM               |
| 29  | RE66338  | FAN          | 1   |                    |         |   | X X                        |
| 30  | 19M7402  | CAP SCREW    | 6   |                    |         |   | X X M10 X 25               |
| 31  | RE71379  | DRIVE        | 1   |                    | -XXXXXX |   | X X (SUB FOR RE65891)      |
|     | RE155581 | DRIVE        | 1   | XXXXXX-            |         |   | X X                        |

MEMORANDA  
MEMORANDA  
MEMORANDA  
MEMORANDA  
MEMORANDA

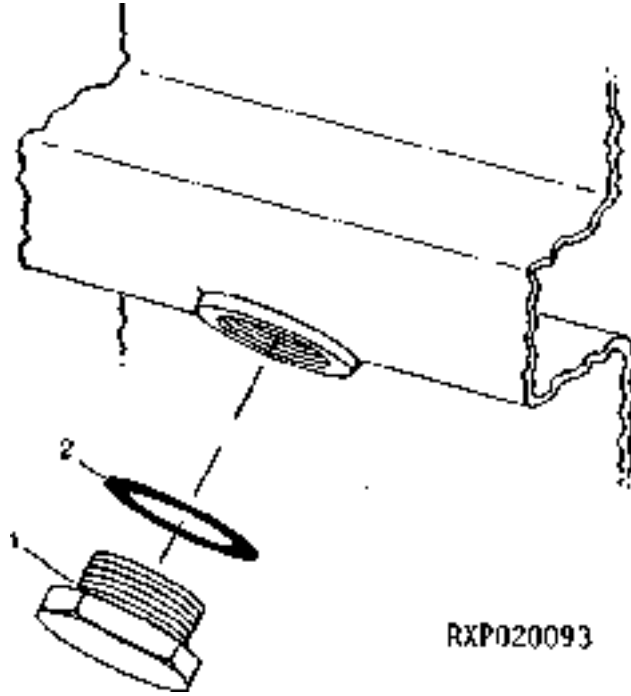
MEMORANDA  
MEMORANDA  
MEMORANDA  
MEMORANDA  
MEMORANDA

# 1J3

ENGINE

ENGINE COOLANT HEATER (NO HEATER)  
 RECHAUFFEUR DU LIQUIDE DE REFROIDISSEMENT (SANS CHAUFFAGE)  
 KUEHLWASSER-VORWAERMER (OHNE HEIZUNG)  
 RISACALDATORE REFRIGERANTE (SENZA RISDALDATORE)  
 DISPOSITIVO PARA EL CALENTAMIENTO DEL LIQUIDO REFRIGERANTE (SIN CALEFACTOR)  
 KYLVATSKEVARMARE (UTAN VAERMEAPPARAT)

RXP020093 -UN-01JAN94



RXP020093

| KEY | PART NO. | PART NAME  | QTY | ENGINE<br>SERIAL NO. | A | REMARKS |
|-----|----------|------------|-----|----------------------|---|---------|
|     |          |            |     |                      | L |         |
| 1   | R39741   | DRAIN PLUG | 1   |                      | X |         |
| 2   | U13639   | O-RING     | 1   |                      | X |         |



# 1J4

ENGINE

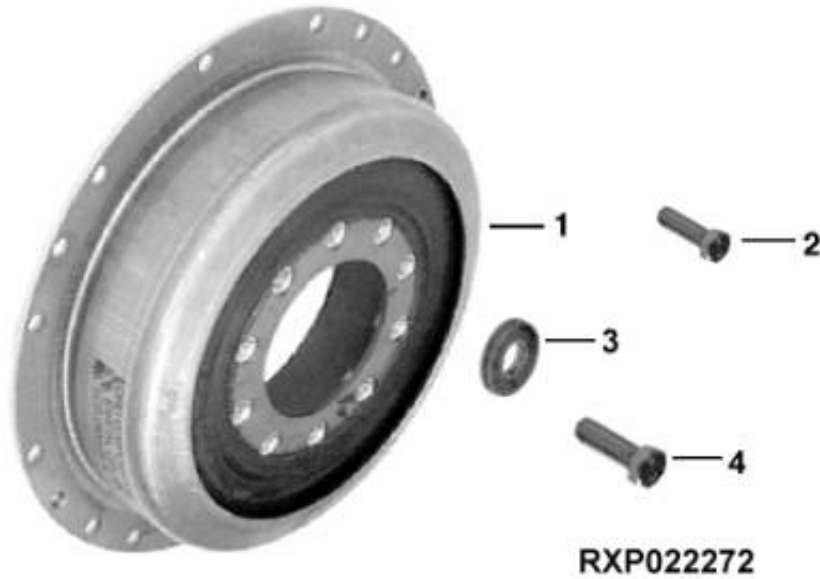
FLYWHEEL COVER  
 VOLANT-MOTEUR, PROTECTION  
 SCHWUNGRAD, ABDECKUNG  
 VOLANO, COPERTURA  
 VOLANTE, CUBIERTA  
 SVAENGHJUL, SKYDD  
 RXP021604 -UN-20JUN96



**RXP021604**

| KEY | PART NO. | PART NAME | QTY | TRACTOR<br>SERIAL NO. | A | REMARKS                  |
|-----|----------|-----------|-----|-----------------------|---|--------------------------|
|     |          |           |     |                       | L |                          |
| 1   | R129054  | COVER     | 1   |                       | X | (SUB FOR R124622)        |
| 2   | 19H1871  | CAP SCREW | 6   |                       | X | 3/4" X 1-1/4", W/ MFWD   |
|     | R120252  | CAP SCREW | 2   |                       | X | W/O MFWD                 |
| 3   | 19H1871  | CAP SCREW | 1   |                       | X | 3/4" X 1-1/4", W/O MFWD  |
|     | 19H1735  | CAP SCREW | 1   | -009999               | X | 3/4" X 3-1/2"            |
|     | 19H1871  | CAP SCREW | 1   | 010000-               | X | 3/4" X 1-1/4"            |
|     | 24H1392  | WASHER    | 6   |                       | X | 25/32" X 1-3/8" X 0.120" |
| 4   | 14H793   | NUT       | 1   | -009999               | X | 3/4"                     |

ENGINE COUPLING  
 ACCOUPLEMENT DE MOTEUR  
 MOTORKUPPLUNG  
 RACCORDO DEL MOTORE  
 ACOPLAMIENTO DEL MOTOR  
 MOTORKOPPLING  
 RXP022272 -UN-29SEP97



| KEY | PART NO. | PART NAME          | QTY | ENGINE SERIAL NO. | A<br>L<br>L<br>REMARKS |
|-----|----------|--------------------|-----|-------------------|------------------------|
| 1   | RE45382  | TORSIONAL DAMPENER | 1   |                   | X                      |
| 2   | 19M7835  | SCREW              | 8   |                   | X M10 X 35             |
| 3   | 24M7240  | WASHER             | 9   |                   | X 13 X 25 X 3 MM       |
| 4   | 19M7789  | SCREW              | 9   |                   | X M12 X 30             |

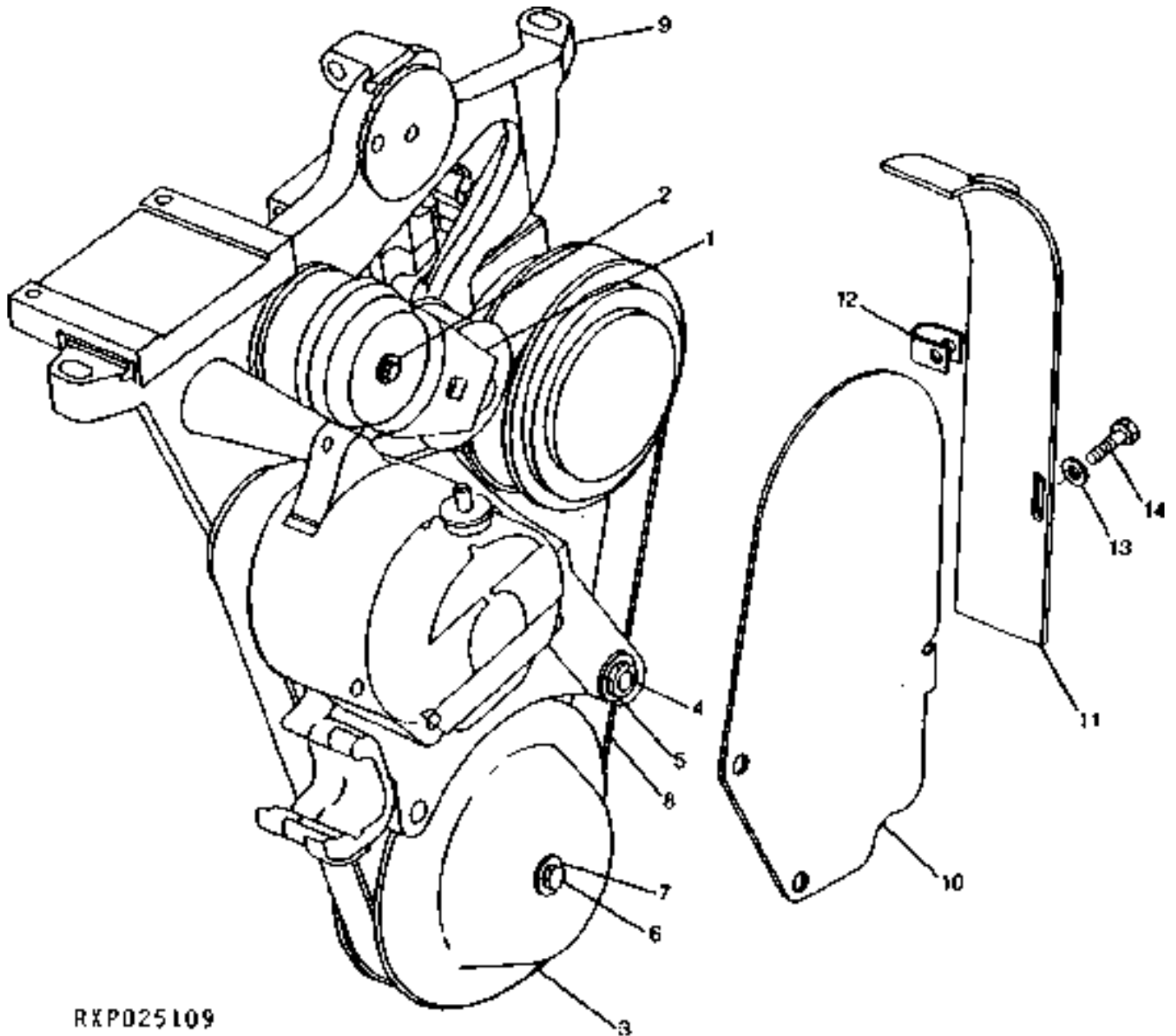
MEMORANDA  
MEMORANDA  
MEMORANDA  
MEMORANDA  
MEMORANDA

# 1J6

ENGINE

PULLEY/IDLER PULLEY/SHIELD (W/O AIR BRAKE)  
POULIE/TENDEUR/DISPOSITIF DE PROTECTION (W/O FREIN A AIR COMPRIME)  
RIEMENSCHIBE/ZWISCHENSCHIBE/ABDECKUNG (W/O DRUCKLUFTBREMS)  
PILEGGIA/PULEGGIA FOLLE/ PROTEZIONE (W/O FRENO AD ARIA COMPRESSA)  
POLEA/POLEA TENSORA/ESCUDO (W/O FRENOS NEUMATICOS)  
REMSKIVA/TOMGAANGSSKIVA/SKYDD (W/O TRYCKLUFTSBROMS)

RXP025109 -UN-01JAN94



RXP025109

# 1J7

ENGINE

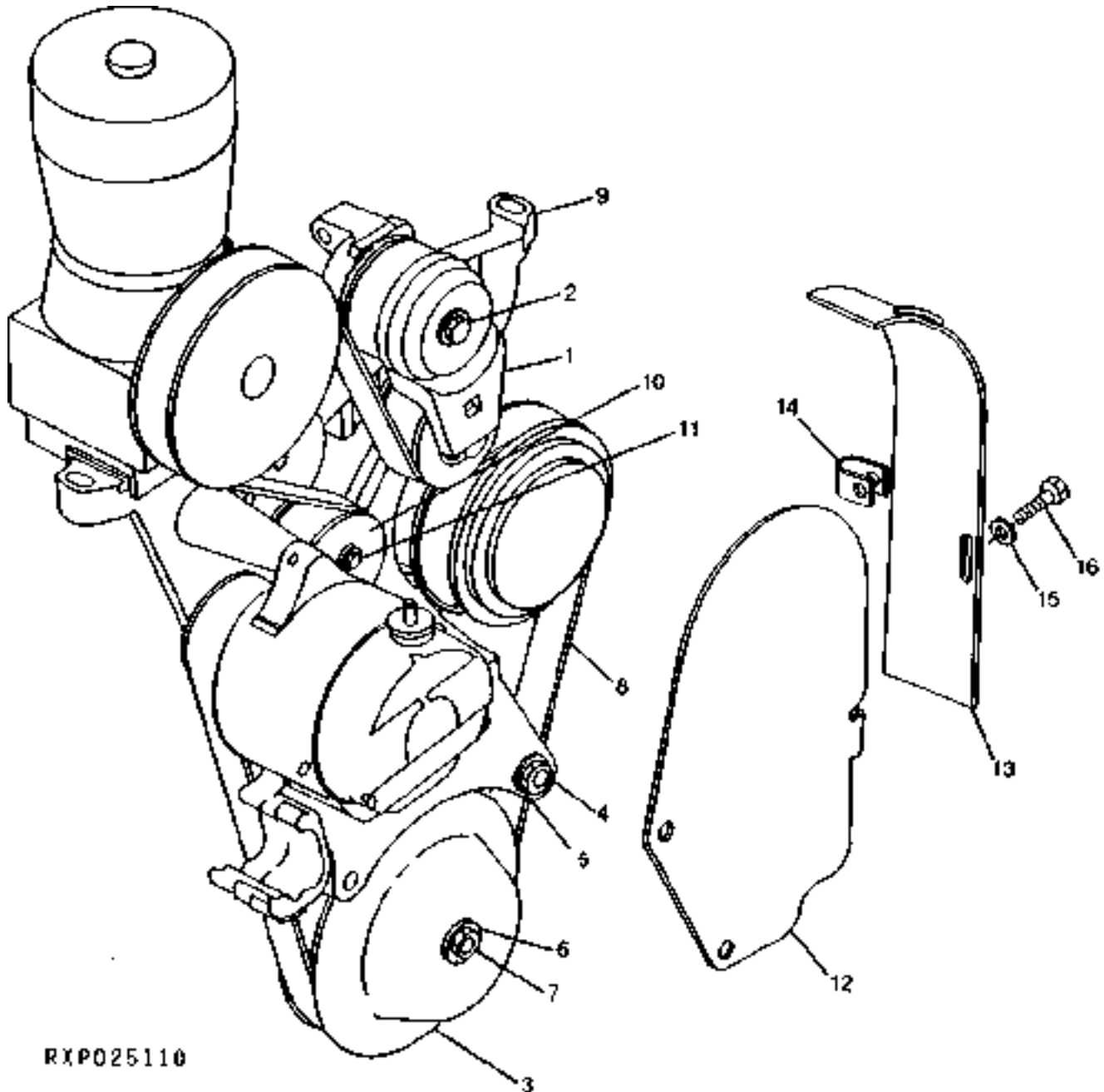
| KEY | PART NO. | PART NAME | QTY | TRACTOR<br>SERIAL NO. | A<br>L<br>L | REMARKS            |
|-----|----------|-----------|-----|-----------------------|-------------|--------------------|
| 1   | RE57498  | TIGHTENER | 1   |                       | X           |                    |
| 2   | 19M7810  | SCREW     | 1   |                       | X           | M10 X 80           |
| 3   | R107078  | PULLEY    | 1   |                       | X           |                    |
| 4   | 19M7496  | CAP SCREW | 4   |                       | X           | M12 X 45           |
| 5   | 24M7047  | WASHER    | 4   |                       | X           | 13 X 24 X 2.500 MM |
| 6   | 19M7791  | SCREW     | 1   |                       | X           | M12 X 40           |
| 7   | 24H1900  | WASHER    | 1   |                       | X           | 17/32" X 2" X 1/4" |
| 8   | R124785  | BELT      | 1   |                       | X           |                    |
| 9   | R119489  | BRACKET   | 1   |                       | X           |                    |
| 10  | R125746  | GUARD     | 1   |                       | X           |                    |
| 11  | R125747  | GUARD     | 1   |                       | X           |                    |
| 12  | M84971   | NUT       | 1   |                       | X           |                    |
| 13  | 24M7047  | WASHER    | 1   |                       | X           | 13 X 24 X 2.500 MM |
| 14  | 19M7881  | SCREW     | 1   |                       | X           | M8 X 20            |

# 1J8

ENGINE

PULLEY/IDLER PULLEY/SHIELD (W/ AIR BRAKE)  
POULIE/TENDEUR/DISPOSITIF DE PROTECTION (W/ FREIN A AIR COMPRIE)  
RIEMENSCHIEBE/ZWISCHENSCHIEBE/ABDECKUNG (W/ DRUCKLUFTBREMS)  
PULEGGIA/PULEGGIA FOLLE/PROTEZIONE (FRENO AD ARIA COMPRESSA)  
POLEA/POLEA TENSORA/ESCUDO (W/ FRENOS NEUMATICOS)  
REMSKIVA/TOMGAANGSSKIVA/SKYDD (W/TRYCKLUFTSBROMS)

RXP025110 -UN-01JAN94



RXP025110

| KEY | PART NO. | PART NAME   | QTY | TRACTOR<br>SERIAL NO. | A<br>L<br>L | REMARKS            |
|-----|----------|-------------|-----|-----------------------|-------------|--------------------|
| 1   | RE57498  | TIGHTENER   | 1   |                       | X           |                    |
| 2   | 19M7810  | SCREW       | 1   |                       | X           | M10 X 80           |
| 3   | R107078  | PULLEY      | 1   |                       | X           |                    |
| 4   | 19M7496  | CAP SCREW   | 4   |                       | X           | M12 X 45           |
| 5   | 24M7047  | WASHER      | 4   |                       | X           |                    |
| 6   | 19M7791  | SCREW       | 1   |                       | X           | M12 X 40           |
| 7   | 24H1900  | WASHER      | 1   |                       | X           | 17/32" X 2" X 1/4" |
| 8   | R124786  | BELT        | 1   |                       | X           | (A)                |
| 9   | R121379  | SUPPORT     | 1   |                       | X           |                    |
| 10  | RE68722  | PULLEY      | 1   |                       | X           | (SUB FOR RE51281)  |
| 11  | R120143  | BOLT        | 1   |                       | X           |                    |
|     | T14386   | BUSHING     | 1   |                       | X           |                    |
|     | R114837  | DUST SHIELD | 1   |                       | X           |                    |
| 12  | R125746  | GUARD       | 1   |                       | X           |                    |
| 13  | R125747  | GUARD       | 1   |                       | X           |                    |
| 14  | M84971   | NUT         | 1   |                       | X           |                    |
| 15  | 24M7047  | WASHER      | 1   |                       | X           | 13 X 24 X 2.500 MM |
| 16  | 19M7881  | SCREW       | 1   |                       | X           | M8 X 20            |

(A) TRAILER AIR BRAKE AIR COMPRESSOR  
 REMORQUE, COMPRESSEUR DU FREIN A AIR COMPRIME  
 ANHAENGER-LUFTDRUCKBREMSE, LUFTKOMPRESSOR  
 COMPRESSORE DELL'ARIA DEL FRENO PNEUMATICO DEL RI MORCHIO  
 COMPRESOR DE FRENOS DE AIRE DEL REMOLOQUE  
 SLAEPVAGNSBROMS, LUFTKOMPRESSOR

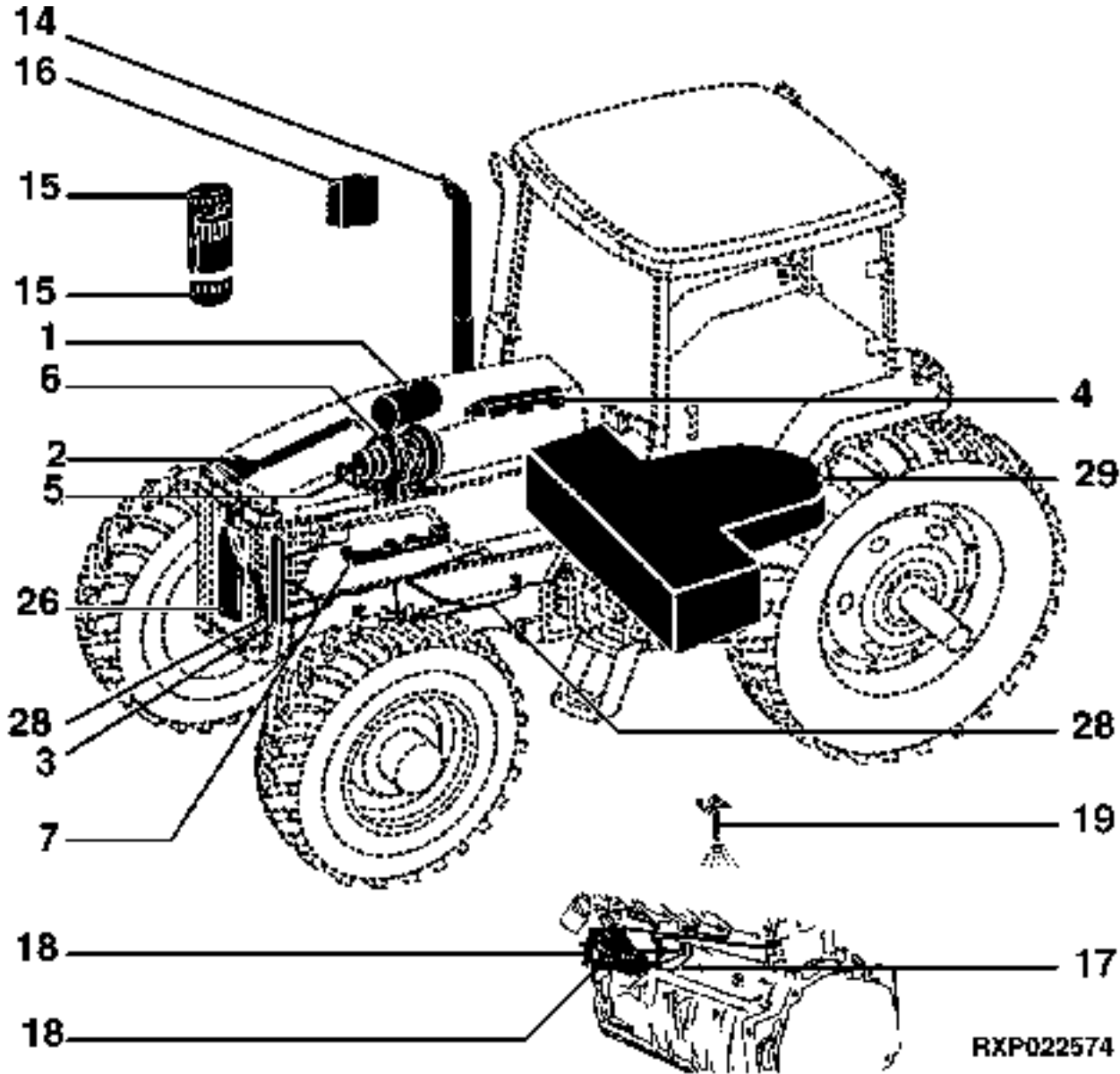
MEMORANDA  
MEMORANDA  
MEMORANDA  
MEMORANDA  
MEMORANDA



# 2D6

SECTIONAL INDEX (8100,8200,8300 TSN -009999)  
INDEX DE SECTION (8100,8200,8300 TSN -009999)  
GRUPPENINDEX (8100,8200,8300 TSN -009999)  
INDICE DELLA SEZIONE (8100,8200,8300 TSN -009999)  
INDICE DE SECCION (8100,8200,8300 TSN -009999)  
GRUPPSFORTECKNING (8100,8200,8300 TSN -009999)  
RXP022574 -UN-11MAY99

|      |      |
|------|------|
| 1 -  | 2D10 |
| 2 -  | 2D12 |
| 3 -  | 2D14 |
| 4 -  | 2D16 |
| 14 - | 2E6  |
| 15 - | 2E14 |
| 26 - | 2G1  |
| 28 - | 2G6  |
| 29 - | 2G8  |

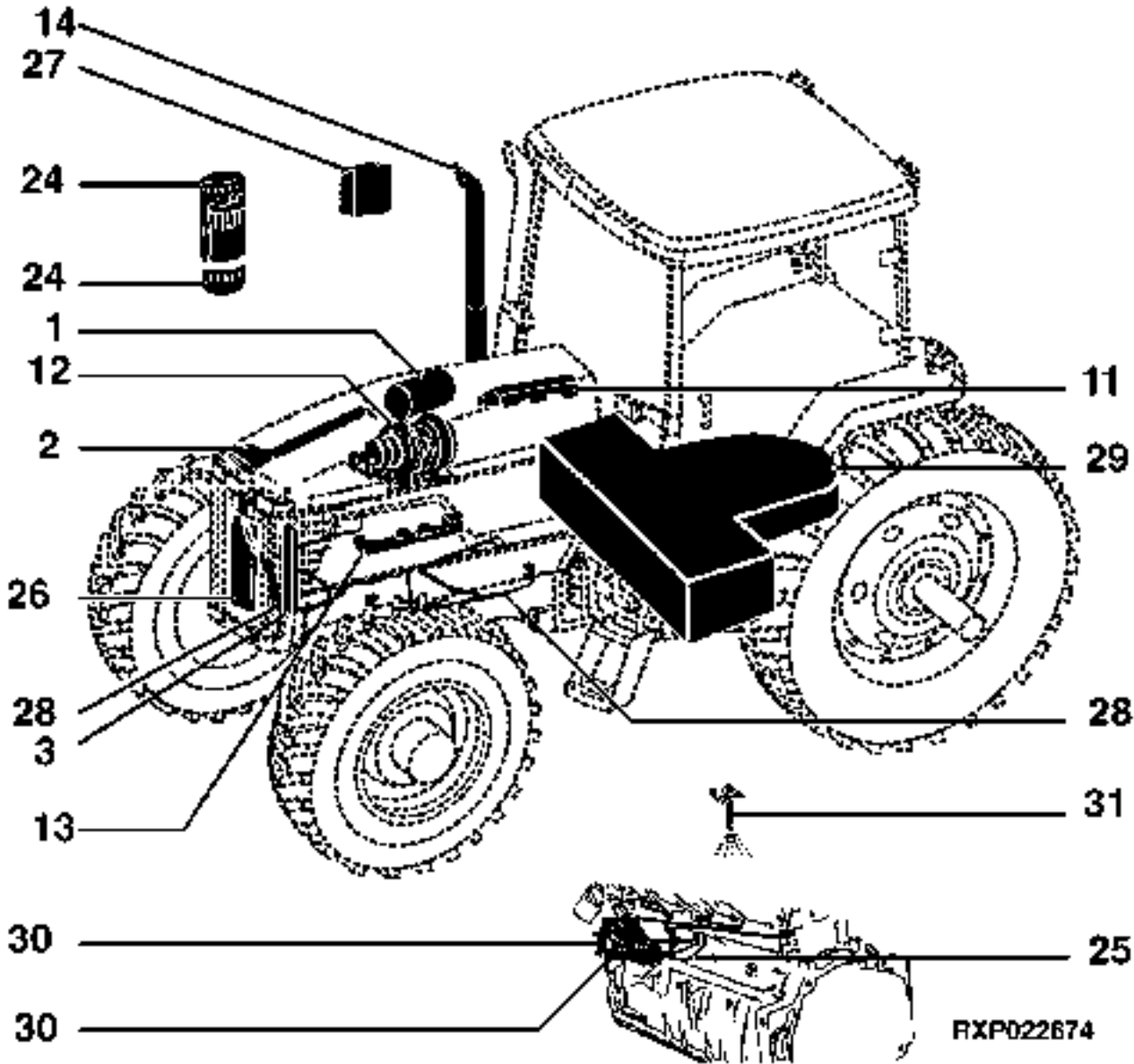




# 2D8

SECTIONAL INDEX (8400)  
INDEX DE SECTION (8400)  
GRUPPENINDEX (8400)  
INDICE DELLA SEZIONE (8400)  
INDICE DE SECCION (8400)  
GRUPPSFORTECKNING (8400)  
RXP022674 -UN-11MAY99

|      |      |
|------|------|
| 1 -  | 2D10 |
| 2 -  | 2D12 |
| 3 -  | 2D14 |
| 4 -  | 2D16 |
| 14 - | 2E6  |
| 15 - | 2E14 |
| 26 - | 2G1  |
| 28 - | 2G6  |
| 29 - | 2G8  |

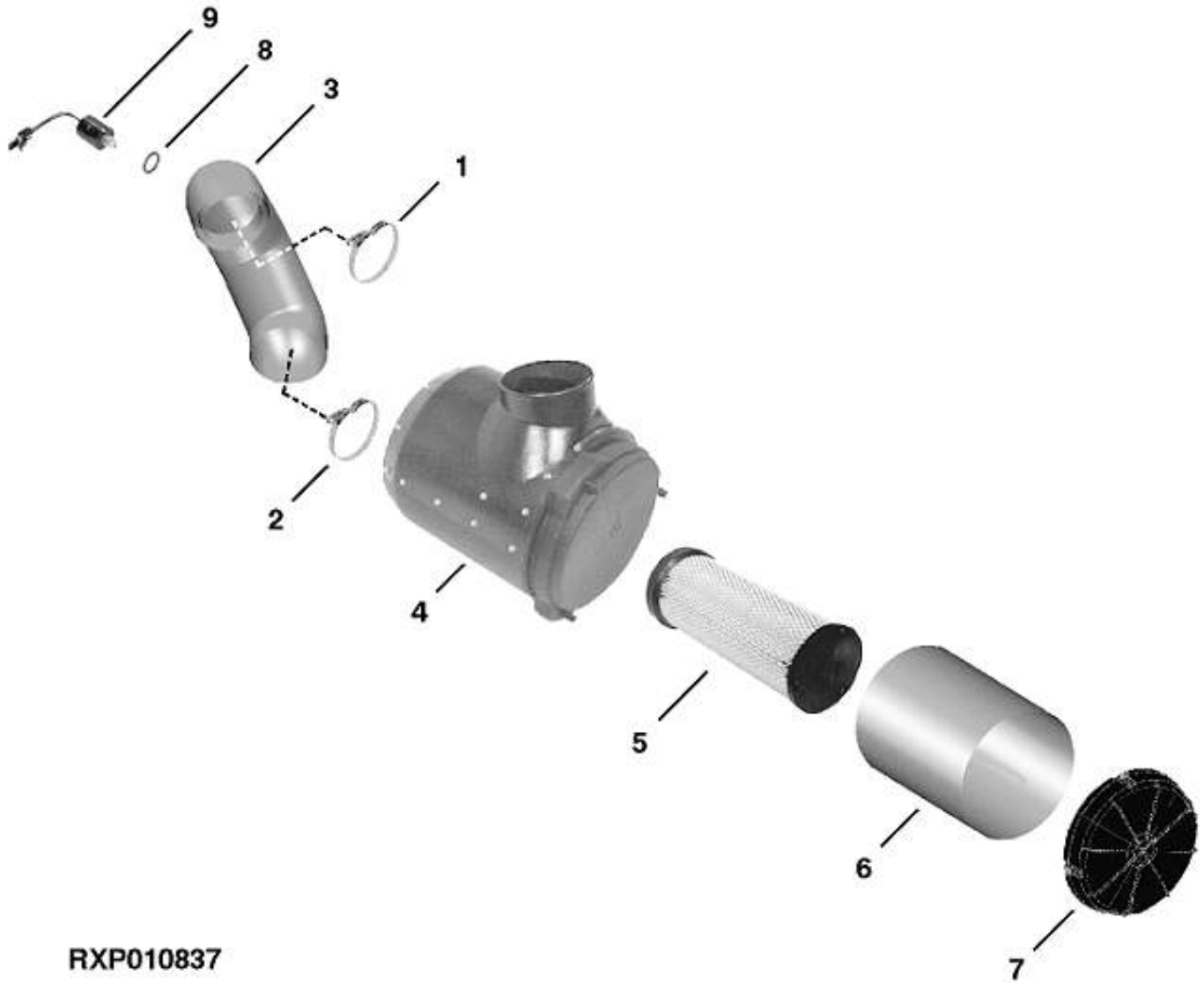


SECTIONAL INDEX  
INDEX DE SECTION  
GRUPPENINDEX  
INDICE DELLA SEZIONE  
INDICE DE SECCION  
GRUPPSFORTECKNING

MEMORANDA  
MEMORANDA  
MEMORANDA  
MEMORANDA  
MEMORANDA

# 2D10

DRY AIR CLEANER  
FILTRE A AIR SEC  
TROKENLUFTFILTER  
FILTRO ARIA SECCO  
FILTRO DE AIRE EN SECO  
TORRLUFTRENARE  
RXP010837 -UN-01JAN94



RXP010837

| KEY | PART NO. | PART NAME              | QTY | TRACTOR<br>SERIAL NO. | A<br>L<br>L | REMARKS |
|-----|----------|------------------------|-----|-----------------------|-------------|---------|
| 1   | RE52703  | CLAMP                  | 1   |                       | X           |         |
| 2   | RE67747  | CLAMP                  | 1   |                       | X           |         |
| 3   | RE61167  | ELBOW FITTING          | 1   |                       | X           |         |
|     | RE61168  | ELBOW FITTING          | 1   |                       | X           | (A)     |
| 4   | RE67898  | HOUSING                | 1   |                       | X           |         |
| 5   | RE51630  | FILTER ELEMENT         | 1   |                       | X           |         |
| 6   | RE51629  | FILTER ELEMENT         | 1   |                       | X           |         |
| 7   | RE61332  | COVER                  | 1   |                       | X           |         |
|     | R124848  | LATCH                  | 1   |                       | X           |         |
| 8   | R77673   | O-RING                 | 1   |                       | X           |         |
| 9   | RE12176  | AIR FILTER RSTR SENSOR | 1   |                       | X           |         |

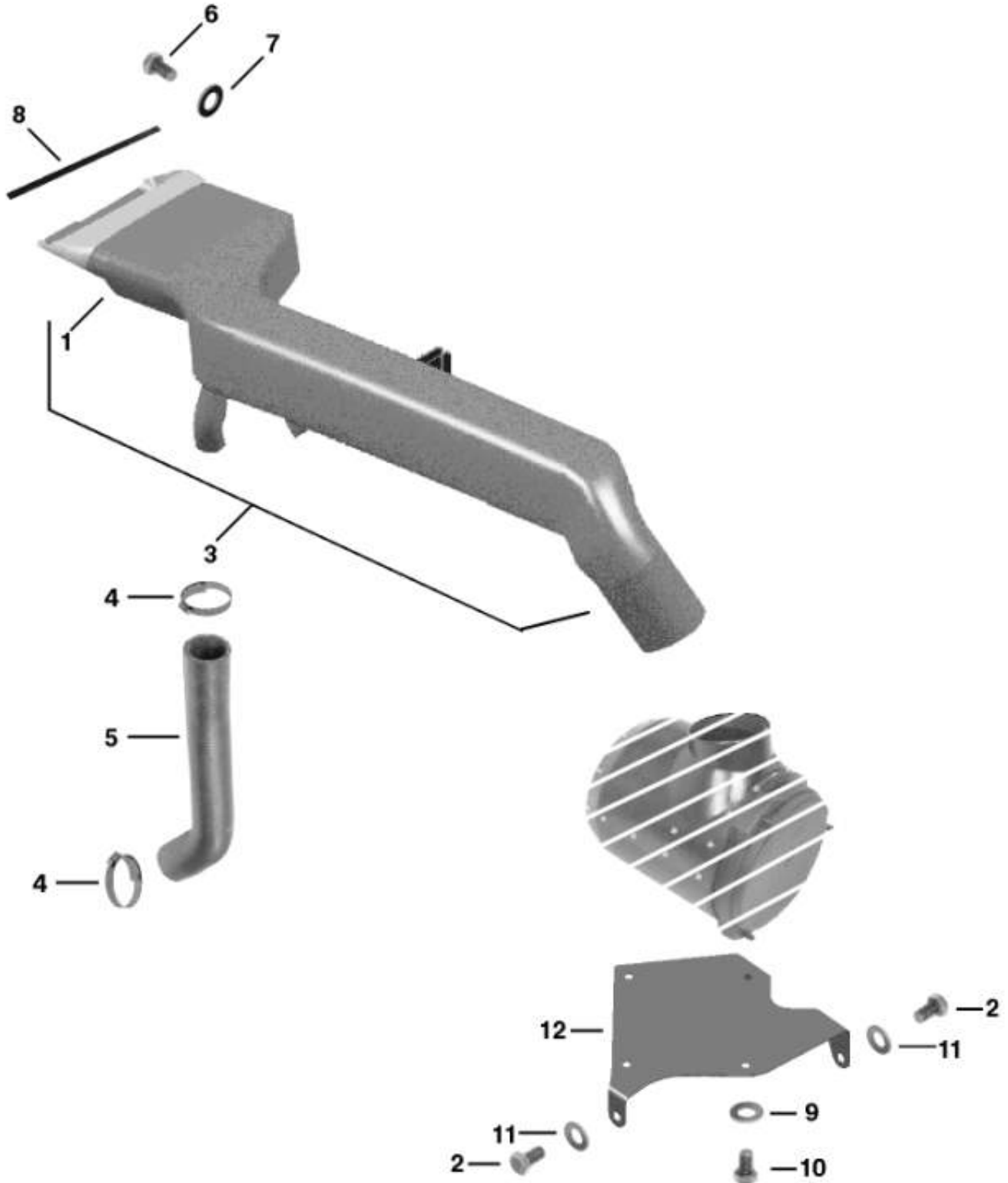
(A) W/AIR BRAKE COUPLERS

FREINS A AIR COMPRIME, RACCORDS  
 DRUCKLUFTBREMSE, KUPPLUNGEN  
 FRENO AD ARIA COMPRESSA, RACCORDI  
 FRENO NEUMATICO, ACOPLADORES  
 TRYCKLUFTSBROMS, KOPPLINGAR

# 2D12

FUEL AND AIR

PRESCREENER  
PREFILTRE  
VORFILTER  
PREFILTRO  
PREFILTRO DE MALLA  
FOERFILTER  
RXP021916 -UN-05FEB97



RXP021916



# 2D13

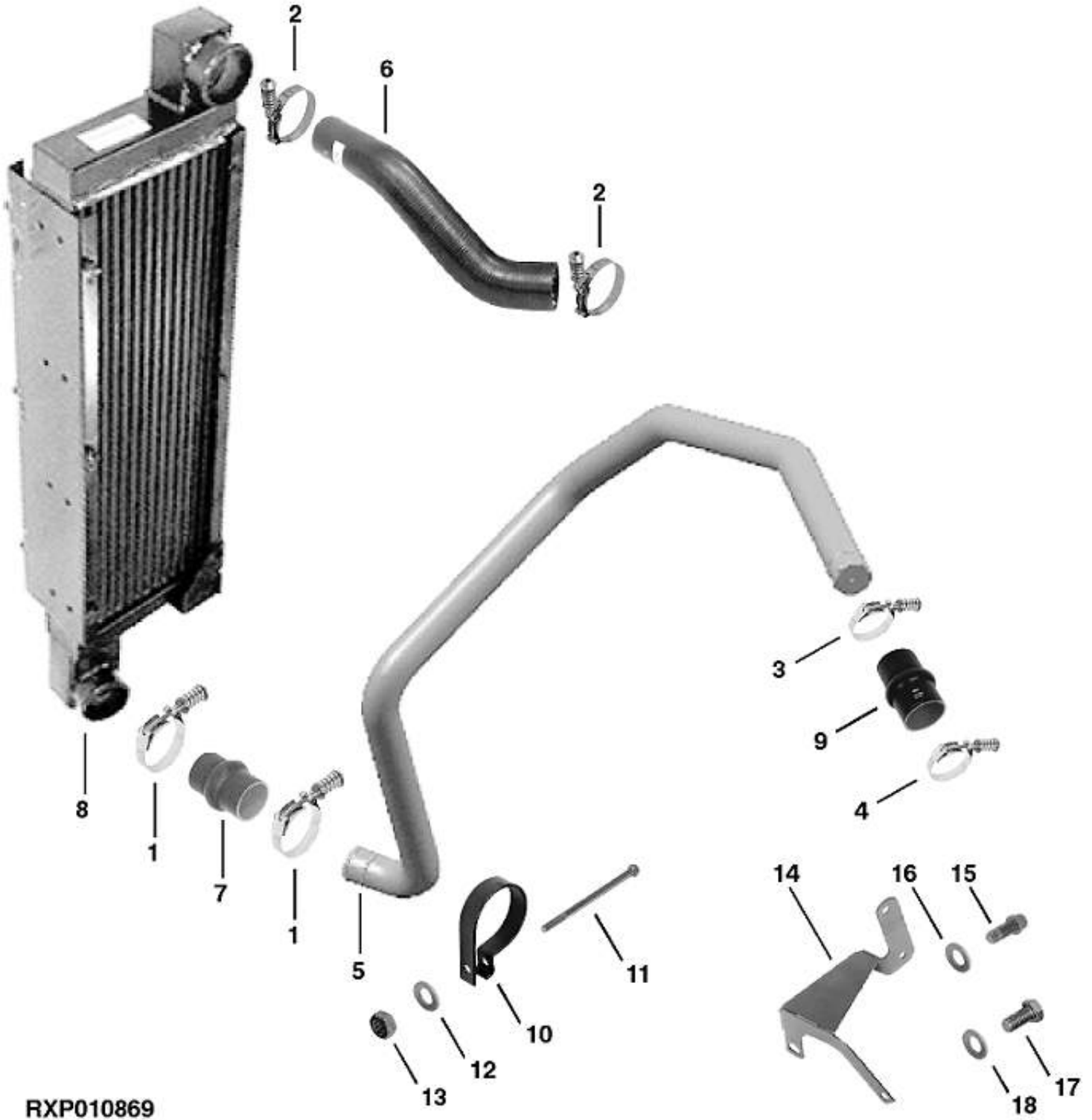
FUEL AND AIR

| KEY | PART NO. | PART NAME   | QTY | TRACTOR<br>SERIAL NO. | A<br>L<br>L | REMARKS               |
|-----|----------|-------------|-----|-----------------------|-------------|-----------------------|
| 1   | RE164286 | PRESCREENER | 1   |                       | X           | (SUB FOR RE51631)     |
| 2   | 19M7788  | SCREW       | 3   |                       | X           | M12 X 25              |
| 3   | RE163458 | PRESCREENER | 1   |                       | X           | (SUB FOR RE55358)     |
| 4   | TY22486  | CLAMP       | 2   |                       | X           |                       |
| 5   | R120723  | HOSE        | 1   | -009999               | X           |                       |
|     | R131221  | HOSE        | 1   | 010000-               | X           |                       |
| 6   | 19M7139  | CAP SCREW   | 2   |                       | X           | M8 X 20               |
| 7   | 24M7036  | WASHER      | 2   |                       | X           | 9 X 16 X 1.600 MM     |
| 8   | R122550  | SEAL        | 1   |                       | X           |                       |
| 9   | 24M7346  | WASHER      | 4   |                       | X           | 11 X 20 X 2 MM        |
| 10  | 19M8324  | CAP SCREW   | 4   |                       | X           | M10 X 16              |
| 11  | 24M7047  | WASHER      | 3   |                       | X           | 13 X 24 X 2.500 MM    |
| 12  | R124826  | BRACKET     | 1   |                       | X           |                       |
|     | R136260  | BRACKET     | 1   |                       | X           | RH, (SUB FOR R124823) |

# 2D14

FUEL AND AIR

AFTERCOOLER  
ECHANGEUR THERMIQUE AIR/EAU  
LADELUFTKUEHLER  
REFRIGERATORE SUCCESSIVO  
POSREFROFERADOR  
MELLANKYLARE  
RXP010869 -UN-01JAN94



RXP010869

# 2D15

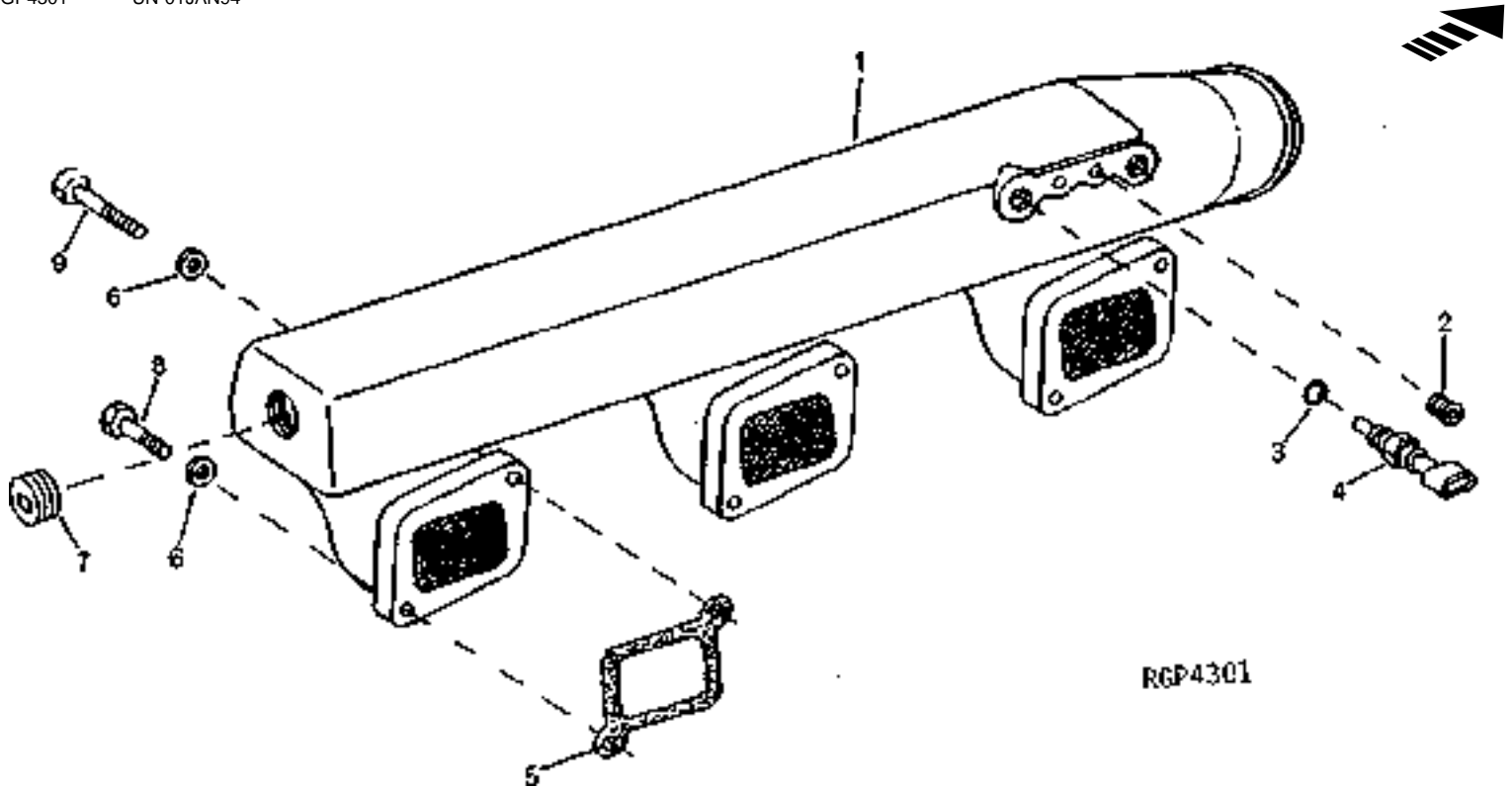
FUEL AND AIR

| KEY | PART NO. | PART NAME      | QTY | TRACTOR<br>SERIAL NO. | A<br>L<br>L | REMARKS                               |
|-----|----------|----------------|-----|-----------------------|-------------|---------------------------------------|
| 1   | RE52702  | CLAMP          | 2   |                       | X           |                                       |
| 2   | RE52702  | CLAMP          | 2   |                       | X           |                                       |
| 3   | RE52702  | CLAMP          | 1   |                       | X           |                                       |
| 4   | RE52702  | CLAMP          | 1   |                       | X           |                                       |
| 5   | R130848  | PIPE           | 1   |                       | X           | (SUB FOR R124579, R126645 OR R127791) |
| 6   | R115037  | HYDRAULIC HOSE | 1   |                       | X           |                                       |
| 7   | R98412   | HOSE           | 1   |                       | X           |                                       |
| 8   | RE61307  | AFTERCOOLER    | 1   | -009999               |             | 8100,8200,8300                        |
|     | RE66342  | AFTERCOOLER    | 1   | 010000-               |             | 8100,8200                             |
|     | RE66342  | AFTERCOOLER    | 1   | 010000-XXXXXX         |             | 8300                                  |
|     | RE61307  | AFTERCOOLER    | 1   | XXXXXX-               |             | 8300, 8400                            |
|     | RE61307  | AFTERCOOLER    | 1   | -XXXXXX               |             | 8400                                  |
| 9   | R98412   | HOSE           | 1   |                       | X           |                                       |
| 10  | R111156  | CLIP           | 2   |                       | X           |                                       |
| 11  | 19M8853  | SCREW          | 1   |                       | X           | M10 X 50                              |
| 12  | 24M7346  | WASHER         | 1   |                       | X           | 11 X 20 X 2 MM                        |
| 13  | 14M7274  | NUT            | 1   |                       | X           | M10                                   |
| 14  | R122424  | RAIL           | 1   |                       | X           |                                       |
| 15  | RE10901  | SCREW          | 1   |                       | X           |                                       |
| 16  | 24M7338  | WASHER         | 1   |                       | X           | 17 X 30 X 3 MM                        |
| 17  | 19H1731  | CAP SCREW      | 1   |                       | X           | 3/8" X 1"                             |
| 18  | 24M7346  | WASHER         | 1   |                       | X           | 11 X 20 X 2 MM                        |
| ..  | R124838  | WASHER         | 1   |                       | X           |                                       |
| ..  | 19M8853  | SCREW          | 2   |                       | X           | M10 X 50                              |

# 2D16

FUEL AND AIR

AIR INTAKE MANIFOLD (6076) (8100,8200,8300 TSN -009999)  
 PIPE D'ADMISSION (6076) (8100,8200,8300 TSN -009999)  
 LUFTANSAUGKRUEMMER (6076) (8100,8200,8300 TSN -009999)  
 COLLETTORE D'ASPIRAZIONE (6076) (8100,8200,8300 TSN -009999)  
 COLECTOR DE ADMISION DE AIRE (6076) (8100,8200,8300 TSN -009999)  
 INSUGNINGSROR (6076) (8100,8200,8300 TSN -009999)  
 RGP4301 -UN-01JAN94

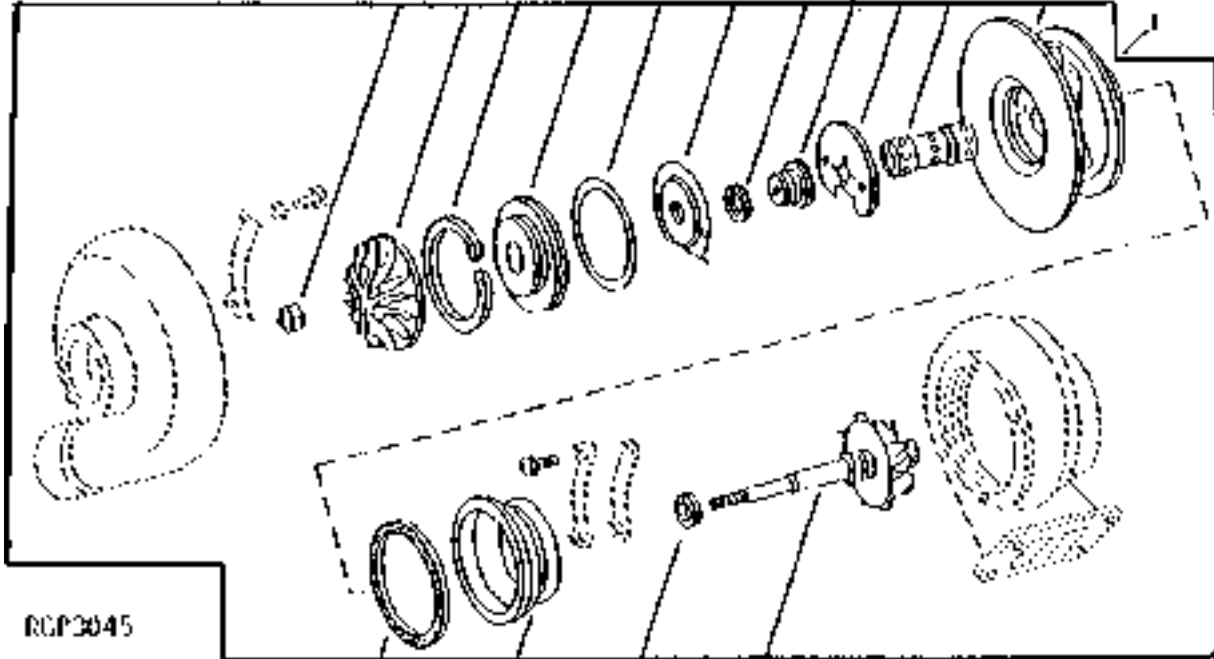


| KEY | PART NO. | PART NAME       | QTY | ENGINE SERIAL NO. | REMARKS                |
|-----|----------|-----------------|-----|-------------------|------------------------|
|     |          |                 |     | 8 8 8             |                        |
|     |          |                 |     | 1 2 3             |                        |
|     |          |                 |     | 0 0 0             |                        |
|     |          |                 |     | 0 0 0             |                        |
| 1   | R116727  | INTAKE MANIFOLD | 1   | X X X             |                        |
| 2   | R104592  | PIPE PLUG       | 2   | X X X             |                        |
| 3   | R77673   | O-RING          | 1   | X X X             |                        |
| 4   | RE38310  | SENSOR          | 1   | X X X             |                        |
| 5   | R120646  | GASKET          | 3   | X X X             |                        |
| 6   | 24H1682  | WASHER          | 6   | X X X             | 13/32" X 7/8" X 0.120" |
| 7   | 15H280   | PIPE PLUG       | 1   | X X X             |                        |
| 8   | 19H1801  | CAP SCREW       | 3   | X X X             | 3/8" X 2"              |
| 9   | 19H2458  | CAP SCREW       | 3   | X X X             | 3/8" X 3"              |

# 2D17

FUEL AND AIR

TURBOCHARGER CENTER HOUSING (6076) (8100,8200,8300 TSN -009999) (SCHWITZER)  
 TURBOCOMPRESSEUR (6076) (8100,8200,8300 TSN -009999) (SCHWITZER)  
 TURBOLADER (6076) (8100,8200,8300 TSN -009999) (SCHWITZER)  
 TURBOCOMPRESSORE (6076) (8100,8200,8300 TSN -009999) (SCHWITZER)  
 TURBOCARGADOR (6076) (8100,8200,8300 TSN -009999) (SCHWITZER)  
 TURBOAGGREGAT (6076) (8100,8200,8300 TSN -009999) (SCHWITZER)  
 RGP3045 -UN-01JAN94

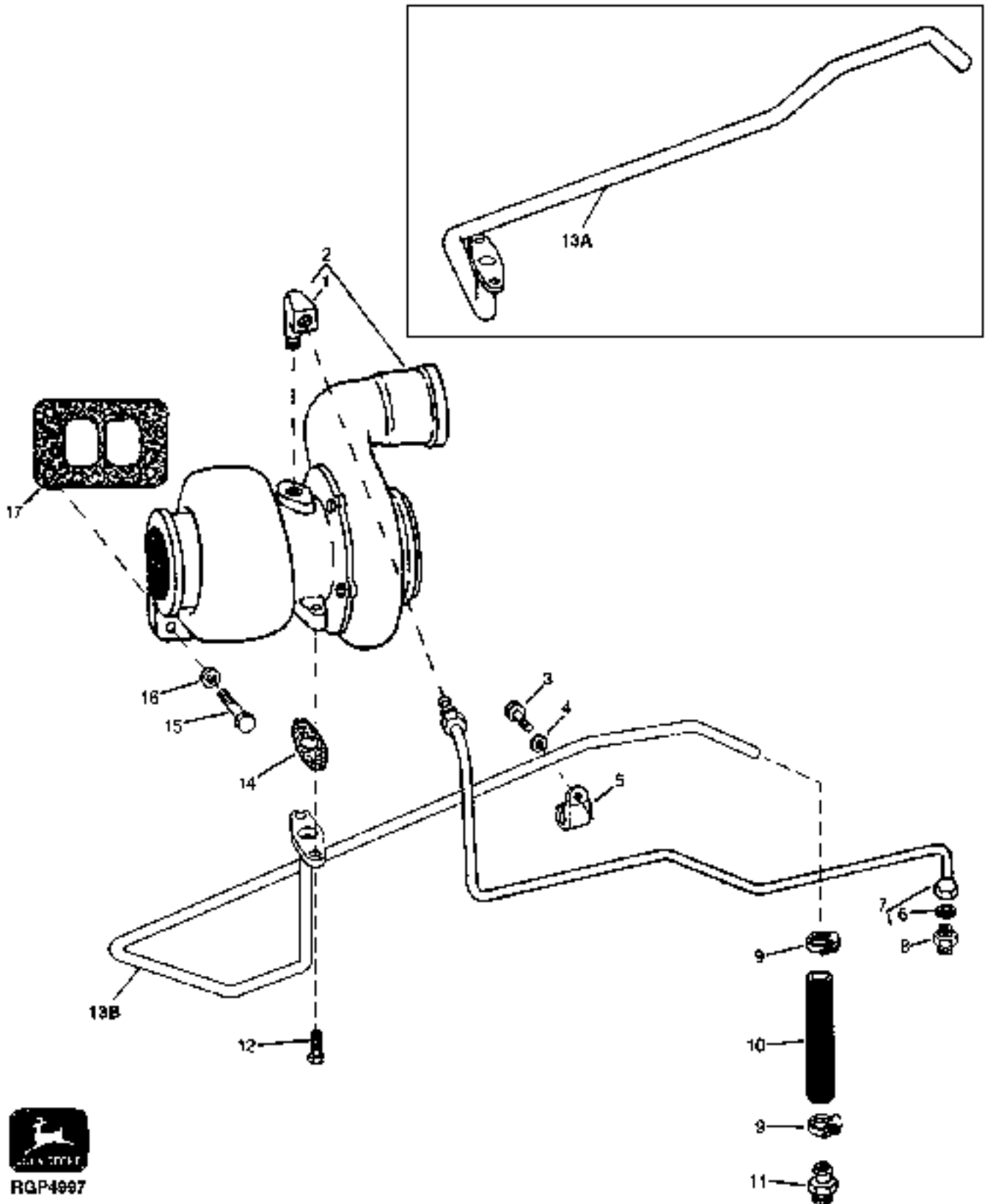


| KEY | PART NO. | PART NAME | QTY | ENGINE SERIAL NO.                | REMARKS       |
|-----|----------|-----------|-----|----------------------------------|---------------|
|     |          |           |     | 8 8 8<br>1 2 3<br>0 0 0<br>0 0 0 |               |
| 1   | RE58563  | HOUSING   | 1   | X X X                            | (SUB RE54979) |

# 2D18

FUEL AND AIR

TURBOCHARGER (6076) (8100,8200,8300 TSN -009999)  
TURBOCOMPRESSEUR (6076) (8100,8200,8300 TSN -009999)  
TURBOLADER (6076) (8100,8200,8300 TSN -009999)  
TURBOCOMPRESSORE (6076) (8100,8200,8300 TSN -009999)  
TURBOCARGADOR (6076) (8100,8200,8300 TSN -009999)  
TURBOAGGREGAT (6076) (8100,8200,8300 TSN -009999)  
RGP4997 -UN-30MAR98



# 2D19

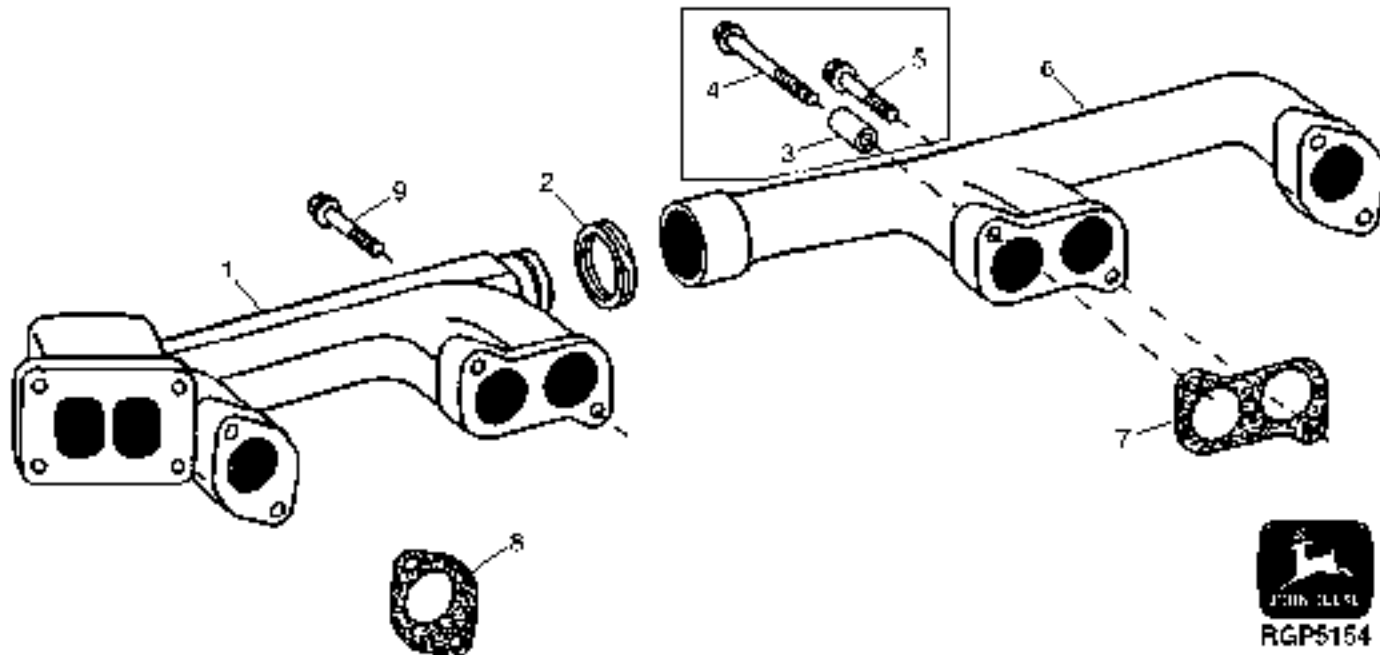
FUEL AND AIR

| KEY | PART NO. | PART NAME     | QTY | ENGINE     |       |       | REMARKS                                      |
|-----|----------|---------------|-----|------------|-------|-------|--|
|     |          |               |     | SERIAL NO. | 8 8 8 | 1 2 3 |  |
| 1   | T11180   | ELBOW FITTING | 1   |            | X X X |       |  |
| 2   | RE54979  | TURBOCHARGER  | 1   |            | X X X |       | (MARKED RE56237) REMANUFACTURED (SCHWITZER)  |
| 3   | 19H1900  | CAP SCREW     | 1   |            | X X X |       | 5/16" X 3/4"                                 |
| 4   | 24H1136  | WASHER        | 1   |            | X X X |       | 11/32" X 11/16" X 0.065"                     |
| 5   | AH89486  | CLIP          | 1   |            | X X X |       |  |
| 6   | R67092   | SEAL          | 1   |            | X X X |       |  |
| 7   | RE62255  | OIL LINE      | 1   |            | X X X |       | (INLET)                                      |
| 8   | R51133   | FITTING       | 1   |            | X X X |       |  |
| 9   | TY22467  | CLAMP         | 2   |            | X X X |       | (SUB FOR AR21839)                            |
| 10  | R87682   | HOSE          | 1   |            | X X X |       | (SUB RE501270 AND TY22425, THIS APPLICATION) |
|     | TY22425  | HOSE          | 1   |            | X X X |       |  |
| 11  | R39503   | FITTING       | 1   |            | X X X |       |  |
| 12  | R122618  | SCREW         | 2   |            | X X X |       |  |
| 13A | RE62794  | OIL LINE      | 1   |            | X X X |       | (SUB RE501270 AND TY22425)                   |
| 13B | RE501270 | OIL LINE      | 1   |            | X X X |       | (SUB FOR RE62794 OR RE500157)                |
| 14  | R105346  | GASKET        | 1   |            | X X X |       |  |
| 15  | R54500   | SCREW         | 4   |            | X X X |       |  |
| 16  | 24H1305  | WASHER        | 4   |            | X X X |       | 13/32" X 13/16" X 0.065"                     |
| 17  | R89879   | GASKET        | 1   |            | X X X |       |  |

# 2D20

FUEL AND AIR

EXHAUST MANIFOLD (6076) (8100,8200,8300 TSN -009999)  
 COLLECTEUR D'ÉCHAPPEMENT (6076) (8100,8200,8300 TSN -009999)  
 AUSPUFFKRUEMMER (6076) (8100,8200,8300 TSN -009999)  
 COLLECTORE DI SCARICO (6076) (8100,8200,8300 TSN -009999)  
 COLECTOR DE ESACAPE (6076) (8100,8200,8300 TSN -009999)  
 AVGASGRENOR (6076) (8100,8200,8300 TSN -009999)  
 RGP5154 -UN-22JAN99



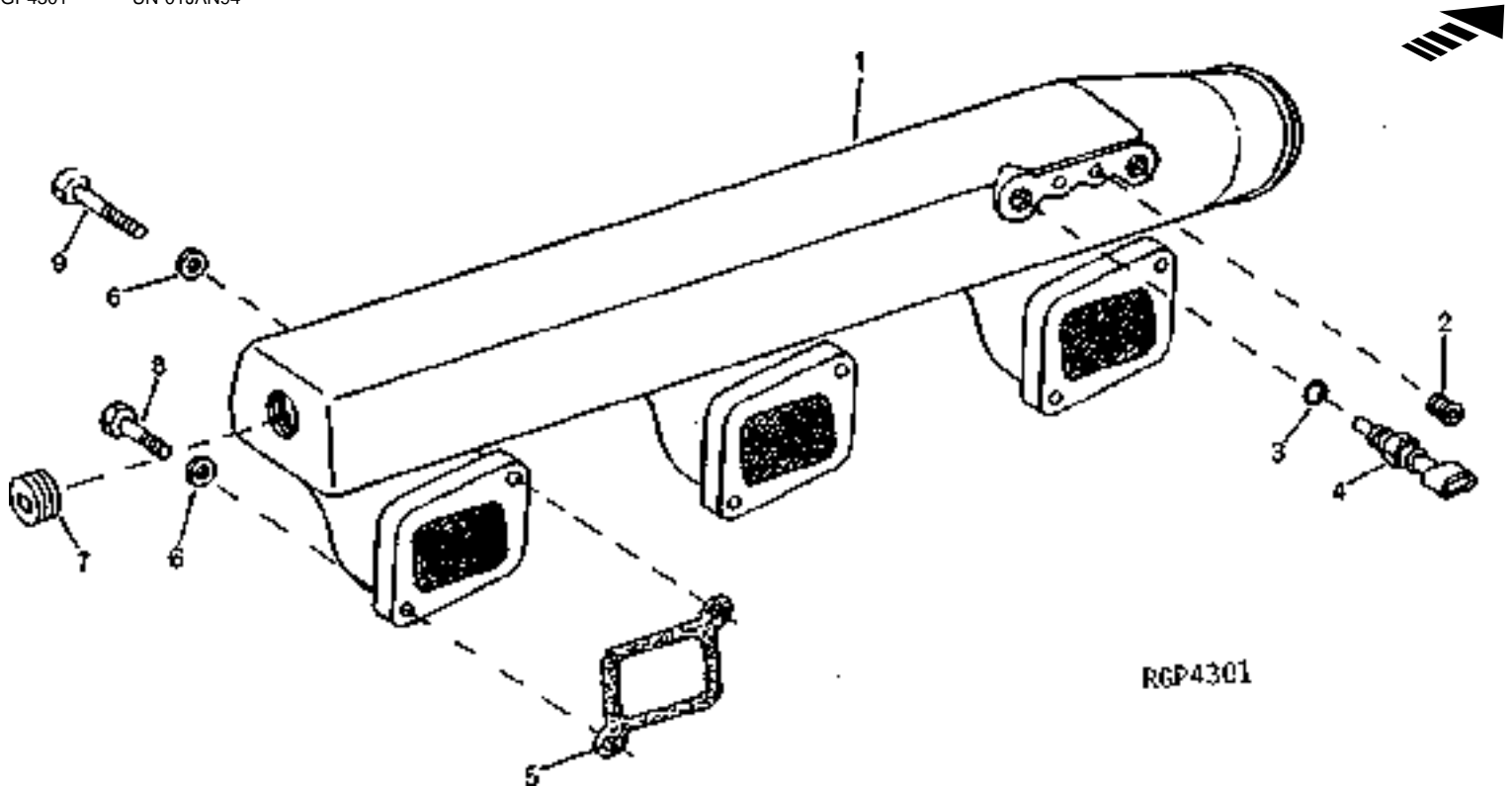
| KEY | PART NO. | PART NAME        | QTY | ENGINE SERIAL NO. | 8 8 8<br>1 2 3<br>0 0 0<br>0 0 0 | REMARKS           |
|-----|----------|------------------|-----|-------------------|----------------------------------|-------------------|
| 1   | R120645  | EXHAUST MANIFOLD | 1   |                   | X X X                            | (REAR)            |
| 2   | R122595  | RING             | 1   |                   | X X X                            |                   |
| 3   | R122502  | SPACER           | 4   | -XXXXXX           | X X X                            | (SUB (8) R135359) |
| 4   | R125469  | CAP SCREW        | 4   | -XXXXXX           | X X X                            | (SUB (8) R135359) |
| 5   | R125468  | CAP SCREW        | 4   | -XXXXXX           | X X X                            | (SUB (8) R135359) |
| 6   | R120644  | EXHAUST MANIFOLD | 1   |                   | X X X                            | (FRONT)           |
| 7   | RE62776  | GASKET           | 2   |                   | X X X                            | (SUB FOR R122503) |
| 8   | RE62777  | GASKET           | 2   |                   | X X X                            | (SUB FOR R122504) |
| 9   | R135359  | CAP SCREW        | 8   | XXXXXX-           | X X X                            |                   |



# 2D21

FUEL AND AIR

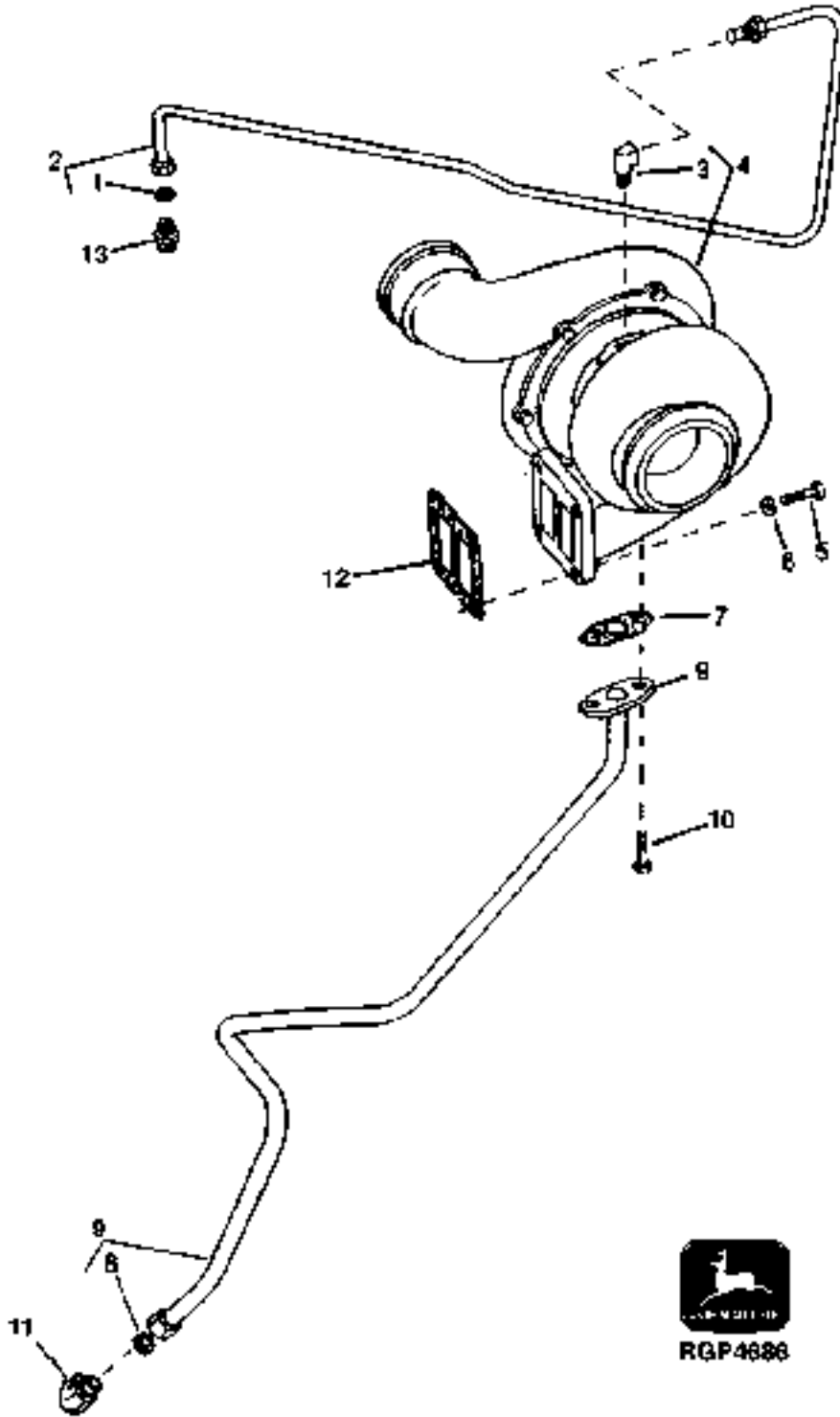
INTAKE MANIFOLD (6081) (8100,8200,8300 TSN 010000- )  
 PIPE D'ADMISSION (6081) (8100,8200,8300 TSN 010000- )  
 LUFTANSAUGKRUEMMER (6081) (8100,8200,8300 TSN 010000- )  
 COLLETTORE D'ASPIRAZIONE (6081) (8100,8200,8300 TSN 010000- )  
 COLECTOR DE ADMISION DE AIRE (6081) (8100,8200,8300 TSN 010000- )  
 INSUGNINGSROR (6081) (8100,8200,8300 TSN 010000- )  
 RGP4301 -UN-01JAN94



| KEY | PART NO. | PART NAME       | QTY | ENGINE SERIAL NO. | REMARKS                |
|-----|----------|-----------------|-----|-------------------|------------------------|
|     |          |                 |     | 8 8 8             |                        |
|     |          |                 |     | 1 2 3             |                        |
|     |          |                 |     | 0 0 0             |                        |
|     |          |                 |     | 0 0 0             |                        |
| 1   | R116727  | INTAKE MANIFOLD | 1   | X X X             |                        |
| 2   | R104592  | PIPE PLUG       | 2   | X X X             |                        |
| 3   | R77673   | O-RING          | 1   | X X X             |                        |
| 4   | RE38310  | SENSOR          | 1   | X X X             |                        |
| 5   | R120646  | GASKET          | 3   | X X X             |                        |
| 6   | 24H1682  | WASHER          | 6   | X X X             | 13/32" X 7/8" X 0.120" |
| 7   | 15H280   | PIPE PLUG       | 1   | X X X             |                        |
| 8   | 19H1801  | CAP SCREW       | 3   | X X X             | 3/8" X 2"              |
| 9   | 19H2458  | CAP SCREW       | 3   | X X X             | 3/8" X 3"              |

# 2D22

TURBOCHARGER AND OIL LINES (6081) (8100,8200,8300 TSN 010000- )  
TURBOCOMPRESSEUR (6081) (8100,8200,8300 TSN 010000- )  
TURBOLADER (6081) (8100,8200,8300 TSN 010000- )  
TURBOCOMPRESSORE (6081) (8100,8200,8300 TSN 010000- )  
TURBOCARGADOR (6081) (8100,8200,8300 TSN 010000- )  
TURBOAGGREGAT (6081) (8100,8200,8300 TSN 010000- )  
RGP4686 -UN-01JUN96

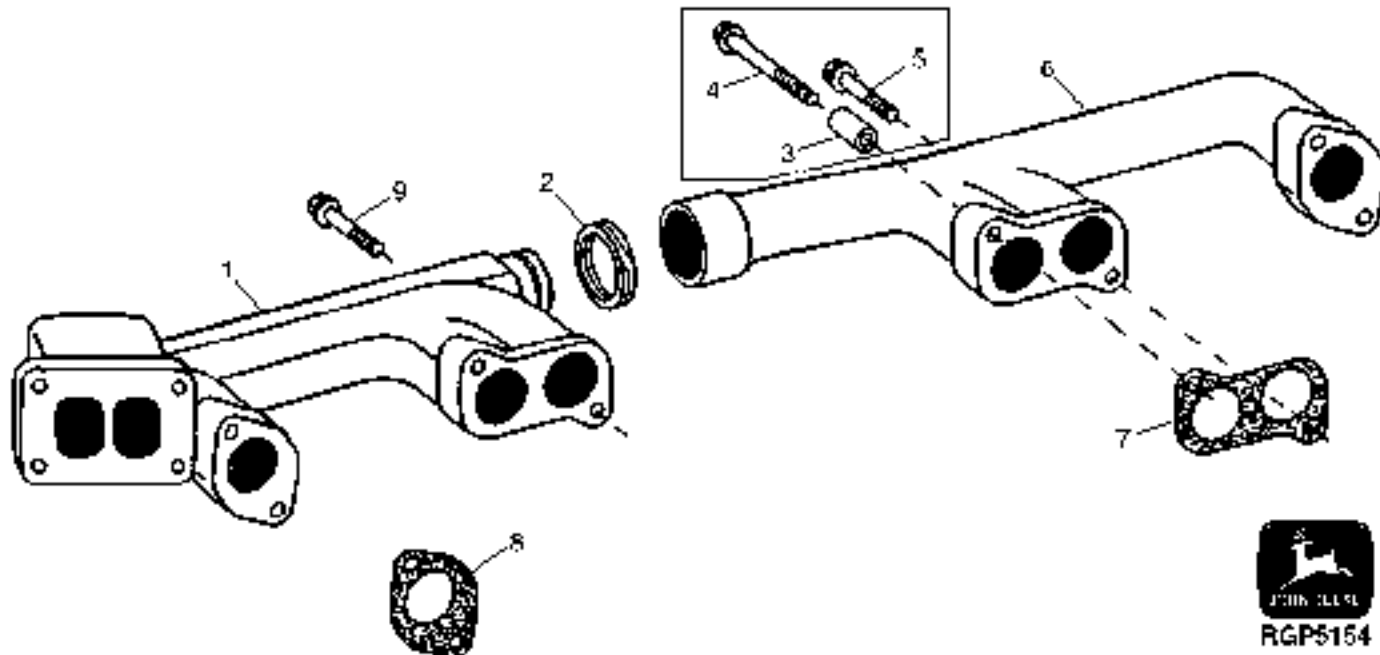


# 2D23

FUEL AND AIR

| KEY | PART NO. | PART NAME     | QTY | ENGINE     |       |       | REMARKS                                       |
|-----|----------|---------------|-----|------------|-------|-------|---|
|     |          |               |     | SERIAL NO. | 8 8 8 | 1 2 3 |   |
| 1   | R67092   | SEAL          | 1   |            | X X X |       |   |
| 2   | RE57530  | OIL LINE      | 1   |            | X X X |       |   |
| 3   | T11180   | ELBOW FITTING | 1   |            | X X X |       |   |
| 4   | RE64936  | TURBOCHARGER  | 1   |            | X X X |       | (REMANUFACTURED) (SCHWITZER) (MARKED RE64765) |
| 5   | R54500   | SCREW         | 4   |            | X X X |       | 9.525 X 25.400 MM (3/8" X 1")                 |
| 6   | 24H1305  | WASHER        | 8   |            | X X X |       | 13/32" X 13/16" X 0.065"                      |
| 7   | R105346  | GASKET        | 1   |            | X X X |       |   |
| 8   | R120138  | SLEEVE        | 1   |            | X X X |       | (PACKING)                                     |
| 9   | RE55542  | OIL LINE      | 1   |            | X X X |       |   |
| 10  | R122618  | SCREW         | 2   |            | X X X |       |   |
| 11  | R120187  | ELBOW FITTING | 1   |            | X X X |       | (LH)  |
| 12  | R89879   | GASKET        | 1   |            | X X X |       |   |
| 13  | RE58294  | CONNECTOR     | 1   |            | X X X |       |   |

EXHAUST MANIFOLD (6081) (8100,8200,8300 TSN 01000- )  
 COLLECTEUR D'ÉCHAPPEMENT (6081) (8100,8200,8300 TSN 01000- )  
 AUSPUFFKRUEMMER (6081) (8100,8200,8300 TSN 01000- )  
 COLLETTORE DI SCARICO (6081) (8100,8200,8300 TSN 01000- )  
 COLECTOR DE ESACAPE (6081) (8100,8200,8300 TSN 01000- )  
 AVGASGRENOR (6081) (8100,8200,8300 TSN 01000- )  
 RGP5154 -UN-22JAN99

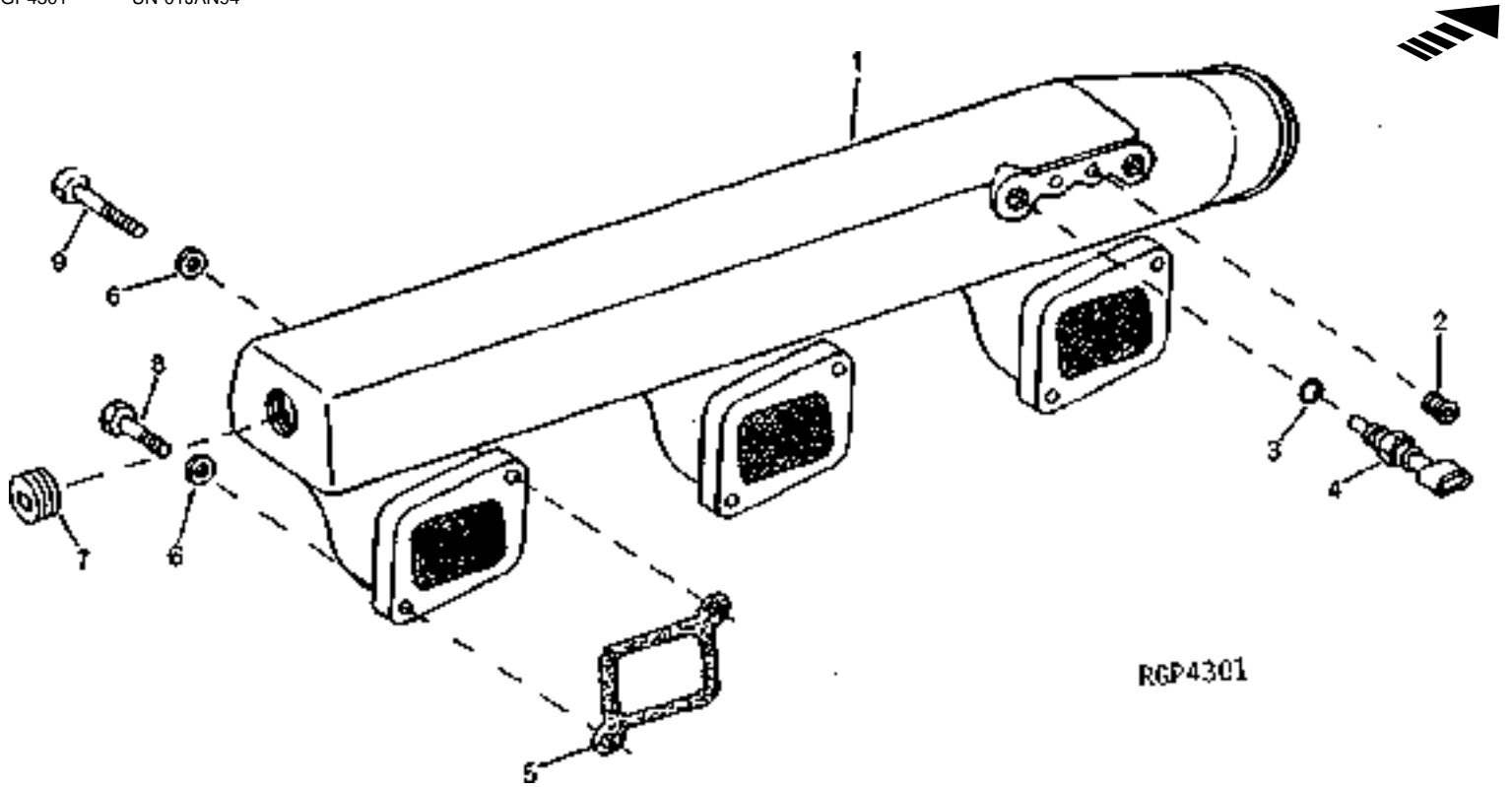


| KEY | PART NO. | PART NAME        | QTY | ENGINE SERIAL NO. | 8 8 8<br>1 2 3<br>0 0 0<br>0 0 0 | REMARKS           |
|-----|----------|------------------|-----|-------------------|----------------------------------|-------------------|
| 1   | R120645  | EXHAUST MANIFOLD | 1   |                   | X X X                            | (REAR)            |
| 2   | R122595  | RING             | 1   |                   | X X X                            |                   |
| 3   | R122502  | SPACER           | 4   | -XXXXXX           | X X X                            | (SUB (8) R135359) |
| 4   | R125469  | CAP SCREW        | 4   | -XXXXXX           | X X X                            | (SUB (8) R135359) |
| 5   | R125468  | CAP SCREW        | 4   | -XXXXXX           | X X X                            | (SUB (8) R135359) |
| 6   | R120644  | EXHAUST MANIFOLD | 1   |                   | X X X                            | (FRONT)           |
| 7   | RE62776  | GASKET           | 2   |                   | X X X                            | (SUB FOR R122503) |
| 8   | RE62777  | GASKET           | 2   |                   | X X X                            | (SUB FOR R122504) |
| 9   | R135359  | CAP SCREW        | 8   | XXXXXX-           | X X X                            |                   |

# 2D25

FUEL AND AIR

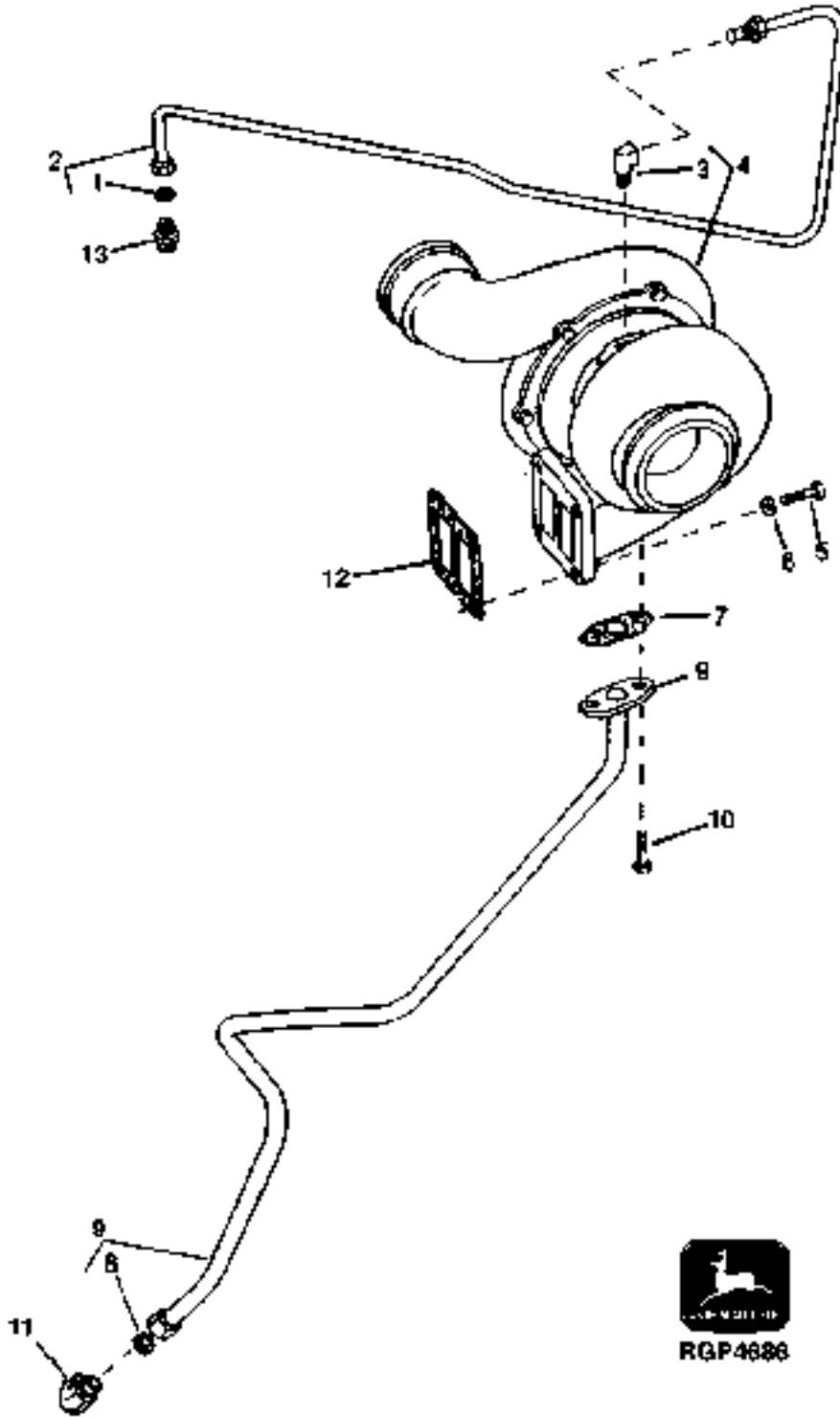
INTAKE MANIFOLD  
 PIPE D'ADMISSION  
 LUFTANSAUGKRUEMMER  
 COLLETTORE D'ASPIRAZIONE  
 COLECTOR DE ADMISION E AIRE  
 INSUGNINGSROR  
 RGP4301 -UN-01JAN94



| KEY | PART NO. | PART NAME       | QTY | ENGINE SERIAL NO. | REMARKS                  |
|-----|----------|-----------------|-----|-------------------|--------------------------|
| 1   | R116727  | INTAKE MANIFOLD | 1   | 8                 | X                        |
| 2   | R104592  | PIPE PLUG       | 2   | 4                 | X                        |
| 3   | R77673   | O-RING          | 1   | 0                 | X                        |
| 4   | RE38310  | SENSOR          | 1   | 0                 | X                        |
| 5   | R120646  | GASKET          | 3   |                   | X                        |
| 6   | 24H1682  | WASHER          | 6   |                   | X 13/32" X 7/8" X 0.120" |
| 7   | 15H280   | PIPE PLUG       | 1   |                   | X                        |
| 8   | 19H1801  | CAP SCREW       | 3   |                   | X 3/8" X 2"              |
| 9   | 19H2458  | CAP SCREW       | 3   |                   | X 3/8" X 3"              |

# 2E1

TURBOCHARGER AND OIL LINES  
TURBOCOMPRESSEUR  
TURBOLADER  
TURBOCOMPRESSORE  
TURBOCARGADOR  
TURBOAGGREGAT  
RGP4686 -UN-01JUN96

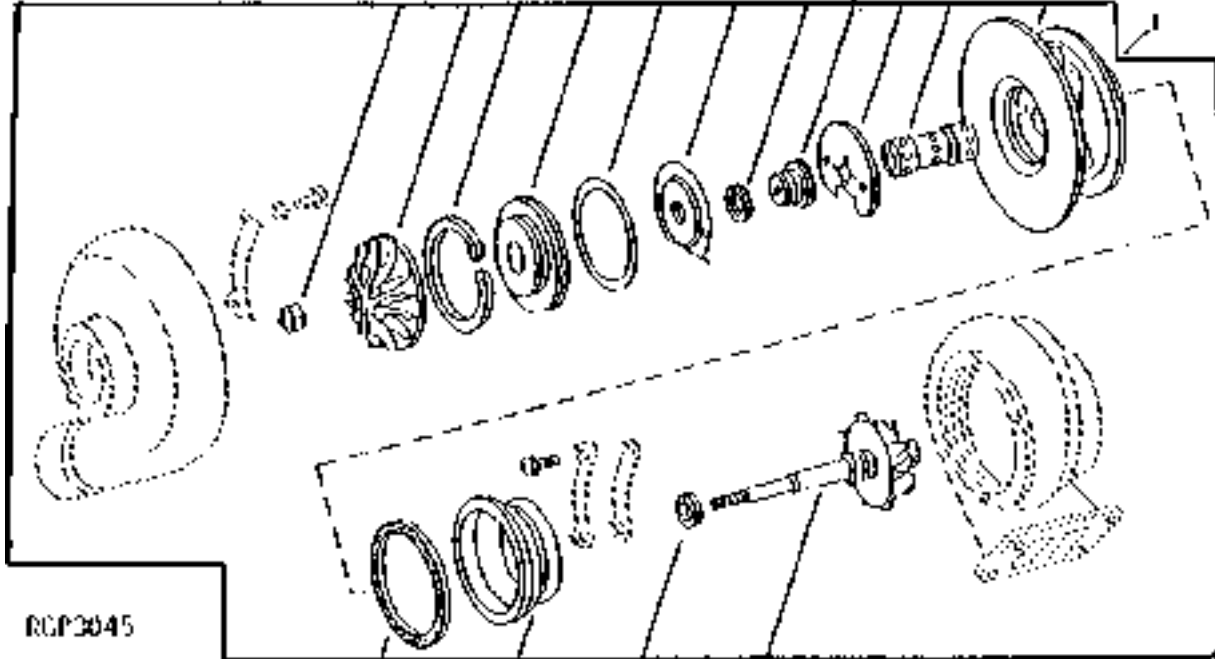


# 2E2

FUEL AND AIR

| KEY | PART NO. | PART NAME     | QTY | ENGINE<br>SERIAL NO. | 8<br>4<br>0<br>0 | REMARKS  |
|-----|----------|---------------|-----|----------------------|------------------|--|
| 1   | R67092   | SEAL          | 1   |                      | X                |  |
| 2   | RE57530  | OIL LINE      | 1   |                      | X                |  |
| 3   | T11180   | ELBOW FITTING | 1   |                      | X                |  |
| 4   | RE57184  | TURBOCHARGER  | 1   |                      | X                | (REMANUFACTURED) (SCHWITZER) (MARKED<br>RE56488) |
| 5   | R54500   | SCREW         | 4   |                      | X                | 9.525 X 25.400 MM (3/8" X 1")                    |
| 6   | 24H1305  | WASHER        | 8   |                      | X                | 13/32" X 13/16" X 0.065"                         |
| 7   | R105346  | GASKET        | 1   |                      | X                |  |
| 8   | R120138  | SLEEVE        | 1   |                      | X                |  |
| 9   | RE55542  | OIL LINE      | 1   |                      | X                |  |
| 10  | R122618  | SCREW         | 2   |                      | X                | (LH)   |
| 11  | R120187  | ELBOW FITTING | 1   |                      | X                |  |
| 12  | R89879   | GASKET        | 1   |                      | X                |  |
| 13  | RE58294  | CONNECTOR     | 1   |                      | X                |  |

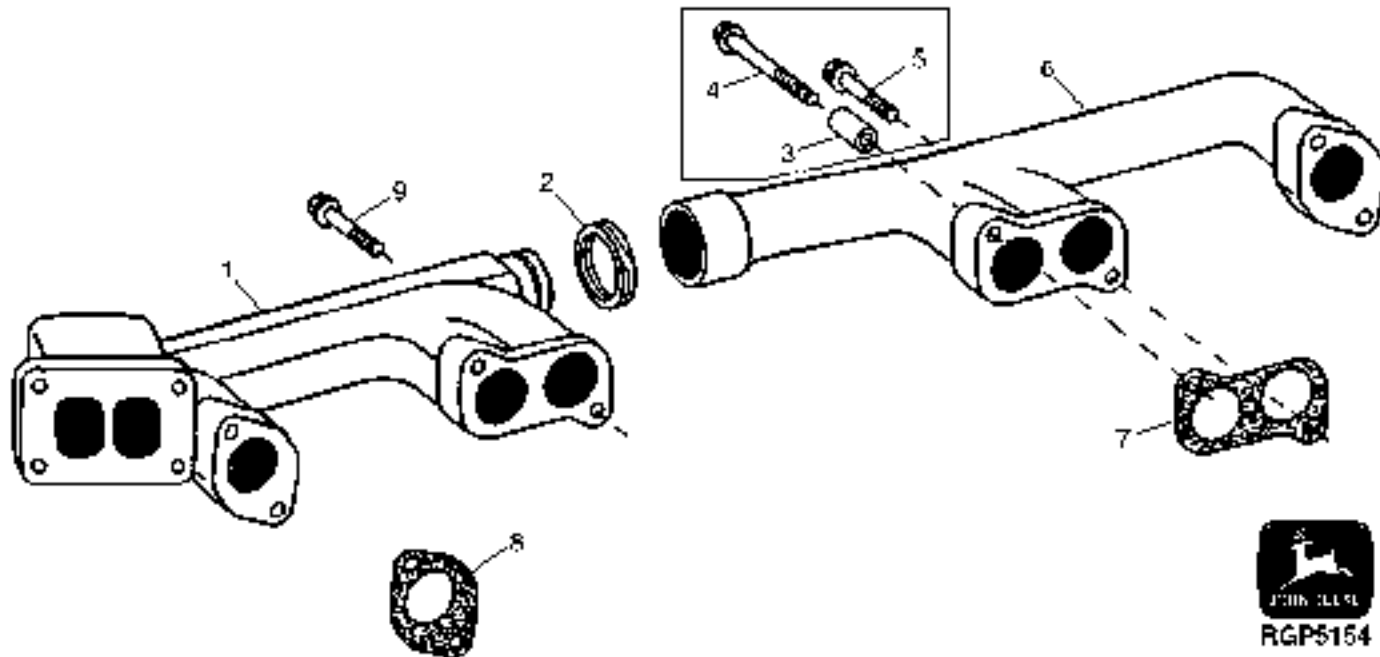
TURBOCHARGER CENTER HOUSING WITH ROTATING PARTS (SCHWITZER)  
 TURBOCOMPRESSEUR (SCHWITZER)  
 TURBOLADER (SCHWITZER)  
 TURBOCOMPRESSORE (SCHWITZER)  
 TURBOCARGADOR (SCHWITZER)  
 TURBOAGGREGAT (SCHWITZER)  
 RGP3045 -UN-01JAN94



| KEY | PART NO. | PART NAME | QTY | ENGINE SERIAL NO. | REMARKS         |
|-----|----------|-----------|-----|-------------------|-----------------|
| 1   | RE57185  | HOUSING   | 1   |                   | X (SUB RE57184) |



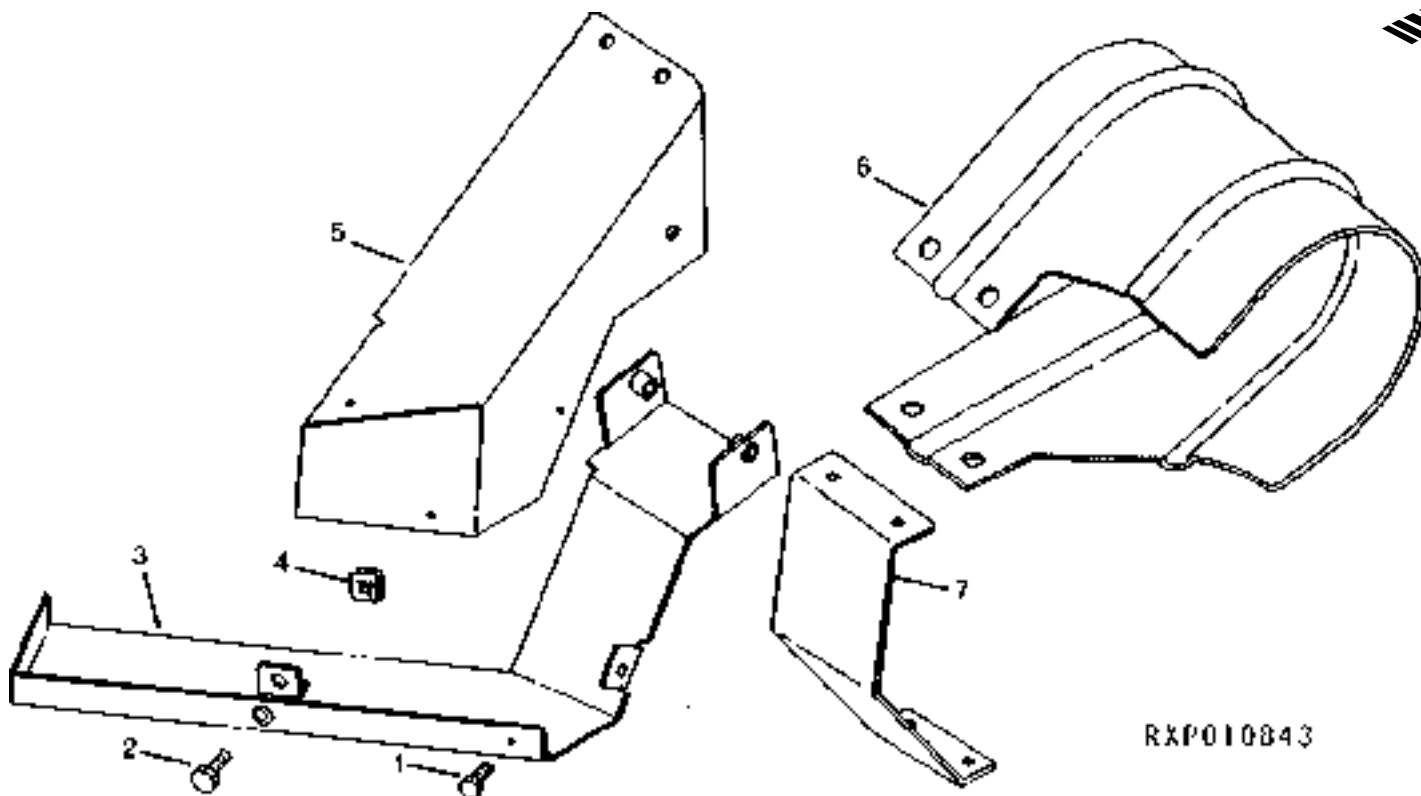
EXHAUST MANIFOLD  
 COLLECTEUR D'ÉCHAPPEMENT  
 AUSPUFFKRUEMMER  
 COLLECTORE DI SCARICO  
 COLECTOR DE ESACAPE  
 AVGASGRENORR  
 RGP5154 -UN-22JAN99



| KEY | PART NO. | PART NAME        | QTY | ENGINE SERIAL NO. | REMARKS             |
|-----|----------|------------------|-----|-------------------|---------------------|
|     |          |                  |     | 8                 |                     |
|     |          |                  |     | 4                 |                     |
|     |          |                  |     | 0                 |                     |
|     |          |                  |     | 0                 |                     |
| 1   | R120645  | EXHAUST MANIFOLD | 1   |                   | X (REAR)            |
| 2   | R122595  | RING             | 1   |                   | X                   |
| 3   | R122502  | SPACER           | 4   | -XXXXXX           | X (SUB (8) R135359) |
| 4   | R125469  | CAP SCREW        | 4   | -XXXXXX           | X (SUB (8) R135359) |
| 5   | R125468  | CAP SCREW        | 4   | -XXXXXX           | X (SUB (8) R135359) |
| 6   | R120644  | EXHAUST MANIFOLD | 1   |                   | X (FRONT)           |
| 7   | RE62776  | GASKET           | 2   |                   | X (SUB FOR R122503) |
| 8   | RE62777  | GASKET           | 2   |                   | X (SUB FOR R122504) |
| 9   | R135359  | CAP SCREW        | 8   | XXXXXX-           | X                   |

MEMORANDA  
MEMORANDA  
MEMORANDA  
MEMORANDA  
MEMORANDA

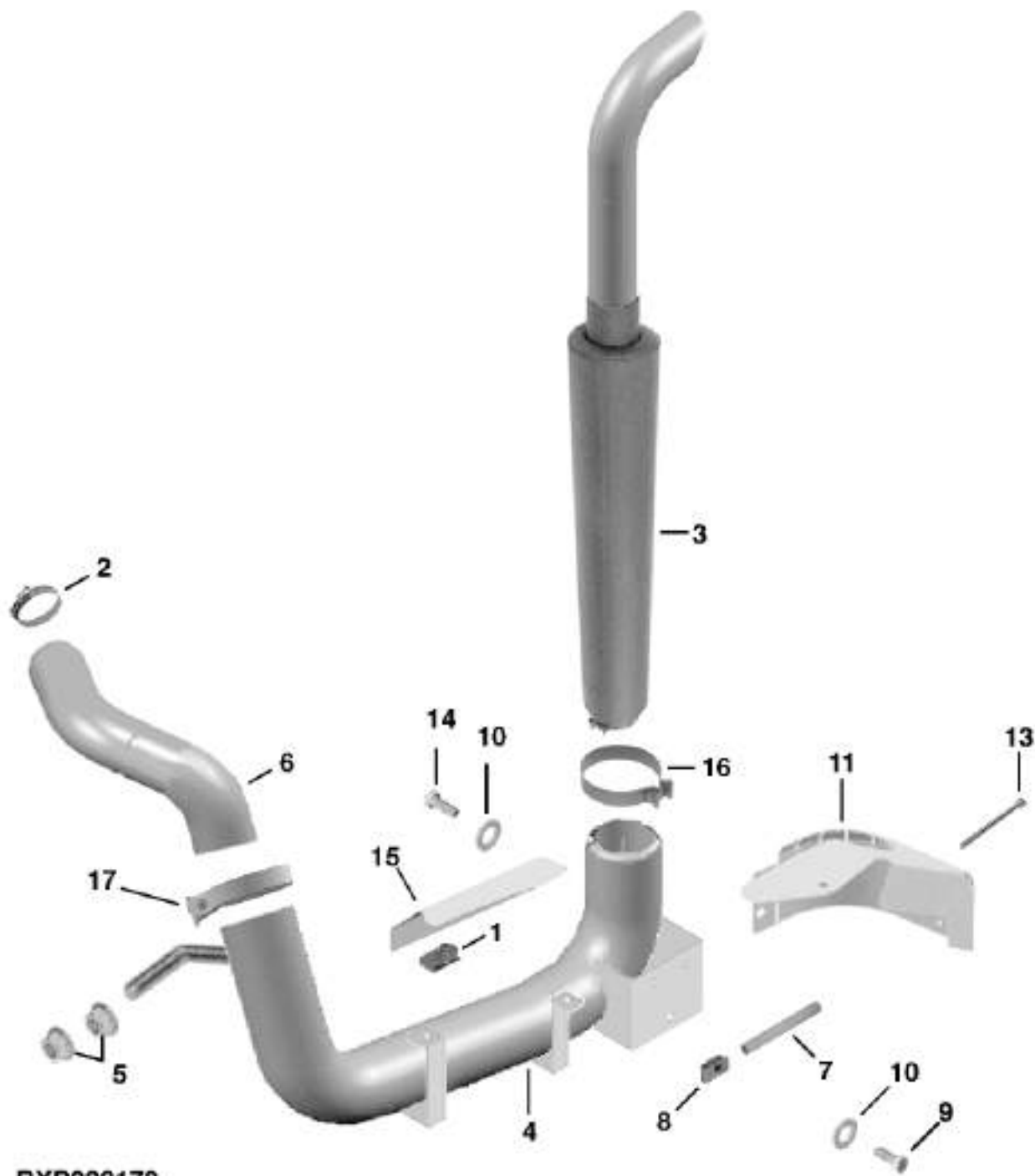
EXHAUST SHIELDS  
 ECHAPPEMENT, DISPOSITIFS DE PROTECTION  
 AUSPUFF-SCHILDER  
 PROTEZIONI DI SCARICO  
 PROTECTORES DEL ESCAPE  
 AVGASSKYDD  
 RXP010843 -UN-01JAN94



RXP010843

| KEY | PART NO. | PART NAME  | QTY | TRACTOR<br>SERIAL NO. | A       |          |
|-----|----------|------------|-----|-----------------------|---------|----------|
|     |          |            |     |                       | L       | L        |
|     |          |            |     |                       | REMARKS |          |
| 1   | 19M7775  | SCREW      | 10  |                       | X       | M6 X 16  |
| 2   | 19M7801  | SCREW      | 1   |                       | X       | M8 X 60  |
| 3   | RE60826  | SHIELD     | 1   |                       | X       |          |
| 4   | R151387  | NUT        | 10  |                       | X       |          |
| 5   | RE60825  | SHIELD     | 1   |                       | X       |          |
| 6   | RE60827  | SHIELD     | 1   |                       | X       |          |
| 7   | RE60828  | SHIELD     | 1   |                       | X       |          |
| 8   | 19M8125  | SCREW      | 1   |                       | X       | M8 X 140 |
| 9   | 14M7298  | FLANGE NUT | 1   |                       | X       | M8       |

EXHAUST SYSTEM  
ECHAPPEMENT  
ABGASANLAGE  
SCARICO  
SISTEMA DE ESCAPE  
AVGASSYSTEM  
RXP022178 -UN-09SEP97

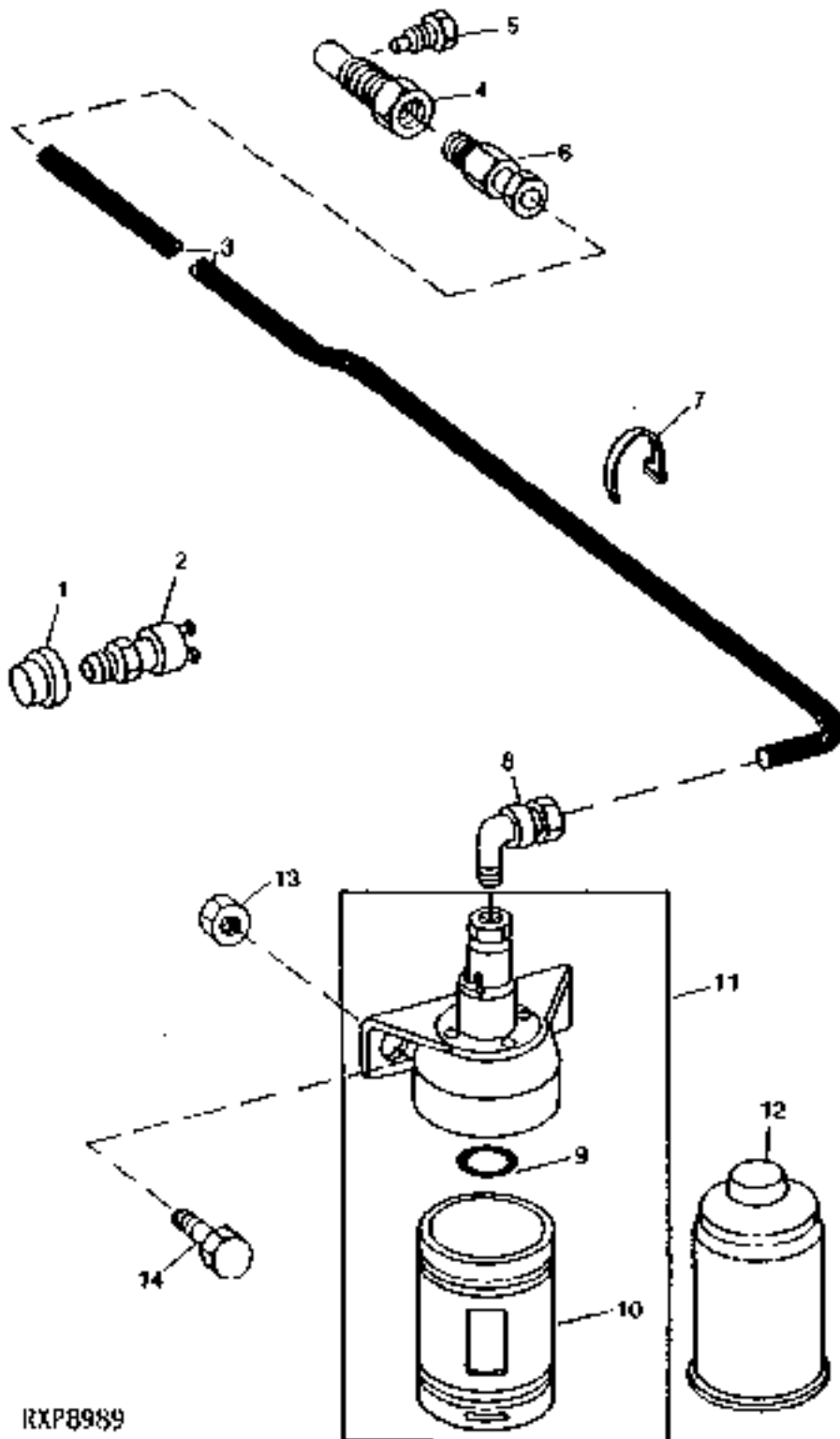


# 2E7

FUEL AND AIR

| KEY | PART NO. | PART NAME    | QTY | TRACTOR<br>SERIAL NO. | A<br>L<br>L | REMARKS   |
|-----|----------|--------------|-----|-----------------------|-------------|---|
| 1   | R151387  | NUT          | 5   |                       | X           |   |
| 2   | RE157613 | CLAMP        | 1   |                       | X           |   |
| 3   | RE44716  | MUFFLER      | 1   |                       | X           |   |
| 4   | RE61175  | PIPE         | 1   | -XXXXXX               | X           | (SUB RE151728, R120332, R124679 AND<br>19M7862) |
|     | RE151728 | PIPE         | 1   | XXXXXX-               | X           | (SUB FOR RE64215) W/CLAMP                       |
| 5   | 14M7299  | FLANGE NUT   | 2   |                       | X           | M12   |
| 6   | RE44784  | EXHAUST PIPE | 1   |                       | X           |   |
| 7   | 28H3403  | BUSHING      | 1   |                       | X           | 0.269" X 0.405" X 4.090"                        |
| 8   | R120332  | NUT          | 1   |                       | X           |   |
| 9   | 19M7493  | CAP SCREW    | 3   |                       | X           | M12 X 40  |
| 10  | 24M7226  | WASHER       | 3   |                       | X           | 13 X 35 X 5 MM                                  |
| 11  | R124418  | SHIELD       | 1   |                       | X           |   |
| 12  | 24M7088  | WASHER       | 6   |                       | X           | 6.600 X 12 X 1.600 MM                           |
| 13  | 19M8827  | SCREW        | 1   |                       | X           | M6 X 130  |
| 14  | 19M7560  | CAP SCREW    | 5   |                       | X           | M6 X 16   |
| 15  | R124419  | SHIELD       | 1   |                       | X           |   |
| 16  | RE53282  | CLAMP        | 1   |                       | X           |   |
| 17  | RE52087  | CLAMP        | 1   |                       | X           |   |

ETHER COLD WEATHER STARTING AID  
AIDE AU DEMARRAGE A L'ETHER  
AETHER-STARTRILFE  
DISP. PERL'AVVIAMENTO A FREDDO CON ETRE  
DISP. PARA FACILITAR EL ARRANQUE EN FRIO CON ETER  
KALLSTART(ETER)  
RXP8989 -UN-01JAN94



RXP8989

# 2E9

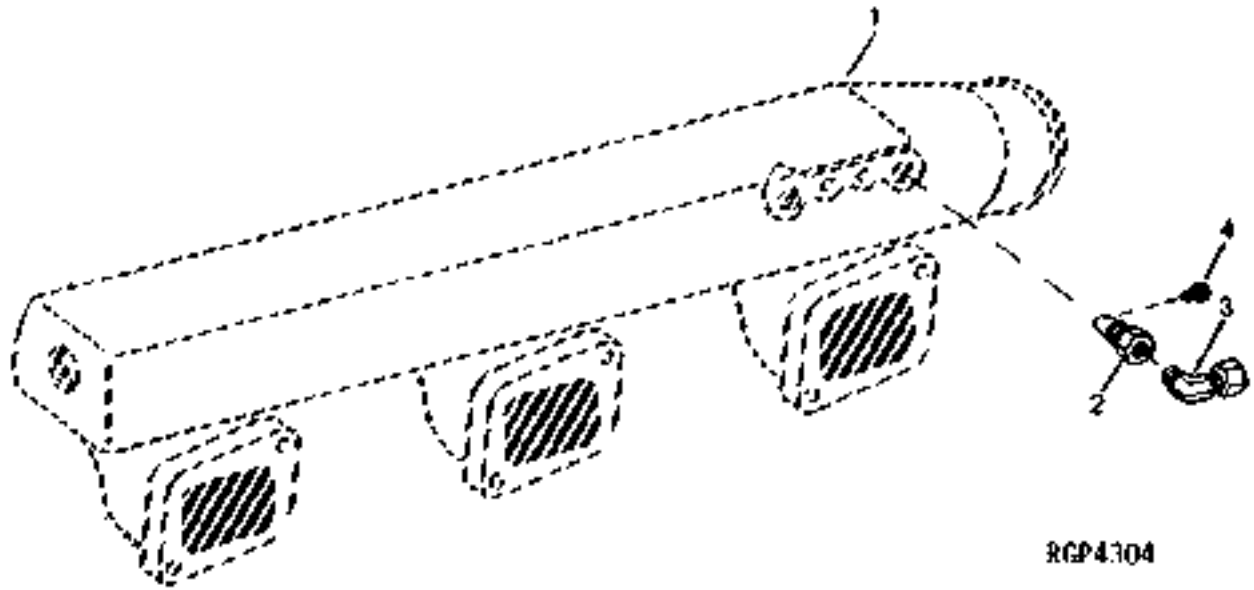
FUEL AND AIR

| KEY | PART NO. | PART NAME             | QTY | TRACTOR<br>SERIAL NO. | A<br>L<br>L | REMARKS          |
|-----|----------|-----------------------|-----|-----------------------|-------------|------------------|
| 1   | T55585   | CAP                   | 1   |                       | X           |                  |
| 2   | R39554   | SWITCH                | 1   |                       | X           |                  |
| 3   | R123993  | HOSE                  | 1   |                       | X           |                  |
| 4   | R47160   | NOZZLE HOLDER         | 1   |                       | X           |                  |
| 5   | T155858  | NOZZLE                | 1   |                       | X           | (SUB FOR R28583) |
| 6   | RE21790  | ELBOW FITTING         | 1   |                       | X           |                  |
| 7   | R44302   | TIE BAND              | AR  |                       | X           |                  |
| 8   | RE21790  | ELBOW FITTING         | 1   |                       | X           |                  |
| 9   | T13119   | O-RING                | 1   |                       | X           |                  |
| 10  | R73498   | CONTAINER             | 1   |                       | X           |                  |
| 11  | RE48310  | STARTING AID SOLENOID | 1   |                       | X           |                  |
|     | RE48321  | ADAPTER               | 1   |                       | X           |                  |
| 12  | RE33636  | STARTING FLUID        | 1   |                       | X           |                  |
| 13  | 14H785   | NUT                   | NA  |                       | X           | 5/16"            |
| 14  | 37M7031  | SCREW                 | 2   |                       | X           | M6 X 16          |

# 2E10

FUEL AND AIR

ETHER COLD WEATHER STARTING AID FITTINGS  
 RACCORDS D'AIRE DEMARRAGE A L'ETHER POUR TEMPS FROID  
 AETHERSTARHILFE UND FITTINGS  
 RACCORDI DISPOSITIVO AUSILIARE DI AVVIAMENTO A BASSE TEMPERATURE  
 CONEXIONES AUXILIARES DE TERMOARRANQUE  
 ETERKALLSTARHJAEHP MED ANSLUTNINGAR  
 RGP4304 -UN-01JAN94



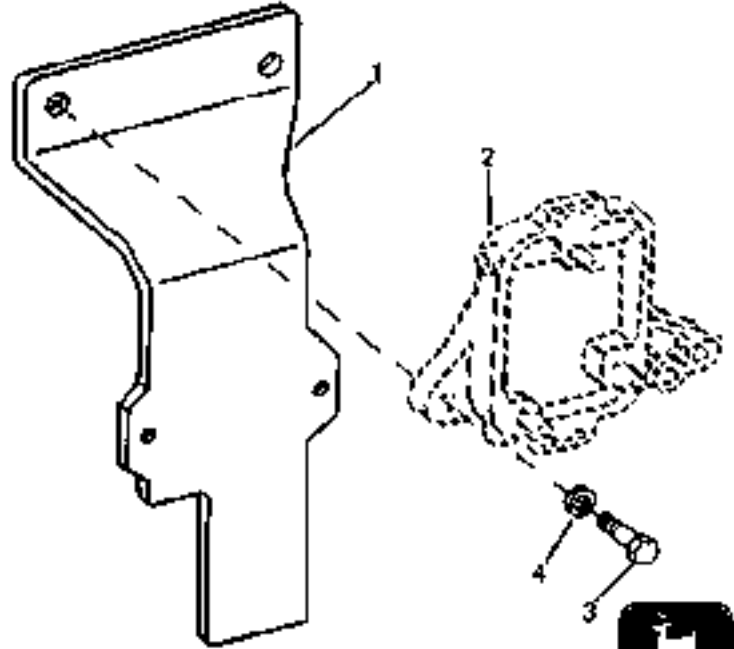
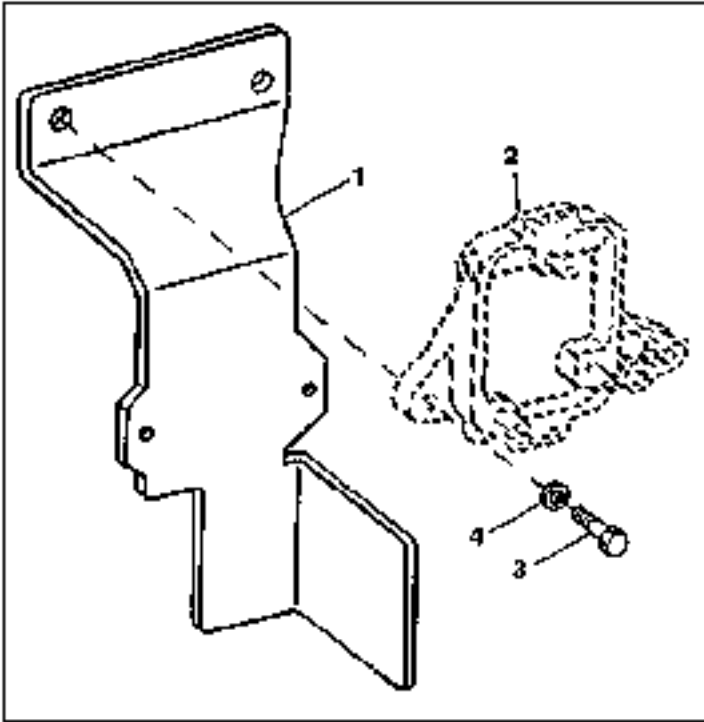
| KEY | PART NO. | PART NAME       | QTY | ENGINE SERIAL NO. | A | REMARKS          |
|-----|----------|-----------------|-----|-------------------|---|------------------|
|     |          |                 |     |                   | L |                  |
| 1   | .....    | INTAKE MANIFOLD | 1   |                   | X |                  |
| 2   | R47160   | NOZZLE HOLDER   | 1   |                   | X |                  |
| 3   | RE21790  | ELBOW FITTING   | 1   |                   | X |                  |
| 4   | T155858  | NOZZLE          | 1   |                   | X | (SUB FOR R28583) |



# 2E11

FUEL AND AIR

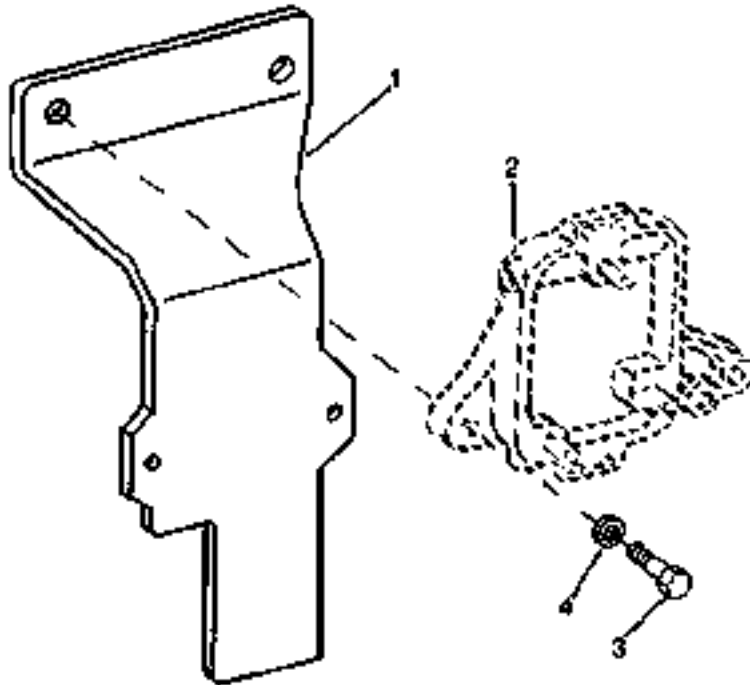
ETHER COLD WEATHER STARTING AID BRACKET  
 DISPOSITIF D'AIDE AU DEMARRAGE A L'ETHER, SUPPORT  
 HALTERUNG DER KALTWETTER-STARTHILFE  
 STAFFA DEL DISPOSITIVO (SUSSIDIARIO) DI AVVIAMENTO CON ETERE  
 SOPORTE DEL AUXILIAR DE ETER PARA ARRANQUE EN FRIJO  
 ETERSTARHJAELP, FAESTE  
 RGP4994 -UN-26MAR98



| KEY | PART NO. | PART NAME | QTY | ENGINE SERIAL NO. | REMARKS                    |
|-----|----------|-----------|-----|-------------------|----------------------------|
|     |          |           |     | 8                 |                            |
|     |          |           |     | 4                 |                            |
|     |          |           |     | 0                 |                            |
|     |          |           |     | 0                 |                            |
| 1   | R110710  | BRACKET   | 1   | -XXXXXX           | X                          |
|     | R128490  | BRACKET   | 1   | XXXXXX-           | X                          |
| 2   | .....    | BASE      | 1   |                   | X                          |
| 3   | 19H3205  | CAP SCREW | 2   |                   | X 7/16" X 1-1/2"           |
| 4   | 24H1325  | WASHER    | 2   |                   | X 15/32" X 59/64" X 0.065" |

# 2E12

ETHER COLD WEATHER STARTING AID BRACKET (6081) (8100,8200,8300 TSN 010000- )  
 DISPOSITIF D'AIDE AU DEMARRAGE A L'ETHER, SUPPORT (6081) (8100,8200,8300 TSN 010000- )  
 HALTERUNG DER KALTWETTER-STARTHILFE (6081) (8100,8200,8300 TSN 010000- )  
 STAFFA DEL DISPOSITIVO (SUSSIDIARIO) DI AVVIAMENTO CON ETERE (6081) (8100, 8200,8300 TSN 010000- )  
 SOPORTE DEL AUXILIAR DE ETER PARA ARRANQUE EN FRIJO (6081)(8100,8200,8300 TSN 010000- )  
 ETERSTARHJAELP, FAESTE (6081) (8100,8200,8300 TSN 010000- )  
 RGP4888 -UN-13MAY97

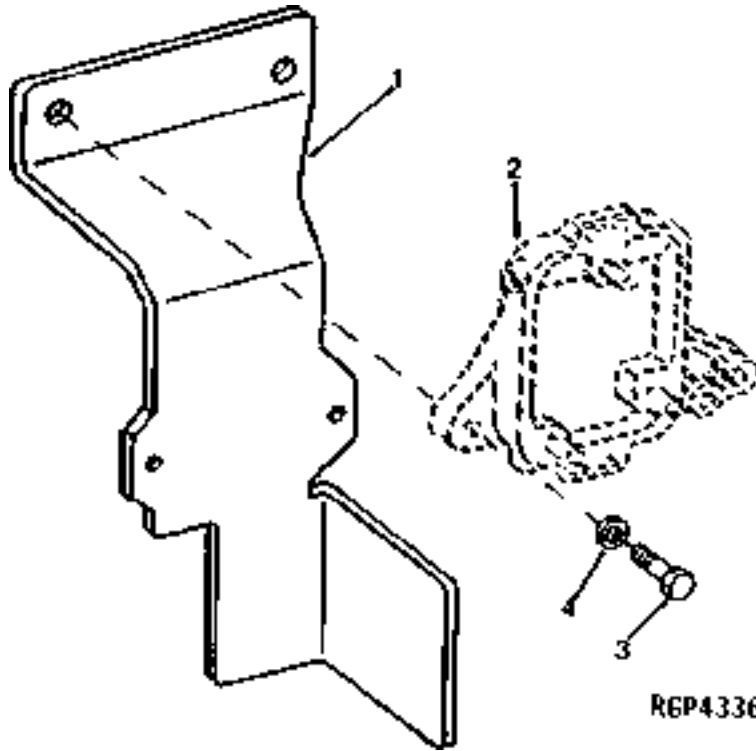


RGP4888

| KEY | PART NO. | PART NAME | QTY | ENGINE SERIAL NO. |   |   | REMARKS                  |
|-----|----------|-----------|-----|-------------------|---|---|--------------------------|
|     |          |           |     | 8                 | 8 | 8 |                          |
| 1   | R128490  | BRACKET   | 1   | X                 | X | X |                          |
| 2   | .....    | BASE      | 1   | X                 | X | X |                          |
| 3   | 19H3205  | CAP SCREW | 2   | X                 | X | X | 7/16" X 1-1/2"           |
| 4   | 24H1325  | WASHER    | 2   | X                 | X | X | 15/32" X 59/64" X 0.065" |

# 2E13

ETHER COLD WEATHER STARTING AID BRACKET (6076) (8100,8200,8300 TSN -009999)  
 DISPOSITIF D'AIDE AU DEMARRAGE A L'ETHER, SUPPORT (6076) (8100,8200,8300 TSN -009999)  
 HALTERUNG DER KALTWETTER-STARTHILFE (6076) (8100,8200,8300 TSN -009999)  
 STAFFA DEL DISPOSITIVO (SUSSIDIARIO) DI AVVIAMENTO CON ETERE (6076) (8100, 82,83 TSN -009999)  
 SOPORTE DEL AUXILIAR DE ETER PARA ARRANQUE EN FRIJO (6076) (8100,8200,8300 TSN -009999)  
 ETERSTARHJAELP, FAESTE (6076) (8100,8200,8300 TSN -009999)  
 RGP4336 -UN-01JAN94

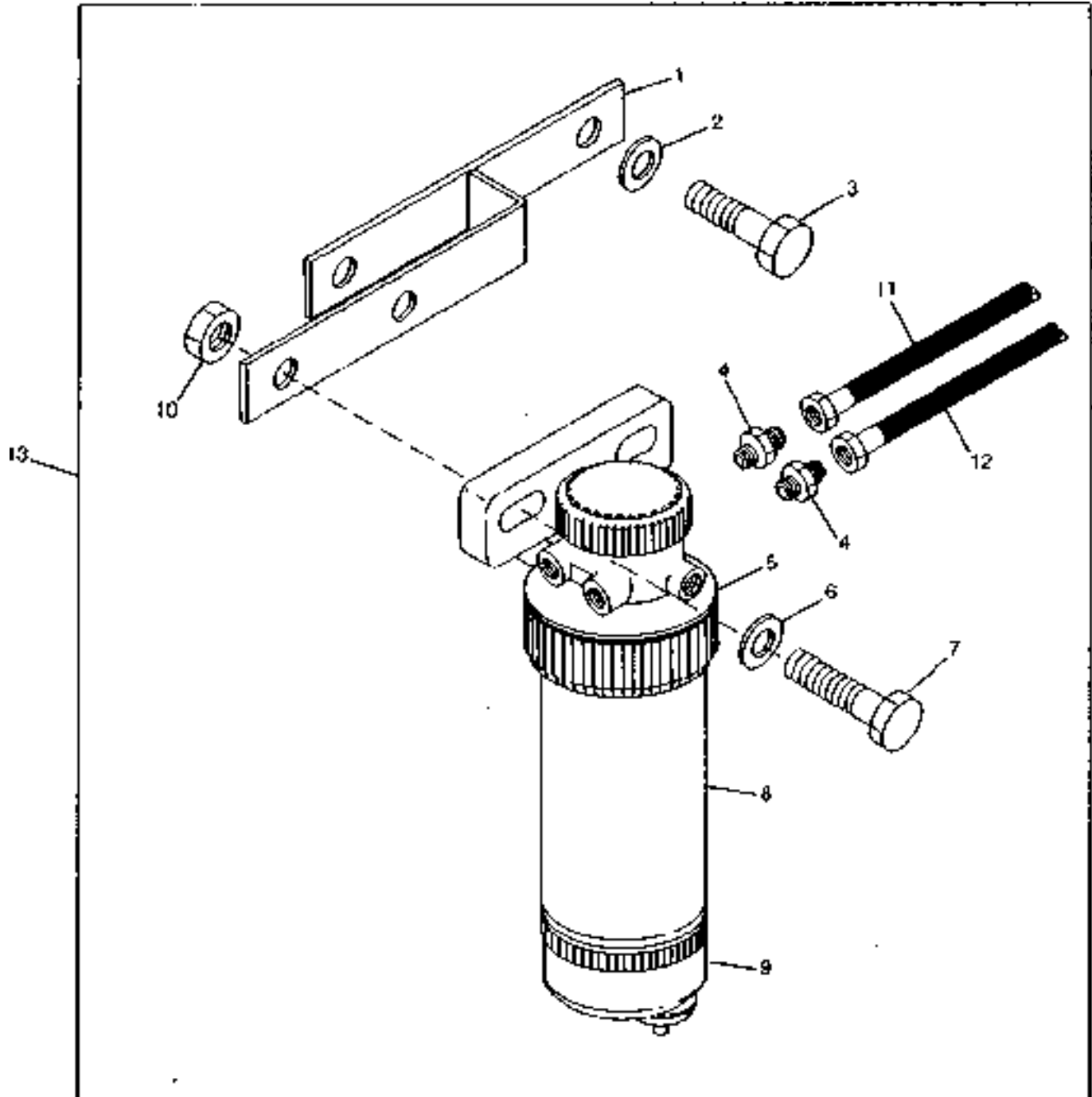


| KEY | PART NO. | PART NAME | QTY | ENGINE SERIAL NO. | REMARKS                  |
|-----|----------|-----------|-----|-------------------|--------------------------|
|     |          |           |     | 8 8 8             |                          |
|     |          |           |     | 1 2 3             |                          |
|     |          |           |     | 0 0 0             |                          |
|     |          |           |     | 0 0 0             |                          |
| 1   | R110710  | BRACKET   | 1   | X X X             |                          |
| 2   | .....    | BASE      | 1   | X X X             |                          |
| 3   | 19H3205  | CAP SCREW | 2   | X X X             | 7/16" X 1-1/2"           |
| 4   | 24H1325  | WASHER    | 2   | X X X             | 15/32" X 59/64" X 0.065" |

# 2E14

FUEL AND AIR

FUEL FILTER/SEDIMENT BOWL (8100,8200,8300 -009999)  
FILTRE A COMBUSTIBLE / BOL DE DECANTATION (8100,8200,8300 -009999)  
KRAFTSTOFFILTER / ABSCHIEDGEFAESS (8100,8200,8300 -009999)  
KRAFTSTOFFILTER / ABSCHIEDGEFAESS (8100,8200,8300 -009999)  
FILTRO DE COMBUSTIBLE / VASO DE DECANTATION (8100,8200,8300 -009999)  
VATTENAVSKILJARE (8100,8200,8300 -009999)  
RXP010845 -UN-01JAN94



RXP010845

# 2E15

FUEL AND AIR

| KEY | PART NO.        | PART NAME                  | QTY | TRACTOR    |          |          | REMARKS                               |
|-----|-----------------|----------------------------|-----|------------|----------|----------|---------------------------------------|
|     |                 |                            |     | SERIAL NO. | 8 8 8    | 1 2 3    |                                       |
| 1   | RE60559         | SUPPORT                    | 1   | X          | X        | X        |                                       |
| 2   | 24M7051         | WASHER                     | 2   | X          | X        | X        | 21 X 37 X 3 MM                        |
| 3   | 19H1871         | CAP SCREW                  | 2   | X          | X        | X        | 3/4" X 1-1/4"                         |
| 4   | R122789         | FITTING                    | 2   | X          | X        | X        |                                       |
| 5   | RE500161        | KIT                        | 1   | X          | X        | X        | (SUB FOR RE54077, RE63182 OR RE63183) |
|     | RE51649         | KIT                        | 1   | X          | X        | X        |                                       |
| 6   | 24M7238         | WASHER                     | 2   | X          | X        | X        | 8.700 X 17 X 2 MM                     |
| 7   | 19M7513         | CAP SCREW                  | 2   | X          | X        | X        | M8 X 30                               |
| 8   | RE65431         | FILTER ELEMENT             | 1   | X          | X        | X        | (SUB FOR RE58376 OR RE62423)          |
| 9   | RE51650         | SEDIMENT BOWL              | 1   | X          | X        | X        |                                       |
| 10  | 14M7273         | NUT                        | 2   | X          | X        | X        | M8                                    |
| 11  | RE61665         | HYDRAULIC HOSE             | 1   | X          | X        | X        |                                       |
| 12  | RE58881         | HYDRAULIC HOSE - FABRICATE | 1   | X          | X        | X        |                                       |
| 13  | <b>AR112618</b> | <b>SEPARATOR</b>           | 1   | <b>X</b>   | <b>X</b> | <b>X</b> | <b>(FI)</b>                           |
| ..  | RE50752         | SEAL KIT                   | 1   | X          | X        | X        | (A)                                   |
| ..  | R27094          | DRAIN PLUG                 | 2   | X          | X        | X        |                                       |

(A) O-RING KIT  
 JEU DE PIECES DE JOINT TORIQUE  
 O-RINGSATZ  
 SERIE PEZZI ANELLI O-R  
 JUEGO DE ANILLO TORICO  
 O-RINGSATS



# 2E17

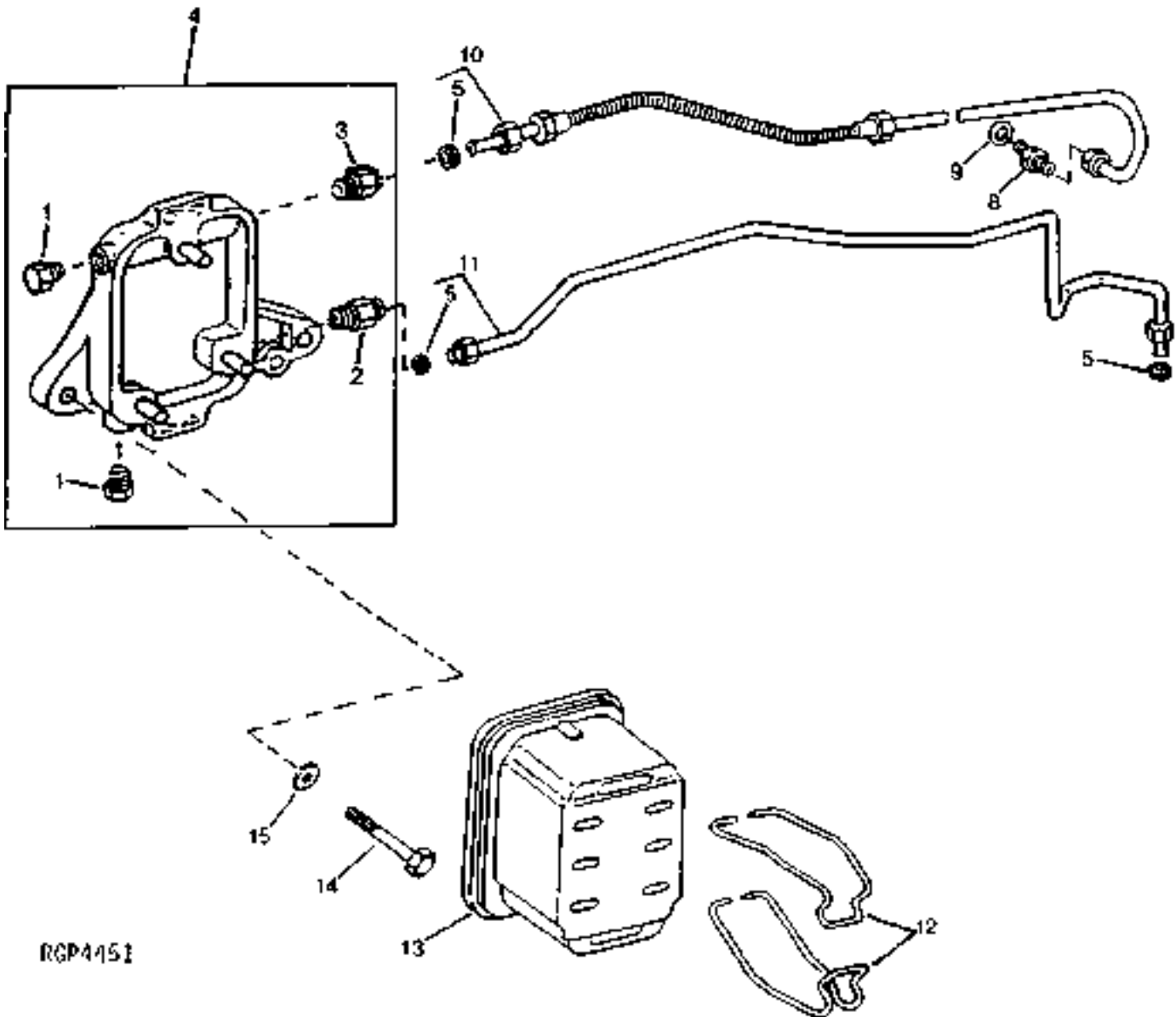
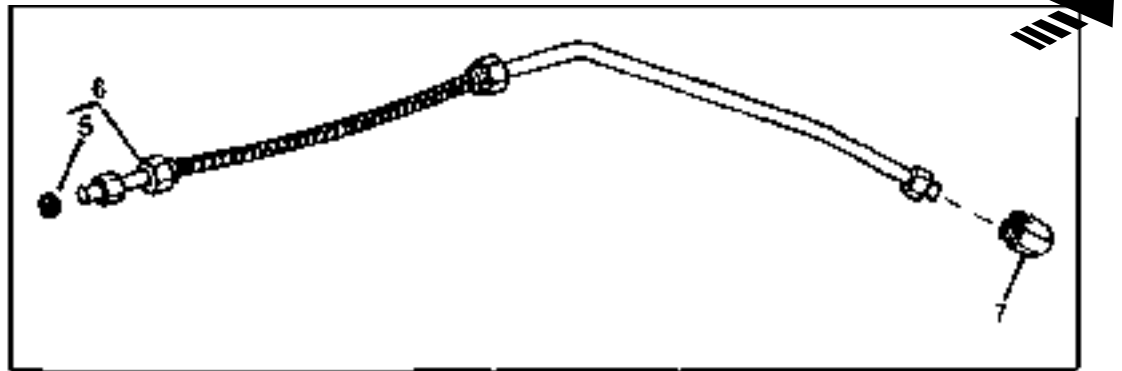
FUEL AND AIR

| KEY | PART NO. | PART NAME      | QTY | ENGINE<br>SERIAL NO. | REMARKS   |
|-----|----------|----------------|-----|----------------------|---|
|     |          |                |     | 8 8 8                |   |
|     |          |                |     | 1 2 3                |   |
|     |          |                |     | 0 0 0                |   |
|     |          |                |     | 0 0 0                |   |
| 1   | RE50467  | HAND PRIMER    | 1   | X X X                |   |
| 2   | RE50752  | SEAL KIT       | 1   | X X X                | (FUEL FILTER PACKINGS)  |
| 3   | RE63182  | BASE           | 1   | X X X                | (HEADER) (USE WITH RE58376) (SUB<br>RE63183, RE65431, (4) R26286, (2)<br>R82719 AND (2) R134957, APPL)<br>(USE WITH RE54077 OR RE63182) |
| 4   | AR101212 | ELBOW FITTING  | 2   | X X X                | (USE WITH RE63182 OR RE63183)   |
|     | R26286   | O-RING         | 2   | X X X                | (USE WITH RE63182 OR RE63183)   |
| 5   | R67092   | SEAL           | 4   | X X X                |   |
| 6   | RE63313  | FUEL LINE      | 1   | X X X                | OUTLET  |
| 7   | 19H1731  | CAP SCREW      | 2   | X X X                | 3/8" X 1"   |
| 8   | 24M7040  | WASHER         | 2   | X X X                | 11 X 20 X 2 MM  |
| 9   | RE51649  | KIT            | 1   | X X X                | (MECHANICAL COMPONENTS)   |
| 10  | RE51650  | SEDIMENT BOWL  | 1   | X X X                |   |
| 11  | RE65431  | FILTER ELEMENT | 1   | X X X                | (USE WITH RE54077) (SUB RE65431)  |
| 12  | R82719   | FITTING PLUG   | 2   | X X X                |   |
|     | R26286   | O-RING         | 2   | X X X                |   |
| 13  | RE63312  | LINE           | 1   | X X X                | INLET   |
| 14  | RE65432  | FUEL FILTER    | 1   | X X X                |   |
| ..  | RE50752  | SEAL KIT       | 1   | X X X                |   |
| ..  | AR116902 | SEPARATOR      | 1   | X X X                |   |

# 2E18

FUEL AND AIR

FUEL FILTER AND LINES (6076) (8100,8200,8300 TSN -009999)(ESN -564508)  
FILTRE A COMBUSTIBLE (6076)(8100,8200,8300 TSN -009999) (ESN -56450)  
KRAFTSTOFF-FILTER (6076) (8100,8200,8300 TSN -009999) (ESN -564508)  
FILTRO COMBUSTIBLE (6076) (8100,8200,8300 TSN -009999) (ESN -564508)  
FILTRO DE COMBUSTIBLE (6076) (8100,8200,8300 TSN -009999) (ESN -564508)  
BRANSLEFFILTER (6076) (8100,8200,8300 TSN -009999) (ESN -564508)  
RGP4451 -UN-28FEB95



RGP4451



# 2E19

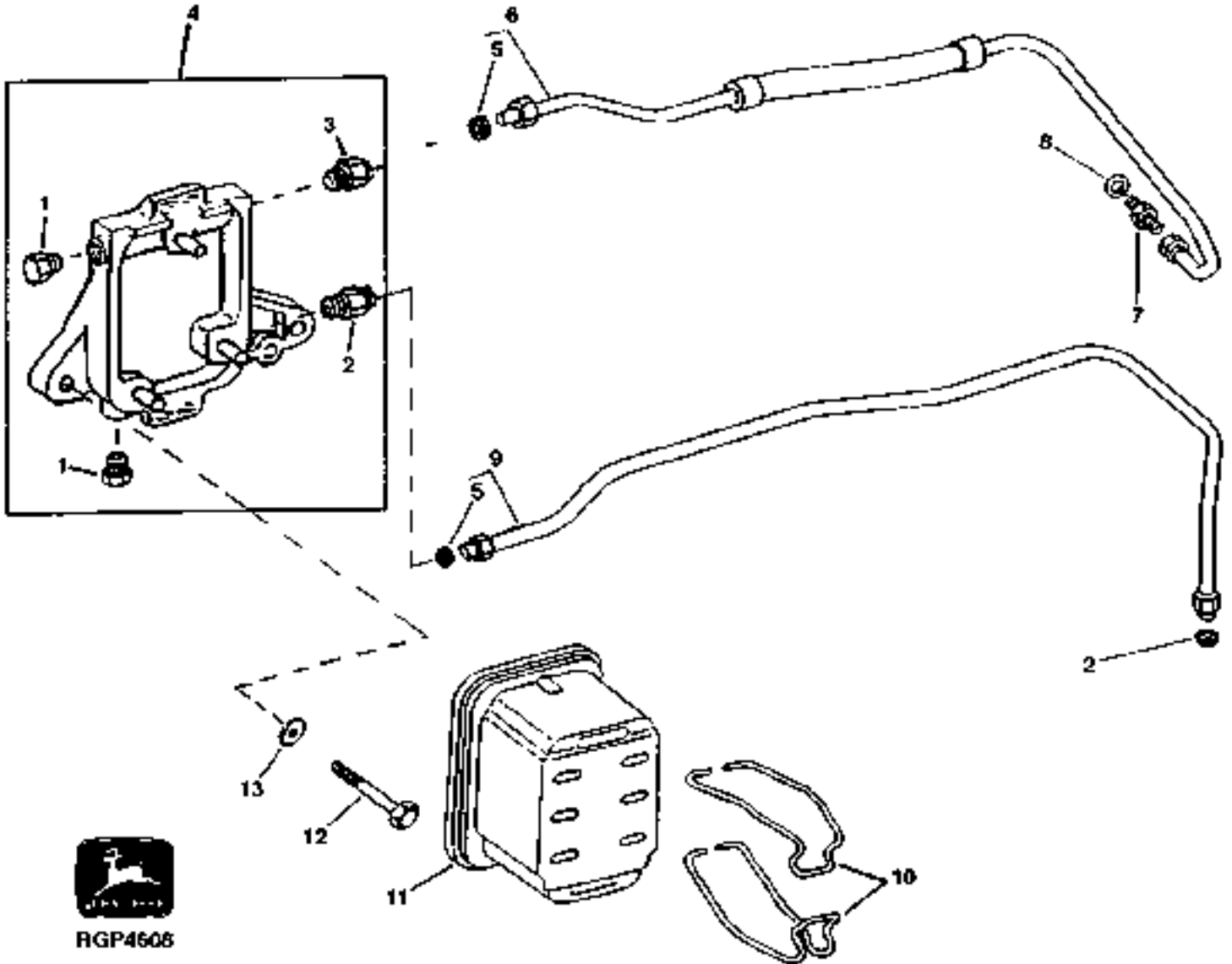
FUEL AND AIR

| KEY | PART NO. | PART NAME     | QTY | ENGINE<br>SERIAL NO. | 8 | 8 | 8 | REMARKS  |
|-----|----------|---------------|-----|----------------------|---|---|---|--|
|     |          |               |     |                      | 1 | 2 | 3 |  |
|     |          |               |     |                      | 0 | 0 | 0 |  |
|     |          |               |     |                      | 0 | 0 | 0 |  |
| 1   | R119223  | PLUG          | 2   |                      | X | X | X |  |
| 2   | RE54244  | CHECK VALVE   | 1   |                      | X | X | X |  |
| 3   | RE54245  | FITTING       | 1   |                      | X | X | X |  |
| 4   | RE47501  | BASE          | 1   |                      | X | X | X | (NOT AS SHOWN)   |
| 5   | R67092   | SEAL          | 3   |                      | X | X | X |  |
| 6   | RE49445  | FUEL LINE     | 1   | -537402              | X | X | X | (SUB RE65787, RE500280, R127595, R83489<br>AND R93008, APPL) |
| 7   | RE62345  | ELBOW FITTING | 1   | -537402              | X | X | X | (SUB FOR RE49446)  |
| 8   | R83489   | FITTING       | 1   |                      | X | X | X |  |
| 9   | R93008   | WASHER        | 1   |                      | X | X | X |  |
| 10  | RE63090  | FUEL LINE     | 1   | 537403-              | X | X | X | (SUB RE65787, RE500280 AND R127595,<br>APPL)                 |
| 11  | RE49444  | FUEL LINE     | 1   |                      | X | X | X | (SUB RE65787, RE500280 AND R127595,<br>APPL)                 |
| 12  | R89927   | CLAMP         | 2   |                      | X | X | X |  |
| 13  | RE27091  | FUEL FILTER   | 1   |                      | X | X | X |  |
| 14  | 19H3205  | CAP SCREW     | 2   |                      | X | X | X | 7/16" X 1-1/2"   |
| 15  | 24H1325  | WASHER        | 2   |                      | X | X | X | 15/32" X 59/64" X 0.065"                                     |

# 2E20

FUEL AND AIR

FUEL FILTER AND LINES (6076) (8100,8200,8300 TSN -009999)(ESN 564509- )  
FILTRE A COMBUSTIBLE (6076) (8100,8200,8300 TSN -009999) (ESN 564509- )  
KRAFTSTOFF-FILTER (6076) (8100,8200,8300 TSN -009999) (ESN 564509- )  
FILTRO COMBUSTIBLE (6076) (8100,8200,8300 TSN -009999) (ESN 564509- )  
FILTRO DE COMBUSTIBLE (6076) (8100,8200,8300 TSN -009999) (ESN 564509- )  
BRANSLEFFILTER (6076) (8100,8200,8300 TSN -009999) (ESN 564509- )  
RGP4608 -UN-17NOV95



RGP4608

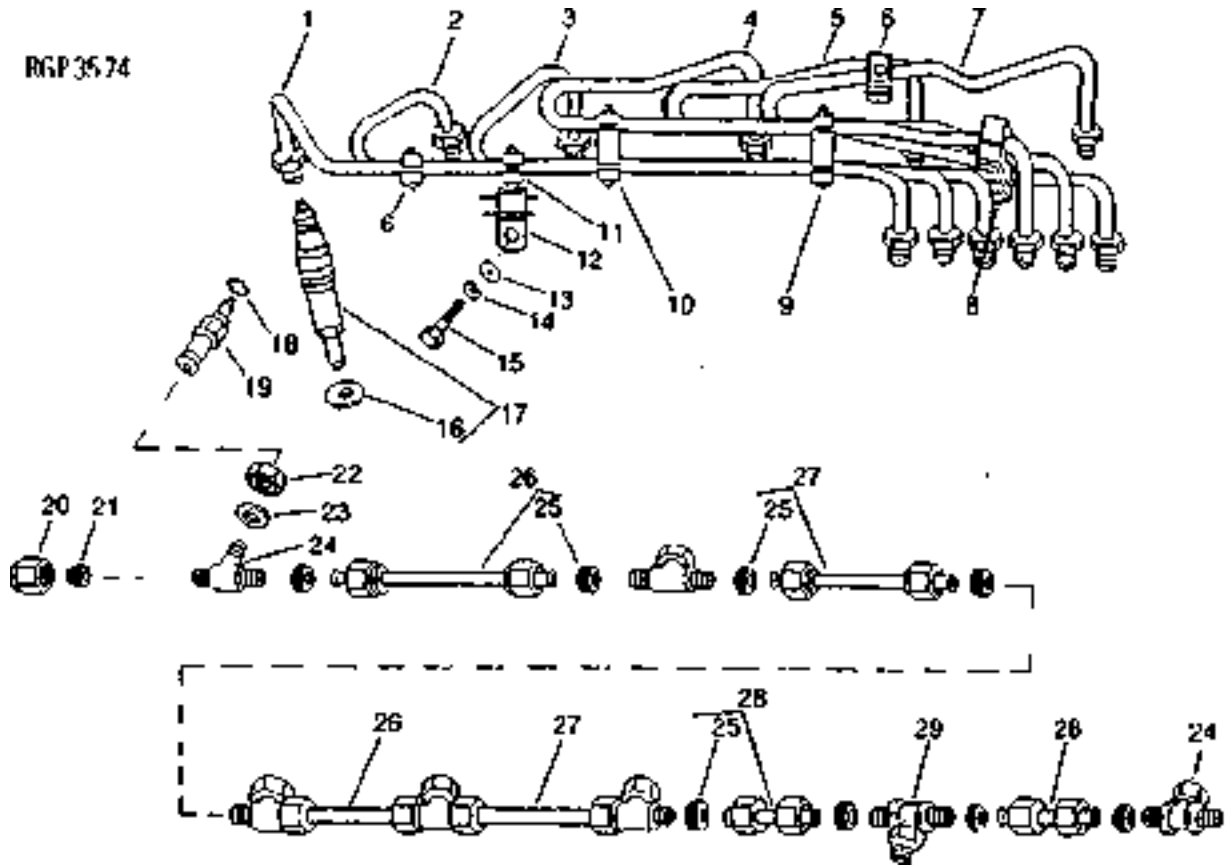
# 2E21

FUEL AND AIR

| KEY | PART NO. | PART NAME      | QTY | ENGINE     |       |                          | REMARKS |
|-----|----------|----------------|-----|------------|-------|--------------------------|---------|
|     |          |                |     | SERIAL NO. | 8 8 8 | 1 2 3                    |         |
| 1   | R119223  | PLUG           | 2   |            | X X X |                          |         |
| 2   | RE54244  | CHECK VALVE    | 1   |            | X X X |                          |         |
| 3   | RE54245  | FITTING        | 1   |            | X X X |                          |         |
| 4   | RE47501  | BASE           | 1   |            | X X X | (NOT AS SHOWN)           |         |
| 5   | R67092   | SEAL           | 3   |            | X X X |                          |         |
| 6   | RE500280 | FUEL LINE      | 1   |            | X X X | (SUB FOR RE63414)        |         |
| 7   | R83489   | FITTING        | 1   |            | X X X |                          |         |
| 8   | R93008   | WASHER         | 1   |            | X X X |                          |         |
| 9   | RE65787  | FUEL LINE      | 1   |            | X X X | (SUB FOR RE63413)        |         |
| 10  | R89927   | CLAMP          | 2   |            | X X X |                          |         |
| 11  | AR86745  | FILTER ELEMENT | 1   |            | X X X | (SUB FOR RE27091)        |         |
| 12  | 19H3205  | CAP SCREW      | 2   |            | X X X | 7/16" X 1-1/2"           |         |
| 13  | 24H1325  | WASHER         | 2   |            | X X X | 15/32" X 59/64" X 0.065" |         |

# 2E22

FUEL INJECTION NOZZLES AND LINES (6076) (8100,8200,8300 TSN -009999)  
TUYAUX D'INJECTION (6076) (8100,8200,8300 TSN -009999)  
FRAKTSTOFFLEITUNGEN (6076) (8100,8200,8300 TSN -009999)  
TABAZIONI COMBUSTIBILE (6076) (8100,8200,8300 TSN -009999)  
TUBERIAS DE COMBUSTIBLE (6076) (8100,8200,8300 TSN -009999)  
BRANSELEDNINGAR (6076) (8100,8200,8300 TSN -009999)  
RGP3574 -UN-01JAN94



# 2E23

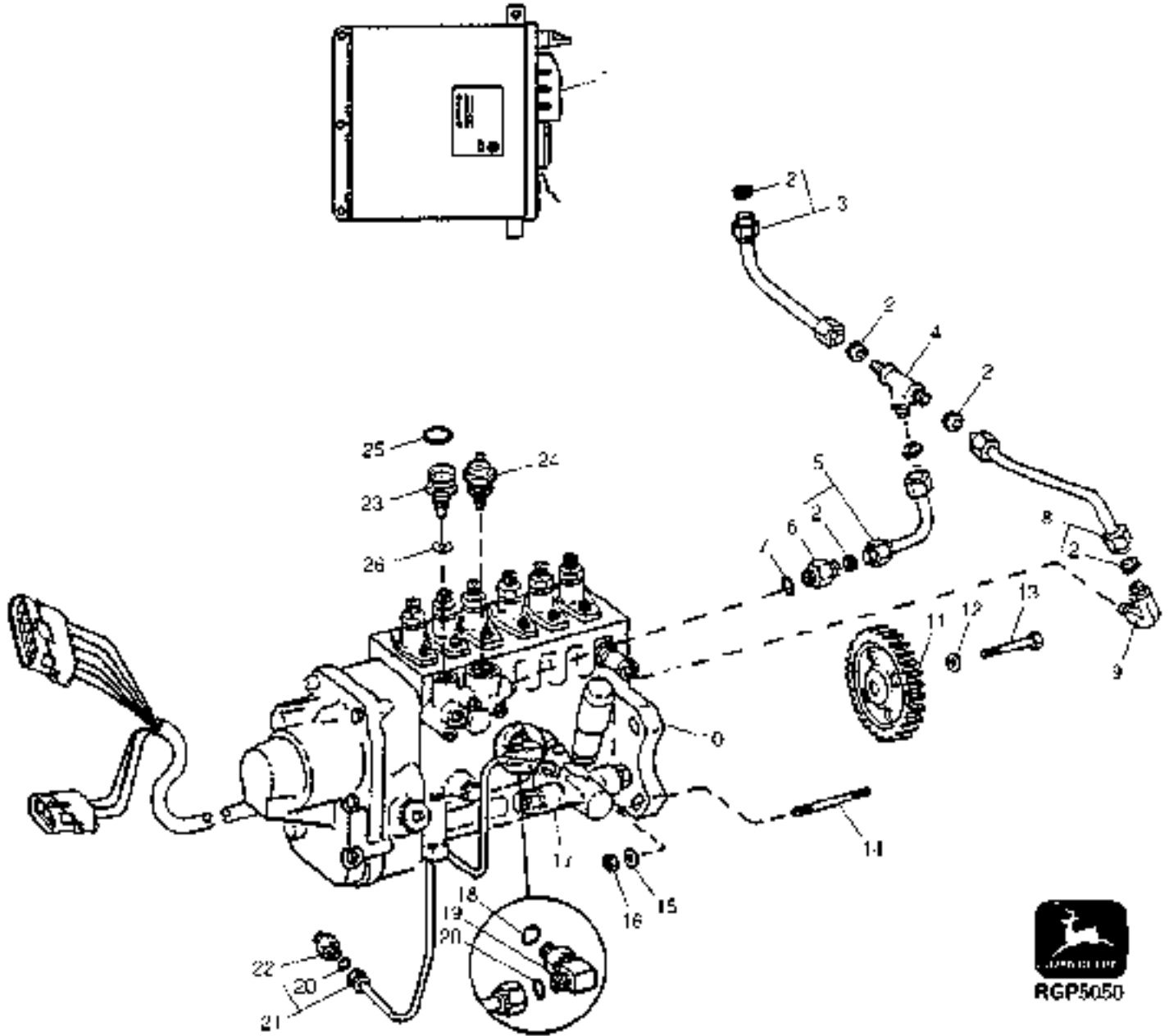
FUEL AND AIR

| KEY | PART NO. | PART NAME        | QTY | ENGINE     |   |   | REMARKS   |
|-----|----------|------------------|-----|------------|---|---|---|
|     |          |                  |     | SERIAL NO. | 8 | 8 |   |
|     |          |                  |     |            | 8 | 8 |   |
|     |          |                  |     |            | 1 | 2 | 3   |
|     |          |                  |     |            | 0 | 0 | 0   |
|     |          |                  |     |            | 0 | 0 | 0   |
| 1   | RE47431  | FUEL LINE        | 1   | X          | X | X | NO. 6   |
| 2   | RE47430  | FUEL LINE        | 1   | X          | X | X | NO. 5   |
| 3   | RE47429  | FUEL LINE        | 1   | X          | X | X | NO. 4   |
| 4   | RE47428  | FUEL LINE        | 1   | X          | X | X | NO. 3   |
| 5   | RE47427  | FUEL LINE        | 1   | X          | X | X | NO. 2   |
| 6   | R59305   | STRAP            | 1   | X          | X | X |   |
|     | R58186   | CLAMP            | 2   | X          | X | X |   |
|     | R61144   | STRAP            | 1   | X          | X | X |   |
|     | 21H1463  | CAP SCREW        | 2   | X          | X | X | 0.190" X 7/8"                                       |
| 7   | RE47426  | FUEL LINE        | 1   | X          | X | X | NO. 1   |
| 8   | R59298   | STRAP            | 1   | X          | X | X |   |
|     | R59297   | HALF CLAMP       | 2   | X          | X | X |   |
|     | 21H1463  | CAP SCREW        | 2   | X          | X | X | 0.190" X 7/8"                                       |
| 9   | R59298   | STRAP            | 2   | X          | X | X |   |
|     | R71212   | CLAMP            | 1   | X          | X | X |   |
|     | R61145   | STRAP            | 1   | X          | X | X |   |
|     | R71398   | SCREW            | 2   | X          | X | X | 0.190" X 1-1/2"                                     |
| 10  | R59305   | STRAP            | 1   | X          | X | X |   |
|     | R58186   | CLAMP            | 1   | X          | X | X |   |
|     | R74030   | CLAMP            | 1   | X          | X | X |   |
|     | R74804   | CLAMP            | 1   | X          | X | X |   |
|     | R61144   | STRAP            | 1   | X          | X | X |   |
|     | R71398   | SCREW            | 1   | X          | X | X | 0.190" X 1-1/2"                                     |
| 11  | R59298   | STRAP            | 1   | X          | X | X |   |
|     | R59297   | HALF CLAMP       | 2   | X          | X | X |   |
|     | 21H1463  | CAP SCREW        | 2   | X          | X | X | 0.190" X 7/8"                                       |
| 12  | RE47120  | ABSORBER         | 1   | X          | X | X |   |
| 13  | 24H1884  | WASHER           | 1   | X          | X | X | 13/32" X 13/16" X 0.120"                            |
| 14  | 12M7066  | LOCK WASHER      | NA  | X          | X | X | 10.200 MM   |
| 15  | 19M7166  | CAP SCREW        | 1   | X          | X | X | M10 X 20  |
| 16  | R84472   | WASHER           | 6   | X          | X | X | 7.360 X 18.160 X 2 MM (0.290" X 0.715" X 0.079")    |
| 17  | RE30159  | INJECTION NOZZLE | 6   | X          | X | X | (DENSO) (6076HRW33, HRW34) (SUB RE52109 AND R84472) |
|     | RE25253  | INJECTION NOZZLE | 6   | X          | X | X | (DENSO) (6076HRW35) (SUB RE52113 AND R84472)        |
|     | RE52109  | INJECTION NOZZLE | 6   | X          | X | X | (DENSO) (6076HRW33, HRW34)                          |
|     | RE52113  | INJECTION NOZZLE | 6   | X          | X | X | (DENSO) (6076HRW35)                                 |
| 18  | R77551   | O-RING           | 6   | X          | X | X |   |
| 19  | R87082   | FITTING          | 6   | X          | X | X | (ALSO ORDER R77551)                                 |
| 20  | R51937   | TUBE NUT         | 1   | X          | X | X |   |
| 21  | AR85519  | PLUG             | 1   | X          | X | X |   |
| 22  | R79604   | TUBE NUT         | 6   | X          | X | X |   |
| 23  | R79605   | WASHER           | 6   | X          | X | X |   |
| 24  | R79606   | TEE FITTING      | 6   | X          | X | X |   |
| 25  | R51936   | PACKING          | 11  | X          | X | X |   |
| 26  | RE15807  | FUEL LINE        | 2   | X          | X | X |   |
| 27  | RE15808  | FUEL LINE        | 2   | X          | X | X |   |
| 28  | RE36421  | FUEL LINE        | 2   | X          | X | X |   |
| 29  | R97061   | TEE FITTING      | 1   | X          | X | X |   |

# 2E24

FUEL AND AIR

FUEL INJECTION PUMP (6076) (8100,8200,8300 TSN -009999)  
POMPE D'INJECTION/TUYAUX D'INJECTION/CONTROLEUR DE MOTEUR(6076) (8100,8200,8300 TSN -009999)  
KRAFTSTOFF-EINSPRITZPUMPE/KRAFTSTOFFLEITUNGEN/MOTOR-STEURUNG(6076) (81,82,83 TSN -009999)  
POMPA DI INIEZIONI/TUBAZIONI COMBUSTIBILE/UNITA DI CONTROLLO DEL MOTORE 6076-8100,8200,8300  
BOMBA DE INYEXXION DE COMBUSTBLE/TUBERIAS DE COMBUSTBLE/CONROLA DOR DEL MOTOR 6076-8100  
INSPRUTNINGSPUMP/BRANSLELEDNINGAR/MOTORSTYRENHET (6076) (8100,8200,8300 TSN -009999)  
RGP5050 -UN-27JUL98



# 2E25

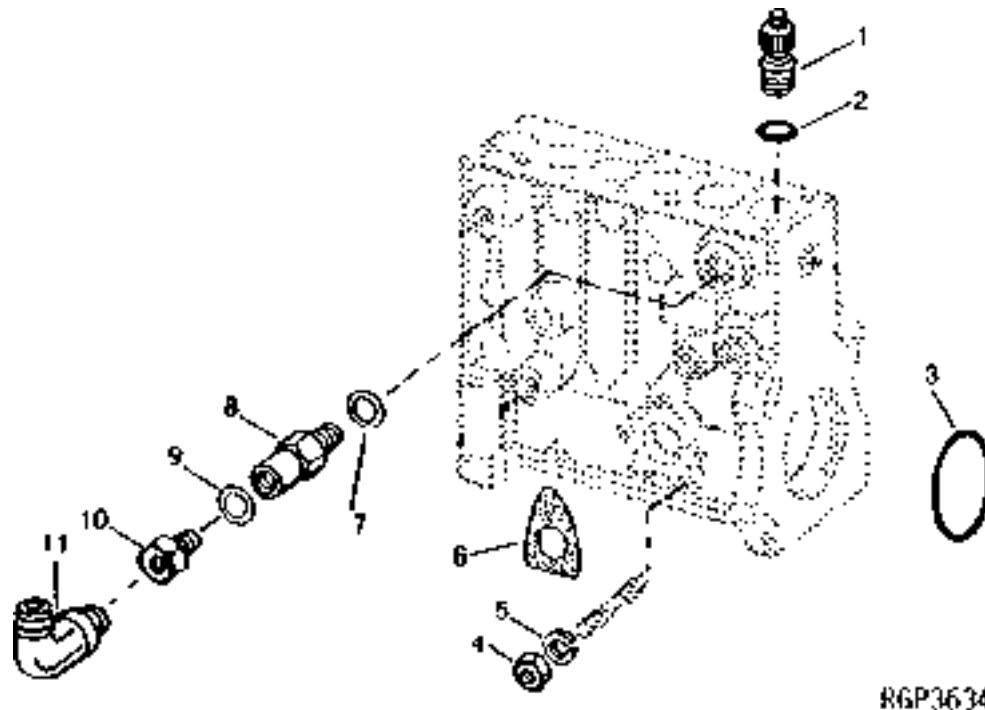
FUEL AND AIR

| KEY | PART NO. | PART NAME               | QTY | ENGINE        |   |   | REMARKS  |
|-----|----------|-------------------------|-----|---------------|---|---|--|
|     |          |                         |     | SERIAL NO.    | 8 | 8 |  |
|     |          |                         |     |               | 8 | 8 |  |
|     |          |                         |     |               | 1 | 2 |  |
|     |          |                         |     |               | 0 | 0 |  |
|     |          |                         |     |               | 0 | 0 |  |
| 1   | RE57525  | ENGINE CONTROLLER       | 1   |               | X |   | (MARKED RE28320) (SUB RE501825, RE502110 OR RE503177 AND RE502125) (6076HRW33); (ROBERT BOSCH) |
|     | RE501825 | ENGINE CONTROLLER       | 1   |               | X |   | (REMANUFACTURED) (6076HRW33) (MARKED RE501731) (SUB RE503177 OR RE502110 AND RE502125)         |
|     | RE503177 | ENGINE CONTROLLER       | 1   |               | X |   | (6076HRW33) (MARKED RE66614) (SUB FOR RE57525, RE501825 OR RE502110)                           |
|     | RE57526  | ENGINE CONTROLLER       | 1   |               | X |   | (MARKED RE28320) (SUB RE501826, RE502111 OR RE503178 AND RE502125)                             |
|     | RE501826 | ENGINE CONTROLLER       | 1   |               | X |   | (MARKED RE501731) (SUB RE503178 AND RE502125) (6076HRW34)                                      |
|     | RE503178 | ENGINE CONTROLLER       | 1   |               | X |   | (REMANUFACTURED) (6076HRW34) (MARKED RE66614) (SUB FOR RE57526, RE501826 OR RE502111)          |
|     | RE57524  | ENGINE CONTROLLER       | 1   |               | X |   | (ROBERT BOSCH) (HRW35) (MARKED RE28320) (SUB RE503179 AND RE502125)                            |
|     | RE501824 | ENGINE CONTROLLER       | 1   |               | X |   | (HRW35) (MARKED RE501731) (SUB RE503179 AND RE502125)  |
|     | RE503179 | ENGINE CONTROLLER       | 1   |               | X |   | (HRW35) (MARKED RE66614) (SUB FOR RE57524, RE501824 OR RE502112)                               |
|     | RE502125 | KIT                     | 1   |               | X |   | (MOUNTING KIT) (USE WITH RE66614)  |
|     | RE502135 | KIT                     | 1   |               | X | X | (BALER KIT)  |
| 2   | R51936   | PACKING                 | 6   |               | X | X |  |
| 3   | RE30920  | FUEL LINE               | 1   |               | X | X |  |
| 4   | R97061   | TEE FITTING             | 1   |               | X | X |  |
| 5   | RE30833  | FUEL LINE               | 1   |               | X | X |  |
| 6   | R91824   | FITTING                 | 1   |               | X | X |  |
| 7   | R48693   | WASHER                  | 1   |               | X | X |  |
| 8   | RE35684  | FUEL LINE               | 1   |               | X | X |  |
| 9   | R67364   | ELBOW FITTING           | 1   |               | X | X |  |
| 10  | RE57372  | FUEL INJECTION PUMP     | 1   | -XXXXXX       | X | X | (A) (ROBERT BOSCH) (PES6P120A720RS3184) (SUB RE63514, R121164 AND (4) R121195)                 |
|     | RE63514  | FUEL INJECTION PUMP     | 1   | XXXXXX-XXXXXX | X | X | (A) (ROBERT BOSCH) (PES6P120A720RS3347) (SUB RE502259, R121164 AND (4) R121195)                |
|     | RE502259 | FUEL INJECTION PUMP     | 1   | XXXXXX-       | X | X |  |
| 11  | R104590  | GEAR                    | 1   | -XXXXXX       | X | X | (USE WITH RE57372 OR RE63514)  |
|     | R121164  | GEAR                    | 1   | XXXXXX-       | X | X | (USE WITH RE502259)  |
| 12  | R63845   | WASHER                  | 4   | -XXXXXX       | X | X | (USE WITH RE57372 OR RE63514)  |
| 13  | 19H3690  | CAP SCREW               | 4   | -XXXXXX       | X | X | 3/8" X 3/4", (USE WITH RE57372 OR RE63514)   |
|     | R121195  | CAP SCREW               | 4   | XXXXXX-       | X | X | (USE WITH RE502259)  |
| 14  | R114130  | STUD                    | 4   |               | X | X | (SUB FOR R55396, APPL)   |
| 15  | M72490   | WASHER                  | 4   |               | X | X |  |
| 16  | 14H1090  | NUT                     | 4   |               | X | X | 3/8", (SUB FOR E55662, APPL)   |
| 17  | RE46252  | FUEL PUMP               | 1   |               | X | X |  |
| 18  | R79060   | O-RING                  | 1   |               | X | X | (SUB FOR R73858)   |
| 19  | AR88903  | ELBOW FITTING           | 1   |               | X | X |  |
| 20  | R67264   | PACKING                 | 2   |               | X | X |  |
| 21  | RE43369  | OIL LINE                | 1   |               | X | X |  |
| 22  | R76822   | FITTING                 | 1   |               | X | X |  |
| 23  | RE28217  | FUEL TEMPERATURE SENSOR | 1   |               | X | X | (TEMPERATURE)  |
| 24  | R89014   | SOLENOID                | 1   |               | X | X | (SHUT-OFF HOUSING)   |
|     | R99047   | O-RING                  | 1   |               | X | X | (TO SOLENOID AND PUMP)   |
|     | 12H296   | WASHER                  | 1   |               | X | X | (TO SOLENOID)  |
|     | 14M7297  | NUT                     | 1   |               | X | X | (TO SOLENOID)  |
| 25  | R98500   | O-RING                  | 1   |               | X | X |  |
| 26  | R53899   | WASHER                  | 1   |               | X | X |  |
| ..  | R105388  | TIE BAND                | 2   |               | X | X |  |

(A) "SEE YOUR AUTHORIZED PUMP REPAIR STATION FOR PARTS NOT LISTED"

# 2F1

FUEL INJECTION PUMP HOUSING CONNECTORS (6076) (8100,8200,8300 TSN -009999)  
 CONNECTEURS DE CARTER DE POMPE D'INJECTION (6076) (8100,8200,8300 TSN -009999)  
 EINSPRITZPUMPENGEHAEUSE ANSCHLUESSE (6076) (8100,8200,8300 TSN -009999)  
 CONNETTORI PER CARCASSA POMPA DE INIEZIONE (6076) (8100,8200,8300 TSN -009999)  
 CONECTORES DE CARCASA DE LA BOMBA DE INYECCION DE GASOLINA (6076) (8100,8200,8300 TSN -009999)  
 BRAENSLEINSPRUTNINGSPUMPHUSETS ANSLUTNINGAR (6076) (8100,8200,8300 TSN -009999)  
 RGP3634 -UN-01JAN94



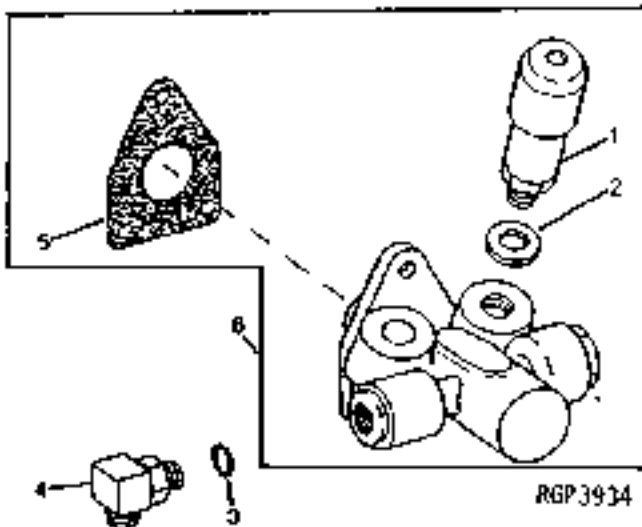
| KEY | PART NO. | PART NAME     | QTY | ENGINE SERIAL NO. |   |   | REMARKS                      |
|-----|----------|---------------|-----|-------------------|---|---|------------------------------|
|     |          |               |     | 8                 | 8 | 8 |                              |
| 1   | .....    | HOLDER        | 6   | X                 | X | X |                              |
| 2   | T24210   | O-RING        | 6   | X                 | X | X |                              |
| 3   | R53884   | O-RING        | 1   | X                 | X | X |                              |
| 4   | 14M7297  | NUT           | 3   | X                 | X | X | M5                           |
| 5   | 12H296   | WASHER        | 3   | X                 | X | X | 0.216"                       |
| 6   | R67879   | GASKET        | 1   | X                 | X | X |                              |
| 7   | R53899   | WASHER        | 1   | X                 | X | X |                              |
| 8   | RE36151  | CONTROL VALVE | 1   | X                 | X | X |                              |
| 9   | R53901   | WASHER        | 1   | X                 | X | X |                              |
| 10  | R63016   | ADAPTER       | 1   | X                 | X | X |                              |
| 11  | R67364   | ELBOW FITTING | 1   | X                 | X | X |                              |
| ..  | R93008   | WASHER        | 1   | X                 | X | X |                              |
| ..  | R83489   | FITTING       | 1   | X                 | X | X | (SUB FOR RE49446 OR RE62345) |



# 2F2

FUEL AND AIR

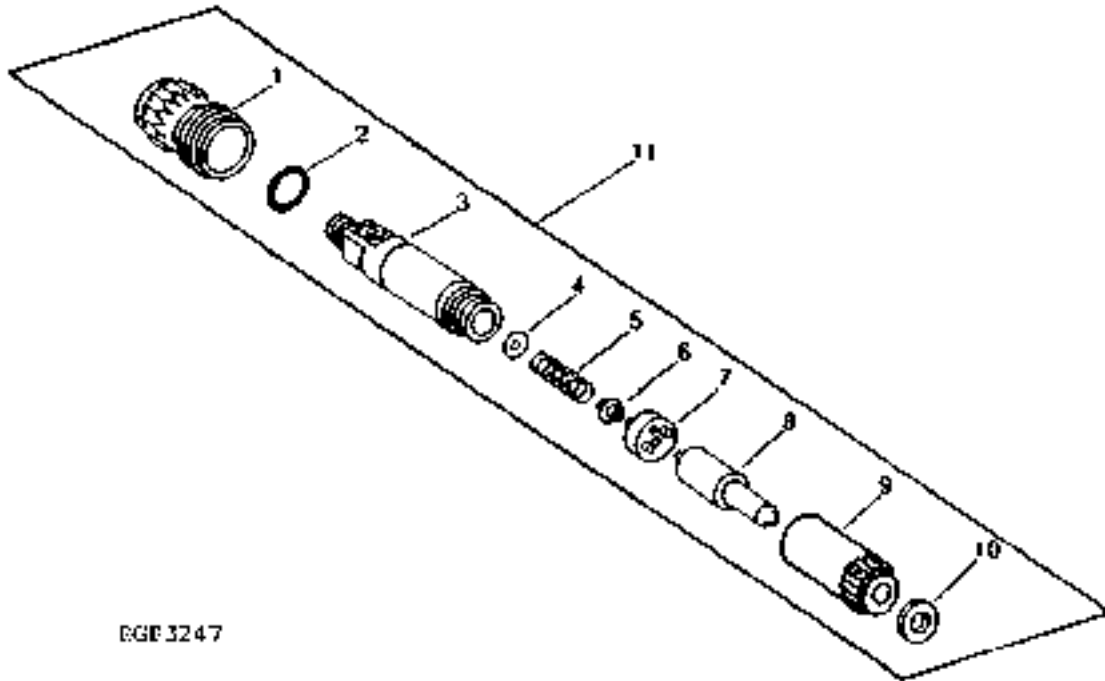
FUEL TRANSFER PUMP (6076) (8100,8200,8300 TSN -009999) (ROBERT BOSCH)  
 POMPE D'ALIMENTATION (6076) (8100,8200,8300 TSN -009999) (ROBERT BOSCH)  
 KRAFTSTOFFOERDERPUMPE (6076) (8100,8200,8300 TSN -009999)  
 POMPA ALIMENTACION DE COMBUSTIBLE (6076) (8100,8200,8300 TSN -009999) (ROBERT BOSCH)  
 BOMBA DE ALIMENTACION DE COMBUSTIBLE (6076) (8100,8200,8300 TSN -009999) (ROBERT BOSCH)  
 MATAREPUMP (6076) (8100,8200,8300 TSN -009999) (ROBERT BOSCH)  
 RGP3934 -UN-01JAN94



| KEY | PART NO. | PART NAME     | QTY | ENGINE SERIAL NO. | REMARKS           |
|-----|----------|---------------|-----|-------------------|-------------------|
|     |          |               |     | 8 8 8             |                   |
|     |          |               |     | 1 2 3             |                   |
|     |          |               |     | 0 0 0             |                   |
|     |          |               |     | 0 0 0             |                   |
| 1   | RE65265  | HAND PRIMER   | 1   | X X X             | (SUB FOR RE48048) |
| 2   | R54025   | WASHER        | 1   | X X X             |                   |
| 3   | R26448   | O-RING        | 2   | X X X             |                   |
| 4   | RE10258  | ELBOW FITTING | 2   | X X X             |                   |
| 5   | R67879   | GASKET        | 1   | X X X             |                   |
| 6   | RE46252  | FUEL PUMP     | 1   | X X X             |                   |

# 2F3

FUEL INJECTION NOZZLE (6076) (8100,8200,8300 TSN -009999)(NIPPONDENSO)  
INJECTEUR (CONCEPTION RECENTE) (6076) (8100,8200,8300 TSN -009999) NIPPONDENSO  
KRAFTSTOFF-EINSPRITZDUESE (NEURE BAUWEISE) (6076) (8100,8200,8300 TSN -009999)(NIPPONDENSO  
INYEKTOR (DISENO RECIENTE) (6076) (8100,8200,8300 TSN-009999)(NIPPONDENSO  
INYEKTOR (DISENO RECIENTE) (6076) (8100,8200,8300 TSN -009999) (NIPPONDENSO)  
BRANSLINSPRUTARE SENARE UTFOERANDE) (6076) (8100,8200,8300 TSN -009999) NIPPONDENSO  
RGP3247 -UN-01JAN94



RGP 3247

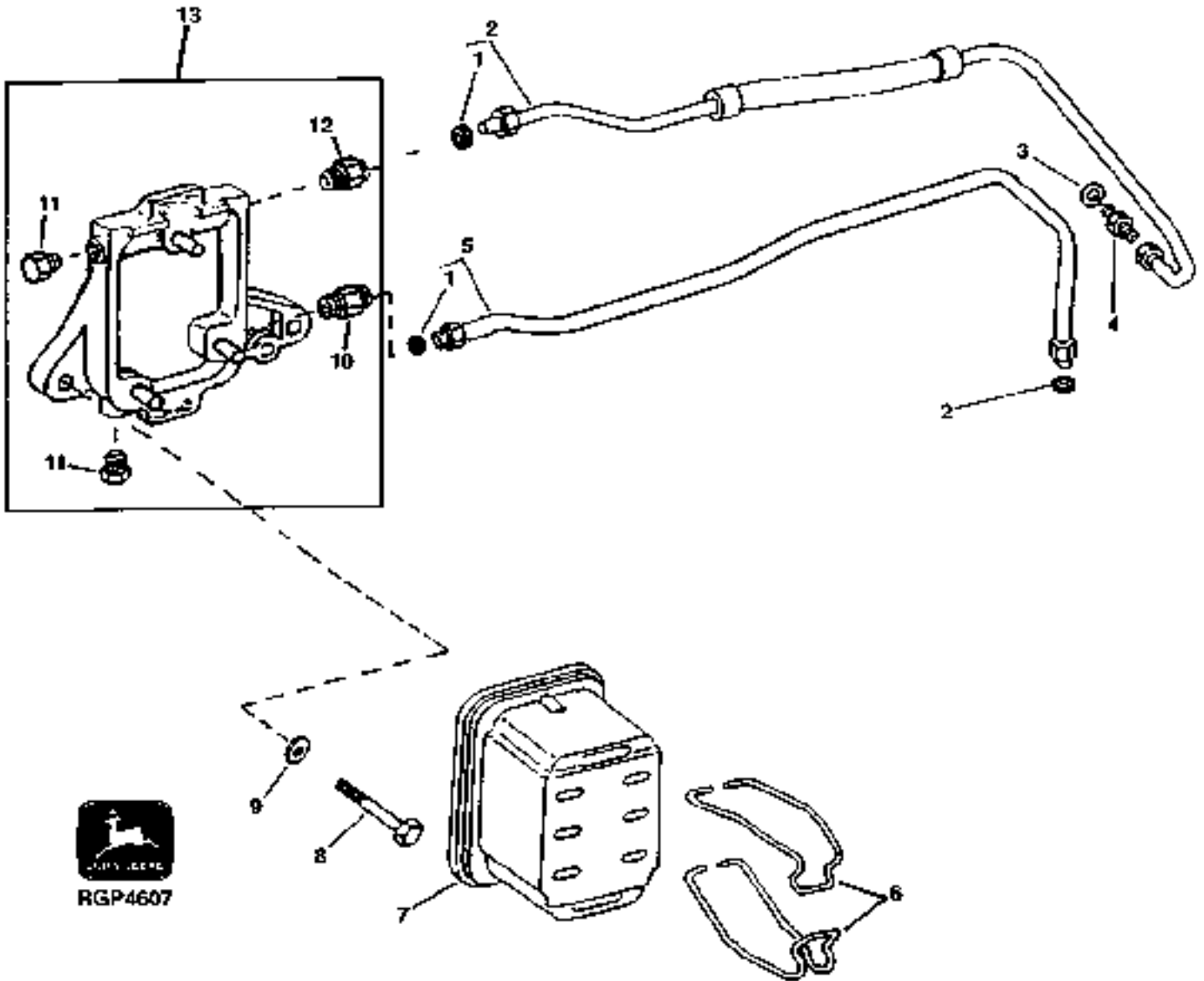
# 2F4

FUEL AND AIR

| KEY | PART NO. | PART NAME        | QTY | ENGINE<br>SERIAL NO. | 8 8 8 |   |   | REMARKS  |
|-----|----------|------------------|-----|----------------------|-------|---|---|--|
|     |          |                  |     |                      | 0     | 0 | 0 |  |
| 1   | R68035   | NUT              | 1   |                      | X     | X | X |  |
| 2   | R69089   | O-RING           | 1   |                      | X     | X | X |  |
| 3   | R115369  | NOZZLE HOLDER    | 1   |                      | X     | X | X |  |
| 4   | R68036   | SHIM             | AR  |                      | X     | X | X | 0.70MM (.028")                                   |
|     | R90544   | SHIM             | AR  |                      | X     | X | X | 0.725MM (.0285")                                 |
|     | R68037   | SHIM             | AR  |                      | X     | X | X | 0.75MM (.030")                                   |
|     | R90543   | SHIM             | AR  |                      | X     | X | X | 0.775MM (.0305")                                 |
|     | R68038   | WASHER           | AR  |                      | X     | X | X | 0.80MM (.032")                                   |
|     | R90542   | WASHER           | AR  |                      | X     | X | X | 0.825MM (.0324")                                 |
|     | R68039   | WASHER           | AR  |                      | X     | X | X | 0.85MM (.034")                                   |
|     | R90541   | WASHER           | AR  |                      | X     | X | X | 0.875MM (.0344")                                 |
|     | R68040   | WASHER           | AR  |                      | X     | X | X | 0.90MM (.035")                                   |
|     | R90540   | WASHER           | AR  |                      | X     | X | X | 0.925MM (.0364")                                 |
|     | R68041   | WASHER           | AR  |                      | X     | X | X | 0.95MM (.037")                                   |
|     | R90539   | WASHER           | AR  |                      | X     | X | X | 0.0975MM (.0383")                                |
|     | R68042   | WASHER           | AR  |                      | X     | X | X | 1.00MM (.039")                                   |
|     | R90538   | WASHER           | AR  |                      | X     | X | X | 1.025MM (.0403")                                 |
|     | R68043   | WASHER           | AR  |                      | X     | X | X | 1.05MM (.041")                                   |
|     | R90537   | WASHER           | AR  |                      | X     | X | X | 1.075MM (.0423")                                 |
|     | R68044   | WASHER           | AR  |                      | X     | X | X | 1.10MM (.043")                                   |
|     | R90536   | WASHER           | AR  |                      | X     | X | X | 1.125MM (.0443")                                 |
|     | R68045   | WASHER           | AR  |                      | X     | X | X | 1.15MM (.045")                                   |
|     | R90535   | WASHER           | AR  |                      | X     | X | X | 1.175MM (.0462")                                 |
|     | R68046   | WASHER           | AR  |                      | X     | X | X | 1.20MM (.047")                                   |
|     | R90534   | WASHER           | AR  |                      | X     | X | X | 1.225MM (.0482")                                 |
|     | R68047   | WASHER           | AR  |                      | X     | X | X | 1.25MM (.049")                                   |
|     | R90533   | WASHER           | AR  |                      | X     | X | X | 1.275MM (.0502")                                 |
|     | R68048   | WASHER           | AR  |                      | X     | X | X | 1.30MM (.051")                                   |
|     | R90532   | WASHER           | AR  |                      | X     | X | X | 1.325MM (.0522")                                 |
|     | R68049   | WASHER           | AR  |                      | X     | X | X | 1.35MM (.053")                                   |
|     | R90531   | WASHER           | AR  |                      | X     | X | X | 1.375MM (.0541")                                 |
|     | R68050   | WASHER           | AR  |                      | X     | X | X | 1.40MM (.055")                                   |
|     | R90530   | WASHER           | AR  |                      | X     | X | X | 1.425MM (.0561")                                 |
|     | R68051   | WASHER           | AR  |                      | X     | X | X | 1.45MM (.057")                                   |
|     | R90529   | WASHER           | AR  |                      | X     | X | X | 1.475MM (.0580")                                 |
|     | R68052   | WASHER           | AR  |                      | X     | X | X | 1.50MM (.059")                                   |
| 5   | R115368  | SPRING           | 1   |                      | X     | X | X |  |
| 6   | R94410   | SEAT             | 1   |                      | X     | X | X |  |
| 7   | R94412   | PLATE            | 1   |                      | X     | X | X |  |
| 8   | RE52110  | INJECTION NOZZLE | 1   |                      | X     | X |   | (7 X 0.23) (6076HRW33, 34)                       |
|     | RE52114  | INJECTION NOZZLE | 1   |                      |       | X |   | (7 X 0.255) (6076HRW35)                          |
| 9   | R94414   | NUT              | 1   |                      | X     | X | X |  |
| 10  | R84472   | WASHER           | 1   |                      | X     | X | X |  |
| 11  | RE30159  | INJECTION NOZZLE | 6   |                      | X     | X |   | (DENSO) (6076HRW33, 34) (SUB RE52109 AND R84472) |
|     | RE25253  | INJECTION NOZZLE | 6   |                      |       | X |   | (DENSO) (6076HRW35) (SUB RE52113 AND R84472)     |
|     | RE52109  | INJECTION NOZZLE | 6   |                      | X     | X |   | (DENSO) (6076HRW33, 34)                          |
|     | RE52113  | INJECTION NOZZLE | 6   |                      |       | X |   | (DENSO) (6076HRW35)                              |

# 2F5

FUEL FILTER AND LINES (6081) (8100,8200,8300 TSN 010000- )  
FILTRE A COMBUSTIBLE (6081) (8100,8200,8300 TSN 010000- )  
KRAFTSTOFF-FILTER (6081) (8100,8200,8300 TSN 010000- )  
FILTRO COMBUSTIBLE (6081) (8100,8200,8300 TSN 010000- )  
FILTRO DE COMBUSTIBLE (6081) (8100,8200,8300 TSN 010000- )  
BRANSLEFFILTER (6081) (8100,8200,8300 TSN 010000- )  
RGP4607 -UN-20NOV95



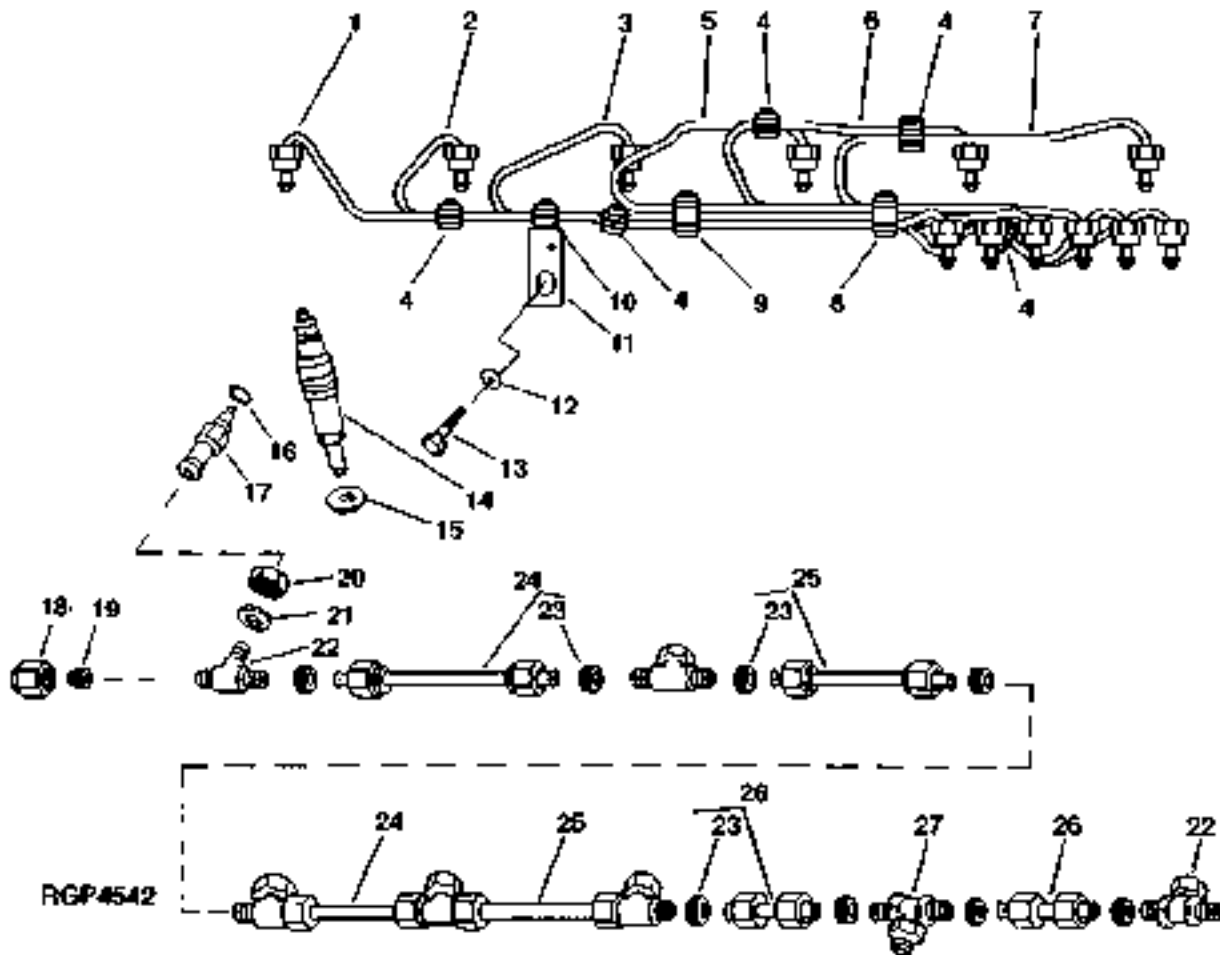
# 2F6

FUEL AND AIR

| KEY | PART NO. | PART NAME      | QTY | ENGINE<br>SERIAL NO. | 8 8 8 | REMARKS                  |
|-----|----------|----------------|-----|----------------------|-------|--------------------------|
|     |          |                |     |                      | 1 2 3 |                          |
|     |          |                |     |                      | 0 0 0 |                          |
|     |          |                |     |                      | 0 0 0 |                          |
| 1   | R67092   | SEAL           | 3   |                      | X X X |                          |
| 2   | RE500280 | FUEL LINE      | 1   |                      | X X X | (SUB FOR RE63414)        |
| 3   | R93008   | WASHER         | 1   |                      | X X X |                          |
| 4   | R83489   | FITTING        | 1   |                      | X X X |                          |
| 5   | RE65787  | FUEL LINE      | 1   |                      | X X X |                          |
| 6   | R89927   | CLAMP          | 2   |                      | X X X |                          |
| 7   | AR86745  | FILTER ELEMENT | 1   |                      | X X X |                          |
| 8   | 19H2964  | CAP SCREW      | 2   |                      | X X X | 7/16" X 1-1/8"           |
| 9   | 24H1325  | WASHER         | 2   |                      | X X X | 15/32" X 59/64" X 0.065" |
| 10  | RE54244  | CHECK VALVE    | 1   |                      | X X X |                          |
| 11  | R119223  | PLUG           | 2   |                      | X X X |                          |
| 12  | RE54245  | FITTING        | 1   |                      | X X X |                          |
| 13  | RE61693  | BASE           | 1   |                      | X X X |                          |

# 2F7

FUEL INJECTION NOZZLES AND LINES (6081) (8100,8200,8300 TSN 010000- )  
TUYAUX D'INJECTION (6081) (8100,8200,8300 TSN 010000- )  
KRAFTSTOFFLEITUNGEN (6081) (8100,8200,8300 TSN 010000- )  
TABAZIONI COMBUSTIBILE (6081) (8100,8200,8300 TSN 010000- )  
TUBERIAS DE COMBUSTIBLE (6081) (8100,8200,8300 TSN 010000- )  
BRANSELEDNINGAR (6081) (8100,8200,8300 TSN 010000- )  
RGP4542 -UN-29AUG95



# 2F8

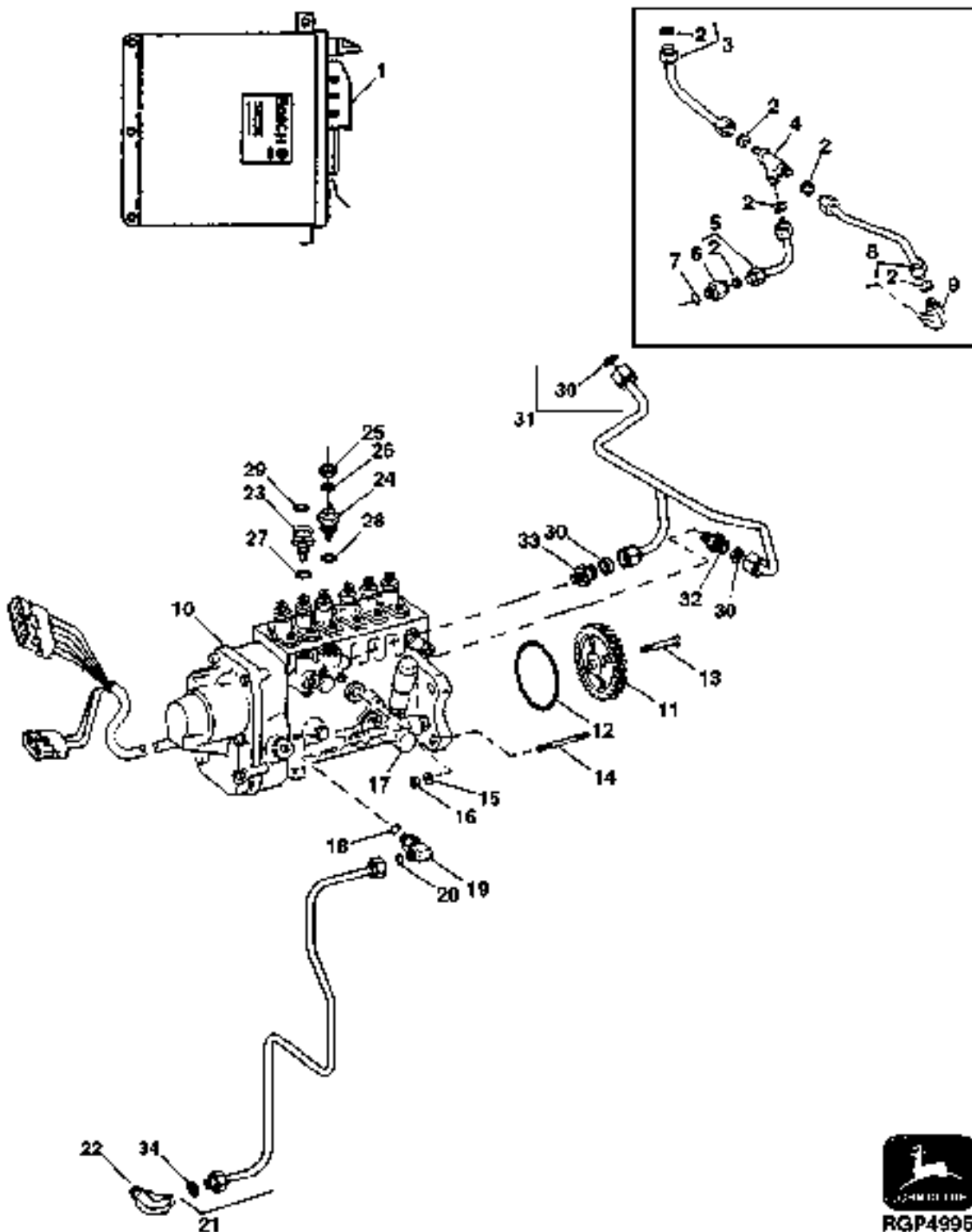
FUEL AND AIR

| KEY | PART NO. | PART NAME        | QTY | ENGINE     |   |   | REMARKS  |
|-----|----------|------------------|-----|------------|---|---|--|
|     |          |                  |     | SERIAL NO. | 8 | 8 |  |
|     |          |                  |     |            | 8 | 8 |  |
|     |          |                  |     |            | 1 | 2 |  |
|     |          |                  |     |            | 0 | 0 |  |
|     |          |                  |     |            | 0 | 0 |  |
| 1   | RE47431  | FUEL LINE        | 1   | X          | X | X | NO. 6  |
| 2   | RE47430  | FUEL LINE        | 1   | X          | X | X | NO. 5  |
| 3   | RE47429  | FUEL LINE        | 1   | X          | X | X | NO. 4  |
| 4   | R120185  | BOLT             | 5   | X          | X | X |  |
|     | R58186   | CLAMP            | 10  | X          | X | X |  |
|     | R120181  | STRAP            | 5   | X          | X | X |  |
|     | R120182  | STRAP            | 5   | X          | X | X |  |
| 5   | RE47428  | FUEL LINE        | 1   | X          | X | X | NO. 3  |
| 6   | RE47427  | FUEL LINE        | 1   | X          | X | X | NO. 2  |
| 7   | RE47426  | FUEL LINE        | 1   | X          | X | X | NO. 1  |
| 8   | R120186  | BOLT             | 2   | X          | X | X |  |
|     | R71212   | CLAMP            | 1   | X          | X | X |  |
|     | R120183  | STRAP            | 1   | X          | X | X |  |
|     | R120184  | STRAP            | 1   | X          | X | X |  |
|     | R59297   | HALF CLAMP       | 2   | X          | X | X |  |
| 9   | R71212   | CLAMP            | 1   | X          | X | X |  |
|     | R59297   | HALF CLAMP       | 2   | X          | X | X |  |
|     | R74030   | CLAMP            | 1   | X          | X | X |  |
|     | R74804   | CLAMP            | 1   | X          | X | X |  |
|     | R120186  | BOLT             | 2   | X          | X | X |  |
|     | R120183  | STRAP            | 1   | X          | X | X |  |
|     | R120184  | STRAP            | 1   | X          | X | X |  |
| 10  | R120185  | BOLT             | 1   | X          | X | X |  |
|     | R59297   | HALF CLAMP       | 2   | X          | X | X |  |
|     | R120183  | STRAP            | 2   | X          | X | X |  |
| 11  | RE55662  | ABSORBER         | 1   | X          | X | X |  |
| 12  | 24H1884  | WASHER           | 1   | X          | X | X | 13/32" X 13/16" X 0.120"                         |
| 13  | 19M7166  | CAP SCREW        | 1   | X          | X | X | M10 X 20   |
| 14  | RE64391  | INJECTION NOZZLE | 6   | X          |   |   | (ROBERT BOSCH) (6081HRW06) (2 DARK BLUE DOTS)    |
|     | RE61593  | INJECTION NOZZLE | 6   | X          |   |   | (ROBERT BOSCH) (6081HRW07) (1 ORANGE DOT)        |
|     | RE57152  | INJECTION NOZZLE | 6   | X          |   |   | (ROBERT BOSCH) (6081HRW08) (2 ORANGE DOTS)       |
| 15  | R84472   | WASHER           | 6   | X          | X | X | 7.360 X 18.160 X 2 MM (0.290" X 0.715" X 0.079") |
| 16  | R77551   | O-RING           | 6   | X          | X | X |  |
| 17  | R87082   | FITTING          | 6   | X          | X | X | (ALSO ORDER R77551)                              |
| 18  | R51937   | TUBE NUT         | 1   | X          | X | X |  |
| 19  | AR85519  | PLUG             | 1   | X          | X | X |  |
| 20  | R79604   | TUBE NUT         | 6   | X          | X | X |  |
| 21  | R79605   | WASHER           | 6   | X          | X | X |  |
| 22  | R79606   | TEE FITTING      | 6   | X          | X | X |  |
| 23  | R51936   | PACKING          | 11  | X          | X | X |  |
| 24  | RE15807  | FUEL LINE        | 2   | X          | X | X |  |
| 25  | RE15808  | FUEL LINE        | 2   | X          | X | X |  |
| 26  | RE36421  | FUEL LINE        | 2   | X          | X | X |  |
| 27  | R97061   | TEE FITTING      | 1   | X          | X | X |  |

# 2F9

FUEL AND AIR

FUEL INJECTION PUMP, LUBE LINE AND ENGINE CONTROLLER (6081) (8100,8200,8300 TSN 010000- )  
POMPE D'INJECTION/TUYAUX D'INJECTION/CONTROLEUR DE MOTEUR(6081) (8100,8200,8300 TSN 010000- )  
KRAFTSTOFF-EINSPRITZPUMPE/KRAFTSTOFFLEITUNGEN/MOTOR-STEURUNG(6081) (8100, 8200,8300 TSN 010000- )  
POMPA DI INIEZIONE/TUBAZIONI COMBUSTIBILE/UNITA DI CONTROLLO DEL MOTORE 6081-8100,8200,8300 010000- )  
BOMBA DE INYEXXION DE COMBUSTIBLE/TUBERIAS DE COMBUSTIBLE/CONRO LADOR DEL MOTOR 6081-8100,8200,83 )  
INSPRUTNINGSPUMP/BRANSLELEDNINGAR/MOTORSTYRENHET (6081) (8100,8200,8300 TSN 010000- )  
RGP4995 -UN-26MAR98





# 2F10

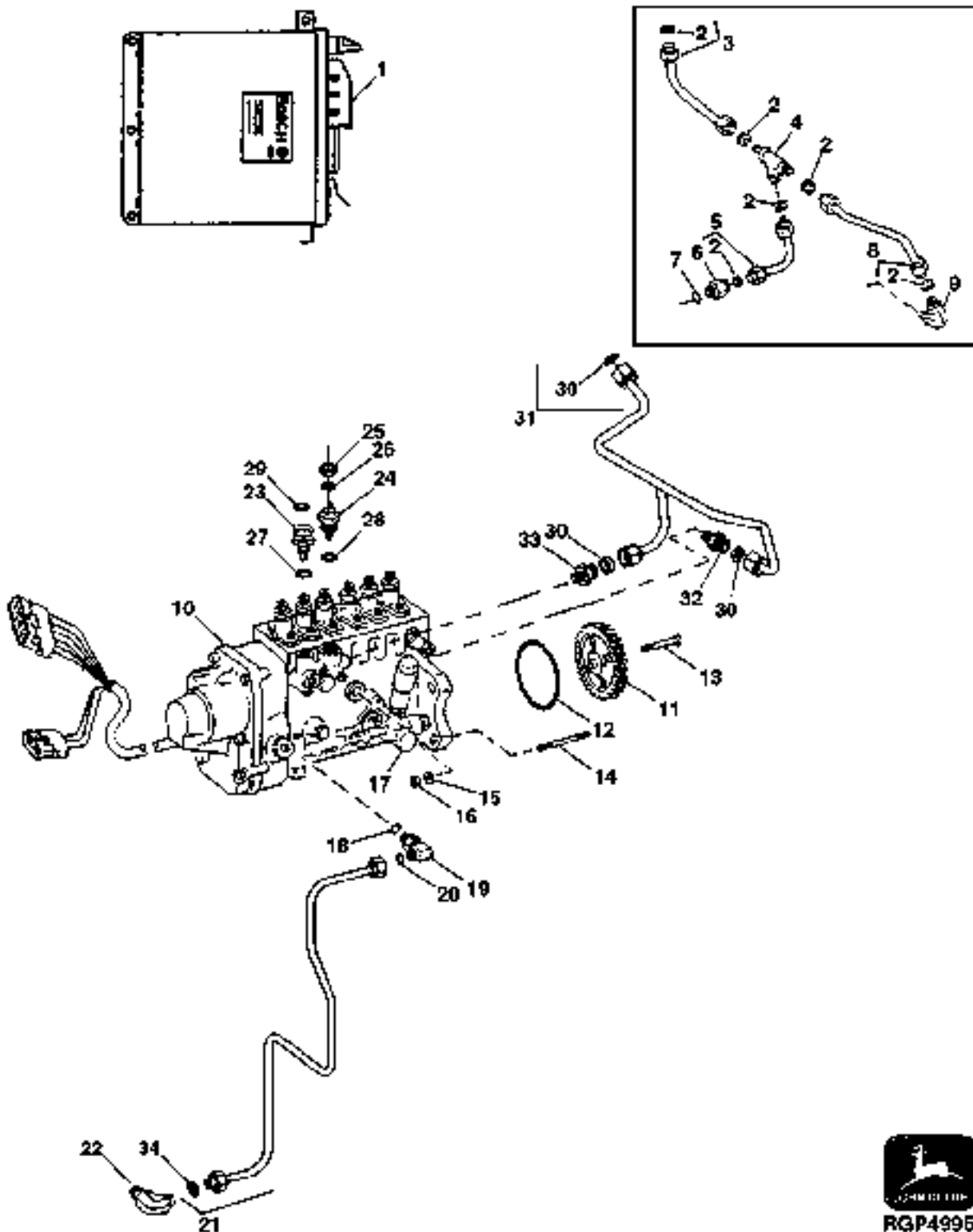
FUEL AND AIR

| KEY | PART NO. | PART NAME         | QTY | TRACTOR       |       |       | REMARKS   |
|-----|----------|-------------------|-----|---------------|-------|-------|---|
|     |          |                   |     | SERIAL NO.    | 8 8 8 | 1 2 3 |   |
| 1   | RE70026  | ENGINE CONTROLLER | 1   | 010000-010999 | X     |       | (MARKED RE28320) (SUB RE503182 AND RE502125) (ROBERT BOSCH)                                 |
|     | RE501847 | ENGINE CONTROLLER | 1   | XXXXXX-       | X     |       | (REMANUFACTURED) (MARKED RE501731) (SUB RE503182 OR RE502121 AND RE502125)                  |
|     | RE500772 | ENGINE CONTROLLER | 1   | 011000-       | X     |       | (MARKED RE66614) (SUB RE503182) (HRW06) (SUB FOR RE69551)                                   |
|     | RE502428 | ENGINE CONTROLLER | 1   | XXXXXX-XXXXXX | X     |       | (MARKED RE66614) (SUB RE503182)   |
|     | RE502121 | ENGINE CONTROLLER | 1   | XXXXXX-       | X     |       | (MARKED RE66614) (SUB RE503182) (SUB FOR RE501834 OR RE501847)                              |
|     | RE503182 | ENGINE CONTROLLER | 1   | XXXXXX-       | X     |       | (MARKED RE66614 OR RE502404) (SUB FOR RE70026, RE501847, RE500772, RE502428 OR RE502121)    |
|     | RE70027  | ENGINE CONTROLLER | 1   | 010000-010999 | X     |       | (MARKED RE28320) (SUB RE503183 AND RE502125) (SUB FOR RE69552) (ROBERT BOSCH)               |
|     | RE501848 | ENGINE CONTROLLER | 1   | XXXXXX-       | X     |       | (REMANUFACTURED) (MARKED RE501731) (SUB RE503183 OR RE502122 AND RE502125)                  |
|     | RE500773 | ENGINE CONTROLLER | 1   | 011000-       | X     |       | (MARKED RE501731) (SUB RE503183)  |
|     | RE502427 | ENGINE CONTROLLER | 1   | 011000-       | X     |       | (MARKED RE66614) (SUB RE503183)   |
|     | RE502122 | ENGINE CONTROLLER | 1   | 011000-       | X     |       | (MARKED RE66614) (SUB RE503183) (SUB FOR RE501835)  |
|     | RE503183 | ENGINE CONTROLLER | 1   | 011000-       | X     |       | (MARKED RE66614 OR RE502404) (SUB FOR RE70027, RE501848, RE500773, RE502427 OR RE502122)    |
|     | RE70028  | ENGINE CONTROLLER | 1   | 010000-010999 | X     |       | (SUB RE504071 AND RE502125) (MARKED RE28320) (ROBERT BOSCH)                                 |
|     | RE501849 | ENGINE CONTROLLER | 1   | XXXXXX-       | X     |       | (SUB RE504071 AND RE502125) (MARKED RE501723) (REMANUFACTURED)                              |
|     | RE500774 | ENGINE CONTROLLER | 1   | 011000-       | X     |       | (MARKED RE66614) (SUB RE504071) (SUB FOR RE69553)   |
|     | RE502426 | ENGINE CONTROLLER | 1   |               | X     |       | (SUB RE504071) (MARKED RE66614)   |
|     | RE502123 | ENGINE CONTROLLER | 1   | -079718       | X     |       | (MARKED RE66614) (SUB FOR RE70028, RE501849, RE500774, RE502426 OR RE501835) (SUB RE504071) |
|     | RE504071 | ENGINE CONTROLLER | 1   | 079719-       | X     |       | (MARKED RE66614 OR RE502404)  |
|     | RE502125 | KIT               | 1   |               | X X X |       | (MOUNTING KIT)  |

# 2F11

FUEL AND AIR

FUEL INJECTION PUMP, LUBE LINE AND ENGINE CONTROLLER (6081) (8100,8200,8300 TSN 010000- )  
POMPE D'INJECTION/TUYAUX D'INJECTION/CONTROLEUR DE MOTEUR(6081) (8100,8200,8300 TSN 010000- )  
KRAFTSTOFF-EINSPRITZPUMPE/KRAFTSTOFFLEITUNGEN/MOTOR-STEURUNG (6081) (8100, 8200,8300 TSN 010000- )  
POMPA DI INIEZIONE/TUBAZIONI COMBUSTIBILE/UNITA DI CONTROLLO DEL MOTORE 60818100,8200,8300 010000- )  
BOMBA DE INYEXXION DE COMBUSTIBLE/TUBERIAS DE COMBUSTIBLE/CONRO LADOR DEL MOTOR 6081-8100,8200,83 )  
INSPRUTNINGSPUMP/BRANSLELEDNINGAR/MOTORSTYRENHET (6081) (8100,8300 TSN 010000- )  
RGP4995 -UN-26MAR98



# 2F12

FUEL AND AIR

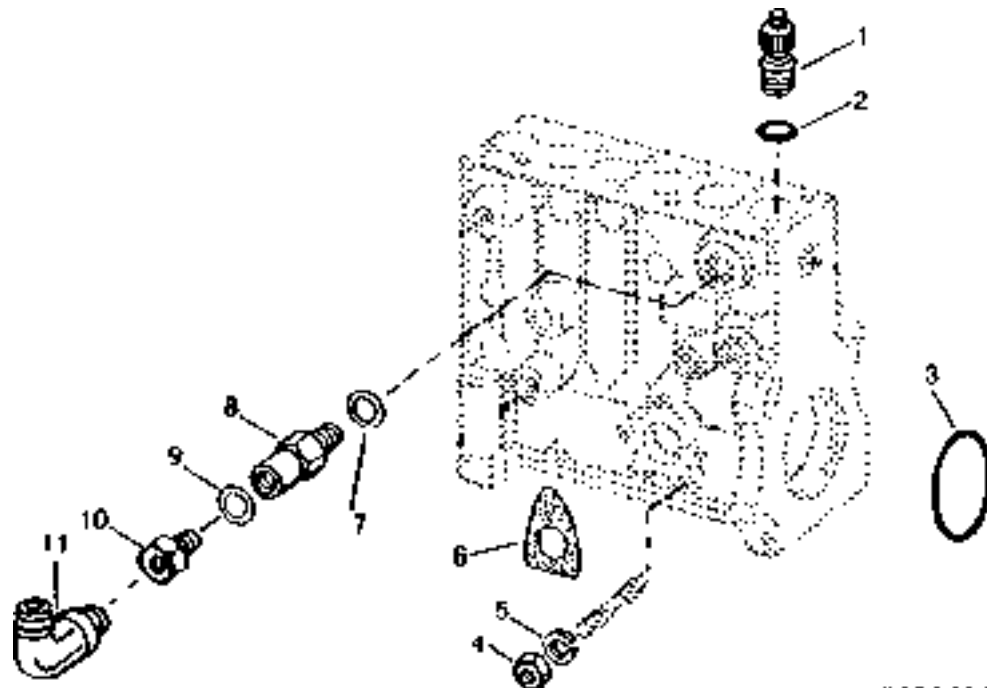
| KEY | PART NO. | PART NAME               | QTY | TRACTOR    |   |   | REMARKS  |
|-----|----------|-------------------------|-----|------------|---|---|--|
|     |          |                         |     | SERIAL NO. | 8 | 8 |  |
|     |          |                         |     |            | 8 | 8 |  |
|     |          |                         |     |            | 1 | 2 |  |
|     |          |                         |     |            | 0 | 0 |  |
|     |          |                         |     |            | 0 | 0 |  |
| 1   | RE57525  | ENGINE CONTROLLER       | 1   |            | X |   | (MARKED RE28320) (SUB RE501825, RE502110 OR RE503177 AND RE502125) (6076HRW33); (ROBERT BOSCH) |
|     | RE501825 | ENGINE CONTROLLER       | 1   |            | X |   | (REMANUFACTURED) (6076HRW33) (MARKED RE501731) (SUB RE503177 OR RE502110 AND RE502125)         |
|     | RE503177 | ENGINE CONTROLLER       | 1   |            | X |   | (6076HRW33) (MARKED RE66614) (SUB FOR RE57525, RE501825 OR RE502110)                           |
|     | RE57526  | ENGINE CONTROLLER       | 1   |            | X |   | (6076HRW34) (MARKED RE28320) (SUB RE503178 AND RE502125)                                       |
|     | RE501826 | ENGINE CONTROLLER       | 1   |            | X |   | (MARKED RE501731) (SUB RE503178 AND RE502125) (6076HRW34)                                      |
|     | RE503178 | ENGINE CONTROLLER       | 1   |            | X |   | (REMANUFACTURED) (6076HRW34) (MARKED RE66614) (SUB FOR RE57526, RE501826 OR RE502111)          |
|     | RE57524  | ENGINE CONTROLLER       | 1   |            | X |   | (ROBERT BOSCH) (HRW35) (MARKED RE28320) (SUB RE503179 AND RE502125)                            |
|     | RE501824 | ENGINE CONTROLLER       | 1   |            | X |   | (HRW35) (MARKED RE501731) (SUB RE503179 AND RE502125)  |
|     | RE503179 | ENGINE CONTROLLER       | 1   |            | X |   | (HRW35) (MARKED RE66614) (SUB RE57524, RE502824 OR RE502112)                                   |
|     | RE502125 | KIT                     | 1   |            | X |   | (MOUNTING KIT) (USE WITH RE66614)  |
|     | RE502135 | KIT                     | 1   |            | X | X | (BALER KIT)  |
| 2   | R51936   | PACKING                 | 6   | -035177    | X | X |  |
| 3   | RE30920  | FUEL LINE               | 1   | -035177    | X | X |  |
| 4   | R97061   | TEE FITTING             | 1   | -035177    | X | X |  |
| 5   | RE30833  | FUEL LINE               | 1   | -035177    | X | X |  |
| 6   | R91824   | FITTING                 | 1   | -035177    | X | X |  |
| 7   | R48693   | WASHER                  | 1   | -035177    | X | X |  |
| 8   | RE35684  | FUEL LINE               | 1   | -035177    | X | X |  |
| 9   | R67364   | ELBOW FITTING           | 1   | -035177    | X | X |  |
| 10  | RE67771  | FUEL INJECTION PUMP     | 1   |            | X |   | (A) (ROBERT BOSCH) (PES6P120A720RS3354) (6081HRW06) (SUB RE502697)                             |
|     | RE62645  | FUEL INJECTION PUMP     | 1   |            | X | X | (A) (ROBERT BOSCH) (PES6P120A720RS3354) (6081HRW07, HRW08) (SUB RE502698)                      |
|     | RE502698 | FUEL INJECTION PUMP     | 1   |            | X | X |  |
|     | RE502697 | FUEL INJECTION PUMP     | 1   |            | X |   |  |
| 11  | R121164  | GEAR                    | 1   |            | X | X |  |
| 12  | R76358   | O-RING                  | 1   |            | X | X |  |
| 13  | R121195  | CAP SCREW               | 4   |            | X | X | (SUB FOR R112975) (T45)  |
| 14  | R114130  | STUD                    | 4   |            | X | X |  |
| 15  | M72490   | WASHER                  | 4   |            | X | X |  |
| 16  | 14H1090  | NUT                     | 4   |            | X | X | 3/8"   |
| 17  | RE46252  | FUEL PUMP               | 1   |            | X | X |  |
| 18  | R79060   | O-RING                  | 1   |            | X | X | (SUB FOR R73858)   |
| 19  | AR88903  | ELBOW FITTING           | 1   |            | X | X |  |
| 20  | R67264   | PACKING                 | 2   |            | X | X |  |
| 21  | RE60577  | OIL LINE                | 1   |            | X | X |  |
| 22  | T18012   | ELBOW FITTING           | 1   |            | X | X | (NOT AS SHOWN)   |
| 23  | RE28217  | FUEL TEMPERATURE SENSOR | 1   |            | X | X | (TEMPERATURE)  |
| 24  | R89014   | SOLENOID                | 1   |            | X | X | (SHUT-OFF HOUSING)   |
| 25  | 14M7279  | NUT                     | 1   |            | X | X | M30  |
| 26  | 12H296   | WASHER                  | 1   |            | X | X | 5.486 MM (0.216")  |
| 27  | R53899   | WASHER                  | 1   |            | X | X | (BOTTOM)   |
| 28  | R99047   | O-RING                  | 1   |            | X | X |  |
| 29  | R98500   | O-RING                  | 1   |            | X | X | (TOP)  |
| 30  | R51936   | PACKING                 | 3   | 035178-    | X | X |  |
| 31  | RE66000  | FUEL LINE               | 1   | 035178-    | X | X |  |
| 32  | R63604   | FITTING                 | 1   | 035178-    | X | X |  |
| 33  | RE67934  | CONNECTOR               | 1   | 035178-    | X | X |  |
| 34  | R67264   | PACKING                 | 1   |            | X | X |  |

(A) "SEE YOUR AUTHORIZED PUMP REPAIR STATION FOR PARTS NOT LISTED"

# 2F13

FUEL INJECTION PUMP HOUSING CONNECTORS (6081) (8100,8200,8300 TSN 010000- )  
 COCNECTEURS DE CARTER DE POMPE D'INJECTION (6081) (8100,8200,83 00 TSN 010000- )  
 EINSPPRITZPUMPENGEHAEUSE ANSCHLUESSE (6081) (8100,8200,8300 TSN 010000- )  
 CONNETTORI PER CARCASSA POMPA DE INIEZIONE (6081) (8100,8200,83 00 TSN 010000- )  
 CCNECTORES DE CARCASSA DE LA BOMBA DE INYECCION DE GASOLINA (60 81)(81002,8200,8300 )  
 BRAENSLEINSPRUTNINGSPUMPHUSETS ANSLUTNINGAR (6081) (8100,8200,8 300 TSN 010000- )

RGP3634 -UN-01JAN94

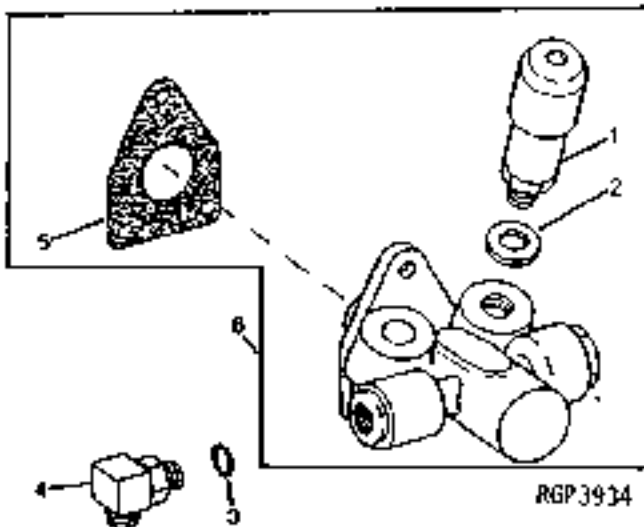


RGP3634

| KEY | PART NO. | PART NAME     | QTY | ENGINE SERIAL NO. |   |   | REMARKS      |
|-----|----------|---------------|-----|-------------------|---|---|--------------|
|     |          |               |     | 8                 | 8 | 8 |              |
| 1   | R99531   | HOLDER        | 6   | X                 | X | X | (NLA)        |
| 2   | T24210   | O-RING        | 6   | X                 | X | X |              |
| 3   | R53884   | O-RING        | 1   | X                 | X | X |              |
| 4   | 14M7297  | NUT           | 3   | X                 | X | X | M5           |
| 5   | 12H296   | WASHER        | 3   | X                 | X | X | 0.216"       |
| 6   | R67879   | GASKET        | 1   | X                 | X | X |              |
| 7   | R53899   | WASHER        | 1   | X                 | X | X |              |
| 8   | RE36151  | CONTROL VALVE | 1   | X                 | X | X |              |
| 9   | R53901   | WASHER        | 1   | X                 | X | X |              |
| 10  | R63016   | ADAPTER       | 1   | X                 | X | X |              |
| 11  | R67364   | ELBOW FITTING | 1   | X                 | X | X |              |
| ..  | R93008   | WASHER        | 1   | X                 | X | X | (FUEL INLET) |
| ..  | RE49446  | ELBOW FITTING | 1   | X                 | X | X | (FUEL INLET) |

# 2F14

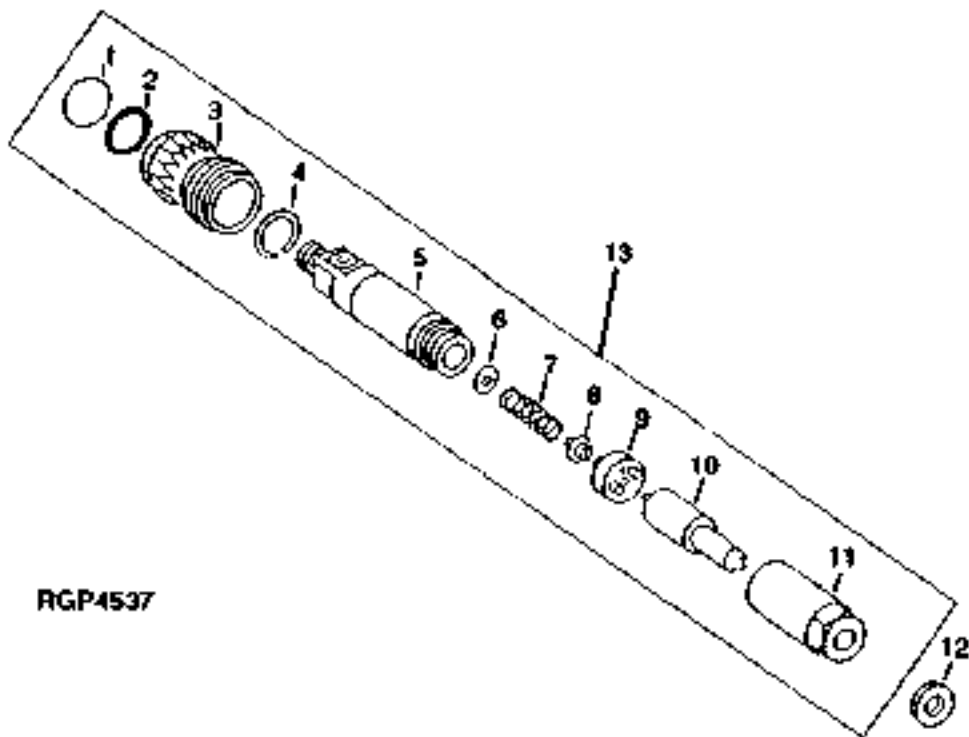
FUEL TRANSFER PUMP (6081) (8100,8200,8300 TSN 010000- ) (ROBERT BOSCH)  
 POMPE D'ALIMENTATION (ROBERT BOSCH) (6081) (8100,8200,8300 TSN TSN 010000- )  
 KRAFTSTOFFOERDERPUMPE (ROBERT BOSCH) (6081) (8100,8200,8300 TSN 010000- )  
 POMPA ALIMENTAZIONE (ROBERT BOSCH) (6081) (8100,8200,8300 TSN 010000- )  
 BOMBA DE ALIMENTACION DE COMBUSTIBLE (ROBERT BOSCH) (6081) (8100,8200, 8300 TSN 01000- )  
 MATARAEPUMP (ROBERT BOSCH) (6081) (8100,8200,8300 TSN 010000- )  
 RGP3934 -UN-01JAN94



| KEY | PART NO. | PART NAME     | QTY | ENGINE SERIAL NO. | REMARKS                    |
|-----|----------|---------------|-----|-------------------|----------------------------|
|     |          |               |     | 8 8 8             |                            |
|     |          |               |     | 1 2 3             |                            |
|     |          |               |     | 0 0 0             |                            |
|     |          |               |     | 0 0 0             |                            |
| 1   | RE65265  | HAND PRIMER   | 1   | X X X             | (SUB FOR RE48048)          |
| 2   | R54025   | WASHER        | 1   | X X X             |                            |
| 3   | R26448   | O-RING        | 2   | X X X             |                            |
| 4   | RE10258  | ELBOW FITTING | 2   | X X X             | (TRANSFER PUMP TO RE65787) |
|     | RE34128  | ELBOW FITTING | 1   | X X X             | (TRANSFER PUMP TO RE63313) |
| 5   | R67879   | GASKET        | 1   | X X X             |                            |
| 6   | RE46252  | FUEL PUMP     | 1   | X X X             |                            |

# 2F15

FUEL INJECTION NOZZLE (ROBERT BOSCH) (6081) (8100,8200,8300 TSN 010000- )  
INJECTEUR (ROBERT BOSCH) (6081) (8100,8200,8300 TSN 010000- )  
KRAFTSTOFF-EINSPRITZDUESE (ROBERT BOSCH) (6081) (8100,8200,8300 TSN 010000- )  
INIETTORE (ROBERT BOSCH) (6081) (8100,8200,8300 TSN 010000- )  
INYEKTOR (ROBERT BOSCH) (6081) (8100,8200,8300 TSN 010000- )  
BRANSELEINSPRUTARE (ROBERT BOSCH) (8100,8200,8300 TSN 010000- )  
RGP4537 -UN-30AUG95



RGP4537

# 2F16

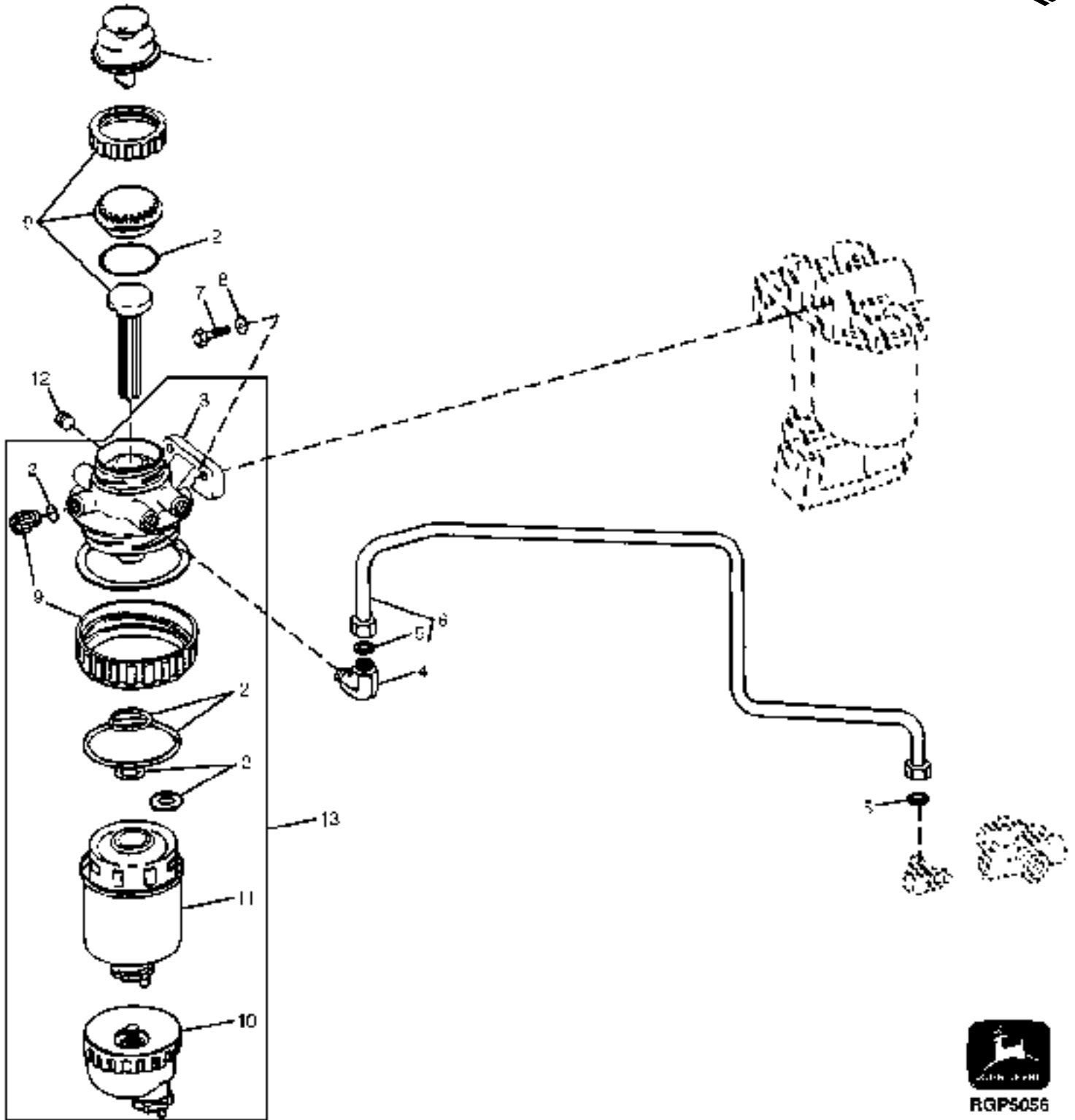
FUEL AND AIR

| KEY | PART NO. | PART NAME        | QTY | ENGINE     |       |   | REMARKS |
|-----|----------|------------------|-----|------------|-------|---|---------|
|     |          |                  |     | SERIAL NO. | 0 0 0 | 0 0 0   |         |
|     |          |                  |     |            | 8 8 8 |   |         |
|     |          |                  |     |            | 1 2 3 |   |         |
|     |          |                  |     |            | 0 0 0 |   |         |
|     |          |                  |     |            | 0 0 0 |   |         |
| 1   | R60277   | SNAP RING        | 1   |            | X X X |   |         |
| 2   | R375R    | O-RING           | 1   |            | X X X |   |         |
| 3   | R60279   | NUT              | 1   |            | X X X |   |         |
| 4   | R60278   | SNAP RING        | 1   |            | X X X |   |         |
| 5   | .....    | NOZZLE HOLDER    | 1   |            | X X X | (SUB RE57152, RE61593 OR RE64391, APPL)       |         |
| 6   | R83720   | WASHER           | 1   |            | X X X | 1.02 MM (.0402")                              |         |
|     | R83721   | WASHER           | 1   |            | X X X | 1.08 MM (.0425")                              |         |
|     | R83722   | WASHER           | 1   |            | X X X | 1.12 MM (.0441")                              |         |
|     | R83723   | WASHER           | 1   |            | X X X | 1.18 MM (.0465")                              |         |
|     | R83724   | WASHER           | 1   |            | X X X | 1.22 MM (.0480")                              |         |
|     | R83725   | WASHER           | 1   |            | X X X | 1.28 MM (.0504")                              |         |
|     | R83726   | WASHER           | 1   |            | X X X | 1.30 MM (.0512")                              |         |
|     | R83727   | WASHER           | 1   |            | X X X | 1.38 MM (.0543")                              |         |
|     | R83728   | WASHER           | 1   |            | X X X | 1.42 MM (.0559")                              |         |
|     | R83729   | WASHER           | 1   |            | X X X | 1.48 MM (.0583")                              |         |
|     | R83730   | WASHER           | 1   |            | X X X | 1.50 MM (.0591")                              |         |
|     | R83731   | WASHER           | 1   |            | X X X | 1.58 MM (.0622")                              |         |
|     | R83732   | WASHER           | 1   |            | X X X | 1.60 MM (.0630")                              |         |
|     | R83733   | WASHER           | 1   |            | X X X | 1.68 MM (.0661")                              |         |
|     | R83734   | WASHER           | 1   |            | X X X | 1.70 MM (.0669")                              |         |
|     | R83735   | WASHER           | 1   |            | X X X | 1.78 MM (.0701")                              |         |
|     | R83736   | WASHER           | 1   |            | X X X | 1.82 MM (.0717")                              |         |
|     | R83737   | WASHER           | 1   |            | X X X | 1.88 MM (.0740")                              |         |
|     | R83738   | WASHER           | 1   |            | X X X | 1.90 MM (.0748")                              |         |
|     | R83739   | WASHER           | 1   |            | X X X | 1.98 MM (.0780")                              |         |
| 7   | R108699  | SPRING           | 1   |            | X X   | (6081HRW06, HRW07)                            |         |
|     | R60273   | SPRING           | 1   |            | X     | (6081HRW08)                                   |         |
| 8   | R108700  | SEAT             | 1   |            | X X   | (6081HRW06, HRW07)                            |         |
|     | R60274   | SEAT             | 1   |            | X     | (6081HRW08)                                   |         |
| 9   | R108701  | PLATE            | 1   |            | X X   | (6081HRW06, HRW07)                            |         |
|     | R60275   | PLATE            | 1   |            | X     | (6081HRW08)                                   |         |
| 10  | RE64392  | INJECTION NOZZLE | 1   |            | X     | (7 X 0.22) (6081HRW06)                        |         |
|     | RE42306  | INJECTION NOZZLE | 1   |            | X     | (7 X 0.24) (6081HRW07)                        |         |
|     | RE57153  | INJECTION NOZZLE | 1   |            | X     | (7 X 0.236) (6081HRW08)                       |         |
| 11  | R127176  | NUT              | 1   |            | X X X |   |         |
| 12  | R84472   | WASHER           | 1   |            | X X X |   |         |
| 13  | RE64391  | INJECTION NOZZLE | 6   |            | X     | (ROBERT BOSCH) (6081HRW06) (2 DARK BLUE DOTS) |         |
|     | RE61593  | INJECTION NOZZLE | 6   |            | X     | (ROBERT BOSCH) (6081HRW07) (1 ORANGE DOT)     |         |
|     | RE57152  | INJECTION NOZZLE | 6   |            | X     | (ROBERT BOSCH) (6081HRW08) (2 ORANGE DOTS)    |         |

# 2F17

FUEL AND AIR

PRE-FUEL FILTER AND LINE  
PREFILTRE A CARBURANT ET CONDUITE  
KRAFTSTOFF-VORFILTER UND LEITUNG  
PREFILTRO E TUBO DI ALIMENTAZIONE  
PREFILTRO DE COMBUSTIBLE Y LINEA  
BRAENSLEFOERFILTER OCH LEDNING  
RGP5056 -UN-03NOV98





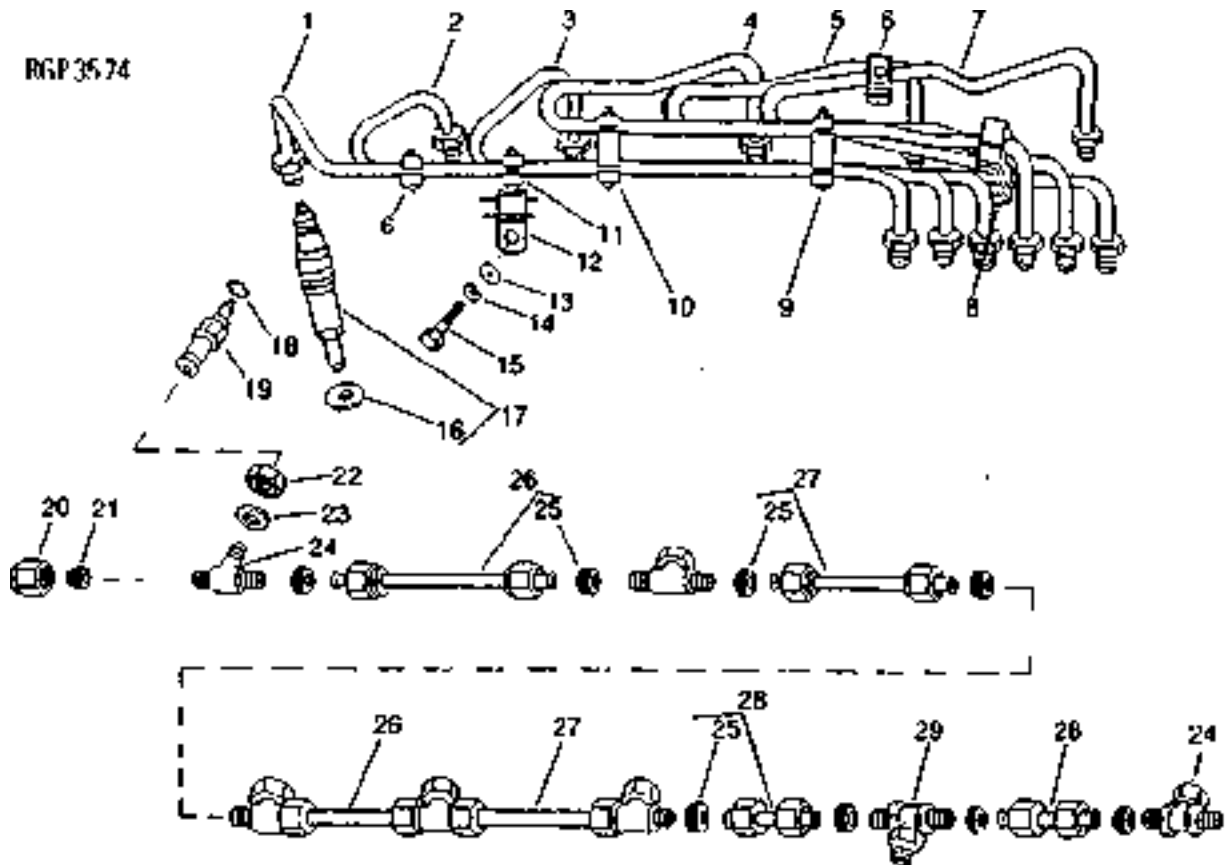
# 2F18

FUEL AND AIR

| KEY | PART NO. | PART NAME      | QTY | ENGINE SERIAL NO. | REMARKS   |
|-----|----------|----------------|-----|-------------------|---|
|     |          |                |     |                   | 8   |
|     |          |                |     |                   | 4   |
|     |          |                |     |                   | 0   |
|     |          |                |     |                   | 0   |
| 1   | RE50467  | HAND PRIMER    | 1   |                   | X   |
| 2   | RE50752  | SEAL KIT       | 1   |                   | X (FUEL FILTER PACKINGS)  |
| 3   | RE54077  | BASE           | 1   | -XXXXXX           | X (HEADER) (USE WITH RE58376) (SUB RE63183, RE65431, (4) R26286, (2) R82719 AND (2) R134957, APPL)            |
|     | RE63182  | BASE           | 1   | XXXXXX-XXXXXX     | X (HEADER) (SUB RE63183, RE65431, (4) R26286, (2) R82719 AND (2) R134957, APPL) (USE WITH RE65431 OR RE62423) |
|     | RE63183  | FILTER HEAD    | 1   | XXXXXX-           | X (HEADER) (USE WITH RE65431)   |
| 4   | R125498  | FITTING        | 2   | -XXXXXX           | X (USE WITH RE54077 OR RE63182)   |
|     | AR101212 | ELBOW FITTING  | 2   | -XXXXXX           | X (USE WITH RE63182)  |
|     | R26286   | O-RING         | 2   | XXXXXX-           | X (USE WITH RE63183)  |
|     | R134957  | ELBOW FITTING  | 2   | XXXXXX-           | X (USE WITH RE63183)  |
| 5   | R67092   | SEAL           | 1   |                   | X   |
| 6   | RE63313  | FUEL LINE      | 1   |                   | X   |
| 7   | 19H1731  | CAP SCREW      | 2   |                   | X 3/8" X 1"   |
| 8   | 24M7346  | WASHER         | 2   |                   | X 11 X 20 X 2 MM  |
| 9   | RE51649  | KIT            | 1   |                   | X (MECHANICAL COMPONENTS)   |
|     | R82719   | FITTING PLUG   | 2   | XXXXXX-           | X (USE WITH RE63183)  |
|     | R26286   | O-RING         | 2   | XXXXXX-           | X (USE WITH RE63183)  |
| 10  | RE51650  | SEDIMENT BOWL  | 1   |                   | X   |
| 11  | RE58376  | FILTER ELEMENT | 1   | -XXXXXX           | X (USE WITH RE54077) (SUB RE65431)  |
|     | RE62423  | FILTER ELEMENT | 1   | XXXXXX-XXXXXX     | X (USE WITH RE63182 OR RE54077) (SUB RE65431, APPL.)  |
|     | RE65431  | FILTER ELEMENT | 1   | XXXXXX-           | X   |
| 12  | 15H685   | PIPE PLUG      | 2   |                   | X 1/4", (USE WITH RE54077 OR RE63182)   |
|     | R82719   | FITTING PLUG   | 2   | XXXXXX-           | X (USE WITH RE63183)  |
|     | R26286   | O-RING         | 2   | XXXXXX-           | X (USE WITH RE63183)  |
| 13  | RE65432  | FUEL FILTER    | 1   |                   | X PRIMARY   |

# 2F19

FUEL INJECTION NOZZLES AND LINES  
TUYAUX D'INJECTION  
FRAKTSTOFFLEITUNGEN  
TABAZIONI COMBUSTIBILE  
TUBERIAS DE COMBUSTIBLE  
BRANSELEDNINGAR  
RGP3574 -UN-01JAN94



# 2F20

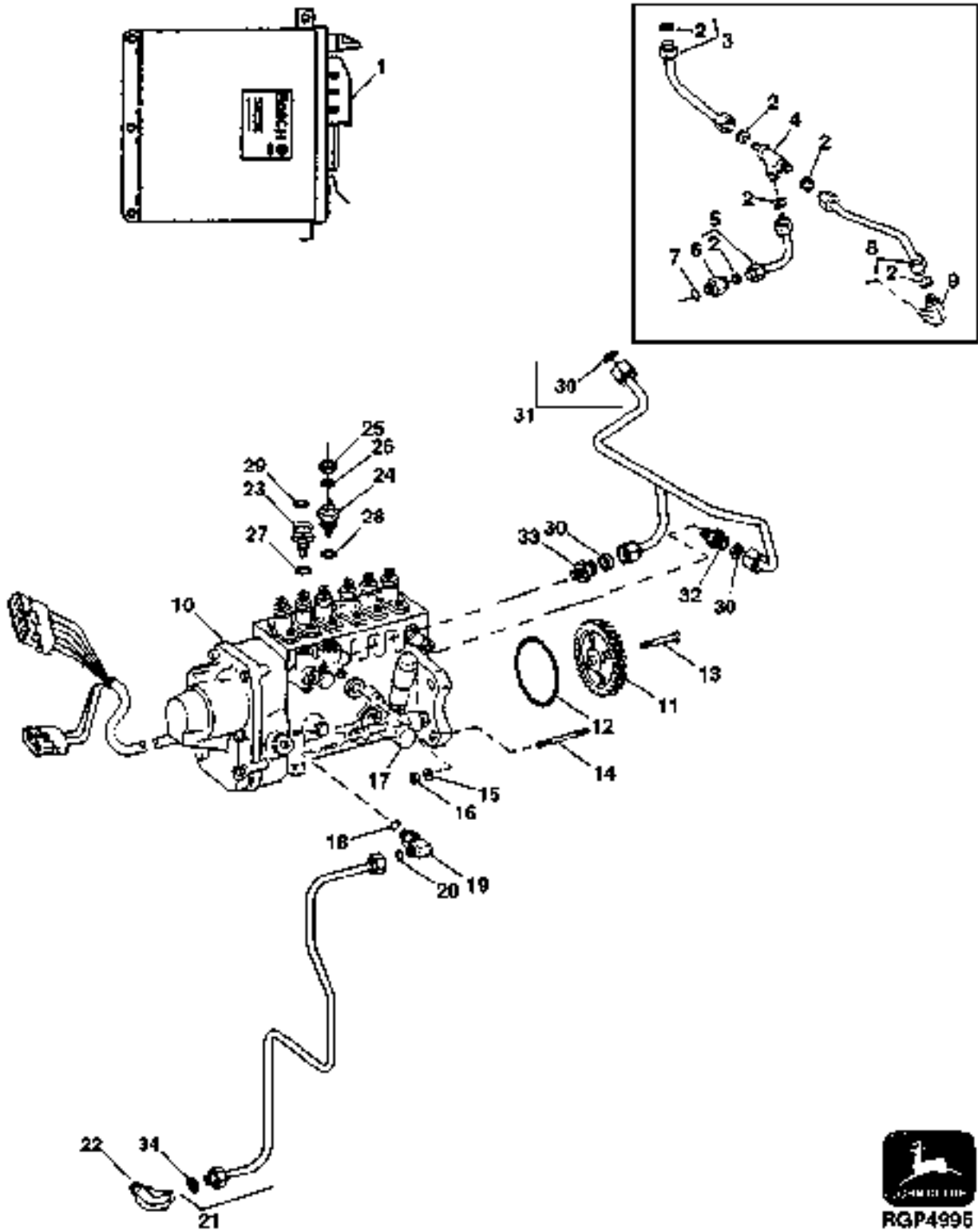
FUEL AND AIR

| KEY | PART NO. | PART NAME        | QTY | ENGINE<br>SERIAL NO. | 8<br>4<br>0<br>0 | REMARKS                                   |
|-----|----------|------------------|-----|----------------------|------------------|---|
| 1   | RE57151  | FUEL LINE        | 1   |                      | X                | NO. 6                                     |
| 2   | RE57150  | FUEL LINE        | 1   |                      | X                | NO. 5                                     |
| 3   | RE57149  | FUEL LINE        | 1   |                      | X                | NO. 4                                     |
| 4   | RE57148  | FUEL LINE        | 1   |                      | X                | NO. 3                                     |
| 5   | RE57147  | FUEL LINE        | 1   |                      | X                | NO. 2                                     |
| 6   | R59305   | STRAP            | 1   |                      | X                |   |
|     | R58186   | CLAMP            | 2   |                      | X                |   |
|     | R61144   | STRAP            | 1   |                      | X                |   |
|     | 21H1463  | CAP SCREW        | 2   |                      | X                | 0.190" X 7/8"                             |
| 7   | RE57146  | FUEL LINE        | 1   |                      | X                | NO. 1                                     |
| 8   | R59298   | STRAP            | 1   |                      | X                |   |
|     | R59297   | HALF CLAMP       | 2   |                      | X                |   |
|     | 21H1463  | CAP SCREW        | 2   |                      | X                | 0.190" X 7/8"                             |
| 9   | R59298   | STRAP            | 2   |                      | X                |   |
|     | R71212   | CLAMP            | 1   |                      | X                |   |
|     | R61145   | STRAP            | 1   |                      | X                |   |
|     | R71398   | SCREW            | 2   |                      | X                | 0.190" X 1-1/2"                           |
| 10  | R59305   | STRAP            | 1   |                      | X                |   |
|     | R58186   | CLAMP            | 1   |                      | X                |   |
|     | R74030   | CLAMP            | 1   |                      | X                |   |
|     | R74804   | CLAMP            | 1   |                      | X                |   |
|     | R61144   | STRAP            | 1   |                      | X                |   |
|     | R71398   | SCREW            | 1   |                      | X                | 0.190" X 1-1/2"                           |
| 11  | R59298   | STRAP            | 1   |                      | X                |   |
|     | R59297   | HALF CLAMP       | 2   |                      | X                |   |
|     | 21H1463  | CAP SCREW        | 2   |                      | X                | 0.190" X 7/8"                             |
| 12  | RE47120  | ABSORBER         | 1   |                      | X                |   |
| 13  | 24H1884  | WASHER           | 1   |                      | X                | 13/32" X 13/16" X 0.120"                  |
| 14  | 12M7066  | LOCK WASHER      | NA  |                      | X                | 10.200 MM                                 |
| 15  | 19M7166  | CAP SCREW        | 1   |                      | X                | M10 X 20                                  |
| 16  | R84472   | WASHER           | 6   |                      | X                |   |
| 17  | RE62615  | INJECTION NOZZLE | 6   | -000225              | X                | (ROBERT BOSCH) (ORANGE DOT) (SUB RE61593) |
|     | RE61593  | INJECTION NOZZLE | 6   | 000226-              | X                | (ROBERT BOSCH) (ORANGE DOT)               |
| 18  | R77551   | O-RING           | 6   |                      | X                |   |
| 19  | R87082   | FITTING          | 6   |                      | X                | (ALSO ORDER R77551)                       |
| 20  | R51937   | TUBE NUT         | 1   |                      | X                |   |
| 21  | AR85519  | PLUG             | 1   |                      | X                |   |
| 22  | R79604   | TUBE NUT         | 6   |                      | X                |   |
| 23  | R79605   | WASHER           | 6   |                      | X                |   |
| 24  | R79606   | TEE FITTING      | 6   |                      | X                |   |
| 25  | R51936   | PACKING          | 11  |                      | X                |   |
| 26  | RE15807  | FUEL LINE        | 2   |                      | X                |   |
| 27  | RE15808  | FUEL LINE        | 2   |                      | X                |   |
| 28  | RE36421  | FUEL LINE        | 2   |                      | X                |   |
| 29  | R97061   | TEE FITTING      | 1   |                      | X                |   |

# 2F21

FUEL AND AIR

FUEL INJECTION PUMP, LUBE LINE AND ENGINE CONTROLLER  
POMPE D'INJECTION/TUYAUX D'INJECTION  
KRAFTSTOFF-EINSPRITZPUMPE/KRAFTSTOFFLEITUNGEN  
POMPA DI INIEZIONE/TUBAZIONI COMBUSTIBILE  
BOMBA DE INYECCION DE COMBUSTIBLE/TUBERIAS  
INSPRUTNINGSPUMP/BRANSLELEDNINGAR  
RGP4995 -UN-26MAR98



| KEY | PART NO. | PART NAME               | QTY | ENGINE SERIAL NO. | 8<br>4<br>0<br>0 | REMARKS   |
|-----|----------|-------------------------|-----|-------------------|------------------|---|
| 1   | RE57501  | ENGINE CONTROLLER       | 1   | -009810           | X                | (ROBERT BOSCH) (MARKED RE28320) (SUB RE501823)  |
|     | RE501823 | ENGINE CONTROLLER       | 1   | -009810           | X                | (USE RE502124 OR RE503340 WITH 6081HRWOB) (USE RE502429 OR RE503184 WITH 6081HRW03) (MARKED RE501731) (SUB RE503340, RE503184, RE502429 OR RE502124 AND RE502125) |
|     | RE69550  | ENGINE CONTROLLER       | 1   | 009811-           | X                | (MARKED RE66614) (SUB RE500769, RE503340)   |
|     | RE500769 | ENGINE CONTROLLER       | 1   | 009811-           | X                | (MARKED RE66614) (SUB RE503340 OR RE502124)   |
|     | RE502124 | ENGINE CONTROLLER       | 1   | 009811-           | X                | (MARKED RE66614) (SUB RE503340) (SUB FOR RE502425)  |
|     | RE502124 | ENGINE CONTROLLER       | 1   |                   | X                | (MARKED RE66614) (SUB RE503340) (SUB FOR RE57501, RE501823, RE500769 OR RE502425)   |
|     | RE503340 | ENGINE CONTROLLER       | 1   |                   | X                | (MARKED RE66614) (SUB FOR RE502124)   |
|     | RE502125 | KIT                     | 1   |                   | X                | (USE WITH RE66614) (MOUNTING KIT)   |
|     | RE502135 | KIT                     | 1   |                   | X                | (BALER KIT)   |
| 2   | R51936   | PACKING                 | 6   | -035177           | X                |   |
| 3   | RE30920  | FUEL LINE               | 1   | -035177           | X                |   |
| 4   | R97061   | TEE FITTING             | 1   | -035177           | X                |   |
| 5   | RE30833  | FUEL LINE               | 1   | -035177           | X                |   |
| 6   | R91824   | FITTING                 | 1   | -035177           | X                |   |
| 7   | R48693   | WASHER                  | 1   | -035177           | X                |   |
| 8   | RE35684  | FUEL LINE               | 1   | -035177           | X                |   |
| 9   | R67364   | ELBOW FITTING           | 1   | -035177           | X                |   |
| 10  | RE61658  | FUEL INJECTION PUMP     | 1   |                   | X                | (A) (SUB FOR RE57373) (ROBERT BOSCH)(PES6P120A720RS7315)  |
| 11  | R121164  | GEAR                    | 1   |                   | X                |   |
| 12  | R76358   | O-RING                  | 1   |                   | X                |   |
| 13  | R121195  | CAP SCREW               | 4   |                   | X                | (SUB FOR R112975) (T45)   |
| 14  | R114130  | STUD                    | 4   |                   | X                |   |
| 15  | M72490   | WASHER                  | 4   |                   | X                |   |
| 16  | 14H1090  | NUT                     | 4   |                   | X                | 9.525 MM (3/8")   |
| 17  | RE46375  | FUEL PUMP               | 1   |                   | X                |   |
| 18  | R79060   | O-RING                  | 1   |                   | X                | (SUB FOR R73858)  |
| 19  | AR88903  | ELBOW FITTING           | 1   |                   | X                | 3/8"  |
| 20  | R67264   | PACKING                 | 1   |                   | X                |   |
| 21  | RE60577  | OIL LINE                | 1   |                   | X                |   |
| 22  | T18012   | ELBOW FITTING           | 1   |                   | X                |   |
| 23  | RE28217  | FUEL TEMPERATURE SENSOR | 1   |                   | X                | (TEMPERATURE)   |
| 24  | R89014   | SOLENOID                | 1   |                   | X                | (SHUT-OFF HOUSING)  |
|     | R89014   | SOLENOID                | 1   |                   | X                |   |
| 25  | 14M7279  | NUT                     | 1   |                   | X                |   |
| 26  | 12H296   | WASHER                  | 1   |                   | X                | (SUB FOR R73858)  |
| 27  | R53899   | WASHER                  | 1   |                   | X                | (BOTTOM)  |
| 28  | R99047   | O-RING                  | 1   |                   | X                | (TEMPERATURE)   |
| 29  | R98500   | O-RING                  | 1   |                   | X                | (TOP)   |
| 30  | R51936   | PACKING                 | 3   | 035178-           | X                |   |
| 31  | RE66000  | FUEL LINE               | 1   | 035178-           | X                | (SHUT-OFF HOUSING)  |
| 32  | R63604   | CONNECTOR               | 1   | 035178-           | X                |   |
| 33  | RE67934  | CONNECTOR               | 1   | 035178-           | X                |   |
|     | .....    | RING                    | 1   |                   | X                | (SUB RE67934)   |
| 34  | R67264   | PACKING                 | 1   |                   | X                |   |
| ..  | R105388  | TIE BAND                | 2   |                   | X                |   |

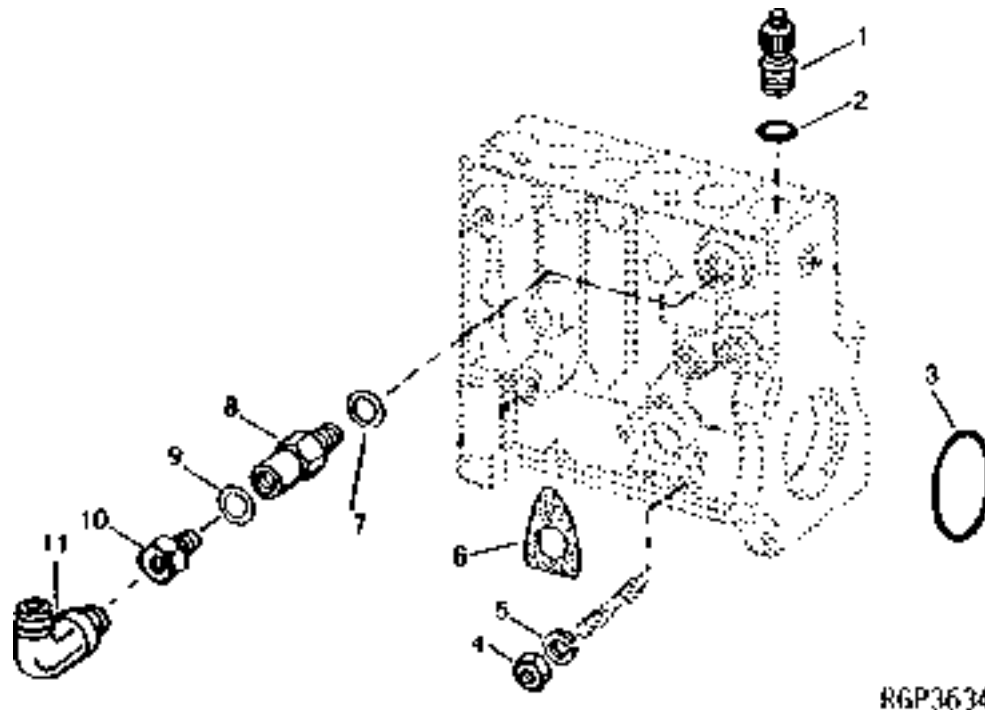
(A) "SEE YOUR AUTHORIZED PUMP REPAIR STATION FOR PARTS NOT LISTED"

# 2F23

FUEL AND AIR

FUEL INJECTION PUMP HOUSING CONNECTORS  
 CONNECTEURS DE CARTER DE POMPE D'INJECTION  
 EINSPRITZPUMPENGEHAEUSE ANSCHLUESSE  
 CONNETTORI PER CARCASSA POMPA DI INIEZIONE  
 CONECTORES DE CARCASSA DE LA BOMBA DE INYECCION DE GASOLINA  
 BRAENSLEINSRUTNINGSPUMPHUSETS ANSLUTNINGAR

RGP3634 -UN-01JAN94

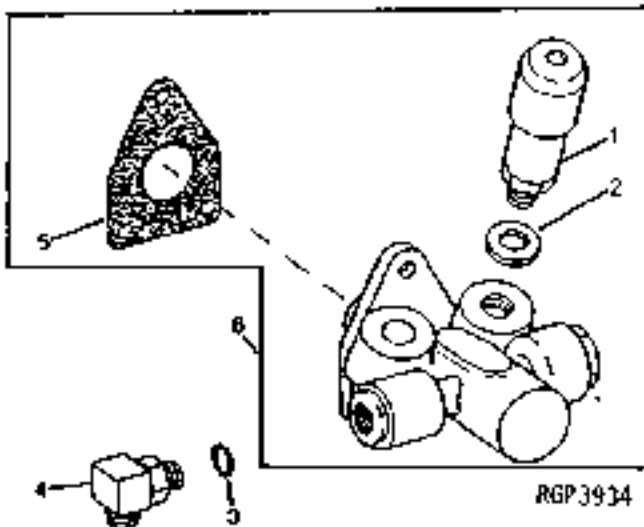


| KEY | PART NO. | PART NAME     | QTY | ENGINE SERIAL NO. | REMARKS        |
|-----|----------|---------------|-----|-------------------|----------------|
| 1   | R99531   | HOLDER        | 6   | 8                 | X (NLA)        |
| 2   | T24210   | O-RING        | 6   | 4                 | X              |
| 3   | R53884   | O-RING        | 1   | 0                 | X              |
| 4   | 14M7297  | NUT           | 3   | 0                 | X M5           |
| 5   | 12H296   | WASHER        | 3   | 0                 | X 0.216"       |
| 6   | R67879   | GASKET        | 1   | 0                 | X              |
| 7   | R53899   | WASHER        | 1   | 0                 | X              |
| 8   | RE36151  | CONTROL VALVE | 1   | 0                 | X              |
| 9   | R53901   | WASHER        | 1   | 0                 | X              |
| 10  | R63016   | ADAPTER       | 1   | 0                 | X              |
| 11  | R67364   | ELBOW FITTING | 1   | 0                 | X              |
| ..  | R93008   | WASHER        | 1   | 0                 | X (FUEL INLET) |
| ..  | RE49446  | ELBOW FITTING | 1   | 0                 | X (FUEL INLET) |

# 2F24

FUEL AND AIR

FUEL TRANSFER PUMP (ROBERT BOSCH)  
 POMPE D'ALIMENTATION (ROBERT BOSCH)  
 KRAFTSTOFFOERDERPUMPE (ROBERT BOSCH)  
 POMPA ALIMENTACION DE COMBUSTIBLE (ROBERT BOSCH)  
 BOMBA DE ALIMENTACION DE COMBUSTIBLE (ROBERT BOSCH)  
 MATAREPUMP (ROBERT BOSCH)  
 RGP3934 -UN-01JAN94

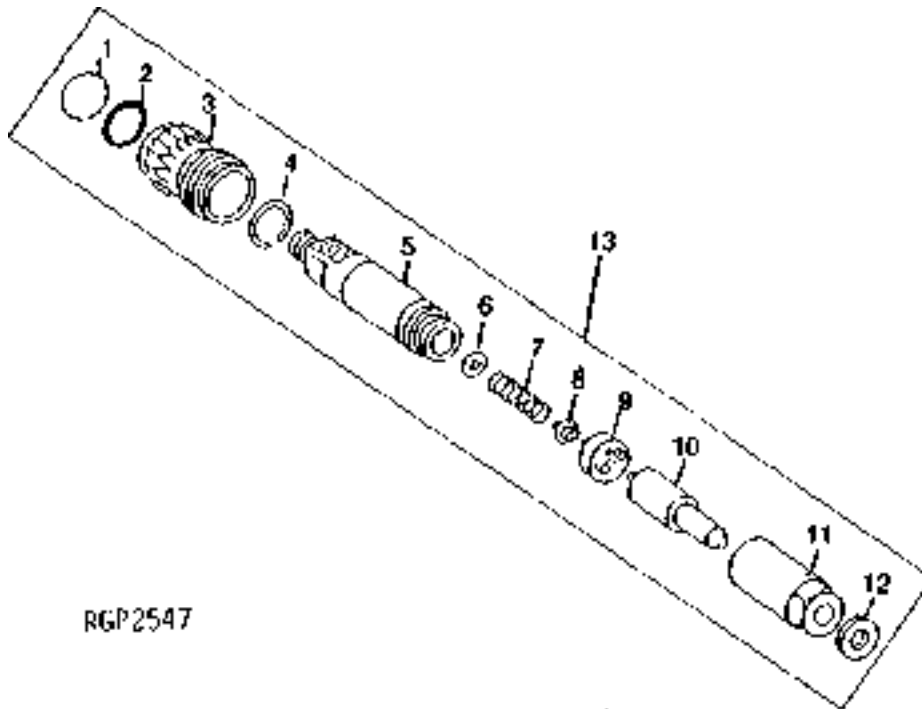


| KEY | PART NO. | PART NAME     | QTY | ENGINE SERIAL NO. | REMARKS                    |
|-----|----------|---------------|-----|-------------------|----------------------------|
|     |          |               |     | 8                 |                            |
|     |          |               |     | 4                 |                            |
|     |          |               |     | 0                 |                            |
|     |          |               |     | 0                 |                            |
| 1   | RE65265  | HAND PRIMER   | 1   | X                 | (SUB FOR RE48048)          |
| 2   | R54025   | WASHER        | 1   | X                 |                            |
| 3   | R26448   | O-RING        | 2   | X                 |                            |
| 4   | RE10258  | ELBOW FITTING | 2   | X                 | (TRANSFER PUMP TO RE65787) |
|     | RE34128  | ELBOW FITTING | 1   | X                 | (TRANSFER PUMP TO RE63313) |
| 5   | R67879   | GASKET        | 1   | X                 |                            |
| 6   | RE46375  | FUEL PUMP     | 1   | X                 |                            |

# 2F25

FUEL AND AIR

FUEL INJECTION NOZZLE  
 INJECTEUR (CONCEPTION RECENTE)  
 INIETTORE (NUOVO MODELLO)  
 INIETTORE (NUOVO MODELLO)  
 INYECTOR (DISEÑO RECIENTE)  
 BRANSLINSPRUTARE (SENARE UTFOERANDE)  
 RGP2547 -UN-01JAN94

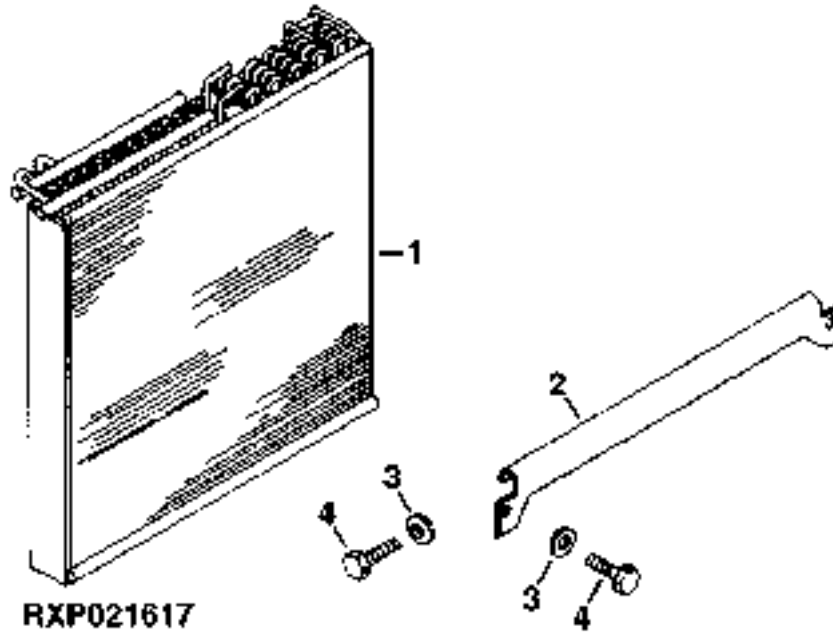


RGP2547

| KEY | PART NO. | PART NAME        | QTY | ENGINE SERIAL NO. | REMARKS                                       |
|-----|----------|------------------|-----|-------------------|---|
|     |          |                  |     | 8                 |   |
|     |          |                  |     | 4                 |   |
|     |          |                  |     | 0                 |   |
|     |          |                  |     | 0                 |   |
| 1   | R60277   | SNAP RING        | 1   |                   | X   |
| 2   | R375R    | O-RING           | 1   |                   | X   |
| 3   | R60279   | NUT              | 1   |                   | X   |
| 4   | R60278   | SNAP RING        | 1   |                   | X   |
| 5   | .....    | NOZZLE HOLDER    | 1   |                   | X (SUB RE62615)                               |
| 6   | R83720   | WASHER           | 1   |                   | X 1.02 MM (.0402")                            |
|     | R83721   | WASHER           | 1   |                   | X 1.08 MM (.0425")                            |
|     | R83722   | WASHER           | 1   |                   | X 1.12 MM (.0441")                            |
|     | R83723   | WASHER           | 1   |                   | X 1.18 MM (.0465")                            |
|     | R83724   | WASHER           | 1   |                   | X 1.22 MM (.0480")                            |
|     | R83725   | WASHER           | 1   |                   | X 1.28 MM (.0504")                            |
|     | R83726   | WASHER           | 1   |                   | X 1.30 MM (.0512")                            |
|     | R83727   | WASHER           | 1   |                   | X 1.38 MM (.0543")                            |
|     | R83728   | WASHER           | 1   |                   | X 1.42 MM (.0559")                            |
|     | R83729   | WASHER           | 1   |                   | X 1.48 MM (.0583")                            |
|     | R83730   | WASHER           | 1   |                   | X 1.50 MM (.0591")                            |
|     | R83731   | WASHER           | 1   |                   | X 1.58 MM (.0622")                            |
|     | R83732   | WASHER           | 1   |                   | X 1.60 MM (.0630")                            |
|     | R83733   | WASHER           | 1   |                   | X 1.68 MM (.0661")                            |
|     | R83734   | WASHER           | 1   |                   | X 1.70 MM (.0669")                            |
|     | R83735   | WASHER           | 1   |                   | X 1.78 MM (.0701")                            |
|     | R83736   | WASHER           | 1   |                   | X 1.82 MM (.0717")                            |
|     | R83737   | WASHER           | 1   |                   | X 1.88 MM (.0740")                            |
|     | R83738   | WASHER           | 1   |                   | X 1.90 MM (.0748")                            |
|     | R83739   | WASHER           | 1   |                   | X 1.98 MM (.0780")                            |
| 7   | R108699  | SPRING           | 1   |                   | X   |
| 8   | R108700  | SEAT             | 1   |                   | X   |
| 9   | R108701  | PLATE            | 1   |                   | X   |
| 10  | RE42306  | INJECTION NOZZLE | 1   |                   | X (7 X 0.24)                                  |
| 11  | R127181  | NUT              | 1   | -000225           | X   |
|     | R127176  | NUT              | 1   | 000226-           | X (USE WITH RE61593)                          |
| 12  | R84472   | WASHER           | 1   |                   | X (NOT INCLUDED W/ RE61593)                   |
| 13  | RE62615  | INJECTION NOZZLE | 6   | -000225           | X (ROBERT BOSCH) (1 ORANGE DOT) (SUB RE61593) |
|     | RE61593  | INJECTION NOZZLE | 1   | 000226-           | X   |



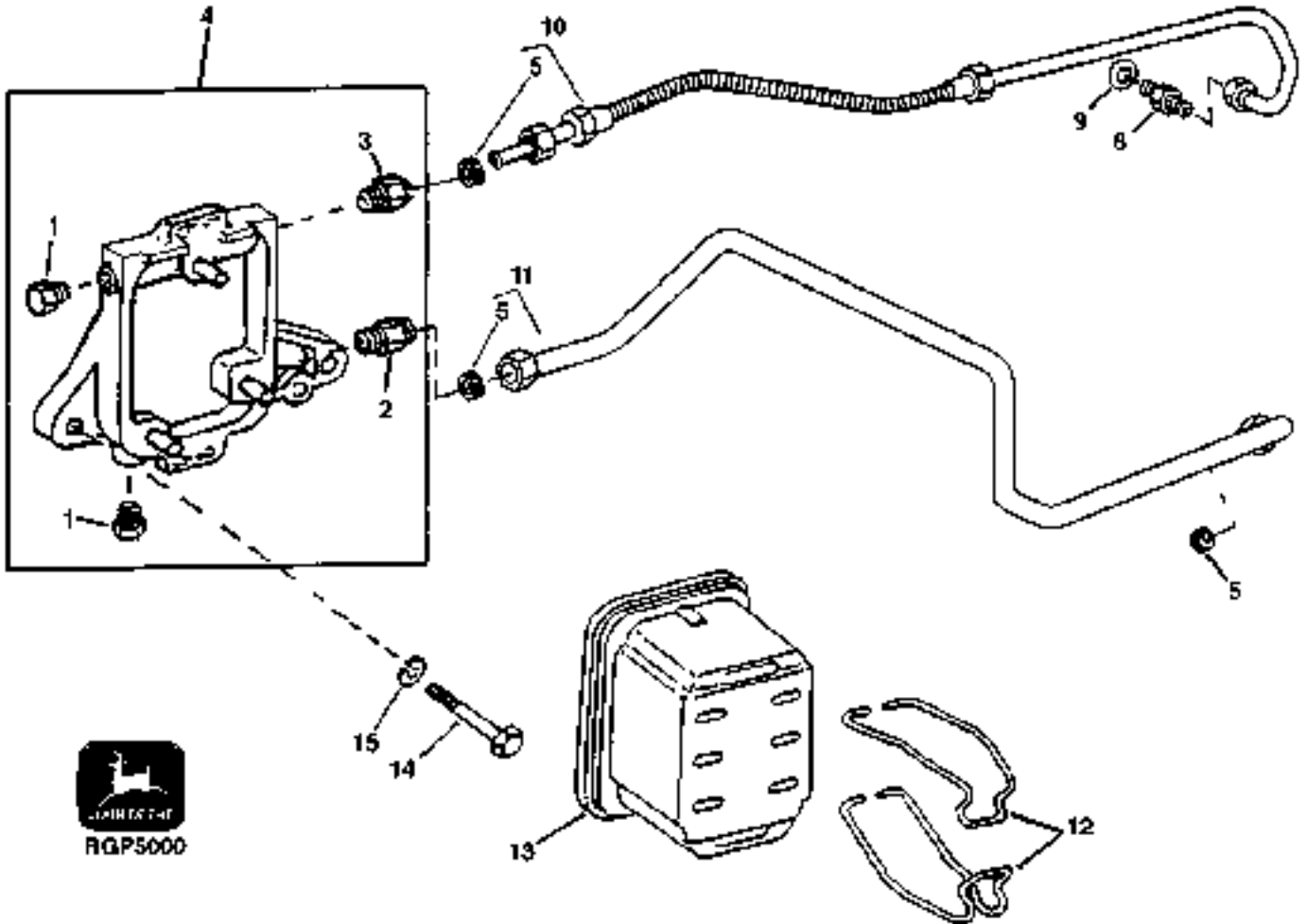
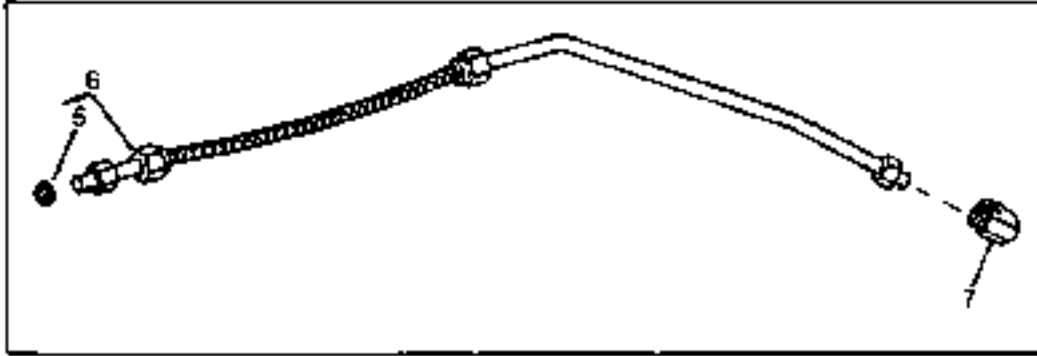
FUEL COOLER  
 REFROIDISSEUR DE CARBURANT  
 KRAFTSTOFFKUEHLER  
 RADIATORE DEL CARBURANTE  
 ENFRIADOR DE COMBUSTIBLE  
 BRAENSLEKYLARE  
 RXP021617 -UN-30JUL96



**RXP021617**

| KEY | PART NO. | PART NAME  | QTY | TRACTOR SERIAL NO. | A<br>L<br>L | REMARKS           |
|-----|----------|------------|-----|--------------------|-------------|-------------------|
| 1   | RE63468  | OIL COOLER | 1   | -009999            | X           | (SUB FOR RE61071) |
|     | RE66573  | OIL COOLER | 1   | 010000-            | X           |                   |
| 2   | R63647   | SUPPORT    | 1   |                    | X           |                   |
| 3   | 24M7336  | WASHER     | 8   |                    | X           | 9 X 16 X 1.600 MM |
| 4   | 19M7932  | CAP SCREW  | 8   |                    | X           | M8 X 16           |

FUEL FILTER AND LINES (ESN -002919)  
 FILTRE A COMBUSTIBLE (ESN -002919)  
 KRAFTSTOFF-FILTER (ESN -002919)  
 FILTRO COMBUSTIBLE (ESN -002919)  
 FILTRO DE COMBUSTIBLE (ESN -002919)  
 BRANSLEFFILTER (ESN -002919)  
 RGP5000 -UN-25MAR98



# 2G3

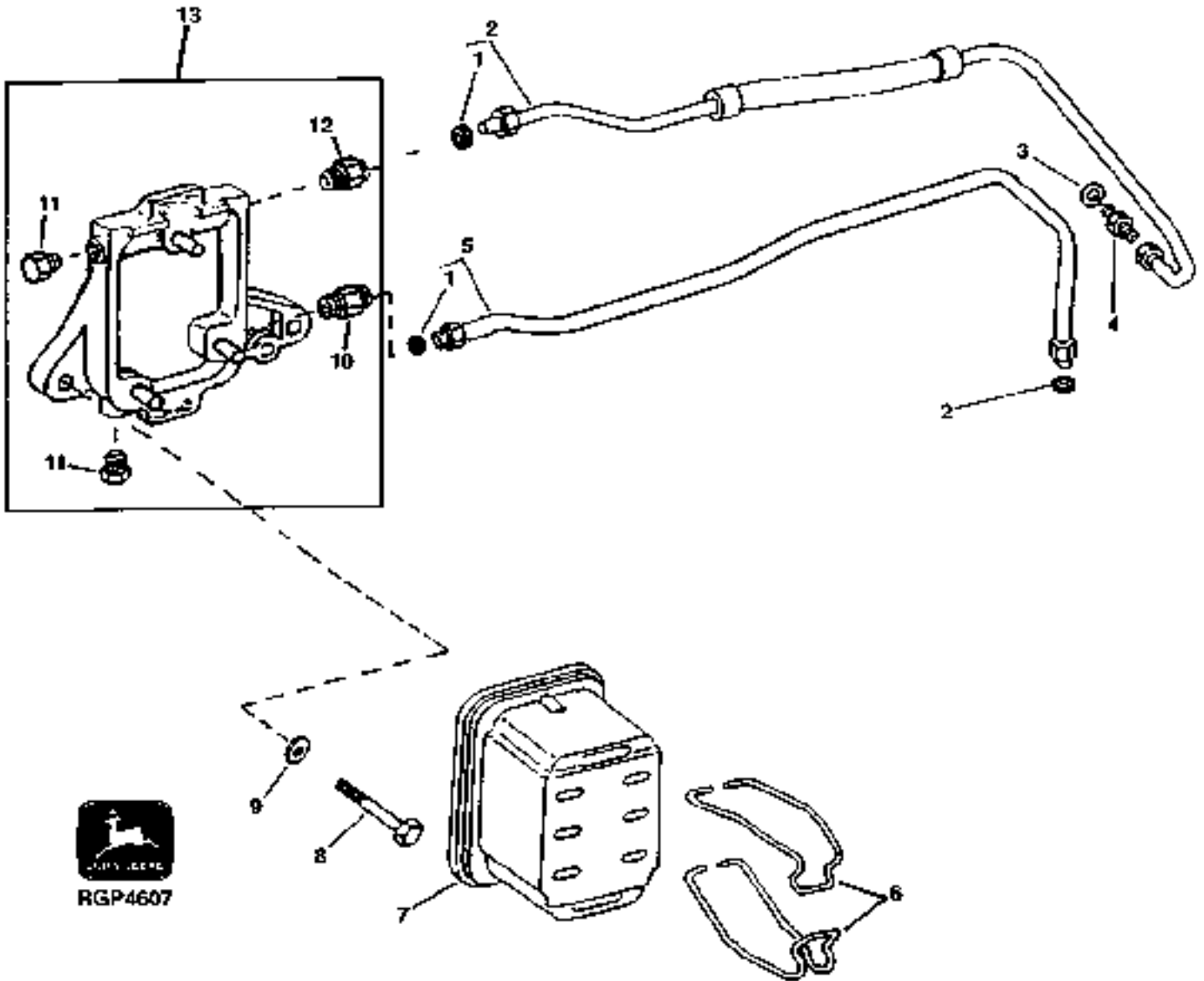
FUEL AND AIR

| KEY | PART NO. | PART NAME      | QTY | ENGINE<br>SERIAL NO. | REMARKS  |
|-----|----------|----------------|-----|----------------------|--|
|     |          |                |     | 8                    |  |
|     |          |                |     | 4                    |  |
|     |          |                |     | 0                    |  |
|     |          |                |     | 0                    |  |
| 1   | R119223  | PLUG           | 2   |                      | X  |
| 2   | RE54244  | CHECK VALVE    | 1   |                      | X  |
| 3   | RE54245  | FITTING        | 1   |                      | X  |
| 4   | RE61693  | BASE           | 1   |                      | X (NOT AS SHOWN)   |
| 5   | R67092   | SEAL           | 4   |                      | X  |
| 6   | RE49445  | FUEL LINE      | 1   | -XXXXXX              | X (SUB RE47635) (NLA)                                      |
| 7   | RE62345  | ELBOW FITTING  | 1   | -XXXXXX              | X (SUB FOR RE49446) (USE WITH RE49445) (SUB RE47635) (NLA) |
| 8   | R83489   | FITTING        | 1   |                      | X  |
| 9   | R93008   | WASHER         | 1   |                      | X  |
| 10  | RE47635  | FUEL LINE      | 1   | XXXXXX-              | X  |
| 11  | RE49444  | FUEL LINE      | 1   |                      | X (SUB RE65787 AND RE500280, THIS APPLICATION)             |
|     | R93008   | WASHER         | 1   |                      | X  |
| 12  | R89927   | CLAMP          | 2   |                      | X  |
| 13  | AR86745  | FILTER ELEMENT | 1   |                      | X (SUB FOR RE57073)  |
| 14  | 19H2964  | CAP SCREW      | 2   |                      | X 7/16" X 1-1/8"   |
| 15  | 24H1325  | WASHER         | 2   |                      | X 15/32" X 59/64" X 0.065"                                 |

# 2G4

FUEL AND AIR

FUEL FILTER AND LINES (ESN 002920- ) )  
FILTRE A COMBUSTIBLE (ESN 002920- ) )  
KRAFTSTOFF-FILTER (ESN 002920- ) )  
FILTRO COMBUSTIBLE (ESN 002920- ) )  
FILTRO DE COMBUSTIBLE (ESN 002920- ) )  
BRANSLEFFILTER (ESN 002920- ) )  
RGP4607 -UN-20NOV95



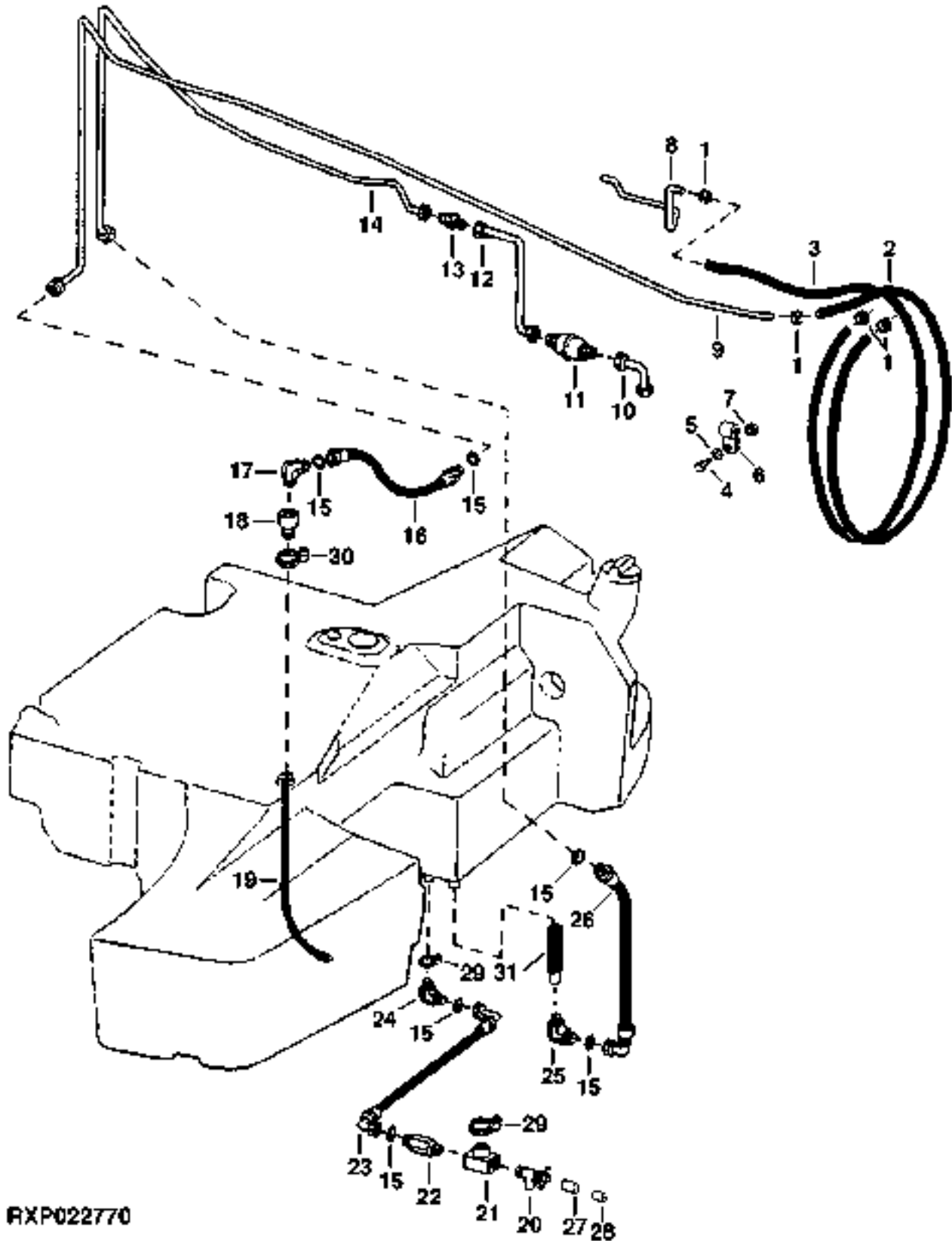
# 2G5

FUEL AND AIR

| KEY | PART NO. | PART NAME      | QTY | ENGINE<br>SERIAL NO. | 8<br>4<br>0<br>0 | REMARKS                             |
|-----|----------|----------------|-----|----------------------|------------------|-------------------------------------|
| 1   | R67092   | SEAL           | 3   |                      | X                |                                     |
| 2   | RE500280 | FUEL LINE      | 1   |                      | X                | (SUB FOR RE63414)                   |
| 3   | R93008   | WASHER         | 1   |                      | X                |                                     |
| 4   | R83489   | FITTING        | 1   |                      | X                |                                     |
| 5   | RE65787  | FUEL LINE      | 1   |                      | X                | (SUB FOR RE63413, THIS APPLICATION) |
| 6   | R89927   | CLAMP          | 2   |                      | X                |                                     |
| 7   | AR86745  | FILTER ELEMENT | 1   |                      | X                |                                     |
| 8   | 19H2964  | CAP SCREW      | 2   |                      | X                | 7/16" X 1-1/8"                      |
| 9   | 24H1325  | WASHER         | 2   |                      | X                | 15/32" X 59/64" X 0.065"            |
| 10  | RE54244  | CHECK VALVE    | 1   |                      | X                |                                     |
| 11  | R119223  | PLUG           | 2   |                      | X                |                                     |
| 12  | RE54245  | FITTING        | 1   |                      | X                |                                     |
| 13  | RE61693  | BASE           | 1   |                      | X                |                                     |

# 2G6

FUEL LINES  
TUYAUX D'INJECTION  
KRAFTSTOFFLEITUNGEN  
TABAZIONI COMBUSTIBILE  
TUBERIAS DE COMBUSTIBLE  
BRANSLELEDNINGAR  
RXP022770 -UN-16JUL98



RXP022770

| KEY | PART NO. | PART NAME                  | QTY | TRACTOR SERIAL NO. | A<br>L<br>L | REMARKS               |
|-----|----------|----------------------------|-----|--------------------|-------------|-----------------------|
| 1   | TY22462  | CLAMP                      | 4   |                    | X           | (SUB FOR AR48236)     |
| 2   | R134711  | HOSE                       | 1   |                    | X           | (SUB FOR R124362)     |
| 3   | R134712  | HOSE                       | 1   |                    | X           | (SUB FOR R124363)     |
| 4   | 19M7881  | SCREW                      | 1   |                    | X           | M8 X 20               |
| 5   | 24M7336  | WASHER                     | 1   |                    | X           | 9 X 16 X 1.600 MM     |
| 6   | AH87142  | CLIP                       | 1   |                    | X           |                       |
| 7   | 14M7372  | NUT                        | 1   |                    | X           | M4                    |
| 8   | R126441  | LINE                       | 1   | -009999            | X           |                       |
|     | R134052  | FUEL LINE                  | 1   | 010000-            | X           | (SUB FOR R132540)     |
| 9   | RE66671  | FUEL LINE                  | 1   |                    | X           | (SUB FOR RE61148)     |
| 10  | RE61813  | HOSE                       | 1   |                    | X           | (NA TO 8400)          |
| 11  | AR103220 | STRAINER                   | 1   |                    | X           | (NA TO 8400)          |
| 12  | RE61814  | HOSE                       | 1   |                    | X           | (NA TO 8400)          |
|     | R67092   | SEAL                       | 2   |                    | X           |                       |
| 13  | R125553  | FITTING                    | 1   |                    | X           |                       |
| 14  | RE66672  | FUEL LINE                  | 1   |                    | X           | (SUB FOR RE57850)     |
|     | R67092   | SEAL                       | 1   |                    | X           |                       |
| 15  | T77857   | O-RING                     | AR  |                    | X           |                       |
| 16  | RE57849  | HOSE                       | 1   |                    | X           |                       |
| 17  | R87907   | ELBOW FITTING              | 2   |                    | X           |                       |
| 18  | R120667  | FLANGE FITTING             | 1   |                    | X           |                       |
| 19  | R107601  | HOSE                       | 1   |                    | X           |                       |
| 20  | RE61660  | VALVE                      | 1   | -XXXXXX            | X           | (E)                   |
|     | AM38104  | SHUT-OFF VALVE             | 1   | XXXXXX-            | X           | (F)                   |
| 21  | R122371  | FITTING                    | 1   |                    | X           |                       |
| 22  | R122199  | ADAPTER                    | 1   |                    | X           |                       |
| 23  | RE44718  | HOSE                       | 1   | -XXXXXX            | X           | (A)                   |
|     | RE62840  | HOSE                       | 1   | XXXXXX-XXXXXX      | X           | (B) (C)               |
|     | RE65123  | HYDRAULIC HOSE - FABRICATE | 1   | XXXXXX-            | X           | (D)                   |
| 24  | 38H1519  | ELBOW FITTING              | 1   |                    | X           |                       |
| 25  | R87907   | ELBOW FITTING              | 1   |                    | X           |                       |
| 26  | RE60850  | HYDRAULIC HOSE - FABRICATE | 1   |                    | X           |                       |
| 27  | N30405   | ADAPTER                    | 1   | XXXXXX-            | X           | (F)                   |
| 28  | L2646N   | PIPE PLUG                  | 1   | XXXXXX-            | X           | (F) (SUB FOR R126441) |
| 29  | TY22465  | CLAMP                      | 2   | XXXXXX-            | X           | (F)                   |
| 30  | AT18904  | CLAMP                      | 1   | XXXXXX-            | X           | (F)                   |
| 31  | R134770  | STRAINER                   | 1   |                    | X           |                       |
| ..  | 15H623   | PIPE PLUG                  | 1   |                    | X           | 3/8"                  |

- (A)( -XXXXXX) 8100-001091; 8200-001095; 8300-001313; 8400-001041
- (B)(XXXXXX- ) 8100-001092; 8200-001096; 8300-001314; 8400-001042
- (C)( -XXXXXX) 8100-003547; 8200-002729; 8300-004629; 8400-003075
- (D)(XXXXXX- ) 8100-003548; 8200-002730; 8300-004630; 8400-003076
- (E)( -XXXXXX) 8100-002834; 8200-002236; 8300-003938; 8400-002549
- (F)(XXXXXX- ) 8100-002835; 8200-002237; 8300-003939; 8400-002550





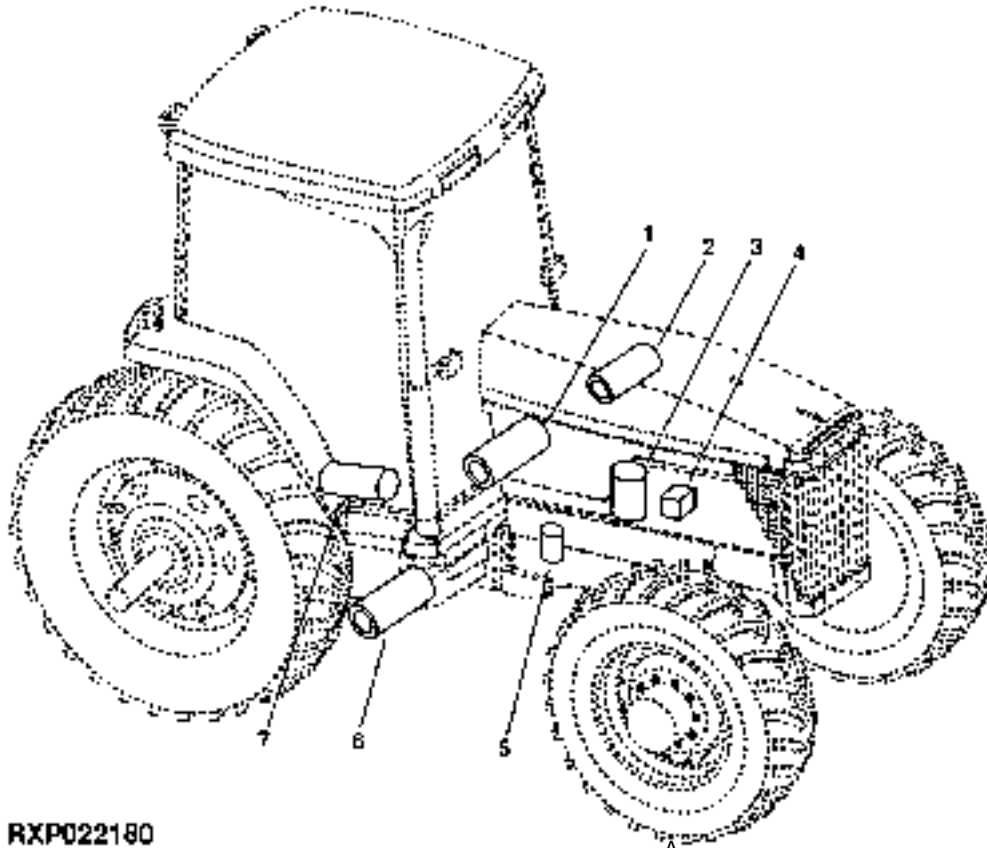
# 2G9

FUEL AND AIR

| KEY | PART NO. | PART NAME                  | QTY | TRACTOR SERIAL NO. | A<br>L<br>L | REMARKS                                  |
|-----|----------|----------------------------|-----|--------------------|-------------|--|
| 1   | RE51519  | FUEL SENDER                | 1   |                    | X           |  |
| 2   | RE52504  | BREATHER                   | 1   |                    | X           |  |
| 3   | RE58873  | FILLER CAP                 | 1   |                    | X           |  |
| 4   | R122754  | GASKET                     | 1   |                    | X           |  |
| 5   | AH162914 | STRAINER                   | 1   |                    | X           | (SUB FOR AH135155)                       |
| 6   | R107603  | PLATE                      | 1   |                    | X           |  |
| 7   | R32176   | NUT                        | 2   |                    | X           |  |
| 8   | R107138  | SUPPORT                    | 1   |                    | X           |  |
| 9   | RE151465 | FUEL TANK                  | 1   |                    | X           | (SUB FOR RE60321 OR RE67610)             |
| 10  | R126656  | STRAP                      | 1   | -XXXXXX            | X           | (SUB FOR R124011) (SUB RE65320)          |
|     | R126525  | BRACKET                    | 1   | -XXXXXX            | X           | L.H. (REAR) (SUB RE65320)                |
|     | RE65320  | STRAP                      | 1   | XXXXXX-            | X           |  |
|     | 19M7938  | CAP SCREW                  | 1   |                    | X           | M10 X 20                                 |
|     | 24M7346  | WASHER                     | 1   |                    | X           | 11 X 20 X 2 MM                           |
| 11  | R124012  | STRAP                      | 1   |                    | X           |  |
| 12  | R112477  | PLATE                      | 1   |                    | X           |  |
| 13  | R114022  | VENT                       | 1   |                    | X           |  |
| 14  | R114023  | GROMMET                    | 1   |                    | X           |  |
| 15  | R120213  | NUT                        | 1   |                    | X           |  |
| 16  | R56101   | CLIP                       | 2   |                    | X           |  |
| 17  | R125344  | HYDRAULIC HOSE - FABRICATE | 1   |                    | X           |  |
| 18  | R95430   | GASKET                     | 1   |                    | X           |  |
| 19  | R116933  | FUNNEL                     | 1   |                    | X           |  |
| 20  | R120233  | O-RING                     | 1   |                    | X           |  |
| 21  | 24M7047  | WASHER                     | 1   |                    | X           | 13 X 24 X 2.500 MM                       |
| 22  | 19M7640  | CAP SCREW                  | 6   |                    | X           | M5 X 12                                  |
| 23  | 19M8011  | CAP SCREW                  | 2   |                    | X           | M12 X 30                                 |
| 24  | 19M7744  | CAP SCREW                  | 1   |                    | X           | M12 X 35                                 |
| 25  | 19M8011  | CAP SCREW                  | 1   |                    | X           | M12 X 30                                 |
| 26  | 19M7744  | CAP SCREW                  | 1   |                    | X           | M12 X 35                                 |
| 27  | 24M7047  | WASHER                     | 3   |                    | X           | 13 X 24 X 2.500 MM                       |
| 28  | 03M7192  | BOLT                       | 2   |                    | X           | M10 X 30                                 |
| 29  | 19M8011  | CAP SCREW                  | 1   |                    | X           | M12 X 30                                 |
| 30  | 24M7028  | WASHER                     | 6   |                    | X           | 10.500 X 20 X 2 MM                       |
| 31  | 24M7240  | WASHER                     | 3   |                    | X           | 13 X 25 X 3 MM                           |
| 32  | 24M7207  | WASHER                     | 1   |                    | X           | 8.400 X 24 X 2 MM                        |
| 33  | R122429  | STRAP                      | 1   |                    | X           |  |
| 34  | 14M7274  | NUT                        | 2   |                    | X           | M10                                      |
| 35  | 19M7382  | CAP SCREW                  | 4   |                    | X           | M10 X 40                                 |
| ..  | H143834  | NUT                        | 2   |                    | X           |  |
| ..  | 19M7788  | SCREW                      | 1   |                    | X           | M12 X 25, CAB SUPPORT TO FUEL TANK OUTER |

# 2G10

FILTERS  
 FILTRES  
 FILTER  
 FILTRI  
 FILTROS  
 FILTER  
 RXP022180 -UN-02SEP97



**RXP022180**

| KEY | PART NO. | PART NAME      | QTY | TRACTOR<br>SERIAL NO. | REMARKS |     |
|-----|----------|----------------|-----|-----------------------|---------|-----|
|     |          |                |     |                       | A       | L   |
| 1   | RE51629  | FILTER ELEMENT | 1   |                       | X       |     |
| 2   | RE51630  | FILTER ELEMENT | 1   |                       | X       |     |
| 3   | RE57394  | OIL FILTER     | 1   |                       | X       |     |
| 4   | AR86745  | FILTER ELEMENT | 1   |                       | X       |     |
| 5   | RE65431  | FILTER ELEMENT | 1   |                       | X       |     |
| 6   | R119168  | AIR FILTER     | 1   |                       | X       |     |
|     | RE67828  | AIR FILTER     | 1   |                       | X       | (A) |
| 7   | RE51797  | OIL FILTER     | 1   |                       | X       |     |

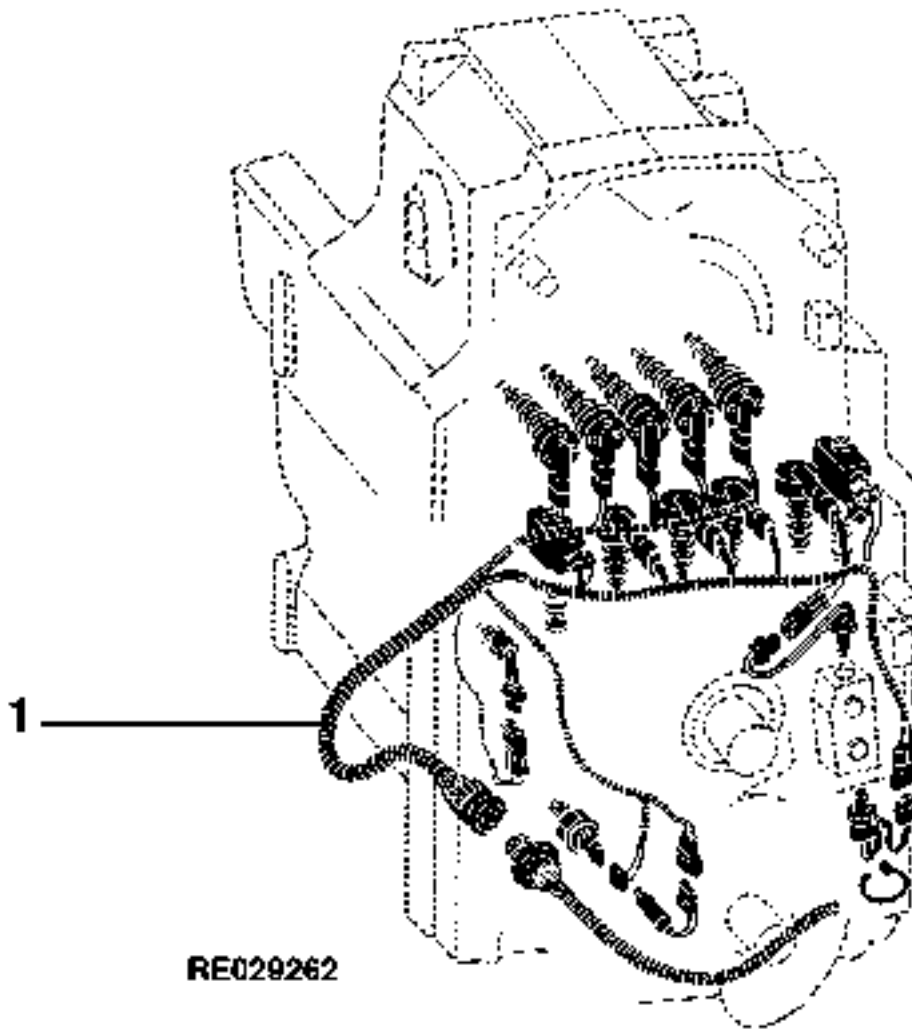
(A) HIGH EFFICIENCY  
 HAUT RENDEMENT  
 HOCHLEISTUNGSFAEHIG  
 ALTA EFFICIENZA  
 ALTA EFICIENCIA  
 HOEG EFFEKTIVITET

# 3D12

ELECTRICAL

SECTIONAL INDEX  
GRUPPENINDEX  
INDEX DE SECTION  
INDICE DELLA SEZIONE  
INDICE DE SECCION  
GRUPPSFORTECKNING

RE029262 -UN-10MAY99



|      |      |
|------|------|
| 1 -  | 3D19 |
| 2 -  | 3D23 |
| 3 -  | 3E9  |
| 4 -  | 3E19 |
| 5 -  | 3E21 |
| 6 -  | 3E23 |
| 7 -  | 3E25 |
| 8 -  | 3F1  |
| 9 -  | 3F2  |
| 10 - | 3F4  |
| 11 - | 3F6  |
| 12 - | 3F8  |
| 13 - | 3F9  |
| 14 - | 3F10 |
| 15 - | 3F11 |
| 16 - | 3F12 |
| 17 - | 3F14 |
| 18 - | 3F15 |
| 19 - | 3F16 |
| 20 - | 3F20 |
| 21 - | 3F21 |
| 22 - | 3F22 |
| 23 - | 3F24 |
| 24 - | 3G1  |
| 25 - | 3G5  |
| 26 - | 3G9  |
| 27 - | 3G11 |
| 28 - | 3G13 |
| 28 - | 3G15 |
| 29 - | 3G17 |
| 30 - | 3G18 |
| 31 - | 3G20 |
| 32 - | 3G21 |
| 33 - | 3G22 |
| 34 - | 3G23 |
| 35 - | 3G24 |
| 36 - | 3G25 |
| 37 - | 3H1  |
| 37 - | 3H2  |
| 38 - | 3H3  |
| 39 - | 3H4  |
| 40 - | 3H10 |
| 41 - | 3H12 |
| 42 - | 3H13 |
| 43 - | 3H14 |
| 44 - | 3H16 |
| 45 - | 3H18 |
| 46 - | 3H21 |
| 47 - | 3I1  |
| 48 - | 3I5  |

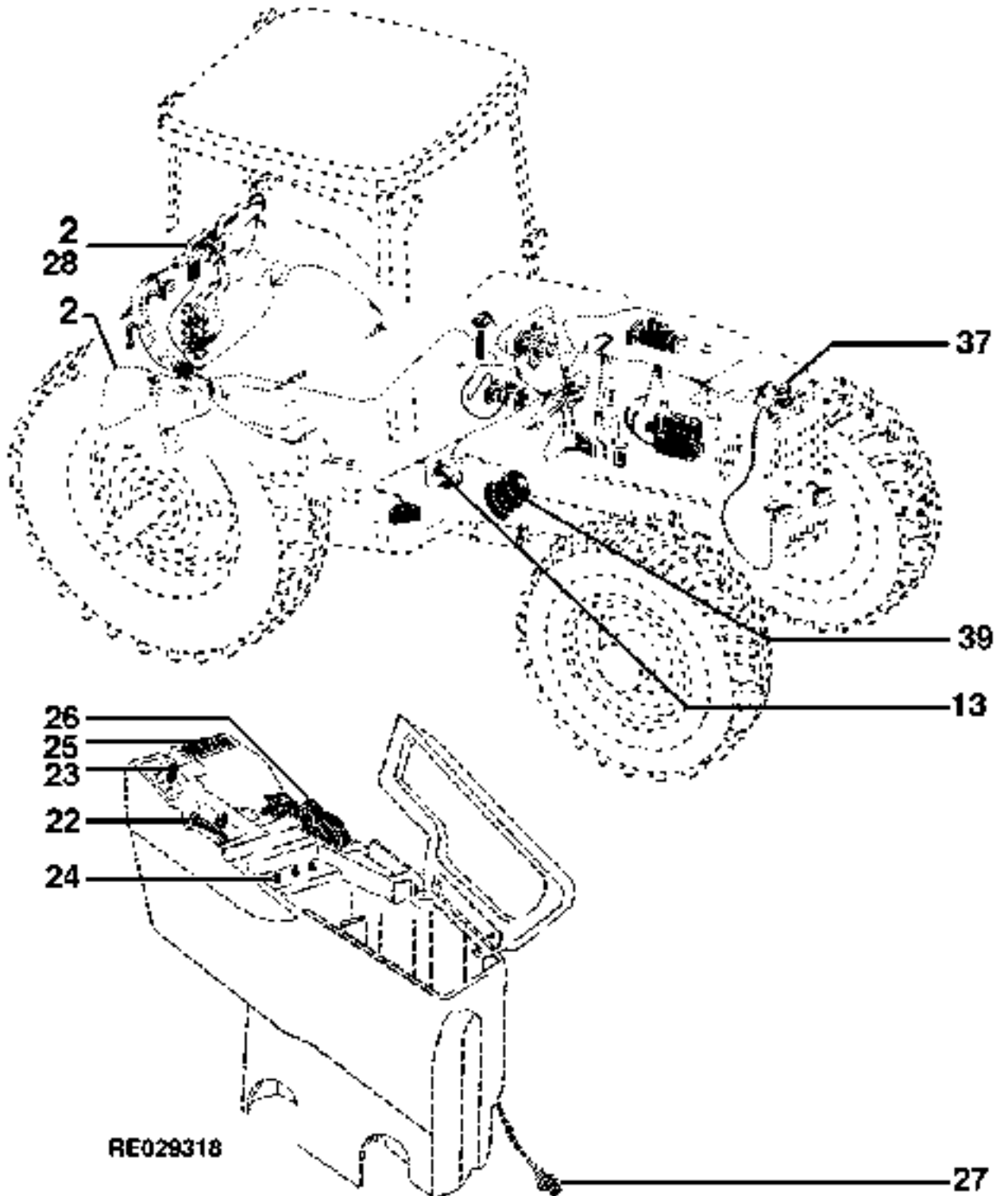
# 3D13

ELECTRICAL

SECTIONAL INDEX  
GRUPPENINDEX  
INDEX DE SECTION  
INDICE DELLA SEZIONE  
INDICE DE SECCION  
GRUPPSFORTECKNING

RE029318 -UN-10MAY99

|     |      |
|-----|------|
| 1-  | 3D19 |
| 2-  | 3D23 |
| 3-  | 3E9  |
| 4-  | 3E19 |
| 5-  | 3E21 |
| 6-  | 3E23 |
| 7-  | 3E25 |
| 8-  | 3F1  |
| 9-  | 3F2  |
| 10- | 3F4  |
| 11- | 3F6  |
| 12- | 3F8  |
| 13- | 3F9  |
| 14- | 3F10 |
| 15- | 3F11 |
| 16- | 3F12 |
| 17- | 3F14 |
| 18- | 3F15 |
| 19- | 3F16 |
| 20- | 3F20 |
| 21- | 3F21 |
| 22- | 3F22 |
| 23- | 3F24 |
| 24- | 3G1  |
| 25- | 3G5  |
| 26- | 3G9  |
| 27- | 3G11 |
| 28- | 3G13 |
| 28- | 3G15 |
| 29- | 3G17 |
| 30- | 3G18 |
| 31- | 3G20 |
| 32- | 3G21 |
| 33- | 3G22 |
| 34- | 3G23 |
| 35- | 3G24 |
| 36- | 3G25 |
| 37- | 3H1  |
| 37- | 3H2  |
| 38- | 3H3  |
| 39- | 3H4  |
| 40- | 3H10 |
| 41- | 3H12 |
| 42- | 3H13 |
| 43- | 3H14 |
| 44- | 3H16 |
| 45- | 3H18 |
| 46- | 3H21 |
| 47- | 3I1  |
| 48- | 3I5  |

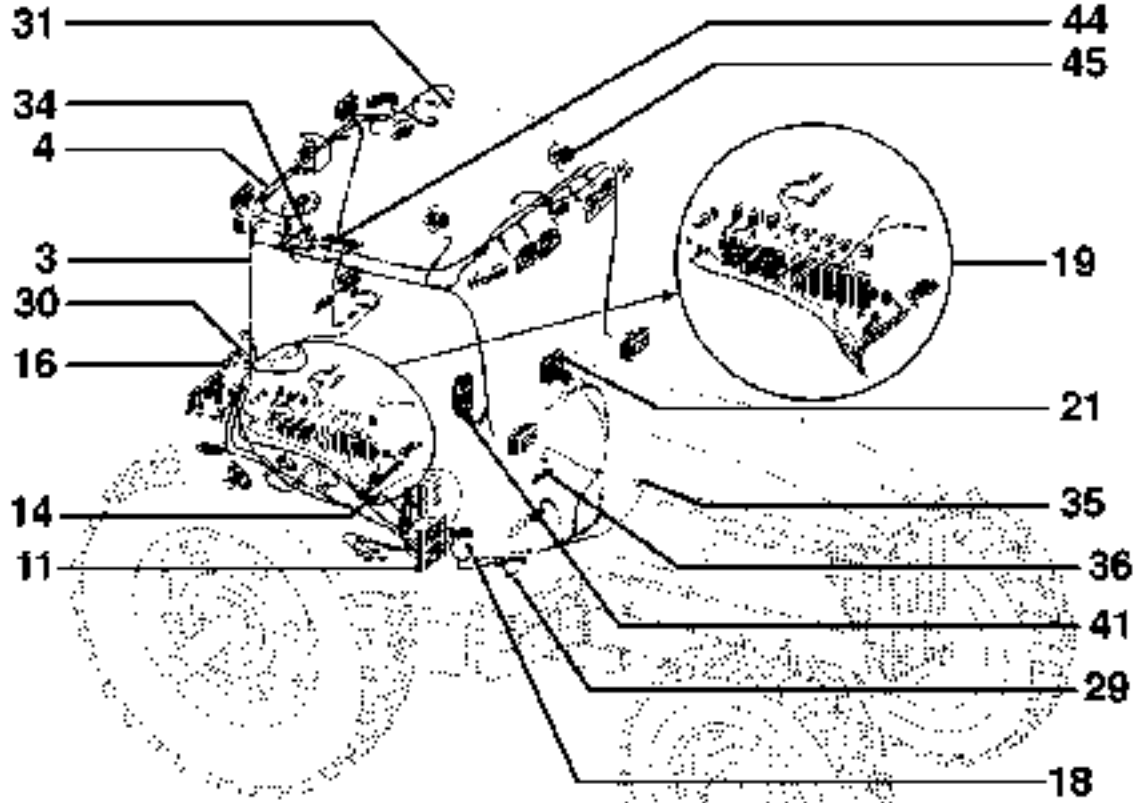


RE029318

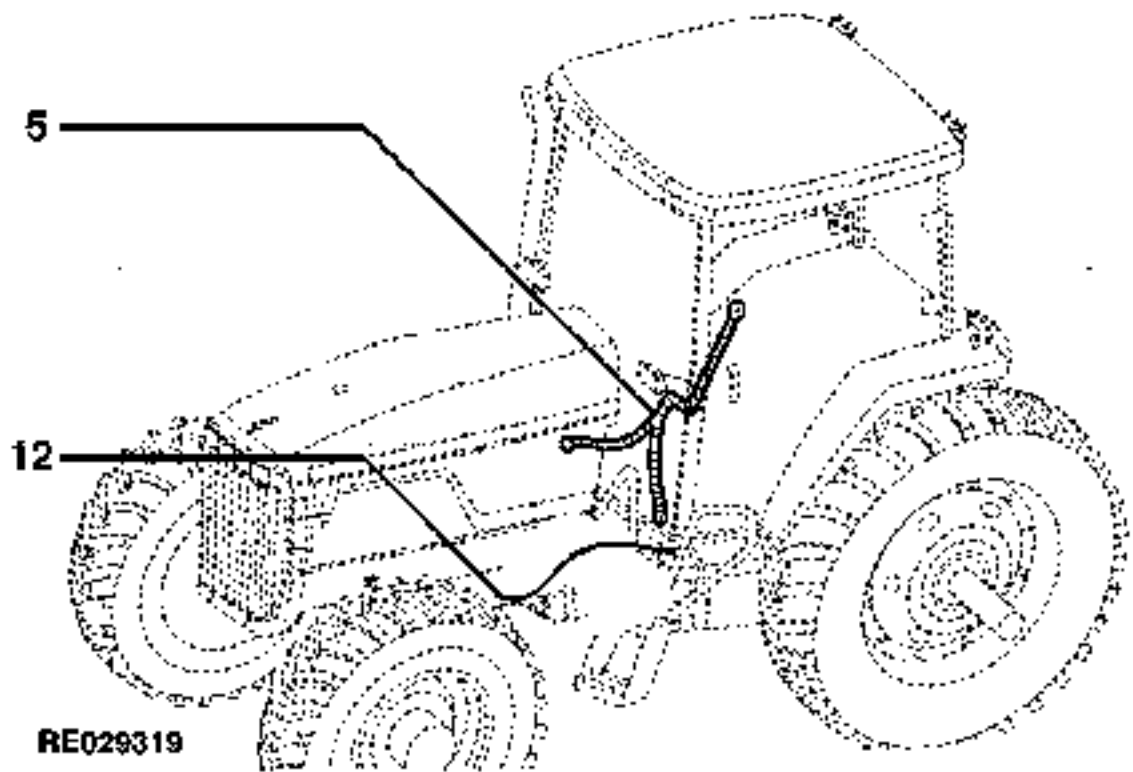
# 3D14

SECTIONAL INDEX  
 GRUPPENINDEX  
 INDEX DE SECTION  
 INDICE DELLA SEZIONE  
 INDICE DE SECCION  
 GRUPPSFORTECKNING

RE029319 -UN-10MAY99



|      |      |
|------|------|
| 1 -  | 3D19 |
| 2 -  | 3D23 |
| 3 -  | 3E9  |
| 4 -  | 3E19 |
| 5 -  | 3E21 |
| 6 -  | 3E23 |
| 7 -  | 3E25 |
| 8 -  | 3F1  |
| 9 -  | 3F2  |
| 10 - | 3F4  |
| 11 - | 3F6  |
| 12 - | 3F8  |
| 13 - | 3F9  |
| 14 - | 3F10 |
| 15 - | 3F11 |
| 16 - | 3F12 |
| 17 - | 3F14 |
| 18 - | 3F15 |
| 19 - | 3F16 |
| 20 - | 3F20 |
| 21 - | 3F21 |
| 22 - | 3F22 |
| 23 - | 3F24 |
| 24 - | 3G1  |
| 25 - | 3G5  |
| 26 - | 3G9  |
| 27 - | 3G11 |
| 28 - | 3G13 |
| 28 - | 3G15 |
| 29 - | 3G17 |
| 30 - | 3G18 |
| 31 - | 3G20 |
| 32 - | 3G21 |
| 33 - | 3G22 |
| 34 - | 3G23 |
| 35 - | 3G24 |
| 36 - | 3G25 |
| 37 - | 3H1  |
| 37 - | 3H2  |
| 38 - | 3H3  |
| 39 - | 3H4  |
| 40 - | 3H10 |
| 41 - | 3H12 |
| 42 - | 3H13 |
| 43 - | 3H14 |
| 44 - | 3H16 |
| 45 - | 3H18 |
| 46 - | 3H21 |
| 47 - | 3I1  |
| 48 - | 3I5  |



RE029319

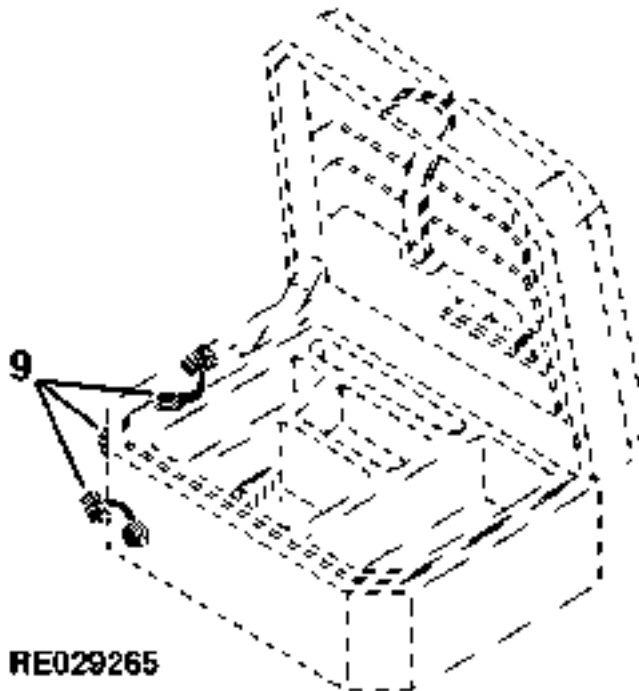
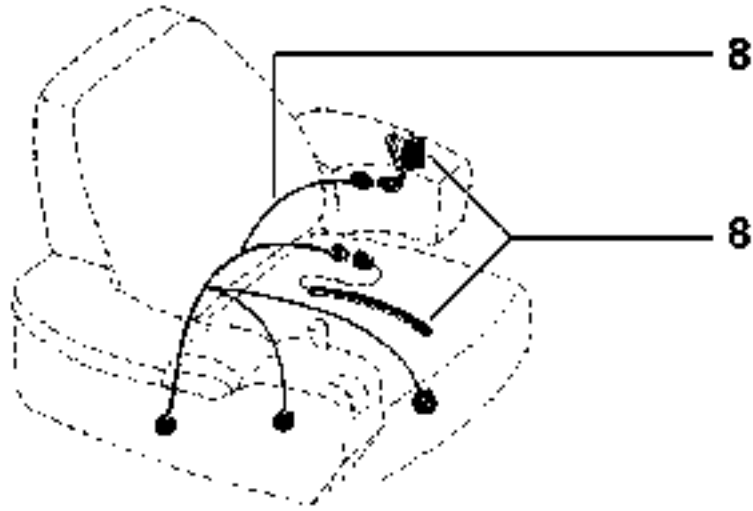
# 3D15

ELECTRICAL

SECTIONAL INDEX  
GRUPPENINDEX  
INDEX DE SECTION  
INDICE DELLA SEZIONE  
INDICE DE SECCION  
GRUPPSFORTECKNING

RE029265 -UN-10MAY99

|     |      |
|-----|------|
| 1-  | 3D19 |
| 2-  | 3D23 |
| 3-  | 3E9  |
| 4-  | 3E19 |
| 5-  | 3E21 |
| 6-  | 3E23 |
| 7-  | 3E25 |
| 8-  | 3F1  |
| 9-  | 3F2  |
| 10- | 3F4  |
| 11- | 3F6  |
| 12- | 3F8  |
| 13- | 3F9  |
| 14- | 3F10 |
| 15- | 3F11 |
| 16- | 3F12 |
| 17- | 3F14 |
| 18- | 3F15 |
| 19- | 3F16 |
| 20- | 3F20 |
| 21- | 3F21 |
| 22- | 3F22 |
| 23- | 3F24 |
| 24- | 3G1  |
| 25- | 3G5  |
| 26- | 3G9  |
| 27- | 3G11 |
| 28- | 3G13 |
| 28- | 3G15 |
| 29- | 3G17 |
| 30- | 3G18 |
| 31- | 3G20 |
| 32- | 3G21 |
| 33- | 3G22 |
| 34- | 3G23 |
| 35- | 3G24 |
| 36- | 3G25 |
| 37- | 3H1  |
| 37- | 3H2  |
| 38- | 3H3  |
| 39- | 3H4  |
| 40- | 3H10 |
| 41- | 3H12 |
| 42- | 3H13 |
| 43- | 3H14 |
| 44- | 3H16 |
| 45- | 3H18 |
| 46- | 3H21 |
| 47- | 3I1  |
| 48- | 3I5  |



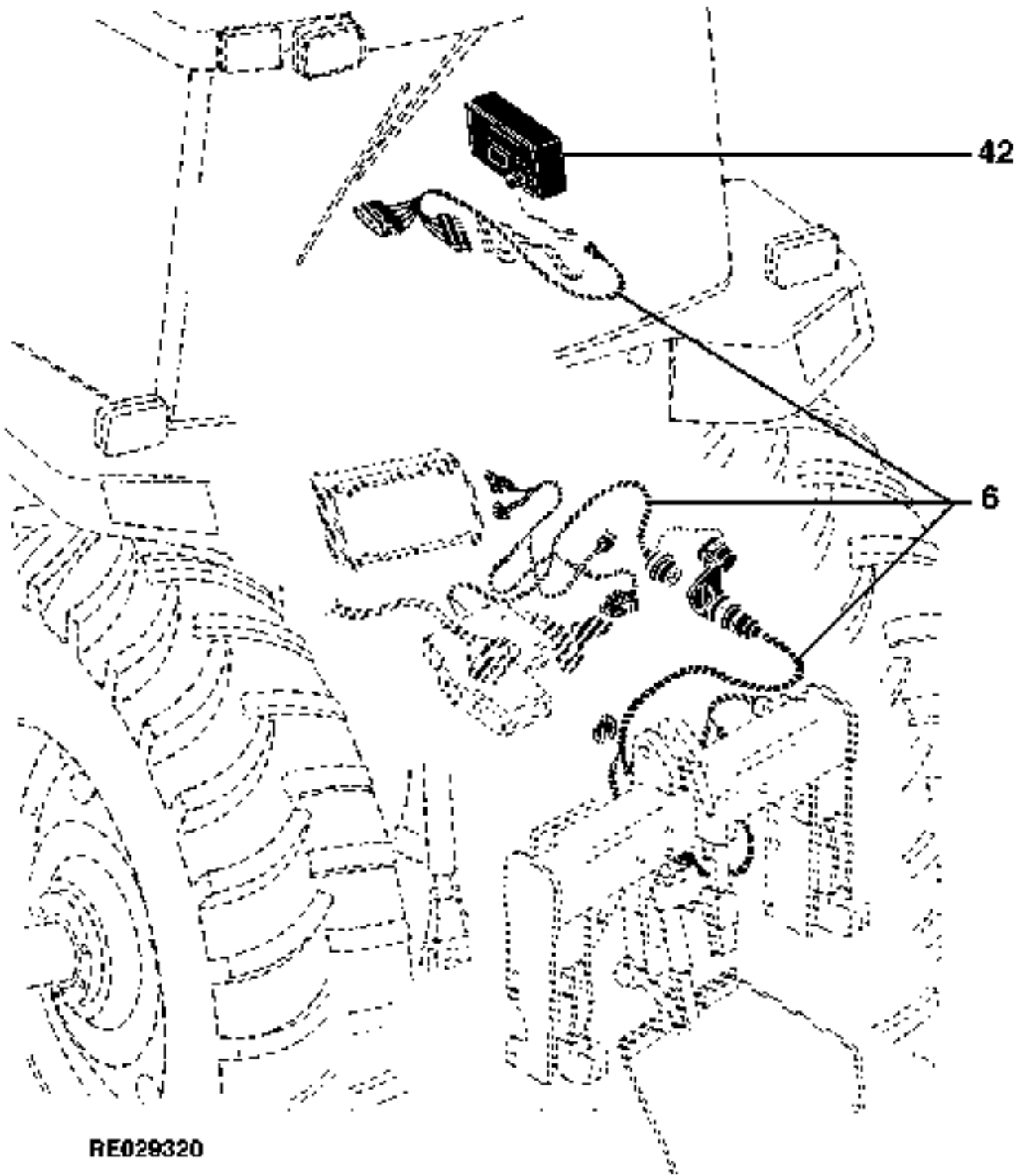
RE029265

# 3D16

ELECTRICAL

SECTIONAL INDEX  
INDEX DE SECTION  
GRUPPENINDEX  
INDICE DELLA SEZIONE  
INDICE DE SECCION  
GRUPPSFORTECKNING

RE029320 -UN-10MAY99



|      |      |
|------|------|
| 1 -  | 3D19 |
| 2 -  | 3D23 |
| 3 -  | 3E9  |
| 4 -  | 3E19 |
| 5 -  | 3E21 |
| 6 -  | 3E23 |
| 7 -  | 3E25 |
| 8 -  | 3F1  |
| 9 -  | 3F2  |
| 10 - | 3F4  |
| 11 - | 3F6  |
| 12 - | 3F8  |
| 13 - | 3F9  |
| 14 - | 3F10 |
| 15 - | 3F11 |
| 16 - | 3F12 |
| 17 - | 3F14 |
| 18 - | 3F15 |
| 19 - | 3F16 |
| 20 - | 3F20 |
| 21 - | 3F21 |
| 22 - | 3F22 |
| 23 - | 3F24 |
| 24 - | 3G1  |
| 25 - | 3G5  |
| 26 - | 3G9  |
| 27 - | 3G11 |
| 28 - | 3G13 |
| 28 - | 3G15 |
| 29 - | 3G17 |
| 30 - | 3G18 |
| 31 - | 3G20 |
| 32 - | 3G21 |
| 33 - | 3G22 |
| 34 - | 3G23 |
| 35 - | 3G24 |
| 36 - | 3G25 |
| 37 - | 3H1  |
| 37 - | 3H2  |
| 38 - | 3H3  |
| 39 - | 3H4  |
| 40 - | 3H10 |
| 41 - | 3H12 |
| 42 - | 3H13 |
| 43 - | 3H14 |
| 44 - | 3H16 |
| 45 - | 3H18 |
| 46 - | 3H21 |
| 47 - | 3I1  |
| 48 - | 3I5  |

RE029320

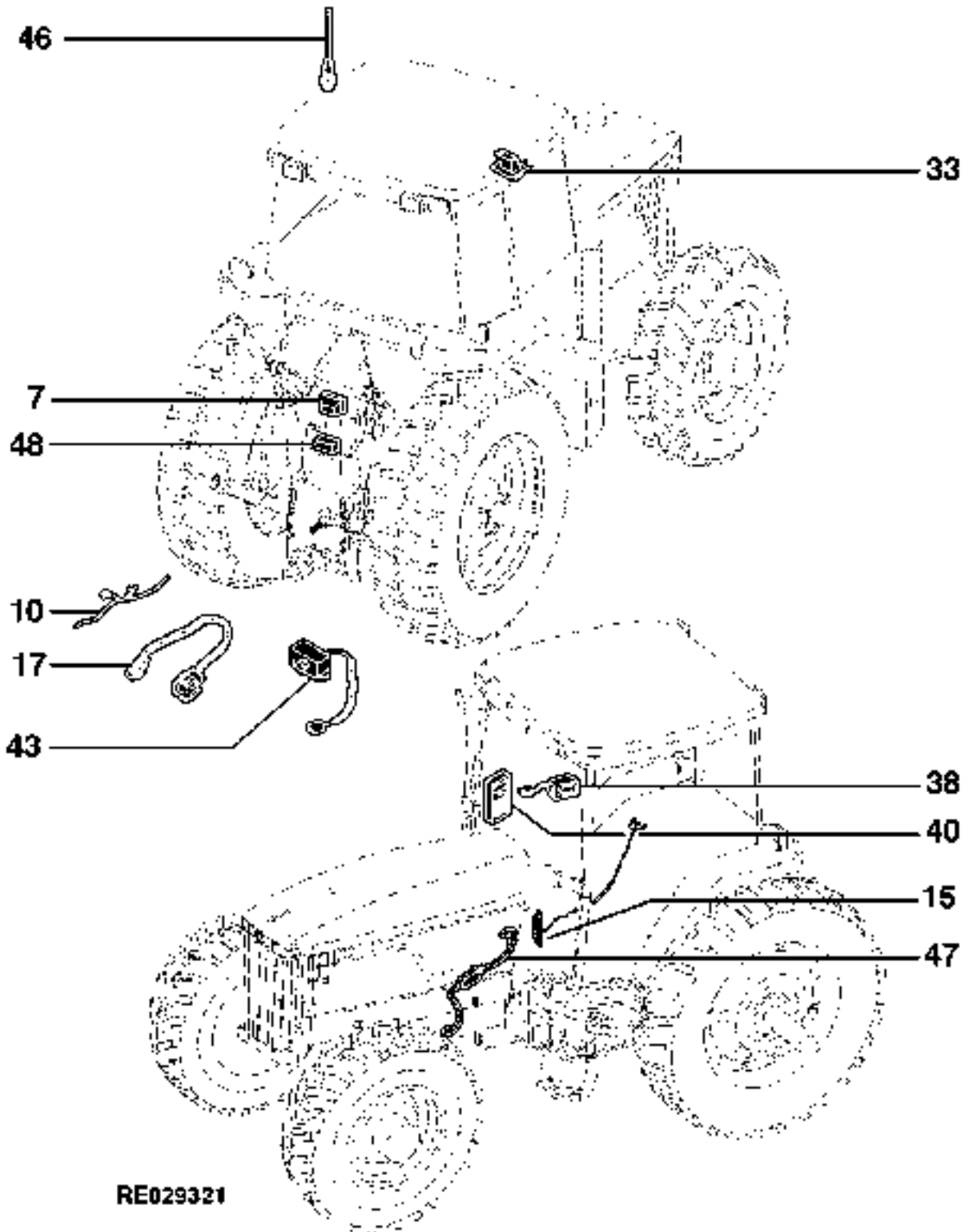
# 3D17

ELECTRICAL

SECTIONAL INDEX  
 INDEX DE SECTION  
 GRUPPENINDEX  
 INDICE DELLA SEZIONE  
 INDICE DE SECCION  
 GRUPPSFORTECKNING

RE029321 -UN-10MAY99

|     |      |
|-----|------|
| 1-  | 3D19 |
| 2-  | 3D23 |
| 3-  | 3E9  |
| 4-  | 3E19 |
| 5-  | 3E21 |
| 6-  | 3E23 |
| 7-  | 3E25 |
| 8-  | 3F1  |
| 9-  | 3F2  |
| 10- | 3F4  |
| 11- | 3F6  |
| 12- | 3F8  |
| 13- | 3F9  |
| 14- | 3F10 |
| 15- | 3F11 |
| 16- | 3F12 |
| 17- | 3F14 |
| 18- | 3F15 |
| 19- | 3F16 |
| 20- | 3F20 |
| 21- | 3F21 |
| 22- | 3F22 |
| 23- | 3F24 |
| 24- | 3G1  |
| 25- | 3G5  |
| 26- | 3G9  |
| 27- | 3G11 |
| 28- | 3G13 |
| 28- | 3G15 |
| 29- | 3G17 |
| 30- | 3G18 |
| 31- | 3G20 |
| 32- | 3G21 |
| 33- | 3G22 |
| 34- | 3G23 |
| 35- | 3G24 |
| 36- | 3G25 |
| 37- | 3H1  |
| 37- | 3H2  |
| 38- | 3H3  |
| 39- | 3H4  |
| 40- | 3H10 |
| 41- | 3H12 |
| 42- | 3H13 |
| 43- | 3H14 |
| 44- | 3H16 |
| 45- | 3H18 |
| 46- | 3H21 |
| 47- | 3I1  |
| 48- | 3I5  |



RE029321



SYMBOL DESCRIPTION  
 DESCRIPTION DE SYMBOLE  
 SYMBOL-BESCHREIBUNG  
 DESCRIZIONE DEI SIMBOLI  
 DESCRIPCION DEL SIMBOLO  
 SYMBOLBESKRIVNING  
 RE027856 -UN-10MAY99

|       | ENGLISH                  | FRANCAIS                      | DEUTSCH                      |
|-------|--------------------------|-------------------------------|------------------------------|
| {ACU} | Armrest Control Unit     | Commande d'accoudoir          | Armlehnen-Steuereinheit      |
| {CCU} | Central Control Unit     | Unite' commande centrale      | Hauptsteuereinheit           |
| {ECU} | Engine Control Unit      | Unite' de commande moteur     | Motorsteuereinheit           |
| {HCU} | Hitch Control Unit       | Unite' de commande attel      | Regelhydraulik-Steuereinheit |
| {ICU} | Instrument Control Unit  | Unite' commande instrum.      | Instrumenten-Steuereinheit   |
| {PCU} | Powershift Control Unit  | "Unite.comde servotrans"      | Powershift-Steuereinheit     |
| {RCU} | Reverser Control Unit    | Unite de commande d'inverseur | Umkehrgetribs-Steuereinheit  |
| {SCO} | Selective Control Option | Option de commande dist       | Steuereinheit-Option         |
| {SCU} | Selective Control Unit   | Unite de cmde dist.se.        | Steuereinheit                |
| {SCV} | Selective Control Valve  | Distribleur selectif          | Zusatzsteuerventil           |
| {SSU} | Steering System Unit     | Unite du systeme de direction | Lenksystem-Einheit           |
| {SUP} | Set-Up Panel             | Panneau de reglage            | Einstellungs-Armaturenbrett  |

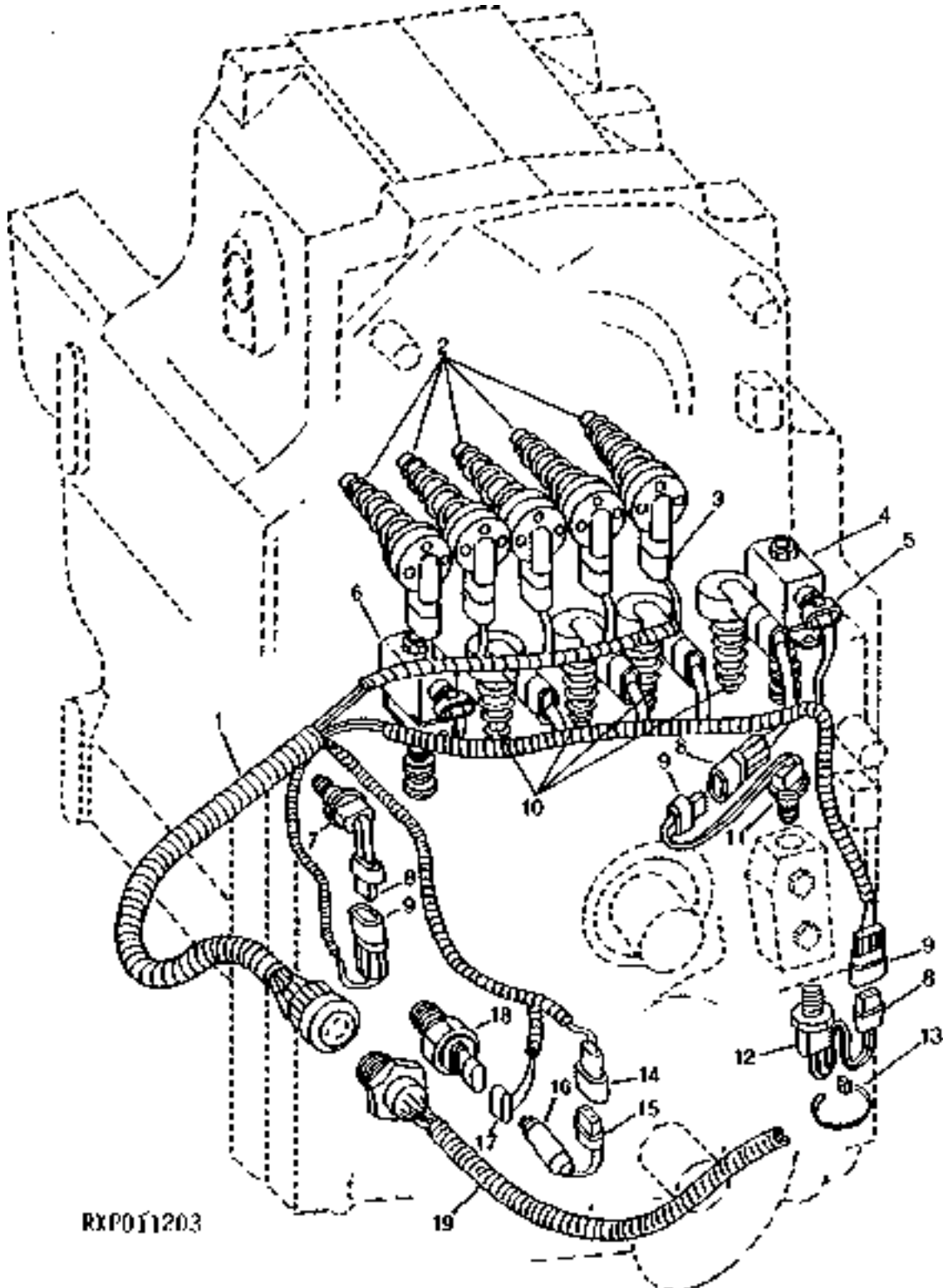
|       | ITALIANO                                      | ESPAÑOL                                  | SVENSKA                            |
|-------|---|--|------------------------------------|
| {ACU} | Unita di comando bracciolo                    | Unidad de control en el apoyabrazos      | "Armstoed, styreinhet"             |
| {CCU} | Unita di comando centrale                     | Unidad central de control                | Central styreinhet                 |
| {ECU} | Unita di comando del motore                   | Unidad de control del motor              | Motorstyreinhet                    |
| {HCU} | Unita di comando del sollevatore              | Unidad de control del enganche           | Lyftstyreinhet                     |
| {ICU} | Unita di comando degli strumenti              | Unidad de control de instrumentos        | Instrumentalstyreinhet             |
| {PCU} | Unita di comando Power Shift                  | Unidad de control de la servotransmision | Power Shift-styreinhett            |
| {RCU} | Unita' di comando inversore                   | Unidad de control del inversor           | Styreinhett foer fram-backkopplare |
| {SCO} | Unita di comando dei distributori a richiesta | Opclon de control selectivo              | "Hydraulik eventill, ilval"        |
| {SCU} | Unita di comando del distributori             | Unidad de control selectivo              | Hydraulik eventillanhet            |
| {SCV} | Valvola di controllo selettivo                | Valvula de control selectivo             | Selektiv manoevrentill             |
| {SSU} | Unita' del sistema dello sterzo               | Unidad del sistema de la direccion       | Styrsystemenhet                    |
| {SUP} | Pannello di impostazione                      | Panel de preparacion                     | Instaellningspanel                 |

RE027856

# 3D19

ELECTRICAL

WIRING HARNESS (TRANSMISSION)(TSN -019999)  
FAISCEAU DE CABLES(BOITE DE VITESSES)(TRANSMISSION)(TSN -019999)  
KABELBAUM(GETRIEBE)(TSN -019999)  
CABLAGGIO(TRANSMISSIONE)(TSN -019999)  
GRUPO DE CABLES(TRANSMISION)(TSN -019999)  
KABELHAERVA(KRAFTOEVERFOERING(TSN -019999)  
RXP011203 -UN-01JAN94



RXP011203

| KEY | PART NO. | PART NAME      | QTY | TRANSMISSION<br>SERIAL NO. | A<br>L<br>L | REMARKS  |
|-----|----------|----------------|-----|----------------------------|-------------|--|
| 1   | RE60542  | WIRING HARNESS | 1   |                            | X           | (ALSO ORDER 51M7041) (SUB FOR RE52868)   |
| 2   | RE71490  | VALVE          | 5   |                            | X           | (ALSO ORDER U41966, U11326, R62070,<br>R106663, P42061 AND R150892)              |
| 3   | 57M7278  | CONNECTOR      | 1   |                            | X           | (ALSO ORDER (2) R104701)   |
| 4   | RE52319  | SOLENOID VALVE | 1   |                            | X           |  |
| 5   | 57M7278  | CONNECTOR      | 1   |                            | X           | (ALSO ORDER (2) R104701)   |
| 6   | RE52319  | SOLENOID VALVE | 1   |                            | X           |  |
| 7   | RE160680 | SWITCH         | 1   |                            | X           | (A) (SUB FOR RE61344, RE62929, RE65350 OR<br>RE66881) (ALSO ORDER 51M7041)       |
| 8   | 57M7365  | CONNECTOR      | 1   |                            | X           | (ALSO ORDER (2) R104919, (2) 57M7258 AND<br>57M7289)                             |
| 9   | 57M7328  | CONNECTOR      | 1   |                            | X           | (ALSO ORDER (2) R104846, (2) 57M7258 AND<br>57M7289)                             |
| 10  | RE71489  | VALVE          | 4   |                            | X           | (ALSO ORDER U41966, U11326, R62070,<br>R106663, P42061 AND R150892)              |
| 11  | RE160680 | SWITCH         | 1   |                            | X           | (B) (SUB FOR RE61344, RE62929, RE65350 OR<br>RE66881) (ALSO ORDER 51M7041)       |
| 12  | RE160680 | SWITCH         | 1   |                            | X           | (F) (SUB FOR RE61344, RE62929, RE65350 OR<br>RE66881) (ALSO ORDER 51M7041) (NLR) |
| 13  | R44302   | TIE BAND       | 1   |                            | X           |  |
| 14  | 57M7256  | CONNECTOR      | 1   |                            | X           | (ALSO ORDER (2) R104919, (2) 57M7258 AND<br>57M7316)                             |
| 15  | 57M7254  | CONNECTOR      | 1   |                            | X           | (ALSO ORDER (2) R104846, (2) 57M7258 AND<br>57M7289)                             |
| 16  | RE70062  | SWITCH         | 1   |                            | X           | (C) (ALSO ORDER 51M7041) (SUB FOR RE52868)                                       |
| 17  | 57M7328  | CONNECTOR      | 1   |                            | X           | (ALSO ORDER (2) R104846, (2) 57M7258 AND<br>57M7291)                             |
| 18  | RE46534  | SWITCH         | 1   |                            | X           | (D) (ALSO ORDER 51M7042)   |
| 19  | RE60541  | WIRING HARNESS | 1   | -XXXXXX                    | X           | (E) (G) (SUB RE64628, (2) 57M7254, (2)<br>57M7289, (4) R104846 AND (4) 57M7258)  |
|     | RE64628  | WIRING HARNESS | 1   | XXXXXX-XXXXXX              | X           | (E) (H) (SUB FOR RE60541)  |
|     | RE70449  | WIRING HARNESS | 1   | XXXXXX-XXXXXX              | X           | (E) (I)  |
|     | RE71393  | WIRING HARNESS | 1   | XXXXXX-XXXXXX              | X           | (E) (J)  |

(A)PARK BRAKE PRESSURE  
PRESSION DU FREIN STATIONNMENT  
PARKBREMSENDRUCK  
PRESSINE DEL FRENO DI STAZIONAMENTO  
PRESION DE FRENO DE ESTACIONMIENTO  
PARKERINGSBROMSTRYCK

(B)CLUTCH ENGAGE  
EMBRAYAGE  
KUPPLUNG EINRUECKEN  
INNESTO DELLA FRIZIONE  
EMBRAGAR  
KOPPLINGEN INKOPPLAD

(C)GROUND DRIVE PUMP  
POMPE A ENGRENAGES D'ENTRAINEMENT PAR  
BEWEGUNGSGETRIEBENE PUMPE  
POMPA DI AZIONAMENTO  
BOMBA DE PROPULSION  
ROERELSEDRIVE PUMP

(D)CLUTCH DISENGAGE  
DEBRAYAGE  
KUPPLUNG AUSRUECKEN  
DISINNESTO DELLA FRIZIONE  
DESEMBRAGAR  
KOPPLINGEN URKOPPLAD

(E)ENGINE AND CHASSIS  
MOTEUR ET CHASSIS  
MOTOR UND CHASSIS  
MOTORE E TELAIO  
MOTOR Y CHASIS  
MOTOR OCH CHASSI

(F)TRANSMISSION OIL PRESSURE  
PRESSION DE L'HUILE TRANSMISSION  
GETRIEBEOELDRUCK  
PRESSIONE DELL'OLIO DELLA TRASMISSIONE  
PRESION DE ACEITE DE LA TRANSMISION  
TRANSMISSIONSOJETRYCK

(G)(XXXXXX- )TSN 8100-002801;8200-002215;8300-003900;8400-002531

(H)(XXXXXX-XXXXXX)TSN 8100-002802-011000;8200-002216-011000;8300-003901-011000;8400-002532-011000

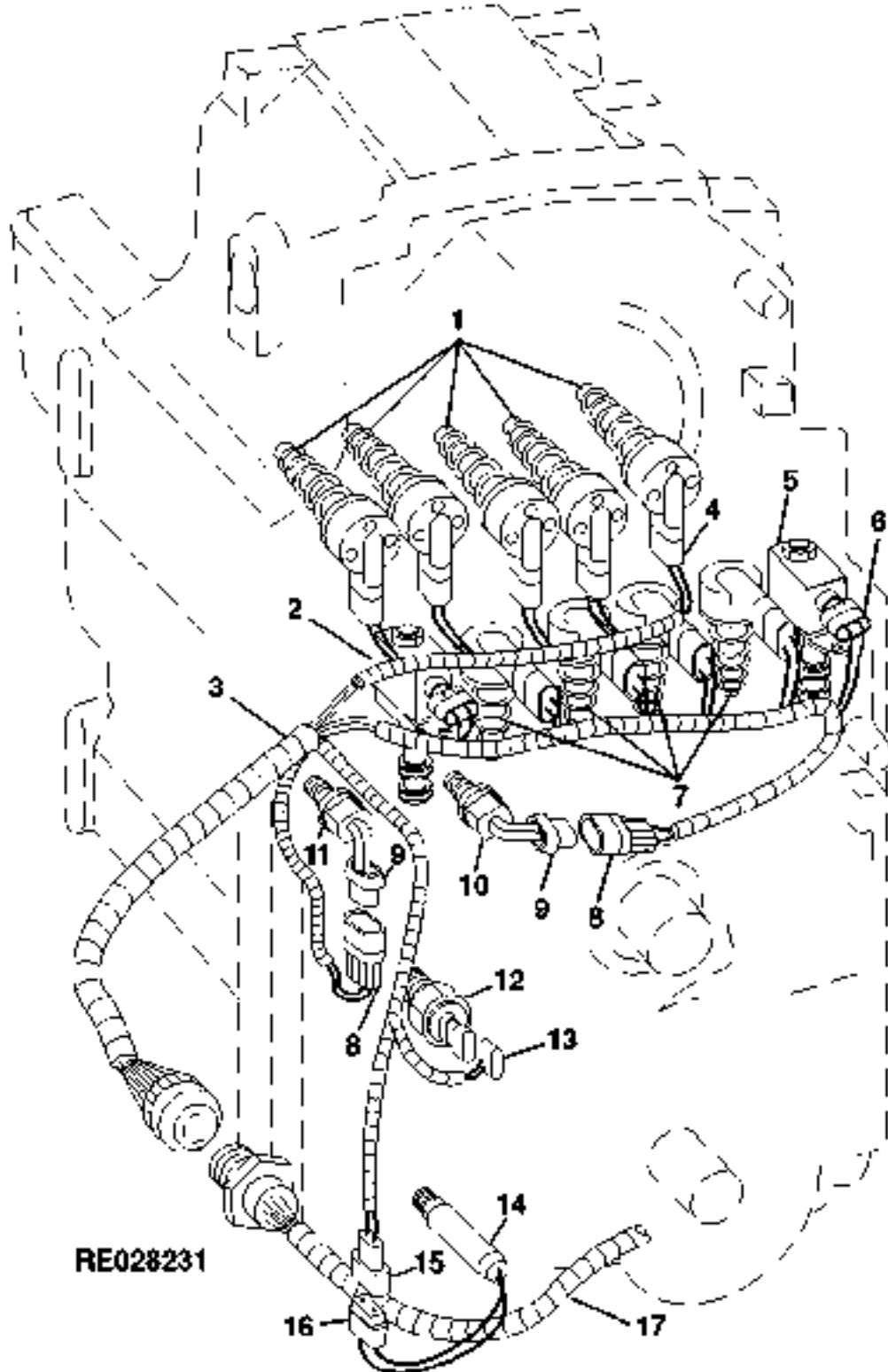
(I)(XXXXXX-XXXXXX)TSN 8100-011001-012002;8200-011001-011672;8300-011001-012165;8400-011001-012257

(J)(XXXXXX-XXXXXX)TSN 8100-012003-019999;8200-011673-019999;8300-012166-019999;8400-012258-019999

# 3D21

ELECTRICAL

WIRING HARNESS (TRANSMISSION)(TSN 020000- )  
FAISCEAU DE CABLES(BOITE DE VITESSES)(TSN 020000- )  
KABELBAUM(GETRIEBE)(TSN 020000- )  
CABLAGGIO(TRASMISSIONE)(TSN 020000- )  
GRUPO DE CABLES(TRANSMISION)(TSN 020000- )  
KABELHAERVA(KRAFTOEVERFOERING)(TSN 020000- )  
RE028231 -UN-03SEP97



RE028231

| KEY | PART NO. | PART NAME      | QTY | TRANSMISSION<br>SERIAL NO. | A<br>L<br>L | REMARKS   |
|-----|----------|----------------|-----|----------------------------|-------------|---|
| 1   | RE155966 | VALVE          | 5   |                            | X           | (ALSO ORDER U41966, R106663, T143166, R62070, R27928 AND P42061) (SUB FOR RE153329 OR RE150945) |
| 2   | RE52319  | SOLENOID VALVE | 1   |                            | X           | (D) (ALSO ORDER 51M7041)  |
| 3   | RE158819 | WIRING HARNESS | 1   | -XXXXXX                    | X           | (F) (SUB FOR RE70992)   |
|     | RE158819 | WIRING HARNESS | 1   | XXXXXX-                    | X           | (G)   |
| 4   | 57M7850  | CONNECTOR      | 1   |                            | X           | (ALSO ORDER (2) 57M7829)  |
| 5   | RE52319  | SOLENOID VALVE | 1   |                            | X           | (ALSO ORDER 51M7041) MFWD   |
| 6   | 57M7850  | CONNECTOR      | 1   |                            | X           | (ALSO ORDER (2) 57M7829)  |
| 7   | RE155967 | VALVE          | 4   |                            | X           | (ALSO ORDER U41966, R106663, U11326, R62070, R27928 AND R151701) (SUB FOR RE153330 OR RE150946) |
| 8   | 57M7365  | CONNECTOR      | 1   |                            | X           | (ALSO ORDER (2) R104919, (2) 57M7258 AND 57M7289)   |
| 9   | 57M7328  | CONNECTOR      | 1   |                            | X           | (ALSO ORDER (2) R104846, (2) 57M7258 AND 57M7289)   |
| 10  | RE160680 | SWITCH         | 1   |                            | X           | (B) (SUB FOR RE66881) (ALSO ORDER 51M7041)  |
| 11  | RE160680 | SWITCH         | 1   |                            | X           | (D) (SUB FOR RE66881) (ALSO ORDER 51M7041)  |
| 12  | RE46534  | SWITCH         | 1   |                            | X           | (C) (ALSO ORDER 51M7042)  |
| 13  | 57M7328  | CONNECTOR      | 1   |                            | X           | (ALSO ORDER (2) R104846, (2) 57M7258 AND 57M7291)   |
| 14  | RE70062  | SWITCH         | 1   | -XXXXXX                    | X           | (A) (H) (ALSO ORDER 51M7041)  |
|     | RE46684  | PLUG           | 1   | XXXXXX-                    | X           | (I)   |
| 15  | 57M7256  | CONNECTOR      | 1   |                            | X           | (ALSO ORDER (2) R104919, (2) 57M7258 AND 57M7316)   |
| 16  | 57M7254  | CONNECTOR      | 1   |                            | X           | (ALSO ORDER (2) R104846, (2) 57M7258 AND 57M7289)   |
| 17  | .....    | WIRING HARNESS | 1   |                            | X           | (E)   |

(A)GROUND DRIVE PUMP  
 POMPE A ENGRENAGES D'ENTRAINEMENT PAR  
 BEWEGUNGSGETRIEBENE PUMPE  
 POMPA DI AZIONAMENTO  
 BOMBA DE PROPULSION  
 ROERELSEDRIVE PUMP

(B)CLUTCH ENGAGE  
 EMBRAYAGE  
 KUPPLUNG EINRUECKEN  
 INNESTO DELLA FRIZIONE  
 EMBRAGAR  
 KOPPLINGEN INKOPPLAD

(C)CLUTCH DISENGAGE  
 DEBRAYAGE  
 KUPPLUNG AUSRUECKEN  
 DISINNESTO DELLA FRIZIONE  
 DESEMBRAGAR  
 KOPPLINGEN URKOPPLAD

(D)PARK BRAKE PRESSURE  
 PRESSION DU FRIEN DE STATIONNMENT  
 PARKBREMSENDDRUCK  
 PRESSINE DEL FRENPI DI STAZIONAMENTO  
 PRESION DE FRENO DE ESTACIONMIENTO  
 PARKERINGSBROMSTRYCK

(E)ENGINE AND CHASSIS  
 MOTEUR ET CHASSIS  
 MOTOR UND CHASSIS  
 MOTORE E TELAIO  
 MOTOR Y CHASIS  
 MOTOR OCH CHASSI

(F)( -XXXXXX)8100-024829;8200-024824;8300-024819;8400-024850

(G)(XXXXXX-)8100-024830;8200-024825;8300-024820;8400-024851

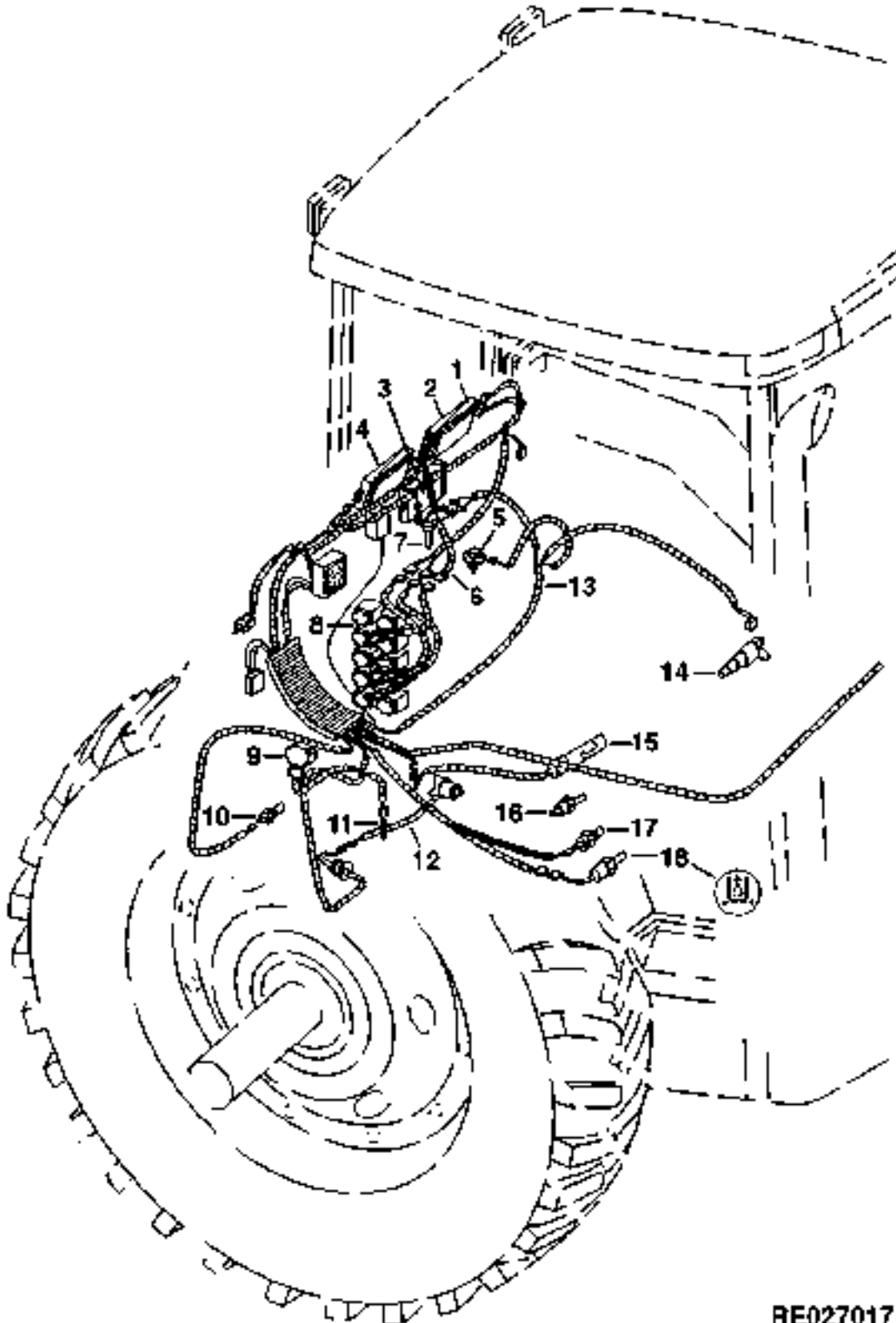
(H)( -XXXXXX)8100-021126;8200-020922;8300-021609;8400-021944

(I)(XXXXXX-)8100-021127;8200-020923;8300-021610;8400-021945

# 3D23

ELECTRICAL

WIRING HARNESS(ENGINE AND CHASSIS)(8100,8200,8300,8400 -009999)  
FAISCEAU DE FILS(MOTEUR ET CHASSIS)(8100,8200,8300,8400 -009999)  
KABELBAUM(MOTOR UND CHASSIS)(8100,8200,8300,8400 -009999)  
CABLAGGIO(MOTORE E TELAIO)(8100,8200,8300,8400 -009999)  
GRUPO DE CABLES(MOTOR Y CHASIS)(8100,8200,8300,8400 -009999)  
KABELHAERVA(MOTOR OCH CHASSI)(8100,8200,8300,8400 -009999)  
RE027017 -UN-17JUL96



RE027017

# 3D24

ELECTRICAL

| KEY | PART NO. | PART NAME                | QTY | TRACTOR SERIAL NO. | A<br>L<br>L | REMARKS  |
|-----|----------|--------------------------|-----|--------------------|-------------|--|
| 1   | .....    | HITCH AND SCV CONTROLLER | 1   |                    | X           | (HCU/SCU-1,2,3 SCV)  |
| 2   | .....    | HITCH AND SCV CONTROLLER | 1   |                    | X           | (HCU/SCO-4 OR 5 SCV/ROW-TRAK)  |
| 3   | .....    | ENGINE CONTROLLER        | 1   |                    |             | (ECU)  |
| 4   | .....    | VEHICLE CONTROLLER       | 1   |                    | X           | (CCU/PCU)  |
| 5   | RE52319  | SOLENOID VALVE           | 1   |                    | X           | (A)  |
| 6   | RE58782  | WIRING HARNESS           | 1   |                    | X           | (4,5 SCV)  |
| 7   | RE56950  | WHEEL SPEED SENSOR       | 1   |                    | X           | (ALSO ORDER R375)  |
| 8   | RE61119  | SOLENOID                 | 5   |                    | X           |  |
| 9   | RE56165  | SENSOR                   | 1   |                    | X           | (SUB FOR RE24467)  |
| 10  | RE71121  | SENSOR                   | 1   |                    | X           | (B) (ALSO ORDER 57M7041) (SUB FOR RE43511)                               |
| 11  | RE61568  | CONNECTOR                | 1   |                    | X           | (NLR)  |
| 12  | RE43738  | HITCH DRAFT SENSOR       | 1   |                    | X           |  |
|     | R44302   | TIE BAND                 | 1   |                    | X           |  |
| 13  | RE60541  | WIRING HARNESS           | 1   | -XXXXXX            | X           | (F) (SUB RE64628, (2) 57M7254, (2) 57M7289, (4) R104846 AND (4) 57M7258) |
|     | RE64628  | WIRING HARNESS           | 1   | XXXXXX-            | X           | (G) (SUB FOR RE60541)  |
|     | R124804  | CLAMP                    | 1   |                    | X           |  |
|     | R122472  | CLIP                     | 1   |                    | X           |  |
| 14  | RE71489  | VALVE                    | 1   |                    | X           | (C) (ALSO ORDER U41966)  |
| 15  | RE55516  | SWITCH                   | 1   |                    | X           | (D) (ALSO ORDER 51M7049)   |
| 16  | RE71121  | SENSOR                   | 1   |                    | X           | (B) (ALSO ORDER 51M7041) (SUB FOR RE43511)                               |
| 17  | RE52722  | SENSOR                   | 1   |                    | X           | (ALSO ORDER 51M7041)   |
| 18  | RE43508  | SENSOR                   | 1   |                    | X           | (E) (ALSO ORDER R27976 AND 51M7041)                                      |

(A)DIFFERENTIAL LOCK  
BLOCAGE DU DIFFERENTIEL  
DIFFERENTIALSPERRE  
BLOCCAGGIO DEL DIFFERENZIALE  
TRABA DEL DIFERENCIAL  
DIFFERENTIALSPAERR

(B)REAR PTO SPEED  
REGIME DE PDF ARRIERE  
DREHZAHl DER HINTEREN ZAPFWELLE  
VELOCITA'DELLA PTO POSTERIORE  
VELOCIDAD DE LA TRASERA  
VARVTAL,BAKRE KRAFTUTTAG

(C)REAR PTO  
PDF ARRIERE  
HINTERE ZAPFWELLE  
PTO POSTERIORE  
TDF TRASERA  
BAKRE KRAFTUTTAG

(D)CLEAN OIL LEVEL RESERVOIR  
RESERVOIR,NIVEAU D'HUILE PROPRE  
BEHAELTER,OELSTAND,SAUBER  
SERBATOIO,LIVELLO DELL'OLIO PULITO  
DEPOSITO,NIVEL DE ACEITE LIMPIO  
BEHALLARE,REN OLJENIVAA

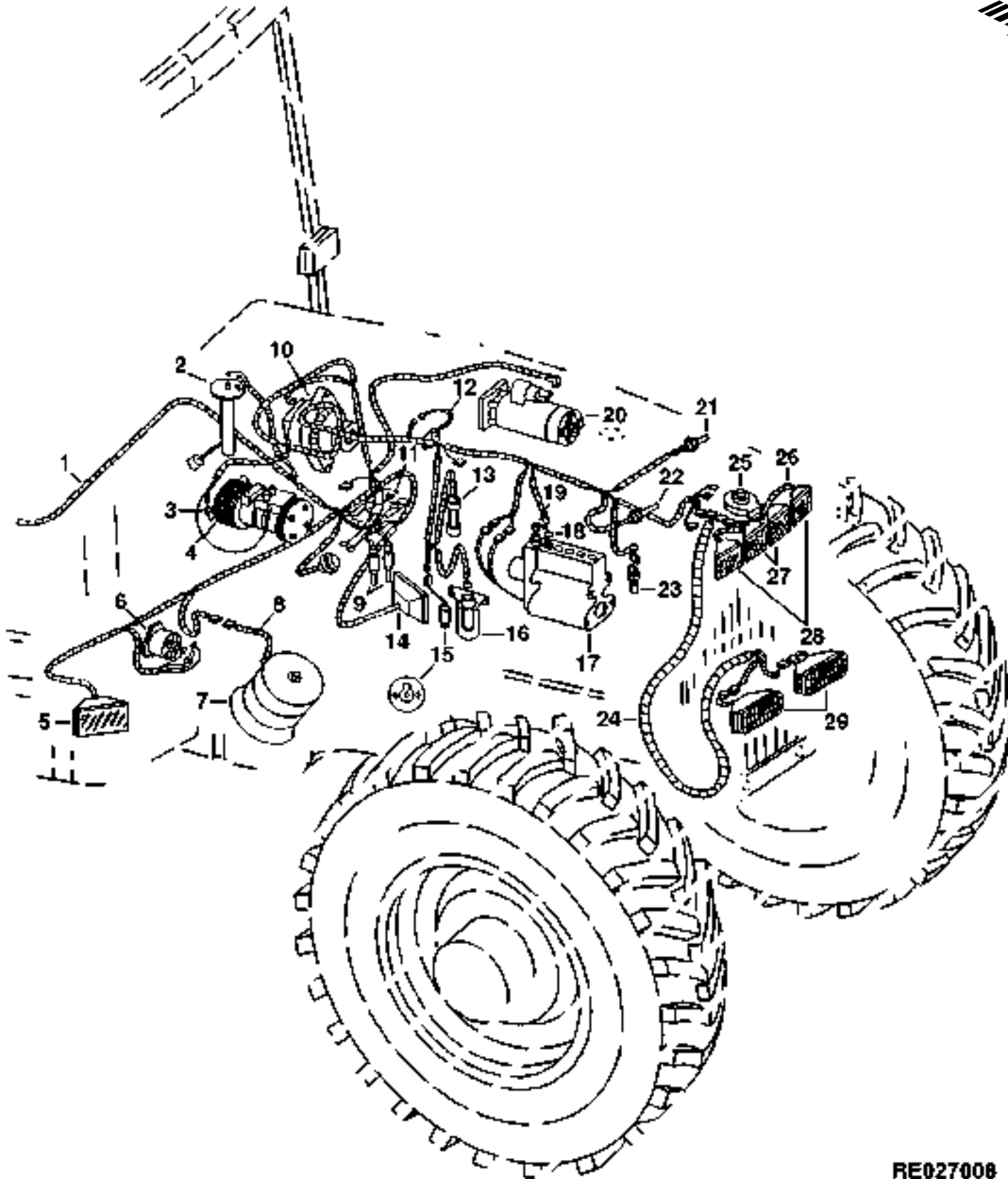
(E)HYDRAULIC OIL PRESSURE  
PRESSION D'HUILE HYDRAULIQUE  
HYDRAULIKOELDRUCK  
PRESSIONE DELL'OLIO IDRAULICO  
PRESION DE ACEITE HIDRAULICO  
HYDRAULOJETRYCK

(F)(-XXXXXX)8100-002801;8200-002215;8300-003900;8400-00253  
(G)(XXXXXX- )8100-002802;8200-002216;8300-003901;8400-002532

# 3E1

ELECTRICAL

WIRING HARNESS(ENGINE AND CHASSIS)(8100,8200,8300,8400 -009999)  
FAISCEAU DE FILS(MOTEUR ET CHASSIS)(8100,8200,8300,8400 -009999)  
KABELBAUM(MOTOR UND CHASSIS)(8100,8200,8300,8400 -009999)  
CABLAGGIO(MOTORE E TELAIO)(8100,8200,8300,8400 -009999)  
GRUPO DE CABLES(MOTOR Y CHASIS)(8100,8200,8300,8400 -009999)  
KABELHAERVA(MOTOR OCH CHASSI)(8100,8200,8300,8400 -009999)  
RE027008 -UN-17JUL96



RE027008



| KEY | PART NO. | PART NAME                | QTY | TRACTOR SERIAL NO. | A<br>L<br>L | REMARKS  |
|-----|----------|--------------------------|-----|--------------------|-------------|--|
| 1   | RE60541  | WIRING HARNESS           | 1   | -XXXXXX            | X           | (J) (SUB RE64628, (2) 57M7254, (2) 57M7289, (4) R104846 AND (4) 57M7258) |
|     | RE64628  | WIRING HARNESS           | 1   | XXXXXX-            | X           | (K) (SUB FOR RE60541)  |
| 2   | RE69669  | FUEL SENDER              | 1   |                    | X           | (SUB FOR RE51519)  |
| 3   | RE52510  | STATOR                   | 1   |                    | X           |  |
| 4   | TY6764   | COMPRESSOR               | 1   |                    | X           | (A)  |
| 5   | RE61164  | FLOODLAMP                | 1   | -XXXXXX            | X           | (J) R.H.   |
|     | RE150428 | FLOODLAMP                | 1   | XXXXXX-            | X           | (K) (SUB FOR RE63957, RE66007 OR RE71429) R.H.                           |
| 6   | RE38391  | STARTER RELAY            | 1   |                    | X           | (MARKED AT68973)   |
| 7   | RE43025  | RADAR SENSOR             | 1   |                    | X           | (B) (SUB RE153333)   |
|     | RE58592  | RADAR SENSOR             | 1   |                    | X           | (C) (SUB RE153334)   |
| 8   | RE52645  | WIRING HARNESS           | 1   |                    | X           | (USE WITH RE43025, RE58592 OR RE66845)                                   |
| 9   | AL79013  | PUMP                     | 2   |                    | X           |  |
| 10  | RE46608  | ALTERNATOR               | 1   |                    | X           |  |
|     | TY6762   | ALTERNATOR               | 1   |                    | X           | (A)  |
| 11  | RE48875  | JUNCTION BLOCK           | 1   |                    | X           |  |
| 12  | RE12176  | AIR FILTER RSTR SENSOR   | 1   |                    | X           | (ALSO ORDER R77673)  |
| 13  | RE63289  | SWITCH                   | 1   |                    | X           | (E) (SUB FOR RE52866)  |
| 14  | RE61165  | FLOODLAMP                | 1   | -XXXXXX            | X           | (J) L.H.   |
|     | RE150426 | FLOODLAMP                | 1   | XXXXXX-            | X           | (K) (SUB FOR RE58598, RE70044 OR RE71427) L.H.                           |
| 15  | RE63289  | ENGINE OIL PRESS. SENSOR | 1   |                    | X           | (E) (SUB FOR RE52866)  |
|     | RE56009  | ENGINE OIL PRESS. SENSOR | 1   |                    | X           | (E) (F)  |
| 16  | RE48310  | STARTING AID SOLENOID    | 1   |                    | X           |  |
| 17  | .....    | FUEL INJECTION PUMP      | 1   |                    | X           |  |
| 18  | R89014   | SOLENOID                 | 1   |                    | X           | (G) (ALSO ORDER R99047)  |
| 19  | RE28217  | FUEL TEMPERATURE SENSOR  | 1   |                    | X           | (ALSO ORDER R98500)  |
| 20  | TY6781   | STARTER MOTOR            | 1   |                    | X           | (A) (SUB FOR RE56053 OR RE65176) (8100,8200,8300)                        |
|     | RE65103  | STARTER MOTOR            | 1   |                    | X           | (SUB FOR RE61087) (SUB RE70957) (MARKED RE65100) (8400)                  |
| 21  | RE38310  | SENSOR                   | 1   |                    | X           | (H) (ALSO ORDER R77673)  |
| 22  | RE151433 | WATER TEMPERATURE SENSOR | 1   |                    | X           | (ALSO ORDER R77673) (SUB FOR RE48073)                                    |
| 23  | RE71121  | SENSOR                   | 1   |                    | X           | (I) (ALSO ORDER R54856) (SUB FOR RE43511)                                |
| 24  | RE60633  | WIRING HARNESS           | 1   |                    | X           | (C) (D) (ALSO ORDER R72853)  |
| 25  | R64700   | HIGH NOTE HORN           | 1   |                    | X           | (SUB RE159897, 14M7273 AND (2) 24M7036)                                  |
| 26  | RE60632  | WIRING HARNESS           | 1   |                    | X           |  |
| 27  | RE150422 | HEADLIGHT                | 2   |                    | X           | (SUB FOR RE61243 OR RE71422)   |
| 28  | RE150423 | FLOODLAMP                | 2   |                    | X           | (SUB FOR RE61244 OR RE71423)   |
| 29  | RE71268  | HEADLIGHT                | 2   |                    | X           | (C) (SUB FOR RE61786) (R.H.TRAFFIC)                                      |
|     | AL56092  | HOUSING                  | 2   |                    | X           | (D) (L.H. TRAFFIC)   |

|   |  |  |
|---|--|--|
| (A)REMANUFACTURED<br>ECHANGE STANDARD<br>GENERALUEBERHOLT<br>RIGATTO<br>REFABRICADO<br>RENOVERAD        | (B)NORTH AMERICAN VERSION<br>VERSION NORD AMERICAINE<br>NORDAMERIKANISCHE<br>VERSIONE NORDAMERICANA<br>VERSION NORTEAMERICANA<br>NORDAMERIKANSK VERSION        | (C)EUROPEAN VERSION<br>VERSIONE EUROPEENNE<br>EUROPAEISCHE AUSFUEHRUNG<br>VERSIONE EUROPEA<br>VERSION EUROPEA<br>EUROPEISK VERSION |
| (D)UNITED KINGDOM<br>ROYAUME-UNI<br>ENGLAND<br>REGNO UNITO<br>REINO UNIDO<br>ENGLAND                    | (E)OIL PRESSURE TRANSDUCER<br>TRANSDUCTEUR,PRESSION<br>OELDRUCK-UMFORMER<br>TRASDUTTORE DELLA PRESSIONE<br>TRANSDUCTOR DE PRESION DE<br>OLJETRYCKSOMFORMARE    | (F)DELUXE CAB<br>CABINE DELUXE<br>LUXUSKABINE<br>CABINA DELUXE<br>CABINA DE LUJO<br>LYXHOTT  |
| (G)SHUT-OFF<br>ROBINET-D'ARRET<br>ABSCHALTUNG<br>RUBINETTO D'ARRESTO<br>GRIFO DE CIERRE<br>AVSTAENGNING | (H)AIR INTAKE TEMPERATURE<br>TEMPERATURE,ADMISSION D'AIR<br>LUIFTANSAUGTEMPERTUR<br>TEMPERTURA D'INGRESSO<br>TEMPERTURA DE LA ADMISION<br>LUFTINTAGSTEMPERATUR | (I)ENGINE SPEED<br>REGIME MOTEUR<br>MOTORDREHZAHL<br>REGIME DEL MOTORE<br>VELOCIDAD DEL MOTOR<br>MOTORVARVTAL                      |

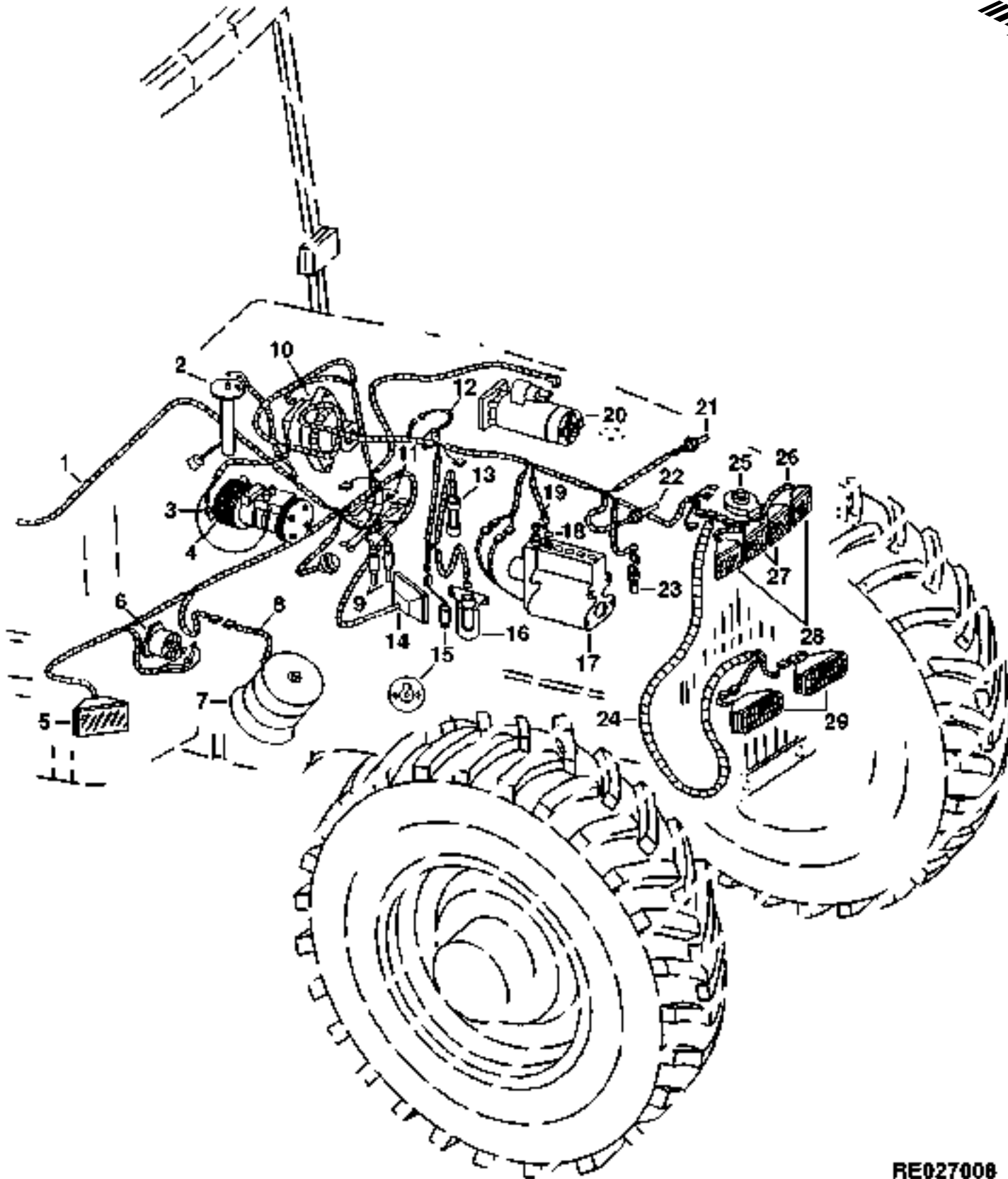
  

|  |  |
|--|--|
| (J)( -XXXXXX)8100-002801;8200-002215;8300-003900;8400-002531 | (K)(XXXXXX- )8100-002802;8200-002216;8300-003901;8400-002532 |
|--|--|

# 3E3

ELECTRICAL

WIRING HARNESS(ENGINE AND CHASSIS)(8100,8200,8300,8400 -009999)  
FAISCEAU DE FILS(MOTEUR ET CHASSIS)(8100,8200,8300,8400 -009999)  
KABELBAUM(MOTOR UND CHASSIS)(8100,8200,8300,8400 -009999)  
CABLAGGIO(MOTORE E TELAIO)(8100,8200,8300,8400 -009999)  
GRUPO DE CABLES(MOTOR Y CHASIS)(8100,8200,8300,8400 -009999)  
KABELHAERVA(MOTOR OCH CHASSI)(8100,8200,8300,8400 -009999)  
RE027008 -UN-17JUL96



RE027008

# 3E4

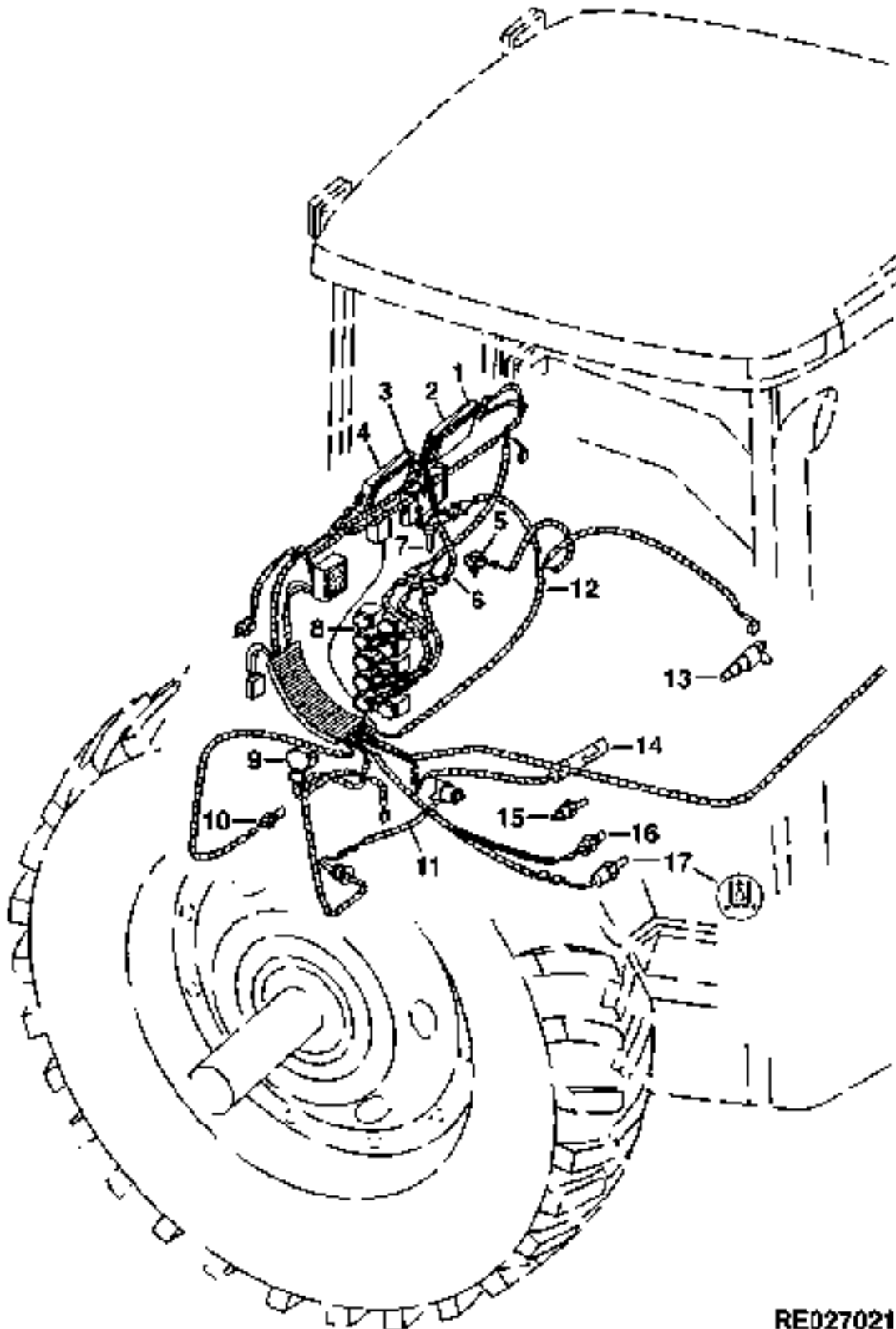
ELECTRICAL

| KEY  | PART NO. | PART NAME                   | QTY | TRACTOR SERIAL NO.       | A<br>L<br>L | REMARKS                                   |
|--|----------|-----------------------------|-----|--------------------------|-------------|---|
| 21   | RE38310  | SENSOR                      | 1   |                          | X           | (H) (ALSO ORDER R77673)                   |
| 22   | RE151433 | WATER TEMPERATURE SENSOR    | 1   |                          | X           | (ALSO ORDER R77673) (SUB FOR RE48073)     |
| 23   | RE71121  | SENSOR                      | 1   |                          | X           | (I) (ALSO ORDER R54856) (SUB FOR RE43511) |
| 24   | RE60633  | WIRING HARNESS              | 1   |                          | X           | (C) (D) (ALSO ORDER R72853)               |
| 25   | R64700   | HIGH NOTE HORN              | 1   |                          | X           |   |
| 26   | RE60632  | WIRING HARNESS              | 1   |                          | X           |   |
| 27   | RE150422 | HEADLIGHT                   | 2   |                          | X           | (SUB FOR RE61243 OR RE71422)              |
| 28   | RE150423 | FLOODLAMP                   | 2   |                          | X           | (SUB FOR RE61244 OR RE71423)              |
| 29   | RE71268  | HEADLIGHT                   | 2   |                          | X           | (C) (SUB FOR RE61786) (R.H.TRAFFIC)       |
|  | AL56092  | HOUSING                     | 2   |                          | X           | (D) (L.H. TRAFFIC)                        |
| (A)REMANUFACTURED  |          | (B)NORTH AMERICAN VERSION   |     | (C)EUROPEAN VERSION      |             |   |
| ECHANGE STANDARD   |          | VERSION NORD AMERICAINE     |     | VERSIONE EUROPEENNE      |             |   |
| GENERALUEBERHOLT   |          | NORDAMERIKANISCHE           |     | EUROPAEISCHE AUSFUEHRUNG |             |   |
| RIGATTO  |          | VERSIONE NORDAMERICANA      |     | VERSIONE EUROPEA         |             |   |
| REFABRICADO  |          | VERSION NORTEAMERICANA      |     | VERSION EUROPEA          |             |   |
| RENOVERAD  |          | NORDAMERIKANSK VERSION      |     | EUROPEISK VERSION        |             |   |
| (D)UNITED KINGDOM  |          | (E)OIL PRESSURE TRANSDUCER  |     | (F)DELUXE CAB            |             |   |
| ROYAUME-UNI  |          | TRANSDUCTEUR,PRESSION       |     | CABINE DELUXE            |             |   |
| ENGLAND  |          | OELDRUCK-UMFORMER           |     | LUXUSKABINE              |             |   |
| REGNO UNITO  |          | TRASDUTTORE DELLA PRESSIONE |     | CABINA DELUXE            |             |   |
| REINO UNIDO  |          | TRANSDUCTOR DE PRESION DE   |     | CABINA DE LUJO           |             |   |
| ENGLAND  |          | OLJETRYCKSOMFORMARE         |     | LYXHOTT                  |             |   |
| (G)SHUT-OFF  |          | (H)AIR INTAKE TEMPERATURE   |     | (I)ENGINE SPEED          |             |   |
| ROBINET-D'ARRET  |          | TEMPERATURE,ADMISSION D'AIR |     | REGIME MOTEUR            |             |   |
| ABSCHALTUNG  |          | LUIFTANSAUGTEMPERTUR        |     | MOTORDREHZAHL            |             |   |
| RUBINETTO D'ARRESTO  |          | TEMPERTURA D'INGRESSO       |     | REGIME DEL MOTORE        |             |   |
| GRIFO DE CIERRE  |          | TEMPERTURA DE LA ADMISION   |     | VELOCIDAD DEL MOTOR      |             |   |
| AVSTAENGNING   |          | LUFTINTAGSTEMPERATUR        |     | MOTORVARVTAL             |             |   |
| (J)( -XXXXXX)8100-002801;8200-002215;8300-003900;8400-002531 |          |                             |     |                          |             |   |
| (K)(XXXXXX- )8100-002802;8200-002216;8300-003901;8400-002532 |          |                             |     |                          |             |   |

# 3E5

ELECTRICAL

WIRING HARNESS(ENGINE AND CHASSIS)(8100,8200,8300,8400 010000- )  
FAISCEAU DE FILS(MOTEUR ET CHASSIS)(8100,8200,8300,8400 010000- )  
KABELBAUM(MOTOR UND CHASSIS)(8100,8200,8300,8400 010000- )  
CABLAGGIO(MOTORE E TELAI)(8100,8200,8300,8400 010000- )  
GRUPO DE CABLES(MOTOR Y CHASIS)(8100,8200,8300,8400 010000- )  
KABELHAERVA(MOTOR OCH CHASSI)(8100,8200,8300,8400 010000- )  
RE027021 -UN-17JUL96



RE027021

| KEY | PART NO. | PART NAME                | QTY | TRACTOR SERIAL NO. | A<br>L<br>L | REMARKS                                    |
|-----|----------|--------------------------|-----|--------------------|-------------|--|
| 1   | .....    | HITCH AND SCV CONTROLLER | 1   |                    | X           | (HCU/SCU-1,2,3 SCV)                        |
| 2   | .....    | HITCH AND SCV CONTROLLER | 1   |                    | X           | (HCU/SCO-4 OR 5 SCV/ROW-TRAK)              |
| 3   | .....    | ENGINE CONTROLLER        | 1   |                    | X           | (ECU)                                      |
| 4   | .....    | VEHICLE CONTROLLER       | 1   |                    | X           | (CCU/PCU)                                  |
| 5   | RE58782  | WIRING HARNESS           | 1   |                    | X           | (4,5 SCV)                                  |
| 6   | RE52319  | SOLENOID VALVE           | 1   |                    | X           | (A)  |
| 7   | RE56950  | WHEEL SPEED SENSOR       | 1   |                    | X           | (ALSO ORDER R375)                          |
| 8   | RE61119  | SOLENOID                 | 5   |                    | X           |  |
| 9   | RE56165  | SENSOR                   | 1   |                    | X           |  |
| 10  | RE71121  | SENSOR                   | 1   |                    | X           | (B) (ALSO ORDER 57M7041) (SUB FOR RE43511) |
| 11  | RE43738  | HITCH DRAFT SENSOR       | 1   |                    | X           |  |
|     | R44302   | TIE BAND                 | 1   |                    | X           |  |
| 12  | RE64628  | WIRING HARNESS           | 1   | -011000            | X           |  |
|     | RE70449  | WIRING HARNESS           | 1   | XXXXXX-XXXXXX      | X           | (F) (SUB RE71393)                          |
|     | RE71393  | WIRING HARNESS           | 1   | XXXXXX-XXXXXX      | X           | (G)  |
|     | RE70991  | WIRING HARNESS           | 1   | XXXXXX-XXXXXX      | X           | (H) (SUB RE158817)                         |
|     | RE158817 | WIRING HARNESS           | 1   | XXXXXX-            | X           | (I)  |
|     | R122472  | CLIP                     | 1   |                    | X           |  |
| 13  | RE71489  | VALVE                    | 1   |                    | X           | (C) (ALSO ORDER U41966)                    |
| 14  | RE55516  | SWITCH                   | 1   |                    | X           | (D) (ALSO ORDER 51M7049)                   |
| 15  | RE71121  | SENSOR                   | 1   |                    | X           | (B) (ALSO ORDER 51M7041) (SUB FOR RE43511) |
| 16  | RE52722  | SENSOR                   | 1   |                    | X           | (ALSO ORDER 51M7041)                       |
| 17  | RE43508  | SENSOR                   | 1   |                    | X           | (E) (ALSO ORDER R27976 AND 51M7041)        |

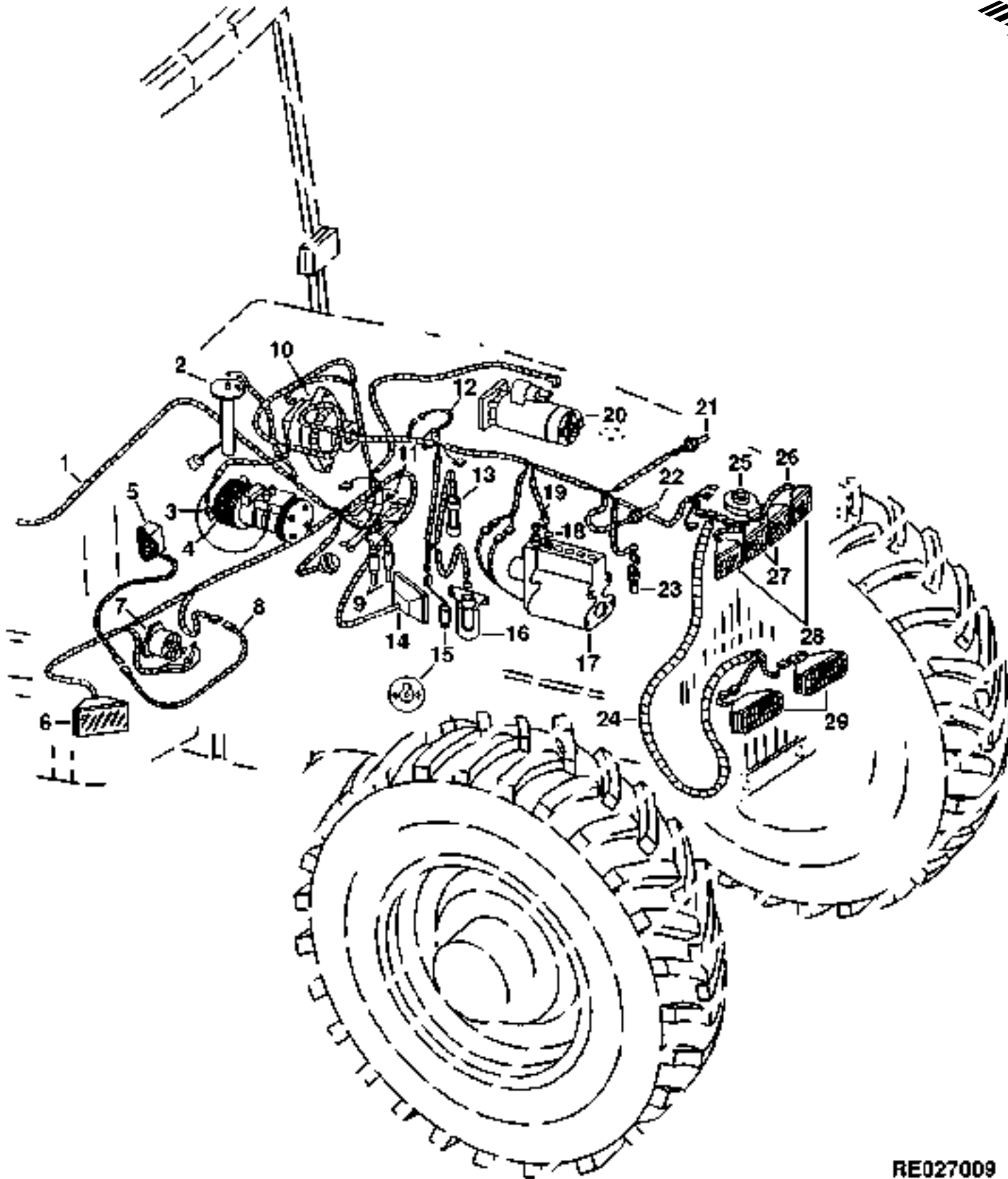
|  |   |
|--|---|
| <p>(A)DIFFERENTIAL LOCK<br/>         BLOCAGE DU DIFFERENTIEL<br/>         DIFFERENTIALSPERRE<br/>         BLOCCAGGIO DEL DIFFERENZIALE<br/>         TRABA DEL DIFERENCIAL<br/>         DIFFERENTIALSPAERR</p>                | <p>(B)REAR PTO SPEED<br/>         REGIME DE PDF ARRIERE<br/>         DREHZAHL DER HINTEREN ZAPFWELLE<br/>         VELOCITA'DELLA PTO POSTERIORE<br/>         VELOCIDAD DE LA TRASERA<br/>         VARVTAL,BAKRE KRAFTUTTAG</p>                            |
| <p>(C)REAR PTO<br/>         PDF ARRIERE<br/>         HINTERE ZAPFWELLE<br/>         PTO POSTERIORE<br/>         TDF TRASERA<br/>         BAKRE KRAFTUTTAG</p>  | <p>(D)CLEAN OIL LEVEL RESERVOIR<br/>         RESERVOIR,NIVEAU D'HUILE PROPRE<br/>         BEHAELTER,OELSTAND,SAUBER<br/>         SERBATOIO,LIVELLO DELL'OLIO PULITO<br/>         DEPOSITO,NIVEL DE ACEITE LIMPIO<br/>         BEHALLARE,REN OLJENIVAA</p> |
| <p>(E)HYDRAULIC OIL PRESSURE<br/>         PRESSION D'HUILE HYDRAULIQUE<br/>         HYDRAULIKOELDRUCK<br/>         PRESSIONE DELL'OLIO IDRAULICO<br/>         PRESION DE ACCITE HIDRAULICO<br/>         HYDRAULOLJETRYCK</p> |   |

(F)(XXXXXX-XXXXXX)8100-011001-012002;8200-011001-011672;8300-011001-012165-;8400-011001-012257  
(G)(XXXXXX-XXXXXX)8100-012003-019999;8200-011673-019999;8300-012166-019999-;8400-012258-019999  
(H)(XXXXXX-XXXXXX)8100-020000-024829;8200-020000-024824;8300-020000-024819-;8400-020000-024850  
(I)(XXXXXX- )8100-024830;8200-024825;8300-024820;8400-024851

# 3E7

ELECTRICAL

WIRING HARNESS(ENGINE AND CHASSIS)(8100,8200,8300,8400 010000- )  
FAISCEAU DE FILS(MOTEUR ET CHASSIS)(8100,8200,8300,8400 010000- )  
KABELBAUM(MOTOR UND CHASSIS)(8100,8200,8300,8400 010000- )  
CABLAGGIO(MOTORE E TELAIO)(8100,8200,8300,8400 010000- )  
GRUPO DE CABLES(MOTOR Y CHASIS)(8100,8200,8300,8400 010000- )  
KABELHAERVA(MOTOR OCH CHASSI)(8100,8200,8300,8400 010000- )  
RE027009 -UN-17JUL96



RE027009

| KEY | PART NO. | PART NAME                | QTY | TRACTOR SERIAL NO. | A<br>L<br>L | REMARKS                                    |
|-----|----------|--------------------------|-----|--------------------|-------------|--|
| 1   | RE64628  | WIRING HARNESS           | 1   | -011000            | X           |  |
|     | RE70449  | WIRING HARNESS           | 1   | XXXXXX-XXXXXX      | X           | (J)  |
|     | RE71393  | WIRING HARNESS           | 1   | XXXXXX-XXXXXX      | X           | (K)  |
|     | RE70991  | WIRING HARNESS           | 1   | XXXXXX-XXXXXX      | X           | (L)  |
|     | RE158817 | WIRING HARNESS           | 1   | XXXXXX-            | X           | (M)  |
| 2   | RE69669  | FUEL SENDER              | 1   |                    | X           | (SUB FOR RE51519)                          |
| 3   | RE52510  | STATOR                   | 1   |                    | X           |  |
| 4   | TY6764   | COMPRESSOR               | 1   |                    | X           | (A)  |
| 5   | RE152877 | RADAR SENSOR             | 1   |                    | X           | (B) (SUB FOR RE52719)                      |
|     | RE152880 | RADAR SENSOR             | 1   |                    | X           | (C) (SUB FOR RE54017)                      |
| 6   | RE150428 | FLOODLAMP                | 1   |                    | X           | R.H. (SUB FOR RE66007 OR RE71429)          |
| 7   | RE38391  | STARTER RELAY            | 1   |                    | X           | (MARKED AT68973)                           |
| 8   | RE52645  | WIRING HARNESS           | 1   |                    | X           |  |
| 9   | AL79013  | PUMP                     | 2   |                    | X           |  |
| 10  | RE46608  | ALTERNATOR               | 1   |                    | X           |  |
|     | TY6762   | ALTERNATOR               | 1   |                    | X           | (A)  |
| 11  | RE48875  | JUNCTION BLOCK           | 1   |                    | X           |  |
| 12  | RE12176  | AIR FILTER RSTR SENSOR   | 1   |                    | X           | (ALSO ORDER R77673)                        |
| 13  | RE63289  | SWITCH                   | 1   |                    | X           | (E)  |
| 14  | RE150426 | FLOODLAMP                | 1   |                    | X           | (SUB FOR RE58593, RE70044 OR RE71427) L.H. |
| 15  | RE63289  | ENGINE OIL PRESS. SENSOR | 1   |                    | X           | (E) (SUB FOR RE52866)                      |
|     | RE56009  | ENGINE OIL PRESS. SENSOR | 1   |                    | X           | (E) (F)                                    |
| 16  | RE48310  | STARTING AID SOLENOID    | 1   |                    | X           |  |
| 17  | .....    | FUEL INJECTION PUMP      | 1   |                    | X           |  |
| 18  | R89014   | SOLENOID                 | 1   |                    | X           | (G) (ALSO ORDER R99047)                    |
| 19  | RE28217  | FUEL TEMPERATURE SENSOR  | 1   |                    | X           | (ALSO ORDER R98500)                        |
| 20  | RE65103  | STARTER MOTOR            | 1   |                    | X           | (MARKED RE65100) (SUB RE70957)             |
|     | RE70957  | STARTER MOTOR KIT        | 1   |                    | X           | (MARKED RE69704) (SUB FOR RE65103)         |
| 21  | RE38310  | SENSOR                   | 1   |                    | X           | (H) (ALSO ORDER R77673)                    |
| 22  | RE151433 | WATER TEMPERATURE SENSOR | 1   |                    | X           | (ALSO ORDER R77673) (SUB FOR RE48073)      |
| 23  | RE71121  | SENSOR                   | 1   |                    | X           | (I) (ALSO ORDER R54856) (SUB FOR RE43511)  |
| 24  | RE60633  | WIRING HARNESS           | 1   |                    | X           | (C) (D) (ALSO ORDER R72853)                |
| 25  | R64700   | HORN                     | 1   | -026686            | X           | (SUB RE159897, 14M7273 AND (2) 24M7036)    |
|     | R159897  | HORN                     | 1   | 026687-            | X           |  |
| 26  | RE60632  | WIRING HARNESS           | 1   |                    | X           |  |
| 27  | RE150422 | HEADLIGHT                | 2   |                    | X           | (SUB FOR RE61243 OR RE71422)               |
| 28  | RE150423 | FLOODLAMP                | 2   |                    | X           | (SUB FOR RE61244 OR RE71423)               |
| 29  | RE71268  | HEADLIGHT                | 2   |                    | X           | (C) (SUB FOR RE61786) (R.H. TRAFFIC)       |
|     | AL56092  | HOUSING                  | 2   |                    | X           | (D) (L.H. TRAFFIC)                         |

(A)REMANUFACTURED  
ECHANGE STANDARD  
GENERALUEBERHOLT  
RIGATTO  
REFABRICADO  
RENOVERAD

(B)NORTH AMERICAN VERSION  
VERSION NORD AMERICAINE  
NORDAMERIKANISCHE  
VERSIONE NORDAMERICANA  
VERSION NORTEAMERICANA  
NORDAMERIKANSK VERSION

(C)EUROPEAN VERSION  
VERSIONE EUROPEENNE  
EUROPAEISCHE AUSFUHRUNG  
VERSIONE EUROPEA  
VERSION EUROPEA  
EUROPEISK VERSION

(D)UNITED KINGDOM  
ROYAUME-UNI  
ENGLAND  
REGNO UNITO  
REINO UNIDO  
ENGLAND

(E)OIL PRESSURE TRANSDUCER  
TRANSDUCTEUR,PRESSION  
OELDRUCK-UMFORMER  
TRASDUTTORE DELLA PRESSIONE  
TRANSDUCTOR DE PRESION DE  
OLJETRYCKSOMFORMARE

(F)DELUXE CAB  
CABINE DELUXE  
LUXUSKABINE  
CABINA DELUXE  
CABINA DE LUJO  
LYXHYYT

(G)SHUT-OFF  
ROBINET D'ARRET  
ABSCHALTUNG  
RUBINETTO D'ARRESTO  
GRIFO DE CIERRE  
AVSTAENGNING

(H)AIR INTAKE TEMPERATURE  
TEMPERATURE,ADMISSION D'AIR  
LUIFTANSAUGTEMPERTUR  
TEMPERTURA D'INGRESSO  
TEMPERTURA DE LA ADMISION  
LUFTINTAGSTEMPERATUR

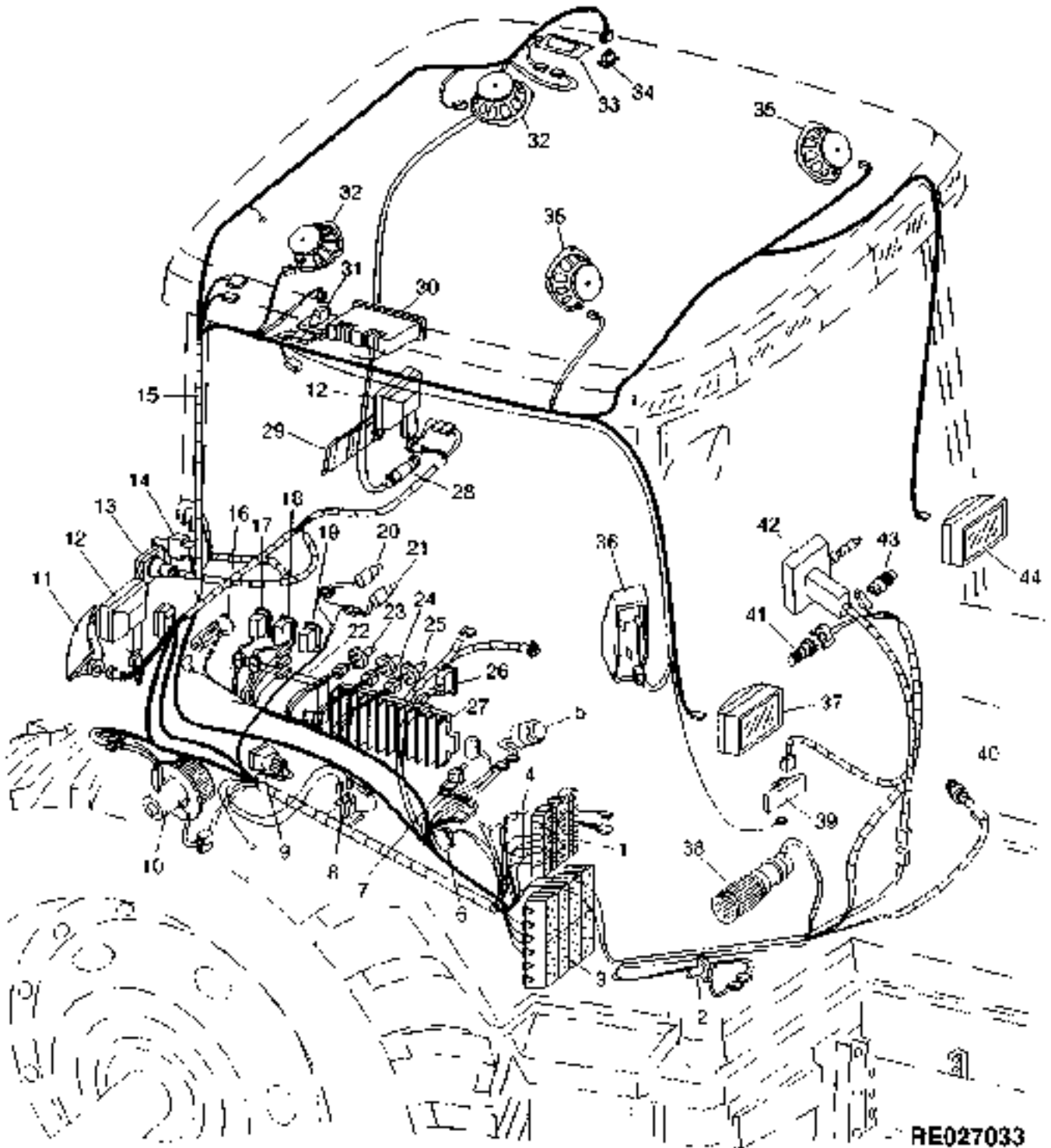
(I)ENGINE SPEED  
REGIME MOTEUR  
MOTORDREHZAHL  
REGIME DEL MOTORE  
VELOCIDAD DEL MOTOR  
MOTORVARVTAL

(J)(XXXXXX-XXXXXX)8100-011001-012002;8200-011001-011672;8300-011001-012165;8400-011001-012257  
(K)(XXXXXX-XXXXXX)8100-012003-019999;8200-011673-019999;8300-012166-019999;8400-012258-019999  
(L)(XXXXXX-XXXXXX)8100-020000-024829;8200-020000-024824;8300-020000-024819;8400-020000-024850  
(M)(XXXXXX- )8100-024830;8200-024825;8300-024820;8400-024851

# 3E9

ELECTRICAL

WIRING HARNESS(CAB)(NORTH AMERICAN VERSION)(8100,8200,8300,8400 -009999)  
FAISCEAU DE CABLES(CABINE)(VERSION NORD AMERICAINE)(8100,8200,8300,8400 -009999)  
KABELBAUM(FAHRERKABINE)(NORDAMERIKANISCHE AUSFUEHRUNG)(8100,8200,8300,8400 -009999)  
CABLAGGIO(CABINA)(VERSIONE NORDAMERICANA)(8100,8200,8300,8400 -009999)  
GRUPO DE CABLES(CABINA)(VERSION NORTEAMERICANA)(8100,8200,8300,8400 -009999)  
KABELHAERVA(HYTT)(NORDAMERIKANSK VERSION)(8100,8200,8300,8400 -009999)  
RE027033 -UN-17JUL96



RE027033



| KEY | PART NO.       | PART NAME               | QTY      | TRACTOR SERIAL NO. | A<br>L<br>L | REMARKS  |
|-----|----------------|-------------------------|----------|--------------------|-------------|--|
| 1   | RE43737        | TERMINAL BOARD          | 4        |                    | X           |  |
| 2   | RE155987       | ACCELERATOR             | 1        |                    | X           | (SUB FOR RE61183)  |
| 3   | RE49724        | TERMINAL BOARD          | 6        |                    | X           |  |
| 4   | RE48875        | JUNCTION BLOCK          | 1        |                    | X           |  |
| 5   | RE49727        | HORN                    | 1        |                    | X           |  |
| 6   | R111931        | JUNCTION BLOCK          | 1        |                    | X           |  |
| 7   | RE62163        | POTENTIOMETER           | 1        |                    | X           |  |
| 8   | AH144020       | THERMOSTAT              | 1        |                    | X           |  |
| 9   | RE49636        | RESISTOR                | 1        |                    | X           |  |
| 10  | RE67645        | MOTOR                   | 1        |                    | X           | (SUB FOR RE62653)  |
| 11  | RE48954        | LENS                    | 1        |                    | X           | R.H.   |
| 12  | RE48989        | FLOODLAMP               | 2        | -XXXXXX            | X           | (C)  |
|     | RE151346       | FLOODLAMP               | 2        | XXXXXX-            | X           | (D) (SUB FOR RE51240, RE71421 OR RE150421)   |
| 13  | AR75695        | SOCKET OUTLET           | 1        |                    | X           |  |
| 14  | RE32042        | HITCH SWITCH            | 1        | -024819            | X           | (SUB RE161844)   |
|     | RE161844       | KIT                     | 1        | 024820-            | X           | (SUB FOR RE32042)  |
| 15  | RE60537        | CAB WIRING HARNESS      | 1        | -XXXXXX            | X           | (C) (ALSO ORDER R76477) (SUB RE64626, (2) 57M7254, (2) 57M7289, (4) R104846 AND (4) 57M7258) |
|     | RE64626        | CAB WIRING HARNESS      | 1        | XXXXXX-            | X           |  |
| 16  | AR60937        | LIGHTER                 | 1        |                    | X           |  |
| 17  | RE55476        | WIPER/WASHER SWITCH     | 1        |                    | X           |  |
| 18  | RE55477        | ROCKER SWITCH           | 1        |                    | X           | (MFWD)   |
| 19  | RE55036        | HAZARD LIGHTS SWITCH    | 1        |                    | X           |  |
| 20  | RE60888        | AC HIGH PRESSURE SWITCH | 1        |                    | X           |  |
| 21  | RE155938       | AC LOW PRESSURE SWITCH  | 1        |                    | X           | (SUB FOR RE60887)  |
| 22  | RE64583        | DIGITAL DISPLAY         | 1        |                    | X           | (SUB FOR RE60928 AND RE63440) (SUP)  |
| 23  | AL36529        | SWITCH                  | 1        |                    | X           |  |
| 24  | RE46717        | WIPER/WASHER SWITCH     | 1        |                    | X           |  |
| 25  | RE43497        | BLOWER SWITCH           | 1        |                    | X           |  |
| 26  | RE55478        | AC COMPRESSOR SWITCH    | 1        |                    | X           |  |
| 27  | RE62649        | VEHICLE MONITOR         | 1        |                    | X           | (SUB FOR RE60476) W/RE61185(ICU)   |
|     | RE62650        | VEHICLE MONITOR         | 1        |                    | X           | (SUB FOR RE60927) W/O RE61188(ICU)   |
|     | RE62651        | VEHICLE MONITOR         | 1        |                    | X           | (SUB FOR RE60477) W/RE61188(ICU)   |
| 28  | RE51234        | DOOR LIGHT SWITCH       | 1        |                    | X           |  |
| 29  | RE48955        | LENS                    | 1        |                    | X           | L.H.   |
| 30  | <b>RE64377</b> | <b>RADIO</b>            | <b>1</b> |                    | <b>X</b>    | <b>(FI)</b>  |
|     | <b>RE64376</b> | <b>RADIO</b>            | <b>1</b> |                    | <b>X</b>    | <b>(FI)</b>  |
| 31  | RE57892        | LAMP                    | 1        |                    | X           |  |
| 32  | RE61546        | SPEAKER                 | 2        |                    | X           | (REAR)(6")(4 OHM)  |
| 33  | RE44590        | HOUSING                 | 1        |                    | X           |  |
| 34  | RE48838        | ROCKER SWITCH           | 1        |                    | X           |  |
| 35  | RE61545        | SPEAKER                 | 2        |                    | X           | (FRONT)(6")(4 OHM)   |
| 36  | RE63458        | MODULE                  | 1        |                    | X           | (SUB FOR RE60929)  |
| 37  | RE48986        | FLOODLAMP               | 1        | -XXXXXX            | X           | (C) R.H.   |
|     | RE150425       | FLOODLAMP               | 1        | XXXXXX-            | X           | (D) (SUB FOR RE51239 OR RE71420)   |
| 38  | RE61419        | BLOWER                  | 1        |                    | X           |  |
| 39  | RE66277        | BRAKE LIGHT SWITCH      | 1        |                    | X           | (SUB FOR RE55468 OR RE63211)   |
| 40  | RE46534        | SWITCH                  | 1        |                    | X           | (A)  |
| 41  | RE61717        | KEY SWITCH              | 1        |                    | X           |  |
| 42  | RE63512        | MODULE                  | 1        |                    | X           | (SUB FOR RE60588)  |
| 43  | R39554         | SWITCH                  | 1        |                    | X           | (B)  |
| 44  | RE48985        | FLOODLAMP               | 1        | -XXXXXX            | X           | (C) L.H.   |
|     | RE150420       | FLOODLAMP               | 1        | XXXXXX-            | X           | (D) (SUB FOR RE51239 OR RE71420)   |

(A)DIFFERENTIAL LOCK  
 BLOCCAGE DE DIFFERENTIEL  
 DIFFERENTIALSPERRE  
 BLOCCAGGIO DIFFERENZIALE  
 TRABA DEL DIFERENCIAL  
 DIFFERENTIALSPAERR

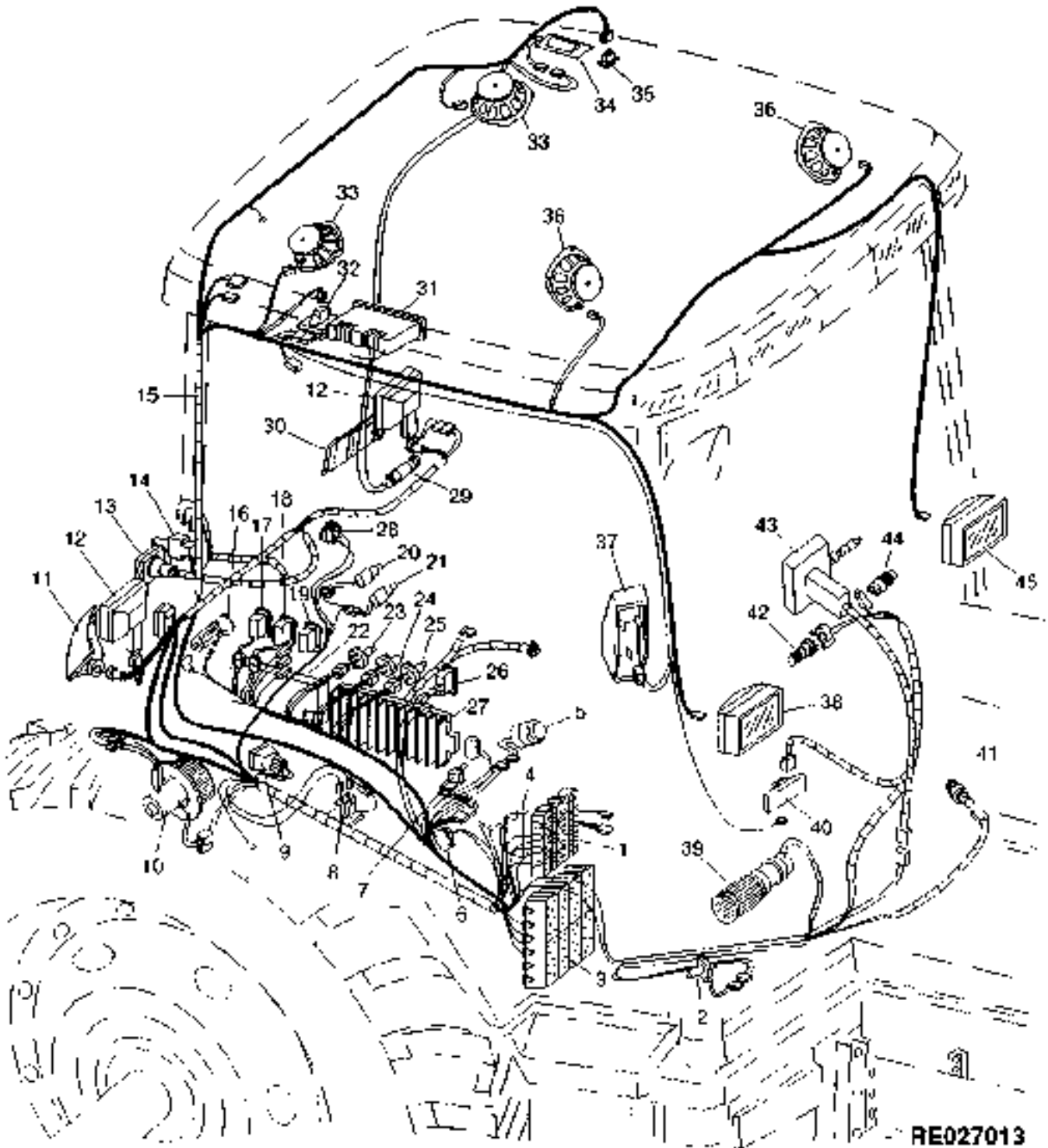
(B)ETHER AID  
 AIDE AU DEMARRAGE A L'ETHER  
 AETHER-STARHILFE  
 SUSSIDIO DI AVVIAMENTO  
 AUXILIAR DE ARRANQUE DE  
 ETERSTARHJELP

(C)(-XXXXXX) 8100-002801;8200-002215;8300-003900;8400-002531  
 (D)(XXXXXX- ) 8100-002802;8200-002216;8300-003901;8400-002532

# 3E11

ELECTRICAL

WIRING HARNESS(CAB)(NORTH AMERICAN VERSION)(8100,8200,8300,8400 010000- )  
FAISCEAU DE CABLES(CABINE)(VERSION NORD AMERICAINE)(8100,8200,8300,8400 010000- )  
KABELBAUM(FAHRERKABINE)(NORDAMERIKANISCHE AUSFUEHRUNG)(8100,8200,8300,8400 010000- )  
CABLAGGIO(CABINA)(VERSIONE NORDAMERICANA)(8100,8200,8300,8400 010000- )  
GRUPO DE CABLES(CABINA)(VERSION NORTEAMERICANA)(8100,8200,8300,8400 010000- )  
KABELHAERVA(HYTT)(NORDAMERIKANSK VERSION)(8100,8200,8300,8400 010000- )  
RE027013 -UN-17JUL96



RE027013

| KEY | PART NO.       | PART NAME               | QTY      | TRACTOR SERIAL NO. | A<br>L<br>L | REMARKS   |
|-----|----------------|-------------------------|----------|--------------------|-------------|---|
| 1   | RE43737        | TERMINAL BOARD          | 4        |                    | X           |   |
| 2   | RE155987       | ACCELERATOR             | 1        |                    | X           | (SUB FOR RE61183)   |
| 3   | RE49724        | TERMINAL BOARD          | 6        |                    | X           |   |
| 4   | RE48875        | JUNCTION BLOCK          | 1        |                    | X           |   |
| 5   | RE49727        | HORN                    | 1        |                    | X           |   |
| 6   | R111931        | JUNCTION BLOCK          | 1        |                    | X           |   |
| 7   | RE62163        | POTENTIOMETER           | 1        |                    | X           |   |
| 8   | AH144020       | THERMOSTAT              | 1        |                    | X           |   |
| 9   | RE49636        | RESISTOR                | 1        |                    | X           |   |
| 10  | RE67645        | MOTOR                   | 1        |                    | X           |   |
| 11  | RE48954        | LENS                    | 1        |                    | X           | R.H.  |
| 12  | RE151346       | FLOODLAMP               | 2        |                    | X           | (SUB FOR RE51240, RE71421 OR RE150421)                      |
| 13  | AR75695        | SOCKET OUTLET           | 1        |                    | X           |   |
| 14  | RE32042        | HITCH SWITCH            | 1        | -024819            | X           | (SUB RE161844)  |
|     | RE161844       | KIT                     | 1        | 024820-            | X           | (SUB FOR RE32042)   |
| 15  | RE163725       | CAB WIRING HARNESS      | 1        |                    | X           | (ALSO ORDER R76477) (SUB FOR RE69159, RE158815 OR RE160770) |
| 16  | AR60937        | LIGHTER                 | 1        |                    | X           |   |
| 17  | RE55476        | WIPER/WASHER SWITCH     | 1        |                    | X           |   |
| 18  | RE55477        | ROCKER SWITCH           | 1        |                    | X           | (MFWD)  |
| 19  | RE55036        | HAZARD LIGHTS SWITCH    | 1        |                    | X           |   |
| 20  | RE60888        | AC HIGH PRESSURE SWITCH | 1        |                    | X           |   |
| 21  | RE155938       | AC LOW PRESSURE SWITCH  | 1        |                    | X           | (SUB FOR RE60887)   |
| 22  | RE64583        | DIGITAL DISPLAY         | 1        |                    | X           | (SUP)   |
| 23  | AL36529        | SWITCH                  | 1        |                    | X           |   |
| 24  | RE46717        | WIPER/WASHER SWITCH     | 1        |                    | X           |   |
| 25  | RE43497        | BLOWER SWITCH           | 1        |                    | X           |   |
| 26  | RE55478        | AC COMPRESSOR SWITCH    | 1        |                    | X           |   |
| 27  | RE62649        | VEHICLE MONITOR         | 1        |                    | X           | W/RE61185(ICU)  |
|     | RE62650        | VEHICLE MONITOR         | 1        |                    | X           | W/O RE61188(ICU)  |
|     | RE62651        | VEHICLE MONITOR         | 1        |                    | X           | W/RE61188(ICU)  |
| 28  | R111931        | JUNCTION BLOCK          | 1        |                    | X           |   |
| 29  | RE51234        | DOOR LIGHT SWITCH       | 1        |                    | X           |   |
| 30  | RE48955        | LENS                    | 1        |                    | X           | L.H.  |
| 31  | <b>RE64377</b> | <b>RADIO</b>            | <b>1</b> |                    | <b>X</b>    | <b>(FI)</b>   |
|     | <b>RE64376</b> | <b>RADIO</b>            | <b>1</b> |                    | <b>X</b>    | <b>(FI)</b>   |
| 32  | RE57892        | LAMP                    | 1        |                    | X           |   |
| 33  | RE61546        | SPEAKER                 | 2        |                    | X           | (REAR)(6")(4 OHM)   |
| 34  | RE44590        | HOUSING                 | 1        |                    | X           |   |
| 35  | RE48838        | ROCKER SWITCH           | 1        |                    | X           |   |
| 36  | RE61545        | SPEAKER                 | 2        |                    | X           | (FRONT)(6")(4 OHM)  |
| 37  | RE63458        | MODULE                  | 1        |                    | X           |   |
| 38  | RE150425       | FLOODLAMP               | 1        |                    | X           | (SUB FOR RE51239 OR RE71420)                                |
| 39  | RE61419        | BLOWER                  | 1        |                    | X           |   |
| 40  | RE66277        | BRAKE LIGHT SWITCH      | 1        |                    | X           |   |
| 41  | RE46534        | SWITCH                  | 1        |                    | X           | (A)   |
| 42  | RE61717        | KEY SWITCH              | 1        |                    | X           |   |
| 43  | RE63512        | MODULE                  | 1        |                    | X           |   |
| 44  | R39554         | SWITCH                  | 1        |                    | X           | (B)   |
| 45  | RE150420       | FLOODLAMP               | 1        |                    | X           | (SUB FOR RE51239 OR RE71420)                                |

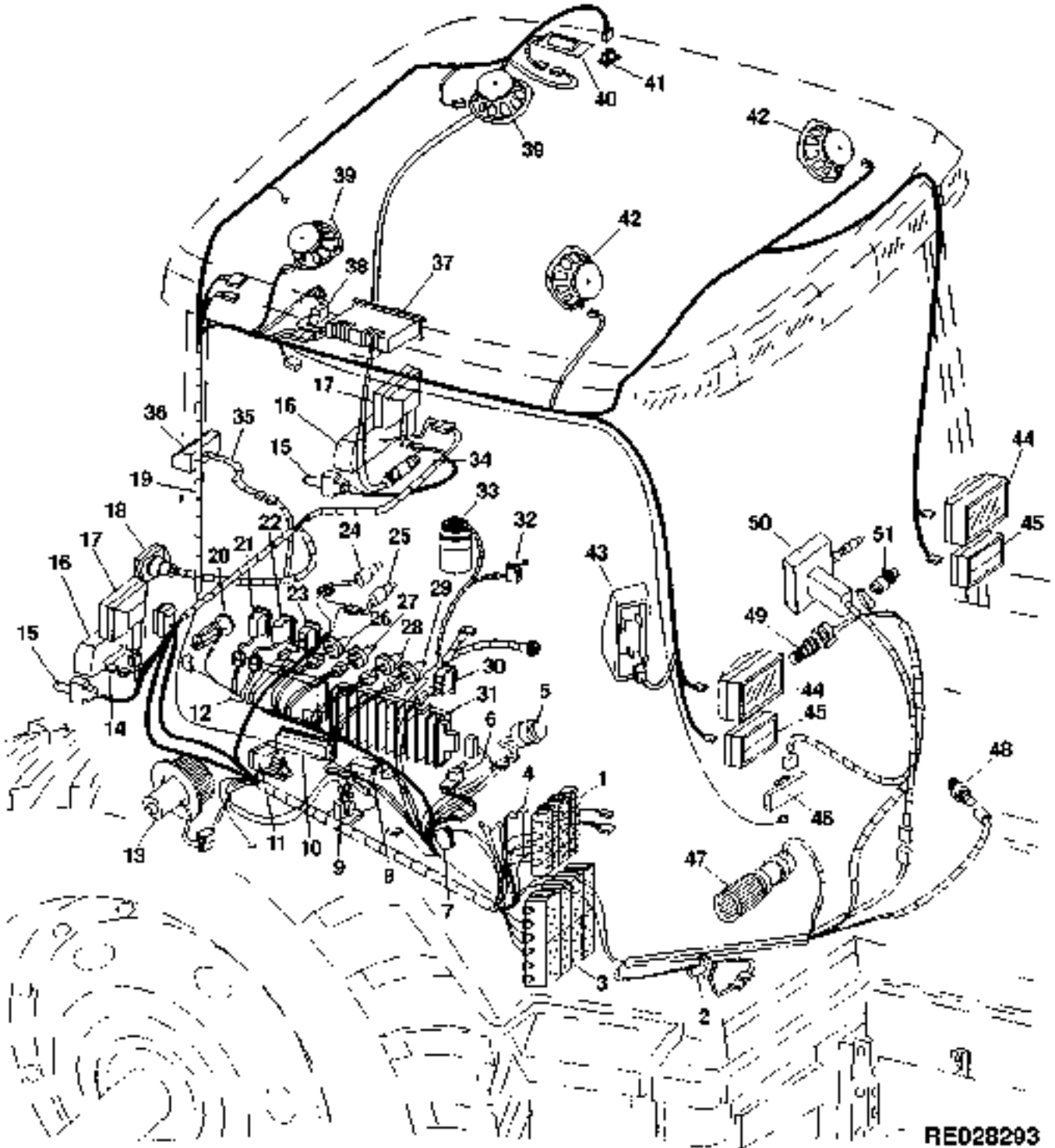
(A)DIFFERENTIAL LOCK  
 BLOCCAGE DE DIFFERENTIEL  
 DIFFERENTIALSPERRE  
 BLOCCAGGIO DIFFERENZIALE  
 TRABA DEL DIFERENCIAL  
 DIFFERENTIALSPAERR

(B)ETHER AID  
 AIDE AU DEMARRAGE A L'ETHER  
 AETHER-STARHILFE  
 SUSSIDIO DI AVVIAMENTO  
 AUXILIAR DE ARRANQUE DE  
 ETERSTARHJELP

# 3E13

ELECTRICAL

WIRING HARNESS(CAB)(EUROPEAN VERSION)(8100,8200,8300,8400 -009999)  
FAISCEAU DE CABLES(CABINE)(VERSION EUROPEENNE)(8100,8200,8300,8400 -009999)  
KABELBAUM(FAHRERKABINE)(EUROPEAEISCHE AUSFUEHRUNG)(8100,8200,8300,8400 -009999)  
CABLAGGIO(CABINA)(VERSIONE EUROPEA)(8100,8200,8300,8400 -009999)  
GRUPO DE CABLES(CABINA)(VERSION EUROPEA)(8100,8200,8300,8400 -009999)  
KABELHAERVA(HYTT)(EUROPEISK VERSION)(8100,8200,8300,8400 -009999)  
RE028293 -UN-05SEP97



RE028293

# 3E14

ELECTRICAL

| KEY | PART NO.       | PART NAME               | QTY      | TRACTOR SERIAL NO. | A<br>L<br>L | REMARKS  |
|-----|----------------|-------------------------|----------|--------------------|-------------|--|
| 1   | RE43737        | TERMINAL BOARD          | 4        |                    | X           |  |
| 2   | RE155987       | ACCELERATOR             | 1        |                    | X           | (SUB FOR RE61183)  |
| 3   | RE49724        | TERMINAL BOARD          | 6        |                    | X           |  |
| 4   | RE48875        | JUNCTION BLOCK          | 1        |                    | X           |  |
| 5   | RE49727        | HORN                    | 1        |                    | X           |  |
| 6   | RE62163        | POTENTIOMETER           | 1        |                    | X           | (SUB FOR RE57697)  |
| 7   | R111931        | JUNCTION BLOCK          | 1        |                    | X           |  |
| 8   | AL32891        | FLASHER                 | 1        |                    | X           |  |
| 9   | AH144020       | THERMOSTAT              | 1        |                    | X           |  |
| 10  | AL78989        | CLOCK                   | 1        |                    | X           |  |
| 11  | RE49636        | RESISTOR                | 1        |                    | X           |  |
| 12  | RE64583        | DIGITAL DISPLAY         | 1        |                    | X           | (SUB FOR RE60928 OR RE63440) (SUP)   |
| 13  | RE62653        | MOTOR                   | 1        |                    | X           | (SUB FOR RE57571) (SUB RE67645, R121666 AND R126547)   |
| 14  | AL113022       | WIRING HARNESS          | 1        |                    | X           | (USE WITH AL112964)  |
| 15  | RE32042        | HITCH SWITCH            | 1        | -024819            | X           | (SUB RE161844)   |
|     | RE161844       | KIT                     | 2        | 024820-            | X           | (SUB FOR RE32042)  |
| 16  | AL112964       | TAIL LAMP               | 2        |                    | X           | (SUB FOR AL77138 OR AL112012)  |
| 17  | RE151346       | FLOODLAMP               | 2        |                    | X           | (SUB FOR RE51240, RE71421 OR RE150421)   |
| 18  | L83677         | SOCKET OUTLET           | 1        |                    | X           |  |
| 19  | RE60538        | CAB WIRING HARNESS      | 1        | -XXXXXX            | X           | (D) (ALSO ORDER R76477) (SUB RE64627, (2) 57M7254, (2) 57M7289, (4) R104846 AND (4) 57M7258) |
|     | RE64627        | CAB WIRING HARNESS      | 1        | XXXXXX-            | X           | (E) (SUB FOR RE60538)  |
| 20  | AR60937        | LIGHTER                 | 1        |                    | X           |  |
| 21  | RE55476        | WIPER/WASHER SWITCH     | 1        |                    | X           |  |
| 22  | RE55477        | ROCKER SWITCH           | 1        |                    | X           | (MFWD)   |
| 23  | RE55036        | HAZARD LIGHTS SWITCH    | 1        |                    | X           |  |
| 24  | RE60888        | AC HIGH PRESSURE SWITCH | 1        |                    | X           |  |
| 25  | RE155938       | AC LOW PRESSURE SWITCH  | 1        |                    | X           | (SUB FOR RE60887)  |
| 26  | AL36529        | SWITCH                  | 1        |                    | X           |  |
| 27  | AL36529        | SWITCH                  | 1        |                    | X           |  |
| 28  | RE46717        | WIPER/WASHER SWITCH     | 1        |                    | X           |  |
| 29  | RE43497        | BLOWER SWITCH           | 1        |                    | X           |  |
| 30  | RE55478        | AC COMPRESSOR SWITCH    | 1        |                    | X           |  |
| 31  | RE62652        | VEHICLE MONITOR         | 1        |                    | X           | (SUB FOR RE60955) (ICU)  |
| 32  | RE30714        | SWITCH                  | 1        |                    | X           |  |
|     | RE33778        | DIODE                   | 1        |                    | X           | (A) (INCLUDES RE12363, R78057 AND R78059)  |
| 33  | RE63981        | FILLER CAP              | 1        |                    | X           | (SUB FOR RE63427)  |
| 34  | RE51234        | DOOR LIGHT SWITCH       | 1        |                    | X           |  |
| 35  | RE52633        | WIRING HARNESS          | 1        |                    | X           |  |
| 36  | AL33161        | FLOODLAMP               | 1        |                    | X           |  |
| 37  | <b>RE64377</b> | <b>RADIO</b>            | <b>1</b> |                    | <b>X</b>    | <b>(FI)</b>  |
|     | <b>RE64376</b> | <b>RADIO</b>            | <b>1</b> |                    | <b>X</b>    | <b>(FI)</b>  |
| 38  | RE57892        | LAMP                    | 1        |                    | X           |  |
| 39  | RE61546        | SPEAKER                 | 2        |                    | X           | (REAR)(6")(4 OHM)  |
| 40  | RE44590        | HOUSING                 | 1        |                    | X           |  |
| 41  | RE48838        | ROCKER SWITCH           | 1        |                    | X           |  |
| 42  | RE61545        | SPEAKER                 | 2        |                    | X           | (FRONT)(6")(4 OHM)   |
| 43  | RE63458        | MODULE                  | 1        |                    | X           | (SUB FOR RE60929)  |
| 44  | RE48989        | FLOODLAMP               | 2        | -XXXXXX            | X           | (D)  |
|     | RE151346       | FLOODLAMP               | 2        | XXXXXX-            | X           | (E) (SUB FOR RE51240, RE71421 OR RE150421)   |
| 45  | AL75642        | TURN SIGNAL LAMP        | 2        |                    | X           |  |
| 46  | RE66277        | BRAKE LIGHT SWITCH      | 1        |                    | X           | (SUB FOR RE55468 OR RE63211)   |
| 47  | RE61419        | BLOWER                  | 1        |                    | X           |  |
| 48  | RE46534        | SWITCH                  | 1        |                    | X           | (B)  |
| 49  | RE61717        | KEY SWITCH              | 1        |                    | X           |  |
| 50  | RE63513        | TURN SIGNAL SWITCH      | 1        |                    | X           | (SUB FOR RE60589)  |
| 51  | R39554         | SWITCH                  | 1        |                    | X           | (C)  |

(A)W/O SECONDARY BRAKE  
W/O FREIN SECONDAIRE  
W/O ZWEITBREMSE  
W/O FRENO SECONDARIO  
W/O FRENO SECUNDARIO  
W/O PARKERINGSBROMS

(B)DIFFERENTIAL LOCK  
BLOCAGE DE DIFFERENTIEL  
DIFFERENTIALSPERRE  
BLOCCAGGIO DIFFERZIALE  
TRABA DEL DIFERENCIAL  
DIFFERENTIALSPAERR

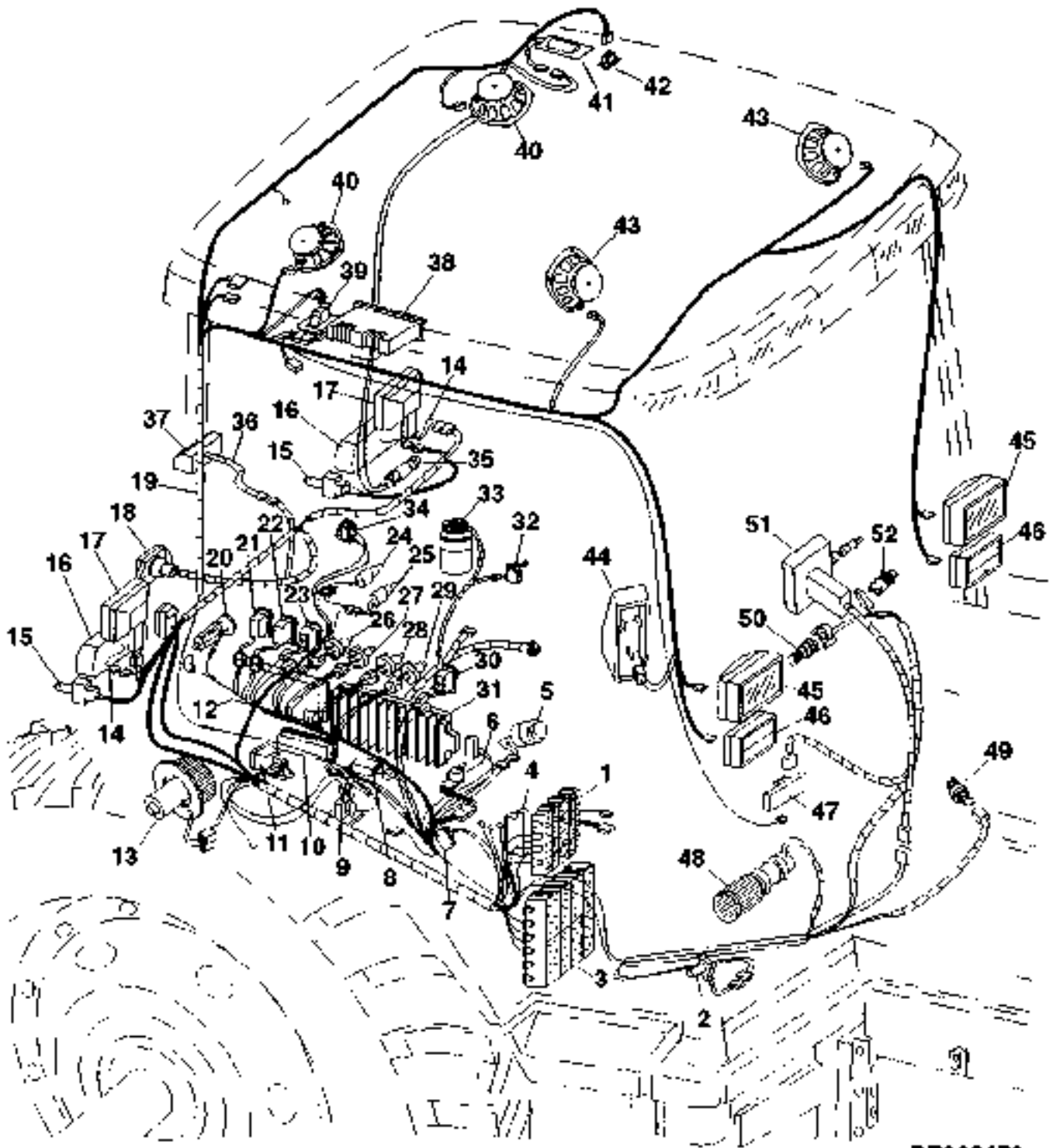
(C)ETHER AID  
AIDE AU DEMARRAGE A L'ETHER  
AETHER-STARHILFE  
SUSSIDIO DI AVVIAMENTO  
AUXILIAR DE ARRANQUE DE  
ETERSTARHJELP

(D)(-XXXXXX)8100-002801;8200-002215;8300-003900;8400-002531  
(E)(XXXXXX-)8100-002802;8200-002216;8300-003901;8400-002532

# 3E15

ELECTRICAL

WIRING HARNESS(CAB)(EUROPEAN VERSION)(8100,8200,8300,8400 010000- )  
FAISCEAU DE CABLES(CABINE)(VERSION EUROPEENNE)(8100,8200,8300,8400 010000- )  
KABELBAUM(FAHRERKABINE)(EUROPEAEISCHE AUSFUEHRUNG)(8100,8200,8300,8400 010000- )  
CABLAGGIO(CABINA)(VERSIONE EUROPEA)(8100,8200,8300,8400 010000- )  
GRUPO DE CABLES(CABINA)(VERSION EUROPEA)(8100,8200,8300,8400 010000- )  
KABELHAERVA(HYTT)(EUROPEISK VERSION)(8100,8200,8300,8400 010000- )  
RE028479 -UN-29OCT97



RE028479

# 3E16

ELECTRICAL

| KEY       | PART NO.       | PART NAME               | QTY      | TRACTOR SERIAL NO. | A<br>L<br>L | REMARKS                                   |
|-----------|----------------|-------------------------|----------|--------------------|-------------|---|
| 1         | RE43737        | TERMINAL BOARD          | 4        |                    | X           |   |
| 2         | RE155987       | ACCELERATOR             | 1        |                    | X           | (SUB FOR RE61183)                         |
| 3         | RE49724        | TERMINAL BOARD          | 6        |                    | X           |   |
| 4         | RE48875        | JUNCTION BLOCK          | 1        |                    | X           |   |
| 5         | RE49727        | HORN                    | 1        |                    | X           |   |
| 6         | RE62163        | POTENTIOMETER           | 1        |                    | X           |   |
| 7         | R111931        | JUNCTION BLOCK          | 1        |                    | X           |   |
| 8         | AL32891        | FLASHER                 | 1        |                    | X           |   |
| 9         | AH144020       | THERMOSTAT              | 1        |                    | X           |   |
| 10        | AL78989        | CLOCK                   | 1        |                    | X           |   |
| 11        | RE49636        | RESISTOR                | 1        |                    | X           |   |
| 12        | RE64583        | DIGITAL DISPLAY         | 1        |                    | X           | (SUP)                                     |
| 13        | RE67645        | MOTOR                   | 1        |                    | X           |   |
| 14        | RE71246        | WIRING HARNESS          | 2        |                    | X           | (SUB FOR RE69341)                         |
| 15        | RE32042        | HITCH SWITCH            | 1        | -024819            | X           | (SUB RE161844)                            |
|           | RE161844       | KIT                     | 2        | 024820-            | X           | (SUB FOR RE32042)                         |
| 16        | RE67285        | LENS                    | 2        |                    | X           |   |
| 17        | RE151346       | FLOODLAMP               | 2        |                    | X           | (SUB FOR RE51240, RE71421 OR RE150421)    |
| 18        | L83677         | SOCKET OUTLET           | 1        |                    | X           |   |
| 19        | RE158816       | WIRING HARNESS          | 1        |                    | X           | (ALSO ORDER R76477) (SUB FOR RE69160)     |
| 20        | AR60937        | LIGHTER                 | 1        |                    | X           |   |
| 21        | RE55476        | WIPER/WASHER SWITCH     | 1        |                    | X           |   |
| 22        | RE55477        | ROCKER SWITCH           | 1        |                    | X           | (MFWD)                                    |
| 23        | RE55036        | HAZARD LIGHTS SWITCH    | 1        |                    | X           |   |
| 24        | RE60888        | AC HIGH PRESSURE SWITCH | 1        |                    | X           |   |
| 25        | RE155938       | AC LOW PRESSURE SWITCH  | 1        |                    | X           | (SUB FOR RE60887)                         |
| 26        | AL36529        | SWITCH                  | 1        |                    | X           |   |
| 27        | AL36529        | SWITCH                  | 1        |                    | X           |   |
| 28        | RE46717        | WIPER/WASHER SWITCH     | 1        |                    | X           |   |
| 29        | RE43497        | BLOWER SWITCH           | 1        |                    | X           |   |
| 30        | RE55478        | AC COMPRESSOR SWITCH    | 1        |                    | X           |   |
| 31        | RE62652        | VEHICLE MONITOR         | 1        |                    | X           | (ICU)                                     |
| 32        | RE48234        | SWITCH                  | 1        |                    | X           |   |
|           | RE33778        | DIODE                   | 1        |                    | X           | (A) (INCLUDES RE12363, R78057 AND R78059) |
| 33        | RE63981        | FILLER CAP              | 1        |                    | X           |   |
| 34        | R111931        | JUNCTION BLOCK          | 1        |                    | X           |   |
| 35        | RE51234        | DOOR LIGHT SWITCH       | 1        |                    | X           |   |
| 36        | RE52633        | WIRING HARNESS          | 1        |                    | X           |   |
| 37        | AL33161        | FLOODLAMP               | 1        |                    | X           |   |
| <b>38</b> | <b>RE64377</b> | <b>RADIO</b>            | <b>1</b> |                    | <b>X</b>    | <b>(FI)</b>                               |
|           | <b>RE64376</b> | <b>RADIO</b>            | <b>1</b> |                    | <b>X</b>    | <b>(FI)</b>                               |
| 39        | RE57892        | LAMP                    | 1        |                    | X           |   |
| 40        | RE61546        | SPEAKER                 | 2        |                    | X           | (REAR)(6")(4 OHM)                         |
| 41        | RE44590        | HOUSING                 | 1        |                    | X           |   |
| 42        | RE48838        | ROCKER SWITCH           | 1        |                    | X           |   |
| 43        | RE61545        | SPEAKER                 | 2        |                    | X           | (FRONT)(6")(4 OHM)                        |
| 44        | RE63458        | MODULE                  | 1        |                    | X           |   |
| 45        | RE151346       | FLOODLAMP               | 2        |                    | X           | (SUB FOR RE51240, RE71421 OR RE150421)    |
| 46        | AL75642        | TURN SIGNAL LAMP        | 2        |                    | X           |   |
| 47        | RE66277        | BRAKE LIGHT SWITCH      | 1        |                    | X           |   |
| 48        | RE61419        | BLOWER                  | 1        |                    | X           |   |
| 49        | RE46534        | SWITCH                  | 1        |                    | X           | (B)                                       |
| 50        | RE61717        | KEY SWITCH              | 1        |                    | X           |   |
| 51        | RE63513        | TURN SIGNAL SWITCH      | 1        |                    | X           |   |
| 52        | R39554         | SWITCH                  | 1        |                    | X           | (C)                                       |

(A)W/O SECONDARY BRAKE  
W/O FREIN SECONDAIRE  
W/O ZWEITBREMSE  
W/O FRENO SECONDARIO  
W/O FRENO SECUNDARIO  
W/O PARKERINGSBROMS

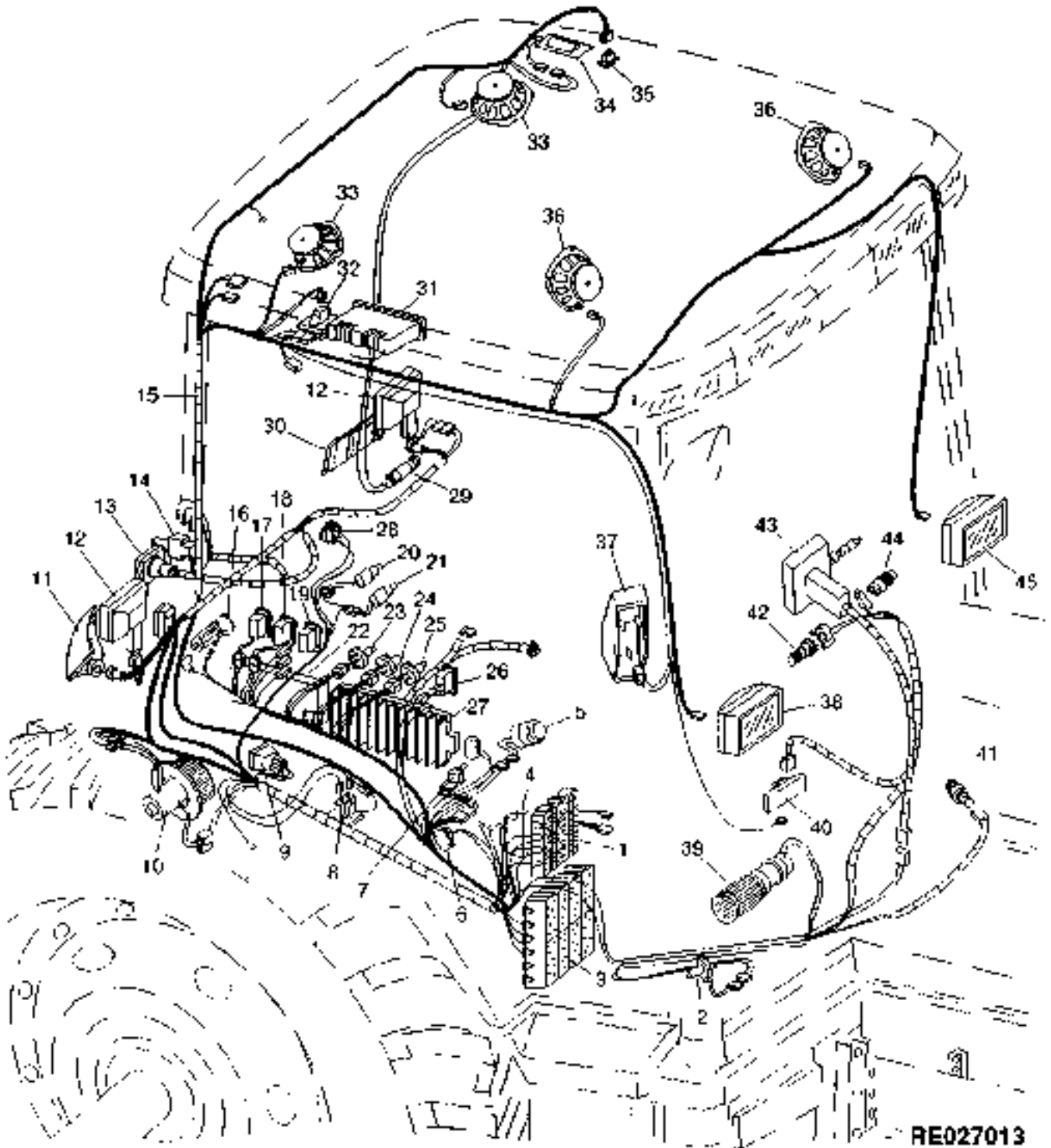
(B)DIFFERENTIAL LOCK  
BLOCAGE DE DIFFERENTIEL  
DIFFERENTIALSPERRE  
BLOCCAGGIO DIFFERZIALE  
TRABA DEL DIFERENCIAL  
DIFFERENTIALSPAERR

(C)ETHER AID  
AIDE AU DEMARRAGE A L'ETHER  
AETHER-STARHILFE  
SUSSIDIO DI AVVIAMENTO  
AUXILIAR DE ARRANQUE DE  
ETERSTARHJELP

# 3E17

ELECTRICAL

WIRING HARNESS(CAB)(UKRAINIAN VERSION)(8400 011969 - )  
FAISCEAU DE CABLES(CABINE)(VERSION UKRAINIENNE)(8400 011969- )  
KABELBAUM(FAHRERKABINE)(UKRAINISCHE AUSFUEHRUNG)(8400 011969- )  
CABLAGGIO(CABINA)(VERSIONE PER L'UCRAINA)(8400 011969- )  
GRUPO DE CABLES(CABINA)(VERSION UCRANIANA)(8400 011969- )  
KABELHAERVA(HYTT)(VERSION FOER UKRAINA)(8400 011969- )  
RE027013 -UN-17JUL96



RE027013



| KEY       | PART NO.       | PART NAME               | QTY      | TRACTOR<br>SERIAL NO. | REMARKS   |
|-----------|----------------|-------------------------|----------|-----------------------|---|
|           |                |                         |          | 8                     |   |
|           |                |                         |          | 4                     |   |
|           |                |                         |          | 0                     |   |
|           |                |                         |          | 0                     |   |
| 1         | RE43737        | TERMINAL BOARD          | 4        | X                     |   |
| 2         | RE155987       | ACCELERATOR             | 1        | X                     | (SUB FOR RE61183)   |
| 3         | RE49724        | TERMINAL BOARD          | 6        | X                     |   |
| 4         | RE48875        | JUNCTION BLOCK          | 1        | X                     |   |
| 5         | RE49727        | HORN                    | 1        | X                     |   |
| 6         | R111931        | JUNCTION BLOCK          | 1        | X                     |   |
| 7         | RE62163        | POTENTIOMETER           | 1        | X                     |   |
| 8         | AH144020       | THERMOSTAT              | 1        | X                     |   |
| 9         | RE49636        | RESISTOR                | 1        | X                     |   |
| 10        | RE67645        | MOTOR                   | 1        | X                     |   |
| 11        | RE48954        | LENS                    | 1        | X                     | R.H.  |
| 12        | RE151346       | FLOODLAMP               | 2        | X                     | (SUB FOR RE51240, RE71421 OR RE150421)                              |
| 13        | AR75695        | SOCKET OUTLET           | 1        | X                     |   |
| 14        | RE32042        | HITCH SWITCH            | 1        | X                     | (SUB RE161844)  |
|           | RE161844       | KIT                     | 1        | 024820-               | (SUB FOR RE32042)   |
| 15        | RE150544       | CAB WIRING HARNESS      | 1        | XXXXXX-XXXXXX         | (C) (ALSO ORDER R76477) (SUB RE163725)                              |
|           | RE163725       | CAB WIRING HARNESS      | 1        | XXXXXX-               | (D) (ALSO ORDER R76477) (SUB FOR RE150544,<br>RE158815 OR RE160770) |
| 16        | AR60937        | LIGHTER                 | 1        | X                     |   |
| 17        | RE55476        | WIPER/WASHER SWITCH     | 1        | X                     |   |
| 18        | RE55477        | ROCKER SWITCH           | 1        | X                     | (MFWD)  |
| 19        | RE55036        | HAZARD LIGHTS SWITCH    | 1        | X                     |   |
| 20        | RE60888        | AC HIGH PRESSURE SWITCH | 1        | X                     |   |
| 21        | RE155938       | AC LOW PRESSURE SWITCH  | 1        | X                     | (SUB FOR RE60887)   |
| 22        | RE64583        | DIGITAL DISPLAY         | 1        | X                     | (SUP)   |
| 23        | AL36529        | SWITCH                  | 1        | X                     |   |
| 24        | RE46717        | WIPER/WASHER SWITCH     | 1        | X                     |   |
| 25        | RE43497        | BLOWER SWITCH           | 1        | X                     |   |
| 26        | RE55478        | AC COMPRESSOR SWITCH    | 1        | X                     |   |
| 27        | RE62652        | VEHICLE MONITOR         | 1        | X                     | W/RE61185(ICU)  |
| 28        | R111931        | JUNCTION BLOCK          | 1        | X                     |   |
| 29        | RE51234        | DOOR LIGHT SWITCH       | 1        | X                     |   |
| 30        | RE48955        | LENS                    | 1        | X                     | L.H.  |
| <b>31</b> | <b>RE64377</b> | <b>RADIO</b>            | <b>1</b> | <b>X</b>              | <b>(FI)</b>   |
|           | <b>RE64376</b> | <b>RADIO</b>            | <b>1</b> | <b>X</b>              | <b>(FI)</b>   |
| 32        | RE57892        | LAMP                    | 1        | X                     |   |
| 33        | RE61546        | SPEAKER                 | 2        | X                     | (REAR)(6")(4 OHM)   |
| 34        | RE44590        | HOUSING                 | 1        | X                     |   |
| 35        | RE48838        | ROCKER SWITCH           | 1        | X                     |   |
| 36        | RE61545        | SPEAKER                 | 2        | X                     | (FRONT)(6")(4 OHM)  |
| 37        | RE63458        | MODULE                  | 1        | X                     |   |
| 38        | RE150425       | FLOODLAMP               | 1        | X                     | (SUB FOR RE51239 OR RE71420)  |
| 39        | RE61419        | BLOWER                  | 1        | X                     |   |
| 40        | RE66277        | BRAKE LIGHT SWITCH      | 1        | X                     |   |
| 41        | RE46534        | SWITCH                  | 1        | X                     | (A)   |
| 42        | RE61717        | KEY SWITCH              | 1        | X                     |   |
| 43        | RE63512        | MODULE                  | 1        | X                     |   |
| 44        | R39554         | SWITCH                  | 1        | X                     | (B)   |
| 45        | RE150420       | FLOODLAMP               | 1        | X                     | (SUB FOR RE51239 OR RE71420)  |

(A)DIFFERENTIAL LOCK  
 BLOCCAGE DE DIFFERENTIEL  
 DIFFERENTIALSPERRE  
 BLOCCAGGIO DIFFERENZIALE  
 TRABA DEL DIFERENCIAL  
 DIFFERENTIALSPAERR

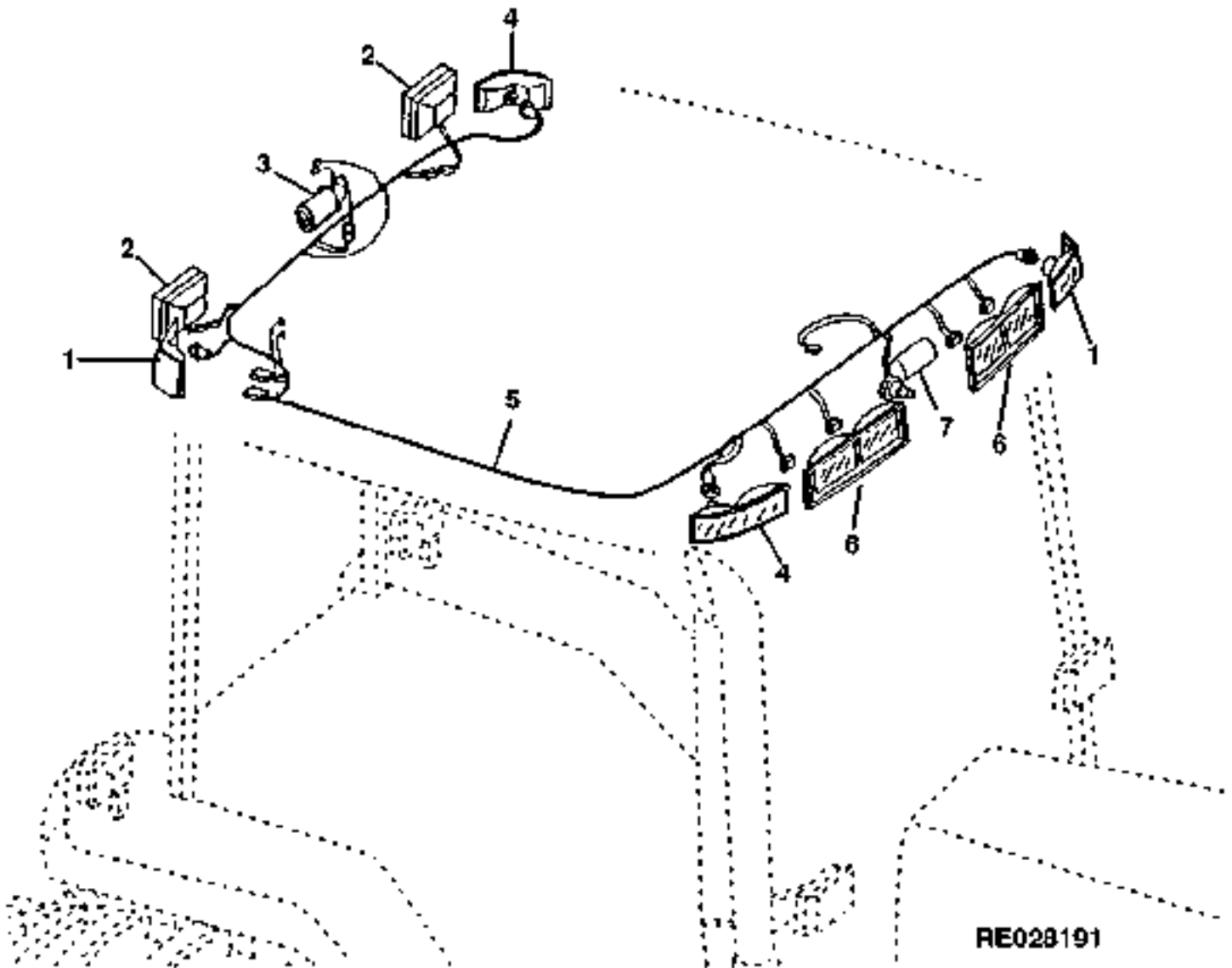
(B)ETHER AID  
 AIDE AU DEMARRAGE A L'ETHER  
 AETHER-STARHILFE  
 SUSSIDIO DI AVVIAMENTO  
 AUXILIAR DE ARRANQUE DE  
 ETERSTARHJELP

(C)(XXXXXX-XXXXXX)8400-011969-023110  
 (D)(XXXXXX- )8400-023111

# 3E19

ELECTRICAL

WIRING HARNESS(ROOF)  
FAISCEAU DE CABLES(TOIT)  
KABELBAUM(DACH)  
CABLAGGIO(TETTO)  
GRUPO DE CABLES(TECHO)  
KABELHAERVA(TAK)  
RE028191 -UN-06AUG97



RE028191

| KEY | PART NO. | PART NAME           | QTY | TRACTOR<br>SERIAL NO. | A<br>L<br>L | REMARKS                                    |
|-----|----------|---------------------|-----|-----------------------|-------------|--|
| 1   | RE55150  | TAIL LAMP           | 2   |                       | X           | (A) R.H.FRONT/L.H.REAR                     |
| 2   | RE61201  | FLOODLAMP           | 2   | -XXXXXX               | X           | (B)  |
|     | RE151345 | FLOODLAMP           | 2   | XXXXXX-               | X           | (C) (SUB FOR RE63958, RE71424 OR RE150424) |
| 3   | RE151494 | WIPER MOTOR         | 1   |                       | X           | (SUB FOR AL76686)                          |
| 4   | RE55151  | TAIL LAMP           | 2   |                       | X           | (A) L.H.FRONT/R.H.REAR                     |
| 5   | RE60647  | ROOF WIRING HARNESS | 1   | -XXXXXX               | X           | (B)  |
|     | RE64629  | ROOF WIRING HARNESS | 1   | XXXXXX-               | X           | (C)  |
|     | 37M7059  | SCREW               | 1   |                       | X           | M5 X 12                                    |
| 6   | RE37450  | LAMP                | 4   |                       | X           |  |
| 7   | RE151494 | WIPER MOTOR         | 1   |                       | X           | (SUB FOR AL76686)                          |

(A)NORTH AMERICAN VERSION  
 VERSION NORD AMERICAINE  
 NORDAMERIKANISCHE  
 VERSIONE NORDAMERICANA  
 VERSION NORTEAMERICANA  
 NORDAMERIKANSK VERSION

(B)( -XXXXXX)8100-002801;8200-002215;8300-003900;8400-002531

(C)(XXXXXX- )8100-002802;8200-002216;8300-003901;8400-002532



# 3E22

ELECTRICAL

| KEY | PART NO. | PART NAME          | QTY | TRACTOR<br>SERIAL NO. | A<br>L<br>L | REMARKS           |
|-----|----------|--------------------|-----|-----------------------|-------------|-------------------|
| 1   | RE48875  | JUNCTION BLOCK     | 1   |                       | X           |                   |
| 2   | 19M7372  | CAP SCREW          | 2   |                       | X           | M5 X 16           |
| 3   | 24M7146  | WASHER             | 1   |                       | X           | 4.300 X 12 X 1 MM |
| 4   | 14M7100  | NUT                | 1   |                       | X           | M4                |
| 5   | R70350   | GROMMET            | 1   |                       | X           |                   |
| 6   | RE56273  | CABLE              | 1   |                       | X           | (+)               |
| 7   | 14M7273  | NUT                | 1   |                       | X           |                   |
| 8   | .....    | WIRING HARNESS     | 1   |                       | X           | (A)               |
| 9   | RE49736  | WIRING LEAD        | 1   |                       | X           |                   |
| 10  | RE48867  | JUNCTION BLOCK     | 1   |                       | X           |                   |
| 11  | 14M7274  | NUT                | 1   |                       | X           | M10               |
| 12  | RE44581  | CABLE              | 1   |                       | X           | (B) (+)           |
| 13  | .....    | CAB WIRING HARNESS | 1   |                       | X           |                   |
| ..  | RE54810  | ISOLATOR           | 1   |                       | X           |                   |

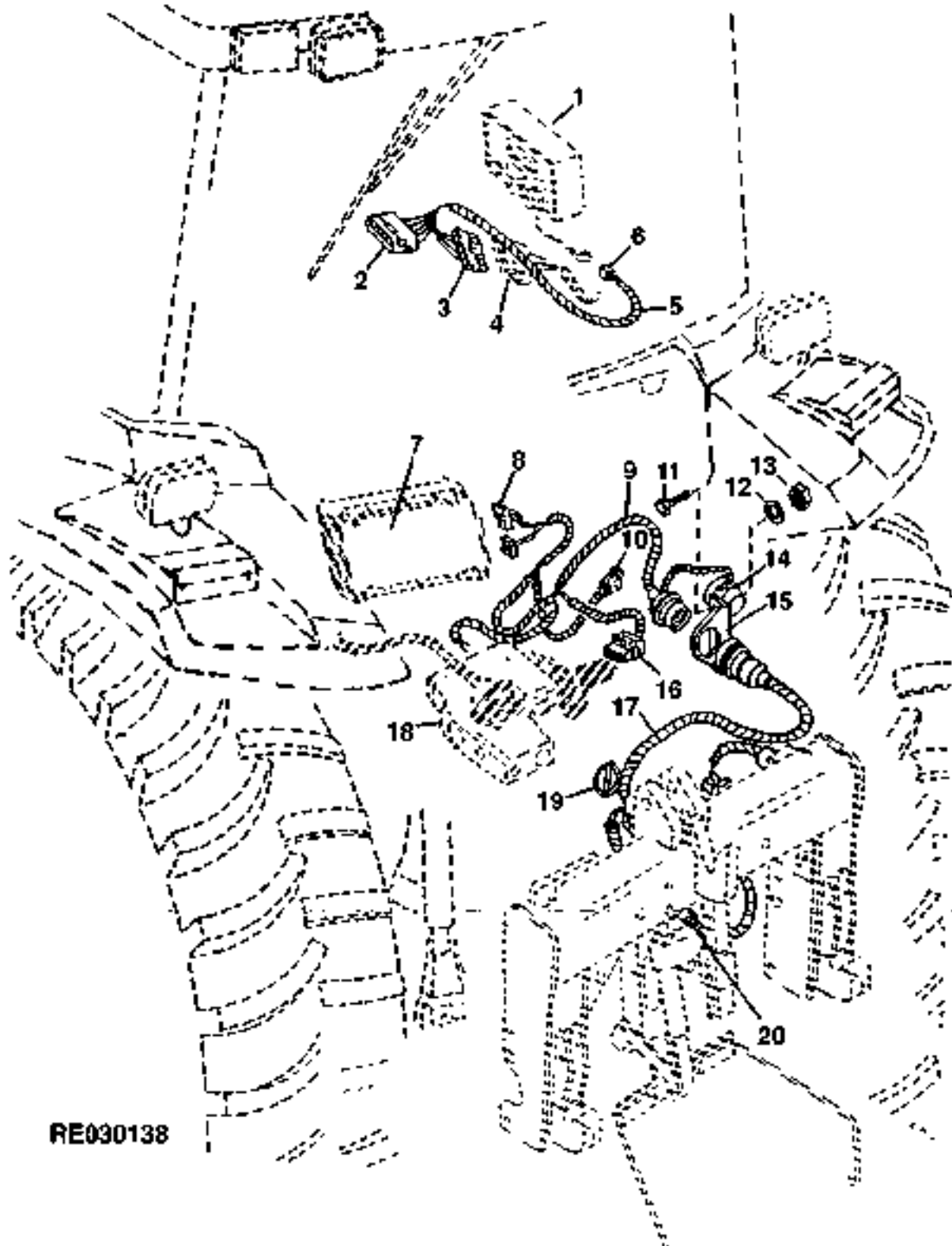
(A) ENGINE AND CHASSIS  
MOTEUR ET CHASSIS  
MOTOR UND CHASSIS  
MOTORE E TELAIO  
MOTOR Y CHASIS  
MOTOR OCH CHASSIS

(B) BATTERY  
BATTERIE  
BATTERIE  
BATTERIA  
BATERIA  
BATTREI

# 3E23

ELECTRICAL

WIRING HARNESS(ROW-TRAK)  
FAISCEAU DE CABLES(ROW-TRAK)  
KABELBAUM(ROW-TRAK)  
CABLAGGIO(ROW-TRAK)  
GRUPO DE CABLES(ROW-TRAK)  
KABELHAERVA(ROW-TRAK)  
RE030138 -UN-03NOV98



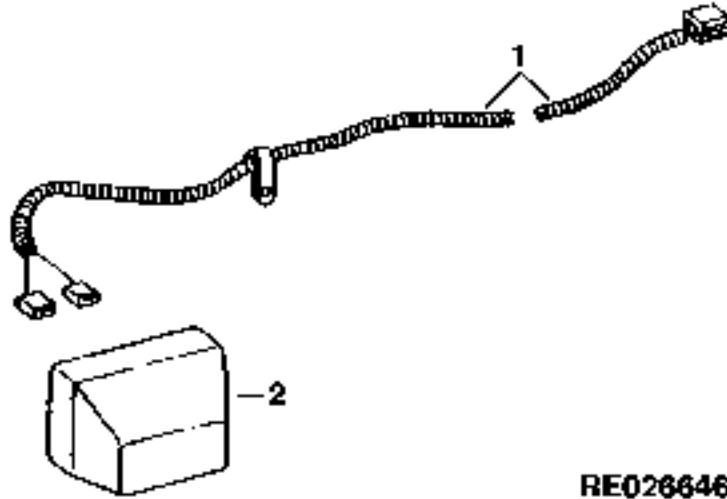
RE030138

| KEY       | PART NO.        | PART NAME                | QTY      | TRACTOR<br>SERIAL NO. | A<br>L<br>L | REMARKS   |
|-----------|-----------------|--------------------------|----------|-----------------------|-------------|---|
| 1         | RE57744         | MONITOR                  | 1        |                       | X           |   |
| 2         | R78056          | CONNECTOR                | 1        |                       | X           | (ALSO ORDER (6) R78058 AND (6) 57M7292)                       |
| 3         | RE12366         | CONNECTOR                | 1        |                       | X           | (ALSO ORDER (6) R78057 AND (6) 57M7292)                       |
| 4         | .....           | CAB WIRING HARNESS       | 1        |                       | X           |   |
| 5         | RE64323         | WIRING LEAD              | 1        |                       | X           | (SUB FOR RE58312)   |
| 6         | T138822         | CONNECTOR                | 1        |                       | X           | (ALSO ORDER (4) R78058 AND (4) 57M7292)                       |
| 7         | .....           | HITCH AND SCV CONTROLLER | 1        |                       | X           |   |
| 8         | 57M7253         | RECEPTACLE               | 1        |                       | X           |   |
| 9         | RE58311         | WIRING HARNESS           | 1        |                       | X           | (ALSO INCLUDES E73240)  |
| 10        | 57M7260         | CONNECTOR                | 1        |                       | X           |   |
| 11        | 19M7550         | CAP SCREW                | 2        |                       | X           |   |
| 12        | 24M7346         | WASHER                   | 4        |                       | X           |   |
| 13        | 14M7274         | NUT                      | 2        |                       | X           |   |
| 14        | AE44632         | CONNECTOR                | 1        |                       | X           | (ALSO ORDER (2) R44302)                                       |
| 15        | R124308         | BRACKET                  | 1        |                       | X           |   |
| 16        | 57M7265         | CONNECTOR                | 1        |                       | X           | (ALSO ORDER (8) R104919 AND (8) 57M7258)<br>(SUB FOR RE42196) |
| 17        | RE58548         | WIRING HARNESS           | 1        |                       | X           |   |
|           | RE63306         | WIRING HARNESS           | 1        |                       | X           | (A) (CONSISTS OF AE44976)                                     |
|           | RE63763         | WIRING LEAD              | 1        |                       | X           | (B)   |
| <b>18</b> | <b>AR114034</b> | <b>KIT</b>               | <b>1</b> |                       | <b>X</b>    | <b>(FI)(5TH SCV)</b>  |
| 19        | M115827         | QUICK LOCK PIN           | 1        |                       | X           |   |
| 20        | 57M7309         | CONNECTOR                | 1        |                       | X           | (ALSO ORDER (2) 57M7297 AND (2) 57M7292)                      |
| ..        | R107991         | CLAMP                    | 1        |                       | X           |   |

(A) EXTENSION  
EXTENSION  
VERLAENGERUNG  
ESTENSIONE  
EXTENSION  
FOERLAENGNING

(B) HITCH DISABLE  
DESENGAGEMENT DE L'ATTELAGE  
REGELHYDRAULIK-ABSCHALTUNG  
DISATTIVAZIONE DELL'ATTACCO  
DESACTIVACION DEL ENGANCHE  
LYFTURKOPPLING

WIRING HARNESS(LICENCE PLATE LAMP)(EUROPEAN VERSION)  
 FAISCEAU DE FILS(PLAQUE MINERALOGIQUE,ECLAIRAGE)  
 KABELBAUM(NUMMERNSCHILD-BELEUCHTUNG)  
 CABLAGGIO(LUCE DELLA TARGA)  
 GRUPO DE CABLES(INTERRUPTOR DE FRENO)  
 KABELHAERVA(BROMSKONTAKT)  
 RE026646 -UN-07DEC95



**RE026646**

| KEY | PART NO.       | PART NAME             | QTY      | TRACTOR<br>SERIAL NO. | A        | REMARKS         |
|-----|----------------|-----------------------|----------|-----------------------|----------|-----------------|
|     |                |                       |          |                       | L        |                 |
| 1   | RE52633        | WIRING HARNESS        | 1        |                       | X        | (A)             |
|     | <b>RE62300</b> | <b>WIRING HARNESS</b> | <b>1</b> |                       | <b>X</b> | <b>(B) (FI)</b> |
| 2   | AL33161        | FLOODLAMP             | 1        |                       | X        |                 |

(A)EUROPEAN VERSION  
 VERSIONE EUROPEENNE  
 EUROPÄISCHE AUSFUEHRUNG  
 VERSIONE EUROPEA  
 VERSION EUROPEA  
 EUROPEISK VERSION

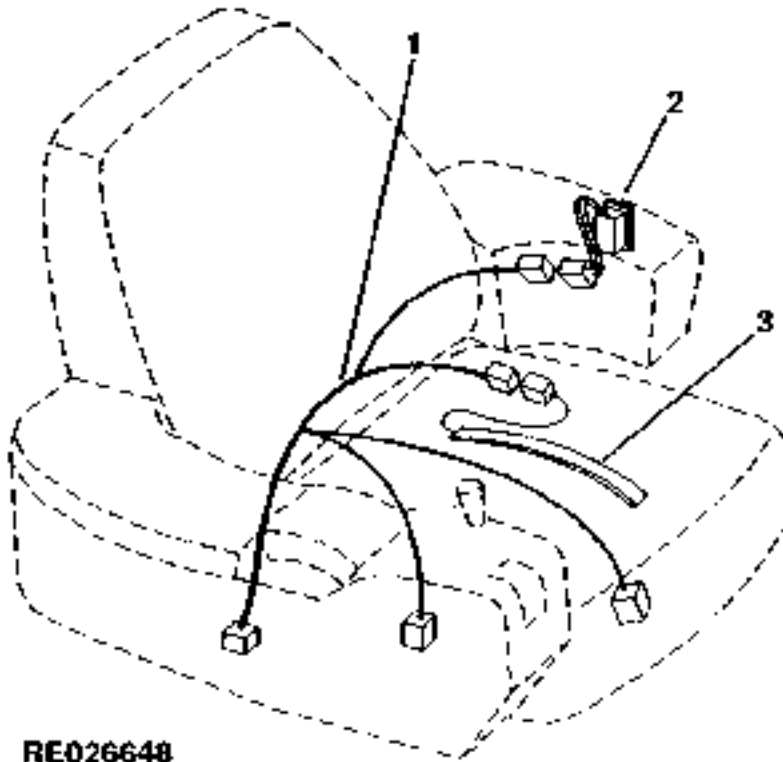
(B)USE OTHER THAN NORTH AMERICAN AND EUROPEAN VERSION  
 USAGE AUTRE QUE LES VERSIONNORD-AMERICAINES OU EUROPEENNES  
 FUER DEN GEBRAUCH AUSSER MIT DEN NORDAMERIKANISCHEN UND EUROPÄISCHEN AUSFUEHRUNGEN  
 UEARE SULLE VERSIONI NON NORDAMERICANE O EUROPEE  
 USAR EN TRACTORES DE VERSION DIFERENTE A LA NORTEAMERICANA O EUROPEA  
 ANVAENDS PAA ALLA TRAKTORER UTOM I NORDAMERIKA OCH EUROPA



# 3F1

ELECTRICAL

WIRING HARNESS(SEAT)  
FAISCEAU COND.DE GRAISSAGE(SIEGE)  
SCHMIERLEITUNGSPAKET(SITZ)  
CONDOTTI DI LUBRIFICAZIONE(SEDILE)  
SISTEMA DE ENGRASE(ASIENTO)  
CENTRALSMOERJNING(SAETE)  
RE026648 -UN-19DEC95



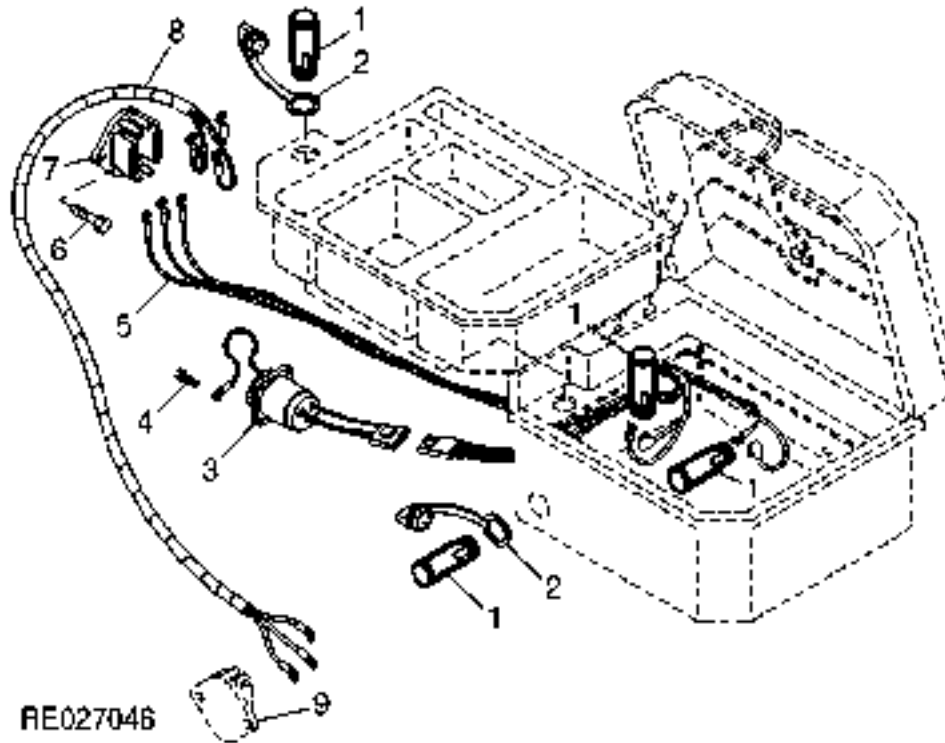
**RE026648**

| KEY | PART NO. | PART NAME      | QTY | TRACTOR<br>SERIAL NO. | A | REMARKS |
|-----|----------|----------------|-----|-----------------------|---|---------|
|     |          |                |     |                       | L |         |
| 1   | RE52550  | WIRING HARNESS | 1   |                       | X |         |
| 2   | RE43451  | ROCKER SWITCH  | 1   |                       | X |         |
| 3   | RE43526  | SWITCH         | 1   |                       | X |         |

# 3F2

ELECTRICAL

WIRING HARNESS(FIELD OFFICE)(8100,8200,8300,8400 -009999)  
 FAISCEAU DE CABLES(BUREAU MOBILE)(8100,8200,8300,8400 -009999)  
 KABELBAUM(BORD-BUERO)(8100,8200,8300,8400 -009999)  
 CABLAGGIO(UFFICIO MOBILE)(8100,8200,8300,8400 -009999)  
 GRUPO DE CABLES(OFCINA PORTATIL)(8100,8200,8300,8400 -009999)  
 KABELHAERVA(TRAKTORKONTOR)(8100,8200,8300,8400 -009999)  
 RE027046 -UN-17JUL96



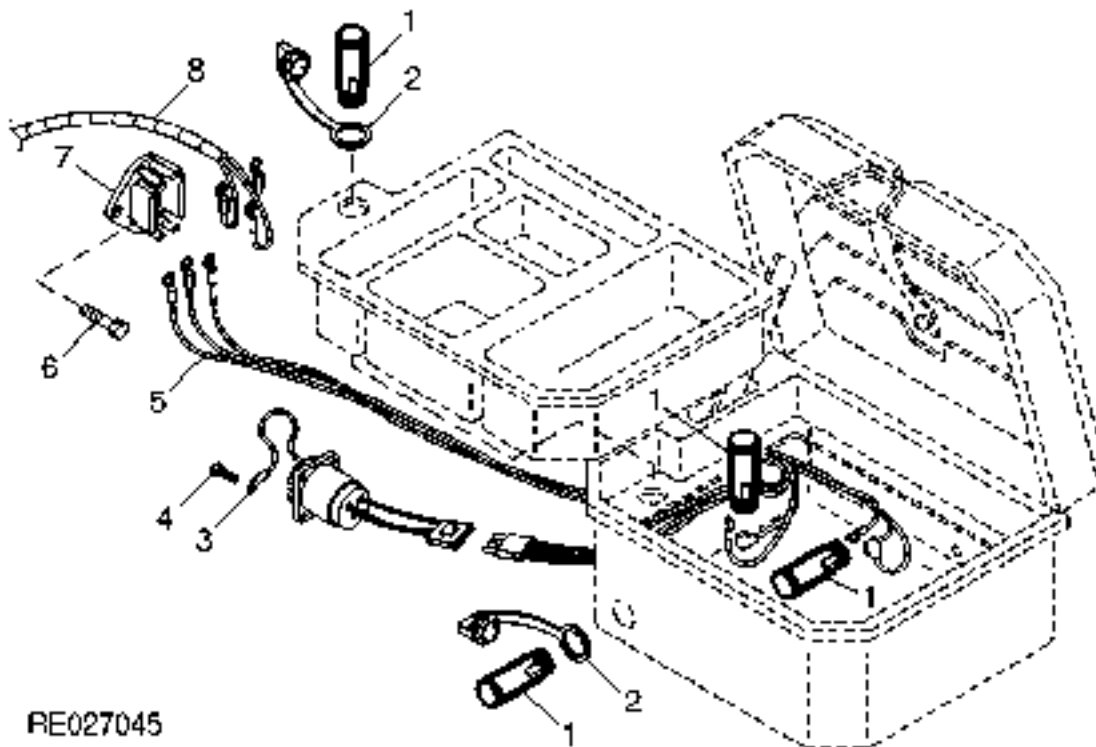
RE027046

| KEY | PART NO. | PART NAME      | QTY | CAB<br>SERIAL NO. | A       |               |
|-----|----------|----------------|-----|-------------------|---------|---------------|
|     |          |                |     |                   | L       | L             |
|     |          |                |     |                   | REMARKS |               |
| 1   | AR56766  | HOUSING        | 2   |                   | X       |               |
| 2   | R131671  | PLUG           | 2   |                   | X       |               |
| 3   | RE37640  | SOCKET OUTLET  | 1   |                   | X       |               |
| 4   | R133192  | RIVET          | 4   |                   | X       |               |
| 5   | RE67821  | WIRING HARNESS | 1   |                   | X       |               |
| 6   | 21H1463  | CAP SCREW      | 2   |                   | X       | 0.190" X 7/8" |
| 7   | R111931  | JUNCTION BLOCK | 1   |                   | X       |               |
| 8   | RE69474  | WIRING HARNESS | 1   |                   | X       |               |
| 9   | R111931  | JUNCTION BLOCK | 1   |                   | X       |               |

# 3F3

ELECTRICAL

WIRING HARNESS(FIELD OFFICE)(8100,8200,8300,8400 010000- )  
 FAISCEU DE CABLES(BUREAU MOBILE)(8100,8200,8300,8400 010000- )  
 KABELBAUM(BORD-BUERO)(8100,8200,8300,8400 010000- )  
 CABLAGGIO(UFFICIO MOBILE)(8100,8200,8300,8400 010000- )  
 GRUPO DE CABLES(OFICINA PORTATIL)(8100,8200,8300,8400 010000- )  
 KABELHAERVA(TRAKTORKONTOR)(8100,8200,8300,8400 010000- )  
 RE027045 -UN-17JUL96

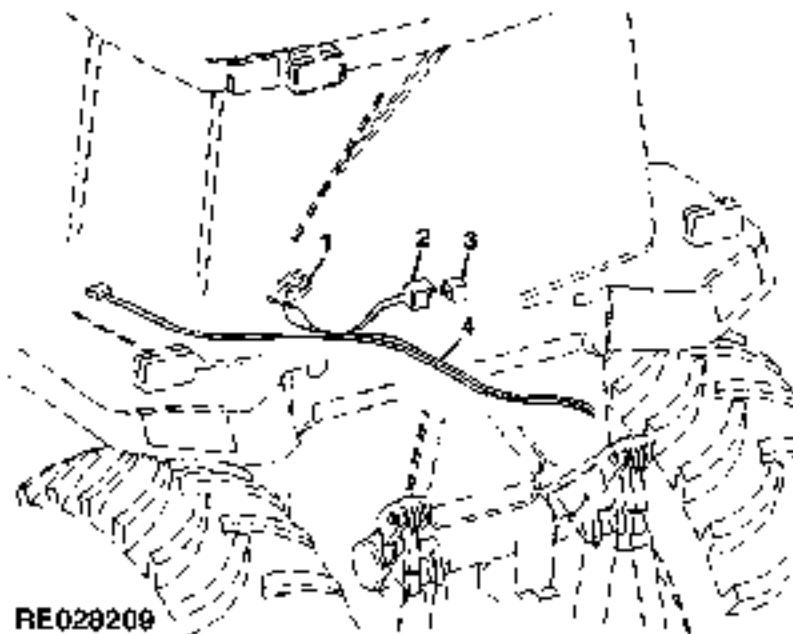


| KEY | PART NO. | PART NAME          | QTY | CAB<br>SERIAL NO. | A |               |
|-----|----------|--------------------|-----|-------------------|---|---------------|
|     |          |                    |     |                   | L | REMARKS       |
| 1   | AR56766  | HOUSING            | 2   |                   | X |               |
| 2   | R131671  | PLUG               | 2   |                   | X |               |
| 3   | RE37640  | SOCKET OUTLET      | 1   |                   | X |               |
| 4   | R133192  | RIVET              | 4   |                   | X |               |
| 5   | RE67821  | WIRING HARNESS     | 1   |                   | X |               |
| 6   | 21H1463  | CAP SCREW          | 2   |                   | X | 0.190" X 7/8" |
| 7   | R111931  | JUNCTION BLOCK     | 1   |                   | X |               |
| 8   | .....    | CAB WIRING HARNESS | 1   |                   | X |               |

# 3F4

ELECTRICAL

**BRAKE LIGHT EXTENSION WIRING HARNESS**  
**FAISCEAU DE FILS RALLONGE DES FEUX DES FREINS**  
**BREMSLIGHT-VERLAENGERUNGSKABELBAUM**  
**CAVO DI PROLUNGA DELLA LUCE DEL FRENO**  
**GRUPO DE CABLES DE EXTENSION DE LUZ DE FRENO**  
**KABELHAERVA FOER BROMSLJUSFOERLAENGNING**  
 RE028209 -UN-06AUG97

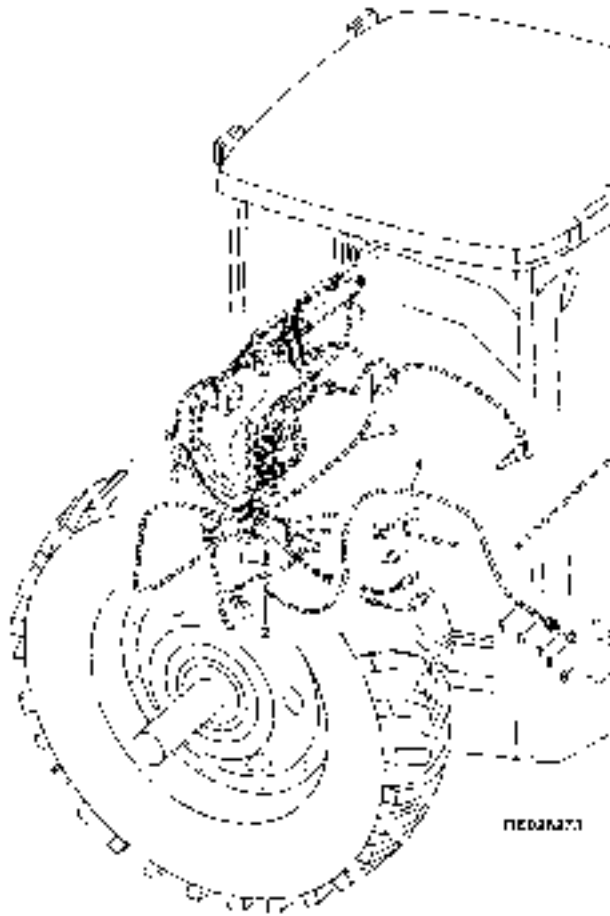


| KEY | PART NO. | PART NAME      | QTY | TRACTOR<br>SERIAL NO. | A | REMARKS                    |
|-----|----------|----------------|-----|-----------------------|---|----------------------------|
|     |          |                |     |                       | L |                            |
| 1   | R111931  | JUNCTION BLOCK | 1   |                       | X |                            |
| 2   | ET15766  | CONNECTOR      | 1   |                       | X | (ALSO ORDER (4) 57M7514)   |
| 3   | RE68327  | RELAY          | 1   |                       | X | (SUB FOR RE48876) (40 AMP) |
| 4   | RE61403  | WIRING HARNESS | 1   |                       | X |                            |

# 3F5

ELECTRICAL

AIR BRAKE WIRING HARNESS(EUROPEAN VERSION)  
 FAISCEAU DE FILS DE FREIN PNEUMATIQUE(VERSION EUROPEENNE)  
 DRUCKLUFTBREMSSEN-KABELBAUM(EUROPEAEISCHE AUSFUEHRUNG)  
 CAVO FRENO A COMANDO PNEUMATICO(VERSIONE EUROPEA)  
 ARNES DE ALAMBRADO DE FRENOS DE AIRE(VERSION EUROPEA)  
 KABELHAERVA FOER LUFTBROMS(EUROPEISK VERSION)  
 RE028273 -UN-05SEP97



| KEY | PART NO. | PART NAME      | QTY | TRACTOR SERIAL NO. | A<br>L<br>L | REMARKS   |
|-----|----------|----------------|-----|--------------------|-------------|---|
| 1   | 57M7254  | CONNECTOR      | 1   |                    | X           | (ALSO ORDER 57M7289, (2) R104846 AND (2) 57M7258) |
| 2   | 57M7256  | CONNECTOR      | 1   |                    | X           | (ALSO ORDER 57M7289, (2) R104919 AND (2) 57M7258) |
| 3   | .....    | WIRING HARNESS | 1   |                    | X           | (A)   |
| 4   | RE150545 | WIRING HARNESS | 1   |                    | X           | (ALSO ORDER (3) R44302)                           |
| 5   | 57M7256  | CONNECTOR      | 1   |                    | X           | (ALSO ORDER 57M7289, (2) 57M7258 AND (2) R104919) |
| 6   | RE150606 | SWITCH         | 1   |                    | X           |   |
| 7   | 51M7040  | O-RING         | 1   |                    | X           |   |
| 8   | RE150663 | CONNECTOR      | 1   |                    | X           |   |
| 9   | AL111802 | RESERVOIR      | 1   |                    | X           |   |

(A)ENGINE AND CHASSIS  
 MOTEUR ET CHASSIS  
 MOTOR UND CHASSIS  
 MOTORE E TELAIO  
 MOTOR Y CHASIS  
 MOTOR OCH CHASSI



| KEY | PART NO. | PART NAME          | QTY | TRACTOR SERIAL NO. | A<br>L<br>L | REMARKS  |
|-----|----------|--------------------|-----|--------------------|-------------|--|
| 1   | 57M7121  | FUSE               | 20  |                    | X           | 10 AMP   |
|     | 57M7120  | FUSE               | 10  |                    | X           | 20 AMP   |
|     | 57M7146  | FUSE               | 10  |                    | X           | 30 AMP   |
| 2   | RE43737  | TERMINAL BOARD     | 4   |                    | X           |  |
| 3   | RE49726  | SUPPORT            | 8   |                    | X           |  |
| 4   | 37M7089  | SCREW              | 8   |                    | X           |  |
| 5   | 24H1325  | WASHER             | 2   |                    | X           | 15/32" X 59/64" X 0.065"   |
| 6   | RE49724  | TERMINAL BOARD     | 8   |                    | X           |  |
| 7   | RE39967  | DIODE              | 2   |                    | X           |  |
| 8   | RE68327  | RELAY              | 26  |                    | X           | (SUB FOR RE48876) 40 AMP   |
|     | RE161437 | RELAY              | 1   | -019999            | X           | (K-13 LOCATION ONLY)   |
|     | RE68327  | RELAY              | 1   | 020000-            | X           | (K-13 LOCATION ONLY)   |
| 9   | R111807  | LABEL              | 1   | -XXXXXX            | X           | (A) (D)  |
|     | R134324  | LABEL              | 1   | XXXXXX-            | X           | (A) (F)  |
|     | R111808  | LABEL              | 1   | -XXXXXX            | X           | (B) (D)  |
|     | R134325  | LABEL              | 1   | XXXXXX-            | X           | (B) (F)  |
| 10  | RE60537  | CAB WIRING HARNESS | 1   | -XXXXXX            | X           | (A) (D) (SUB RE64626, (2) 57M7254, (2) 57M7289, (4) R104846 AND (4) 57M7258) |
|     | RE64626  | CAB WIRING HARNESS | 1   | XXXXXX-XXXXXX      | X           | (A) (E) (SUB FOR RE60537)  |
|     | RE163725 | CAB WIRING HARNESS | 1   | 010000-            | X           | (A) (SUB FOR RE69159, RE158815 OR RE160770)                                  |
|     | RE60538  | CAB WIRING HARNESS | 1   | -XXXXXX            | X           | (B) (D) (SUB RE64627, (2) 57M7254, (2) 57M7289, (4) R104846 AND (4) 57M7258) |
|     | RE64627  | CAB WIRING HARNESS | 1   | XXXXXX-XXXXXX      | X           | (B) (E) (SUB FOR RE60538)  |
|     | RE158816 | CAB WIRING HARNESS | 1   | 010000-            | X           | (B) (SUB FOR RE69160)  |
|     | RE150544 | CAB WIRING HARNESS | 1   | XXXXXX-XXXXXX      |             | (C) (F) (SUB RE163725) (8400 ONLY)   |
|     | RE163725 | CAB WIRING HARNESS | 1   | XXXXXX-            |             | (C) (G) (SUB FOR RE150544, RE158815 OR RE160770) (8400 ONLY)                 |
| ..  | RE71260  | WIRING HARNESS     | 1   | -009999            | X           | (ALSO ORDER RE68327) (USE WITH RE60537 OR RE64626)                           |

(A)NORTH AMERICAN VERSION  
 VERSION NORD AMERICAINE  
 NORDAMERIKANISCHE  
 VERSIONE NORDAMERICANA  
 VERSION NORTAMERICANA  
 NORDAMERIKANSK VERSION

(B)EUROPEAN VERSION  
 VERSION EUROPEENNE  
 EUROPAEISCHE AUSFUEHRUNG  
 VERSIONE EUROPEA  
 VERSION EUROPEA  
 EUROPEISK VERSION

(C)UKRAINIAN VERSION  
 VERSION UKRAINIENNE  
 UKRAINISCHE AUSFUEHRUNG  
 VERSIONE PER L'UCRAINA  
 VERSION UCRAINIANA  
 VERSION FOER UKRAINA

(D)( -XXXXXX)8100-002801;8200-002215;8300-003900;8400-002531

(E)(XXXXXX-XXXXXX)8100-002802-009999;8200-002216-009999;8300-003901-009999;8400-002532-009999

(F)(XXXXXX-XXXXXX)8400-011969-023110

(G)(XXXXXX- )8400-023111

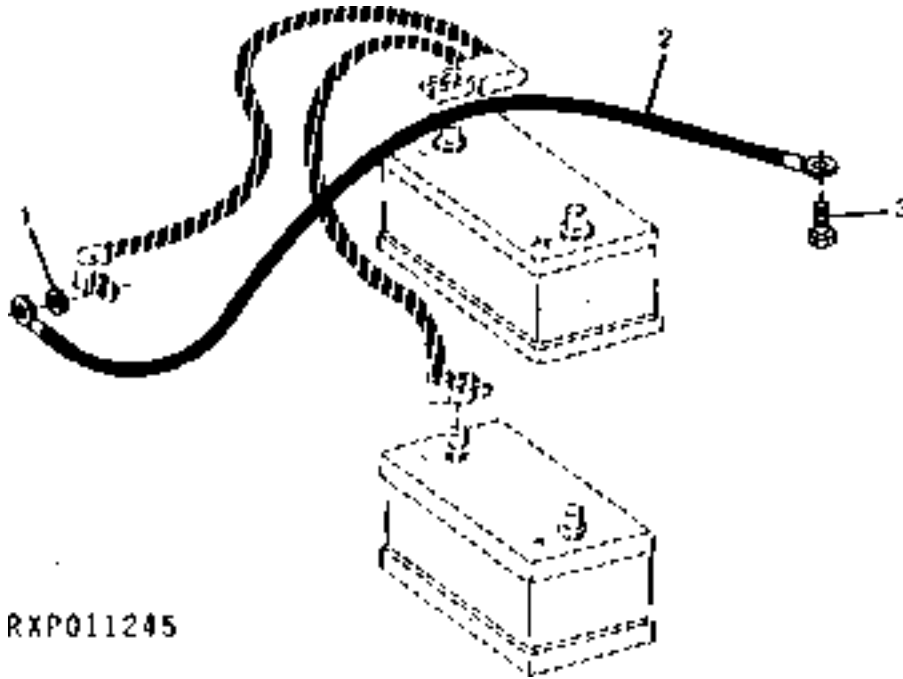
MEMORANDA  
MEMORANDA  
MEMORANDA  
MEMORANDA  
MEMORANDA



# 3F8

ELECTRICAL

CAB AND CHASSIS GROUND CABLE  
 CABLE DE MASSE, CABINE ET CHASSIS  
 MASSEKABEL, KABINE UND FAHRGESTELL  
 FILO DI TERRA DI CABINA E TELAIO  
 CABLE A TIERRA DE CABINA Y CHASIS  
 JORDKABEL, HYTT OCH CHASSI  
 RXP011245 -UN-01JAN94



RXP011245

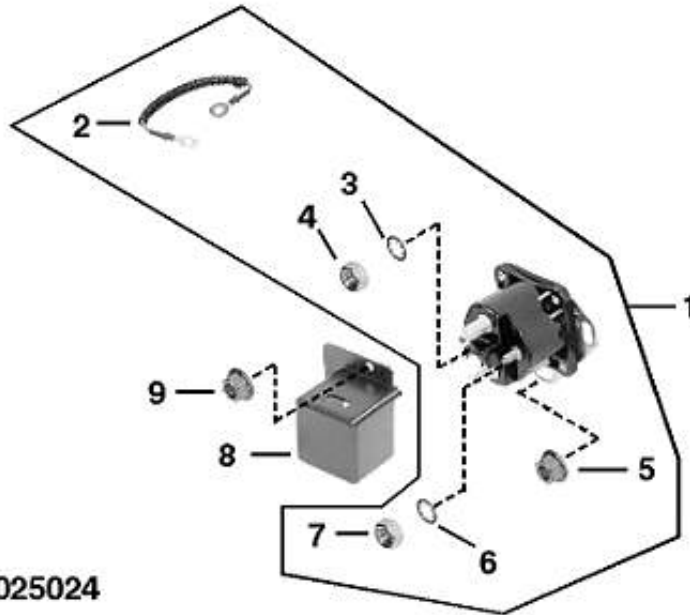
| KEY | PART NO. | PART NAME | QTY | TRACTOR<br>SERIAL NO. | A |                   |
|-----|----------|-----------|-----|-----------------------|---|-------------------|
|     |          |           |     |                       | L | REMARKS           |
| 1   | 14M7274  | NUT       | 1   |                       | X | M10               |
| 2   | RE60634  | CABLE     | 1   |                       | X | (-)               |
| 3   | 19M7783  | SCREW     | 1   |                       | X | M10 X 16, HS 10.9 |

# 3F9

ELECTRICAL

STARTING CIRCUIT RELAY  
 RELAIS DU CIRCUIT DE MARRAGE  
 ANLASSERSTROMKREISRELAY  
 INTERRUOTORE CIRCIITO DI ACCENSIONE  
 RELE DEL CIRCUITO DE ARRANQUE  
 STARTRELAE

RXP025024 -UN-01JAN94



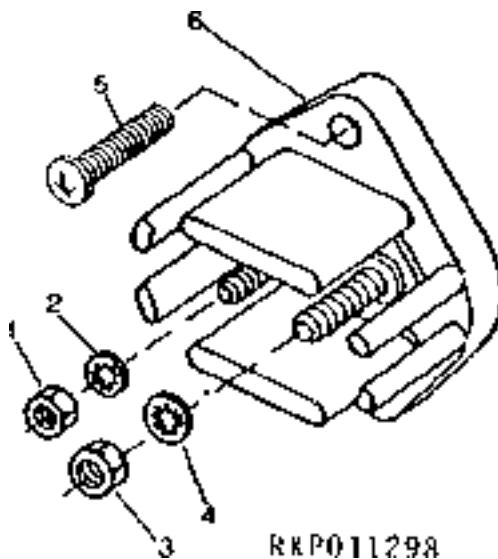
RXP025024

| KEY | PART NO. | PART NAME     | QTY | TRACTOR<br>SERIAL NO. | A | REMARKS                              |
|-----|----------|---------------|-----|-----------------------|---|--------------------------------------|
|     |          |               |     |                       | L |                                      |
| 1   | RE38391  | STARTER RELAY | 1   |                       | X | (MARKED AT68973) INCLUDES (2) R74993 |
| 2   | .....    | WIRING LEAD   | 1   |                       | X | MAKE FROM R65593,R65599 & R32018     |
| 3   | 12M7032  | LOCK WASHER   | 2   |                       | X | 0.331"                               |
| 4   | 14H785   | NUT           | 2   |                       | X | 5/16"                                |
| 5   | 14M7303  | FLANGE NUT    | 2   |                       | X | M6                                   |
| 6   | 12M7060  | WASHER        | 2   |                       | X | 0.209"                               |
| 7   | 14H631   | NUT           | 2   |                       | X | 0.190"                               |
| 8   | R113164  | COVER         | 1   |                       | X |                                      |
| 9   | 14M7303  | FLANGE NUT    | 2   |                       | X | M6                                   |

# 3F10

ELECTRICAL

ELECTRICAL JUNCTION BLOCK  
 BLOC DE DERIVATION ELECTRIQUE  
 STROMVERTEILERBLOCK  
 BLOQUE DE EMPALME ELECTRICO  
 BLOCCO DI DERIVAZIONE ELETTRICA  
 ELEKTRISK AVGRENINGSDOSA  
 RXP011298 -UN-01JAN94

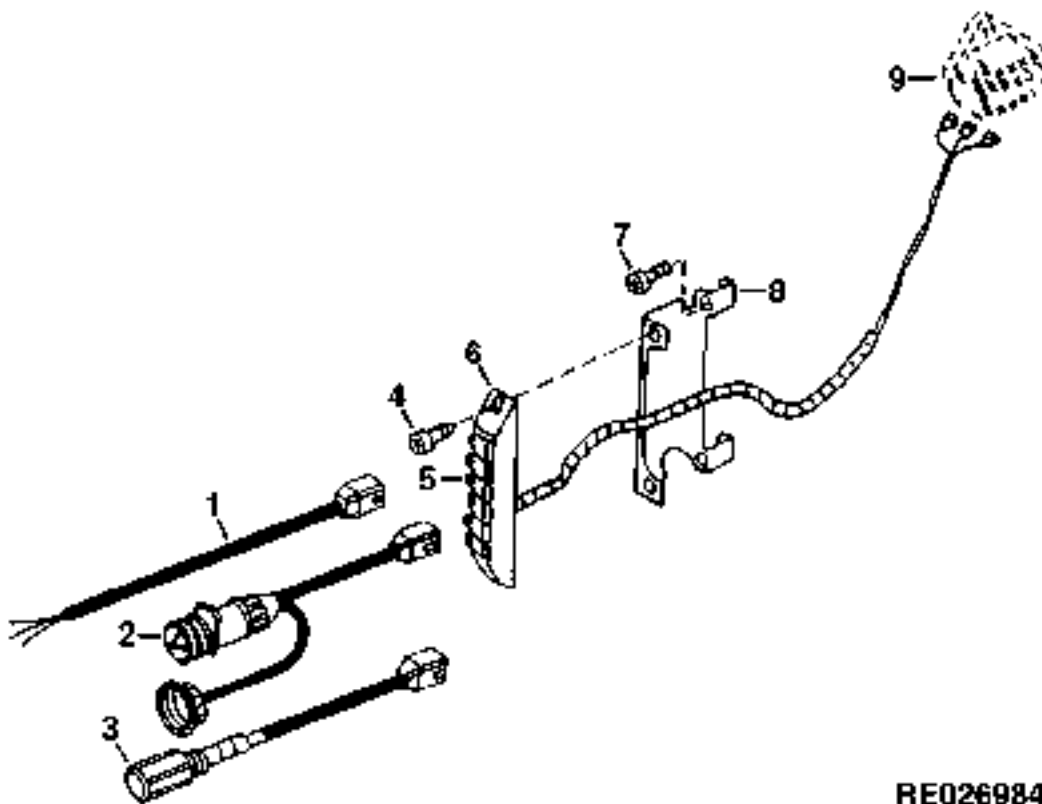


| KEY | PART NO. | PART NAME      | QTY | TRACTOR<br>SERIAL NO. | A |               |
|-----|----------|----------------|-----|-----------------------|---|---------------|
|     |          |                |     |                       | L | REMARKS       |
| 1   | 14H778   | NUT            | 3   |                       | X | 0.190"        |
| 2   | 12M7060  | WASHER         | 3   |                       | X | 0.209"        |
| 3   | 14H786   | NUT            | 1   |                       | X | 1/4"          |
| 4   | 12H297   | LOCK WASHER    | 1   |                       | X | 1/4"          |
| 5   | 21H1463  | CAP SCREW      | 2   |                       | X | 0.190" X 7/8" |
| 6   | R111931  | JUNCTION BLOCK | 1   |                       | X |               |

# 3F11

ELECTRICAL

AUXILIARY POWER STRIP  
 MULTIPRISE AUXILAIRES  
 ZUSAETZLICHE MEHRFACH-STECKDOSE  
 BASETTA AUSILIARIA DI ALIMENTAZIONE  
 TIRA DE CONEXION DE ALIMENTACION AUXILIAR  
 RESERVUTTAGSPLINT  
 RE026984 -UN-06AUG96



**RE026984**

| KEY | PART NO. | PART NAME      | QTY | TRACTOR<br>SERIAL NO. | A     | REMARKS |
|-----|----------|----------------|-----|-----------------------|-------|---------|
|     |          |                |     |                       | L     |         |
| 1   | RE67013  | ADAPTER        | 1   |                       | X     |         |
| 2   | RE67015  | ADAPTER        | 1   |                       | X (A) |         |
|     | RE67016  | ADAPTER        | 1   |                       | X (B) |         |
| 3   | RE67014  | ADAPTER        | 1   |                       | X     |         |
| 4   | 37M7090  | SCREW          | 2   |                       | X     | M6 X 16 |
| 5   | RE67019  | CAP            | 5   |                       | X     |         |
| 6   | RE68495  | STRIP          | 1   |                       | X     |         |
| 7   | 37M7089  | SCREW          | 3   |                       | X     | M6 X 12 |
| 8   | R132150  | BRACKET        | 1   |                       | X     |         |
| 9   | R111931  | JUNCTION BLOCK | 1   |                       | X     |         |

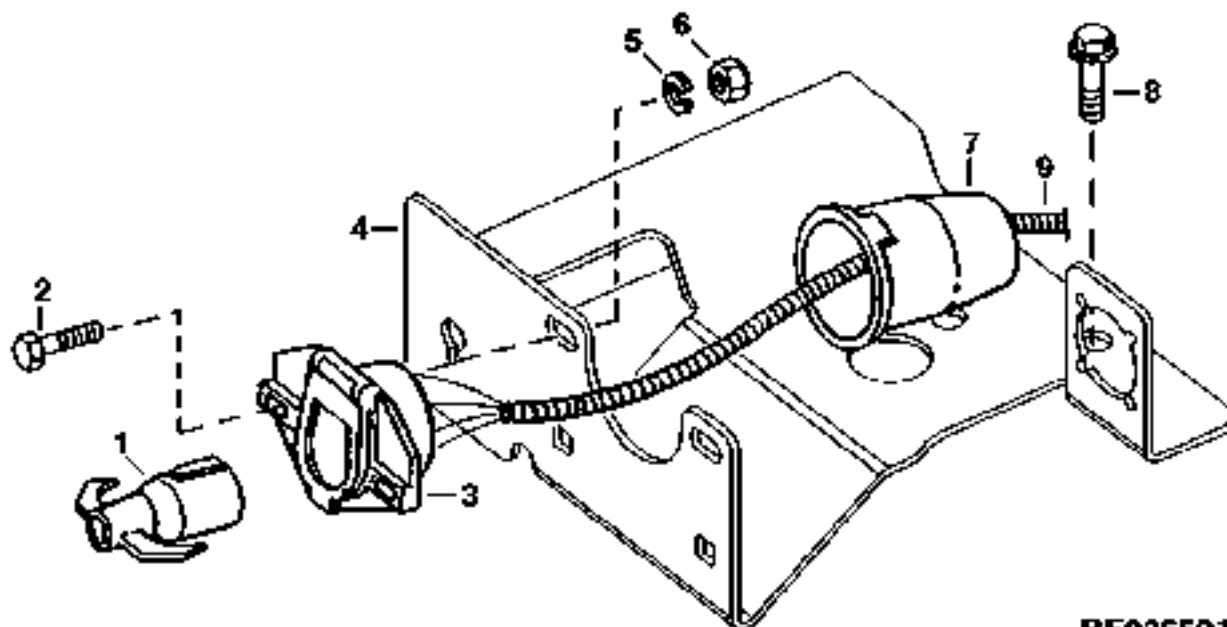
(A)NORTH AMERICAN VERSION  
 VERSION NORD AMERICAINE  
 NORDAMERIKANISCHE  
 VERSIONE NORDAMREICANA  
 VERSION NORTEAMERICANA  
 NORDAMREIKANSK VERSION

(B)EUROPEAN VERSION  
 VERSION EUROPEENNE  
 AUSFUEHRUNG EUROPEAEISCHE  
 VERSIONE EUROPEA  
 VERSION EUROPEA  
 EUROPEISK VERSION

# 3F12

ELECTRICAL

7-TERMINAL ELECTRICAL OUTLET SOCKET (NORTH AMERICAN VERSION)  
 PRISE FEMELLE ELECTRIQUE'A 7 COSSES(VERSION NORD AMERICAINE)  
 7-STIFT STECKDOSE(NORDAMERIKANISCHE AUSFUEHRUNG)  
 MORSETTO PRESA ELETTRICA ESTERNA(VERSIONE NORDAMERICANA)  
 CASQUILLO DE TOMA ELECTRICA DE 7 TERMINALES(VERSION NORTEAMERICANA)  
 SJUPOLIGT ELEKTRISKT KONTAKTDON(NORDAMERIKANSK VERSION)  
 RE026591 -UN-13DEC95



**RE026591**

| KEY | PART NO. | PART NAME          | QTY | TRACTOR SERIAL NO. | A<br>L<br>L | REMARKS  |
|-----|----------|--------------------|-----|--------------------|-------------|--|
| 1   | AH93625  | PLUG               | 1   |                    | X           |  |
| 2   | 19H1900  | CAP SCREW          | 2   |                    | X           | 5/16" X 3/4"   |
| 3   | AR75695  | SOCKET OUTLET      | 1   |                    | X           |  |
| 4   | RE63638  | BRACKET            | 1   |                    | X           | (SUB FOR R111975 OR R126536)   |
|     | R128894  | LABEL              | 1   |                    | X           | (SUB FOR R123139, THIS APPLICATION)  |
| 5   | 12H303   | LOCK WASHER        | 2   |                    | X           | 5/16"  |
| 6   | 14H785   | NUT                | 2   |                    | X           | 5/16"  |
| 7   | R61775   | BOOT               | 1   |                    | X           |  |
| 8   | 19M8242  | SCREW              | 2   |                    | X           | HS 10.9  |
| 9   | RE60537  | CAB WIRING HARNESS | 1   | -XXXXXX            | X           | (A) (SUB RE64626, (2) 57M7254, (2) 57M7289, (4) R104846 AND (4) 57M7258) (SUB FOR RE69159) |
|     | RE64626  | CAB WIRING HARNESS | 1   | XXXXXX-XXXXXX      | X           | (B) (SUB FOR RE60537)  |
|     | RE163725 | CAB WIRING HARNESS | 1   | 100000-            | X           | (SUB FOR RE69159, RE158815 OR RE160770)  |

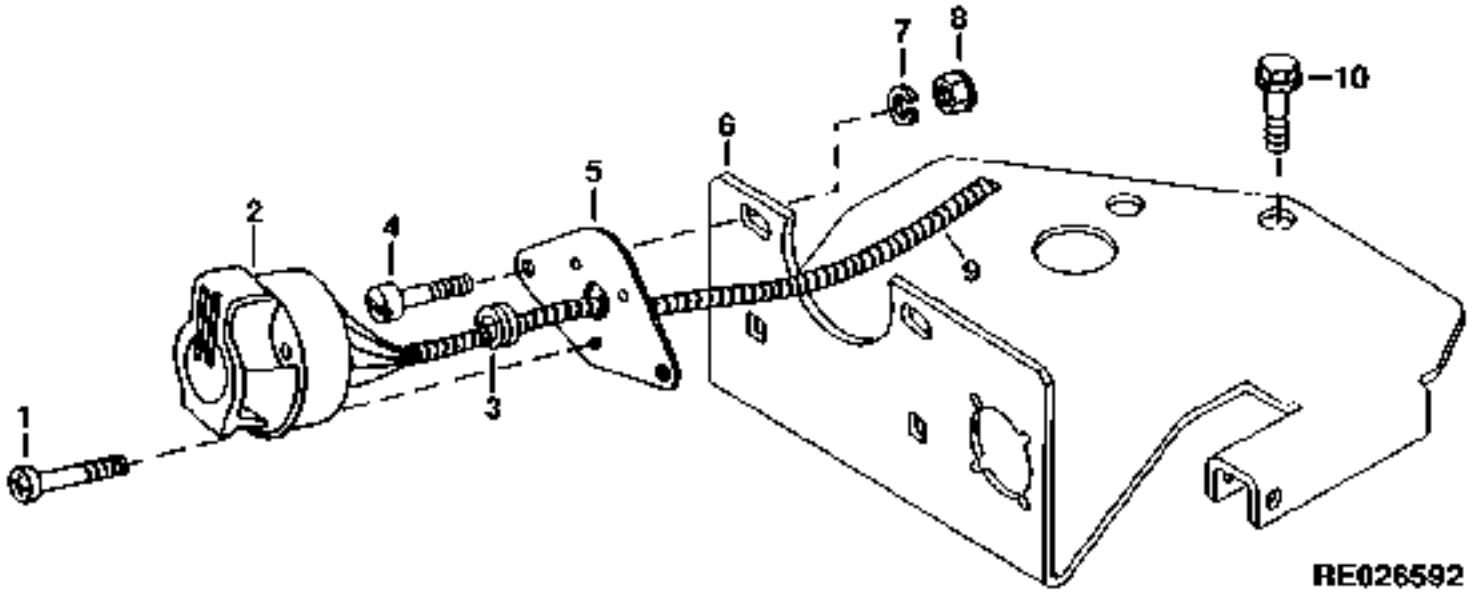
(A) ( -XXXXXX)8100-002801;8200-002215;8300-003900;8400-002531

(B) (XXXXXX-XXXXXX)8100-002802-009999;8200-002216-009999;8300-003901-009999;8400-002532-009999

# 3F13

ELECTRICAL

7-TERMINAL ELECTRICAL OUTLET SOCKET(EUROPEAN VERSION)  
 PRISE FEMELLE ELECTRIQUE A 7 COSSE(VERSION EUROPEENNE)  
 7-STIFT STECKDOSE(EUROPAEISCHE AUSFUEHRUNG)  
 MORSETTO PRESA ELETTRICA ESTERNA(VERSIONE EUROPEA)  
 CASQUILLO DE TOMA ELECTRICA DE 7 TERMINALES(VERSION EUROPEA)  
 SJUPOLIGT ELEKTRISSTK KONTAKTDON(EUROPEISK VERSION)  
 RE026592 -UN-13DEC95



| KEY | PART NO. | PART NAME          | QTY | TRACTOR SERIAL NO. | A |   | REMARKS  |
|-----|----------|--------------------|-----|--------------------|---|---|--|
|     |          |                    |     |                    | L | L |  |
| 1   | 37M7077  | SCREW              | 3   |                    | X |   |  |
| 2   | L83677   | SOCKET OUTLET      | 1   |                    | X |   |  |
| 3   | R26941   | GROMMET            | 1   |                    | X |   |  |
| 4   | 21H1356  | SCREW              | 2   |                    | X |   | 0.190" X 1-1/4"  |
| 5   | R125964  | BRACKET            | 1   |                    | X |   |  |
| 6   | R128387  | BRACKET            | 1   |                    | X |   | (SUB FOR R121827 OR R126537)   |
|     | R123139  | LABEL              | 1   |                    | X |   |  |
| 7   | 12H246   | LOCK WASHER        | 2   |                    | X |   | 0.190"   |
| 8   | 14H778   | NUT                | 2   |                    | X |   | 0.190"   |
| 9   | RE60538  | CAB WIRING HARNESS | 1   | -XXXXXX            | X |   | (A) (SUB RE64627, (2) 57M7254, (2) 57M7289, (4) R104846 AND (4) 57M7258) |
|     | RE64627  | CAB WIRING HARNESS | 1   | XXXXXX-XXXXXX      | X |   | (B) (SUB FOR RE60538)  |
|     | RE158816 | CAB WIRING HARNESS | 1   | 010000-            | X |   | (SUB FOR RE69160)  |
| 10  | 19M8242  | SCREW              | 2   |                    | X |   | HS 10.9  |

(A) ( -XXXXXX)8100-002801;8200-002215;8300-003900;8400-002531

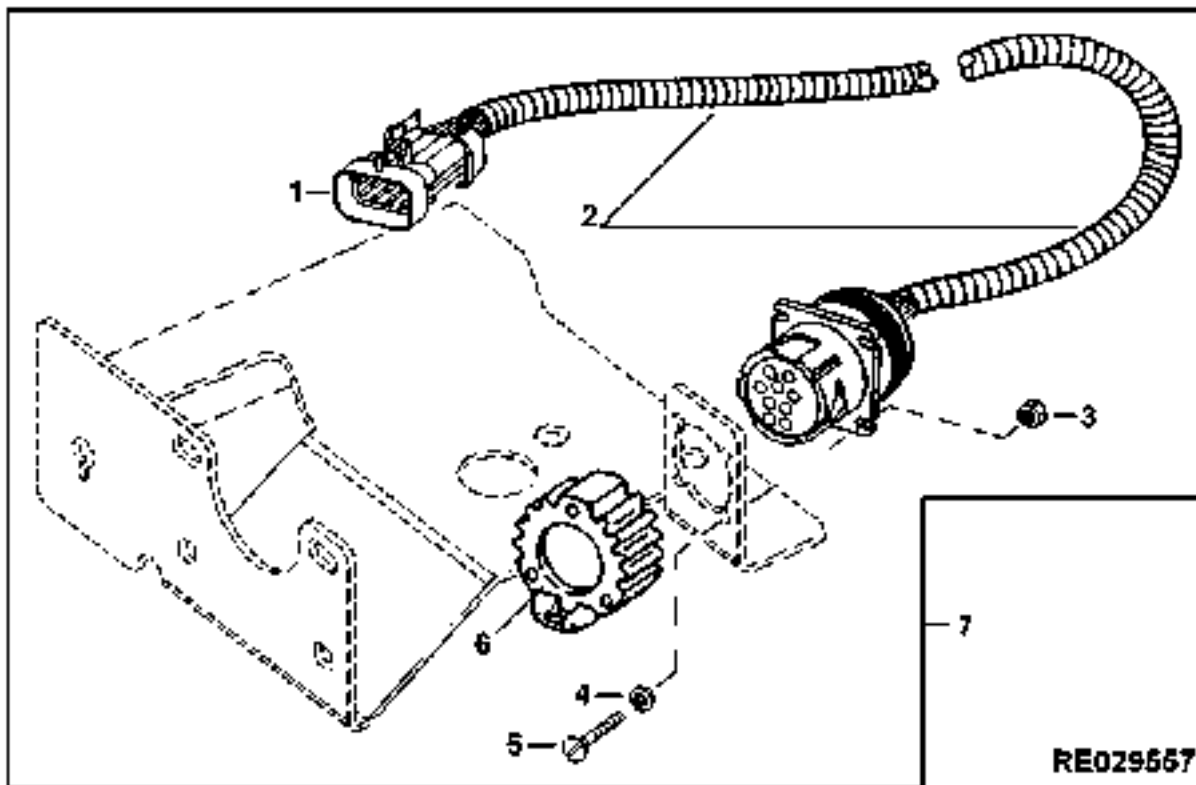
(B) (XXXXXX-XXXXXX)8100-002802-009999;8200-002216-009999;8300-003901-00999;8400-002532-009999

# 3F14

ELECTRICAL

9-PIN IMPLEMENT FEEDBACK CONNECTOR  
 CONNECTEUR DE REACTION D'OUTIL A NEUF BROCHES  
 NEUNFACH-ANBAUGERAET-REGELUNGSSTECKER  
 CONNECTORE A 9 CONTATTI DI SEGNALAZIONE DELL'ATTREZZO  
 CONECTOR DE NUEVE CLAVIJAS DE REALIMENTACION DEL IMPLEMENTO  
 NIO-STIFTANSLUTNING FOER REDSKAPSRESPONS

RE029557 -UN-21MAY98

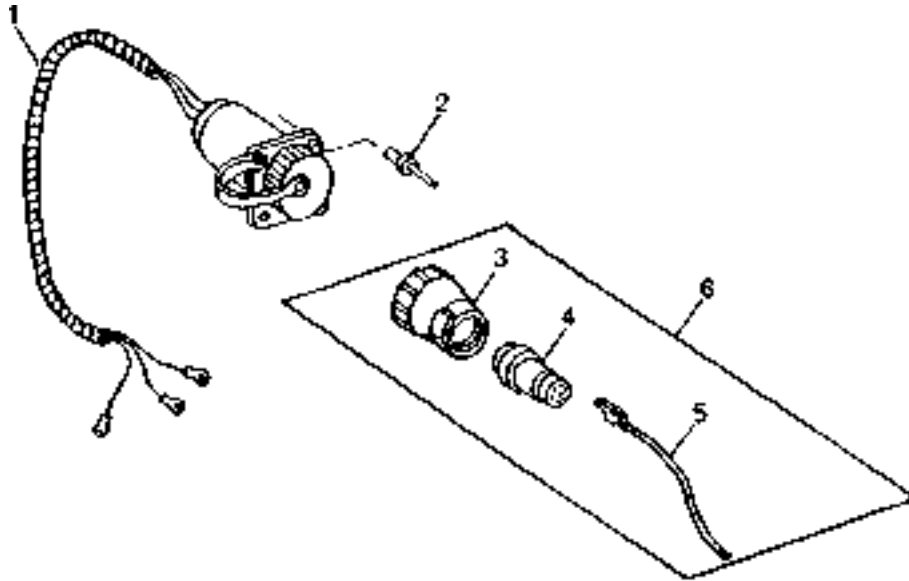


| KEY | PART NO. | PART NAME      | QTY | TRACTOR SERIAL NO. | A<br>L<br>L<br>REMARKS                                     |
|-----|----------|----------------|-----|--------------------|--|
| 1   | 57M7265  | CONNECTOR      | 1   |                    | X (SUB FOR RE42196) (ALSO ORDER (9) R78066 AND (9) R78063) |
| 2   | RE61404  | WIRING HARNESS | 1   |                    | X  |
| 3   | 14H1000  | NUT            | 4   |                    | X 0.112"   |
| 4   | 12H378   | LOCK WASHER    | 4   |                    | X 0.112"   |
| 5   | 21H1176  | SCREW          | 4   |                    | X 0.112" X 1/2"  |
| 6   | 57M7923  | CAP            | 1   |                    | X  |
| 7   | RE58827  | KIT            | 1   |                    | X (FI)   |

# 3F15

ELECTRICAL

CONVENIENCE OUTLET SOCKET  
 PRISE FEMELLE ELECTRIQUE PATIQUE  
 ZUSATZSTECKDOSE  
 PRESA DI CORRENTE DI EMERGENZA  
 CASQUILLO DE TOMA ELECTRICA DE SERVICIO  
 UTTAG FOER EXTRA ELUTRUSTNING  
 RE026153 -UN-07MAR95



RE026153

| KEY | PART NO. | PART NAME      | QTY | TRACTOR<br>SERIAL NO. | A | REMARKS           |
|-----|----------|----------------|-----|-----------------------|---|-------------------|
|     |          |                |     |                       | L |                   |
| 1   | RE51091  | WIRING HARNESS | 1   |                       | X |                   |
| 2   | R108166  | RIVET          | 2   |                       | X |                   |
| 3   | RE48029  | CLAMP          | 1   |                       | X |                   |
| 4   | AE44929  | CONNECTOR      | 1   |                       | X | (SUB FOR RE48031) |
| 5   | RE48028  | WIRING LEAD    | 3   |                       | X |                   |
| 6   | RE37651  | PLUG           | 1   |                       | X |                   |
| ..  | R81207   | COVER          | 1   |                       | X | (A)               |

(A)WITH OUT CONVENIENCE OUTLET SOCKET  
 SANS PRISE ELECTRIQUE AUXILIARE  
 OHNE GERAETEANSCHLUSS  
 SENZA PRESA AUSILIARIA  
 SIN TOMACORRIENTE AUXILIAR  
 UTAN EXTRA STROEMUTTAG

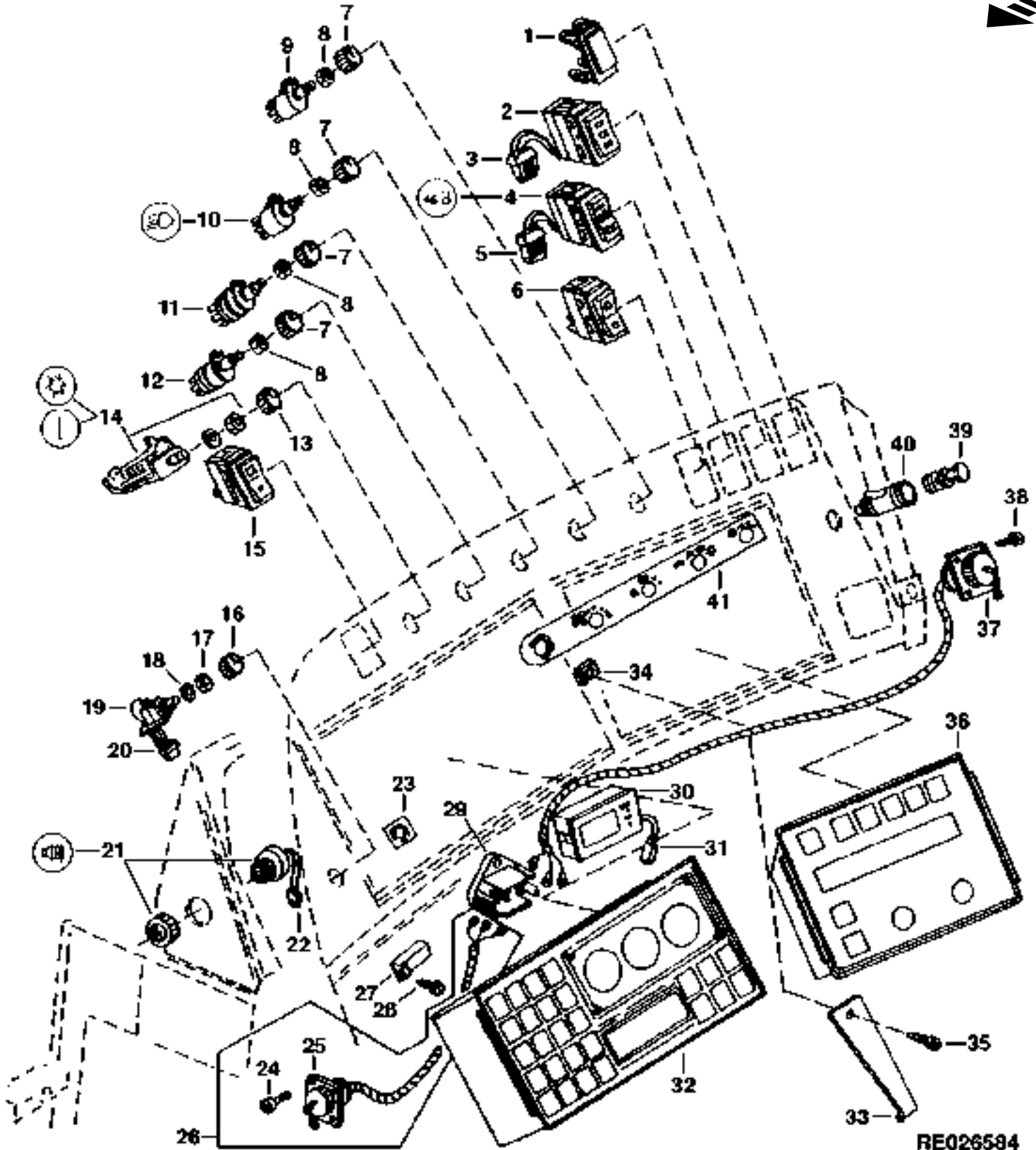


MEMORANDA  
MEMORANDA  
MEMORANDA  
MEMORANDA  
MEMORANDA

# 3F16

ELECTRICAL

CONSOLE CONTROLS AND SWITCHES(8100,8200,8300,8400 -009999)  
CONSOLE, COMMANDES ET INTERRUPTEURS(8100,8200,8300,8400 -009999)  
KONSOLEN-BEDIENUNGSELEMENTE UND-SCHALTER(8100,8200,8300,8400 -009999)  
INTERRUTTORI E COMANDI DELLA CONSOLLE(8100,8200,8300,8400 -009999)  
CONTROLES E INTERRUPTORES EN LA CONSOLA(8100,8200,8300,8400 -009999)  
KONSOL, REGLAGE OCH KONTAKTER(8100,8200,8300,8400 -009999)  
RE026584 -UN-04DEC95



RE026584

# 3F17

ELECTRICAL

| KEY | PART NO.        | PART NAME            | QTY      | TRACTOR SERIAL NO. | A<br>L<br>L  | REMARKS   |
|-----|-----------------|----------------------|----------|--------------------|--------------|---|
| 1   | M115279         | PLUG                 | 1        |                    | X            |   |
| 2   | RE55476         | WIPER/WASHER SWITCH  | 1        |                    | X            | REAR  |
| 3   | 57M7255         | CONNECTOR            | 1        |                    | X            | (ALSO ORDER (2) R104846, (2) 57M7258 AND 57M7290)             |
| 4   | RE55477         | ROCKER SWITCH        | 1        |                    | X            |   |
| 5   | 57M7260         | CONNECTOR            | 1        |                    | X            | (ALSO ORDER (2) R104846, (2) 57M7258 AND 57M7291)             |
| 6   | RE55036         | HAZARD LIGHTS SWITCH | 1        |                    | X            |   |
| 7   | AL76568         | KNOB                 | 3        |                    | X            |   |
| 8   | R44165          | LOCK NUT             | 3        |                    | X            |   |
| 9   | AL36529         | SWITCH               | 1        |                    | X            | (A) (F)   |
| 10  | AL36529         | SWITCH               | 1        |                    | X            |   |
| 11  | RE46717         | WIPER/WASHER SWITCH  | 1        |                    | X            | FRONT   |
| 12  | RE43497         | BLOWER SWITCH        | 1        |                    | X            |   |
| 13  | AL76568         | KNOB                 | 1        |                    | X            |   |
| 14  | RE46742         | CONTROL              | 1        |                    | X            |   |
|     | RE58614         | CABLE                | 1        |                    | X            |   |
|     | RE55478         | AC COMPRESSOR SWITCH | 1        |                    | X            |   |
| 16  | RE152147        | KNOB                 | 1        |                    | X            | (SUB FOR RE57696)   |
| 17  | R121233         | NUT                  | 1        |                    | X            |   |
| 18  | R121235         | WASHER               | 1        |                    | X            |   |
| 19  | RE62163         | POTENTIOMETER        | 1        |                    | X            | (B) (SUB FOR RE57697)   |
| 20  | 57M7247         | CONNECTOR            | 1        |                    | X            | (ALSO ORDER (2) R104846, (2) 57M7258 AND 57M7318)             |
| 21  | RE49727         | HORN                 | 1        |                    | X            |   |
| 22  | 57M7254         | CONNECTOR            | 1        |                    | X            | (ALSO ORDER (2) R104846, (2) 57M7258 AND 57M7289)             |
| 23  | R125138         | LABEL                | 1        |                    | X            |   |
| 24  | R108166         | RIVET                | 3        |                    | X            |   |
| 25  | RE51091         | WIRING HARNESS       | 1        |                    | X            | (USE WITH RE37651)  |
| 26  | <b>AR113048</b> | <b>KIT</b>           | <b>1</b> |                    | <b>X (F)</b> |   |
|     | R124157         | BRACKET              | 1        |                    | X            | (ALSO ORDER (2) 37M7089)                                      |
| 27  | AL32891         | FLASHER              | 1        |                    | X            | (A)   |
| 28  | 37M7089         | SCREW                | 1        |                    | X            | M6 X 12   |
| 29  | R111931         | JUNCTION BLOCK       | 1        |                    | X            |   |
| 30  | AL78989         | CLOCK                | 1        |                    | X            | (A)   |
| 31  | 57M7244         | CONNECTOR            | 1        |                    | X            | (ALSO ORDER (2) R104919, (2) 57M7258 AND 57M7318)             |
| 32  | RE62649         | VEHICLE MONITOR      | 1        |                    | X            | (C) (D) (SUB FOR RE60476) (INCLUDES R106952) W/RE61185(ICU)   |
|     | RE62650         | VEHICLE MONITOR      | 1        |                    | X            | (C) (E) (SUB FOR RE60927) (INCLUDES R106952) W/O RE61188(ICU) |
|     | RE62651         | VEHICLE MONITOR      | 1        |                    | X            | (A) (E) (SUB FOR RE60477) (INCLUDES R106952) W/RE61188(ICU)   |
|     | RE62652         | VEHICLE MONITOR      | 1        |                    | X            | (A) (SUB FOR RE60955) (INCLUDES R106952) (ICU)                |
| 33  | R121810         | CLAMP                | 1        |                    | X            |   |
| 34  | R64822          | NUT                  | 2        |                    | X            |   |
| 35  | 37H203          | SCREW                | 2        |                    | X            |   |
| 36  | RE64583         | DIGITAL DISPLAY      | 1        |                    | X            | (SUB FOR RE60928 OR RE63440) (SUP)                            |
| 37  | RE51091         | WIRING HARNESS       | 1        |                    | X            | (USE WITH RE37651)  |
| 38  | R108166         | RIVET                | 3        |                    | X            |   |
| 39  | AR60937         | LIGHTER              | 1        |                    | X            |   |
| 40  | AR56766         | HOUSING              | 1        |                    | X            |   |
|     | R131671         | PLUG                 | 1        |                    | X            |   |
| 41  | R126010         | DECAL                | 1        |                    | X            | (A)   |
|     | R126009         | DECAL                | 1        |                    | X            | (C)   |

(A)EUROPEAN VERSION  
VERSION EUROPEENNE  
EUROPAEISCHE  
VERSIONE EUROPEA  
VERSION EUROPEA  
EUROPEISK VERSION

(B)FIELD CRUISE  
REGULATEUR DE VITESSE  
ARBEITSTEMPOREGLER  
VELOCITA' DI CROCIERA  
CONTROL DE CRUCERO  
ARBETSFARTHAALLARE

(C)NORTH AMERICAN VERSION  
VERSION NORD AMERICAINE  
NORDAMERIKANISCHE  
VERSIONE NORDAMERICANA  
VERSION NORTEAMERICANA  
NORDAMERIKANSK VERSION

(D)DELUXE CAB  
CABINE DELUXE  
LUXUSKABINE  
CABINA DELUXE  
CABINA DE LUJO  
LYXHYYT

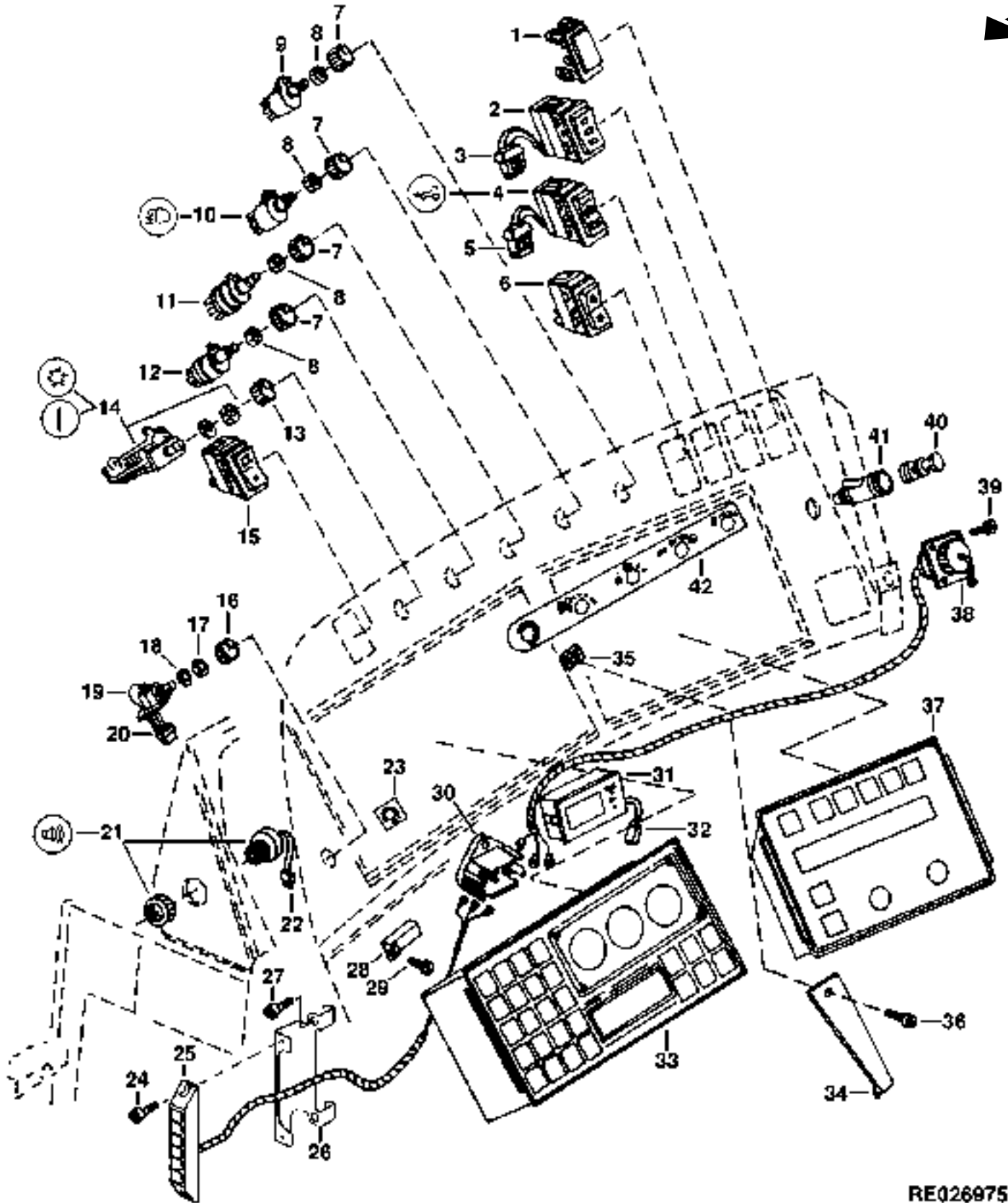
(E)ECONOMY CAB  
CABINE ECONOMIE  
EINFACHE KABINE  
CABINA ECONOMICA  
CABINA ECONOMICA  
EKONOMIHYTT

(F)FIELD LIGHT  
PROJECTEUR DE TRAVAIL  
ARBEITSLICHT  
LUCE DI LAVORO  
LUZ DE TRABAJO  
ARBETSLYKTA

# 3F18

ELECTRICAL

CONSOLE CONTROLS AND SWITCHES(8100,8200,8300,8400 010000-)  
CONSOLE, COMMANDES ET INTERRUPTEURS(8100,8200,8300,8400 010000- )  
KONSOLEN-BEDIENUNGSELEMENTE UND-SCHALTER(8100,8200,8300,8400 010000- )  
INTERRUTTORI E COMANDI DELLA CONSOLLE(8100,8200,8300,8400 010000- )  
CONTROLES E INTERRUPTORES EN LA CONSOLA(8100,8200,8300,8400 010000- )  
KONSOL, REGLAGE OCH KONTAKTER(8100,8200,8300,8400 010000- )  
RE026975 -UN-30JUL96



RE026975

# 3F19

ELECTRICAL

| KEY | PART NO. | PART NAME            | QTY | TRACTOR SERIAL NO. | A<br>L<br>L | REMARKS   |
|-----|----------|----------------------|-----|--------------------|-------------|---|
| 1   | M115279  | PLUG                 | 1   |                    | X           |   |
| 2   | RE55476  | WIPER/WASHER SWITCH  | 1   |                    | X           | REAR  |
| 3   | 57M7255  | CONNECTOR            | 1   |                    | X           | (ALSO ORDER (2) R104846, (2) 57M7258 AND 57M7290)             |
| 4   | RE55477  | ROCKER SWITCH        | 1   |                    | X           |   |
| 5   | 57M7260  | CONNECTOR            | 1   |                    | X           | (ALSO ORDER (2) R104846, (2) 57M7258 AND 57M7291)             |
| 6   | RE55036  | HAZARD LIGHTS SWITCH | 1   |                    | X           |   |
| 7   | AL76568  | KNOB                 | 3   |                    | X           |   |
| 8   | R44165   | LOCK NUT             | 3   |                    | X           |   |
| 9   | AL36529  | SWITCH               | 1   |                    | X           | (A) (F)   |
| 10  | AL36529  | SWITCH               | 1   |                    | X           |   |
| 11  | RE46717  | WIPER/WASHER SWITCH  | 1   |                    | X           | FRONT   |
| 12  | RE43497  | BLOWER SWITCH        | 1   |                    | X           |   |
| 13  | AL76568  | KNOB                 | 1   |                    | X           |   |
| 14  | RE46742  | CONTROL              | 1   |                    | X           |   |
|     | RE58614  | CABLE                | 1   |                    | X           |   |
|     | RE55478  | AC COMPRESSOR SWITCH | 1   |                    | X           |   |
| 16  | RE152147 | KNOB                 | 1   |                    | X           | (SUB FOR RE57696)   |
| 17  | R121233  | NUT                  | 1   |                    | X           |   |
| 18  | R121235  | WASHER               | 1   |                    | X           |   |
| 19  | RE62163  | POTENTIOMETER        | 1   |                    | X           | (B) (SUB FOR RE57697)   |
| 20  | 57M7247  | CONNECTOR            | 1   |                    | X           | (ALSO ORDER (2) R104846, (2) 57M7258 AND 57M7318)             |
| 21  | RE49727  | HORN                 | 1   |                    | X           |   |
| 22  | 57M7254  | CONNECTOR            | 1   |                    | X           | (ALSO ORDER (2) R104846, (2) 57M7258 AND 57M7289)             |
| 23  | R125138  | LABEL                | 1   |                    | X           |   |
| 24  | 37M7090  | SCREW                | 2   |                    | X           |   |
| 25  | RE68495  | STRIP                | 1   |                    | X           |   |
| 26  | R132150  | BRACKET              | 1   |                    | X           |   |
| 27  | 37M7089  | SCREW                | 3   |                    | X           |   |
| 28  | AL32891  | FLASHER              | 1   |                    | X           | (A)   |
| 29  | 37M7089  | SCREW                | 1   |                    | X           | M6 X 12   |
| 30  | R111931  | JUNCTION BLOCK       | 1   |                    | X           |   |
| 31  | AL78989  | CLOCK                | 1   |                    | X           | (A)   |
| 32  | 57M7244  | CONNECTOR            | 1   |                    | X           | (ALSO ORDER (2) R104919, (2) 57M7258 AND 57M7318)             |
| 33  | RE62649  | VEHICLE MONITOR      | 1   |                    | X           | (C) (D) (SUB FOR RE60476) (INCLUDES R106952) W/RE61185(ICU)   |
|     | RE62650  | VEHICLE MONITOR      | 1   |                    | X           | (C) (E) (SUB FOR RE60927) (INCLUDES R106952) W/O RE61188(ICU) |
|     | RE62651  | VEHICLE MONITOR      | 1   |                    | X           | (A) (E) (SUB FOR RE60477) (INCLUDES R106952) W/RE61188(ICU)   |
|     | RE62652  | VEHICLE MONITOR      | 1   |                    | X           | (A) (SUB FOR RE60955) (INCLUDES R106952) (ICU)                |
| 34  | R121810  | CLAMP                | 1   |                    | X           |   |
| 35  | R64822   | NUT                  | 2   |                    | X           |   |
| 36  | 37H203   | SCREW                | 2   |                    | X           |   |
| 37  | RE64583  | DIGITAL DISPLAY      | 1   |                    | X           | (SUP)   |
| 38  | RE51091  | WIRING HARNESS       | 1   |                    | X           | (USE WITH RE37651)  |
| 39  | R108166  | RIVET                | 3   |                    | X           |   |
| 40  | AR60937  | LIGHTER              | 1   |                    | X           |   |
| 41  | AR56766  | HOUSING              | 1   |                    | X           |   |
|     | R131671  | PLUG                 | 1   |                    | X           |   |
| 42  | R126010  | DECAL                | 1   |                    | X           | (A)   |
|     | R126009  | DECAL                | 1   |                    | X           | (C)   |

(A)EUROPEAN VERSION  
VERSION EUROPEENNE  
EUROPAEISCHE  
VERSIONE EUROPEA  
VERSION EUROPEA  
EUROPEISK VERSION

(B)FIELD CRUISE  
REGULATEUR DE VITESSE  
ARBEITSTEMPOREGLER  
VELOCITA' DI CROCIERA  
CONTROL DE CRUCERO  
ARBETSFARTHAALLARE

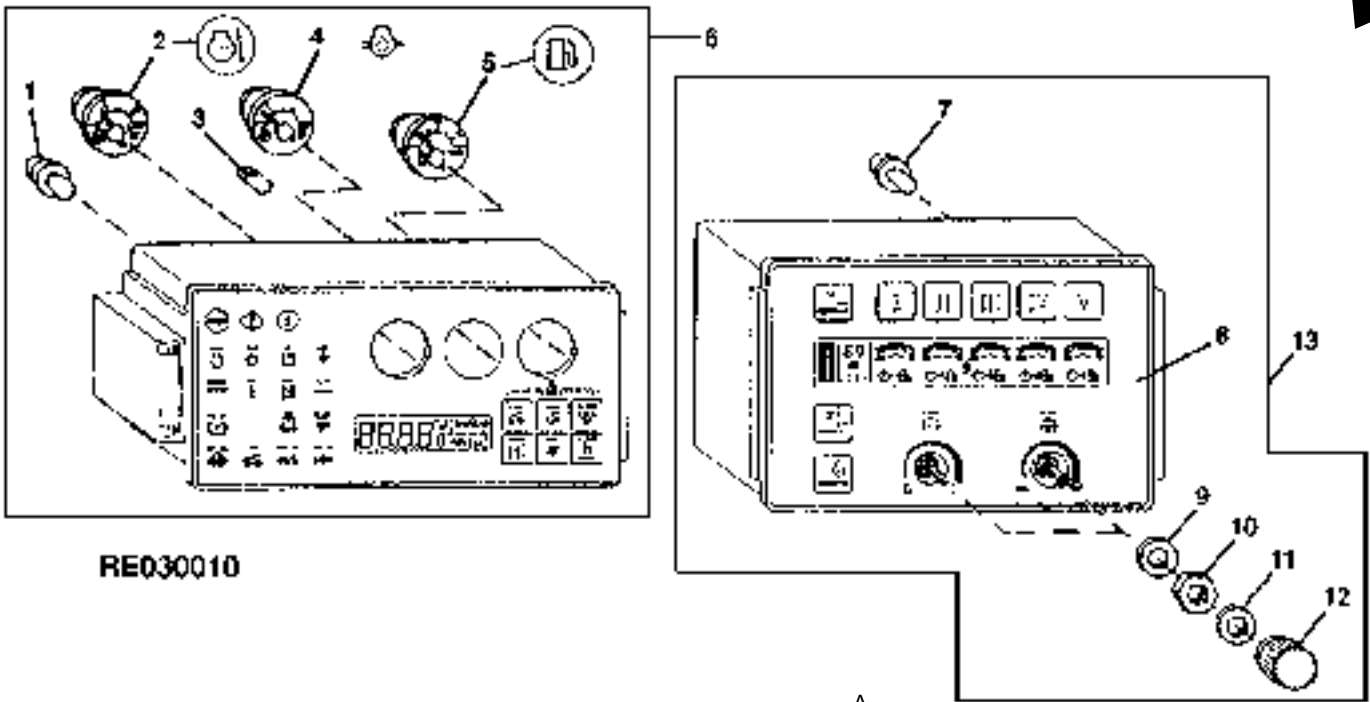
(C)NORTH AMERICAN VERSION  
VERSION NORD AMERICAINE  
NORDAMERIKANISCHE  
VERSIONE NORDAMERICANA  
VERSION NORTEAMERICANA  
NORDAMERIKANSK VERSION

(D)DELUXE CAB  
CABINE DELUXE  
LUXUSKABINE  
CABINA DELUXE  
CABINA DE LUJO  
LYXHYYT

(E)ECONOMY CAB  
CABINE ECONOMIE  
EINFACHE KABINE  
CABINA ECONOMICA  
CABINA ECONOMICA  
EKONOMIHYTT

(F)FIELD LIGHT  
PROJECTEUR DE TRAVAIL  
ARBEITSLICHT  
LUCE DI LAVORO  
LUZ DE TRABAJO  
ARBETSLYKTA

INSTRUMENT CONTROL UNIT(ICU) AND SCV SETUP PANEL(SUP)  
 UNITE DE COMMANDE DE TABLEAU DE BORD ET PANNEAU DE PREPARATION DE DISTRIBUTEUR SELECTIF  
 INSTRUMENTEN-STEUREINHEIT UND ZUSATZSTUERGERAET-VORBEREITUNGS-BEDIENUNGSFELD  
 UNITA'DI CONTROLLO DEGLI STRUMENTI E PANNELLO DI APPRONTAMENTO DEI DISTRIBUTORI IDRAULICI  
 UNIDAD DE CONTROL DE INSTRUMENTOS Y PANEL DE PREPARACION DE LA VCS  
 INSTRUMENTSTYRENHET OCH FOERBEREDNINGSPANEL FOER SMV  
 RE030010 -UN-28SEP98



| KEY | PART NO. | PART NAME       | QTY | CAB SERIAL NO. | A<br>L<br>L | REMARKS   |
|-----|----------|-----------------|-----|----------------|-------------|---|
| 1   | R107890  | BULB            | 23  |                | X           | (PC37)  |
| 2   | RE61186  | GAUGE           | 1   |                | X           | (A)   |
|     | RE61189  | GAUGE           | 1   |                | X           | (B)   |
| 3   | AA27536  | BULB            | 2   |                | X           |   |
| 4   | RE61188  | GAUGE           | 1   |                | X           | (B) (D) (ALSO ORDER RE56009)                                  |
|     | RE61185  | GAUGE           | 1   |                | X           | (A) (D) (ALSO ORDER RE56009)                                  |
| 5   | RE61184  | GAUGE           | 1   |                | X           | (A)   |
|     | RE61187  | GAUGE           | 1   |                | X           | (B)   |
| 6   | RE62649  | VEHICLE MONITOR | 1   |                | X           | (A) (D) (SUB FOR RE60476) (INCLUDES R106952) (ICU)            |
|     | RE62650  | VEHICLE MONITOR | 1   |                | X           | (A) (C) (SUB FOR RE60927) (INCLUDES R106952) W/O RE61185(ICU) |
|     | RE62651  | VEHICLE MONITOR | 1   |                | X           | (B) (C) (SUB FOR RE60477) (INCLUDES R106952) W/O RE61188(ICU) |
|     | RE62652  | VEHICLE MONITOR | 1   |                | X           | (B) (D) (SUB FOR RE60955) (INCLUDES R106952) (ICU)            |
| 7   | R107890  | BULB            | 5   |                | X           | (PC37)  |
| 8   | R107357  | PANEL           | 1   |                | X           |   |
| 9   | R121798  | WASHER          | 2   |                | X           |   |
| 10  | R121797  | NUT             | 2   |                | X           |   |
| 11  | R121796  | WASHER          | 2   |                | X           |   |
| 12  | R120432  | KNOB            | 2   |                | X           |   |
| 13  | RE64583  | DIGITAL DISPLAY | 1   |                | X           | (SUB FOR RE60928 OR RE63440) (SUP)                            |

(A)NORTH AMERICAN VERSION  
 VERSION NORD AMERICAINE  
 NORDAMERIKANISCHE  
 VERSIONE NORDAMERICANA  
 VERSION NORTEAMERICANA  
 NORDAMERIKANSK VERSION

(B)EUROPEAN VERSION  
 VERSION EUROPEENNE  
 EUROPAEISCHE AUSFUEHRUNG  
 VERSIONE EUROPEA  
 VERSION EUROPEA  
 EUROPEISK VERSION

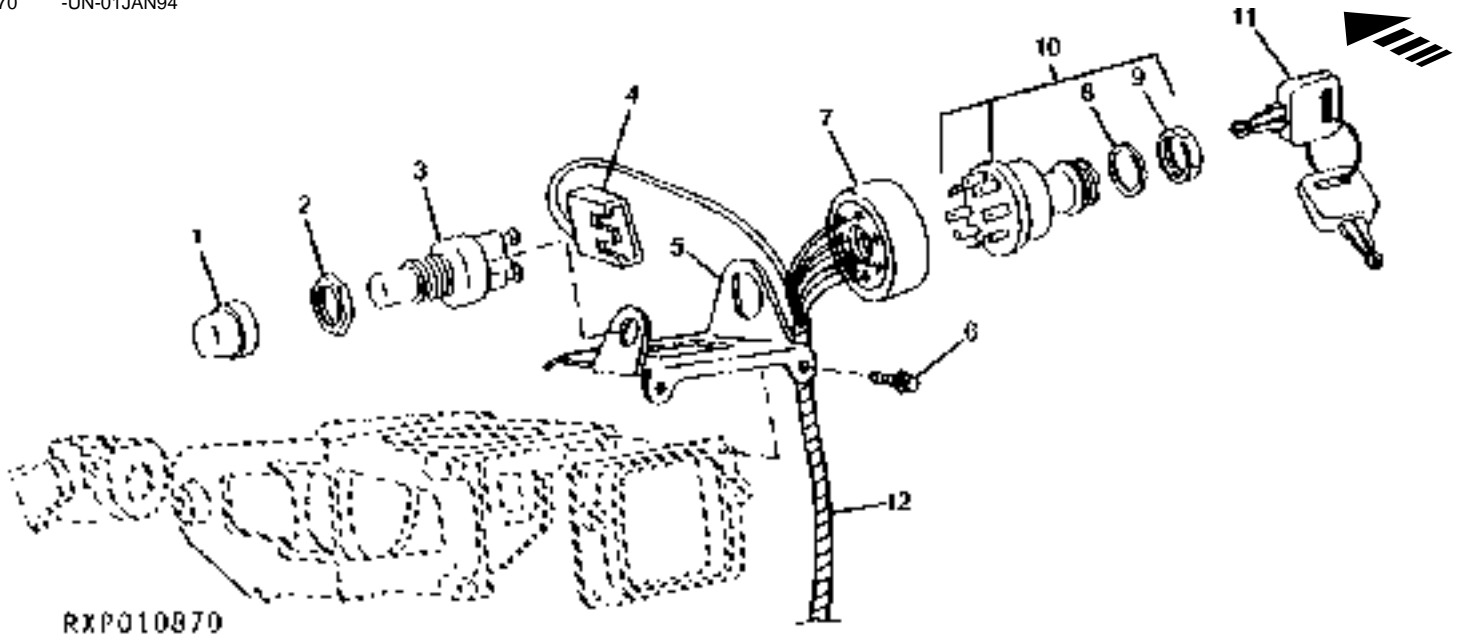
(C)ECONOMY CAB  
 CABINE ECONOMIE  
 EINFACHE KABINE  
 CABINA ECONOMICA  
 CABINA ECONOMICA  
 EKONOMIHYTT

(D)DELUXE CAB  
 CABINE DELUXE  
 LUXUSKABINE  
 CABINA DELUXE  
 CABINA DE LUJO  
 LYXHYTT

# 3F21

ELECTRICAL

KEY AND ETHER AID SWITCHES  
 CONTACTEUR A CLE ET INTERRUPTEUR D'AIDE AU DEMARRAGE A L'ETHER  
 ZUNDSCHALTER UND STAATHILFESCHALTER  
 INTERRUPTORE A CHIVE E PULSANTE DI AVVIAMENTO AD ETERE  
 INTERRUPTORES DE LLAVE Y DEL AUXILIAR DE ARRANQUE CON ETER  
 TAENDLAAS OCH ETERSTARTHJAELPKONTAKT  
 RXP010870 -UN-01JAN94



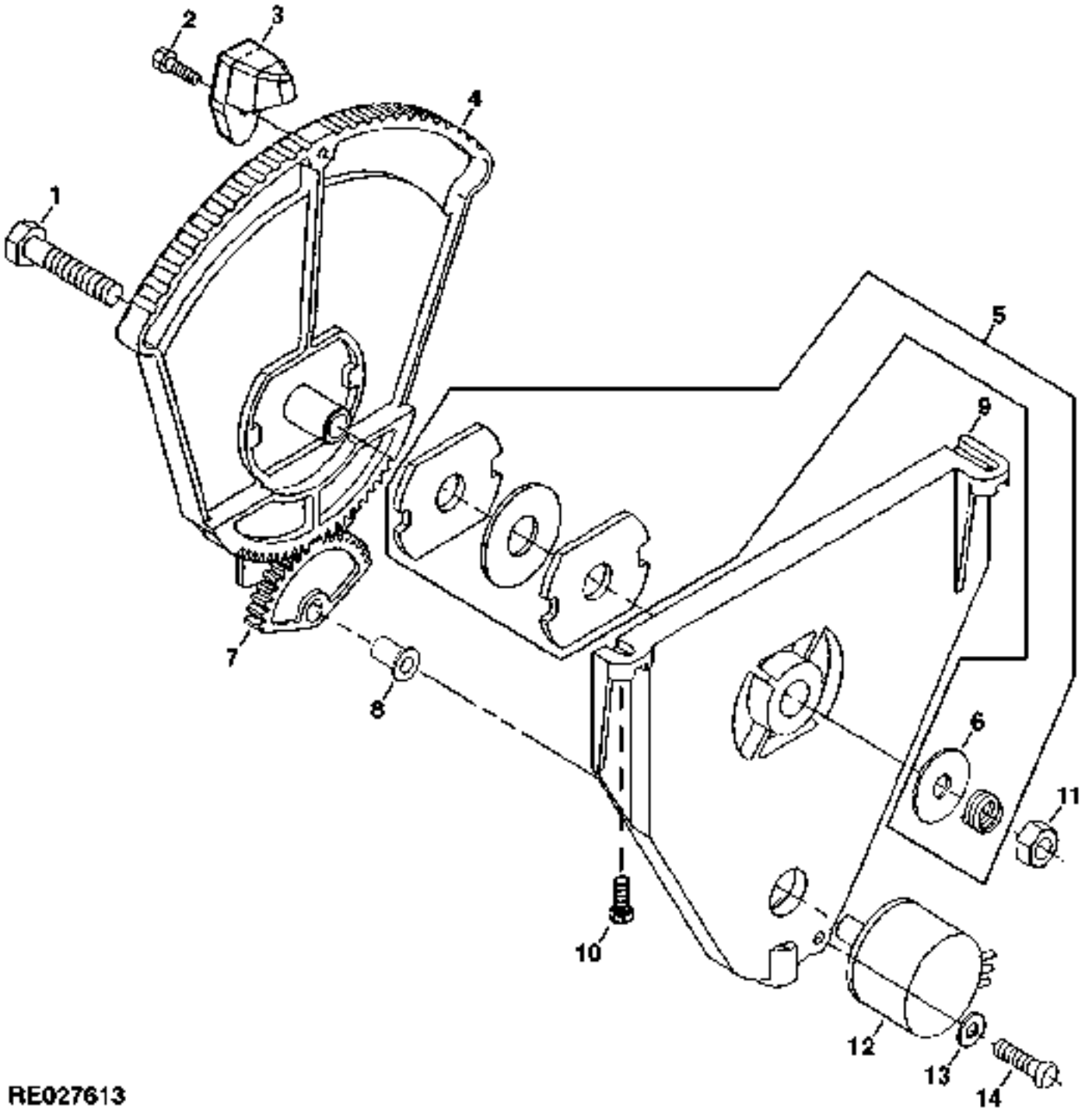
RXP010870

| KEY | PART NO. | PART NAME          | QTY | TRACTOR<br>SERIAL NO. | A | REMARKS   |
|-----|----------|--------------------|-----|-----------------------|---|---|
|     |          |                    |     |                       | L |   |
| 1   | T55585   | CAP                | 1   |                       | X |   |
| 2   | T15969   | NUT                | 1   |                       | X | 15.875 MM   |
| 3   | R39554   | SWITCH             | 1   |                       | X |   |
| 4   | R77480   | CONNECTOR          | 1   |                       | X | (ALSO ORDER (2) U46662)                           |
| 5   | R107598  | BRACKET            | 1   |                       | X |   |
| 6   | 19M7775  | SCREW              | 2   |                       | X | M6 X 16   |
| 7   | RE46736  | CONNECTOR          | 1   |                       | X | (ALSO ORDER (3) 57M7429, (3) 57M7511 AND 57M7512) |
| 8   | A4827R   | WASHER             | 1   |                       | X |   |
| 9   | R44342   | NUT                | 1   |                       | X |   |
| 10  | RE61717  | KEY SWITCH         | 1   |                       | X |   |
| 11  | RE71557  | KEY                | 1   |                       | X | (SUB FOR RE43492)                                 |
| 12  | .....    | CAB WIRING HARNESS | 1   |                       | X |   |

# 3F22

ELECTRICAL

ENGINE SPEED CONTROL (ARMREST)  
COMMANDE DE REGIME NOTEUR (ACCOUDOIR)  
MOTORDREHZAHLSSTEUERUNG (ARMLEHNE)  
CONTROLLO DEL REGIME DEL MOTORE (A BRACCIOLO)  
CONTROL DE VELOCIDAD DEL MOTOR (APOYABRAZOS)  
MOTORVARVTALSREGLAGE (ARMSTOED)  
RE027613 -UN-22JAN97



RE027613



# 3F23

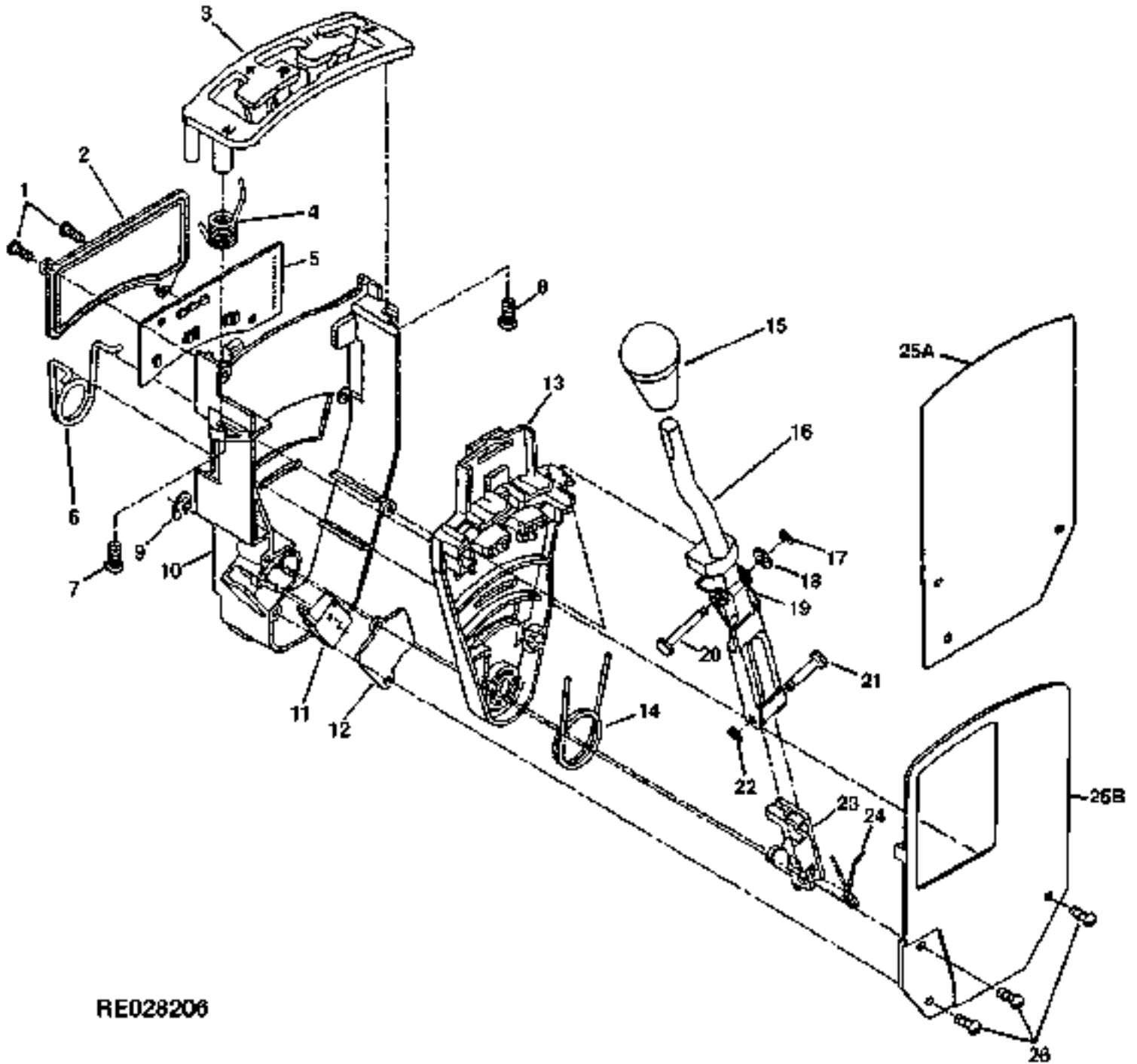
ELECTRICAL

| KEY | PART NO. | PART NAME | QTY | TRACTOR<br>SERIAL NO. | A<br>L<br>L | REMARKS              |
|-----|----------|-----------|-----|-----------------------|-------------|----------------------|
| 1   | 19M7874  | CAP SCREW | 1   |                       | X           | M6 X 30              |
| 2   | 19M8825  | SCREW     | 1   |                       | X           | M3 X 10              |
| 3   | R153185  | KNOB      | 1   |                       | X           | (SUB FOR R121922)    |
| 4   | R110682  | LEVER     | 1   |                       | X           |                      |
| 5   | RE68290  | KIT       | 1   |                       | X           |                      |
| 6   | R112513  | WASHER    | 1   |                       | X           |                      |
| 7   | R129518  | GEAR      | 1   |                       | X           | (SUB FOR R107629)    |
| 8   | R118453  | CLIP      | 1   |                       | X           |                      |
| 9   | R124812  | BRACKET   | 1   |                       | X           |                      |
| 10  | H111706  | SCREW     | 1   |                       | X           |                      |
| 11  | 14M7165  | LOCK NUT  | 1   |                       | X           | M6                   |
| 12  | RE56400  | CONTROL   | 1   |                       | X           |                      |
| 13  | 24M7117  | WASHER    | 1   |                       | X           | 4.300 X 9 X 0.800 MM |
| 14  | H111706  | SCREW     | 1   |                       | X           |                      |

# 3F24

ELECTRICAL

TRANSMISSION CONTROL SELECTOR (ARMREST)  
SELECTEUR DE COMMANDE DE LA TRANSMISSION (ACCOUDOIR)  
GETRIEBE-WAEHLSCHALTER (ARMLEHNE)  
SELETTORE DELLA TRASMISSIONE (A BRACCOILO)  
SELECTOR DE CONTROL DE LA TRANSMISION (APOYABRAZOS)  
TRANSMISSIONSREGLAGE (ARMSTOED)  
RE028206 -UN-06AUG97



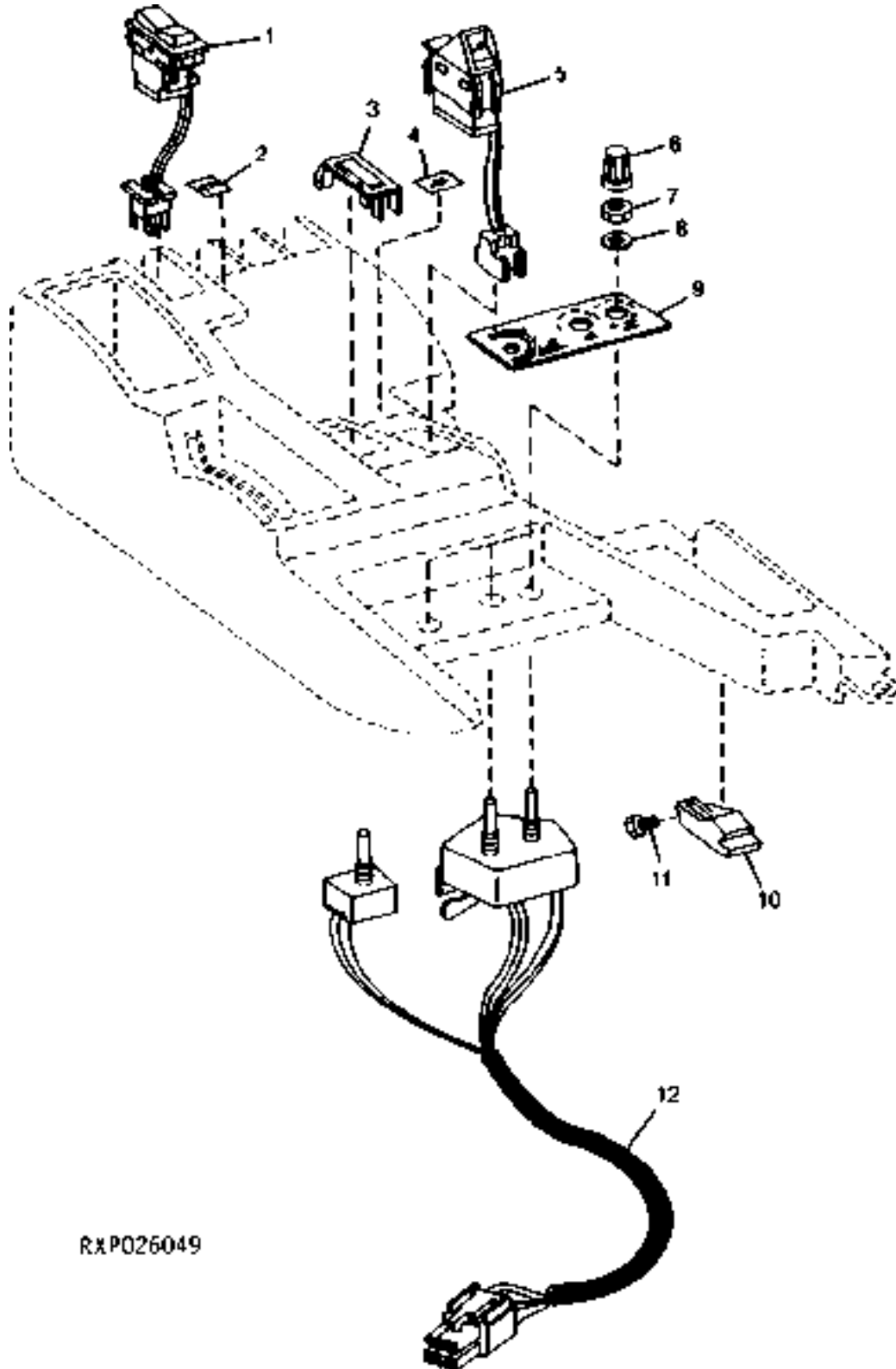
RE028206

| KEY | PART NO. | PART NAME               | QTY | TRACTOR SERIAL NO. | A<br>L<br>L | REMARKS   |
|-----|----------|-------------------------|-----|--------------------|-------------|---|
| 1   | R113246  | SCREW                   | 2   |                    | X           |   |
| 2   | R107588  | COVER                   | 1   |                    | X           |   |
| 3   | R121915  | GUIDE                   | 1   |                    | X           |   |
| 4   | R124712  | SPRING                  | 1   |                    | X           |   |
| 5   | RE62561  | TRANSMISSION CONTROLLER | 1   | -XXXXXX            | X           | (B) (SUB RE71084, RE63687 AND R127879)<br>(ACU)             |
|     | RE63007  | TRANSMISSION CONTROLLER | 1   | XXXXXX-XXXXXX      | X           | (C) (SUB RE71084, RE63687 AND R127879)<br>(ACU)             |
|     | RE65126  | TRANSMISSION CONTROLLER | 1   | XXXXXX-XXXXXX      | X           | (D) (SUB RE71084) (SUB FOR RE64012) (ACU)                   |
|     | RE71084  | TRANSMISSION CONTROLLER | 1   | XXXXXX-            | X           | (E) (SUB FOR RE62561, RE63007, RE64012 OR<br>RE65126) (ACU) |
| 6   | R124241  | SPRING                  | 1   |                    | X           |   |
| 7   | 21M7276  | SCREW                   | 1   |                    | X           | M4 X 30   |
| 8   | 21M7216  | SCREW                   | 1   |                    | X           | M4 X 20   |
| 9   | R72654   | SNAP RING               | 1   |                    | X           |   |
| 10  | R125873  | BRACKET                 | 1   | -XXXXXX            | X           | (F)   |
|     | R127879  | BRACKET                 | 1   | XXXXXX-            | X           | (E) (SUB R127879, RE63687 AND RE64012)                      |
| 11  | RE56362  | SWITCH                  | 1   |                    | X           | (A) (SUB FOR R125873)                                       |
| 12  | R121920  | COVER                   | 1   | -XXXXXX            | X           | (G) A   |
| 13  | RE60319  | SECTOR                  | 1   | -XXXXXX            | X           | (I) (SUB R127849)   |
|     | RE62399  | SECTOR                  | 1   | XXXXXX-XXXXXX      | X           | (J) (SUB RE71084, RE63687 AND R127879)                      |
|     | RE63687  | SECTOR                  | 1   | XXXXXX-            | X           | (E)   |
| 14  | R107583  | EXTENSION SPRING        | 1   |                    | X           | (SUB FOR RE60319 OR RE62399)                                |
| 15  | R153184  | KNOB                    | 1   |                    | X           | (SUB FOR R107583 OR R121917)                                |
| 16  | RE58224  | LEVER                   | 1   | -XXXXXX            | X           | (K) (SUB RE62778)   |
|     | RE62778  | LEVER                   | 1   | XXXXXX-            | X           | (L)   |
| 17  | R40687   | SNAP RING               | 1   |                    | X           | L   |
| 18  | 24M7117  | WASHER                  | 1   |                    | X           | 0.169" X 0.354" X 0.031"                                    |
| 19  | R134449  | SPRING                  | 1   |                    | X           |   |
| 20  | R121919  | PIN                     | 1   |                    | X           | (SUB FOR R107628)   |
| 21  | R121918  | PIN                     | 1   |                    | X           |   |
| 22  | R40687   | SNAP RING               | 1   |                    | X           |   |
| 23  | R123999  | PIVOT                   | 1   |                    | X           |   |
| 24  | R124711  | SPRING                  | 1   |                    | X           |   |
| 25A | R124274  | COVER                   | 1   | -XXXXXX            | X           | (G)   |
| 25B | R127849  | COVER                   | 1   | XXXXXX-            | X           | (H)   |
| 26  | R113246  | SCREW                   | 3   |                    | X           | (SUB FOR R121920 AND R124274)                               |

(A)NEUTRAL START  
DEMARRAGE AU POINT MORT  
ANLASSICHERUNG  
AVVIAMENTO IN FOLLE  
ARRANQUE EN PUNTO MUERTO  
START I NEUTRALLAEGE

(B)( -XXXXXX) 8100-1707;8200-001604;8300-002820;8400-001419  
(C)(XXXXXX-XXXXXX) 8100-001708-002560;8200-001605-002089;8300-002821-003675;8400-001420-002439  
(D)(XXXXXX-XXXXXX) 8100-002561-009999;8200-002090-009999;8300-003676-009999;8400-002440-009999  
(E)(XXXXXX- ) 8100-010000;8200-010000;8300-010000;8400-010000  
(F)( -XXXXXX) 8100-002560;8200-002089;8300-003675;8400-002439  
(G)( -XXXXXX) 8100-001198;8200-001208;8300-001711;8400-001068  
(H)(XXXXXX- ) 8100-001199;8200-001209;8300-001712;8400-001069  
(I)( -XXXXXX) 8100-001153;8200-001155;8300-001527;8400-001065  
(J)(XXXXXX-XXXXXX) 8100-001154-002560;8200-001156-002089;8300-001528-003675;8400-001066-002439  
(K)( -XXXXXX) 8100-001599;8200-001543;8300-002684;8400-001250  
(L)(XXXXXX- ) 8100-001600-8200-001544;8300-002685;8400-001251

ARMREST ELECTRICAL COMPONENTS  
COMPOSANTS ELECTRIQUES D'ACCOURDOIR  
ELEKTRISCHE KOMPONENTEN D.ARMSTUETZE  
COMPONENTI ELETTRICI DEL BRACCIOLO  
COMPONENTES ELECTRICOS DEL APOYABRAZOS  
ELKOMPONENTER I ARMSTOED  
RXP026049 -UN-07MAR95



RXP026049

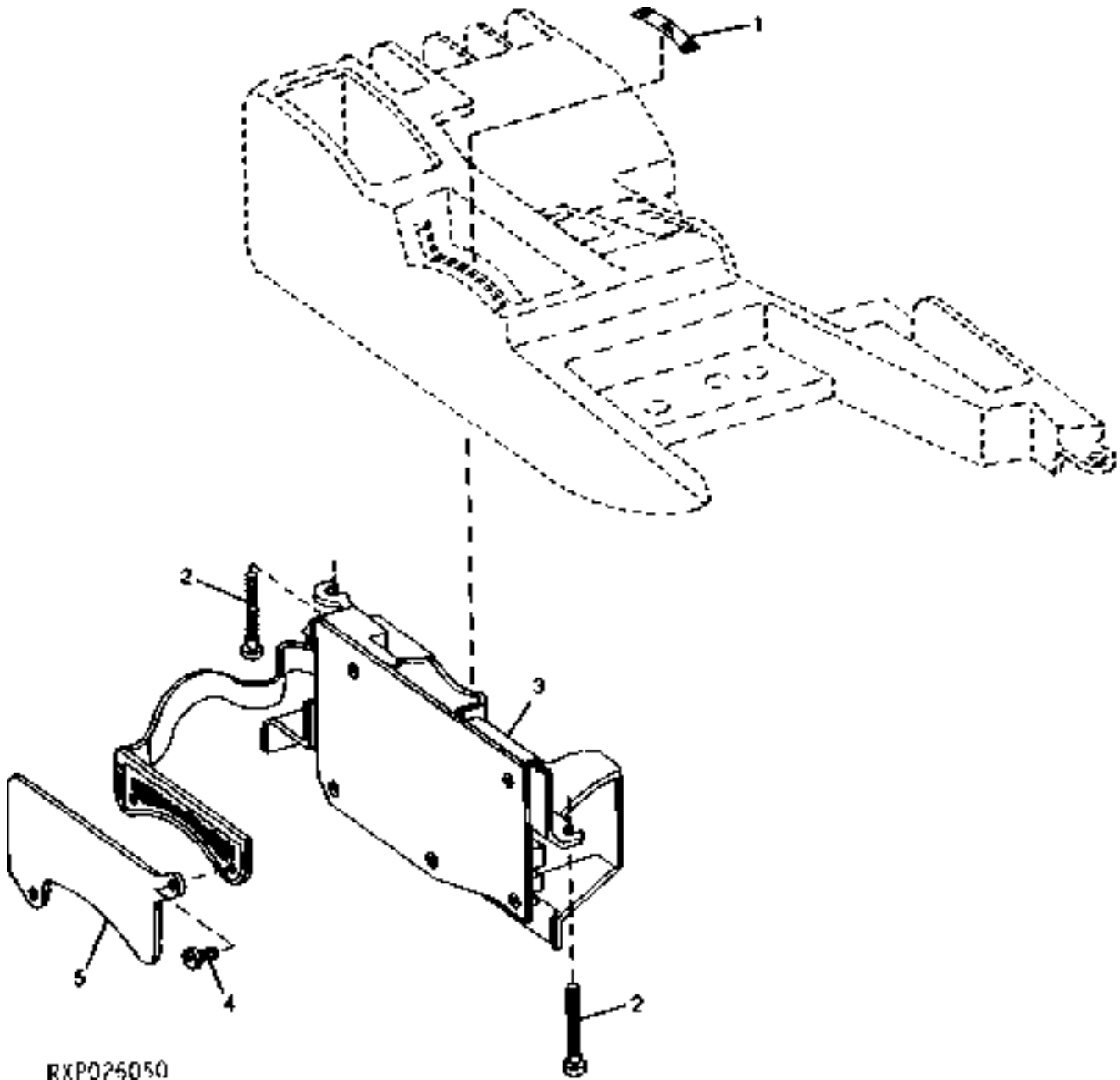
| KEY | PART NO. | PART NAME      | QTY | TRACTOR<br>SERIAL NO. | A<br>L<br>L | REMARKS                           |
|-----|----------|----------------|-----|-----------------------|-------------|-----------------------------------|
| 1   | RE60586  | ROCKER SWITCH  | 1   |                       | X           | (A)                               |
|     | N202894  | PLUG           | 1   |                       | X           | (B)                               |
| 2   | R133058  | LABEL          | 1   |                       | X           | (SUB FOR R126468)                 |
| 3   | M115279  | PLUG           | 1   |                       | X           |                                   |
| 4   | R133057  | LABEL          | 1   |                       | X           | (SUB FOR R126467)                 |
| 5   | RE160963 | SWITCH         | 1   |                       | X           | (C) (SUB FOR RE60587 OR RE154488) |
| 6   | RE49639  | KNOB           | 3   |                       | X           |                                   |
| 7   | R121233  | NUT            | 3   |                       | X           |                                   |
| 8   | R121235  | WASHER         | 3   |                       | X           |                                   |
| 9   | R124530  | LABEL          | 1   |                       | X           |                                   |
| 10  | R107562  | COVER          | 1   |                       | X           |                                   |
| 11  | PT11362  | SCREW          | 1   |                       | X           |                                   |
| 12  | RE64278  | WIRING HARNESS | 1   |                       | X           | (SUB FOR RE56773)                 |
|     | R44302   | TIE BAND       | 1   |                       | X           |                                   |

(A)HITCH RAISE/LOWER  
 ATTELAGE,RELEVAGE ET ABAISSEMENT  
 ANHAENGEVORRICHTUNG HEBEN/SENKEN  
 SOLLEVATORE,SOLLEVAMENTO/ABBASSAMENTO  
 ELEVAR/BAJAR ENGANCHE  
 LYFT,HOEJ/SAENK

(B)W/O HITCH  
 W/O ATTELAGE  
 W/O ANHAENGEVOPPICHTUNG  
 W/O ATTACCO  
 W/O ENGANCHE  
 W/O DRAG

(C)REAR PTO  
 PDF ARRIERE  
 HINTERE ZAPFWELLE  
 PTO POSTERIORE  
 TDF TRASERA  
 BAKRE KRAFTUTTAG

ARMREST CONTROLLER UNIT(ACU)  
 ACCOUDOIR, UNTIE DE COMMANDE (ACU)  
 ARMLEHNE-STEUERUNGSEINHEIT (ACU)  
 UNITA'DEL REGOLATORE DEL BRACCIOLO (ACU)  
 UNIDAD DE CONTROL EN EL APOYABRAZOS (ACU)  
 ARMSTOED, STYRENHET (ACU)  
 RXP026050 -UN-07MAR95



# 3G4

ELECTRICAL

| KEY | PART NO. | PART NAME               | QTY | TRACTOR<br>SERIAL NO. | A<br>L<br>L | REMARKS   |
|-----|----------|-------------------------|-----|-----------------------|-------------|---|
| 1   | R126466  | LABEL                   | 1   |                       | X           |   |
| 2   | R115850  | SCREW                   | 2   |                       | X           |   |
| 3   | RE62561  | TRANSMISSION CONTROLLER | 1   | -XXXXXX               | X           | (A) (SUB RE71084, RE63687 AND R127879)                |
|     | RE63007  | TRANSMISSION CONTROLLER | 1   | XXXXXX-XXXXXX         | X           | (B) (SUB RE71084, RE63687 AND R127879)                |
|     | RE65126  | TRANSMISSION CONTROLLER | 1   | XXXXXX-XXXXXX         | X           | (C) (SUB RE71084) (SUB FOR RE64012)                   |
|     | RE71084  | TRANSMISSION CONTROLLER | 1   | XXXXXX-               | X           | (D) (SUB FOR RE62561, RE63007, RE64012 OR<br>RE65126) |
| 4   | R113246  | SCREW                   | 2   |                       | X           |   |
| 5   | R107588  | COVER                   | 1   |                       | X           |   |

(A) ( -XXXXXX)8100-001707;8200-001604;8300-002820;8400-001419

(B) (XXXXXX-XXXXXX)8100-001708-002560;8200-001605-002089;8300-002821-003675;8400-001420-002439

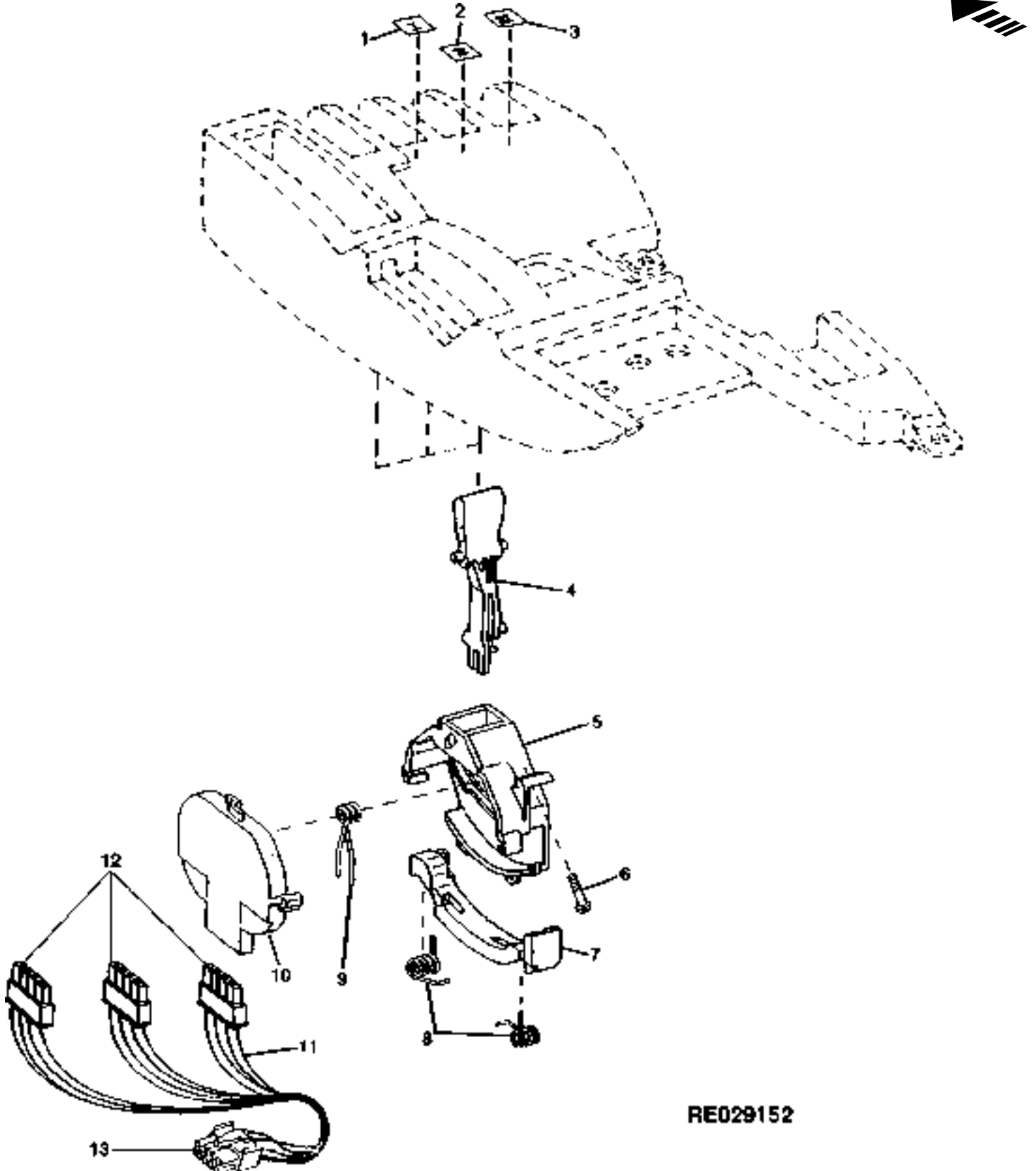
(C) (XXXXXX-XXXXXX)8100-002561-009999;8200-002090-009999;8300-003676-009999;8400-002440-009999

(D) (XXXXXX- )8100-010000;8200-010000;8300-010000;8400-010000

# 3G5

ELECTRICAL

SELECTIVE CONTROL LEVERS 1,2 AND 3 (ARMREST)  
DISTRIBUTEURS SELECTIFS 1,2 ET 3, LEVIERS (ACCOUDOIR)  
ZUSATZSTEUERGERAETHBEL 1,2 UND 3 (ARMLEHNE)  
LEVE DI DISTRIBUTORI IDRAULICI 1,2 E 3 (A BRACCIOLO)  
PALANCAS DE CONTROL SELECTIVO 1,2 Y 3 (APOYABRAZOS)  
SELEKTIV MANOEVERVENTIL NR 1,2 OCH 3, SPAKAR (ARMSTOED)  
RE029152 -UN-27MAR98



RE029152

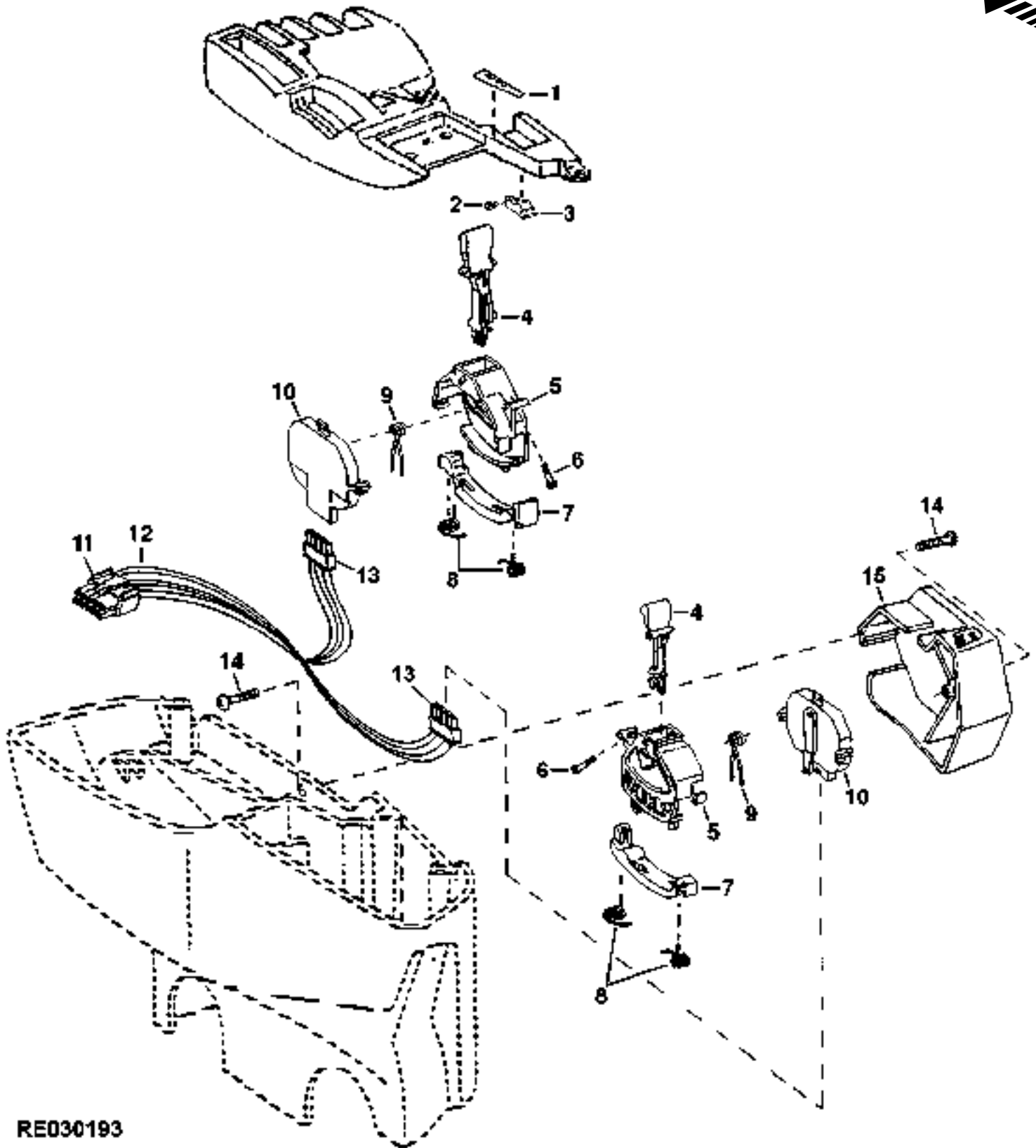


# 3G6

ELECTRICAL

| KEY | PART NO. | PART NAME      | QTY | TRACTOR<br>SERIAL NO. | A<br>L<br>L | REMARKS                      |
|-----|----------|----------------|-----|-----------------------|-------------|------------------------------|
| 1   | R133053  | LABEL          | 1   |                       | X           | (SUB FOR R126463) (NO.1 SCV) |
| 2   | R133054  | LABEL          | 1   |                       | X           | (SUB FOR R126464) (NO.2 SCV) |
| 3   | R133055  | LABEL          | 1   |                       | X           | (SUB FOR R126465) (NO.3 SCV) |
| 4   | RE63708  | LEVER          | 1   |                       | X           | (SUB FOR RE61107)            |
| 5   | R125877  | BRACKET        | 1   |                       | X           | (SUB R127893 AND RE63708)    |
| 6   | R115850  | SCREW          | 1   |                       | X           |                              |
| 7   | R125878  | ARM            | 1   |                       | X           |                              |
| 8   | R124097  | SPRING         | 2   |                       | X           |                              |
| 9   | R125879  | SPRING         | 1   |                       | X           |                              |
| 10  | RE60659  | SENSOR         | 1   |                       | X           |                              |
| 11  | RE60630  | WIRING HARNESS | 1   |                       | X           |                              |
| 12  | 57M7708  | CONNECTOR      | 3   |                       | X           | (ALSO ORDER (4) 57M7551)     |
| 13  | 57M7470  | CONNECTOR      | 1   |                       | 1           | (ALSO ORDER (10) 57M7551)    |

SELECTIVE CONTROL LEVERS 4 AND 5 (ARMREST)  
 DISTRIBUTEURS SELECTIFS 4 ET 5 LEVIERS (ACCOUDOIR)  
 ZUSATZSTEUERGERAETHBEL 4 UND 5 (ARMLEHNE)  
 LEVE DI DISTRIBUTORI IDRAULICI 4 E 5 (A BRACCIOLO)  
 PALANCAS DE CONTROL SELECTIVO 4 Y 5 (APOYABRAZOS)  
 SELEKTIV MANOEVERVENTIL NR 4 OCH 5, SPAKAR (ARMSTOED)  
 RE030193 -UN-13NOV98



**RE030193**

# 3G8

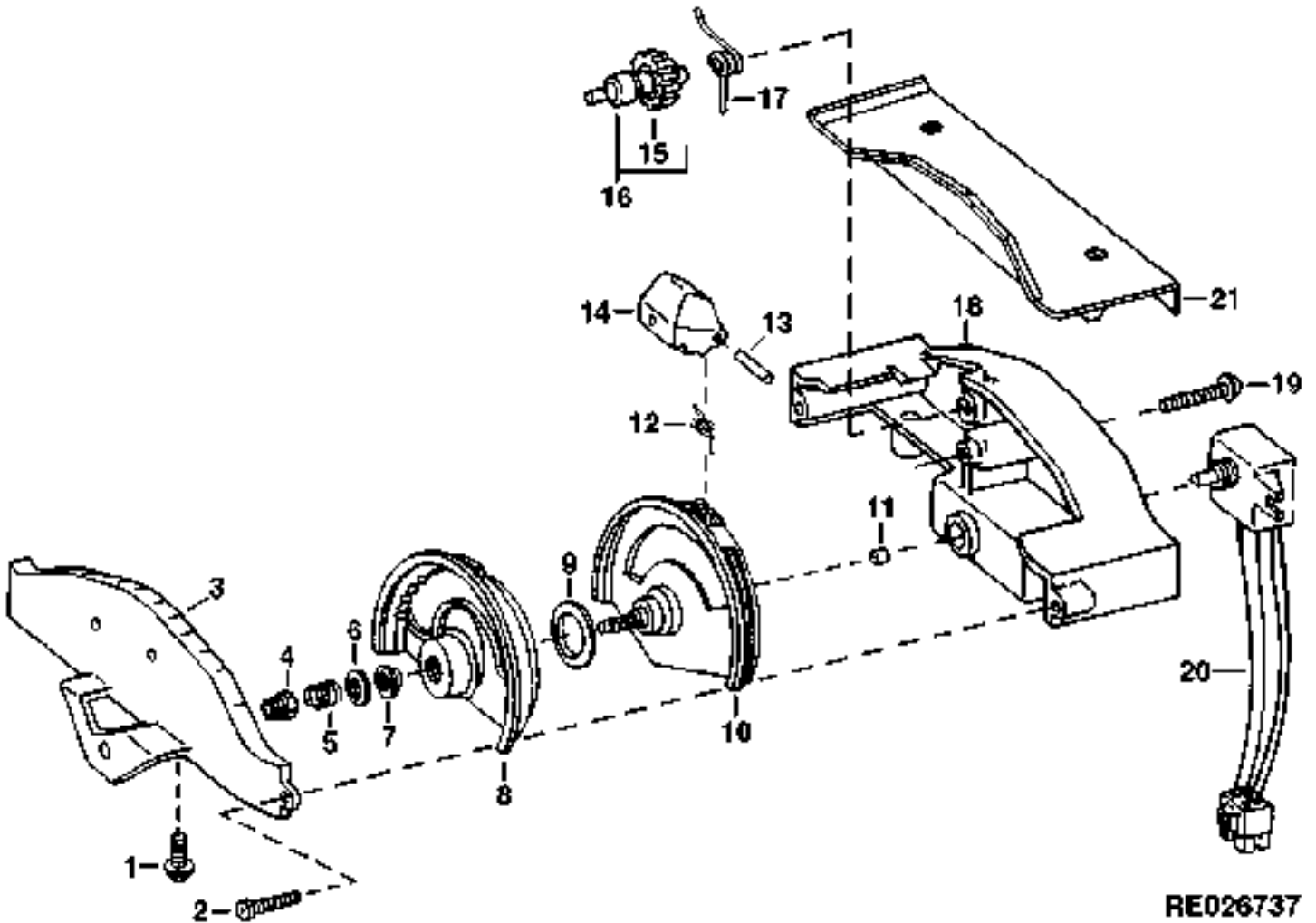
ELECTRICAL

| KEY | PART NO. | PART NAME      | QTY | TRACTOR<br>SERIAL NO. | A<br>L<br>L | REMARKS                  |
|-----|----------|----------------|-----|-----------------------|-------------|--------------------------|
| 1   | R133056  | LABEL          | 1   |                       | X           | (NO.4 SCV)               |
| 2   | R115850  | SCREW          | 1   |                       | X           |                          |
| 3   | R107562  | COVER          | 1   |                       | X           |                          |
| 4   | RE63708  | LEVER          | 1   |                       | X           |                          |
| 5   | R127893  | BRACKET        | 1   |                       | X           |                          |
| 6   | R115850  | SCREW          | 1   |                       | X           |                          |
| 7   | R125878  | ARM            | 1   |                       | X           |                          |
| 8   | R124097  | SPRING         | 2   |                       | X           |                          |
| 9   | R125879  | SPRING         | 1   |                       | X           |                          |
| 10  | RE60659  | SENSOR         | 1   |                       | X           |                          |
| 11  | 57M7714  | CONNECTOR      | 1   |                       | X           | (ALSO ORDER (6) 57M7549) |
| 12  | RE60631  | WIRING HARNESS | 1   |                       | X           |                          |
| 13  | 57M7708  | CONNECTOR      | 2   |                       | X           | (ALSO ORDER (8) 57M7549) |
| 14  | 37M7217  | SCREW          | 1   |                       | X           |                          |
| 15  | R124675  | HOUSING        | 1   |                       | X           | (NO.5 SCV)               |

# 3G9

ELECTRICAL

HITCH CONTROL(ARMREST)  
COMMANDE D'ATTELAGE(ACCOUDOIR)  
BEDIENUNGSELEMENTE FUER DIE ANHAENGEVORRICHTUNG(ARMSTUETZE)  
CONTROLLI DELL'ATTACCO(BRACCIOLO)  
CONTROLES DEL ENGANCHE(APOYABRAZOS)  
DRAGANORDNINGSREGLAGE(ARMSTOED)  
RE026737 -UN-05AUG96



RE026737

# 3G10

ELECTRICAL

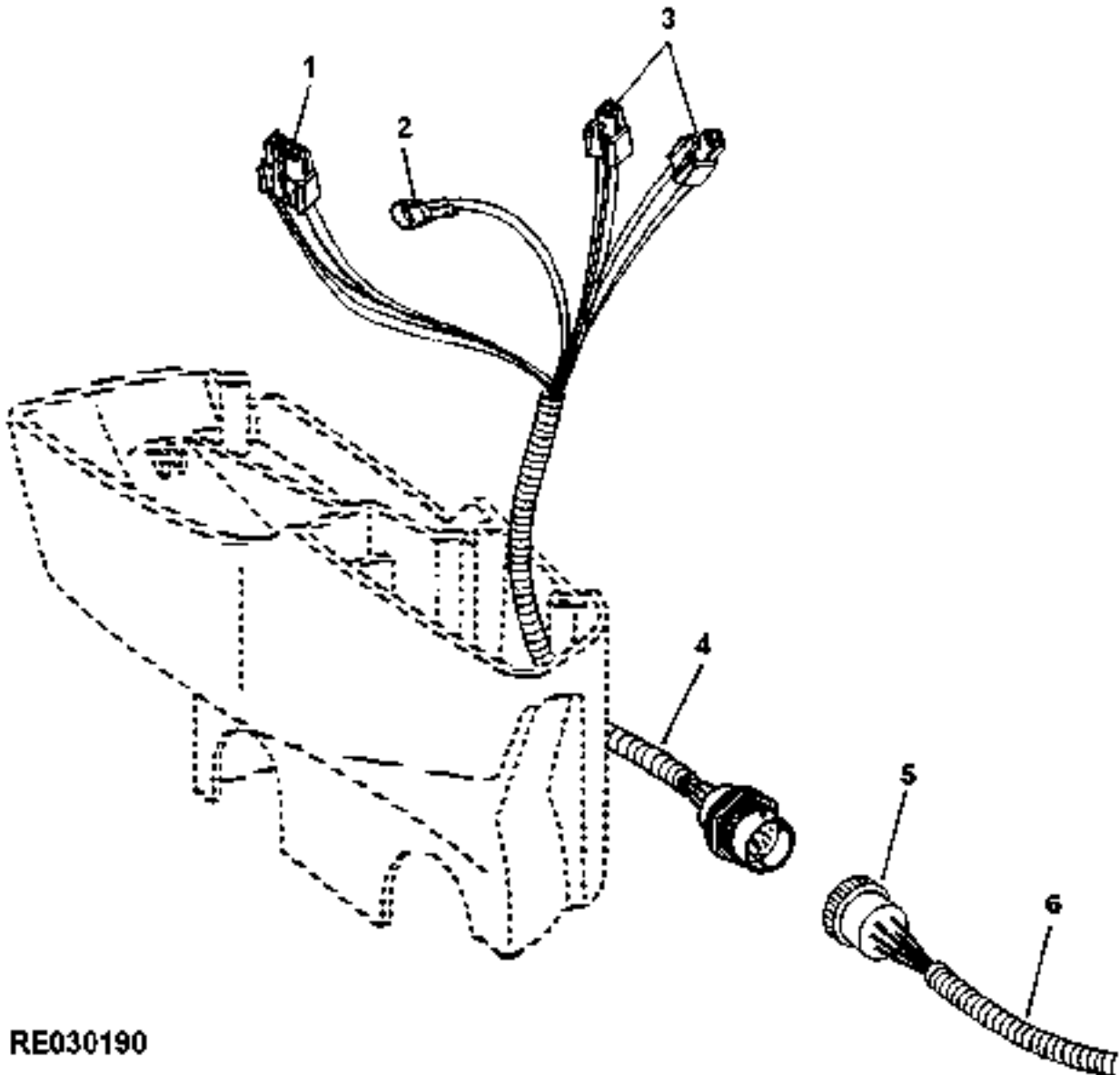
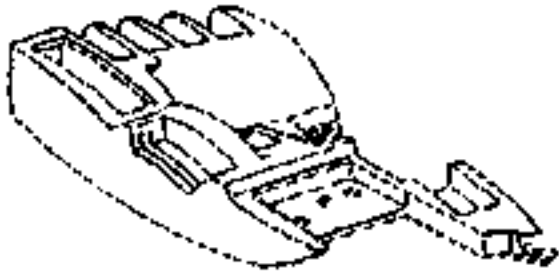
| KEY | PART NO. | PART NAME      | QTY | TRACTOR<br>SERIAL NO. | A<br>L<br>L | REMARKS                                |
|-----|----------|----------------|-----|-----------------------|-------------|--|
| 1   | R113246  | SCREW          | 2   |                       | X           |  |
| 2   | H123995  | SCREW          | 3   |                       | X           |  |
| 3   | R124276  | HOUSING        | 1   |                       | X           |  |
| 4   | 14M7165  | LOCK NUT       | 1   |                       | X           | M6                                     |
| 5   | R124873  | SPRING         | 1   |                       | X           | (SUB FOR R114899)                      |
| 6   | R112513  | WASHER         | 1   |                       | X           |  |
| 7   | R131047  | BUSHING        | 1   |                       | X           | (SUB FOR R112514) (ALSO ORDER R131135) |
| 8   | R131135  | WHEEL          | 1   |                       | X           | (SUB FOR R112526) (ALSO ORDER R131047) |
| 9   | R112515  | WASHER         | 1   |                       | X           |  |
| 10  | R125915  | WHEEL          | 1   |                       | X           | (ALSO ORDER R118453)                   |
| 11  | R118453  | CLIP           | 1   |                       | X           |  |
| 12  | R112553  | TORSION SPRING | 1   |                       | X           |  |
| 13  | 34H233   | SPRING PIN     | 1   |                       | X           |  |
| 14  | R130026  | KNOB           | 1   |                       | X           | (SUB FOR R120151)                      |
| 15  | R130025  | WHEEL          | 1   |                       | X           |  |
| 16  | RE58029  | KNOB           | 1   |                       | X           | (SUB FOR RE49011)                      |
| 17  | R112551  | SPRING         | 1   |                       | X           |  |
| 18  | R130024  | HOUSING        | 1   |                       | X           | (SUB FOR R124275)                      |
| 19  | 37M7179  | SCREW          | 1   |                       | X           |  |
| 20  | RE64279  | POTENTIOMETER  | 1   |                       | X           | (SUB FOR RE60658)                      |
| 21  | R120152  | COVER          | 1   |                       | X           | (A)                                    |

(A)W/O HITCH  
W/O ATTELAGE  
W/O ANHAENGEVORRICHTUNG  
W/O ATTACCO  
W/O ENGANCHE  
W/O DRAG

# 3G11

ELECTRICAL

WIRING HARNESS(ARMREST TO CAB)  
FAISCEAU DE FILS (ENTRE ACCOUDOIR ET CABINE)  
KABELBAUM (ARMLEHNE ZUR KABINE)  
CABLAGGIO (DA BRACCIOLA A CABINA)  
GRUPO DE CABLES(APOYABRAZOS A LA CABINA)  
KABELHAERVA (ARMSTOED TILL HYTT)  
RE030190 -UN-09NOV98



RE030190

# 3G12

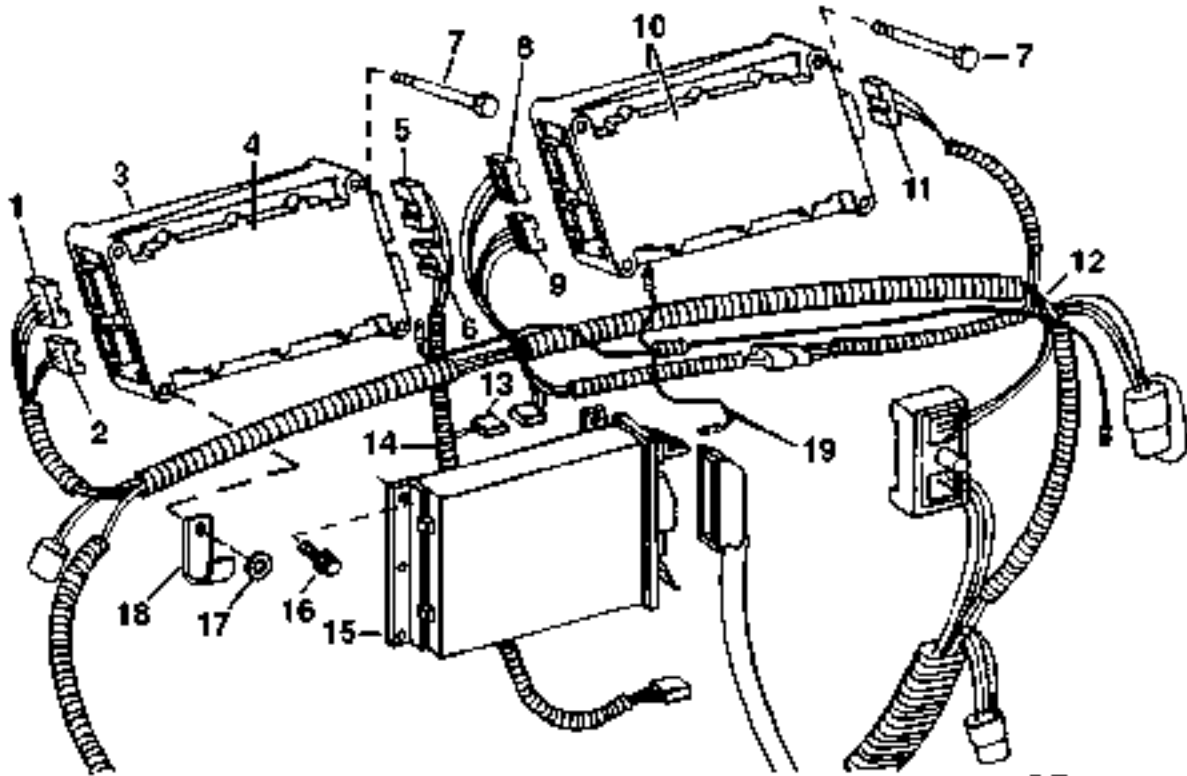
ELECTRICAL

| KEY | PART NO. | PART NAME          | QTY | TRACTOR<br>SERIAL NO. | A<br>L<br>L | REMARKS  |
|-----|----------|--------------------|-----|-----------------------|-------------|--|
| 1   | 57M7716  | CONNECTOR          | 1   |                       | X           | (ALSO ORDER (9) 57M7549)                             |
| 2   | 57M7256  | CONNECTOR          | 1   |                       | X           | (ALSO ORDER (2) R104919, (2) 57M7258 AND<br>57M7316) |
| 3   | 57M7712  | CONNECTOR          | 2   | -099999               | X           | (ALSO ORDER (3) 57M7549)                             |
|     | 57M7712  | CONNECTOR          | 1   | 010000-               | X           | (ALSO ORDER (3) 57M7549)                             |
| 4   | RE60629  | WIRING HARNESS     | 1   | -099999               | X           |  |
|     | RE67355  | WIRING HARNESS     | 1   | 010000-               | X           |  |
| 5   | AH135787 | CONNECTOR          | 1   |                       | X           | (ALSO ORDER (12) R77465)                             |
| 6   | .....    | CAB WIRING HARNESS | 1   |                       | X           |  |

# 3G13

ELECTRICAL

CONTROLLERS(HCU/SCU,CCU/PCU,ECU,SCO)  
CONTROLEURS(HCU/SCU,CCU/PCU,ECU,SCO)  
STEUEREINHEITEN(HCU/SCU,CCU/PCU,ECU,SCO)  
REGOLATORI(HCU/SCU,CCU/PCU,ECU,SCO)  
CONTROLADORES(HCU/SCU,CCU/PCU,ECU,SCO)  
STYRENHETER(HCU/SCU,CCU/PCU,ECU,SCO)  
RE029505 -UN-04MAY98



RE029505



# 3G14

ELECTRICAL

| KEY | PART NO. | PART NAME                | QTY | TRACTOR SERIAL NO. | A<br>L<br>L | REMARKS   |
|-----|----------|--------------------------|-----|--------------------|-------------|---|
| 1   | 57M7797  | RECEPTACLE               | 1   |                    | X           | (ALSO ORDER (30) R104701)   |
| 2   | 57M7459  | CONNECTOR                | 1   |                    | X           | (ALSO ORDER (18) R104701)   |
| 3   | RE162764 | HITCH AND SCV CONTROLLER | 1   |                    | X           | (MARKED RE162766, RE60959, RE62610, RE67022, RE67869 OR RE159623) (SUB FOR RE60956, RE62607, RE67009, RE67117, RE67866 OR RE159620) (HCU/SCU-1,2,3 SCV)                               |
|     | RE162773 | KIT                      | 1   |                    | X           | (SUB FOR RE157354 OR RE159625) (HCU/SCU UPGRADE)  |
| 4   | RE162770 | HITCH AND SCV CONTROLLER | 1   |                    | X           | (MARKED RE162767, RE60959, RE62611, RE63896, RE159624, RE67870 OR RE156219) (SUB FOR RE60957, RE62609, RE63895, RE67116, RE67868, RE156220 OR RE159622) (HCU/SCO-4 OR 5 SCV/ROW-TRAK) |
|     | RE162774 | KIT                      | 1   |                    | X           | (SUB FOR RE159626) (SCO UPGRADE)  |
| 5   | 57M7253  | RECEPTACLE               | 1   |                    | X           | (ALSO ORDER (30) R104701)   |
| 6   | 57M7279  | CONNECTOR                | 1   |                    | X           | (ALSO ORDER (18) R104701)   |
| 7   | R124359  | SCREW                    | 8   |                    | X           |   |
| 8   | 57M7275  | CONNECTOR                | 1   |                    | X           | (ALSO ORDER (30) R104701)   |
| 9   | 57M7279  | CONNECTOR                | 1   |                    | X           | (ALSO ORDER (18) R104701)   |
| 10  | RE66876  | VEHICLE CONTROLLER       | 1   | -009999            | X           | (A) (SUB FOR RE60974, RE61675 OR RE63350) (SUB RE69215) (CCU/PCU)(30K)  |
|     | RE152006 | VEHICLE CONTROLLER       | 1   | 010000-019999      | X           | (A) (SUB FOR RE66880 OR RE69215) (CCU/PCU)(30K)   |
|     | RE156940 | VEHICLE CONTROLLER       | 1   | XXXXXX-XXXXXX      | X           | (A) (C) (SUB FOR RE152382) (CCU/PCU)(30K)   |
|     | RE156940 | VEHICLE CONTROLLER       | 1   | XXXXXX-            | X           | (D) (CCU/PCU)(30K)  |
|     | RE165401 | VEHICLE CONTROLLER       | 1   | -019999            | X           | (SUB FOR RE60974, RE61675, RE62807, RE66875, RE69214 OR RE152005) (CCU/PCU)(40K)  |
|     | RE156939 | VEHICLE CONTROLLER       | 1   | 020000-            | X           | (SUB FOR RE152380) (CCU/PCU)(40K)   |
| 11  | 57M7253  | RECEPTACLE               | 1   |                    | X           | (ALSO ORDER (30) R104701)   |
| 12  | .....    | WIRING HARNESS           | 1   |                    | X           | (B)   |
| 13  | 57M7260  | CONNECTOR                | 1   |                    | X           | (ALSO ORDER (6) R104846, (6) 57M7258 AND 57M7291)   |
| 14  | RE58782  | WIRING HARNESS           | 1   |                    | X           | (SCO-4 OR 5 SCV)  |
|     | RE58311  | WIRING HARNESS           | 1   |                    | X           | (ROW-TRAK)  |

(A)USE ONLY IN BELGIUM,DENMARK,FRANCE,GREECE,PORTUGAL,SWEDEN&SWITZERLAND  
 BELGIQUE,DANEMARK,FRANCE,GRECE,PROTUGAL,SUEDE ET SUISSE  
 BELGIEN,DAENEMARK,FRANKREICH,GRIECHENLAND,PORTUGAL,SCHWEDEN UND IN DER S CHWEIZ  
 BELGIO, DANIMARCA, FRANCIA, GRECIA, PORTOGALLO, SVEZIA E SVIZZERA  
 BELGICA,DINAMARCA,FREANCIA,GRECIA,PORTUGAL,SUECIA Y SUIZA  
 BELGIEN,DANMARK,FRANKRIKE,GREKLAND,PORTUGAL,SVERIGE OCH SCHWEIZ

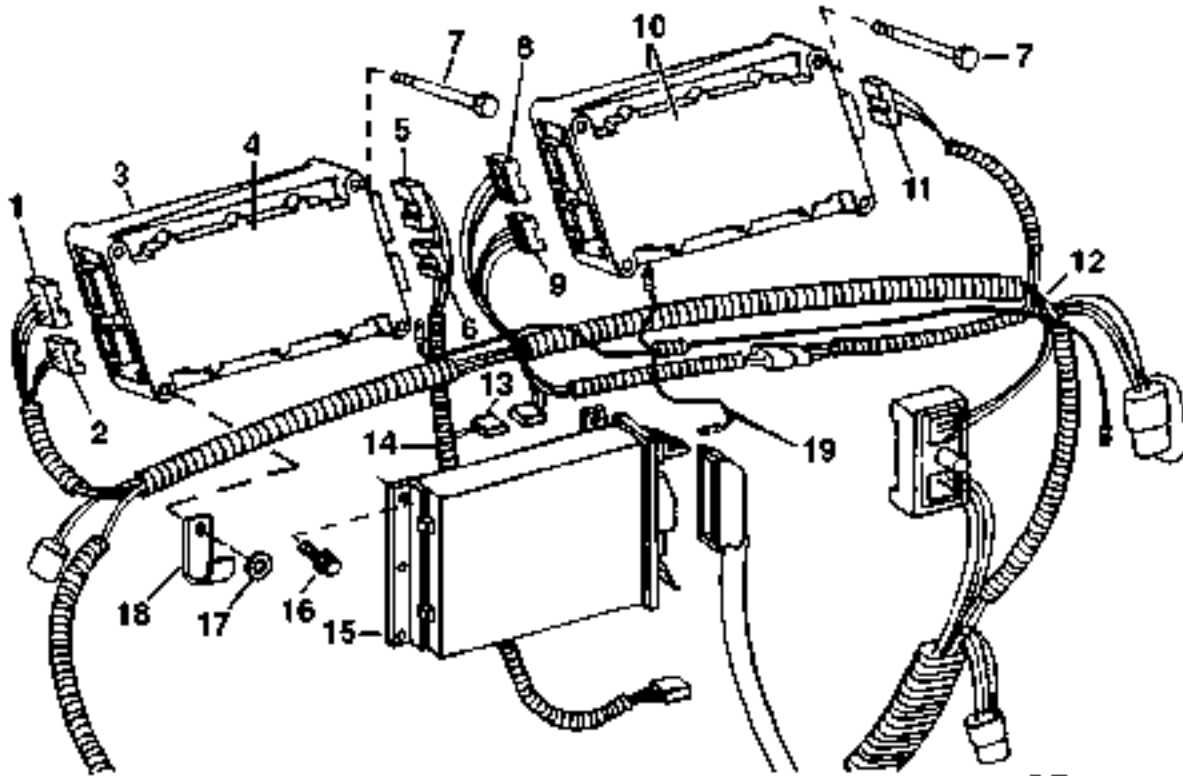
(B)ENGINE AND CHASSIS  
 MOTEUR ET CHASSIS  
 MOTOR UND CHASSIS  
 MOTORE E TELAIO  
 MOTOR Y CHASIS  
 MOTOR OCH CHASSI

(C)(XXXXXX-XXXXXX)8100-020000-021128;8200-020000-020965;8300-020000-021683;8400-020000-022126  
 (D)(XXXXXX- )8100-021129;8200-020966;8300-021684;8400-022127

# 3G15

ELECTRICAL

CONTROLLERS(HCU/SCU,CCU/PCU,ECU,SCO) - CONTINUED  
CONTROLEURS(HCU/SCU,CCU/PCU,ECU,SCO) - A SUIVRE  
STEUEREINHEITEN(HCU/SCU,CCU/PCU,ECU,SCO) - FORTS  
REGOLATORI(HCU/SCU,CCU/PCU,ECU,SCO) - CONTINUA  
CONTROLADORES(HCU/SCU,CCU/PCU,ECU,SCO) - CONTINUACION  
STYRENHETER(HCU/SCU,CCU/PCU,ECU,SCO) - FORTS  
RE029505 -UN-04MAY98



RE029505

# 3G16

ELECTRICAL

| KEY | PART NO. | PART NAME         | QTY | TRACTOR SERIAL NO. | A<br>L<br>L | REMARKS   |
|-----|----------|-------------------|-----|--------------------|-------------|---|
| 15  | RE502110 | ENGINE CONTROLLER | 1   | -009999            |             | (MARKED RE28320) (SUB FOR RE57525 OR RE501825) (ALSO ORDER RE502125) (ECU)(FOCUS)(8100 ONLY)                  |
|     | RE501847 | ENGINE CONTROLLER | 1   | 010000-010999      |             | (MARKED RE501731) (SUB FOR RE70026) (ALSO ORDER RE502125) (ECU)(FOCUS)(8100 ONLY)                             |
|     | RE502121 | ENGINE CONTROLLER | 1   | 011000-            |             | (MARKED RE66614) (SUB FOR RE69551, RE500772 OR RE502428) (ECU)(FOCUS)(8100 ONLY)                              |
|     | RE502111 | ENGINE CONTROLLER | 1   | -009999            |             | (MARKED RE66614) (SUB FOR RE57526 OR RE501826) (ECU)(FOCUS)(8200 ONLY)  |
|     | RE502147 | ENGINE CONTROLLER | 1   | 010000-010999      |             | (MARKED RE66614) (SUB FOR RE70027 OR RE501828) (ECU)(FOCUS)(8200 ONLY)  |
|     | RE502122 | ENGINE CONTROLLER | 1   | 011000-            |             | (MARKED RE66614) (SUB FOR RE69552, RE500773 OR RE502427) (ECU)(FOCUS)(8200 ONLY)                              |
|     | RE502112 | ENGINE CONTROLLER | 1   | -009999            |             | (MARKED RE66614) (SUB FOR RE57524 OR RE501824) (ECU)(FOCUS)(8300 ONLY)  |
|     | RE504071 | ENGINE CONTROLLER | 1   | 010000-010999      |             | (MARKED RE66614) (SUB FOR RE69553, RE70028, RE500774, RE501849, RE502426 OR RE502123) (ECU)(FOCUS)(8300 ONLY) |
|     | RE502124 | ENGINE CONTROLLER | 1   | -XXXXXX            |             | (A) (MARKED RE66614) (SUB FOR RE57501 OR RE501823) (ECU)(FOCUS)(8400 ONLY)                                    |
|     | RE502124 | ENGINE CONTROLLER | 1   | XXXXXX-            |             | (B) (MARKED RE66614) (SUB FOR RE69550, RE500769 OR RE502425) (ECU)(FOCUS)(8400 ONLY)                          |
|     | RE502125 | KIT               | 1   |                    | X           | (CONTAINS RE501940, RE502104, (2) R105388 AND (4) 14M7303) (USE WITH RE66614) (MOUNTING KIT)                  |
| 16  | R124359  | SCREW             | 4   |                    | X           |   |
| 17  | 24H1923  | WASHER            | 2   |                    | X           | 9/32" X 3/4" X 0.120"   |
| 18  | AH117301 | CLAMP             | 2   |                    | X           |   |
| 19  | RE153902 | WIRING HARNESS    | 1   | -024820            | X           |   |

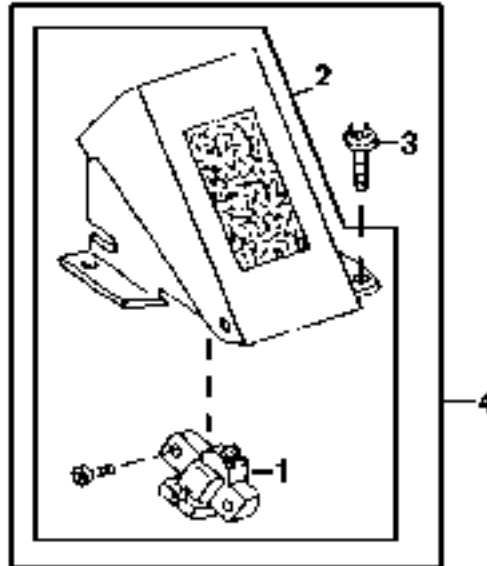
(A)( -XXXXXX)ESN 8400-009810  
 (B)(XXXXXX- )ESN 8400-009811

MEMORANDA  
MEMORANDA  
MEMORANDA  
MEMORANDA  
MEMORANDA

# 3G17

ELECTRICAL

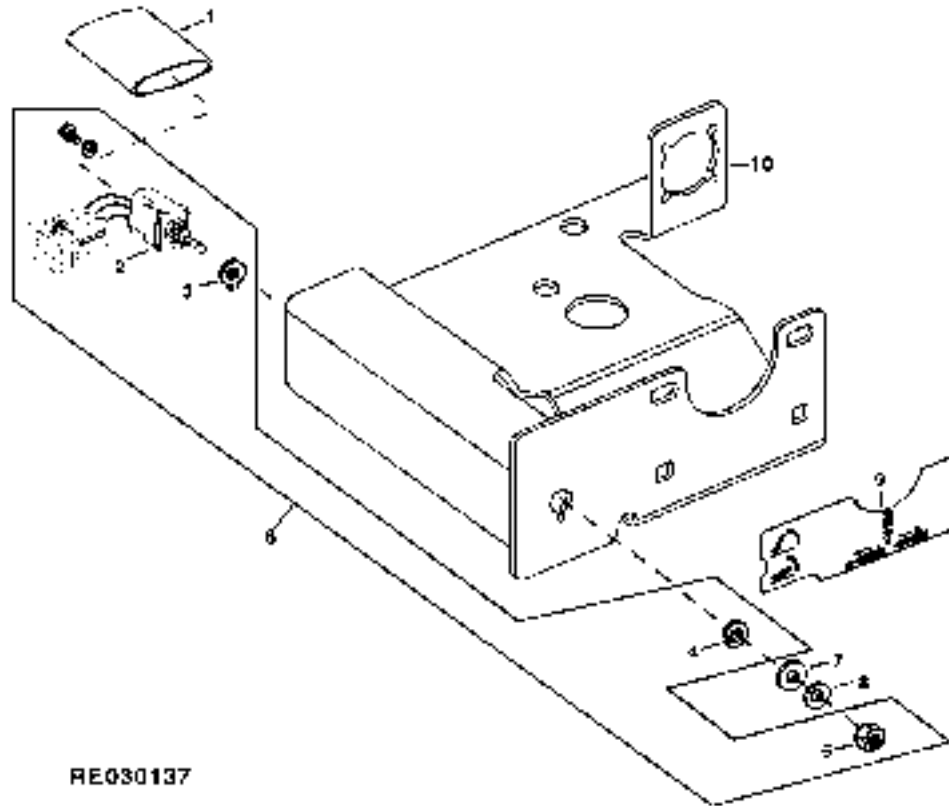
FOOT THROTTLE  
 PEDALE D'ACCELLATEUR  
 GASPEDAL  
 PEDALE DEL GAS  
 ACELERADOR DE PEDAL  
 GASPEDAL  
 RE026679 -UN-13DEC95



**RE026679**

| KEY | PART NO.        | PART NAME   | QTY | TRACTOR SERIAL NO. | A<br>L<br>L | REMARKS                        |
|-----|-----------------|-------------|-----|--------------------|-------------|--------------------------------|
| 1   | .....           | SENSOR      | 1   |                    | X           | (ORDER RE155987)               |
| 2   | RE155987        | ACCELERATOR | 1   |                    | X           | (SUB FOR RE61183)              |
| 3   | 37M7089         | SCREW       | 3   |                    | X           | M6 X 12                        |
| 4   | <b>AR152577</b> | <b>KIT</b>  | 1   |                    | X           | <b>(FI) (SUB FOR AR113819)</b> |

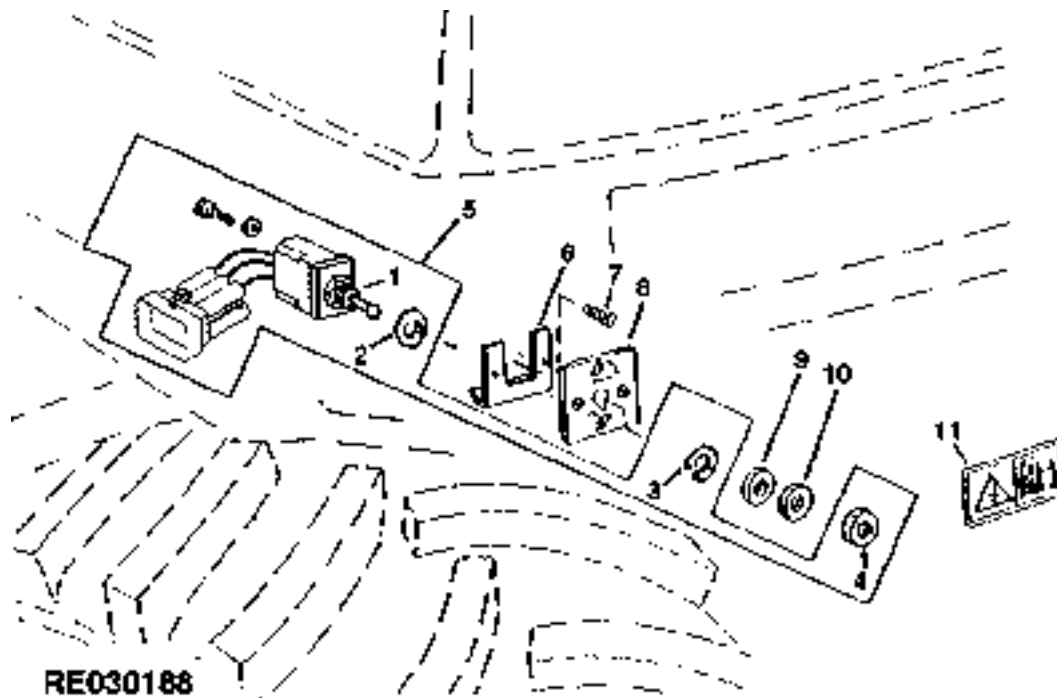
HITCH CONTROL(NORTH AMERICAN VERSION)  
 COMMANDE D'ATTELAGE(VERSION NORD AMERICAINE)  
 ANHANGEVORRICHTUNGS-BEDIENUNGSELEMENT(NORDAMERIKANISCHE AUSFUEHRUNG)  
 CONTROLLO DISPOSITIVO DI ATTACCO(VERSIONE NORDAMERICANA)  
 CONTROL DEL ENGANCHE(VERSION NORTEAMERICANA)  
 DRAGANORDNINGSREGLAGE(NORDAMERIKANSK VERSION)  
 RE030137 -UN-05NOV98



**RE030137**

| KEY | PART NO. | PART NAME    | QTY | TRACTOR SERIAL NO. | A |  |
|-----|----------|--------------|-----|--------------------|---|--|
|     |          |              |     |                    | L | REMARKS  |
| 1   | R154392  | TUBE         | 1   |                    | X | (USE WITH RE32042)   |
| 2   | RE32042  | HITCH SWITCH | 1   | -024819            | X | (SUB RE161844)   |
|     | RE160903 | HITCH SWITCH | 1   | 024820-            | X | (SUB FOR RE32042)  |
| 3   | R121234  | WASHER       | 1   |                    | X |  |
| 4   | R121236  | WASHER       | 1   |                    | X |  |
| 5   | R44097   | NUT          | 1   |                    | X |  |
| 6   | RE161844 | KIT          | 1   | 024820-            | X | (INCLUDES RE160903, (6) R104846, (6) 57M7258, 57M7260 AND 57M7291)<br>11.913 X 23.419 X 1.651 MM |
| 7   | 24H1325  | WASHER       | 1   |                    | X |  |
| 8   | 24M7044  | WASHER       | 1   |                    | X |  |
| 9   | R128894  | LABEL        | 1   |                    | X | (SUB FOR R123139)  |
| 10  | RE63638  | BRACKET      | 1   |                    | X | (SUB FOR R111975 OR R126536)   |

HITCH CONTROL(EUROPEAN VERSION)  
 COMMANDE D'ATTELAGE(VERSION EUROPEENNE)  
 ANHANGEVORRICHTUNGS-BEDIENUNGSELEMENT(EUROPAEISCHE AUSFUEHRUNG)  
 CONTROLLO DISPOSITIVO DI ATTACCO(VERSIONE EUROPEA)  
 CONTROL DEL ENGANCHE(VERSION EUROPEA)  
 DRAGANORDNINGSREGLAGE(EUROPEISK VERSION)  
 RE030188 -UN-09NOV98



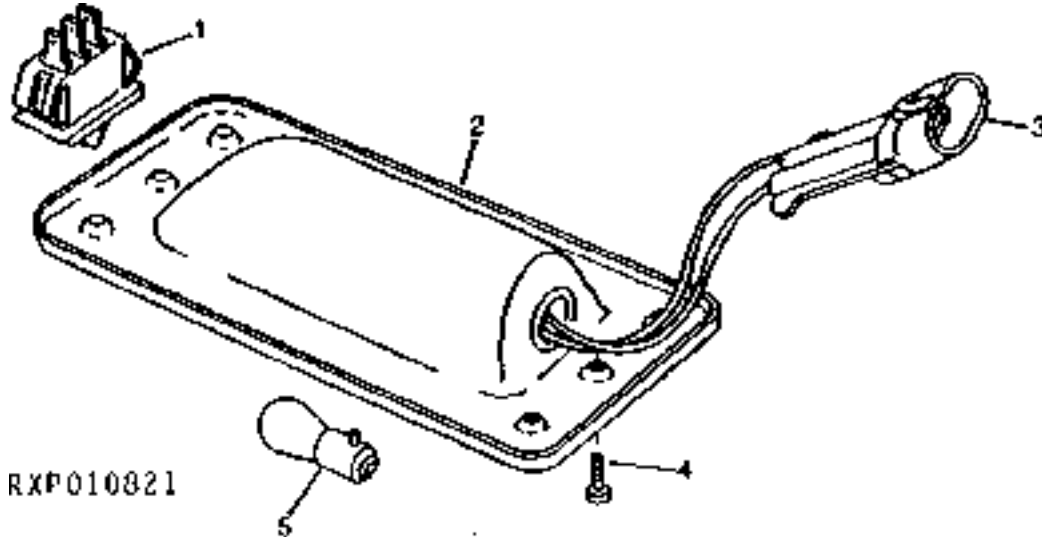
**RE030188**

| KEY | PART NO. | PART NAME    | QTY | TRACTOR<br>SERIAL NO. | A |   | REMARKS   |
|-----|----------|--------------|-----|-----------------------|---|---|---|
|     |          |              |     |                       | L | L |   |
| 1   | RE32042  | HITCH SWITCH | 1   | -024819               | X |   | (SUB RE161844)  |
|     | RE160903 | HITCH SWITCH | 1   | 024820-               | X |   | (SUB FOR RE32042)   |
| 2   | R121234  | WASHER       | 1   |                       | X |   |   |
| 3   | R121236  | WASHER       | 1   |                       | X |   |   |
| 4   | R44097   | NUT          | 1   |                       | X |   |   |
| 5   | RE161844 | KIT          | 2   | 024820-               | X |   | (INCLUDES RE160903, (6) R104846, (6)<br>57M7258, 57M7260 AND 57M7291) |
| 6   | R126716  | PLATE        | 2   |                       | X |   | (SUB FOR R115676)   |
| 7   | H132899  | SCREW        | 4   |                       | X |   |   |
| 8   | R115675  | PLATE        | 2   |                       | X |   |   |
| 9   | 24H1325  | WASHER       | 2   |                       | X |   | 15/32" X 59/64" X 0.065"  |
| 10  | 24M7044  | WASHER       | 2   |                       | X |   | 13 X 20 X 2 MM  |
| 11  | R135481  | LABEL        | 1   |                       | X |   | (SUB FOR L65071) L.H.   |
|     | R135480  | LABEL        | 1   |                       | X |   | R.H.  |

# 3G20

ELECTRICAL

DOME LIGHT AND SWITCH  
 PLAFONNIER ET INTERRUPTEUR  
 KABINENBELEUCHTUNG UND SCHALTER  
 INTERRUTTORE E LUCE A PLAFONIERA  
 LUZ DEL TECHO E INTERRUPTOR  
 TAKLAMPA OCH KONTAKT  
 RXP010821 -UN-01JAN94



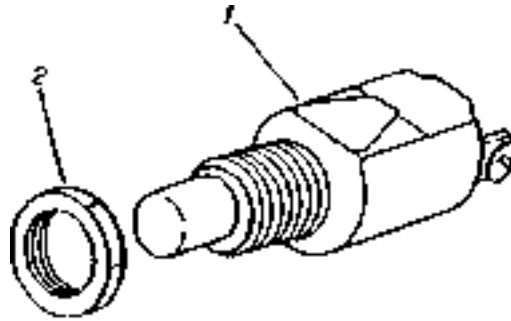
| KEY | PART NO. | PART NAME     | QTY | CAB<br>SERIAL NO. | A<br>L<br>L | REMARKS  |
|-----|----------|---------------|-----|-------------------|-------------|--|
| 1   | RE48838  | ROCKER SWITCH | 1   |                   | X           |  |
| 2   | RE44590  | HOUSING       | 1   |                   | X           |  |
| 3   | 57M7256  | CONNECTOR     | 1   |                   | X           | (ALSO ORDER (2) R104919, (2) 57M7258 AND<br>57M7316) |
| 4   | 37M7063  | SCREW         | 2   |                   | X           |  |
| 5   | RE47095  | BULB          | 1   |                   | X           |  |



# 3G21

ELECTRICAL

DOOR LIGHT SWITCH  
PORTE, INTERRUPTEUR D'ECLAIRAGE  
TUER-LICHTSCHALTER  
INTERRUPTORE DELLA LUCE DELLA PORTA  
INTERRUPTOR DE LUZ DE PUERTA  
DOERR, BELYSNINGSKONTAKT  
RXP011179 -UN-01JAN94



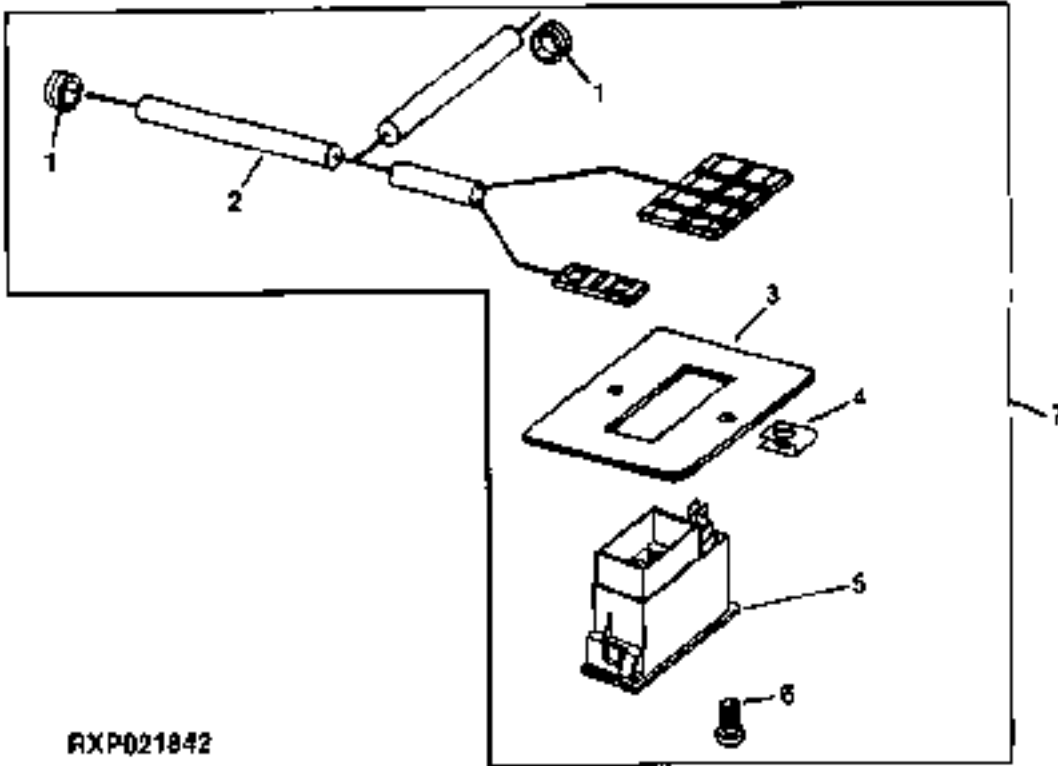
JRXP011179

| KEY | PART NO. | PART NAME         | QTY | CAB<br>SERIAL NO. | A | REMARKS |
|-----|----------|-------------------|-----|-------------------|---|---------|
|     |          |                   |     |                   | L |         |
| 1   | RE51234  | DOOR LIGHT SWITCH | 1   |                   | X |         |
| 2   | R44097   | NUT               | 1   |                   | X |         |

# 3G22

ELECTRICAL

ROTATING BEACON SWITCH KIT  
 JEU D'INTERRUPTEUR DE PHARE A ECLATS  
 DREHLICHSCHALTER-BAUSATZ  
 KIT DELL'INTERRUPTORE DE SEGNALE LUMINOSO ROTANTE  
 CONJUNTO DEL INTERRUPTOR DEL FARO GIRATORIO  
 STROEMBRYTARSATS FOER ROTERANDE STRAALKASTARE  
 RXP021842 -UN-27JAN97



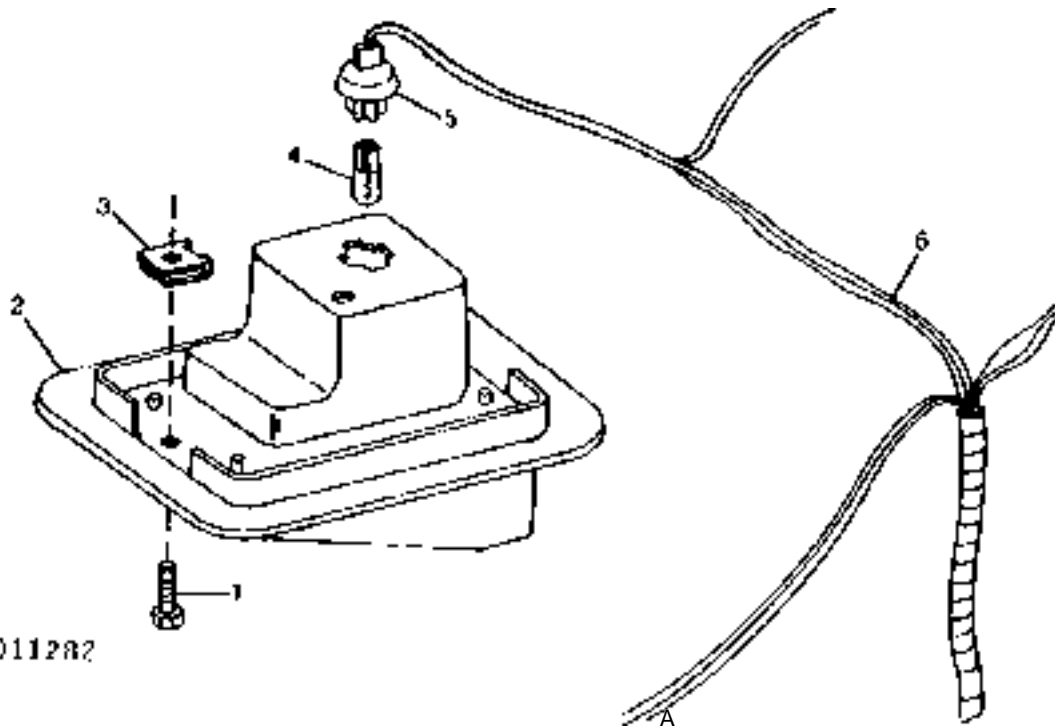
**RXP021842**

| KEY | PART NO.       | PART NAME      | QTY | CAB<br>SERIAL NO. | A | REMARKS     |
|-----|----------------|----------------|-----|-------------------|---|-------------|
|     |                |                |     |                   | L |             |
| 1   | N30256         | GROMMET        | 2   |                   | X |             |
| 2   | RE51267        | WIRING HARNESS | 1   |                   | X |             |
| 3   | R115828        | PLATE          | 1   |                   | X |             |
| 4   | R52130         | LOCK NUT       | 2   |                   | X |             |
| 5   | AT140957       | SWITCH         | 1   |                   | X |             |
| 6   | R52931         | SCREW          | 2   |                   | X |             |
| 7   | <b>RE51266</b> | <b>KIT</b>     | 1   |                   | X | <b>(FI)</b> |

# 3G23

ELECTRICAL

CONSOLE LIGHT  
 ECLAIRAGE DE CONSOLE  
 KONSOLEN-BELEUCHTUNG  
 LUCE DELLA CONSOLLE  
 LUZ DE LA CONSOLA  
 INSTRUMENTBRAEDA,BELYSNING  
 RXP011282 -UN-01JAN94



RXP011282

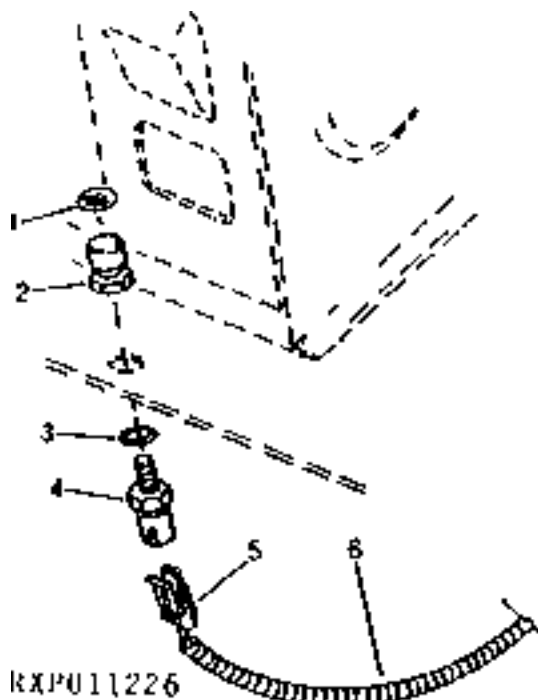
| KEY | PART NO. | PART NAME          | QTY | TRACTOR SERIAL NO. | A<br>L<br>L | REMARKS |
|-----|----------|--------------------|-----|--------------------|-------------|---------|
| 1   | 37H203   | SCREW              | 2   |                    | X           |         |
| 2   | RE57892  | LAMP               | 1   |                    | X           |         |
| 3   | R52130   | LOCK NUT           | 2   |                    | X           |         |
| 4   | AR48015  | BULB               | 1   |                    | X           |         |
| 5   | 57M7458  | CONNECTOR          | 1   |                    | X           |         |
| 6   | .....    | CAB WIRING HARNESS | 1   |                    | X           |         |

# 3G24

ELECTRICAL

HYDRAULIC DIFFERENTIAL LOCK SWITCH  
 INTERRUPTEUR DE BLOCAGE HYDRAULIQUE DE DIFFERENTIEL  
 HYDRAULISCHER DIFFERENTIALSPERREN-SCHALTER  
 INTERRUPTORE DI BLOCCAGGIO IDRAULICO DIFFERENZIALE  
 INTERRUPTOR DE LA TRABA HIDRAULICO DEL DIFERENCIAL  
 STROEMBRYTARE FOER HYDRAULDIFFERENTIALSPAERR

RXP011226 -UN-01JAN94

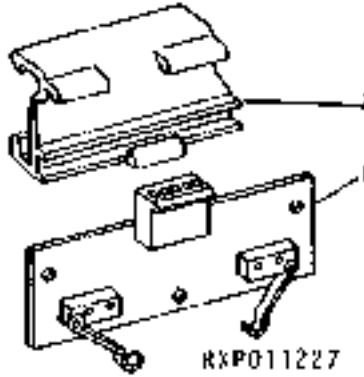


| KEY | PART NO. | PART NAME          | QTY | TRACTOR SERIAL NO. | A<br>L<br>L | REMARKS   |
|-----|----------|--------------------|-----|--------------------|-------------|---|
| 1   | L80302   | LABEL              | 1   |                    | X           |   |
| 2   | RE43637  | PUSH BUTTON        | 1   |                    | X           |   |
| 3   | 51M7042  | O-RING             | 1   |                    | X           | 13.300 X 2.200 MM                                 |
| 4   | RE46534  | SWITCH             | 1   |                    | X           |   |
| 5   | 57M7328  | CONNECTOR          | 1   |                    | X           | (ALSO ORDER (2) R104846, (2) 57M7258 AND 57M7316) |
| 6   | .....    | CAB WIRING HARNESS | 1   |                    | X           |   |

# 3G25

ELECTRICAL

BRAKE SWITCH  
FREIN, INTERRUPTEUR  
BREMSSCHALTER  
INTERRUPTORE DEL FRENO  
INTERRUPTOR DE FRENO  
BROMSKONTAKT  
RXP011227 -UN-01JAN94

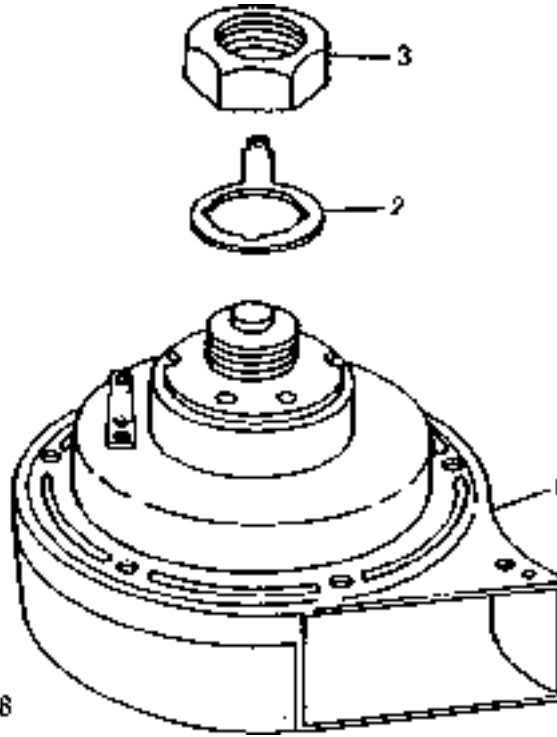


| KEY | PART NO. | PART NAME          | QTY | CAB<br>SERIAL NO. | A | REMARKS                      |
|-----|----------|--------------------|-----|-------------------|---|------------------------------|
|     |          |                    |     |                   | L |                              |
|     |          |                    |     |                   | L |                              |
| 1   | RE66277  | BRAKE LIGHT SWITCH | 1   |                   | X | (SUB FOR RE55468 OR RE63211) |
| 2   | R124716  | RETAINER           | 1   |                   | X |                              |

# 3H1

ELECTRICAL

HORN( -026686)  
 AVERTISSEUR SONORE( -026686)  
 SIGNALHORN( -026686)  
 AVVISATORE ACUSTICO( -026686)  
 BOCINA( -026686)  
 SIGNALHORN( -026686)  
 RXP010828 -UN-01JAN94



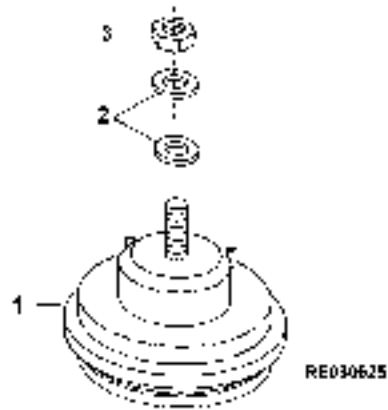
RXP010828

| KEY | PART NO. | PART NAME | QTY | TRACTOR<br>SERIAL NO. | A | REMARKS                                 |
|-----|----------|-----------|-----|-----------------------|---|---|
|     |          |           |     |                       | L |   |
| 1   | R64700   | HORN      | 1   |                       | X | (SUB RE159897, 14M7273 AND (2) 24M7036) |
| 2   | R52725   | CONNECTOR | 1   |                       | X | (-)                                     |
| 3   | R11278   | NUT       | 1   |                       | X |   |

# 3H2

ELECTRICAL

HORN(026687- )  
 AVERTISSEUR SONORE(026687- )  
 SIGNALHORN(026687- )  
 AVVISATORE ACUSTICO(026687- )  
 BOCINA(026687- )  
 SIGNALHORN(026687- )  
 RE030625 -UN-18MAY99



| KEY | PART NO. | PART NAME | QTY | TRACTOR<br>SERIAL NO. | A | REMARKS |
|-----|----------|-----------|-----|-----------------------|---|---------|
|     |          |           |     |                       | L |         |
| 1   | RE159897 | HORN      | 1   |                       | X |         |
| 2   | 24M7036  | WASHER    | 2   |                       | X |         |
| 3   | 14M7273  | NUT       | 1   |                       | X |         |

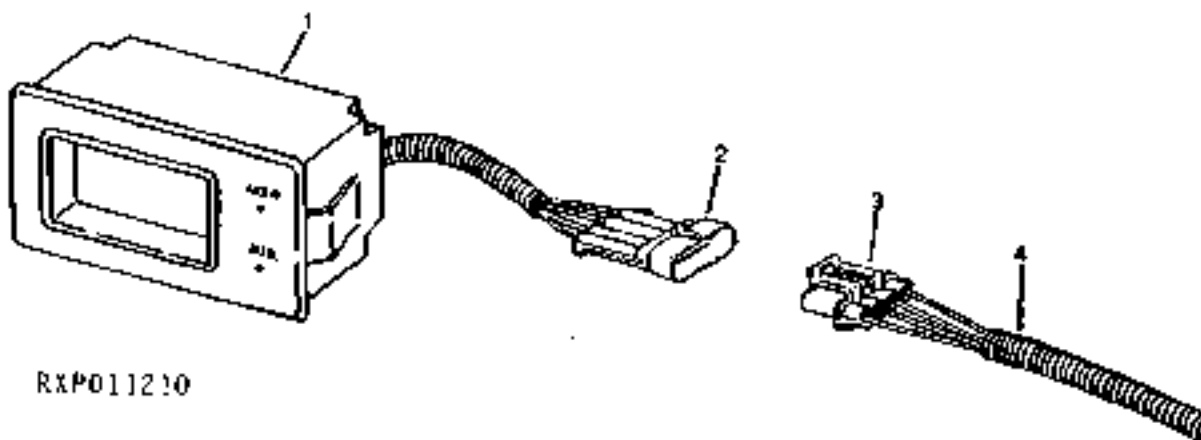
MEMORANDA  
MEMORANDA  
MEMORANDA  
MEMORANDA  
MEMORANDA



# 3H3

ELECTRICAL

CLOCK(EUROPEAN VERSION)  
 MONTRE(VERSION EUROPEENNE)  
 UHR(EUROPAEISCHE AUSFUEHRUNG)  
 OROLOGIO(VERSIONE EUROPEA)  
 RELOJ(VERSION EUROPEA)  
 KLOCKA(EUROPEISK VERSION)  
 RXP011210 -UN-01JAN94

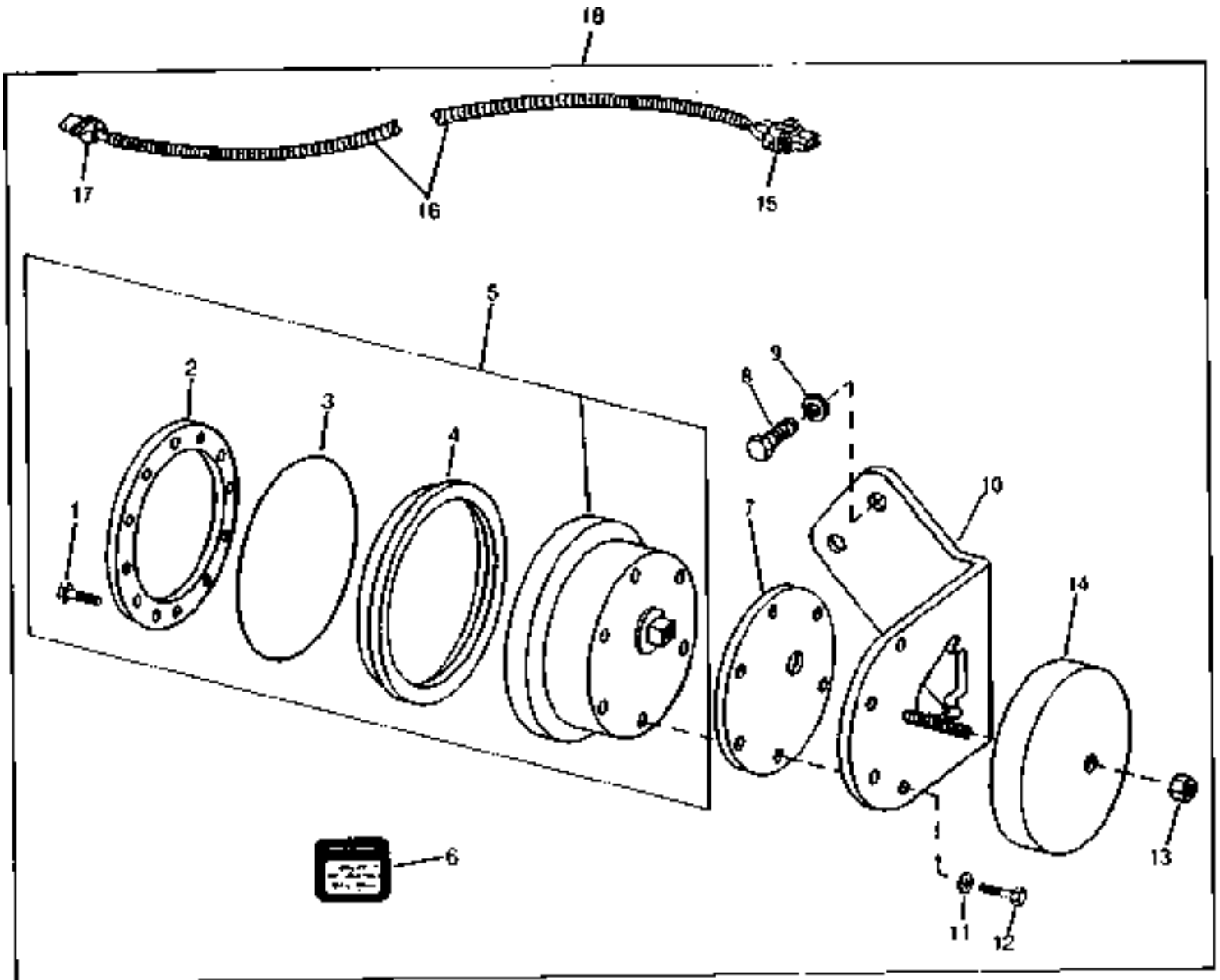


| KEY | PART NO. | PART NAME          | QTY | TRACTOR<br>SERIAL NO. | A | REMARKS   |
|-----|----------|--------------------|-----|-----------------------|---|---|
|     |          |                    |     |                       | L |   |
| 1   | AL78989  | CLOCK              | 1   |                       | X |   |
| 2   | 57M7244  | CONNECTOR          | 1   |                       | X | (ALSO ORDER (4) R104919, (4) 57M7258 AND 57M7318) |
| 3   | 57M7247  | CONNECTOR          | 1   |                       | X | (ALSO ORDER (4) R104846, (4) 57M7258 AND 57M7318) |
| 4   | .....    | CAB WIRING HARNESS | 1   |                       | X |   |

# 3H4

ELECTRICAL

RADAR(8100 -003523;8200 -002714;8300 -004617;8400 -003062)  
RADAR(8100 -003523;8200 -002714;8300 -004617;8400 -003062)  
RADAR(8100 -003523;8200 -002714;8300 -004617;8400 -003062)  
RADAR(8100 -003523;8200 -002714;8300 -004617;8400 -003062)  
RADAR(8100 -003523;8200 -002714;8300 -004617;8400 -003062)  
RADAR(8100 -003523;8200 -002714;8300 -004617;8400 -003062)  
RXP026056 -UN-07MAR95



RXP026056

# 3H5

ELECTRICAL

| KEY | PART NO.        | PART NAME      | QTY      | TRACTOR<br>SERIAL NO. | A        | REMARKS  |
|-----|-----------------|----------------|----------|-----------------------|----------|--|
|     |                 |                |          |                       | L        |  |
| 1   | R82239          | SCREW          | 12       |                       | X        | 0.164" X 1-1/4"  |
| 2   | R82237          | SNAP RING      | 1        |                       | X        |  |
| 3   | R82238          | O-RING         | 1        |                       | X        |  |
| 4   | R82236          | COVER          | 1        |                       | X        |  |
| 5   | RE43025         | RADAR SENSOR   | 1        |                       | X        | (A) (SUB RE153333)   |
|     | RE58592         | RADAR SENSOR   | 1        |                       | X        | (B) (SUB RE153334)   |
| 6   | R120107         | LABEL          | 1        |                       | X        | (ENGLISH)  |
|     | R120106         | LABEL          | 1        |                       | X        | (FRANCAIS)   |
|     | R105942         | LABEL          | 1        |                       | X        | (DEUTSCH)  |
|     | R120108         | LABEL          | 1        |                       | X        | (ESPANOL)  |
|     | L65000          | LABEL          | 1        |                       | X        | (B)  |
| 7   | R82243          | GASKET         | 1        |                       | X        |  |
| 8   | 19M7946         | CAP SCREW      | 2        |                       | X        | M20 X 40   |
| 9   | 24M7344         | WASHER         | 2        |                       | X        | 22 X 37 X 3 MM, HS 10.9                                    |
| 10  | RE62529         | BRACKET        | 1        |                       | X        | (SUB RE65689, (3) RE65690, (3) 19H1849 AND<br>(3) 24H1250) |
| 11  | 24M7336         | WASHER         | 6        |                       | X        | 9 X 16 X 1.600 MM  |
| 12  | 19H2705         | CAP SCREW      | 6        |                       | X        | 5/16" X 1"   |
| 13  | 14M7273         | NUT            | 1        |                       | X        | M8   |
| 14  | R82355          | SHIELD         | 1        |                       | X        |  |
| 15  | RE42193         | CONNECTOR      | 1        |                       | X        | (ALSO ORDER (4) R78057 AND 57M7292)                        |
| 16  | RE52645         | WIRING HARNESS | 1        |                       | X        |  |
| 17  | 57M7257         | CONNECTOR      | 1        |                       | X        | (ALSO ORDER (3) R104919, (3) 57M7258 AND<br>57M7290)       |
| 18  | <b>AR114073</b> | <b>KIT</b>     | <b>1</b> |                       | <b>X</b> | <b>(A) (SUB RE153333) (FI)</b>                             |
|     | <b>AR114074</b> | <b>KIT</b>     | <b>1</b> |                       | <b>X</b> | <b>(B) (SUB RE153334) (FI)</b>                             |

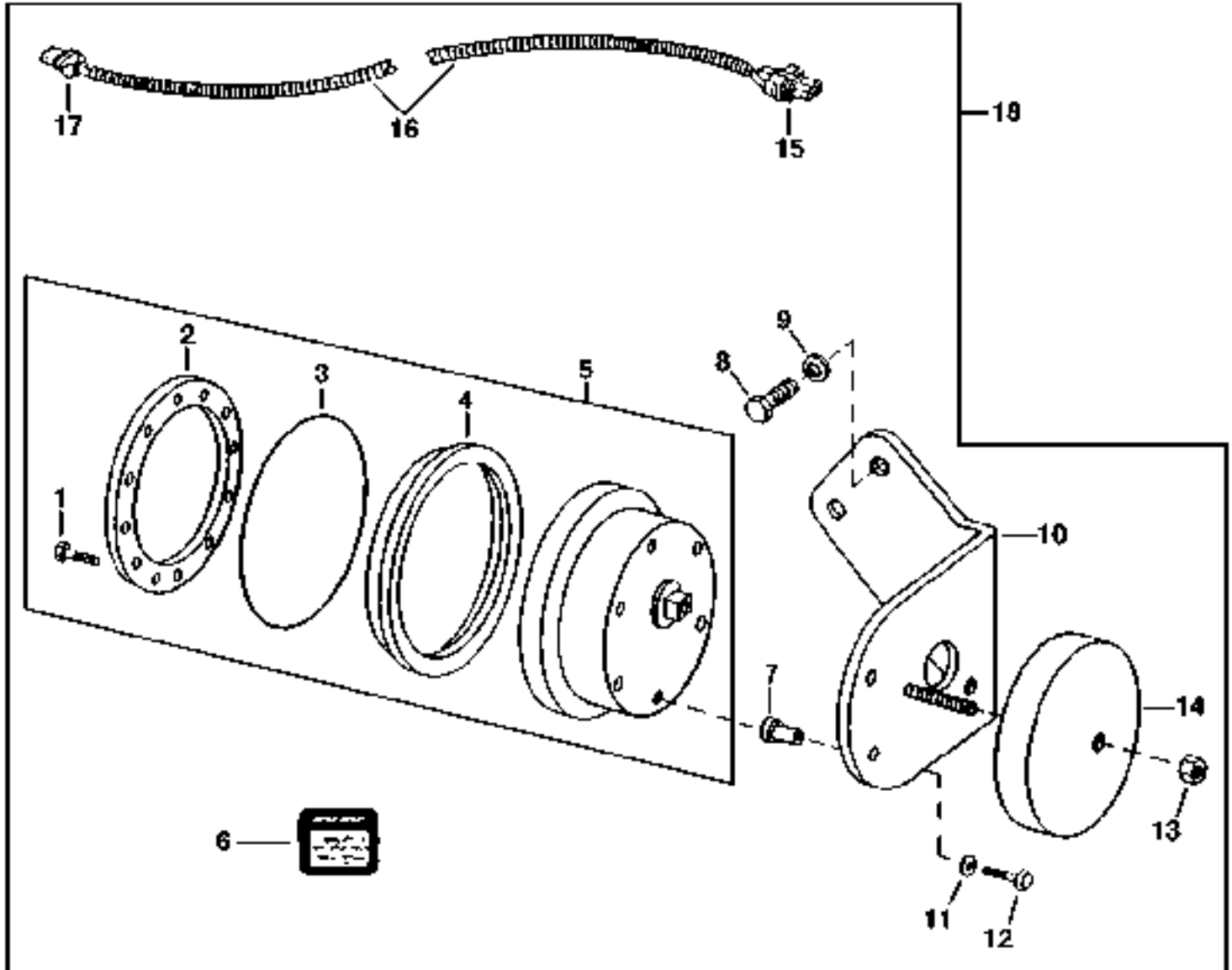
(A)NORTH AMERICAN VERSION  
 VERSION NORD AMERICAINE  
 NORDAMERIKANISCHE  
 VERSIONE NORDAMERICANA  
 VERSION NORTEAMERICANA  
 NORDAMERIKANSK VERSION

(B)EUROPEAN VERSION  
 VERSION EUROPEENNE  
 EUROPAEISCHE AUSFUEHRUNG  
 VERSIONE EUROPEA  
 VERSION EUROPEA  
 EUROPEISK VERSION

# 3H6

ELECTRICAL

RADAR(8100 003524-009999;8200 002715 -009999;8300 004618-009999;8400 003063-009999)  
RADAR(8100 003524-009999;8200 002715 -009999;8300 004618-009999;8400 003039-009999)  
RADAR(8100 003524-009999;8200 002715 -009999;8300 004618-009999;8400 003063-009999)  
RADAR(8100 003524-009999;8200 002715 -009999;8300 004618-009999;8400 003063-009999)  
RADAR(8100 003524-009999;8200 002715 -009999;8300 004618-009999;8400 003063-009999)  
RADAR(8100 003524-009999;8200 002715 -009999;8300 004618-009999;8400 003063-009999)  
RE026654 -UN-12DEC95



RE026654

| KEY | PART NO.        | PART NAME      | QTY      | TRACTOR<br>SERIAL NO. | A<br>L<br>L | REMARKS   |
|-----|-----------------|----------------|----------|-----------------------|-------------|---|
|     |                 |                |          |                       |             |   |
| 1   | R82239          | SCREW          | 12       |                       | X           | (A) 0.164" X 1-1/4"                               |
| 2   | R82237          | SNAP RING      | 1        |                       | X           |   |
| 3   | R82238          | O-RING         | 1        |                       | X           |   |
| 4   | R82236          | COVER          | 1        |                       | X           |   |
| 5   | RE43025         | RADAR SENSOR   | 1        |                       | X           | (A) (SUB RE153333)                                |
|     | RE58592         | RADAR SENSOR   | 1        |                       | X           | (B) (SUB RE153334)                                |
| 6   | R120107         | LABEL          | 1        |                       | X           | (ENGLISH)   |
|     | R120106         | LABEL          | 1        |                       | X           | (FRANCAIS)  |
|     | R105942         | LABEL          | 1        |                       | X           | (DEUTSCH)   |
|     | R120108         | LABEL          | 1        |                       | X           | (ESPANOL)   |
|     | L65000          | LABEL          | 1        |                       | X           | (B)   |
| 7   | RE65690         | RUBBER MOUNT   | 3        |                       | X           |   |
| 8   | 19M7946         | CAP SCREW      | 2        |                       | X           | M20 X 40  |
| 9   | 24M7344         | WASHER         | 2        |                       | X           | 22 X 37 X 3 MM, HS 10.9                           |
| 10  | RE65689         | BRACKET        | 1        |                       | X           | (SUB FOR RE62529)                                 |
| 11  | 24H1250         | WASHER         | 3        |                       | X           | 5/16" X 1" X 0.060"                               |
| 12  | 19H1849         | CAP SCREW      | 3        |                       | X           | 5/16" X 1-1/4"                                    |
| 13  | 14M7273         | NUT            | 1        |                       | X           | M8  |
| 14  | R82355          | SHIELD         | 1        |                       | X           |   |
| 15  | RE42193         | CONNECTOR      | 1        |                       | X           | (ALSO ORDER (4) R78057 AND 57M7292)               |
| 16  | RE52645         | WIRING HARNESS | 1        |                       | X           |   |
| 17  | 57M7257         | CONNECTOR      | 1        |                       | X           | (ALSO ORDER (3) R104919, (3) 57M7258 AND 57M7290) |
| 18  | <b>AR115540</b> | <b>KIT</b>     | <b>1</b> |                       | <b>X</b>    | <b>(A) (SUB RE153333) (FI)</b>                    |
|     | <b>AR115541</b> | <b>KIT</b>     | <b>1</b> |                       | <b>X</b>    | <b>(B) (SUB RE153334) (FI)</b>                    |

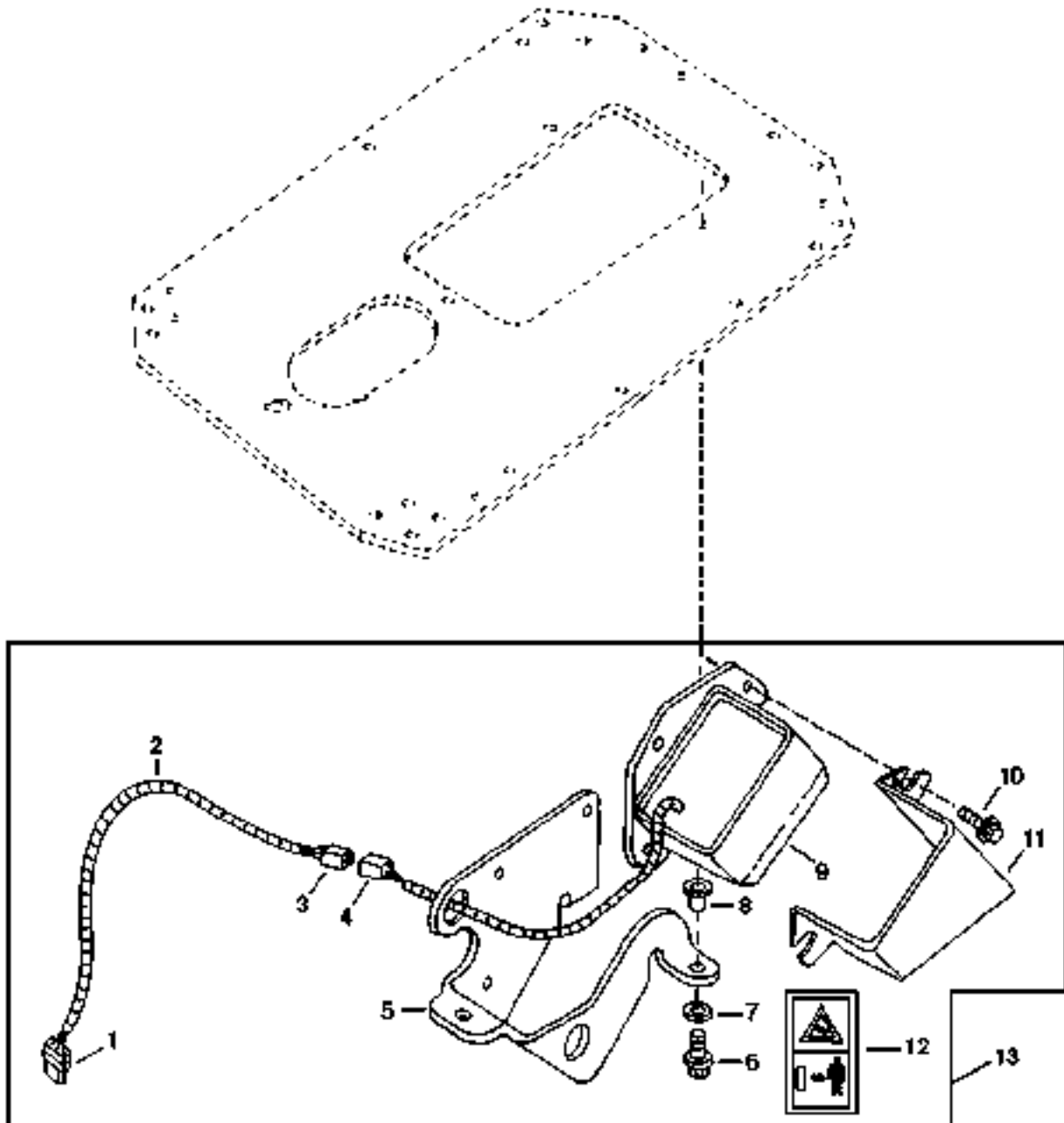
(A)NORTH AMERICAN VERSION  
 VERSION NORD AMERICAINE  
 NORDAMERIKANISCHE  
 VERSIONE NORDAMERICANA  
 VERSION NORTEAMERICANA  
 NORDAMERIKANSK VERSION

(B)EUROPEAN VERSION  
 VERSION EUROPEENNE  
 EUROPAEISCHE AUSFUEHRUNG  
 VERSIONE EUROPEA  
 VERSION EUROPEA  
 EUROPEISK VERSION

# 3H8

ELECTRICAL

RADAR(8100 010000- ;8200 010000- ;8300 010000- ;8400 010000- )  
RADAR(8100 010000- ;8200 010000- ;8300 010000- ;8400 010000- )  
RADAR(8100 010000- ;8200 010000- ;8300 010000- ;8400 010000- )  
RADAR(8100 010000- ;8200 010000- ;8300 010000- ;8400 010000- )  
RADAR(8100 010000- ;8200 010000- ;8300 010000- ;8400 010000- )  
RADAR(8100 010000- ;8200 010000- ;8300 010000- ;8400 010000- )  
RE028240 -UN-03SEP97



**RE028240**

# 3H9

ELECTRICAL

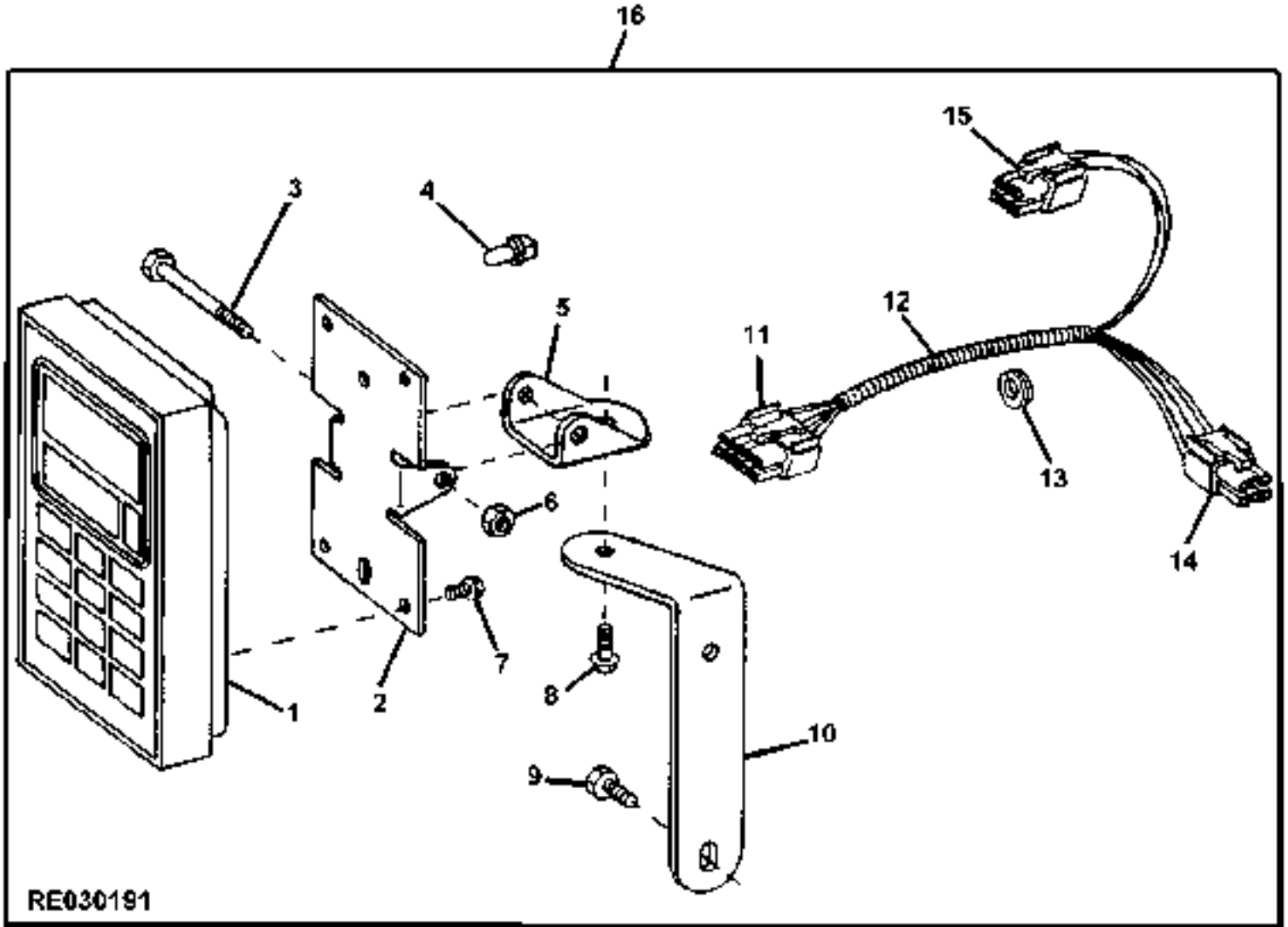
| KEY | PART NO. | PART NAME      | QTY | TRACTOR<br>SERIAL NO. | A<br>L<br>L | REMARKS   |
|-----|----------|----------------|-----|-----------------------|-------------|---|
| 1   | 57M7257  | CONNECTOR      | 1   |                       | X           | (ALSO ORDER (3) R104919, (3) 57M7258 AND 57M7290)   |
| 2   | RE52645  | WIRING HARNESS | 1   |                       | X           |   |
| 3   | RE42193  | CONNECTOR      | 1   |                       | X           | (ALSO ORDER (4) R78057 AND 57M7292)                 |
| 4   | T138822  | CONNECTOR      | 1   |                       | X           | (ALSO ORDER (4) R78058 AND 57M7292)                 |
| 5   | R132066  | BRACKET        | 1   |                       | X           |   |
| 6   | 37M7080  | SCREW          | 3   |                       | X           | M10 X 30  |
| 7   | 24M7178  | WASHER         | 3   |                       | X           | 10.500 X 30 X 2.500 MM                              |
| 8   | AT116162 | RUBBER MOUNT   | 3   |                       | X           |   |
| 9   | RE152877 | RADAR SENSOR   | 1   |                       | X           | (SUB FOR RE52719)                                   |
|     | RE152880 | RADAR SENSOR   | 1   |                       | X           | (A) (SUB FOR RE54017)                               |
| 10  | 37M7087  | SCREW          | 3   |                       | X           | M10 X 25  |
| 11  | R151924  | SHIELD         | 1   |                       | X           |   |
| 12  | L65000   | LABEL          | 1   |                       | X           |   |
| 13  | RE153333 | KIT            | 1   |                       | X           | (SUB FOR AR114073, AR115540 OR RE69103)<br>(FI)     |
|     | RE153334 | KIT            | 1   |                       | X           | (A) (SUB FOR AR114074, AR115541 OR RE69104)<br>(FI) |

(A)UNITED KINGDOM  
ROYAUME-UNI  
ENGLAND  
REGNO UNITO  
REINO UNIDO  
ENGLAND

# 3H10

ELECTRICAL

PERFORMANCE MONITOR  
MONITEUR DE PERFORMANCES  
LEISTUNGSMONITOR  
MONITOR DELLE PRESTAZIONI  
MONITOR DE RENDIMIENTO  
PRESTATIONS MONITOR  
RE030191 -UN-12NOV98





# 3H11

ELECTRICAL

| KEY       | PART NO.        | PART NAME           | QTY      | TRACTOR<br>SERIAL NO. | A        | REMARKS                    |
|-----------|-----------------|---------------------|----------|-----------------------|----------|----------------------------|
|           |                 |                     |          |                       | L        |                            |
| 1         | RE60389         | MONITOR CONSOLE     | 1        |                       | X        | (A) (INCLUDES (5) R107890) |
|           | RE61600         | PERFORMANCE MONITOR | 1        |                       | X        | (B) (INCLUDES (5) R107890) |
| 2         | R124225         | BRACKET             | 1        |                       | X        |                            |
| 3         | 19M7156         | CAP SCREW           | 1        |                       | X        | M10 X 60                   |
| 4         | R107890         | BULB                | 5        |                       | X        |                            |
| 5         | R124771         | BRACKET             | 1        |                       | X        |                            |
| 6         | 14M7274         | NUT                 | 1        |                       | X        | M10                        |
| 7         | 37M7089         | SCREW               | 4        |                       | X        | M6 X 12                    |
| 8         | 19M7560         | CAP SCREW           | 1        |                       | X        | M6 X 16                    |
| 9         | 19M7166         | CAP SCREW           | 2        |                       | X        | M10 X 20                   |
| 10        | R125193         | SUPPORT             | 1        |                       | X        |                            |
| 11        | 57M7470         | CONNECTOR           | 1        |                       | X        | (ALSO ORDER (10) 57M7549)  |
| 12        | RE60540         | WIRING HARNESS      | 1        |                       | X        |                            |
| 13        | R115350         | GROMMET             | 1        |                       | X        |                            |
| 14        | 57M7714         | CONNECTOR           | 1        |                       | X        | (ALSO ORDER (4) 57M7549)   |
| 15        | 57M7714         | CONNECTOR           | 1        |                       | X        | (ALSO ORDER (5) 57M7549)   |
| <b>16</b> | <b>AR112626</b> | <b>KIT</b>          | <b>1</b> |                       | <b>X</b> | <b>(A) (FI)</b>            |
|           | <b>AR114555</b> | <b>KIT</b>          | <b>1</b> |                       | <b>X</b> | <b>(B) (FI)</b>            |

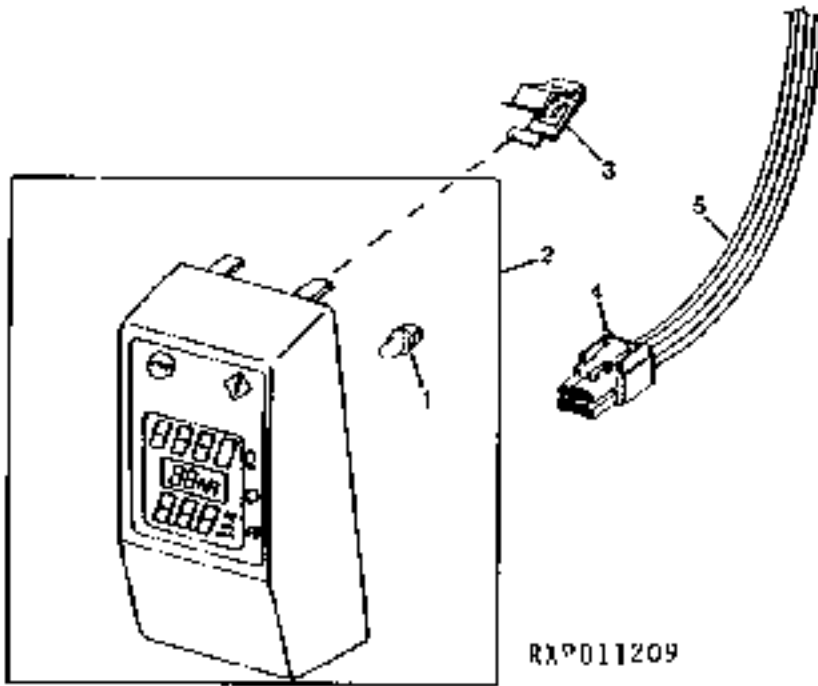
(A)NORTH AMERICAN VERSION  
 VERSION NORD AMERICAINE  
 NORDAMERIKANISCHE  
 VERSIONE NORDAMREICANA  
 VERSION NORTEAMERICANA  
 NORDAMERIKANSK VERSION

(B)EUROPEAN VERSION  
 VERSION EUROPEENNE  
 EUROPAEISCHE AUSFUEHRUNG  
 VERSIONE EUROPEA  
 VERSION EUROPEA  
 EUROPEISK VERSION

# 3H12

ELECTRICAL

CORNER POST DISPLAY  
 AFFICHAGE, MONTANT D'ANGLE  
 ECKPOSTEN-ANZEIGE  
 DISPLAY SUL MONTANTE  
 PANTALLA DE POSTE DE ESQUINA  
 HOERNSTOLPVISNING  
 RXP011209 -UN-01JAN94

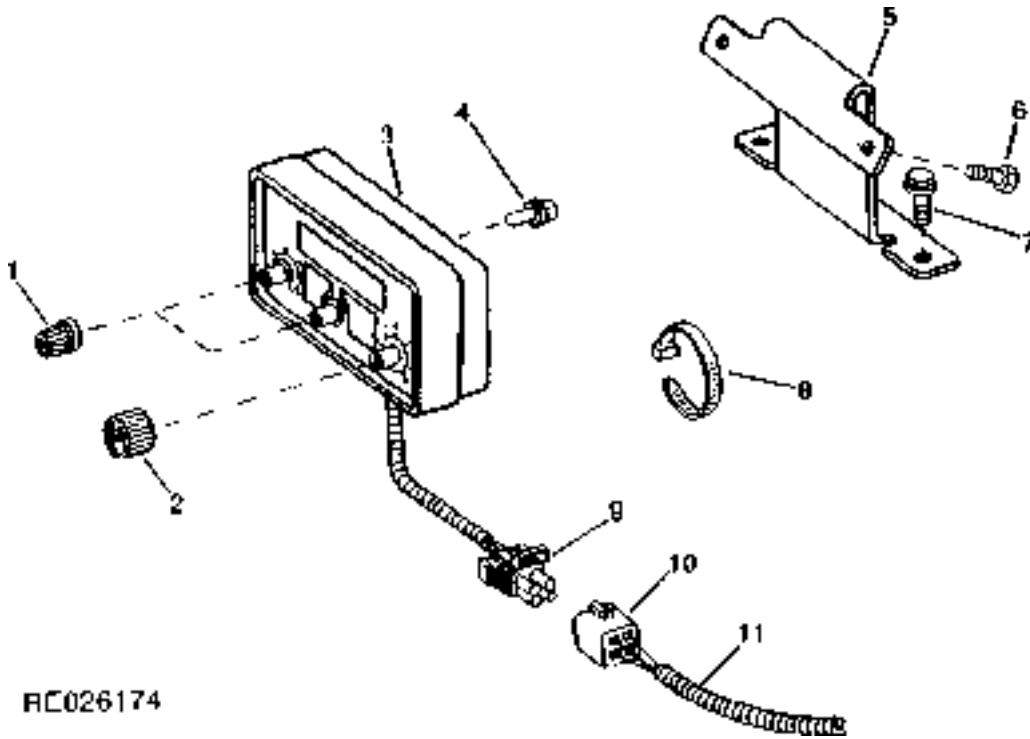


| KEY | PART NO. | PART NAME          | QTY | TRACTOR SERIAL NO. | REMARKS                                    |
|-----|----------|--------------------|-----|--------------------|--|
| 1   | R107890  | BULB               | 5   |                    | X  |
| 2   | RE63458  | MODULE             | 1   |                    | X (INCLUDES (5) R107890) (SUB FOR RE60929) |
| 3   | R120160  | CLIP               | 4   |                    | X  |
| 4   | 57M7714  | CONNECTOR          | 1   |                    | X (ALSO ORDER (6) 57M7549)                 |
| 5   | .....    | CAB WIRING HARNESS | 1   |                    | X  |

# 3H13

ELECTRICAL

ROW-TRAK MONITOR  
 MONITEUR ROW-TRAK  
 ROW-TRAK MONITOR  
 MONITOR ROW-TRAK  
 MONITOR ROW-TRAK  
 ROW-TRAK MONITOR  
 RE026174 -UN-23MAR95



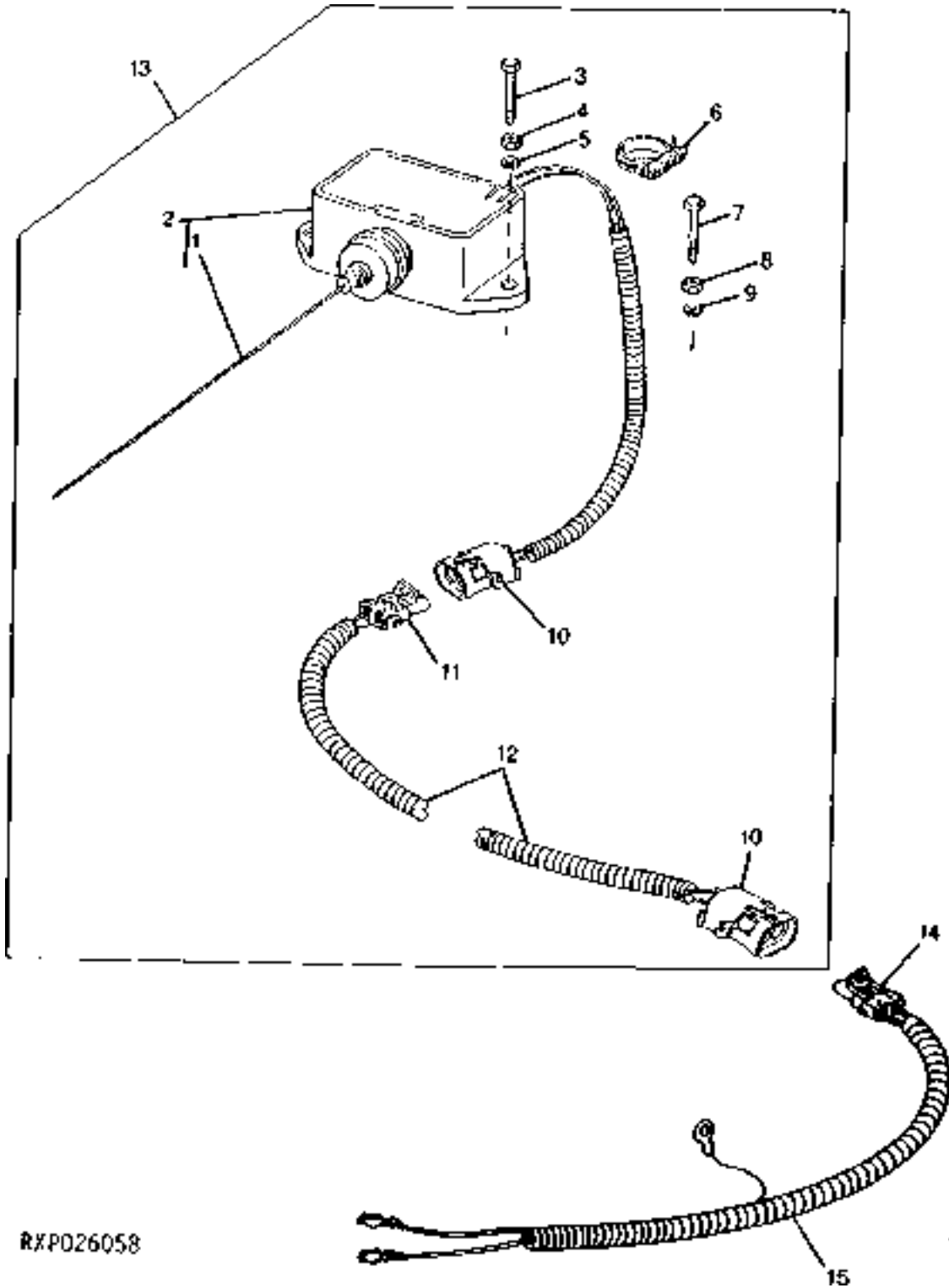
RC026174

| KEY | PART NO. | PART NAME   | QTY | TRACTOR<br>SERIAL NO. | A |   | REMARKS                                 |
|-----|----------|-------------|-----|-----------------------|---|---|---|
|     |          |             |     |                       | L | L |   |
| 1   | R122613  | KNOB        | 2   |                       | X |   |   |
| 2   | RE43462  | KNOB        | 1   |                       | X |   |   |
| 3   | RE57744  | MONITOR     | 1   |                       | X |   |   |
| 4   | R107890  | BULB        | 2   |                       | X |   |   |
| 5   | R122225  | BRACKET     | 1   |                       | X |   |   |
| 6   | 19M6614  | CAP SCREW   | 2   |                       | X |   | M6 X 12                                 |
| 7   | 19M7784  | SCREW       | 2   |                       | X |   | M10 X 20                                |
| 8   | R44302   | TIE BAND    | 1   |                       | X |   |   |
| 9   | RE42193  | CONNECTOR   | 1   |                       | X |   | (ALSO ORDER (4) R78058 AND (4) 57M7292) |
| 10  | T138822  | CONNECTOR   | 1   |                       | X |   | (ALSO ORDER (4) R78061 AND (4) R78063)  |
| 11  | RE64323  | WIRING LEAD | 1   |                       | X |   | (SUB FOR RE58312)                       |

# 3H14

ELECTRICAL

IMPLEMENT SWITCH  
INTERRUPTEUR D'EQUIPEMENT  
GERAETESCHALTER  
INTERRUPTORE PER EQUIAGGIAMENTO  
INTERRUPTOR DE EJECUCION  
REDSKAPSTROEMSTAELLARE  
RXP026058 -UN-07MAR95



RXP026058

# 3H15

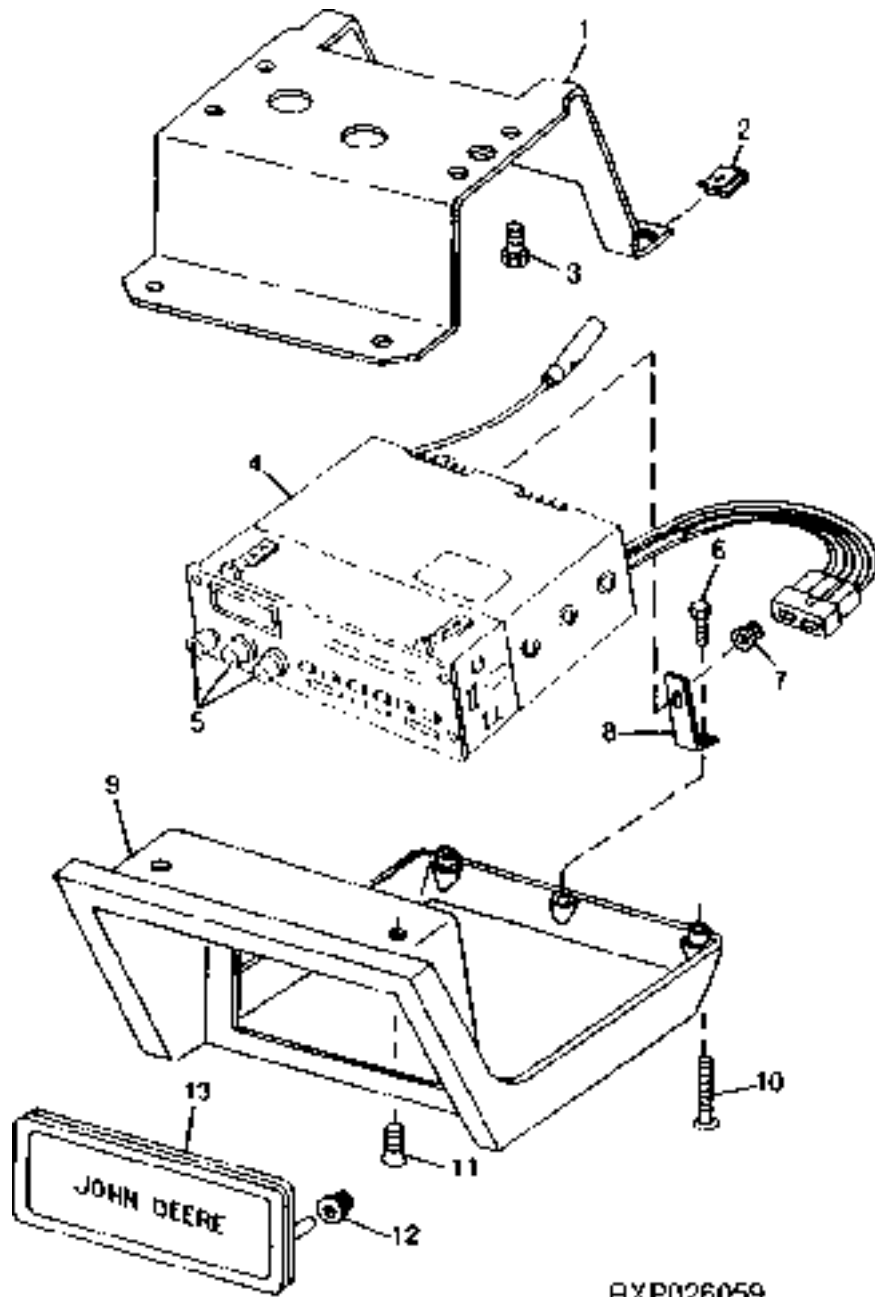
ELECTRICAL

| KEY       | PART NO.       | PART NAME      | QTY      | TRACTOR<br>SERIAL NO. | A<br>L<br>L | REMARKS  |
|-----------|----------------|----------------|----------|-----------------------|-------------|--|
| 1         | R83562         | WIRE           | 1        |                       | X           |  |
| 2         | RE49242        | SWITCH         | 1        |                       | X           | (SUB FOR RE21117)                              |
|           | 37H24          | SCREW          | 1        |                       | X           | 1/4" X 3/4"                                    |
| 3         | 19H1914        | CAP SCREW      | 2        |                       | X           | 1/4" X 1"                                      |
| 4         | 14H786         | NUT            | 2        |                       | X           | 1/4"   |
| 5         | 12H302         | LOCK WASHER    | 2        |                       | X           | 1/4"   |
| 6         | TY22473        | CLAMP          | 1        |                       | X           | (SUB FOR AR21841)                              |
|           | TY22475        | CLAMP          | 1        |                       | X           | (SUB FOR C16054)                               |
| 7         | 19H1914        | CAP SCREW      | 2        |                       | X           | 1/4" X 1"                                      |
| 8         | 14H786         | NUT            | 2        |                       | X           | 1/4"   |
| 9         | 12H302         | LOCK WASHER    | 2        |                       | X           | 1/4"   |
| 10        | R78053         | CONNECTOR      | 1        |                       | X           | (ALSO ORDER (2) R78061 AND R78063)             |
| 11        | RE12363        | CONNECTOR      | 1        |                       | X           | (ALSO ORDER (2) R78060, (2) R78063 AND R78048) |
| 12        | RE21099        | WIRING HARNESS | 1        |                       | X           |  |
| <b>13</b> | <b>RE21519</b> | <b>SENSOR</b>  | <b>1</b> |                       | <b>X</b>    | <b>(FI)</b>                                    |
| 14        | RE12363        | CONNECTOR      | 1        |                       | X           | (ALSO ORDER (2) R78060, (2) R78063 AND R78048) |
| 15        | RE63376        | WIRING HARNESS | 1        |                       | X           |  |

# 3H16

ELECTRICAL

RADIO AND BRACKETS  
RADIO ET SUPPORT  
RADIO UND KONSOLE  
RADIO E STAFFA  
RADIO Y SOPORTE  
RADIO OCH KONSOL  
RXP026059 -UN-07MAR95



# 3H17

ELECTRICAL

| KEY      | PART NO.       | PART NAME    | QTY      | CAB<br>SERIAL NO. | A<br>L<br>L | REMARKS                   |
|----------|----------------|--------------|----------|-------------------|-------------|---------------------------|
| 1        | R121435        | BRACKET      | 1        |                   | X           |                           |
| 2        | R115945        | NUT          | 4        |                   | X           |                           |
| 3        | 19M6614        | CAP SCREW    | 4        | -XXXXXX           | X           | M6 X 12                   |
|          | H123995        | SCREW        | 4        | XXXXXX-           | X           |                           |
| <b>4</b> | <b>RE64377</b> | <b>RADIO</b> | <b>1</b> |                   | <b>X</b>    | <b>(A) (FI)</b>           |
|          | <b>RE64376</b> | <b>RADIO</b> | <b>1</b> |                   | <b>X</b>    | <b>(B) (FI)</b>           |
| 5        | RE60726        | KNOB         | 1        |                   | X           |                           |
| 6        | 21M7395        | SCREW        | 1        |                   | X           | M4 X 8                    |
| 7        | R99233         | NUT          | 1        |                   | X           | (SUB 14M7297 AND 24M7138) |
| 8        | R113042        | BRACKET      | 1        |                   | X           |                           |
| 9        | R95800         | BEZEL        | 1        |                   | X           |                           |
| 10       | 37M7243        | SCREW        | 2        |                   | X           |                           |
| 11       | 37H215         | SCREW        | 2        |                   | X           |                           |
| 12       | H117239        | FLANGE NUT   | 2        |                   | X           | W/O RADIO                 |
| 13       | H132795        | PANEL        | 1        |                   | X           | W/O RADIO                 |

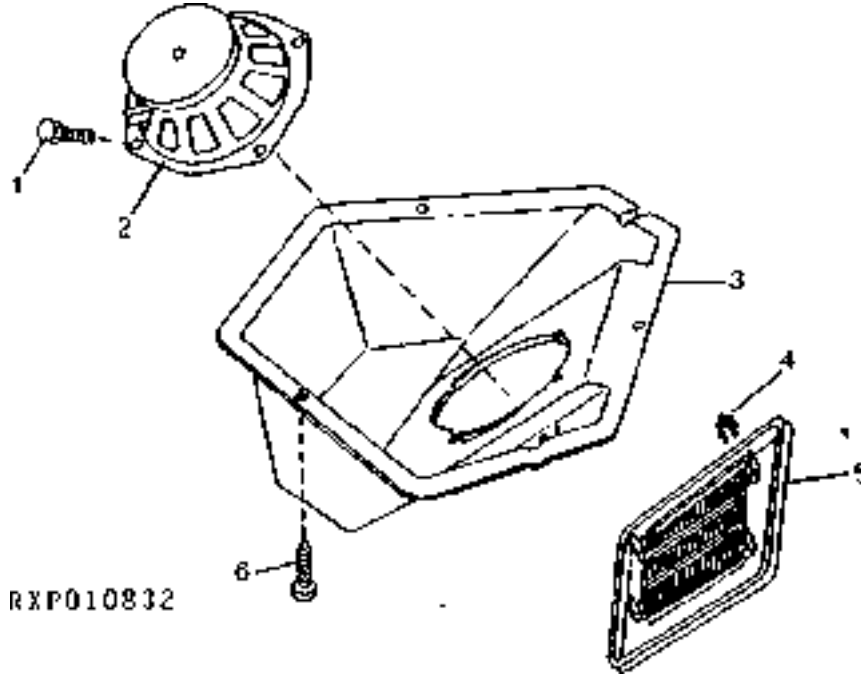
(A)AM/FM STEREO  
 STEREO MA/MF  
 AM/FM STEREO  
 STEREO AM/FM  
 AM/FM ESTEREOFONICO  
 AM/FM STEREO

(B)AM/FM SEREO/CASSETTE/WEATHERBAND  
 STEREO MA/MF-LECTEUR DE CASSETTES-BANDE METEOROLOGIE  
 AM/FMSTEREO/KASSETTE/WETTER-FREQUENZBAND  
 STEREO AM/FM/CASSETTE/BANDAMETEOROLOGICA  
 AM/FMESTEREOFONICO/TOCACINTAS/BANDA/METEOROLOGICA  
 AM/FM STEREO/KASSETT/VAEDERBAND

# 3H18

ELECTRICAL

SPEAKER (RADIO)  
 HAUT-PARLEUR(RADIO)  
 LAUTSPECHER(RADIO)  
 ALTOPARLANTE(RADIO)  
 ALTAVOZ(RADIO)  
 HOEGTALARE(RADIO)  
 RXP010832 -UN-01JAN94



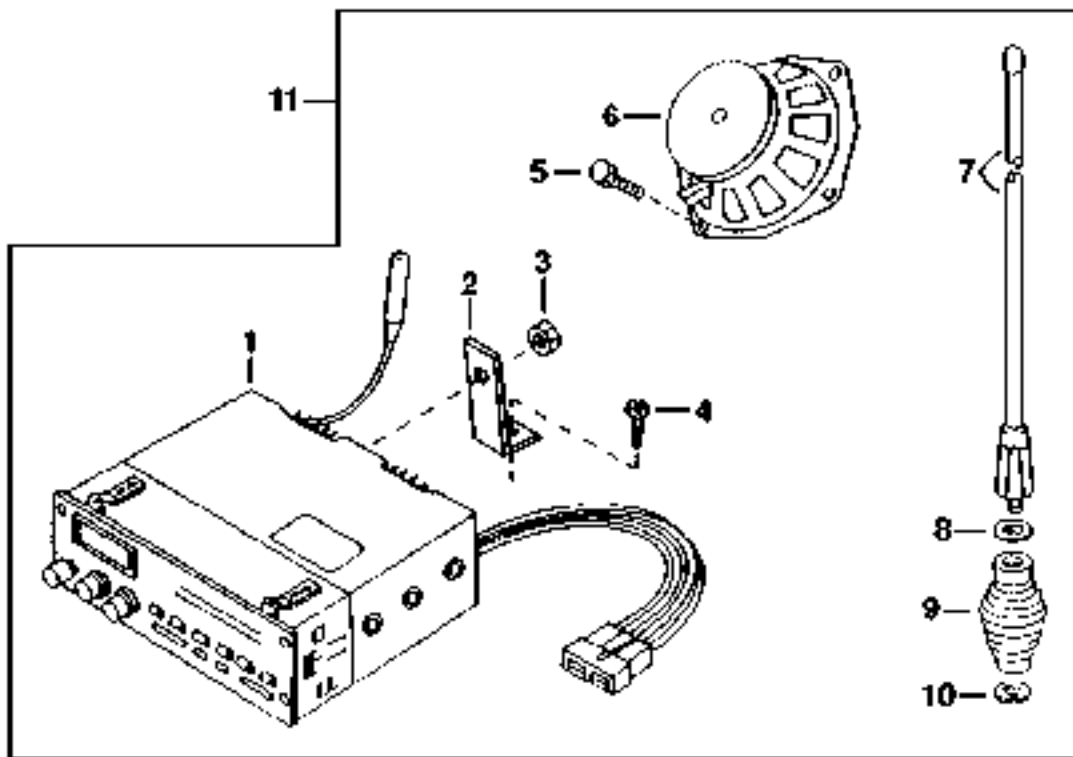
| KEY | PART NO. | PART NAME | QTY | CAB<br>SERIAL NO. | A | REMARKS            |
|-----|----------|-----------|-----|-------------------|---|--------------------|
|     |          |           |     |                   | L |                    |
| 1   | 37M7218  | SCREW     | 16  |                   | X |                    |
| 2   | RE61545  | SPEAKER   | 2   |                   | X | (FRONT)(6")(4 OHM) |
|     | RE61546  | SPEAKER   | 2   |                   | X | (REAR)(6")(4 OHM)  |
| 3   | R107414  | HOUSING   | 4   |                   | X |                    |
| 4   | R120160  | CLIP      | 16  |                   | X |                    |
| 5   | R124331  | GRILLE    | 4   |                   | X |                    |
| 6   | 21M7285  | SCREW     | 12  | -XXXXXX           | X | M6 X 12            |
|     | H123995  | SCREW     | 12  | XXXXXX-           | X |                    |



# 3H19

ELECTRICAL

RADIO,ANTENNA AND SPEAKER KIT  
 JEU DE RADIO,ANTENNE ET HAUT-PARLEURS  
 RADIO,ANTENNE UND LAUTSPRECHER-SATZ  
 KIT DELLA RADIO,ANTENNA E DEGLI ALTOPARLANTI  
 JUEGO DE RADIO,ANTENA Y ALTOPARLANTE  
 RADIO,ANTENN-OCH HOEGTALARSATS  
 RE026649 -UN-11DEC95



**RE026649**

| KEY | PART NO. | PART NAME   | QTY | CAB<br>SERIAL NO. | A |                             | REMARKS |
|-----|----------|-------------|-----|-------------------|---|-----------------------------|---------|
|     |          |             |     |                   | L | L                           |         |
| 1   | RE64377  | RADIO       | 1   |                   | X | (A) (FI)                    |         |
|     | RE64376  | RADIO       | 1   |                   | X | (B) (FI)                    |         |
| 2   | R113042  | BRACKET     | 1   |                   | X |                             |         |
| 3   | R99233   | NUT         | 1   |                   | X | (SUB 14M7297 AND 24M7138)   |         |
| 4   | 21M7395  | SCREW       | 1   |                   | X | M4 X 8                      |         |
| 5   | 37M7218  | SCREW       | 16  |                   | X |                             |         |
| 6   | RE61545  | SPEAKER     | 2   |                   | X | (FRONT)(6")(4 OHM)          |         |
|     | RE61546  | SPEAKER     | 2   |                   | X | (REAR)(6")(4 OHM)           |         |
| 7   | AR104516 | ANTENNA     | 1   |                   | X |                             |         |
| 8   | 12H310   | LOCK WASHER | 1   |                   | X | 3/8"                        |         |
| 9   | RE61651  | SPRING      | 1   |                   | X |                             |         |
| 10  | 12H302   | LOCK WASHER | 1   |                   | X | 1/4"                        |         |
| 11  | AR116475 | KIT         | 1   |                   | X | (A) (SUB FOR AR112622) (FI) |         |
|     | AR116476 | KIT         | 1   |                   | X | (B) (SUB FOR AR112623) (FI) |         |

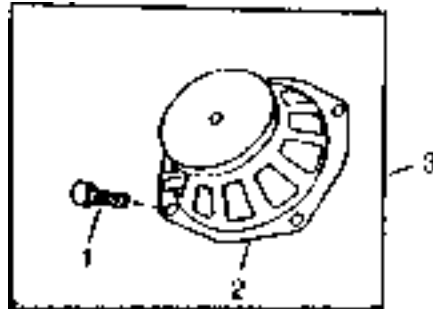
(A)AM/FM STEREO  
 STEREO MA/MF  
 AM/FM STEREO  
 STEREO AM/FM  
 AM/FM ESTEREOFONICO  
 AM/FM STEREO

(B)AM/FM STEREO/CASSETTE/WEATHERBAND  
 STEREO MA/MF-LECTEUR DE CASSETTE-BANDE METEOROLOGIE  
 AM/FM STEREO/KASSETTE/WETTER-FREQUEZBAND  
 STEREO AM/FM/CASSETTE/BANDA METEOROLOGICA  
 AM/FM ESTEREOFONICO/TOCACINTAS/BANDA METEOROLOGICA  
 AM/FM STEREO/KASSETT/VAEDERBAND

# 3H20

ELECTRICAL

REAR SPEAKER(KIT)(EUROPEAN VERSION)  
 JEU DE HAUT-PARLEUR ARRIERE(VERSION EUROPEENNE)  
 HINTERER LAUTSPRECHERSATZ(EUROPEAEISCHE AUSFUEHRUNG)  
 KIT DELL'ALTOPARLANTE ANTERIORE(VERSIONE EUROPEA)  
 JUEGO DE ALTOPARLANTE TRASERO(VERSION EUROPEA)  
 BAKRE HOEGTALARSATS(EUROPEISK VERSION)  
 RXP011213 -UN-01JAN94



RXP011213

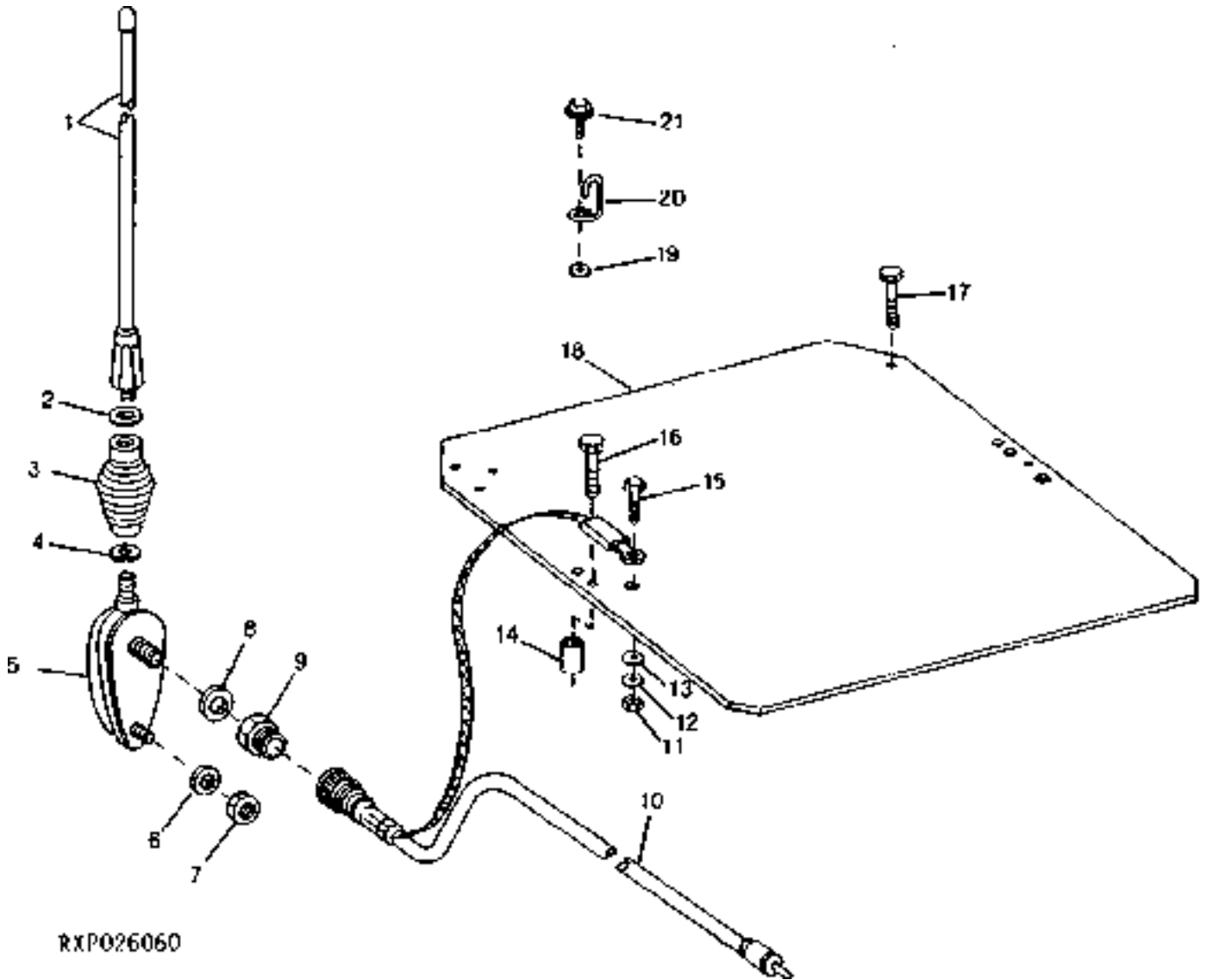
| KEY | PART NO. | PART NAME | QTY | CAB<br>SERIAL NO. | A | REMARKS     |
|-----|----------|-----------|-----|-------------------|---|-------------|
|     |          |           |     |                   | L |             |
| 1   | 37M7218  | SCREW     | 8   |                   | X |             |
| 2   | RE61546  | SPEAKER   | 2   |                   | X | (6")(4 OHM) |
| 3   | AR114564 | KIT       | 1   |                   | X | (FI)        |

MEMORANDA  
MEMORANDA  
MEMORANDA  
MEMORANDA  
MEMORANDA

# 3H21

ELECTRICAL

RADIO ANTENNA  
RADIO, ANTENNE  
RADIO ANTENNE  
ANTENNA RADIO  
ANTENA DE RADIO  
RADIOANTENN  
RXP026060 -UN-07MAR95



RXP026060

# 3H22

ELECTRICAL

| KEY | PART NO. | PART NAME   | QTY | CAB<br>SERIAL NO. | A<br>L<br>L | REMARKS                  |
|-----|----------|-------------|-----|-------------------|-------------|--------------------------|
| 1   | AR104516 | ANTENNA     | 1   |                   | X           |                          |
| 2   | 12H310   | LOCK WASHER | 1   |                   | X           |                          |
| 3   | RE61651  | SPRING      | 1   |                   | X           |                          |
| 4   | 12H302   | LOCK WASHER | 1   |                   | X           | 1/4"                     |
| 5   | RE61648  | BASE        | 1   |                   | X           |                          |
|     | R131991  | CAP         | 1   |                   | X           | W/O RADIO                |
| 6   | 24M7088  | WASHER      | 1   |                   | X           | 6.600 X 12 X 1.600 MM    |
| 7   | 14H786   | NUT         | 1   |                   | X           |                          |
| 8   | R47172   | WASHER      | 1   |                   | X           | 33/64" X 0.900" X 0.048" |
| 9   | R76695   | NUT         | 1   |                   | X           |                          |
| 10  | RE61650  | CABLE       | 1   |                   | X           |                          |
| 11  | 14M7166  | LOCK NUT    | 1   |                   | X           | M8                       |
| 12  | 12M7032  | LOCK WASHER | 1   |                   | X           | 8.400 MM                 |
| 13  | 24M7055  | WASHER      | 1   |                   | X           | 8.400 X 16 X 1.600 MM    |
| 14  | R115968  | SPACER      | 2   |                   | X           |                          |
| 15  | 19M7932  | CAP SCREW   | 1   |                   | X           | M8 X 16, HS 10.9         |
| 16  | 19M7979  | SCREW       | 2   |                   | X           | M8 X 55                  |
| 17  | 19M7875  | CAP SCREW   | 2   |                   | X           | (A)                      |
| 18  | R125325  | PLANE       | 1   |                   | X           | (B) (-)                  |
| 19  | 24M7100  | WASHER      | 1   |                   | X           |                          |
| 20  | R126033  | HOOK        | 1   |                   | X           |                          |
| 21  | R117569  | SCREW       | 1   |                   | X           |                          |

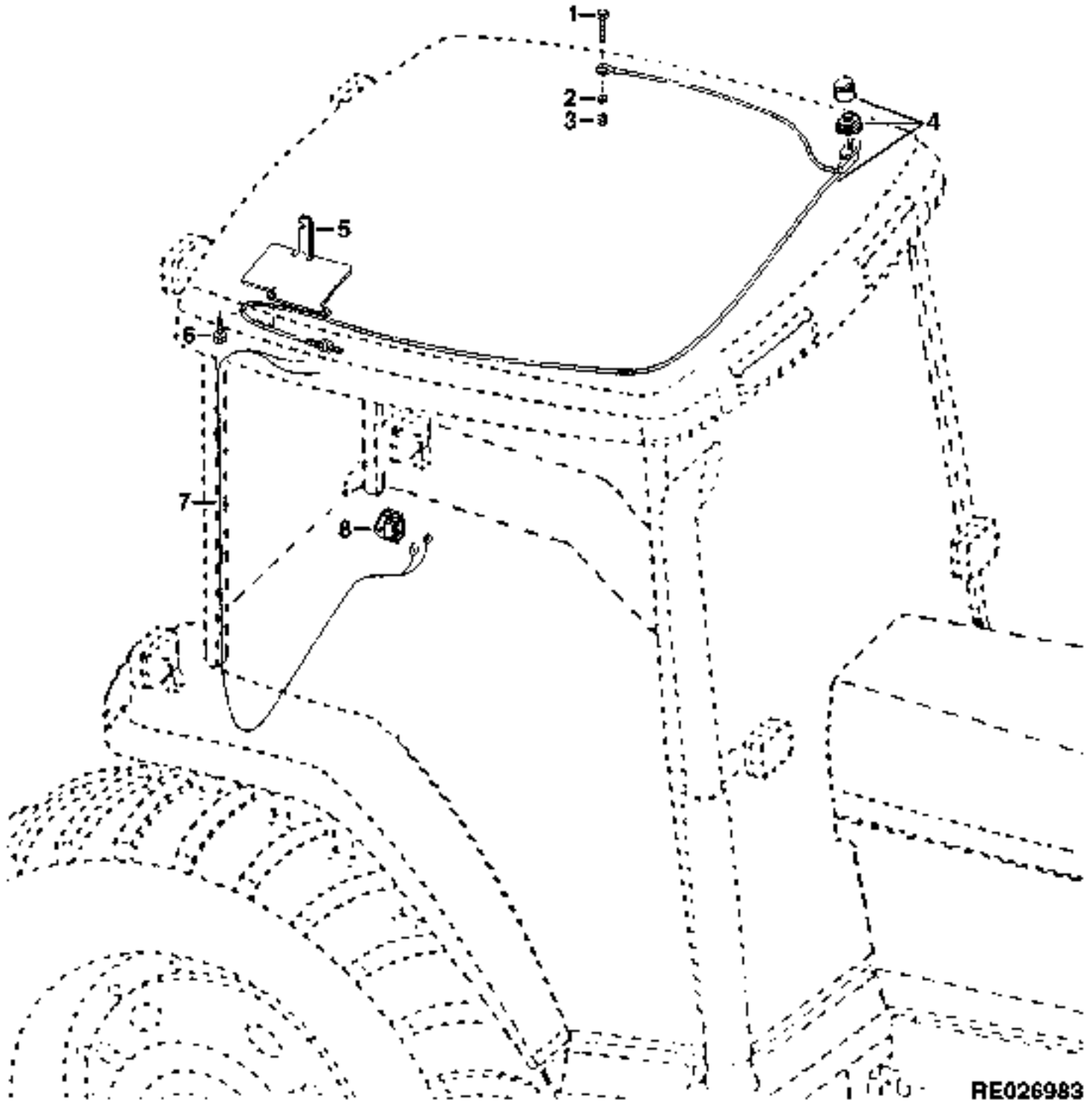
(A)EUROPEAN VERSION  
 VERSION EUROPEENNE  
 EUROPÄISCHE AUSFUEHRUNG  
 VERSIONE EUROPEA  
 VERSION EUROPEA  
 EUROPEISK VERSION

(B)ANTENNA GROUND  
 ANTENNE,MASSE  
 ANTENNENMASSE  
 MESSA A TERRA DELL ANTENNA  
 TIERRA DE A ANTENA  
 ANTENNJORD

# 3H23

ELECTRICAL

ANTENNA CABLE AND RADIO BRACKET(MOBILE RADIO)(8100,8200,8300,8400 TSN 010000- )  
ANTENNE CABLE ET SUPPORT RADIO(RADIO MOBILE)(8100,8200,8300,8400 TSN 010000- )  
ANTENNE KABEL MIT RADIO-HALTERRUNG(FUNKGERAET)(8100,8200,8300,8400 TSN 010000- )  
ANTENNA CAVO E STAFFA DELLA RADIO(RADIO PORTATILE)(8100,8200,8300,8400 TSN 010000- )  
ESCUADRA DE ANTENA CABLES Y RADIO(TRANSECTOR DE RADIO)(8100,8200,8300,8400 TSN 010000- )  
ANTENN KABELVAJER-OCH RADIO(MOBILRADIO)(8100,8200,8300,8400 TSN 010000- )  
RE026983 -UN-06AUG96



RE026983

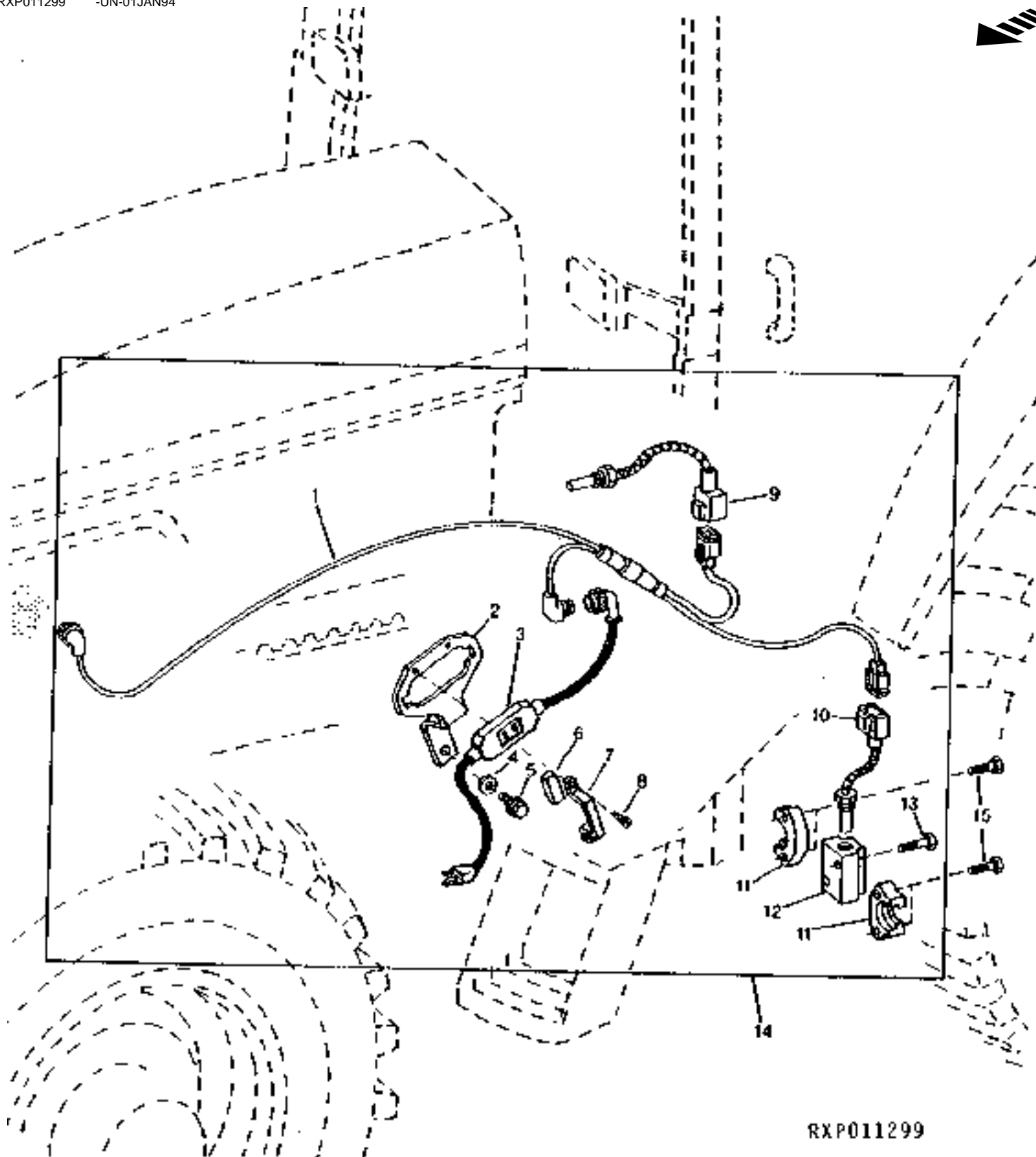
# 3H24

ELECTRICAL

| KEY | PART NO. | PART NAME      | QTY | CAB<br>SERIAL NO. | A<br>L<br>L | REMARKS  |
|-----|----------|----------------|-----|-------------------|-------------|----------|
| 1   | 19M7932  | CAP SCREW      | 1   |                   | X           | M8 X 16  |
| 2   | 12M7032  | LOCK WASHER    | 1   |                   | X           | 8.400 MM |
| 3   | 14M7166  | LOCK NUT       | 1   |                   | X           | M8       |
| 4   | RE70019  | CABLE          | 1   |                   | X           |          |
| 5   | R134326  | PLATE          | 1   |                   | X           |          |
| 6   | R126355  | SCREW          | 2   |                   | X           |          |
| 7   | RE67820  | WIRING HARNESS | 1   |                   | X           |          |
|     | R41440   | GROMMET        | 1   |                   | X           |          |
| 8   | R111931  | JUNCTION BLOCK | 1   |                   | X           |          |

COLD WEATHER START KIT(NORTH AMERICAN VERSION)  
 JEU D'AIDE AU DEMARRAGE PAR TEMPS FROID(VERSION NORD AMERICAINE)  
 KALTSTART-BAUSATZ(NORDAMERIKANISCHE AUSFUEHRUNG)  
 KIT AVVIAMENTO PER LA STAGIONE FREDDA(VERSIONE NORDAMERICANA)  
 CONJUNTO DE ARRANQUE PARA TIEMPO FRIO(VERSION NORTEAMREICANA)  
 SATS FOER START I KALLT VAEDERNORDAMERIKANSK VERSION)

RXP011299 -UN-01JAN94



RXP011299

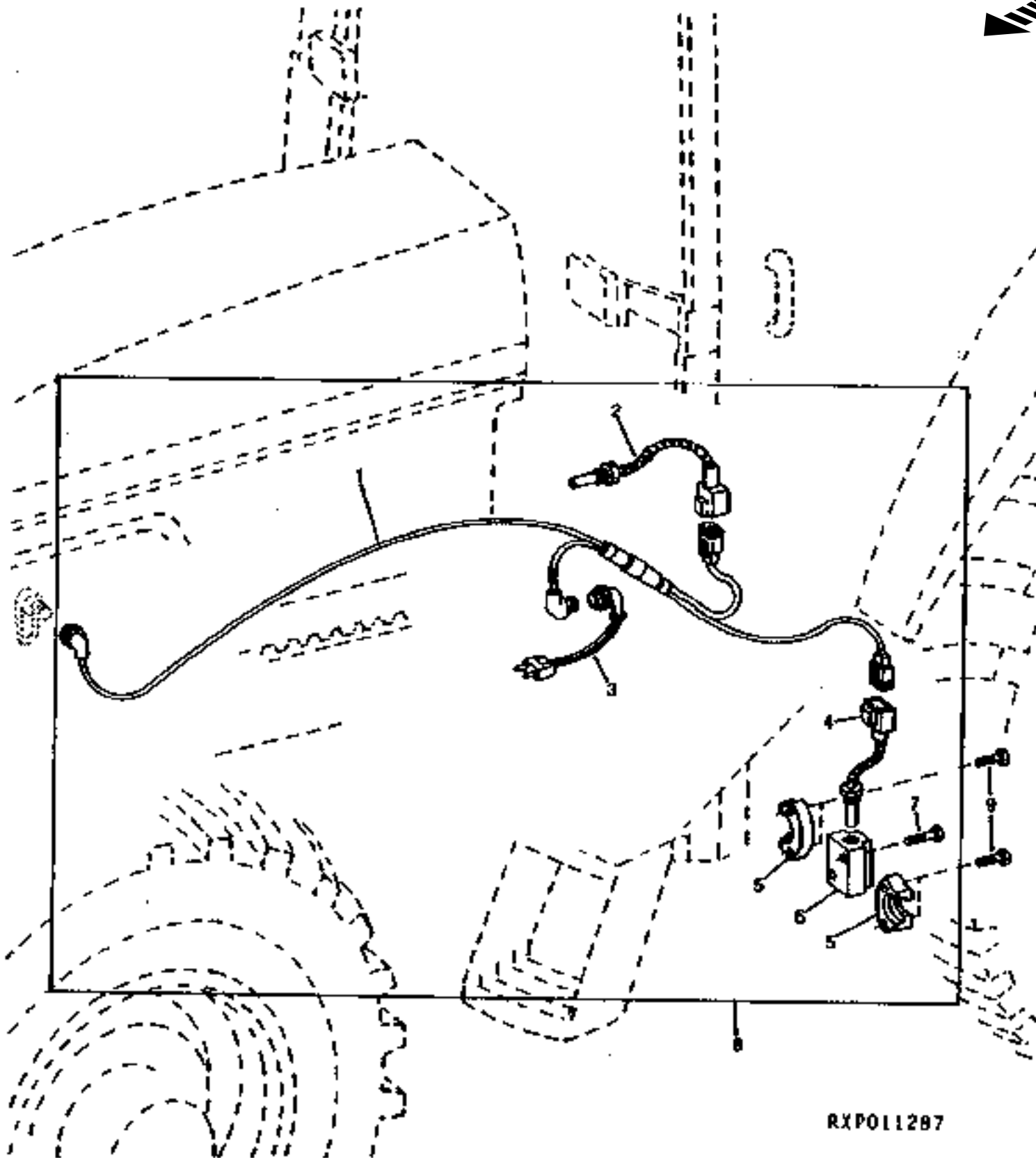


| KEY | PART NO.       | PART NAME      | QTY      | TRACTOR<br>SERIAL NO. | A<br>L<br>L | REMARKS             |
|-----|----------------|----------------|----------|-----------------------|-------------|---------------------|
| 1   | RE55891        | POWER CORD     | 1        |                       | X           |                     |
| 2   | AR113795       | BRACKET        | 1        |                       | X           |                     |
| 3   | RE153289       | MODULE         | 1        |                       | X           | (SUB FOR RE52427)   |
|     | R152283        | LABEL          | 1        |                       | X           |                     |
| 4   | 24M7051        | WASHER         | 1        |                       | X           | 21 X 37 X 3 MM      |
| 5   | 19M7946        | CAP SCREW      | 1        |                       | X           | M20 X 40            |
| 6   | R117260        | STRIP          | 2        |                       | X           |                     |
| 7   | R117185        | STRAP          | 2        |                       | X           |                     |
| 8   | 37M7089        | SCREW          | 4        |                       | X           | M6 X 12             |
| 9   | RE61760        | HEATER         | 1        |                       | X           | (A)                 |
| 10  | RE61760        | HEATER         | 1        |                       | X           | (B)                 |
| 11  | R125563        | FLANGE FITTING | 2        |                       | X           |                     |
| 12  | R122537        | HOUSING        | 1        |                       | X           |                     |
| 13  | 19M8513        | SCREW          | 2        |                       | X           | M6 X 40             |
| 14  | <b>RE56234</b> | <b>KIT</b>     | <b>1</b> |                       | <b>X</b>    | <b>(FI) (110 V)</b> |
| 15  | 19M8011        | CAP SCREW      | 4        |                       | X           | M12 X 30, HS 10.9   |

(A)TRANSMISSION  
BOITE DE VITESSES  
GETRIEBE  
TRANSMISSIONE  
TRANSMISSION  
KRAFTOEVERFOERING

(B)GEAR PUMP  
POMPE A ENGRENAGES  
ZAHNRADPUMPE  
POMPA A INGRANAGGI  
BOMBA DE ENGRANAJES  
KUGGHJULSPUMP

COLD WEATHER START KIT(EUROPEAN VERSION)  
 JEU D'AIDE AU DEMARRAGE PAR TEMPS FROID(VERSION EUROPEENNE)  
 KALTSTART-BAUSATZ(EUROPAEISCHE AUSFUEHRUNG)  
 KIT AVVIAMENTO PER LA STAGIONE FREDDA(VERSIONE EUROPEA)  
 CONJUNTO DE ARRANQUE PARA TIEMPO FRIO(VERSION EUROPEA)  
 SATS FOER START I KALLT VAEDER(EUROPEISK VERSION)  
 RXP011287 -UN-01JAN94



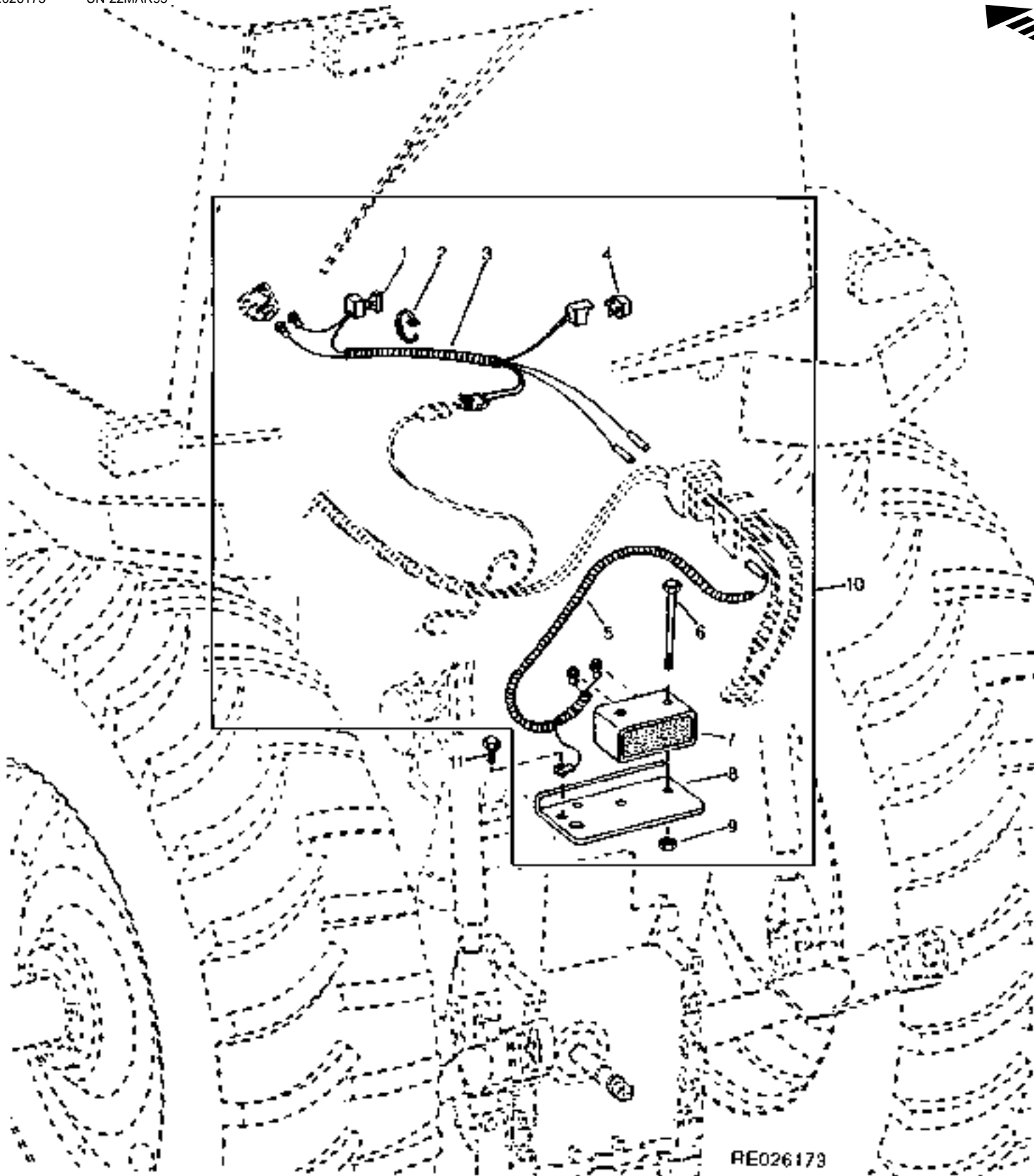
RXP011287

| KEY      | PART NO.       | PART NAME      | QTY      | TRACTOR<br>SERIAL NO. | A        | REMARKS             |
|----------|----------------|----------------|----------|-----------------------|----------|---------------------|
|          |                |                |          |                       | L<br>L   |                     |
| 1        | RE55976        | POWER CORD     | 1        |                       | X        |                     |
| 2        | RE61760        | HEATER         | 1        |                       | X        | (A)                 |
| 3        | AR87079        | POWER CORD     | 1        |                       | X        |                     |
| 4        | RE61760        | HEATER         | 1        |                       | X        | (B)                 |
| 5        | R125563        | FLANGE FITTING | 2        |                       | X        |                     |
| 6        | R122537        | HOUSING        | 1        |                       | X        |                     |
| 7        | 19M8513        | SCREW          | 2        |                       | X        | M6 X 40             |
| <b>8</b> | <b>RE56235</b> | <b>KIT</b>     | <b>1</b> |                       | <b>X</b> | <b>(FI) (220 V)</b> |
| 9        | 19M8011        | CAP SCREW      | 1        |                       | X        | HS 10.9             |

(A)TRANSMISSION  
BOITE DE VITESSES  
GETRIEBE  
TRANSMISSIONE  
TRANSMISSION  
KRAFTOEVERFOERING

(B)GEAR PUMP  
POMPE A ENGRENAGES  
ZAHNRADPUMPE  
POMPA A INGRANAGGI  
BOMBA DE ENGRANAJES  
KUGGHJULSPUMP

BACK-UP ALARM KIT  
AVERTISSEUR DE MARCHÉ ARRIÈRE, JEU DE PIÈCES  
RUECKSTOSS-WARNANLAGE  
KIT DEL SEGNALATORE RETROMARCIA  
CONJUNTO DE ALARMA DE RETROCESO  
BACKNINGSSIGNALSATS  
RE026173 -UN-22MAR95



RE026173

| KEY       | PART NO.       | PART NAME      | QTY      | TRACTOR<br>SERIAL NO. | A<br>L<br>L | REMARKS           |
|-----------|----------------|----------------|----------|-----------------------|-------------|-------------------|
| 1         | 57M7121        | FUSE           | 1        |                       | X           | 10 AMP            |
| 2         | R44302         | TIE BAND       | 1        |                       | X           |                   |
| 3         | RE58718        | WIRING HARNESS | 1        |                       | X           |                   |
| 4         | RE48876        | RELAY          | 1        |                       | X           | 40 AMP            |
| 5         | RE58719        | WIRING HARNESS | 1        |                       | X           |                   |
| 6         | 19M7408        | CAP SCREW      | 2        |                       | X           | M10 X 90          |
| 7         | AT78534        | BACK-UP ALARM  | 1        |                       | X           |                   |
| 8         | R111982        | BRACKET        | 2        |                       | X           |                   |
| 9         | 14M7296        | FLANGE NUT     | 2        |                       | X           | M10               |
| <b>10</b> | <b>RE61779</b> | <b>KIT</b>     | <b>1</b> |                       | <b>X</b>    | <b>(FI)</b>       |
| 11        | 19M8242        | SCREW          | 2        |                       | X           | M12 X 16, HS 10.9 |

MEMORANDA  
MEMORANDA  
MEMORANDA  
MEMORANDA  
MEMORANDA

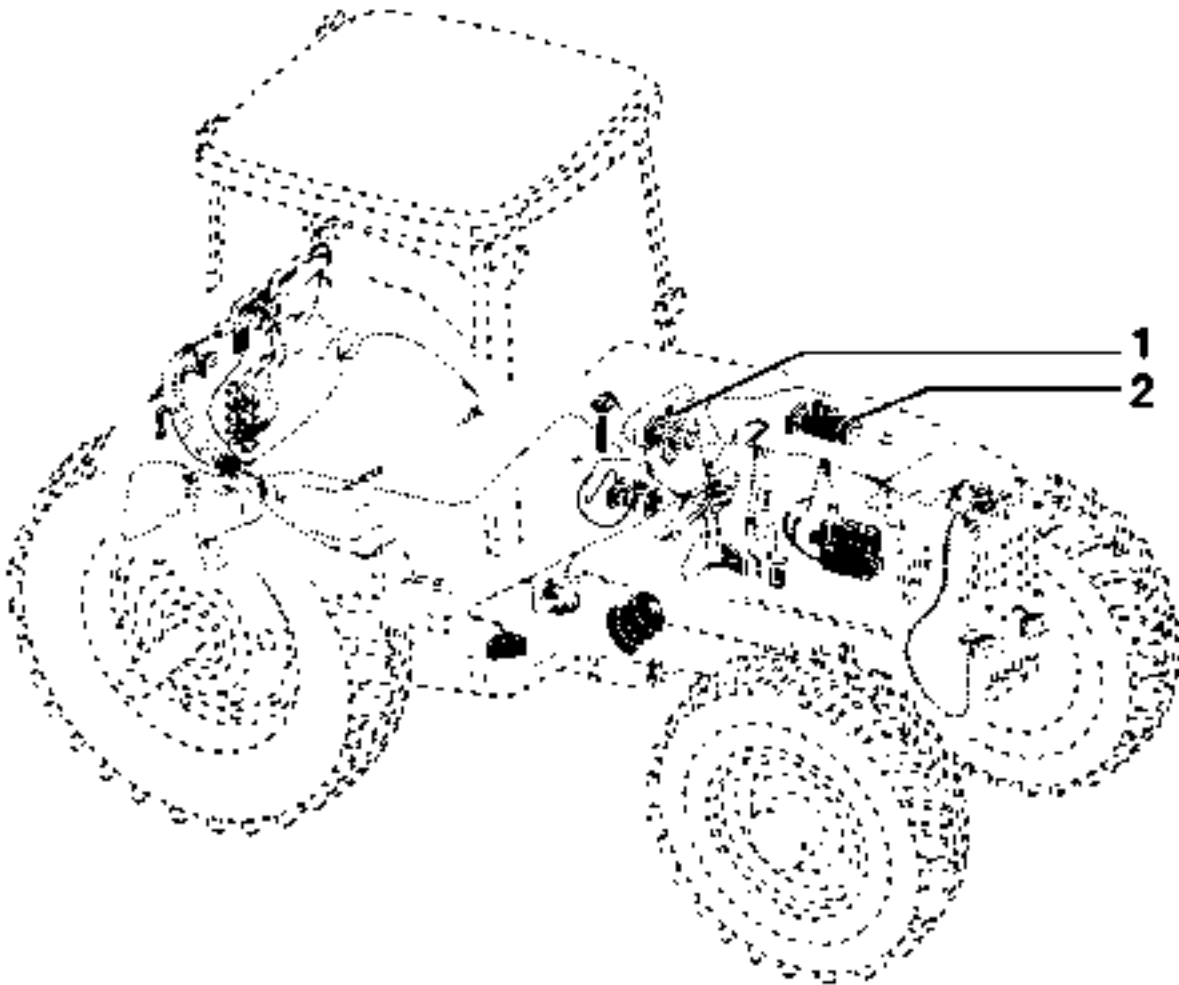
# 319

## ALTERNATOR, STARTER, BATTERY AND BATTERY CABLES

SECTIONAL INDEX  
GRUPPENINDEX  
INDEX DE SECTION  
INDICE DELLA SEZIONE  
INDICE DE SECCION  
GRUPPSFORTECKNING

RE029120 -UN-11MAY99

|     |      |
|-----|------|
| 1 - | 3I11 |
| 3 - | 3I22 |
| 4 - | 3I23 |



RE029120

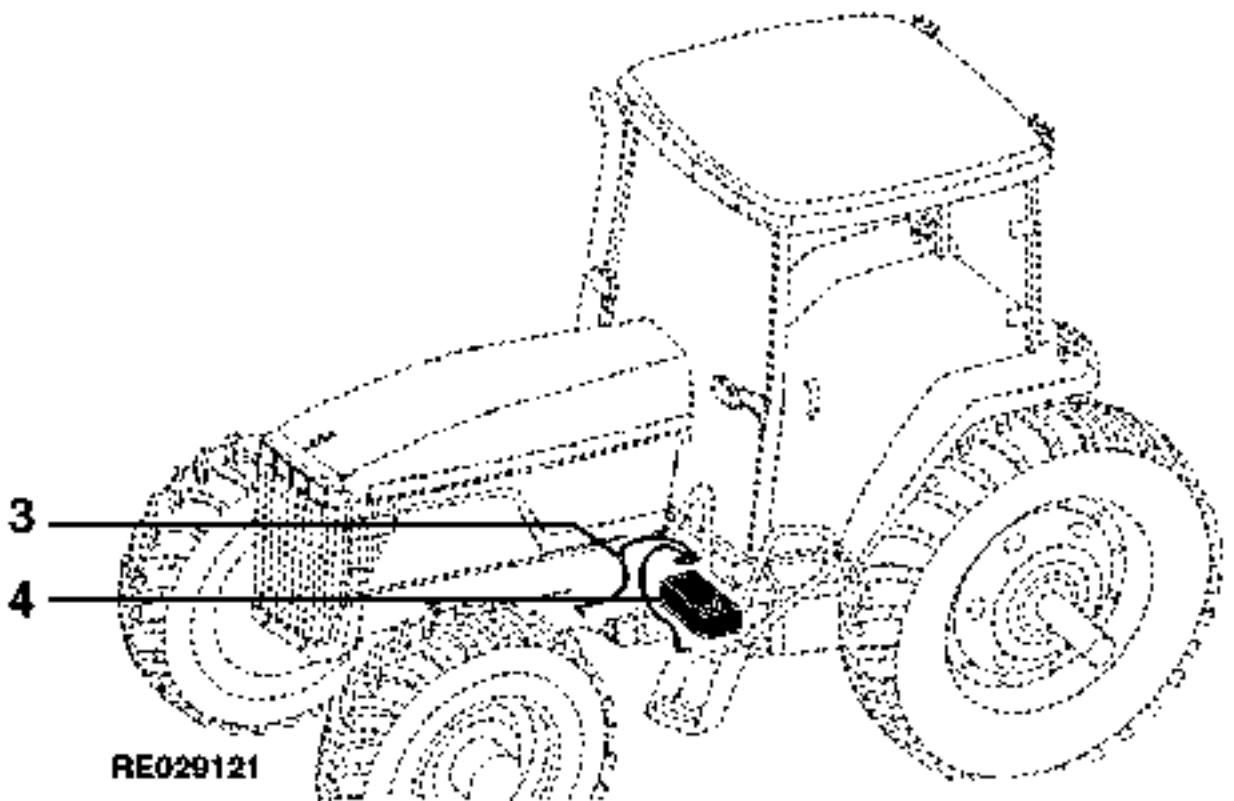
# 3110

ALTERNATOR, STARTER, BATTERY AND BATTERY CABLES

SECTIONAL INDEX  
GRUPPENINDEX  
INDEX DE SECTION  
INDICE DELLA SEZIONE  
INDICE DE SECCION  
GRUPPSFORTECKNING

RE029121 -UN-10MAY99

|     |      |
|-----|------|
| 1 - | 3111 |
| 3 - | 3122 |
| 4 - | 3123 |

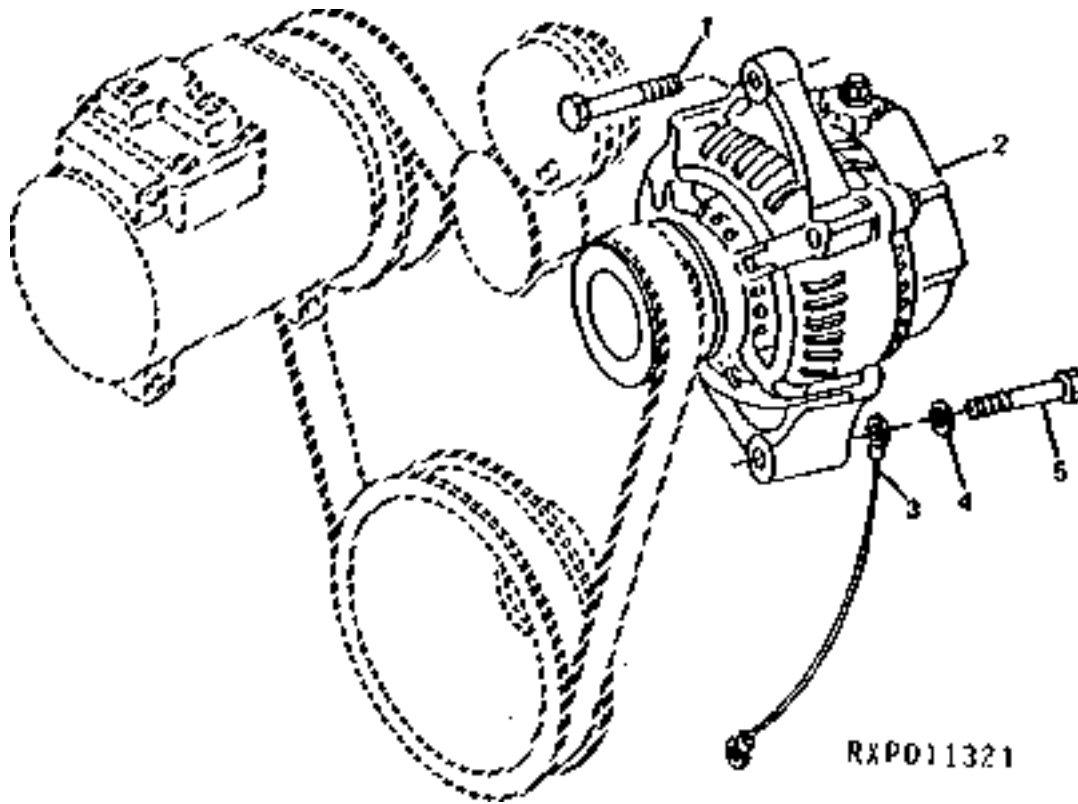




# 3111

ALTERNATOR, STARTER, BATTERY AND BATTERY CABLES

ALTERNATOR  
 ALTERNATEUR  
 DREHSTROM-GENERATOR  
 ALTERNATORE  
 ALTERNADOR  
 VAXELSTROMSGENERATOR  
 RXP011321 -UN-01JAN94



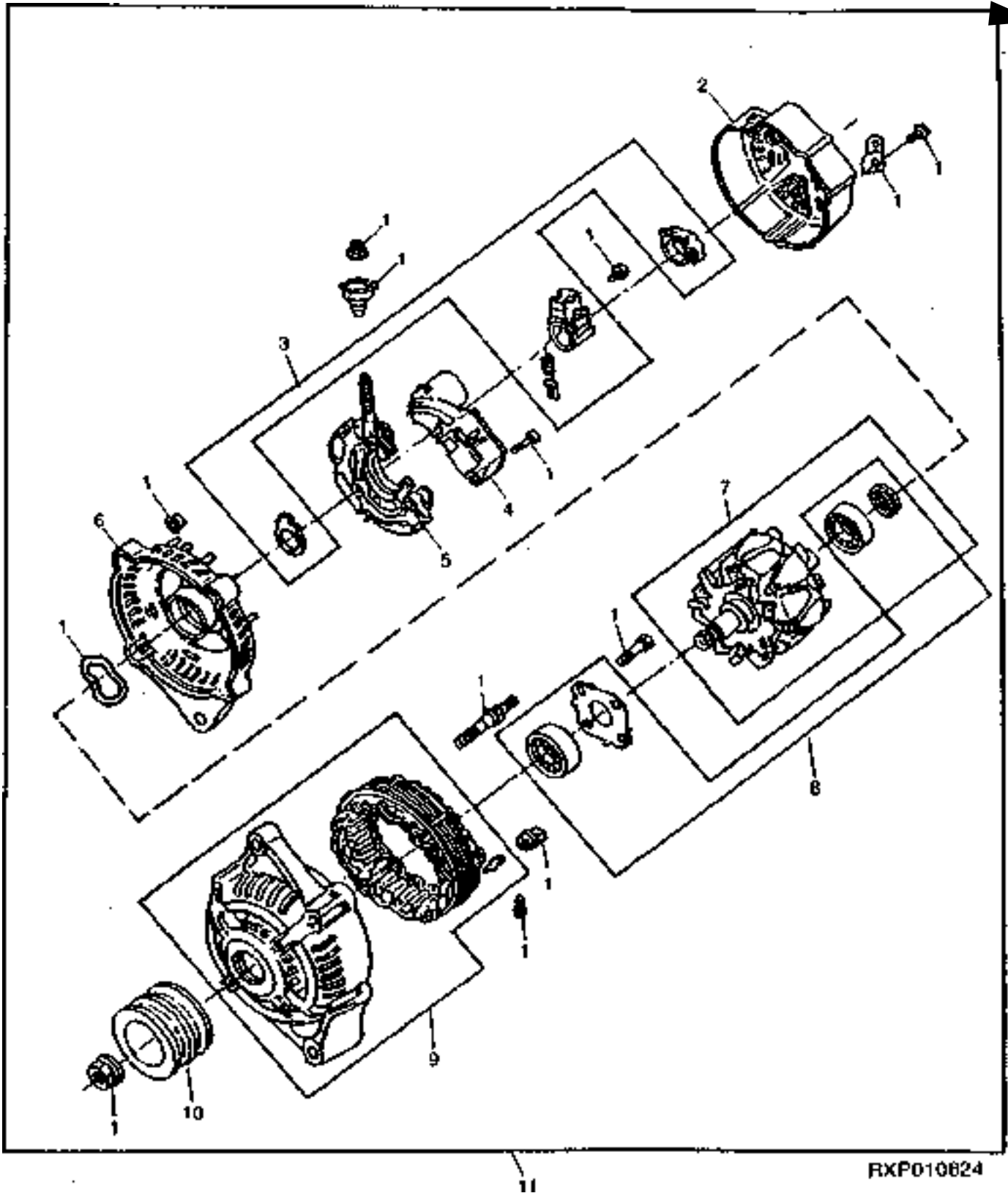
| KEY | PART NO. | PART NAME   | QTY | ENGINE SERIAL NO. | A<br>L<br>L | REMARKS                 |
|-----|----------|-------------|-----|-------------------|-------------|-------------------------|
| 1   | 19M7328  | CAP SCREW   | 1   |                   | X           | M10 X 70                |
| 2   | RE46608  | ALTERNATOR  | 1   |                   | X           | (NIPPONDENSO)(140 AMPS) |
|     | TY6762   | ALTERNATOR  | 1   |                   | X           | (A) (140 AMPS)          |
| 3   | RE40588  | WIRING LEAD | 1   |                   | X           | (-)                     |
| 4   | 24M7239  | WASHER      | 1   |                   | X           | 10.700 X 21 X 2.500 MM  |
| 5   | 19M7997  | CAP SCREW   | 1   |                   | X           | M8 X 110                |

(A)REMANUFACTURED  
 ECHANGE STANDARD  
 GENERAUEBERHOLT  
 RIGATTO  
 REFABRICADO POR  
 RENOVERAD

# 3112

ALTERNATOR, STARTER, BATTERY AND BATTERY CABLES

ALTERNATOR  
ALTERNATEUR  
DREHSTROM-GENERATOR  
ALTERNATORE  
ALTERNADOR  
VAXELSTROMSGENERATOR  
RXP010824 -UN-01JAN94



RXP010824

# 3113

## ALTERNATOR, STARTER, BATTERY AND BATTERY CABLES

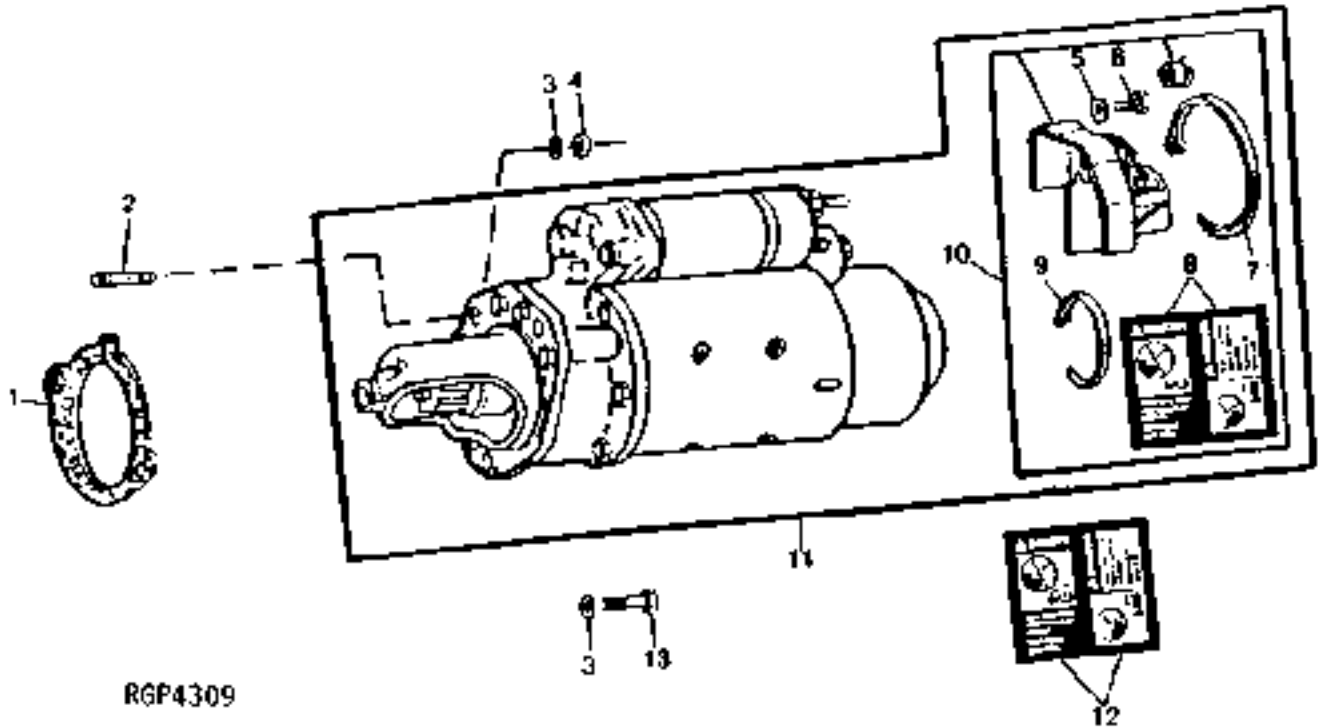
| KEY | PART NO. | PART NAME           | QTY | ENGINE<br>SERIAL NO. | A<br>L<br>L | REMARKS                   |
|-----|----------|---------------------|-----|----------------------|-------------|---------------------------|
| 1   | RE52026  | PACKAGE OF PARTS    | 1   |                      | X           |                           |
| 2   | R115289  | COVER               | 1   |                      | X           |                           |
| 3   | RE52028  | CARBON BRUSH HOLDER | 1   |                      | X           |                           |
| 4   | RE51297  | REGULATOR           | 1   |                      | X           |                           |
| 5   | RE51298  | RECTIFIER           | 1   |                      | X           |                           |
| 6   | R115609  | FRAME               | 1   |                      | X           |                           |
| 7   | RE51299  | ROTOR               | 1   |                      | X           |                           |
| 8   | .....    | BEARING             | 1   |                      | X           | (ORDER RE46608 OR TY6762) |
| 9   | RE51300  | FRAME               | 1   |                      | X           |                           |
| 10  | R114844  | PULLEY              | 1   |                      | X           |                           |
| 11  | RE46608  | ALTERNATOR          | 1   |                      | X           | (140 AMP)                 |
| ..  | TY6762   | ALTERNATOR          | 1   |                      | X           | (A)                       |

(A)REMANUFACTURED  
ECHANGE STANDARD  
GENERAUEBERHOLT  
RIGATTO  
REFABRICADO POR  
RENOVERAD

# 3114

## ALTERNATOR, STARTER, BATTERY AND BATTERY CABLES

STARTING MOTOR (12V) (6076) (8100,8200,8300 TSN -009999)(DENSO)  
 MOTEUR DU DEMARREUR (12V) (6076)(8100,8200,8300 TSN -009999) (DENSO)  
 ANLASSER (12V) (6076) (8100,8200,8300 TSN -009999) (DENSO)  
 MOTORE D'AVVIAMENTO (12V) (6076) (8100,8200,8300 TSN -009999) (DENSO)  
 MOTOR DE ARRANQUE (12V) (6076) (8100,8200,8300 TSN -009999) (DENSO)  
 STARTMOTOR (12V) (6076) (8100,8200,8300 TSN -009999) (DENSO)  
 RGP4309 -UN-14SEP95



RGP4309

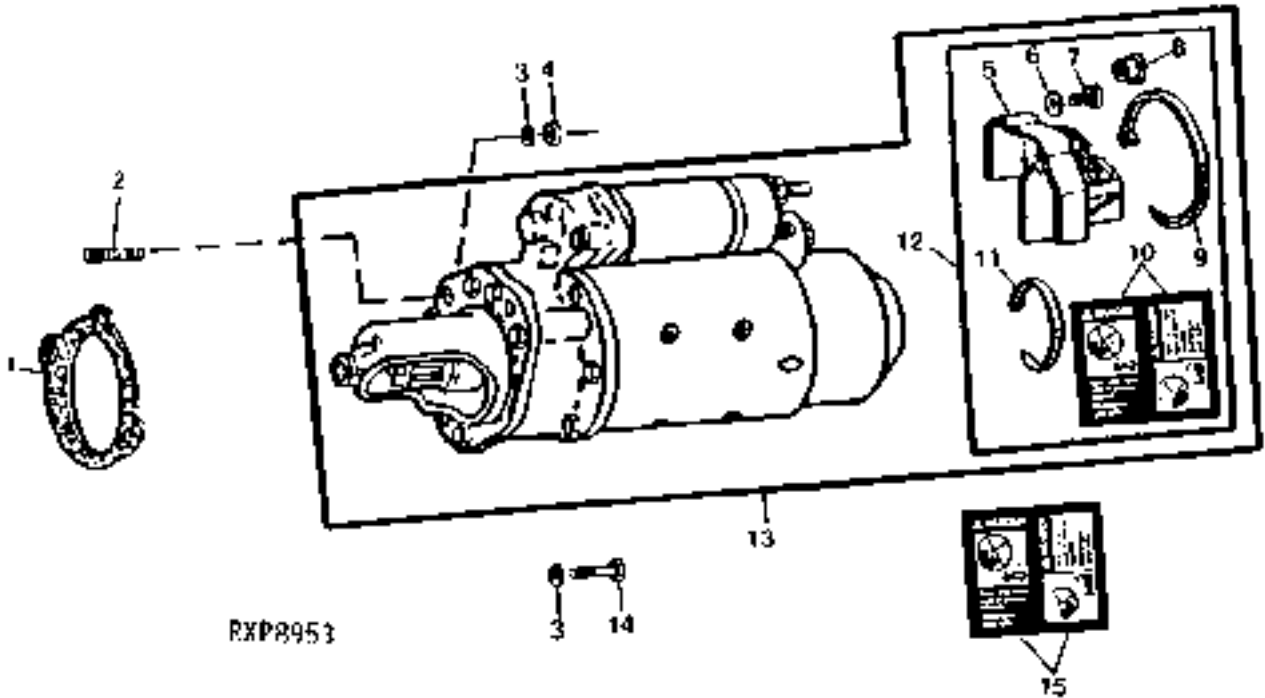
| KEY | PART NO. | PART NAME         | QTY | ENGINE SERIAL NO. | 8 8 8 |   |   | REMARKS  |
|-----|----------|-------------------|-----|-------------------|-------|---|---|--|
|     |          |                   |     |                   | 1     | 2 | 3 |  |
|     |          |                   |     |                   | 0     | 0 | 0 |  |
|     |          |                   |     |                   | 0     | 0 | 0 |  |
| 1   | .....    | GASKET            | NA  |                   | X     | X | X |  |
| 2   | R114130  | STUD              | 1   |                   | X     | X | X | (SUB FOR R55396, APPL)   |
| 3   | 24M7096  | WASHER            | 2   |                   | X     | X | X | 10.500 X 18 X 1.600 MM   |
| 4   | E55662   | FLANGE NUT        | 1   |                   | X     | X | X |  |
| 5   | R104676  | SHIM              | 1   |                   | X     | X | X |  |
| 6   | R104646  | SCREW             | 1   |                   | X     | X | X |  |
| 7   | H113196  | TIE BAND          | 1   |                   | X     | X | X | (INCLUDED WITH RE56053)  |
| 8   | T146102  | LABEL             | 1   |                   | X     | X | X | (ENGLISH)  |
| 9   | R44302   | TIE BAND          | 1   |                   | X     | X | X |  |
| 10  | RE41758  | COVER             | 1   |                   | X     | X | X | (USE WITH TY6731)  |
|     | RE45329  | COVER             | 1   |                   | X     | X | X | (USE WITH RE43266)   |
| 11  | RE56053  | STARTER MOTOR     | 1   |                   | X     | X | X | (DENSO NO. 128000-2360) (MARKED RE54416) (MARKED RE61516) (CONTAINS RE45329) (SUB RE70957 OR TY6781) |
|     | RE65176  | KIT               | 1   |                   | X     | X | X | (DENSO NO. 22800-4601) (MARKED RE59589) (SUB RE70957 OR TY6781)                                      |
|     | RE70957  | STARTER MOTOR KIT | 1   |                   | X     | X | X | (DENSO NO. 228000-6530) (MARKED RE69704)   |
|     | TY6781   | STARTER MOTOR     | 1   |                   | X     | X | X | (REMANUFACTURED) (DENSO) (CONTAINS RE45329)  |
| 12  | T146517  | SAFETY SIGN       | 1   |                   | X     | X | X | (ENGLISH/FRENCH))  |
|     | T146104  | SAFETY SIGN       | 1   |                   | X     | X | X | (FRENCH)   |
|     | T146515  | SAFETY SIGN       | 1   |                   | X     | X | X | (GERMAN)   |
|     | T146516  | SAFETY SIGN       | 1   |                   | X     | X | X | (ITALIAN)  |
|     | T146106  | SAFETY SIGN       | 1   |                   | X     | X | X | (SPANISH)  |
| 13  | 19H3219  | CAP SCREW         | 2   |                   | X     | X | X | 3/8" X 1-3/8"  |
| ..  | RE43166  | CLAMP             | 1   |                   | X     | X | X |  |

# 3115

## ALTERNATOR, STARTER, BATTERY AND BATTERY CABLES

STARTING MOTOR (12V F4) (6081) (8100,8200,8300 TSN 010000- ) (NIPPONDENSO)  
 MOTEUR DU DEMARREUR (12V F4) (6081) (8100,8200,8300 TSN 010000- ) (NIPPONDENSO)  
 MOTEUR DU DEMARREUR (12V F4) (6081) (8100,8200,8300 TSN 010000- ) (NIPPONDENSO)  
 MOTORE D'AVVIAMENTO (12V F4) (8100,8200,8300 TSN 010000- ) (NIPPONDENSO)  
 MOTOR DE ARRANQUE (12V F4) (8100,8200,8300 TSN 010000- ) (NIPPONDENSO)  
 STARTMOTOR (12V F4) (8100,8200,8300 TSN 010000- ) (NIPPONDENSO)

RXP8953 -UN-01JAN94



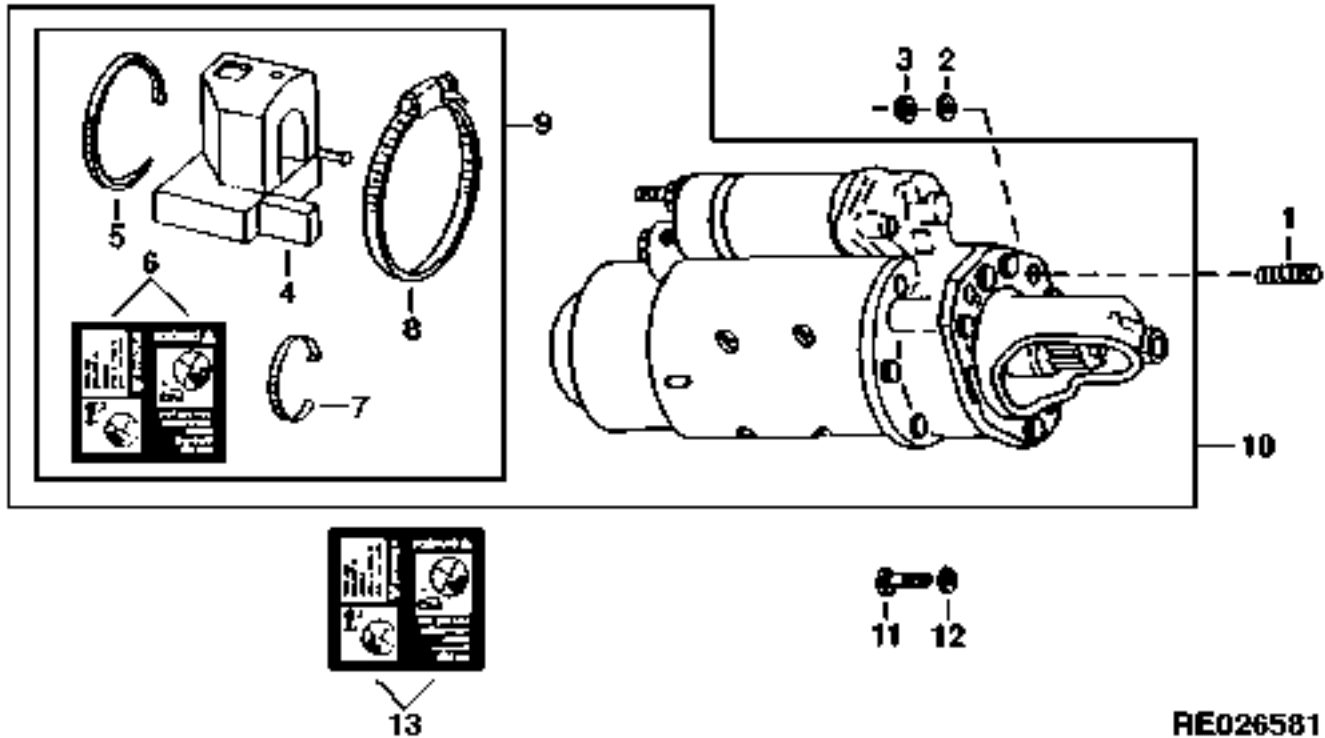
| KEY | PART NO. | PART NAME         | QTY | ENGINE SERIAL NO. |   |   |   | REMARKS   |
|-----|----------|-------------------|-----|-------------------|---|---|---|---|
|     |          |                   |     |                   | 8 | 8 | 8 |   |
|     |          |                   |     |                   | 1 | 2 | 3 |   |
|     |          |                   |     |                   | 0 | 0 | 0 |   |
|     |          |                   |     |                   | 0 | 0 | 0 |   |
| 1   | .....    | GASKET            | NA  |                   | X | X | X |   |
| 2   | R114130  | STUD              | 1   |                   | X | X | X |   |
| 3   | 24M7096  | WASHER            | 2   |                   | X | X | X | 10.500 X 18 X 1.600 MM  |
| 4   | E55662   | FLANGE NUT        | 1   |                   | X | X | X |   |
| 5   | .....    | COVER             | 1   |                   | X | X | X | (SUB RE45329)   |
| 6   | R104676  | SHIM              | 1   |                   | X | X | X |   |
| 7   | R104646  | SCREW             | 1   |                   | X | X | X |   |
| 8   | R104677  | BUSHING           | 1   |                   | X | X | X | (NO LONGER INCLUDED)  |
| 9   | H113196  | TIE BAND          | 1   |                   | X | X | X |   |
| 10  | T146102  | LABEL             | 1   |                   | X | X | X | (ENGLISH)   |
| 11  | R44302   | TIE BAND          | 1   |                   | X | X | X |   |
| 12  | RE45329  | COVER             | 1   |                   | X | X | X |   |
| 13  | RE65103  | STARTER MOTOR     | 1   |                   | X | X | X | (NIPPONDENSO NO. 228000-4630) (MARKED RE65100) (CONTAINS RE45329) (SUB RE70957) |
|     | RE70957  | STARTER MOTOR KIT | 1   |                   | X | X | X | (NIPPONDENSO NO. 228000-6530) (MARKED RE69704)                                  |
| 14  | 19H3219  | CAP SCREW         | 2   |                   | X | X | X | 3/8" X 1-3/8"   |
| 15  | T146517  | SAFETY SIGN       | 1   |                   | X | X | X | (ENGLISH/FRENCH))   |
|     | T146104  | SAFETY SIGN       | 1   |                   | X | X | X | (FRENCH)  |
|     | T146515  | SAFETY SIGN       | 1   |                   | X | X | X | (GERMAN)  |
|     | T146516  | SAFETY SIGN       | 1   |                   | X | X | X | (ITALIAN)   |
|     | T146106  | SAFETY SIGN       | 1   |                   | X | X | X | (SPANISH)   |

MEMORANDA  
MEMORANDA  
MEMORANDA  
MEMORANDA  
MEMORANDA

# 3116

ALTERNATOR, STARTER, BATTERY AND BATTERY CABLES

STARTING MOTOR(8400)  
 MOTEUR DU DEMARREUR(8400)  
 ANLASSER(8400)  
 MOTORE D'AVVIAMENTO(8400)  
 MOTOR DE ARRANQUE(8400)  
 STARTMOTOR(8400)  
 RE026581 -UN-01DEC95



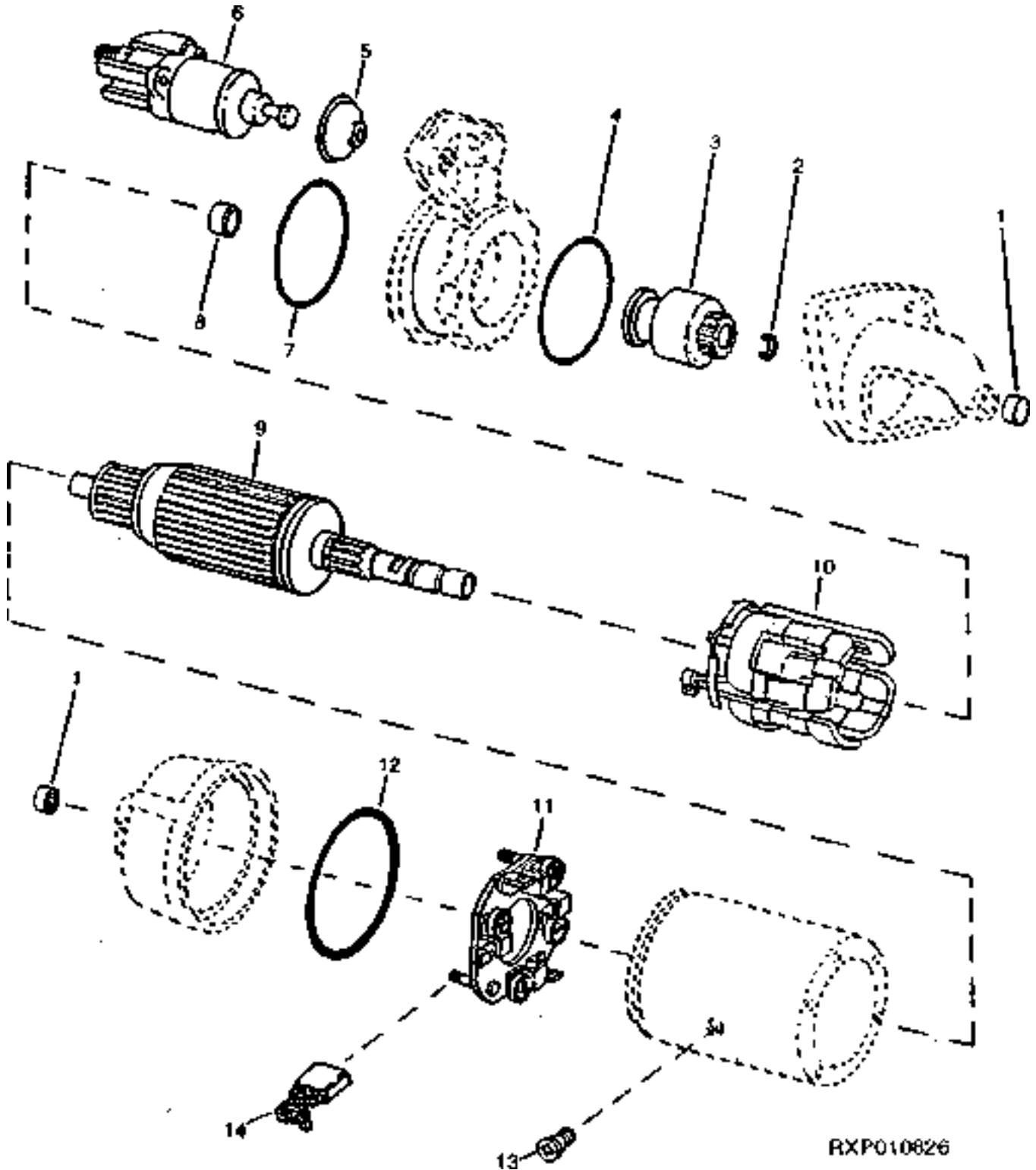
RE026581

| KEY | PART NO. | PART NAME     | QTY | ENGINE SERIAL NO. | REMARKS  |
|-----|----------|---------------|-----|-------------------|--|
| 1   | R114130  | STUD          | 1   | 8                 | X  |
| 2   | 24M7096  | WASHER        | 2   | 4                 | X  |
| 3   | E55662   | FLANGE NUT    | 1   | 0                 | X 10.500 X 18 X 1.600 MM   |
| 4   | .....    | COVER         | 1   | 0                 | X (ORDER RE45329) (NIPPONDENSO NO.028033-5330)   |
| 5   | H113196  | TIE BAND      | 1   |                   | X  |
| 6   | T146102  | LABEL         | 1   |                   | X (ENGLISH)  |
| 7   | R44302   | TIE BAND      | 1   |                   | X  |
| 8   | TY22471  | CLAMP         | 1   |                   | X (SUB FOR RE43166)  |
| 9   | RE45329  | COVER         | 1   |                   | X  |
| 10  | RE65103  | STARTER MOTOR | 1   |                   | X (MARKED RE57483 OR RE65100) (SUB FOR RE61087) (SUB RE70957) (NIPPONDENSO NO.228000-4630) |
| 11  | 19H3219  | CAP SCREW     | 2   |                   | X 3/8" X 1-3/8"  |
| 12  | 12H304   | LOCK WASHER   | 2   |                   | X 3/8", (USE WITH RE61087)   |
| 13  | T146517  | SAFETY SIGN   | 1   |                   | X (ENGLISH/FRANCAIS)   |
|     | T146104  | SAFETY SIGN   | 1   |                   | X (FRANCAIS)   |
|     | T146515  | SAFETY SIGN   | 1   |                   | X (DEUTSCH)  |
|     | T146516  | SAFETY SIGN   | 1   |                   | X (ITALIANO)   |
|     | T146106  | SAFETY SIGN   | 1   |                   | X (ESPANOL)  |

# 3117

ALTERNATOR, STARTER, BATTERY AND BATTERY CABLES

STARTING MOTOR(8100,8200,8300,8400)  
MOTEUR DU DEMARREUR(8100,8200,8300,8400)  
ANLASSER(8100,8200,8300,8400)  
MOTORE D'AVVIAMENTO(8100,8200,8300,8400)  
MOTOR DE ARRANQUE(8100,8200,8300,8400)  
STARTMOTOR (8100,8200,8300,8400)  
RXP010826 -UN-01JAN94



RXP010826



# 3118

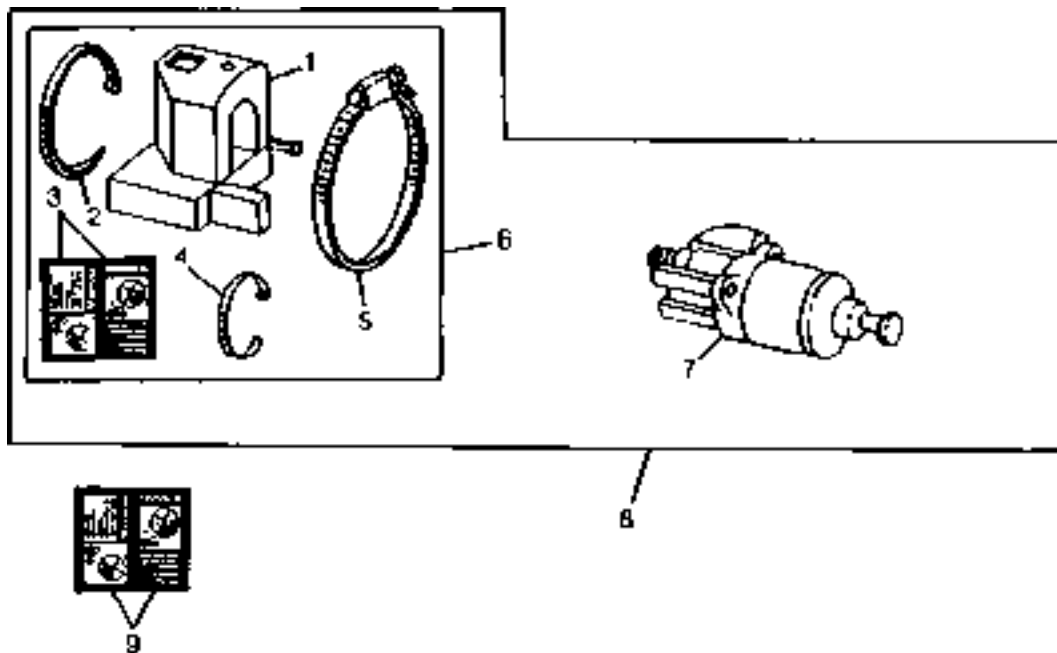
## ALTERNATOR, STARTER, BATTERY AND BATTERY CABLES

| KEY | PART NO. | PART NAME           | QTY | ENGINE SERIAL NO. | A<br>L<br>L | REMARKS   |
|-----|----------|---------------------|-----|-------------------|-------------|---|
| 1   | RE39251  | NEEDLE BEARING      | 2   |                   | X           |   |
| 2   | R50902   | SNAP RING           | 1   |                   | X           |   |
| 3   | RE39249  | CLUTCH              | 1   |                   | X           |   |
| 4   | R50901   | WASHER              | 1   |                   | X           |   |
| 5   | R100513  | COVER               | 1   |                   | X           |   |
| 6   | RE42777  | SWITCH              | 1   |                   | X           | (NIPPONDENSO NO.053400-9891)  |
| 7   | R100511  | O-RING              | 1   |                   | X           |   |
| 8   | R100509  | BUSHING             | 1   |                   | X           |   |
| 9   | RE39243  | FIELD WINDING COIL  | 1   |                   | X           |   |
| 10  | RE39245  | ARMATURE            | 1   |                   | X           |   |
| 11  | RE39250  | CARBON BRUSH HOLDER | 1   |                   | X           |   |
| 12  | R100512  | O-RING              | 1   |                   | X           |   |
| 13  | R100508  | SCREW               | 4   |                   | X           |   |
| 14  | RE39247  | BRUSH               | 4   |                   | X           |   |
| ..  | RE56053  | STARTER MOTOR       | 1   | -009999           |             | (A) (8100,8200,8300) (NIPPONDENSO NO. 128000-2360) (MARKED RE54416) (SUB TY6781)            |
| ..  | RE65176  | KIT                 | 1   | -009999           |             | (A) (MARKED RE59589) (SUB TY6781) (8100,8200,8300)(NIPPONDENSO NO.22800-4610)               |
| ..  | TY6781   | STARTER MOTOR       | 1   | -009999           |             | (A) (B) (8100,8200,8300)  |
| ..  | RE65103  | STARTER MOTOR       | 1   | 010000-           |             | (A) (MARKED RE57483 OR RE65100) (SUB RE70957) (8100,8200,8300) (NIPPONDENSO NO.228000-4630) |
| ..  | RE65103  | STARTER MOTOR       | 1   |                   |             | (8400) (NIPPONDENSO NO. 228000-4630) (MARKED RE57483 OR RE65100) (SUB RE70957)              |
| ..  | R124581  | DUST SHIELD         | 1   |                   |             |   |

(A)TSN  
TSN  
TSN  
TSN  
TSN  
TSN

(B)REMANUFACTURED  
ECHANGE STANDARD  
GENERAUEBERHOLT  
RIGATTO  
REFABRICADO  
RENOVERAD

STARTER SOLENOID SWITCH  
 COMMUTEUR MAGNETIQUE DE DEMARREUR  
 ANLASSER-MAGNETSCHALTER  
 TELERUTTORE DI AVVIAMENTO  
 INTERRUPTOR DE SOLENIIDE DE ARRANQUE  
 SOLENOIDKONTAKT FOER STARTMOTOR  
 RXP026046 -UN-07MAR95



RXP026046

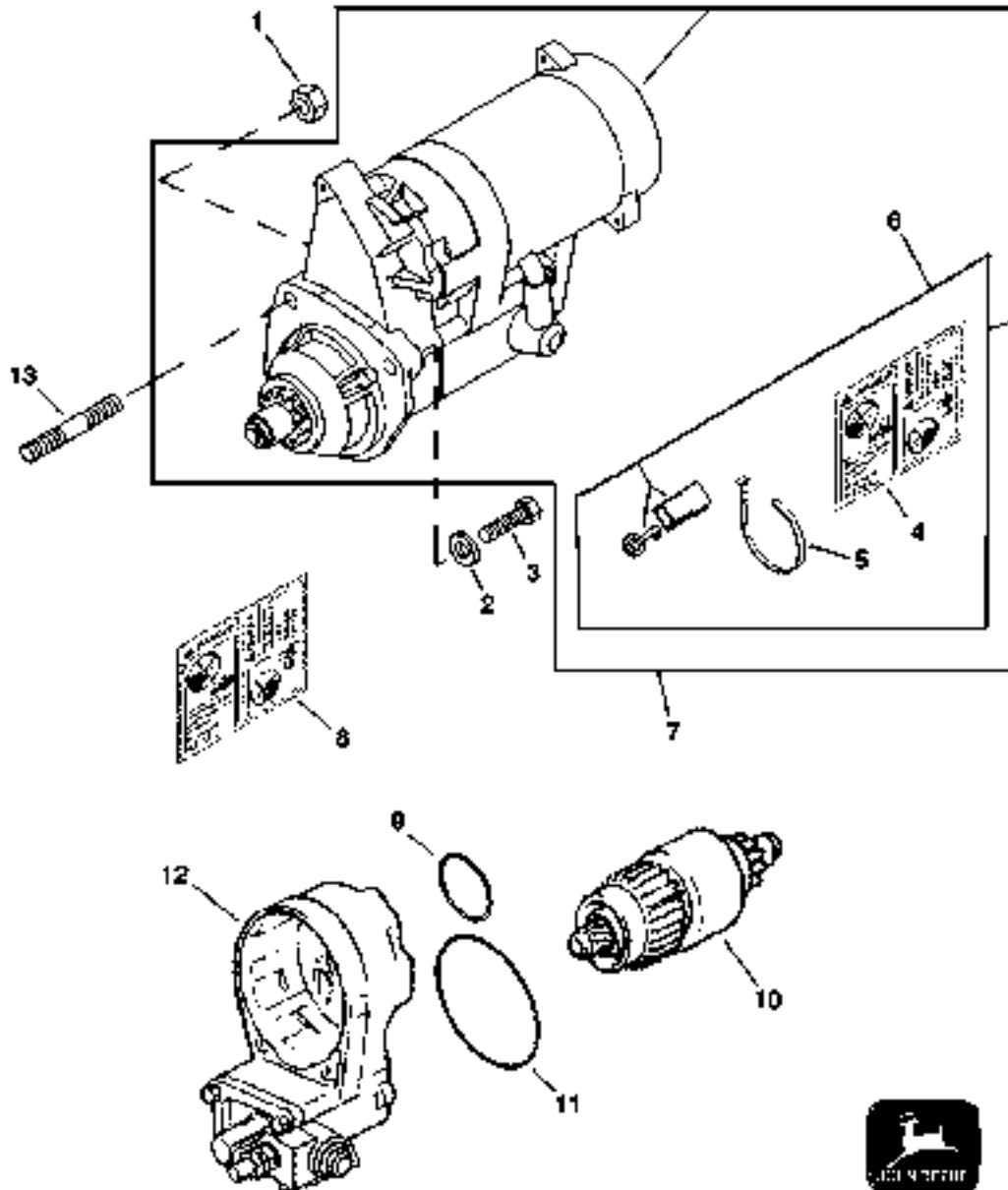
| KEY | PART NO. | PART NAME   | QTY | ENGINE SERIAL NO. | REMARKS |   |
|-----|----------|-------------|-----|-------------------|---------|---|
|     |          |             |     |                   | A       | L   |
| 1   | .....    | COVER       | 1   |                   | X       | (ORDER RE45329) (NIPPONDENSO NO.028033-5330)                        |
| 2   | H113196  | TIE BAND    | 1   |                   | X       |   |
| 3   | T146102  | LABEL       | 1   |                   | X       | (ENGLISH)   |
| 4   | R44302   | TIE BAND    | 1   |                   | X       |   |
| 5   | TY22471  | CLAMP       | 1   |                   | X       | (SUB FOR RE43166)   |
| 6   | RE45329  | COVER       | 1   |                   | X       | (USE WITH RE56053, RE65103 OR RE65176)                              |
| 7   | RE42777  | SWITCH      | 1   |                   | X       | (USE WITH RE56053, RE65103 OR RE65176) (NIPPONDENSO NO.053400-9891) |
| 8   | RE45330  | SWITCH      | 1   |                   | X       | (USE WITH RE56053, RE65103 OR RE65176)                              |
| 9   | T146106  | SAFETY SIGN | 1   |                   | X       | (ESPANOL)   |
|     | T146104  | SAFETY SIGN | 1   |                   | X       | (FRANCAIS)  |
|     | T146515  | SAFETY SIGN | 1   |                   | X       | (DEUTSCH)   |
|     | T146516  | SAFETY SIGN | 1   |                   | X       | (ITALIANO)  |
|     | T146517  | SAFETY SIGN | 1   |                   | X       | (ENGLISH/FRANCAIS)  |

MEMORANDA  
MEMORANDA  
MEMORANDA  
MEMORANDA  
MEMORANDA

# 3120

ALTERNATOR, STARTER, BATTERY AND BATTERY CABLES

STARTING MOTOR(8100,8200,8300,8400)  
MOTEUR DU DEMARREUR(8100,8200,8300,8400)  
ANLASSER (8100,8200,8300,8400)  
MOTORE D'AVVIAMENTO(8100,8200,8300,8400)  
MOTOR DE ARRANQUE(8100,8200,8300,8400)  
STARTMOTOR(8100,8200,8300,8400)  
RGP4851 -UN-11FEB97

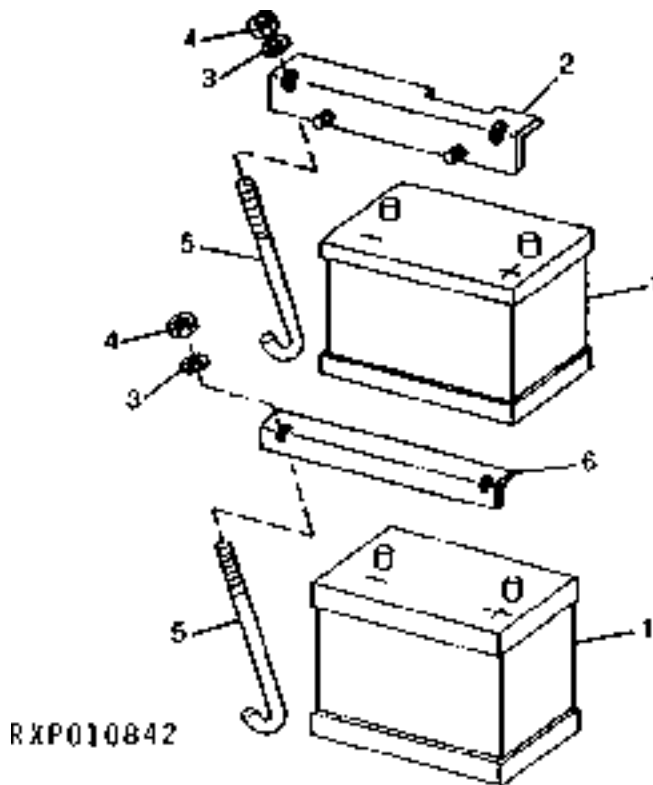


# 3121

## ALTERNATOR, STARTER, BATTERY AND BATTERY CABLES

| KEY | PART NO. | PART NAME         | QTY | ENGINE<br>SERIAL NO. | A<br>L<br>L | REMARKS  |
|-----|----------|-------------------|-----|----------------------|-------------|--|
| 1   | E55662   | FLANGE NUT        | 1   |                      | X           |  |
| 2   | 24H1303  | WASHER            | 2   |                      | X           | 13/32" X 11/16" X 0.065"   |
| 3   | 19H3219  | CAP SCREW         | 2   |                      | X           | 3/8" X 1-3/8"  |
| 4   | T146102  | LABEL             | 1   |                      | X           | (ENGLISH)  |
| 5   | R96703   | TIE BAND          | 1   |                      | X           |  |
| 6   | RE70756  | KIT               | 1   |                      | X           |  |
| 7   | RE70957  | STARTER MOTOR KIT | 1   |                      | X           | (MARKED RE69704) (SUB FOR RE65103)<br>(NIPPONDENSO NO.228000-6530) |
| 8   | T146106  | SAFETY SIGN       | 1   |                      | X           | (ESPANOL)  |
|     | T146104  | SAFETY SIGN       | 1   |                      | X           | (FRANCAIS)   |
|     | T146515  | SAFETY SIGN       | 1   |                      | X           | (DEUTSCH)  |
|     | T146516  | SAFETY SIGN       | 1   |                      | X           | (ITALIANO)   |
|     | T146517  | SAFETY SIGN       | 1   |                      | X           | (ENGLISH/FRANCAIS)   |
| 9   | R135510  | O-RING            | 1   |                      | X           |  |
| 10  | RE70487  | CLUTCH            | 1   |                      | X           |  |
| 11  | R135509  | SEAL              | 1   |                      | X           |  |
| 12  | RE70486  | SWITCH            | 1   |                      | X           |  |
| 13  | R114130  | STUD              | 1   |                      | X           |  |

BATTERY  
 BATTERIE  
 BATTERIE  
 BATTERIA  
 BATERIA  
 BATTERI  
 RXP010842 -UN-01JAN94



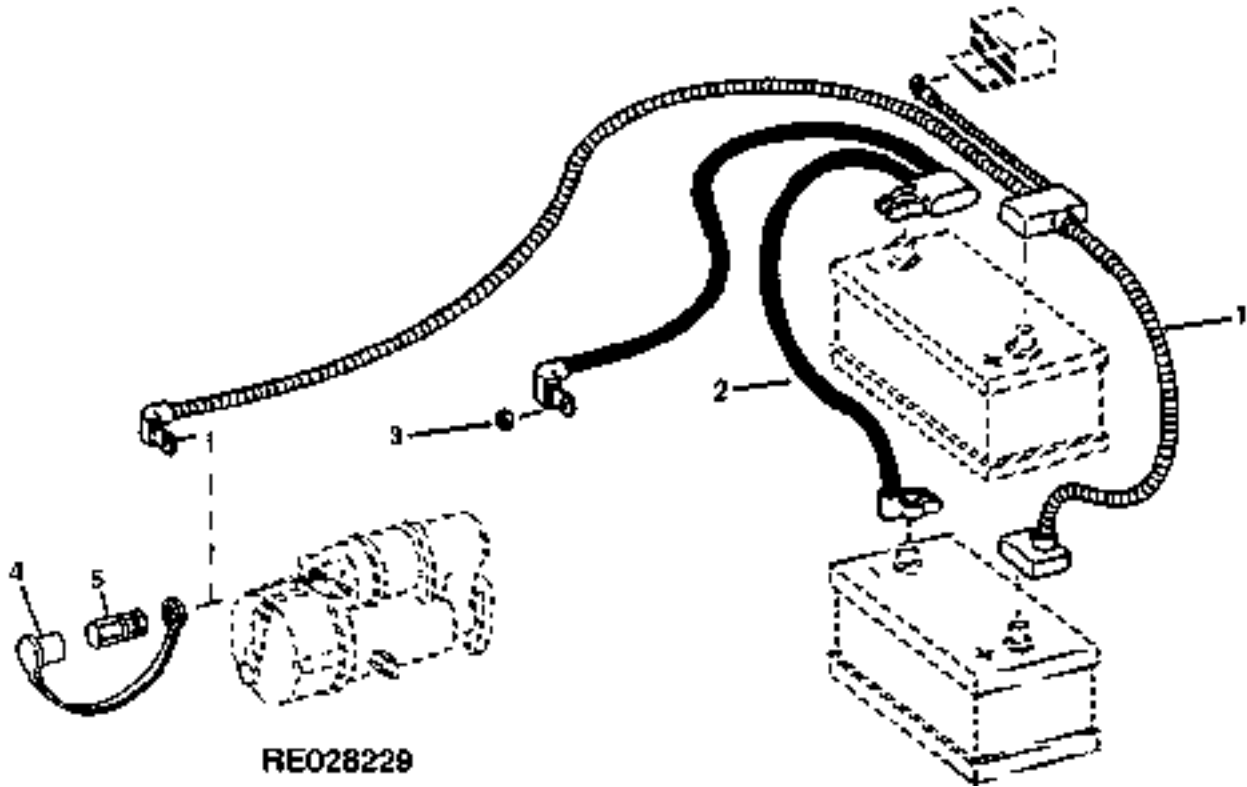
| KEY | PART NO. | PART NAME | QTY | TRACTOR SERIAL NO. | A<br>L<br>L | REMARKS            |
|-----|----------|-----------|-----|--------------------|-------------|--------------------|
| 1   | TY6128   | BATTERY   | 2   |                    | X           | (A) 12V            |
| 2   | RE55999  | BRACKET   | 1   |                    | X           |                    |
| 3   | 24M7088  | WASHER    | 4   |                    | X           |                    |
| 4   | 14M7272  | NUT       | 4   |                    | X           | M6                 |
| 5   | M71107   | HOOK BOLT | 4   |                    | X           |                    |
| 6   | R119989  | ANGLE     | 1   |                    | X           |                    |
| ..  | R125472  | TAG       | 1   |                    | X           | (ENGLISH)          |
| ..  | R120119  | TAG       | 1   |                    | X           | (FRANCAIS/ENGLISH) |
| ..  | R120120  | TAG       | 1   |                    | X           | (ESPANOL)          |

(A)950 COLD CRANKING AMPS  
 950 AMPERES EN DEMARRAGE A FROID  
 950 KALTSTART AMPERES  
 MOTORINO DI AVVIAMENTO 950  
 950 AMP DE ARRANQUE EN FRIO  
 STARTSTROEM,KALL MOTOR

# 3123

ALTERNATOR, STARTER, BATTERY AND BATTERY CABLES

BATTERY CABLES  
 BATTERIE CABLES  
 BATTERIE KABEL  
 BATERIA CABLES  
 BATTERIA CAVI  
 BATTERI KABELVAJRAR  
 RE028229 -UN-20AUG97



| KEY | PART NO. | PART NAME | QTY | TRACTOR<br>SERIAL NO. | A | REMARKS   |
|-----|----------|-----------|-----|-----------------------|---|---|
|     |          |           |     |                       | L |   |
| 1   | RE44581  | CABLE     | 1   | -XXXXXX               | X | (A) (+)   |
|     | RE71543  | CABLE     | 1   | XXXXXX-               | X | (B) (+)   |
| 2   | RE44582  | CABLE     | 1   |                       | X | (-)   |
| 3   | 14M7274  | NUT       | 1   |                       | X | M10   |
| 4   | R96066   | COVER     | 1   |                       | X |   |
| 5   | RE39659  | TERMINAL  | 1   |                       | X | (USE WITH RE56053, RE65103, RE65176 OR<br>TY6781) (+) |
|     | R135871  | TERMINAL  | 1   |                       | X | (USE WITH RE70957) (+)                                |

(A)(-XXXXXX)8100-012002;8200-011672;8300-012165;8400-012257  
 (B)(XXXXXX-)8100-012003;8200-011673;8300-012166;8400-012258

MEMORANDA  
MEMORANDA  
MEMORANDA  
MEMORANDA  
MEMORANDA



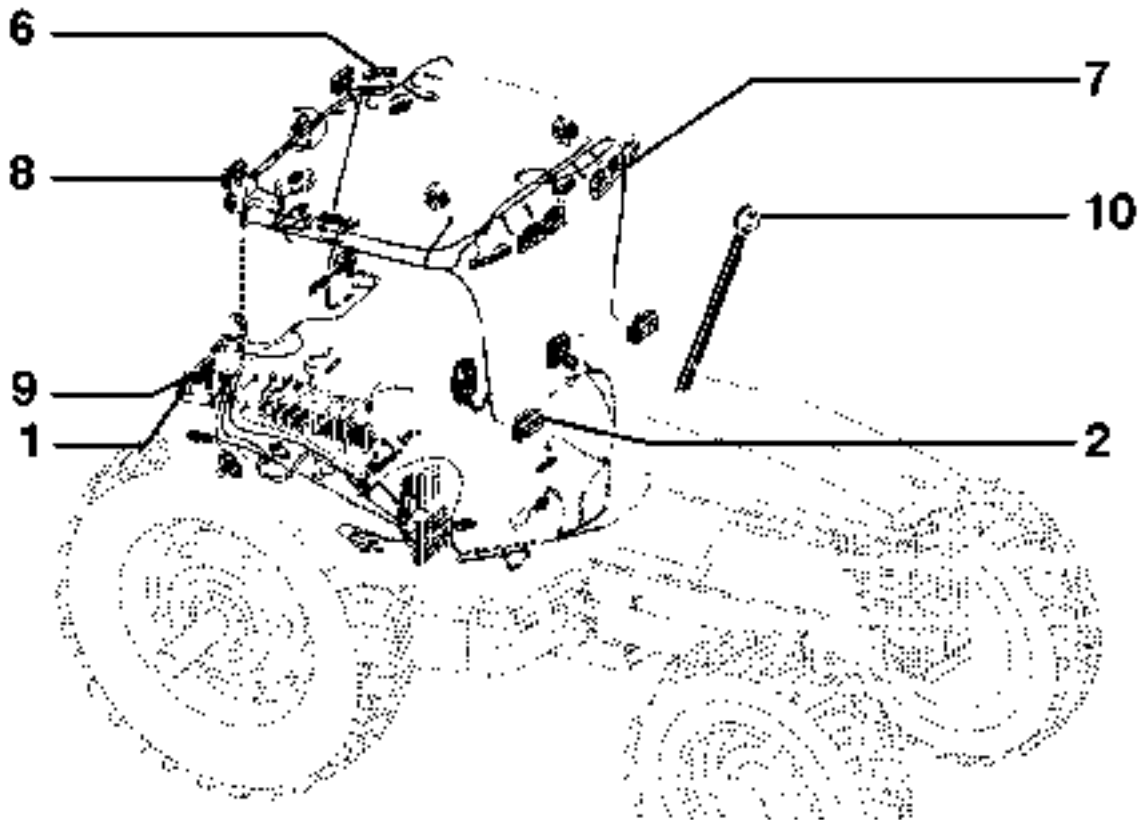
# 4D3

LIGHTS

SECTIONAL INDEX  
GRUPPENINDEX  
INDEX DE SECTION  
INDICE DELLA SEZIONE  
INDICE DE SECCION  
GRUPPSFORTECKNING

RE029268 -UN-10MAY99

|      |      |
|------|------|
| 1 -  | 4D5  |
| 2 -  | 4D8  |
| 3 -  | 4D12 |
| 4 -  | 4D15 |
| 5 -  | 4D16 |
| 6 -  | 4D18 |
| 7 -  | 4D19 |
| 8 -  | 4D20 |
| 9 -  | 4D22 |
| 10 - | 4D24 |



RE029268

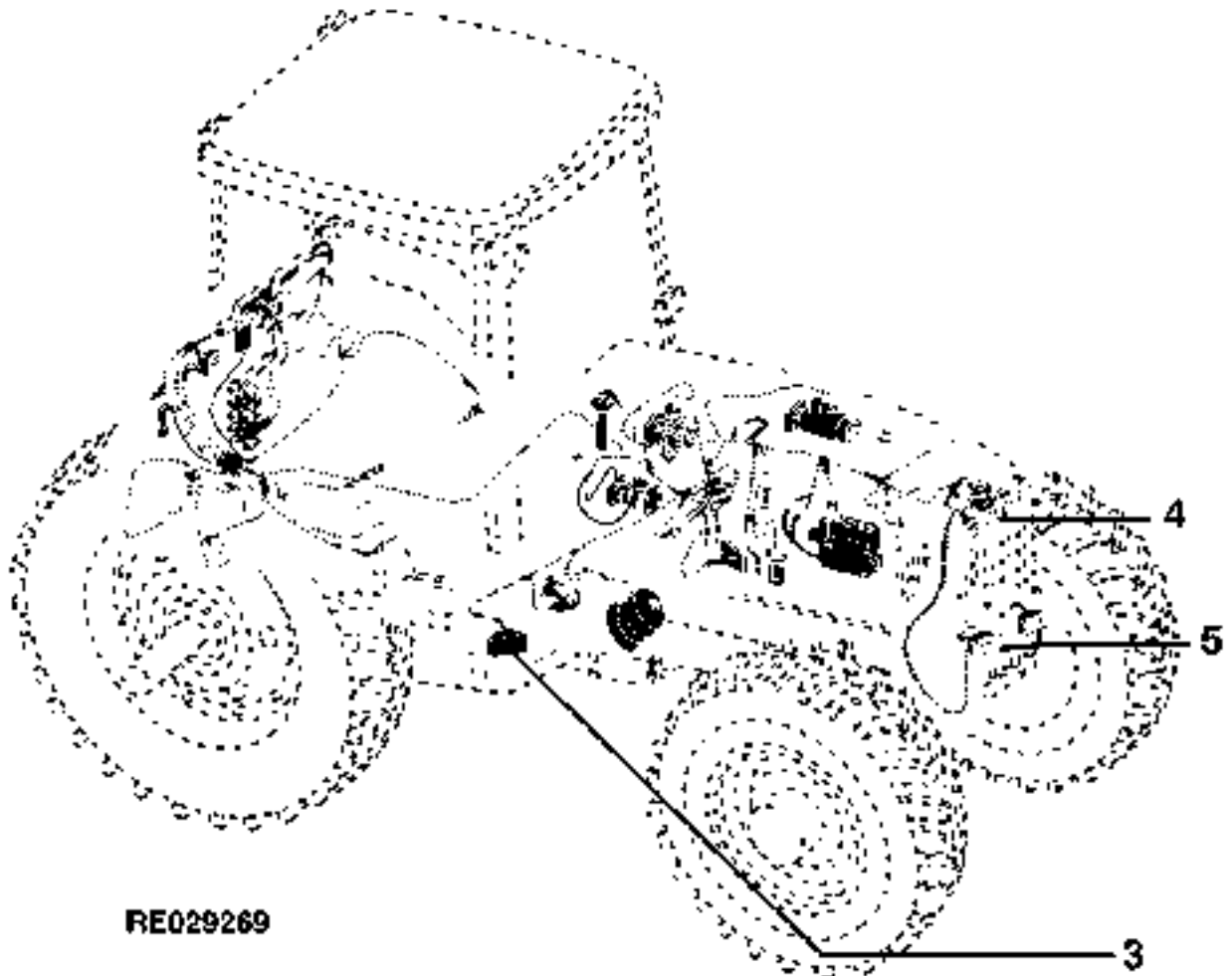
# 4D4

LIGHTS

SECTIONAL INDEX  
GRUPPENINDEX  
INDEX DE SECTION  
INDICE DELLA SEZIONE  
INDICE DE SECCION  
GRUPPSFORTECKNING

RE029269 -UN-10MAY99

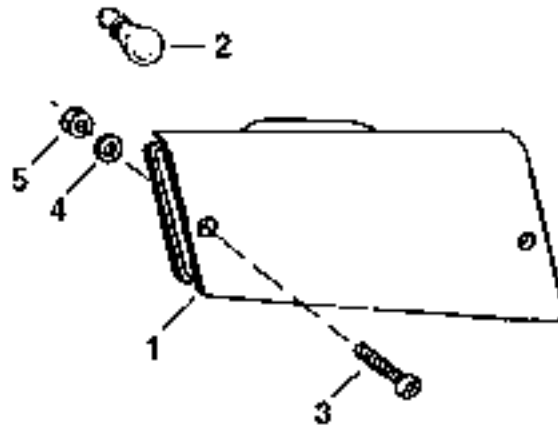
|      |      |
|------|------|
| 1 -  | 4D5  |
| 2 -  | 4D8  |
| 3 -  | 4D12 |
| 4 -  | 4D15 |
| 5 -  | 4D16 |
| 6 -  | 4D18 |
| 7 -  | 4D19 |
| 8 -  | 4D20 |
| 9 -  | 4D22 |
| 10 - | 4D24 |



# 4D5

LIGHTS

TAIL LIGHTS(NORTH AMERICAN VERSION)  
 FEUX ARRIERE(VERSION NORD AMERICAINE)  
 SCHLUSSLEUCHTEN(NORDAMERIKANISCHE AUSFUEHRUNG)  
 LUCI CODA(VERSIONE NORDAMERICANA)  
 LUCES PILOTO TRASERAS(VERSION NORTEAMERICANA)  
 BAKLJUS(NORDAMERIKANSK VERSION)  
 RE026519 -UN-15SEP95



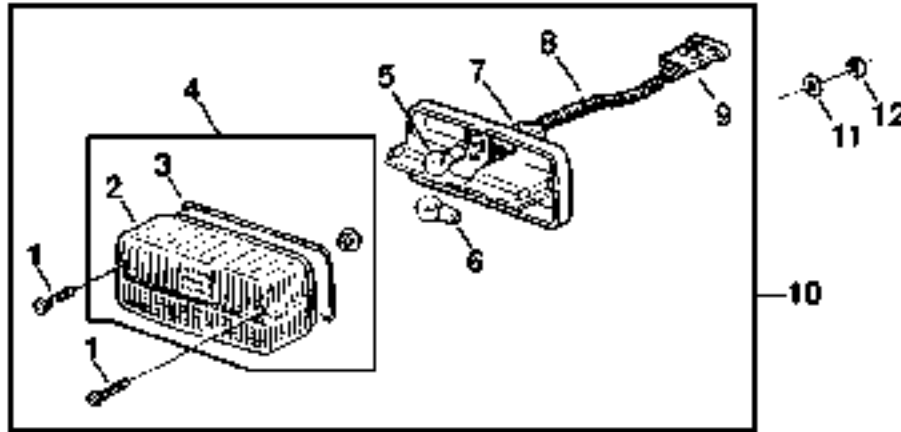
**RE026519**

| KEY | PART NO. | PART NAME | QTY | TRACTOR<br>SERIAL NO. | A |                   |
|-----|----------|-----------|-----|-----------------------|---|-------------------|
|     |          |           |     |                       | L | REMARKS           |
| 1   | RE48954  | LENS      | 1   |                       | X | RH                |
|     | RE48955  | LENS      | 1   |                       | X | LH                |
| 2   | RE49778  | BULB      | 1   |                       | X | (GE3157)          |
| 3   | R131432  | SCREW     | 2   |                       | X | (SUB FOR R115908) |
| 4   | 24M7262  | WASHER    | 2   |                       | X | 5.300 X 10 X 1 MM |
| 5   | 14M7265  | LOCK NUT  | 2   |                       | X | M5                |

# 4D6

LIGHTS

TAIL LIGHT(EUROPEAN VERSION)(8100,8200,8200,8400 -009999)  
 FEUX ARRIERE(VERSION EUROPEENNE)(8100,8200,8200,8400 -009999)  
 SCHLUSSEUCHTEN(EUROPAEISCHE AUSFUEHRUNG)(8100,8200,8200,8400 -009999)  
 LUCI CODA(VERSIONE EUROPEA)(8100,8200,8200,8400 -009999)  
 LUCES PILOTO TRASERAS(VERSION EUROPEA)(8100,8200,8200,8400 -009999)  
 BAKLJUS(EUROPEISK VERSION)(8100,8200,8200,8400 -009999)  
 RE028292 -UN-05SEP97

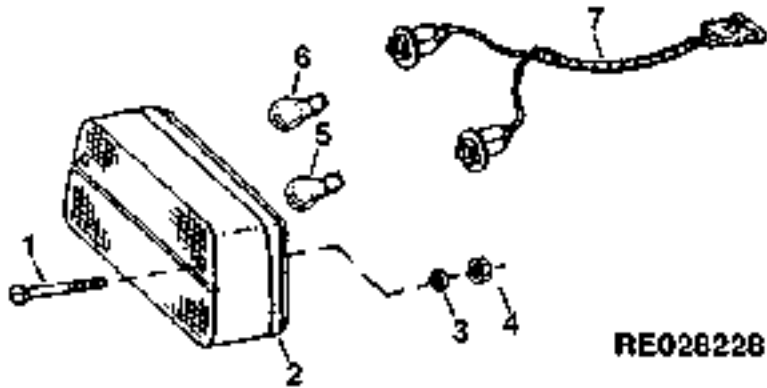


**RE028292**

| KEY | PART NO. | PART NAME      | QTY | TRACTOR<br>SERIAL NO. | A | REMARKS   |
|-----|----------|----------------|-----|-----------------------|---|---|
|     |          |                |     |                       | L |   |
| 1   | 37M7177  | SCREW          | 2   |                       | X |   |
| 2   | AL112474 | LENS           | 1   |                       | X | (SUB FOR AL78137)                                 |
| 3   | L79690   | GASKET         | 1   |                       | X |   |
| 4   | AL112011 | TAIL LAMP      | 1   |                       | X | (SUB FOR AL75405)                                 |
| 5   | 57M7014  | BULB           | 1   |                       | X | 21W   |
| 6   | 57M7011  | BULB           | 1   |                       | X | 21W/5W  |
| 7   | 57M7349  | CONNECTOR      | 1   |                       | X | (ALSO ORDER 57M7347, (4) R104846 AND (4) 57M7258) |
| 8   | AL113022 | WIRING HARNESS | 1   |                       | X | (USE WITH AL112964)                               |
| 9   | 57M7244  | CONNECTOR      | 1   |                       | X | (ALSO ORDER 57M7318, (4) R104919 AND (4) 57M7258) |
| 10  | AL112964 | TAIL LAMP      | 2   |                       | X | (SUB FOR AL77138 OR AL112012)                     |
| 11  | 24M7333  | WASHER         | 4   |                       | X | 5.300 X 10 X 1 MM                                 |
| 12  | 14M7480  | NUT            | 4   |                       | X | M5  |

# 4D7

TAIL LIGHT(EUROPEAN VERSION)(8100,8200,8300,8400 010000-)  
 FEUX ARRIERE(VERSION EUROPEENNE)(8100,8200,8300,8400 010000-)  
 SCHLUSSEUCHTEN(EUROPAEISCHE AUSFUEHRUNG)(8100,8200,8300,8400 010000-)  
 LUCI CODA(VERSIONE EUROPEA)(8100,8200,8300,8400 010000-)  
 LUCES PILOTO TRASERAS(VERSION EUROPEA)(8100,8200,8300,8400 010000-)  
 BAKLJUS(EUROPEISK VERSION)(8100,8200,8300,8400 010000-)  
 RE028228 -UN-06AUG97

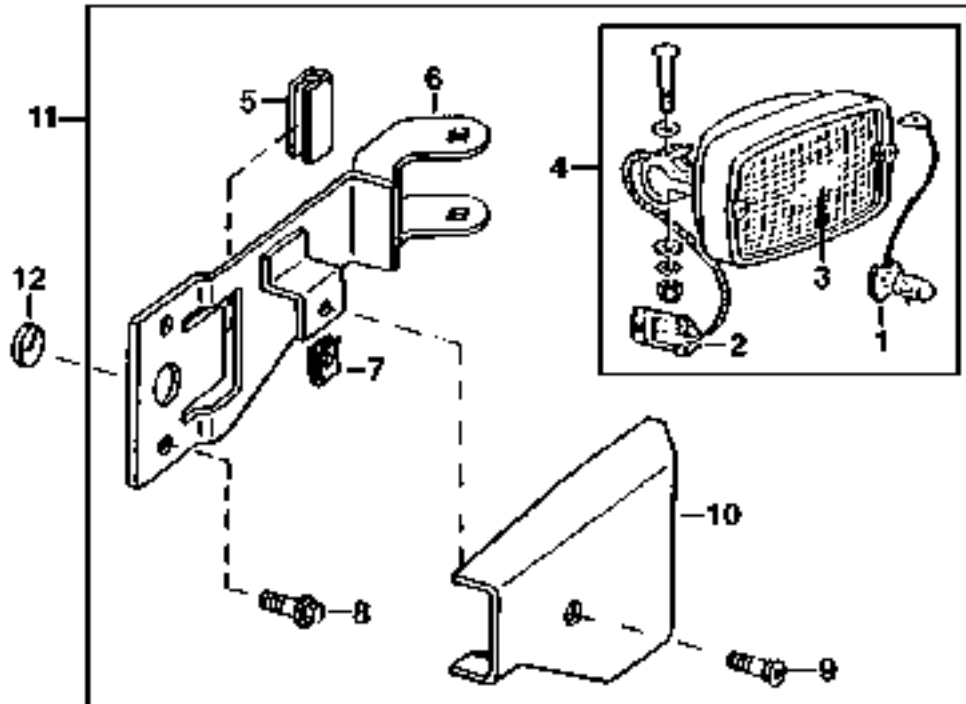


| KEY | PART NO. | PART NAME      | QTY | TRACTOR<br>SERIAL NO. | A | REMARKS               |
|-----|----------|----------------|-----|-----------------------|---|-----------------------|
|     |          |                |     |                       | L |                       |
| 1   | 21M7452  | SCREW          | 4   |                       | X | M6 X 90               |
| 2   | RE67285  | LENS           | 2   |                       | X |                       |
| 3   | 24M7244  | WASHER         | 4   |                       | X | 6.400 X 12 X 1.600 MM |
| 4   | 14M7480  | NUT            | 4   |                       | X | M5                    |
| 5   | R133301  | BULB           | 2   |                       | X | 21W (GE1057)          |
| 6   | R133302  | BULB           | 2   |                       | X | 21W/5W (GE1077)       |
| 7   | RE71246  | WIRING HARNESS | 2   |                       | X | (SUB FOR RE69341)     |

# 4D8

LIGHTS

WORKLAMPS(CAB)(NORTH AMERICAN VERSION)(8100 -00280 1;8200 -002215;8300 -003900;8400 -002531)  
 PROJECTEURS DE TRAVAIL(CABINE)(VERSION N. A.)(8100 -002801;8200 -002215;8300 -003900;8400 -002531)  
 ARBEITSLEUCHTEN(FAHRERKABINE)(NORD A.)(8100 -002801;8200 -002215;8300 -003900;8400 -002531)  
 FANALI DI LAVORO(CABINA)(VERSIONE N.A.)(8100 -002801;8200 -002215;8300 -003900;8400 -002531)  
 LUCES DE TRABAJO(CABINA)(VERSION N.A.)(8100 -002801;8200 -002215;8300 -003900;8400 -002531)  
 ARBETSLYKTOR(HYTT)(N.A. VERSION)(8100 -002801;8200 -002215;8300 -003900;8400 -002531)  
 RE026685 -UN-19DEC95



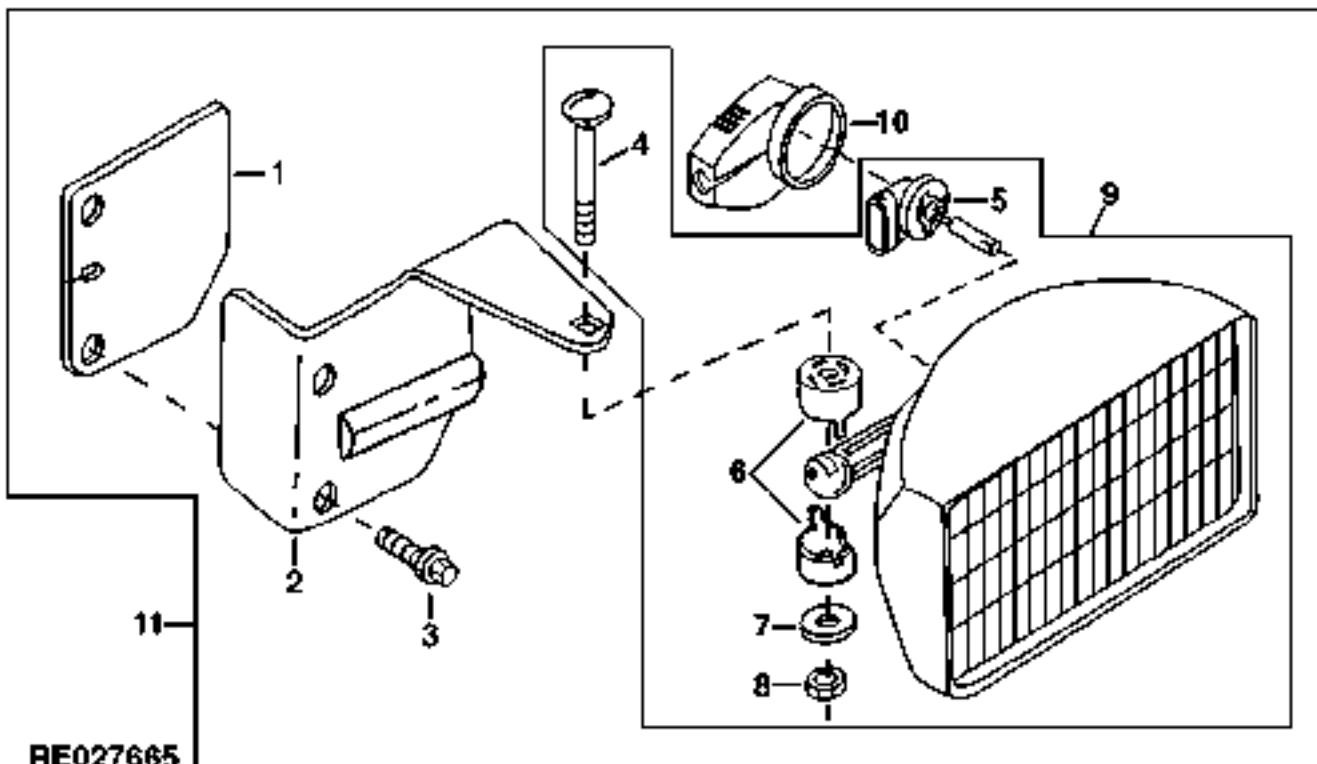
**RE026685**

| KEY       | PART NO.        | PART NAME  | QTY      | TRACTOR<br>SERIAL NO. | A        |   |
|-----------|-----------------|------------|----------|-----------------------|----------|---|
|           |                 |            |          |                       | L        | REMARKS                                   |
| 1         | AT130104        | BULB       | 1        |                       | X        | 55W                                       |
| 2         | 57M7256         | CONNECTOR  | 1        |                       | X        | (ALSO ORDER R104919, 57M7258 AND 57M7289) |
| 3         | RE60765         | LENS       | 1        |                       | X        |   |
| 4         | RE48985         | FLOODLAMP  | 1        |                       | X        | LH  |
|           | RE48986         | FLOODLAMP  | 1        |                       | X        | RH  |
| 5         | RE56284         | ISOLATOR   | 1        |                       | X        |   |
| 6         | RE60627         | BRACKET    | 1        |                       | X        | LH  |
|           | RE60628         | BRACKET    | 1        |                       | X        | RH  |
| 7         | R115945         | NUT        | 1        |                       | X        |   |
| 8         | 19M7867         | SCREW      | 2        |                       | X        |   |
| 9         | 37M7243         | SCREW      | 1        |                       | X        | HS 10.9                                   |
| 10        | R120201         | COVER      | 1        |                       | X        |   |
|           | R120283         | COVER      | 1        |                       | X        |   |
| <b>11</b> | <b>AR112611</b> | <b>KIT</b> | <b>1</b> |                       | <b>X</b> | <b>(SUB AR115340) (FI)</b>                |
| 12        | R130562         | GROMMET    | 1        |                       | X        | (SUB FOR R124719)                         |

# 4D9

LIGHTS

WORKLAMPS(CAB)(NORTH AMERICAN VERSION) (8100 002802-;8300 002216-;8300 003901-;8400 003232-)  
 PROJECTEURS DE TRAVAIL(CABINE)(VERSION N.A.)(8100 002802-;8300 002216-;8300 003901-;8400 003232-)  
 ARBEITSLEUCHTEN(FAHRERKABINE)(NORD A. )(8100 002802-;8200 002216-;8300 003901-;8400 003232-)  
 FANALI DI LAVORO(CABINA)(VERSIONE N.A.)(8100 002802-;8200 002216-;8300 003901-;8400 003232-)  
 LUCES DE TRABAJO(CABINA)(VERSION N.A.)(8100 002802-;8200 002216-;8300 003901-;8400 003232-)  
 ARBETSLYKTOR(HYTT)(N.A. VERSION)(8100 002802-;8200 002216-;8300 003901-;8400 003232-)  
 RE027665 -UN-13MAR97



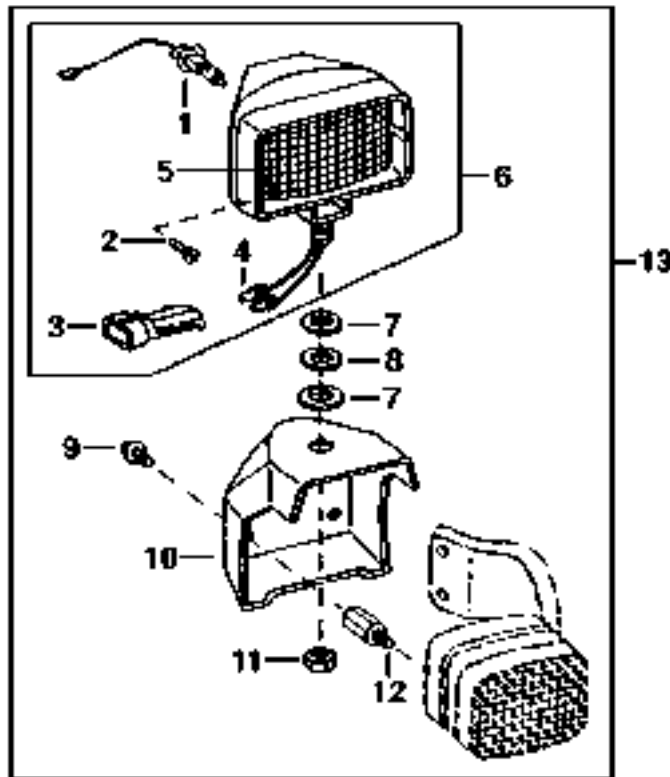
**RE027665**

| KEY | PART NO.        | PART NAME   | QTY | CAB<br>SERIAL NO. | A | REMARKS                                       |
|-----|-----------------|-------------|-----|-------------------|---|---|
|     |                 |             |     |                   | L |   |
| 1   | R128326         | GASKET      | 1   |                   | X |   |
| 2   | R127195         | BRACKET     | 1   |                   | X | R.H.  |
|     | R127194         | BRACKET     | 1   |                   | X | L.H.  |
| 3   | 37M7265         | SCREW       | 2   |                   | X | M8 X 25                                       |
| 4   | 03M7280         | BOLT        | 1   |                   | X |   |
| 5   | R136239         | BULB        | 1   |                   | X | (SUB FOR 57M7358, THIS APPLICATION) (GE 888X) |
| 6   | R122487         | BASE        | 1   |                   | X |   |
| 7   | L37975          | LOCK WASHER | 1   |                   | X |   |
| 8   | 14M7165         | LOCK NUT    | 1   |                   | X | M6  |
| 9   | R122488         | BOOT        | 1   |                   | X |   |
| 10  | RE150425        | FLOODLAMP   | 1   |                   | X | (SUB FOR RE51239 OR RE71420)                  |
| 11  | <b>AR115340</b> | <b>KIT</b>  | 1   |                   | X | <b>(FI)</b>                                   |

# 4D10

LIGHTS

WORKLAMPS(CAB)(EUROPEAN VERSION)(8100- 002801;8200 -002215;8300 -003900;8400 -002531)  
 PROJECTEURS DE TRAVAIL(CABINE)(VERSION E.)(8100 -002801;8200 -002215;8300 -003900;8400 -002531)  
 ARBEITSLEUCHTEN(FAHRERKABINE)(E. AUSFUEHRUNG)(8100 -002801;8200 -002215;8300 -003900;8400 -002531)  
 FANALI DI LAVORO(CABINA)(VERSIONE EUROPEA)(8100 -002801;8200 -002215;8300 -003900;8400 -002531)  
 LUCES DE TRABAJO(CABINA)(VERSION EUROPEA)(8100 -002801;8200 -002215;8300 -003900;8400 -002531)  
 ARBETSLYKTOR(HYTT)(EUROPEISK VERSION)(8100 -002801;8200 -002215;8300 -003900;8400 -002531)  
 RE026628 -UN-19DEC95



**RE026628**

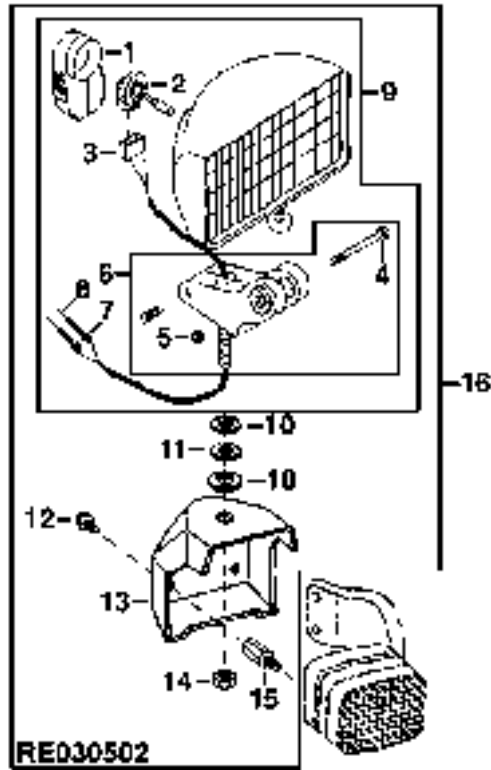
| KEY | PART NO.        | PART NAME       | QTY | TRACTOR<br>SERIAL NO. | A        | REMARKS                                    |
|-----|-----------------|-----------------|-----|-----------------------|----------|--|
|     |                 |                 |     |                       | L        |  |
| 1   | AT130104        | BULB            | 1   |                       | X        |  |
| 2   | 37M7217         | SCREW           | 2   |                       | X        |  |
| 3   | 57M7256         | CONNECTOR       | 1   |                       | X        | (ALSO ORDER 57M7316)                       |
| 4   | R104919         | PIN CONTACT     | 2   |                       | X        |  |
|     | 57M7258         | ELECTRICAL PLUG | 2   |                       | X        |  |
| 5   | RE60765         | LENS            | 1   |                       | X        |  |
| 6   | RE48989         | FLOODLAMP       | 2   |                       | X        |  |
|     | 12H301          | LOCK WASHER     | 2   |                       | X        | 1/2"                                       |
| 8   | 24M7047         | WASHER          | 4   |                       | X        | 13 X 24 X 2.500 MM                         |
| 9   | 21M7460         | SCREW           | 4   |                       | X        | M5 X 40                                    |
| 10  | L113561         | BRACKET         | 2   |                       | X        | (SUB FOR R112586) (ALSO ORDER (2) 21M7460) |
| 11  | 14M7319         | LOCK NUT        | 2   |                       | X        | M12  |
| 12  | L113561         | BRACKET         | 2   |                       | X        | (SUB FOR L79568)                           |
| 13  | <b>AR113536</b> | <b>KIT</b>      | 1   |                       | <b>X</b> | <b>(FI)</b>                                |



# 4D11

LIGHTS

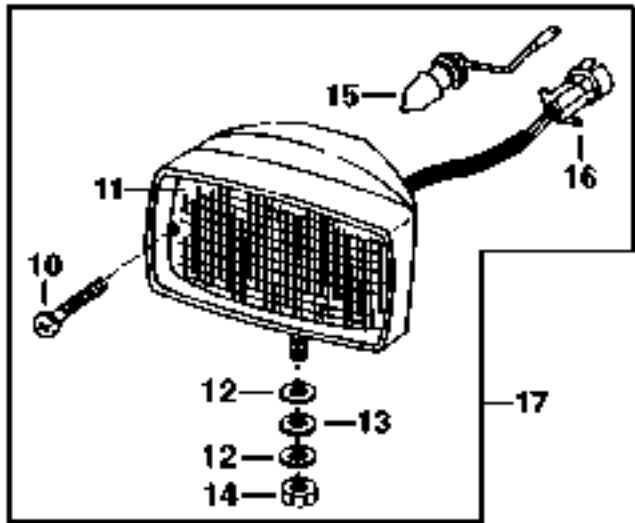
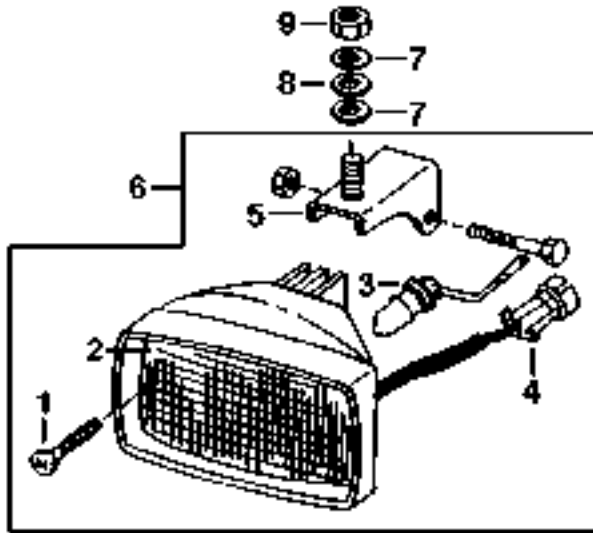
WORKLAMPS(CAB)(EUROPEAN VERSION)(8100 002802-; 8200 002216-;8300 003901-;8400 002532-)  
 PROJECTEURS DE TRAVAIL(CABINE)(VERSION E.)(8100 002802-;8200 002216-;8300 003901-;8400 002532-)  
 ARBEITSLEUCHTEN(FAHRERKABINE)(E. AUSFUEHRUNG)(8100 002802-;8200 002216-;8300 003901-;8400 002532-)  
 FANALI DI LAVORO(CABINA)(VERSIONE EUROPEA)(8100 002802-;8200 002216-;8300 003901-;8400 002532-)  
 LUCES DE TRABAJO(CABINA)(VERSION EUROPEA)(8100 002802-;8200 002216-;8300 003901-;8400 002532-)  
 ARBETSLYKTOR(HYTT)(EUROPEISK VERSION)(8100 002802-;8200 002216-;8300 003901-;8400 002532-)  
 RE030502 -UN-27APR99



| KEY | PART NO. | PART NAME       | QTY | TRACTOR SERIAL NO. | A |   |
|-----|----------|-----------------|-----|--------------------|---|---|
|     |          |                 |     |                    | L | REMARKS                                       |
| 1   | R122488  | BOOT            | 1   |                    | X |   |
| 2   | R136239  | BULB            | 1   |                    | X | (SUB FOR 57M7358, THIS APPLICATION) (GE 888X) |
| 3   | 57M7344  | CONNECTOR       | 1   |                    | X | (ALSO ORDER (2) 57M7297 AND (2) Z44689)       |
| 4   | 19M7320  | CAP SCREW       | 1   |                    | X | M6 X 40                                       |
| 5   | 14M7165  | LOCK NUT        | 1   |                    | X | M6  |
| 6   | RE58619  | BASE            | 1   |                    | X |   |
| 7   | 57M7258  | ELECTRICAL PLUG | 2   |                    | X |   |
| 8   | R104919  | PIN CONTACT     | 2   |                    | X | (SUB FOR 57M7252)                             |
| 9   | RE151346 | FLOODLAMP       | 1   |                    | X | (SUB FOR RE51240, RE71421 OR RE150421)        |
| 10  | 24M7047  | WASHER          | 4   |                    | X |   |
| 11  | 12H301   | LOCK WASHER     | 2   |                    | X | 1/2"  |
| 12  | 21M7460  | SCREW           | 4   |                    | X | M5 X 40                                       |
| 13  | L113561  | BRACKET         | 2   |                    | X | (SUB FOR R112586) (ALSO ORDER (2) 21M7460)    |
| 14  | 14M7168  | LOCK NUT        | 2   |                    | X | M12   |
| 15  | L113561  | BRACKET         | 2   |                    | X | (SUB FOR L79568)                              |
| 16  | AR115337 | KIT             | 1   |                    | X | (FI)  |

# 4D12

WORKLAMPS(LOWER MID-BODY)(8100- 002801;8200- 002215;8300- 003900;8400 - 002531)  
 PROJECTEURS DE TRAVAIL(CEINTURE INFERIEURE(8100 -002801;8200 -002215;8300 -003900;8400 -002531)  
 ARBEITSLEUCHTEN(UNTERE MITTELLINIE)(8100 -002801;8200 -002215;8300 -003900;8400 -002531)  
 FANALI DI LAVORO(META' TELAIO INFERIORE)(8100 -002801;8200 -002215;8300 -003900;8400 -002531)  
 LUCES DE TRABAJO(CARROCERIA CENTRAL INFERIOR)(8100 -002801;8200 -002215;8300 -003900;8400 -002531)  
 ARBETSLYKTOR(UNDRE MITTKAROSSERI)(8100 -002801;8200 -002215;8300 -003900;8400 -002531)  
 RE026629 -UN-19DEC95



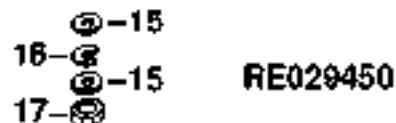
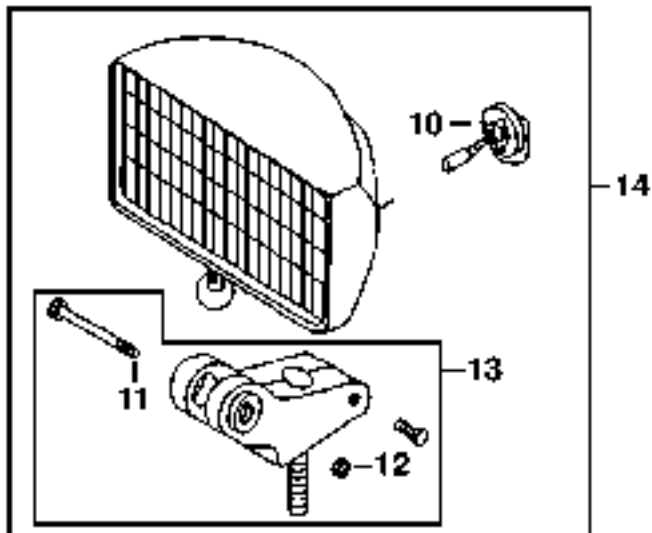
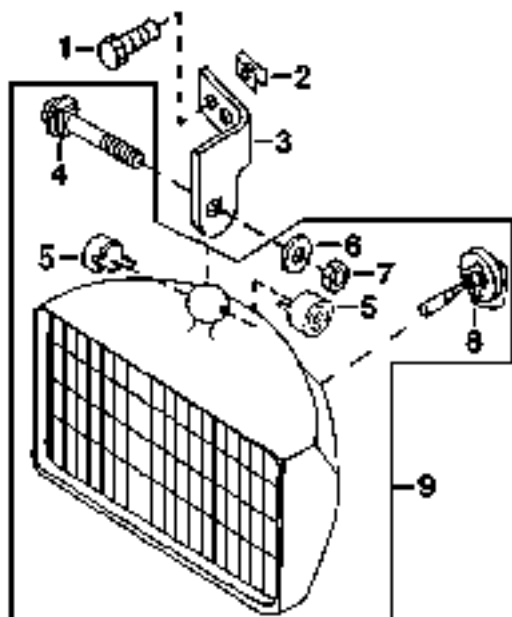
**RE026629**

| KEY | PART NO. | PART NAME   | QTY | TRACTOR SERIAL NO. | A |   |
|-----|----------|-------------|-----|--------------------|---|---|
|     |          |             |     |                    | L | REMARKS   |
| 1   | 37M7217  | SCREW       | 2   |                    | X |   |
| 2   | RE60765  | LENS        | 1   |                    | X |   |
| 3   | AT130104 | BULB        | 1   |                    | X |   |
| 4   | 57M7256  | CONNECTOR   | 1   |                    | X | (ALSO ORDER (2) R104919, (2) 57M7258 AND 57M7289) |
| 5   | RE52434  | BRACKET     | 1   |                    | X |   |
| 6   | RE61164  | FLOODLAMP   | 1   |                    | X | R.H.  |
| 7   | 24M7047  | WASHER      | 2   |                    | X | 13 X 24 X 2.500 MM                                |
| 8   | 12H301   | LOCK WASHER | 1   |                    | X | 1/2"  |
| 9   | 14M7319  | LOCK NUT    | 1   |                    | X | M12   |
| 10  | 37M7217  | SCREW       | 2   |                    | X |   |
| 11  | RE60765  | LENS        | 1   |                    | X |   |
| 12  | 24M7047  | WASHER      | 2   |                    | X | 13 X 24 X 2.500 MM                                |
| 13  | 12H301   | LOCK WASHER | 1   |                    | X | 1/2"  |
| 14  | 14M7168  | LOCK NUT    | 1   |                    | X | M12   |
| 15  | AT130104 | BULB        | 1   |                    | X |   |
| 16  | 57M7256  | CONNECTOR   | 1   |                    | X | (ALSO ORDER (2) R104919, (2) 57M7258 AND 57M7289) |
| 17  | RE61165  | FLOODLAMP   | 1   |                    | X | L.H.  |

# 4D13

LIGHTS

WORKLAMPS (LOWER MID-BODY)(8100 002802-;8200 002216-;8300 003901-;8400-002532-)  
 PROJECTEURS DE TRAVAIL(CEINTURE INFERIEURE)(8100 002802-;8200 002216-;8300 003901-;8400 002532-)  
 ARBEITSLEUCHTEN(UNTERE MITTELLINIE)(8100 002802-;8200 002216-;8300 003901-;8400 002532-)  
 FANALI DI LAVORO(META' TELAIO INFERIORE)(8100 002802-;8200 002216-;8300 003901-;8400 002532-)  
 LUCES DE TRABAJO(CARROCERIA CENTRAL INFERIOR)(8100 002802-;8200 002216-;8300 003901-;8400 002532-)  
 ARBETSLYKTOR(UNDRE MITTKAROSSE)(8100 002802-;8200 002216-;8300 003901-;8400 002532-)  
 RE029450 -UN-20APR98



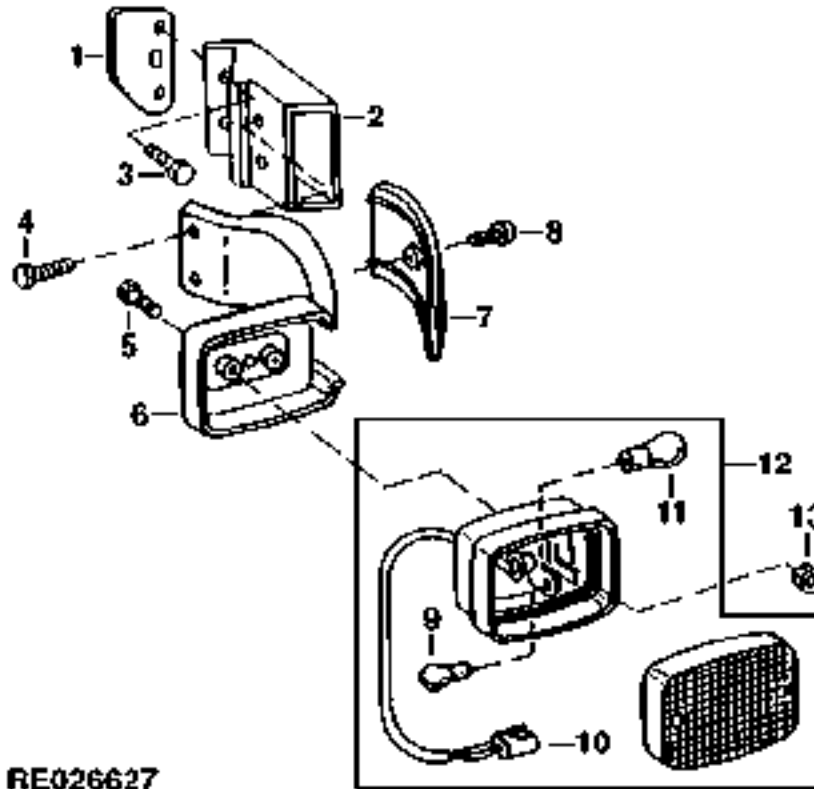
| KEY | PART NO. | PART NAME   | QTY | TRACTOR SERIAL NO. | A |   |
|-----|----------|-------------|-----|--------------------|---|---|
|     |          |             |     |                    | L | REMARKS   |
| 1   | 19M7862  | SCREW       | 2   |                    | X | M6 X 20   |
| 2   | R120332  | NUT         | 2   |                    | X |   |
| 3   | R130639  | ANGLE       | 1   |                    | X | (SUB FOR R122469)                                     |
| 4   | 03M7280  | BOLT        | 1   |                    | X | M6 X 45   |
| 5   | R122487  | BASE        | 1   |                    | X |   |
| 6   | L37975   | LOCK WASHER | 1   |                    | X |   |
| 7   | 14M7165  | LOCK NUT    | 1   |                    | X | M6  |
| 8   | R136239  | BULB        | 1   |                    | X | (SUB FOR RE44688, THIS APPLICATION)<br>(55W)(GE 888X) |
| 9   | R136238  | BULB        | 1   | -XXXXXX            | X | (A) (USE WITH RE60541) (55W)(GE 885X)                 |
|     | RE150428 | FLOODLAMP   | 1   |                    | X | (SUB FOR RE63957, RE66007, RE70054 OR RE71429) R.H.   |
| 10  | R136239  | BULB        | 1   |                    | X | (SUB FOR RE44688, THIS APPLICATION)<br>(55W)(GE 888X) |
|     | R136238  | BULB        | 1   | -XXXXXX            | X | (A) (USE WITH RE60541) (55W)(GE 885X)                 |
| 11  | 19M7320  | CAP SCREW   | 1   |                    | X | M6 X 40   |
| 12  | 14M7165  | LOCK NUT    | 1   |                    | X | M6  |
| 13  | RE58619  | BASE        | 1   |                    | X |   |
| 14  | RE150426 | FLOODLAMP   | 1   |                    | X | (SUB FOR RE58593, RE70044 OR RE71427) L.H.            |
| 15  | 24M7047  | WASHER      | 2   |                    | X | 13 X 24 X 2.500 MM                                    |
| 16  | 12H301   | LOCK WASHER | 1   |                    | X | 1/2"  |
| 17  | 14M7168  | LOCK NUT    | 1   |                    | X | M12   |

(A)( -XXXXXX)8100-002801;8200-002215;8300-003900;8400-002531

# 4D14

LIGHTS

DIRECTION INDICATOR LAMPS (CAB)(EUROPEAN VERSION)  
 FEUX DE CHANGEMENT DE DIRECTION(CABINE)(VERSION EUROPEENNE)  
 BLINKLEUCHTEN(FAHRERKABINE)(EUROPÄISCHE AUSFUEHRUNG)  
 FRECCHE(CABINA)(VERSIONE EUROPEA)  
 LUCES SENALIZADORAS DE DIRECCION(CABINA)(VERSION EUROPEA)  
 KOERRIKTNINGSVISARE(HYTT)(EUROPEISK VERSION)  
 RE026627 -UN-04DEC95



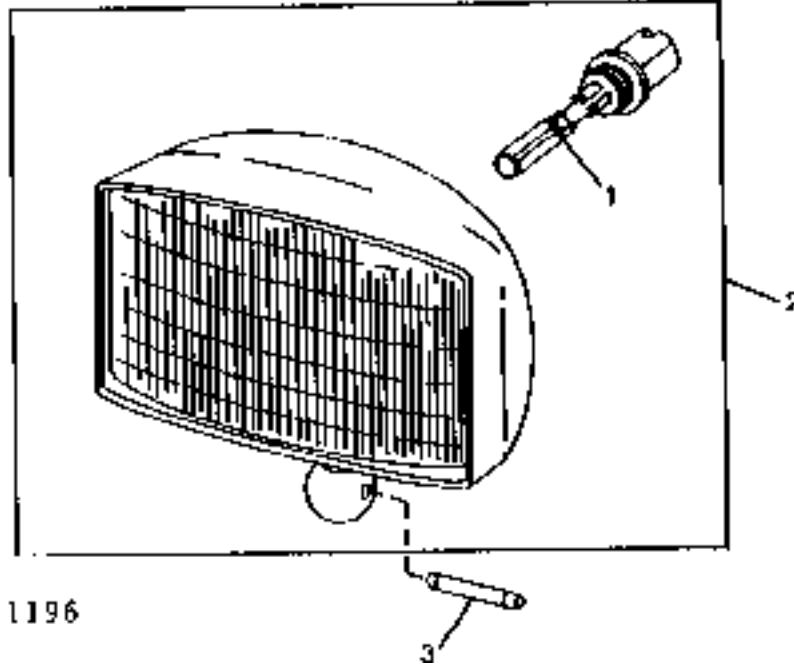
**RE026627**

| KEY | PART NO. | PART NAME        | QTY | TRACTOR SERIAL NO. |   | REMARKS   |
|-----|----------|------------------|-----|--------------------|---|---|
|     |          |                  |     | A                  | L |   |
| 1   | R128326  | GASKET           | 1   | X                  |   | (SUB FOR RE56284, THIS APPLICATION)               |
| 2   | R129869  | SUPPORT          | 1   | X                  |   | (SUB FOR R107336)                                 |
| 3   | 19M7867  | SCREW            | 2   | X                  |   | M8 X 25, HS 10.9                                  |
| 4   | 19M8327  | SCREW            | 2   | X                  |   | M8 X 25, HS 10.9                                  |
| 5   | 21M7309  | SCREW            | 2   | X                  |   | M5 X 16   |
| 6   | R110386  | BRACKET          | 1   | X                  |   |   |
| 7   | R110387  | COVER            | 1   | X                  |   |   |
| 8   | 21M7366  | SCREW            | 1   | X                  |   | M5 X 12   |
| 9   | 57M7013  | BULB             | 1   | X                  |   | 12V / 21W   |
| 10  | 57M7257  | CONNECTOR        | 1   | X                  |   | (ALSO ORDER (3) R104919, (3) 57M7258 AND 57M7317) |
| 11  | 57M7014  | BULB             | 1   | X                  |   | 12V / 5W  |
| 12  | AL75642  | TURN SIGNAL LAMP | 1   | X                  |   |   |
| 13  | 14M7265  | LOCK NUT         | 2   | X                  |   | M5  |

# 4D15

LIGHTS

HEADLIGHT(HOOD)  
 PHARE(CAPOT)  
 FRONTSCHINWERFER(HAUBE)  
 FARO(COFANO)  
 FARO DELANTERO(GANCHO)  
 STRAALKASTARE(HUVA)  
 RXP011196 -UN-01JAN94



RXP011196

| KEY | PART NO. | PART NAME     | QTY | TRACTOR<br>SERIAL NO. | A | REMARKS   |
|-----|----------|---------------|-----|-----------------------|---|---|
|     |          |               |     |                       | L |   |
| 1   | R136238  | BULB          | 1   |                       | X | (SUB FOR RE44688, THIS APPLICATION) (55W)<br>(GE885X) |
| 2   | RE150422 | HEADLIGHT     | 2   |                       | X | (A) (SUB FOR RE61243 OR RE71422)                      |
|     | RE150423 | FLOODLAMP     | 2   |                       | X | (B) (SUB FOR RE61244 OR RE71423)                      |
| 3   | R43244   | NEEDLE ROLLER | 4   |                       | X |   |

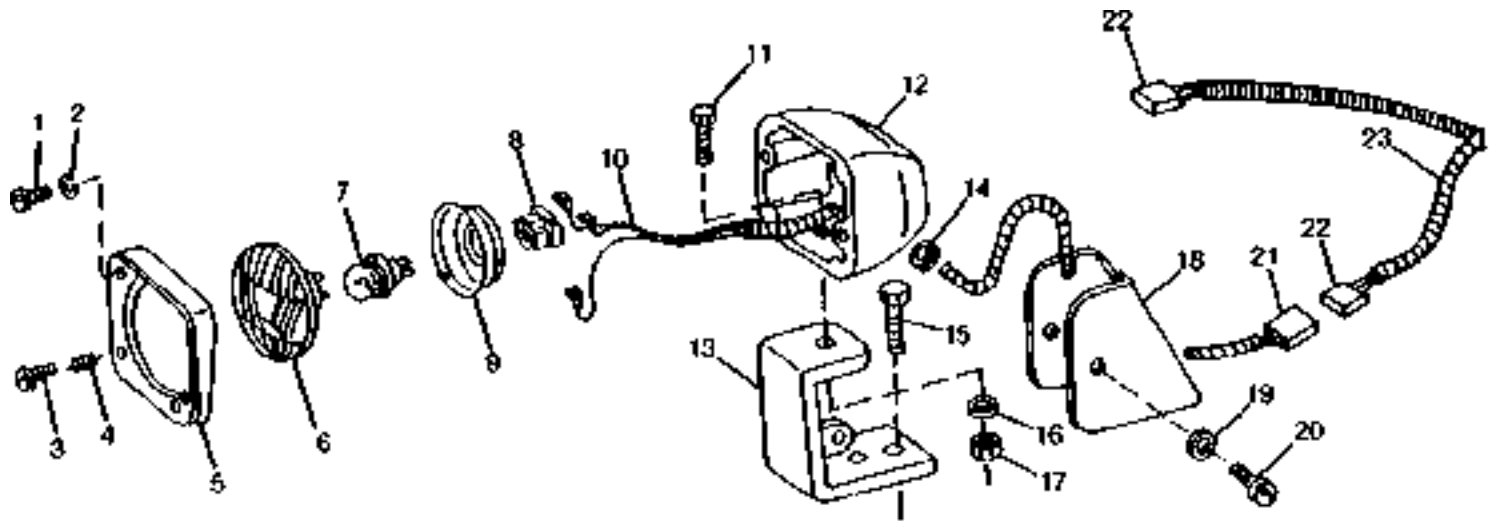
(A)INNER  
 INTERNE  
 INNEN  
 INTERNO  
 INTERIOR  
 INRE

(B)OUTER  
 EXTERNE  
 AUSSEN  
 ESTERNO  
 EXTERIOR  
 YTTRE

# 4D16

LIGHTS

HEADLIGHTS LEFT-HAND TRAFFIC (UNITED KINGDOM)  
 PHARE ROUTE-GAUCHE (ROYAUME-UNI)  
 FRONTSCHINWERFER LINKSVERKEHR (ENGLAND)  
 FARO CIRCOLAZIONE DEL TRAFFICO SULLA SINISTRA (REGNO UNITO)  
 FARO DELANTERO CIRCULACION IZQUIERDA (REINO UNIDO)  
 STRAALKASTARE VAENSTERTRAFIK (ENGLAND)  
 RXP011192 -UN-01JAN94



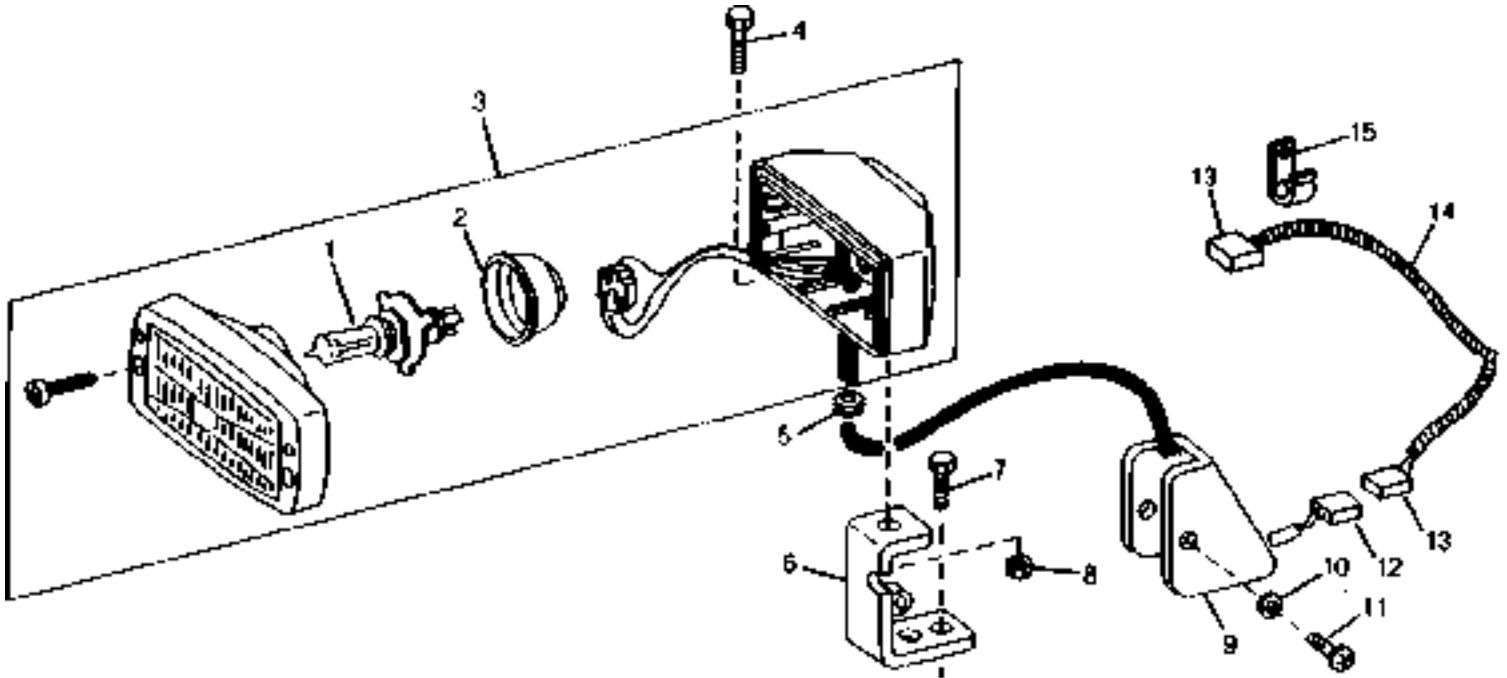
RXP011192

| KEY | PART NO. | PART NAME      | QTY | TRACTOR SERIAL NO. | A |   | REMARKS |
|-----|----------|----------------|-----|--------------------|---|---|---------|
|     |          |                |     |                    | L | L   |         |
| 1   | 21M7142  | SCREW          | 2   |                    | X |   |         |
| 2   | 12M7064  | LOCK WASHER    | 2   |                    | X |   |         |
| 3   | 21M7142  | SCREW          | 3   |                    | X |   |         |
| 4   | T28631   | SPRING         | 3   |                    | X |   |         |
| 5   | L55980   | BEZEL          | 1   |                    | X |   |         |
| 6   | AL56092  | HOUSING        | 1   |                    | X |   |         |
| 7   | 57M7166  | BULB           | 1   |                    | X |   |         |
| 8   | 57M7063  | CONNECTOR      | 1   |                    | X |   |         |
| 9   | CE15294  | DUST SHIELD    | 1   |                    | X |   |         |
| 10  | RE62145  | WIRING HARNESS | 1   |                    | X |   |         |
| 11  | 19M7168  | CAP SCREW      | 1   |                    | X | M10 X 30  |         |
| 12  | L38416   | HOUSING        | 1   |                    | X |   |         |
| 13  | RE62977  | SUPPORT        | 1   |                    | X | (SUB FOR RE62146)                                 |         |
| 14  | L12807   | GROMMET        | 1   |                    | X |   |         |
| 15  | 19M7167  | CAP SCREW      | 2   |                    | X | M10 X 25  |         |
| 16  | 12M7033  | LOCK WASHER    | 1   |                    | X | 10.500 MM   |         |
| 17  | 14M7517  | LOCK NUT       | 1   |                    | X | M10   |         |
| 18  | R126920  | COVER          | 1   |                    | X | (SUB FOR R125874)                                 |         |
| 19  | 24M7244  | WASHER         | 2   |                    | X | 6.400 X 12 X 1.600 MM                             |         |
| 20  | 21M7312  | SCREW          | 2   |                    | X | M6 X 12   |         |
| 21  | 57M7257  | CONNECTOR      | 1   |                    | X | (ALSO ORDER (3) R104919, (3) 57M7258 AND 57M7317) |         |
| 22  | 57M7255  | CONNECTOR      | 1   |                    | X | (ALSO ORDER (3) R104846, (3) 57M7258 AND 57M7317) |         |
| 23  | RE60633  | WIRING HARNESS | 1   |                    | X |   |         |

# 4D17

LIGHTS

HEADLIGHTS RIGHT-HAND TRAFFIC (EUROPEAN VERSION)  
 PHARE ROUTE-DROITE (VERSION EUROPEENNE)  
 FRONTSCHNIEWERFER RECHTSVERKEHR (EUROPAEISCHE AUSFUEHRUNG)  
 FARO CIRCOLAZIONE DE TRAFFICO SULLA DESTRA (VERSIONE EUROPEA)  
 FARO DELANTERO CIRCULACION DERECHA (VERSION EUROPEA)  
 STRAALKASTARE HOEGERTRAFIK (EUROPEISK VERSION)  
 RXP026055 -UN-07MAR95



RXP026055

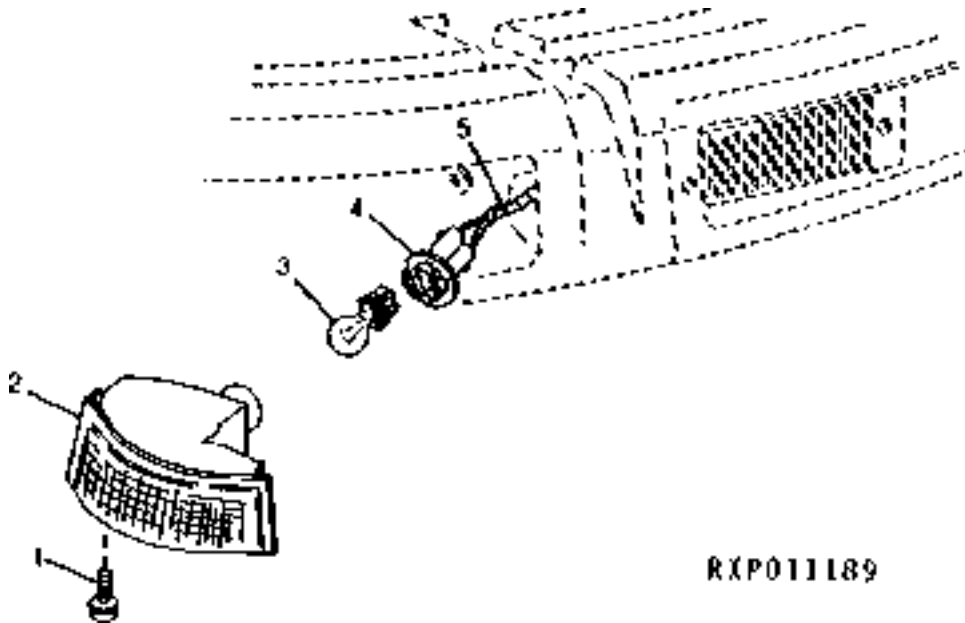
| KEY | PART NO. | PART NAME      | QTY | TRACTOR SERIAL NO. | A |   | REMARKS   |
|-----|----------|----------------|-----|--------------------|---|---|---|
|     |          |                |     |                    | L | L |   |
| 1   | 57M7166  | BULB           | 1   |                    | X |   | 60/55W  |
| 2   | CE15294  | DUST SHIELD    | 1   |                    | X |   | (USE WITH RE61786)                                |
| 3   | RE61786  | HEADLIGHT      | 1   | -XXXXXX            | X |   | (A) (SUB (2) RE71268 AND (2) RE62976)             |
|     | RE71268  | HEADLIGHT      | 2   | XXXXXX-            | X |   | (B) (SUB FOR RE61786)                             |
| 4   | 19M7168  | CAP SCREW      | 1   |                    | X |   | M10 X 30  |
| 5   | L12807   | GROMMET        | 1   |                    | X |   |   |
| 6   | RE62976  | SUPPORT        | 1   |                    | X |   | (SUB FOR RE61744)                                 |
| 7   | 19M7167  | CAP SCREW      | 2   |                    | X |   | M10 X 25  |
| 8   | 14M7517  | LOCK NUT       | 2   |                    | X |   | M10   |
| 9   | R126919  | COVER          | 1   |                    | X |   | (SUB FOR R125161)                                 |
| 10  | 24M7244  | WASHER         | 2   |                    | X |   | 6.400 X 12 X 1.600 MM                             |
| 11  | 21M7312  | SCREW          | 2   |                    | X |   | M6 X 12   |
| 12  | 57M7257  | CONNECTOR      | 1   |                    | X |   | (ALSO ORDER (3) R104919, (3) 57M7258 AND 57M7317) |
| 13  | 57M7255  | CONNECTOR      | 1   |                    | X |   | (ALSO ORDER (3) R104846, (3) 57M7258 AND 57M7290) |
| 14  | RE60633  | WIRING HARNESS | 1   |                    | X |   |   |
| 15  | T19935   | CLAMP          | 4   |                    | X |   |   |

(A) ( -XXXXXX) 8100-011484; 8200-011311; 8300-011597; 8400-011581  
 (B) (XXXXXX- ) 8100-011485; 8200-011312; 8300-011598; 8400-011582

# 4D18

LIGHTS

WARNING/TURNING LIGHT(ROOF)(NORTH AMERICAN VERSION)  
 FEU D'AVERTISSEMENT/CLIGOTANT(TOIT)(VERSION NORD AMERICAINE)  
 WARNLAMPE/BLINKER(DACH)(NORDAMERIKANISCHE AUSFUEHRUNG)  
 LUCE DI AVVERTENZA/INDICATOR DI DIREZIONE(TETTO)(VERSIONE NORDAMERICANA)  
 LUZ DE ADVERTENCIA/VIRAJE(TECHO)(VERSION NORTHAMERICANA)  
 VARNINGSLUS/KOERRIKTNINGAVISARE(TAK)(NORDAMERIKANSK VERSION)  
 RXP011189 -UN-01JAN94



RXP011189

| KEY | PART NO. | PART NAME      | QTY | TRACTOR<br>SERIAL NO. | A | REMARKS                  |
|-----|----------|----------------|-----|-----------------------|---|--------------------------|
|     |          |                |     |                       | L |                          |
| 1   | 21M7305  | SCREW          | 8   |                       | X | M6 X 12                  |
| 2   | RE55150  | TAIL LAMP      | 2   |                       | X | R.H.FRONT/L.H.REAR       |
|     | RE55151  | TAIL LAMP      | 2   |                       | X | L.H.FRONT/R.H.REAR       |
| 3   | RE49778  | BULB           | 4   |                       | X | (GE3157)                 |
| 4   | R114917  | CONNECTOR      | 1   |                       | X | (ALSO ORDER (4) 57M7519) |
| 5   | RE60647  | WIRING HARNESS | 1   | -XXXXXX               | X | (A)                      |
|     | RE64629  | WIRING HARNESS | 1   | XXXXXX-               | X | (B)                      |

(A) ( -XXXXXX) 8100-002801;8200-002215;8300-003900;8400-002531

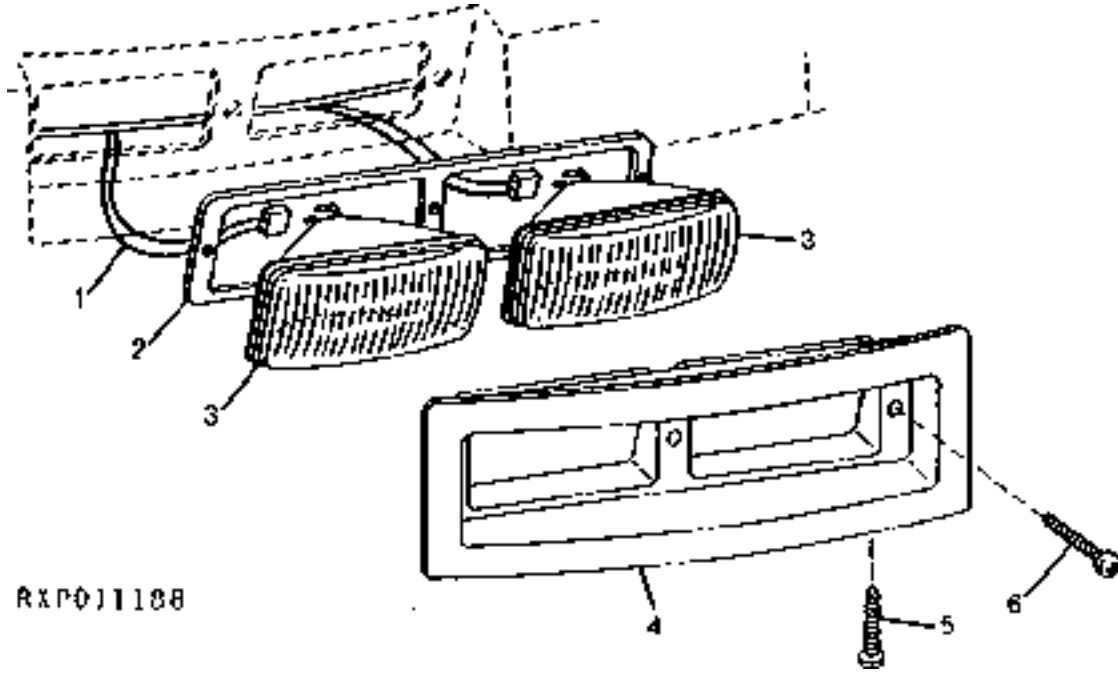
(B) (XXXXXX- ) 8100-002802;8200-002216;8300-003901;8400-002532



# 4D19

LIGHTS

WORKING LAMPS,(ROOF)(FRONT)  
 PROJECTEURS DE TRAVAIL(TOIT)(AVANT)  
 ARBEITSLEUCHTEN(VORN)(DACH)  
 FANALI DI LAVORO(ANTERIORE)(TETTO)  
 LUCES DE TRABAJO(FRENTE)(TECHO)  
 ARBETSLYKTOR(FRAM)(TAK)  
 RXP011188 -UN-01JAN94



| KEY | PART NO. | PART NAME      | QTY | TRACTOR<br>SERIAL NO. | A | REMARKS    |
|-----|----------|----------------|-----|-----------------------|---|------------|
|     |          |                |     |                       | L |            |
| 1   | RE60647  | WIRING HARNESS | 1   | -XXXXXX               | X | (A)        |
|     | RE64629  | WIRING HARNESS | 1   | XXXXXX-               | X | (B)        |
| 2   | R107478  | RETAINER       | 1   |                       | X |            |
| 3   | RE37450  | LAMP           | 2   |                       | X | (GE H4360) |
| 4   | R107477  | HOUSING        | 1   |                       | X |            |
| 5   | 21M7305  | SCREW          | 2   |                       | X | M6 X 12    |
| 6   | 37H203   | SCREW          | 3   |                       | X |            |

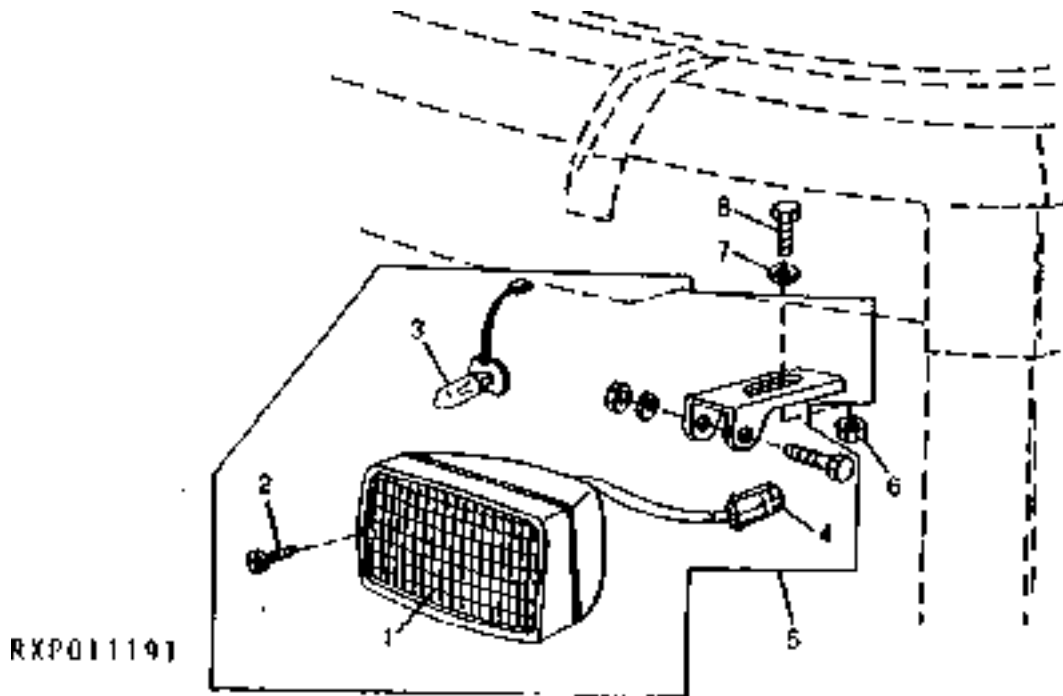
(A) ( -XXXXXX) 8100-002801;8200-002215;8300-003900;8400-002531

(B) (XXXXXX-) ) 8100-002802;8200-002216;8300-003901;8400-002532

# 4D20

LIGHTS

WORKING LAMPS(ROOF)(REAR)(8100- 002801;8200- 00221 5;8300 -003900;8400 -002531)  
 PROJECTEURS DE TRAVAIL(TOIT)(ARRIERE)(8100 -002801;8200 -002215;8300 -003900;8400 -002531)  
 ARBEITSLEUCHTEN(DACH)(HINTEN)(8100 -002801;8200 -002215;8300 -003900;8400 -002531)  
 FANALI DI LAVORO(TETTO)(POSTERIORE)(8100 -002801;8200 -002215;8300 -003900;8400 -002531)  
 LUCES DE TRABAJO(TECHO)(TRASERO)(8100 -002801;8200 -002215;8300 -003900;8400 -002531)  
 ARBETSLYKTOR(TAK)(BAK,BAKRE)(8100 -002801;8200 -002215;8300 -003900;8400 -002531)  
 RXP011191 -UN-01JAN94



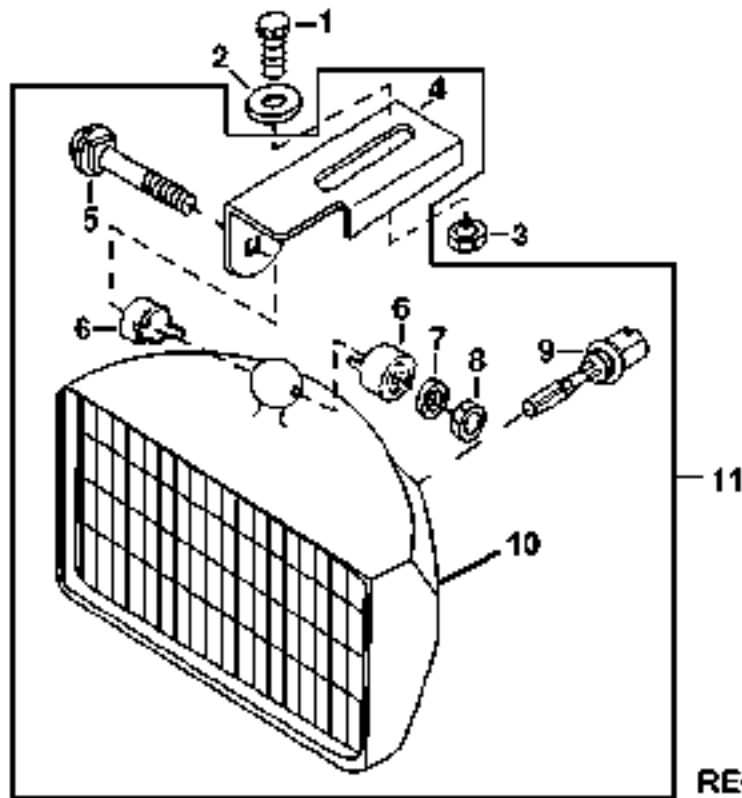
| KEY | PART NO. | PART NAME | QTY | TRACTOR SERIAL NO. | A |   |
|-----|----------|-----------|-----|--------------------|---|---|
|     |          |           |     |                    | L | REMARKS   |
| 1   | RE60765  | LENS      | 1   |                    | X |   |
| 2   | 37M7217  | SCREW     | 2   |                    | X |   |
| 3   | AT130104 | BULB      | 1   |                    | X |   |
| 4   | 57M7256  | CONNECTOR | 1   |                    | X | (ALSO ORDER (2) R104919, (2) 57M7258 AND 57M7289) |
| 5   | RE61201  | FLOODLAMP | 1   |                    | X |   |
| 6   | R124552  | NUT       | 1   |                    | X |   |
| 7   | 24H1822  | WASHER    | 1   |                    | X |   |
| 8   | 19M7270  | CAP SCREW | 1   |                    | X |   |

# 4D21

LIGHTS

WORKING LAMPS(ROOF)(REAR)(8100 002802-;8200 002216-;8300 003901-;8400 002532-)  
 PROJECTEURS DE TRAVAIL(TOIT)(ARRIERE)(8100 002802-;8200 002216-;8300 003901-;8400 002532-)  
 ARBEITSLEUCHTEN(DACH)(HINTEN)(8100 002802-;8200 002216-;8300 003901-;8400 002532-)  
 FANALI DI LAVORO(TETTO)(POSTERIORE)(8100 002802-;8200 002216-;8300 003901-;8400 002532-)  
 LUCES DE TRABAJO(TECHO)(TRASERO)(8100 002802-;8200 002216-;8300 003901-;8400 002532-)  
 ARBETSLYKTOR(TAK)(BAK,BAKRE)(8100 002802-;8200 002216-;8300 003901-;8400 002532-)

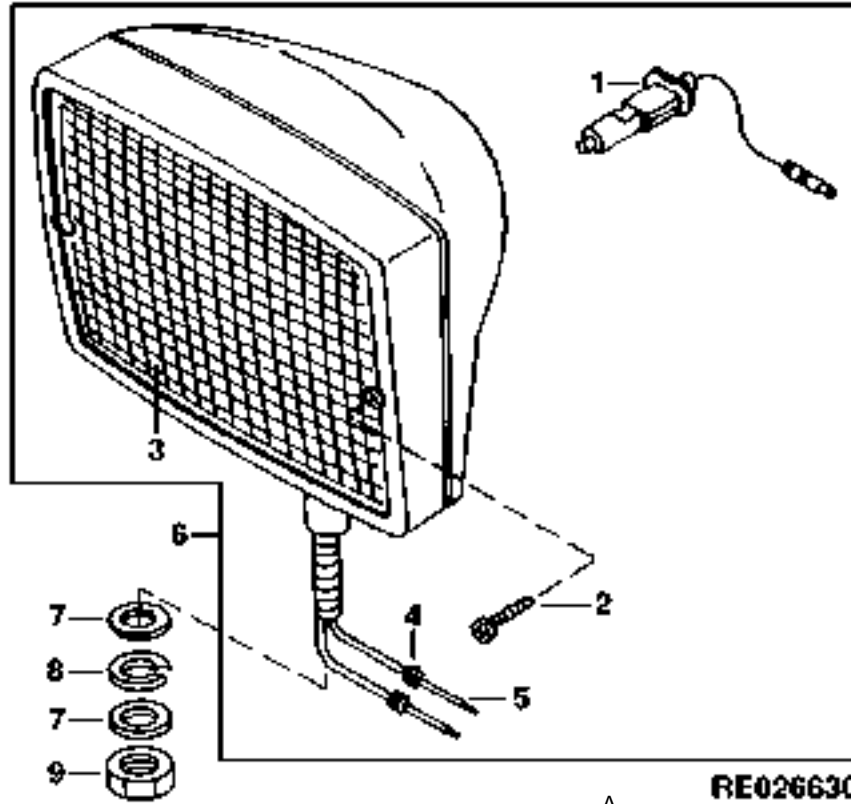
RE028671 -UN-05DEC97



| KEY | PART NO. | PART NAME   | QTY | TRACTOR<br>SERIAL NO. | A | REMARKS  |
|-----|----------|-------------|-----|-----------------------|---|--|
|     |          |             |     |                       | L |  |
| 1   | 19M8836  | CAP SCREW   | 2   |                       | X | M8 X 65  |
| 2   | 24H1822  | WASHER      | 2   |                       | X | 11/32" X 7/8" X 1/16"                                |
| 3   | R124552  | NUT         | 2   |                       | X |  |
| 4   | R135758  | BRACKET     | 1   |                       | X | (SUB FOR R127437) (ALSO ORDER L37975)                |
| 5   | 03M7280  | BOLT        | 1   |                       | X | M6 X 45  |
| 6   | R122487  | BASE        | 1   |                       | X |  |
| 7   | L37975   | LOCK WASHER | 1   |                       | X |  |
| 8   | 14M7165  | LOCK NUT    | 1   |                       | X | M6   |
| 9   | R136238  | BULB        | 1   |                       | X | (SUB FOR RE44688, THIS APPLICATION)<br>(55W)(GE885X) |
| 10  | RE150419 | LAMP        | 1   |                       | X |  |
| 11  | RE151345 | FLOODLAMP   | 2   |                       | X | (SUB FOR RE63958, RE71424 OR RE150424)               |

# 4D22

REAR WORK LIGHT(FENDER)(8100 -002801;8200 -002215; 8300 -003900;8400 -002531)  
 PHARE DE LABOUR(GARDE-BOUE)(8100 -002801;8200 -002215;8300 -003900;8400 -002531)  
 GERAETESCHEINWERFER(KOTSCHUETZER)(8100 -002801;8200 -002215;8300 -003900;8400 -002531)  
 LUCE LAVORO(PARAFANGO)(8100 -002801;8200 -002215;8300 -003900;8400 -002531)  
 FARO AUXILAR(GUARDABARRO)(8100 -002801;8200 -002215;8300 -003900;8400 -002531))  
 BAKRE ARBETSLAMPA(SKAERM)(8100 -002801;8200 -002215;8300 -003900;8400 -002531)  
 RE026630 -UN-19DEC95



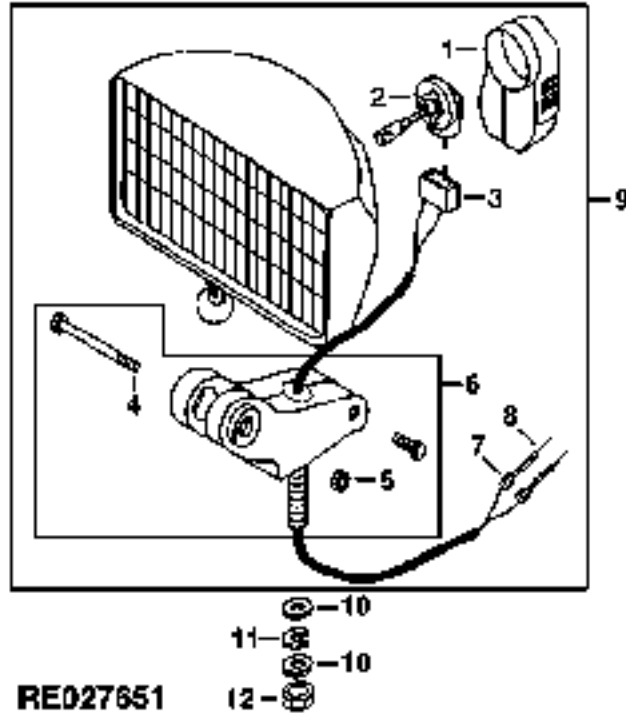
**RE026630**

| KEY | PART NO. | PART NAME       | QTY | TRACTOR SERIAL NO. | A |   | REMARKS |
|-----|----------|-----------------|-----|--------------------|---|---|---------|
|     |          |                 |     |                    | L | L |         |
| 1   | AT130104 | BULB            | 1   |                    | X |   | 55W     |
| 2   | 37M7217  | SCREW           | 2   |                    | X |   |         |
| 3   | RE60765  | LENS            | 1   |                    | X |   |         |
| 4   | 57M7258  | ELECTRICAL PLUG | 2   |                    | X |   |         |
| 5   | R104919  | PIN CONTACT     | 2   |                    | X |   |         |
| 6   | RE48989  | FLOODLAMP       | 1   |                    | X |   |         |
| 7   | 24M7047  | WASHER          | 2   |                    | X |   |         |
| 8   | 12H301   | LOCK WASHER     | 1   |                    | X |   |         |
| 9   | 14M7168  | LOCK NUT        | 1   |                    | X |   |         |

# 4D23

LIGHTS

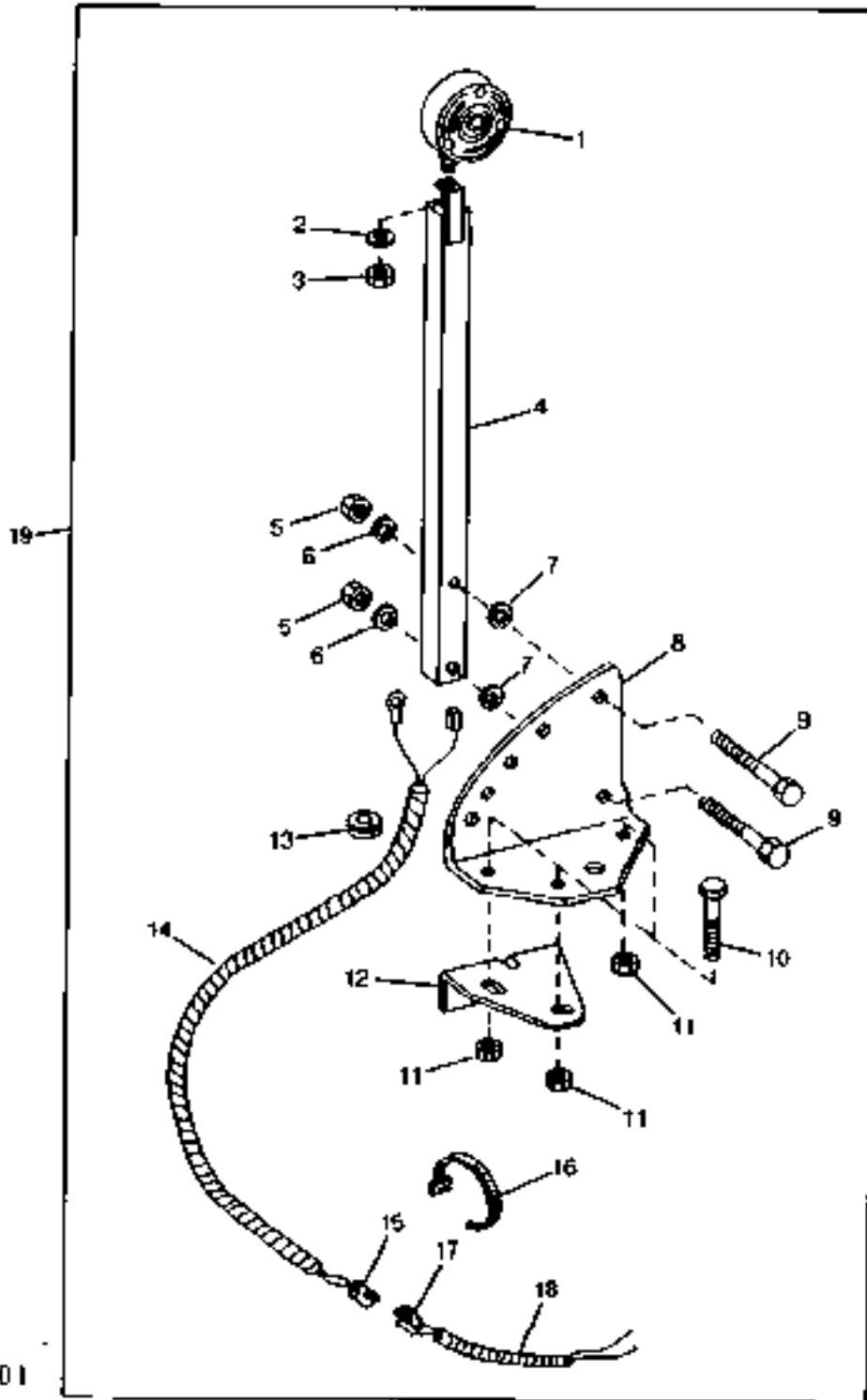
REAR WORK LIGHT(FENDER)(8100-002802; 8200-002216; 8300-003901; 8400-002532)  
 PHARE DE LABOUR(GARDE-BOUE)(8100 -002802;8200 -002216;8300 -3901;8400 -002532)  
 GERAETESCHEINWERFER(KOTSCHUETZER)(8100 -002802;8200 -002216;8300 -3901;8400 -002532)  
 LUCE LAVORO(PARAFANGO)(8100 -002802;8200 -002216;8300 -3901;8400 -002532)  
 FARO AUXILAR(GUARDABARRO)(8100 -002802;8200 -002216;8300 -3901;8400 -002532)  
 BAKRE ARBETSLAMPA(SKAERM)(8100 -002802;8200 -002216;8300 -3901;8400 -002532)  
 RE027651 -UN-03FEB97



| KEY | PART NO. | PART NAME       | QTY | TRACTOR<br>SERIAL NO. | A | REMARKS                                 |
|-----|----------|-----------------|-----|-----------------------|---|---|
|     |          |                 |     |                       | L |   |
| 1   | R122488  | BOOT            | 1   |                       | X |   |
| 2   | R136239  | BULB            | 1   |                       | X | (SUB FOR 57M7358) (GE888X)              |
| 3   | 57M7344  | CONNECTOR       | 1   |                       | X | (ALSO ORDER (2) 57M7297 AND (2) Z44689) |
| 4   | 19M7320  | CAP SCREW       | 1   |                       | X | M6 X 40                                 |
| 5   | 14M7165  | LOCK NUT        | 1   |                       | X | M6                                      |
| 6   | RE58619  | BASE            | 1   |                       | X |   |
| 7   | 57M7258  | ELECTRICAL PLUG | 2   |                       | X |   |
| 8   | R104919  | PIN CONTACT     | 2   |                       | X | (SUB FOR 57M7252)                       |
| 9   | RE151346 | FLOODLAMP       | 2   |                       | X | (SUB FOR RE51240, RE71421 OR RE150421)  |
| 10  | 12H301   | LOCK WASHER     | 1   |                       | X | 1/2"                                    |
| 11  | 24M7047  | WASHER          | 2   |                       | X | 13 X 24 X 2.500 MM                      |
| 12  | 14M7168  | LOCK NUT        | 1   |                       | X | M12                                     |

# 4D24

EXTREMITY WARNING LAMP KIT( -027099)  
JEU DE FEUX D'AVERTISSEMENT D'EXTREMITE( -027099)  
AEUSSERE WARNLEUCHTENSATZ( -027099)  
KIT DI LUCI DI AVVERTIMENTO ESTREMO( -027099)  
CONJUNTO DE LUCES DE ADVERTENCIA DE LOS EXTREMOS( -027099)  
YTTERVARNINGSLAMPSATS( -027099)  
RXP011201 -UN-01JAN94

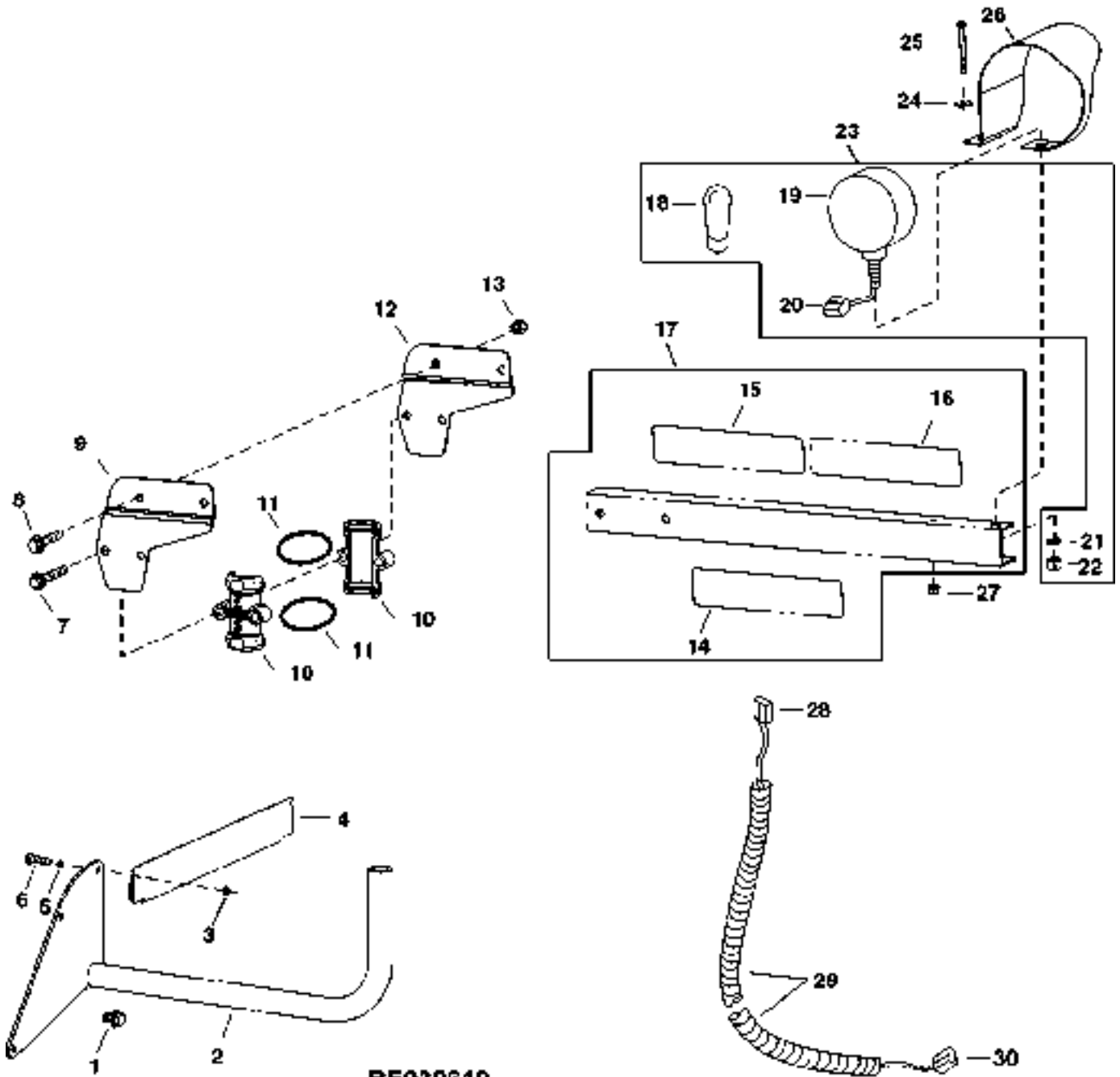


# 4D25

LIGHTS

| KEY | PART NO.       | PART NAME      | QTY      | TRACTOR<br>SERIAL NO. | A<br>L<br>L | REMARKS  |
|-----|----------------|----------------|----------|-----------------------|-------------|--|
| 1   | CH12713        | LAMP           | 2        |                       | X           | (CONTAINS (2) 12M7066, (3) 14M7274,<br>T116274, T116275, CH12638, (3) CH12639,<br>(2) 24M7028 AND AD2062R) |
| 2   | 24M7028        | WASHER         | 2        |                       | X           | 10.500 X 20 X 2 MM   |
| 3   | 14M7274        | NUT            | 2        |                       | X           | M10  |
| 4   | RE41223        | TUBE           | 2        |                       | X           |  |
| 5   | 14M7274        | NUT            | 2        |                       | X           | M10  |
| 6   | 24H1909        | WASHER         | 4        |                       | X           | 13/32" X 1-3/8" X 1/4"   |
| 7   | R102944        | SPACER         | 4        |                       | X           |  |
| 8   | R124261        | BRACKET        | 1        |                       | X           | L.H.   |
|     | R124264        | BRACKET        | 1        |                       | X           | R.H.   |
| 9   | 19M7742        | CAP SCREW      | 4        |                       | X           | M10 X 65, HS 10.9  |
| 10  | 19M7168        | CAP SCREW      | 6        |                       | X           | M10 X 30   |
| 11  | 14M7274        | NUT            | 6        |                       | X           | M10  |
| 12  | R124262        | SUPPORT        | 1        |                       | X           | L.H.   |
|     | R124263        | SUPPORT        | 1        |                       | X           | R.H.   |
| 13  | B30667         | GROMMET        | 2        |                       | X           |  |
| 14  | RE46890        | WIRING HARNESS | 2        |                       | X           |  |
| 15  | R78053         | CONNECTOR      | 1        |                       | X           | (ALSO ORDER (2) R78061 AND (2) R78063)   |
| 16  | R44302         | TIE BAND       | 2        |                       | X           |  |
| 17  | RE12363        | CONNECTOR      | 1        |                       | X           | (ALSO ORDER (2) R78060 AND (2) R78063)   |
| 18  | RE58689        | WIRING HARNESS | 2        |                       | X           |  |
| 19  | <b>RE61520</b> | <b>KIT</b>     | <b>1</b> |                       | <b>X</b>    | <b>(FI)</b>  |

EXTREMITY WARNING LAMP(027100- )  
 FEUX D'AVERTTISSEMENT D'EXTREMITE(027100- )  
 UEBERSTANDS-WARNLEUCHTE(027100- )  
 LAMPADA TERMINALE DI AVVERTIMENTO(027100- )  
 LUZ DE ADVERTENCIA DE EXTREMIDAD(027100- )  
 UTVAENDIG VARNINGSLAMPA(027100- )  
 RE030619 -UN-17MAY99



**RE030619**



# 4E2

LIGHTS

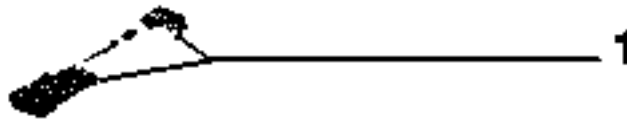
| KEY                      | PART NO. | PART NAME      | QTY | TRACTOR<br>SERIAL NO. | A<br>L<br>L | REMARKS   |
|--------------------------|----------|----------------|-----|-----------------------|-------------|---|
| 1                        | 19M7785  | SCREW          | 4   |                       | X           |   |
| 2                        | RE164116 | BRACKET        | 1   |                       | X           | L.H.  |
|                          | RE164175 | BRACKET        | 1   |                       | X           | (A) L.H.  |
|                          | RE164117 | BRACKET        | 1   |                       | X           | R.H.  |
|                          | RE164176 | BRACKET        | 1   |                       | X           | (A) R.H.  |
| 3                        | 14M7298  | FLANGE NUT     | 6   |                       | X           |   |
| 4                        | R164437  | SHIELD         | 2   |                       | X           |   |
| 5                        | 12M7065  | LOCK WASHER    | 6   |                       | X           |   |
| 6                        | 19M7513  | CAP SCREW      | 6   |                       | X           |   |
| 7                        | 19M9032  | SCREW          | 4   |                       | X           |   |
| 8                        | 19M9031  | SCREW          | 4   |                       | X           |   |
| 9                        | R163774  | BRACKET        | 2   |                       | X           |   |
| 10                       | H161618  | HOUSING        | 4   |                       | X           |   |
| 11                       | H136110  | ISOLATOR       | 4   |                       | X           |   |
| 12                       | R163775  | BRACKET        | 2   |                       | X           |   |
| 13                       | 14M7546  | LOCK NUT       | 8   |                       | X           |   |
| 14                       | JD5921   | REFLECTOR      | 2   |                       | X           |   |
| 15                       | JD5922   | REFLECTOR      | 2   |                       | X           |   |
| 16                       | JD5920   | REFLECTOR      | 2   |                       | X           |   |
| 17                       | RE166045 | ARM            | 2   |                       | X           |   |
| 18                       | AD2062R  | BULB           | 2   |                       | X           | (GE1156)  |
| 19                       | R162459  | LENS           | 1   |                       | X           |   |
| 20                       | 57M7254  | CONNECTOR      | 2   |                       | X           | (ALSO ORDER (2) R104846 AND 14H865 AND 57M7289)   |
| 21                       | 12H301   | LOCK WASHER    | 2   |                       | X           |   |
| 22                       | 14H865   | NUT            | 2   |                       | X           |   |
| 23                       | RE161626 | LAMP           | 2   |                       | X           |   |
| 24                       | 24M7309  | WASHER         | 2   |                       | X           |   |
| 25                       | 19M9030  | CAP SCREW      | 2   |                       | X           |   |
| 26                       | R161280  | SHIELD         | 1   |                       | X           | L.H.  |
|                          | R161279  | SHIELD         | 1   |                       | X           | R.H.  |
| 27                       | 14M7547  | LOCK NUT       | 2   |                       | X           |   |
| 28                       | 57M7254  | CONNECTOR      | 2   |                       | X           | (ALSO ORDER (2) R104846, (2) 57M7258 AND 57M7289) |
| 29                       | RE163804 | WIRING HARNESS | 1   |                       | X           |   |
| 30                       | R78053   | CONNECTOR      | 1   |                       | X           | (ALSO ORDER (2) R78058 AND (2) 57M7292)           |
| (A)FENDER EXTENSION      |          |                |     |                       |             |   |
| EXTENSION DE GARDE-BOUE  |          |                |     |                       |             |   |
| KOTFLUEGELVERLARNGERUNG  |          |                |     |                       |             |   |
| ETENSIONE PARAFANGO      |          |                |     |                       |             |   |
| EXTENSION DE GUARDABARRO |          |                |     |                       |             |   |
| STAENKSAERMSFOERLAENGARE |          |                |     |                       |             |   |

MEMORANDA  
MEMORANDA  
MEMORANDA  
MEMORANDA  
MEMORANDA

# 4E4

SECTIONAL INDEX  
GRUPPENINDEX  
INDEX DE SECTION  
INDICE DELLA SEZIONE  
INDICE DE SECCION  
GRUPPSFORTECKNING  
RE028841 -UN-10MAY99

1 - 4E6



**RE028841**

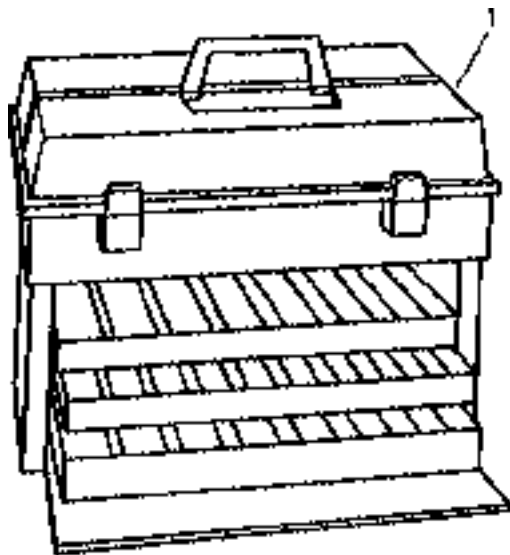
# 4E5

SECTIONAL INDEX  
GRUPPENINDEX  
INDEX DE SECTION  
INDICE DELLA SEZIONE  
INDICE DE SECCION  
GRUPPSFORTECKNING

# 4E6

ELECTRICAL CONNECTORS

ELECTRICAL CONNECTOR AND TERMINAL KIT  
JEU DE CONNECTEURS ELECTRIQUES ET DE BORNES  
ELEKTROANSCHLUSS UND ANSCHLUSSKLEMMEN-TEILESATZ  
KIT DI TERMINALI E CONNETTORI ELETTRICI  
JUEGO DE CONECTORES Y BORNES ELECTRICOS  
SATS MED ELEKTRISKA ANSLUTNINGAR OCH UTTAG  
RXP010001 -UN-01JAN94



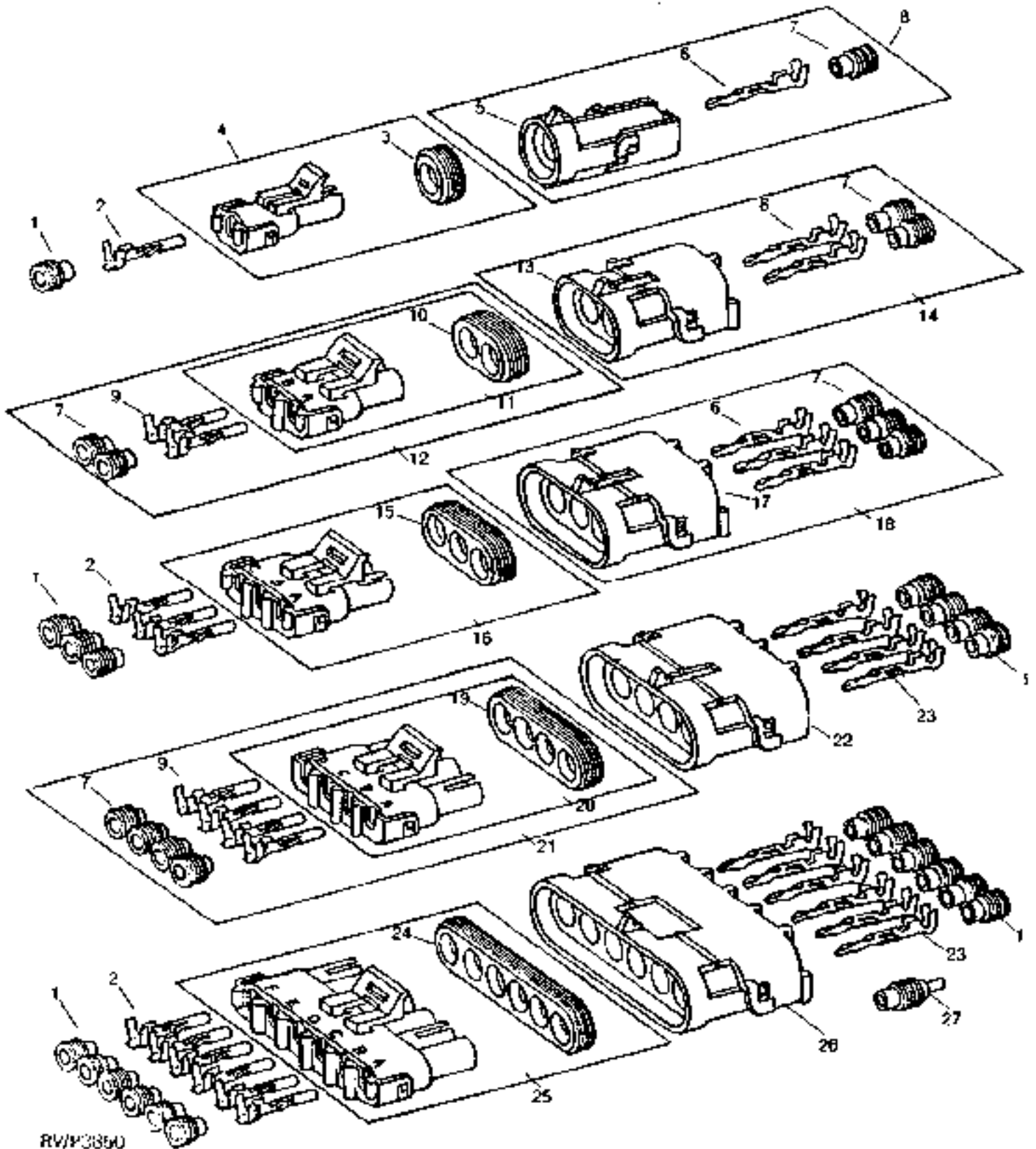
RXP010001

| KEY | PART NO. | PART NAME | QTY | TRACTOR<br>SERIAL NO. | A<br>L<br>L<br>REMARKS |
|-----|----------|-----------|-----|-----------------------|------------------------|
| 1   | PM797NA  | KIT       | 1   |                       | X (A)                  |

(A)KIT INCLUDES CONNECTORS,TERMINAL AND TOOLS  
LE JEU COMPRED LES CONNECTEURS,LES BORNES RT LES OUTILS  
TEILESATZENTHAELTANSCHLUESSE,ANSCHLUSSKLEMMEN,UND WERKZEUGE  
IL KIT COMPRENDE CONNECTORI.TERMINALI ED ATTREZZI  
EL JUEGO INCLUYS LOS CONECTORES,BORNES Y HERRAMIENTAS  
SATSIN INNEHAALLER ANSLUTNINGAR,UTTAG OCH VERKTYG

# 4E7

WEATHERPACK TERMINALS AND CONNECTORS  
CONNECTEURS ET BORNES  
WETTERFEST STECKGEHAEUSE UND-ANSCHLUESSE  
COSSES ET CONNECTEURS WEATHERPACK  
WEATHERPACK ANSCHLUESSE  
MORSETTIE CONNETTORI TIPO WEATHERPACK  
RWP3850 -UN-01JAN94



RWP3850

# 4E8

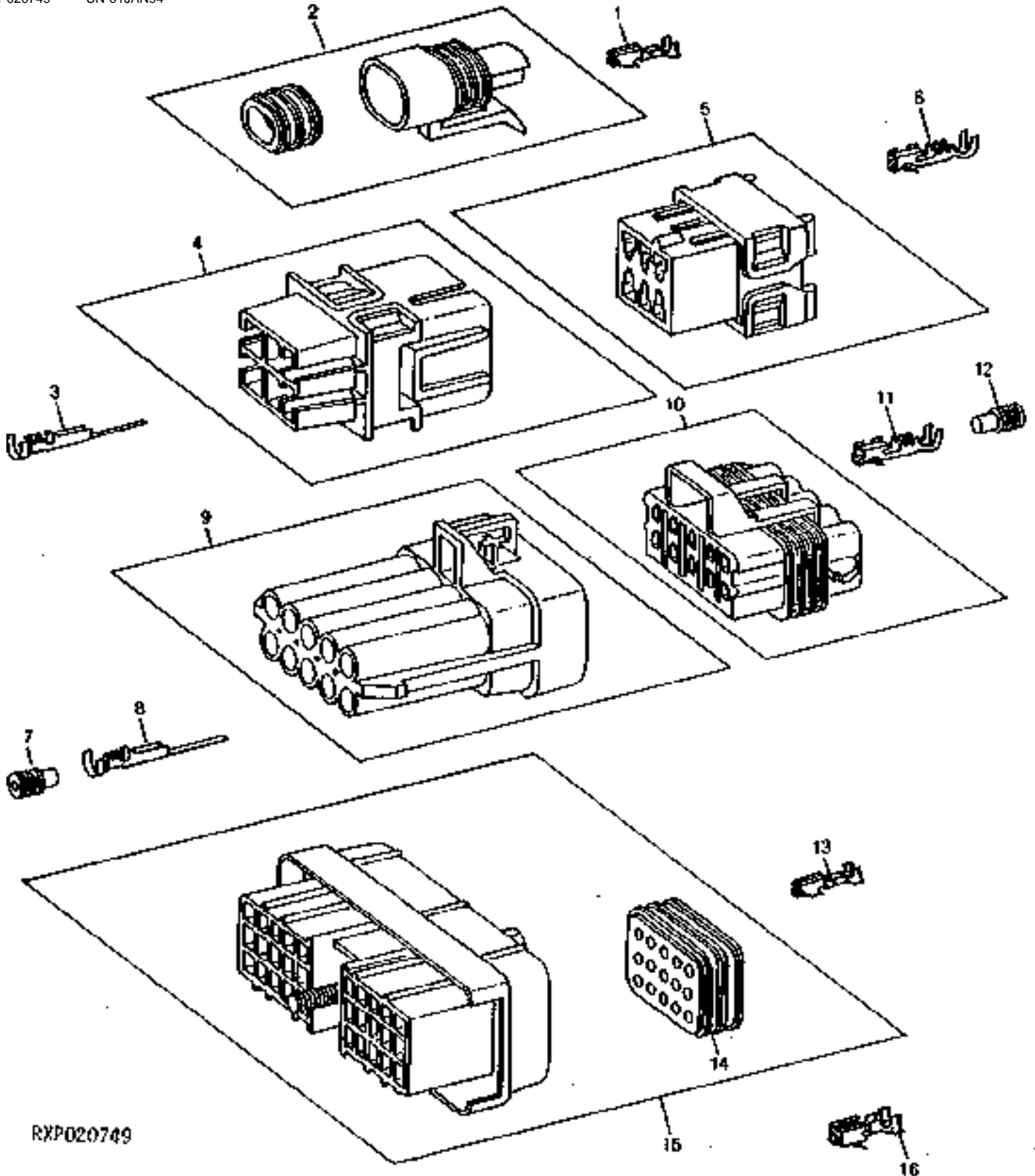
## ELECTRICAL CONNECTORS

| KEY | PART NO. | PART NAME                  | QTY | TRACTOR<br>SERIAL NO. | A<br>L<br>L | REMARKS                                  |
|-----|----------|----------------------------|-----|-----------------------|-------------|--|
| 1   | R78063   | TERMINAL NIPPLE            | 1   |                       | X           | (16 GA.)                                 |
|     | R78059   | ELECTRICAL PLUG            | 1   |                       | X           | (18-20 GA.)                              |
|     | R78062   | TERMINAL NIPPLE            | 1   |                       | X           | (14 GA.)                                 |
| 2   | R78057   | SOCKET CONTACT             | 1   |                       | X           | (18-20 GA.)(NO.19)                       |
|     | R78060   | SOCKET CONTACT             | 1   |                       | X           | (14-16 GA.)(NO.15)                       |
| 3   | R78047   | SEAL                       | 1   |                       | X           |  |
| 4   | RE12362  | CONNECTOR                  | 1   |                       | X           |  |
| 5   | R78052   | PIN CONTACT CONNECTOR BODY | 1   |                       | X           |  |
| 6   | R78061   | PIN CONTACT                | 1   |                       | X           | (14-16 GA.)(NO.15)                       |
| 7   | R78063   | TERMINAL NIPPLE            | 1   |                       | X           | (16 GA.)                                 |
| 8   | RE12334  | CONNECTOR                  | 1   |                       | X           |  |
| 9   | R78060   | SOCKET CONTACT             | 1   |                       | X           | (14-16 GA.)(NO.15)                       |
| 10  | R78048   | TERMINAL NIPPLE            | 1   |                       | X           |  |
| 11  | RE12363  | CONNECTOR                  | 1   |                       | X           |  |
| 12  | RE12331  | CONNECTOR                  | 1   |                       | X           | (SUB RE12363, (2) R78060 AND (2) R78063) |
| 13  | R78053   | PIN CONTACT CONNECTOR BODY | 1   |                       | X           |  |
| 14  | RE12330  | CONNECTOR                  | 1   |                       | X           |  |
| 15  | R78049   | SEAL                       | 1   |                       | X           |  |
| 16  | RE12364  | SOCKET CONT.CONNECTOR BODY | 1   |                       | X           |  |
| 17  | R78054   | PIN CONTACT CONNECTOR BODY | 1   |                       | X           |  |
| 18  | RE12332  | CONNECTOR                  | 1   |                       | X           |  |
| 19  | R78050   | SEAL                       | 1   |                       | X           |  |
| 20  | RE12365  | CONNECTOR                  | 1   |                       | X           |  |
| 21  | RE12333  | CONNECTOR                  | 1   |                       | X           |  |
| 22  | R78055   | PIN CONTACT CONNECTOR BODY | 1   |                       | X           |  |
| 23  | R78061   | PIN CONTACT                | 1   |                       | X           | (14-16 GA.)(NO.15)                       |
|     | R78058   | PIN CONTACT                | 1   |                       | X           | (18-20 GA.)(NO.19)                       |
| 24  | R78051   | SEAL                       | 1   |                       | X           |  |
| 25  | RE12366  | CONNECTOR                  | 1   |                       | X           |  |
| 26  | R78056   | PIN CONTACT CONNECTOR BODY | 1   |                       | X           |  |
| 27  | R78064   | ELECTRICAL PLUG            | 1   |                       | X           |  |

# 4E9

ELECTRICAL CONNECTORS

METI-PACK TERMINAL AND CONNECTORS  
COSSES ET CONNECTEURS METRI-PACK  
METRI-PACKANSCHLUSSE UND VERBINDER  
MORSETTI METRI-PACK E COLLEGAMENTI ELETTRICI  
TERMINALES Y CONECTORES METRI-PACK  
METRI-PACK ANSLUTNINGSDON OCH KONTAKTER  
RXP020749 -UN-01JAN94



RXP020749



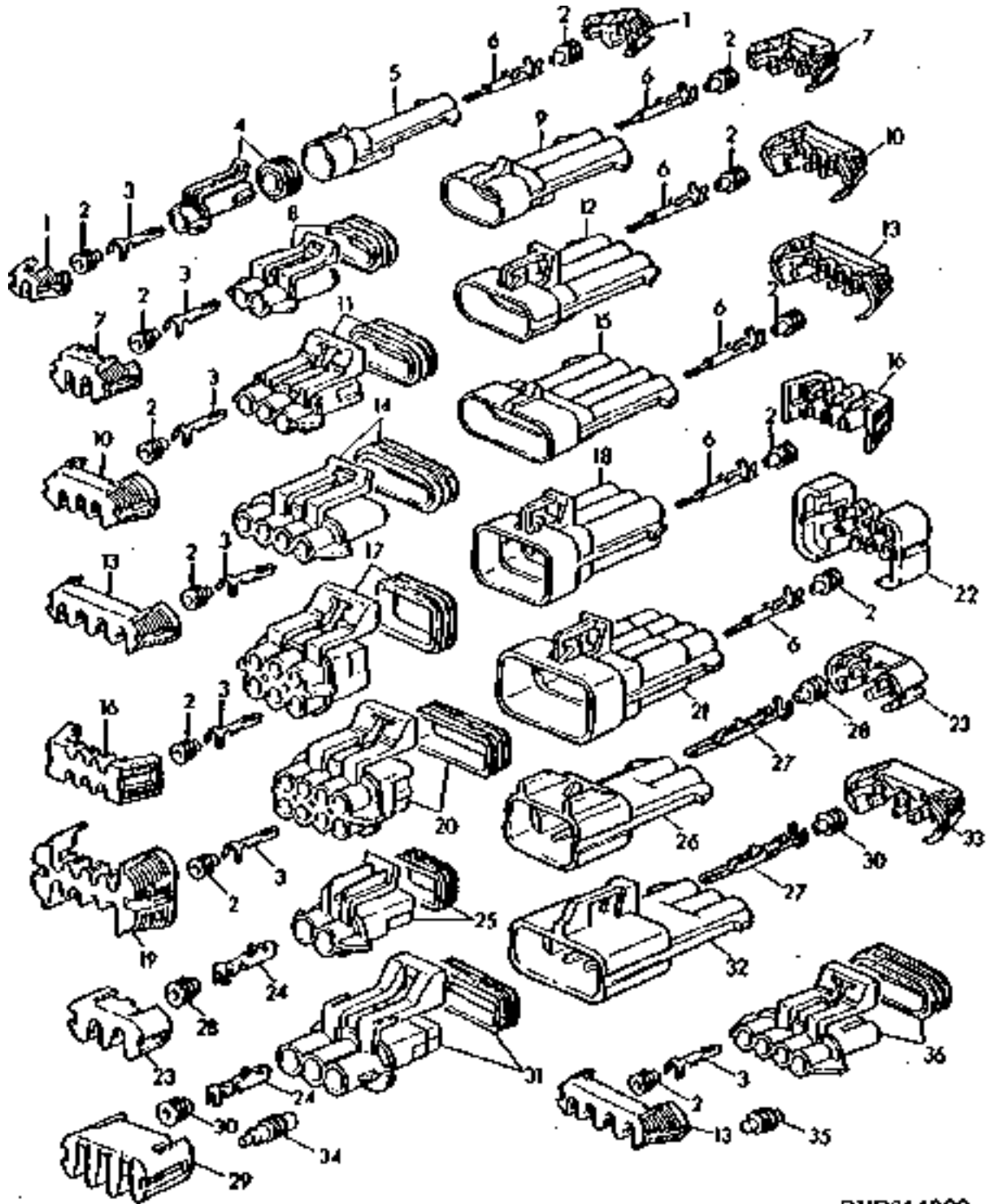
# 4E10

## ELECTRICAL CONNECTORS

| KEY | PART NO. | PART NAME                  | QTY | TRACTOR<br>SERIAL NO. | A | REMARKS           |
|-----|----------|----------------------------|-----|-----------------------|---|-------------------|
|     |          |                            |     |                       | L |                   |
| 1   | R104701  | TERMINAL                   | 1   |                       | X | (14-16 GA.)       |
| 2   | 57M7278  | CONNECTOR                  | 1   |                       | X | (SUB FOR RE42192) |
| 3   | R104923  | TERMINAL                   | 1   |                       | X | (14-16 GA.)       |
| 4   | R104920  | CONNECTOR                  | 1   |                       | X |                   |
| 5   | R104922  | CONNECTOR                  | 1   |                       | X |                   |
| 6   | R104921  | TERMINAL                   | 1   |                       | X | (14-16 GA.)       |
| 7   | R78063   | TERMINAL NIPPLE            | 1   |                       | X | (16 GA.)          |
| 8   | R104919  | PIN CONTACT                | 1   |                       | X | (18 GA.)          |
| 9   | 57M7265  | PIN CONTACT CONNECTOR BODY | 1   |                       | X | (SUB FOR RE42196) |
| 10  | 57M7262  | RECEPTACLE CONNECTOR BODY  | 1   |                       | X | (SUB FOR RE42195) |
| 11  | R104846  | SOCKET CONTACT             | 1   |                       | X | (16 GA.)          |
| 12  | R78063   | TERMINAL NIPPLE            | 1   |                       | X | (16 GA.)          |
| 13  | R104701  | TERMINAL                   | 1   |                       | X | (14-16 GA.)       |
| 14  | R104700  | CONNECTOR                  | 1   |                       | X |                   |
| 15  | RE41949  | CONNECTOR                  | 1   |                       | X |                   |
| 16  | R104936  | TERMINAL                   | 1   |                       | X | (14-16 GA.)       |
|     | R104937  | TERMINAL                   | 1   |                       | X | (18 GA.)          |
|     | R104938  | TERMINAL                   | 1   |                       | X | (12 GA.)          |

# 4E11

METRI-PACK TERMINALS AND CONNECTORS  
COSSES ET CONNECTEURS METRI-PACK  
METRI-PACKANSCHLUSSE UND VERBINDER  
MORSETTI METRI-PACK E COLLEGAMENTI ELETTRICI  
TERMINALES Y CONECTORES METRI-PACK  
METRI-PACK ANSLUTNINGSDON OCH KONTAKTER  
RXP011000 -UN-01JAN94



RXP01 1000

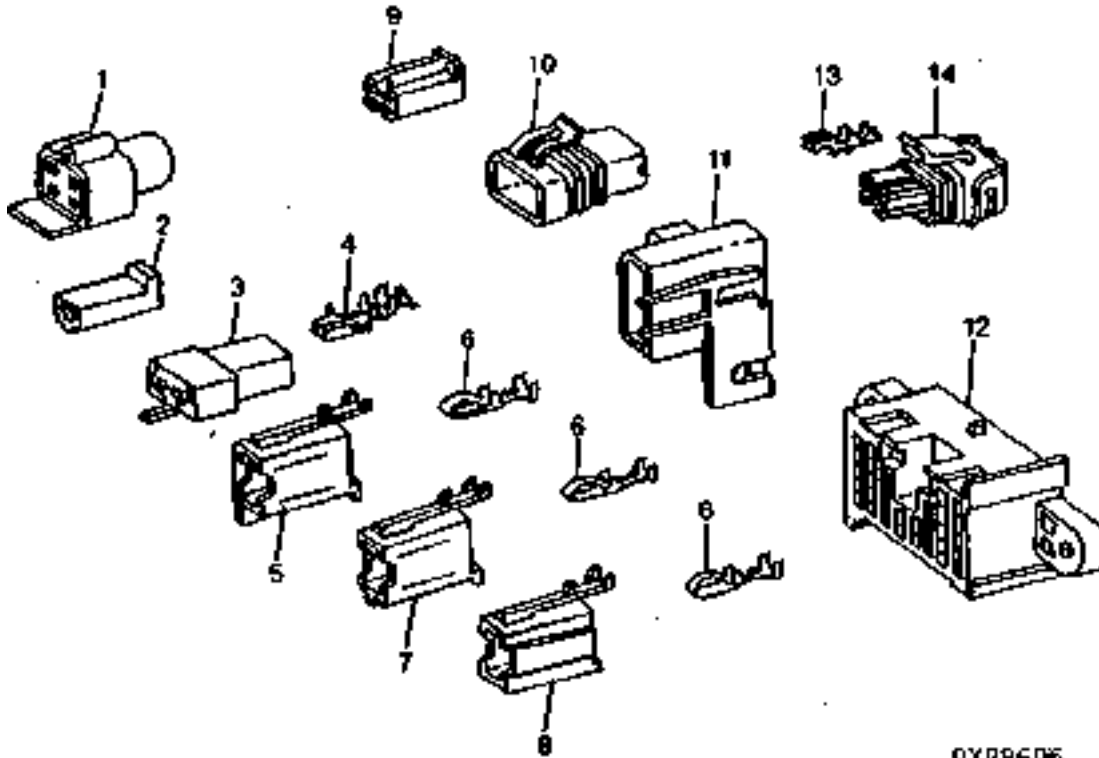
# 4E12

## ELECTRICAL CONNECTORS

| KEY | PART NO. | PART NAME                  | QTY | TRACTOR<br>SERIAL NO. | A<br>L<br>L | REMARKS     |
|-----|----------|----------------------------|-----|-----------------------|-------------|-------------|
| 1   | 57M7315  | CONNECTOR                  | 1   |                       | X           |             |
| 2   | 57M7258  | ELECTRICAL PLUG            | AR  |                       | X           |             |
| 3   | R104846  | SOCKET CONTACT             | AR  |                       | X           | (16 GA.)    |
| 4   | 57M7266  | RECEPTACLE CONNECTOR BODY  | 1   |                       | X           |             |
| 5   | 57M7267  | PIN CONTACT CONNECTOR BODY | 1   |                       | X           |             |
| 6   | R104919  | PIN CONTACT                | AR  |                       | X           | (18 GA.)    |
| 7   | 57M7316  | CONNECTOR                  | 1   |                       | X           |             |
| 8   | 57M7254  | RECEPTACLE CONNECTOR BODY  | 1   |                       | X           |             |
| 9   | 57M7256  | PIN CONTACT CONNECTOR BODY | 1   |                       | X           |             |
| 10  | 57M7317  | CONNECTOR                  | 1   |                       | X           |             |
| 11  | 57M7255  | RECEPTACLE CONNECTOR BODY  | 1   |                       | X           |             |
| 12  | 57M7257  | PIN CONTACT CONNECTOR BODY | 1   |                       | X           |             |
| 13  | 57M7318  | CONNECTOR                  | 1   |                       | X           |             |
| 14  | 57M7247  | RECEPTACLE CONNECTOR BODY  | 1   |                       | X           |             |
| 15  | 57M7244  | PIN CONTACT CONNECTOR BODY | 1   |                       | X           |             |
| 16  | 57M7291  | CONNECTOR                  | 1   |                       | X           |             |
| 17  | 57M7260  | RECEPTACLE CONNECTOR BODY  | 1   |                       | X           |             |
| 18  | 57M7263  | PIN CONTACT CONNECTOR BODY | 1   |                       | X           |             |
| 19  | 57M7296  | CONNECTOR                  | 1   |                       | X           |             |
| 20  | 57M7261  | RECEPTACLE CONNECTOR BODY  | 1   |                       | X           |             |
| 21  | 57M7264  | PIN CONTACT CONNECTOR BODY | 1   |                       | X           |             |
| 22  | 57M7283  | CONNECTOR                  | 1   |                       | X           |             |
| 23  | 57M7306  | CONNECTOR                  | 1   |                       | X           |             |
| 24  | 57M7298  | TERMINAL                   | AR  |                       | X           | (14-16 GA.) |
|     | 57M7299  | TERMINAL                   | AR  |                       | X           | (12 GA.)    |
| 25  | 57M7309  | RECEPTACLE CONNECTOR BODY  | 1   |                       | X           |             |
| 26  | 57M7304  | PIN CONTACT CONNECTOR BODY | 1   |                       | X           |             |
| 27  | 57M7286  | TERMINAL                   | AR  |                       | X           | (12 GA.)    |
|     | 57M7277  | TAB                        | AR  |                       | X           | (14-16 GA.) |
| 28  | R78063   | TERMINAL NIPPLE            | AR  |                       | X           |             |
| 29  | 57M7274  | CONNECTOR                  | 1   |                       | X           |             |
| 30  | R78059   | ELECTRICAL PLUG            | AR  |                       | X           |             |
| 31  | 57M7280  | CONNECTOR                  | 1   |                       | X           |             |
| 32  | 57M7305  | PIN CONTACT CONNECTOR BODY | 1   |                       | X           |             |
| 33  | 57M7307  | CONNECTOR                  | 1   |                       | X           |             |
| 34  | R78064   | ELECTRICAL PLUG            | AR  |                       | X           |             |
| 35  | 57M7259  | ELECTRICAL PLUG            | AR  |                       | X           |             |
| 36  | 57M7364  | RECEPTACLE CONNECTOR BODY  | 1   |                       | X           |             |

# 4E13

ELECTRICAL CONNECTORS AND TERMINALS  
 CONNECTEURS ET COSSES ELECTRIQUES  
 ELEKTROSTECKER UND ANSCHLUSSKLEMMEN  
 COLLEGAMENTI E MORSETTI ELETTRICI  
 CONECTORES Y TERMINALES ELECTRICOS  
 ELEKTRISKA KOPPLINGAR OCH ANSLUTNINGAR  
 RXP8696 -UN-01JAN94

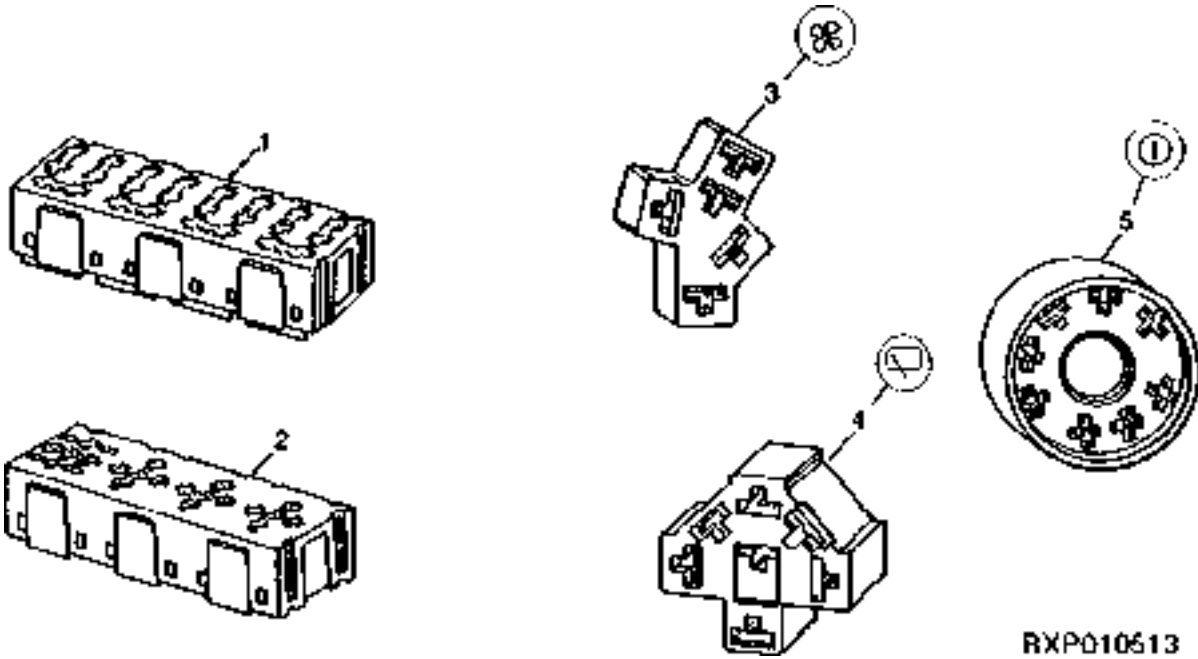


RXP8696

| KEY | PART NO. | PART NAME                 | QTY | TRACTOR<br>SERIAL NO. | A | REMARKS                      |
|-----|----------|---------------------------|-----|-----------------------|---|------------------------------|
|     |          |                           |     |                       | L |                              |
| 1   | T24166   | CONNECTOR                 | 1   |                       | X | (SUB FOR R104425)            |
| 2   | R104926  | ELECTRICAL PLUG           | 1   |                       | X |                              |
| 3   | R104927  | ELECTRICAL PLUG           | 1   |                       | X |                              |
| 4   | R104928  | TERMINAL                  | 1   |                       | X | (14-16 GA.)                  |
| 5   | R104929  | ELECTRICAL PLUG           | 1   |                       | X |                              |
| 6   | R104932  | ELECTRICAL PLUG           | 1   |                       | X | (18-20 GA.)                  |
| 7   | R104930  | CONNECTOR                 | 1   |                       | X |                              |
| 8   | R104931  | ELECTRICAL PLUG           | 1   |                       | X |                              |
| 9   | T24167   | RECEPTACLE CONNECTOR BODY | 1   |                       | X | (ALSO ORDER R65595 OR U4662) |
| 10  | R104570  | CONNECTOR                 | 1   |                       | X |                              |
| 11  | R104572  | CAP                       | 1   |                       | X |                              |
| 12  | R104934  | CONNECTOR                 | 1   |                       | X |                              |
| 13  | R104571  | TERMINAL                  | 1   |                       | X | (12 GA.)                     |
|     | R104933  | TERMINAL                  | 1   |                       | X | (14-16 GA.)                  |
| 14  | RE42193  | CONNECTOR                 | 1   |                       | X |                              |

# 4E14

ELECTRICAL CONNECTORS  
 CONNECTEURS ELECTRIQUES  
 ELEKTRISCHE ANSCHLUESSE  
 CONNETTORI ELETTRICI  
 CONECTORES ELECTRICOS  
 ELKOPPLINGAR  
 RXP010513 -UN-01JAN94



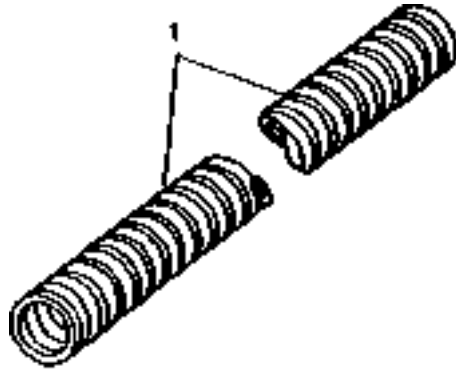
| KEY | PART NO. | PART NAME      | QTY | TRACTOR SERIAL NO. | A |                          |
|-----|----------|----------------|-----|--------------------|---|--------------------------|
|     |          |                |     |                    | L | REMARKS                  |
| 1   | RE43737  | TERMINAL BOARD | 4   |                    | X | (A)                      |
| 2   | RE49724  | TERMINAL BOARD | 8   |                    | X | (B)                      |
| 3   | RE46734  | CONNECTOR      | 1   |                    | X |                          |
| 4   | RE46735  | CONNECTOR      | 1   |                    | X |                          |
| 5   | RE46736  | CONNECTOR      | 1   |                    | X | (ALSO ORDER (8) 57M7429) |

(A) FUSE  
 FUSIBLE  
 SICHERUNG  
 FUSIBILE  
 FUSIBLE  
 SAEKRING

(B) RELAYS  
 RELAIS  
 RELAIS  
 RELE'  
 RELE  
 RELAE

# 4E15

CONDUIT  
 GAINE DE TUBULAIRE  
 ISOLIER SCHLAUCH  
 GUAINA TUBOLARE  
 VAINA  
 SKYDDSRÖER  
 RXP010999 -UN-01JAN94



RXP010999

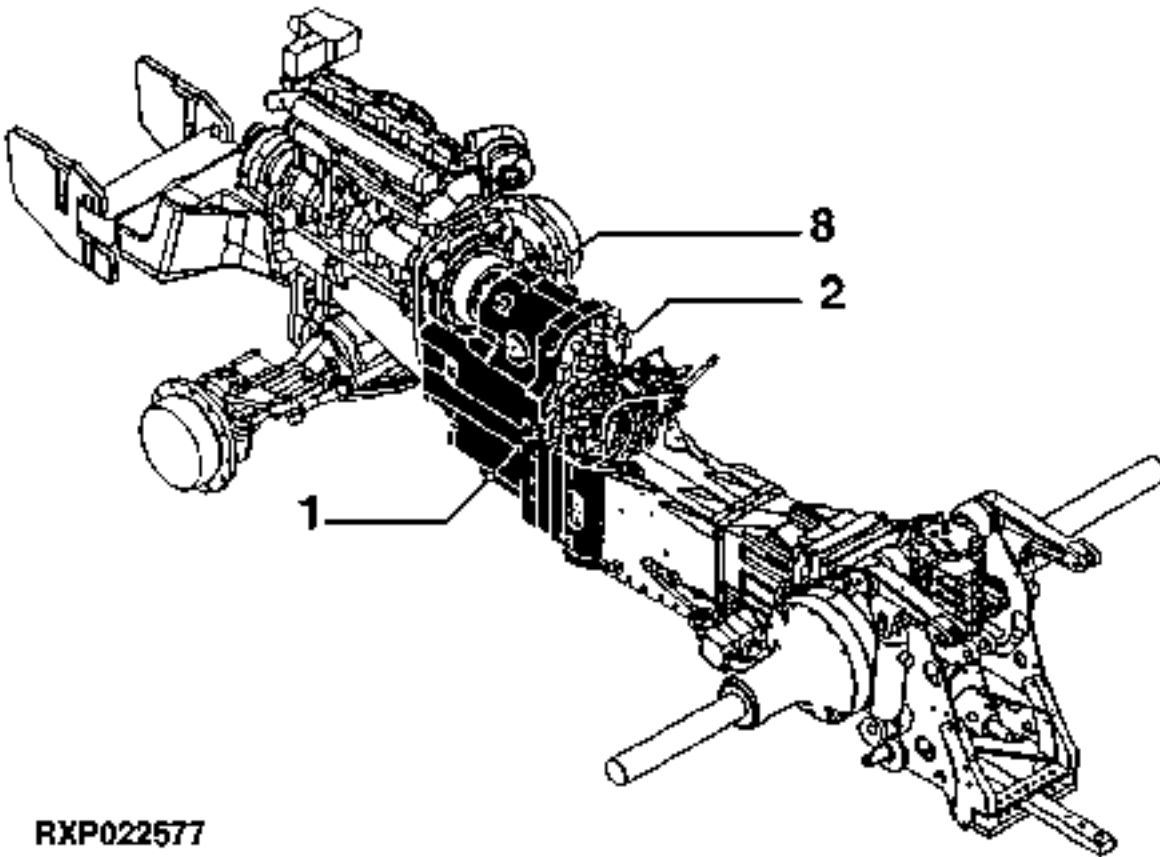
| KEY | PART NO. | PART NAME | QTY | TRACTOR<br>SERIAL NO. | A | REMARKS                       |
|-----|----------|-----------|-----|-----------------------|---|-------------------------------|
|     |          |           |     |                       | L |                               |
| 1   | R93219   | CONDUIT   | 1   |                       | X | 6.3 X 3048 MM(1/4" X 120")    |
|     | R93220   | CONDUIT   | 1   |                       | X | 10.4 X 3048 MM(13/32" X 120") |
|     | R93221   | CONDUIT   | 1   |                       | X | 15.9 X 3048 MM(5/8" X 120")   |
|     | R93222   | CONDUIT   | 1   |                       | X | 25.4 X 3048 MM(1" X 120")     |

# 4E19

POWER SHIFT TRANSMISSION

SECTIONAL INDEX (TSN -019999)  
INDEX DE SECTION (TSN -019999)  
GRUPPENINDEX (TSN -019999)  
INDICE DELLA SEZIONE (TSN -019999)  
INDICE DE SECCION (TSN -019999)  
GRUPPSFORTECKNING (TSN -019999)  
RXP022577 -UN-11MAY99

|      |      |
|------|------|
| 1 -  | 4F1  |
| 2 -  | 4F17 |
| 3 -  | 4F21 |
| 4 -  | 4F22 |
| 5 -  | 4G1  |
| 6 -  | 4G5  |
| 7 -  | 4G11 |
| 8 -  | 4G13 |
| 9 -  | 4G15 |
| 10 - | 4G17 |
| 11 - | 4H13 |
| 12 - | 4H19 |
| 13 - | 4H23 |
| 14 - | 4I1  |
| 15 - | 4I5  |
| 16 - | 4I9  |
| 17 - | 4I15 |
| 18 - | 4I17 |



**RXP022577**

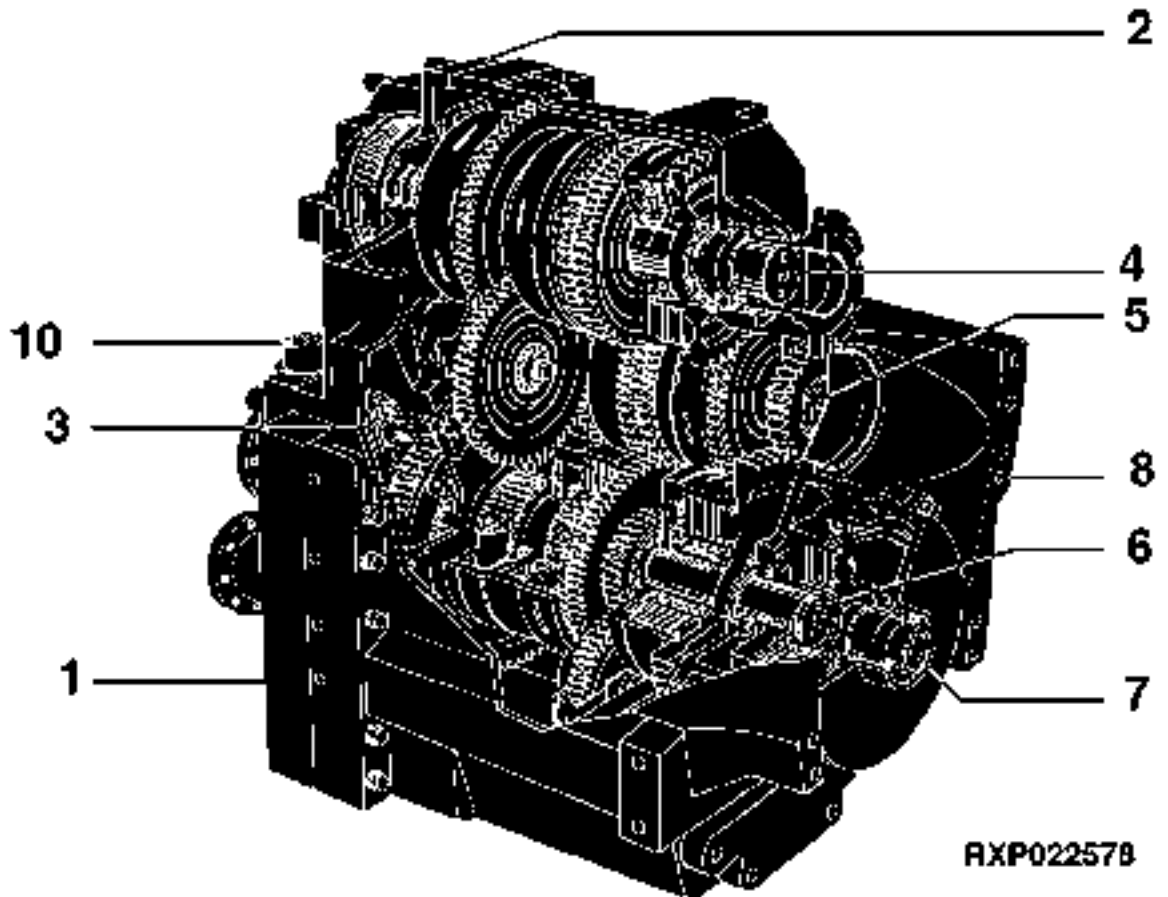
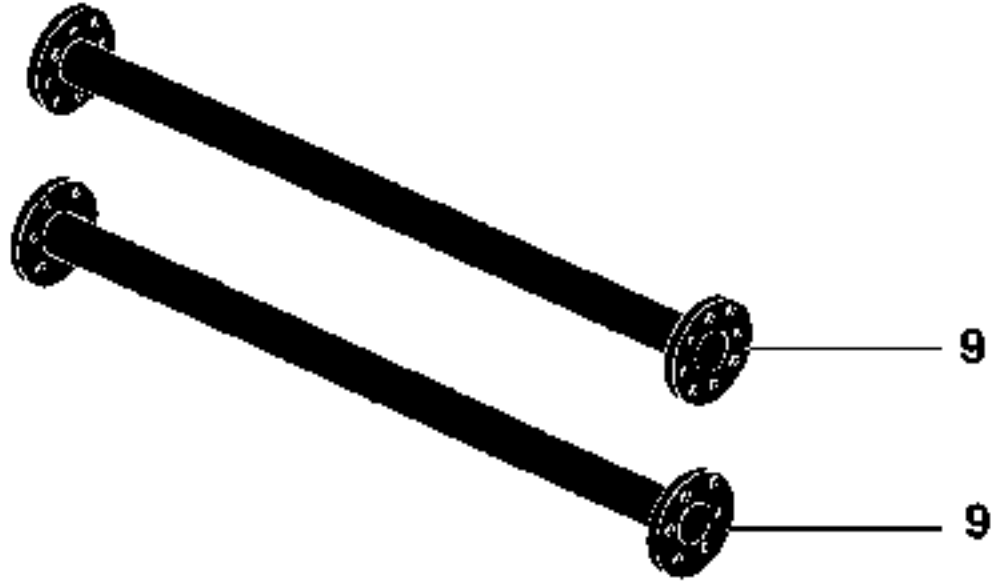
# 4E20

POWER SHIFT TRANSMISSION

SECTIONAL INDEX (TSN -019999)  
INDEX DE SECTION (TSN -019999)  
GRUPPENINDEX (TSN -019999)  
INDICE DELLA SEZIONE (TSN -019999)  
INDICE DE SECCION (TSN -019999)  
GRUPPSFORTECKNING (TSN -019999)

RXP022578 -UN-11MAY99

|     |      |
|-----|------|
| 1-  | 4F1  |
| 2-  | 4F17 |
| 3-  | 4F21 |
| 4-  | 4F22 |
| 5-  | 4G1  |
| 6-  | 4G5  |
| 7-  | 4G11 |
| 8-  | 4G13 |
| 9-  | 4G15 |
| 10- | 4G17 |
| 11- | 4H13 |
| 12- | 4H19 |
| 13- | 4H23 |
| 14- | 4I1  |
| 15- | 4I5  |
| 16- | 4I9  |
| 17- | 4I15 |
| 18- | 4I17 |



RXP022578

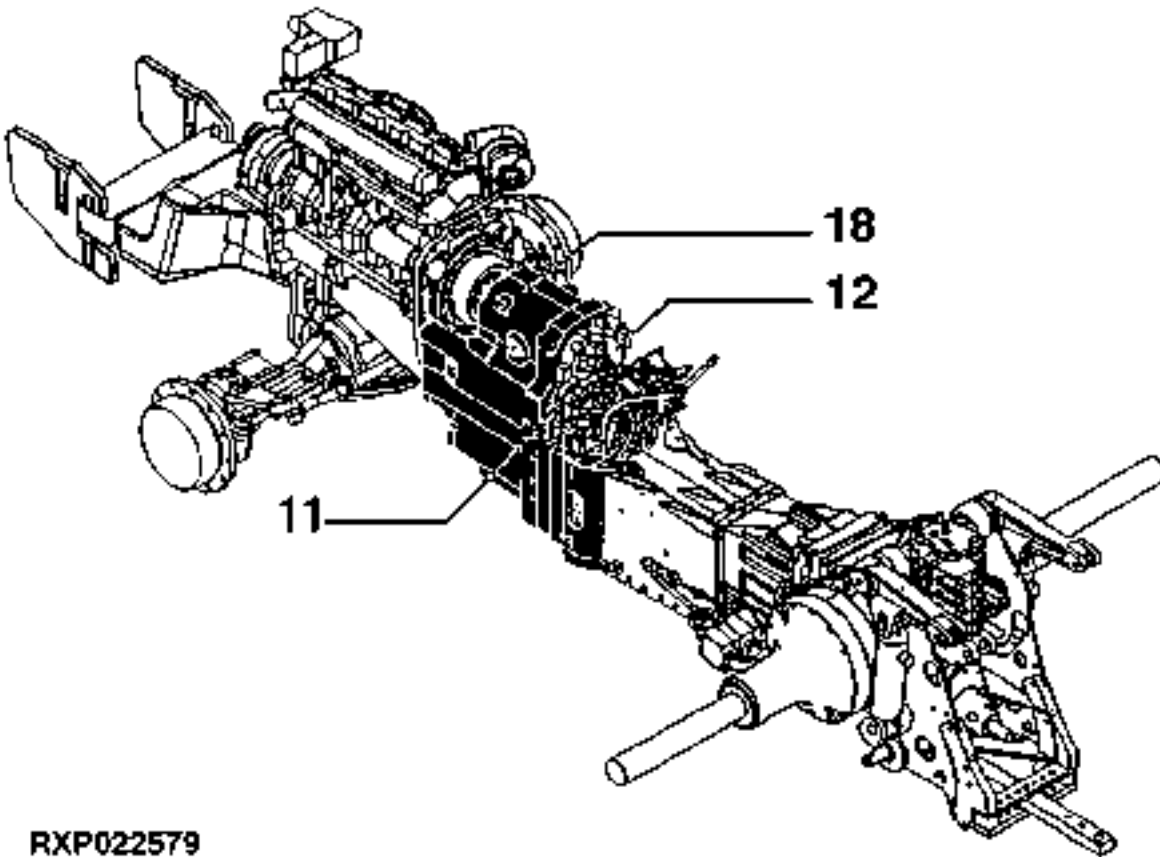


# 4E21

POWER SHIFT TRANSMISSION

SECTIONAL INDEX (TSN 020000- )  
INDEX DE SECTION (TSN 020000- )  
GRUPPENINDEX (TSN 020000- )  
INDICE DELLA SEZIONE (TSN 020000- )  
INDICE DE SECCION (TSN 020000- )  
GRUPPSFORTECKNING (TSN 020000- )  
RXP022579 -UN-11MAY99

|      |      |
|------|------|
| 1 -  | 4F1  |
| 2 -  | 4F17 |
| 3 -  | 4F21 |
| 4 -  | 4F22 |
| 5 -  | 4G1  |
| 6 -  | 4G5  |
| 7 -  | 4G11 |
| 8 -  | 4G13 |
| 9 -  | 4G15 |
| 10 - | 4G17 |
| 11 - | 4H13 |
| 12 - | 4H19 |
| 13 - | 4H23 |
| 14 - | 4I1  |
| 15 - | 4I5  |
| 16 - | 4I9  |
| 17 - | 4I15 |
| 18 - | 4I17 |



RXP022579

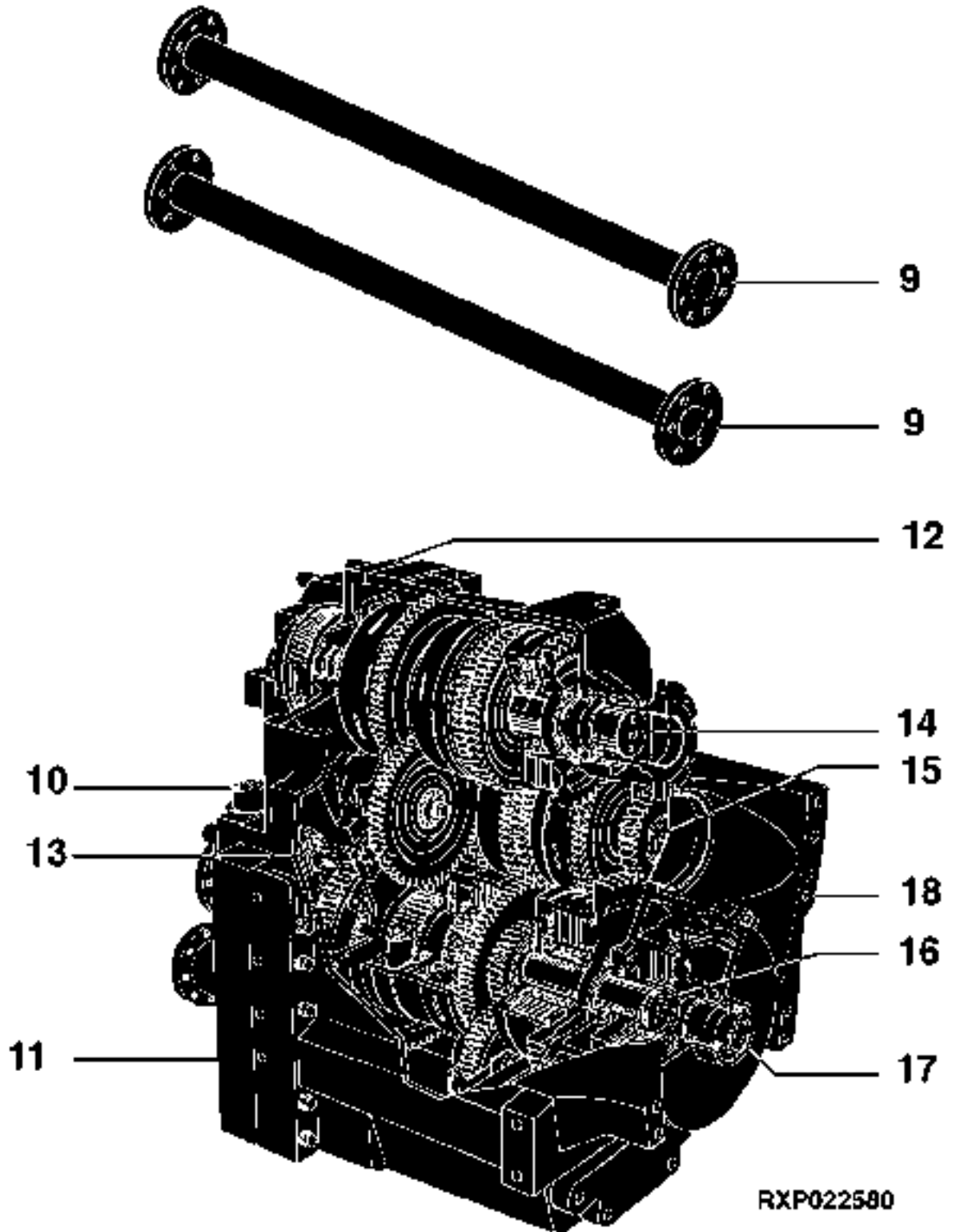
# 4E22

POWER SHIFT TRANSMISSION

SECTIONAL INDEX (TSN 020000- )  
INDEX DE SECTION (TSN 020000- )  
GRUPPENINDEX (TSN 020000- )  
INDICE DELLA SEZIONE (TSN 020000- )  
INDICE DE SECCION (TSN 020000- )  
GRUPPSFORTECKNING (TSN 020000- )

RXP022580 -UN-11MAY99

|     |      |
|-----|------|
| 1-  | 4F1  |
| 2-  | 4F17 |
| 3-  | 4F21 |
| 4-  | 4F22 |
| 5-  | 4G1  |
| 6-  | 4G5  |
| 7-  | 4G11 |
| 8-  | 4G13 |
| 9-  | 4G15 |
| 10- | 4G17 |
| 11- | 4H13 |
| 12- | 4H19 |
| 13- | 4H23 |
| 14- | 4I1  |
| 15- | 4I5  |
| 16- | 4I9  |
| 17- | 4I15 |
| 18- | 4I17 |

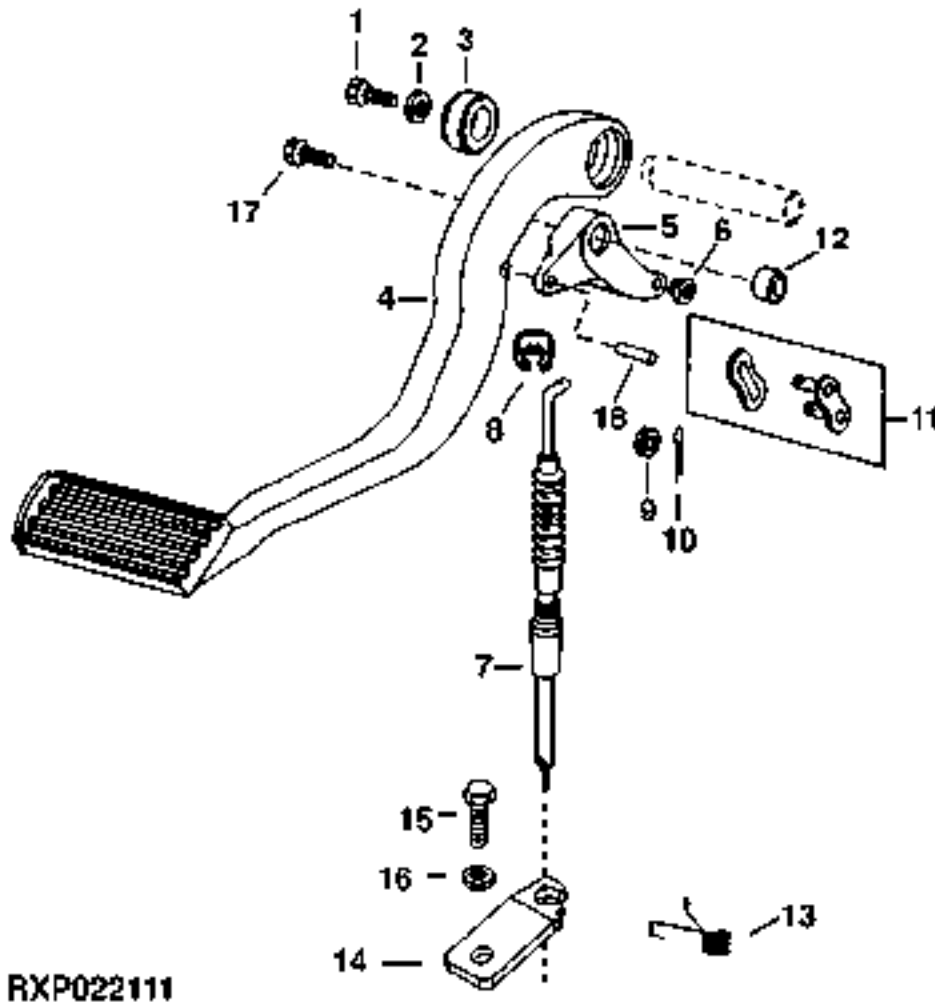


MEMORANDA  
MEMORANDA  
MEMORANDA  
MEMORANDA  
MEMORANDA

# 4E23

POWER SHIFT TRANSMISSION

CLUTCH PEDAL (TSN 8100,8200,8300,8400 -019999)  
PEDALE D'EMBR (TSN 8100,8200,8300,8400 -019999)  
KUPPLUNGSFUSSHEBEL (TSN 8100,8200,8300,8400 -019999)  
PEDALE FRIZIONE (TSN 8100,8200,8300,8400 -019999)  
PEDAL DEL EMBRAGUE (TSN 8100,8200,8300,8400 -019999)  
KOPPLINGSPEDAL (TSN 8100,8200,8300,8400 -019999)  
RXP022111 -UN-07JUN97



RXP022111

# 4E24

POWER SHIFT TRANSMISSION

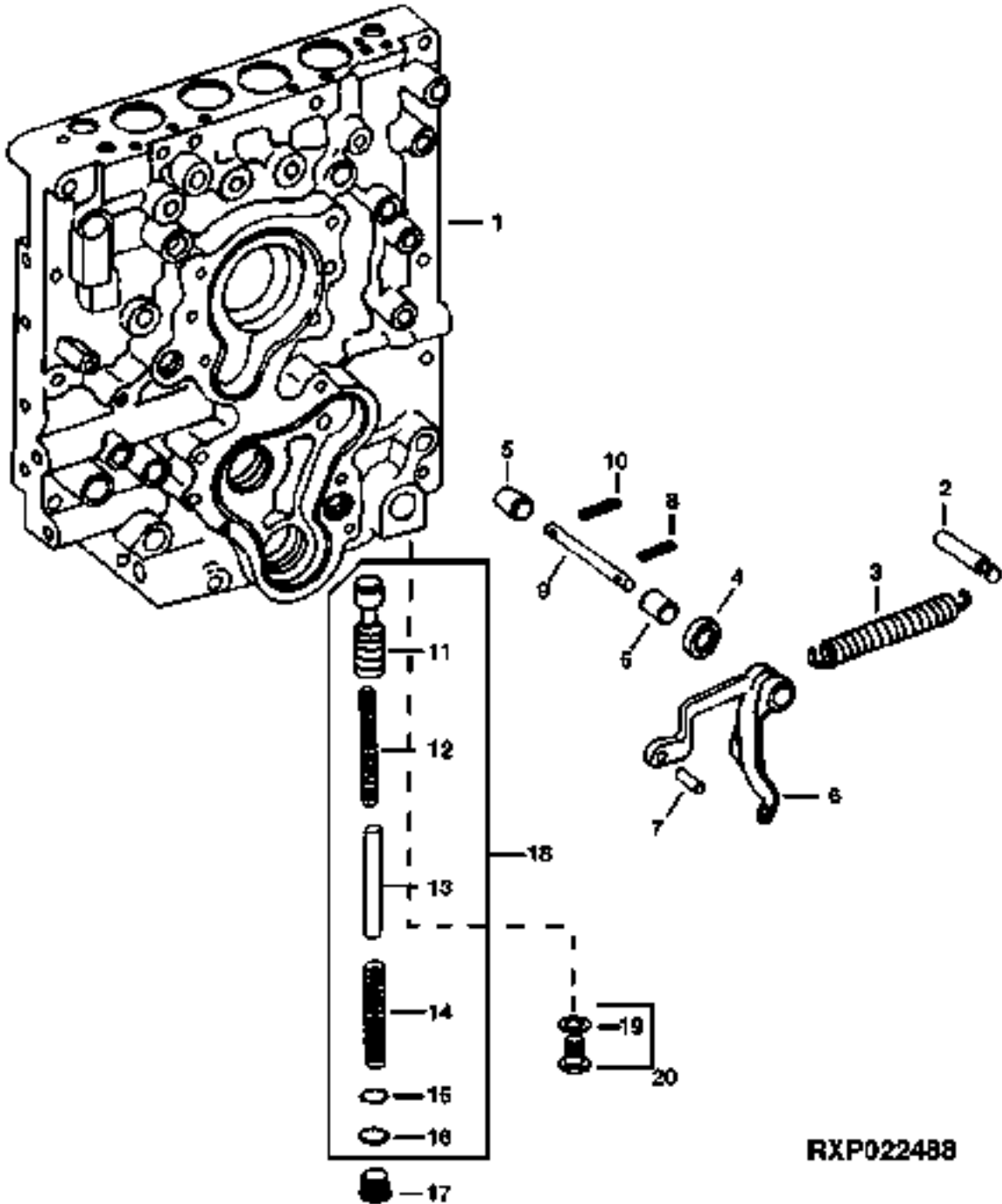
| KEY | PART NO. | PART NAME    | QTY | TRANSMISSION<br>SERIAL NO. | A | REMARKS                   |
|-----|----------|--------------|-----|----------------------------|---|---------------------------|
|     |          |              |     |                            | L |                           |
| 1   | 19M7932  | CAP SCREW    | 1   |                            | X | M8 X 16                   |
| 2   | R56397   | WASHER       | 1   |                            | X |                           |
| 3   | JD8535   | BALL BEARING | 1   |                            | X |                           |
| 4   | R122783  | PEDAL        | 1   | -XXXXXX                    | X | (SUB R127830 AND R127832) |
|     | R127830  | PEDAL        | 1   | XXXXXX-                    | X |                           |
| 5   | R122784  | ARM          | 1   | -XXXXXX                    | X |                           |
|     | R127831  | ARM          | 1   | XXXXXX-                    | X |                           |
| 6   | R78425   | BUSHING      | 1   |                            | X |                           |
| 7   | RE60687  | CABLE        | 1   |                            | X |                           |
| 8   | R108214  | CLIP         | 1   |                            | X | UP                        |
| 9   | R113023  | GROMMET      | 1   |                            | X |                           |
| 10  | 11M7059  | COTTER PIN   | 2   |                            | X | 3.200 X 20 MM             |
| 11  | J4216H   | CHAIN LINK   | 1   |                            | X |                           |
| 12  | JD10181  | BALL BEARING | 2   |                            | X |                           |
| 13  | R121823  | SPRING       | 1   |                            | X | LOW                       |
| 14  | R124428  | BRACKET      | 1   |                            | X |                           |
|     | R131875  | BRACE        | 1   |                            | X | (A)                       |
| 15  | 19M7938  | CAP SCREW    | 1   |                            | X | M10 X 20                  |
| 16  | 24M7346  | WASHER       | 1   |                            | X | 11 X 20 X 2 MM            |
| 17  | 19M8291  | SCREW        | 1   |                            | X | M8 X 35                   |
| 18  | R127832  | BUSHING      | 1   | XXXXXX-                    | X |                           |

(A) EUROPEAN VERSION  
 VERSION EUROPEENNE  
 EROPAEISCHE AUSFUEHRUNG  
 VERSIONE EUROPEA  
 VERSION EUROPEA  
 EUROPEISK VERSION

# 4F1

POWER SHIFT TRANSMISSION

MANIFOLD (TSN 8100,8200,8300,8400 -019999)  
COLLECTEUR (TSN 8100,8200,8300,8400 -019999)  
KUPPLUNGS (TSN 8100,8200,8300,8400 -019999)  
COLLETTORE (TSN 8100,8200,8300,8400 -019999)  
MULTIPLE (TSN 8100,8200,8300,8400 -019999)  
KOPPLINGSGRENDOER (TSN 8100,8200,8300,8400 -019999)  
RXP022488 -UN-23FEB98



RXP022488

# 4F2

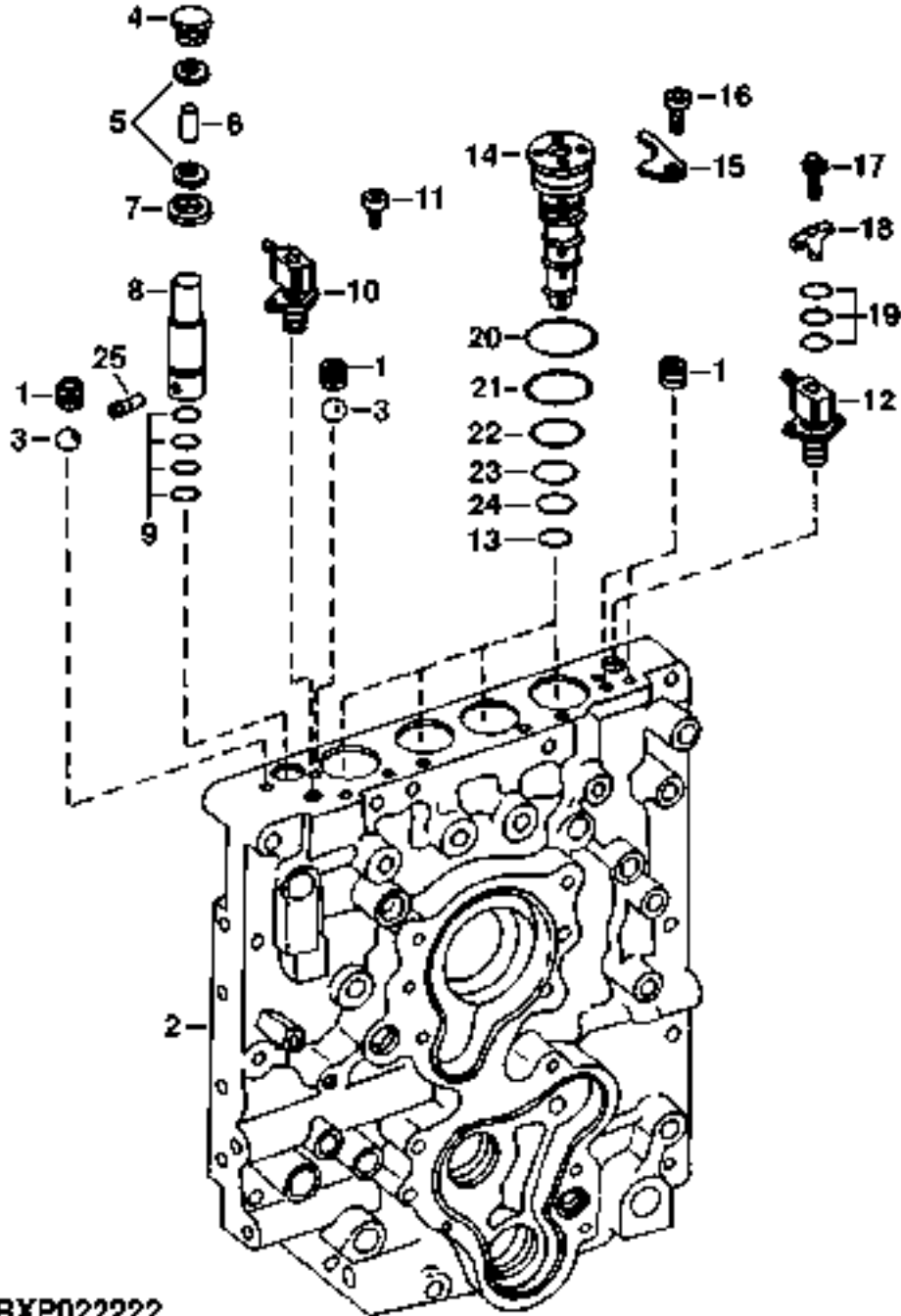
## POWER SHIFT TRANSMISSION

| KEY | PART NO. | PART NAME      | QTY | TRANSMISSION<br>SERIAL NO. | A | REMARKS                                   |
|-----|----------|----------------|-----|----------------------------|---|---|
|     |          |                |     |                            | L |   |
| 1   | R108466  | MANIFOLD       | 1   | -008116                    | X | (MARKED R108466 OR RE63455) (SUB RE70834) |
|     | RE70834  | KIT            | 1   | 008117-                    | X | (MARKED R128681) (SUB FOR RE64309)        |
| 2   | R108565  | PIN            | 1   |                            | X |   |
| 3   | R108499  | SPRING         | 1   |                            | X |   |
| 4   | AR103873 | SEAL           | 1   |                            | X |   |
| 5   | JD9833   | NEEDLE BEARING | 2   |                            | X |   |
| 6   | R108500  | LEVER          | 1   |                            | X |   |
| 7   | R48685   | DOWEL PIN      | 1   |                            | X |   |
| 8   | 34M7207  | SPRING PIN     | 1   |                            | X | 5 X 30 MM                                 |
| 9   | R108551  | SHAFT          | 1   |                            | X |   |
| 10  | 34M7207  | SPRING PIN     | 1   |                            | X | 5 X 30 MM                                 |
| 11  | R115501  | VALVE          | 1   |                            | X |   |
| 12  | R125208  | SPRING         | 1   |                            | X |   |
| 13  | R116726  | PIN            | 1   |                            | X |   |
| 14  | R125209  | SPRING         | 1   |                            | X |   |
| 15  | R115504  | SHIM           | AR  |                            | X |   |
| 16  | 51M7045  | O-RING         | 1   |                            | X |   |
| 17  | R116115  | FITTING        | 1   |                            | X |   |
| 18  | RE68291  | KIT            | 1   |                            | X |   |
| 19  | 51M7041  | O-RING         | 1   |                            | X |   |
| 20  | RE46684  | PLUG           | 1   |                            | X |   |

# 4F3

POWER SHIFT TRANSMISSION

MANIFOLD (TSN 8100,8200,8300,8400 -019999)  
COLLECTEUR (TSN 8100,8200,8300,8400 -019999)  
KUPPLUNGS (TSN 8100,8200,8300,8400 -019999)  
COLLETTORE (TSN 8100,8200,8300,8400 -019999)  
MULTIPLE (TSN 8100,8200,8300,8400 -019999)  
KOPPLINGSGRENROER (TSN 8100,8200,8300,8400 -019999)  
RXP022222 -UN-21AUG97



RXP022222



# 4F4

## POWER SHIFT TRANSMISSION

| KEY | PART NO. | PART NAME      | QTY | TRANSMISSION<br>SERIAL NO. | A |     | REMARKS  |
|-----|----------|----------------|-----|----------------------------|---|-----|--|
|     |          |                |     |                            | L | L   |  |
| 1   | R125064  | PIPE PLUG      | 1   |                            | X |     |  |
|     | R125064  | PIPE PLUG      | 3   |                            | X |     |  |
| 2   | R108466  | MANIFOLD       | 1   | -008116                    | X |     | (MARKED R108466) (SUB FOR RE63236 OR<br>RE63455) (SUB RE70834) (ALSO ORDER (3)<br>RE63751) |
|     | RE70834  | KIT            | 1   | 008117-                    | X |     | (MARKED R128681) (SUB FOR RE64309)   |
| 3   | D2361    | BALL           | 2   |                            | X |     |  |
| 4   | R97116   | KNOB           | 1   |                            | X |     |  |
| 5   | 24M7139  | WASHER         | 2   |                            | X |     |  |
| 6   | R108562  | STUD           | 1   |                            | X |     |  |
| 7   | AR103873 | SEAL           | 1   |                            | X |     |  |
| 8   | R108489  | VALVE          | 1   |                            | X |     |  |
| 9   | R33259   | O-RING         | 4   |                            | X |     |  |
| 10  | RE52319  | SOLENOID VALVE | 1   |                            | X | (A) |  |
| 11  | 19M7560  | CAP SCREW      | 4   |                            | X |     | M6 X 16  |
| 12  | RE52319  | SOLENOID VALVE | 1   |                            | X | (A) |  |
| 13  | P42061   | O-RING         | 4   |                            | X |     |  |
| 14  | RE71489  | VALVE          | 4   |                            | X |     | (ALSO ORDER U41966, U11326, R106663,<br>R62070, R27928 AND P42061)                         |
|     | R150892  | SCREEN         | 4   |                            | X |     |  |
|     | R150891  | SUPPORT        | 8   |                            | X |     |  |
| 15  | R95045   | CLAMP          | 4   |                            | X |     |  |
| 16  | 19M7560  | CAP SCREW      | 4   |                            | X |     | M6 X 16  |
| 17  | 19M7775  | SCREW          | 2   |                            | X |     | (B) M6 X 16, HS 10.9   |
| 18  | L100496  | PLUG           | 1   |                            | X | (B) |  |
| 19  | RE47392  | O-RING KIT     | 1   |                            | X | (B) |  |
| 20  | U41966   | O-RING         | 4   |                            | X |     |  |
| 21  | R106663  | O-RING         | 4   |                            | X |     |  |
| 22  | U11326   | O-RING         | 4   |                            | X |     |  |
| 23  | R62070   | RING           | 4   |                            | X |     |  |
| 24  | R27928   | O-RING         | 4   |                            | X |     |  |
| 25  | R44394   | NEEDLE ROLLER  | 1   |                            | X |     |  |

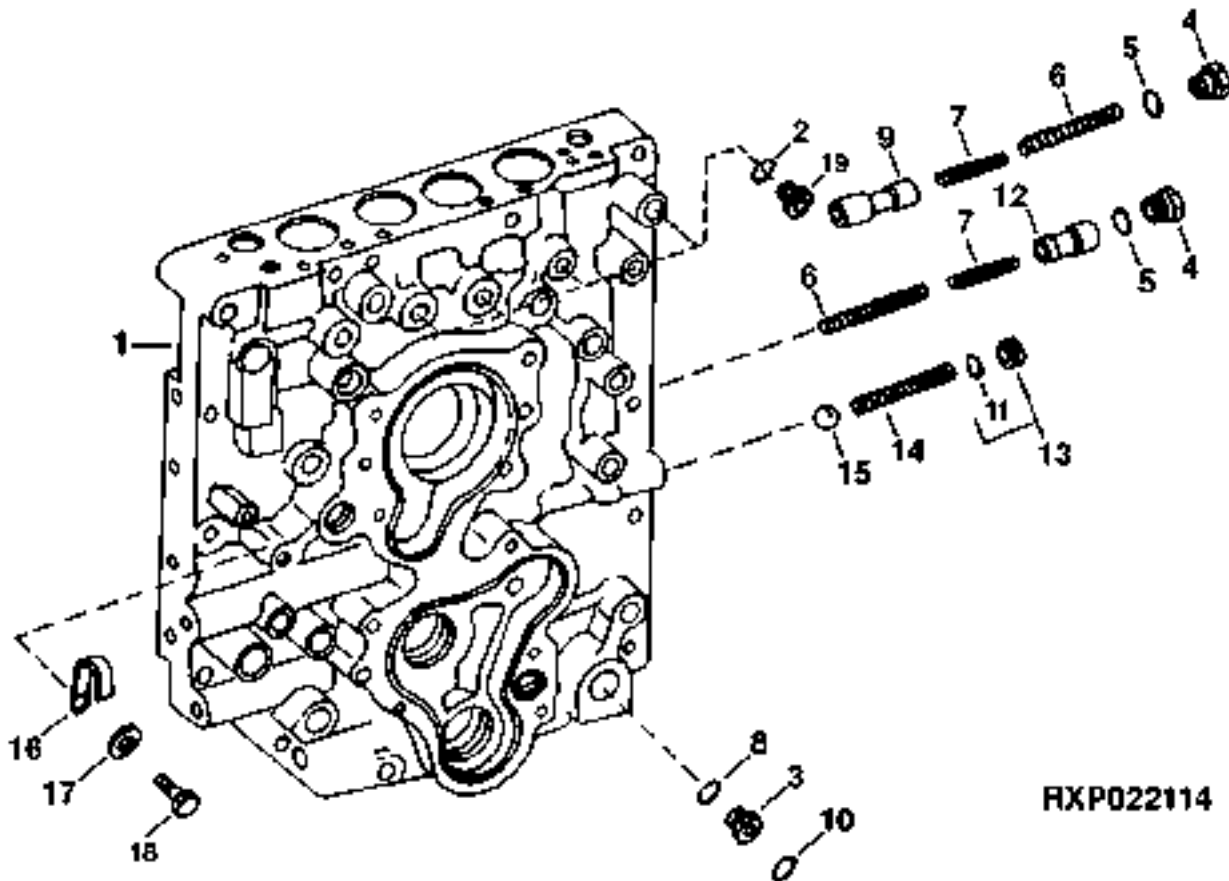
(A) MECHANICAL FRONT WHEEL DRIVE  
 TRACTION AVANT MECANIQUE  
 MECHANISCHER FRONTANTRIEB  
 TRAZIONE ANTERIORE MECANNICA  
 TRACCION DELANTERA  
 MEKANISK FRAMHJULSDRIVNING

(B) W/O MECHANICAL FRONT WHEEL DRIVE  
 W/O TRACTION AVANT MECANIQUE  
 W/O MECHANISCHER FRONTANTRIEB  
 W/O TRAZIONE ANTERIORE MECANNICA  
 W/O TRACCION DELANTERA  
 W/O MEKANISK FRAMHJULSDRIVNING

# 4F5

POWER SHIFT TRANSMISSION

MANIFOLD (TSN 8100,8200,8300,8400 -019999)  
COLLECTEUR (TSN 8100,8200,8300,8400 -019999)  
KUPPLUNGS (TSN 8100,8200,8300,8400 -019999)  
COLLETTORE (TSN 8100,8200,8300,8400 -019999)  
MULTIPLE (TSN 8100,8200,8300,8400 -019999)  
KOPPLINGSGRENROER (TSN 8100,8200,8300,8400 -019999)  
RXP022114 -UN-07JUN97



RXP022114

# 4F6

## POWER SHIFT TRANSMISSION

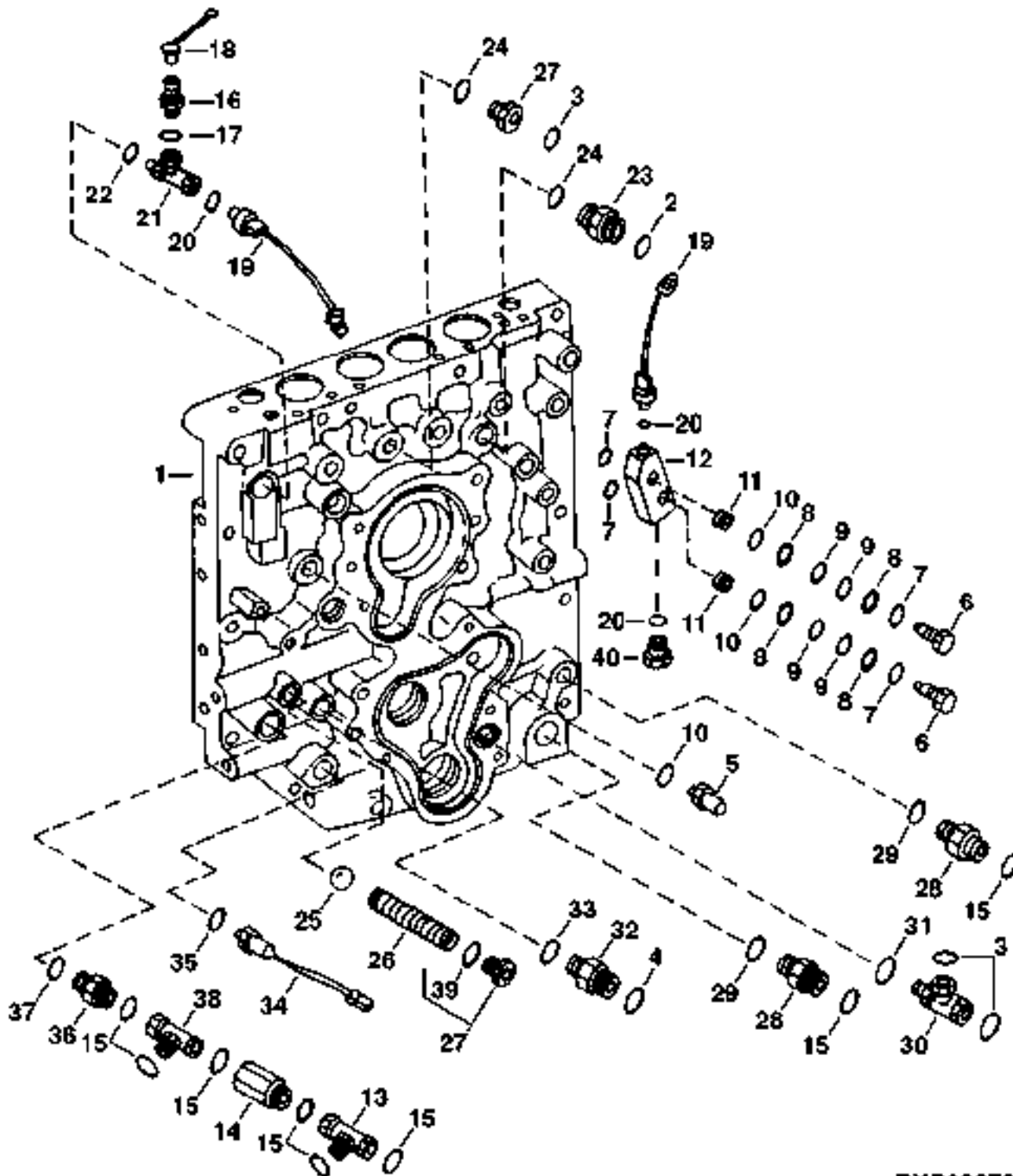
| KEY | PART NO. | PART NAME | QTY | TRANSMISSION<br>SERIAL NO. | A<br>L<br>L | REMARKS  |
|-----|----------|-----------|-----|----------------------------|-------------|--|
| 1   | R108466  | MANIFOLD  | 1   | -008116                    | X           | (MARKED R108466) (SUB FOR RE63236 OR RE63455) (SUB RE70834) (ALSO ORDER (3) RE63751) |
|     | RE70834  | KIT       | 1   | 008117-                    | X           | (MARKED R128681) (SUB FOR RE64309)   |
| 2   | 51M7041  | O-RING    | 5   |                            | X           | (A)  |
| 3   | 38H5121  | ADAPTER   | 1   |                            | X           | (A)  |
| 4   | R116115  | FITTING   | 1   |                            | X           |  |
| 5   | 51M7045  | O-RING    | 1   |                            | X           |  |
| 6   | R150574  | SPRING    | 2   |                            | X           |  |
| 7   | R150573  | SPRING    | 2   |                            | X           |  |
| 8   | 51M7045  | O-RING    | 1   |                            | X           |  |
| 9   | R120235  | VALVE     | 1   |                            | X           |  |
| 10  | T77858   | O-RING    | 1   |                            | X           |  |
| 11  | 51M7043  | O-RING    | 1   | 008117-                    | X           | 15.300 X 2.200 MM  |
| 12  | R108491  | VALVE     | 1   |                            | X           |  |
| 13  | R125064  | PIPE PLUG | 1   | -008116                    | X           |  |
|     | RE63751  | PIPE PLUG | 1   | 008117-                    | X           |  |
| 14  | R108502  | SPRING    | 1   |                            | X           |  |
| 15  | D2361    | BALL      | 1   |                            | X           |  |
| 16  | R72853   | CLAMP     | 1   | -XXXXXX                    | X           |  |
| 17  | 24M7040  | WASHER    | 1   | -XXXXXX                    | X           | 11 X 20 X 2 MM   |
| 18  | 19M8324  | CAP SCREW | 1   | -XXXXXX                    | X           | M10 X 16   |
| 19  | RE46684  | PLUG      | 5   | -XXXXXX                    | X           | (A)  |

(A)MECHANICAL FRONT WHEEL DRIVE  
 TRACTION AVANT MECANIQUE  
 MECHANISCHER FRONTANTRIEB  
 TRAZIONE ANTERIORE MECANNICA  
 TRACCION DELANTERA  
 MEKANISK FRAMHJULSDRIVNING

# 4F7

POWER SHIFT TRANSMISSION

MANIFOLD (TSN 8100,8200,8300,8400 -019999)  
COLLECTEUR (TSN 8100,8200,8300,8400 -019999)  
KUPPLUNGS (TSN 8100,8200,8300,8400 -019999)  
COLLETTE (TSN 8100,8200,8300,8400 -019999)  
MULTIPLE (TSN 8100,8200,8300,8400 -019999)  
KOPPLINGSGRENROER (TSN 8100,8200,8300,8400 -019999)  
RXP022790 -UN-24AUG98



RXP022790

# 4F8

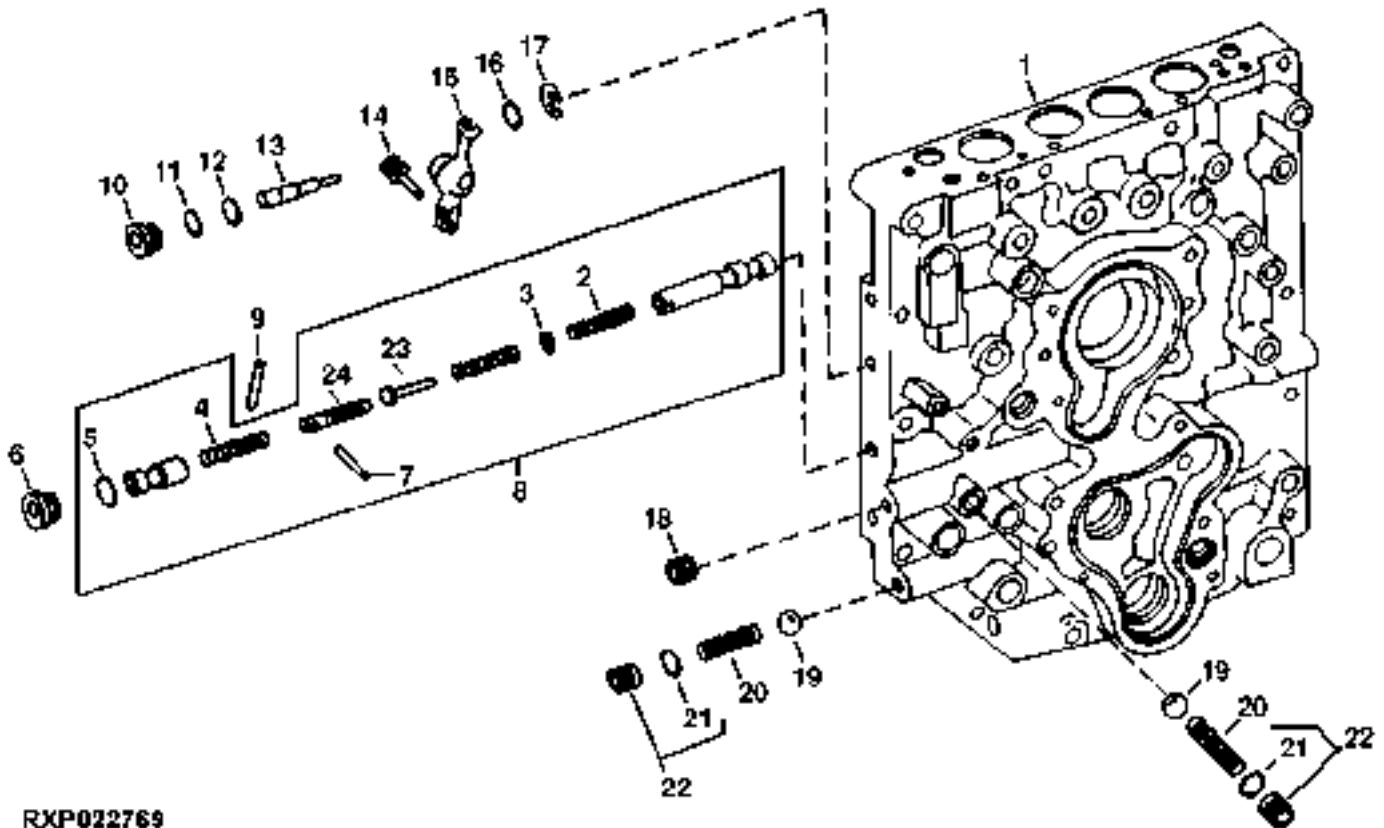
## POWER SHIFT TRANSMISSION

| KEY | PART NO. | PART NAME    | QTY | TRANSMISSION<br>SERIAL NO. | A | REMARKS  |
|-----|----------|--------------|-----|----------------------------|---|--|
|     |          |              |     |                            | L |  |
| 1   | R108466  | MANIFOLD     | 1   | -008116                    | X | (MARKED R108466) (SUB FOR RE63236 OR RE63455) (SUB RE70834) (ALSO ORDER (3) RE63751) |
|     | RE70834  | KIT          | 1   | 008117-                    | X | (MARKED R128681) (SUB FOR RE64309)   |
| 2   | T77857   | O-RING       | 1   |                            | X |  |
| 3   | T77932   | O-RING       | 3   |                            | X |  |
| 4   | T77613   | O-RING       | 1   |                            | X |  |
| 5   | RE46534  | SWITCH       | 1   |                            | X |  |
| 6   | R125991  | FITTING      | 2   |                            | X |  |
| 7   | R26149   | PACKING      | 4   |                            | X |  |
| 8   | R32588   | BACK-UP RING | NA  |                            | X |  |
| 9   | R126014  | O-RING       | 4   |                            | X |  |
| 10  | 51M7041  | O-RING       | 3   |                            | X |  |
| 11  | T71307   | ORIFICE      | 2   |                            | X |  |
| 12  | R125992  | ISOLATOR     | 1   |                            | X |  |
| 13  | 38H5136  | TEE FITTING  | 1   |                            | X |  |
| 14  | RE51573  | FITTING      | 1   |                            | X |  |
| 15  | T77858   | O-RING       | 8   |                            | X |  |
| 16  | RE12187  | RECEPTACLE   | 1   |                            | X |  |
| 17  | 51M7041  | O-RING       | 1   |                            | X |  |
| 18  | R77175   | COVER        | 1   |                            | X |  |
| 19  | RE160680 | SWITCH       | 2   |                            | X | (SUB FOR RE65350 OR RE66881)   |
|     | RE67263  | SHIELD       | 1   |                            | X |  |
| 20  | 51M7041  | O-RING       | 3   |                            | X |  |
| 21  | RE61274  | TEE FITTING  | 1   |                            | X |  |
| 22  | 51M7041  | O-RING       | 1   |                            | X |  |
| 23  | 38H5003  | ADAPTER      | 1   |                            | X |  |
| 24  | 51M7043  | O-RING       | 2   |                            | X |  |
| 25  | D2361    | BALL         | 1   |                            | X |  |
| 26  | R108502  | SPRING       | 1   |                            | X |  |
| 27  | 38H5010  | ADAPTER      | 1   | -008116                    | X |  |
|     | RE63751  | PIPE PLUG    | 1   | 008117-                    | X |  |
| 28  | 38H5121  | ADAPTER      | 2   |                            | X |  |
| 29  | 51M7045  | O-RING       | 2   |                            | X |  |
| 30  | 38H5140  | TEE FITTING  | 1   |                            | X |  |
| 31  | 51M7047  | O-RING       | 1   |                            | X |  |
| 32  | 38H5002  | ADAPTER      | 1   |                            | X |  |
| 33  | 51M7041  | O-RING       | 1   |                            | X |  |
| 34  | RE70062  | SWITCH       | 1   | -XXXXXX                    | X | (SUB FOR RE52868)  |
|     | RE46684  | PLUG         | 1   | XXXXXX-                    | X |  |
|     | 51M7041  | O-RING       | 1   | XXXXXX-                    | X |  |
| 35  | 51M7041  | O-RING       | 1   |                            | X |  |
| 36  | 38H5005  | ADAPTER      | 1   |                            | X |  |
| 37  | 51M7047  | O-RING       | 1   |                            | X |  |
| 38  | 38H5136  | TEE FITTING  | 1   |                            | X |  |
| 39  | 51M7043  | O-RING       | 1   | 008117-                    | X |  |
| 40  | RE46684  | PLUG         | 1   |                            | X |  |

# 4F9

POWER SHIFT TRANSMISSION

MANIFOLD (TSN 8100,8200,8300,8400 -019999)  
COLLECTEUR (TSN 8100,8200,8300,8400 -019999)  
KUPPLUNGS (TSN 8100,8200,8300,8400 -019999)  
COLLETTE (TSN 8100,8200,8300,8400 -019999)  
MULTIPLE (TSN 8100,8200,8300,8400 -019999)  
KOPPLINGSGRENROER (TSN 8100,8200,8300,8400 -019999)  
RXP022769 -UN-16JUL98



RXP022769

# 4F10

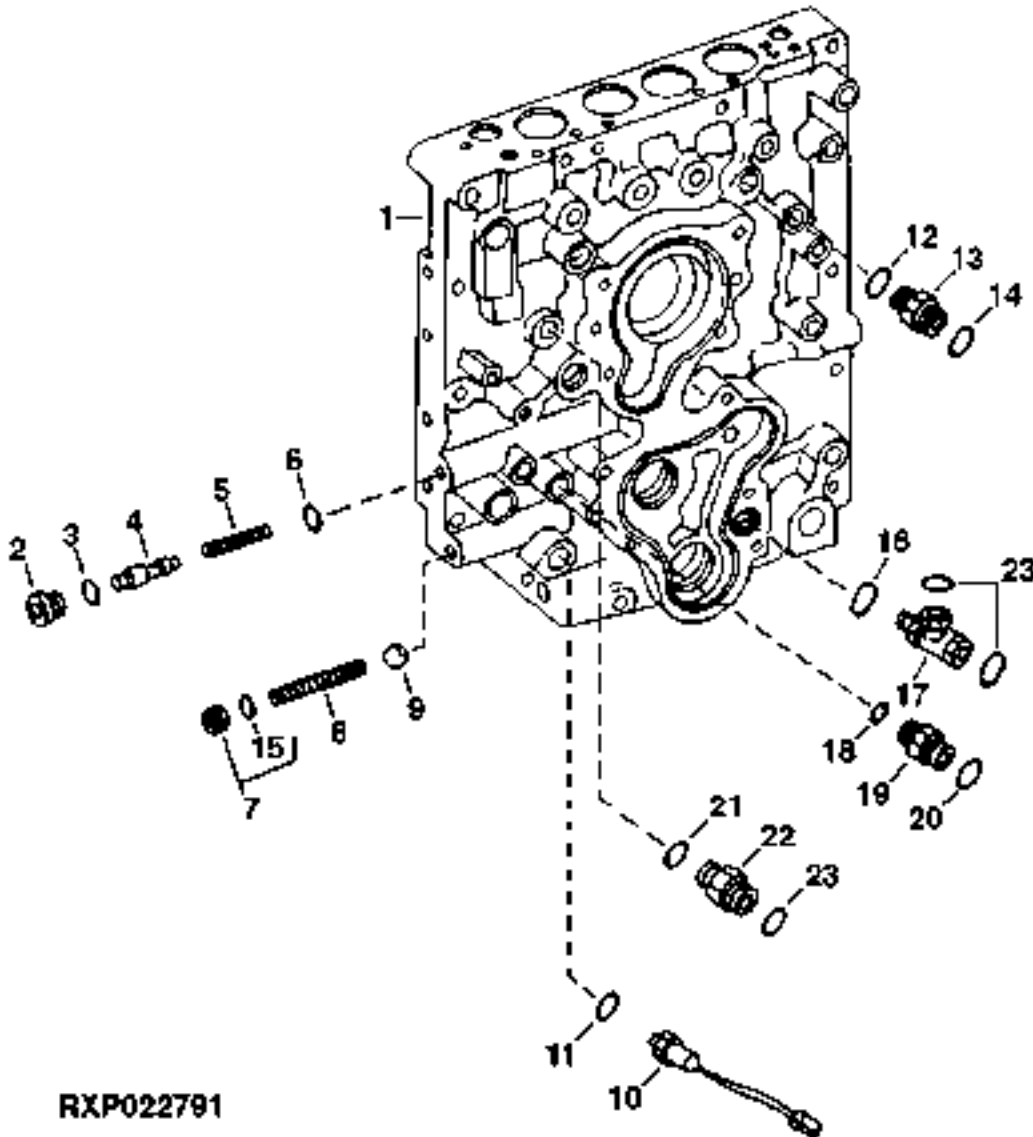
POWER SHIFT TRANSMISSION

| KEY | PART NO. | PART NAME     | QTY | TRANSMISSION<br>SERIAL NO. | A | REMARKS  |
|-----|----------|---------------|-----|----------------------------|---|--|
|     |          |               |     |                            | L |  |
| 1   | R108466  | MANIFOLD      | 1   | -008116                    | X | (MARKED RE63455) (SUB FOR RE63236 OR<br>RE63455) (SUB RE70834) (ALSO ORDER (3)<br>RE63751) |
|     | RE70834  | KIT           | 1   | 008117-                    | X | (MARKED R128681) (SUB FOR RE64309)   |
| 2   | R104814  | SPRING        | 1   |                            | X |  |
| 3   | R52665   | DISK          | 1   |                            | X |  |
| 4   | R104814  | SPRING        | 1   |                            | X |  |
| 5   | 51M7045  | O-RING        | 1   |                            | X | 19.300 X 2.200 MM  |
| 6   | R116115  | FITTING       | 1   |                            | X |  |
| 7   | 34H261   | SPRING PIN    | 1   |                            | X |  |
| 8   | RE68292  | KIT           | 1   |                            | X |  |
| 9   | R44394   | NEEDLE ROLLER | 1   |                            | X |  |
| 10  | R116115  | FITTING       | 1   |                            | X |  |
| 11  | 51M7045  | O-RING        | 1   |                            | X | 19.300 X 2.200 MM  |
| 12  | R33259   | O-RING        | 1   |                            | X |  |
| 13  | R108492  | VALVE         | 1   |                            | X |  |
| 14  | R104745  | PIN           | 1   |                            | X |  |
| 15  | R108488  | ARM           | 1   |                            | X |  |
| 16  | 24M7036  | WASHER        | 1   |                            | X | 9 X 16 X 1.600 MM  |
| 17  | R72653   | SNAP RING     | 1   |                            | X |  |
| 18  | R125064  | PIPE PLUG     | 1   |                            | X |  |
| 19  | D2361R   | BALL          | 2   |                            | X |  |
| 20  | R108502  | SPRING        | 2   |                            | X |  |
| 21  | 51M7043  | O-RING        | 2   | 008117-                    | X |  |
| 22  | RE63751  | PIPE PLUG     | 2   | 008117-                    | X |  |
| 23  | R121609  | GUIDE         | 1   |                            | X |  |
| 24  | R122197  | LINK          | 1   |                            | X |  |

# 4F11

POWER SHIFT TRANSMISSION

MANIFOLD (TSN 8100,8200,8300,8400 -019999)  
COLLECTEUR (TSN 8100,8200,8300,8400 -019999)  
KUPPLUNGS (TSN 8100,8200,8300,8400 -019999)  
COLLETORE (TSN 8100,8200,8300,8400 -019999)  
MULTIPLE (TSN 8100,8200,8300,8400 -019999)  
KOPPLINGSGRENROER (TSN 8100,8200,8300,8400 -019999)  
RXP022791 -UN-25AUG98



RXP022791



# 4F12

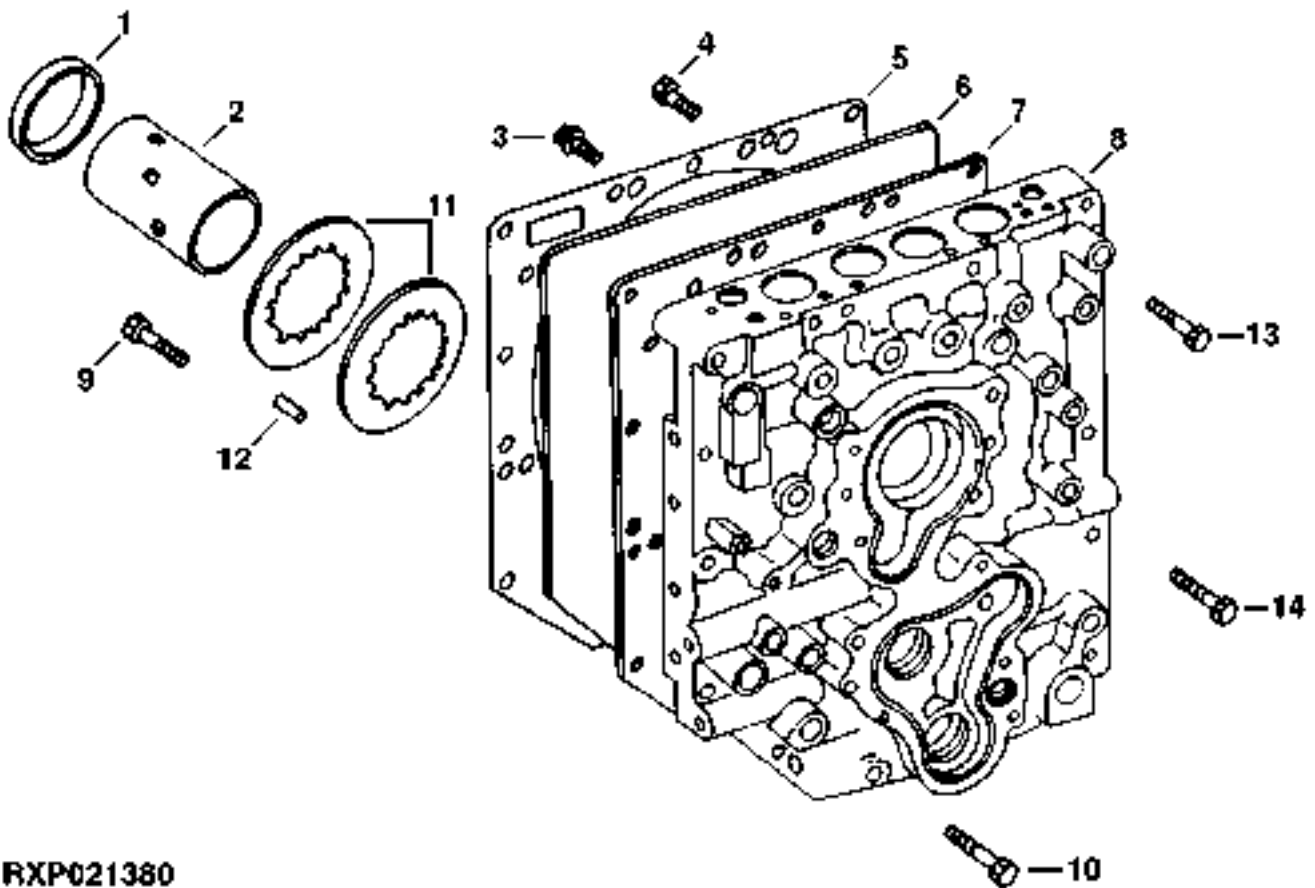
POWER SHIFT TRANSMISSION

| KEY | PART NO. | PART NAME   | QTY | TRANSMISSION<br>SERIAL NO. | A<br>L<br>L | REMARKS  |
|-----|----------|-------------|-----|----------------------------|-------------|--|
| 1   | R108466  | MANIFOLD    | 1   | -008116                    | X           | (MARKED RE63455) (SUB FOR RE63236 OR RE63455) (SUB RE70834) (ALSO ORDER (3) RE63751) |
|     | RE70834  | KIT         | 1   | 008117-                    | X           | (MARKED R128681) (SUB FOR RE64309)   |
| 2   | R116115  | FITTING     | 1   |                            | X           |  |
| 3   | 51M7045  | O-RING      | 1   |                            | X           |  |
| 4   | R125848  | VALVE       | 1   |                            | X           |  |
| 5   | R104814  | SPRING      | 1   |                            | X           |  |
| 6   | R33259   | O-RING      | 1   |                            | X           |  |
| 7   | R125064  | PIPE PLUG   | 1   | -008116                    | X           |  |
|     | RE63751  | PIPE PLUG   | 1   | 008117-                    | X           |  |
| 8   | R108501  | SPRING      | 1   |                            | X           |  |
| 9   | D2361    | BALL        | 1   |                            | X           |  |
| 10  | RE70062  | SWITCH      | 1   |                            | X           | (SUB FOR RE52868)  |
| 11  | 51M7041  | O-RING      | 1   |                            | X           |  |
| 12  | 51M7043  | O-RING      | 1   | -009999                    | X           |  |
| 13  | 38H5003  | ADAPTER     | 1   | -009999                    | X           |  |
|     | RE46685  | PLUG        | 1   | 010000-                    | X           |  |
| 14  | T77857   | O-RING      | 1   | -009999                    | X           |  |
| 15  | 51M7043  | O-RING      | 1   |                            | X           |  |
| 16  | 51M7047  | O-RING      | 1   |                            | X           |  |
| 17  | 38H5140  | TEE FITTING | 1   |                            | X           |  |
| 18  | 51M7041  | O-RING      | 1   |                            | X           |  |
| 19  | 38H5002  | ADAPTER     | 1   |                            | X           |  |
| 20  | T77613   | O-RING      | 1   |                            | X           |  |
| 21  | 51M7043  | O-RING      | 1   |                            | X           |  |
| 22  | 38H5010  | ADAPTER     | 1   | -009999                    | X           |  |
|     | 38H5003  | ADAPTER     | 1   | 010000-                    | X           |  |
| 23  | T77932   | O-RING      | 2   |                            | X           |  |

# 4F13

POWER SHIFT TRANSMISSION

MANIFOLD COVER (TSN 8100,8200,8300,8400 -019999)  
COUVRE-COLLECTEUR (TSN 8100,8200,8300,8400 -019999)  
KRUEMMERDECKEL (TSN 8100,8200,8300,8400 -019999)  
COPERCHIO DEL COLLETTORE (TSN 8100,8200,8300,8400 -019999)  
CUBIERTA DEL MULTIPLE (TSN 8100,8200,8300,8400 -019999)  
GRENROERSKAAPA (TSN 8100,8200,8300,8400 -019999)  
RXP021380 -UN-03JUN96



**RXP021380**

# 4F14

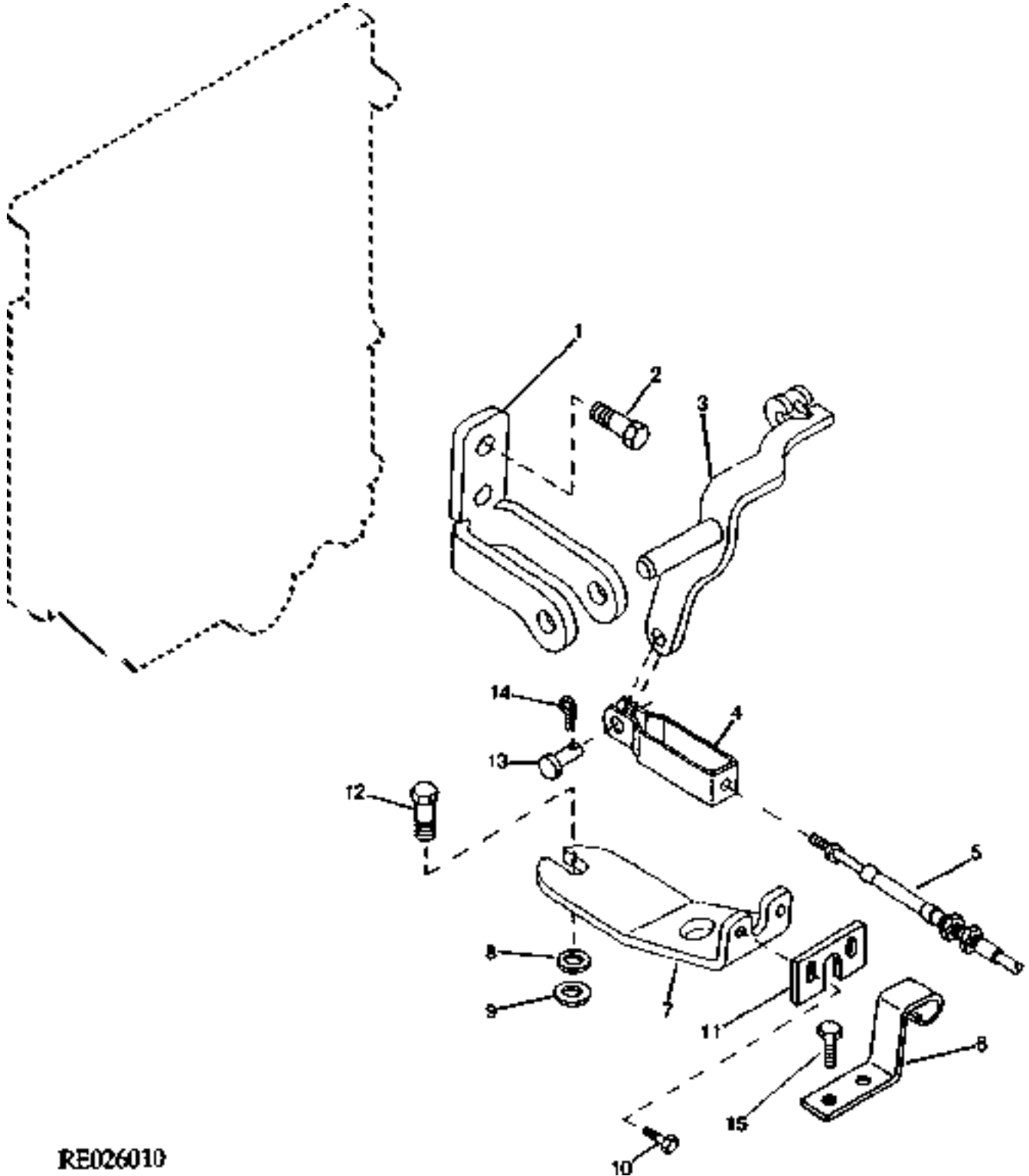
POWER SHIFT TRANSMISSION

| KEY | PART NO. | PART NAME   | QTY | TRANSMISSION<br>SERIAL NO. | A<br>L<br>L | REMARKS  |
|-----|----------|-------------|-----|----------------------------|-------------|--|
| 1   | R108547  | BEARING CUP | 1   |                            | X           |  |
| 2   | R108576  | SLEEVE      | 1   |                            | X           |  |
| 3   | R153676  | SCREW       | 11  |                            | X           | HS 10.9  |
| 4   | 19M7807  | SCREW       | 2   |                            | X           | M10 X 60   |
| 5   | R125971  | GASKET      | 1   |                            | X           | (SUB FOR R124816)  |
| 6   | R108468  | END PLATE   | 1   |                            | X           | (SUB FOR R127197)  |
| 7   | R125972  | GASKET      | 1   |                            | X           | (SUB FOR R124857)  |
| 8   | R108466  | MANIFOLD    | 1   | -008116                    | X           | (MARKED R108466) (SUB FOR RE63236 OR<br>RE63455) (SUB RE70834) (ALSO ORDER (3)<br>RE63751) |
|     | RE70834  | KIT         | 1   | 008117-                    | X           | (MARKED R128681) (SUB FOR RE64309)   |
| 9   | R125379  | CAP SCREW   | 4   |                            | X           | HS 10.9  |
| 10  | 19M8737  | SCREW       | 5   |                            | X           | M12 X 140, HS 10.9   |
| 11  | R105833  | DISK SPRING | 2   |                            | X           |  |
| 12  | T26565   | DOWEL PIN   | 2   |                            | X           |  |
| 13  | 19M7817  | SCREW       | 12  |                            | X           | M12 X 70   |
| 14  | 19M7820  | SCREW       | 3   |                            | X           | M12 X 100  |

# 4F15

POWER SHIFT TRANSMISSION

TOW DISCONNECT (EUROPEAN VERSION) (TSN 8100,8200,8300,8400 -019999)  
REMORQUE, DISPOSITIF DE DESACCOUPLMENT (TSN 8100,8200,8300,8400 -019999)  
ABSCHLEPP-AUSRUECKUNG (TSN 8100,8200,8300,8400 -019999)  
DISINSERIMENTO DEL TRAINO (TSN 8100,8200,8300,8400 -019999)  
DESCONEXION PARA REMOLCAR (TSN 8100,8200,8300,8400 -019999)  
BOGSEKOPPLING (TSN 8100,8200,8300,8400 -019999)  
RE026010 -UN-23MAR95



RE026010

# 4F16

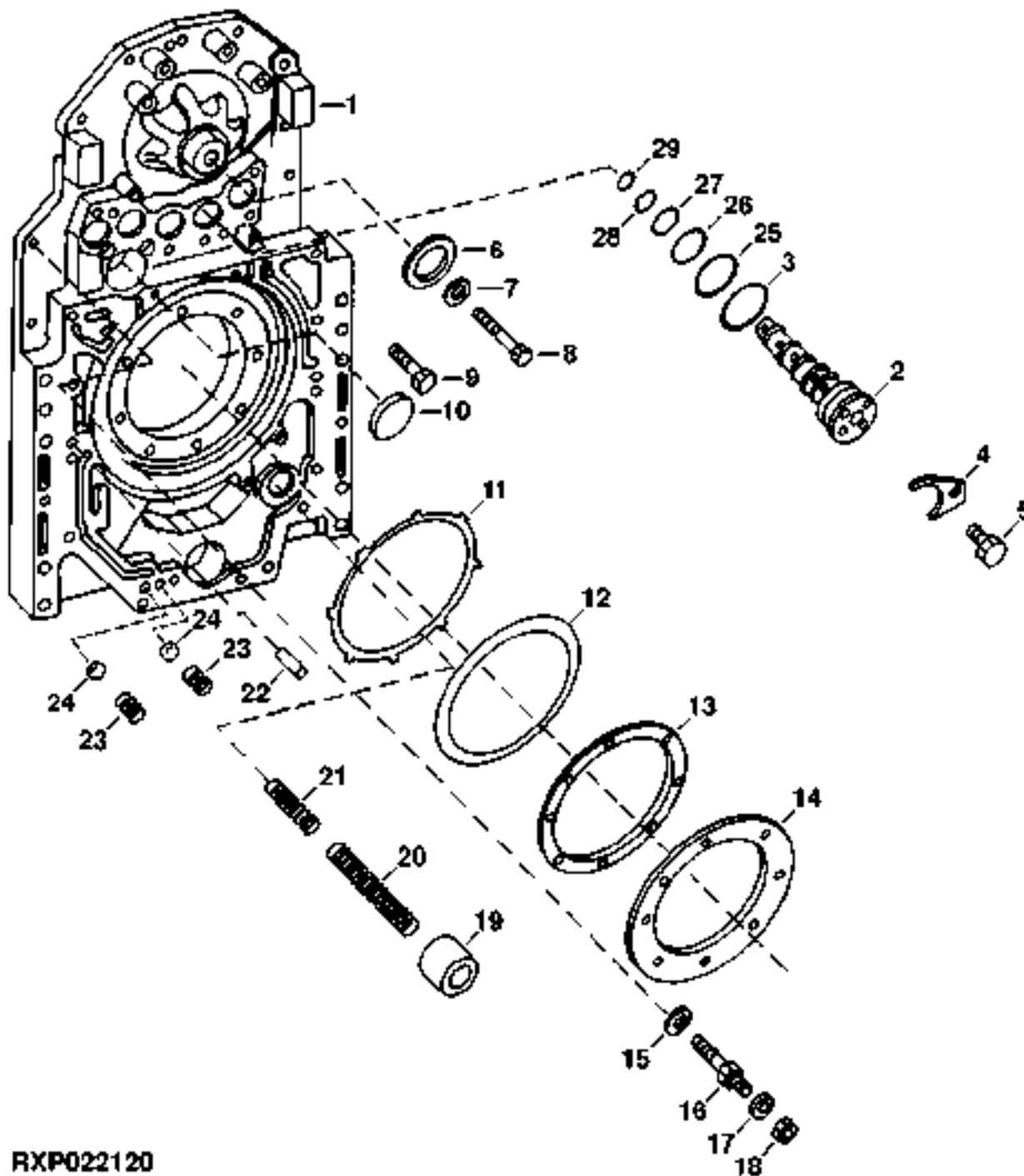
POWER SHIFT TRANSMISSION

| KEY | PART NO. | PART NAME          | QTY | TRANSMISSION<br>SERIAL NO. | A | REMARKS            |
|-----|----------|--------------------|-----|----------------------------|---|--------------------|
|     |          |                    |     |                            | L |                    |
| 1   | R124004  | BRACKET            | 1   |                            | X |                    |
| 2   | 19M7932  | CAP SCREW          | 2   |                            | X | M8 X 16            |
| 3   | RE60320  | LEVER              | 1   |                            | X |                    |
| 4   | RE60897  | RETAINER           | 1   |                            | X |                    |
| 5   | RE61051  | CABLE              | 1   |                            | X |                    |
|     | T13814   | CLAMP              | 1   |                            | X |                    |
| 6   | R119604  | BRACKET            | 1   |                            | X |                    |
| 7   | R124005  | BRACKET            | 1   |                            | X |                    |
| 8   | 24M7346  | WASHER             | AR  |                            | X | 11 X 20 X 2 MM     |
| 9   | 24M7028  | WASHER             | AR  |                            | X | 10.500 X 20 X 2 MM |
| 10  | 37M7079  | SCREW              | 2   |                            | X |                    |
| 11  | R125144  | CLIP               | 1   |                            | X |                    |
| 12  | 19M7402  | CAP SCREW          | 1   |                            | X | M10 X 25           |
| 13  | J19366   | PIN                | 1   |                            | X |                    |
| 14  | A5067R   | SPRING LOCKING PIN | 1   |                            | X |                    |
| 15  | 37M7165  | SCREW              | 2   |                            | X |                    |

# 4F17

POWER SHIFT TRANSMISSION

TRANSMISSION CASE REAR COVER (TSN 8100,8200,8300,8400 -019999)  
COUVERCLE ARRIERE DE CARTER DE TRANSMISSION (TSN 8100,8200,8300,8400 -019999)  
HINTERE ABDECKUNG DES GETRIEBEGEHAUES (TSN 8100,8200,8300,8400 -019999)  
COPERCHIO POSTERIORE DELLA SCATOLA DELLA TRASMISSIONE (TSN 8100,8200,8300,8400 -019999)  
CUBIERTA POSTERIOR DE LA CAJA DE LA TRANSMISION (TSN 8100,8200,8300,8400 -019999)  
TRANSMISSIONSKAAPANS BAKRE PLAAT (TSN 8100,8200,8300,8400 -019999)  
RXP022120 -UN-02JUN97



RXP022120

# 4F18

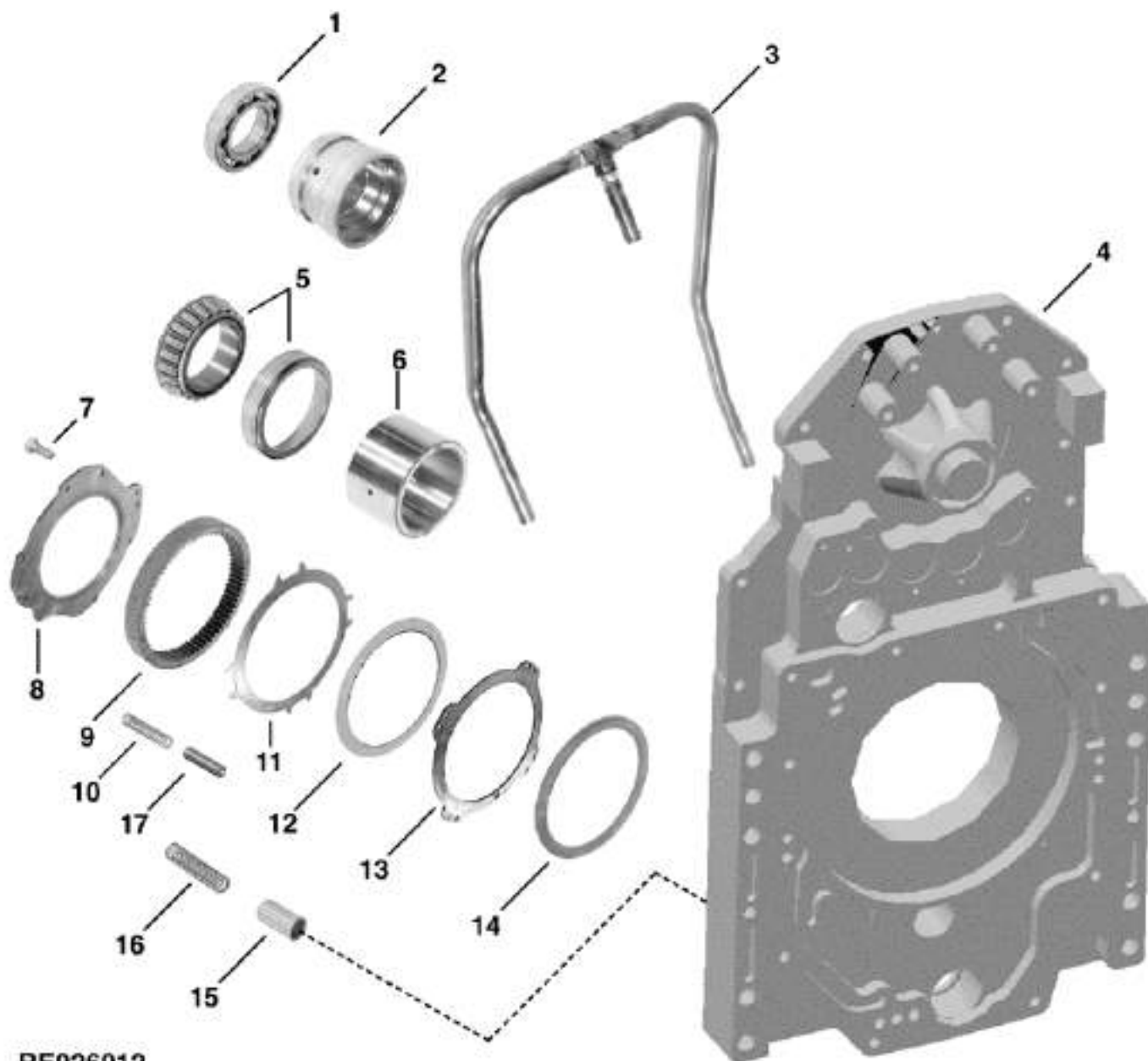
## POWER SHIFT TRANSMISSION

| KEY | PART NO. | PART NAME               | QTY | TRANSMISSION<br>SERIAL NO. | A | REMARKS   |
|-----|----------|-------------------------|-----|----------------------------|---|---|
|     |          |                         |     |                            | L |   |
| 1   | RE71368  | COVER                   | 1   |                            | X | (MARKED R108465 OR R135516) (SUB FOR RE63229)                   |
| 2   | RE71490  | VALVE                   | 5   |                            | X | (ALSO ORDER U11326, U41966, R106663, R62070, R27928 AND P42061) |
|     | R150892  | SCREEN                  | 5   |                            | X |   |
| 3   | U41966   | O-RING                  | 5   |                            | X |   |
| 4   | R95045   | CLAMP                   | 5   |                            | X |   |
| 5   | 19M7932  | CAP SCREW               | 5   |                            | X | M8 X 16   |
| 6   | AH89023  | SEAL                    | 1   |                            | X |   |
| 7   | 24H1900  | WASHER                  | 1   |                            | X | 17/32" X 2" X 1/4"  |
| 8   | 19M7791  | SCREW                   | 1   |                            | X | M12 X 40  |
| 9   | 19M7813  | SCREW                   | 3   |                            | X | M12 X 45  |
| 10  | R26115   | CAP                     | 1   |                            | X |   |
| 11  | R108481  | PLATE                   | 5   |                            | X |   |
| 12  | RE45407  | DISK, WITH INNER SPLINE | 4   |                            | X |   |
| 13  | RE45388  | PISTON                  | 1   |                            | X |   |
| 14  | R108482  | PLATE                   | 1   |                            | X |   |
| 15  | 24M7028  | WASHER                  | 1   |                            | X | 10.500 X 20 X 2 MM  |
| 16  | R120578  | STUD                    | 1   |                            | X |   |
| 17  | 24M7240  | WASHER                  | 1   |                            | X | 13 X 25 X 3 MM  |
| 18  | 14M7274  | NUT                     | 1   |                            | X | M10   |
| 19  | R124175  | PISTON                  | 1   |                            | X |   |
| 20  | R124173  | SPRING                  | 1   |                            | X |   |
| 21  | R124174  | COMPRESSION SPRING      | 1   |                            | X |   |
| 22  | T26565   | DOWEL PIN               | 2   |                            | X |   |
| 23  | R128397  | SPRING                  | 2   |                            | X |   |
| 24  | D2361R   | BALL                    | 2   |                            | X |   |
| 25  | R106663  | O-RING                  | 5   |                            | X |   |
| 26  | U11326   | O-RING                  | 5   |                            | X |   |
| 27  | R62070   | RING                    | 5   |                            | X |   |
| 28  | R27928   | O-RING                  | 5   |                            | X |   |
| 29  | P42061   | O-RING                  | 5   |                            | X |   |
| ..  | R49002   | SHIM                    | AR  |                            | X |   |

# 4F19

POWER SHIFT TRANSMISSION

TRANSMISSION CASE REAR COVER (TSN 8100,8200,8300,8400 -019999)  
COUVERCLE ARRIERE DE CARTER DE TRANSMISSION (TSN 8100,8200,8300,8400 -019999)  
HINTERE ABDECKUNG DES GETRIEBEGEHAEUSES (TSN 8100,8200,8300,8400 -019999)  
COPERCHIO POSTERIORE DELLA SCATOLA DELLA TRASMISSIONE (TSN 8100,8200,8300,8400 -019999)  
CUBIERTA POSTERIOR DE LA CAJA DE LA TRANSMISION (TSN 8100,8200,8300,8400 -019999)  
TRANSMISSIONSKAAPANS BAKRE PLAAT (TSN 8100,8200,8300,8400 -019999)  
RE026012 -UN-13MAR95



RE026012



# 4F20

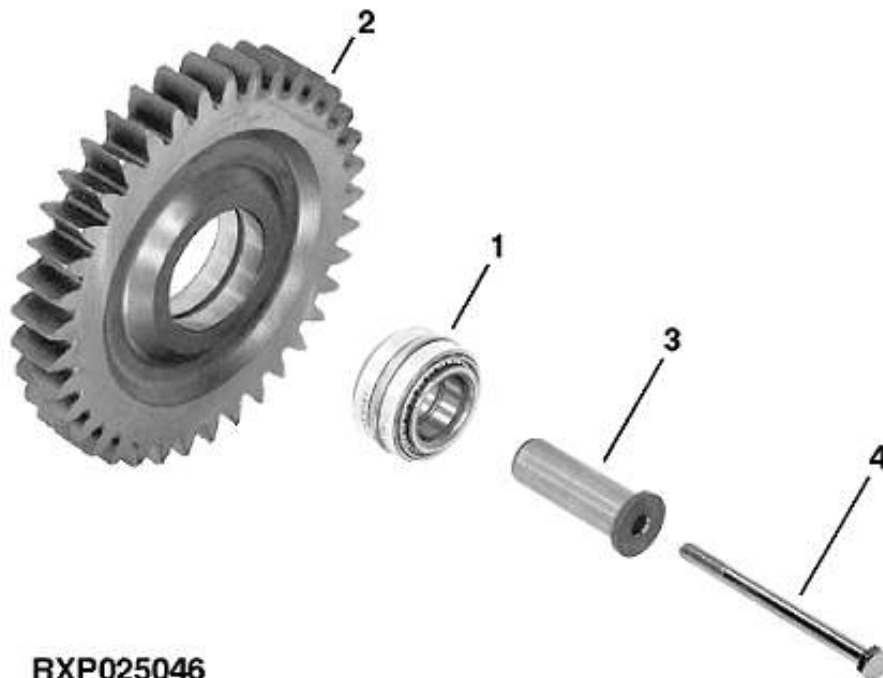
POWER SHIFT TRANSMISSION

| KEY | PART NO. | PART NAME               | QTY | TRANSMISSION<br>SERIAL NO. | A<br>L<br>L | REMARKS  |
|-----|----------|-------------------------|-----|----------------------------|-------------|--|
| 1   | RE67948  | BEARING                 | 1   |                            | X           |  |
| 2   | R108582  | SLEEVE                  | 1   |                            | X           |  |
| 3   | RE45368  | OIL LINE                | 1   |                            | X           |  |
| 4   | RE71368  | COVER                   | 1   |                            | X           | (MARKED R108465 OR R135516) (SUB FOR<br>RE63229) |
|     | 15H561   | PIPE PLUG               | 3   |                            | X           | 1/2"   |
| 5   | RE45399  | ROLLER BEARING          | 1   |                            | X           |  |
| 6   | R108583  | SLEEVE                  | 1   |                            | X           |  |
| 7   | R124725  | SELF-LOCKING SCREW      | 8   |                            | X           | M10 X 1.5, HS 10.9                               |
| 8   | R108472  | PLATE                   | 1   |                            | X           |  |
| 9   | R108474  | GEAR                    | 1   |                            | X           |  |
| 10  | R122236  | SPRING                  | 7   |                            | X           | RETURN   |
| 11  | R86308   | PLATE                   | 3   |                            | X           |  |
| 12  | RE45415  | DISK, WITH INNER SPLINE | 4   |                            | X           |  |
| 13  | R135537  | BRAKE DISK              | 1   |                            | X           |  |
| 14  | RE45388  | PISTON                  | 1   |                            | X           | W/SEAL   |
| 15  | R120147  | VALVE                   | 1   |                            | X           |  |
| 16  | R121741  | SPRING                  | 1   |                            | X           |  |
| 17  | 34M7124  | SPRING PIN              | 7   |                            | X           |  |

# 4F21

POWER SHIFT TRANSMISSION

REVERSE IDLER (TSN 8100,8200,8300,8400 -019999)  
 PIGNON FOU DE MARCHE ARRIERE (TSN 8100,8200,8300,8400 -019999)  
 ZWISCHENRAD DES RUECKWAERTSGANGES (TSN 8100,8200,8300,8400 -019999)  
 INGRANAGGIO INTERMEDIO DI RETROMARCIA (TSN 8100,8200,8300,8400 -019999)  
 ENGRANAJE INTERMEDIO DE RETROCESO (TSN 8100,8200,8300,8400 -019999)  
 BACKDREV (TSN 8100,8200,8300,8400 -019999)  
 RXP025046 -UN-01JAN94



**RXP025046**

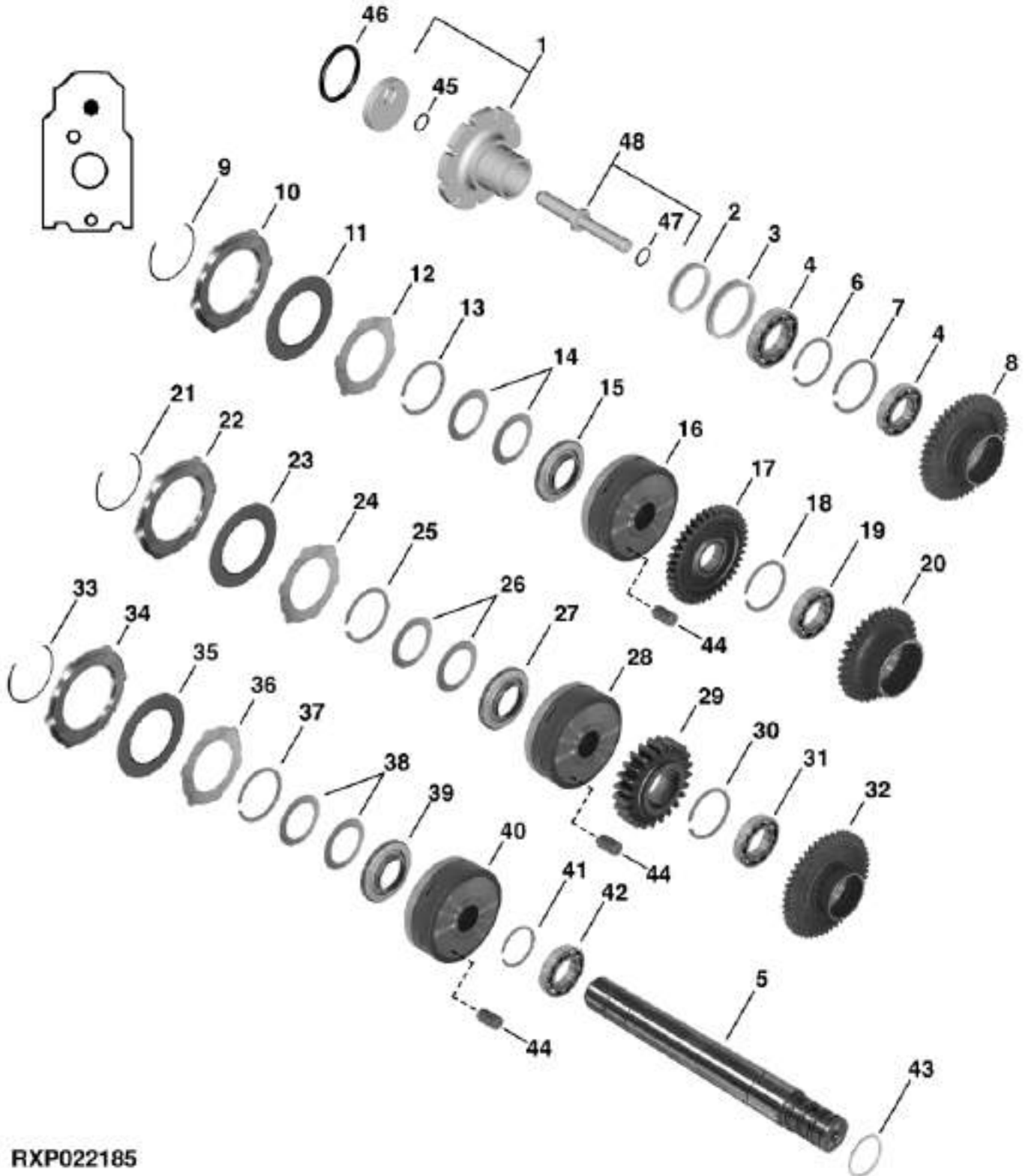
| KEY | PART NO. | PART NAME | QTY | TRANSMISSION<br>SERIAL NO. | A |   | REMARKS   |
|-----|----------|-----------|-----|----------------------------|---|---|-----------|
|     |          |           |     |                            | L | L |           |
| 1   | AH94661  | BEARING   | 1   |                            | X |   |           |
| 2   | R108454  | GEAR      | 1   |                            | X |   |           |
| 3   | R108455  | SHAFT     | 1   |                            | X |   |           |
| 4   | 19M7838  | SCREW     | 1   |                            | X |   | M12 X 130 |

MEMORANDA  
MEMORANDA  
MEMORANDA  
MEMORANDA  
MEMORANDA

# 4F22

POWER SHIFT TRANSMISSION

INPUT SHAFT (TSN 8100,8200,8300,8400 -019999)  
ARBRE PRIMAIRE (TSN 8100,8200,8300,8400 -019999)  
EINGANGSWELLE (TSN 8100,8200,8300,8400 -019999)  
ALBERO DI INGRESSO (TSN 8100,8200,8300,8400 -019999)  
EJE DE ENTRADA (TSN 8100,8200,8300,8400 -019999)  
INGAAENDE AXEL (TSN 8100,8200,8300,8400 -019999)  
RXP022185 -UN-21AUG97



RXP022185

# 4F23

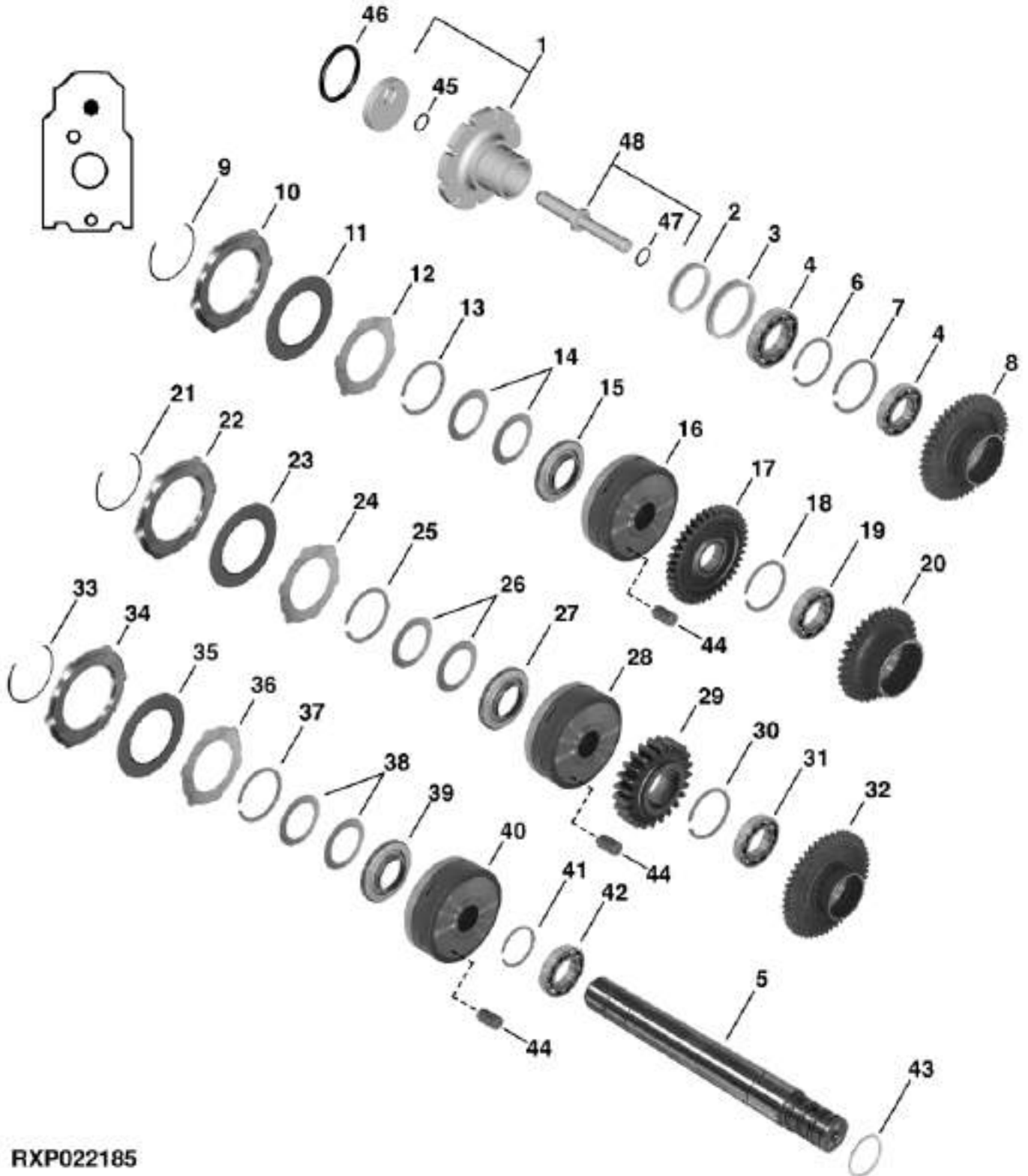
POWER SHIFT TRANSMISSION

| KEY | PART NO. | PART NAME               | QTY | TRANSMISSION<br>SERIAL NO. | A | REMARKS   |
|-----|----------|-------------------------|-----|----------------------------|---|---|
|     |          |                         |     |                            | L |   |
| 1   | RE70976  | HUB                     | 1   |                            | X | (SUB FOR RE57402 OR RE67440)                                    |
| 2   | R130561  | V-RING SEAL             | 1   |                            | X | (SUB FOR R89581, THIS APPLICATION)                              |
| 3   | RE158066 | SEAL                    | 1   |                            | X | (SUB FOR RE13181, THIS APPLICATION)                             |
| 4   | RE67948  | BEARING                 | 1   |                            | X |   |
| 5   | RE67483  | SHAFT                   | 1   |                            | X | (SUB FOR RE55580) (SUB RE70088, RE70206,<br>RE71323 AND F3353R) |
| 6   | R115171  | SNAP RING               | 2   |                            | X |   |
| 7   | R108496  | SNAP RING               | 1   |                            | X |   |
| 8   | R132236  | GEAR                    | 1   |                            | X | (SUB FOR R108448)   |
| 9   | R99692   | SNAP RING               | 1   |                            | X |   |
| 10  | R108530  | CLUTCH PLATE            | 1   |                            | X |   |
| 11  | RE67458  | DISK, WITH INNER SPLINE | 5   |                            | X | (SUB FOR AR94516, THIS APPLICATION)                             |
| 12  | R108507  | CLUTCH PLATE            | 5   |                            | X |   |
| 13  | R26246   | SNAP RING               | 1   |                            | X |   |
| 14  | R75176   | DISK SPRING             | 7   |                            | X |   |
| 15  | RE45374  | PISTON                  | 1   |                            | X | W/SEAL  |
| 16  | RE45409  | DRUM                    | 1   |                            | X |   |
| 17  | R108447  | GEAR                    | 1   |                            | X |   |
| 18  | R108496  | SNAP RING               | 1   |                            | X |   |
| 19  | RE67948  | BEARING                 | 1   |                            | X |   |
| 20  | R132245  | GEAR                    | 1   |                            | X | (SUB FOR R108451)   |
| 21  | R99692   | SNAP RING               | 1   |                            | X |   |
| 22  | R108530  | CLUTCH PLATE            | 1   |                            | X |   |
| 23  | RE67458  | DISK, WITH INNER SPLINE | 5   |                            | X | (SUB FOR AR94516, THIS APPLICATION)                             |
| 24  | R108507  | CLUTCH PLATE            | 5   |                            | X |   |

# 4F24

POWER SHIFT TRANSMISSION

INPUT SHAFT-CONTINUED (TSN 8100,8200,8300,8400 -019999)  
ARBRE PRIMAIRE-A SUIVRE (TSN 8100,8200,8300,8400 -019999)  
EINGANGSWELLE-FORTS. (TSN 8100,8200,8300,8400 -019999)  
ALBERO DI INGRESSO-CONTINUA (TSN 8100,8200,8300,8400 -019999)  
EJE DE ENTRADA-CONTINUACION (TSN 8100,8200,8300,8400 -019999)  
INGAAENDE AXEL-FORTS. (TSN 8100,8200,8300,8400 -019999)  
RXP022185 -UN-21AUG97



RXP022185

# 4F25

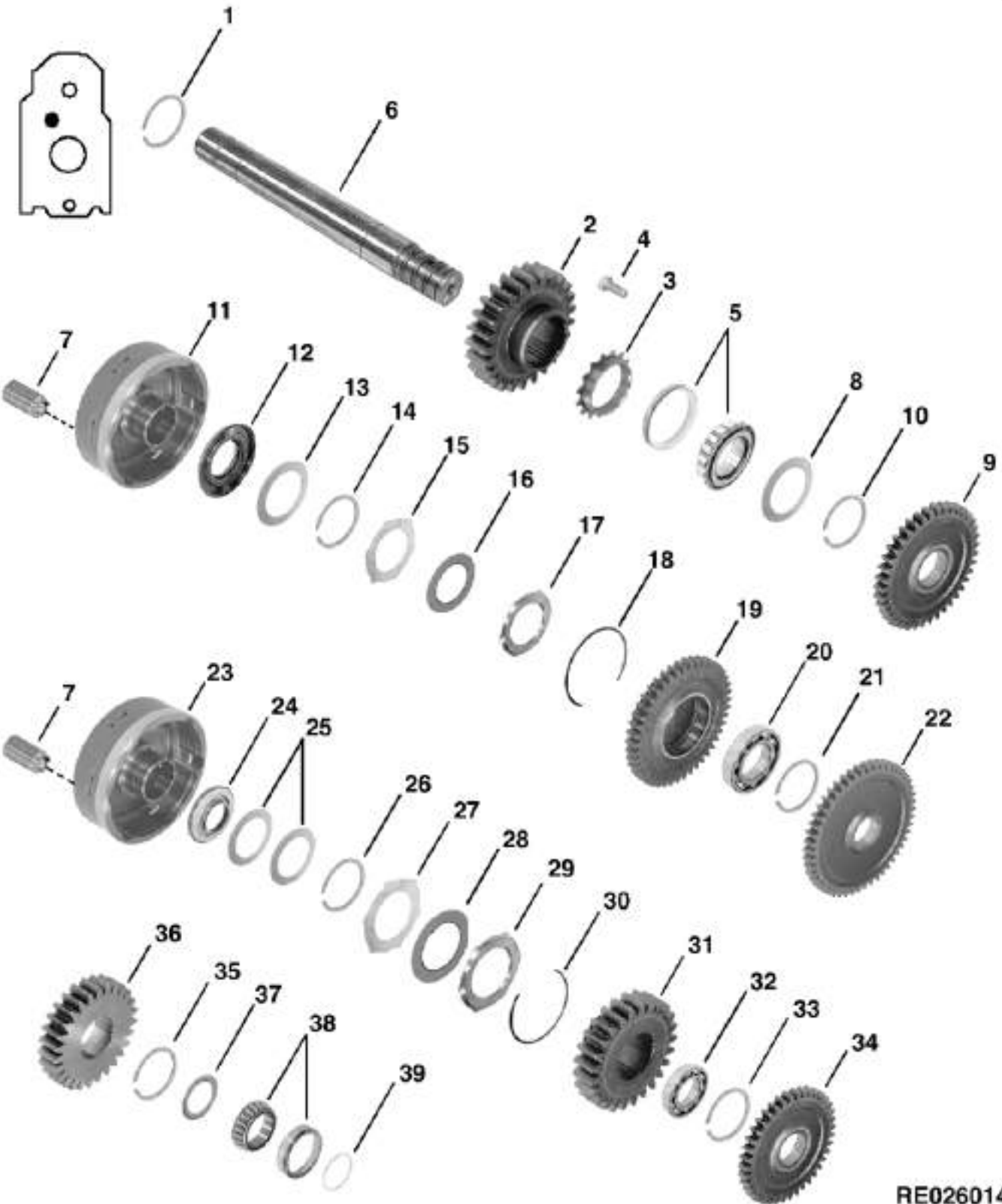
POWER SHIFT TRANSMISSION

| KEY | PART NO. | PART NAME               | QTY | TRANSMISSION<br>SERIAL NO. | A | REMARKS                             |
|-----|----------|-------------------------|-----|----------------------------|---|-------------------------------------|
|     |          |                         |     |                            | L |                                     |
| 25  | R26246   | SNAP RING               | 1   |                            | X |                                     |
| 26  | R75176   | DISK SPRING             | 7   |                            | X |                                     |
| 27  | RE45374  | PISTON                  | 1   |                            | X | W/SEAL                              |
| 28  | RE45409  | DRUM                    | 1   |                            | X |                                     |
| 29  | R108584  | GEAR                    | 1   |                            | X |                                     |
| 30  | R108496  | SNAP RING               | 1   |                            | X |                                     |
| 31  | RE67948  | BEARING                 | 1   |                            | X |                                     |
| 32  | R132247  | GEAR                    | 1   |                            | X | (SUB FOR R108461)                   |
| 33  | R99692   | SNAP RING               | 1   |                            | X |                                     |
| 34  | R108530  | CLUTCH PLATE            | 1   |                            | X |                                     |
| 35  | RE67458  | DISK, WITH INNER SPLINE | 5   |                            | X | (SUB FOR AR94516, THIS APPLICATION) |
| 36  | R108507  | CLUTCH PLATE            | 5   |                            | X |                                     |
| 37  | R26246   | SNAP RING               | 1   |                            | X |                                     |
| 38  | R75176   | DISK SPRING             | 7   |                            | X |                                     |
| 39  | RE45374  | PISTON                  | 1   |                            | X | W/SEAL                              |
| 40  | RE45409  | DRUM                    | 7   |                            | X |                                     |
| 41  | R115171  | SNAP RING               | 1   |                            | X |                                     |
| 42  | RE67948  | BEARING                 | 1   |                            | X |                                     |
| 43  | R115508  | RING                    | 5   |                            | X |                                     |
| 44  | RE45400  | VALVE SEAT              | 1   |                            | X |                                     |
| 45  | F3353R   | O-RING                  | 1   |                            | X |                                     |
| 46  | R132237  | O-RING                  | 1   |                            | X |                                     |
| 47  | R132239  | O-RING                  | 1   |                            | X |                                     |
| 48  | RE67505  | BREATHER                | 1   |                            | X | (SUB RE71323)                       |

# 4G1

POWER SHIFT TRANSMISSION

COUNTERSHAFT (TSN 8100,8200,8300,8400 -019999)  
ARBRE DE'ENVOI (TSN 8100,8200,8300,8400 -019999)  
GEGENWELLE (TSN 8100,8200,8300,8400 -019999)  
CONTRALBERO (TSN 8100,8200,8300,8400 -019999)  
CONTRAEJE (TSN 8100,8200,8300,8400 -019999)  
MELLANAXEL (TSN 8100,8200,8300,8400 -019999)  
RE026014 -UN-13MAR95



RE026014



# 4G2

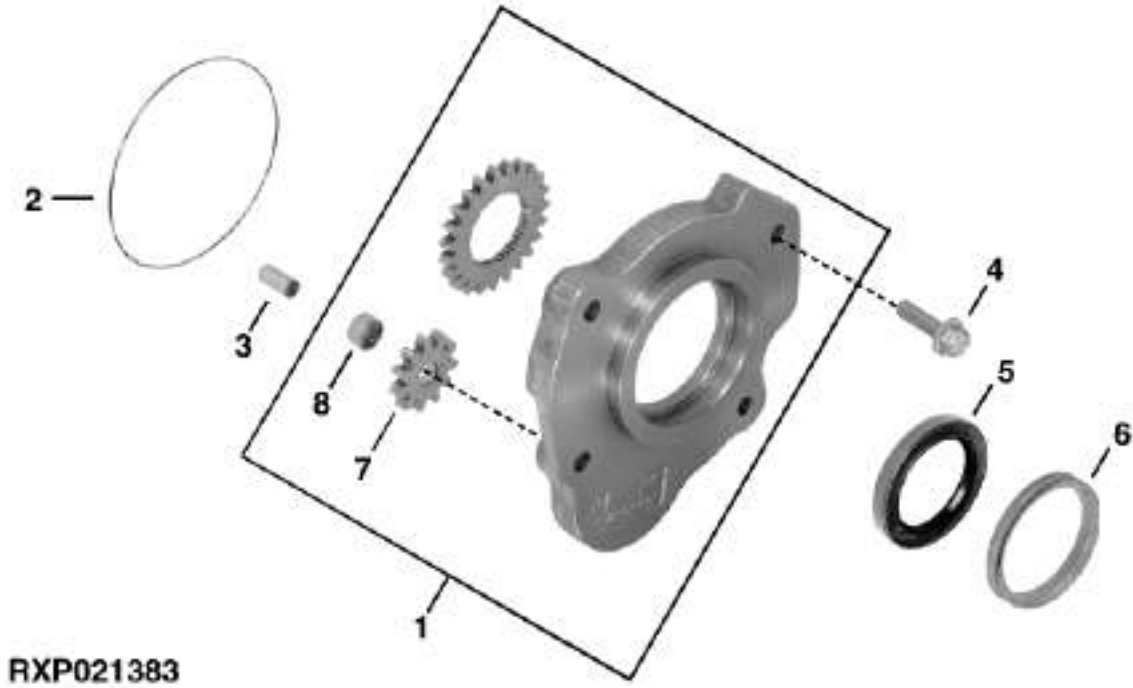
## POWER SHIFT TRANSMISSION

| KEY | PART NO. | PART NAME               | QTY | TRANSMISSION<br>SERIAL NO. | A | REMARKS                             |
|-----|----------|-------------------------|-----|----------------------------|---|-------------------------------------|
|     |          |                         |     |                            | L |                                     |
| 1   | R115171  | SNAP RING               | 1   |                            | X |                                     |
| 2   | R108437  | GEAR                    | 1   |                            | X |                                     |
| 3   | R125196  | NUT                     | 1   |                            | X |                                     |
| 4   | R91842   | SCREW                   | 1   |                            | X |                                     |
| 5   | RE45399  | ROLLER BEARING          | 1   |                            | X |                                     |
| 6   | RE55581  | SHAFT                   | 1   |                            | X |                                     |
| 7   | RE45400  | VALVE SEAT              | 1   |                            | X |                                     |
| 8   | R108573  | THRUST WASHER           | 1   |                            | X |                                     |
| 9   | R108447  | GEAR                    | 1   |                            | X |                                     |
| 10  | R115171  | SNAP RING               | 1   |                            | X |                                     |
| 11  | RE45409  | DRUM                    | 1   |                            | X |                                     |
| 12  | RE45374  | PISTON                  | 1   |                            | X | W/SEAL                              |
| 13  | R75176   | DISK SPRING             | 7   |                            | X |                                     |
| 14  | R26246   | SNAP RING               | 1   |                            | X |                                     |
| 15  | R108507  | CLUTCH PLATE            | 5   |                            | X |                                     |
| 16  | RE67458  | DISK, WITH INNER SPLINE | 5   |                            | X | (SUB FOR AR94516, THIS APPLICATION) |
| 17  | R108530  | CLUTCH PLATE            | 1   |                            | X |                                     |
| 18  | R99692   | SNAP RING               | 1   |                            | X |                                     |
| 19  | R132236  | GEAR                    | 1   |                            | X | (SUB FOR R108448)                   |
| 20  | RE67948  | BEARING                 | 1   |                            | X |                                     |
| 21  | R108496  | SNAP RING               | 1   |                            | X |                                     |
| 22  | R127196  | GEAR                    | 1   |                            | X | D-RANGE, (SUB FOR R108450)          |
| 23  | RE45409  | DRUM                    | 1   |                            | X |                                     |
| 24  | RE45374  | PISTON                  | 1   |                            | X | W/SEAL                              |
| 25  | R75176   | DISK SPRING             | 7   |                            | X |                                     |
| 26  | R26246   | SNAP RING               | 1   |                            | X |                                     |
| 27  | R108507  | CLUTCH PLATE            | 5   |                            | X |                                     |
| 28  | RE67458  | DISK, WITH INNER SPLINE | 5   |                            | X | (SUB FOR AR94516, THIS APPLICATION) |
| 29  | R108530  | CLUTCH PLATE            | 1   |                            | X |                                     |
| 30  | R99692   | SNAP RING               | 1   |                            | X |                                     |
| 31  | R132246  | GEAR                    | 1   |                            | X | (SUB FOR R108453)                   |
| 32  | RE67948  | BEARING                 | 1   |                            | X |                                     |
| 33  | R108496  | SNAP RING               | 1   |                            | X |                                     |
| 34  | R108460  | GEAR                    | 1   |                            | X |                                     |
| 35  | R115171  | SNAP RING               | 1   |                            | X |                                     |
| 36  | R108459  | GEAR                    | 1   |                            | X |                                     |
| 37  | R108573  | THRUST WASHER           | 1   |                            | X |                                     |
| 38  | RE45399  | ROLLER BEARING          | 1   |                            | X |                                     |
| 39  | R115508  | RING                    | 4   |                            | X |                                     |

# 4G3

POWER SHIFT TRANSMISSION

OIL PUMP (TSN 8100,8200,8300,8400 -019999)  
 POMPE A HUILE (TSN 8100,8200,8300,8400 -019999)  
 OELPUMPE (TSN 8100,8200,8300,8400 -019999)  
 POMPA DELL'OLIO (TSN 8100,8200,8300,8400 -019999)  
 BOMBA DE ACEITE (TSN 8100,8200,8300,8400 -019999)  
 OLJEPUMP (TSN 8100,8200,8300,8400 -019999)  
 RXP021383 -UN-21NOV95

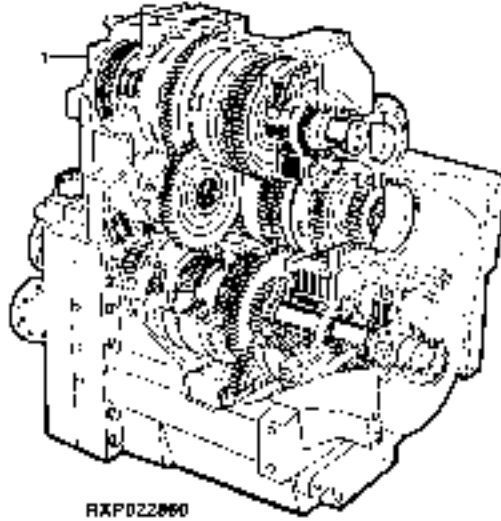


| KEY | PART NO. | PART NAME      | QTY | TRANSMISSION<br>SERIAL NO. | REMARKS |                             |
|-----|----------|----------------|-----|----------------------------|---------|-----------------------------|
|     |          |                |     |                            | A<br>L  | L<br>L                      |
| 1   | RE63465  | PUMP           | 1   |                            | X       | (MARKED R108535 OR R134054) |
| 2   | R99039   | O-RING         | 1   |                            | X       |                             |
| 3   | R114219  | SHAFT          | 1   |                            | X       |                             |
| 4   | 19M7835  | SCREW          | 4   |                            | X       | M10 X 35                    |
| 5   | RE32442  | SEAL           | 1   |                            | X       |                             |
| 6   | R119207  | SEAL           | 1   |                            | X       |                             |
| 7   | R108486  | GEAR           | 1   |                            | X       |                             |
| 8   | RE45406  | NEEDLE BEARING | 1   |                            | X       |                             |

# 4G4

## POWER SHIFT TRANSMISSION

POWER SHIFT TRANSMISSION (REMANUFACTURED)(TSN -019999)  
BOITE DE VITESSES POWER SHIFT (ECHANGE STANDARD)(TSN -019999)  
POWER SHIFT GETRIEBE (GENERAUEBERHOLT)(TSN -019999)  
TRANSMISSIONE PRESA CAMBIO (RIGATTO)(TSN -019999)  
TRANSMISION POWER-SHIFT (REFABRICADO POR)(TSN -019999)  
POWER SHIFT VAEXELLAADA (RENOVERAD)(TSN -019999)  
RXP022860 -UN-14DEC98

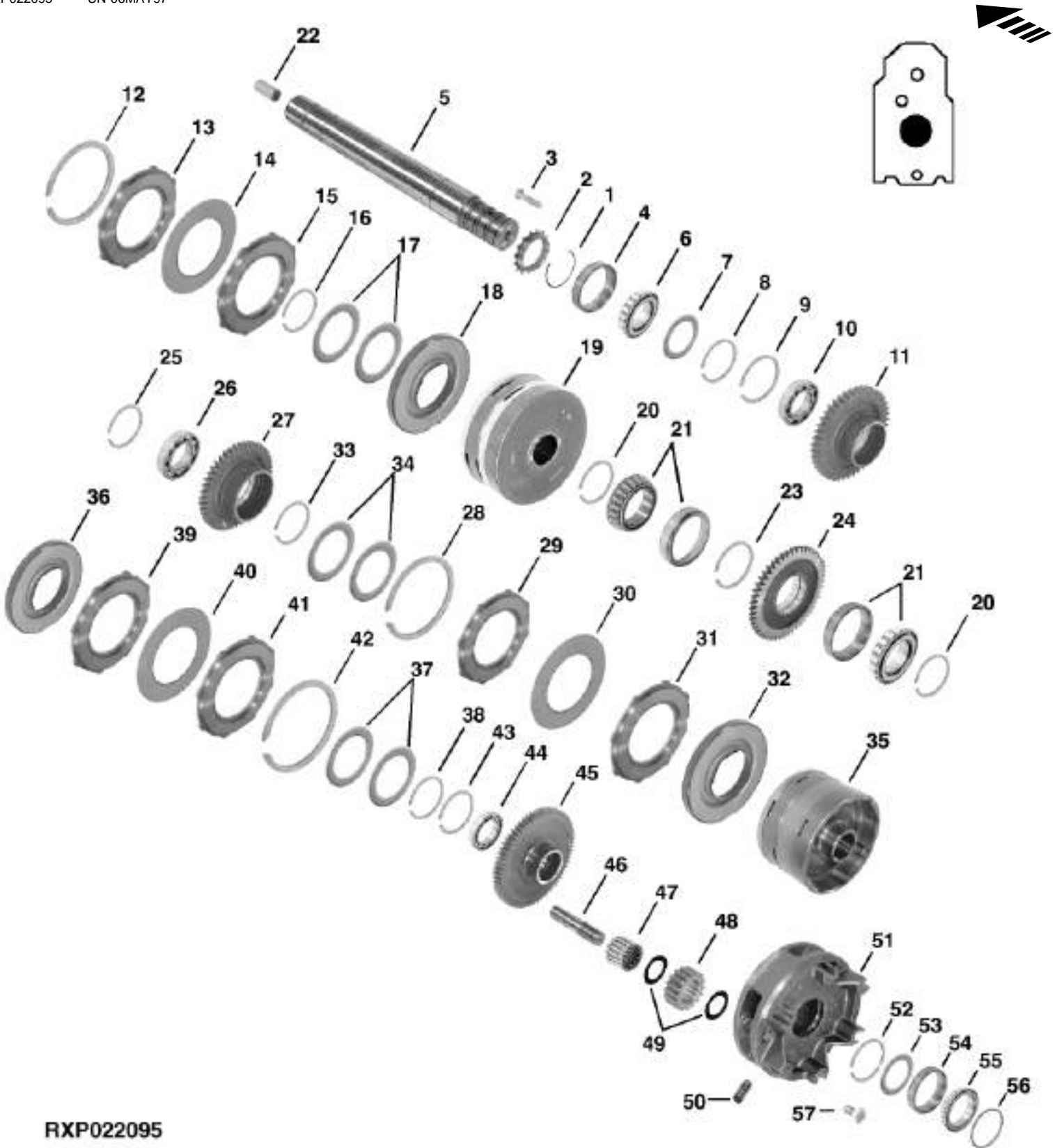


| KEY | PART NO. | PART NAME    | QTY | TRANSMISSION<br>SERIAL NO. | A | REMARKS  |
|-----|----------|--------------|-----|----------------------------|---|----------|
|     |          |              |     |                            | L |          |
| 1   | RE151986 | TRANSMISSION | 1   |                            | X | W/MFWD   |
|     | RE153022 | TRANSMISSION | 1   |                            | X | W/O MFWD |

# 4G5

POWER SHIFT TRANSMISSION

TRANSMISSION OUTPUT SHAFT (TSN 8100,8200,8300,8400 -019999)  
ARBRE DE SORTIE DE TRANSMISSION (TSN 8100,8200,8300,8400 -019999)  
GETRIEBEABTRIEBSWELLE (TSN 8100,8200,8300,8400 -019999)  
ALBERO DI USCITA DELLA TRASMISSIONE (TSN 8100,8200,8300,8400 -019999)  
EJE DE SALIDA DE LA TRANSMISION (TSN 8100,8200,8300,8400 -019999)  
TRANSMISSIONENS UTGAAENDE AXEL (TSN 8100,8200,8300,8400 -019999)  
RXP022095 -UN-06MAY97



RXP022095

# 4G6

## POWER SHIFT TRANSMISSION

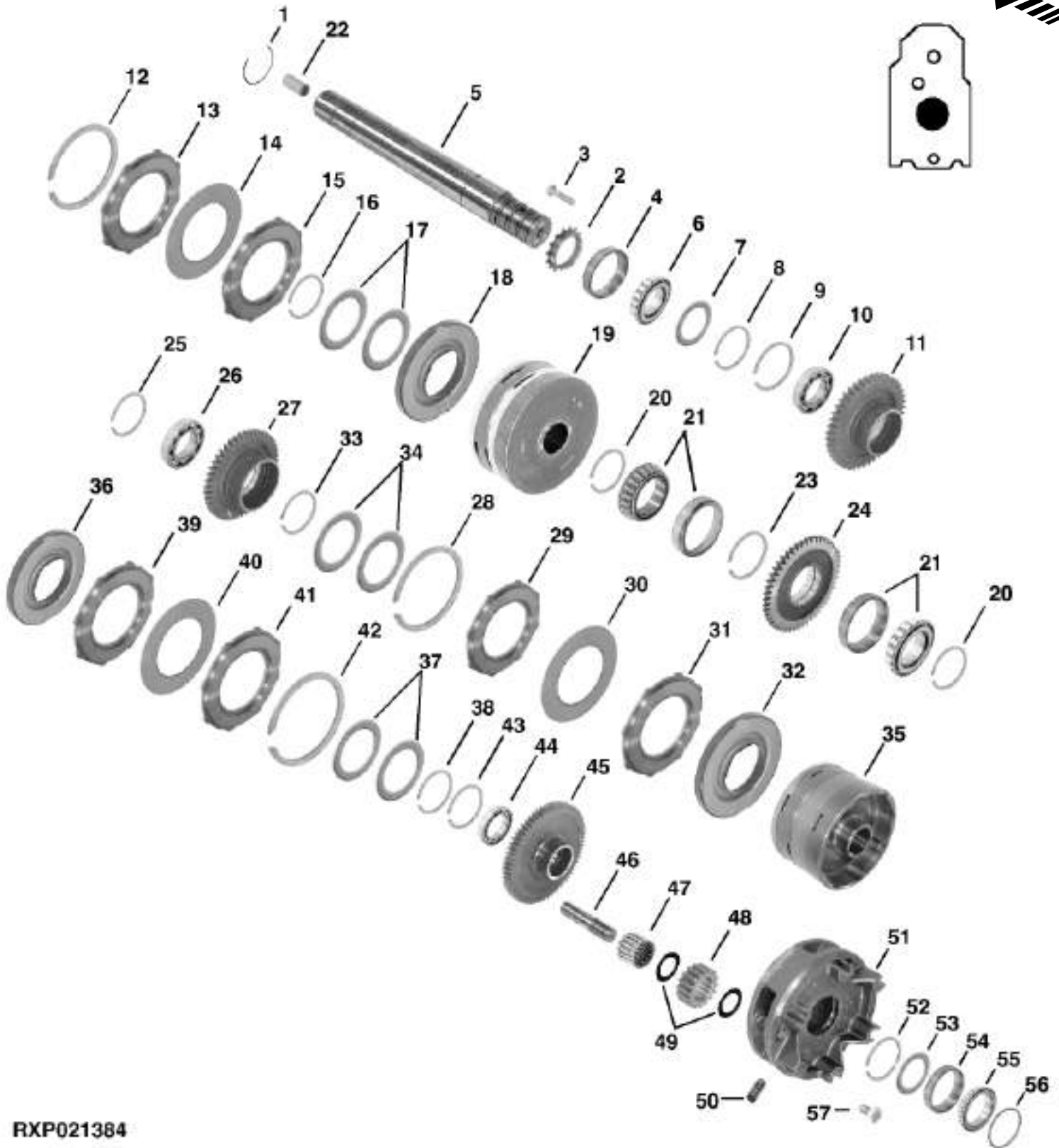
| KEY | PART NO. | PART NAME     | QTY | TRANSMISSION<br>SERIAL NO. | A | REMARKS           |
|-----|----------|---------------|-----|----------------------------|---|-------------------|
|     |          |               |     |                            | L |                   |
| 1   | R114345  | SNAP RING     | 1   |                            | X |                   |
| 2   | R128775  | NUT           | 1   |                            | X | (SUB FOR R108514) |
| 3   | R91842   | SCREW         | 1   |                            | X |                   |
| 4   | R108547  | BEARING CUP   | 1   |                            | X |                   |
| 5   | RE150781 | KIT           | 1   |                            | X |                   |
|     | RE150608 | VALVE         | 3   |                            | X |                   |
| 6   | R108546  | BEARING CONE  | 1   |                            | X |                   |
| 7   | R115331  | THRUST WASHER | 1   |                            | X |                   |
| 8   | R114345  | SNAP RING     | 1   |                            | X |                   |
| 9   | R108496  | SNAP RING     | 1   |                            | X |                   |
| 10  | RE67949  | BALL BEARING  | 1   |                            | X | (SUB FOR RE45397) |
| 11  | R132250  | GEAR          | 1   |                            | X | (SUB FOR R108438) |
| 12  | R108512  | SNAP RING     | 1   |                            | X |                   |
| 13  | R108511  | CLUTCH PLATE  | 1   |                            | X |                   |
| 14  | RE67457  | CLUTCH DISK   | 7   |                            | X | (SUB FOR RE45370) |
| 15  | R108509  | CLUTCH PLATE  | 7   |                            | X |                   |
| 16  | R124952  | SNAP RING     | 3   |                            | X |                   |
| 17  | R120946  | DISK SPRING   | 9   |                            | X |                   |
| 18  | RE62358  | PISTON        | 1   |                            | X | W/SEAL            |
| 19  | R108446  | DRUM          | 1   |                            | X |                   |
| 20  | R114345  | SNAP RING     | 2   |                            | X |                   |
| 21  | R108546  | BEARING CONE  | 2   |                            | X |                   |
|     | R108547  | BEARING CUP   | 2   |                            | X |                   |
| 22  | N137598  | SPRING PIN    | 1   |                            | X |                   |
| 23  | R108528  | SNAP RING     | 1   |                            | X |                   |
| 24  | R108449  | GEAR          | 1   |                            | X |                   |
| 25  | R108496  | SNAP RING     | 1   |                            | X |                   |
| 26  | RE67949  | BALL BEARING  | 1   |                            | X | (SUB FOR RE45397) |
| 27  | R132249  | GEAR          | 1   |                            | X | (SUB FOR R108456) |
| 28  | R108512  | SNAP RING     | 1   |                            | X |                   |
| 29  | R108511  | CLUTCH PLATE  | 1   |                            | X |                   |
| 30  | RE67457  | CLUTCH DISK   | 3   |                            | X | (SUB FOR RE45370) |
| 31  | R108509  | CLUTCH PLATE  | 3   |                            | X |                   |

THIS PARTS LISTING IS CONTINUED

# 4G7

POWER SHIFT TRANSMISSION

TRANSMISSION OUTPUT SHAFT-CONTINUED (TSN 8100,8200,8300,8400 -019999)  
ARBRE DE SORTIE DE TRANSMISSION- A SUIVRE (TSN 8100,8200,8300,8400 -019999)  
GETRIEBEABTRIEBSWELLE-FORTE. (TSN 8100,8200,8300,8400 -019999)  
ALBERO DI USCITA DELLA TRASMISSIONE-CONTINUA (TSN 8100,8200,8300,8400 -019999)  
EJE DE SALIDA DE LA TRANSMISION-CONTINUACION (TSN 8100,8200,8300,8400 -019999)  
TRANSMISSIONENS UTGAAENDE AXEL-FORTE. (TSN 8100,8200,8300,8400 -019999)  
RXP021384 -UN-21NOV95



RXP021384

# 4G8

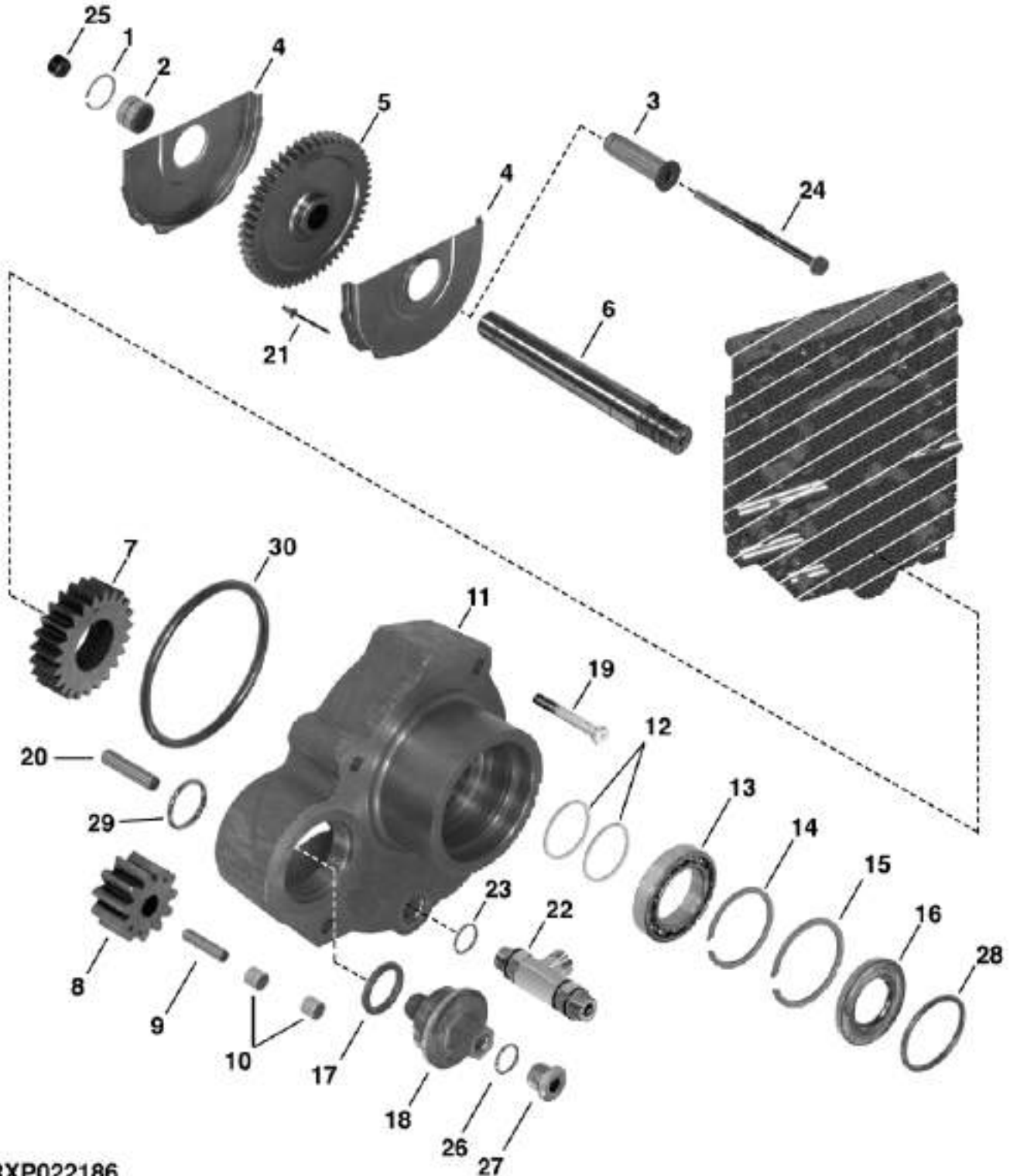
## POWER SHIFT TRANSMISSION

| KEY | PART NO. | PART NAME             | QTY | TRANSMISSION<br>SERIAL NO. | A | REMARKS                         |
|-----|----------|-----------------------|-----|----------------------------|---|---------------------------------|
|     |          |                       |     |                            | L |                                 |
| 32  | RE69329  | PISTON                | 1   |                            | X | W/SEAL (RED OR 2 GROOVES)       |
| 33  | R124952  | SNAP RING             | 1   |                            | X |                                 |
| 34  | R120946  | DISK SPRING           | 5   |                            | X |                                 |
| 35  | R108457  | DRUM                  | 1   |                            | X | C & D-RANGE                     |
| 36  | RE62358  | PISTON                | 1   |                            | X | W/SEAL                          |
| 37  | R120946  | DISK SPRING           | 9   |                            | X |                                 |
| 38  | R124952  | SNAP RING             | 1   |                            | X |                                 |
| 39  | R108510  | CLUTCH PLATE          | 7   |                            | X |                                 |
| 40  | RE67457  | CLUTCH DISK           | 7   |                            | X | (SUB FOR RE45370)               |
| 41  | R108511  | CLUTCH PLATE          | 1   |                            | X |                                 |
| 42  | R108512  | SNAP RING             | 1   |                            | X |                                 |
| 43  | R108496  | SNAP RING             | 1   |                            | X |                                 |
| 44  | RE67949  | BALL BEARING          | 1   |                            | X | (SUB FOR RE45397)               |
| 45  | R132248  | GEAR                  | 1   |                            | X | C-RANGE Z=67, (SUB FOR R108458) |
| 46  | R108478  | PINION SHAFT          | 3   |                            | X |                                 |
| 47  | RE45410  | NEEDLE BEARING        | 3   |                            | X |                                 |
| 48  | R108473  | PLANET PINION         | 3   |                            | X |                                 |
| 49  | R108534  | THRUST WASHER         | 6   |                            | X |                                 |
| 50  | R122374  | PIN                   | 3   |                            | X |                                 |
| 51  | R108469  | PLANET PINION CARRIER | 1   |                            | X |                                 |
| 52  | R114345  | SNAP RING             | 1   |                            | X |                                 |
| 53  | R115331  | THRUST WASHER         | 1   |                            | X |                                 |
| 54  | R108547  | BEARING CUP           | 1   |                            | X |                                 |
| 55  | R108546  | BEARING CONE          | 1   |                            | X |                                 |
| 56  | R115507  | RING                  | 6   |                            | X |                                 |
| 57  | R122390  | SELF-LOCKING SCREW    | 3   |                            | X |                                 |

# 4G9

POWER SHIFT TRANSMISSION

PTO SHAFT (TSN 8100,8200,8300,8400 -019999)  
ARBRE DE PDF (TSN 8100,8200,8300,8400 -019999)  
ZAPFWELLENSCHAFT (TSN 8100,8200,8300,8400 -019999)  
ALBERO DELLA PTO (TSN 8100,8200,8300,8400 -019999)  
EJE DE TDF (TSN 8100,8200,8300,8400 -019999)  
KRAFTUTTAGSAXEL (TSN 8100,8200,8300,8400 -019999)  
RXP022186 -UN-03SEP97



RXP022186



# 4G10

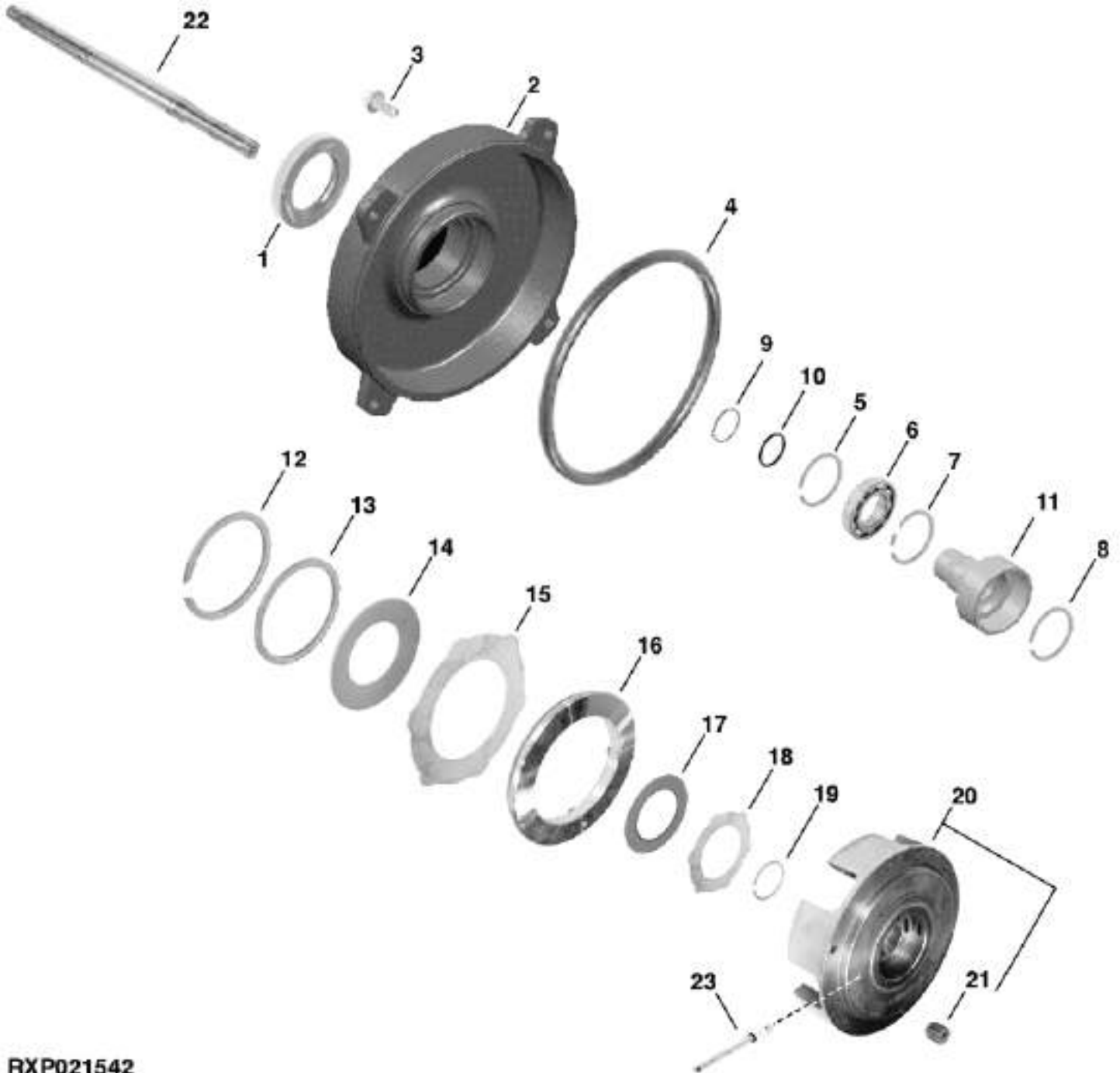
POWER SHIFT TRANSMISSION

| KEY | PART NO. | PART NAME            | QTY | TRANSMISSION<br>SERIAL NO. | A | REMARKS  |
|-----|----------|----------------------|-----|----------------------------|---|--|
|     |          |                      |     |                            | L |  |
| 1   | 40M7201  | SNAP RING            | 1   |                            | X |  |
| 2   | RE57653  | ROLLER BEARING       | 1   |                            | X |  |
| 3   | R121603  | SHAFT                | 1   |                            | X |  |
| 4   | R108531  | PTO POWR-GARD SHIELD | 2   |                            | X |  |
| 5   | R108471  | GEAR                 | 1   |                            | X |  |
| 6   | R108508  | SHAFT                | 1   |                            | X |  |
| 7   | R108484  | GEAR                 | 1   |                            | X |  |
| 8   | R108485  | GEAR                 | 1   |                            | X |  |
| 9   | R115233  | SHAFT                | 1   |                            | X |  |
| 10  | JD10116  | NEEDLE BEARING       | 2   |                            | X |  |
| 11  | R108537  | HOUSING              | 1   |                            | X |  |
| 12  | R115508  | RING                 | 2   |                            | X |  |
| 13  | JD8568   | BALL BEARING         | 1   |                            | X |  |
| 14  | R28640   | SNAP RING            | 1   |                            | X |  |
| 15  | 40M7115  | SNAP RING            | 1   |                            | X |  |
| 16  | RE151144 | SEAL                 | 1   |                            | X | (SUB FOR RE64427 OR RE52341, THIS APPLICATION) |
| 17  | H63262   | O-RING               | 1   |                            | X |  |
| 18  | R114108  | PLUG                 | 1   |                            | X |  |
| 19  | 19M7809  | SCREW                | 4   |                            | X | M10 X 70                                       |
| 20  | R28671   | DOWEL PIN            | 2   |                            | X |  |
| 21  | H86981   | RIVET                | 6   |                            | X |  |
| 22  | 38H5140  | TEE FITTING          | 1   |                            | X |  |
| 23  | 51M7047  | O-RING               | 1   |                            | X |  |
| 24  | RE47959  | BOLT                 | 1   |                            | X | M12 X 1.75 HS 10.9                             |
| 25  | R125064  | PIPE PLUG            | 1   |                            | X |  |
| 26  | 51M7042  | O-RING               | 1   |                            | X | 13.300 X 2.200 MM                              |
| 27  | RE52242  | PLUG                 | 1   |                            | X |  |
| 28  | T121280  | SEAL                 | 1   |                            | X |  |
| 29  | F3171R   | O-RING               | 1   |                            | X |  |
| 30  | N153493  | O-RING               | 1   |                            | X |  |

# 4G11

POWER SHIFT TRANSMISSION

MFWD CLUTCH (TSN 8100,8200,8300,8400 -019999)  
EMBAYAGE DE TAM (TSN 8100,8200,8300,8400 -019999)  
MF-KUPPLUNG (TSN 8100,8200,8300,8400 -019999)  
FRIZIONE DELLA MFWD (TSN 8100,8200,8300,8400 -019999)  
EMBRAGUE DE TDM (TSN 8100,8200,8300,8400 -019999)  
MFHD-KOPPLING (TSN 8100,8200,8300,8400 -019999)  
RXP021542 -UN-20JUN96



RXP021542

# 4G12

## POWER SHIFT TRANSMISSION

| KEY | PART NO. | PART NAME               | QTY | TRANSMISSION<br>SERIAL NO. | A | REMARKS                                    |
|-----|----------|-------------------------|-----|----------------------------|---|--|
|     |          |                         |     |                            | L |  |
| 1   | AH89023  | SEAL                    | 1   |                            | X |  |
| 2   | R108518  | COVER                   | 1   | -015288                    | X | (A) (SUB R131811)                          |
|     | R131811  | COVER                   | 1   | 015289-                    | X | (A)  |
|     | R108569  | COVER                   | 1   |                            | X | (B)  |
| 3   | 19M7789  | SCREW                   | 4   |                            | X | M12 X 30, HS 10.9                          |
| 4   | T39741   | RING                    | 1   |                            | X |  |
| 5   | T44824   | SNAP RING               | 1   |                            | X |  |
| 6   | RE67948  | BEARING                 | 1   |                            | X |  |
| 7   | R108496  | SNAP RING               | 1   |                            | X |  |
| 8   | L1610N   | SNAP RING               | 1   |                            | X |  |
| 9   | R124576  | SNAP RING               | 1   |                            | X |  |
| 10  | U10289   | O-RING                  | 1   |                            | X |  |
| 11  | R108519  | HUB                     | 1   |                            | X |  |
| 12  | R108526  | SNAP RING               | 1   |                            | X |  |
| 13  | R108533  | RETAINER                | 1   |                            | X |  |
| 14  | R108525  | DISK SPRING             | 1   |                            | X |  |
| 15  | R108521  | PLATE                   | 1   |                            | X |  |
| 16  | RE155037 | SEAL                    | 1   |                            | X | (SUB FOR R108520)                          |
| 17  | RE67458  | DISK, WITH INNER SPLINE | 6   |                            | X | (SUB FOR AR94516, THIS APPLICATION)        |
| 18  | R108507  | CLUTCH PLATE            | 6   |                            | X |  |
| 19  | R114345  | SNAP RING               | 1   |                            | X |  |
| 20  | RE69122  | DRUM                    | 1   |                            | X | (MARKED R108517)                           |
| 21  | RE45393  | VALVE SEAT              | 1   |                            | X |  |
| 22  | R108384  | SHAFT                   | 1   | -XXXXXX                    | X | (A) (C) (SUB R130895, R130894 AND CH17453) |
|     | R130895  | SHAFT                   | 1   | XXXXXX-                    | X | (D)  |
| 23  | AT107509 | PLUG                    | 1   |                            | X |  |

(A)MECHANICAL FRONT WHEEL DRIVE  
 TRACTION AVANT MECANIQUE  
 MECHANISCHER FRONTANTRIEB  
 TRAZIONE ANTERIORE MECANNICA  
 TRACCION DELANTERA  
 MEKANISK FRAMHJULSDRIVNING

(B)W/O MECHANICAL FRONT WHEEL DRIVE  
 W/O TRACTION AVANT MECANIQUE  
 W/O MECHANISCHER FRONTANTRIEB  
 W/O TRAZIONE ANTERIORE MECANNICA  
 W/O TRACCION DELANTERA  
 W/O MEKANISK FRAMHJULSDRIVNING

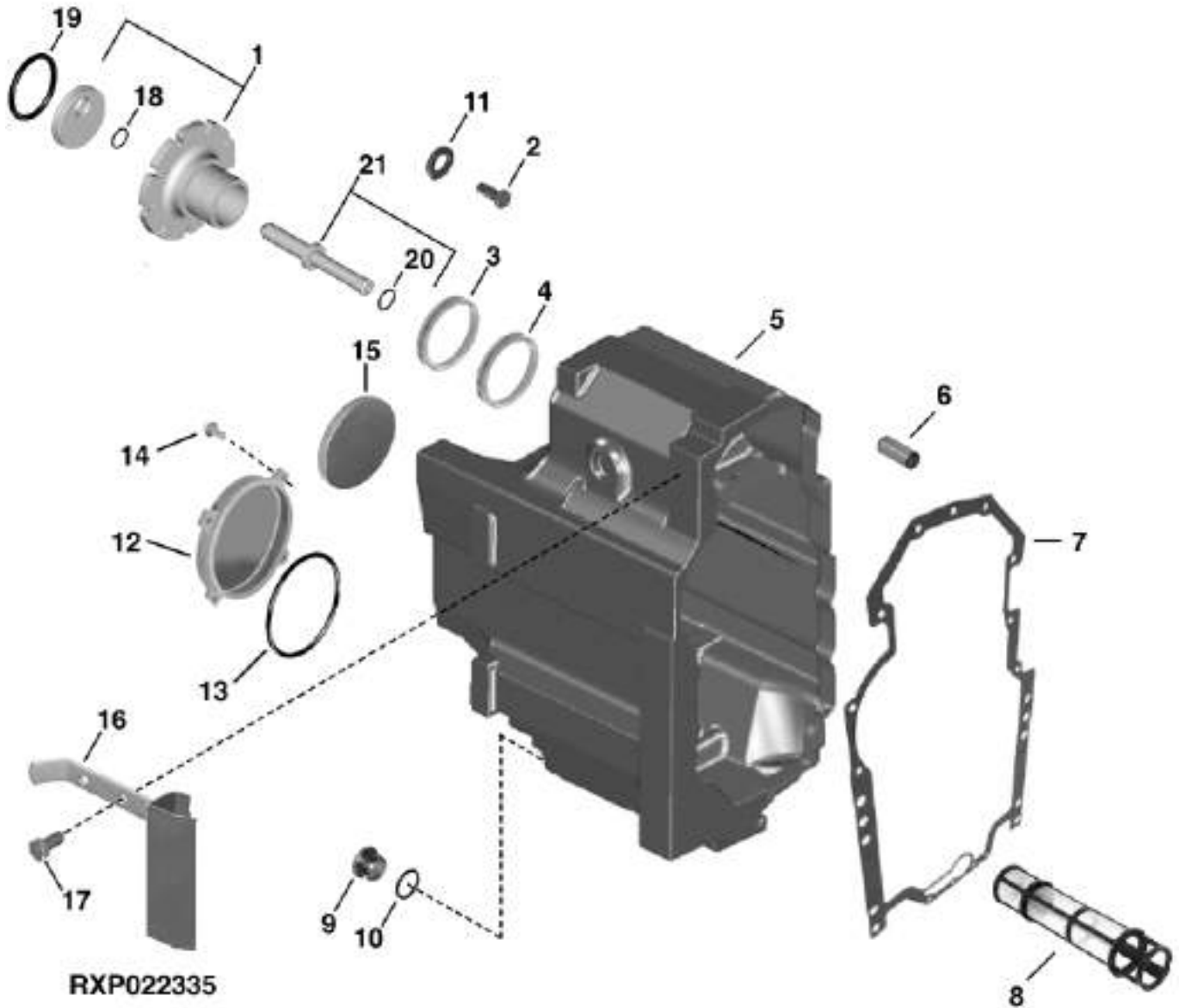
(C)( -XXXXXX) TSN 8100-004350; 8200-003234; 8300-005399; 8400-006270

(D)(XXXXXX- ) TSN 8100-004351; 8200-003235; 8300-005400; 8400-006271

# 4G13

POWER SHIFT TRANSMISSION

TRANSMISSION CASE (TSN 8100,8200,8300,8400 -019999)  
CARTER DE TRANSMISSION (TSN 8100,8200,8300,8400 -019999)  
GETRIEBEGEHAEUSE (TSN 8100,8200,8300,8400 -019999)  
SCATOLA DELLA TRASMISSIONE (TSN 8100,8200,8300,8400 -019999)  
CAJA DE TRANSMISION (TSN 8100,8200,8300,8400 -019999)  
TRANSMISSIONSKAAPA (TSN 8100,8200,8300,8400 -019999)  
RXP022335 -UN-23OCT97



RXP022335

# 4G14

## POWER SHIFT TRANSMISSION

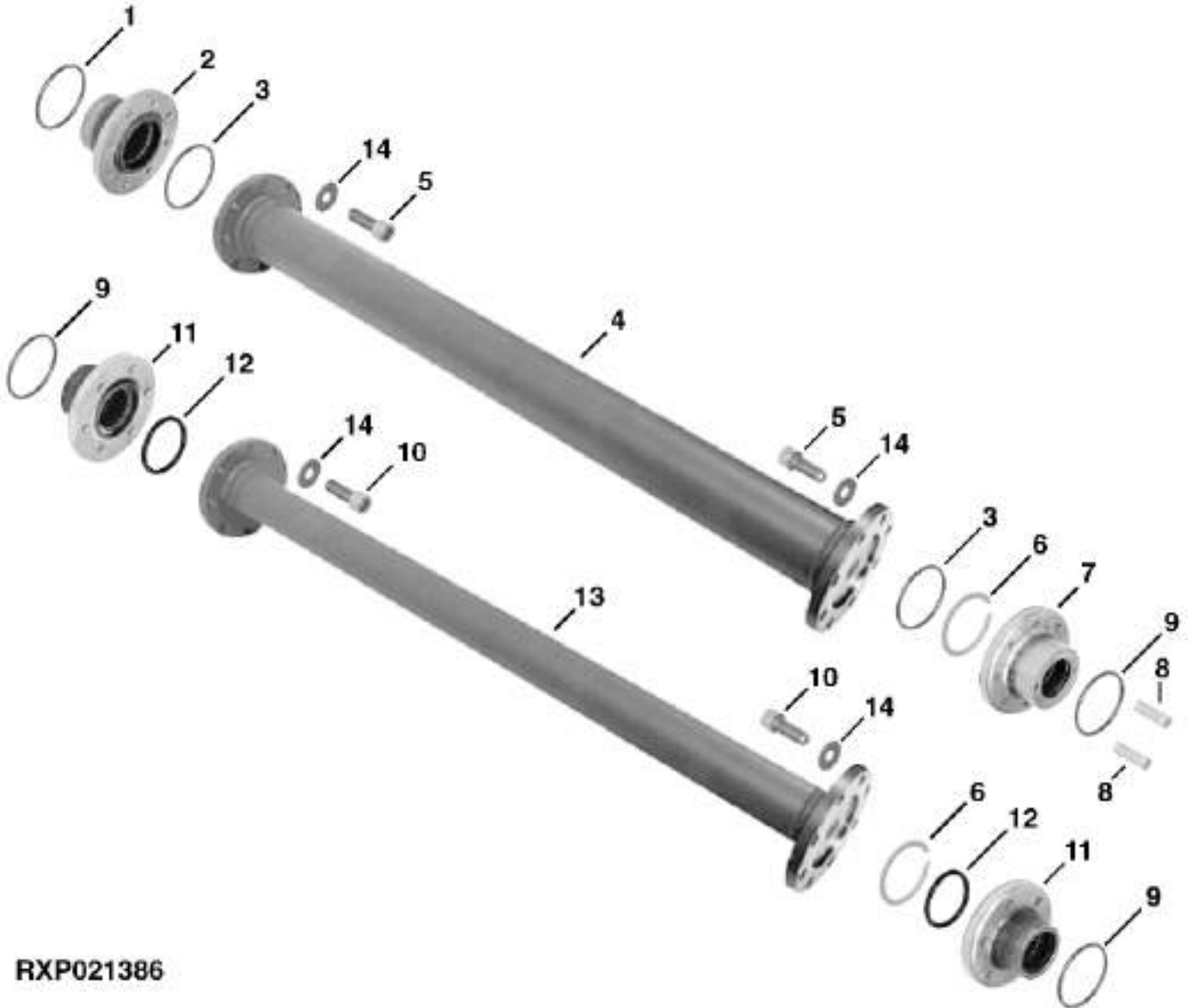
| KEY | PART NO. | PART NAME         | QTY | TRANSMISSION<br>SERIAL NO. | A | REMARKS                             |
|-----|----------|-------------------|-----|----------------------------|---|-------------------------------------|
|     |          |                   |     |                            | L |                                     |
| 1   | RE70976  | HUB               | 1   |                            | X | (SUB FOR RE57402 OR RE67440)        |
| 2   | 19M7789  | SCREW             | 9   |                            | X | M12 X 30, HS 10.9                   |
| 3   | R130561  | V-RING SEAL       | 1   |                            | X | (SUB FOR R89581, THIS APPLICATION)  |
| 4   | RE158066 | SEAL              | 1   |                            | X | (SUB FOR RE13181, THIS APPLICATION) |
| 5   | R136157  | TRANSMISSION CASE | 1   |                            | X |                                     |
| 6   | R48685   | DOWEL PIN         | 2   |                            | X |                                     |
| 7   | R132860  | GASKET            | 1   |                            | X | (SUB FOR R108480)                   |
| 8   | RE45369  | SCREEN            | 1   |                            | X |                                     |
| 9   | R98012   | PLUG              | 1   |                            | X |                                     |
| 10  | P47889   | O-RING            | 1   |                            | X |                                     |
| 11  | 24M7240  | WASHER            | 9   |                            | X |                                     |
| 12  | R108569  | COVER             | 1   |                            | X | (A)                                 |
| 13  | T39741   | RING              | 1   |                            | X |                                     |
| 14  | 19M7789  | SCREW             | 4   |                            | X | M12 X 30, HS 10.9                   |
| 15  | R108503  | PLUG              | 1   |                            | X |                                     |
| 16  | R120133  | SUPPORT           | 2   | -XXXXXX                    | X |                                     |
|     | R120133  | SUPPORT           | 1   | XXXXXX-                    | X | RH                                  |
|     | RE62562  | BRACKET           | 1   | XXXXXX-                    | X | LH                                  |
| 17  | 19M7166  | CAP SCREW         | 4   |                            | X | M10 X 20                            |
| 18  | F3353R   | O-RING            | 1   |                            | X |                                     |
| 19  | R132237  | O-RING            | 1   |                            | X |                                     |
| 20  | R132239  | O-RING            | 1   |                            | X |                                     |
| 21  | RE67505  | BREATHER          | 1   |                            | X |                                     |

(A)W/O MECHANICAL FRONT WHEEL DRIVE  
W/O TRACTION AVANT MECANIQUE  
W/O MECHANISCHER FRONTANTRIEB  
W/O TRAZIONE ANTERIORE MECANNICA  
W/O TRACCION DELANTERA  
W/O MEKANISK FRAMHJULSDRIVNING

# 4G15

POWER SHIFT TRANSMISSION

MID-FRAME SHAFTS  
ABRES DE CHASSIS CENTRAL  
MITTERLRAHMENWELLEN  
ALBERI A META' TELAIO  
EJES DEL BASTIDOR CENTRAL  
MITTENRAMAXLAR  
RXP021386 -UN-08DEC95



RXP021386

# 4G16

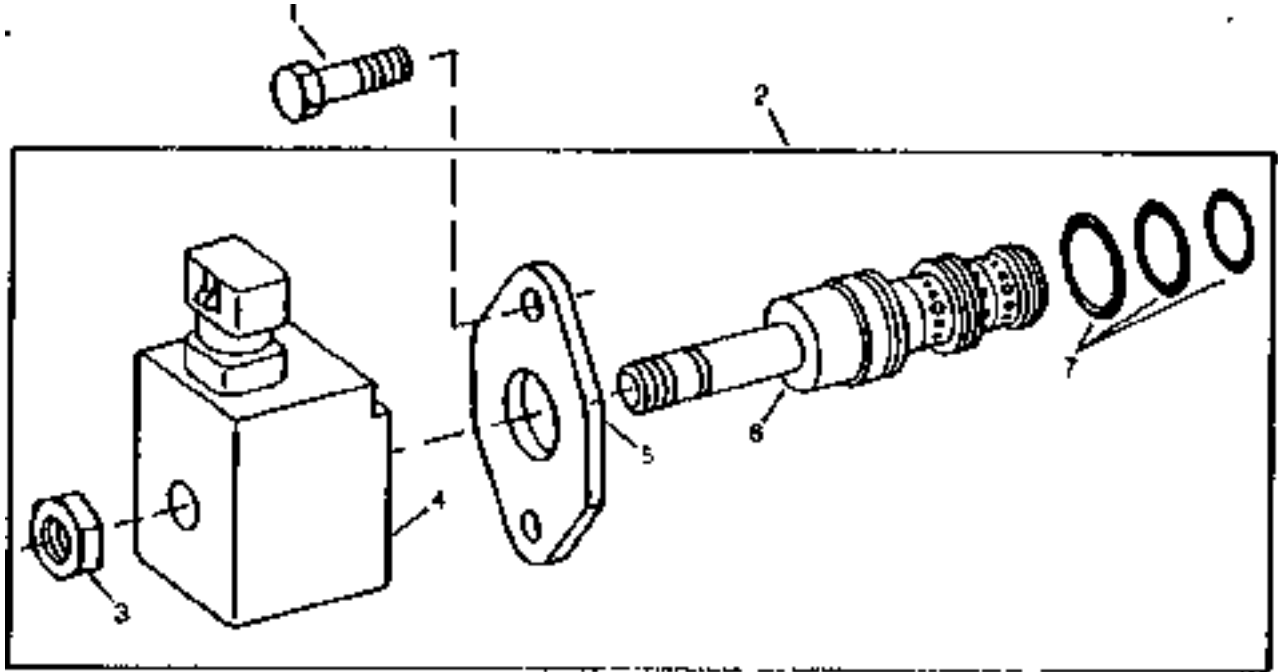
## POWER SHIFT TRANSMISSION

| KEY | PART NO. | PART NAME     | QTY | TRACTOR<br>SERIAL NO. | A      | REMARKS                |
|-----|----------|---------------|-----|-----------------------|--------|------------------------|
|     |          |               |     |                       | L<br>L |                        |
| 1   | R122886  | O-RING        | 1   |                       | X      |                        |
| 2   | R108555  | COUPLING      | 1   |                       | X      |                        |
| 3   | U44496   | O-RING        | 2   |                       | X      |                        |
| 4   | RE45391  | DRIVE SHAFT   | 1   |                       | X      | (TRANSMISSION OUTPUT)  |
| 5   | 19M8850  | CAP SCREW     | 16  |                       | X      | M10 X 30, HS 12.9      |
| 6   | P46770   | SNAP RING     | 2   |                       | X      |                        |
| 7   | R108558  | YOKE          | 1   |                       | X      |                        |
| 8   | R116713  | NEEDLE ROLLER | 1   |                       | X      |                        |
| 9   | P50631   | O-RING        | 3   |                       | X      |                        |
| 10  | 19M8850  | CAP SCREW     | 12  |                       | X      | M10 X 30, HS 12.9      |
| 11  | R108559  | QUICK COUPLER | 2   |                       | X      |                        |
| 12  | R112857  | O-RING        | 2   |                       | X      |                        |
| 13  | RE45392  | DRIVE SHAFT   | 1   |                       | X      | (PTO)                  |
| 14  | 24M7239  | WASHER        | 12  |                       | X      | 10.700 X 21 X 2.500 MM |

# 4G17

POWER SHIFT TRANSMISSION

SOLENOID VALVE  
ELECTROVANNE  
MAGNETVENTIL  
VALVOLA A SOLENOIDE  
VALVULA DE SOLENOIDE  
SOLENOIDVENTIL  
RXP020610 -UN-01JAN94



RXP020610

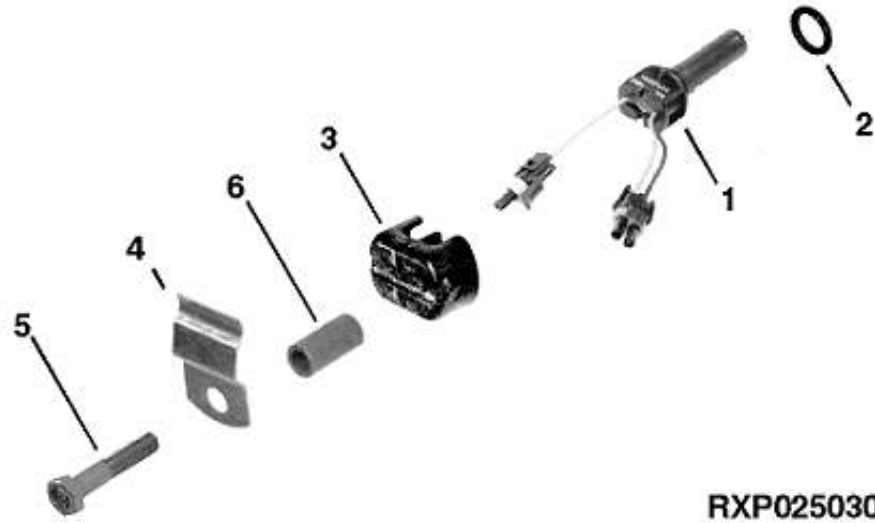
| KEY | PART NO. | PART NAME           | QTY | TRANSMISSION<br>SERIAL NO. | A | REMARKS       |
|-----|----------|---------------------|-----|----------------------------|---|---------------|
|     |          |                     |     |                            | L |               |
| 1   | 19M7560  | CAP SCREW           | 2   |                            | X | M6 X 16       |
| 2   | RE52319  | SOLENOID VALVE      | 1   |                            | X |               |
| 3   | R109691  | NUT                 | 1   |                            | X |               |
| 4   | RE50782  | SOLENOID VALVE COIL | 1   |                            | X |               |
| 5   | R109690  | CLAMP               | 1   |                            | X |               |
| 6   | RE53089  | VALVE               | 1   |                            | X | (SUB RE52319) |
| 7   | RE47392  | O-RING KIT          | 1   |                            | X |               |



# 4G18

POWER SHIFT TRANSMISSION

MAGNETIC PICK-UP  
 OUTIL AIMANTE A MANCE  
 MAGNETISCHER MESSWERTGEBER  
 CALAMITA RACCATTAPEZZI  
 CAPTADOR MAGNETICO  
 MAGNETISK GIVARE  
 RXP025030 -UN-01JAN94

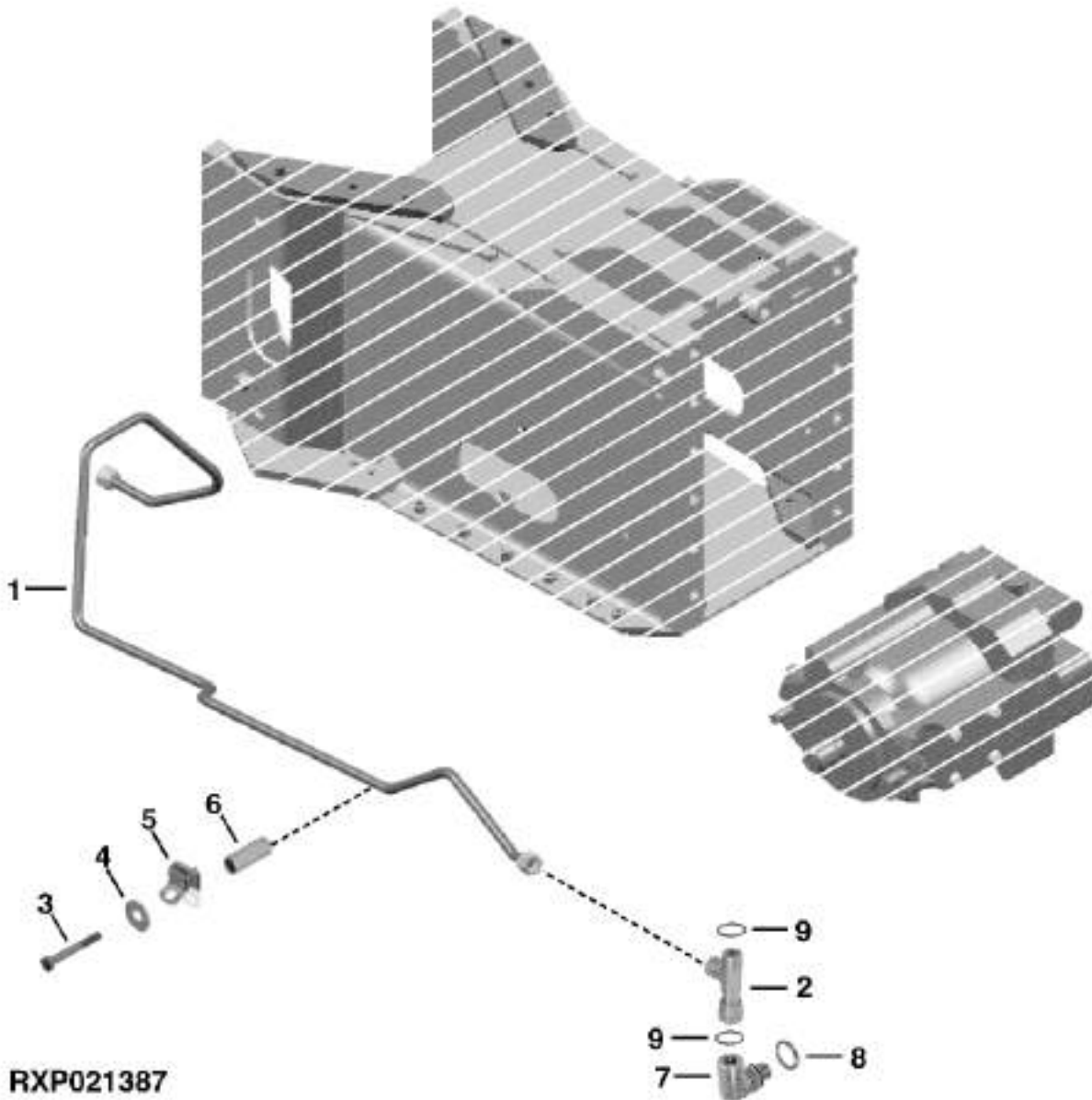


| KEY | PART NO. | PART NAME          | QTY | TRANSMISSION<br>SERIAL NO. | A |                          |
|-----|----------|--------------------|-----|----------------------------|---|--------------------------|
|     |          |                    |     |                            | L | REMARKS                  |
| 1   | RE56950  | WHEEL SPEED SENSOR | 1   |                            | X |                          |
| 2   | R375     | O-RING             | 1   |                            | X |                          |
| 3   | R69185   | CAP                | 1   |                            | X |                          |
| 4   | R66477   | CLAMP              | 1   |                            | X |                          |
| 5   | R120256  | CAP SCREW          | 1   |                            | X | 10M X 1.5 HS 10.9        |
| 6   | 28H1527  | SPACER             | 1   |                            | X | 0.493" X 0.675" X 1-3/8" |

# 4G19

POWER SHIFT TRANSMISSION

TRANSMISSION LINES  
CONDUITES DE TRANSMISSION  
GETRIEBE-LEITUNGEN  
LINEE DELLA TRASMISSIONE  
LINEAS DE TRANSMISION  
TRANSMISSIONSLEDNINGAR  
RXP021387 -UN-21NOV95



# 4G20

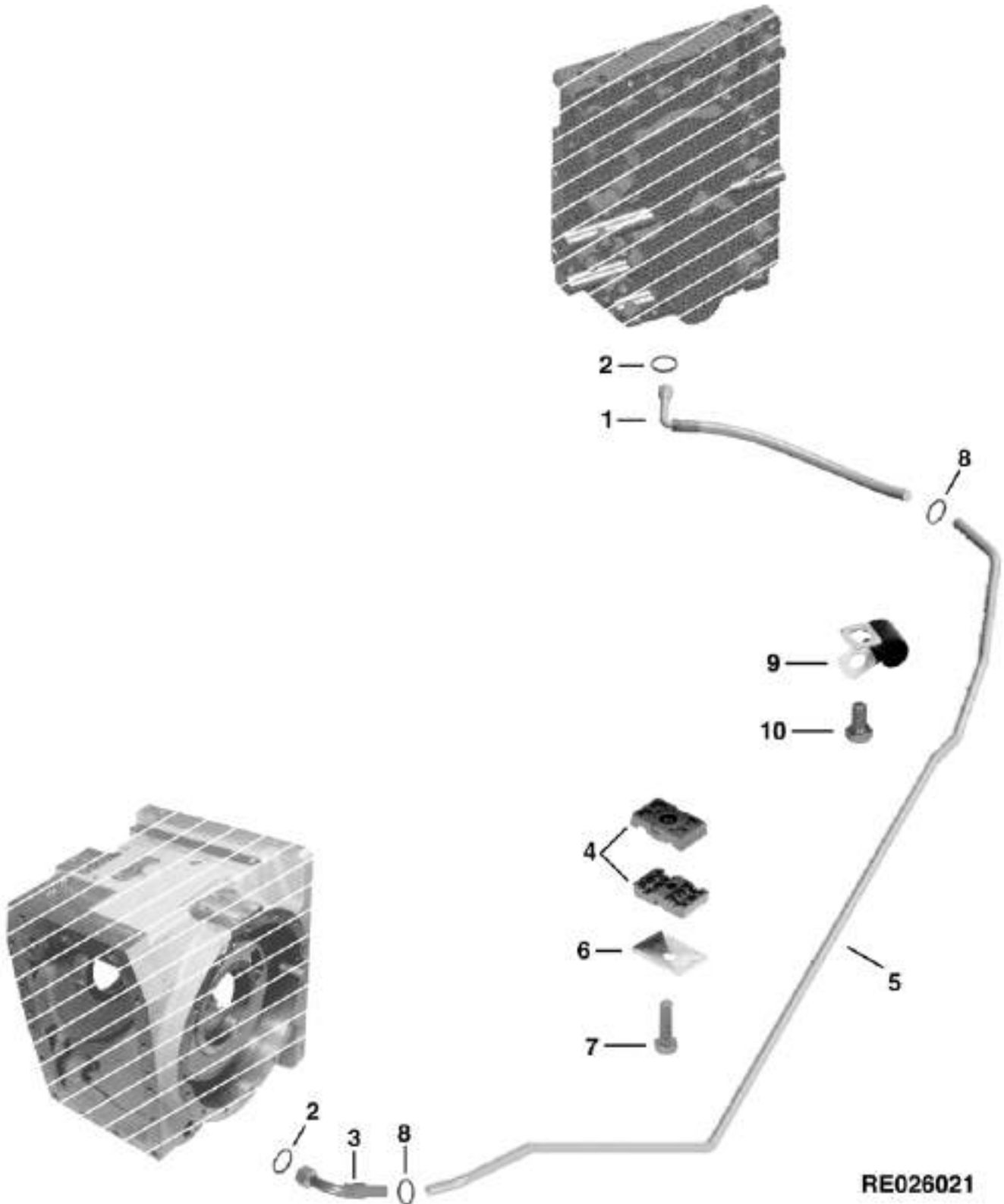
POWER SHIFT TRANSMISSION

| KEY | PART NO. | PART NAME     | QTY | TRACTOR<br>SERIAL NO. | A<br>L<br>L | REMARKS                  |
|-----|----------|---------------|-----|-----------------------|-------------|--------------------------|
| 1   | RE61136  | OIL LINE      | 1   |                       | X           |                          |
| 2   | 38H5069  | TEE FITTING   | 1   |                       | X           |                          |
| 3   | 19M7185  | CAP SCREW     | 2   |                       | X           | M8 X 60                  |
| 4   | 24M7207  | WASHER        | 2   |                       | X           | 8.400 X 24 X 2 MM        |
| 5   | R73291   | CLAMP         | 1   |                       | X           |                          |
| 6   | 28H1497  | BUSHING       | 2   |                       | X           | 0.493" X 0.675" X 1-1/2" |
| 7   | 38H5023  | ELBOW FITTING | 1   |                       | X           |                          |
| 8   | 51M7041  | O-RING        | 1   |                       | X           |                          |
| 9   | T77857   | O-RING        | 3   |                       | X           |                          |

# 4G21

POWER SHIFT TRANSMISSION

TRANSMISSION LINES (TSN -009999)  
CONDUITES DE TRANSMISSION (TSN -009999)  
GETRIEBE-LEITUNGEN (TSN -009999)  
LINEE DELLA TRASMISSIONE (TSN -009999)  
LINEAS DE TRANSMISION (TSN -009999)  
TRANSMISSIONSLEDNINGAR (TSN -009999)  
RE026021 -UN-16MAR95



# 4G22

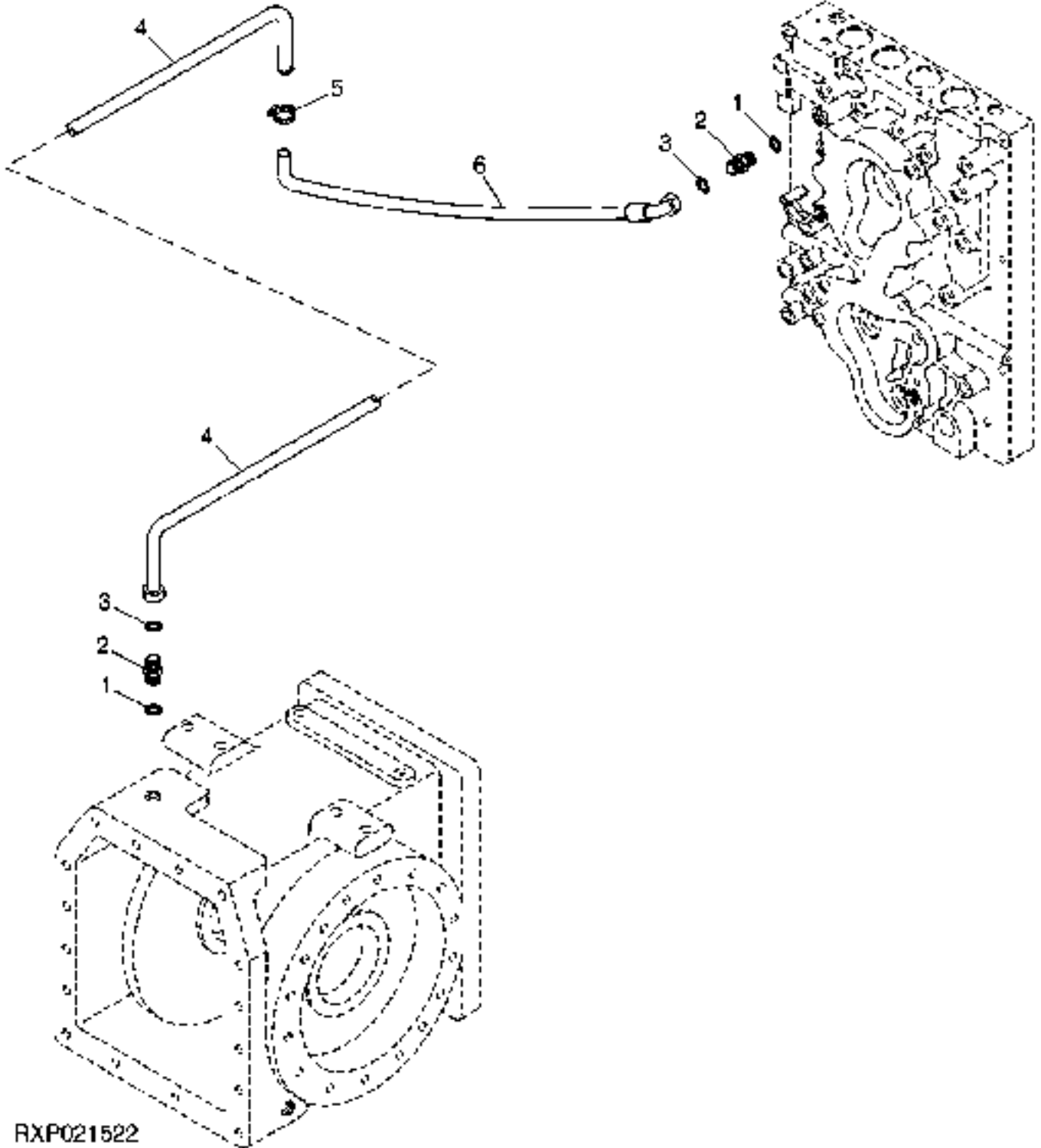
POWER SHIFT TRANSMISSION

| KEY | PART NO. | PART NAME                  | QTY | TRACTOR<br>SERIAL NO. | A<br>L<br>L | REMARKS           |
|-----|----------|----------------------------|-----|-----------------------|-------------|-------------------|
| 1   | RE62341  | HYDRAULIC HOSE - FABRICATE | 1   |                       | X           | (SUB FOR RE44757) |
| 2   | T77857   | O-RING                     | 2   |                       | X           |                   |
| 3   | RE60686  | HYDRAULIC HOSE - FABRICATE | 1   |                       | X           |                   |
| 4   | H108291  | CLAMP                      | 4   |                       | X           |                   |
| 5   | RE44769  | HYDRAULIC LINE             | 1   |                       | X           |                   |
| 6   | H121168  | PLATE                      | 2   |                       | X           |                   |
| 7   | 37M7103  | SCREW                      | 2   |                       | X           |                   |
| 8   | RE32361  | CLAMP                      | 2   |                       | X           | (SUB TY22465)     |
| 9   | H75541   | CLAMP                      | 2   |                       | X           |                   |
| 10  | 37M7058  | SCREW                      | 2   |                       | X           | M8 X 20           |

# 4G23

POWER SHIFT TRANSMISSION

TRANSMISSION LINES (TSN 010000- ) )  
CONDUITES DE TRANSMISSION (TSN 010000- ) )  
GETRIEBE-LEITUNGEN (TSN 010000- ) )  
LINEE DELLA TRASMISSIONE (TSN 010000- ) )  
LINEAS DE TRANSMISION (TSN 010000- ) )  
TRANSMISSIONSLEDNINGAR (TSN 010000- ) )  
RXP021522 -UN-24MAY96



RXP021522

# 4G24

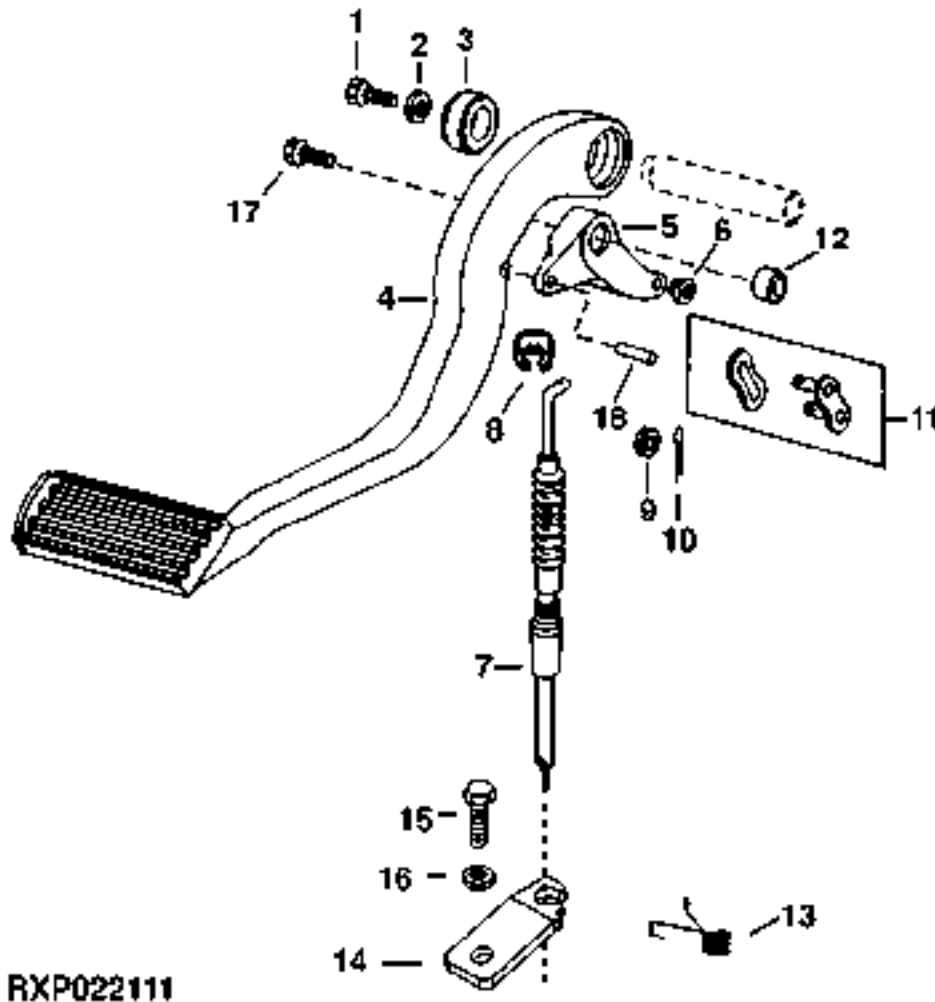
POWER SHIFT TRANSMISSION

| KEY | PART NO. | PART NAME | QTY | TRACTOR<br>SERIAL NO. | A<br>L<br>L | REMARKS           |
|-----|----------|-----------|-----|-----------------------|-------------|-------------------|
| 1   | 51M7043  | O-RING    | 2   |                       | X           | 15.300 X 2.200 MM |
| 2   | 38H5003  | ADAPTER   | 2   |                       | X           |                   |
| 3   | T77857   | O-RING    | 2   |                       | X           |                   |
| 4   | RE69071  | HOSE      | 1   |                       | X           |                   |
| 5   | TY22465  | CLAMP     | 1   |                       | X           |                   |
| 6   | RE66667  | HOSE      | 1   |                       | X           |                   |

# 4H1

POWER SHIFT TRANSMISSION

CLUTCH PEDAL (TSN 8100,8200,8300,8400, 020000- ) )  
PEDALE D'EMBAYAGE (TSN 8100,8200,8300,8400, 020000- ) )  
KUPPLUNGSFUSSHEBEL (TSN 8100,8200,8300,8400, 020000- ) )  
PEDALE FRIZIONE (TSN 8100,8200,8300,8400, 020000- ) )  
PEDAL DEL EMBRAGUE (TSN 8100,8200,8300,8400, 020000- ) )  
KOPPLINGSPEDAL (TSN 8100,8200,8300,8400, 020000- ) )  
RXP022111 -UN-07JUN97



RXP022111



# 4H2

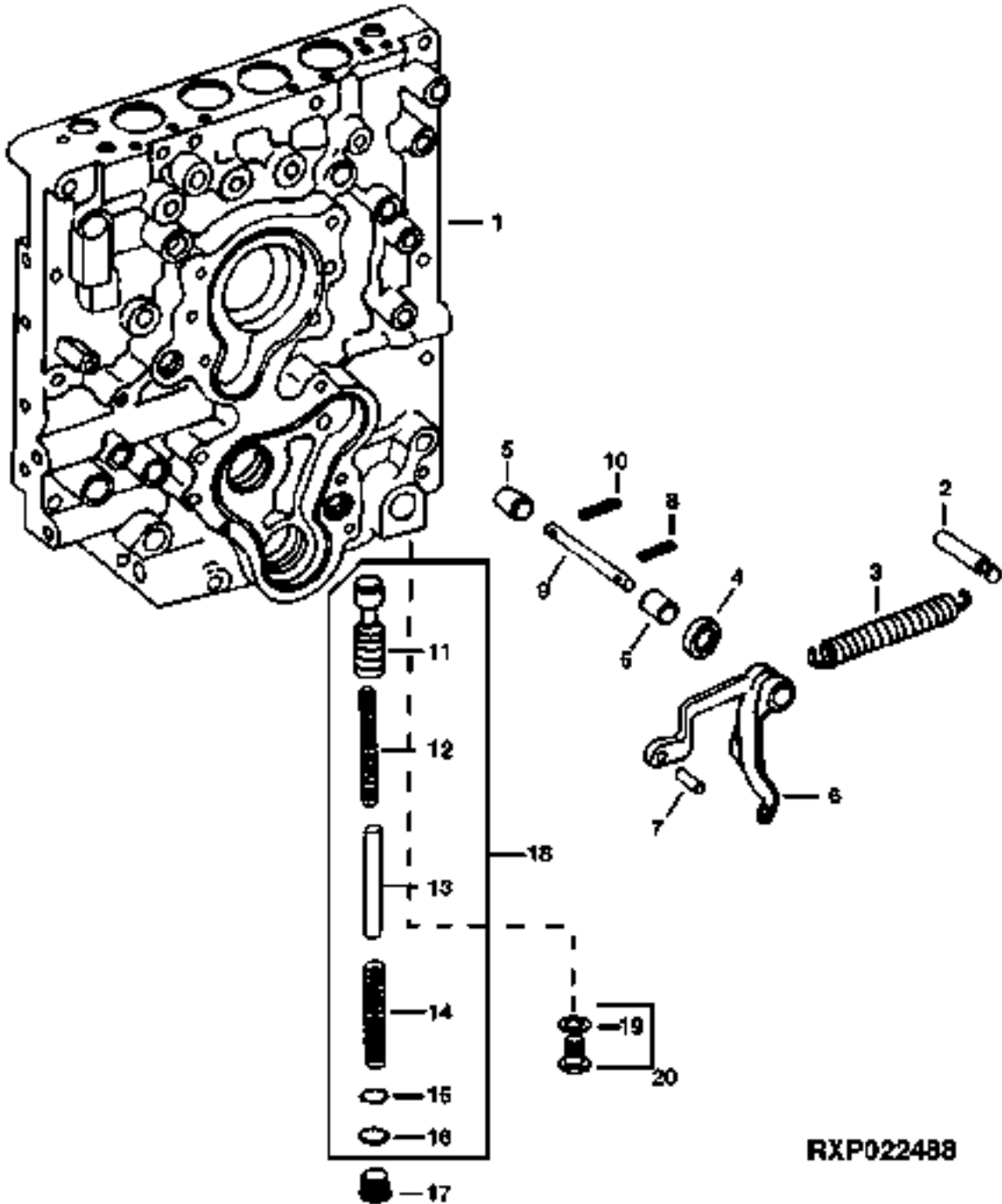
## POWER SHIFT TRANSMISSION

| KEY | PART NO. | PART NAME    | QTY | TRANSMISSION<br>SERIAL NO. | A | REMARKS        |
|-----|----------|--------------|-----|----------------------------|---|----------------|
|     |          |              |     |                            | L |                |
| 1   | 19M7932  | CAP SCREW    | 1   |                            | X | M8 X 16        |
| 2   | R56397   | WASHER       | 1   |                            | X |                |
| 3   | JD8535   | BALL BEARING | 1   |                            | X |                |
| 4   | R127830  | PEDAL        | 1   |                            | X |                |
| 5   | R127831  | ARM          | 1   |                            | X |                |
| 6   | R78425   | BUSHING      | 1   |                            | X |                |
| 7   | RE60687  | CABLE        | 1   |                            | X |                |
| 8   | R108214  | CLIP         | 1   |                            | X | UP             |
| 9   | R113023  | GROMMET      | 1   |                            | X |                |
| 10  | 11M7059  | COTTER PIN   | 2   |                            | X | 3.200 X 20 MM  |
| 11  | J4216H   | CHAIN LINK   | 1   |                            | X |                |
| 12  | JD10181  | BALL BEARING | 2   |                            | X |                |
| 13  | R121823  | SPRING       | 1   |                            | X | LOW            |
| 14  | R124428  | BRACKET      | 1   |                            | X |                |
| 15  | 19M7938  | CAP SCREW    | 1   |                            | X | M10 X 20       |
| 16  | 24M7346  | WASHER       | 1   |                            | X | 11 X 20 X 2 MM |
| 17  | 19M8291  | SCREW        | 1   |                            | X | M8 X 35        |
| 18  | R127832  | BUSHING      | 1   |                            | X |                |

# 4H3

POWER SHIFT TRANSMISSION

MANIFOLD (TSN 8100,8200,8300,8400 020000- )  
COLLECTEUR (TSN 8100,8200,8300,8400, 020000- )  
KUPPLUNGS (TSN 8100,8200,8300,8400, 020000- )  
COLLETTORE (TSN 8100,8200,8300,8400, 020000- )  
MULTIPLE (TSN 8100,8200,8300,8400, 020000- )  
KOPPLINGSGRENDOER (TSN 8100,8200,8300,8400, 020000- )  
RXP022488 -UN-23FEB98



RXP022488

# 4H4

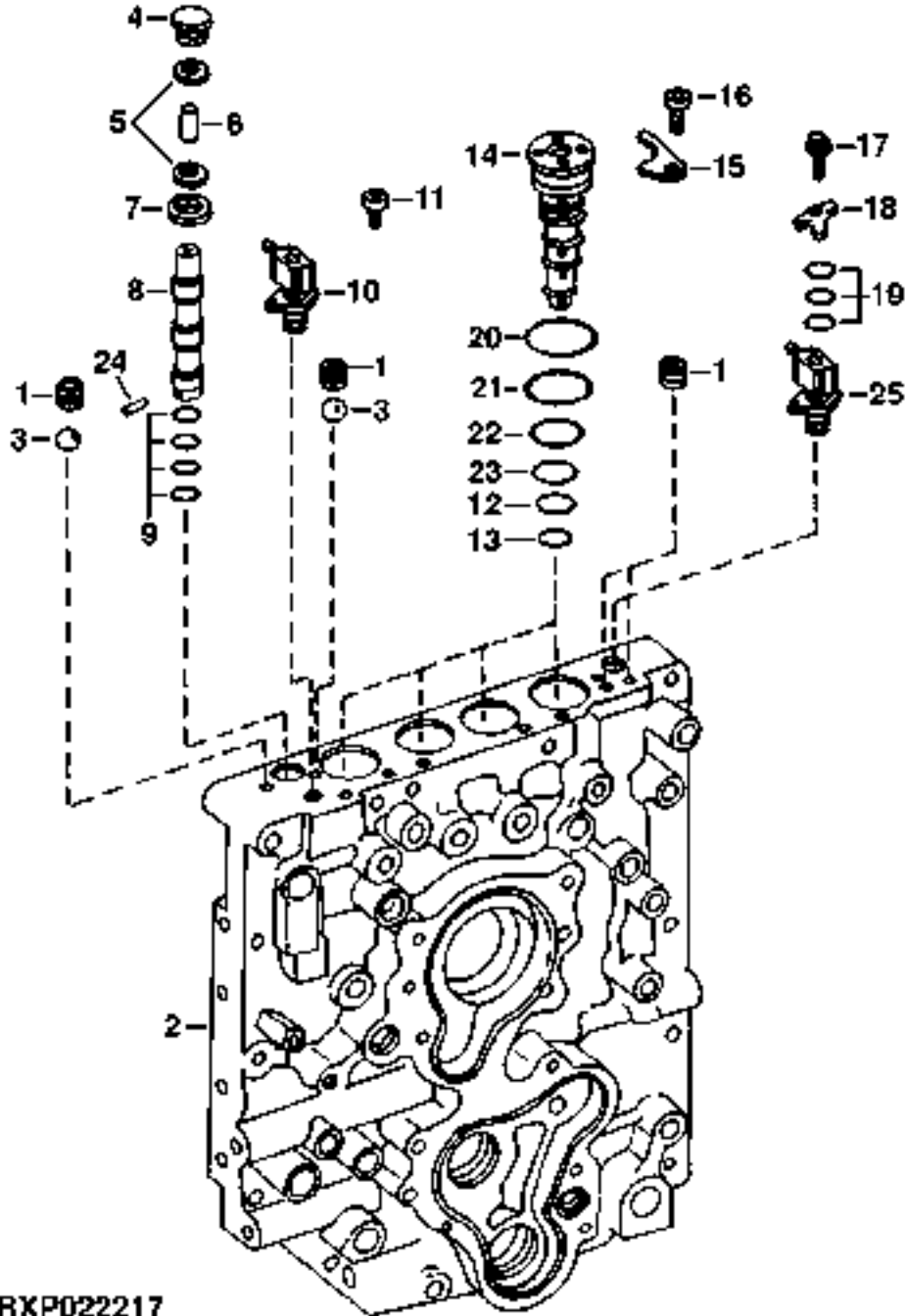
## POWER SHIFT TRANSMISSION

| KEY | PART NO. | PART NAME      | QTY | TRANSMISSION<br>SERIAL NO. | A | REMARKS          |
|-----|----------|----------------|-----|----------------------------|---|------------------|
|     |          |                |     |                            | L |                  |
| 1   | RE70834  | KIT            | 1   |                            | X | (MARKED R135816) |
| 2   | R108565  | PIN            | 1   |                            | X |                  |
| 3   | R108499  | SPRING         | 1   |                            | X |                  |
| 4   | AR103873 | SEAL           | 1   |                            | X |                  |
| 5   | JD9833   | NEEDLE BEARING | 2   |                            | X |                  |
| 6   | R108500  | LEVER          | 1   |                            | X |                  |
| 7   | R48685   | DOWEL PIN      | 1   |                            | X |                  |
| 8   | 34M7207  | SPRING PIN     | 1   |                            | X | 5 X 30 MM        |
| 9   | R108551  | SHAFT          | 1   |                            | X |                  |
| 10  | 34M7207  | SPRING PIN     | 1   |                            | X | 5 X 30 MM        |
| 11  | R115501  | VALVE          | 1   |                            | X |                  |
| 12  | R125208  | SPRING         | 1   |                            | X |                  |
| 13  | R116726  | PIN            | 1   |                            | X |                  |
| 14  | R125209  | SPRING         | 1   |                            | X |                  |
| 15  | R115504  | SHIM           | AR  |                            | X |                  |
| 16  | 51M7045  | O-RING         | 1   |                            | X |                  |
| 17  | R116115  | FITTING        | 1   |                            | X |                  |
| 18  | RE68291  | KIT            | 1   |                            | X |                  |
| 19  | 51M7041  | O-RING         | 1   |                            | X |                  |
| 20  | RE46684  | PLUG           | 1   |                            | X |                  |

# 4H5

POWER SHIFT TRANSMISSION

MANIFOLD (TSN 8100,8200,8300,8400 020000- )  
COLLECTEUR (TSN 8100,8200,8300,8400, 020000- )  
KUPPLUNGS (TSN 8100,8200,8300,8400, 020000- )  
COLLETORE (TSN 8100,8200,8300,8400, 020000- )  
MULTIPLE (TSN 8100,8200,8300,8400, 020000- )  
KOPPLINGSGRENROER (TSN 8100,8200,8300,8400, 020000- )  
RXP022217 -UN-21AUG97



RXP022217

# 4H6

## POWER SHIFT TRANSMISSION

| KEY | PART NO. | PART NAME      | QTY | TRANSMISSION<br>SERIAL NO. | A | REMARKS   |
|-----|----------|----------------|-----|----------------------------|---|---|
|     |          |                |     |                            | L |   |
| 1   | R125064  | PIPE PLUG      | 4   |                            | X |   |
| 2   | RE70834  | KIT            | 1   |                            | X | (MARKED R135816)  |
| 3   | D2361    | BALL           | 2   |                            | X |   |
| 4   | R97116   | KNOB           | 1   |                            | X |   |
| 5   | 24M7139  | WASHER         | 2   |                            | X |   |
| 6   | R108562  | STUD           | 1   |                            | X |   |
| 7   | AR103873 | SEAL           | 1   |                            | X |   |
| 8   | R108489  | VALVE          | 1   |                            | X |   |
| 9   | R33259   | O-RING         | 4   |                            | X |   |
| 10  | RE52319  | SOLENOID VALVE | 1   |                            | X |   |
| 11  | 19M7560  | CAP SCREW      | 4   |                            | X | M6 X 16   |
| 12  | R27928   | O-RING         | 4   |                            | X |   |
| 13  | P42061   | O-RING         | 4   |                            | X |   |
| 14  | RE155967 | VALVE          | 4   |                            | X | (ALSO ORDER U41966, U11326, R106663,<br>R62070, R27928 AND R151701) (SUB FOR<br>RE153330 OR RE150946) |
| 15  | R95045   | CLAMP          | 4   |                            | X |   |
| 16  | 19M7560  | CAP SCREW      | 4   |                            | X | M6 X 16   |
| 17  | 19M7775  | SCREW          | 2   |                            | X | (B) M6 X 16, HS 10.9  |
| 18  | L100496  | PLUG           | 1   |                            | X | (B)   |
| 19  | RE47392  | O-RING KIT     | 1   |                            | X | (B)   |
| 20  | U41966   | O-RING         | 4   |                            | X |   |
| 21  | R106663  | O-RING         | 4   |                            | X |   |
| 22  | U11326   | O-RING         | 4   |                            | X |   |
| 23  | R62070   | RING           | 4   |                            | X |   |
| 24  | R44394   | NEEDLE ROLLER  | 1   |                            | X |   |
| 25  | RE52319  | SOLENOID VALVE | 1   |                            | X | (A)   |

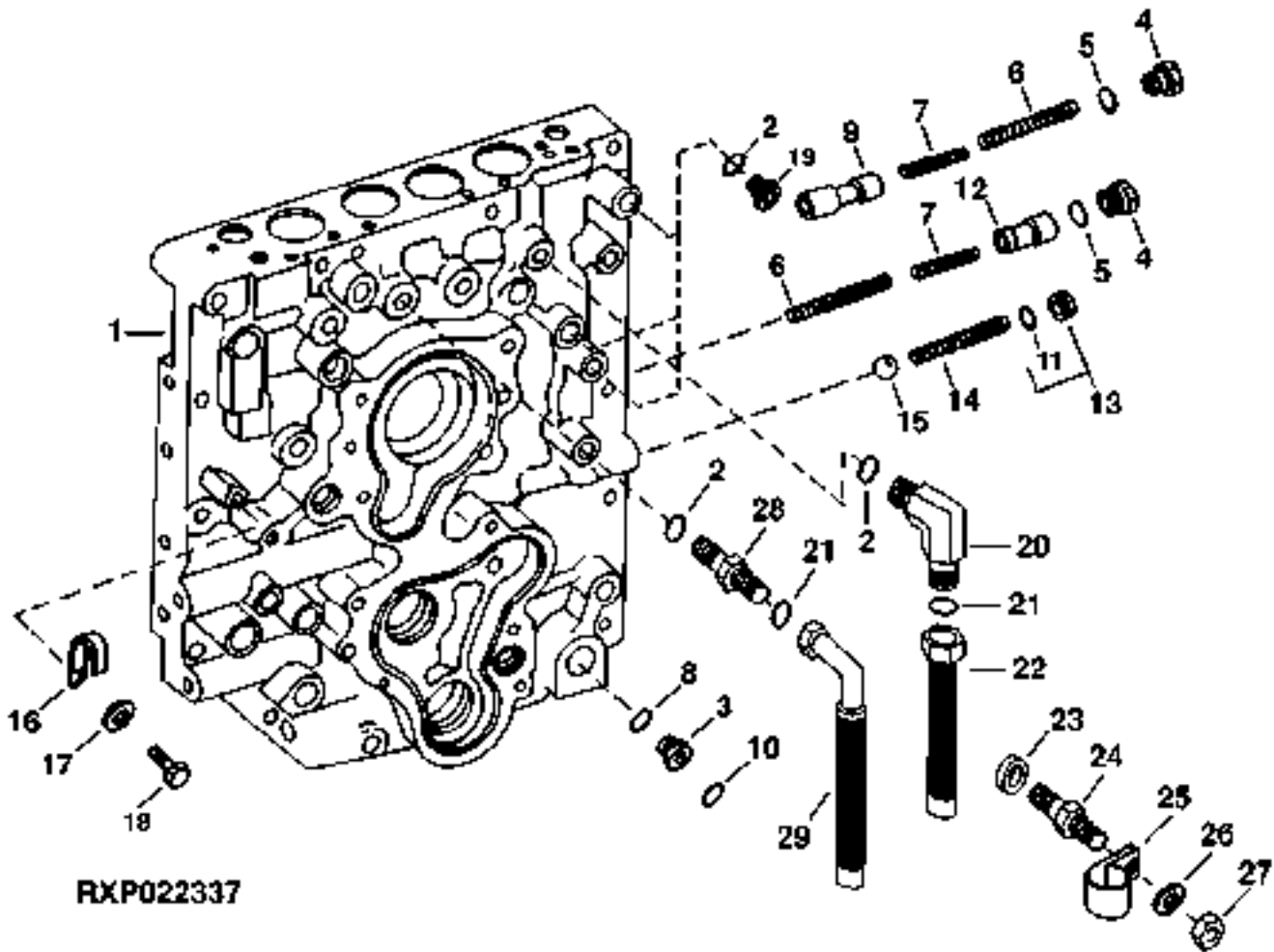
(A) MECHANICAL FRONT WHEEL DRIVE  
 TRACTION AVANT MECANIQUE  
 MECHANISCHER FRONTANTRIEB  
 TRAZIONE ANTERIORE MECANNICA  
 TRACCION DELANTERA  
 MEKANISK FRAMHJULSDRIVNING

(B) W/O MECHANICAL FRONT WHEEL DRIVE  
 W/O TRACTION AVANT MECANIQUE  
 W/O MECHANISCHER FRONTANTRIEB  
 W/O TRAZIONE ANTERIORE MECANNICA  
 W/O TRACCION DELANTERA  
 W/O MEKANISK FRAMHJULSDRIVNING

# 4H7

POWER SHIFT TRANSMISSION

MANIFOLD (TSN 8100,8200,8300,8400 020000- )  
COLLECTEUR (TSN 8100,8200,8300,8400, 020000- )  
KUPPLUNGS (TSN 8100,8200,8300,8400, 020000- )  
COLLETTORE (TSN 8100,8200,8300,8400, 020000- )  
MULTIPLE (TSN 8100,8200,8300,8400, 020000- )  
KOPPLINGSGRENROER (TSN 8100,8200,8300,8400, 020000- )  
RXP022337 -UN-24OCT97



RXP022337

# 4H8

## POWER SHIFT TRANSMISSION

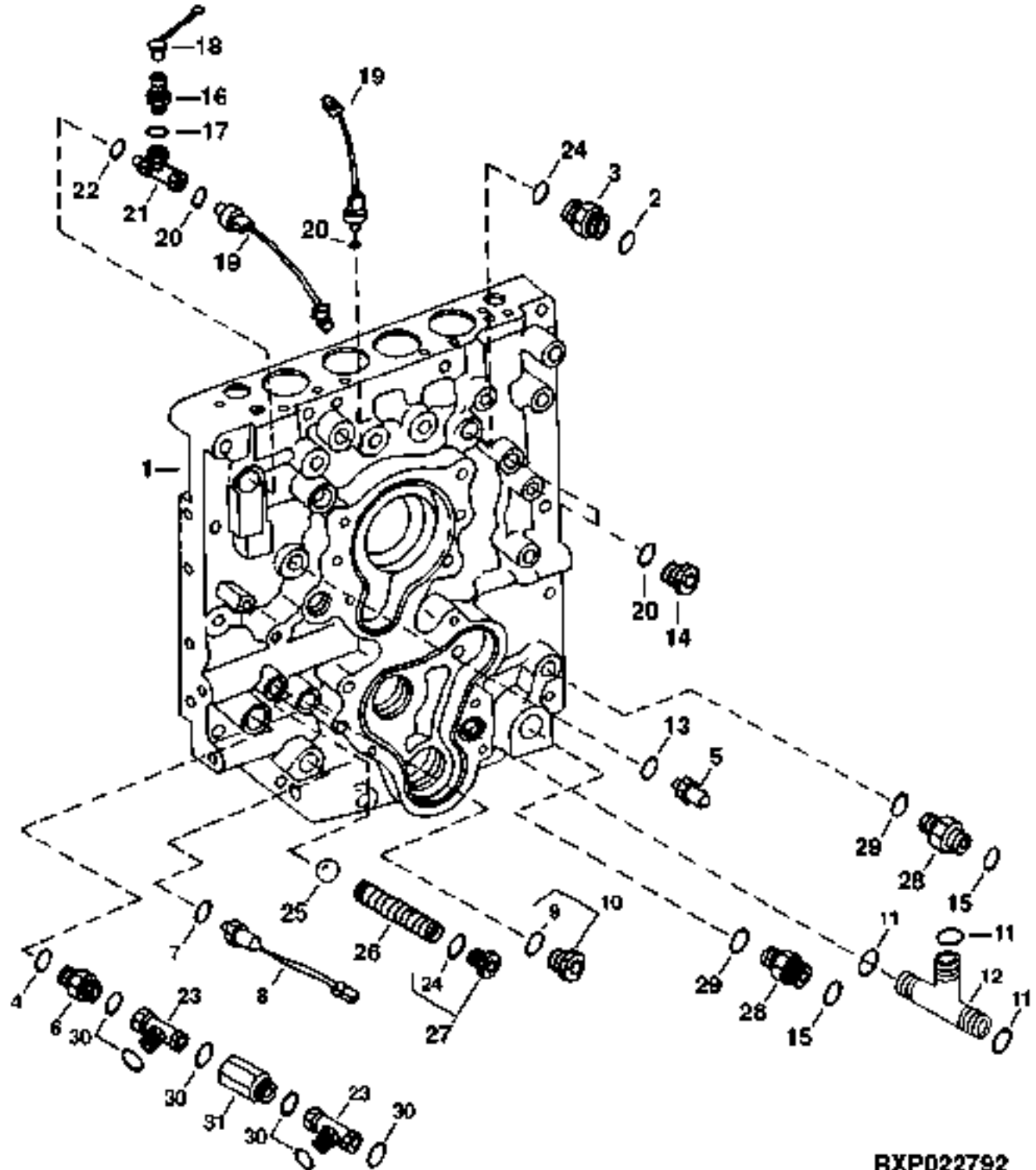
| KEY | PART NO. | PART NAME     | QTY | TRANSMISSION<br>SERIAL NO. | A | REMARKS            |
|-----|----------|---------------|-----|----------------------------|---|--------------------|
|     |          |               |     |                            | L |                    |
| 1   | RE70834  | KIT           | 1   |                            | X | (MARKED R135816)   |
| 2   | 51M7041  | O-RING        | AR  |                            | X | (A)                |
| 3   | 38H5121  | ADAPTER       | 1   |                            | X | (A)                |
| 4   | R116115  | FITTING       | 1   |                            | X |                    |
| 5   | 51M7045  | O-RING        | 1   |                            | X |                    |
| 6   | R150574  | SPRING        | 2   |                            | X |                    |
| 7   | R150573  | SPRING        | 2   |                            | X |                    |
| 8   | 51M7045  | O-RING        | 1   |                            | X |                    |
| 9   | R120235  | VALVE         | 1   |                            | X |                    |
| 10  | T77858   | O-RING        | 1   |                            | X |                    |
| 11  | 51M7043  | O-RING        | 1   |                            | X | 15.300 X 2.200 MM  |
| 12  | R108491  | VALVE         | 1   |                            | X |                    |
| 13  | RE63751  | PLUG          | 1   |                            | X |                    |
| 14  | R108502  | SPRING        | 1   |                            | X |                    |
| 15  | D2361    | BALL          | 1   |                            | X |                    |
| 16  | R72853   | CLAMP         | 1   | -XXXXXX                    | X |                    |
| 17  | 24M7028  | WASHER        | 1   | -XXXXXX                    | X | 10.500 X 20 X 2 MM |
| 18  | 19M8324  | CAP SCREW     | 1   | -XXXXXX                    | X | M10 X 16           |
| 19  | RE46684  | PLUG          | AR  |                            | X | (A)                |
| 20  | 38H5023  | ELBOW FITTING | 1   |                            | X |                    |
| 21  | T77613   | O-RING        | 3   |                            | X |                    |
| 22  | RE154412 | OIL LINE      | 1   |                            | X |                    |
| 23  | 24M7240  | WASHER        | 1   |                            | X | 13 X 25 X 3 MM     |
| 24  | R120578  | STUD          | 1   |                            | X |                    |
| 25  | R35794   | CLAMP         | 1   |                            | X |                    |
| 26  | 24M7028  | WASHER        | 1   |                            | X | 10.500 X 20 X 2 MM |
| 27  | 14M7244  | NUT           | 1   |                            | X | M12                |
| 28  | 38H5009  | ADAPTER       | 2   |                            | X |                    |
| 29  | RE154411 | OIL LINE      | 2   |                            | X |                    |

(A)MECHANICAL FRONT WHEEL DRIVE  
 TRACTION AVANT MECANIQUE  
 MECHANISCHER FRONTANTRIEB  
 TRAZIONE ANTERIORE MECANNICA  
 TRACCION DELANTERA  
 MEKANISK FRAMHJULSDRIVNING

# 4H9

POWER SHIFT TRANSMISSION

MANIFOLD (TSN 8100,8200,8300 8400 020000- )  
COLLECTEUR (TSN 8100,8200,8300,8400, 020000- )  
KUPPLUNGS (TSN 8100,8200,8300,8400, 020000- )  
COLLETTORE (TSN 8100,8200,8300,8400, 020000- )  
MULTIPLE (TSN 8100,8200,8300,8400, 020000- )  
KOPPLINGSGRENROER (TSN 8100,8200,8300,8400, 020000- )  
RXP022792 -UN-24AUG98



RXP022792



# 4H10

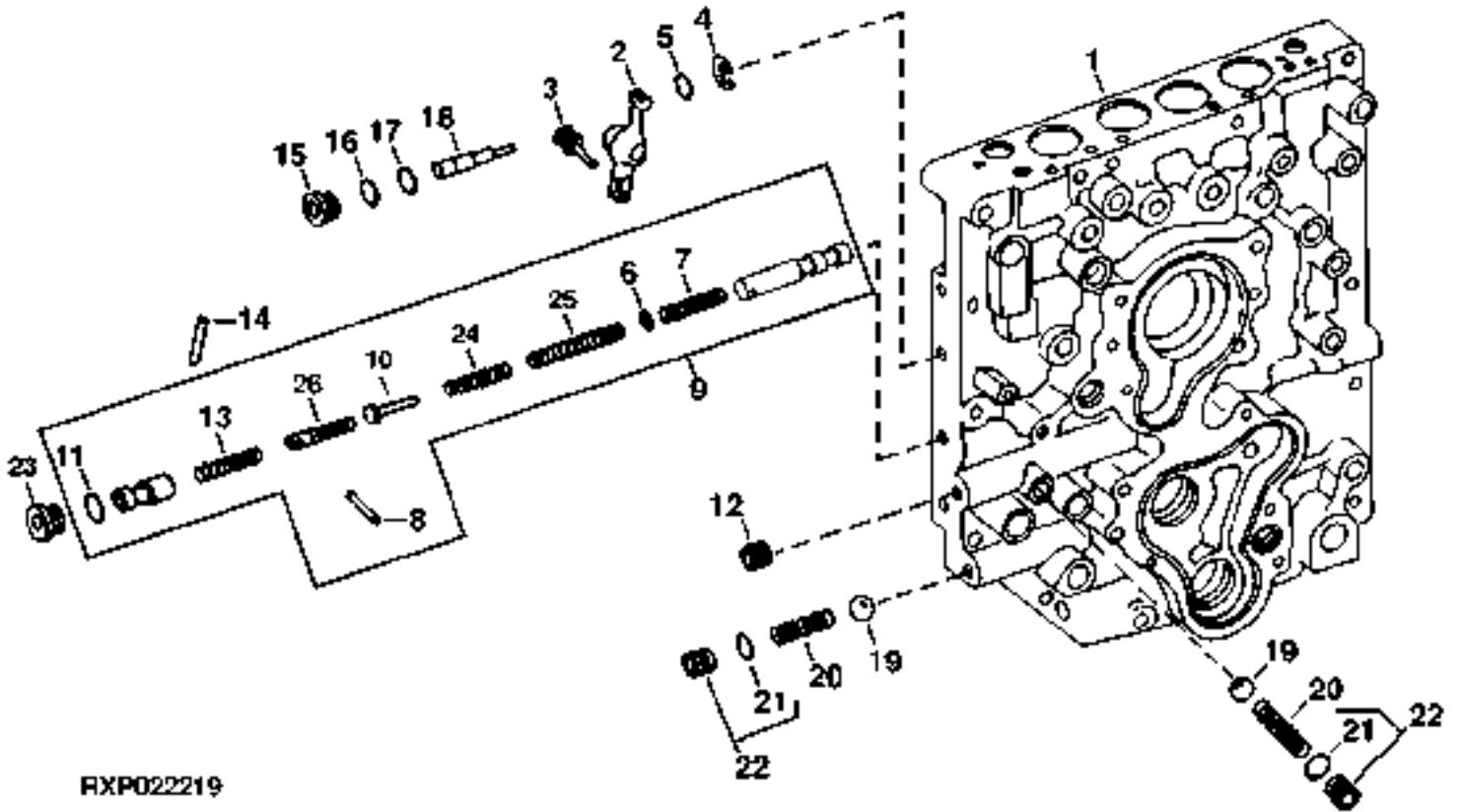
POWER SHIFT TRANSMISSION

| KEY | PART NO. | PART NAME   | QTY | TRANSMISSION<br>SERIAL NO. | A | REMARKS           |
|-----|----------|-------------|-----|----------------------------|---|-------------------|
|     |          |             |     |                            | L |                   |
| 1   | RE70834  | KIT         | 1   |                            | X | (MARKED R135816)  |
| 2   | T77857   | O-RING      | 1   |                            | X |                   |
| 3   | 38H5003  | ADAPTER     | 3   |                            | X |                   |
| 4   | 51M7047  | O-RING      | 3   |                            | X |                   |
| 5   | RE46534  | SWITCH      | 1   |                            | X |                   |
| 6   | 38H5005  | ADAPTER     | 1   |                            | X |                   |
| 7   | 51M7041  | O-RING      | 1   |                            | X |                   |
| 8   | RE70062  | SWITCH      | 1   | -XXXXXX                    | X |                   |
|     | RE46684  | PLUG        | 1   | XXXXXX-                    | X |                   |
|     | 51M7041  | O-RING      | 1   | XXXXXX-                    | X |                   |
| 9   | 51M7041  | O-RING      | 1   |                            | X |                   |
| 10  | RE46684  | PLUG        | 1   |                            | X |                   |
| 11  | 51M7047  | O-RING      | 1   |                            | X |                   |
| 12  | 38H5140  | TEE FITTING | 1   |                            | X |                   |
| 13  | T77613   | O-RING      | 1   |                            | X |                   |
| 14  | RE46684  | PLUG        | 2   |                            | X |                   |
| 15  | T77858   | O-RING      | 2   |                            | X |                   |
| 16  | RE12187  | RECEPTACLE  | 1   |                            | X |                   |
| 17  | 51M7041  | O-RING      | 1   |                            | X |                   |
| 18  | R77175   | COVER       | 1   |                            | X |                   |
| 19  | RE160680 | SWITCH      | 2   |                            | X | (SUB FOR RE66881) |
| 20  | 51M7041  | O-RING      | 4   |                            | X |                   |
| 21  | RE61274  | TEE FITTING | 1   |                            | X |                   |
| 22  | 51M7041  | O-RING      | 1   |                            | X |                   |
| 23  | 38H5136  | TEE FITTING | 1   |                            | X |                   |
| 24  | 51M7043  | O-RING      | 2   |                            | X |                   |
| 25  | D2361R   | BALL        | 1   |                            | X |                   |
| 26  | R108502  | SPRING      | 1   |                            | X |                   |
| 27  | RE63751  | PIPE PLUG   | 1   |                            | X |                   |
| 28  | 38H5121  | ADAPTER     | 2   |                            | X |                   |
| 29  | 51M7045  | O-RING      | 2   |                            | X |                   |
| 30  | T77858   | O-RING      | 6   |                            | X |                   |
| 31  | RE51573  | FITTING     | 1   |                            | X |                   |

# 4H11

POWER SHIFT TRANSMISSION

MANIFOLD (TSN 8100,8200,8300,8400 020000- )  
COLLECTEUR (TSN 8100,8200,8300,8400, 020000- )  
KUPPLUNGS (TSN 8100,8200,8300,8400, 020000- )  
COLLETTORE (TSN 8100,8200,8300,8400, 020000- )  
MULTIPLE (TSN 8100,8200,8300,8400, 020000- )  
KOPPLINGSGRENROER (TSN 8100,8200,8300,8400, 020000- )  
RXP022219 -UN-21AUG97



RXP022219

# 4H12

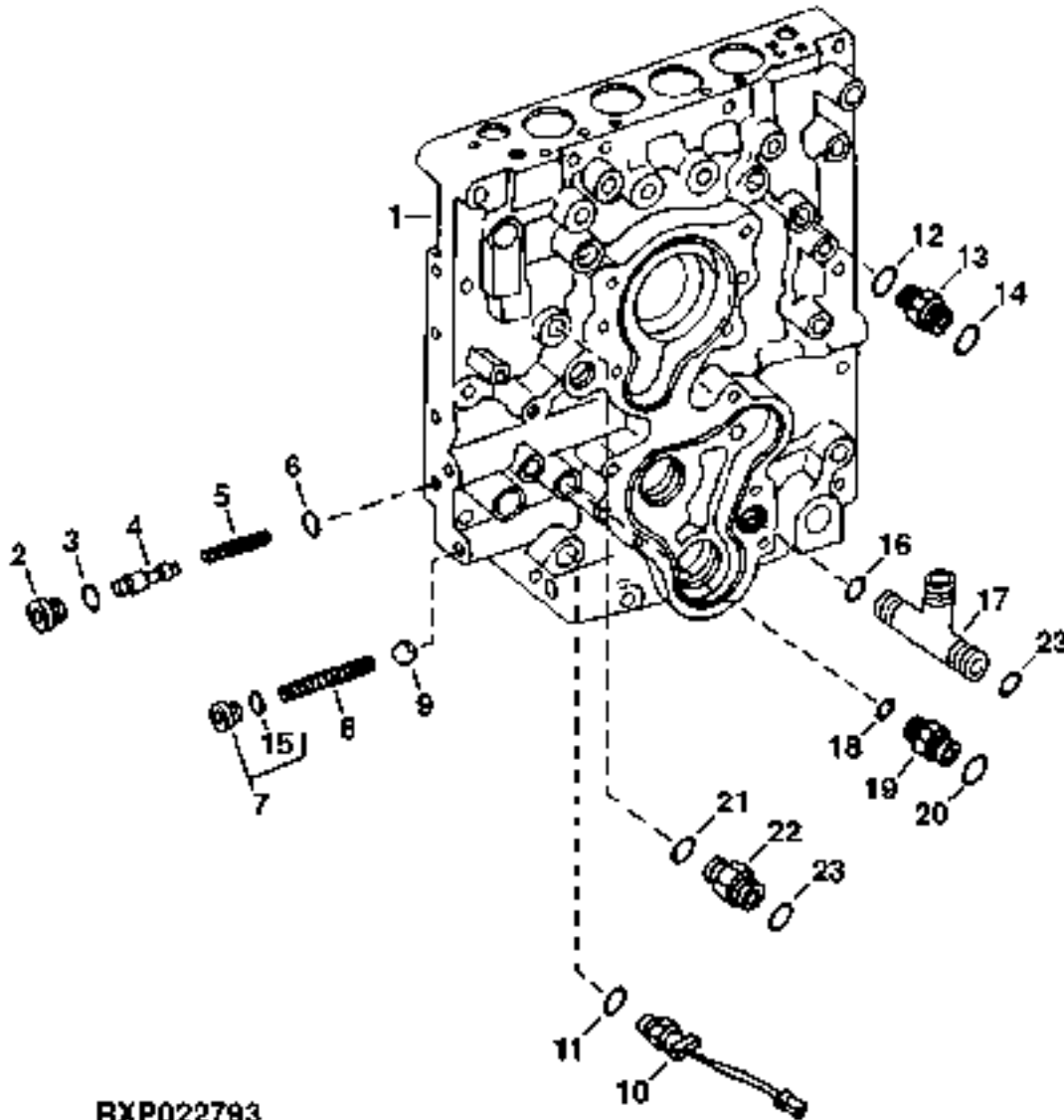
POWER SHIFT TRANSMISSION

| KEY | PART NO. | PART NAME     | QTY | TRANSMISSION<br>SERIAL NO. | A | REMARKS               |
|-----|----------|---------------|-----|----------------------------|---|-----------------------|
|     |          |               |     |                            | L |                       |
| 1   | RE70834  | KIT           | 1   |                            | X | (MARKED R135816)      |
| 2   | R108488  | ARM           | 1   |                            | X |                       |
| 3   | R104745  | PIN           | 1   |                            | X |                       |
| 4   | R72653   | SNAP RING     | 1   |                            | X |                       |
| 5   | 24M7420  | WASHER        | 1   |                            | X | 8.250 X 16 X 1.600 MM |
| 6   | R52665   | THRUST WASHER | 1   |                            | X |                       |
| 7   | R134582  | SPRING        | 1   |                            | X |                       |
| 8   | 34H261   | SPRING PIN    | 1   |                            | X |                       |
| 9   | RE151801 | KIT           | 1   |                            | X |                       |
| 10  | R134584  | GUIDE         | 1   |                            | X |                       |
| 11  | 51M7045  | O-RING        | 1   |                            | X | 19.300 X 2.200 MM     |
| 12  | R125064  | PIPE PLUG     | 1   |                            | X |                       |
| 13  | R104814  | SPRING        | 1   |                            | X |                       |
| 14  | R44394   | NEEDLE ROLLER | 1   |                            | X |                       |
| 15  | R116115  | FITTING       | 1   |                            | X |                       |
| 16  | 51M7045  | O-RING        | 1   |                            | X | 19.300 X 2.200 MM     |
| 17  | R33259   | O-RING        | 1   |                            | X |                       |
| 18  | R108492  | VALVE         | 1   |                            | X |                       |
| 19  | D2361R   | BALL          | 2   |                            | X |                       |
| 20  | R108502  | SPRING        | 2   |                            | X |                       |
| 21  | 51M7043  | O-RING        | 2   |                            | X |                       |
| 22  | RE63751  | PLUG          | 2   |                            | X |                       |
| 23  | R116115  | FITTING       | 1   |                            | X |                       |
| 24  | R134583  | SPRING        | 1   |                            | X | (OUTER)               |
| 25  | R134581  | SPRING        | 1   |                            | X | (INNER)               |
| 26  | R122197  | LINK          | 1   |                            | X |                       |

# 4H13

POWER SHIFT TRANSMISSION

MANIFOLD (TSN 8100,8200,8300,8400 020000- )  
COLLECTEUR (TSN 8100,8200,8300,8400, 020000- )  
KUPPLUNGS (TSN 8100,8200,8300,8400, 020000- )  
COLLETTORE (TSN 8100,8200,8300,8400, 020000- )  
MULTIPLE (TSN 8100,8200,8300,8400, 020000- )  
KOPPLINGSGRENROER (TSN 8100,8200,8300,8400, 020000- )  
RXP022793 -UN-25AUG98



RXP022793

# 4H14

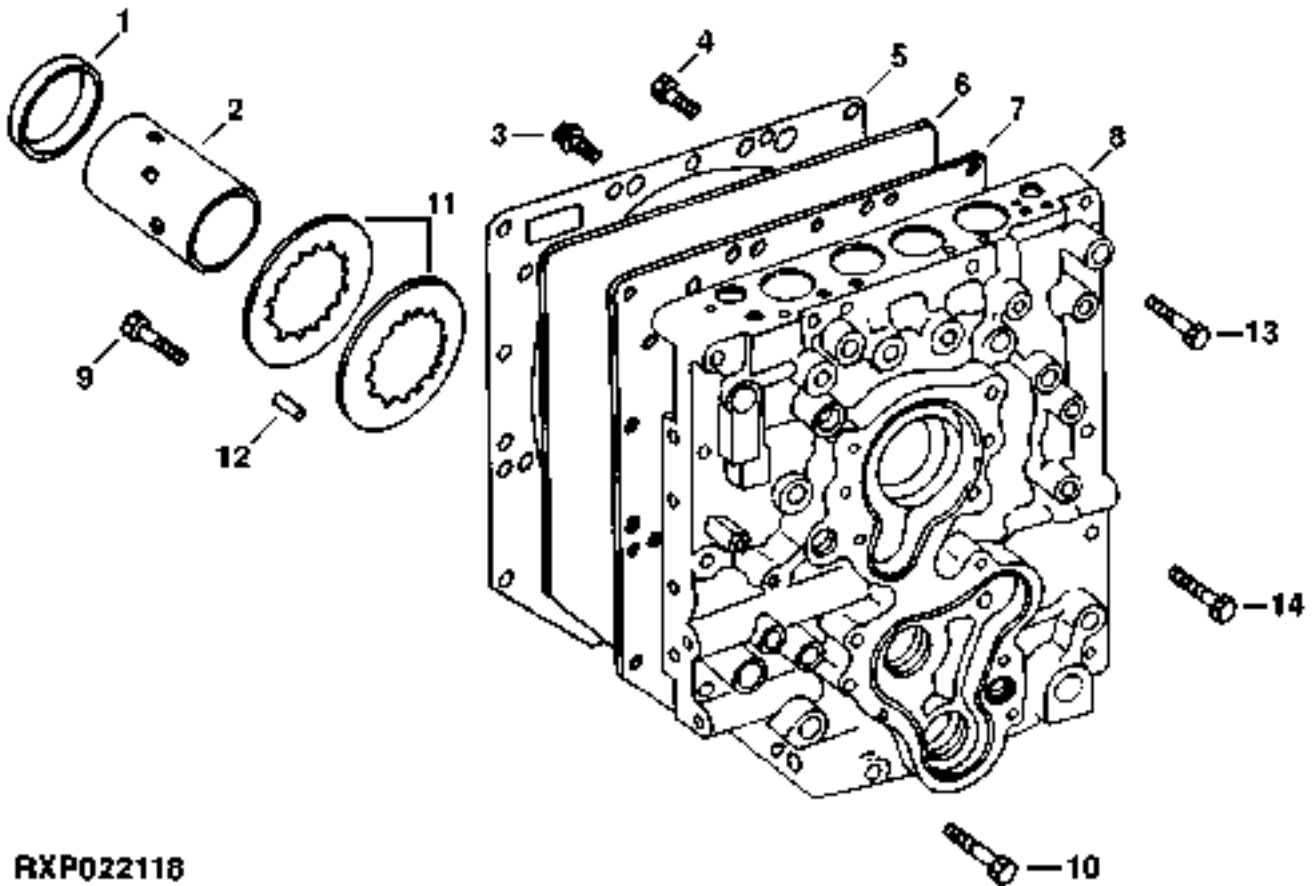
POWER SHIFT TRANSMISSION

| KEY | PART NO. | PART NAME   | QTY | TRANSMISSION<br>SERIAL NO. | A | REMARKS           |
|-----|----------|-------------|-----|----------------------------|---|-------------------|
|     |          |             |     |                            | L |                   |
| 1   | RE70834  | KIT         | 1   |                            | X | (MARKED R135816)  |
| 2   | R116115  | FITTING     | 1   |                            | X |                   |
| 3   | 51M7045  | O-RING      | 1   |                            | X |                   |
| 4   | R125848  | VALVE       | 1   |                            | X |                   |
| 5   | R104814  | SPRING      | 1   |                            | X |                   |
| 6   | R33259   | O-RING      | 1   |                            | X |                   |
| 7   | RE63751  | PLUG        | 1   |                            | X |                   |
| 8   | R108501  | SPRING      | 1   |                            | X |                   |
| 9   | D2361    | BALL        | 1   |                            | X |                   |
| 10  | RE70062  | SWITCH      | 1   | -XXXXXX                    | X | (SUB FOR RE52868) |
|     | RE46684  | PLUG        | 1   | XXXXXX-                    | X |                   |
|     | 51M7041  | O-RING      | 1   | XXXXXX-                    | X |                   |
| 11  | 51M7041  | O-RING      | 1   |                            | X |                   |
| 12  | 51M7043  | O-RING      | 1   |                            | X |                   |
| 13  | RE46685  | PLUG        | 1   |                            | X |                   |
| 14  | T77857   | O-RING      | 1   |                            | X |                   |
| 15  | 51M7043  | O-RING      | 1   |                            | X |                   |
| 16  | 51M7047  | O-RING      | 1   |                            | X |                   |
| 17  | 38H5140  | TEE FITTING | 1   |                            | X |                   |
| 18  | 51M7041  | O-RING      | 1   |                            | X |                   |
| 19  | 38H5002  | ADAPTER     | 1   |                            | X |                   |
| 20  | T77613   | O-RING      | 1   |                            | X |                   |
| 21  | 51M7043  | O-RING      | 1   |                            | X |                   |
| 22  | 38H5003  | ADAPTER     | 1   |                            | X |                   |
| 23  | T77932   | O-RING      | 2   |                            | X |                   |

# 4H15

POWER SHIFT TRANSMISSION

MANIFOLD COVER (TSN 8100,8200,8300,8400 020000- )  
COUVRE-COLLECTEUR (TSN 8100,8200,8300,8400, 020000- )  
KRUEMMERDECKEL (TSN 8100,8200,8300,8400, 020000- )  
COPERCHIO DEL COLLETTORE (TSN 8100,8200,8300,8400, 020000- )  
CUBIERTA DEL MULTIPLE (TSN 8100,8200,8300,8400, 020000- )  
GRENROERSKAAPA (TSN 8100,8200,8300,8400, 020000- )  
RXP022118 -UN-07JUN97



RXP022118

# 4H16

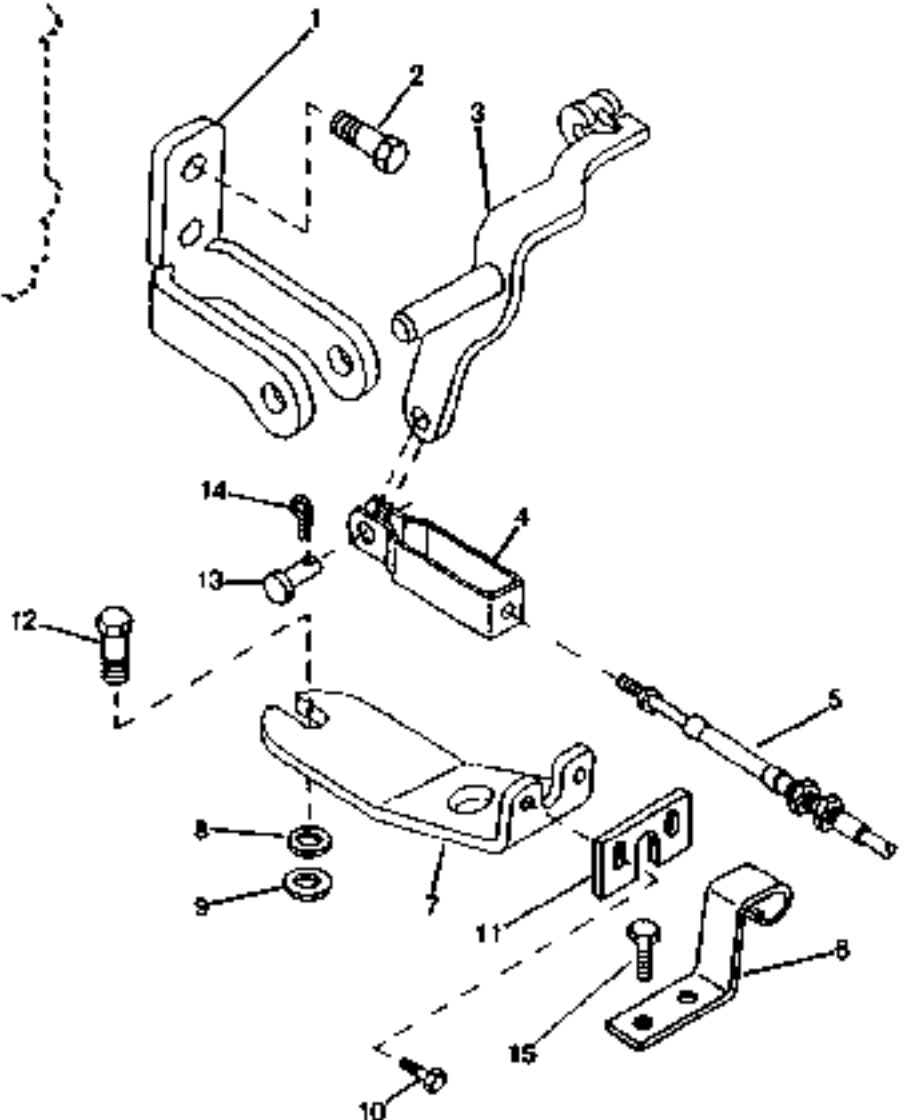
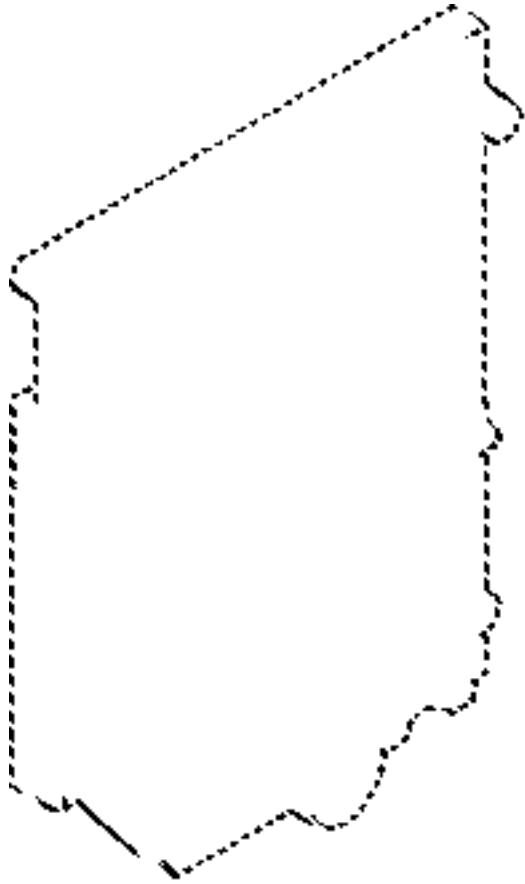
POWER SHIFT TRANSMISSION

| KEY | PART NO. | PART NAME   | QTY | TRANSMISSION<br>SERIAL NO. | A | REMARKS            |
|-----|----------|-------------|-----|----------------------------|---|--------------------|
|     |          |             |     |                            | L |                    |
| 1   | R108547  | BEARING CUP | 1   |                            | X |                    |
| 2   | R108576  | SLEEVE      | 1   |                            | X |                    |
| 3   | R153676  | SCREW       | 11  |                            | X | HS 10.9            |
| 4   | 19M7807  | SCREW       | 2   |                            | X | M10 X 60           |
| 5   | R125971  | GASKET      | 1   |                            | X |                    |
| 6   | R108468  | END PLATE   | 1   |                            | X |                    |
| 7   | R125972  | GASKET      | 1   |                            | X |                    |
| 8   | RE70834  | KIT         | 1   |                            | X | (MARKED R135816)   |
| 9   | R125379  | CAP SCREW   | 4   |                            | X | HS 10.9            |
| 10  | 19M8737  | SCREW       | 5   |                            | X | M12 X 140, HS 10.9 |
| 11  | R105833  | DISK SPRING | 2   |                            | X |                    |
| 12  | T26565   | DOWEL PIN   | 2   |                            | X |                    |
| 13  | 19M7817  | SCREW       | 12  |                            | X | M12 X 70           |
| 14  | 19M7820  | SCREW       | 3   |                            | X | M12 X 100          |

# 4H17

POWER SHIFT TRANSMISSION

TOW DISCONNECT (EUROPEAN VERSION) (TSN 8100,8200,8300,8400 020000- )  
REMORQUE, DISPOSITIF DE DESACCOUPLMENT (TSN 8100,8200,8300,8400, 020000- )  
ABSCHLEPP-AUSRUECKUNG (TSN 8100,8200,8300,8400, 020000- )  
DISINSERIMENTO DEL TRAINO (TSN 8100,8200,8300,8400, 020000- )  
DESCONEXION PARA REMOLCAR (TSN 8100,8200,8300,8400, 020000- )  
BOGSEKOPPLING (TSN 8100,8200,8300,8400, 020000- )  
RE026010 -UN-23MAR95



RE026010



# 4H18

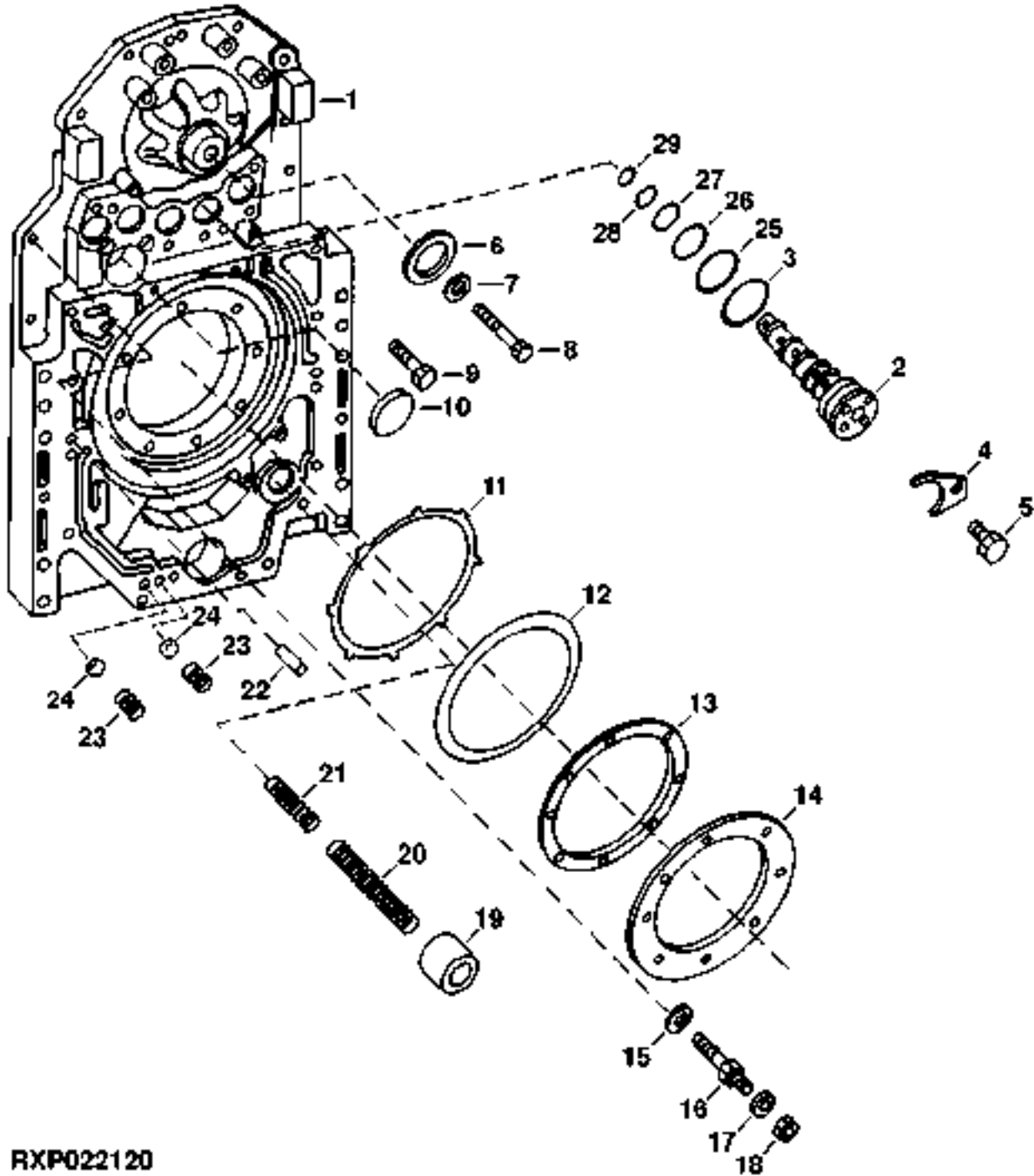
POWER SHIFT TRANSMISSION

| KEY | PART NO. | PART NAME          | QTY | TRACTOR<br>SERIAL NO. | A<br>L<br>L | REMARKS            |
|-----|----------|--------------------|-----|-----------------------|-------------|--------------------|
| 1   | R124004  | BRACKET            | 1   |                       | X           |                    |
| 2   | 19M7932  | CAP SCREW          | 2   |                       | X           | M8 X 16            |
| 3   | RE60320  | LEVER              | 1   |                       | X           |                    |
| 4   | RE60897  | RETAINER           | 1   |                       | X           |                    |
| 5   | RE61051  | CABLE              | 1   |                       | X           |                    |
|     | T13814   | CLAMP              | 1   |                       | X           |                    |
| 6   | R119604  | BRACKET            | 1   |                       | X           |                    |
| 7   | R124005  | BRACKET            | 1   |                       | X           |                    |
| 8   | 24M7346  | WASHER             | AR  |                       | X           | 11 X 20 X 2 MM     |
| 9   | 24M7028  | WASHER             | AR  |                       | X           | 10.500 X 20 X 2 MM |
| 10  | 37M7079  | SCREW              | 2   |                       | X           |                    |
| 11  | R125144  | CLIP               | 1   |                       | X           |                    |
| 12  | 19M7402  | CAP SCREW          | 1   |                       | X           | M10 X 25           |
| 13  | J19366   | PIN                | 1   |                       | X           |                    |
| 14  | A5067R   | SPRING LOCKING PIN | 1   |                       | X           |                    |
| 15  | 37M7165  | SCREW              | 2   |                       | X           |                    |

# 4H19

POWER SHIFT TRANSMISSION

TRANSMISSION CASE REAR COVER (TSN 8100,8200,8300,8400 020000- )  
COUVERCLE ARRIERE DE CARTER DE TRANSMISSION (TSN 8100,8200,8300,8400, 020000- )  
HINTERE ABDECKUNG DES GETRIEBEGEHAEUSES (TSN 8100,8200,8300,8400, 020000- )  
COPERCHIO POSTERIORE DELLA SCATOLA DELLA TRASMISSIONE (TSN 8100,8200,8300,8400 020000- )  
CUBIERTA POSTERIOR DE LA CAJA DE LA TRANSMISION (TSN 8100,8200,8300,8400, 020000- )  
TRANSMISSIONSKAAPANS BAKRE PLAAT (TSN 8100,8200,8300,8400, 020000- )  
RXP022120 -UN-02JUN97



RXP022120

# 4H20

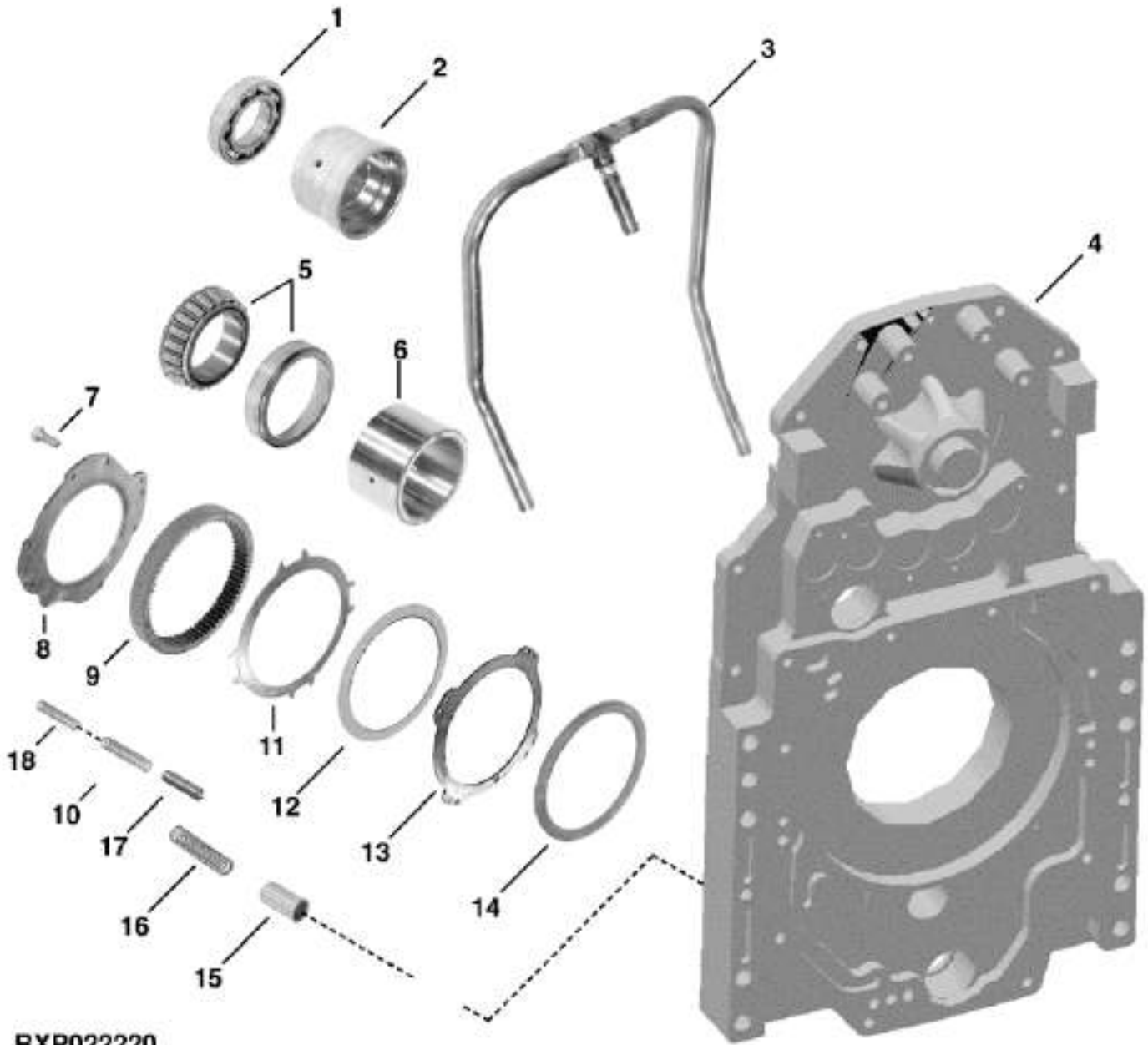
## POWER SHIFT TRANSMISSION

| KEY | PART NO. | PART NAME               | QTY | TRANSMISSION<br>SERIAL NO. | A | REMARKS   |
|-----|----------|-------------------------|-----|----------------------------|---|---|
|     |          |                         |     |                            | L |   |
| 1   | RE71368  | COVER                   | 1   |                            | X | (MARKED R135516)  |
| 2   | RE155966 | VALVE                   | 5   |                            | X | (ALSO ORDER T143166, U41966, R106663,<br>R62070, R27928 AND P42061) (SUB FOR<br>RE153329 OR RE150945) |
| 3   | U41966   | O-RING                  | 5   |                            | X |   |
| 4   | R95045   | CLAMP                   | 5   |                            | X |   |
| 5   | 19M7932  | CAP SCREW               | 5   |                            | X | M8 X 16   |
| 6   | AH89023  | SEAL                    | 1   |                            | X |   |
| 7   | 24H1900  | WASHER                  | 1   |                            | X | 17/32" X 2" X 1/4"  |
| 8   | 19M7791  | SCREW                   | 1   |                            | X | M12 X 40  |
| 9   | 19M7813  | SCREW                   | 3   |                            | X | M12 X 45  |
| 10  | R26115   | CAP                     | 1   |                            | X |   |
| 11  | R108481  | PLATE                   | 5   |                            | X |   |
| 12  | RE45407  | DISK, WITH INNER SPLINE | 4   |                            | X |   |
| 13  | RE45388  | PISTON                  | 1   |                            | X |   |
| 14  | R108482  | PLATE                   | 1   |                            | X |   |
| 15  | 24M7028  | WASHER                  | 1   |                            | X | 10.500 X 20 X 2 MM  |
| 16  | R120578  | STUD                    | 1   |                            | X |   |
| 17  | 24M7240  | WASHER                  | 1   |                            | X | 13 X 25 X 3 MM  |
| 18  | 14M7274  | NUT                     | 1   |                            | X | M10   |
| 19  | R124175  | PISTON                  | 1   |                            | X |   |
| 20  | R124173  | SPRING                  | 1   |                            | X |   |
| 21  | R124174  | COMPRESSION SPRING      | 1   |                            | X |   |
| 22  | T26565   | DOWEL PIN               | 2   |                            | X |   |
| 23  | R128397  | SPRING                  | 2   |                            | X |   |
| 24  | D2361R   | BALL                    | 2   |                            | X |   |
| 25  | R106663  | O-RING                  | 5   |                            | X |   |
| 26  | U11326   | O-RING                  | 5   |                            | X |   |
| 27  | R62070   | RING                    | 5   |                            | X |   |
| 28  | R27928   | O-RING                  | 5   |                            | X |   |
| 29  | P42061   | O-RING                  | 5   |                            | X |   |

# 4H21

POWER SHIFT TRANSMISSION

TRANSMISSION CASE REAR COVER (TSN 8100,8200,8300,8400 020000- )  
COUVERCLE ARRIERE DE CARTER DE TRANSMISSION (TSN 8100,8200,8300,8400, 020000- )  
HINTERE ABDECKUNG DES GETRIEBEGEHAEUSES (TSN 8100,8200,8300,8400, 020000- )  
COPERCHIO POSTERIORE DELLA SCATOLA DELLA TRASMISSIONE (TSN 8100,8200,8300,8400 020000- )  
CUBIERTA POSTERIOR DE LA CAJA DE LA TRANSMISION (TSN 8100,8200,8300,8400, 020000- )  
TRANSMISSIONSKAAPANS BAKRE PLAAT (TSN 8100,8200,8300,8400, 020000- )  
RXP022220 -UN-21AUG97



RXP022220

# 4H22

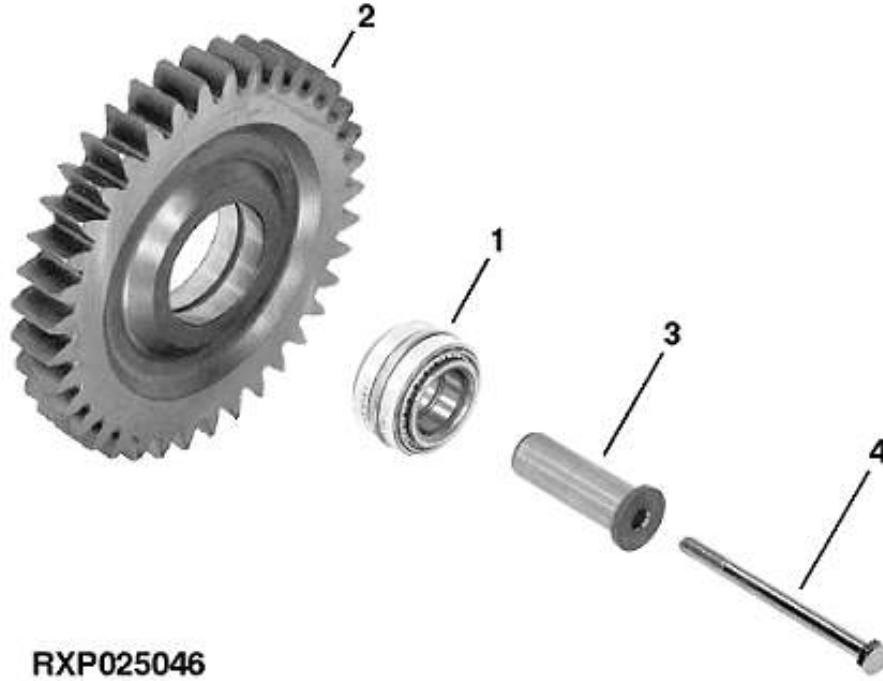
POWER SHIFT TRANSMISSION

| KEY | PART NO. | PART NAME               | QTY | TRANSMISSION<br>SERIAL NO. | A | REMARKS            |
|-----|----------|-------------------------|-----|----------------------------|---|--------------------|
|     |          |                         |     |                            | L |                    |
| 1   | RE67948  | BEARING                 | 1   |                            | X |                    |
| 2   | R108582  | SLEEVE                  | 1   |                            | X |                    |
| 3   | RE70389  | OIL LINE                | 1   |                            | X |                    |
| 4   | RE71368  | COVER                   | 1   |                            | X | (MARKED R135516)   |
| 5   | RE45399  | ROLLER BEARING          | 1   |                            | X |                    |
| 6   | R108583  | SLEEVE                  | 1   |                            | X |                    |
| 7   | R124725  | SELF-LOCKING SCREW      | 8   |                            | X | M10 X 1.5, HS 10.9 |
| 8   | R108472  | PLATE                   | 1   |                            | X |                    |
| 9   | R108474  | RING GEAR               | 1   |                            | X |                    |
| 10  | R134390  | SPRING                  | 8   |                            | X |                    |
| 11  | R86308   | PLATE                   | 3   |                            | X |                    |
| 12  | RE45415  | DISK, WITH INNER SPLINE | 4   |                            | X |                    |
| 13  | R135537  | BRAKE DISK              | 1   |                            | X |                    |
| 14  | RE45388  | PISTON                  | 1   |                            | X | W/SEAL             |
| 15  | R120147  | VALVE                   | 1   |                            | X |                    |
| 16  | R121741  | SPRING                  | 1   |                            | X |                    |
| 17  | 34M7124  | SPRING PIN              | 8   |                            | X |                    |
| 18  | R134391  | SPRING                  | 8   |                            | X |                    |
| ..  | R135621  | PLUG                    | 4   |                            | X |                    |
| ..  | AT107509 | PLUG                    | 1   |                            | X |                    |

# 4H23

POWER SHIFT TRANSMISSION

REVERSE IDLER (TSN 8100,8200,8300,8400 020000- )  
 PIGNON FOU DE MARCHE ARRIERE (TSN 8100,8200,8300,8400, 020000- )  
 ZWISCHENRAD DES RUECKWAERTSGANGES (TSN 8100,8200,8300,8400, 020000- )  
 INGRANAGGIO INTERMEDIO DI RETROMARCIA (TSN 8100,8200,8300,8400, 020000- )  
 ENGRANAJE INTERMEDIO DE RETROCESO (TSN 8100,8200,8300,8400, 020000- )  
 BACKDREV (TSN 8100,8200,8300,8400, 020000- )  
 RXP025046 -UN-01JAN94

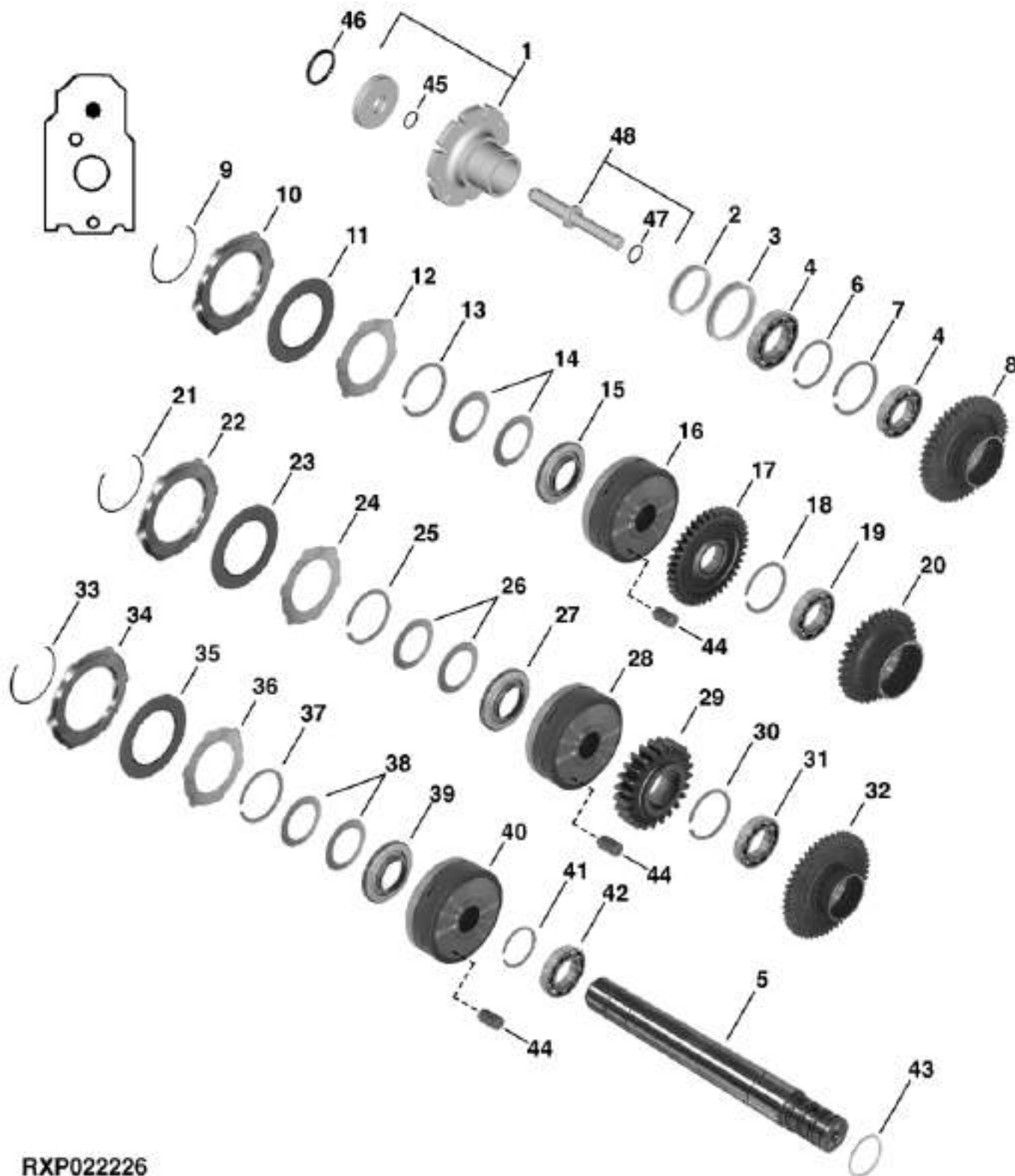


**RXP025046**

| KEY | PART NO. | PART NAME | QTY | TRANSMISSION<br>SERIAL NO. | A |   | REMARKS   |
|-----|----------|-----------|-----|----------------------------|---|---|-----------|
|     |          |           |     |                            | L | L |           |
| 1   | AH94661  | BEARING   | 1   |                            | X |   |           |
| 2   | R108454  | GEAR      | 1   |                            | X |   |           |
| 3   | R108455  | SHAFT     | 1   |                            | X |   |           |
| 4   | 19M7838  | SCREW     | 1   |                            | X |   | M12 X 130 |

MEMORANDA  
MEMORANDA  
MEMORANDA  
MEMORANDA  
MEMORANDA

INPUT SHAFT (TSN 8100,8200,8300,8400 020000- )  
 ARBRE PRIMAIRE (TSN 8100,8200,8300,8400, 020000- )  
 EINGANGSWELLE (TSN 8100,8200,8300,8400, 020000- )  
 ALBERO DI INGRESSO (TSN 8100,8200,8300,8400, 020000- )  
 EJE DE ENTRADA (TSN 8100,8200,8300,8400, 020000- )  
 INGAAENDE AXEL (TSN 8100,8200,8300,8400, 020000- )  
 RXP022226 -UN-05SEP97



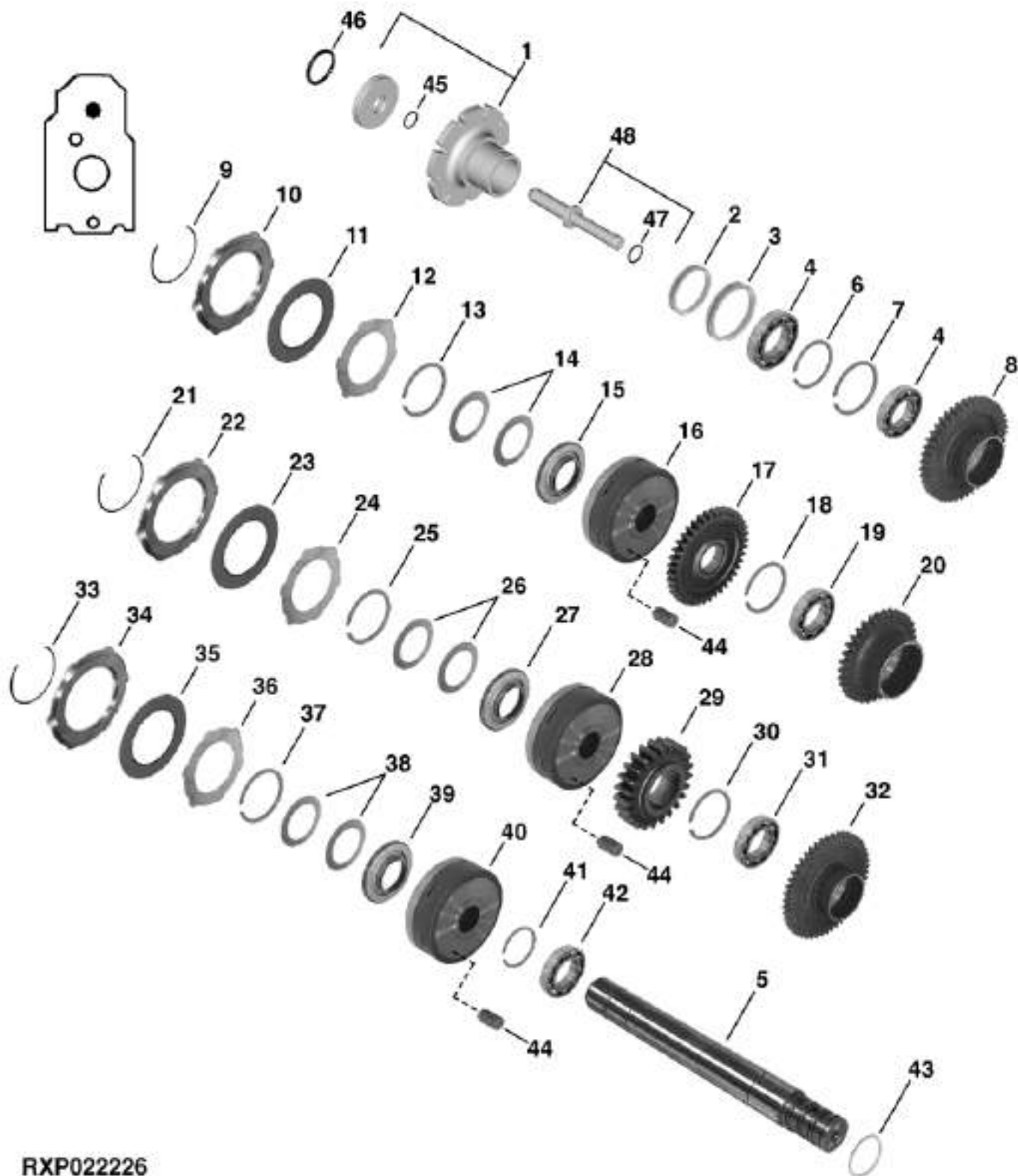
RXP022226



| KEY | PART NO. | PART NAME               | QTY | TRANSMISSION<br>SERIAL NO. | A | REMARKS                                    |
|-----|----------|-------------------------|-----|----------------------------|---|--|
|     |          |                         |     |                            | L |  |
| 1   | RE70206  | HUB                     | 1   |                            | X |  |
| 2   | R130561  | V-RING SEAL             | 1   |                            | X |  |
| 3   | RE158066 | SEAL                    | 1   |                            | X | (SUB FOR RE13181, THIS APPLICATION)        |
| 4   | RE67948  | BEARING                 | 1   |                            | X |  |
| 5   | RE67483  | SHAFT                   | 1   | -029133                    | X | (SUB RE70088, RE70206, RE71323 AND F3353R) |
|     | RE70088  | SHAFT                   | 1   | 029134-                    | X |  |
| 6   | R115171  | SNAP RING               | 2   |                            | X |  |
| 7   | R108496  | SNAP RING               | 1   |                            | X |  |
| 8   | R132236  | GEAR                    | 1   |                            | X |  |
| 9   | R99692   | SNAP RING               | 1   |                            | X |  |
| 10  | R108530  | CLUTCH PLATE            | 1   |                            | X |  |
| 11  | RE67458  | DISK, WITH INNER SPLINE | 5   |                            | X |  |
| 12  | R108507  | CLUTCH PLATE            | 5   |                            | X |  |
| 13  | R26246   | SNAP RING               | 1   |                            | X |  |
| 14  | R133095  | DISK SPRING             | 5   |                            | X |  |
| 15  | RE45374  | PISTON                  | 1   |                            | X | W/SEAL                                     |
| 16  | RE70833  | DRUM                    | 1   |                            | X | (MARKED R135349)                           |
| 17  | R108447  | GEAR                    | 1   |                            | X |  |
| 18  | R108496  | SNAP RING               | 1   |                            | X |  |
| 19  | RE67948  | BEARING                 | 1   |                            | X |  |
| 20  | R132245  | GEAR                    | 1   |                            | X |  |
| 21  | R99692   | SNAP RING               | 1   |                            | X |  |
| 22  | R108530  | CLUTCH PLATE            | 1   |                            | X |  |
| 23  | RE67458  | DISK, WITH INNER SPLINE | 5   |                            | X |  |
| 24  | R108507  | CLUTCH PLATE            | 5   |                            | X |  |

THIS PARTS LISTING IS CONTINUED

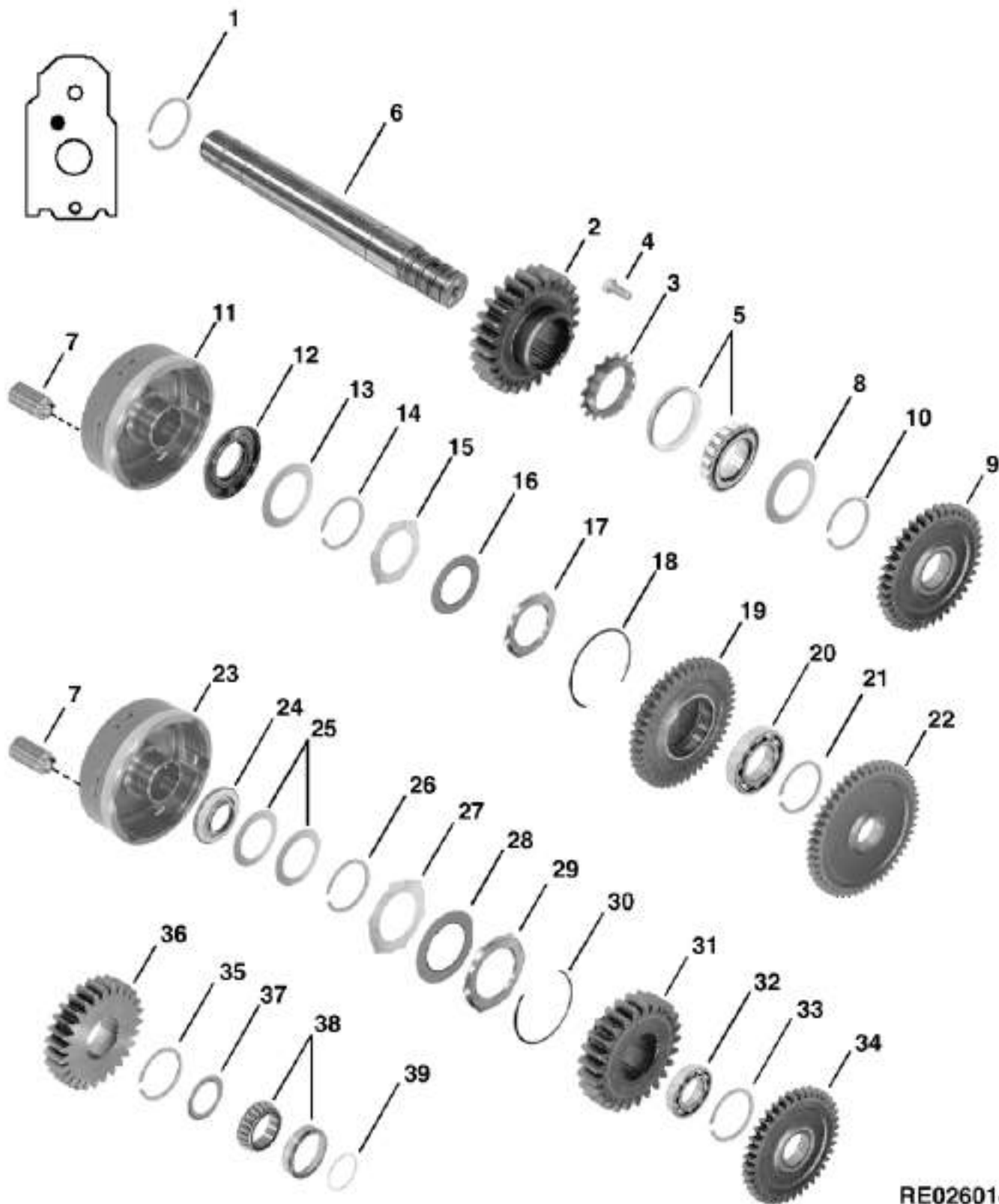
INPUT SHAFT-CONTINUED (TSN 8100,8200,8300,8400 020000- )  
 ARBRE PRIMAIRE-A SUIVRE (TSN 8100,8200,8300,8400, 020000- )  
 EINGANGSWELLE-FORTS. (TSN 8100,8200,8300,8400, 020000- )  
 ALBERO DI INGRESSO-CONTINUA (TSN 8100,8200,8300,8400, 020000- )  
 EJE DE ENTRADA-CONTINUACION (TSN 8100,8200,8300,8400, 020000- )  
 INGAAENDE AXEL-FORTS. (TSN 8100,8200,8300,8400, 020000- )  
 RXP022226 -UN-05SEP97



RXP022226

| KEY | PART NO. | PART NAME               | QTY | TRANSMISSION<br>SERIAL NO. | A | REMARKS          |
|-----|----------|-------------------------|-----|----------------------------|---|------------------|
|     |          |                         |     |                            | L |                  |
| 25  | R26246   | SNAP RING               | 1   |                            | X |                  |
| 26  | R133095  | DISK SPRING             | 5   |                            | X |                  |
| 27  | RE45374  | PISTON                  | 1   |                            | X | W/SEAL           |
| 28  | RE70833  | DRUM                    | 1   |                            | X | (MARKED R135349) |
| 29  | R108584  | GEAR                    | 1   |                            | X |                  |
| 30  | R108496  | SNAP RING               | 1   |                            | X |                  |
| 31  | RE67948  | BEARING                 | 1   |                            | X |                  |
| 32  | R132247  | GEAR                    | 1   |                            | X |                  |
| 33  | R99692   | SNAP RING               | 1   |                            | X |                  |
| 34  | R108530  | CLUTCH PLATE            | 1   |                            | X |                  |
| 35  | RE67458  | DISK, WITH INNER SPLINE | 5   |                            | X |                  |
| 36  | R108507  | CLUTCH PLATE            | 5   |                            | X |                  |
| 37  | R135096  | SNAP RING               | 1   |                            | X |                  |
| 38  | R133095  | DISK SPRING             | 1   |                            | X |                  |
| 39  | RE45374  | PISTON                  | 1   |                            | X | W/SEAL           |
| 40  | RE70833  | DRUM                    | 1   |                            | X | (MARKED R135349) |
| 41  | R115171  | SNAP RING               | 1   |                            | X |                  |
| 42  | RE67948  | BEARING                 | 1   |                            | X |                  |
| 43  | R115508  | RING                    | 5   |                            | X |                  |
| 44  | R1612R   | DOWEL PIN               | 1   |                            | X |                  |
| 45  | F3353R   | O-RING                  | 1   |                            | X |                  |
| 46  | R132237  | O-RING                  | 1   |                            | X |                  |
| 47  | R132239  | O-RING                  | 1   |                            | X |                  |
| 48  | RE71323  | BREATHER                | 1   |                            | X |                  |

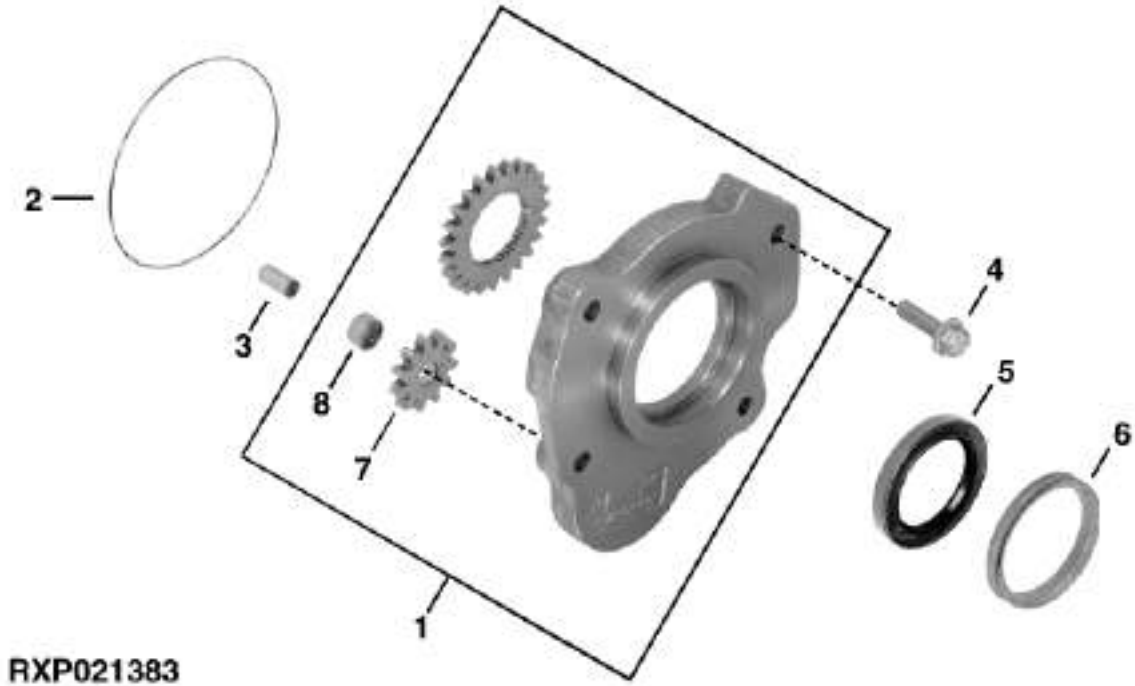
COUNTERSHAFT (TSN 8100,8200,8300,8400 020000- )  
 ARBRE DE'ENVOI (TSN 8100,8200,8300,8400, 020000- )  
 GEGENWELLE (TSN 8100,8200,8300,8400, 020000- )  
 CONTRALBERO (TSN 8100,8200,8300,8400, 020000- )  
 CONTRAEJE (TSN 8100,8200,8300,8400, 020000- )  
 MELLANAXEL (TSN 8100,8200,8300,8400, 020000- )  
 RE026014 -UN-13MAR95



RE026014

| KEY | PART NO. | PART NAME               | QTY | TRANSMISSION<br>SERIAL NO. | A | REMARKS |
|-----|----------|-------------------------|-----|----------------------------|---|---------|
|     |          |                         |     |                            | L |         |
| 1   | R115171  | SNAP RING               | 1   |                            | X |         |
| 2   | R108437  | GEAR                    | 1   |                            | X |         |
| 3   | R125196  | NUT                     | 1   |                            | X |         |
| 4   | R91842   | SCREW                   | 1   |                            | X |         |
| 5   | RE45399  | ROLLER BEARING          | 1   |                            | X |         |
| 6   | RE55581  | SHAFT                   | 1   |                            | X |         |
| 7   | R1612R   | DOWEL PIN               | 1   |                            | X |         |
| 8   | R108573  | THRUST WASHER           | 1   |                            | X |         |
| 9   | R108447  | GEAR                    | 1   |                            | X |         |
| 10  | R115171  | SNAP RING               | 1   |                            | X |         |
| 11  | RE70833  | DRUM                    | 1   |                            | X |         |
| 12  | RE45374  | PISTON                  | 1   |                            | X | W/SEAL  |
| 13  | R133095  | DISK SPRING             | 5   |                            | X |         |
| 14  | R26246   | SNAP RING               | 1   |                            | X |         |
| 15  | R108507  | CLUTCH PLATE            | 5   |                            | X |         |
| 16  | RE67458  | DISK, WITH INNER SPLINE | 5   |                            | X |         |
| 17  | R108530  | CLUTCH PLATE            | 1   |                            | X |         |
| 18  | R99692   | SNAP RING               | 1   |                            | X |         |
| 19  | R132236  | GEAR                    | 1   |                            | X |         |
| 20  | RE67948  | BEARING                 | 1   |                            | X |         |
| 21  | R108496  | SNAP RING               | 1   |                            | X |         |
| 22  | R127196  | GEAR                    | 1   |                            | X | D-RANGE |
| 23  | RE70833  | DRUM                    | 1   |                            | X |         |
| 24  | RE45374  | PISTON                  | 1   |                            | X | W/SEAL  |
| 25  | R133095  | DISK SPRING             | 5   |                            | X |         |
| 26  | R26246   | SNAP RING               | 1   |                            | X |         |
| 27  | R108507  | CLUTCH PLATE            | 5   |                            | X |         |
| 28  | RE67458  | DISK, WITH INNER SPLINE | 5   |                            | X |         |
| 29  | R108530  | CLUTCH PLATE            | 1   |                            | X |         |
| 30  | R99692   | SNAP RING               | 1   |                            | X |         |
| 31  | R132246  | GEAR                    | 1   |                            | X |         |
| 32  | RE67948  | BEARING                 | 1   |                            | X |         |
| 33  | R108496  | SNAP RING               | 1   |                            | X |         |
| 34  | R108460  | GEAR                    | 1   |                            | X |         |
| 35  | R115171  | SNAP RING               | 1   |                            | X |         |
| 36  | R108459  | GEAR                    | 1   |                            | X |         |
| 37  | R108573  | THRUST WASHER           | 1   |                            | X |         |
| 38  | RE45399  | ROLLER BEARING          | 1   |                            | X |         |
| 39  | R115508  | RING                    | 4   |                            | X |         |

OIL PUMP (TSN 8100,8200,8300,8400 020000- )  
 POMPE A HUILE (TSN 8100,8200,8300,8400, 020000- )  
 OELPUMPE (TSN 8100,8200,8300,8400, 020000- )  
 POMPA DELL'OLIO (TSN 8100,8200,8300,8400, 020000- )  
 BOMBA DE ACEITE (TSN 8100,8200,8300,8400, 020000- )  
 OLJEPUMP (TSN 8100,8200,8300,8400, 020000- )  
 RXP021383 -UN-21NOV95



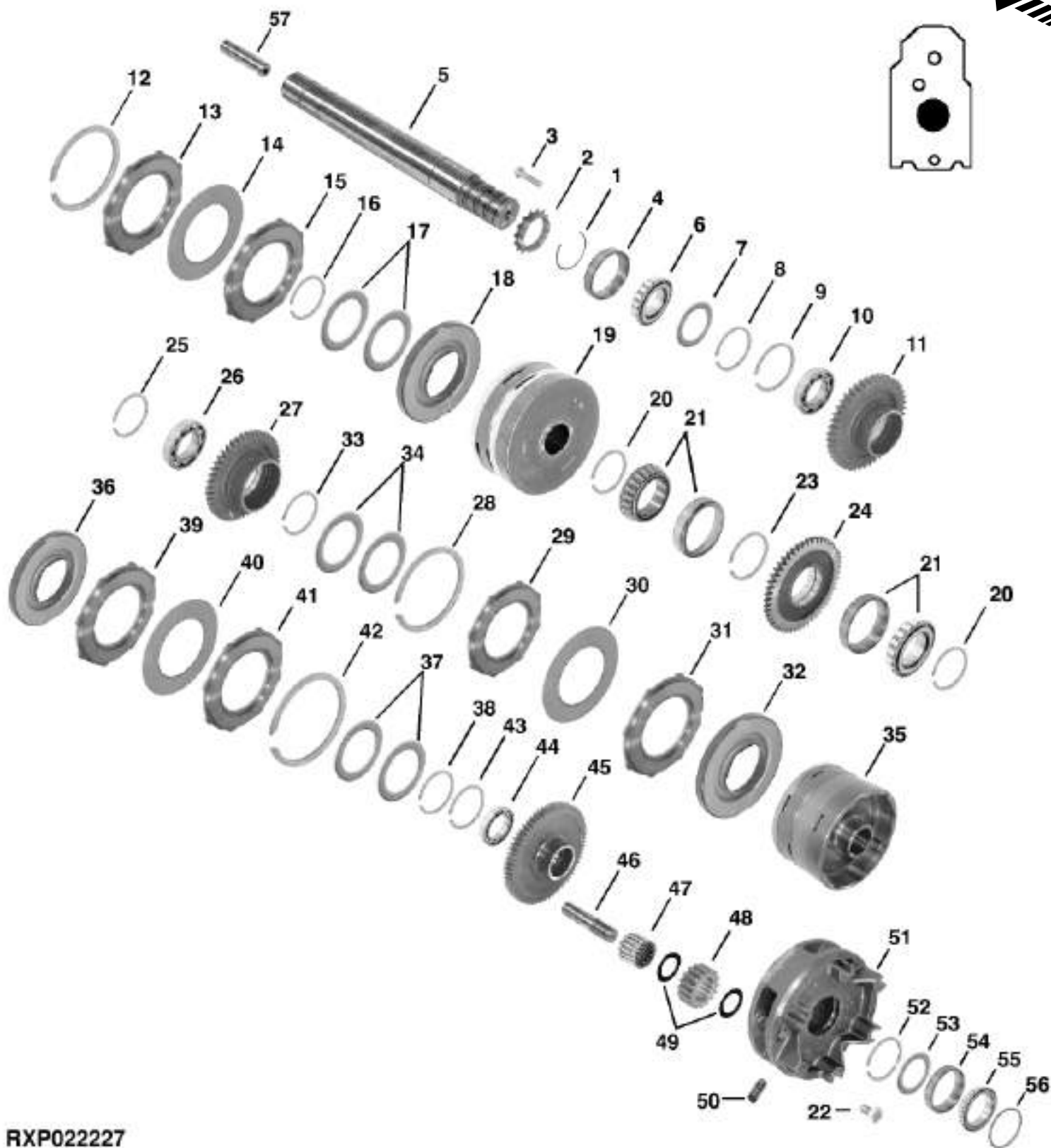
| KEY | PART NO. | PART NAME      | QTY | TRANSMISSION<br>SERIAL NO. | A | REMARKS          |
|-----|----------|----------------|-----|----------------------------|---|------------------|
|     |          |                |     |                            | L |                  |
| 1   | RE63465  | PUMP           | 1   |                            | X | (MARKED R134054) |
| 2   | R99039   | O-RING         | 1   |                            | X |                  |
| 3   | R114219  | SHAFT          | 1   |                            | X |                  |
| 4   | 19M7835  | SCREW          | 4   |                            | X | M10 X 35         |
| 5   | RE32442  | SEAL           | 1   |                            | X |                  |
| 6   | R119207  | SEAL           | 1   |                            | X |                  |
| 7   | R108486  | GEAR           | 1   |                            | X |                  |
| 8   | RE45406  | NEEDLE BEARING | 1   |                            | X |                  |

TRANSMISSION COVER (W/O MFWD) (TSN 8100,8200,8300,8400 020000- )  
 COUVERCLE DE TRANSMISSION (W/O MFWD) (TSN 8100,8200,8300,8400 020000- )  
 GETRIEBEABDECKUNG (W/O MFWD) (TSN 8100,8200,8300,8400 020000- )  
 COPERTURA DELLA TRANSMISSIONE (W/O MFWD) (TSN 8100,8200,8300,8400 020000- )  
 CUBIERTA DE LA TRANSMISION (W/O MFWD) (TSN 8100,8200,8300,8400 020000- )  
 KAAPA FOER TRANSMISSION (W/O MFWD) (TSN 8100,8200,8300,8400 020000- )  
 RXP022109 -UN-07JUN97



| KEY | PART NO. | PART NAME | QTY | TRANSMISSION<br>SERIAL NO. | A | REMARKS  |
|-----|----------|-----------|-----|----------------------------|---|----------|
|     |          |           |     |                            | L |          |
| 1   | 19M7789  | SCREW     | 4   |                            | X | M12 X 30 |
| 2   | R108569  | COVER     | 1   |                            | X |          |
| 3   | T39741   | RING      | 1   |                            | X |          |

TRANSMISSION OUTPUT SHAFT (TSN 8100,8200,8300,8400 020000- )  
 ARBRE DE SORTIE DE TRANSMISSION (TSN 8100,8200,8300,8400 020000- )  
 GETRIEBEABTRIEBSWELLE (TSN 8100,8200,8300,8400 020000- )  
 ALBERO DI USCITA DELLA TRASMISSIONE (TSN 8100,8200,8300,8400 020000- )  
 EJE DE SALIDA DE LA TRANSMISION (TSN 8100,8200,8300,8400 020000- )  
 TRANSMISSIONENS UTGAAENDE AXEL (TSN 8100,8200,8300,8400 020000- )  
 RXP022227 -UN-21AUG97



RXP022227

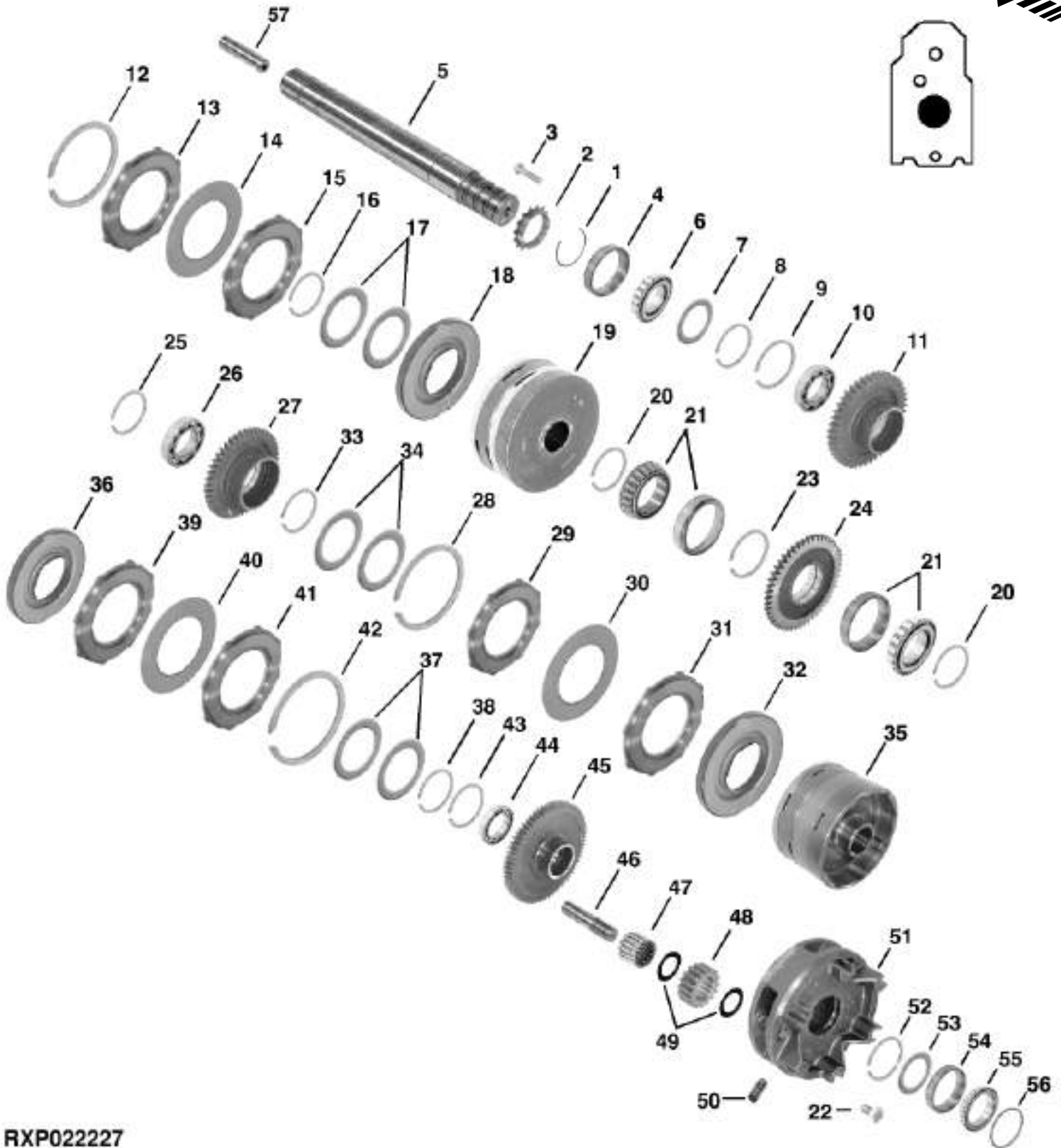


# 4110

POWER SHIFT TRANSMISSION

| KEY | PART NO. | PART NAME          | QTY | TRANSMISSION<br>SERIAL NO. | A | REMARKS          |
|-----|----------|--------------------|-----|----------------------------|---|------------------|
|     |          |                    |     |                            | L |                  |
| 1   | R114345  | SNAP RING          | 1   |                            | X |                  |
| 2   | R128775  | NUT                | 1   |                            | X |                  |
| 3   | R91842   | SCREW              | 1   |                            | X |                  |
| 4   | R108547  | BEARING CUP        | 1   |                            | X |                  |
| 5   | RE150781 | KIT                | 1   |                            | X |                  |
|     | RE150608 | VALVE              | 3   |                            | X |                  |
|     | 15H559   | PIPE PLUG          | 3   |                            | X | 1/4"             |
| 6   | R108546  | BEARING CONE       | 1   |                            | X |                  |
| 7   | R115331  | THRUST WASHER      | 1   |                            | X |                  |
| 8   | R114345  | SNAP RING          | 1   |                            | X |                  |
| 9   | R108496  | SNAP RING          | 1   |                            | X |                  |
| 10  | RE67949  | BALL BEARING       | 1   |                            | X |                  |
| 11  | R132250  | GEAR               | 1   |                            | X |                  |
| 12  | R108512  | SNAP RING          | 1   |                            | X |                  |
| 13  | R108511  | CLUTCH PLATE       | 1   |                            | X |                  |
| 14  | RE67457  | CLUTCH DISK        | 7   |                            | X |                  |
| 15  | R108509  | CLUTCH PLATE       | 7   |                            | X |                  |
| 16  | R135364  | SNAP RING          | 3   |                            | X |                  |
| 17  | R134075  | DISK SPRING        | 7   |                            | X |                  |
| 18  | RE70838  | PISTON             | 1   |                            | X | W/SEAL-3 GROOVES |
| 19  | R134986  | DRUM               | 1   |                            | X |                  |
| 20  | R114345  | SNAP RING          | 2   |                            | X |                  |
| 21  | R108546  | BEARING CONE       | 2   |                            | X |                  |
|     | R108547  | BEARING CUP        | 2   |                            | X |                  |
| 22  | R122390  | SELF-LOCKING SCREW | 3   |                            | X |                  |
| 23  | R108528  | SNAP RING          | 1   |                            | X |                  |
| 24  | R108449  | GEAR               | 1   |                            | X |                  |
| 25  | R108496  | SNAP RING          | 1   |                            | X |                  |
| 26  | RE67949  | BALL BEARING       | 1   |                            | X |                  |
| 27  | R132249  | GEAR               | 1   |                            | X |                  |
| 28  | R108512  | SNAP RING          | 1   |                            | X |                  |
| 29  | R108511  | CLUTCH PLATE       | 1   |                            | X |                  |
| 30  | RE67457  | CLUTCH DISK        | 3   |                            | X |                  |
| 31  | R108509  | CLUTCH PLATE       | 3   |                            | X |                  |

TRANSMISSION OUTPUT SHAFT-CONTINUED (TSN 8100,8200,8300,8400 020000- )  
 ARBRE DE SORTIE DE TRANSMISSION- A SUIVRE (TSN 8100,8200,8300,8400 020000- )  
 GETRIEBEABTRIEBSWELLE-FORTE. (TSN 8100,8200,8300,8400 020000- )  
 ALBERO DI USCITA DELLA TRASMISSIONE-CONTINUA (TSN 8100,8200,8300,8400 020000- )  
 EJE DE SALIDA DE LA TRANSMISION-CONTINUACION (TSN 8100,8200,8300,8400 020000- )  
 TRANSMISSIONENS UTGAAENDE AXEL-FORTE. (TSN 8100,8200,8300,8400 020000- )  
 RXP022227 -UN-21AUG97



RXP022227

# 4112

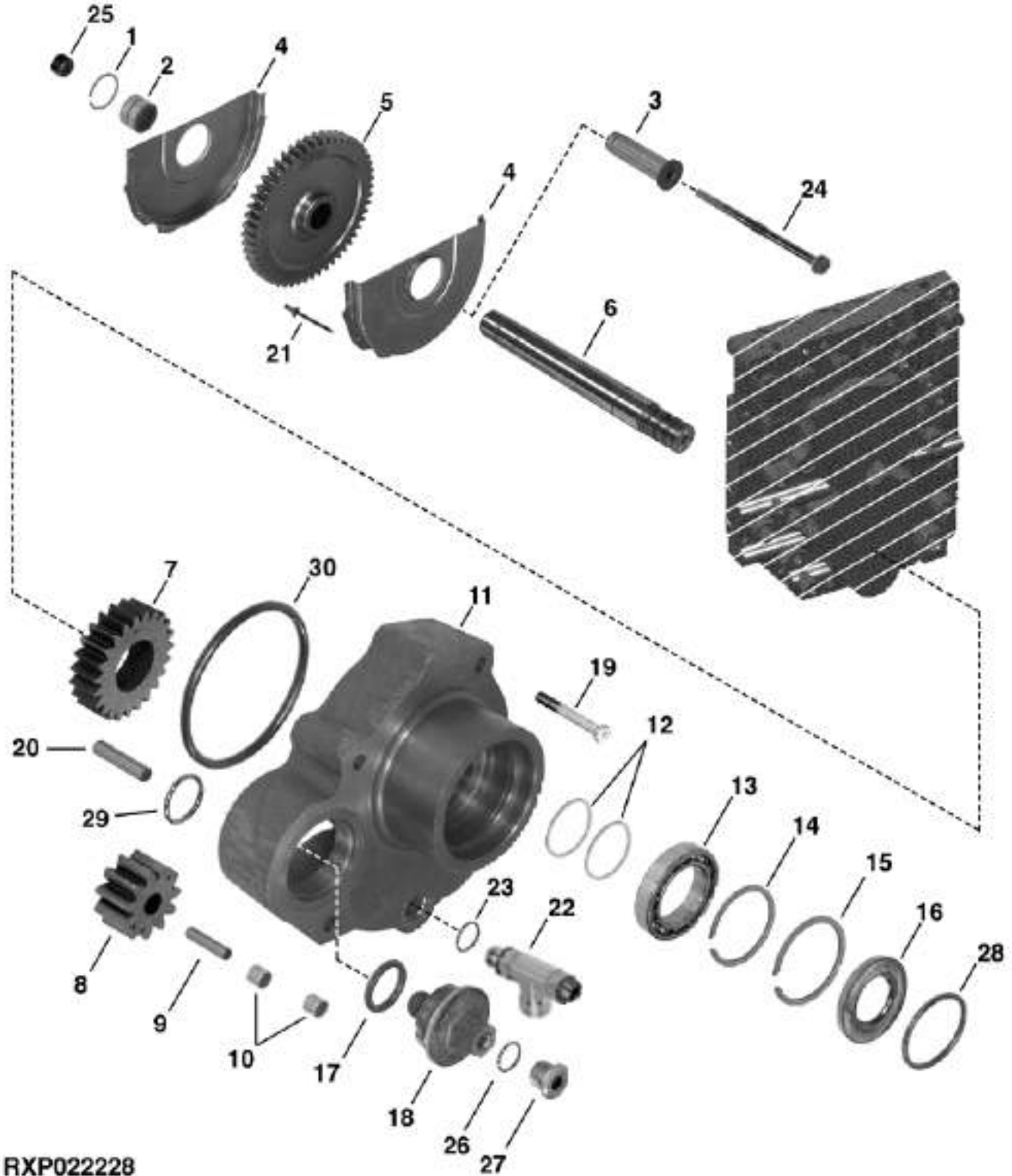
## POWER SHIFT TRANSMISSION

| KEY | PART NO. | PART NAME             | QTY | TRANSMISSION<br>SERIAL NO. | A | REMARKS          |
|-----|----------|-----------------------|-----|----------------------------|---|------------------|
|     |          |                       |     |                            | L |                  |
| 32  | RE70838  | PISTON                | 1   |                            | X | W/SEAL-3 GROOVES |
| 33  | R135364  | SNAP RING             | 1   |                            | X |                  |
| 34  | R134075  | DISK SPRING           | 5   |                            | X |                  |
| 35  | R135380  | DRUM                  | 1   |                            | X | C & D-RANGE      |
| 36  | RE70838  | PISTON                | 1   |                            | X | W/SEAL-3 GROOVES |
| 37  | R134075  | DISK SPRING           | 7   |                            | X |                  |
| 38  | R124952  | SNAP RING             | 1   |                            | X |                  |
| 39  | R108510  | CLUTCH PLATE          | 7   |                            | X |                  |
| 40  | RE67457  | CLUTCH DISK           | 7   |                            | X |                  |
| 41  | R108511  | CLUTCH PLATE          | 1   |                            | X |                  |
| 42  | R108512  | SNAP RING             | 1   |                            | X |                  |
| 43  | R108496  | SNAP RING             | 1   |                            | X |                  |
| 44  | RE67949  | BALL BEARING          | 1   |                            | X |                  |
| 45  | R132248  | GEAR                  | 1   |                            | X | C-RANGE Z=67     |
| 46  | R108478  | PINION SHAFT          | 3   |                            | X |                  |
| 47  | RE45410  | NEEDLE BEARING        | 3   |                            | X |                  |
| 48  | R108473  | PLANET PINION         | 3   |                            | X |                  |
| 49  | R108534  | THRUST WASHER         | 6   |                            | X |                  |
| 50  | R122374  | PIN                   | 3   |                            | X |                  |
| 51  | R108469  | PLANET PINION CARRIER | 1   |                            | X |                  |
| 52  | R114345  | SNAP RING             | 1   |                            | X |                  |
| 53  | R115331  | THRUST WASHER         | 1   |                            | X |                  |
| 54  | R108547  | BEARING CUP           | 1   |                            | X |                  |
| 55  | R108546  | BEARING CONE          | 1   |                            | X |                  |
| 56  | R115507  | RING                  | 6   |                            | X |                  |
| 57  | N137598  | SPRING PIN            | 1   |                            | X |                  |

# 4113

POWER SHIFT TRANSMISSION

PTO SHAFT (TSN 8100,8200,8300,8400 020000- )  
ARBRE DE PDF (TSN 8100,8200,8300,8400 020000- )  
ZAPFWELLENSCHAFT (TSN 8100,8200,8300,8400 020000- )  
ALBERO DELLA PTO (TSN 8100,8200,8300,8400 020000- )  
EJE DE TDF (TSN 8100,8200,8300,8400 020000- )  
KRAFTUTTAGSAXEL (TSN 8100,8200,8300,8400 020000- )  
RXP022228 -UN-21AUG97



RXP022228

# 4114

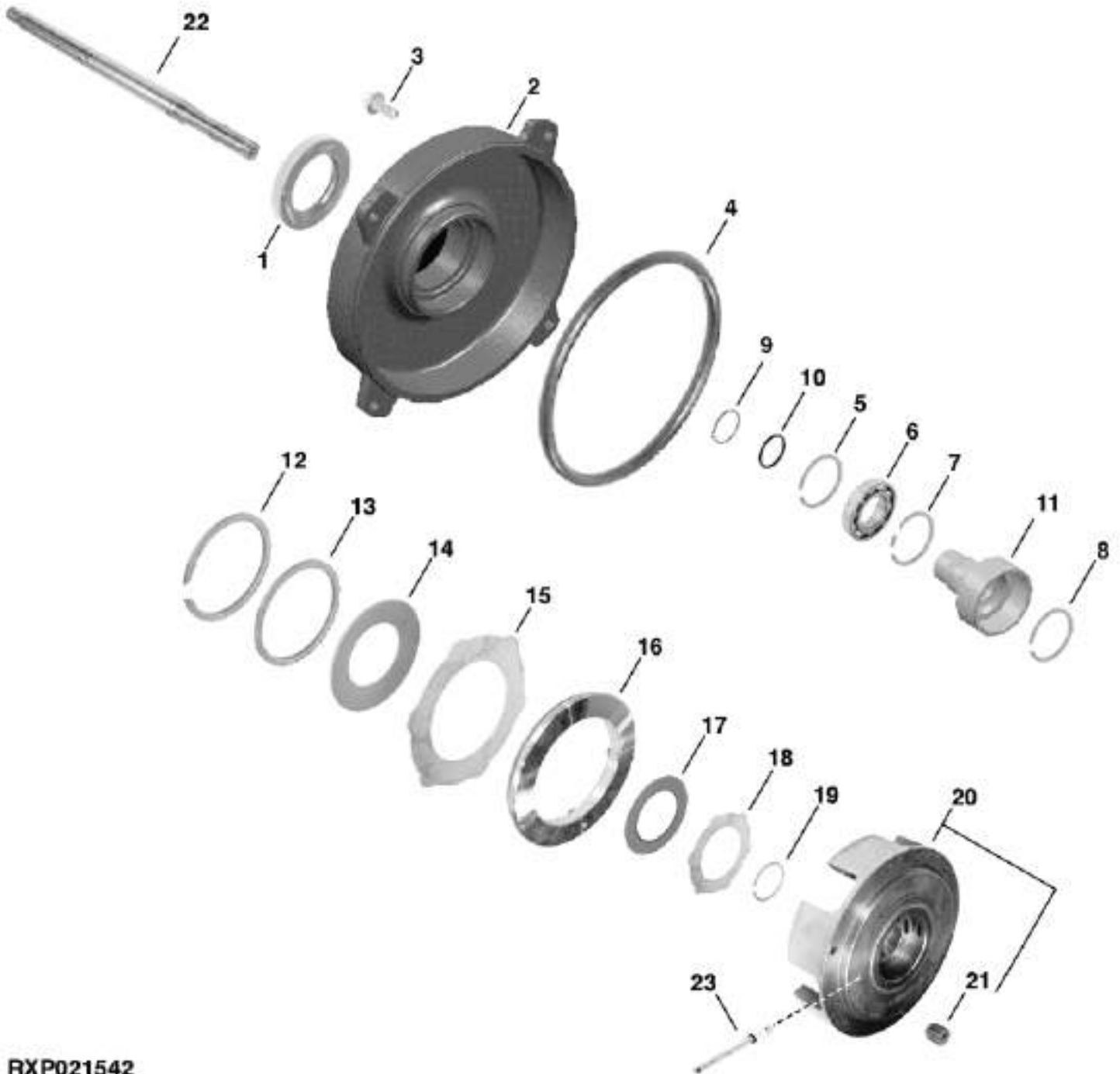
POWER SHIFT TRANSMISSION

| KEY | PART NO. | PART NAME            | QTY | TRANSMISSION<br>SERIAL NO. | A | REMARKS            |
|-----|----------|----------------------|-----|----------------------------|---|--------------------|
|     |          |                      |     |                            | L |                    |
| 1   | 40M7201  | SNAP RING            | 1   |                            | X |                    |
| 2   | RE57653  | ROLLER BEARING       | 1   |                            | X |                    |
| 3   | R121603  | SHAFT                | 1   |                            | X |                    |
| 4   | R108531  | PTO POWR-GARD SHIELD | 2   |                            | X |                    |
| 5   | R108471  | GEAR                 | 1   |                            | X |                    |
| 6   | R108508  | SHAFT                | 1   |                            | X |                    |
| 7   | R108484  | GEAR                 | 1   |                            | X |                    |
| 8   | R108485  | GEAR                 | 1   |                            | X |                    |
| 9   | R115233  | SHAFT                | 1   |                            | X |                    |
| 10  | JD10116  | NEEDLE BEARING       | 2   |                            | X |                    |
| 11  | R108537  | HOUSING              | 1   |                            | X |                    |
| 12  | R115508  | RING                 | 2   |                            | X |                    |
| 13  | JD8568   | BALL BEARING         | 1   |                            | X |                    |
| 14  | R28640   | SNAP RING            | 1   |                            | X |                    |
| 15  | 40M7115  | SNAP RING            | 1   |                            | X |                    |
| 16  | RE64427  | SEAL                 | 1   | -026292                    | X |                    |
|     | RE52341  | SEAL                 | 1   | 026293-                    | X |                    |
| 17  | H63262   | O-RING               | 1   |                            | X |                    |
| 18  | R114108  | PLUG                 | 1   |                            | X |                    |
| 19  | 19M7809  | SCREW                | 4   |                            | X | M10 X 70           |
| 20  | R28671   | DOWEL PIN            | 2   |                            | X |                    |
| 21  | R126821  | PIN                  | 6   |                            | X |                    |
| 22  | 38H5140  | TEE FITTING          | 1   |                            | X |                    |
| 23  | 51M7047  | O-RING               | 1   |                            | X |                    |
| 24  | RE47959  | BOLT                 | 1   |                            | X | M12 X 1.75 HS 10.9 |
| 25  | R125064  | PIPE PLUG            | 1   |                            | X |                    |
| 26  | 51M7042  | O-RING               | 1   |                            | X | 13.300 X 2.200 MM  |
| 27  | RE52242  | PLUG                 | 1   |                            | X |                    |
| 28  | T121280  | SEAL                 | 1   |                            | X |                    |
| 29  | F3171R   | O-RING               | 1   |                            | X |                    |
| 30  | N153493  | O-RING               | 1   |                            | X |                    |

# 4115

POWER SHIFT TRANSMISSION

MFWD CLUTCH (TSN 8100,8200,8300,8400 020000- )  
EMBAYAGE DE TAM (TSN 8100,8200,8300,8400 020000- )  
MF-KUPPLUNG (TSN 8100,8200,8300,8400 020000- )  
FRIZIONE DELLA MFWD (TSN 8100,8200,8300,8400 020000- )  
EMBRAGUE DE TDM (TSN 8100,8200,8300,8400 020000- )  
MFHD-KOPPLING (TSN 8100,8200,8300,8400 020000- )  
RXP021542 -UN-20JUN96



RXP021542

# 4116

POWER SHIFT TRANSMISSION

| KEY | PART NO. | PART NAME               | QTY | TRANSMISSION<br>SERIAL NO. | A | REMARKS           |
|-----|----------|-------------------------|-----|----------------------------|---|-------------------|
|     |          |                         |     |                            | L |                   |
| 1   | AH89023  | SEAL                    | 1   |                            | X |                   |
| 2   | R131811  | COVER                   | 1   |                            | X | (A)               |
|     | R108569  | COVER                   | 1   |                            | X | (B)               |
| 3   | 19M7789  | SCREW                   | 4   |                            | X | M12 X 30, HS 10.9 |
| 4   | T39741   | RING                    | 1   |                            | X |                   |
| 5   | T44824   | SNAP RING               | 1   |                            | X |                   |
| 6   | RE67948  | BEARING                 | 1   |                            | X |                   |
| 7   | R108496  | SNAP RING               | 1   |                            | X |                   |
| 8   | L1610N   | SNAP RING               | 1   |                            | X |                   |
| 9   | R124576  | SNAP RING               | 1   |                            | X |                   |
| 10  | U10289   | O-RING                  | 1   |                            | X |                   |
| 11  | R108519  | HUB                     | 1   |                            | X |                   |
| 12  | R108526  | SNAP RING               | 1   |                            | X |                   |
| 13  | R108533  | RETAINER                | 1   |                            | X |                   |
| 14  | R108525  | DISK SPRING             | 1   |                            | X |                   |
| 15  | R108521  | PLATE                   | 1   |                            | X |                   |
| 16  | RE155037 | SEAL                    | 1   |                            | X | (SUB FOR R108520) |
| 17  | RE67458  | DISK, WITH INNER SPLINE | 6   |                            | X |                   |
| 18  | R108507  | CLUTCH PLATE            | 6   |                            | X |                   |
| 19  | R114345  | SNAP RING               | 1   |                            | X |                   |
| 20  | RE69122  | DRUM                    | 1   |                            | X | (MARKED R108517)  |
| 21  | RE45393  | VALVE SEAT              | 1   |                            | X |                   |
| 22  | R130895  | SHAFT                   | 1   |                            | X |                   |
| 23  | AT107509 | PLUG                    | 1   |                            | X |                   |

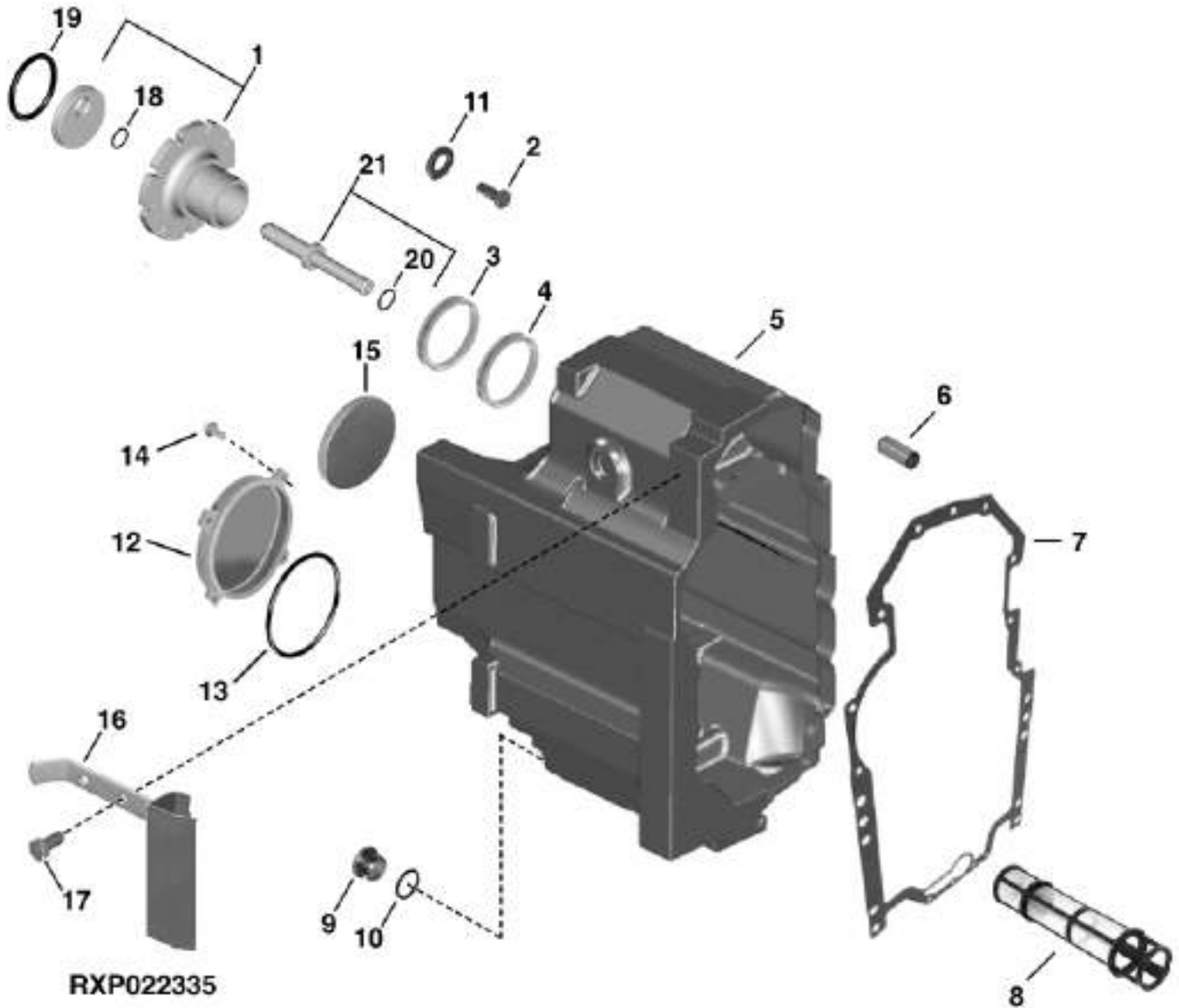
(A)MECHANICAL FRONT WHEEL DRIVE  
 TRACTION AVANT MECANIQUE  
 MECHANISCHER FRONTANTRIEB  
 TRAZIONE ANTERIORE MECANNICA  
 TRACCION DELANTERA  
 MEKANISK FRAMHJULSDRIVNING

(B)W/O MECHANICAL FRONT WHEEL DRIVE  
 W/O TRACTION AVANT MECANIQUE  
 W/O MECHANISCHER FRONTANTRIEB  
 W/O TRAZIONE ANTERIORE MECANNICA  
 W/O TRACCION DELANTERA  
 W/O MEKANISK FRAMHJULSDRIVNING

# 4117

POWER SHIFT TRANSMISSION

TRANSMISSION CASE (TSN 8100,8200,8300,8400 020000- )  
CARTER DE TRANSMISSION (TSN 8100,8200,8300,8400 020000- )  
GETRIEBEGEHAUSE (TSN 8100,8200,8300,8400 020000- )  
SCATOLA DELLA TRASMISSIONE (TSN 8100,8200,8300,8400 020000- )  
CAJA DE TRANSMISION (TSN 8100,8200,8300,8400 020000- )  
TRANSMISSIONSKAAPA (TSN 8100,8200,8300,8400 020000- )  
RXP022335 -UN-23OCT97





# 4118

POWER SHIFT TRANSMISSION

| KEY | PART NO. | PART NAME         | QTY | TRANSMISSION<br>SERIAL NO. | A | REMARKS                             |
|-----|----------|-------------------|-----|----------------------------|---|-------------------------------------|
|     |          |                   |     |                            | L |                                     |
| 1   | RE70206  | HUB               | 1   |                            | X |                                     |
| 2   | 19M7789  | SCREW             | 9   |                            | X | M12 X 30, HS 10.9                   |
| 3   | R130561  | V-RING SEAL       | 1   |                            | X |                                     |
| 4   | RE158066 | SEAL              | 1   |                            | X | (SUB FOR RE13181, THIS APPLICATION) |
| 5   | R136157  | TRANSMISSION CASE | 1   |                            | X |                                     |
| 6   | R48685   | DOWEL PIN         | 2   |                            | X |                                     |
| 7   | R132860  | GASKET            | 1   |                            | X |                                     |
| 8   | RE45369  | SCREEN            | 1   |                            | X |                                     |
| 9   | R98012   | PLUG              | 1   |                            | X |                                     |
| 10  | P47889   | O-RING            | 1   |                            | X |                                     |
| 11  | 24M7240  | WASHER            | 9   |                            | X |                                     |
| 12  | R108569  | COVER             | 1   |                            | X | (A)                                 |
| 13  | T39741   | RING              | 1   |                            | X |                                     |
| 14  | 19M7789  | SCREW             | 4   |                            | X | M12 X 30, HS 10.9                   |
| 15  | R108503  | PLUG              | 1   |                            | X |                                     |
| 16  | R120133  | SUPPORT           | 1   |                            | X | RH                                  |
|     | RE62562  | BRACKET           | 1   |                            | X | LH                                  |
| 17  | 19M7166  | CAP SCREW         | 4   |                            | X | M10 X 20                            |
| 18  | F3353R   | O-RING            | 1   |                            | X |                                     |
| 19  | R132237  | O-RING            | 1   |                            | X |                                     |
| 20  | R132239  | O-RING            | 1   |                            | X |                                     |
| 21  | RE71323  | BREATHER          | 1   |                            | X |                                     |

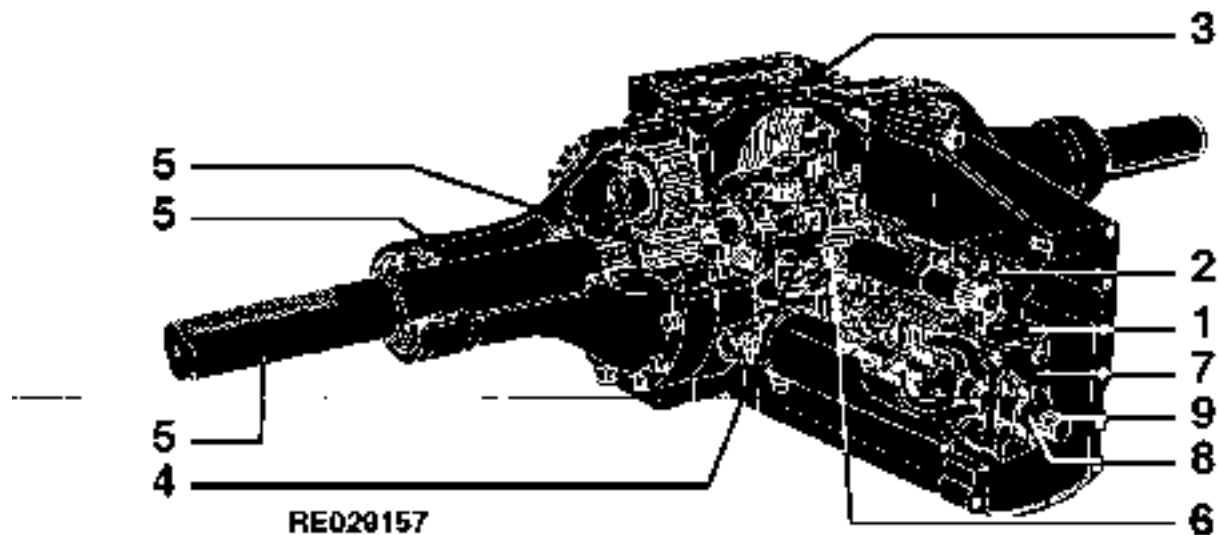
(A)W/O MECHANICAL FRONT WHEEL DRIVE  
W/O TRACTION AVANT MECANIQUE  
W/O MECHANISCHER FRONTANTRIEB  
W/O TRAZIONE ANTERIORE MECANNICA  
W/O TRACCION DELANTERA  
W/O MEKANISK FRAMHJULSDRIVNING

MEMORANDA  
MEMORANDA  
MEMORANDA  
MEMORANDA  
MEMORANDA

# 5D3

SECTIONAL INDEX  
INDEX DE SECTION  
GRUPPENINDEX  
INDICE DELLA SEZIONE  
INDICE DE SECCION  
GRUPPSFORTECKNING  
RE029157 -UN-10MAY99

|     |      |
|-----|------|
| 1 - | 5D5  |
| 2 - | 5D11 |
| 3 - | 5D13 |
| 4 - | 5D15 |
| 5 - | 5D17 |
| 6 - | 5D25 |
| 7 - | 5E1  |
| 8 - | 5E3  |
| 9 - | 5E5  |



# 5D4

DIFFERENTIAL & PTO

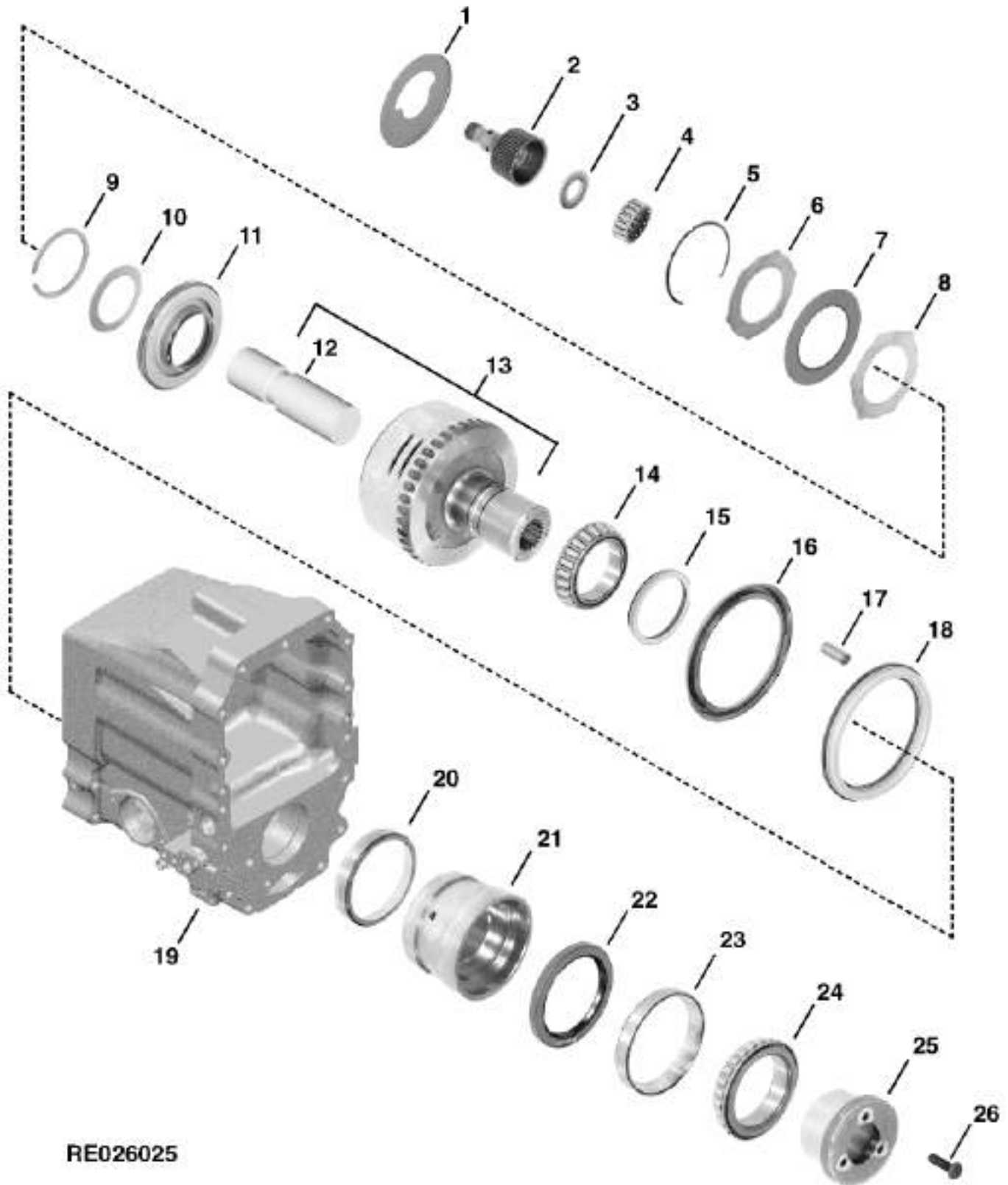
SECTIONAL INDEX  
INDEX DE SECTION  
GRUPPENINDEX  
INDICE DELLA SEZIONE  
INDICE DE SECCION  
GRUPPSFORTECKNING

MEMORANDA  
MEMORANDA  
MEMORANDA  
MEMORANDA  
MEMORANDA

# 5D5

DIFFERENTIAL & PTO

PTO CLUTCH  
EMBRAYAGE DE LA PDF AVANT  
VORDERE ZAPFWELLE, KUPPLUNG  
FRIZIONE DELLA PTO ANTERIORE  
EMBRAGUE DE LA TDF DELANTERA  
KOPPLING FOER FRAEMRE KRAFTUTTAG  
RE026025 -UN-10SEP95



RE026025

# 5D6

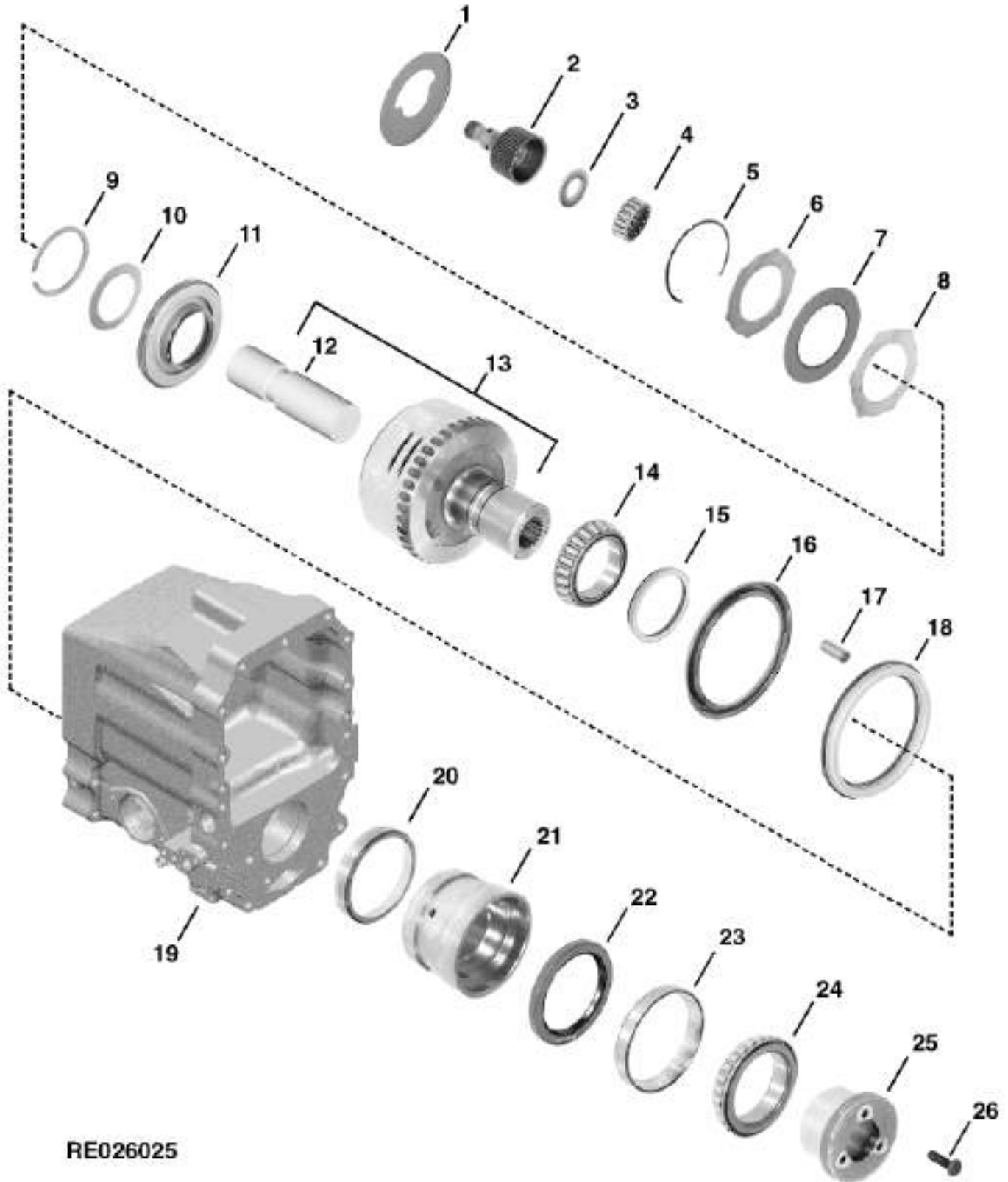
DIFFERENTIAL & PTO

| KEY | PART NO. | PART NAME               | QTY | AXLE       |   | REMARKS                             |
|-----|----------|-------------------------|-----|------------|---|-------------------------------------|
|     |          |                         |     | SERIAL NO. |   |                                     |
|     |          |                         |     | 8          | 8 |                                     |
|     |          |                         |     | 1          | 2 |                                     |
|     |          |                         |     | 0          | 0 |                                     |
|     |          |                         |     | 0          | 0 |                                     |
| 1   | R115403  | DEFLECTOR               | 1   | X          | X |                                     |
| 2   | R108580  | HUB                     | 1   | X          | X |                                     |
| 3   | R119527  | THRUST WASHER           | 1   | X          | X |                                     |
| 4   | JD8870   | NEEDLE BEARING          | 1   | X          | X |                                     |
| 5   | R99692   | SNAP RING               | 1   | X          | X |                                     |
| 6   | R108530  | CLUTCH PLATE            | 1   | X          | X |                                     |
| 7   | RE67458  | DISK, WITH INNER SPLINE | 6   | X          | X | (SUB FOR AR94516, THIS APPLICATION) |
| 8   | R108507  | CLUTCH PLATE            | 6   | X          | X |                                     |
| 9   | C19243   | SNAP RING               | 1   | X          | X |                                     |
| 10  | R113435  | DISK SPRING             | 9   | X          | X |                                     |
| 11  | RE45374  | PISTON                  | 1   | X          | X | W/SEAL                              |
| 12  | R112314  | SLEEVE                  | 1   | X          | X |                                     |
| 13  | RE55025  | DRUM                    | 1   | X          | X |                                     |
| 14  | JD9075   | BEARING CONE            | 1   | X          | X |                                     |
| 15  | R112315  | RING                    | 2   | X          | X |                                     |
| 16  | RE50747  | BRAKE DISK              | 1   | X          | X |                                     |
| 17  | R27302   | DOWEL PIN               | 2   | X          | X |                                     |
| 18  | R112313  | PISTON                  | 1   | X          | X |                                     |
| 19  | RE164598 | HOUSING                 | 1   | X          | X | (SUB FOR R122901)                   |
| 20  | JD9132   | BEARING CUP             | 1   | X          | X |                                     |
| 21  | R115450  | SLEEVE                  | 1   | X          | X |                                     |
| 22  | RE69802  | SEAL                    | 1   | X          | X |                                     |
| 23  | JD8213   | BEARING CUP             | 1   | X          | X |                                     |
| 24  | JD8177   | BEARING CONE            | 1   | X          | X |                                     |
| 25  | R115451  | QUILL                   | 1   | X          | X |                                     |
| 26  | 19M7163  | CAP SCREW               | 3   | X          | X | M8 X 25                             |

# 5D7

DIFFERENTIAL & PTO

PTO CLUTCH  
EMBRAYAGE DE LA PDF AVANT  
VORDERE ZAPFWELLE, KUPPLUNG  
FRIZIONE DELLA PTO ANTERIORE  
EMBRAGUE DE LA TDF DELANTERA  
KOPPLING FOER FRAEMRE KRAFTUTTAG  
RE026025 -UN-10SEP95



RE026025



# 5D8

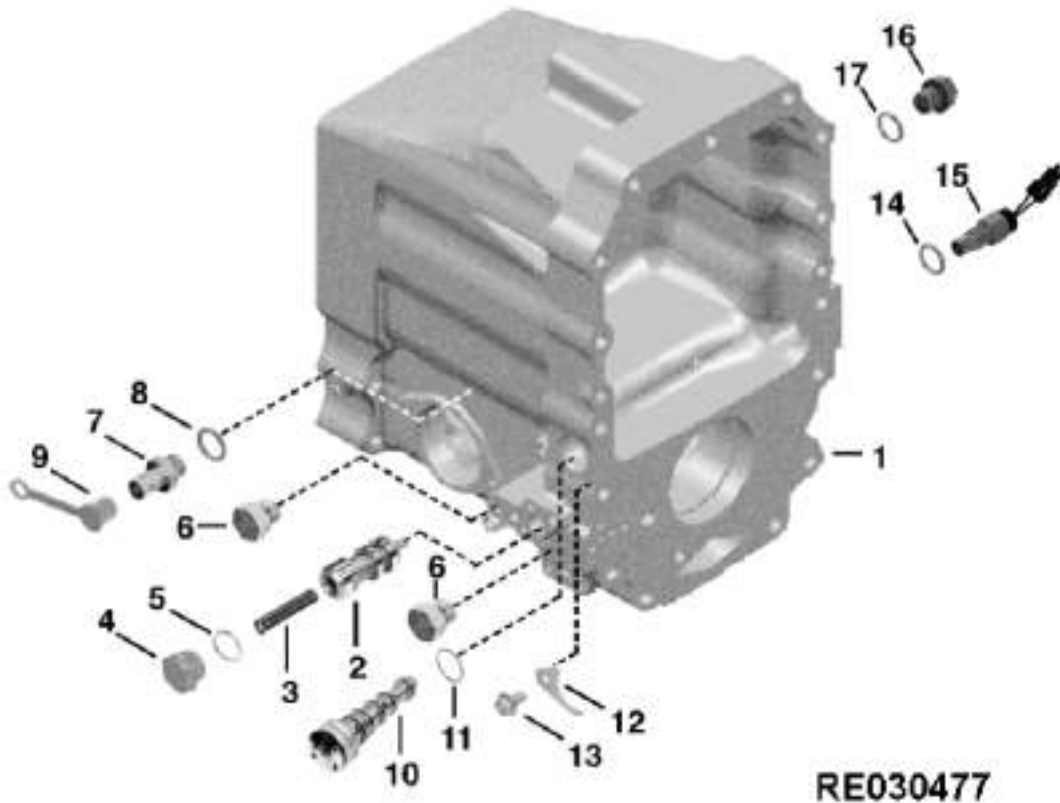
DIFFERENTIAL & PTO

| KEY | PART NO. | PART NAME               | QTY | AXLE       |   | REMARKS                             |
|-----|----------|-------------------------|-----|------------|---|-------------------------------------|
|     |          |                         |     | SERIAL NO. |   |                                     |
|     |          |                         |     | 8          | 8 |                                     |
|     |          |                         |     | 3          | 4 |                                     |
|     |          |                         |     | 0          | 0 |                                     |
|     |          |                         |     | 0          | 0 |                                     |
| 1   | R115403  | DEFLECTOR               | 1   | X          | X |                                     |
| 2   | R108580  | HUB                     | 1   | X          | X |                                     |
| 3   | R119527  | THRUST WASHER           | 1   | X          | X |                                     |
| 4   | JD8870   | NEEDLE BEARING          | 1   | X          | X |                                     |
| 5   | R99692   | SNAP RING               | 1   | X          | X |                                     |
| 6   | R108530  | CLUTCH PLATE            | 1   | X          | X |                                     |
| 7   | RE67458  | DISK, WITH INNER SPLINE | 8   | X          | X | (SUB FOR AR94516, THIS APPLICATION) |
| 8   | R108507  | CLUTCH PLATE            | 8   | X          | X |                                     |
| 9   | C19243   | SNAP RING               | 1   | X          | X |                                     |
| 10  | R113435  | DISK SPRING             | 9   | X          | X |                                     |
| 11  | RE45374  | PISTON                  | 1   | X          | X | W/SEAL                              |
| 12  | R112314  | SLEEVE                  | 1   | X          | X |                                     |
| 13  | RE52228  | DRUM                    | 1   | X          | X |                                     |
| 14  | JD9075   | BEARING CONE            | 1   | X          | X |                                     |
| 15  | R112315  | RING                    | 2   | X          | X |                                     |
| 16  | RE50747  | BRAKE DISK              | 1   | X          | X |                                     |
| 17  | R27302   | DOWEL PIN               | 2   | X          | X |                                     |
| 18  | R112313  | PISTON                  | 1   | X          | X |                                     |
| 19  | RE164598 | HOUSING                 | 1   | X          | X | (SUB FOR R122901)                   |
| 20  | JD9132   | BEARING CUP             | 1   | X          | X |                                     |
| 21  | R115450  | SLEEVE                  | 1   | X          | X |                                     |
| 22  | RE69802  | SEAL                    | 1   | X          | X |                                     |
| 23  | JD8213   | BEARING CUP             | 1   | X          | X |                                     |
| 24  | JD8177   | BEARING CONE            | 1   | X          | X |                                     |
| 25  | R115451  | QUILL                   | 1   | X          | X |                                     |
| 26  | 19M7163  | CAP SCREW               | 3   | X          | X | M8 X 25                             |

# 5D9

DIFFERENTIAL & PTO

PTO VALVES AND FITTINGS  
PDF, SOUPAPES ET RACCORDS  
ZAPFWELLE, VENTILE UND VERSCHRAUBUNGEN  
PRESA DI FORZA, VALVOLE E RACCORDI  
TDF, VALVULAS Y ADAPTADORES  
KRAFTUTTAG, VENTILER OCH FOERSKRUVNINGAR  
RE030477 -UN-15APR99



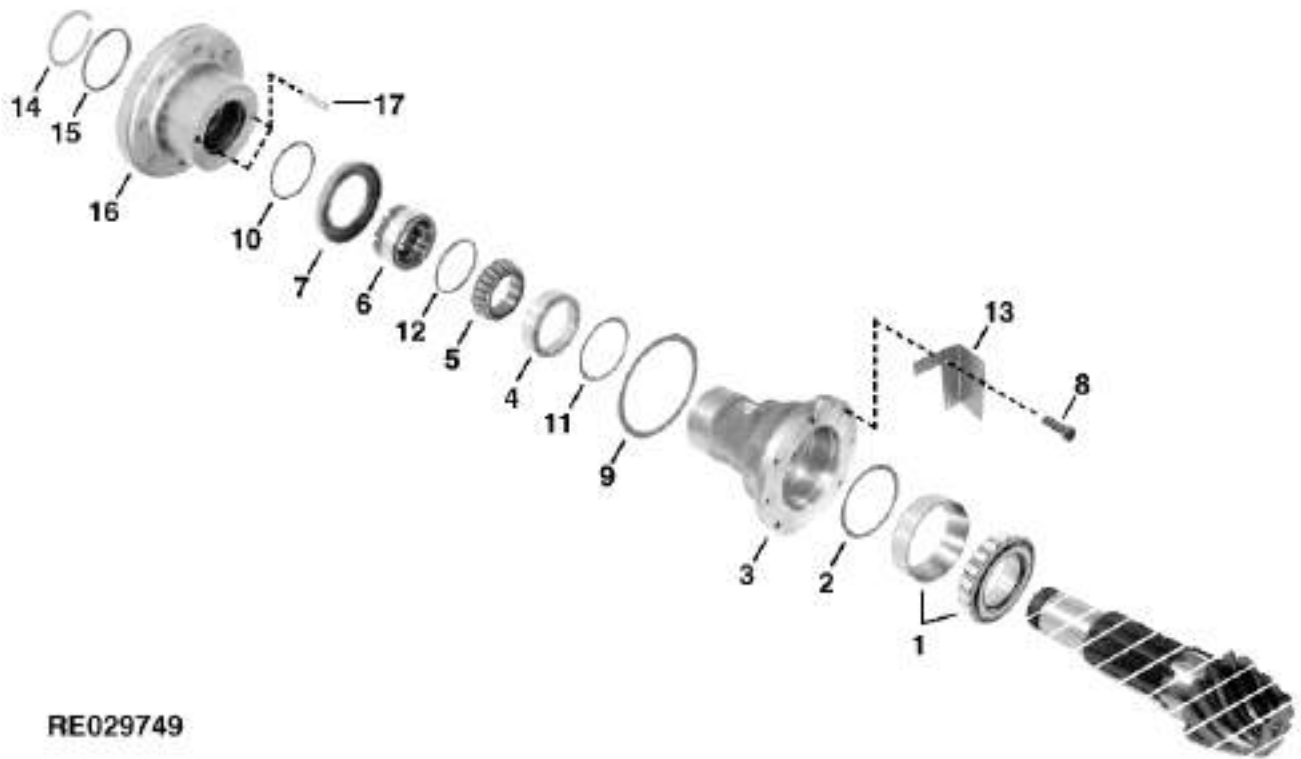
# 5D10

DIFFERENTIAL & PTO

| KEY | PART NO. | PART NAME  | QTY | AXLE<br>SERIAL NO. | A<br>L<br>L | REMARKS   |
|-----|----------|------------|-----|--------------------|-------------|---|
| 1   | RE164598 | HOUSING    | 1   |                    | X           | (SUB FOR R122901)   |
| 2   | R112316  | VALVE      | 1   |                    | X           |   |
| 3   | R42057   | SPRING     | 1   |                    | X           |   |
| 4   | R27175   | DRAIN PLUG | 1   |                    | X           |   |
|     | R70534   | PIPE PLUG  | 1   |                    | X           | (USE WITH F3171)  |
| 5   | F3171    | O-RING     | 1   |                    | X           |   |
| 6   | RE46684  | PLUG       | 2   |                    | X           |   |
| 7   | RE12187  | RECEPTACLE | 1   |                    | X           |   |
| 8   | 51M7041  | O-RING     | 1   |                    | X           | 11.300 X 2.200 MM   |
| 9   | R77175   | COVER      | 1   |                    | X           |   |
| 10  | RE55461  | VALVE      | 1   | -XXXXXX            | X           | (ALSO ORDER U11326, U41966, R106663,<br>R62070, R27928 AND P42061)  |
|     | RE71489  | VALVE      | 1   | XXXXXX-XXXXXX      | X           | (ALSO ORDER U11326, U41966, R106663,<br>R62070, R27928 AND P42061)  |
|     | RE150945 | VALVE      | 1   | XXXXXX-XXXXXX      | X           | (ALSO ORDER T143166, U41966, R106663,<br>R62070, R27928 AND P42061) |
|     | RE155966 | VALVE      | 1   | XXXXXX-            | X           | (ALSO ORDER U11326, U41966, R106663,<br>R62070, R27928 AND P42061)  |
| 11  | U41966   | O-RING     | 1   |                    | X           |   |
| 12  | R95045   | CLAMP      | 1   |                    | X           |   |
| 13  | 19M7784  | SCREW      | 1   |                    | X           | M10 X 20  |
| 14  | 51M7044  | O-RING     | 1   |                    | X           | W/PTO   |
| 15  | RE71121  | SENSOR     | 1   |                    | X           | W/PTO, (SUB FOR RE43511)  |
| 16  | RE501938 | PLUG       | 1   |                    | X           | W/O PTO, (SUB FOR R101085)  |
| 17  | 51M7044  | O-RING     | 1   |                    | X           | 17.300 X 2.200 MM, W/O PTO  |

# 5D11

INPUT HOUSING  
CARTER D'ENTREE  
EINGANGSGEHAUSE  
SCATOLA DI INGRESSO  
CAJA DE ENTRADA  
INGAANGSHUS  
RE029749 -UN-18JUN98



RE029749

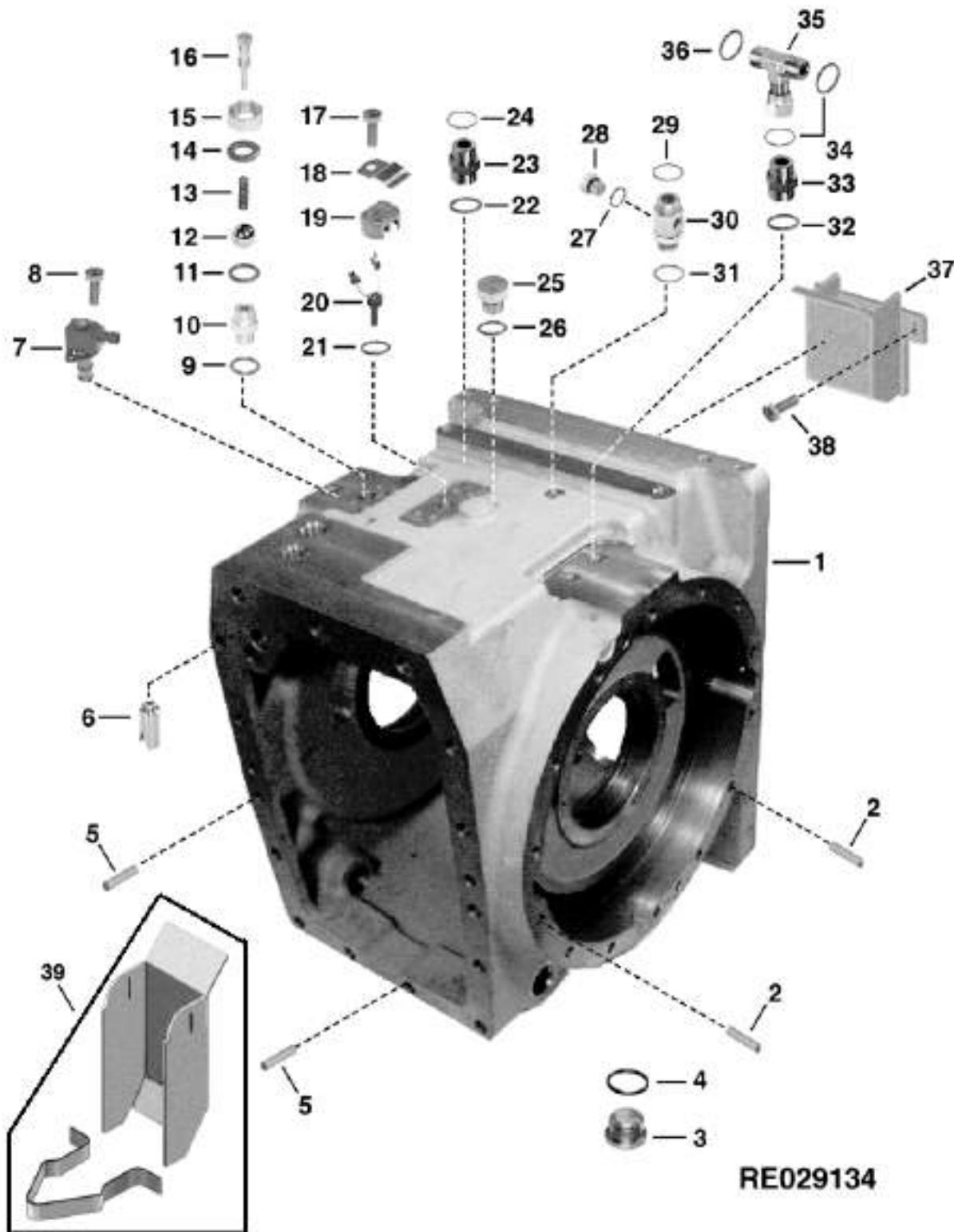
# 5D12

DIFFERENTIAL &amp; PTO

| KEY | PART NO. | PART NAME      | QTY | AXLE<br>SERIAL NO. | A<br>L<br>L | REMARKS |
|-----|----------|----------------|-----|--------------------|-------------|---------|
| 1   | RE48761  | ROLLER BEARING | 1   |                    | X           |         |
| 2   | R81362   | SHIM           | 2   |                    | X           |         |
|     | R81363   | SHIM           | 2   |                    | X           |         |
|     | R81364   | SHIM           | 2   |                    | X           |         |
| 3   | R112906  | QUILL          | 1   |                    | X           |         |
| 4   | JD8255   | BEARING CUP    | 1   |                    | X           |         |
| 5   | JD8941   | BEARING CONE   | 1   |                    | X           |         |
| 6   | R113547  | NUT            | 1   |                    | X           |         |
| 7   | RE40296  | SEAL           | 1   |                    | X           |         |
| 8   | R132326  | CAP SCREW      | 4   |                    | X           |         |
| 9   | U10624   | O-RING         | 1   |                    | X           |         |
| 10  | R113668  | BACK-UP RING   | 1   |                    | X           |         |
| 11  | R58255   | SHIM           | 2   |                    | X           |         |
|     | R58256   | SHIM           | 2   |                    | X           |         |
|     | R58257   | SHIM           | 2   |                    | X           |         |
|     | R58258   | SHIM           | 2   |                    | X           |         |
| 12  | U42111   | O-RING         | 1   |                    | X           |         |
| 13  | R116402  | DEFLECTOR      | 1   |                    | X           |         |
| 14  | P46770   | SNAP RING      | 1   |                    | X           |         |
| 15  | P50631   | O-RING         | 1   |                    | X           |         |
| 16  | R108558  | YOKE           | 1   |                    | X           |         |
| 17  | R116713  | NEEDLE ROLLER  | 2   |                    | X           |         |

# 5D13

DIFFERENTIAL CASE  
CARTER DE DIFFERENTIEL  
DIFFERENTIALGEHAEUSE  
SCATOLA DEL DIFFERENZIALE  
CAJA DEL DIFERENCIAL  
DIFFERENTIALKAAPA  
RE029134 -UN-06MAR98



# 5D14

DIFFERENTIAL & PTO

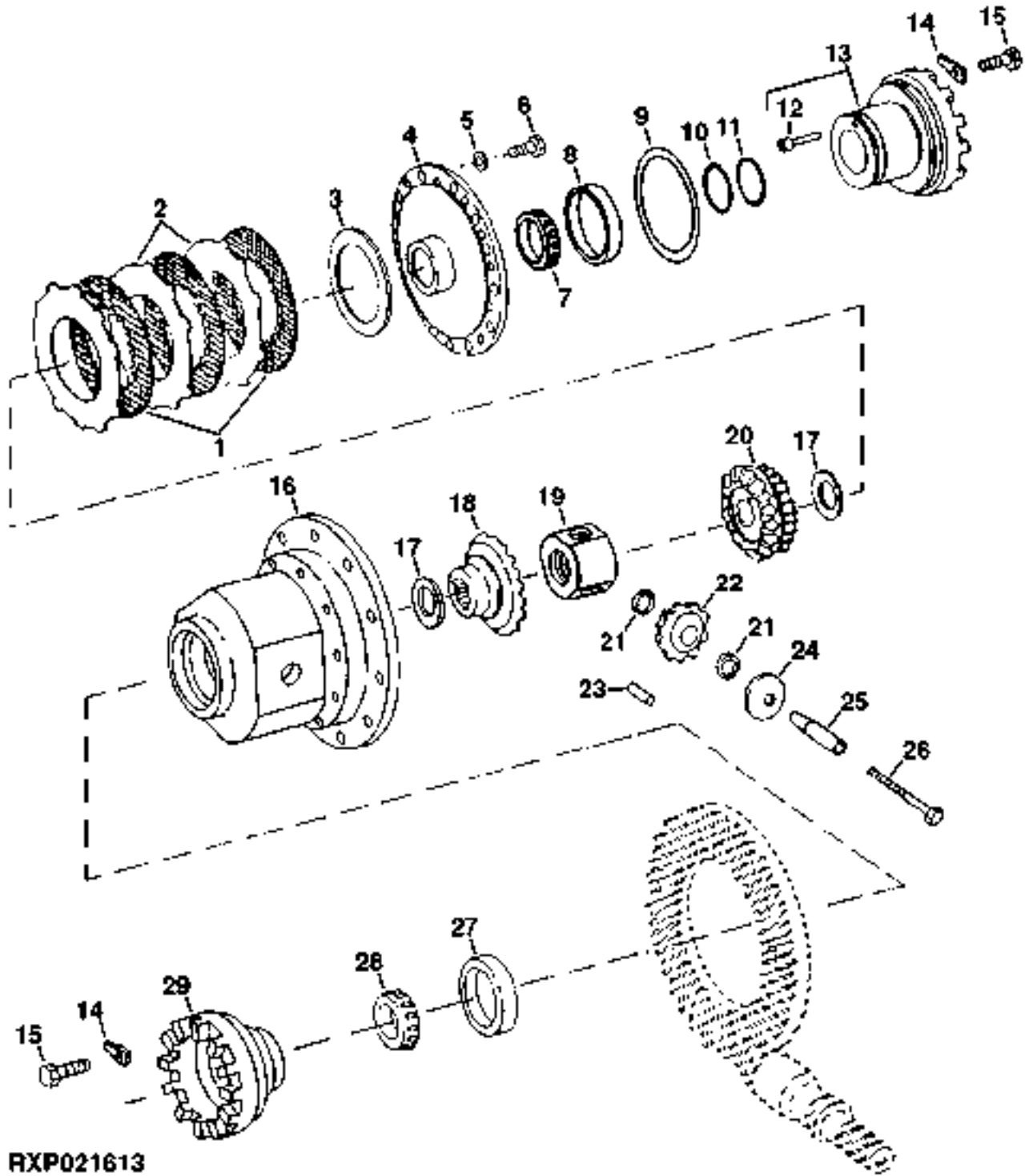
| KEY | PART NO. | PART NAME          | QTY | AXLE<br>SERIAL NO. | A<br>L<br>L | REMARKS   |
|-----|----------|--------------------|-----|--------------------|-------------|---|
| 1   | RE62765  | CASE               | 1   | -023257            | X           | (MARKED R109528, R114238 OR R126506) (ALSO ORDER (6) 24M7242) (SUB RE150629, R150627 AND R150628) |
|     | RE150629 | CASE               | 1   | 023258-            | X           | (MARKED R150626)  |
| 2   | R54380   | DOWEL PIN          | 2   |                    | X           |   |
| 3   | R84262   | FITTING PLUG       | 1   |                    | X           |   |
| 4   | F3171R   | O-RING             | 1   |                    | X           |   |
| 5   | R54380   | DOWEL PIN          | 2   |                    | X           |   |
| 6   | R125700  | TUBE               | 1   | -023257            | X           |   |
|     | R132574  | TUBE               | 1   | 023258-            | X           |   |
| 7   | RE52319  | SOLENOID VALVE     | 1   |                    | X           |   |
|     | R109690  | CLAMP              | 1   |                    | X           |   |
| 8   | 19M7560  | CAP SCREW          | 2   |                    | X           | M6 X 16   |
| 9   | R26448   | O-RING             | 2   |                    | X           |   |
| 10  | 38H1160  | ADAPTER            | 2   |                    | X           |   |
| 11  | T77613   | O-RING             | 2   |                    | X           |   |
| 12  | R42849   | BALL               | 2   |                    | X           |   |
| 13  | R39208   | SPRING             | 2   |                    | X           |   |
| 14  | R27136   | WASHER             | 2   |                    | X           |   |
| 15  | R26572   | NUT                | 2   |                    | X           | 14.275 MM   |
| 16  | R84015   | SCREW              | 2   |                    | X           |   |
| 17  | 19M7167  | CAP SCREW          | 1   |                    | X           | M10 X 25  |
| 18  | R66477   | CLAMP              | 1   |                    | X           |   |
| 19  | R69185   | CAP                | 1   |                    | X           |   |
| 20  | RE56950  | WHEEL SPEED SENSOR | 1   |                    | X           |   |
| 21  | R375R    | O-RING             | 1   |                    | X           |   |
| 22  | 51M7043  | O-RING             | 1   |                    | X           | 15.300 X 2.200 MM   |
| 23  | 38H5003  | ADAPTER            | 1   |                    | X           |   |
| 24  | T77857   | O-RING             | 1   |                    | X           |   |
| 25  | RE46685  | PLUG               | 1   |                    | X           |   |
| 26  | 51M7043  | O-RING             | 1   |                    | X           | 15.300 X 2.200 MM   |
| 27  | 51M7043  | O-RING             | 1   |                    | X           | 15.300 X 2.200 MM   |
| 28  | RE46685  | PLUG               | 1   |                    | X           | (A)   |
| 29  | T77857   | O-RING             | 1   |                    | X           |   |
| 30  | RE58409  | CONNECTOR          | 1   |                    | X           |   |
| 31  | 51M7048  | O-RING             | 1   |                    | X           |   |
| 32  | 51M7043  | O-RING             | 1   |                    | X           | 15.300 X 2.200 MM   |
| 33  | 38H5003  | ADAPTER            | 1   |                    | X           |   |
| 34  | R26448   | O-RING             | 2   |                    | X           |   |
| 35  | 38H5059  | TEE FITTING        | 1   |                    | X           |   |
| 36  | R26448   | O-RING             | 1   |                    | X           |   |
| 37  | R150627  | DEFLECTOR          | 1   | 023258-            | X           |   |
| 38  | R150628  | CAP SCREW          | 2   | 023258-            | X           |   |
| 39  | RE154099 | KIT                | 1   |                    | X           |   |
| ..  | UN7189   | SEALANT            | 1   |                    | X           | (SUB TY16021)   |

(A) W/O HITCH  
W/O ATTELAGE  
W/O ANHAENGEVORRICHTUNG  
W/O ATTACCO  
W/O ENGANCHE  
W/O DRAG

# 5D15

DIFFERENTIAL & PTO

DIFFERENTIAL  
DIFFERENTIEL  
DIFFERENZIALE  
DIFERENCIAL  
DIFFERENTIAL  
RXP021613 -UN-21JUN96



RXP021613



# 5D16

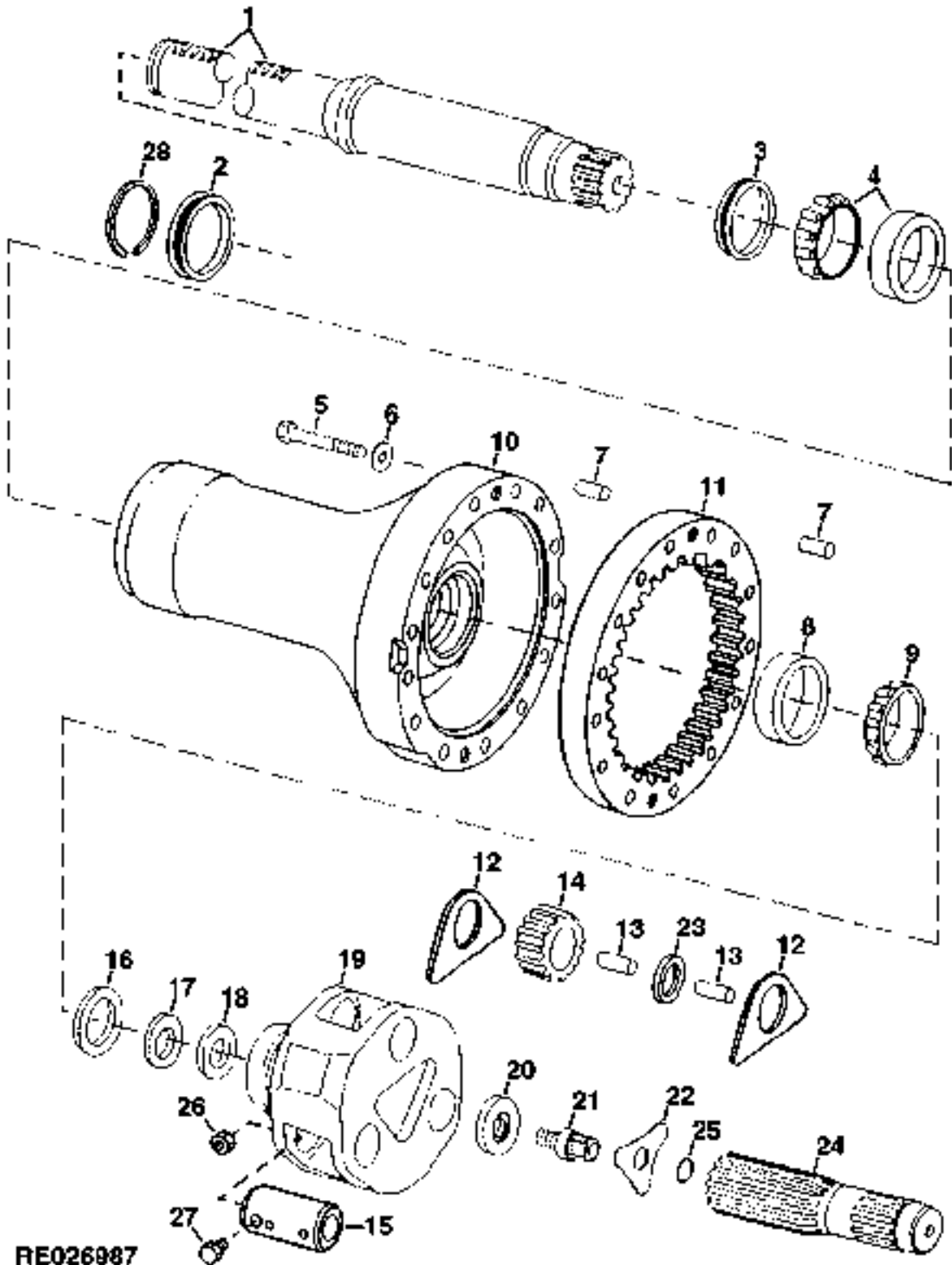
DIFFERENTIAL & PTO

| KEY | PART NO. | PART NAME               | QTY | AXLE<br>SERIAL NO. | A<br>L<br>L | REMARKS                                |
|-----|----------|-------------------------|-----|--------------------|-------------|--|
| 1   | RE46800  | DISK, WITH INNER SPLINE | 3   | -011593            | X           | (SUB RE64004) (ALSO ORDER R128328)     |
|     | RE64004  | DISK, WITH INNER SPLINE | 3   | 011594-            | X           |  |
| 2   | R109486  | CLUTCH DISK             | 3   |                    | X           |  |
| 3   | R109483  | PISTON                  | 1   |                    | X           |  |
| 4   | R109481  | COVER                   | 1   |                    | X           |  |
| 5   | R135543  | WASHER                  | 12  |                    | X           |  |
| 6   | R119211  | SCREW                   | 12  |                    | X           |  |
| 7   | JD9069   | BEARING CONE            | 1   |                    | X           |  |
| 8   | JD9127   | BEARING CUP             | 1   |                    | X           |  |
| 9   | R119126  | RING                    | 2   |                    | X           |  |
| 10  | R59384   | RING                    | 1   |                    | X           |  |
| 11  | R84609   | O-RING                  | 1   |                    | X           |  |
| 12  | AT107509 | PLUG                    | 1   |                    | X           |  |
| 13  | RE64806  | QUILL                   | 1   |                    | X           | (MARKED R109487)                       |
| 14  | R109822  | LOCK PLATE              | 2   |                    | X           |  |
| 15  | R88246   | CAP SCREW               | 2   |                    | X           | (SUB FOR R84570)                       |
| 16  | R109480  | HOUSING                 | 1   |                    | X           |  |
| 17  | R99466   | THRUST WASHER           | 2   |                    | X           |  |
| 18  | R109489  | BEVEL GEAR              | 1   |                    | X           |  |
| 19  | R129557  | HUB                     | 1   |                    | X           | (SUB FOR R126002)                      |
| 20  | R109488  | GEAR                    | 1   | -011593            | X           | (SUB R128328) (ALSO ORDER (3) RE64004) |
|     | R128328  | GEAR                    | 1   | 011594-            | X           |  |
| 21  | R68167   | WASHER                  | 6   |                    | X           |  |
| 22  | R134733  | PINION                  | 3   |                    | X           | (SUB FOR R67784)                       |
| 23  | R55081   | NEEDLE ROLLER           | 18  |                    | X           |  |
| 24  | R68166   | THRUST WASHER           | 3   |                    | X           |  |
| 25  | R115566  | SHAFT                   | 3   |                    | X           |  |
| 26  | R115567  | CAP SCREW               | 3   |                    | X           |  |
| 27  | JD8214   | BEARING CUP             | 1   |                    | X           |  |
| 28  | JD8191   | BEARING CONE            | 1   |                    | X           |  |
| 29  | R111410  | QUILL                   | 1   |                    | X           |  |

# 5D17

DIFFERENTIAL & PTO

PLANETARY AND AXLE SHAFT (8100, 8200)(100MM)  
PLANETAIRE ET ARBRE D'ESSIEU (8100, 8200)  
PLANETENGETRIEBE UND ACHSWELLE (8100, 8200)  
GRUPPO PLANETARIO ED ALBERO DELL'ASSALE (8100, 8200)  
PLANETARIO Y EJE (8100, 8200)  
PLANETVAEXEL OCH AXEL (8100, 8200)  
RE026987 -UN-23MAY96



RE026987

# 5D18

DIFFERENTIAL & PTO

| KEY | PART NO. | PART NAME             | QTY | AXLE<br>SERIAL NO. | 8 8<br>1 2<br>0 0<br>0 0 | REMARKS           |
|-----|----------|-----------------------|-----|--------------------|--------------------------|-------------------|
| 1   | R109847  | SPINDLE               | 2   |                    | X X                      | (A)               |
|     | R109848  | SHAFT                 | 2   |                    | X X                      | (B)               |
|     | R109849  | SHAFT                 | 2   |                    | X X                      | (C)               |
| 2   | R127247  | SEAL                  | 2   | -042113            | X X                      | (SUB FOR R114347) |
|     | R163305  | SEAL                  | 2   | 042114-            | X X                      |                   |
| 3   | R112071  | BUSHING               | 2   |                    | X X                      |                   |
| 4   | RE50957  | BEARING               | 2   |                    | X X                      |                   |
| 5   | 19M8622  | CAP SCREW             | 28  |                    | X X                      | HS 12.9           |
| 6   | R135543  | WASHER                | 28  |                    | X X                      |                   |
| 7   | R54380   | DOWEL PIN             | 8   |                    | X X                      |                   |
| 8   | JD8248   | BEARING CUP           | 2   |                    | X X                      |                   |
| 9   | JD9018   | BEARING CONE          | 2   |                    | X X                      |                   |
| 10  | R109846  | HOUSING               | 2   |                    | X X                      |                   |
| 11  | R135966  | GEAR                  | 2   |                    | X X                      | (SUB FOR R124631) |
| 12  | R121239  | THRUST WASHER         | 12  |                    | X X                      |                   |
| 13  | R94655   | NEEDLE ROLLER         | 408 |                    | X X                      |                   |
| 14  | R124629  | PLANET PINION         | 6   |                    | X X                      |                   |
| 15  | R125069  | PINION SHAFT          | 6   |                    | X X                      |                   |
| 16  | R52389   | SHIM                  | AR  |                    | X X                      |                   |
| 17  | R59439   | SHIM                  | AR  |                    | X X                      | 0.13 MM           |
|     | R59440   | SHIM                  | AR  |                    | X X                      | 0.51 MM           |
|     | R61461   | SHIM                  | AR  |                    | X X                      | 0.076 MM          |
|     | R79989   | SHIM                  | AR  |                    | X X                      | 0.178 MM          |
| 18  | F2380R   | WASHER                | 2   |                    | X X                      |                   |
| 19  | R111467  | PLANET PINION CARRIER | 2   |                    | X X                      |                   |
| 20  | R110303  | SPACER                | 2   |                    | X X                      |                   |
| 21  | R81162   | BOLT                  | 2   |                    | X X                      |                   |
| 22  | R94545   | LOCK PLATE            | 2   |                    | X X                      |                   |
| 23  | R107242  | SPACER                | 2   |                    | X X                      |                   |
| 24  | R111450  | PINION                | 2   |                    | X X                      |                   |
| 25  | F3171R   | O-RING                | 2   |                    | X X                      |                   |
| 26  | 14M7452  | LOCK NUT              | 6   |                    | X X                      | M8                |
| 27  | R125362  | BOLT                  | 6   |                    | X X                      |                   |
| 28  | R59843   | SNAP RING             | 1   |                    | X X                      | 100 MM            |

(A) SHORT (857 X 100MM)  
 COURT (857 X 100MM)  
 KURZ (857 X 100MM)  
 CORTO (857 X 100MM)  
 CORTO (857 X 100MM)  
 KORT (857 X 100MM)

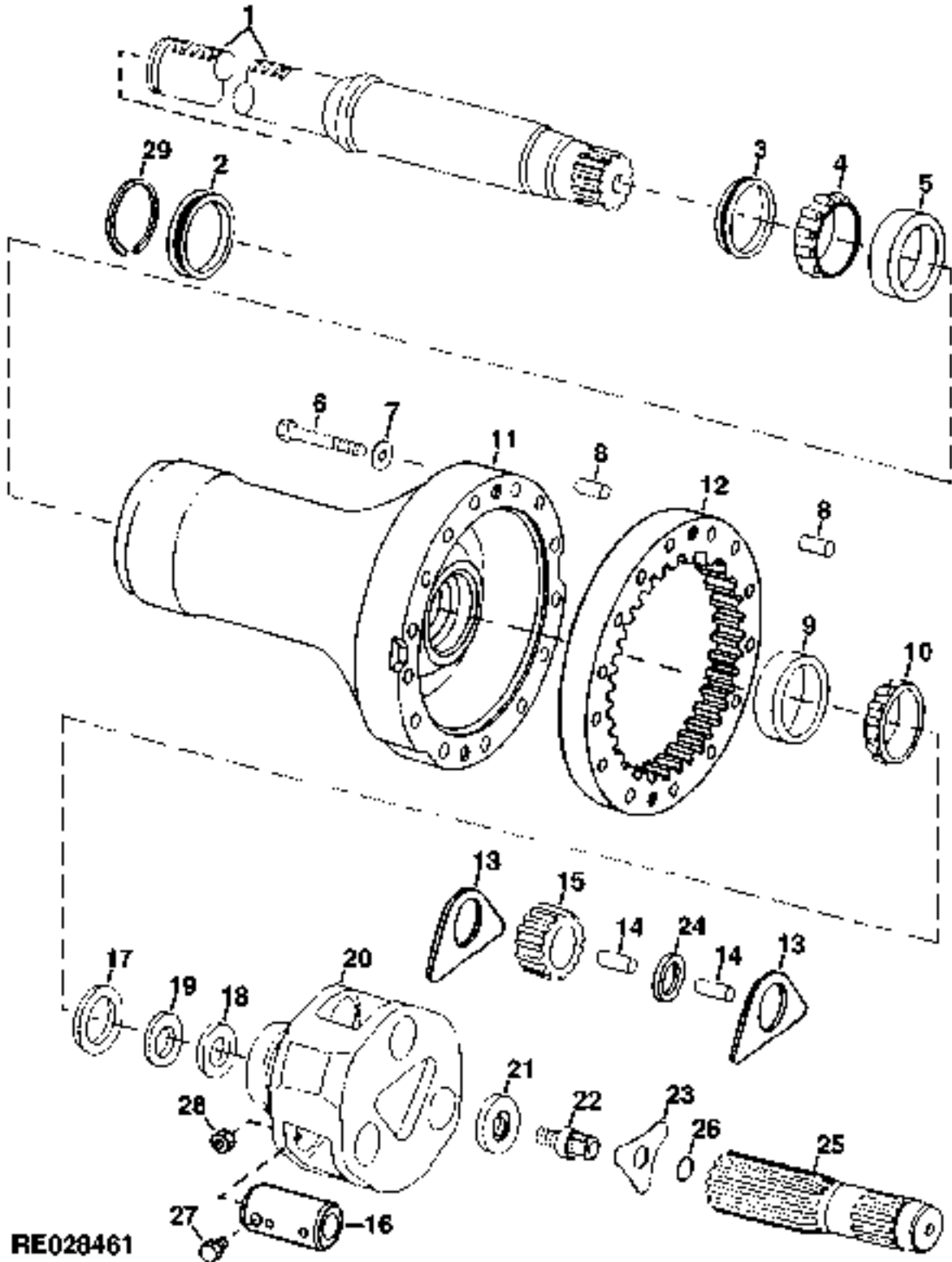
(B) LONG (1042 X 100MM)  
 LONG (1042 X 100MM)  
 LANG (1042 X 100MM)  
 LUNGO (1042 X 100MM)  
 LARGO (1042 X 100MM)  
 LAANG (1042 X 100MM)

(C) EXTRA LONG (1144 X 100MM)  
 EXTRA LONG (1144 X 100MM)  
 EXTRALANG (1144 X 100MM)  
 EXTRA LUNGO (1144 X 100MM)  
 EXTRA LARGO (1144 X 100MM)  
 EXTRALAANG (1144 X 100MM)

# 5D19

DIFFERENTIAL & PTO

PLANETARY AND AXLE SHAFT (8100, 8200)(110MM)  
PLANETAIRE ET ARBRE D'ESSIEU (8100, 8200)  
PLANETENGETRIEBE UND ACHSWELLE (8100, 8200)  
GRUPPO PLANETARIO ED ALBERO DELL'ASSALE (8100, 8200)  
PLANETARIO Y EJE (8100, 8200)  
PLANETVAEXEL OCH AXEL (8100, 8200)  
RE028461 -UN-17OCT97



RE028461

# 5D20

DIFFERENTIAL & PTO

| KEY | PART NO. | PART NAME             | QTY | AXLE       |     | REMARKS           |
|-----|----------|-----------------------|-----|------------|-----|-------------------|
|     |          |                       |     | SERIAL NO. |     |                   |
|     |          |                       |     |            | 8 8 |                   |
|     |          |                       |     |            | 1 2 |                   |
|     |          |                       |     |            | 0 0 |                   |
|     |          |                       |     |            | 0 0 |                   |
| 1   | R109843  | SHAFT                 | 2   |            | X X | (A)               |
|     | R109845  | SHAFT                 | 2   |            | X X | (B)               |
| 2   | R111904  | BUSHING               | 2   |            | X X |                   |
| 3   | R127247  | SEAL                  | 2   | -042113    | X X | (SUB FOR R114347) |
|     | R163305  | SEAL                  | 2   | 042114-    | X X |                   |
| 4   | JD10134  | BEARING CONE          | 2   |            | X X |                   |
| 5   | JD10135  | BEARING CUP           | 2   |            | X X |                   |
| 6   | 19M8190  | CAP SCREW             | 28  |            | X X | M16 X 180 HS 12.9 |
| 7   | R135543  | WASHER                | 28  |            | X X |                   |
| 8   | R54380   | DOWEL PIN             | 8   |            | X X |                   |
| 9   | JD9127   | BEARING CUP           | 2   |            | X X |                   |
| 10  | JD9069   | BEARING CONE          | 2   |            | X X |                   |
| 11  | R109842  | HOUSING               | 2   |            | X X |                   |
| 12  | R135967  | GEAR                  | 2   |            | X X | (SUB FOR R124632) |
| 13  | R121239  | THRUST WASHER         | 12  |            | X X |                   |
| 14  | R63575   | NEEDLE ROLLER         | 408 |            | X   | (C)               |
| 15  | R124629  | PLANET PINION         | 6   |            | X X | (C)               |
| 16  | R125069  | PINION SHAFT          | 6   |            | X X | (C)               |
| 17  | R63237   | SHIM                  | 2   |            | X X |                   |
| 18  | R59439   | SHIM                  | AR  |            | X X |                   |
|     | R59440   | SHIM                  | AR  |            | X X |                   |
|     | R61461   | SHIM                  | AR  |            | X X |                   |
|     | R79989   | SHIM                  | AR  |            | X X |                   |
| 19  | F2380R   | WASHER                | 2   |            | X X |                   |
| 20  | R111449  | PLANET PINION CARRIER | 2   |            | X   | (C)               |
| 21  | R86675   | SPACER                | 2   |            | X X |                   |
| 22  | R81162   | BOLT                  | 2   |            | X X |                   |
| 23  | R69549   | PLATE                 | 2   |            | X X |                   |
| 24  | R107242  | SPACER                | 2   |            | X X |                   |
| 25  | R134669  | PINION                | 2   |            | X X | (SUB FOR R109840) |
| 26  | F3171R   | O-RING                | 2   |            | X X |                   |
| 27  | R125362  | BOLT                  | 6   |            | X X |                   |
| 28  | 14M7452  | LOCK NUT              | 6   |            | X X | M8                |
| 29  | R71975   | SNAP RING             | 1   |            | X X | 110 MM            |

(A) SHORT (824 X 110MM)  
 COURT (824 X 110MM)  
 KURZ (824 X 110MM)  
 CORTO (824 X 110MM)  
 CORTO (824 X 110MM)  
 KORT (824 X 110MM)

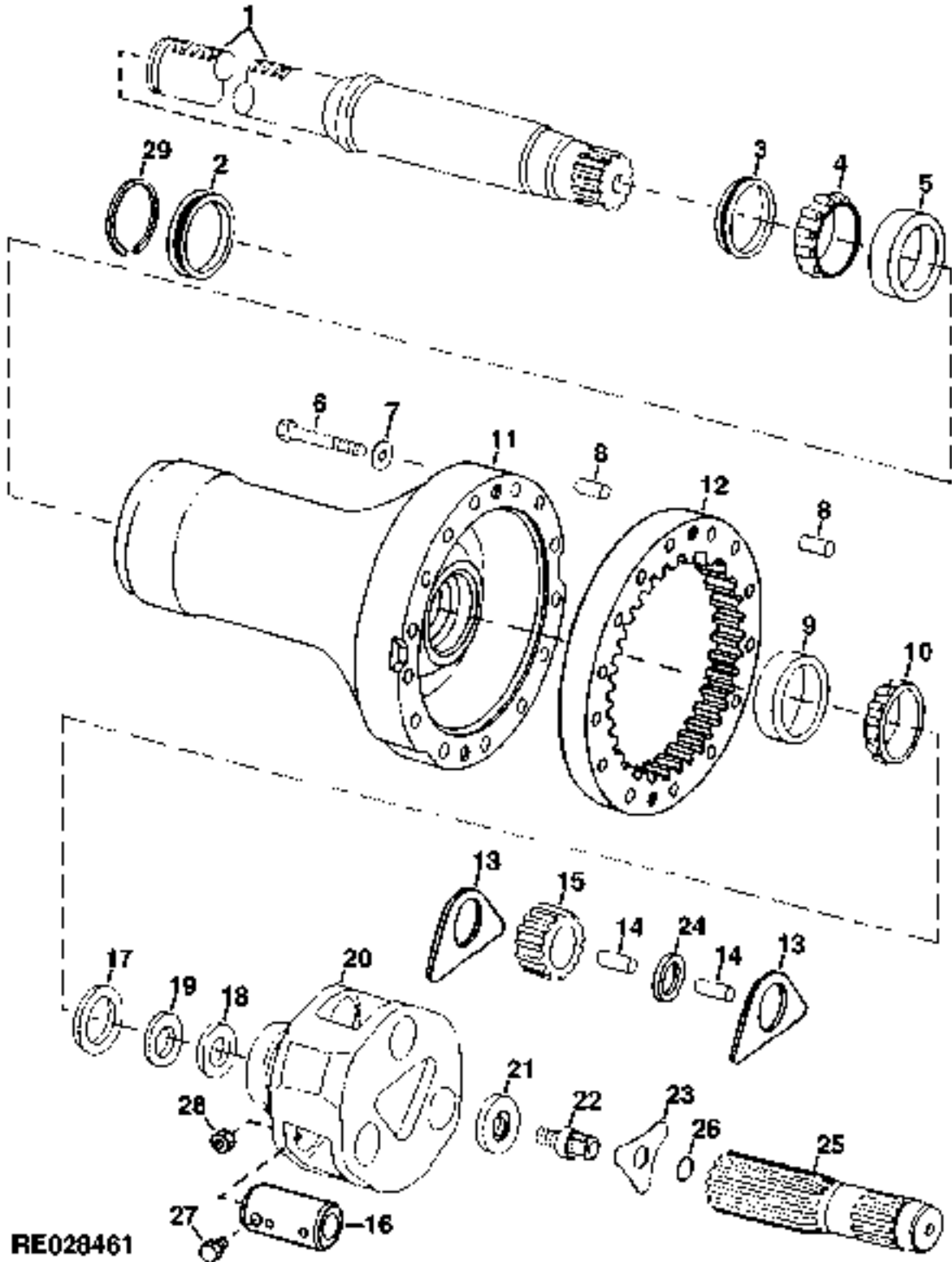
(B) LONG (1111 X 110MM)  
 LONG (1111 X 110MM)  
 LANG (1111 X 110MM)  
 LUNGO (1111 X 110MM)  
 LARGO (1111 X 110MM)  
 LAANG (1111 X 110MM)

(C) W/O MECHANICAL FRONT WHEEL DRIVE  
 W/O TRACTION AVANT MECANIQUE  
 W/O MECHANISCHER FRONTANTRIEB  
 W/O TRAZIONE ANTERIORE MECANICA  
 W/O TRACCION DELANTERA  
 W/O MEKANISK FRAMHJULSDRIVNING

# 5D21

DIFFERENTIAL & PTO

PLANETARY AND AXLE SHAFT (8300, 8400)(110MM)  
PLANETAIRE ET ARBRE D'ESSIEU (8300, 8400)  
PLANETENGETRIEVE UND ACHSWELLE (8300, 8400)  
GRUPPO PLANETARIO ED ALBERO DELL'ASSALE (8300, 8400)  
PLANETARIO Y EJE (8300, 8400)  
PLANETVAEXEL OCH AXEL (8300, 8400)  
RE028461 -UN-17OCT97



RE028461

| KEY | PART NO. | PART NAME             | QTY | AXLE<br>SERIAL NO. | REMARKS           |
|-----|----------|-----------------------|-----|--------------------|-------------------|
|     |          |                       |     | 8 8                |                   |
|     |          |                       |     | 3 4                |                   |
|     |          |                       |     | 0 0                |                   |
|     |          |                       |     | 0 0                |                   |
| 1   | R109843  | SHAFT                 | 2   | X X                | (A)               |
|     | R109845  | SHAFT                 | 2   | X X                | (B)               |
| 2   | R111904  | BUSHING               | 2   | X X                |                   |
| 3   | R127247  | SEAL                  | 1   | -042113 X X        | (SUB FOR R114347) |
|     | R163305  | SEAL                  | 1   | 042114- X X        |                   |
| 4   | JD10134  | BEARING CONE          | 2   | X X                |                   |
| 5   | JD10135  | BEARING CUP           | 2   | X X                |                   |
| 6   | 19M8190  | CAP SCREW             | 28  | X X                | M16 X 180 HS 12.9 |
| 7   | R135543  | WASHER                | 28  | X X                |                   |
| 8   | R54380   | DOWEL PIN             | 8   | X X                |                   |
| 9   | JD9127   | BEARING CUP           | 2   | X X                |                   |
| 10  | JD9069   | BEARING CONE          | 2   | X X                |                   |
| 11  | R109842  | HOUSING               | 2   | X X                |                   |
| 12  | R135967  | GEAR                  | 2   | X X                | (SUB FOR R124632) |
| 13  | R121239  | THRUST WASHER         | 12  | X X                |                   |
| 14  | R94655   | NEEDLE ROLLER         | 408 | X                  | (C)               |
|     | R63575   | NEEDLE ROLLER         | 408 | X                  | (D)               |
|     | R63575   | NEEDLE ROLLER         | 408 | X                  | (C)               |
| 15  | R124630  | PLANET PINION         | 6   | X                  | (D)               |
|     | R124629  | PLANET PINION         | 6   | X                  | (C)               |
|     | R124630  | PLANET PINION         | 6   | X                  | (C)               |
| 16  | R125070  | PINION SHAFT          | 6   | X                  | (D)               |
|     | R125069  | PINION SHAFT          | 6   | X                  | (C)               |
|     | R125070  | PINION SHAFT          | 6   | X                  | (C)               |
| 17  | R63237   | SHIM                  | 2   | X X                |                   |
| 18  | R59439   | SHIM                  | AR  | X X                |                   |
|     | R59440   | SHIM                  | AR  | X X                |                   |
|     | R61461   | SHIM                  | AR  | X X                |                   |
|     | R79989   | SHIM                  | AR  | X X                |                   |
| 19  | F2380R   | WASHER                | 2   | X X                |                   |
| 20  | R115413  | PLANET PINION CARRIER | 2   | X                  | (D)               |
|     | R111449  | PLANET PINION CARRIER | 2   | X                  | (C)               |
|     | R115413  | PLANET PINION CARRIER | 2   | X                  | (C)               |
| 21  | R86675   | SPACER                | 2   | X X                |                   |
| 22  | R81162   | BOLT                  | 2   | X X                |                   |
| 23  | R69549   | PLATE                 | 2   | X X                |                   |
| 24  | R107242  | SPACER                | 6   | X X                |                   |
| 25  | R134669  | PINION                | 2   | X X                | (SUB FOR R109840) |
| 26  | F3171R   | O-RING                | 2   | X X                |                   |
| 27  | R125362  | BOLT                  | 6   | X X                |                   |
| 28  | 14M7452  | LOCK NUT              | 6   | X X                | M8                |
| 29  | R71975   | SNAP RING             | 1   | X X                | 110 MM            |
| ..  | TY16021  | SEALANT               | 1   | X X                |                   |

(A) SHORT (824 X 110MM)  
 COURT (824 X 110MM)  
 KURZ (824 X 110MM)  
 CORTO (824 X 110MM)  
 CORTO (824 X 110MM)  
 KORT (824 X 110MM)

(B) LONG (1111 X 110MM)  
 LONG (1111 X 110MM)  
 LANG (1111 X 110MM)  
 LUNGO (1111 X 110MM)  
 LARGO (1111 X 110MM)  
 LAANG (1111 X 110MM)

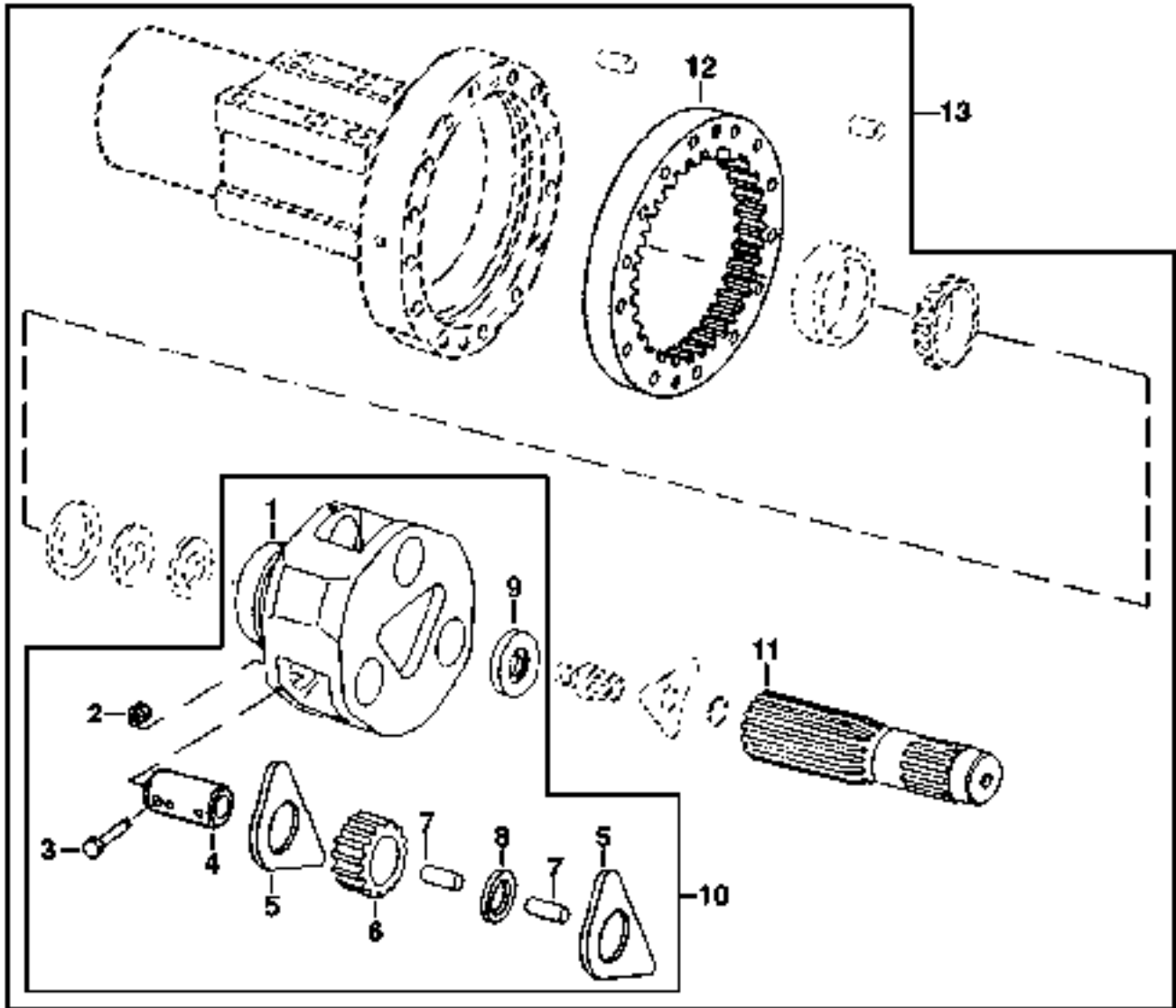
(C) W/ MECHANICAL FRONT WHEEL DRIVE  
 W/ TRACTION AVANT MECANIQUE  
 W/ MECHANISCHER FRONTANTRIEB  
 W/ TRAZIONE ANTERIORE MECANNICA  
 W/ TRACCION DELANTERA  
 W/ MEKANISK FRAMHJULSDRIVNING

(D) W/O MECHANICAL FRONT WHEEL DRIVE  
 W/O TRACTION AVANT MECANIQUE  
 W/O MECHANISCHER FRONTANTRIEB  
 W/O TRAZIONE ANTERIORE MECANNICA  
 W/O TRACCION DELANTERA  
 W/O MEKANISK FRAMHJULSDRIVNING

# 5D23

DIFFERENTIAL & PTO

FINAL DRIVE/HEAVY DUTY KIT (8300, 8400)  
REDUCTEUR/POUR SERVICE SEV'RE  
ENDANTRIEBE/SCHWERE AUSFUEHRUNG  
COPPIA CONICA/PER SERVIZIO PESANTE  
MANDO FINAL/SERVICIO SEVERO  
BAKAXELVAEXEL/EXTRA KRAFTIG  
RXP021528 -UN-09MAY96



**RXP021528**



# 5D24

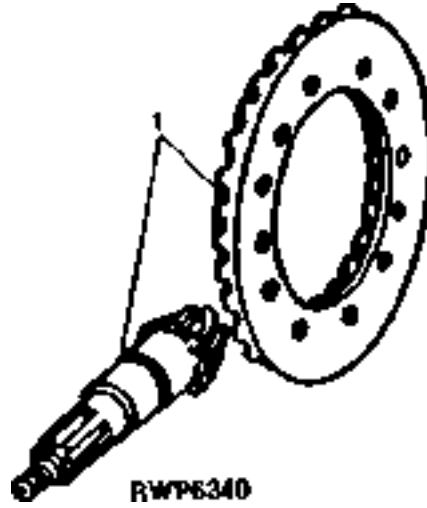
DIFFERENTIAL & PTO

| KEY | PART NO. | PART NAME             | QTY | AXLE       |   | REMARKS           |
|-----|----------|-----------------------|-----|------------|---|-------------------|
|     |          |                       |     | SERIAL NO. |   |                   |
|     |          |                       |     | 8          | 8 |                   |
|     |          |                       |     | 3          | 4 |                   |
|     |          |                       |     | 0          | 0 |                   |
|     |          |                       |     | 0          | 0 |                   |
| 1   | R115413  | PLANET PINION CARRIER | 1   | X          | X |                   |
| 2   | 14M7452  | LOCK NUT              | 3   | X          | X | M8                |
| 3   | R125362  | BOLT                  | 3   | X          | X |                   |
| 4   | R125070  | PINION SHAFT          | 3   | X          | X |                   |
| 5   | R121239  | THRUST WASHER         | 6   | X          | X |                   |
| 6   | R124630  | PLANET PINION         | 3   | X          | X |                   |
| 7   | R63575   | NEEDLE ROLLER         | 204 | X          | X |                   |
| 8   | R107242  | SPACER                | 3   | X          | X |                   |
| 9   | R86675   | SPACER                | 1   | X          | X |                   |
| 10  | RE49256  | PLANET PINION CARRIER | 1   | X          | X |                   |
| 11  | R134669  | PINION                | 1   | X          | X | (SUB FOR R109840) |
| 12  | R135967  | GEAR                  | 1   | X          | X | (SUB FOR R124632) |
| 13  | RE63683  | KIT                   | 1   | X          | X |                   |

# 5D25

DIFFERENTIAL & PTO

SPIRAL BEVEL WITH SHAFT  
ENGRENAGE HELICOIDAL AVEC ARBRE  
SCHRAEGERZAHNTES KEGELRAD MIT WELLE  
INGRANAGGIO CONICO SPIROIDALE CON ALBERO  
ENGRANAJE HELICOIDAL CONICO CON EJE  
KONISKT KUGGHJUL MED AXEL  
RWP6340 -UN-01JAN94



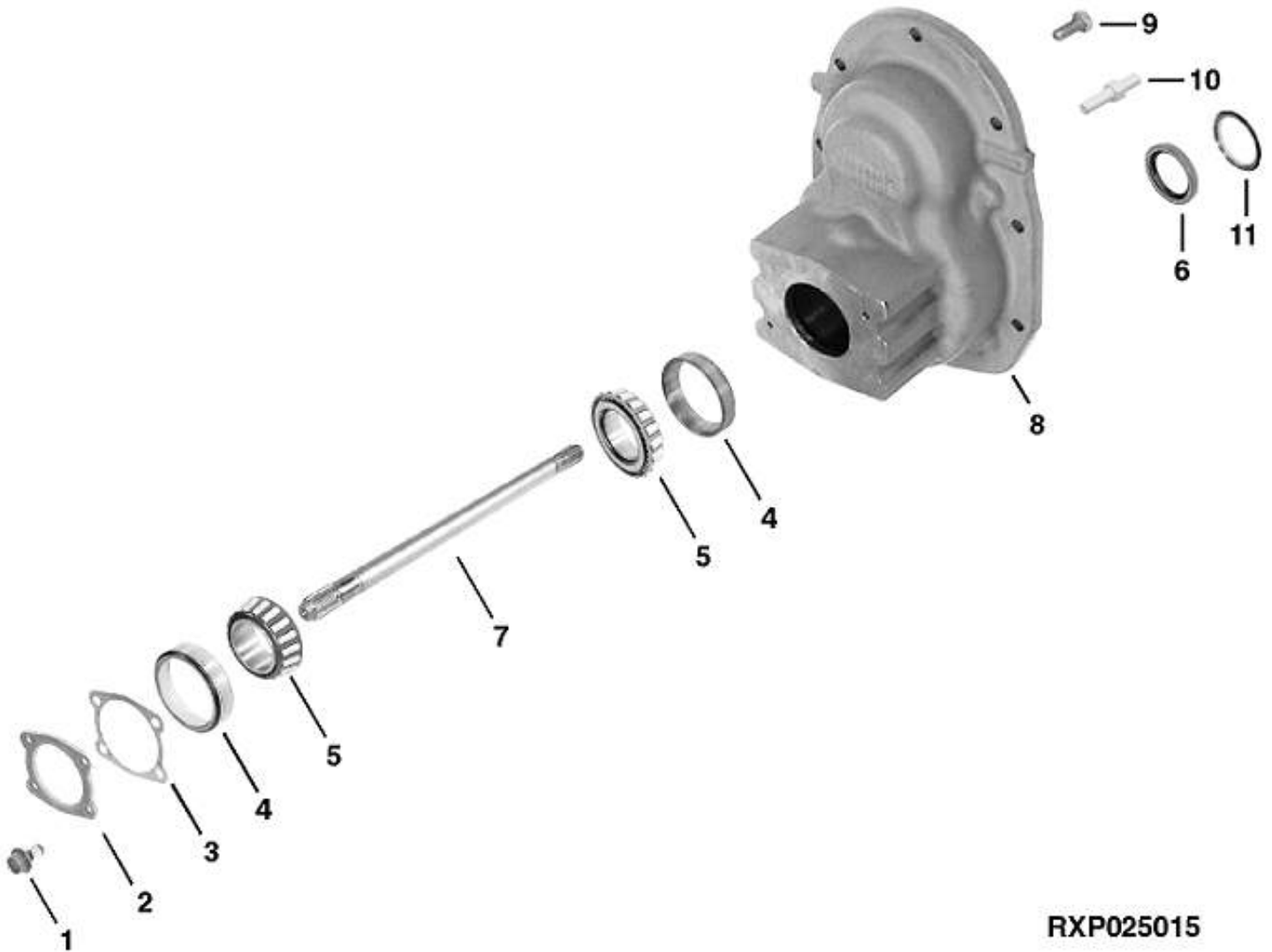
| KEY | PART NO. | PART NAME | QTY | AXLE<br>SERIAL NO. | A | REMARKS                      |
|-----|----------|-----------|-----|--------------------|---|------------------------------|
|     |          |           |     |                    | L |                              |
| 1   | RE54453  | GEAR      | 1   |                    | X | (MARKED R119442 AND R119443) |

MEMORANDA  
MEMORANDA  
MEMORANDA  
MEMORANDA  
MEMORANDA

# 5E1

DIFFERENTIAL & PTO

STANDARD PTO  
PDF STANDARD  
STANDARD-ZAPFWELLE  
PTO STANDARD  
TDF NORMAL  
STANDARD KRAFTUTTAG  
RXP025015 -UN-01JAN94



**RXP025015**

# 5E2

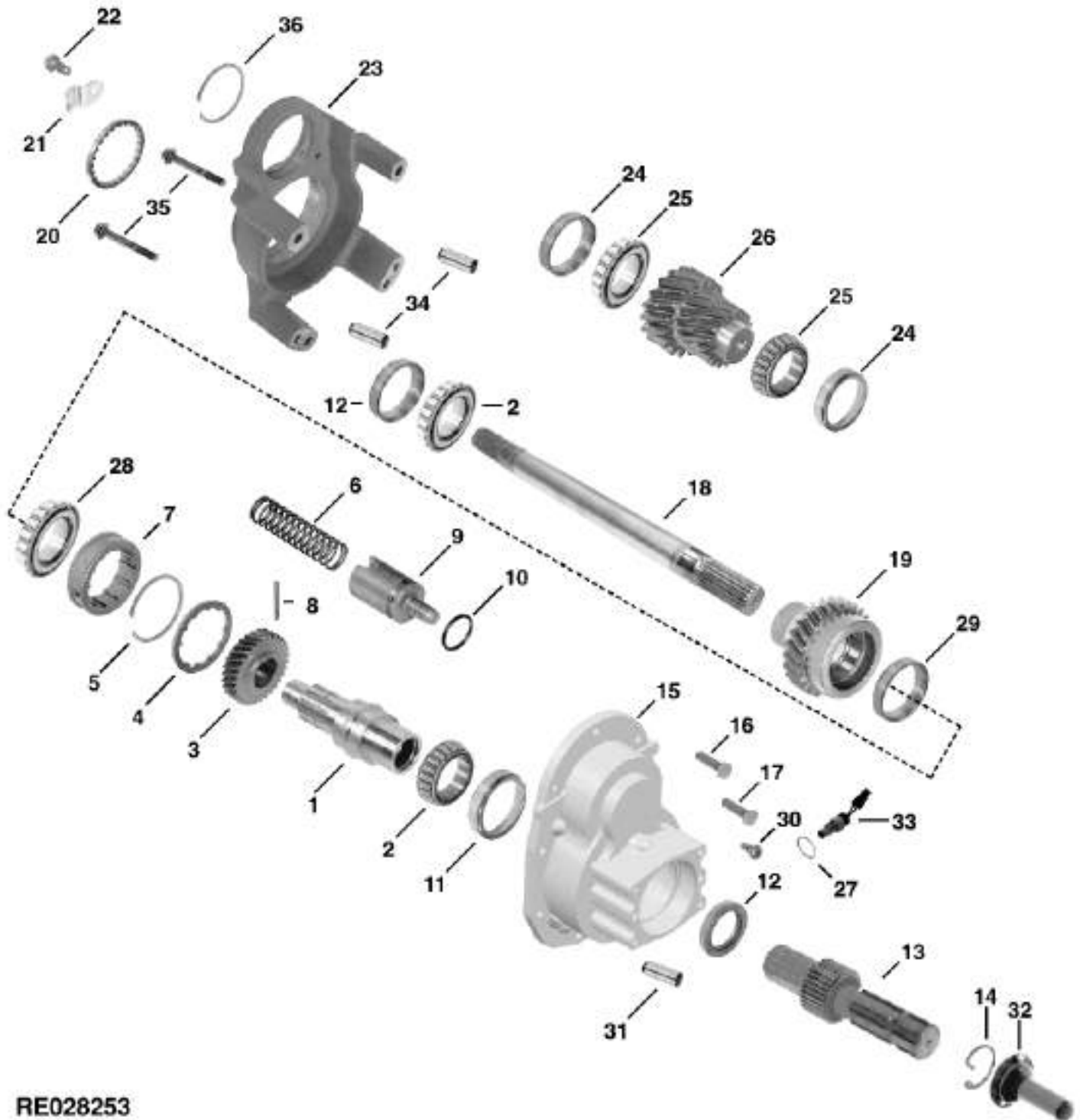
DIFFERENTIAL & PTO

| KEY | PART NO. | PART NAME    | QTY | AXLE<br>SERIAL NO. | A<br>L<br>L | REMARKS           |
|-----|----------|--------------|-----|--------------------|-------------|-------------------|
| 1   | R153676  | SCREW        | 4   |                    | X           | HS 10.9           |
| 2   | R73040   | PLATE        | 1   |                    | X           |                   |
| 3   | RE68293  | KIT          | 2   |                    | X           |                   |
| 4   | JD7297   | BEARING CUP  | 2   |                    | X           |                   |
| 5   | JD7370   | BEARING CONE | 2   |                    | X           |                   |
| 6   | RE14439  | SEAL         | 1   |                    | X           |                   |
| 7   | R110061  | SHAFT        | 1   |                    | X           |                   |
| 8   | R122905  | HOUSING      | 1   |                    | X           | (SUB FOR R108568) |
| 9   | R153676  | SCREW        | 5   |                    | X           | HS 10.9           |
| 10  | R126027  | CAP SCREW    | 4   |                    | X           |                   |
| 11  | R116086  | SEAL         | 1   |                    | X           |                   |

# 5E3

DIFFERENTIAL & PTO

OPTIONAL PTO  
PDF EN OPTION  
ZUSATZ-ZAPFWELLE  
PTO OPZIONALE  
TDF OPCIONAL  
ALTERNATIVT KRAFTUTTAG  
RE028253 -UN-22AUG97



RE028253

# 5E4

DIFFERENTIAL & PTO

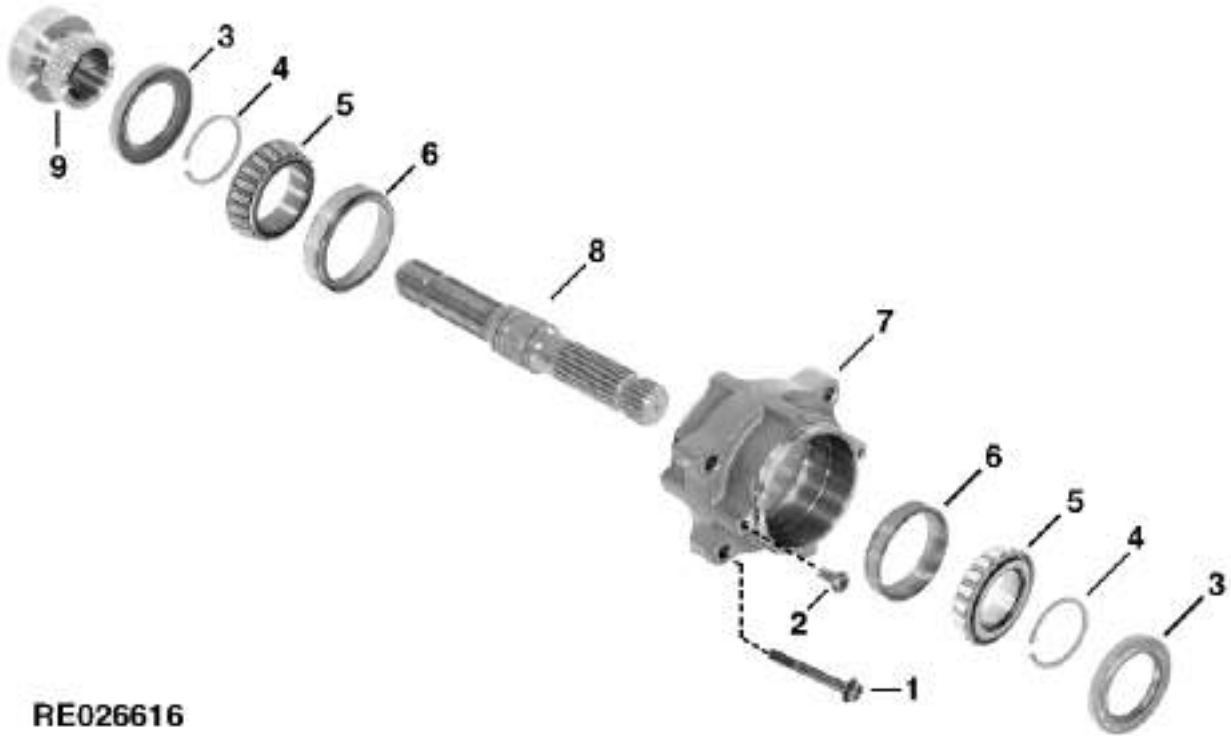
| KEY | PART NO. | PART NAME     | QTY | AXLE<br>SERIAL NO. | A<br>L<br>L | REMARKS           |
|-----|----------|---------------|-----|--------------------|-------------|-------------------|
| 1   | R122908  | SHAFT         | 1   |                    | X           |                   |
| 2   | JD7378   | BEARING CONE  | 2   |                    | X           |                   |
| 3   | R125980  | GEAR          | 1   |                    | X           |                   |
| 4   | R95784   | THRUST WASHER | 1   |                    | X           |                   |
| 5   | L33035   | SNAP RING     | 1   |                    | X           |                   |
| 6   | R93485   | SPRING        | 1   |                    | X           |                   |
| 7   | R125178  | SHIFT COLLAR  | 1   |                    | X           |                   |
| 8   | 34M7074  | SPRING PIN    | 1   |                    | X           | 8 X 75 MM         |
| 9   | R125086  | PLUNGER       | 1   |                    | X           |                   |
| 10  | R122750  | O-RING        | 1   |                    | X           |                   |
| 11  | JD7292   | BEARING CUP   | 2   |                    | X           |                   |
| 12  | RE38725  | SEAL          | 1   |                    | X           |                   |
| 13  | R122910  | SHAFT         | 1   |                    | X           | 1-3/4" 1000 RPM   |
| 14  | R38221   | SNAP RING     | 1   |                    | X           |                   |
| 15  | R122904  | HOUSING       | 1   |                    | X           |                   |
| 16  | R153676  | SCREW         | 5   |                    | X           | HS 10.9           |
| 17  | R126027  | CAP SCREW     | 4   |                    | X           |                   |
| 18  | R122912  | SHAFT         | 1   |                    | X           |                   |
| 19  | R126104  | GEAR          | 1   |                    | X           |                   |
| 20  | R106843  | RING          | 1   |                    | X           |                   |
| 21  | R106839  | RETAINER      | 1   |                    | X           |                   |
| 22  | R88246   | CAP SCREW     | 1   |                    | X           | 8M X 16           |
| 23  | R122907  | HOUSING       | 1   |                    | X           |                   |
| 24  | JD8247   | BEARING CUP   | 2   |                    | X           |                   |
| 25  | JD10527  | BEARING CONE  | 2   |                    | X           |                   |
| 26  | R122906  | GEAR          | 1   |                    | X           |                   |
| 27  | 51M7044  | O-RING        | 1   |                    | X           |                   |
|     | RE501938 | PLUG          | 1   |                    | X           |                   |
| 28  | JD8100   | BEARING CONE  | 1   |                    | X           |                   |
| 29  | JD7424   | BEARING CUP   | 1   |                    | X           |                   |
| 30  | R27329   | SCREW         | 2   |                    | X           | (A)               |
| 31  | 44M7070  | DOWEL PIN     | 2   |                    | X           |                   |
| 32  | L64456   | GUARD         | 1   |                    | X           | (A)               |
| 33  | RE71121  | SENSOR        | 1   |                    | X           | (SUB FOR RE43511) |
| 34  | 44M7070  | DOWEL PIN     | 2   |                    | X           |                   |
| 35  | 19M7810  | SCREW         | 4   |                    | X           | M10 X 80          |
| 36  | RE47328  | KIT           | 1   |                    | X           |                   |

(A) EUROPEAN VERSION  
 VERSION EUROPEENNE  
 EUROPÄISCHE AUSFÜHRUNG  
 VERSIONE EUROPEA  
 VERSION EUROPEA  
 EUROPEISK VERSION

# 5E5

DIFFERENTIAL & PTO

OPTIONAL PTO  
PDF EN OPTION  
ZUSATZ-ZAPFWELLE  
PTO OPZIONALE  
TDF OPCIONAL  
ALTERNATIVT KRAFTUTTAG  
RE026616 -UN-08DEC95



RE026616

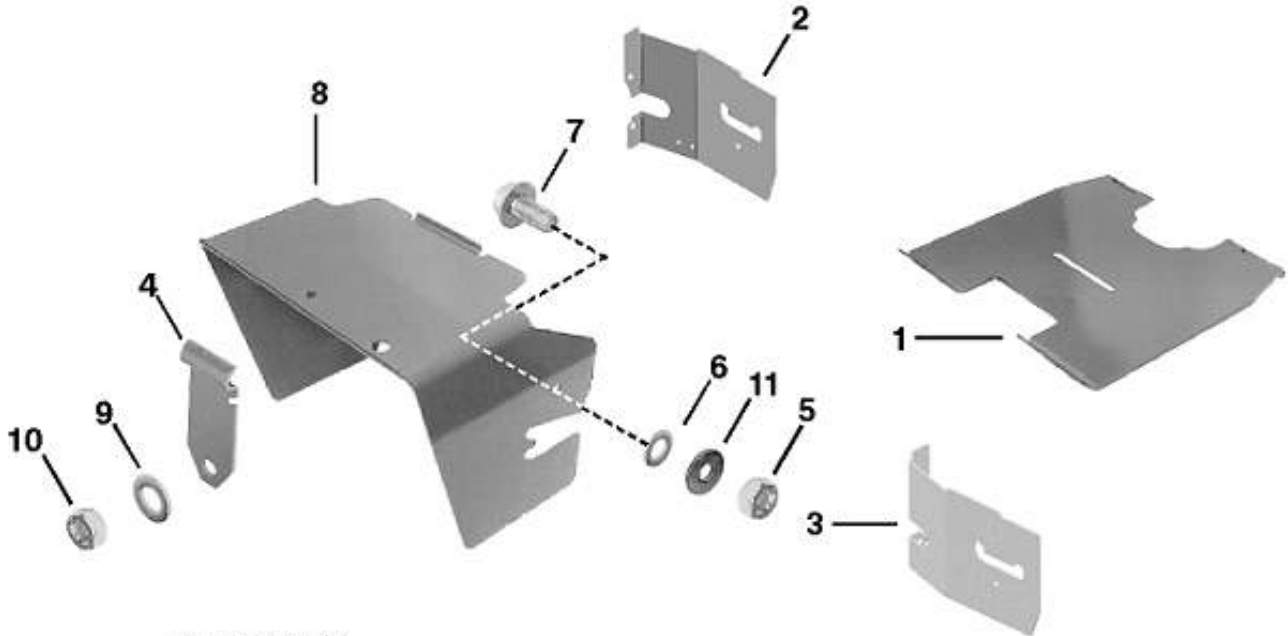


# 5E6

DIFFERENTIAL & PTO

| KEY | PART NO. | PART NAME    | QTY | AXLE<br>SERIAL NO. | A<br>L<br>L | REMARKS           |
|-----|----------|--------------|-----|--------------------|-------------|-------------------|
| 1   | 19M7810  | SCREW        | 4   |                    | X           | M10 X 80, HS 10.9 |
| 2   | R27329   | SCREW        | 4   |                    | X           |                   |
| 3   | RE60467  | SEAL         | 2   |                    | X           |                   |
| 4   | T44931   | SNAP RING    | 2   |                    | X           | 4.724MM(.186")    |
|     | T44932   | SNAP RING    | 1   |                    | X           | 4.267MM(.168")    |
|     | T44933   | SNAP RING    | 1   |                    | X           | 4.318MM(.170")    |
|     | T44934   | SNAP RING    | 1   |                    | X           | 4.368MM(.172")    |
|     | T44935   | SNAP RING    | 1   |                    | X           | 4.445MM(.175")    |
|     | T44936   | SNAP RING    | 1   |                    | X           | 4.597MM(.181")    |
|     | T44937   | SNAP RING    | 1   |                    | X           | 4.673MM(.184")    |
| 5   | JD7370   | BEARING CONE | 2   |                    | X           |                   |
| 6   | JD7297   | BEARING CUP  | 2   |                    | X           |                   |
| 7   | R122914  | HOUSING      | 1   |                    | X           |                   |
| 8   | R122909  | SHAFT        | 1   |                    | X           |                   |
| 9   | R122915  | BUSHING      | 1   |                    | X           |                   |

PTO MASTER SHIELD  
 ECRAN DE PROTECTION DE PDF  
 ZAPFWELLENHAUPTABDECKUNG  
 PROTEZIONE PRINCIPALE DELLA PRESA DI FORZA  
 ESCUDO PRINCIPAL DE LA TDF  
 KRAFTUTTAGETS CENTRALSKYDDSPLAAT  
 RXP025020 -UN-01JAN94



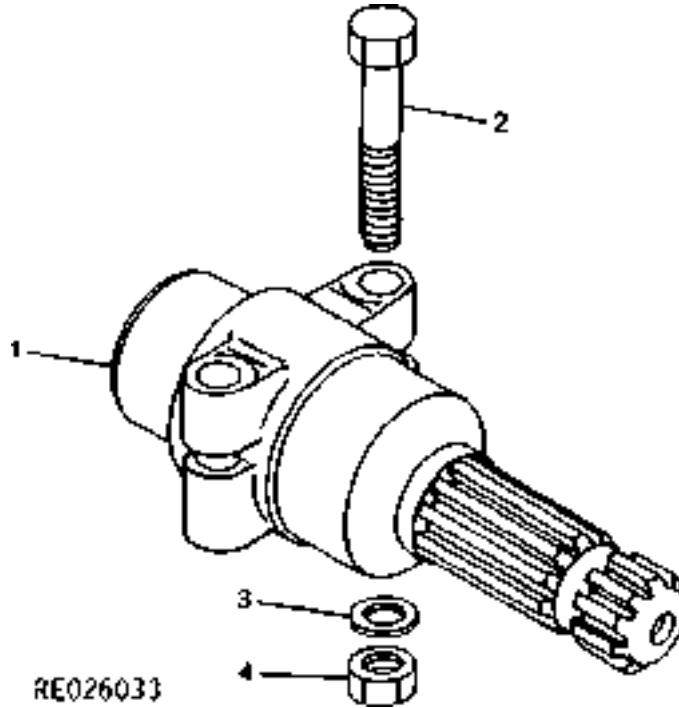
**RXP025020**

| KEY | PART NO. | PART NAME           | QTY | AXLE<br>SERIAL NO. | A | REMARKS                |
|-----|----------|---------------------|-----|--------------------|---|------------------------|
|     |          |                     |     |                    | L |                        |
| 1   | RE44871  | SHIELD              | 1   |                    | X |                        |
| 2   | RE60861  | STEEL               | 1   |                    | X |                        |
| 3   | RE60862  | SUPPORT             | 1   |                    | X |                        |
| 4   | R107454  | PTO SHIELD RETAINER | 2   |                    | X |                        |
| 5   | 14M7274  | NUT                 | 2   |                    | X | M10                    |
| 6   | R116948  | WASHER              | 6   |                    | X |                        |
| 7   | 21M7442  | SCREW               | 2   |                    | X | M10 X 20, HS 12.9      |
| 8   | R124049  | SHIELD              | 1   |                    | X |                        |
| 9   | 24M7346  | WASHER              | 4   |                    | X | (A) 11 X 20 X 2 MM     |
| 10  | 14M7274  | NUT                 | 4   |                    | X | M10                    |
| 11  | 24M7178  | WASHER              | 2   |                    | X | 10.500 X 30 X 2.500 MM |

(A) HARDENED  
 TREMPE  
 GEHAERTET  
 TEMPRATO  
 TEMPLADO  
 HAERDAD

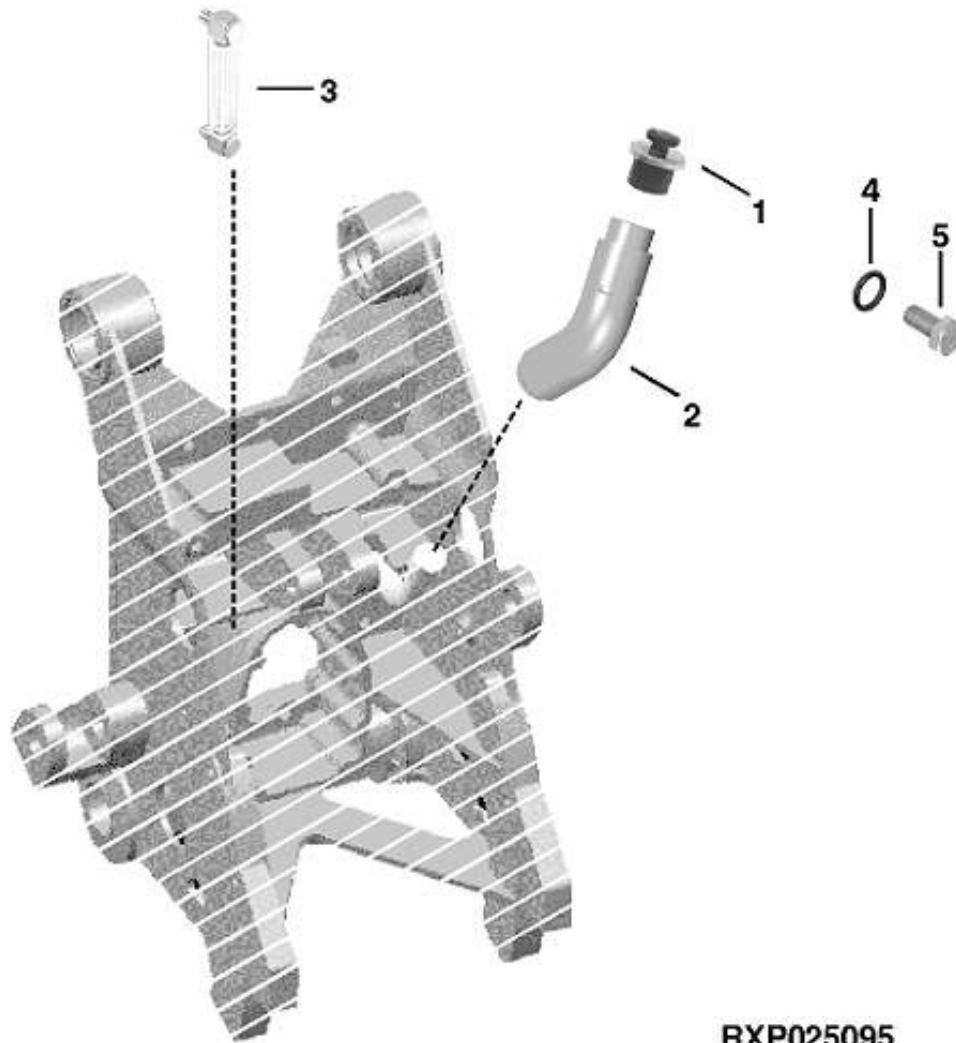
# 5E8

ADAPTER FOR 1 3/8" PTO  
 ADAPTATEUR POUR PDF DE 1 3/8" PO  
 ADAPTER FUER 1 3/8" ZOLL ZAPFWELLE  
 ADATTATORE PER PTO DA 1 3/8" POLLICI  
 ADAPTADOR PARA TDF DE 1 3/8" PULG.  
 ADAPTER FOER ETT KRAFTUTTAG PAA 1 3/8" TUM  
 RE026033 -UN-27FEB95



| KEY | PART NO. | PART NAME   | QTY | AXLE<br>SERIAL NO. | A | REMARKS       |
|-----|----------|-------------|-----|--------------------|---|---------------|
|     |          |             |     |                    | L |               |
| 1   | AR89543  | ADAPTER     | 1   |                    | X |               |
| 2   | 19H1974  | CAP SCREW   | 2   |                    | X | 1/2" X 2-3/4" |
| 3   | 12H301   | LOCK WASHER | 2   |                    | X | 1/2"          |
| 4   | 14H1040  | NUT         | 2   |                    | X | 1/2"          |
| ..  | R68682   | LABEL       | 1   |                    | X |               |

OIL FILL TUBE AND GAGE  
TUBE DE REMPLISSAGE ET JAUGE D'HUILE  
OELINFUELLROHR UND ANZEIGER  
TUBO DI RIFORMENTO DELL'OLIO E INDICATORE  
TUBO DE LLENADO DE ACEITE Y MEDIDOR  
OLJEPAAFYLLNINGSRÖR OCH MÄTARE  
RXP025095 -UN-01JAN94



RXP025095

# 5E10

DIFFERENTIAL & PTO

| KEY | PART NO. | PART NAME  | QTY | AXLE<br>SERIAL NO. | A<br>L<br>L | REMARKS           |
|-----|----------|------------|-----|--------------------|-------------|-------------------|
| 1   | RE28429  | FILLER CAP | 1   |                    | X           |                   |
| 2   | RE60349  | OIL TUBE   | 1   |                    | X           |                   |
| 3   | RE57519  | GAUGE      | 1   |                    | X           |                   |
| 4   | R30319   | O-RING     | 1   |                    | X           |                   |
| 5   | 19M7784  | SCREW      | 1   |                    | X           | M10 X 20, HS 10.9 |

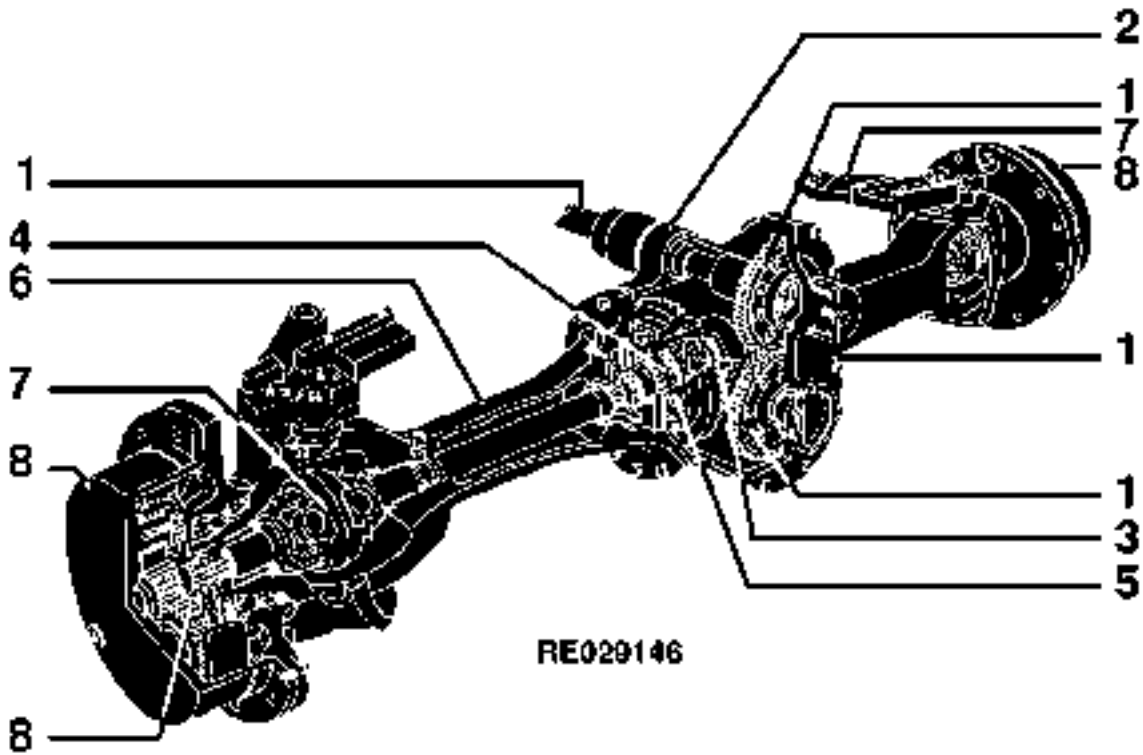
MEMORANDA  
MEMORANDA  
MEMORANDA  
MEMORANDA  
MEMORANDA

# 5E13

MFWD

SECTIONAL INDEX ASN( -077515)  
INDEX DE SECTION ASN( -077515)  
GRUPPENINDEX ASN( -077515)  
INDICE DELLA SEZIONE ASN( -077515)  
INDICE DE SECCION ASN( -077515)  
GRUPPSFORTECKNING ASN( -077515)  
RE029146 -UN-10MAY99

|      |      |
|------|------|
| 1 -  | 5E15 |
| 2 -  | 5E17 |
| 3 -  | 5E18 |
| 4 -  | 5E19 |
| 5 -  | 5E20 |
| 6 -  | 5E23 |
| 7 -  | 5F1  |
| 8 -  | 5F9  |
| 9 -  | 5F12 |
| 10 - | 5F16 |
| 11 - | 5F18 |
| 12 - | 5F20 |
| 13 - | 5F22 |
| 14 - | 5F24 |
| 15 - | 5G1  |
| 16 - | 5G3  |

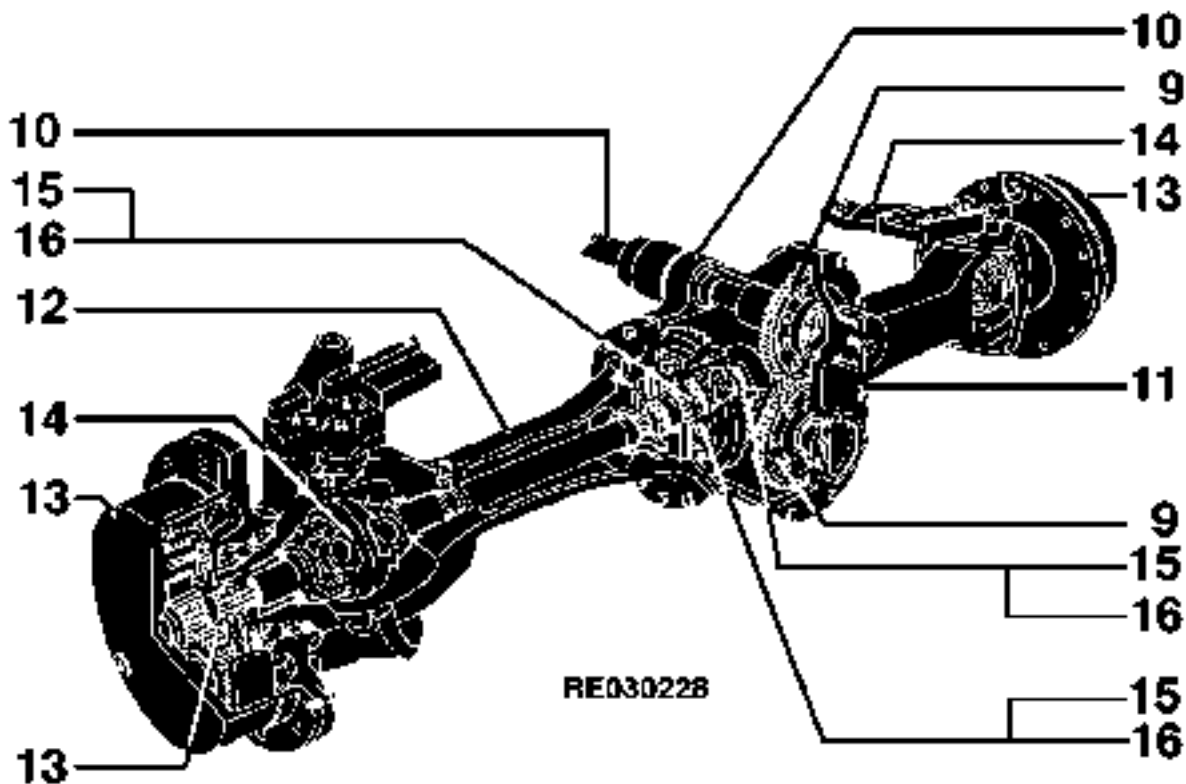


# 5E14

SECTIONAL INDEX ASN(800001- ) )  
INDEX DE SECTION ASN(800001- ) )  
GRUPPENINDEX ASN(800001- ) )  
INDICE DELLA SEZIONE ASN(800001- ) )  
INDICE DE SECCION ASN(800001- ) )  
GRUPPSFORTECKNING ASN(800001- ) )

RE030228 -UN-10NOV98

|     |      |
|-----|------|
| 1-  | 5E15 |
| 2-  | 5E17 |
| 3-  | 5E18 |
| 4-  | 5E19 |
| 5-  | 5E20 |
| 6-  | 5E23 |
| 7-  | 5F1  |
| 8-  | 5F9  |
| 9-  | 5F12 |
| 10- | 5F16 |
| 11- | 5F18 |
| 12- | 5F20 |
| 13- | 5F22 |
| 14- | 5F24 |
| 15- | 5G1  |
| 16- | 5G3  |



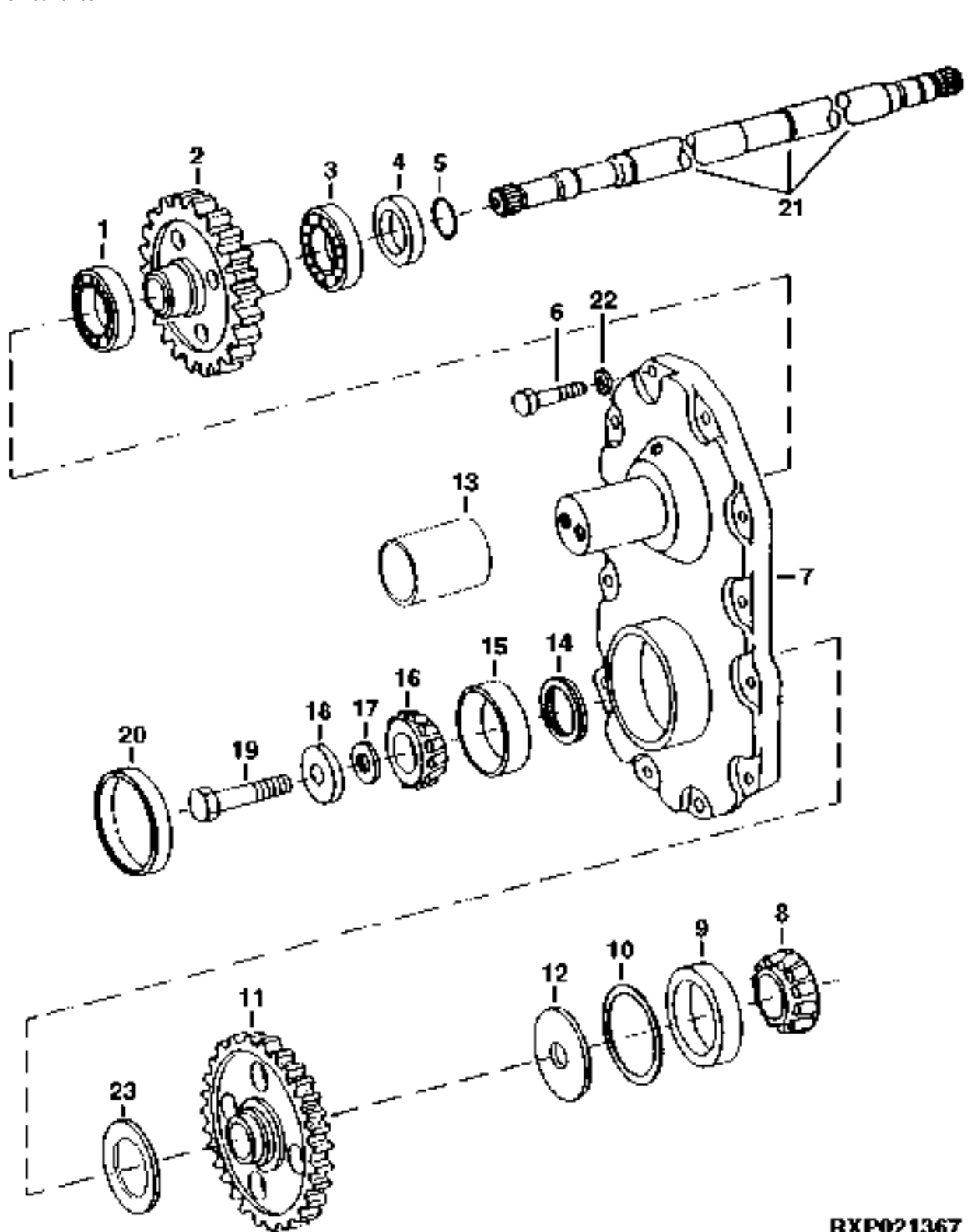


MEMORANDA  
MEMORANDA  
MEMORANDA  
MEMORANDA  
MEMORANDA

# 5E15

MFWD

SPUR GEAR DRIVE (MFWD) ASN( -077515)  
ENTRAINEMENT PAR ENGRENAGE A PIGNON DROIT ASN( -077515)  
STIRNRAD-ANTRIEB ASN( -077515)  
INGRANAGGIO CILINDRICO DI DISTRIBUZIONE ASN( -077515)  
MANDO DE ENGRANAJES RECTOS ASN( -077515)  
DREV MED CYLINDRISKT KUGGHUJL ASN( -077515)  
RXP021367 -UN-08NOV95



RXP021367

# 5E16

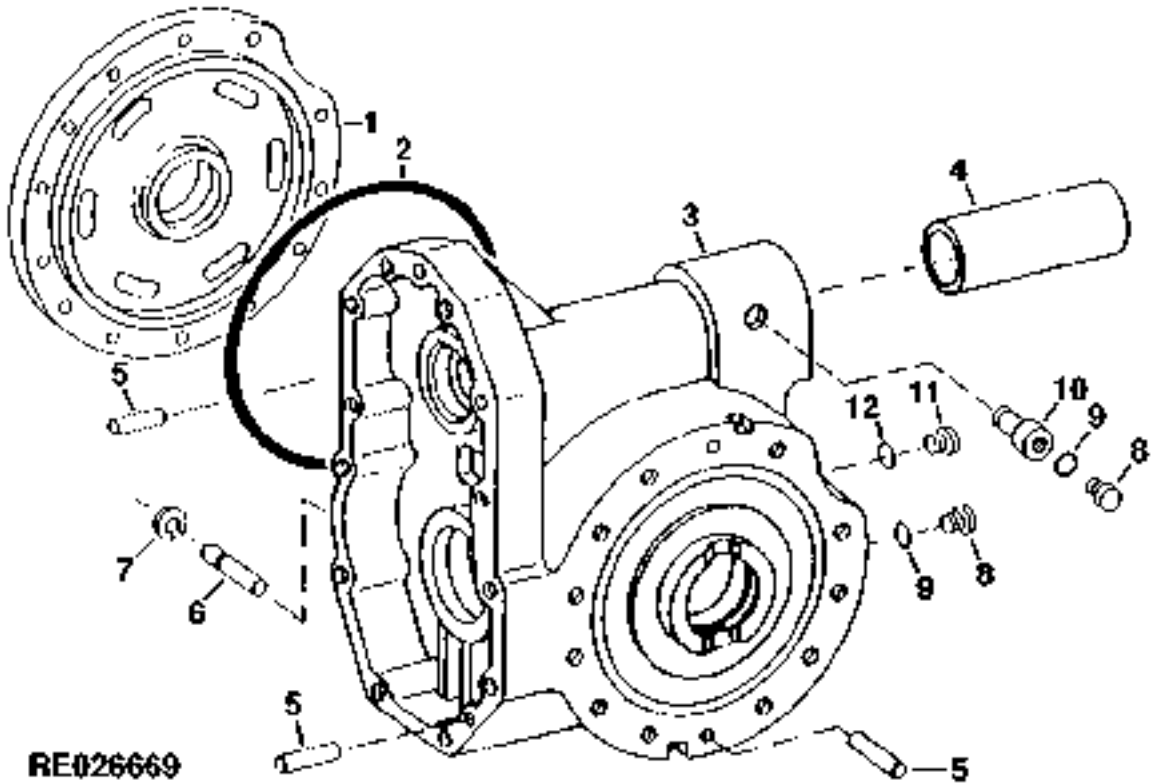
MFWD

| KEY | PART NO. | PART NAME      | QTY | AXLE<br>SERIAL NO. | A<br>L<br>L | REMARKS  |
|-----|----------|----------------|-----|--------------------|-------------|--|
| 1   | CH17453  | BEARING        | 1   |                    | X           | (SUB FOR JD9279)                               |
| 2   | R119221  | GEAR           | 1   | -031960            | X           | (SUB R130894) (ALSO ORDER R130895 AND CH17453) |
|     | R130894  | GEAR           | 1   | 031961-            | X           |  |
| 3   | JD8537   | BEARING        | 1   |                    | X           |  |
| 4   | RE49315  | SEAL           | 1   |                    | X           |  |
| 5   | A4540R   | O-RING         | 1   |                    | X           |  |
| 6   | 19M7361  | CAP SCREW      | 12  | -029083            | X           | M12 X 50, HS 10.9                              |
|     | 19M7759  | CAP SCREW      | 12  | 029084-            | X           | M16 X 60 M16                                   |
| 7   | R124957  | COVER          | 1   | -018006            | X           | (SUB R127372 AND (12) 24M7240)                 |
|     | R127372  | COVER          | 1   | 018007-029083      | X           |  |
|     | R127420  | COVER          | 1   | 029084-            | X           |  |
| 8   | JD10353  | BEARING CONE   | 1   | -021454            | X           | (SUB RE63575)                                  |
|     | RE63575  | ROLLER BEARING | 1   | 021455-029083      | X           |  |
|     | JD10226  | BEARING CONE   | 1   | 029084-            | X           |  |
| 9   | JD10354  | BEARING CUP    | 1   | -021454            | X           | (SUB RE63575)                                  |
|     | RE63575  | ROLLER BEARING | 1   | 021455-029083      | X           |  |
|     | JD10227  | BEARING CUP    | 1   | 029084-            | X           |  |
| 10  | R83059   | SHIM           | 3   | -029083            | X           | 0.08   |
|     | R83150   | SHIM           | 3   | 029084-            | X           | 0.08   |
|     | R83060   | SHIM           | 2   | -029083            | X           | 0.13   |
|     | R83151   | SHIM           | 4   | 029084-            | X           | 0.13   |
|     | R83061   | SHIM           | 1   | -029083            | X           | 0.25   |
|     | R83152   | SHIM           | 1   | 029084-            | X           | 0.25   |
| 11  | R119222  | GEAR           | 1   | -029083            | X           |  |
|     | R128359  | GEAR           | 1   | 029084-            | X           |  |
| 12  | 40M7027  | SNAP RING      | 1   | -029083            | X           |  |
|     | T61226   | SNAP RING      | 1   | 029084-            | X           |  |
| 13  | R107718  | SLEEVE         | 1   |                    | X           |  |
| 14  | R83474   | RING           | 1   |                    | X           |  |
| 15  | JD9109   | BEARING CUP    | 1   |                    | X           |  |
| 16  | JD9043   | BEARING CONE   | 1   |                    | X           |  |
| 17  | T13331   | SHIM           | 1   |                    | X           | 0.003  |
|     | T13332   | SHIM           | 2   |                    | X           | 0.005  |
|     | T13333   | SHIM           | 1   |                    | X           | 0.010  |
|     | 24H1390  | SHIM           | 2   |                    | X           |  |
| 18  | R26333   | WASHER         | 1   | -023537            | X           |  |
|     | R126422  | WASHER         | 1   | 023538-            | X           |  |
| 19  | 19M7409  | CAP SCREW      | 1   |                    | X           | M16 X 50, HS 10.9                              |
| 20  | T12529   | CAP            | 1   |                    | X           |  |
| 21  | R108384  | SHAFT          | 1   | -031960            | X           | (SUB R130895) (ALSO ORDER R130894 AND CH17453) |
|     | R130895  | SHAFT          | 1   | 031961-            | X           |  |
| 22  | 24M7240  | WASHER         | 12  | -029083            | X           | 13 X 25 X 3 MM                                 |
|     | 24M7241  | WASHER         | 12  | 029084-            | X           | 17 X 34 X 4 MM                                 |
| 23  | R128360  | WASHER         | 1   | 029084-            | X           |  |

# 5E17

MFWD

DIFFERENTIAL CASE (MFWD) ASN( -077515)  
 CARTER DE DIFFERENTIEL (MFWD) ASN( -077515)  
 DIFFERENTIALGEHAEUSE (MFWD) ASN( -077515)  
 SCATOLA DEL DIFFERENZIALE (MFWD) ASN( -077515)  
 CAJA DEL DIFERENCIAL (MFWD) ASN( -077515)  
 DIFFERENTIALKAAPA (MFWD) ASN( -077515)  
 RE026669 -UN-13DEC95



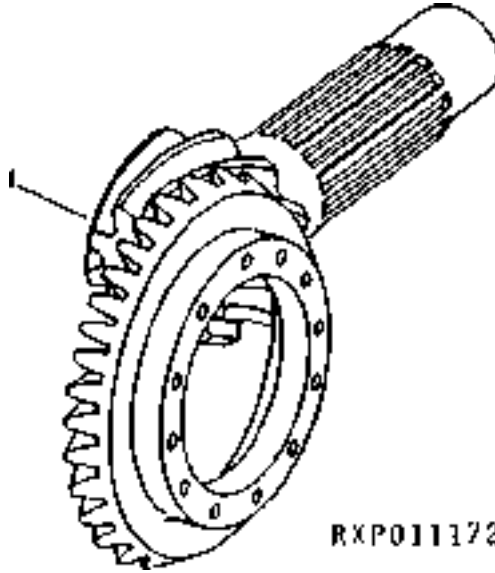
**RE026669**

| KEY | PART NO. | PART NAME | QTY | AXLE<br>SERIAL NO. | A |      | REMARKS  |
|-----|----------|-----------|-----|--------------------|---|------|--|
|     |          |           |     |                    | L | L    |  |
| 1   | R115436  | COVER     | 1   |                    | X |      | (SUB R129090)  |
| 2   | R37287   | O-RING    | 1   |                    | X |      |  |
| 3   | RE52321  | CASE      | 1   | -029083            | X |      | (SUB RE63351, R127420, (12) 19M7759, (12) 24M7241, JD10226, JD10227, RE64060, R128360, T61226, (3) R83150, R83152, (4) R83151 AND R129090) |
| 4   | RE63351  | CASE      | 1   | 029084-            | X |      |  |
| 4   | R107719  | BUSHING   | 1   |                    | X |      |  |
| 5   | R48685   | DOWEL PIN | 4   |                    | X |      |  |
| 6   | R98885   | PIN       | 2   |                    | X |      |  |
| 7   | P42894   | SNAP RING | 2   |                    | X |      |  |
| 8   | R98012   | PLUG      | 2   |                    | X |      |  |
| 9   | P47889   | O-RING    | 2   |                    | X |      |  |
| 10  | R122120  | PIN       | 1   |                    | X |      |  |
| 11  | RE46685  | PLUG      | 1   |                    | X |      |  |
| 12  | 51M7043  | O-RING    | 1   |                    | X | 0.08 |  |

# 5E18

MFWD

SPIRAL BEVEL SET L.H. ASN( -077515)  
 ENGRENAGE CONIQUE A DENTURE HELICONIDALE, GAUCHE ASN( -077515)  
 SPIRALKEGELRAD LINKS ASN( -077515)  
 INGRANNAGGIO CONICO SPIROIDALE SINISTRO ASN( -077515)  
 ENGRANAJE CONICO ESPIRAL DEL LADO IZQUIERDO ASN( -077515)  
 KONISKT KUGGHJUL MED SPIRALSKURNA KUGGAR, VAENSTER ASN( -077515)  
 RXP011172 -UN-01JAN94



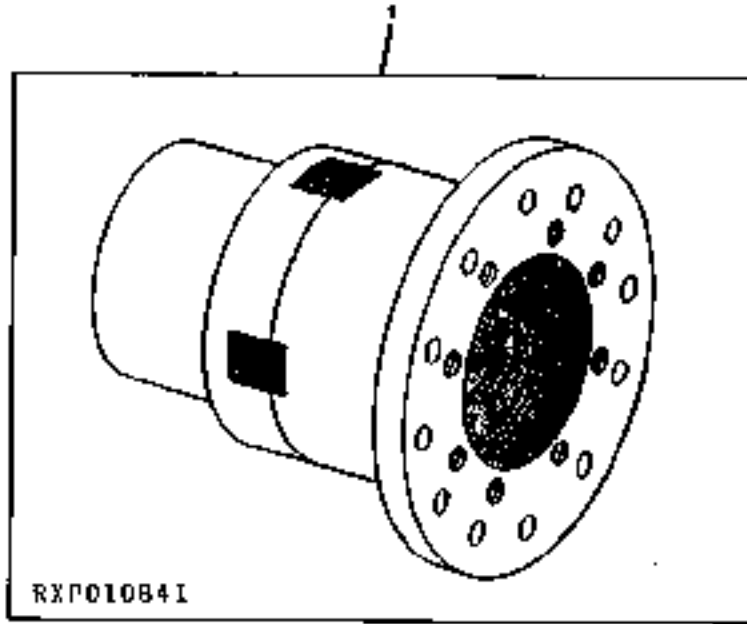
RXP011172

| KEY | PART NO. | PART NAME  | QTY | AXLE<br>SERIAL NO. | A |   | REMARKS   |
|-----|----------|------------|-----|--------------------|---|---|---|
|     |          |            |     |                    | L | L |   |
| 1   | RE44831  | BEVEL GEAR | 1   | -027625            | X |   | L.H. ASSEMBLY, (MARKED R107710 AND R99510)<br>(SUB RE62677) |
|     | RE62677  | BEVEL GEAR | 1   | 027626-029083      | X |   | (MARKED R126566 AND R99510) L.H. ASSEMBLY                   |
|     | RE64060  | BEVEL GEAR | 1   | 029084-            | X |   | (MARKED R129108 AND R99510)                                 |

# 5E19

MFWD

DIFFERENTIAL HOUSING SET (MFWD) ASN( -077515)  
 JEU DE CARTER DE DIFFERENTIEL (MFWD) ASN( -077515)  
 DIFFERENTIALGEHAEUSE-SATZ (MFWD) ASN( -077515)  
 KIT DELLA SCATOLA DEL DIFFERENZIALE (MFWD) ASN( -077515)  
 JUEGO DE CAJA DEL DIFERENCIAL (MFWD) ASN( -077515)  
 DIFFERENTIALHUSSATS (MFWD) ASN( -077515)  
 RXP010841 -UN-01JAN94



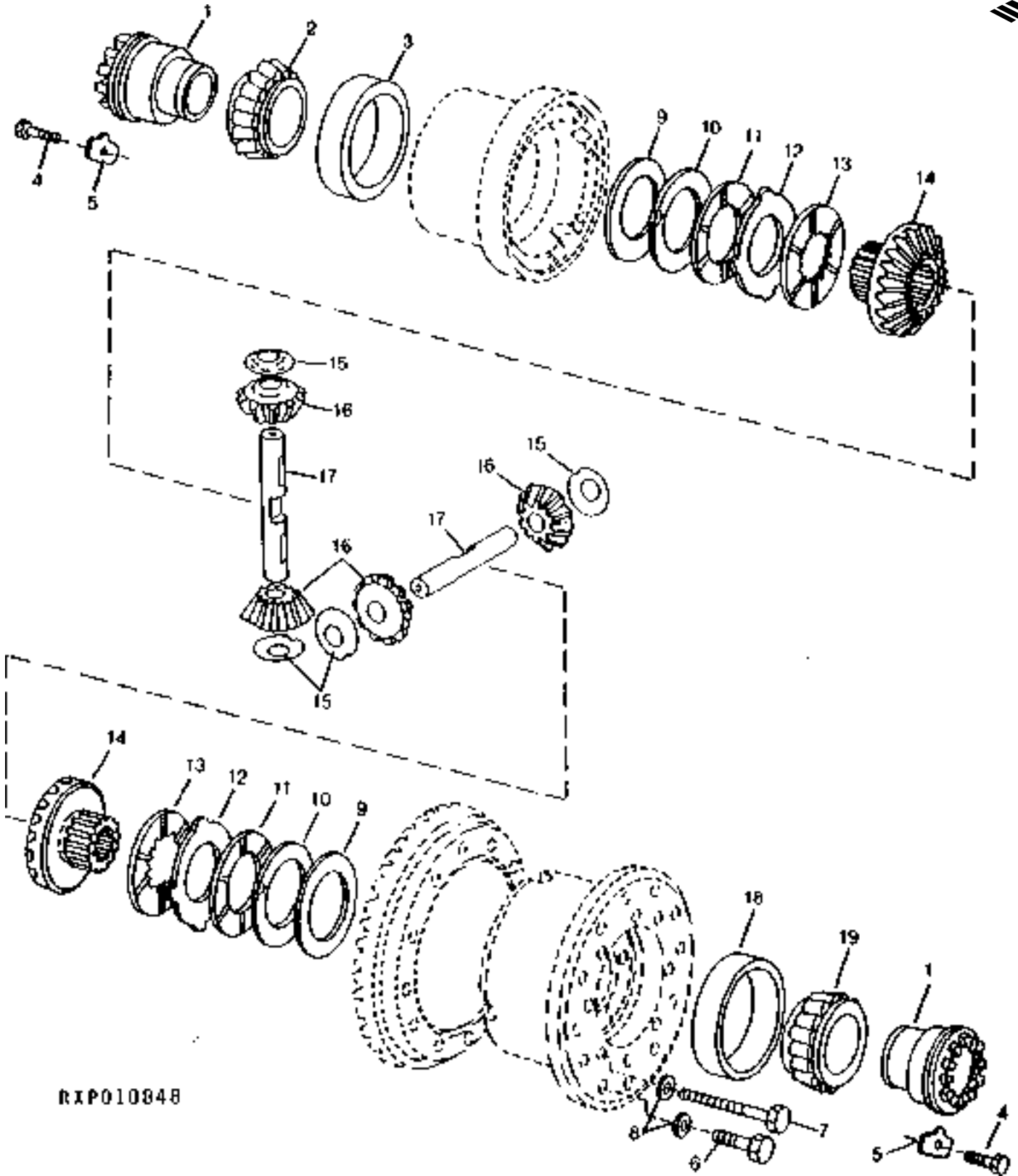
| KEY | PART NO. | PART NAME | QTY | AXLE<br>SERIAL NO. | A<br>L<br>L<br>REMARKS        |
|-----|----------|-----------|-----|--------------------|-------------------------------|
| 1   | RE61239  | HOUSING   | 1   |                    | X (MARKED R114123 AND R83148) |

MEMORANDA  
MEMORANDA  
MEMORANDA  
MEMORANDA  
MEMORANDA

# 5E20

MFWD

DIFFERENTIAL (MFWD) ASN( -077515)  
DIFFERENTIAL (MFWD) ASN( -077515)  
DIFFERENTIAL (MFWD) ASN( -077515)  
DIFFERENZIALE (MFWD) ASN( -077515)  
DIFERENCIAL (MFWD) ASN( -077515)  
DIFFERENTIAL (MFWD) ASN( -077515)  
RXP010848 -UN-01JAN94



RXP010848



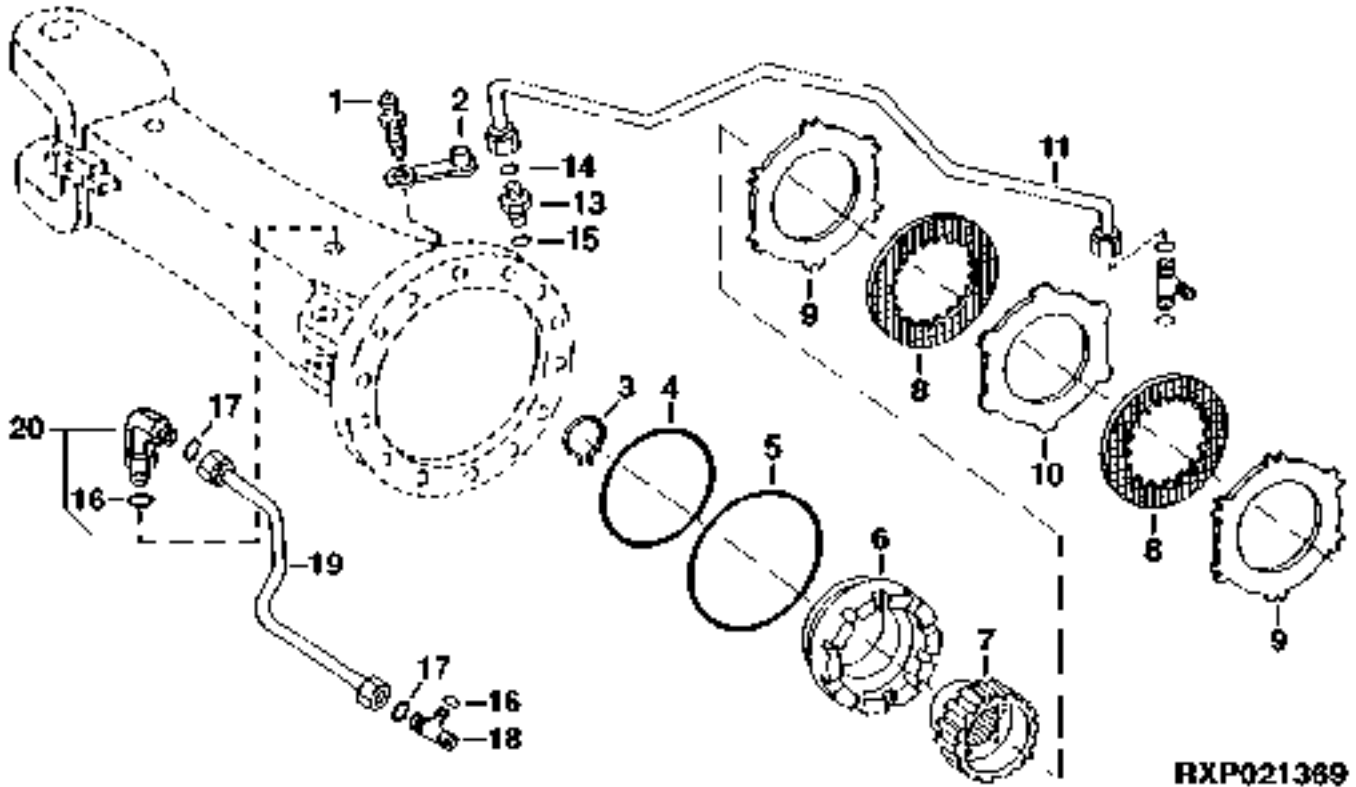
| KEY | PART NO. | PART NAME     | QTY | AXLE<br>SERIAL NO. | A<br>L<br>L | REMARKS            |
|-----|----------|---------------|-----|--------------------|-------------|--------------------|
| 1   | R83120   | QUILL         | 2   |                    | X           |                    |
| 2   | RE62066  | BEARING CONE  | 1   |                    | X           |                    |
| 3   | JD7425   | BEARING CUP   | 1   |                    | X           |                    |
| 4   | 19M7695  | SCREW         | 2   |                    | X           | M10 X 20           |
| 5   | R97549   | LOCK PLATE    | 2   |                    | X           |                    |
| 6   | 19M7403  | CAP SCREW     | 12  |                    | X           | M12 X 35, HS 10.9  |
| 7   | R102839  | BOLT          | 8   |                    | X           | 12M X 130, HS 10.9 |
| 8   | R32214   | WASHER        | 20  |                    | X           |                    |
| 9   | R83559   | SHIM          | AR  |                    | X           |                    |
|     | R132971  | SHIM          | AR  |                    | X           |                    |
| 10  | R83560   | SHIM          | AR  |                    | X           |                    |
| 11  | RE22337  | DISK          | 6   | -XXXXXX            | X           | (SUB RE43059)      |
|     | RE43059  | DISK          | 6   | XXXXXX-            | X           |                    |
|     | RE58267  | DISK          | 10  |                    | X           | (A)                |
| 12  | R82908   | PLATE         | 8   |                    | X           |                    |
|     | R82908   | PLATE         | 12  |                    | X           | (A)                |
| 13  | RE22336  | DISK          | 2   | -XXXXXX            | X           | (SUB RE43058)      |
|     | RE43058  | DISK          | 2   | XXXXXX-            | X           |                    |
|     | RE22336  | DISK          | 2   | -XXXXXX            | X           | (A) (SUB RE43058)  |
|     | RE43058  | DISK          | 2   | XXXXXX-            | X           | (A)                |
| 14  | R83035   | BEVEL GEAR    | 2   |                    | X           |                    |
| 15  | R83121   | THRUST WASHER | 4   |                    | X           |                    |
| 16  | R83036   | PINION        | 4   |                    | X           |                    |
| 17  | R83119   | SHAFT         | 2   |                    | X           |                    |
| 18  | JD7292   | BEARING CUP   | 1   |                    | X           |                    |
| 19  | JD7386   | BEARING       | 1   |                    | X           |                    |

(A) EUROPEAN VERSION  
 VERSION EUROPEENNE  
 EUROPÄISCHE AUSFUEHRUNG  
 VERSIONE EUROPEA  
 VERSION EUROPEA  
 EUROPEISK VERSION

# 5E22

MFWD

SECONDARY BRAKE (EUROPEAN VERSION) ASN( -077515)  
 FREIN SECONDAIRE (VERSION EUROPEENNE) ASN( -077515)  
 ZWEITBREMSE (EUROPAEISCHE AUSFUEHRUNG) ASN( -077515)  
 FRENO SECONDAARIO (VERSIONE EUROPEA) ASN( -077515)  
 FRENO SECUNDARIO (VERSION EUROPEA) ASN( -077515)  
 PARKERINGSBROMS (EUROPEISK VERSION) ASN( -077515)  
 RXP021369 -UN-20DEC95



| KEY | PART NO. | PART NAME               | QTY | AXLE SERIAL NO. | A |   | REMARKS           |
|-----|----------|-------------------------|-----|-----------------|---|---|-------------------|
|     |          |                         |     |                 | L | L |                   |
| 1   | R21612   | BLEED SCREW             | 2   |                 |   | X |                   |
| 2   | R100122  | PLUG                    | 2   |                 |   | X |                   |
| 3   | R34222   | SNAP RING               | 2   |                 |   | X |                   |
| 4   | R126459  | PACKING                 | 2   |                 |   | X | (SUB FOR R115434) |
| 5   | R126458  | PACKING                 | 2   |                 |   | X | (SUB FOR R113486) |
| 6   | R115433  | PISTON                  | 2   |                 |   | X | (SUB R130599)     |
| 7   | R98809   | HUB                     | 2   |                 |   | X |                   |
| 8   | RE41973  | DISK, WITH INNER SPLINE | 4   |                 |   | X |                   |
| 9   | R95110   | CLUTCH PLATE            | 4   |                 |   | X |                   |
| 10  | R98810   | BRAKE DISK              | 2   |                 |   | X |                   |
| 11  | RE56014  | OIL LINE                | 1   |                 |   | X |                   |
| 12  | 38H1023  | TEE FITTING             | 1   | -XXXXXX         |   | X | (A)               |
|     | 38H1160  | ADAPTER                 | 1   | XXXXXX-         |   | X | (B)               |
| 13  | 38H1160  | ADAPTER                 | 1   | -XXXXXX         |   | X | (A)               |
|     | 38H1023  | TEE FITTING             | 1   | XXXXXX-         |   | X | (B)               |
| 14  | T77613   | O-RING                  | 2   |                 |   | X |                   |
| 15  | R26448   | O-RING                  | 2   |                 |   | X |                   |
| 16  | 51M7043  | O-RING                  | 3   | 033995-         |   | X | 15.300 X 2.200 MM |
| 17  | T77857   | O-RING                  | 4   | 033995-         |   | X |                   |
| 18  | 38H5111  | TEE FITTING             | 1   | 033995-         |   | X |                   |
| 19  | RE65538  | OIL LINE                | 1   | 033995-         |   | X | L.H.              |
|     | RE65537  | OIL LINE                | 1   | 033995-         |   | X | R.H.              |
| 20  | 38H5017  | ELBOW FITTING           | 2   | 033995-         |   | X |                   |

(A) ( -XXXXXX) 8100-004722; 8200-003490; 8300-005814; 8400-006583

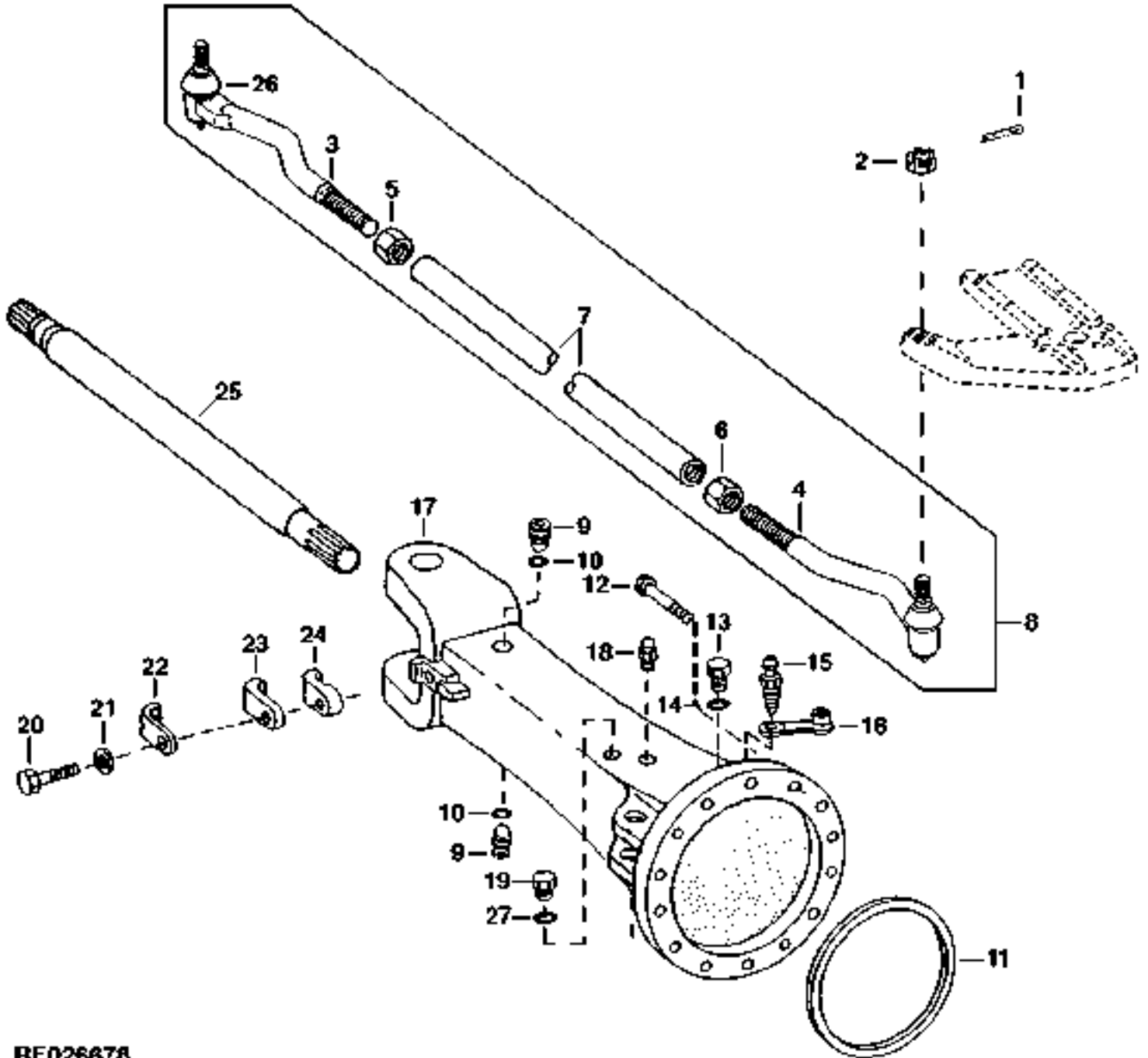
(B) (XXXXXX- ) 8100-004723; 8200-003491; 8300-005815; 8400-006584

MEMORANDA  
MEMORANDA  
MEMORANDA  
MEMORANDA  
MEMORANDA

# 5E23

MFWD

AXLE HOUSING (MFWD) ASN( -077515)  
TROMPETTE D'ESSIEU (MFWD) ASN( -077515)  
ACHSGEHAEUSE (MFWD) ASN( -077515)  
ALLOGGIAMENTO DELL'ASSALE (MFWD) ASN( -077515)  
CAJA DEL EJE (MFWD) ASN( -077515)  
AXELHUS (MFWD) ASN( -077515)  
RE026678 -UN-13DEC95



RE026678

| KEY | PART NO. | PART NAME               | QTY | AXLE<br>SERIAL NO. | A<br>L<br>L | REMARKS   |
|-----|----------|-------------------------|-----|--------------------|-------------|---|
| 1   | 11M7017  | COTTER PIN              | 2   |                    | X           | 0.126" X 1.260"   |
| 2   | 14H875   | NUT                     | 2   |                    | X           | 7/8"  |
| 3   | RE61402  | TIE ROD                 | 1   |                    | X           | L.H.  |
| 4   | RE61401  | TIE ROD                 | 1   |                    | X           | R.H.  |
| 5   | R121022  | LOCK NUT                | 1   |                    | X           | L.H.  |
| 6   | R121023  | LOCK NUT                | 1   |                    | X           | R.H.  |
| 7   | R124745  | TIE ROD                 | 1   |                    | X           |   |
| 8   | RE61217  | TIE ROD                 | 1   |                    | X           |   |
| 9   | R97605   | SET SCREW               | 4   |                    | X           |   |
| 10  | H36256   | O-RING                  | 4   |                    | X           |   |
| 11  | T30349   | WASHER                  | 2   |                    | X           |   |
| 12  | 19M7759  | CAP SCREW               | 10  |                    | X           | M16 X 60, HS 10.9, R.H.   |
|     | 19M8020  | CAP SCREW               | 1   |                    | X           | M16 X 100, HS 10.9 R.H.   |
|     | 19M7489  | CAP SCREW               | 10  |                    | X           | M16 X 45, HS 10.9 L.H.  |
|     | 19M7720  | CAP SCREW               | 1   |                    | X           | M16 X 80, HS 10.9 L.H.  |
| 13  | R27218   | FITTING PLUG            | 2   |                    | X           |   |
| 14  | R26448   | O-RING                  | 2   |                    | X           |   |
| 15  | R21612   | BLEED SCREW             | 2   |                    | X           |   |
| 16  | R100122  | PLUG                    | 2   |                    | X           |   |
| 17  | RE53050  | HOUSING                 | 1   |                    | X           | (MARKED R124137, R130548, R124139 OR R130550) L.H. ALSO ORDER R108024 AND 51M7043 IF NOT PREVIOUSLY INSTALLED |
|     | RE53049  | HOUSING                 | 1   |                    | X           | (MARKED R124136, R130547, R124138 OR R130549) R.H. ALSO ORDER R108024 AND 51M7043 IF NOT PREVIOUSLY INSTALLED |
| 18  | JD5801   | PRESSURE RELIEF FITTING | 1   | -018051            | X           |   |
|     | RE62981  | PRESSURE RELIEF FITTING | 1   | 018052-            | X           |   |
|     | P40098   | ADAPTER                 | 1   | 018052-            | X           |   |
| 19  | R108024  | DRAIN PLUG              | 2   |                    | X           |   |
| 20  | 19M7361  | CAP SCREW               | 2   |                    | X           | M12 X 50  |
| 21  | 24M7240  | WASHER                  | 2   |                    | X           | 13 X 25 X 3 MM  |
| 22  | R115093  | STOP                    | 2   |                    | X           | (A)   |
| 23  | R109831  | STOP                    | 2   |                    | X           | (B)   |
| 24  | R109830  | STOP                    | 2   |                    | X           | (C)   |
| 25  | R99088   | SHAFT                   | 2   |                    | X           |   |
| 26  | R78027   | COVER                   | 2   |                    | X           |   |
| 27  | 51M7043  | O-RING                  | 2   |                    | X           | 15.300 X 2.200 MM   |

(A) OUTER  
EXTERNE  
AUSSEN  
ESTERNO  
EXTERIOR  
YTTRE

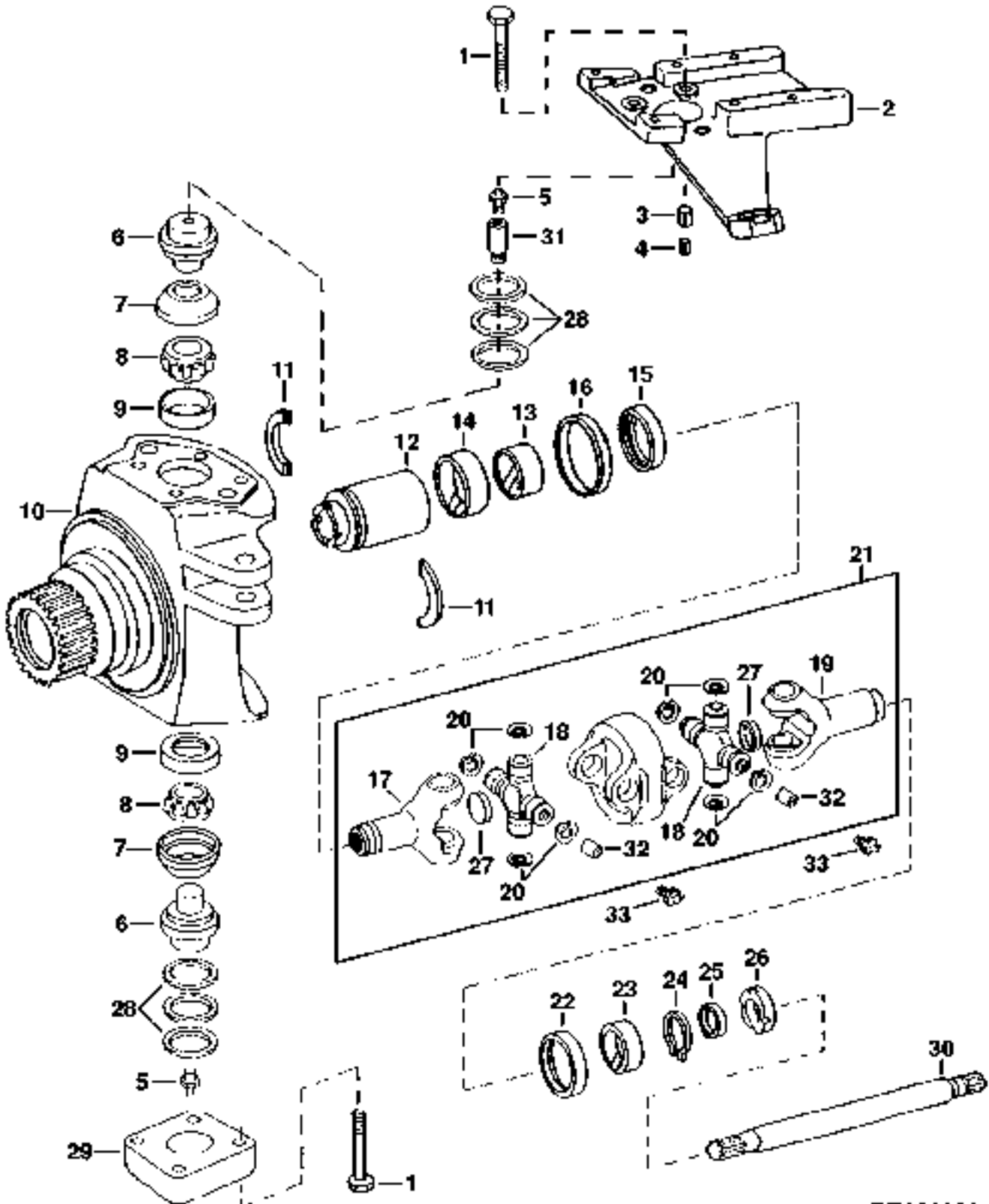
(B) CENTER  
CENTRAL  
MITTE  
CENTRALE  
CENTRAL  
MITTEN

(C) INNER  
INTERNE  
INNEN  
INTERNO  
INTERIOR  
INRE

# 5F1

MFWD

STEERING ARM AND KNUCKLE (ASN -059073)  
BRAS ET ARTICULATION DE DIRECTION (ASN -059073)  
SPURHEBEL UND LENKACHSSCHENKEL (ASN -059073)  
BRACCIO DI GOVERNO E ARTICLAZIONE (ASN -059073)  
ROTULA Y BRAZO DE LA DIRECCION (ASN -059073)  
STYRARM OCH-SPINDEL (ASN -059073)  
RE026680 -UN-15DEC95



RE026680

# 5F2

MFWD

| KEY | PART NO. | PART NAME             | QTY | AXLE<br>SERIAL NO. | A<br>L<br>L | REMARKS                                      |
|-----|----------|-----------------------|-----|--------------------|-------------|--|
| 1   | 19M7409  | CAP SCREW             | 16  |                    | X           | M16 X 50                                     |
| 2   | R127661  | STEERING ARM          | 1   |                    | X           | (SUB FOR R124380) L.H.                       |
|     | R127660  | STEERING ARM          | 1   |                    | X           | (SUB FOR R124379) R.H.                       |
| 3   | 34M7128  | SPRING PIN            | 4   |                    | X           | 20 X 50 MM                                   |
| 4   | 34M7077  | SPRING PIN            | 4   |                    | X           | 12 X 50 MM                                   |
| 5   | JD7781   | LUBRICATION FITTING   | 4   |                    | X           |  |
| 6   | RE63382  | KINGPIN               | 4   |                    | X           | (SUB FOR R106674 OR R126390)                 |
| 7   | RE50803  | SEAL                  | 4   |                    | X           |  |
| 8   | AR94761  | BEARING CONE          | 4   |                    | X           |  |
| 9   | R72090   | BEARING CUP           | 4   |                    | X           |  |
| 10  | R116537  | HOUSING               | 1   | -022786            | X           | L.H. (SUB R126437 AND RE67242)               |
|     | R126437  | HOUSING               | 1   | 022787-            | X           | LH   |
|     | R116536  | HOUSING               | 1   | -022786            | X           | R.H. (SUB R126436 AND RE67242)               |
|     | R126436  | HOUSING               | 1   | 022787-            | X           | RH   |
|     | R106879  | WASHER                | 4   |                    | X           |  |
| 11  | R127715  | SLEEVE                | 2   |                    | X           | (SUB FOR R115438)                            |
| 12  | R82982   | BUSHING               | 2   |                    | X           |  |
| 13  | R82982   | BUSHING               | 2   |                    | X           |  |
| 14  | R86488   | BUSHING               | 2   |                    | X           |  |
| 15  | RE36282  | SEAL                  | 2   |                    | X           |  |
| 16  | RE61248  | SEAL                  | 2   |                    | X           |  |
| 17  | RE58646  | YOKE                  | 2   |                    | X           | (A)  |
| 18  | RE65621  | UNIVERSAL JOINT CROSS | 2   |                    | X           | (SUB FOR RE47758)                            |
| 19  | RE58639  | YOKE                  | 2   |                    | X           | (B)  |
| 20  | 40M7119  | SNAP RING             | 8   |                    | X           |  |
| 21  | RE65603  | UNIVERSAL JOINT CROSS | 2   |                    | X           | (SUB FOR RE46957) (SUB RE70738 AND RE150320) |
| 22  | RE61249  | SEAL                  | 2   |                    | X           |  |
| 23  | R82982   | BUSHING               | 2   |                    | X           |  |
| 24  | R124576  | SNAP RING             | 2   |                    | X           |  |
| 25  | R93055   | SPACER                | 2   |                    | X           |  |
| 26  | R124701  | SLEEVE                | 2   |                    | X           |  |
| 27  | R119118  | PLUG                  | 4   |                    | X           |  |
| 28  | RE48345  | KIT                   | 1   |                    | X           |  |
| 29  | R110039  | CAP                   | 2   |                    | X           |  |
| 30  | R99088   | SHAFT                 | 2   |                    | X           |  |
| 31  | R115881  | EXTENSION             | 2   |                    | X           |  |
| 32  | 15M7033  | PIPE PLUG             | 8   |                    | X           |  |
| 33  | 58M5578  | LUBRICATION FITTING   | 8   |                    | X           |  |

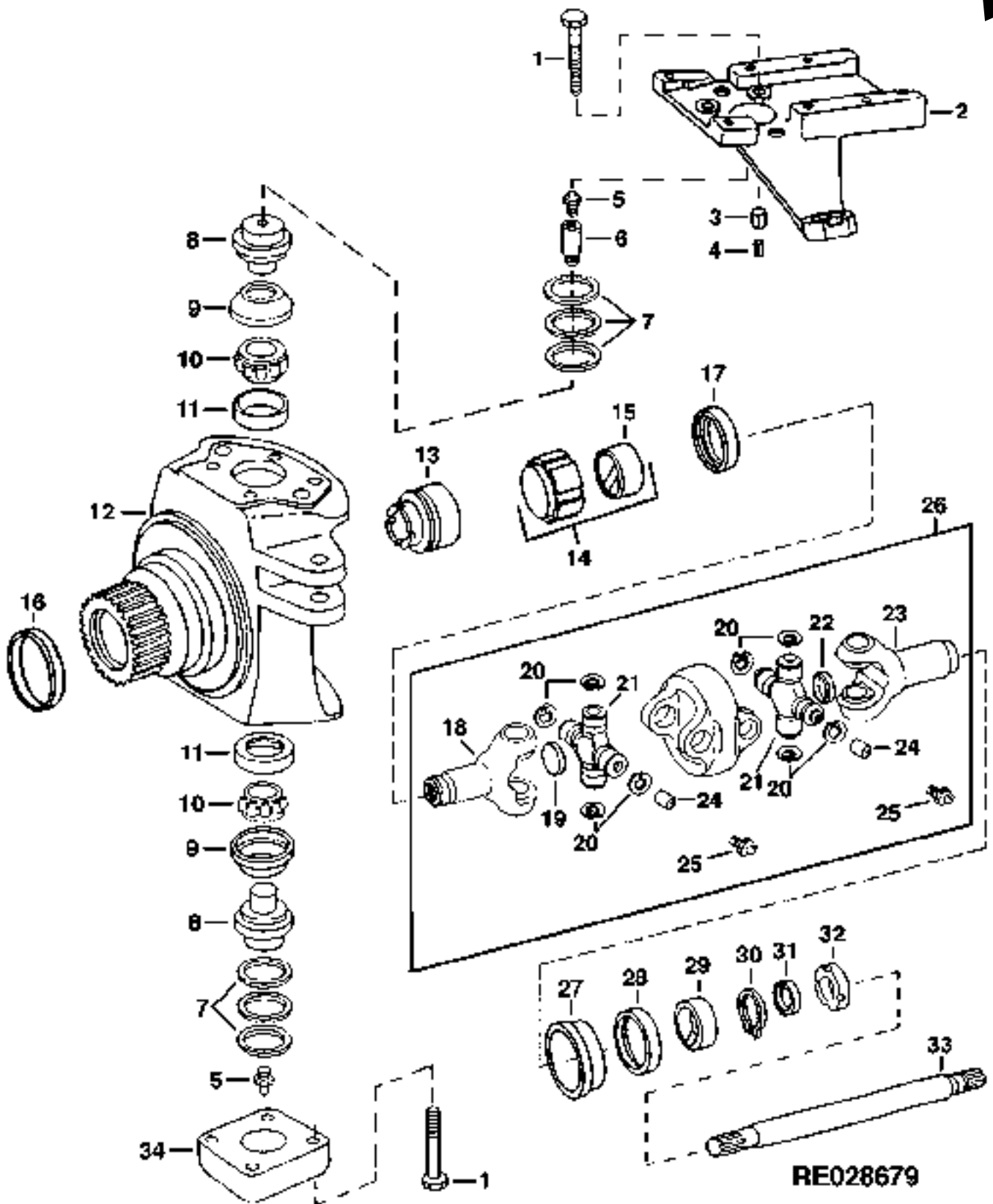
(A) OUTBOARD  
EXTERIEUR  
AUSSEN  
ESTERNO  
EXTERIOR  
YTTRE

(B) INBOARD  
INTERERIEUR  
INNEN  
INTERNO  
INTERIOR  
INRE

# 5F3

MFWD

STEERING ARM AND KNUCKLE (ASN 059074-077515)  
BRAS ET ARTICULATION DE DIRECTION (ASN 059074-077515)  
SPURHEBEL UND LENKACHSSCHENKEL (ASN 059074-077515)  
BRACCIO DI GOVERNO E ARTICLAZIONE (ASN 059074-077515)  
ROTULA Y BRAZO DE LA DIRECCION (ASN 059074-077515)  
STYRARM OCH-SPINDEL (ASN 059074-077515)  
RE028679 -UN-05DEC97





# 5F4

MFWD

| KEY | PART NO. | PART NAME             | QTY | AXLE<br>SERIAL NO. | A | REMARKS            |
|-----|----------|-----------------------|-----|--------------------|---|--------------------|
|     |          |                       |     |                    | L |                    |
| 1   | 19M7409  | CAP SCREW             | 16  |                    | X | M16 X 50           |
| 2   | R127661  | STEERING ARM          | 1   |                    | X | L.H.               |
|     | R127660  | STEERING ARM          | 1   |                    | X | R.H.               |
| 3   | 34M7128  | SPRING PIN            | 4   |                    | X | 20 X 50 MM         |
| 4   | 34M7077  | SPRING PIN            | 4   |                    | X | 12 X 50 MM         |
| 5   | JD7781   | LUBRICATION FITTING   | 4   |                    | X |                    |
| 6   | R115881  | EXTENSION             | 2   |                    | X |                    |
| 7   | RE48345  | KIT                   | 1   |                    | X |                    |
| 8   | RE63382  | KINGPIN               | 4   |                    | X |                    |
| 9   | RE50803  | SEAL                  | 4   |                    | X |                    |
| 10  | AR94761  | BEARING CONE          | 4   |                    | X |                    |
| 11  | R72090   | BEARING CUP           | 4   |                    | X |                    |
| 12  | R126437  | HOUSING               | 1   |                    | X | LH                 |
|     | R126436  | HOUSING               | 1   |                    | X | RH                 |
| 13  | R135218  | SPACER                | 2   |                    | X |                    |
| 14  | RE150316 | SLEEVE                | 2   |                    | X |                    |
| 15  | R136467  | BUSHING               | 2   |                    | X |                    |
| 16  | RE154869 | SEAL                  | 2   |                    | X | (SUB FOR RE46365)  |
| 17  | RE150317 | SEAL                  | 2   |                    | X |                    |
| 18  | RE71566  | YOKE                  | 2   |                    | X | (A)                |
| 19  | R150315  | PLUG                  | 2   |                    | X |                    |
| 20  | 40M7119  | SNAP RING             | 8   |                    | X |                    |
| 21  | RE65621  | UNIVERSAL JOINT CROSS | 2   |                    | X |                    |
| 22  | R119118  | PLUG                  | 2   |                    | X | (B)                |
| 23  | RE58639  | YOKE                  | 2   |                    | X | (B)                |
| 24  | 15M7033  | PIPE PLUG             | 8   |                    | X |                    |
| 25  | 58M5578  | LUBRICATION FITTING   | 8   |                    | X |                    |
| 26  | RE70738  | UNIVERSAL JOINT CROSS | 2   |                    | X |                    |
| 27  | R135247  | SLEEVE                | 2   |                    | X |                    |
| 28  | RE150318 | SEAL                  | 2   |                    | X | (INCLUDES RE64225) |
| 29  | R82982   | BUSHING               | 2   |                    | X |                    |
| 30  | R124576  | SNAP RING             | 2   |                    | X |                    |
| 31  | R93055   | SPACER                | 2   |                    | X |                    |
| 32  | R124701  | SLEEVE                | 2   |                    | X |                    |
| 33  | R99088   | SHAFT                 | 2   |                    | X |                    |
| 34  | R110039  | CAP                   | 2   |                    | X |                    |

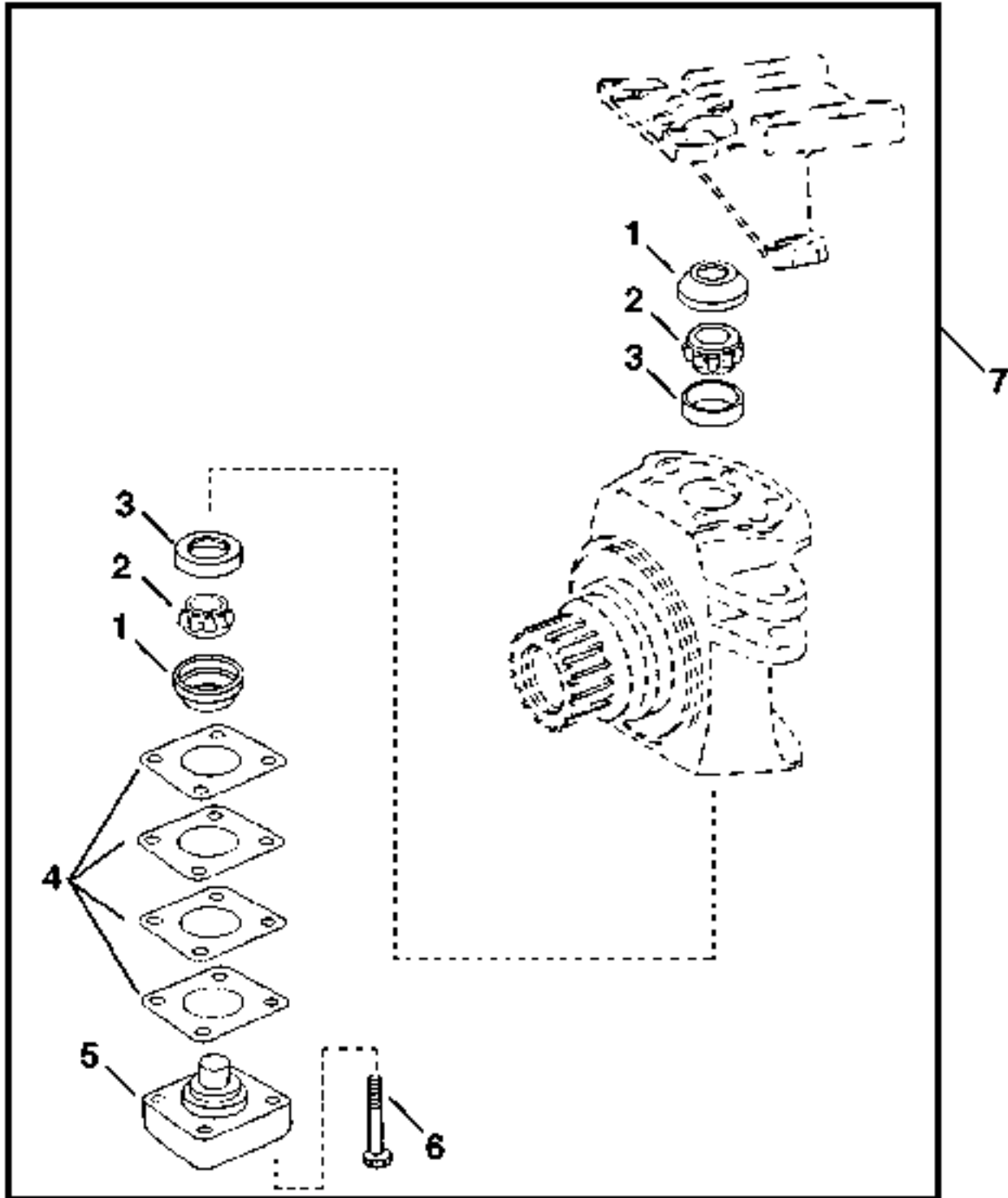
(A) OUTBOARD  
EXTERIEUR  
AUSSEN  
ESTERNO  
EXTERIOR  
YTTRE

(B) INBOARD  
INTERERIEUR  
INNEN  
INTERNO  
INTERIOR  
INRE

# 5F5

MFWD

KIT, HEAVY DUTY KINGPIN (ASN -077515)  
KIT DE PIVOT DE FUSEE D'ESSIEU A USAGE INTENSIF (ASN -077515)  
SATZ MIT VERSTAERKTEM ACHSSCHENKELBOLZEN (ASN -077515)  
KIT PERNI DEI DUSI PER PRESTAZIONI PESANTI (ASN -077515)  
JUEGO DE PIVOT DE DIRECCION PARA SERVICIO SEVERO (ASN -077515)  
SATS MED EXTRA KRAFTIG HJULSPINDELBULT (ASN -077515)  
RE030332 -UN-20JAN99



**RE030332**

# 5F6

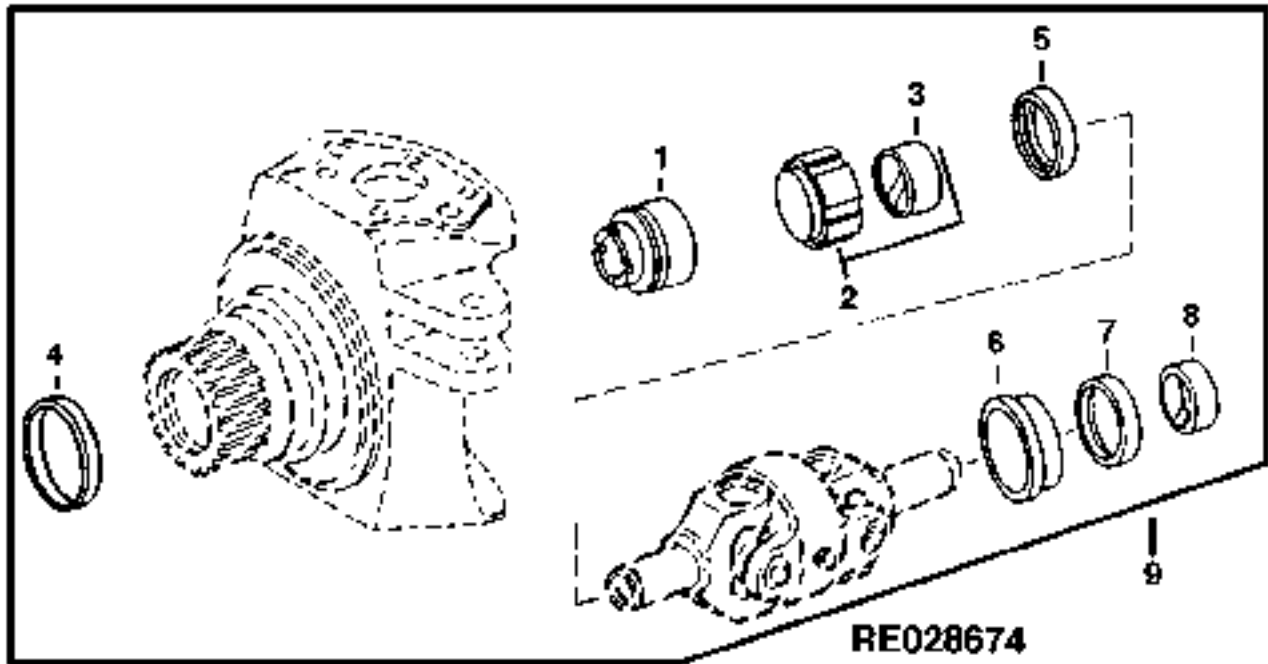
MFWD

| KEY | PART NO. | PART NAME    | QTY | AXLE<br>SERIAL NO. | A<br>L<br>L | REMARKS                           |
|-----|----------|--------------|-----|--------------------|-------------|-----------------------------------|
| 1   | RE50803  | SEAL         | 2   |                    |             |                                   |
| 2   | AR94761  | BEARING CONE | 2   |                    |             |                                   |
| 3   | R72090   | BEARING CUP  | 2   |                    |             |                                   |
| 4   | R156636  | SHIM         | 1   |                    |             |                                   |
|     | R156637  | SHIM         | 1   |                    |             |                                   |
|     | R156638  | SHIM         | 2   |                    |             |                                   |
|     | R156639  | SHIM         | 1   |                    |             |                                   |
| 5   | R156627  | KINGPIN      | 1   |                    |             |                                   |
| 6   | 19M7489  | CAP SCREW    | 4   |                    |             |                                   |
| 7   | RE156751 | KIT          | 1   |                    |             | (ALSO ORDER RE155825 OR RE155826) |

# 5F7

MFWD

RETROFIT SEAL KIT ASN( -077515)  
KIT DE JOINTS DE MODIFICATION ASN( -077515)  
NACHRUESTUNGS-DICHTRINGSATZ ASN( -077515)  
KIT GUARNIZIONI DI AGGIORNAMENTO ASN( -077515)  
JUEGO DE MODIFICACION DE SELLOS ASN( -077515)  
TAETNINGSSATS FOER UPPDATERING ASN( -077515)  
RE028674 -UN-05DEC97



# 5F8

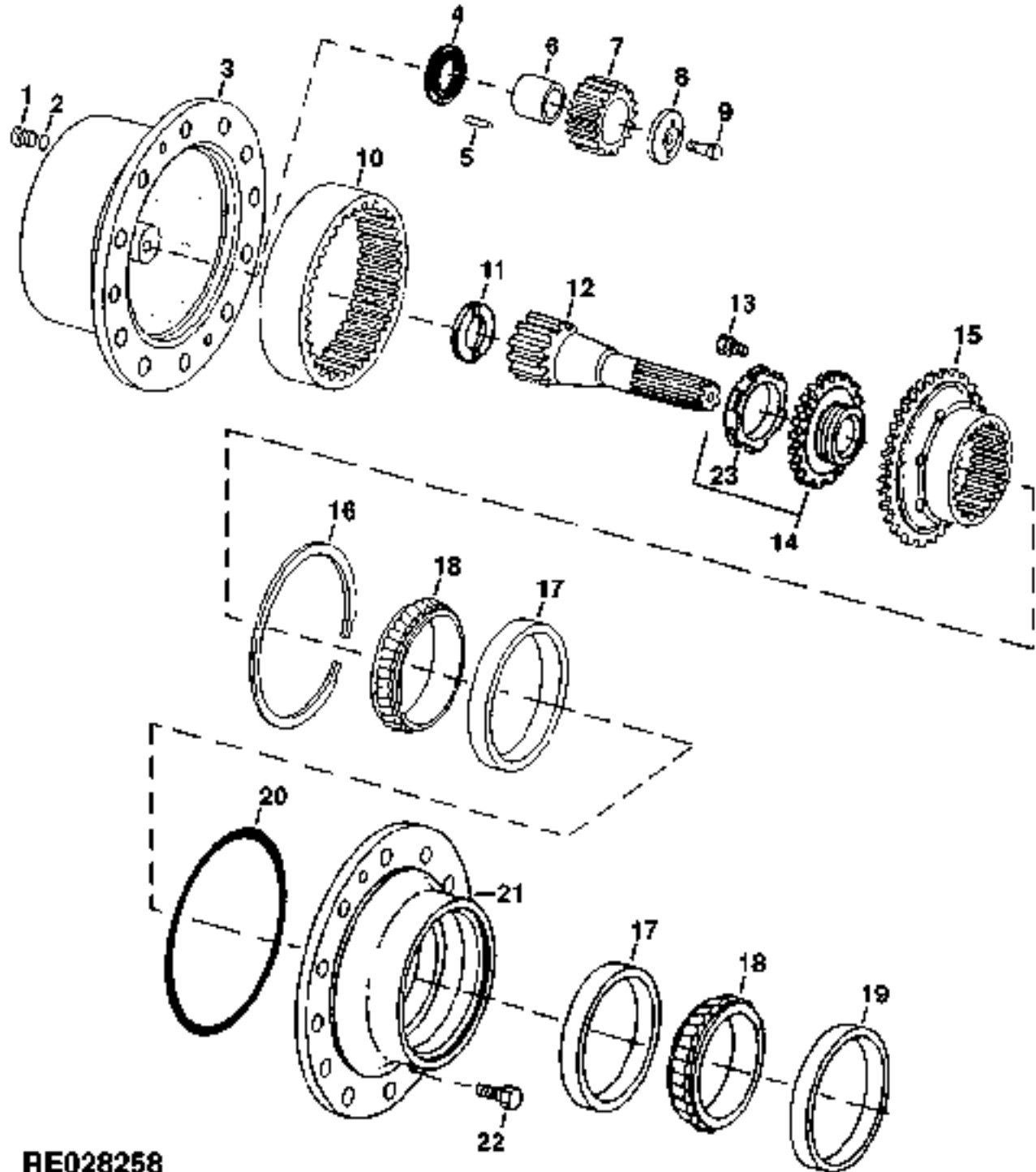
MFWD

| KEY | PART NO. | PART NAME | QTY | AXLE<br>SERIAL NO. | A<br>L<br>L | REMARKS   |
|-----|----------|-----------|-----|--------------------|-------------|---|
| 1   | R135218  | SPACER    | 1   |                    | X           |   |
| 2   | RE150316 | SLEEVE    | 1   |                    | X           |   |
| 3   | R136467  | BUSHING   | 1   |                    | X           |   |
| 4   | RE154869 | SEAL      | 1   |                    | X           | (SUB FOR RE46365)                               |
| 5   | RE150317 | SEAL      | 1   |                    | X           |   |
| 6   | R135247  | SLEEVE    | 1   |                    | X           |   |
| 7   | RE150318 | SEAL      | 1   |                    | X           | (INCLUDES RE64225)                              |
| 8   | R82982   | BUSHING   | 1   |                    | X           |   |
| 9   | RE150320 | SEAL KIT  | 1   | -022787            | X           | (ALSO ORDER RE71566 OR RE70738 AND<br>RE150319) |
|     | RE150320 | SEAL KIT  | 1   | 022788-035964      | X           | (ALSO ORDER RE71566 OR RE70738 AND RE67242)     |
|     | RE150320 | SEAL KIT  | 1   | 035966-059073      | X           | (ALSO ORDER RE71566 OR RE70738)                 |
|     | RE150320 | SEAL KIT  | 1   | 059074-            | X           |   |

# 5F9

MFWD

FINAL DRIVE (MFWD) ASN( -077515)  
REDUCTEUR (MFWD) ASN( -077515)  
ENDANTRIEB (MFWD) ASN( -077515)  
COPPIA CONICA (MFWD) ASN( -077515)  
MANDO FINAL (MFWD) ASN( -077515)  
NSKSCRLBSRCRL (MFWD) ASN( -077515)  
RE028258 -UN-14AUG97



**RE028258**

# 5F10

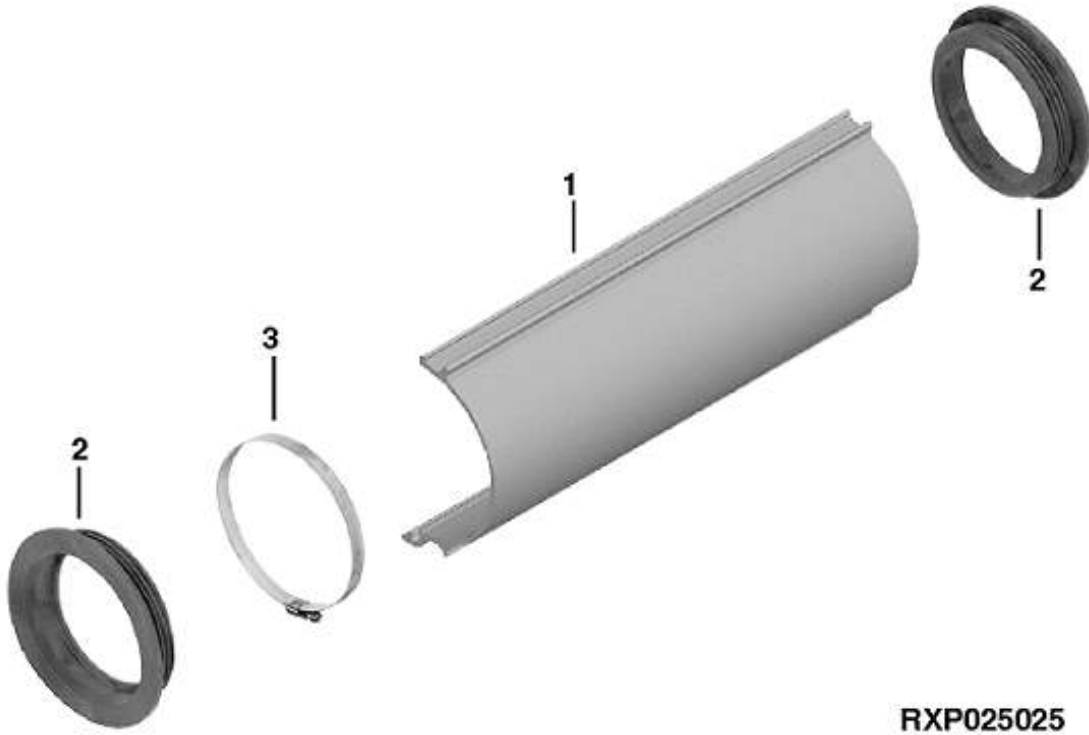
MFWD

| KEY | PART NO. | PART NAME             | QTY | AXLE<br>SERIAL NO. | A<br>L<br>L | REMARKS            |
|-----|----------|-----------------------|-----|--------------------|-------------|--------------------|
| 1   | R98012   | PLUG                  | 2   |                    | X           |                    |
| 2   | P47889   | O-RING                | 2   |                    | X           |                    |
| 3   | R104755  | PLANET PINION CARRIER | 2   |                    | X           |                    |
| 4   | R92872   | THRUST WASHER         | 6   |                    | X           |                    |
| 5   | R121283  | NEEDLE ROLLER         | 198 |                    | X           |                    |
| 6   | R121362  | BEARING RACE          | 6   |                    | X           |                    |
| 7   | R121282  | PLANET PINION         | 6   |                    | X           |                    |
| 8   | R92871   | RETAINER              | 6   |                    | X           |                    |
| 9   | R112888  | CAP SCREW             | 6   |                    | X           | 16M X 40, HS 10.9  |
| 10  | R99498   | RING GEAR             | 2   |                    | X           |                    |
| 11  | R100774  | THRUST WASHER         | 2   |                    | X           |                    |
| 12  | R100246  | PINION SHAFT          | 2   | -035803            | X           | (SUB R131740)      |
|     | R131740  | PINION SHAFT          | 1   | 035804-            | X           |                    |
| 13  | R91842   | SCREW                 | 2   |                    | X           | 10M X 1.5, HS 12.9 |
| 14  | R99353   | RETAINER              | 2   | -022786            | X           | (SUB RE150319)     |
|     | R124404  | RETAINER              | 2   | 022787-035803      | X           | (SUB RE67242)      |
|     | RE67242  | RETAINER              | 1   | 035804-            | X           |                    |
| 15  | R99499   | HUB                   | 2   |                    | X           |                    |
| 16  | R99673   | SNAP RING             | 2   |                    | X           |                    |
| 17  | JD9115   | BEARING CUP           | 2   |                    | X           |                    |
| 18  | JD9050   | BEARING CONE          | 2   |                    | X           |                    |
| 19  | RE154869 | SEAL                  | 2   |                    | X           | (SUB FOR RE46365)  |
| 20  | R87047   | RING                  | 2   |                    | X           |                    |
| 21  | R104756  | HUB                   | 2   |                    | X           |                    |
| 22  | 19M8011  | CAP SCREW             | 4   |                    | X           | M12 X 30, HS 10.9  |
| 23  | R131738  | SPACER                | 1   |                    | X           |                    |

# 5F11

MFWD

DRIVELINE SHIELDING (MFWD)  
 ECRAN PROTECTEUR DE L'ARBRE D'ENTRAINEMENT (TRACTION AVANT MECANIQUE)  
 KARDANWELLEN SCHUTZ (MECHANISCHER FRONTANTRIEB)  
 SCHERMATURA PER LENEA DI GUIDA (TRAZIONE ANTERIORE MECANICA)  
 PROTECCION DEL SISTEMA DE TRANSMISION (TRACCION DELANTERA)  
 KRAFTOEVERFOERINGSSKYDD (MEKANISK FRAMHJULSDRIVNING)  
 RXP025025 -UN-01JAN94



**RXP025025**

| KEY | PART NO. | PART NAME | QTY | AXLE<br>SERIAL NO. | A | REMARKS       |
|-----|----------|-----------|-----|--------------------|---|---------------|
|     |          |           |     |                    | L |               |
| 1   | R124886  | SHIELD    | 2   |                    | X |               |
| 2   | R116353  | SEAL      | 2   |                    | X |               |
| 3   | C16054   | CLAMP     | 2   |                    | X | (SUB TY22475) |

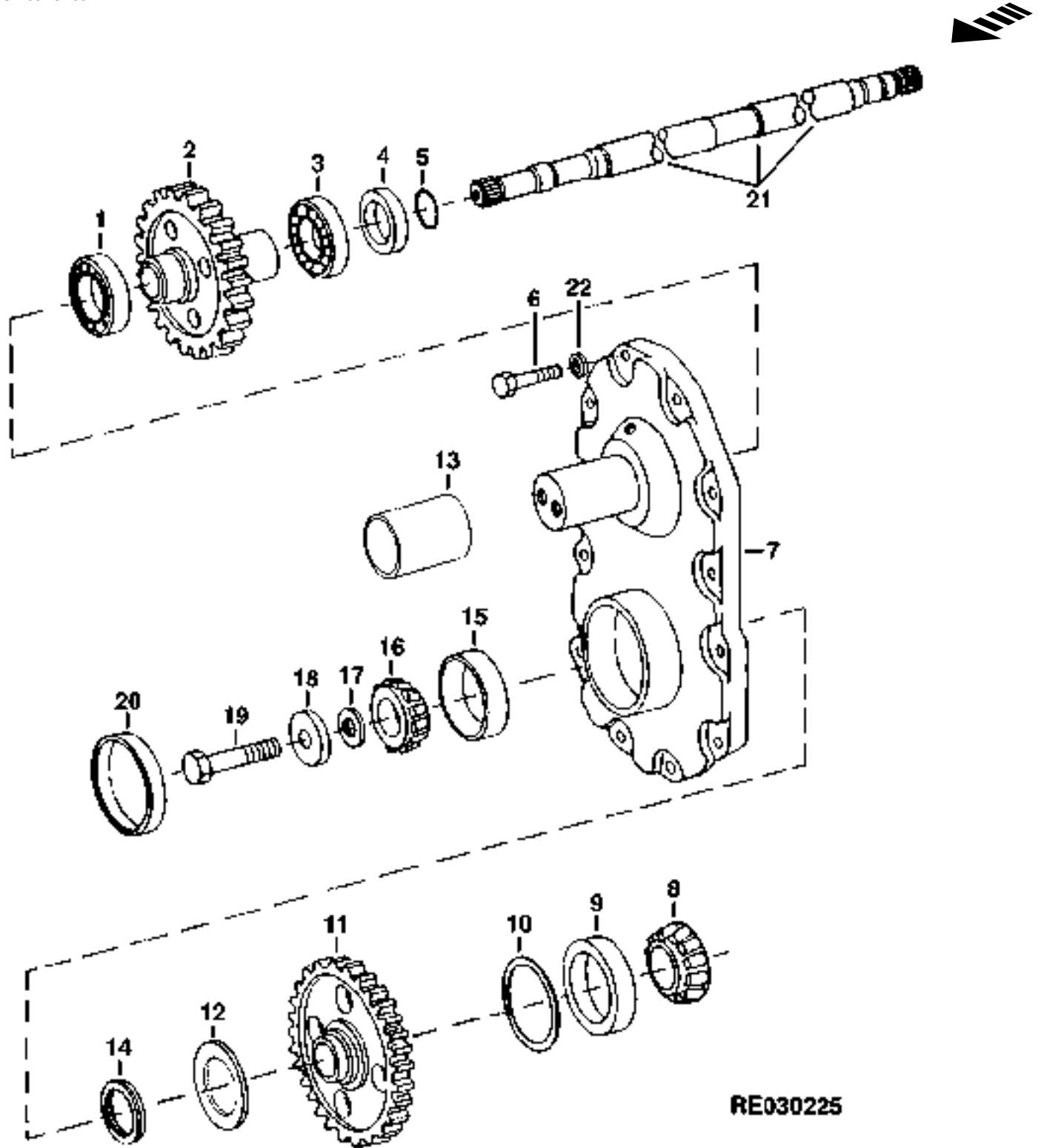


MEMORANDA  
MEMORANDA  
MEMORANDA  
MEMORANDA  
MEMORANDA

# 5F12

MFWD

SPUR GEAR DRIVE (MFWD) ASN(800001- )  
ENTRAINEMENT PAR ENGRENAGE A PIGNON DROIT  
STIRNRAD-ANTRIEB  
INGRANAGGIO CILINDRICO DI DISTRIBUZIONE  
MANDO DE ENGRANAJES RECTOS  
DREV MED CYLINDRISKT KUGGHUJL  
RE030225 -UN-06NOV98



RE030225

# 5F13

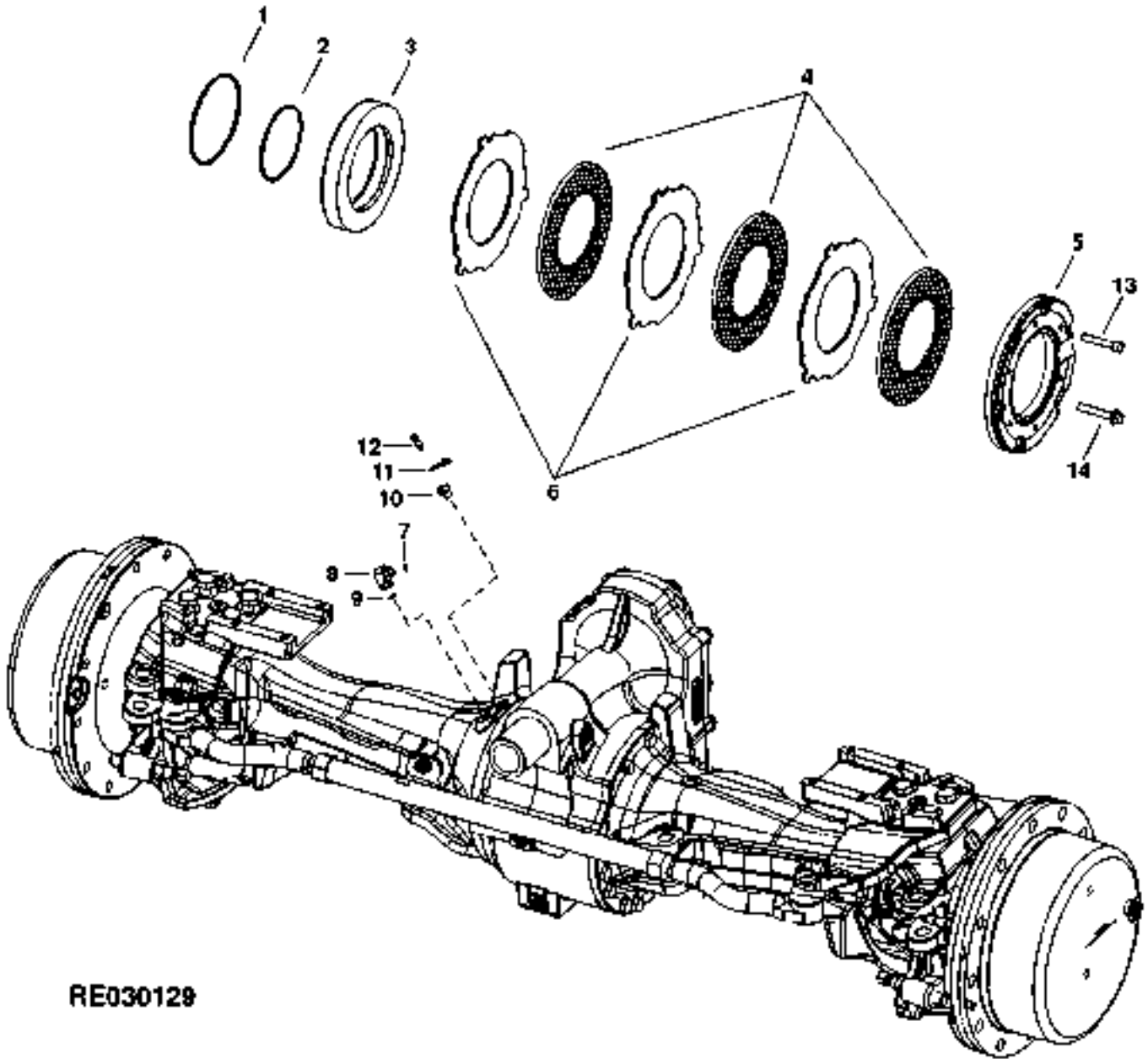
MFWD

| KEY | PART NO. | PART NAME    | QTY | AXLE<br>SERIAL NO. | A<br>L<br>L | REMARKS           |
|-----|----------|--------------|-----|--------------------|-------------|-------------------|
| 1   | CH17453  | BEARING      | 1   |                    | X           |                   |
| 2   | R130894  | GEAR         | 1   |                    | X           |                   |
| 3   | JD8537   | BEARING      | 1   |                    | X           |                   |
| 4   | RE49315  | SEAL         | 1   |                    | X           |                   |
| 5   | A4540R   | O-RING       | 1   |                    | X           |                   |
| 6   | 19M7759  | CAP SCREW    | 12  |                    | X           | M16 X 60 M16      |
| 7   | R127420  | COVER        | 1   |                    | X           |                   |
| 8   | JD10226  | BEARING CONE | 1   |                    | X           |                   |
| 9   | JD10227  | BEARING CUP  | 1   |                    | X           |                   |
| 10  | T61226   | SNAP RING    | 1   |                    | X           |                   |
| 11  | R128359  | GEAR         | 1   |                    | X           |                   |
| 12  | R128360  | WASHER       | 1   |                    | X           |                   |
| 13  | R107718  | SLEEVE       | 1   |                    | X           |                   |
| 14  | R83474   | RING         | 1   |                    | X           |                   |
| 15  | JD9109   | BEARING CUP  | 1   |                    | X           |                   |
| 16  | JD9043   | BEARING CONE | 1   |                    | X           |                   |
| 17  | T13331   | SHIM         | AR  |                    | X           | 0.003             |
|     | T13332   | SHIM         | AR  |                    | X           | 0.005             |
|     | T13333   | SHIM         | AR  |                    | X           | 0.010             |
|     | 24H1390  | SHIM         | AR  |                    | X           |                   |
| 18  | R126422  | WASHER       | 1   |                    | X           |                   |
| 19  | 19M7409  | CAP SCREW    | 1   |                    | X           | M16 X 50, HS 10.9 |
| 20  | T12529   | CAP          | 1   |                    | X           |                   |
| 21  | R130895  | SHAFT        | 1   |                    | X           |                   |
| 22  | 24M7241  | WASHER       | 12  |                    | X           | 17 X 34 X 4 MM    |

# 5F14

MFWD

SECONDARY BRAKE (EUROPEAN VERSION) ASN(800001- ) )  
FREIN SECONDAIRE (VERSION EUROPEENNE) ASN(800001- ) )  
ZWEITBREMSE (EUROPAEISCHE AUSFUEHRUNG) ASN(800001- ) )  
FRENO SECONDAARIO (VERSIONE EUROPEA) ASN(800001- ) )  
FRENO SECUNDARIO (VERSION EUROPEA) ASN(800001- ) )  
PARKERINGSBROMS (EUROPEISK VERSION) ASN(800001- ) )  
RE030129 -UN-06NOV98



RE030129

# 5F15

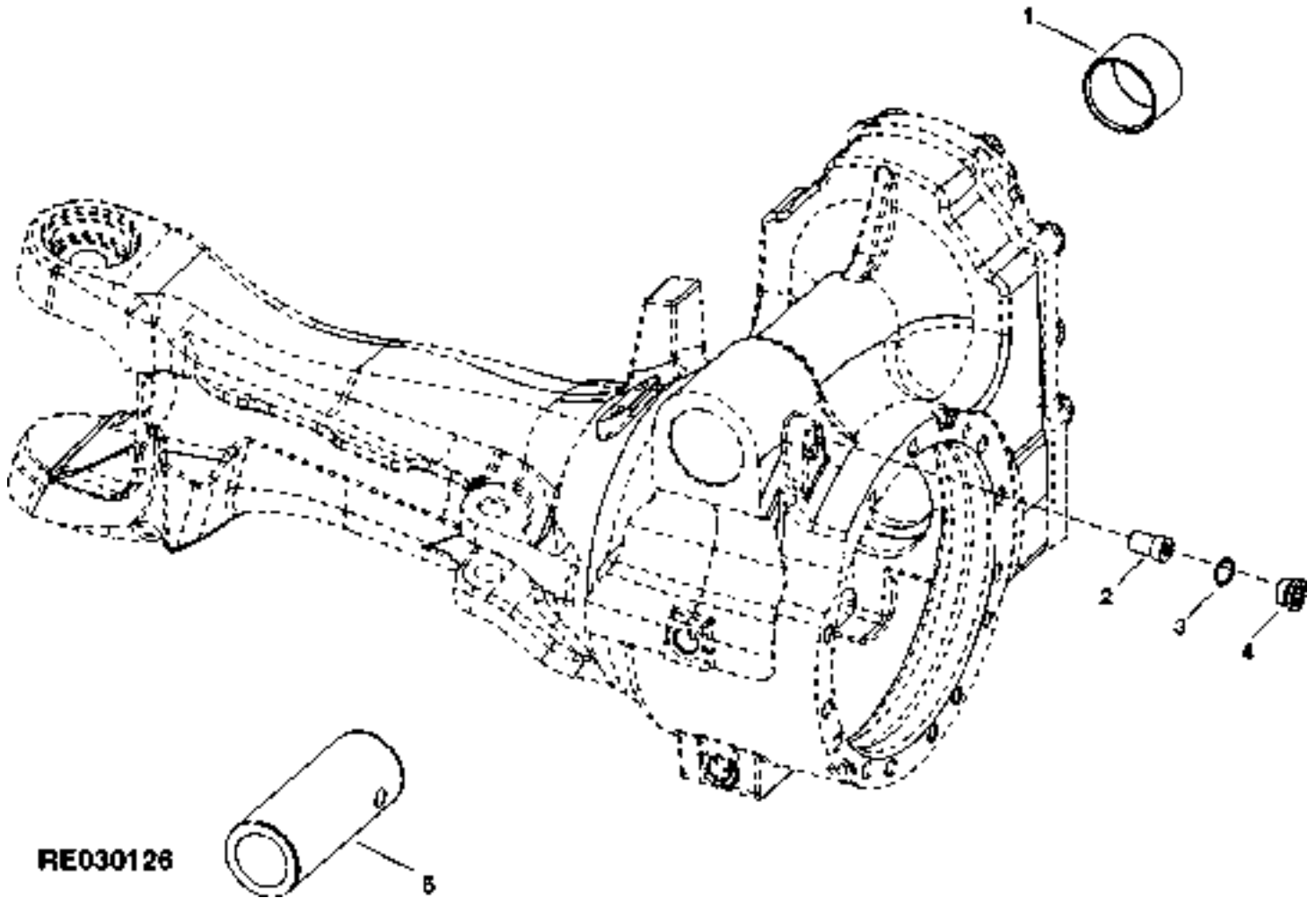
MFWD

| KEY | PART NO. | PART NAME               | QTY | AXLE<br>SERIAL NO. | A<br>L<br>L | REMARKS |
|-----|----------|-------------------------|-----|--------------------|-------------|---------|
| 1   | R158630  | SEAL                    | 1   |                    | X           |         |
| 2   | R158631  | SEAL                    | 1   |                    | X           |         |
| 3   | R150222  | PISTON                  | 1   |                    | X           |         |
| 4   | RE159560 | DISK, WITH INNER SPLINE | 3   |                    | X           |         |
| 5   | R136355  | BRAKE DISK              | 1   |                    | X           |         |
| 6   | R150350  | BRAKE DISK              | 3   |                    | X           |         |
| 7   | T77613   | O-RING                  | 1   |                    | X           |         |
| 8   | 38H1004  | ELBOW FITTING           | 1   |                    | X           |         |
| 9   | R26448   | O-RING                  | 1   |                    | X           |         |
| 10  | R106789  | BUSHING                 | 1   |                    | X           |         |
| 11  | R100122  | PLUG                    | 1   |                    | X           |         |
| 12  | R21612   | BLEED SCREW             | 1   |                    | X           |         |
| 13  | 19M8912  | SCREW                   | 1   |                    | X           |         |
| 14  | 19M7817  | SCREW                   | 5   |                    | X           |         |

# 5F16

MFWD

MFWD PIVOT ASN(800001- )  
PIVOT DE PONT AVANT ASN(800001- )  
VORDERACHSGELENKZAPFEN ASN(800001- )  
PERNO MFWD ASN(800001- )  
PIVOTE DE TDM ASN(800001- )  
MFWD-SVAENGTAPP ASN(800001- )  
RE030126 -UN-06NOV98



# 5F17

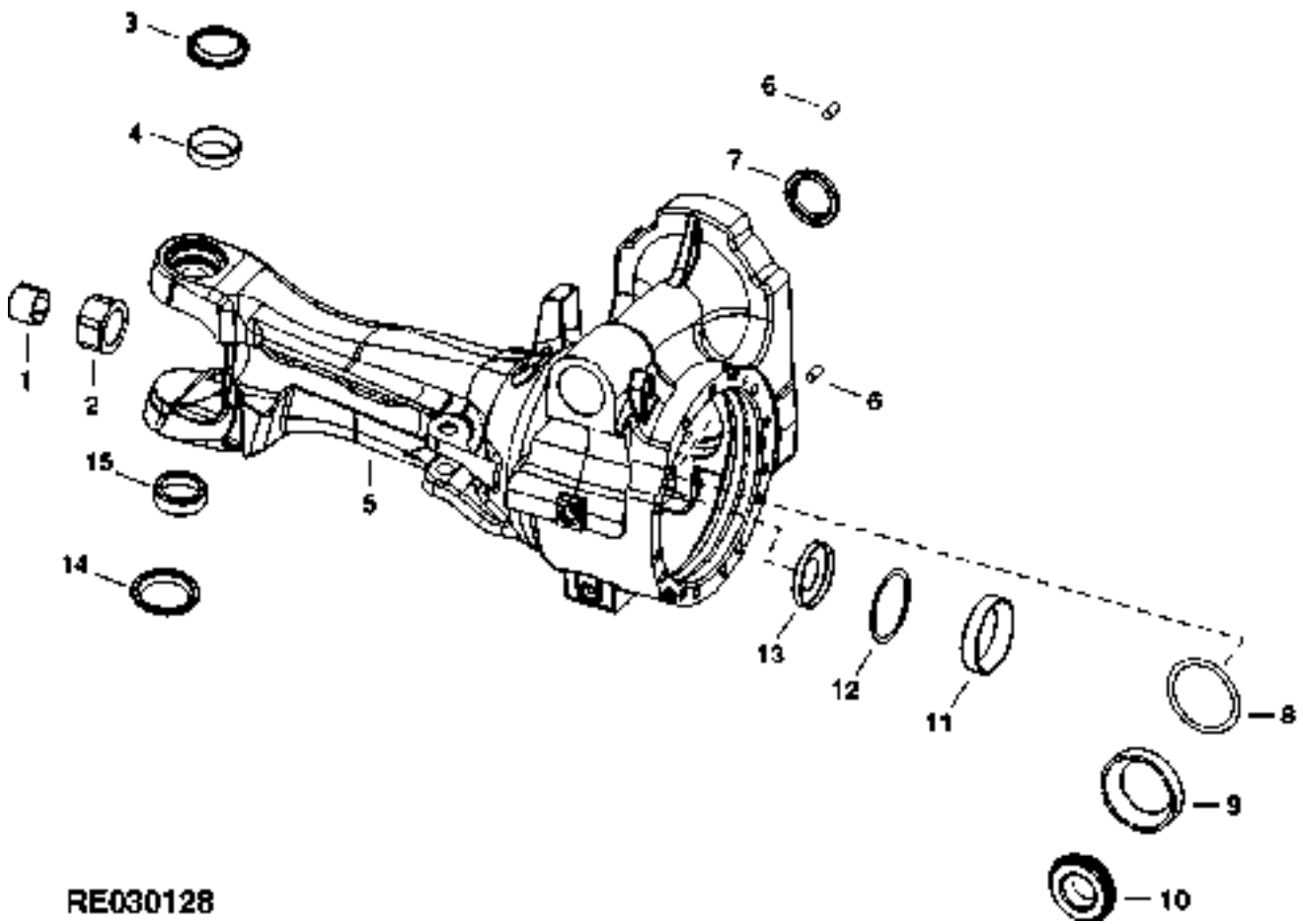
MFWD

| KEY | PART NO. | PART NAME | QTY | AXLE<br>SERIAL NO. | A<br>L<br>L | REMARKS |
|-----|----------|-----------|-----|--------------------|-------------|---------|
| 1   | R107718  | SLEEVE    | 1   |                    | X           |         |
| 2   | R122120  | PIN       | 1   |                    | X           |         |
| 3   | P47889   | O-RING    | 1   |                    | X           |         |
| 4   | R98012   | PLUG      | 1   |                    | X           |         |
| 5   | R107719  | BUSHING   | 1   |                    | X           |         |

# 5F18

MFWD

AXLE HOUSING (LH) (MFWD) ASN(800001- )  
TROMPETTE D'ESSIEU (LH) (MFWD) ASN(800001- )  
ACHSGEHAEUSE (LH) (MFWD) ASN(800001- )  
ALLOGGIAMENTO DELL'ASSALE (LH) (MFWD) ASN(800001- )  
CAJA DEL EJE (LH) (MFWD) ASN(800001- )  
AXELHUS (LH) (MFWD) ASN(800001- )  
RE030128 -UN-06NOV98



RE030128



# 5F19

MFWD

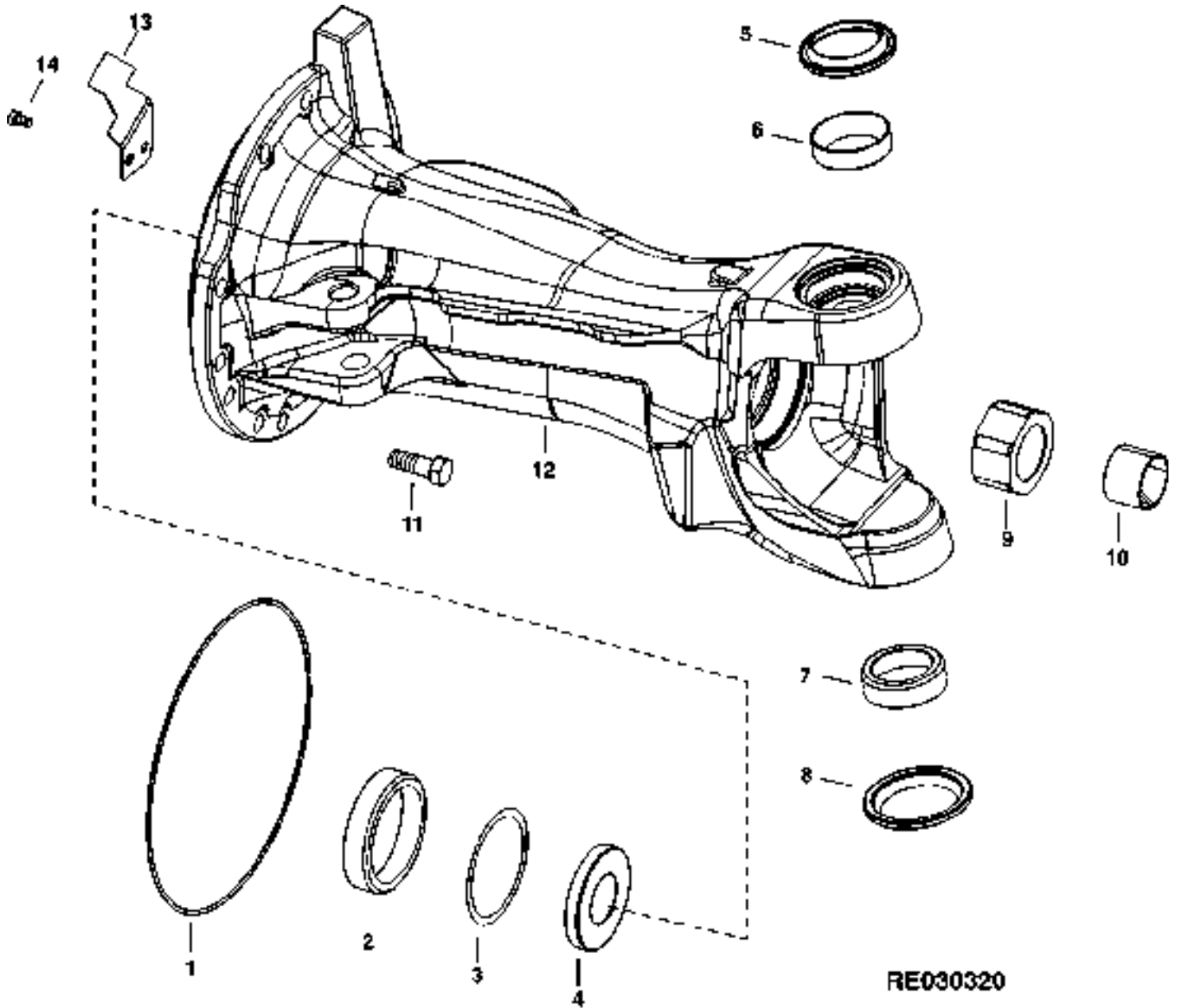
| KEY | PART NO. | PART NAME    | QTY | AXLE<br>SERIAL NO. | A<br>L<br>L | REMARKS |
|-----|----------|--------------|-----|--------------------|-------------|---------|
| 1   | R130069  | BUSHING      | 1   |                    | X           |         |
| 2   | R133871  | SPACER       | 1   |                    | X           |         |
| 3   | RE50803  | SEAL         | 1   |                    | X           |         |
| 4   | JD7292   | BEARING CUP  | 1   |                    | X           |         |
| 5   | R135989  | CASE         | 1   |                    | X           |         |
|     | R135990  | CASE         | 1   |                    | X           | (A)     |
| 6   | R48685   | DOWEL PIN    | 2   |                    | X           |         |
| 7   | RE49315  | SEAL         | 1   |                    | X           |         |
| 8   | R83150   | SHIM         | AR  |                    | X           |         |
|     | R83151   | SHIM         | AR  |                    | X           |         |
|     | R83152   | SHIM         | AR  |                    | X           |         |
| 9   | JD10227  | BEARING CUP  | 1   |                    | X           |         |
| 10  | JD10226  | BEARING CONE | 1   |                    | X           |         |
| 11  | JD7292   | BEARING CUP  | 1   |                    | X           |         |
| 12  | R131996  | SHIM         | AR  |                    | X           |         |
|     | R131997  | SHIM         | AR  |                    | X           |         |
|     | R131998  | SHIM         | AR  |                    | X           |         |
|     | R131999  | SHIM         | AR  |                    | X           |         |
|     | R132000  | SHIM         | AR  |                    | X           |         |
|     | R132001  | SHIM         | AR  |                    | X           |         |
| 13  | R150907  | PLUG         | 1   |                    | X           |         |
| 14  | RE71181  | SEAL         | 1   |                    | X           |         |
| 15  | JD8252   | BEARING CUP  | 1   |                    | X           |         |

EUROPEAN VERSION

# 5F20

MFWD

AXLE HOUSING (RH) (MFWD) ASN(800001- )  
TROMPETTE D'ESSIEU (RH) (MFWD) ASN(800001- )  
ACHSGEHAEUSE (RH) (MFWD) ASN(800001- )  
ALLOGGIAMENTO DELL'ASSALE (RH) (MFWD) ASN(800001- )  
CAJA DEL EJE (RH) (MFWD) ASN(800001- )  
AXLEHUS (RH) (MFWD) ASN(800001- )  
RE030320 -UN-19JAN99



# 5F21

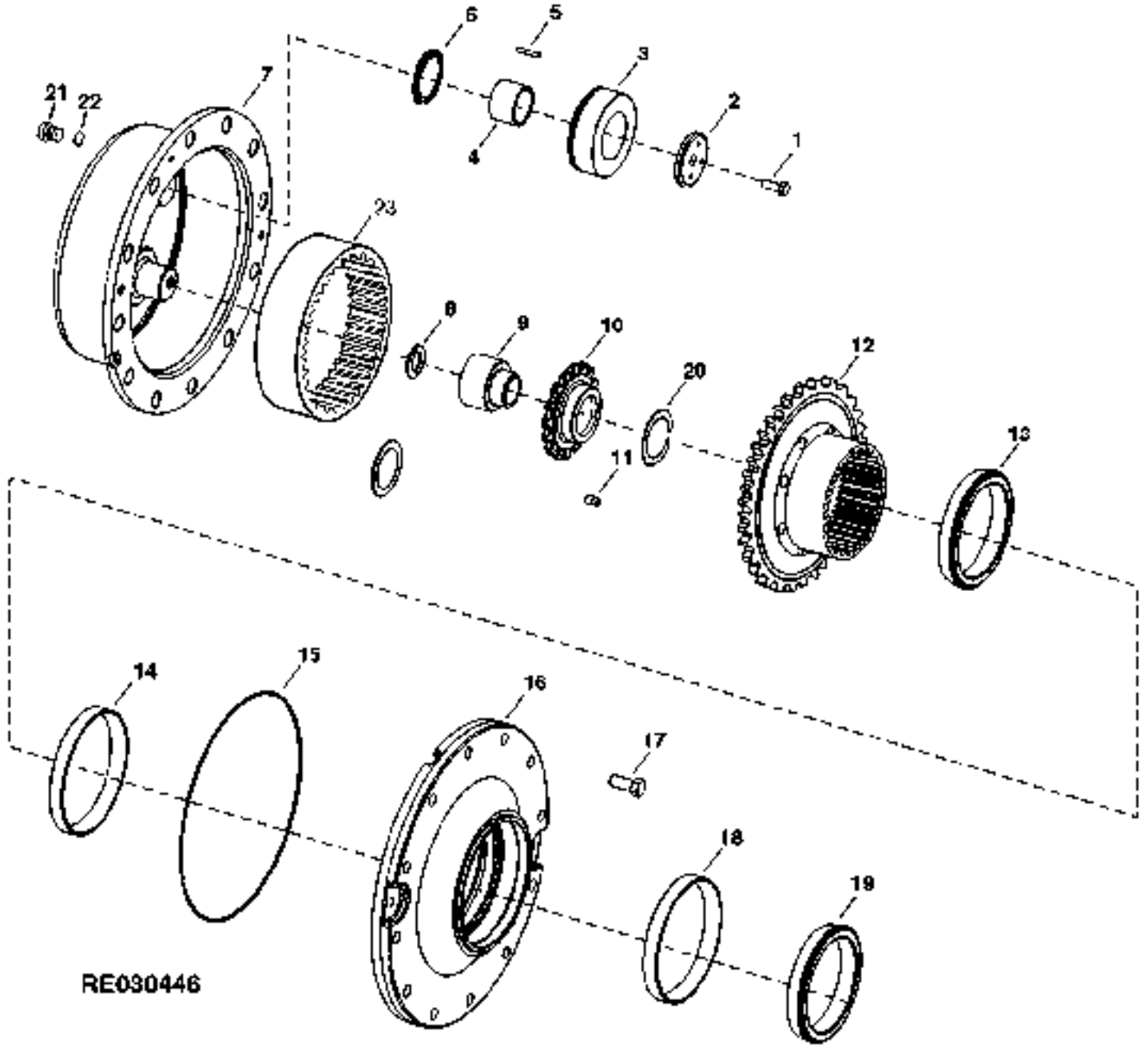
MFWD

| KEY | PART NO. | PART NAME   | QTY | AXLE<br>SERIAL NO. | A<br>L<br>L | REMARKS  |
|-----|----------|-------------|-----|--------------------|-------------|----------|
| 1   | R37287   | O-RING      | 1   |                    | X           |          |
| 2   | JD7292   | BEARING CUP | 1   |                    | X           |          |
| 3   | R131996  | SHIM        | AR  |                    | X           |          |
|     | R131997  | SHIM        | AR  |                    | X           |          |
|     | R131998  | SHIM        | AR  |                    | X           |          |
|     | R131999  | SHIM        | AR  |                    | X           |          |
|     | R132000  | SHIM        | AR  |                    | X           |          |
|     | R132001  | SHIM        | AR  |                    | X           |          |
| 4   | R150907  | PLUG        | 1   |                    | X           |          |
| 5   | RE50803  | SEAL        | 1   |                    | X           |          |
| 6   | JD8252   | BEARING CUP | 1   |                    | X           |          |
| 7   | R72090   | BEARING CUP | 1   |                    | X           |          |
| 8   | RE71181  | SEAL        | 1   |                    | X           |          |
| 9   | R133871  | SPACER      | 1   |                    | X           |          |
| 10  | R130069  | BUSHING     | 1   |                    | X           |          |
| 11  | 19M7489  | CAP SCREW   | 13  |                    | X           | M16 X 45 |
| 12  | R135991  | HOUSING     | 1   |                    | X           |          |
| 13  | R159204  | DEFLECTOR   | 1   |                    | X           |          |
| 14  | 19M7932  | CAP SCREW   | 2   |                    | X           |          |

# 5F22

MFWD

FINAL DRIVE (MFWD) ASN(800001- )  
REDUCTEUR (MFWD) ASN(800001- )  
ENDANTRIEB (MFWD) ASN(800001- )  
COPPIA CONICA (MFWD) ASN(800001- )  
MANDO FINAL (MFWD) ASN(800001- )  
NSKSCRLBSRCRL (MFWD) ASN(800001- )  
RE030446 -UN-11MAY99



RE030446

# 5F23

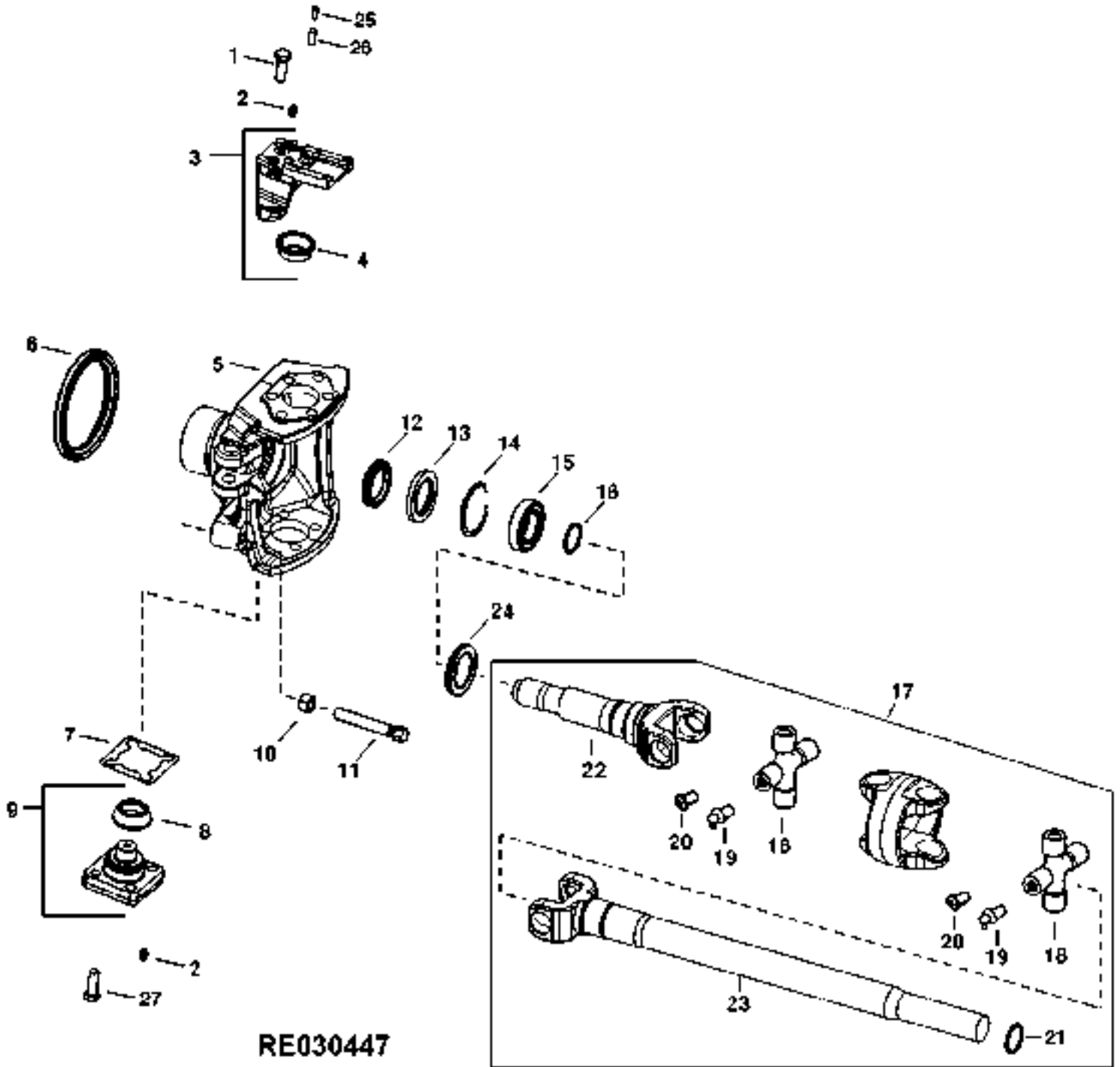
MFWD

| KEY | PART NO. | PART NAME             | QTY | AXLE<br>SERIAL NO. | A<br>L<br>L | REMARKS |
|-----|----------|-----------------------|-----|--------------------|-------------|---------|
| 1   | R112888  | CAP SCREW             | 3   |                    | X           |         |
| 2   | R92871   | RETAINER              | 3   |                    | X           |         |
| 3   | R121282  | PLANET PINION         | 3   |                    | X           |         |
| 4   | R121362  | BEARING RACE          | 3   |                    | X           |         |
| 5   | R121283  | NEEDLE ROLLER         | 99  |                    | X           |         |
| 6   | R92872   | THRUST WASHER         | 3   |                    | X           |         |
| 7   | R104755  | PLANET PINION CARRIER | 1   |                    | X           |         |
| 8   | R100774  | THRUST WASHER         | 1   |                    | X           |         |
| 9   | R130078  | PINION                | 1   |                    | X           |         |
| 10  | R124404  | RETAINER              | 1   |                    | X           |         |
| 11  | R91842   | SCREW                 | 1   |                    | X           |         |
| 12  | R99499   | HUB                   | 1   |                    | X           |         |
| 13  | JD9050   | BEARING CONE          | 1   |                    | X           |         |
| 14  | JD9115   | BEARING CUP           | 1   |                    | X           |         |
| 15  | R87047   | RING                  | 1   |                    | X           |         |
| 16  | R135866  | HUB                   | 1   |                    | X           |         |
| 17  | 19M8011  | CAP SCREW             | 1   |                    | X           |         |
| 18  | JD9115   | BEARING CUP           | 1   |                    | X           |         |
| 19  | JD9050   | BEARING CONE          | 1   |                    | X           |         |
| 20  | R99673   | SNAP RING             | 1   |                    | X           |         |
| 21  | R98012   | PLUG                  | 1   |                    | X           |         |
| 22  | P47889   | O-RING                | 1   |                    | X           |         |
| 23  | R156869  | RING GEAR             | 1   |                    | X           |         |

# 5F24

MFWD

STEERING ARM AND KNUCKLE ASN(800001- )  
BRAS ET ARTICULATION DE DIRECTION ASN(800001- )  
SPURHEBEL UND LENKACHSSCHENKEL ASN(800001- )  
BRACCIO DI GOVERNO E ARTICLAZIONE ASN(800001- )  
ROTULA Y BRAZO DE LA DIRECCION ASN(800001- )  
STYRARM OCH-SPINDEL ASN(800001- )  
RE030447 -UN-15APR99



# 5F25

MFWD

| KEY | PART NO. | PART NAME             | QTY | AXLE<br>SERIAL NO. | A<br>L<br>L | REMARKS  |
|-----|----------|-----------------------|-----|--------------------|-------------|----------|
| 1   | 19M8002  | CAP SCREW             | 4   |                    | X           | M20 X 55 |
| 2   | JD7759   | LUBRICATION FITTING   | 2   |                    | X           |          |
| 3   | RE158048 | ARM                   | 1   |                    | X           | L.H.     |
|     | RE158047 | ARM                   | 1   |                    | X           | R.H.     |
| 4   | AR94761  | BEARING CONE          | 1   |                    | X           |          |
| 5   | R135865  | HOUSING               | 1   |                    | X           | L.H.     |
|     | R135864  | HOUSING               | 1   |                    | X           | R.H.     |
| 6   | RE154869 | SEAL                  | 1   |                    | X           |          |
| 7   | R131673  | SHIM                  | AR  |                    | X           |          |
|     | R131675  | SHIM                  | AR  |                    | X           |          |
|     | R131676  | SHIM                  | AR  |                    | X           |          |
|     | R131985  | SHIM                  | AR  |                    | X           |          |
| 8   | JD8930   | BEARING CONE          | 1   |                    | X           |          |
| 9   | RE71437  | KINGPIN               | 1   |                    | X           |          |
| 10  | 14M7277  | NUT                   | 1   |                    | X           |          |
| 11  | R133288  | BOLT                  | 1   |                    | X           |          |
| 12  | RE65592  | SEAL                  | 1   |                    | X           |          |
| 13  | RE65591  | SEAL                  | 1   |                    | X           |          |
| 14  | 40M1873  | SNAP RING             | 1   |                    | X           |          |
| 15  | JD9346   | BALL BEARING          | 1   |                    | X           |          |
| 16  | 40M7166  | SNAP RING             | 1   |                    | X           |          |
| 17  | RE65595  | SHAFT                 | 1   | -800511            | X           |          |
|     | RE157739 | UNIVERSAL JOINT       | 1   | 800512-            | X           |          |
| 18  | RE65621  | UNIVERSAL JOINT CROSS | 2   |                    | X           |          |
| 19  | 58M5578  | LUBRICATION FITTING   | 4   |                    | X           |          |
| 20  | 15M7033  | PIPE PLUG             | 4   |                    | X           |          |
| 21  | RE65596  | SEAL                  | 1   |                    | X           |          |
| 22  | R153306  | YOKE                  | 1   | -800511            | X           | (A)      |
|     | R157897  | YOKE                  | 1   | 800512-            | X           | (A)      |
| 23  | R153307  | YOKE                  | 1   |                    | X           | (B)      |
| 24  | R157679  | OIL SLINGER           | 1   | 800512-            | X           |          |
| 25  | 34M7077  | SPRING PIN            | 2   |                    | X           |          |
| 26  | 34M7128  | SPRING PIN            | 2   |                    | X           |          |
| 27  | 19M7496  | CAP SCREW             | 4   |                    | X           |          |

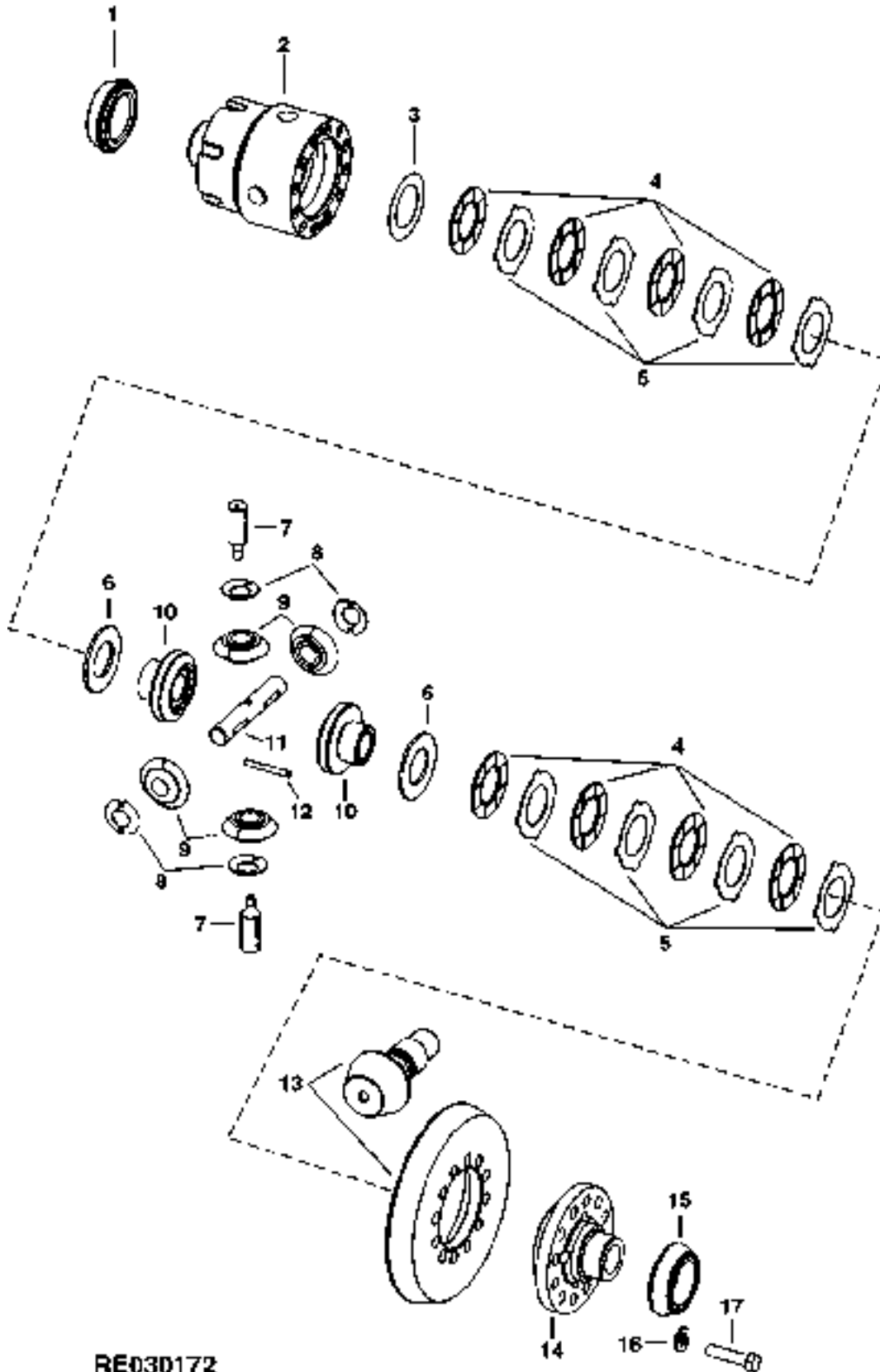
(A) OUTBOARD  
EXTERIEUR  
AUSSEN  
ESTERNO  
EXTERIOR  
YTTRE

(B) INBOARD  
INTERERIEUR  
INNEN  
INTERNO  
INTERIOR  
INRE

# 5G1

MFWD

DIFFERENTIAL(STANDARD)(MFWD)ASN(800001- ) )  
DIFFERNTIEL (STANDARD) (MFWD)ASN(800001- ) )  
DIFFERENTIAL (STANDARD) (MFWD)ASN(800001- ) )  
DIFFERENZIALE (STANDARD) (MFWD)ASN(800001- ) )  
DIFFERENCIAL (NORMAL) (MFWD) ASN(800001- ) )  
DIFFERENTIAL (STANDARD) (MFWD)ASN(800001- ) )  
RE030172 -UN-06NOV98



RE030172



# 5G2

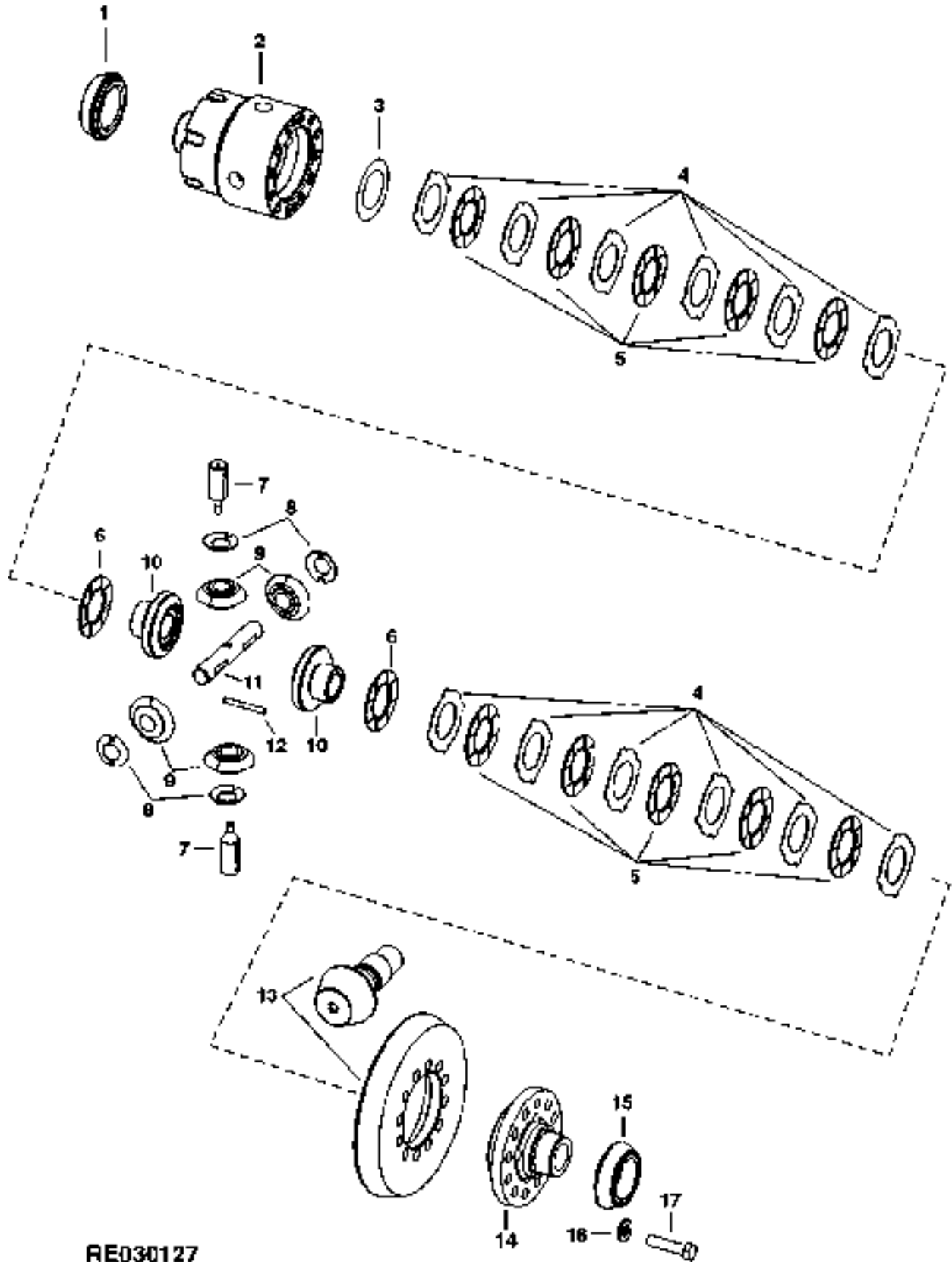
MFWD

| KEY | PART NO. | PART NAME     | QTY | AXLE<br>SERIAL NO. | A<br>L<br>L | REMARKS                      |
|-----|----------|---------------|-----|--------------------|-------------|------------------------------|
| 1   | JD7242   | BEARING CONE  | 1   |                    | X           |                              |
| 2   | R133867  | HOUSING       | 1   |                    | X           |                              |
| 3   | R132971  | SHIM          | AR  |                    | X           |                              |
|     | R83559   | SHIM          | AR  |                    | X           |                              |
|     | R83560   | SHIM          | AR  |                    | X           |                              |
| 4   | RE43059  | DISK          | 4   |                    | X           |                              |
| 5   | R82908   | PLATE         | 4   |                    | X           |                              |
| 6   | R131336  | SPACER        | 2   |                    | X           |                              |
| 7   | R131511  | SHAFT         | 2   |                    | X           |                              |
| 8   | R135876  | THRUST WASHER | 4   |                    | X           |                              |
| 9   | R135875  | PINION        | 4   |                    | X           |                              |
| 10  | R133149  | BEVEL GEAR    | 2   |                    | X           |                              |
| 11  | R131346  | SHAFT         | 1   |                    | X           |                              |
| 12  | R62129   | PIN           | 2   |                    | X           |                              |
| 13  | RE67924  | BEVEL GEAR    | 1   |                    | X           | (MARKED R129108 AND R132916) |
| 14  | R130753  | HOUSING       | 1   |                    | X           |                              |
| 15  | JD7242   | BEARING CONE  | 1   |                    | X           |                              |
| 16  | 24M7338  | WASHER        | 12  |                    | X           |                              |
| 17  | 19M8995  | CAP SCREW     | 12  |                    | X           |                              |

# 5G3

MFWD

DIFFERENTIAL(HIGH CAPACITY)(MFWD)ASN(800001- ) )  
DIFFERENTIEL (HAUTE CAPACITE) (MFWD)ASN(800001- ) )  
DIFFERENTIAL (HOHE KAPZAITAET) (MFWD)ASN(800001- ) )  
DIFFERENZIALE (ALTA CAPACITA) (MFWD)ASN(800001- ) )  
DIFFERENCIAL (CPACIDAD ALTA) (MFWD)ASN(800001- ) )  
DIFFERENTIAL (HOEG KAPACITET) (MFWD)ASN(800001- ) )  
RE030127 -UN-06NOV98



RE030127

# 5G4

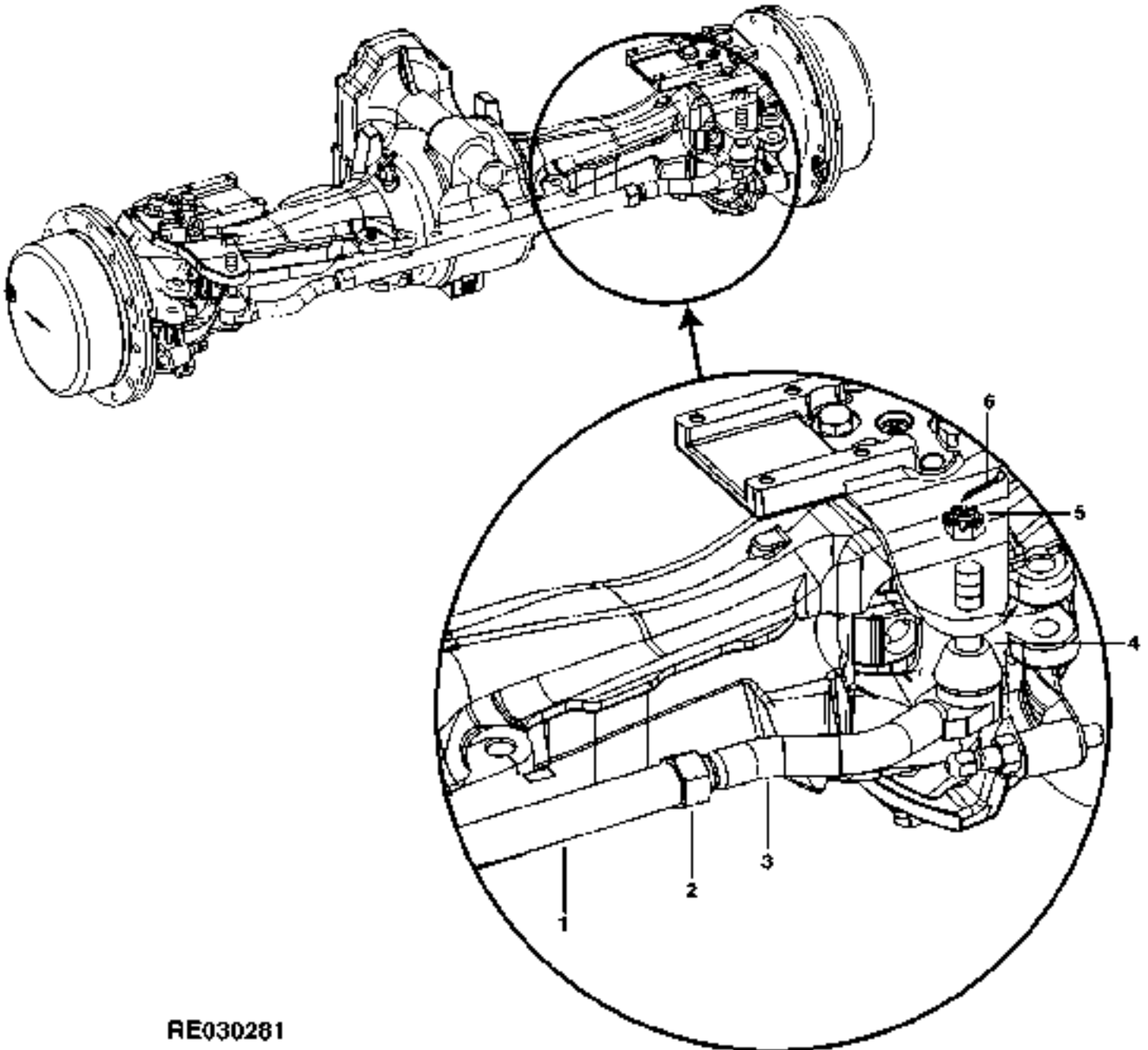
MFWD

| KEY | PART NO. | PART NAME     | QTY | AXLE<br>SERIAL NO. | A<br>L<br>L | REMARKS                      |
|-----|----------|---------------|-----|--------------------|-------------|------------------------------|
| 1   | JD7242   | BEARING CONE  | 1   |                    | X           |                              |
| 2   | R131418  | HOUSING       | 1   |                    | X           |                              |
| 3   | R132971  | SHIM          | AR  |                    | X           |                              |
|     | R83559   | SHIM          | AR  |                    | X           |                              |
|     | R83560   | SHIM          | AR  |                    | X           |                              |
| 4   | R82908   | PLATE         | 12  |                    | X           |                              |
| 5   | RE43059  | DISK          | 10  |                    | X           |                              |
| 6   | RE43058  | DISK          | 2   |                    | X           |                              |
| 7   | R131511  | SHAFT         | 2   |                    | X           |                              |
| 8   | R135876  | THRUST WASHER | 4   |                    | X           |                              |
| 9   | R135875  | PINION        | 4   |                    | X           |                              |
| 10  | R133149  | BEVEL GEAR    | 2   |                    | X           |                              |
| 11  | R131346  | SHAFT         | 1   |                    | X           |                              |
| 12  | R62129   | PIN           | 2   |                    | X           |                              |
| 13  | RE67924  | BEVEL GEAR    | 1   |                    | X           | (MARKED R129108 AND R132916) |
| 14  | R130753  | HOUSING       | 1   |                    | X           |                              |
| 15  | JD7242   | BEARING CONE  | 1   |                    | X           |                              |
| 16  | 24M7338  | WASHER        | 12  |                    | X           |                              |
| 17  | 19M8995  | CAP SCREW     | 12  |                    | X           |                              |

# 5G5

MFWD

TIE ROD (MFWD) ASN(800001- )  
BARRE D'ACCOUPLMENT (MFWD) ASN(800001- )  
SPURSTANGE (MFWD) ASN(800001- )  
BARRA D'ACCOPIAMENTO (MFWD) ASN(800001- )  
BARRA TRANSV. DE DIRECTION (MFWD) ASN(800001- )  
PARALLELLSTAG (MFWD) ASN(800001- )  
RE030281 -UN-22DEC98



**RE030281**

# 5G6

MFWD

| KEY | PART NO. | PART NAME  | QTY | AXLE<br>SERIAL NO. | A<br>L<br>L | REMARKS  |
|-----|----------|------------|-----|--------------------|-------------|--|
| 1   | R124745  | TIE ROD    | 1   |                    | X           |  |
| 2   | R121022  | LOCK NUT   | 1   |                    | X           | RH   |
|     | R121023  | LOCK NUT   | 1   |                    | X           | LH   |
| 3   | RE61402  | TIE ROD    | 1   |                    | X           | RH   |
|     | RE61401  | TIE ROD    | 1   |                    | X           | LH   |
| 4   | R78027   | COVER      | 2   |                    | X           |  |
| 5   | 14H875   | NUT        | 2   |                    | X           |  |
| 6   | 11M7017  | COTTER PIN | 2   |                    | X           |  |
| ..  | RE61217  | TIE ROD    | 1   |                    | X           | (INCLUDES R124745, R121022, R121023,<br>RE61401, RE61402, (2) R78027, (2) 14H875<br>AND (2) 11M7017) |

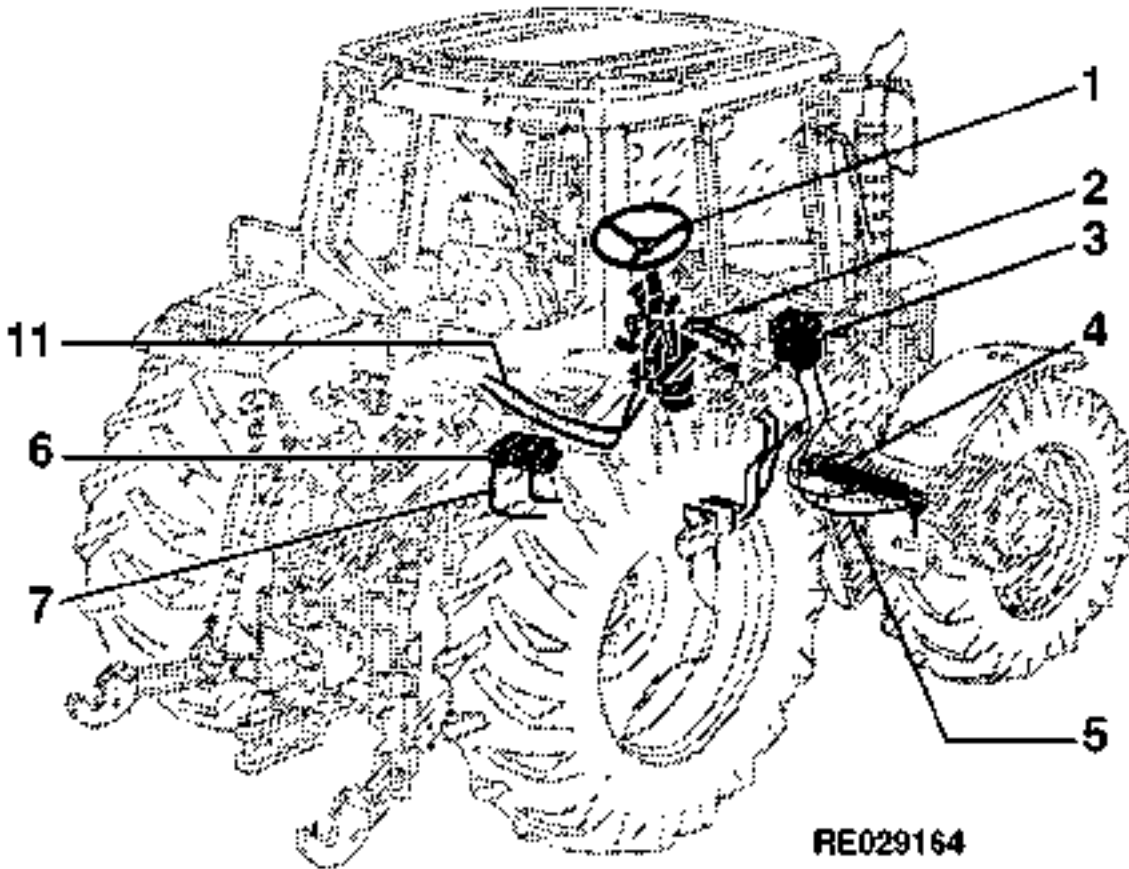
MEMORANDA  
MEMORANDA  
MEMORANDA  
MEMORANDA  
MEMORANDA

# 6D4

SECTIONAL INDEX  
INDEX DE SECTION  
GRUPPENINDEX  
INDICE DELLA SEZIONE  
INDICE DE SECCION  
GRUPPSFORTECKNING

RE029164 -UN-10MAY99

|      |      |
|------|------|
| 1 -  | 6D6  |
| 2 -  | 6D8  |
| 3 -  | 6D14 |
| 4 -  | 6D20 |
| 5 -  | 6E3  |
| 6 -  | 6E9  |
| 7 -  | 6E13 |
| 8 -  | 6E19 |
| 9 -  | 6F2  |
| 10 - | 6F4  |
| 11 - | 6F5  |
| 12 - | 6F13 |
| 16 - | 6F17 |
| 13 - | 6G13 |
| 14 - | 6H10 |
| 15 - | 6I5  |

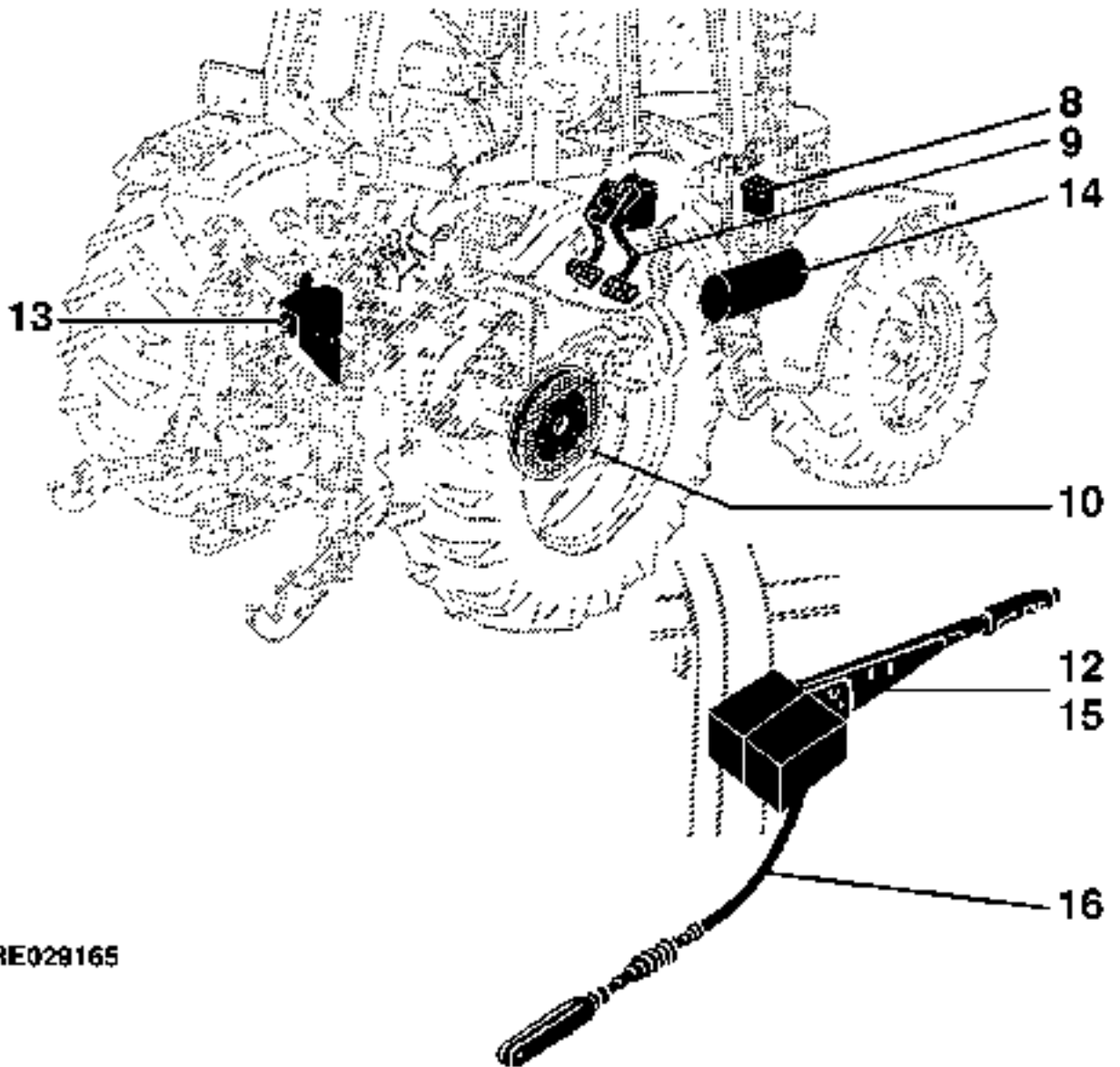


# 6D5

SECTIONAL INDEX  
INDEX DE SECTION  
GRUPPENINDEX  
INDICE DELLA SEZIONE  
INDICE DE SECCION  
GRUPPSFORTECKNING

RE029165 -UN-10MAY99

|     |      |
|-----|------|
| 1-  | 6D6  |
| 2-  | 6D8  |
| 3-  | 6D14 |
| 4-  | 6D20 |
| 5-  | 6E3  |
| 6-  | 6E9  |
| 7-  | 6E13 |
| 8-  | 6E19 |
| 9-  | 6F2  |
| 10- | 6F4  |
| 11- | 6F5  |
| 12- | 6F13 |
| 16- | 6F17 |
| 13- | 6G13 |
| 14- | 6H10 |
| 15- | 6I5  |



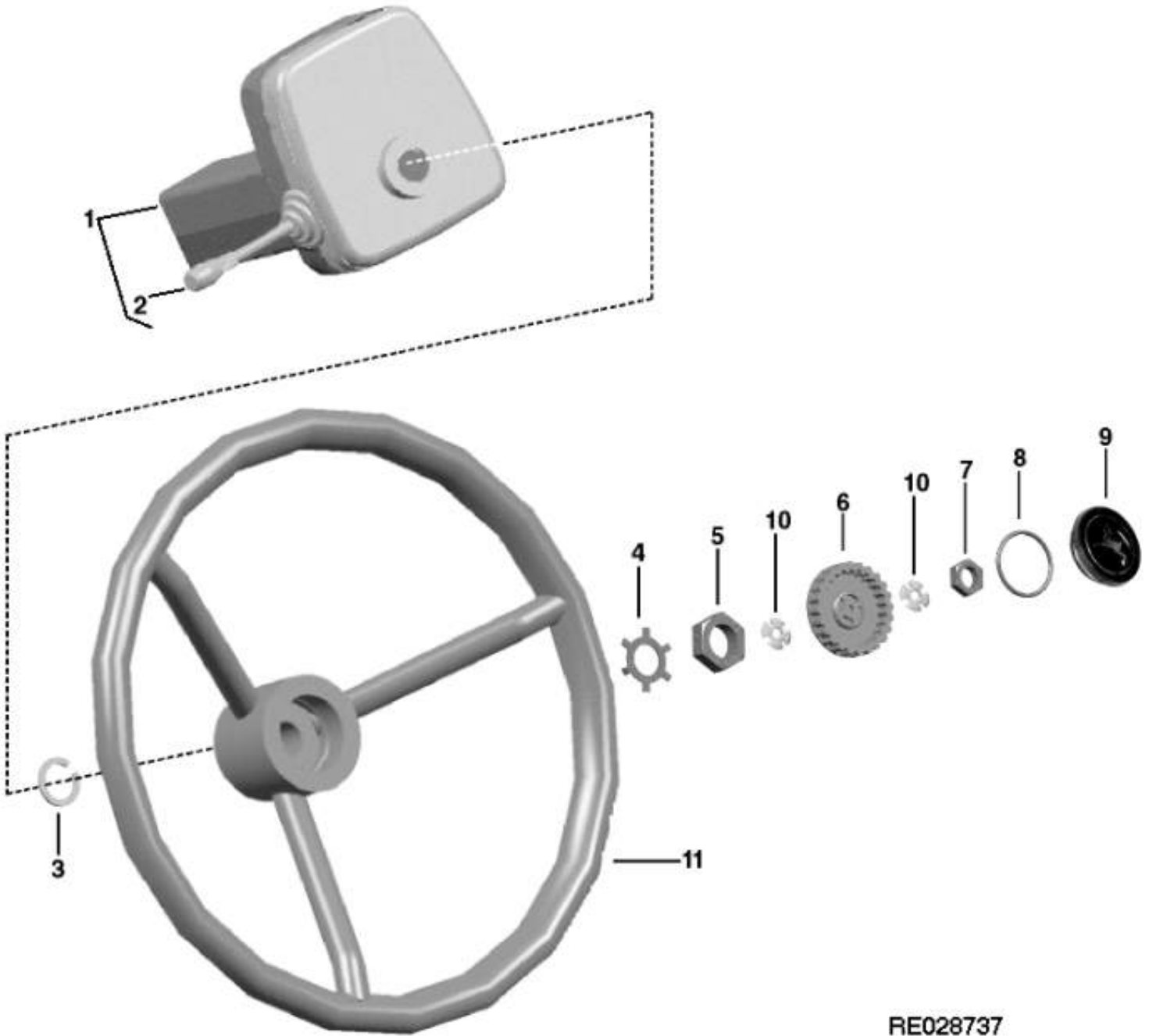
RE029165



MEMORANDA  
MEMORANDA  
MEMORANDA  
MEMORANDA  
MEMORANDA

# 6D6

STEERING WHEEL  
VOLANT DE DIRECTION  
LENKRAD  
VOLANTE  
VOLANTE DE LA DIRECCION  
RATT  
RE028737 -UN-08JAN98



RE028737

# 6D7

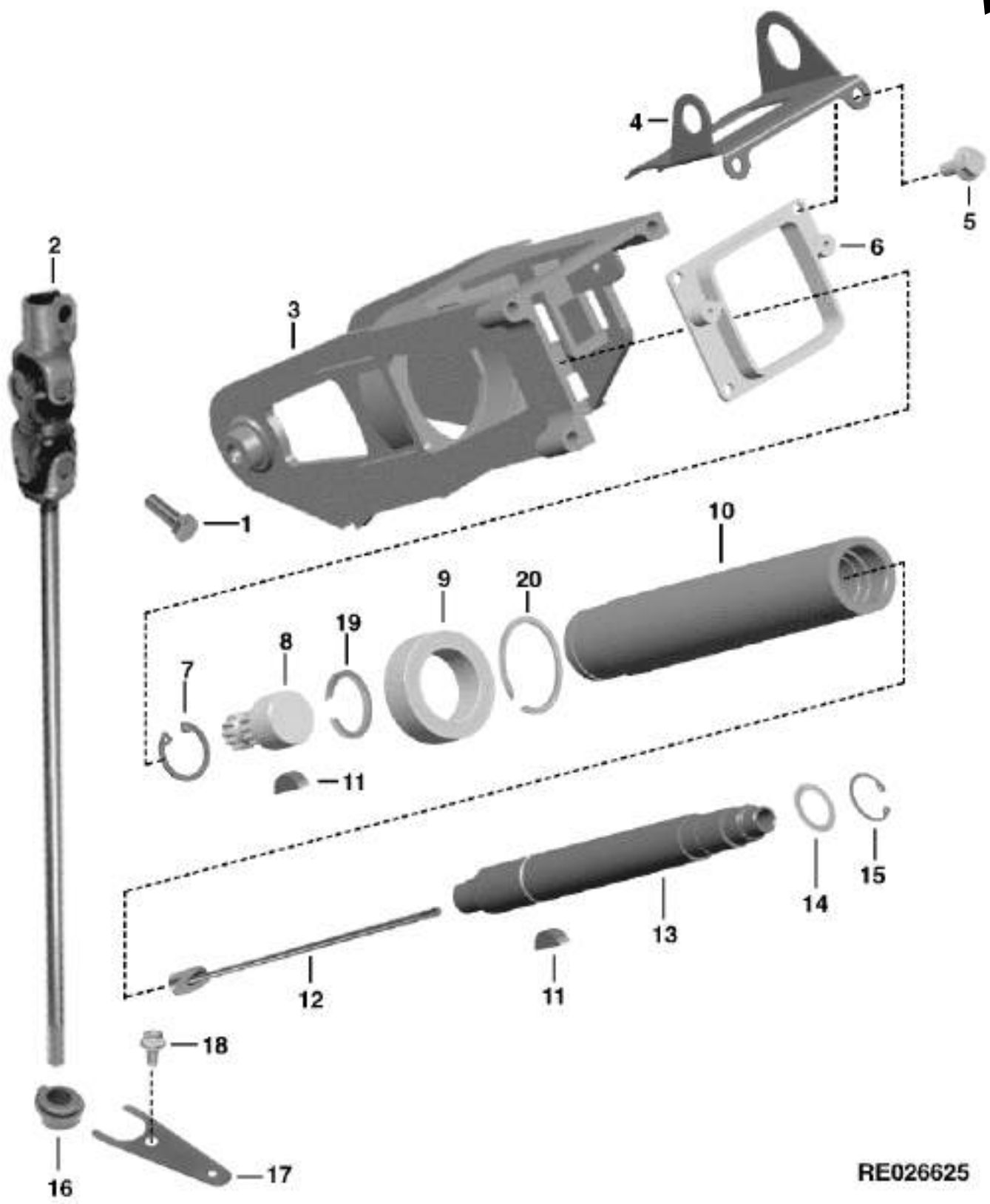
## STEERING AND BRAKES

| KEY | PART NO. | PART NAME          | QTY | TRACTOR<br>SERIAL NO. | A<br>L<br>L | REMARKS  |
|-----|----------|--------------------|-----|-----------------------|-------------|--|
| 1   | RE63512  | MODULE             | 1   |                       | X           | (SUB FOR RE60588) (INCLUDES (3) R107890)                   |
|     | RE63513  | TURN SIGNAL SWITCH | 1   |                       | X           | (A) (SUB FOR RE60589 OR RE63422) (INCLUDES<br>(7) R107890) |
| 2   | RE151774 | DETENT             | 1   |                       | X           |  |
| 3   | R114841  | SNAP RING          | 1   |                       | X           |  |
| 4   | T17148   | LOCK WASHER        | 1   |                       | X           |  |
| 5   | 14M7257  | NUT                | 1   |                       | X           | M20  |
| 6   | R117432  | KNOB               | 1   |                       | X           |  |
| 7   | 14M7426  | LOCK NUT           | 1   |                       | X           | M8   |
| 8   | B3690R   | O-RING             | 1   |                       | X           |  |
| 9   | R47998   | CAP                | 1   |                       | X           |  |
| 10  | L100436  | WASHER             | 2   |                       | X           |  |
| 11  | RE39719  | STEERING WHEEL     | 1   |                       | X           |  |

(A) EUROPEAN VERSION  
VERSION EUROPEENNE  
EUROPAEISCHE AUSFUEHRUNG  
VERSIONE EUROPEA  
VERSION EUROPEA  
EUROPEISK VERSION

# 6D8

STEERING COLUMN PIVOT  
COLONNE DE DIRECTION, PIVOT  
LENKSAEULEN-GELENKZAPFEN  
ARTICOLAZIONE DEL PIANTONE DELLO STERZO  
PIVOTE DE COLUMNA DE DIRECCION  
RATTSTAANGSTAPP  
RE026625 -UN-08DEC95



RE026625

# 6D9

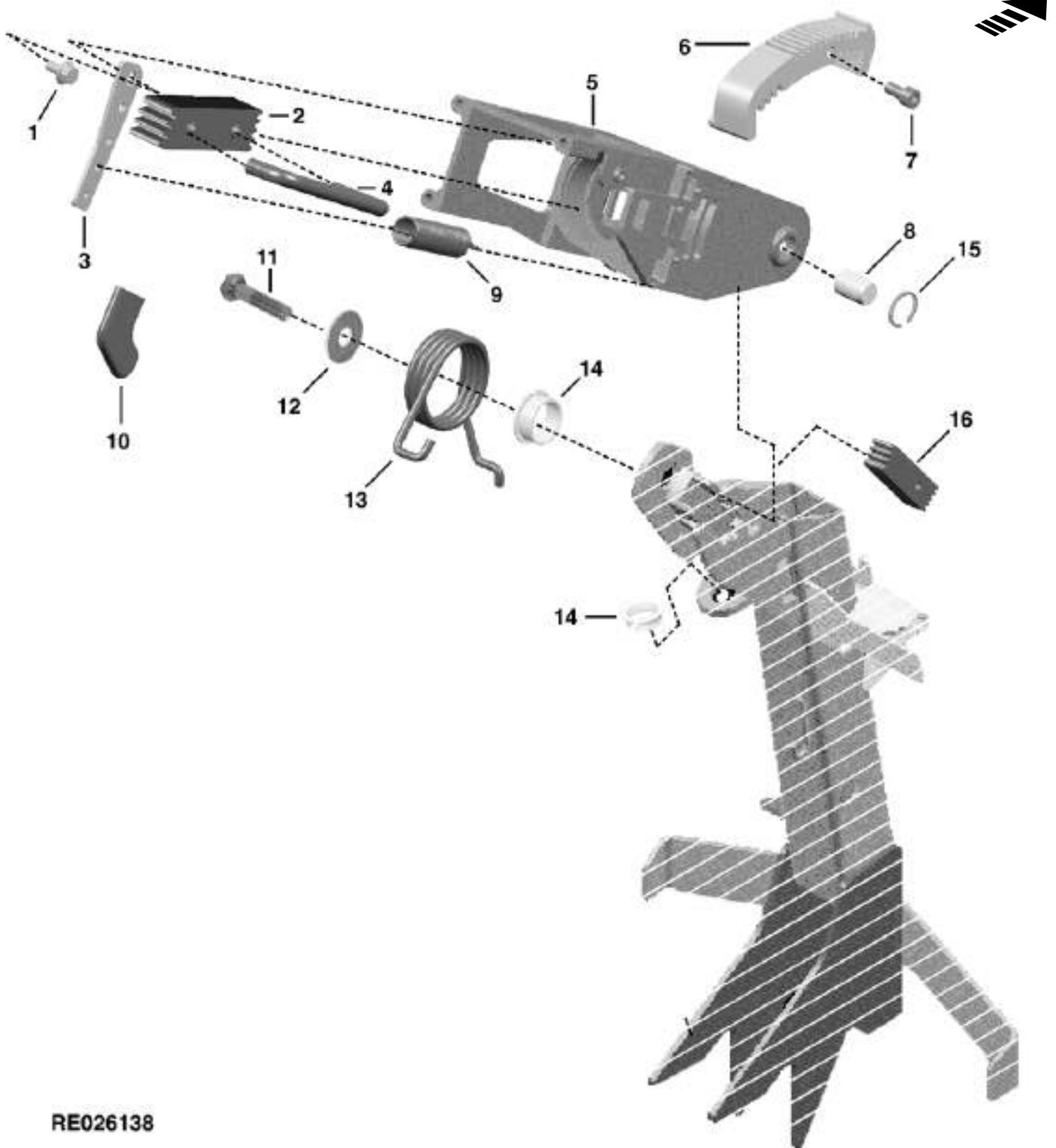
## STEERING AND BRAKES

| KEY | PART NO. | PART NAME             | QTY | TRACTOR<br>SERIAL NO. | A<br>L<br>L | REMARKS               |
|-----|----------|-----------------------|-----|-----------------------|-------------|-----------------------|
| 1   | 19M8584  | CAP SCREW             | 1   |                       | X           | M10 X 30, HS 10.9     |
| 2   | RE62130  | UNIVERSAL JOINT CROSS | 1   |                       | X           |                       |
| 3   | R126039  | PIVOT                 | 1   |                       | X           |                       |
| 4   | R107598  | BRACKET               | 1   |                       | X           |                       |
| 5   | 19M7775  | SCREW                 | 3   |                       | X           | M6 X 16, HS 10.9      |
| 6   | R126024  | GUIDE                 | 1   |                       | X           |                       |
| 7   | 40M7256  | SNAP RING             | 1   |                       | X           |                       |
| 8   | R107561  | END                   | 1   |                       | X           |                       |
| 9   | R119596  | BEARING               | 1   |                       | X           |                       |
| 10  | R126040  | HOUSING               | 1   |                       | X           |                       |
| 11  | 26H86    | SHAFT KEY             | 2   |                       | X           | 5/16" X 1"            |
| 12  | RE57594  | ROD                   | 1   |                       | X           |                       |
|     | 24H1283  | WASHER                | 1   |                       | X           | 7/32" X 1/2" X 0.049" |
| 13  | R107567  | SHAFT                 | 1   |                       | X           |                       |
| 14  | 24H1439  | WASHER                | 1   |                       | X           | 1" X 1-3/8" X 0.060"  |
| 15  | 40M7119  | SNAP RING             | 1   |                       | X           |                       |
| 16  | R114569  | GROMMET               | 1   |                       | X           |                       |
| 17  | R126911  | STRAP                 | 1   |                       | X           | (SUB FOR (2) R122173) |
| 18  | 37M7090  | SCREW                 | 1   |                       | X           | M6 X 16               |
| 19  | A364R    | SNAP RING             | 1   |                       | X           |                       |
| 20  | A3815R   | SNAP RING             | 1   |                       | X           |                       |

# 6D10

STEERING AND BRAKES

STEERING SHAFT  
ARBRE DE DIRECTION  
LENKSPINDEL  
PIANTONE DELLO STERZO  
EJE DE DIRECCION  
STYRAXEL  
RE026138 -UN-13MAR95



RE026138

# 6D11

STEERING AND BRAKES

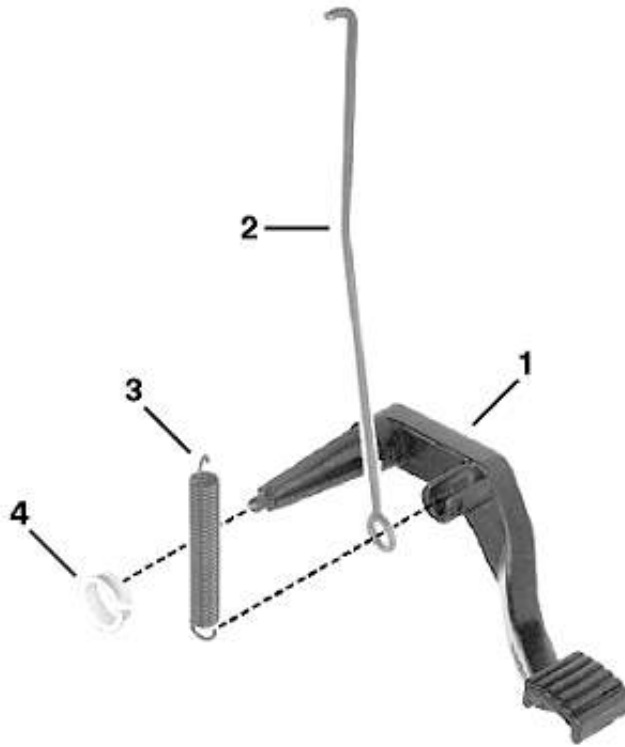
| KEY | PART NO. | PART NAME | QTY | TRACTOR<br>SERIAL NO. | A<br>L<br>L | REMARKS                       |
|-----|----------|-----------|-----|-----------------------|-------------|-------------------------------|
| 1   | 19M7774  | SCREW     | 1   |                       | X           | M6 X 12, HS 10.9              |
| 2   | R126570  | PAWL      | 1   |                       | X           | (SUB FOR R107554)             |
| 3   | R107563  | LEVER     | 1   |                       | X           |                               |
| 4   | R120055  | ROD       | 1   |                       | X           |                               |
| 5   | R126039  | PIVOT     | 1   |                       | X           |                               |
| 6   | R124242  | SECTOR    | 1   | -XXXXXX               | X           | (A) (SUB R126569 AND R126570) |
|     | R126569  | SECTOR    | 1   | XXXXXX-               | X           | (B)                           |
| 7   | 19M7887  | SCREW     | 1   |                       | X           | M5 X 10, HS 12.9              |
| 8   | R121466  | DOWEL PIN | 1   |                       | X           |                               |
| 9   | H80128   | SPRING    | 1   |                       | X           |                               |
| 10  | L76191   | HANDLE    | 1   |                       | X           |                               |
| 11  | 19M7932  | CAP SCREW | 1   |                       | X           | M8 X 16, HS 10.9              |
| 12  | 24M7207  | WASHER    | 1   |                       | X           | 8.400 X 24 X 2 MM             |
| 13  | R107548  | SPRING    | 1   |                       | X           |                               |
| 14  | R111774  | BUSHING   | 2   |                       | X           |                               |
| 15  | R73380   | SNAP RING | 1   |                       | X           |                               |
| 16  | R107554  | PAWL      | 1   | -XXXXXX               | X           | (A) (SUB R126570)             |
|     | R126570  | PAWL      | 1   | XXXXXX-               | X           | (B)                           |

(A) ( -XXXXXX) 8100-001569; 8200-001513; 8300-002605; 8400-001211

(B) (XXXXXX- ) 8100-001570; 8200-001514; 8300-002606; 8400-001212

# 6D12

**PIVOT RELEASE PEDAL**  
**PEDALE DE DEVERROUILLAGE DE PIVOT**  
**GELENKZAPFEN-AUSRUECKPEDAL**  
**PEDALE DI RILASCIO DELL'ARTICOLAZIONE**  
**PEDAL DE LIBERACION DE PIVOTE**  
**VAENDTAPPENS UTLOESNINGSPEDAL**  
 RXP025206 -UN-01JAN94



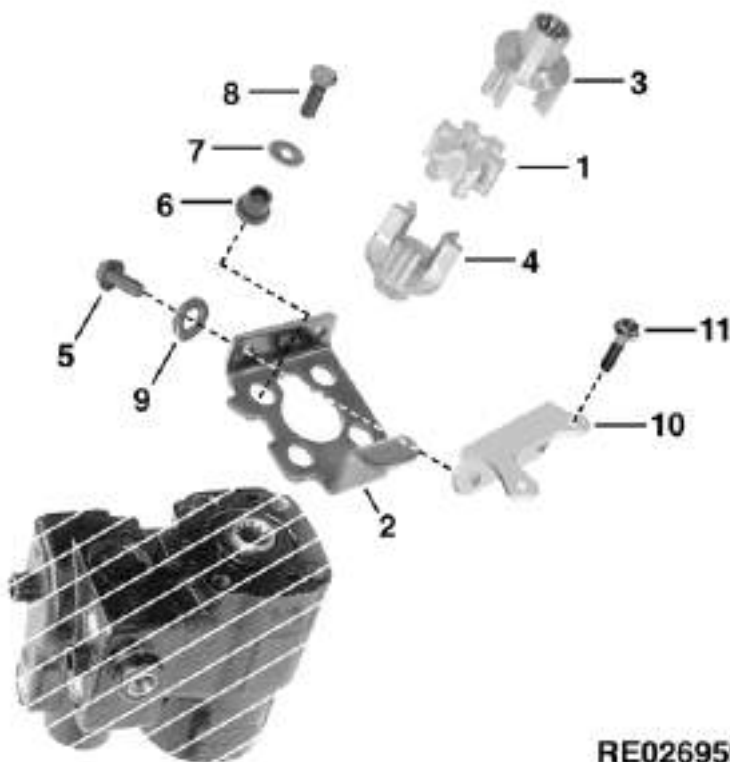
**RXP025206**

| KEY | PART NO. | PART NAME | QTY | TRACTOR<br>SERIAL NO. | A | REMARKS |
|-----|----------|-----------|-----|-----------------------|---|---------|
|     |          |           |     |                       | L |         |
| 1   | R107551  | PEDAL     | 1   |                       | X |         |
| 2   | R107552  | ROD       | 1   |                       | X |         |
| 3   | R60730   | SPRING    | 1   |                       | X |         |
| 4   | R111774  | BUSHING   | 1   |                       | X |         |



# 6D13

STEERING VALVE BRACKET  
 DISTRIBUTEUR DE DIRECTION, SUPPORT  
 LENKVENTILHALTERUNG  
 VALVOLA DELLO STERZO, STAFFA  
 VALVULA DE DIRECCION, SOPORTE  
 STYRVENTILFAESTE  
 RE026959 -UN-17MAY96



**RE026959**

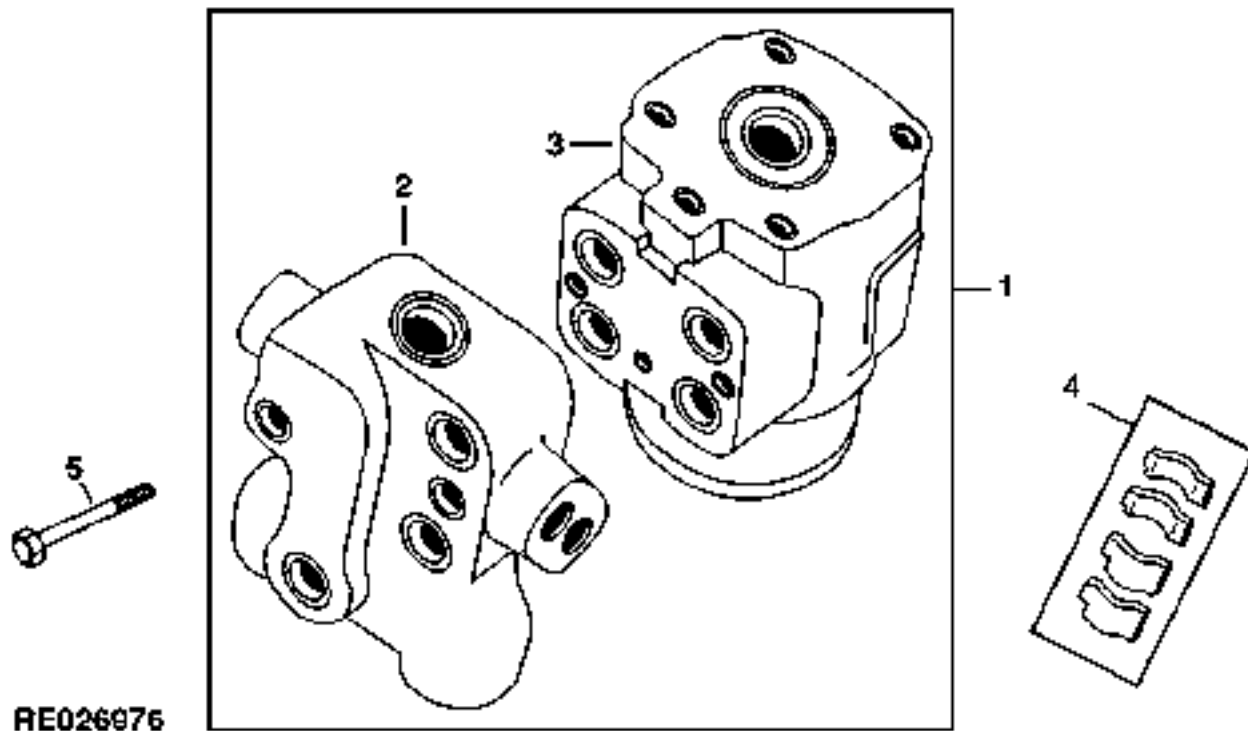
| KEY | PART NO. | PART NAME    | QTY | TRACTOR<br>SERIAL NO. | A | REMARKS                             |
|-----|----------|--------------|-----|-----------------------|---|-------------------------------------|
|     |          |              |     |                       | L |                                     |
| 1   | R126636  | ISOLATOR     | 1   |                       | X | (SUB FOR H134624, THIS APPLICATION) |
| 2   | R124619  | BRACKET      | 1   | -XXXXXX               | X | (A) (SUB R132275)                   |
|     | R132275  | BRACKET      | 1   | XXXXXX-               | X | (B)                                 |
| 3   | R126640  | FITTING      | 1   |                       | X | (SUB FOR R107555)                   |
| 4   | R126641  | COUPLING     | 1   |                       | X | (SUB FOR R107556)                   |
| 5   | 19M7402  | CAP SCREW    | 2   |                       | X | M10 X 25, HS 10.9                   |
| 6   | AT116162 | RUBBER MOUNT | 4   |                       | X |                                     |
| 7   | 24M7178  | WASHER       | 4   |                       | X | 10.500 X 30 X 2.500 MM              |
| 8   | 19M7168  | CAP SCREW    | 4   |                       | X | M10 X 30                            |
| 9   | 24M7028  | WASHER       | 2   |                       | X | 10.500 X 20 X 2 MM                  |
| 10  | RE66710  | BRACKET      | 1   | XXXXXX-               | X | (B)                                 |
| 11  | 37M7087  | SCREW        | 2   | XXXXXX-               | X | (B) M10 X 25                        |

(A) ( -XXXXXX) 8100-010371; 8200-010237; 8300-010414; 8400-010420

(B) (XXXXXX- ) 8100-010372; 8200-010238; 8300-010415; 8400-010421

# 6D14

STEERING VALVE WITH PRIORITY VALVE (MFWD)  
 DISTRIBUTEUR DE DIRECTION AVEC SOUPAPE PRIORITAIRE (MFWD)  
 LENKVENTIL MIT VORRANGVENTIL (MFWD)  
 VALVOLA DELLO STERZO CON VALVOLA PRIORITARIA (MFWD)  
 VALVULA DE DIRECCION CON VALVULA PRIORITARIA (MFWD)  
 STYRVENTIL MED PRIORITETSVENTIL (MFWD)  
 RE026976 -UN-15MAY96



**RE026976**

| KEY | PART NO. | PART NAME | QTY | TRACTOR SERIAL NO. | A | REMARKS           |
|-----|----------|-----------|-----|--------------------|---|-------------------|
|     |          |           |     |                    | L |                   |
| 1   | RE61046  | VALVE     | 1   |                    | X |                   |
| 2   | RE57817  | VALVE     | 1   |                    | X | (A) (B)           |
| 3   | RE60562  | VALVE     | 1   |                    | X | (B)               |
| 4   | RE50401  | KIT       | 1   |                    | X | (C)               |
| 5   | 19M8489  | SCREW     | 1   |                    | X | M12 X 65, HS 12.9 |
|     | 19M8548  | SCREW     | 1   |                    | X | M12 X 80, HS 12.9 |

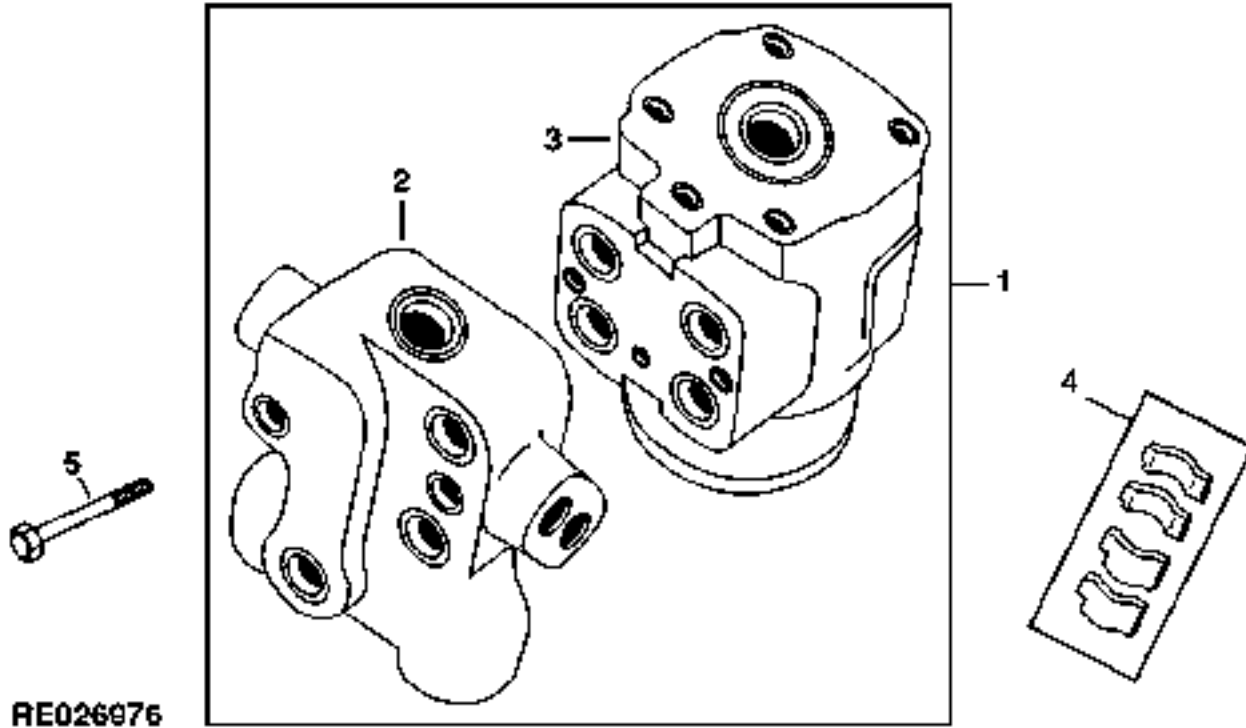
(A) PRIORITY VALVE  
 SOUPAPE PRIORITAIRE  
 VORRANGVENTIL  
 VALVOLA DI PRIORITA'  
 VALVULA PRIORITARIA  
 PRIORITETSVENTIL

(B) W/ SEAL KIT  
 W/ JEU DE JOINTS  
 W/ DICHTUNGSSATZ  
 W/ SERIE ANELLI DI  
 W/ JUEGO DE RETENES  
 W/ LAGER-OCH

(C) CENTERING SPRING  
 RESSORT DE CENTRAGE  
 ZENTRIERFEDER  
 MOLLA DE CENTRAGGIO  
 RESORTE CENTRADOR  
 CENTERINGSFJAEDER

# 6D15

STEERING VALVE WITH PRIORITY VALVE (WITHOUT MFWD)  
 DISTRIBUTEUR DE DIRECTION AVEC SOUPAPE PRIORITAIRE (SANS MFWD)  
 LENKVENTIL MIT VORRANGVENTIL (OHNE MFWD)  
 VALVOLA DELLO STERZO CON VALVOLA PRIORITARIA (SENZA MFWD)  
 VALVULA DE DIRECCION CON VALVULA PRIORITARIA (SIN MFWD)  
 STYRVENTIL MED PRIORITETSVENTIL (UTAN MFWD)  
 RE026976 -UN-15MAY96



**RE026976**

| KEY | PART NO. | PART NAME | QTY | TRACTOR    |       |       | REMARKS |                   |
|-----|----------|-----------|-----|------------|-------|-------|---------|-------------------|
|     |          |           |     | SERIAL NO. | 8 8 8 | 1 2 3 |         | 0 0 0             |
| 1   | RE61047  | VALVE     | 1   |            | X     | X     | X       |                   |
| 2   | RE57817  | VALVE     | 1   |            | X     | X     | X       | (A) (B)           |
| 3   | RE60561  | VALVE     | 1   |            | X     | X     | X       | (B)               |
| 4   | RE50401  | KIT       | 1   |            | X     | X     | X       | (C)               |
| 5   | 19M8489  | SCREW     | 1   |            | X     | X     | X       | M12 X 65, HS 12.9 |
|     | 19M8548  | SCREW     | 1   |            | X     | X     | X       | M12 X 80, HS 12.9 |

(A) PRIORITY VALVE  
 SOUPAPE PRIORITAIRE  
 VORRANGVENTIL  
 VALVOLA DI PRIORITA'  
 VALVULA PRIORITARIA  
 PRIORITETSVENTIL

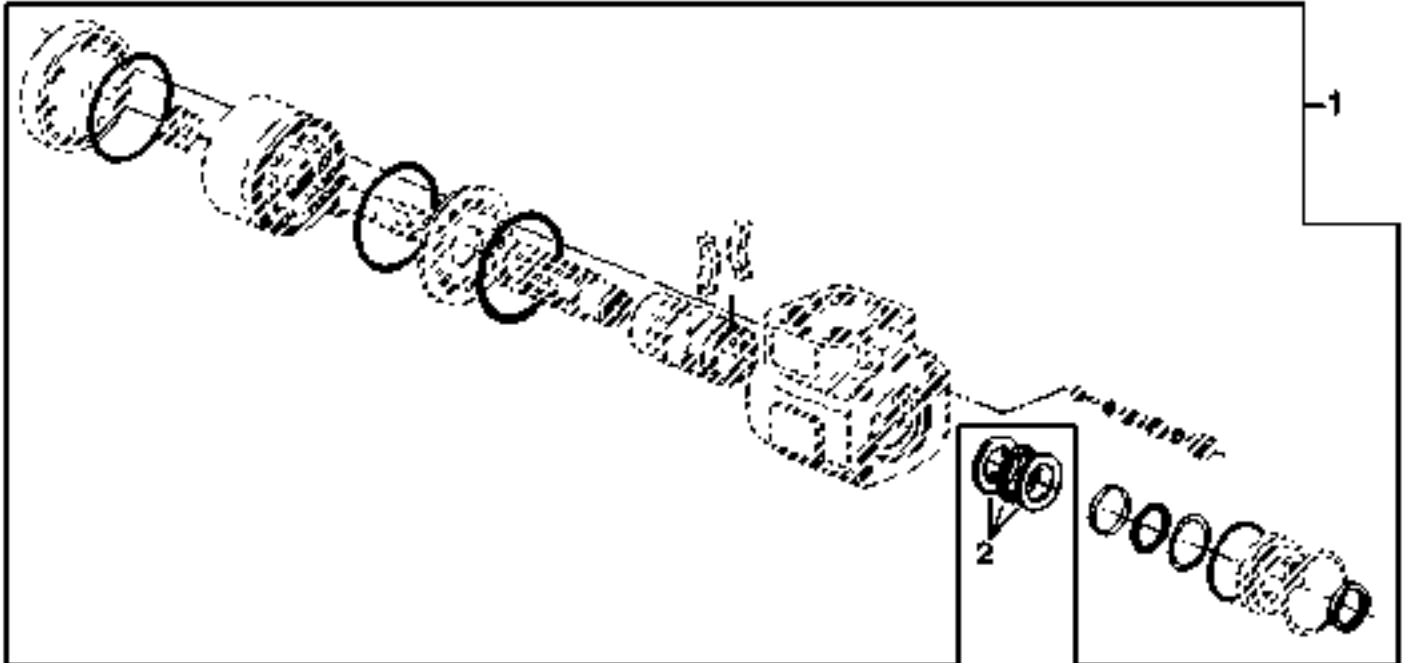
(B) W/ SEAL KIT  
 W/ JEU DE JOINTS  
 W/ DICHTUNGSSATZ  
 W/ SERIE ANELLI DI  
 W/ JUEGO DE RETENES  
 W/ LAGER-UCH

(C) CENTERING SPRING  
 RESSORT DE CENTRAGE  
 ZENTRIERFEDER  
 MOLLA DE CENTRAGGIO  
 RESORTE CENTRADOR  
 CENTRERINGSFJAEDER

# 6D16

STEERING AND BRAKES

SEAL KIT/THRUST NEEDLE BEARING KIT  
 KIT D'ETANCHEITE A FAIBLE COUPLE / KIT DE PALIER DE BUTEE A AIGUILLES  
 NIEDRIG-DREHMOMENT-DICHTUNGSSATZ / NADEL-DRUCKLAGER  
 KIT DELLA GUARNIZIONE A BASSA COPPIA DI TORSIONE / KIT DEL CUSCINETTO DI SPINTA A RULLINI  
 JUEGO DE SELLOS DE BAJO APRIETE / JUEGO DE COJINETES DE AGUJAS DE EMPUJE  
 TAETNINGSSATS FOR LAAGT VRIDMOMENT / SATS MED TRYCKNAALLAGER  
 RE027003 -UN-19JUN96



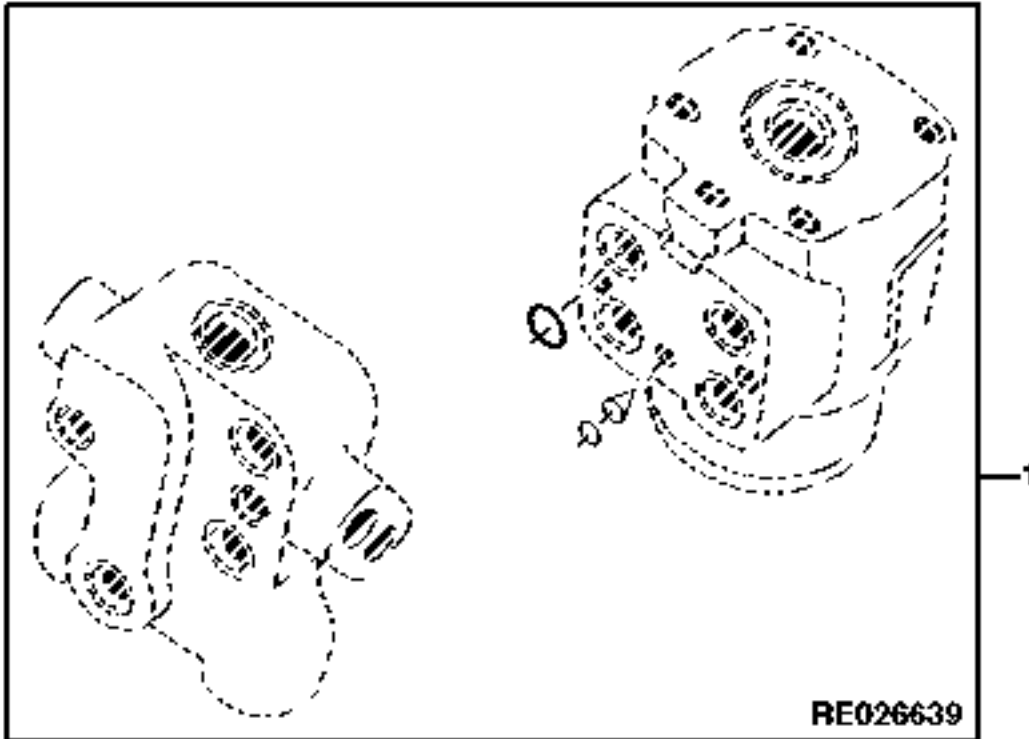
**RE027003**

| KEY | PART NO. | PART NAME   | QTY | TRACTOR SERIAL NO. | A<br>L<br>L<br>REMARKS |
|-----|----------|-------------|-----|--------------------|------------------------|
| 1   | RE153242 | SEAL KIT    | 1   |                    | X (SUB FOR RE61797)    |
| 2   | RE58878  | BEARING KIT | 1   |                    | X                      |

# 6D17

STEERING AND BRAKES

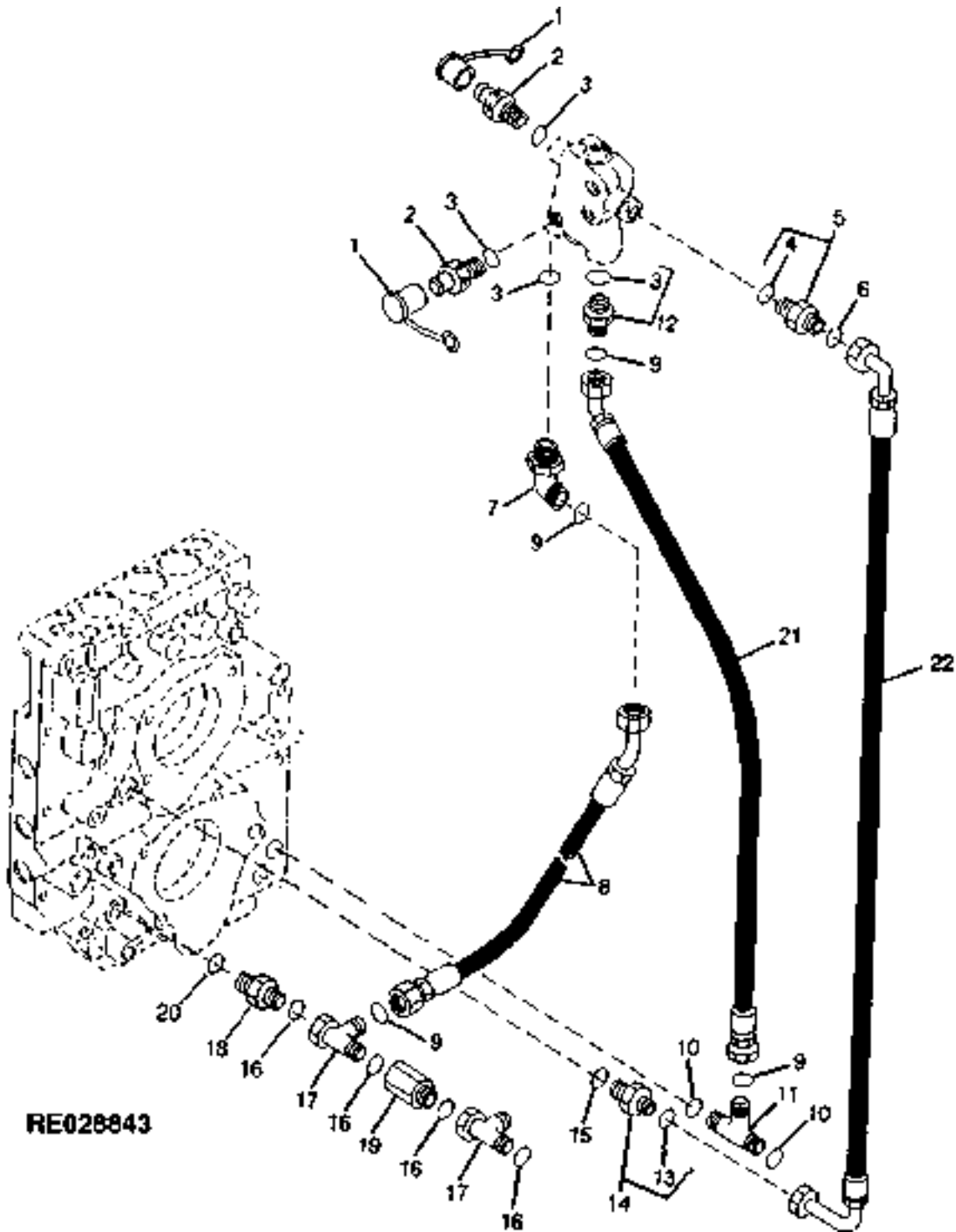
STEERING VALVE SEAL KIT  
 KIT D'ETANCHEITE DE SOUPAPE DE DIRECTION  
 LENKVENTIL-DICHTUNGSSATZ  
 KIT DELLA GUARNIZIONE DELLA VALVOLA DELLO STERZO  
 JUEGO DE SELLOS DE VALVULA DE LA DIRECCION  
 TAETNINGSSATS FOER STYRVENTIL  
 RE026639 -UN-08DEC95



| KEY | PART NO. | PART NAME | QTY | TRACTOR<br>SERIAL NO. | A | REMARKS |
|-----|----------|-----------|-----|-----------------------|---|---------|
|     |          |           |     |                       | L |         |
| 1   | RE57815  | SEAL KIT  | 1   |                       | X |         |

# 6D18

PRIORITY VALVE LINES  
SOUPAPE PRIORITAIRE, CONDUITES  
VORRANGVENTIL, LEITUNGEN  
VALVOLA PRIORITARIA, TUBI  
VALVULA PRIORITARIA, LINEAS  
PRIORITETSVENTIL, LEDNINGAR  
RE028843 -UN-27FEB98



**RE028843**

# 6D19

## STEERING AND BRAKES

| KEY | PART NO. | PART NAME                  | QTY | TRACTOR<br>SERIAL NO. | A<br>L<br>L | REMARKS                      |
|-----|----------|----------------------------|-----|-----------------------|-------------|------------------------------|
| 1   | R77175   | COVER                      | 2   |                       | X           |                              |
| 2   | RE12187  | RECEPTACLE                 | 2   |                       | X           |                              |
| 3   | 51M7045  | O-RING                     | 4   |                       | X           | 19.300 X 2.200 MM            |
| 4   | 51M7040  | O-RING                     | 1   |                       | X           | 9.300 X 2.200 MM             |
| 5   | 38H5001  | ADAPTER                    | 1   |                       | X           |                              |
| 6   | T77814   | O-RING                     | 1   |                       | X           |                              |
| 7   | 38H5004  | ADAPTER                    | 1   | -009999               | X           |                              |
|     | 38H5146  | ELBOW FITTING              | 1   | 010000-               | X           |                              |
| 8   | RE62191  | HYDRAULIC HOSE             | 1   | -009999               | X           | (SUB RE154628 AND 38H5146)   |
|     | RE154628 | HYDRAULIC HOSE - FABRICATE | 1   | 010000-               | X           | (SUB FOR RE66537 OR RE70844) |
| 9   | T77932   | O-RING                     | 4   |                       | X           |                              |
| 10  | 51M7047  | O-RING                     | 1   |                       | X           | 23.600 X 2.900 MM            |
| 11  | 38H5140  | TEE FITTING                | 1   |                       | X           |                              |
| 12  | 38H5004  | ADAPTER                    | 1   |                       | X           |                              |
| 13  | 51M7041  | O-RING                     | 1   |                       | X           | 11.300 X 2.200 MM            |
| 14  | 38H5002  | ADAPTER                    | 1   |                       | X           |                              |
| 15  | T77613   | O-RING                     | 1   |                       | X           |                              |
| 16  | T77858   | O-RING                     | 4   |                       | X           |                              |
| 17  | 38H5136  | TEE FITTING                | 2   |                       | X           |                              |
| 18  | 38H5005  | ADAPTER                    | 1   |                       | X           |                              |
| 19  | RE51573  | FITTING                    | 1   |                       | X           |                              |
| 20  | 51M7047  | O-RING                     | 1   |                       | X           | 23.600 X 2.900 MM            |
| 21  | RE60681  | HYDRAULIC HOSE - FABRICATE | 1   |                       | X           |                              |
| 22  | RE70845  | HYDRAULIC HOSE - FABRICATE | 1   |                       | X           | (SUB FOR RE60679)            |

# 6D20

STEERING CYLINDER (ADJUSTABLE AXLE) (8100 -021582; 8200 -021323; 8300 -022376)  
 VERIN DE DIRECTION POUR ESSIEU REGLABLE (8100 -021582; 8200 -021323; 8300 -022376)  
 LENKZYLINDER FUER EINSTELLBARE ACHSE (8100 -021582; 8200 -021323;8300 -022376)  
 CILINDRO DI GUIDA DELL'ASSALE REGOLABILE (8100 -021582; 8200 -021323; 8300 -022376)  
 CILINDRO DE LA DIRECCION PARA EJE AJUSTABLE (8100 -021582; 8200 -021323; 8300 -022376)  
 STYRCYLINDER FOER REGLERBAR AXEL (8100 -021582; 8200 -021323; 8300 -022376)  
 RXP010860 -UN-01JAN94



**RXP010860**

| KEY | PART NO. | PART NAME          | QTY | TRACTOR SERIAL NO. | 8 8 8<br>1 2 3<br>0 0 0<br>0 0 0 | REMARKS            |
|-----|----------|--------------------|-----|--------------------|----------------------------------|--------------------|
| 1   | RE62060  | HYDRAULIC CYLINDER | 1   | -XXXXXX            | X X X                            | (A) (SUB RE155989) |
|     | RE155989 | HYDRAULIC CYLINDER | 1   | XXXXXX-            | X X X                            | (B)                |
| 2   | AL75721  | END                | 2   |                    | X X X                            |                    |
| 3   | A5518R   | SNAP RING          | 2   |                    | X X X                            |                    |
| 4   | 14M7173  | LOCK NUT           | 2   |                    | X X X                            | M20                |

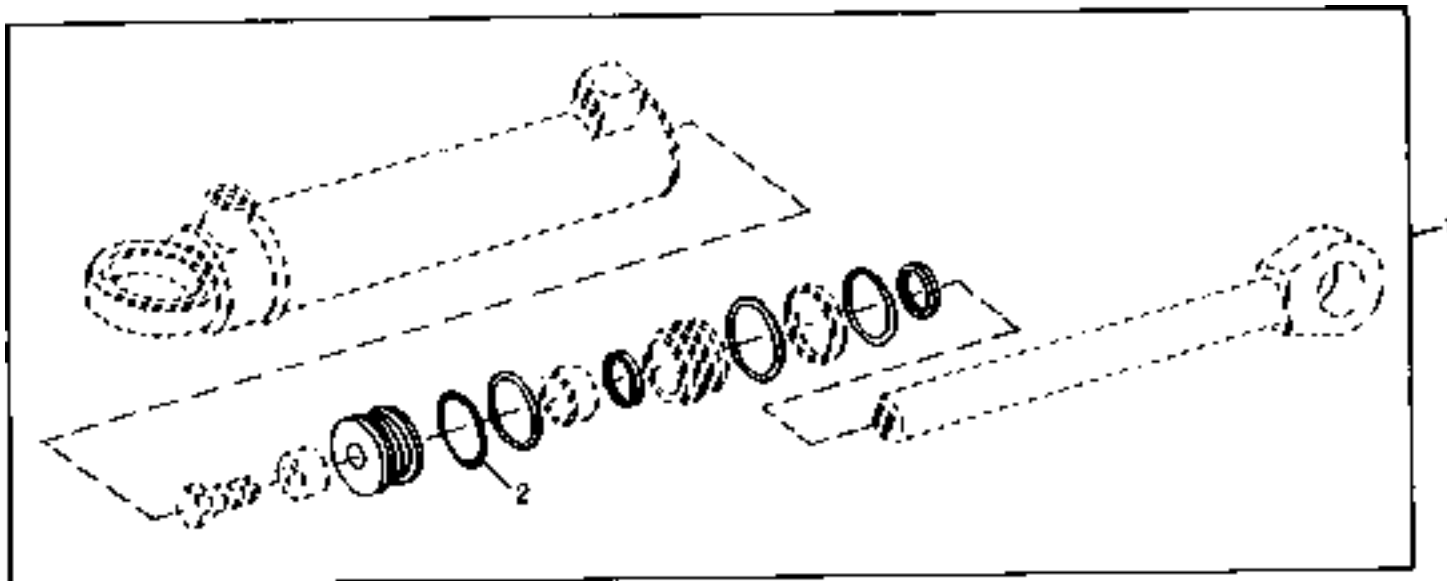
(A) ( -XXXXXX) 8100-021582; 8200-021323; 8300-022376  
 (B) (XXXXXX- ) 8100-021583; 8200-021324; 8300-022377



# 6D21

STEERING AND BRAKES

STEERING CYLINDER SEAL KIT (ADJUSTABLE AXLE) (8100 -021582; 8200 -021323; 8300 -022376)  
 JEU DE JOINTS DE VERIN DE DIRECTION (ESSIEU REGLABLE)(8100 -021582;8200 -021323;8300 -022376)  
 KENKZYLINDER-DICHTUNGSSATZ (EINSTELLBARE ACHSE) (8100 -021582; 8200 -021323; 8300 -022376)  
 KIT DE TENUTA DEL CILINDRO DELLO STERZO(ASSALE REGOLABILE)(8100 -021582;8200 -021323;8300 -022376)  
 JUEGO DE SELLOS DEL CILINDRO DE LA DIRECCION(EJE AJUSTABLE)(8100 -021582;8200 -021323;8300 -022376)  
 TAETNINGSSATS FOER STYRCYLINDER (REGLERBAR AXEL)(8100 -021582; 8200 -021323; 8300 -022376)  
 RE026141 -UN-23MAR95



RE026141

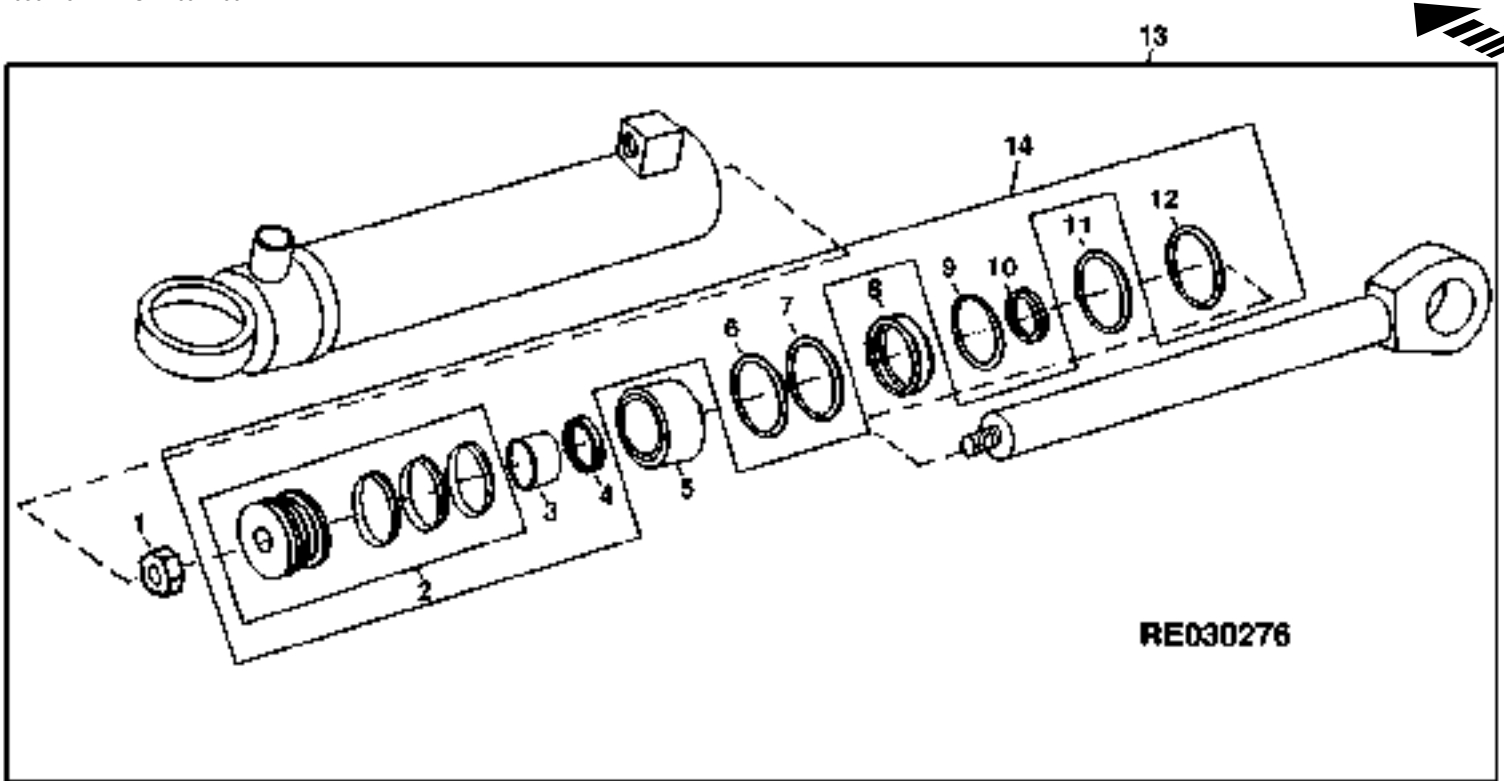
| KEY | PART NO. | PART NAME              | QTY | TRACTOR<br>SERIAL NO. | 8 8 8<br>1 2 3<br>0 0 0<br>0 0 0 | REMARKS            |
|-----|----------|------------------------|-----|-----------------------|----------------------------------|--------------------|
| 1   | RE61764  | HYDRAULIC CYLINDER KIT | 1   |                       | X X X                            | (USE WITH RE62060) |
| 2   | U46335   | O-RING                 | 1   |                       | X X X                            |                    |

MEMORANDA  
MEMORANDA  
MEMORANDA  
MEMORANDA  
MEMORANDA

# 6D22

STEERING AND BRAKES

STEERING CYLINDER (ADJUSTABLE AXLE) (8100 021583- ; 8200 0213424- ; 8300 022377- )  
 VERIN DE DIRECTION POUR ESSIEU REGLABLE (8100 021583- ; 8200 0213424- ; 8300 022377- )  
 LENKZYLINDER FUER EINSTELLBARE ACHSE (8100 021583- ; 8200 0213424- ; 8300 022377- )  
 CILINDRO DI GUIDA DELL'ASSALE REGOLABILE (8100 021583- ; 8200 0213424- ; 8300 022377- )  
 CILINDRO DE LA DIRECCION PARA EJE AJUSTABLE (8100 021583- ; 8200 0213424- ; 8300 022377- )  
 STYRCYLINDER FOER REGLERBAR AXEL (8100 021583- ; 8200 0213424- ; 8300 022377- )  
 RE030276 -UN-20JAN99

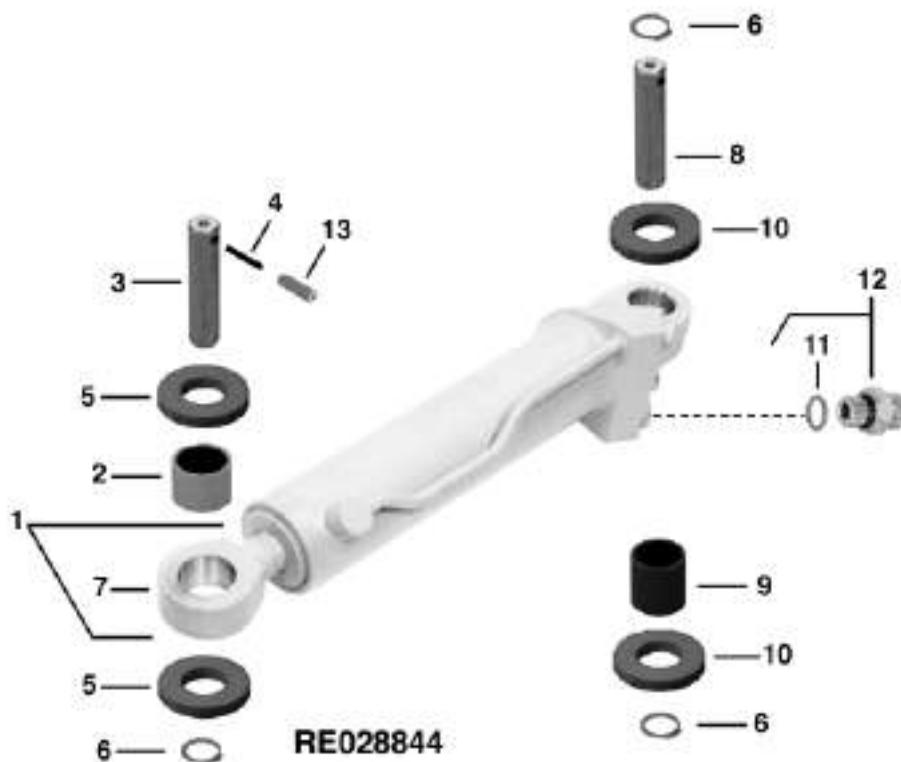


RE030276

| KEY | PART NO. | PART NAME                | QTY | TRACTOR SERIAL NO. |   |   | REMARKS             |
|-----|----------|--------------------------|-----|--------------------|---|---|---------------------|
|     |          |                          |     | 8                  | 8 | 8 |                     |
|     |          |                          |     | 1                  | 2 | 3 |                     |
|     |          |                          |     | 0                  | 0 | 0 |                     |
|     |          |                          |     | 0                  | 0 | 0 |                     |
| 1   | H153834  | LOCK NUT                 | 1   | X                  | X | X |                     |
| 2   | AH160036 | PISTON                   | 1   | X                  | X | X |                     |
| 3   | H151629  | WEAR RING                | 1   | X                  | X | X |                     |
| 4   | H153659  | SEAL                     | 1   | X                  | X | X |                     |
| 5   | H168109  | HYDR. CYLINDER ROD GUIDE | 1   | X                  | X | X |                     |
| 6   | H158942  | O-RING                   | 1   | X                  | X | X |                     |
| 7   | R79117   | BACK-UP RING             | 1   | X                  | X | X |                     |
| 8   | H164359  | SNAP RING                | 1   | X                  | X | X |                     |
| 9   | T22828   | O-RING                   | 1   | X                  | X | X |                     |
| 10  | H150411  | SEAL                     | 1   | X                  | X | X |                     |
| 11  | H164360  | SNAP RING                | 1   | X                  | X | X |                     |
| 12  | H169509  | BACK-UP RING             | 1   | X                  | X | X |                     |
| 13  | RE155989 | HYDRAULIC CYLINDER       | 1   | X                  | X | X |                     |
| 14  | AH158827 | HYDRAULIC CYLINDER KIT   | 1   | X                  | X | X | (USE WITH RE155989) |

# 6D23

STEERING CYLINDER (MFWD) (ASN -077515)  
 VERIN DE DIRECTION (MFWD) (ASN -077515)  
 LENKZYLINDER (MFWD) (ASN -077515)  
 CILINDRO DI GUIDA (MFWD) (ASN -077515)  
 CILINDRO DE LA DIRECCION (MFWD) (ASN -077515)  
 STYRCYLINDER (MFWD) (ASN -077515)  
 RE028844 -UN-27FEB98

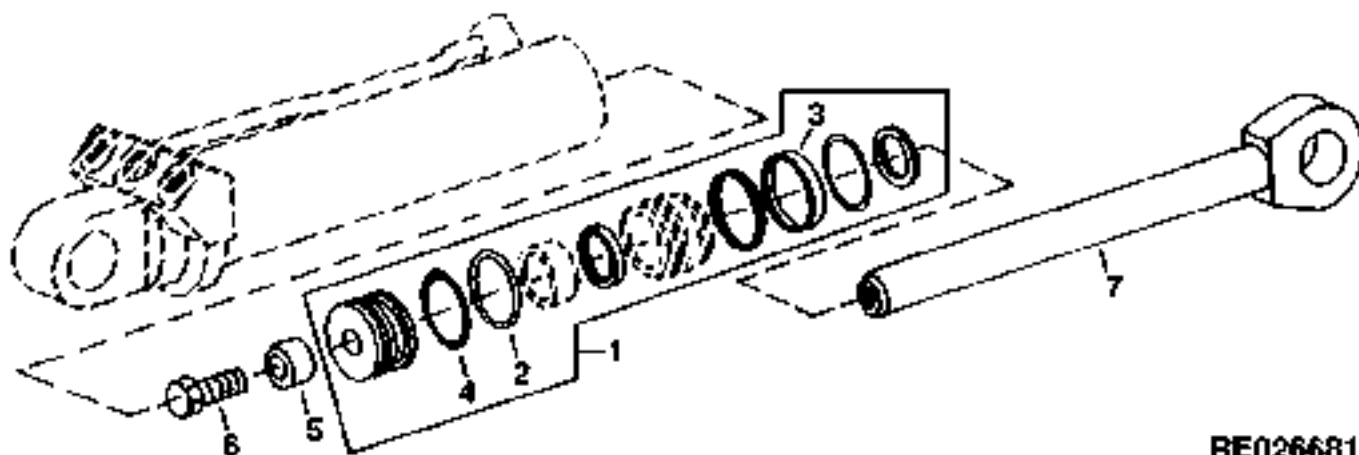


| KEY | PART NO. | PART NAME  | QTY | AXLE SERIAL NO. | A |  |
|-----|----------|------------|-----|-----------------|---|--|
|     |          |            |     |                 | L | REMARKS  |
| 1   | RE60867  | CYLINDER   | 1   | -029259         | X | R.H. (SUB RE65292)                               |
|     | RE65292  | CYLINDER   | 1   | 029260-         | X |  |
|     | RE60868  | CYLINDER   | 1   | -029259         | X | L.H. (SUB RE65293)                               |
|     | RE65293  | CYLINDER   | 1   | 029260-         | X |  |
| 2   | R95118   | BUSHING    | 2   |                 | X |  |
| 3   | R95117   | PIN        | 2   | -068186         | X | (SUB R153160, 34H421 AND 34H305)                 |
|     | R153160  | PIN        | 2   | 068187-         | X |  |
| 4   | 34M7044  | SPRING PIN | 2   | -068168         | X | 6 X 50 MM  |
|     | 34H421   | SPRING PIN | 2   | 068187-         | X | 3/8" X 2"  |
| 5   | R95119   | SEAL       | 4   |                 | X |  |
| 6   | 40M7259  | SNAP RING  | 6   |                 | X |  |
| 7   | R158652  | ROD        | 2   |                 | X | (USE WITH RE60867 OR RE60868) (SUB FOR R123988)  |
|     | AH163058 | ROD        | 2   |                 | X | (USE WITH RE65292 OR RE65293) (SUB FOR AH146050) |
| 8   | R116206  | PIN        | 2   |                 | X |  |
| 9   | R95250   | BUSHING    | 2   |                 | X |  |
| 10  | R112954  | SEAL       | 4   |                 | X |  |
| 11  | 51M7043  | O-RING     | 2   |                 | X | 15.300 X 2.200 MM                                |
| 12  | 38H5002  | ADAPTER    | 2   |                 | X |  |
| 13  | 34H305   | SPRING PIN | 2   | 068187-         | X | 7/32" X 2"                                       |

# 6D24

STEERING AND BRAKES

STEERING CYLINDER SEAL KIT (MFWD) (ASN -029259)  
 JEU DE JOINTS DE VERIN DE DIRECTION (MFWD) (ASN -029259)  
 LENKZYLINDER-DICHTUNGSSATZ (MFWD) (ASN -029259)  
 KIT DI TENUTA DEL CILINDRO DELLO STERZO (MFWD) (ASN -029259)  
 JUEGO DE SELLOS DEL CILINDRO DE LA DIRECCION (MFWD) (ASN -029259)  
 TAETNINGSSATS FOER STYRCYLINDER (MFWD) (ASN -029259)  
 RE026681 -UN-13DEC95



**RE026681**

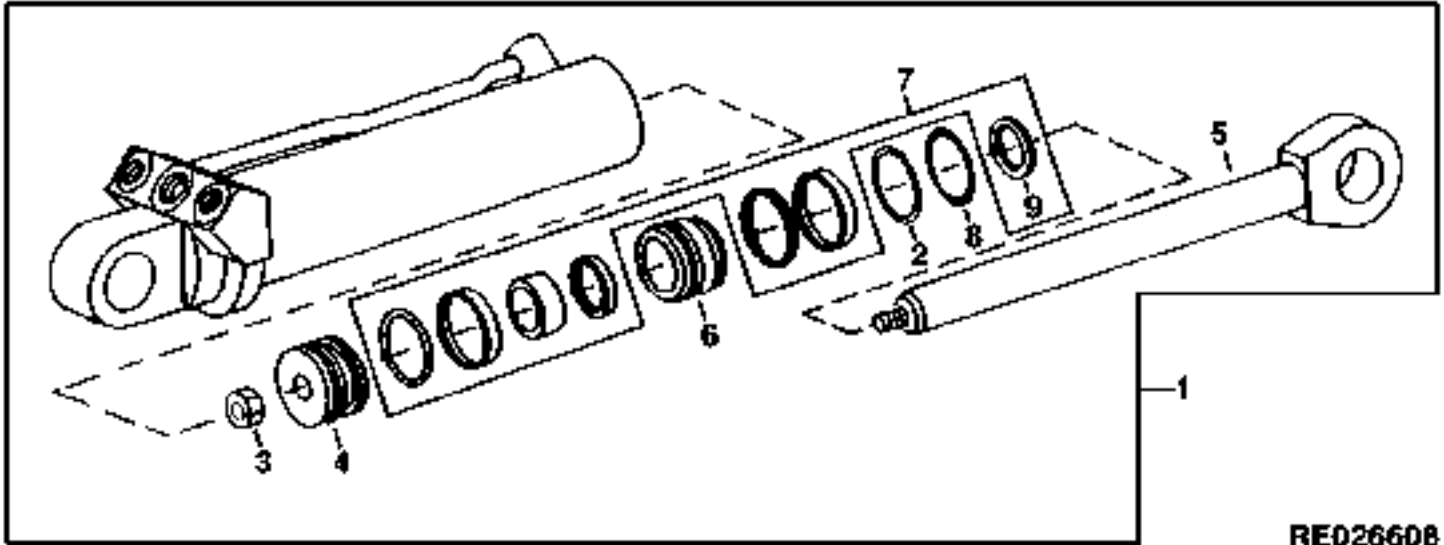
| KEY | PART NO. | PART NAME              | QTY | TRACTOR<br>SERIAL NO. | A | REMARKS              |
|-----|----------|------------------------|-----|-----------------------|---|----------------------|
|     |          |                        |     |                       | L |                      |
| 1   | RE61543  | HYDRAULIC CYLINDER KIT | 1   |                       | X |                      |
| 2   | R113066  | BACK-UP RING           | 1   |                       | X |                      |
| 3   | R125153  | SPACER                 | 1   |                       | X |                      |
| 4   | T34248   | O-RING                 | 1   |                       | X |                      |
| 5   | R122557  | SPACER                 | 1   |                       | X |                      |
| 6   | 19H3726  | CAP SCREW              | 1   |                       | X | 9/16" X 2", HS SAE 8 |
| 7   | R158652  | ROD                    | 1   |                       | X | (SUB FOR R123988)    |

MEMORANDA  
MEMORANDA  
MEMORANDA  
MEMORANDA  
MEMORANDA

# 6D25

STEERING AND BRAKES

STEERING CYLINDER (MFWD) (ASN 029260-077515)  
 JEU DE JOINTS DE VERIN DE DIRECTION (MFWD) (ASN 029260-077515)  
 LENKZYLINDER-DICHTUNGSSATZ (MFWD) (ASN 029260-077515)  
 KIT DE TENUTA DEL CILINDRO DELLO STERZO (MFWD) (ASN 029260-077515)  
 JUEGO DE SELLOS DEL CILINDRO DE LA DIRECCION (MFWD) (ASN 029260-077515)  
 TAETNINGSSATS FOER STYRCYLINDER (MFWD) (ASN 029260-077515)  
 RE026608 -UN-19DEC95



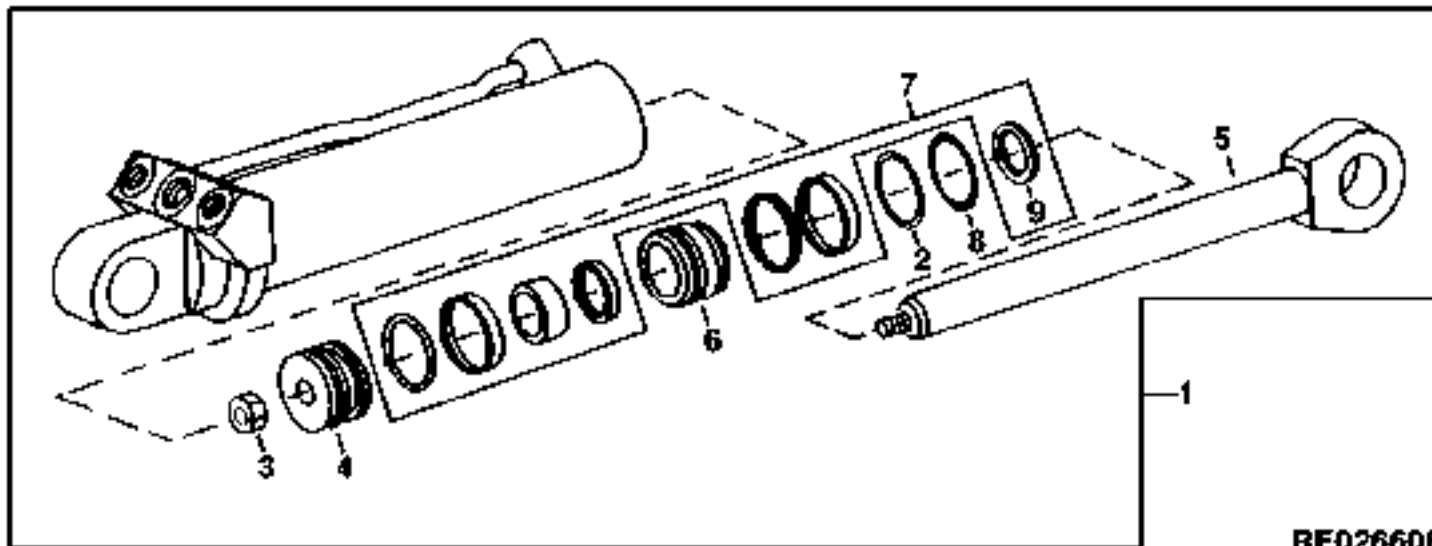
**RE026608**

| KEY | PART NO. | PART NAME                | QTY | TRACTOR<br>SERIAL NO. | A |                    |
|-----|----------|--------------------------|-----|-----------------------|---|--------------------|
|     |          |                          |     |                       | L | REMARKS            |
| 1   | RE65292  | CYLINDER                 | 1   |                       | X | R.H.               |
|     | RE65293  | CYLINDER                 | 1   |                       | X | L.H.               |
| 2   | H152104  | SNAP RING                | 1   |                       | X |                    |
| 3   | H153834  | LOCK NUT                 | 1   |                       | X |                    |
| 4   | AH146443 | PISTON                   | 1   |                       | X |                    |
| 5   | AH163058 | ROD                      | 1   |                       | X | (SUB FOR AH146050) |
| 6   | H151674  | HYDR. CYLINDER ROD GUIDE | 1   |                       | X |                    |
| 7   | AH146052 | KIT                      | 1   |                       | X |                    |
| 8   | N34349   | SNAP RING                | 1   |                       | X |                    |
| 9   | P50635   | O-RING                   | 1   |                       | X |                    |

# 6E1

STEERING AND BRAKES

STEERING CYLINDER (MFWD) (ASN 800001- )  
 JEU DE JOINTS DE VERIN DE DIRECTION (MFWD) (ASN 800001- )  
 LENKZYLINDER-DICHTUNGSSATZ (MFWD) (ASN 800001- )  
 KIT DE TENUTA DEL CILINDRO DELLO STERZO (MFWD) (ASN 800001- )  
 JUEGO DE SELLOS DEL CILINDRO DE LA DIRECCION (MFWD) (ASN 800001- )  
 TAETNINGSSATS FOER STYRCYLINDER (MFWD) (ASN 800001- )  
 RE026608 -UN-19DEC95



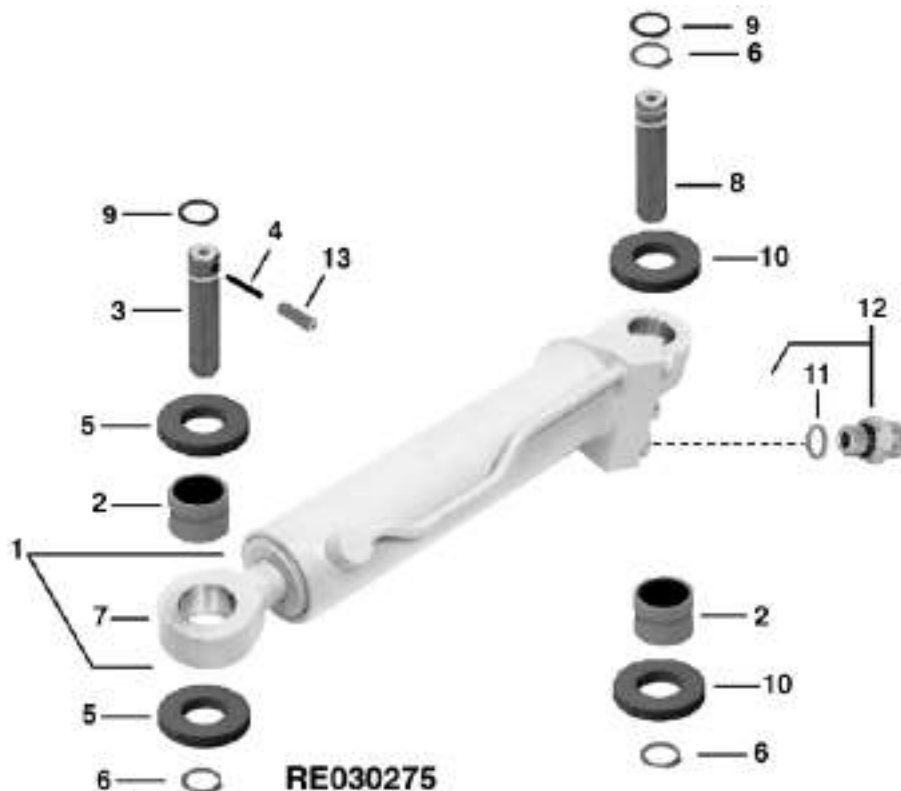
**RE026608**

| KEY | PART NO. | PART NAME                | QTY | TRACTOR<br>SERIAL NO. | A |                        |
|-----|----------|--------------------------|-----|-----------------------|---|------------------------|
|     |          |                          |     |                       | L | REMARKS                |
| 1   | RE161017 | HYDRAULIC CYLINDER       | 1   |                       | X | R.H. (SUB FOR RE68622) |
|     | RE161018 | HYDRAULIC CYLINDER       | 1   |                       | X | L.H. (SUB FOR RE68623) |
| 2   | H152104  | SNAP RING                | 1   |                       | X |                        |
| 3   | H153834  | LOCK NUT                 | 1   |                       | X |                        |
| 4   | AH146443 | PISTON                   | 1   |                       | X |                        |
| 5   | AH163057 | ROD                      | 1   |                       | X | (SUB FOR AH149964)     |
| 6   | H151674  | HYDR. CYLINDER ROD GUIDE | 1   |                       | X |                        |
| 7   | AH146052 | KIT                      | 1   |                       | X |                        |
| 8   | N34349   | SNAP RING                | 1   |                       | X |                        |
| 9   | P50635   | O-RING                   | 1   |                       | X |                        |



# 6E2

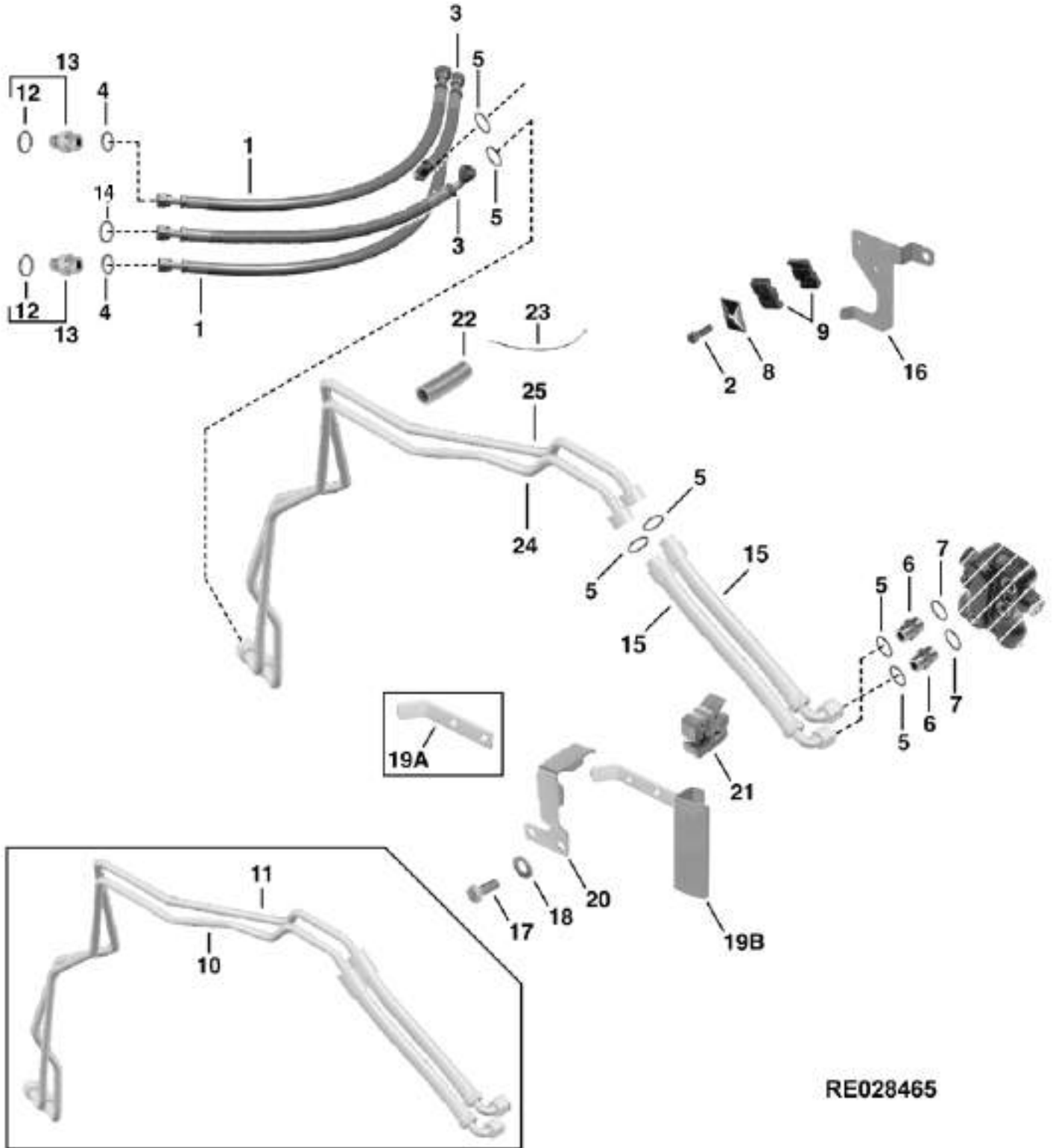
STEERING CYLINDER ATTACHING PINS (MFWD) (ASN 800001- )  
 VERIN DE DIRECTION (MFWD) (ASN 800001- )  
 LENKZYLINDER (MFWD) (ASN 800001- )  
 CILINDRO DI GUIDA (MFWD) (ASN 800001- )  
 CILINDRO DE LA DIRECCION (MFWD) (ASN 800001- )  
 STYRCYLINDER (MFWD) (ASN 800001- )  
 RE030275 -UN-21DEC98



| KEY | PART NO. | PART NAME          | QTY | AXLE<br>SERIAL NO. | A<br>L<br>L<br>REMARKS |
|-----|----------|--------------------|-----|--------------------|------------------------|
| 1   | RE161017 | HYDRAULIC CYLINDER | 1   | X                  | R.H. (SUB FOR RE68622) |
|     | RE161018 | HYDRAULIC CYLINDER | 1   | X                  | L.H. (SUB FOR RE68623) |
| 2   | R152274  | BUSHING            | 4   | X                  |                        |
| 3   | R133564  | PISTON             | 2   | X                  |                        |
| 4   | 34H421   | SPRING PIN         | 2   | X                  | 3/8" X 2"              |
| 5   | R95119   | SEAL               | 4   | X                  |                        |
| 6   | 40M7259  | SNAP RING          | 6   | X                  |                        |
| 7   | AH163057 | ROD                | 2   | X                  | (SUB FOR AH149964)     |
| 8   | R133572  | PIN                | 2   | X                  |                        |
| 9   | P47889   | O-RING             | 2   | X                  |                        |
| 10  | R112954  | SEAL               | 4   | X                  |                        |
| 11  | 51M7043  | O-RING             | 2   | X                  | 15.300 X 2.200 MM      |
| 12  | 38H5002  | ADAPTER            | 2   | X                  |                        |
| 13  | 34H305   | SPRING PIN         | 2   | X                  | 7/32" X 2"             |

# 6E3

STEERING CYLINDER LINES (MFWD)  
CONDUITES DES VERINS DE DIRECTION (MFWD)  
LENKZYLINDERLEITUNGEN (MFWD)  
LINEE DEL CILINDRO CELLO STERZO (MFWD)  
LINEAS DE LOS CILINDROS DE LA DIRECCION (MFWD)  
STYRCYLINDERLEDNINGAR (MFWD)  
RE028465 -UN-22OCT97



RE028465

# 6E4

## STEERING AND BRAKES

| KEY | PART NO. | PART NAME                  | QTY | TRACTOR SERIAL NO. | A<br>L<br>L | REMARKS   |
|-----|----------|----------------------------|-----|--------------------|-------------|---|
| 1   | RE44737  | HYDRAULIC HOSE             | 2   |                    | X           |   |
| 2   | 19M8318  | SCREW                      | 2   | -XXXXXX            | X           | (B) M8 X 45, HS 10.9  |
|     | 19M8318  | SCREW                      | 3   | XXXXXX-            | X           | (C) M8 X 45, HS 10.9  |
| 3   | RE60847  | HYDRAULIC HOSE             | 2   |                    | X           |   |
| 4   | T77613   | O-RING                     | 4   |                    | X           |   |
| 5   | T77857   | O-RING                     | 6   |                    | X           |   |
| 6   | 38H5003  | ADAPTER                    | 2   |                    | X           |   |
| 7   | 51M7043  | O-RING                     | 2   |                    | X           | 15.300 X 2.200 MM   |
| 8   | H121168  | PLATE                      | 2   | -XXXXXX            | X           | (B)   |
|     | H121168  | PLATE                      | 3   | XXXXXX-            | X           | (C)   |
| 9   | H135156  | CLAMP                      | 4   | -XXXXXX            | X           | (B)   |
|     | H135156  | CLAMP                      | 6   | XXXXXX-            | X           | (C)   |
| 10  | RE61141  | OIL LINE                   | 1   |                    | X           | R.H. (SUB RE66235, RE66236, H121168, (2) H135156, 19M8318 AND (2) RE62783)                      |
|     | RE61141  | OIL LINE                   | 1   |                    | X           | (A) R.H. (SUB RE66235, RE66236, H121168, 19M8318, (2) H135156, (2) RE62783, RE66231 AND T13814) |
| 11  | RE61142  | OIL LINE                   | 1   |                    | X           | L.H. (SUB RE66236, RE66235, H121168, 19M8318, (2) H135156 AND (2) RE62783)                      |
|     | RE61142  | OIL LINE                   | 1   |                    | X           | (A) L.H. (SUB RE66235, RE66236, H121168, 19M8318, (2) H135156, (2) RE62783, RE66231 AND T13814) |
| 12  | 51M7041  | O-RING                     | 4   |                    | X           | 11.300 X 2.200 MM   |
| 13  | 38H5002  | ADAPTER                    | 4   |                    | X           |   |
| 14  | 51M7043  | O-RING                     | 2   |                    | X           | 15.300 X 2.200 MM   |
| 15  | RE62783  | HYDRAULIC HOSE - FABRICATE | 2   |                    | X           |   |
| 16  | R135811  | BRACKET                    | 1   |                    | X           | (SUB FOR R124824)   |
| 17  | 19M7167  | CAP SCREW                  | 2   |                    | X           | M10 X 25  |
| 18  | 24M7346  | WASHER                     | 2   |                    | X           | 11 X 20 X 2 MM  |
| 19A | R120133  | SUPPORT                    | 1   | -XXXXXX            | X           |   |
| 19B | RE62562  | BRACKET                    | 1   | XXXXXX-            | X           |   |
| 20  | R121776  | BRACKET                    | 1   | -XXXXXX            | X           |   |
|     | R151216  | BRACKET                    | 1   | XXXXXX-            | X           |   |
| 21  | R126381  | CLAMP                      | 1   |                    | X           |   |
| 22  | N32491   | ISOLATOR                   | 2   |                    | X           |   |
| 23  | R44302   | TIE BAND                   | 2   |                    | X           |   |
| 24  | RE62779  | OIL LINE                   | 1   | -XXXXXX            | X           | (B) (SUB RE66235, RE66236, H121168, 19M8318 AND (2) H135156)                                    |
|     | RE62779  | OIL LINE                   | 1   | -XXXXXX            | X           | (A) (B) (SUB RE66235, RE66236, H121168, 19M8318, (2) H135156, RE66231 AND T13814)               |
|     | RE66235  | OIL LINE                   | 1   | XXXXXX-            | X           |   |
| 25  | RE62780  | OIL LINE                   | 1   | -XXXXXX            | X           | (SUB RE66236, RE66235, H121168, 19M8318 AND (2) H135156)  |
|     | RE62780  | OIL LINE                   | 1   | -XXXXXX            | X           | (A) (SUB RE66235, RE66236, H121168, 19M8318, (2) H135156, RE66231 AND T13814)                   |
|     | RE66236  | OIL LINE                   | 1   | XXXXXX-            | X           |   |

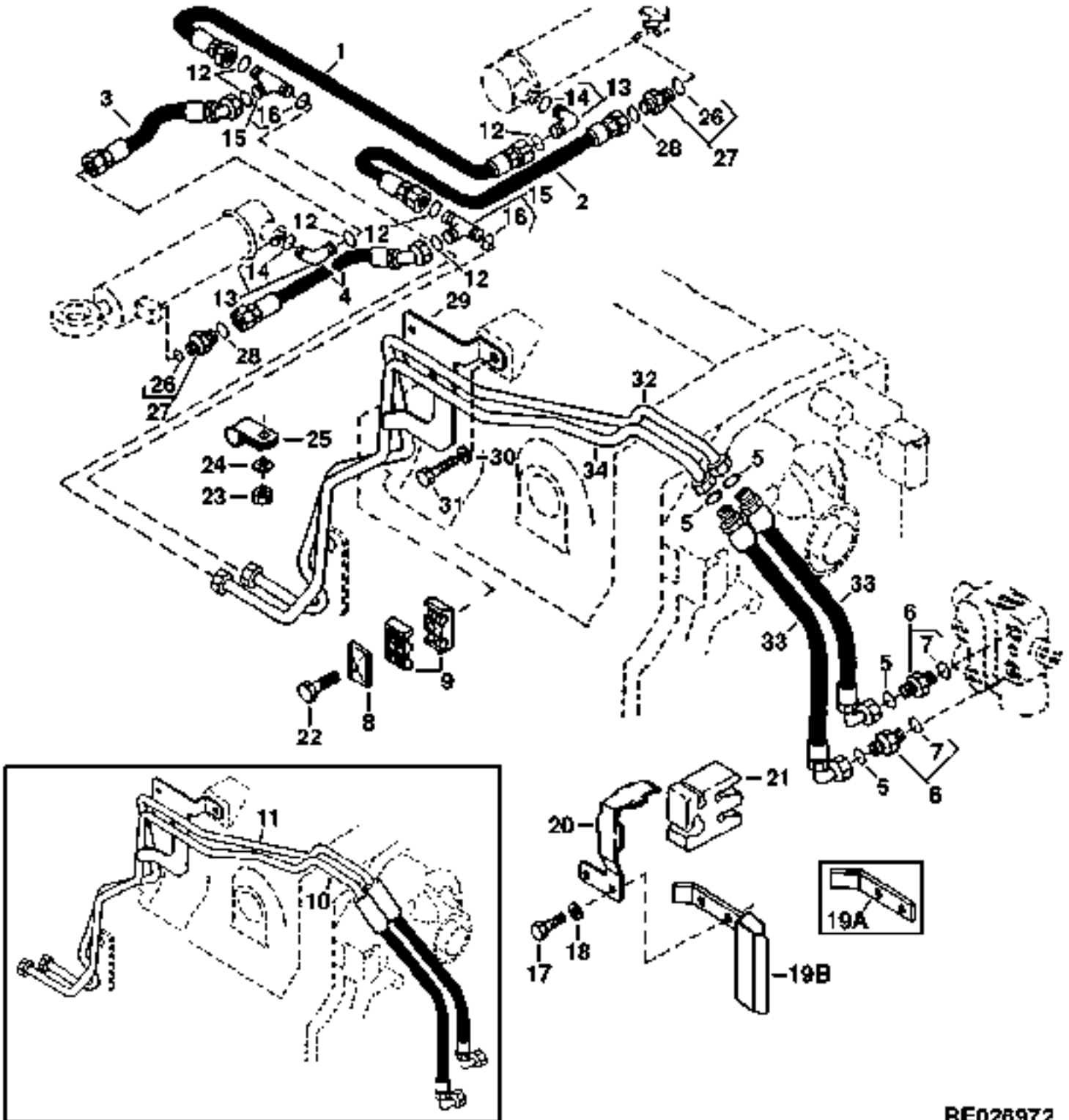
(A) SECONDARY BRAKE  
 FREIN SECONDAIRE  
 ZWEITBREMSE  
 FRENO SECONDARIO  
 FRENO SECUNDARIO  
 PARKERINGSBROMS

(B) ( -XXXXXX) 8100 004722; 8200 003490; 8300 005814; 8400 006583  
 (C) (XXXXXX- ) 8100 004723; 8200 003491; 8300 005815; 8400 006584

# 6E5

STEERING AND BRAKES

STEERING CYLINDER LINES (W/O MFWD) (8100 -004262; 8200 -003194; 8300 -005441)  
CONDUITES DES VERINS DE DIRECTION (W/O MFWD) (8100 -004262; 8200 -003194; 8300 -005441)  
LENKZYLINDERLEITUNGEN (W/O MFWD) (8100 -004262; 8200 -003194; 8300 -005441)  
LINEE DEL CILINDRO DELLO STERZO (W/O MFWD) (8100 -004262; 8200 -003194; 8300 -005441)  
LINEAS DE LOS CILINDROS DE LA DIRECCION (W/O MFWD)(8100 -004262; 8200 -003194; 8300 -005441)  
STYRCYLINDERLEDNINGAR (W/O MFWD) (8100 -004262; 8200 -003194; 8300 -005441)  
RE026972 -UN-31MAY96



RE026972

# 6E6

## STEERING AND BRAKES

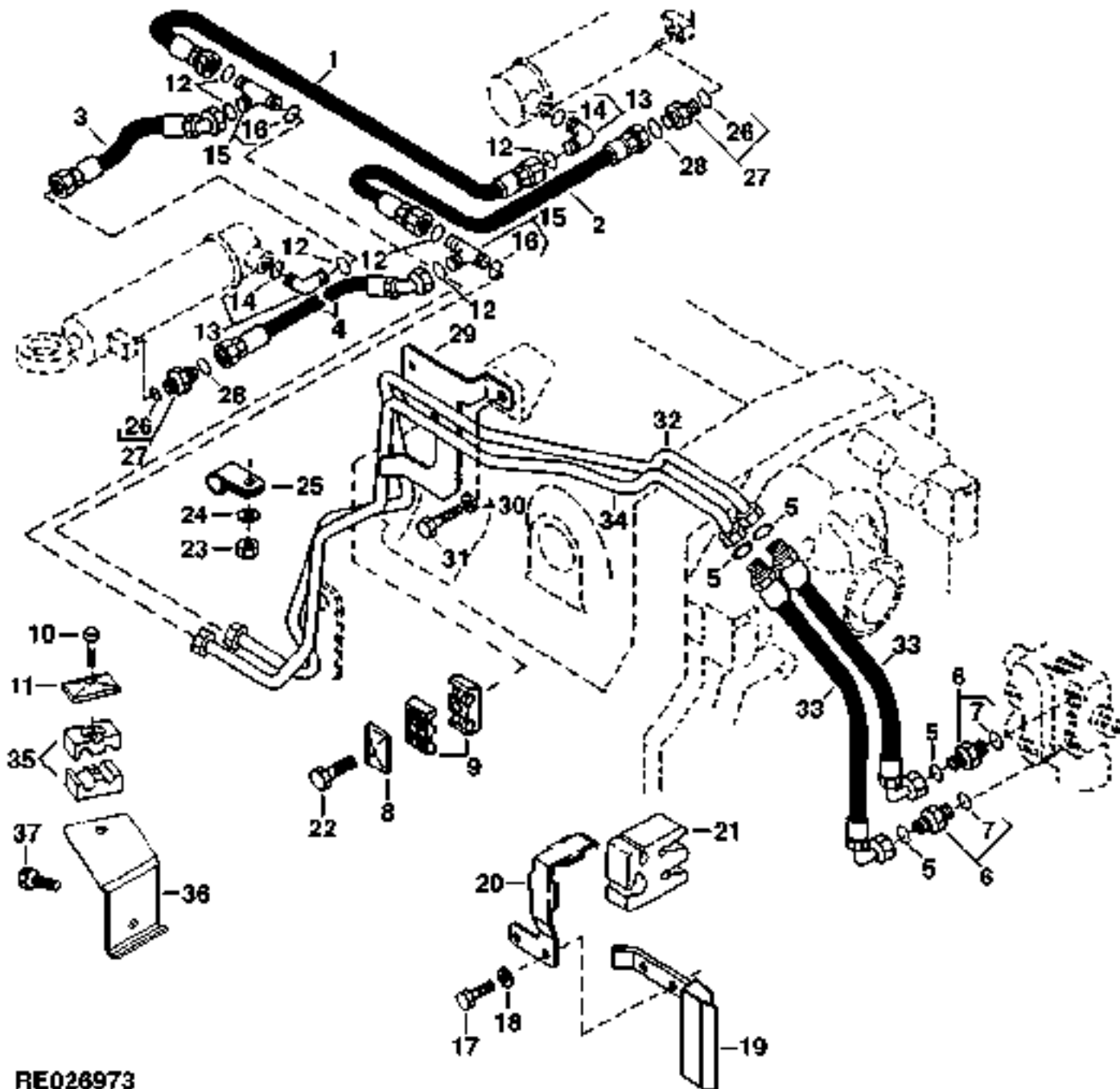
| KEY | PART NO. | PART NAME                  | QTY | TRACTOR SERIAL NO. |   |   | REMARKS  |
|-----|----------|----------------------------|-----|--------------------|---|---|--|
|     |          |                            |     | 8                  | 8 | 8 |  |
|     |          |                            |     | 1                  | 2 | 3 |  |
|     |          |                            |     | 0                  | 0 | 0 |  |
|     |          |                            |     | 0                  | 0 | 0 |  |
| 1   | RE61746  | HYDRAULIC HOSE             | 1   | X                  | X | X |  |
| 2   | RE61745  | HYDRAULIC HOSE             | 1   | X                  | X | X |  |
| 3   | RE61576  | HYDRAULIC HOSE             | 1   | X                  | X | X |  |
| 4   | RE61578  | HYDRAULIC HOSE             | 1   | X                  | X | X |  |
| 5   | T77857   | O-RING                     | 4   | X                  | X | X |  |
| 6   | 38H5003  | ADAPTER                    | 2   | X                  | X | X |  |
| 7   | 51M7043  | O-RING                     | 2   | X                  | X | X | 15.300 X 2.200 MM  |
| 8   | H121168  | PLATE                      | 2   | X                  | X | X |  |
| 9   | H135156  | CLAMP                      | 4   | X                  | X | X |  |
| 10  | RE61141  | OIL LINE                   | 1   | X                  | X | X | (SUB (2) RE62783, RE65254, RE65255, RE65330, H112567, (2) H141510, 19M7162 AND 19M7185)                          |
|     | RE61141  | OIL LINE                   | 1   | X                  | X | X | (A) (SUB (2) RE62783, RE65254, RE65255, RE65330, (2) RE66231, H112567, (2) H141510, T13814, 19M7162 AND 19M7185) |
| 11  | RE61142  | OIL LINE                   | 1   | X                  | X | X | (SUB (2) RE62783, RE65254, RE65255, RE65330, H112567, (2) H141510, 19M7162 AND 19M7185)                          |
|     | RE61142  | OIL LINE                   | 1   | X                  | X | X | (A) (SUB (2) RE62783, RE65254, RE65255, RE65330, RE66231, H112567, (2) H141510, T13814, 19M7162 AND 19M7185)     |
| 12  | T77857   | O-RING                     | 6   | X                  | X | X |  |
| 13  | 38H5017  | ELBOW FITTING              | 2   | X                  | X | X |  |
| 14  | 51M7043  | O-RING                     | 2   | X                  | X | X | 15.300 X 2.200 MM  |
| 15  | 38H5031  | TEE FITTING                | 2   | X                  | X | X |  |
| 16  | T77857   | O-RING                     | 2   | X                  | X | X |  |
| 17  | 19M7167  | CAP SCREW                  | 2   | X                  | X | X | M10 X 25   |
| 18  | 24M7346  | WASHER                     | 2   | X                  | X | X | 11 X 20 X 2 MM   |
| 19A | R120133  | SUPPORT                    | 1   | -XXXXXX            | X | X |  |
| 19B | RE62562  | BRACKET                    | 1   | XXXXXX-            | X | X |  |
| 20  | R121776  | BRACKET                    | 1   | X                  | X | X |  |
| 21  | R126381  | CLAMP                      | 1   | X                  | X | X | (SUB FOR R121777)  |
| 22  | 19M8318  | SCREW                      | 2   | X                  | X | X | M8 X 45, HS 10.9   |
| 23  | 14M7275  | NUT                        | 2   | X                  | X | X | M12  |
| 24  | 24M7240  | WASHER                     | 2   | X                  | X | X | 13 X 25 X 3 MM   |
| 25  | R125461  | CLAMP                      | 2   | X                  | X | X |  |
| 26  | 51M7041  | O-RING                     | 4   | X                  | X | X | 11.300 X 2.200 MM  |
| 27  | 38H5002  | ADAPTER                    | 2   | X                  | X | X |  |
| 28  | T77613   | O-RING                     | 2   | X                  | X | X |  |
| 29  | R135811  | BRACKET                    | 1   | X                  | X | X | (SUB FOR R124824)  |
| 30  | 24M7240  | WASHER                     | 1   | X                  | X | X | 13 X 25 X 3 MM   |
| 31  | 19M7872  | CAP SCREW                  | 1   | X                  | X | X | M12 X 25, HS 10.9  |
| 32  | RE62780  | OIL LINE                   | 1   | X                  | X | X | (SUB (2) RE62783, RE65254, RE65255, RE65330, H112567, (2) H141510, 19M7162 AND 19M7185)                          |
|     | RE62780  | OIL LINE                   | 1   | X                  | X | X | (A) (SUB RE65254, RE65255, RE65330, RE66231, H112567, (2) H141510, T13814 AND 19M7162)                           |
| 33  | RE62783  | HYDRAULIC HOSE - FABRICATE | 2   | X                  | X | X |  |
| 34  | RE62779  | OIL LINE                   | 1   | X                  | X | X | (SUB (2) RE62783, RE65254, RE65255, RE65330, H112567, (2) H141510, 19M7162 AND 19M7185)                          |
|     | RE62779  | OIL LINE                   | 1   | X                  | X | X | (A) (SUB RE65254, RE65255, RE65330, RE66231, H112567, (2) H141510, T13814, 19M7162 AND 19M7185)                  |

(A) SECONDARY BRAKE  
 FREIN SECONDAIRE  
 ZWEITBREMSE  
 FRENO SECONDARIO  
 FRENO SECUNDARIO  
 PARKERINGSBROMS

# 6E7

STEERING AND BRAKES

STEERING CYLINDER LINES (W/O MFWD) (8100 004263- ; 8200 003195- ; 8300 005442- )  
CONDUITES DES VERINS DE DIRECTION (W/O MFWD) (8100 004263- ; 8200 003195- ; 8300 005442- )  
LENKZYLINDERLEITUNGEN (W/O MFWD) (8100 004263- ; 8200 003195- ; 8300 005442- )  
LINEE DEL CILINDRO DELLO STERZO (W/O MFWD) (8100 004263- ; 8200 003195- ; 8300 005442- )  
LINEAS DE LOS CILINDROS DE LA DIRECCION (W/O MFWD) (8100 004263- ; 8200 003195- ; 8300 005442- )  
STYRCYLINDERLEDNINGAR (W/O MFWD) (8100 004263- ; 8200 003195- ; 8300 005442- )  
RE026973 -UN-30JUL96



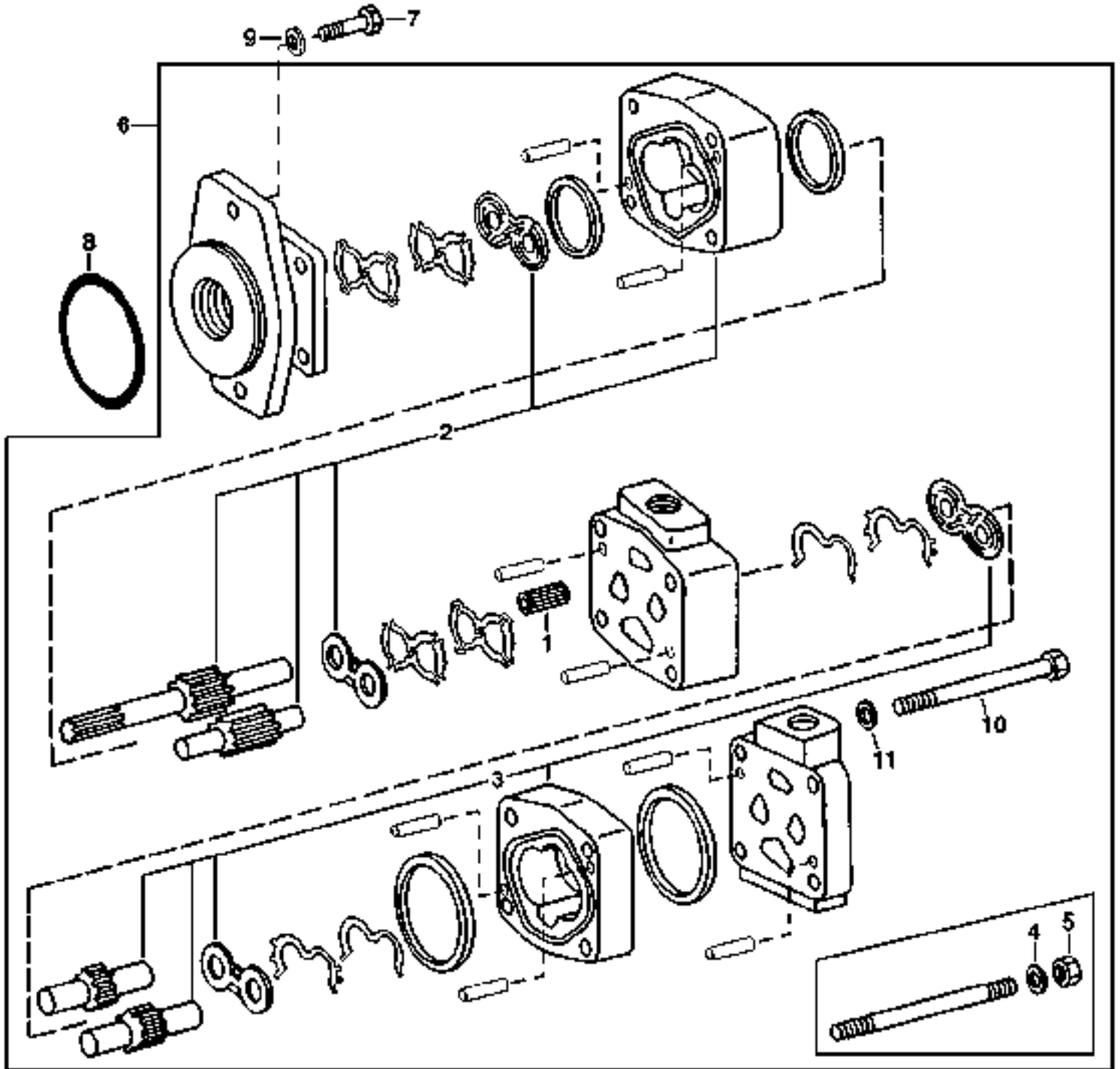
RE026973

# 6E8

## STEERING AND BRAKES

| KEY | PART NO. | PART NAME                  | QTY | TRACTOR    |         |       | REMARKS           |
|-----|----------|----------------------------|-----|------------|---------|-------|-------------------|
|     |          |                            |     | SERIAL NO. | 8 8 8   | 1 2 3 |                   |
|     |          |                            |     |            | 0 0 0   |       |                   |
|     |          |                            |     |            | 0 0 0   |       |                   |
| 1   | RE61746  | HYDRAULIC HOSE             | 1   |            | X X X   |       |                   |
| 2   | RE61745  | HYDRAULIC HOSE             | 1   |            | X X X   |       |                   |
| 3   | RE61576  | HYDRAULIC HOSE             | 1   |            | X X X   |       |                   |
| 4   | RE61578  | HYDRAULIC HOSE             | 1   |            | X X X   |       |                   |
| 5   | T77857   | O-RING                     | 4   |            | X X X   |       |                   |
| 6   | 38H5003  | ADAPTER                    | 2   |            | X X X   |       |                   |
| 7   | 51M7043  | O-RING                     | 2   |            | X X X   |       | 15.300 X 2.200 MM |
| 8   | H121168  | PLATE                      | 1   |            | X X X   |       |                   |
| 9   | H135156  | CLAMP                      | 2   |            | X X X   |       |                   |
| 10  | 19M7185  | CAP SCREW                  | 1   |            | X X X   |       | M8 X 60           |
| 11  | H112567  | PLATE                      | 1   |            | X X X   |       |                   |
| 12  | T77857   | O-RING                     | 6   |            | X X X   |       |                   |
| 13  | 38H5017  | ELBOW FITTING              | 2   |            | X X X   |       |                   |
| 14  | 51M7043  | O-RING                     | 2   |            | X X X   |       | 15.300 X 2.200 MM |
| 15  | 38H5031  | TEE FITTING                | 2   |            | X X X   |       |                   |
| 16  | R77857   | RING                       | 2   |            | X X X   |       |                   |
| 17  | 19M7167  | CAP SCREW                  | 2   |            | X X X   |       | M10 X 25          |
| 18  | 24M7346  | WASHER                     | 2   |            | X X X   |       | 11 X 20 X 2 MM    |
| 19  | RE62562  | BRACKET                    | 1   |            | X X X   |       |                   |
| 20  | R121776  | BRACKET                    | 1   |            | -XXXXXX | X X X |                   |
|     | R151216  | BRACKET                    | 1   |            | XXXXXX- | X X X |                   |
| 21  | R126381  | CLAMP                      | 1   |            | X X X   |       | (SUB FOR R121777) |
| 22  | 19M8318  | SCREW                      | 1   |            | X X X   |       | M8 X 45, HS 10.9  |
| 23  | 14M7275  | NUT                        | 2   |            | X X X   |       | M12               |
| 24  | 24M7240  | WASHER                     | 2   |            | X X X   |       | 13 X 25 X 3 MM    |
| 25  | R125461  | CLAMP                      | 2   |            | X X X   |       |                   |
| 26  | 51M7041  | O-RING                     | 4   |            | X X X   |       | 11.300 X 2.200 MM |
| 27  | 38H5002  | ADAPTER                    | 2   |            | X X X   |       |                   |
| 28  | T77613   | O-RING                     | 2   |            | X X X   |       |                   |
| 29  | R135811  | BRACKET                    | 1   |            | X X X   |       | (SUB FOR R124824) |
| 30  | 24M7240  | WASHER                     | 1   |            | X X X   |       | 13 X 25 X 3 MM    |
| 31  | 19M7872  | CAP SCREW                  | 1   |            | X X X   |       | M12 X 25, HS 10.9 |
| 32  | RE65254  | OIL LINE                   | 1   |            | X X X   |       |                   |
| 33  | RE62783  | HYDRAULIC HOSE - FABRICATE | 2   |            | X X X   |       |                   |
| 34  | RE65255  | OIL LINE                   | 1   |            | X X X   |       |                   |
| 35  | H141510  | CLAMP                      | 2   |            | X X X   |       |                   |
| 36  | RE65330  | BRACKET                    | 1   |            | X X X   |       |                   |
| 37  | 19M7162  | CAP SCREW                  | 1   |            | X X X   |       | M8 X 16           |

STEERING PUMP/CHARGE PUMP  
 POMPE DE DIRECTION/POMPE DE GAVAGE  
 LENKPUMPE/LADEPUMPE  
 POMPA DELLO STERZO/POMPA DI CARICA  
 BOMBA DE DIRECCION/BOMBA DE CARGA  
 STYRPUMP/LADDNINGSPUMP  
 RXP021645 -UN-30JUL96



RXP021645



# 6E10

## STEERING AND BRAKES

| KEY | PART NO. | PART NAME             | QTY | TRACTOR<br>SERIAL NO. | A | REMARKS                    |
|-----|----------|-----------------------|-----|-----------------------|---|----------------------------|
|     |          |                       |     |                       | L |                            |
| 1   | R114224  | EXTERNAL HALF COUPLER | 1   |                       | X |                            |
| 2   | RE58978  | GEAR                  | 1   | -XXXXXX               | X | (A) (C) (USE WITH RE58979) |
|     | RE64237  | GEAR                  | 1   | XXXXXX-               | X | (A) (D) (USE WITH RE64236) |
| 3   | RE58976  | GEAR                  | 1   |                       | X | (B)                        |
| 4   | 24M7240  | WASHER                | 4   | -XXXXXX               | X | 13 X 25 X 3 MM             |
| 5   | 14H1040  | NUT                   | 4   | -XXXXXX               | X | 1/2"                       |
| 6   | RE60323  | HYDRAULIC PUMP        | 1   |                       | X |                            |
| 7   | 19M7285  | CAP SCREW             | 2   |                       | X | M12 X 30                   |
| 8   | T42302   | O-RING                | 1   |                       | X |                            |
| 9   | 24M7240  | WASHER                | 2   |                       | X | 13 X 25 X 3 MM             |
| 10  | 19H3339  | CAP SCREW             | 1   | XXXXXX-               | X | 1/2" X 9-1/2", HS, SAE 8   |
| 11  | R135088  | WASHER                | 1   | XXXXXX-               | X |                            |

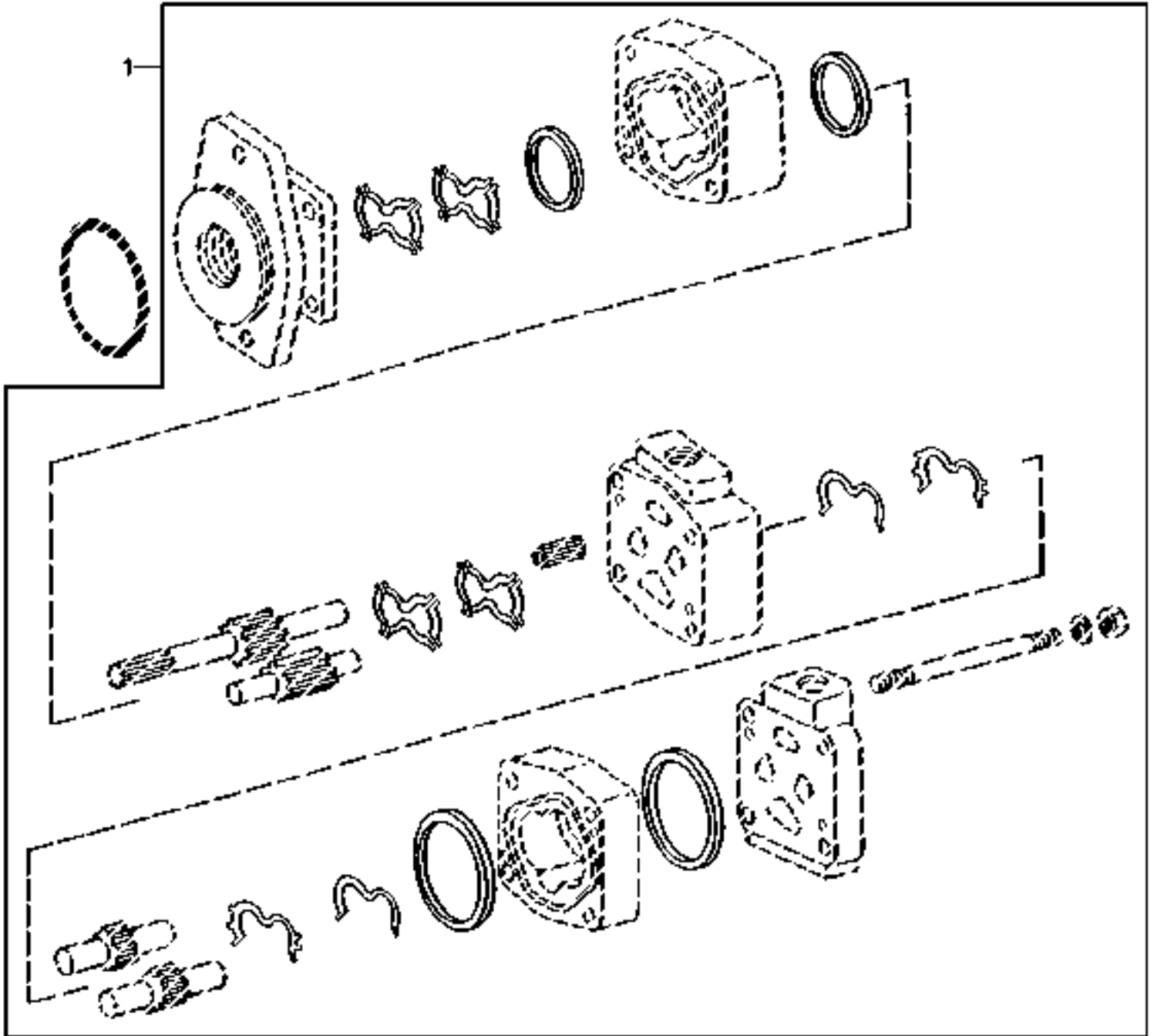
(A) CHARGE PUMP  
 POMPE DE GAVAGE  
 LADEPUMPE  
 POMPA DI CARICA  
 BOMBA DE CARGA  
 LADDNINGSPUMP

(B) STEERING PUMP  
 POMPE DE DIRECTION  
 LENKPUMPE  
 POMPA DELLO STERZO  
 BOMBA DE DIRECCION  
 STYRPUMP

(C) ( -XXXXXX) 8100-002227; 8200-001921; 8300-003409; 8400-002192  
 (D) (XXXXXX- ) 8100-002228; 8200-001922; 8300-003410; 8400-002193

# 6E11

GEAR PUMP SEAL KIT  
JEU D'ETANCHEITE DE LA POMPE A ENGRENAGES  
ZAHNRADPUMPEN-DICHTUNGSSATZ  
KIT DI TENUTA DELLA POMPA AD INGRANAGGI  
CONJUNTO DE SELLOS DE BOMBA DE ENGRANAJES  
TÆTNINGSSATS FOER KUGGHJULSPUMP  
RE026667 -UN-19DEC95



RE026667

# 6E12

STEERING AND BRAKES

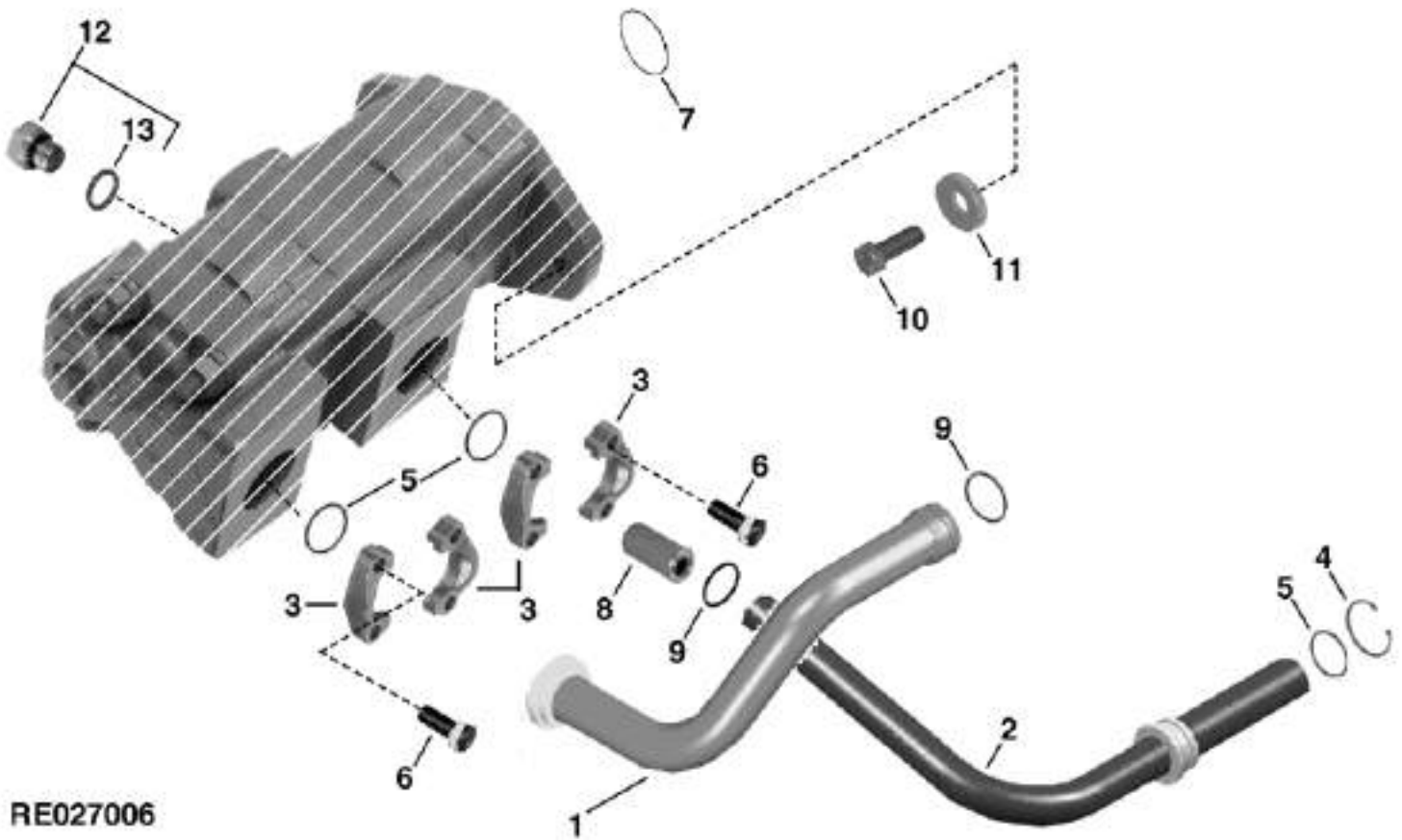
| KEY | PART NO. | PART NAME | QTY | TRACTOR<br>SERIAL NO. | A<br>L<br>L | REMARKS                |
|-----|----------|-----------|-----|-----------------------|-------------|------------------------|
| 1   | RE58979  | SEAL      | 1   | -XXXXXX               | X           | (A) (USE WITH RE58978) |
|     | RE64236  | SEAL KIT  | 1   | XXXXXX-               | X           | (B) (USE WITH RE64237) |

(A) ( -XXXXXX) 8100-002227; 8200-001921; 8300-003409; 8400-002192

(B) (XXXXXX- ) 8100-002228; 8200-001922; 8300-003410; 8400-002193

# 6E13

STEERING PUMP REAR LINES/CHARGE PUMP REAR LINES  
POMPE DE DIRECTION, CONDUITES ARRIERE/POMPE DE GAVAGE, CONDUITES ARRIERE  
LENPUMPE, HINTERE LEITUNGEN/LADEPUMPE, HINTERE LEITUNGEN  
POMPA DELLO STERZO, TUBI POSTERIORI/POMPA DI CARICAMENTO, TUBI POSTERIORI  
BOMBA DE DIRECCION, LINEAS TRASERAS/BOMBA DE CARGA, LINEAS TRASERAS  
STYRPUMP, BAKRE LEDNINGAR/LADDNINGSPUMP, BAKRE LEDNINGAR  
RE027006 -UN-20JUN96



RE027006

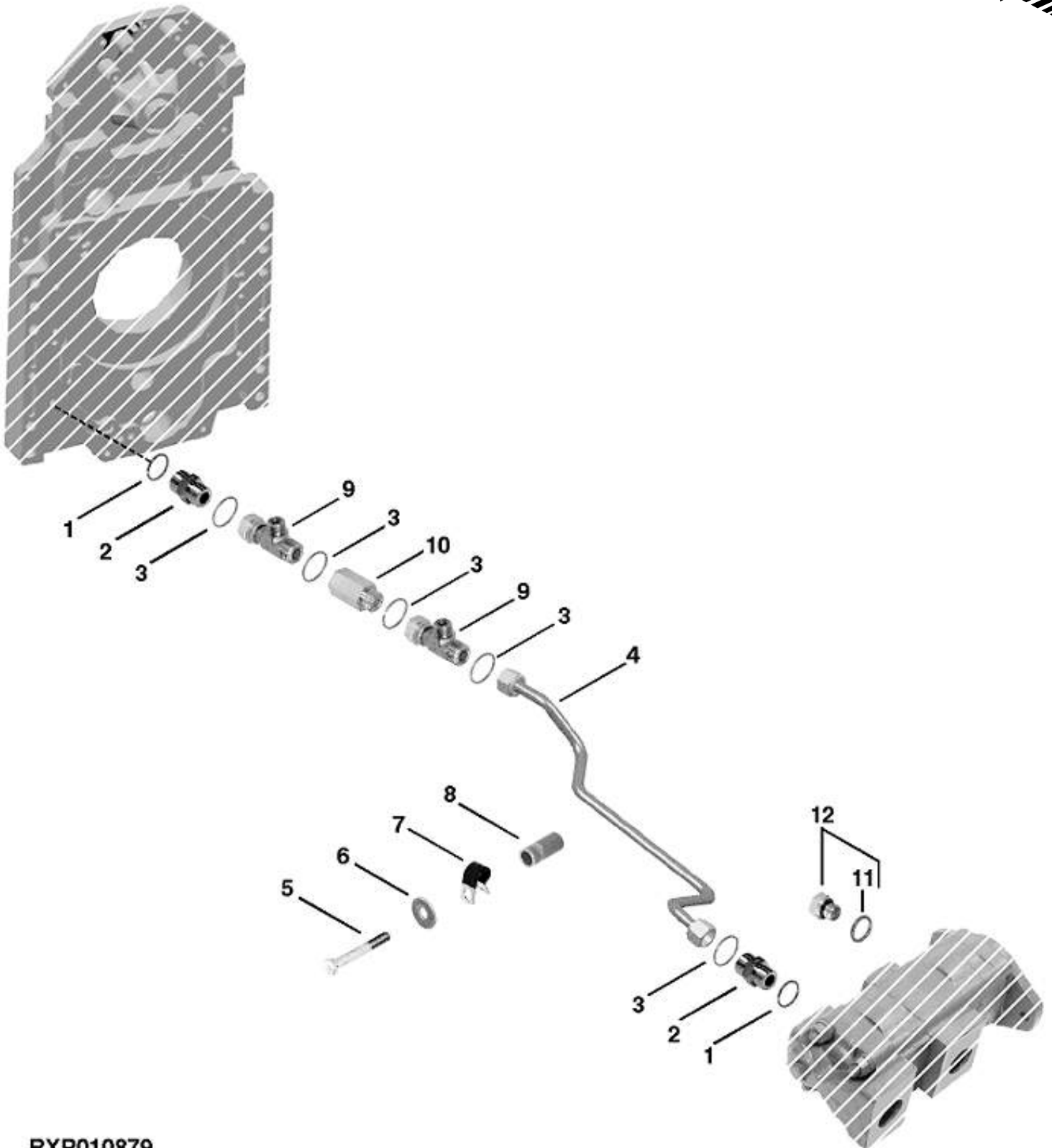
# 6E14

STEERING AND BRAKES

| KEY | PART NO. | PART NAME      | QTY | TRACTOR<br>SERIAL NO. | A<br>L<br>L | REMARKS   |
|-----|----------|----------------|-----|-----------------------|-------------|---|
| 1   | RE44747  | OIL LINE       | 1   |                       | X           |   |
| 2   | RE56319  | LINE           | 1   |                       | X           |   |
| 3   | T47649   | FLANGE FITTING | 4   |                       | X           |   |
| 4   | M70619   | SNAP RING      | 1   |                       | X           |   |
| 5   | B3690R   | O-RING         | 3   |                       | X           |   |
| 6   | 19M8011  | CAP SCREW      | 8   |                       | X           | M12 X 30, HS 10.9   |
| 7   | T42302   | O-RING         | 1   |                       | X           |   |
| 8   | R116598  | CONNECTOR      | 1   |                       | X           |   |
| 9   | U10289   | O-RING         | 2   |                       | X           |   |
| 10  | 19M7789  | SCREW          | 4   |                       | X           | M12 X 30, HS 10.9   |
| 11  | 24M7240  | WASHER         | 4   |                       | X           | 13 X 25 X 3 MM, (SUB FOR R106714) (ALSO<br>ORDER 19M7789) |
| 12  | RE46684  | PLUG           | 2   |                       | X           |   |
| 13  | 51M7041  | O-RING         | 2   |                       | X           | 11.300 X 2.200 MM   |

# 6E15

STEERING PUMP FRONT LINES  
POMPE DE DIRECTION, CONDUITES AVANT  
LENKPUMPE, VORDERE LEITUNGEN  
POMPA DELLO STERZO, TUBI ANTERIORI  
BOMBA DE DIRECCION, LINEAS DELANTERAS  
STYRPUMP, FRAEMRE LEDNINGAR  
RXP010879 -UN-01JAN94



RXP010879

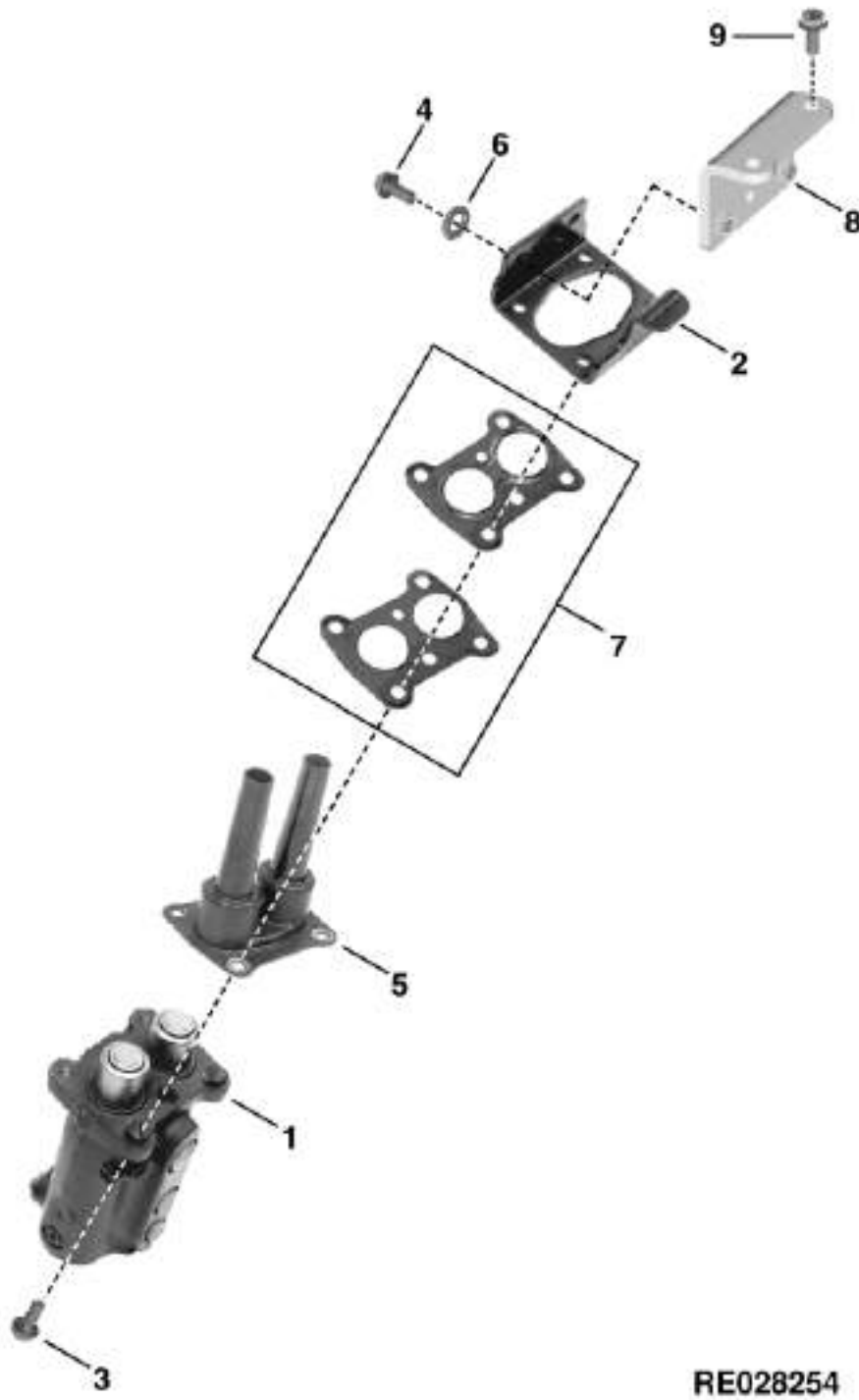
# 6E16

## STEERING AND BRAKES

| KEY | PART NO. | PART NAME   | QTY | TRACTOR<br>SERIAL NO. | A | REMARKS                      |
|-----|----------|-------------|-----|-----------------------|---|------------------------------|
|     |          |             |     |                       | L |                              |
| 1   | 51M7047  | O-RING      | 2   |                       | X | 23.600 X 2.900 MM            |
| 2   | 38H5005  | ADAPTER     | 2   |                       | X |                              |
| 3   | T77858   | O-RING      | 5   |                       | X |                              |
| 4   | RE65442  | OIL LINE    | 1   |                       | X | (SUB FOR RE44752 OR RE64438) |
| 5   | 37M7262  | SCREW       | 1   |                       | X | M10 X 50                     |
| 6   | 24M7178  | WASHER      | 1   | -XXXXXX               | X | 10.500 X 30 X 2.500 MM       |
| 7   | R73291   | CLAMP       | 1   |                       | X |                              |
| 8   | 28H1497  | BUSHING     | 1   |                       | X | 0.493" X 0.675" X 1-1/2"     |
| 9   | 38H5136  | TEE FITTING | 2   |                       | X |                              |
| 10  | RE51573  | FITTING     | 1   |                       | X |                              |
| 11  | 51M7041  | O-RING      | 2   |                       | X | 11.300 X 2.200 MM            |
| 12  | RE46684  | PLUG        | 2   |                       | X |                              |

# 6E17

BRAKE VALVE BRACKET  
MAITRE-CYLINDRE  
BREMSVENTIL  
VALVOLA FRENO  
VALVULA DE MANDO DEL FRENO  
BROMSVENTIL  
RE028254 -UN-27AUG97



RE028254



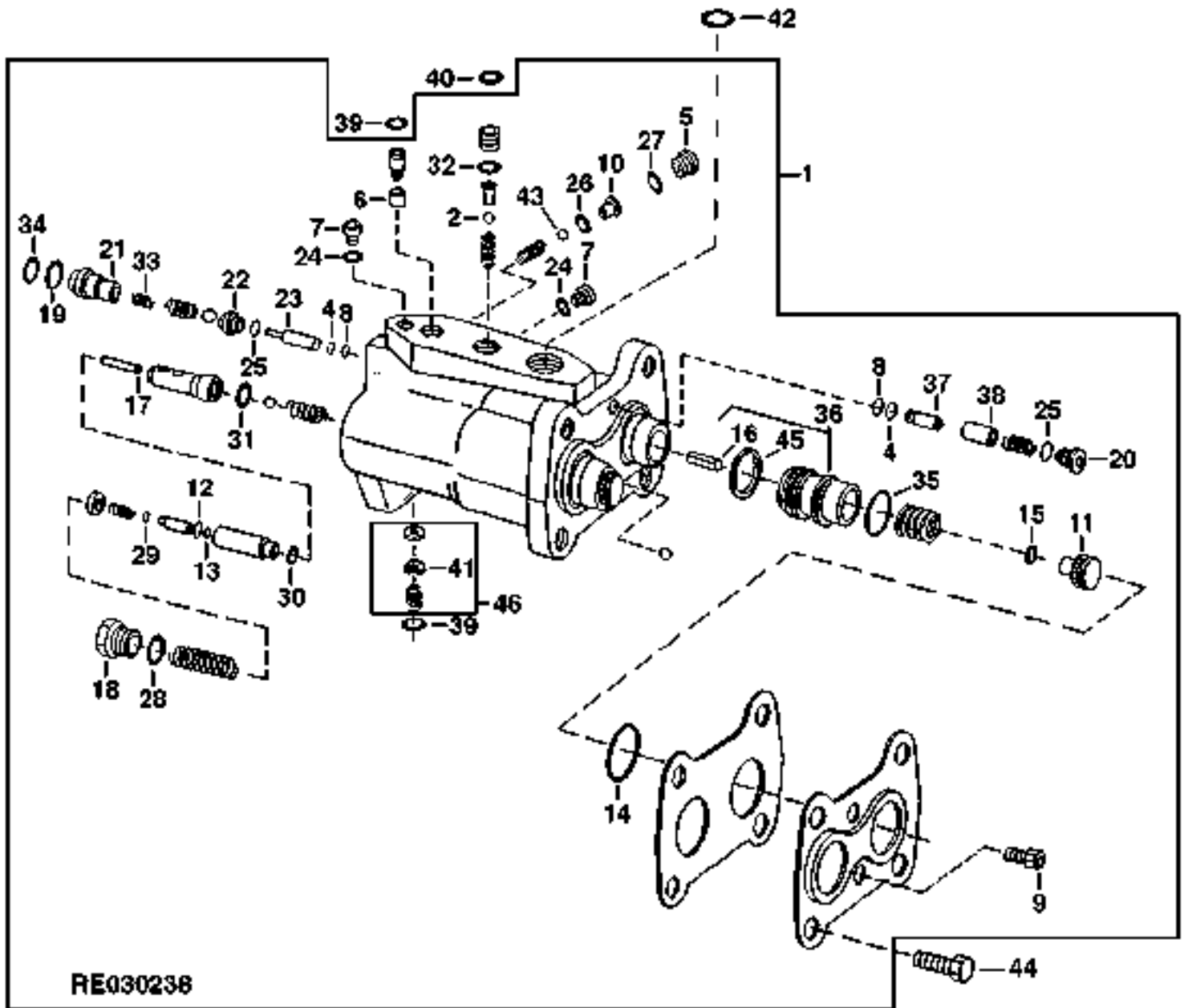
# 6E18

| KEY | PART NO. | PART NAME | QTY | TRACTOR<br>SERIAL NO. | A<br>L<br>L | REMARKS                   |
|-----|----------|-----------|-----|-----------------------|-------------|---------------------------|
| 1   | RE60815  | VALVE     | 1   | -009999               | X           | (SUB RE67965 OR RE158282) |
|     | RE158282 | VALVE     | 1   | 010000-XXXXXX         | X           | (B) (SUB FOR RE67965)     |
|     | RE158282 | VALVE     | 1   | XXXXXX-               | X           | (C)                       |
| 2   | R119869  | BRACKET   | 1   |                       | X           |                           |
| 3   | 19M7166  | CAP SCREW | 4   |                       | X           | M10 X 20                  |
| 4   | 19M7402  | CAP SCREW | 2   |                       | X           | M10 X 25, HS 10.9         |
| 5   | R126571  | BOOT      | 1   |                       | X           |                           |
| 6   | 24M7028  | WASHER    | 2   |                       | X           | 10.500 X 20 X 2 MM        |
| 7   | RE60531  | KIT       | 1   |                       | X           |                           |
| 8   | RE66712  | SUPPORT   | 1   | XXXXXX-               | X           | (A)                       |
| 9   | 37M7087  | SCREW     | 1   | XXXXXX-               | X           | (A) M10 X 25              |

(A) (XXXXXX- ) 8100-010372; 8200-010238; 8300-010415; 8400-010421  
 (B) ( -XXXXXX) 8100-024289; 8200-024284; 8300-024310; 8400-024306  
 (C) (XXXXXX- ) 8100-024290; 8200-024285; 8300-024311; 8400-024307

# 6E19

BRAKE VALVE  
MAITRE-CYLINDRE  
BREMSVENTIL  
VALVOLA FRENO  
VALVULA DE MANDO DEL FRENO  
BROMSVENTIL  
RE030238 -UN-21DEC98



# 6E20

## STEERING AND BRAKES

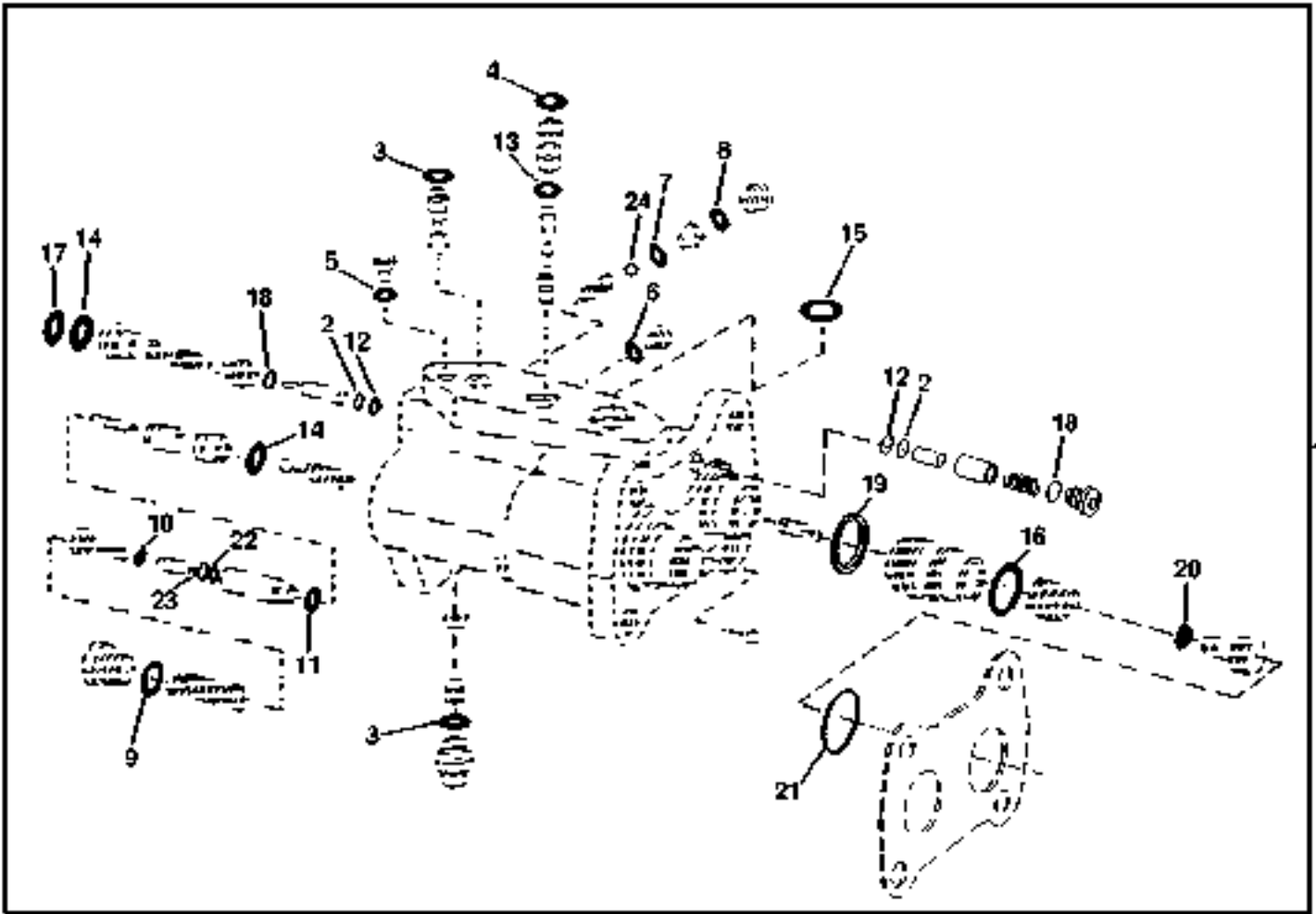
| KEY | PART NO. | PART NAME         | QTY | TRACTOR SERIAL NO. | A<br>L<br>L | REMARKS                   |
|-----|----------|-------------------|-----|--------------------|-------------|---------------------------|
| 1   | RE60815  | VALVE             | 1   | -009999            | X           | (SUB RE67965 OR RE158282) |
|     | RE158282 | VALVE             | 1   | 010000-XXXXXX      | X           | (B) (SUB FOR RE67965)     |
|     | RE158282 | VALVE             | 1   | XXXXXX-            | X           | (C)                       |
| 2   | R26552   | BALL              | 1   |                    | X           |                           |
| 3   | R124462  | O-RING            | 2   |                    | X           |                           |
| 4   | T42571   | BACK-UP RING      | 2   |                    | X           |                           |
| 5   | R108037  | PLUG              | 1   |                    | X           |                           |
| 6   | N191770  | ORIFICE           | 1   |                    | X           |                           |
| 7   | R108038  | PLUG              | 2   |                    | X           |                           |
| 8   | R108066  | O-RING            | 2   |                    | X           |                           |
| 9   | 19M8493  | SCREW             | 2   |                    | X           | M8 X 12, HS 10.9          |
| 10  | R108045  | VALVE SEAT INSERT | 1   |                    | X           |                           |
| 11  | R124478  | SHEAR PIN         | 2   |                    | X           |                           |
| 12  | R108042  | BACK-UP RING      | 2   |                    | X           |                           |
| 13  | R108067  | SEAL              | 2   |                    | X           |                           |
| 14  | R108041  | SEAL              | 2   |                    | X           |                           |
| 15  | R124464  | SEAL              | 2   |                    | X           |                           |
| 16  | 34M7102  | SPRING PIN        | 2   | -XXXXXX            | X           | (B) 5 X 26 MM             |
|     | 25M7039  | GROOVE PIN        | 1   | XXXXXX-            | X           | (C) 5 X 24 MM             |
| 17  | R60755   | NEEDLE ROLLER     | 2   |                    | X           |                           |
| 18  | R108062  | PLUG              | 2   |                    | X           |                           |
| 19  | T77932   | O-RING            | 1   |                    | X           |                           |
| 20  | R107799  | PLUG              | 2   |                    | X           |                           |
| 21  | R108049  | PLUG              | 1   | -009999            | X           |                           |
|     | R132840  | PLUG              | 1   | 010000-            | X           |                           |
| 22  | R113056  | VALVE SEAT INSERT | 1   | -009999            | X           | (SUB R132841)             |
|     | R132841  | VALVE SEAT INSERT | 1   | 010000-            | X           |                           |
| 23  | R108051  | PISTON            | 1   |                    | X           |                           |
| 24  | R30903   | O-RING            | 2   |                    | X           |                           |
| 25  | R113057  | PACKING           | 2   |                    | X           |                           |
| 26  | R26287   | O-RING            | 1   |                    | X           |                           |
| 27  | R26448   | O-RING            | 1   |                    | X           |                           |
| 28  | U17409   | O-RING            | 2   |                    | X           |                           |
| 29  | A4365R   | O-RING            | 2   |                    | X           |                           |
| 30  | R10093   | O-RING            | 2   |                    | X           |                           |
| 31  | T77932   | O-RING            | 2   |                    | X           |                           |
| 32  | R28776   | O-RING            | 1   |                    | X           |                           |
| 33  | R132843  | SPRING            | 1   |                    | X           |                           |
| 34  | R113054  | BACK-UP RING      | 1   | -009999            | X           |                           |
| 35  | R124463  | SEAL              | 2   |                    | X           |                           |
| 36  | RE159217 | KIT               | 1   | -XXXXXX            | X           | (A) (C) (SUB FOR RE60534) |
|     | RE159217 | KIT               | 1   | XXXXXX-            | X           | (B)                       |
| 37  | R159216  | PISTON            | 1   | -XXXXXX            | X           | (A) (SUB FOR R124477)     |
|     | R159216  | PISTON            | 1   | XXXXXX-            | X           | (B)                       |
| 38  | R124475  | SPOOL             | 1   |                    | X           |                           |
| 39  | 51M7041  | O-RING            | 3   |                    | X           | 11.300 X 2.200 MM         |
| 40  | 51M7043  | O-RING            | 1   |                    | X           | 15.300 X 2.200 MM         |
| 41  | R127771  | SPRING            | 2   |                    | X           |                           |
| 42  | 51M7045  | O-RING            | 1   |                    | X           | 19.300 X 2.200 MM         |
| 43  | R113061  | BALL              | 1   |                    | X           |                           |
| 44  | 19M7166  | CAP SCREW         | 4   |                    | X           | M10 X 20                  |
| 45  | R124462  | O-RING            | 1   | XXXXXX-            | X           | (B)                       |
| 46  | RE69092  | KIT               | 1   |                    | X           |                           |

(A) RING NOT INCLUDED

(B) ( -XXXXXX) 8100-024289; 8200-024284; 8300-024310; 8400-024306

(C) (XXXXXX- ) 8100-024290; 8200-024285; 8300-024311; 8400-024307

**BRAKE VALVE OVERHAUL KIT**  
**JEU DE PIÈCES DE REMPLACEMENT DE SOUPAPE DE FREIN**  
**BREMSVENTILUEBERHOLSATZ**  
**KIT SOSTITUZIONE VALVOLA FRENO**  
**JUEGO DE REVISION DEL FRENO DE VALVULA**  
**RENOVERINGSSATS FOER BROMSVENTIL**  
RE028256 -UN-27AUG97



**RE028256**

# 6E22

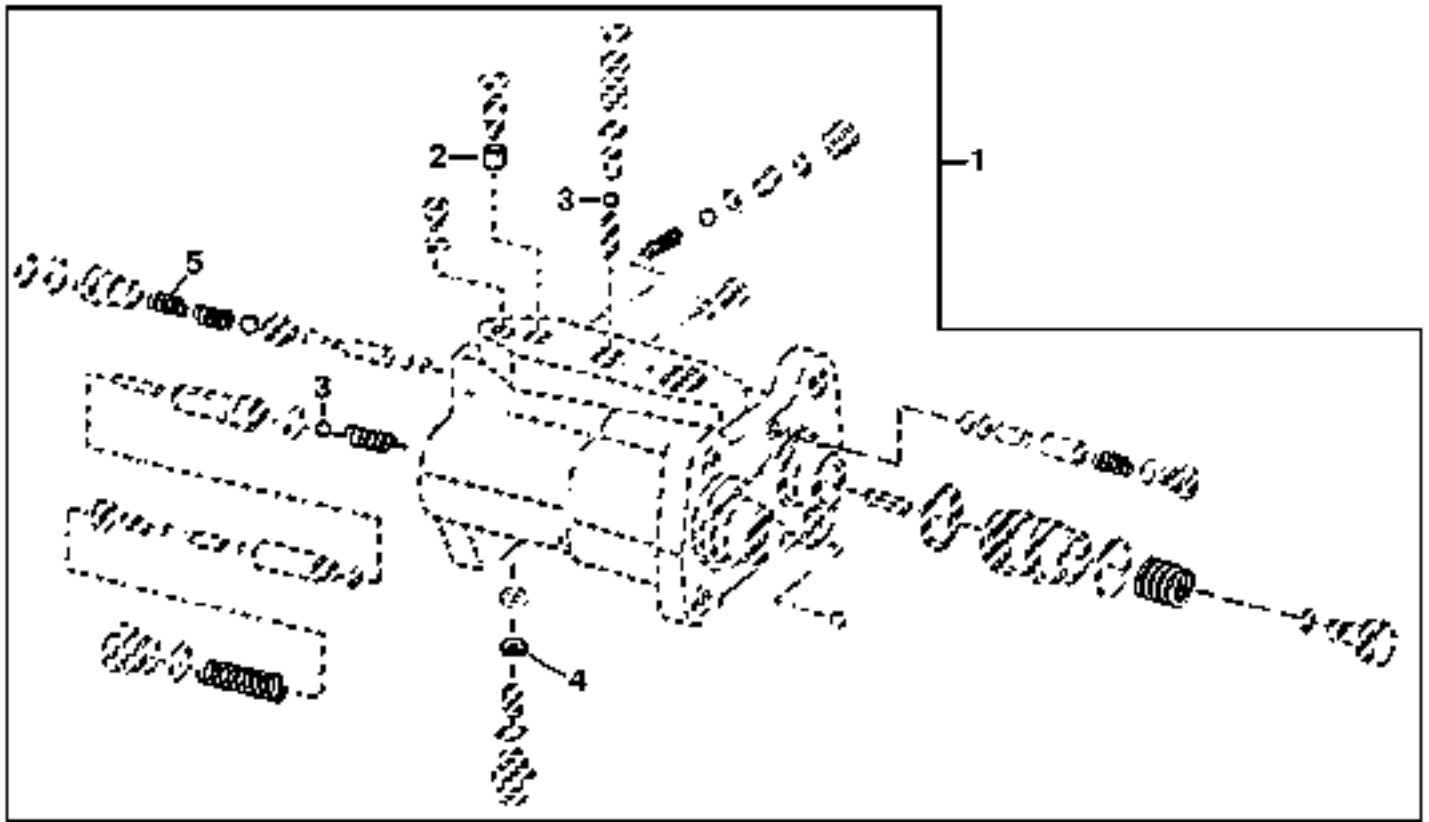
## STEERING AND BRAKES

| KEY | PART NO. | PART NAME    | QTY | TRACTOR<br>SERIAL NO. | A<br>L<br>L | REMARKS           |
|-----|----------|--------------|-----|-----------------------|-------------|-------------------|
| 1   | RE60529  | KIT          | 1   | -009999               | X           | (SUB RE68237)     |
|     | RE68237  | KIT          | 1   | 010000-XXXXXX         | X           | (A)               |
|     | RE157111 | KIT          | 1   | XXXXXX-               | X           | (B)               |
| 2   | T42571   | BACK-UP RING | 1   |                       | X           |                   |
| 3   | 51M7041  | O-RING       | 3   |                       | X           | 11.300 X 2.200 MM |
| 4   | 51M7043  | O-RING       | 1   |                       | X           | 15.300 X 2.200 MM |
| 5   | R30903   | O-RING       | 1   |                       | X           |                   |
| 6   | R30903   | O-RING       | 4   |                       | X           |                   |
| 7   | R26287   | O-RING       | 1   |                       | X           |                   |
| 8   | R26448   | O-RING       | 1   |                       | X           |                   |
| 9   | U17409   | O-RING       | 2   |                       | X           |                   |
| 10  | A4365R   | O-RING       | 2   |                       | X           |                   |
| 11  | R10093   | O-RING       | 2   |                       | X           |                   |
| 12  | R108066  | O-RING       | 2   |                       | X           |                   |
| 13  | R28776   | O-RING       | 1   |                       | X           |                   |
| 14  | T77932   | O-RING       | 3   |                       | X           |                   |
| 15  | 51M7045  | O-RING       | 1   |                       | X           | 19.300 X 2.200 MM |
| 16  | R124463  | SEAL         | 2   |                       | X           |                   |
| 17  | R113054  | BACK-UP RING | 1   | -009999               | X           |                   |
| 18  | R113057  | PACKING      | 2   |                       | X           |                   |
| 19  | R124462  | O-RING       | 2   |                       | X           |                   |
| 20  | R124464  | SEAL         | 2   |                       | X           |                   |
| 21  | R108041  | SEAL         | 2   |                       | X           |                   |
| 22  | R108067  | SEAL         | 2   |                       | X           |                   |
| 23  | R108042  | BACK-UP RING | 2   |                       | X           |                   |
| 24  | R113061  | BALL         | 1   |                       | X           |                   |

(A) ( -XXXXXX) 8100-024289; 8200-024284; 8300-024310; 8400-024306

(B) (XXXXXX- ) 8100-024290; 8200-024285; 8300-024311; 8400-024307

BRAKE VALVE HARDWARE KIT  
JEU DE BOULONNERIE DE SOUPEPE DE FREIN  
BREMSVENTIL-BEFESTIGUNGSTEILESATZ  
KIT BULLONERIA DELLA VALVOLA DI RITENUTA DEL FRENO  
CONJUNTO DE SUJETADORES DE LA VALVULA DEL FRENO  
FAESTELEMET FOER BROMSVENTIL  
RE028257 -UN-27AUG97



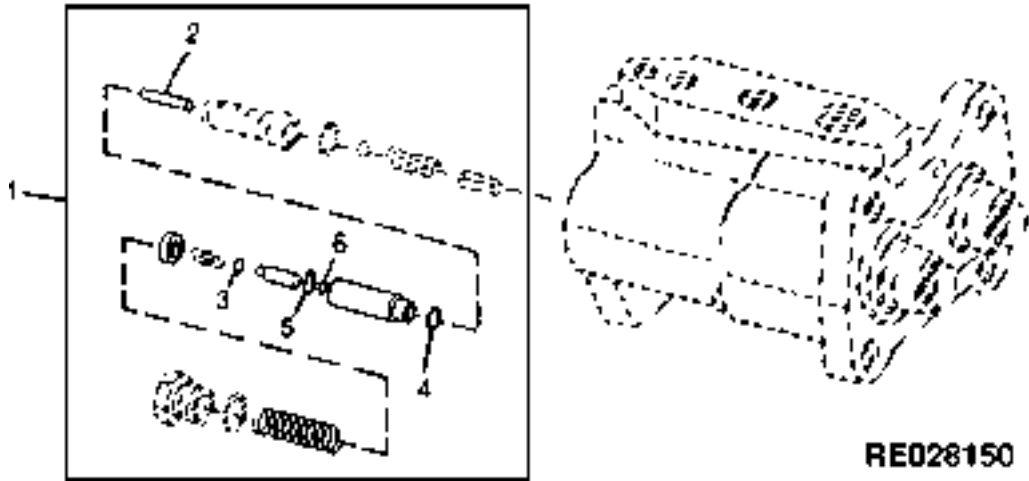
RE028257

# 6E24

STEERING AND BRAKES

| KEY | PART NO. | PART NAME | QTY | TRACTOR<br>SERIAL NO. | A<br>L<br>L | REMARKS                         |
|-----|----------|-----------|-----|-----------------------|-------------|---------------------------------|
| 1   | RE66140  | KIT       | 1   | -009999               | X           | (SUB FOR RE60535) (SUB RE67963) |
|     | RE67963  | KIT       | 1   | 010000-               | X           |                                 |
| 2   | N191770  | ORIFICE   | 1   |                       | X           |                                 |
| 3   | R26552   | BALL      | 3   |                       | X           |                                 |
| 4   | R127771  | SPRING    | 2   | -009999               | X           |                                 |
| 5   | R132843  | SPRING    | 1   | 010000-               | X           |                                 |

**BRAKE MAKE-UP CHECK VALVE KIT**  
**JEU DE CLAPET DE RETENUE DE COMPENSATION DE FREIN**  
**BREMSAUSGLEICH-RUECHSCHLAGVENTILSATZ**  
**KIT VALVOLA DI RITENUTA COMPENSAZIONE DEI FRENI**  
**CONJUNTO DE VALVULA DE RETENCION DE COMPENSACION DEL FRENO**  
**REDUCERVENTILSATZ FOER BROMSUTJAEMNING**  
 RE028150 -UN-02JUL97

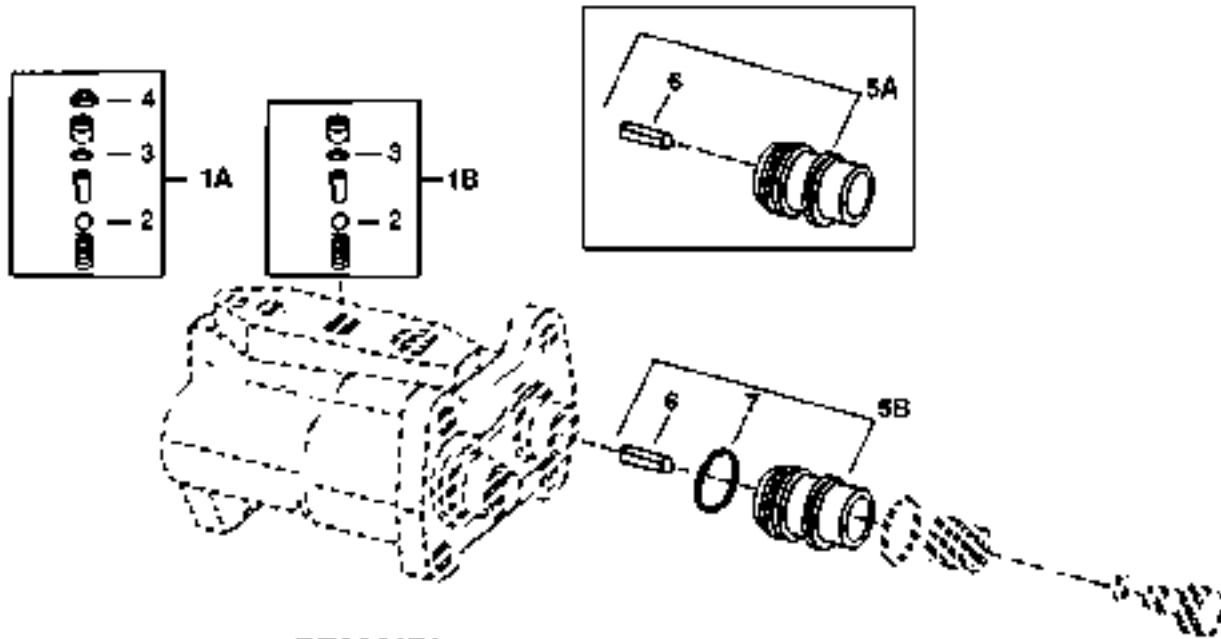


| KEY | PART NO. | PART NAME     | QTY | TRACTOR<br>SERIAL NO. | A | REMARKS |
|-----|----------|---------------|-----|-----------------------|---|---------|
|     |          |               |     |                       | L |         |
| 1   | RE60708  | KIT           | 1   |                       | X |         |
| 2   | R60755   | NEEDLE ROLLER | 1   |                       | X |         |
| 3   | A4365R   | O-RING        | 1   |                       | X |         |
| 4   | R10093   | O-RING        | 1   |                       | X |         |
| 5   | R108042  | BACK-UP RING  | 1   |                       | X |         |
| 6   | R108067  | SEAL          | 1   |                       | X |         |



# 6F1

**BRAKE PRESSURE INLET CHECK VALVE KIT**  
**JEU DE CLAPET DE RETENUE D'ORIFICE D'ENTREE DE PRESSION DE FREIN**  
**BREMSDRUCKEINLASS-RUECKSCHLAGVENTILSATZ**  
**KIT VALVOLA DI RITENUTA ENTRATA DELLA PRESSIONE DEI FRENI**  
**CONJUNTO DE VALVULA DE RETENCION DE ENTRADA DE PRESION DEL FRENO**  
**REDUCERVENTILSATZ FOR BROMSTRYCKSINLOPP**  
 RE030179 -UN-19NOV98



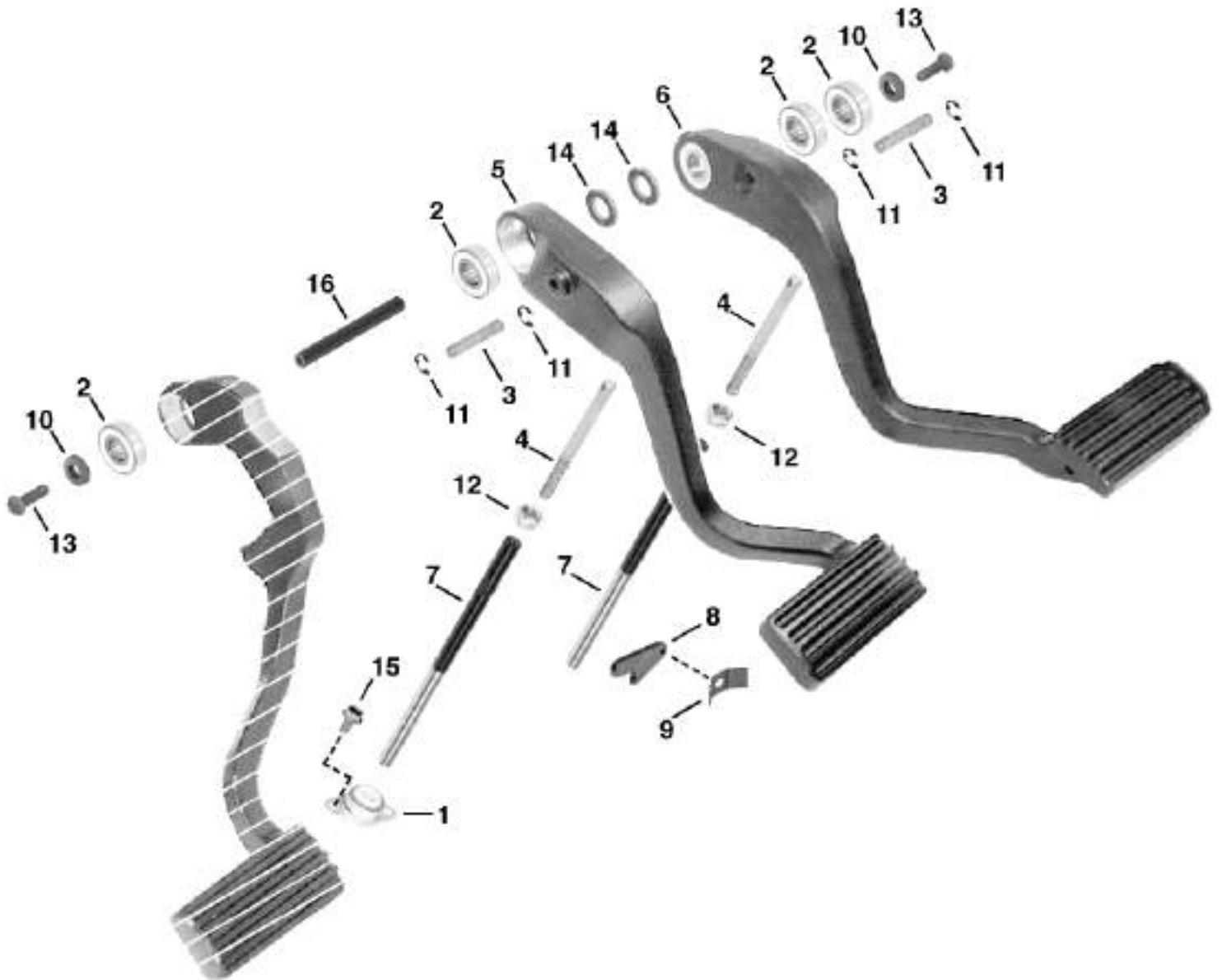
**RE030179**

| KEY | PART NO. | PART NAME  | QTY | TRACTOR<br>SERIAL NO. | A |     | REMARKS           |
|-----|----------|------------|-----|-----------------------|---|-----|-------------------|
|     |          |            |     |                       | L | L   |                   |
| 1A  | RE60532  | KIT        | 1   | -009999               | X |     | (SUB RE68243)     |
|     | RE155450 | KIT        | 1   | 010000-XXXXXX         | X | (A) | (SUB FOR RE68243) |
| 1B  | RE155450 | KIT        | 1   | XXXXXX-               | X | (B) |                   |
| 2   | R26552   | BALL       | 1   |                       | X |     |                   |
| 3   | R28776   | O-RING     | 1   |                       | X |     |                   |
| 4   | R113058  | FILTER     | 1   | -XXXXXX               | X | (A) |                   |
| 5A  | RE159217 | KIT        | 2   | -XXXXXX               | X | (A) | (SUB FOR RE60534) |
| 5B  | RE159217 | KIT        | 2   | XXXXXX-               | X | (B) |                   |
| 6   | 34M7102  | SPRING PIN | 2   | -XXXXXX               | X | (A) | 5 X 26 MM         |
|     | 25M7039  | GROOVE PIN | 2   | XXXXXX-               | X | (B) | 5 X 24 MM         |
| 7   | R124462  | O-RING     | 2   |                       | X |     |                   |

(A) ( -XXXXXX) 8100-024289; 8200-024284; 8300-024310; 8400-024306  
 (B) (XXXXXX- ) 8100-024290; 8200-024285; 8300-024311; 8400-024307

# 6F2

BRAKE PEDALS  
PEDALE DE FREIN  
BREMSFUSSHEBEL  
PEDALI FRENO  
PEDAL DE FRENO  
BROMSPEDALER  
RE028297 -UN-05SEP97



RE028297

# 6F3

## STEERING AND BRAKES

| KEY | PART NO. | PART NAME    | QTY | TRACTOR<br>SERIAL NO. | A | REMARKS          |
|-----|----------|--------------|-----|-----------------------|---|------------------|
|     |          |              |     |                       | L |                  |
| 1   | AH129236 | BEARING      | 2   | -XXXXXX               | X | (A)              |
|     | RE65233  | BEARING      | 2   | XXXXXX-               | X | (B)              |
| 2   | JD8535   | BALL BEARING | 4   |                       | X |                  |
| 3   | R53226   | PIN          | 2   |                       | X |                  |
| 4   | R126384  | END          | 2   |                       | X |                  |
| 5   | R124312  | PEDAL        | 1   |                       | X |                  |
| 6   | R124313  | PEDAL        | 1   |                       | X |                  |
| 7   | R125999  | ROD          | 2   |                       | X |                  |
| 8   | R50879   | ARM          | 1   |                       | X |                  |
| 9   | R50034   | LEAF SPRING  | 1   |                       | X |                  |
| 10  | R56397   | WASHER       | 2   |                       | X |                  |
| 11  | R72653   | SNAP RING    | 4   |                       | X |                  |
| 12  | 14M7275  | NUT          | 2   |                       | X | M12              |
| 13  | 19M7932  | CAP SCREW    | 2   |                       | X | M8 X 16, HS 10.9 |
| 14  | 24M7053  | WASHER       | 2   |                       | X | 17 X 30 X 3 MM   |
| 15  | 37M7089  | SCREW        | 4   |                       | X | M6 X 12          |
| 16  | R124430  | SHAFT        | 1   |                       | X |                  |

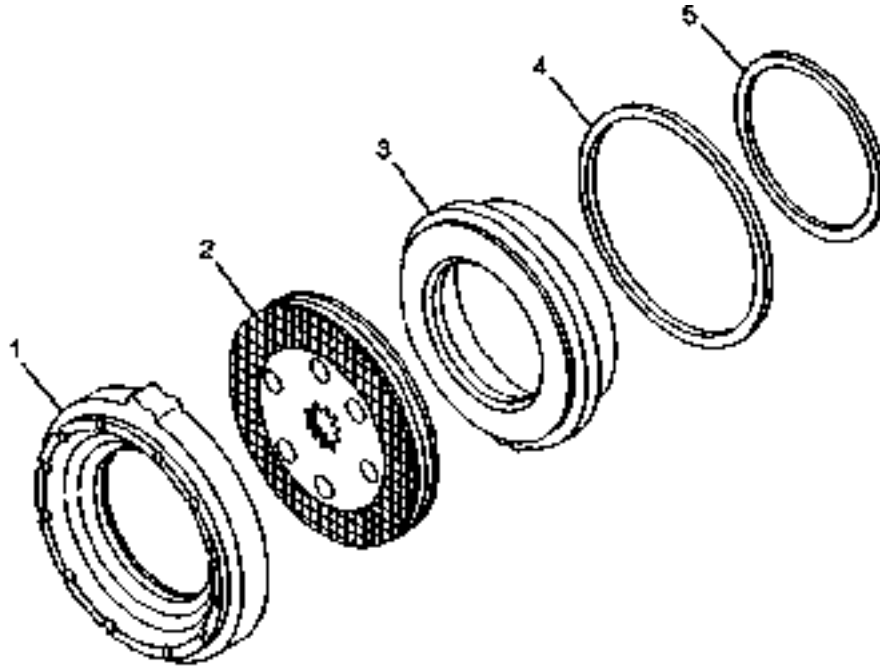
(A) ( -XXXXXX) 8100-002963; 8200-002331; 8300-004077; 8400-002645

(B) (XXXXXX- ) 8100-002964; 8200-002332; 8300-004078; 8400-002646

MEMORANDA  
MEMORANDA  
MEMORANDA  
MEMORANDA  
MEMORANDA

# 6F4

**BRAKE DISK**  
**DISQUE DE FREIN**  
**BREMSSCHEIBE**  
**DISCO FRENO**  
**DISCO DEL FRENO**  
**BROMSENHET**  
 RXP010803 -UN-01JAN94

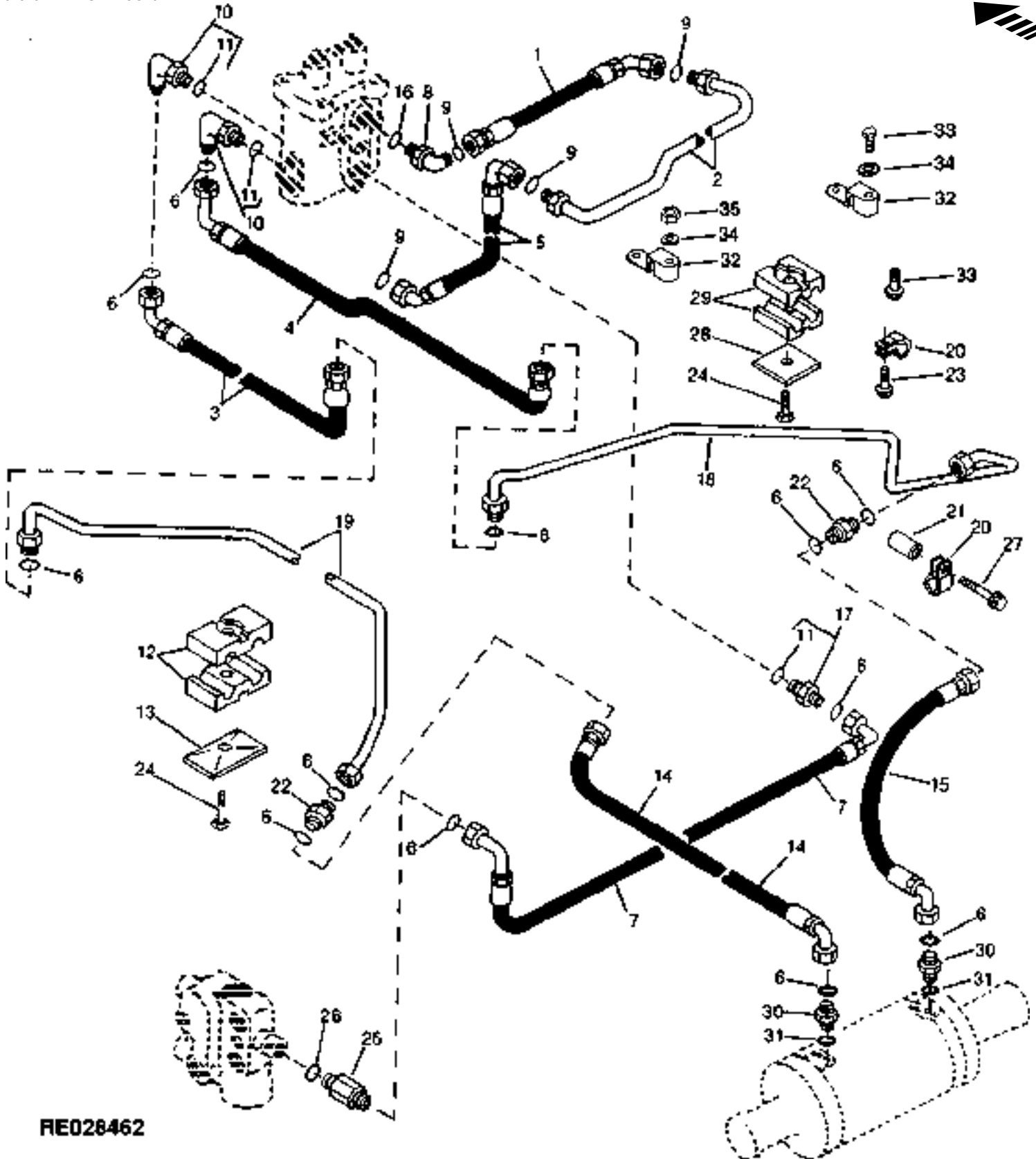


**RXP010803**

| KEY | PART NO. | PART NAME  | QTY | TRACTOR<br>SERIAL NO. | A | REMARKS           |
|-----|----------|------------|-----|-----------------------|---|-------------------|
|     |          |            |     |                       | L |                   |
| 1   | R124067  | PLATE      | 2   |                       | X |                   |
| 2   | RE154280 | BRAKE DISK | 2   |                       | X | (SUB FOR RE46460) |
| 3   | R124815  | PISTON     | 2   |                       | X |                   |
| 4   | R125667  | RING       | 2   |                       | X |                   |
| 5   | R125666  | RING       | 2   |                       | X |                   |

# 6F5

BRAKE OIL LINES  
CONDUITES D'HUILE DE FREIN  
BREMSOELLEITUNGEN  
TUBAZIONI FRENO  
TUBERIAS DE ACEITE DEL FRENO  
BROMSOLJELEDNINGAR  
RE028462 -UN-24OCT97



RE028462

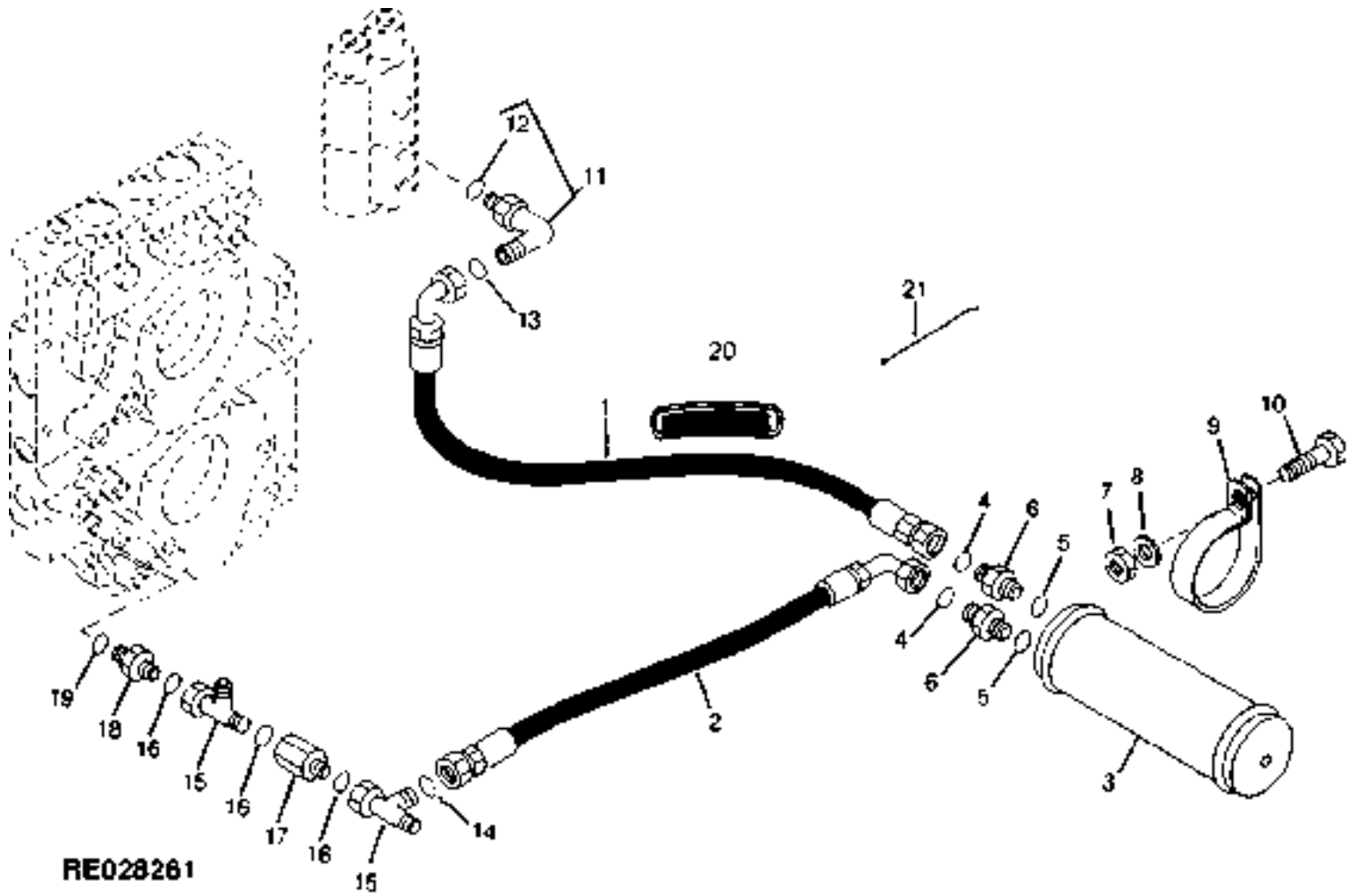
# 6F6

## STEERING AND BRAKES

| KEY | PART NO. | PART NAME                  | QTY | TRACTOR<br>SERIAL NO. | A<br>L<br>L | REMARKS                          |
|-----|----------|----------------------------|-----|-----------------------|-------------|----------------------------------|
| 1   | RE60675  | HYDRAULIC HOSE - FABRICATE | 1   | -009999               | X           |                                  |
| 2   | RE58581  | OIL LINE                   | 1   | -009999               | X           |                                  |
| 3   | RE44778  | HYDRAULIC HOSE - FABRICATE | 1   |                       | X           |                                  |
| 4   | RE44738  | HYDRAULIC HOSE - FABRICATE | 1   |                       | X           |                                  |
| 5   | RE60676  | HYDRAULIC HOSE - FABRICATE | 1   | -009999               | X           |                                  |
| 6   | T77613   | O-RING                     | 4   | -009999               | X           |                                  |
|     | T77613   | O-RING                     | 8   |                       | X           |                                  |
| 7   | RE62188  | HYDRAULIC HOSE - FABRICATE | 1   |                       | X           |                                  |
| 8   | 38H5018  | ELBOW FITTING              | 1   |                       | X           |                                  |
| 9   | T77932   | O-RING                     | 3   | -009999               | X           |                                  |
|     | T77932   | O-RING                     | 1   |                       | X           |                                  |
| 10  | 38H5016  | ELBOW FITTING              | 2   |                       | X           |                                  |
| 11  | 51M7041  | O-RING                     | 3   |                       | X           | 11.300 X 2.200 MM                |
| 12  | H108291  | CLAMP                      | 4   | -009999               | X           |                                  |
| 13  | H121168  | PLATE                      | 2   | -009999               | X           |                                  |
| 14  | RE61577  | HYDRAULIC HOSE - FABRICATE | 1   | -009999               | X           |                                  |
| 15  | RE61300  | HYDRAULIC HOSE - FABRICATE | 1   | -009999               | X           |                                  |
| 16  | 51M7045  | O-RING                     | 1   |                       | X           | 19.300 X 2.200 MM                |
| 17  | 38H5002  | ADAPTER                    | 1   |                       | X           |                                  |
| 18  | RE44727  | HYDRAULIC LINE             | 1   | -009999               | X           |                                  |
| 19  | RE61135  | HYDRAULIC LINE             | 1   | -009999               | X           |                                  |
|     | .....    | HOSE                       | 1   |                       | X           | 47 MM (1.85") (MAKE FROM T57822) |
| 20  | T13814   | CLAMP                      | 2   | -009999               | X           |                                  |
| 21  | 28H3390  | SPACER                     | 2   | -009999               | X           | 0.364" X 0.540" X 1"             |
| 22  | 38H5060  | UNION FITTING              | 2   | -009999               | X           |                                  |
| 23  | 37M7058  | SCREW                      | 3   | -009999               | X           | M8 X 20                          |
| 24  | 37M7103  | SCREW                      | 3   | -009999               | X           | M8 X 45                          |
| 25  | RE60969  | FITTING                    | 1   |                       | X           |                                  |
| 26  | 51M7040  | O-RING                     | 1   |                       | X           | 9.300 X 2.200 MM                 |
| 27  | 37M7108  | SCREW                      | 1   | -009999               | X           | M8 X 60                          |
| 28  | H121163  | COVER                      | 1   | -009999               | X           |                                  |
| 29  | H128515  | CLAMP                      | 2   | -009999               | X           |                                  |
| 30  | 38H1160  | ADAPTER                    | 2   |                       | X           |                                  |
| 31  | R26448   | O-RING                     | 2   |                       | X           |                                  |
| 32  | H112162  | CLAMP                      | 2   | -009999               | X           |                                  |
| 33  | 19M7298  | CAP SCREW                  | 1   | -009999               | X           | M8 X 35                          |
| 34  | 24M7055  | WASHER                     | 2   | -009999               | X           | 8.400 X 16 X 1.600 MM            |
| 35  | 14M7273  | NUT                        | 1   | -009999               | X           | M8                               |

# 6F7

BRAKE VALVE ATTENUATOR  
AMORTISSEUR HUILE HYDRAULIQUE  
HYDRAULIKOELDAEMPFER  
AMORTIZZATORE OLIO IDRAULICO  
AMORTIGUADOR DE ACEITE HIDRAULICO  
HYDRAULOLJEDAMPARE  
RE028261 -UN-12SEP97





# 6F8

## STEERING AND BRAKES

| KEY | PART NO. | PART NAME                  | QTY | TRACTOR<br>SERIAL NO. | A<br>L<br>L | REMARKS                |
|-----|----------|----------------------------|-----|-----------------------|-------------|------------------------|
| 1   | RE60677  | HYDRAULIC HOSE             | 1   | -XXXXXX               | X           | (A) (SUB RE151968)     |
|     | RE70846  | HOSE                       | 1   | XXXXXX-XXXXXX         | X           | (B) (C) (SUB RE151968) |
|     | RE151968 | HYDRAULIC HOSE - FABRICATE | 1   | XXXXXX-               | X           | (D)                    |
| 2   | RE60678  | HYDRAULIC HOSE - FABRICATE | 1   |                       | X           |                        |
| 3   | AR75693  | ATTENUATOR                 | 1   |                       | X           | (SUB FOR AR150551)     |
| 4   | T77857   | O-RING                     | 2   |                       | X           |                        |
| 5   | R26448   | O-RING                     | 2   |                       | X           |                        |
| 6   | 38H1173  | ADAPTER                    | 2   |                       | X           |                        |
| 7   | 14M7273  | NUT                        | 2   |                       | X           | M8                     |
| 8   | 24M7336  | WASHER                     | 2   |                       | X           | 9 X 16 X 1.600 MM      |
| 9   | R35794   | CLAMP                      | 2   |                       | X           |                        |
| 10  | 03M7187  | BOLT                       | 2   |                       | X           | M8 X 35                |
| 11  | 38H5017  | ELBOW FITTING              | 1   |                       | X           |                        |
| 12  | 51M7043  | O-RING                     | 1   |                       | X           | 15.300 X 2.200 MM      |
| 13  | T77857   | O-RING                     | 1   |                       | X           |                        |
| 14  | T77932   | O-RING                     | 1   |                       | X           |                        |
| 15  | 38H5136  | TEE FITTING                | 2   |                       | X           |                        |
| 16  | T77858   | O-RING                     | 3   |                       | X           |                        |
| 17  | RE51573  | FITTING                    | 1   |                       | X           |                        |
| 18  | 38H5005  | ADAPTER                    | 1   |                       | X           |                        |
| 19  | 51M7047  | O-RING                     | 1   |                       | X           | 23.600 X 2.900 MM      |
| 20  | T21959   | ISOLATOR                   | 1   | -XXXXXX               | X           | (A)                    |
| 21  | R44302   | TIE BAND                   | 1   | -XXXXXX               | X           | (A)                    |

(A) ( -XXXXXX) 8100-011074; 8200-011042; 8300-011076; 8400-011098

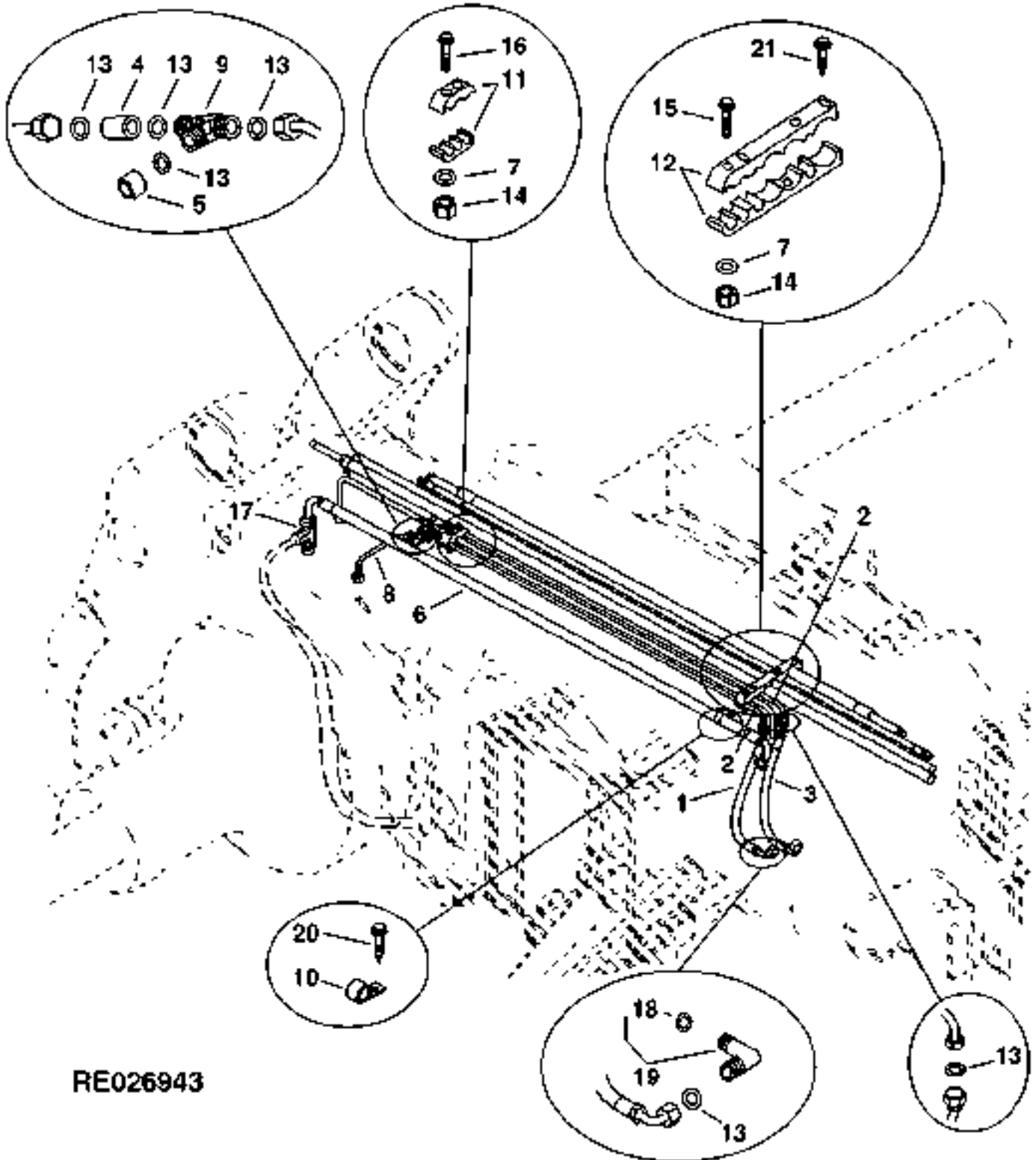
(B) (XXXXXX- ) 8100-011075; 8200-011043; 8300-011077; 8400-011099

(C) ( -XXXXXX) 8100-012738; 8300-012227; 8300-013121; 8400-013079

(D) (XXXXXX- ) 8100-012739; 8200-012228; 8300-013122; 8400-013080

# 6F9

BRAKE OIL LINES (REAR) (TRAILER BRAKE) (8100,8200,8300,8400 010000- )  
CONDUITES D'HUILE DE FREIN (ARRIERE) (W/ FREIN DE REMARQUE HYDR.) (8100,8200,8300,8400 010000- )  
BREMSOELLEITUNGEN (HINTEN) (W/ HYDR. ANHAENGERBREMSE) (8100,8200,8300,8400 010000- )  
TUBAZIONI FRENO (POSTERIORE) (W/ FRENO IDRAUL RIMORCHIO) (8100,8200,8300,8400 010000- )  
TUBERIAS DE ACEITE DEL FRENO (TRASERO) (W/ FRENO HIDRAULREMOLQUE) (8100,8200,8300,8400 010000- )  
BROMSOLJEDNINGAR (BAK,BAKRE) (W/ SL'PVAGNSBROMS) (8100,8200,8300,8400 010000- )  
RE026943 -UN-18JUL96



RE026943

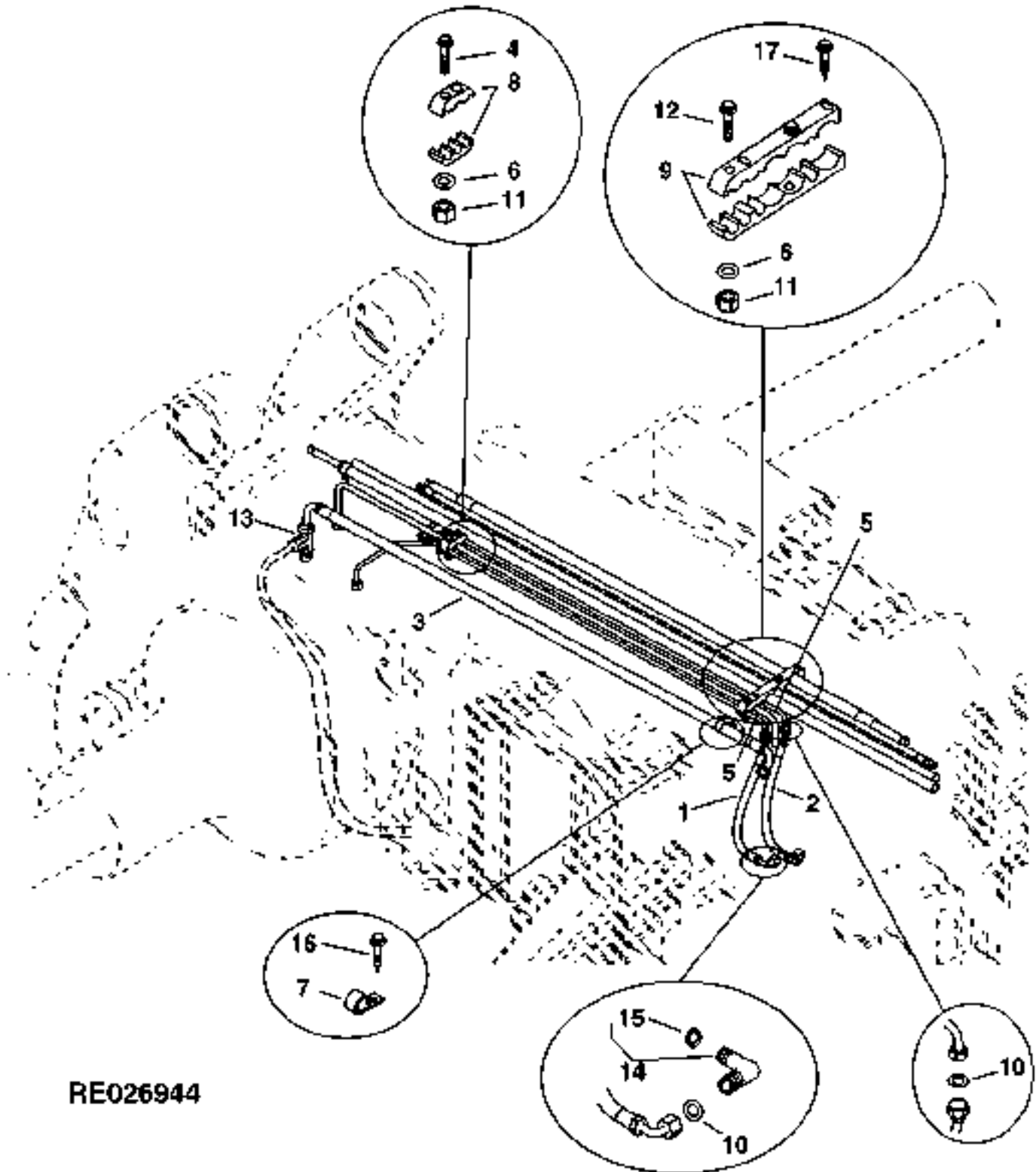
# 6F10

STEERING AND BRAKES

| KEY | PART NO. | PART NAME                  | QTY | TRACTOR<br>SERIAL NO. | A | REMARKS               |
|-----|----------|----------------------------|-----|-----------------------|---|-----------------------|
|     |          |                            |     |                       | L |                       |
| 1   | RE66670  | HYDRAULIC HOSE - FABRICATE | 1   |                       | X | R.H.                  |
| 2   | RE67653  | OIL LINE                   | 2   |                       | X |                       |
| 3   | RE68018  | HYDRAULIC HOSE - FABRICATE | 1   |                       | X | L.H.                  |
| 4   | RE68257  | CHECK VALVE                | 1   |                       | X |                       |
| 5   | RE68259  | CAP                        | 2   |                       | X |                       |
| 6   | RE68686  | HYDRAULIC HOSE - FABRICATE | 1   |                       | X |                       |
| 7   | 24M7055  | WASHER                     | 4   |                       | X | 8.400 X 16 X 1.600 MM |
| 8   | RE69074  | OIL LINE                   | 1   |                       | X | R.H.                  |
|     | RE69075  | OIL LINE                   | 1   |                       | X | L.H.                  |
| 9   | 38H5127  | TEE FITTING                | 2   |                       | X |                       |
| 10  | R109479  | CLAMP                      | 1   |                       | X |                       |
| 11  | R131196  | HALF CLAMP                 | 1   |                       | X |                       |
| 12  | R131197  | HALF CLAMP                 | 2   |                       | X |                       |
| 13  | T77613   | O-RING                     | 4   |                       | X |                       |
| 14  | 14M7273  | NUT                        | 4   |                       | X | M8                    |
| 15  | 19M7801  | SCREW                      | 2   |                       | X | M8 X 60, HS 10.9      |
| 16  | 19M7868  | SCREW                      | 2   |                       | X | M8 X 30, HS 10.9      |
| 17  | 38H5170  | TEE FITTING                | 1   |                       | X |                       |
| 18  | 51M7041  | O-RING                     | 2   |                       | X | 11.300 X 2.200 MM     |
| 19  | 38H5016  | ELBOW FITTING              | 2   |                       | X |                       |
| 20  | 37M7084  | SCREW                      | 1   |                       | X | M8 X 25               |
| 21  | 37M7108  | SCREW                      | 2   |                       | X | M8 X 60               |
| ..  | R76477   | TIE BAND                   | AR  |                       | X |                       |

# 6F11

BRAKE OIL LINES (REAR) (W/O TRAILER BRAKE) (8100,8200,8300,8400 010000- )  
CONDUITES D'HUILE DE FREIN (ARRIERE) (W/O FREIN DE REMARQUE HYDR.) (8100,8200,8300,8400 010000- )  
BREMSOELLEITUNGEN (HINTEN) (W/O HYDR. ANHAENGERBREMSE) (8100,8200,8300,8400 010000- )  
TUBAZIONI FRENO (POSTERIORE) (W/O FRENO IDRAUL. RIMORCHIO) (8100,8200,8300,8400 010000- )  
TUBERIAS DE ACEITE DEL FRENO (TRASERO) (W/O FRENO HIDRAULREMOLQUE)(8100,8200,8300,8400 010000- )  
BROMSOLJEDNINGAR (BAK,BAKRE) (W/O SL'PVAGNSBROMS) (8100,8200,8300,8400 010000- )  
RE026944 -UN-18JUL96



RE026944

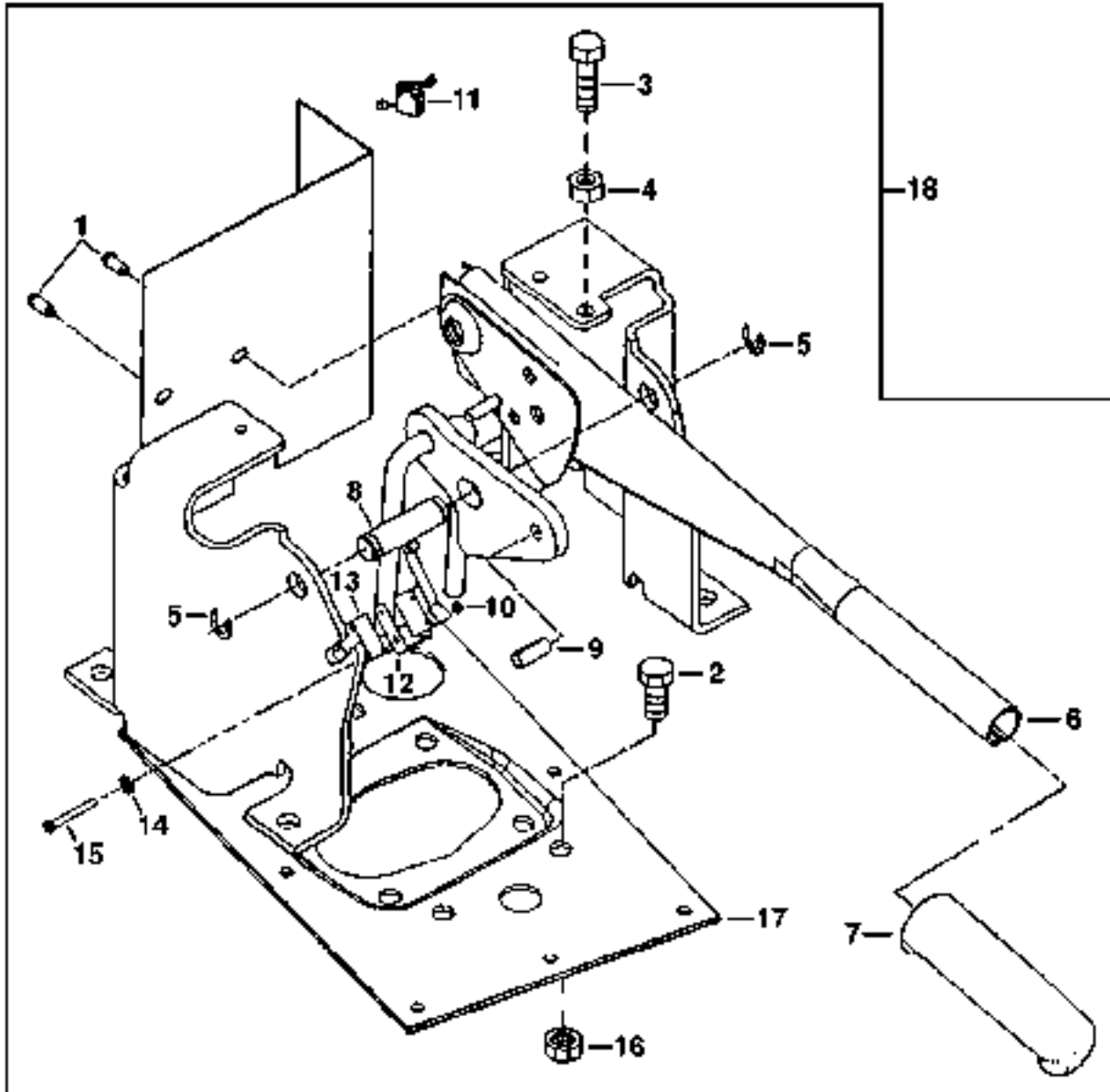
# 6F12

## STEERING AND BRAKES

| KEY | PART NO. | PART NAME                  | QTY | TRACTOR<br>SERIAL NO. | A | REMARKS               |
|-----|----------|----------------------------|-----|-----------------------|---|-----------------------|
|     |          |                            |     |                       | L |                       |
| 1   | RE66670  | HYDRAULIC HOSE - FABRICATE | 1   |                       | X | R.H.                  |
| 2   | RE68018  | HYDRAULIC HOSE - FABRICATE | 1   |                       | X | L.H.                  |
| 3   | RE68686  | HYDRAULIC HOSE - FABRICATE | 1   |                       | X |                       |
| 4   | 19M7868  | SCREW                      | 2   |                       | X | M8 X 30, HS 10.9      |
| 5   | RE69072  | BRAKE LINE                 | 1   |                       | X | R.H.                  |
|     | RE69073  | BRAKE LINE                 | 1   |                       | X | L.H.                  |
| 6   | 24M7055  | WASHER                     | 4   |                       | X | 8.400 X 16 X 1.600 MM |
| 7   | R109479  | CLAMP                      | 1   |                       | X |                       |
| 8   | R131196  | HALF CLAMP                 | 1   |                       | X |                       |
| 9   | R131197  | HALF CLAMP                 | 2   |                       | X |                       |
| 10  | T77613   | O-RING                     | 4   |                       | X |                       |
| 11  | 14M7273  | NUT                        | 4   |                       | X | M8                    |
| 12  | 19M7801  | SCREW                      | 2   |                       | X | M8 X 60, HS 10.9      |
| 13  | 38H5170  | TEE FITTING                | 1   |                       | X |                       |
| 14  | 38H5016  | ELBOW FITTING              | 2   |                       | X |                       |
| 15  | 51M7041  | O-RING                     | 2   |                       | X | 11.300 X 2.200 MM     |
| 16  | 37M7084  | SCREW                      | 1   |                       | X | M8 X 25               |
| 17  | 37M7108  | SCREW                      | 2   |                       | X | M8 X 60               |
| ..  | R76477   | TIE BAND                   | AR  |                       | X |                       |

# 6F13

SECONDARY BRAKE LEVER (EUROPEAN VERSION)(8100 -002255;8200 -001938;8300 -003429;8400 -002236)  
FREINS A AIR COMPRIME, LEVIER(VERSION EUROPEENNE)(8100 -02255;8200 -01938;8300 -03429;8400 -02236)  
DRUCKLUFTBREMSE, HEBEL (EUROPÄISCHE AUSFUEHRUNG) (8100 -2255;8200 -1938;8300 -3429;8400 -2236)  
FRENO AD ARIA COMPRESSA, LEVA (VERSIONE EUROPEA) (8100 -02255;8200 01938;8300 -03429;8400 -02236)  
FRENO NEUMATICO, PALANCA (VERSION EUROPEA) (8100 -02255;8200 -01938;8300 -03429;8400 -02236)  
TRYCKLUFTSBROMS, SPAK (EUROPEISK VERSION) (8100 -02255;8200 -01938;8300 -03429;8400 -02236)  
RE027007 -UN-30MAY96



RE027007

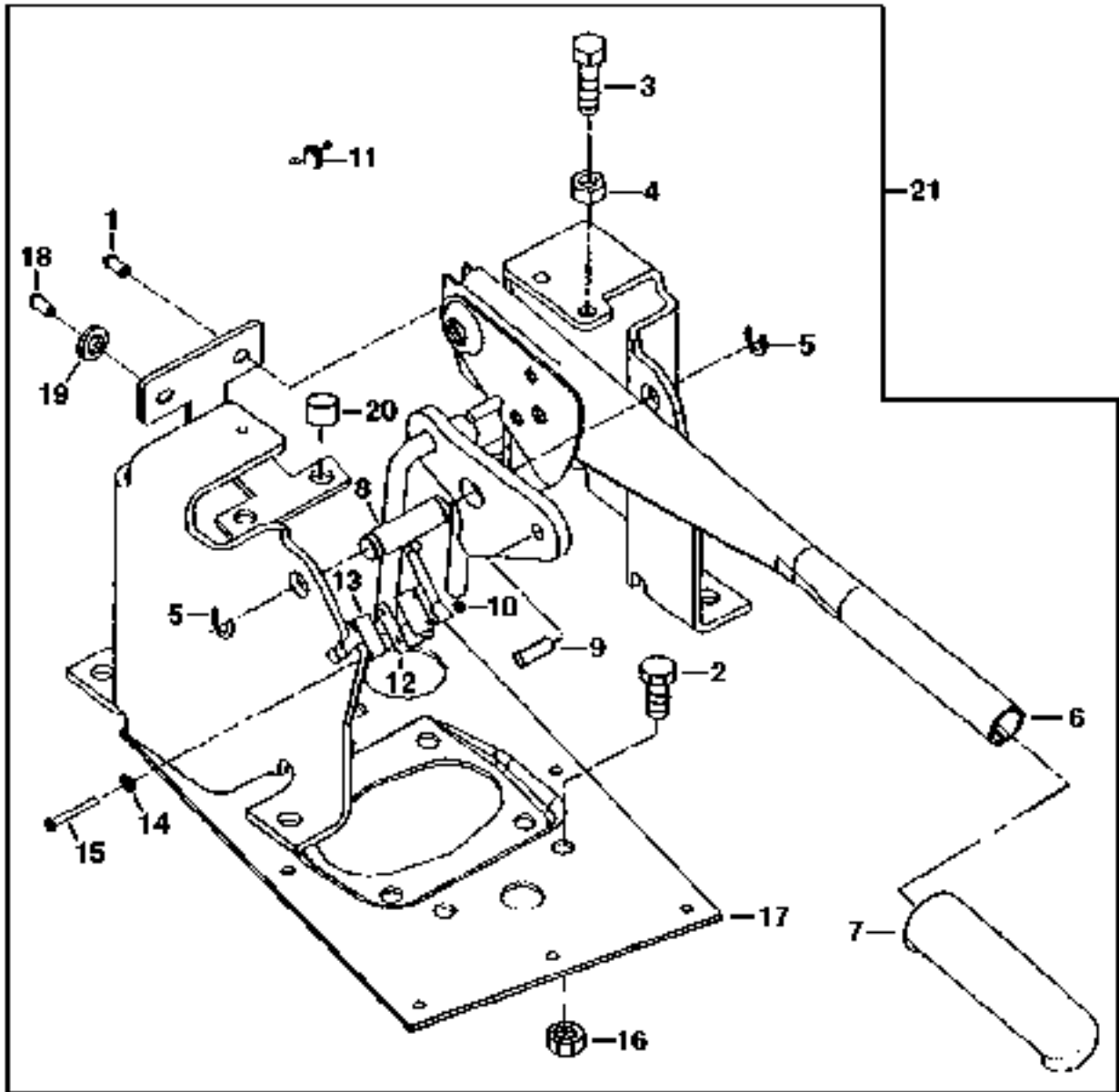
# 6F14

STEERING AND BRAKES

| KEY | PART NO. | PART NAME       | QTY | TRACTOR<br>SERIAL NO. | A | REMARKS           |
|-----|----------|-----------------|-----|-----------------------|---|-------------------|
|     |          |                 |     |                       | L |                   |
| 1   | 37M7090  | SCREW           | 2   |                       | X | M6 X 16           |
| 2   | 19M7166  | CAP SCREW       | 4   |                       | X | M10 X 20          |
| 3   | 19M7550  | CAP SCREW       | 1   |                       | X | M10 X 35, HS 10.9 |
| 4   | 14M7274  | NUT             | 1   |                       | X | M10               |
| 5   | 40M7030  | SNAP RING       | 2   |                       | X |                   |
| 6   | AL78581  | HANDBRAKE LEVER | 1   |                       | X |                   |
| 7   | R119972  | GRIP            | 1   |                       | X |                   |
| 8   | R124282  | PIN             | 1   |                       | X |                   |
| 9   | 34M7061  | SPRING PIN      | 1   |                       | X | 8 X 20 MM         |
| 10  | 14M7354  | LOCK NUT        | 2   |                       | X | M3                |
| 11  | RE30714  | SWITCH          | 1   |                       | X |                   |
| 12  | R93849   | STRAP           | 1   |                       | X |                   |
| 13  | R126503  | SPACER          | 1   |                       | X | (SUB FOR R125512) |
| 14  | 12M7084  | LOCK WASHER     | 2   |                       | X | 4.300 MM          |
| 15  | 21M7357  | SCREW           | 2   |                       | X | M3 X 30           |
| 16  | 14M7274  | NUT             | 4   |                       | X | M10               |
| 17  | R124344  | SUPPORT         | 1   |                       | X |                   |
| 18  | RE62250  | LEVER           | 1   |                       | X | (SUB RE63888)     |

# 6F15

SECONDARY BRAKE LEVER(E.V.)(8100 02256-09999;8200 01939-09999;8300 03430-09999;8400 02237-09999)  
FREINS A AIR COMPRIME, LEVIER(V.E.)(8100 2256-9999;8200 1938-9999;8300 3430-9999;8400 2237-9999)  
DRUCKLUFTBREMSE, HEBEL (E. A.) (8100 2256-9999; 8200 1938-9999; 8300 3430-9999; 8400 2237-9999)  
FRENO AD ARIA COMPRESSA, LEVA (V. E.)(8100 2256-9999;8200 1938-9999;8300 3430-9999;8400 2237-9999)  
FRENO NEUMATICO, PALANCA (V.E.)(8100 2256-9999;8200 1938-9999;8300 3430-9999;8400 2237-9999)  
TRYCKLUFTSBROMS, SPAK (E.V.)(8100 2256-9999; 8200 1938-9999; 8300 3430-9999; 8400 2237-9999)  
RE026579 -UN-21DEC95



RE026579



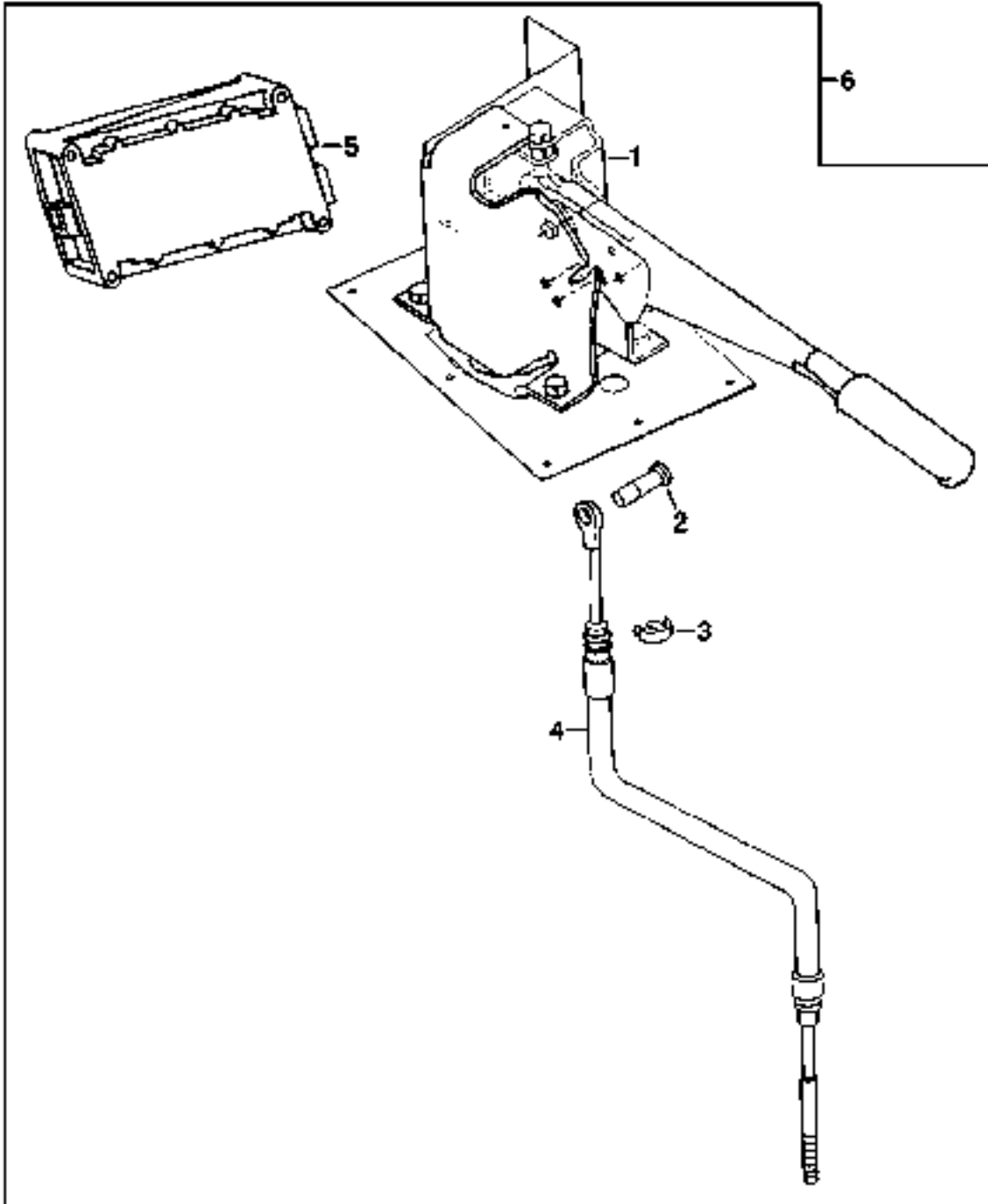
# 6F16

STEERING AND BRAKES

| KEY | PART NO. | PART NAME       | QTY | TRACTOR<br>SERIAL NO. | A | REMARKS               |
|-----|----------|-----------------|-----|-----------------------|---|-----------------------|
|     |          |                 |     |                       | L |                       |
| 1   | 37M7104  | SCREW           | 1   |                       | X | M6 X 30               |
| 2   | 19M7166  | CAP SCREW       | 4   |                       | X | M10 X 20              |
| 3   | 19M7550  | CAP SCREW       | 1   |                       | X | M10 X 35, HS 10.9     |
| 4   | 14M7274  | NUT             | 1   |                       | X | M10                   |
| 5   | 40M7030  | SNAP RING       | 2   |                       | X |                       |
| 6   | AL78581  | HANDBRAKE LEVER | 1   |                       | X |                       |
| 7   | R119972  | GRIP            | 1   |                       | X |                       |
| 8   | R124282  | PIN             | 1   |                       | X |                       |
| 9   | 34M7061  | SPRING PIN      | 1   |                       | X | 8 X 20 MM             |
| 10  | 14M7354  | LOCK NUT        | 2   |                       | X | M3                    |
| 11  | RE30714  | SWITCH          | 1   |                       | X |                       |
| 12  | R93849   | STRAP           | 1   |                       | X |                       |
| 13  | R126503  | SPACER          | 1   |                       | X |                       |
| 14  | 12M7084  | LOCK WASHER     | 2   |                       | X | 4.300 MM              |
| 15  | 21M7290  | SCREW           | 2   |                       | X | M3 X 35               |
| 16  | 14M7274  | NUT             | 4   |                       | X | M10                   |
| 17  | R124344  | SUPPORT         | 1   |                       | X |                       |
| 18  | 37M7090  | SCREW           | 1   |                       | X | M6 X 16               |
| 19  | 24M7139  | WASHER          | 4   |                       | X | 6.400 X 18 X 1.600 MM |
| 20  | R41076   | GROMMET         | 2   |                       | X |                       |
| 21  | RE63888  | LEVER           | 1   |                       | X |                       |

# 6F17

SECONDARY BRAKE KIT (EUROPEAN VERSION) (8100,8200,8300,8400 -009999)  
KIT DE FREIN AUXILIAIRE (VERSION EUROPEENNE) (8100,8200,8300,8400 -009999)  
HANDBREMSEN-TEILESATZ (EUROPAEISCHE AUSFUEHRUNG) (8100,8200,8300,8400 -009999)  
KIT DEL FRENO SECONDARIO (VERSIONE EUROPEA) (8100,8200,8300,8400 -009999)  
JUEGO DE FRENO AUXILIAR (VERSION EUROPEA) (8100,8200,8300,8400 -009999)  
HANDBROMSSATS (EUROPEISK VERSION) (8100,8200,8300,8400 -009999)  
RE027041 -UN-17JUN96



**RE027041**

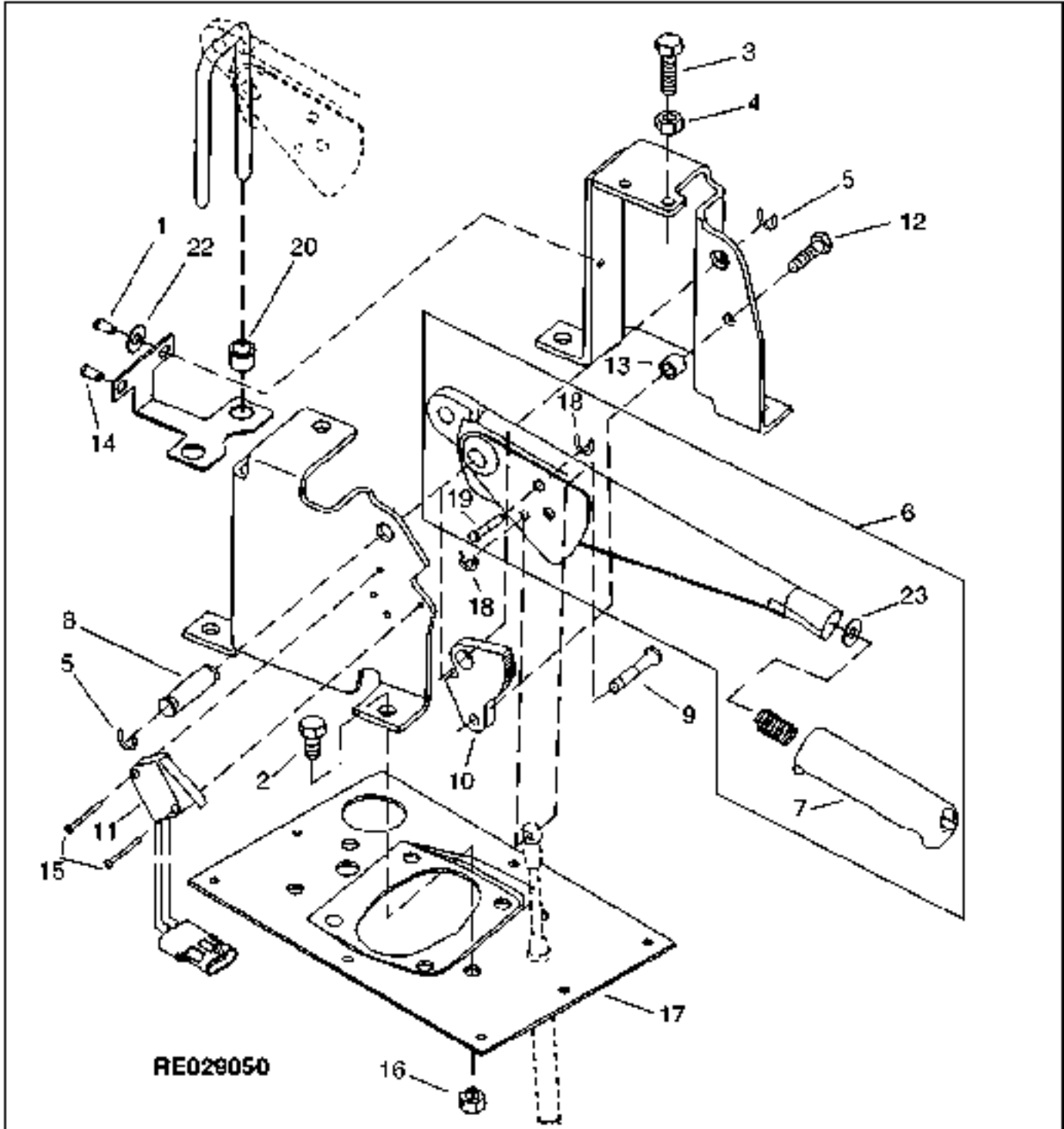
# 6F18

STEERING AND BRAKES

| KEY | PART NO. | PART NAME          | QTY | TRACTOR<br>SERIAL NO. | A<br>L<br>L | REMARKS                             |
|-----|----------|--------------------|-----|-----------------------|-------------|-------------------------------------|
| 1   | RE68604  | SUPPORT            | 1   |                       | X           |                                     |
| 2   | R135786  | PIN                | 1   |                       | X           | (SUB FOR R133546)                   |
| 3   | R112612  | CLIP               | 2   |                       | X           |                                     |
| 4   | RE68777  | PUSH PULL CABLE    | 1   |                       | X           |                                     |
| 5   | RE165401 | VEHICLE CONTROLLER | 1   |                       | X           | 40 K, (SUB FOR RE69214 OR RE152005) |
|     | RE165402 | VEHICLE CONTROLLER | 1   |                       | X           | 30 K, (SUB FOR RE69215 OR RE152006) |
| 6   | RE69597  | KIT                | 1   |                       | X           | 40 K                                |

# 6F19

SECONDARY BRAKE LEVER (EUROPEAN VERSION) (8100,8200,8300,8400 010000- )  
FREINS A AIR COMPRIME, LEVIER (VERSION EUROPEENNE) (8100,8200,8300,8400 010000- )  
DRUCKLUFTBREMSE, HEBEL (EUROPAEISCHE AUSFUEHRUNG) (8100,8200,8300,8400 010000- )  
FRENO AD ARIA COMPRESSA, LEVA (VERSIONE EUROPEA) (8100,8200,8300,8400 010000- )  
FRENO NEUMATICO, PALANCA (VERSION EUROPEA) (8100,8200,8300,8400 010000- )  
TRYCKLUFTSBROMS, SPAK (EUROPEISK VERSION) (8100,8200,8300,8400 010000- )  
RE029050 -UN-25FEB98



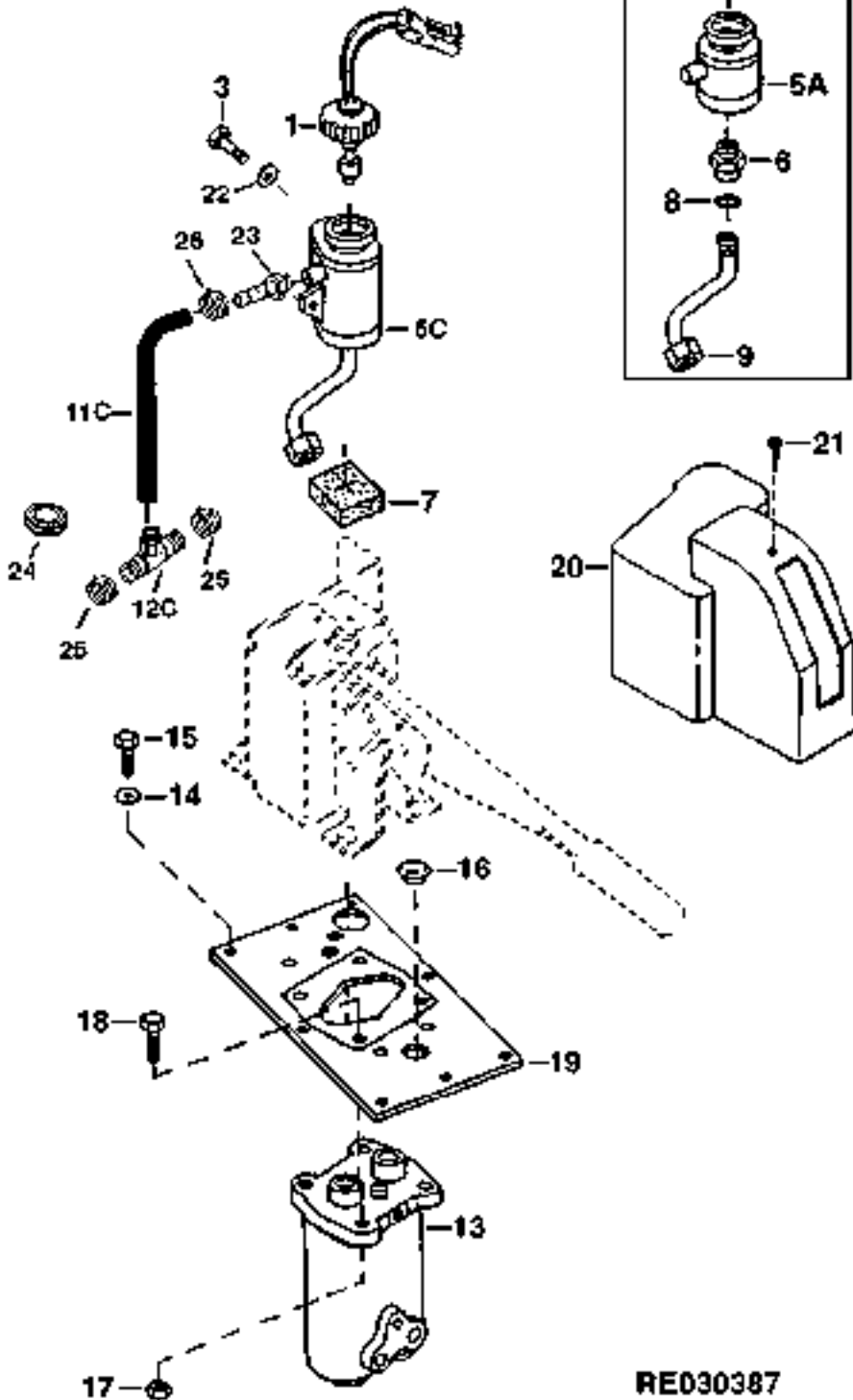
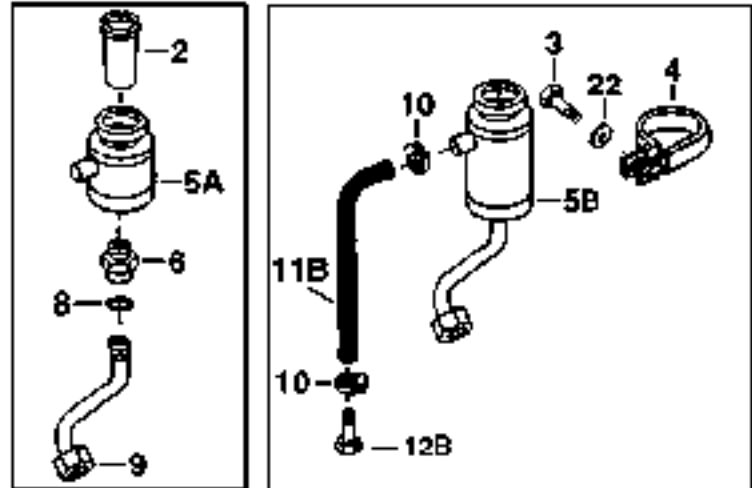
# 6F20

## STEERING AND BRAKES

| KEY | PART NO. | PART NAME       | QTY | TRACTOR<br>SERIAL NO. | A | REMARKS                 |
|-----|----------|-----------------|-----|-----------------------|---|-------------------------|
|     |          |                 |     |                       | L |                         |
| 1   | 37M7090  | SCREW           | 1   |                       | X | M6 X 16                 |
| 2   | 19M7166  | CAP SCREW       | 4   |                       | X | M10 X 20                |
| 3   | 19M7550  | CAP SCREW       | 1   |                       | X | M10 X 35, HS 10.9       |
| 4   | 14M7274  | NUT             | 1   |                       | X | M10                     |
| 5   | 40M7030  | SNAP RING       | 2   |                       | X |                         |
| 6   | RE68586  | HANDBRAKE LEVER | 1   |                       | X |                         |
| 7   | R133517  | GRIP            | 1   |                       | X |                         |
| 8   | R124282  | PIN             | 1   |                       | X |                         |
| 9   | R135786  | PIN             | 1   |                       | X | (SUB FOR R133546)       |
| 10  | R133497  | SECTOR          | 1   |                       | X |                         |
| 11  | RE48234  | SWITCH          | 1   |                       | X |                         |
| 12  | 19M7407  | CAP SCREW       | 1   |                       | X | M8 X 25, HS 10.9        |
| 13  | 28H3405  | BUSHING         | 1   |                       | X | 0.364" X 0.540" X 7/16" |
| 14  | 37M7104  | SCREW           | 1   |                       | X | M6 X 30                 |
| 15  | 21M7216  | SCREW           | 2   |                       | X | M4 X 20                 |
| 16  | 14M7274  | NUT             | 4   |                       | X | M10                     |
| 17  | R133544  | SUPPORT         | 1   |                       | X |                         |
| 18  | 40M7040  | SNAP RING       | 2   |                       | X |                         |
| 19  | L79404   | PIN             | 1   |                       | X |                         |
| 20  | R41076   | GROMMET         | 2   |                       | X |                         |
| 21  | RE68604  | SUPPORT         | 1   |                       | X |                         |
| 22  | 24M7139  | WASHER          | 1   |                       | X | 6.400 X 18 X 1.600 MM   |
| 23  | 24M7238  | WASHER          | 1   |                       | X | 8.700 X 17 X 2 MM       |

# 6F21

SECONDARY BRAKE RESERVOIR (EUROPEAN VERSION)  
FREIN SECONDAIRE, CLAPET (VERSION EUROPEENNE)  
NOTBREMSVENTIL (EUROPÄISCHE AUSFÜHRUNG)  
VALVOLA DEL FRENO SECONDARIO (VERSIONE EUROPEA)  
VALVULA DEL FRENO AUXILIAR (VERSION EUROPEA)  
HANDBROMSVENTIL (EUROPEISK VERSION)  
RE030387 -UN-22APR99



RE030387

# 6F22

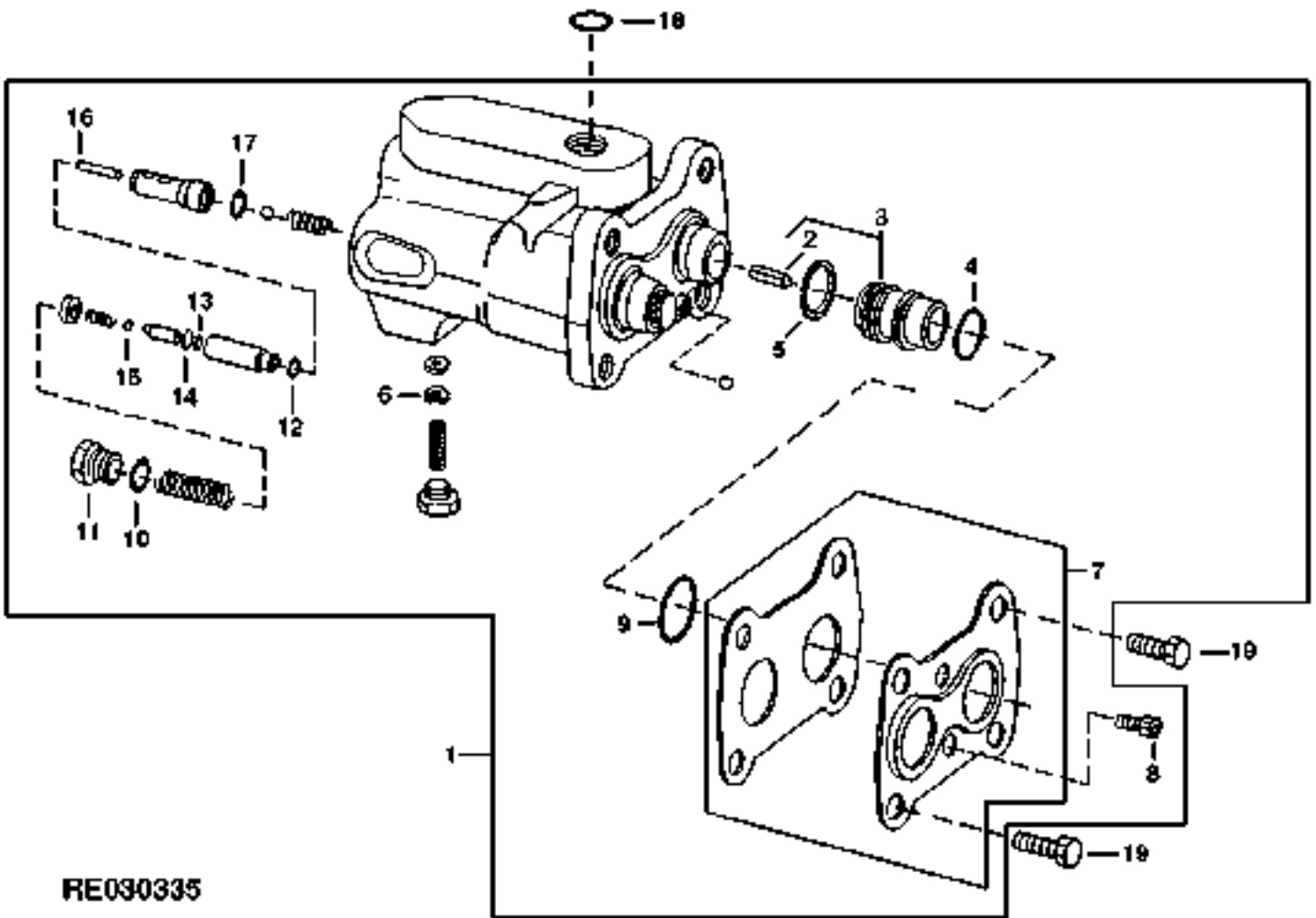
## STEERING AND BRAKES

| KEY | PART NO. | PART NAME   | QTY | TRACTOR<br>SERIAL NO. | A |     | REMARKS                                |
|-----|----------|-------------|-----|-----------------------|---|-----|--|
|     |          |             |     |                       | L | L   |  |
| 1   | RE63427  | FILLER CAP  | 1   | -XXXXXX               | X | (A) | (SUB FOR RE60446) (SUB RE63981)        |
|     | RE63981  | FILLER CAP  | 1   | XXXXXX-               | X | (B) |  |
| 2   | L40799   | STRAINER    | 1   | -XXXXXX               | X | (A) |  |
| 3   | 37M7090  | SCREW       | 2   |                       | X |     | M6 X 16                                |
| 4   | F1451R   | CLAMP       | 1   | -026820               | X |     |  |
| 5A  | RE56629  | RESERVOIR   | 1   | -XXXXXX               | X | (A) | (SUB RE155637)                         |
| 5B  | RE64161  | RESERVOIR   | 1   | XXXXXX-026820         | X | (B) | (SUB RE155637)                         |
| 5C  | RE155637 | RESERVOIR   | 1   | 026821-               | X |     |  |
| 6   | 38H5004  | ADAPTER     | 1   | -XXXXXX               | X | (A) |  |
|     | 51M7045  | O-RING      | 1   | -XXXXXX               | X | (A) | 19.300 X 2.200 MM                      |
| 7   | R125547  | SEAL        | 1   | -026820               | X |     | (SUB R157334)                          |
|     | R157334  | SEAL        | 1   | 026821-               | X |     |  |
| 8   | B2762R   | O-RING      | 1   | -026820               | X |     |  |
| 9   | RE61689  | OIL LINE    | 1   | -XXXXXX               | X | (A) | (SUB RE64161)                          |
|     | T77932   | O-RING      | 1   | -XXXXXX               | X | (A) |  |
| 10  | TY22462  | CLAMP       | 2   | -026820               | X |     |  |
| 11B | R122493  | HOSE        | 1   | -026820               | X |     |  |
| 11C | R163173  | HOSE        | 1   | 026821-               | X |     |  |
| 12B | 19M7382  | CAP SCREW   | 1   | -026820               | X |     | M10 X 40                               |
| 12C | M87795   | TEE FITTING | 1   | 026821-               | X |     |  |
| 13  | RE60468  | VALVE       | 1   |                       | X |     |  |
| 14  | 24M7040  | WASHER      | 4   |                       | X |     | 11 X 20 X 2 MM                         |
| 15  | 19M7167  | CAP SCREW   | 4   |                       | X |     | M10 X 25                               |
| 16  | R117237  | PLUG        | 1   | -009999               | X |     |  |
|     | B2982R   | PLUG        | 1   | 010000-               | X |     |  |
| 17  | 14M7274  | NUT         | 4   |                       | X |     | M10                                    |
| 18  | 19M7166  | CAP SCREW   | 4   |                       | X |     | M10 X 20                               |
| 19  | R124344  | SUPPORT     | 1   | -009999               | X |     |  |
|     | R133544  | SUPPORT     | 1   | 010000-               | X |     |  |
| 20  | R124338  | COVER       | 1   | -XXXXXX               | X | (C) | (SUB R128164)                          |
|     | R128164  | COVER       | 1   | XXXXXX-026820         | X | (D) |  |
|     | R154539  | COVER       | 1   | 026821-               | X |     |  |
| 21  | 37M7090  | SCREW       | 1   | -XXXXXX               | X | (C) | M6 X 16, (USE WITH R124338)            |
|     | 37M7257  | SCREW       | 1   | XXXXXX-               | X | (D) | M8 X 16, (USE WITH R128164 OR R154539) |
| 22  | 24M7139  | WASHER      | 1   |                       | X |     | 6.400 X 18 X 1.600 MM                  |
| 23  | R65785   | FITTING     | 1   | 026821-               | X |     |  |
| 24  | R165034  | GROMMET     | 1   | 026821-               | X |     |  |
| 25  | R56101   | CLIP        | 2   | 026821-               | X |     |  |
| 26  | TY22464  | CLAMP       | 1   | 026821-               | X |     |  |
| ..  | R44302   | TIE BAND    | 1   |                       | X |     |  |
| ..  | .....    | SEAL        | 1   |                       | X |     | 800 MM (31.5") (MAKE FROM R83066)      |

- (A) ( -XXXXXX) 8100-002003; 8200-001785; 8300-003183; 8400-001883  
 (B) (XXXXXX-) 8100-002004; 8200-001786; 8300-003184; 8400-001884  
 (C) ( -XXXXXX) 8100-002255; 8200-001938; 8300-003429; 8400-002236  
 (D) (XXXXXX-) 8100-002256; 8200-001939; 8300-003430; 8400-002237

# 6F23

SECONDARY BRAKE VALVE (EUROPEAN VERSION) (TSN -025704)  
FREIN SECONDAIRE, CLAPET (VERSION EUROPEENNE) (TSN -025704)  
NOTBREMSVENTIL (EUROPAEISCHE AUSFUEHRUNG) (TSN -025704)  
VALVOLA DEL FRENO SECONDARIO (VERSIONE EUROPEA) (TSN -025704)  
VALVULA DEL FRENO AUXILIAR (VERSION EUROPEA) (TSN -025704)  
HANDBROMSVENTIL (EUROPEISK VERSION) (TSN -025704)  
RE030335 -UN-16FEB99



RE030335



# 6F24

STEERING AND BRAKES

| KEY | PART NO. | PART NAME     | QTY | TRACTOR<br>SERIAL NO. | A<br>L<br>L | REMARKS          |
|-----|----------|---------------|-----|-----------------------|-------------|------------------|
| 1   | RE60468  | VALVE         | 1   |                       | X           |                  |
| 2   | 34M7102  | SPRING PIN    | 2   |                       | X           | 5 X 26 MM        |
| 3   | RE60880  | PISTON        | 2   |                       | X           |                  |
| 4   | R124463  | SEAL          | 2   |                       | X           |                  |
| 5   | R124462  | O-RING        | 2   |                       | X           |                  |
| 6   | R127771  | SPRING        | 1   |                       | X           |                  |
| 7   | RE60531  | KIT           | 1   |                       | X           |                  |
| 8   | 19M8493  | SCREW         | 4   |                       | X           | M8 X 12, HS 10.9 |
| 9   | R108041  | SEAL          | 2   |                       | X           |                  |
| 10  | U17409   | O-RING        | 2   |                       | X           |                  |
| 11  | R108062  | PLUG          | 2   |                       | X           |                  |
| 12  | R10093   | O-RING        | 2   |                       | X           |                  |
| 13  | R108067  | SEAL          | 2   |                       | X           |                  |
| 14  | R108042  | BACK-UP RING  | 2   |                       | X           |                  |
| 15  | A4365R   | O-RING        | 2   |                       | X           |                  |
| 16  | R60755   | NEEDLE ROLLER | 2   |                       | X           |                  |
| 17  | T77932   | O-RING        | 2   |                       | X           |                  |
| 18  | T57246   | O-RING        | 1   |                       | X           |                  |
| 19  | 19M7166  | CAP SCREW     | 4   |                       | X           |                  |
| 20  | T57246   | O-RING        | 1   |                       | X           |                  |
| ..  | RE60529  | KIT           | 1   | -009999               | X           | (A)              |
| ..  | RE68237  | KIT           | 1   | 010000-               | X           | (A)              |
| ..  | RE60708  | KIT           | 1   |                       | X           | (B)              |

(A) OVERHAUL

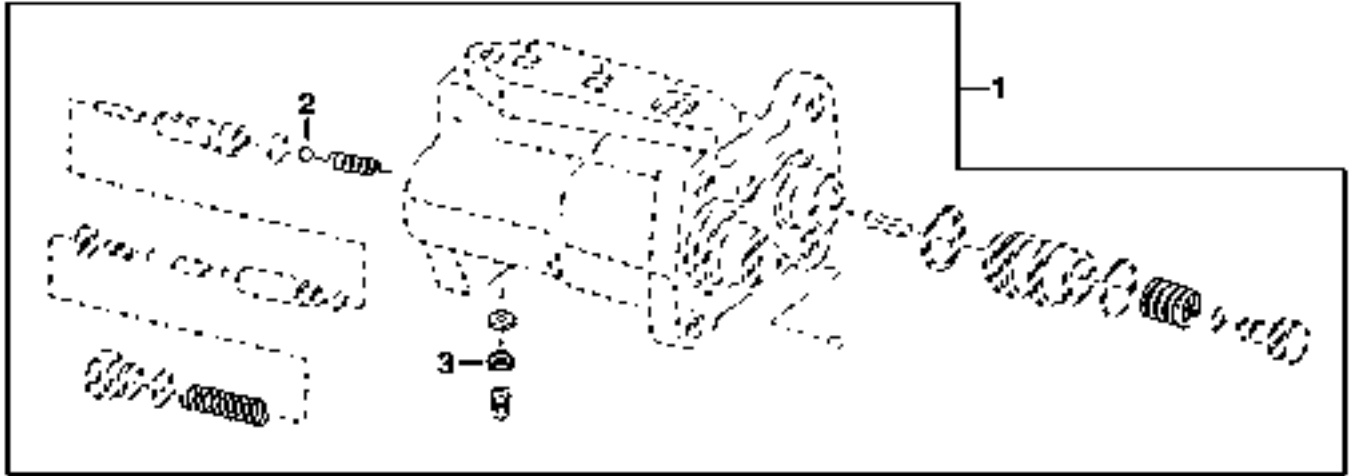
JEU DE REMISE EN ETAT  
 UEBERHOLUNGSSATZ  
 KIT DI REVISIONE  
 CONJUNTO PARA REACONDICIONAMIENTO  
 OEVERSYNSSATS

(B) MAKE-UP CHECK VALVE

JEU DE CLAPET ANTI-RETOUR D'APPOINT  
 ZUSATZ-RUECKSCHLAGVENTIL  
 KIT DELLA VALVOLA DI NON RITORNO DI  
 CONJUNTO DE VALVULA DE RETENCION DE  
 SATS MED TILLSATSBACKVENTIL

# 6F25

SECONDARY BRAKE VALVE HARDWARE KIT (EUROPEAN VERSION)  
 JEU DE BOULONNERIE DE SOUPE DE FREIN SECONDAIRE (VERSION EUROPEENNE)  
 HANDBREMSVENTIL-BEFESTIGUNGSTEILSATZ (EUROPÄISCHE AUSFÜHRUNG)  
 KIT DI MINUTERIA DELLA VALVOLA DEL FRENO SECONDARIO (VERSIONE EUROPEA)  
 JUEGO DE TORNILLERIA DE VALVULA DE FRENO SECUNDARIO (VERSION EUROPEA)  
 FAESTELEMENTSATS FOER HANDBROMSVENTIL (EUROPEISK VERSION)  
 RE026612 -UN-07DEC95

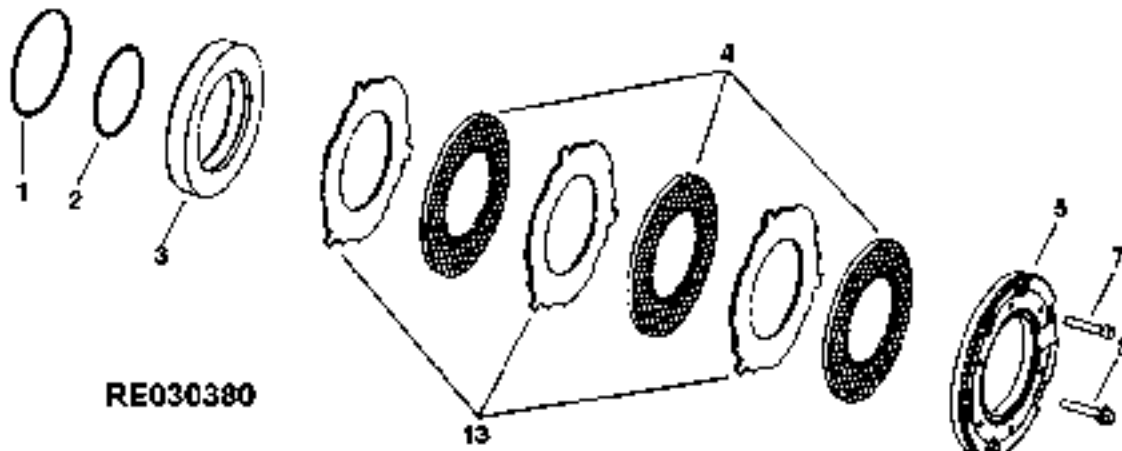


**RE026612**

| KEY | PART NO. | PART NAME | QTY | TRACTOR<br>SERIAL NO. | A | REMARKS           |
|-----|----------|-----------|-----|-----------------------|---|-------------------|
|     |          |           |     |                       | L |                   |
| 1   | RE66141  | VALVE     | 1   |                       | X | (SUB FOR RE60882) |
| 2   | R26552   | BALL      | 2   |                       | X |                   |
| 3   | R127771  | SPRING    | 2   |                       | X |                   |

# 6G1

SECONDARY BRAKE (EUROPEAN VERSION) ASN(800001- ) )  
 FREIN SECONDAIRE (VERSION EUROPEENNE) ASN(800001- ) )  
 ZWEITBREMSE (EUROPAEISCHE AUSFUEHRUNG) ASN(800001- ) )  
 FRENO SECONDARIO (VERSIONE EUROPEA) ASA(800001- ) )  
 FRENO SECUNDARIO (VERSION EUROPEA) ASA(800001- ) )  
 PARKERINGSBROMS (EUROPEISK VERSION) ASN(800001- ) )  
 RE030380 -UN-22MAR99



| KEY | PART NO. | PART NAME               | QTY | AXLE<br>SERIAL NO. | A |   | REMARKS |
|-----|----------|-------------------------|-----|--------------------|---|---|---------|
|     |          |                         |     |                    | L | L |         |
| 1   | R158630  | SEAL                    | 1   |                    | X |   |         |
| 2   | R158631  | SEAL                    | 1   |                    | X |   |         |
| 3   | R150222  | PISTON                  | 1   |                    | X |   |         |
| 4   | RE159560 | DISK, WITH INNER SPLINE | 3   |                    | X |   |         |
| 5   | R136355  | BRAKE DISK              | 1   |                    | X |   |         |
| 6   | R150350  | BRAKE DISK              | 3   |                    | X |   |         |



# 6G3

## STEERING AND BRAKES

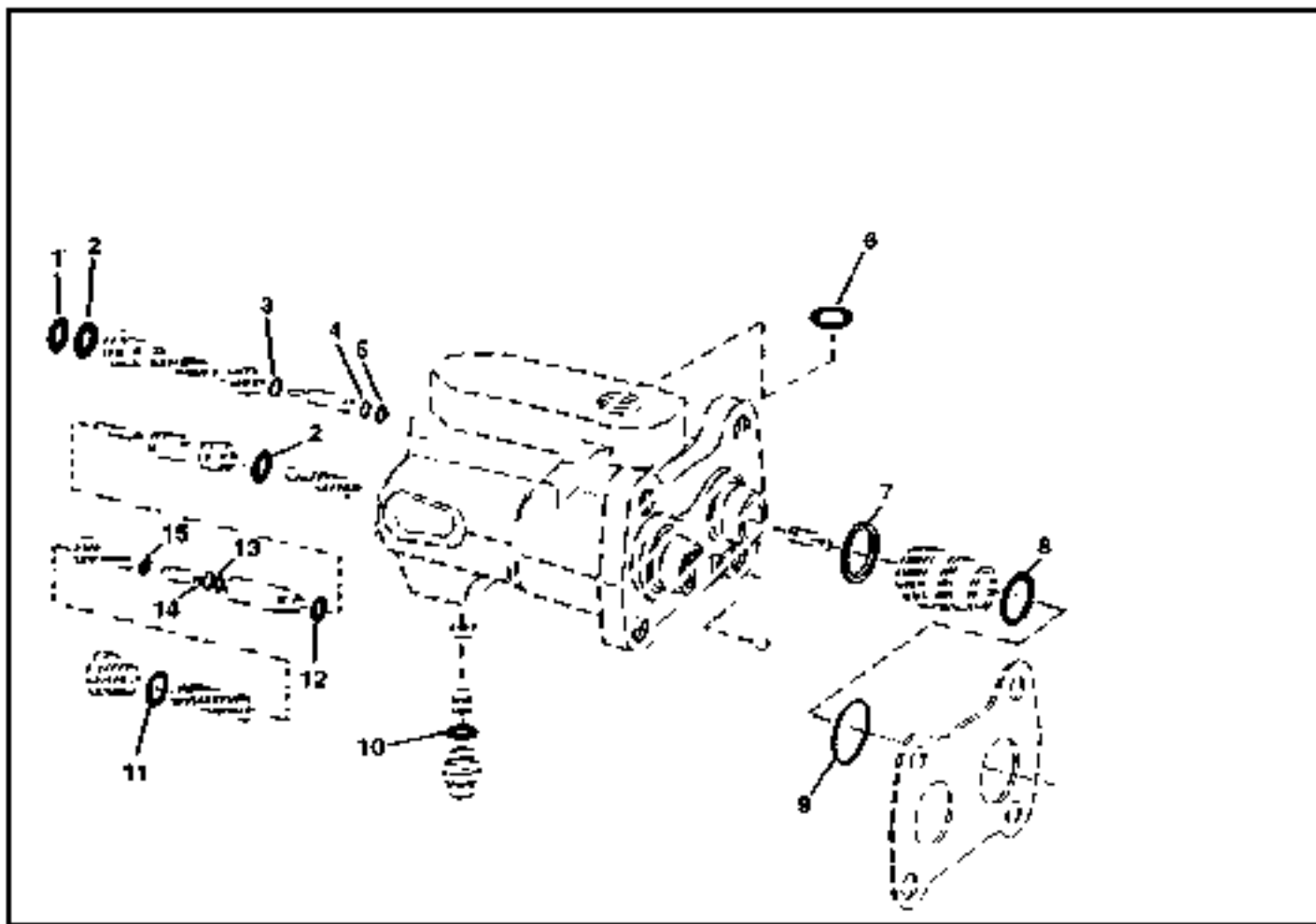
| KEY | PART NO. | PART NAME     | QTY | TRACTOR<br>SERIAL NO. | A<br>L<br>L | REMARKS          |
|-----|----------|---------------|-----|-----------------------|-------------|------------------|
| 1   | R124462  | O-RING        | 2   |                       | X           |                  |
| 2   | 25M7039  | GROOVE PIN    | 1   |                       | X           | 5 X 24 MM        |
| 3   | RE159108 | PISTON        | 2   |                       | X           |                  |
| 4   | R124463  | SEAL          | 2   |                       | X           |                  |
| 5   | R26552   | BALL          | 2   |                       | X           |                  |
| 6   | RE69092  | KIT           | 1   |                       | X           | (A)              |
| 7   | RE60531  | KIT           | 1   |                       | X           |                  |
| 8   | 19M8493  | SCREW         | 4   |                       | X           | M8 X 12, HS 10.9 |
| 9   | R108041  | SEAL          | 2   |                       | X           |                  |
| 10  | U17409   | O-RING        | 2   |                       | X           |                  |
| 11  | R108062  | PLUG          | 2   |                       | X           |                  |
| 12  | R10093   | O-RING        | 2   |                       | X           |                  |
| 13  | R108067  | SEAL          | 2   |                       | X           |                  |
| 14  | R108042  | BACK-UP RING  | 2   |                       | X           |                  |
| 15  | A4365R   | O-RING        | 2   |                       | X           |                  |
| 16  | R60755   | NEEDLE ROLLER | 2   |                       | X           |                  |
| 17  | T77932   | O-RING        | 2   |                       | X           |                  |
| 18  | R127771  | SPRING        | 2   |                       | X           |                  |
| 19  | RE154766 | VALVE         | 1   |                       | X           |                  |
| 20  | 19M7166  | CAP SCREW     | 4   |                       | X           | M10 X 20         |
| 21  | B2762R   | O-RING        | 1   |                       | X           |                  |

(A) PREFILL PISTON KIT

JEU DE PISTON DE PRE-REEMPLISSAGE DES FREIN  
 BREMS-VORFUELLKOLBENSATZ  
 KIT DEL PISTONE DI PRERIEMPIMENTO DEI FRENI  
 CONJUNTO DE PISTON DE PRELLENADO DEL FRENO  
 KOLVSATS FOER FOERFYLLNING AV BROMSSYSTEM

# 6G4

BRAKE VALVE OVERHAUL KIT (SECONDARY BRAKE) (TSN 025705- )  
JEU DE PIECES DE REMPLACEMENT DE SOUPEPE DE FREIN (FREIN SCONDAIRE) (TSN 025705- )  
BREMSVENTILUEBERHOLSATZ (ZWEITBREMSE) (TSN 025705- )  
KIT SOSTITUZIONE VALVOLA FRENO (FRENO SECONDARIO) (TSN 025705- )  
JUEGO DE REVISION DEL FRENO DE VALVULA (FRENO SECUNDARIO) (TSN 025705- )  
RENOVERINGSSATS FOER BROMSVENTIL (PARKERINGSBROMS) (TSN 025705- )  
RE030369 -UN-16FEB99



RE030369

# 6G5

## STEERING AND BRAKES

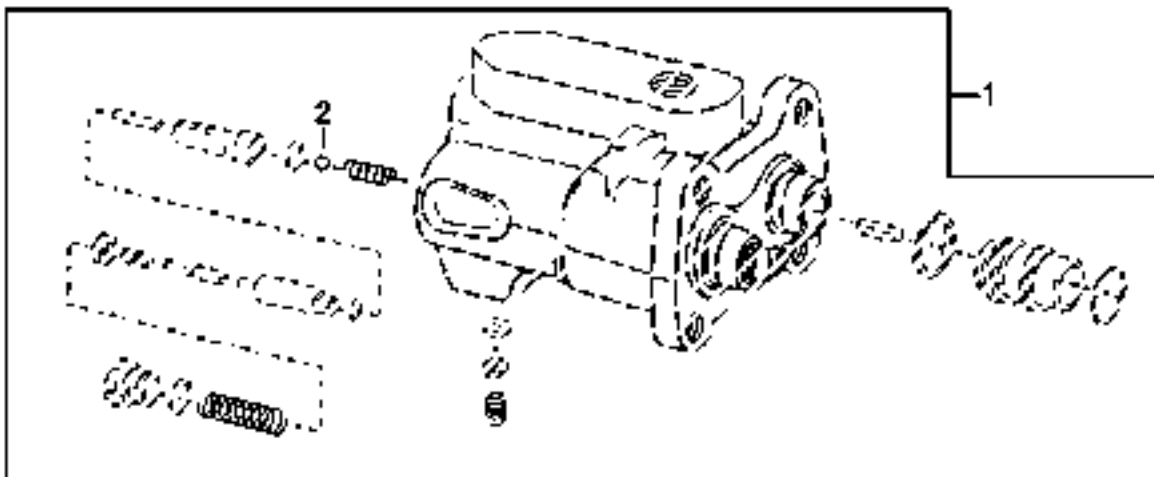
| KEY | PART NO. | PART NAME    | QTY | TRACTOR<br>SERIAL NO. | A<br>L<br>L | REMARKS           |
|-----|----------|--------------|-----|-----------------------|-------------|-------------------|
| 1   | R113054  | BACK-UP RING | 1   |                       | X           |                   |
| 2   | T77932   | O-RING       | 3   |                       | X           |                   |
| 3   | R113057  | PACKING      | 2   |                       | X           |                   |
| 4   | T42571   | BACK-UP RING | 2   |                       | X           |                   |
| 5   | R108066  | O-RING       | 2   |                       | X           |                   |
| 6   | B2762R   | O-RING       | 1   |                       | X           |                   |
| 7   | R124462  | O-RING       | 2   |                       | X           |                   |
| 8   | R124463  | SEAL         | 2   |                       | X           |                   |
| 9   | R108041  | SEAL         | 2   |                       | X           |                   |
| 10  | 51M7041  | O-RING       | 3   |                       | X           | 11.300 X 2.200 MM |
| 11  | U17409   | O-RING       | 2   |                       | X           |                   |
| 12  | R10093   | O-RING       | 2   |                       | X           |                   |
| 13  | R28776   | O-RING       | 1   |                       | X           |                   |
| 14  | R108042  | BACK-UP RING | 2   |                       | X           |                   |
| 15  | A4365R   | O-RING       | 2   |                       | X           |                   |
| 16  | RE157111 | KIT          | 1   |                       | X           |                   |

MEMORANDA  
MEMORANDA  
MEMORANDA  
MEMORANDA  
MEMORANDA



# 6G6

SECONDARY BRAKE VALVE HARDWARE KIT (EUROPEAN VERSION) (TSN 025705- ) )  
 JEU DE BOULONNERIE DE SOUPE DE FREIN SECONDAIRE (VERSION EUROPEENNE) (TSN 025705- ) )  
 HANDBREMSVENTIL-BEFESTIGUNGSTEILSATZ (EUROPAEISCHE AUSFUEHRUNG) (TSN 025705- ) )  
 KIT DI MINUTERIA DELLA VALVOLA DEL FRENO SECONDARIO (VERSIONE EUROPEA) (TSN 025705- ) )  
 JUEGO DE TORNILLERIA DE VALVULA DE FRENO SECUNDARIO (VERSION EUROPEA) (TSN 025705- ) )  
 FAESTELEMENTSATS FOER HANDBROMSVENTIL (EUROPEISK VERSION) (TSN 025705- ) )  
 RE030370 -UN-16FEB99

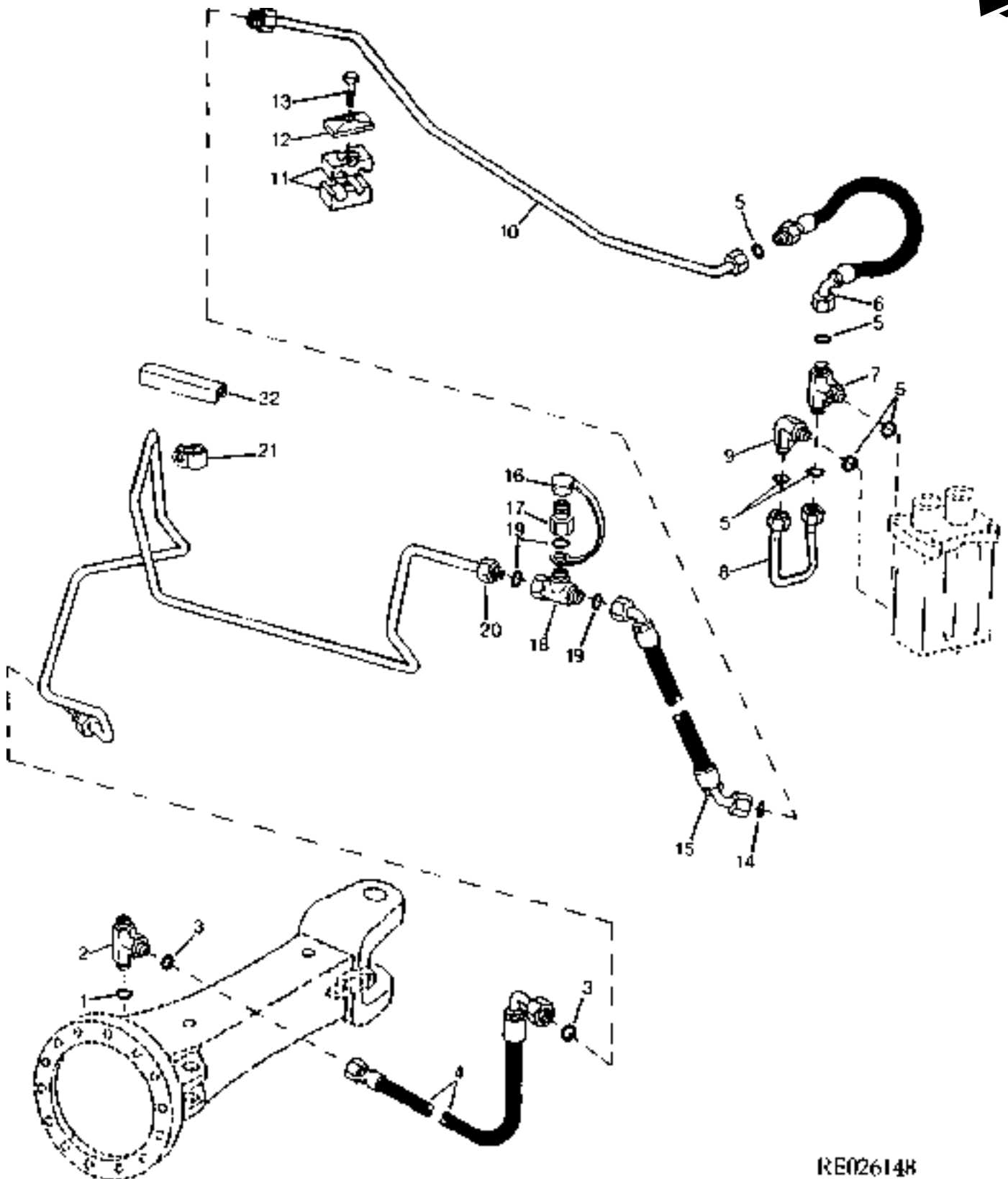


**RE030370**

| KEY | PART NO. | PART NAME | QTY | TRACTOR<br>SERIAL NO. | A | REMARKS |
|-----|----------|-----------|-----|-----------------------|---|---------|
|     |          |           |     |                       | L |         |
| 1   | RE67963  | KIT       | 1   |                       | X |         |
| 2   | R26552   | BALL      | 2   |                       | X |         |

# 6G7

SECONDARY BRAKE LINES (EUROPEAN VERSION) (8100 -004722;8200 -003490;8300 -005814;8400 -006583)  
FREIN SECONDAIRE, CONDUITES (VERSION EUROPEENNE)(8100 -4722;8200 -3490;8300 -5814;8400 -6583)  
NOTBREMSLEITUNGEN (EUROPAISCHE AUSFUEHRUNG)(8100 -04722;8200 -03490;8300 -05814;8400 -06583)  
CONDOTTI DEL FRENO SECONDARIO(VERSION EUROPEA)(8100 -4722;8200 -3490;8300 -5814;8400 -6583)  
LINEAS DEL FRENO AUXILIAR (VERSION EUROPEA) (8100 -04722;8200 -03490;8300 -05814;8400 -06583)  
HANDBROMSLEDNINGAR (EUROPEISK VERSION) (8100 -04722; 8200 -03490; 8300 -05814; 8400 -06583)  
RE026148 -UN-22MAR95



RE026148

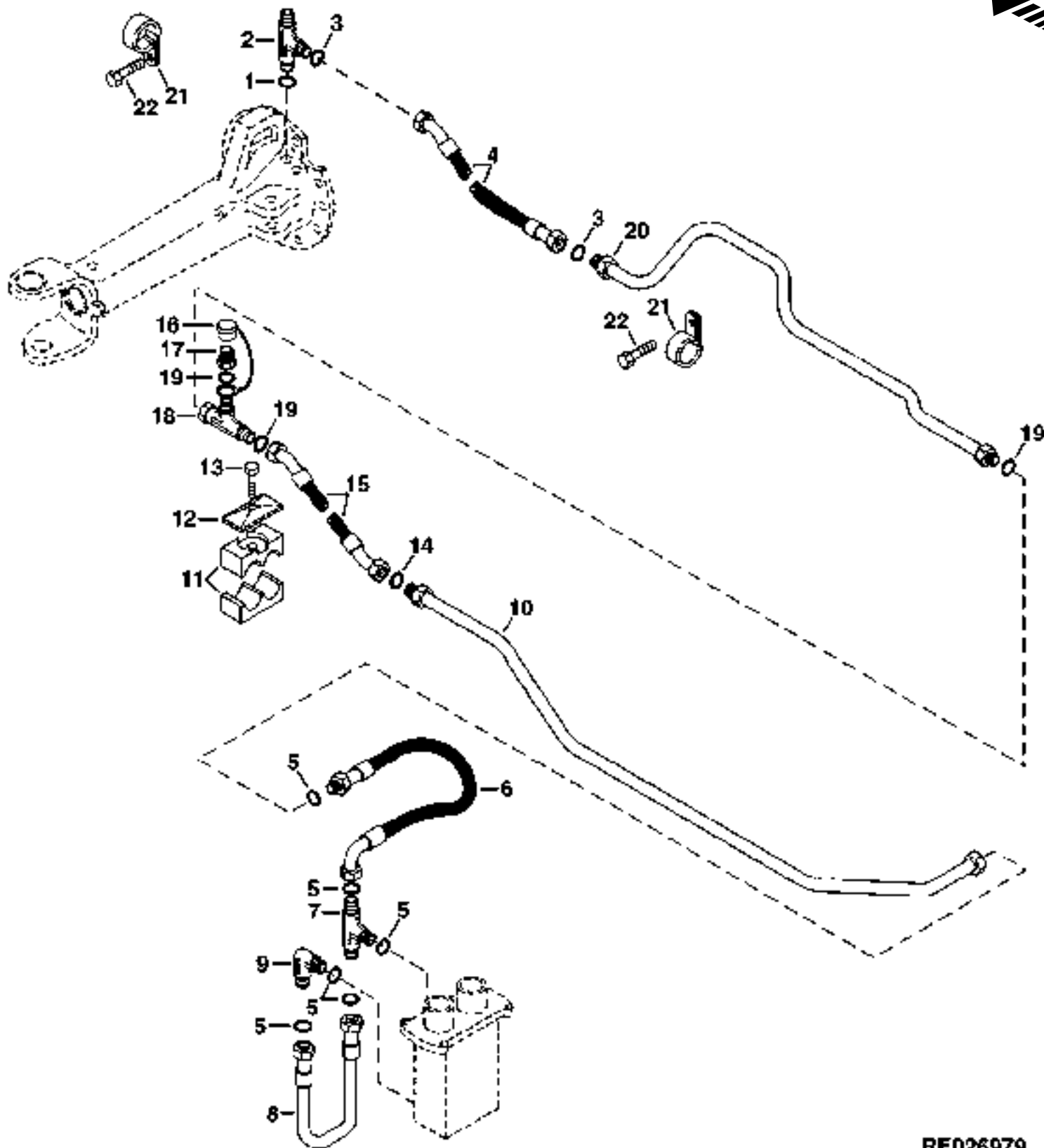
# 6G8

## STEERING AND BRAKES

| KEY | PART NO. | PART NAME      | QTY | TRACTOR<br>SERIAL NO. | A<br>L<br>L | REMARKS   |
|-----|----------|----------------|-----|-----------------------|-------------|---|
| 1   | R26448   | O-RING         | 1   |                       | X           |   |
| 2   | 38H1023  | TEE FITTING    | 1   |                       | X           |   |
| 3   | T77613   | O-RING         | 2   |                       | X           |   |
| 4   | RE60674  | HYDRAULIC HOSE | 1   |                       | X           |   |
| 5   | T77613   | O-RING         | 6   |                       | X           |   |
| 6   | RE48579  | HYDRAULIC HOSE | 1   |                       | X           |   |
| 7   | 38H5123  | TEE FITTING    | 1   |                       | X           |   |
| 8   | RE48610  | OIL LINE       | 1   |                       | X           |   |
| 9   | 38H5016  | ELBOW FITTING  | 1   |                       | X           |   |
| 10  | RE62678  | OIL LINE       | 1   |                       | X           | (SUB FOR RE48609)   |
| 11  | H114865  | CLAMP          | 4   |                       | X           |   |
| 12  | H112567  | PLATE          | 1   |                       | X           |   |
| 13  | 37M7108  | SCREW          | 2   |                       | X           | M8 X 60   |
| 14  | T77613   | O-RING         | 1   |                       | X           |   |
| 15  | RE60848  | HYDRAULIC HOSE | 1   |                       | X           |   |
| 16  | R77175   | COVER          | 1   |                       | X           |   |
| 17  | RE43774  | FITTING        | 1   |                       | X           |   |
| 18  | 38H5069  | TEE FITTING    | 1   |                       | X           |   |
| 19  | T77857   | O-RING         | 3   |                       | X           |   |
| 20  | RE62626  | OIL LINE       | 1   |                       | X           | (SUB FOR RE61623) (SUB RE66231, RE66235,<br>RE66236, T13814, H121168, (2) H125156 AND<br>19M8318) |
| 21  | T13814   | CLAMP          | 2   |                       | X           |   |
| 22  | RE54810  | ISOLATOR       | 1   |                       | X           |   |

# 6G9

SECONDARY BRAKE LINES (E.V.)(8100 04723-09999;8200 03491-09999;8300 05815-09999;8400 06584-09999)  
FREIN SECONDAIRE, CONDUITES (V. E.) (8100 4723-9999;8200 3491-9999;8300 5815-9999;8400 6584-9999)  
NOTBREMSLEITUNGEN (E. A.) (8100 04723-09999;8200 03491-09999;8300 -05815-09999; 8400 06584-09999)  
CONDOTTI DEL FRENO SECONDARIO (V. E.)(8100 4723-9999;8200 3491-9999;8300 5815-9999;8400 6584-9999)  
LINEAS DEL FRENO AUXILIAR (V. E.) (8100 4723-9999;8200 3491-9999;8300 5815-9999;8400 6584-9999)  
HANDBROMSLEDNINGAR (E. V.) (8100 04723-09999;8200 03491-09999;8300 -05815-09999; 8400 06584-09999)  
RE026979 -UN-31JUL96



RE026979

# 6G10

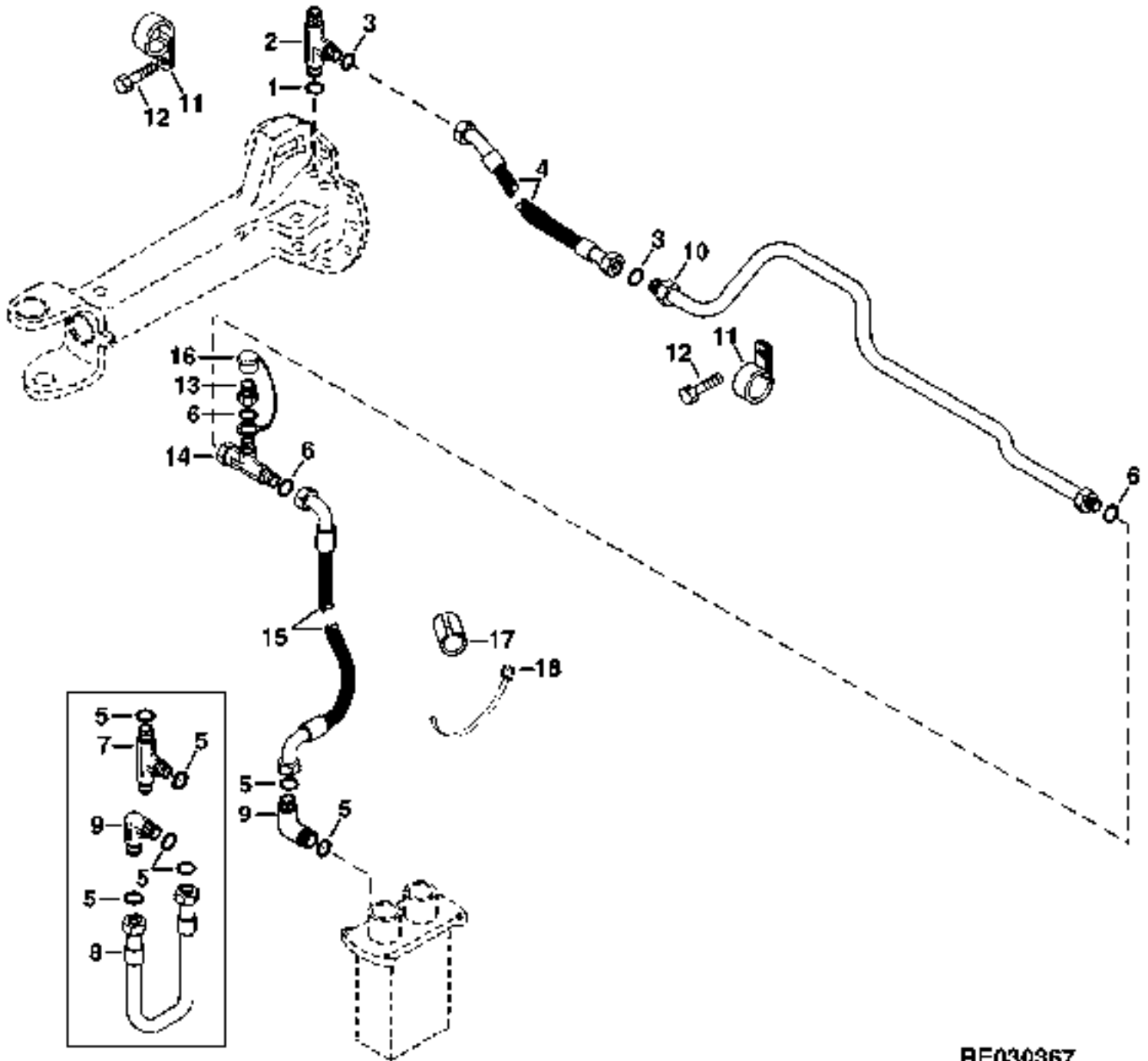
## STEERING AND BRAKES

| KEY | PART NO. | PART NAME      | QTY | TRACTOR<br>SERIAL NO. | A | REMARKS          |
|-----|----------|----------------|-----|-----------------------|---|------------------|
|     |          |                |     |                       | L |                  |
| 1   | R26448   | O-RING         | 1   |                       | X |                  |
| 2   | 38H1023  | TEE FITTING    | 1   |                       | X |                  |
| 3   | T77613   | O-RING         | 2   |                       | X |                  |
| 4   | RE68298  | HYDRAULIC HOSE | 1   |                       | X |                  |
| 5   | T77613   | O-RING         | 6   |                       | X |                  |
| 6   | RE48579  | HYDRAULIC HOSE | 1   |                       | X |                  |
| 7   | 38H5123  | TEE FITTING    | 1   |                       | X |                  |
| 8   | RE48610  | OIL LINE       | 1   |                       | X |                  |
| 9   | 38H5016  | ELBOW FITTING  | 1   |                       | X |                  |
| 10  | RE62678  | OIL LINE       | 1   |                       | X |                  |
| 11  | H114865  | CLAMP          | 4   |                       | X |                  |
| 12  | H112567  | PLATE          | 1   |                       | X |                  |
| 13  | 37M7108  | SCREW          | 2   |                       | X | M8 X 60          |
| 14  | T77613   | O-RING         | 1   |                       | X |                  |
| 15  | RE60868  | CYLINDER       | 1   |                       | X |                  |
| 16  | R77175   | COVER          | 1   |                       | X |                  |
| 17  | RE43774  | FITTING        | 1   |                       | X |                  |
| 18  | 38H5069  | TEE FITTING    | 1   |                       | X |                  |
| 19  | T77857   | O-RING         | 3   |                       | X |                  |
| 20  | RE66231  | OIL LINE       | 1   |                       | X |                  |
| 21  | T13814   | CLAMP          | 3   |                       | X |                  |
| 22  | 19M8318  | SCREW          | 3   |                       | X | M8 X 45, HS 10.9 |

# 6G11

STEERING AND BRAKES

SECONDARY BRAKE LINES (EUROPEAN VERSION) (8100,8200,8300,8400 010000- ) )  
FREIN SECONDAIRE, CONDUITES (VERSION EUROPEENNE) (8100,8200,8300,8400 010000- ) )  
NOTBREMSLEITUNGEN (EUROPAEISCHE AUSFUEHRUNG) (8100,8200,8300,8400 010000- ) )  
CONDOTTI DEL FRENO SECONDARIO (VERSIONE EUROPEA) (8100,8200,8300,8400 010000- ) )  
LINEAS DEL FRENO AUXILIAR (VERSION EUROPEA) (8100,8200,8300,8400 010000- ) )  
HANDBROMSLEDNINGAR (EUROPEISK VERSION) (8100,8200,8300,8400 010000- ) )  
RE030367 -UN-16FEB99



RE030367

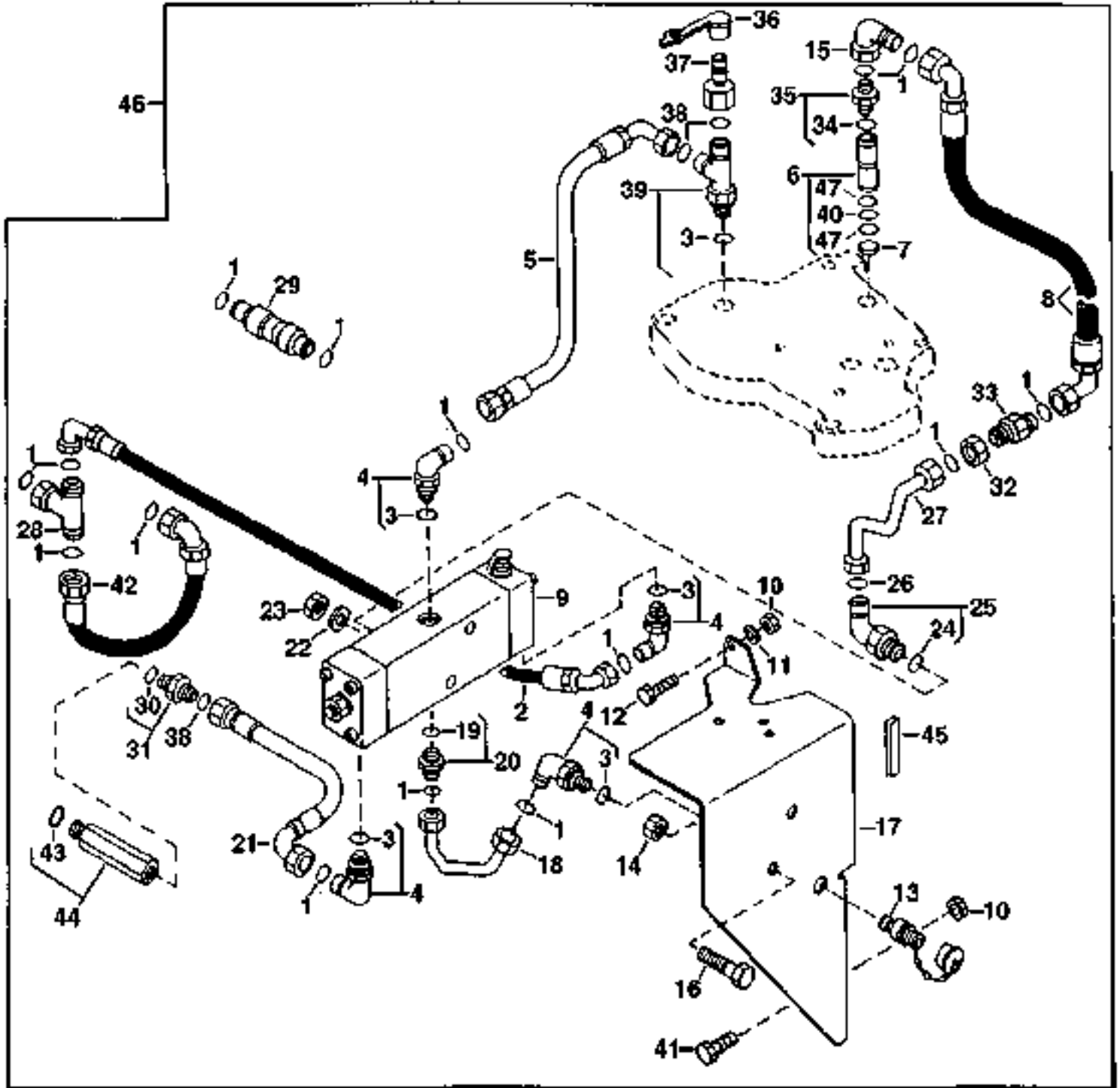
# 6G12

## STEERING AND BRAKES

| KEY | PART NO. | PART NAME             | QTY | TRACTOR<br>SERIAL NO. | A<br>L<br>L | REMARKS          |
|-----|----------|-----------------------|-----|-----------------------|-------------|------------------|
| 1   | R26448   | O-RING                | 1   |                       | X           |                  |
| 2   | 38H1023  | TEE FITTING           | 1   |                       | X           |                  |
| 3   | T77613   | O-RING                | 2   |                       | X           |                  |
| 4   | RE68298  | HYDRAULIC HOSE        | 1   |                       | X           |                  |
| 5   | T77613   | O-RING                | 2   |                       | X           |                  |
| 6   | T77857   | O-RING                | 3   |                       | X           |                  |
| 7   | 38H5123  | TEE FITTING           | 1   | -025704               | X           |                  |
| 8   | RE48610  | OIL LINE              | 1   | -025704               | X           |                  |
| 9   | 38H5016  | ELBOW FITTING         | 1   |                       | X           |                  |
| 10  | RE68209  | OIL LINE              | 1   |                       | X           |                  |
| 11  | T13814   | CLAMP                 | 3   |                       | X           |                  |
| 12  | 19M8318  | SCREW                 | 3   |                       | X           | M8 X 45, HS 10.9 |
| 13  | RE60701  | DIAGNOSTIC RECEPTACLE | 1   |                       | X           |                  |
| 14  | 38H5127  | TEE FITTING           | 1   |                       | X           |                  |
| 15  | RE67784  | HYDRAULIC HOSE        | 1   |                       | X           |                  |
| 16  | R77175   | COVER                 | 1   |                       | X           |                  |
| 17  | N32491   | ISOLATOR              | 1   |                       | X           |                  |
| 18  | R76477   | TIE BAND              | 1   |                       | X           |                  |

# 6G13

TRAILER BRAKE VALVE KIT (EUROPEAN VERSION)  
JEU DE SOUPAPE DE FREIN DE REMORQUE (VERSION EUROPEENNE)  
ANHAENGERBREMSVENTIL-BAUSATZ (EUROPAEISCHE AUSFUEHRUNG)  
KIT DELLA VALVOLA DEL FRENO DEL RIMORCHIO (VERSIONE EUROPEA)  
JUEGO DE VALVULAS DEL FRENO DEL REMOLQUE (VERSION EUROPEA)  
VENTILASTS FOER SLAEPVAGNSBROMS (EUROPEISK VERSION)  
RE028478 -UN-04NOV97



RE028478



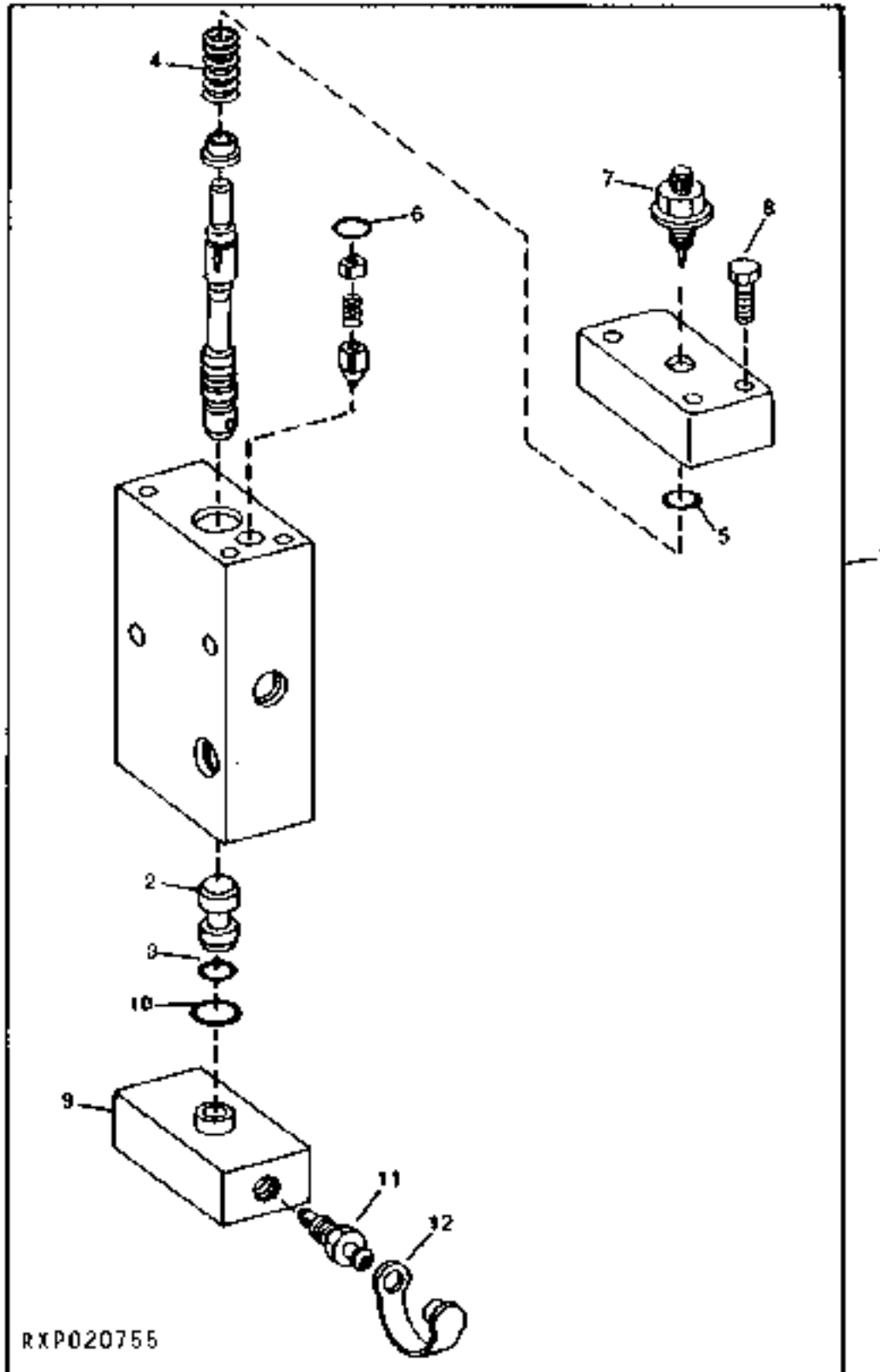
# 6G14

## STEERING AND BRAKES

| KEY       | PART NO.        | PART NAME             | QTY      | TRACTOR<br>SERIAL NO. | A<br>L<br>L   | REMARKS                   |
|-----------|-----------------|-----------------------|----------|-----------------------|---------------|---------------------------|
| 1         | T77613          | O-RING                | 17       |                       | X             |                           |
| 2         | RE48580         | HYDRAULIC HOSE        | 1        | -009999               | X             |                           |
|           | RE68808         | HYDRAULIC HOSE        | 1        | 010000-               | X             |                           |
| 3         | 51M7041         | O-RING                | 5        |                       | X             | 11.300 X 2.200 MM         |
| 4         | 38H5016         | ELBOW FITTING         | 4        |                       | X             |                           |
| 5         | RE60849         | OIL LINE              | 1        |                       | X             |                           |
| 6         | RE58763         | SPACER                | 1        |                       | X             |                           |
| 7         | R122147         | CHECK VALVE           | 1        |                       | X             |                           |
| 8         | RE61336         | HYDRAULIC HOSE        | 1        | -XXXXXX               | X             |                           |
|           | RE62555         | HYDRAULIC HOSE        | 1        | XXXXXX-               | X             |                           |
| 9         | AL78795         | VALVE                 | 1        |                       | X             |                           |
| 10        | 14M7274         | NUT                   | 2        |                       | X             | M10                       |
| 11        | 24M7040         | WASHER                | 1        |                       | X             | 11 X 20 X 2 MM            |
| 12        | 19M7168         | CAP SCREW             | 1        |                       | X             | M10 X 30                  |
| 13        | AL39859         | INTERNAL HALF COUPLER | 1        |                       | X             |                           |
| 14        | 14M7257         | NUT                   | 1        |                       | X             | M20                       |
| 15        | 38H5145         | ELBOW FITTING         | 1        |                       | X             |                           |
| 16        | 19M7295         | CAP SCREW             | 2        |                       | X             | M8 X 45                   |
| 17        | R124441         | BRACKET               | 1        | -XXXXXX               | X             |                           |
|           | R150365         | BRACKET               | 1        | XXXXXX-               | X             |                           |
| 18        | RE44766         | HYDRAULIC LINE        | 1        |                       | X             |                           |
| 19        | 51M7041         | O-RING                | 1        |                       | X             | 11.300 X 2.200 MM         |
| 20        | 38H5002         | ADAPTER               | 1        |                       | X             |                           |
| 21        | RE48637         | HOSE                  | 1        |                       | X             | (SUB RE62872 AND RE61791) |
|           | RE62872         | OIL LINE              | 1        |                       | X             |                           |
| 22        | 24M7036         | WASHER                | 2        |                       | X             | 9 X 16 X 1.600 MM         |
| 23        | 14M7273         | NUT                   | 2        |                       | X             | M8                        |
| 24        | 51M7040         | O-RING                | 1        |                       | X             | 9.300 X 2.200 MM          |
| 25        | 38H5015         | ELBOW FITTING         | 1        |                       | X             |                           |
| 26        | T77814          | O-RING                | 1        |                       | X             |                           |
| 27        | RE48638         | HYDRAULIC LINE        | 1        |                       | X             |                           |
| 28        | 38H5144         | TEE FITTING           | 1        |                       | X             |                           |
| 29        | RE55955         | CHECK VALVE           | 2        |                       | X             |                           |
| 30        | 51M7045         | O-RING                | 1        |                       | X             | 19.300 X 2.200 MM         |
| 31        | 38H5076         | ADAPTER               | 1        |                       | X             |                           |
| 32        | 38H5091         | NUT                   | 1        |                       | X             |                           |
| 33        | 38H5100         | UNION FITTING         | 1        |                       | X             |                           |
| 34        | 51M7045         | O-RING                | 1        |                       | X             | 19.300 X 2.200 MM         |
| 35        | RE49091         | FITTING               | 1        |                       | X             |                           |
| 36        | R77175          | COVER                 | 1        |                       | X             |                           |
| 37        | RE43774         | FITTING               | 1        |                       | X             |                           |
| 38        | T77857          | O-RING                | 3        |                       | X             |                           |
| 39        | 38H5065         | TEE FITTING           | 1        |                       | X             |                           |
| 40        | T11899          | O-RING                | 1        |                       | X             |                           |
| 41        | R153676         | SCREW                 | 1        |                       | X             | HS 10.9                   |
| 42        | RE61395         | HYDRAULIC HOSE        | 1        |                       | X             |                           |
| 43        | 51M7045         | O-RING                | 1        |                       | X             | 19.300 X 2.200 MM         |
| 44        | RE61791         | FITTING               | 1        |                       | X             | (USE WITH RE62872)        |
| 45        | RE62489         | MOLDING               | 1        |                       | X             |                           |
| <b>46</b> | <b>AR113759</b> | <b>KIT</b>            | <b>1</b> |                       | <b>X (FI)</b> |                           |
| 47        | R133794         | BACK-UP RING          | 2        |                       | X             |                           |

# 6G15

TRAILER BRAKE VALVE (EUROPEAN VERSION)  
SOUPAPE DE FREIN DE REMORQUE (VERSION EUROPEENNE)  
ANHAENGERBREMSVENTIL (EUROPAEISCHE AUSFUEHRUNG)  
VALVOLA DEL FRENO DEL RIMORCHIO (VERSIONE EUROPEA)  
VALVULA DEL FRENO DEL REMOLQUE (VERSION EUROPEA)  
SLAEPVAGNSBROMSVENTIL (EUROPEISK VERSION)  
RXP020755 -UN-01JAN94



# 6G16

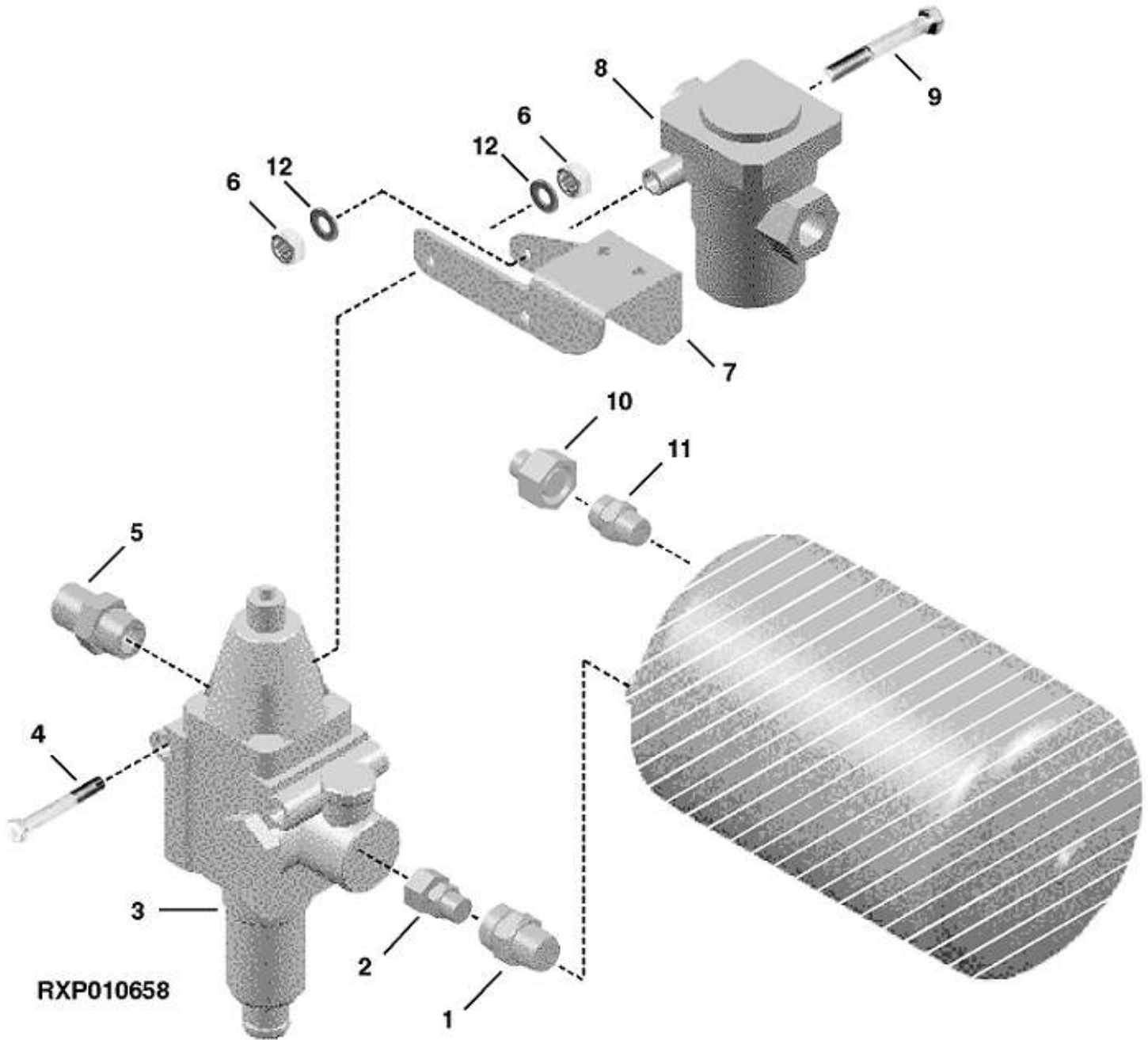
STEERING AND BRAKES

| KEY | PART NO. | PART NAME          | QTY | TRACTOR<br>SERIAL NO. | A<br>L<br>L | REMARKS          |
|-----|----------|--------------------|-----|-----------------------|-------------|------------------|
| 1   | AL78795  | VALVE              | 1   |                       | X           |                  |
| 2   | L30706   | CYLINDER           | 1   |                       | X           |                  |
| 3   | L53826   | O-RING             | 1   |                       | X           |                  |
| 4   | L62682   | COMPRESSION SPRING | 1   |                       | X           |                  |
| 5   | R28776   | O-RING             | 1   |                       | X           |                  |
| 6   | L53976   | O-RING             | 1   |                       | X           |                  |
| 7   | AL63927  | SCREW              | 1   |                       | X           |                  |
| 8   | 19M8263  | SCREW              | 5   |                       | X           | M6 X 30          |
| 9   | L78625   | COVER              | 1   |                       | X           |                  |
| 10  | R28776   | O-RING             | 1   |                       | X           |                  |
| 11  | L102453  | BLEED SCREW        | 1   |                       | X           | (SUB FOR L77569) |
| 12  | R47862   | CAP                | 1   |                       | X           |                  |

# 6G17

STEERING AND BRAKES

AIR BRAKE PRESSURE REGULATING VALVE(E.V.) (8100 -12327;8200 -11933;8300 -12566;8400 -12683)  
FREINS A AIR COMPRIE,REGUALTEUR DE PRESSION(V.E.)(81 -12327;82 -11933;83 -12566;84 -12683)  
DRUCKLUFTBREMSE, DRUCKREGULIERVENTIL (E. A.)(8100 -12327;8200 -11933;8300 -12566;8400 -12683)  
VALVOLA DI REGOLAZIONE DELLA PRESSIONE(V.E.)(81 -012327;82 -011933;83 -012566;84 -012683)  
FRENO NEUMATICO,VALVULA REGULADORA DE PRESION(V.E.)(81 -12327;82 -11933;83 -12566;8400 -12683)  
TRYCKLUFTSBROMS, TRYCKREGLERVENTIL (E. V.) (8100 -12327;8200 -11933;8300 -12566;8400 - 12683)  
RXP010658 -UN-01JAN94



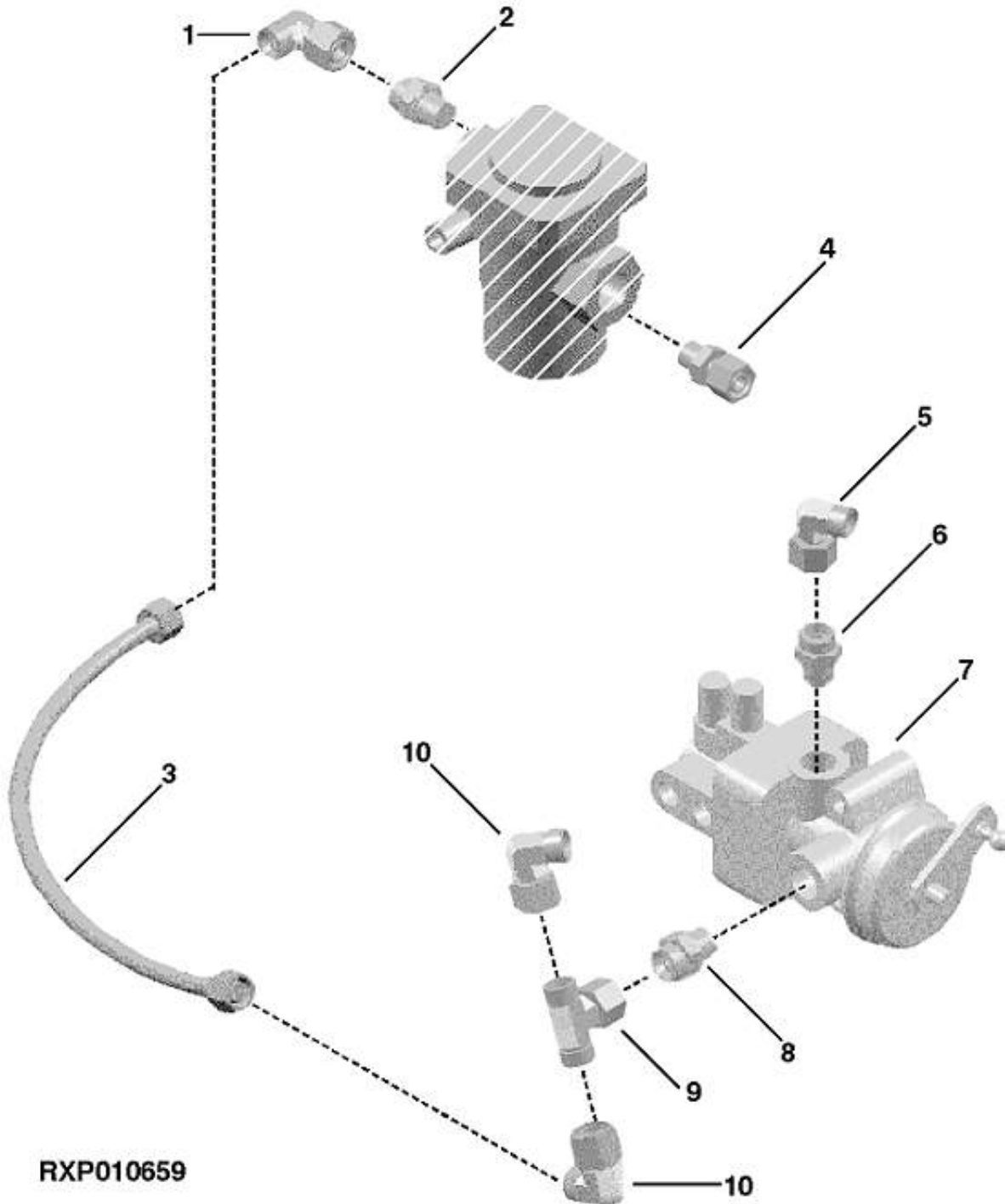
# 6G18

## STEERING AND BRAKES

| KEY | PART NO. | PART NAME | QTY | TRACTOR<br>SERIAL NO. | A<br>L<br>L | REMARKS           |
|-----|----------|-----------|-----|-----------------------|-------------|-------------------|
| 1   | RE54602  | CONNECTOR | 1   |                       | X           |                   |
| 2   | RE54582  | CONNECTOR | 1   |                       | X           |                   |
| 3   | AL78941  | VALVE     | 1   |                       | X           |                   |
| 4   | 19M7663  | CAP SCREW | 2   |                       | X           | M8 X 70           |
| 5   | RE58382  | FITTING   | 1   |                       | X           |                   |
| 6   | 14M7273  | NUT       | 2   |                       | X           | M8                |
| 7   | R124525  | BRACKET   | 1   |                       | X           |                   |
| 8   | AL67648  | VALVE     | 1   |                       | X           |                   |
| 9   | 19M7274  | CAP SCREW | 1   |                       | X           | M8 X 70           |
| 10  | RE54575  | REDUCER   | 1   |                       | X           |                   |
| 11  | RE54602  | CONNECTOR | 1   |                       | X           |                   |
| 12  | 24M7238  | WASHER    | 3   |                       | X           | 8.700 X 17 X 2 MM |

# 6G19

AIR BRAKE CONTROL VALVE (EUROPEAN VERSION) (8100 -012327;8200 -011933; 8300 -012566; 8400 -012683)  
FREINS A AIR COMPRIME, SOUPAPE DE COMMANDE (V.E.)(8100 -12327;8200 -11933;8300 -12566;8400 -12683)  
DRUCKLUFTBREMSE, STEUERVENTIL (E. A. ) (8100 -12327; 8200 -11933; 8300 -12566; 8400 -12683)  
FRENO AD ARIA COMPRESSA, VALVOLA DI COMANDO(V.E.)(8100 -12327;8200 -11933;8300 -12566;8400 -12683)  
FRENO NEUMATICO, VALVULA DE CONTROL (V. E.) (8100 -12327; 8200 -11933; 8300 -12566; 8400 -12683)  
TRYCKLUFTSBROMS, MANOEVERVENTIL (E. V.) (8100 -12327; 8200 -11933; 8300 -12566; 8400 -12683)  
RXP010659 -UN-01JAN94



# 6G20

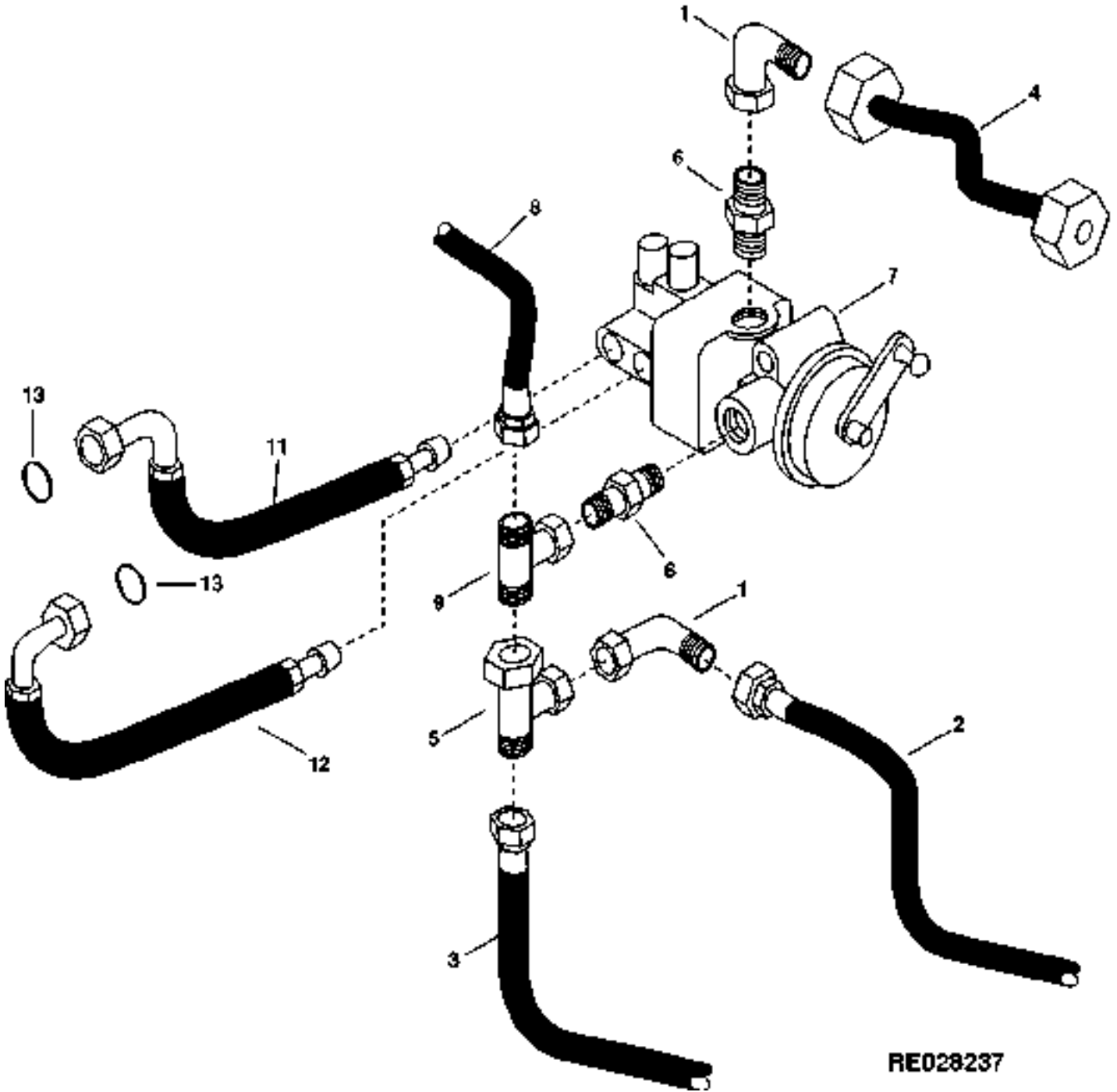
STEERING AND BRAKES

| KEY | PART NO. | PART NAME     | QTY | TRACTOR<br>SERIAL NO. | A<br>L<br>L | REMARKS |
|-----|----------|---------------|-----|-----------------------|-------------|---------|
| 1   | RE54579  | ELBOW FITTING | 1   |                       | X           |         |
| 2   | RE54601  | CONNECTOR     | 1   |                       | X           |         |
| 3   | RE57553  | LINE          | 1   |                       | X           |         |
| 4   | RE54583  | CONNECTOR     | 1   |                       | X           |         |
| 5   | RE54579  | ELBOW FITTING | 1   |                       | X           |         |
| 6   | RE54601  | CONNECTOR     | 1   |                       | X           |         |
| 7   | AL81937  | CONTROL VALVE | 1   |                       | X           |         |
| 8   | RE54601  | CONNECTOR     | 1   |                       | X           |         |
| 9   | RE54578  | TEE FITTING   | 1   |                       | X           |         |
| 10  | RE54579  | ELBOW FITTING | 2   |                       | X           |         |

# 6G21

STEERING AND BRAKES

AIR BRAKE CONTROL VALVE(EUROPEAN VERSION)(8100 012328- ;8200 011934- ;8300 012567- ;8400 012684- )  
FREINS A AIR COMPRIME,SOUPEPE DE COMMANDE(V.E.)(8100 12328-;8200 11934-;8300 12567-;8400 12684- )  
DRUCKLUFTBREMSE, STEUERVENTIL (E. A.) (8100 012328- ;8200 011934- ;8300 012567- ;8400 012684- )  
FRENO AD ARIA COMPRESSA,VALVOLA DI COMANDO(V.E.)(8100 12328-;8200 11934-;8300 12567-;8400 012684-)  
FRENO NEUMATICO, VALVULA DE CONTROL (V.E.)(8100 012328- ;8200 011934- ;8300 012567- ;8400 012684-)  
TRYCKLUFTSBROMS, MANOEVERVENTIL (E. V.) (8100 012328- ;8200 011934- ;8300 012567- ;8400 012684- )  
RE028237 -UN-11SEP97



RE028237



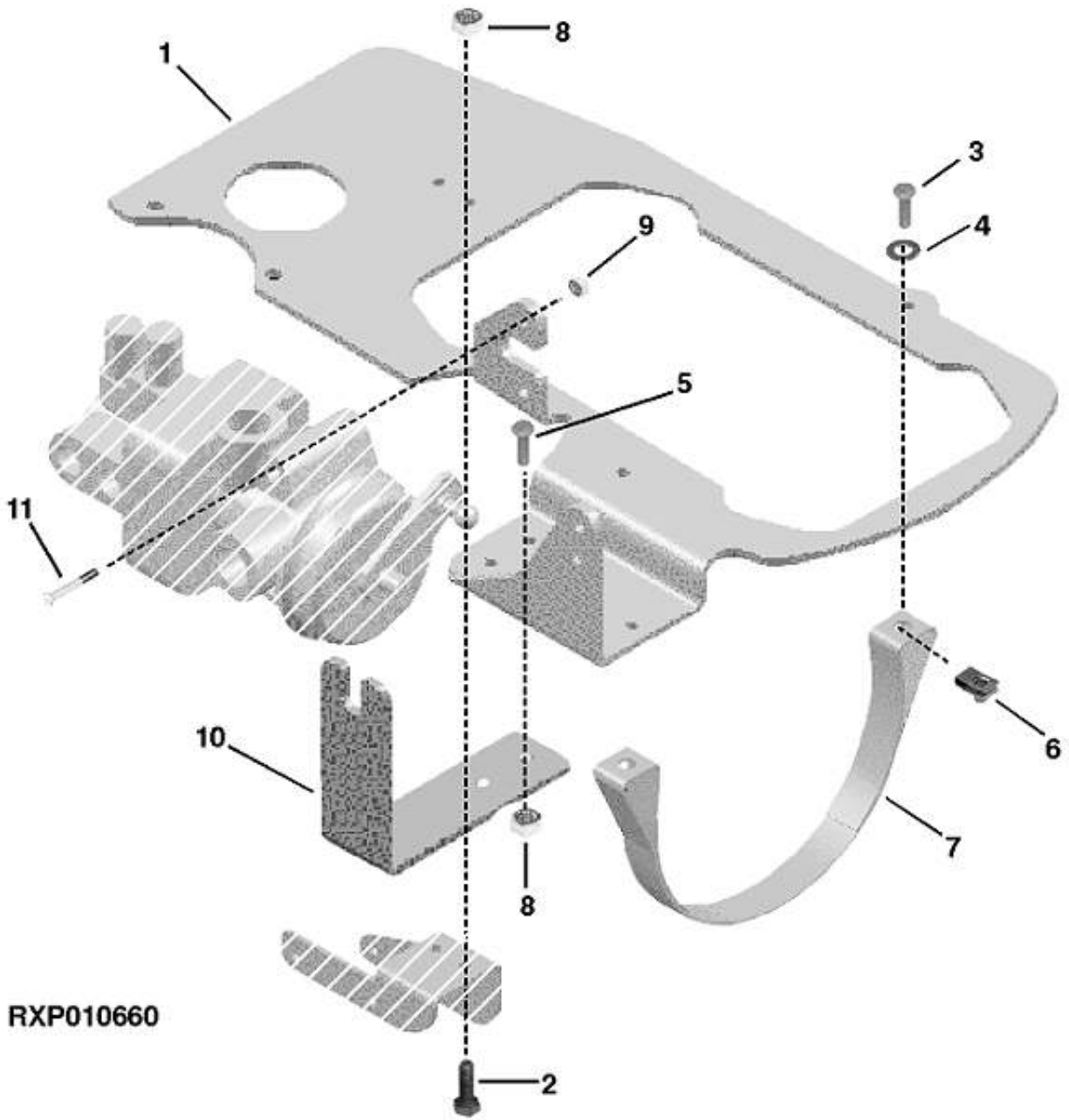
# 6G22

## STEERING AND BRAKES

| KEY | PART NO. | PART NAME      | QTY | TRACTOR<br>SERIAL NO. | A<br>L<br>L | REMARKS |
|-----|----------|----------------|-----|-----------------------|-------------|---------|
| 1   | RE54579  | ELBOW FITTING  | 2   |                       | X           |         |
| 2   | RE150842 | HOSE           | 1   |                       | X           |         |
| 3   | RE150843 | HOSE           | 1   |                       | X           |         |
| 4   | RE150841 | HOSE           | 1   |                       | X           |         |
| 5   | RE54577  | TEE FITTING    | 1   |                       | X           |         |
| 6   | RE54601  | CONNECTOR      | 2   |                       | X           |         |
| 7   | AL81937  | CONTROL VALVE  | 1   |                       | X           |         |
| 8   | RE150840 | LINE           | 1   |                       | X           |         |
| 9   | RE54578  | TEE FITTING    | 1   |                       | X           |         |
| 10  | RE150903 | REDUCER        | 1   |                       | X           |         |
| 11  | RE67781  | HYDRAULIC HOSE | 1   |                       | X           |         |
| 12  | RE67782  | HYDRAULIC HOSE | 1   |                       | X           |         |
| 13  | T77613   | O-RING         | 2   |                       | X           |         |

# 6G23

AIR BRAKE CONTROL VALVE BRACKETS(EUROPEAN VERSION)(8100 -12327;8200 -11933;8300 -12566;8400 -12683  
FREINS A AIR COMPRIME,SUPPORTS DE SOUPEPE DE COMMANDE(V.E.)(81 -12327;82 -11933;83 -12566;84-12683  
DRUCKLUFTBREMSE, STEUVENTILHALTERUNGEN (E.A.)(8100 -12327;8200 -11933;8300 -12566;8400 -12683)  
FRENO AD ARIA COMPRESSA,STAFFE DELLA VALVOLA DI COM.(V.E.)(81 -12327;82 -11933;83 -12566;84 -12683)  
FRENO NEUMATICO,SOPORTES DE VALVULA DE CONTROL(V.E.)(81 -12327;82 -11933;8300 -12566;84 -12683)  
TRYCKLUFTSBROMS, MANOEVERVENTILFAESTE (E.V. )(8100 -12327;8200 -11933;8300 -12566;8400 -12683)  
RXP010660 -UN-01JAN94



RXP010660

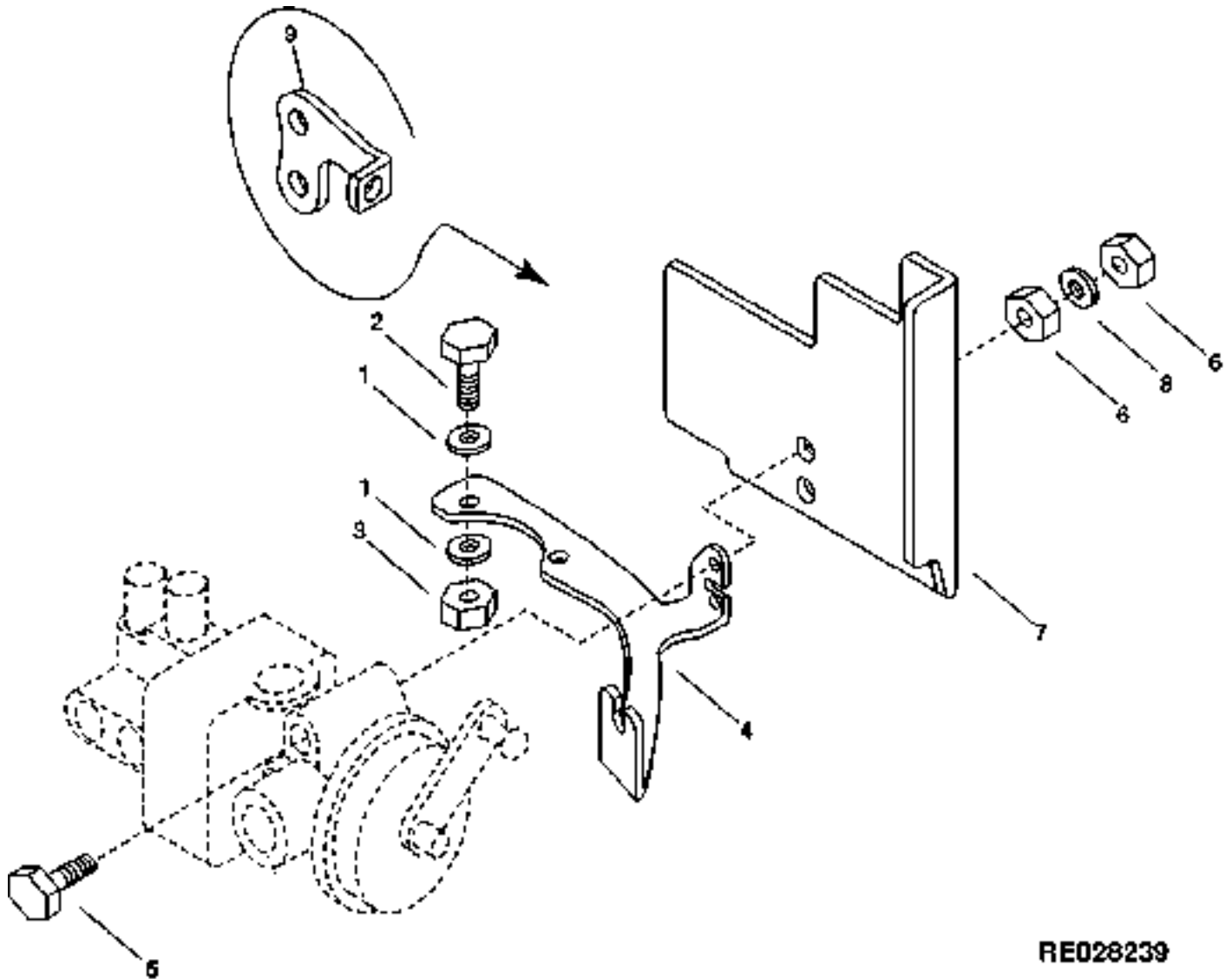
# 6G24

## STEERING AND BRAKES

| KEY | PART NO. | PART NAME | QTY | TRACTOR<br>SERIAL NO. | A<br>L<br>L | REMARKS               |
|-----|----------|-----------|-----|-----------------------|-------------|-----------------------|
| 1   | R121257  | BRACKET   | 1   |                       | X           |                       |
| 2   | 19M7163  | CAP SCREW | 2   |                       | X           | M8 X 25               |
| 3   | 19M7295  | CAP SCREW | 2   |                       | X           | M8 X 45               |
| 4   | 24M7055  | WASHER    | 2   |                       | X           | 8.400 X 16 X 1.600 MM |
| 5   | 19M7163  | CAP SCREW | 2   |                       | X           | M8 X 25               |
| 6   | M84971   | NUT       | 2   |                       | X           |                       |
| 7   | R124163  | STRAP     | 1   |                       | X           |                       |
| 8   | 14M7273  | NUT       | 4   |                       | X           | M8                    |
| 9   | 14M7273  | NUT       | 2   |                       | X           | M8                    |
| 10  | R121260  | ANGLE     | 1   |                       | X           |                       |
| 11  | 19M7185  | CAP SCREW | 2   |                       | X           | M8 X 60               |

# 6H1

AIR BRAKE CONTROL VALVE BRACKETS(E.V.) (8100 12328- ;8200 11934- ;8300 12567- ;8400 12684- )  
AIR COMPRIME, SUPPORTS DE SOUPAPE DE COMMANDE (V. E.)(81 12328- ;82 11934- ;83 12567- ;84 12684- )  
DRUCKLUFTBREMSE, STEUVENTILHALTERUNGEN(E.A.)(81 12328- ;82 11934- ;83 12567- ;84 12684- )  
FRENO AD ARIA COMPRESSA,STAFFE DELLA VALVOLA DI COM.(V.E.)(81 12328-;82 11934-;83 12567-;84 12684- )  
FRENO NEUMATICO, SOPORTES DE VALVULA DE CONTROL(V.E.)(81 12328- ;82 11934- ;83 12567- ;84 12684- )  
TRYCKLUFTSBROMS, MANOEVERTILFAESTE(E.V.)(81 12328- ;82 11934- ;83 12567- ;84 12684- )  
RE028239 -UN-11SEP97



**RE028239**

# 6H2

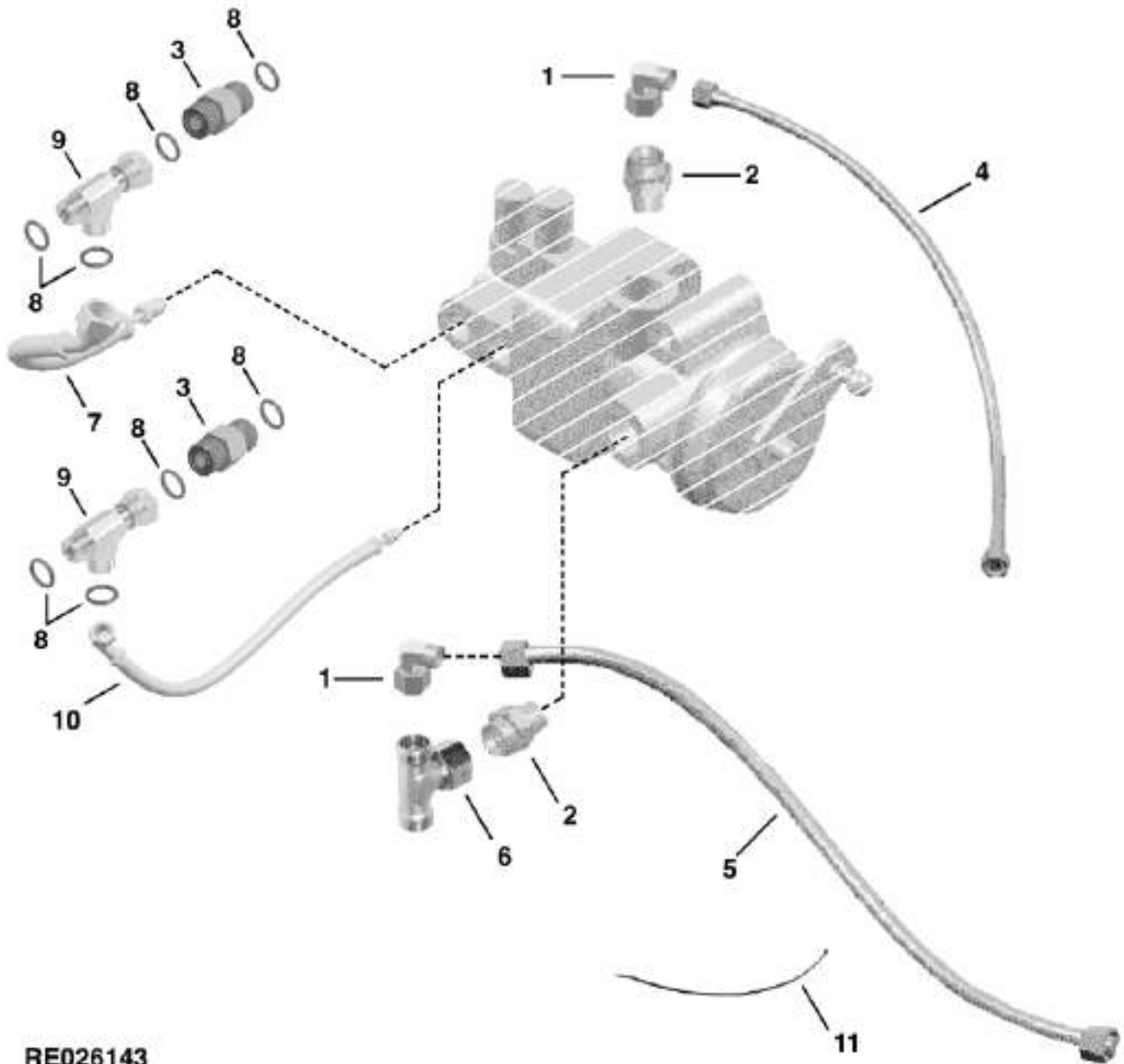
## STEERING AND BRAKES

| KEY | PART NO. | PART NAME | QTY | TRACTOR<br>SERIAL NO. | A<br>L<br>L | REMARKS           |
|-----|----------|-----------|-----|-----------------------|-------------|-------------------|
| 1   | 24M7346  | WASHER    | 4   |                       | X           | 11 X 20 X 2 MM    |
| 2   | 19M7550  | CAP SCREW | 2   |                       | X           | M10 X 35, HS 10.9 |
| 3   | 14M7274  | NUT       | 2   |                       | X           | M10               |
| 4   | R150538  | BRACKET   | 1   |                       | X           |                   |
| 5   | 19M7274  | CAP SCREW | 2   |                       | X           | M8 X 70           |
| 6   | 14M7273  | NUT       | 4   |                       | X           | M8                |
| 7   | R150815  | SHIELD    | 1   |                       | X           |                   |
| 8   | 24M7238  | WASHER    | 2   |                       | X           | 8.700 X 17 X 2 MM |
| 9   | R150539  | STOP      | 1   |                       | X           | (A)               |

(A) LESS SECONDARY BRAKE  
W/O FREIN SECONDAIRE  
W/O ZWEITBREMSE  
W/O FRENO SECONDARIO  
W/O FRENO SECUNDARIO  
W/O PARKERINGSBROMS

# 6H3

AIR BRAKE CONTROL VALVE LINES (EUROPEAN VERSION) (8100,8200,8300,8400 -009999)  
FREINS A AIR COMPRIE, CONDUITES DE SOUPEPE DE COMMANDE (V. E.) (8100,8200,8300,8400 -009999)  
DRUCKLUFTBREMSE, STEUERVENTILLEITUNGEN(EUROPAEISCHE AUSFUEHRUNG)(8100,8200,8300,8400 -009999)  
FRENO AD ARIA COMPRESSA, TUBI DELLA VALVOLA DI COMANDO (V. E.) (8100,8200,8300,8400 -009999)  
FRENO NEUMATICO, LINEAS DE VALVULA DE CONTROL (VERSION EUROPEA)(8100,8200,8300,8400 -009999)  
TRYCKLUFTSBROMS, MANOEVERVENTILLEDNINGAR (EUROPEISK VERSION) (8100,8200,8300,8400 -009999)  
RE026143 -UN-13MAR95



RE026143

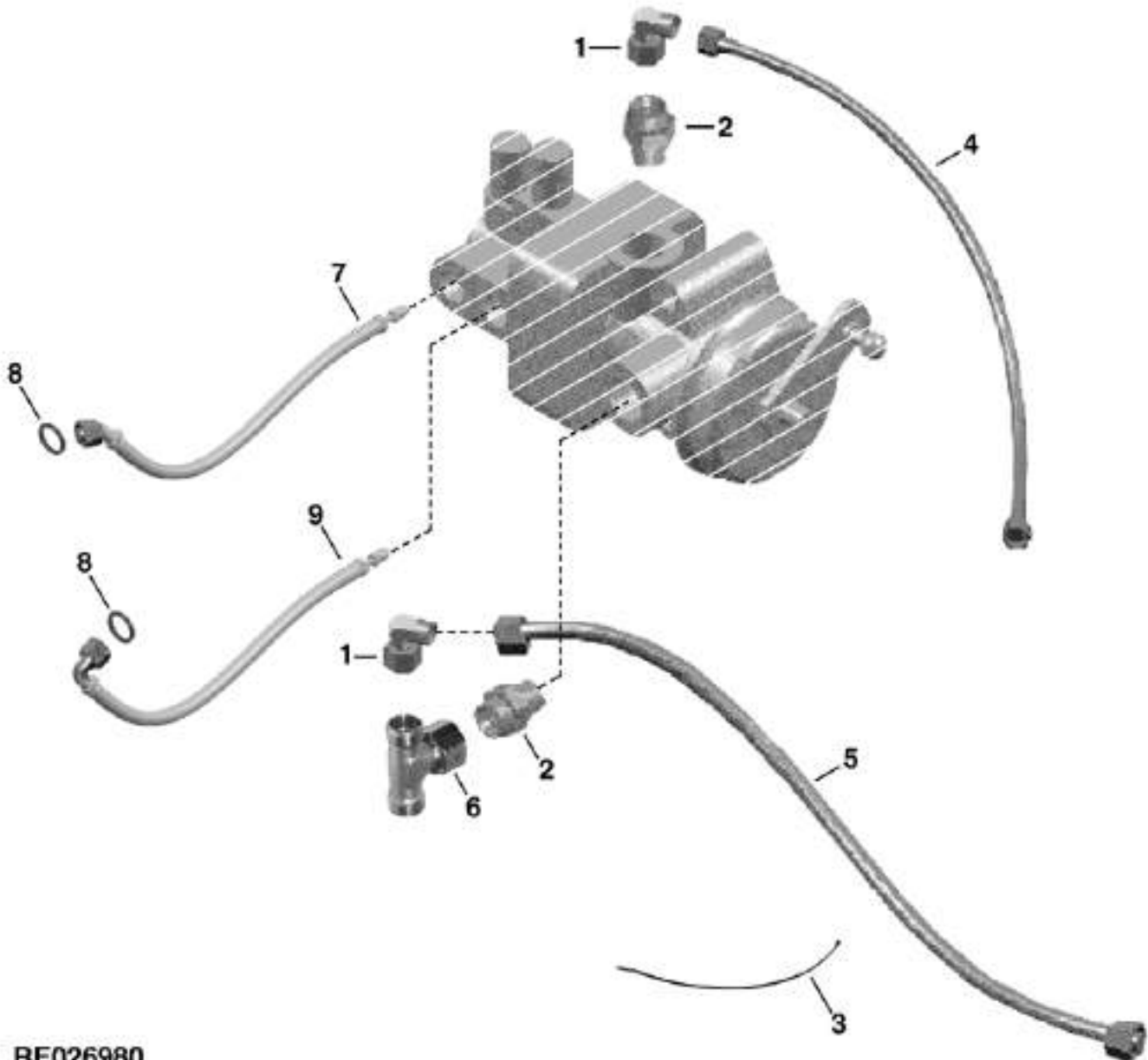
# 6H4

STEERING AND BRAKES

| KEY | PART NO. | PART NAME      | QTY | TRACTOR<br>SERIAL NO. | A<br>L<br>L | REMARKS |
|-----|----------|----------------|-----|-----------------------|-------------|---------|
| 1   | RE54579  | ELBOW FITTING  | 2   |                       | X           |         |
| 2   | RE54601  | CONNECTOR      | 2   |                       | X           |         |
| 3   | RE55955  | CHECK VALVE    | 2   |                       | X           |         |
| 4   | RE57554  | LINE           | 1   |                       | X           |         |
| 5   | RE57555  | LINE           | 1   |                       | X           |         |
| 6   | RE54578  | TEE FITTING    | 1   |                       | X           |         |
| 7   | RE61391  | HYDRAULIC HOSE | 1   |                       | X           |         |
| 8   | T77613   | O-RING         | 8   |                       | X           |         |
| 9   | 38H5105  | TEE FITTING    | 2   |                       | X           |         |
| 10  | RE61388  | HYDRAULIC HOSE | 1   |                       | X           |         |
| 11  | R44302   | TIE BAND       | 1   |                       | X           |         |

# 6H5

AIR BRAKE CONTROL VALVE LINES (EUROPEAN VERSION)(8100 010000-012327;8200 010000-011933)  
FREINS A AIR COMPRIE,CONDUITES DE SOUPEPE DE COMMANDE(V.E.)(8100 10000-12327;8200 10000-119933)  
DRUCKLUFTBREMSE, STEUERVENTILLEITUNGEN (E.A.) (8100 010000-012327;8200 010000-011933)  
FRENO AD ARIA COMPRESSA,TUBI DELLA VALVOLA DI COMANDO(V.E.)(8100 010000-012327;8200 010000-011933)  
FRENO NEUMATICO, LINEAS DE VALVULA DE CONTROL (V. E.) (8100 010000-012327;8200 010000-011933)  
TRYCKLUFTSBROMS, MANOEVERTENTILLEDNINGAR (E. V.) (8100 010000-012327;8200 010000-011933)  
RE026980 -UN-20JUN96



RE026980



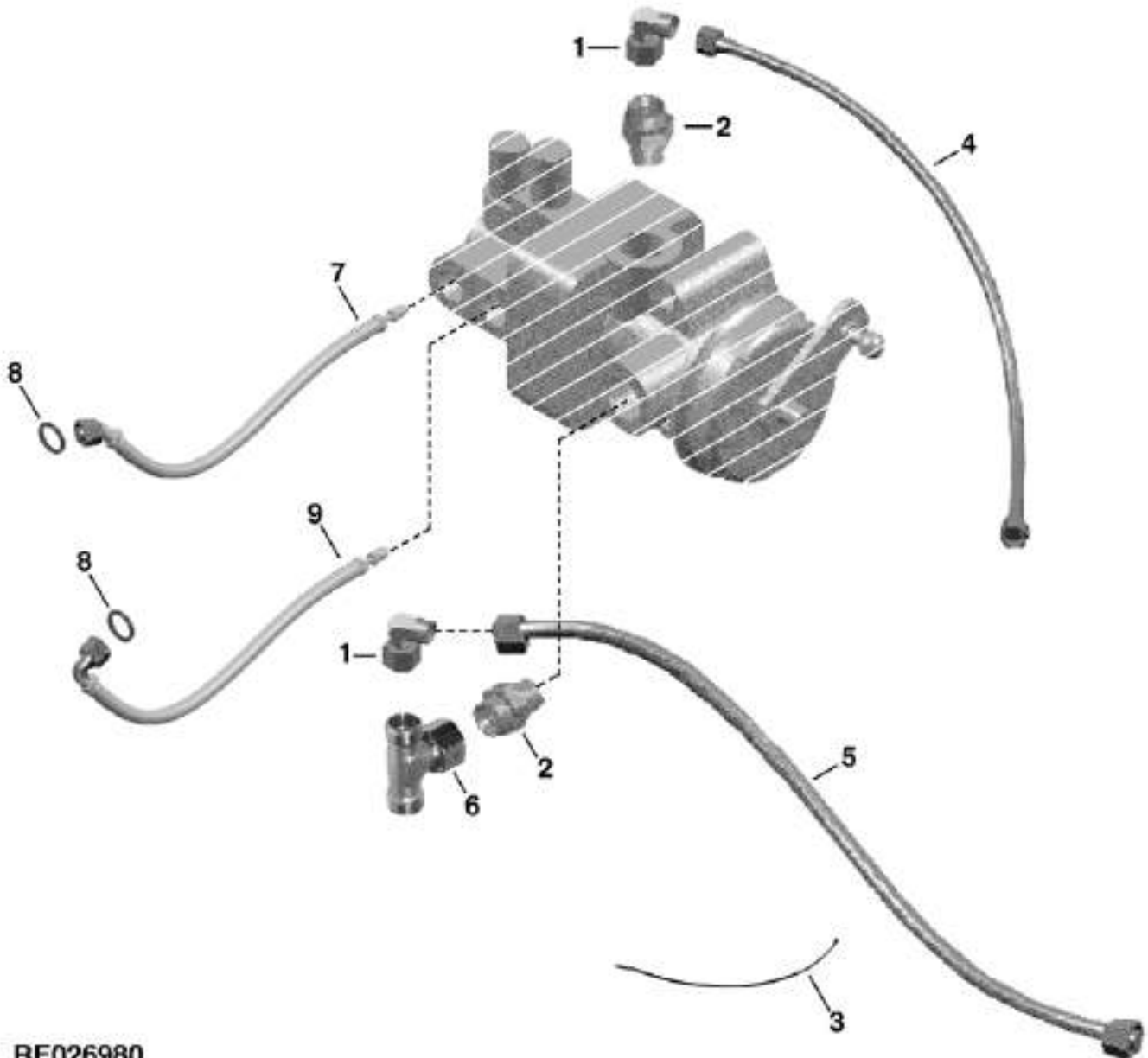
# 6H6

STEERING AND BRAKES

| KEY | PART NO. | PART NAME      | QTY | TRACTOR    |     | REMARKS |
|-----|----------|----------------|-----|------------|-----|---------|
|     |          |                |     | SERIAL NO. |     |         |
|     |          |                |     | 8          | 8   |         |
|     |          |                |     | 1          | 2   |         |
|     |          |                |     | 0          | 0   |         |
|     |          |                |     | 0          | 0   |         |
| 1   | RE54579  | ELBOW FITTING  | 2   |            | X X |         |
| 2   | RE54601  | CONNECTOR      | 2   |            | X X |         |
| 3   | R44302   | TIE BAND       | 1   |            | X X |         |
| 4   | RE57554  | LINE           | 1   |            | X X |         |
| 5   | RE57555  | LINE           | 1   |            | X X |         |
| 6   | RE54578  | TEE FITTING    | 1   |            | X X |         |
| 7   | RE67781  | HYDRAULIC HOSE | 1   |            | X X | R.H.    |
| 8   | T77613   | O-RING         | 2   |            | X X |         |
| 9   | RE67782  | HYDRAULIC HOSE | 1   |            | X X | L.H.    |

# 6H7

AIR BRAKE CONTROL VALVE LINES(EUROPEAN VERSION)(8300 010000-012566;8400 010000-012683)  
FREINS A AIR COMPRIE,CONDUITES DE SOUPEPE DE COMMANDE(V.E.)(8300 10000-12566;8400 10000-12683)  
DRUCKLUFTBREMSE, STEUERVENTILLEITUNGEN (E.A.) (8300 010000-012566; 8400 010000-012683)  
FRENO AD ARIA COMPRESSA,TUBI DELLA VALVOLA DI COMANDO(V.E.)(8300 10000-12566;8400 10000-12683)  
FRENO NEUMATICO, LINEAS DE VALVULA DE CONTROL (V. E.) (8300 010000-012566; 8400 010000-012683)  
TRYCKLUFTSBROMS, MANOEVERTENTILLEDNINGAR (E. V.) (8300 010000-012566; 8400 010000-012683)  
RE026980 -UN-20JUN96



RE026980

# 6H8

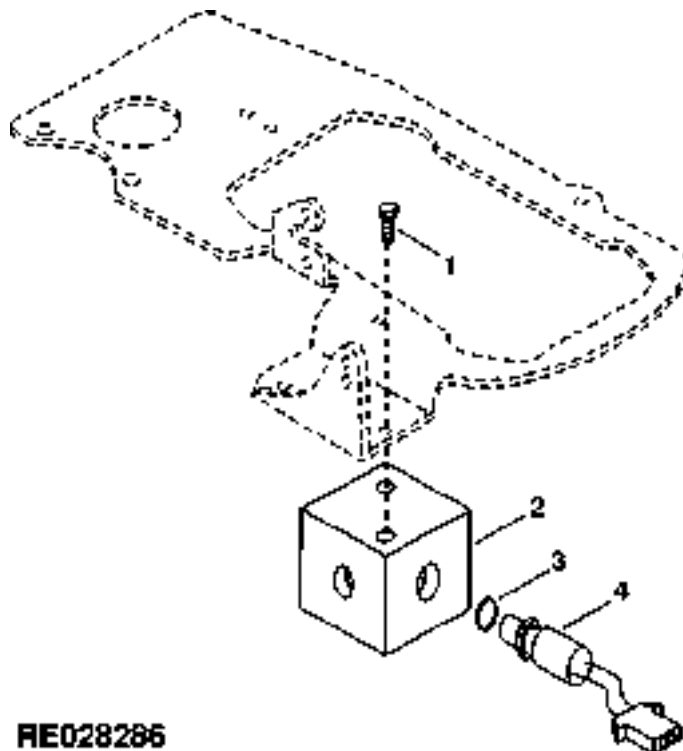
STEERING AND BRAKES

| KEY | PART NO. | PART NAME      | QTY | TRACTOR    |     | REMARKS |
|-----|----------|----------------|-----|------------|-----|---------|
|     |          |                |     | SERIAL NO. |     |         |
|     |          |                |     | 8          | 8   |         |
|     |          |                |     | 3          | 4   |         |
|     |          |                |     | 0          | 0   |         |
|     |          |                |     | 0          | 0   |         |
| 1   | RE54579  | ELBOW FITTING  | 2   |            | X X |         |
| 2   | RE54601  | CONNECTOR      | 2   |            | X X |         |
| 3   | R44302   | TIE BAND       | 1   |            | X X |         |
| 4   | RE57554  | LINE           | 1   |            | X X |         |
| 5   | RE57555  | LINE           | 1   |            | X X |         |
| 6   | RE54578  | TEE FITTING    | 1   |            | X X |         |
| 7   | RE67782  | HYDRAULIC HOSE | 1   |            | X X | L.H.    |
| 8   | T77613   | O-RING         | 2   |            | X X |         |
| 9   | RE67781  | HYDRAULIC HOSE | 1   |            | X X | R.H.    |

MEMORANDA  
MEMORANDA  
MEMORANDA  
MEMORANDA  
MEMORANDA

# 6H9

AIR BRAKE PRESSURE SWITCH MANIFOLD(E.V.)(8100 -12327;8200 -11933;8300 -12566;8400 -12683)  
 FREINS A AIR COMPRIE,COLLECTEUR DE MANOSTAT(V.E.)(8100 -12327;8200 -11933;8300 -12566;8400 -12683)  
 DRUCKLUFTBREMSE, DRUCKSCHALTERVERTEILER (E.A.)(8100 -12327;8200 -11933;8300 -12566;8400 -12683)  
 FRENO AD ARIA COMPRESSA,COLLETORE DEL PRESSOSTATO(V.E.)(81 -12327;82 -11933;83 -12566;84 -12683)  
 FRENO NEUMATICO,MULTIPLE DEL INTERRUPTOR DE PRESION(V.E.)(81 -12327;82 -11933;83 -12566;84 -12683)  
 TRYCKLUFTSBROMS,KOMMUTATOR FOER TRYCKKONTAKT(E.V.)(8100 -12327;8200 -11933;8300 -12566;8400 -12683)  
 RE028286 -UN-05SEP97

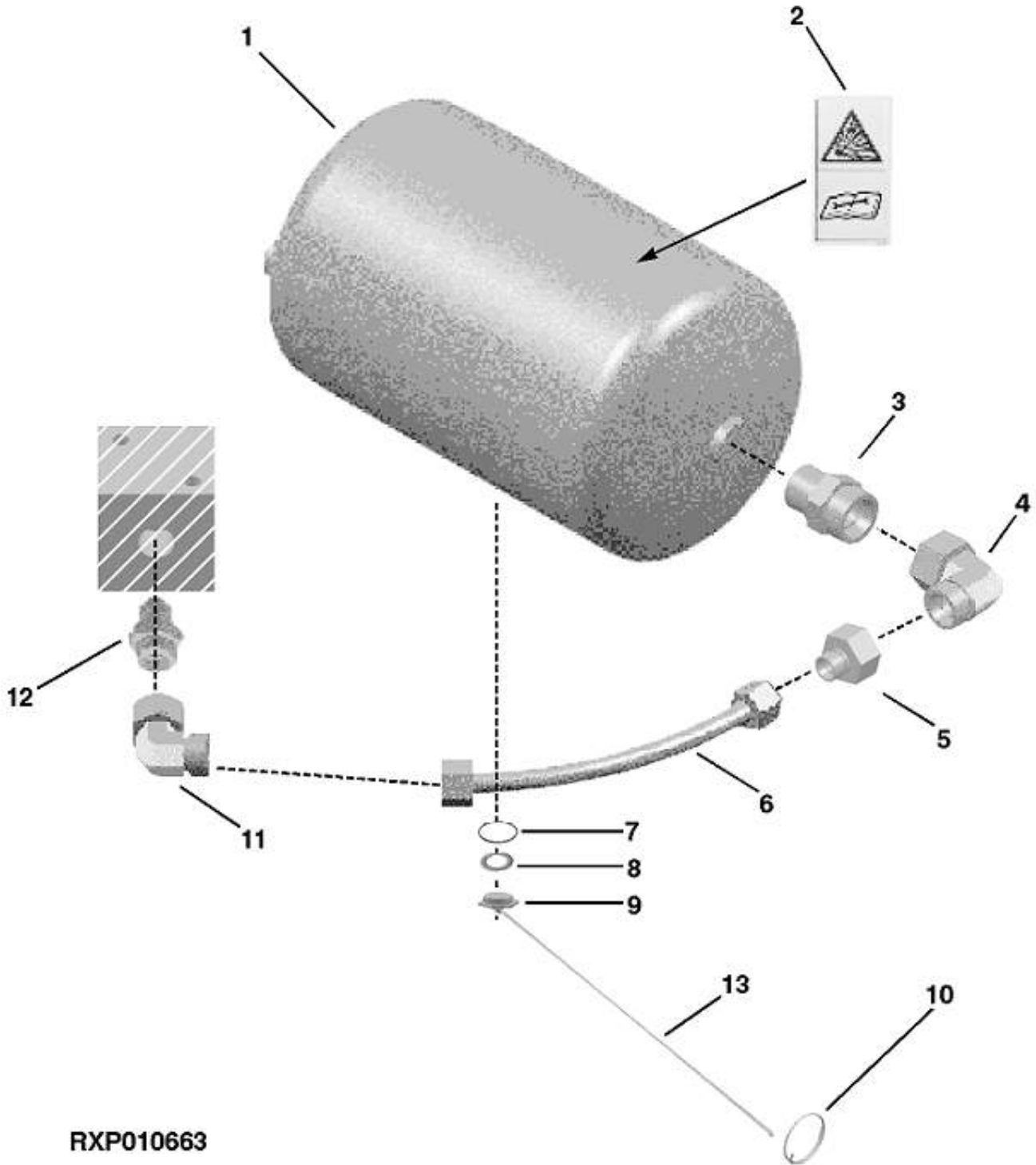


**RE028286**

| KEY | PART NO. | PART NAME       | QTY | TRACTOR<br>SERIAL NO. | A | REMARKS          |
|-----|----------|-----------------|-----|-----------------------|---|------------------|
|     |          |                 |     |                       | L |                  |
| 1   | 19M7163  | CAP SCREW       | 2   |                       | X | M8 X 25          |
| 2   | RE58479  | VALVE           | 1   |                       | X |                  |
| 3   | 51M7039  | O-RING          | 1   |                       | X | 8.100 X 1.600 MM |
| 4   | RE55363  | PRESSURE SWITCH | 1   |                       | X |                  |

# 6H10

AIR BRAKE AIR TANK (EUROPEAN VERSION)(8100 -012327;8200 -011933;8300 -012566;8400 -012683)  
FREINS A AIR COMPRIME RESERVOIR(VERSION EUROPEENNE)(81 -12327;82 -11933;83 -12566;84 -12683)  
DRUCKLUFTBREMSE, LUFTBEHAELTER(EUROPAEISCHE AUSFUEHRUNG)(81 -12327;82 -11933;83 -12566;84 -12683)  
FRENO AD ARIA COMPRESSA,SERBATOIO DELL'ARIA(V.E.)(81 -12327;82 -11933;83 -12566;84 -12683)  
FRENO NEUMATICO, DEPOSITO DE AIRE (VERSION EUROPEA)(81 -12327;82 -11933;83 -12566;84 -12683)  
TRYCKLUFTSBROMS, LUFTBEHAALLARE (EUROPEISK VERSION)(81 -12327;82 -11933;83 -12566;84 -12683)  
RXP010663 -UN-01JAN94



RXP010663

# 6H11

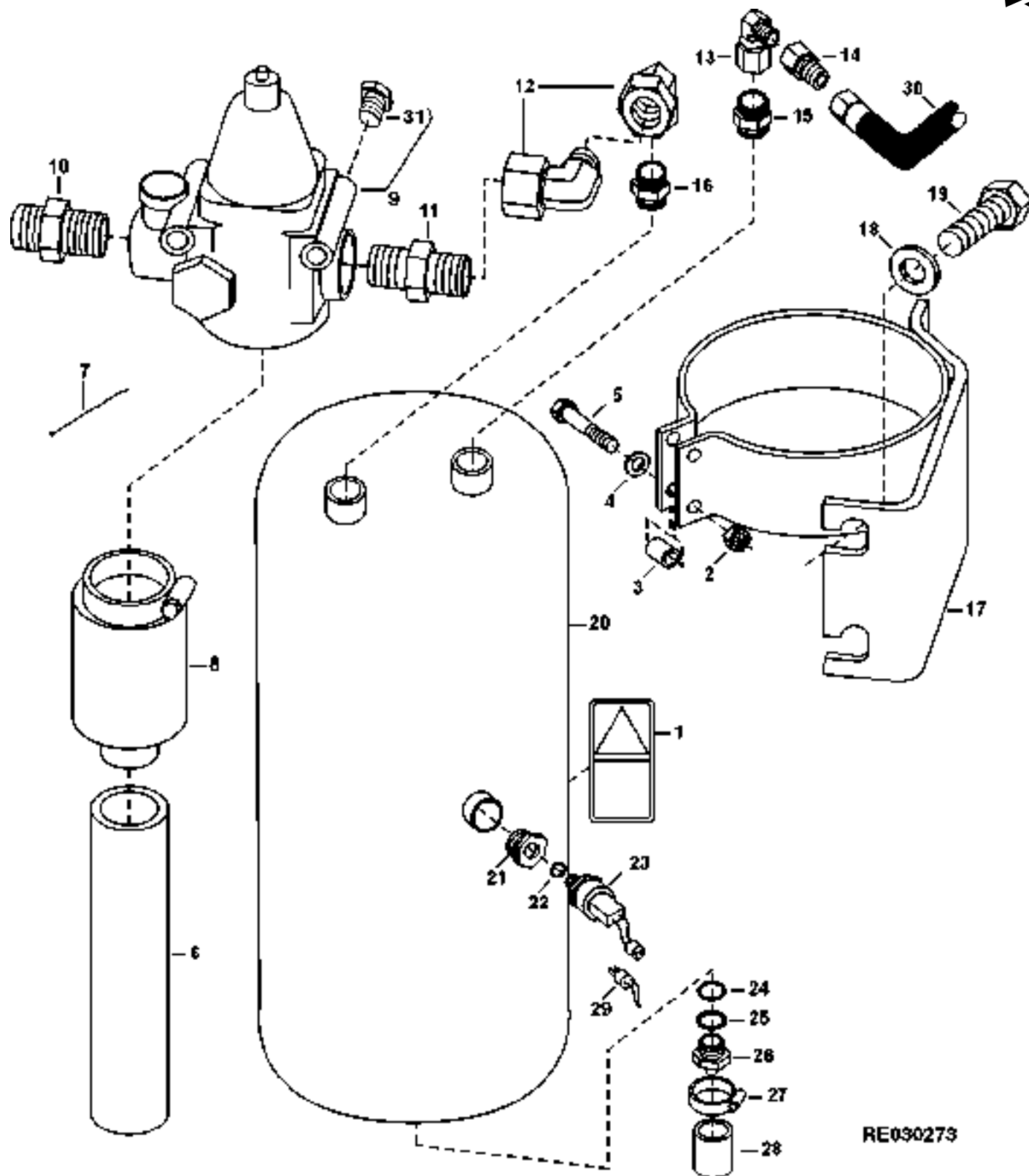
STEERING AND BRAKES

| KEY | PART NO. | PART NAME     | QTY | TRACTOR<br>SERIAL NO. | A<br>L<br>L | REMARKS           |
|-----|----------|---------------|-----|-----------------------|-------------|-------------------|
| 1   | L64185   | RESERVOIR     | 1   |                       | X           |                   |
| 2   | L113583  | LABEL         | 1   |                       | X           | (SUB FOR L65043)  |
| 3   | RE54602  | CONNECTOR     | 1   |                       | X           |                   |
| 4   | RE54581  | ELBOW FITTING | 1   |                       | X           |                   |
| 5   | RE54575  | REDUCER       | 1   |                       | X           |                   |
| 6   | RE57556  | OIL LINE      | 1   |                       | X           |                   |
| 7   | L62893   | O-RING        | 1   |                       | X           |                   |
| 8   | L63816   | WASHER        | 1   |                       | X           |                   |
| 9   | AL68589  | VALVE         | 1   |                       | X           |                   |
| 10  | R80436   | RING          | 1   |                       | X           |                   |
| 11  | RE54579  | ELBOW FITTING | 1   |                       | X           |                   |
| 12  | RE54601  | CONNECTOR     | 1   |                       | X           |                   |
| 13  | RE63899  | CABLE         | 1   |                       | X           | (SUB FOR RE60931) |

# 6H12

STEERING AND BRAKES

AIR BRAKE AIR TANK (EUROPEAN VERSION)(8100 012328- ;8200 011934- ;8300 012567- ;8400 012684- )  
FREINS A AIR COMPRIME RESERVOIR (VERSION EUROPEENNE)(81 12328- ;82 11934;83 12567- ;84 12684- )  
DRUCKLUFTBREMSE,LUFTBEHAELTER(EUROPÄISCHE AUSFUEHRUNG)(81 12328- ;82 11934- ;83 12567- ;84 12684- )  
FRENO AD ARIA COMPRESSA, SERBATOIO DELL'ARIA (V.E.)(81 12328- ;82 11934- ;83 12567- ;84 12684- )  
FRENO NEUMATICO,DEPOSITO DE AIRE (VERSION EUROPEA)(81 12328- ;82 11934- ;83 12567- ;84 12684- )  
TRYCKLUFTSBROMS, LUFTBEHAALLARE (EUROPEISK VERSION)(81 12328- ;82 11934- ;83 12567- ;8400 12684- )  
RE030273 -UN-27JAN99



RE030273



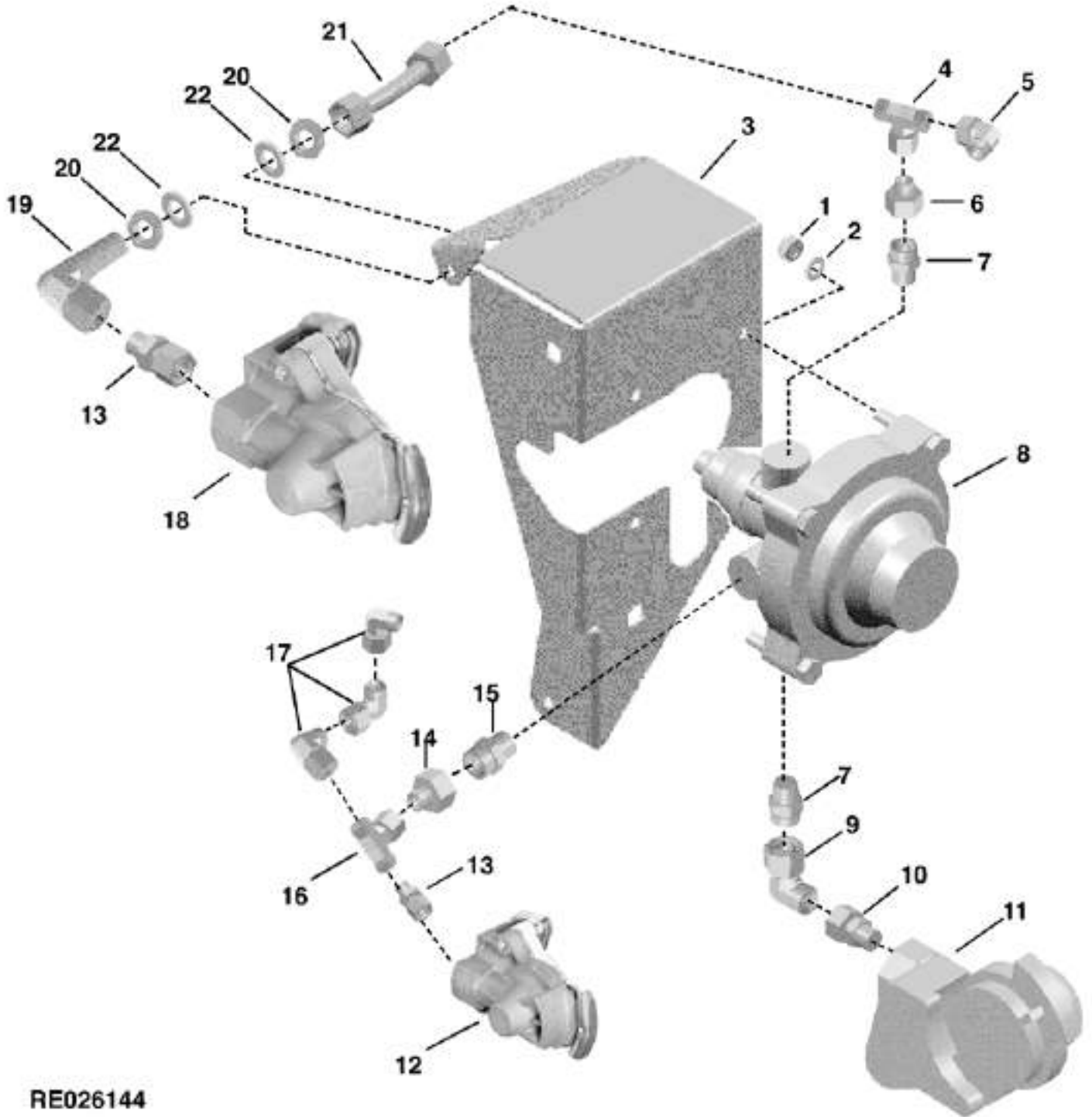
# 6H13

## STEERING AND BRAKES

| KEY | PART NO. | PART NAME      | QTY | TRACTOR<br>SERIAL NO. | A<br>L<br>L | REMARKS                   |
|-----|----------|----------------|-----|-----------------------|-------------|---------------------------|
| 1   | L113583  | LABEL          | 1   |                       | X           | (SUB FOR L65043)          |
| 2   | 14M7275  | NUT            | 2   |                       | X           | M12                       |
| 3   | 28H3457  | BUSHING        | 2   |                       | X           | 0.546" X 0.840" X 1-1/16" |
| 4   | 24M7240  | WASHER         | 4   |                       | X           | 13 X 25 X 3 MM            |
| 5   | 19M7361  | CAP SCREW      | 2   |                       | X           | M12 X 50, HS 10.9         |
| 6   | R150664  | HOSE           | 1   |                       | X           |                           |
| 7   | R44302   | TIE BAND       | 1   |                       | X           |                           |
| 8   | AL111719 | ABSORBER       | 1   |                       | X           |                           |
| 9   | AL112538 | REGULATOR      | 1   | -XXXXXX               | X           |                           |
|     | L41079   | PIPE PLUG      | 1   |                       | X           |                           |
|     | L64173   | O-RING         | 1   |                       | X           |                           |
|     | L64413   | SEAL           | 1   |                       | X           |                           |
|     | RE159802 | CONTROL VALVE  | 1   | XXXXXX-               | X           |                           |
| 10  | RE58382  | FITTING        | 1   |                       | X           |                           |
| 11  | RE54582  | CONNECTOR      | 1   |                       | X           |                           |
| 12  | RE54581  | ELBOW FITTING  | 2   |                       | X           |                           |
| 13  | RE54579  | ELBOW FITTING  | 1   |                       | X           |                           |
| 14  | RE150903 | REDUCER        | 1   |                       | X           |                           |
| 15  | RE150839 | CONNECTOR      | 1   |                       | X           |                           |
| 16  | RE54602  | CONNECTOR      | 1   |                       | X           |                           |
| 17  | RE150778 | BRACKET        | 1   |                       | X           |                           |
| 18  | 24M7344  | WASHER         | 2   |                       | X           | 22 X 37 X 3 MM            |
| 19  | 19M7946  | CAP SCREW      | 2   |                       | X           | M20 X 40, HS 10.9         |
| 20  | AL111802 | RESERVOIR      | 1   |                       | X           |                           |
| 21  | RE150663 | CONNECTOR      | 1   |                       | X           |                           |
| 22  | 51M7040  | O-RING         | 1   |                       | X           | 9.300 X 2.200 MM          |
| 23  | RE150606 | SWITCH         | 1   |                       | X           |                           |
| 24  | L62893   | O-RING         | 1   |                       | X           |                           |
| 25  | L63816   | WASHER         | 1   |                       | X           |                           |
| 26  | AL68589  | VALVE          | 1   |                       | X           |                           |
| 27  | TY22467  | CLAMP          | 1   |                       | X           |                           |
| 28  | R150662  | HOSE           | 1   |                       | X           |                           |
| 29  | RE150545 | WIRING HARNESS | 1   |                       | X           |                           |
| 30  | RE150840 | LINE           | 1   |                       | X           |                           |
| 31  | RE159805 | PLUG           | 1   | XXXXXX-               | X           |                           |

# 6H14

AIR BRAKE COUPLERS (EUROPEAN VERSION)(8100 -012327;8200 -011933;8300 -012566; 8400 -012683)  
FREINS A AIR COMPRIE, RACCORDS (VERSION EUROPEENNE)(81 -12327;82 -11933;83 -12566;8400 -12683)  
DRUCKLUFTBREMSE, KUPPLUNGEN (EUROPAEISCHE AUSFUEHRUNG) (81 -12327;82 -11933;83 -12566;84 -12683)  
FRENO AD ARIA COMPRESSA,RACCORDI(VERSIONE EUROPEA)(81 -12327;82 -11933;83 -12566;84 -12683)  
FRENO NEUMATICO, ACOPLADORES(VERSION EUROPEA)(8100 -12327;8200 -11933;8300 -12566;8400 -12683)  
TRYCKLUFTSBROMS, KOPPLINGAR (EUROPEISK VERSION) (81 -12327;82 -11933;83 -12566;8400 -12683)  
RE026144 -UN-13MAR95



RE026144

# 6H15

STEERING AND BRAKES

| KEY | PART NO. | PART NAME      | QTY | TRACTOR<br>SERIAL NO. | A<br>L<br>L | REMARKS            |
|-----|----------|----------------|-----|-----------------------|-------------|--------------------|
| 1   | 14M7274  | NUT            | 4   |                       | X           | M10                |
| 2   | 24M7028  | WASHER         | 4   |                       | X           | 10.500 X 20 X 2 MM |
| 3   | R125324  | SUPPORT        | 1   |                       | X           |                    |
| 4   | RE54578  | TEE FITTING    | 1   |                       | X           |                    |
| 5   | RE54579  | ELBOW FITTING  | 1   |                       | X           |                    |
| 6   | RE54575  | REDUCER        | 1   |                       | X           |                    |
| 7   | RE150839 | CONNECTOR      | 2   |                       | X           |                    |
| 8   | AL68577  | VALVE          | 1   |                       | X           |                    |
| 9   | RE54581  | ELBOW FITTING  | 1   |                       | X           |                    |
| 10  | RE54582  | CONNECTOR      | 1   |                       | X           |                    |
| 11  | AL68573  | HITCH COUPLING | 1   |                       | X           | (A)                |
| 12  | AL68572  | HITCH COUPLING | 1   |                       | X           | (B)                |
| 13  | RE54583  | CONNECTOR      | 2   |                       | X           |                    |
| 14  | RE54575  | REDUCER        | 1   |                       | X           |                    |
| 15  | RE54602  | CONNECTOR      | 1   |                       | X           |                    |
| 16  | RE54578  | TEE FITTING    | 1   |                       | X           |                    |
| 17  | RE54579  | ELBOW FITTING  | 2   |                       | X           |                    |
| 18  | AL68571  | HITCH COUPLING | 1   |                       | X           | (C)                |
| 19  | RE54573  | ELBOW FITTING  | 1   |                       | X           |                    |
| 20  | 14M7209  | NUT            | 2   |                       | X           | M18                |
| 21  | RE60934  | HOSE           | 1   |                       | X           |                    |
| 22  | R63667   | WASHER         | 2   |                       | X           |                    |

(A) BLACK  
NOIR  
SCHWARZ  
NERO  
NEGRO  
SVART

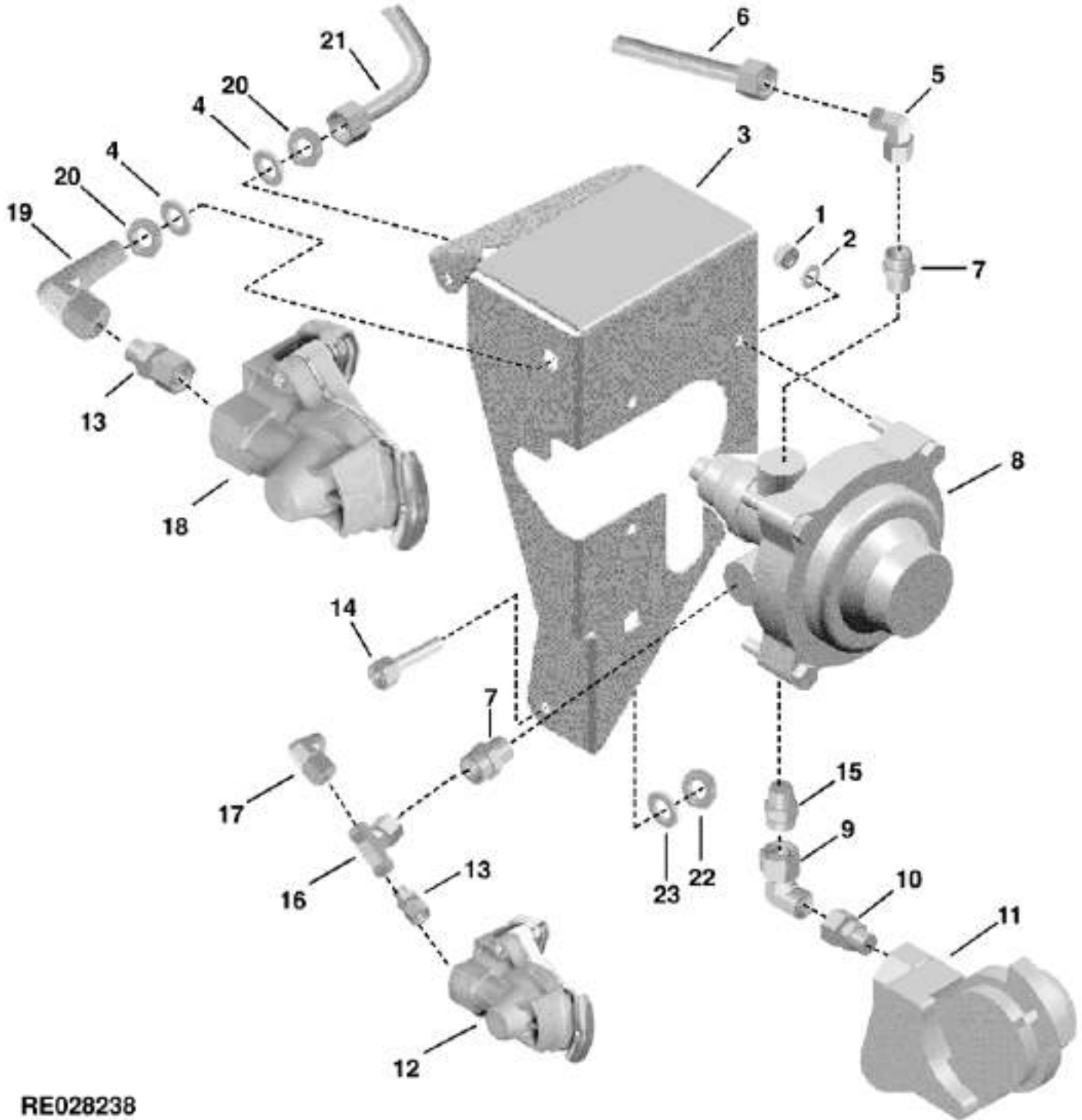
(B) YELLOW  
JAUNE  
GELB  
GIALLO  
AMARILLO  
GUL

(C) RED  
ROUGE  
ROT  
ROSSO  
ROJO  
ROED

# 6H16

STEERING AND BRAKES

AIR BRAKE COUPLERS (EUROPEAN VERSION)(8100 012328- ;8200 011934- ;8300 012567- ; 8400 012684- )  
FREINS A AIR COMPRIE, RACCORDS (VERSION EUROPEENNE)(81 12328- ;82 11934- ;83 12567- ;84 12684- )  
DRUCKLUFTBREMSE, KUPPLUNGEN (EUROPAEISCHE AUSFUEHRUNG)(81 12328- ;82 11934- ;83 12567- ;84 12684- )  
FRENO AD ARIA COMPRESSA, RACCORDI (VERSIONE EUROPEA)(81 12328- ;82 11934- ;83 12567- ;84 12684- )  
FRENO NEUMATICO, ACOPLADORES (VERSION EUROPEA) (81 12328- ;82 11934- ;83 12567- ;84 12684- )  
TRYCKLUFTSBROMS, KOPPLINGAR (EUROPEISK VERSION) (81 12328- ;82 11934- ;83 12567- ;84 12684- )  
RE028238 -UN-11SEP97



RE028238

# 6H17

## STEERING AND BRAKES

| KEY | PART NO. | PART NAME      | QTY | TRACTOR<br>SERIAL NO. | A<br>L<br>L | REMARKS            |
|-----|----------|----------------|-----|-----------------------|-------------|--------------------|
| 1   | 14M7274  | NUT            | 4   |                       | X           | M10                |
| 2   | 24M7028  | WASHER         | 4   |                       | X           | 10.500 X 20 X 2 MM |
| 3   | R125324  | SUPPORT        | 1   |                       | X           |                    |
| 4   | R63667   | WASHER         | 2   |                       | X           |                    |
| 5   | RE54579  | ELBOW FITTING  | 1   |                       | X           |                    |
| 6   | RE150843 | HOSE           | 1   |                       | X           |                    |
| 7   | RE150839 | CONNECTOR      | 2   |                       | X           |                    |
| 8   | AL68577  | VALVE          | 1   |                       | X           |                    |
| 9   | RE54581  | ELBOW FITTING  | 1   |                       | X           |                    |
| 10  | RE54582  | CONNECTOR      | 1   |                       | X           |                    |
| 11  | AL68573  | HITCH COUPLING | 1   |                       | X           | (A)                |
| 12  | AL68572  | HITCH COUPLING | 1   |                       | X           | (B)                |
| 13  | RE54583  | CONNECTOR      | 2   |                       | X           |                    |
| 14  | 19M7550  | CAP SCREW      | 2   |                       | X           | M10 X 35, HS 10.9  |
| 15  | RE54602  | CONNECTOR      | 1   |                       | X           |                    |
| 16  | RE54578  | TEE FITTING    | 1   |                       | X           |                    |
| 17  | RE54579  | ELBOW FITTING  | 2   |                       | X           |                    |
| 18  | AL68571  | HITCH COUPLING | 1   |                       | X           | (C)                |
| 19  | RE54573  | ELBOW FITTING  | 1   |                       | X           |                    |
| 20  | 14M7209  | NUT            | 2   |                       | X           | M18                |
| 21  | RE150842 | HOSE           | 1   |                       | X           |                    |
| 22  | 14M7274  | NUT            | 2   |                       | X           | M10                |
| 23  | 24M7346  | WASHER         | 4   |                       | X           | 11 X 20 X 2 MM     |

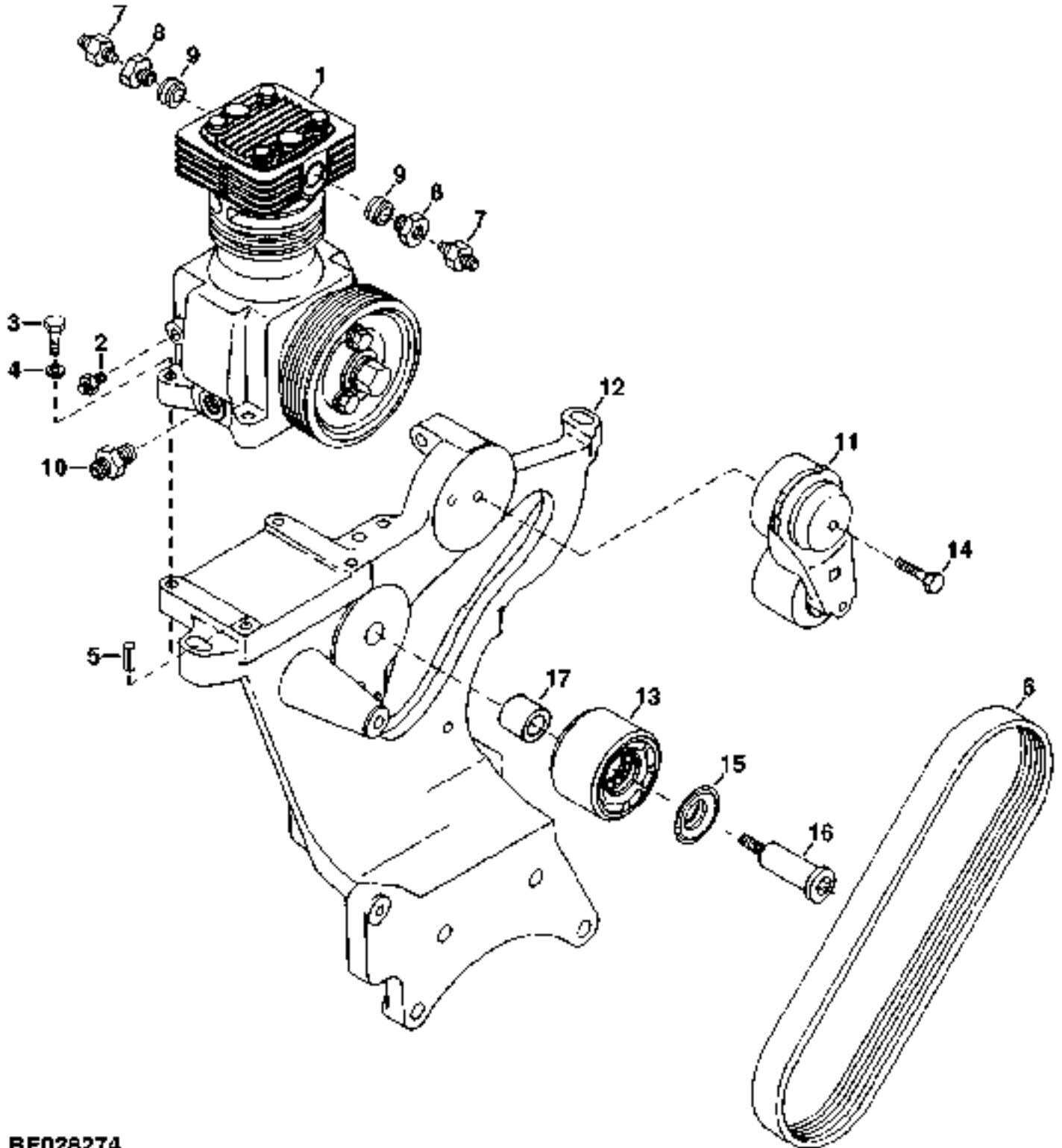
(A) BLACK  
NOIR  
SCHWARZ  
NERO  
NEGRO  
SVART

(B) YELLOW  
JAUNE  
GELB  
GIALLO  
AMARILLO  
GUL

(C) RED  
ROUGE  
ROT  
ROSSO  
ROJO  
ROED

# 6H18

AIR BRAKE AIR COMPRESSOR (EUROPEAN VERSION)  
FREINS A AIR COMPRIE, COMPRESSEUR (VERSION EUROPEENNE)  
DRUCKLUFTBREMSE, KOMPRESSOR (EUROPAEISCHE AUSFUEHRUNG)  
FRENO AD ARIA COMPRESSA, COMPRESSORE (VERSIONE EUROPEA)  
FRENO NEUMATICO, COMPRESOR DE AIRE (VERSION EUROPEA)  
TRYCKLUFTSBROMS, KOMPRESSOR (EUROPEISK VERSION)  
RE028274 -UN-27AUG97



RE028274

# 6H19

STEERING AND BRAKES

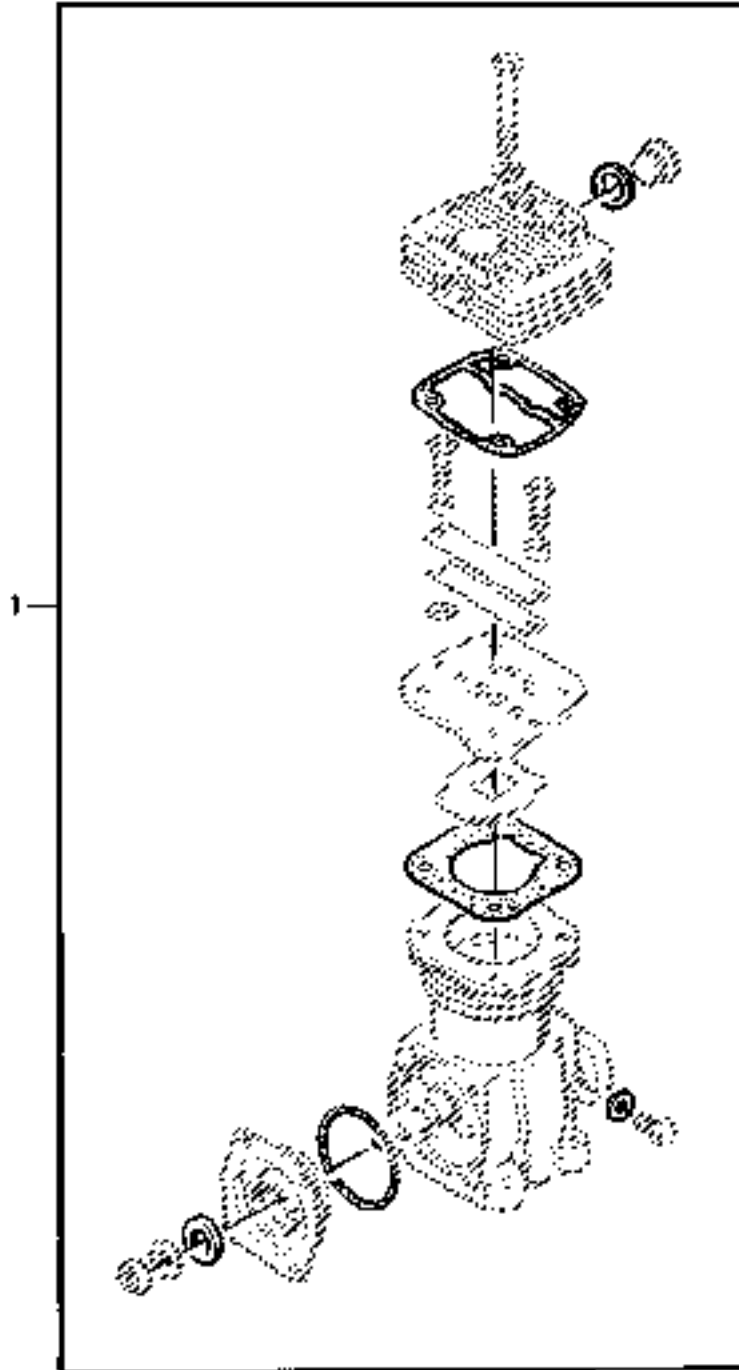
| KEY | PART NO. | PART NAME   | QTY | TRACTOR<br>SERIAL NO. | A<br>L<br>L | REMARKS           |
|-----|----------|-------------|-----|-----------------------|-------------|-------------------|
| 1   | RE58386  | COMPRESSOR  | 1   |                       | X           |                   |
|     | AL113954 | GASKET KIT  | 1   |                       | X           |                   |
| 2   | RE54603  | CONNECTOR   | 1   |                       | X           |                   |
| 3   | 19M8300  | SCREW       | 4   |                       | X           | M8 X 40           |
| 4   | 24M7336  | WASHER      | 4   |                       | X           | 9 X 16 X 1.600 MM |
| 5   | 34M7189  | SPRING PIN  | 2   |                       | X           | 11 X 8 MM         |
| 6   | R124786  | BELT        | 1   |                       | X           |                   |
| 7   | N112193  | ADAPTER     | 2   |                       | X           |                   |
| 8   | R117153  | ADAPTER     | 2   |                       | X           |                   |
| 9   | R117307  | RING        | 2   |                       | X           |                   |
| 10  | RE58382  | FITTING     | 1   |                       | X           |                   |
| 11  | RE57498  | TIGHTENER   | 1   |                       | X           |                   |
| 12  | R121379  | SUPPORT     | 1   |                       | X           |                   |
| 13  | RE68722  | PULLEY      | 1   |                       | X           | (SUB FOR RE51281) |
| 14  | 19M7810  | SCREW       | 1   |                       | X           | M10 X 80, HS 10.9 |
| 15  | R114837  | DUST SHIELD | 1   |                       | X           |                   |
| 16  | R120143  | BOLT        | 1   |                       | X           |                   |
| 17  | T14386   | BUSHING     | 1   |                       | X           |                   |

# 6H20

STEERING AND BRAKES

GASKET KIT FOR AIR COMPRESSOR (TRAILER AIR BRAKE)  
JEU DE JOINTS POUR COMPRESSEUR (FREIN PNEUMATIQUE DE REMORQUE)  
DICHTUNGSSATZ FÜR LUFTKOMPRESSOR (DRUCKLUFT-ANHAENGERBREMSE)  
SERIE GUARNIZIONI PER COMPRESSORE ARIA (FRENOTURA PNEUMATICA RIMORCHIO)  
JUEGO DE JUNTAS PARA COMPRESOR DE AIRE (FRENO NEUMATICO PARA REMOLQUE)  
PACKNINGSSATS FOR LUFTKOMPRESSOR (TRYCKLUFTVAGNSBROMS)

LX016556 -UN-24JUL97



**LX016556**



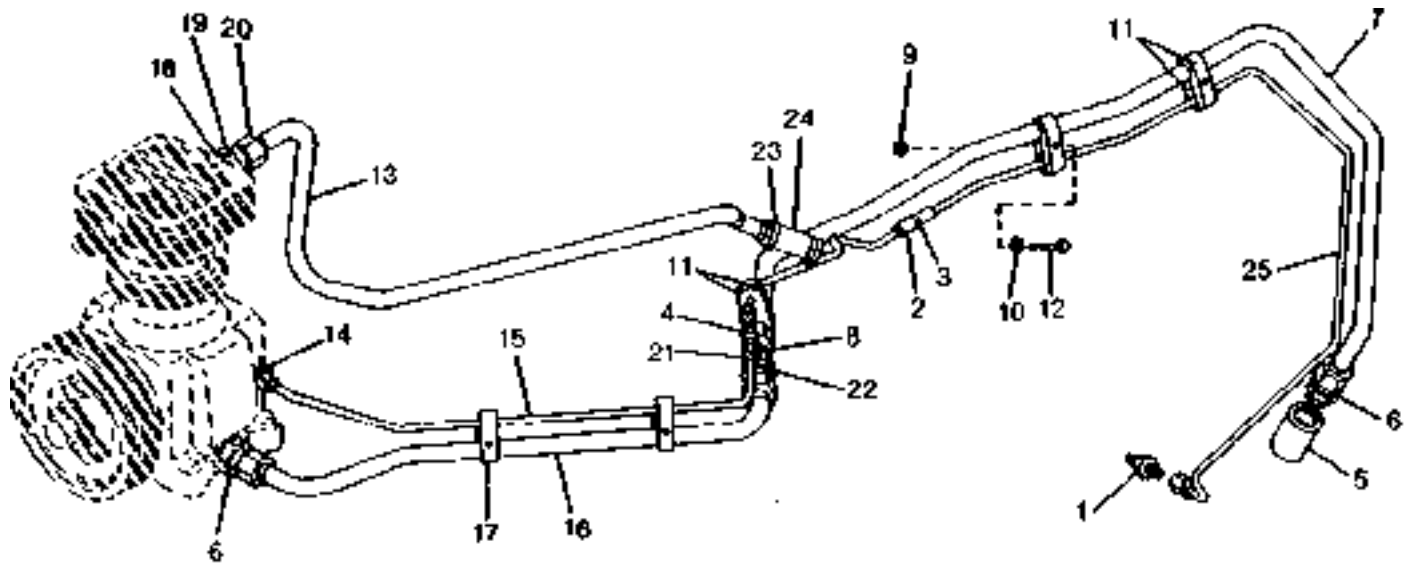
# 6H21

STEERING AND BRAKES

| KEY | PART NO. | PART NAME  | QTY | TRACTOR<br>SERIAL NO. | A<br>L<br>L | REMARKS |
|-----|----------|------------|-----|-----------------------|-------------|---------|
| 1   | AL113954 | GASKET KIT | 1   |                       | X           |         |

# 6H22

AIR BRAKE LINES (FRONT) (EUROPEAN VERSION) (8100,8200,8300 -009999)  
CONDUITE DE FREIN A AIR COMPRI ME (AVANT) (VERSION EUROPEENNE) (8100,8200,8300 -009999)  
DRUCKLUFTBREMSLEITUNG (VORN) (EUROPAEISCHE AUSFUEHRUNG) (8100,8200,8300 -009999)  
LINEA DEL FRENO AD ARIA COMPRESSA (ANTERIORE) (VERSIONE EUROPEA) (8100,8200,8300 -009999)  
LINEA DE FRENOS NEUMATICOS (FRENTE) (VERSION EUROPEA) (8100,8200,8300 -009999)  
TRYCKLUFTSBROMSLEDNING (FRAM) (EUROPEISK VERSION) (8100,8200,8300 -009999)  
RXP011238 -UN-01JAN94



RXP011238

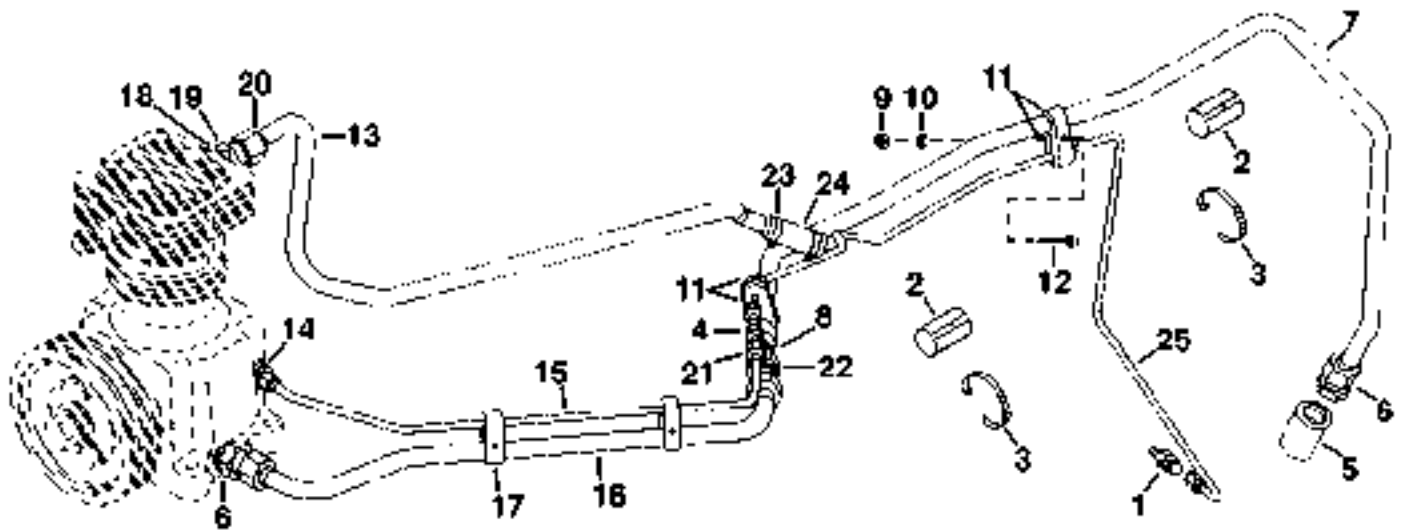
# 6H23

STEERING AND BRAKES

| KEY | PART NO. | PART NAME     | QTY | TRACTOR SERIAL NO. |   |   | REMARKS               |
|-----|----------|---------------|-----|--------------------|---|---|-----------------------|
|     |          |               |     | 8                  | 8 | 8 |                       |
|     |          |               |     | 1                  | 2 | 3 |                       |
|     |          |               |     | 0                  | 0 | 0 |                       |
|     |          |               |     | 0                  | 0 | 0 |                       |
| 1   | R35352   | FITTING       | 1   | X                  | X | X |                       |
| 2   | H23941   | ISOLATOR      | 1   | X                  | X | X |                       |
| 3   | R44302   | TIE BAND      | 1   | X                  | X | X |                       |
| 4   | H33795   | UNION FITTING | 1   | X                  | X | X |                       |
| 5   | R121835  | ADAPTER       | 1   | X                  | X | X |                       |
| 6   | RE58382  | FITTING       | 2   | X                  | X | X |                       |
| 7   | RE60886  | LINE          | 1   | X                  | X | X |                       |
| 8   | R35717   | FITTING       | 1   | X                  | X | X |                       |
| 9   | 14M7272  | NUT           | 2   | X                  | X | X | M6                    |
| 10  | 24M7088  | WASHER        | 2   | X                  | X | X | 6.600 X 12 X 1.600 MM |
| 11  | R122318  | CLAMP         | 4   | X                  | X | X |                       |
| 12  | 19M7833  | SCREW         | 2   | X                  | X | X | M6 X 35, HS 10.9      |
| 13  | RE60872  | LINE          | 1   | X                  | X | X |                       |
| 14  | RE54603  | CONNECTOR     | 1   | X                  | X | X |                       |
| 15  | RE60885  | LINE          | 1   | X                  | X | X |                       |
| 16  | RE60883  | LINE          | 1   | X                  | X | X |                       |
| 17  | R122318  | CLAMP         | 6   | X                  | X | X |                       |
|     | 24M7088  | WASHER        | 3   | X                  | X | X | 6.600 X 12 X 1.600 MM |
|     | 14M7272  | NUT           | 3   | X                  | X | X | M6                    |
|     | 19M7833  | SCREW         | 3   | X                  | X | X | M6 X 35, HS 10.9      |
| 18  | R117307  | RING          | 1   | X                  | X | X |                       |
| 19  | R117153  | ADAPTER       | 1   | X                  | X | X |                       |
| 20  | N112193  | ADAPTER       | 1   | X                  | X | X |                       |
| 21  | H33795   | UNION FITTING | 1   | X                  | X | X |                       |
| 22  | R35717   | FITTING       | 1   | X                  | X | X |                       |
| 23  | TY22465  | CLAMP         | 2   | X                  | X | X | (SUB FOR AR21837)     |
| 24  | R122611  | HOSE          | 1   | X                  | X | X |                       |
| 25  | RE60876  | LINE          | 1   | X                  | X | X |                       |

# 6H24

AIR BRAKE LINES (FRONT) (EUROPEAN VERSION) (8100,8200,8300 010000- ; 8400 001000- )  
CONDUITE DE FREIN A AIR COMPRI ME(AVANT)(VERSION EUROPEENE)(8100,8200,8300 010000- ;8400 001000- )  
DRUCKLUFTBREMSLEITUNG (VORN) (EUROPAEISCHE AUSFUEHRUNG) 8100,8200,8300 010000- ;8400 001000- )  
LINEA DEL FRENO AD ARIA COMPRESSA(ANTERIORE)(VERSIONE EUROPEA)8100,8200,8300 010000- ;8400 001000- )  
LINEA DE FRENOS NEUMATICOS (FRENTE) (VERSIONE EUROPEA) (8100,8200,8300 010000- ;8400 001000- )  
TRYCKLUFTSBROMSLEDNING (FRAM) (EUROPEISK VERSION) 8100,8200,8300 010000- ; 8400 001000- )  
RE026982 -UN-21JUN96



RE026982

# 6H25

## STEERING AND BRAKES

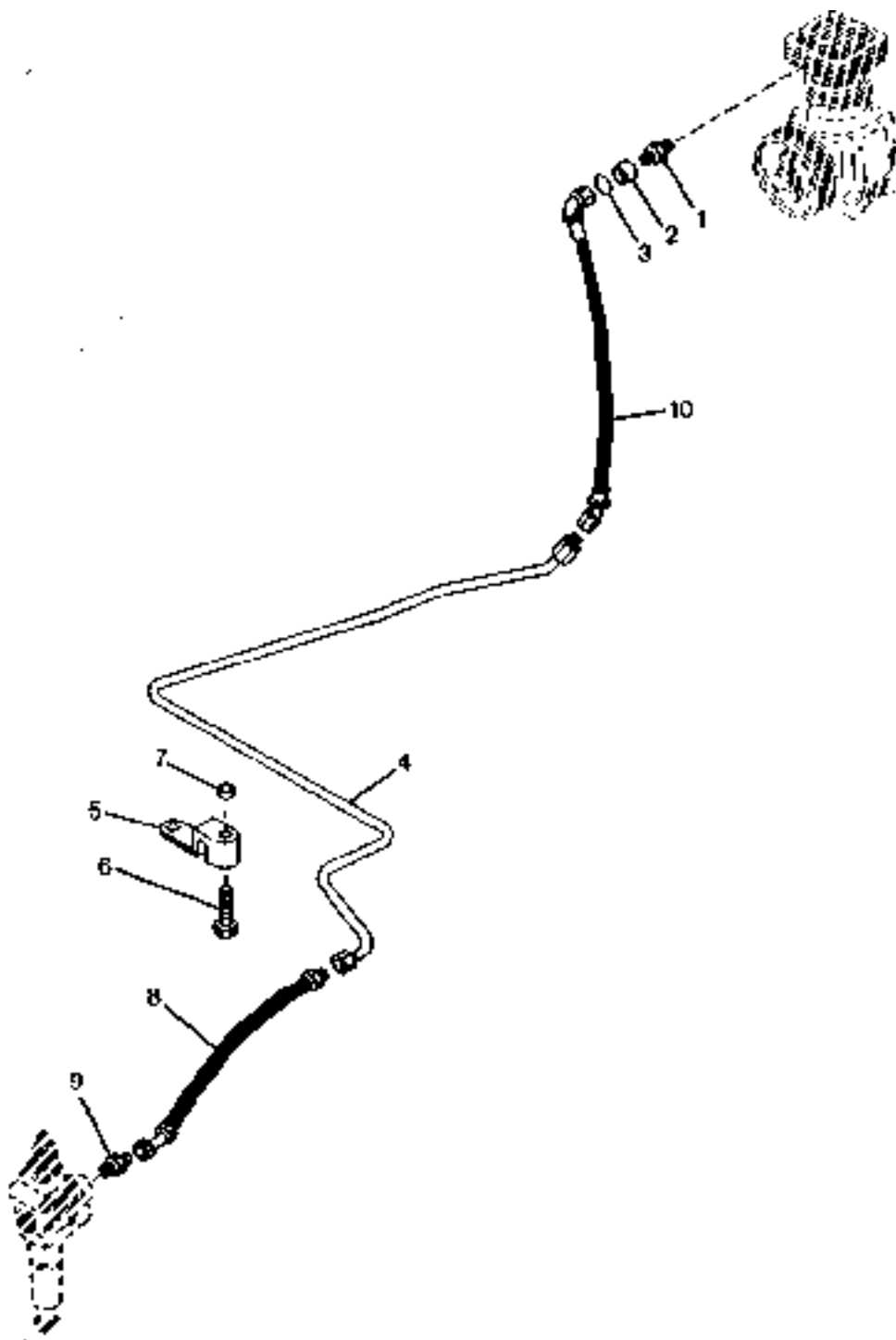
| KEY | PART NO. | PART NAME     | QTY | TRACTOR<br>SERIAL NO. | A | REMARKS               |
|-----|----------|---------------|-----|-----------------------|---|-----------------------|
|     |          |               |     |                       | L |                       |
| 1   | R35352   | FITTING       | 1   |                       | X |                       |
| 2   | H23941   | ISOLATOR      | 2   |                       | X |                       |
| 3   | R44302   | TIE BAND      | 2   |                       | X |                       |
| 4   | H33795   | UNION FITTING | 1   |                       | X |                       |
| 5   | R121835  | ADAPTER       | 1   |                       | X |                       |
| 6   | RE58382  | FITTING       | 2   |                       | X |                       |
| 7   | RE60886  | LINE          | 1   |                       | X | (B)                   |
| 8   | R35717   | FITTING       | 1   |                       | X |                       |
| 9   | 14M7272  | NUT           | 2   |                       | X | M6                    |
| 10  | 24M7088  | WASHER        | 2   |                       | X | 6.600 X 12 X 1.600 MM |
| 11  | R122318  | CLAMP         | 4   |                       | X |                       |
| 12  | 19M7833  | SCREW         | 2   |                       | X | M6 X 35, HS 10.9      |
| 13  | RE60872  | LINE          | 1   |                       | X |                       |
| 14  | RE54603  | CONNECTOR     | 1   |                       | X |                       |
| 15  | RE60885  | LINE          | 1   |                       | X |                       |
| 16  | RE60883  | LINE          | 1   |                       | X |                       |
| 17  | R122318  | CLAMP         | 4   |                       | X |                       |
|     | 24M7088  | WASHER        | 2   |                       | X | 6.600 X 12 X 1.600 MM |
|     | 14M7272  | NUT           | 2   |                       | X | M6                    |
|     | 19M7833  | SCREW         | 2   |                       | X | M6 X 35, HS 10.9      |
| 18  | R117307  | RING          | 1   |                       | X |                       |
| 19  | R117153  | ADAPTER       | 1   |                       | X |                       |
| 20  | N112193  | ADAPTER       | 1   |                       | X |                       |
| 21  | H33795   | UNION FITTING | 1   |                       | X |                       |
| 22  | R35717   | FITTING       | 1   |                       | X |                       |
| 23  | TY22465  | CLAMP         | 2   |                       | X | (SUB FOR AR21837)     |
| 24  | R122611  | HOSE          | 1   |                       | X | (SUB FOR RE61919)     |
| 25  | RE153099 | LINE          | 1   |                       | X | (A)                   |
| 26  | H23941   | ISOLATOR      | 1   |                       | X |                       |

(A) PRESSURE  
 PRESSION  
 DRUCK  
 PRESSIONE  
 PRESION  
 TRYCK

(B) RETURN  
 RETOUR  
 RUECKLAUF  
 RITORNO  
 RITORNO  
 RETUR

AIR BRAKE LINES (REAR) (EUROPEAN VERSION) (8100,8200,8300,8400 -009999)  
 CONDUITE DE FREIN A AIR COMPRIE (ARRIERE) (VERSION EUROPEENNE) (8100,8200,8300,8400 -009999)  
 DRUCKLUFTBREMSLEITUNG (HINTEN) (EUROPAEISCHE AUSFUEHRUNG) (8100,8200,8300,8400 -009999)  
 LINEA DEL FRENO AD ARIA COMPRESSA (POSTERIORE) (VERSIONE EUROPEA) (8100,8200,8300,8400 -009999)  
 LINEA DE FRENOS NEUMATICOS (TRASERO) (VERSION EUROPEA) (8100,8200,8300,8400 -009999)  
 TRYCKLUFTSBROMSLEDNING (BAK) (EUROPEISK VERSION) (8100,8200,8300,8400 -009999)

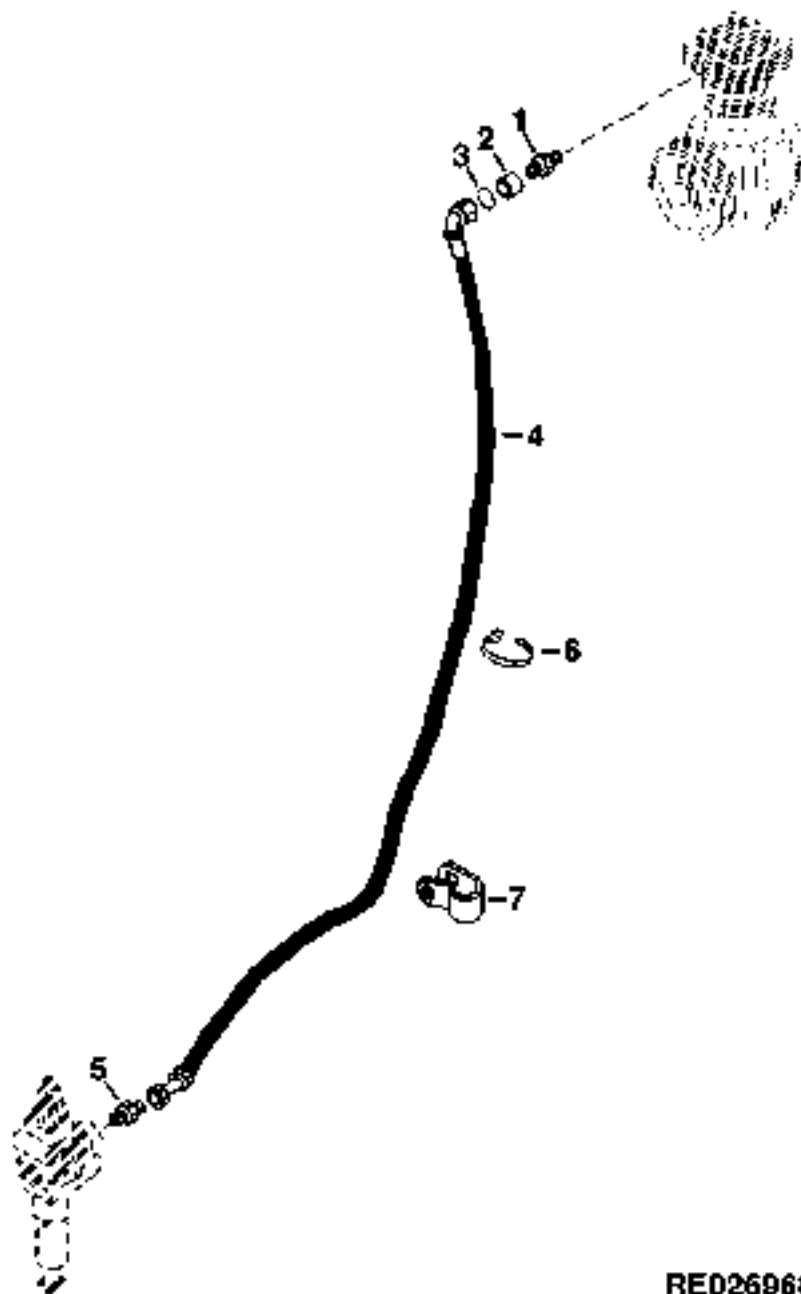
RXP011240 -UN-01JAN94



RXP011240

| KEY | PART NO. | PART NAME | QTY | TRACTOR<br>SERIAL NO. | A | REMARKS           |
|-----|----------|-----------|-----|-----------------------|---|-------------------|
|     |          |           |     |                       | L |                   |
| 1   | N112193  | ADAPTER   | 1   |                       | X |                   |
| 2   | R117153  | ADAPTER   | 1   |                       | X |                   |
| 3   | R117307  | RING      | 1   |                       | X |                   |
| 4   | RE60889  | LINE      | 1   |                       | X |                   |
| 5   | H112162  | CLAMP     | 1   |                       | X |                   |
| 6   | 37M7103  | SCREW     | 1   |                       | X | M8 X 45           |
| 7   | T131169  | SPACER    | 1   |                       | X |                   |
| 8   | RE66566  | HOSE      | 1   |                       | X | (SUB FOR RE60932) |
| 9   | RE58382  | FITTING   | 1   |                       | X |                   |
| 10  | RE60937  | HOSE      | 1   |                       | X |                   |

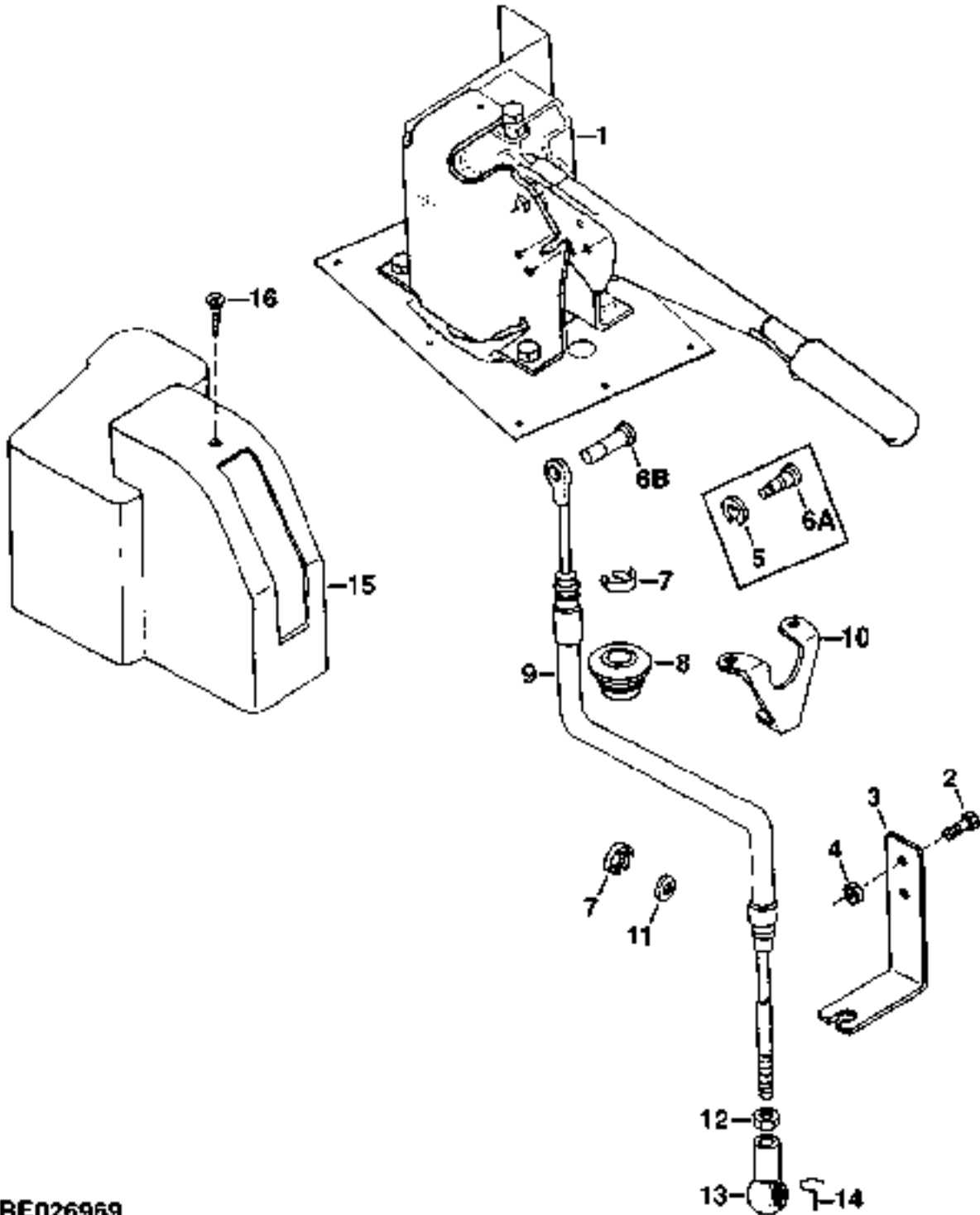
AIR BRAKE LINE (REAR) (EUROPEAN VERSION) (8100,8200,8300,8400 010000- )  
 CONDUITE DE FREIN A AIR COMPRIE (ARRIERE) (VERSION EUROPEENNE) (8100,8200,8300,8400 010000- )  
 DRUCKLUFTBREMSLEITUNG (HINTEN) (EUROPAEISCHE AUSFUEHRUNG) (8100,8200,8300,8400 010000- )  
 LINEA DEL FRENO AD ARIA COMPRESSA (POSTERIORE) (VERSIONE EUROPEA) (8100,8200,8300,8400 010000- )  
 LINEA DE FRENOS NEUMATICOS (TRASERO) (VERSION EUROPEA) (8100,8200,8300,8400 010000- )  
 TRYCKLUFTSBROMSLEDNING (BAK) (EUROPEISK VERSION) (8100,8200,8300,8400 010000- )  
 RE026968 -UN-19JUN96





| KEY | PART NO. | PART NAME | QTY | TRACTOR<br>SERIAL NO. | A<br>L<br>L | REMARKS |
|-----|----------|-----------|-----|-----------------------|-------------|---------|
| 1   | N112193  | ADAPTER   | 1   |                       | X           |         |
| 2   | R117153  | ADAPTER   | 1   |                       | X           |         |
| 3   | R117307  | RING      | 1   |                       | X           |         |
| 4   | RE68214  | HOSE      | 1   |                       | X           |         |
| 5   | RE58382  | FITTING   | 1   |                       | X           |         |
| 6   | R44302   | TIE BAND  | AR  |                       | X           |         |
| 7   | R46414   | CLAMP     | 1   |                       | X           |         |

AIR BRAKE CABLE (EUROPEAN VERSION)  
 CABLE DE FREIN A AIR COMPRIE (VERSION EUROPEENNE)  
 DRUCKLUFTBREMSKABEL (EUROPAEISCHE AUSFUEHRUNG)  
 CAVO DEL FRENO AD ARIA COMPRESSA (VERSIONE EUROPEA)  
 CABLE DE FRENOS NEUMATICOS (VERSION EUROPEA)  
 TRYCKLUFTSBROMSKABEL (EUROPEISK VERSION)  
 RE026969 -UN-31MAY96



**RE026969**

| KEY | PART NO. | PART NAME           | QTY | TRACTOR<br>SERIAL NO. | A | REMARKS                   |
|-----|----------|---------------------|-----|-----------------------|---|---------------------------|
|     |          |                     |     |                       | L |                           |
| 1   | RE62250  | LEVER               | 1   |                       | X | (SUB RE63888)             |
| 2   | 19M7163  | CAP SCREW           | 1   | -XXXXXX               | X | (A) M8 X 25               |
| 3   | R121260  | ANGLE               | 1   | -XXXXXX               | X | (A)                       |
| 4   | 14M7273  | NUT                 | 1   | -XXXXXX               | X | (A) M8                    |
| 5   | R72655   | SNAP RING           | 1   | -XXXXXX               | X |                           |
|     | 40M7041  | SNAP RING           | 1   | XXXXXX-009999         | X |                           |
| 6A  | R124493  | PIN                 | 1   | -XXXXXX               | X | (SUB L79404)              |
|     | R127179  | PIN                 | 1   | XXXXXX-009999         | X | (SUB L79404)              |
| 6B  | R135786  | PIN                 | 1   | 010000-               | X | (SUB R133546)             |
| 7   | R112612  | CLIP                | 2   |                       | X |                           |
| 8   | L76801   | GROMMET             | 1   | -009999               | X | (SUB FOR L76711)          |
| 9   | RE60898  | PUSH PULL CABLE     | 1   | -009999               | X |                           |
|     | RE68777  | PUSH PULL CABLE     | 1   | 010000-               | X |                           |
| 10  | R107455  | BRACKET             | 1   | -009999               | X |                           |
| 11  | 24H1363  | WASHER              | 1   |                       | X | 41/64" X 1-1/16" X 0.105" |
| 12  | 14M7274  | NUT                 | 4   |                       | X | M10                       |
| 13  | 56M7006  | BALL JOINT SOCKET   | 1   |                       | X |                           |
| 14  | 56M7007  | BALL JOINT RETAINER | 1   |                       | X |                           |
| 15  | R124338  | COVER               | 1   |                       | X |                           |
| 16  | 37M7090  | SCREW               | 1   |                       | X | M6 X 16                   |

(A) ( -XXXXXX) 8100-012327; 8200-011933; 8300-012566; 8400-012683

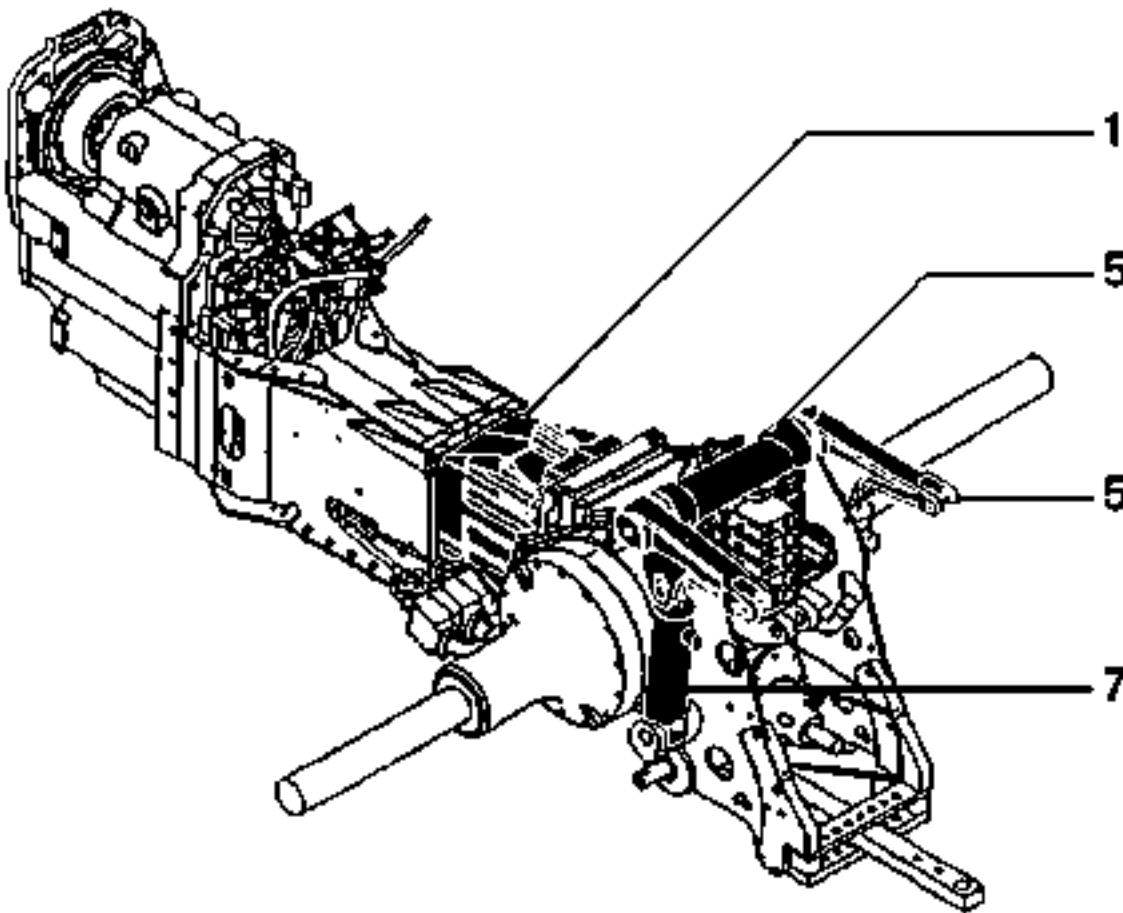
MEMORANDA  
MEMORANDA  
MEMORANDA  
MEMORANDA  
MEMORANDA

# 7D5

SECTIONAL INDEX  
INDEX DE SECTION  
GRUPPENINDEX  
INDICE DELLA SEZIONE  
INDICE DE SECCION  
GRUPPSFORTECKNING

RE029166 -UN-10MAY99

|     |      |
|-----|------|
| 1-  | 7D10 |
| 2-  | 7D14 |
| 3-  | 7E1  |
| 4-  | 7E6  |
| 5-  | 7E8  |
| 6-  | 7E12 |
| 7-  | 7E14 |
| 8-  | 7F5  |
| 9-  | 7F7  |
| 10- | 7F9  |
| 11- | 7F11 |
| 12- | 7F17 |
| 13- | 7F23 |
| 14- | 7G3  |
| 15- | 7G23 |
| 16- | 7H3  |
| 17- | 7H19 |



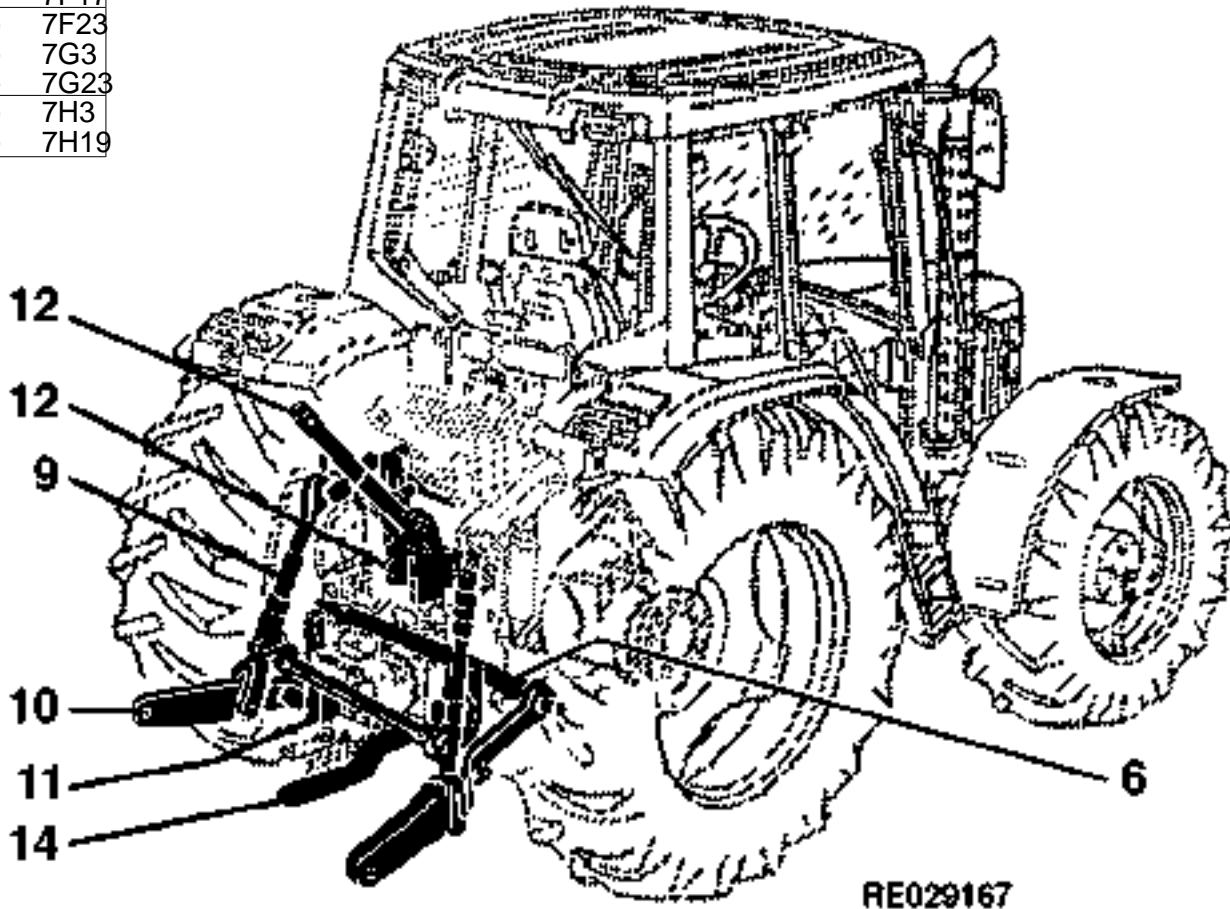
**RE029166**

# 7D6

SECTIONAL INDEX  
INDEX DE SECTION  
GRUPPENINDEX  
SECTIONAL INDEX  
INDICE DE SECCION  
GRUPPSFORTECKNING

RE029167 -UN-10MAY99

|     |      |
|-----|------|
| 1-  | 7D10 |
| 2-  | 7D14 |
| 3-  | 7E1  |
| 4-  | 7E6  |
| 5-  | 7E8  |
| 6-  | 7E12 |
| 7-  | 7E14 |
| 8-  | 7F5  |
| 9-  | 7F7  |
| 10- | 7F9  |
| 11- | 7F11 |
| 12- | 7F17 |
| 13- | 7F23 |
| 14- | 7G3  |
| 15- | 7G23 |
| 16- | 7H3  |
| 17- | 7H19 |



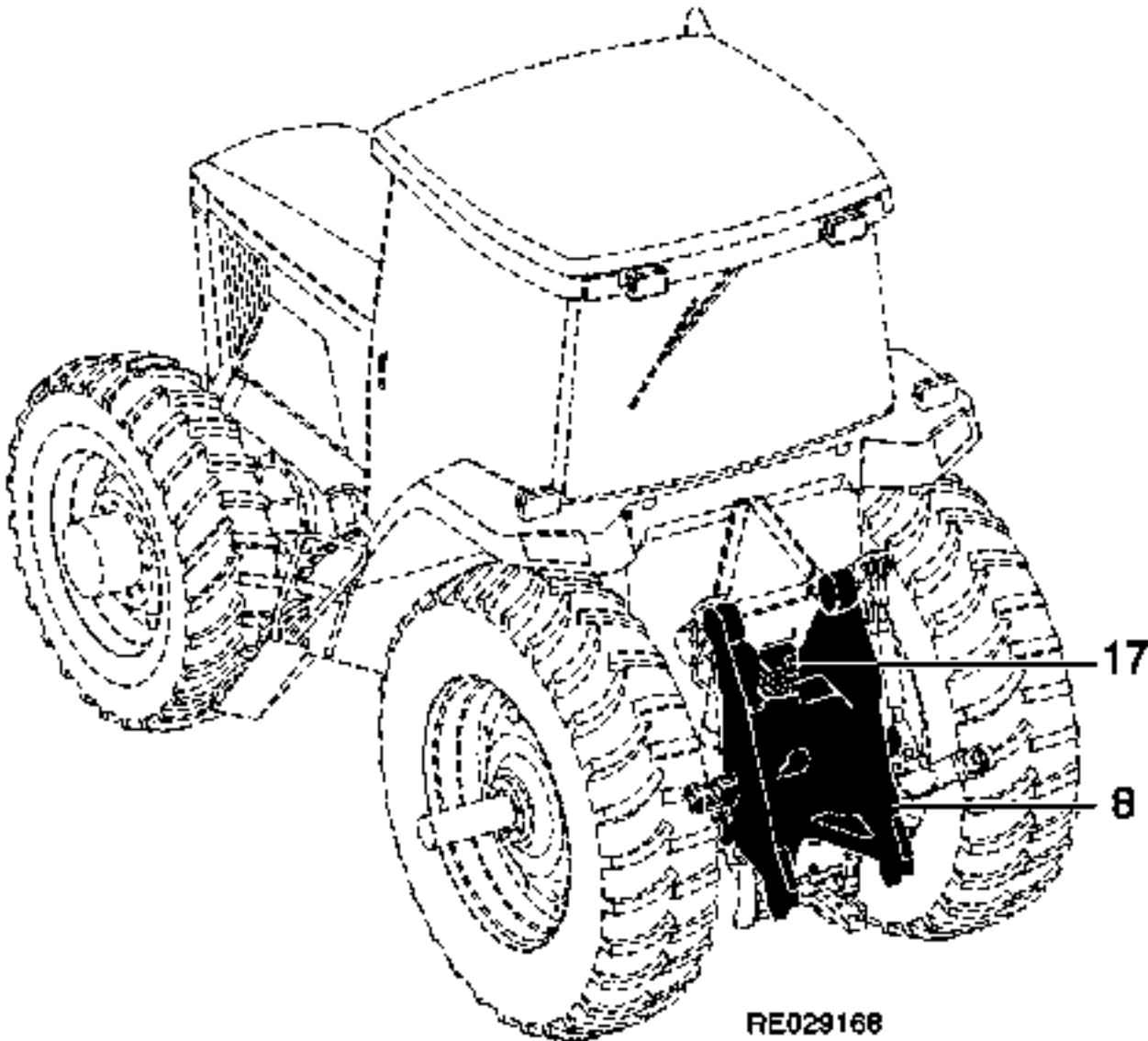
# 7D7

HYDRAULICS

SECTIONAL INDEX  
INDEX DE SECTION  
GRUPPENINDEX  
SECTIONAL INDEX  
INDICE DE SECCION  
GRUPPSFORTECKNING

RE029168 -UN-10MAY99

|     |      |
|-----|------|
| 1-  | 7D10 |
| 2-  | 7D14 |
| 3-  | 7E1  |
| 4-  | 7E6  |
| 5-  | 7E8  |
| 6-  | 7E12 |
| 7-  | 7E14 |
| 8-  | 7F5  |
| 9-  | 7F7  |
| 10- | 7F9  |
| 11- | 7F11 |
| 12- | 7F17 |
| 13- | 7F23 |
| 14- | 7G3  |
| 15- | 7G23 |
| 16- | 7H3  |
| 17- | 7H19 |

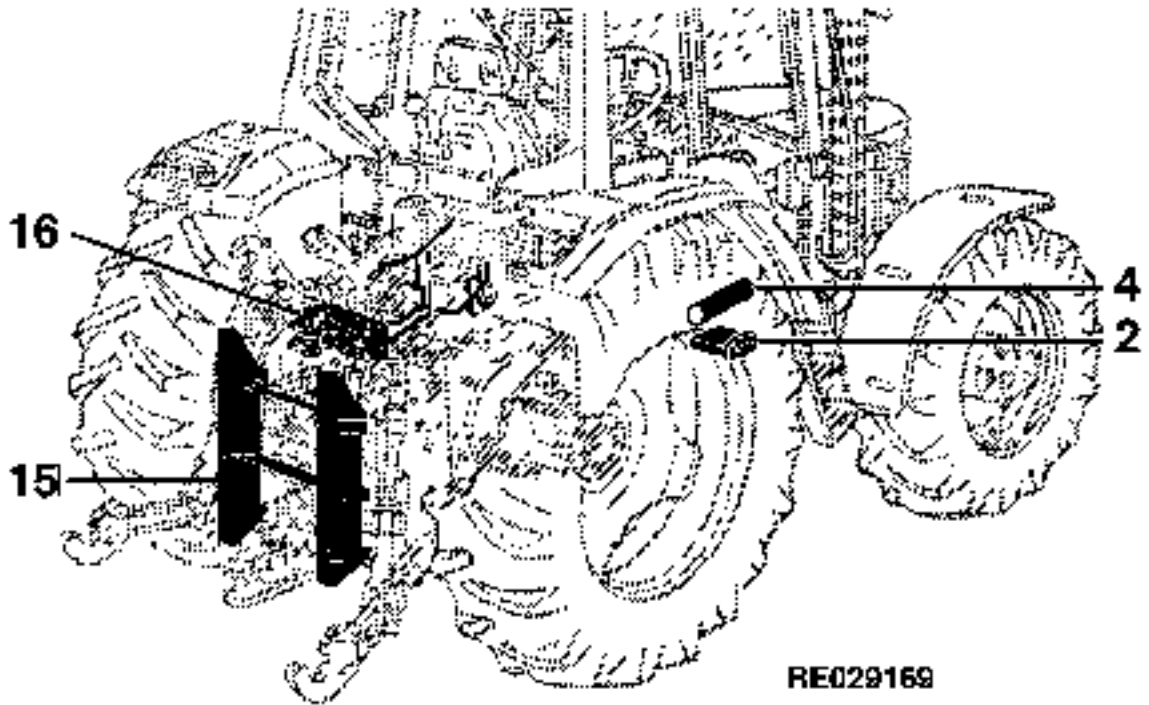
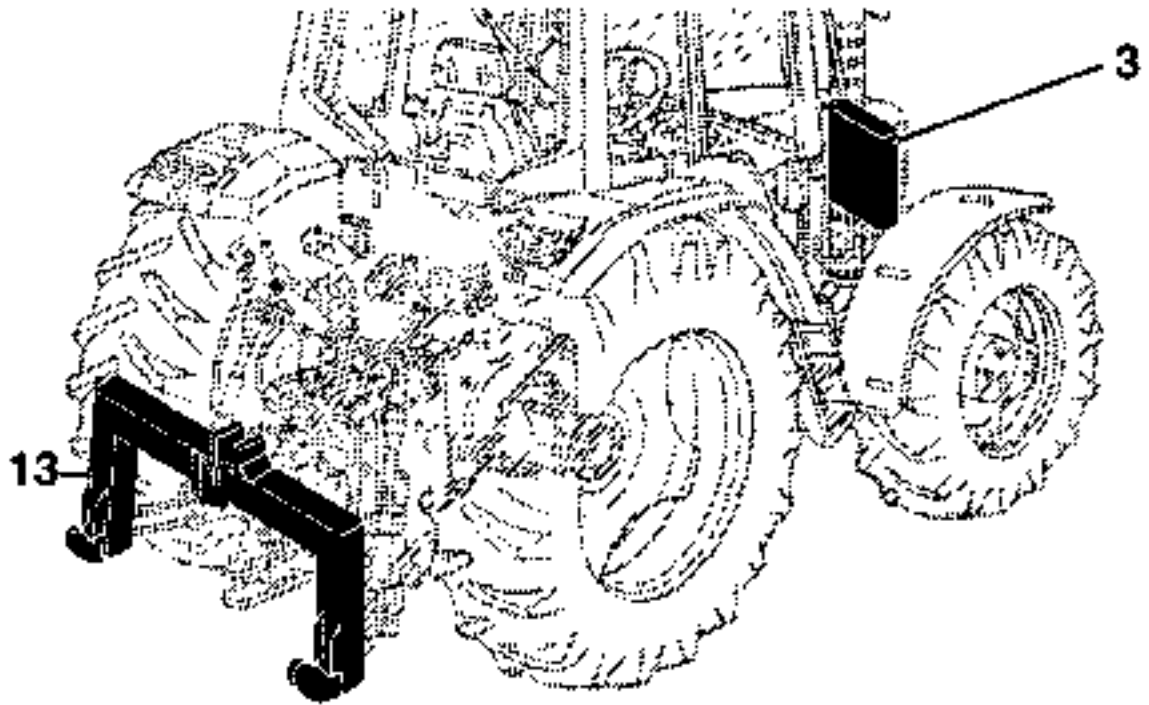


# 7D8

SECTIONAL INDEX  
INDEX DE SECTION  
GRUPPENINDEX  
SECTIONAL INDEX  
INDICE DE SECCION  
GRUPPSFORTECKNING

RE029169 -UN-10MAY99

|     |      |
|-----|------|
| 1-  | 7D10 |
| 2-  | 7D14 |
| 3-  | 7E1  |
| 4-  | 7E6  |
| 5-  | 7E8  |
| 6-  | 7E12 |
| 7-  | 7E14 |
| 8-  | 7F5  |
| 9-  | 7F7  |
| 10- | 7F9  |
| 11- | 7F11 |
| 12- | 7F17 |
| 13- | 7F23 |
| 14- | 7G3  |
| 15- | 7G23 |
| 16- | 7H3  |
| 17- | 7H19 |



RE029169



TRANSMISSION AND HYDRAULIC OIL  
 HUILE DE TRANSMISSION ET HUILE HYDRAULIQUE  
 GETRIEBE- UND HYDRAULIK-OEL  
 OLIO PER TRASMISSIONE E IDRAULICO  
 ACEITE DE TRANSMISION E HIDRAULICO  
 VAEXELLAADS- OCH HYDRAULOLJA  
 RE026740 -UN-20FEB96



RE026740

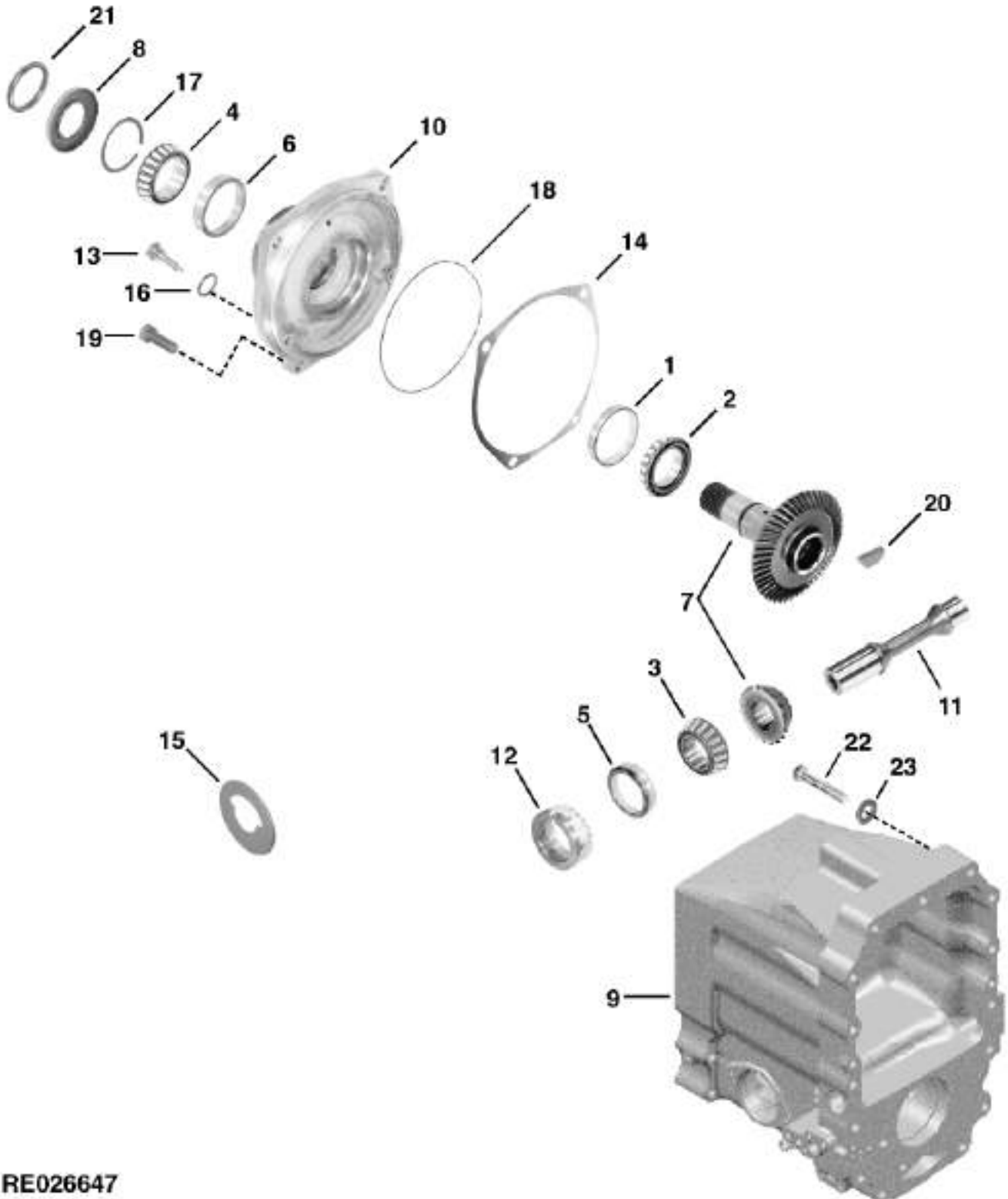


| KEY | PART NO. | PART NAME | QTY | TRACTOR SERIAL NO. | A | REMARKS         |
|-----|----------|-----------|-----|--------------------|---|-----------------|
|     |          |           |     |                    | L |                 |
| 1   | AR69444  | HY-GARD   | 1   |                    | X | 19 L (5 GAL)    |
|     | AR69445  | HY-GARD   | 1   |                    | X | 208 L (55 GAL)  |
| 2   | TY22043  | OIL       | 1   |                    | X | (1 GAL.)        |
|     | TY22044  | OIL       | 1   |                    | X | 19 L (5 GAL.)   |
|     | TY22063  | OIL       | 1   |                    | X | 208 L (55 GAL.) |

# 7D10

HYDRAULICS

HYDRAULIC PUMP DRIVE  
ELEMENTS D'ENTRAINEMENT DE LA POMPE HYDRAULIQUE  
ANTRIEBSTEILE FUER HYDRALIKPUMPE  
COMANDO PER POMPA IDRAULICA  
MANDOS DE LA BOMBA HIDRAULICA  
DRIVNING FOR HYDRAULPUMP  
RE026647 -UN-08DEC95



RE026647

# 7D11

HYDRAULICS

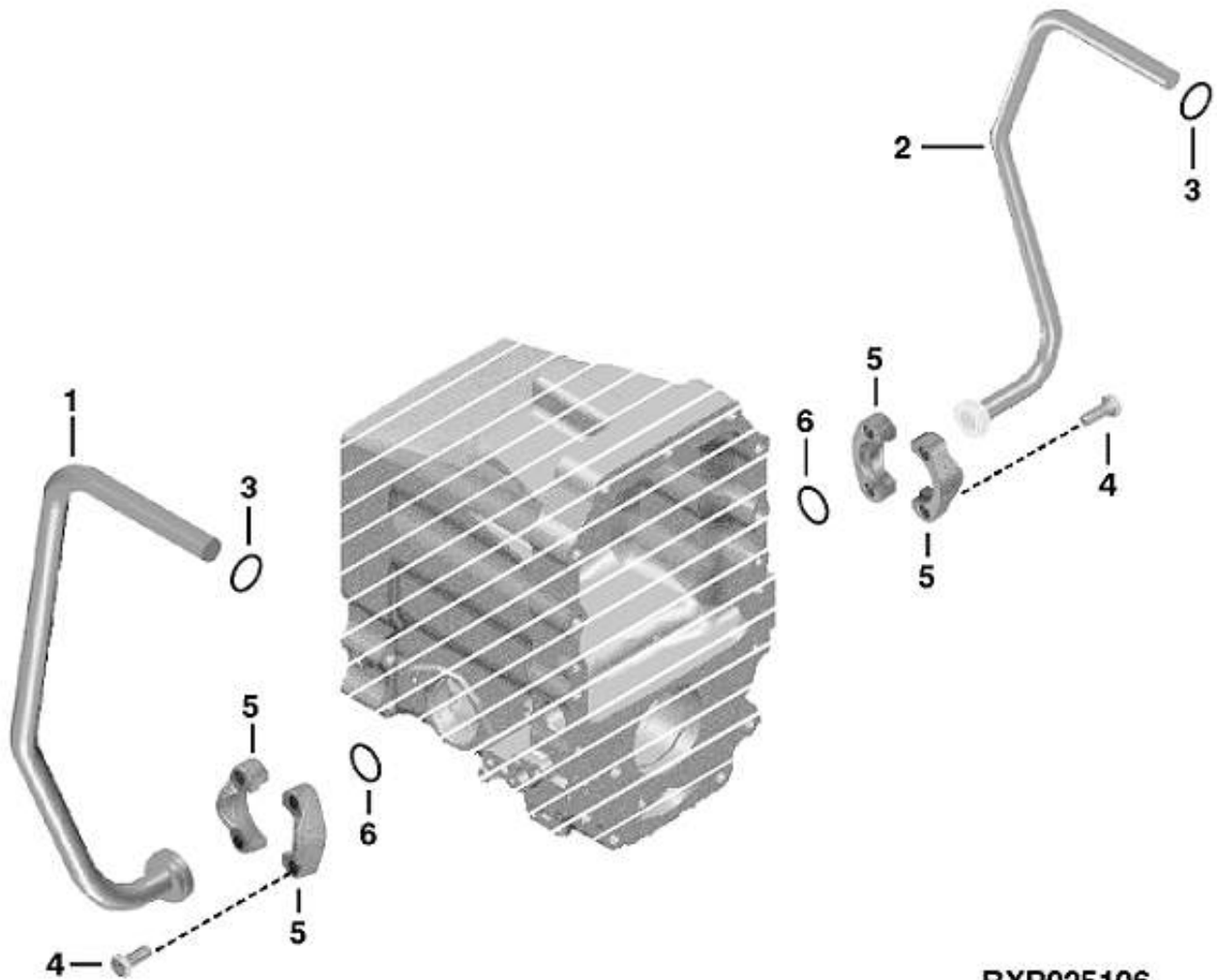
| KEY | PART NO. | PART NAME    | QTY | AXLE<br>SERIAL NO. | A<br>L<br>L | REMARKS                            |
|-----|----------|--------------|-----|--------------------|-------------|------------------------------------|
| 1   | JD7425   | BEARING CUP  | 1   |                    | X           |                                    |
| 2   | RE62066  | BEARING CONE | 1   |                    | X           | (SUB FOR JD8147, THIS APPLICATION) |
| 3   | JD9043   | BEARING CONE | 2   |                    | X           |                                    |
| 4   | JD9049   | BEARING CONE | 1   |                    | X           |                                    |
| 5   | JD9109   | BEARING CUP  | 2   |                    | X           |                                    |
| 6   | JD9114   | BEARING CUP  | 1   |                    | X           |                                    |
| 7   | RE50178  | GEAR         | 1   |                    | X           |                                    |
| 8   | RE52341  | SEAL         | 1   | -009985            | X           | (SUB RE151144, THIS APPLICATION)   |
|     | RE151144 | SEAL         | 1   | 009986-            | X           | (SUB FOR RE64427)                  |
| 9   | RE164598 | HOUSING      | 1   |                    | X           | (SUB FOR R122901)                  |
| 10  | R122903  | QUILL        | 1   |                    | X           |                                    |
| 11  | R122902  | SHAFT        | 1   |                    | X           |                                    |
| 12  | R113445  | QUILL        | 2   |                    | X           |                                    |
| 13  | R113555  | PLUG         | 2   |                    | X           |                                    |
| 14  | RE57520  | KIT          | 3   |                    | X           | (A)                                |
| 15  | 24M7242  | WASHER       | 15  |                    | X           | 21.400 X 42 X 5 MM                 |
| 16  | 51M7041  | O-RING       | 2   |                    | X           | 11.300 X 2.200 MM                  |
| 17  | R64234   | SNAP RING    | 1   |                    | X           |                                    |
|     | R64235   | SNAP RING    | 1   |                    | X           |                                    |
|     | R64236   | SNAP RING    | 1   |                    | X           |                                    |
|     | R64237   | SNAP RING    | 1   |                    | X           |                                    |
|     | T49616   | SNAP RING    | 1   |                    | X           |                                    |
| 18  | U42016   | O-RING       | 1   |                    | X           |                                    |
| 19  | R153676  | SCREW        | 4   |                    | X           | HS 10.9                            |
| 20  | 26H85    | SHAFT KEY    | 1   |                    | X           | 1/4" X 1"                          |
| 21  | T121280  | SEAL         | 1   |                    | X           |                                    |
| 22  | 19M7969  | CAP SCREW    | 14  |                    | X           | M20 X 110, HS 10.9                 |
|     | 19M8389  | CAP SCREW    | 1   |                    | X           | M20 X 280, HS 10.9                 |

(A) SHIM  
 CALE D'EPaisseur  
 DISTANZSCHEIBE  
 SPESSORE  
 SUPLEMENTO  
 SHIMS

# 7D12

HYDRAULICS

PUMP DRIVE LINES  
POMPE, CONDUITES D'ENTRAINEMENT  
PUMPE, ANTRIEBSLEITUNGEN  
LINEE DI COMANDO DELLA POMPA  
LINEAS DE MANDO DE LA BOMBA  
PUMP, DRIVLEDNINGAR  
RXP025106 -UN-01JAN94



RXP025106

# 7D13

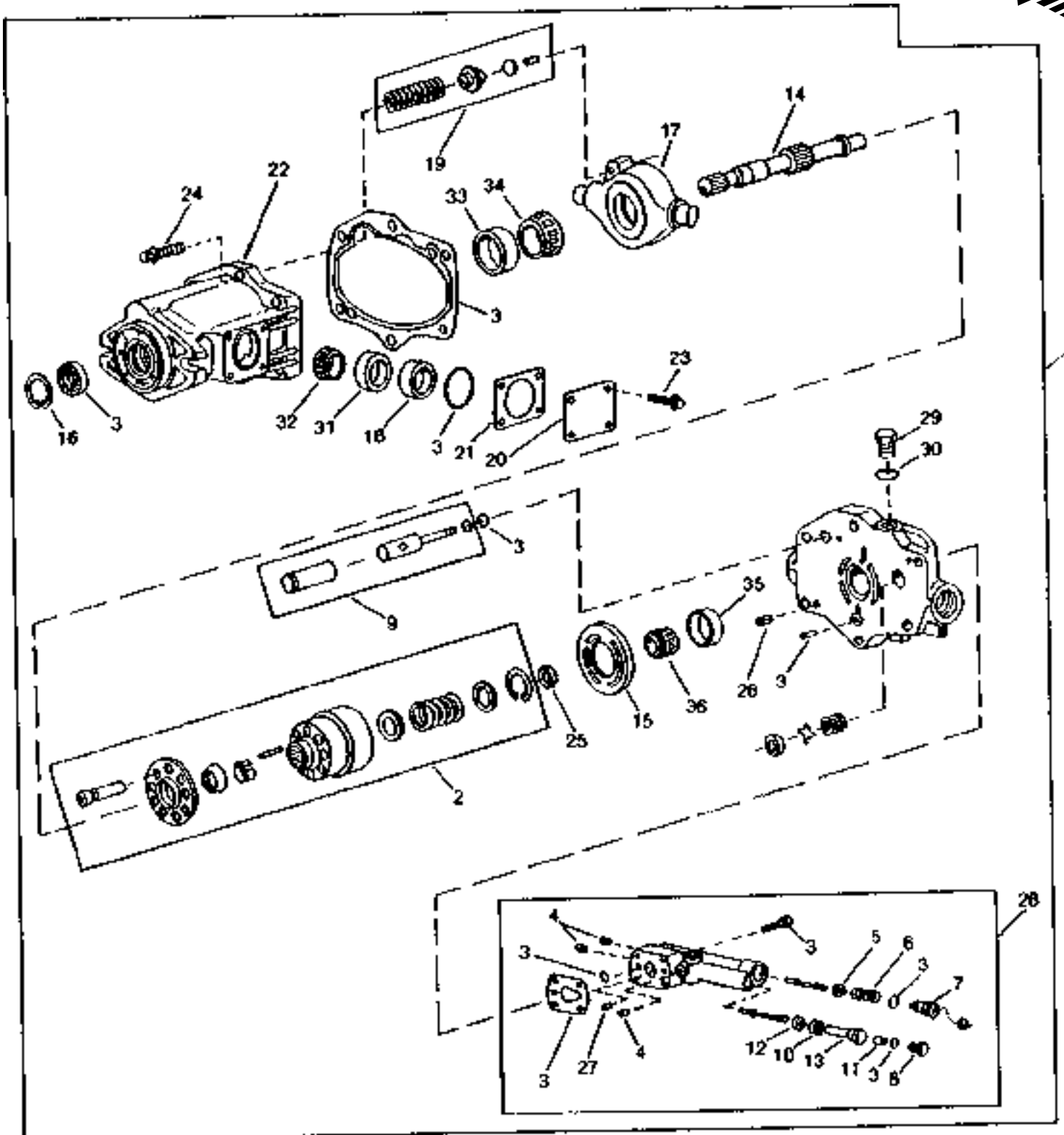
HYDRAULICS

| KEY | PART NO. | PART NAME      | QTY | TRACTOR<br>SERIAL NO. | A<br>L<br>L | REMARKS |
|-----|----------|----------------|-----|-----------------------|-------------|---------|
| 1   | RE50172  | OIL TUBE       | 1   |                       | X           |         |
| 2   | RE50173  | OIL TUBE       | 1   |                       | X           |         |
| 3   | R495R    | O-RING         | 2   |                       | X           |         |
| 4   | R153676  | SCREW          | 8   |                       | X           | HS 10.9 |
| 5   | H61354   | FLANGE FITTING | 4   |                       | X           |         |
| 6   | T78313   | O-RING         | 2   |                       | X           |         |

# 7D14

HYDRAULICS

HYDRAULIC PUMP (45 CM3 (2.75 IN.3))  
POMPE HYDRAULIQUE (45 CM3 (2.75 IN.3))  
HYDRAULIKPUMPE (45 CM3 (2.75 IN.3))  
POMPE IDRAULICA (45 CM3 (2.75 IN.3))  
BOMBA HIDRAULICA (45 CM3 (2.75 IN.3))  
HYDRAULPUMP (45 CM3 (2.75 IN.3))  
RXP020023 -UN-01JAN94



RXP020023

# 7D15

HYDRAULICS

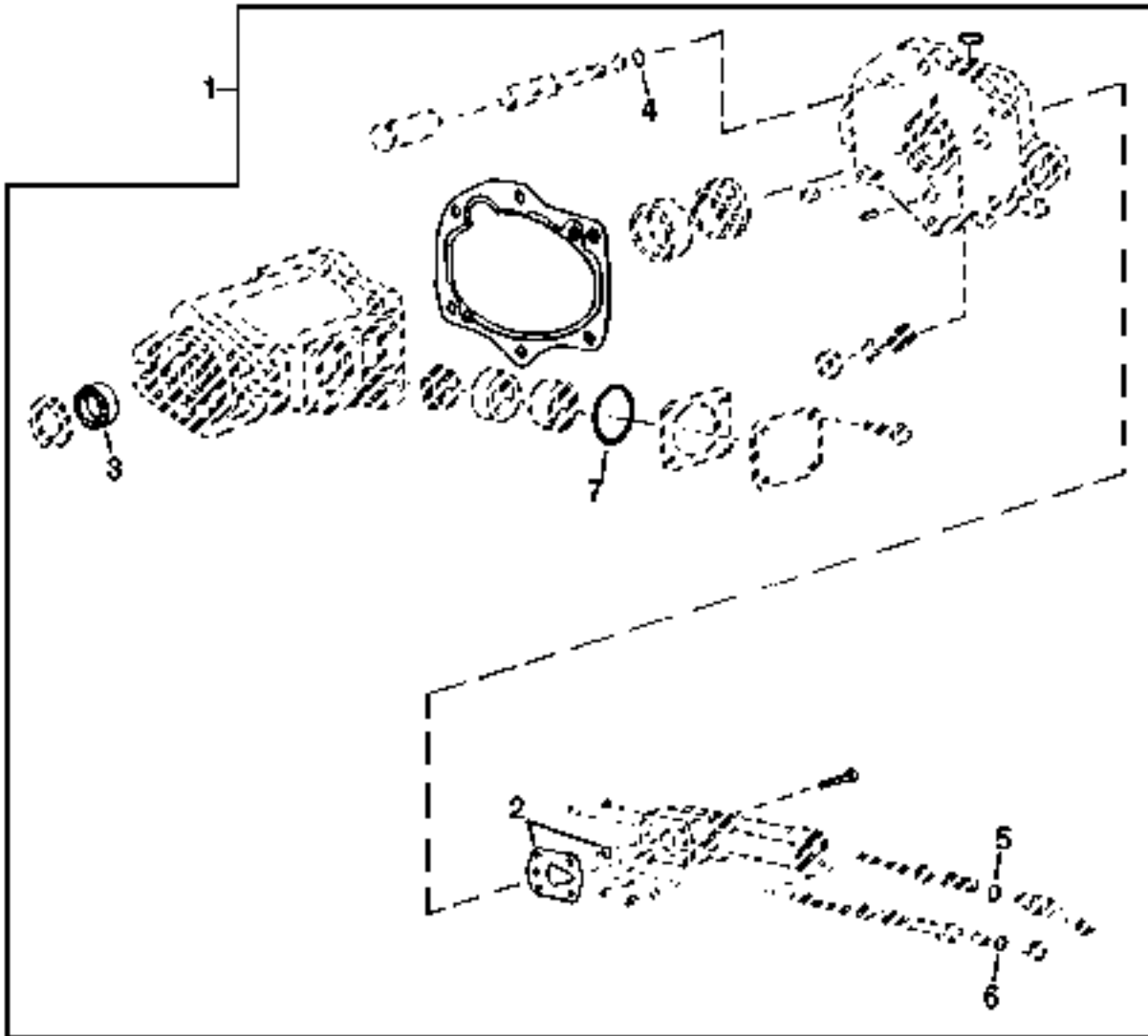
| KEY | PART NO. | PART NAME              | QTY | PUMP<br>SERIAL NO. | A<br>L<br>L | REMARKS           |
|-----|----------|------------------------|-----|--------------------|-------------|-------------------|
| 1   | RE60267  | PUMP                   | 1   |                    | X           |                   |
| 2   | RE60275  | PUMP                   | 1   |                    | X           |                   |
| 3   | .....    | KIT                    | 1   |                    | X           | (ORDER RE43836)   |
| 4   | R107795  | PLUG                   | 3   |                    | X           |                   |
| 5   | R107796  | SEAT                   | 1   |                    | X           |                   |
| 6   | R107797  | SPRING                 | 1   |                    | X           |                   |
| 7   | R107798  | PLUG                   | 1   |                    | X           |                   |
| 8   | R107799  | PLUG                   | 1   |                    | X           |                   |
| 9   | RE43837  | PISTON REPLACEMENT KIT | 1   |                    | X           | (SUB RE67354)     |
| 10  | R107800  | SPRING                 | 1   |                    | X           |                   |
| 11  | R107801  | SCREW                  | 1   |                    | X           |                   |
| 12  | R107802  | SEAT                   | 1   |                    | X           |                   |
| 13  | R107803  | SEAT                   | 1   |                    | X           |                   |
| 14  | R123962  | SHAFT                  | 1   |                    | X           |                   |
| 15  | R123963  | PLATE                  | 1   |                    | X           |                   |
| 16  | R107810  | SNAP RING              | 1   |                    | X           |                   |
| 17  | R107811  | YOKE                   | 1   |                    | X           |                   |
| 18  | R107814  | SPACER                 | 2   |                    | X           |                   |
| 19  | RE49136  | KIT                    | 1   |                    | X           |                   |
| 20  | R107816  | COVER                  | 2   |                    | X           |                   |
| 21  | RE52579  | SHIM KIT               | 1   |                    | X           | (A)               |
| 22  | R107818  | HOUSING                | 1   |                    | X           |                   |
| 23  | R108015  | CAP SCREW              | 8   |                    | X           |                   |
| 24  | R108016  | BOLT                   | 6   |                    | X           |                   |
| 25  | RE52580  | KIT                    | 1   |                    | X           |                   |
| 26  | R108019  | SPRING PIN             | 2   |                    | X           |                   |
| 27  | RE46648  | CHECK VALVE            | 1   |                    | X           |                   |
| 28  | RE60276  | COMPENSATOR            | 1   |                    | X           |                   |
| 29  | RE46684  | PLUG                   | 1   |                    | X           |                   |
| 30  | 51M7041  | O-RING                 | 1   |                    | X           | 11.300 X 2.200 MM |
| 31  | JD8253   | BEARING CUP            | 2   |                    | X           |                   |
| 32  | JD8935   | BEARING CONE           | 2   |                    | X           |                   |
| 33  | JD7449   | BEARING CUP            | 1   |                    | X           |                   |
| 34  | JD8118   | BEARING CONE           | 1   |                    | X           |                   |
| 35  | JD8239   | BEARING CUP            | 1   |                    | X           |                   |
| 36  | JD8905   | BEARING CONE           | 1   |                    | X           |                   |

(A) SHIM  
 CALE D'EPaisseur  
 DISTANZSCHEIBE  
 SPESSORE  
 SUPLEMENTO  
 SHIMS

# 7D16

HYDRAULICS

HYDRAULIC PUMP SEAL KIT (45 CM3 (2.75 IN3))  
JEU DE JOINTS D-ETANCHEITE DE LA POMPE HYDRAULIQUE (45 CM3 (2.75 IN3))  
HYDRAULIKPUMPEN-DICHTRINGSATZ (45 CM3 (2.75 IN3))  
KIT DI TENUTA DELLA POMPA IDRAULICA (45 CM3 (2.75 IN3))  
JUEGO DE SELLOS DE LA BOMBA HIDRAULICA (45 CM3 (2.75 IN3))  
TAETNINGSSATS FOER HYDRAULPUMP (45 CM3 (2.75 IN3))  
RE026741 -UN-14MAY96



RE026741



# 7D17

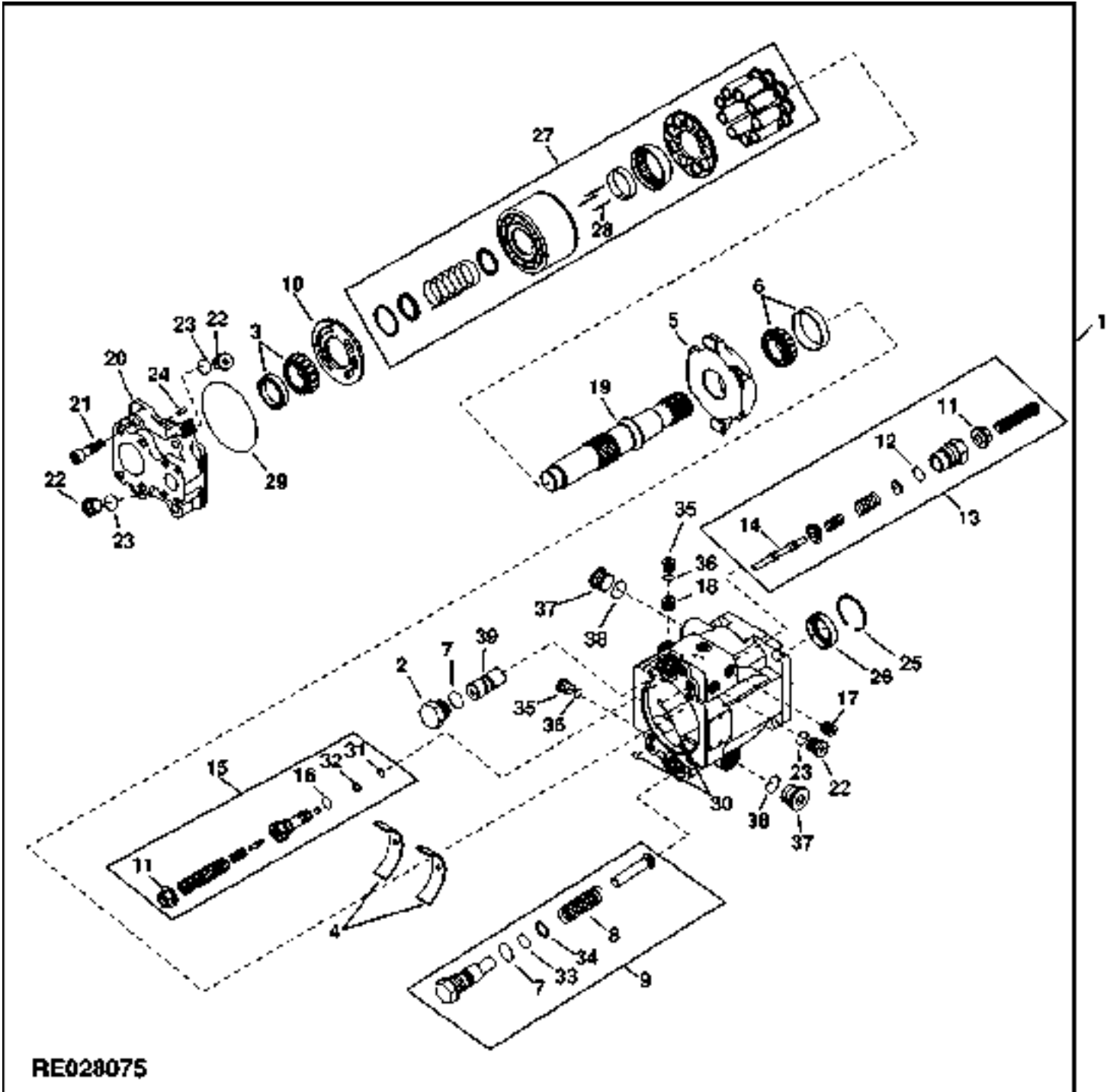
HYDRAULICS

| KEY | PART NO. | PART NAME | QTY | PUMP<br>SERIAL NO. | A<br>L<br>L | REMARKS |
|-----|----------|-----------|-----|--------------------|-------------|---------|
| 1   | RE43836  | SEAL KIT  | 1   |                    | X           |         |
| 2   | RE66529  | GASKET    | 1   |                    | X           |         |
| 3   | R131148  | SEAL      | 1   |                    | X           |         |
| 4   | R131149  | O-RING    | 1   |                    | X           |         |
| 5   | L60365   | O-RING    | 1   |                    | X           |         |
| 6   | R26286   | O-RING    | 1   |                    | X           |         |
| 7   | U40708   | O-RING    | 1   |                    | X           |         |

# 7D18

HYDRAULICS

HYDRAULIC PUMP (57 CM3 (3.5 IN3))  
POMPE HYDRAULIQUE (57 CM3 (3.5 IN3))  
HYDRAULIKPUMPE (57 CM3 (3.5 IN3))  
POMPE IDRAULICA (57 CM3 (3.5 IN3))  
BOMBA HIDRAULICA (57 CM3 (3.5 IN3))  
HYDRAULPUMP (57 CM3 (3.5 IN3))  
RE028075 -UN-27AUG97



RE028075

# 7D19

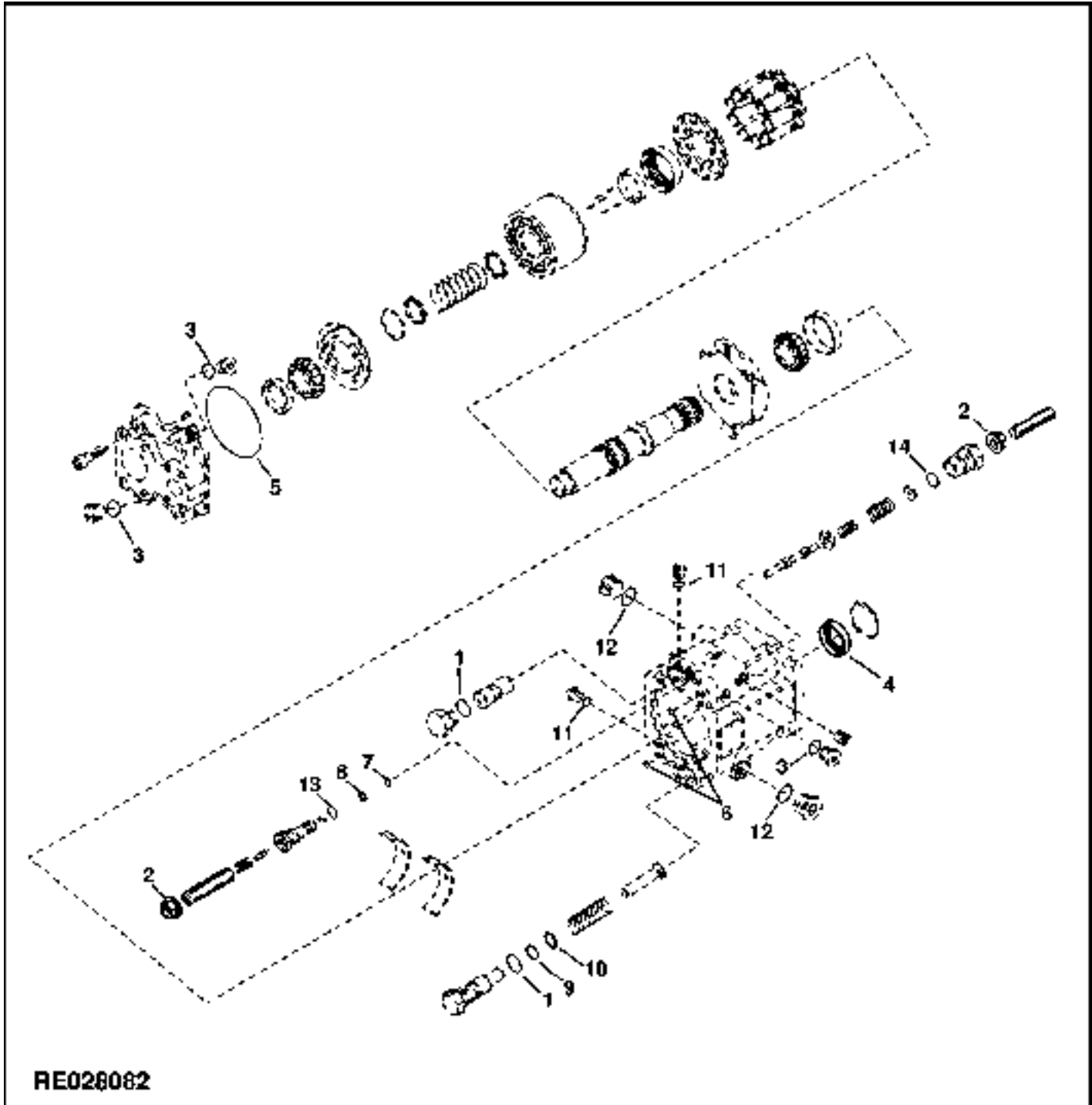
HYDRAULICS

| KEY | PART NO. | PART NAME              | QTY | TRACTOR<br>SERIAL NO. | A<br>L<br>L | REMARKS           |
|-----|----------|------------------------|-----|-----------------------|-------------|-------------------|
| 1   | RE65337  | PUMP                   | 1   | 010000-               | X           |                   |
| 2   | R136576  | PLUG                   | 1   |                       | X           |                   |
| 3   | RE71649  | BEARING KIT            | 1   |                       | X           |                   |
| 4   | RE71650  | BEARING KIT            | 2   |                       | X           |                   |
| 5   | RE71651  | SWASH PLATE            | 1   |                       | X           |                   |
| 6   | RE71652  | BEARING KIT            | 1   |                       | X           |                   |
| 7   | R56751   | O-RING                 | 2   |                       | X           |                   |
| 8   | R136564  | SPRING                 | 1   |                       | X           |                   |
| 9   | RE71653  | PISTON REPLACEMENT KIT | 1   |                       | X           |                   |
| 10  | R136565  | PLATE                  | 1   |                       | X           |                   |
| 11  | R136566  | NUT                    | 1   |                       | X           |                   |
| 12  | M45379   | O-RING                 | 1   |                       | X           |                   |
| 13  | RE71654  | KIT                    | 1   |                       | X           |                   |
| 14  | R136567  | SPOOL                  | 1   |                       | X           |                   |
| 15  | RE71655  | KIT                    | 1   |                       | X           |                   |
| 16  | M74600   | O-RING                 | 1   |                       | X           |                   |
| 17  | R136568  | ORIFICE                | 1   |                       | X           |                   |
| 18  | R136569  | ORIFICE                | 1   |                       | X           |                   |
| 19  | R136570  | SHAFT                  | 1   |                       | X           |                   |
| 20  | R136571  | CAP                    | 1   |                       | X           |                   |
| 21  | 19M8341  | SCREW                  | 4   |                       | X           | M12 X 45 HS 12.9  |
| 22  | T54904   | FITTING PLUG           | 3   |                       | X           |                   |
| 23  | R28782   | O-RING                 | 3   |                       | X           |                   |
| 24  | R136572  | PIN                    | 1   |                       | X           |                   |
| 25  | M44677   | SNAP RING              | 1   |                       | X           |                   |
| 26  | R136573  | SEAL                   | 1   |                       | X           |                   |
| 27  | RE151898 | KIT                    | 1   |                       | X           |                   |
| 28  | R136574  | PIN                    | 3   |                       | X           |                   |
| 29  | T60657   | O-RING                 | 1   |                       | X           |                   |
| 30  | T72280   | O-RING                 | 2   |                       | X           |                   |
| 31  | T77814   | O-RING                 | 1   |                       | X           |                   |
| 32  | R151641  | BACK-UP RING           | 1   |                       | X           |                   |
| 33  | N203491  | O-RING                 | 1   |                       | X           |                   |
| 34  | R151642  | BACK-UP RING           | 1   |                       | X           |                   |
| 35  | R90584   | FITTING PLUG           | 2   |                       | X           |                   |
| 36  | 51M7041  | O-RING                 | 2   |                       | X           | 11.300 X 2.200 MM |
| 37  | R95065   | FITTING                | 2   |                       | X           |                   |
| 38  | 51M7045  | O-RING                 | 2   |                       | X           | 19.300 X 2.200 MM |
| 39  | R136575  | PISTON                 | 1   |                       | X           |                   |

# 7D20

HYDRAULICS

HYDRAULIC PUMP SEAL KIT (57 CM3 (3.5 IN3))  
JEU DE JOINTS D'ETANCHEITE DE LA POMPE HYDRAULIQUE (57 CM3 (3.5 IN3))  
HYDRAULIKPUMPEN-DICHTRINGSATZ (57 CM3 (3.5 IN3))  
KIT DI TENUTA DELLA POMPA IDRAULICA (57 CM3 (3.5 IN3))  
JUEGO DE SELLOS DE LA BOMBA HIDRAULICA (57 CM3 (3.5 IN3))  
TAETNINGSSATS FOER HYDRAULPUMP (57 CM3 (3.5 IN3))  
RE028082 -UN-27AUG97



# 7D21

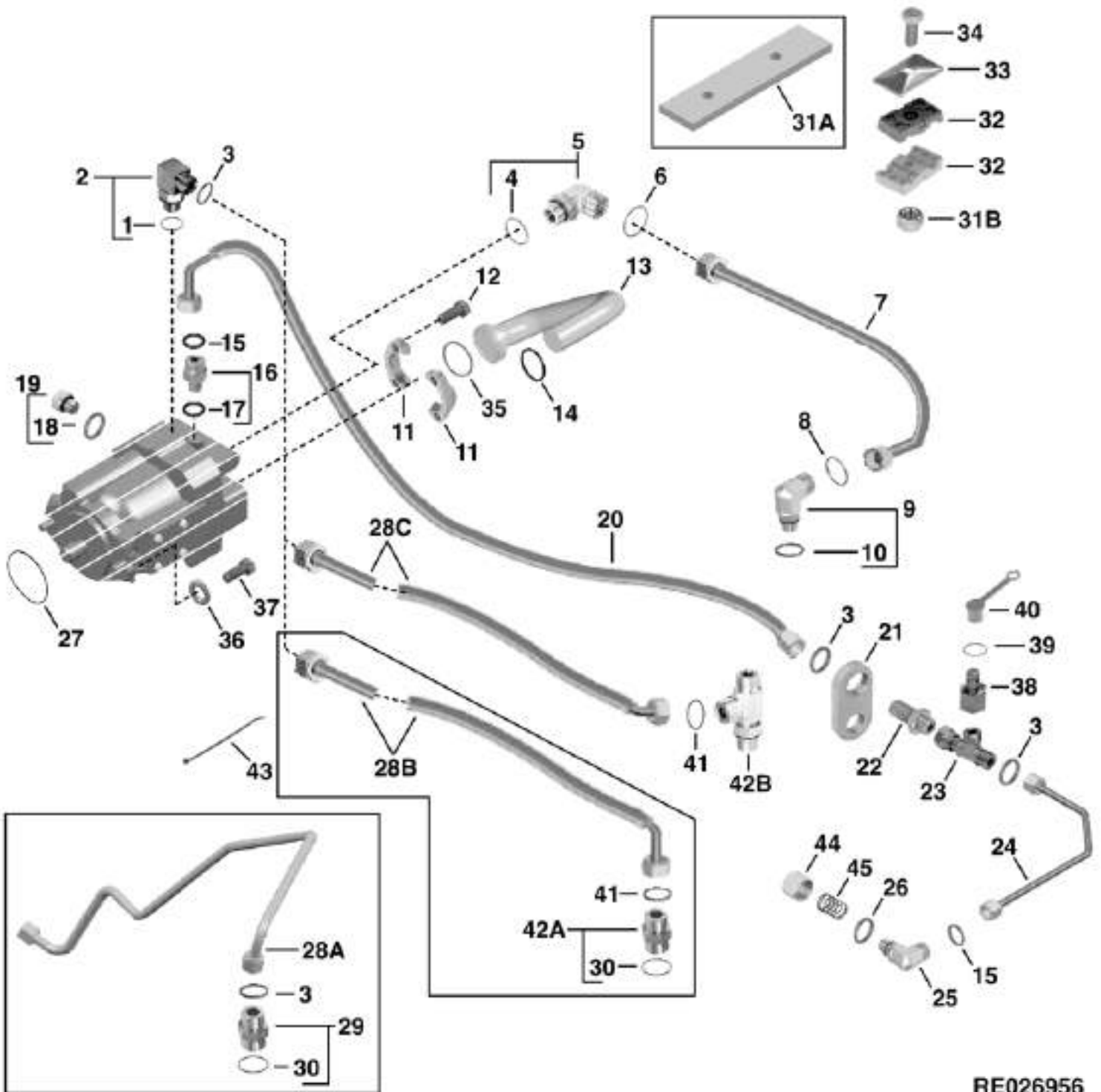
HYDRAULICS

| KEY | PART NO. | PART NAME    | QTY | TRACTOR<br>SERIAL NO. | A<br>L<br>L | REMARKS           |
|-----|----------|--------------|-----|-----------------------|-------------|-------------------|
| 1   | R56751   | O-RING       | 2   |                       | X           |                   |
| 2   | R136566  | NUT          | 2   |                       | X           |                   |
| 3   | R28782   | O-RING       | 2   |                       | X           |                   |
| 4   | R136573  | SEAL         | 1   |                       | X           |                   |
| 5   | T60657   | O-RING       | 1   |                       | X           |                   |
| 6   | T72280   | O-RING       | 2   |                       | X           |                   |
| 7   | T77814   | O-RING       | 1   |                       | X           |                   |
| 8   | R151641  | BACK-UP RING | 1   |                       | X           |                   |
| 9   | N203491  | O-RING       | 1   |                       | X           |                   |
| 10  | R151642  | BACK-UP RING | 1   |                       | X           |                   |
| 11  | 51M7041  | O-RING       | 2   |                       | X           | 11.300 X 2.200 MM |
| 12  | 51M7045  | O-RING       | 2   |                       | X           | 19.300 X 2.200 MM |
| 13  | M74600   | O-RING       | 1   |                       | X           |                   |
| 14  | M45379   | O-RING       | 1   |                       | X           |                   |
| 15  | RE71657  | SEAL KIT     | 1   | 010000-               | X           |                   |

# 7D22

HYDRAULICS

HYDRAULIC PUMP LINES (45 CM3 (2.75 IN3))  
TUYAUTERIES HYDRAULIQUES (45 CM3 (2.75 IN3))  
HYDRAULIKOELLEITUNGEN (45 CM3 (2.75 IN3))  
LINEE IDRAULICHE (45 CM3 (2.75 IN3))  
TUBERIAS DE ACEITE HYDRAULICO (45 CM3 (2.75 IN3))  
HYDRAULLEDNINGAR (45 CM3 (2.75 IN3))  
RE026956 -UN-15JUL97



RE026956

# 7D23

## HYDRAULICS

| KEY | PART NO. | PART NAME                  | QTY | TRACTOR SERIAL NO. | A<br>L<br>L | REMARKS   |
|-----|----------|----------------------------|-----|--------------------|-------------|---|
| 1   | 51M7043  | O-RING                     | 1   |                    | X           | 15.300 X 2.200 MM   |
| 2   | 38H5017  | ELBOW FITTING              | 1   |                    | X           |   |
| 3   | T77857   | O-RING                     | 4   |                    | X           |   |
| 4   | 51M7047  | O-RING                     | 1   |                    | X           | 23.600 X 2.900 MM   |
| 5   | 38H5019  | ELBOW FITTING              | 1   |                    | X           |   |
| 6   | T77858   | O-RING                     | 1   |                    | X           |   |
| 7   | RE61133  | HYDRAULIC HOSE - FABRICATE | 1   |                    | X           |   |
| 8   | T77858   | O-RING                     | 1   |                    | X           |   |
| 9   | 38H5019  | ELBOW FITTING              | 1   |                    | X           |   |
| 10  | 51M7047  | O-RING                     | 1   |                    | X           | 23.600 X 2.900 MM   |
| 11  | T47649   | FLANGE FITTING             | 2   |                    | X           |   |
| 12  | 19M8011  | CAP SCREW                  | 4   |                    | X           | M12 X 30, HS 10.9   |
| 13  | RE60590  | OIL LINE                   | 1   | -XXXXXX            | X           |   |
|     | RE65441  | OIL LINE                   | 1   | XXXXXX-            | X           |   |
| 14  | U10289   | O-RING                     | 1   |                    | X           |   |
| 15  | T77613   | O-RING                     | 2   |                    | X           |   |
| 16  | 38H5008  | ADAPTER                    | 1   |                    | X           |   |
| 17  | 51M7040  | O-RING                     | 2   |                    | X           | 9.300 X 2.200 MM  |
| 18  | 51M7041  | O-RING                     | 2   |                    | X           | 11.300 X 2.200 MM   |
| 19  | RE46684  | PLUG                       | 2   |                    | X           |   |
| 20  | RE61134  | HYDRAULIC HOSE - FABRICATE | 1   |                    | X           |   |
| 21  | R125963  | PLATE                      | 1   |                    | X           |   |
| 22  | 38H5073  | ADAPTER                    | 1   |                    | X           |   |
| 23  | 38H5069  | TEE FITTING                | 1   |                    | X           |   |
| 24  | RE56716  | OIL LINE                   | 1   | -XXXXXX            | X           | (SUB RE65564)   |
|     | RE65564  | OIL LINE                   | 1   | XXXXXX-            | X           |   |
| 25  | 38H5016  | ELBOW FITTING              | 2   |                    | X           |   |
| 26  | 51M7041  | O-RING                     | 1   |                    | X           | 11.300 X 2.200 MM   |
| 27  | T42302   | O-RING                     | 1   |                    | X           |   |
| 28A | RE61622  | OIL LINE                   | 1   | -XXXXXX            | X           | (B) (SUB RE65566, 38H5010, T77932 AND (2)<br>R44302)      |
| 28B | RE65566  | HYDRAULIC HOSE             | 1   | XXXXXX-009999      | X           | (C)   |
| 28C | RE68757  | HYDRAULIC HOSE - FABRICATE | 1   | 010000-            | X           |   |
| 29  | 38H5003  | ADAPTER                    | 1   | -XXXXXX            | X           | (B)   |
| 30  | 51M7043  | O-RING                     | 1   |                    | X           | 15.300 X 2.200 MM   |
| 31A | RE61652  | PLATE                      | 1   | -XXXXXX            | X           |   |
| 31B | 14M7273  | NUT                        | 1   | XXXXXX-            | X           | M8  |
| 32  | R125346  | CLAMP                      | 2   |                    | X           |   |
| 33  | R125347  | PLATE                      | 1   |                    | X           |   |
| 34  | 19H1901  | CAP SCREW                  | 1   |                    | X           | 5/16" X 2", (USE WITH RE61652)                            |
|     | 19M7185  | CAP SCREW                  | 1   |                    | X           | M8 X 60, (USE WITH 14M7273)                               |
| 35  | B3690R   | O-RING                     | 1   |                    | X           |   |
| 36  | 24M7240  | WASHER                     | 2   |                    | X           | 13 X 25 X 3 MM, (SUB FOR R106714) (ALSO<br>ORDER 19M7789) |
| 37  | 19M7789  | SCREW                      | 2   |                    | X           | M12 X 30, HS 10.9   |
| 38  | RE43774  | FITTING                    | 1   |                    | X           |   |
| 39  | T77857   | O-RING                     | 1   |                    | X           |   |
| 40  | R77175   | COVER                      | 1   |                    | X           |   |
| 41  | T77932   | O-RING                     | 1   | XXXXXX-009999      | X           | (C)   |
| 42A | 38H5010  | ADAPTER                    | 1   | XXXXXX-009999      | X           | (C)   |
|     | RE65746  | FITTING                    | 1   | -009999            | X           | (A)   |
| 42B | 38H5170  | TEE FITTING                | 1   | 010000-            | X           |   |
| 43  | R44302   | TIE BAND                   | 2   | XXXXXX-            | X           | (C)   |
| 44  | R111296  | POPPET                     | 1   |                    | X           |   |
| 45  | R111297  | SPRING                     | 1   |                    | X           |   |

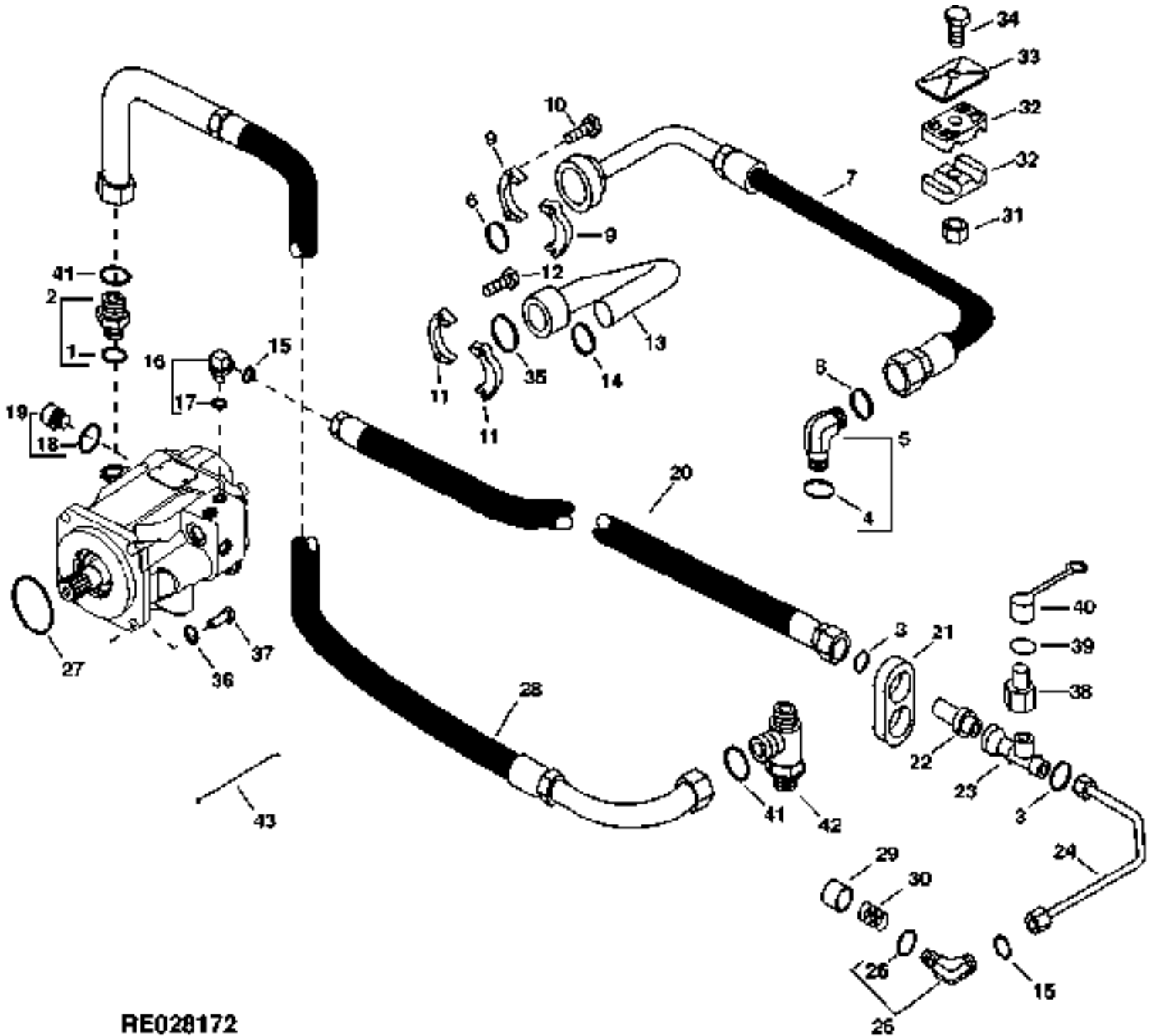
(A) AIR BRAKE  
 FREINS A AIR COMPRIME  
 DRUCKLUFTBREMSE  
 FRENO AD ARIA COMPRESSA  
 FRENO NEUMATICO  
 TRYCKLUFTSBROMS

(B) ( -XXXXXX) 8100-003506; 8200-002706; 8300-004597; 8400-003057  
 (C) (XXXXXX- ) 8100-003507; 8200-002707; 8300-004598; 8400-003058

# 7D24

HYDRAULICS

HYDRAULIC PUMP LINES(57 CM3(3.5 IN3))(8100 012675- ;8200 012154- ;8300 012874- ;8400 012647- )  
TUYAUTERIES HYDRAULIQUES(57 CM3(3.5 IN3))  
HYDRAULIKOELLEITUNGEN (57 CM3 (3.5 IN3))  
LINEE IDRAULICHE (57 CM3 (3.5 IN3))  
TUBERIAS DE ACEITE HYDRAULICO(57 CM3(3.5 IN3))  
HYDRAULLEDNINGAR (57 CM3 (3.5 IN3))  
RE028172 -UN-12SEP97



RE028172



# 7D25

HYDRAULICS

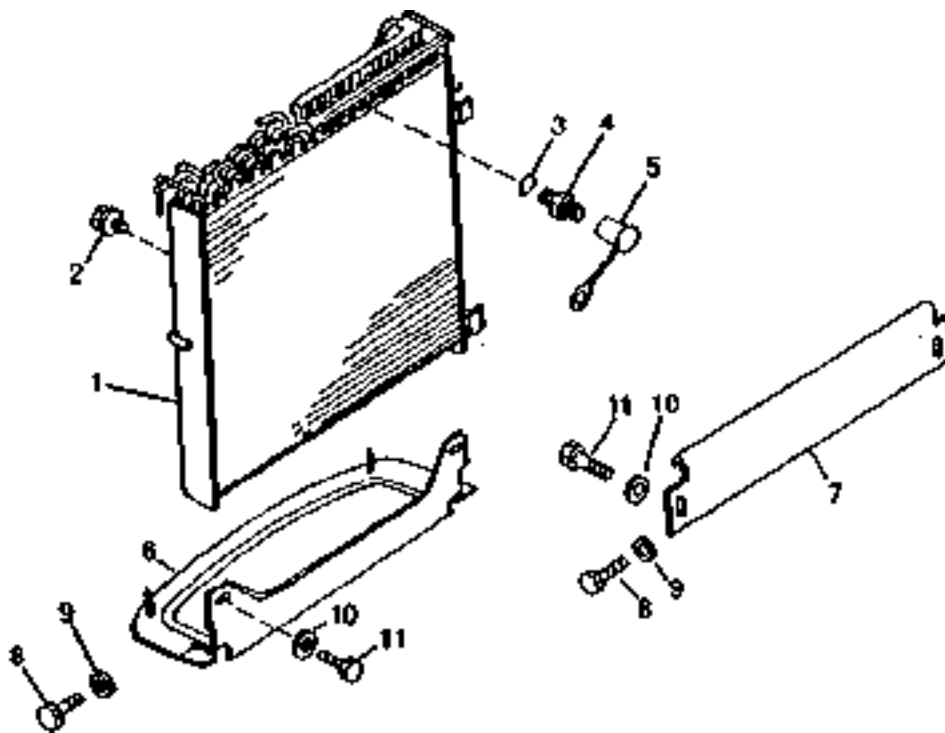
| KEY | PART NO. | PART NAME                  | QTY | TRACTOR<br>SERIAL NO. | A<br>L<br>L | REMARKS           |
|-----|----------|----------------------------|-----|-----------------------|-------------|-------------------|
| 1   | 51M7045  | O-RING                     | 1   |                       | X           | 19.300 X 2.200 MM |
| 2   | 38H5004  | ADAPTER                    | 1   |                       | X           |                   |
| 3   | T77857   | O-RING                     | 2   |                       | X           |                   |
| 4   | 51M7047  | O-RING                     | 1   |                       | X           | 23.600 X 2.900 MM |
| 5   | 38H5019  | ELBOW FITTING              | 1   |                       | X           |                   |
| 6   | T78313   | O-RING                     | 1   |                       | X           |                   |
| 7   | RE66252  | HYDRAULIC HOSE - FABRICATE | 1   |                       | X           |                   |
| 8   | T77858   | O-RING                     | 1   |                       | X           |                   |
| 9   | H61354   | FLANGE FITTING             | 2   |                       | X           |                   |
| 10  | R153676  | SCREW                      | 4   |                       | X           | HS 10.9           |
| 11  | R37023   | FLANGE FITTING             | 2   |                       | X           |                   |
| 12  | 19M7403  | CAP SCREW                  | 4   |                       | X           | M12 X 35, HS 10.9 |
| 13  | RE66251  | OIL LINE                   | 1   |                       | X           |                   |
| 14  | U10289   | O-RING                     | 1   |                       | X           |                   |
| 15  | T77613   | O-RING                     | 2   |                       | X           |                   |
| 16  | 38H5022  | ELBOW FITTING              | 1   |                       | X           |                   |
| 17  | 51M7040  | O-RING                     | 2   |                       | X           | 9.300 X 2.200 MM  |
| 18  | 51M7041  | O-RING                     | 2   |                       | X           | 11.300 X 2.200 MM |
| 19  | RE46684  | PLUG                       | 2   |                       | X           |                   |
| 20  | RE66253  | HYDRAULIC HOSE - FABRICATE | 1   |                       | X           |                   |
| 21  | R125963  | PLATE                      | 1   |                       | X           |                   |
| 22  | 38H5073  | ADAPTER                    | 1   |                       | X           |                   |
| 23  | 38H5069  | TEE FITTING                | 1   |                       | X           |                   |
| 24  | RE65564  | OIL LINE                   | 1   |                       | X           |                   |
| 25  | 38H5016  | ELBOW FITTING              | 2   |                       | X           |                   |
| 26  | 51M7041  | O-RING                     | 1   |                       | X           | 11.300 X 2.200 MM |
| 27  | T42302   | O-RING                     | 1   |                       | X           |                   |
| 28  | RE66254  | HYDRAULIC HOSE - FABRICATE | 1   |                       | X           |                   |
| 29  | R111296  | POPPET                     | 1   |                       | X           |                   |
| 30  | R111297  | SPRING                     | 1   |                       | X           |                   |
| 31  | 14M7273  | NUT                        | 1   |                       | X           | M8                |
| 32  | R125346  | CLAMP                      | 2   |                       | X           |                   |
| 33  | R125347  | PLATE                      | 1   |                       | X           |                   |
| 34  | 19M7185  | CAP SCREW                  | 1   |                       | X           | M8 X 60           |
| 35  | F1870R   | O-RING                     | 1   |                       | X           |                   |
| 36  | 24M7240  | WASHER                     | 2   |                       | X           | 13 X 25 X 3 MM    |
| 37  | N275960  | CAP SCREW                  | 2   |                       | X           | M12 X 30, HS 10.9 |
| 38  | RE43774  | FITTING                    | 1   |                       | X           |                   |
| 39  | T77857   | O-RING                     | 1   |                       | X           |                   |
| 40  | R77175   | COVER                      | 1   |                       | X           |                   |
| 41  | T77932   | O-RING                     | 2   |                       | X           |                   |
| 42  | 38H5170  | TEE FITTING                | 1   |                       | X           |                   |
| 43  | R44302   | TIE BAND                   | 2   |                       | X           |                   |

MEMORANDA  
MEMORANDA  
MEMORANDA  
MEMORANDA  
MEMORANDA

HYDRAULIC OIL COOLER  
 REFROIDISSEUR D'HUILE  
 OELKUEHLER  
 RADIATORE ALIO  
 REFRIGERADOR DE ACEITE  
 OLJEKYLARE  
 RXP025133 -UN-01JAN94



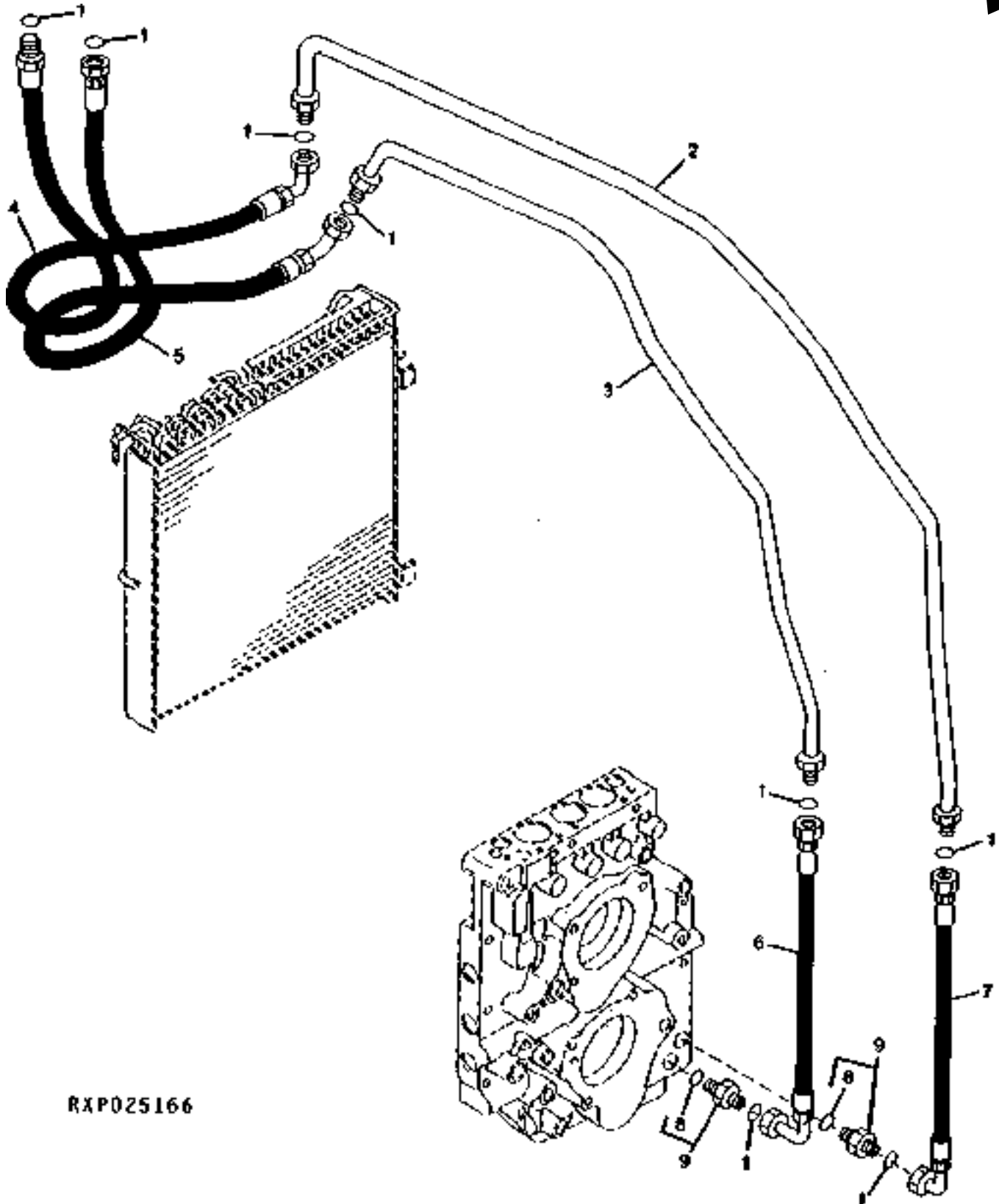
RXP025133



| KEY | PART NO. | PART NAME  | QTY | TRACTOR<br>SERIAL NO. | A |                   |
|-----|----------|------------|-----|-----------------------|---|-------------------|
|     |          |            |     |                       | L | REMARKS           |
| 1   | RE61071  | OIL COOLER | 1   | -XXXXXX               | X | (A) (SUB RE63468) |
|     | RE63468  | OIL COOLER | 1   | XXXXXX-009999         | X | (B)               |
|     | RE66573  | OIL COOLER | 1   | 010000-               | X |                   |
| 2   | 19M7783  | SCREW      | 4   |                       | X | M10 X 16, HS 10.9 |
| 3   | R26448   | O-RING     | 1   |                       | X |                   |
| 4   | RE12187  | RECEPTACLE | 1   |                       | X |                   |
| 5   | R77175   | COVER      | 1   |                       | X |                   |
| 6   | RE70714  | SUPPORT    | 1   |                       | X | (SUB FOR RE54930) |
| 7   | R63647   | SUPPORT    | 1   |                       | X |                   |
| 8   | 19M7932  | CAP SCREW  | 4   |                       | X | M8 X 16, HS 10.9  |
| 9   | 24M7336  | WASHER     | 4   |                       | X | 9 X 16 X 1.600 MM |
| 10  | 24M7336  | WASHER     | 4   |                       | X | 9 X 16 X 1.600 MM |
| 11  | 19M7932  | CAP SCREW  | 4   |                       | X | M8 X 16, HS 10.9  |

(A) ( -XXXXXX) 8100-001801; 8200-001721; 8300-002987; 8400-001703  
 (B) (XXXXXX- ) 8100-001802; 8200-001722; 8300-002988; 8400-001704

HYDRAULIC OIL COOLER LINES  
CONDUITES DE REFROIDISSEUR D'HUILE HYDRAULIQUE  
HYDRAULIKOELKUEHLER-LEITUNGEN  
TUBI DEL REFRIGERANTE OLIO IDRAULICO  
LINEAS DEL ENFRIADOR DE ACEITE HIDRAULICO  
LEDNINGAR FOER HYDRAULOLJEKYLARE  
RXP025166 -UN-01JAN94



RXP025166

# 7E3

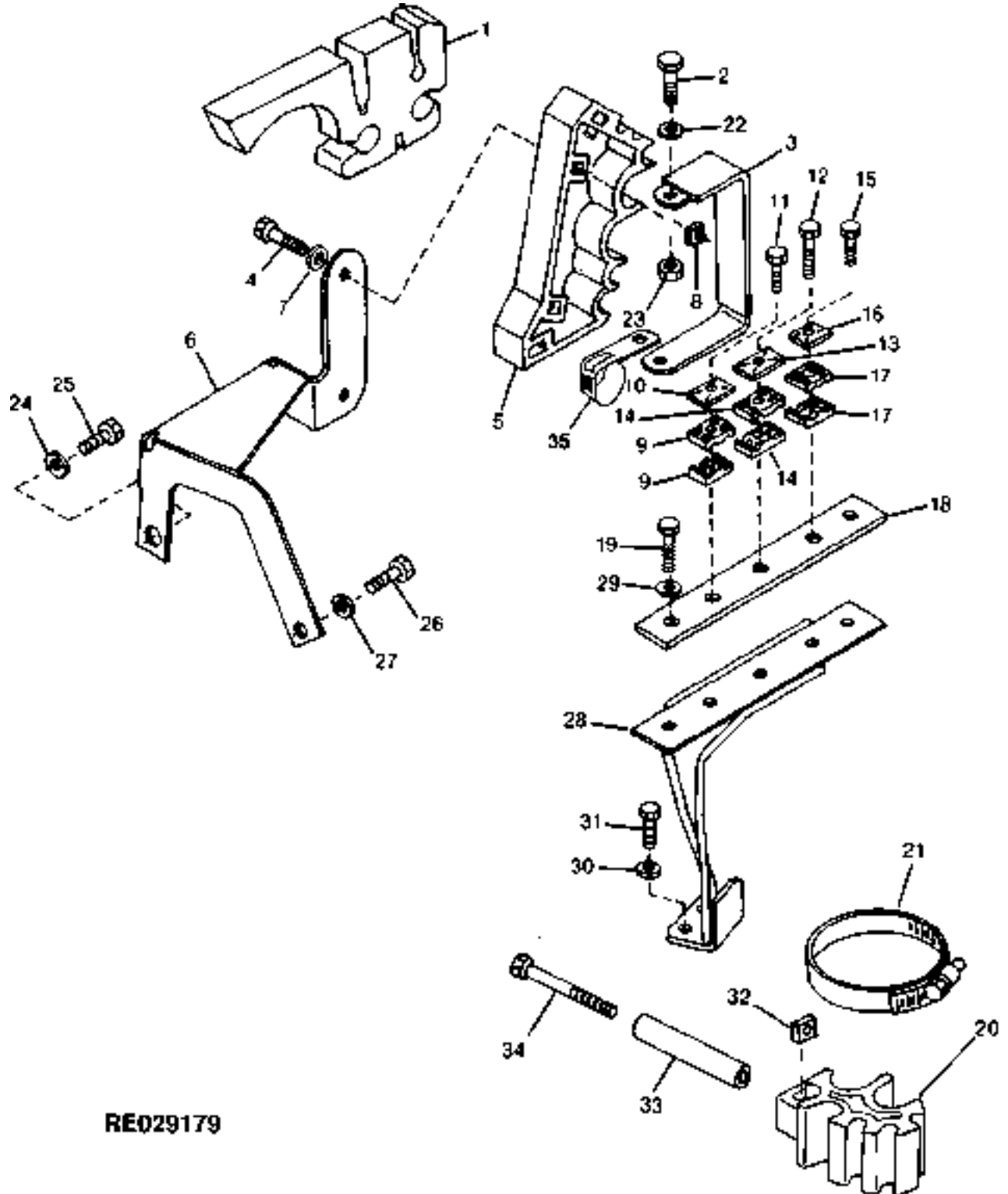
HYDRAULICS

| KEY | PART NO. | PART NAME                  | QTY | TRACTOR<br>SERIAL NO. | A<br>L<br>L | REMARKS           |
|-----|----------|----------------------------|-----|-----------------------|-------------|-------------------|
| 1   | T77858   | O-RING                     | 8   |                       | X           |                   |
| 2   | RE61144  | PIPE                       | 1   |                       | X           | (B)               |
| 3   | RE61145  | PIPE                       | 1   |                       | X           | (A)               |
| 4   | RE61139  | HYDRAULIC HOSE - FABRICATE | 1   |                       | X           | (B)               |
| 5   | RE61140  | HYDRAULIC HOSE - FABRICATE | 1   |                       | X           | (A)               |
| 6   | RE57843  | HYDRAULIC HOSE - FABRICATE | 1   |                       | X           | (A)               |
| 7   | RE60680  | HYDRAULIC HOSE - FABRICATE | 1   |                       | X           | (B)               |
| 8   | 51M7045  | O-RING                     | 2   |                       | X           | 19.300 X 2.200 MM |
| 9   | 38H5121  | ADAPTER                    | 2   |                       | X           |                   |

(A) PRESSURE  
PRESSION  
DRUCK  
PRESSIONE  
PRESION  
TRYCK

(B) RETURN  
RETOUR  
RUECKLAUF  
RITORNO  
RETORNO  
RETUR

OIL COOLER LINE CLAMPS AND BRACKETS  
 RADIATOR D'HUILE, COLLIERS ET SUPPORTS DE CONDUITE  
 OELKUEHLER, LEITUNGSSCHELLEN UND -HALTERUNGEN  
 RADIATOR DELL'OLIO, STAFFE E MORSETTI DELLE LINEE  
 ENFRIADOR DE ACEITE, ABRAZADERAS Y PINZAS DE LINEAS  
 OLJEKYLARE, LEDNINGSKLAEMMOR OCH FAESTEN  
 RE029179 -UN-20MAR98



**RE029179**

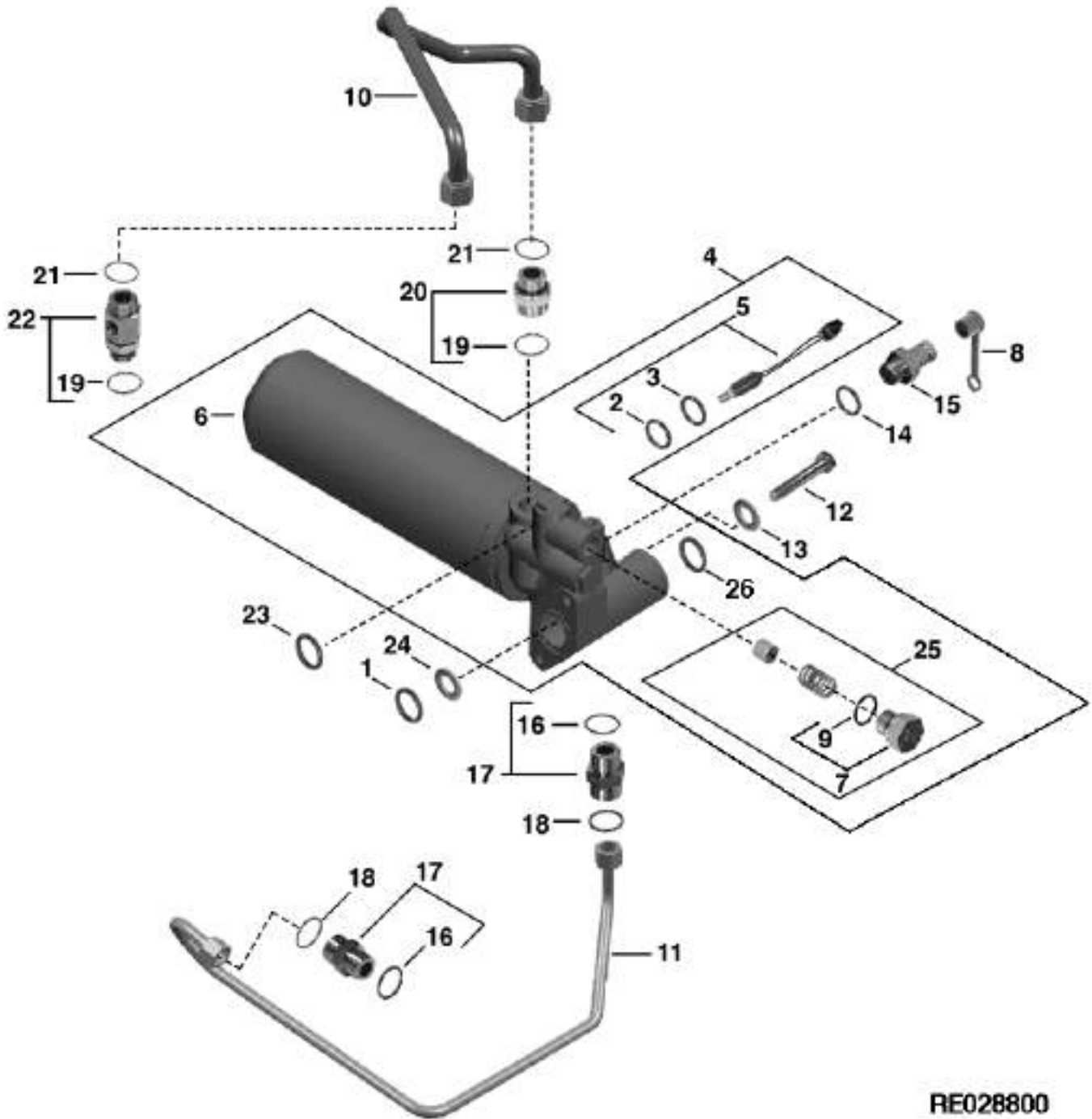
# 7E5

HYDRAULICS

| KEY | PART NO. | PART NAME | QTY | TRACTOR<br>SERIAL NO. | A<br>L<br>L | REMARKS            |
|-----|----------|-----------|-----|-----------------------|-------------|--------------------|
| 1   | R124681  | BARRIER   | 1   |                       | X           |                    |
| 2   | 19M7881  | SCREW     | 2   |                       | X           | M8 X 20, HS 10.9   |
| 3   | R120759  | CLAMP     | 1   |                       | X           |                    |
| 4   | 19M7881  | SCREW     | 2   |                       | X           | M8 X 20, HS 10.9   |
| 5   | R120733  | CLAMP     | 1   |                       | X           |                    |
| 6   | R122424  | RAIL      | 1   |                       | X           |                    |
| 7   | 24M7336  | WASHER    | 2   |                       | X           | 9 X 16 X 1.600 MM  |
| 8   | 14M7098  | NUT       | 2   |                       | X           | M8                 |
| 9   | H109046  | CLAMP     | 2   |                       | X           |                    |
| 10  | H121168  | PLATE     | 1   |                       | X           |                    |
| 11  | 19M8317  | SCREW     | 1   |                       | X           | M8 X 40, HS 10.9   |
| 12  | 19M8319  | SCREW     | 1   |                       | X           | M8 X 50, HS 10.9   |
| 13  | H112567  | PLATE     | 1   |                       | X           |                    |
| 14  | H115379  | CLAMP     | 2   |                       | X           |                    |
| 15  | 19M7868  | SCREW     | 1   |                       | X           | M8 X 30, HS 10.9   |
| 16  | H121163  | COVER     | 1   |                       | X           |                    |
| 17  | H128515  | CLAMP     | 4   |                       | X           |                    |
| 18  | R122547  | STRAP     | 1   |                       | X           |                    |
| 19  | 19M7513  | CAP SCREW | 2   |                       | X           | M8 X 30, HS 10.9   |
| 20  | R121967  | CLAMP     | 1   |                       | X           |                    |
| 21  | TY22473  | CLAMP     | 1   | -XXXXXX               | X           | (SUB FOR AR62936)  |
|     | TY22472  | CLAMP     | 1   | XXXXXX-               | X           | (SUB FOR RE41991)  |
| 22  | 24M7036  | WASHER    | 2   |                       | X           | 9 X 16 X 1.600 MM  |
| 23  | 14M7098  | NUT       | 2   |                       | X           | M8                 |
| 24  | 24M7242  | WASHER    | 1   |                       | X           | 21.400 X 42 X 5 MM |
| 25  | R121794  | SCREW     | 1   |                       | X           |                    |
| 26  | 19H1936  | CAP SCREW | 1   |                       | X           | 3/8" X 3/4"        |
| 27  | 24M7346  | WASHER    | 1   |                       | X           | 11 X 20 X 2 MM     |
| 28  | RE58680  | SUPPORT   | 1   |                       | X           |                    |
| 29  | 24M7336  | WASHER    | 2   |                       | X           | 9 X 16 X 1.600 MM  |
| 30  | 24M7336  | WASHER    | 2   |                       | X           | 9 X 16 X 1.600 MM  |
| 31  | 19M7881  | SCREW     | 2   |                       | X           | M8 X 20, HS 10.9   |
| 32  | 14M7098  | NUT       | 1   |                       | X           | M8                 |
| 33  | R124828  | FUEL LINE | 1   |                       | X           |                    |
| 34  | 19M8404  | CAP SCREW | 1   |                       | X           | M8 X 130, HS 10.9  |
| 35  | R122472  | CLIP      | 1   |                       | X           |                    |

# 7E6

HYDRAULIC OIL FILTER  
FILTRE A HUILE HYDRAULIQUE  
HYDRAULIKOELFILTER  
FILTRO OLIO IDRAULICO  
FILTRO P.ACEITE HIDRAULICO  
HYDRAULOLJEFILTER  
RE028800 -UN-18FEB98



RE028800



| KEY | PART NO. | PART NAME  | QTY | TRACTOR<br>SERIAL NO. | A<br>L<br>L | REMARKS                  |
|-----|----------|------------|-----|-----------------------|-------------|--------------------------|
| 1   | B3690R   | O-RING     | 1   |                       | X           |                          |
| 2   | R27976   | O-RING     | 1   |                       | X           |                          |
| 3   | 51M7041  | O-RING     | 1   |                       | X           | 11.300 X 2.200 MM        |
| 4   | RE152110 | HOUSING    | 1   | -XXXXXX               | X           | (C) (SUB FOR RE51570)    |
|     | RE152110 | HOUSING    | 1   | XXXXXX-               | X           | (D)                      |
| 5   | RE43508  | SENSOR     | 1   |                       | X           |                          |
| 6   | RE51797  | OIL FILTER | 1   |                       | X           |                          |
| 7   | RE46684  | PLUG       | 1   |                       | X           |                          |
| 8   | R77175   | COVER      | 2   |                       | X           |                          |
| 9   | 51M7041  | O-RING     | 1   |                       | X           | 11.300 X 2.200 MM        |
| 10  | RE61132  | OIL LINE   | 1   | -XXXXXX               | X           |                          |
|     | RE69881  | OIL LINE   | 1   | XXXXXX-               | X           |                          |
| 11  | RE60851  | OIL LINE   | 1   |                       | X           |                          |
| 12  | 19M8528  | SCREW      | 2   |                       | X           | M10 X 55, HS 10.9        |
| 13  | 24M7346  | WASHER     | 2   |                       | X           | (B) 11 X 20 X 2 MM       |
| 14  | 51M7041  | O-RING     | 1   |                       | X           | 11.300 X 2.200 MM        |
| 15  | RE12187  | RECEPTACLE | 2   |                       | X           |                          |
| 16  | 51M7047  | O-RING     | 2   |                       | X           | 23.600 X 2.900 MM        |
| 17  | 38H5005  | ADAPTER    | 2   |                       | X           |                          |
| 18  | T77858   | O-RING     | 2   |                       | X           |                          |
| 19  | 51M7048  | O-RING     | 2   |                       | X           | 29.600 X 2.900 MM        |
| 20  | 38H5006  | ADAPTER    | 1   |                       | X           |                          |
| 21  | T76938   | O-RING     | 2   |                       | X           |                          |
| 22  | RE58409  | CONNECTOR  | 1   |                       | X           |                          |
| 23  | L57084   | O-RING     | 1   |                       | X           |                          |
| 24  | 24H1648  | WASHER     | 1   |                       | X           | 25/32" X 1-3/4" X 0.060" |
| 25  | RE58974  | VALVE      | 1   |                       | X           | (A)                      |
| 26  | U10289   | O-RING     | 1   | XXXXXX-               | X           | (D)                      |

(A) VALVE BYPASS  
 DERIVATION DE SOUPAPE  
 VENTIL-UEBERBRUECKUNG  
 BYPASS DELLE VALVOLE  
 DERIVACION DE LA VALVULA  
 VENTILSHUNT

(B) NO LONGER REQUIRED  
 N'EST PLUS NECESSAIRE  
 NICHT MEHR NOTWENDIG  
 NON PIU' NECESSARIO  
 AHORA NO SE REQUIERA  
 EJ LAENGRE NOEDVAENDIG

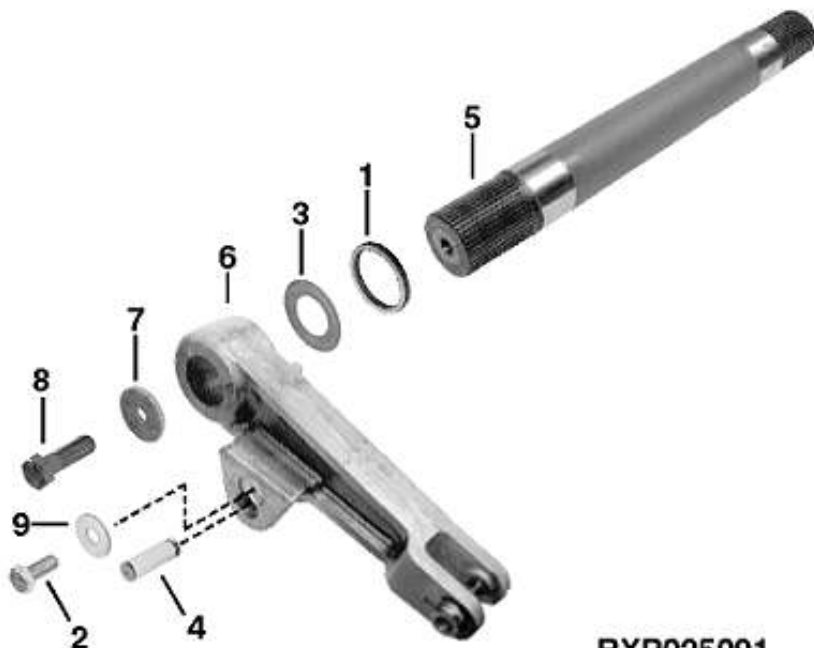
(C) ( -XXXXXX) 8100-020534; 8200-020364; 8300-020769; 8400-020676

(D) (XXXXXX- ) 8100-020535; 8200-020365; 8300-020770; 8400-020677

MEMORANDA  
MEMORANDA  
MEMORANDA  
MEMORANDA  
MEMORANDA

MEMORANDA  
MEMORANDA  
MEMORANDA  
MEMORANDA  
MEMORANDA

ROCKSHAFT (8100 -025513; 8200 -025493; 8300 -025500; 8400 -025519)  
 ARBRE DE RELEVAGE (8100-025513; 8200-025493; 8300-025500; 8400-025519)  
 MIT KRAFTHEBER (8100-025513; 8200-025493; 8300-025500; 8400-025519)  
 EJE OSCILANTE (8100-025513; 8200-025493; 8300-025500; 8400-025519)  
 ALBERO OSCILLANTE (8100-025513; 8200-025493; 8300-025500; 8400-025519)  
 LYFTARMSAXEL (8100-025513; 8200-025493; 8300-025500; 8400-025519)  
 RXP025091 -UN-01JAN94



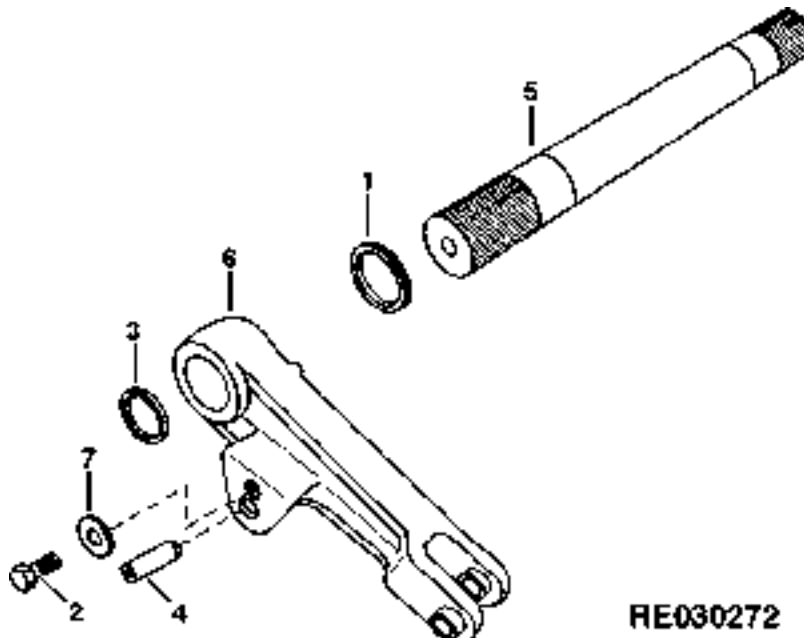
**RXP025091**

| KEY | PART NO. | PART NAME     | QTY | TRACTOR<br>SERIAL NO. | A | REMARKS           |
|-----|----------|---------------|-----|-----------------------|---|-------------------|
|     |          |               |     |                       | L |                   |
| 1   | L75841   | SEAL          | 2   |                       | X |                   |
| 2   | 19M7938  | CAP SCREW     | 2   |                       | X | M10 X 20, HS 10.9 |
| 3   | R106463  | THRUST WASHER | 2   |                       | X |                   |
| 4   | R122313  | PIN           | 2   |                       | X |                   |
| 5   | R113686  | ROCKSHAFT     | 1   |                       | X |                   |
| 6   | R113688  | LIFT ARM      | 1   |                       | X | R.H.              |
|     | R113689  | LIFT ARM      | 1   |                       | X | L.H.              |
| 7   | R33877   | WASHER        | 2   |                       | X |                   |
| 8   | 19M8638  | CAP SCREW     | 2   |                       | X | M20 X 65          |
| 9   | R124347  | WASHER        | 2   |                       | X |                   |

# 7E9

HYDRAULICS

ROCKSHAFT (8100 025514- ; 8200 025494- ; 8300 025501- ; 8400 025520- )  
 ARBRE DE RELEVAGE (8100 025514- ; 8200 025494- ; 8300 025501- ; 8400 025520- )  
 MIT KRAFTHEBER (8100 025514- ; 8200 025494- ; 8300 025501- ; 8400 025520- )  
 EJE OSCILANTE (8100 025514- ; 8200 025494- ; 8300 025501- ; 8400 025520- )  
 ALBERO OSCILLANTE (8100 025514- ; 8200 025494- ; 8300 025501- ; 8400 025520- )  
 LYFTARMSAXEL (8100 025514- ; 8200 025494- ; 8300 025501- ; 8400 025520- )  
 RE030272 -UN-18DEC98

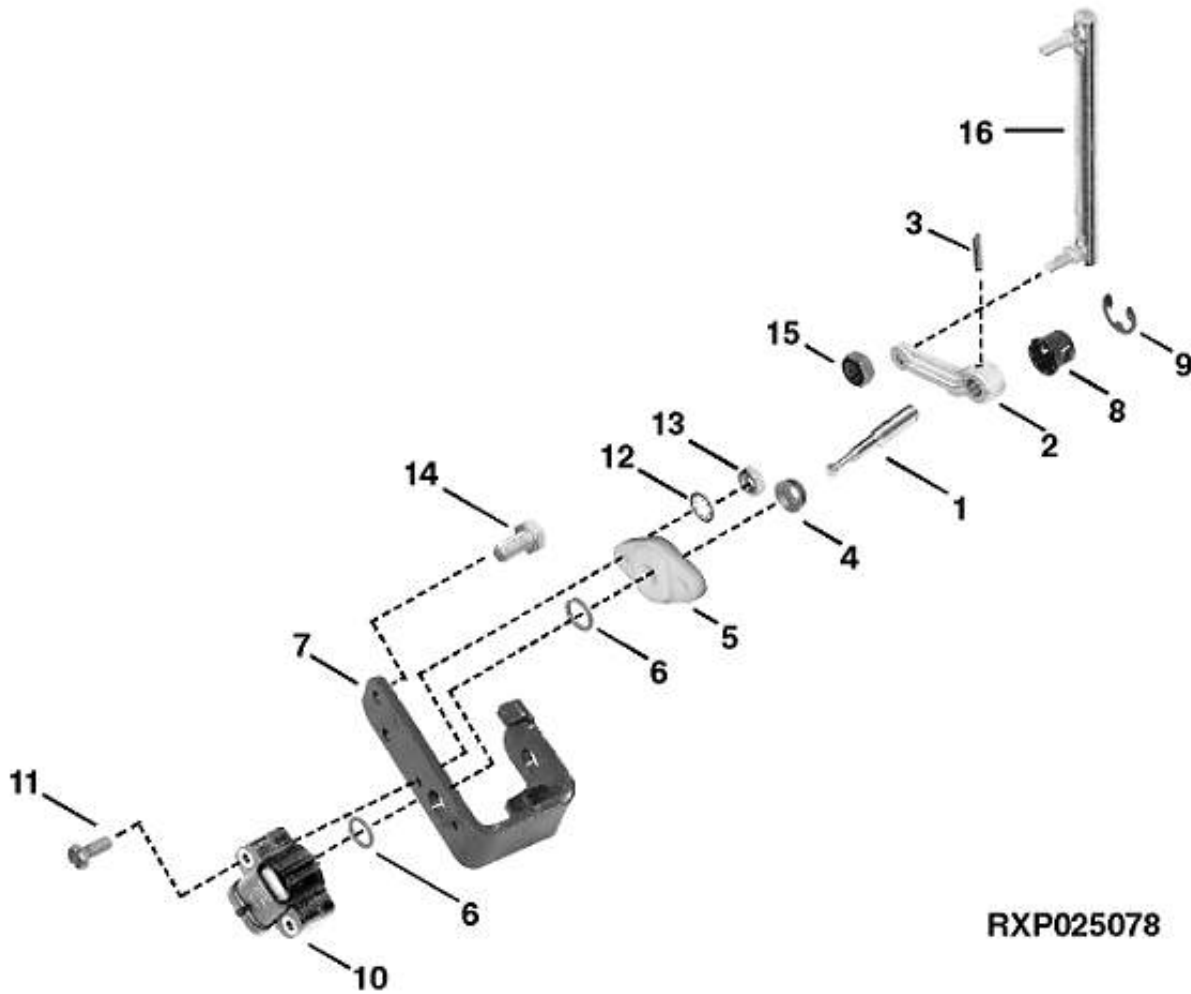


| KEY | PART NO. | PART NAME | QTY | TRACTOR<br>SERIAL NO. | A | REMARKS           |
|-----|----------|-----------|-----|-----------------------|---|-------------------|
|     |          |           |     |                       | L |                   |
| 1   | R135001  | SEAL      | 2   |                       | X |                   |
| 2   | 19M7938  | CAP SCREW | 2   |                       | X | M10 X 20, HS 10.9 |
| 3   | R53658   | SNAP RING | 2   |                       | X |                   |
| 4   | R122313  | PIN       | 2   |                       | X |                   |
| 5   | R134705  | ROCKSHAFT | 1   |                       | X |                   |
| 6   | R113688  | LIFT ARM  | 1   |                       | X | R.H.              |
|     | R113689  | LIFT ARM  | 1   |                       | X | L.H.              |
| 7   | R124347  | WASHER    | 2   |                       | X |                   |

# 7E10

HYDRAULICS

ROCKSHAFT POSITION SENSOR  
CAPTEUR DE POSITION DE L'ARBRE DE RELEVAGE  
REGELHYDRAULIKSTELLUNG-MESSWERTGEBER  
SENSORE DI POSIZIONE DELL'ALBERO OSCILLANTE  
SENSOR DE POSICION DEL EJE OSCILANTE  
POSITIONSGIVARE FOER LYFTARMSAXEL  
RXP025078 -UN-01JAN94



RXP025078

# 7E11

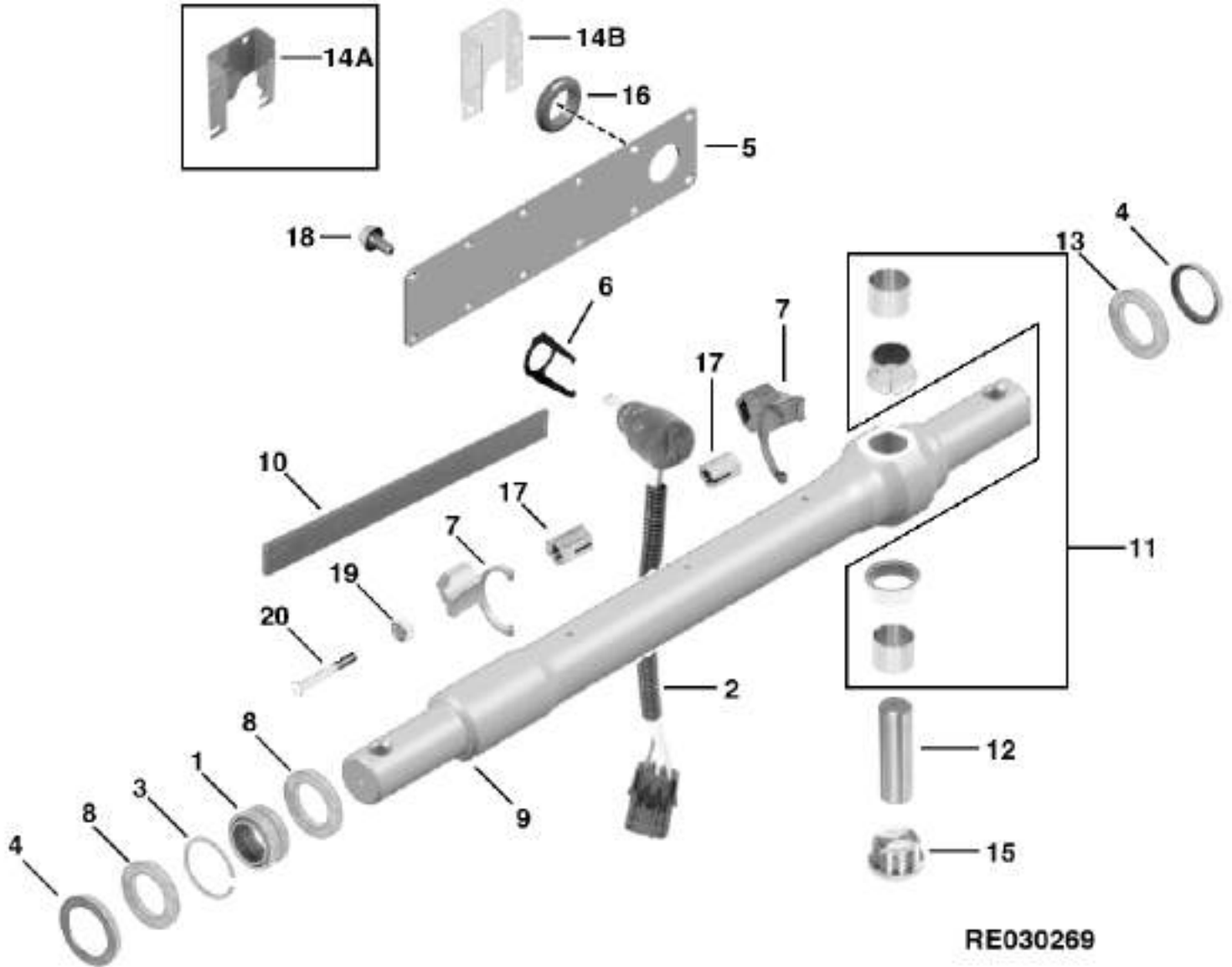
HYDRAULICS

| KEY | PART NO. | PART NAME  | QTY | TRACTOR<br>SERIAL NO. | A<br>L<br>L | REMARKS           |
|-----|----------|------------|-----|-----------------------|-------------|-------------------|
| 1   | R111692  | SHAFT      | 1   |                       | X           |                   |
| 2   | R40915   | LEVER      | 1   |                       | X           |                   |
| 3   | R56504   | SPRING PIN | 1   |                       | X           |                   |
| 4   | R112679  | SEAL       | 1   |                       | X           |                   |
| 5   | R86457   | SUPPORT    | 1   |                       | X           |                   |
| 6   | P48347   | O-RING     | 2   |                       | X           |                   |
| 7   | R111691  | BRACKET    | 1   |                       | X           |                   |
| 8   | R41076   | GROMMET    | 1   |                       | X           |                   |
| 9   | R26871   | SNAP RING  | 1   |                       | X           |                   |
| 10  | RE56165  | SENSOR     | 1   |                       | X           | (SUB FOR RE24467) |
| 11  | 21H1390  | SCREW      | 2   |                       | X           | 0.190" X 1-3/4"   |
| 12  | 12M7060  | WASHER     | 2   |                       | X           | 5.300 MM          |
| 13  | 14H631   | NUT        | 2   |                       | X           | 0.190"            |
| 14  | 19M7932  | CAP SCREW  | 2   |                       | X           | M8 X 16, HS 10.9  |
| 15  | 14H860   | NUT        | 1   |                       | X           | 1/4"              |
| 16  | RE54029  | BALL JOINT | 1   |                       | X           |                   |

# 7E12

HYDRAULICS

DRAFT LINK SUPPORT  
SUPPORT DE BARRE DE TRACTION  
UNTERLENKERSTUETZE  
SUPPORTO DEL TIRANTE DI TRAZIONE  
SOPORTE DEL BRAZO DE TIRO  
DRAGARMSSTOED  
RE030269 -UN-18DEC98



RE030269



# 7E13

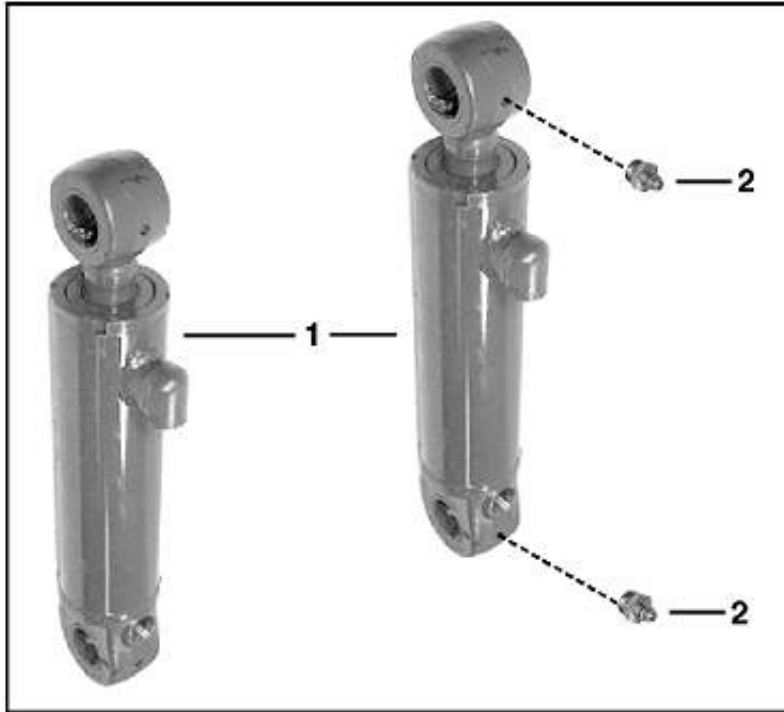
HYDRAULICS

| KEY | PART NO. | PART NAME             | QTY | AXLE<br>SERIAL NO. | A<br>L<br>L | REMARKS           |
|-----|----------|-----------------------|-----|--------------------|-------------|-------------------|
| 1   | AT128774 | SELF-ALIGNING BUSHING | 1   |                    | X           |                   |
| 2   | RE43738  | HITCH DRAFT SENSOR    | 1   |                    | X           |                   |
| 3   | 40M1873  | SNAP RING             | 1   |                    | X           |                   |
| 4   | R107316  | RETAINER              | 2   |                    | X           |                   |
| 5   | R124043  | COVER                 | 1   | -010585            | X           |                   |
|     | R128044  | COVER                 | 1   | 010586-XXXXXX      | X           |                   |
|     | R160281  | COVER                 | 1   | XXXXXX-            | X           |                   |
| 6   | R107491  | CLIP                  | 1   |                    | X           |                   |
| 7   | R107495  | CLIP                  | 2   |                    | X           |                   |
| 8   | R107657  | SEAL                  | 2   |                    | X           |                   |
| 9   | R108290  | SHAFT                 | 1   |                    | X           |                   |
| 10  | R108303  | REINFORCEMENT         | 1   |                    | X           |                   |
| 11  | RE68295  | KIT                   | 2   |                    | X           |                   |
| 12  | R108305  | PIN                   | 1   |                    | X           |                   |
| 13  | R108306  | SEAL                  | 1   |                    | X           |                   |
| 14A | R124042  | COVER                 | 1   |                    | X           | (SUB R126408)     |
| 14B | R126408  | COVER                 | 1   |                    | X           |                   |
| 15  | R133691  | PLUG                  | 1   |                    | X           | (SUB FOR R122158) |
| 16  | R120048  | GROMMET               | 1   |                    | X           |                   |
|     | R111792  | PLUG                  | 1   |                    | X           | (A)               |
| 17  | R132852  | NUT                   | 2   |                    | X           | (SUB FOR R120166) |
| 18  | 19M7783  | SCREW                 | 12  | -XXXXXX            | X           | M10 X 16, HS 10.9 |
|     | 19M7783  | SCREW                 | 7   | XXXXXX-            | X           |                   |
| 19  | 14M7273  | NUT                   | 1   |                    | X           | M8                |
| 20  | 19M7513  | CAP SCREW             | 1   |                    | X           | M8 X 30, HS 10.9  |
| ..  | RE62967  | ADHESIVE              | 1   |                    | X           |                   |

- (A) W/O HITCH  
W/O ATTELAGE  
W/O ANHAENGEVORRICHTUNG  
W/O SOLLEVATORE  
W/O ENGANCHE  
W/O LIFT

# 7E14

LIFT CYLINDER KIT (NORTH AMERICAN VERSION)  
 JEU DE VERIN DE RELEVAGE (VERSION NORD AMERICAINE)  
 HUBZYLINDERSATZ (NORDAMERIKANISCHE AUSFUEHRUNG)  
 KIT DEL CILINDRO DI SOLLEVAMENTO (VERSIONE NORDAMERICANA)  
 JUEGO DE CILINDRO ELEVADOR (VERSION NORTEAMERICANA)  
 LYFTCYLINDERSATS (NORDAMERIKANSK VERSION)  
 RXP025084 -UN-01JAN94



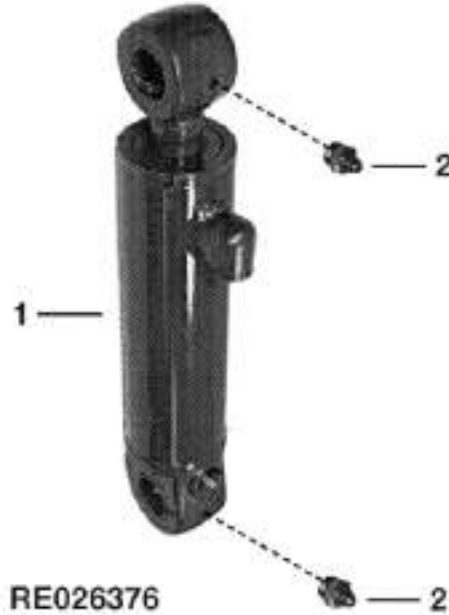
RXP025084

| KEY | PART NO. | PART NAME           | QTY | TRACTOR    |     | REMARKS                       |
|-----|----------|---------------------|-----|------------|-----|-------------------------------|
|     |          |                     |     | SERIAL NO. |     |                               |
|     |          |                     |     |            | 8 8 |                               |
|     |          |                     |     |            | 1 2 |                               |
|     |          |                     |     |            | 0 0 |                               |
|     |          |                     |     |            | 0 0 |                               |
| 1   | AH144351 | HYDRAULIC CYLINDER  | 1   | -XXXXXX    | X X | (B) 80 MM, (SUB AH149420)     |
|     | AH149420 | HYDRAULIC CYLINDER  | 1   | XXXXXX-    | X X | (C) 80 MM                     |
|     | AH149422 | HYDRAULIC CYLINDER  | 1   | -XXXXXX    | X X | (B) 90 MM, (SUB FOR AH144352) |
|     | AH149422 | HYDRAULIC CYLINDER  | 1   | XXXXXX-    | X X | (C) 90 MM                     |
| 2   | JD7798   | LUBRICATION FITTING | 1   |            | X X |                               |
| 3   | AR114068 | KIT                 | 1   |            | X X | (A) (FI)                      |

(A) 1 - AH149420, 1 - AH149422 = 10,400 LBS  
 (B) ( -XXXXXX) 8100-011595; 8200-011401  
 (C) (XXXXXX- ) 8100-011596; 8200-011402

# 7E15

LIFT CYLINDER (NORTH AMERICAN HIGH-LIFT HITCH)  
 VERIN DE RELEVAGE (NORD AMERICAINE ATTELAGE HIGH-LIFT)  
 HUBZYLINDER ( NORDAMERIKANISCHE HIGH-LIFT-ANHAENGEVORRICHTUNG)  
 CILINDRO DI SOLLEVAMENTO (NORD AMERICANA ATTACCO HIGH-LIFT)  
 CILINDRO ELEVADOR ( NORTEAMERICANA ENGANCHE HIGH-LIFT)  
 LYFTCYLINDER (NORDAMERIKANSK HIGH-LIFT-LYFT)  
 RE026376 -UN-13MAR97

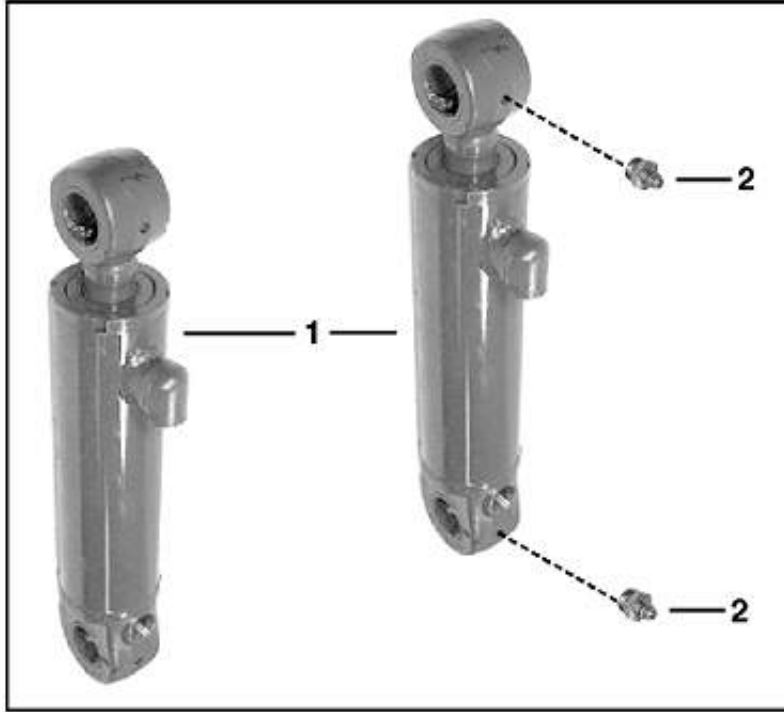


| KEY | PART NO. | PART NAME           | QTY | TRACTOR SERIAL NO. | 8 | 8 | REMARKS                       |
|-----|----------|---------------------|-----|--------------------|---|---|-------------------------------|
| 1   | AH149422 | HYDRAULIC CYLINDER  | 1   | -XXXXXX            | X | X | (B) 90 MM, (SUB FOR AH144352) |
|     | AH149422 | HYDRAULIC CYLINDER  | 1   | XXXXXX-            | X | X | (A) (C) 90 MM                 |
|     | AH141063 | HYDRAULIC CYLINDER  | 1   | -XXXXXX            | X | X | (B) 100 MM, (SUB AH148711)    |
|     | AH148711 | HYDRAULIC CYLINDER  | 1   | XXXXXX-            | X | X | (A) (C) 100 MM                |
| 2   | JD7798   | LUBRICATION FITTING | 4   |                    | X | X |                               |

(A) 1 - AH 149422, 1 - AH148711 = 14,165 LBS  
 (B) ( -XXXXXX) 8100-011595; 8200-011401  
 (C) (XXXXXX- ) 8100-011596; 8200-011402

# 7E16

LIFT CYLINDER KIT (NORTH AMERICAN VERSION)  
 JEU DE VERIN DE RELEVAGE (VERSION NORD AMERICAINE)  
 HUBZYLINDERSATZ (NORDAMERIKANISCHE AUSFUEHRUNG)  
 KIT DEL CILINDRO DI SOLLEVAMENTO (VERSIONE NORDAMERICANA)  
 JUEGO DE CILINDRO ELEVADOR (VERSION NORTEAMERICANA)  
 LYFTCYLINDERSATS (NORDAMERIKANSK VERSION)  
 RXP025084 -UN-01JAN94



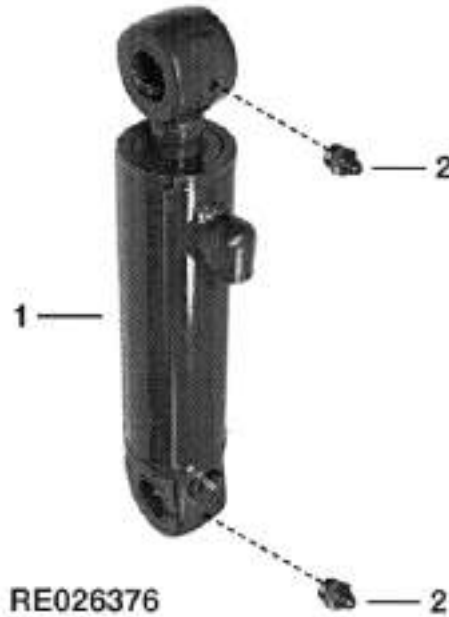
RXP025084

| KEY | PART NO. | PART NAME           | QTY | TRACTOR<br>SERIAL NO. | 8 8<br>3 4<br>0 0<br>0 0 | REMARKS                       |
|-----|----------|---------------------|-----|-----------------------|--------------------------|-------------------------------|
| 1   | AH149422 | HYDRAULIC CYLINDER  | 2   | -XXXXXX               | X X                      | (B) 90 MM, (SUB FOR AH144352) |
|     | AH149422 | HYDRAULIC CYLINDER  | 2   | XXXXXX-               | X X                      | (C) 90 MM                     |
| 2   | JD7798   | LUBRICATION FITTING | 4   |                       | X X                      |                               |
| 3   | AR114069 | KIT                 | 1   |                       | X X                      | (A) (FI)                      |

(A) 2 - AH149422 = 11,700 LBS  
 (B) ( -XXXXXX) 8300-011703; 8400-011727  
 (C) (XXXXXX- ) 8300-011704; 8400-011728

# 7E17

LIFT CYLINDER (NORTH AMERICAN HIGH-LIFT HITCH)  
 VERIN DE RELEVAGE (NORD AMERICAINE ATTELAGE HIGH-LIFT)  
 HUBZYLINDER (NORDAMERIKANISCHE HIGH-LIFT-ANHAENGEVORRICHTUNG)  
 CILINDRO DI SOLLEVAMENTO (NORDAMERICANA ATTACCO HIGH-LIFT)  
 CILINDRO ELEVADOR (NORTEAMERICANA ENGANCHE HIGH-LIFT)  
 LYFTCYLINDER (NORDAMERIKANSK HIGH-LIFT-LYFT)  
 RE026376 -UN-13MAR97

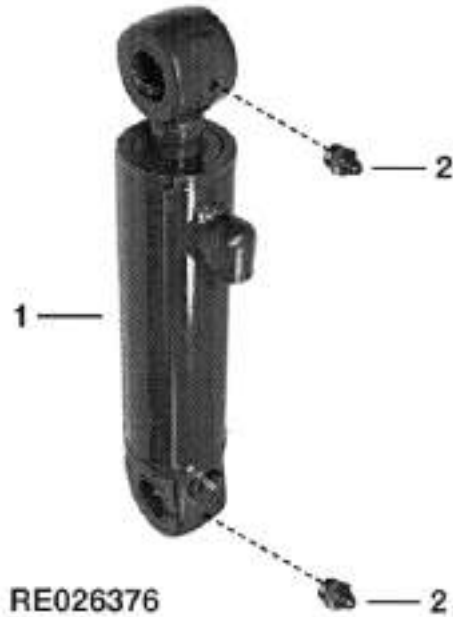


| KEY | PART NO. | PART NAME           | QTY | TRACTOR SERIAL NO. | 8 8<br>3 4<br>0 0<br>0 0 | REMARKS                    |
|-----|----------|---------------------|-----|--------------------|--------------------------|----------------------------|
| 1   | AH141063 | HYDRAULIC CYLINDER  | 1   | -XXXXXX            | X X                      | (B) 100 MM, (SUB AH148711) |
|     | AH148711 | HYDRAULIC CYLINDER  | 1   | XXXXXX-            | X X                      | (A) (C) 100 MM             |
| 2   | JD7798   | LUBRICATION FITTING | 4   |                    | X X                      |                            |

(A) 2 - AH148711 = 15,650 LBS  
 (B) ( -XXXXXX) 8300-011703; 8400-011727  
 (C) (XXXXXX- ) 8300-011704; 8400-011728

# 7E18

LIFT CYLINDER (EUROPEAN VERSION)  
 VERIN DE RELEVAGE (VERSION EUROPEENNE)  
 HUBZYLINDER (EUROPÄISCHE AUSFÜHRUNG)  
 CILINDRO DI SOLLEVAMENTO (VERSIONE EUROPEA)  
 CILINDRO ELEVADOR (VERSION EUROPEA)  
 LYFTCYLINDER (EUROPEISK VERSION)  
 RE026376 -UN-13MAR97



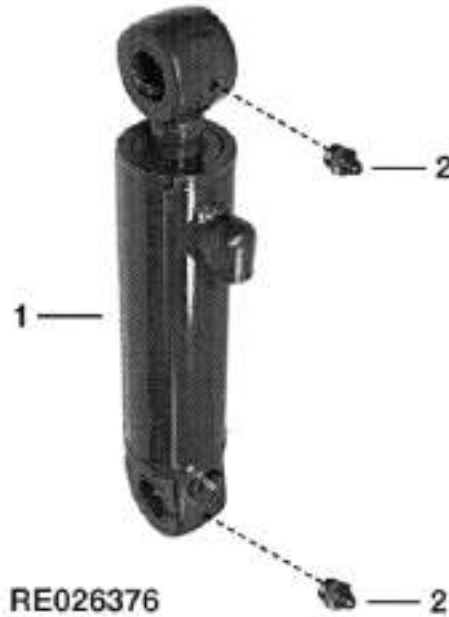
| KEY | PART NO. | PART NAME           | QTY | TRACTOR SERIAL NO. | 8<br>1<br>0<br>0 | REMARKS                       |
|-----|----------|---------------------|-----|--------------------|------------------|-------------------------------|
| 1   | AH149422 | HYDRAULIC CYLINDER  | 1   | -XXXXXX            | X X              | (B) 90 MM, (SUB FOR AH144352) |
|     | AH149422 | HYDRAULIC CYLINDER  | 1   | XXXXXX-            | X X              | (A) (C) 90 MM                 |
|     | AH141063 | HYDRAULIC CYLINDER  | 1   | -XXXXXX            | X X              | (B) 100 MM, (SUB AH148711)    |
|     | AH148711 | HYDRAULIC CYLINDER  | 1   | XXXXXX-            | X X              | (A) (C) 100 MM                |
| 2   | JD7798   | LUBRICATION FITTING | 1   |                    | X X              |                               |

(A) 1 - AH149422, 1 - AH149811 = 14,165 LBS  
 (B) ( -XXXXXX) 8100-011595; 8200-011401  
 (C) (XXXXXX- ) 8100-011596; 8200-011402

# 7E19

HYDRAULICS

LIFT CYLINDER (EUROPEAN VERSION)  
 VERIN DE RELEVAGE (VERSION EUROPEENNE)  
 HUBZYLINDER (EUROPAEISCHE AUSFUEHRUNG)  
 CILINDRO DI SOLLEVAMENTO (VERSIONE EUROPEA)  
 CILINDRO ELEVADOR (VERSION EUROPEA)  
 LYFTCYLINDER (EUROPEISK VERSION)  
 RE026376 -UN-13MAR97



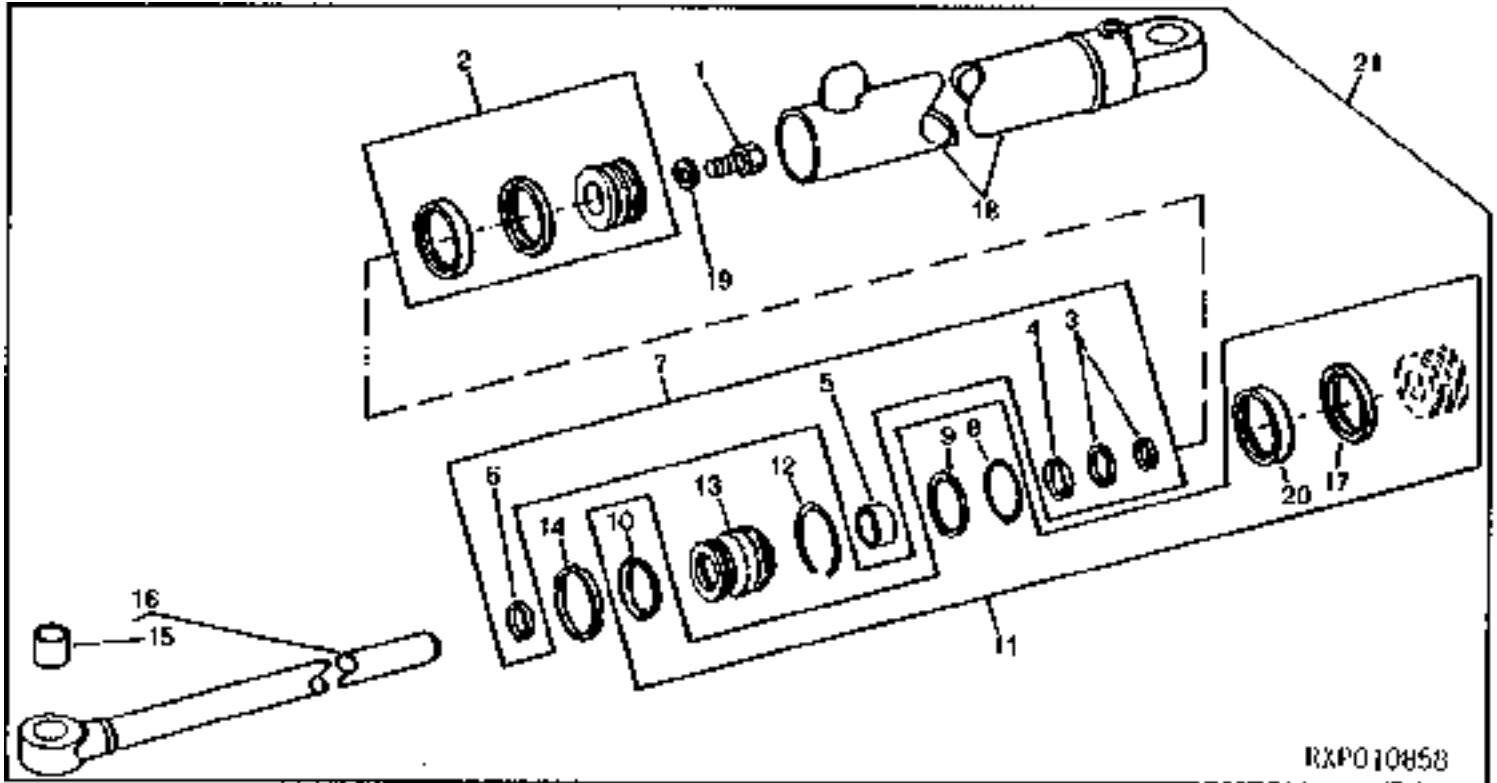
| KEY | PART NO. | PART NAME           | QTY | TRACTOR<br>SERIAL NO. | 8<br>3<br>0<br>0 | REMARKS                    |
|-----|----------|---------------------|-----|-----------------------|------------------|----------------------------|
| 1   | AH141063 | HYDRAULIC CYLINDER  | 2   | -XXXXXX               | X X              | (B) 100 MM, (SUB AH148711) |
|     | AH148711 | HYDRAULIC CYLINDER  | 2   | XXXXXX-               | X X              | (A) (C) 100 MM             |
| 2   | JD7798   | LUBRICATION FITTING | 4   |                       | X X              |                            |

(A) 2 - AH148711 = 15,650 LBS  
 (B) ( -XXXXXX) 8300-011703; 8400-011727  
 (C) (XXXXXX- ) 8300-011704; 8400-011728

# 7E20

HYDRAULICS

LIFT CYLINDER (80 MM) (8100 -011595; 8200 -011401)  
 VERIN DE RELEVAGE (80 MM) (8100 -011595; 8200 -011401)  
 HUBZYLINDER (80 MM) (8100 -011595; 8200 -011401)  
 CILINDRO DI SOLLEVAMENTO (80 MM) (8100 -011595; 8200 -011401)  
 CILINDRO DE ELEVACION (80 MM) (8100 -011595; 8200 -011401)  
 LYFTCYLINDER (80 MM) (8100 -011595; 8200 -011401)  
 RXP010858 -UN-01JAN94



| KEY | PART NO. | PART NAME                 | QTY | TRACTOR SERIAL NO. | REMARKS                        |
|-----|----------|---------------------------|-----|--------------------|--------------------------------|
|     |          |                           |     | 8 8                |                                |
|     |          |                           |     | 1 2                |                                |
|     |          |                           |     | 0 0                |                                |
|     |          |                           |     | 0 0                |                                |
| 1   | 19H3632  | CAP SCREW                 | 1   | X X                | 1" X 3", HS SAE 8              |
| 2   | RE33968  | PISTON                    | 1   | X X                |                                |
| 3   | RE20491  | SEAL                      | 1   | X X                |                                |
| 4   | R81856   | SEAL                      | 1   | X X                |                                |
| 5   | R81779   | WEAR RING                 | 1   | X X                |                                |
| 6   | RE24535  | SEAL                      | 1   | X X                |                                |
| 7   | RE20434  | HYDRAULIC CYLINDER KIT    | 1   | X X                |                                |
| 8   | R83575   | O-RING                    | 1   | X X                |                                |
| 9   | R81864   | BACK-UP RING              | 1   | X X                |                                |
| 10  | R91729   | RING                      | 1   | X X                |                                |
| 11  | RE37003  | HYDRAULIC CYLINDER KIT    | 1   | X X                |                                |
| 12  | R81789   | RING                      | 1   | X X                |                                |
| 13  | R81767   | HYDR. CYLINDER ROD GUIDE  | 1   | X X                | (A) (SUB H152347 AND AH149813) |
| 14  | R81795   | NUT                       | 1   | X X                |                                |
| 15  | R89940   | BUSHING                   | 1   | X X                |                                |
| 16  | AH137764 | ROD                       | 1   | X X                |                                |
| 17  | R98322   | SEAL                      | 1   | X X                |                                |
| 18  | AH144349 | HYDRAULIC CYLINDER BARREL | 1   | X X                |                                |
| 19  | H145176  | WASHER                    | 1   | X X                |                                |
| 20  | R98323   | SEAL                      | 1   | X X                |                                |
| 21  | AH144351 | HYDRAULIC CYLINDER        | 1   | X X                | (SUB AH149420)                 |

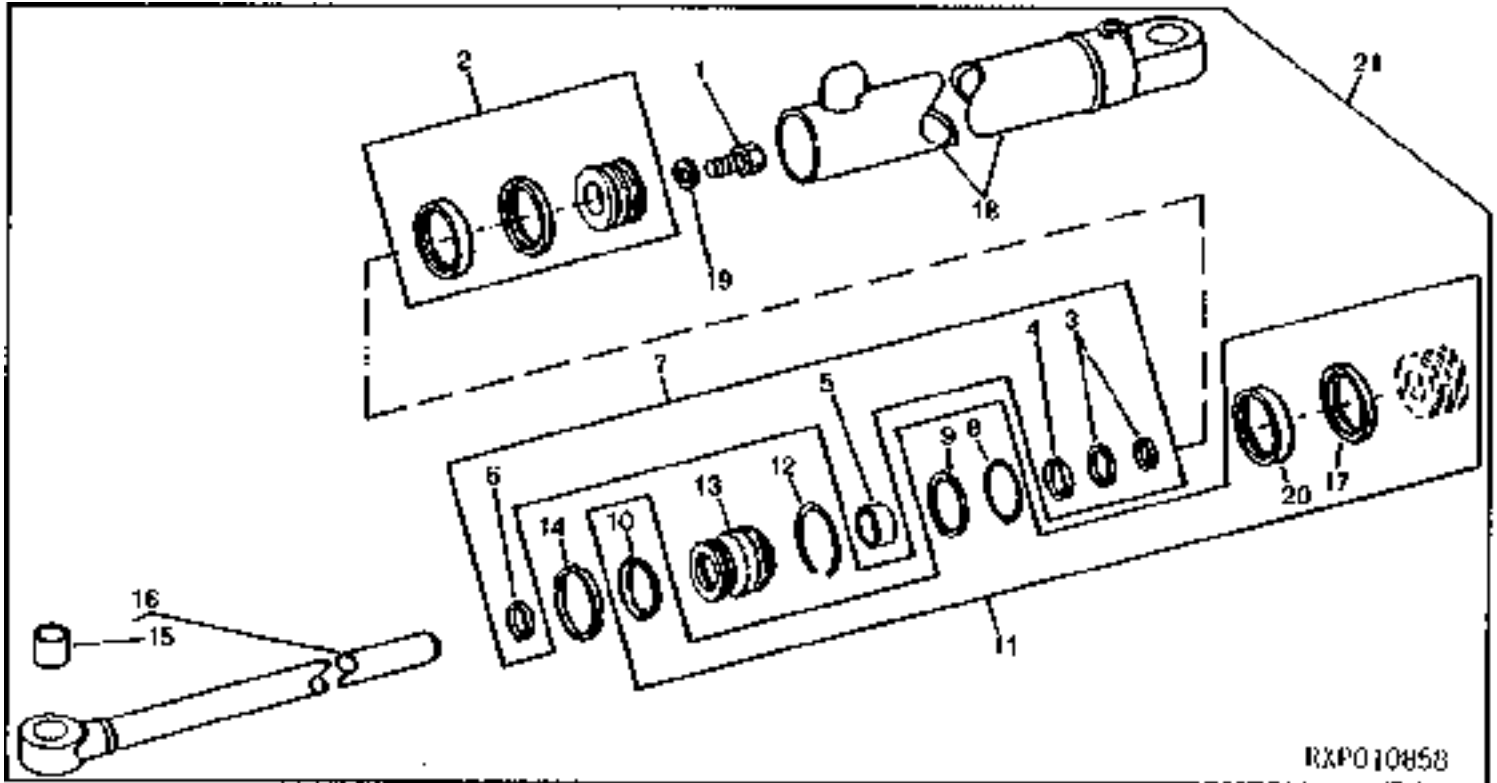
W/O V GROOVE  
 SANS RAINURE EN V  
 OHNE V-RILLE  
 SENZA SCANALATURA A V  
 SIN RANURA EN V  
 UTAN V-SKAARA



# 7E21

HYDRAULICS

LIFT CYLINDER (80 MM) (8100 011595- ; 8200 011401- )  
 VERIN DE RELEVAGE (80 MM) (8100 011595- ; 8200 011401- )  
 HUBZYLINDER (80 MM) (8100 011595- ; 8200 011401- )  
 CILINDRO DI SOLLEVAMENTO (80 MM) (8100 011595- ; 8200 011401- )  
 CILINDRO DE ELEVACION (80 MM) (8100 011595- ; 8200 011401- )  
 LYFTCYLINDER (80 MM) (8100 011595- ; 8200 011401- )  
 RXP010858 -UN-01JAN94



RXP010858

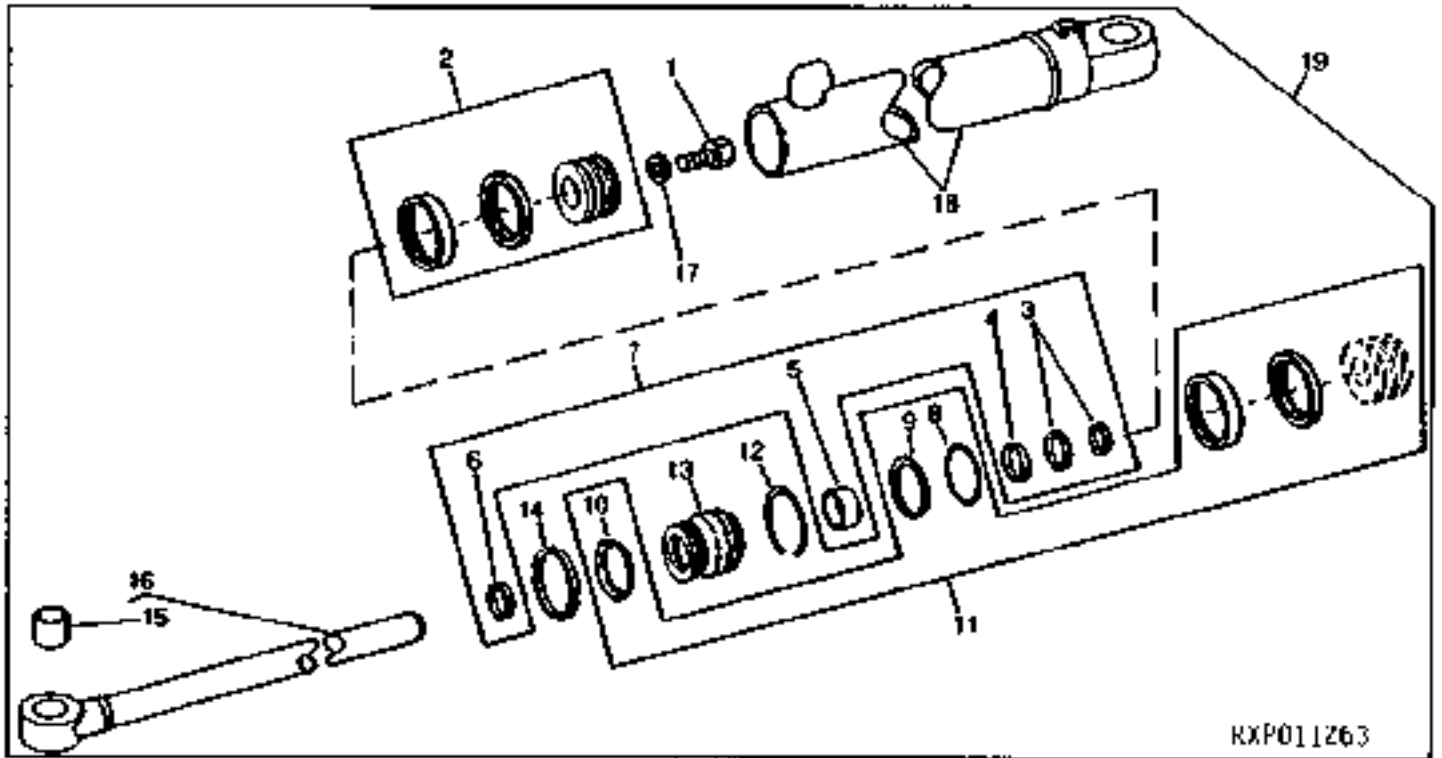
| KEY | PART NO. | PART NAME                 | QTY | TRACTOR SERIAL NO. | REMARKS           |
|-----|----------|---------------------------|-----|--------------------|-------------------|
|     |          |                           |     | 8 8                |                   |
|     |          |                           |     | 1 2                |                   |
|     |          |                           |     | 0 0                |                   |
|     |          |                           |     | 0 0                |                   |
| 1   | 19H3632  | CAP SCREW                 | 1   | X X                | 1" X 3", HS SAE 8 |
| 2   | RE33968  | PISTON                    | 1   | X X                |                   |
| 3   | AH146460 | SEAL                      | 1   | X X                |                   |
| 4   | H152202  | SEAL                      | 1   | X X                |                   |
| 5   | H152793  | BACK-UP RING              | 1   | X X                |                   |
| 6   | AH146556 | SEAL                      | 1   | X X                |                   |
| 7   | AH149813 | HYDRAULIC CYLINDER KIT    | 1   | X X                |                   |
| 8   | R83575   | O-RING                    | 1   | X X                |                   |
| 9   | R81864   | BACK-UP RING              | 1   | X X                |                   |
| 10  | R91729   | RING                      | 1   | X X                |                   |
| 11  | RE37003  | HYDRAULIC CYLINDER KIT    | 1   | X X                |                   |
| 12  | R81789   | RING                      | 1   | X X                |                   |
| 13  | H152347  | HYDR. CYLINDER ROD GUIDE  | 1   | X X                | (A)               |
| 14  | R81795   | NUT                       | 1   | X X                |                   |
| 15  | R89940   | BUSHING                   | 1   | X X                |                   |
| 16  | AH137764 | ROD                       | 1   | X X                |                   |
| 17  | R98322   | SEAL                      | 1   | X X                |                   |
| 18  | AH144349 | HYDRAULIC CYLINDER BARREL | 1   | X X                |                   |
| 19  | H145176  | WASHER                    | 1   | X X                |                   |
| 20  | R98323   | SEAL                      | 1   | X X                |                   |
| 21  | AH149420 | HYDRAULIC CYLINDER        | 1   | X X                |                   |

WITH V GROOVE  
 AVEC RAINURE EN U  
 MIT V-RILLE  
 CON SCANALATURA A V  
 CON RANURA EN V  
 MED V-SKAARA

# 7E22

HYDRAULICS

LIFT CYLINDER (90 MM) (8100 -011595; 8200 -011401; 8300 -011703; 8400 -011727)  
 VERIN DE RELEVAGE (90 MM) (8100 -011595; 8200 -011401; 8300 -011703; 8400 -011727)  
 HUBZYLINDER (90 MM) (8100 -011595; 8200 -011401; 8300 -011703; 8400 -011727)  
 CILINDRO DI SOLLEVAMENTO (90 MM) (8100 -011595; 8200 -011401; 8300 -011703; 8400 -011727)  
 CILINDRO DE ELEVACION (90 MM) (8100 -011595; 8200 -011401; 8300 -011703; 8400 -011727)  
 LYFTCYLINDER (90 MM) (8100 -011595; 8200 -011401; 8300 -011703; 8400 -011727)  
 RXP011263 -UN-01JAN94



| KEY | PART NO. | PART NAME                 | QTY | TRACTOR SERIAL NO. | A | REMARKS                        |
|-----|----------|---------------------------|-----|--------------------|---|--------------------------------|
|     |          |                           |     |                    | L |                                |
| 1   | 19H3632  | CAP SCREW                 | 1   |                    | X | 1" X 3", HS SAE 8              |
| 2   | AH136453 | PISTON                    | 1   |                    | X |                                |
| 3   | RE20491  | SEAL                      | 1   |                    | X |                                |
| 4   | R81856   | SEAL                      | 1   |                    | X |                                |
| 5   | R81779   | WEAR RING                 | 1   |                    | X |                                |
| 6   | RE24535  | SEAL                      | 1   |                    | X |                                |
| 7   | RE20434  | HYDRAULIC CYLINDER KIT    | 1   |                    | X |                                |
| 8   | R83576   | O-RING                    | 1   |                    | X |                                |
| 9   | R79101   | BACK-UP RING              | 1   |                    | X |                                |
| 10  | R91730   | RING                      | 1   |                    | X |                                |
| 11  | AH134955 | HYDRAULIC CYLINDER KIT    | 1   |                    | X |                                |
| 12  | R81788   | RING                      | 1   |                    | X |                                |
| 13  | R81766   | HYDR. CYLINDER ROD GUIDE  | 1   |                    | X | (A) (SUB H157642 AND AH149813) |
| 14  | R81794   | NUT                       | 1   |                    | X |                                |
| 15  | R89940   | BUSHING                   | 1   |                    | X |                                |
| 16  | AH137764 | ROD                       | 1   |                    | X |                                |
| 17  | H145176  | WASHER                    | 1   |                    | X |                                |
| 18  | AH144350 | HYDRAULIC CYLINDER BARREL | 1   |                    | X |                                |
| 19  | AH149422 | HYDRAULIC CYLINDER        | 1   |                    | X | (SUB FOR AH144352)             |

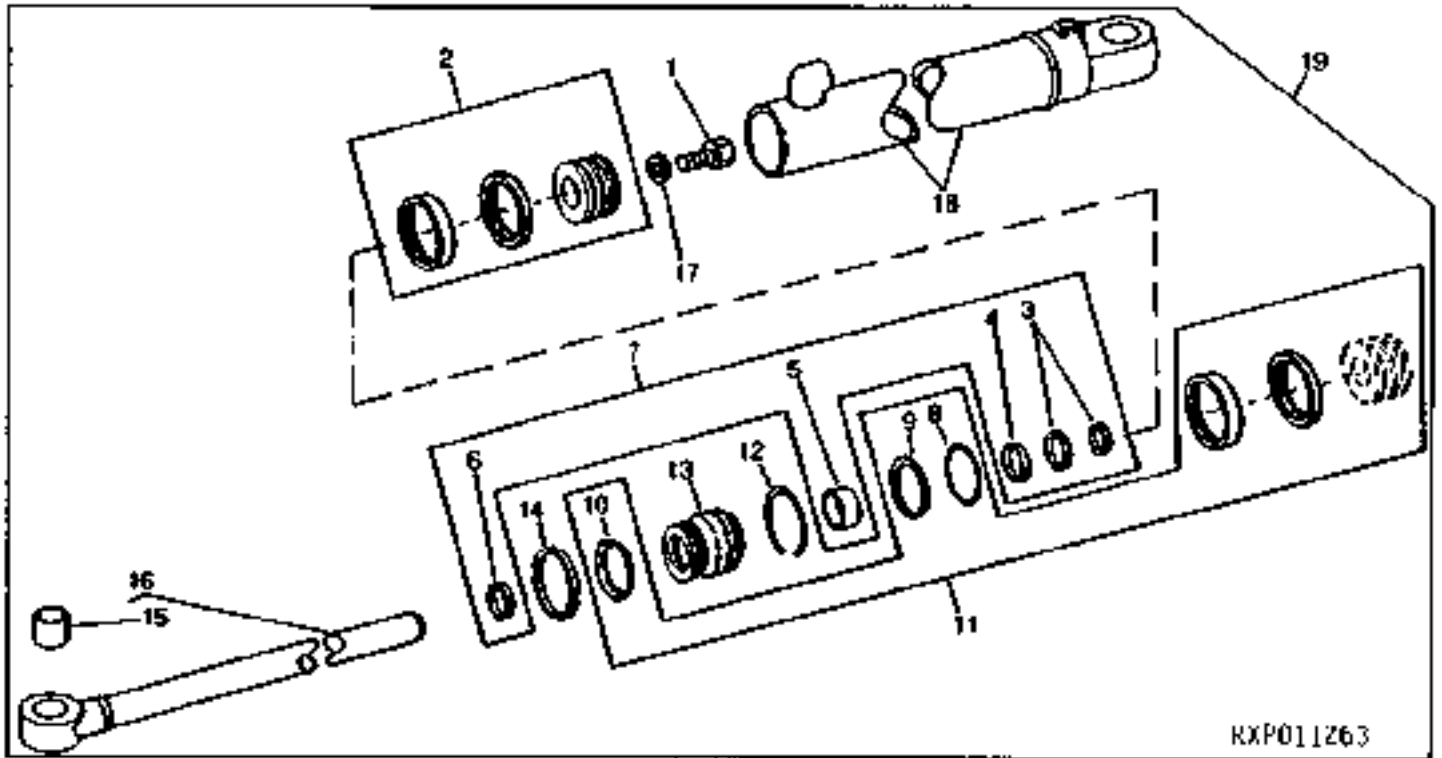
W/O V GROOVE  
 SANS RAINURE EN V  
 OHNE V-RILLE  
 SENZA SCANALATURA A V  
 SIN RANURA EN V  
 UTAN V-SKAARA

# 7E23

HYDRAULICS

LIFT CYLINDER (90 MM) (8100 011596- ; 8200 011401- ; 8300 011703- ; 8400 011727- )  
 VERIN DE RELEVAGE (90 MM) (8100 011596- ; 8200 011401- ; 8300 011703- ; 8400 011727- )  
 HUBZYLINDER (90 MM) (8100 011596- ; 8200 011401- ; 8300 011703- ; 8400 011727- )  
 CILINDRO DI SOLLEVAMENTO (90 MM) (8100 11596- ; 8200 11401- ; 8300 11703- ; 8400 11727- )  
 CILINDRO DE ELEVACION (90 MM) (8100 11596- ; 8200 11401- ; 8300 11703- ; 8400 11727- )  
 LYFTCYLINDER (90 MM) (8100 011596- ; 8200 011401- ; 8300 011703- ; 8400 011727- )

RXP011263 -UN-01JAN94



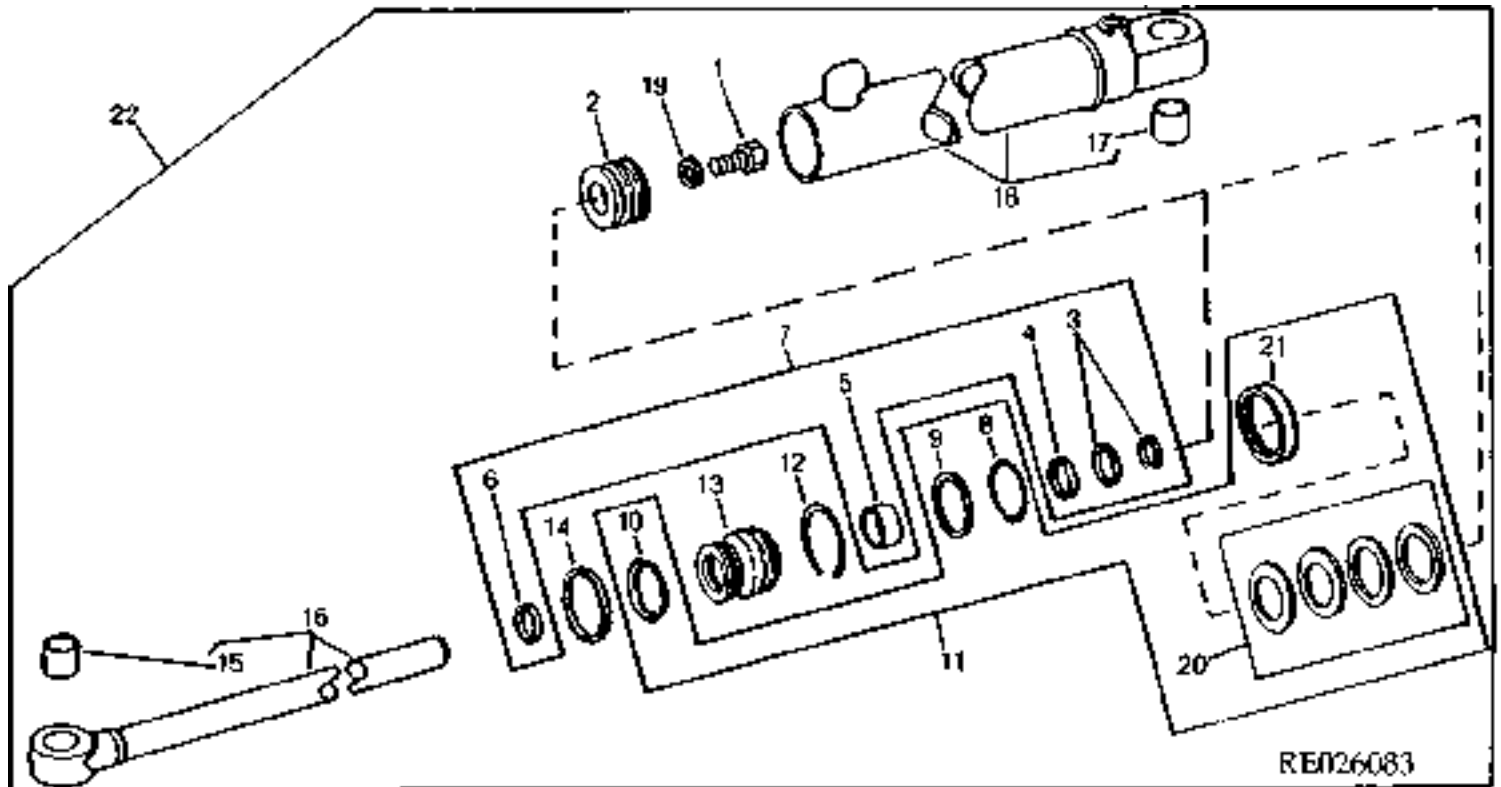
| KEY | PART NO. | PART NAME                 | QTY | TRACTOR SERIAL NO. | A |                   |
|-----|----------|---------------------------|-----|--------------------|---|-------------------|
|     |          |                           |     |                    | L | REMARKS           |
| 1   | 19H3632  | CAP SCREW                 | 1   |                    | X | 1" X 3", HS SAE 8 |
| 2   | AH136453 | PISTON                    | 1   |                    | X |                   |
| 3   | AH146560 | SEAL                      | 1   |                    | X |                   |
| 4   | H152202  | SEAL                      | 1   |                    | X |                   |
| 5   | H152793  | BACK-UP RING              | 1   |                    | X |                   |
| 6   | AH146556 | SEAL                      | 1   |                    | X |                   |
| 7   | AH149813 | HYDRAULIC CYLINDER KIT    | 1   |                    | X |                   |
| 8   | R83576   | O-RING                    | 1   |                    | X |                   |
| 9   | R79101   | BACK-UP RING              | 1   |                    | X |                   |
| 10  | R91730   | RING                      | 1   |                    | X |                   |
| 11  | AH134955 | HYDRAULIC CYLINDER KIT    | 1   |                    | X |                   |
| 12  | R81788   | RING                      | 1   |                    | X |                   |
| 13  | H157642  | HYDR. CYLINDER ROD GUIDE  | 1   |                    | X | (A)               |
| 14  | R81794   | NUT                       | 1   |                    | X |                   |
| 15  | R89940   | BUSHING                   | 1   |                    | X |                   |
| 16  | AH137764 | ROD                       | 1   |                    | X |                   |
| 17  | H145176  | WASHER                    | 1   |                    | X |                   |
| 18  | AH144350 | HYDRAULIC CYLINDER BARREL | 1   |                    | X |                   |
| 19  | AH149422 | HYDRAULIC CYLINDER        | 1   |                    | X |                   |

WITH V GROOVE  
 AVEC RAINURE EN U  
 MIT V-RILLE  
 CON SCANALATURA A V  
 CON RANURA EN V  
 MED V-SKAARA

# 7E24

HYDRAULICS

LIFT CYLINDER (N.A.HIGH LIFT HITCH) (100 MM) (8100 -011595;8200 -011401;8300 -011703;8400 -011727)  
 VERIN DE RELEVAGE (N.A.ATTELAGE HIGH-LIFT)(81 -11595;82 -11401;83 -11703;8400 -11727)  
 HUBZYLINDER (NORDAMERIKANISCHE HIGH-LIFT) (81 -011595;82 -011401;8300 -011703;8400 -011727)  
 CILINDRO DI SOLLEVAMENTO(N.A.ATTACCO HIGH-LIFT)(81 -11595;82 -11401;83 -11703;84 -11727)  
 CILINDRO DE ELEVACION (N.A. ENGANCHE HIGH-LIFT)(81 -11595;82 -11401;83 -11703;84 -11727)  
 LYFTCYLINDER (NORDAMERIKANSK HIGH-LIFT-LYFT) (81 -011595;82 -011401;83 -011703;8400 -011727)  
 RE026083 -UN-22MAR95



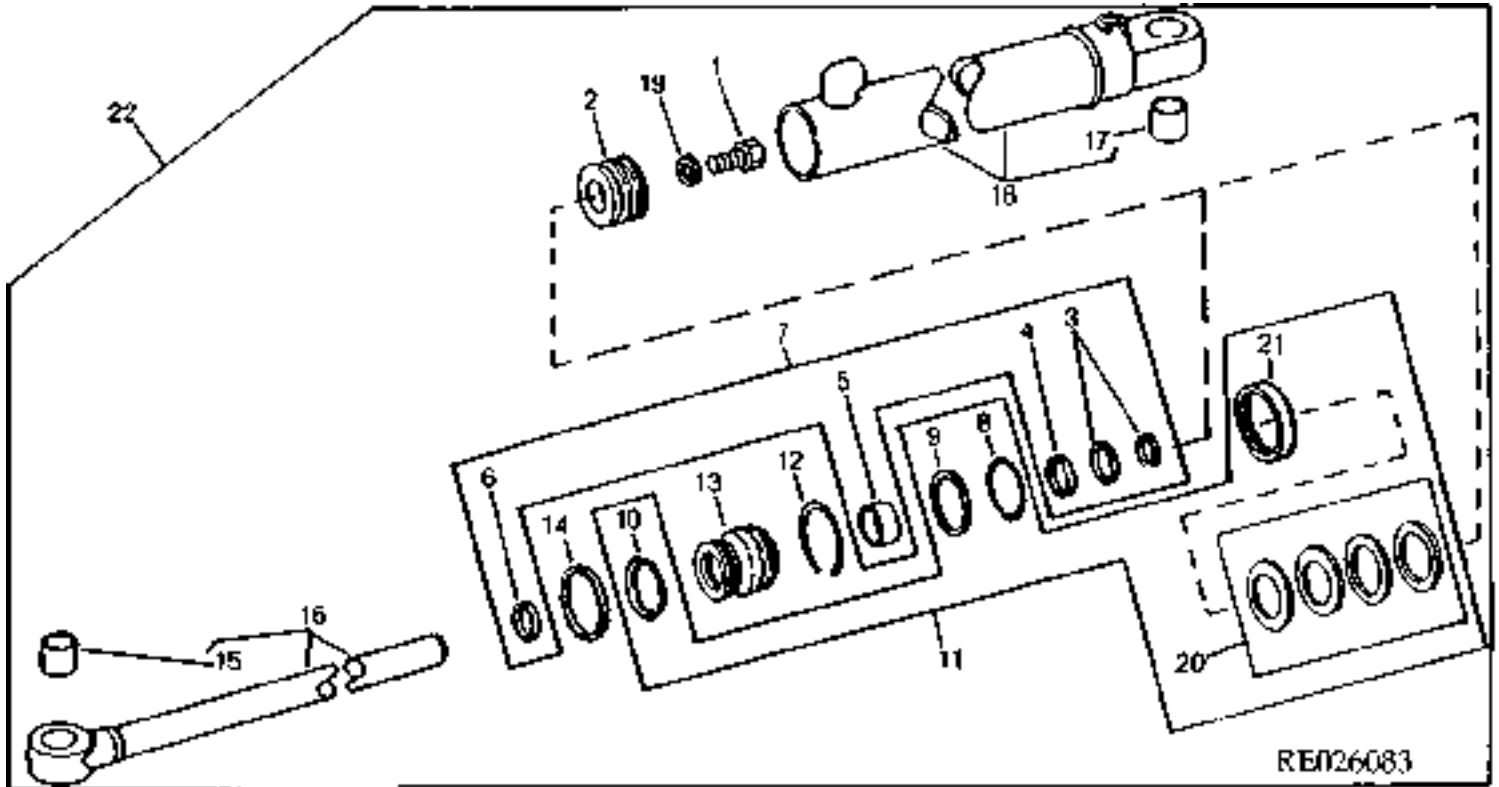
| KEY | PART NO. | PART NAME                 | QTY | TRACTOR SERIAL NO. | A |                                |
|-----|----------|---------------------------|-----|--------------------|---|--------------------------------|
|     |          |                           |     |                    | L | REMARKS                        |
| 1   | 19M8353  | CAP SCREW                 | 1   |                    | X | M30 X 80, HS 10.9              |
| 2   | H145456  | PISTON                    | 1   |                    | X |                                |
| 3   | RE20757  | SEAL                      | 1   |                    | X |                                |
| 4   | R81973   | SEAL                      | 1   |                    | X |                                |
| 5   | R81975   | WEAR RING                 | 1   |                    | X |                                |
| 6   | RE24536  | SEAL                      | 1   |                    | X |                                |
| 7   | RE20595  | HYDRAULIC CYLINDER KIT    | 1   |                    | X |                                |
| 8   | R83577   | O-RING                    | 1   |                    | X |                                |
| 9   | R81862   | BACK-UP RING              | 1   |                    | X |                                |
| 10  | R91731   | RING                      | 1   |                    | X |                                |
| 11  | AH137687 | HYDRAULIC CYLINDER KIT    | 1   |                    | X | (SUB AH149844)                 |
| 12  | R81787   | RING                      | 1   |                    | X |                                |
| 13  | R81972   | HYDR. CYLINDER ROD GUIDE  | 1   |                    | X | (A) (SUB H157978 AND AH148164) |
| 14  | R81793   | NUT                       | 1   |                    | X |                                |
| 15  | R89940   | BUSHING                   | 1   |                    | X |                                |
| 16  | AH142570 | ROD                       | 1   |                    | X |                                |
| 17  | R89940   | BUSHING                   | 1   |                    | X |                                |
| 18  | AH142569 | HYDRAULIC CYLINDER BARREL | 1   |                    | X |                                |
| 19  | H145175  | WASHER                    | 1   |                    | X |                                |
| 20  | RE20343  | SEAL                      | 1   |                    | X |                                |
| 21  | R81775   | WEAR RING                 | 1   |                    | X |                                |
| 22  | AH141063 | HYDRAULIC CYLINDER        | 1   |                    | X | (100 MM) (SUB AH148711)        |

W/O V GROOVE  
 SANS RAINURE EN V  
 OHNE V-RILLE  
 SENZA SCANALATURA A V  
 SIN RANURA EN V  
 UTAN V-SKAARA

# 7E25

HYDRAULICS

LIFT CYLINDER (N.A.HIGH LIFT HITCH) (100 MM) (8100 11596- ;8200 11402- ;8300 11704- ;8400 11728- )  
 VERIN DE RELEVAGE(N.A.ATTelage HIGH-LIFT)(100 MM)(81 11596- ;82 11402- ;83 11704- ;84 11728- )  
 HUBZYLINDER (NORD AMERIKANISCHE HIGH-LIFT)(81 11596- ;82 11402- ;83 11704- ;8400 11728- )  
 CILINDRO DI SOLLEVAMENTO (N.A.ATTACCO HIGH-LIFT)(81 11596- ;82 11402- ;83 11704- ;84 11728- )  
 CILINDRO DE ELEVACION (N.A.ENGANCHE HIGH-LIFT)(81 11596- ;82 11402- ;83 11704- ;84 11728- )  
 LYFTCYLINDER(NORDAMERIKANSK HIGH-LIFT-LYFT)(8100 11596- ;8200 11402- ;8300 11704- ;8400 11728- )  
 RE026083 -UN-22MAR95

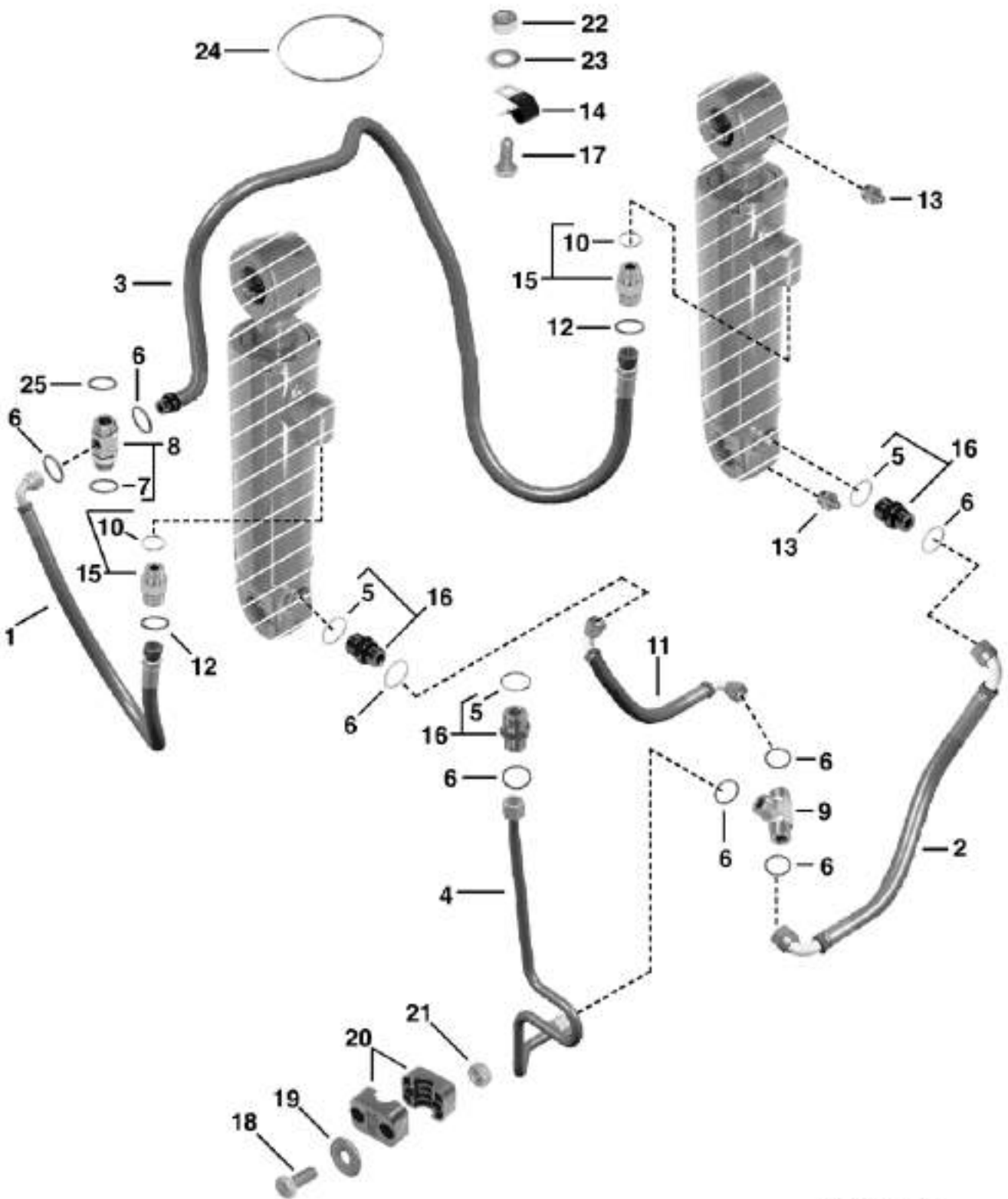


| KEY | PART NO. | PART NAME                 | QTY | TRACTOR SERIAL NO. | A |                   |
|-----|----------|---------------------------|-----|--------------------|---|-------------------|
|     |          |                           |     |                    | L | REMARKS           |
| 1   | 19M8353  | CAP SCREW                 | 1   |                    | X | M30 X 80, HS 10.9 |
| 2   | H145456  | PISTON                    | 1   |                    | X |                   |
| 3   | AH146561 | SEAL                      | 1   |                    | X |                   |
| 4   | H152203  | SEAL                      | 1   |                    | X |                   |
| 5   | H152794  | WEAR RING                 | 1   |                    | X |                   |
| 6   | AH146557 | SEAL                      | 1   |                    | X |                   |
| 7   | AH148164 | HYDRAULIC CYLINDER KIT    | 1   |                    | X |                   |
| 8   | R83577   | O-RING                    | 1   |                    | X |                   |
| 9   | R81862   | BACK-UP RING              | 1   |                    | X |                   |
| 10  | R91731   | RING                      | 1   |                    | X |                   |
| 11  | AH149844 | KIT                       | 1   |                    | X |                   |
| 12  | R81787   | RING                      | 1   |                    | X |                   |
| 13  | H157978  | HYDR. CYLINDER ROD GUIDE  | 1   |                    | X | (A)               |
| 14  | R81793   | NUT                       | 1   |                    | X |                   |
| 15  | R89940   | BUSHING                   | 1   |                    | X |                   |
| 16  | AH142570 | ROD                       | 1   |                    | X |                   |
| 17  | R89940   | BUSHING                   | 1   |                    | X |                   |
| 18  | AH142569 | HYDRAULIC CYLINDER BARREL | 1   |                    | X |                   |
| 19  | H145175  | WASHER                    | 1   |                    | X |                   |
| 20  | RE20343  | SEAL                      | 1   |                    | X |                   |
| 21  | R81775   | WEAR RING                 | 1   |                    | X |                   |
| 22  | AH148711 | HYDRAULIC CYLINDER        | 1   |                    | X | (100 MM)          |

WITH V GROOVE  
 AVEC RAINURE EN U  
 MIT V-RILLE  
 CON SCANALATURA A V  
 CON RANURA EN V  
 MED V-SKAARA

# 7F1

LIFT CYLINDER LINES (NORTH AMERICAN VERSION)  
CONDUITES DE VERIN DE RELEVAGE (VERSION NORD AMERICAINE)  
HUBZYLINDERLEITUNGEN (NORDAMERIKANISCHE AUSFUEHRUNG)  
TUBI DEL CILINDRO DI SOLLEVAMENTO (VERSIONE NORDAMERICANA)  
LINEAS DEL CILINDRO DE ELEVACION (VERSION NORTEAMERICANA)  
LYFTCYLINDERLEDNINGAR (NORDAMERIKANSK VERSION)  
RE026088 -UN-13MAR95



RE026088

# 7F2

HYDRAULICS

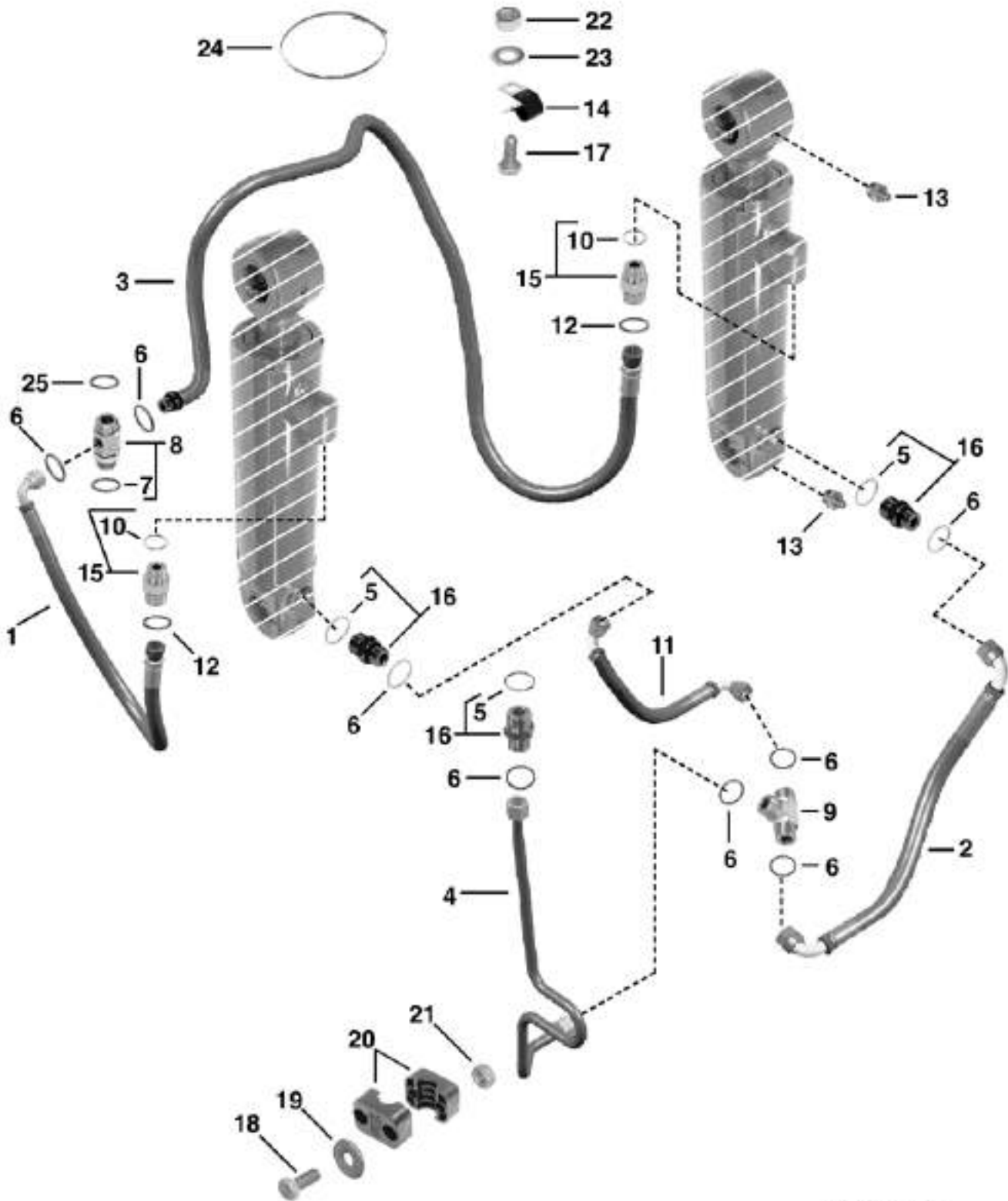
| KEY | PART NO. | PART NAME                  | QTY | TRACTOR<br>SERIAL NO. | A<br>L<br>L | REMARKS               |
|-----|----------|----------------------------|-----|-----------------------|-------------|-----------------------|
| 1   | RE44743  | HYDRAULIC HOSE             | 1   |                       | X           |                       |
| 2   | RE60619  | HYDRAULIC HOSE - FABRICATE | 1   |                       | X           |                       |
| 3   | RE44774  | HYDRAULIC HOSE             | 1   |                       | X           |                       |
| 4   | RE60852  | OIL LINE                   | 1   | -XXXXXX               | X           |                       |
|     | RE62507  | OIL LINE                   | 1   | XXXXXX-               | X           |                       |
| 5   | 51M7045  | O-RING                     | 3   |                       | X           | 19.300 X 2.200 MM     |
| 6   | T77932   | O-RING                     | 8   |                       | X           |                       |
| 7   | 51M7048  | O-RING                     | 1   |                       | X           | 29.600 X 2.900 MM     |
|     | 51M7043  | O-RING                     | 1   |                       | X           | (A) 15.300 X 2.200 MM |
| 8   | RE58409  | CONNECTOR                  | 1   |                       | X           |                       |
|     | RE46685  | PLUG                       | 1   |                       | X           | (A)                   |
| 9   | 38H5112  | TEE FITTING                | 1   |                       | X           |                       |
| 10  | 51M7045  | O-RING                     | 2   |                       | X           | 19.300 X 2.200 MM     |
| 11  | RE60623  | HYDRAULIC HOSE             | 1   | -XXXXXX               | X           | (SUB RE62785)         |
|     | RE62785  | HYDRAULIC HOSE - FABRICATE | 1   | XXXXXX-               | X           |                       |
| 12  | T77857   | O-RING                     | 2   |                       | X           |                       |
| 13  | JD7798   | LUBRICATION FITTING        | 4   |                       | X           |                       |
| 14  | T70659   | CLAMP                      | 1   |                       | X           |                       |
| 15  | 38H5076  | ADAPTER                    | 2   |                       | X           |                       |
| 16  | 38H5004  | ADAPTER                    | 2   |                       | X           |                       |
| 17  | 19M7167  | CAP SCREW                  | 1   |                       | X           | M10 X 25              |
| 18  | 19M7834  | SCREW                      | 2   |                       | X           | M6 X 45, HS 10.9      |
| 19  | 24M7139  | WASHER                     | 2   |                       | X           | 6.400 X 18 X 1.600 MM |
| 20  | H115533  | CLAMP                      | 2   |                       | X           |                       |
| 21  | 14M7272  | NUT                        | 2   |                       | X           | M6                    |
| 22  | 14M7274  | NUT                        | 1   |                       | X           | M10                   |
| 23  | 24M7207  | WASHER                     | 1   |                       | X           | 8.400 X 24 X 2 MM     |
| 24  | R76477   | TIE BAND                   | AR  |                       | X           |                       |
| 25  | T76938   | O-RING                     | 1   |                       | X           |                       |

(A) W/O HITCH  
 SANS ATTELAGE  
 OHNE DREIPUNKTAUFHAENGUNG  
 SENZA ATTACCO  
 SENZA ENCANCHE  
 UTAN DRAGKOPPLING

# 7F3

HYDRAULICS

LIFT CYLINDER LINES (EUROPEAN VERSION)  
CONDUITES DE VERIN DE RELEVAGE (VERSION EUROPEENNE)  
HUBZYLINDERLEITUNGEN (EUROPAEISCHE AUSFUEHRUNG)  
TUBI DEL CILINDRO DI SOLLEVAMENTO (VERSIONE EUROPEA)  
LINEAS DEL CILINDRO DE ELEVACION (VERSION EUROPEA)  
LYFTCYLINDERLEDNINGAR (EUROPEISK VERSION)  
RE026088 -UN-13MAR95



RE026088



# 7F4

HYDRAULICS

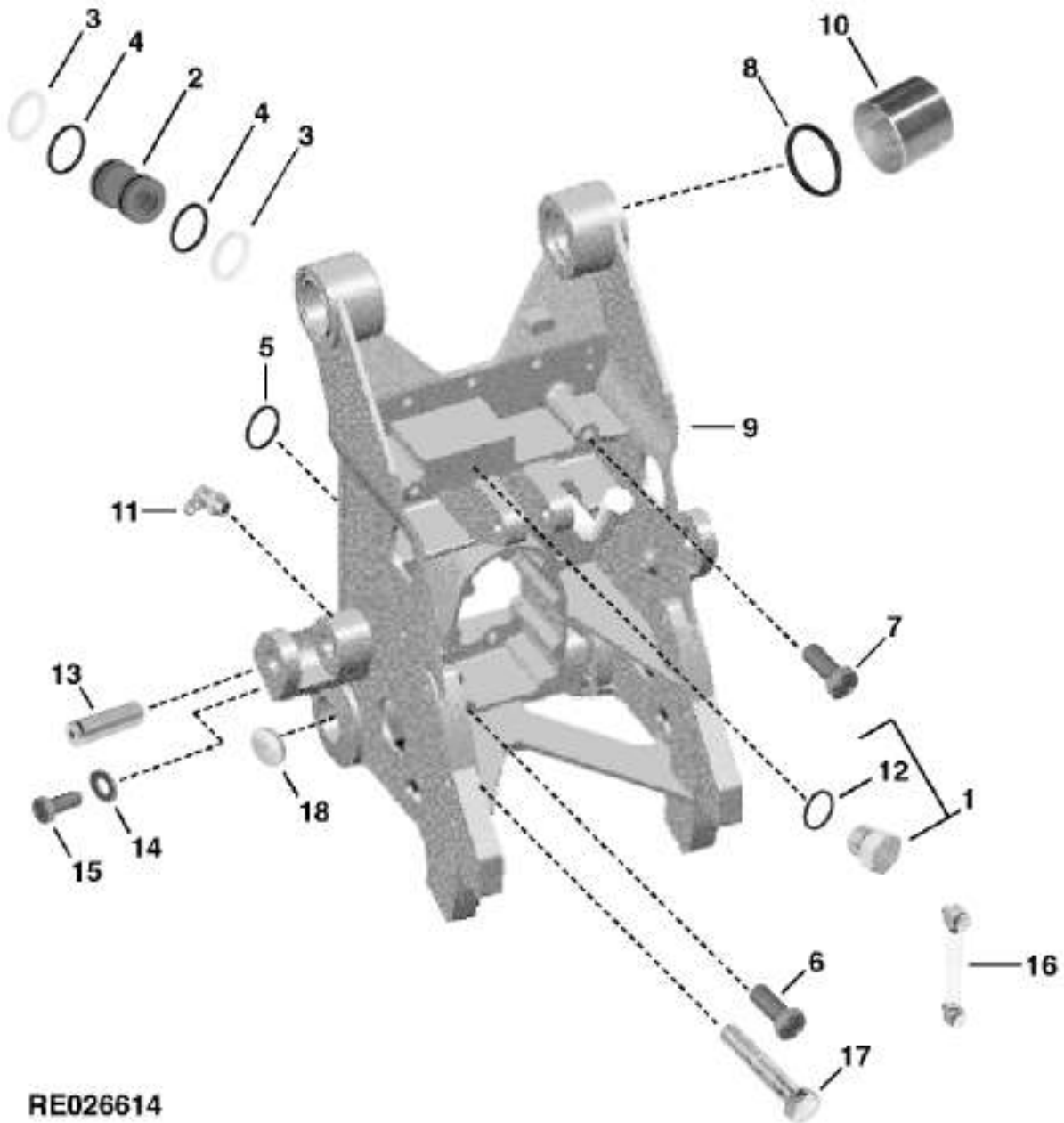
| KEY | PART NO. | PART NAME                  | QTY | TRACTOR<br>SERIAL NO. | A<br>L<br>L | REMARKS               |
|-----|----------|----------------------------|-----|-----------------------|-------------|-----------------------|
| 1   | RE44743  | HYDRAULIC HOSE             | 1   |                       | X           |                       |
| 2   | RE60619  | HYDRAULIC HOSE - FABRICATE | 1   |                       | X           |                       |
| 3   | RE44774  | HYDRAULIC HOSE             | 1   |                       | X           |                       |
| 4   | RE60852  | OIL LINE                   | 1   | -XXXXXX               | X           |                       |
|     | RE62507  | OIL LINE                   | 1   | XXXXXX-               | X           |                       |
| 5   | 51M7045  | O-RING                     | 3   |                       | X           | 19.300 X 2.200 MM     |
| 6   | T77932   | O-RING                     | 8   |                       | X           |                       |
| 7   | 51M7048  | O-RING                     | 1   |                       | X           | 29.600 X 2.900 MM     |
|     | 51M7043  | O-RING                     | 1   |                       | X           | (A) 15.300 X 2.200 MM |
| 8   | RE58409  | CONNECTOR                  | 1   |                       | X           |                       |
|     | RE46685  | PLUG                       | 1   |                       | X           | (A)                   |
| 9   | 38H5112  | TEE FITTING                | 1   |                       | X           |                       |
| 10  | 51M7045  | O-RING                     | 2   |                       | X           | 19.300 X 2.200 MM     |
| 11  | RE60623  | HYDRAULIC HOSE             | 1   | -XXXXXX               | X           | (SUB RE62785)         |
|     | RE62785  | HYDRAULIC HOSE - FABRICATE | 1   | XXXXXX-               | X           |                       |
| 12  | T77857   | O-RING                     | 2   |                       | X           |                       |
| 13  | JD7798   | LUBRICATION FITTING        | 4   |                       | X           |                       |
| 14  | T70659   | CLAMP                      | 1   |                       | X           |                       |
| 15  | 38H5076  | ADAPTER                    | 2   |                       | X           |                       |
| 16  | 38H5004  | ADAPTER                    | 2   |                       | X           |                       |
| 17  | 19M7167  | CAP SCREW                  | 1   |                       | X           | M10 X 25              |
| 18  | 19M7834  | SCREW                      | 2   |                       | X           | M6 X 45, HS 10.9      |
| 19  | 24M7139  | WASHER                     | 2   |                       | X           | 6.400 X 18 X 1.600 MM |
| 20  | H115533  | CLAMP                      | 2   |                       | X           |                       |
| 21  | 14M7272  | NUT                        | 2   |                       | X           | M6                    |
| 22  | 14M7274  | NUT                        | 1   |                       | X           | M10                   |
| 23  | 24M7207  | WASHER                     | 1   |                       | X           | 8.400 X 24 X 2 MM     |
| 24  | R76477   | TIE BAND                   | AR  |                       | X           |                       |
| 25  | T76938   | O-RING                     | 1   |                       | X           |                       |

(A) W/O HITCH  
 SANS ATTELAGE  
 OHNE DREIPUNKTAUFHAENGUNG  
 SENZA ATTACCO  
 SENZA ENCANCHE  
 UTAN DRAGKOPPLING

# 7F5

HYDRAULICS

HITCH FRAME  
BATI D'ATTELAGE  
RAHMEN DER ANHAENGEVORRICHTUNG  
TELAIO DEL SOLLEVATORE  
BASTIDOR DEL ENGANCHE  
LYFTRAM  
RE026614 -UN-08DEC95



RE026614

# 7F6

HYDRAULICS

| KEY | PART NO. | PART NAME           | QTY | AXLE<br>SERIAL NO. | A<br>L<br>L | REMARKS                            |
|-----|----------|---------------------|-----|--------------------|-------------|------------------------------------|
| 1   | RE46687  | FITTING             | 3   |                    | X           |                                    |
| 2   | R114349  | TUBE                | 1   |                    | X           | (B)                                |
| 3   | R26485   | BACK-UP RING        | 2   |                    | X           |                                    |
| 4   | U11647   | O-RING              | 2   |                    | X           |                                    |
| 5   | T74425   | O-RING              | 1   |                    | X           | (C)                                |
| 6   | 19M7597  | CAP SCREW           | 11  |                    | X           | M20 X 50, HS 10.9                  |
| 7   | 19M8026  | CAP SCREW           | 2   |                    | X           | M20 X 170, HS 10.9                 |
| 8   | A5598R   | O-RING              | 2   | -XXXXXX            | X           | (D)                                |
|     | R135000  | PACKING             | 2   | XXXXXX-            | X           | (E)                                |
| 9   | R122866  | FRAME               | 1   | -010585            | X           | (SUB R128134, R128044 AND R126408) |
|     | R128134  | FRAME               | 1   | 010586-XXXXXX      | X           | (D)                                |
|     | R134737  | FRAME               | 1   | XXXXXX-            | X           | (E)                                |
|     | JD7781   | LUBRICATION FITTING | 2   | XXXXXX-            | X           | (E)                                |
| 10  | R107755  | BUSHING             | 2   |                    | X           |                                    |
| 11  | JD7799   | LUBRICATION FITTING | 4   |                    | X           |                                    |
|     | N158796  | PLUG                | 1   |                    | X           | (A)                                |
| 12  | 51M7045  | O-RING              | 3   |                    | X           | 19.300 X 2.200 MM                  |
| 13  | R122313  | PIN                 | 2   |                    | X           |                                    |
| 14  | R124347  | WASHER              | 2   |                    | X           |                                    |
| 15  | 19M7938  | CAP SCREW           | 2   |                    | X           | M10 X 20, HS 10.9                  |
| 16  | RE57519  | GAUGE               | 1   |                    | X           |                                    |
| 17  | 19M7969  | CAP SCREW           | 2   |                    | X           | M20 X 110                          |
| 18  | R111793  | PLUG                | 1   |                    | X           | (A) R.H.                           |
|     | R111794  | PLUG                | 1   |                    | X           | (A) L.H.                           |
| ..  | TY16021  | SEALANT             | 1   |                    | X           |                                    |

(A) W/O HITCH  
W/O ATTELAGE  
W/O ANHAENGEVORRICHTUNG  
W/O ATTACCO  
W/O ENGANCHE  
W/O LYFT

(B) PRESSURE  
PRESSION  
DRUCK  
PRESSIONE  
PRESION  
TRYCK

(C) RETURN  
RETOUR  
RUECKLAUF  
RETORNO  
RITORNO  
RETUR

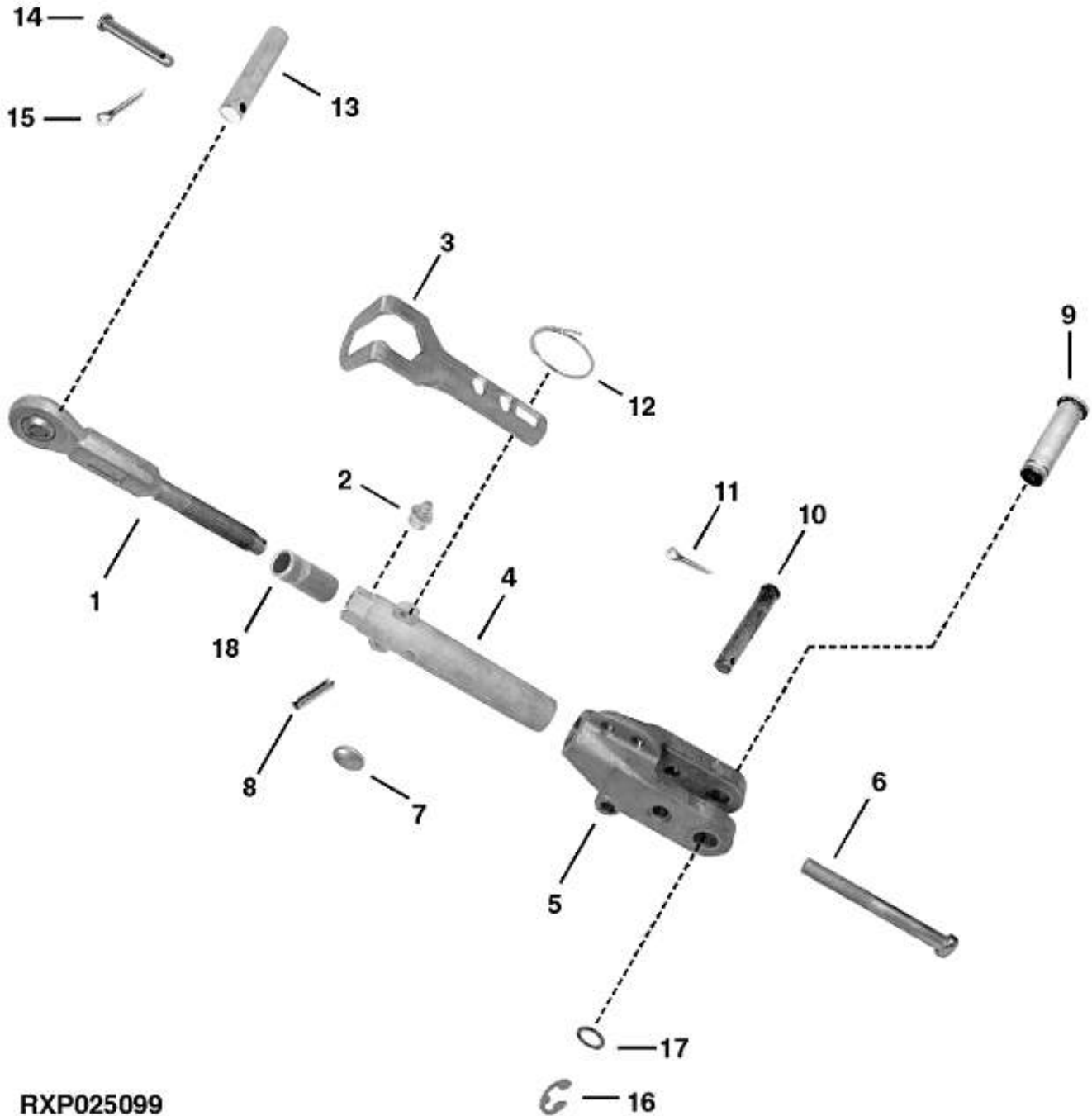
(D) ( -XXXXXX) 8100-025513; 8200-025493; 8300-025500; 8400-025519

(E) (XXXXXX- ) 8100-025514; 8200-025494; 8300-025501; 8400-025520

# 7F7

HYDRAULICS

LIFT LINK  
BIELLES DE RELEVAGE  
HUBSPINDELN  
TIRANTI DI SOLLEVAMENTO  
BRAZOS DE ELEVACION  
LYFTARMAR  
RXP025099 -UN-01JAN94



RXP025099

# 7F8

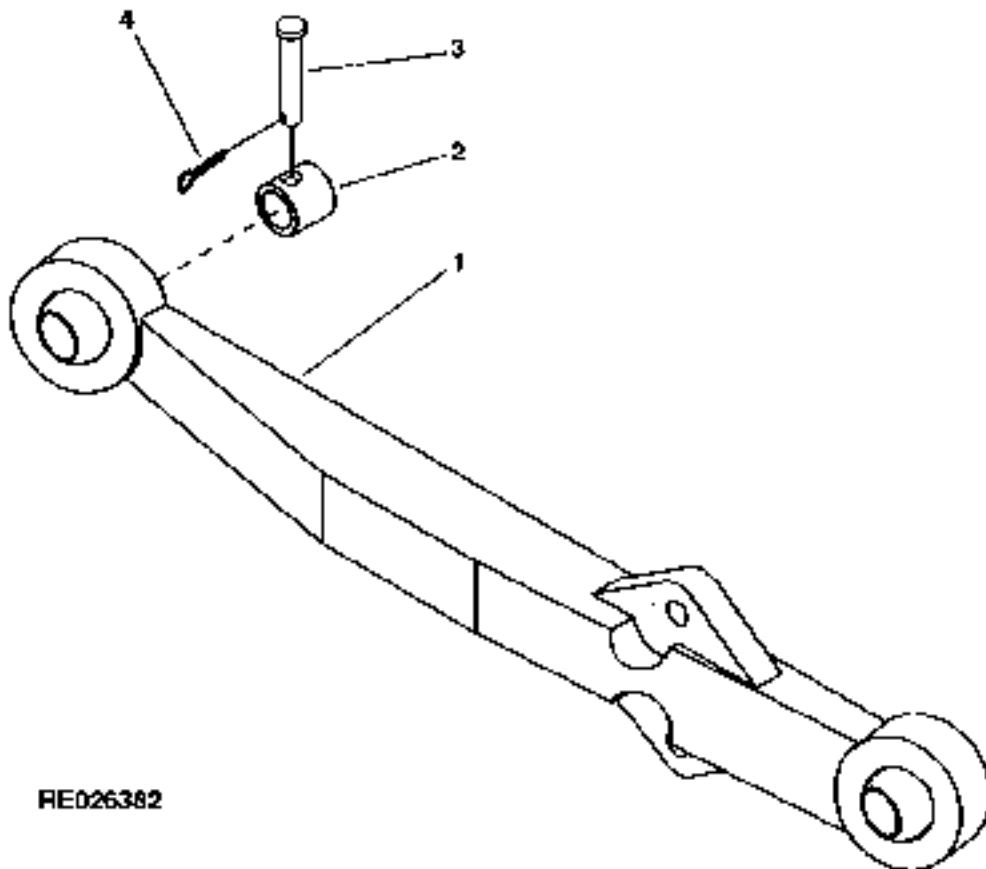
HYDRAULICS

| KEY | PART NO. | PART NAME           | QTY | TRACTOR<br>SERIAL NO. | A<br>L<br>L | REMARKS                  |
|-----|----------|---------------------|-----|-----------------------|-------------|--------------------------|
| 1   | RE39700  | END                 | 1   |                       | X           |                          |
| 2   | JD7798   | LUBRICATION FITTING | 2   |                       | X           |                          |
| 3   | R96295   | LOCK                | 1   |                       | X           |                          |
| 4   | R96293   | LINK BODY           | 1   |                       | X           |                          |
| 5   | R117872  | YOKE                | 1   |                       | X           |                          |
| 6   | R107759  | LIFT LINK           | 1   |                       | X           |                          |
| 7   | 30H6     | PLUG                | 1   |                       | X           | 9/16"                    |
| 8   | 34M7102  | SPRING PIN          | 1   |                       | X           | 5 X 26 MM                |
| 9   | R65239   | PIN                 | 2   |                       | X           |                          |
| 10  | R63737   | PIN                 | 1   |                       | X           |                          |
| 11  | 11M7021  | COTTER PIN          | 1   |                       | X           | 4 X 25 MM                |
| 12  | R80436   | RING                | 2   |                       | X           |                          |
| 13  | R79916   | DOWEL PIN           | 2   |                       | X           |                          |
| 14  | R69166   | PIN                 | 2   |                       | X           |                          |
| 15  | 11M7059  | COTTER PIN          | 2   |                       | X           | 3.200 X 20 MM            |
| 16  | A602R    | SNAP RING           | 2   |                       | X           |                          |
| 17  | R65240   | WASHER              | 2   |                       | X           |                          |
| 18  | 28H407   | SPACER              | 1   |                       | X           | 0.824" X 1.050" X 3-1/4" |

# 7F9

HYDRAULICS

DRAFT LINK (NORTH AMERICAN VERSION)  
BARRES DE TRACTION (VERSION NORD AMERICAINE)  
UNTERLENKER (NORDAMERIKANISCHE AUSFUEHRUNG)  
TIRANTI DI TRAZIONE (VERSIONE NORDAMERICANA)  
BRAZOS DE TIRO (VERSION NORTEAMERICANA)  
DRAGARMAR (NORDAMERIKANSK VERSION)  
RE026382 -UN-14JUL95



RE026382

# 7F10

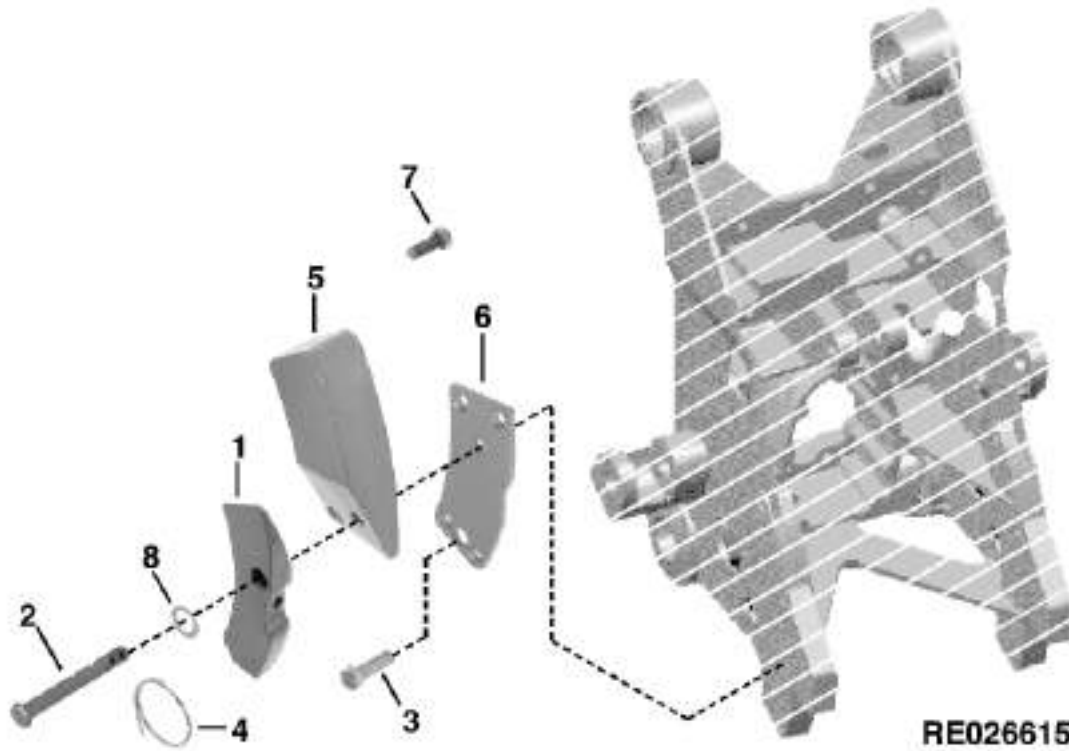
HYDRAULICS

| KEY | PART NO. | PART NAME      | QTY | TRACTOR<br>SERIAL NO. | A<br>L<br>L | REMARKS           |
|-----|----------|----------------|-----|-----------------------|-------------|-------------------|
| 1   | RE68475  | DRAFT LINK     | 2   |                       | X           | (SUB FOR RE44872) |
| 2   | R108270  | LOCKING COLLAR | 2   |                       | X           |                   |
| 3   | R108282  | PIN            | 2   |                       | X           |                   |
| 4   | 11M7028  | COTTER PIN     | 2   |                       | X           | 5 X 32 MM         |

# 7F11

HYDRAULICS

SWAY BLOCK  
 CALE STABILISATRICE  
 STABILISIERUNGSANSCHLAG  
 BLOCCO STABILIZZATORE  
 BLOQUE ESTABILIZADOR  
 STABILISERINGSBLOCK  
 RE026615 -UN-08DEC95



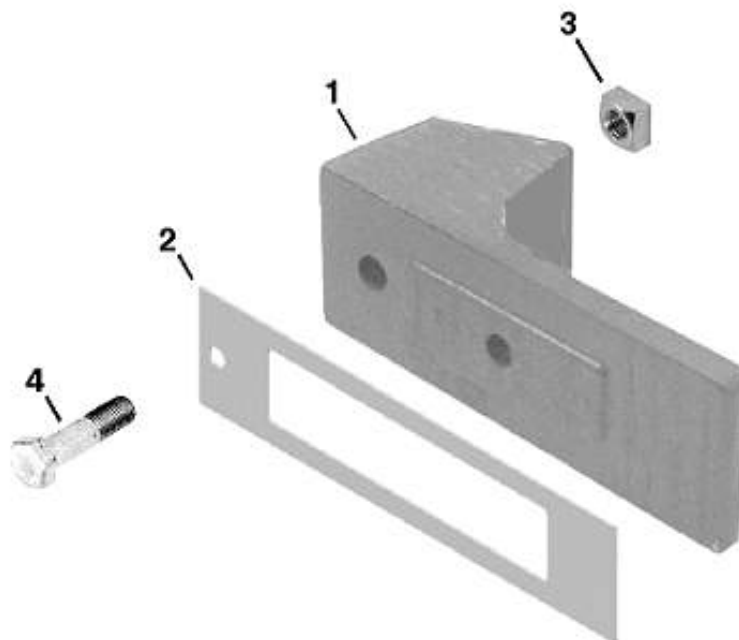
| KEY | PART NO. | PART NAME  | QTY | TRACTOR<br>SERIAL NO. | A |                      |
|-----|----------|------------|-----|-----------------------|---|----------------------|
|     |          |            |     |                       | L | REMARKS              |
| 1   | R122794  | SWAY BLOCK | 1   |                       | X | R.H.                 |
|     | R122795  | SWAY BLOCK | 1   |                       | X | L.H.                 |
| 2   | R57528   | PIN        | 2   |                       | X |                      |
| 3   | R134232  | BOLT       | 8   |                       | X | (SUB FOR R121564)    |
|     | R80436   | RING       | 2   |                       | X | (SUB FOR AR62151)    |
| 5   | R108277  | EXTENSION  | 1   |                       | X | R.H.                 |
|     | R108278  | EXTENSION  | 1   |                       | X | L.H.                 |
| 6   | R122792  | WEAR PLATE | 1   |                       | X | R.H.                 |
|     | R122793  | WEAR PLATE | 1   |                       | X | L.H.                 |
| 7   | 19M8639  | CAP SCREW  | 4   |                       | X | M20 X 70, HS 10.9    |
| 8   | 24H1658  | WASHER     | AR  |                       | X | 21/32" X 1" X 0.060" |



# 7F12

HYDRAULICS

**DRAFT LINK BUMPER**  
**BUTOIR DE BARRE DE TRACTION**  
**UNTERLENKER-PUFFR**  
**PARAURTI DEL TIRANTE DE TRAZIONE**  
**PARAGOLPE DEL BRAZO DE TIRO**  
**GUMMIBUFFERT FOER DRAGARM**  
 RXP025125 -UN-01JAN94



**RXP025125**

| KEY | PART NO. | PART NAME | QTY | TRACTOR<br>SERIAL NO. | A | REMARKS                                |
|-----|----------|-----------|-----|-----------------------|---|--|
|     |          |           |     |                       | L |  |
| 1   | R108285  | BUMPER    | 2   |                       | X |  |
|     | R124819  | BUMPER    | 2   |                       | X | (A) (B) (C) (D)                        |
|     | 28H3382  | BUSHING   | 2   |                       | X | (A) (B) (C) (D) 0.546" X 0.840" X 5/8" |
| 2   | R124780  | SHIM      | AR  |                       | X |  |
| 3   | 14M7191  | NUT       | 4   |                       | X | M12                                    |
| 4   | 19M8122  | CAP SCREW | 4   |                       | X | M12 X 85, HS 10.9                      |

(A) EUROPEAN VERSION  
 VERSION EUROPEENNE  
 EUROPÄISCHE AUSFUEHRUNG  
 VERSIONE EUROPEA  
 VERSION EUROPEA  
 EUROPEISK VERSION

(B) W/ CATEGORY II  
 W/ CATEGORIE II  
 W/ KATEGORIE II  
 W/ CATEGORIA II  
 W/ CATEGORIA II  
 W/ KATEGORI II

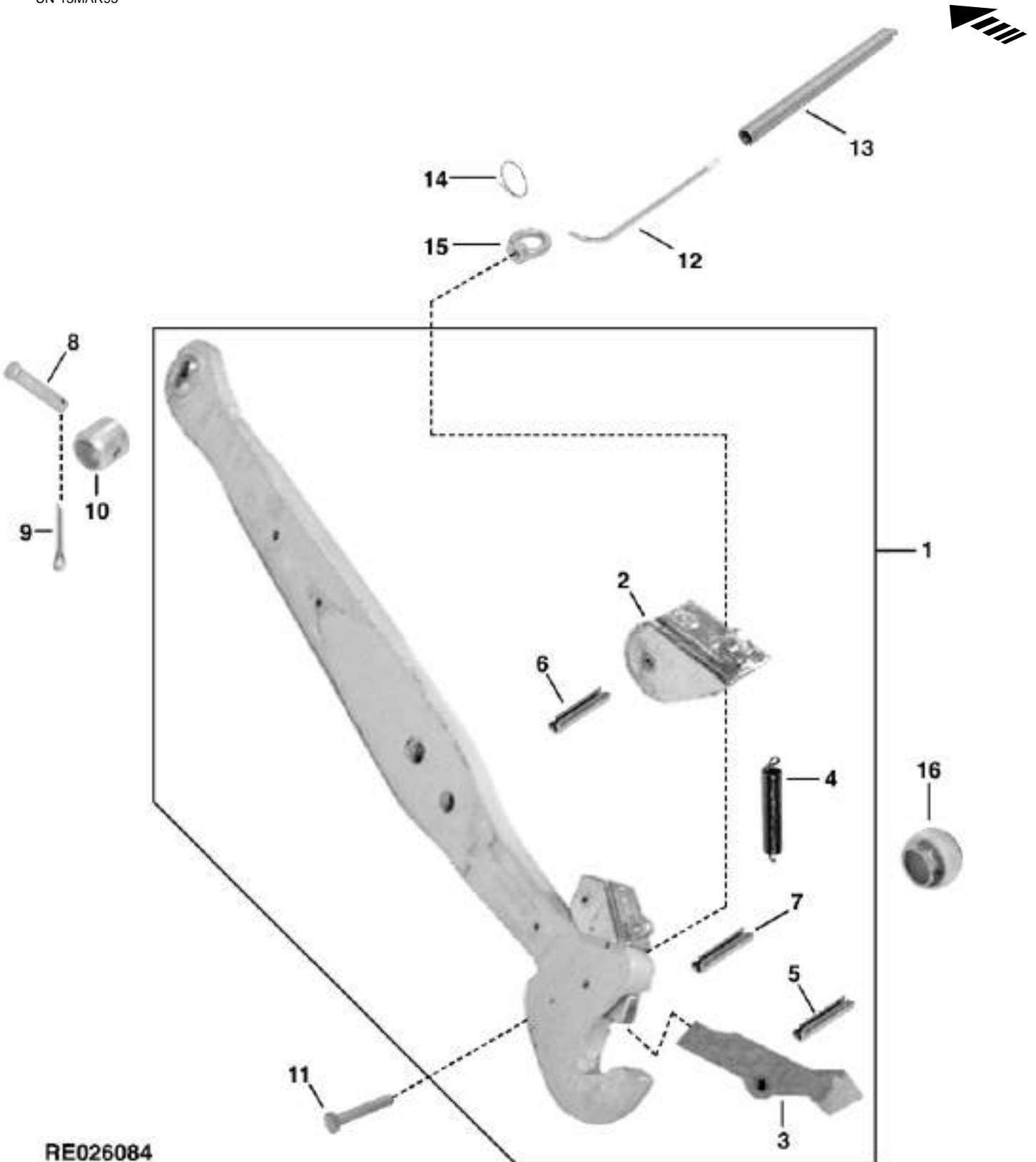
(C) W/ PICK-UP HITCH  
 W/ ATTELAGE TELESCOPIQUE  
 W/ PICK-UP ANHAENGEVORRICHTUNG  
 W/ ATTACCO TELESCOPICO  
 W/ ENGANCHE EXTENSIBLE  
 W/ UTSKJUTBAR DRAGANORDNING

(D) W/ SWAY BLOCKS  
 W/ CALE STABILISATRICE  
 W/ STABILISIERUNGSANSCHLAG  
 W/ BLOCCO STABILIZZATORE  
 W/ BLOQUE ESTABILIZADOR  
 W/ STABILISERINGSBLOCK

# 7F13

HYDRAULICS

DRAFT LINK (EUROPEAN VERSION)  
BARRES DE TRACTION (VERSION EUROPEENNE)  
UNTERLENKER (EUROPAEISCHE AUSFUEHRUNG)  
TIRANTI DI TRAZIONE (VERSIONE EUROPEA)  
BRAZOS DE TIRO (VERSION EUROPEA)  
DRAGARMAR (EUROPEISK VERSION)  
RE026084 -UN-13MAR95



RE026084

# 7F14

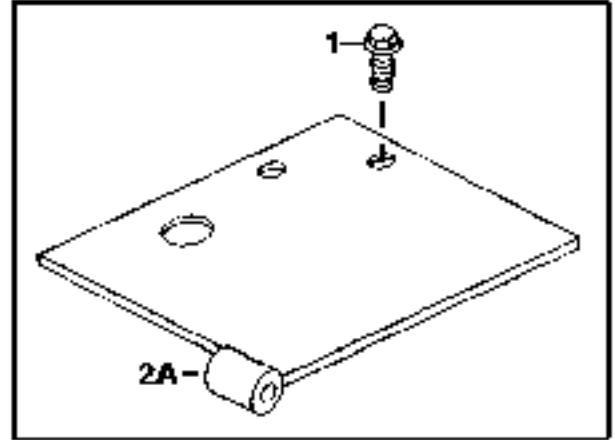
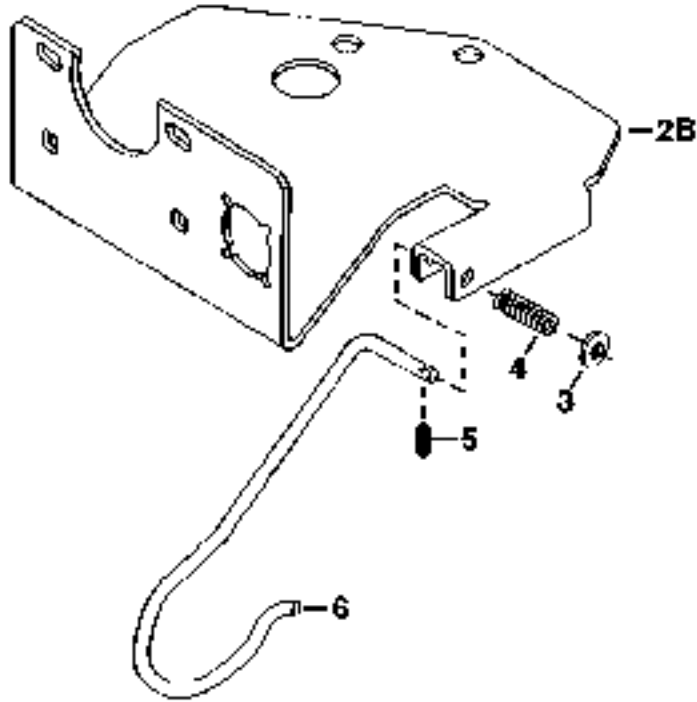
HYDRAULICS

| KEY | PART NO. | PART NAME      | QTY | TRACTOR<br>SERIAL NO. | A | REMARKS            |
|-----|----------|----------------|-----|-----------------------|---|--------------------|
|     |          |                |     |                       | L |                    |
| 1   | RE61514  | DRAFT LINK     | 1   | -XXXXXX               | X | R.H. (SUB RE68597) |
|     | RE68597  | DRAFT LINK     | 1   | XXXXXX-               | X | R.H.               |
|     | RE61515  | DRAFT LINK     | 1   | -XXXXXX               | X | L.H.               |
|     | RE68598  | DRAFT LINK     | 1   | XXXXXX-               | X | L.H.               |
| 2   | AL38684  | LEVER          | 2   |                       | X |                    |
| 3   | L40811   | PAWL           | 2   |                       | X |                    |
| 4   | L35036   | SPRING         | 2   |                       | X |                    |
| 5   | 34M7216  | SPRING PIN     | 2   |                       | X | 6 X 35 MM          |
| 6   | 34M7067  | SPRING PIN     | 2   |                       | X | 13 X 50 MM         |
| 7   | 34M7220  | SPRING PIN     | 2   |                       | X | 13 X 35 MM         |
| 8   | R108282  | PIN            | 2   |                       | X |                    |
| 9   | 11M7028  | COTTER PIN     | 2   |                       | X | 5 X 32 MM          |
| 10  | R108270  | LOCKING COLLAR | 2   |                       | X |                    |
| 11  | 19M7378  | CAP SCREW      | 2   |                       | X | M8 X 45            |
| 12  | AL76943  | ROD            | 1   |                       | X |                    |
| 13  | L32997   | SPRING         | 1   |                       | X |                    |
| 14  | R80436   | RING           | 1   |                       | X |                    |
| 15  | 14M7284  | NUT            | 2   |                       | X | M8                 |
| 16  | L40829   | BALL           | 2   |                       | X |                    |

# 7F15

HYDRAULICS

CENTER LINK HOOK (EUROPEAN VERSION)  
 CROCHET DE BIELLE CENTRALE (VERSION EUROPEENNE)  
 OBERLENKERHAKEN (EUROPAEISCHE AUSFUEHRUNG)  
 GANCIO DEL TIRANTE CENTRALE (VERSIONE EUROPEA)  
 GANCHO DEL BRAZO CENTRAL (VERSION EUROPEA)  
 TOPPSTAANGSKROK (EUROPEISK VERSION)  
 RE026655 -UN-19DEC95



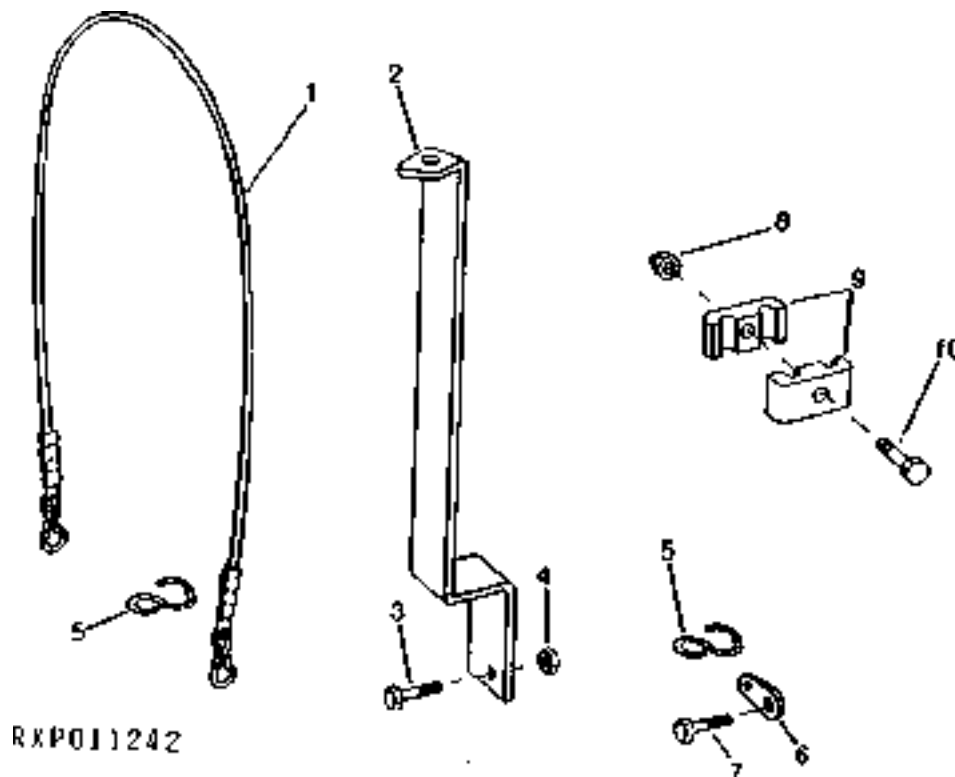
**RE026655**

| KEY | PART NO. | PART NAME          | QTY | TRACTOR<br>SERIAL NO. | A |   | REMARKS               |
|-----|----------|--------------------|-----|-----------------------|---|---|-----------------------|
|     |          |                    |     |                       | L | L |                       |
| 1   | 19M7787  | SCREW              | 2   | -XXXXXX               | X |   | M12 X 20, HS 10.9     |
| 2A  | RE61207  | RETAINER           | 1   | -XXXXXX               | X |   | (SUB R128387)         |
| 2B  | R128387  | BRACKET            | 1   | XXXXXX-               | X |   |                       |
| 3   | 24M7055  | WASHER             | 1   |                       | X |   | 8.400 X 16 X 1.600 MM |
| 4   | L41880   | COMPRESSION SPRING | 1   |                       | X |   |                       |
| 5   | 34M7091  | SPRING PIN         | 1   |                       | X |   | 3.500 X 16 MM         |
| 6   | L55431   | HOOK               | 1   |                       | X |   |                       |

# 7F16

HYDRAULICS

DRAFT LINK RELEASE CABLE (EUROPEAN VERSION)  
 CABLE DE RELACHEMENT DE BARRE DE TRACTION (VERSION EUROPEENNE)  
 UNTERLENKER-AUSRUECKKABEL (EUROPAEISCHE AUSFUEHRUNG)  
 CAVO DI SGANCIO DEL TIRANTE DI TRAZIONE (VERSIONE EUROPEA)  
 CABLE SOLTADOR DEL BRAZO DE TIRO (VERSION EUROPEA)  
 UTLOESNINGSKABEL FOER DRAGARM (EUROPEISK VERSION)  
 RXP011242 -UN-01JAN94



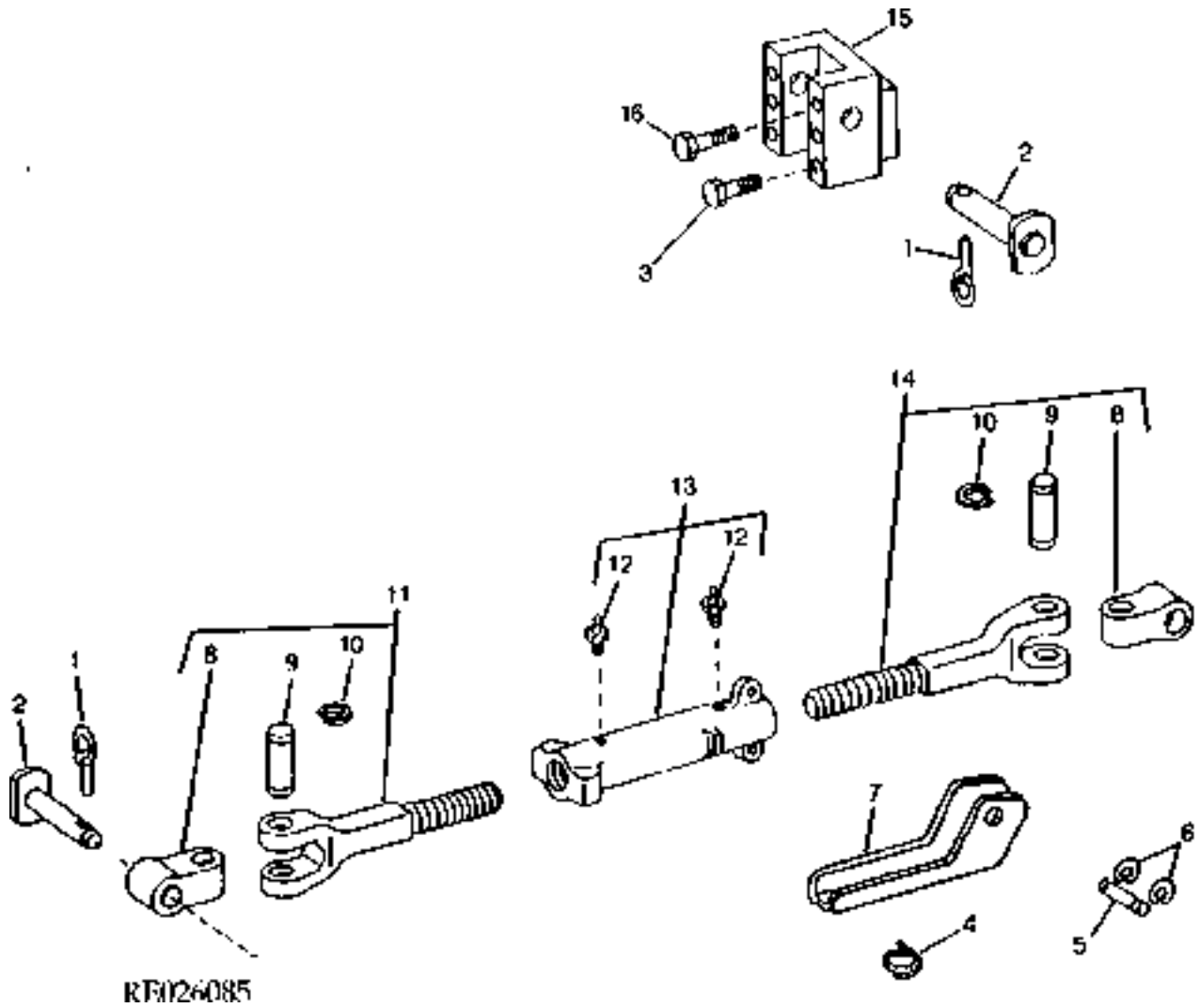
RXP011242

| KEY | PART NO. | PART NAME | QTY | TRACTOR SERIAL NO. | A<br>L<br>L<br>REMARKS |
|-----|----------|-----------|-----|--------------------|------------------------|
| 1   | AL75785  | CABLE     | 1   |                    | X                      |
| 2   | R121775  | SUPPORT   | 1   |                    | X                      |
| 3   | 19M7550  | CAP SCREW | 2   |                    | X M10 X 35, HS 10.9    |
| 4   | 14M7274  | NUT       | 2   |                    | X M10                  |
| 5   | R121884  | HOOK      | 4   |                    | X                      |
| 6   | R122135  | STRAP     | 2   |                    | X                      |
| 7   | 19M7550  | CAP SCREW | 2   |                    | X M10 X 35, HS 10.9    |
| 8   | 14M7376  | LOCK NUT  | 1   |                    | X M6                   |
| 9   | L39978   | CLAMP     | 2   |                    | X                      |
| 10  | 21M7296  | SCREW     | 1   |                    | X M6 X 20              |

# 7F17

HYDRAULICS

CENTER LINK (REGULAR HITCH) (NORTH AMERICAN VERSION)  
BIELLE CENTRALE (ATTELAGE STANDARD) (VERSION NORD AMERICAINE)  
OBERLENKER (NORMALE ANHAENGEVORRICHTUNG) (NORDAMERIKANISCHE AUSFUEHRUNG)  
TIRANTE CENTRALE (ATTACCO REGOLARE) (VERSIONE NORDAMERICANA)  
BRAZO CENTRAL (ENGANCHE REGULAR) (VERSION NORTEAMERICANA)  
TOPPSTAANG (STANDARDLYFT) (NORDAMERIKANSK VERSION)  
RE026085 -UN-22MAR95



# 7F18

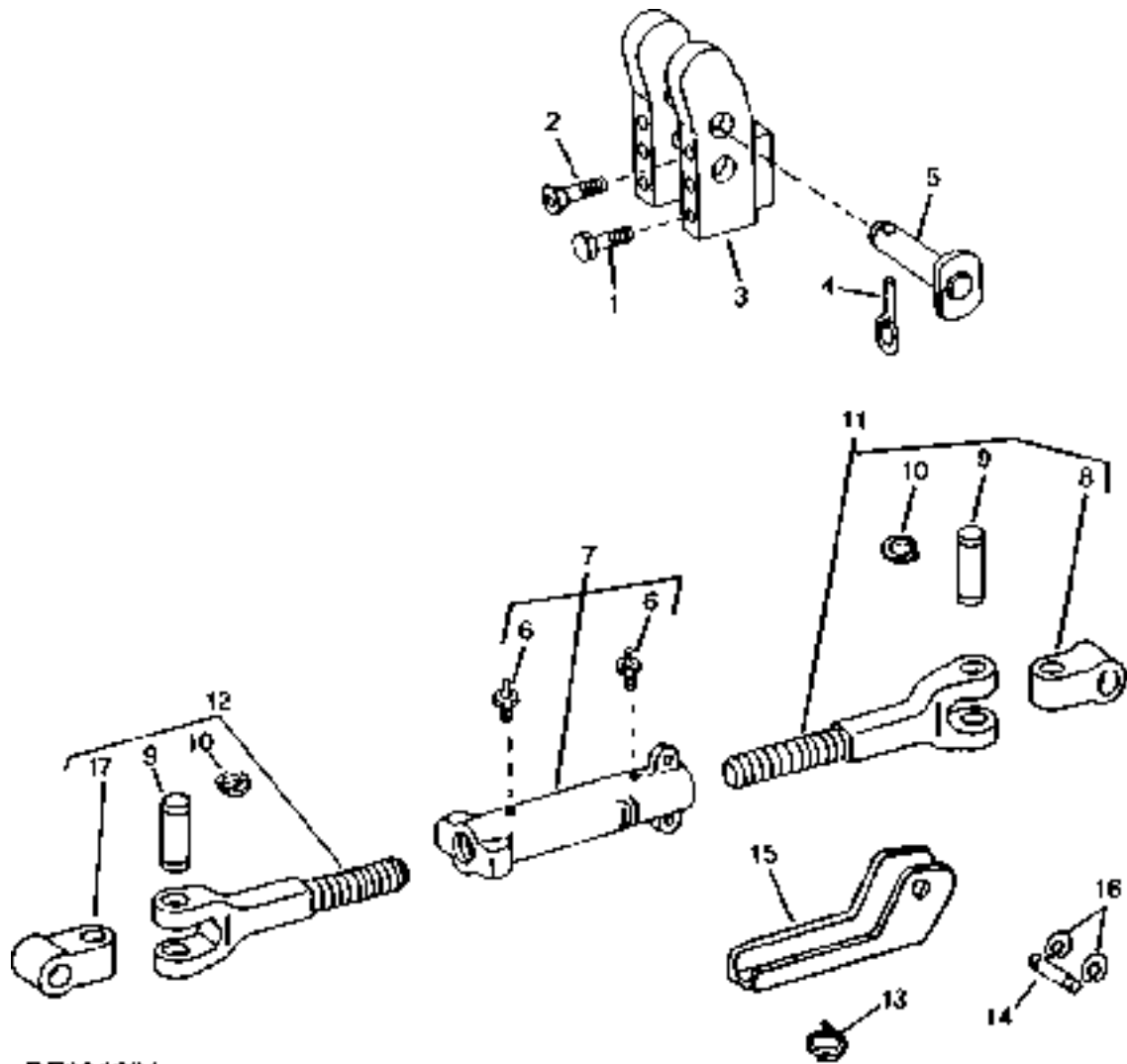
HYDRAULICS

| KEY | PART NO. | PART NAME           | QTY | TRACTOR<br>SERIAL NO. | A<br>L<br>L | REMARKS            |
|-----|----------|---------------------|-----|-----------------------|-------------|--------------------|
| 1   | M115827  | QUICK LOCK PIN      | 2   |                       | X           | (SUB FOR AR62151)  |
| 2   | R125450  | PIN                 | 2   |                       | X           |                    |
| 3   | 19M8503  | CAP SCREW           | 6   |                       | X           | M20 X 160, HS 10.9 |
| 4   | R80436   | RING                | 1   |                       | X           |                    |
| 5   | R64085   | PIN                 | 1   |                       | X           |                    |
| 6   | F3396R   | SNAP RING           | 2   |                       | X           |                    |
| 7   | R64084   | YOKE                | 1   |                       | X           |                    |
| 8   | R106911  | PIVOT               | 2   |                       | X           |                    |
| 9   | R67477   | PIN                 | 2   |                       | X           |                    |
| 10  | R26643   | SNAP RING           | 4   |                       | X           |                    |
| 11  | RE44561  | CENTER LINK END     | 1   |                       | X           |                    |
| 12  | JD7798   | LUBRICATION FITTING | 2   |                       | X           |                    |
| 13  | RE50533  | DRAG LINK           | 1   |                       | X           |                    |
| 14  | RE44559  | CENTER LINK END     | 1   |                       | X           |                    |
| 15  | R125449  | BRACKET             | 1   |                       | X           |                    |
| 16  | R126510  | CAP SCREW           | 1   |                       | X           | HS 12.9            |

# 7F19

HYDRAULICS

CENTER LINK (HIGH-LIFT HITCH) (NORTH AMERICAN VERSION)  
BIELLE CENTRALE (ATTELAGE HIGH-LIFT) (VERSION NORD AMERICAINE)  
OBERLENKER (ANHAENGEVORRICHTUNG HIGH-LIFT) (NORDAMERIKANISCHE AUSFUEHRUNG)  
TIRANTE CENTRALE (ATTACCO HIGH-LIFT) (VERSIONE NORDAMERICANA)  
BRAZO CENTRAL (ENGANCHE HIGH-LIFT) (VERSION NORTEAMERICANA)  
TOPPSTAANG (HIGH-LIFT-LYFT) (NORDAMERIKANSK VERSION) ) (NORDAMERIKANSK VERSION)  
RE026086 -UN-22MAR95



RE026086



# 7F20

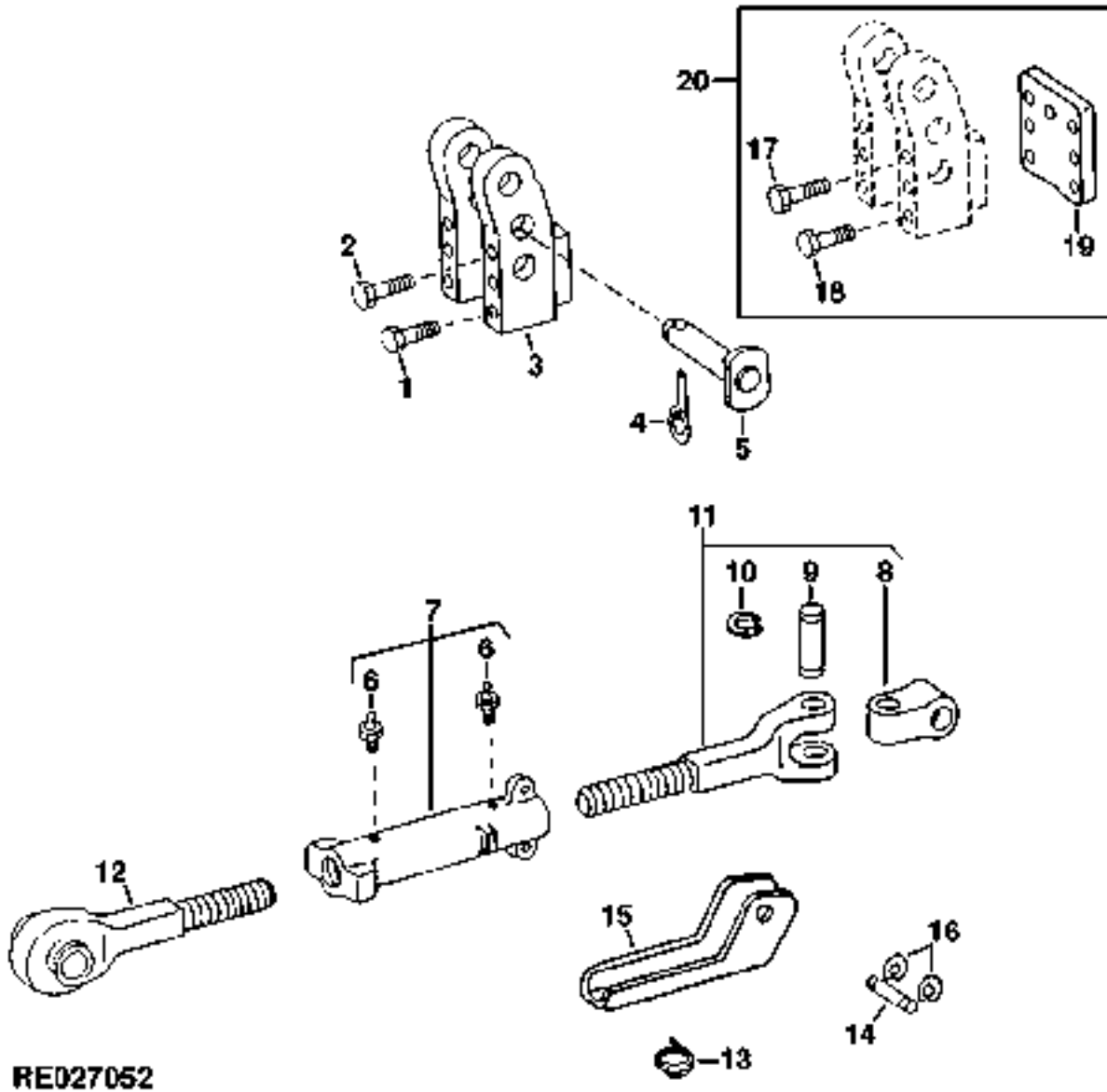
HYDRAULICS

| KEY | PART NO. | PART NAME           | QTY | TRACTOR<br>SERIAL NO. | A<br>L<br>L | REMARKS            |
|-----|----------|---------------------|-----|-----------------------|-------------|--------------------|
| 1   | 19M8503  | CAP SCREW           | 6   |                       | X           | M20 X 160, HS 10.9 |
| 2   | R126510  | CAP SCREW           | 1   |                       | X           | HS 10.9            |
| 3   | R125390  | BRACKET             | 1   |                       | X           |                    |
| 4   | AA21292  | QUICK LOCK PIN      | 1   |                       | X           |                    |
| 5   | R124045  | PIN                 | 1   |                       | X           |                    |
| 6   | JD7798   | LUBRICATION FITTING | 2   |                       | X           |                    |
| 7   | RE50533  | DRAG LINK           | 1   |                       | X           |                    |
| 8   | R127581  | PIVOT               | 1   |                       | X           |                    |
| 9   | R67619   | PIN                 | 2   |                       | X           |                    |
| 10  | F534R    | SNAP RING           | 4   |                       | X           |                    |
| 11  | RE63411  | CENTER LINK END     | 1   |                       | X           | (SUB FOR RE58508)  |
| 12  | RE63412  | CENTER LINK END     | 1   |                       | X           | (SUB FOR RE58509)  |
| 13  | R80436   | RING                | 1   |                       | X           |                    |
| 14  | R64085   | PIN                 | 1   |                       | X           |                    |
| 15  | R64084   | YOKE                | 1   |                       | X           |                    |
| 16  | F3396R   | SNAP RING           | 2   |                       | X           |                    |
| 17  | R127582  | PIVOT               | 1   |                       | X           |                    |

# 7F21

HYDRAULICS

CENTER LINK (EUROPEAN VERSION)  
BIELLE CENTRALE (VERSION EUROPEENNE)  
OBERLENKER (EUROPAEISCHE AUSFUEHRUNG)  
TIRANTE CENTRALE (VERSIONE EUROPEA)  
BRAZO CENTRAL (VERSION EUROPEA)  
TOPPSTAANG (EUROPEISK VERSION)  
RE027052 -UN-21JUN96



# 7F22

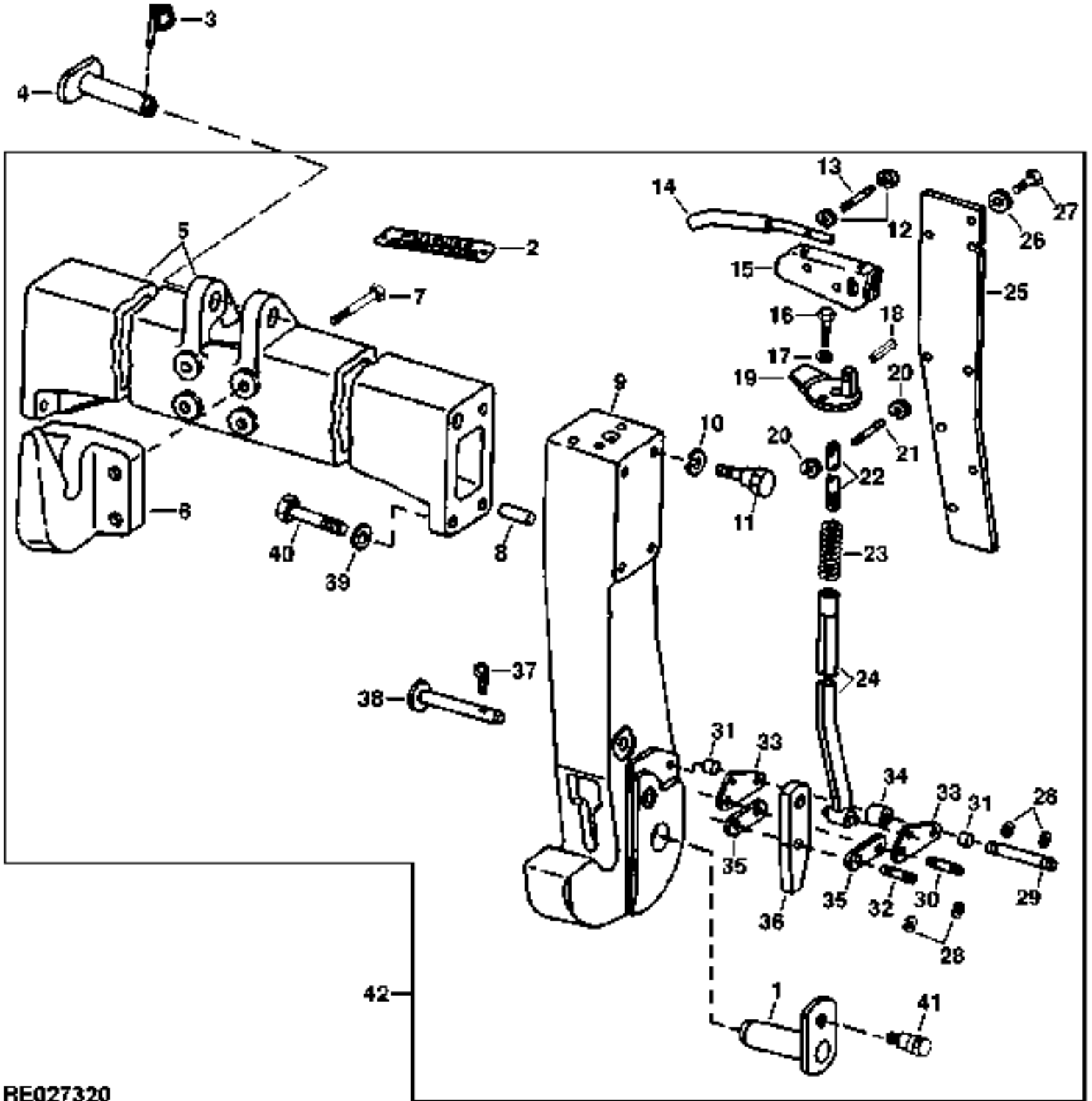
HYDRAULICS

| KEY | PART NO. | PART NAME           | QTY | TRACTOR<br>SERIAL NO. | A<br>L<br>L | REMARKS            |
|-----|----------|---------------------|-----|-----------------------|-------------|--------------------|
| 1   | 19M8503  | CAP SCREW           | 6   |                       | X           | M20 X 160, HS 10.9 |
| 2   | R126510  | CAP SCREW           | 1   |                       | X           | M20 X 85, HS 10.9  |
| 3   | R124044  | BRACKET             | 1   |                       | X           |                    |
| 4   | AA21292  | QUICK LOCK PIN      | 1   |                       | X           |                    |
| 5   | R124045  | PIN                 | 1   |                       | X           |                    |
| 6   | JD7798   | LUBRICATION FITTING | 2   |                       | X           |                    |
| 7   | RE50533  | DRAG LINK           | 1   |                       | X           |                    |
| 8   | R127581  | PIVOT               | 1   |                       | X           |                    |
| 9   | R67619   | PIN                 | 1   |                       | X           |                    |
| 10  | F534R    | SNAP RING           | 2   |                       | X           |                    |
| 11  | RE63411  | CENTER LINK END     | 1   |                       | X           | (SUB FOR RE58508)  |
| 12  | RE61501  | CENTER LINK END     | 1   |                       | X           |                    |
| 13  | R80436   | RING                | 1   |                       | X           |                    |
| 14  | R64085   | PIN                 | 1   |                       | X           |                    |
| 15  | R64084   | YOKE                | 1   |                       | X           |                    |
| 16  | F3396R   | SNAP RING           | 2   |                       | X           |                    |
| 17  | R134682  | CAP SCREW           | 1   |                       | X           | M20 X 95, HS 10.9  |
| 18  | 19M8026  | CAP SCREW           | 6   |                       | X           | M20 X 170, HS 10.9 |
| 19  | R134667  | SPACER              | 1   |                       | X           |                    |
| 20  | RE69708  | KIT                 | 1   |                       | X           |                    |

# 7F23

HYDRAULICS

IMPLEMENT QUICK COUPLER (CATEGORY III/IIIN)  
ACCOUPEMENT RAPIDE (CATEGORIE III/IIIN)  
SCHNELLANSCHLUSS FUER ANBAUGERAETE (KATEGORIE III/IIIN)  
ATTACCO RAPIDO PER EQUIPAGGIAMENTO (CATEGORIA III/IIIN)  
EJECUTE ENGANCHE RAPIDO (CATEGORIA III/IIIN)  
SNABBKOPPLING FOER REDSKAP (KATEGORI III/IIIN)  
RE027320 -UN-18OCT96



RE027320

# 7F24

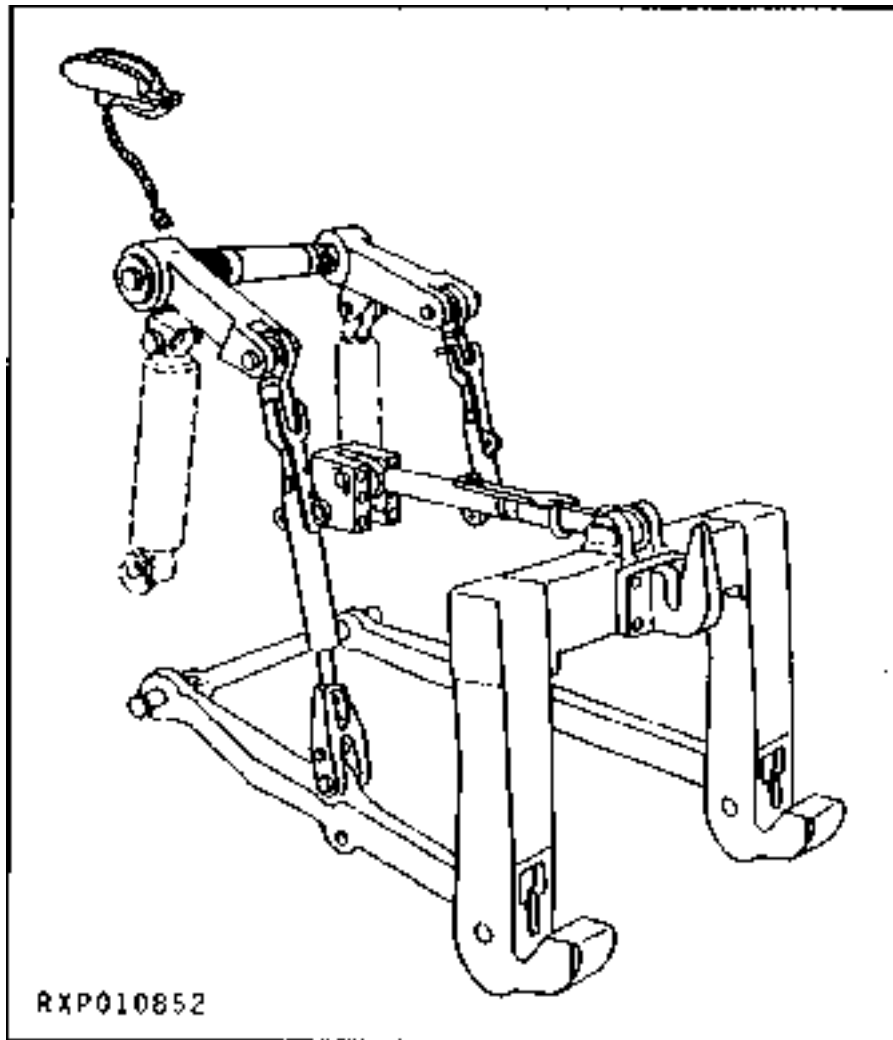
HYDRAULICS

| KEY | PART NO.       | PART NAME       | QTY | TRACTOR<br>SERIAL NO. | A<br>L<br>L | REMARKS                                |
|-----|----------------|-----------------|-----|-----------------------|-------------|--|
| 1   | AR89303        | PIN             | 2   |                       | X           |  |
| 2   | R122428        | LABEL           | 1   |                       | X           | (ENGLISH) (SUB FOR R83531 OR R120103)  |
|     | R120104        | LABEL           | 1   |                       | X           | (ESPANOL) (SUB FOR R83532)             |
|     | R120105        | LABEL           | 1   |                       | X           | (FRANCAIS) (SUB FOR R83533)            |
|     | R83534         | LABEL           | 1   |                       | X           | (DEUTSCH)                              |
| 3   | M115827        | QUICK LOCK PIN  | 1   |                       | X           | (SUB FOR AR62151)                      |
| 4   | R125450        | PIN             | 1   |                       | X           | (SUB FOR AR89302 OR R121569)           |
| 5   | R69571         | CROSSBAR        | 1   |                       | X           |  |
| 6   | R59478         | HOOK            | 1   |                       | X           |  |
| 7   | 19H2174        | CAP SCREW       | 4   |                       | X           | 3/4" X 4-1/4"                          |
| 8   | A776R          | PIN             | 4   |                       | X           |  |
| 9   | R65815         | QUICK COUPLER   | 1   |                       | X           | R.H. (SUB FOR R65815) (MARKED R127704) |
|     | R65816         | QUICK COUPLER   | 1   |                       | X           | L.H. (SUB FOR R65816) (MARKED R127705) |
| 10  | 12H294         | LOCK WASHER     | 2   |                       | X           | 5/8"                                   |
| 11  | 19H3353        | CAP SCREW       | 2   |                       | X           | 5/8" X 5", HS SAE 8                    |
| 12  | R72654         | SNAP RING       | 4   |                       | X           |  |
| 13  | R66901         | SPRING PIN      | 2   |                       | X           |  |
| 14  | R48163         | HANDLE          | 2   |                       | X           |  |
| 15  | R48164         | LEVER           | 2   |                       | X           |  |
| 16  | 19H2284        | CAP SCREW       | 4   |                       | X           | 3/8" X 7/8"                            |
| 17  | 12H304         | LOCK WASHER     | 4   |                       | X           | 3/8"                                   |
| 18  | 34H311         | SPRING PIN      | 2   |                       | X           | 1/4" X 7/8"                            |
| 19  | AR50374        | BRACKET         | 2   |                       | X           |  |
| 20  | R72654         | SNAP RING       | 4   |                       | X           |  |
| 21  | R66901         | SPRING PIN      | 2   |                       | X           |  |
| 22  | R47578         | STUD            | 2   |                       | X           |  |
| 23  | R43444         | SPRING          | 2   |                       | X           |  |
| 24  | AR50377        | BAR             | 2   |                       | X           |  |
| 25  | R58617         | SHIELD          | 2   |                       | X           |  |
| 26  | 12H302         | LOCK WASHER     | 14  |                       | X           | 1/4"                                   |
| 27  | 19H1227        | CAP SCREW       | 14  |                       | X           | 1/4" X 1/2"                            |
| 28  | F2208R         | SNAP RING       | 12  |                       | X           |  |
| 29  | R65082         | PIN             | 2   |                       | X           |  |
| 30  | R119275        | PIN             | 2   |                       | X           |  |
| 31  | F2206R         | WASHER          | 4   |                       | X           |  |
| 32  | R119276        | PIN             | 2   |                       | X           |  |
| 33  | R65243         | LINK            | 4   |                       | X           |  |
| 34  | 28H1919        | BUSHING         | 2   |                       | X           | 0.622" X 0.840" X 15/16"               |
| 35  | R65242         | STRAP           | 4   |                       | X           |  |
| 36  | R36441         | LATCH           | 2   |                       | X           |  |
| 37  | 11M7087        | COTTER PIN      | 2   |                       | X           | 4 X 40 MM                              |
| 38  | R28556         | PIN             | 2   |                       | X           |  |
| 39  | 12H294         | LOCK WASHER     | 2   |                       | X           | 5/8"                                   |
| 40  | 19H2588        | CAP SCREW       | 2   |                       | X           | 5/8" X 1-7/8"                          |
| 41  | AR78289        | CAP SCREW       | 2   |                       | X           |  |
| 42  | <b>RE60512</b> | <b>COUPLING</b> | 1   |                       | X           | <b>(FI) (SUB FOR AR98479)</b>          |

# 7G1

HYDRAULICS

HITCH KIT (W/O LIFT CYLINDERS)  
JEU D'ATTELAGE (SANS VERIN DE RELEVAGE)  
ANHAENGEVORRICHTUNGS-BAUSATZ (OHNE HUBZYLINDER)  
KIT ATTACCO (SENZA CILINDRO DI SOLLEVAMENTO)  
CONJUNTO DE ENGANCHE (SIN CILINDRO DE ELEVACION)  
LYFTSATS (UTAN LYFTCYLINDER)  
RXP010852 -UN-01JAN94



# 7G2

HYDRAULICS

| KEY | PART NO. | PART NAME | QTY | TRACTOR<br>SERIAL NO. | A<br>L<br>L | REMARKS  |
|-----|----------|-----------|-----|-----------------------|-------------|----------|
| 1   | AR113519 | KIT       | 1   | -XXXXXX               | X           | (A) (FI) |
|     | RE160333 | KIT       | 1   | XXXXXX-               | X           | (B) (FI) |

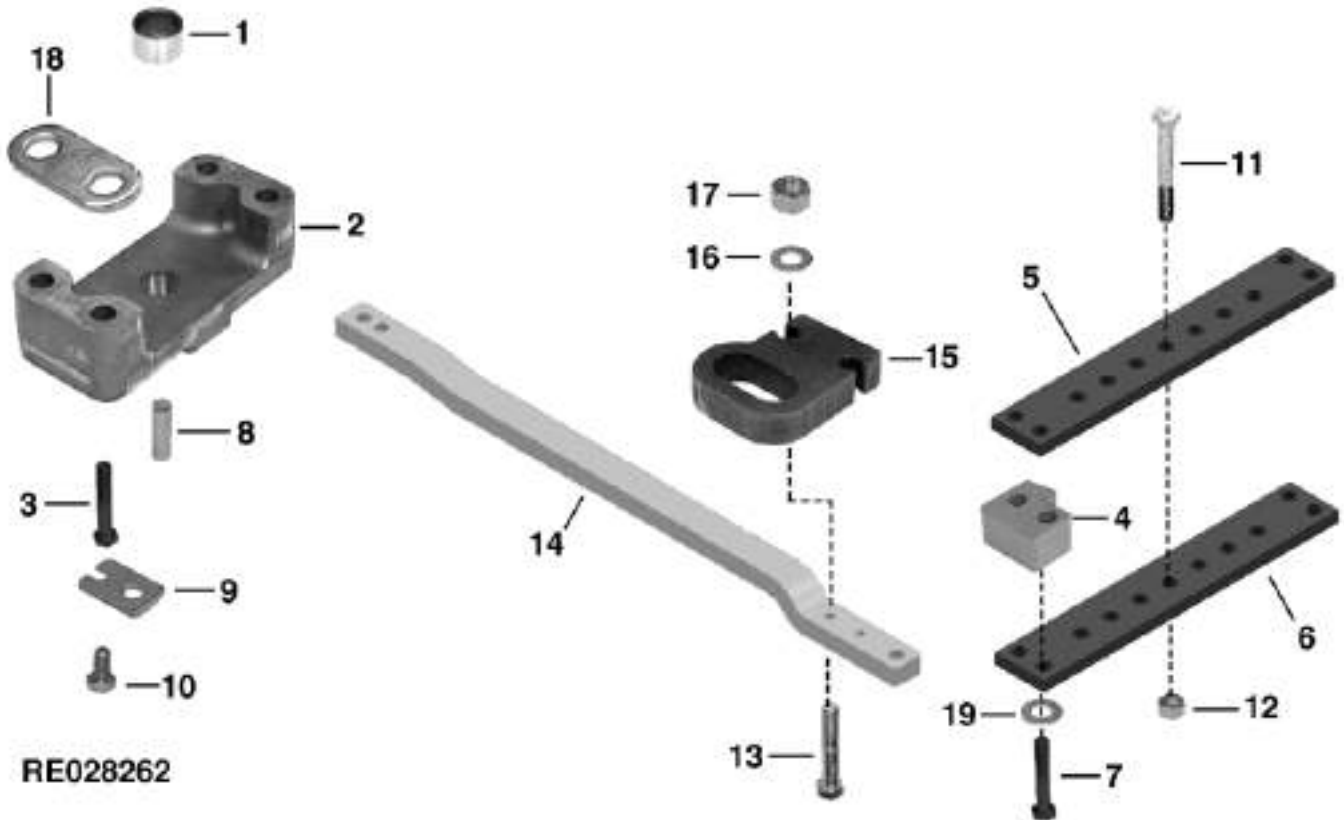
(A) ( -XXXXXX) 8100-025513; 8200-025493; 8300-025500; 8400-025519

(B) (XXXXXX- ) 8100-025514; 8200-025494; 8300-025501; 8400-025520

# 7G3

HYDRAULICS

REGULAR DRAWBAR (NORTH AMERICAN VERSION)  
BARRE D'ATTELAGE COURANTE (VERSION NORD AMERICAINE)  
REGULAERES ZUGPENDEL (NORDAMERIKANISCHE AUSFUEHRUNG)  
BARRA DI TRAINO REGOLARE (VERSIONE NORDAMERICANA)  
BARRA DE TIRO REGULAR (VERSION NORTEAMERICANA)  
STANDARDDRAGBOM (NORDAMERIKANSK VERSION)  
RE028262 -UN-27AUG97



RE028262



| KEY | PART NO. | PART NAME | QTY | TRACTOR<br>SERIAL NO. | 8 | 8 | 8 | REMARKS                                |
|-----|----------|-----------|-----|-----------------------|---|---|---|--|
|     |          |           |     |                       | 1 | 2 | 3 |  |
|     |          |           |     |                       | 0 | 0 | 0 |  |
| 1   | R107760  | BUSHING   | 1   | -009999               | X | X | X |  |
|     | R130953  | BUSHING   | 1   | 010000-               | X | X | X |  |
| 2   | R108298  | SUPPORT   | 1   |                       | X | X | X |  |
| 3   | 19M7963  | CAP SCREW | 4   | -009999               | X | X | X | M20 X 100, HS 10.9                     |
|     | 19M7883  | SCREW     | 4   | 010000-               | X | X | X | M20 X 120, HS 10.9                     |
| 4   | R108301  | SPACER    | 2   | -009999               | X | X | X |  |
|     | R115454  | SPACER    | 2   | 010000-               | X | X | X |  |
| 5   | R108299  | STRAP     | 1   |                       | X | X | X |  |
| 6   | R108300  | STRAP     | 1   |                       | X | X | X |  |
| 7   | 19M7968  | CAP SCREW | 4   | -XXXXXX               | X | X | X | (D) M20 X 130, HS 10.9                 |
|     | 19M7907  | SCREW     | 4   | XXXXXX-               | X | X | X | (E) M20 X 140, HS 10.9                 |
|     | 19M7597  | CAP SCREW | 4   |                       | X | X | X | (A) M20 X 50, HS 10.9                  |
| 8   | R108291  | PIN       | 1   | -009999               | X | X | X |  |
|     | R130982  | PIN       | 1   | 010000-               | X | X | X |  |
| 9   | R115453  | STRAP     | 1   |                       | X | X | X |  |
| 10  | 19M7784  | SCREW     | 1   |                       | X | X | X | M10 X 20, HS 10.9                      |
| 11  | 19M7968  | CAP SCREW | 2   |                       | X | X | X | M20 X 130, HS 10.9                     |
| 12  | 14M7277  | NUT       | 2   |                       | X | X | X | M20                                    |
| 13  | 19M7969  | CAP SCREW | 2   | -009999               | X | X | X | M20 X 110, HS 10.9                     |
|     | R106661  | CAP SCREW | 2   | 010000-               | X | X | X | (C) M22 X 120, HS 10.9                 |
| 14  | R122790  | DRAWBAR   | 1   | -009999               | X | X | X | (SUB RE69232) (ALSO ORDER (2) R115454) |
|     | R130638  | DRAWBAR   | 1   | 010000-               | X | X | X | (B)                                    |
| 15  | R105479  | RETAINER  | 1   | -009999               | X | X | X |  |
|     | R130806  | RETAINER  | 1   | 010000-024937         | X | X | X | (SUB R156615)                          |
|     | R156615  | RETAINER  | 1   | 024938-               | X | X | X |  |
|     | R105479  | RETAINER  | 1   | 010000-               | X | X | X | (C)                                    |
| 16  | 24M7242  | WASHER    | 2   | -009999               | X | X | X | 21.400 X 42 X 5 MM                     |
|     | R52006   | WASHER    | 2   | 010000-               | X | X | X | (C)                                    |
| 17  | 14M7277  | NUT       | 2   | -009999               | X | X | X | M20                                    |
|     | R114125  | NUT       | 2   | 010000-               | X | X | X | (C)                                    |
| 18  | R121788  | SPACER    | 6   | 010000-               | X | X | X |  |
| 19  | 24M7344  | WASHER    | 4   | XXXXXX-               | X | X | X | (E) 22 X 37 X 3 MM                     |

(A) W/O DRAWBAR  
W/O BARRE D'ATTELAGE  
W/O ZUGPENDEL  
W/O BARRA DI TRAINO  
W/O BARRA DE TIRO  
W/O DRAGBOM

(B) REVERSIBLE  
REVERSIBLE  
UMKEHRBAR  
AD INVERSIONE  
REVERSIBLE  
VAENDBAR

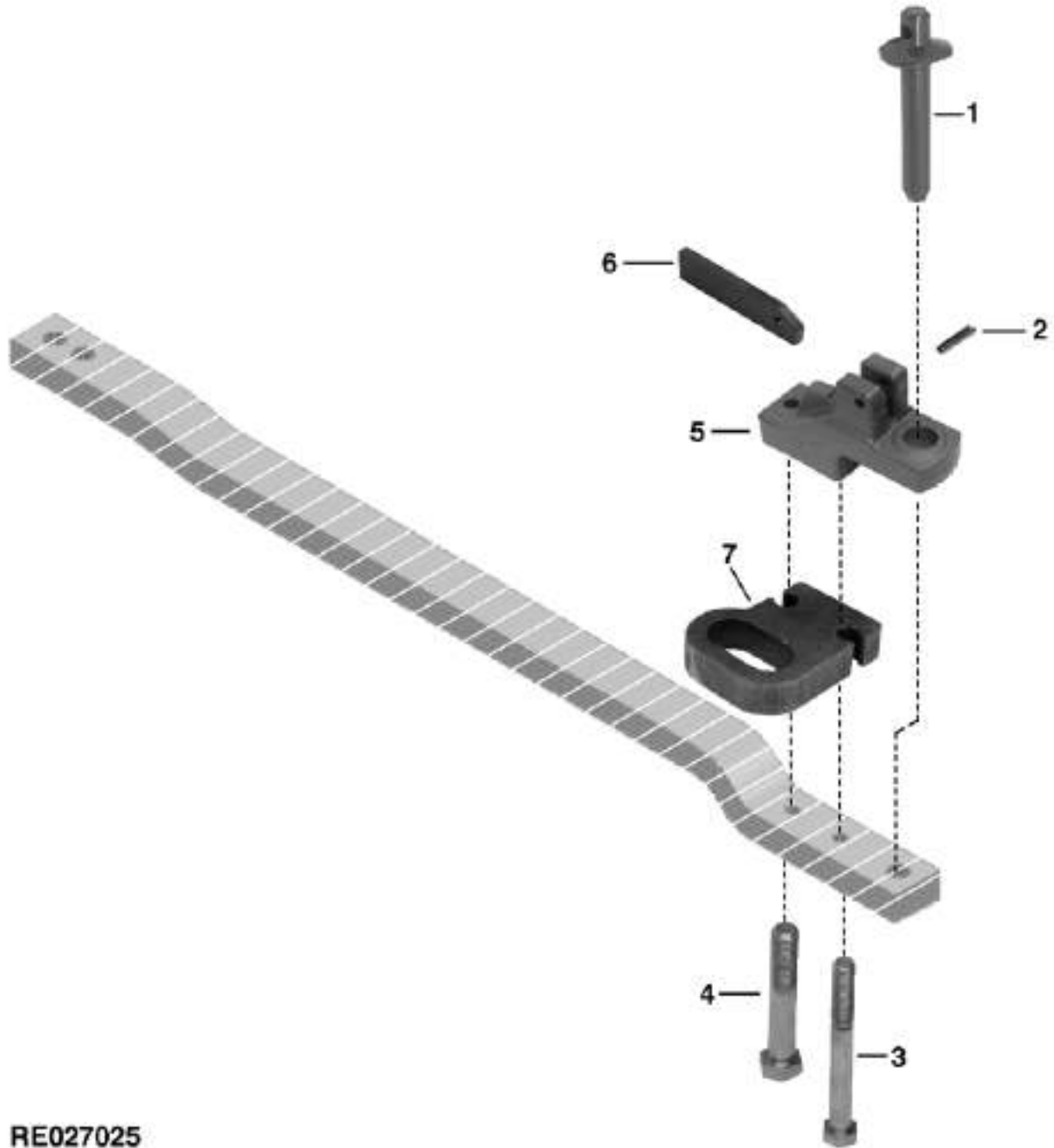
(C) NOT USED NORTH AMERICAN VERSION  
PAS UTILISE SUR LA VERSION NORD-AMERICAINE  
NICHT VERWENDET IN DER NORDAMERIKANISCHEN  
NON IN USO NELLA VERSIONE NORDAMERICANA  
NO SE USA EN LA VERSION NORTEAMERICANA  
ANVAENDS EJ PAA DEN NORDAMERIKANSKA

(D) ( -XXXXXX) 8100-012951; 8200-012423; 8300-013427  
(E) (XXXXXX- ) 8100-012952; 8200-012424; 8300-013428

# 7G5

HYDRAULICS

DRAWBAR CLEVIS (NORTH AMERICAN VERSION) (8100,8200,8300 -009999)  
BARRE D'ATTELAGE, ETRIER (VERSION NORD AMERICAINE) (8100, 8200, 8300 -009999)  
ZUGPENDEL-GABELKOPF (NORDAMERIKANISCHE AUSFUEHRUNG) (8100, 8200, 8300 -009999)  
CAVALLOTTO DELLA BARRA DI TRAINO (VERSIONE NORDAMERICANA) (8100, 8200, 8300 -009999)  
HORQUILLA DE LA BARRA DE TIRO (VERSION NORTEAMERICANA) (8100, 8200, 8300 -009999)  
DRAGBOM, U-BYGEL (NORDAMERIKANSK VERSION) (8100, 8200, 8300 -009999)  
RE027025 -UN-20JUN96



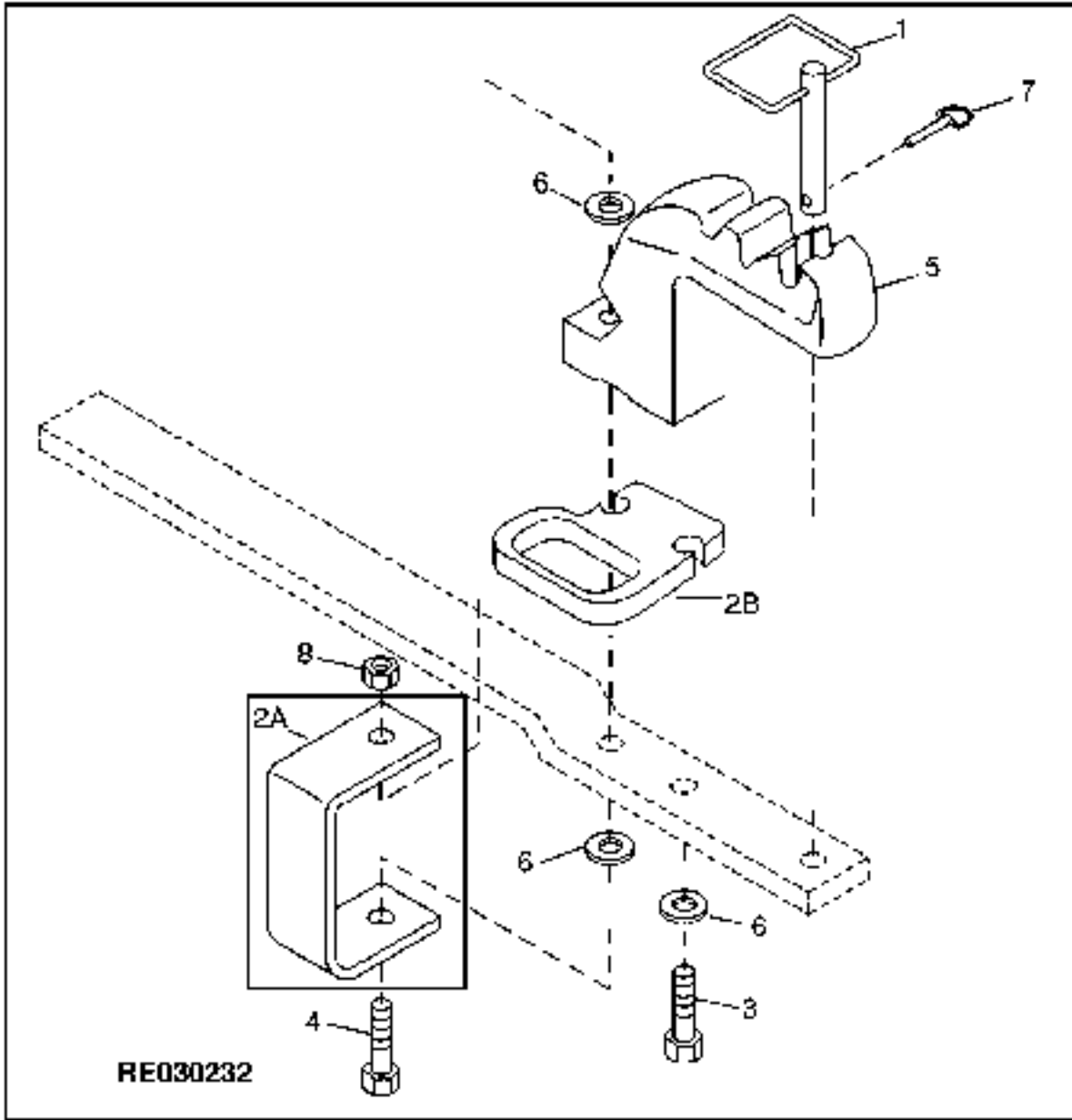
RE027025

# 7G6

HYDRAULICS

| KEY | PART NO. | PART NAME  | QTY | TRACTOR    |       |       | REMARKS            |
|-----|----------|------------|-----|------------|-------|-------|--------------------|
|     |          |            |     | SERIAL NO. | 8 8 8 | 1 2 3 |                    |
| 1   | R119133  | PIN        | 1   | X X X      | 0 0 0 | 0 0 0 | 1 3/8" DIA.        |
| 2   | H100795  | SPRING PIN | 1   | X X X      | 0 0 0 | 0 0 0 | (SUB FOR 34H374)   |
| 3   | 19M8026  | CAP SCREW  | 1   | X X X      | 0 0 0 | 0 0 0 | M20 X 170, HS 10.9 |
| 4   | 19M7968  | CAP SCREW  | 1   | X X X      | 0 0 0 | 0 0 0 | M20 X 130, HS 10.9 |
| 5   | R119682  | STRAP      | 1   | X X X      | 0 0 0 | 0 0 0 | (SUB RE161727)     |
| 6   | R110309  | PLATE      | 1   | X X X      | 0 0 0 | 0 0 0 |                    |
| 7   | R105479  | RETAINER   | 1   | X X X      | 0 0 0 | 0 0 0 |                    |

DRAWBAR CLEVIS (NORTH AMERICAN VERSION)  
 BARRE D'ATTELAGE, ETRIER (VERSION NORD AMERICAINE)  
 ZUGPENDEL-GABELKOPF (NORDAMERIKANISCHE AUSFUEHRUNG)  
 CAVALLOTTO DELLA BARRA DI TRAINO (VERSIONE NORDAMERICANA)  
 HORQUILLA DE LA BARRA DE TIRO (VERSION NORTEAMERICANA)  
 DRAGBOM, U-BYGEL (NORDAMERIKANSK VERSION)  
 RE030232 -UN-19NOV98



# 7G8

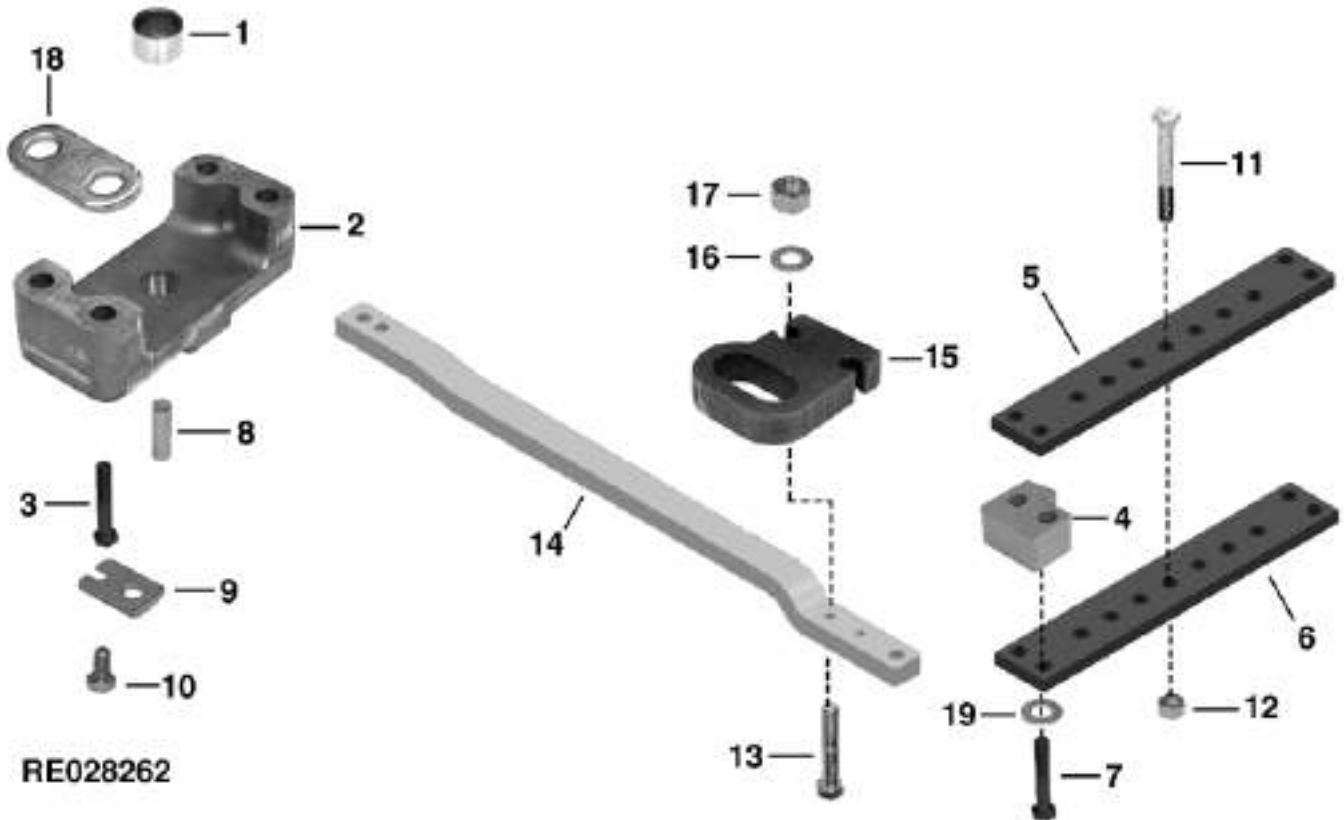
HYDRAULICS

| KEY | PART NO. | PART NAME      | QTY | TRACTOR    |       |       | REMARKS                                |
|-----|----------|----------------|-----|------------|-------|-------|--|
|     |          |                |     | SERIAL NO. | 8 8 8 | 1 2 3 |  |
| 1   | RE150874 | PIN            | 1   |            | X X X |       | 1 3/8" DIA, (SUB FOR RE66101)          |
| 2A  | R130806  | RETAINER       | 1   |            | X X X |       | (SUB R156615)                          |
| 2B  | R156615  | RETAINER       | 1   |            | X X X |       |  |
| 3   | 19M7883  | SCREW          | 1   |            | X X X |       | M20 X 120, HS 10.9, (USE WITH R130806) |
|     | 19M9015  | CAP SCREW      | 1   |            | X X X |       | M20 X 160, HS 12.9, (USE WITH R156615) |
| 4   | 19M7907  | SCREW          | 1   |            | X X X |       | M20 X 140, HS 10.9, (USE WITH R130806) |
|     | 19M9015  | CAP SCREW      | 1   |            | X X X |       | M20 X 160, HS 12.9, (USE WITH R156615) |
| 5   | R132545  | STRAP          | 1   |            | X X X |       |  |
| 6   | 24M7242  | WASHER         | AR  |            | X X X |       | 21.400 X 42 X 5 MM, (USE WITH R130806) |
|     | T151797  | WASHER         | AR  |            | X X X |       | (USE WITH R156615)                     |
| 7   | AR62150  | QUICK LOCK PIN | 1   |            | X X X |       | (SUB FOR AA23627, THIS APPLICATION)    |
| 8   | 14M7277  | NUT            | 1   |            | X X X |       | M20                                    |
| 9   | RE150873 | CLEVIS         | 1   | -009999    | X X X |       | (SUB FOR RE69189) (SUB RE161727)       |

# 7G9

HYDRAULICS

REGULAR DRAWBAR (NORTH AMERICAN VERSION)  
BARRE D'ATTELAGE COURANTE (VERSION NORD AMERICAINE)  
REGULAERES ZUGPENDEL (NORDAMERIKANISCHE AUSFUEHRUNG)  
BARRA DI TRAINO REGOLARE (VERSIONE NORDAMERICANA)  
BARRA DE TIRO REGULAR (VERSION NORTEAMERICANA)  
STANDARDDRAGBOM (NORDAMERIKANSK VERSION)  
RE028262 -UN-27AUG97



RE028262

# 7G10

HYDRAULICS

| KEY | PART NO. | PART NAME | QTY | TRACTOR<br>SERIAL NO. | 8<br>4<br>0<br>0 | REMARKS   |
|-----|----------|-----------|-----|-----------------------|------------------|---|
| 1   | R107760  | BUSHING   | 1   | -009999               | X                |   |
|     | R130953  | BUSHING   | 1   | 010000-               | X                |   |
| 2   | R108298  | SUPPORT   | 1   |                       | X                |   |
| 3   | 19M7963  | CAP SCREW | 4   | -009999               | X                | M20 X 100, HS 10.9  |
|     | 19M7883  | SCREW     | 4   | 010000-               | X                | M20 X 120, HS 10.9  |
| 4   | R115454  | SPACER    | 2   |                       | X                |   |
| 5   | R108299  | STRAP     | 1   |                       | X                |   |
| 6   | R108300  | STRAP     | 1   |                       | X                |   |
| 7   | 19M7968  | CAP SCREW | 4   | -013366               | X                | M20 X 130, HS 10.9  |
|     | 19M7907  | SCREW     | 4   | 013367-               | X                | M20 X 140, HS 10.9  |
|     | 19M7597  | CAP SCREW | 4   |                       | X                | (A) M20 X 50, HS 10.9                                       |
| 8   | R116002  | PIN       | 1   | -009999               | X                |   |
|     | R130982  | PIN       | 1   | 010000-               | X                |   |
| 9   | R115453  | STRAP     | 1   |                       | X                |   |
| 10  | 19M7784  | SCREW     | 1   |                       | X                | M10 X 20, HS 10.9   |
| 11  | 19M7968  | CAP SCREW | 2   |                       | X                | M20 X 130, HS 10.9  |
| 12  | 14M7277  | NUT       | 2   |                       | X                | M20   |
| 13  | R106661  | CAP SCREW | 2   | -009999               | X                | M22 X 120, HS 10.9  |
|     | R106661  | CAP SCREW | 2   | 010000-               | X                | (C) M22 X 120, HS 10.9                                      |
| 14  | R126895  | DRAWBAR   | 1   | -009999               | X                | (SUB FOR R122791) (SUB RE69232) (ALSO ORDER<br>(2) R115454) |
|     | R130638  | DRAWBAR   | 1   | 010000-               | X                | (B)   |
| 15  | R115192  | RETAINER  | 1   | -009999               | X                |   |
|     | R130806  | RETAINER  | 1   | 010000-024937         | X                | (SUB R156615)   |
|     | R156615  | RETAINER  | 1   | 024938-               | X                |   |
|     | R115192  | RETAINER  | 1   | 010000-               | X                | (C)   |
| 16  | R52006   | WASHER    | 2   | -009999               | X                |   |
|     | R52006   | WASHER    | 2   | 010000-               | X                | (C)   |
| 17  | R114125  | NUT       | 2   | -009999               | X                |   |
|     | R114125  | NUT       | 2   | 010000-               | X                | (C)   |
| 18  | R121788  | SPACER    | 2   | -009999               | X                |   |
|     | R121788  | SPACER    | 6   | 010000-               | X                |   |
| 19  | 24M7344  | WASHER    | 4   | 013367-               | X                | 22 X 37 X 3 MM  |

(A) W/O DRAWBAR  
W/O BARRE D'ATTELAGE  
W/O ZUGPENDEL  
W/O BARRA DI TRAINO  
W/O BARRA DE TIRO  
W/O DRAGBOM

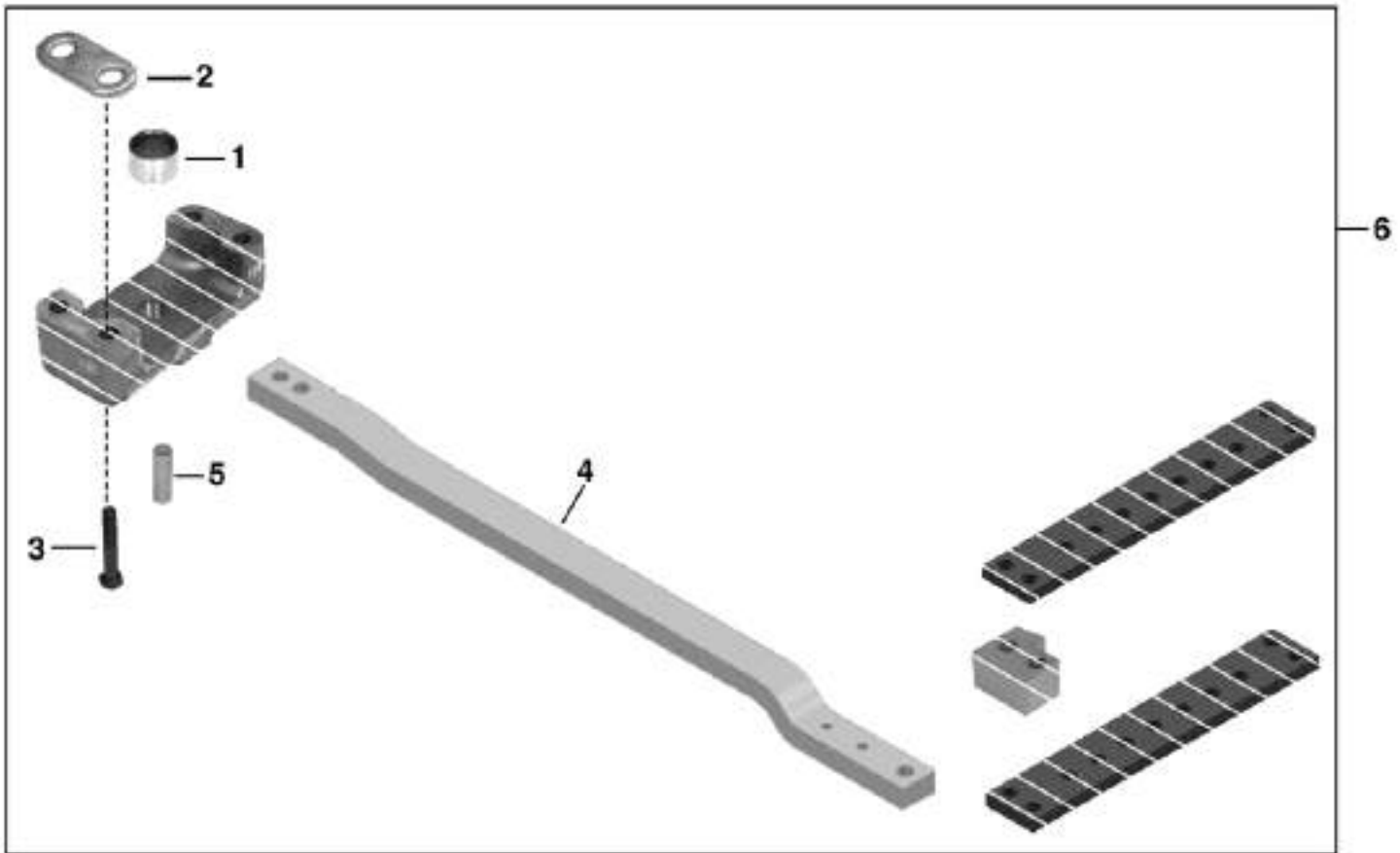
(B) REVERSIBLE  
REVERSIBLE  
UMKEHRBAR  
AD INVERSIONE  
REVERSIBLE  
VAENDBAR

(C) NOT USED NORTH AMERICAN VERSION  
PAS UTILISE SUR LA VERSION NORD-AMERICAINE  
NICHT VERWENDET IN DER NORDAMERIKANISCHEN  
NON IN USO NELLA VERSIONE NORDAMERICANA  
NO SE USA EN LA VERSION NORTEAMERICANA  
ANVAENDS EJ PAA DEN NORDAMERIKANSKA

# 7G11

HYDRAULICS

REVERSIBLE DRAWBAR KIT (NORTH AMERICAN VERSION)  
KIT DE BARRE DE TRACTION REVERSIBLE (VERSION NORD AMERICAINE)  
UMKEHRBARER ZUGPENDEL-TEILESATZ (NORDAMERIKANISCHE AUSFUEHRUNG)  
KIT DELLA BARRA DI TRAINO AD INVERSIONE (VERSIONE NORDAMERICANA)  
JUEGO DE BARRA DE TIRO REVERSIBLE (VERSION NORTEAMERICANA)  
SATS MED VAENDBAR DRAGBOM (NORDAMERIKANSK VERSION)  
RE027015 -UN-20JUN96



RE027015



# 7G12

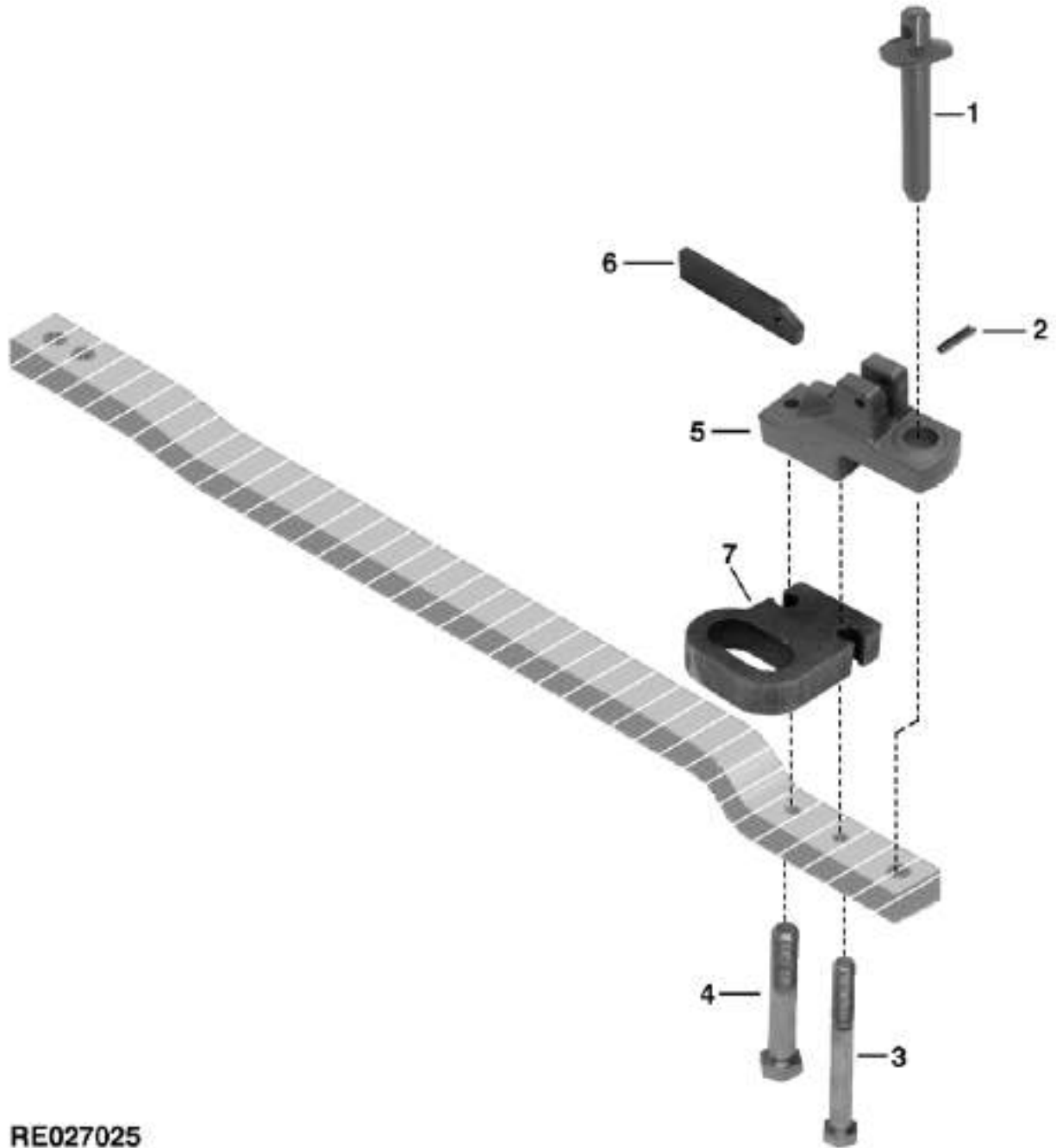
HYDRAULICS

| KEY | PART NO. | PART NAME | QTY | TRACTOR<br>SERIAL NO. | A<br>L<br>L | REMARKS                  |
|-----|----------|-----------|-----|-----------------------|-------------|--------------------------|
| 1   | R130953  | BUSHING   | 1   |                       | X           |                          |
| 2   | R121788  | SPACER    | 6   |                       | X           |                          |
| 3   | 19M7883  | SCREW     | 4   |                       | X           | M20 X 120, HS 10.9       |
| 4   | R130638  | DRAWBAR   | 1   |                       | X           |                          |
| 5   | R130982  | PIN       | 1   |                       | X           |                          |
| 6   | RE69232  | DRAWBAR   | 1   | -009999               | X           | (ALSO ORDER (2) R115454) |

# 7G13

HYDRAULICS

DRAWBAR CLEVIS (NORTH AMERICAN VERSION) (8400 -009999)  
BARRE D'ATTELAGE, ETRIER (VERSION NORD AMERICAINE) (8400 -009999)  
ZUGPENDEL-GABELKOPF (NORDAMERIKANISCHE AUSFUEHRUNG) (8400 -009999)  
CAVALLOTTO DELLA BARRA DI TRAINO (VERSIONE NORDAMERICANA) (8400 -009999)  
HORQUILLA DE LA BARRA DE TIRO (VERSION NORTEAMERICANA) (8400 -009999)  
DRAGBOM, U-BYGEL (NORDAMERIKANSK VERSION) (8400 -009999)  
RE027025 -UN-20JUN96



RE027025

# 7G14

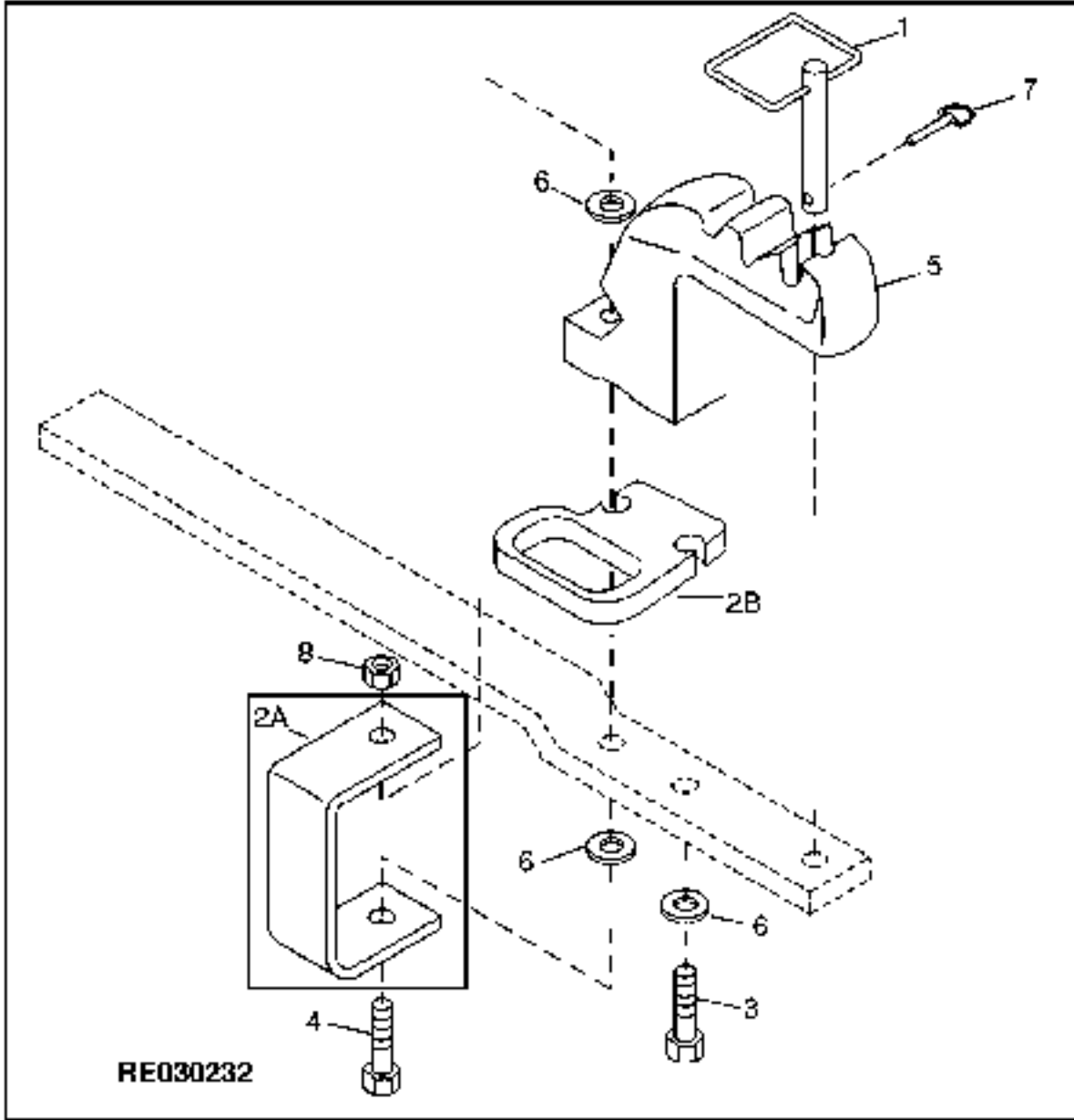
HYDRAULICS

| KEY | PART NO. | PART NAME  | QTY | TRACTOR<br>SERIAL NO. | 8<br>4<br>0<br>0 | REMARKS                          |
|-----|----------|------------|-----|-----------------------|------------------|----------------------------------|
| 1   | R115536  | PIN        | 1   |                       | X                | 1 1/2"                           |
| 2   | H100795  | SPRING PIN | 1   |                       | X                | (SUB FOR 34H374)                 |
| 3   | R115172  | CAP SCREW  | 1   |                       | X                | M22 X 180, HS 10.9               |
| 4   | R111434  | CAP SCREW  | 1   |                       | X                | M22 X 130, HS 10.9               |
| 5   | R126822  | STRAP      | 1   |                       | X                | (SUB FOR R119681) (SUB RE159503) |
| 6   | R110309  | PLATE      | 1   |                       | X                |                                  |
| 7   | R115192  | RETAINER   | 1   |                       | X                |                                  |

# 7G15

HYDRAULICS

DRAWBAR CLEVIS (NORTH AMERICAN VERSION)  
BARRE D'ATTELAGE, ETRIER (VERSION NORD AMERICAINE)  
ZUGPENDEL-GABELKOPF (NORDAMERIKANISCHE AUSFUEHRUNG)  
CAVALLOTTO DELLA BARRA DI TRAINO (VERSIONE NORDAMERICANA)  
HORQUILLA DE LA BARRA DE TIRO (VERSION NORTEAMERICANA)  
DRAGBOM, U-BYGEL (NORDAMERIKANSK VERSION)  
RE030232 -UN-19NOV98



# 7G16

HYDRAULICS

| KEY | PART NO. | PART NAME      | QTY | TRACTOR<br>SERIAL NO. | A<br>L<br>L | REMARKS                     |
|-----|----------|----------------|-----|-----------------------|-------------|-----------------------------|
| 1   | RE150871 | PIN            | 1   |                       | X           | 1 1/2" DIA                  |
| 2A  | R130806  | RETAINER       | 1   |                       | X           | (SUB R156615)               |
| 2B  | R156615  | RETAINER       | 1   |                       | X           |                             |
| 3   | R134070  | CAP SCREW      | 1   |                       | X           | HS 10.9, (USE WITH R130806) |
|     | R156614  | CAP SCREW      | 1   |                       | X           | (USE WITH R156615)          |
| 4   | R134071  | CAP SCREW      | 1   |                       | X           | HS 10.9, (USE WITH R130806) |
|     | R156614  | CAP SCREW      | 1   |                       | X           | (USE WITH R156615)          |
| 5   | R132544  | STRAP          | 1   |                       | X           |                             |
| 6   | R52006   | WASHER         | AR  |                       | X           |                             |
| 7   | AR62150  | QUICK LOCK PIN | 1   |                       | X           | (SUB FOR AA23627)           |
| 8   | R114125  | NUT            | 1   |                       | X           |                             |
| 9   | RE150870 | CLEVIS         | 1   |                       | X           | (SUB RE159503)              |

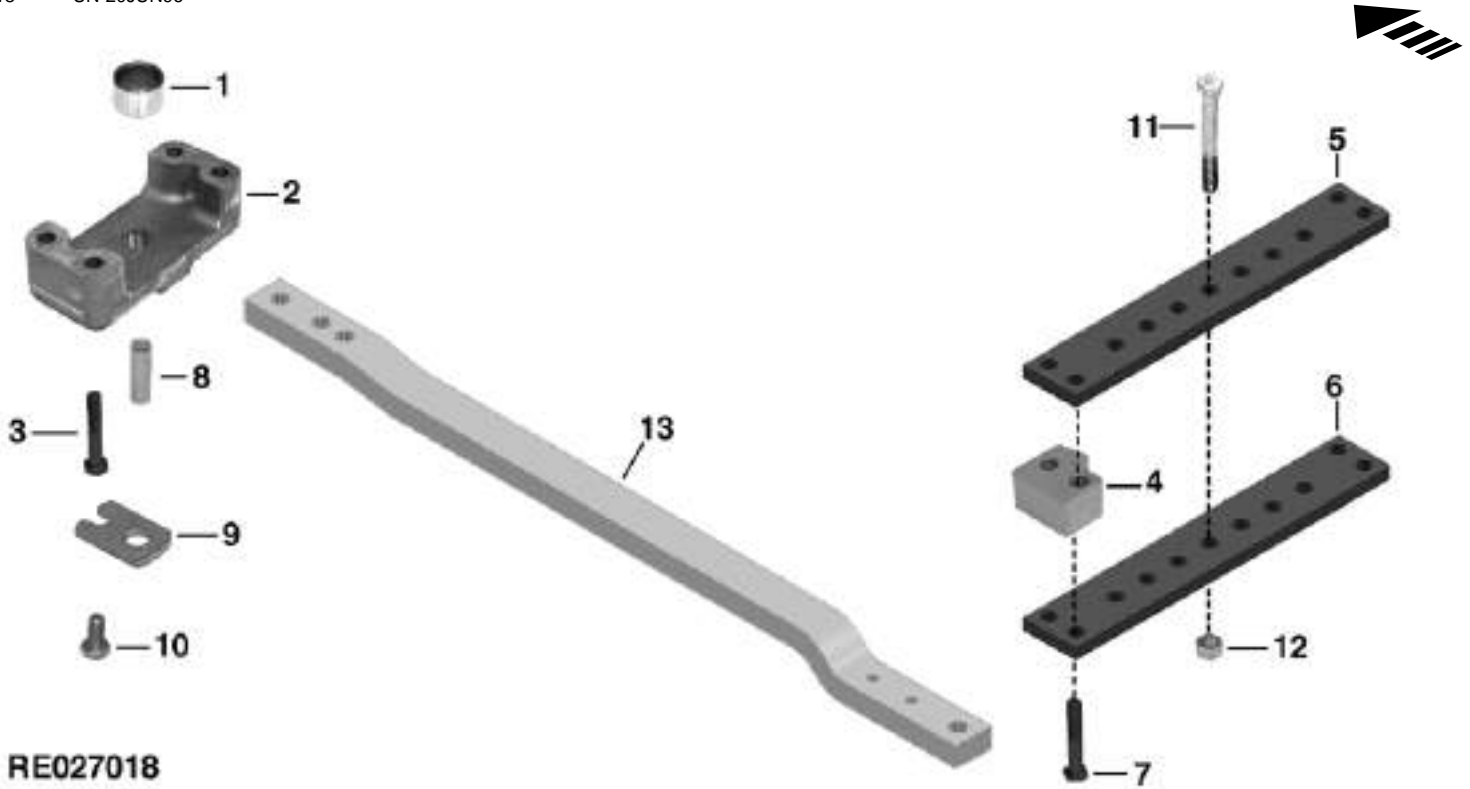
MEMORANDA  
MEMORANDA  
MEMORANDA  
MEMORANDA  
MEMORANDA

MEMORANDA  
MEMORANDA  
MEMORANDA  
MEMORANDA  
MEMORANDA

# 7G17

HYDRAULICS

REGULAR DRAWBAR (EUROPEAN VERSION)  
 BARRE D'ATTELAGE COURANTE (VERSION EUROPEENNE)  
 REGULAERES ZUGPENDEL (EUROPAEISCHE AUSFUEHRUNG)  
 BARRA DI TRAINO REGOLARE (VERSIONE EUROPEA)  
 BARRA DE TIRO REGULAR (VERSION EUROPEA)  
 STANDARDDRAGBOM (EUROPEISK VERSION)  
 RE027018 -UN-20JUN96



RE027018

| KEY | PART NO. | PART NAME | QTY | TRACTOR SERIAL NO. | A | REMARKS               |
|-----|----------|-----------|-----|--------------------|---|-----------------------|
|     |          |           |     |                    | L |                       |
| 1   | R107760  | BUSHING   | 1   |                    | X |                       |
| 2   | R108298  | SUPPORT   | 1   |                    | X |                       |
| 3   | 19M7963  | CAP SCREW | 4   |                    | X | M20 X 100, HS 10.9    |
| 4   | R108301  | SPACER    | 2   |                    | X |                       |
| 5   | R108299  | STRAP     | 1   |                    | X |                       |
| 6   | R108300  | STRAP     | 1   |                    | X |                       |
| 7   | 19M7968  | CAP SCREW | 4   |                    | X | M20 X 130, HS 10.9    |
|     | 19M7597  | CAP SCREW | 4   |                    | X | (A) M20 X 50, HS 10.9 |
| 8   | R108291  | PIN       | 1   |                    | X |                       |
| 9   | R115453  | STRAP     | 1   |                    | X |                       |
| 10  | 19M7784  | SCREW     | 1   |                    | X | M10 X 20, HS 10.9     |
| 11  | 19M7968  | CAP SCREW | 2   |                    | X | M20 X 130, HS 10.9    |
| 12  | 14M7277  | NUT       | 2   |                    | X | M20                   |
| 13  | R122752  | DRAWBAR   | 1   | -XXXXXX            | X | (C)                   |
|     | R133415  | DRAWBAR   | 1   | XXXXXX-            | X | (B) (D)               |

(A) W/O DRAWBAR  
 W/O BARRE D'ATTELAGE  
 W/O ZUGPENDEL  
 W/O BARRA DI TRAINO  
 W/O BARRA DE TIRO  
 W/O DRAGBOM

(B) REVERSIBLE  
 REVERSIBLE  
 UMKEHRBAR  
 AD INVERSIONE  
 REVERSIBLE  
 VAENDBAR

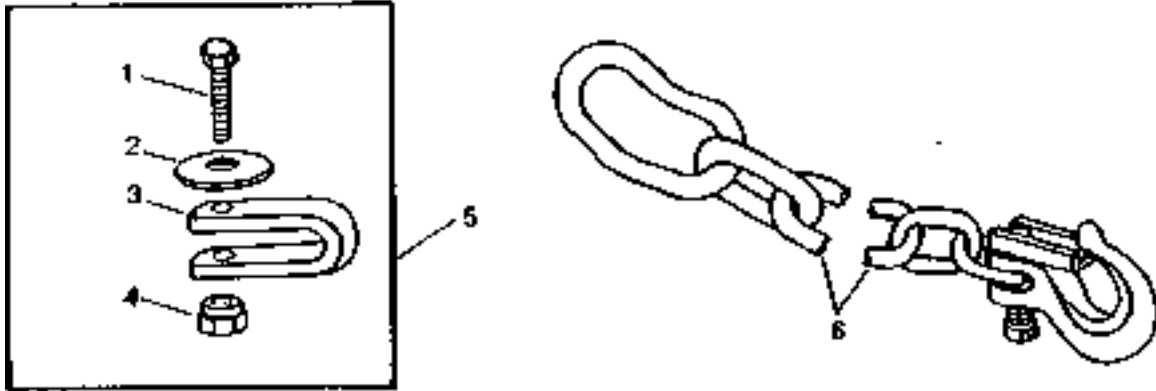
(C) ( -XXXXXX) 8100-012473; 8200-012019; 8300-012731; 8400-012705  
 (D) (XXXXXX- ) 8100-012474; 8200-012020; 8300-012732; 8400-012706



# 7G18

HYDRAULICS

IMPLEMENT SAFETY CHAIN  
 CHAÎNE DE VERROUILLAGE  
 GERAETE-SICHERUNGSKETTE  
 CATENA DI SICUREZZA PER EQUIPAGGIAMENTO  
 INSTALE LA CADENA DE SEGURIDAD  
 SAEKERHETSKEDJA, REDSKAP  
 RWP5796 -UN-01JAN94



RWP5796

| KEY | PART NO. | PART NAME                | QTY | TRACTOR<br>SERIAL NO. | A |                                   | REMARKS |
|-----|----------|--------------------------|-----|-----------------------|---|-----------------------------------|---------|
|     |          |                          |     |                       | L | L                                 |         |
| 1   | 19H1768  | CAP SCREW                | 1   |                       | X | 3/4" X 2"                         |         |
|     | 19H2084  | CAP SCREW                | 1   |                       | X | 3/4" X 4-1/2"                     |         |
|     | 19H2174  | CAP SCREW                | 1   |                       | X | 3/4" X 4-1/4"                     |         |
| 2   | R36402   | WASHER                   | 1   |                       | X |                                   |         |
| 3   | R69408   | CLEVIS                   | 1   |                       | X |                                   |         |
|     | R69409   | CLEVIS                   | 1   |                       | X |                                   |         |
| 4   | T25879   | NUT                      | 2   |                       | X |                                   |         |
| 5   | AR90577  | SAFETY CHAIN ADAPTER KIT | 1   |                       | X | (A)                               |         |
|     | AR90578  | CHAIN KIT                | 1   |                       | X | (B)                               |         |
| 6   | RE26739  | LINK CHAIN               | 1   |                       | X | 6.4 MM (1/4") 2722 KG (6,000 LB)  |         |
|     | AR90581  | LINK CHAIN               | 1   |                       | X | 6.4 MM (1/4") 4536 KG (10,000 LB) |         |
|     | AR90579  | LINK CHAIN               | 1   |                       | X | 9.5 MM (3/8")                     |         |
|     | AR90583  | LINK CHAIN               | 1   |                       | X | 11.1 MM (7/16")                   |         |
|     | AN212996 | LINK CHAIN               | 1   |                       | X | 12.7 MM (1/2") (SUB FOR RE26740)  |         |

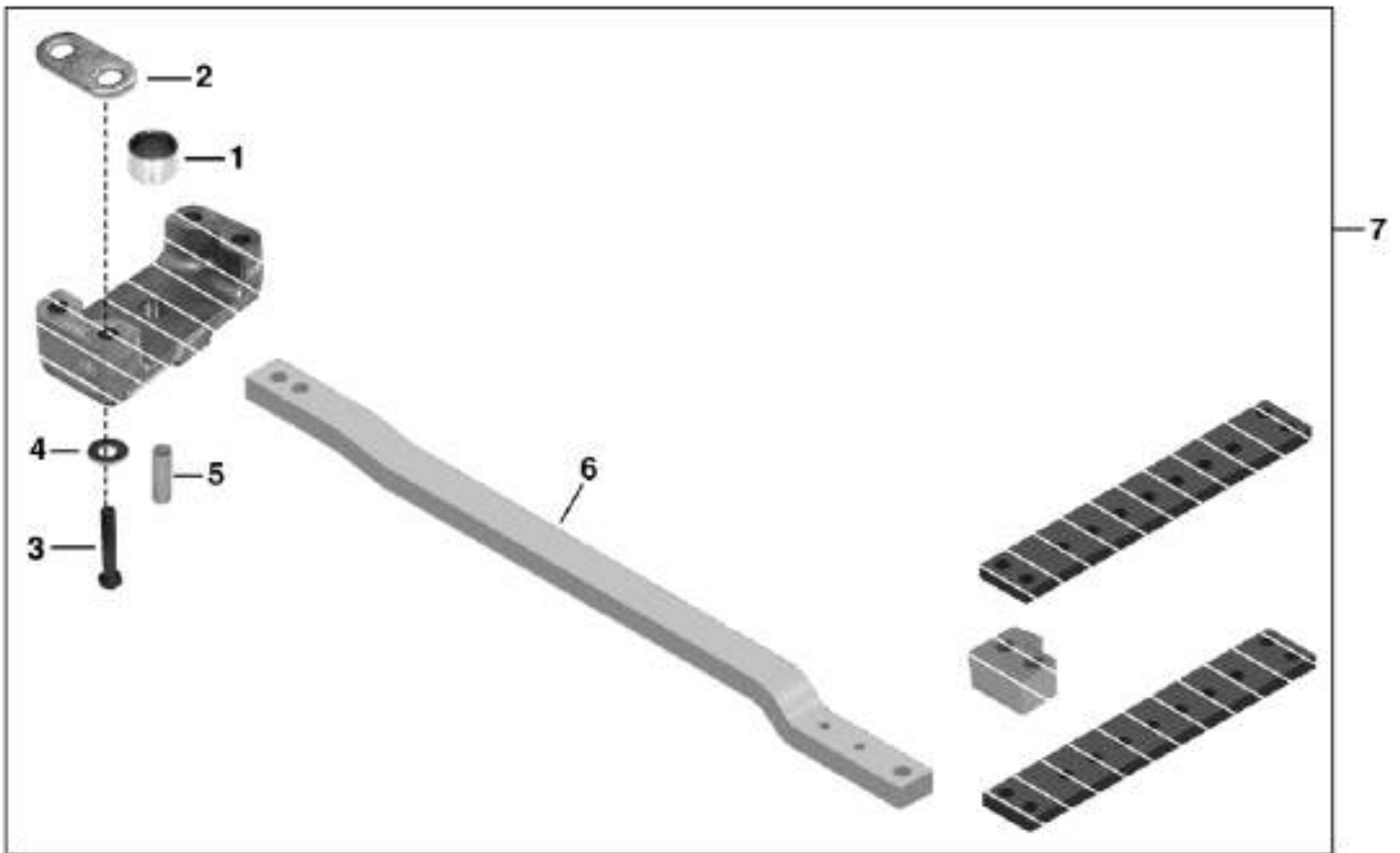
(A) CATEGORY IV  
 CATEGORIE IV  
 KATEGORIE IV  
 CATEGORIA IV  
 CATEGORIA IV  
 KATEGORI IV

(B) CATEGORY III  
 CATEGORIE III  
 KATEGORIE III  
 CATEGORIA III  
 CATEGORIA III  
 KATEGORI III

# 7G19

HYDRAULICS

REVERSIBLE DRAWBAR KIT (EUROPEAN VERSION)  
KIT DE BARRE DE TRACTION REVERSIBLE (VERSION EUROPEENNE)  
UMKEHRBARER ZUGPENDEL-TEILESATZ (EUROPÄISCHE AUSFÜHRUNG)  
KIT DELLA BARRA DI TRAINO AD INVERSIONE (VERSIONE EUROPEA)  
JUEGO DE BARRA DE TIRO REVERSIBLE (VERSION EUROPEA)  
SATS MED VAENDBAR DRAGBOM (EUROPEISK VERSION)  
RE027010 -UN-20JUN96



RE027010

# 7G20

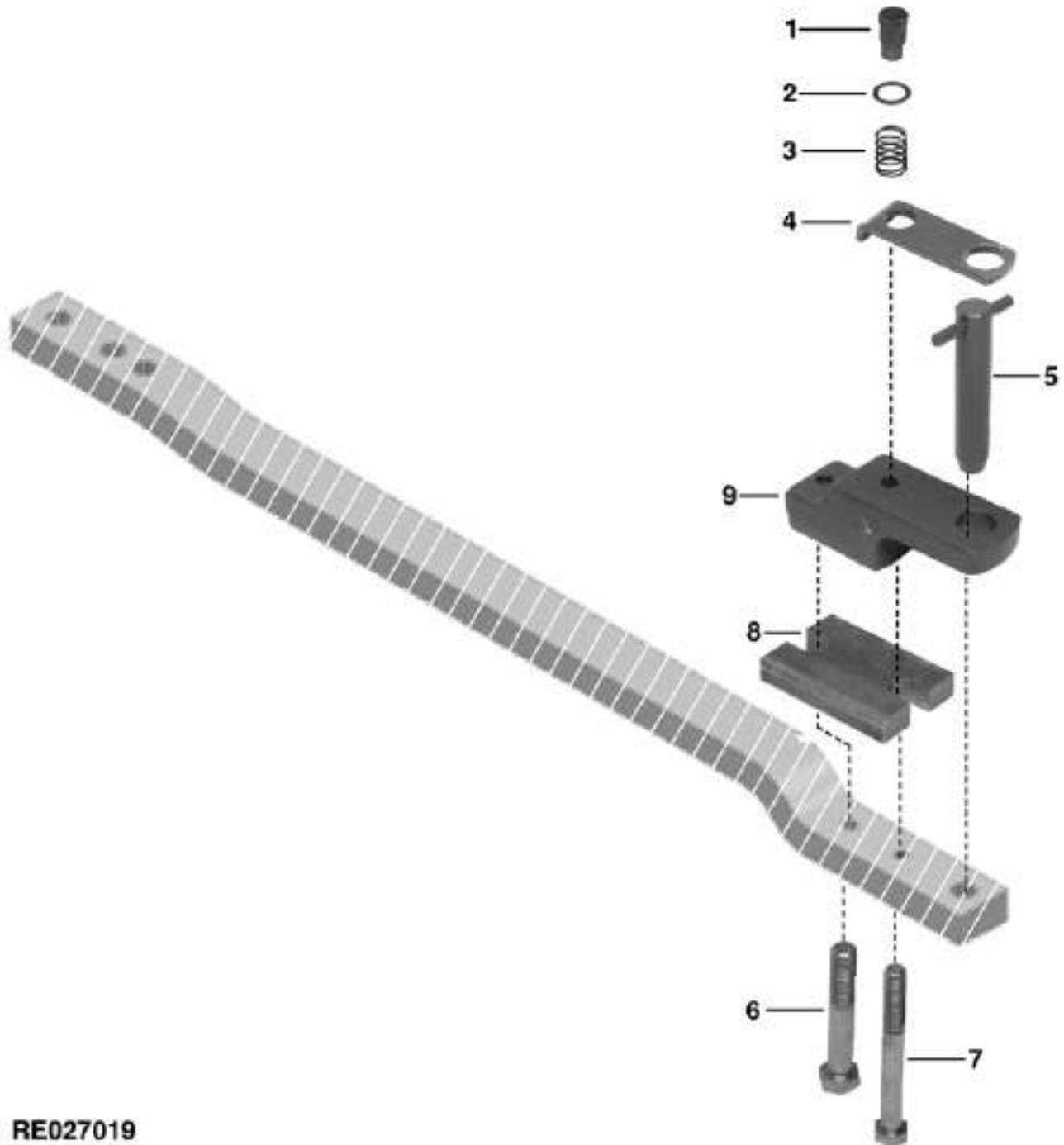
HYDRAULICS

| KEY | PART NO. | PART NAME | QTY | TRACTOR<br>SERIAL NO. | A<br>L<br>L | REMARKS                   |
|-----|----------|-----------|-----|-----------------------|-------------|---------------------------|
| 1   | R130953  | BUSHING   | 1   |                       | X           |                           |
| 2   | R121788  | SPACER    | 4   |                       | X           |                           |
| 3   | 19M7969  | CAP SCREW | 4   |                       | X           | M20 X 110, HS 10.9        |
| 4   | 24M7242  | WASHER    | 4   |                       | X           | 21.400 X 42 X 5 MM, (NLR) |
| 5   | R130981  | PIN       | 1   |                       | X           |                           |
| 6   | R133415  | DRAWBAR   | 1   |                       | X           |                           |
| 7   | RE69233  | DRAWBAR   | 1   | -009999               | X           |                           |

# 7G21

HYDRAULICS

DRAWBAR CLEVIS (EUROPEAN VERSION)  
BARRE D'ATTELAGE, ETRIER (VERSION EUROPEENNE)  
ZUGPENDEL-GABELKOPF (EUROPÄISCHE AUSFÜHRUNG)  
CAVALLOTTO DELLA BARRA DI TRAINO (VERSIONE EUROPEA)  
HORQUILLA DE LA BARRA DE TIRO (VERSION EUROPEA)  
DRAGBOM, U-BYGEL (EUROPEISK VERSION)  
RE027019 -UN-31JUL96



RE027019

# 7G22

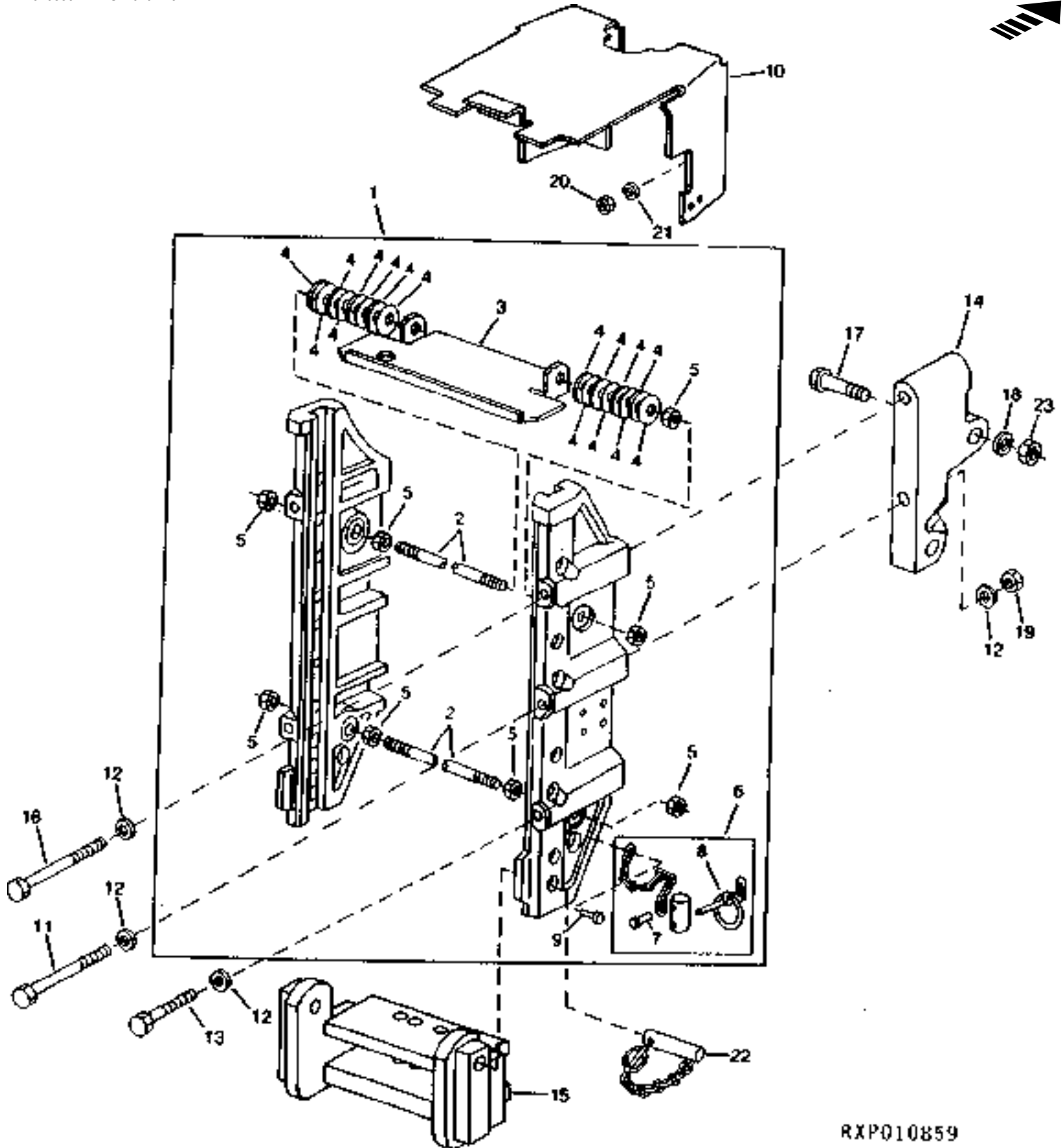
HYDRAULICS

| KEY | PART NO. | PART NAME | QTY | TRACTOR<br>SERIAL NO. | A<br>L<br>L | REMARKS                |
|-----|----------|-----------|-----|-----------------------|-------------|------------------------|
| 1   | R88667   | NUT       | 1   |                       | X           |                        |
| 2   | 24H1513  | WASHER    | 1   |                       | X           | 1-13/32" X 2" X 0.060" |
| 3   | F304R    | SPRING    | 1   |                       | X           |                        |
| 4   | R54064   | RETAINER  | 1   |                       | X           |                        |
| 5   | AR69988  | PIN       | 1   |                       | X           |                        |
| 6   | 19M7969  | CAP SCREW | 1   |                       | X           | M20 X 110, HS 10.9     |
| 7   | 19M8503  | CAP SCREW | 1   |                       | X           | M20 X 160, HS 10.9     |
| 8   | N218581  | PLATE     | 1   | -009999               | X           | (SUB FOR R119438)      |
|     | R134668  | PLATE     | 1   | 010000-               | X           |                        |
| 9   | R88665   | STRAP     | 1   |                       | X           |                        |
| ..  | R119439  | LABEL     | 1   |                       | X           |                        |

# 7G23

HYDRAULICS

WAGON HITCH BRACKETS (EUROPEAN VERSION) (81 -012473;82 -012012;83 -012704;84 -012683)  
SUPPORTS D'ATTELAGE DE CHARIOT (V.E.) (8100 -012473;8200 -012012;8300 -012704;8400 -012683)  
ANHAENGEVORRICHTUNGS-HALTERUNGEN (E.A.) (8100 -012473;8200 -012012;8300 -012704;8400 -012683)  
STAFFE DI ATTACCO DEL CARRO (EUROPEA)(8100 -012473;8200 -012012;8300 -012704;8400 -012683)  
SOPORTES DEL ENGANCHE DEL CARRO (EUROPEA) (8100 -012473;8200 -012012;8300 012704;8400 -012683)  
DRAGANORDNINGSAFASTEN (EUROPEAN VERSION)(8100 -012473;8200 -012012;8300 -012704;8400 -012683)  
RXP010859 -UN-01JAN94



RXP010859

# 7G24

HYDRAULICS

| KEY | PART NO. | PART NAME      | QTY | TRACTOR<br>SERIAL NO. | A | REMARKS                |
|-----|----------|----------------|-----|-----------------------|---|------------------------|
|     |          |                |     |                       | L |                        |
| 1   | AL80747  | BRACKET        | 1   |                       | X | (SUB RE68408)          |
| 2   | L59320   | STUD           | 2   |                       | X |                        |
| 3   | L79447   | SHIELD         | 1   |                       | X |                        |
| 4   | L79449   | DISK SPRING    | 16  |                       | X |                        |
| 5   | 14M7277  | NUT            | 8   |                       | X | M20                    |
| 6   | AL61032  | STOP           | 1   |                       | X |                        |
| 7   | 25M7032  | GROOVE PIN     | 1   |                       | X | 5 X 20 MM              |
| 8   | 99M7085  | QUICK LOCK PIN | 1   |                       | X |                        |
| 9   | 25M7032  | GROOVE PIN     | 1   |                       | X | 5 X 20 MM              |
| 10  | RE61282  | SHIELD         | 1   |                       | X |                        |
| 11  | 19M7779  | CAP SCREW      | 2   |                       | X | M20 X 240, HS 10.9     |
| 12  | 24M7242  | WASHER         | 8   |                       | X | 21.400 X 42 X 5 MM     |
| 13  | 19M8100  | CAP SCREW      | 2   |                       | X | M20 X 180, HS 10.9     |
| 14  | R124423  | HITCH          | 2   |                       | X |                        |
| 15  | RE60265  | RAIL           | 1   |                       | X | (B)                    |
| 16  | 19M8389  | CAP SCREW      | 2   |                       | X | M20 X 280, HS 10.9     |
| 17  | 19M7968  | CAP SCREW      | 4   |                       | X | M20 X 130, HS 10.9     |
| 18  | 24M7242  | WASHER         | 4   |                       | X | (A) 21.400 X 42 X 5 MM |
| 19  | 14M7277  | NUT            | 2   |                       | X | M20                    |
| 20  | 14M7274  | NUT            | 4   |                       | X | M10                    |
| 21  | 24M7346  | WASHER         | 4   |                       | X | 11 X 20 X 2 MM         |
| 22  | AL61072  | PIN            | 2   |                       | X | (B)                    |
| 23  | 14M7277  | NUT            | 4   |                       | X | (A) M20                |

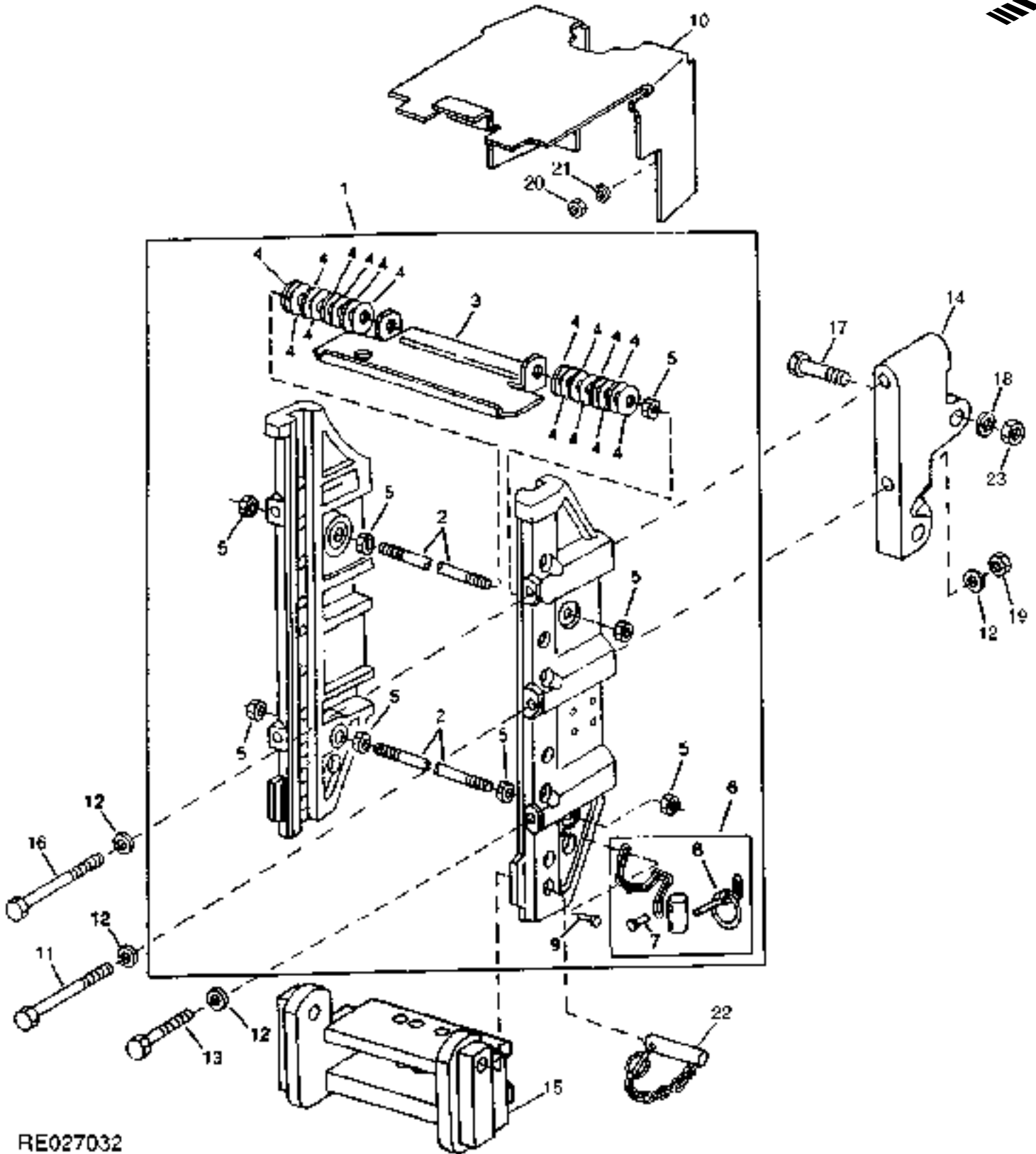
(A) W/O SWAY BLOCK  
W/O CALE STABILISATRICE  
W/O STABILISIERUNGSANSCHLAG  
W/O BLOCCO STABILIZZATORE  
W/O BLOQUE ESTABILIZADOR  
W/O STABILISERINGSBLOCK

(B) W/ DRAWBAR  
W/ BARRE D'ATTELAGE  
W/ ZUGPENDEL  
W/ BARRA DI TRAINO  
W/ BARRA DE TIRO  
W/ DRAGBOM

# 7H1

HYDRAULICS

WAGON HITCH BRACKETS (EUROPEAN VERSION) (81 012474- ;82 012013- ;83 012705- ;84 012684- )  
SUPPORTS D'ATTELAGE DE CHARIOT (V.E.) (8100 012474- ;8200 012013- ;8300 012705- ;8400 012684- )  
ANHAENGEVORRICHTUNGS-HALTERUNGEN (E.V.) (8100 012474- ;8200 012013- ;8300 012705- ;8400 012684- )  
STAFFE DI ATTACCO DEL CARRO (EUROPEA) (8100 012474- ;8200 012013- ;8300 012705- ;8400 012684- )  
SOPORTES DEL ENGANCHE DEL CARRO (EUROPEA)(8100 012474- ;8200 012013- ;8300 012705- ;8400 012684- )  
DRAGANORDNINGSSFAASTEN (EUROPEISK VERSION)(8100 012474- ;8200 012013- ;8300 012705- ;8400 012684- )  
RE027032 -UN-17JUL96



RE027032



# 7H2

HYDRAULICS

| KEY | PART NO. | PART NAME      | QTY | TRACTOR<br>SERIAL NO. | A<br>L<br>L | REMARKS                |
|-----|----------|----------------|-----|-----------------------|-------------|------------------------|
| 1   | RE68408  | BRACKET        | 1   |                       | X           |                        |
| 2   | L59320   | STUD           | 2   |                       | X           |                        |
| 3   | L111699  | SHIELD         | 1   |                       | X           |                        |
| 4   | L79449   | DISK SPRING    | 16  |                       | X           |                        |
| 5   | 14M7277  | NUT            | 8   |                       | X           | M20                    |
| 6   | AL61032  | STOP           | 1   |                       | X           |                        |
| 7   | 25M7032  | GROOVE PIN     | 1   |                       | X           | 5 X 20 MM              |
| 8   | 99M7085  | QUICK LOCK PIN | 1   |                       | X           |                        |
| 9   | 25M7032  | GROOVE PIN     | 1   |                       | X           | 5 X 20 MM              |
| 10  | RE66328  | SHIELD         | 1   |                       | X           |                        |
| 11  | 19M7779  | CAP SCREW      | 2   |                       | X           | M20 X 240, HS 10.9     |
| 12  | 24M7242  | WASHER         | 8   |                       | X           | 21.400 X 42 X 5 MM     |
| 13  | 19M8100  | CAP SCREW      | 2   |                       | X           | M20 X 180, HS 10.9     |
| 14  | R124423  | HITCH          | 2   |                       | X           |                        |
| 15  | RE60265  | RAIL           | 1   |                       | X           | (B)                    |
| 16  | 19M8389  | CAP SCREW      | 2   |                       | X           | M20 X 280, HS 10.9     |
| 17  | 19M7968  | CAP SCREW      | 4   |                       | X           | M20 X 130, HS 10.9     |
| 18  | 24M7242  | WASHER         | 4   |                       | X           | (A) 21.400 X 42 X 5 MM |
| 19  | 14M7277  | NUT            | 2   |                       | X           | M20                    |
| 20  | 14M7274  | NUT            | 4   |                       | X           | M10                    |
| 21  | 24M7346  | WASHER         | 4   |                       | X           | 11 X 20 X 2 MM         |
| 22  | AL61072  | PIN            | 2   |                       | X           | (B)                    |
| 23  | 14M7277  | NUT            | 4   |                       | X           | (A) M20                |

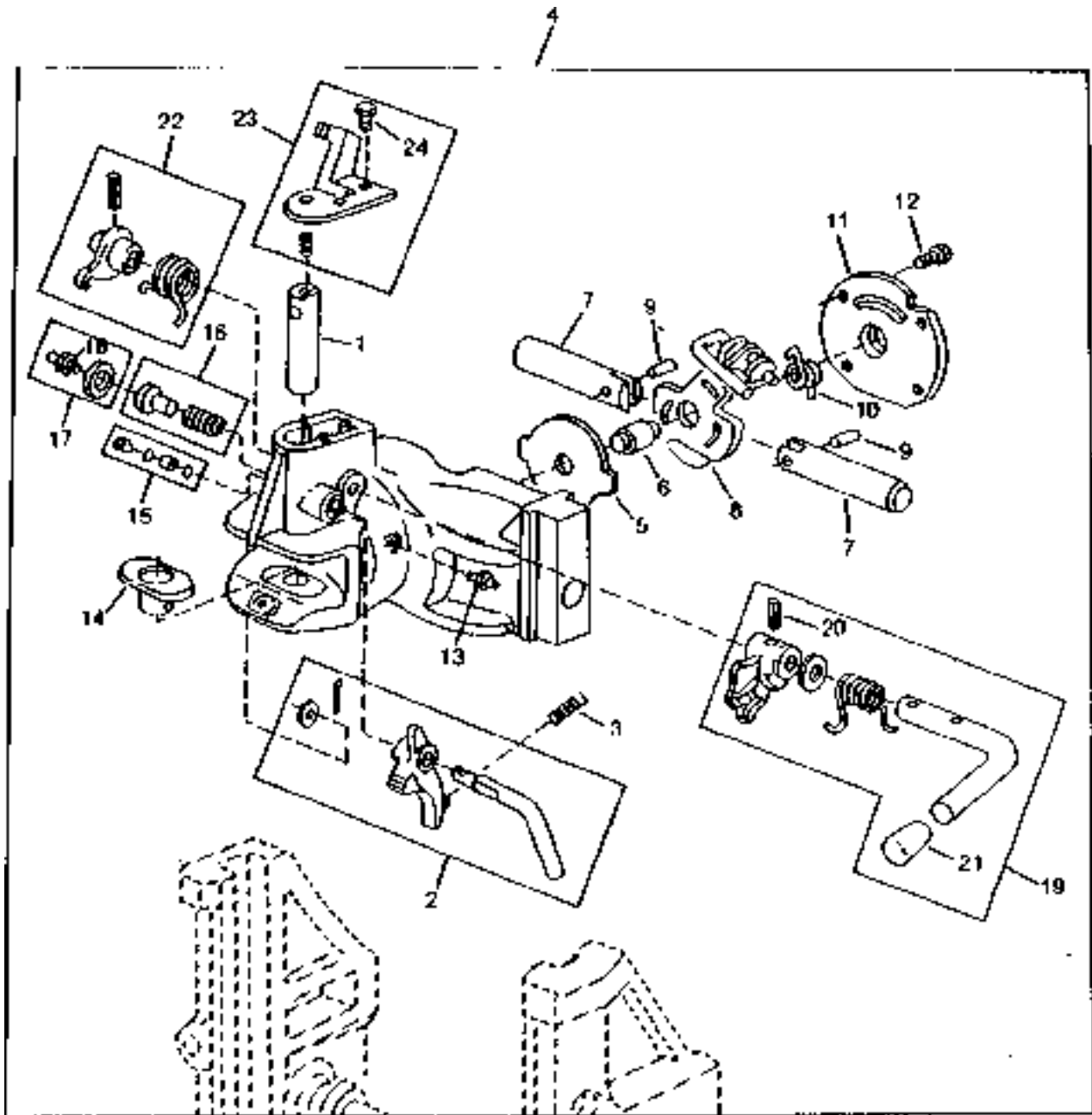
(A) W/O SWAY BLOCK  
 W/O CALE STABILISATRICE  
 W/O STABILISIERUNGSANSCHLAG  
 W/O BLOCCO STABILIZZATORE  
 W/O BLOQUE ESTABILIZADOR  
 W/O STABILISERINGSBLOCK

(B) W/ DRAWBAR  
 W/ BARRE D'ATTELA  
 W/ ZUGPENDEL  
 W/ BARRA DI TRAINO  
 W/ BARRA DE TIRO  
 W/ DRAGBOM

# 7H3

HYDRAULICS

WAGON HITCH COUPLING (EUROPEAN VERSION)  
ACCOUPEMENT D'ATTELAGE DE CHARIOT (VERSION EUROPEENNE)  
ANHAENGEVORRICHTUNGS-KUPPLUNG (EUROPAEISCHE AUSFUEHRUNG)  
ACCOPIAMENTO DELL'ATTACCO DEL CARRO (VERSIONE EUROPEA)  
ACOPLAMIENTO DEL ENGANCHE DEL CARRO (VERSION EUROPEA)  
DRAGANORDNINGSKOPPLING (EUROPEISK VERSION)  
RXP020397 -UN-01JAN94



RXP020397

# 7H4

HYDRAULICS

| KEY | PART NO. | PART NAME           | QTY | TRACTOR<br>SERIAL NO. | A<br>L<br>L | REMARKS          |
|-----|----------|---------------------|-----|-----------------------|-------------|------------------|
| 1   | AL78607  | PIN                 | 1   |                       | X           |                  |
| 2   | AL78608  | LEVER               | 1   |                       | X           |                  |
| 3   | AL78609  | COMPRESSION SPRING  | 1   |                       | X           |                  |
| 4   | AL78820  | HITCH COUPLING      | 1   |                       | X           | (SUB AL81736)    |
| 5   | L59336   | WASHER              | 1   |                       | X           |                  |
| 6   | L59343   | PIN                 | 1   |                       | X           |                  |
| 7   | L59344   | PIN                 | 2   |                       | X           |                  |
| 8   | AL61062  | PLATE               | 1   |                       | X           |                  |
| 9   | 25M7084  | PIN                 | 2   |                       | X           |                  |
| 10  | L59342   | TORSION SPRING      | 1   |                       | X           |                  |
| 11  | L59345   | COVER               | 1   |                       | X           |                  |
| 12  | 19M7923  | CAP SCREW           | 4   |                       | X           | M6 X 12, HS 10.9 |
| 13  | 58M5575  | LUBRICATION FITTING | 1   |                       | X           |                  |
| 14  | AL35990  | BUSHING             | 1   |                       | X           |                  |
| 15  | AL78489  | SET SCREW           | 1   |                       | X           |                  |
| 16  | AL78490  | PIN                 | 1   |                       | X           |                  |
| 17  | AL35991  | BUSHING             | 1   |                       | X           |                  |
| 18  | 58M5575  | LUBRICATION FITTING | 1   |                       | X           |                  |
| 19  | AL78491  | LEVER               | 1   |                       | X           |                  |
| 20  | 34M7124  | SPRING PIN          | 1   |                       | X           | 8 X 30 MM        |
| 21  | L38296   | KNOB                | 1   |                       | X           |                  |
| 22  | AL78499  | LEVER               | 1   |                       | X           |                  |
| 23  | AL78487  | COVER               | 1   |                       | X           |                  |
| 24  | 19M7560  | CAP SCREW           | 3   |                       | X           | M6 X 16          |



# 7H6

HYDRAULICS

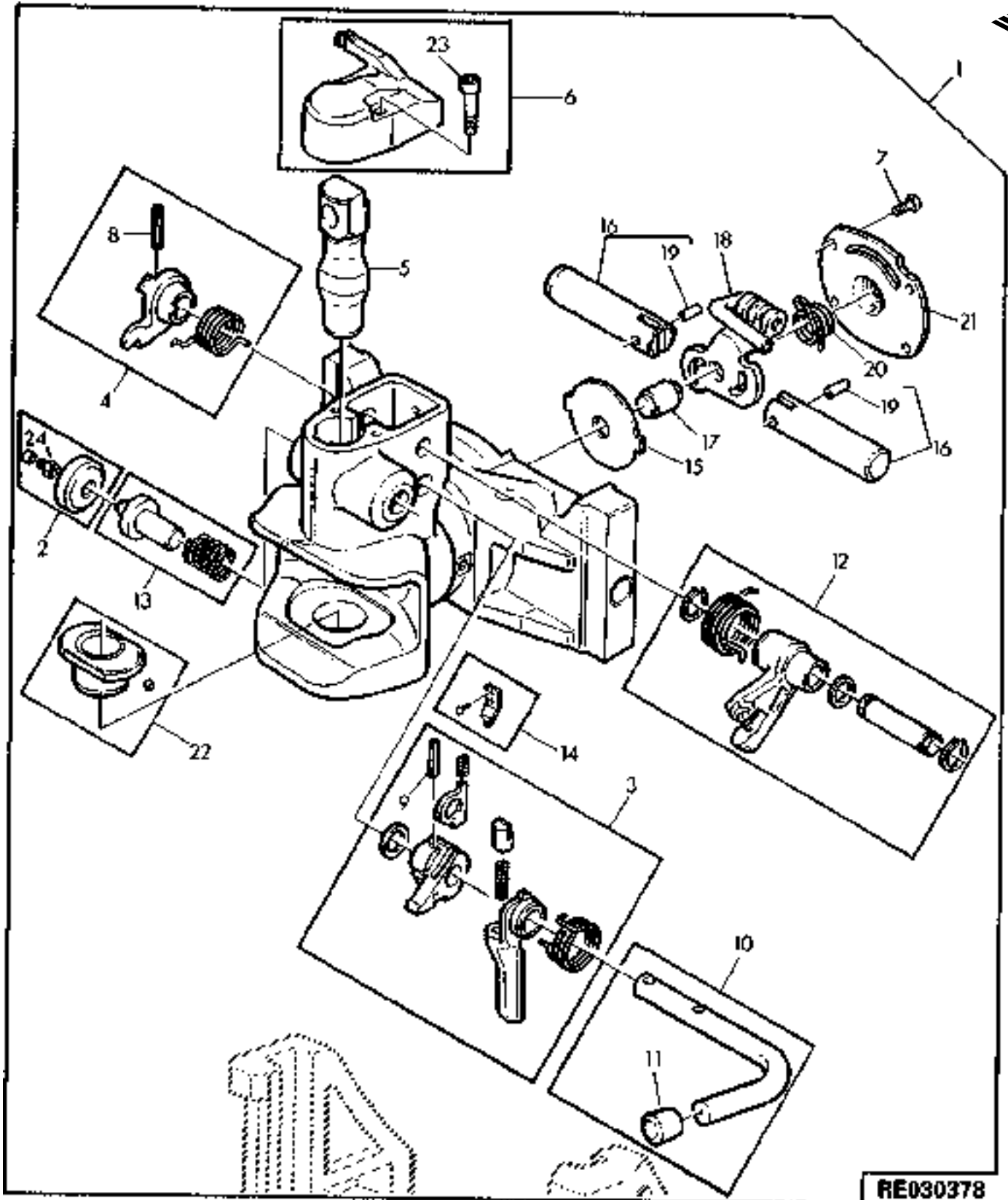
| KEY | PART NO. | PART NAME           | QTY | TRACTOR<br>SERIAL NO. | A<br>L<br>L | REMARKS          |
|-----|----------|---------------------|-----|-----------------------|-------------|------------------|
| 1   | AL81736  | HITCH               | 1   |                       | X           |                  |
| 2   | AL82107  | COVER               | 1   |                       | X           |                  |
| 3   | AL82095  | LEVER               | 1   |                       | X           |                  |
| 4   | AL82101  | LEVER               | 1   |                       | X           |                  |
| 5   | L101966  | PIN                 | 1   |                       | X           |                  |
| 6   | AL82102  | COVER               | 1   |                       | X           |                  |
| 7   | 19M7923  | CAP SCREW           | 4   |                       | X           | M6 X 12, HS 10.9 |
| 8   | 34M7047  | SPRING PIN          | 1   |                       | X           | 8 X 40 MM        |
| 9   | 34M7124  | SPRING PIN          | 1   |                       | X           | 8 X 30 MM        |
| 10  | AL82092  | LEVER               | 1   |                       | X           | (A)              |
| 11  | L38296   | KNOB                | 1   |                       | X           |                  |
| 12  | AL82096  | CAM                 | 1   |                       | X           |                  |
| 13  | AL82100  | PIN                 | 1   |                       | X           |                  |
| 14  | AL82103  | RETAINER            | 1   |                       | X           |                  |
| 15  | L59336   | WASHER              | 1   |                       | X           |                  |
| 16  | L59344   | PIN                 | 2   |                       | X           |                  |
| 17  | L59343   | PIN                 | 1   |                       | X           |                  |
| 18  | AL82106  | PLATE               | 1   |                       | X           |                  |
| 19  | 25M7084  | PIN                 | 2   |                       | X           |                  |
| 20  | L59342   | TORSION SPRING      | 1   |                       | X           |                  |
| 21  | L59345   | COVER               | 1   |                       | X           |                  |
| 22  | AL82098  | BUSHING             | 1   |                       | X           |                  |
| 23  | 19M8123  | SCREW               | 2   |                       | X           | M8 X 45, HS 12.9 |
| 24  | 58M5575  | LUBRICATION FITTING | 1   |                       | X           |                  |
| 25  | 40M7188  | SNAP RING           | 2   |                       | X           |                  |
| 26  | 58M5574  | LUBRICATION FITTING | 1   |                       | X           |                  |

(A) INCLUDES SPRING PINS  
 GOUPILLES-RESSORT INCLUSES  
 EINSCHLIESSLICH SPANNSTIFTE  
 COMPRENDE SPINE ELASTICHE  
 INLUYE PASADORES DE RESORTE  
 INKLUDERAR FJAEDERSTIFT

# 7H7

HYDRAULICS

WAGON HITCH COUPLING (EUROPEAN VERSION) (TSN 025683- )  
ACCOUPLMENT D'ATTELAGE DE CHARIOT (VERSION EUROPEENNE) (TSN 025683- )  
ANHAENGEVORRICHTUNGS-KUPPLUNG (EUROPAEISCHE AUSFUEHRUNG) (TSN 025683- )  
ACCOPIAMENTO DELL'ATTACCO DEL CARRO (VERSIONE EUROPEA) (TSN 025683- )  
ACOPLAMIENTO DEL ENGANCHE DEL CARRO (VERSION EUROPEA) (TSN 025683- )  
DRAGANORDNINGSKOPPLING (EUROPEISK VERSION) (TSN 025683- )  
RE030378 -UN-26FEB99



RE030378

# 7H8

HYDRAULICS

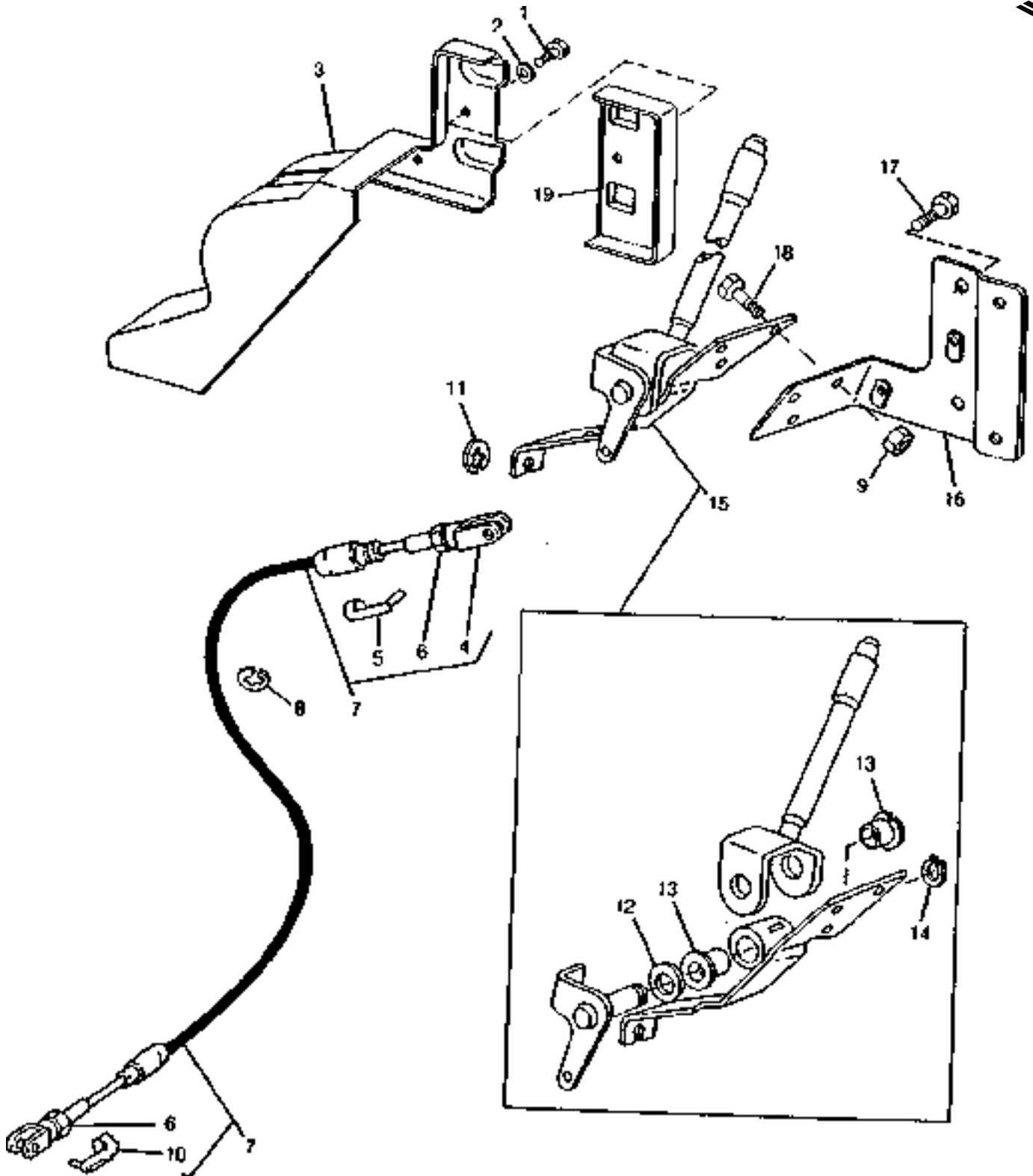
| KEY | PART NO. | PART NAME           | QTY | TRACTOR<br>SERIAL NO. | A | REMARKS          |
|-----|----------|---------------------|-----|-----------------------|---|------------------|
|     |          |                     |     |                       | L |                  |
| 1   | AL116738 | HITCH               | 1   |                       | X |                  |
| 2   | AL82107  | COVER               | 1   |                       | X |                  |
| 3   | AL82095  | LEVER               | 1   |                       | X |                  |
| 4   | AL82101  | LEVER               | 1   |                       | X |                  |
| 5   | L115420  | PIN                 | 1   |                       | X |                  |
| 6   | AL82102  | COVER               | 1   |                       | X |                  |
| 7   | 19M7923  | CAP SCREW           | 4   |                       | X | M6 X 12, HS 10.9 |
| 8   | 34M7047  | SPRING PIN          | 1   |                       | X | 8 X 40 MM        |
| 9   | 34M7124  | SPRING PIN          | 1   |                       | X | 8 X 30 MM        |
| 10  | AL82092  | LEVER               | 1   |                       | X | (A)              |
| 11  | L38296   | KNOB                | 1   |                       | X |                  |
| 12  | AL118059 | CAM                 | 1   |                       | X |                  |
| 13  | AL118060 | PIN                 | 1   |                       | X |                  |
| 14  | AL82103  | RETAINER            | 1   |                       | X |                  |
| 15  | L59336   | WASHER              | 1   |                       | X |                  |
| 16  | AL118001 | PIN                 | 2   |                       | X |                  |
| 17  | L59343   | PIN                 | 1   |                       | X |                  |
| 18  | AL118000 | PLATE               | 1   |                       | X |                  |
| 19  | 44M7070  | DOWEL PIN           | 2   |                       | X |                  |
| 20  | L59342   | TORSION SPRING      | 1   |                       | X |                  |
| 21  | L59345   | COVER               | 1   |                       | X |                  |
| 22  | L115419  | BUSHING             | 1   |                       | X |                  |
| 23  | 19M8123  | SCREW               | 2   |                       | X | M8 X 45, HS 12.9 |
| 24  | 58M5574  | LUBRICATION FITTING | 1   |                       | X |                  |

(A) INCLUDES SPRING PINS  
 GOUPILLES-RESSORT INCLUSES  
 EINSCHLIESSLICH SPANNSTIFTE  
 COMPRENDE SPINE ELASTICHE  
 INLUYE PASADORES DE RESORTE  
 INKLUDERAR FJAEDERSTIFT

# 7H9

HYDRAULICS

WAGON HITCH CONTROLS (EUROPEAN VERSION)  
COMMANDES D'ATTELAGE DU CHARIOT (VERSION EUROPEENNE)  
ANHAENGEVORRICHTUNG, STEUERUNGEN (EUROPAEISCHE AUSFUEHRUNG)  
COMANDI DI ATTACCO DEL CARRO (VERSIONE EUROPEA)  
CONTROLES DEL ENGANCHE (VERSION EUROPEA)  
DRAGANORDNING, REGLAGE (EUROPEISK VERSION)  
RXP011280 -UN-01JAN94



RXP011280



# 7H10

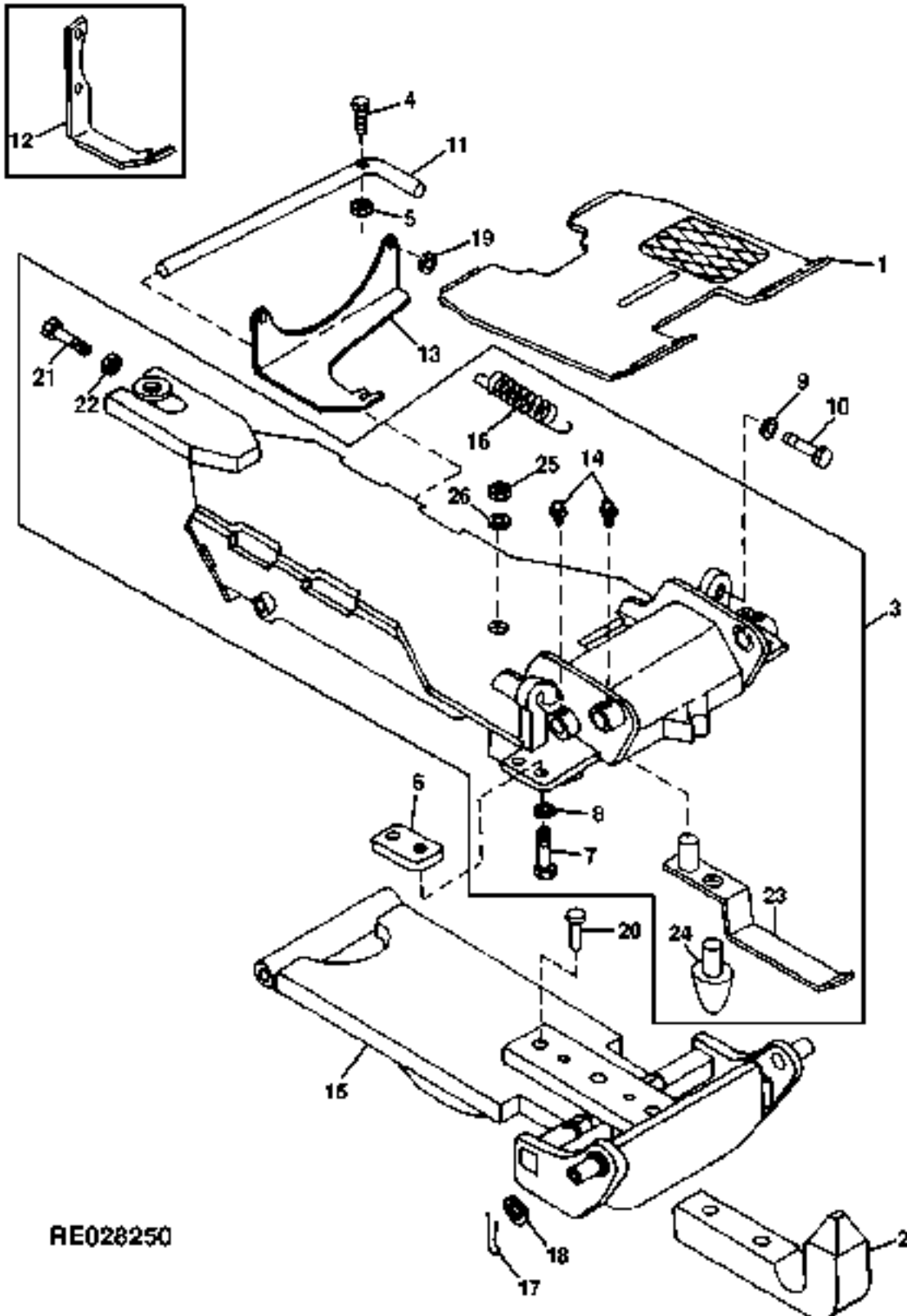
HYDRAULICS

| KEY | PART NO. | PART NAME          | QTY | TRACTOR<br>SERIAL NO. | A | REMARKS               |
|-----|----------|--------------------|-----|-----------------------|---|-----------------------|
|     |          |                    |     |                       | L |                       |
| 1   | 21M7292  | SCREW              | 2   |                       | X | M6 X 16               |
| 2   | 24M7088  | WASHER             | 2   | -XXXXXX               | X | 6.600 X 12 X 1.600 MM |
| 3   | R115909  | COVER              | 1   |                       | X |                       |
| 4   | L80052   | YOKE               | 1   |                       | X | (SUB FOR 54M7004)     |
| 5   | 45M7080  | SPRING LOCKING PIN | 1   |                       | X |                       |
| 6   | 14M7272  | NUT                | 2   |                       | X | M6                    |
| 7   | RE61052  | PUSH PULL CABLE    | 1   |                       | X |                       |
| 8   | L76801   | GROMMET            | 1   |                       | X | (SUB FOR L76711)      |
| 9   | 14M7273  | NUT                | 2   |                       | X | M8                    |
|     | 14M7274  | NUT                | 1   |                       | X | M10                   |
| 10  | 45M7101  | SPRING LOCKING PIN | 1   |                       | X |                       |
| 11  | L80465   | CLIP               | 1   |                       | X |                       |
| 12  | 24M7318  | WASHER             | 1   |                       | X | 19 X 34 X 3 MM        |
| 13  | L79672   | BUSHING            | 2   |                       | X |                       |
| 14  | 40M7051  | SNAP RING          | 1   |                       | X |                       |
| 15  | AL78708  | CONTROL            | 1   |                       | X |                       |
| 16  | RE61155  | BRACKET            | 1   |                       | X |                       |
| 17  | 19M7938  | CAP SCREW          | 2   |                       | X | M10 X 20, HS 10.9     |
| 18  | 19M7139  | CAP SCREW          | 2   |                       | X | M8 X 20               |
|     | 19M7550  | CAP SCREW          | 1   |                       | X | M10 X 35, HS 10.9     |
| 19  | R125140  | COVER              | 1   |                       | X |                       |

# 7H11

HYDRAULICS

PICK-UP HITCH (EUROPEAN VERSION)  
ATELAGE TELESCOPIQUE (VERSION EUROPEENNE)  
PICK-UP ANHAENGEVORRICHTUNG (EUROPAEISCHE AUSFUEHRUNG)  
ATTACCO TELESCOPICO (VERSIONE EUROPEA)  
ENGANCHE EXTENSIBLE (VERSION EUROPEA)  
UTSKJUTBAR DRAGANORDNING (EUROPEISK VERSION)  
RE028250 -UN-05SEP97



RE028250

# 7H12

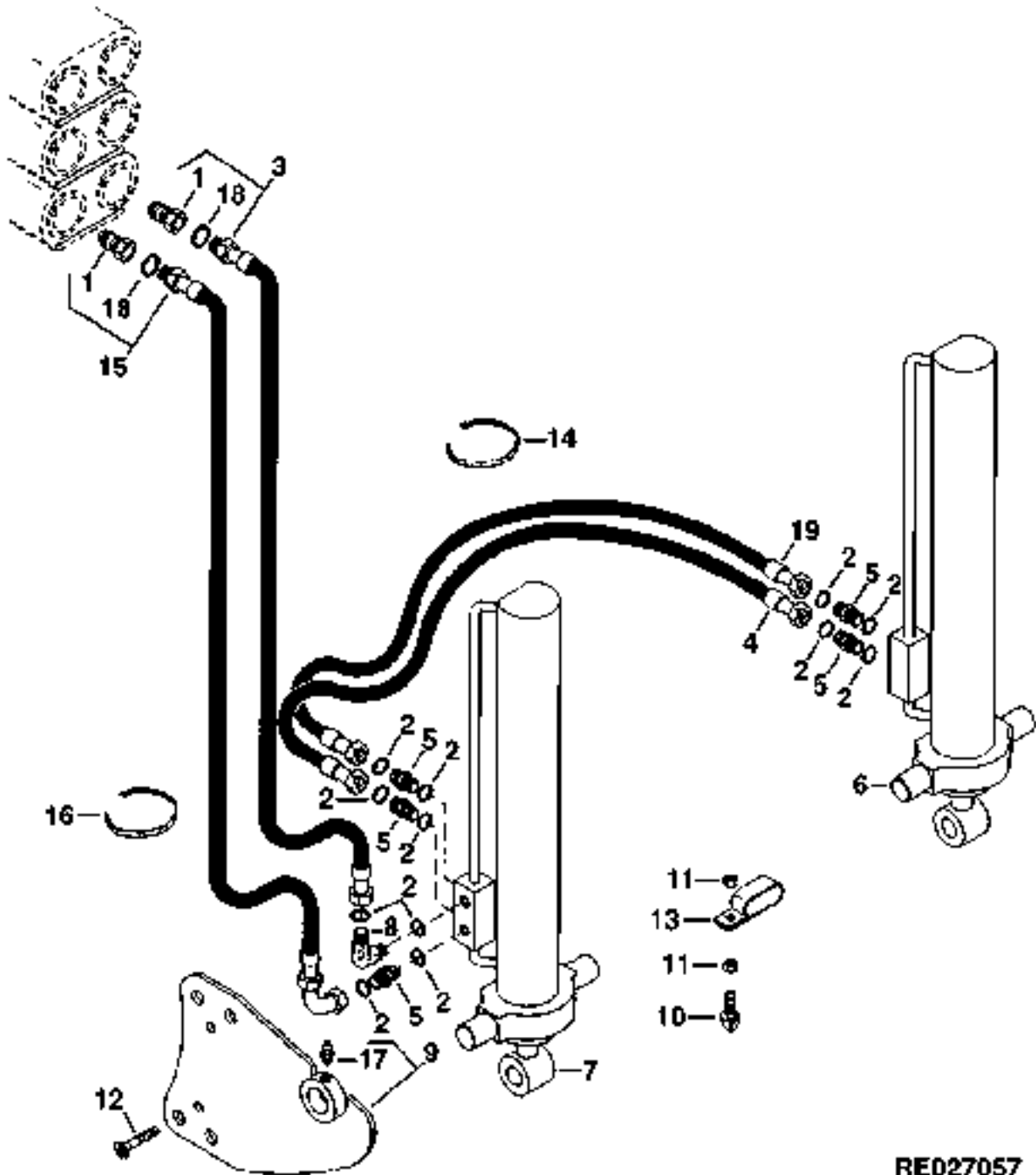
HYDRAULICS

| KEY | PART NO. | PART NAME           | QTY | TRACTOR<br>SERIAL NO. | A<br>L<br>L | REMARKS                |
|-----|----------|---------------------|-----|-----------------------|-------------|------------------------|
| 1   | RE61156  | SHIELD              | 1   | -XXXXXX               | X           | (SUB RE63207)          |
|     | RE63207  | SHIELD              | 1   | XXXXXX-               | X           |                        |
| 2   | L100303  | HOOK                | 1   |                       | X           |                        |
| 3   | RE61511  | SUPPORT             | 1   |                       | X           | (SUB FOR RE58869)      |
| 4   | 19M8397  | CAP SCREW           | 1   |                       | X           |                        |
| 5   | 14M7452  | LOCK NUT            | 1   |                       | X           | M8                     |
| 6   | R125092  | BUSHING             | AR  |                       | X           | 18 MM (.708")          |
|     | R125093  | BUSHING             | AR  |                       | X           | 18.5 MM (.728")        |
|     | R125094  | BUSHING             | AR  |                       | X           | 19 MM (.748")          |
|     | R125095  | BUSHING             | AR  |                       | X           | 19.5 MM (.768")        |
|     | R125096  | BUSHING             | AR  |                       | X           | 20 MM (.787")          |
| 7   | 19M8224  | CAP SCREW           | 4   |                       | X           | M20 X 60, HS 10.9      |
| 8   | 24M7242  | WASHER              | 4   |                       | X           | 21.400 X 42 X 5 MM     |
| 9   | 24M7242  | WASHER              | 2   |                       | X           | 21.400 X 42 X 5 MM     |
| 10  | 19M7597  | CAP SCREW           | 2   |                       | X           | M20 X 50, HS 10.9      |
| 11  | RE61513  | PIN                 | 1   |                       | X           |                        |
| 12  | R124511  | SUPPORT             | 1   | -XXXXXX               | X           | (SUB R126532)          |
| 13  | R126532  | BRACKET             | 1   | XXXXXX-               | X           |                        |
| 14  | 58M7006  | LUBRICATION FITTING | 5   |                       | X           |                        |
| 15  | RE61512  | SUPPORT             | 1   |                       | X           | (SUB FOR RE58869)      |
| 16  | L100304  | EXTENSION SPRING    | 1   |                       | X           |                        |
| 17  | 11M7071  | COTTER PIN          | 2   |                       | X           | 8 X 40 MM              |
| 18  | 24M7243  | WASHER              | 2   |                       | X           | 25.400 X 50 X 6 MM     |
| 19  | 24M7346  | WASHER              | 2   |                       | X           | 11 X 20 X 2 MM         |
| 20  | L101222  | PIN                 | 2   |                       | X           |                        |
| 21  | 19M8249  | CAP SCREW           | 1   |                       | X           | M24 X 100              |
| 22  | 14M7278  | NUT                 | 1   |                       | X           | M24                    |
| 23  | RE71008  | BRACKET             | 1   |                       | X           |                        |
| 24  | AL80049  | DASHPOT             | 1   |                       | X           |                        |
| 25  | 14M7452  | LOCK NUT            | 1   |                       | X           | M8                     |
| 26  | 24M7096  | WASHER              | 1   |                       | X           | 10.500 X 18 X 1.600 MM |

# 7H13

HYDRAULICS

PICK-UP HITCH CYLINDERS (EUROPEAN VERSION)  
ATELAGE TELESCOPIQUE, VERINS (VERSION EUROPEENNE)  
PICK-UP-ANHAENGEVORRICHTUNGSZYLINDER (EUROPAEISCHE AUSFUEHRUNG)  
CILINDRI DELL'ATTACCO TELESCOPICO (VERSIONE EUROPEA)  
CILINDROS DEL ENGANCHE EXTENSIBLE (VERSION EUROPEA)  
UTSKJUTBAR DRAGANORDNING, CYLINDRAR (EUROPEISK VERSION)  
RE027057 -UN-30JUL96



RE027057

# 7H14

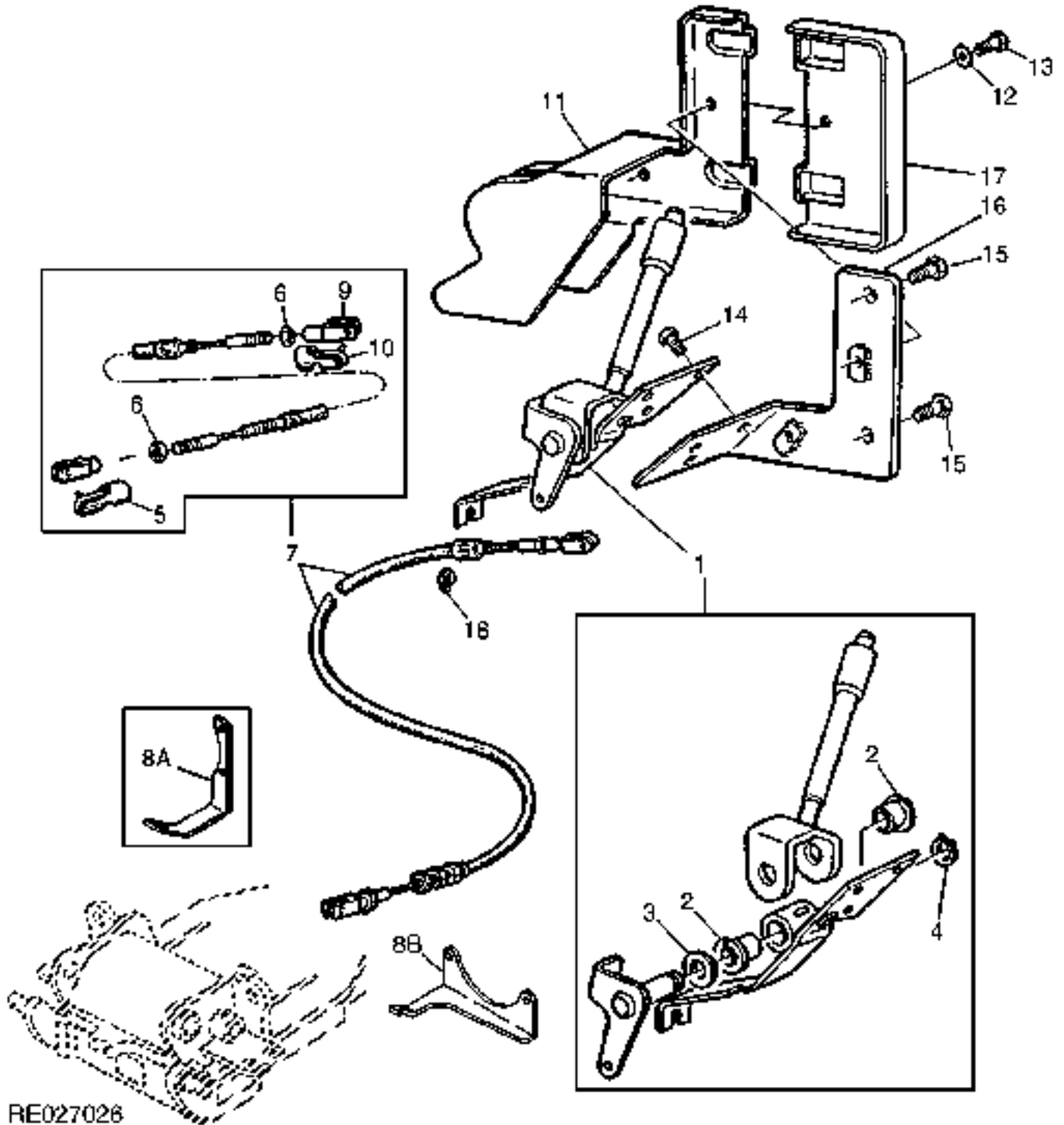
HYDRAULICS

| KEY | PART NO. | PART NAME             | QTY | TRACTOR<br>SERIAL NO. | A | REMARKS                |
|-----|----------|-----------------------|-----|-----------------------|---|------------------------|
|     |          |                       |     |                       | L |                        |
| 1   | AR94522  | INTERNAL HALF COUPLER | 2   |                       | X |                        |
| 2   | T77613   | O-RING                | 10  |                       | X |                        |
| 3   | RE60918  | HYDRAULIC HOSE        | 1   |                       | X |                        |
| 4   | RE60916  | HYDRAULIC HOSE        | 2   | -XXXXXX               | X |                        |
|     | RE60916  | HYDRAULIC HOSE        | 1   | XXXXXX-               | X |                        |
| 5   | 38H5037  | ADAPTER               | 5   |                       | X |                        |
| 6   | RE63209  | CYLINDER              | 1   |                       | X | (SUB FOR RE60902)      |
| 7   | RE63210  | CYLINDER              | 1   |                       | X | (SUB FOR RE60903)      |
| 8   | 38H5035  | ELBOW FITTING         | 1   |                       | X |                        |
| 9   | RE63206  | SUPPORT               | 1   |                       | X | L.H. (SUB FOR RE60913) |
|     | RE63205  | SUPPORT               | 1   |                       | X | R.H. (SUB FOR RE60911) |
| 10  | AL80049  | DASHPOT               | 1   |                       | X |                        |
| 11  | 14M7152  | NUT                   | 2   |                       | X | M10                    |
| 12  | R134232  | BOLT                  | 8   |                       | X | (SUB FOR R121564)      |
| 13  | R53524   | CLAMP                 | 1   |                       | X |                        |
| 14  | R76477   | TIE BAND              | 2   |                       | X |                        |
| 15  | RE60919  | HYDRAULIC HOSE        | 1   |                       | X |                        |
| 16  | R44302   | TIE BAND              | 1   |                       | X |                        |
| 17  | 58M7006  | LUBRICATION FITTING   | 2   |                       | X |                        |
| 18  | R26375   | O-RING                | 2   |                       | X |                        |
| 19  | RE61507  | HYDRAULIC HOSE        | 1   | XXXXXX-               | X |                        |
| ..  | RE157515 | KIT                   | 1   |                       | X |                        |

# 7H15

HYDRAULICS

PICK-UP HITCH CONTROLS (EUROPEAN VERSION)  
ATELAGE TELESCOPIQUE, COMMANDES (VERSION EUROPEENNE)  
PICK-UP ANHAENGEVORRICHTUNG, STEUERUNGEN (EUROPAEISCHE AUSFUEHRUNG)  
COMANDI DI ATTACCO TELESCOPICO (VERSIONE EUROPEA)  
CONTROLES DEL ENGANCHE EXTENSIBLE (VERSION EUROPEA)  
UTSKJUTBAR DRAGANORDNING, REGLAGE (EUROPEISK VERSION)  
RE027026 -UN-17JUL96



RE027026

# 7H16

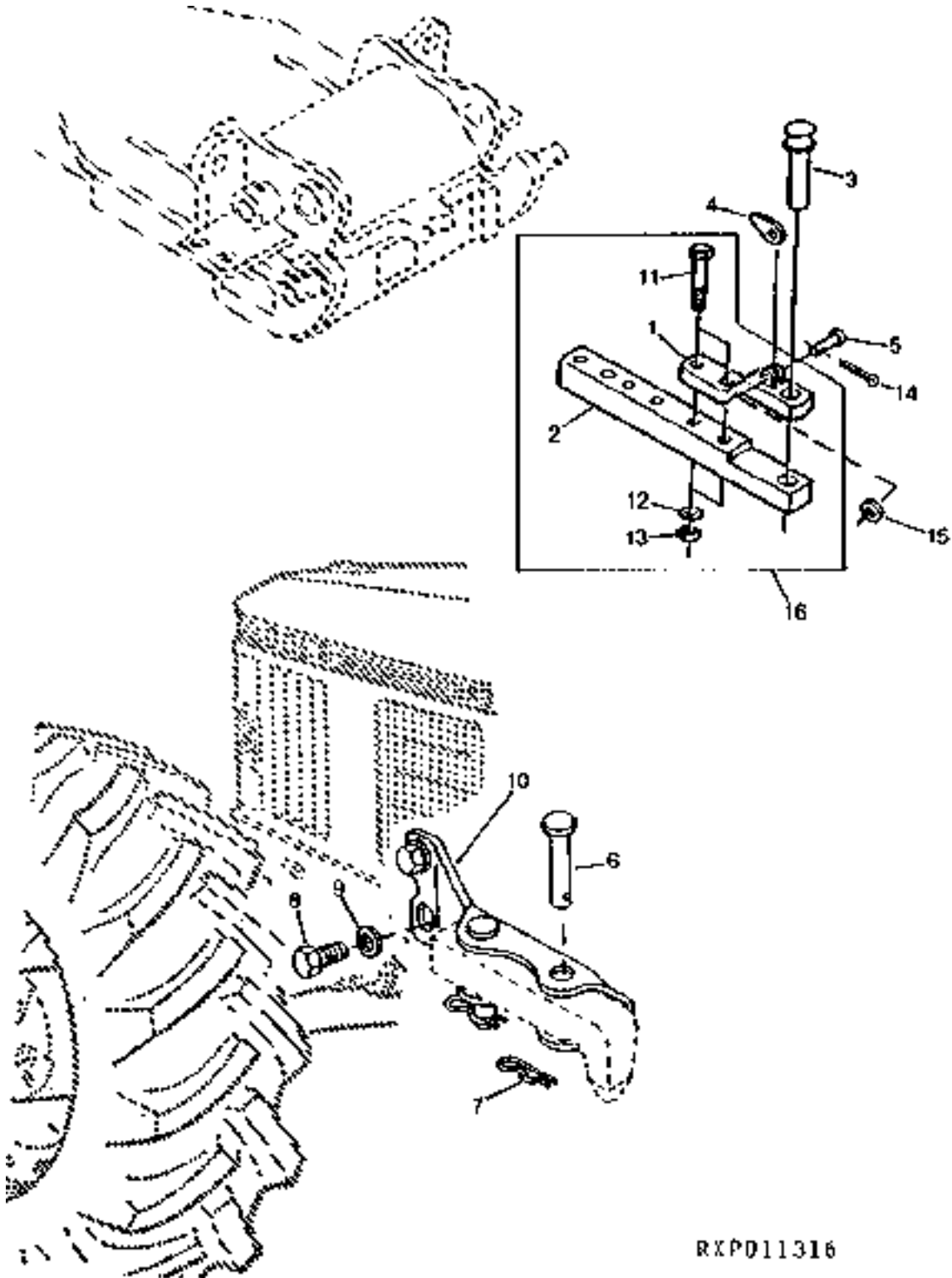
HYDRAULICS

| KEY | PART NO. | PART NAME          | QTY | TRACTOR<br>SERIAL NO. | A | REMARKS               |
|-----|----------|--------------------|-----|-----------------------|---|-----------------------|
|     |          |                    |     |                       | L |                       |
| 1   | AL78708  | CONTROL            | 1   |                       | X |                       |
| 2   | L79672   | BUSHING            | 2   |                       | X |                       |
| 3   | 24M7318  | WASHER             | 1   |                       | X | 19 X 34 X 3 MM        |
| 4   | 40M7051  | SNAP RING          | 1   |                       | X |                       |
| 5   | 45M7080  | SPRING LOCKING PIN | 1   |                       | X |                       |
| 6   | 14M7272  | NUT                | 2   |                       | X | M6                    |
| 7   | RE54058  | PUSH PULL CABLE    | 1   | -XXXXXX               | X | 2950 MM (116")        |
|     | RE62792  | PUSH PULL CABLE    | 1   | XXXXXX-               | X | 3200 MM (126")        |
| 8A  | R124511  | SUPPORT            | 1   | -XXXXXX               | X | (SUB R126532)         |
| 8B  | R126532  | BRACKET            | 1   | XXXXXX-               | X |                       |
|     | 24M7346  | WASHER             | 1   |                       | X | 11 X 20 X 2 MM        |
| 9   | L80052   | YOKE               | 1   |                       | X | (SUB FOR 54M7004)     |
| 10  | 45M7101  | SPRING LOCKING PIN | 1   |                       | X |                       |
| 11  | R115909  | COVER              | 1   |                       | X |                       |
| 12  | 24M7088  | WASHER             | 2   | -XXXXXX               | X | 6.600 X 12 X 1.600 MM |
| 13  | 21M7292  | SCREW              | 2   |                       | X | M6 X 16               |
| 14  | 19M7139  | CAP SCREW          | 2   |                       | X | M8 X 20               |
| 15  | 19M7938  | CAP SCREW          | 2   |                       | X | M10 X 20, HS 10.9     |
| 16  | RE61155  | BRACKET            | 1   |                       | X |                       |
| 17  | R125140  | COVER              | 1   |                       | X |                       |
| 18  | L80465   | CLIP               | 1   |                       | X |                       |

# 7H17

HYDRAULICS

PICK-UP HITCH DRAWBAR (EUROPEAN VERSION)  
BARRE D'ATTELAGE TELESCOPIQUE (VERSION EUROPEENNE)  
PICK-UP-ANHAENGE VORRICHTUNG, ZUGPENDEL (EUROPAEISCHE AUSFUEHRUNG)  
BARRA DI TRAINO DELL'ATTACCO DI TRAINO (VERSIONE EUROPEA)  
BARRA DE TIRO DEL ENGANCHE EXTENSIBLE (VERSION EUROPEA)  
UTSKJUTBAR DRAGANORDNING, DRAGBOM (EUROPEISK VERSION)  
RXP011316 -UN-01JAN94



RXP011316



# 7H18

HYDRAULICS

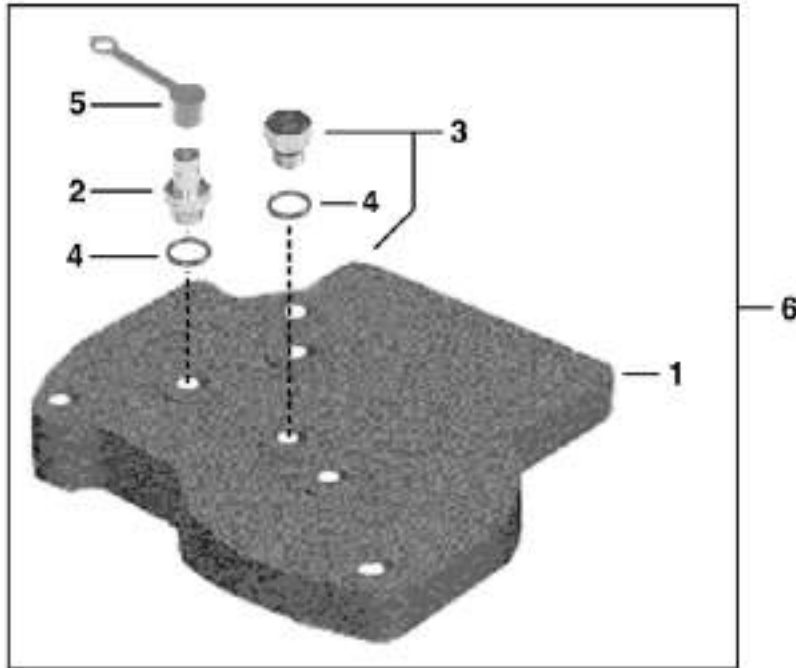
| KEY | PART NO. | PART NAME  | QTY | TRACTOR<br>SERIAL NO. | A<br>L<br>L | REMARKS               |
|-----|----------|------------|-----|-----------------------|-------------|-----------------------|
| 1   | AL80062  | CLEVIS     | 1   |                       | X           |                       |
| 2   | L100300  | DRAWBAR    | 1   |                       | X           |                       |
| 3   | L63825   | PIN        | 1   |                       | X           |                       |
| 4   | L63826   | LATCH      | 1   |                       | X           |                       |
| 5   | R52107   | PIN        | 1   |                       | X           |                       |
| 6   | L100309  | PIN        | 2   |                       | X           |                       |
| 7   | Z27858   | COTTER PIN | 2   |                       | X           |                       |
| 8   | 19M7946  | CAP SCREW  | 2   |                       | X           | M20 X 40, HS 10.9     |
| 9   | 24M7242  | WASHER     | 2   |                       | X           | 21.400 X 42 X 5 MM    |
| 10  | RE62635  | BRACKET    | 1   |                       | X           | (SUB FOR R125091)     |
| 11  | 19M7884  | CAP SCREW  | 2   |                       | X           | M16 X 110, HS 10.9    |
| 12  | 24M7097  | WASHER     | 2   |                       | X           | 17 X 28 X 2.500 MM    |
| 13  | 14M7276  | NUT        | 2   |                       | X           | M16                   |
| 14  | 11M7008  | COTTER PIN | 1   |                       | X           | 2 X 14 MM             |
| 15  | 24M7055  | WASHER     | 1   |                       | X           | 8.400 X 16 X 1.600 MM |
| 16  | AL80061  | DRAWBAR    | 1   |                       | X           |                       |

MEMORANDA  
MEMORANDA  
MEMORANDA  
MEMORANDA  
MEMORANDA

# 7H19

HYDRAULICS

END COVER (SELECTIVE CONTROL VALVE)  
 EMBOUT (DISTRIBUTEUR SELECTIF)  
 ENDABDECKUNG (ZUSATZSTEUERGERAET)  
 COPERCHIO TERMINALE (VALVOLA DI CONTROLLO SELETTIVO)  
 TAPA TERMINAL (VALVULA DE CONTROL SELECTIVO)  
 AENDSKYDD (SELEKTIV MANOEVERTENTIL)  
 RXP020770 -UN-16MAR95



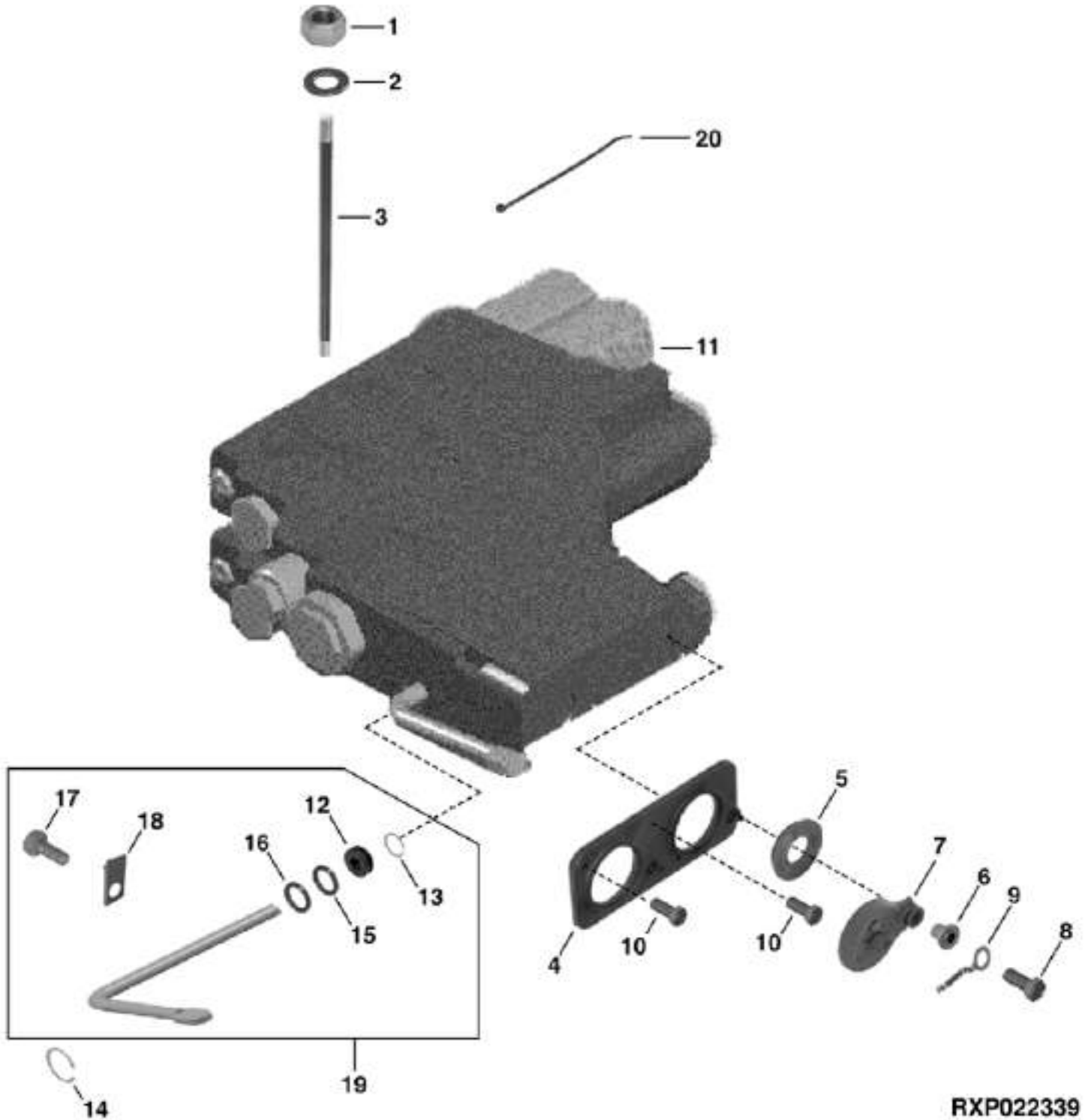
RXP020770

| KEY | PART NO. | PART NAME   | QTY | TRACTOR<br>SERIAL NO. | A | REMARKS           |
|-----|----------|-------------|-----|-----------------------|---|-------------------|
|     |          |             |     |                       | L |                   |
| 1   | R124673  | COVER       | 1   | -XXXXXX               | X |                   |
|     | R136185  | VALVE COVER | 1   | XXXXXX-               | X |                   |
| 2   | RE12187  | RECEPTACLE  | 3   |                       | X |                   |
| 3   | RE46684  | PLUG        | 1   |                       | X |                   |
| 4   | 51M7041  | O-RING      | 4   |                       | X | 11.300 X 2.200 MM |
| 5   | R77175   | COVER       | 3   |                       | X |                   |
| 6   | RE61321  | END         | 1   | -XXXXXX               | X |                   |

# 7H20

HYDRAULICS

SELECTIVE CONTROL VALVE  
DISTRIBUTEUR SELECTIF  
ZUSATZSTEUERGERAET  
VALVOLA DI CONTROLLO SELETTIVO  
VALVULA DE CONTROL SELECTIVO  
SELEKTIV MANOEVERTENTIL  
RXP022339 -UN-23OCT97



# 7H21

HYDRAULICS

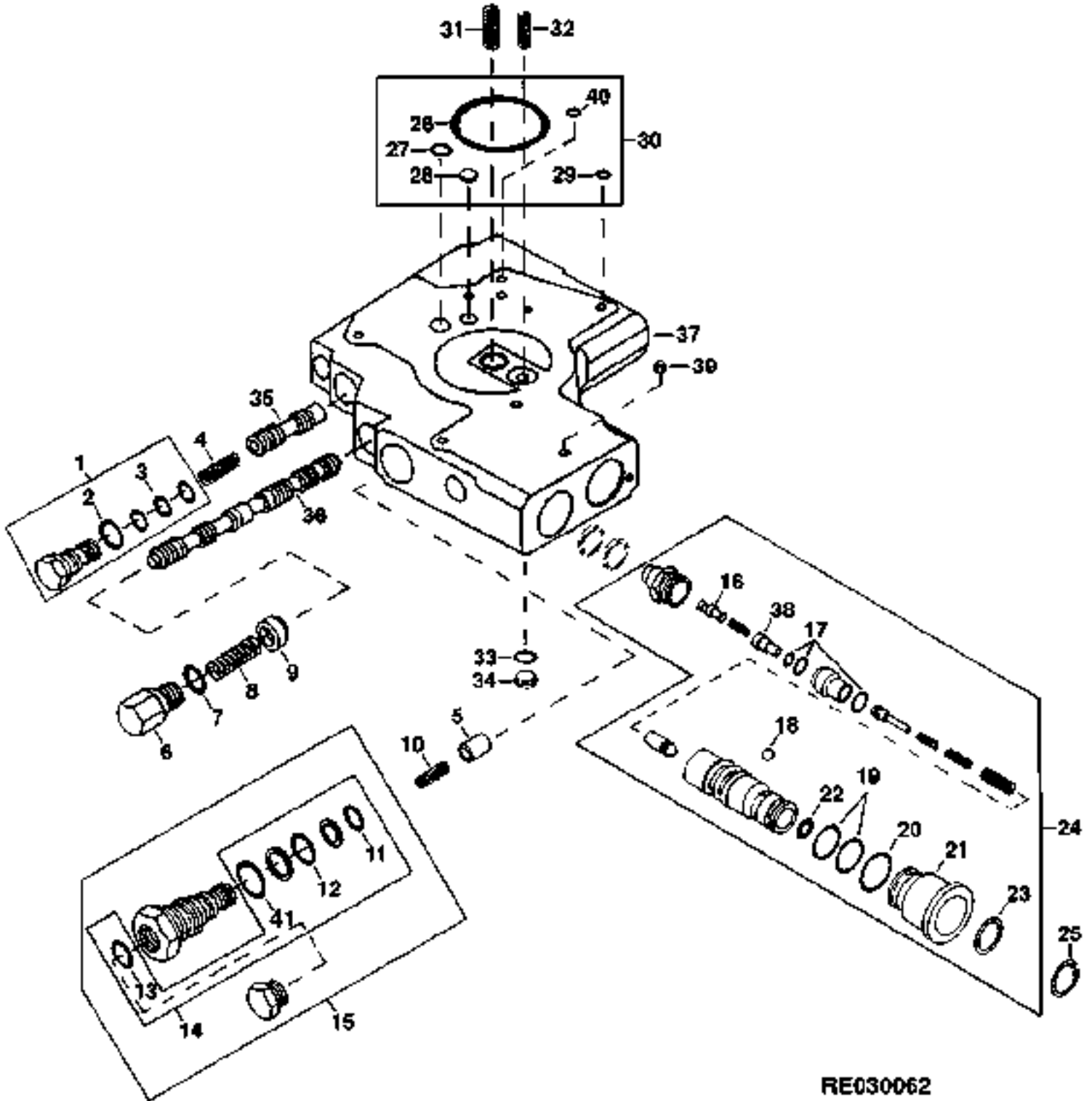
| KEY | PART NO. | PART NAME       | QTY | TRACTOR<br>SERIAL NO. | A<br>L<br>L | REMARKS           |
|-----|----------|-----------------|-----|-----------------------|-------------|-------------------|
| 1   | E69392   | NUT             | 3   |                       | X           |                   |
| 2   | 24M7240  | WASHER          | 3   |                       | X           | 13 X 25 X 3 MM    |
| 3   | R112300  | BOLT            | 3   |                       | X           | (3RD SCV)         |
|     | R112442  | BOLT            | 3   |                       | X           | (4TH SCV)         |
|     | R122148  | BOLT            | 3   |                       | X           | (5TH SCV)         |
| 4   | R124006  | RETAINER        | AR  |                       | X           |                   |
| 5   | R126556  | SEAL            | AR  |                       | X           | (SUB FOR R81053)  |
| 6   | R124009  | BUSHING         | AR  |                       | X           |                   |
| 7   | R124007  | COVER           | AR  |                       | X           |                   |
| 8   | 19M7796  | SCREW           | AR  |                       | X           | M6 X 30, HS 10.9  |
| 9   | R124008  | SPRING          | AR  |                       | X           |                   |
| 10  | 19M6614  | CAP SCREW       | AR  |                       | X           | M6 X 12           |
| 11  | RE61121  | CONTROL VALVE   | AR  |                       | X           | (A)               |
| 12  | .....    | COVER           | 1   |                       | X           | (ORDER RE70119)   |
| 13  | R121981  | SNAP RING       | 2   |                       | X           |                   |
| 14  | R52876   | SNAP RING       | AR  |                       | X           |                   |
| 15  | R27564   | O-RING          | 1   |                       | X           |                   |
| 16  | R10093   | O-RING          | 1   |                       | X           |                   |
| 17  | 19M7702  | SCREW           | 2   |                       | X           | M4 X 10, HS 10.9  |
| 18  | R117076  | CAM             | 2   |                       | X           |                   |
| 19  | RE70119  | LEVER           | AR  |                       | X           | (SUB FOR RE54400) |
| 20  | R44302   | TIE BAND        | 3   |                       | X           |                   |
| ..  | 57M7281  | CONNECTOR       | 2   |                       | X           |                   |
| ..  | 57M7259  | ELECTRICAL PLUG | 8   |                       | X           |                   |

(A) REPLACEMENT  
 REMPLACEMENT  
 ERSATZ  
 RICAMBIO  
 REPUESTO  
 UTBYTESHYTT

# 7H22

HYDRAULICS

SELECTIVE CONTROL VALVE COUPLER  
RACCORD DE DISTRIBUTEUR SELECTIF  
ZUSATZSTEUERGERAET-KUPPLUNG  
ACCOPIATORE DELLA VALVOLA A CONTROLLO SELETTIVO  
ACOPADOR DE LA VALVULA DE CONTROL SELECTIVO  
KOPPLING FOER SELEKTIV MANOEVERTENTIL  
RE030062 -UN-27OCT98



RE030062

# 7H23

HYDRAULICS

| KEY | PART NO. | PART NAME                  | QTY | TRACTOR SERIAL NO. | A<br>L<br>L | REMARKS                   |
|-----|----------|----------------------------|-----|--------------------|-------------|---------------------------|
| 1   | RE60874  | PLUG                       | 1   |                    | X           |                           |
| 2   | U12547   | O-RING                     | 1   |                    | X           |                           |
| 3   | A3190R   | O-RING                     | 1   |                    | X           |                           |
| 4   | R124482  | SPRING ASSEMBLY            | 1   |                    | X           |                           |
| 5   | R124454  | POPPET                     | 2   |                    | X           |                           |
| 6   | R124456  | PLUG                       | 2   |                    | X           |                           |
|     | R134778  | PLUG                       | 1   |                    | X           | (A) (1ST SCV)             |
|     | R124456  | PLUG                       | 1   |                    | X           | (A) (1ST SCV)             |
| 7   | U17409   | O-RING                     | 2   |                    | X           |                           |
| 8   | R124457  | SPRING                     | 2   |                    | X           |                           |
| 9   | R124458  | VALVE SEAT INSERT          | 2   |                    | X           |                           |
| 10  | R111238  | SPRING                     | 2   |                    | X           | (SUB FOR R124455)         |
| 11  | T107035  | O-RING                     | 1   |                    | X           |                           |
| 12  | U15974   | O-RING                     | 1   |                    | X           |                           |
| 13  | R29936   | O-RING                     | 1   |                    | X           |                           |
| 14  | RE61181  | KIT                        | 1   |                    | X           |                           |
| 15  | RE60873  | VALVE                      | 2   |                    | X           |                           |
| 16  | RE60866  | SPOOL                      | 2   | -XXXXXX            | X           | (SUB RE66981 AND R131677) |
|     | RE66981  | VALVE SPOOL                | 1   | XXXXXX-            | X           | (ALSO ORDER R131677)      |
| 17  | RE43892  | SEAL KIT                   | 1   |                    | X           |                           |
| 18  | R107859  | BALL                       | 20  |                    | X           |                           |
| 19  | .....    | SEAL KIT                   | 1   |                    | X           | (ORDER RE43889)           |
| 20  | R124447  | SEAL                       | 2   |                    | X           |                           |
| 21  | R124445  | BUSHING                    | 2   |                    | X           |                           |
| 22  | R83630   | O-RING                     | 2   |                    | X           | +0°C (32°F)               |
|     | R115714  | PACKING                    | 2   |                    | X           | -0°C (32°F)               |
| 23  | R124446  | RING                       | 2   |                    | X           |                           |
| 24  | RE52981  | HYD. QUICK-CONNECT COUPLER | 2   |                    | X           |                           |
| 25  | N107859  | SNAP RING                  | 2   |                    | X           |                           |
| 26  | F2573R   | O-RING                     | 1   |                    | X           |                           |
| 27  | R61871   | O-RING                     | 2   |                    | X           |                           |
| 28  | R122147  | CHECK VALVE                | 1   |                    | X           |                           |
| 29  | R28776   | O-RING                     | 7   |                    | X           |                           |
| 30  | RE60933  | SEAL KIT                   | 1   |                    | X           |                           |
| 31  | R124461  | SPRING                     | 1   |                    | X           |                           |
| 32  | R124460  | SPRING                     | 1   |                    | X           |                           |
| 33  | U11326   | O-RING                     | 2   |                    | X           |                           |
| 34  | R124459  | PLUG                       | 2   |                    | X           |                           |
| 35  | .....    | SPOOL                      | 1   |                    | X           | (ORDER RE60892)           |
| 36  | .....    | SPOOL                      | 1   |                    | X           | (ORDER RE60892)           |
| 37  | .....    | HOUSING                    | 1   |                    | X           | (ORDER RE60892)           |
| 38  | R131677  | GUIDE                      | 1   | XXXXXX-            | X           | (USE WITH RE66981)        |
| 39  | R122396  | PLUG                       | 2   |                    | X           | (B) UP                    |
| 40  | R33259   | O-RING                     | 1   |                    | X           |                           |
| 41  | R151439  | O-RING                     | 1   |                    | X           |                           |

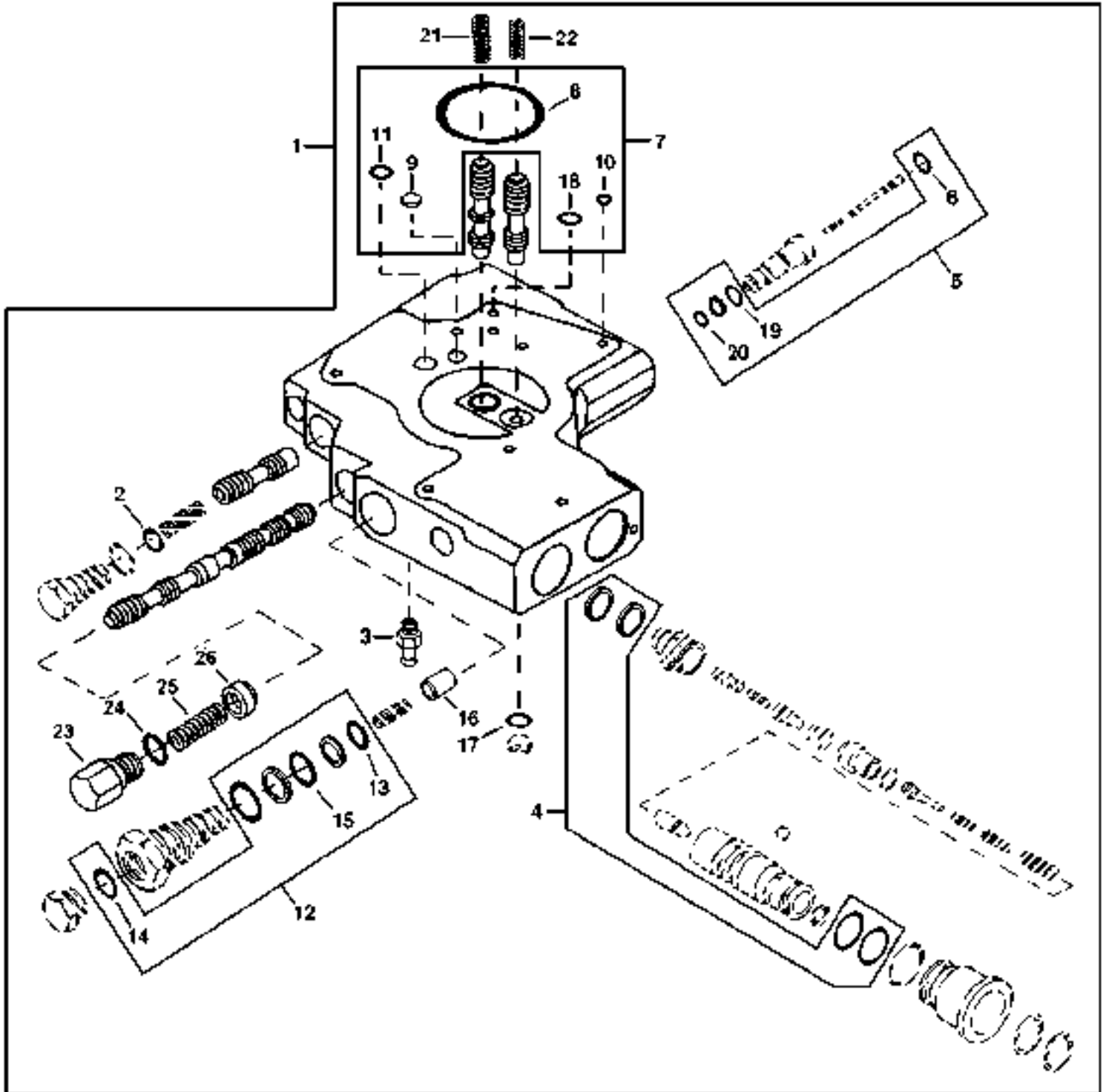
(A) W/O HITCH  
W/O ATTELAGE  
W/O ANHAENGEVORRICHTUNG  
W/O ATTACCO  
W/O ENGANCHE  
W/O DRAG

(B) TOP SCV ONLY  
DISTRIBUTEUR SELECTIF SUPERIEUR UNIQUEMENT  
MUR OBERES ZUSATZSTEUERVENTIL  
SOLO DISTRIBUTORE IDRAULICO SUPERIORE  
VCS SUPERIOR SOLAMENTE  
ENDAST DEN OEVRE HYDRAULOLJEVENTILEN

# 7H24

HYDRAULICS

SELECTIVE CONTROL VALVE OVERHAUL KIT  
JEU DE PIECES DE RECHANGE DE DISTRIBUTEUR SELECTIF  
UEBERHOLSATZ FUER STEUERGERAET  
SERIE PEZZI DI SOSTITUZIONE DISTRIBUTORE SELETTIVO  
JUEGO DE REPARACION SELECTIVO DE LA VALVULA DE CONTROL  
RENOVERINGSSATS FOER VAEJLARVENTIL  
RE030395 -UN-11MAY99



RE030395

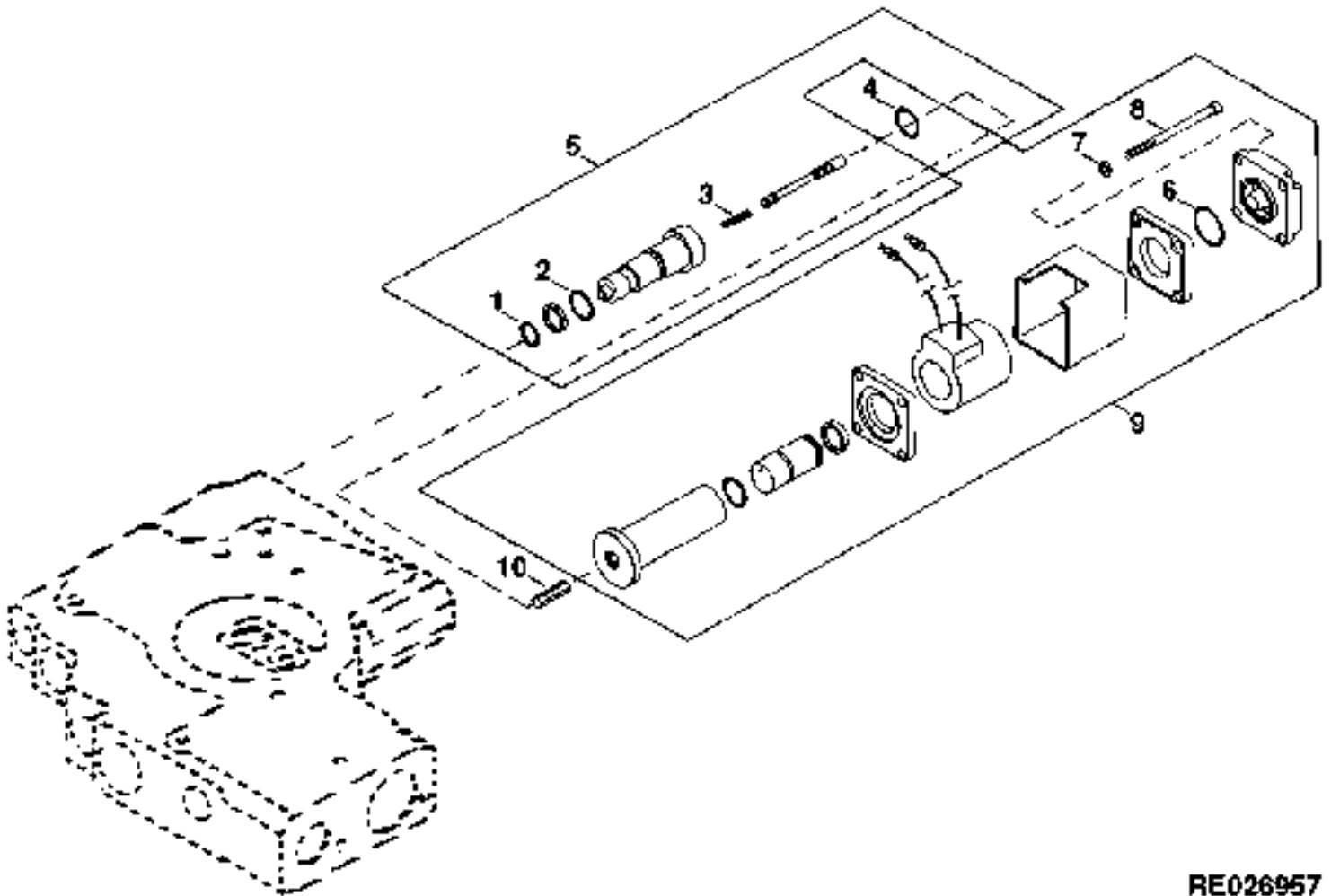


# 7H25

HYDRAULICS

| KEY | PART NO. | PART NAME         | QTY | TRACTOR<br>SERIAL NO. | A<br>L<br>L | REMARKS |
|-----|----------|-------------------|-----|-----------------------|-------------|---------|
| 1   | RE60892  | KIT               | 1   |                       | X           |         |
| 2   | A3190R   | O-RING            | 1   |                       | X           |         |
| 3   | M84313   | HOSE FITTING      | 3   |                       | X           |         |
| 4   | RE43889  | SEAL KIT          | 1   |                       | X           |         |
| 5   | RE60894  | SEAL KIT          | 2   |                       | X           |         |
| 6   | R116031  | O-RING            | 1   |                       | X           |         |
| 7   | RE60933  | SEAL KIT          | 1   |                       | X           |         |
| 8   | F2573R   | O-RING            | 1   |                       | X           |         |
| 9   | R122147  | CHECK VALVE       | 1   |                       | X           |         |
| 10  | R28776   | O-RING            | 7   |                       | X           |         |
| 11  | R61871   | O-RING            | 2   |                       | X           |         |
| 12  | RE61181  | KIT               | 2   |                       | X           |         |
| 13  | T107035  | O-RING            | 1   |                       | X           |         |
| 14  | R29936   | O-RING            | 1   |                       | X           |         |
| 15  | U15974   | O-RING            | 1   |                       | X           |         |
| 16  | R124454  | POPPET            | 2   |                       | X           |         |
| 17  | U11326   | O-RING            | 2   |                       | X           |         |
| 18  | R33259   | O-RING            | 1   |                       | X           |         |
| 19  | T15712   | O-RING            | 1   |                       | X           |         |
| 20  | T81686   | O-RING            | 1   |                       | X           |         |
| 21  | R124461  | SPRING            | 1   |                       | X           |         |
| 22  | R124460  | SPRING            | 1   |                       | X           |         |
| 23  | R124456  | PLUG              | 1   |                       | X           |         |
| 24  | U17409   | O-RING            | 1   |                       | X           |         |
| 25  | R124457  | SPRING            | 1   |                       | X           |         |
| 26  | R124458  | VALVE SEAT INSERT | 1   |                       | X           |         |

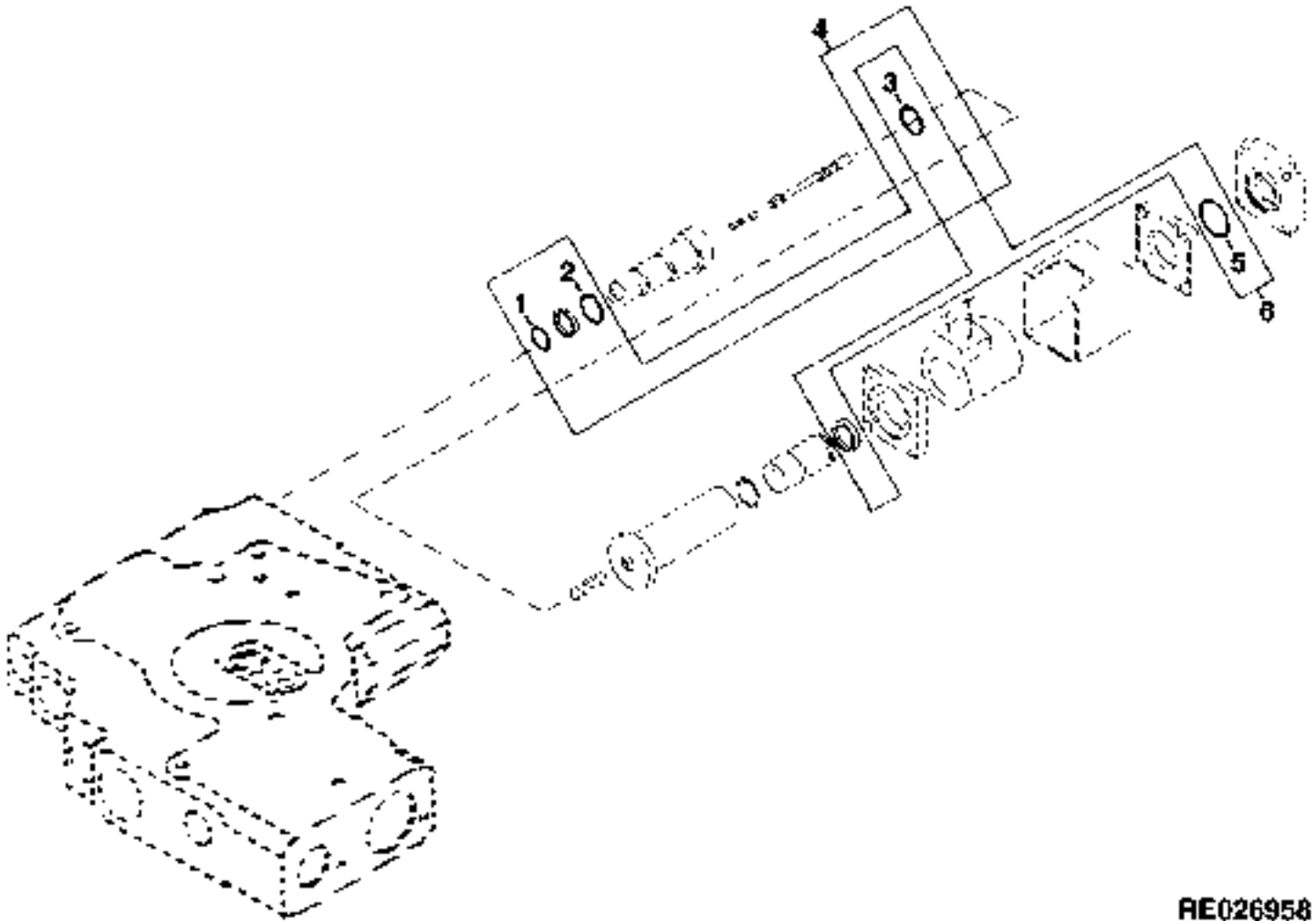
PILOT VALVE / SOLENOID  
 DISTRIBUTEUR SELECTIF, SOLENOIDE  
 ZUSATZSTEUERGERAET-MAGNETSCHALTER  
 SOLENOIDE DEL DISTRIBUTORE IDRAULICO  
 SOLENOIDE DE LA VALVULA DE CONTROL SELECTIVO  
 SELEKTIV MANOEVERTENTIL, SOLENOID  
 RE026957 -UN-19JUN96



**RE026957**

| KEY | PART NO. | PART NAME   | QTY | TRACTOR<br>SERIAL NO. | A | REMARKS           |
|-----|----------|-------------|-----|-----------------------|---|-------------------|
|     |          |             |     |                       | L |                   |
| 1   | T81686   | O-RING      | 1   |                       | X |                   |
| 2   | T15712   | O-RING      | 1   |                       | X |                   |
| 3   | R127416  | SPRING      | 1   |                       | X | (SUB FOR R124480) |
| 4   | R116031  | O-RING      | 3   |                       | X |                   |
| 5   | RE60893  | KIT         | AR  | -XXXXXX               | X | (SUB RE67113)     |
|     | RE67113  | KIT         | AR  | XXXXXX-               | X |                   |
| 6   | T142419  | O-RING      | 1   |                       | X |                   |
| 7   | 12H315   | LOCK WASHER | 4   |                       | X | 0.164"            |
| 8   | 19M8842  | SCREW       | 4   |                       | X | M4 X 60, HS 12.9  |
| 9   | RE61119  | SOLENOID    | AR  |                       | X |                   |
| 10  | R129049  | PUSH PIN    | 1   |                       | X |                   |

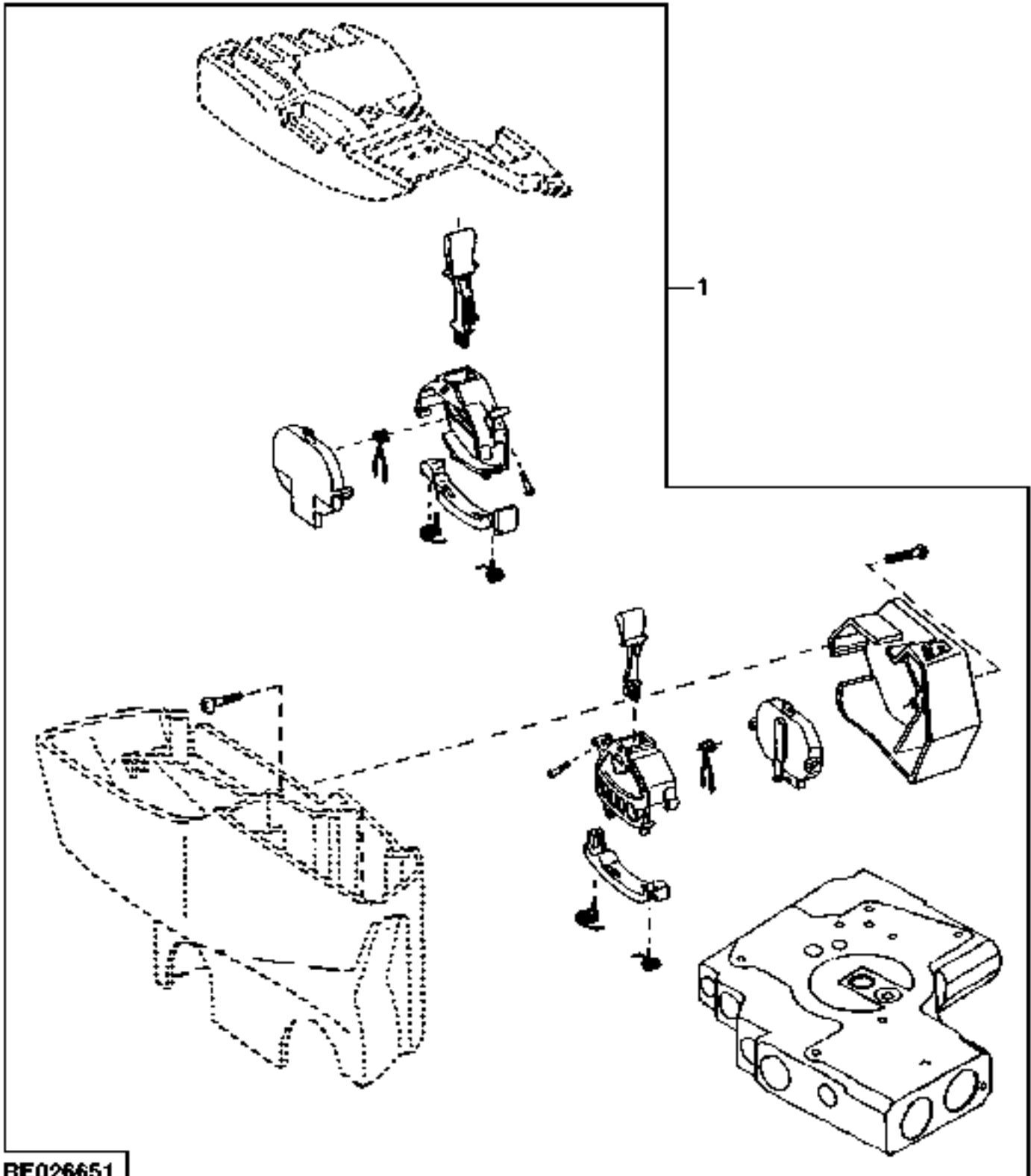
PILOT VALVE SEAL KIT  
DISTRIBUTEUR SELECTIF, SOLENOIDE  
ZUSATZSTEUERGERAET-MAGNETSCHALTER  
SOLENOIDE DEL DISTRIBUTORE IDRAULICO  
SOLENOIDE DE LA VALVULA DE CONTROL SELECTIVO  
SELEKTIV MANOEVERTENTIL, SOLENOID  
RE026958 -UN-21JUN96



**RE026958**

| KEY | PART NO. | PART NAME  | QTY | TRACTOR<br>SERIAL NO. | A<br>L<br>L | REMARKS |
|-----|----------|------------|-----|-----------------------|-------------|---------|
| 1   | T81686   | O-RING     | 1   |                       | X           |         |
| 2   | T15712   | O-RING     | 1   |                       | X           |         |
| 3   | R116031  | O-RING     | 1   |                       | X           |         |
| 4   | RE60894  | SEAL KIT   | AR  |                       | X           |         |
| 5   | T142419  | O-RING     | 2   |                       | X           |         |
| 6   | RE62904  | O-RING KIT | AR  |                       | X           |         |

REMOTE CYLINDER CONTROL KIT  
JEU DE CYLINDRE A DISTANCE  
FERNSEUERZYLINDERSATZ  
KIT DI CILINDRO A DISTANZA  
JUEGO DE CILINDRO REMOTO  
SEPARATMOTERAD CYLINDERSATS  
RE026651 -UN-13DEC95



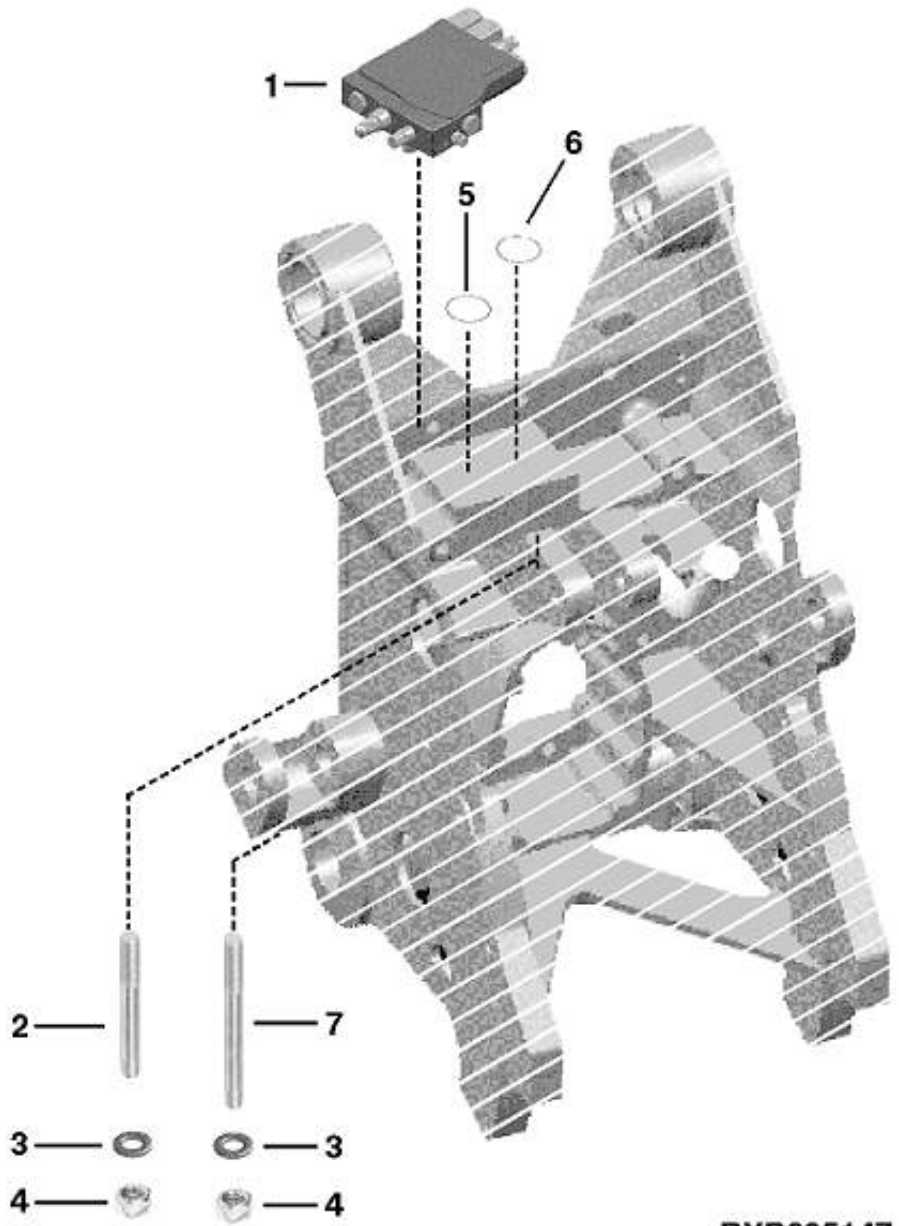
RE026651

# 716

HYDRAULICS

| KEY | PART NO. | PART NAME | QTY | TRACTOR<br>SERIAL NO. | A<br>L<br>L | REMARKS                          |
|-----|----------|-----------|-----|-----------------------|-------------|----------------------------------|
| 1   | AR116485 | KIT       | 1   |                       | X           | 4TH SCV, (SUB FOR AR115121) (FI) |
|     | AR114034 | KIT       | 1   |                       | X           | 5TH SCV, (FI)                    |

HITCH VALVE / MANIFOLD  
 SOUPEPE D'ATTELAGE  
 ANHAENGEVORRICHTUNGSVENTIL  
 VALVOLA DEL SOLLEVATORE  
 VALVOLA DEL ENGANCHE  
 LYFT, VENTIL  
 RXP025147 -UN-01JAN94



**RXP025147**

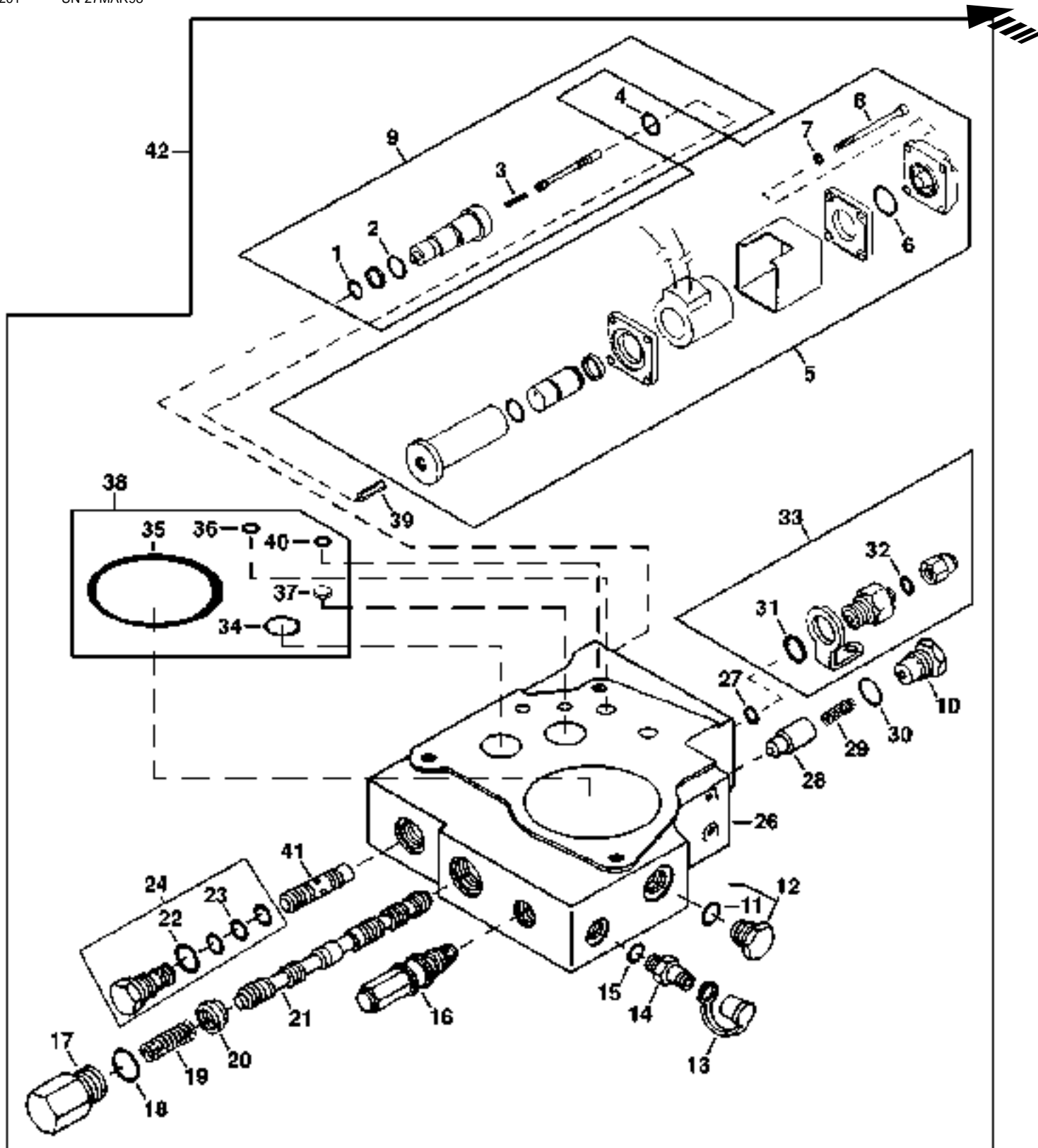


| KEY | PART NO. | PART NAME | QTY | TRACTOR<br>SERIAL NO. | A<br>L<br>L | REMARKS        |
|-----|----------|-----------|-----|-----------------------|-------------|----------------|
| 1   | RE61318  | VALVE     | 1   |                       | X           | (A)            |
|     | RE61322  | MANIFOLD  | 1   |                       | X           | (B)            |
| 2   | 42M7061  | STUD      | 1   |                       | X           |                |
| 3   | 24M7240  | WASHER    | 2   |                       | X           | 13 X 25 X 3 MM |
| 4   | 14M7275  | NUT       | 2   |                       | X           | M12            |
| 5   | T122075  | O-RING    | 2   |                       | X           |                |
| 6   | R73599   | O-RING    | 2   |                       | X           |                |
| 7   | 42M7062  | STUD      | 1   |                       | X           |                |

(A) W/ HITCH  
W/ ATTELAGE  
W/ ANHAENGEVORRICHTUNG  
W/ ATTACCO  
W/ ENGANCHE  
W/ DRAG

(B) W/O HITCH  
W/O ATTELAGE  
W/O ANHAENGEVORRICHTUNG  
W/O ATTACCO  
W/O ENGANCHE  
W/O DRAG

HITCH VALVE  
 SOUPE D'ATTELAGE  
 ANHAENGEVORRICHTUNGSVENTIL  
 VALVOLA DEL SOLLEVATORE  
 VALVULA DEL ENGANCHE  
 LYFT, VENTIL  
 RE029201 -UN-27MAR98



**RE029201**

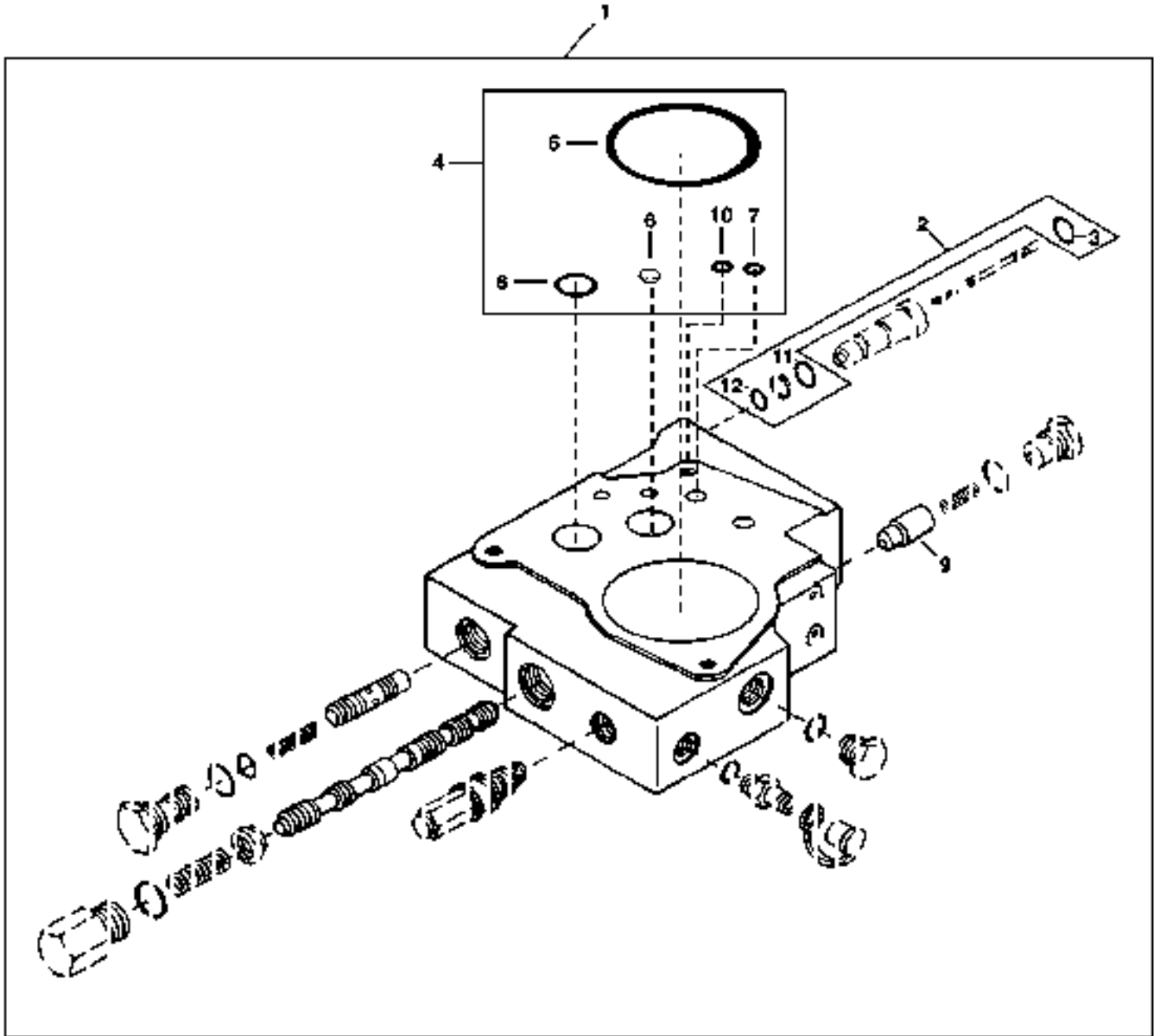
# 7110

HYDRAULICS

| KEY | PART NO. | PART NAME         | QTY | TRACTOR<br>SERIAL NO. | A<br>L<br>L | REMARKS           |
|-----|----------|-------------------|-----|-----------------------|-------------|-------------------|
| 1   | T81686   | O-RING            | 2   |                       | X           |                   |
| 2   | T15712   | O-RING            | 2   |                       | X           |                   |
| 3   | R127416  | SPRING            | 2   |                       | X           | (SUB FOR R124480) |
| 4   | R116031  | O-RING            | 2   |                       | X           |                   |
| 5   | RE61119  | SOLENOID          | AR  |                       | X           |                   |
| 6   | T142419  | O-RING            | 1   |                       | X           |                   |
| 7   | 12H315   | LOCK WASHER       | 8   |                       | X           | 4.166 MM          |
| 8   | 19M8842  | SCREW             | 8   |                       | X           | M4 X 60           |
| 9   | RE60893  | KIT               | AR  | -XXXXXX               | X           | (SUB RE67113)     |
|     | RE67113  | KIT               | AR  | XXXXXX-               | X           |                   |
| 10  | R124476  | PLUG              | 1   |                       | X           |                   |
| 11  | 51M7045  | O-RING            | 1   |                       | X           | 19.300 X 2.200 MM |
| 12  | RE46687  | FITTING           | 1   |                       | X           |                   |
| 13  | R77175   | COVER             | 1   |                       | X           |                   |
| 14  | RE12187  | RECEPTACLE        | 1   |                       | X           |                   |
| 15  | 51M7041  | O-RING            | 1   |                       | X           | 11.300 X 2.200 MM |
| 16  | RE39396  | RELIEF VALVE      | 1   |                       | X           |                   |
| 17  | R124456  | PLUG              | 1   |                       | X           |                   |
| 18  | U17409   | O-RING            | 2   |                       | X           |                   |
| 19  | R124457  | SPRING            | 1   |                       | X           |                   |
| 20  | R124458  | VALVE SEAT INSERT | 2   |                       | X           |                   |
| 21  | .....    | SPOOL             | 1   |                       | X           | (ORDER RE60891)   |
| 22  | U12547   | O-RING            | 1   |                       | X           |                   |
| 23  | A3190R   | O-RING            | 1   |                       | X           |                   |
| 24  | RE60874  | PLUG              | 1   |                       | X           |                   |
| 25  | R124482  | SPRING ASSEMBLY   | 1   |                       | X           |                   |
| 26  | .....    | HOUSING           | 1   |                       | X           | (ORDER RE60891)   |
| 27  | R33259   | O-RING            | 1   |                       | X           |                   |
| 28  | R124454  | POPPET            | 1   |                       | X           |                   |
| 29  | R111238  | SPRING            | 1   |                       | X           | (SUB FOR R124455) |
| 30  | U12547   | O-RING            | 1   |                       | X           |                   |
| 31  | U17409   | O-RING            | 1   |                       | X           |                   |
| 32  | R33259   | O-RING            | 1   |                       | X           |                   |
| 33  | RE61120  | KIT               | 1   |                       | X           | (A)               |
| 34  | R61871   | O-RING            | 2   |                       | X           |                   |
| 35  | F2573R   | O-RING            | 1   |                       | X           |                   |
| 36  | R28776   | O-RING            | 3   |                       | X           |                   |
| 37  | R122147  | CHECK VALVE       | 1   |                       | X           |                   |
| 38  | RE60933  | SEAL KIT          | 1   |                       | X           |                   |
| 39  | R129049  | PUSH PIN          | 2   |                       | X           |                   |
| 40  | R33259   | O-RING            | 1   |                       | X           |                   |
| 41  | .....    | SPOOL             | 1   |                       | X           | (ORDER RE60891)   |
| 42  | RE61318  | VALVE             | 1   |                       | X           |                   |

(A) MANUAL LOWER  
 ABAISSEMENT MANUEL  
 HAND-ABSENKUNG  
 ABBASSAMENTO MANUALE  
 BAJADA MANUAL  
 MANUELL SAENKNING

HITCH VALVE OVERHAUL KIT  
 JEU DE REFECTION DE SOUPEPE D'ATTELAGE  
 ANHAENGEVORRICHTUNGSVENTIL-UEBERHOLSATZ  
 KIT DI REVISIONE DELLA VALVOLA DELL'ATTACCO  
 JUEGO DE REACONDICIONAMIENTO DE LA VALVULA DE ENGANCHE  
 REPARATIONSSATS FOER DRAGANORDNINGSVENTIL  
 RE028266 -UN-12SEP97



RE028266

# 7112

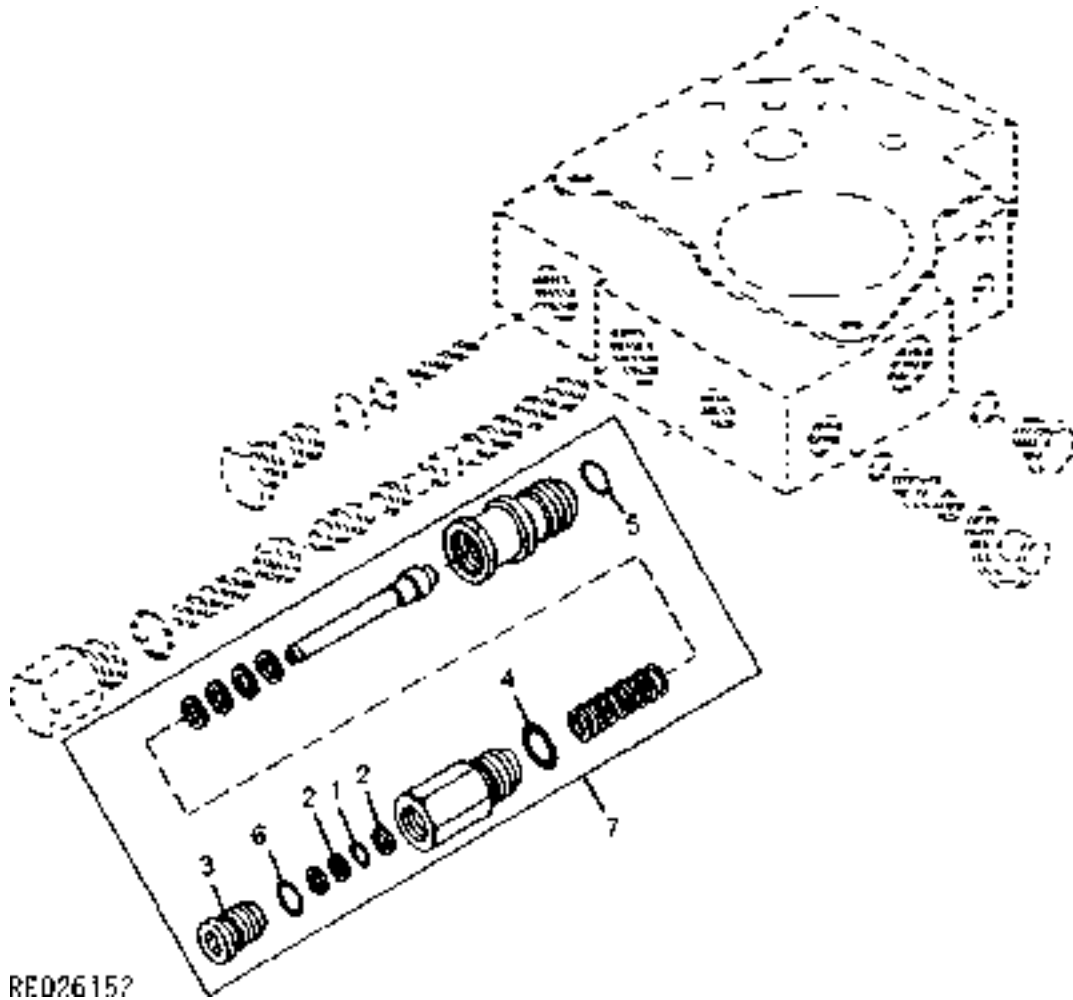
HYDRAULICS

| KEY | PART NO. | PART NAME                | QTY | TRACTOR<br>SERIAL NO. | A<br>L<br>L | REMARKS |
|-----|----------|--------------------------|-----|-----------------------|-------------|---------|
| 1   | RE60891  | HITCH VALVE OVERHAUL KIT | 1   |                       | X           |         |
| 2   | RE60894  | SEAL KIT                 | 2   |                       | X           |         |
| 3   | R116031  | O-RING                   | 2   |                       | X           |         |
| 4   | RE60933  | SEAL KIT                 | 1   |                       | X           |         |
| 5   | F2573R   | O-RING                   | 1   |                       | X           |         |
| 6   | R122147  | CHECK VALVE              | 1   |                       | X           |         |
| 7   | R28776   | O-RING                   | 7   |                       | X           |         |
| 8   | R61871   | O-RING                   | 2   |                       | X           |         |
| 9   | R124454  | POPPET                   | 1   |                       | X           |         |
| 10  | R33259   | O-RING                   | 1   |                       | X           |         |
| 11  | T15712   | O-RING                   | 1   |                       | X           |         |
| 12  | T81686   | O-RING                   | 1   |                       | X           |         |

# 7113

HYDRAULICS

HITCH VALVE RELIEF VALVE  
CLAPET DE DECHARGE DE DISTRIBUTERU D'ATTELAGE  
REGELHYDARULIKVENTIL-UEBERDRUCKVENTIL  
VALVOLA DI SICUREZZA DELLA VALVOLA DEL SOLLEVATORE  
VALVULA DE ALIVIO DE VALVULA DEL ENGANCHE  
SAEKERHETSVENTIL FOER LYFTVENTIL  
RE026152 -UN-28MAR95



# 7114

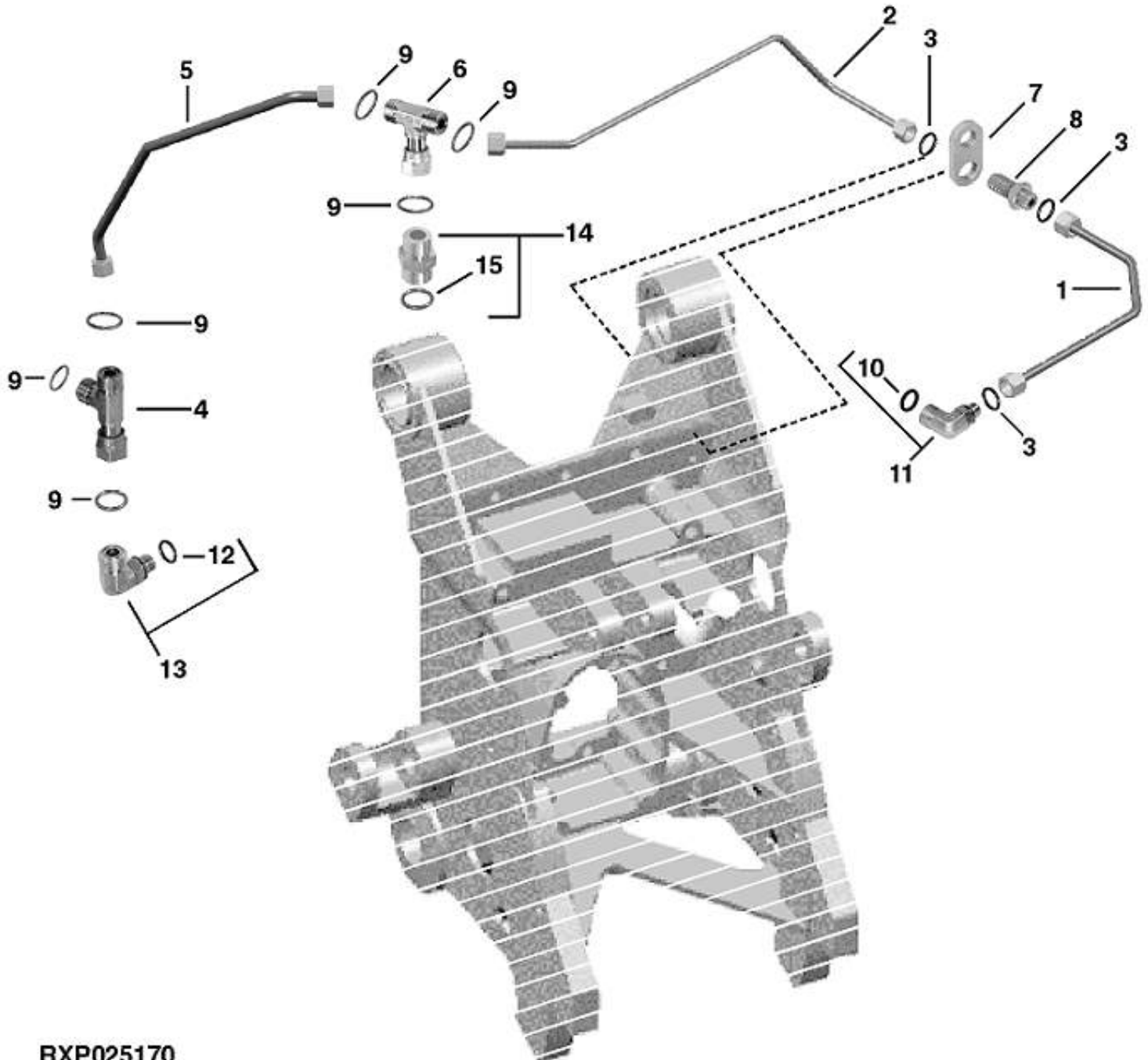
HYDRAULICS

| KEY | PART NO. | PART NAME    | QTY | TRACTOR<br>SERIAL NO. | A<br>L<br>L | REMARKS |
|-----|----------|--------------|-----|-----------------------|-------------|---------|
| 1   | R111234  | O-RING       | 1   |                       | X           |         |
| 2   | R111235  | BACK-UP RING | 2   |                       | X           |         |
| 3   | R111493  | FITTING PLUG | 1   |                       | X           |         |
| 4   | R47150   | O-RING       | 1   |                       | X           |         |
| 5   | R63548   | O-RING       | 1   |                       | X           |         |
| 6   | T70177   | O-RING       | 1   |                       | X           |         |
| 7   | RE39396  | RELIEF VALVE | 1   |                       | X           |         |

# 7115

HYDRAULICS

SELECTIVE CONTROL VALVE LINE  
CONDUITES DE DISTRIBUTEUR SELECTIF  
STEUERGERAETLETTUNGEN  
TUBAZIONI PER DISTRIBUTORE SELETTIVO  
TUBERIAS DE LA VALVULA DE CONTROL SELECTIVO  
VAELJARVENTILLEDNINGAR  
RXP025170 -UN-01JAN94



RXP025170

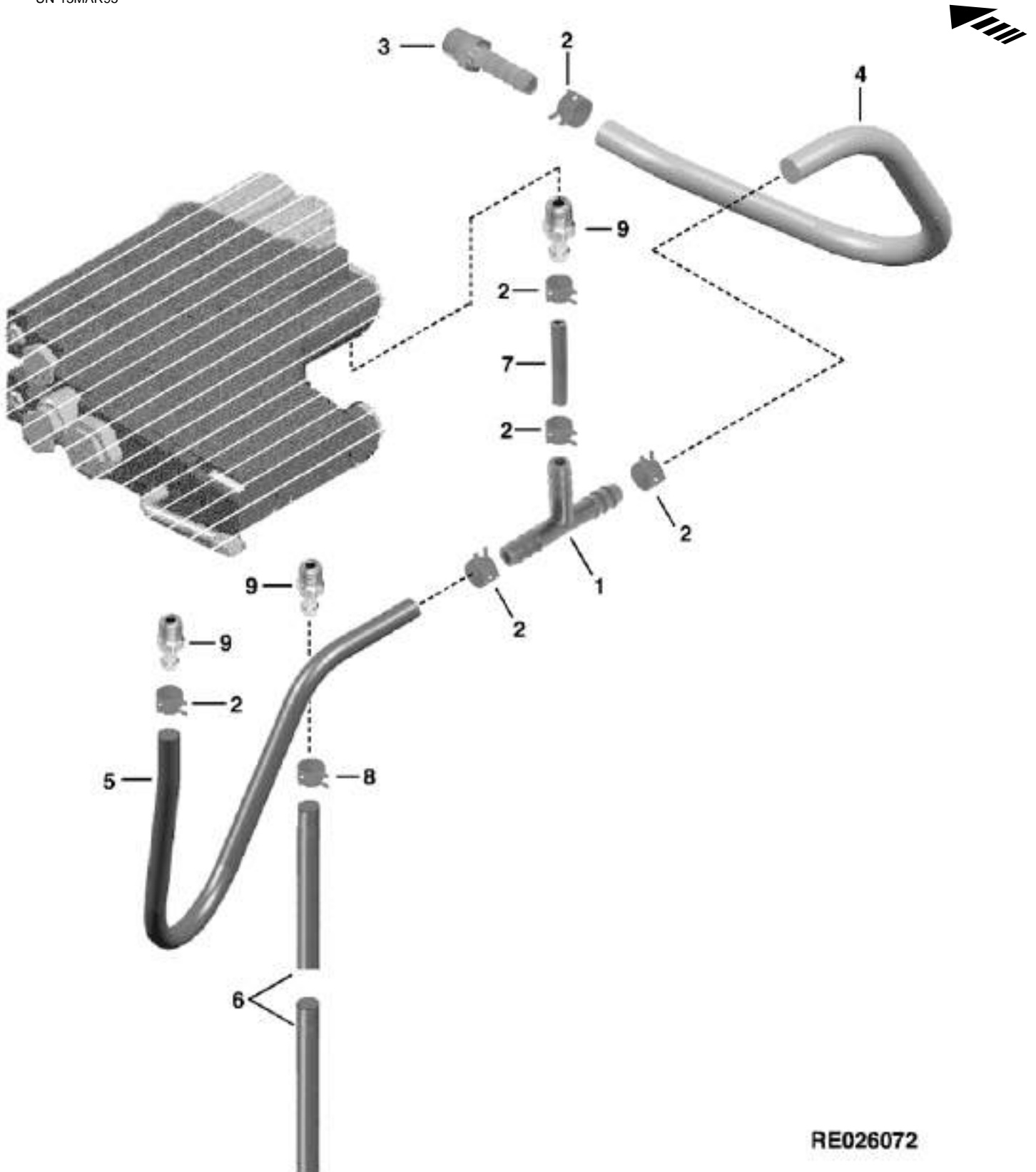


# 7116

HYDRAULICS

| KEY | PART NO. | PART NAME     | QTY | TRACTOR<br>SERIAL NO. | A<br>L<br>L | REMARKS           |
|-----|----------|---------------|-----|-----------------------|-------------|-------------------|
| 1   | RE56717  | OIL LINE      | 1   |                       | X           |                   |
| 2   | RE62508  | OIL LINE      | 1   |                       | X           | (SUB FOR RE44733) |
| 3   | T77613   | O-RING        | 3   |                       | X           |                   |
| 4   | 38H5069  | TEE FITTING   | 1   |                       | X           |                   |
| 5   | RE44735  | OIL LINE      | 1   |                       | X           |                   |
| 6   | 38H5059  | TEE FITTING   | 1   |                       | X           |                   |
| 7   | R125963  | PLATE         | 1   |                       | X           |                   |
| 8   | 38H5100  | UNION FITTING | 1   |                       | X           |                   |
| 9   | T77857   | O-RING        | 6   |                       | X           |                   |
| 10  | 51M7040  | O-RING        | 1   |                       | X           | 9.300 X 2.200 MM  |
| 11  | 38H5016  | ELBOW FITTING | 1   |                       | X           |                   |
| 12  | 51M7041  | O-RING        | 1   |                       | X           | 11.300 X 2.200 MM |
| 13  | 38H5023  | ELBOW FITTING | 1   |                       | X           |                   |
| 14  | 38H5003  | ADAPTER       | 1   |                       | X           |                   |
| 15  | 51M7043  | O-RING        | 1   |                       | X           | 15.300 X 2.200 MM |

SELECTIVE CONTROL VALVE DRAIN LINES  
 DISTRIBUTEUR SELECTIF, CONDUITE D'EVACUATION  
 ZUSATZSTEUERGERAET-ABLASSLEITUNG  
 DISTRIBUTORE IDRAULICO, LINEA DI DRENAGGIO  
 LINEA DE VACIADO DE VALVULA DE CONTROL SELECTIVO  
 SELEKTIV MANOEVERTENTIL, DRAENERINGSLEDNING  
 RE026072 -UN-13MAR95



RE026072

# 7118

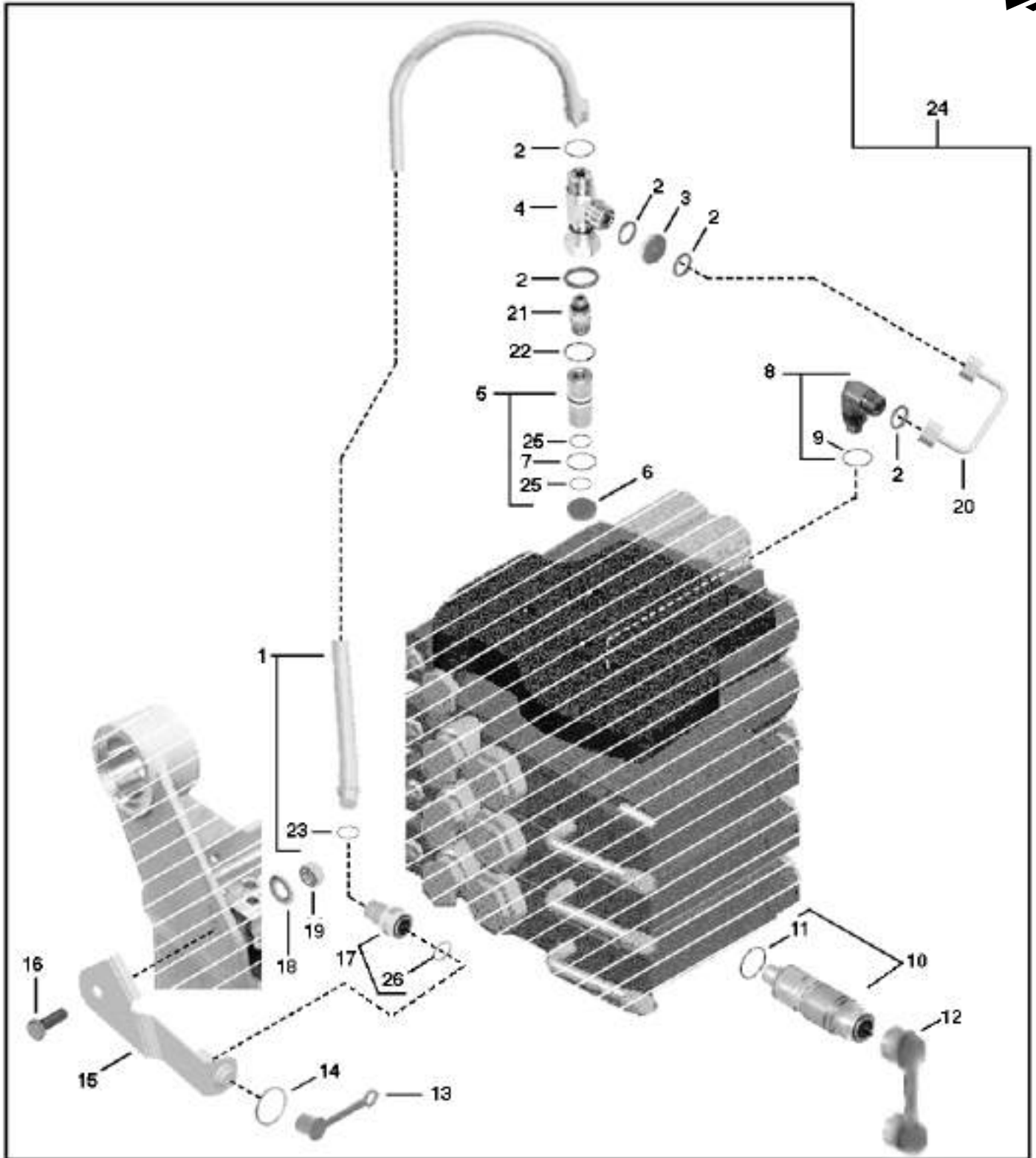
HYDRAULICS

| KEY | PART NO. | PART NAME    | QTY | TRACTOR<br>SERIAL NO. | A | REMARKS                         |
|-----|----------|--------------|-----|-----------------------|---|---------------------------------|
|     |          |              |     |                       | L |                                 |
| 1   | N154080  | TEE FITTING  | 1   |                       | X |                                 |
| 2   | TY22462  | CLAMP        | 6   |                       | X | (SUB FOR R56101)                |
| 3   | R126620  | FITTING      | 1   |                       | X | (SUB FOR R112395)               |
| 4   | .....    | HOSE         | 1   |                       | X | 225 MM (9") (MAKE FROM T79477)  |
| 5   | .....    | HOSE         | 1   |                       | X | 370 MM (15") (MAKE FROM T79477) |
| 6   | R154668  | LINE         | 1   |                       | X | (SUB FOR R80623)                |
| 7   | .....    | HOSE         | 1   |                       | X | 94 MM (3.7") (MAKE FROM T79477) |
| 8   | N194814  | CLAMP        | 1   |                       | X |                                 |
| 9   | M84313   | HOSE FITTING | 3   |                       | X |                                 |
| ..  | R44302   | TIE BAND     | AR  |                       | X |                                 |

# 7119

HYDRAULICS

POWER BEYOND COUPLER KIT (W/O TRAILER BRAKE)  
JEU DE RACCORD DE SORTIE POUR OUTIL (SANS FREIN DE REMARQUE HYDR.)  
ANBAUGERAETANSCHLUSS-KUPPLUNGSSATZ (OHNE HYDR. ANHAENGERBREMSE)  
KIT DELL'ACCOPIATORE PER L'UTENSILE (SENZA FRENO IDRAUL. RIMORCHIO)  
CONJUNTO DE ACOPLADOR DE SALIDA (SIN FRENO HIDRAULREMOHQE)  
KOPPLINGSSATS FOER REDSKAP (UTAN SL'PVAGNSBROMS)  
RE029650 -UN-16JUN98



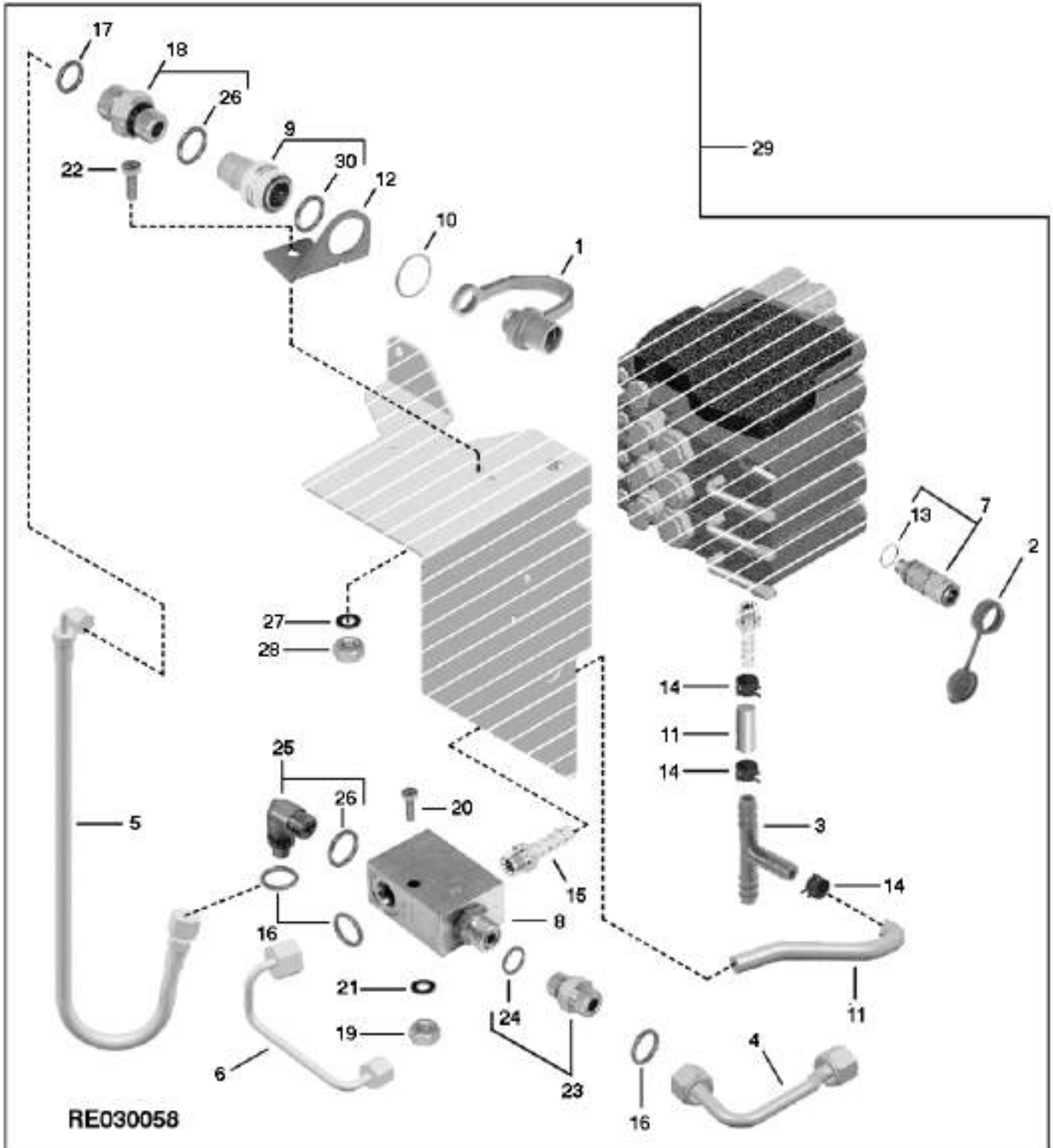
RE029650

| KEY       | PART NO.        | PART NAME                  | QTY      | TRACTOR<br>SERIAL NO. | A<br>L<br>L | REMARKS           |
|-----------|-----------------|----------------------------|----------|-----------------------|-------------|-------------------|
| 1         | RE61323         | HOSE                       | 1        |                       | X           |                   |
| 2         | T77613          | O-RING                     | 5        |                       | X           |                   |
| 3         | N202662         | ORIFICE                    | 1        |                       | X           |                   |
| 4         | 38H5105         | TEE FITTING                | 1        |                       | X           |                   |
| 5         | RE58763         | SPACER                     | 1        |                       | X           |                   |
| 6         | R122147         | CHECK VALVE                | 1        |                       | X           |                   |
| 7         | T11899          | O-RING                     | 1        |                       | X           |                   |
| 8         | 38H5016         | ELBOW FITTING              | 1        |                       | X           |                   |
| 9         | 51M7041         | O-RING                     | 1        |                       | X           | 11.300 X 2.200 MM |
| 10        | RE55859         | HYD. QUICK-CONNECT COUPLER | 2        |                       | X           |                   |
| 11        | 51M7045         | O-RING                     | 2        |                       | X           | 19.300 X 2.200 MM |
| 12        | R124807         | CAP                        | 1        |                       | X           | (A)               |
|           | R125531         | COVER                      | 1        |                       | X           | (B)               |
| 13        | AH83821         | CAP                        | 1        |                       | X           |                   |
| 14        | R118245         | SNAP RING                  | 1        |                       | X           |                   |
| 15        | R112397         | BRACKET                    | 1        |                       | X           |                   |
| 16        | 19M7168         | CAP SCREW                  | 1        |                       | X           | M10 X 30          |
| 17        | RE61319         | HYD. QUICK-CONNECT COUPLER | 1        |                       | X           |                   |
| 18        | 24M7040         | WASHER                     | 1        |                       | X           | 11 X 20 X 2 MM    |
| 19        | 14M7274         | NUT                        | 1        |                       | X           | M10               |
| 20        | RE61308         | OIL LINE                   | 1        |                       | X           |                   |
| 21        | RE49091         | FITTING                    | 1        |                       | X           |                   |
| 22        | 51M7041         | O-RING                     | 1        |                       | X           | 11.300 X 2.200 MM |
| 23        | 51M7041         | O-RING                     | 1        |                       | X           | 11.300 X 2.200 MM |
| <b>24</b> | <b>AR112613</b> | <b>KIT</b>                 | <b>1</b> |                       | <b>X</b>    | <b>(FI)</b>       |
| 25        | R133794         | BACK-UP RING               | 2        |                       | X           |                   |
| 26        | R152879         | PACKING                    | 1        |                       | X           |                   |
| ..        | AH15939         | HYD. QUICK-CONNECT COUPLER | 1        |                       | X           |                   |
| ..        | AR94522         | INTERNAL HALF COUPLER      | 1        |                       | X           |                   |

(A) RETURN  
 RETOUR  
 RUECKLAUF  
 RETORNO  
 RITORNO  
 RETUR

(B) PRESSURE  
 PRESSION  
 DRUCK  
 PRESSIONE  
 PRESION  
 TRYCK

POWER BEYOND COUPLER KIT (W/ TRAILER BRAKE) (EUROPEAN VERSION)  
 JEU DE RACCORD DE SORTIE POUR OUTIL (W/ FREIN DE REMARQUE HYDR.) (VERSION EUROPEENNE)  
 ANBAUGERAETANSCHLUSS-KUPPLUNGSSATZ (W/ HYDR. ANHAENGERBREMSE) (EUROPAEISCHE AUSFUEHRUNG)  
 KIT DELL'ACCOPIATORE PER L'UTENSILE (W/ FRENO IDRAUL RIMORCHIO) (VERSIONE EUROPEA)  
 CONJUNTO DE ACOPLADOR DE SALIDA (W/ FRENO HIDRAULREMOQUE) (VERSION EUROPEA)  
 KOPPLINGSSATS FOER REDSKAP (W/ SL'PVAGNSBROMS) (EUROPEISK VERSION)  
 RE030058 -UN-18SEP98

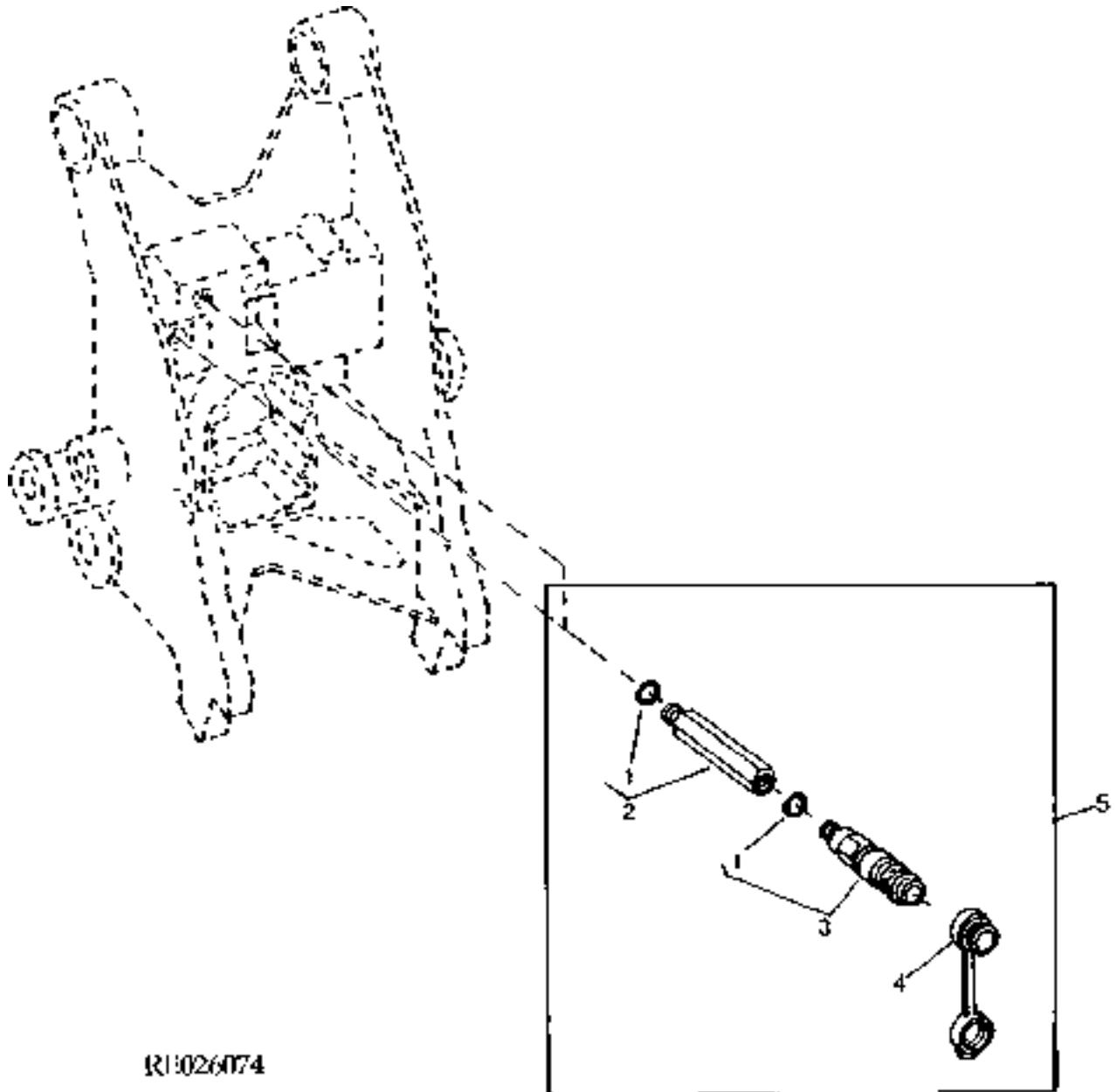


# 7122

## HYDRAULICS

| KEY       | PART NO.       | PART NAME                  | QTY      | TRACTOR<br>SERIAL NO. | A<br>L<br>L | REMARKS  |
|-----------|----------------|----------------------------|----------|-----------------------|-------------|--|
| 1         | AH83821        | CAP                        | 1        |                       | X           |  |
| 2         | R124807        | CAP                        | 2        |                       | X           |  |
| 3         | N154080        | TEE FITTING                | 1        |                       | X           |  |
| 4         | RE44731        | OIL LINE                   | 1        |                       | X           |  |
| 5         | RE61340        | HYDRAULIC HOSE             | 1        |                       | X           |  |
| 6         | RE48636        | HYDRAULIC LINE             | 1        |                       | X           |  |
| 7         | RE55859        | HYD. QUICK-CONNECT COUPLER | 2        |                       | X           |  |
| 8         | RE55941        | VALVE                      | 1        |                       | X           |  |
| 9         | RE61319        | HYD. QUICK-CONNECT COUPLER | 1        |                       | X           |  |
| 10        | R118245        | SNAP RING                  | 1        |                       | X           |  |
| 11        | .....          | HOSE                       | 1        |                       | X           | 225 MM (9") (MAKE FROM T79477) (SUB FOR R112861) |
| 12        | R117724        | BRACKET                    | 1        |                       | X           |  |
| 13        | 51M7045        | O-RING                     | 2        |                       | X           | 19.300 X 2.200 MM                                |
| 14        | R56101         | CLIP                       | 4        |                       | X           |  |
| 15        | R65785         | FITTING                    | 1        |                       | X           |  |
| 16        | T77613         | O-RING                     | 3        |                       | X           |  |
| 17        | T77613         | O-RING                     | 1        |                       | X           |  |
| 18        | 38H5002        | ADAPTER                    | 1        |                       | X           |  |
| 19        | 14M7272        | NUT                        | 1        |                       | X           | M6   |
| 20        | 19M8477        | CAP SCREW                  | 1        |                       | X           | M6 X 40, HS 10.9                                 |
| 21        | 24M7088        | WASHER                     | 1        |                       | X           | 6.600 X 12 X 1.600 MM                            |
| 22        | 19M7560        | CAP SCREW                  | 2        |                       | X           | M6 X 16  |
| 23        | 38H5002        | ADAPTER                    | 1        |                       | X           |  |
| 24        | 51M7041        | O-RING                     | 1        |                       | X           | 11.300 X 2.200 MM                                |
| 25        | 38H5016        | ELBOW FITTING              | 1        |                       | X           |  |
| 26        | 51M7041        | O-RING                     | 2        |                       | X           | 11.300 X 2.200 MM                                |
| 27        | 24M7088        | WASHER                     | 2        |                       | X           | 6.600 X 12 X 1.600 MM                            |
| 28        | 14M7272        | NUT                        | 2        |                       | X           | M6   |
| <b>29</b> | <b>RE58858</b> | <b>KIT</b>                 | <b>1</b> |                       | <b>X</b>    | <b>(FI)</b>                                      |
| 30        | R152879        | PACKING                    | 1        |                       | X           |  |

HYDRAULIC MOTOR RETURN OR SUMP KIT  
 JEU DE RETOUR OU CARTER DE MOTEUR HYDRAULIQUE  
 HYDRAULIKMOTOR-RUECKLAUF-ODER-WANNENSATZ  
 KIT DELLA COPPA O DEL RITORNO DEL MOTORE IDRAULICO  
 JEUGO DE RETORNO O SUMIDERO DEL MOTOR HIDRAULICO  
 SATS FOER HYDRAULMOTORRETUR ELLER SUMP  
 RE026074 -UN-22MAR95



RE026074



# 7124

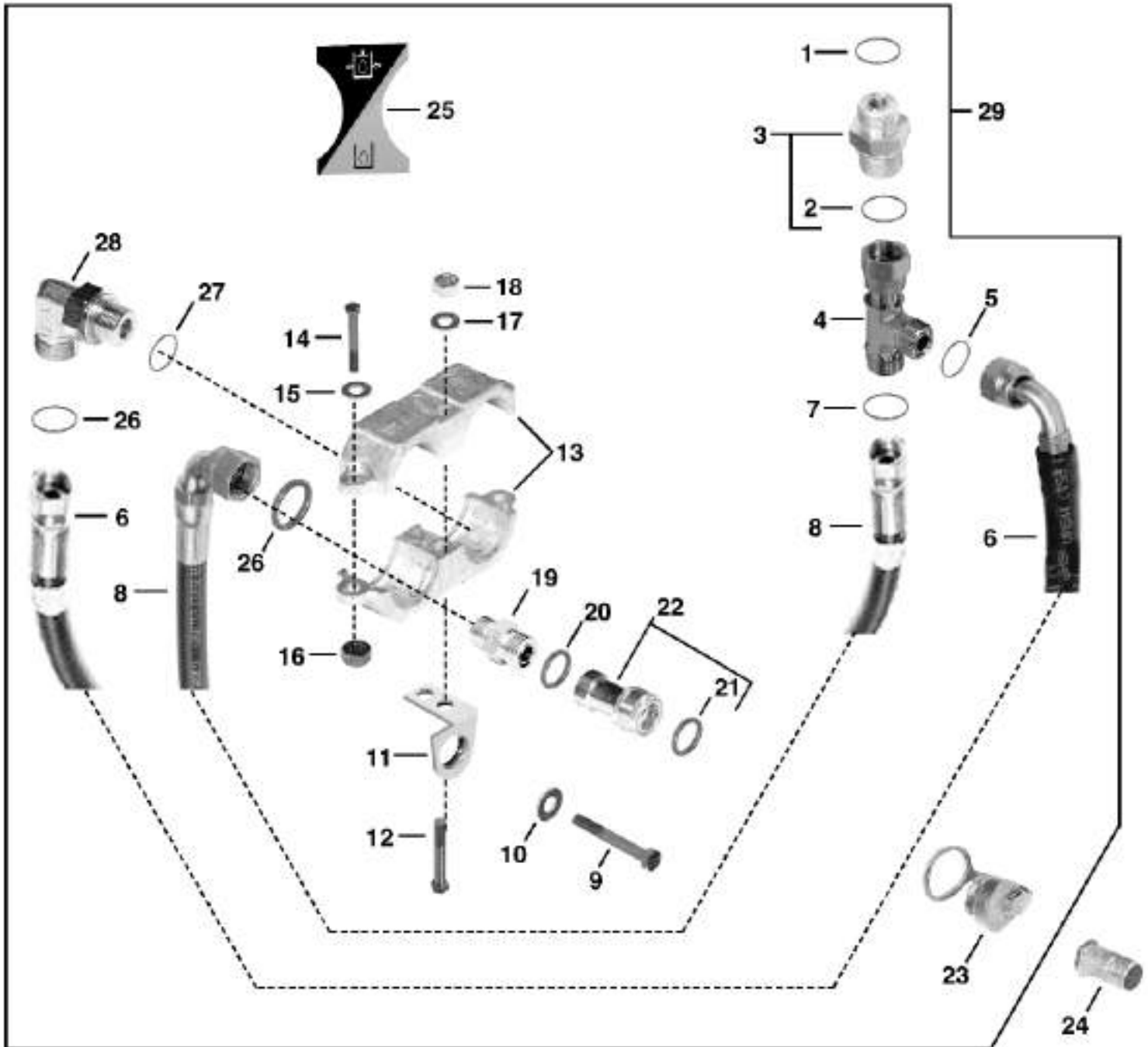
HYDRAULICS

| KEY | PART NO.        | PART NAME                  | QTY      | TRACTOR<br>SERIAL NO. | A<br>L<br>L | REMARKS           |
|-----|-----------------|----------------------------|----------|-----------------------|-------------|-------------------|
| 1   | 51M7045         | O-RING                     | 2        |                       | X           | 19.300 X 2.200 MM |
| 2   | RE61791         | FITTING                    | 1        |                       | X           |                   |
| 3   | RE55859         | HYD. QUICK-CONNECT COUPLER | 1        |                       | X           |                   |
| 4   | R124807         | CAP                        | 1        |                       | X           |                   |
| 5   | <b>AR114664</b> | <b>KIT</b>                 | <b>1</b> |                       | <b>X</b>    | <b>(FI)</b>       |

# 7J1

HYDRAULICS

MULTIPLE HYDRAULIC MOTOR RETURN KIT  
KIT DE RACCORDS DE RETOUR MULTIPLES POUR MOTEURS HYDRAULIQUE  
MEHRFACH-HYDRAULIKMOTOR-RUECKLAUFSATZ  
KIT DELLA LINEA DI RITORNO MULTIPLA DEL MOTORE IDRAULICO  
JUEGO DE RETORNOS MULTIPLES PARA MOTOR HIDRAULICO  
SATS MED FLERA RETURANSLUTNINGAR FOER HYDRAULMOTOR  
RE026665 -UN-21DEC95



RE026665

# 7J2

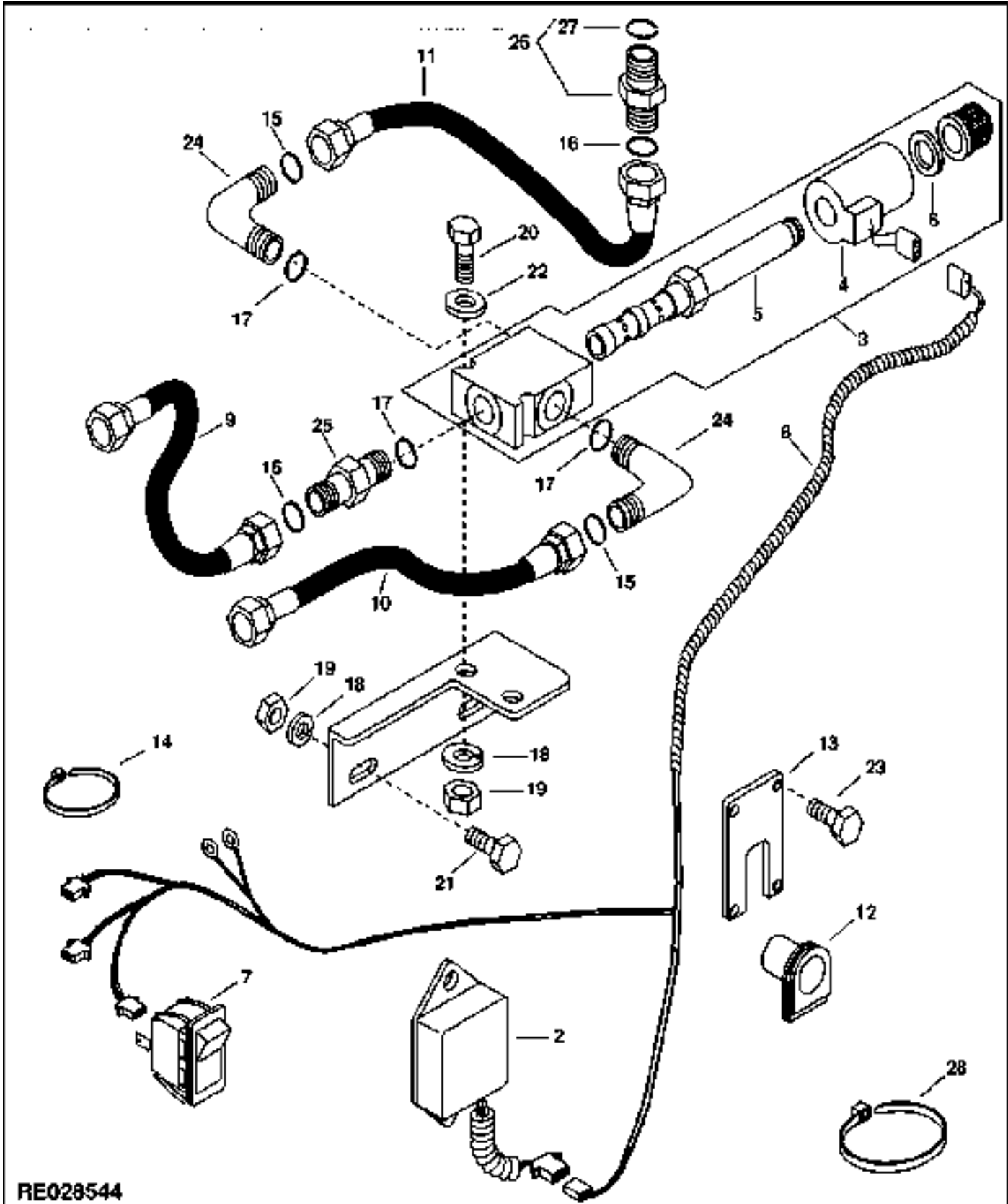
HYDRAULICS

| KEY | PART NO. | PART NAME                  | QTY | TRACTOR<br>SERIAL NO. | A<br>L<br>L | REMARKS               |
|-----|----------|----------------------------|-----|-----------------------|-------------|-----------------------|
| 1   | T77857   | O-RING                     | 1   |                       | X           |                       |
| 2   | 51M7045  | O-RING                     | 1   |                       | X           | 19.300 X 2.200 MM     |
| 3   | 38H5076  | ADAPTER                    | 1   |                       | X           |                       |
| 4   | 38H5069  | TEE FITTING                | 1   |                       | X           |                       |
| 5   | T77857   | O-RING                     | 1   |                       | X           |                       |
| 6   | RE67181  | HYDRAULIC HOSE             | 1   |                       | X           |                       |
| 7   | T77857   | O-RING                     | 1   |                       | X           |                       |
| 8   | RE67181  | HYDRAULIC HOSE             | 1   |                       | X           |                       |
| 9   | 19M7730  | CAP SCREW                  | 1   |                       | X           | M20 X 30              |
| 10  | 24M7051  | WASHER                     | 1   |                       | X           | 21 X 37 X 3 MM        |
| 11  | R117724  | BRACKET                    | 1   |                       | X           |                       |
| 12  | 19M7185  | CAP SCREW                  | 2   |                       | X           | M8 X 60               |
| 13  | R113148  | BRACKET                    | 2   |                       | X           |                       |
| 14  | 19M7077  | CAP SCREW                  | 2   |                       | X           | M6 X 20               |
| 15  | 24M7054  | WASHER                     | 2   |                       | X           | 6.400 X 12 X 1.600 MM |
| 16  | 14M7272  | NUT                        | 2   |                       | X           | M6                    |
| 17  | 24M7055  | WASHER                     | 2   |                       | X           | 8.400 X 16 X 1.600 MM |
| 18  | 14M7151  | NUT                        | 2   |                       | X           | M8                    |
| 19  | 38H1161  | ADAPTER                    | 1   |                       | X           |                       |
| 20  | R26375   | O-RING                     | 1   |                       | X           |                       |
| 21  | R21722   | O-RING                     | 2   |                       | X           |                       |
| 22  | RE58243  | HYD. QUICK-CONNECT COUPLER | 2   |                       | X           |                       |
| 23  | A15899   | CAP                        | 2   |                       | X           |                       |
| 24  | AR94522  | INTERNAL HALF COUPLER      | 2   |                       | X           | ISO, 3/4" - 16UNF     |
| 25  | R113305  | DECAL                      | 1   |                       | X           |                       |
| 26  | T77857   | O-RING                     | 2   |                       | X           |                       |
| 27  | R26375   | O-RING                     | 1   |                       | X           |                       |
| 28  | 38H1005  | ELBOW FITTING              | 1   |                       | X           |                       |
| 29  | RE67182  | KIT                        | 1   |                       | X           | (FI)                  |

# 7J3

HYDRAULICS

WAGON TILT KIT  
KIT D'INCLINAISON DE CHARIOT  
ANHAENGER-KIPPVORRICHTUNGSSATZ  
KIT INCLINAZIONE RIMORCHIO  
JUEGO DE INCLINACION DE REMOLQUE  
VAGNTIPPNINGSSATS  
RE028544 -UN-26NOV97



RE028544

# 7J4

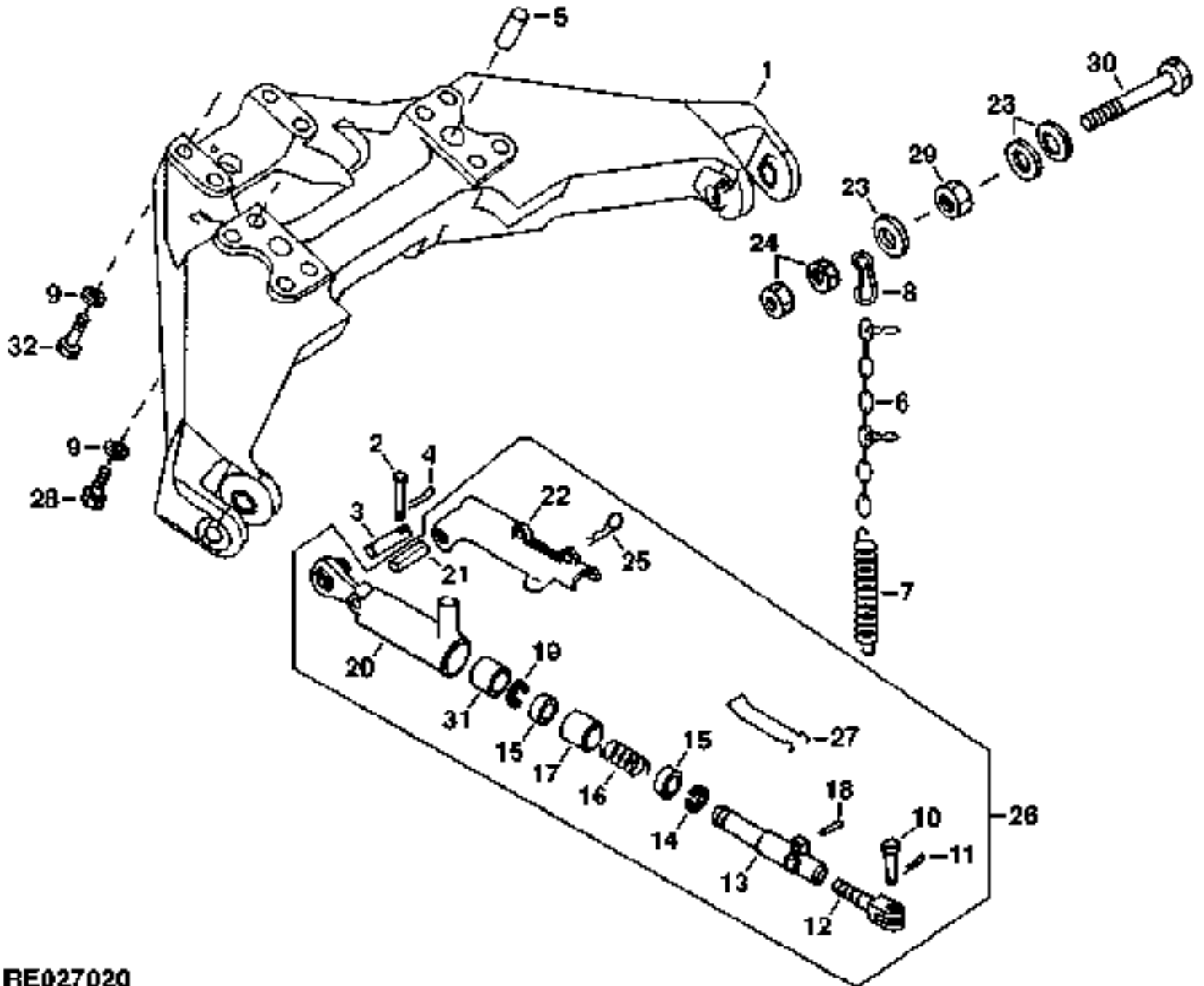
HYDRAULICS

| KEY | PART NO. | PART NAME       | QTY | TRACTOR<br>SERIAL NO. | A<br>L<br>L | REMARKS            |
|-----|----------|-----------------|-----|-----------------------|-------------|--------------------|
| 1   | RE70488  | KIT             | 1   |                       | X           |                    |
| 2   | RE70004  | TIMER           | 1   |                       | X           |                    |
| 3   | RE70210  | VALVE           | 1   |                       | X           |                    |
| 4   | RE71559  | ELECTRICAL COIL | 1   |                       | X           |                    |
| 5   | RE71560  | RELIEF VALVE    | 1   |                       | X           |                    |
| 6   | .....    | SEAL KIT        | 1   |                       | X           | (ORDER RE71561)    |
| 7   | RE70464  | ROCKER SWITCH   | 1   |                       | X           |                    |
| 8   | RE70555  | WIRING HARNESS  | 1   |                       | X           |                    |
| 9   | RE70609  | HYDRAULIC LINE  | 1   |                       | X           |                    |
| 10  | RE70610  | HYDRAULIC LINE  | 1   |                       | X           |                    |
| 11  | RE70611  | HYDRAULIC LINE  | 1   |                       | X           |                    |
| 12  | R112653  | GROMMET         | 1   |                       | X           |                    |
| 13  | R130962  | PLATE           | 1   |                       | X           |                    |
| 14  | R44302   | TIE BAND        | 6   |                       | X           |                    |
| 15  | T77858   | O-RING          | 3   |                       | X           |                    |
| 16  | T77932   | O-RING          | 1   |                       | X           |                    |
| 17  | U12547   | O-RING          | 3   |                       | X           |                    |
| 18  | 12M7066  | LOCK WASHER     | 4   |                       | X           | 10.200 MM          |
| 19  | 14M7274  | NUT             | 4   |                       | X           | M10                |
| 20  | 19M7156  | CAP SCREW       | 2   |                       | X           | M10 X 60           |
| 21  | 19M7662  | CAP SCREW       | 2   |                       | X           | M10 X 30, HS 10.9  |
| 22  | 24M7028  | WASHER          | 2   |                       | X           | 10.500 X 20 X 2 MM |
| 23  | 37M7162  | SCREW           | 4   |                       | X           |                    |
| 24  | 38H1007  | ELBOW FITTING   | 2   |                       | X           |                    |
| 25  | 38H1163  | ADAPTER         | 1   |                       | X           |                    |
| 26  | 38H5004  | ADAPTER         | 1   |                       | X           |                    |
| 27  | 51M7045  | O-RING          | 1   |                       | X           | 19.300 X 2.200 MM  |
| 28  | R76477   | TIE BAND        | 4   |                       | X           |                    |
| ..  | RE71561  | SEAL KIT        | 1   |                       | X           |                    |

# 7J5

HYDRAULICS

HITCH STABILIZER (EUROPEAN VERSION)  
STABILISATEUR D'ATTELAGE (VERSION EUROPEENNE)  
ANHAENGEVORRICHTUNG-STABILISATOR (EUROPAEISCHE AUSFUEHRUNG)  
STABILIZZATORE DELL'ATTACCO (VERSIONE EUROPEA)  
ESTABILIZADOR DEL ENGANCHE (VERSION EUROPEA)  
LYFTSTABILISATOR (EUROPEISK VERSION)  
RE027020 -UN-19JUN96



RE027020

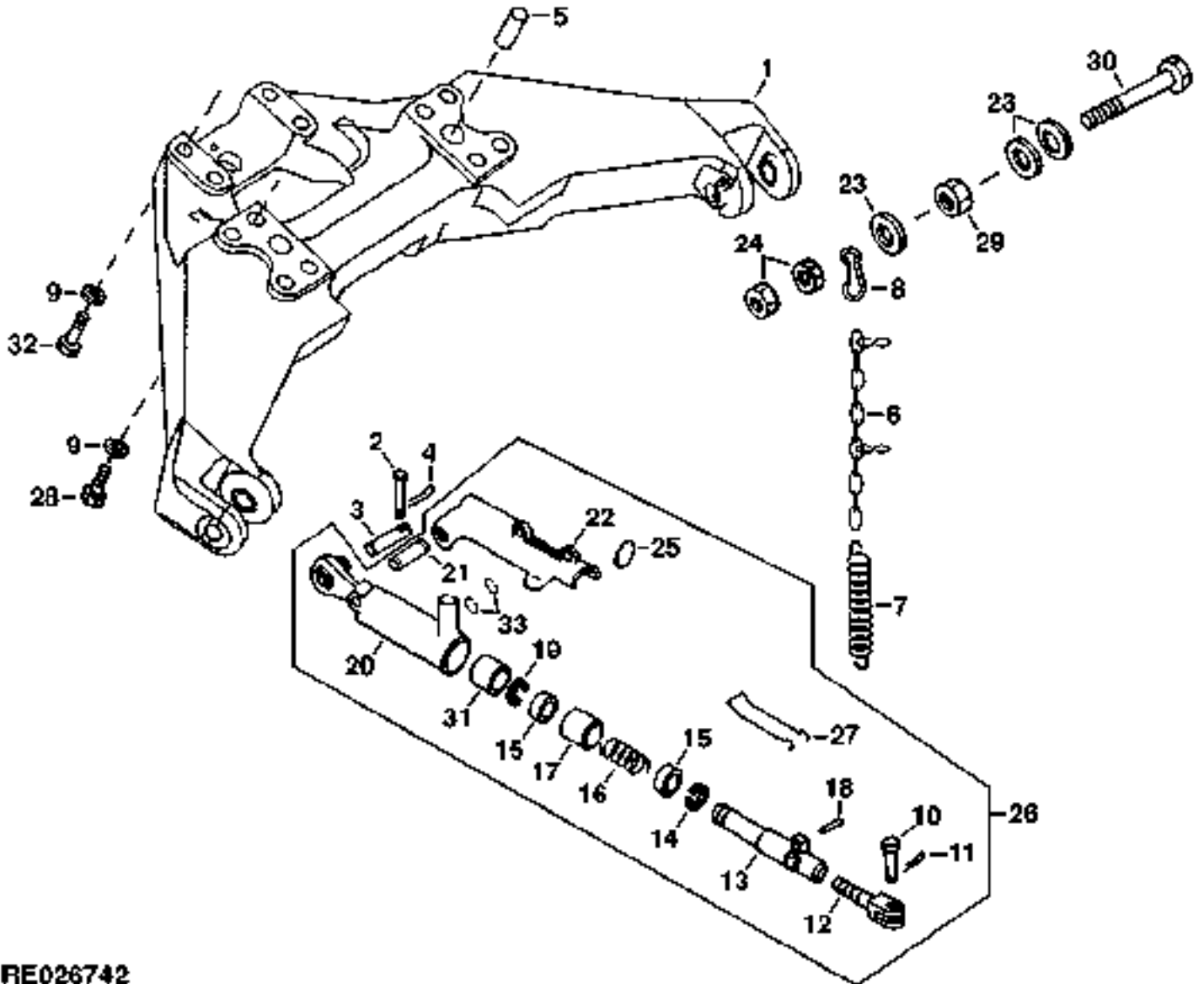
# 7J6

HYDRAULICS

| KEY | PART NO. | PART NAME          | QTY | TRACTOR SERIAL NO. | A<br>L<br>L | REMARKS  |
|-----|----------|--------------------|-----|--------------------|-------------|--|
| 1   | R121253  | SUPPORT            | 1   | -XXXXXX            | X           | (SUB R134168, R130981, (8) R51156, (4) 19M7883, (4) 24M7242 AND (2) 19M8100) |
|     | R126616  | SUPPORT            | 1   | XXXXXX-            | X           | (A) (SUB R130981, R134168, (8) R51156, (4) 19M7883, (4) 24M7242)             |
| 2   | R69166   | PIN                | 2   |                    | X           |  |
| 3   | R121525  | PIN                | 2   |                    | X           |  |
| 4   | 11M7059  | COTTER PIN         | 2   |                    | X           | 3.200 X 20 MM  |
| 5   | T112635  | PIN                | 2   | XXXXXX-            | X           |  |
| 6   | RE57548  | LINK CHAIN         | 2   |                    | X           |  |
| 7   | L59573   | EXTENSION SPRING   | 2   |                    | X           |  |
| 8   | L59572   | HOOK               | 2   |                    | X           |  |
| 9   | 24M7242  | WASHER             | 12  |                    | X           | 21.400 X 42 X 5 MM   |
| 10  | R125399  | PIN                | 1   |                    | X           |  |
| 11  | 11M7037  | COTTER PIN         | 1   |                    | X           | 6.300 X 36 MM  |
| 12  | R125397  | UNIVERSAL JOINT    | 1   |                    | X           |  |
| 13  | L102193  | TUBE               | 1   |                    | X           |  |
| 14  | 40M7149  | RING               | 1   |                    | X           |  |
| 15  | L102196  | RING               | 2   |                    | X           |  |
| 16  | L102198  | COMPRESSION SPRING | 1   |                    | X           |  |
| 17  | R125398  | BUSHING            | 1   |                    | X           |  |
| 18  | 34M7071  | SPRING PIN         | 1   |                    | X           |  |
| 19  | 40M7159  | SNAP RING          | 1   |                    | X           |  |
| 20  | RE63826  | UNIVERSAL JOINT    | 1   |                    | X           | (SUB FOR RE61699)  |
| 21  | 34M7238  | SPRING PIN         | 1   |                    | X           | 20 X 85 MM   |
| 22  | R125396  | LATCH              | 1   |                    | X           |  |
| 23  | 24M7047  | WASHER             | AR  |                    | X           | 13 X 24 X 2.500 MM   |
| 24  | 14M7275  | NUT                | 4   |                    | X           | M12  |
| 25  | 99M7080  | SPRING LOCKING PIN | 1   |                    | X           |  |
| 26  | RE48400  | SUPPORT            | 2   |                    | X           | (SUB RE63545)  |
| 27  | L102199  | HANDLE             | 1   |                    | X           |  |
| 28  | 19M8503  | CAP SCREW          | 8   |                    | X           | M20 X 160, HS 10.9   |
|     | 19M8100  | CAP SCREW          | 2   | XXXXXX-            | X           | M20 X 180, HS 10.9   |
| 29  | 14M7275  | NUT                | 2   |                    | X           | M12  |
| 30  | 19M7361  | CAP SCREW          | 2   |                    | X           | M12 X 50   |
| 31  | L102195  | BUSHING            | 1   |                    | X           |  |
| 32  | 19M7963  | CAP SCREW          | 4   |                    | X           | M20 X 100, HS 10.9   |

(A) ILLUSTRATED  
ILLUSTRE  
DARGESTELLT  
ILLUSTRATO  
ILUSTRADO  
ILLUSTRERAD

HITCH STABILIZER (EUROPEAN VERSION)  
 STABILISATEUR D'ATTELAGE (VERSION EUROPEENNE)  
 ANHAENGEVORRICHTUNG-STABILISATOR (EUROPAEISCHE AUSFUEHRUNG)  
 STABILIZZATORE DELL'ATTACCO (VERSIONE EUROPEA)  
 ESTABILIZADOR DEL ENGANCHE (VERSION EUROPEA)  
 LYFTSTABILISATOR (EUROPEISK VERSION)  
 RE026742 -UN-05JUN96



**RE026742**



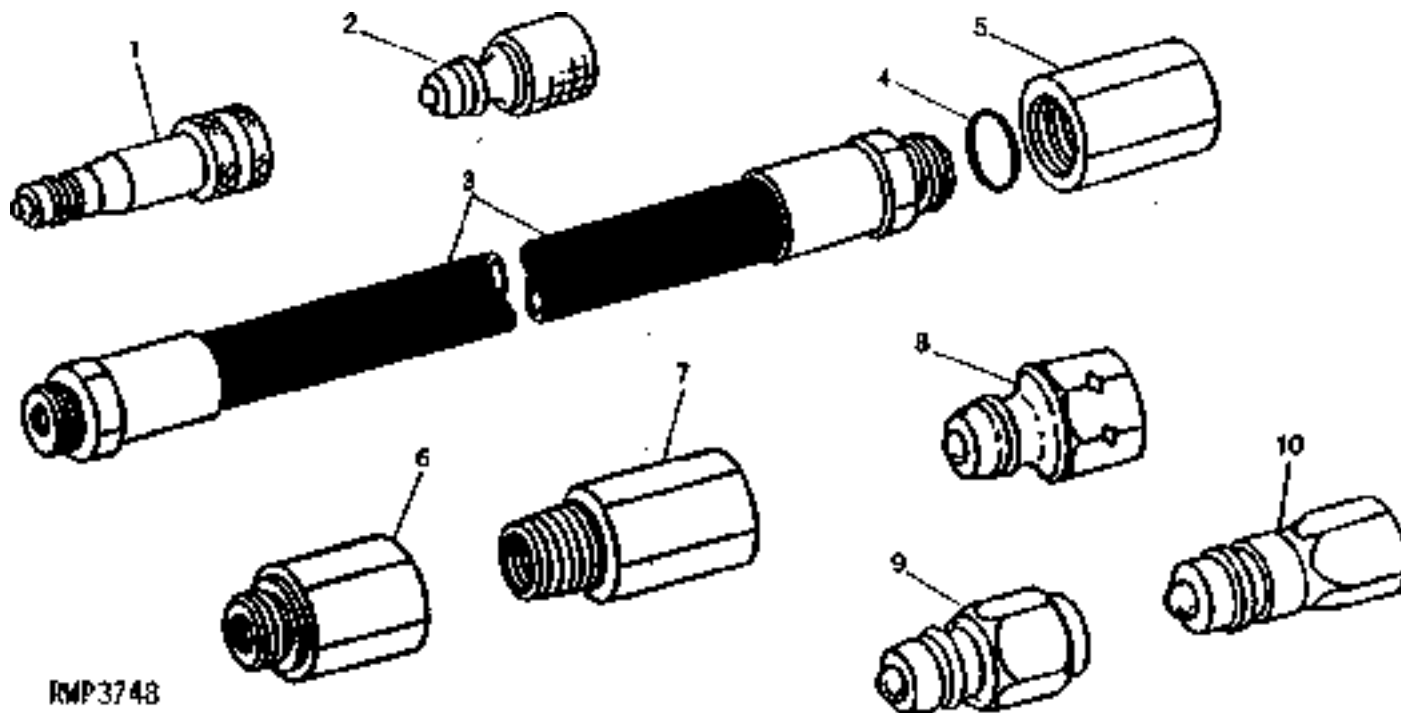
| KEY | PART NO. | PART NAME          | QTY | TRACTOR<br>SERIAL NO. | A<br>L<br>L | REMARKS  |
|-----|----------|--------------------|-----|-----------------------|-------------|--|
| 1   | R121253  | SUPPORT            | 1   | -XXXXXX               | X           | (SUB R134168, R130981, (4) 19M7883, (4) 24M7242, (2) 19M8100 AND (8) R51156) |
|     | R126616  | SUPPORT            | 1   | XXXXXX-009999         | X           | (A) (SUB R134168, R130981, (4) 19M7883, (4) 24M7242 AND (8) R51156)          |
|     | R134168  | SUPPORT            | 1   | 010000-               | X           |  |
| 2   | R69166   | PIN                | 2   |                       | X           |  |
| 3   | R121525  | PIN                | 2   |                       | X           |  |
| 4   | 11M7059  | COTTER PIN         | 2   |                       | X           | 3.200 X 20 MM  |
| 5   | T112635  | PIN                | 2   | XXXXXX-               | X           |  |
| 6   | RE57548  | LINK CHAIN         | 2   |                       | X           |  |
| 7   | L59573   | EXTENSION SPRING   | 2   |                       | X           |  |
| 8   | L59572   | HOOK               | 2   |                       | X           |  |
| 9   | 24M7242  | WASHER             | 12  |                       | X           | 21.400 X 42 X 5 MM   |
| 10  | R125399  | PIN                | 1   |                       | X           |  |
| 11  | 11M7037  | COTTER PIN         | 1   |                       | X           | 6.300 X 36 MM  |
| 12  | R125397  | UNIVERSAL JOINT    | 1   |                       | X           |  |
| 13  | L102193  | TUBE               | 1   |                       | X           |  |
| 14  | 40M7149  | RING               | 1   |                       | X           |  |
| 15  | L102196  | RING               | 2   |                       | X           |  |
| 16  | L102198  | COMPRESSION SPRING | 1   |                       | X           |  |
| 17  | R129727  | BUSHING            | 1   |                       | X           | (B)  |
|     | R125398  | BUSHING            | 1   |                       | X           | (C)  |
| 18  | 34M7071  | SPRING PIN         | 1   |                       | X           |  |
| 19  | 40M7159  | SNAP RING          | 1   |                       | X           |  |
| 20  | RE63826  | UNIVERSAL JOINT    | 1   |                       | X           |  |
| 21  | R128043  | PIN                | 1   |                       | X           |  |
| 22  | R127727  | CATCH              | 1   |                       | X           |  |
| 23  | 24M7047  | WASHER             | AR  |                       | X           | 13 X 24 X 2.500 MM   |
| 24  | 14M7275  | NUT                | 4   |                       | X           | M12  |
| 25  | R128093  | RING               | 1   |                       | X           |  |
| 26  | RE63545  | SUPPORT            | 2   |                       | X           |  |
| 27  | L102199  | HANDLE             | 1   |                       | X           |  |
| 28  | 19M8503  | CAP SCREW          | 8   |                       | X           | M20 X 160, HS 10.9   |
|     | 19M8100  | CAP SCREW          | 2   | XXXXXX-               | X           | M20 X 180, HS 10.9   |
| 29  | 14M7275  | NUT                | 2   |                       | X           | M12  |
| 30  | 19M7361  | CAP SCREW          | 2   |                       | X           | M12 X 50   |
| 31  | L102195  | BUSHING            | 1   |                       | X           |  |
| 32  | 19M7963  | CAP SCREW          | 4   | -009999               | X           | M20 X 100, HS 10.9   |
|     | 19M7883  | SCREW              | 4   | 010000-               | X           | M20 X 120, HS 10.9   |
| 33  | 40M7080  | SNAP RING          | 2   |                       | X           |  |

(A) ILLUSTRATED  
ILLUSTRE  
DARGESTELLT  
ILLUSTRATO  
ILUSTRADO  
ILLUSTRERAD

(B) CATEGORY III  
CATEGORIE III  
KATEGORIE III  
CATEGORIA III  
CATEGORIA III  
KATEGORI III

(C) UNRESTRICTED SWAY  
OSCILLATION LIBRE  
UNEINGESCHRAENKTES PENDELN  
SPOSTAMENTO ILLIMITATO  
OSCILACION NO RESTRINGIDA  
OHAEMMAD PENDLING

IMPLEMENT HYDRAULIC OIL LINES AND FITTINGS  
 RACCORDS ET FLEXIBLES HYDRAULIQUES  
 OELLEITUNGEN UND FITTINGS FUER GERAETE  
 TUBI FLESSIBILI IDRAULICI E RACCORDI PER EQUIPAGGIAMENTO  
 INSTALE MANGUERAS HIDRAULICAS Y CONEXIONES  
 HYDRAULOLJEL EDNINGAR OCH ANSLUTNINGAR, REDSKAP  
 RWP3748 -UN-01JAN94



RWP3748

| KEY | PART NO. | PART NAME                  | QTY | TRACTOR SERIAL NO. | A<br>L<br>L<br>REMARKS                       |
|-----|----------|----------------------------|-----|--------------------|--|
| 1   | AR98202  | HYD. QUICK-CONNECT COUPLER | 1   |                    | X JOHN DEERE/ISO (W/ R21722)                 |
|     | R21722   | O-RING                     | 1   |                    | X  |
|     | RE11457  | ADAPTER                    | 1   |                    | X IHC/ISO (W/ U11647)                        |
| 2   | U11647   | O-RING                     | 1   |                    | X  |
|     | AR98201  | HYD. QUICK-CONNECT COUPLER | 1   |                    | X ISO/JOHN DEERE (W/ R21722 / R71387)        |
|     | RE11456  | ADAPTER                    | 1   |                    | X IHC/JOHN DEERE                             |
|     | RE11458  | ADAPTER                    | 1   |                    | X JOHN DEERE/IHC (W/ R21722)                 |
|     | RE11463  | ADAPTER                    | 1   |                    | X ISO/IHC (W/ R21722)                        |
|     | R21722   | O-RING                     | 1   |                    | X  |
|     | R71387   | WASHER                     | 1   |                    | X  |
| 3   | TY3018   | HYDRAULIC HOSE             | 1   |                    | X 10 X 610 MM (3/8" X 24")                   |
|     | TY3019   | HYDRAULIC HOSE             | 1   |                    | X 10 X 914 MM (3/9" X 36") (SUB FOR AR28755) |
|     | R36658   | HYDRAULIC HOSE - FABRICATE | 1   |                    | X 13 X 610 MM (1/2" X 24")                   |
|     | R36659   | HYDRAULIC HOSE - FABRICATE | 1   |                    | X 13 X 914 MM (1/2" X 36")                   |
| 4   | R26375   | O-RING                     | 1   |                    | X  |
| 5   | R30815   | FITTING                    | 1   |                    | X (A) 19.05 MM (3/4")                        |
| 6   | R30817   | ADAPTER                    | 1   |                    | X 3/4"-16UNF (B) X 1/2"-14NPT (C)            |
| 7   | R30816   | ADAPTER                    | 1   |                    | X 1/2"-14NPT (B) X 3/4"-UNF (C)              |
| 8   | AR93820  | FITTING                    | 1   |                    | X JOHN DEERE, 3/4"-16 UNF                    |
| 9   | RE11447  | FITTING                    | 1   |                    | X (B) JOHN DEERE, 1/2"-14 NPT                |
| 10  | AR94522  | INTERNAL HALF COUPLER      | 1   |                    | X (B) ISO, 3/4"-16 UNF                       |
|     | C14618   | INTERNAL HALF COUPLER      | 1   |                    | X (B) ISO, 1/2"-14 NPSF                      |

(A) THREAD  
 PAS DE VIS  
 GEWINDE  
 FILO  
 ROSCA  
 GAENGA

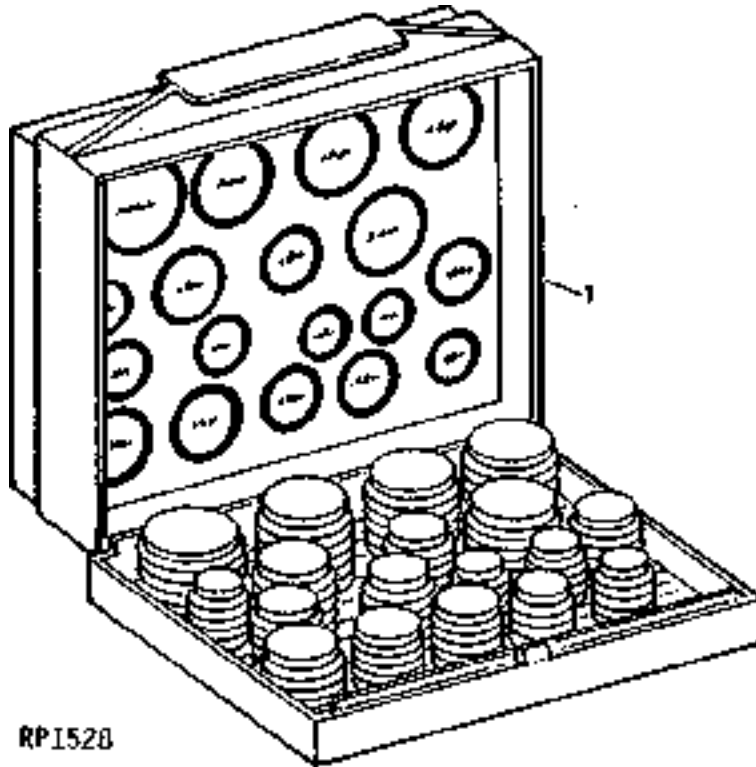
(B) MALE  
 MALE  
 AUSSERGEWINDE  
 MASCHIO  
 MACHO  
 HANKONTAKT

(C) FEMALE  
 FEMELLE  
 INNENGEWINDE  
 FEMMINA  
 HEMBRA  
 HONKONTAKT

# 7J10

HYDRAULICS

O-RING KIT  
 JEU DE PIECES DE JOINT TORIQUE  
 O-RINGSATZ  
 SERIE PEZZI ANELLI O-R  
 JUEGO DE ANILLO TORICO  
 O-RINGSATS  
 RP1528 -UN-01JAN94



RP1528

| KEY | PART NO. | PART NAME  | QTY | TRACTOR<br>SERIAL NO. | A |         |
|-----|----------|------------|-----|-----------------------|---|---------|
|     |          |            |     |                       | L | REMARKS |
| 1   | AR73500  | KIT        | 1   |                       | X | (A)     |
| 2   | TY15939  | O-RING KIT | 1   |                       | X | (B)     |
| 3   | AT85197  | O-RING KIT | 1   |                       | X | (C)     |

(A) HYDRAULIC  
 SYSTEMES HYDRAULIQUES  
 HYDRAULISCHE ANLAGE  
 IDRAULICI  
 HIDRAULICO  
 HYDRAUL

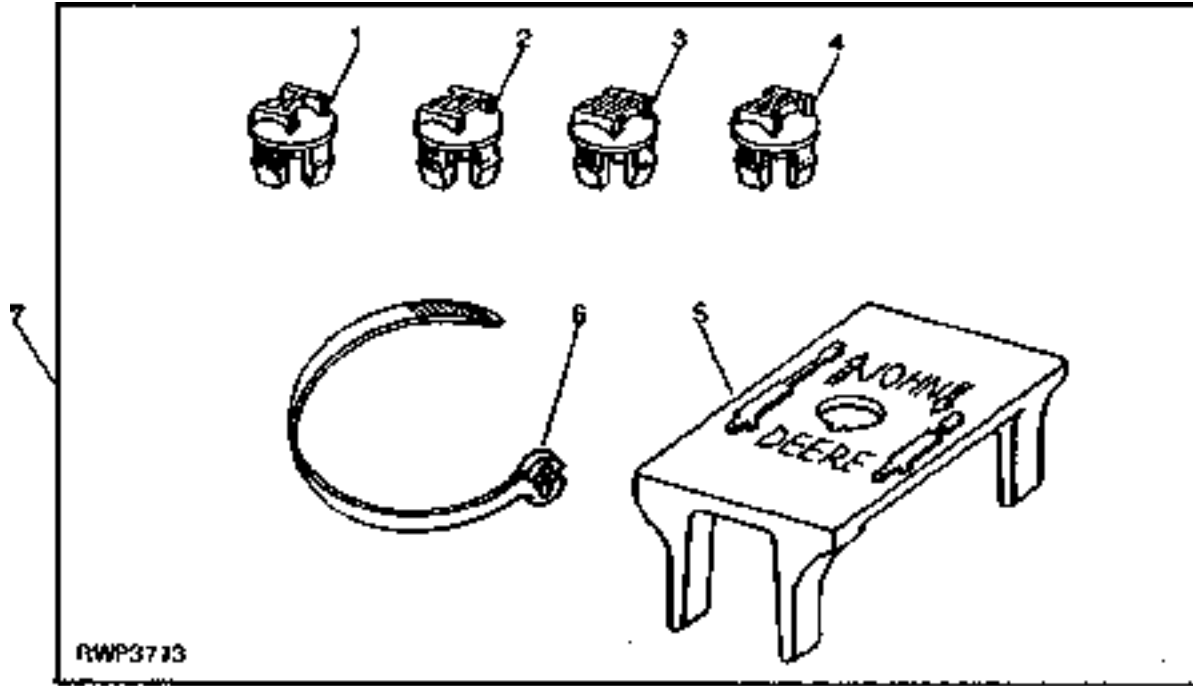
(B) AIR CONDITIONING  
 JOINT TORIQUE D'AIR CONDITIONNE  
 O-RING FUER KLIMAAANLAGE  
 ANELLO DI GUARNIZIONE ARIA CONDIZIONATA  
 ANILLO TORICA PARA ACONDICIONADOR DE  
 LUFTKONDITIONERING O-RING

(C) FLAT FACE  
 FACE PLATE  
 FLACHE STIRNFLAECHE  
 SUPERFICIE PIATTA  
 CARA PLANA  
 PLAN YTA

# 7J11

HYDRAULICS

HOSE IDENTIFICATION KIT  
 KIT D'IDENTIFICATION DE FLEXIBLES  
 SCHLAUCHKENNSATZ  
 KIT DI IDENTIFICAZIONE TUBO FLESSIBILE  
 JUEGO DE IDENTIFICACION DE MANGUERAS  
 SLANGIDENTIFIERINGSSATS  
 RWP3713 -UN-01JAN94



| KEY | PART NO. | PART NAME | QTY | TRACTOR<br>SERIAL NO. | A | REMARKS |
|-----|----------|-----------|-----|-----------------------|---|---------|
|     |          |           |     |                       | L |         |
| 1   | R74242   | PLUG      | 1   |                       | X |         |
| 2   | R74243   | PLUG      | 1   |                       | X |         |
| 3   | R74244   | PLUG      | 1   |                       | X |         |
| 4   | R74246   | PLUG      | 1   |                       | X |         |
| 5   | R76459   | TAG       | 1   |                       | X |         |
| 6   | R76477   | TIE BAND  | 2   |                       | X |         |
| 7   | AR103808 | KIT       | 1   |                       | X |         |

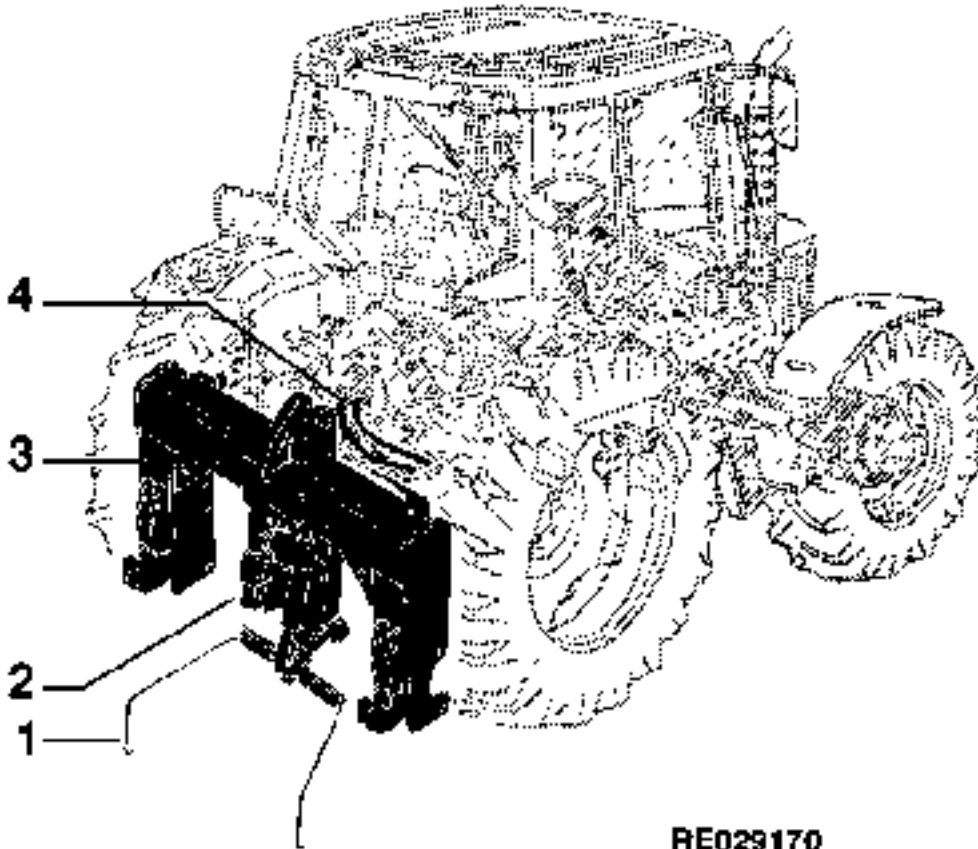
# 8D2

ROW-TRAK

SECTIONAL INDEX  
INDEX DE SECTION  
GRUPPENINDEX  
INDICE DELLA SEZIONE  
INDICE DE SECCION  
GRUPPSFORTECKNING

RE029170 -UN-10MAY99

|     |      |
|-----|------|
| 1 - | 8D6  |
| 2 - | 8D12 |
| 3 - | 8D14 |
| 4 - | 8D18 |



RE029170

# 8D3

ROW-TRAK

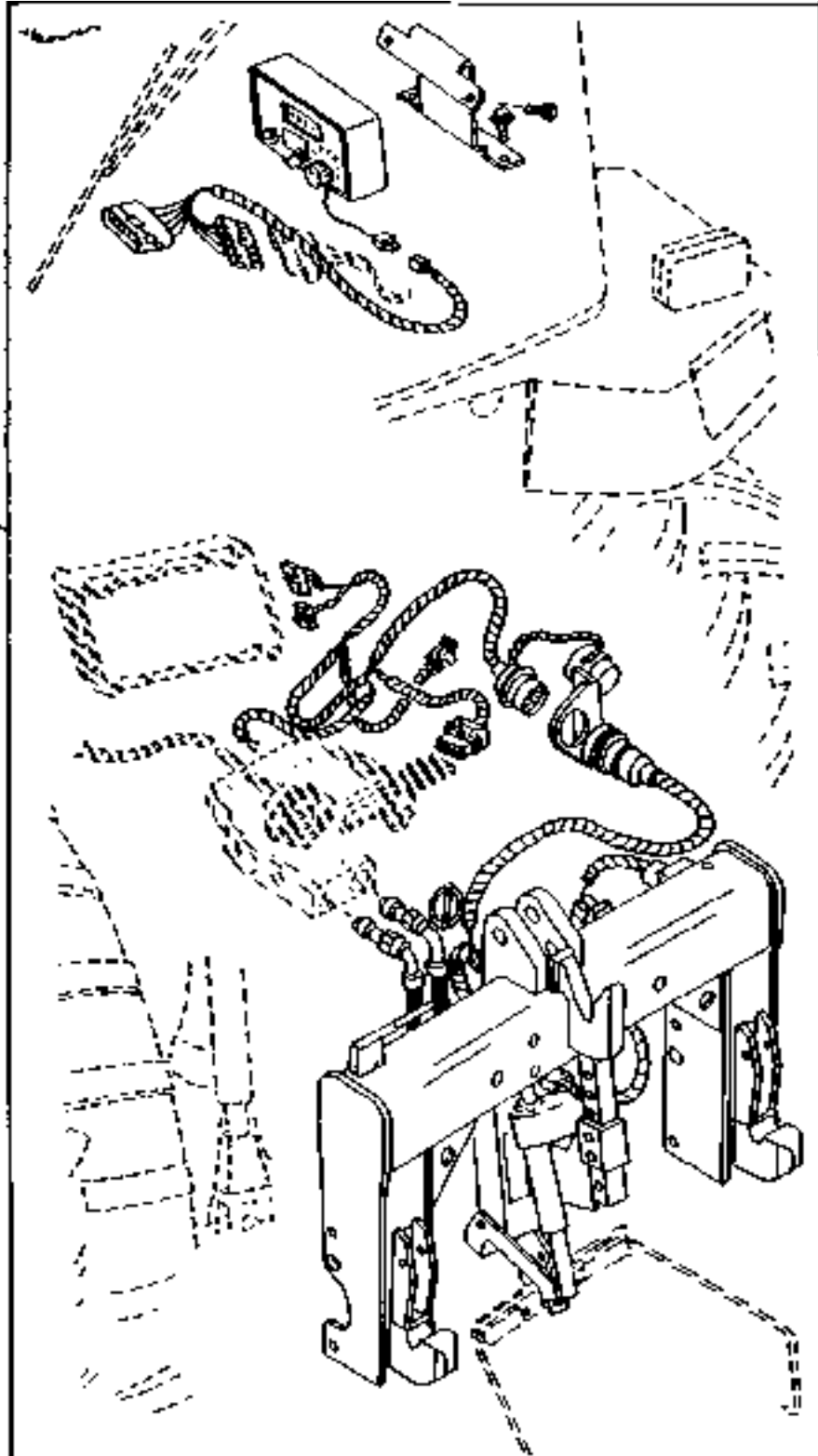
SECTIONAL INDEX  
INDEX DE SECTION  
GRUPPENINDEX  
INDICE DELLA SEZIONE  
INDICE DE SECCION  
GRUPPSFORTECKNING

MEMORANDA  
MEMORANDA  
MEMORANDA  
MEMORANDA  
MEMORANDA

# 8D4

ROW-TRAK

ROW-TRAK KIT  
JEU DE ROW-TRAK  
ROW-TRAK SATZ  
KIT DEL ROW-TRAK  
JUEGO DE ROW-TRAK  
SATS MED ROW-TRAK  
RE026123 -UN-04MAR95



RE026123



# 8D5

| KEY | PART NO. | PART NAME | QTY | TRACTOR<br>SERIAL NO. | A<br>L<br>L | REMARKS   |
|-----|----------|-----------|-----|-----------------------|-------------|-----------|
| 1   | AR114631 | KIT       | 1   |                       | X           | (A) (NLA) |
|     | AR114633 | KIT       | 1   |                       | X           | (B) (NLA) |

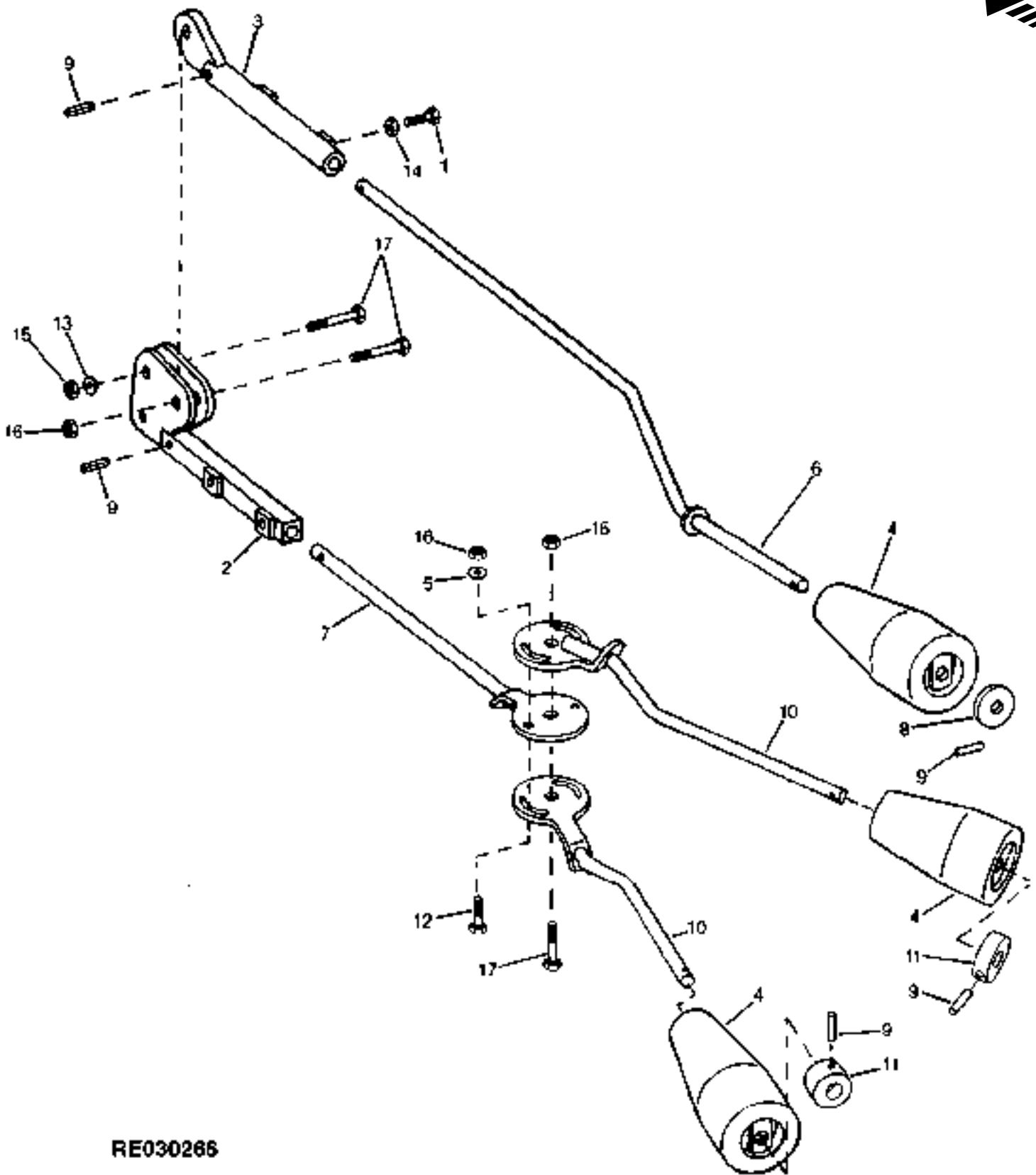
(A) CATEGORY III  
CATEGORIE III  
KATEGORIE III  
CATEGORIA III  
CATEGORIA III  
KATEGORI III

(B) CATEGORY IIIN  
CATEGORIE IIIN  
KATEGORIE IIIN  
CATEGORIA IIIN  
CATEGORIA IIIN  
KATEGORI IIIN

# 8D6

ROW-TRAK

ROW-TRAK 3 BALL PROBE KIT  
JEU DE SONDE A 3 BILLES ROW-TRAK  
ROW-TRAK 3 KUGELSONDENSATZ  
KIT DELLA SONDA A DOPPIA SFERA ROW-TRAK  
JUEGO DE SONDA (3 BOLAS) ROW-TRAK  
SATS MED SOND (3 KULOR) FOER ROW-TRAK  
RE030266 -UN-18DEC98



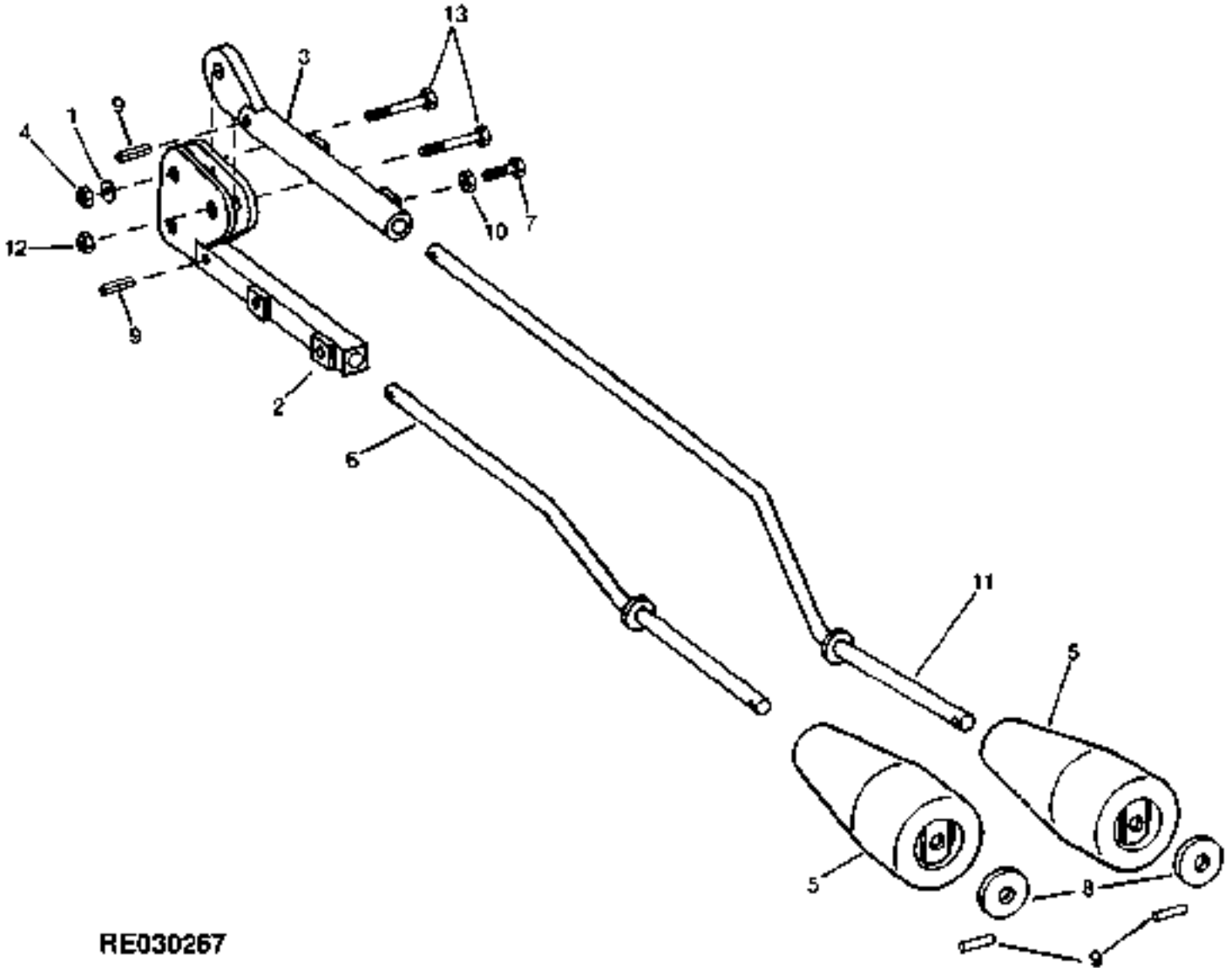
RE030266

# 8D7

ROW-TRAK

| KEY | PART NO. | PART NAME      | QTY | TRACTOR<br>SERIAL NO. | A<br>L<br>L | REMARKS                |
|-----|----------|----------------|-----|-----------------------|-------------|------------------------|
| 1   | 22H818   | SET SCREW      | 4   |                       | X           | 5/16" X 3/4"           |
| 2   | RE62952  | MOUNTING PARTS | 1   |                       | X           |                        |
| 3   | RE62954  | GRIP           | 1   |                       | X           |                        |
| 4   | RE62956  | BALL           | 3   |                       | X           |                        |
| 5   | 24M7028  | WASHER         | 2   |                       | X           | 10.500 X 20 X 2 MM     |
| 6   | RE62959  | ROD            | 1   |                       | X           |                        |
| 7   | RE62960  | ROD            | 1   |                       | X           |                        |
| 8   | 24H1338  | WASHER         | 1   |                       | X           | 33/64" X 7/8" X 0.048" |
| 9   | 34H282   | SPRING PIN     | 5   |                       | X           | 3/16" X 1"             |
| 10  | RE62961  | ROD            | 2   |                       | X           |                        |
| 11  | R126891  | STOP           | 2   |                       | X           |                        |
| 12  | 03M7194  | BOLT           | 2   |                       | X           | M10 X 40               |
| 13  | 12M7033  | LOCK WASHER    | 2   |                       | X           | 10.500 MM              |
| 14  | 14H611   | NUT            | 4   |                       | X           | 5/16"                  |
| 15  | 14M7274  | NUT            | 2   |                       | X           | M10                    |
| 16  | 14M7517  | LOCK NUT       | 4   |                       | X           | M10                    |
| 17  | 19M8637  | CAP SCREW      | 4   |                       | X           | M10 X 40               |

ROW-TRAK 2 BALL PROBE KIT  
JEU DE SONDE A 2 BILLES ROW-TRAK  
ROW-TRAK 2 KUGELSONDENSATZ  
KIT DELLA SONDA A DOPPIA SFERA ROW-TRAK  
JUEGO DE SONDA (2 BOLAS) ROW-TRAK  
SATS MED SOND (2 KULOR) FOER ROW-TRAK  
RE030267 -UN-27JAN99



**RE030267**

# 8D9

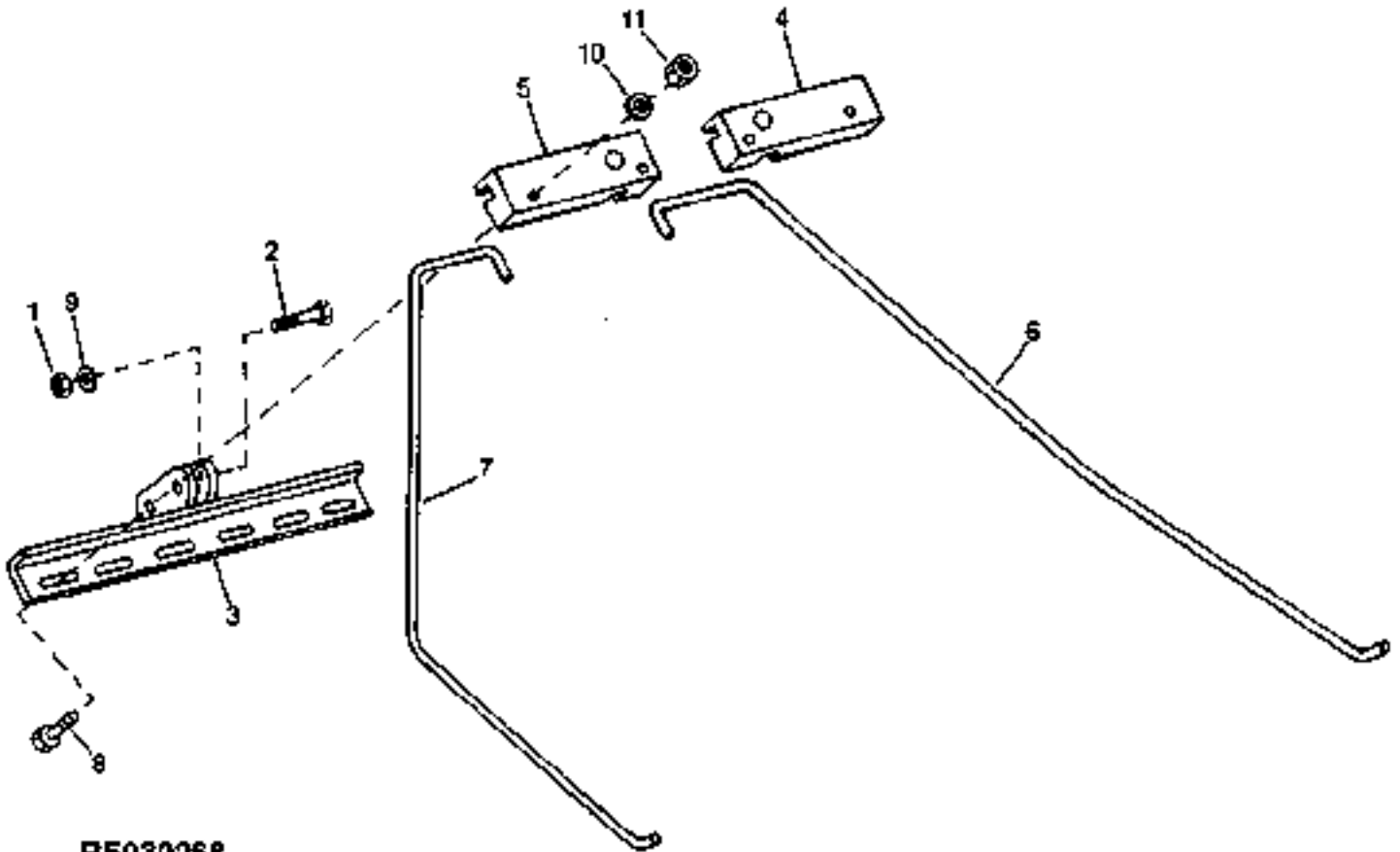
ROW-TRAK

| KEY | PART NO. | PART NAME      | QTY | TRACTOR<br>SERIAL NO. | A<br>L<br>L | REMARKS                |
|-----|----------|----------------|-----|-----------------------|-------------|------------------------|
| 1   | 12M7033  | LOCK WASHER    | 2   |                       | X           | 10.500 MM              |
| 2   | RE62952  | MOUNTING PARTS | 1   |                       | X           |                        |
| 3   | RE62954  | GRIP           | 1   |                       | X           |                        |
| 4   | 14M7274  | NUT            | 2   |                       | X           | M10                    |
| 5   | RE62956  | BALL           | 2   |                       | X           |                        |
| 6   | RE62957  | ROD            | 1   |                       | X           |                        |
| 7   | 22H818   | SET SCREW      | 4   |                       | X           | 5/16" X 3/4"           |
| 8   | 24H1338  | WASHER         | 2   |                       | X           | 33/64" X 7/8" X 0.048" |
| 9   | 34H282   | SPRING PIN     | 2   |                       | X           | 3/16" X 1"             |
| 10  | 14H611   | NUT            | 4   |                       | X           | 5/16"                  |
| 11  | RE62959  | ROD            | 1   |                       | X           |                        |
| 12  | 14M7517  | LOCK NUT       | 1   |                       | X           | M10                    |
| 13  | 19M8637  | CAP SCREW      | 3   |                       | X           | M10 X 40               |

# 8D10

ROW-TRAK

ROW-TRAK WAND PROBE KIT  
JEU DE SONDE A PLONGEUR ROW-TRAK  
ROW-TRAK STABSONDENSATZ  
KIT DELLA SONDA A BACCHETTA ROW-TRAK  
JUEGO DE SONDA (VARILLA) ROW-TRAK  
SATS MED SOND (STAV) FOER ROW-TRAK  
RE030268 -UN-27JAN99



# 8D11

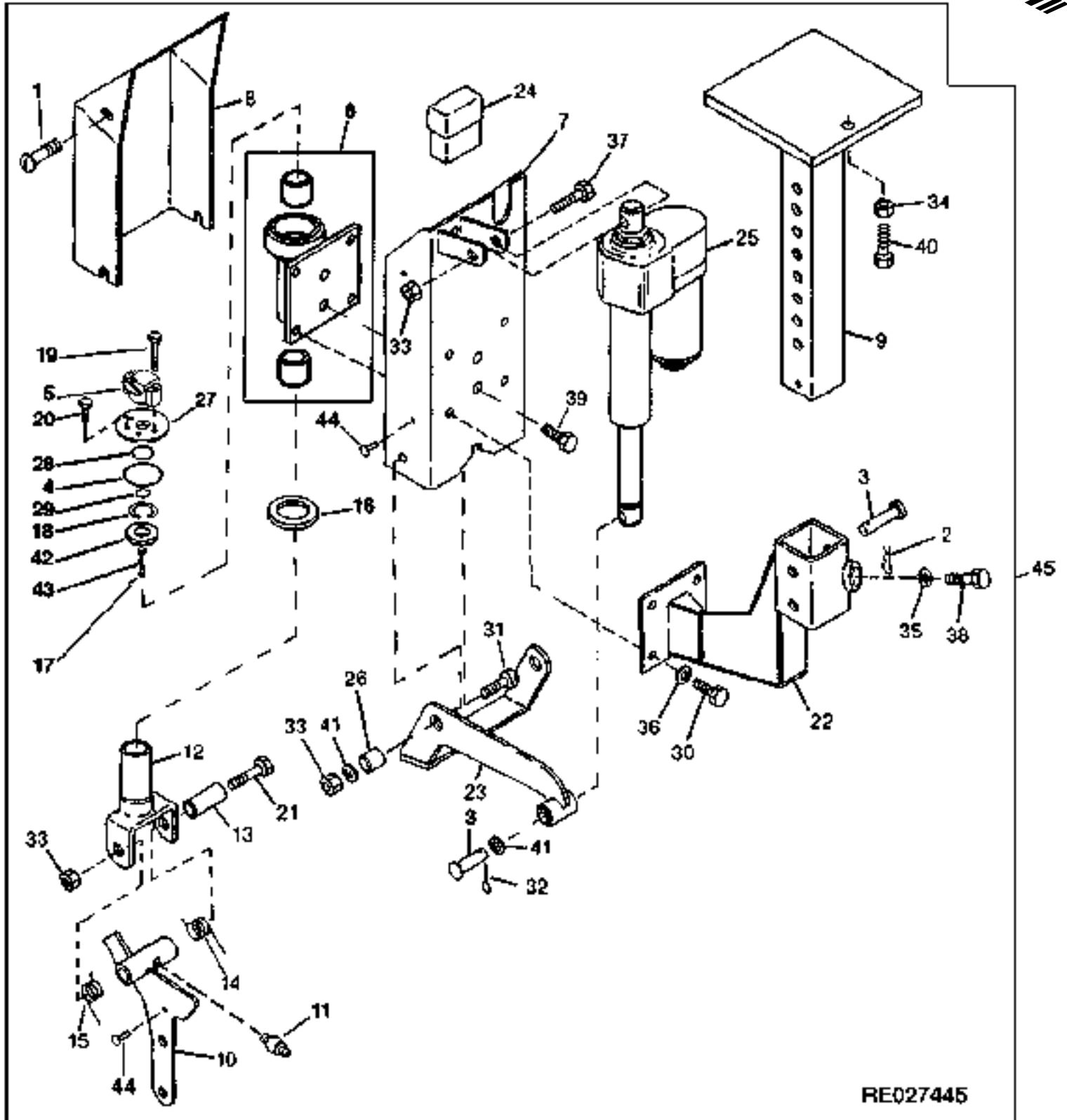
ROW-TRAK

| KEY | PART NO. | PART NAME   | QTY | TRACTOR<br>SERIAL NO. | A<br>L<br>L | REMARKS   |
|-----|----------|-------------|-----|-----------------------|-------------|-----------|
| 1   | 14M7274  | NUT         | 2   |                       | X           | M10       |
| 2   | 19M7550  | CAP SCREW   | 2   |                       | X           | M10 X 35  |
| 3   | RE62951  | ROD         | 1   |                       | X           |           |
| 4   | R126868  | BLOCK CLAMP | 1   |                       | X           |           |
| 5   | R126870  | BLOCK CLAMP | 1   |                       | X           |           |
| 6   | R126873  | ROD         | 1   |                       | X           |           |
| 7   | R126874  | ROD         | 1   |                       | X           |           |
| 8   | 19M7933  | CAP SCREW   | 4   |                       | X           | M6 X 25   |
| 9   | 12M7033  | LOCK WASHER | 2   |                       | X           | 10.500 MM |
| 10  | 12M7081  | LOCK WASHER | 4   |                       | X           | 6.400 MM  |
| 11  | 14M7272  | NUT         | 4   |                       | X           | M6        |

# 8D12

ROW-TRAK

ROW-TRAK PROBE BOX  
JEU DE BOITIER DE CAPTEUR ROW-TRAK  
ROW-TRAK-SONDENKASTENSATZ  
KIT DELLA SCATOLA DELLA Sonda ROW-TRAK  
JUEGO DE CAJA DE Sonda DE ROW-TRAK  
SATS MED SONDERINGSBOX FOER ROW-TRAK  
RE027445 -UN-13NOV96





# 8D13

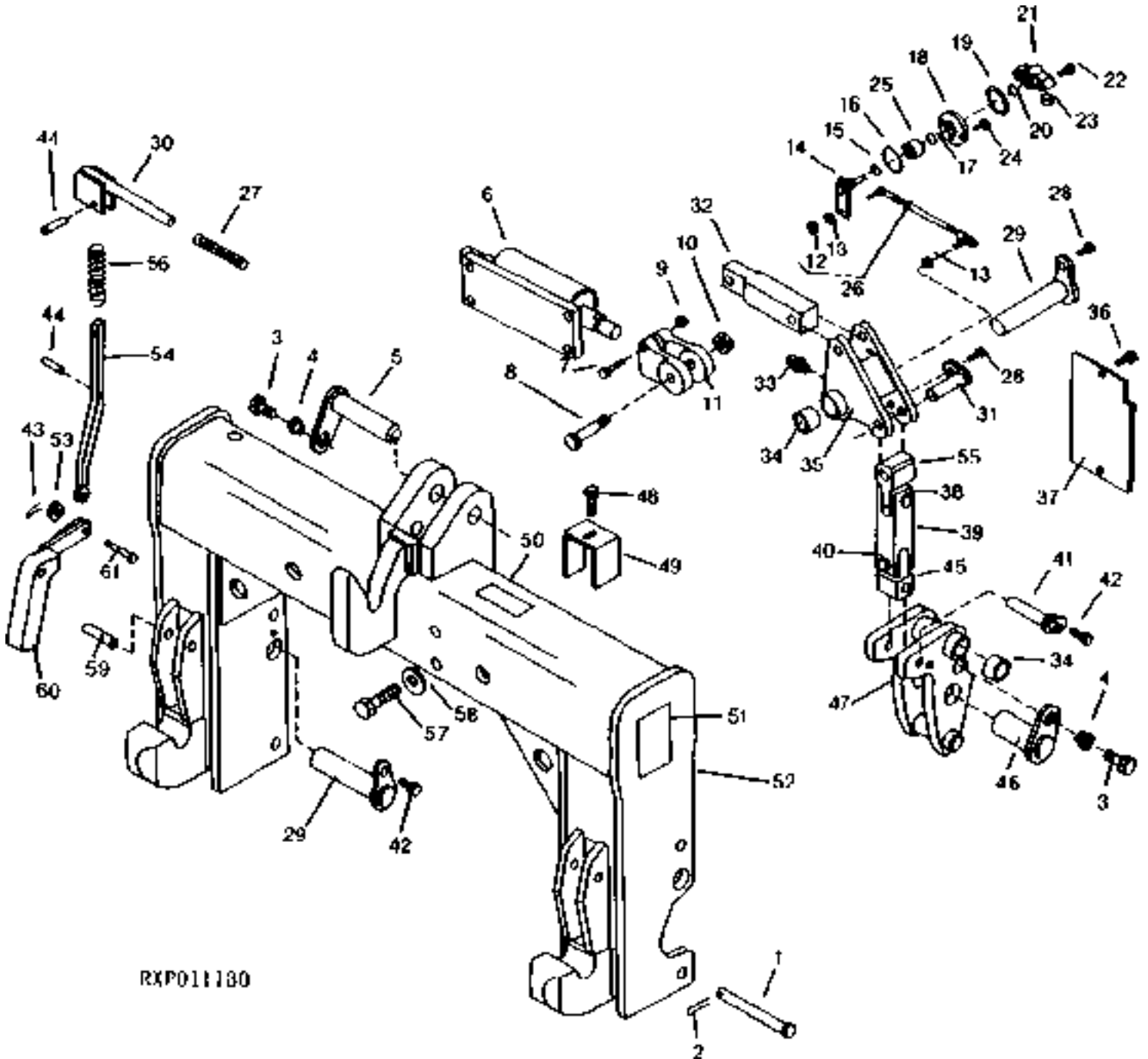
ROW-TRAK

| KEY | PART NO. | PART NAME           | QTY | TRACTOR<br>SERIAL NO. | A<br>L<br>L | REMARKS            |
|-----|----------|---------------------|-----|-----------------------|-------------|--------------------|
| 1   | 37M7089  | SCREW               | 2   |                       | X           | M6 X 12            |
| 2   | A15147   | SPRING LOCKING PIN  | 1   |                       | X           |                    |
| 3   | M90097   | PIN                 | 2   |                       | X           |                    |
| 4   | N260556  | O-RING              | 1   |                       | X           |                    |
| 5   | RE53380  | SENSOR              | 1   |                       | X           |                    |
| 6   | RE63801  | HOUSING             | 1   |                       | X           |                    |
| 7   | RE62816  | BRACKET             | 1   |                       | X           |                    |
| 8   | R126721  | COVER               | 1   |                       | X           |                    |
| 9   | RE62817  | SUPPORT             | 1   |                       | X           |                    |
| 10  | RE62823  | SUPPORT             | 1   |                       | X           |                    |
| 11  | JD7797   | LUBRICATION FITTING | 2   |                       | X           |                    |
| 12  | RE62827  | SENSOR              | 1   |                       | X           |                    |
| 13  | R126747  | BUSHING             | 1   |                       | X           |                    |
| 14  | R126927  | SPRING              | 1   |                       | X           |                    |
| 15  | R126928  | SPRING              | 1   |                       | X           |                    |
| 16  | R127172  | BEARING             | 1   |                       | X           |                    |
| 17  | 25H1192  | GROOVE PIN          | 1   |                       | X           | 1/16" X 3/4"       |
| 18  | R127214  | SNAP RING           | 1   |                       | X           |                    |
| 19  | 37M7034  | SCREW               | 2   |                       | X           |                    |
| 20  | 37M7036  | SCREW               | 1   |                       | X           |                    |
| 21  | 19M8122  | CAP SCREW           | 1   |                       | X           | M12 X 85, HS 10.9  |
| 22  | RE62820  | SUPPORT             | 1   |                       | X           |                    |
| 23  | RE62824  | LIFT ARM            | 1   |                       | X           |                    |
| 24  | RE63063  | RELAY               | 1   |                       | X           |                    |
| 25  | RE63065  | ACTUATOR            | 1   |                       | X           |                    |
| 26  | R126748  | BUSHING             | 1   |                       | X           |                    |
| 27  | R126929  | PLATE               | 1   |                       | X           |                    |
| 28  | R127213  | SNAP RING           | 1   |                       | X           |                    |
| 29  | R56465   | O-RING              | 1   |                       | X           |                    |
| 30  | 03M7184  | BOLT                | 4   |                       | X           | M8 X 20            |
| 31  | 03M7353  | BOLT                | 2   |                       | X           | M12 X 30           |
| 32  | 11M7087  | COTTER PIN          | 1   |                       | X           | 4 X 40 MM          |
| 33  | 14M7313  | LOCK NUT            | 4   |                       | X           | M12                |
| 34  | 14M7335  | NUT                 | 1   |                       | X           | M20                |
| 35  | 14M7415  | NUT                 | 1   |                       | X           | M12                |
| 36  | 14M7426  | LOCK NUT            | 4   |                       | X           | M8                 |
| 37  | 19M7361  | CAP SCREW           | 1   |                       | X           | M12 X 50, HS 10.9  |
| 38  | 19M7493  | CAP SCREW           | 1   |                       | X           | M12 X 40, HS 10.9  |
| 39  | 19M7783  | SCREW               | 2   |                       | X           | M10 X 16, HS 10.9  |
| 40  | 19M7946  | CAP SCREW           | 1   |                       | X           | M20 X 40, HS 10.9  |
| 41  | 24M7047  | WASHER              | 3   |                       | X           | 13 X 24 X 2.500 MM |
| 42  | E11077   | WASHER              | 1   |                       | X           |                    |
| 43  | R126814  | DRIVE SHAFT         | 1   |                       | X           |                    |
| 44  | 16H672   | RIVET               | 4   |                       | X           | 1/4" X 3/4"        |
| 45  | RE58318  | MODULE              | 1   |                       | X           |                    |

# 8D14

ROW-TRAK

ROW-TRAK QUICK COUPLER  
ACCOUPLMENT RAPIDE ROW-TRAK  
ROW-TRAK-SCHNELLKUPPLUNG  
ATTACCO RAPIDO ROW-TRAK  
ACOPLADOR RAPIDO DE ROW-TRAK  
ROW-TRAK SNABBKOPPLING  
RXP011180 -UN-23MAR95



RXP011180

# 8D15

ROW-TRAK

| KEY | PART NO. | PART NAME           | QTY | TRACTOR SERIAL NO. | A<br>L<br>L | REMARKS              |
|-----|----------|---------------------|-----|--------------------|-------------|----------------------|
| 1   | R125051  | PIN                 | 2   |                    | X           |                      |
| 2   | 11M7087  | COTTER PIN          | 2   |                    | X           | 4 X 40 MM            |
| 3   | 19M8029  | CAP SCREW           | 8   |                    | X           | M16 X 30, HS 10.9    |
| 4   | R125149  | BUSHING             | 3   |                    | X           |                      |
| 5   | RE61452  | PIN                 | 1   |                    | X           |                      |
| 6   | RE61451  | CYLINDER            | 1   |                    | X           |                      |
|     | RE63794  | KIT                 | 1   |                    | X           |                      |
| 7   | 19M7979  | SCREW               | 2   |                    | X           | M8 X 55, HS 10.9     |
| 8   | R125050  | PIN                 | 2   |                    | X           |                      |
| 9   | 14M7426  | LOCK NUT            | 2   |                    | X           | M8                   |
| 10  | K40014   | LOCK NUT            | 4   |                    | X           | 1/2"                 |
| 11  | R125053  | CLEVIS              | 1   |                    | X           |                      |
| 12  | 14H860   | NUT                 | 3   |                    | X           | 1/4"                 |
| 13  | 12H302   | LOCK WASHER         | 2   |                    | X           | 1/4"                 |
| 14  | RE61449  | ARM                 | 1   |                    | X           |                      |
| 15  | R28776   | O-RING              | 1   |                    | X           |                      |
| 16  | N260556  | O-RING              | 1   |                    | X           |                      |
| 17  | R32507   | SNAP RING           | 1   |                    | X           |                      |
| 18  | R126929  | PLATE               | 1   |                    | X           |                      |
| 19  | R127213  | SNAP RING           | 1   |                    | X           |                      |
| 20  | R56465   | O-RING              | 1   |                    | X           |                      |
| 21  | RE53380  | SENSOR              | 1   |                    | X           |                      |
| 22  | 37M7034  | SCREW               | 2   |                    | X           |                      |
| 23  | RE63036  | CAP                 | 1   |                    | X           |                      |
| 24  | 37M7036  | SCREW               | 1   |                    | X           |                      |
| 25  | R125055  | BEARING             | 1   |                    | X           |                      |
| 26  | RE61456  | TURNBUCKLE          | 1   |                    | X           |                      |
| 27  | W27358   | GRIP                | 2   |                    | X           |                      |
| 28  | 19M8242  | SCREW               | 6   |                    | X           | M12 X 16, HS 10.9    |
| 29  | RE63026  | PIN                 | 4   |                    | X           |                      |
| 30  | RE61463  | HANDLE              | 2   |                    | X           |                      |
| 31  | RE61450  | PIN                 | 4   |                    | X           |                      |
| 32  | R125056  | LINK                | 2   |                    | X           | (A)                  |
|     | R125090  | LINK                | 2   |                    | X           | (B)                  |
| 33  | JD7797   | LUBRICATION FITTING | 4   |                    | X           |                      |
| 34  | R125062  | BEARING             | 8   |                    | X           |                      |
| 35  | RE63524  | CRANK               | 1   |                    | X           | R.H.                 |
|     | RE63525  | CRANK               | 1   |                    | X           | L.H.                 |
| 36  | 19M7865  | SCREW               | 4   |                    | X           | M8 X 16, HS 10.9     |
| 37  | R125054  | COVER               | 2   |                    | X           |                      |
| 38  | M40514   | SNAP RING           | 4   |                    | X           |                      |
| 39  | R125057  | LINK                | 2   |                    | X           |                      |
| 40  | R125060  | PIN                 | 2   |                    | X           |                      |
| 41  | RE61460  | PIN                 | 2   |                    | X           |                      |
| 42  | 19M7787  | SCREW               | 4   |                    | X           | M12 X 20, HS 10.9    |
| 43  | 11M7081  | COTTER PIN          | 2   |                    | X           | 2.500 X 20 MM        |
| 44  | 34H329   | SPRING PIN          | 4   |                    | X           | 5/16" X 1-1/4"       |
| 45  | R125059  | LINK                | 2   |                    | X           |                      |
| 46  | RE61447  | PIN                 | 2   |                    | X           |                      |
| 47  | RE63528  | PIVOT               | 1   |                    | X           | R.H.                 |
|     | RE63527  | PIVOT               | 1   |                    | X           | L.H.                 |
|     | JD7797   | LUBRICATION FITTING | 2   |                    | X           |                      |
| 48  | 37M7089  | SCREW               | 1   |                    | X           | M6 X 12              |
| 49  | RE61464  | SHIELD              | 1   |                    | X           |                      |
| 50  | R122428  | LABEL               | 1   |                    | X           |                      |
| 51  | R126470  | MEDALLION           | 2   |                    | X           |                      |
| 52  | RE61453  | FRAME               | 1   |                    | X           | (A)                  |
|     | RE61498  | FRAME               | 1   |                    | X           | (B)                  |
| 53  | 24H1122  | WASHER              | 2   |                    | X           | 3/8" X 7/8" X 0.083" |
| 54  | R125061  | LINK                | 2   |                    | X           |                      |
| 55  | R125058  | LINK                | 2   |                    | X           |                      |
| 56  | R125046  | SPRING              | 2   |                    | X           |                      |
| 57  | 19M7946  | CAP SCREW           | 4   |                    | X           | M20 X 40, HS 10.9    |
| 58  | 24M7242  | WASHER              | 4   |                    | X           | 21.400 X 42 X 5 MM   |
| 59  | N137598  | SPRING PIN          | 2   |                    | X           |                      |
| 60  | RE61454  | LATCH               | 1   |                    | X           | R.H.                 |
|     | RE61455  | LATCH               | 1   |                    | X           | L.H.                 |
| 61  | BP13811  | PIN                 | 2   |                    | X           |                      |

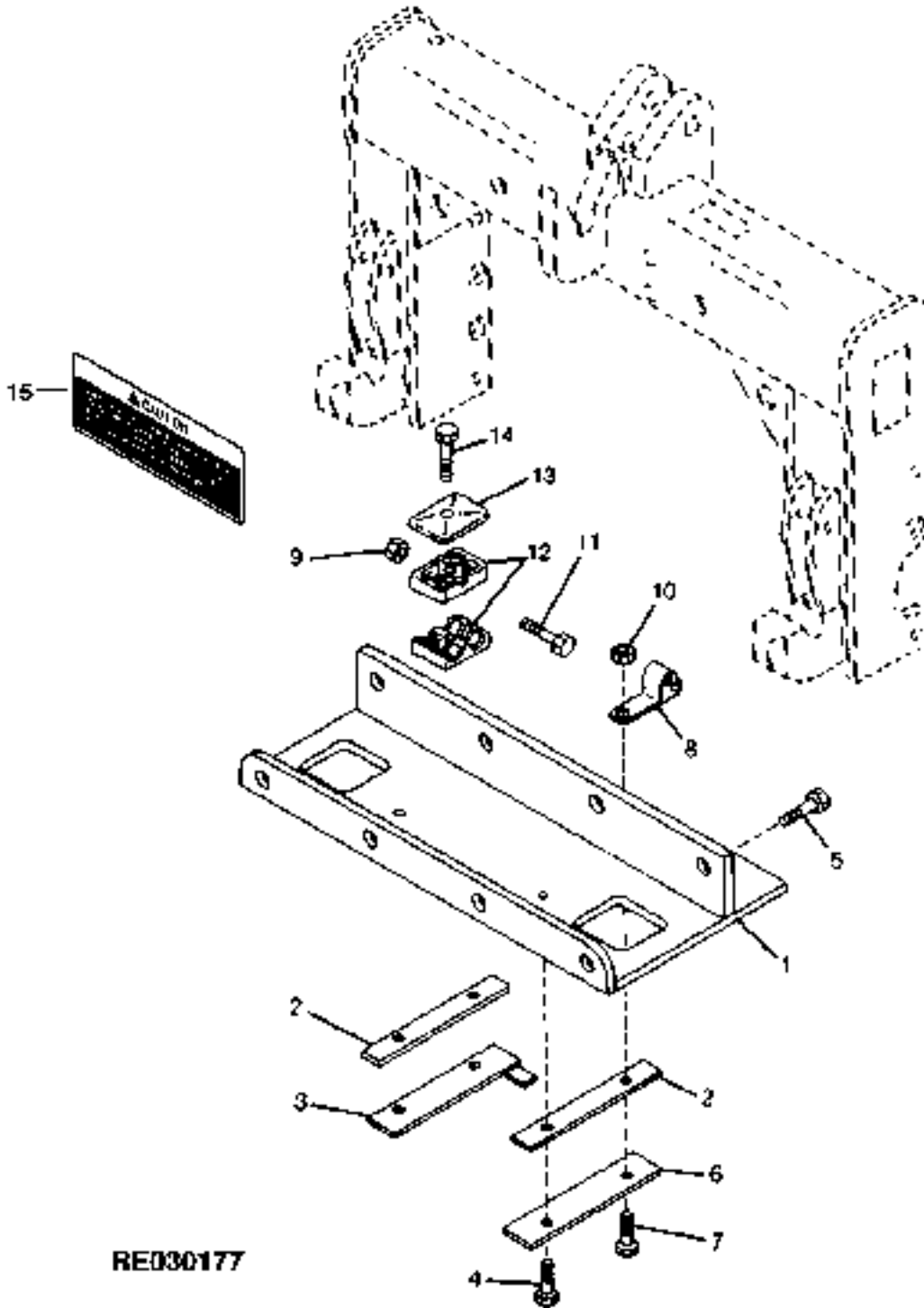
(A) CATEGORY IIIN  
 CATEGORIE IIIN  
 KATEGORIE IIIN  
 CATEGORIA IIIN  
 CATEGORIA IIIN  
 KATEGORI IIIN

(B) CATEGORY III  
 CATEGORIE III  
 KATEGORIE III  
 CATEGORIA III  
 CATEGORIA III  
 KATEGORI III

# 8D16

ROW-TRAK

ROW-TRAK PROBE BOX MOUNTING RAIL  
RAIL DE MONTAGE DE BOITIER DE CAPTEUR ROW-TRAK  
ROW-TRAK-SONDENKASTEN-BEFESTIGUNGSSCHIENE  
BINARIO DI MONTAGGIO DELLA SCATOLA DELLA Sonda ROW-TRAK  
RIEL DE MONTAJE DE CAJA DE Sonda ROW-TRAK  
MONTERINGSSKENA FOER ROW-TRAK SONDERINGSBOX  
RE030177 -UN-17NOV98



**RE030177**

# 8D17

ROW-TRAK

| KEY | PART NO. | PART NAME      | QTY | TRACTOR<br>SERIAL NO. | A<br>L<br>L | REMARKS           |
|-----|----------|----------------|-----|-----------------------|-------------|-------------------|
| 1   | RE63037  | SUPPORT        | 1   |                       | X           | (A)               |
|     | RE63038  | SUPPORT        | 1   |                       | X           | (B)               |
| 2   | R127150  | MOUNTING PARTS | 2   |                       | X           |                   |
| 3   | RE63039  | MOUNTING PARTS | 1   |                       | X           |                   |
| 4   | 19M7550  | CAP SCREW      | 3   |                       | X           | M10 X 35, HS 10.9 |
| 5   | 19M8029  | CAP SCREW      | 8   |                       | X           | M16 X 30, HS 10.9 |
| 6   | R128036  | MOUNTING PARTS | 1   |                       | X           |                   |
| 7   | 19M8320  | SCREW          | 1   |                       | X           | M10 X 45          |
| 8   | R107991  | CLAMP          | 1   |                       | X           |                   |
| 9   | K40014   | LOCK NUT       | 4   |                       | X           |                   |
| 10  | 14M7517  | LOCK NUT       | 1   |                       | X           | M10               |
| 11  | R125050  | PIN            | 2   |                       | X           |                   |
| 12  | H120847  | CLAMP          | 2   |                       | X           |                   |
| 13  | H121168  | PLATE          | 1   |                       | X           |                   |
| 14  | 19M8359  | CAP SCREW      | 1   |                       | X           | M8 X 45           |
| 15  | R161282  | LABEL          | 1   |                       | X           |                   |

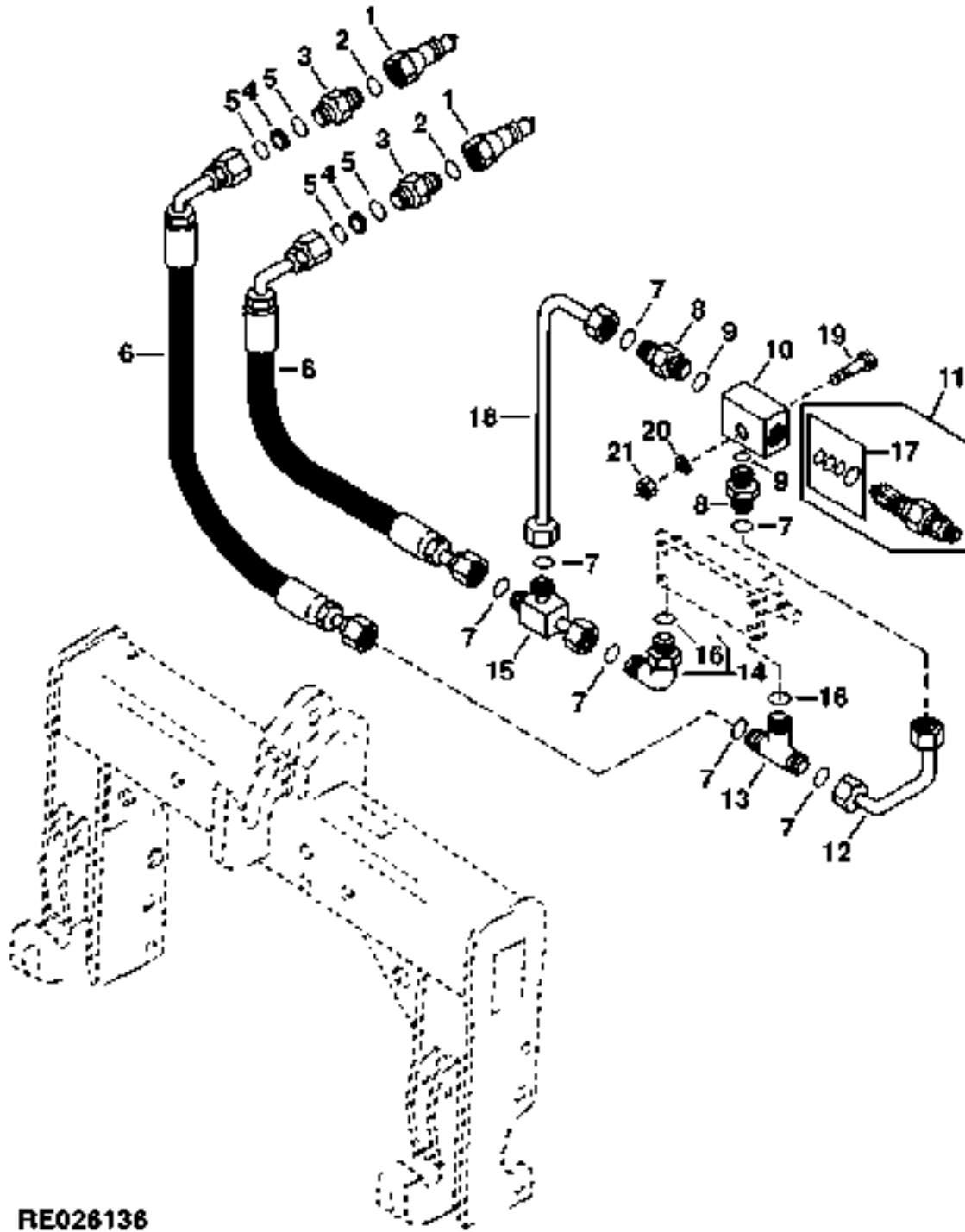
(A) CATEGORY IIIN  
 CATEGORIE IIIN  
 KATEGORIE IIIN  
 CATEGORIA IIIN  
 CATEGORIA IIIN  
 KATEGORI IIIN

(B) CATEGORY III  
 CATEGORIE III  
 KATEGORIE III  
 CATEGORIA III  
 CATEGORIA III  
 KATEGORI III

# 8D18

ROW-TRAK

ROW-TRAK QUICK COUPLER CYLINDER LINES  
CONDUITES DE VERIN D'ACCOUPLMENT RAPIDE ROW-TRAK  
ROW-TRAK-SCHNELLKUPPLUNG-ZYLINDERLEITUNGEN  
LINEE DEL CILINDRO DELL'ATTACCO RAPIDO ROW-TRAK  
LINEAS DE CILINDRO CON ACOPLADORES RAPIDOS PARA ROW-TRAK  
CYLINDERLEDNINGAR TILL ROW-TRAK SNABBKOPPLING  
RE026136 -UN-17MAR97



**RE026136**

# 8D19

ROW-TRAK

| KEY | PART NO. | PART NAME             | QTY | TRACTOR<br>SERIAL NO. | A<br>L<br>L | REMARKS               |
|-----|----------|-----------------------|-----|-----------------------|-------------|-----------------------|
| 1   | AR94522  | INTERNAL HALF COUPLER | 2   |                       | X           |                       |
| 2   | R26375   | O-RING                | 2   |                       | X           |                       |
| 3   | 38H1171  | ADAPTER               | 2   |                       | X           |                       |
| 4   | R126588  | PLATE                 | 2   |                       | X           |                       |
| 5   | T77613   | O-RING                | 4   |                       | X           |                       |
| 6   | RE58324  | HYDRAULIC HOSE        | 2   |                       | X           |                       |
| 7   | T77613   | O-RING                | 11  |                       | X           |                       |
| 8   | 38H1160  | ADAPTER               | 2   |                       | X           |                       |
| 9   | R26448   | O-RING                | 2   |                       | X           |                       |
| 10  | R127877  | MANIFOLD              | 1   |                       | X           |                       |
| 11  | RE63686  | RELIEF VALVE          | 1   |                       | X           |                       |
| 12  | RE63599  | OIL LINE              | 1   |                       | X           |                       |
| 13  | 38H5123  | TEE FITTING           | 1   |                       | X           |                       |
| 14  | 38H5016  | ELBOW FITTING         | 1   |                       | X           |                       |
| 15  | 38H1030  | TEE FITTING           | 1   |                       | X           |                       |
| 16  | 51M7041  | O-RING                | 2   |                       | X           | 11.300 X 2.200 MM     |
| 17  | RE63795  | SEAL KIT              | 1   |                       | X           | (A)                   |
| 18  | RE63600  | OIL LINE              | 1   |                       | X           |                       |
| 19  | 19M8069  | SCREW                 | 1   |                       | X           | M6 X 55               |
| 20  | 24M7088  | WASHER                | 1   |                       | X           | 6.600 X 12 X 1.600 MM |
| 21  | 14M7272  | NUT                   | 1   |                       | X           | M6                    |

(A) RELIEF VALVE  
 CLAPET DE DECHARGE  
 UEBERDRUCKVENTIL  
 VALVOLA DI SICUREZZA  
 VALVULA DE ALIVIO  
 SAEKERHETSVENTIL

MEMORANDA  
MEMORANDA  
MEMORANDA  
MEMORANDA  
MEMORANDA



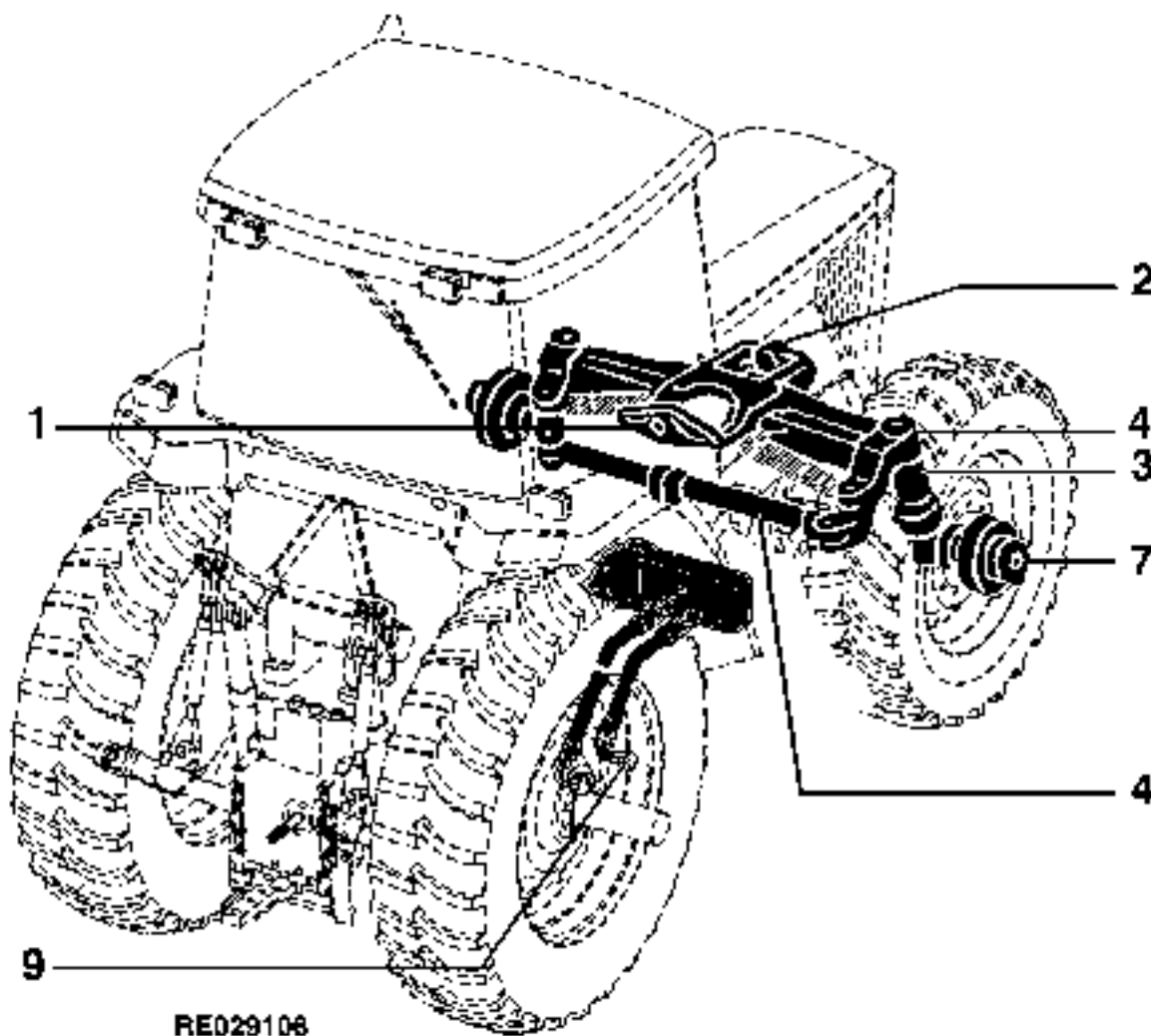
# 8E4

WHEEL, FRONT AXLES, SHEET METAL

SECTIONAL INDEX  
INDEX DE SECTION  
GRUPPENINDEX  
INDICE DELLA SEZIONE  
INDICE DE SECCION  
GRUPPSFORTECKNING

RE029106 -UN-10MAY99

|      |      |
|------|------|
| 1 -  | 8E8  |
| 2 -  | 8E9  |
| 3 -  | 8E13 |
| 4 -  | 8E15 |
| 5 -  | 8E17 |
| 6 -  | 8E21 |
| 7 -  | 8F1  |
| 8 -  | 8F2  |
| 9 -  | 8F5  |
| 10 - | 8F7  |
| 11 - | 8F9  |
| 12 - | 8F10 |
| 13 - | 8F11 |
| 14 - | 8F13 |
| 15 - | 8F14 |
| 16 - | 8F15 |
| 17 - | 8F17 |
| 18 - | 8F18 |
| 19 - | 8F19 |
| 20 - | 8F21 |
| 21 - | 8F23 |
| 22 - | 8G2  |
| 23 - | 8G3  |
| 24 - | 8G4  |
| 25 - | 8G5  |
| 26 - | 8G6  |
| 27 - | 8G7  |



RE029106

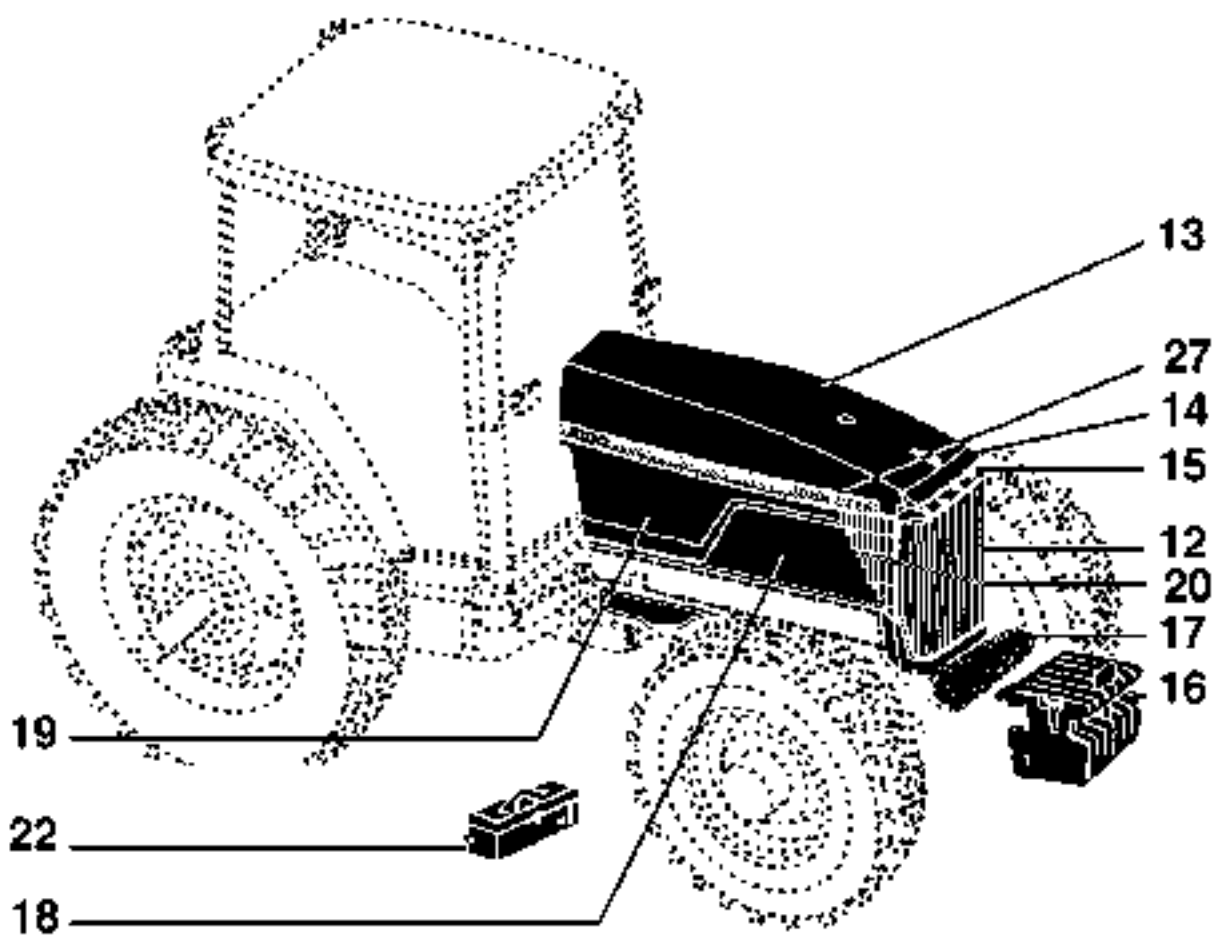
# 8E5

WHEEL, FRONT AXLES, SHEET METAL

SECTIONAL INDEX  
INDEX DE SECTION  
GRUPPENINDEX  
INDICE DELLA SEZIONE  
INDICE DE SECCION  
GRUPPSFORTECKNING

RE029107 -UN-10MAY99

|      |      |
|------|------|
| 1 -  | 8E8  |
| 2 -  | 8E9  |
| 3 -  | 8E13 |
| 4 -  | 8E15 |
| 5 -  | 8E17 |
| 6 -  | 8E21 |
| 7 -  | 8F1  |
| 8 -  | 8F2  |
| 9 -  | 8F5  |
| 10 - | 8F7  |
| 11 - | 8F9  |
| 12 - | 8F10 |
| 13 - | 8F11 |
| 14 - | 8F13 |
| 15 - | 8F14 |
| 16 - | 8F15 |
| 17 - | 8F17 |
| 18 - | 8F18 |
| 19 - | 8F19 |
| 20 - | 8F21 |
| 21 - | 8F23 |
| 22 - | 8G2  |
| 23 - | 8G3  |
| 24 - | 8G4  |
| 25 - | 8G5  |
| 26 - | 8G6  |
| 27 - | 8G7  |



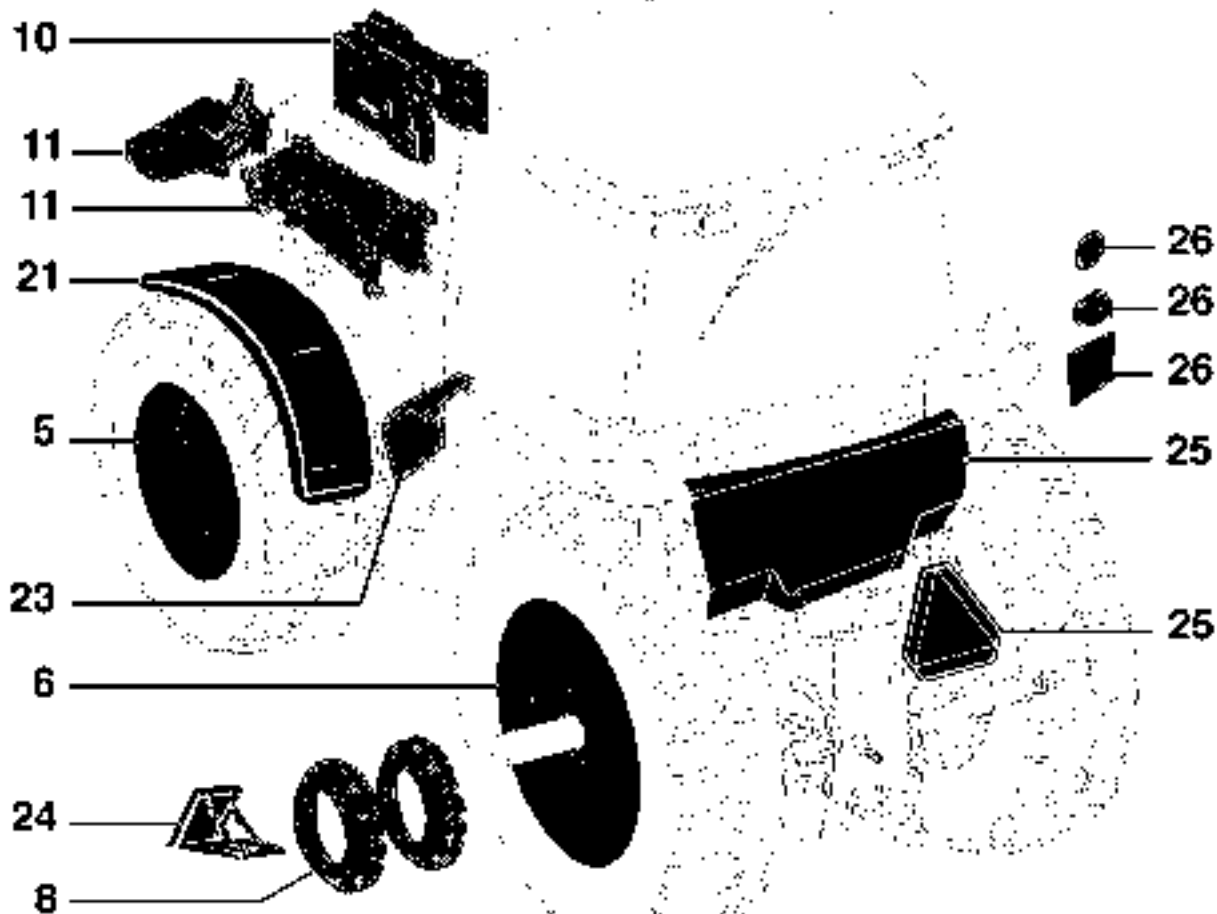
RE029107

# 8E6

WHEEL, FRONT AXLES, SHEET METAL

SECTIONAL INDEX  
INDEX DE SECTION  
GRUPPENINDEX  
INDICE DELLA SEZIONE  
INDICE DE SECCION  
GRUPPSFORTECKNING

RE029108 -UN-10MAY99



|      |      |
|------|------|
| 1 -  | 8E8  |
| 2 -  | 8E9  |
| 3 -  | 8E13 |
| 4 -  | 8E15 |
| 5 -  | 8E17 |
| 6 -  | 8E21 |
| 7 -  | 8F1  |
| 8 -  | 8F2  |
| 9 -  | 8F5  |
| 10 - | 8F7  |
| 11 - | 8F9  |
| 12 - | 8F10 |
| 13 - | 8F11 |
| 14 - | 8F13 |
| 15 - | 8F14 |
| 16 - | 8F15 |
| 17 - | 8F17 |
| 18 - | 8F18 |
| 19 - | 8F19 |
| 20 - | 8F21 |
| 21 - | 8F23 |
| 22 - | 8G2  |
| 23 - | 8G3  |
| 24 - | 8G4  |
| 25 - | 8G5  |
| 26 - | 8G6  |
| 27 - | 8G7  |

RE029108

# 8E7

WHEEL, FRONT AXLES, SHEET METAL

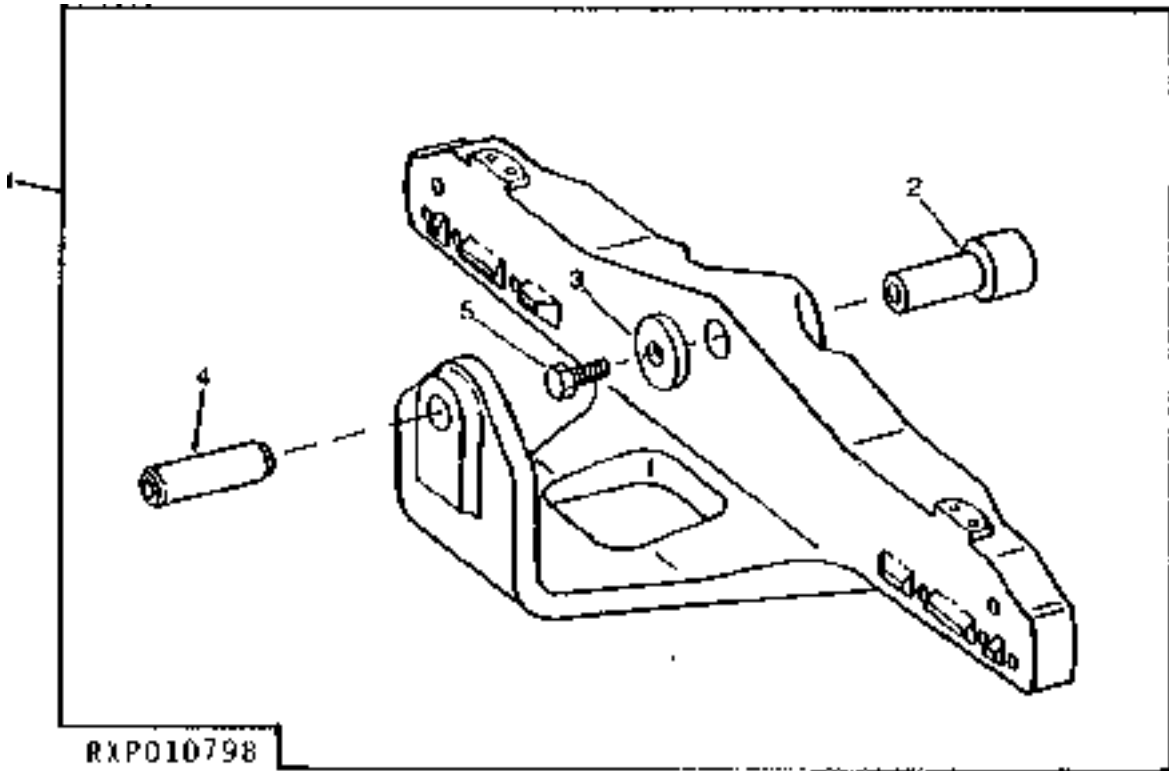
---

SECTIONAL INDEX  
INDEX DE SECTION  
GRUPPENINDEX  
INDICE DELLA SEZIONE  
INDICE DE SECCION  
GRUPPSFORTECKNING

# 8E8

WHEEL, FRONT AXLES, SHEET METAL

FRONT AXLE CENTER  
 PARTIE INTERMEDIAIRE D'ESSIEU AVANT  
 VORDERACHS-MITTELSTUECK  
 ASSALE CENTRALE ANTERIORE  
 PUENTE CENTRAL DEL EJE DELANTERO  
 MITTSEKTION AV FRAMAXELN  
 RXP010798 -UN-01JAN94

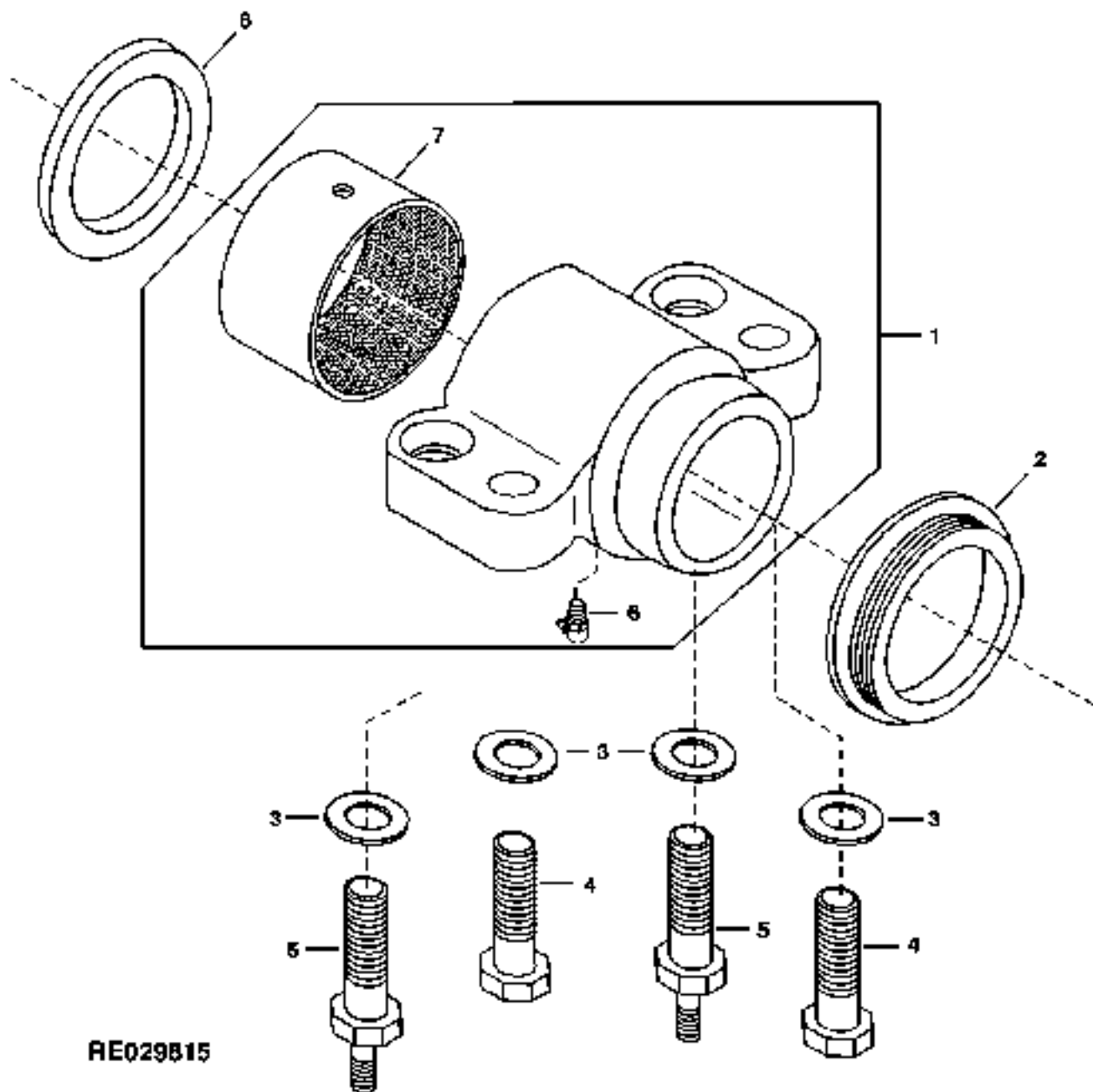


| KEY | PART NO. | PART NAME  | QTY | TRACTOR SERIAL NO.               | REMARKS   |
|-----|----------|------------|-----|----------------------------------|---|
|     |          |            |     | 8 8 8<br>1 2 3<br>0 0 0<br>0 0 0 |   |
| 1   | RE49988  | FRONT AXLE | 1   | X X X                            | (MARKED R111397, R128226 OR R132030)<br>(SUB RE67366) |
| 2   | R111398  | PIN        | 1   | X X X                            |   |
| 3   | R116440  | WASHER     | 1   | X X X                            |   |
| 4   | R73635   | BUSHING    | 1   | X X X                            | REAR  |
| 5   | 19M8639  | CAP SCREW  | 1   | X X X                            | M20 X 70, HS 10.9                                     |

# 8E9

WHEEL, FRONT AXLES, SHEET METAL

FRONT AXLE REAR PIVOT SUPPORT  
SUPPORT DE PIVOT ARRIERE D'ESSIEU AVANT  
HINTERE VORDERACHS-GELENKZAPFENLAGER  
SUPPORTO DELL'ARTICOLAZIONE POST.DELL'ASSALE ANT.  
SOPORTE DEL PIVOTE TRASERO DEL EJE DELANTERO  
FRAMAXELNS BAKRE LEDSTOED  
RE029815 -UN-20AUG98



RE029815

# 8E10

WHEEL, FRONT AXLES, SHEET METAL

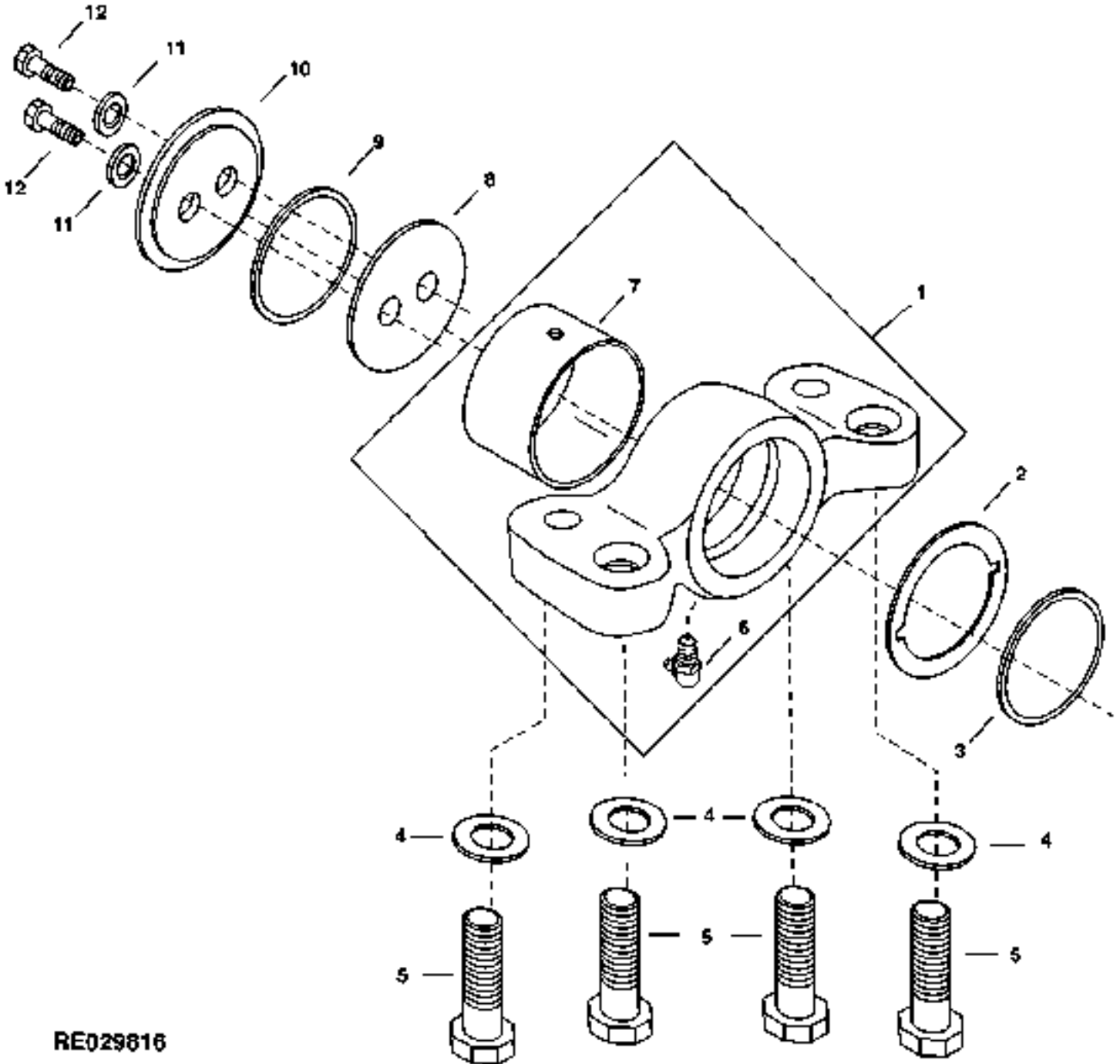
| KEY | PART NO. | PART NAME           | QTY | TRACTOR    |       |       | REMARKS                   |
|-----|----------|---------------------|-----|------------|-------|-------|---------------------------|
|     |          |                     |     | SERIAL NO. | 8 8 8 | 1 2 3 |                           |
| 1   | RE53180  | SUPPORT             | 1   | -XXXXXX    | X X X |       | (A) W/MFWD, (SUB RE62205) |
|     | RE62205  | SUPPORT             | 1   | XXXXXX-    | X X X |       | (B) W/MFWD                |
|     | RE53046  | SUPPORT             | 1   |            | X X X |       | W/O MFWD                  |
| 2   | R116353  | SEAL                | 1   |            | X X X |       | W/MFWD                    |
| 3   | 24M7242  | WASHER              | 4   |            | X X X |       | 21.400 X 42 X 5 MM        |
| 4   | 19M7892  | CAP SCREW           | 4   |            | X X X |       | M20 X 80                  |
| 5   | R113329  | ANCHOR              | 2   |            | X X X |       | W/O MFWD                  |
| 6   | JD7798   | LUBRICATION FITTING | 1   |            | X X X |       |                           |
| 7   | R109639  | BUSHING             | 1   | -XXXXXX    | X X X |       | (A) W/MFWD                |
|     | R125974  | BUSHING             | 1   | XXXXXX-    | X X X |       | (B) W/MFWD                |
|     | R109808  | BUSHING             | 1   |            | X X X |       | W/O MFWD                  |
| 8   | R107466  | SEAL                | 1   |            | X X X |       | MFWD                      |

(A) ( -XXXXXX) 8100-001490; 8200-001460; 8300-002510; 8400-001120  
 (B) (XXXXXX- ) 8100-001491; 8200-001461; 8300-002511; 8400-001121

# 8E11

WHEEL, FRONT AXLES, SHEET METAL

FRONT AXLE FRONT PIVOT FRONT SUPPORT (MFWD)  
SUPPORT DE PIVOT AVANT D'ESSIEU AVANT (MFWD)  
VORDERES VORDERACHS-GELENKZAPFENLAGER (MFWD)  
SUPPORTO DELL'ARTICOLAZIONE ANT.DELL'ASSALE ANT (MFWD)  
SOPORTE DEL PIVOTE DELANTERO DEL EJE DELANTERO (MFWD)  
FRAMAXELNS FRAEMRE LEDSTOED (MFWD)  
RE029816 -UN-18AUG98



RE029816



# 8E12

WHEEL, FRONT AXLES, SHEET METAL

| KEY | PART NO. | PART NAME           | QTY | TRACTOR<br>SERIAL NO. | A | REMARKS                             |
|-----|----------|---------------------|-----|-----------------------|---|-------------------------------------|
|     |          |                     |     |                       | L |                                     |
| 1   | RE61477  | SUPPORT             | 1   | -XXXXXX               | X | (A) (SUB FOR R107230) (SUB RE62204) |
|     | RE62204  | SUPPORT             | 1   | XXXXXX-               | X | (B)                                 |
| 2   | R124958  | THRUST WASHER       | 1   |                       | X | MFWD                                |
| 3   | R134224  | PACKING             | 2   |                       | X | MFWD, (SUB FOR R124959)             |
| 4   | 24M7242  | WASHER              | 4   |                       | X | 21.400 X 42 X 5 MM                  |
| 5   | 19M7892  | CAP SCREW           | 4   |                       | X | M20 X 80 HS 10.9                    |
| 6   | JD7798   | LUBRICATION FITTING | 1   |                       | X |                                     |
| 7   | R109639  | BUSHING             | 1   | -XXXXXX               | X | (A)                                 |
|     | R125974  | BUSHING             | 1   | XXXXXX-               | X | (B)                                 |
| 8   | R124961  | THRUST WASHER       | 1   |                       | X | W/ MFWD                             |
|     | R107448  | WASHER              | 1   |                       | X | W/O MFWD                            |
| 9   | R134224  | PACKING             | 1   |                       | X | W/ MFWD, (SUB FOR R124959)          |
| 10  | R124962  | RETAINER            | 1   |                       | X | W/ MFWD                             |
| 11  | 24M7241  | WASHER              | 2   |                       | X | 17 X 34 X 4 MM                      |
| 12  | 19M7488  | CAP SCREW           | 2   |                       | X | M16 X 40 HS 10.9                    |

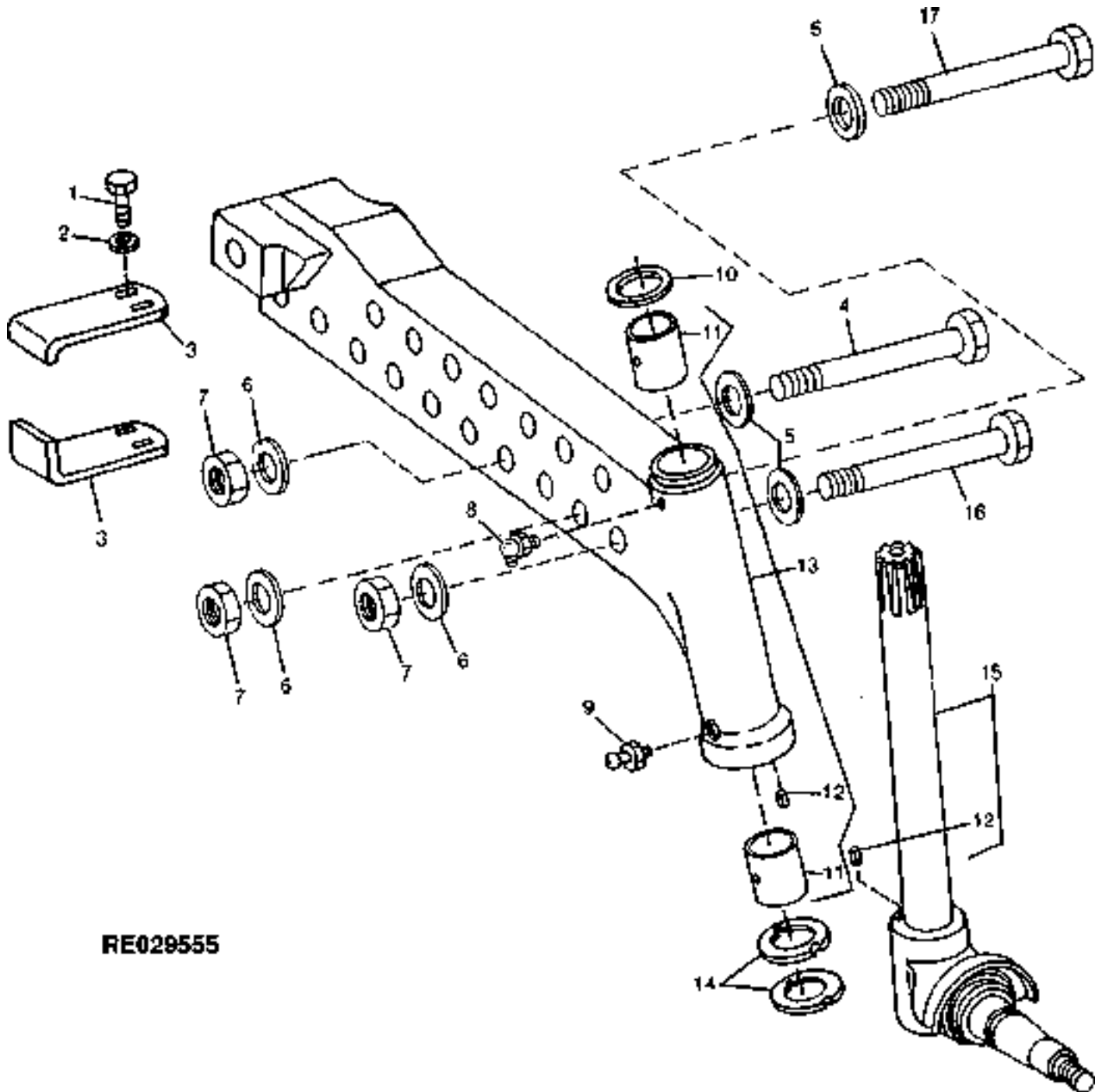
(A) ( -XXXXXX) 8100-001543; 8200-001499; 8300-002563; 8400-001174

(B) (XXXXXX- ) 8100-001544; 8200-001500; 8300-002564; 8400-001175

# 8E13

WHEEL, FRONT AXLES, SHEET METAL

FRONT AXLE KNEE SPINDLE KNUCKLE  
PORTE-FUSEE/FUSEE  
VORDERACHSARM/ACHSSCHENKEL  
MONTANTE ASSALE ANTERIORE/FUSELLO  
EXTENSION DEL EJE DELANTERO/MANGUETA  
FRAMAXELARM/SPINDELTAPP  
RE029555 -UN-12MAY98



**RE029555**

# 8E14

WHEEL, FRONT AXLES, SHEET METAL

| KEY | PART NO. | PART NAME           | QTY | TRACTOR SERIAL NO. |       |   | REMARKS   |
|-----|----------|---------------------|-----|--------------------|-------|---|---|
|     |          |                     |     | 8                  | 8     | 8 |   |
| 1   | 19M7167  | CAP SCREW           | 4   |                    |       |   | M10 X 25  |
| 2   | 24M7040  | WASHER              | 4   |                    |       |   | 11 X 20 X 2 MM                                  |
| 3   | L75859   | CLAMP               | 2   | -XXXXXX            | X X X |   | (C)   |
|     | R136359  | CLAMP               | 2   | XXXXXX-            | X X X |   | (D)   |
| 4   | 19M7645  | SCREW               | 1   |                    |       |   | M20 X 200 HS 10.9, (NLR)                        |
|     | 19M7921  | CAP SCREW           | 6   | XXXXXX-            | X X X |   | (D) M20 X 150                                   |
| 5   | 24M7242  | WASHER              | 4   | -XXXXXX            | X X X |   | (A) 21.400 X 42 X 5 MM                          |
|     | 24M7344  | WASHER              | 4   | XXXXXX-            | X X X |   | (B) 22 X 37 X 3 MM                              |
| 6   | 24M7242  | WASHER              | 4   | -XXXXXX            | X X X |   | (A) 21.400 X 42 X 5 MM                          |
|     | 24M7344  | WASHER              | 4   | XXXXXX-            | X X X |   | (B)   |
| 7   | 14M7277  | NUT                 | 4   |                    |       |   | M20   |
| 8   | JD7799   | LUBRICATION FITTING | 1   |                    |       |   | UP  |
| 9   | JD7798   | LUBRICATION FITTING | 1   |                    |       |   | LOW   |
| 10  | R31251   | WASHER              | 6   |                    |       |   |   |
| 11  | R52188   | BUSHING             | 2   |                    |       |   |   |
| 12  | 34H308   | SPRING PIN          | 1   |                    |       |   | 1/4" X 1/2"                                     |
| 13  | RE58605  | AXLE KNEE           | 1   |                    |       |   | (MARKED R122354) RH                             |
|     | RE58606  | AXLE KNEE           | 1   |                    |       |   | (MARKED R122355) LH                             |
| 14  | R30398   | WASHER              | 2   |                    |       |   |   |
| 15  | RE57644  | KNUCKLE             | 1   |                    |       |   | (SUB FOR RE71370) (INCLUDES 14M7519 AND 34H308) |
| 16  | 19M8503  | CAP SCREW           | 2   |                    |       |   | M20 X 160, HS 10.9                              |
| 17  | 19M8100  | CAP SCREW           | 2   | -XXXXXX            | X X X |   | (C) M20 X 180                                   |
|     | 19M8503  | CAP SCREW           | 2   | XXXXXX-            | X X X |   | (D) M20 X 160                                   |

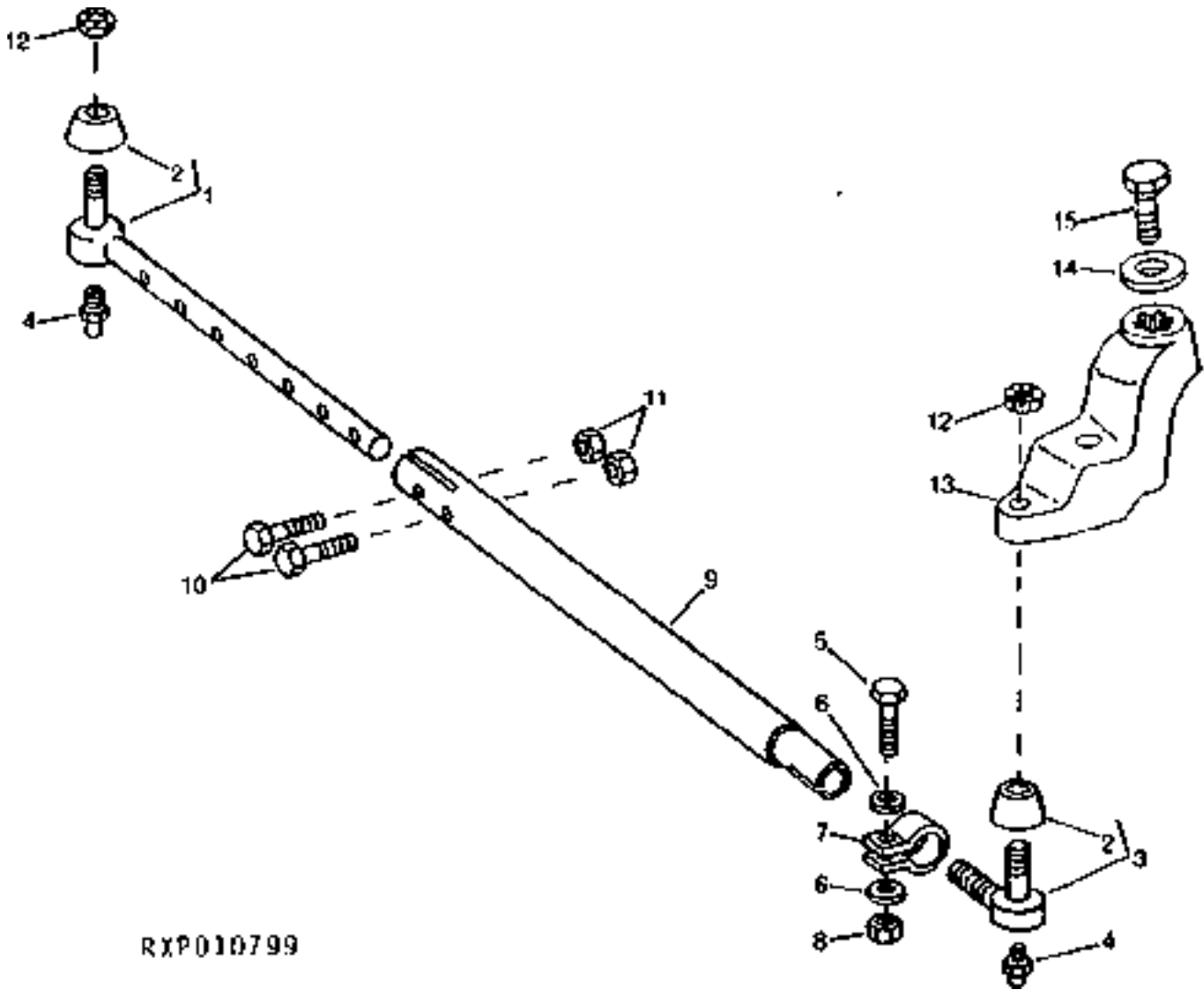
(A) ( -XXXXXX) 8100-001092; 8200-001096; 8300-001309; 8400-001042  
 (B) (XXXXXX- ) 8100-001093; 8200-001097; 8300-001310; 8400-001043

(C) ( -XXXXXX) 8100-020954; 8200-020801; 8300-021482  
 (D) (XXXXXX- ) 8100-020955; 8200-020802; 8300-021483

# 8E15

WHEEL, FRONT AXLES, SHEET METAL

TIE ROD  
BARRE D'ACCOUPEMENT  
SPURSTANGE  
BARRA D'ACCOPIAMENTO  
VARILLA TENSORA  
PARALLELSTAG  
RXP010799 -UN-01JAN94



RXP010799

# 8E16

WHEEL, FRONT AXLES, SHEET METAL

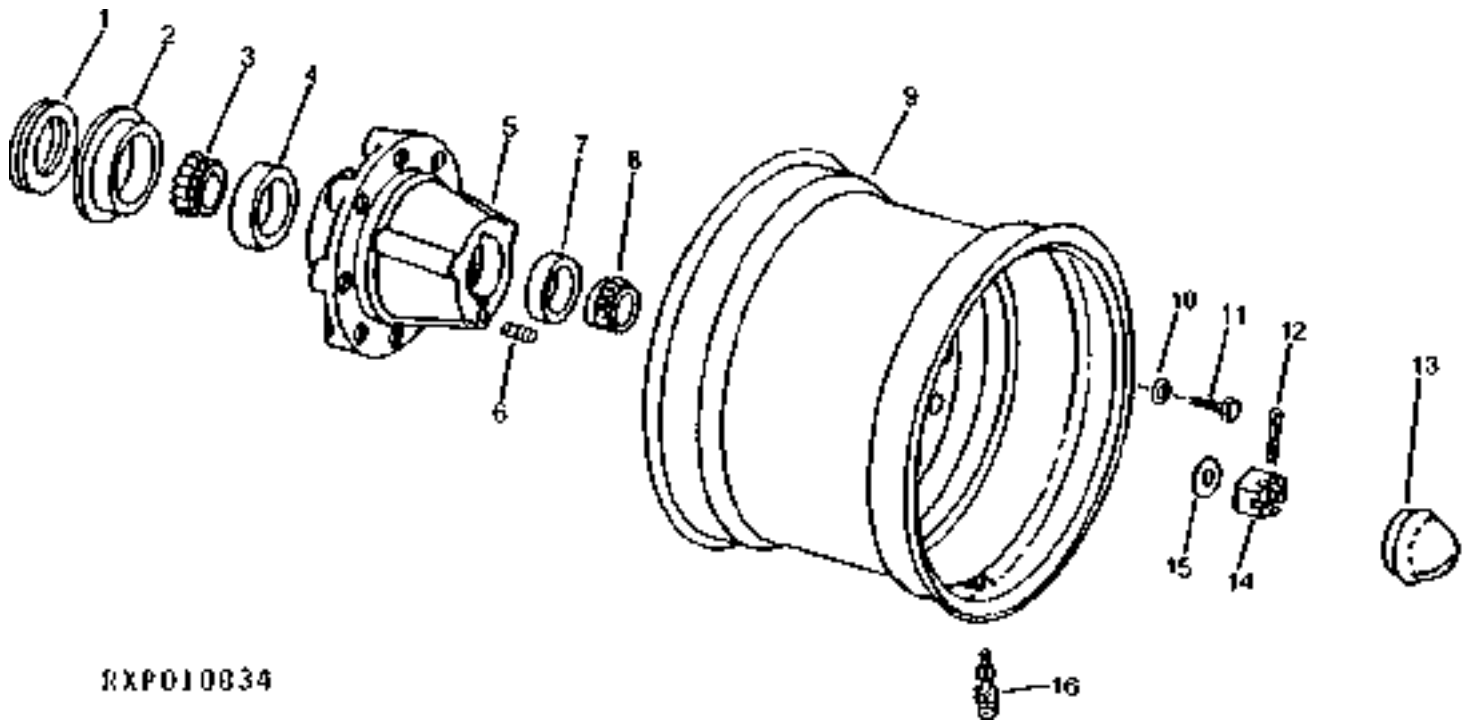
| KEY | PART NO. | PART NAME           | QTY | TRACTOR SERIAL NO. |   |   | REMARKS            |
|-----|----------|---------------------|-----|--------------------|---|---|--------------------|
|     |          |                     |     | 8                  | 8 | 8 |                    |
|     |          |                     |     | 1                  | 2 | 3 |                    |
|     |          |                     |     | 0                  | 0 | 0 |                    |
|     |          |                     |     | 0                  | 0 | 0 |                    |
| 1   | RE58495  | TIE ROD END         | 1   | X                  | X | X | L.H.               |
| 2   | R78027   | COVER               | 2   | X                  | X | X |                    |
| 3   | RE58693  | TIE ROD END         | 1   | X                  | X | X | R.H.               |
| 4   | JD7797   | LUBRICATION FITTING | 2   | X                  | X | X |                    |
| 5   | 19M7214  | CAP SCREW           | 1   | X                  | X | X | M12 X 70           |
| 6   | 24M7047  | WASHER              | 2   | X                  | X | X | 13 X 24 X 2.500 MM |
| 7   | R66307   | CLAMP               | 1   | X                  | X | X |                    |
| 8   | 14M7313  | LOCK NUT            | 1   | X                  | X | X | (A) M12            |
|     | B30434   | LOCK NUT            | 1   | X                  | X | X | (B)                |
| 9   | R125162  | TUBE                | 1   | X                  | X | X |                    |
| 10  | 19H3704  | CAP SCREW           | 2   | X                  | X | X | 3/8" X 2-1/4"      |
| 11  | K40003   | LOCK NUT            | 2   | X                  | X | X | 3/8"               |
| 12  | R125532  | LOCK NUT            | 2   | X                  | X | X |                    |
| 13  | R125163  | STEERING ARM        | 1   | X                  | X | X | R.H.               |
|     | R125164  | STEERING ARM        | 1   | X                  | X | X | L.H.               |
| 14  | R121183  | WASHER              | 2   | X                  | X | X |                    |
| 15  | 19M8002  | CAP SCREW           | 2   | X                  | X | X | M20 X 55, HS 10.9  |

(A) ( -XXXXXX) 8100-020954; 8200-020801; 8300-021482  
 (B) (XXXXXX- ) 8100-020955; 8200-020802; 8300-021483

# 8E17

WHEEL, FRONT AXLES, SHEET METAL

FRONT WHEEL  
ROUES AVANT  
VORDERRAEDER  
ROUTE ANTERIORI  
RUEDAS DELANTERAS  
FRAMHJUL  
RXP010834 -UN-01JAN94



| KEY | PART NO. | PART NAME       | QTY | TRACTOR SERIAL NO. | A<br>L<br>L | REMARKS   |
|-----|----------|-----------------|-----|--------------------|-------------|---|
| 1   | AR27806  | SEAL            | 1   |                    | X           |   |
| 2   | R28574   | SEAL            | 1   |                    | X           |   |
| 3   | JD8131   | BEARING CONE    | 1   |                    | X           |   |
| 4   | JD7439   | BEARING CUP     | 1   |                    | X           |   |
| 5   | R113716  | HUB             | 1   |                    | X           |   |
| 6   | 22H841   | SET SCREW       | 1   |                    | X           | 1/4" X 1/4"                                       |
| 7   | JD7266   | BEARING CUP     | 1   |                    | X           |   |
| 8   | JD10190  | BEARING CONE    | 1   |                    | X           |   |
| 9   | RE58702  | WHEEL           | 1   | -XXXXXX            | X           | (A) (C) (10.00-20")                               |
|     | RE70776  | WHEEL           | 1   | XXXXXX-            | X           | (A) (D) (10.00-20")                               |
|     | RE51672  | WHEEL           | 1   | -XXXXXX            | X           | (A) (E) (SUB FOR RE14519) (11.00-16")             |
|     | RE70784  | WHEEL           | 1   | XXXXXX-            | X           | (A) (F) (11.00-16")                               |
|     | RE70785  | WHEEL           | 1   |                    | X           | (A) (H) (14.00-16")                               |
|     | RE50184  | WHEEL           | 1   | -XXXXXX            | X           | (A) (G) (10.00-24")                               |
|     | RE70777  | WHEEL           | 1   | XXXXXX-            | X           | (A) (H) (10.00-24")                               |
|     | RE50183  | WHEEL           | 1   | -XXXXXX            | X           | (A) (G) (10.00-16")                               |
|     | RE70775  | WHEEL           | 1   | XXXXXX-            | X           | (A) (H) (10.00-16")                               |
| 10  | 24M7241  | WASHER          | 8   |                    | X           | 17 X 34 X 4 MM                                    |
| 11  | 19M7488  | CAP SCREW       | 8   |                    | X           | M16 X 40  |
| 12  | 11M7030  | COTTER PIN      | 1   |                    | X           | 0.197" X 1.575"                                   |
| 13  | DT2127W  | CAP             | 1   |                    | X           |   |
| 14  | 14M7519  | NUT             | 1   |                    | X           | M24   |
| 15  | 24M7243  | WASHER          | 1   |                    | X           | 25.400 X 50 X 6 MM                                |
| 16  | AT25226  | TIRE VALVE STEM | 1   |                    | X           | (A) (14L-16.1, 16.5L-16.1, 11.00-20, OR 11.00-24) |
|     | AM30347  | TIRE VALVE STEM | 1   |                    | X           | (A) (B) (USE WITH RE50183)                        |
| 17  | RE54816  | BEARING KIT     | 1   |                    | X           |   |

(A)FOR TIRE SIZE  
 POUR PNEUMATIQUES  
 FUER BEREIFUNG  
 PER PNEUMATICI  
 PARA NEUMATICOS  
 FOR DACKSDIMENSION

(B)ALL MODELS  
 TOUS MODELES  
 ALLE MODELLE  
 TUTTI I MODELLI  
 TODOS LOS MODELOS  
 ALLA MODELLER

(C)( -XXXXXX) 8100-020954; 8200-021802; 8300-021420; 8400-021559

(D)(XXXXXX- ) 8100-020955; 8200-021803; 8300-021421; 8400-021560

(E)( -XXXXXX) 8100-020966; 8200-020806; 8300-021420; 8400-021559

(F)(XXXXXX- ) 8100-020967; 8200-020807; 8300-021421; 8400-021560

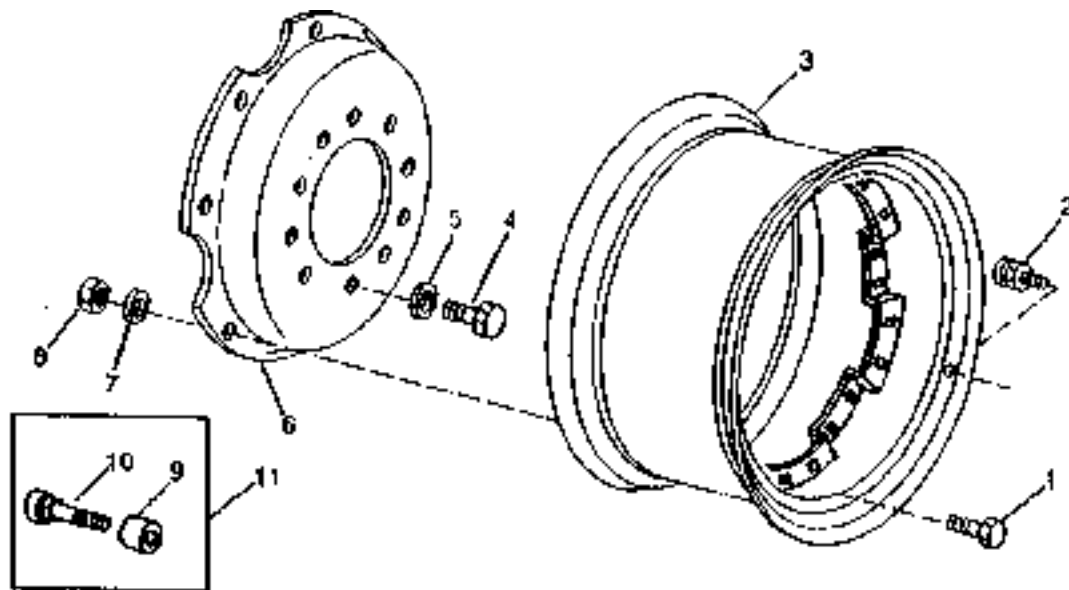
(G)( -XXXXXX) 8100-021009; 8200-021802; 8300-021420; 8400-021559

(H)(XXXXXX- ) 8100-021010; 8200-021803; 8300-021421; 8400-021560

# 8E19

WHEEL, FRONT AXLES, SHEET METAL

FRONT WHEELS (MECHANICAL FRONT WHEEL DRIVE)  
ROUSES AVANT (TRACTION AVANT MECANIQUE)  
VORDERRAEDER (MECHANISCHER FRONTANTRIEB)  
RUOTE ANTERIORI (TRAZIONE ANTERIORE MECANICA)  
RUEDAS DELANTERAD (TRACCION DELANTERA)  
FRAMHJUL (MEKANISK FRAMHJULSDRIVNING)  
RXP9500 -UN-01JAN94



RXP9500



# 8E20

WHEEL, FRONT AXLES, SHEET METAL

| KEY | PART NO. | PART NAME       | QTY | TRACTOR SERIAL NO. | A<br>L<br>L | REMARKS   |
|-----|----------|-----------------|-----|--------------------|-------------|---|
| 1   | R112424  | BOLT            | 12  |                    | X           | M16 X 50  |
| 2   | AT25226  | TIRE VALVE STEM | 1   |                    | X           |   |
| 3   | RE156605 | RIM             | 1   |                    | X           | (A) (SUB FOR RE49474) (16.9-28, 480/70R28)<br>(18.4R28) |
|     | RE156606 | RIM             | 1   |                    | X           | (A) (SUB FOR RE67191 OR RE51658)<br>(600/65R28)         |
|     | RE156607 | RIM             | 1   |                    | X           | (A) (SUB FOR RE49475) (14.9-30)                         |
|     | RE156608 | RIM             | 1   |                    | X           | (A) (SUB FOR RE49476) (16.9-30) (480/70R30)             |
|     | RE156610 | RIM             | 1   |                    | X           | (A) (SUB FOR RE67190, RE51657) (14.9-34)<br>(385/85R34) |
|     | RE156609 | RIM             | 1   |                    | X           | (A) (320/85R34)(290/195R34) (SUB FOR<br>RE51656)        |
| 4   | 19M8224  | CAP SCREW       | 12  |                    | X           | M20 X 60, M20 X 60, HS 10.9                             |
| 5   | 24M7242  | WASHER          | 12  |                    | X           | 21.400 X 42 X 5 MM, 21.400 X 42 X 5 MM                  |
| 6   | R156497  | WHEEL CENTER    | 1   |                    | X           | (C) (SUB FOR R112951) 28" & 30"                         |
|     | R156499  | WHEEL CENTER    | 1   |                    | X           | (C) (SUB FOR R112953) 34"                               |
|     | R156498  | WHEEL CENTER    | 1   |                    | X           | (A) (D) (SUB FOR R116336) (600/65R28), 28"<br>& 30"     |
| 7   | 24M7241  | WASHER          | 12  |                    | X           | 17 X 34 X 4 MM  |
| 8   | 14M7276  | NUT             | 12  |                    | X           | M16, M16  |
| 9   | R115277  | SPACER          | 16  |                    | X           |   |
| 10  | R115278  | BOLT            | 16  |                    | X           |   |
| 11  | RE52128  | KIT             | 1   |                    | X           | (B) (SUB (16) R115277 AND (16) R115278)                 |

(A)FOR TIRE SIZE  
POUR PNEUMATIQUES  
FUER BEREIFUNG  
PER PNEUMATICI  
PARA NEUMATICOS  
FOR DACKSDIMENSION

(B)66" TREAD SETTING  
VOIE DE ROUE DE 1,68 M (66 IN.)  
1,68 M (66 IN.) SPUREINSTELLUNG  
CAREGGIATA DA 1.68 M (66 IN.)  
AJUSTE DE ANCHO DE VIA DE 1,66 M (66  
1,68 M (66 IN.) SPAARVIDD

(C)101.6 MM FLANGE OFFSET  
101.6 MM REGLAGE DE BRIDE  
101.6 MM GEKROPFTER FLANSCH  
101.6 COMPENSACION DE BRIDA  
101.6 MM DISASSAMENTO FLANGIA  
101.6 MM JUSTERINGSAVST NO FLANS

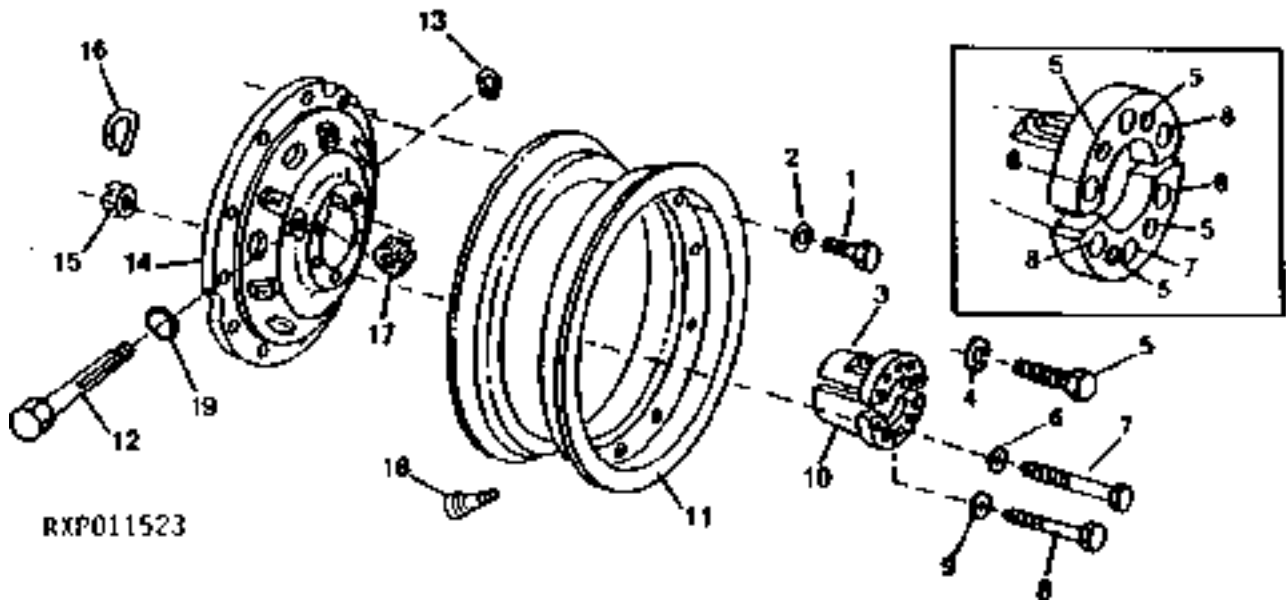
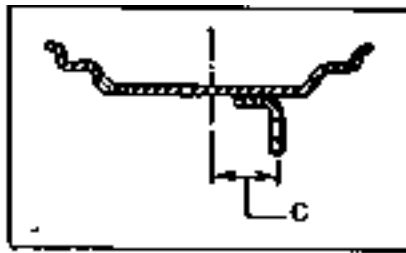
(D)75 MM FLANGE OFFSET  
75 MM REGLAGE DE BRIDE  
75 MM GEKROPFTER FLANSCH  
75 MM COMPENSACION DE BRIDA  
75 MM DISASSAMENTO FLANGIA  
75 MM JUSTERINGSAVST NO FLANS

(E)FOR TUBELESS TIRES  
DE PNEUS SANS CHAMBRE A AIR  
FUER SCHLAUCHLOSE BEREIFUNGEN  
PER PNEUMATICI SENZA CAMERA D'ARIA  
PARA NEUMATICOS SIN CAMARA DE AIRE  
FOR SLANGLOSA DACK

# 8E21

WHEEL, FRONT AXLES, SHEET METAL

CAST REAR WHEELS  
ROUES ARRIERE FONTE  
GUSS-HINTERRAEDER  
RUOTE POSTERIORI GHISI  
RUEDAS TRASERAS DE FUNDICION  
GJUTNA BAKHJULER  
RXP011523 -UN-06JAN95



| KEY | PART NO. | PART NAME       | QTY | TRACTOR<br>SERIAL NO. | A<br>L<br>L | REMARKS                        |
|-----|----------|-----------------|-----|-----------------------|-------------|--------------------------------|
| 1   | R105572  | CAP SCREW       | 12  |                       | X           |                                |
| 2   | R52006   | WASHER          | 12  |                       | X           |                                |
| 3   | R126587  | SLEEVE          | 1   |                       | X           | (E) (SUB FOR R124250)          |
|     | R124249  | SLEEVE          | 1   |                       | X           | (D)                            |
| 4   | A4883R   | RING            | 4   |                       | X           |                                |
| 5   | R109147  | CAP SCREW       | 4   |                       | X           |                                |
| 6   | R52006   | WASHER          | 1   |                       | X           |                                |
| 7   | R111009  | CAP SCREW       | 1   |                       | X           |                                |
| 8   | R109823  | CAP SCREW       | 4   |                       | X           |                                |
| 9   | R99437   | WASHER          | 4   |                       | X           |                                |
|     | R111103  | SLEEVE          | 1   |                       | X           | (B) (D)                        |
| 10  | R111104  | SLEEVE          | 1   |                       | X           | (B) (E)                        |
| 11  | RE55071  | RIM             | 1   |                       | X           | (A) (C) (320/90R50)            |
|     | RE48142  | RIM             | 1   |                       | X           | (A) (C) (20.8-38)              |
|     | RE50750  | RIM             | 1   |                       | X           | (A) (C) (18.4-42)              |
|     | RE50749  | RIM             | 1   |                       | X           | (A) (C) (20.8-42)              |
|     | RE48145  | RIM             | 1   |                       | X           | (A) (C) (14.9-46 OR 420/80R46) |
|     | RE50699  | RIM             | 1   |                       | X           | (A) (C) (18.4-46)              |
|     | RE44260  | RIM             | 1   |                       | X           | (A) (C) (710/70R38)            |
|     | RE66601  | RIM             | 1   |                       | X           | (A) (620/70R42)                |
|     | RE150852 | RIM             | 1   |                       | X           | (A) (308/90R50)                |
| 12  | R124256  | PINION SHAFT    | 1   |                       | X           |                                |
| 13  | R125475  | PIN             | 1   |                       | X           |                                |
| 14  | R124162  | WHEEL           | 1   |                       | X           |                                |
| 15  | R111010  | NUT             | 1   |                       | X           |                                |
| 16  | R125475  | PIN             | 1   |                       | X           |                                |
| 17  | R124102  | PINION          | 1   |                       | X           | (D)                            |
|     | R58865   | PINION          | 1   |                       | X           | (E)                            |
| 18  | AT25226  | TIRE VALVE STEM | 1   |                       | X           |                                |
| 19  | R74210   | O-RING          | 1   |                       | X           |                                |

(A)FOR TIRE SIZE  
 POUR PNEUMATIQUES  
 FUER BEREIFUNG  
 PER PNEUMATICI  
 PARA NEUMATICOS  
 FOR DACKSDIMENSION

(B)KEY HALF  
 CLAVETTE  
 KEILHALFTE  
 ROTEN DE LLAVE  
 CHIAVETTA  
 KONSPRINT

(C)76.2 MM FLANGE OFFSET  
 76.2 MM REGLAGE DE BRIDE  
 76.2 MM GEKROPFTER FLANSCH  
 76.2 MM COMPENSACION DE BRIDA  
 76.2 MM DISASSAMENTO FLANGIA  
 76.2 MM JUSTERINGSVAVST ND FLANS

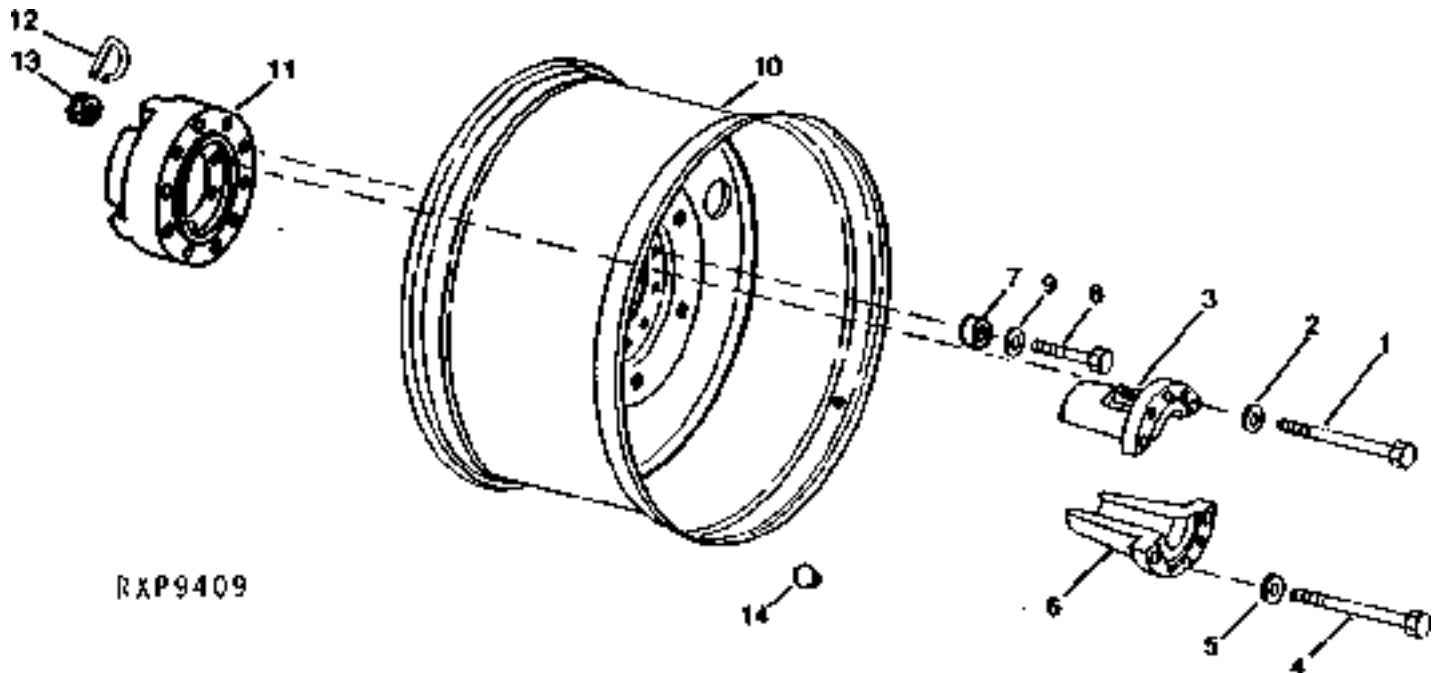
(D)100 MM AXLE  
 100 MM ESSIEU  
 100 MM ACHSE  
 100 MM ASSALE  
 100 MM EJE  
 100 MM AXEL

(E)110 MM AXLE  
 110 MM ESSIEU  
 110 MM ACHSE  
 110 MM ASSALE  
 110 MM EJE  
 110 MM AXEL

# 8E23

WHEEL, FRONT AXLES, SHEET METAL

STEEL DISK REAR WHEELS (10-BOLT HUB)  
ROUES ARRIERE ACIER (ROUE A 10 BOULONS UNIQUEMENT)  
STAHL-HINTERRAEDER (NUR FUER 10-SCHRAUBEN-NABE)  
RUOTE POSTERIORI ACCIAIO (10-BULLONE A COLONNETTA SOLTANTO)  
RUEDAS TRASERAS CON DISCO DE ACERO (CUBO DE 10 BULONES SOLAMENTE)  
BAKHJUL MED STALDISK (ENDAST NAV MED 10 BULTAR)  
RXP9409 -UN-01JAN94



RXP9409

| KEY | PART NO. | PART NAME       | QTY | TRACTOR SERIAL NO. | A<br>L<br>L | REMARKS  |
|-----|----------|-----------------|-----|--------------------|-------------|--|
| 1   | R111009  | CAP SCREW       | 2   |                    | X           |  |
| 2   | R52006   | WASHER          | 2   |                    | X           |  |
| 3   | R124249  | SLEEVE          | 1   |                    | X           | (F) (8100 & 8200)  |
|     | R126587  | SLEEVE          | 1   |                    | X           | (G) (SUB FOR R124250)  |
| 4   | R109823  | CAP SCREW       | 4   |                    | X           |  |
| 5   | R99437   | WASHER          | 4   |                    | X           |  |
| 6   | R111103  | SLEEVE          | 1   |                    | X           | (A) (F) (8100 & 8200)  |
|     | R111104  | SLEEVE          | 1   |                    | X           | (A) (G)  |
| 7   | R113692  | SPACER          | 10  |                    | X           | (B) (C) (20.8-38, 20.8-42)   |
|     | R113692  | SPACER          | 10  |                    | X           | (B) (D) (E) (650-34)   |
| 8   | R111434  | CAP SCREW       | 10  | -XXXXXX            | X           | (B) (D) (H) (650-34, 710-38)   |
|     | R111437  | CAP SCREW       | 10  | XXXXXX-            | X           | (B) (D) (I) (650-34, 710-38)   |
|     | R111434  | CAP SCREW       | 10  | -XXXXXX            | X           | (B) (C) (H) (20.8-38, 20.8-42)                                       |
|     | R111437  | CAP SCREW       | 10  | XXXXXX-            | X           | (B) (C) (I) (20.8-38, 20.8-42)                                       |
|     | R111434  | CAP SCREW       | 10  | -XXXXXX            | X           | (B) (E) (H) M22 X 130, HS 10.9 (650-34)                              |
|     | R111437  | CAP SCREW       | 10  | XXXXXX-            | X           | (B) (E) (I) M22 X 100, HS 10.9 (650-34)                              |
|     | R111437  | CAP SCREW       | 10  | -XXXXXX            | X           | (B) (D) (H) (20.8-38, 18.4-42, 20.8-42, 18.4-46)                     |
|     | R131667  | CAP SCREW       | 10  | XXXXXX-            | X           | (B) (D) (I) M22 X 70-8.8 (20.8-38, 18.4-42, 20.8-42, 18.4-46)        |
| 9   | R52006   | WASHER          | 10  |                    | X           |  |
| 10  | RE56317  | WHEEL           | 1   |                    | X           | (B) (E) (650-34)   |
|     | RE51962  | WHEEL           | 1   |                    | X           | (B) (C) (20.8-38)  |
|     | RE50911  | WHEEL           | 1   |                    | X           | (B) (18.4-42)  |
|     | RE51963  | WHEEL           | 1   |                    | X           | (B) (C) (20.8-42)  |
|     | RE50928  | WHEEL           | 1   |                    | X           | (B) (D) (650-34)   |
|     | RE51017  | WHEEL           | 1   |                    | X           | (B) (18.4-46)  |
|     | RE155994 | WHEEL           | 1   |                    | X           | (B) (710-38) (SUB FOR RE57050 OR RE65232)                            |
|     | RE66602  | WHEEL           | 1   |                    | X           | (B) (620/70R42)  |
|     | RE150854 | RIM             | 1   |                    | X           | (B) (380/90R50)  |
| 11  | R108955  | HUB             | 1   | -XXXXXX            | X           | (B) (D) (H) (J) (20.8-38, 18.4-42, 20.8-42, 18.4-46, 650-34, 710-38) |
|     | R127282  | HUB             | 1   | XXXXXX-            | X           | (B) (D) (I) (K) (20.8-38, 18.4-42, 20.8-42, 18.4-46, 650-34, 710-38) |
|     | R111007  | HUB             | 1   |                    | X           | (B) (E) (650-34)   |
|     | R135866  | HUB             | 1   |                    | X           | (B)  |
| 12  | R125475  | PIN             | 2   |                    | X           |  |
| 13  | R111010  | NUT             | 2   |                    | X           |  |
| 14  | R55151   | PLUG            | 1   |                    | X           |  |
| 15  | AT25226  | TIRE VALVE STEM | 1   |                    | X           |  |

(A)KEY HALF  
CLAVETTE  
KEILHALFTE  
ROTEN DE LLOVE  
CHIAVETTA  
KONSPRINT

(B)FOR TIRE SIZE  
POUR PNEUMATIQUES  
FUER BEREIFUNG  
PER PNEUMATICIA  
PARA NEUMATICOS  
FOR DACKSDIMENSION

(C)HEAVY-DUTY DUALS  
ROUES JUMEELES POUR USAGE  
HOCHLEISTUNGS-ZWILLINGSRA  
GOMME GEMELLATE PER IMPIEGHI  
RUEDAS DOBLES PARA SERVICIO  
EXTRA KRAFTIGA DUBBELHJUL

(D)DUAL POSITION  
POSITION DOUBLE  
DOPPELSTELLUNG  
POSIZIONE A RUOTE GEMELLATE  
POSICION DOBLE  
DUBBELINSTAELLNING

(E)DRIVE POSITION  
POSITION D'ENTRAINEMENT  
FAHRSTELLUNG  
POSIZIONE A RUOTE SINGOLE  
POSICION DE IMPULSION  
DRIVINSTAELLNING

(F)100 MM AXLE  
100 MM ESSIEU  
100 MM ACHSE  
100 MM ASSALE  
100 MM EJE  
100 MM AXEL

(G)110 MM AXLE  
110 MM ESSIEU  
110 MM ACHSE  
110 MM ASSALE  
110 MM EJE  
110 MM AXEL

(J)BOLT TO HUB  
BOULONNEE AU MOYEU  
AN DER NABE GESCHRAUBT  
FISSATO AL MOZZO  
EMPERNADO A CUBO  
FASTSATT PAA NAVET

(K)BOLT TO RIM  
BOULONNEE A JANTE  
AN DER NABE FELGE  
FISSATO AL CERCHIONE  
EMPERNADO A LLANTA  
FASTSATT PAA FAELG

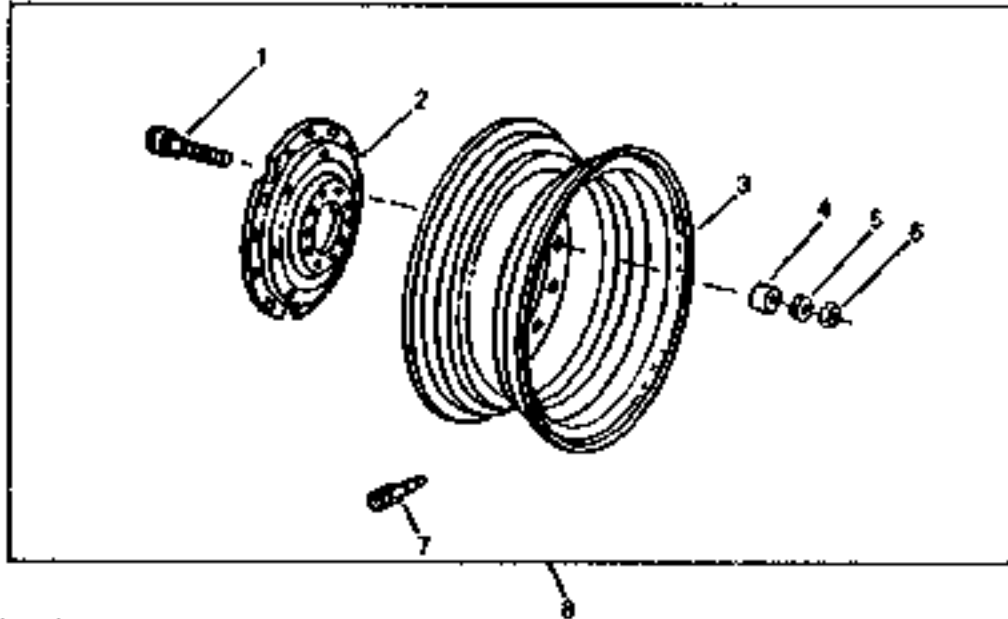
(H)( -XXXXXX) 8100-005032; 8200-003652; 8300-006115; 8400-006888

(I)(XXXXXX- ) 8100-005033; 8200-003653; 8300-006116; 8400-006889

# 8E25

WHEEL, FRONT AXLES, SHEET METAL

MULTI-POSITION (DUALS)  
 POSITIONS MULTIPLES (DOUBLES)  
 MULTIPOSITION (DOPPEL RAEDERS)  
 MULTIPOSIZIONE (DOPPIOS)  
 MULTIPOSICION (DOBLES)  
 MULTIPOSITION (DUBBLAS)  
 RXP010402 -UN-01JAN94



RXP010402

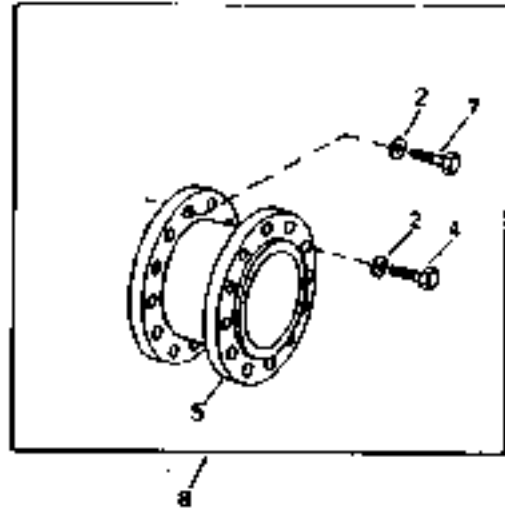
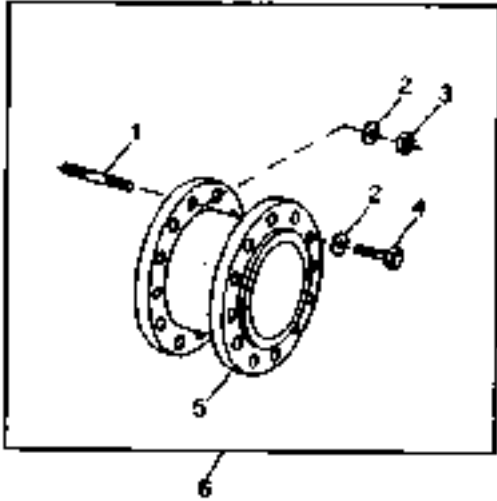
| KEY | PART NO. | PART NAME       | QTY | TRACTOR<br>SERIAL NO. | A | REMARKS                               |
|-----|----------|-----------------|-----|-----------------------|---|---------------------------------------|
|     |          |                 |     |                       | L |                                       |
| 1   | R116570  | BOLT            | 12  |                       | X | M22                                   |
| 2   | R113459  | DISK            | 1   |                       | X | (A) (14.9R46) (420/80R46) (320/90R50) |
| 3   | RE48145  | RIM             | 1   |                       | X | (A) (14.9R46) (420/80R46)             |
|     | RE55071  | RIM             | 1   |                       | X | (A) (320/90R50)                       |
| 4   | R113692  | SPACER          | 12  |                       | X | (23.5 X 50 X 25.4 MM)                 |
| 5   | R113500  | WASHER          | 12  |                       | X | (23 X 45 X 7.5 MM)                    |
| 6   | R114125  | NUT             | 12  |                       | X | M22                                   |
| 7   | AT25226  | TIRE VALVE STEM | 1   |                       | X |                                       |
| 8   | RE51018  | WHEEL           | 1   |                       | X | (A) (14.9R46)(420/80R46)              |

(A)FOR TIRE SIZE  
 POUR PNEUMATIQUES  
 FUER BERFEIFUNG  
 PER PNEUMATICIA  
 PARA NEUMATICOS  
 FOR DACKSDIMENSION

# 8F1

WHEEL, FRONT AXLES, SHEET METAL

DUAL HUB EXTENSION (10-BOLT HUB ONLY)  
 RALLONGE DE MOYEU DOUBLE (ROUE A 10 BOULONS UNIQUEMENT)  
 NABENVERLAENGERUNG FUER DOPPELRAEDER (NUR FUER 10-SCHRAUBEN-NABE)  
 ESTENSIONE PER DOPPIO MOZZO (10-BULLONE A COLONNETTA SOLTANTO)  
 EXTENSION DE CUBO DOBLE (CUBO DE 10 BULONES SOLAMENTE)  
 NAVFOERLAENGARE FOER DUBBLA HJUL (ENDAST NAV MED 10 BULTAR)  
 RXP8048 -UN-01JAN94



RXP8048

| KEY | PART NO.        | PART NAME        | QTY | TRACTOR SERIAL NO. | A |  | REMARKS |
|-----|-----------------|------------------|-----|--------------------|---|--|---------|
|     |                 |                  |     |                    | L | L                                      |         |
| 1   | R104533         | STUD             | 10  | -XXXXXX            | X | (A) M22, 5"                            |         |
|     | R129605         | STUD             | 10  | XXXXXX-            | X | (B) M22, 5"                            |         |
| 2   | R52006          | WASHER           | 10  |                    | X | (USE WITH 14M7481)                     |         |
|     | R77869          | WASHER           | 10  |                    | X | (USE WITH R105572)                     |         |
| 3   | 14M7481         | FLANGE NUT       | 10  |                    | X | M22, M22, 5"                           |         |
| 4   | R105572         | CAP SCREW        | 10  |                    | X | M22 X 50, HS 10.9                      |         |
| 5   | R89974          | EXTENSION        | 1   |                    | X | 5"                                     |         |
|     | R89973          | EXTENSION        | 1   |                    | X | 10"                                    |         |
|     | R105619         | EXTENSION        | 1   |                    | X | 13"                                    |         |
|     | R90917          | EXTENSION        | 1   |                    | X | 15"                                    |         |
| 6   | <b>RW26739</b>  | <b>EXTENSION</b> | 2   | -XXXXXX            | X | <b>(A) 5", KIT (FI)</b>                |         |
|     | <b>AR116387</b> | <b>EXTENSION</b> | 2   | XXXXXX-            | X | <b>(B) 5" KIT (FI)</b>                 |         |
| 7   | R106661         | CAP SCREW        | 10  | -XXXXXX            | X | (A) 10", 13" & 15", M22 X 120, HS 10.9 |         |
|     | R111437         | CAP SCREW        | 10  | XXXXXX-            | X | (B) 10", 13" & 15", M22 X 100, HS 10.9 |         |
| 8   | <b>RW27069</b>  | <b>EXTENSION</b> | 2   | -XXXXXX            | X | <b>(A) 10" KIT (FI)</b>                |         |
|     | <b>AR116388</b> | <b>EXTENSION</b> | 2   | XXXXXX-            | X | <b>(B) 10" KIT (FI)</b>                |         |
|     | <b>AR109313</b> | <b>EXTENSION</b> | 2   | -XXXXXX            | X | <b>(A) 13" KIT (FI)</b>                |         |
|     | <b>AR116389</b> | <b>EXTENSION</b> | 2   | XXXXXX-            | X | <b>(B) 13" KIT (FI)</b>                |         |
|     | <b>RW27070</b>  | <b>EXTENSION</b> | 2   | -XXXXXX            | X | <b>(A) 15" KIT (FI)</b>                |         |
|     | <b>AR116390</b> | <b>EXTENSION</b> | 2   | XXXXXX-            | X | <b>(B) 15" KIT (FI)</b>                |         |

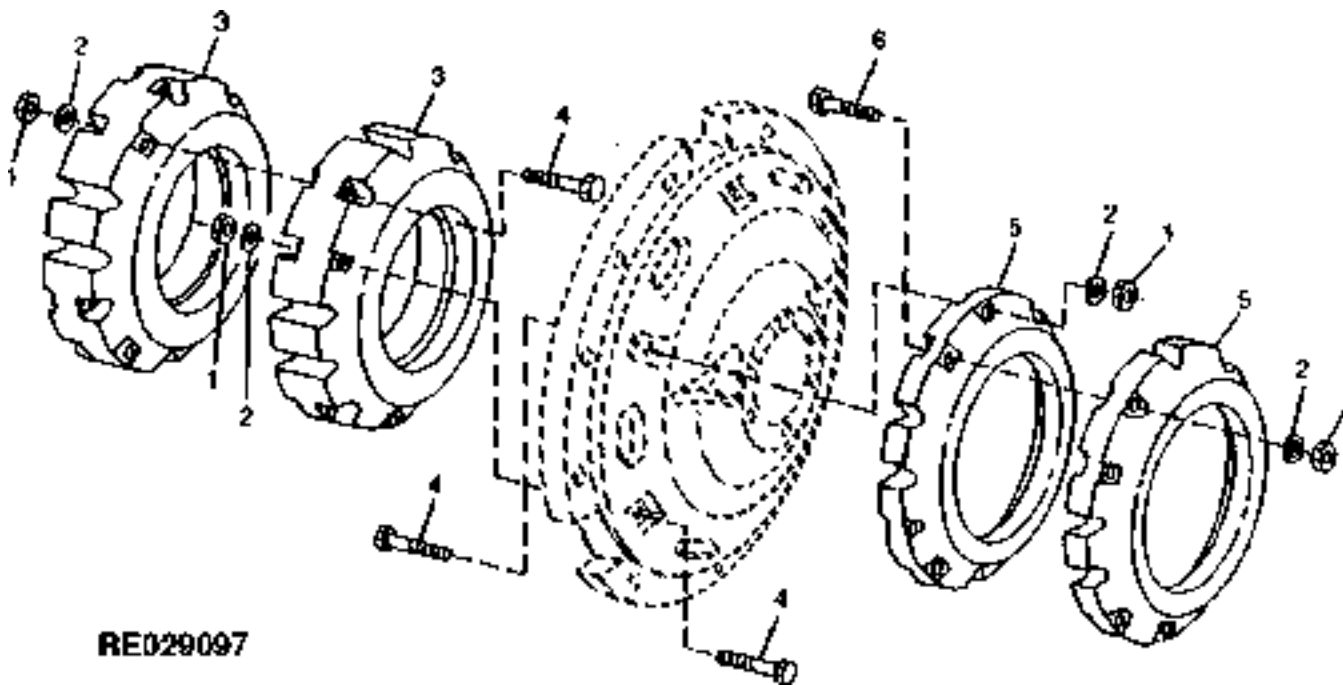
(A) ( -XXXXXX) 8100-005032; 8200-003652; 8300-006115; 8400-006888  
 (B) (XXXXXX- ) 8100-005033; 8200-003653; 8300-006116; 8400-006889

# 8F2

WHEEL, FRONT AXLES, SHEET METAL

WEIGHTS FOR CAST AND HEAVY CAST REAR WHEELS  
 MASSELOTES D'EQUILIRAGE POUR ROUES ARRIERES EN ALLIAGE ET ALLIAGE RENFORCE  
 GEWICHTE FUER GUSSEISEN-RAEDER IN NORMALER UND SCHWERER AUSFUEHRUNG  
 PESI PER RUOTE POSTERIORI IN METALO FUSO E METALLO FUSO PESANTE  
 PESA PARA RUEDAS POSTERIORES DE FUNDICION Y FUNDICION PESADA  
 VIKTER TILL GJUTNA OCH TUNGA, GJUTNA BAKHJUL

RE029097 -UN-11MAR98



| KEY | PART NO. | PART NAME | QTY | TRACTOR<br>SERIAL NO. | A | REMARKS               |
|-----|----------|-----------|-----|-----------------------|---|-----------------------|
|     |          |           |     |                       | L |                       |
| 1   | 14M7276  | NUT       | 3   |                       | X | M16                   |
| 2   | 24M7241  | WASHER    | 3   |                       | X | 17 X 34 X 4 MM        |
| 3   | R111012  | WEIGHT    | 1   |                       | X | 205 KG (452 LBS)      |
|     | R111013  | WEIGHT    | 1   | -XXXXXX               | X | (A) 680 KG (1500 LBS) |
|     | R152116  | WEIGHT    | 1   | XXXXXX-               | X | (B) 625 KG (1420 LBS) |
| 4   | R116179  | BOLT      | 3   |                       | X | M16 X 160-10.9        |
| 5   | R111011  | WEIGHT    | 1   |                       | X | 75 KG (165 LBS)       |
| 6   | 19M8019  | CAP SCREW | 3   |                       | X | M16 X 160             |

(A) ( -XXXXXX) (8100-020594; 8200-020398; 8300-020822; 8400-020705)

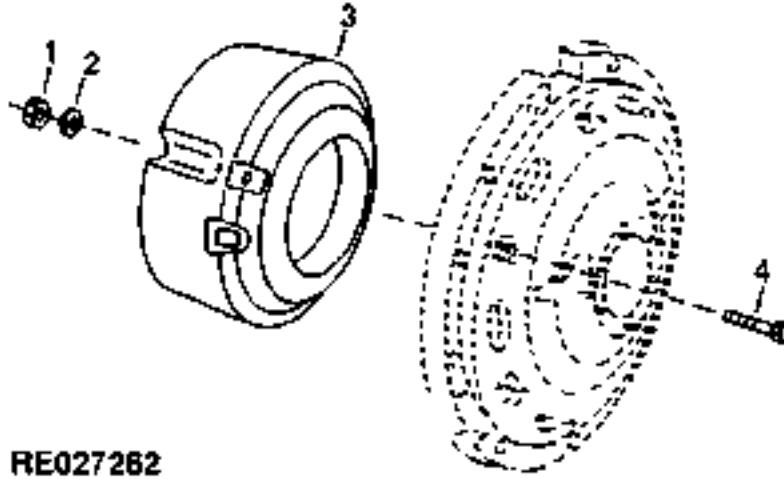
(B) (XXXXXX- ) (8100-020595; 8200-020399; 8300-020823; 8400-020706)



# 8F3

WHEEL, FRONT AXLES, SHEET METAL

WEIGHTS FOR CAST WHEELS  
 MASSES D'ALOURDISSEMENT POUR ROUES EN FONTE  
 GEWICHTE FUER GUSSRAEDER  
 PESI PER RUOTE IN GHISA  
 PESOS PARA RUEDAS FUNDIDAS  
 VIKTER FOER GJUTNA HJUL  
 RE027262 -UN-03OCT96



| KEY | PART NO. | PART NAME | QTY | TRACTOR<br>SERIAL NO. | A |   | REMARKS               |
|-----|----------|-----------|-----|-----------------------|---|---|-----------------------|
|     |          |           |     |                       | L | L |                       |
| 1   | 14M7276  | NUT       | 3   |                       | X |   | M16                   |
| 2   | 24M7241  | WASHER    | 3   |                       | X |   | 17 X 34 X 4 MM        |
| 3   | R111013  | WEIGHT    | 1   | -XXXXXX               | X |   | (A) 680 KG (1420 LBS) |
|     | R152116  | WEIGHT    | 1   | XXXXXX-               | X |   | (B) 625 KG (1421 LBS) |
| 4   | R116179  | BOLT      | 3   |                       | X |   | M16 X 160-10.9        |

(A)(-XXXXXX) 8100-020594; 8200-020398; 8300-020822; 8400-020705

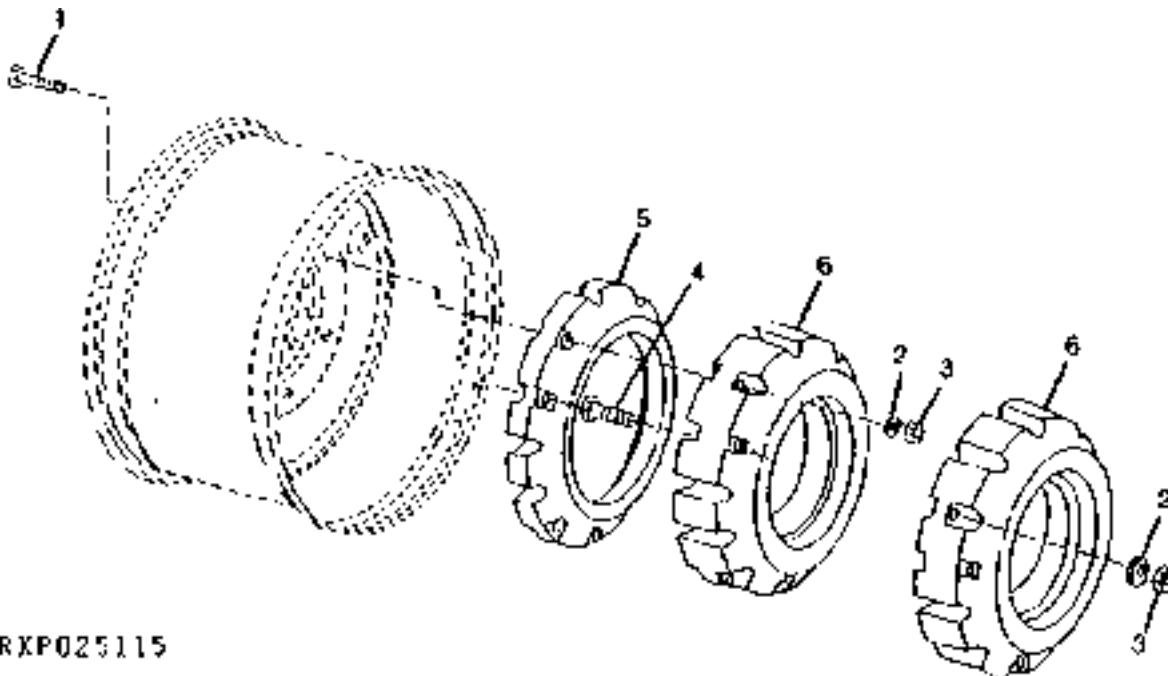
(B)(XXXXXX-) 8100-020595; 8200-020399; 8300-020823; 8400-020706

# 8F4

WHEEL, FRONT AXLES, SHEET METAL

STEEL DISK REAR WHEEL WEIGHTS (10-BOLT HUB ONLY)(34",38",42",46" OR 50")(DUAL WHEELS)  
 ROUES ARRIERE ACIER (ROUE A 10 BOULONS UNIQUEMENT)(34",38",42",46" OR 50")(DOUBLES)  
 STAHL-HINTERRAEDER (NUR FUER 10-SCHRAUBEN-NABE)(34",38",42",46" OR 50")(DOPPEL RAEDERS)  
 RUOTE POSTERIORI ACCIAIO (10-BULLONE A COLONNETTA SOLTANTO)(34",38",42",46" OR 50")(DOPPIOS)  
 RUEDAS TRASERAS CON DISCO DE ACERO (CUBO DE 10 BULONES SOLAMENTE)(34",38",42",46" OR 50")(DOBLES)  
 BAKHJUL MED STALDISK (ENDAST NAV MED 10 BULTAR)(34",38",42",46" OR 50")(DUBBLAS)

RXP025115 -UN-01JAN94



RXP025115

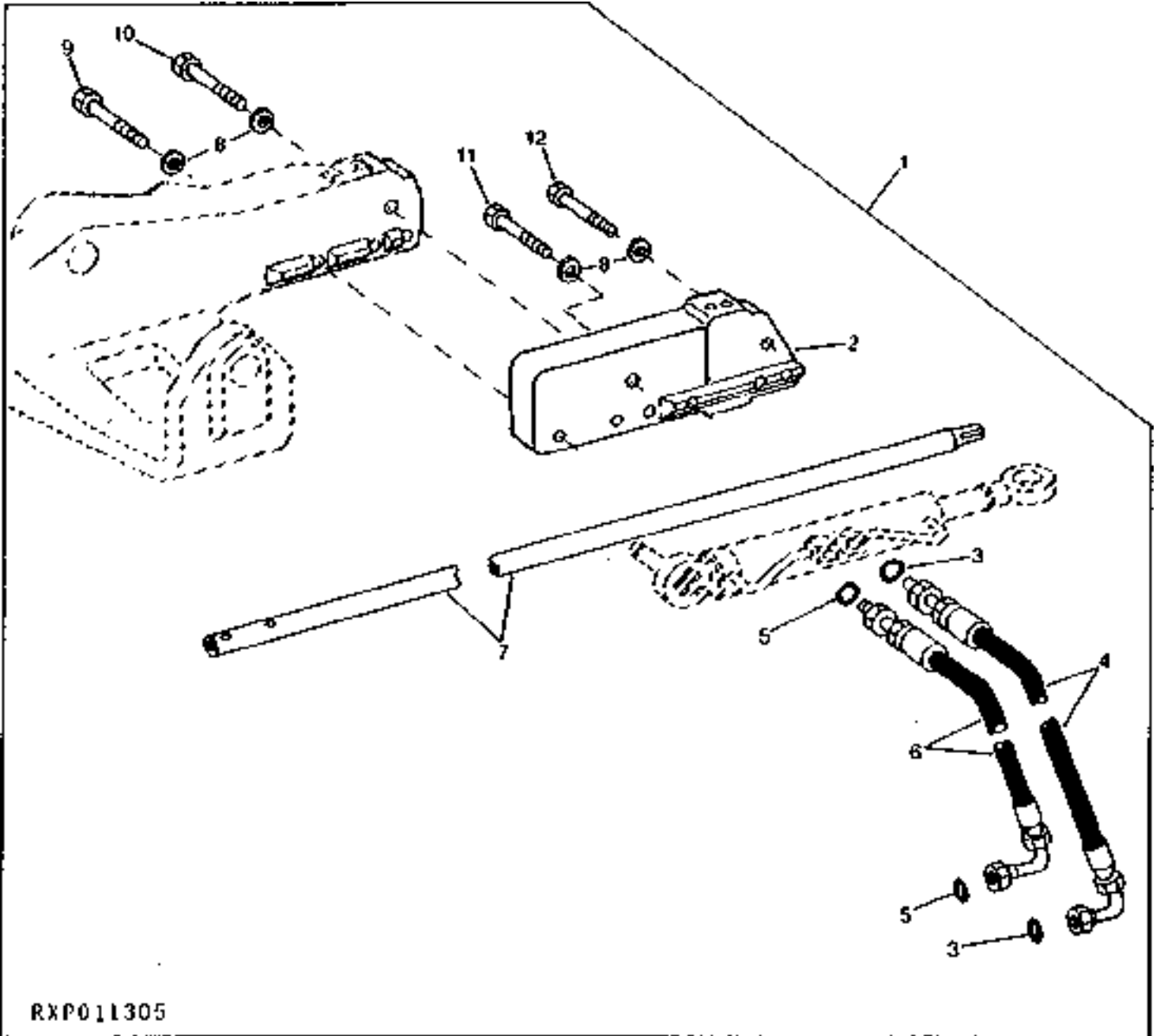
| KEY | PART NO. | PART NAME | QTY | TRACTOR<br>SERIAL NO. | A |                |
|-----|----------|-----------|-----|-----------------------|---|----------------|
|     |          |           |     |                       | L | REMARKS        |
| 1   | R116180  | BOLT      | 3   |                       | X | M16 X 180      |
| 2   | 24M7241  | WASHER    | 3   |                       | X | 17 X 34 X 4 MM |
| 3   | 14M7276  | NUT       | 3   |                       | X | M16            |
| 4   | R116179  | BOLT      | 3   |                       | X | M16 X 160      |
| 5   | R111011  | WEIGHT    | 1   |                       | X | 75KG (165 LB)  |
| 6   | R111012  | WEIGHT    | 1   |                       | X | 205KG (450 LB) |

MEMORANDA  
MEMORANDA  
MEMORANDA  
MEMORANDA  
MEMORANDA

# 8F5

WHEEL, FRONT AXLES, SHEET METAL

EXTENSION, ADJUSTABLE FRONT AXLE (8100, 8200, 8300)  
EXTENSION, ESSIEU AVANT REGLABLE (8100, 8200, 8300)  
VERLAENGERUNG, EINSTELLBARE VORDERACHSE (8100, 8200, 8300)  
ESTENSIONE, ASSALE ANTERIORE REGOLABILE (8100, 8200, 8300)  
EXTENSION DEL EJE DELANTERO AJUSTABLE (8100, 8200, 8300)  
SKARVSTYCKE, REGLERBAR FRAMAXEL (8100, 8200, 8300)  
RXP011305 -UN-01JAN94



# 8F6

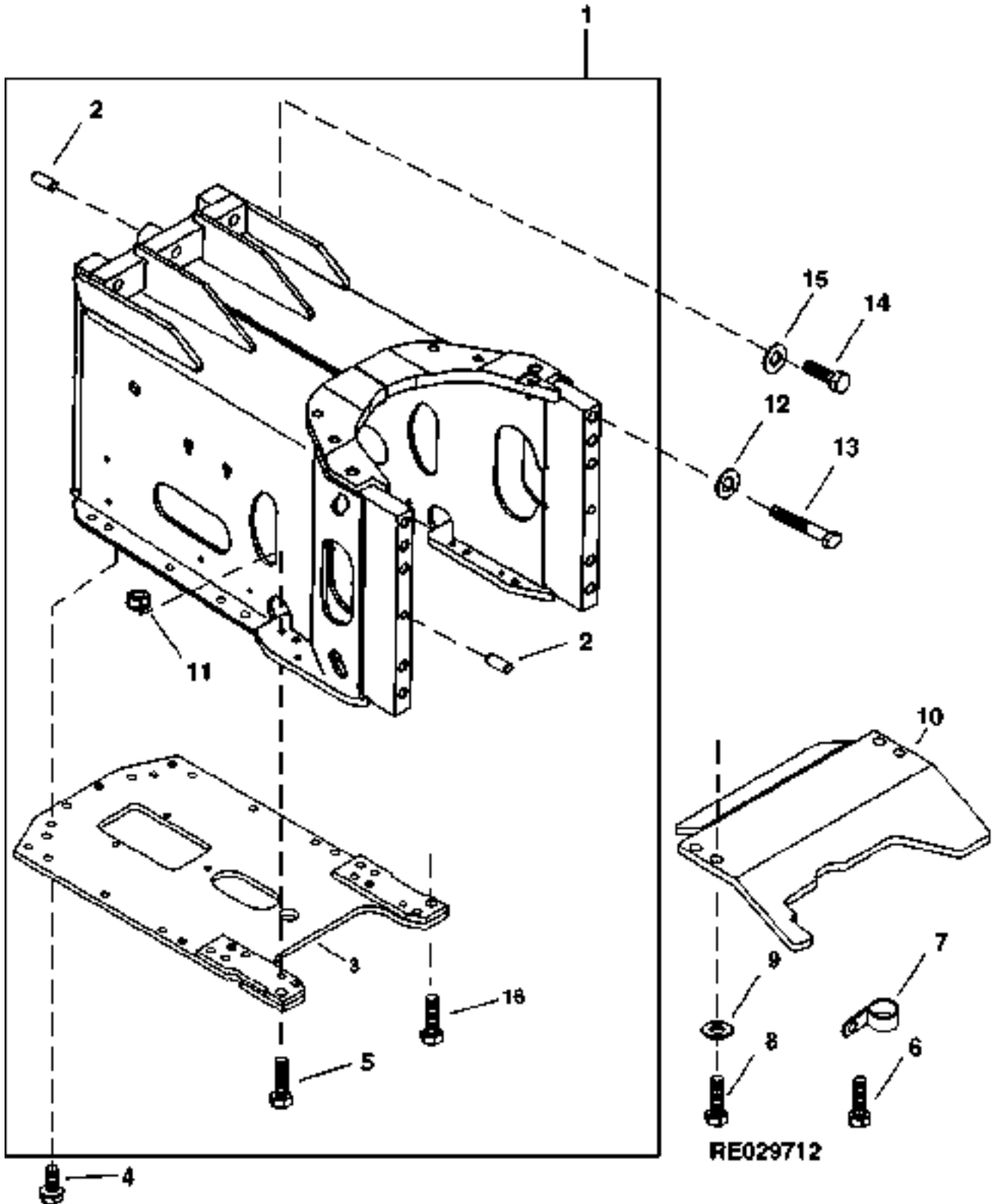
WHEEL, FRONT AXLES, SHEET METAL

| KEY | PART NO. | PART NAME      | QTY | TRACTOR    |       |                    | REMARKS |
|-----|----------|----------------|-----|------------|-------|--------------------|---------|
|     |          |                |     | SERIAL NO. | 8 8 8 | 1 2 3              |         |
| 1   | RE58533  | EXTENSION      | 1   |            | X X X | (FI)               |         |
| 2   | L76619   | EXTENSION      | 1   |            | X X X | R.H.               |         |
|     | L76620   | EXTENSION      | 1   |            | X X X | L.H.               |         |
| 3   | T77613   | O-RING         | 4   |            | X X X |                    |         |
| 4   | RE61755  | HYDRAULIC HOSE | 2   |            | X X X |                    |         |
| 5   | T77857   | O-RING         | 4   |            | X X X |                    |         |
| 6   | RE61754  | HYDRAULIC HOSE | 2   |            | X X X |                    |         |
| 7   | R122359  | TUBE           | 1   |            | X X X |                    |         |
| 8   | 24M7242  | WASHER         | 8   |            | X X X | 21.400 X 42 X 5 MM |         |
| 9   | 19M7883  | SCREW          | 4   |            | X X X | M20 X 120          |         |
| 10  | 19M8503  | CAP SCREW      | 4   |            | X X X | M20 X 160          |         |
| 11  | 19M7969  | CAP SCREW      | 2   |            | X X X | M20 X 110          |         |
| 12  | 19M7907  | SCREW          | 2   |            | X X X | M20 X 140          |         |

# 8F7

WHEEL, FRONT AXLES, SHEET METAL

MIDFRAME ASSEMBLY  
ENSEMBLE DE CHASSIS CENTRAL  
MITTELRAHMEN-EINHEIT  
COMPLESSO A META' TELAIO  
CONJUNTO DEL BASTIDOR CENTRAL  
MITTENRAMENHET  
RE029712 -UN-13JUL98



# 8F8

WHEEL, FRONT AXLES, SHEET METAL

| KEY | PART NO. | PART NAME  | QTY | TRACTOR SERIAL NO. | A<br>L<br>L | REMARKS  |
|-----|----------|------------|-----|--------------------|-------------|--|
| 1   | RE63215  | FRAME      | 1   | -XXXXXX            | X           | (A) (SUB FOR RE61043)  |
|     | RE64475  | FRAME      | 1   | XXXXXX-XXXXXX      | X           | (B) (C)  |
|     | RE67617  | FRAME      | 1   | XXXXXX-XXXXXX      | X           | (D) (E) (SUB RE155953 AND R157605)   |
|     | RE155953 | FRAME      | 1   | XXXXXX-            | X           | (F)  |
| 2   | R54380   | DOWEL PIN  | 4   |                    | X           |  |
| 3   | R112855  | PLATE      | 1   | -XXXXXX            | X           | (C) (SUB R132322) LOW  |
|     | R132322  | PLATE      | 1   | XXXXXX-XXXXXX      | X           | (D) (E) LOW  |
|     | RE156238 | PLATE      | 1   | XXXXXX-            | X           | (F) (ALSO ORDER (6) 19M7789, (6) 14M7299, (12) 19M7791, (2) 19M7950 AND (2) 24M7242) |
| 4   | 19M7789  | SCREW      | 14  |                    | X           | M12 X 30, HS 10.9  |
|     | 19M7787  | SCREW      | 2   |                    | X           |  |
| 5   | 19M7787  | SCREW      | 10  | -XXXXXX            | X           | (E) M12 X 20, HS 10.9  |
|     | 19M7790  | SCREW      | 8   | XXXXXX-            | X           | (F) M12 X 35, (SUB FOR 19M7791)  |
| 6   | 37M7087  | SCREW      | 1   | -XXXXXX            | X           | (A) M10 X 25   |
|     | 37M7086  | SCREW      | 1   | XXXXXX-XXXXXX      | X           | (B) (C) M10 X 20   |
|     | 37M7087  | SCREW      | 1   | XXXXXX-            | X           | (D) M10 X 25   |
| 7   | R109479  | CLAMP      | 1   |                    | X           |  |
| 8   | 19M7386  | CAP SCREW  | 24  |                    | X           | M12 X 20   |
| 9   | 24M7047  | WASHER     | 24  |                    | X           | 13 X 24 X 2.500 MM   |
| 10  | R124353  | SHIELD     | 1   | -XXXXXX            | X           | (E)  |
|     | R157605  | SHIELD     | 1   | XXXXXX-            | X           | (F)  |
| 11  | 14M7299  | FLANGE NUT | 10  | -XXXXXX            | X           | (E) M12  |
|     | 14M7299  | FLANGE NUT | 14  | XXXXXX-            | X           | (F) M12  |
| 12  | 24M7242  | WASHER     | 10  |                    | X           | 21.400 X 42 X 5 MM   |
| 13  | 19M8100  | CAP SCREW  | 10  |                    | X           | M20 X 180  |
| 14  | 19M7969  | CAP SCREW  | 13  |                    | X           | M20 X 110, HS 10.9   |
| 15  | 24M7242  | WASHER     | 13  |                    | X           | 21.400 X 42 X 5 MM   |
| 16  | 19M7950  | CAP SCREW  | 2   | XXXXXX-            | X           | (F) M20 X 45   |

(A) ( -XXXXXX) 8100-002991; 8200-002359; 8300-004107; 8400-002672  
 (B) (XXXXXX- ) 8100-002992; 8200-002360; 8300-004108; 8400-002673

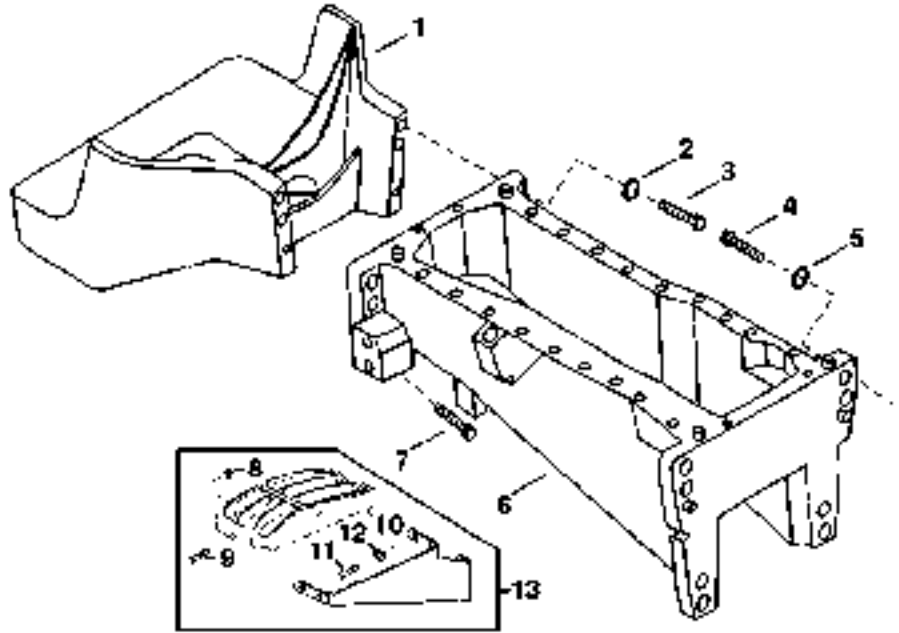
(C) ( -XXXXXX) 8100-005812; 8200-004066; 8300-006829; 8400-007527  
 (D) (XXXXXX- ) 8100-005813; 8200-004067; 8300-006830; 8400-007528

(E) ( -XXXXXX) 8100-021430; 8200-021231; 8300-022158; 8400-022732  
 (F) (XXXXXX- ) 8100-021431; 8200-021232; 8300-022159; 8400-022733

# 8F9

WHEEL, FRONT AXLES, SHEET METAL

FRONT FRAME AND FRONT SUPPORT  
 CHASSIS AVANT ET AVANT  
 VORDERRAHMEN UND VORDERE STUETZE  
 TELAIO ANTERIORE SUPPORTO ANTERIORE  
 BASTIDOR DELANTERO SOPORTE DELANTERO  
 FRAEMRE RAM, STOED FRAM  
 RE030434 -UN-08MAR99



**RE030434**

| KEY | PART NO. | PART NAME | QTY | TRACTOR SERIAL NO. | A |   | REMARKS                                    |
|-----|----------|-----------|-----|--------------------|---|---|--|
|     |          |           |     |                    | L | L |  |
| 1   | R124715  | SUPPORT   | 1   | -XXXXXX            | X |   | (A) (SUB R127240) (ALSO ORDER (4) 19M7402) |
|     | R127240  | SUPPORT   | 1   | XXXXXX-            | X |   | (B)  |
| 2   | 24M7242  | WASHER    | 6   |                    | X |   | 21.400 X 42 X 5 MM                         |
| 3   | 19M7963  | CAP SCREW | 4   | -XXXXXX            | X |   | (C) M20 X 100, HS 10.9                     |
|     | 19M7963  | CAP SCREW | 6   | XXXXXX-            | X |   | (D)  |
| 4   | 19M7963  | CAP SCREW | 10  |                    | X |   | M20 X 100, HS 10.9                         |
| 5   | 24M7242  | WASHER    | 10  |                    | X |   | 21.400 X 42 X 5 MM                         |
| 6   | RE71509  | OIL PAN   | 1   |                    | X |   | (SUB FOR RE50889)                          |
| 7   | 19M7969  | CAP SCREW | 2   | -XXXXXX            | X |   | (C) M20 X 110                              |
|     | 19M7969  | CAP SCREW | 4   | XXXXXX-            | X |   | (D) M20 X 110                              |
| 8   | K40003   | LOCK NUT  | 4   |                    | X |   |  |
| 9   | 19H2676  | CAP SCREW | 4   |                    | X |   | 3/8" X 1"                                  |
| 10  | R151799  | STEP      | 1   |                    | X |   |  |
| 11  | 19M7946  | CAP SCREW | 2   |                    | X |   | M20 X 40                                   |
| 12  | 24M7344  | WASHER    | 2   |                    | X |   | 22 X 37 X 3 MM                             |
| 13  | RE162261 | STEP      | 1   |                    | X |   |  |

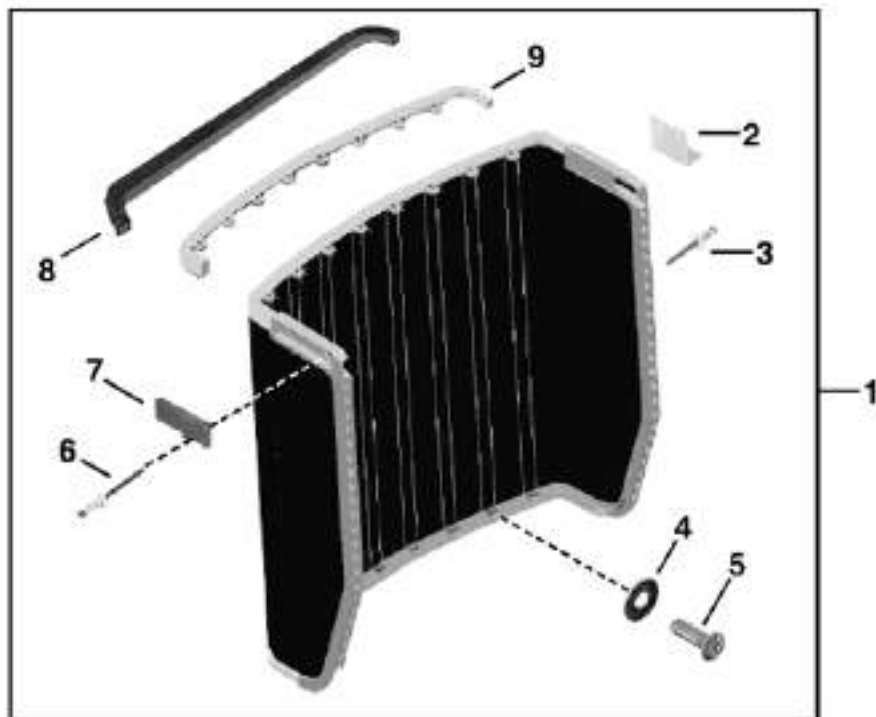
- (A) ( -XXXXXX) 8100-002318; 8200-001994; 8300-003485; 8400-002321  
 (B) (XXXXXX- ) 8100-002319; 8200-001995; 8300-003486; 8400-002322  
 (C) ( -XXXXXX) 8100-020918; 8200-020739; 8300-021348; 8400-021416  
 (D) (XXXXXX- ) 8100-020919; 8200-020740; 8300-021349; 8400-021417



# 8F10

WHEEL, FRONT AXLES, SHEET METAL

GRILLE SCREEN  
 GRILLE DE CALANDRE  
 KUEHLERGITTER  
 GRIGLIA  
 REJILLA DE LA PARRILLA  
 KYLARGALLERSKAERM  
 RE026095 -UN-13MAR95



RE026095

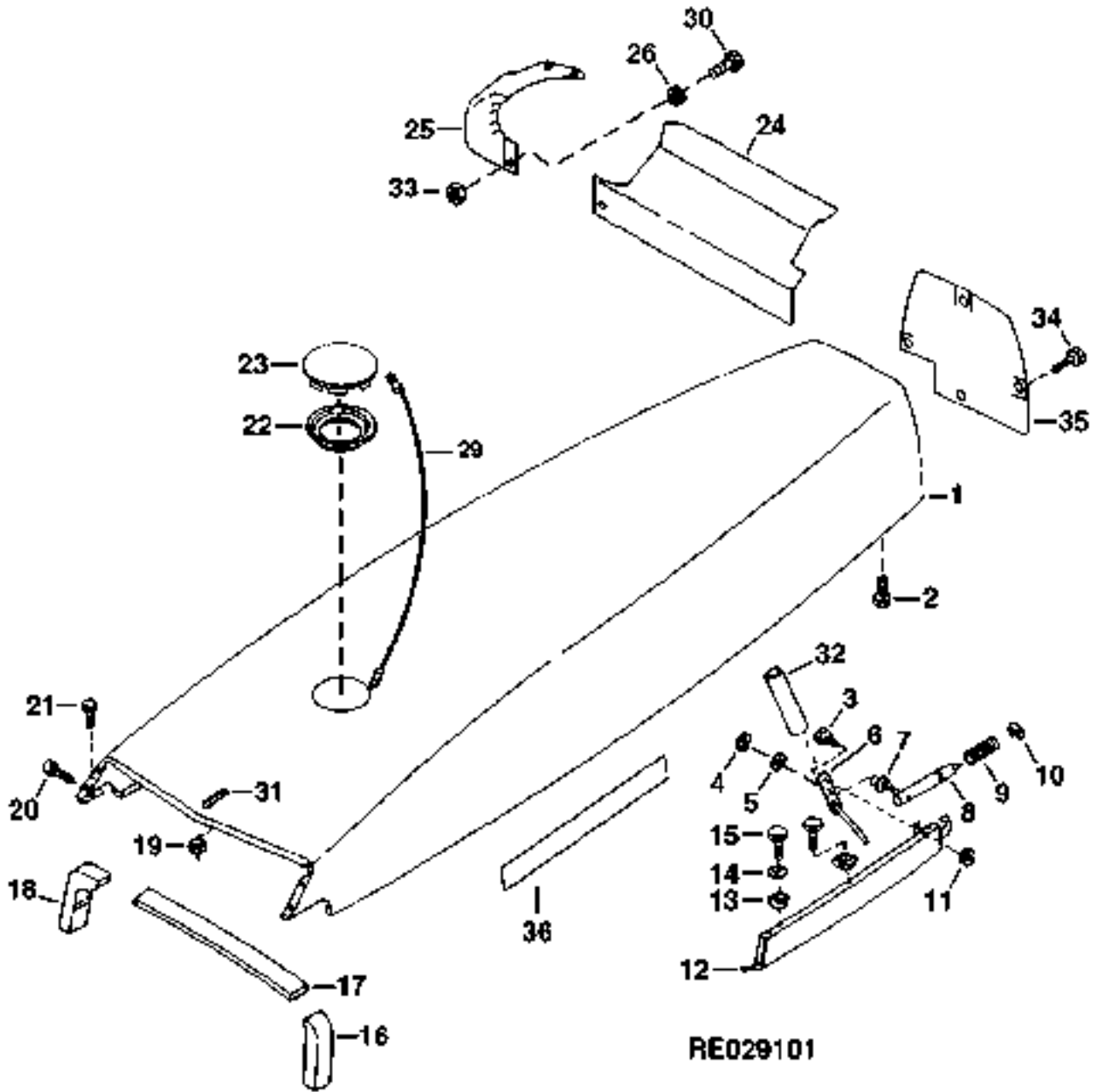
| KEY | PART NO. | PART NAME | QTY | TRACTOR<br>SERIAL NO. | A | REMARKS                  |
|-----|----------|-----------|-----|-----------------------|---|--------------------------|
|     |          |           |     |                       | L |                          |
| 1   | RE58883  | SCREEN    | 1   |                       | X |                          |
| 2   | R124304  | SUPPORT   | 2   |                       | X |                          |
| 3   | R125955  | RIVET     | 14  |                       | X | (SUB FOR R55427)         |
| 4   | 24M7146  | WASHER    | 16  |                       | X | 4.300 X 12 X 1 MM, (NLR) |
| 5   | 37H47    | SCREW     | 16  |                       | X |                          |
| 6   | AT56660  | RIVET     | 4   |                       | X |                          |
| 7   | RE55737  | LATCH     | 2   |                       | X |                          |
| 8   | R122030  | SEAL      | 1   |                       | X |                          |
| 9   | R127887  | DEFLECTOR | 1   |                       | X | (SUB FOR RE55737)        |

# 8F11

WHEEL, FRONT AXLES, SHEET METAL

HOOD  
CAPOT  
HAUBE  
COFANO  
CAPO  
HUV  
RE029101

-UN-10MAR98



# 8F12

WHEEL, FRONT AXLES, SHEET METAL

| KEY | PART NO. | PART NAME     | QTY | TRACTOR SERIAL NO. | A<br>L<br>L | REMARKS                       |
|-----|----------|---------------|-----|--------------------|-------------|-------------------------------|
| 1   | RE44353  | HOOD          | 1   | -009999            | X           |                               |
|     | RE66577  | HOOD          | 1   | 010000-            | X           |                               |
| 2   | 19M8300  | SCREW         | 2   |                    | X           | M8 X 40                       |
| 3   | R113221  | SCREW         | 2   |                    | X           |                               |
| 4   | 40M7042  | SNAP RING     | 2   |                    | X           | (SUB FOR R72655) (SUB R31935) |
| 5   | 24H1283  | WASHER        | 2   |                    | X           | 7/32" X 1/2" X 0.049"         |
| 6   | RE61062  | HANDLE        | 1   | -XXXXXX            | X           | (A) R.H.                      |
|     | RE63580  | HANDLE        | 1   | XXXXXX-            | X           | (B) R.H.                      |
|     | RE61063  | HANDLE        | 1   | -XXXXXX            | X           | (A) L.H.                      |
|     | RE63581  | HANDLE        | 1   | XXXXXX-            | X           | (B) L.H.                      |
| 7   | R124782  | BUSHING       | 2   |                    | X           |                               |
| 8   | RE63551  | PIN           | 2   |                    | X           | (SUB FOR RE61064)             |
| 9   | R124781  | SPRING        | 2   |                    | X           |                               |
| 10  | R72655   | SNAP RING     | 2   |                    | X           |                               |
| 11  | 14M7303  | FLANGE NUT    | 2   |                    | X           | M6                            |
| 12  | RE71343  | PANEL         | 1   |                    | X           | (SUB FOR RE61060) R.H.        |
|     | RE71341  | PANEL         | 1   |                    | X           | (SUB FOR RE61061) L.H.        |
| 13  | M84972   | NUT           | 4   |                    | X           |                               |
| 14  | 24M7088  | WASHER        | 4   |                    | X           | 6.600 X 12 X 1.600 MM         |
| 15  | 19M7560  | CAP SCREW     | 4   |                    | X           | M6 X 16                       |
| 16  | R124758  | FOAM PAD      | 1   |                    | X           | L.H.                          |
| 17  | R124756  | FOAM PAD      | 1   |                    | X           |                               |
| 18  | R124757  | FOAM PAD      | 1   |                    | X           | R.H.                          |
| 19  | R107957  | NUT           | 2   |                    | X           |                               |
| 20  | 19M6614  | CAP SCREW     | 4   |                    | X           | M6 X 12                       |
| 21  | 19M7297  | CAP SCREW     | 4   |                    | X           | M8 X 12                       |
| 22  | R124515  | GROMMET       | 1   |                    | X           |                               |
| 23  | R121715  | FILLER CAP    | 1   |                    | X           |                               |
| 24  | R124419  | SHIELD        | 1   |                    | X           | UP                            |
| 25  | R124418  | SHIELD        | 1   |                    | X           |                               |
| 26  | 24M7088  | WASHER        | 5   |                    | X           | 6.600 X 12 X 1.600 MM         |
| 27  | 19M8827  | SCREW         | 1   |                    | X           | M6 X 130                      |
| 28  | 28H3403  | BUSHING       | 1   |                    | X           | 0.269" X 0.405" X 4.090"      |
| 29  | R121762  | CABLE         | 1   |                    | X           | (ALSO ORDER (2) R55427)       |
| 30  | 19M7560  | CAP SCREW     | 5   |                    | X           | M6 X 16                       |
| 31  | R95654   | MOLDING       | 1   |                    | X           | (ALSO ORDER R150800)          |
| 32  | R126490  | HOSE          | 1   | -XXXXXX            | X           | (F)                           |
| 33  | R120332  | NUT           | 1   |                    | X           |                               |
| 34  | 37H209   | SCREW         | 3   | 010000-            | X           | 0.190" X 1/2"                 |
| 35  | R131226  | REINFORCEMENT | 1   | 010000-XXXXXX      | X           | (C)                           |
|     | R136111  | REINFORCEMENT | 1   | XXXXXX-            | X           | (D)                           |
| 36  | R150005  | INSULATOR     | 1   | XXXXXX-            | X           | (E)                           |

(A) ( -XXXXXX) 8100-001621; 8200-001566; 8300-002743; 8400-001325

(B) (XXXXXX- ) 8100-001622; 8200-001567; 8300-002744; 8400-001326

(C) ( -XXXXXX) 8100-012304; 8200-011925; 8300-012560; 8400-012539

(D) (XXXXXX- ) 8100-012305; 8200-011926; 8300-012561; 8400-012540

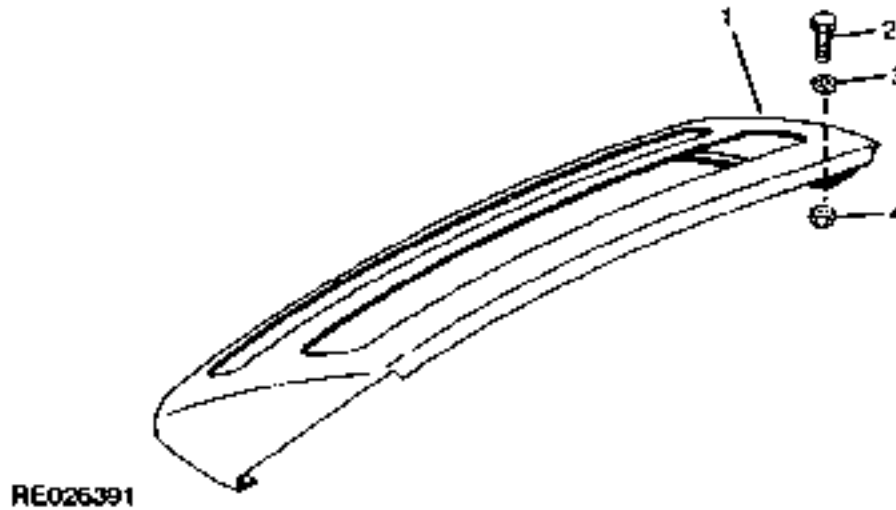
(E) (XXXXXX- ) 8100-012825; 8200-012302; 8300-013246; 8400-013221

(F) ( -XXXXXX) 8100-02197; 8200-021497; 8300-022748; 8400-023358

# 8F13

WHEEL, FRONT AXLES, SHEET METAL

HOOD EXTENSION  
RALLONGE DE CAPOT  
HAUBENVERLAENGERUNG  
PROLUNGA DEL COFANO  
EXTENSION DEL CAPO  
HUVFOERLAENGNING  
RE026391 -UN-07JUL95



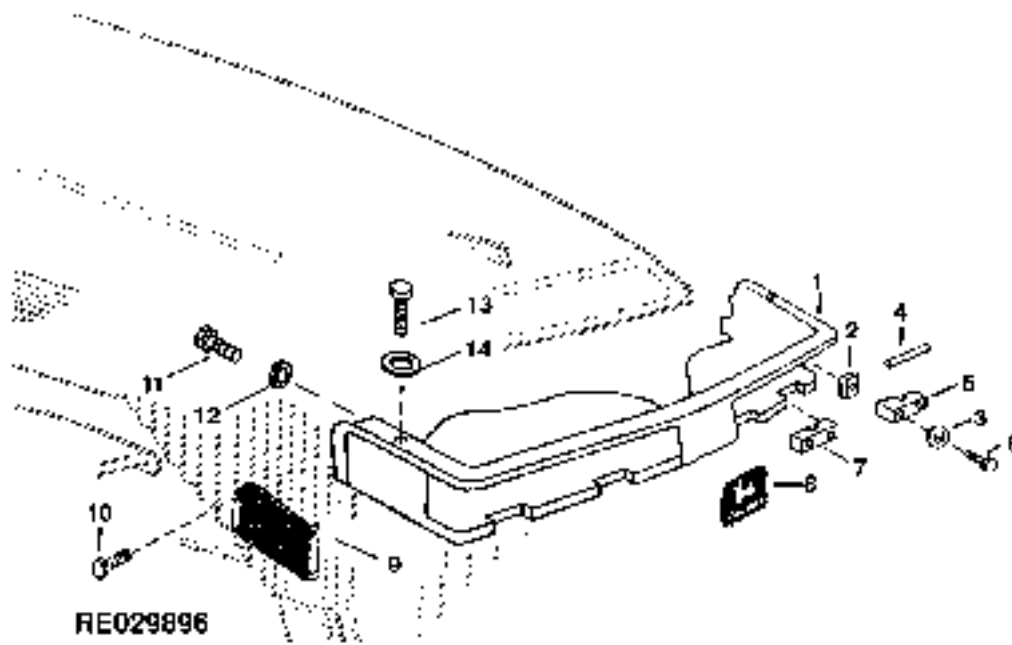
RE026391

| KEY | PART NO. | PART NAME | QTY | TRACTOR<br>SERIAL NO. | A | REMARKS               |
|-----|----------|-----------|-----|-----------------------|---|-----------------------|
|     |          |           |     |                       | L |                       |
| 1   | RE62107  | EXTENSION | 1   |                       | X |                       |
| 2   | 19M7560  | CAP SCREW | 9   |                       | X | M6 X 16               |
| 3   | 24M7088  | WASHER    | 9   |                       | X | 6.600 X 12 X 1.600 MM |
| 4   | M84972   | NUT       | 9   |                       | X |                       |

# 8F14

WHEEL, FRONT AXLES, SHEET METAL

HEADLIGHT HOUSING  
 LOGEMENT DE PHARE  
 SCHEINWERFERGEHAEUSE  
 ALLOGGIAMENTO DEI FARI  
 CAJA DEL FARO  
 STRAALKASTERHUS  
 RE029896 -UN-29SEP98

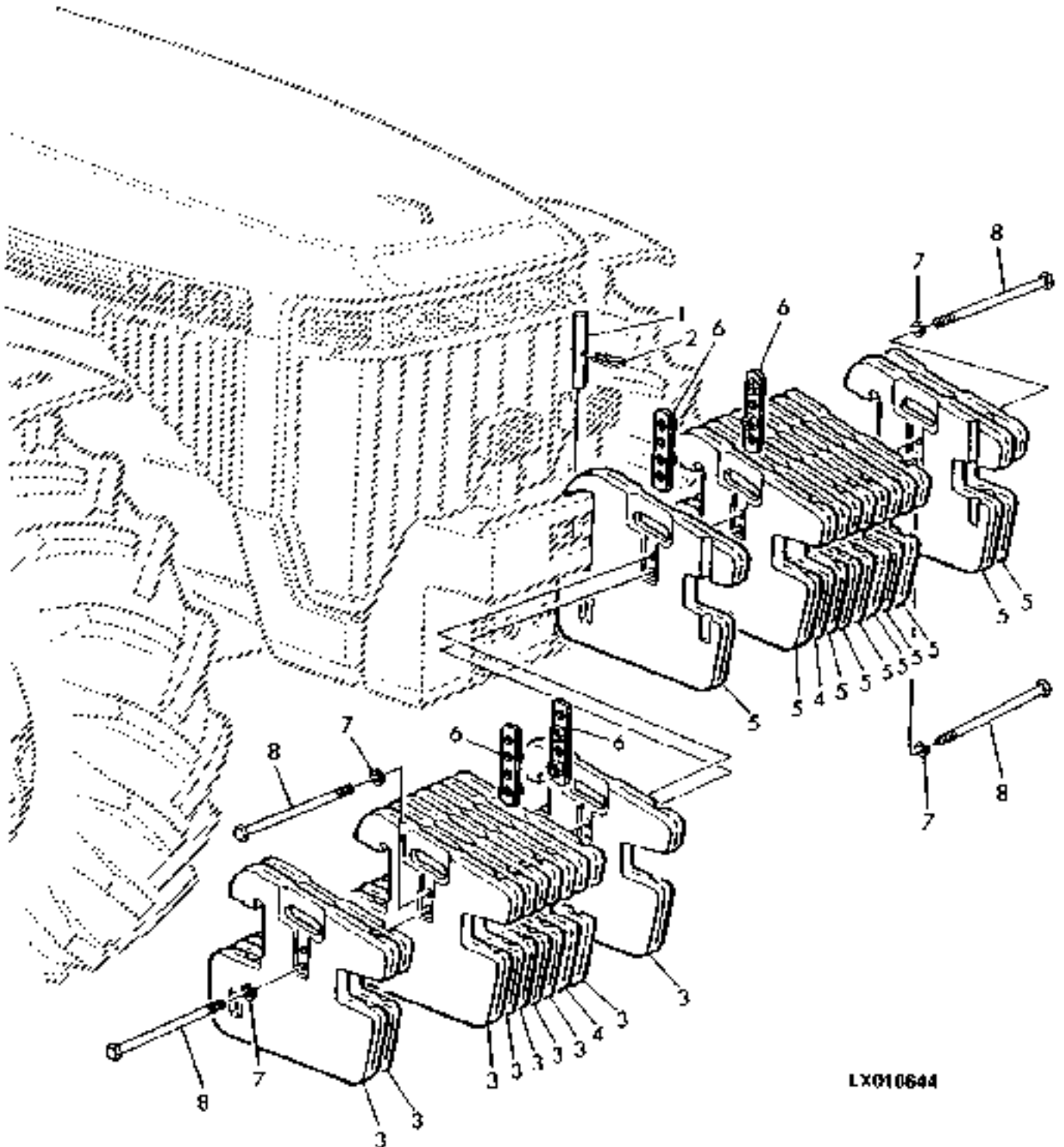


| KEY | PART NO. | PART NAME     | QTY | TRACTOR<br>SERIAL NO. | A | REMARKS                               |
|-----|----------|---------------|-----|-----------------------|---|---------------------------------------|
|     |          |               |     |                       | L |                                       |
| 1   | R126777  | HOUSING       | 1   |                       | X | (SUB FOR R114561)                     |
| 2   | R106529  | NUT           | 8   |                       | X | (USE WITH R126777)                    |
|     | 14M7360  | LOCK NUT      | 8   |                       | X | M5, (USE WITH R114561)                |
| 3   | 24M7117  | WASHER        | 8   |                       | X | 4.300 X 9 X 0.800 MM                  |
| 4   | R43244   | NEEDLE ROLLER | 4   |                       | X |                                       |
| 5   | R124557  | SUPPORT       | 1   |                       | X | R.H.                                  |
|     | R124559  | SUPPORT       | 1   |                       | X | L.H.                                  |
| 6   | 21M7022  | SCREW         | 8   |                       | X | M5 X 20                               |
| 7   | R124556  | SUPPORT       | 1   |                       | X | R.H.                                  |
|     | R124558  | SUPPORT       | 1   |                       | X | L.H.                                  |
| 8   | RE65579  | LABEL         | 1   |                       | X | (SUB FOR RE34995, RE65218 OR RE67664) |
| 9   | R124754  | REFLECTOR     | 1   |                       | X | R.H.                                  |
|     | R124755  | REFLECTOR     | 1   |                       | X | L.H.                                  |
| 10  | 37M7033  | SCREW         | 4   |                       | X |                                       |
| 11  | M117141  | SCREW         | 2   |                       | X |                                       |
| 12  | 24M7088  | WASHER        | 2   |                       | X | 6.600 X 12 X 1.600 MM                 |
| 13  | 19M7768  | SCREW         | 4   |                       | X | M6 X 16                               |
| 14  | 24M7088  | WASHER        | 4   |                       | X | 6.600 X 12 X 1.600 MM                 |

# 8F15

WHEEL, FRONT AXLES, SHEET METAL

FRAME WEIGHTS (EUROPEAN VERSION)  
MASSES D'ALOURDISSEMENT (VERSION EUROPEENE)  
RAHMENGEWICHTE (EUROPAEISCHE AUSFUEHRUNG)  
ZAVORRE ANTERIOR (VERSIONE EUROPEA)  
CONTRAPESOS PARA EL BASTIDOR (VERSION EUROPEA)  
FRONTVIKTER (EUROPEISK VERSION)  
LX010644 -UN-24JAN96



LX010644

# 8F16

WHEEL, FRONT AXLES, SHEET METAL

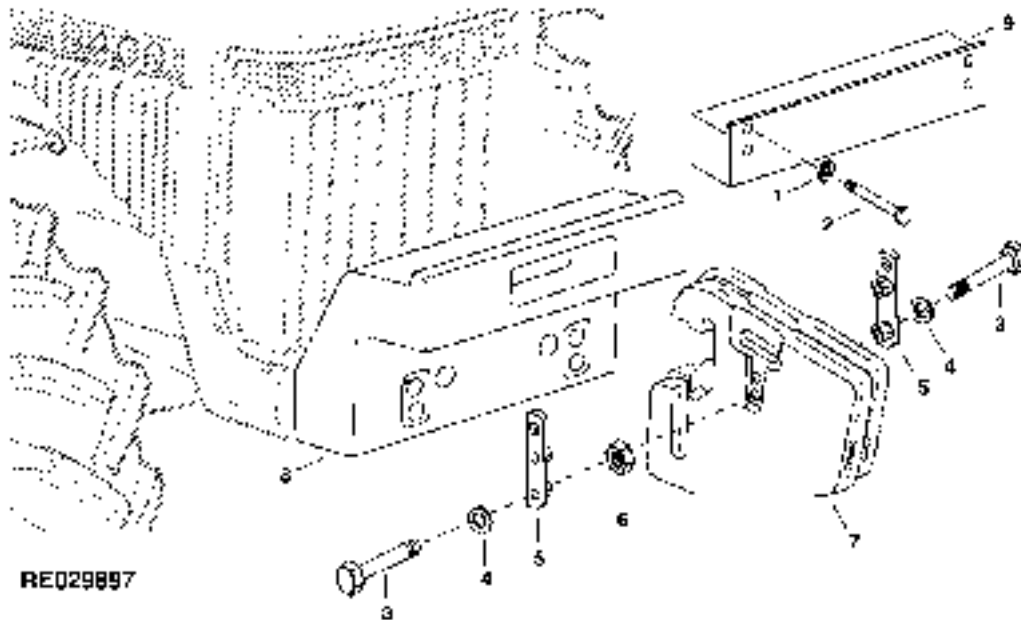
| KEY | PART NO. | PART NAME          | QTY | TRACTOR<br>SERIAL NO. | A<br>L<br>L | REMARKS        |
|-----|----------|--------------------|-----|-----------------------|-------------|----------------|
| 1   | T32146   | PIN                | 1   |                       | X           |                |
| 2   | L12491   | SPRING LOCKING PIN | 1   |                       | X           |                |
| 3   | L38450   | WEIGHT             | 9   |                       | X           |                |
| 4   | L38451   | WEIGHT             | 2   |                       | X           |                |
| 5   | L38449   | WEIGHT             | 9   |                       | X           | (NLA)          |
| 6   | AR68801  | RETAINER           | 4   |                       | X           |                |
| 7   | 12M7044  | LOCK WASHER        | 4   |                       | X           | 18.500 MM      |
| 8   | 08H4482  | CAP SCREW          | 4   |                       | X           | (A) 5/8" X 12" |

(A)20 WEIGHTS  
20 MASSE ADDITIONNELLE  
20 GEWICHT  
20 ZAVORRA  
20 LASTRE  
20 VIKT

# 8F17

WHEEL, FRONT AXLES, SHEET METAL

FRAME WEIGHTS/FRONT WEIGHT SUPPORT  
 MASSES D'ALOURDISSEMENT/SUPPORT DE MASSES AVANT  
 RAHMENGEWICHTE/FRONTGEWICHTSTUETZE  
 ZAVORRE ANTERIOR/SUPPORTO ANTERIORE DEL PESO  
 CONTRAPESOS PARA EL BASTIDOR/SOPORTE DEL PESO DELANTERO  
 FRONTVIKTER/STOED FOER FRAMVIKTER  
 RE029897 -UN-09SEP98



| KEY | PART NO. | PART NAME | QTY | TRACTOR SERIAL NO. | A<br>L<br>L | REMARKS                  |
|-----|----------|-----------|-----|--------------------|-------------|--------------------------|
| 1   | 24M7344  | WASHER    | 4   |                    | X           | 0.866" X 1.457" X 0.118" |
| 2   | 19M7892  | CAP SCREW | 4   | -XXXXXX            | X           | M20 X 80                 |
|     | 19M7921  | CAP SCREW | 4   | XXXXXX-            | X           | M20 X 150                |
| 3   | 08H4248  | CAP SCREW | 2   | -XXXXXX            | X           | (C) 5/8" X 8-1/2"        |
|     | R59761   | CAP SCREW | 2   | -XXXXXX            | X           | (D)                      |
|     | R161069  | CAP SCREW | 2   | XXXXXX-            | X           | (D) 5/8" X 19"           |
|     | 08H4225  | CAP SCREW | 2   | XXXXXX-            | X           | (C) 5/8" X 11-1/2"       |
| 4   | 24M7241  | WASHER    | 4   |                    | X           | 17 X 34 X 4 MM           |
|     | AR68801  | RETAINER  | 2   |                    | X           |                          |
| 6   | R82549   | SUPPORT   | 1   |                    | X           | (B)                      |
| 7   | R127764  | WEIGHT    | 20  |                    | X           | (SUB FOR R116262)        |
| 8   | R124518  | SUPPORT   | 1   |                    | X           | (A)                      |

(A)EUROPEAN VERSION  
 VERSION EUROPEENNE  
 EUROPÄISCHE AUSFUEHRUNG  
 VERSIONE EUROPEA  
 VERSION EUROPEA  
 EUROPEISK VERSION

(B)NORTH AMERICAN VERSION  
 VERSION NORD AMERICAINE  
 NORDAMERIKANISCHE  
 VERSIONE NORDAMERICANA  
 VERSION NORTEAMERICANA  
 NORDAMERIKANSK VERSION

(C)8-12 WEIGHTS  
 8-12 MASSE ADDITIONNELLE  
 8-12 GEWICHT  
 8-12 ZAVORRA  
 8-12 LASTRE  
 8-12 VIKA

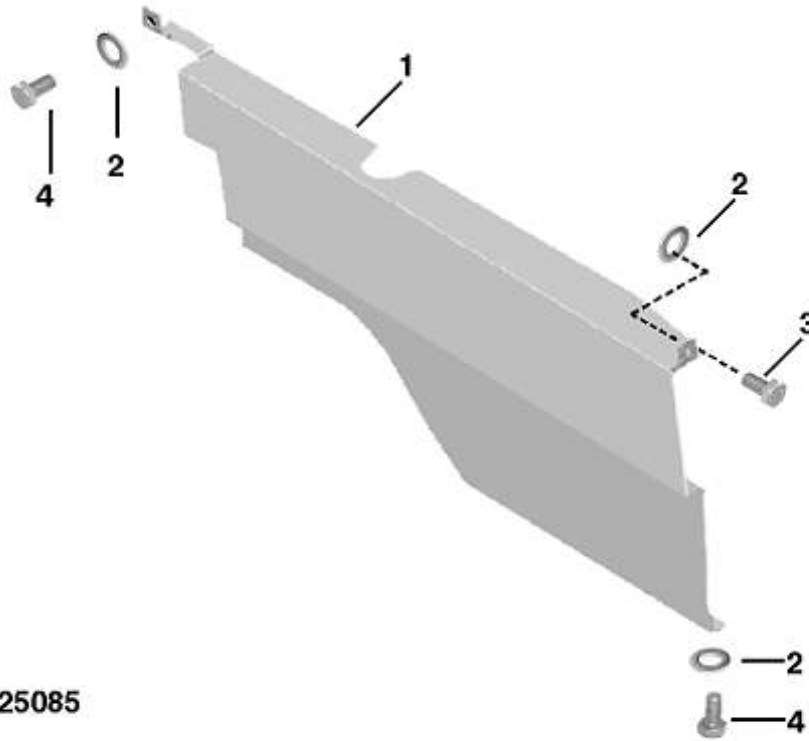
(D) 16-20 WEIGHTS  
 16-20 MASSE ADDITIONNELLE  
 16-20 GEWICHT  
 16-20 ZAVORRA  
 16-20 LASTRE  
 16-20 VIKA



# 8F18

WHEEL, FRONT AXLES, SHEET METAL

FRONT FRAME COVER (8100, 8200, 8300)  
 COUVERTURE DE CHASSIS AVANT (8100, 8200, 8300)  
 VORDERE RAHMENABDECKUNG (8100, 8200, 8300)  
 COPERTURA DEL TELAIO ANTERIORE (8100, 8200, 8300)  
 CUBIERTA DEL BASTIDOR DELANTERO (8100, 8200, 8300)  
 FRAEMRE RAMKAAPA (8100, 8200, 8300)  
 RXP025085 -UN-01JAN94



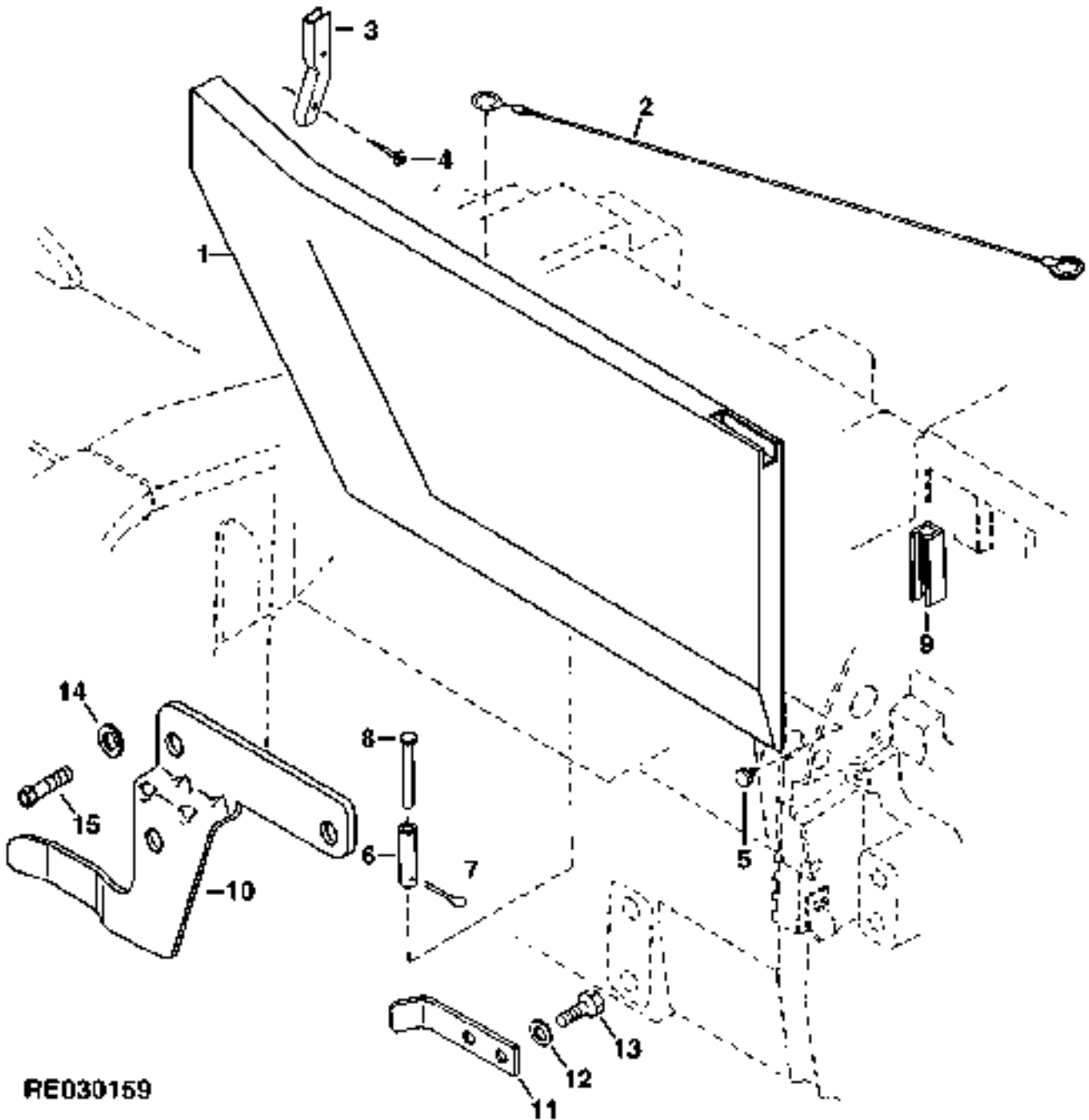
**RXP025085**

| KEY | PART NO. | PART NAME | QTY | TRACTOR SERIAL NO. |   |   | REMARKS            |
|-----|----------|-----------|-----|--------------------|---|---|--------------------|
|     |          |           |     | 8                  | 8 | 8 |                    |
| 1   | RE61795  | COVER     | 1   | X                  | X | X | R.H.               |
|     | RE61796  | COVER     | 1   | X                  | X | X | L.H.               |
| 2   | 24M7028  | WASHER    | 6   | X                  | X | X | 10.500 X 20 X 2 MM |
| 3   | 19M7167  | CAP SCREW | 2   | X                  | X | X | M10 X 25           |
| 4   | 19M7166  | CAP SCREW | 4   | X                  | X | X | M10 X 20           |

# 8F19

WHEEL, FRONT AXLES, SHEET METAL

ENGINE SIDE SHIELDS  
PANNEAUX LATERAUX DU MOTEUR  
MOTORSEITENBLECHE  
SCHERMI LATERALI DEL MOTORE  
ESCUDOS LATERALES DEL MOTOR  
MOTORNS SIDSKYDDSPLAATAR  
RE030159 -UN-17NOV98



RE030159

# 8F20

WHEEL, FRONT AXLES, SHEET METAL

| KEY | PART NO. | PART NAME  | QTY | TRACTOR<br>SERIAL NO. | A |   | REMARKS                           |
|-----|----------|------------|-----|-----------------------|---|---|-----------------------------------|
|     |          |            |     |                       | L | L |                                   |
| 1   | RE61088  | SHIELD     | 1   | -009999               | X |   | R.H. (SUB RE69078)                |
|     | RE71219  | SHIELD     | 1   | 010000-               | X |   | R.H. (SUB FOR RE69078)            |
|     | RE71218  | SHIELD     | 1   |                       | X |   | L.H. (SUB FOR RE61089)            |
| 2   | R121626  | CABLE      | 1   |                       | X |   |                                   |
| 3   | R126805  | COVER      | 1   |                       | X |   | (SUB FOR R124951)                 |
| 4   | AT56660  | RIVET      | 2   |                       | X |   |                                   |
| 5   | T22085T  | BUMPER     | 1   |                       | X |   |                                   |
| 6   | R120134  | SPACER     | 2   |                       | X |   |                                   |
| 7   | 11M7012  | COTTER PIN | 2   |                       | X |   | 3.200 X 16 MM                     |
| 8   | R121660  | PIN        | 2   |                       | X |   |                                   |
| 9   | RE62489  | MOLDING    | 1   |                       | X |   |                                   |
| 10  | R136260  | BRACKET    | 1   | -XXXXXX               | X |   | (A) (SUB FOR R124823) R.H., FRONT |
|     | R135810  | BRACKET    | 1   | XXXXXX-               | X |   | (B) R.H., FRONT                   |
|     | R124824  | BRACKET    | 1   | -XXXXXX               | X |   | (A) (SUB R135811) L.H., FRONT     |
|     | R135811  | BRACKET    | 1   | XXXXXX-               | X |   | (B) L.H., FRONT                   |
| 11  | R120133  | SUPPORT    | 1   |                       | X |   | R.H., REAR                        |
| 12  | 24M7346  | WASHER     | 2   |                       | X |   | 11 X 20 X 2 MM                    |
| 13  | 19M7167  | CAP SCREW  | 2   |                       | X |   | M10 X 25                          |
| 14  | 24M7240  | WASHER     | 2   |                       | X |   | 13 X 25 X 3 MM                    |
| 15  | 19M7872  | CAP SCREW  | 2   |                       | X |   | M12 X 25                          |

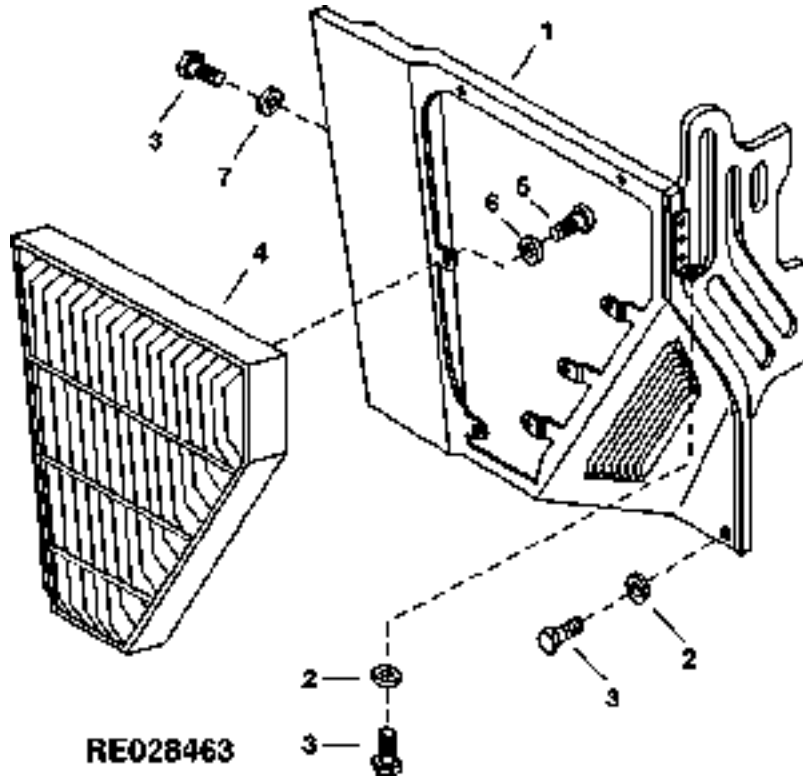
(A) ( -XXXXXX) 8100-013009; 8200-012469; 8300-013491; 8400-013415

(B) (XXXXXX- ) 8100-013010; 8200-012470; 8300-013492; 8400-013416

# 8F21

WHEEL, FRONT AXLES, SHEET METAL

SIDE PANEL (8100, 8200, 8300)  
 PANNEAUX LATERAUX (8100, 8200, 8300)  
 SEITENVERKLEIDUNGEN (8100, 8200, 8300)  
 PANNELLI LATERALI (8100, 8200, 8300)  
 PANELES LATERALES (8100, 8200, 8300)  
 SIDBEKLAEDNAD (8100, 8200, 8300)  
 RE028463 -UN-27OCT97



**RE028463**

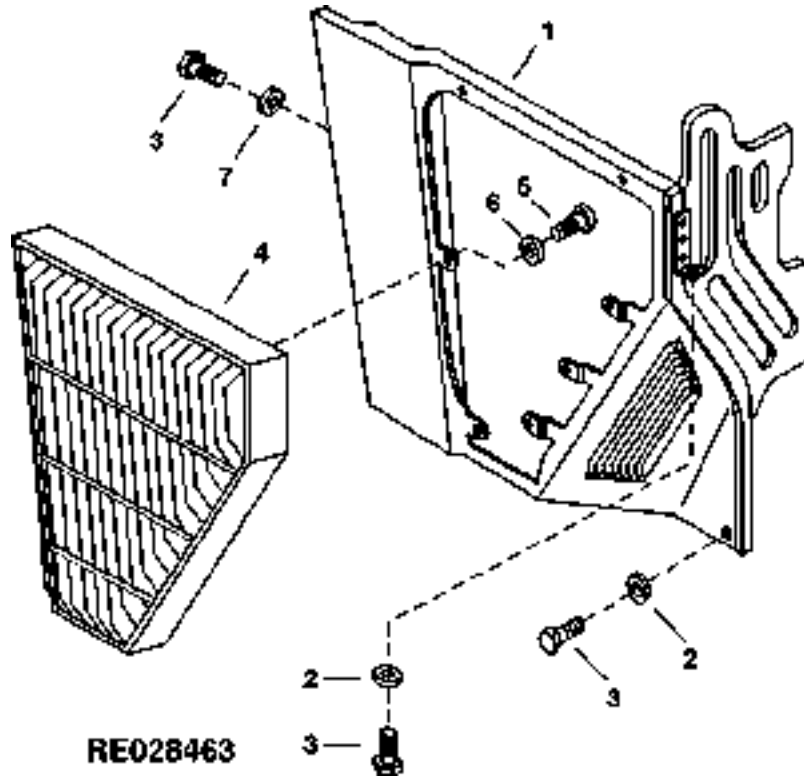
8 8 8  
 1 2 3  
 0 0 0  
 0 0 0

| KEY | PART NO. | PART NAME | QTY | TRACTOR SERIAL NO. | REMARKS                      |
|-----|----------|-----------|-----|--------------------|------------------------------|
| 1   | RE69771  | PANEL     | 1   | -009999            | X X X (SUB FOR RE60821) R.H. |
|     | RE69037  | PANEL     | 1   | 010000-            | X X X R.H.                   |
|     | RE69795  | PANEL     | 1   | -009999            | X X X (SUB FOR RE60822) L.H. |
|     | RE69036  | PANEL     | 1   | 010000-            | X X X L.H.                   |
| 2   | 24M7055  | WASHER    | 2   |                    | X X X 8.400 X 16 X 1.600 MM  |
| 3   | 19M7881  | SCREW     | 3   |                    | X X X M8 X 20                |
| 4   | R120157  | LOUVER    | 1   | -009999            | X X X R.H.                   |
|     | R131807  | LOUVER    | 1   | 010000-            | X X X R.H.                   |
|     | R120158  | LOUVER    | 1   | -009999            | X X X L.H.                   |
|     | R131808  | LOUVER    | 1   | 010000-            | X X X L.H.                   |
| 5   | 24M7146  | WASHER    | 7   |                    | X X X 4.300 X 12 X 1 MM      |
| 6   | 37M7033  | SCREW     | 7   |                    | X X X                        |
| 7   | 24M7298  | WASHER    | 2   |                    | X X X 8.400 X 25 X 2 MM      |

# 8F22

WHEEL, FRONT AXLES, SHEET METAL

SIDE PANEL (8400)  
 PANNEAUX LATERAUX (8400)  
 SEITENVERKLEIDUNGEN (8400)  
 PANNELLI LATERALI (8400)  
 PANELES LATERALES (8400)  
 SIDBEKLAEDNAD (8400)  
 RE028463 -UN-27OCT97

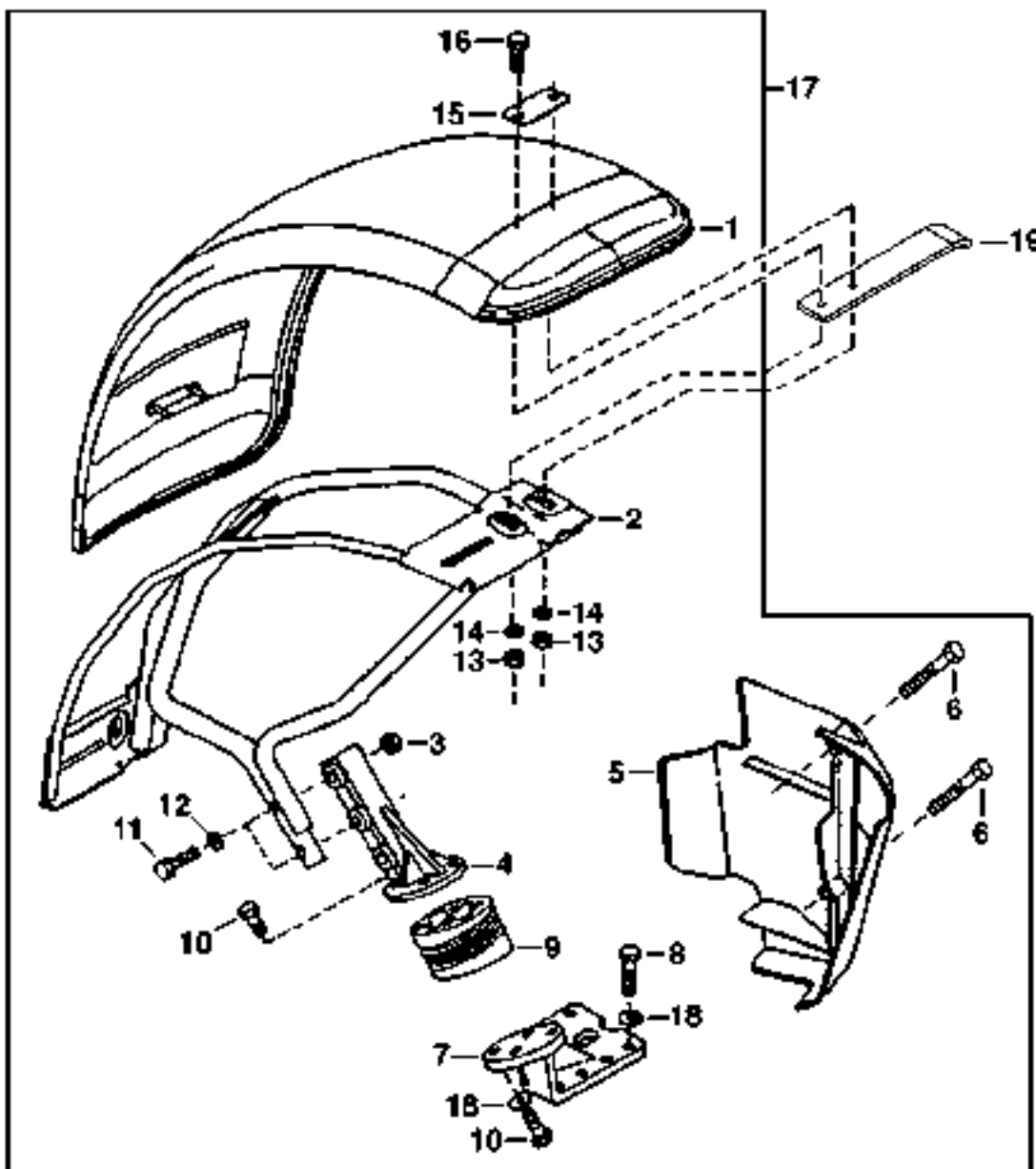


| KEY | PART NO. | PART NAME | QTY | TRACTOR SERIAL NO. | REMARKS                           |
|-----|----------|-----------|-----|--------------------|-----------------------------------|
| 1   | RE69037  | PANEL     | 1   | X                  | R.H. (SUB FOR RE60823 OR RE65609) |
|     | RE69036  | PANEL     | 1   | X                  | L.H. (SUB FOR RE60824 OR RE65608) |
|     | 24M7055  | WASHER    | 1   | X                  | 8.400 X 16 X 1.600 MM             |
| 3   | 19M7881  | SCREW     | 3   | X                  | M8 X 20                           |
| 4   | R131807  | LOUVER    | 1   | X                  | R.H. (SUB FOR R120157)            |
|     | R131808  | LOUVER    | 1   | X                  | L.H. (SUB FOR R120158)            |
| 5   | 24M7146  | WASHER    | 7   | X                  | 4.300 X 12 X 1 MM                 |
| 6   | 37M7194  | SCREW     | 7   | X                  |                                   |
| 7   | 24M7055  | WASHER    | 2   | X                  | 8.400 X 16 X 1.600 MM             |

# 8F23

WHEEL, FRONT AXLES, SHEET METAL

FRONT FENDER ASSEMBLY (MECHANICAL FRONT WHEEL DRIVE)  
JEU DE PIÈCES DE GARDE-BOUE AVANT (TRACTION AVANT MECANIQUE)  
FRONT-KOTSHUETZERSATZ (MECHANISCHER FRONTANTRIEB)  
SERIE PEZZI PER GUARDIA PARAFANGO ANTERIORE (TRAZIONE ANTERIORE MECANICA)  
JUEGO DE FALDON DE GUARDABARRO DELANTERO (TRACCION DELANTERA)  
FOERLAENGARE TILL FRAEMRE STAENKSKAERM, SATS (MEKANISK FRAMHJULSDRIVNING)  
RE026587 -UN-21JUN96



RE026587

# 8F24

WHEEL, FRONT AXLES, SHEET METAL

| KEY | PART NO.       | PART NAME  | QTY | TRACTOR SERIAL NO. | A<br>L<br>L | REMARKS                               |
|-----|----------------|------------|-----|--------------------|-------------|---------------------------------------|
| 1   | R154936        | FENDER     | 2   |                    | X           | (SUB FOR R122786)                     |
|     | R121950        | FENDER     | 2   |                    | X           | FOR 600/65 R28 TIRES/MFWD             |
| 2   | RE63578        | SUPPORT    | 1   |                    | X           | (SUB FOR RE61255) R.H.                |
|     | RE63579        | SUPPORT    | 1   |                    | X           | (SUB FOR RE61254) L.H.                |
| 3   | 14M7291        | FLANGE NUT | 4   |                    | X           | M16                                   |
| 4   | R126003        | SUPPORT    | 2   | -XXXXXX            | X           | (C)                                   |
|     | R154655        | SUPPORT    | 2   | XXXXXX-            | X           | (D)                                   |
| 5   | R124616        | PANEL      | 1   | -XXXXXX            | X           | (A) R.H.                              |
|     | R134562        | PANEL      | 1   | XXXXXX-            | X           | (B) R.H.                              |
|     | R124617        | PANEL      | 1   | -XXXXXX            | X           | (A) L.H.                              |
|     | R134563        | PANEL      | 1   | XXXXXX-            | X           | (B) L.H.                              |
| 6   | 21M7442        | SCREW      | 2   |                    | X           | M10 X 20, UP                          |
|     | 21M7443        | SCREW      | 2   |                    | X           | M10 X 35, LOW                         |
| 7   | R124671        | PANEL      | 1   |                    | X           | R.H.                                  |
|     | R124670        | PANEL      | 1   |                    | X           | L.H.                                  |
| 8   | 19M7790        | SCREW      | 8   |                    | X           | M12 X 35                              |
| 9   | RE60938        | ISOLATOR   | 2   |                    | X           |                                       |
| 10  | 19M8011        | CAP SCREW  | 16  |                    | X           | M12 X 30                              |
| 11  | 19M7719        | CAP SCREW  | 4   |                    | X           | M16 X 70                              |
|     | 24M7338        | WASHER     | 4   |                    | X           | 17 X 30 X 3 MM                        |
| 12  | R125085        | WASHER     | 4   |                    | X           |                                       |
| 13  | 14M7296        | FLANGE NUT | 8   |                    | X           | M10                                   |
| 14  | 24M7239        | WASHER     | 16  |                    | X           | 10.700 X 21 X 2.500 MM                |
| 15  | R117977        | STRAP      | 4   | -026354            | X           |                                       |
|     | R117977        | STRAP      | 4   | 026355-            | X           |                                       |
| 16  | 03M7356        | BOLT       | 8   | -026354            | X           | M10 X 45                              |
|     | 03M7355        | BOLT       | 8   | 026355-            | X           | FOR 600/65 R28 TIRES/MFWD             |
| 17  | <b>RE61798</b> | <b>KIT</b> | 1   |                    | <b>X</b>    | <b>(FI)</b>                           |
|     | <b>RE61799</b> | <b>KIT</b> | 1   |                    | <b>X</b>    | <b>(FI) FOR 600/65 R28 TIRES/MFWD</b> |
| 18  | 24M7047        | WASHER     | 8   |                    | X           | 13 X 24 X 2.500 MM                    |
| 19  | R125391        | BRACE      | 2   |                    | X           | (A)                                   |

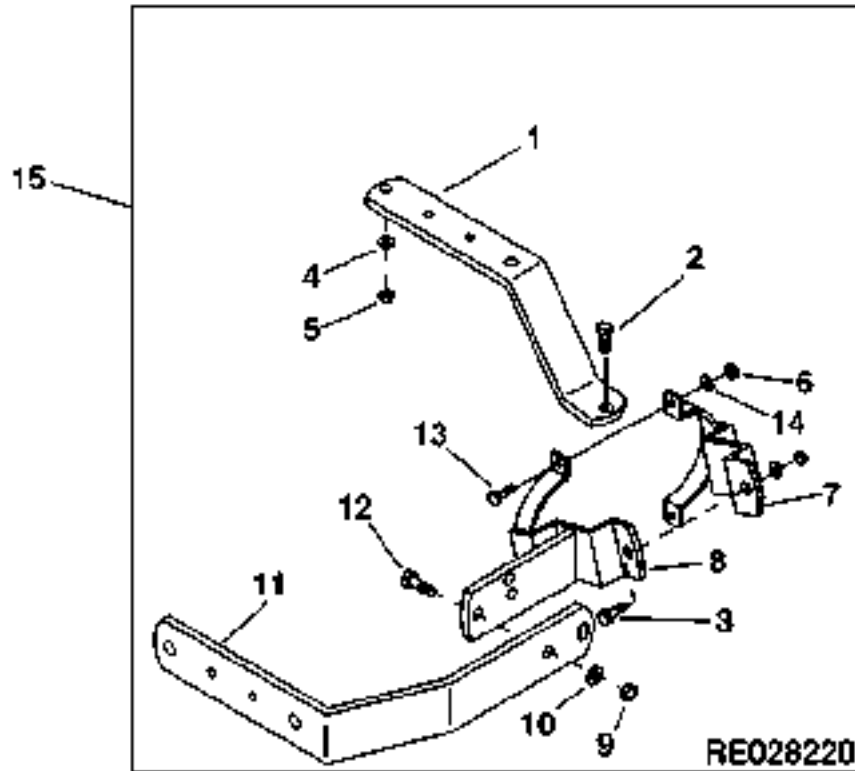
(A)(-XXXXXX) 8100-011682; 8200-011453; 8300-011784; 8400-011816  
 (B)(XXXXXX-) 8100-011683; 8200-011454; 8300-011785; 8400-011817

(C)(-XXXXXX) 8100-020386; 8200-020244; 8300-020519; 8400-020411  
 (D)(XXXXXX-) 8100-020387; 8200-020245; 8300-020520; 8400-020412

# 8F25

WHEEL, FRONT AXLES, SHEET METAL

FENDER SUPPORT KIT  
 KIT DE SUPPORT D'AILE  
 KOTFLUEGELSTUETZENSATZ  
 KIT DE SOSTEGNO DEL PARAFANGO  
 JUEGO DE SPORTE DE GUARDABARROS  
 SATS MED STAENKSKAERMSTOED  
 RE028220 -UN-25AUG97



| KEY | PART NO. | PART NAME          | QTY | TRACTOR<br>SERIAL NO. | A | REMARKS       |
|-----|----------|--------------------|-----|-----------------------|---|---------------|
|     |          |                    |     |                       | L |               |
| 1   | R132823  | SUPPORT            | 2   |                       | X |               |
| 2   | 19H2969  | CAP SCREW          | 2   |                       | X | 5/8" X 3-1/2" |
| 3   | 19M7892  | CAP SCREW          | 2   |                       | X | M20 X 80      |
| 4   | 12H304   | LOCK WASHER        | 8   |                       | X | 3/8"          |
| 5   | 14H1076  | NUT                | 8   |                       | X | 3/8"          |
| 6   | K40002   | LOCK NUT           | 4   |                       | X |               |
| 7   | R133728  | CLAMP              | 1   |                       | X |               |
|     | R133729  | CLAMP              | 1   |                       | X |               |
| 8   | R133726  | BRACKET            | 1   |                       | X |               |
|     | R133727  | BRACKET            | 1   |                       | X |               |
| 9   | 14H1076  | NUT                | 8   |                       | X | 3/8"          |
| 10  | 12H304   | LOCK WASHER        | 8   |                       | X | 3/8"          |
| 11  | R132824  | SUPPORT            | 2   |                       | X |               |
| 12  | E57351   | SELF-LOCKING SCREW | 4   |                       | X |               |
| 13  | 19H1901  | CAP SCREW          | 4   |                       | X | 5/16" X 2"    |
| 14  | 12H293   | LOCK WASHER        | 4   |                       | X | 7/16"         |
| 15  | RE68882  | KIT                | 1   |                       | X |               |

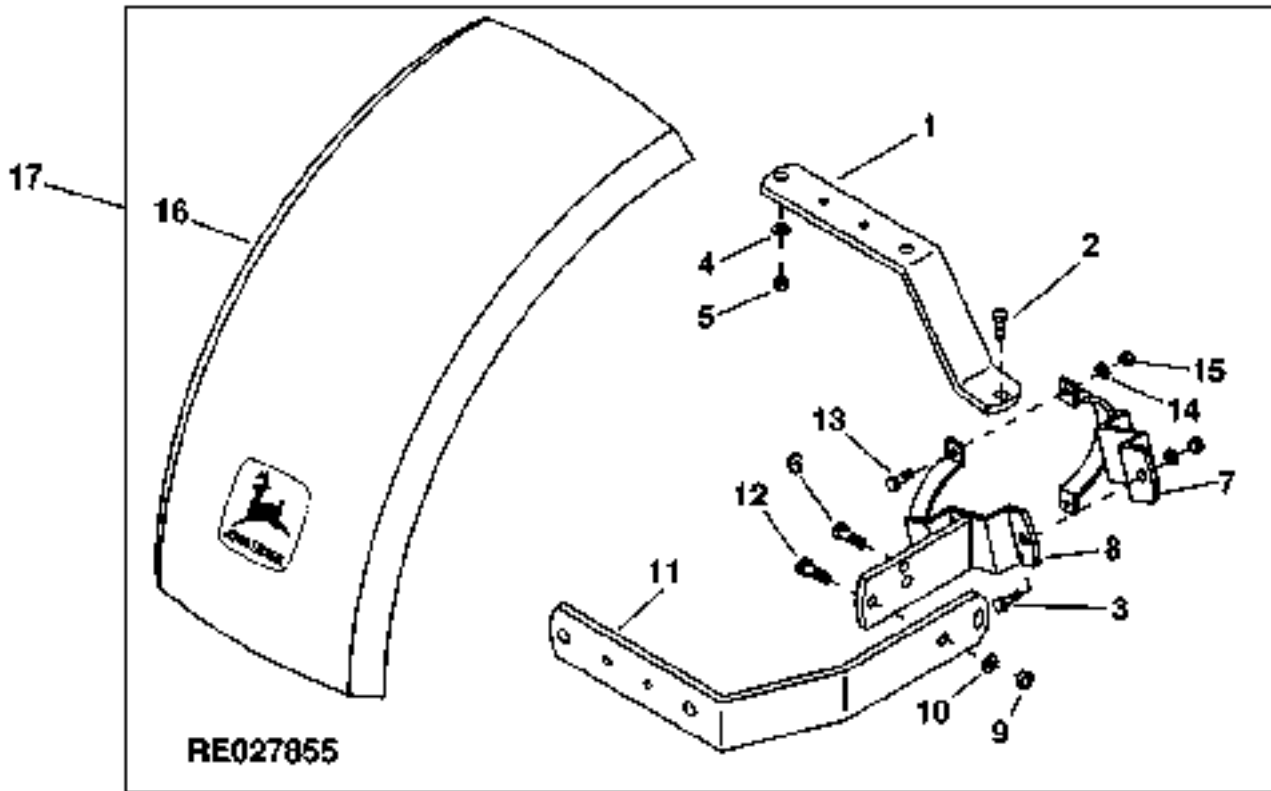


MEMORANDA  
MEMORANDA  
MEMORANDA  
MEMORANDA  
MEMORANDA

# 8G1

WHEEL, FRONT AXLES, SHEET METAL

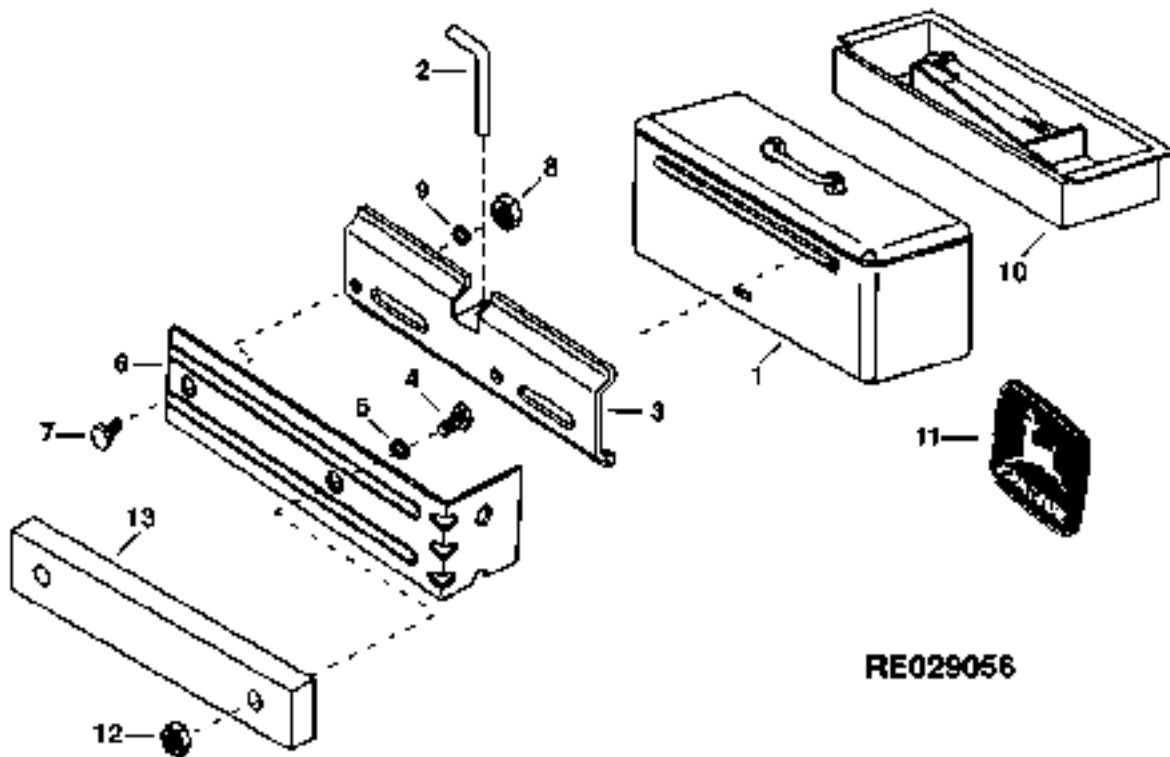
FRONT FENDER ASSEMBLY (2WD)  
 JEU DE PIECES DE GARDE-BOU AVANT (2WD)  
 FRONT-KOTSHUETZERSATZ (2WD)  
 SERIE PEZZI PER GUARDIA PARAFANGO ANTERIORE (2WD)  
 JUEGO DE FALDON DE GUARDABARRO DELANTERO (2WD)  
 FOERLAENGARE TILL FRAEMRE STAENKSKAERM, SATS (2WD)  
 RE027855 -UN-22APR97



| KEY | PART NO. | PART NAME          | QTY | TRACTOR<br>SERIAL NO. | A |   |
|-----|----------|--------------------|-----|-----------------------|---|---|
|     |          |                    |     |                       | L | REMARKS                                   |
| 1   | R132823  | SUPPORT            | 2   |                       | X |   |
| 2   | 19H2969  | CAP SCREW          | 2   |                       | X | 5/8" X 3-1/2"                             |
| 3   | 19M7892  | CAP SCREW          | 2   |                       | X | M20 X 80                                  |
| 4   | 12H304   | LOCK WASHER        | 8   |                       | X | 3/8"                                      |
| 5   | 14H1076  | NUT                | 8   |                       | X | 3/8"                                      |
| 6   | 19H2735  | CAP SCREW          | 2   |                       | X | 1/2" X 2"                                 |
| 7   | RE150011 | CLAMP              | 1   |                       | X | R.H. (SUB FOR R133728)                    |
|     | RE150013 | CLAMP              | 1   |                       | X | L.H. (SUB FOR R133729)                    |
| 8   | RE150008 | BRACKET            | 1   |                       | X | (SUB FOR R133726) R.H.                    |
|     | RE150010 | BRACKET            | 1   |                       | X | (SUB FOR R133727) L.H.                    |
| 9   | 14H1076  | NUT                | 8   |                       | X | 3/8"                                      |
| 10  | 12H304   | LOCK WASHER        | 8   |                       | X | 3/8"                                      |
| 11  | R132824  | SUPPORT            | 2   |                       | X | LOW                                       |
| 12  | E57351   | SELF-LOCKING SCREW | 4   |                       | X |   |
| 13  | 19H1901  | CAP SCREW          | 4   |                       | X | 5/16" X 2"                                |
| 14  | 12H293   | LOCK WASHER        | 4   |                       | X | 7/16"                                     |
| 15  | K40002   | LOCK NUT           | 4   |                       | X |   |
| 16  | AR86406  | FENDER             | 2   |                       | X | (A) 11.00X16, 14LX16, 9.50X20, 16.5LX16.1 |
| 17  | RE67851  | KIT                | 1   |                       | X | (FI)                                      |

(A)FOR TIRE SIZE  
 POUR PNEUMATIQUES  
 FUER BEREIFUNG  
 PER PNEUMATICI  
 PARA NEUMATICOS  
 FOR DACKSDIMENSION

TOOL BOX  
 BOITE A OUTILS  
 WERKEUGKASTEN  
 CAJA DE HERRAMIENTAS  
 CASSETTA DEGLI ATTREZZI  
 VERKTYGSLAADA  
 RE029056 -UN-03MAR98



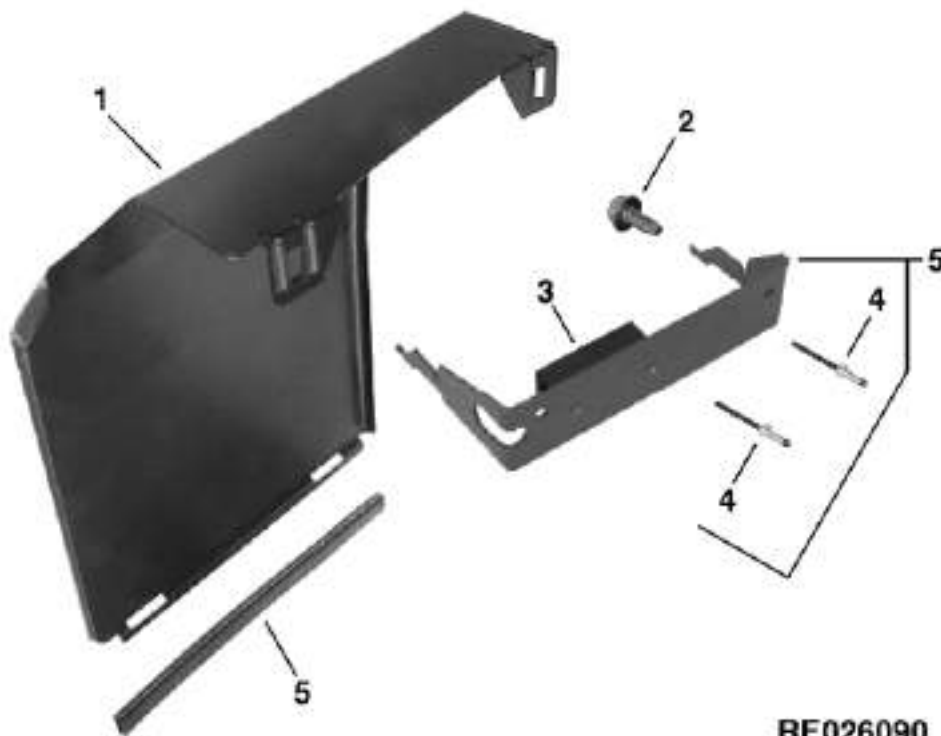
**RE029056**

| KEY | PART NO. | PART NAME | QTY | TRACTOR<br>SERIAL NO. | A | REMARKS                      |
|-----|----------|-----------|-----|-----------------------|---|------------------------------|
|     |          |           |     |                       | L |                              |
| 1   | AT22070  | TOOLBOX   | 1   |                       | X |                              |
| 2   | T23027   | PIN       | 1   |                       | X |                              |
| 3   | T23033   | BRACKET   | 1   |                       | X |                              |
| 4   | 19M7719  | CAP SCREW | 2   |                       | X | M16 X 70                     |
| 5   | 24M7242  | WASHER    | 2   |                       | X | 21.400 X 42 X 5 MM           |
| 6   | R125192  | BRACKET   | 1   |                       | X |                              |
| 7   | 19M8035  | CAP SCREW | 2   |                       | X | M16 X 35                     |
| 8   | 14M7276  | NUT       | 2   |                       | X | M16                          |
| 9   | 24M7338  | WASHER    | 2   |                       | X | 17 X 30 X 3 MM               |
| 10  | AT22073  | HOLDER    | 1   |                       | X |                              |
| 11  | RE65579  | LABEL     | 1   |                       | X | (SUB FOR RE34995 OR RE65218) |
| 12  | 28H3433  | SPACER    | 2   |                       | X | 0.742" X 1.050" X 1-1/2"     |
| 13  | R135703  | FOAM PAD  | 1   |                       | X |                              |

# 8G3

WHEEL, FRONT AXLES, SHEET METAL

BATTERY BOX COVER  
 COFFRE A BATTERIE  
 BATTERIEKASTEN  
 VANO BATTERIA  
 CAJA DE BATERIA  
 BATTERILAADA  
 RE026090 -UN-31JUL96



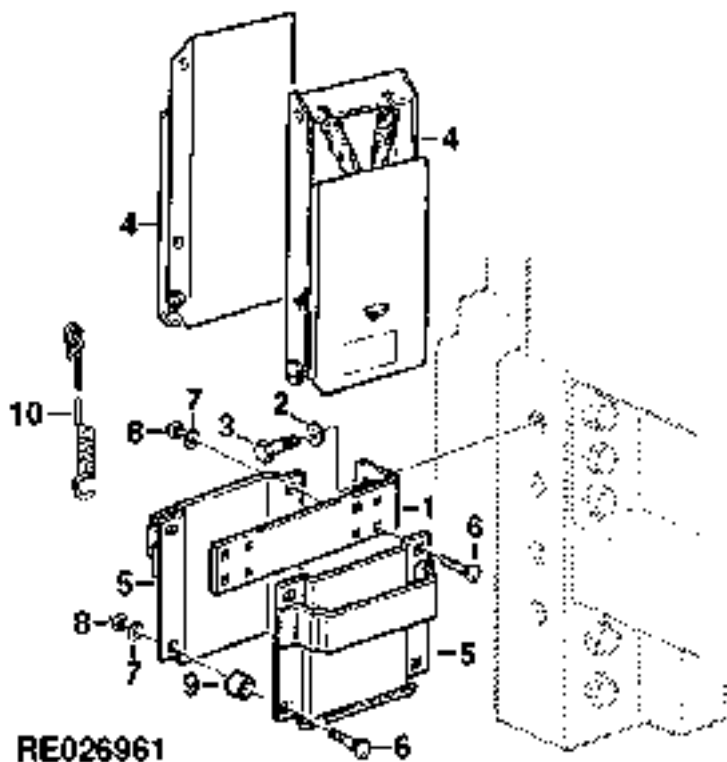
**RE026090**

| KEY | PART NO. | PART NAME      | QTY | TRACTOR<br>SERIAL NO. | A | REMARKS           |
|-----|----------|----------------|-----|-----------------------|---|-------------------|
|     |          |                |     |                       | L |                   |
| 1   | R151467  | COVER          | 1   |                       | X | (SUB FOR R124686) |
| 2   | 37M7087  | SCREW          | 2   |                       | X | M10 X 25          |
| 3   | RE48867  | JUNCTION BLOCK | 1   |                       | X |                   |
| 4   | M83725   | RIVET          | 2   |                       | X |                   |
| 5   | RE61152  | STEEL          | 1   |                       | X |                   |
| 6   | RE57962  | BUMPER         | 1   |                       | X |                   |

# 8G4

WHEEL, FRONT AXLES, SHEET METAL

CHOCK BLOCK HOLDER  
 SUPPORT DE CALE  
 BREMSKLOTZHALTER  
 SUPPORTO ZEPPA  
 PORTABLOQUE INMOVILIZADOR  
 BROMSKLOSSHAALLARE  
 RE026961 -UN-13MAY96



RE026961

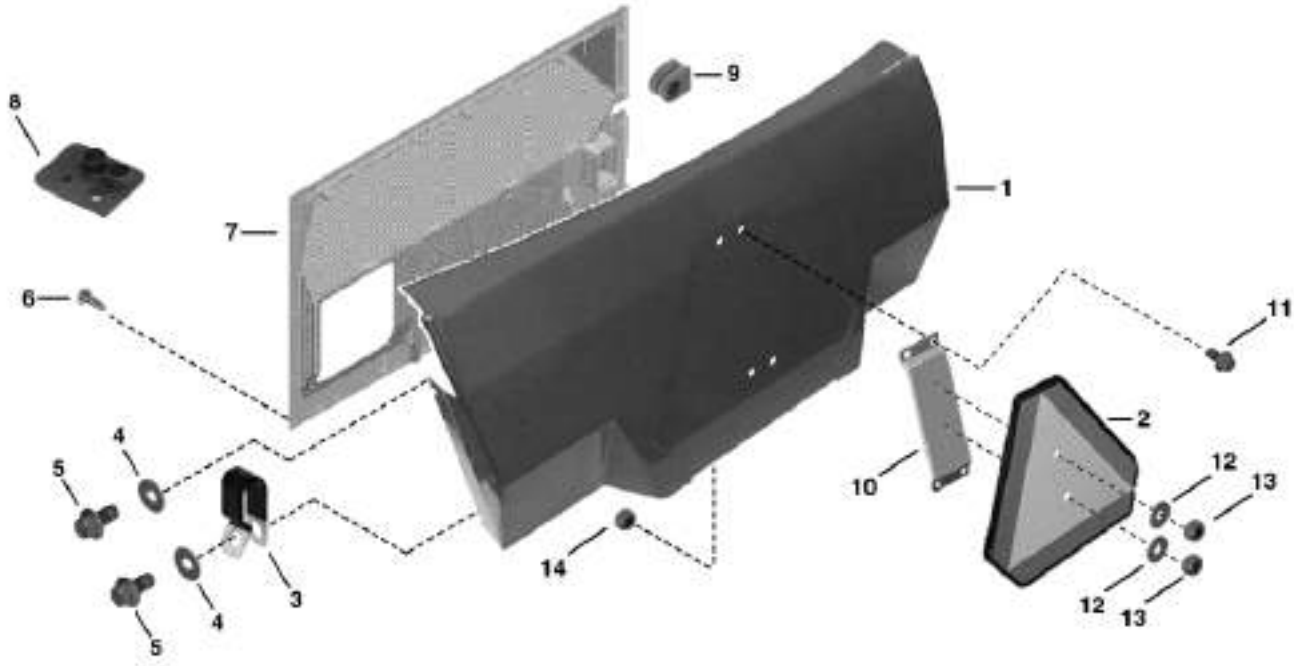
| KEY | PART NO. | PART NAME        | QTY | TRACTOR<br>SERIAL NO. | A | REMARKS            |
|-----|----------|------------------|-----|-----------------------|---|--------------------|
|     |          |                  |     |                       | L |                    |
| 1   | L79302   | BRACKET          | 1   |                       | X |                    |
| 2   | 24M7344  | WASHER           | 1   |                       | X | 22 X 37 X 3 MM     |
| 3   | 19M7946  | CAP SCREW        | 1   |                       | X | M20 X 40           |
| 4   | AL26777  | CHOCK BLOCK      | 2   |                       | X |                    |
| 5   | AL26778  | SUPPORT          | 2   |                       | X |                    |
| 6   | 03M7191  | BOLT             | 4   |                       | X | M10 X 25           |
| 7   | 24M7346  | WASHER           | 4   |                       | X | 11 X 20 X 2 MM     |
|     | 24M7346  | WASHER           | 4   |                       | X | (A) 11 X 20 X 2 MM |
| 8   | 14M7274  | NUT              | 4   |                       | X | M10                |
| 9   | L111038  | SPACER           | 2   |                       | X | (SUB FOR L33629)   |
| 10  | AL41725  | EXTENSION SPRING | 2   |                       | X |                    |

(A)EUROPEAN VERSION  
 VERSION EUROPEENNE  
 EUROPÄISCHE AUSFUEHRUNG  
 VERSIONE EUROPEA  
 VERSIONE EUROPEA  
 EUROPEISK VERSION

# 8G5

WHEEL, FRONT AXLES, SHEET METAL

CAB REAR COVER  
 COFFRE A BATTERIE  
 BATTERIEKASTEN  
 VANO BATTERIA  
 CAJA DE BATERIA  
 BATTERILAADA  
 RE030427 -UN-16FEB99



RE030427

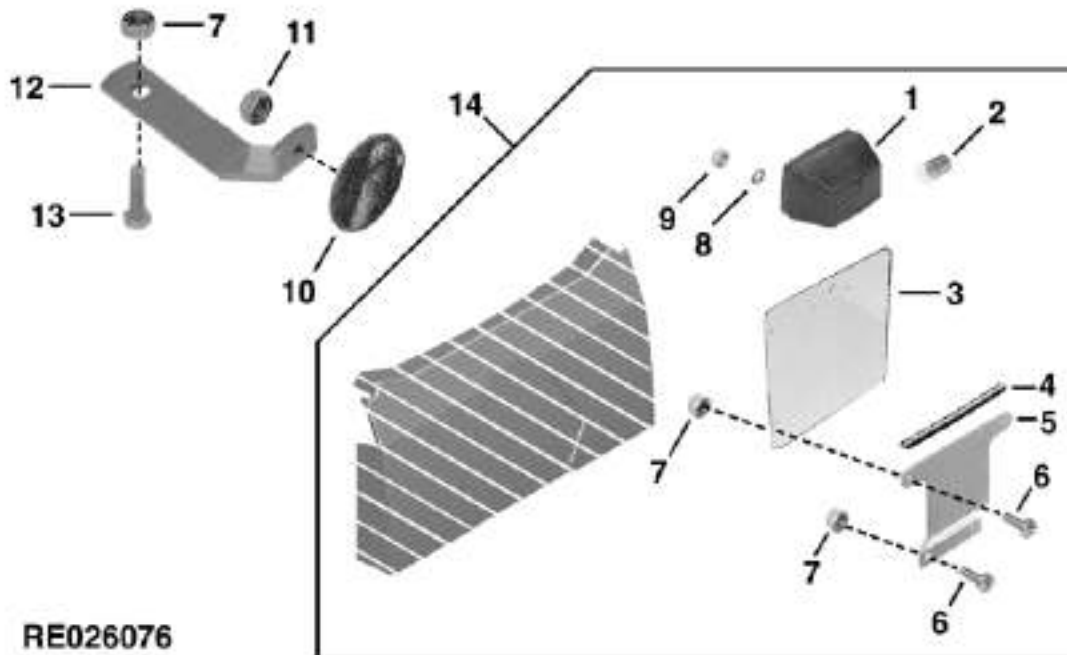
| KEY | PART NO. | PART NAME  | QTY | TRACTOR SERIAL NO. | A |   | REMARKS                      |
|-----|----------|------------|-----|--------------------|---|---|------------------------------|
|     |          |            |     |                    | L | L |                              |
| 1   | R124887  | COVER      | 1   | -XXXXXX            | X |   | (B)                          |
|     | R126387  | COVER      | 1   | -XXXXXX            | X |   | (A) (B)                      |
|     | R163837  | COVER      | 1   | XXXXXX-            | X |   | (C)                          |
| 2   | JD5929   | SMV EMBLEM | 1   |                    | X |   | (SUB JD5927 OR JD5400)       |
| 3   | R124829  | CLAMP      | 2   |                    | X |   | LOW                          |
| 4   | 24M7298  | WASHER     | 4   |                    | X |   | 8.400 X 25 X 2 MM            |
| 5   | 37M7084  | SCREW      | 4   |                    | X |   | M8 X 25                      |
| 6   | 37M7147  | SCREW      | 4   |                    | X |   |                              |
| 7   | R136348  | COVER      | 1   |                    | X |   | (SUB FOR R124231 OR R133529) |
| 8   | R124377  | GROMMET    | 1   |                    | X |   |                              |
| 9   | L76331   | GROMMET    | 2   |                    | X |   |                              |
| 10  | RE163839 | BRACKET    | 1   | XXXXXX-            | X |   | (C)                          |
| 11  | 21M7185  | SCREW      | 2   | XXXXXX-            | X |   | (C) M5 X 16                  |
| 12  | 24M7139  | WASHER     | 2   | XXXXXX-            | X |   | (C) 6.400 X 18 X 1.600 MM    |
| 13  | 14M7265  | LOCK NUT   | 2   | XXXXXX-            | X |   | (C) M5                       |
| 14  | 14M7397  | LOCK NUT   | 2   | XXXXXX-            | X |   | (C) M6                       |

(A)EUROPEAN VERSION  
 VERSION EUROPEENNE  
 EUROPÄISCHE AUSFUEHRUNG  
 VERSIONE EUROPEA  
 VERSION EUROPEA  
 EUROPEISK VERSION

# 8G6

WHEEL, FRONT AXLES, SHEET METAL

LICENSE PLATE AND LAMP (EUROPEAN VERSION)  
 PLAQUE MINERALOGIQUE ET FEU (VERSION EUROPEENNE)  
 KENNZEICHENHALTER UND LAMPE (EUROPÄISCHE AUSFUEHRUNG)  
 SUPPOTO TARGA E LAMPADINA (VERSIONE EUROPEA)  
 PLACA DE CIRCULACION Y LUZ (VERSION EUROPEA)  
 REGISTRERINGSSKYLT MED BELYSNING (EUROPEISK VERSION)  
 RE026076 -UN-13MAR95



RE026076

| KEY | PART NO.       | PART NAME    | QTY | TRACTOR<br>SERIAL NO. | A | REMARKS                                |
|-----|----------------|--------------|-----|-----------------------|---|--|
|     |                |              |     |                       | L |  |
| 1   | AL33161        | FLOODLAMP    | 1   |                       | X |  |
| 2   | 57M7013        | BULB         | 1   |                       | X |  |
| 3   | R125408        | PLATE        | 1   |                       | X |  |
| 4   | R128326        | GASKET       | 1   |                       | X | (SUB FOR RE56284)                      |
| 5   | R127177        | SUPPORT      | 1   |                       | X | (SUB FOR L79087)                       |
| 6   | 21M7185        | SCREW        | 4   |                       | X | M5 X 16                                |
| 7   | 14M7265        | LOCK NUT     | 5   |                       | X | M5                                     |
| 8   | 12M7084        | LOCK WASHER  | 2   |                       | X | 4.300 MM                               |
| 9   | 14M7100        | NUT          | 2   |                       | X | M4                                     |
| 10  | L39871         | REFLECTOR    | 1   |                       | X |  |
|     | AL30794        | REFLECTOR    | 2   |                       | X | (A) (NLR)                              |
|     | 14M7297        | NUT          | 1   |                       | X | M5                                     |
| 12  | R128500        | BRACKET      | 1   |                       | X | (SUB FOR R125168, R125169 AND R127837) |
| 13  | 19M7550        | CAP SCREW    | 1   |                       | X | M10 X 35                               |
| 14  | <b>RE63328</b> | <b>PLATE</b> | 1   |                       | X | <b>(INCLUDES RE62300) (FI)</b>         |

(A)SWEDEN  
 SUEDE  
 SCHWEDEN  
 SVEZIA  
 SUECIA  
 SVERIGE

# 8G7

WHEEL, FRONT AXLES, SHEET METAL

DECALS (8100, 8200) ( -009999)  
 DECALCOMANIES (8100, 8200) ( -009999)  
 AUFKLEBER (8100, 8200) ( -009999)  
 CALCOMANIE (8100, 8200) ( -009999)  
 CALCOMANIAS (8100, 8200) ( -009999)  
 DEKALER (8100, 8200) ( -009999)  
 RXP011215 -UN-13MAY96



RXP011215

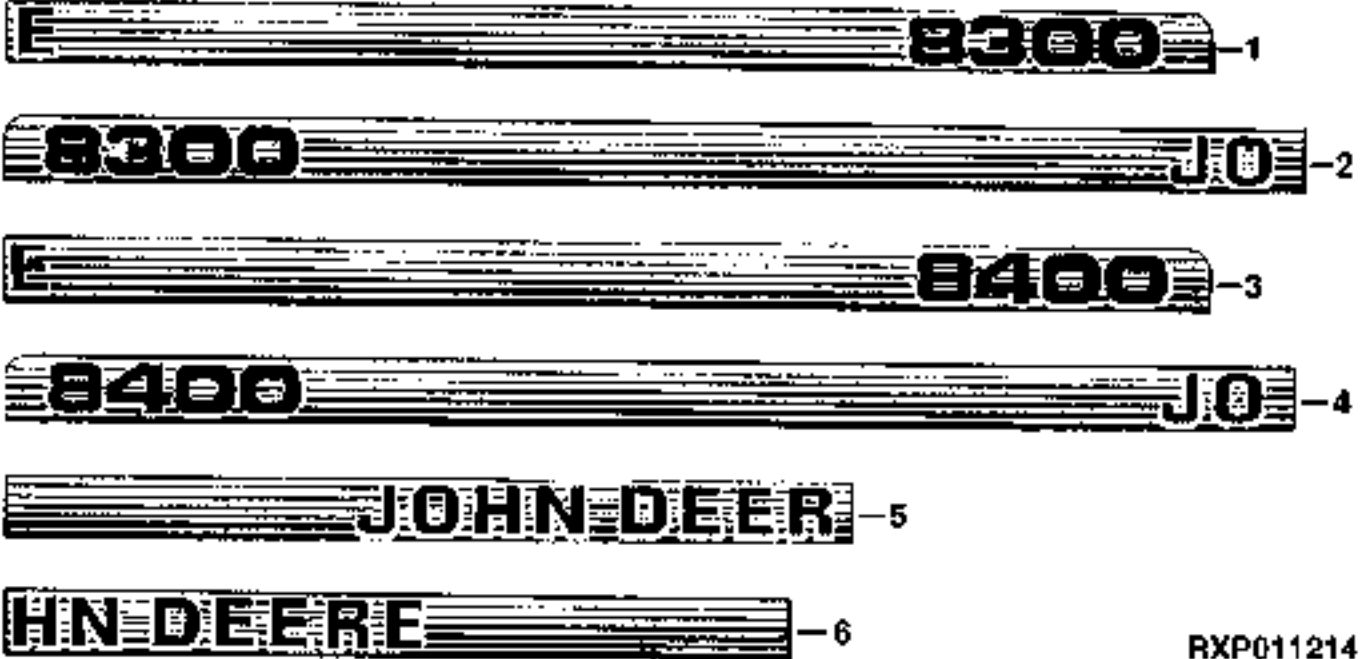
| KEY | PART NO. | PART NAME | QTY | CAB SERIAL NO. | 8<br>1<br>0<br>0 | 8<br>2<br>0<br>0 | REMARKS                |
|-----|----------|-----------|-----|----------------|------------------|------------------|------------------------|
| 1   | R107070  | LABEL     | 1   | -001748        | X                |                  | R.H.                   |
|     | R126946  | LABEL     | 1   | 001749-        | X                |                  | R.H.                   |
| 2   | R107071  | LABEL     | 1   | -001748        | X                |                  | L.H.                   |
|     | R126947  | LABEL     | 1   | 001749-        | X                |                  | L.H.                   |
| 3   | R107072  | LABEL     | 1   | -001631        | X                |                  | R.H.                   |
|     | R126948  | LABEL     | 1   | 001632-        | X                |                  | R.H.                   |
| 4   | R107073  | LABEL     | 1   | -001631        | X                |                  | L.H.                   |
|     | R126949  | LABEL     | 1   | 001632-        | X                |                  | L.H.                   |
| 5   | R126944  | LABEL     | 1   |                | X                | X                | (SUB FOR R120784) R.H. |
| 6   | R126945  | LABEL     | 1   |                | X                | X                | (SUB FOR R120785) L.H. |



# 8G8

WHEEL, FRONT AXLES, SHEET METAL

DECALS (8300, 8400) ( -009999)  
 DECALCOMANIES (8300, 8400) ( -009999)  
 AUFKLEBER (8300, 8400) ( -009999)  
 CALCOMANIE (8300, 8400) ( -009999)  
 CALCOMANIAS (8300, 8400) ( -009999)  
 DEKALER (8300, 8400) ( -009999)  
 RXP011214 -UN-13MAY96



RXP011214

| KEY | PART NO. | PART NAME | QTY | CAB SERIAL NO. | 8<br>3<br>0<br>0 | 8<br>4<br>0<br>0 | REMARKS                |
|-----|----------|-----------|-----|----------------|------------------|------------------|------------------------|
| 1   | R107074  | LABEL     | 1   | -002860        | X                |                  | R.H.                   |
|     | R126950  | LABEL     | 1   | 002861-        | X                |                  | R.H.                   |
| 2   | R107075  | LABEL     | 1   | -002860        | X                |                  | L.H.                   |
|     | R126951  | LABEL     | 1   | 002861-        | X                |                  | L.H.                   |
| 3   | R114570  | LABEL     | 1   | -001481        | X                |                  | R.H.                   |
|     | R126952  | LABEL     | 1   | 001482-        | X                |                  | R.H.                   |
| 4   | R114571  | LABEL     | 1   | -001481        | X                |                  | L.H.                   |
|     | R126953  | LABEL     | 1   | 001482-        | X                |                  | L.H.                   |
| 5   | R126944  | LABEL     | 1   |                | X                | X                | (SUB FOR R120784) R.H. |
| 6   | R126945  | LABEL     | 1   |                | X                | X                | (SUB FOR R120785) L.H. |

# 8G9

WHEEL, FRONT AXLES, SHEET METAL

DECALS (8100, 8200)(010000- )  
 DECALCOMANIES(8100, 8200)(010000- )  
 AUFKLEBER (8100, 8200)(010000- )  
 CALCOMANIE (8100, 8200)(010000- )  
 CALCOMANIAS (8100, 8200)(010000- )  
 DEKALER (8100, 8200)(010000- )  
 RE026950 -UN-09MAY96



RE026950

| KEY | PART NO. | PART NAME | QTY | TRACTOR SERIAL NO. | 8<br>1<br>0<br>0 | 8<br>2<br>0<br>0 | REMARKS |
|-----|----------|-----------|-----|--------------------|------------------|------------------|---------|
| 1   | R132015  | LABEL     | 1   |                    | X                |                  | R.H.    |
| 2   | R132016  | LABEL     | 1   |                    | X                |                  | L.H.    |
| 3   | R132017  | LABEL     | 1   |                    |                  | X                | R.H.    |
| 4   | R132018  | LABEL     | 1   |                    |                  | X                | L.H.    |

# 8G10

WHEEL, FRONT AXLES, SHEET METAL

DECALS (8300, 8400)(010000- )  
 DECALCOMANIES (8300, 8400) (010000- )  
 AUFKLEBER (8300, 8400) (010000- )  
 CALCOMANIE (8300, 8400) (010000- )  
 CALCOMANIAS (8300, 8400) (010000- )  
 DEKALER (8300, 8400) (010000- )  
 RE026951 -UN-09MAY96



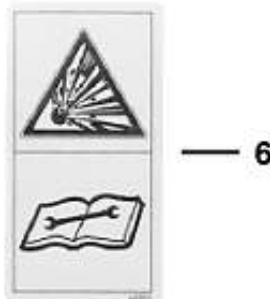
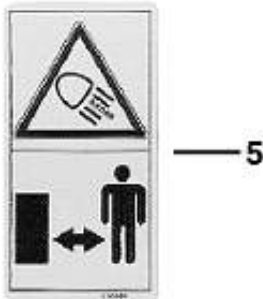
RE026951

| KEY | PART NO. | PART NAME | QTY | TRACTOR<br>SERIAL NO. | 8 8<br>3 4<br>0 0<br>0 0 | REMARKS |
|-----|----------|-----------|-----|-----------------------|--------------------------|---------|
| 1   | R132019  | LABEL     | 1   |                       | X                        | R.H.    |
| 2   | R132020  | LABEL     | 1   |                       | X                        | L.H.    |
| 3   | R132021  | LABEL     | 1   |                       | X                        | R.H.    |
| 4   | R132022  | LABEL     | 1   |                       | X                        | L.H.    |

# 8G11

WHEEL, FRONT AXLES, SHEET METAL

DECALS  
 DECALCOMANIES  
 AUFKLEBER  
 CALCOMANIE  
 CALCOMANIAS  
 DEKALER  
 RXP010802 -UN-01JAN94



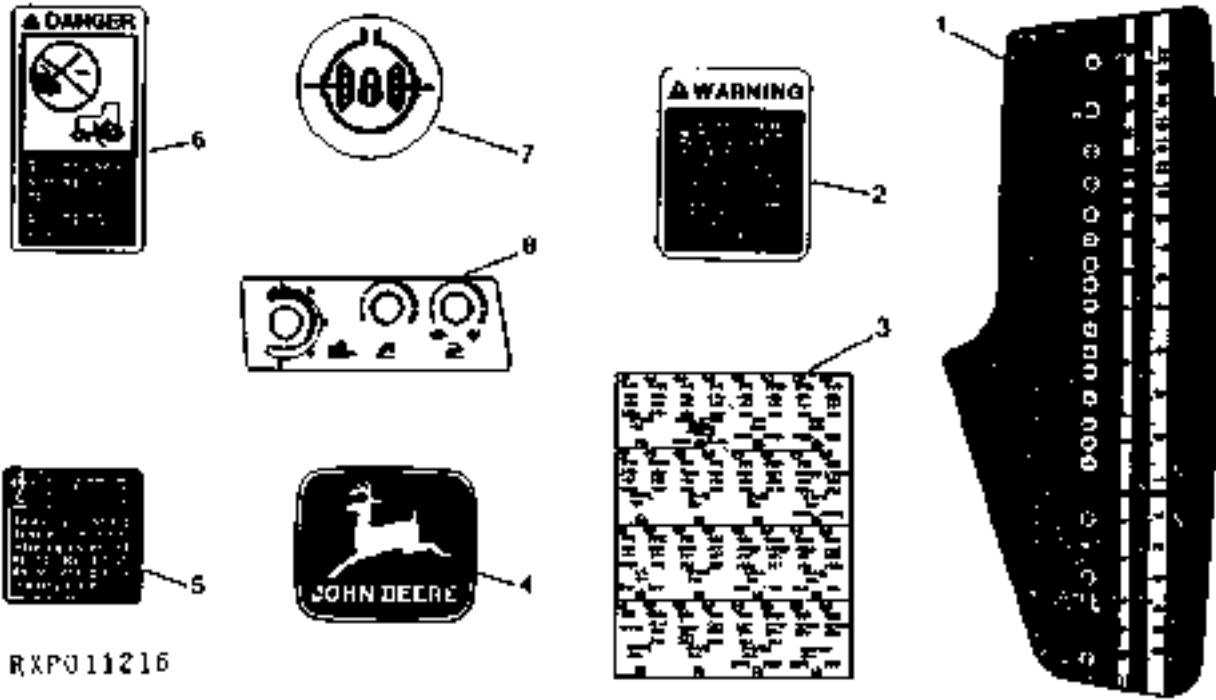
RXP010802

| KEY | PART NO. | PART NAME | QTY | TRACTOR SERIAL NO. | A | REMARKS           |
|-----|----------|-----------|-----|--------------------|---|-------------------|
|     |          |           |     |                    | L |                   |
| 1   | R77715   | DECAL     | 1   |                    | X |                   |
| 2   | H138955  | LABEL     | 1   |                    | X |                   |
| 3   | R135987  | LABEL     | 1   |                    | X | (SUB FOR R120124) |
| 4   | R122428  | LABEL     | 1   |                    | X |                   |
| 5   | L65000   | LABEL     | 1   |                    | X |                   |
| 6   | L113583  | LABEL     | 1   |                    | X | (SUB FOR L65043)  |

# 8G12

WHEEL, FRONT AXLES, SHEET METAL

DECALS  
 DECALCOMANIES  
 AUFKLEBER  
 CALCOMANIE  
 CALCOMANIAS  
 DEKALER  
 RXP011216 -UN-01JAN94



RXP011216

| KEY | PART NO. | PART NAME | QTY | TRACTOR SERIAL NO. | A |                              |
|-----|----------|-----------|-----|--------------------|---|------------------------------|
|     |          |           |     |                    | L | REMARKS                      |
| 1   | R125189  | LABEL     | 1   |                    | X |                              |
|     | R125190  | LABEL     | 1   |                    | X | (B)                          |
| 2   | R135987  | LABEL     | 1   |                    | X | (SUB FOR R120124)            |
| 3   | R111807  | LABEL     | 1   |                    | X |                              |
| 4   | RE65579  | LABEL     | 1   |                    | X | (SUB FOR RE34995 OR RE65218) |
| 5   | R120107  | LABEL     | 1   |                    | X |                              |
| 6   | T146102  | LABEL     | 1   |                    | X |                              |
| 7   | L80302   | LABEL     | 1   |                    | X |                              |
| 8   | R124530  | LABEL     | 1   |                    | X | (A)                          |
|     | R110680  | LABEL     | 1   |                    | X | (C)                          |

(A)W/3 SCV W/HITCH W/PTO  
 W/3 SCV W/ATTELAGE W/PTO  
 W/3 SCV W/ANHAENGEVORRICHTUNG W/PTO  
 W/3 SCV W/ATTACCO W/ PTO  
 W/3 SCV W/ENGANCHE W/ PTO  
 W/3 SCV W/ DRAG W/PTO

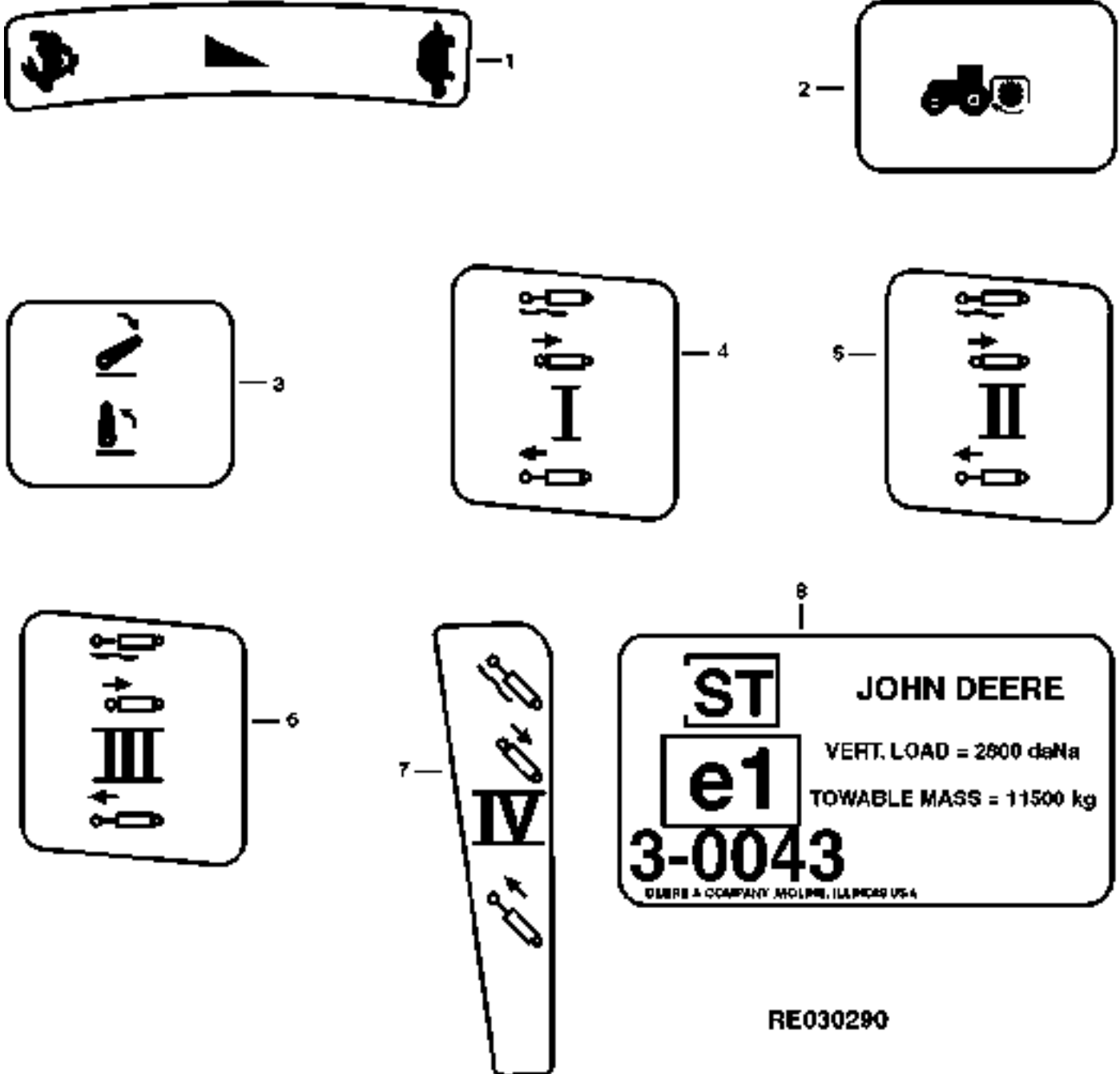
(B)EUROPEAN VERSION  
 VERSION EUROPEENNE  
 EROPAEISCHE AUSFUEHRUNG  
 VERSIONE EUROPEA  
 VERSION EUROPEA  
 EUROPEISK VERSION

(C)W/3 SCV W/O HITCH W/PTO  
 W/3 SCV W/O ATTELAGE W/PTO  
 W/3 SCV W/O ANHAENGEVORRICHTUNG W/PTO  
 W/3 SCV W/O ATTACCO W/PTO  
 W/3 SCV W/O ENGANCHE W/PTO  
 W/3 SCV W/O DRAG W/PTO

# 8G13

WHEEL, FRONT AXLES, SHEET METAL

DECALS  
DECALCOMANIES  
AUFKLEBER  
CALCOMANIE  
CALCOMANIAS  
DEKALER  
RE030290 -UN-21JAN99



RE030290

# 8G14

WHEEL, FRONT AXLES, SHEET METAL

| KEY | PART NO. | PART NAME | QTY | TRACTOR<br>SERIAL NO. | A<br>L<br>L | REMARKS |
|-----|----------|-----------|-----|-----------------------|-------------|---------|
| 1   | R126466  | LABEL     | 1   |                       | X           |         |
| 2   | R126467  | LABEL     | 1   | -XXXXXX               | X           | (A)     |
|     | R133057  | LABEL     | 1   | XXXXXX-               | X           | (B)     |
| 3   | R126468  | LABEL     | 1   | -XXXXXX               | X           | (A)     |
|     | R133058  | LABEL     | 1   | XXXXXX-               | X           | (B)     |
| 4   | R126463  | LABEL     | 1   | -XXXXXX               | X           | (A)     |
|     | R133053  | LABEL     | 1   | XXXXXX-               | X           | (B)     |
| 5   | R126464  | LABEL     | 1   | -XXXXXX               | X           | (A)     |
|     | R133054  | LABEL     | 1   | XXXXXX-               | X           | (B)     |
| 6   | R126465  | LABEL     | 1   | -XXXXXX               | X           | (A)     |
|     | R133055  | LABEL     | 1   | XXXXXX-               | X           | (B)     |
| 7   | R122656  | LABEL     | 1   | -XXXXXX               | X           | (A)     |
|     | R133056  | LABEL     | 1   | XXXXXX-               | X           | (B)     |
| 8   | R119439  | LABEL     | 1   |                       | X           |         |

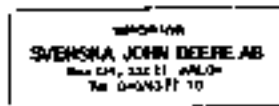
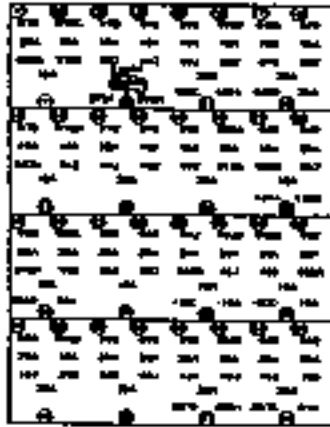
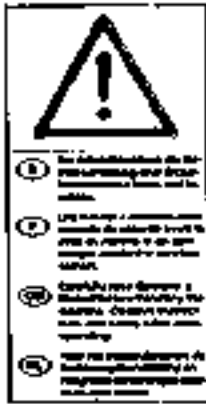
(A)( -XXXXXX) 8100-005847; 8200-004093; 8300-006873; 8400-007568

(B)(XXXXXX- ) 8100-005848; 8200-004094; 8300-006874; 8400-007569

# 8G15

WHEEL, FRONT AXLES, SHEET METAL

DECALS  
 DECALCOMANIES  
 AUFKLEBER  
 CALCOMANIE  
 CALCOMANIAS  
 DEKALER  
 RE026100 -UN-27FEB95



RE026100



# 8G16

WHEEL, FRONT AXLES, SHEET METAL

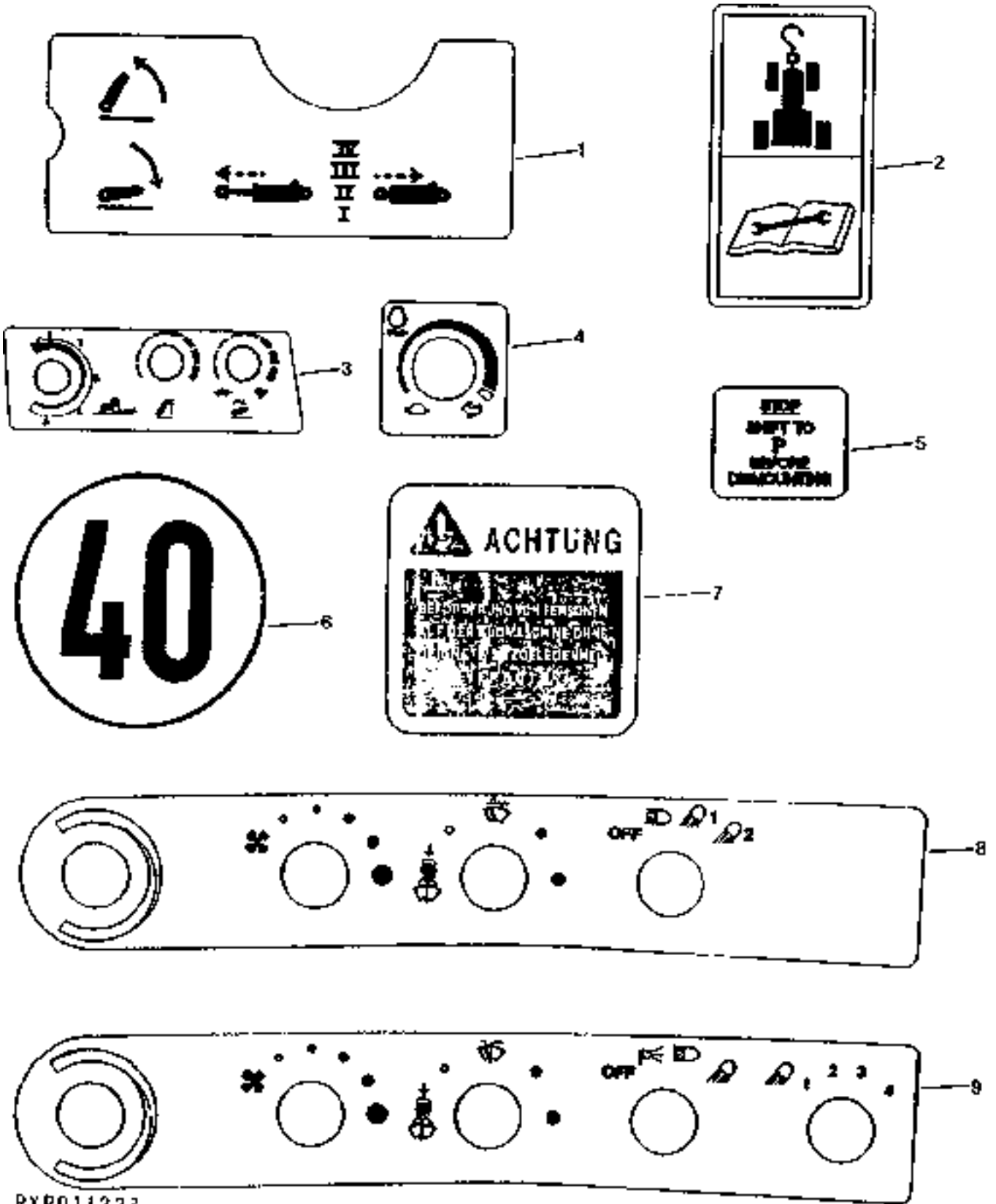
| KEY | PART NO. | PART NAME | QTY | TRACTOR<br>SERIAL NO. | A | REMARKS                          |
|-----|----------|-----------|-----|-----------------------|---|----------------------------------|
|     |          |           |     |                       | L |                                  |
| 1   | CC40740  | DECAL     | 1   |                       | X | (A) (SUB FOR L64991)             |
| 2   | R134324  | LABEL     | 1   |                       | X | (SUB FOR R111807 OR R132098)     |
|     | R134325  | LABEL     | 1   |                       | X | (A) (SUB FOR R111808 OR R132099) |
| 3   | R135987  | LABEL     | 1   |                       | X | (A) (SUB FOR R124563)            |
|     | L79601   | LABEL     | 1   |                       | X | (A)                              |
| 4   | R68682   | LABEL     | 1   |                       | X |                                  |
| 5   | R132720  | LABEL     | 1   |                       | X | (SUB FOR R120111)                |
| 6   | R135481  | LABEL     | 1   |                       | X | (A) (SUB FOR L65070) R.H.        |
| 7   | R135480  | LABEL     | 1   |                       | X | (A) (SUB FOR L65071) L.H.        |
| 8   | R95866   | DECAL     | 1   |                       | X |                                  |
| 9   | R116580  | LABEL     | 1   |                       | X |                                  |
| 10  | R125345  | DECAL     | 1   |                       | X |                                  |
| 11  | L35850   | LABEL     | 1   |                       | X | (A) NLR                          |

(A)EUROPEAN VERSION  
VERSION EUROPEENNE  
EROPAEISCHE AUSFUEHRUNG  
VERSIONE EUROPEA  
VERSION EUROPEA  
EUROPEISK VERSION

# 8G17

WHEEL, FRONT AXLES, SHEET METAL

DECALS  
DECALCOMANIES  
AUFKLEBER  
CALCOMANIE  
CALCOMANIAS  
DEKALER  
RXP011233 -UN-01JAN94



RXP011233

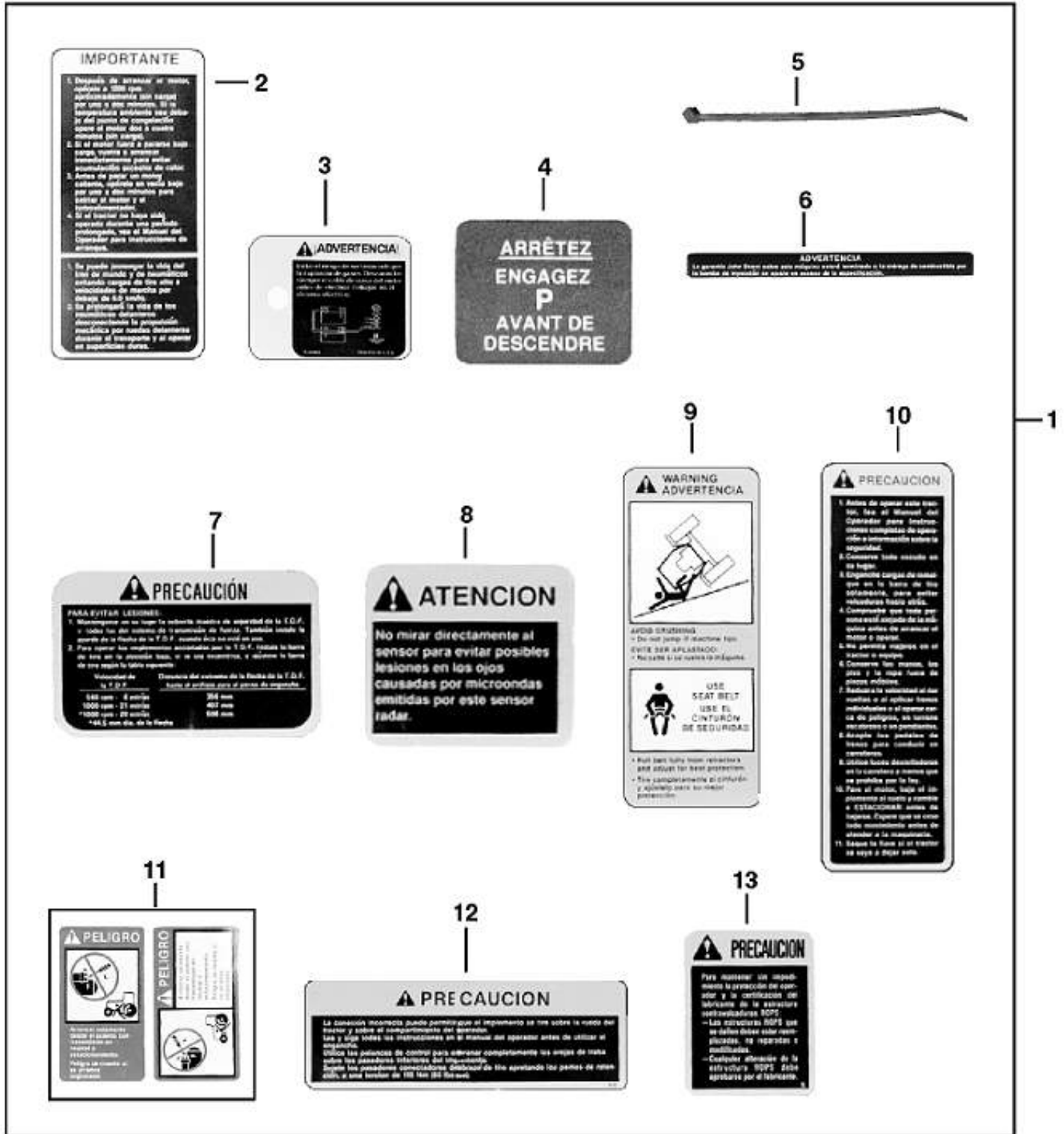
# 8G18

WHEEL, FRONT AXLES, SHEET METAL

| KEY | PART NO. | PART NAME | QTY | TRACTOR<br>SERIAL NO. | A<br>L<br>L | REMARKS           |
|-----|----------|-----------|-----|-----------------------|-------------|-------------------|
| 1   | R128894  | LABEL     | 1   |                       | X           | (SUB FOR R123139) |
| 2   | R124693  | LABEL     | 1   |                       | X           | (A)               |
| 3   | R124530  | LABEL     | 1   |                       | X           |                   |
| 4   | R133632  | LABEL     | 1   |                       | X           | (SUB FOR R125138) |
| 5   | R114802  | LABEL     | 1   |                       | X           |                   |
| 6   | L63262   | LABEL     | 1   |                       | X           | (A)               |
| 7   | L79474   | LABEL     | 1   |                       | X           | (A)               |
| 8   | R126009  | DECAL     | 1   |                       | X           |                   |
| 9   | R126010  | DECAL     | 1   |                       | X           | (A)               |
| ..  | R126585  | SIGN      | 1   |                       | X           | NLR               |

(A)EUROPEAN VERSION  
VERSION EUROPEENNE  
EROPAEISCHE AUSFUEHRUNG  
VERSIONE EUROPEA  
VERSION EUROPEA  
EUROPEISK VERSION

DECALS KIT (SPANISH)  
 JEU D'AUTOCOLLANTS (ESPAGNOL)  
 AUFKLEBERSATZ (SPANISCH)  
 KIT TARGHETTE (SPAGNOLO)  
 JUEGO DE ETIQUETAS (ESPAÑOL)  
 DEKALSATS (SPANSK)  
 RXP010856 -UN-01JAN94



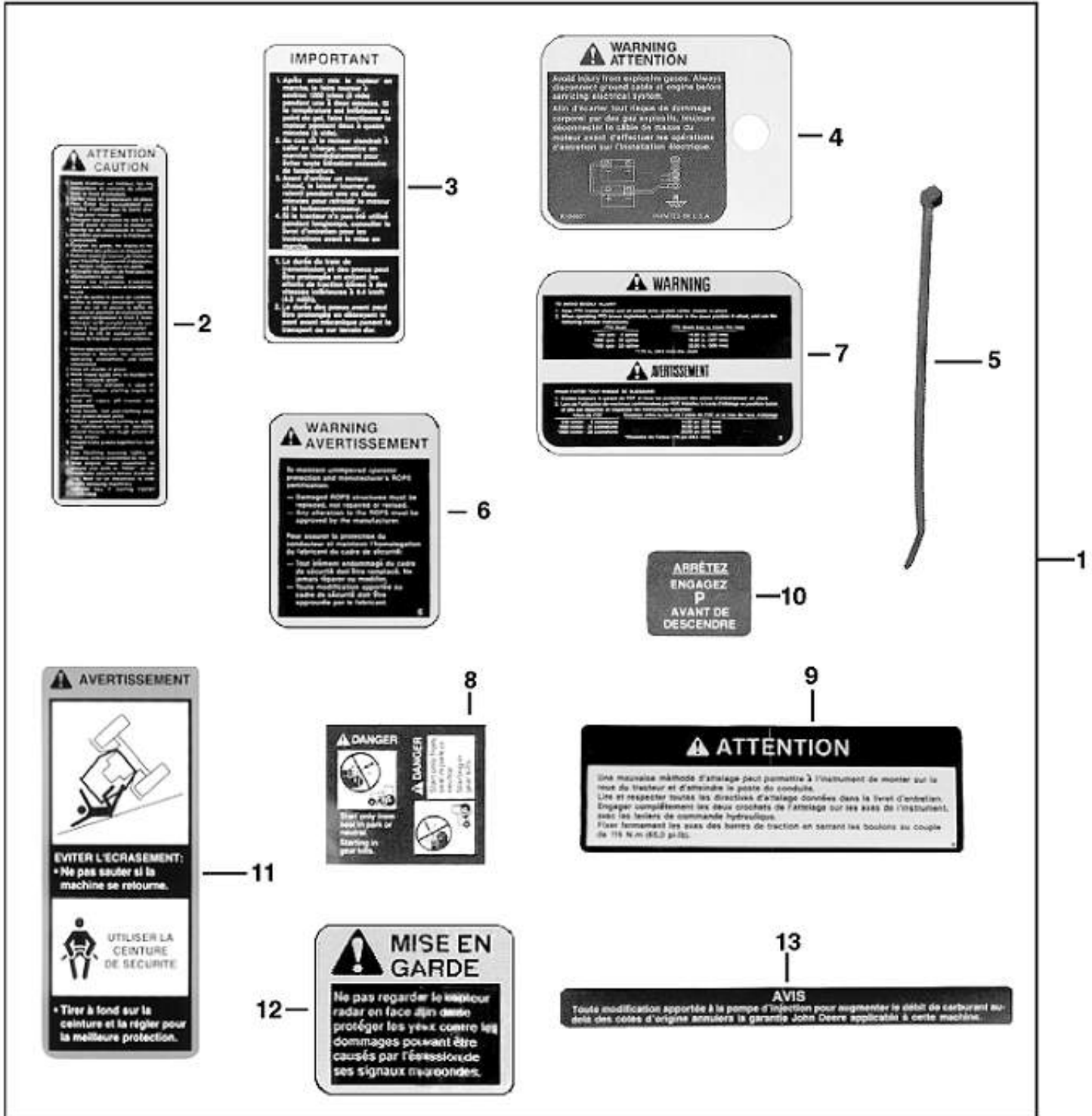
RXP010856

# 8G20

WHEEL, FRONT AXLES, SHEET METAL

| KEY | PART NO.       | PART NAME    | QTY | TRACTOR<br>SERIAL NO. | A | REMARKS           |
|-----|----------------|--------------|-----|-----------------------|---|-------------------|
|     |                |              |     |                       | L |                   |
| 1   | <b>RE58989</b> | <b>LABEL</b> | 1   |                       | X | <b>(FI)</b>       |
| 2   | R100410        | LABEL        | 1   |                       | X | (ESPANOL)         |
| 3   | R125474        | TAG          | 1   |                       | X | (ESPANOL)         |
| 4   | R122889        | LABEL        | 1   |                       | X | (ESPANOL)(NLR)    |
| 5   | R44302         | TIE BAND     | 1   |                       | X |                   |
| 6   | R81374         | DECAL        | 1   |                       | X | (ESPANOL)         |
| 7   | R120113        | LABEL        | 1   |                       | X | (ESPANOL)         |
| 8   | R120108        | LABEL        | 1   |                       | X | (ESPANOL)         |
| 9   | R120123        | LABEL        | 1   |                       | X | (ESPANOL/ENGLISH) |
| 10  | R120130        | LABEL        | 1   |                       | X | (ESPANOL)         |
| 11  | T146106        | SAFETY SIGN  | 1   |                       | X | (ESPANOL)         |
| 12  | R120104        | LABEL        | 1   |                       | X | (ESPANOL)         |
| 13  | R120126        | LABEL        | 1   |                       | X | (ESPANOL)         |

DECALS KIT (CANADA)  
 JEU D'AUTOCOLLANTS (CANADA)  
 AUFKLEBERSATZ (KANADA)  
 KIT TARGHETTE (CANADA)  
 JUEGO DE ETIQUETAS (CANADA)  
 DEKALSATS (KANADA)  
 RXP010857 -UN-01JAN94



RXP010857

# 8G22

WHEEL, FRONT AXLES, SHEET METAL

| KEY | PART NO.       | PART NAME    | QTY | TRACTOR<br>SERIAL NO. | A<br>L<br>L | REMARKS            |
|-----|----------------|--------------|-----|-----------------------|-------------|--------------------|
| 1   | <b>RE58988</b> | <b>LABEL</b> | 1   |                       | <b>X</b>    | <b>(FI)</b>        |
| 2   | R120129        | LABEL        | 1   |                       | X           | (FRANCAIS/ENGLISH) |
| 3   | R100412        | LABEL        | 1   |                       | X           | (FRANCAIS)         |
| 4   | R125473        | TAG          | 1   |                       | X           | (FRANCAIS)         |
|     | R120119        | TAG          | 1   |                       | X           | (FRANCAIS/ENGLISH) |
| 5   | R44302         | TIE BAND     | 1   |                       | X           |                    |
| 6   | R120125        | LABEL        | 1   |                       | X           | (FRANCAIS/ENGLISH) |
| 7   | R120112        | LABEL        | 1   |                       | X           | (FRANCAIS/ENGLISH) |
| 8   | T146104        | SAFETY SIGN  | 1   |                       | X           | (FRANCAIS)         |
| 9   | R120105        | LABEL        | 1   |                       | X           | (FRANCAIS)         |
| 10  | R122890        | LABEL        | 1   |                       | X           | (FRANCAIS)(NLR)    |
| 11  | R120122        | LABEL        | 1   |                       | X           | (FRANCAIS)         |
| 12  | R120106        | LABEL        | 1   |                       | X           | (FRANCAIS)         |
| 13  | R81372         | DECAL        | 1   |                       | X           | (FRANCAIS)         |

MEMORANDA  
MEMORANDA  
MEMORANDA  
MEMORANDA  
MEMORANDA

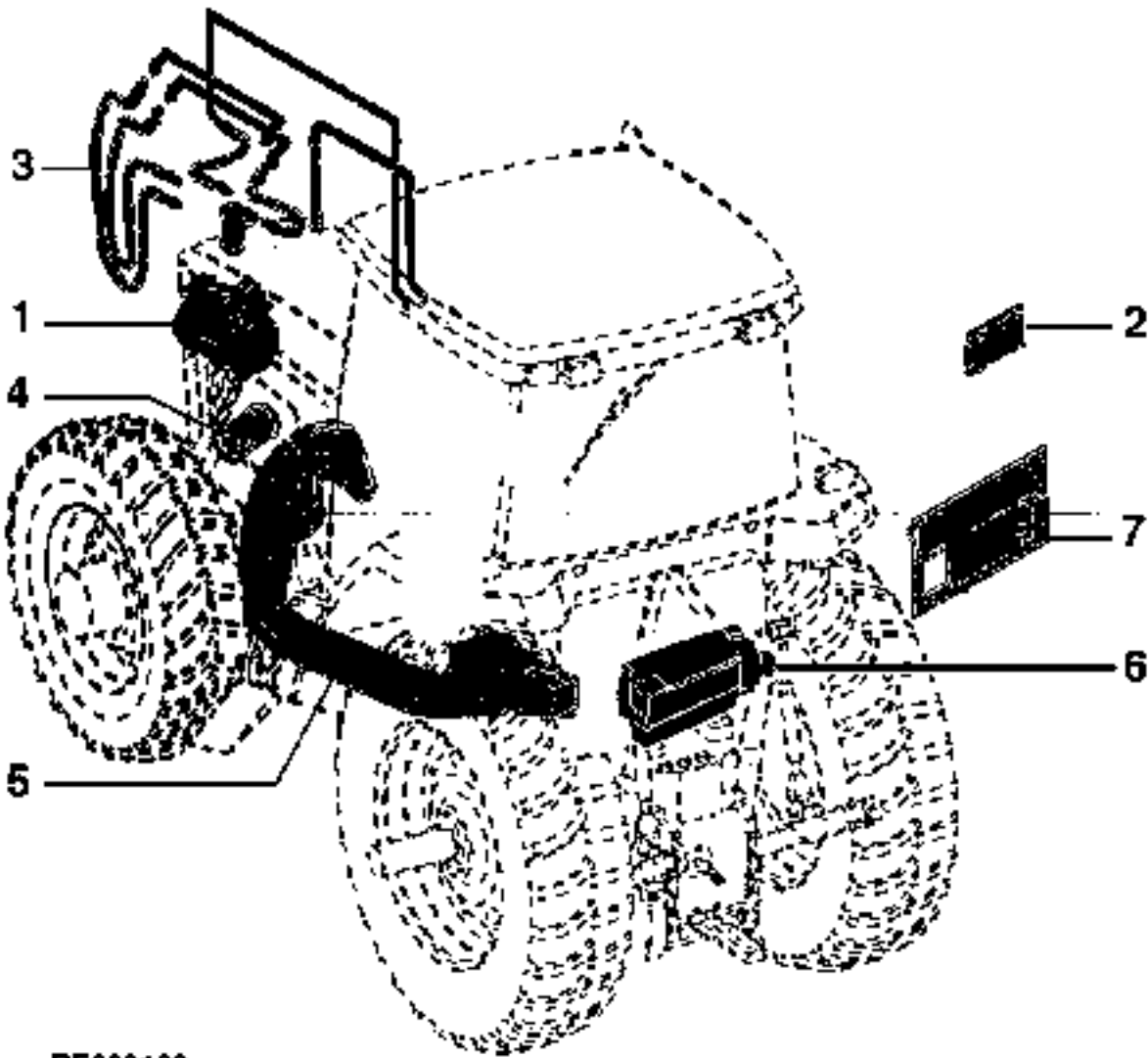


# 8H3

SECTIONAL INDEX  
GRUPPENINDEX  
INDEX DE SECTION  
INDICE DELLA SEZIONE  
INDICE DE SECCION  
GRUPPSFORTECKNING

RE029128 -UN-11MAY99

|     |      |
|-----|------|
| 1 - | 8H5  |
| 3 - | 8H9  |
| 4 - | 8H15 |
| 5 - | 8H17 |
| 6 - | 8H19 |
| 7 - | 8H21 |
| 5 - | 8H22 |



RE029128

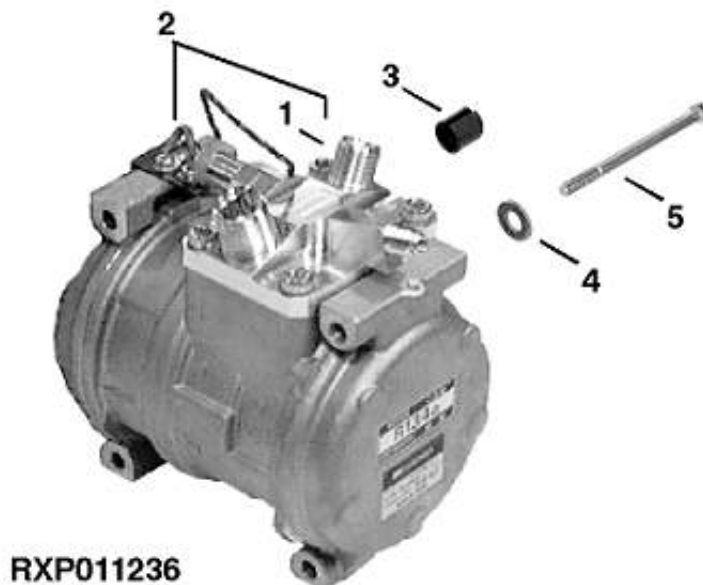
# 8H4

OPERATOR'S STATION ACCESSORIES

---

SECTIONAL INDEX  
GRUPPENINDEX  
INDEX DE SECTION  
INDICE DELLA SEZIONE  
INDICE DE SECCION  
GRUPPSFORTECKNING

AIR CONDITIONING COMPRESSOR  
 COMPRESSEUR DE CLIMATISATION  
 KLIMAANLAGE-KOMPRESSOR  
 COMPRESSORE DELL'ARIA CONDIZIONATA  
 COMPRESOR DEL ACONDICIONADOR DE AIRE  
 LUFTKONDITIONERINGSKOMPRESSOR  
 RXP011236 -UN-01JAN94



| KEY | PART NO. | PART NAME   | QTY | TRACTOR SERIAL NO. | A<br>L<br>L | REMARKS   |
|-----|----------|-------------|-----|--------------------|-------------|---|
| 1   | RE51052  | MANIFOLD    | 1   |                    | X           |   |
| 2   | RE46609  | COMPRESSOR  | 1   |                    | X           | (NIPPONDENSO 447200-3350) (INCLUDES RE51052, RE52454, RE52507, RE52508, RE52509, RE52510 AND R115743) |
|     | RE52454  | COMPRESSOR  | 1   |                    | X           | (C)   |
|     | TY6764   | COMPRESSOR  | 1   |                    | X           | (A)   |
| 3   | 34M7189  | SPRING PIN  | 2   |                    | X           | 11 X 8 MM   |
| 4   | 24M7055  | WASHER      | 3   |                    | X           | (B) 8.400 X 16 X 1.600 MM   |
| 5   | 19M8539  | CAP SCREW   | 3   |                    | X           | M8 X 90   |
| ..  | R115742  | SEAL        | 1   |                    | X           |   |
| ..  | TY15949  | REFRIGERANT | 1   |                    | X           | 12 OZ   |
| ..  | TY15950  | REFRIGERANT | 1   |                    | X           | 15 LBS (NLA)  |
| ..  | TY15951  | REFRIGERANT | 1   |                    | X           | 30 LBS  |

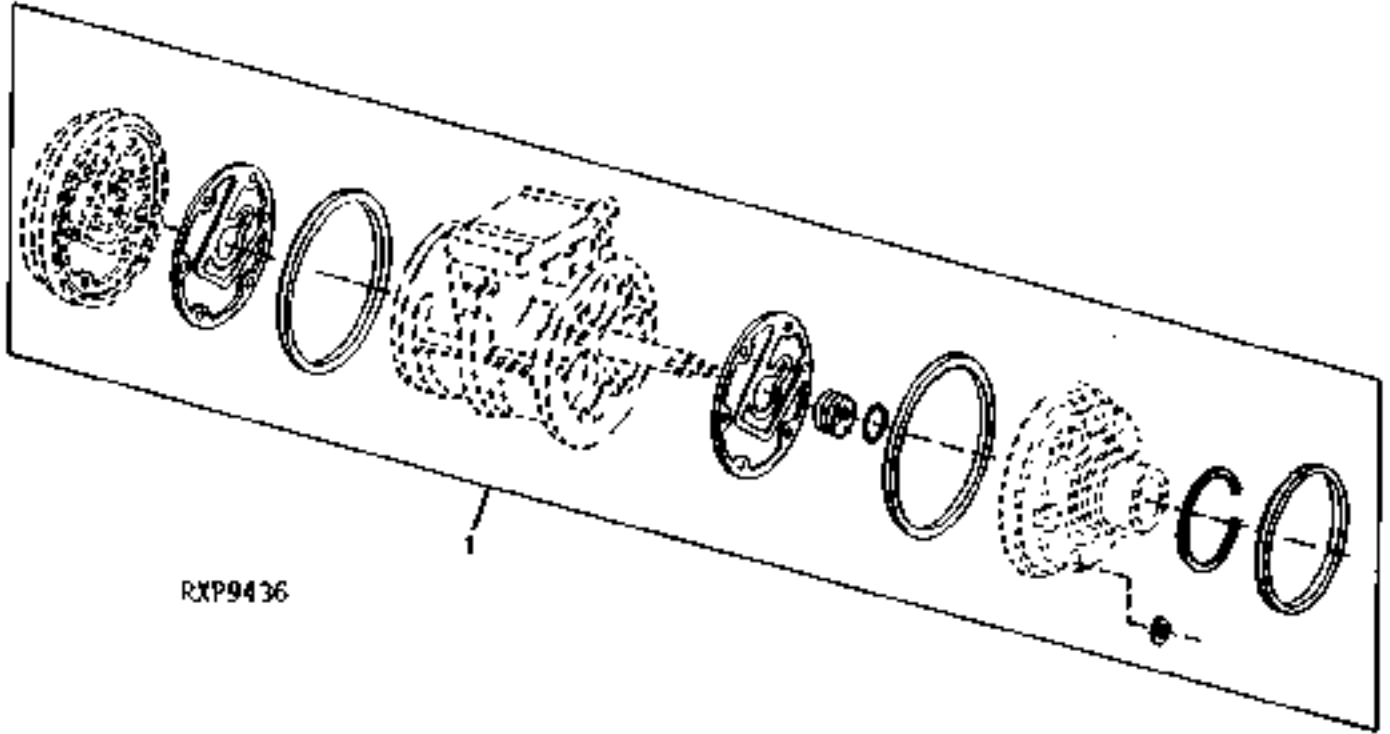
(A)REMANUFACTURED  
 ECHNGE STANDARD  
 GENERALUEBERHOLT  
 RAFATTO  
 REFARICADO POR  
 RENOVERAD

(B)HARDENED  
 TREMPE  
 GEHAERTET  
 TEMPRATO  
 TEMPLADO  
 HAERDAD

(C)COMPRESSOR ONLY  
 COMPRESSEUR SEULEMENT  
 NUR KOMPRESSOR  
 SOLAMENTE IL COMPRESSORE  
 SOLO COMLPRESOR  
 ENDAST KOMPRESSOR

# 8H6

COMPRESSOR PARTS  
 PIECES DE COMPRESSEUR  
 KOMPRESSORTEILE  
 COMPONENTI DEL COMPRESSORE  
 COMPONENTES DEL COMPRESOR  
 KOMPRESSORDELAR  
 RXP9436 -UN-01JAN94

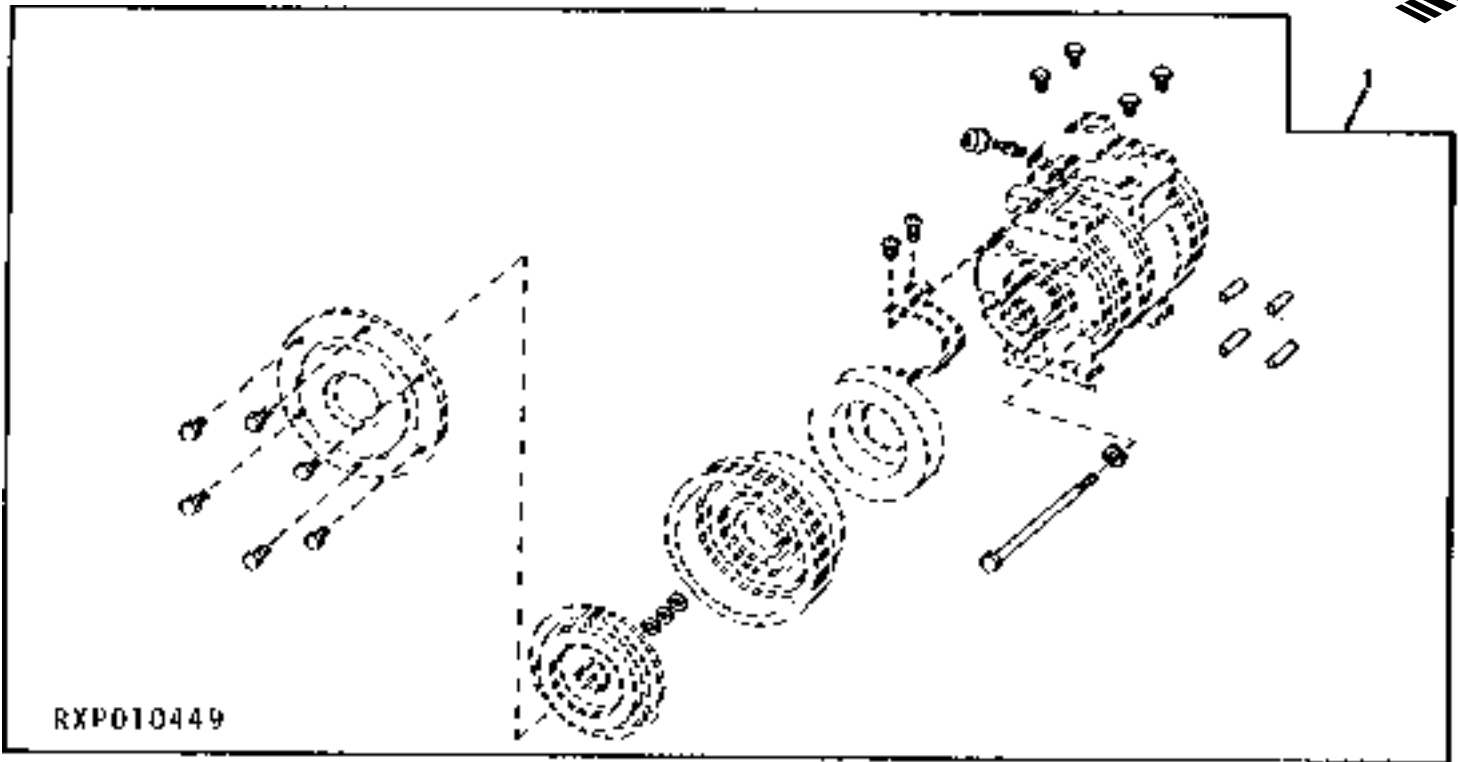


RXP9436

| KEY | PART NO. | PART NAME | QTY | TRACTOR<br>SERIAL NO. | A<br>L<br>L<br>REMARKS |
|-----|----------|-----------|-----|-----------------------|------------------------|
| 1   | RE52509  | SEAL KIT  | 1   |                       | X                      |

# 8H7

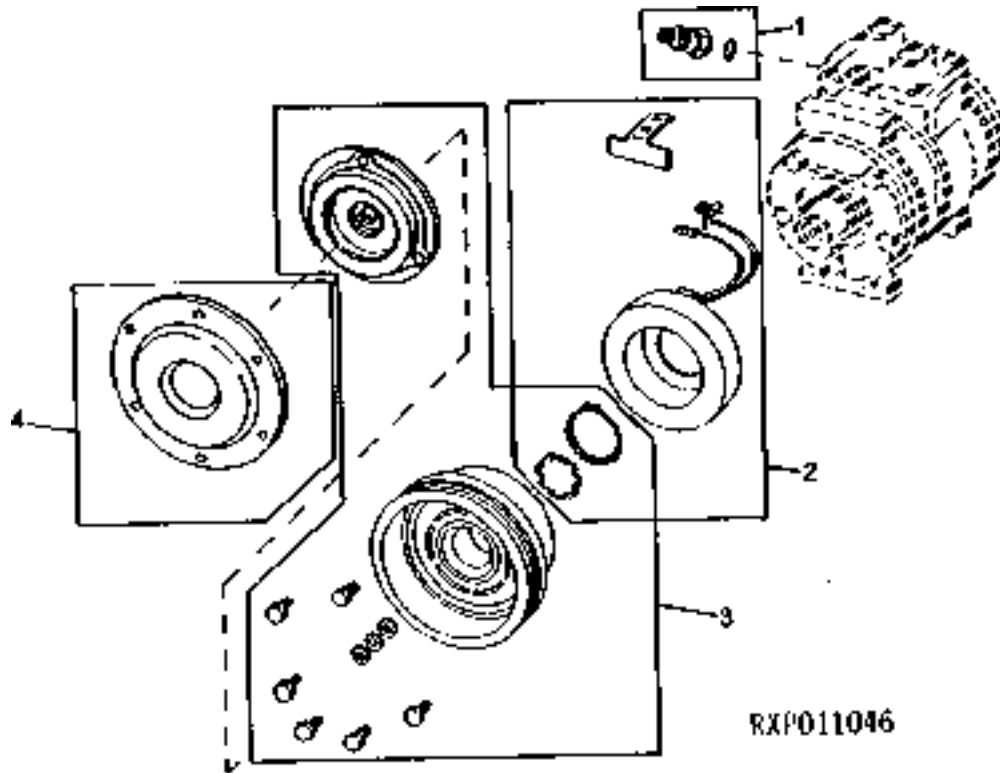
COMPRESSOR HARDWARE SET  
COLIS DE PIECES DE COMPRESSEUR  
KOMPRESSOR ANBAUSATZ  
SET APPARATO DI COMPRESSIONE  
JUEGO DE DE PIEZAS DEL COMPRESOR  
KOMPRESSOR, MONTERINGSDETALJER  
RXP010449 -UN-01JAN94



| KEY | PART NO. | PART NAME | QTY | TRACTOR SERIAL NO. | A<br>L<br>L<br>REMARKS |
|-----|----------|-----------|-----|--------------------|------------------------|
| 1   | RE52507  | KIT       | 1   |                    | X                      |

# 8H8

COMPRESSOR CLUTCH/STATOR/DUST COVER  
 EMBRAYAGE DE COMPRESSEUR/STATOR/CACHE-POUSSIÈRE  
 KOMPRESSORKUPPLUNG/STAENDER/STAUBKAPPE  
 REIZIONE DEL COMPRESSORE/STATORE/PARAPOLVERE  
 CUBIERTA GUARDAPOLVO/ESTATOR/EMBRAGUE DEL COMPRESOR  
 KOMPRESSORKOPPLING/STATOR/DAMMSKYDD  
 RXP011046 -UN-01JAN94



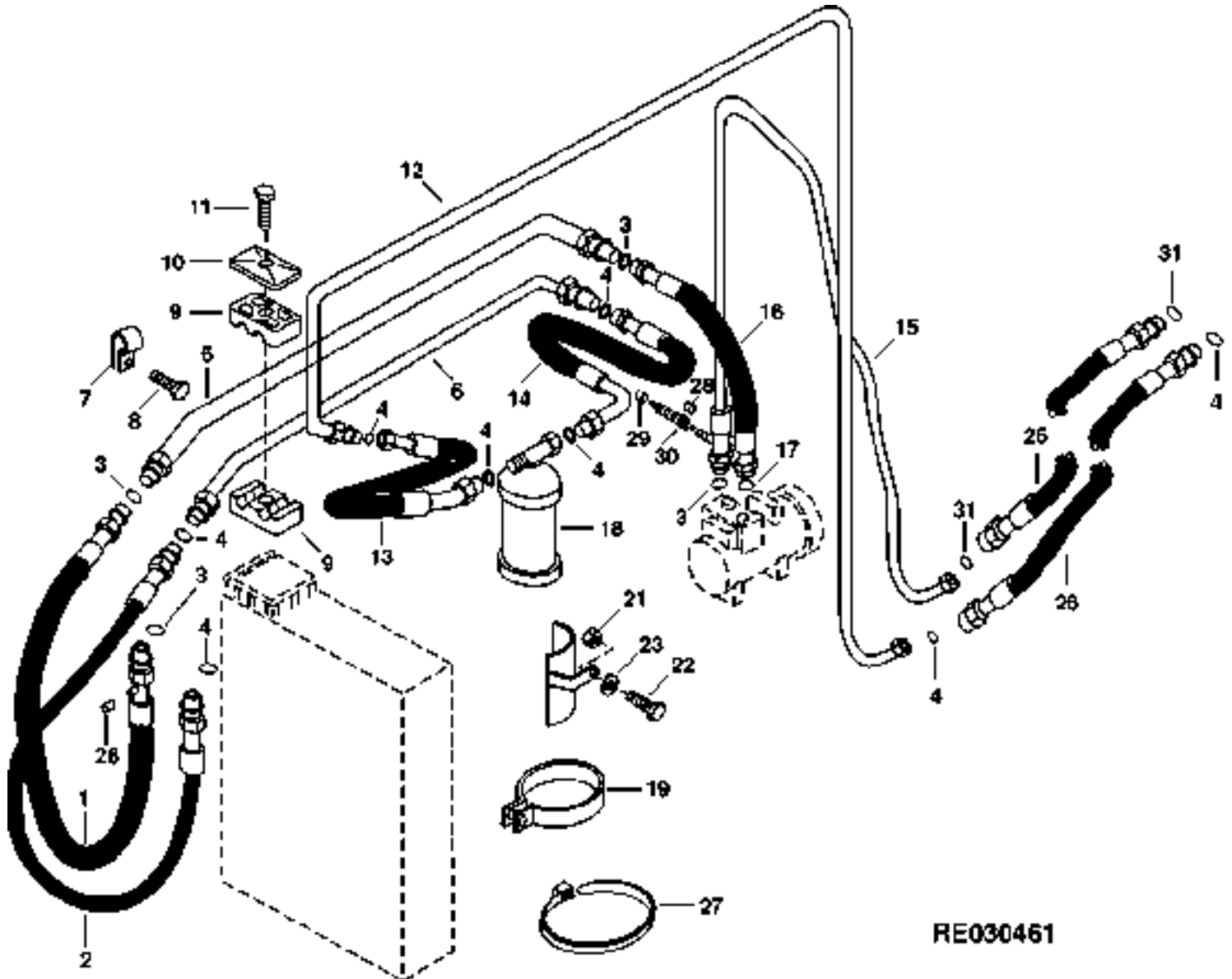
| KEY | PART NO. | PART NAME | QTY | TRACTOR SERIAL NO. | A | REMARKS |
|-----|----------|-----------|-----|--------------------|---|---------|
|     |          |           |     |                    | L |         |
| 1   | RE52506  | VALVE     | 1   |                    | X |         |
| 2   | RE52510  | STATOR    | 1   |                    | X |         |
| 3   | RE52508  | KIT       | 1   |                    | X |         |
| 4   | R115743  | COVER     | 1   |                    | X |         |

MEMORANDA  
MEMORANDA  
MEMORANDA  
MEMORANDA  
MEMORANDA

# 8H9

OPERATOR'S STATION ACCESSORIES

CONDENSOR LINES AND BRACKETS  
CONDUITES DE CONDENSEUR ET SUPPORTS  
KONDENSATORLEITUNGEN UND HALTER  
STAFFE E TUBI DEL CONDENSATORE  
TUBERIAS Y SOPORTES DEL CONDENSADOR  
KONDENSORLEDNINGAR OCH HAALLARE  
RE030461 -UN-24MAR99



RE030461



# 8H10

OPERATOR'S STATION ACCESSORIES

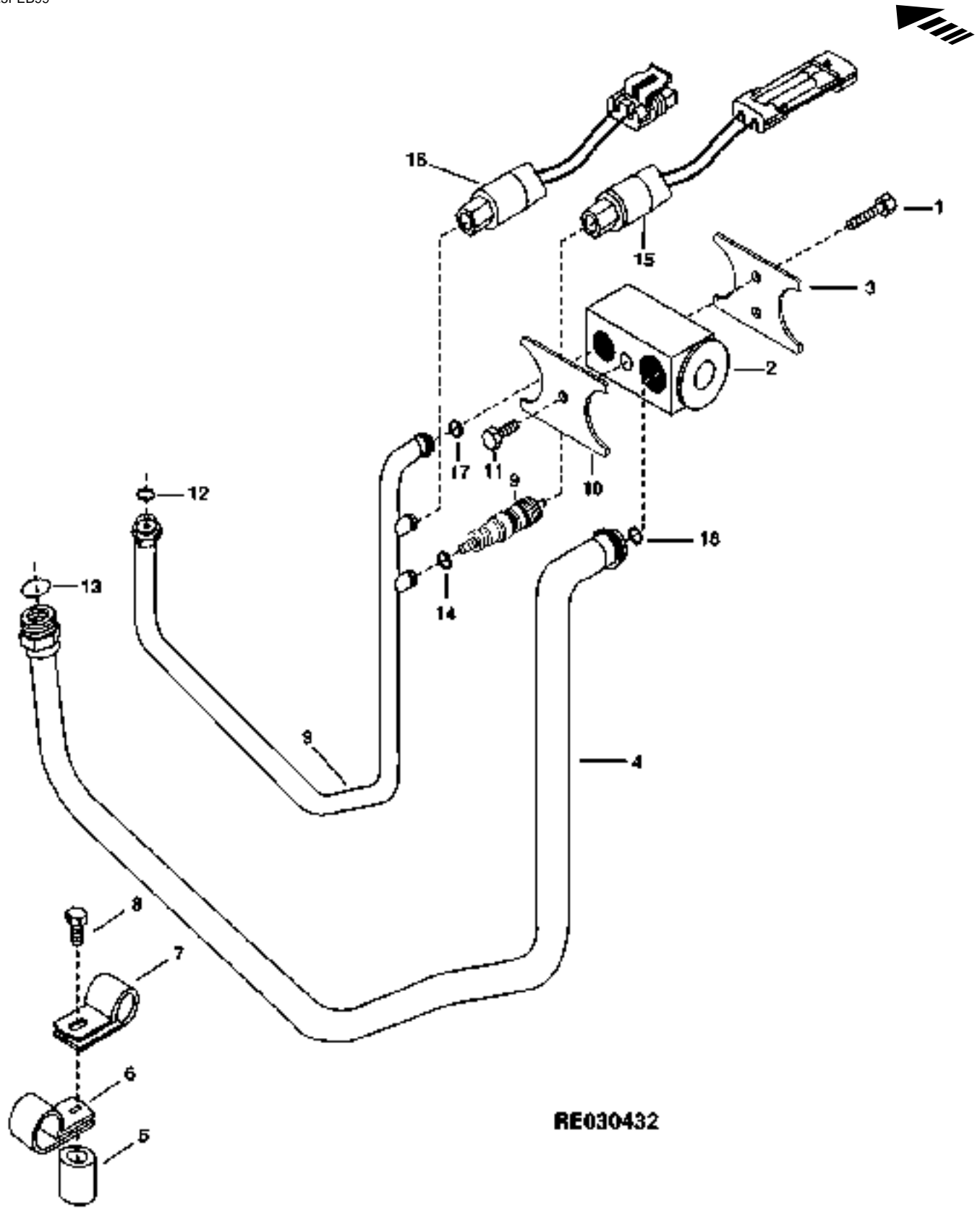
| KEY | PART NO. | PART NAME      | QTY | TRACTOR<br>SERIAL NO. | A<br>L<br>L | REMARKS                  |
|-----|----------|----------------|-----|-----------------------|-------------|--------------------------|
| 1   | RE61138  | HOSE           | 1   |                       | X           |                          |
| 2   | RE61137  | LINE           | 1   |                       | X           |                          |
| 3   | R33259   | O-RING         | AR  |                       | X           |                          |
| 4   | R10093   | O-RING         | AR  |                       | X           |                          |
| 5   | RE61146  | LINE           | 1   |                       | X           | LOW                      |
| 6   | RE61147  | LINE           | 1   |                       | X           |                          |
| 7   | R125484  | CLAMP          | 1   |                       | X           | (SUB T74416 AND 24M7238) |
| 8   | 19M8008  | CAP SCREW      | 1   |                       | X           | M8 X 35                  |
| 9   | H114865  | CLAMP          | 6   |                       | X           |                          |
| 10  | H112567  | PLATE          | 3   |                       | X           |                          |
| 11  | 37M7108  | SCREW          | 3   |                       | X           | M8 X 60                  |
| 12  | RE58706  | LINE           | 1   |                       | X           |                          |
| 13  | RE58828  | HOSE           | 1   |                       | X           |                          |
| 14  | RE58729  | HOSE           | 1   |                       | X           |                          |
| 15  | RE60685  | LINE           | 1   | -009999               | X           |                          |
|     | RE69062  | LINE           | 1   | 010000-               | X           |                          |
|     | RE69063  | LINE           | 1   | 010000-               | X           | (A)                      |
| 16  | RE155218 | HOSE           | 1   |                       | X           | (SUB FOR RE60684)        |
| 17  | R113050  | RING           | 1   |                       | X           |                          |
| 18  | AT162848 | RECEIVER-DRYER | 1   |                       | X           | (SUB FOR AT125596)       |
| 19  | TY22474  | CLAMP          | 1   |                       | X           |                          |
| 20  | R122591  | RAIL           | 1   |                       | X           |                          |
| 21  | 14M7273  | NUT            | 1   |                       | X           | M8                       |
| 22  | 19M8539  | CAP SCREW      | 1   |                       | X           | M8 X 90                  |
| 23  | 24M7055  | WASHER         | 1   |                       | X           | 8.400 X 16 X 1.600 MM    |
| 24  | T143169  | O-RING         | 2   |                       | X           |                          |
| 25  | RE66552  | HOSE           | 1   |                       | X           | (ALSO ORDER RE67291)     |
| 26  | RE66553  | HOSE           | 1   |                       | X           | (ALSO ORDER RE67290)     |
| 27  | R44302   | TIE BAND       | 1   |                       | X           |                          |
| 28  | R120955  | CAP            | 1   |                       | X           | LOW                      |
| 29  | R120956  | CAP            | 1   |                       | X           | HI                       |
| 30  | R124578  | VALVE          | 3   |                       | X           |                          |
| 31  | T77613   | O-RING         | 2   |                       | X           |                          |
| ..  | TY15939  | O-RING KIT     | 1   |                       | X           |                          |

(A)W/ PNEUMATIC TRAILER BRAKE  
W/ FREIN DE REMARQUE HYDR.  
W/ HYDR, ANHAENGERBREMSE  
W/ FRENO IDRAUL RIMORCHIO  
W/ FRENO HIDRAULREMOLQUE  
W/ SL'RVAGNSBROMS

# 8H11

OPERATOR'S STATION ACCESSORIES

REFRIGERANT LINES  
CONDUITES DE REFRIGERANT  
KUEHLMITTEL LEITUNG  
TUBAZIONE DEL REFRIGERANTE  
TUBERIAS YDE REFRIGERANTE  
KYLMEDELEDNING  
RE030432 -UN-25FEB99



**RE030432**

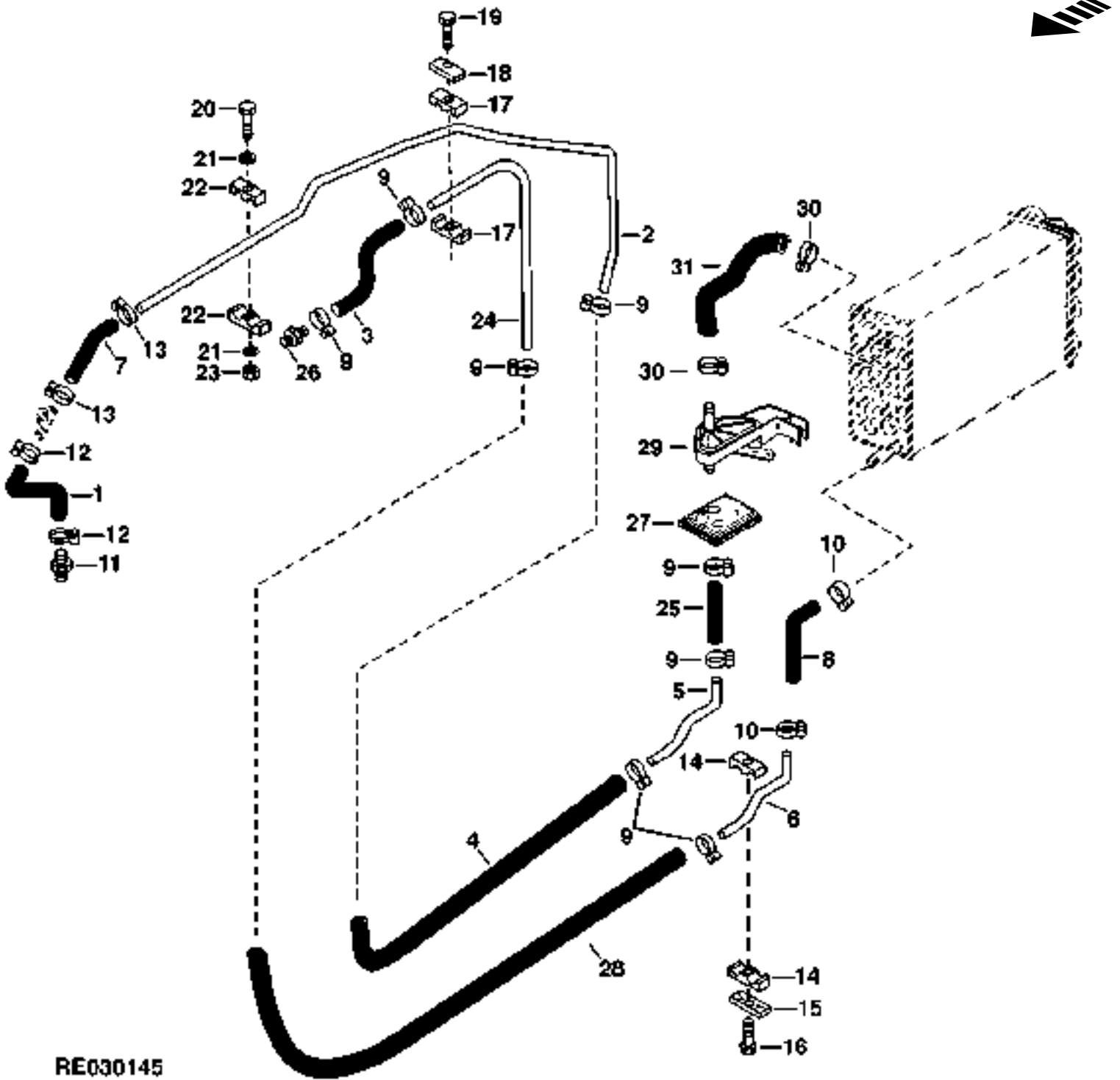
# 8H12

OPERATOR'S STATION ACCESSORIES

| KEY | PART NO. | PART NAME               | QTY | TRACTOR<br>SERIAL NO. | A | REMARKS               |
|-----|----------|-------------------------|-----|-----------------------|---|-----------------------|
|     |          |                         |     |                       | L |                       |
| 1   | PT11778  | BOLT                    | 2   |                       | X |                       |
| 2   | RE57575  | VALVE                   | 1   |                       | X |                       |
| 3   | L77943   | PLATE                   | 1   |                       | X |                       |
| 4   | RE61158  | LINE                    | 1   | -009999               | X | LOW                   |
|     | RE67291  | LINE                    | 1   | 010000-               | X | LOW                   |
| 5   | 28H3390  | SPACER                  | 1   |                       | X |                       |
| 6   | AH78237  | CLAMP                   | 1   |                       | X |                       |
| 7   | H75541   | CLAMP                   | 1   |                       | X |                       |
| 8   | 37M7108  | SCREW                   | 1   |                       | X | M8 X 60               |
| 9   | RE69034  | LINE                    | 1   | -009999               | X | HI, (SUB FOR RE61157) |
|     | RE67290  | LINE                    | 1   | 010000-               | X | HI                    |
| 10  | R125223  | PLATE                   | 1   |                       | X |                       |
| 11  | 19M8553  | SCREW                   | 1   |                       | X | M6 X 16               |
| 12  | R10093   | O-RING                  | 1   |                       | X |                       |
| 13  | R33259   | O-RING                  | 1   |                       | X |                       |
| 14  | R10093   | O-RING                  | 2   |                       | X |                       |
| 15  | RE60888  | AC HIGH PRESSURE SWITCH | 1   |                       | X | HI                    |
| 16  | RE155938 | AC LOW PRESSURE SWITCH  | 1   |                       | X | (SUB FOR RE60887) LOW |
| 17  | R10093   | O-RING                  | 1   |                       | X |                       |
| 18  | T143169  | O-RING                  | 1   |                       | X |                       |
| 19  | R124578  | VALVE                   | 1   |                       | X | (SUB FOR R60170)      |

# 8H13

HEATER HOSES  
FLEXIBLE DE CHAUFFAGE  
HEIZUNGSSCHLAUCH  
TUBO DEL RISCALDATORE  
MANGUERA DEL CALEFACTOR  
SLANG FOER VAERMEAPPARAT  
RE030145 -UN-09NOV98



RE030145

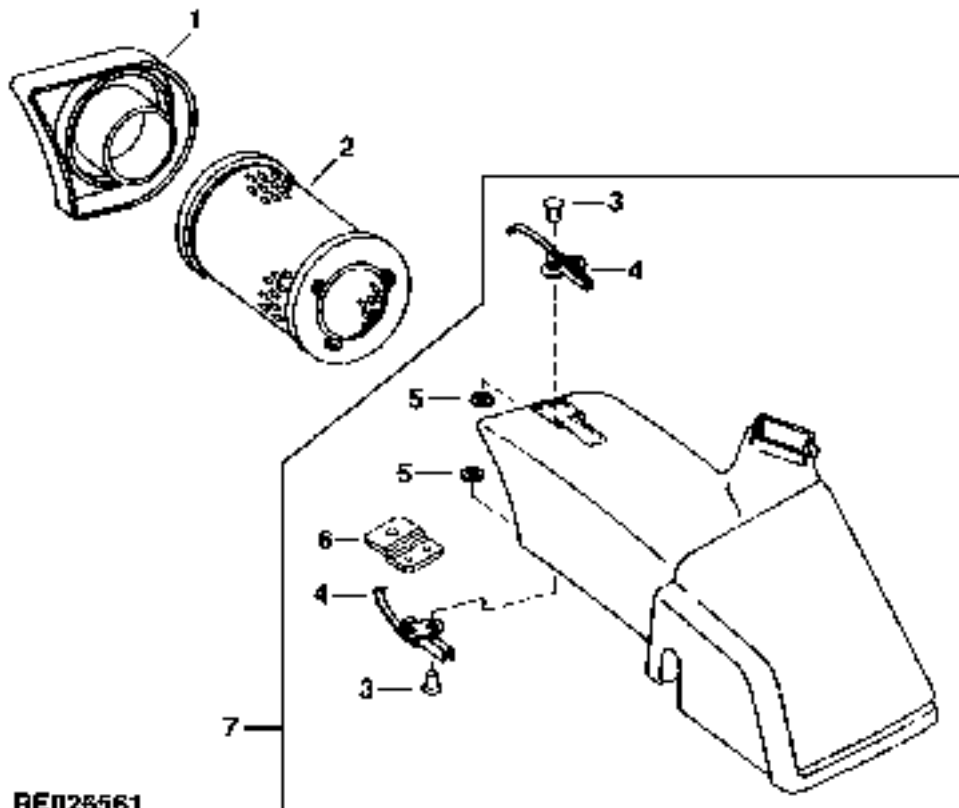
# 8H14

| KEY | PART NO. | PART NAME | QTY | TRACTOR SERIAL NO. | A<br>L<br>L | REMARKS                             |
|-----|----------|-----------|-----|--------------------|-------------|-------------------------------------|
| 1   | R107666  | HOSE      | 1   |                    | X           |                                     |
|     | R125175  | HOSE      | 1   |                    | X           | (8400 ONLY)                         |
| 2   | R108312  | LINE      | 1   |                    | X           | (A)                                 |
| 3   | .....    | HOSE      | 1   |                    | X           | 15.88 X 710 MM, (MAKE FROM TY22328) |
| 4   | R121965  | HOSE      | 2   | -009999            | X           |                                     |
|     | R131192  | HOSE      | 2   | 010000-            | X           |                                     |
| 5   | R122608  | TUBE      | 1   | -009999            | X           | (SUB R134885)                       |
|     | R134886  | LINE      | 1   | 010000-            | X           |                                     |
| 6   | R122610  | TUBE      | 1   | -009999            | X           | (A) (SUB FOR R122610) REAR          |
|     | R134887  | LINE      | 1   | 010000-            | X           |                                     |
| 7   | R121969  | HOSE      | 1   |                    | X           | (MAKE FROM TY22413)                 |
| 8   | R151720  | HOSE      | 1   | -009999            | X           | (SUB FOR R124374)                   |
|     | R154075  | HOSE      | 1   | 010000-            | X           | (SUB FOR R132027 OR R151333)        |
| 9   | R117721  | CLAMP     | AR  |                    | X           | (SUB FOR AR21837 OR TY22465)        |
| 10  | AT18904  | CLAMP     | 2   |                    | X           | (SUB FOR AR21837 OR TY22465)        |
| 11  | R41985   | FITTING   | 1   |                    | X           |                                     |
| 12  | TY22465  | CLAMP     | 2   |                    | X           | (SUB FOR AR21837)                   |
| 13  | TY22465  | CLAMP     | 2   |                    | X           | (SUB FOR AR21837)                   |
| 14  | H120847  | CLAMP     | 4   |                    | X           |                                     |
| 15  | H121168  | PLATE     | 2   |                    | X           |                                     |
| 16  | 37M7103  | SCREW     | 1   |                    | X           | M8 X 45, FRONT                      |
|     | 37M7108  | SCREW     | 1   |                    | X           | M8 X 60, REAR                       |
| 17  | H114865  | CLAMP     | 2   |                    | X           |                                     |
| 18  | H112567  | PLATE     | 1   |                    | X           |                                     |
| 19  | 37M7108  | SCREW     | 1   |                    | X           | M8 X 60                             |
| 20  | 19M7922  | CAP SCREW | 1   |                    | X           | M8 X 40                             |
| 21  | 24M7207  | WASHER    | 2   |                    | X           | 8.400 X 24 X 2 MM                   |
| 22  | H120362  | CLAMP     | 2   |                    | X           |                                     |
| 23  | 14M7273  | NUT       | 1   |                    | X           | M8                                  |
| 24  | R130835  | LINE      | 1   |                    | X           | (SUB FOR R122034)                   |
| 25  | R134646  | HOSE      | 1   |                    | X           |                                     |
| 26  | R41071   | FITTING   | 1   |                    | X           |                                     |
| 27  | R124377  | GROMMET   | 1   |                    | X           | (SUB FOR R120321)                   |
| 28  | R122610  | TUBE      | 1   | -009999            | X           |                                     |
|     | R131193  | HOSE      | 1   | 010000-            | X           |                                     |
| 29  | RE47070  | VALVE     | 1   |                    | X           |                                     |
| 30  | TY22467  | CLAMP     | 2   |                    | X           |                                     |
| 31  | R125454  | HOSE      | 1   |                    | X           |                                     |

(A) RETURN  
 RETOUR  
 RUECKLAUF  
 RITORNO  
 RETORNO  
 RETUR

# 8H15

FRESH AIR FILTER HOUSING  
 FILTRE A AIR FRAIS, BOITIER  
 FRISCHLUFT-FILTERGEHAEUSE  
 ALLOGGIAMENTO DEL FILTRO ANTINQUINAMENTO  
 CAJA DE FILTRO DE AIRE FRESCO  
 FRISKLUFFILTERDOSA  
 RE026561 -UN-29NOV95



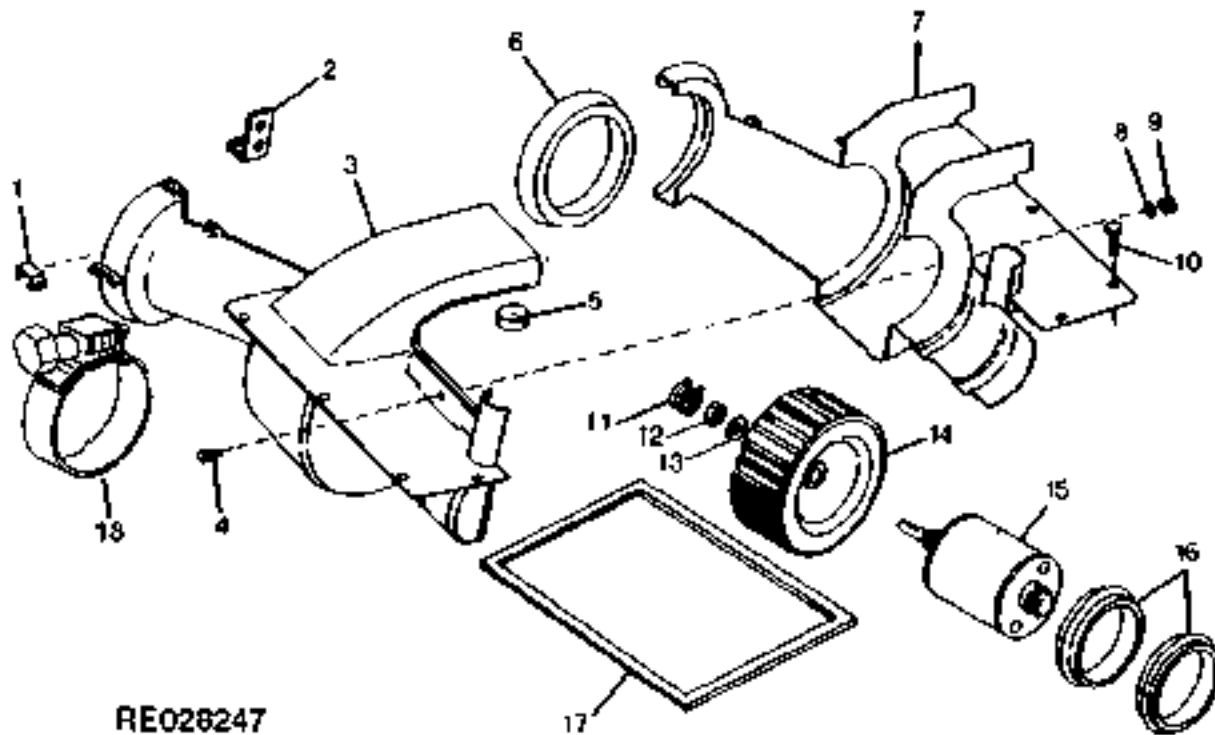
**RE026561**

| KEY | PART NO. | PART NAME  | QTY | CAB<br>SERIAL NO. | A |  |
|-----|----------|------------|-----|-------------------|---|--|
|     |          |            |     |                   | L | REMARKS                                  |
| 1   | R116975  | COVER      | 1   |                   | X |  |
| 2   | R119168  | AIR FILTER | 1   |                   | X |  |
|     | RE67828  | AIR FILTER | 1   |                   | X | (A)                                      |
| 3   | M96130   | RIVET      | 4   |                   | X |  |
| 4   | R121465  | LATCH      | 2   |                   | X |  |
| 5   | 24M7138  | WASHER     | 6   |                   | X | 5.300 X 15 X 1.200 MM, (SUB FOR R124433) |
| 6   | R127647  | BRACKET    | 1   |                   | X |  |
| 7   | RE63563  | AIR DUCT   | 1   |                   | X | (INCLUDES (2) M68628)                    |

(A) HIGH EFFICIENCY  
 HAUT RENDEMENT  
 HOCHLEISTUNGSFAEHIG  
 ALTA EFFICIENZA  
 ALTA EFICIENCIA  
 HOEG EFFEKTIVITET

# 8H16

PRESSURIZER BLOWER MOTOR  
 MOTEUR DE SOFFLANTE PRESSURISEE  
 DRUCKGEBLAESEMOTOR  
 MOTORINO DEL VENTILATORE DEL PRESSURIZZATORE  
 MOTOR DEL PRESURIZADOR  
 TRYCKFLAEKTMOTOR  
 RE028247 -UN-25AUG97



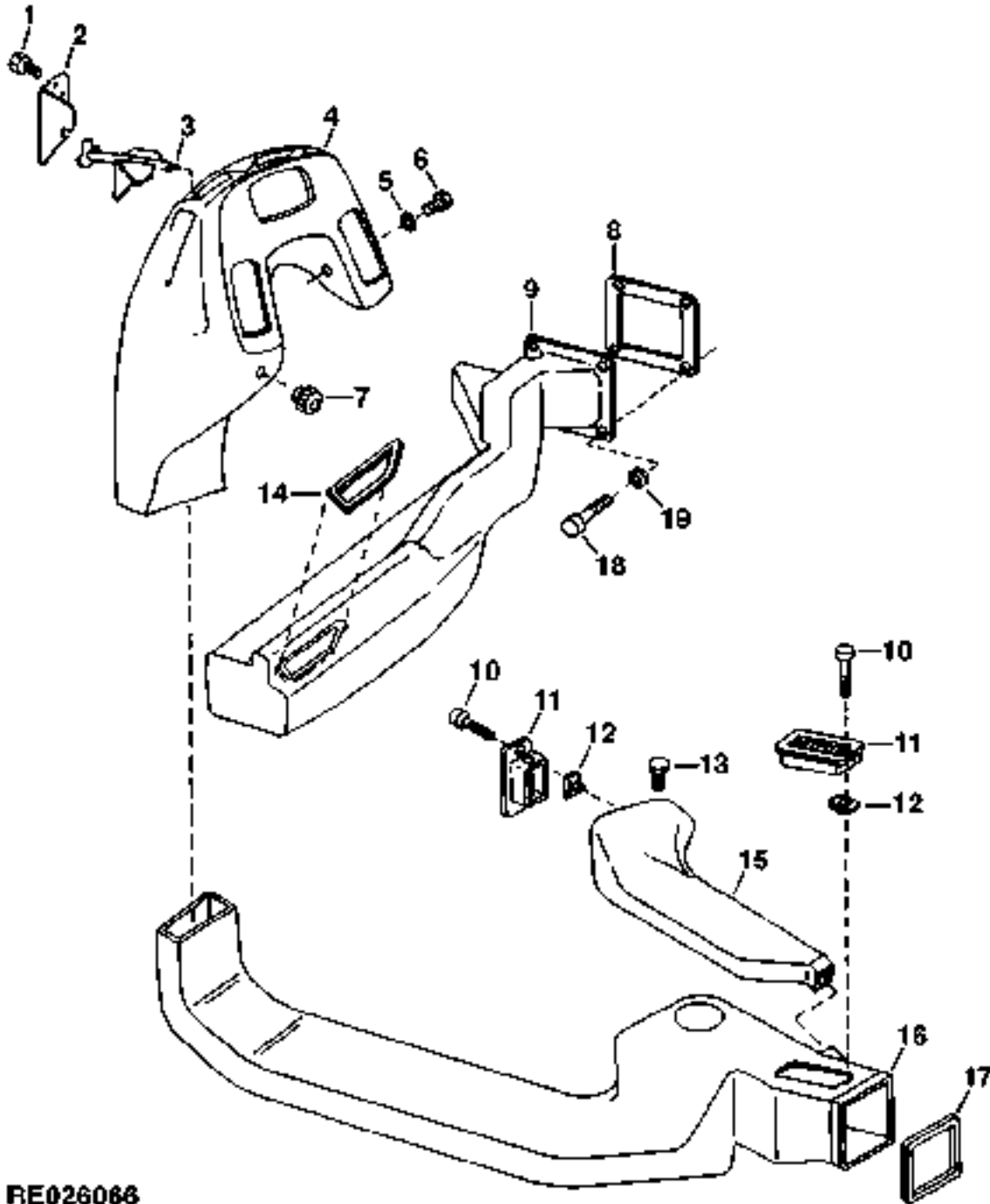
RE028247

| KEY | PART NO. | PART NAME | QTY | CAB<br>SERIAL NO. | A       |                             |
|-----|----------|-----------|-----|-------------------|---------|-----------------------------|
|     |          |           |     |                   | L       | L                           |
|     |          |           |     |                   | REMARKS |                             |
| 1   | R96248   | CLIP      | 6   |                   | X       |                             |
| 2   | R124209  | BRACKET   | 1   |                   | X       |                             |
| 3   | R116976  | AIR DUCT  | 1   |                   | X       | FRONT                       |
| 4   | 19M7775  | SCREW     | 1   |                   | X       | M6 X 16                     |
| 5   | R125467  | SEAL      | 1   |                   | X       |                             |
| 6   | R119171  | AIR DUCT  | 1   |                   | X       |                             |
| 7   | R116977  | AIR DUCT  | 1   |                   | X       | (SUB FOR R97332)            |
| 8   | 24M7139  | WASHER    | 1   |                   | X       | 6.400 X 18 X 1.600 MM, REAR |
| 9   | 14M7272  | NUT       | 1   |                   | X       | M6                          |
| 10  | 37M7089  | SCREW     | 10  |                   | X       | M6 X 12                     |
| 11  | R126547  | CLIP      | 1   |                   | X       | (SUB FOR R97332)            |
| 12  | 14M7139  | NUT       | 1   |                   | X       | M4                          |
| 13  | 24M7146  | WASHER    | 1   |                   | X       | 4.300 X 12 X 1 MM           |
| 14  | R93175   | IMPELLER  | 1   |                   | X       |                             |
| 15  | RE61419  | BLOWER    | 1   |                   | X       |                             |
| 16  | H115521  | ISOLATOR  | 2   |                   | X       |                             |
| 17  | .....    | SEAL      | 1   |                   | X       | (MAKE FROM (4) R83066)      |
| 18  | AC15595  | CLAMP     | 1   |                   | X       |                             |

# 8H17

OPERATOR'S STATION ACCESSORIES

AIR CIRCULATION DUCTS  
CONDUITS DE CIRCULATION D'AIR  
LUFTUMWÄLZ-KANÄLE  
CONDOTTI DI CIRCOLAZIONE DELL'ARIA  
CONDUCTOS DE CIRCULACION DE AIRE  
LUFTCIRKULATIONSKANALER  
RE026066 -UN-18OCT96



**RE026066**



# 8H18

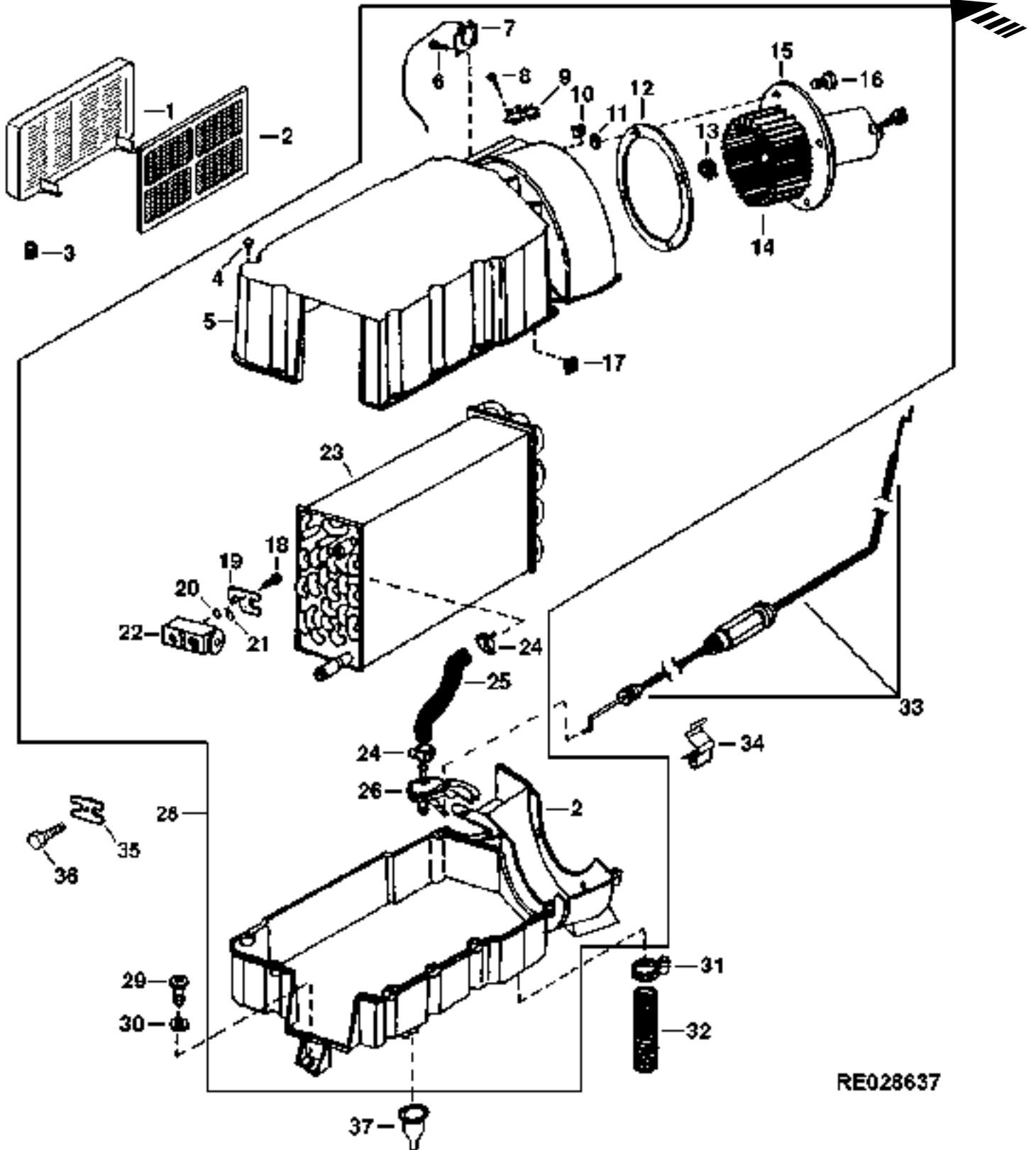
## OPERATOR'S STATION ACCESSORIES

| KEY | PART NO. | PART NAME | QTY | CAB<br>SERIAL NO. | A<br>L<br>L | REMARKS               |
|-----|----------|-----------|-----|-------------------|-------------|-----------------------|
| 1   | R55326   | RIVET     | 4   |                   | X           |                       |
| 2   | R122798  | COVER     | 1   |                   | X           |                       |
| 3   | R124210  | DOOR      | 1   |                   | X           |                       |
| 4   | RE60302  | AIR DUCT  | 1   |                   | X           |                       |
| 5   | 24M7139  | WASHER    | 2   |                   | X           | 6.400 X 18 X 1.600 MM |
| 6   | 37M7089  | SCREW     | 2   |                   | X           | M6 X 12               |
| 7   | R111632  | KNOB      | 1   |                   | X           |                       |
| 8   | R124495  | SEAL      | 1   |                   | X           |                       |
| 9   | R124378  | AIR DUCT  | 1   |                   | X           |                       |
| 10  | 37H203   | SCREW     | 1   |                   | X           |                       |
| 11  | RE157244 | LOUVER    | 1   |                   | X           | (SUB FOR RE45293)     |
| 12  | R64822   | NUT       | 1   |                   | X           |                       |
| 13  | 37M7089  | SCREW     | 1   |                   | X           | M6 X 12               |
| 14  | .....    | SEAL      | AR  |                   | X           | (MAKE FROM R83066)    |
| 15  | R124238  | AIR DUCT  | 1   |                   | X           |                       |
| 16  | R108314  | AIR DUCT  | 1   |                   | X           |                       |
| 17  | .....    | SEAL      | AR  |                   | X           | (MAKE FROM R83066)    |

# 8H19

OPERATOR'S STATION ACCESSORIES

HEATER/AIR CONDITIONING MODULE ASSEMBLY  
MODULE CHAUFFAGE/CLIMATISATION  
HEIZUNG/KLIMAAANLAGEN-MODUL  
MODULO DEL RISCALDATORE/ARIA CONDIZIONATA  
MODULO DE CALEFACCION/ACONDICIONAMIENTO DE AIRE  
VAERMEAPPARAT/LUFTKONDITIONERING,MODUL  
RE028637 -UN-09DEC97



RE028637

# 8H20

## OPERATOR'S STATION ACCESSORIES

| KEY | PART NO. | PART NAME       | QTY | CAB<br>SERIAL NO. | A<br>L<br>L | REMARKS  |
|-----|----------|-----------------|-----|-------------------|-------------|--|
| 1   | R124332  | BEZEL           | 1   |                   | X           |  |
| 2   | R120501  | AIR FILTER      | 1   | -XXXXXX           | X           | (C)  |
|     | RE70742  | AIR FILTER      | 1   | XXXXXX-           | X           | (D)  |
| 3   | R135944  | NUT             | 4   |                   | X           | (SUB FOR R120160)  |
| 4   | 19M6614  | CAP SCREW       | 13  |                   | X           | M6 X 12  |
| 5   | R121668  | HOUSING         | 1   | -XXXXXX           | X           | (C) (SUB FOR R136131) (ALSO ORDER R136350,<br>R135753, RE152291, R153024, RE156958, (2)<br>R135944, (2) 37M7088, R150307 AND R83066) |
|     | R151326  | HOUSING         | 1   | XXXXXX-           | X           | (D)  |
| 6   | H85092   | SCREW           | 2   |                   | X           |  |
| 7   | AH144020 | THERMOSTAT      | 1   |                   | X           |  |
| 8   | 37M7073  | SCREW           | 2   |                   | X           | 4.8 X 19 MM  |
| 9   | RE49636  | RESISTOR        | 1   |                   | X           |  |
| 10  | M74782   | NUT             | 2   |                   | X           |  |
| 11  | M84972   | NUT             | 4   |                   | X           |  |
| 12  | R121664  | SEAL            | 1   |                   | X           |  |
| 13  | R126547  | CLIP            | 1   |                   | X           | (SUB FOR R97332)   |
| 14  | R121666  | IMPELLER        | 1   |                   | X           |  |
| 15  | RE67645  | MOTOR           | 1   |                   | X           | (SUB FOR RE57571 OR RE62653) (ALSO ORDER<br>R121666 AND R126547)   |
| 16  | 19M7077  | CAP SCREW       | 4   |                   | X           | M6 X 20  |
| 17  | R52130   | LOCK NUT        | 2   |                   | X           |  |
| 18  | PT11778  | BOLT            | 2   |                   | X           |  |
| 19  | L77943   | PLATE           | 1   |                   | X           |  |
| 20  | R113050  | RING            | 1   |                   | X           | 10.820 X 1.778 MM (0.426" X 0.070") 1/2"   |
| 21  | R33259   | O-RING          | 1   |                   | X           | 13.995 X 1.778 MM (0.551" X 0.070") 5/8"   |
| 22  | RE57575  | VALVE           | 1   |                   | X           |  |
| 23  | RE57574  | EVAPORATOR      | 1   |                   | X           | (INCLUDES RE57575)   |
| 24  | R117721  | CLAMP           | 2   | -XXXXXX           | X           | (A)  |
|     | TY22467  | CLAMP           | 2   | XXXXXX-           | X           | (B)  |
| 25  | R125454  | HOSE            | 1   |                   | X           |  |
| 26  | RE47070  | VALVE           | 1   |                   | X           |  |
| 27  | R121667  | HOUSING         | 1   | -XXXXXX           | X           | (C) (SUB R151326, R136350, R135753 AND<br>RE152291)  |
|     | R136350  | HOUSING         | 1   | XXXXXX-           | X           | (D)  |
| 28  | RE67665  | MODULE          | 1   | -XXXXXX           | X           | (C) (SUB RE71433)  |
|     | RE71433  | MODULE          | 1   | XXXXXX-           | X           | (D)  |
| 29  | 37M7090  | SCREW           | 3   |                   | X           | M6 X 16  |
| 30  | 24M7100  | WASHER          | 3   |                   | X           | 6.600 X 22 X 2 MM  |
| 31  | TY22462  | CLAMP           | 1   |                   | X           | (SUB FOR AR48236)  |
| 32  | R88529   | HOSE            | 1   | -XXXXXX           | X           | (E)  |
|     | RE156958 | HOSE            | 1   | XXXXXX-           | X           | (F)  |
| 33  | RE58614  | CABLE           | 1   |                   | X           |  |
| 34  | L57881   | CLIP            | 1   |                   | X           |  |
| 35  | R125223  | PLATE           | 1   |                   | X           |  |
| 36  | 19M7753  | CAP SCREW       | 1   |                   | X           | M12 X 70   |
| 37  | R135753  | TERMINAL NIPPLE | 1   | XXXXXX-           | X           | (D)  |

(A) ( -XXXXXX) 8100-011126; 8200-011069; 8300-011136; 8400-011166

(B) (XXXXXX- ) 8100-011127; 8200-011070; 8300-011137; 8400-011167

(C) ( -XXXXXX) 8100-013076; 8200-012539; 8300-013594; 8400-013482 TSN

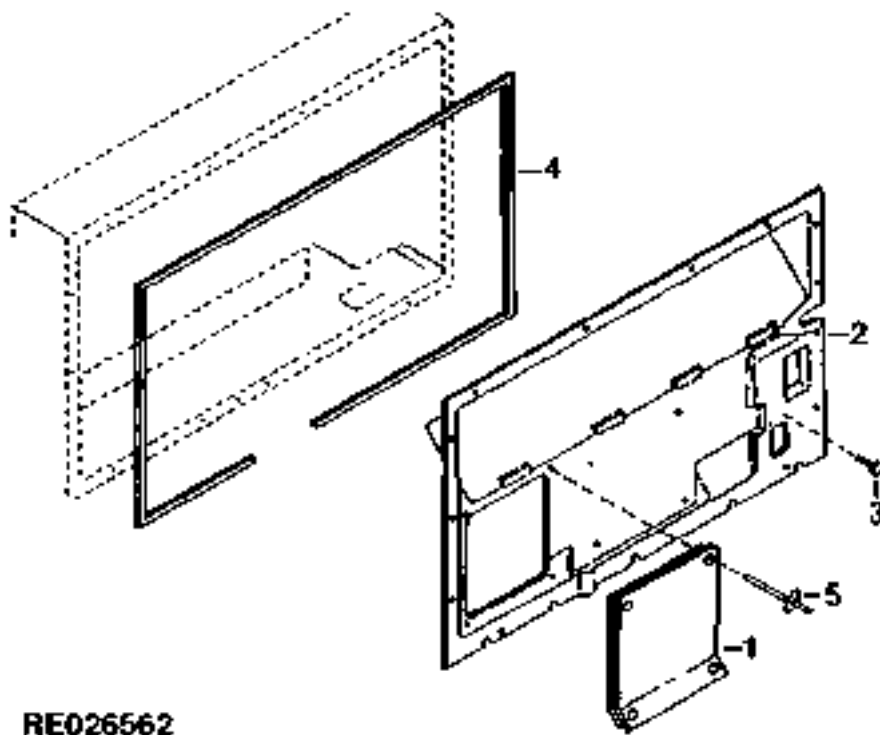
(D) (XXXXXX- ) 8100-013077; 8200-012540; 8300-013595; 8400-013483 TSN

(E) ( -XXXXXX) 8100-021347; 8200-021124; 8300-021975

(F) (XXXXXX- ) 8100-021348; 8200-021125; 8300-021976

# 8H21

HEATER/AIR CONDITIONING COMPARTMENT COVER  
 COUVERCLE DE COMPARTIMENT CHAUFFAGE/CLIMATISATION  
 HEIZUNG/KLIMAALAGEN-RAUMABDECKUNG  
 COPERCHIO DEL COMPARTIMENTO DEL RISCALDATORE/ARIA CONDIZIONATA  
 TAPA DEL COMPARTIMENTO DE CALEFACCION/ACONDICIONAMIENTO DE AIRE  
 VAERMEAPPARAT/LUFTKONDITIONERING,SKYDD FOER UTRYMME  
 RE026562 -UN-29NOV95



**RE026562**

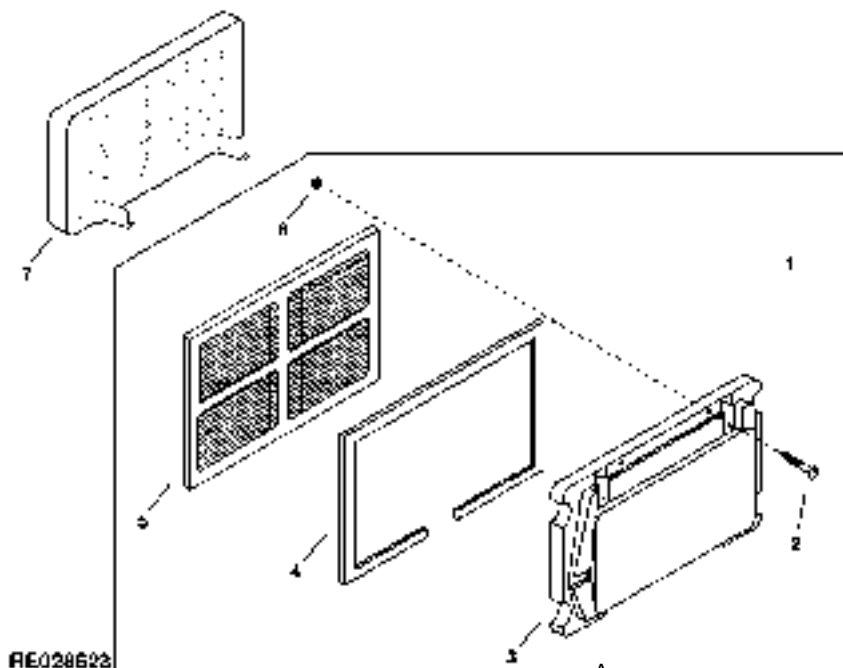
| KEY | PART NO. | PART NAME | QTY | CAB<br>SERIAL NO. | A | REMARKS                |
|-----|----------|-----------|-----|-------------------|---|------------------------|
|     |          |           |     |                   | L |                        |
| 1   | RE61802  | COVER     | 1   | -XXXXXX           | X | (A)                    |
|     | RE65502  | COVER     | 1   | XXXXXX-           | X | (B)                    |
| 2   | R133529  | COVER     | 1   |                   | X | (SUB FOR R124231)      |
| 3   | 37M7089  | SCREW     | 20  |                   | X | M6 X 12                |
| 4   | .....    | SEAL      | AR  |                   | X | (MAKE FROM (4) R83066) |
| 5   | 37M7218  | SCREW     | 4   | -XXXXXX           | X | (A)                    |
|     | L39134   | RIVET     | 4   | XXXXXX-           | X | (B)                    |

(A) ( -XXXXXX) 8100-003083; 8200-002438; 8300-004190; 8400-002748

(B) (XXXXXX- ) 8100-003084; 8200-002439; 8300-004191; 8400-002749

# 8H22

ULTRA GUARD FILTER INSTALLATION KIT(81 -013076;82 -012539;83 -013594;84 -013482)(TSN)  
 INSTALLATION DE FILTRE ULTRA A SERVICE INTENSIF(81 -013076;82 -012539;83 -013594;84 -013482)TSN  
 VERSTÄRKTER ULTRA GUARD FILTEREINBAU-TEILESATZ(81 -013076;82 -012539;83 -013594;84 -013482)TSN  
 INSTALLAZIONE FILTRO ULTRA PER SERVIZIO PESANTE(81 -013076;82 -012539;83 -013594;84 -013482)TSN  
 INSTALACION DE FILTRO ULTRA PARA SEVICIO SEVERO(81 -013076;82 -012539;83 -013594;84 -013482)TSN  
 INSTALLATIONSSATS MED EXTRA KRAFTIGT ULTRA FILTER(81 -013076;82 -012539;83 -013594;84 -013482)TSN  
 RE028623 -UN-25NOV97



| KEY | PART NO. | PART NAME  | QTY | TRACTOR<br>SERIAL NO. | A<br>L<br>L | REMARKS              |
|-----|----------|------------|-----|-----------------------|-------------|----------------------|
| 1   | RE152291 | KIT        | 1   |                       | X           |                      |
| 2   | 37M7088  | SCREW      | 2   |                       | X           | (A)                  |
| 3   | R150307  | HOUSING    | 1   |                       | X           |                      |
| 4   | R83066   | ISOLATOR   | 1   |                       | X           | (ALSO ORDER R153026) |
| 5   | RE70742  | AIR FILTER | 1   |                       | X           |                      |
| 6   | R135944  | NUT        | 2   |                       | X           |                      |
| 7   | R124332  | BEZEL      | 1   |                       | X           |                      |

(A) HIGH EFFICIENCY  
 HAUT RENDEMENT  
 HOCHLEISTUNGSFAEHIG  
 ALTA EFFICIENZA  
 ALTA EFICIENCIA  
 HOEG EFFEKTIVITET

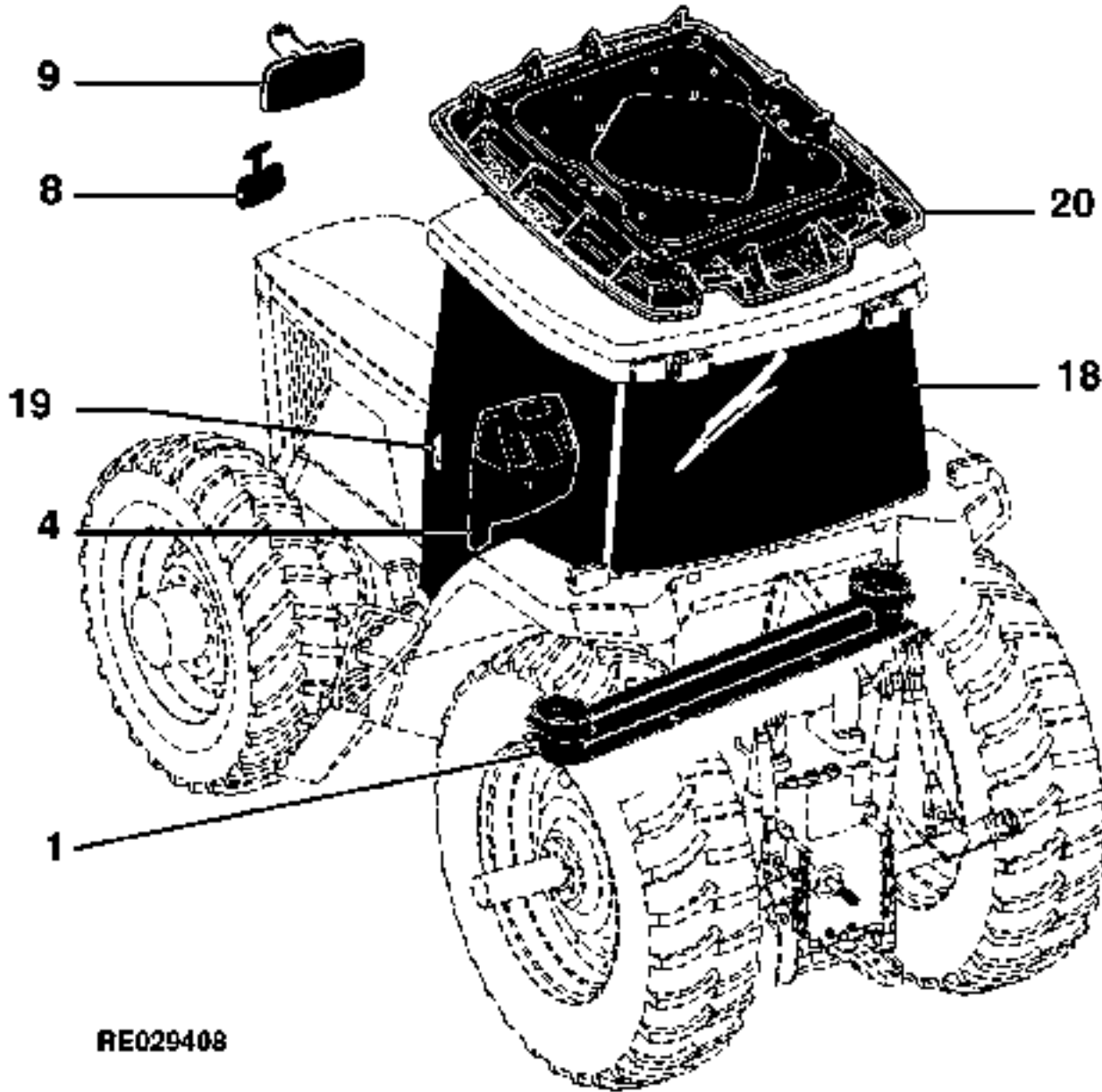
MEMORANDA  
MEMORANDA  
MEMORANDA  
MEMORANDA  
MEMORANDA

# 9D3

OPERATOR'S STATION

SECTIONAL INDEX  
INDEX DE SECTION  
GRUPPENINDEX  
INDICE DELLA SEZIONE  
INDICE DE SECCION  
GRUPPSFORTECKNING

RE029408 -UN-10MAY99



|      |      |
|------|------|
| 1 -  | 9D9  |
| 2 -  | 9D13 |
| 3 -  | 9D15 |
| 4 -  | 9D17 |
| 5 -  | 9D21 |
| 6 -  | 9D23 |
| 9 -  | 9D25 |
| 7 -  | 9E3  |
| 8 -  | 9E4  |
| 9 -  | 9E5  |
| 10 - | 9E6  |
| 11 - | 9E9  |
| 12 - | 9E11 |
| 13 - | 9E13 |
| 14 - | 9E15 |
| 15 - | 9E22 |
| 16 - | 9E24 |
| 17 - | 9F1  |
| 18 - | 9F4  |
| 19 - | 9F6  |
| 20 - | 9F12 |
| 21 - | 9F13 |

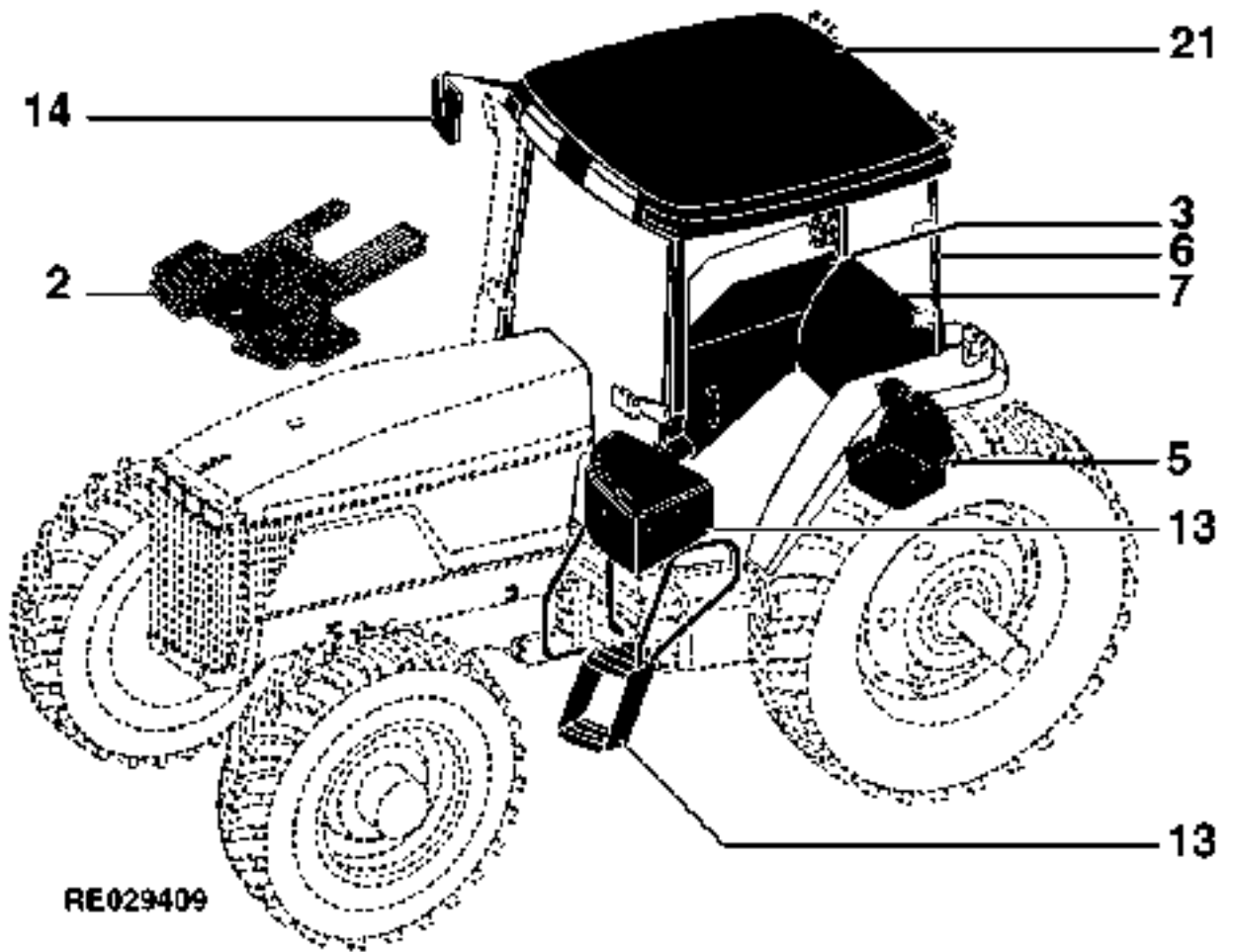
RE029408

# 9D4

SECTIONAL INDEX  
INDEX DE SECTION  
GRUPPENINDEX  
INDICE DELLA SEZIONE  
INDICE DE SECCION  
GRUPPSFORTECKNING

RE029409 -UN-10MAY99

|     |      |
|-----|------|
| 1-  | 9D9  |
| 2-  | 9D13 |
| 3-  | 9D15 |
| 4-  | 9D17 |
| 5-  | 9D21 |
| 6-  | 9D23 |
| 9-  | 9D25 |
| 7-  | 9E3  |
| 8-  | 9E4  |
| 9-  | 9E5  |
| 10- | 9E6  |
| 11- | 9E9  |
| 12- | 9E11 |
| 13- | 9E13 |
| 14- | 9E15 |
| 15- | 9E22 |
| 16- | 9E24 |
| 17- | 9F1  |
| 18- | 9F4  |
| 19- | 9F6  |
| 20- | 9F12 |
| 21- | 9F13 |





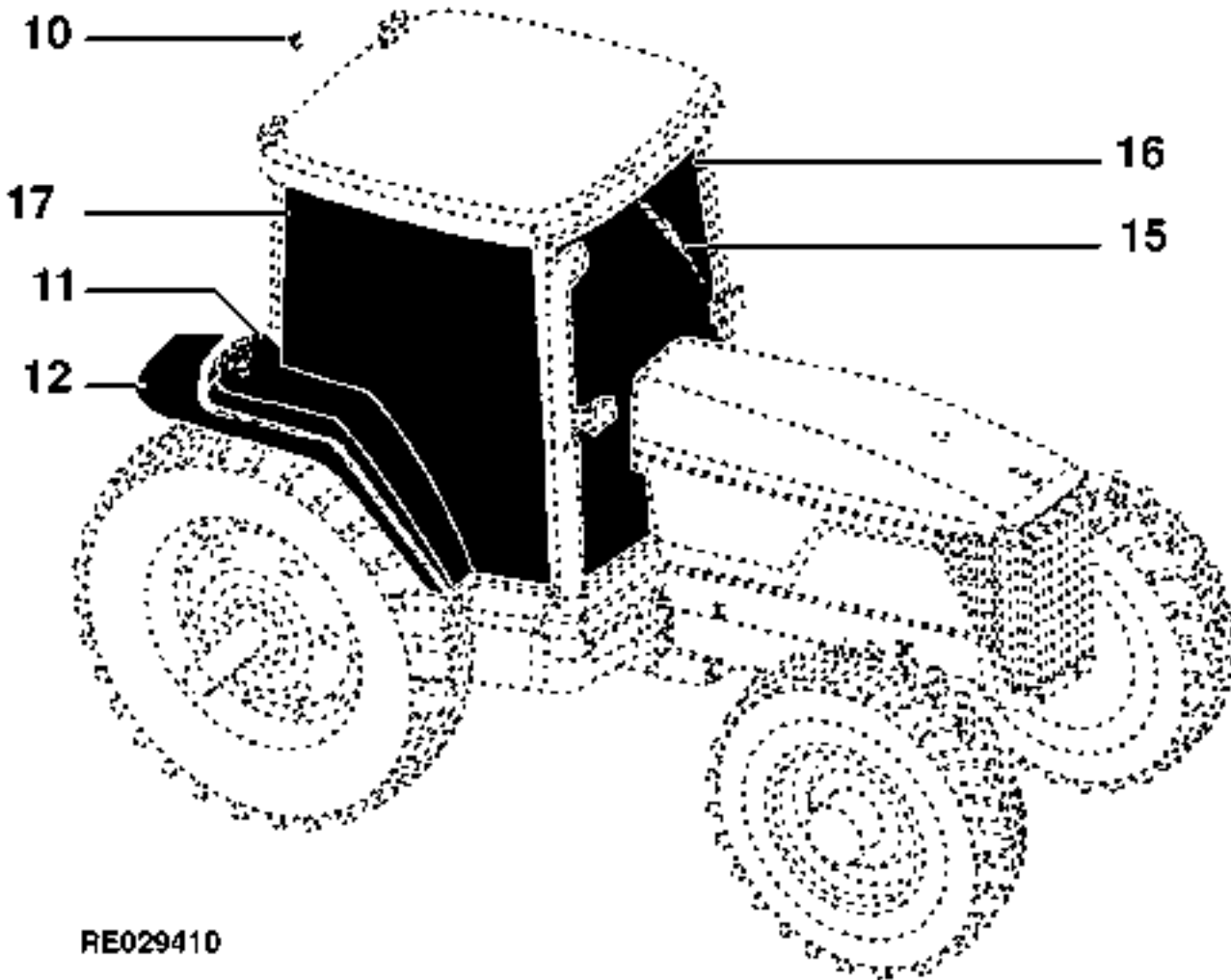
# 9D5

OPERATOR'S STATION

SECTIONAL INDEX  
INDEX DE SECTION  
GRUPPENINDEX  
INDICE DELLA SEZIONE  
INDICE DE SECCION  
GRUPPSFORTECKNING

RE029410 -UN-10MAY99

|      |      |
|------|------|
| 1 -  | 9D9  |
| 2 -  | 9D13 |
| 3 -  | 9D15 |
| 4 -  | 9D17 |
| 5 -  | 9D21 |
| 6 -  | 9D23 |
| 9 -  | 9D25 |
| 7 -  | 9E3  |
| 8 -  | 9E4  |
| 9 -  | 9E5  |
| 10 - | 9E6  |
| 11 - | 9E9  |
| 12 - | 9E11 |
| 13 - | 9E13 |
| 14 - | 9E15 |
| 15 - | 9E22 |
| 16 - | 9E24 |
| 17 - | 9F1  |
| 18 - | 9F4  |
| 19 - | 9F6  |
| 20 - | 9F12 |
| 21 - | 9F13 |



RE029410

# 9D6

OPERATOR'S STATION

---

SECTIONAL INDEX  
INDEX DE SECTION  
GRUPPENINDEX  
INDICE DELLA SEZIONE  
INDICE DE SECCION  
GRUPPSFORTECKNING

MEMORANDA  
MEMORANDA  
MEMORANDA  
MEMORANDA  
MEMORANDA

# 9D7

OPERATOR'S STATION

CAB (BASIC UNIT OR FULLY TRIMMED)  
CABINE (UNITE DE BASE OU COMPLETEMENT EQUIPEE)  
FAHRERKABINE (STANDARD ODER VOLL AUSGESTATET)  
CABINA (UNITA DI BASE OPPURE CON ACCESSORI)  
CABINA (UNIDAD BASICA O COMPLETAMENTE EQUIPADO)  
HYTT (UTAN LOESA DETALJER ELLER KOMPLETT)  
RXP011268 -UN-01JAN94



**RXP011268**

# 9D8

OPERATOR'S STATION

| KEY | PART NO. | PART NAME | QTY | TRACTOR<br>SERIAL NO. | A<br>L<br>L | REMARKS |
|-----|----------|-----------|-----|-----------------------|-------------|---------|
| 1   | .....    | CAB       | 1   |                       | X           | (A) (B) |

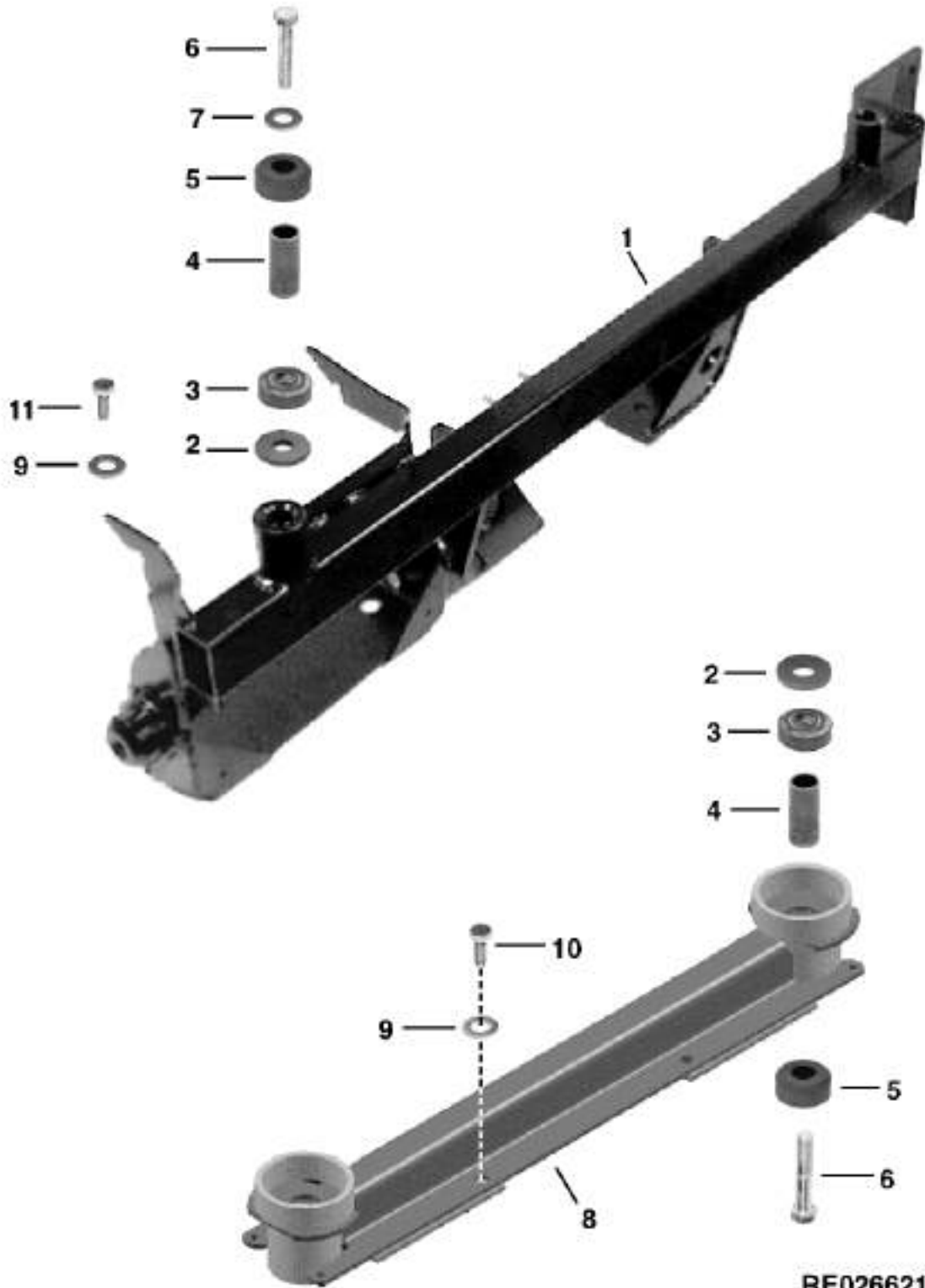
(A)ORDER THROUGH BRANCH SERVICE MANAGER OR COMPLETE GOODS MANAGER.  
COMMANDER PAR L'INTERMEDIAIRE DU RESPONSABLE DU SERVICE SPRES VENTE  
DURCH FILIALKUNDENDIENSTLEITER ODER VERKAUFSABTEILUNG BESTELLEN  
ORDINAZIONE PRESSO DIRETTORE FILLIALE DI ASSISTENZA O DIRETTORE PRODOTTI FINITI  
PIDALO A TRAVAES DEL GERENTE DE SERVICIO DE SUCURSAL O IL GERENTE DE PRODUCTOS COMPLETOS  
BESTAELL GENOM PILIALENS SERVICECHEF ELLER LEVRANSCHF

(B)REPLACEMENT CAB SERVICE PARTS CAN BE FOUND IN THE CATALOG FOR CURRENTLY BUILT TRACTOR.  
LES PIECES DE RECHANGE DE CABINE SE TROUVENT DANS LE CATALOGUE DU TRACTEUR FABRIQUE  
KABINEN-ERSATZTEILE WERDEN IM KATALOG FUER AKTUELL IN PRODUKTION BEFINDLICHE TRAKTOREN  
LE PARTI DI RICAMBIO PER LA CABINA SONO REPERIBILI NEL CATALOGO DEL TRATTORE DI FABBRICAZIONE  
LOS REPUESTOS PARA LA CABINA PUEDEN HALLARSE EN EL CATALOGO CORRESPONDIENTE AL TRACTOR EN  
UTBYTESDELAR FOER HYTTEN FINNS I KATALOGEN FOER AKTUELLT PRODUCERADE TRAKTORER.

# 9D9

OPERATOR'S STATION

CAB MOUNTS  
MONTURES CABINE  
BEFESTIGUNGEN FAHRERKABINE  
SUPPORTI E STAFFE CABINA  
CABINA MONTAJES  
UNDERLAG OCH FAESTEN HYTT  
RE026621 -UN-08DEC95



RE026621

| KEY | PART NO. | PART NAME      | QTY | TRACTOR SERIAL NO. | A<br>L<br>L | REMARKS                            |
|-----|----------|----------------|-----|--------------------|-------------|------------------------------------|
| 1   | RE63494  | MOUNTING PARTS | 1   | -009999            | X           | (SUB FOR RE44818) FRONT            |
|     | RE71382  | MOUNTING PARTS | 1   | 010000-            | X           | (SUB FOR RE69102 OR RE67508) FRONT |
| 2   | R87656   | WASHER         | 4   |                    | X           |                                    |
| 3   | R88167   | RUBBER MOUNT   | 4   | -XXXXXX            | X           | (A) LOW                            |
|     | RE62910  | RUBBER MOUNT   | 4   | XXXXXX-            | X           | (B) LOW                            |
| 4   | R122570  | SLEEVE         | 4   | -XXXXXX            | X           | (C)                                |
|     | R128179  | SLEEVE         | 4   | XXXXXX-            | X           | (D)                                |
| 5   | RE58723  | RUBBER MOUNT   | 1   | -XXXXXX            | X           | (A) UP                             |
|     | RE62901  | RUBBER MOUNT   | 1   | XXXXXX-            | X           | (B) (INCLUDES R122846) UP          |
| 6   | 19M7903  | CAP SCREW      | 2   |                    | X           | M24 X 120                          |
| 7   | R128829  | SHIM           | 1   |                    | X           | (G)                                |
|     | R128779  | WASHER         | AR  |                    | X           | (H)                                |
| 8   | RE49931  | CAB MOUNT      | 1   | -XXXXXX            | X           | (E) (INCLUDES R59575) REAR         |
|     | RE63452  | CAB MOUNT      | 1   | XXXXXX-            | X           | (F) (INCLUDES R59575) REAR         |
| 9   | 24M7338  | WASHER         | 8   |                    | X           | 17 X 30 X 3 MM                     |
| 10  | 19M7489  | CAP SCREW      | 8   |                    | X           | M16 X 45                           |
| 11  | 19M7488  | CAP SCREW      | 2   |                    | X           | M16 X 40                           |

(A) ( -XXXXXX) 8100-001112; 8200-001116; 8300-001395; 8400-001051  
 (B) (XXXXXX- ) 8100-001113; 8200-001117; 8300-001396; 8400-001052

(C) ( -XXXXXX) 8100-001606; 8200-001545; 8300-002692; 8400-001271  
 (D) (XXXXXX- ) 8100-001607; 8200-001546; 8300-002693; 8400-001272

(E) ( -XXXXXX) 8100-001515; 8200-001474; 8300-002539; 8400-001129  
 (F) (XXXXXX- ) 8100-001516; 8200-001475; 8300-002540; 8400-001130

(G) STIFFER RIDE  
 SUSPENSION PLUS FERME  
 HAERTERE FEDRUNG  
 GUIDA PIU RIGIDA  
 SUSPENSION MAS FIRME  
 HAARDARE FJADRING

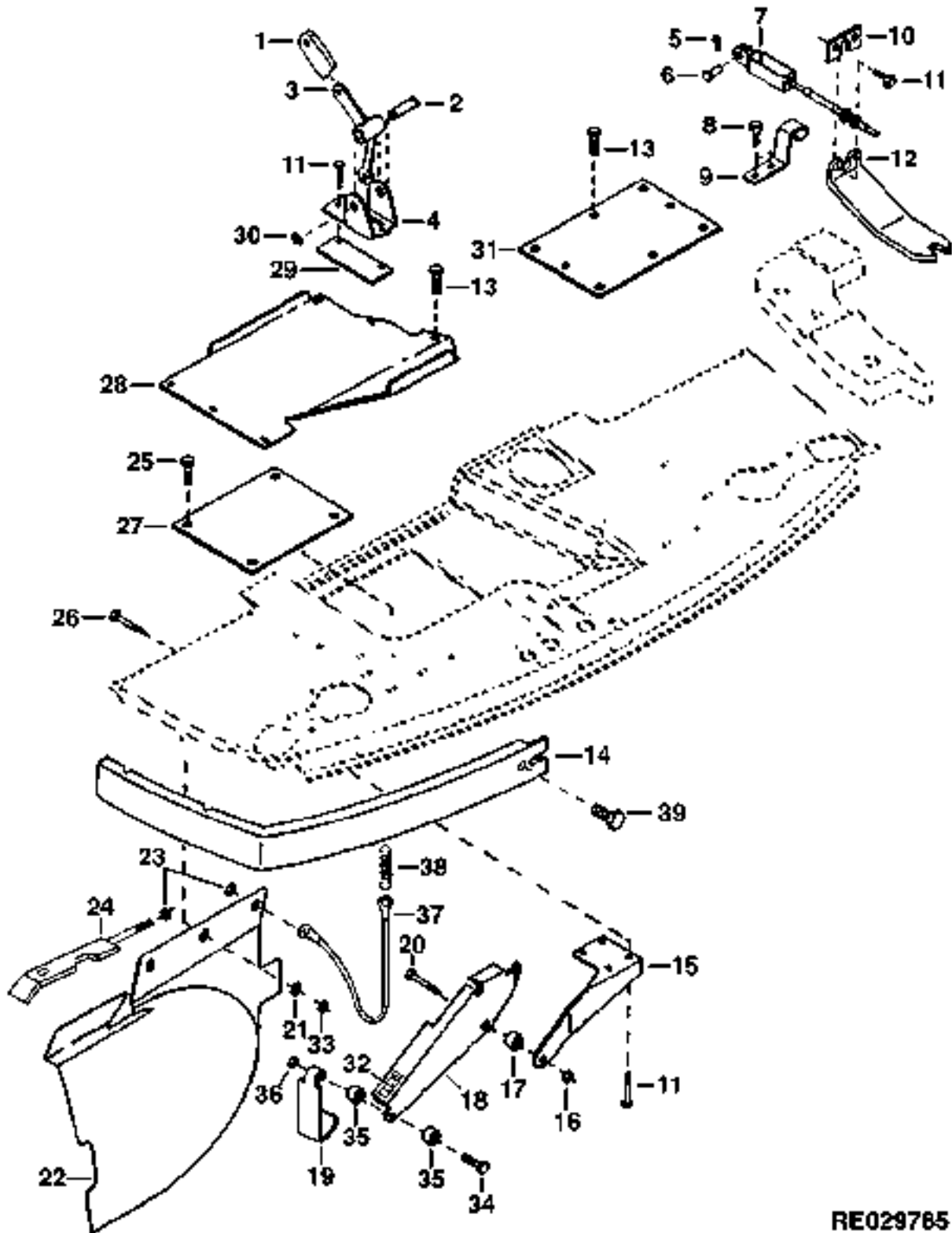
(H) LOOSER RIDE  
 SUSPENSION PLUS DOUCE  
 WEICHERE FEDERUNG  
 GUIDA PIU MORBIDA  
 SUSPENSION MAS SUAVE  
 MJUKARE FJAEDRING

# 9D11

OPERATOR'S STATION

FLOOR  
PLANCHER  
FUSSBODEN  
PAVIMENTO  
PISO  
GOLV  
RE029785

-UN-20JUL98



RE029785



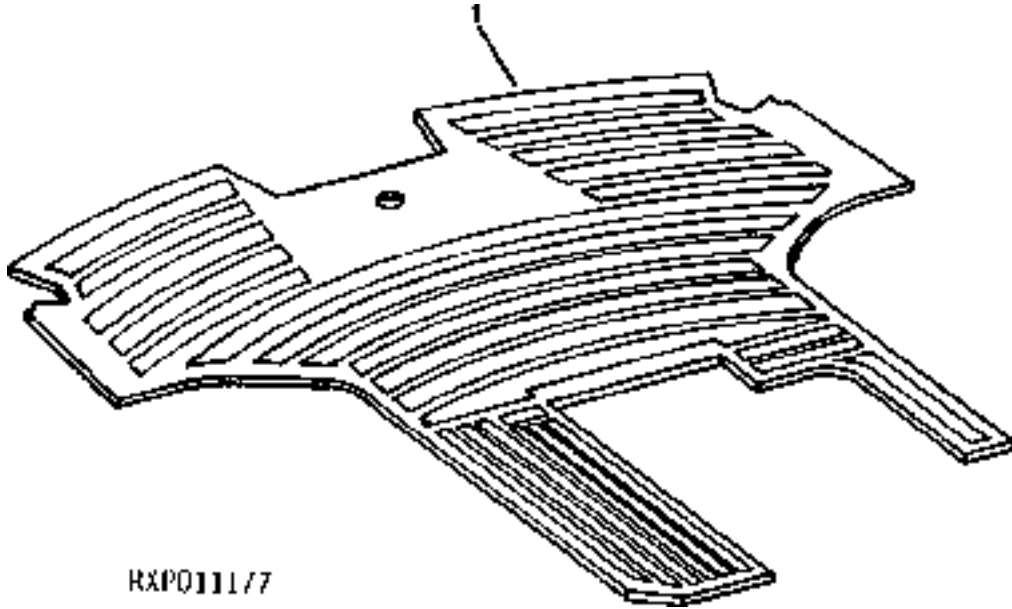
| KEY | PART NO. | PART NAME          | QTY | CAB<br>SERIAL NO. | A<br>L<br>L | REMARKS                     |
|-----|----------|--------------------|-----|-------------------|-------------|-----------------------------|
| 1   | L55210   | GRIP               | 1   |                   | X           |                             |
| 2   | AT127547 | PIN                | 9   |                   | X           |                             |
| 3   | RE60644  | BELLCRANK          | 1   |                   | X           |                             |
| 4   | R121926  | PIVOT              | 1   |                   | X           |                             |
| 5   | A5067R   | SPRING LOCKING PIN | 1   |                   | X           |                             |
| 6   | J19366   | PIN                | 1   |                   | X           |                             |
| 7   | RE61051  | CABLE              | 1   |                   | X           |                             |
| 8   | 37M7089  | SCREW              | 4   |                   | X           | M6 X 12                     |
| 9   | R119604  | BRACKET            | 1   |                   | X           |                             |
| 10  | R125144  | CLIP               | 1   |                   | X           |                             |
| 11  | 37M7089  | SCREW              | 16  |                   | X           | M6 X 12                     |
| 12  | R124005  | BRACKET            | 1   |                   | X           |                             |
| 13  | 37M7089  | SCREW              | 18  |                   | X           | M6 X 12                     |
| 14  | R116292  | RISER              | 1   |                   | X           | R.H.                        |
|     | R116290  | RISER              | 1   |                   | X           | L.H.                        |
| 15  | R124841  | PIVOT              | 1   |                   | X           |                             |
| 16  | 14M7397  | LOCK NUT           | 1   |                   | X           | M6                          |
| 17  | R126776  | WASHER             | 2   |                   | X           | (SUB FOR R40685)            |
| 18  | R124839  | LEVER              | 1   |                   | X           |                             |
| 19  | R124840  | LATCH              | 1   |                   | X           |                             |
| 20  | R119203  | SCREW              | 1   |                   | X           |                             |
| 21  | 24M7139  | WASHER             | 6   |                   | X           | 6.400 X 18 X 1.600 MM       |
| 22  | R127248  | FENDER             | 1   |                   | X           | R.H. LOW, (SUB FOR R120568) |
|     | R133598  | EXTENSION          | 1   | 025617-           | X           | (L) (.) (H) (.) L.H.        |
| 23  | 14M7298  | FLANGE NUT         | 3   |                   | X           | M8                          |
| 24  | RE60694  | BRACKET            | 1   | -025616           | X           |                             |
|     | RE153152 | BRACKET            | 2   | 025617-           | X           | L.H. LOW                    |
| 25  | 37M7079  | SCREW              | 4   |                   | X           |                             |
| 26  | 19M7862  | SCREW              | 6   |                   | X           | M6 X 20                     |
| 27  | R120515  | PLATE              | 1   |                   | X           |                             |
| 28  | R124255  | FOOTREST           | 1   |                   | X           |                             |
| 29  | R122015  | PLATE              | 1   |                   | X           |                             |
|     | R121162  | SEAL               | 1   |                   | X           | (A)                         |
| 30  | R108214  | CLIP               | 1   |                   | X           |                             |
| 31  | R121977  | PLATE              | 1   |                   | X           |                             |
| 32  | R125345  | DECAL              | 1   |                   | X           |                             |
| 33  | 14M7272  | NUT                | 3   |                   | X           | M6, R.H.                    |
|     | R151387  | NUT                | 3   | 025617-           | X           | L.H.                        |
| 34  | 19M7796  | SCREW              | 1   |                   | X           | M6 X 30                     |
| 35  | R126776  | WASHER             | 3   |                   | X           |                             |
| 36  | 14M7397  | LOCK NUT           | 1   |                   | X           | M6                          |
| 37  | R111289  | CABLE              | 1   |                   | X           |                             |
| 38  | R125024  | SPRING             | 1   |                   | X           |                             |

(A)W/TOW DISCONNECT  
 W/REMORQUE, DISPOSITIF DE DESACCOUPLLEMENT  
 W/ABSCHLEPP-AUSRUECKUNG  
 W/DISINSERIMENTO DEL TRAINO  
 W/DESCONEXION PARA REMOLCAR  
 W/BOGSEKOPPLING

# 9D13

OPERATOR'S STATION

FLOOR MAT  
 TAPIS  
 FUSSMATTE  
 TAPPETINO  
 FELPUDO  
 DURKMATTA  
 RXP011177 -UN-01JAN94



RXP011177

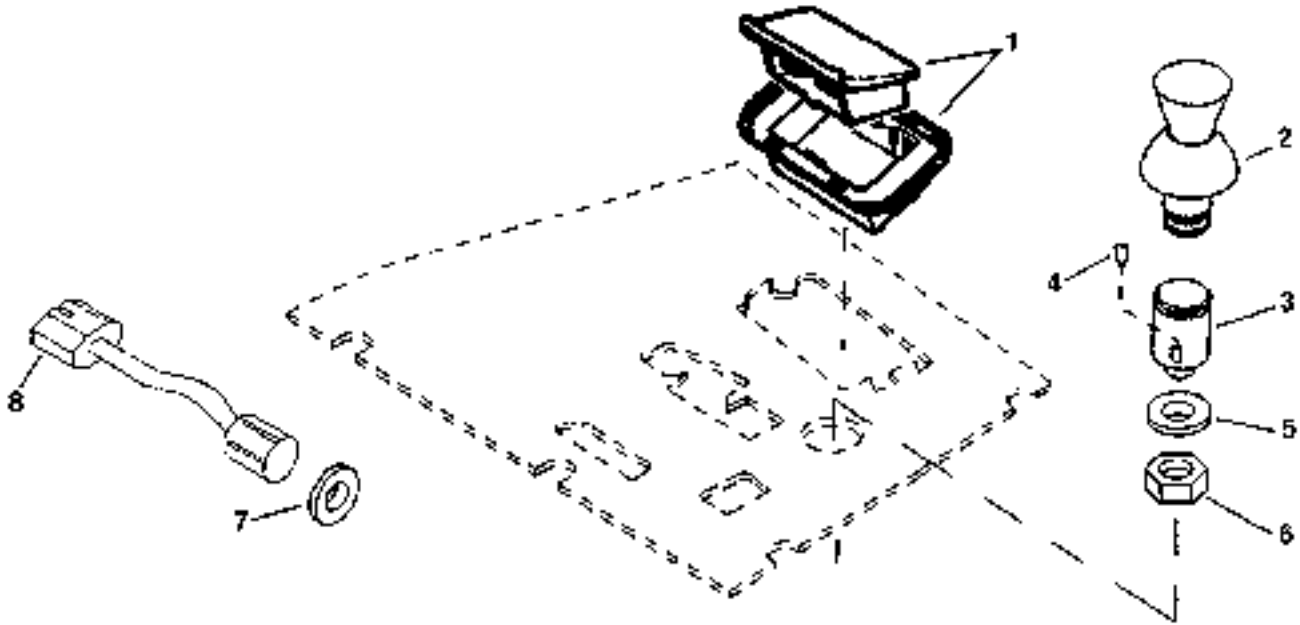
| KEY | PART NO. | PART NAME | QTY | CAB<br>SERIAL NO. | A | REMARKS           |
|-----|----------|-----------|-----|-------------------|---|-------------------|
|     |          |           |     |                   | L |                   |
| 1   | R155817  | MAT       | 1   |                   | X | (SUB FOR R124650) |
|     | R124858  | MAT       | 1   |                   | X | (A)               |

(A)EUROPEAN VERSION  
 VERSION EUROPEENNE  
 EUROPÄISCHE AUSFUEHRUNG  
 VERSIONE EUROPEA  
 VERSION EUROPEA  
 EUROPEISK VERSION

# 9D14

OPERATOR'S STATION

ASHTRAY AND LIGHTER  
 CENDRIER ET ALLUME-CIGARE  
 ASCHENBECHER UND ZIGARRENANZUENDER  
 PORTACENERE E ACCENDISIGARI  
 CENICERO Y ENCEDEDOR  
 ASKKOPP OCH TAENDARE  
 RE028826 -UN-16FEB98



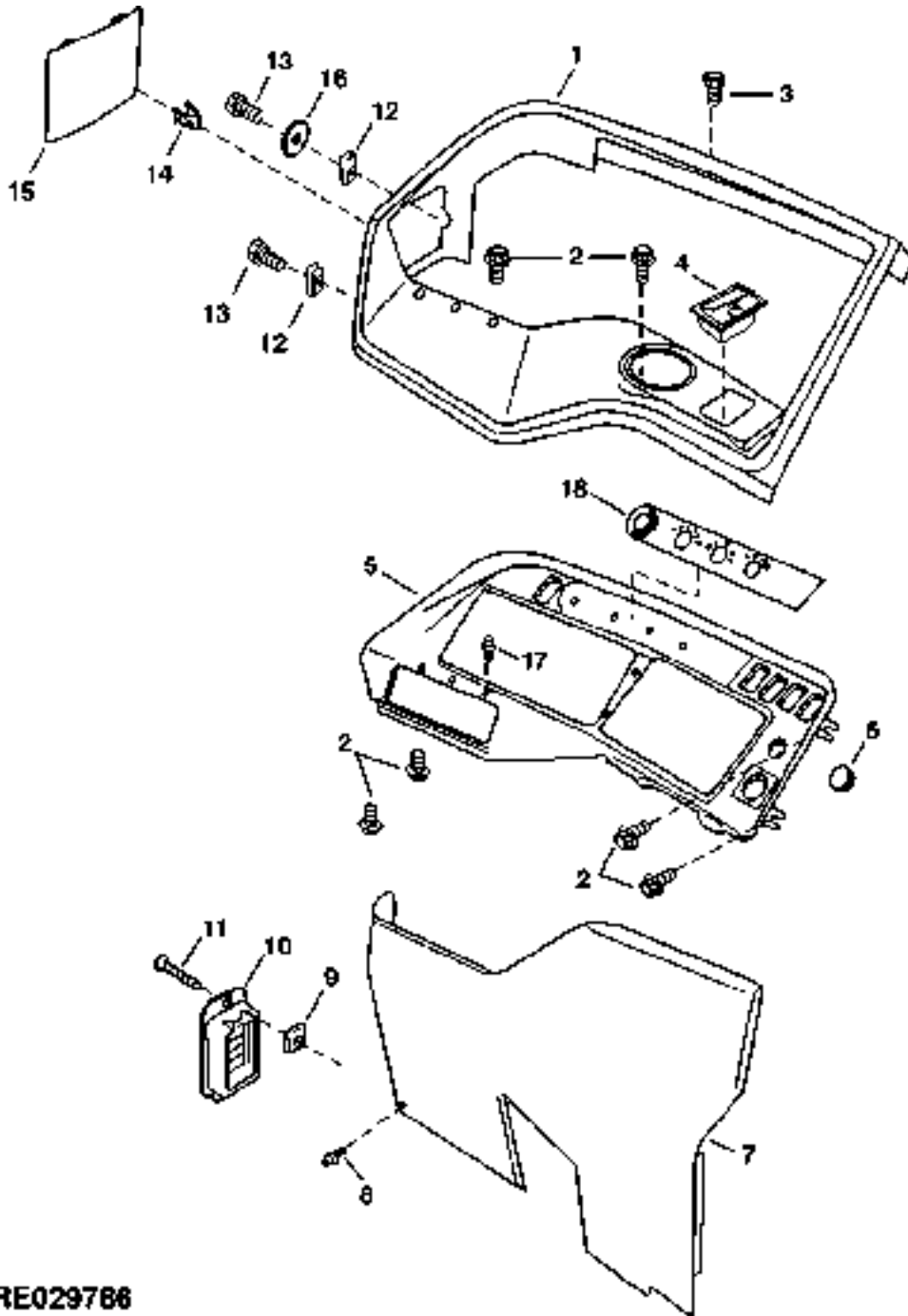
**RE028826**

| KEY | PART NO. | PART NAME   | QTY | CAB<br>SERIAL NO. | A | REMARKS                  |
|-----|----------|-------------|-----|-------------------|---|--------------------------|
|     |          |             |     |                   | L |                          |
| 1   | AH104259 | ASHTRAY     | 1   |                   | X |                          |
| 2   | AR60937  | LIGHTER     | 1   |                   | X |                          |
| 3   | AR56766  | HOUSING     | 1   |                   | X |                          |
| 4   | 57M7102  | BULB        | 1   |                   | X |                          |
| 5   | 12M7084  | LOCK WASHER | 1   |                   | X | 4.300 MM                 |
| 6   | 14H605   | NUT         | 2   |                   | X | 0.164"                   |
| 7   | 24H1691  | WASHER      | 2   |                   | X | 7/8" X 1-23/64" X 0.048" |
| 8   | RE67014  | ADAPTER     | 1   |                   | X |                          |

# 9D15

OPERATOR'S STATION

CONTROL CONSOLE  
CONSOLE DE COMMANDE  
BEDIENUNGSKONSOLE  
CUADRO DE COMANDO  
CONSOLA DE CONTROL  
MANOEVERENHET  
RE029786 -UN-15JUL98



RE029786

# 9D16

OPERATOR'S STATION

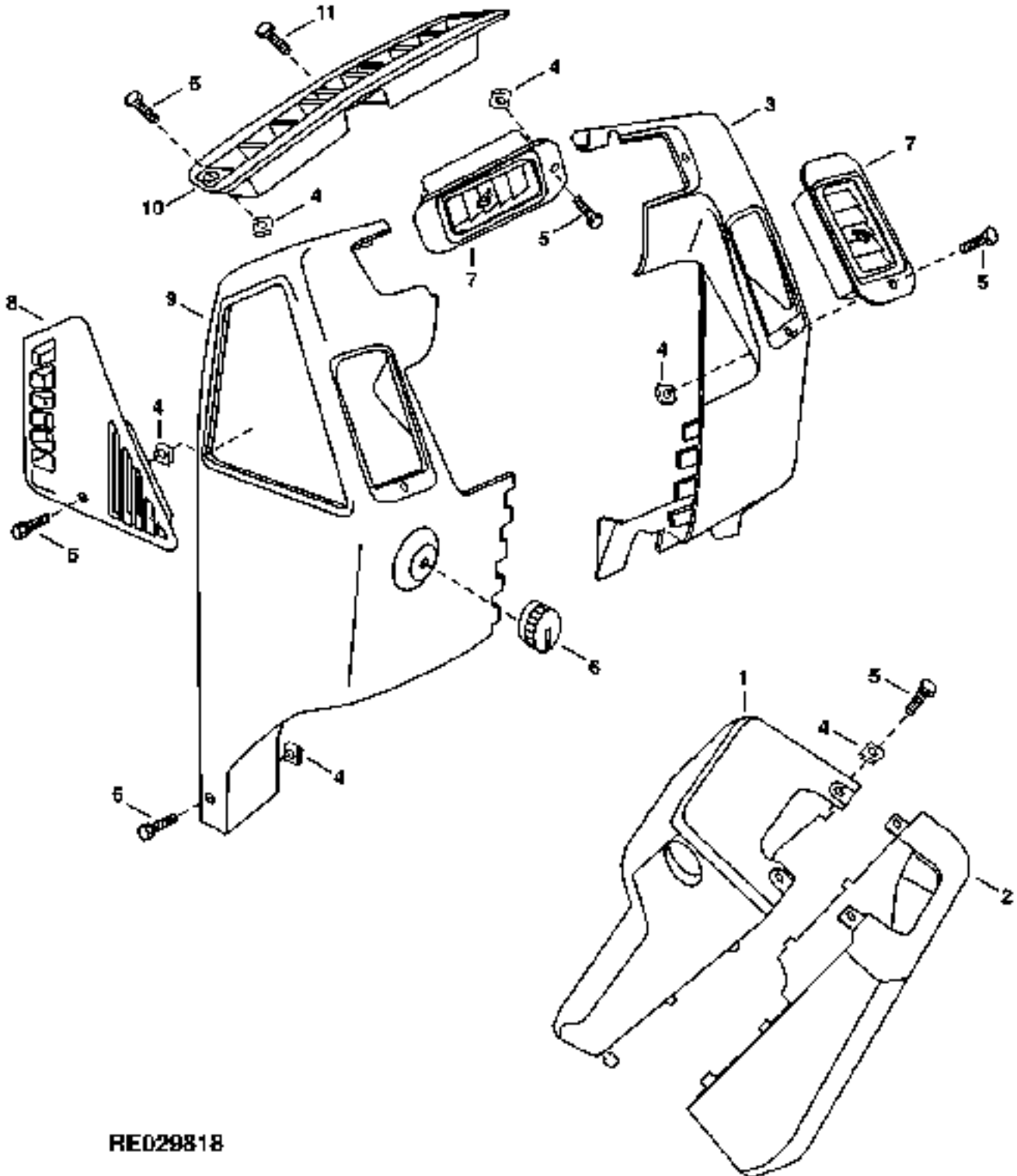
| KEY | PART NO. | PART NAME             | QTY | CAB<br>SERIAL NO. | A<br>L<br>L | REMARKS  |
|-----|----------|-----------------------|-----|-------------------|-------------|--|
| 1   | R124564  | CONSOLE               | 1   |                   | X           |  |
|     | R124800  | CONSOLE               | 1   |                   | X           | (A)  |
| 2   | 37M7089  | SCREW                 | 8   |                   | X           | M6 X 12  |
| 3   | 19M8751  | SCREW                 | 4   |                   | X           | M10 X 16   |
| 4   | AH104259 | ASHTRAY               | 1   |                   | X           |  |
| 5   | R133631  | INSERT                | 1   |                   | X           | (SUB FOR R124565) (SUB R159353, R159609,<br>(4) M73135) (ALSO ORDER R159607) |
| 6   | RE61418  | KNOB                  | 1   |                   | X           |  |
| 7   | R124207  | ACOUSTICAL UPHOLSTERY | 1   | -009999           | X           |  |
|     | R132149  | ACOUSTICAL UPHOLSTERY | 1   | 010000-           | X           |  |
| 8   | L39134   | RIVET                 | 3   |                   | X           |  |
| 9   | R64822   | NUT                   | 1   |                   | X           |  |
| 10  | RE157244 | LOUVER                | 1   |                   | X           | (SUB FOR RE45293)  |
| 11  | 37H203   | SCREW                 | 1   |                   | X           |  |
| 12  | M84972   | NUT                   | 2   |                   | X           |  |
|     | M73135   | NUT                   | 4   |                   | X           |  |
| 13  | 21M7334  | SCREW                 | 2   |                   | X           | M6 X 25  |
| 14  | R120160  | CLIP                  | 3   |                   | X           |  |
| 15  | R119678  | COVER                 | 1   |                   | X           | UP   |
| 16  | 24M7100  | WASHER                | 1   |                   | X           | 6.600 X 22 X 2 MM  |
| 17  | L39134   | RIVET                 | 3   |                   | X           |  |
| 18  | R126009  | DECAL                 | 1   |                   | X           |  |

(A)EUROPEAN VERSION  
 VERSION EUROPEENNE  
 EROPAEISCHE AUSFUEHRUNG  
 VERSIONE EUROPEA  
 VERSION EUROPEA  
 EUROPEISK VERSION

# 9D17

OPERATOR'S STATION

COWL ASSEMBLY  
ENSEMBLE DE CAPOTAGE  
VERKLEIDUNG-BAUGRUPPE  
GRUPPO DEL COFANO  
CONJUNTO DE CUBIERTA DEL MOTOR  
SKYDDSHUVSSATS  
RE029818 -UN-18AUG98



RE029818

# 9D18

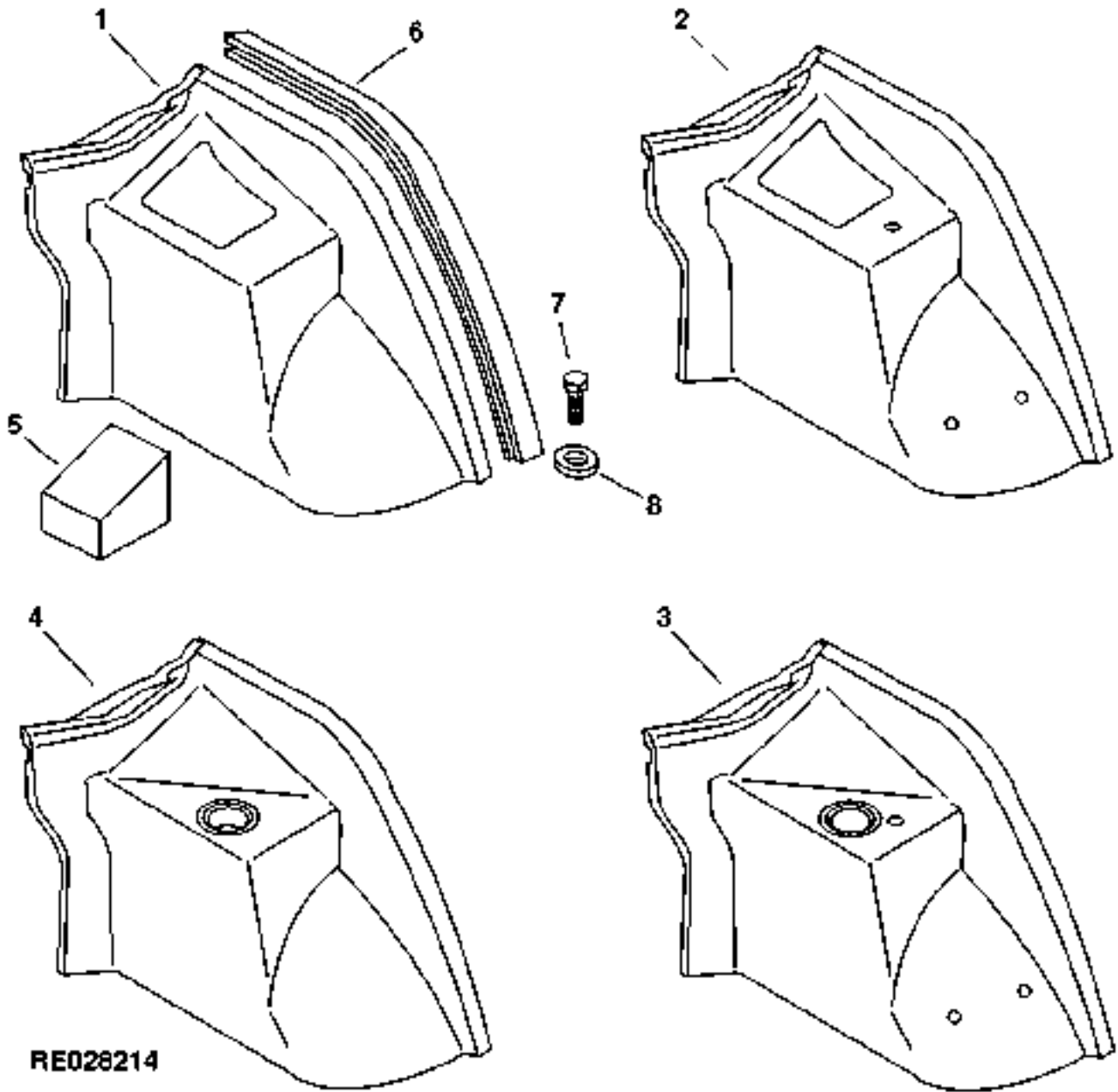
OPERATOR'S STATION

| KEY | PART NO. | PART NAME | QTY | CAB<br>SERIAL NO. | A<br>L<br>L | REMARKS           |
|-----|----------|-----------|-----|-------------------|-------------|-------------------|
| 1   | R154889  | COVER     | 1   |                   | X           | (SUB FOR R126025) |
| 2   | R126026  | COVER     | 1   |                   | X           |                   |
| 3   | R123973  | COVER     | 1   |                   | X           | R.H.              |
| 4   | R64822   | NUT       | 18  |                   | X           |                   |
| 5   | 37H203   | SCREW     | 18  |                   | X           |                   |
| 6   | R111632  | KNOB      | 1   |                   | X           |                   |
| 7   | RE157244 | LOUVER    | 3   |                   | X           | (SUB FOR RE45293) |
| 8   | R123975  | LOUVER    | 1   |                   | X           | R.H.              |
|     | R123976  | LOUVER    | 1   |                   | X           | L.H.              |
| 9   | R123974  | COVER     | 1   |                   | X           | L.H.              |
| 10  | R116913  | LOUVER    | 1   |                   | X           |                   |
| 11  | 37H203   | SCREW     | 2   |                   | X           |                   |

# 9D19

OPERATOR'S STATION

FENDER UPHOLSTERY (CAB)  
SELLERIE-GARNITURE DE GARDE-BOUE (CABINE)  
KOTFLUEGEL-POLSTERUNG (FAHRERKABINE)  
SELLERIA DEL PARAFANGO (CABINA)  
TAPIZADO DEL GUARDABARRO (CABINA)  
STAENKSKAERMSKLAEDSEL (HYTT)  
RE028214 -UN-25AUG97



**RE028214**



| KEY | PART NO. | PART NAME             | QTY | TRACTOR<br>SERIAL NO. | A<br>L<br>L | REMARKS               |
|-----|----------|-----------------------|-----|-----------------------|-------------|-----------------------|
| 1   | R134173  | ACOUSTICAL UPHOLSTERY | 1   | 010000-               | X           | (B)                   |
| 2   | R127714  | ACOUSTICAL UPHOLSTERY | 1   | -009999               | X           | (A) (B) (C)           |
|     | R134402  | ACOUSTICAL UPHOLSTERY | 1   | 010000-               | X           | (A) (B) (C)           |
| 3   | R134174  | ACOUSTICAL UPHOLSTERY | 1   | -009999               | X           | (A) (SUB FOR R129746) |
|     | R134401  | ACOUSTICAL UPHOLSTERY | 1   | 010000-               | X           | (A) (C)               |
| 4   | R126032  | ACOUSTICAL UPHOLSTERY | 1   | -009999               | X           |                       |
|     | R134174  | ACOUSTICAL UPHOLSTERY | 1   | 010000-               | X           |                       |
| 5   | R131334  | FOAM PAD              | 1   |                       | X           |                       |
| 6   | RE55367  | MOLDING               | 1   |                       | X           |                       |
| 7   | 37M7089  | SCREW                 | 2   |                       | X           | M6 X 12               |
| 8   | 24M7136  | WASHER                | 4   |                       | X           | 10.500 X 27 X 2 MM    |

(A)EUROPEAN VERSION  
 VERSION EUROPEENNE  
 EUROPÄISCHE AUSFUEHRUNG  
 VERSIONE EUROPEA  
 VERSION EUROPEA  
 EUROPEISK VERSION

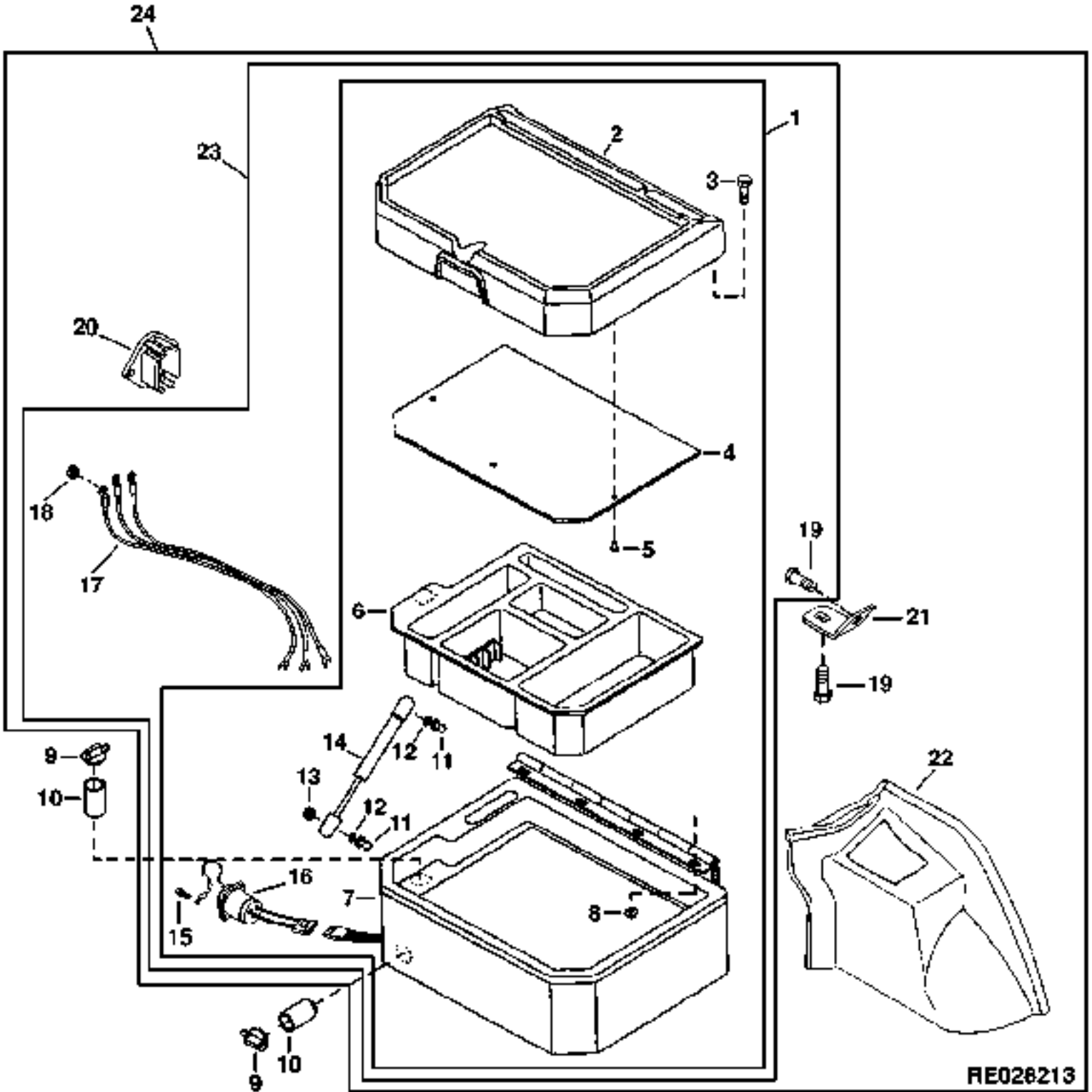
(B)W/FIELD OFFICE  
 W/BUREAU MOBILE  
 W/BORD-BUERO  
 W/URRICIO MOBILE  
 W/OFICINA PORTATIL  
 W/TRAKTORKONTOR

(C)W/PASSENGER SEAT  
 W/SIEGE PASSAGER  
 W/MITFAHRERSITZ  
 W/SEDILE PASSEGGERO  
 W/ASIENTO DEL PASAJERO  
 W/PASSAGERARSITS

# 9D21

OPERATOR'S STATION

FIELD OFFICE  
BUREAU MOBILE  
BORD-BUERO  
UFFICIO MOBILE  
OFICINA PORTATIL  
TRAKTORKONTOR  
RE028213 -UN-25AUG97



# 9D22

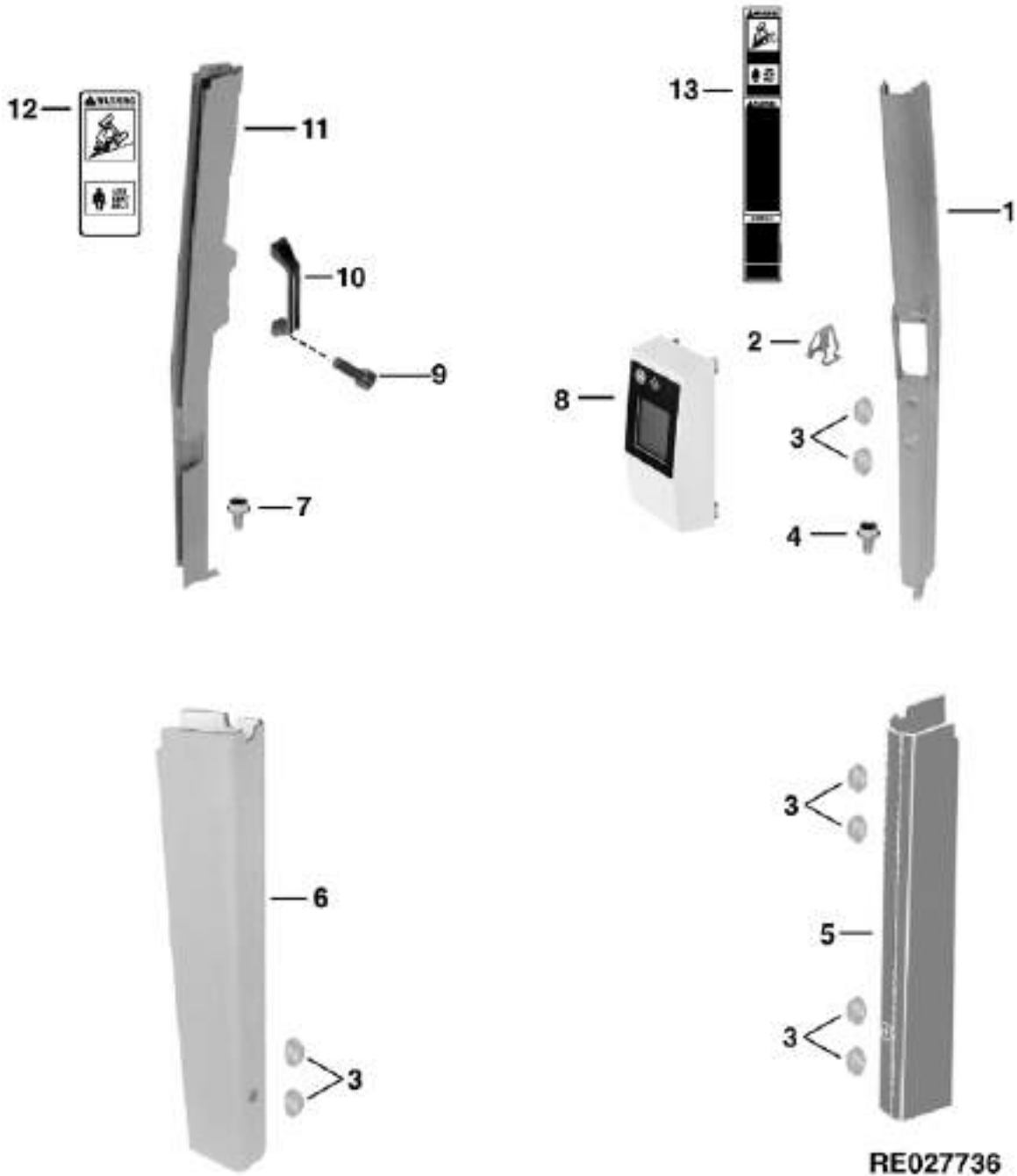
OPERATOR'S STATION

| KEY | PART NO. | PART NAME             | QTY | CAB<br>SERIAL NO. | A<br>L<br>L | REMARKS               |
|-----|----------|-----------------------|-----|-------------------|-------------|-----------------------|
| 1   | RE69150  | TRAY                  | 1   |                   | X           |                       |
| 2   | RE64874  | COVER                 | 1   |                   | X           |                       |
| 3   | 03M7251  | BOLT                  | 8   |                   | X           | M6 X 12               |
| 4   | R134152  | INSERT                | 1   |                   | X           |                       |
| 5   | R132143  | SCREW                 | 3   |                   | X           |                       |
| 6   | RE67459  | TRAY                  | 1   |                   | X           |                       |
| 7   | RE69149  | BASE                  | 1   |                   | X           |                       |
| 8   | 14M7303  | FLANGE NUT            | 6   |                   | X           | M6                    |
| 9   | R131671  | PLUG                  | 2   |                   | X           |                       |
| 10  | AR56766  | HOUSING               | 2   |                   | X           |                       |
| 11  | R131499  | BALL STUD             | 2   |                   | X           |                       |
| 12  | 24M7088  | WASHER                | 2   |                   | X           | 6.600 X 12 X 1.600 MM |
| 13  | 14H378   | NUT                   | 2   |                   | X           | 1/4"                  |
| 14  | R131498  | CYLINDER              | 1   |                   | X           |                       |
| 15  | R133192  | RIVET                 | 8   |                   | X           |                       |
| 16  | RE37640  | SOCKET OUTLET         | 1   |                   | X           |                       |
| 17  | RE67821  | WIRING HARNESS        | 1   |                   | X           |                       |
| 18  | 14H778   | NUT                   | 1   |                   | X           | 0.190"                |
| 19  | 37M7090  | SCREW                 | 9   |                   | X           | M6 X 16               |
| 20  | R111931  | JUNCTION BLOCK        | 1   |                   | X           |                       |
| 21  | R131751  | BRACKET               | 1   |                   | X           |                       |
| 22  | R134173  | ACOUSTICAL UPHOLSTERY | 1   |                   | X           |                       |
| 23  | AR116863 | KIT                   | 1   | 010000-           | X           | (FI)                  |
| 24  | AR116514 | KIT                   | 1   | -009999           | X           | (FI)                  |

# 9D23

OPERATOR'S STATION

POST UPHOLSTERY (CAB)  
SELLERIE-GARNITURE DES MONTANTS (CABINE)  
STANGENPOLSTERUNG (FAHRERKABINE)  
SELLERIA DEGLI COLONNE (CABINA)  
TAPIZADO DEL POSTE (CABINA)  
STOLPKLAEDSEL (HYTT)  
RE027736 -UN-17MAR97



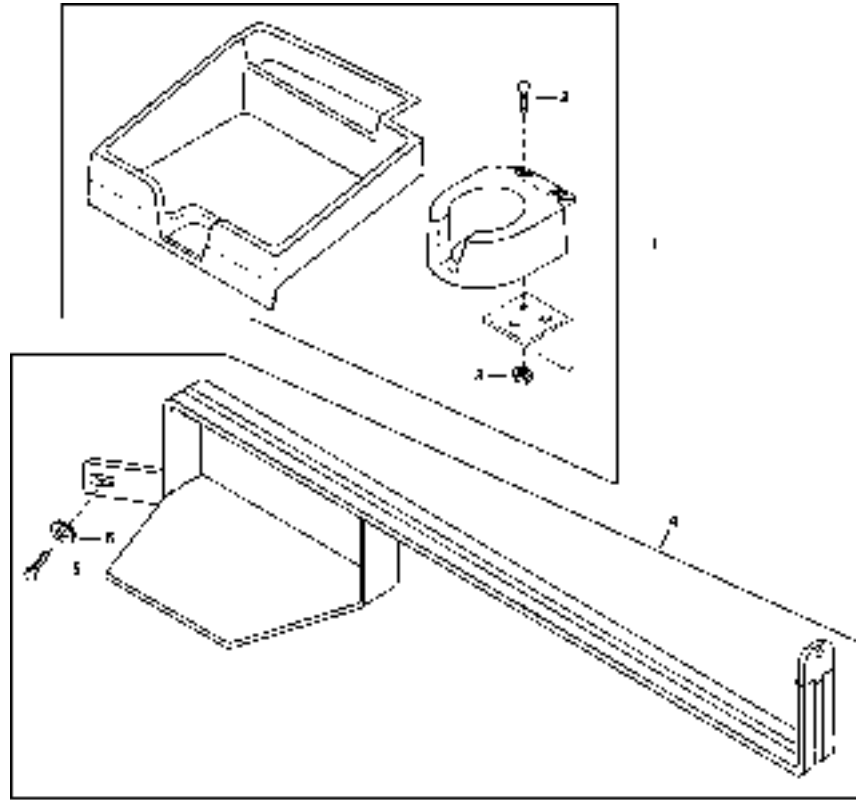
| KEY | PART NO. | PART NAME             | QTY | TRACTOR<br>SERIAL NO. | A | REMARKS                     |
|-----|----------|-----------------------|-----|-----------------------|---|-----------------------------|
|     |          |                       |     |                       | L |                             |
| 1   | R124432  | COVER                 | 1   |                       | X | R.H. FRONT                  |
|     | R124577  | COVER                 | 1   |                       | X | (A) R.H. FRONT              |
| 2   | R120160  | CLIP                  | 4   |                       | X |                             |
| 3   | R110408  | CAP                   | 8   |                       | X |                             |
| 4   | 37M7089  | SCREW                 | 1   |                       | X | M6 X 12                     |
| 5   | R124311  | COVER                 | 1   | -009999               | X | R.H. REAR                   |
|     | R127858  | ACOUSTICAL UPHOLSTERY | 1   | 010000-               | X | (SUB FOR R124311) R.H. REAR |
| 6   | R124310  | COVER                 | 1   | -009999               | X | L.H. REAR                   |
|     | R127857  | ACOUSTICAL UPHOLSTERY | 1   | 010000-               | X | (SUB FOR R124310) L.H. REAR |
| 7   | 37M7089  | SCREW                 | 1   |                       | X | M6 X 12                     |
| 8   | RE63458  | MODULE                | 1   |                       | X | (SUB FOR RE60929)           |
| 9   | 19M8666  | SCREW                 | 2   |                       | X | M6 X 16                     |
| 10  | L57250   | HANDLE                | 1   |                       | X |                             |
| 11  | R124330  | COVER                 | 1   |                       | X | L.H. FRONT                  |
| 12  | R120124  | LABEL                 | 1   |                       | X |                             |
| 13  | R151789  | LABEL                 | 1   |                       | X | (SUB FOR R126174)           |

(A)EUROPEAN VERSION  
 VERSION EUROPEENNE  
 EUROPÄISCHE AUSFUEHRUNG  
 VERSIONE EUROPEA  
 VERSION EUROPEA  
 EUROPEISK VERSION

# 9D25

OPERATOR'S STATION

UTILITY TRAY/BEVERAGE HOLDER KIT  
 KIT DE PIVOT DE FUSEE D'ESSIEU A USAGE INTENSIF  
 SATZ MIT VERSTAERKTEM ACHSSCHENKELBOLZEN  
 KIT PERNI DEI FUSI PER PRESTAZIONI PESANTI  
 JUEGO DE PIVOTE DE DIRECCION PARA SERVICIO SEVERO  
 SATS MED EXTRA KRAFTIG HJULSPINDELBULT  
 RE030433 -UN-18FEB99



RE030433

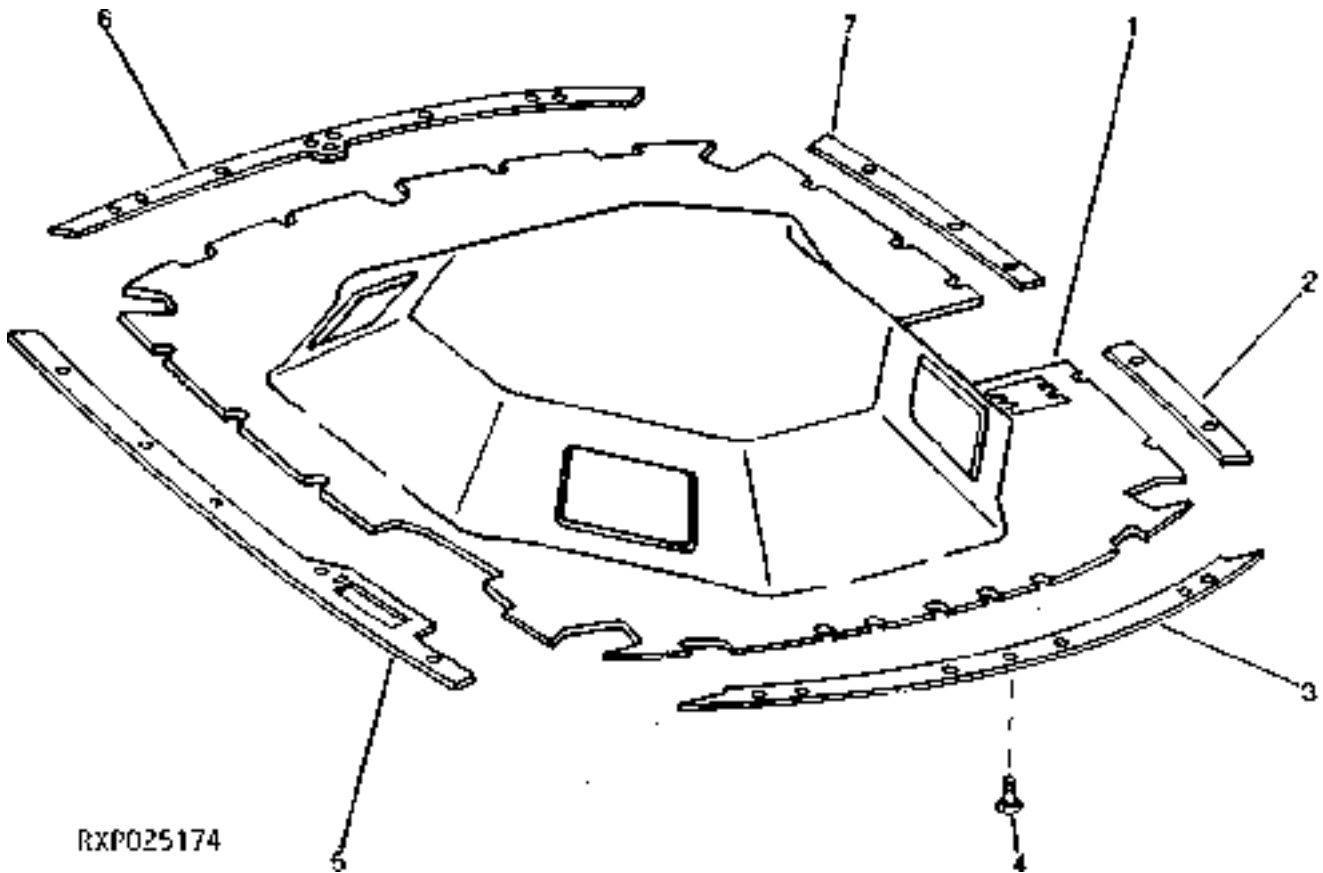
| KEY | PART NO. | PART NAME | QTY | TRACTOR<br>SERIAL NO. | A | REMARKS                |
|-----|----------|-----------|-----|-----------------------|---|------------------------|
|     |          |           |     |                       | L |                        |
| 1   | RE162644 | BRACKET   | 1   |                       | X |                        |
| 2   | 19M7168  | CAP SCREW | 1   |                       | X | M10 X 30               |
| 3   | 14M7274  | NUT       | 1   |                       | X | M10                    |
| 4   | RE162262 | BRACKET   | 1   |                       | X |                        |
| 5   | 19M7166  | CAP SCREW | 3   |                       | X | M10 X 20               |
| 6   | 24M7178  | WASHER    | 3   |                       | X | 10.500 X 30 X 2.500 MM |

MEMORANDA  
MEMORANDA  
MEMORANDA  
MEMORANDA  
MEMORANDA

# 9E1

OPERATOR'S STATION

HEADLINER  
PLAFOND DE CABINE  
KABINENDACHVERKLEIDUNG  
RIVESTIMENTO DEL TETTO  
GUARNICION DE TECHO  
HYTTBEKLAEDNAD  
RXP025174 -UN-01JAN94



RXP025174

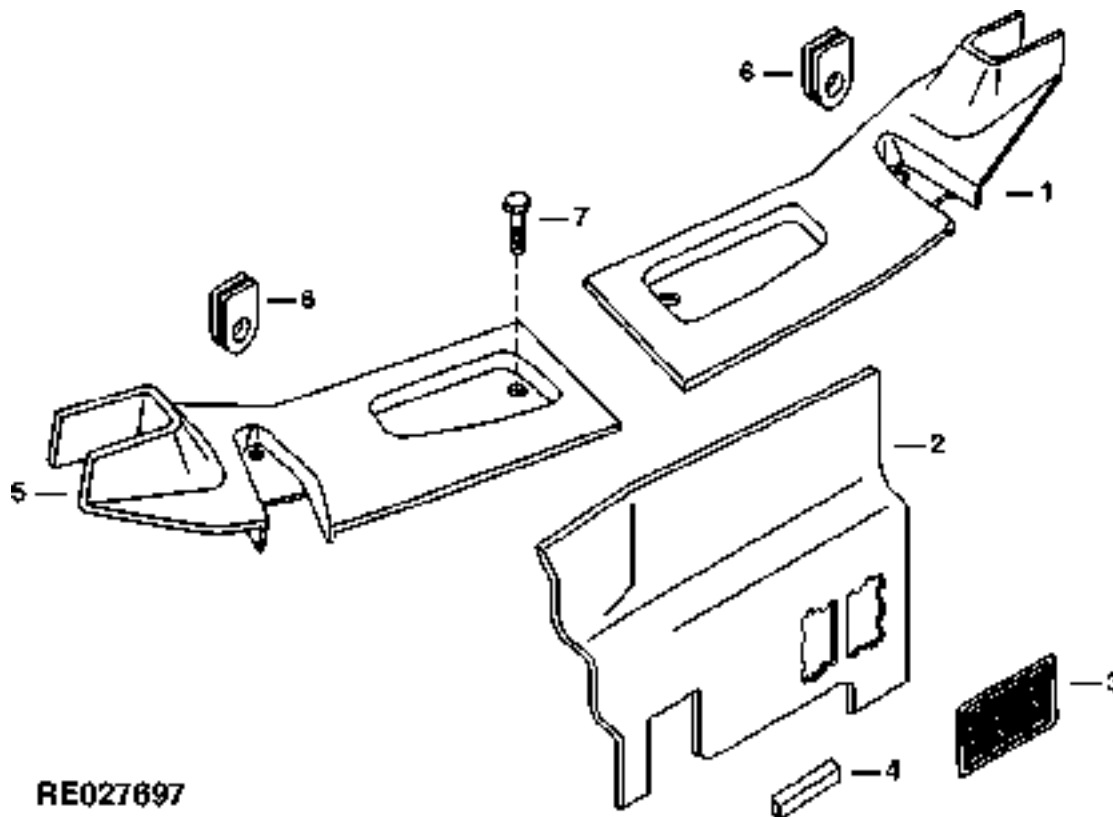


# 9E2

OPERATOR'S STATION

| KEY | PART NO. | PART NAME | QTY | TRACTOR<br>SERIAL NO. | A | REMARKS                          |
|-----|----------|-----------|-----|-----------------------|---|----------------------------------|
|     |          |           |     |                       | L |                                  |
| 1   | R124252  | HEADLINER | 1   | -009999               | X |                                  |
|     | R134109  | HEADLINER | 1   | 010000-               | X |                                  |
| 2   | R127703  | SUPPORT   | 1   |                       | X | (SUB FOR R124661) R.H. REAR      |
| 3   | R127700  | SUPPORT   | 1   |                       | X | (SUB FOR R124658) REAR           |
| 4   | 21M7292  | SCREW     | 19  | -009999               | X | M6 X 16                          |
|     | R126355  | SCREW     | 19  | 010000-               | X |                                  |
| 5   | R127701  | SUPPORT   | 1   |                       | X | (SUB FOR R124659) L.H.           |
| 6   | R127699  | SUPPORT   | 1   |                       | X | (SUB FOR R124657) FRONT          |
| 7   | R127702  | SUPPORT   | 1   |                       | X | (SUB FOR R124660) R.H. FRONT     |
| 8   | 24H1318  | WASHER    | 2   |                       | X | 7/16" X 2" X 0.134", W/O MIRRORS |

**REAR UPHOLSTERY (CAB)**  
**SELLERIE-GARNITURE ARRIERE (CABINE)**  
**HECKPOLSTERIORE (FAHRERKABINE)**  
**SELLERIA POSTERIORE (CABINA)**  
**TAPIZADO TRASERO (CABINA)**  
**BAKRE KLAEDSEL (HYTT)**  
 RE027697 -UN-12MAR97



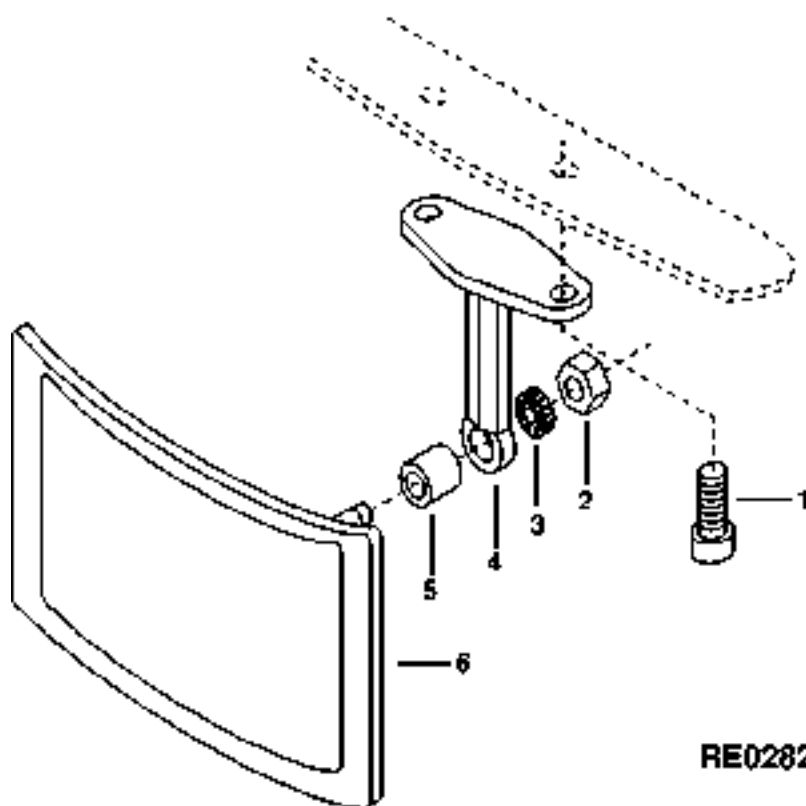
**RE027697**

| KEY | PART NO. | PART NAME             | QTY | CAB SERIAL NO. | A<br>L<br>L | REMARKS                      |
|-----|----------|-----------------------|-----|----------------|-------------|------------------------------|
| 1   | R134755  | COVER                 | 1   |                | X           | L.H.                         |
| 2   | R124191  | ACOUSTICAL UPHOLSTERY | 1   | -XXXXXX        | X           | (A)                          |
|     | R151327  | ACOUSTICAL UPHOLSTERY | 1   | XXXXXX-        | X           | (B) (ALSO ORDER (6) R125147) |
| 3   | R124332  | BEZEL                 | 1   |                | X           |                              |
| 4   | R134287  | FOAM PAD              | 1   |                | X           |                              |
| 5   | R124235  | COVER                 | 1   |                | X           | R.H.                         |
| 6   | L76331   | GROMMET               | 2   |                | X           |                              |
| 7   | R114820  | SCREW                 | 4   |                | X           |                              |

(A) ( -XXXXXX) 8100-01376; 8200-012539; 8300-013594; 8400-013482

(B) (XXXXXX- ) 8100-13077; 8200-012540; 8300-013595; 8400-013483

INSIDE REAR VIEW MIRROR  
 RETROVISEUR INTERIEUR  
 INNEN-RUECKSPIEGEL  
 RETROVISORE INTERIORE  
 ESPEJO RETROVISOR INTERIOR  
 INNEN/BACKSPEGEL  
 RE028235 -UN-25AUG97

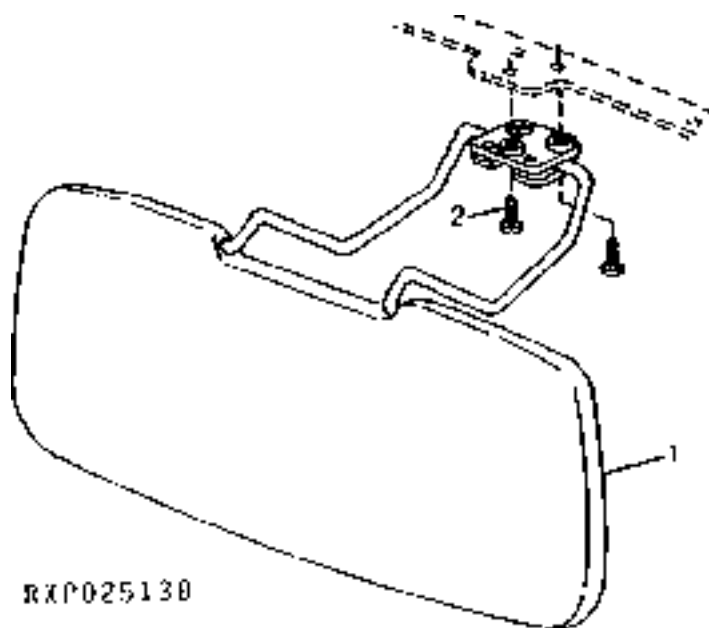


| KEY | PART NO. | PART NAME        | QTY | TRACTOR SERIAL NO. | A | REMARKS                            |
|-----|----------|------------------|-----|--------------------|---|------------------------------------|
|     |          |                  |     |                    | L |                                    |
| 1   | 21M7438  | SCREW            | 2   |                    | X | (A) M6 X 25, (SUB FOR (2) R128728) |
|     | R126355  | SCREW            | 2   |                    | X |                                    |
| 2   | 14H785   | NUT              | 1   |                    | X | 5/16"                              |
| 3   | 12M7065  | LOCK WASHER      | 1   |                    | X | 8.100 MM                           |
| 4   | L75379   | RETAINER         | 1   |                    | X | (SUB FOR L75379)                   |
| 5   | R54701   | SPACER           | 1   |                    | X | (SUB FOR R54701)                   |
| 6   | RE52660  | REAR VIEW MIRROR | 1   |                    | X |                                    |
| ..  | R109419  | PLUG             | AR  |                    | X |                                    |

(A)EUROPEAN VERSION  
 VERSION EUROPEENE  
 EUROPÄISCHE AUSFUEHRUNG  
 VERSIONE EUROPEA  
 VERSION EUROPEA  
 EUROPEISK VERSION

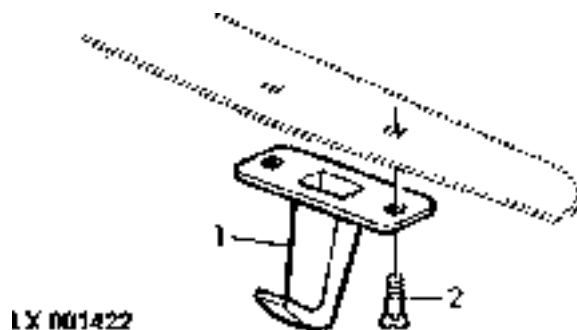
SUN VISOR  
 PARA-SOLEIL  
 SONNENBLLENDE  
 PARASOLE  
 PARASOL  
 SOLSKYDD

RXP025138 -UN-01JAN94



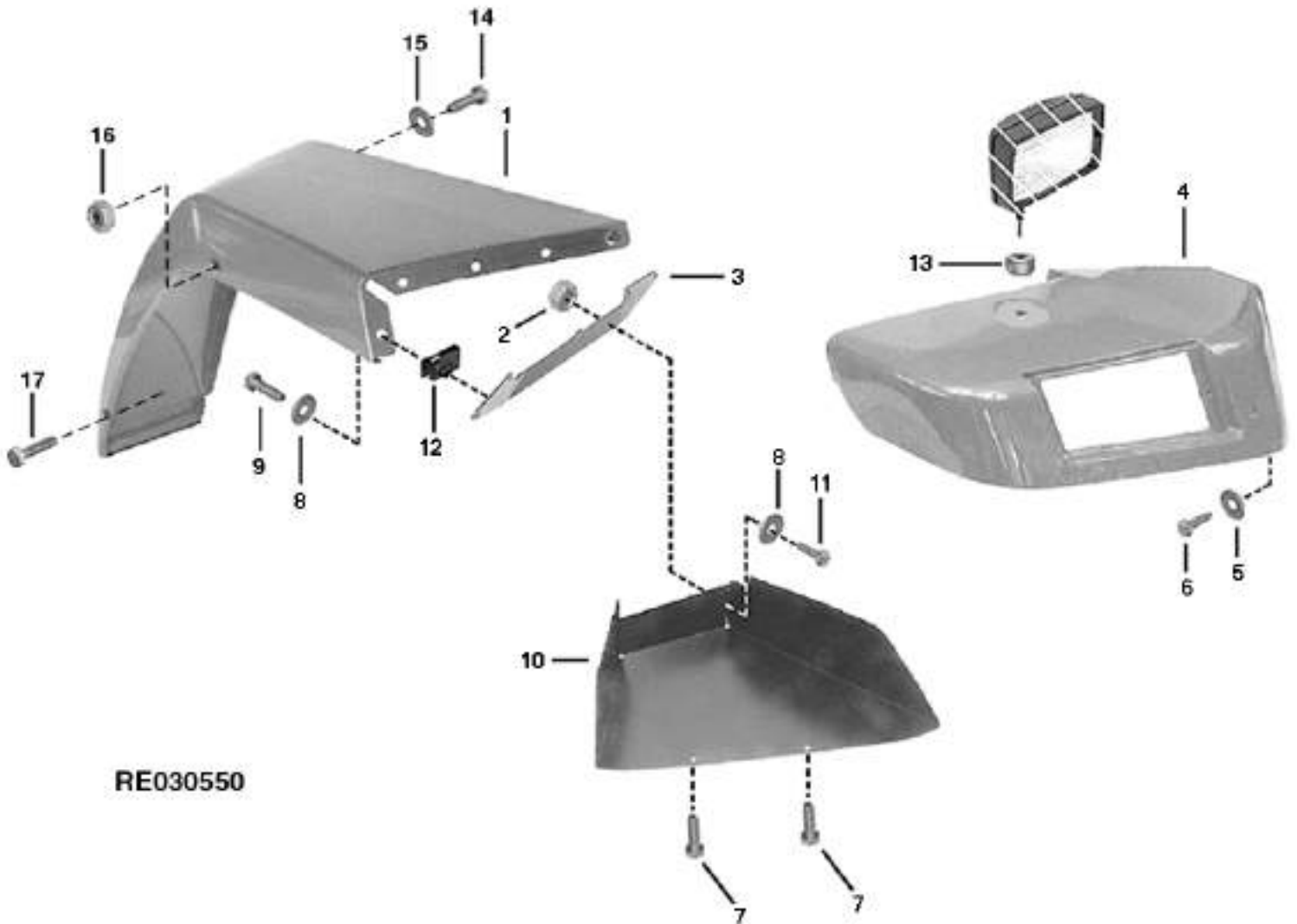
| KEY | PART NO. | PART NAME | QTY | TRACTOR<br>SERIAL NO. | A | REMARKS |
|-----|----------|-----------|-----|-----------------------|---|---------|
|     |          |           |     |                       | L |         |
| 1   | RE43540  | SUN VISOR | 1   |                       | X |         |
| 2   | 21M7310  | SCREW     | 3   | -009999               | X | M6 X 25 |
|     | R128728  | SCREW     | 3   | 010000-               | X |         |

CLOTHES HOOK  
 CROCHET A VETEMENTS  
 KLEIDERHAKEN  
 GANCIO APPENDIABILI  
 GANCHO PARA ROPA  
 KLAEDKROK  
 LX001422 -UN-01JAN94



| KEY | PART NO. | PART NAME | QTY | TRACTOR<br>SERIAL NO. | A | REMARKS           |
|-----|----------|-----------|-----|-----------------------|---|-------------------|
|     |          |           |     |                       | L |                   |
| 1   | L102023  | HOOK      | 1   |                       | X | (SUB FOR R106252) |
| 2   | 21M7310  | SCREW     | 2   | -009999               | X | M6 X 25           |
|     | R128728  | SCREW     | 2   | 010000-               | X |                   |

**REAR FENDER REAR EXTENSION**  
**EXTENSION ARRIERE DU GARDE-BOUE ARRIERE**  
**HINTERKOTFLUEGEL-HECKVERLAENGERUNG**  
**ESTENSIONE POSTERIORE DEL PARAFANGO POSTERIORE**  
**EXTENSION TRASERA DEL GUARDABARRO TRASERO**  
**BAKRE FOERLAENGNING FOER BAKSTAENKSKAERM**  
 RE030550 -UN-11MAY99



RE030550

| KEY | PART NO. | PART NAME     | QTY | CAB<br>SERIAL NO. | A |   | REMARKS                               |
|-----|----------|---------------|-----|-------------------|---|---|---------------------------------------|
|     |          |               |     |                   | L | L |                                       |
| 1   | R157016  | FENDER        | 1   |                   | X |   | (SUB FOR R114686) R.H.                |
|     | R157015  | FENDER        | 1   |                   | X |   | (SUB FOR R114685) L.H.                |
| 2   | 14M7165  | LOCK NUT      | 10  |                   | X |   | M6                                    |
| 3   | R107431  | BRACE         | 1   | -XXXXXX           | X |   | (A) R.H.                              |
|     | R157024  | REINFORCEMENT | 1   | XXXXXX-           | X |   | (B) R.H. (SUB FOR R132561)            |
|     | R107430  | BRACE         | 1   | -XXXXXX           | X |   | (A) L.H.                              |
|     | R157023  | REINFORCEMENT | 1   | XXXXXX-           | X |   | (B) L.H. (SUB FOR R132562)            |
| 4   | R157032  | FLAP          | 1   | -XXXXXX           | X |   | (C) R.H. (SUB FOR R124272 OR R133439) |
|     | R157032  | FLAP          | 1   | XXXXXX-           | X |   | (D) R.H. (SUB FOR R124270)            |
|     | R133440  | FLAP          | 1   | -XXXXXX           | X |   | (C) L.H.                              |
|     | R157031  | FLAP          | 1   | XXXXXX-           | X |   | (D) L.H.                              |
| 5   | 24M7207  | WASHER        | 6   |                   | X |   | 8.400 X 24 X 2 MM                     |
| 6   | 37M7084  | SCREW         | 6   |                   | X |   | M8 X 25                               |
| 7   | 37M7304  | SCREW         | 4   |                   | X |   |                                       |
| 8   | 24M7139  | WASHER        | 10  |                   | X |   | 6.400 X 18 X 1.600 MM                 |
| 9   | R131432  | SCREW         | 2   |                   | X |   | (SUB FOR R115908)                     |
| 10  | R110805  | SHIELD        | 1   |                   | X |   | R.H.                                  |
|     | R110806  | SHIELD        | 1   |                   | X |   | L.H.                                  |
| 11  | 19M7077  | CAP SCREW     | 10  |                   | X |   | M6 X 20                               |
| 12  | 14M7265  | LOCK NUT      | 1   |                   | X |   | M5                                    |
| 13  | T65643   | GROMMET       | 1   |                   | X |   |                                       |
| 14  | 19M7513  | CAP SCREW     | 6   |                   | X |   | M8 X 30                               |
| 15  | 12M7065  | LOCK WASHER   | 6   |                   | X |   | 8.100 MM                              |
| 16  | 14M7298  | FLANGE NUT    | 6   |                   | X |   | M8                                    |
| 17  | 37M7058  | SCREW         | 14  |                   | X |   | M8 X 20                               |

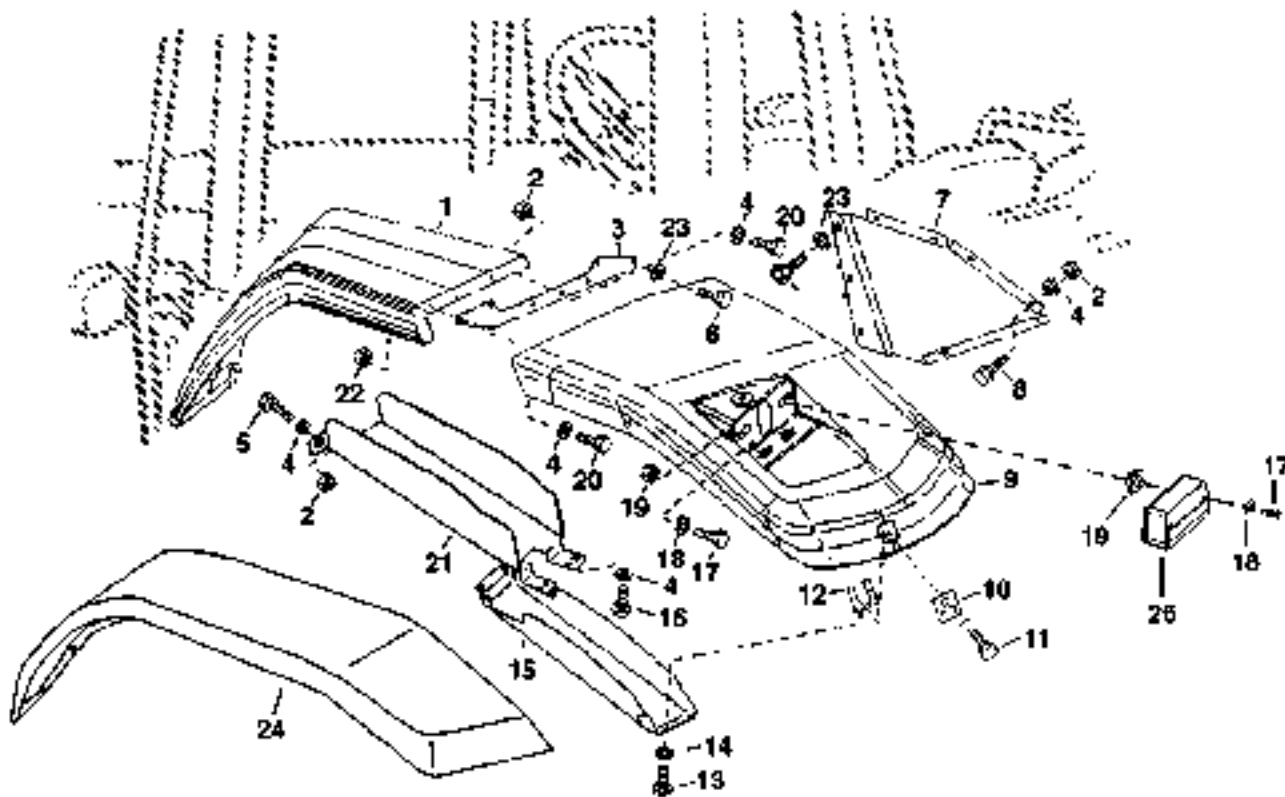
(A) ( -XXXXXX) 8100-011052; 8200-011032; 8300-011125; 8400-011068

(B) (XXXXXX- ) 8200-011053; 8200-011033; 8300-011126; 8400-011069

(C) ( -XXXXXX) 8100-021464; 8200-021249; 8300-022188; 8400-022769

(D) (XXXXXX- ) 8100-021465; 8200-021250; 8300-022189; 8400-022770

REAR FENDER REAR EXTENSION  
EXTENSION ARRIERE DU GARDE-BOUE ARRIERE  
HINTERKOTFLUEGEL-HECKVERLAENGERUNG  
ESTENSIONE POSTERIORE DEL PARAFANGO POSTERIORE  
EXTENSION TRASERA DEL GUARDABARRO TRASERO  
BAKRE FOERLAENGNING FOER BAKSTAENKSKAERM  
RE030074 -UN-27OCT98



**RE030074**



| KEY | PART NO. | PART NAME     | QTY | TRACTOR SERIAL NO. | A<br>L<br>L | REMARKS                |
|-----|----------|---------------|-----|--------------------|-------------|------------------------|
| 1   | R157016  | FENDER        | 1   | -009999            | X           | (SUB FOR R114686) R.H. |
|     | R130509  | FENDER        | 1   | 010000-            | X           | (SUB R157018) R.H.     |
|     | R114685  | FENDER        | 1   | -009999            | X           | L.H.                   |
|     | R130510  | FENDER        | 1   | 010000-            | X           | (SUB R157017) L.H.     |
| 2   | 14M7272  | NUT           | 9   |                    | X           | M6                     |
| 3   | R127697  | BRACE         | 1   | -009999            | X           | R.H.                   |
|     | R132561  | REINFORCEMENT | 1   | 010000-XXXXXX      | X           | R.H.                   |
|     | R157023  | REINFORCEMENT | 1   | XXXXXX-            | X           | L.H.                   |
|     | R127696  | BRACE         | 1   | -009999            | X           | L.H.                   |
|     | R132562  | REINFORCEMENT | 1   | 010000-XXXXXX      | X           | L.H.                   |
|     | R157024  | REINFORCEMENT | 1   | XXXXXX-            | X           | R.H.                   |
| 4   | 24M7139  | WASHER        | 8   |                    | X           | 6.400 X 18 X 1.600 MM  |
| 5   | 19M7862  | SCREW         | 4   |                    | X           | M6 X 20                |
| 6   | 37M7084  | SCREW         | 6   |                    | X           | M8 X 25                |
| 7   | R124194  | SHIELD        | 1   | -009999            | X           | R.H.                   |
|     | R150920  | SHIELD        | 1   | 010000-            | X           | R.H. (SUB FOR R131970) |
|     | R124193  | SHIELD        | 1   | -009999            | X           | L.H.                   |
|     | R150921  | SHIELD        | 1   | 010000-            | X           | L.H. (SUB FOR R131971) |
| 8   | 03M7232  | BOLT          | 4   |                    | X           | M6 X 25                |
| 9   | R111888  | FLAP          | 1   | -009999            | X           | R.H.                   |
|     | R131966  | FLANGE        | 1   | 010000-            | X           | R.H.                   |
|     | R111887  | FLAP          | 1   | -009999            | X           | L.H.                   |
|     | R131967  | FLANGE        | 1   | 010000-            | X           | L.H.                   |
| 10  | R115675  | PLATE         | 2   | 010000-            | X           | (A)                    |
|     | R153485  | PLATE         | 1   |                    | X           | (B)                    |
| 11  | H132899  | SCREW         | 2   |                    | X           |                        |
| 12  | R126716  | PLATE         | 2   | 010000-            | X           |                        |
| 13  | 37M7165  | SCREW         | 8   |                    | X           |                        |
| 14  | 24M7027  | WASHER        | 8   |                    | X           | 5.300 X 10 X 1 MM      |
| 15  | R124721  | SHIELD        | 1   | -009999            | X           | R.H.                   |
|     | R131977  | SHIELD        | 1   | 010000-            | X           | R.H.                   |
|     | R124720  | SHIELD        | 1   | -009999            | X           | L.H.                   |
|     | R131978  | SHIELD        | 1   | 010000-            | X           | L.H.                   |
| 16  | M117141  | SCREW         | 4   |                    | X           |                        |
| 17  | 21M7452  | SCREW         | 4   | 010000-            | X           | M6 X 90                |
| 18  | 24M7244  | WASHER        | 2   | 010000-            | X           | 6.400 X 12 X 1.600 MM  |
| 19  | R134098  | NUT           | 2   |                    | X           |                        |
| 20  | 19M7286  | CAP SCREW     | 5   |                    | X           | M6 X 25                |
| 21  | R124352  | SHIELD        | 1   | -009999            | X           | R.H.                   |
|     | R135658  | SHIELD        | 1   | 010000-            | X           | R.H. (SUB FOR R131975) |
|     | R124351  | SHIELD        | 1   | -009999            | X           | L.H.                   |
|     | R135659  | SHIELD        | 1   | 010000-            | X           | L.H. (SUB FOR R131976) |
| 22  | 24H1923  | WASHER        | 10  |                    | X           | 9/32" X 3/4" X 0.120"  |
| 23  | 24M7207  | WASHER        | 6   |                    | X           | 8.400 X 24 X 2 MM      |
| 24  | R130503  | EXTENSION     | 1   | 010000-            | X           | 2.3 M, R.H.            |
|     | R130504  | EXTENSION     | 1   | 010000-            | X           | 2.3 M, L.H.            |
|     | R130505  | EXTENSION     | 1   | 010000-            | X           | 2.48 M, R.H.           |
|     | R130506  | EXTENSION     | 1   | 010000-            | X           | 2.48 M, L.H.           |
| 25  | RE150894 | TAIL LAMP     | 1   |                    | X           |                        |
| 26  | 19M7513  | CAP SCREW     | 6   | 010000-            | X           | M8 X 30                |
| 27  | 12M7065  | LOCK WASHER   | 6   | 010000-            | X           | 8.100 MM               |
| 28  | 14M7298  | FLANGE NUT    | 6   | 010000-            | X           | M8                     |
| 29  | 37M7058  | SCREW         | 8   | 010000-            | X           | M8 X 20                |

(A) W/HITCH  
W/ATTELAGE  
W/ANHAENGEVORRICHTUNG  
W/SOLLEVATORE  
W/ENGANCE  
W/LYFT

(B) W/O HITCH  
W/O ATTELAGE  
W/O ANHAENGEVORRICHTUNG  
W/O SOLLEVATORE  
W/O ENGANCE  
W/O LYFT

**REAR FENDER SIDE EXTENSION AND MUD GUARD KIT**

AILE ARRIERE, RALLONGE LATERALE ET GARDE-BOUE JEU DE PIECES

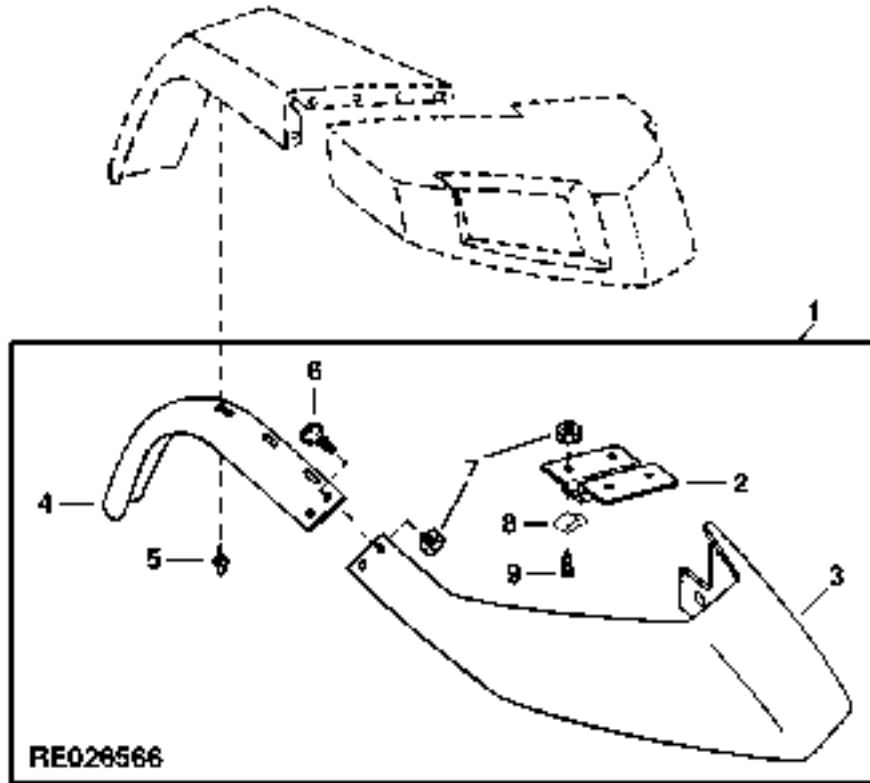
HINTERE KOTFLUEGEL-VERLAENGERUNG UND SCHMUTZFAENGER TEILESATZ

PARASPRUZZI E PROLUNGA LATERALE DEL PARAFANGO POSTERIORE SERIE PEZZI

EXTENSION LATERAL DEL GUARDABARROS TRASERO Y PARAFANGO JUEGO

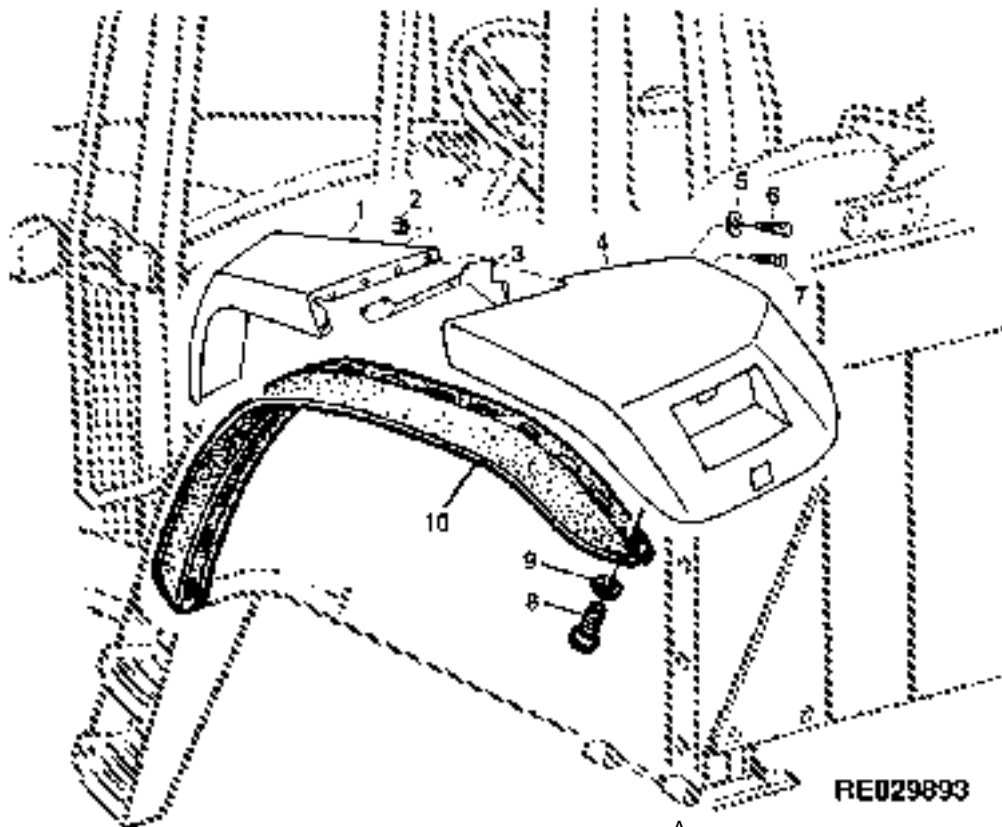
STAENKSKAERM BAK, SIDFOERLAENGNING OCH STAENKSKYDD SATS

RE026566 -UN-24JAN97



| KEY | PART NO.        | PART NAME     | QTY | TRACTOR<br>SERIAL NO. | A |         | REMARKS |
|-----|-----------------|---------------|-----|-----------------------|---|---------|---------|
|     |                 |               |     |                       | L | L       |         |
| 1   | <b>AR113538</b> | <b>KIT</b>    | 1   |                       | X | (FI)    |         |
| 2   | R118188         | SUPPORT       | 2   | -009000               | X |         |         |
|     | R131351         | SUPPORT       | 2   | 010000-               | X |         |         |
| 3   | R122010         | SPLASH GUARDS | 1   |                       | X | R.H.    |         |
|     | R122009         | SPLASH GUARDS | 1   |                       | X | L.H.    |         |
| 4   | R118147         | EXTENSION     | 1   |                       | X | R.H.    |         |
|     | R118146         | EXTENSION     | 1   |                       | X | L.H.    |         |
| 5   | R55326          | RIVET         | 22  |                       | X |         |         |
| 6   | 37M7165         | SCREW         | 4   |                       | X |         |         |
| 7   | 14M7165         | LOCK NUT      | 8   |                       | X | M6      |         |
| 8   | R127698         | CLIP          | 8   |                       | X |         |         |
| 9   | 21M7292         | SCREW         | 8   |                       | X | M6 X 16 |         |

REAR FENDER SIDE EXTENSION (EUROPEAN VERSION) ( -009999)  
 EXTENSION LATÉRALE DU GARDE-BOUE ARRIERE (VERSION EUROPEENNE) (-009999)  
 HINTERKOTFLUEGEL-SEITENVERLAENGERUNG (ERUOPAEISCHE AUSFUEHRUNG) (-009999)  
 ESTENSIONE LATÉRALE DEL PARAFANGO POSTERIORE (VERSIONE EUROPEA) (-009999)  
 EXTENSION LATERAL DEL GUARDABARRO TRASERO (VERSION EUROPEA) (-009999)  
 SIDFOERLAENGNING FOER BAKSTAENKSKAERM (EUROPEISK VERSION) (-009999)  
 RE029893 -UN-24SEP98



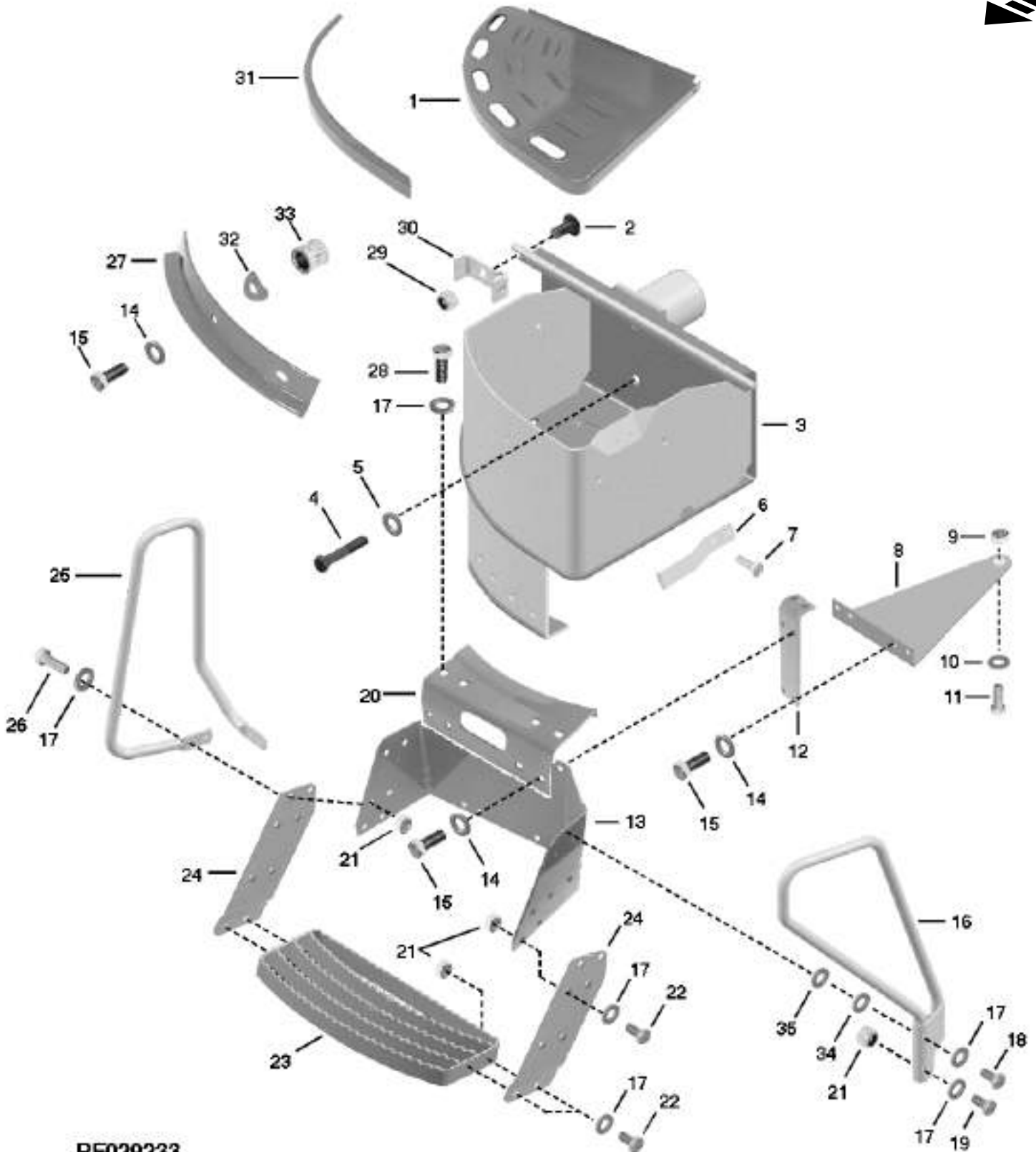
| KEY | PART NO. | PART NAME | QTY | TRACTOR SERIAL NO. | A | REMARKS                   |
|-----|----------|-----------|-----|--------------------|---|---------------------------|
|     |          |           |     |                    | L |                           |
| 1   | R157016  | FENDER    | 1   |                    | X | (SUB FOR R114686) R.H.    |
|     | R157015  | FENDER    | 1   |                    | X | (SUB FOR R114685) L.H.    |
| 2   | 14M7272  | NUT       | 4   |                    | X | M6                        |
| 3   | R127697  | BRACE     | 1   |                    | X | R.H.                      |
|     | R127696  | BRACE     | 1   |                    | X | L.H.                      |
| 4   | R111888  | FLAP      | 1   |                    | X | R.H.                      |
|     | R111887  | FLAP      | 1   |                    | X | L.H.                      |
| 5   | 24M7139  | WASHER    | 14  | XXXXXX-            | X | (A) 6.400 X 18 X 1.600 MM |
| 6   | 19M7077  | CAP SCREW | 1   |                    | X | M6 X 20                   |
| 7   | 19M7286  | CAP SCREW | 3   |                    | X | M6 X 25                   |
| 8   | 21M7310  | SCREW     | 4   |                    | X | M6 X 25                   |
| 9   | 24M7207  | WASHER    | 6   |                    | X | 8.400 X 24 X 2 MM         |
| 10  | R122008  | EXTENSION | 1   |                    | X | R.H.                      |
|     | R122007  | EXTENSION | 1   |                    | X | L.H.                      |

(A) (XXXXXX- ) 8100-011053; 8200-011033; 8300-011126; 8400-011069

# 9E13

OPERATOR'S STATION

LEFT HAND STEP  
MARCHEPIED GAUCHE  
LINKE STUFEN  
GRADINI DI SINISTRA  
PELDANOS DEL LADO  
VAENSTER FOTSTEG  
RE029233 -UN-20MAR98



RE029233

| KEY | PART NO. | PART NAME  | QTY | CAB<br>SERIAL NO. | A<br>L<br>L | REMARKS                     |
|-----|----------|------------|-----|-------------------|-------------|-----------------------------|
| 1   | R124688  | PLATFORM   | 1   |                   | X           |                             |
| 2   | 03M7190  | BOLT       | 2   |                   | X           | M10 X 20                    |
| 3   | RE60857  | SUPPORT    | 1   |                   | X           |                             |
| 4   | 19M8485  | CAP SCREW  | 1   |                   | X           | M16 X 90, HS 10.9           |
| 5   | 24M7338  | WASHER     | 1   |                   | X           | 17 X 30 X 3 MM              |
| 6   | R124691  | LATCH      | 1   |                   | X           |                             |
| 7   | M63200   | RIVET      | 2   |                   | X           |                             |
| 8   | RE44687  | BRACKET    | 1   |                   | X           |                             |
| 9   | R125363  | GASKET     | 1   |                   | X           |                             |
| 10  | 24H1226  | WASHER     | 1   |                   | X           | 1/2" X 1-1/4" X 0.083"      |
| 11  | 19M7872  | CAP SCREW  | 1   |                   | X           | M12 X 25, HS 10.9           |
| 12  | R121545  | SUPPORT    | 2   |                   | X           |                             |
| 13  | R134670  | SUPPORT    | 2   |                   | X           | (SUB FOR R124689)           |
| 14  | 24M7028  | WASHER     | 4   |                   | X           | 10.500 X 20 X 2 MM          |
|     | 24M7240  | WASHER     | 4   |                   | X           | (A) 13 X 25 X 3 MM          |
| 15  | 03M7193  | BOLT       | 4   |                   | X           | M10 X 35                    |
|     | 19M7361  | CAP SCREW  | 4   |                   | X           | (A) M12 X 50                |
| 16  | RE61127  | HANDRAIL   | 1   | -XXXXXX           | X           | (B)                         |
|     | R134647  | HANDRAIL   | 1   | XXXXXX-           | X           | (C)                         |
|     | R131074  | HANDRAIL   | 1   |                   | X           | (A) (SUB FOR RE60865)       |
| 17  | 24M7028  | WASHER     | 22  |                   | X           | 10.500 X 20 X 2 MM          |
|     | R28024   | CLAMP      | 22  |                   | X           | (A)                         |
| 18  | 03M7195  | BOLT       | 1   |                   | X           | M10 X 45                    |
|     | 19M7935  | CAP SCREW  | 1   |                   | X           | (A) M10 X 55                |
| 19  | 19M8499  | CAP SCREW  | 2   |                   | X           | M10 X 60                    |
|     | 19M8499  | CAP SCREW  | 2   |                   | X           | (A) M10 X 60, HS 10.9       |
| 20  | R124690  | PLATE      | 1   |                   | X           |                             |
| 21  | 14M7517  | LOCK NUT   | 4   |                   | X           | M10                         |
| 22  | 19M7938  | CAP SCREW  | 12  |                   | X           | M10 X 20, HS 10.9           |
| 23  | RE49428  | STEP       | 2   | -XXXXXX           | X           | (D)                         |
|     | R151799  | STEP       | 1   | XXXXXX-           | X           | (E)                         |
| 24  | R123987  | PLATE      | 1   | -XXXXXX           | X           | (B) INNER                   |
|     | R151855  | PLATE      | 1   | XXXXXX-           | X           | (C) INNER                   |
|     | R151764  | PLATE      | 1   | -XXXXXX           | X           | (B) (SUB FOR R123986) OUTER |
|     | R151764  | PLATE      | 1   | XXXXXX-           | X           | (C) OUTER                   |
| 25  | R124770  | HANDRAIL   | 1   |                   | X           | INNER                       |
| 26  | 19M7662  | CAP SCREW  | 1   |                   | X           | M10 X 30, HS 10.9           |
|     | 03M7195  | BOLT       | 2   |                   | X           | (A) M10 X 45                |
| 27  | R116390  | LOCK PLATE | 1   |                   | X           |                             |
| 28  | 03M7191  | BOLT       | 4   |                   | X           | M10 X 25                    |
| 29  | 14M7517  | LOCK NUT   | 2   |                   | X           | M10                         |
| 30  | R116389  | BRACKET    | 1   |                   | X           |                             |
| 31  | RE44786  | MOLDING    | 1   |                   | X           |                             |
| 32  | R112480  | WASHER     | 1   |                   | X           |                             |
| 33  | M82714   | SPACER     | 1   |                   | X           |                             |
| 34  | 24H1886  | WASHER     | 1   |                   | X           | 15/32" X 1-1/8" X 0.180"    |
| 35  | R111382  | WASHER     | 1   |                   | X           |                             |

(A)EUROPEAN VERSION  
 VERSION EUROPEENNE  
 EROPAEISCHE AUSFUEHRUNG  
 VERSIONE EUROPEA  
 VERSION EUROPEA  
 EUROPEISK VERSION

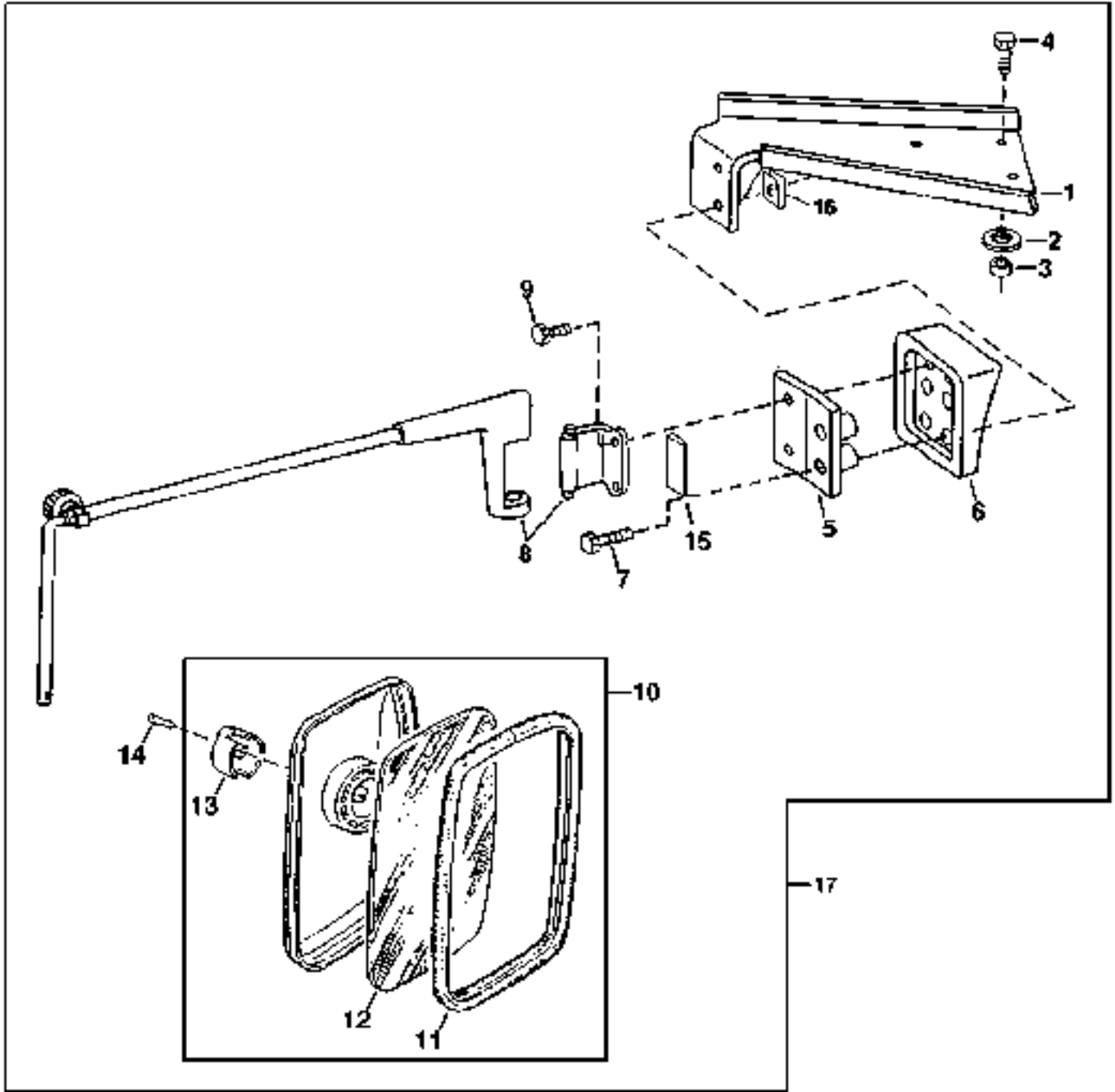
(B)( -XXXXXX) 8100-013158; 8200-012600; 8300-013736; 8400-013565  
 (C)(XXXXXX- ) 8100-013159; 8200-012601; 8300-013737; 8400-013566

(D)( -XXXXXX) 8100-024464; 8200-024467; 8300-024453; 8400-024471  
 (E)(XXXXXX- ) 8100-024465; 8200-024468; 8300-024454; 8400-024472

# 9E15

OPERATOR'S STATION

OUTER MIRRORS KIT  
JEU DE RETROVISEURS EXTERIEURS  
AUSSENSPIEGEL-BAUSATZ  
KIT DEGLI SPECCHIETTI ESTERNI  
JUEGO DE ESPEJOS EXTERIORES  
UTSIDES BACKSPEGELSATS  
RE029788 -UN-21JUL98



RE029788

# 9E16

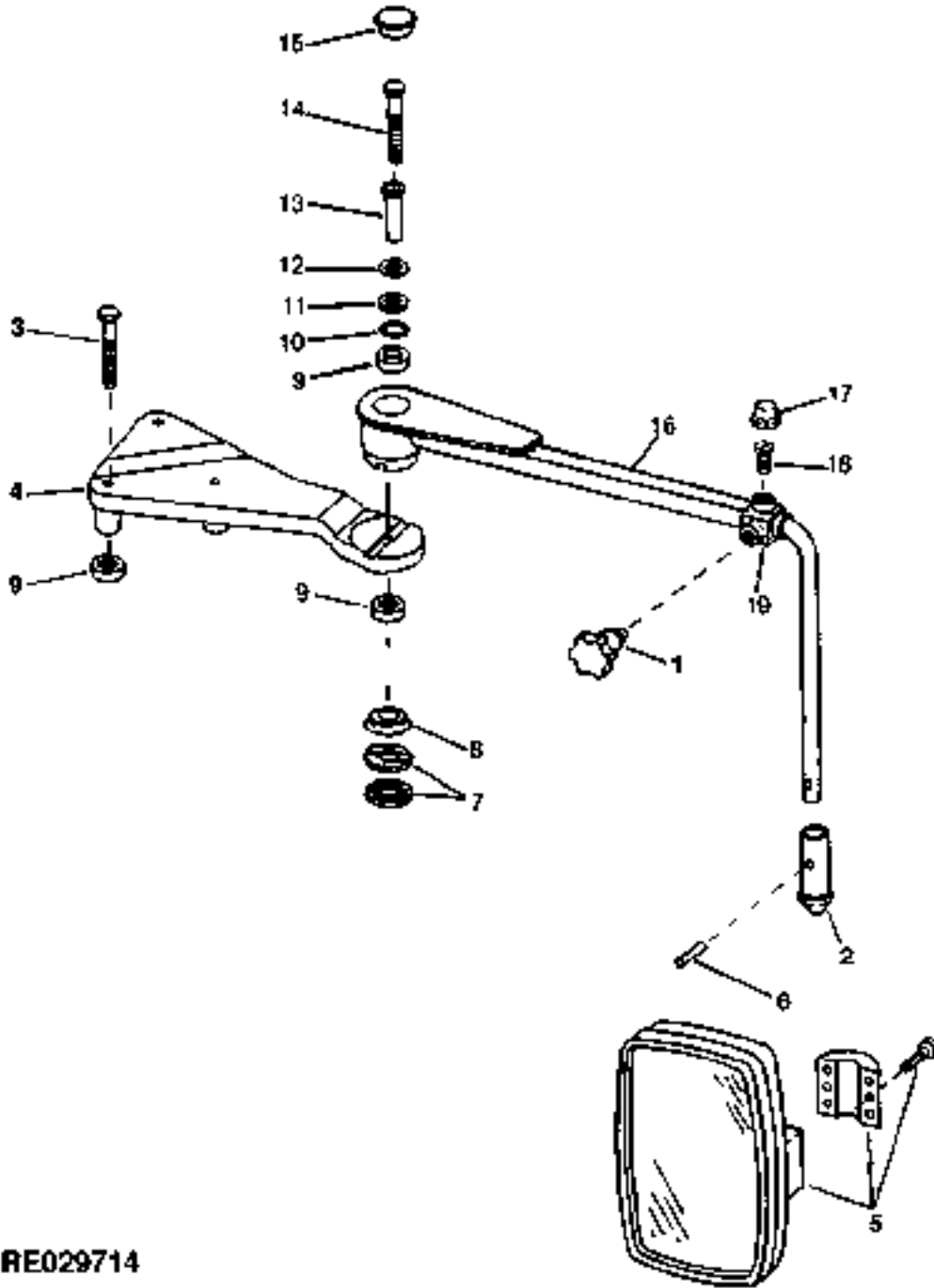
OPERATOR'S STATION

| KEY | PART NO. | PART NAME              | QTY | CAB<br>SERIAL NO. | A | REMARKS                   |
|-----|----------|------------------------|-----|-------------------|---|---------------------------|
|     |          |                        |     |                   | L |                           |
| 1   | RE61100  | BRACKET                | 2   |                   | X |                           |
| 2   | R127769  | SEAL                   | 4   |                   | X | (SUB FOR R115705)         |
| 3   | 24H1309  | WASHER                 | 4   |                   | X | 13/32" X 1-1/16" X 0.120" |
| 4   | 19M7808  | SCREW                  | 4   |                   | X | M10 X 65                  |
| 5   | R151448  | SUPPORT                | 1   |                   | X | (SUB FOR RE52677) R.H.    |
|     | R151449  | SUPPORT                | 1   |                   | X | (SUB FOR RE52678) L.H.    |
| 6   | R111894  | SEAL                   | 2   |                   | X |                           |
| 7   | 19M7875  | CAP SCREW              | 4   |                   | X | M10 X 70                  |
| 8   | RE52668  | ARM                    | 1   |                   | X | (INCLUDES R129377) R.H.   |
|     | RE52669  | ARM                    | 1   |                   | X | (INCLUDES R129377) L.H.   |
| 9   | 19M7660  | SCREW                  | 4   |                   | X | M8 X 20                   |
| 10  | AL78021  | REAR VIEW MIRROR       | 2   |                   | X |                           |
| 11  | L79777   | GASKET                 | 1   |                   | X |                           |
| 12  | L79776   | REAR VIEW MIRROR GLASS | 1   |                   | X |                           |
| 13  | L79778   | HOLDER                 | 1   |                   | X |                           |
| 14  | 21M7248  | SCREW                  | 2   |                   | X | M6 X 30                   |
| 15  | R129377  | SPACER                 | 2   | XXXXXX-           | X | (A)                       |
| 16  | R153826  | NUT                    | 1   |                   | X | (FI)                      |
| 17  | AR112841 | KIT                    | 1   |                   | X |                           |

(A)(XXXXXX- ) 8100-002914; 8200-002293; 8300-004034; 8400-002592

# 9E17

REMOTE MIRROR (EUROPEAN VERSION)  
RETROVISEUR EXTERIEURS (VERSION EUROPEENNE)  
AUSSENSPIEGEL (EUROPÄISCHE AUSFÜHRUNG)  
DEGLI SPECCHIETTI ESTERNI (VERSIONE EUROPEA)  
ESPEJOS EXTERIORES (VERSION EUROPEA)  
UTSIDES BACKSPEGEL (EUROPEISK VERSION)  
RE029714 -UN-13JUL98



**RE029714**



# 9E18

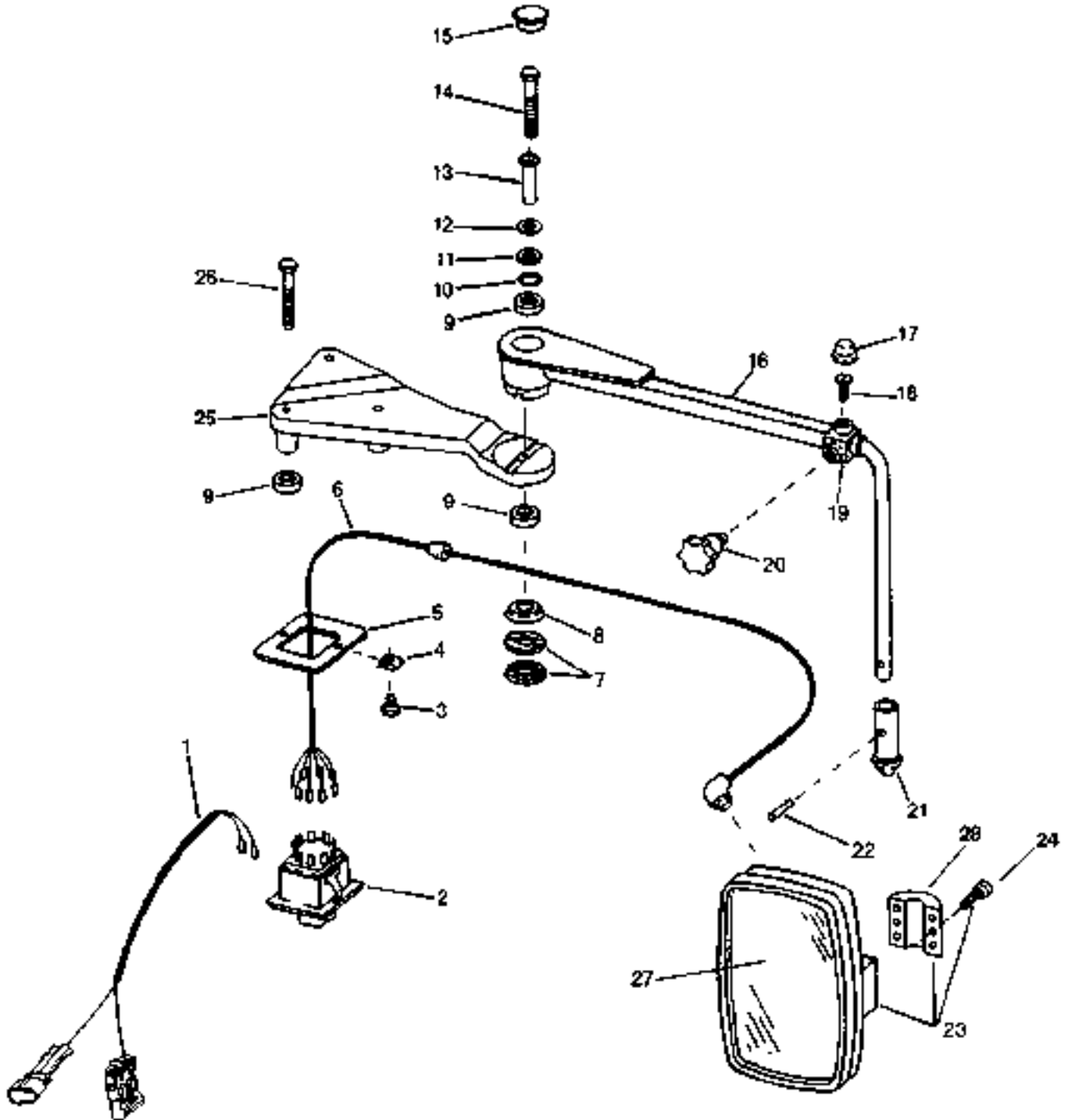
OPERATOR'S STATION

| KEY | PART NO. | PART NAME        | QTY | CAB<br>SERIAL NO. | A<br>L<br>L | REMARKS   |
|-----|----------|------------------|-----|-------------------|-------------|---|
| 1   | L78176   | KNOB             | 2   |                   | X           |   |
| 2   | R129077  | ADAPTER          | 2   |                   | X           | R.H. (SUB FOR R126161)                                  |
|     | L79784   | ADAPTER          | 2   |                   | X           | L.H.  |
| 3   | 37M7108  | SCREW            | 6   |                   | X           | M8 X 60   |
| 4   | R125905  | BRACKET          | 1   |                   | X           | L.H.  |
|     | R125906  | BRACKET          | 1   |                   | X           | R.H.  |
| 5   | AL78021  | REAR VIEW MIRROR | 2   |                   | X           |   |
| 6   | 34H312   | SPRING PIN       | 2   |                   | X           |   |
| 7   | R125634  | CAM              | 2   |                   | X           |   |
| 8   | R125713  | SEAL             | 4   |                   | X           |   |
| 9   | R127769  | SEAL             | 14  |                   | X           |   |
| 10  | 51M7042  | O-RING           | 2   |                   | X           | 13.300 X 2.200 MM                                       |
| 11  | R48450   | WASHER           | 2   |                   | X           |   |
| 12  | 12M6601  | DISK SPRING      | 18  |                   | X           | 14.200 X 28 X 1.500 MM                                  |
| 13  | R125844  | SPACER           | 2   |                   | X           |   |
| 14  | 19M7875  | CAP SCREW        | 2   |                   | X           | M10 X 70  |
| 15  | R71080   | PLUG             | 2   |                   | X           |   |
| 16  | RE154994 | SUPPORT          | 2   |                   | X           | (INCLUDES (2) L79784 AND (2) 21M7292) (SUB FOR RE62025) |
| 17  | L38797   | CAP              | 2   |                   | X           |   |
| 18  | 21M7216  | SCREW            | 2   |                   | X           | M4 X 20   |
| 19  | L78174   | TUBE             | 2   |                   | X           |   |

# 9E19

OPERATOR'S STATION

REMOTE POWER MIRROR (EUROPEAN VERSION)  
RETROVISEUR TELECOMMANDE (VERSION EUROPEENNE)  
FERNGESTEUERTER ELEKTRISCHER SPIEGEL (EUROPÄISCHE AUSFÜHRUNG)  
SPECHIETTO MOTORIZZATO CON COMANDO A DISTANZA (VERSIONE EUROPEA)  
ESPAJO CON MOTOR A CONTROL REMOTO (VERSION EUROPEA)  
FJAERRKONTROLLERAD ELEKTRISK BACKSPEGEL (EUROPEISK VERSION)  
RE029442 -UN-20APR98



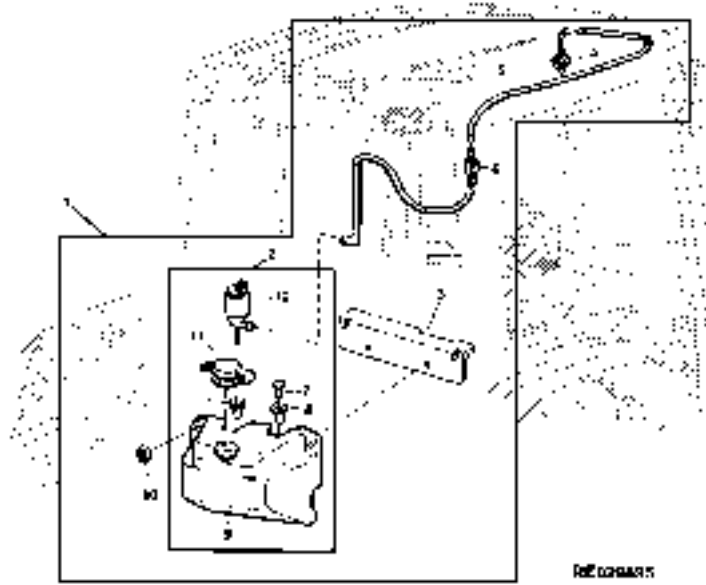
RE029442

# 9E20

OPERATOR'S STATION

| KEY | PART NO. | PART NAME        | QTY | CAB<br>SERIAL NO. | A<br>L<br>L | REMARKS                |
|-----|----------|------------------|-----|-------------------|-------------|------------------------|
| 1   | RE62312  | WIRING HARNESS   | 2   |                   | X           |                        |
| 2   | AZ47908  | SWITCH           | 2   |                   | X           |                        |
| 3   | 37M7185  | SCREW            | 2   |                   | X           |                        |
| 4   | R52130   | LOCK NUT         | 2   |                   | X           |                        |
| 5   | R134482  | PLATE            | 2   |                   | X           | (SUB FOR R125981)      |
| 6   | AZ47788  | WIRING HARNESS   | 2   |                   | X           |                        |
| 7   | R125634  | CAM              | 2   |                   | X           |                        |
| 8   | R125713  | SEAL             | 2   |                   | X           |                        |
| 9   | R127769  | SEAL             | 14  |                   | X           | (SUB FOR R115705)      |
| 10  | 51M7042  | O-RING           | 2   |                   | X           | 13.300 X 2.200 MM      |
| 11  | R48450   | WASHER           | 2   |                   | X           |                        |
| 12  | 12M6601  | DISK SPRING      | 18  |                   | X           | 14.200 X 28 X 1.500 MM |
| 13  | R125844  | SPACER           | 2   |                   | X           |                        |
| 14  | 19M7875  | CAP SCREW        | 2   |                   | X           | M10 X 70               |
| 15  | R155065  | PLUG             | 2   |                   | X           |                        |
| 16  | RE62025  | SUPPORT          | 2   |                   | X           |                        |
| 17  | L38797   | CAP              | 2   |                   | X           |                        |
| 18  | 21M7216  | SCREW            | 2   |                   | X           | M4 X 20                |
| 19  | L78174   | TUBE             | 2   |                   | X           |                        |
| 20  | L78176   | KNOB             | 2   |                   | X           |                        |
| 21  | R129077  | ADAPTER          | 2   |                   | X           | R.H. (SUB FOR R126161) |
|     | L79784   | ADAPTER          | 1   |                   | X           | L.H.                   |
| 22  | 34H312   | SPRING PIN       | 2   |                   | X           |                        |
| 23  | RE65319  | REAR VIEW MIRROR | 2   |                   | X           | (SUB FOR RE62297)      |
| 24  | 19M7603  | SCREW            | 2   |                   | X           | M6 X 20                |
| 25  | R125906  | BRACKET          | 1   |                   | X           | R.H.                   |
|     | R125905  | BRACKET          | 1   |                   | X           | L.H.                   |
| 26  | 37M7108  | SCREW            | 6   |                   | X           | M8 X 60                |
| 27  | R134059  | REAR VIEW MIRROR | 1   |                   | X           |                        |
| 28  | R134060  | HALF CLAMP       | 1   |                   | X           |                        |
| ..  | R44302   | TIE BAND         | AR  |                   | X           |                        |

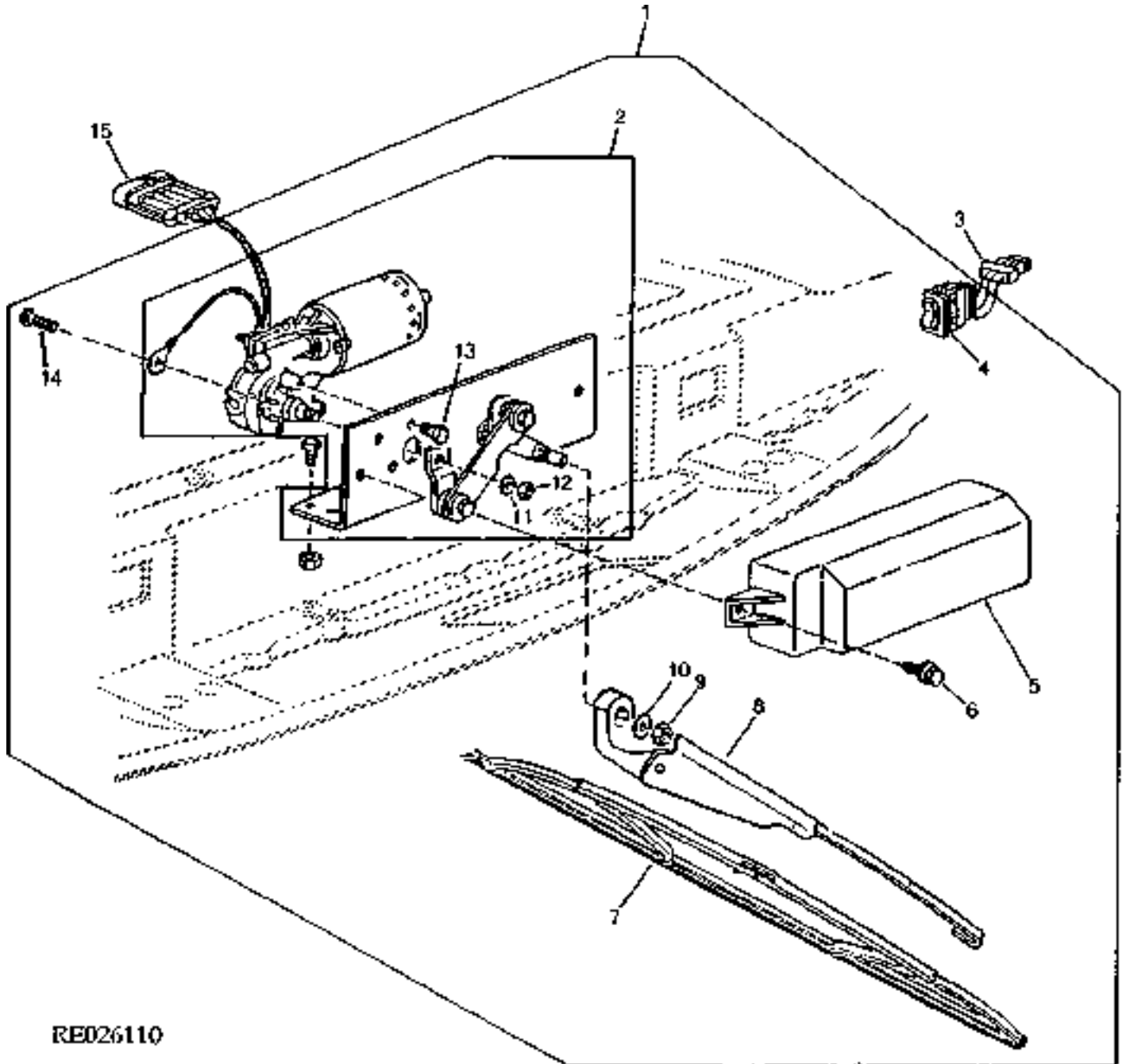
WINDSHIELD AND REAR WASHER KIT  
 JEU DE LAVE-GLAVE AVANT ET ARRIERE  
 SCHEIBEN-WASCHANLAGENSATZ VORNE UND HINTEN  
 KIT LAVACRISTALLI ANTERIORE E POSTERIORE  
 CONJUNTO DE LAVAPARABRISAS DELANTERO Y TRASERO  
 VINDRUTESPOLARE FRAM OCH BAK  
 RE029895 -UN-24SEP98



| KEY | PART NO. | PART NAME         | QTY | CAB<br>SERIAL NO. | A | REMARKS           |
|-----|----------|-------------------|-----|-------------------|---|-------------------|
|     |          |                   |     |                   | L |                   |
| 1   | AR112601 | WINDSHIELD WASHER | 1   |                   | X | (FI)              |
| 2   | AL77711  | RESERVOIR         | 1   |                   | X |                   |
| 3   | RE55999  | BRACKET           | 1   |                   | X |                   |
| 4   | AL35642  | NOZZLE            | 2   |                   | X |                   |
| 5   | R120653  | HOSE              | 2   |                   | X |                   |
| 6   | AL114275 | CHECK VALVE       | 2   |                   | X | (SUB FOR AL39108) |
| 7   | L80015   | PLUG              | 2   |                   | X |                   |
| 8   | L80014   | GROMMET           | 2   |                   | X |                   |
| 9   | L78422   | RESERVOIR         | 1   |                   | X |                   |
| 10  | 14M7298  | FLANGE NUT        | 2   |                   | X | M8                |
| 11  | L80013   | FILLER CAP        | 1   |                   | X |                   |
| 12  | AL79013  | PUMP              | 2   |                   | X |                   |

MEMORANDA  
MEMORANDA  
MEMORANDA  
MEMORANDA  
MEMORANDA

FRONT AND REAR WINDSHIELD WIPER  
ESSUIE-GLACE AVANT/ARRIERE  
VORN/HINTERER SCHEIBENWISCHER  
SPAZZOLA PARABREZZA ANTERIORE/POSTERIORE  
LIMPIADOR DE PARABRISAS FRONTE/TRASERO  
FRAM/BAKRE VINDRUTETORKARE  
RE026110 -UN-22MAR95



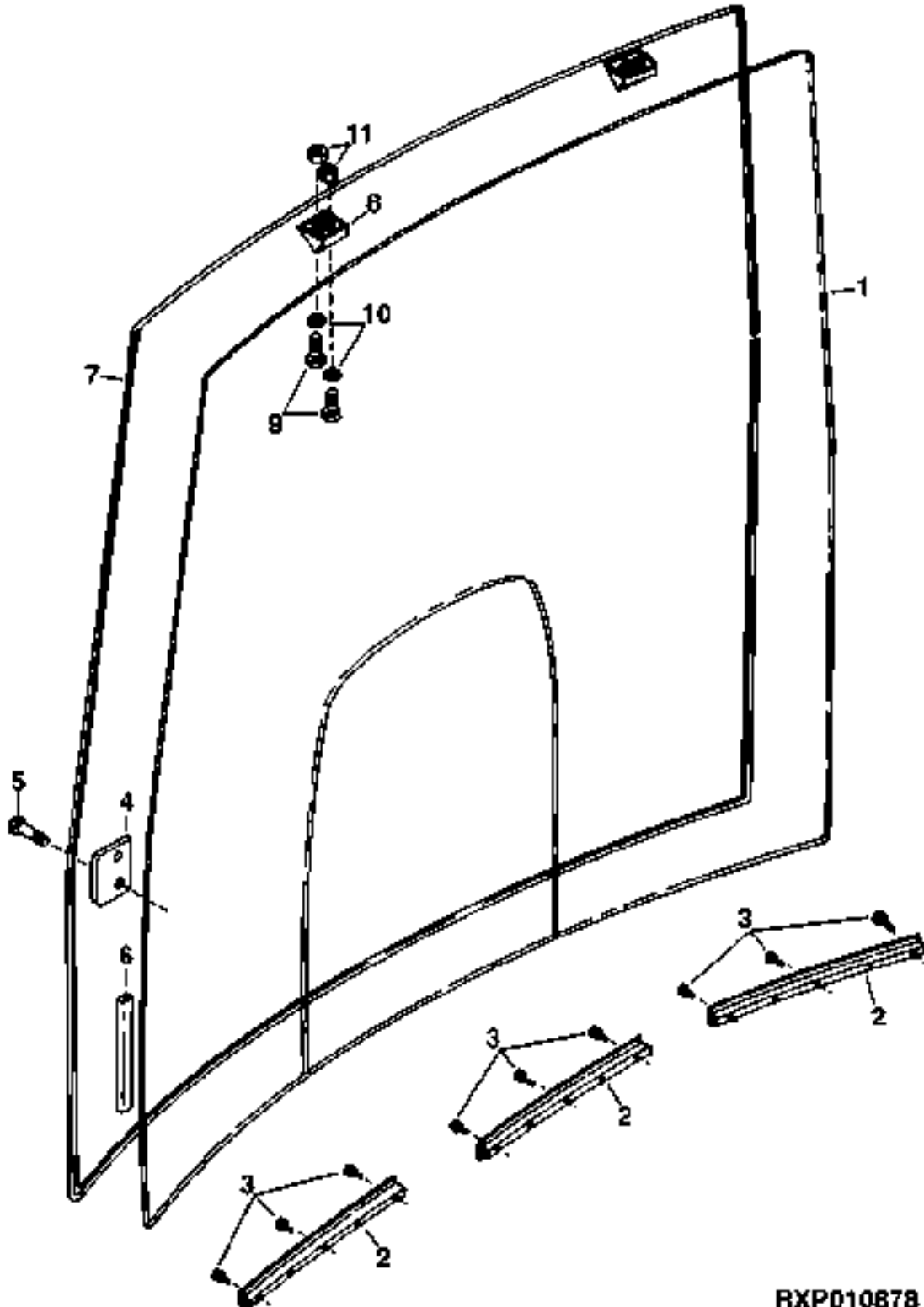
RE026110

| KEY | PART NO. | PART NAME                  | QTY | CAB<br>SERIAL NO. | A<br>L<br>L | REMARKS   |
|-----|----------|----------------------------|-----|-------------------|-------------|---|
| 1   | AR112621 | WINDSHIELD WIPER           | 1   |                   | X           | (ALSO ORDER (3) 19M7923 AND 12M7006 AND 14M7272) (FI) |
| 2   | RE151494 | WIPER MOTOR                | 1   |                   | X           | (SUB FOR AL76686)                                     |
| 3   | 57M7255  | RECEPTACLE CONNECTOR BODY  | 1   |                   | X           |   |
|     | R104846  | SOCKET CONTACT             | 3   |                   | X           |   |
|     | 57M7258  | ELECTRICAL PLUG            | 3   |                   | X           |   |
|     | 57M7290  | CONNECTOR                  | 1   |                   | X           |   |
| 4   | RE55476  | WIPER/WASHER SWITCH        | 1   |                   | X           |   |
| 5   | R161356  | SHIELD                     | 1   |                   | X           | (SUB FOR R120705) REAR                                |
|     | R106231  | SHIELD                     | 1   |                   | X           | (SUB R120705) FRONT                                   |
| 6   | 37M7089  | SCREW                      | 2   |                   | X           | M6 X 12   |
| 7   | TY16306  | WIPER BLADE                | 1   |                   | X           | (SUB FOR RE24201)                                     |
| 8   | RE151496 | WIPER ARM                  | 1   |                   | X           | (SUB FOR AL75527)                                     |
| 9   | 14M7273  | NUT                        | 1   |                   | X           | M8  |
| 10  | 24M7036  | WASHER                     | 1   |                   | X           | 9 X 16 X 1.600 MM                                     |
| 11  | 12M7006  | LOCK WASHER                | 1   |                   | X           | 6.100 MM  |
| 12  | 14M7272  | NUT                        | 1   |                   | X           | M6  |
| 13  | 19M7923  | CAP SCREW                  | 3   |                   | X           | M6 X 12   |
| 14  | 37M7059  | SCREW                      | 3   |                   | X           | M5 X 12   |
| 15  | 57M7244  | PIN CONTACT CONNECTOR BODY | 1   |                   | X           |   |
|     | R104919  | PIN CONTACT                | 4   |                   | X           |   |
|     | 57M7258  | ELECTRICAL PLUG            | 4   |                   | X           |   |
|     | 57M7318  | CONNECTOR                  | 1   |                   | X           |   |

# 9E24

OPERATOR'S STATION

WINDSHIELD  
PARA-BRISE  
WINDSCHUTZSCHEIBE  
PARABREZZA  
PARABRISAS  
VINDRUTA  
RXP010878 -UN-17MAR97



RXP010878



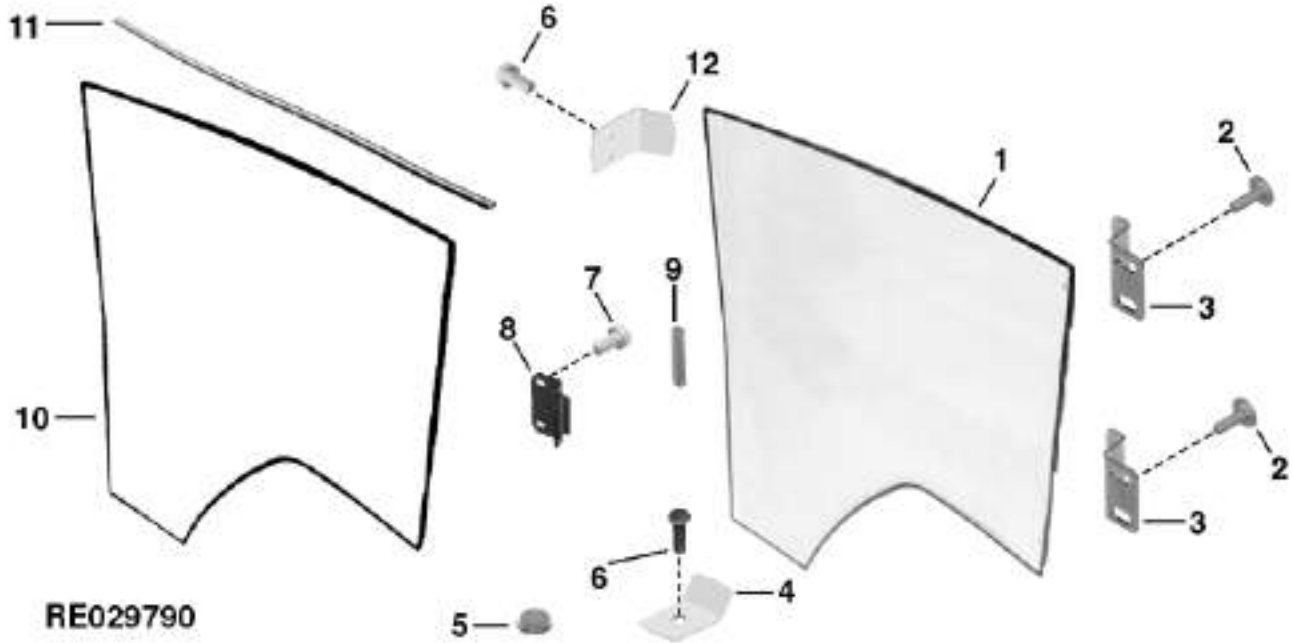
# 9E25

OPERATOR'S STATION

| KEY | PART NO. | PART NAME       | QTY | CAB<br>SERIAL NO. | A<br>L<br>L | REMARKS                               |
|-----|----------|-----------------|-----|-------------------|-------------|---------------------------------------|
| 1   | R135976  | WINDOWPANE      | 1   |                   | X           | (SUB FOR R124663, R119890 OR R128990) |
|     | R135977  | WINDOWPANE      | 1   |                   | X           | (A) (SUB FOR R124664 OR R128991)      |
| 2   | R119890  | SUPPORT         | 3   |                   | X           |                                       |
| 3   | R81456   | SCREW           | 15  |                   | X           |                                       |
| 4   | R115367  | ADJUSTING STRAP | 2   |                   | X           |                                       |
| 5   | 37M7092  | SCREW           | 2   |                   | X           | M8 X 16                               |
| 6   | RE54810  | ISOLATOR        | 1   |                   | X           |                                       |
| 7   | R115196  | SEAL            | 1   |                   | X           |                                       |
| 8   | R151139  | SUPPORT         | 2   |                   | X           | (SUB FOR R96214) UP                   |
| 9   | 21M7448  | SCREW           | 4   |                   | X           | (C)                                   |
| 10  | 24M7036  | WASHER          | 4   |                   | X           | 9 X 16 X 1.600 MM                     |
| 11  | 14M7166  | LOCK NUT        | 4   |                   | X           | M8                                    |

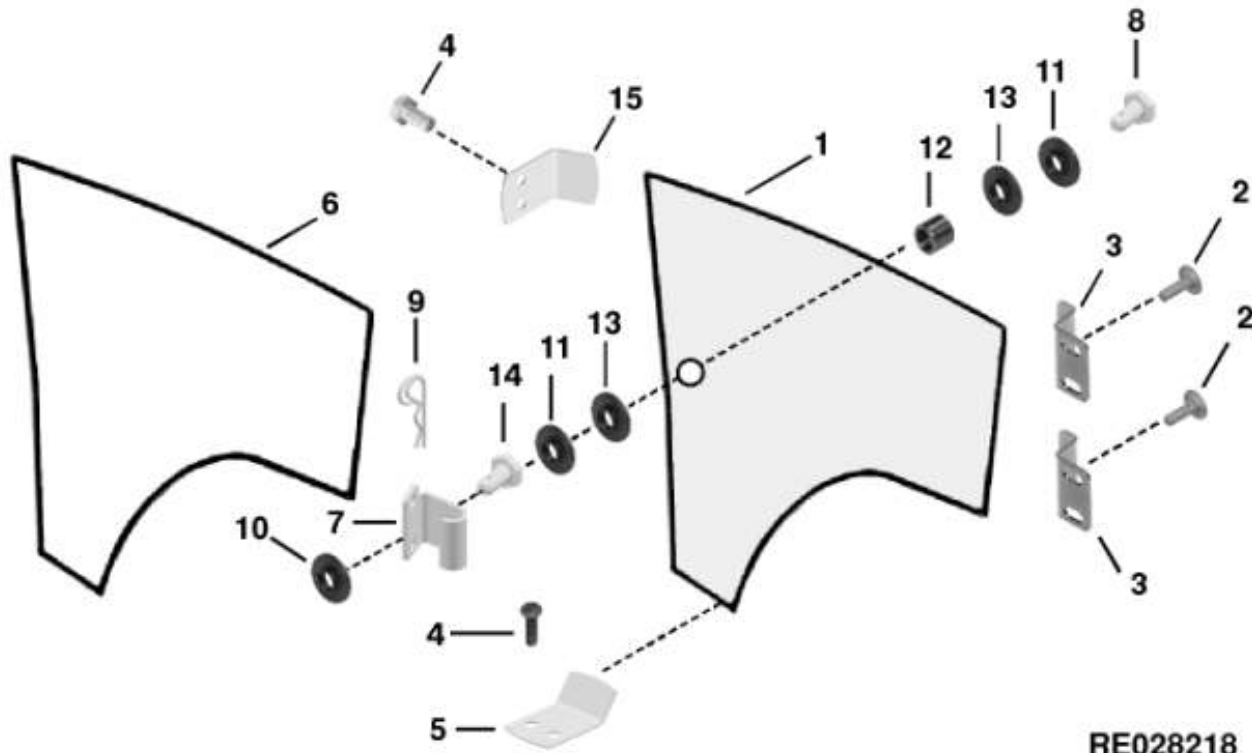
(A)EUROPEAN VERSION  
 VERSION EUROPEENNE  
 EUROPÄISCHE AUSFUEHRUNG  
 VERSIONE EURPEA  
 VERSION EUROPEA  
 EUROPEISK VERSION

STATIONARY RIGHT-HAND GLASS  
 VITRE FIXE COTE DROIT  
 FESTSTEHENDE RECHTE GLASSCHEIBE  
 VETRO STAZIONARIO DESTRO  
 CRISTAL DERECHO FIJO  
 FAST HOEGER RUTA  
 RE029790 -UN-14JUL98



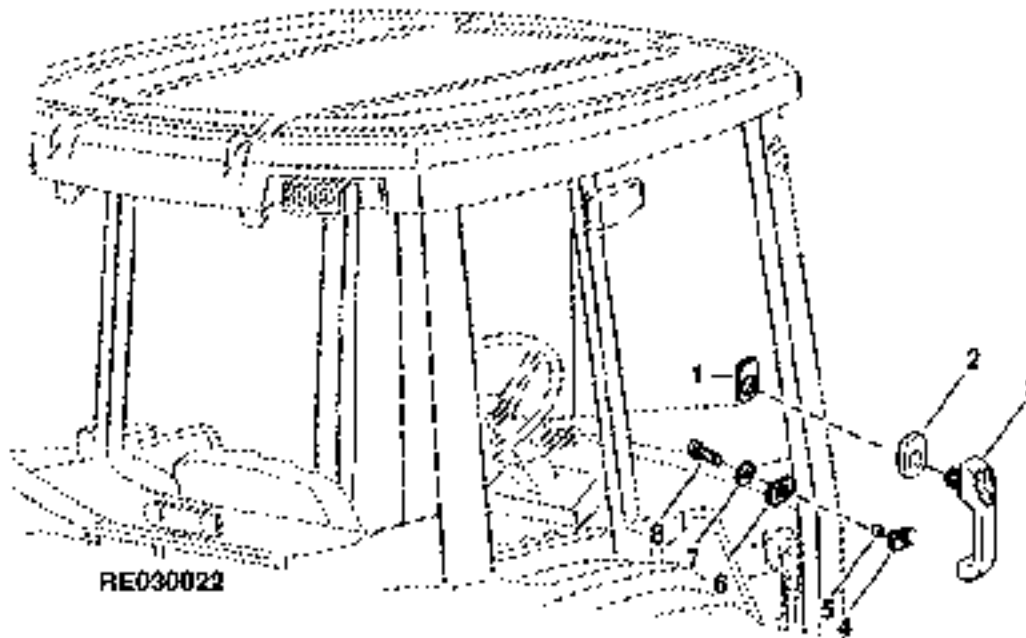
| KEY | PART NO. | PART NAME  | QTY | CAB<br>SERIAL NO. | A | REMARKS           |
|-----|----------|------------|-----|-------------------|---|-------------------|
|     |          |            |     |                   | L |                   |
| 1   | R124665  | WINDOWPANE | 1   |                   | X |                   |
| 2   | 37M7257  | SCREW      | 4   |                   | X | M8 X 16           |
| 3   | R121790  | CLAMP      | 2   |                   | X |                   |
| 4   | R133596  | RETAINER   | 1   |                   | X |                   |
| 5   | R114059  | SPACER     | 1   |                   | X | (SUB FOR R96753)  |
| 6   | 37M7121  | SCREW      | 3   |                   | X |                   |
| 7   | 37M7265  | SCREW      | 2   |                   | X | M8 X 25           |
| 8   | R119676  | CLAMP      | 1   |                   | X |                   |
| 9   | RE54810  | ISOLATOR   | 1   |                   | X |                   |
| 10  | RE54802  | SEAL       | 1   |                   | X |                   |
| 11  | R83066   | ISOLATOR   | 1   |                   | X |                   |
| 12  | R127718  | RETAINER   | 1   |                   | X | (SUB FOR R125098) |

RIGHT-HAND OPENING DOOR (EUROPEAN VERSION)  
 PORTE DROITE OUVRABLE (VERSION EUROPEENNE)  
 AUFMACHBARE RECHTE TUER (EUROPAEISCHE AUSFUEHRUNG)  
 PORTA DESTRA APRIBILE (VERSIONE EUROPEA)  
 PUERTA DERECHA ABRIBLE (VERSION EUROPEA)  
 OEPPNINGSBAR HOEGER DOERR (EUROPEISK VERSION)  
 RE028218 -UN-25AUG97



| KEY | PART NO. | PART NAME          | QTY | CAB<br>SERIAL NO. | A |   | REMARKS                  |
|-----|----------|--------------------|-----|-------------------|---|---|--------------------------|
|     |          |                    |     |                   | L | L |                          |
| 1   | R124666  | DOOR               | 1   |                   | X |   |                          |
| 2   | 37M7257  | SCREW              | 4   |                   | X |   | M8 X 16                  |
| 3   | R121790  | CLAMP              | 2   |                   | X |   |                          |
| 4   | 37M7121  | SCREW              | 2   |                   | X |   | M6 X 12                  |
| 5   | R133596  | RETAINER           | 1   |                   | X |   |                          |
| 6   | RE54802  | SEAL               | 1   |                   | X |   |                          |
| 7   | R133868  | PLATE              | 1   |                   | X |   | (SUB FOR R121785)        |
| 8   | 19M7162  | CAP SCREW          | 2   |                   | X |   | M8 X 16                  |
| 9   | R121787  | SPRING LOCKING PIN | 1   |                   | X |   |                          |
| 10  | 24M7036  | WASHER             | 2   |                   | X |   | 9 X 16 X 1.600 MM        |
| 11  | L58890   | WASHER             | 2   |                   | X |   |                          |
|     | 24H1375  | WASHER             | 1   |                   | X |   | 11/16" X 1-1/8" X 0.060" |
| 12  | H25220   | BUSHING            | 1   |                   | X |   |                          |
| 13  | R108077  | SEALING WASHER     | 2   |                   | X |   |                          |
| 14  | R124733  | PIN                | 1   |                   | X |   |                          |
| 15  | R127718  | RETAINER           | 1   |                   | X |   | (SUB FOR R125098)        |

DOOR HANDLE (OPENING RIGHT-HAND DOOR)(EUROPEAN VERSION)  
 MANCHE (PORTE DROITE OUVRABLE)(VERSION EUROPEENNE)  
 TUER GRIFF (AUFMACHBARE RECHTE TUER)(EUROPAEISCHE AUSFUEHRUNG)  
 MANICO (PORTA DESTRA APRIBILE)(VERSIONE EUROPEA)  
 MANGO (PUERTA DERECHA ABRIBLE)(VERSION EUROPEA)  
 DOERR HANDTAG (OEPNINGSBAR HOEGER DOERR)(EUROPEISK VERSION)  
 RE030022 -UN-23SEP98



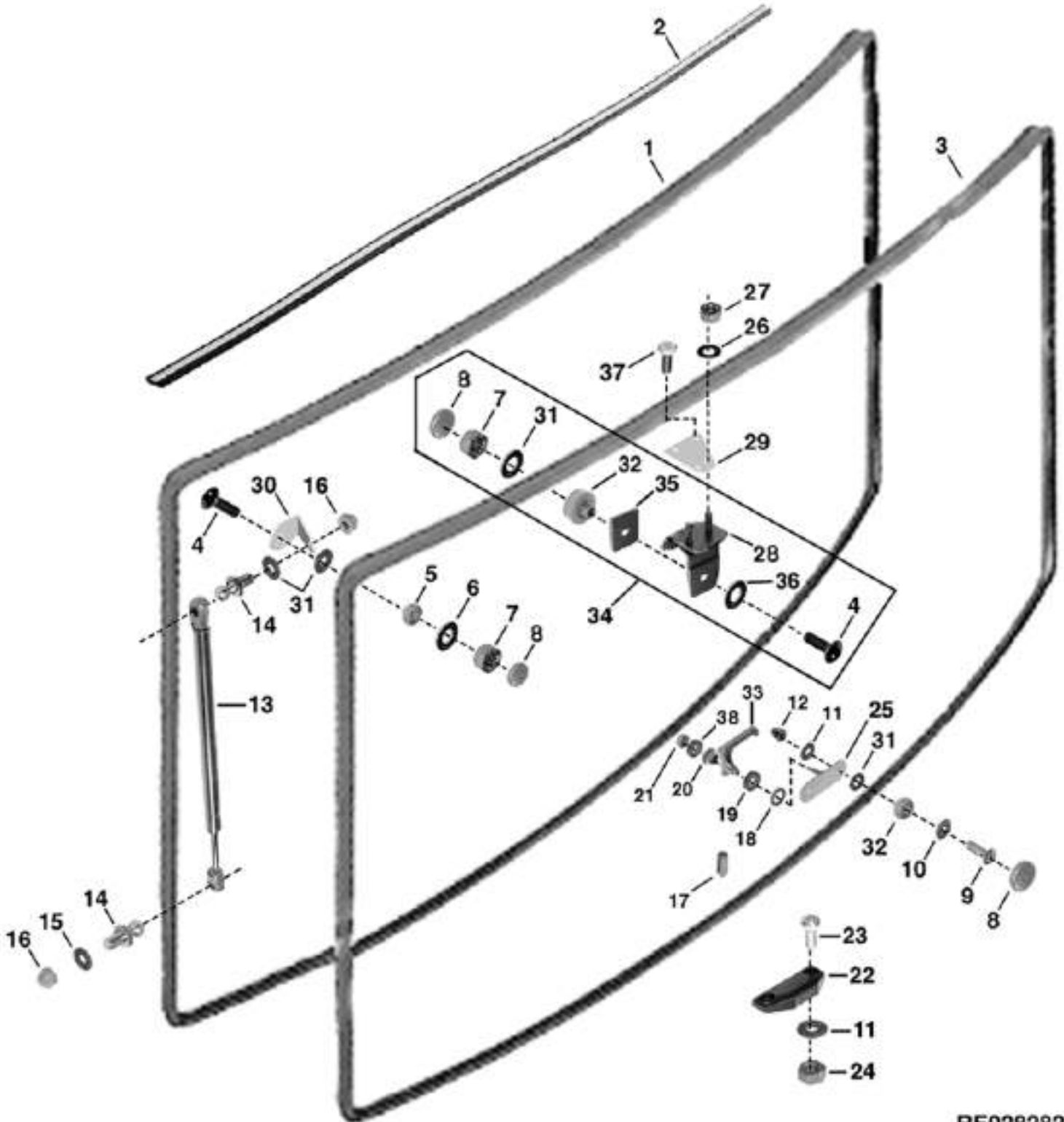
| KEY | PART NO. | PART NAME      | QTY | CAB SERIAL NO. | REMARKS                |
|-----|----------|----------------|-----|----------------|------------------------|
|     |          |                |     | 7 7 7          |                        |
|     |          |                |     | 6 7 8          |                        |
|     |          |                |     | 0 0 0          |                        |
|     |          |                |     | 0 0 0          |                        |
| 1   | L76190   | SEALING WASHER | 1   | X X X          | R.H. (SUB FOR RE64177) |
| 2   | L113908  | SEALING WASHER | 1   | X X X          |                        |
| 3   | AL113174 | HANDLE         | 1   | X X X          |                        |
| 4   | L113907  | SEALING WASHER | 1   | X X X          | L.H.                   |
| 5   | L78691   | BUSHING        | 1   | X X X          |                        |
| 6   | L76189   | SEALING WASHER | 1   | X X X          |                        |
| 7   | L58890   | WASHER         | 1   | X X X          |                        |
| 8   | 19M7868  | SCREW          | 1   | X X X          |                        |

MEMORANDA  
MEMORANDA  
MEMORANDA  
MEMORANDA  
MEMORANDA

# 9F4

OPERATOR'S STATION

REAR WINDOW  
LUNETTE  
HECKFENSTER  
FINISTRINO POSTERIORE  
VENTANA TRASERA  
BAKFONSTER  
RE028282 -UN-15SEP97



RE028282

# 9F5

OPERATOR'S STATION

| KEY | PART NO. | PART NAME             | QTY | TRACTOR SERIAL NO. | A<br>L<br>L | REMARKS                       |
|-----|----------|-----------------------|-----|--------------------|-------------|-------------------------------|
| 1   | RE54802  | SEAL                  | 1   |                    | X           |                               |
| 2   | R117033  | SEAL                  | 1   |                    | X           | UP                            |
| 3   | R124694  | WINDOWPANE            | 1   | -XXXXXX            | X           | (B) (SUB R130518)             |
|     | R130518  | WINDOWPANE            | 1   | XXXXXX-XXXXXX      | X           | (C) (F)                       |
|     | R127903  | WINDOWPANE            | 1   | XXXXXX-            | X           | (G)                           |
|     | R130522  | WINDOWPANE            | 1   | XXXXXX-XXXXXX      | X           | (A) (D) (SUB FOR R124695)     |
|     | R130522  | WINDOWPANE            | 1   | XXXXXX-XXXXXX      | X           | (A) (E) (F)                   |
|     | R131208  | WINDOWPANE            | 1   | XXXXXX-            | X           | (A) (G)                       |
| 4   | 03M7309  | BOLT                  | 2   |                    | X           | M8 X 25                       |
|     | 03M7331  | BOLT                  | 1   |                    | X           |                               |
| 5   | L78851   | BUSHING               | 4   |                    | X           |                               |
| 6   | 24M7207  | WASHER                | 4   |                    | X           | 8.400 X 24 X 2 MM             |
| 7   | 14M7166  | LOCK NUT              | 4   |                    | X           | M8                            |
| 8   | L78703   | CAP                   | 10  |                    | X           |                               |
| 9   | 21M7310  | SCREW                 | 8   |                    | X           | M6 X 25                       |
| 10  | 24M7100  | WASHER                | 6   |                    | X           | 6.600 X 22 X 2 MM             |
| 11  | 24M7251  | WASHER                | 3   |                    | X           | 6.400 X 18 X 1.600 MM         |
| 12  | 14M7376  | LOCK NUT              | 2   |                    | X           | M6                            |
| 13  | RE51083  | GAS OPERATED CYLINDER | 2   | -XXXXXX            | X           | (F)                           |
|     | RE66665  | GAS OPERATED CYLINDER | 2   | XXXXXX-            | X           | (G)                           |
| 14  | R97588   | BALL STUD             | 4   |                    | X           |                               |
| 15  | 24M7036  | WASHER                | 2   |                    | X           | 9 X 16 X 1.600 MM             |
| 16  | 14M7478  | LOCK NUT              | 2   |                    | X           | M8                            |
| 17  | 34M7126  | SPRING PIN            | 1   |                    | X           | 5 X 12 MM                     |
| 18  | T27260   | WASHER                | 2   |                    | X           |                               |
| 19  | 24M7044  | WASHER                | 2   |                    | X           | 13 X 20 X 2 MM                |
| 20  | 99M7070  | PLUG                  | 1   |                    | X           | (USE WITH RE50374)            |
|     | 99M7109  | PLUG                  | 1   |                    | X           | (USE WITH R133450)            |
| 21  | 14M7272  | NUT                   | 1   |                    | X           | M6, (USE WITH RE50374)        |
|     | 14M7165  | LOCK NUT              | 1   |                    | X           | M6, (USE WITH R133450)        |
| 22  | R111570  | LATCH                 | 1   |                    | X           |                               |
| 23  | R114820  | SCREW                 | 4   |                    | X           |                               |
| 24  | 24H1287  | WASHER                | 1   |                    | X           | 9/32" X 5/8" X 0.065"         |
| 25  | AL77794  | FULCRUM               | 1   |                    | X           |                               |
| 26  | 24M7238  | WASHER                | 2   |                    | X           | 8.700 X 17 X 2 MM             |
| 27  | 14M7273  | NUT                   | 2   |                    | X           | M8                            |
| 28  | AL78062  | HINGE                 | 1   | -XXXXXX            | X           | (H) (SUB RE155975) R.H.       |
|     | AL110724 | HINGE                 | 1   | XXXXXX-            | X           | (I) R.H.                      |
|     | AL78063  | HINGE                 | 1   | -XXXXXX            | X           | (H) (SUB RE155975) L.H. (NLA) |
|     | AL110725 | HINGE                 | 1   | XXXXXX-            | X           | (I) L.H.                      |
| 29  | R126184  | PLATE                 | 1   |                    | X           |                               |
| 30  | R107444  | LATCH                 | 2   | -XXXXXX            | X           | (F)                           |
|     | R127904  | LATCH                 | 2   | XXXXXX-            | X           | (G)                           |
| 31  | L78704   | SEALING WASHER        | 2   |                    | X           |                               |
| 32  | L78705   | BUSHING               | 8   |                    | X           |                               |
| 33  | R133450  | HANDLE                | 1   |                    | X           | (SUB FOR RE50374 OR L75768)   |
| 34  | RE155975 | KIT                   | 2   | XXXXXX-            | X           | (I) (SUB FOR RE69919)         |
| 35  | L111419  | GASKET                | 2   |                    | X           |                               |
| 36  | 24M7036  | WASHER                | 2   |                    | X           | 9 X 16 X 1.600 MM             |
| 37  | 19M7555  | SCREW                 | 2   |                    | X           | M8 X 30                       |
| 38  | 24H1287  | WASHER                | 1   |                    | X           | (USE WITH R133450)            |

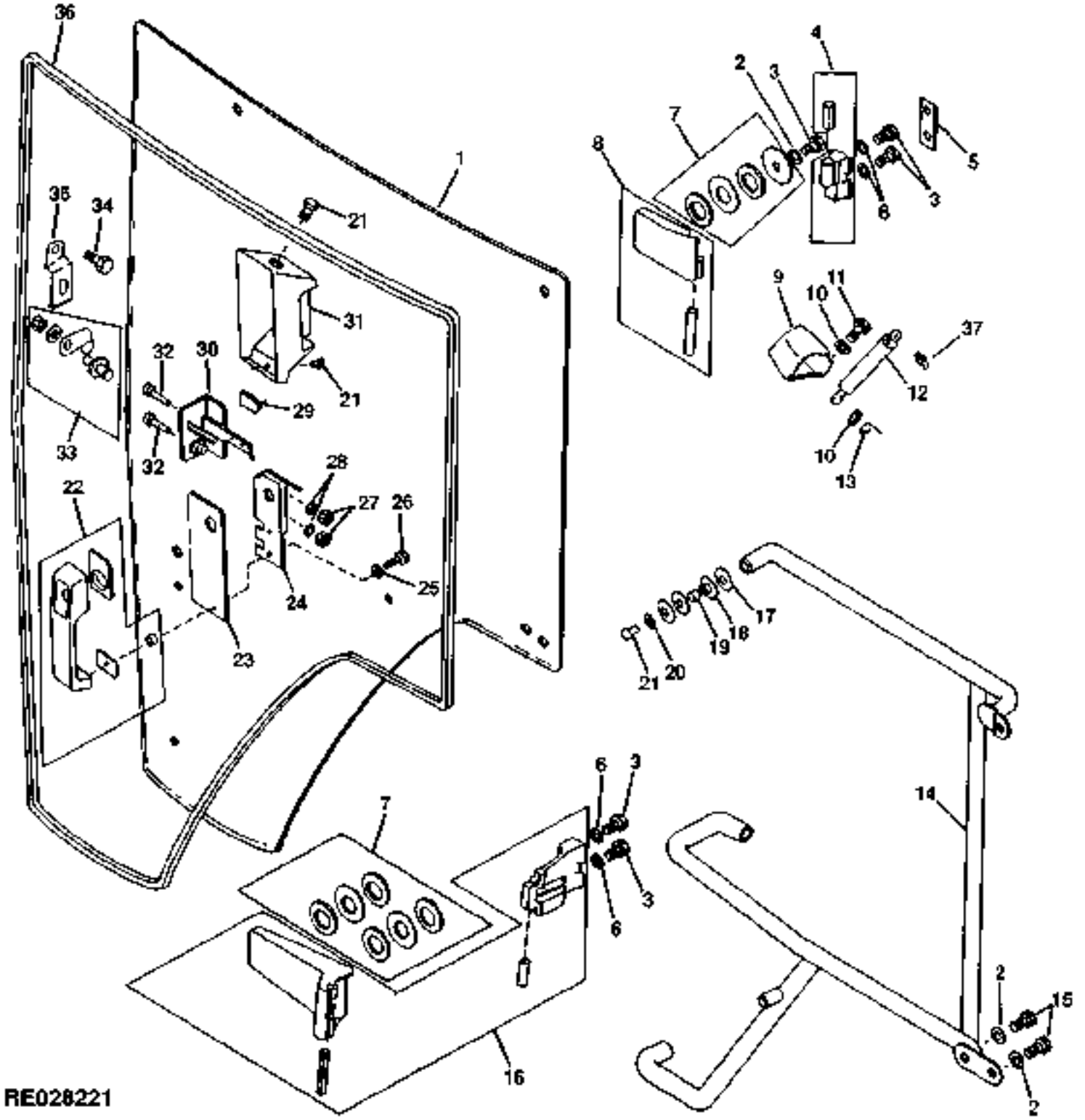
(A)EUROPEAN VERSION  
 VERSION EUROPEENNE  
 EUROPÄISCHE AUSFUEHRUNG  
 VERSIONE EUROPEA  
 VERSION EUROPEA  
 EUROPEISK VERSION

(B)(-XXXXXX) 8100-003436; 8200-002653; 8300-004510; 8400-003001  
 (C)(XXXXXX-) 8100-003437; 8200-002654; 8300-004511; 8400-003002  
 (D)(-XXXXXX) 8100-004154; 8200-003107; 8300-005210; 8400-006127  
 (E)(XXXXXX-) 8100-004155; 8200-003108; 8300-005211; 8400-006128  
 (F)(-XXXXXX) 8100-005156; 8200-003732; 8300-006254; 8400-007009  
 (G)(XXXXXX-) 8100-005157; 8200-003733; 8300-006255; 8400-007010  
 (H)(-XXXXXX) 8100-012505; 8200-012062; 8300-012803; 8400-012768  
 (I)(XXXXXX-) 8100-012506; 8200-012063; 8300-012804; 8400-012769

# 9F6

OPERATOR'S STATION

LEFT-HAND DOOR (8100 -001277; 8200 -001282; 8300 -001971)  
PORTE GAUCHE (8100 -001277; 8200 -001282; 8300 -001971)  
LINKE TUER (8100 -001277; 8200 -001282; 8300 -001971)  
PORTIERA SINISTRA (8100 -001277; 8200 -001282; 8300 -001971)  
PUERTA IZQUIERDA (8100 -001277; 8200 -001282; 8300 -001971)  
VAENSTER DOERR (8100 -001277; 8200 -001282; 8300 -001971)  
RE028221 -UN-25AUG97



RE028221



| KEY | PART NO. | PART NAME             | QTY | CAB<br>SERIAL NO. | A<br>L<br>L | REMARKS                         |
|-----|----------|-----------------------|-----|-------------------|-------------|---------------------------------|
| 1   | R107274  | WINDOWPANE            | 1   |                   | X           |                                 |
|     | R120202  | WINDOWPANE            | 1   |                   | X           | (A)                             |
| 2   | 12M7032  | LOCK WASHER           | 4   |                   | X           |                                 |
| 3   | 19M7647  | SCREW                 | 1   |                   | X           | M8 X 16                         |
| 4   | RE46588  | HINGE                 | 1   |                   | X           | UP                              |
| 5   | R122180  | STRAP                 | 2   |                   | X           |                                 |
| 6   | 24M7055  | WASHER                | 3   |                   | X           | 8.400 X 16 X 1.600 MM           |
| 7   | RE50378  | KIT                   | 3   |                   | X           |                                 |
| 8   | RE46587  | HINGE                 | 1   |                   | X           | UP                              |
| 9   | R124309  | COVER                 | 1   |                   | X           |                                 |
| 10  | 24M7362  | WASHER                | 2   |                   | X           | 8.400 X 16 X 1.600 MM           |
| 11  | 37H80    | SCREW                 | 1   |                   | X           | 0.190" X 1/2"                   |
| 12  | RE44680  | GAS OPERATED CYLINDER | 1   |                   | X           | (ALSO ORDER (2) R97588)         |
| 13  | R84529   | RETAINER              | 1   |                   | X           |                                 |
| 14  | RE160005 | HANDLE                | 1   |                   | X           | (SUB FOR RE60998)               |
| 15  | 19M7881  | SCREW                 | 6   |                   | X           | M8 X 20                         |
| 16  | RE46589  | HINGE                 | 1   |                   | X           |                                 |
| 17  | L58890   | WASHER                | 8   |                   | X           |                                 |
| 18  | R108077  | SEALING WASHER        | 8   |                   | X           |                                 |
| 19  | H25220   | BUSHING               | 4   |                   | X           |                                 |
| 20  | 24M7036  | WASHER                | 4   |                   | X           | 9 X 16 X 1.600 MM               |
| 21  | 21M7392  | SCREW                 | 4   |                   | X           | M8 X 30                         |
| 22  | RE50376  | KIT                   | 1   |                   | X           |                                 |
| 23  | R124360  | PLATE                 | 1   |                   | X           |                                 |
| 24  | R125242  | ANGLE                 | 1   |                   | X           |                                 |
| 25  | 24M7088  | WASHER                | 1   |                   | X           |                                 |
| 26  | 21M7310  | SCREW                 | 1   | -XXXXXX           | X           | (B) M6 X 25                     |
|     | 19M7286  | CAP SCREW             | 1   | XXXXXX-           | X           | (C) M6 X 25                     |
| 27  | 14M7327  | LOCK NUT              | 2   |                   | X           | M8                              |
| 28  | 24M7055  | WASHER                | 2   |                   | X           |                                 |
| 29  | L76191   | HANDLE                | 1   |                   | X           |                                 |
| 30  | AL75638  | LOCK                  | 1   | -009000           | X           | (SUB AL83131)                   |
|     | RE64525  | KIT                   | 1   | 010000-           | X           |                                 |
| 31  | R124268  | COVER                 | 1   |                   | X           | (SUB R126274)                   |
| 32  | 21M7381  | SCREW                 | 2   |                   | X           | M8 X 35                         |
| 33  | RE50379  | KIT                   | 1   |                   | X           | (ALSO ORDER 24H1756 AND A31867) |
| 34  | 19M7162  | CAP SCREW             | 2   |                   | X           | M8 X 16                         |
| 35  | R124593  | PLATE                 | 1   |                   | X           |                                 |
| 36  | RE54802  | SEAL                  | 1   |                   | X           |                                 |
| 37  | R97588   | BALL STUD             | 2   |                   | X           |                                 |

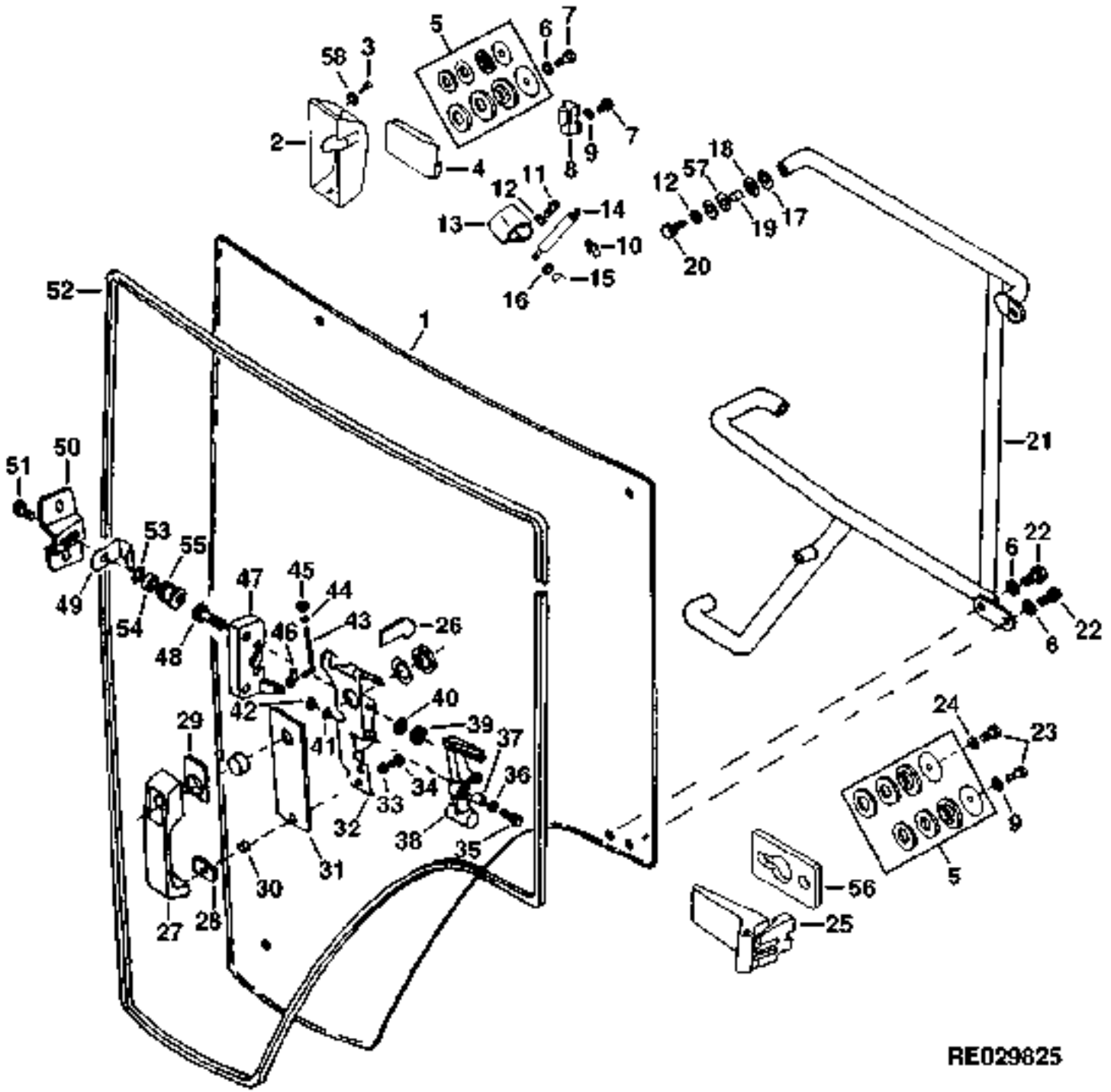
(A)EUROPEAN VERSION  
 VERSION EUROPEENNE  
 EUROPÄISCHE AUSFUEHRUNG  
 VERSIONE EUROPEA  
 VERSION EUROPEA  
 EUROPEISK VERSION

(B)(-XXXXXX) 8100-001541; 8200-001494; 8300-002559; 8400-001158  
 (C)(XXXXXX- ) 8100-001542; 8200-001495; 8300-002560; 8400-001159

# 9F8

OPERATOR'S STATION

LEFT-HAND DOOR (8100 001278- ; 8200 001283- ; 8300 001972- ; 8400 000001- )  
PORTE GAUCHE (8100 001278- ; 8200 001283- ; 8300 001972- ; 8400 000001- )  
LINKE TUER (8100 001278- ; 8200 001283- ; 8300 001972- ; 8400 000001- )  
PORTIERA SINISTRA (8100 001278- ; 8200 001283- ; 8300 001972- ; 8400 000001- )  
PUERTA IZQUIERDA (8100 001278- ; 8200 001283- ; 8300 001972- ; 8400 000001- )  
VAENSTER DOERR (8100 001278- ; 8200 001283- ; 8300 001972- ; 8400 000001- )  
RE029825 -UN-20AUG98



RE029825

| KEY | PART NO. | PART NAME             | QTY | CAB SERIAL NO. | A<br>L<br>L | REMARKS   |
|-----|----------|-----------------------|-----|----------------|-------------|---|
| 1   | R107274  | WINDOWPANE            | 1   | -009999        | X           |   |
|     | R131166  | WINDOWPANE            | 1   | 010000-        | X           | (SUB R156054)   |
|     | R120202  | WINDOWPANE            | 1   | -009999        | X           | (A)   |
|     | R131165  | WINDOWPANE            | 1   | 010000-        | X           | (A) (SUB R157210)   |
| 2   | R126274  | COVER                 | 1   |                | X           |   |
| 3   | 37M7277  | SCREW                 | 4   |                | X           |   |
| 4   | RE46587  | HINGE                 | 1   |                | X           |   |
| 5   | RE50378  | KIT                   | 3   |                | X           |   |
| 6   | 12M7032  | LOCK WASHER           | 3   |                | X           | 8.400 MM  |
| 7   | 19M7163  | CAP SCREW             | 2   |                | X           | M8 X 25   |
| 8   | RE46588  | HINGE                 | 1   |                | X           | UP  |
| 9   | 24M7055  | WASHER                | 2   |                | X           | 8.400 X 16 X 1.600 MM   |
| 10  | R97588   | BALL STUD             | 1   |                | X           |   |
| 11  | 37H80    | SCREW                 | 1   |                | X           | 0.190" X 1/2"   |
| 12  | 24M7036  | WASHER                | 1   |                | X           | 9 X 16 X 1.600 MM   |
| 13  | R124309  | COVER                 | 1   |                | X           |   |
| 14  | RE44680  | GAS OPERATED CYLINDER | 1   |                | X           | (ALSO ORDER (2) R97588)   |
|     | RE58715  | GAS OPERATED CYLINDER | 1   |                | X           | (A) (ALSO ORDER (2) R97588)   |
| 15  | R84529   | RETAINER              | 2   |                | X           |   |
| 16  | 24M7362  | WASHER                | 2   |                | X           | 8.400 X 16 X 1.600 MM   |
| 17  | L58890   | WASHER                | 1   |                | X           |   |
| 18  | L78703   | CAP                   | 1   |                | X           |   |
| 19  | L78851   | BUSHING               | 1   |                | X           |   |
| 20  | 19M8323  | SCREW                 | 1   |                | X           | M8 X 40   |
| 21  | RE160005 | HANDLE                | 1   | -XXXXXX        | X           | (B) (SUB FOR RE60998)   |
|     | RE160005 | HANDLE                | 1   | XXXXXX-        | X           | (C)   |
| 22  | 19M7881  | SCREW                 | 6   |                | X           | M8 X 20   |
| 23  | 19M7288  | CAP SCREW             | 2   |                | X           | M8 X 30   |
| 24  | 24M7055  | WASHER                | 2   |                | X           | 8.400 X 16 X 1.600 MM   |
| 25  | RE46589  | HINGE                 | 1   |                | X           |   |
| 26  | L76191   | HANDLE                | 1   |                | X           |   |
| 27  | RE64646  | KIT                   | 1   |                | X           | (NLA) (ORDER COMPONENT PARTS)   |
|     | RE64525  | KIT                   | 1   | -025209        | X           | (INCLUDES M112442, RE50874, R126271,<br>R131356, R126365, R127216, R82272,<br>R82444, R82445) |
|     | AL113174 | HANDLE                | 1   | 025210-        | X           |   |
| 28  | L76189   | SEALING WASHER        | 1   | -025209        | X           | (ORDER RE64525)   |
|     | L113907  | SEALING WASHER        | 1   | 025210-        | X           |   |
| 29  | L76190   | SEALING WASHER        | 1   | -025209        | X           | (ORDER RE64525)   |
|     | L113908  | SEALING WASHER        | 1   | 025210-        | X           |   |
| 30  | L78691   | BUSHING               | 1   |                | X           | (ORDER RE64525)   |
| 31  | R126282  | PLATE                 | 1   |                | X           |   |
| 32  | R131356  | ANGLE                 | 1   |                | X           | (SUB FOR R131356)   |

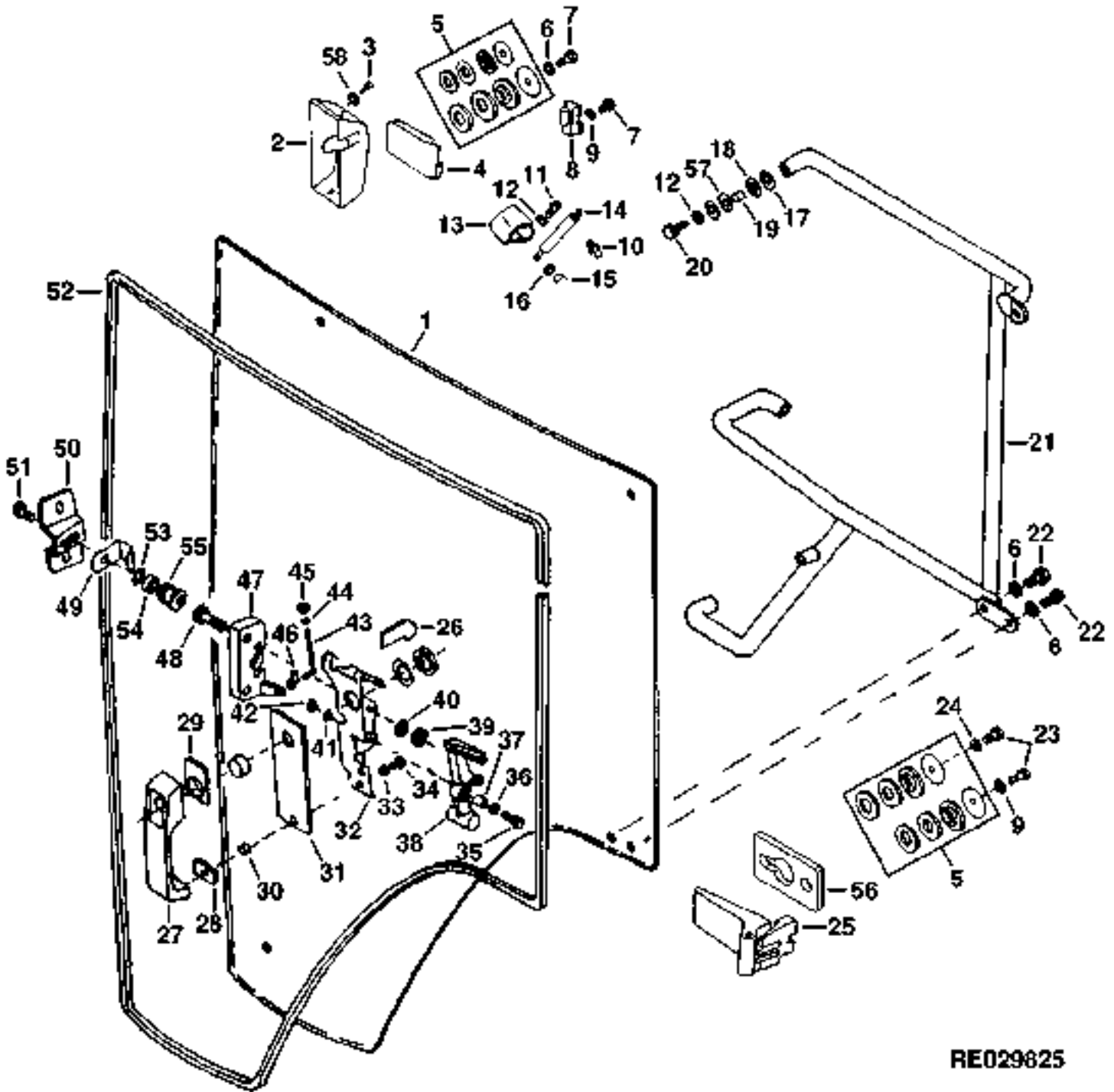
(A) EUROPEAN VERSION  
 VERSION EUROPEENNE  
 EUROPÄISCHE AUSFÜHRUNG  
 VERSIONE EUROPEA  
 VERSION EUROPEA  
 EUROPEISK VERSION

(B) ( -XXXXXX) 8100-025225; 8200-022223; 8300-025216; 8400-025209  
 (C) (XXXXXX- ) 8100-025226; 8200-022224; 8300-025217; 8400-025210

# 9F10

OPERATOR'S STATION

LEFT-HAND DOOR (8100 001278- ; 8200 001283- ; 8300 001972- ; 8400 000001- )  
PORTE GAUCHE (8100 001278- ; 8200 001283- ; 8300 001972- ; 8400 000001- )  
LINKE TUER (8100 001278- ; 8200 001283- ; 8300 001972- ; 8400 000001- )  
PORTIERA SINISTRA (8100 001278- ; 8200 001283- ; 8300 001972- ; 8400 000001- )  
PUERTA IZQUIERDA (8100 001278- ; 8200 001283- ; 8300 001972- ; 8400 000001- )  
VAENSTER DOERR (8100 001278- ; 8200 001283- ; 8300 001972- ; 8400 000001- )  
RE029825 -UN-20AUG98



RE029825

# 9F11

OPERATOR'S STATION

| KEY | PART NO. | PART NAME   | QTY | CAB<br>SERIAL NO. | A<br>L<br>L | REMARKS               |
|-----|----------|-------------|-----|-------------------|-------------|-----------------------|
| 33  | 24M7088  | WASHER      | 2   |                   | X           | 6.600 X 12 X 1.600 MM |
| 34  | 19M7286  | CAP SCREW   | 1   |                   | X           | M6 X 25               |
| 35  | 19M7866  | SCREW       | 1   |                   | X           | M8 X 20               |
| 36  | 24M7207  | WASHER      | 1   |                   | X           | 8.400 X 24 X 2 MM     |
| 37  | M112442  | BUSHING     | 1   |                   | X           |                       |
| 38  | R127216  | BELLCRANK   | 1   |                   | X           |                       |
| 39  | 14M7272  | NUT         | 4   |                   | X           | M6                    |
| 40  | 12M7006  | LOCK WASHER | 4   |                   | X           | 6.100 MM              |
| 41  | 12M7065  | LOCK WASHER | 2   |                   | X           | 8.100 MM              |
| 42  | 14M7273  | NUT         | 2   |                   | X           | M8                    |
| 43  | R82444   | HOOK BOLT   | 1   |                   | X           |                       |
| 44  | U45916   | LOCK NUT    | 1   |                   | X           |                       |
| 45  | 24H1283  | WASHER      | 1   |                   | X           |                       |
| 46  | R82445   | RETAINER    | 1   |                   | X           |                       |
| 47  | RE50874  | LATCH       | 1   | -025209           | X           |                       |
|     | RE65760  | LATCH       | 1   | 025210-           | X           |                       |
| 48  | 19M7874  | CAP SCREW   | 4   |                   | X           | M6 X 30               |
| 49  | R126271  | SHIELD      | 1   |                   | X           |                       |
| 50  | R128695  | SUPPORT     | 1   |                   | X           | (SUB FOR R126275)     |
| 51  | 03M7192  | BOLT        | 1   |                   | X           | M10 X 30              |
| 52  | RE54802  | SEAL        | 1   |                   | X           |                       |
| 53  | 24H1219  | WASHER      | 1   |                   | X           | 7/16" X 1" X 0.083"   |
| 54  | 24H1781  | WASHER      | 1   |                   | X           | 13/32" X 7/8" X 1/4"  |
| 55  | R134619  | STRIKER     | 1   |                   | X           | (SUB FOR R82272)      |
| 56  | R124417  | RETAINER    | 1   |                   | X           |                       |
| 57  | R131261  | WASHER      | 2   |                   | X           |                       |
| 58  | 24M7419  | WASHER      | 3   |                   | X           |                       |

(A) EUROPEAN VERSION  
 VERSION EUROPEENNE  
 EUROPÄISCHE AUSFUEHRUNG  
 VERSIONE EUROPEA  
 VERSION EUROPEA  
 EUROPEISK VERSION

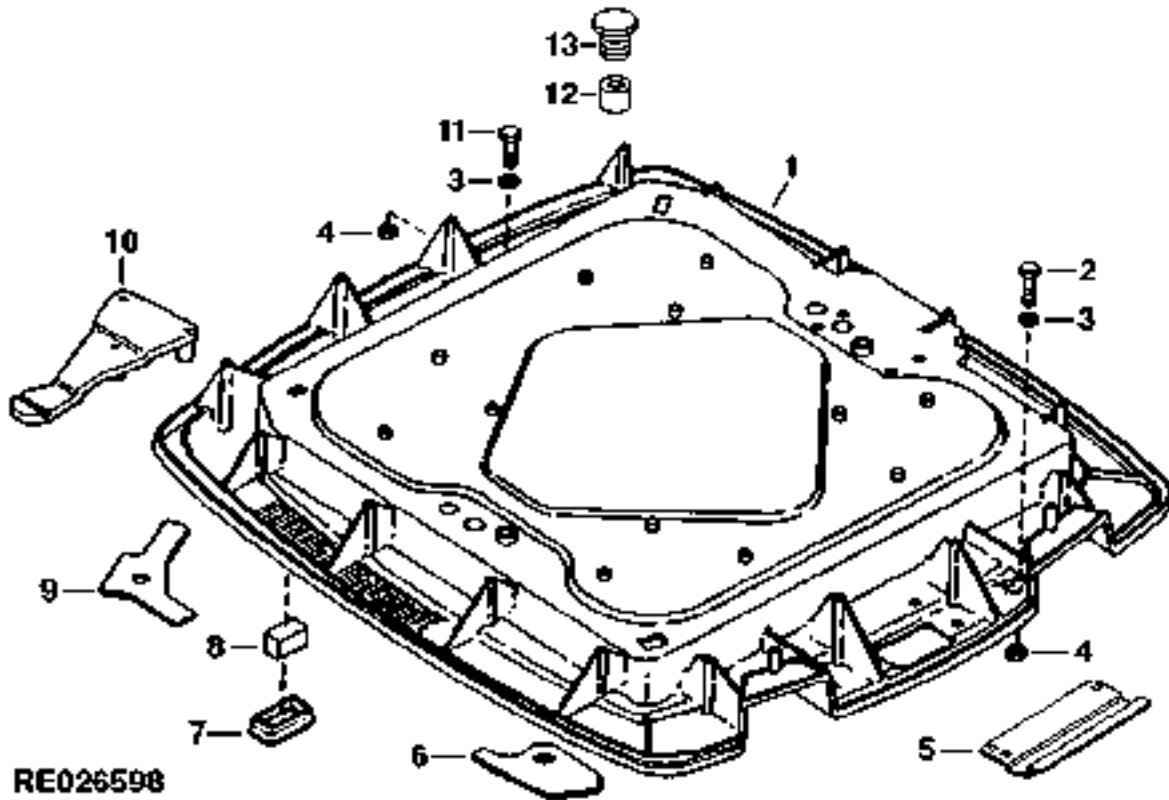
(B) ( -XXXXXX) 8100-025225; 8200-022223; 8300-025216; 8400-025209  
 (C) (XXXXXX- ) 8100-025226; 8200-022224; 8300-025217; 8400-025210

# 9F12

OPERATOR'S STATION

INNER ROOF  
TOIT INTERIEUR  
INNENDACH  
TETTO INTERNO  
TECHO INTERNO  
INNERTAK

RE026598 -UN-04DEC95



**RE026598**

| KEY | PART NO. | PART NAME | QTY | CAB<br>SERIAL NO. | A |                   | REMARKS                       |
|-----|----------|-----------|-----|-------------------|---|-------------------|-------------------------------|
|     |          |           |     |                   | L | L                 |                               |
| 1   | R124154  | ROOF      | 1   | -XXXXXX           | X | (B)               | (SUB R130318 AND (4) 37M7084) |
|     | R130318  | ROOF      | 1   | XXXXXX-           | X | (C)               |                               |
| 2   | 19M7163  | CAP SCREW | 4   | -XXXXXX           | X | (B)               | M8 X 25                       |
|     | 37M7084  | SCREW     | 4   | XXXXXX-           | X | (C)               | M8 X 25                       |
| 3   | 24M7207  | WASHER    | 8   |                   | X |                   | 8.400 X 24 X 2 MM             |
| 4   | 14M7273  | NUT       | 8   |                   | X |                   | M8                            |
| 5   | R125078  | COVER     | 1   |                   | X |                   |                               |
| 6   | R120358  | SEAL      | 2   |                   | X | (SUB RE71267)     | REAR                          |
| 7   | R112828  | SEAL      | 3   |                   | X |                   |                               |
| 8   | R55327   | ISOLATOR  | 2   |                   | X |                   |                               |
| 9   | R120357  | SEAL      | 2   |                   | X | (SUB RE71267)     | FRONT                         |
| 10  | R125906  | BRACKET   | 1   |                   | X | (A)               | (SUB FOR R126105) R.H.        |
|     | R125905  | BRACKET   | 1   |                   | X | (SUB FOR R126103) | L.H.                          |
| 11  | 19M7979  | SCREW     | 4   |                   | X |                   | M8 X 55                       |
| 12  | R127767  | GROMMET   | 2   |                   | X |                   |                               |
| 13  | R129433  | INSERT    | 1   |                   | X |                   |                               |

(A)EUROPEAN VERSION  
VERSION EUROPEENNE  
EUROPAEISCHE AUSFUEHRUNG  
VERSIONE EUROPEA  
VERSION EUROPEA  
EUROPEISK VERSION

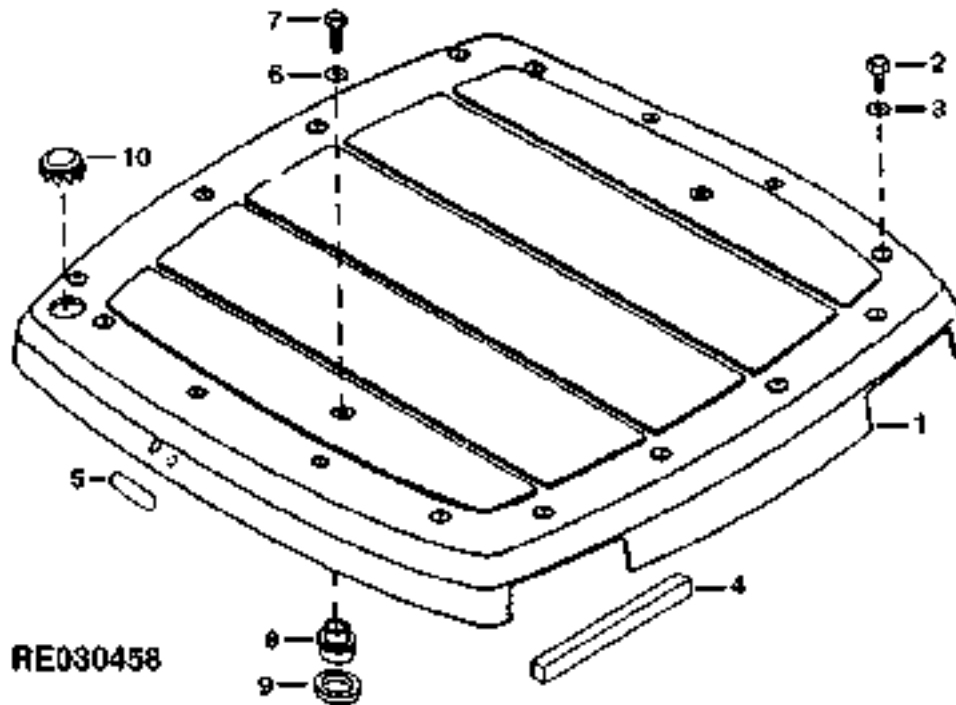
(B)( -XXXXXX) 8100-003000; 8200-002366; 8300-004116; 8400-002678  
(C)(XXXXXX- ) 8100-003001; 8200-002367; 8300-004117; 8400-002679

# 9F13

OPERATOR'S STATION

OUTER ROOF  
TOIT EXTERIEUR  
AUSSENDACH  
TETTO ESTERNO  
TECHO EXTERNO  
YTERTAK

RE030458 -UN-24MAR99



| KEY | PART NO. | PART NAME | QTY | TRACTOR SERIAL NO. | A |   | REMARKS   |
|-----|----------|-----------|-----|--------------------|---|---|---|
|     |          |           |     |                    | L | L |   |
| 1   | RE150587 | ROOF      | 1   | -XXXXXX            | X |   | (B) (SUB FOR RE60667 AND RE67377) (ALSO ORDER R28473) |
|     | RE152556 | ROOF      | 1   | XXXXXX-            | X |   | (C)   |
|     | RE150589 | ROOF      | 1   | -XXXXXX            | X |   | (A) (B) (SUB FOR RE62192 OR RE67618)                  |
|     | RE152557 | ROOF      | 1   | XXXXXX-            | X |   | (A) (C)   |
| 2   | R117569  | SCREW     | 16  |                    | X |   |   |
| 3   | 24M7100  | WASHER    | 16  |                    | X |   | 6.600 X 22 X 2 MM                                     |
| 4   | R125869  | FOAM PAD  | 5   |                    | X |   |   |
| 5   | R81207   | COVER     | 2   |                    | X |   |   |
| 6   | 24M7338  | WASHER    | 2   | -XXXXXX            | X |   | (B) 17 X 30 X 3 MM                                    |
|     | 24M7315  | WASHER    | 2   | XXXXXX-            | X |   | (C) 17 X 50 X 3 MM                                    |
| 7   | 19M7394  | CAP SCREW | 2   |                    | X |   | M16 X 25  |
| 8   | R152119  | SPACER    | 2   | XXXXXX-            | X |   | (C)   |
| 9   | R152120  | SEAL      | 2   | XXXXXX-            | X |   | (C)   |
| 10  | R28473   | PLUG      | 2   |                    | X |   |   |

(A)EUROPEAN VERSION  
VERSION EUROPEENNE  
EUROPAEISCHE AUSFUEHRUNG  
VERSIONE EUROPEA  
VERSION EUROPEA  
EUROPEISK VERSION

(B) ( -XXXXXX) 8100-013075; 8200-012538; 8200-013580; 8400-013476  
(C) (XXXXXX- ) 8100-013076; 8200-012539; 8300-013581; 8400-013477

MEMORANDA  
MEMORANDA  
MEMORANDA  
MEMORANDA  
MEMORANDA



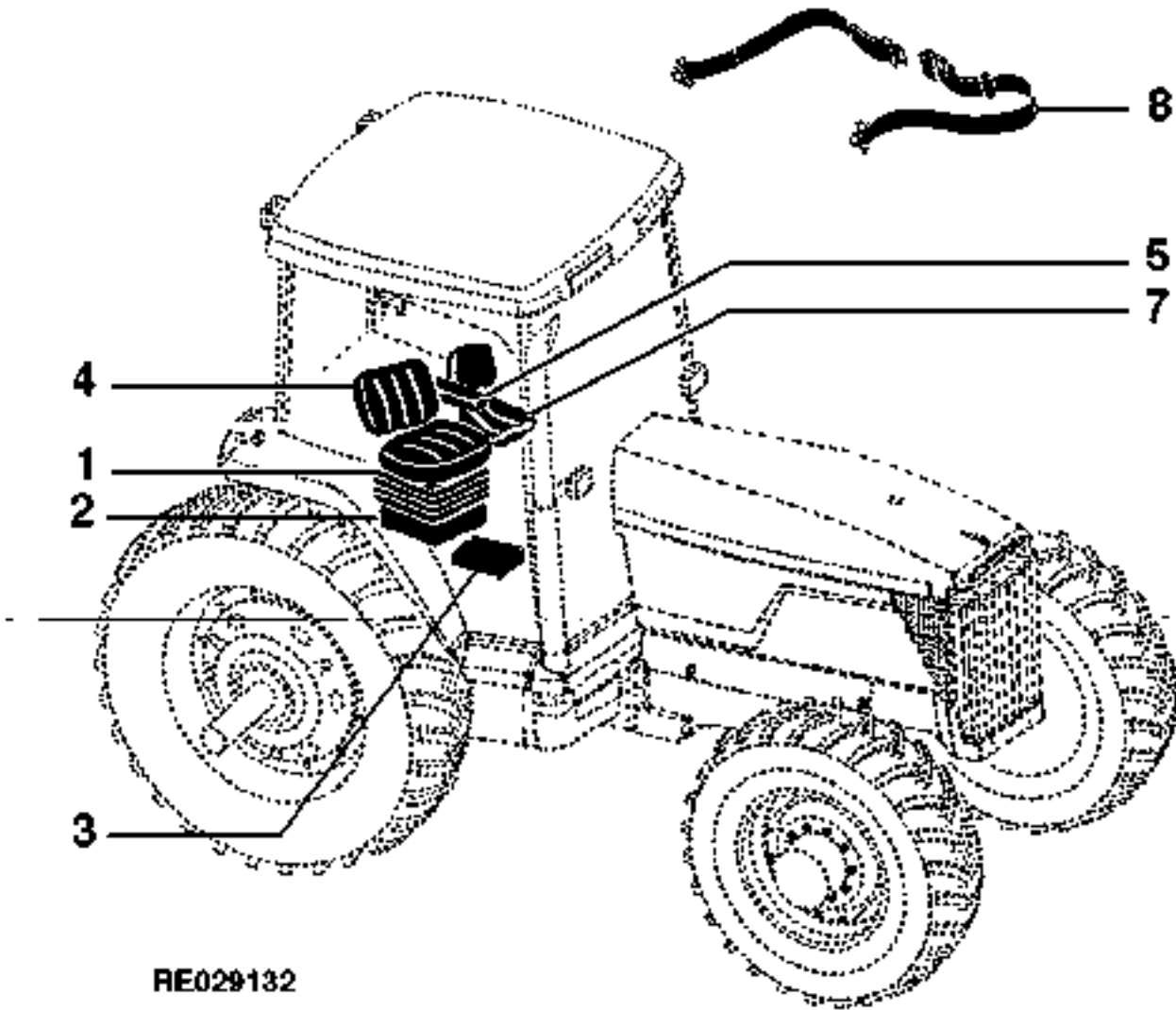
# 9F15

SEAT

SECTIONAL INDEX  
INDEX DE SECTION  
GRUPPENINDEX  
INDICE DELLA SEZIONE  
INDICE DE SECCION  
GRUPPSFORTECKNING

RE029132 -UN-10MAY99

|     |      |
|-----|------|
| 1 - | 9F17 |
| 2 - | 9F24 |
| 3 - | 9G1  |
| 4 - | 9G3  |
| 5 - | 9G5  |
| 6 - | 9G7  |
| 7 - | 9G9  |
| 8 - | 9G13 |



RE029132

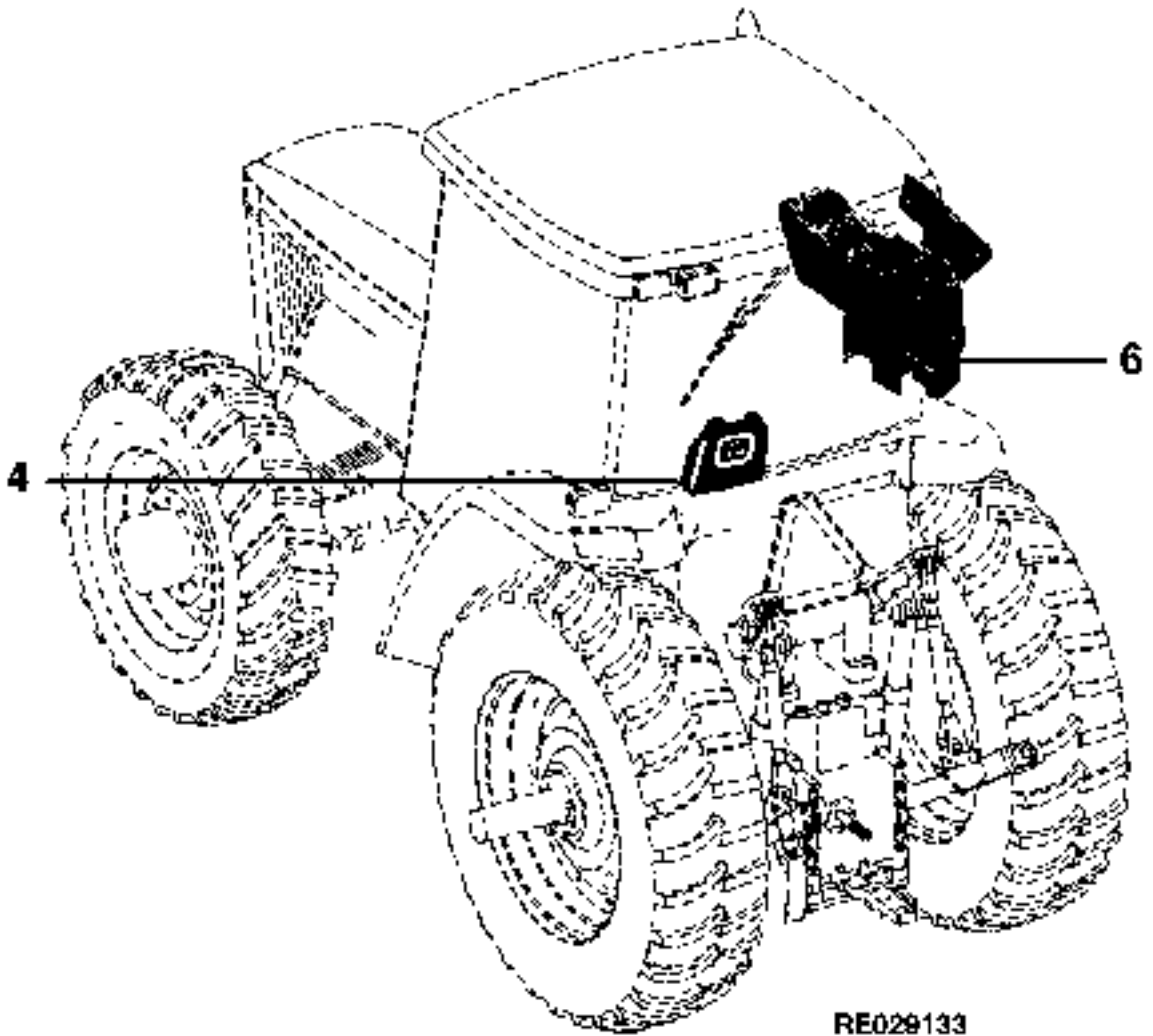
# 9F16

SEAT

SECTIONAL INDEX  
INDEX DE SECTION  
GRUPPENINDEX  
INDICE DELLA SEZIONE  
INDICE DE SECCION  
GRUPPSFORTECKNING

RE029133 -UN-10MAY99

|     |      |
|-----|------|
| 1 - | 9F17 |
| 2 - | 9F24 |
| 3 - | 9G1  |
| 4 - | 9G3  |
| 5 - | 9G5  |
| 6 - | 9G7  |
| 7 - | 9G9  |
| 8 - | 9G13 |



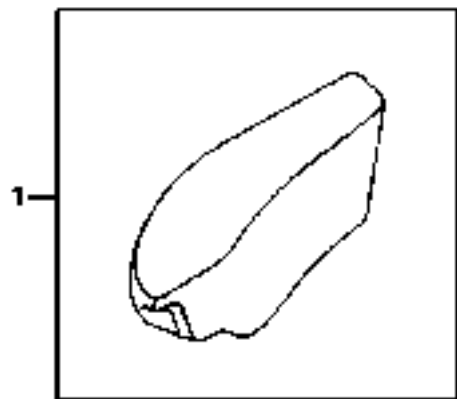
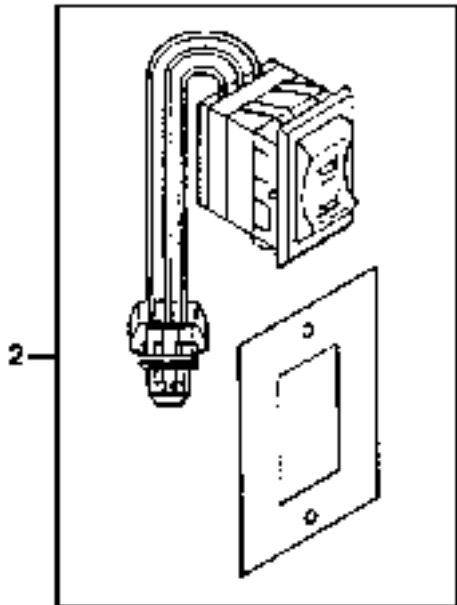
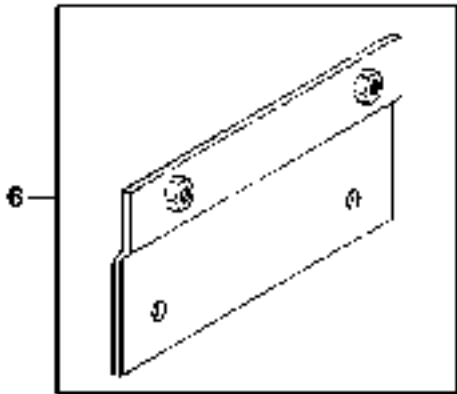
RE029133

MEMORANDA  
MEMORANDA  
MEMORANDA  
MEMORANDA  
MEMORANDA

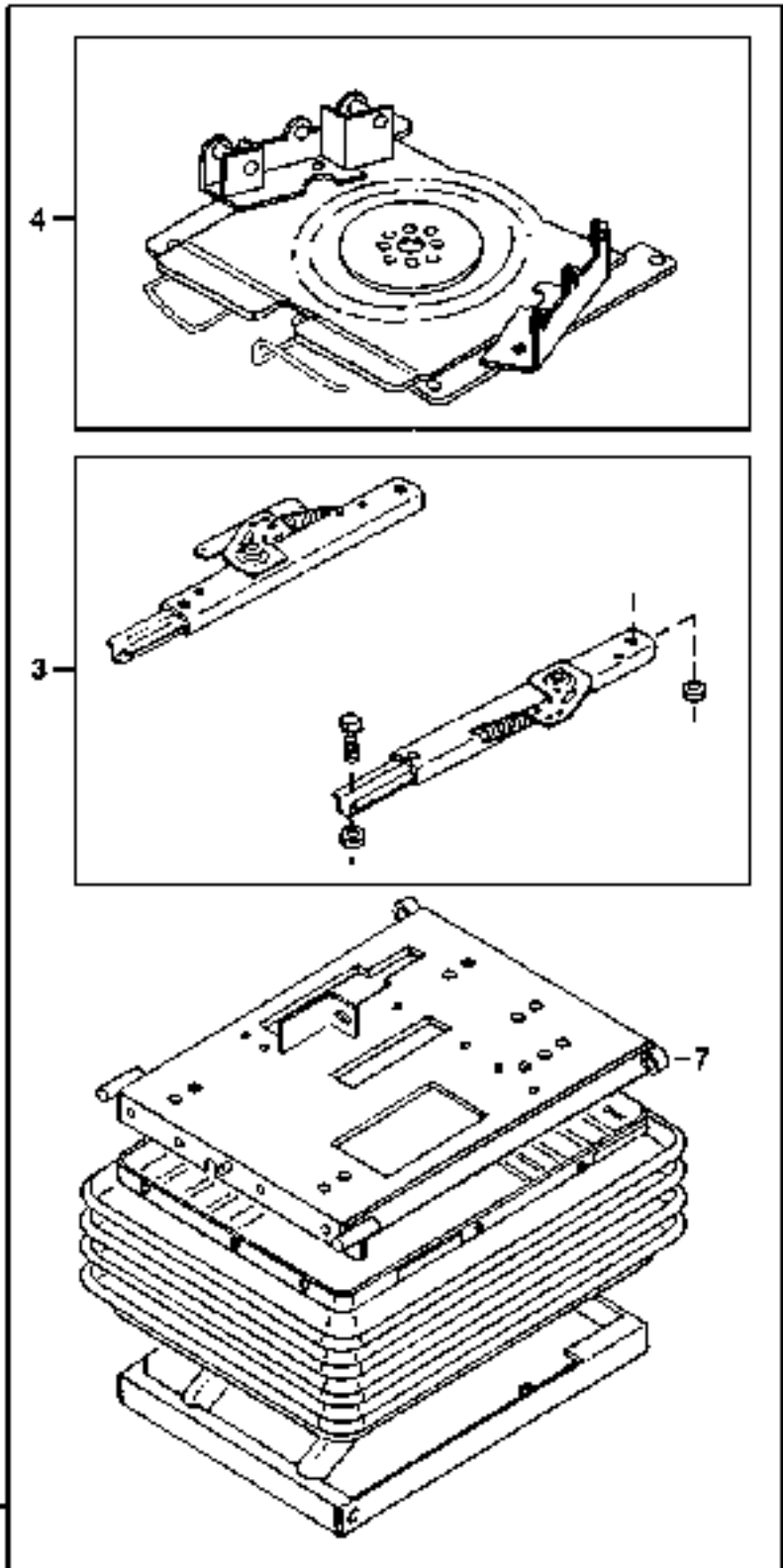
# 9F17

SEAT

AIR SEAT SUSPENSION  
SUSPENSION PNEUMATIQUE DE SIEGE  
SITZ MIT LUFTFEDERUNG  
SEDILE CON PNEUMOSPENSIONE  
SUSPENSION DE ASIENTO NEUMATICO  
SITS MED LUFTJAEDRING  
RE030573 -UN-12MAY99



RE030573



# 9F18

SEAT

| KEY | PART NO. | PART NAME              | QTY | CAB<br>SERIAL NO. | A<br>L<br>L | REMARKS                       |
|-----|----------|------------------------|-----|-------------------|-------------|-------------------------------|
| 1   | RE52564  | ARMREST KIT            | 1   |                   | X           | (A) L.H. (ALSO ORDER RE58084) |
|     | RE52566  | ARMREST KIT            | 1   |                   | X           | (B) L.H.                      |
| 2   | RE52562  | SEAT HEIGHT SWITCH KIT | 1   |                   | X           |                               |
|     | RE43451  | ROCKER SWITCH          | 1   |                   | X           |                               |
| 3   | RE52563  | SEAT SLIDE TRACK KIT   | 1   |                   | X           |                               |
| 4   | RE60601  | KIT                    | 1   |                   | X           |                               |
| 5   | RE60602  | SEAT SUSPENSION        | 1   |                   | X           |                               |
| 6   | AR72055  | ADAPTER                | 1   |                   | X           |                               |
| 7   | RE58025  | HOUSING                | 1   |                   | X           |                               |

(A)TILT-UP  
INCLINAISON VERS LE HAUT  
HICKIPP  
RIBALTAMENTO  
INCLINAR HACIA ARRIBA  
TIPPBAR

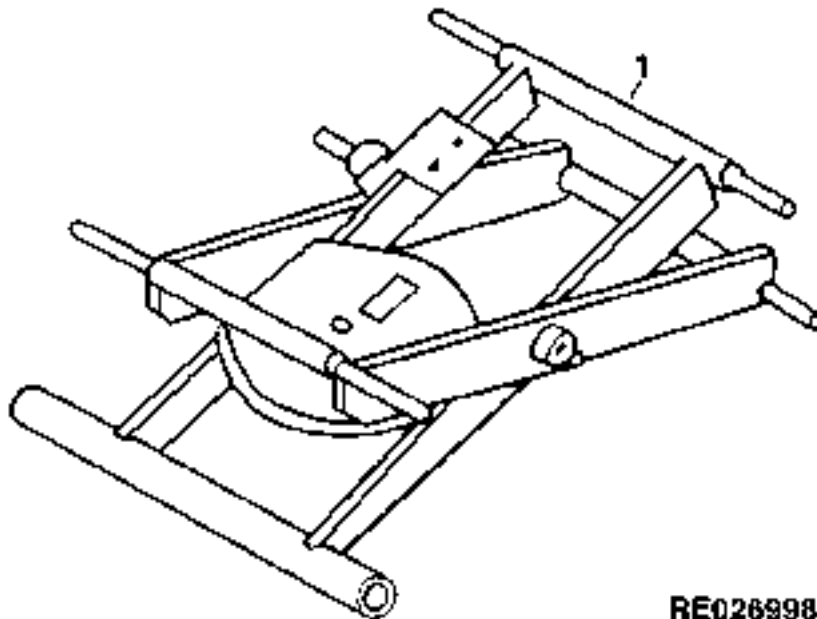
(B)ADJUSTABLE  
REGLABLE  
EINSTELLBAR  
REGOLABILE  
ADJUSTABLE  
REGLERBAR

MEMORANDA  
MEMORANDA  
MEMORANDA  
MEMORANDA  
MEMORANDA

# 9F19

SEAT

AIR SEAT SUSPENSION ARM  
BRAS DE SUSPENSION PNEUMATIQUE DE SIEGE  
ARM FUER LUFTGEFEDERTEN FAHRERSITZ  
BRACCIO SOSPENSIONE PNEUMATICA SEDILE  
BRAZO DE SUSPENSION DE ASIENTO NEUMATICO  
ARM FOER LUFTFJAEDRAT SAETE  
RE026998 -UN-17MAR97



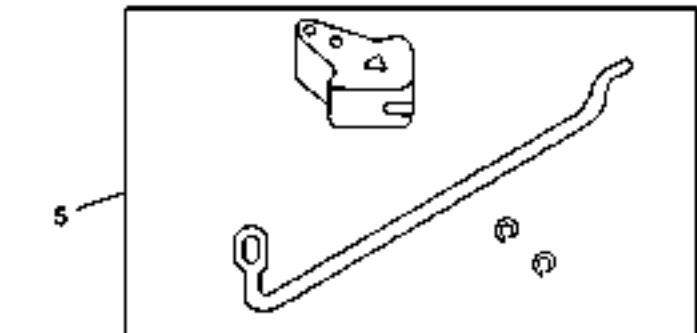
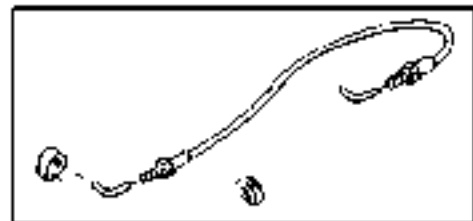
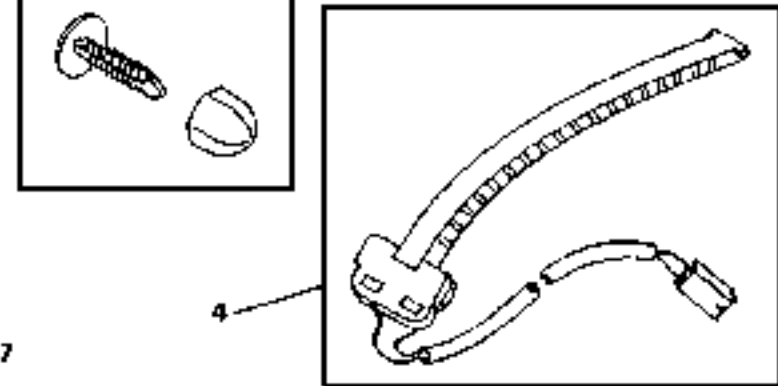
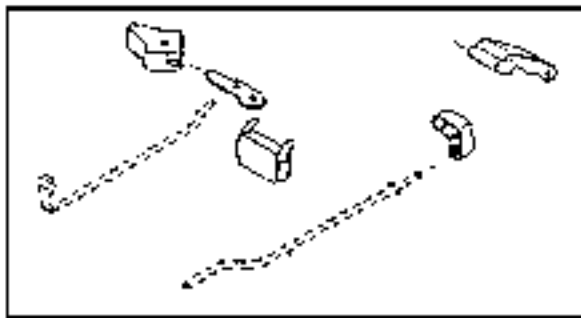
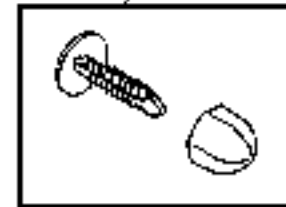
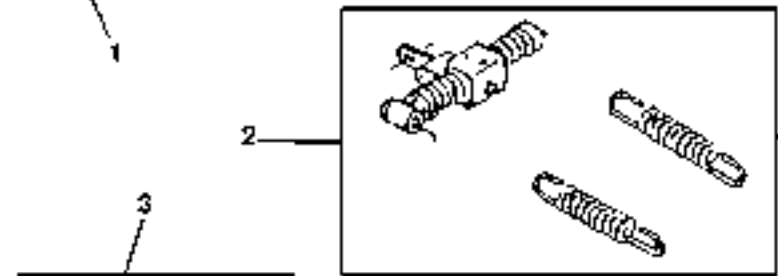
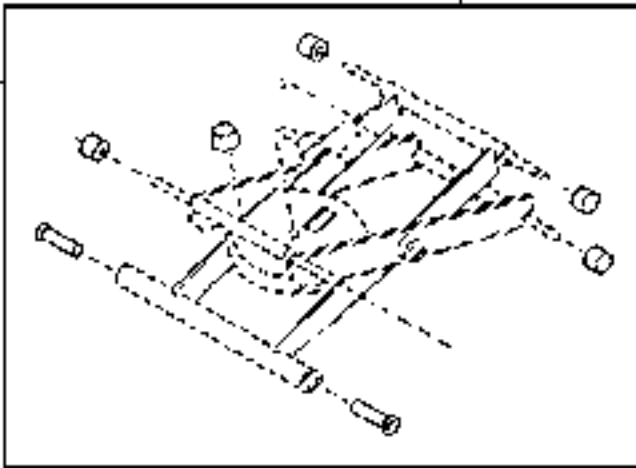
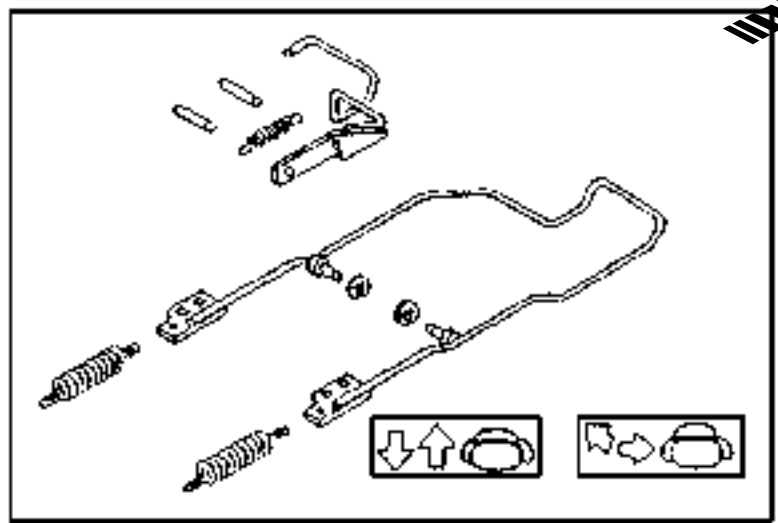
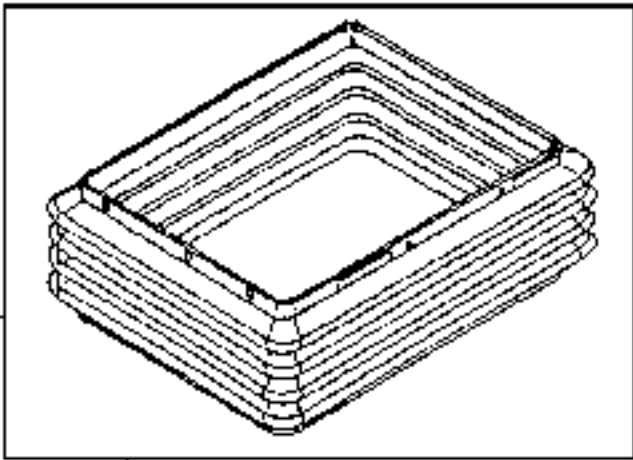
**RE026998**

| KEY | PART NO. | PART NAME       | QTY | CAB<br>SERIAL NO. | A<br>L<br>L<br>REMARKS |
|-----|----------|-----------------|-----|-------------------|------------------------|
| 1   | RE69069  | SEAT SUSPENSION | 1   |                   | X                      |

# 9F20

SEAT

AIR SEAT SUSPENSION  
SUSPENSION PNEUMATIQUE DE SIEGE  
SITZ MIT LUFTFEDERUNG  
SEDILE CON PNEUMOSPENSIONE  
SUSPENSION DE ASIENTO NEUMATICO  
SITS MED LUFTFJAEDRING  
RE027978 -UN-22MAY97



RE027978



# 9F21

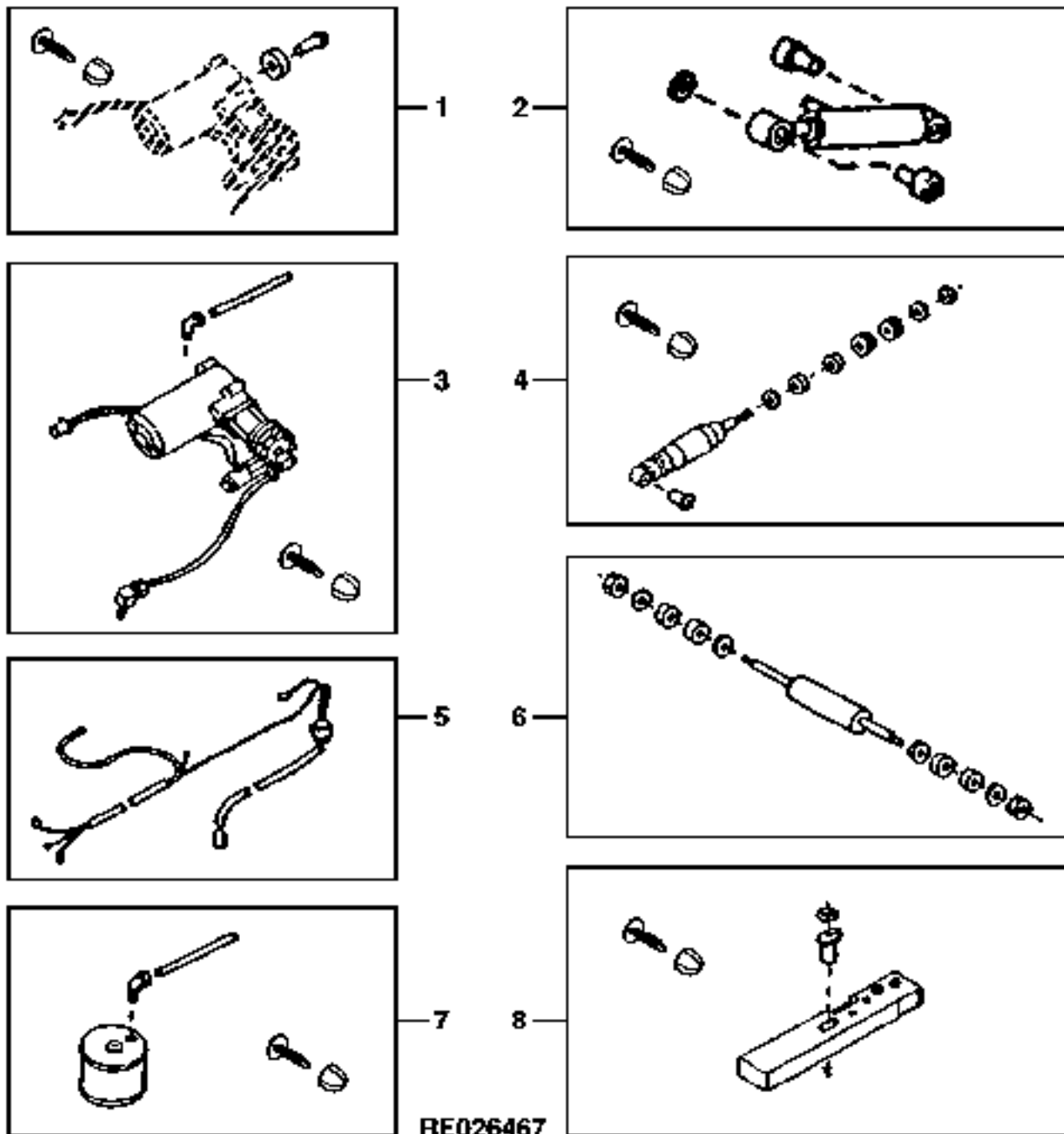
SEAT

| KEY | PART NO. | PART NAME                  | QTY | CAB<br>SERIAL NO. | A<br>L<br>L | REMARKS           |
|-----|----------|----------------------------|-----|-------------------|-------------|-------------------|
| 1   | RE52557  | SEAT CONTROL LEVER KIT     | 1   |                   | X           |                   |
| 2   | RE65696  | SEAT ATTENUATOR SPRING KIT | 1   |                   | X           | (SUB FOR RE52558) |
| 3   | RE56116  | SEAT KIT                   | 1   |                   | X           |                   |
| 4   | RE52561  | OPR PRESENCE SWITCH KIT    | 1   |                   | X           |                   |
|     | RE43526  | SWITCH                     | 1   |                   | X           |                   |
| 5   | RE70276  | KIT                        | 1   |                   | X           |                   |
| 6   | RE52560  | SEAT ADJUSTMENT CABLE KIT  | 1   |                   | X           |                   |
| 7   | RE52559  | SEAT KNOB KIT              | 1   |                   | X           |                   |
| 8   | RE63832  | SEAT BEARING ROLLER KIT    | 1   |                   | X           | (SUB FOR RE58032) |
| 9   | RE52555  | SEAT SUSPENSION BOOT KIT   | 1   |                   | X           |                   |

# 9F22

SEAT

AIR SEAT RIDE KITS  
JEUX DE SIEGE PNEUMATIQUE  
LUFTSITZ-BAUSAETZE  
KIT DEL SEDILE PNEUMATICO  
CONJUNTOS DE SUSPENSION NEUMATICA DEL ASIEN TO  
DELAR FOER PNEUMATISK SITS  
RE026467 -UN-10SEP95



| KEY | PART NO. | PART NAME               | QTY | CAB<br>SERIAL NO. | A | REMARKS               |
|-----|----------|-------------------------|-----|-------------------|---|-----------------------|
|     |          |                         |     |                   | L |                       |
| 1   | RE65693  | COMPRESSOR FILTER KIT   | 1   |                   | X | (SUB FOR RE52548)     |
| 2   | RE65695  | SEAT SHOCK ABSORBER KIT | 1   |                   | X | (A) (SUB FOR RE52552) |
| 3   | RE52549  | COMPRESSOR VALVE KIT    | 1   |                   | X |                       |
| 4   | RE52553  | SEAT SHOCK ABSORBER KIT | 1   |                   | X | (B)                   |
| 5   | RE52550  | WIRING HARNESS          | 1   |                   | X |                       |
| 6   | RE52554  | SEAT SHOCK ABSORBER KIT | 1   |                   | X | (C)                   |
| 7   | RE65694  | AIR SPRING SEAT KIT     | 1   |                   | X | (SUB FOR RE52551)     |
| 8   | RE60717  | RIDE ZONE PROTECTOR KIT | 1   |                   | X | (D)                   |

(A)SEAT SUSPENSION  
 SUSPENSION DE SIEGE  
 SITZFEDERUNG  
 SOSPENSIONE DEL SEDILE  
 SUSPENSION DEL ASIEN TO  
 SITSFJAEDRING

(B)FORE-AFT ATTENUATOR  
 ATTENUATEUR  
 LAENGSDAEMPFER  
 COMPENSATORE  
 ATENUADOR DE MOVIMIENTO  
 DAEMPARE I

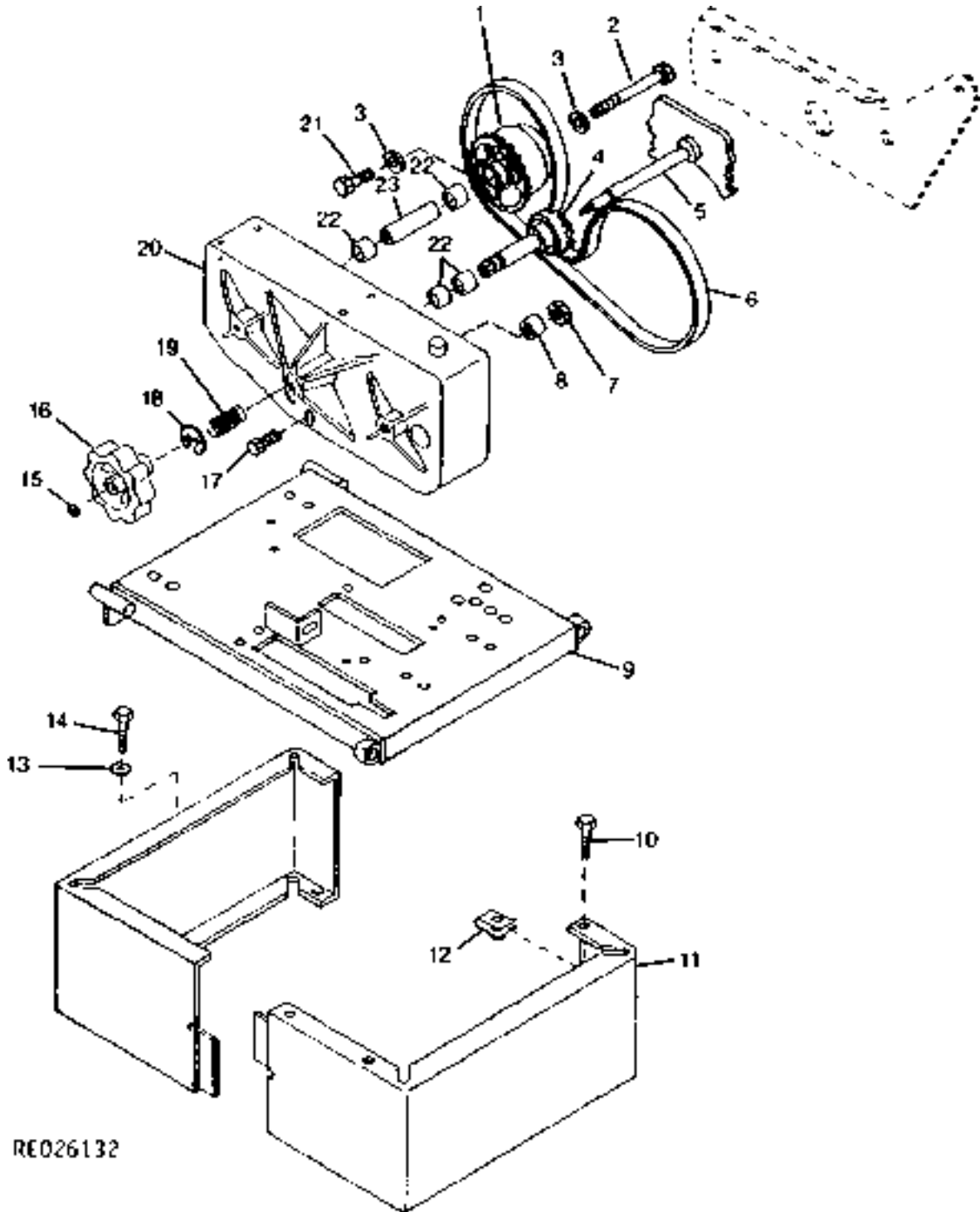
(C)LATERAL ATTENUATOR  
 ATTENUATEUR LATERAL  
 SEITENDAEMPFER  
 COMPENSATORE LATERALE  
 ATENUADOR DE MOVIMIENTO  
 DAEMPARE I SIDLED

(D)RIDE ZONE PROTECTION KIT  
 KIT DE LIMITEUR DE SUSPENSION  
 SITZDAEMPfungSZONENSATZ  
 KIT PROTEZIONE SOSPENSIONE SEDILE  
 JUEGO DE PROTECCION DE ZONA DEL OPERADOR  
 SATS MED FJAEDRINGSSKYDDSENHET

# 9F24

SEAT

SEAT SUPPORT  
SUPPORT DE SIEGE  
SITZSTUETZE  
SUPPORTO DEL SEDILE  
SOPORTE DEL ASIENTO  
SITSSTOED  
RE026132 -UN-23MAR95



RE026132

# 9F25

SEAT

| KEY | PART NO. | PART NAME      | QTY | TRACTOR SERIAL NO. | A<br>L<br>L | REMARKS                               |
|-----|----------|----------------|-----|--------------------|-------------|---------------------------------------|
| 1   | R124893  | CAM            | 2   | -XXXXXX            | X           | (C) (SUB R130989 AND (3) R130988)     |
|     | R130989  | CAM            | 2   | XXXXXX-            | X           | (D)                                   |
| 2   | 19M7875  | CAP SCREW      | 2   |                    | X           | M10 X 70                              |
| 3   | 24M7028  | WASHER         | 4   |                    | X           | 10.500 X 20 X 2 MM                    |
| 4   | RE61790  | GEAR           | 1   |                    | X           | (SUB RE62063 AND R137592)             |
|     | RE62063  | DRIVER         | 1   | -020868            | X           | (SUB R150659 AND R150660)             |
|     | R150659  | DRIVER         | 1   | 020869-            | X           |                                       |
| 5   | RE61789  | PAWL           | 1   |                    | X           | (SUB RE62064)                         |
|     | RE62064  | PAWL           | 1   | -020868            | X           | (SUB R150659 AND R150660)             |
|     | R150660  | PAWL           | 1   | 020869-            | X           |                                       |
| 6   | R124898  | BELT           | 1   |                    | X           |                                       |
| 7   | 14M7416  | FLANGE NUT     | 1   | XXXXXX-            | X           | (B) M8                                |
| 8   | R128232  | BUSHING        | 1   | XXXXXX-            | X           | (B)                                   |
| 9   | RE58025  | HOUSING        | 1   |                    | X           | UP                                    |
| 10  | 19M7166  | CAP SCREW      | 4   |                    | X           | M10 X 20                              |
| 11  | R124254  | SUPPORT        | 2   |                    | X           | UP                                    |
| 12  | M84971   | NUT            | 4   |                    | X           |                                       |
| 13  | 24M7207  | WASHER         | 10  |                    | X           |                                       |
| 14  | 19M7932  | CAP SCREW      | 10  |                    | X           | M8 X 16                               |
| 15  | 40M7088  | SNAP RING      | 1   |                    | X           |                                       |
| 16  | R124897  | KNOB           | 1   | -XXXXXX            | X           | (SUB RE62063 AND R127592)             |
|     | R127592  | KNOB           | 1   | XXXXXX-XXXXXX      | X           | (C)                                   |
|     | R127224  | KNOB           | 1   | XXXXXX-            | X           | (D)                                   |
| 17  | 19M7799  | SCREW          | 1   |                    | X           | M8 X 45                               |
| 18  | R73094   | SPRING         | 1   |                    | X           |                                       |
| 19  | F2863    | RING           | 1   |                    | X           |                                       |
| 20  | R124896  | HOUSING        | 1   | -XXXXXX            | X           | (A) (SUB R128323)                     |
|     | R128323  | HOUSING        | 1   | XXXXXX-XXXXXX      | X           | (B) (C) (SUB R130990 AND (2) R130988) |
|     | R130990  | HOUSING        | 1   | XXXXXX-            | X           | (D)                                   |
| 21  | 21M7442  | SCREW          | 2   |                    | X           | M10 X 20                              |
| 22  | JD9960   | ROLLER BEARING | 10  | -XXXXXX            | X           | (C)                                   |
|     | R130988  | BUSHING        | 10  | XXXXXX-            | X           | (D)                                   |
| 23  | R124903  | SHAFT          | 2   |                    | X           |                                       |

(A) ( -XXXXXX) 8100-001654; 8200-001573; 8300-002763; 8400-001331

(B) (XXXXXX- ) 8100-001655; 8200-001574; 8300-002764; 8400-001332

(C) ( -XXXXXX) 8100-011084; 8200-011048; 8300-011091; 8400-011110

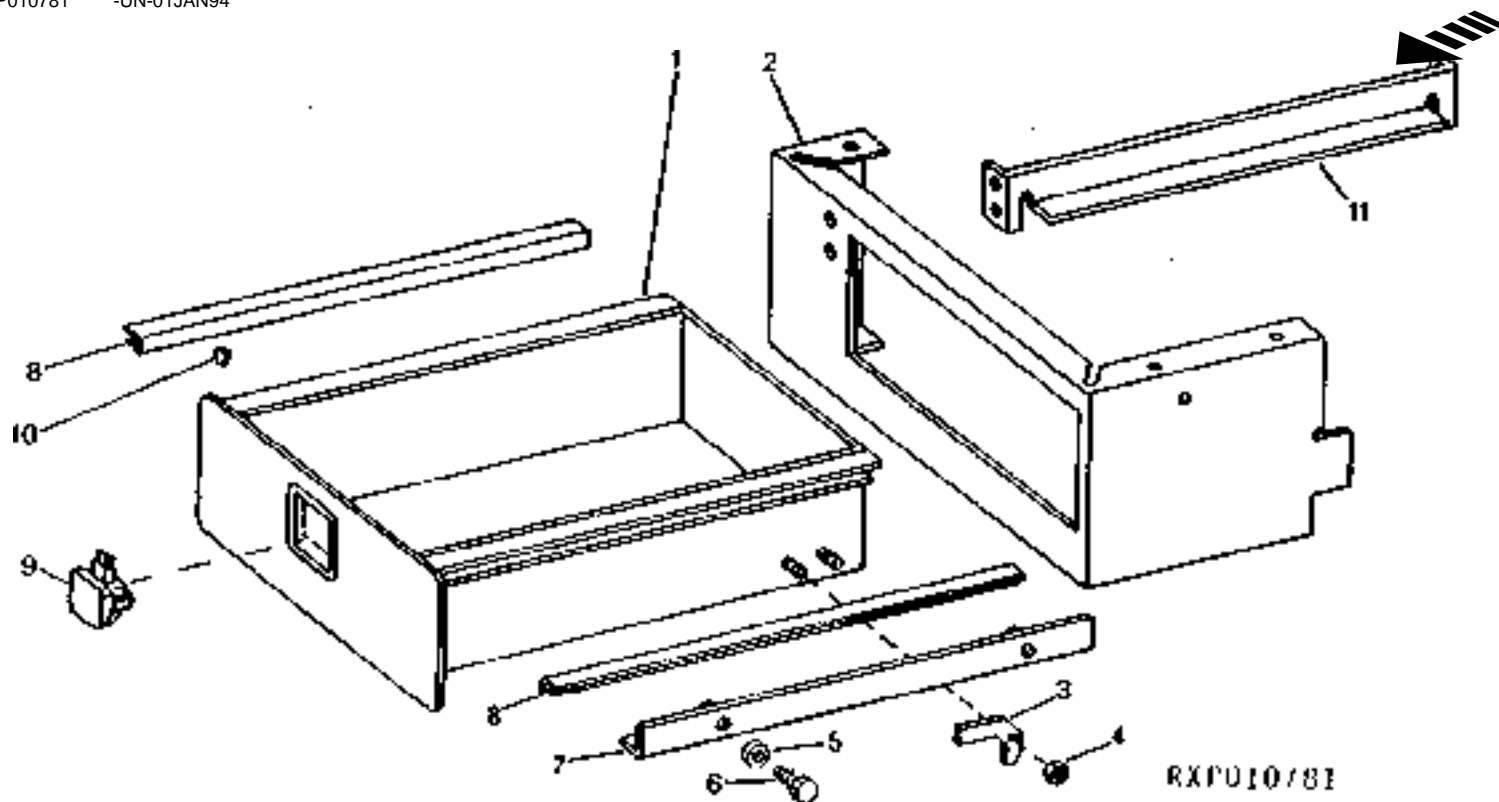
(D) (XXXXXX- ) 8100-011085; 8200-011049; 8300-011092; 8400-011111

# 9G1

SEAT

DRAWER  
TIROIR  
SCHUBLADE  
CASSETTO  
CAJONCITO  
LAADA

RXP010781 -UN-01JAN94

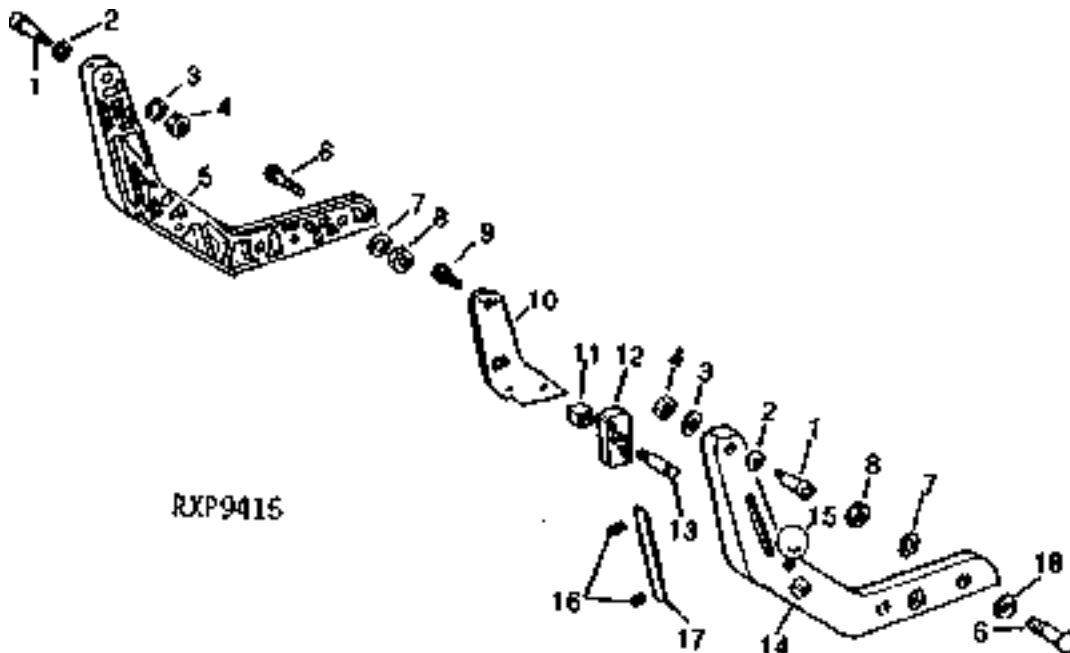


| KEY | PART NO. | PART NAME | QTY | CAB<br>SERIAL NO. | A | REMARKS           |
|-----|----------|-----------|-----|-------------------|---|-------------------|
|     |          |           |     |                   | L |                   |
| 1   | RE57818  | DRAWER    | 1   |                   | X |                   |
| 2   | R124254  | SUPPORT   | 1   |                   | X | (A)               |
|     | R124184  | SUPPORT   | 1   |                   | X |                   |
| 3   | R120352  | STOP      | 1   |                   | X |                   |
| 4   | 14M7165  | LOCK NUT  | 2   |                   | X | M6                |
| 5   | 24M7238  | WASHER    | 4   |                   | X | 8.700 X 17 X 2 MM |
| 6   | 19M7139  | CAP SCREW | 4   |                   | X | M8 X 20           |
| 7   | RE57819  | RAIL      | 1   |                   | X | L.H.              |
| 8   | R121938  | STRIP     | 2   | -XXXXXX           | X | (B)               |
|     | R130921  | STRIP     | 2   | XXXXXX-           | X | (C)               |
| 9   | RE53662  | LATCH     | 1   |                   | X |                   |
| 10  | R120453  | WASHER    | 4   |                   | X |                   |
| 11  | RE57820  | RAIL      | 1   |                   | X | R.H.              |

(A)EUROPEAN VERSION  
VERSION EUROPEENNE  
EROPAEISCHE AUSFUEHRUNG  
VERSIONE EUROPEA  
VERSION EUROPEA  
EUROPEISK VERSION

(B)(-XXXXXX) 8100-004454; 8200-003320; 8300-005547; 8400-006364  
(C)(XXXXXX- ) 8100-004455; 8200-003321; 8300-005548; 8400-006365

**SEAT BACKREST SUPPORTS**  
**APPUI DE DOSSIERS DE SIEGE**  
**STUETZEN FUER RUECKENLEHNE**  
**SUPPORTI LOMBARI PER SEDILE**  
**APOYOS DEL RESPALDO DEL ASIENTO**  
**FOERARSAETETS RYGGSTOEDSHAALLARE**  
 RXP9415 -UN-01JAN94



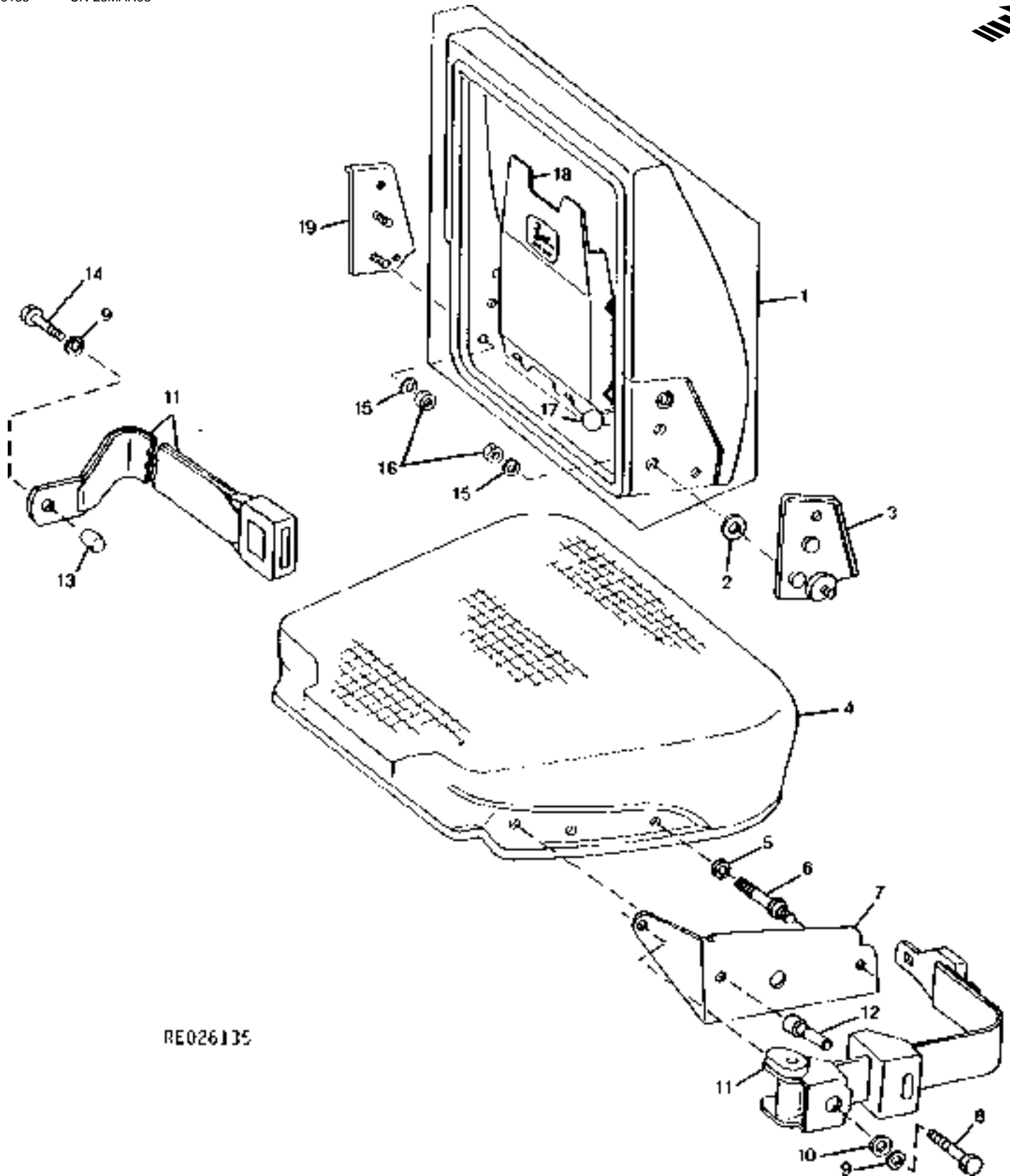
RXP9415

| KEY | PART NO. | PART NAME     | QTY | CAB<br>SERIAL NO. | A |   | REMARKS |
|-----|----------|---------------|-----|-------------------|---|---|---------|
|     |          |               |     |                   | L | L |         |
| 1   | R59019   | SCREW         | 2   |                   | X |   |         |
| 2   | T519T    | WASHER        | 2   |                   | X |   |         |
| 3   | R53665   | WASHER        | 2   |                   | X |   |         |
| 4   | K40003   | LOCK NUT      | 2   |                   | X |   |         |
| 5   | R89143   | SUPPORT       | 1   |                   | X |   | L.H.    |
| 6   | T72350   | BOLT          | 4   |                   | X |   |         |
| 7   | R53665   | WASHER        | 4   |                   | X |   |         |
| 8   | 14H1087  | NUT           | 4   |                   | X |   | 3/8"    |
| 9   | 37H47    | SCREW         | 3   |                   | X |   |         |
| 10  | R59011   | PLATE         | 1   |                   | X |   |         |
| 11  | R59018   | BUSHING       | 1   |                   | X |   |         |
| 12  | R105581  | ADJUSTER      | 1   |                   | X |   |         |
| 13  | R59012   | WELD STUD     | 1   |                   | X |   |         |
| 14  | R89142   | SUPPORT       | 1   |                   | X |   | R.H.    |
| 15  | R60458   | KNOB          | 1   |                   | X |   |         |
| 16  | R31890   | SPRING        | 2   |                   | X |   |         |
| 17  | R59009   | REINFORCEMENT | 1   |                   | X |   |         |
| 18  | R53668   | THRUST WASHER | 2   |                   | X |   |         |

# 9G3

SEAT

SEAT CUSHIONS AND SEAT BELT  
COUSSINS DE SIEGE ET CEINTURE DE SECURITE  
SITZPOLSTER UND SICHERHEITSGURT  
CUSCINO PER SEDILE E CINTURA DI SICUREZZA  
COJINES DE ASIENTO Y CINTURON DE SEGURIDAD  
SITTDYNA OCH BAELTE  
RE026135 -UN-23MAR95



RE026135



| KEY | PART NO. | PART NAME     | QTY | CAB<br>SERIAL NO. | A<br>L<br>L | REMARKS                      |
|-----|----------|---------------|-----|-------------------|-------------|------------------------------|
| 1   | RE12049  | CUSHION       | 1   |                   | X           |                              |
| 2   | 24H1305  | WASHER        | 2   |                   | X           | 13/32" X 13/16" X 0.065"     |
| 3   | AR71108  | PLATE         | 1   |                   | X           | R.H.                         |
| 4   | RE43446  | CUSHION       | 1   |                   | X           |                              |
| 5   | 24H1308  | WASHER        | 2   |                   | X           | 13/32" X 1" X 0.134"         |
| 6   | R124900  | SUPPORT       | 2   | -XXXXXX           | X           | (B)                          |
|     | R134352  | SUPPORT       | 2   | XXXXXX-           | X           | (C)                          |
| 7   | R125933  | BRACKET       | 1   | -XXXXXX           | X           | (B)                          |
|     | R134605  | BRACKET       | 1   | XXXXXX-           | X           | (C) R.H.                     |
| 8   | R125899  | SCREW         | 1   |                   | X           |                              |
| 9   | R59897   | LOCK WASHER   | 2   |                   | X           |                              |
| 10  | 28H3394  | BUSHING       | 1   |                   | X           | 0.493" X 0.675" X 1/2"       |
| 11  | RE19989  | SEAT BELT     | 1   |                   | X           |                              |
| 12  | R124902  | SHAFT         | 2   | -XXXXXX           | X           | (B)                          |
|     | R134351  | SUPPORT       | 2   | XXXXXX-           | X           | (C)                          |
| 13  | R81560   | CAP           | 1   |                   | X           |                              |
| 14  | R59030   | CAP SCREW     | 1   |                   | X           |                              |
| 15  | R53668   | THRUST WASHER | 4   |                   | X           |                              |
| 16  | 14H812   | NUT           | 4   |                   | X           | 3/8"                         |
| 17  | R52691   | GRIP          | 1   |                   | X           | SINGLE SCV, (SUB FOR R41387) |
|     | R52690   | GRIP          | 1   |                   | X           | DUAL SCV, (SUB FOR R41387)   |
| 18  | RE13541  | KIT           | 1   |                   | X           | (A)                          |
| 19  | AR71109  | PLATE         | 1   |                   | X           | L.H.                         |

(A)OPERATOR'S MANUAL HOLDER  
 SUPPORT DE LIVRET  
 BETRIEBSANLEITUNGSHALTER  
 SUPPORTO PER MANUALE  
 PORTADOR DEL MANUAL DEL  
 HAALLARE FOER

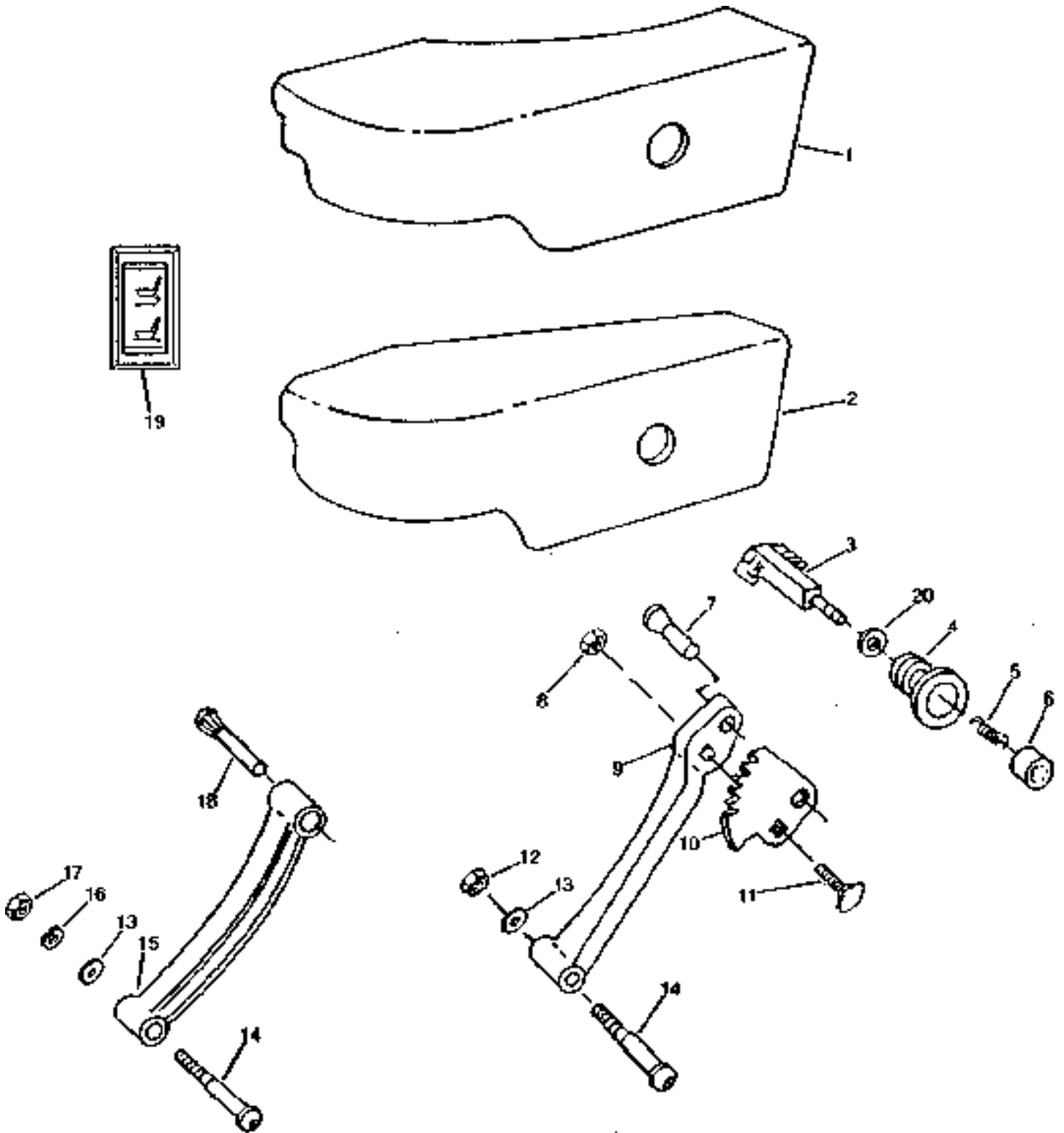
(B)( -XXXXXX) 8100-011944; 8200-011636; 8300-012100; 8400-012165

(C)(XXXXXX- ) 8100-011945; 8200-011637; 8300-012101; 8400-012166

# 9G5

SEAT

LEFT-HAND ARMREST  
ACCOUDOIR GAUCHE  
LINKE SINISTRA  
BRAACCIOLO  
REPOSABRAZOS DEL LADO  
VAENSTER ARMSTOED  
RXP010498 -UN-01JAN94



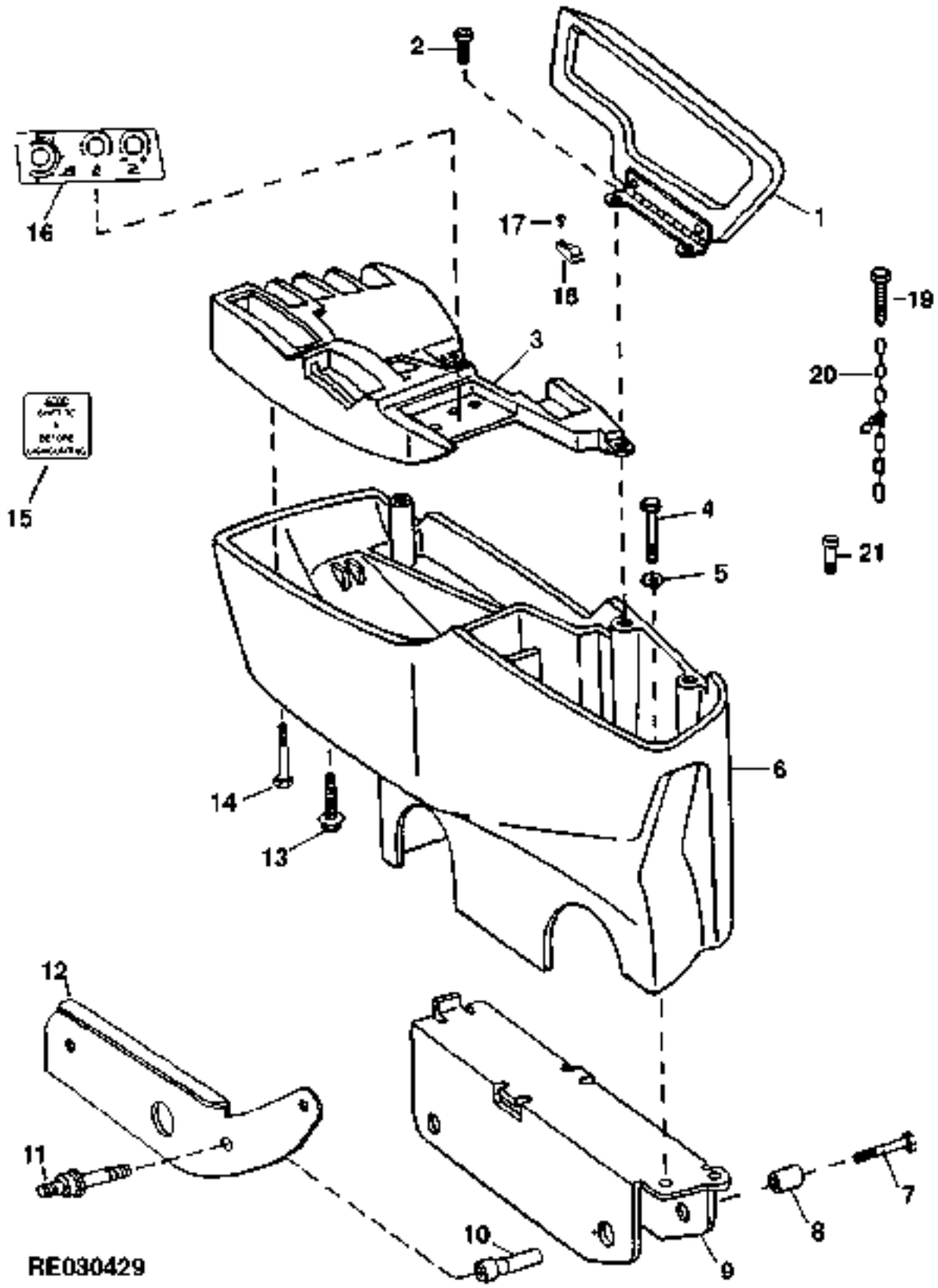
RXP010498

| KEY | PART NO. | PART NAME     | QTY | CAB<br>SERIAL NO. | A<br>L<br>L | REMARKS      |
|-----|----------|---------------|-----|-------------------|-------------|--------------|
| 1   | RE52564  | ARMREST KIT   | 1   |                   | X           | (A)          |
|     | RE52566  | ARMREST KIT   | 1   |                   | X           | (B)          |
| 2   | R107823  | ARMREST       | 1   |                   | X           |              |
| 3   | R59070   | SHAFT KEY     | 1   |                   | X           |              |
| 4   | R59028   | BUSHING       | 2   |                   | X           |              |
|     | R59029   | KNOB          | 1   |                   | X           |              |
| 5   | A4741R   | SPRING        | 2   |                   | X           |              |
| 6   | R60458   | KNOB          | 2   |                   | X           |              |
| 7   | R59021   | PIN           | 1   |                   | X           |              |
| 8   | 14H732   | NUT           | 2   |                   | X           | 3/8"         |
| 9   | R59020   | LINK          | 2   |                   | X           |              |
| 10  | R61862   | PLATE         | 2   |                   | X           |              |
| 11  | 03H2275  | BOLT          | 1   |                   | X           | 3/8" X 5/8"  |
| 12  | K40003   | LOCK NUT      | 2   |                   | X           |              |
| 13  | R27441   | WASHER        | 4   |                   | X           |              |
| 14  | R59022   | SCREW         | 2   |                   | X           |              |
|     | 19H1813  | CAP SCREW     | 2   |                   | X           | 5/16" X 5/8" |
| 15  | R59013   | LINK          | 2   |                   | X           |              |
| 16  | R53668   | THRUST WASHER | 2   |                   | X           |              |
| 17  | K40003   | LOCK NUT      | 2   |                   | X           |              |
| 18  | R59023   | PIN           | 2   |                   | X           |              |
| 19  | RE43451  | ROCKER SWITCH | 1   |                   | X           |              |
| 20  | R117675  | WASHER        | 1   |                   | X           |              |

(A)TILT-UP  
 INCLINAISON VERS LE HAUT  
 HICHKIPP  
 RIBALTAMENTO  
 INCLINAR HACIA ARRIBA  
 TIPPBAR

(B)ADJUSTABLE  
 REGLABLE  
 EINSTELLBAR  
 REGOLABILE  
 ADJUSTABLE  
 REGLERBAR

ARMREST CONTROL HOUSING  
 ACCOUDOIR, LOGEMENT DES COMMANDES  
 ARMLEHNE-STEUERUNGSGEHAUSE  
 ALLOGGIAMENTO DI COMANDO DEL BRACCIOLO  
 CAJA DE CONTROLES EN EL APOYABRAZOS  
 ARMSTOED, REGLAGEKAAPA  
 RE030429 -UN-16FEB99



| KEY | PART NO. | PART NAME  | QTY | CAB<br>SERIAL NO. | A<br>L<br>L | REMARKS                                    |
|-----|----------|------------|-----|-------------------|-------------|--|
| 1   | RE61346  | CUSHION    | 1   | -XXXXXX           | X           | (G) (SUB RE158037, 37M7181 AND 24M7117)    |
|     | RE158037 | CUSHION    | 1   | XXXXXX-           | X           | (H)  |
| 2   | R126355  | SCREW      | 2   |                   | X           |  |
| 3   | R124202  | COVER      | 1   | -XXXXXX           | X           | (A)  |
|     | R129794  | COVER      | 1   | XXXXXX-           | X           | (B) (SUB R153146) (ALSO ORDER M115279)     |
| 4   | 19M7407  | CAP SCREW  | 4   |                   | X           | M8 X 25                                    |
| 5   | 24M7055  | WASHER     | 4   |                   | X           | 8.400 X 16 X 1.600 MM                      |
| 6   | R124155  | HOUSING    | 1   | -XXXXXX           | X           | (C)  |
|     | R126561  | HOUSING    | 1   | XXXXXX-           | X           | (D)  |
| 7   | 19M7550  | CAP SCREW  | 2   |                   | X           | M10 X 35                                   |
| 8   | R117718  | BUSHING    | 2   |                   | X           | (SUB FOR R124908)                          |
| 9   | RE61740  | BRACKET    | 1   |                   | X           | (SUB R135942, (2) R117718 AND (2) 19M7382) |
| 10  | R124902  | SHAFT      | 2   | -XXXXXX           | X           | (E) (SUB RE150889)                         |
|     | R134351  | SUPPORT    | 2   | XXXXXX-           | X           | (F)  |
| 11  | R124900  | SUPPORT    | 2   | -XXXXXX           | X           | (E) (SUB RE150889)                         |
|     | R134352  | SUPPORT    | 2   | XXXXXX-           | X           | (F)  |
| 12  | R125933  | BRACKET    | 1   | -XXXXXX           | X           | (E) (SUB RE150889)                         |
|     | R134605  | BRACKET    | 1   | XXXXXX-           | X           | (F)  |
| 13  | R124859  | SCREW      | 1   |                   | X           |  |
| 14  | R117569  | SCREW      | 5   |                   | X           |  |
| 15  | R114802  | LABEL      | 1   |                   | X           |  |
| 16  | R124530  | LABEL      | 1   |                   | X           |  |
| 17  | R115850  | SCREW      | 1   |                   | X           |  |
| 18  | R107562  | COVER      | 1   |                   | X           |  |
| 19  | R126473  | RIVET      | 1   | -XXXXXX           | X           | (G)  |
|     | 37M7181  | SCREW      | 1   | XXXXXX-           | X           | (H) (ALSO ORDER 24M7117)                   |
| 20  | AR27940  | LINK CHAIN | 1   |                   | X           |  |
| 21  | R124859  | SCREW      | 1   |                   | X           |  |

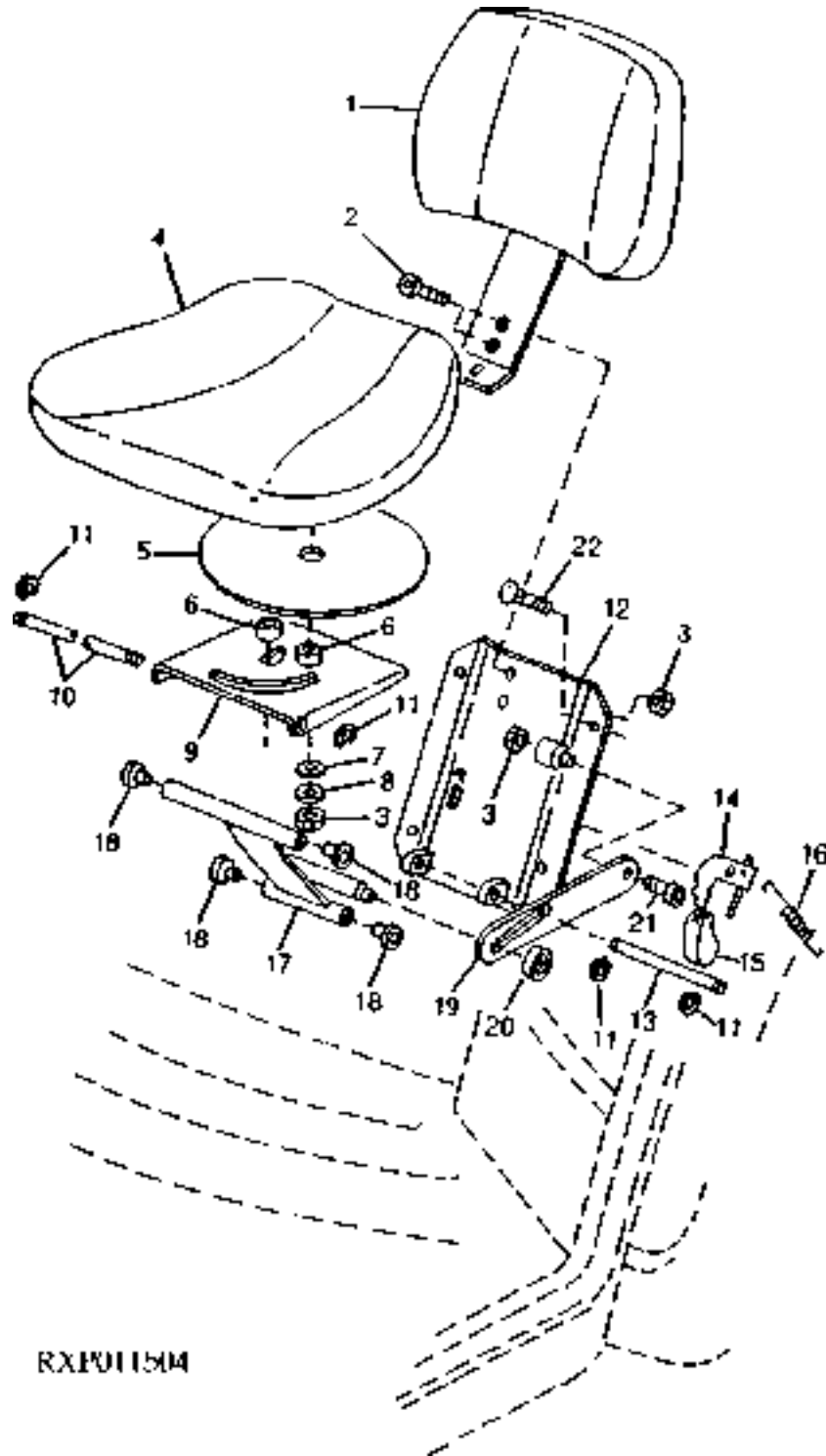
(A) ( -XXXXXX) 8100-002954; 8200-002324; 8300-004071; 8400-002641  
 (B) (XXXXXX- ) 8100-002955; 8200-002325; 8300-004072; 8400-002642

(C) ( -XXXXXX) 8100-001766; 8200-001644; 8300-002881; 8400-001526  
 (D) (XXXXXX- ) 8100-001767; 8200-001645; 8300-002882; 8400-001527

(E) ( -XXXXXX) 8100-011944; 8200-011636; 8300-012100; 8400-012165  
 (F) (XXXXXX- ) 8100-011945; 8200-011637; 8300-012101; 8400-012166

(G) ( -XXXXXX) 8100-025624; 8200-025618; 8300-025612; 8400-025598  
 (H) (XXXXXX- ) 8100-025625; 8200-025619; 8300-25613; 8400-025599

PASSENGER SEAT (EUROPEAN VERSION)  
SIEGE PASSAGER (VERSION EUROPEENNE)  
MITFAHRERSITZ (EUROPAEISCHE AUSFUEHRUNG)  
SEDILE PASSEGGERO (VERSIONE EUROPEA)  
ASIENTO DEL PASAJERO (VERSION EUROPEA)  
PASSAGERARSITS (EUROPEISK VERSION)  
RXP011504 -UN-05JAN95



RXP011504

# 9G10

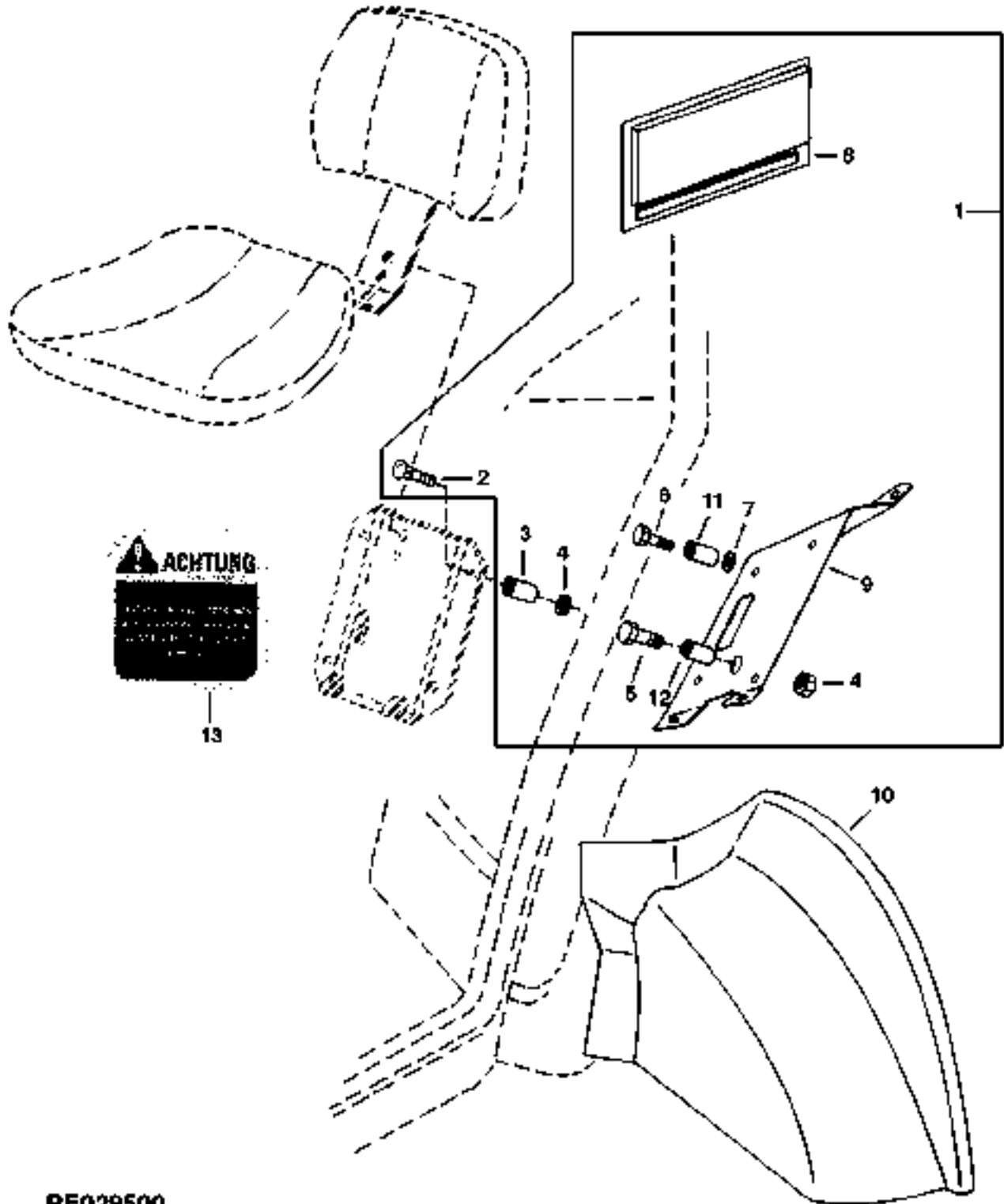
SEAT

| KEY | PART NO. | PART NAME        | QTY | CAB<br>SERIAL NO. | A<br>L<br>L | REMARKS                    |
|-----|----------|------------------|-----|-------------------|-------------|----------------------------|
| 1   | AL75439  | CUSHION          | 1   |                   | X           | (SUB AL114945 OR AL114946) |
| 2   | 19M7931  | SCREW            | 2   |                   | X           | M8 X 16                    |
| 3   | 14M7426  | LOCK NUT         | 5   |                   | X           | M8                         |
| 4   | AL77699  | CUSHION          | 1   |                   | X           | (SUB AL114945 OR AL114946) |
|     | AR112620 | SEAT             | 1   |                   | X           |                            |
| 5   | L79499   | PLATE            | 1   |                   | X           |                            |
| 6   | L79497   | TUBE             | 2   |                   | X           |                            |
| 7   | L79498   | SHIM             | 2   |                   | X           |                            |
| 8   | L79500   | WASHER           | 2   |                   | X           |                            |
| 9   | AL117531 | ROTATOR          | 1   |                   | X           | (SUB FOR L79496)           |
| 10  | L79501   | PIN              | 1   |                   | X           |                            |
| 11  | 40M7059  | SNAP RING        | 4   |                   | X           |                            |
| 12  | AL77683  | BRACKET          | 1   |                   | X           |                            |
| 13  | L79503   | PIN              | 1   |                   | X           |                            |
| 14  | AL78642  | LEVER            | 1   |                   | X           |                            |
| 15  | L56933   | GRIP             | 1   |                   | X           |                            |
| 16  | L75631   | SPRING           | 1   |                   | X           |                            |
| 17  | AL77684  | SUPPORT          | 1   |                   | X           |                            |
| 18  | L79502   | BUSHING          | 4   |                   | X           |                            |
| 19  | L79504   | STRAP            | 1   |                   | X           |                            |
| 20  | L57470   | RETAINING WASHER | 1   |                   | X           |                            |
| 21  | 19M8274  | SCREW            | 1   |                   | X           | M8 X 35                    |
| 22  | 03M7191  | BOLT             | 4   |                   | X           | M10 X 25                   |

# 9G11

SEAT

PASSENGER SEAT MOUNTING KIT (EUROPEAN VERSION)  
SIEGE PASSAGER (VERSION EUROPEENNE)  
MITFAHRERSITZ (EUROPAEISCHE AUSFUEHRUNG)  
SEDILE PASSEGGERO (VERSIONE EUROPEA)  
ASIENTO DEL PASAJERO (VERSION EUROPEA)  
PASSAGERARSITS (EUROPEISK VERSION)  
RE029500 -UN-28APR98



**RE029500**



# 9G12

SEAT

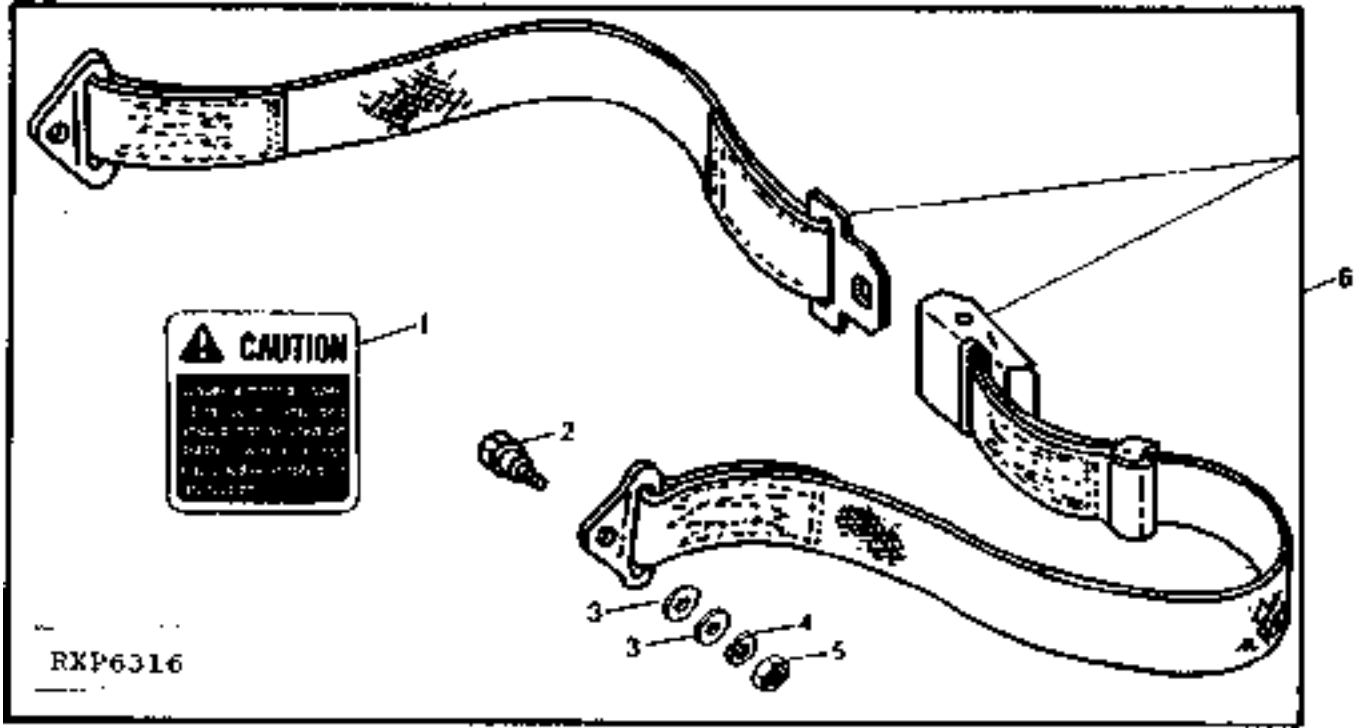
| KEY | PART NO. | PART NAME             | QTY | CAB<br>SERIAL NO. | A<br>L<br>L | REMARKS   |
|-----|----------|-----------------------|-----|-------------------|-------------|---|
| 1   | AR113039 | SEAT KIT              | 1   | -009999           | X           | (FI)  |
|     | AR116858 | SEAT KIT              | 1   | 010000-           | X           | (FI)  |
| 2   | 03M7191  | BOLT                  | 4   |                   | X           | M10 X 25  |
| 3   | 28H3383  | BUSHING               | 2   |                   | X           | 0.493" X 0.675" X 3/4", (ALSO ORDER<br>28H1532) |
| 4   | 14M7274  | NUT                   | 4   |                   | X           | M10   |
| 5   | 19M7156  | CAP SCREW             | 2   |                   | X           | M10 X 60  |
| 6   | 37M7096  | SCREW                 | 1   |                   | X           | M8 X 35, (SUB FOR 19M7179)                      |
| 7   | 24M7136  | WASHER                | 6   |                   | X           | 10.500 X 27 X 2 MM                              |
| 8   | R122000  | PAD                   | 1   |                   | X           | L.H.  |
| 9   | R127712  | BRACKET               | 1   | -009999           | X           | (SUB FOR R120728)                               |
|     | R134250  | BRACKET               | 1   | 010000-           | X           |   |
| 10  | R127714  | ACOUSTICAL UPHOLSTERY | 1   |                   | X           | (A) L.H. (SUB FOR R124333)                      |
|     | R134401  | ACOUSTICAL UPHOLSTERY | 1   |                   | X           |   |
| 11  | 28H3383  | BUSHING               | 1   |                   | X           |   |
| 12  | 28H1495  | SPACER                | 1   |                   | X           |   |
| 13  | L79474   | LABEL                 | 1   |                   | X           |   |

(A) W/FIELD OFFICE  
 W/BUREAU MOBILE  
 W/BORD BUERO  
 W/URRICIO MOBILE  
 W/OFICINA PORTATIL  
 W/TRAKTORKONTOR

# 9G13

SEAT

SEAT BELT  
 CEINTURE DE SECURITE  
 SICHERHEITSGURT  
 CINTURA DE SICUREZZA  
 CINTURON DE SEGURIDAD  
 SAEKERHETSBAELTE  
 RXP6316 -UN-01JAN94



| KEY | PART NO. | PART NAME   | QTY | CAB<br>SERIAL NO. | A | REMARKS                |
|-----|----------|-------------|-----|-------------------|---|------------------------|
|     |          |             |     |                   | L |                        |
| 1   | R81424   | LABEL       | 1   |                   | X |                        |
| 2   | R41778   | BOLT        | 2   |                   | X |                        |
| 3   | 24H1226  | WASHER      | 4   |                   | X | 1/2" X 1-1/4" X 0.083" |
| 4   | 12H293   | LOCK WASHER | 2   |                   | X | 7/16"                  |
| 5   | 14H807   | NUT         | 2   |                   | X | 7/16"                  |
| 6   | AR41761  | SEAT BELT   | 1   |                   | X | (FI)                   |

## NUMERICAL INDEX

| PART NO. | GRID | KEY | PAGE   | PART NO. | GRID | KEY | PAGE    | PART NO. | GRID | KEY | PAGE    |
|----------|------|-----|--------|----------|------|-----|---------|----------|------|-----|---------|
| AA21292  | 7F20 | 4   | 70-65  | AH148711 | 7E15 | 1   | 70-35   | AL114946 | 9G10 | 1   | 92-21   |
| AA21292  | 7F22 | 4   | 70-67  | AH148711 | 7E17 | 1   | 70-37   | AL114946 | 9G10 | 4   | 92-21   |
| AA23627  | 7G8  | 7   | 70-77  | AH148711 | 7E18 | 1   | 70-38   | AL116738 | 7H8  | 1   | 70-101B |
| AA23627  | 7G16 | 7   | 70-85  | AH148711 | 7E19 | 1   | 70-39   | AL117531 | 9G10 | 9   | 92-21   |
| AA27536  | 3F20 | 3   | 40-52  | AH148711 | 7E24 | 22  | 70-44   | AL118000 | 7H8  | 18  | 70-101B |
| AC15595  | 8H16 | 18  | 90-13  | AH148711 | 7E25 | 22  | 70-45   | AL118001 | 7H8  | 16  | 70-101B |
| AD2062R  | 4D25 | 1   | 42-21  | AH149420 | 7E14 | 1   | 70-34   | AL118059 | 7H8  | 12  | 70-101B |
| AD2062R  | 4E2  | 18  | 42-23  | AH149420 | 7E20 | 21  | 70-40   | AL118060 | 7H8  | 13  | 70-101B |
| AE44632  | 3E24 | 14  | 40-29  | AH149420 | 7E21 | 21  | 70-41   | AL26777  | 8G4  | 4   | 80-51   |
| AE44929  | 3F15 | 4   | 40-46  | AH149422 | 7E14 | 1   | 70-34   | AL26778  | 8G4  | 5   | 80-51   |
| AE44976  | 3E24 | 17  | 40-29  | AH149422 | 7E15 | 1   | 70-35   | AL30794  | 8G6  | 10  | 80-53   |
| AH104259 | 9D14 | 1   | 91-9   | AH149422 | 7E16 | 1   | 70-36   | AL32891  | 3E14 | 8   | 40-19   |
| AH104259 | 9D16 | 4   | 91-11  | AH149422 | 7E18 | 1   | 70-38   | AL32891  | 3E16 | 8   | 40-21   |
| AH107416 | 1I13 | 17  | 20-115 | AH149422 | 7E22 | 19  | 70-42   | AL32891  | 3F17 | 27  | 40-49   |
| AH117301 | 3G16 | 18  | 40-72A | AH149422 | 7E23 | 19  | 70-43   | AL32891  | 3F19 | 28  | 40-51   |
| AH129236 | 6F3  | 1   | 60-47  | AH149813 | 7E20 | 13  | 70-40   | AL33161  | 3E14 | 36  | 40-19   |
| AH134955 | 7E22 | 11  | 70-42  | AH149813 | 7E21 | 7   | 70-41   | AL33161  | 3E16 | 37  | 40-21   |
| AH134955 | 7E23 | 11  | 70-43  | AH149813 | 7E22 | 13  | 70-42   | AL33161  | 3E25 | 2   | 40-30   |
| AH135155 | 2G9  | 5   | 30-73  | AH149813 | 7E23 | 7   | 70-43   | AL33161  | 8G6  | 1   | 80-53   |
| AH135787 | 3G12 | 5   | 40-69  | AH149844 | 7E24 | 11  | 70-44   | AL35642  | 9E21 | 4   | 91-40   |
| AH136453 | 7E22 | 2   | 70-42  | AH149844 | 7E25 | 11  | 70-45   | AL35990  | 7H4  | 14  | 70-99   |
| AH136453 | 7E23 | 2   | 70-43  | AH149964 | 6E1  | 5   | 60-21A  | AL35991  | 7H4  | 17  | 70-99   |
| AH137687 | 7E24 | 11  | 70-44  | AH149964 | 6E2  | 7   | 60-21B  | AL36529  | 3E10 | 23  | 40-15   |
| AH137764 | 7E20 | 16  | 70-40  | AH158827 | 6D22 | 14  | 60-17B  | AL36529  | 3E12 | 23  | 40-17   |
| AH137764 | 7E21 | 16  | 70-41  | AH15939  | 7I20 | ..  | 70-139  | AL36529  | 3E14 | 26  | 40-19   |
| AH137764 | 7E22 | 16  | 70-42  | AH160036 | 6D22 | 2   | 60-17B  | AL36529  | 3E14 | 27  | 40-19   |
| AH137764 | 7E23 | 16  | 70-43  | AH162914 | 2G9  | 5   | 30-73   | AL36529  | 3E16 | 26  | 40-21   |
| AH141063 | 7E15 | 1   | 70-35  | AH163057 | 6E1  | 5   | 60-21A  | AL36529  | 3E16 | 27  | 40-21   |
| AH141063 | 7E17 | 1   | 70-37  | AH163057 | 6E2  | 7   | 60-21B  | AL36529  | 3E18 | 23  | 40-23   |
| AH141063 | 7E18 | 1   | 70-38  | AH163058 | 6D23 | 7   | 60-18   | AL36529  | 3F17 | 9   | 40-49   |
| AH141063 | 7E19 | 1   | 70-39  | AH163058 | 6D25 | 5   | 60-21   | AL36529  | 3F17 | 10  | 40-49   |
| AH141063 | 7E24 | 22  | 70-44  | AH78237  | 8H12 | 6   | 90-9    | AL36529  | 3F19 | 9   | 40-51   |
| AH142569 | 7E24 | 18  | 70-44  | AH83821  | 7I20 | 13  | 70-139  | AL36529  | 3F19 | 10  | 40-51   |
| AH142569 | 7E25 | 18  | 70-45  | AH83821  | 7I22 | 1   | 70-141  | AL38684  | 7F14 | 2   | 70-59   |
| AH142570 | 7E24 | 16  | 70-44  | AH87142  | 2G7  | 6   | 30-71   | AL39108  | 9E21 | 6   | 91-40   |
| AH142570 | 7E25 | 16  | 70-45  | AH89023  | 4F18 | 6   | 51-21   | AL39859  | 6G14 | 13  | 60-77   |
| AH144020 | 3E10 | 8   | 40-15  | AH89023  | 4G12 | 1   | 51-41   | AL41725  | 8G4  | 10  | 80-51   |
| AH144020 | 3E12 | 8   | 40-17  | AH89023  | 4H20 | 6   | 51-73   | AL56092  | 3E2  | 29  | 40-9    |
| AH144020 | 3E14 | 9   | 40-19  | AH89023  | 4I16 | 1   | 51-93   | AL56092  | 3E4  | 29  | 40-9B   |
| AH144020 | 3E16 | 9   | 40-21  | AH89486  | 2D19 | 5   | 30-11   | AL56092  | 3E8  | 29  | 40-13   |
| AH144020 | 3E18 | 8   | 40-23  | AH89557  | 1E17 | 12  | 20-23   | AL56092  | 4D16 | 6   | 42-12   |
| AH144020 | 8H20 | 7   | 90-17  | AH93625  | 3F12 | 1   | 40-43   | AL61032  | 7G24 | 6   | 70-95   |
| AH144349 | 7E20 | 18  | 70-40  | AH94661  | 4F21 | 1   | 51-24   | AL61032  | 7H2  | 6   | 70-97   |
| AH144349 | 7E21 | 18  | 70-41  | AH94661  | 4H23 | 1   | 51-76   | AL61062  | 7H4  | 8   | 70-99   |
| AH144350 | 7E22 | 18  | 70-42  | AL110724 | 9F5  | 28  | 91-49   | AL61072  | 7G24 | 22  | 70-95   |
| AH144350 | 7E23 | 18  | 70-43  | AL110725 | 9F5  | 28  | 91-49   | AL61072  | 7H2  | 22  | 70-97   |
| AH144351 | 7E14 | 1   | 70-34  | AL111719 | 6H13 | 8   | 60-101  | AL63927  | 6G16 | 7   | 60-79   |
| AH144351 | 7E20 | 21  | 70-40  | AL111802 | 3F5  | 9   | 40-35   | AL67648  | 6G18 | 8   | 60-81   |
| AH144352 | 7E14 | 1   | 70-34  | AL111802 | 6H13 | 20  | 60-101  | AL68571  | 6H15 | 18  | 60-103  |
| AH144352 | 7E15 | 1   | 70-35  | AL112011 | 4D6  | 4   | 42-2    | AL68571  | 6H17 | 18  | 60-105  |
| AH144352 | 7E16 | 1   | 70-36  | AL112012 | 3E14 | 16  | 40-19   | AL68572  | 6H15 | 12  | 60-103  |
| AH144352 | 7E18 | 1   | 70-38  | AL112012 | 4D6  | 10  | 42-2    | AL68572  | 6H17 | 12  | 60-105  |
| AH144352 | 7E22 | 19  | 70-42  | AL112474 | 4D6  | 2   | 42-2    | AL68573  | 6H15 | 11  | 60-103  |
| AH146050 | 6D23 | 7   | 60-18  | AL112538 | 6H13 | 9   | 60-101  | AL68573  | 6H17 | 11  | 60-105  |
| AH146050 | 6D25 | 5   | 60-21  | AL112964 | 3E14 | 14  | 40-19   | AL68577  | 6H15 | 8   | 60-103  |
| AH146052 | 6D25 | 7   | 60-21  | AL112964 | 3E14 | 16  | 40-19   | AL68577  | 6H17 | 8   | 60-105  |
| AH146052 | 6E1  | 7   | 60-21A | AL112964 | 4D6  | 8   | 42-2    | AL68589  | 6H11 | 9   | 60-99   |
| AH146443 | 6D25 | 4   | 60-21  | AL112964 | 4D6  | 10  | 42-2    | AL68589  | 6H13 | 26  | 60-101  |
| AH146443 | 6E1  | 4   | 60-21A | AL113022 | 3E14 | 14  | 40-19   | AL75405  | 4D6  | 4   | 42-2    |
| AH146460 | 7E21 | 3   | 70-41  | AL113022 | 4D6  | 8   | 42-2    | AL75439  | 9G10 | 1   | 92-21   |
| AH146556 | 7E21 | 6   | 70-41  | AL113174 | 9F3  | 3   | 91-47A  | AL75527  | 9E23 | 8   | 91-43   |
| AH146556 | 7E23 | 6   | 70-43  | AL113174 | 9F9  | 27  | 91-53   | AL75638  | 9F7  | 30  | 91-51   |
| AH146557 | 7E25 | 6   | 70-45  | AL113954 | 6H19 | 1   | 60-107  | AL75642  | 3E14 | 45  | 40-19   |
| AH146560 | 7E23 | 3   | 70-43  | AL113954 | 6H21 | 1   | 60-107B | AL75642  | 3E16 | 46  | 40-21   |
| AH146561 | 7E25 | 3   | 70-45  | AL114275 | 9E21 | 6   | 91-40   | AL75642  | 4D14 | 12  | 42-10   |
| AH148164 | 7E24 | 13  | 70-44  | AL114945 | 9G10 | 1   | 92-21   | AL75721  | 6D20 | 2   | 60-16   |
| AH148164 | 7E25 | 7   | 70-45  | AL114945 | 9G10 | 4   | 92-21   | AL75785  | 7F16 | 1   | 70-61   |

## NUMERICAL INDEX - CONTINUED

| PART NO. | GRID | KEY | PAGE    | PART NO. | GRID | KEY | PAGE    | PART NO. | GRID | KEY | PAGE   |
|----------|------|-----|---------|----------|------|-----|---------|----------|------|-----|--------|
| AL76568  | 3F17 | 7   | 40-49   | AL82106  | 7H6  | 18  | 70-101  | AR116475 | 3H19 | 11  | 40-99  |
| AL76568  | 3F17 | 13  | 40-49   | AL82107  | 7H6  | 2   | 70-101  | AR116476 | 3H19 | 11  | 40-99  |
| AL76568  | 3F19 | 7   | 40-51   | AL82107  | 7H8  | 2   | 70-101B | AR116485 | 7I6  | 1   | 70-125 |
| AL76568  | 3F19 | 13  | 40-51   | AL83131  | 9F7  | 30  | 91-51   | AR116514 | 9D22 | 24  | 91-17  |
| AL76686  | 3E20 | 3   | 40-25   | AM30347  | 8E18 | 16  | 80-11   | AR116858 | 9G12 | 1   | 92-23  |
| AL76686  | 3E20 | 7   | 40-25   | AM38104  | 2G7  | 20  | 30-71   | AR116863 | 9D22 | 23  | 91-17  |
| AL76686  | 9E23 | 2   | 91-43   | AN212996 | 7G18 | 6   | 70-89   | AR116902 | 2E17 | ..  | 30-31B |
| AL76943  | 7F14 | 12  | 70-59   | AR100124 | 1D19 | 1   | 20-6    | AR150551 | 6F8  | 3   | 60-51B |
| AL77138  | 3E14 | 16  | 40-19   | AR100124 | 1F12 | 1   | 20-42   | AR152577 | 3G17 | 4   | 40-73  |
| AL77138  | 4D6  | 10  | 42-2    | AR100124 | 1G24 | 1   | 20-78   | AR21837  | 6H23 | 23  | 60-109 |
| AL77683  | 9G10 | 12  | 92-21   | AR101212 | 2E17 | 4   | 30-31B  | AR21837  | 6H25 | 23  | 60-111 |
| AL77684  | 9G10 | 17  | 92-21   | AR101212 | 2F18 | 4   | 30-55   | AR21837  | 8H14 | 9   | 90-11  |
| AL77699  | 9G10 | 4   | 92-21   | AR103220 | 2G7  | 11  | 30-71   | AR21837  | 8H14 | 10  | 90-11  |
| AL77711  | 9E21 | 2   | 91-40   | AR103807 | 1F1  | 2   | 20-32   | AR21837  | 8H14 | 12  | 90-11  |
| AL77794  | 9F5  | 25  | 91-49   | AR103807 | 1F1  | 3   | 20-32   | AR21837  | 8H14 | 13  | 90-11  |
| AL78021  | 9E16 | 10  | 91-35   | AR103807 | 1F1  | 5   | 20-32   | AR21839  | 2D19 | 9   | 30-11  |
| AL78021  | 9E18 | 5   | 91-37   | AR103808 | 7J11 | 7   | 70-154  | AR21841  | 3H15 | 6   | 40-95  |
| AL78062  | 9F5  | 28  | 91-49   | AR103873 | 4F2  | 4   | 51-5    | AR21969  | 1D15 | ..  | 20-2   |
| AL78063  | 9F5  | 28  | 91-49   | AR103873 | 4F4  | 7   | 51-7    | AR27806  | 8E18 | 1   | 80-11  |
| AL78137  | 4D6  | 2   | 42-2    | AR103873 | 4H4  | 4   | 51-57   | AR27940  | 9G8  | 20  | 92-19  |
| AL78487  | 7H4  | 23  | 70-99   | AR103873 | 4H6  | 7   | 51-59   | AR28755  | 7J9  | 3   | 70-152 |
| AL78489  | 7H4  | 15  | 70-99   | AR104516 | 3H19 | 7   | 40-99   | AR31790  | 1D19 | ..  | 20-6   |
| AL78490  | 7H4  | 16  | 70-99   | AR104516 | 3H22 | 1   | 40-103  | AR31790  | 1F12 | ..  | 20-42  |
| AL78491  | 7H4  | 19  | 70-99   | AR109313 | 8F1  | 8   | 80-21   | AR31790  | 1G24 | ..  | 20-78  |
| AL78499  | 7H4  | 22  | 70-99   | AR112601 | 9E21 | 1   | 91-40   | AR41761  | 9G13 | 6   | 92-24  |
| AL78581  | 6F14 | 6   | 60-57   | AR112611 | 4D8  | 11  | 42-4    | AR41785  | 1D16 | ..  | 20-3   |
| AL78581  | 6F16 | 6   | 60-59   | AR112613 | 7I20 | 24  | 70-139  | AR44402  | 1D15 | 1   | 20-2   |
| AL78607  | 7H4  | 1   | 70-99   | AR112618 | 2E15 | 13  | 30-31   | AR48015  | 3G23 | 4   | 40-79  |
| AL78608  | 7H4  | 2   | 70-99   | AR112620 | 9G10 | 4   | 92-21   | AR48236  | 1I11 | 3   | 20-113 |
| AL78609  | 7H4  | 3   | 70-99   | AR112621 | 9E23 | 1   | 91-43   | AR48236  | 2G7  | 1   | 30-71  |
| AL78642  | 9G10 | 14  | 92-21   | AR112622 | 3H19 | 11  | 40-99   | AR48236  | 8H20 | 31  | 90-17  |
| AL78708  | 7H10 | 15  | 70-103  | AR112623 | 3H19 | 11  | 40-99   | AR48675  | 1F5  | 7   | 20-37  |
| AL78708  | 7H16 | 1   | 70-109  | AR112626 | 3H11 | 16  | 40-91   | AR48675  | 1F6  | 6   | 20-37A |
| AL78795  | 6G14 | 9   | 60-77   | AR112841 | 9E16 | 17  | 91-35   | AR48675  | 1G19 | 7   | 20-73  |
| AL78795  | 6G16 | 1   | 60-79   | AR113039 | 9G12 | 1   | 92-23   | AR48675  | 1I7  | 7   | 20-109 |
| AL78820  | 7H4  | 4   | 70-99   | AR113048 | 3F17 | 26  | 40-49   | AR49025  | 1E6  | 1   | 20-13D |
| AL78941  | 6G18 | 3   | 60-81   | AR113519 | 7G2  | 1   | 70-71   | AR49025  | 1E17 | 1   | 20-23  |
| AL78989  | 3E14 | 10  | 40-19   | AR113536 | 4D10 | 13  | 42-6    | AR49025  | 1G8  | 1   | 20-60  |
| AL78989  | 3E16 | 10  | 40-21   | AR113538 | 9E11 | 1   | 91-30   | AR49025  | 1H20 | 1   | 20-98  |
| AL78989  | 3F17 | 30  | 40-49   | AR113759 | 6G14 | 46  | 60-77   | AR50374  | 7F24 | 19  | 70-69  |
| AL78989  | 3F19 | 31  | 40-51   | AR113795 | 3I2  | 2   | 40-107  | AR50377  | 7F24 | 24  | 70-69  |
| AL78989  | 3H3  | 1   | 40-83   | AR113819 | 3G17 | 4   | 40-73   | AR50411  | 1E25 | 1   | 20-31  |
| AL79013  | 3E2  | 9   | 40-9    | AR114034 | 3E24 | 18  | 40-29   | AR54749  | 1D15 | 4   | 20-2   |
| AL79013  | 3E8  | 9   | 40-13   | AR114034 | 7I6  | 1   | 70-125  | AR55394  | 1G14 | 16  | 20-66  |
| AL79013  | 9E21 | 12  | 91-40   | AR114068 | 7E14 | 3   | 70-34   | AR55394  | 1I4  | 16  | 20-107 |
| AL80049  | 7H12 | 24  | 70-105  | AR114069 | 7E16 | 3   | 70-36   | AR56766  | 3F2  | 1   | 40-32  |
| AL80049  | 7H14 | 10  | 70-107  | AR114073 | 3H5  | 18  | 40-85   | AR56766  | 3F3  | 1   | 40-33  |
| AL80061  | 7H18 | 16  | 70-111  | AR114073 | 3H9  | 13  | 40-89   | AR56766  | 3F17 | 40  | 40-49  |
| AL80062  | 7H18 | 1   | 70-111  | AR114074 | 3H5  | 18  | 40-85   | AR56766  | 3F19 | 41  | 40-51  |
| AL80747  | 7G24 | 1   | 70-95   | AR114074 | 3H9  | 13  | 40-89   | AR56766  | 9D14 | 3   | 91-9   |
| AL81736  | 7H4  | 4   | 70-99   | AR114555 | 3H11 | 16  | 40-91   | AR56766  | 9D22 | 10  | 91-17  |
| AL81736  | 7H6  | 1   | 70-101  | AR114564 | 3H20 | 3   | 40-100  | AR58952  | 1G14 | 15  | 20-66  |
| AL81937  | 6G20 | 7   | 60-83   | AR114631 | 8D5  | 1   | 71-3    | AR58952  | 1G21 | 36  | 20-75  |
| AL81937  | 6G22 | 7   | 60-85   | AR114633 | 8D5  | 1   | 71-3    | AR58952  | 1I4  | 15  | 20-107 |
| AL82092  | 7H6  | 10  | 70-101  | AR114664 | 7I24 | 5   | 70-143  | AR58952  | 1I9  | 36  | 20-111 |
| AL82092  | 7H8  | 10  | 70-101B | AR115121 | 7I6  | 1   | 70-125  | AR60937  | 3E10 | 16  | 40-15  |
| AL82095  | 7H6  | 3   | 70-101  | AR115337 | 4D11 | 16  | 42-7    | AR60937  | 3E12 | 16  | 40-17  |
| AL82095  | 7H8  | 3   | 70-101B | AR115340 | 4D8  | 11  | 42-4    | AR60937  | 3E14 | 20  | 40-19  |
| AL82096  | 7H6  | 12  | 70-101  | AR115340 | 4D9  | 11  | 42-5    | AR60937  | 3E16 | 20  | 40-21  |
| AL82098  | 7H6  | 22  | 70-101  | AR115540 | 3H7  | 18  | 40-87   | AR60937  | 3E18 | 16  | 40-23  |
| AL82100  | 7H6  | 13  | 70-101  | AR115540 | 3H9  | 13  | 40-89   | AR60937  | 3F17 | 39  | 40-49  |
| AL82101  | 7H6  | 4   | 70-101  | AR115541 | 3H7  | 18  | 40-87   | AR60937  | 3F19 | 40  | 40-51  |
| AL82101  | 7H8  | 4   | 70-101B | AR115541 | 3H9  | 13  | 40-89   | AR60937  | 9D14 | 2   | 91-9   |
| AL82102  | 7H6  | 6   | 70-101  | AR116387 | 8F1  | 6   | 80-21   | AR61533  | 1D24 | 13  | 20-11  |
| AL82102  | 7H8  | 6   | 70-101B | AR116388 | 8F1  | 8   | 80-21   | AR61533  | 1F18 | 17  | 20-47  |
| AL82103  | 7H6  | 14  | 70-101  | AR116389 | 8F1  | 8   | 80-21   | AR61533  | 1H5  | 17  | 20-83  |
| AL82103  | 7H8  | 14  | 70-101B | AR116390 | 8F1  | 8   | 80-21   | AR61589  | 1D24 | 15  | 20-11  |

## NUMERICAL INDEX - CONTINUED

| PART NO. | GRID | KEY | PAGE   | PART NO. | GRID | KEY | PAGE    | PART NO. | GRID | KEY | PAGE   |
|----------|------|-----|--------|----------|------|-----|---------|----------|------|-----|--------|
| AR61589  | 1F18 | 19  | 20-47  | AR89543  | 5E8  | 1   | 53-31   | AT25226  | 8E22 | 18  | 80-17  |
| AR61589  | 1H5  | 19  | 20-83  | AR90577  | 7G18 | 5   | 70-89   | AT25226  | 8E24 | 15  | 80-19  |
| AR62150  | 7G8  | 7   | 70-77  | AR90578  | 7G18 | 5   | 70-89   | AT25226  | 8E25 | 7   | 80-20  |
| AR62150  | 7G16 | 7   | 70-85  | AR90579  | 7G18 | 6   | 70-89   | AT56660  | 8F10 | 6   | 80-31  |
| AR62151  | 7F11 | 4   | 70-56  | AR90581  | 7G18 | 6   | 70-89   | AT56660  | 8F20 | 4   | 80-41  |
| AR62151  | 7F18 | 1   | 70-63  | AR90583  | 7G18 | 6   | 70-89   | AT66865  | 1D15 | 4   | 20-2   |
| AR62151  | 7F24 | 3   | 70-69  | AR93341  | 1E14 | 6   | 20-20   | AT68973  | 3E2  | 6   | 40-9   |
| AR62399  | 1E25 | 7   | 20-31  | AR93820  | 7J9  | 8   | 70-152  | AT68973  | 3E8  | 7   | 40-13  |
| AR62492  | 1E25 | 8   | 20-31  | AR94516  | 4F23 | 11  | 51-27   | AT68973  | 3F9  | 1   | 40-40  |
| AR62936  | 7E5  | 21  | 70-23  | AR94516  | 4F23 | 23  | 51-27   | AT78534  | 3I6  | 7   | 40-111 |
| AR63218  | 1D14 | 1   | 20-1   | AR94516  | 4F25 | 35  | 51-29   | AT85197  | 7J10 | 3   | 70-153 |
| AR63219  | 1D14 | 1   | 20-1   | AR94516  | 4G2  | 16  | 51-31   | AZ47788  | 9E20 | 6   | 91-39  |
| AR63222  | 1D14 | 1   | 20-1   | AR94516  | 4G2  | 28  | 51-31   | AZ47908  | 9E20 | 2   | 91-39  |
| AR63979  | 1D14 | 1   | 20-1   | AR94516  | 4G12 | 17  | 51-41   | A15147   | 8D13 | 2   | 71-11  |
| AR68801  | 8F16 | 6   | 80-37  | AR94516  | 5D6  | 7   | 53-3    | A15899   | 7J2  | 23  | 70-145 |
| AR68801  | 8F17 | 5   | 80-38  | AR94516  | 5D8  | 7   | 53-5    | A31867   | 9F7  | 33  | 91-51  |
| AR69444  | 7D9  | 1   | 70-1   | AR94522  | 7H14 | 1   | 70-107  | A3190R   | 7H23 | 3   | 70-117 |
| AR69445  | 7D9  | 1   | 70-1   | AR94522  | 7I20 | ..  | 70-139  | A3190R   | 7H25 | 2   | 70-119 |
| AR69988  | 7G22 | 5   | 70-93  | AR94522  | 7J2  | 24  | 70-145  | A3190R   | 7I10 | 23  | 70-129 |
| AR71108  | 9G4  | 3   | 92-15  | AR94522  | 7J9  | 10  | 70-152  | A364R    | 6D9  | 19  | 60-5   |
| AR71109  | 9G4  | 19  | 92-15  | AR94522  | 8D19 | 1   | 71-17   | A3815R   | 6D9  | 20  | 60-5   |
| AR72055  | 9F18 | 6   | 92-3   | AR94761  | 5F2  | 8   | 54-15   | A4365R   | 1D24 | 14  | 20-11  |
| AR73277  | 1E14 | 7   | 20-20  | AR94761  | 5F4  | 10  | 54-17   | A4365R   | 1F18 | 18  | 20-47  |
| AR73278  | 1E14 | 7   | 20-20  | AR94761  | 5F6  | 2   | 54-17B  | A4365R   | 1H5  | 18  | 20-83  |
| AR73279  | 1E6  | 1   | 20-13D | AR94761  | 5F25 | 4   | 54-37   | A4365R   | 6E20 | 29  | 60-39  |
| AR73279  | 1E14 | 7   | 20-20  | AR98201  | 7J9  | 2   | 70-152  | A4365R   | 6E22 | 10  | 60-41  |
| AR73280  | 1E14 | 7   | 20-20  | AR98202  | 7J9  | 1   | 70-152  | A4365R   | 6E25 | 3   | 60-44  |
| AR73281  | 1E14 | 7   | 20-20  | AR98479  | 7F24 | 42  | 70-69   | A4365R   | 6F24 | 15  | 60-67  |
| AR73500  | 7J10 | 1   | 70-153 | AR98850  | 1E14 | 9   | 20-20   | A4365R   | 6G3  | 15  | 60-69B |
| AR74814  | 1E15 | 3   | 20-21  | AR98850  | 1G6  | 9   | 20-58   | A4365R   | 6G5  | 15  | 60-69D |
| AR74815  | 1E15 | 3   | 20-21  | AR98850  | 1H17 | 9   | 20-95   | A4540R   | 5E16 | 5   | 54-3   |
| AR74816  | 1E6  | 1   | 20-13D | AT107509 | 1D18 | 11  | 20-5    | A4540R   | 5F13 | 5   | 54-25  |
| AR74816  | 1E15 | 3   | 20-21  | AT107509 | 1F11 | 11  | 20-41   | A4741R   | 9G6  | 5   | 92-17  |
| AR74817  | 1E15 | 3   | 20-21  | AT107509 | 1G23 | 11  | 20-77   | A4827R   | 3F21 | 8   | 40-53  |
| AR74818  | 1E15 | 3   | 20-21  | AT107509 | 4G12 | 23  | 51-41   | A4883R   | 8E22 | 4   | 80-17  |
| AR75693  | 6F8  | 3   | 60-51B | AT107509 | 4H22 | ..  | 51-75   | A5067R   | 4F16 | 14  | 51-19  |
| AR75695  | 3E10 | 13  | 40-15  | AT107509 | 4I16 | 23  | 51-93   | A5067R   | 4H18 | 14  | 51-71  |
| AR75695  | 3E12 | 13  | 40-17  | AT107509 | 5D16 | 12  | 53-13   | A5067R   | 9D12 | 5   | 91-7   |
| AR75695  | 3E18 | 13  | 40-23  | AT116162 | 3H9  | 8   | 40-89   | A5518R   | 6D20 | 3   | 60-16  |
| AR75695  | 3F12 | 3   | 40-43  | AT116162 | 6D13 | 6   | 60-9    | A5598R   | 7F6  | 8   | 70-51  |
| AR77747  | 1E15 | 1   | 20-21  | AT125596 | 8H10 | 18  | 90-7    | A602R    | 7F8  | 16  | 70-53  |
| AR77748  | 1E15 | 2   | 20-21  | AT127547 | 9D12 | 2   | 91-7    | A776R    | 7F24 | 8   | 70-69  |
| AR77749  | 1E15 | 2   | 20-21  | AT128774 | 7E13 | 1   | 70-33   | BP13811  | 8D15 | 61  | 71-13  |
| AR77750  | 1E6  | 1   | 20-13D | AT130104 | 4D8  | 1   | 42-4    | B2762R   | 6F22 | 8   | 60-65  |
| AR77750  | 1E15 | 2   | 20-21  | AT130104 | 4D10 | 1   | 42-6    | B2762R   | 6G3  | 21  | 60-69B |
| AR77751  | 1E15 | 2   | 20-21  | AT130104 | 4D12 | 3   | 42-8    | B2762R   | 6G5  | 6   | 60-69D |
| AR77752  | 1E15 | 2   | 20-21  | AT130104 | 4D12 | 15  | 42-8    | B2982R   | 6F22 | 16  | 60-65  |
| AR77753  | 1E6  | 1   | 20-13D | AT130104 | 4D20 | 3   | 42-16   | B30434   | 8E16 | 8   | 80-9   |
| AR77753  | 1E15 | 1   | 20-21  | AT130104 | 4D22 | 1   | 42-18   | B30667   | 4D25 | 13  | 42-21  |
| AR78289  | 7F24 | 41  | 70-69  | AT13740  | 1D24 | 1   | 20-11   | B3690R   | 6D7  | 8   | 60-3   |
| AR85519  | 2E23 | 21  | 30-37  | AT13740  | 1F3  | 13  | 20-35   | B3690R   | 6E14 | 5   | 60-33  |
| AR85519  | 2F8  | 19  | 30-47  | AT13740  | 1F18 | 4   | 20-47   | B3690R   | 7D23 | 35  | 70-15  |
| AR85519  | 2F20 | 21  | 30-57  | AT13740  | 1G18 | 13  | 20-71   | B3690R   | 7E7  | 1   | 70-25  |
| AR86406  | 8G1  | 16  | 80-48  | AT13740  | 1H5  | 4   | 20-83   | CC40740  | 8G16 | 1   | 80-63  |
| AR86745  | 2E21 | 11  | 30-35  | AT13740  | 1I6  | 13  | 20-108A | CE15294  | 4D16 | 9   | 42-12  |
| AR86745  | 2F6  | 7   | 30-45  | AT13740  | 1I15 | 11  | 20-117  | CE15294  | 4D17 | 2   | 42-13  |
| AR86745  | 2G3  | 13  | 30-67  | AT13740  | 1I17 | 11  | 20-119  | CH12638  | 4D25 | 1   | 42-21  |
| AR86745  | 2G5  | 7   | 30-69  | AT139776 | 1I15 | 14  | 20-117  | CH12639  | 4D25 | 1   | 42-21  |
| AR86745  | 2G10 | 4   | 30-74  | AT139776 | 1I17 | 14  | 20-119  | CH12713  | 4D25 | 1   | 42-21  |
| AR87079  | 1F1  | 1   | 20-32  | AT140957 | 3G22 | 5   | 40-78   | CH14887  | 1I20 | 10  | 20-123 |
| AR87079  | 3I4  | 3   | 40-109 | AT162848 | 8H10 | 18  | 90-7    | CH14887  | 1I24 | 10  | 20-127 |
| AR88903  | 1F9  | 19  | 20-39A | AT18904  | 2G7  | 30  | 30-71   | CH17453  | 4G12 | 22  | 51-41  |
| AR88903  | 2E25 | 19  | 30-39  | AT18904  | 8H14 | 10  | 90-11   | CH17453  | 5E16 | 1   | 54-3   |
| AR88903  | 2F12 | 19  | 30-49B | AT22070  | 8G2  | 1   | 80-49   | CH17453  | 5E16 | 2   | 54-3   |
| AR88903  | 2F22 | 19  | 30-59  | AT22073  | 8G2  | 10  | 80-49   | CH17453  | 5E16 | 21  | 54-3   |
| AR89302  | 7F24 | 4   | 70-69  | AT25226  | 8E18 | 16  | 80-11   | CH17453  | 5F13 | 1   | 54-25  |
| AR89303  | 7F24 | 1   | 70-69  | AT25226  | 8E20 | 2   | 80-15   | C14618   | 7J9  | 10  | 70-152 |

## NUMERICAL INDEX - CONTINUED

| PART NO. | GRID | KEY | PAGE   | PART NO. | GRID | KEY | PAGE   | PART NO. | GRID | KEY | PAGE   |
|----------|------|-----|--------|----------|------|-----|--------|----------|------|-----|--------|
| C16054   | 3H15 | 6   | 40-95  | F3353R   | 4G14 | 18  | 51-43  | H132899  | 9E10 | 11  | 91-29  |
| C16054   | 5F11 | 3   | 54-22  | F3353R   | 4I2  | 5   | 51-79  | H134624  | 6D13 | 1   | 60-9   |
| C19243   | 5D6  | 9   | 53-3   | F3353R   | 4I4  | 45  | 51-81  | H135156  | 6E4  | 9   | 60-23  |
| C19243   | 5D8  | 9   | 53-5   | F3353R   | 4I18 | 18  | 51-95  | H135156  | 6E4  | 10  | 60-23  |
| DS0251   | 1D15 | ..  | 20-2   | F3396R   | 7F18 | 6   | 70-63  | H135156  | 6E4  | 11  | 60-23  |
| DS0557   | 1D15 | ..  | 20-2   | F3396R   | 7F20 | 16  | 70-65  | H135156  | 6E4  | 24  | 60-23  |
| DT2127W  | 8E18 | 13  | 80-11  | F3396R   | 7F22 | 16  | 70-67  | H135156  | 6E4  | 25  | 60-23  |
| D2361    | 4F4  | 3   | 51-7   | F534R    | 7F20 | 10  | 70-65  | H135156  | 6E6  | 9   | 60-25  |
| D2361    | 4F6  | 15  | 51-9   | F534R    | 7F22 | 10  | 70-67  | H135156  | 6E8  | 9   | 60-27  |
| D2361    | 4F8  | 25  | 51-11  | H100795  | 7G6  | 2   | 70-75  | H136110  | 4E2  | 11  | 42-23  |
| D2361    | 4F12 | 9   | 51-15  | H100795  | 7G14 | 2   | 70-83  | H138955  | 8G11 | 2   | 80-58  |
| D2361    | 4H6  | 3   | 51-59  | H108291  | 4G22 | 4   | 51-51  | H141510  | 6E6  | 10  | 60-25  |
| D2361    | 4H8  | 15  | 51-61  | H108291  | 6F6  | 12  | 60-51  | H141510  | 6E6  | 11  | 60-25  |
| D2361    | 4H14 | 9   | 51-67  | H109046  | 7E5  | 9   | 70-23  | H141510  | 6E6  | 32  | 60-25  |
| D2361R   | 4F10 | 19  | 51-13  | H111706  | 3F23 | 10  | 40-55  | H141510  | 6E6  | 34  | 60-25  |
| D2361R   | 4F18 | 24  | 51-21  | H111706  | 3F23 | 14  | 40-55  | H141510  | 6E8  | 35  | 60-27  |
| D2361R   | 4H10 | 25  | 51-63  | H112162  | 6F6  | 32  | 60-51  | H143834  | 2G9  | ..  | 30-73  |
| D2361R   | 4H12 | 19  | 51-65  | H112162  | 6I2  | 5   | 60-113 | H145175  | 7E24 | 19  | 70-44  |
| D2361R   | 4H20 | 24  | 51-73  | H112567  | 6E6  | 10  | 60-25  | H145175  | 7E25 | 19  | 70-45  |
| ET14521  | 1E9  | 7   | 20-15  | H112567  | 6E6  | 11  | 60-25  | H145176  | 7E20 | 19  | 70-40  |
| ET14521  | 1F23 | 7   | 20-52  | H112567  | 6E6  | 32  | 60-25  | H145176  | 7E21 | 19  | 70-41  |
| ET14521  | 1H12 | 7   | 20-90  | H112567  | 6E6  | 34  | 60-25  | H145176  | 7E22 | 17  | 70-42  |
| ET15766  | 3F4  | 2   | 40-34  | H112567  | 6E8  | 11  | 60-27  | H145176  | 7E23 | 17  | 70-43  |
| E11077   | 8D13 | 42  | 71-11  | H112567  | 6G8  | 12  | 60-71  | H145456  | 7E24 | 2   | 70-44  |
| E1343FN  | 1E6  | 1   | 20-13D | H112567  | 6G10 | 12  | 60-73  | H145456  | 7E25 | 2   | 70-45  |
| E1343FN  | 1E14 | 1   | 20-20  | H112567  | 7E5  | 13  | 70-23  | H150411  | 6D22 | 10  | 60-17B |
| E1343FN  | 1G6  | 1   | 20-58  | H112567  | 8H10 | 10  | 90-7   | H151629  | 6D22 | 3   | 60-17B |
| E1343FN  | 1H17 | 1   | 20-95  | H112567  | 8H14 | 18  | 90-11  | H151674  | 6D25 | 6   | 60-21  |
| E48764   | 1I11 | 29  | 20-113 | H113196  | 3I14 | 7   | 41-4   | H151674  | 6E1  | 6   | 60-21A |
| E55662   | 1F9  | 16  | 20-39A | H113196  | 3I15 | 9   | 41-4A  | H152104  | 6D25 | 2   | 60-21  |
| E55662   | 2E25 | 16  | 30-39  | H113196  | 3I16 | 5   | 41-5   | H152104  | 6E1  | 2   | 60-21A |
| E55662   | 3I14 | 4   | 41-4   | H113196  | 3I19 | 2   | 41-8   | H152202  | 7E21 | 4   | 70-41  |
| E55662   | 3I15 | 4   | 41-4A  | H114865  | 6G8  | 11  | 60-71  | H152202  | 7E23 | 4   | 70-43  |
| E55662   | 3I16 | 3   | 41-5   | H114865  | 6G10 | 11  | 60-73  | H152203  | 7E25 | 4   | 70-45  |
| E55662   | 3I21 | 1   | 41-11  | H114865  | 8H10 | 9   | 90-7   | H152347  | 7E20 | 13  | 70-40  |
| E57351   | 8F25 | 12  | 80-46  | H114865  | 8H14 | 17  | 90-11  | H152347  | 7E21 | 13  | 70-41  |
| E57351   | 8G1  | 12  | 80-48  | H115379  | 7E5  | 14  | 70-23  | H152793  | 7E21 | 5   | 70-41  |
| E69392   | 7H21 | 1   | 70-115 | H115521  | 8H16 | 16  | 90-13  | H152793  | 7E23 | 5   | 70-43  |
| F1451R   | 6F22 | 4   | 60-65  | H115533  | 7F2  | 20  | 70-47  | H152794  | 7E25 | 5   | 70-45  |
| F1743R   | 1D24 | 8   | 20-11  | H115533  | 7F4  | 20  | 70-49  | H153659  | 6D22 | 4   | 60-17B |
| F1743R   | 1F18 | 11  | 20-47  | H117239  | 3H17 | 12  | 40-97  | H153834  | 6D22 | 1   | 60-17B |
| F1743R   | 1H5  | 11  | 20-83  | H120362  | 8H14 | 22  | 90-11  | H153834  | 6D25 | 3   | 60-21  |
| F1870R   | 7D25 | 35  | 70-17  | H120847  | 8D17 | 12  | 71-15  | H153834  | 6E1  | 3   | 60-21A |
| F2206R   | 7F24 | 31  | 70-69  | H120847  | 8H14 | 14  | 90-11  | H157642  | 7E22 | 13  | 70-42  |
| F2208R   | 7F24 | 28  | 70-69  | H121163  | 6F6  | 28  | 60-51  | H157642  | 7E23 | 13  | 70-43  |
| F2380R   | 5D18 | 18  | 53-15  | H121163  | 7E5  | 16  | 70-23  | H157978  | 7E24 | 13  | 70-44  |
| F2380R   | 5D20 | 19  | 53-17  | H121168  | 4G22 | 6   | 51-51  | H157978  | 7E25 | 13  | 70-45  |
| F2380R   | 5D22 | 19  | 53-19  | H121168  | 6E4  | 8   | 60-23  | H158942  | 6D22 | 6   | 60-17B |
| F2573R   | 7H23 | 26  | 70-117 | H121168  | 6E4  | 10  | 60-23  | H161618  | 4E2  | 10  | 42-23  |
| F2573R   | 7H25 | 8   | 70-119 | H121168  | 6E4  | 11  | 60-23  | H164359  | 6D22 | 8   | 60-17B |
| F2573R   | 7I10 | 35  | 70-129 | H121168  | 6E4  | 24  | 60-23  | H164360  | 6D22 | 11  | 60-17B |
| F2573R   | 7I12 | 5   | 70-131 | H121168  | 6E4  | 25  | 60-23  | H168109  | 6D22 | 5   | 60-17B |
| F2863    | 9F25 | 19  | 92-11  | H121168  | 6E6  | 8   | 60-25  | H169509  | 6D22 | 12  | 60-17B |
| F304R    | 7G22 | 3   | 70-93  | H121168  | 6E8  | 8   | 60-27  | H23941   | 6H23 | 2   | 60-109 |
| F3171    | 5D10 | 4   | 53-7   | H121168  | 6F6  | 13  | 60-51  | H23941   | 6H25 | 2   | 60-111 |
| F3171    | 5D10 | 5   | 53-7   | H121168  | 6G8  | 20  | 60-71  | H23941   | 6H25 | 26  | 60-111 |
| F3171R   | 1E9  | 10  | 20-15  | H121168  | 7E5  | 10  | 70-23  | H25220   | 9F2  | 12  | 91-47  |
| F3171R   | 1F23 | 10  | 20-52  | H121168  | 8D17 | 13  | 71-15  | H25220   | 9F7  | 19  | 91-51  |
| F3171R   | 1H12 | 10  | 20-90  | H121168  | 8H14 | 15  | 90-11  | H33795   | 6H23 | 4   | 60-109 |
| F3171R   | 4G10 | 29  | 51-39  | H123995  | 3G10 | 2   | 40-67  | H33795   | 6H23 | 21  | 60-109 |
| F3171R   | 4I14 | 29  | 51-91  | H123995  | 3H17 | 3   | 40-97  | H33795   | 6H25 | 4   | 60-111 |
| F3171R   | 5D14 | 4   | 53-11  | H123995  | 3H18 | 6   | 40-98  | H33795   | 6H25 | 21  | 60-111 |
| F3171R   | 5D18 | 25  | 53-15  | H125156  | 6G8  | 20  | 60-71  | H36256   | 5E24 | 10  | 54-13  |
| F3171R   | 5D20 | 26  | 53-17  | H128515  | 6F6  | 29  | 60-51  | H61354   | 7D13 | 5   | 70-5   |
| F3171R   | 5D22 | 26  | 53-19  | H128515  | 7E5  | 17  | 70-23  | H61354   | 7D25 | 9   | 70-17  |
| F3353R   | 4F23 | 5   | 51-27  | H132795  | 3H17 | 13  | 40-97  | H63262   | 4G10 | 17  | 51-39  |
| F3353R   | 4F25 | 45  | 51-29  | H132899  | 3G19 | 7   | 40-75  | H63262   | 4I14 | 17  | 51-91  |

## NUMERICAL INDEX - CONTINUED

| PART NO. | GRID | KEY | PAGE     | PART NO. | GRID | KEY | PAGE    | PART NO. | GRID | KEY | PAGE      |
|----------|------|-----|----------|----------|------|-----|---------|----------|------|-----|-----------|
| H75541   | 4G22 | 9   | 51 - 51  | JD7798   | 7E16 | 2   | 70 - 36 | JD9127   | 5D22 | 9   | 53 - 19   |
| H75541   | 8H12 | 7   | 90 - 9   | JD7798   | 7E17 | 2   | 70 - 37 | JD9132   | 5D6  | 20  | 53 - 3    |
| H79910   | 1D24 | 20  | 20 - 11  | JD7798   | 7E18 | 2   | 70 - 38 | JD9132   | 5D8  | 20  | 53 - 5    |
| H80128   | 6D11 | 9   | 60 - 7   | JD7798   | 7E19 | 2   | 70 - 39 | JD9279   | 5E16 | 1   | 54 - 3    |
| H85092   | 8H20 | 6   | 90 - 17  | JD7798   | 7F2  | 13  | 70 - 47 | JD9346   | 5F25 | 15  | 54 - 37   |
| H86981   | 4G10 | 21  | 51 - 39  | JD7798   | 7F4  | 13  | 70 - 49 | JD9833   | 4F2  | 5   | 51 - 5    |
| IPSKIT1  | 1D15 | ..  | 20 - 2   | JD7798   | 7F8  | 2   | 70 - 53 | JD9833   | 4H4  | 5   | 51 - 57   |
| JD10116  | 4G10 | 10  | 51 - 39  | JD7798   | 7F18 | 12  | 70 - 63 | JD9960   | 9F25 | 22  | 92 - 11   |
| JD10116  | 4I14 | 10  | 51 - 91  | JD7798   | 7F20 | 6   | 70 - 65 | J19366   | 4F16 | 13  | 51 - 19   |
| JD10134  | 5D20 | 4   | 53 - 17  | JD7798   | 7F22 | 6   | 70 - 67 | J19366   | 4H18 | 13  | 51 - 71   |
| JD10134  | 5D22 | 4   | 53 - 19  | JD7798   | 8E10 | 6   | 80 - 3  | J19366   | 9D12 | 6   | 91 - 7    |
| JD10135  | 5D20 | 5   | 53 - 17  | JD7798   | 8E12 | 6   | 80 - 5  | J4216H   | 4E24 | 11  | 51 - 3    |
| JD10135  | 5D22 | 5   | 53 - 19  | JD7798   | 8E14 | 9   | 80 - 7  | J4216H   | 4H2  | 11  | 51 - 55   |
| JD10181  | 4E24 | 12  | 51 - 3   | JD7799   | 7F6  | 11  | 70 - 51 | K40002   | 8F25 | 6   | 80 - 46   |
| JD10181  | 4H2  | 12  | 51 - 55  | JD7799   | 8E14 | 8   | 80 - 7  | K40002   | 8G1  | 15  | 80 - 48   |
| JD10190  | 8E18 | 8   | 80 - 11  | JD8100   | 5E4  | 28  | 53 - 27 | K40003   | 8E16 | 11  | 80 - 9    |
| JD10226  | 5E16 | 8   | 54 - 3   | JD8118   | 7D15 | 34  | 70 - 7  | K40003   | 8F9  | 8   | 80 - 30   |
| JD10226  | 5E17 | 3   | 54 - 4   | JD8131   | 8E18 | 3   | 80 - 11 | K40003   | 9G2  | 4   | 92 - 13   |
| JD10226  | 5F13 | 8   | 54 - 25  | JD8147   | 7D11 | 2   | 70 - 3  | K40003   | 9G6  | 12  | 92 - 17   |
| JD10226  | 5F19 | 10  | 54 - 31  | JD8177   | 5D6  | 24  | 53 - 3  | K40003   | 9G6  | 17  | 92 - 17   |
| JD10227  | 5E16 | 9   | 54 - 3   | JD8177   | 5D8  | 24  | 53 - 5  | K40014   | 8D15 | 10  | 71 - 13   |
| JD10227  | 5E17 | 3   | 54 - 4   | JD8191   | 5D16 | 28  | 53 - 13 | K40014   | 8D17 | 9   | 71 - 15   |
| JD10227  | 5F13 | 9   | 54 - 25  | JD8213   | 5D6  | 23  | 53 - 3  | L100300  | 7H18 | 2   | 70 - 111  |
| JD10227  | 5F19 | 9   | 54 - 31  | JD8213   | 5D8  | 23  | 53 - 5  | L100303  | 7H12 | 2   | 70 - 105  |
| JD10353  | 5E16 | 8   | 54 - 3   | JD8214   | 5D16 | 27  | 53 - 13 | L100304  | 7H12 | 16  | 70 - 105  |
| JD10354  | 5E16 | 9   | 54 - 3   | JD8239   | 7D15 | 35  | 70 - 7  | L100309  | 7H18 | 6   | 70 - 111  |
| JD10527  | 5E4  | 25  | 53 - 27  | JD8247   | 5E4  | 24  | 53 - 27 | L100436  | 6D7  | 10  | 60 - 3    |
| JD5400   | 8G5  | 2   | 80 - 52  | JD8248   | 5D18 | 8   | 53 - 15 | L100496  | 4F4  | 18  | 51 - 7    |
| JD5801   | 1I20 | 12  | 20 - 123 | JD8252   | 5F19 | 15  | 54 - 31 | L100496  | 4H6  | 18  | 51 - 59   |
| JD5801   | 1I24 | 12  | 20 - 127 | JD8252   | 5F21 | 6   | 54 - 33 | L101222  | 7H12 | 20  | 70 - 105  |
| JD5801   | 5E24 | 18  | 54 - 13  | JD8253   | 7D15 | 31  | 70 - 7  | L101966  | 7H6  | 5   | 70 - 101  |
| JD5920   | 4E2  | 16  | 42 - 23  | JD8255   | 5D12 | 4   | 53 - 9  | L102023  | 9E6  | 1   | 91 - 25   |
| JD5921   | 4E2  | 14  | 42 - 23  | JD8535   | 4E24 | 3   | 51 - 3  | L102193  | 7J6  | 13  | 70 - 149  |
| JD5922   | 4E2  | 15  | 42 - 23  | JD8535   | 4H2  | 3   | 51 - 55 | L102193  | 7J8  | 13  | 70 - 151  |
| JD5927   | 8G5  | 2   | 80 - 52  | JD8535   | 6F3  | 2   | 60 - 47 | L102195  | 7J6  | 31  | 70 - 149  |
| JD5929   | 8G5  | 2   | 80 - 52  | JD8537   | 5E16 | 3   | 54 - 3  | L102195  | 7J8  | 31  | 70 - 151  |
| JD7242   | 5G2  | 1   | 54 - 39  | JD8537   | 5F13 | 3   | 54 - 25 | L102196  | 7J6  | 15  | 70 - 149  |
| JD7242   | 5G2  | 15  | 54 - 39  | JD8568   | 4G10 | 13  | 51 - 39 | L102196  | 7J8  | 15  | 70 - 151  |
| JD7242   | 5G4  | 1   | 54 - 41  | JD8568   | 4I14 | 13  | 51 - 91 | L102198  | 7J6  | 16  | 70 - 149  |
| JD7242   | 5G4  | 15  | 54 - 41  | JD8870   | 5D6  | 4   | 53 - 3  | L102198  | 7J8  | 16  | 70 - 151  |
| JD7266   | 8E18 | 7   | 80 - 11  | JD8870   | 5D8  | 4   | 53 - 5  | L102199  | 7J6  | 27  | 70 - 149  |
| JD7292   | 5E4  | 11  | 53 - 27  | JD8905   | 7D15 | 36  | 70 - 7  | L102199  | 7J8  | 27  | 70 - 151  |
| JD7292   | 5E21 | 18  | 54 - 9   | JD8930   | 5F25 | 8   | 54 - 37 | L102453  | 6G16 | 11  | 60 - 79   |
| JD7292   | 5F19 | 4   | 54 - 31  | JD8935   | 7D15 | 32  | 70 - 7  | L111038  | 8G4  | 9   | 80 - 51   |
| JD7292   | 5F19 | 11  | 54 - 31  | JD8941   | 5D12 | 5   | 53 - 9  | L111419  | 9F5  | 35  | 91 - 49   |
| JD7292   | 5F21 | 2   | 54 - 33  | JD9018   | 5D18 | 9   | 53 - 15 | L111699  | 7H2  | 3   | 70 - 97   |
| JD7297   | 5E2  | 4   | 53 - 25  | JD9043   | 5E16 | 16  | 54 - 3  | L113561  | 4D10 | 10  | 42 - 6    |
| JD7297   | 5E6  | 6   | 53 - 29  | JD9043   | 5F13 | 16  | 54 - 25 | L113561  | 4D10 | 12  | 42 - 6    |
| JD7370   | 5E2  | 5   | 53 - 25  | JD9043   | 7D11 | 3   | 70 - 3  | L113561  | 4D11 | 13  | 42 - 7    |
| JD7370   | 5E6  | 5   | 53 - 29  | JD9049   | 7D11 | 4   | 70 - 3  | L113561  | 4D11 | 15  | 42 - 7    |
| JD7378   | 5E4  | 2   | 53 - 27  | JD9050   | 5F10 | 18  | 54 - 21 | L113583  | 6H11 | 2   | 60 - 99   |
| JD7386   | 5E21 | 19  | 54 - 9   | JD9050   | 5F23 | 13  | 54 - 35 | L113583  | 6H13 | 1   | 60 - 101  |
| JD7424   | 5E4  | 29  | 53 - 27  | JD9050   | 5F23 | 19  | 54 - 35 | L113583  | 8G11 | 6   | 80 - 58   |
| JD7425   | 5E21 | 3   | 54 - 9   | JD9069   | 5D16 | 7   | 53 - 13 | L113907  | 9F3  | 4   | 91 - 47A  |
| JD7425   | 7D11 | 1   | 70 - 3   | JD9069   | 5D20 | 10  | 53 - 17 | L113907  | 9F9  | 28  | 91 - 53   |
| JD7439   | 8E18 | 4   | 80 - 11  | JD9069   | 5D22 | 10  | 53 - 19 | L113908  | 9F3  | 2   | 91 - 47A  |
| JD7449   | 7D15 | 33  | 70 - 7   | JD9075   | 5D6  | 14  | 53 - 3  | L113908  | 9F9  | 29  | 91 - 53   |
| JD7759   | 5F25 | 2   | 54 - 37  | JD9075   | 5D8  | 14  | 53 - 5  | L115419  | 7H8  | 22  | 70 - 101B |
| JD7781   | 5F2  | 5   | 54 - 15  | JD9109   | 5E16 | 15  | 54 - 3  | L115420  | 7H8  | 5   | 70 - 101B |
| JD7781   | 5F4  | 5   | 54 - 17  | JD9109   | 5F13 | 15  | 54 - 25 | L12491   | 8F16 | 2   | 80 - 37   |
| JD7781   | 7F6  | 9   | 70 - 51  | JD9109   | 7D11 | 5   | 70 - 3  | L12807   | 4D16 | 14  | 42 - 12   |
| JD7797   | 8D13 | 11  | 71 - 11  | JD9114   | 7D11 | 6   | 70 - 3  | L12807   | 4D17 | 5   | 42 - 13   |
| JD7797   | 8D15 | 33  | 71 - 13  | JD9115   | 5F10 | 17  | 54 - 21 | L1610N   | 4G12 | 8   | 51 - 41   |
| JD7797   | 8D15 | 47  | 71 - 13  | JD9115   | 5F23 | 14  | 54 - 35 | L1610N   | 4I16 | 8   | 51 - 93   |
| JD7797   | 8E16 | 4   | 80 - 9   | JD9115   | 5F23 | 18  | 54 - 35 | L2646N   | 2G7  | 28  | 30 - 71   |
| JD7798   | 7E14 | 2   | 70 - 34  | JD9127   | 5D16 | 8   | 53 - 13 | L30706   | 6G16 | 2   | 60 - 79   |
| JD7798   | 7E15 | 2   | 70 - 35  | JD9127   | 5D20 | 9   | 53 - 17 | L32997   | 7F14 | 13  | 70 - 59   |

## NUMERICAL INDEX - CONTINUED

| PART NO. | GRID | KEY | PAGE    | PART NO. | GRID | KEY | PAGE   | PART NO. | GRID | KEY | PAGE   |
|----------|------|-----|---------|----------|------|-----|--------|----------|------|-----|--------|
| L33035   | 5E4  | 5   | 53-27   | L63816   | 6H13 | 25  | 60-101 | L79499   | 9G10 | 5   | 92-21  |
| L33629   | 8G4  | 9   | 80-51   | L63825   | 7H18 | 3   | 70-111 | L79500   | 9G10 | 8   | 92-21  |
| L35036   | 7F14 | 4   | 70-59   | L63826   | 7H18 | 4   | 70-111 | L79501   | 9G10 | 10  | 92-21  |
| L35850   | 8G16 | 11  | 80-63   | L64173   | 6H13 | 9   | 60-101 | L79502   | 9G10 | 18  | 92-21  |
| L37975   | 4D9  | 7   | 42-5    | L64185   | 6H11 | 1   | 60-99  | L79503   | 9G10 | 13  | 92-21  |
| L37975   | 4D13 | 6   | 42-9    | L64413   | 6H13 | 9   | 60-101 | L79504   | 9G10 | 19  | 92-21  |
| L37975   | 4D21 | 4   | 42-17   | L64456   | 5E4  | 32  | 53-27  | L79568   | 4D10 | 12  | 42-6   |
| L37975   | 4D21 | 7   | 42-17   | L64991   | 8G16 | 1   | 80-63  | L79568   | 4D11 | 15  | 42-7   |
| L38296   | 7H4  | 21  | 70-99   | L65000   | 3H5  | 6   | 40-85  | L79601   | 8G16 | 3   | 80-63  |
| L38296   | 7H6  | 11  | 70-101  | L65000   | 3H7  | 6   | 40-87  | L79672   | 7H10 | 13  | 70-103 |
| L38296   | 7H8  | 11  | 70-101B | L65000   | 3H9  | 12  | 40-89  | L79672   | 7H16 | 2   | 70-109 |
| L38416   | 4D16 | 12  | 42-12   | L65000   | 8G11 | 5   | 80-58  | L79690   | 4D6  | 3   | 42-2   |
| L38449   | 8F16 | 5   | 80-37   | L65043   | 6H11 | 2   | 60-99  | L79776   | 9E16 | 12  | 91-35  |
| L38450   | 8F16 | 3   | 80-37   | L65043   | 6H13 | 1   | 60-101 | L79777   | 9E16 | 11  | 91-35  |
| L38451   | 8F16 | 4   | 80-37   | L65043   | 8G11 | 6   | 80-58  | L79778   | 9E16 | 13  | 91-35  |
| L38797   | 9E18 | 17  | 91-37   | L65070   | 8G16 | 6   | 80-63  | L79784   | 9E18 | 2   | 91-37  |
| L38797   | 9E20 | 17  | 91-39   | L65071   | 3G19 | 11  | 40-75  | L79784   | 9E18 | 16  | 91-37  |
| L39134   | 8H21 | 5   | 90-18   | L65071   | 8G16 | 7   | 80-63  | L79784   | 9E20 | 21  | 91-39  |
| L39134   | 9D16 | 8   | 91-11   | L75379   | 9E4  | 4   | 91-23  | L80013   | 9E21 | 11  | 91-40  |
| L39134   | 9D16 | 17  | 91-11   | L75631   | 9G10 | 16  | 92-21  | L80014   | 9E21 | 8   | 91-40  |
| L39871   | 8G6  | 10  | 80-53   | L75768   | 9F5  | 33  | 91-49  | L80015   | 9E21 | 7   | 91-40  |
| L39978   | 7F16 | 9   | 70-61   | L75841   | 7E8  | 1   | 70-28  | L80052   | 7H10 | 4   | 70-103 |
| L40799   | 6F22 | 2   | 60-65   | L75859   | 8E14 | 3   | 80-7   | L80052   | 7H16 | 9   | 70-109 |
| L40811   | 7F14 | 3   | 70-59   | L76189   | 9F3  | 6   | 91-47A | L80302   | 3G24 | 1   | 40-80  |
| L40829   | 7F14 | 16  | 70-59   | L76189   | 9F9  | 28  | 91-53  | L80302   | 8G12 | 7   | 80-59  |
| L41079   | 6H13 | 9   | 60-101  | L76190   | 9F3  | 1   | 91-47A | L80465   | 7H10 | 11  | 70-103 |
| L41880   | 7F15 | 4   | 70-60   | L76190   | 9F9  | 29  | 91-53  | L80465   | 7H16 | 18  | 70-109 |
| L53826   | 6G16 | 3   | 60-79   | L76191   | 6D11 | 10  | 60-7   | L83677   | 3E14 | 18  | 40-19  |
| L53976   | 6G16 | 6   | 60-79   | L76191   | 9F7  | 29  | 91-51  | L83677   | 3E16 | 18  | 40-21  |
| L55210   | 9D12 | 1   | 91-7    | L76191   | 9F9  | 26  | 91-53  | L83677   | 3F13 | 2   | 40-44  |
| L55431   | 7F15 | 6   | 70-60   | L76331   | 8G5  | 9   | 80-52  | M112442  | 9F9  | 27  | 91-53  |
| L55980   | 4D16 | 5   | 42-12   | L76331   | 9E3  | 6   | 91-22  | M112442  | 9F11 | 37  | 91-53B |
| L56933   | 9G10 | 15  | 92-21   | L76619   | 8F6  | 2   | 80-27  | M115279  | 3F17 | 1   | 40-49  |
| L57084   | 7E7  | 23  | 70-25   | L76620   | 8F6  | 2   | 80-27  | M115279  | 3F19 | 1   | 40-51  |
| L57250   | 9D24 | 10  | 91-19   | L76711   | 6I6  | 8   | 60-117 | M115279  | 3G2  | 3   | 40-59  |
| L57470   | 9G10 | 20  | 92-21   | L76711   | 7H10 | 8   | 70-103 | M115279  | 9G8  | 3   | 92-19  |
| L57881   | 8H20 | 34  | 90-17   | L76801   | 6I6  | 8   | 60-117 | M115827  | 3E24 | 19  | 40-29  |
| L58890   | 9F2  | 11  | 91-47   | L76801   | 7H10 | 8   | 70-103 | M115827  | 7F18 | 1   | 70-63  |
| L58890   | 9F3  | 7   | 91-47A  | L77569   | 6G16 | 11  | 60-79  | M115827  | 7F24 | 3   | 70-69  |
| L58890   | 9F7  | 17  | 91-51   | L77943   | 8H12 | 3   | 90-9   | M117141  | 8F14 | 11  | 80-35  |
| L58890   | 9F9  | 17  | 91-53   | L77943   | 8H20 | 19  | 90-17  | M117141  | 9E10 | 16  | 91-29  |
| L59320   | 7G24 | 2   | 70-95   | L78174   | 9E18 | 19  | 91-37  | M40514   | 8D15 | 38  | 71-13  |
| L59320   | 7H2  | 2   | 70-97   | L78174   | 9E20 | 19  | 91-39  | M44677   | 7D19 | 25  | 70-11  |
| L59336   | 7H4  | 5   | 70-99   | L78176   | 9E18 | 1   | 91-37  | M45379   | 7D19 | 12  | 70-11  |
| L59336   | 7H6  | 15  | 70-101  | L78176   | 9E20 | 20  | 91-39  | M45379   | 7D21 | 14  | 70-13  |
| L59336   | 7H8  | 15  | 70-101B | L78422   | 9E21 | 9   | 91-40  | M63200   | 9E14 | 7   | 91-33  |
| L59342   | 7H4  | 10  | 70-99   | L78625   | 6G16 | 9   | 60-79  | M67889   | 1I15 | 24  | 20-117 |
| L59342   | 7H6  | 20  | 70-101  | L78691   | 9F3  | 5   | 91-47A | M67889   | 1I17 | 24  | 20-119 |
| L59342   | 7H8  | 20  | 70-101B | L78691   | 9F9  | 30  | 91-53  | M68628   | 8H15 | 7   | 90-12  |
| L59343   | 7H4  | 6   | 70-99   | L78703   | 9F5  | 8   | 91-49  | M70619   | 6E14 | 4   | 60-33  |
| L59343   | 7H6  | 17  | 70-101  | L78703   | 9F9  | 18  | 91-53  | M71107   | 3I22 | 5   | 41-12  |
| L59343   | 7H8  | 17  | 70-101B | L78704   | 9F5  | 31  | 91-49  | M72490   | 1F9  | 15  | 20-39A |
| L59344   | 7H4  | 7   | 70-99   | L78705   | 9F5  | 32  | 91-49  | M72490   | 2E25 | 15  | 30-39  |
| L59344   | 7H6  | 16  | 70-101  | L78851   | 9F5  | 5   | 91-49  | M72490   | 2F12 | 15  | 30-49B |
| L59345   | 7H4  | 11  | 70-99   | L78851   | 9F9  | 19  | 91-53  | M72490   | 2F22 | 15  | 30-59  |
| L59345   | 7H6  | 21  | 70-101  | L79087   | 8G6  | 5   | 80-53  | M73135   | 9D16 | 5   | 91-11  |
| L59345   | 7H8  | 21  | 70-101B | L79302   | 8G4  | 1   | 80-51  | M73135   | 9D16 | 12  | 91-11  |
| L59572   | 7J6  | 8   | 70-149  | L79404   | 6F20 | 19  | 60-63  | M74600   | 7D19 | 16  | 70-11  |
| L59572   | 7J8  | 8   | 70-151  | L79404   | 6I6  | 6A  | 60-117 | M74600   | 7D21 | 13  | 70-13  |
| L59573   | 7J6  | 7   | 70-149  | L79447   | 7G24 | 3   | 70-95  | M74782   | 8H20 | 10  | 90-17  |
| L59573   | 7J8  | 7   | 70-151  | L79449   | 7G24 | 4   | 70-95  | M82714   | 9E14 | 33  | 91-33  |
| L60365   | 7D17 | 5   | 70-9    | L79449   | 7H2  | 4   | 70-97  | M83725   | 8G3  | 4   | 80-50  |
| L62682   | 6G16 | 4   | 60-79   | L79474   | 8G18 | 7   | 80-65  | M84313   | 7H25 | 3   | 70-119 |
| L62893   | 6H11 | 7   | 60-99   | L79474   | 9G12 | 13  | 92-23  | M84313   | 7I18 | 9   | 70-137 |
| L62893   | 6H13 | 24  | 60-101  | L79496   | 9G10 | 9   | 92-21  | M84971   | 1J7  | 12  | 20-135 |
| L63262   | 8G18 | 6   | 80-65   | L79497   | 9G10 | 6   | 92-21  | M84971   | 1J9  | 14  | 20-137 |
| L63816   | 6H11 | 8   | 60-99   | L79498   | 9G10 | 7   | 92-21  | M84971   | 6G24 | 6   | 60-87  |



# 1K6

8100, 8200, 8300, 8400 TRACTORS

## NUMERICAL INDEX - CONTINUED

| PART NO. | GRID | KEY | PAGE     | PART NO. | GRID | KEY | PAGE     | PART NO. | GRID | KEY | PAGE     |
|----------|------|-----|----------|----------|------|-----|----------|----------|------|-----|----------|
| M84971   | 9F25 | 12  | 92 - 11  | P50631   | 4G16 | 9   | 51 - 45  | RE150420 | 3E12 | 45  | 40 - 17  |
| M84972   | 8F12 | 13  | 80 - 33  | P50631   | 5D12 | 15  | 53 - 9   | RE150420 | 3E18 | 45  | 40 - 23  |
| M84972   | 8F13 | 4   | 80 - 34  | P50635   | 6D25 | 9   | 60 - 21  | RE150421 | 3E10 | 12  | 40 - 15  |
| M84972   | 8H20 | 11  | 90 - 17  | P50635   | 6E1  | 9   | 60 - 21A | RE150421 | 3E12 | 12  | 40 - 17  |
| M84972   | 9D16 | 12  | 91 - 11  | RE10258  | 2F2  | 4   | 30 - 41  | RE150421 | 3E14 | 17  | 40 - 19  |
| M87795   | 6F22 | 12C | 60 - 65  | RE10258  | 2F14 | 4   | 30 - 51  | RE150421 | 3E14 | 44  | 40 - 19  |
| M90097   | 8D13 | 3   | 71 - 11  | RE10258  | 2F24 | 4   | 30 - 61  | RE150421 | 3E16 | 17  | 40 - 21  |
| M96130   | 8H15 | 3   | 90 - 12  | RE10901  | 1I11 | 12  | 20 - 113 | RE150421 | 3E16 | 45  | 40 - 21  |
| N107859  | 7H23 | 25  | 70 - 117 | RE10901  | 2D15 | 15  | 30 - 7   | RE150421 | 3E18 | 12  | 40 - 23  |
| N112193  | 6H19 | 7   | 60 - 107 | RE11410  | 1D18 | 3   | 20 - 5   | RE150421 | 4D11 | 9   | 42 - 7   |
| N112193  | 6H23 | 20  | 60 - 109 | RE11447  | 7J9  | 9   | 70 - 152 | RE150421 | 4D23 | 9   | 42 - 19  |
| N112193  | 6H25 | 20  | 60 - 111 | RE11456  | 7J9  | 2   | 70 - 152 | RE150422 | 3E2  | 27  | 40 - 9   |
| N112193  | 6I2  | 1   | 60 - 113 | RE11457  | 7J9  | 1   | 70 - 152 | RE150422 | 3E4  | 27  | 40 - 9B  |
| N112193  | 6I4  | 1   | 60 - 115 | RE11458  | 7J9  | 2   | 70 - 152 | RE150422 | 3E8  | 27  | 40 - 13  |
| N137598  | 4G6  | 22  | 51 - 35  | RE11463  | 7J9  | 2   | 70 - 152 | RE150422 | 4D15 | 2   | 42 - 11  |
| N137598  | 4I12 | 57  | 51 - 89  | RE12049  | 9G4  | 1   | 92 - 15  | RE150423 | 3E2  | 28  | 40 - 9   |
| N137598  | 8D15 | 59  | 71 - 13  | RE12176  | 2D11 | 9   | 30 - 3   | RE150423 | 3E4  | 28  | 40 - 9B  |
| N153493  | 4G10 | 30  | 51 - 39  | RE12176  | 3E2  | 12  | 40 - 9   | RE150423 | 3E8  | 28  | 40 - 13  |
| N153493  | 4I14 | 30  | 51 - 91  | RE12176  | 3E8  | 12  | 40 - 13  | RE150423 | 4D15 | 2   | 42 - 11  |
| N154080  | 7I18 | 1   | 70 - 137 | RE12187  | 4F8  | 16  | 51 - 11  | RE150424 | 3E20 | 2   | 40 - 25  |
| N154080  | 7I22 | 3   | 70 - 141 | RE12187  | 4H10 | 16  | 51 - 63  | RE150424 | 4D21 | 11  | 42 - 17  |
| N158796  | 7F6  | 11  | 70 - 51  | RE12187  | 5D10 | 7   | 53 - 7   | RE150425 | 3E10 | 37  | 40 - 15  |
| N191770  | 6E20 | 6   | 60 - 39  | RE12187  | 6D19 | 2   | 60 - 15  | RE150425 | 3E12 | 38  | 40 - 17  |
| N191770  | 6E24 | 2   | 60 - 43  | RE12187  | 7E1  | 4   | 70 - 19  | RE150425 | 3E18 | 38  | 40 - 23  |
| N194814  | 1I11 | 30  | 20 - 113 | RE12187  | 7E7  | 15  | 70 - 25  | RE150425 | 4D9  | 10  | 42 - 5   |
| N194814  | 7I18 | 8   | 70 - 137 | RE12187  | 7H19 | 2   | 70 - 113 | RE150426 | 3E2  | 14  | 40 - 9   |
| N202662  | 7I20 | 3   | 70 - 139 | RE12187  | 7I10 | 14  | 70 - 129 | RE150426 | 3E8  | 14  | 40 - 13  |
| N202894  | 3G2  | 1   | 40 - 59  | RE12330  | 4E8  | 14  | 43 - 3   | RE150426 | 4D13 | 14  | 42 - 9   |
| N203491  | 7D19 | 33  | 70 - 11  | RE12331  | 4E8  | 12  | 43 - 3   | RE150428 | 3E2  | 5   | 40 - 9   |
| N203491  | 7D21 | 9   | 70 - 13  | RE12332  | 4E8  | 18  | 43 - 3   | RE150428 | 3E8  | 6   | 40 - 13  |
| N218581  | 7G22 | 8   | 70 - 93  | RE12333  | 4E8  | 21  | 43 - 3   | RE150428 | 4D13 | 9   | 42 - 9   |
| N260556  | 8D13 | 4   | 71 - 11  | RE12334  | 4E8  | 8   | 43 - 3   | RE150544 | 3E18 | 15  | 40 - 23  |
| N260556  | 8D15 | 16  | 71 - 13  | RE12362  | 4E8  | 4   | 43 - 3   | RE150544 | 3F7  | 10  | 40 - 37  |
| N275960  | 7D25 | 37  | 70 - 17  | RE12363  | 3E14 | 32  | 40 - 19  | RE150545 | 3F5  | 4   | 40 - 35  |
| N30256   | 3G22 | 1   | 40 - 78  | RE12363  | 3E16 | 32  | 40 - 21  | RE150545 | 6H13 | 29  | 60 - 101 |
| N30405   | 2G7  | 27  | 30 - 71  | RE12363  | 3H15 | 11  | 40 - 95  | RE150587 | 9F13 | 1   | 91 - 55  |
| N32491   | 6E4  | 22  | 60 - 23  | RE12363  | 3H15 | 14  | 40 - 95  | RE150589 | 9F13 | 1   | 91 - 55  |
| N32491   | 6G12 | 17  | 60 - 75  | RE12363  | 4D25 | 17  | 42 - 21  | RE150606 | 3F5  | 6   | 40 - 35  |
| N34349   | 6D25 | 8   | 60 - 21  | RE12363  | 4E8  | 11  | 43 - 3   | RE150606 | 6H13 | 23  | 60 - 101 |
| N34349   | 6E1  | 8   | 60 - 21A | RE12363  | 4E8  | 12  | 43 - 3   | RE150608 | 4G6  | 5   | 51 - 35  |
| PM797NA  | 4E6  | 1   | 43 - 1   | RE12364  | 4E8  | 16  | 43 - 3   | RE150608 | 4I10 | 5   | 51 - 87  |
| PT11362  | 3G2  | 11  | 40 - 59  | RE12365  | 4E8  | 20  | 43 - 3   | RE150629 | 5D14 | 1   | 53 - 11  |
| PT11778  | 8H12 | 1   | 90 - 9   | RE12366  | 3E24 | 3   | 40 - 29  | RE150663 | 3F5  | 8   | 40 - 35  |
| PT11778  | 8H20 | 18  | 90 - 17  | RE12366  | 4E8  | 25  | 43 - 3   | RE150663 | 6H13 | 21  | 60 - 101 |
| P40098   | 5E24 | 18  | 54 - 13  | RE13181  | 4F23 | 3   | 51 - 27  | RE150778 | 6H13 | 17  | 60 - 101 |
| P42061   | 3D20 | 2   | 40 - 3   | RE13181  | 4G14 | 4   | 51 - 43  | RE150781 | 4G6  | 5   | 51 - 35  |
| P42061   | 3D20 | 10  | 40 - 3   | RE13181  | 4I2  | 3   | 51 - 79  | RE150781 | 4I10 | 5   | 51 - 87  |
| P42061   | 3D22 | 1   | 40 - 5   | RE13181  | 4I18 | 4   | 51 - 95  | RE150839 | 6H13 | 15  | 60 - 101 |
| P42061   | 4F4  | 13  | 51 - 7   | RE13541  | 9G4  | 18  | 92 - 15  | RE150839 | 6H15 | 7   | 60 - 103 |
| P42061   | 4F4  | 14  | 51 - 7   | RE14439  | 5E2  | 6   | 53 - 25  | RE150839 | 6H17 | 7   | 60 - 105 |
| P42061   | 4F18 | 2   | 51 - 21  | RE14519  | 8E18 | 9   | 80 - 11  | RE150840 | 6G22 | 8   | 60 - 85  |
| P42061   | 4F18 | 29  | 51 - 21  | RE150008 | 8G1  | 8   | 80 - 48  | RE150840 | 6H13 | 30  | 60 - 101 |
| P42061   | 4H6  | 13  | 51 - 59  | RE150010 | 8G1  | 8   | 80 - 48  | RE150841 | 6G22 | 4   | 60 - 85  |
| P42061   | 4H20 | 2   | 51 - 73  | RE150011 | 8G1  | 7   | 80 - 48  | RE150842 | 6G22 | 2   | 60 - 85  |
| P42061   | 4H20 | 29  | 51 - 73  | RE150013 | 8G1  | 7   | 80 - 48  | RE150842 | 6H17 | 21  | 60 - 105 |
| P42061   | 5D10 | 10  | 53 - 7   | RE150316 | 5F4  | 14  | 54 - 17  | RE150843 | 6G22 | 3   | 60 - 85  |
| P42894   | 5E17 | 7   | 54 - 4   | RE150316 | 5F8  | 2   | 54 - 19  | RE150843 | 6H17 | 6   | 60 - 105 |
| P46770   | 4G16 | 6   | 51 - 45  | RE150317 | 5F4  | 17  | 54 - 17  | RE150852 | 8E22 | 11  | 80 - 17  |
| P46770   | 5D12 | 14  | 53 - 9   | RE150317 | 5F8  | 5   | 54 - 19  | RE150854 | 8E24 | 10  | 80 - 19  |
| P47889   | 4G14 | 10  | 51 - 43  | RE150318 | 5F4  | 28  | 54 - 17  | RE150870 | 7G16 | 9   | 70 - 85  |
| P47889   | 4I18 | 10  | 51 - 95  | RE150318 | 5F8  | 7   | 54 - 19  | RE150871 | 7G16 | 1   | 70 - 85  |
| P47889   | 5E17 | 9   | 54 - 4   | RE150319 | 5F8  | 9   | 54 - 19  | RE150873 | 7G8  | 9   | 70 - 77  |
| P47889   | 5F10 | 2   | 54 - 21  | RE150319 | 5F10 | 14  | 54 - 21  | RE150874 | 7G8  | 1   | 70 - 77  |
| P47889   | 5F17 | 3   | 54 - 29  | RE150320 | 5F2  | 21  | 54 - 15  | RE150889 | 9G8  | 10  | 92 - 19  |
| P47889   | 5F23 | 22  | 54 - 35  | RE150320 | 5F8  | 9   | 54 - 19  | RE150889 | 9G8  | 11  | 92 - 19  |
| P47889   | 6E2  | 9   | 60 - 21B | RE150419 | 4D21 | 10  | 42 - 17  | RE150889 | 9G8  | 12  | 92 - 19  |
| P48347   | 7E11 | 6   | 70 - 31  | RE150420 | 3E10 | 44  | 40 - 15  | RE150894 | 9E10 | 25  | 91 - 29  |

## NUMERICAL INDEX - CONTINUED

| PART NO. | GRID | KEY | PAGE   | PART NO. | GRID | KEY | PAGE   | PART NO. | GRID | KEY | PAGE   |
|----------|------|-----|--------|----------|------|-----|--------|----------|------|-----|--------|
| RE150903 | 6G22 | 10  | 60-85  | RE153333 | 3H5  | 18  | 40-85  | RE156608 | 8E20 | 3   | 80-15  |
| RE150903 | 6H13 | 14  | 60-101 | RE153333 | 3H7  | 5   | 40-87  | RE156609 | 8E20 | 3   | 80-15  |
| RE150945 | 3D22 | 1   | 40-5   | RE153333 | 3H7  | 18  | 40-87  | RE156610 | 8E20 | 3   | 80-15  |
| RE150945 | 4H20 | 2   | 51-73  | RE153333 | 3H9  | 13  | 40-89  | RE156751 | 5F6  | 7   | 54-17B |
| RE150945 | 5D10 | 10  | 53-7   | RE153334 | 3E2  | 7   | 40-9   | RE156939 | 3G14 | 10  | 40-71  |
| RE150946 | 3D22 | 7   | 40-5   | RE153334 | 3H5  | 5   | 40-85  | RE156940 | 3G14 | 10  | 40-71  |
| RE150946 | 4H6  | 14  | 51-59  | RE153334 | 3H5  | 18  | 40-85  | RE156958 | 8H20 | 5   | 90-17  |
| RE151144 | 4G10 | 16  | 51-39  | RE153334 | 3H7  | 5   | 40-87  | RE156958 | 8H20 | 32  | 90-17  |
| RE151144 | 7D11 | 8   | 70-3   | RE153334 | 3H7  | 18  | 40-87  | RE157111 | 6E22 | 1   | 60-41  |
| RE151345 | 3E20 | 2   | 40-25  | RE153334 | 3H9  | 13  | 40-89  | RE157111 | 6G5  | 16  | 60-69D |
| RE151345 | 4D21 | 11  | 42-17  | RE153902 | 3G16 | 19  | 40-72A | RE157244 | 8H18 | 11  | 90-15  |
| RE151346 | 3E10 | 12  | 40-15  | RE154099 | 5D14 | 39  | 53-11  | RE157244 | 9D16 | 10  | 91-11  |
| RE151346 | 3E12 | 12  | 40-17  | RE154280 | 6F4  | 2   | 60-49  | RE157244 | 9D18 | 7   | 91-13  |
| RE151346 | 3E14 | 17  | 40-19  | RE154389 | 1I11 | 16  | 20-113 | RE157354 | 3G14 | 3   | 40-71  |
| RE151346 | 3E14 | 44  | 40-19  | RE154411 | 4H8  | 29  | 51-61  | RE157515 | 7H14 | ..  | 70-107 |
| RE151346 | 3E16 | 17  | 40-21  | RE154412 | 4H8  | 22  | 51-61  | RE157613 | 2E7  | 2   | 30-25  |
| RE151346 | 3E16 | 45  | 40-21  | RE154488 | 3G2  | 5   | 40-59  | RE157739 | 5F25 | 17  | 54-37  |
| RE151346 | 3E18 | 12  | 40-23  | RE154628 | 6D19 | 8   | 60-15  | RE158037 | 9G8  | 1   | 92-19  |
| RE151346 | 4D11 | 9   | 42-7   | RE154766 | 6G3  | 19  | 60-69B | RE158047 | 5F25 | 3   | 54-37  |
| RE151346 | 4D23 | 9   | 42-19  | RE154869 | 5F4  | 16  | 54-17  | RE158048 | 5F25 | 3   | 54-37  |
| RE151433 | 1F5  | 16  | 20-37  | RE154869 | 5F8  | 4   | 54-19  | RE158066 | 4F23 | 3   | 51-27  |
| RE151433 | 1F6  | 15  | 20-37A | RE154869 | 5F10 | 19  | 54-21  | RE158066 | 4G14 | 4   | 51-43  |
| RE151433 | 1G19 | 16  | 20-73  | RE154869 | 5F25 | 6   | 54-37  | RE158066 | 4I2  | 3   | 51-79  |
| RE151433 | 1I7  | 16  | 20-109 | RE154994 | 9E18 | 16  | 91-37  | RE158066 | 4I8  | 4   | 51-95  |
| RE151433 | 3E2  | 22  | 40-9   | RE155037 | 4G12 | 16  | 51-41  | RE15807  | 2E23 | 26  | 30-37  |
| RE151433 | 3E4  | 22  | 40-9B  | RE155037 | 4I16 | 16  | 51-93  | RE15807  | 2F8  | 24  | 30-47  |
| RE151433 | 3E8  | 22  | 40-13  | RE155218 | 8H10 | 16  | 90-7   | RE15807  | 2F20 | 26  | 30-57  |
| RE151465 | 2G9  | 9   | 30-73  | RE155450 | 6F1  | 1A  | 60-45  | RE15808  | 2E23 | 27  | 30-37  |
| RE151494 | 3E20 | 3   | 40-25  | RE155450 | 6F1  | 1B  | 60-45  | RE15808  | 2F8  | 25  | 30-47  |
| RE151494 | 3E20 | 7   | 40-25  | RE155581 | 1I22 | 31  | 20-125 | RE15808  | 2F20 | 27  | 30-57  |
| RE151494 | 9E23 | 2   | 91-43  | RE155581 | 1J2  | 31  | 20-129 | RE158282 | 6E18 | 1   | 60-37  |
| RE151496 | 9E23 | 8   | 91-43  | RE155637 | 6F22 | 5A  | 60-65  | RE158282 | 6E20 | 1   | 60-39  |
| RE151728 | 2E7  | 4   | 30-25  | RE155637 | 6F22 | 5B  | 60-65  | RE158815 | 3E12 | 15  | 40-17  |
| RE151774 | 6D7  | 2   | 60-3   | RE155637 | 6F22 | 5C  | 60-65  | RE158815 | 3E18 | 15  | 40-23  |
| RE151801 | 4H12 | 9   | 51-65  | RE155825 | 5F6  | 7   | 54-17B | RE158815 | 3F7  | 10  | 40-37  |
| RE151898 | 7D19 | 27  | 70-11  | RE155826 | 5F6  | 7   | 54-17B | RE158815 | 3F12 | 9   | 40-43  |
| RE151968 | 6F8  | 1   | 60-51B | RE155938 | 3E10 | 21  | 40-15  | RE158816 | 3E16 | 19  | 40-21  |
| RE151986 | 4G4  | 1   | 51-33  | RE155938 | 3E12 | 21  | 40-17  | RE158816 | 3F7  | 10  | 40-37  |
| RE152005 | 3G14 | 10  | 40-71  | RE155938 | 3E14 | 25  | 40-19  | RE158816 | 3F13 | 9   | 40-44  |
| RE152005 | 6F18 | 5   | 60-61  | RE155938 | 3E16 | 25  | 40-21  | RE158817 | 3E6  | 12  | 40-11  |
| RE152006 | 3G14 | 10  | 40-71  | RE155938 | 3E18 | 21  | 40-23  | RE158817 | 3E8  | 1   | 40-13  |
| RE152006 | 6F18 | 5   | 60-61  | RE155938 | 8H12 | 16  | 90-9   | RE158819 | 3D22 | 3   | 40-5   |
| RE152110 | 7E7  | 4   | 70-25  | RE155953 | 8F8  | 1   | 80-29  | RE159108 | 6G3  | 3   | 60-69B |
| RE152147 | 3F17 | 16  | 40-49  | RE155966 | 3D22 | 1   | 40-5   | RE159217 | 6E20 | 36  | 60-39  |
| RE152147 | 3F19 | 16  | 40-51  | RE155966 | 4H20 | 2   | 51-73  | RE159217 | 6F1  | 5A  | 60-45  |
| RE152291 | 8H20 | 5   | 90-17  | RE155966 | 5D10 | 10  | 53-7   | RE159217 | 6F1  | 5B  | 60-45  |
| RE152291 | 8H20 | 27  | 90-17  | RE155967 | 3D22 | 7   | 40-5   | RE159503 | 7G14 | 5   | 70-83  |
| RE152291 | 8H22 | 1   | 90-19  | RE155967 | 4H6  | 14  | 51-59  | RE159503 | 7G16 | 9   | 70-85  |
| RE152380 | 3G14 | 10  | 40-71  | RE155975 | 9F5  | 28  | 91-49  | RE159541 | 1I15 | 1   | 20-117 |
| RE152382 | 3G14 | 10  | 40-71  | RE155975 | 9F5  | 34  | 91-49  | RE159541 | 1I17 | 1   | 20-119 |
| RE152556 | 9F13 | 1   | 91-55  | RE155987 | 3E10 | 2   | 40-15  | RE159560 | 5F15 | 4   | 54-27  |
| RE152557 | 9F13 | 1   | 91-55  | RE155987 | 3E12 | 2   | 40-17  | RE159560 | 6G1  | 4   | 60-69  |
| RE152877 | 3E8  | 5   | 40-13  | RE155987 | 3E14 | 2   | 40-19  | RE159620 | 3G14 | 3   | 40-71  |
| RE152877 | 3H9  | 9   | 40-89  | RE155987 | 3E16 | 2   | 40-21  | RE159622 | 3G14 | 4   | 40-71  |
| RE152880 | 3E8  | 5   | 40-13  | RE155987 | 3E18 | 2   | 40-23  | RE159623 | 3G14 | 3   | 40-71  |
| RE152880 | 3H9  | 9   | 40-89  | RE155987 | 3G17 | 1   | 40-73  | RE159624 | 3G14 | 4   | 40-71  |
| RE153022 | 4G4  | 1   | 51-33  | RE155987 | 3G17 | 2   | 40-73  | RE159625 | 3G14 | 3   | 40-71  |
| RE153099 | 6H25 | 25  | 60-111 | RE155989 | 6D20 | 1   | 60-16  | RE159626 | 3G14 | 4   | 40-71  |
| RE153152 | 9D12 | 24  | 91-7   | RE155989 | 6D22 | 13  | 60-17B | RE159802 | 6H13 | 9   | 60-101 |
| RE153242 | 6D16 | 1   | 60-12  | RE155989 | 6D22 | 14  | 60-17B | RE159805 | 6H13 | 31  | 60-101 |
| RE153289 | 3I2  | 3   | 40-107 | RE155994 | 8E24 | 10  | 80-19  | RE159897 | 3E2  | 25  | 40-9   |
| RE153329 | 3D22 | 1   | 40-5   | RE156219 | 3G14 | 4   | 40-71  | RE159897 | 3E8  | 25  | 40-13  |
| RE153329 | 4H20 | 2   | 51-73  | RE156220 | 3G14 | 4   | 40-71  | RE159897 | 3H1  | 1   | 40-82  |
| RE153330 | 3D22 | 7   | 40-5   | RE156238 | 8F8  | 3   | 80-29  | RE159897 | 3H2  | 1   | 40-82A |
| RE153330 | 4H6  | 14  | 51-59  | RE156605 | 8E20 | 3   | 80-15  | RE160005 | 9F7  | 14  | 91-51  |
| RE153333 | 3E2  | 7   | 40-9   | RE156606 | 8E20 | 3   | 80-15  | RE160005 | 9F9  | 21  | 91-53  |
| RE153333 | 3H5  | 5   | 40-85  | RE156607 | 8E20 | 3   | 80-15  | RE160333 | 7G2  | 1   | 70-71  |

## NUMERICAL INDEX - CONTINUED

| PART NO. | GRID | KEY | PAGE   | PART NO. | GRID | KEY | PAGE   | PART NO. | GRID | KEY | PAGE    |
|----------|------|-----|--------|----------|------|-----|--------|----------|------|-----|---------|
| RE160680 | 3D20 | 7   | 40-3   | RE20343  | 7E25 | 20  | 70-45  | RE32042  | 3E12 | 14  | 40-17   |
| RE160680 | 3D20 | 11  | 40-3   | RE20434  | 7E20 | 7   | 70-40  | RE32042  | 3E14 | 15  | 40-19   |
| RE160680 | 3D20 | 12  | 40-3   | RE20434  | 7E22 | 7   | 70-42  | RE32042  | 3E16 | 15  | 40-21   |
| RE160680 | 3D22 | 10  | 40-5   | RE20491  | 7E20 | 3   | 70-40  | RE32042  | 3E18 | 14  | 40-23   |
| RE160680 | 3D22 | 11  | 40-5   | RE20491  | 7E22 | 3   | 70-42  | RE32042  | 3G18 | 1   | 40-74   |
| RE160680 | 4F8  | 19  | 51-11  | RE20595  | 7E24 | 7   | 70-44  | RE32042  | 3G18 | 2   | 40-74   |
| RE160680 | 4H10 | 19  | 51-63  | RE20757  | 7E24 | 3   | 70-44  | RE32042  | 3G19 | 1   | 40-75   |
| RE160770 | 3E12 | 15  | 40-17  | RE21099  | 3H15 | 12  | 40-95  | RE32361  | 4G22 | 8   | 51-51   |
| RE160770 | 3E18 | 15  | 40-23  | RE21117  | 3H15 | 2   | 40-95  | RE32442  | 4G3  | 5   | 51-32   |
| RE160770 | 3F7  | 10  | 40-37  | RE21519  | 3H15 | 13  | 40-95  | RE32442  | 4I7  | 5   | 51-84   |
| RE160770 | 3F12 | 9   | 40-43  | RE21790  | 2E9  | 6   | 30-27  | RE33636  | 2E9  | 12  | 30-27   |
| RE160903 | 3G18 | 2   | 40-74  | RE21790  | 2E9  | 8   | 30-27  | RE33778  | 3E14 | 32  | 40-19   |
| RE160903 | 3G18 | 6   | 40-74  | RE21790  | 2E10 | 3   | 30-28  | RE33778  | 3E16 | 32  | 40-21   |
| RE160903 | 3G19 | 1   | 40-75  | RE22336  | 5E21 | 13  | 54-9   | RE33968  | 7E20 | 2   | 70-40   |
| RE160903 | 3G19 | 5   | 40-75  | RE22337  | 5E21 | 11  | 54-9   | RE33968  | 7E21 | 2   | 70-41   |
| RE160963 | 3G2  | 5   | 40-59  | RE22764  | 1E6  | 1   | 20-13D | RE34128  | 2F14 | 4   | 30-51   |
| RE161017 | 6E1  | 1   | 60-21A | RE22764  | 1E16 | 5   | 20-22  | RE34128  | 2F24 | 4   | 30-61   |
| RE161017 | 6E2  | 1   | 60-21B | RE22764  | 1G7  | 5   | 20-59  | RE34995  | 8F14 | 8   | 80-35   |
| RE161018 | 6E1  | 1   | 60-21A | RE22764  | 1H19 | 5   | 20-97  | RE34995  | 8G2  | 11  | 80-49   |
| RE161018 | 6E2  | 1   | 60-21B | RE23182  | 1D15 | 2   | 20-2   | RE34995  | 8G12 | 4   | 80-59   |
| RE161437 | 3F7  | 8   | 40-37  | RE24045  | 1D21 | 11  | 20-8   | RE35684  | 1F9  | 8   | 20-39A  |
| RE161626 | 4E2  | 23  | 42-23  | RE24045  | 1F15 | 11  | 20-44  | RE35684  | 2E25 | 8   | 30-39   |
| RE161680 | 1E9  | 2   | 20-15  | RE24045  | 1H2  | 11  | 20-80  | RE35684  | 2F12 | 8   | 30-49B  |
| RE161680 | 1F23 | 2   | 20-52  | RE24046  | 1D21 | 13  | 20-8   | RE35684  | 2F22 | 8   | 30-59   |
| RE161680 | 1H12 | 2   | 20-90  | RE24046  | 1F15 | 13  | 20-44  | RE35992  | 1D15 | 3   | 20-2    |
| RE161727 | 7G6  | 5   | 70-75  | RE24046  | 1H2  | 13  | 20-80  | RE36151  | 2F1  | 8   | 30-40   |
| RE161727 | 7G8  | 9   | 70-77  | RE24201  | 9E23 | 7   | 91-43  | RE36151  | 2F13 | 8   | 30-50   |
| RE161844 | 3E10 | 14  | 40-15  | RE24467  | 3D24 | 9   | 40-7   | RE36151  | 2F23 | 8   | 30-60   |
| RE161844 | 3E12 | 14  | 40-17  | RE24467  | 7E11 | 10  | 70-31  | RE36282  | 5F2  | 15  | 54-15   |
| RE161844 | 3E14 | 15  | 40-19  | RE24535  | 7E20 | 6   | 70-40  | RE36367  | 1E23 | 2   | 20-29   |
| RE161844 | 3E16 | 15  | 40-21  | RE24535  | 7E22 | 6   | 70-42  | RE36421  | 2E23 | 28  | 30-37   |
| RE161844 | 3E18 | 14  | 40-23  | RE24536  | 7E24 | 6   | 70-44  | RE36421  | 2F8  | 26  | 30-47   |
| RE161844 | 3G18 | 2   | 40-74  | RE24975  | 1E11 | 3   | 20-17  | RE36421  | 2F20 | 28  | 30-57   |
| RE161844 | 3G18 | 6   | 40-74  | RE24975  | 1F25 | 3   | 20-54  | RE37003  | 7E20 | 11  | 70-40   |
| RE161844 | 3G19 | 1   | 40-75  | RE25253  | 2E23 | 17  | 30-37  | RE37003  | 7E21 | 11  | 70-41   |
| RE161844 | 3G19 | 5   | 40-75  | RE25253  | 2F4  | 11  | 30-43  | RE37448  | 1D19 | 2   | 20-6    |
| RE162261 | 8F9  | 13  | 80-30  | RE26739  | 7G18 | 6   | 70-89  | RE37448  | 1F12 | 2   | 20-42   |
| RE162262 | 9D25 | 4   | 91-19A | RE26740  | 7G18 | 6   | 70-89  | RE37448  | 1G24 | 2   | 20-78   |
| RE162644 | 9D25 | 1   | 91-19A | RE27091  | 2E19 | 13  | 30-33  | RE37450  | 3E20 | 6   | 40-25   |
| RE162764 | 3G14 | 3   | 40-71  | RE27091  | 2E21 | 11  | 30-35  | RE37450  | 4D19 | 3   | 42-15   |
| RE162766 | 3G14 | 3   | 40-71  | RE28217  | 1F9  | 23  | 20-39A | RE37640  | 3F2  | 3   | 40-32   |
| RE162767 | 3G14 | 4   | 40-71  | RE28217  | 2E25 | 23  | 30-39  | RE37640  | 3F3  | 3   | 40-33   |
| RE162770 | 3G14 | 4   | 40-71  | RE28217  | 2F12 | 23  | 30-49B | RE37640  | 9D22 | 16  | 91-17   |
| RE162773 | 3G14 | 3   | 40-71  | RE28217  | 2F22 | 23  | 30-59  | RE37651  | 3F15 | 6   | 40-46   |
| RE162774 | 3G14 | 4   | 40-71  | RE28217  | 3E2  | 19  | 40-9   | RE37651  | 3F17 | 25  | 40-49   |
| RE163458 | 2D13 | 3   | 30-5   | RE28217  | 3E8  | 19  | 40-13  | RE37651  | 3F17 | 37  | 40-49   |
| RE163725 | 3E12 | 15  | 40-17  | RE28320  | 2E25 | 1   | 30-39  | RE37651  | 3F19 | 38  | 40-51   |
| RE163725 | 3E18 | 15  | 40-23  | RE28320  | 2F10 | 1   | 30-49  | RE38310  | 2D16 | 4   | 30-8    |
| RE163725 | 3F7  | 10  | 40-37  | RE28320  | 2F12 | 1   | 30-49B | RE38310  | 2D21 | 4   | 30-13   |
| RE163725 | 3F12 | 9   | 40-43  | RE28320  | 2F22 | 1   | 30-59  | RE38310  | 2D25 | 4   | 30-17   |
| RE163804 | 4E2  | 29  | 42-23  | RE28320  | 3G16 | 15  | 40-72A | RE38310  | 3E2  | 21  | 40-9    |
| RE163839 | 8G5  | 10  | 80-52  | RE28429  | 5E10 | 1   | 53-33  | RE38310  | 3E4  | 21  | 40-9B   |
| RE164116 | 4E2  | 2   | 42-23  | RE29859  | 1F8  | 19  | 20-39  | RE38310  | 3E8  | 21  | 40-13   |
| RE164117 | 4E2  | 2   | 42-23  | RE30159  | 2E23 | 17  | 30-37  | RE38391  | 3E2  | 6   | 40-9    |
| RE164175 | 4E2  | 2   | 42-23  | RE30159  | 2F4  | 11  | 30-43  | RE38391  | 3E8  | 7   | 40-13   |
| RE164176 | 4E2  | 2   | 42-23  | RE30714  | 3E14 | 32  | 40-19  | RE38391  | 3F9  | 1   | 40-40   |
| RE164286 | 2D13 | 1   | 30-5   | RE30714  | 6F14 | 11  | 60-57  | RE38725  | 5E4  | 12  | 53-27   |
| RE164598 | 5D6  | 19  | 53-3   | RE30714  | 6F16 | 11  | 60-59  | RE39121  | 1F3  | 15  | 20-35   |
| RE164598 | 5D8  | 19  | 53-5   | RE30833  | 1F9  | 5   | 20-39A | RE39121  | 1F4  | 6   | 20-36   |
| RE164598 | 5D10 | 1   | 53-7   | RE30833  | 2E25 | 5   | 30-39  | RE39134  | 1G18 | 8   | 20-71   |
| RE164598 | 7D11 | 9   | 70-3   | RE30833  | 2F12 | 5   | 30-49B | RE39134  | 1I6  | 8   | 20-108A |
| RE165401 | 3G14 | 10  | 40-71  | RE30833  | 2F22 | 5   | 30-59  | RE39243  | 3I18 | 9   | 41-7    |
| RE165401 | 6F18 | 5   | 60-61  | RE30920  | 1F9  | 3   | 20-39A | RE39245  | 3I18 | 10  | 41-7    |
| RE165402 | 6F18 | 5   | 60-61  | RE30920  | 2E25 | 3   | 30-39  | RE39247  | 3I18 | 14  | 41-7    |
| RE166045 | 4E2  | 17  | 42-23  | RE30920  | 2F12 | 3   | 30-49B | RE39249  | 3I18 | 3   | 41-7    |
| RE19989  | 9G4  | 11  | 92-15  | RE30920  | 2F22 | 3   | 30-59  | RE39250  | 3I18 | 11  | 41-7    |
| RE20343  | 7E24 | 20  | 70-44  | RE32042  | 3E10 | 14  | 40-15  | RE39251  | 3I18 | 1   | 41-7    |

## NUMERICAL INDEX - CONTINUED

| PART NO. | GRID | KEY | PAGE     | PART NO. | GRID | KEY | PAGE     | PART NO. | GRID | KEY | PAGE     |
|----------|------|-----|----------|----------|------|-----|----------|----------|------|-----|----------|
| RE39396  | 7I10 | 16  | 70 - 129 | RE43511  | 3E2  | 23  | 40 - 9   | RE44747  | 6E14 | 1   | 60 - 33  |
| RE39396  | 7I14 | 7   | 70 - 133 | RE43511  | 3E4  | 23  | 40 - 9B  | RE44752  | 6E16 | 4   | 60 - 35  |
| RE39476  | 1F1  | 8   | 20 - 32  | RE43511  | 3E6  | 10  | 40 - 11  | RE44757  | 4G22 | 1   | 51 - 51  |
| RE39659  | 3I23 | 5   | 41 - 13  | RE43511  | 3E6  | 15  | 40 - 11  | RE44766  | 6G14 | 18  | 60 - 77  |
| RE39700  | 7F8  | 1   | 70 - 53  | RE43511  | 3E8  | 23  | 40 - 13  | RE44769  | 4G22 | 5   | 51 - 51  |
| RE39719  | 6D7  | 11  | 60 - 3   | RE43511  | 5D10 | 15  | 53 - 7   | RE44774  | 7F2  | 3   | 70 - 47  |
| RE39890  | 1E23 | 10  | 20 - 29  | RE43511  | 5E4  | 33  | 53 - 27  | RE44774  | 7F4  | 3   | 70 - 49  |
| RE39967  | 3F7  | 7   | 40 - 37  | RE43526  | 3F1  | 3   | 40 - 31  | RE44778  | 6F6  | 3   | 60 - 51  |
| RE40296  | 5D12 | 7   | 53 - 9   | RE43526  | 9F21 | 4   | 92 - 7   | RE44784  | 2E7  | 6   | 30 - 25  |
| RE40588  | 3I11 | 3   | 41 - 1   | RE43540  | 9E5  | 1   | 91 - 24  | RE44786  | 9E14 | 31  | 91 - 33  |
| RE41223  | 4D25 | 4   | 42 - 21  | RE43593  | 1I11 | 5   | 20 - 113 | RE44818  | 9D10 | 1   | 91 - 5   |
| RE41758  | 3I14 | 10  | 41 - 4   | RE43637  | 3G24 | 2   | 40 - 80  | RE44831  | 5E18 | 1   | 54 - 5   |
| RE41949  | 4E10 | 15  | 43 - 5   | RE43737  | 3E10 | 1   | 40 - 15  | RE44871  | 5E7  | 1   | 53 - 30  |
| RE41973  | 5E22 | 8   | 54 - 10  | RE43737  | 3E12 | 1   | 40 - 17  | RE44872  | 7F10 | 1   | 70 - 55  |
| RE41991  | 7E5  | 21  | 70 - 23  | RE43737  | 3E14 | 1   | 40 - 19  | RE45293  | 8H18 | 11  | 90 - 15  |
| RE42192  | 4E10 | 2   | 43 - 5   | RE43737  | 3E16 | 1   | 40 - 21  | RE45293  | 9D16 | 10  | 91 - 11  |
| RE42193  | 3H5  | 15  | 40 - 85  | RE43737  | 3E18 | 1   | 40 - 23  | RE45293  | 9D18 | 7   | 91 - 13  |
| RE42193  | 3H7  | 15  | 40 - 87  | RE43737  | 3F7  | 2   | 40 - 37  | RE45329  | 3I14 | 10  | 41 - 4   |
| RE42193  | 3H9  | 3   | 40 - 89  | RE43737  | 4E14 | 1   | 43 - 9   | RE45329  | 3I14 | 11  | 41 - 4   |
| RE42193  | 3H13 | 9   | 40 - 93  | RE43738  | 3D24 | 12  | 40 - 7   | RE45329  | 3I15 | 5   | 41 - 4A  |
| RE42193  | 4E13 | 14  | 43 - 8   | RE43738  | 3E6  | 11  | 40 - 11  | RE45329  | 3I15 | 12  | 41 - 4A  |
| RE42195  | 4E10 | 10  | 43 - 5   | RE43738  | 7E13 | 2   | 70 - 33  | RE45329  | 3I15 | 13  | 41 - 4A  |
| RE42196  | 3E24 | 16  | 40 - 29  | RE43774  | 6G8  | 17  | 60 - 71  | RE45329  | 3I16 | 4   | 41 - 5   |
| RE42196  | 3F14 | 1   | 40 - 45  | RE43774  | 6G10 | 17  | 60 - 73  | RE45329  | 3I16 | 9   | 41 - 5   |
| RE42196  | 4E10 | 9   | 43 - 5   | RE43774  | 6G14 | 37  | 60 - 77  | RE45329  | 3I19 | 1   | 41 - 8   |
| RE42306  | 2F16 | 10  | 30 - 53  | RE43774  | 7D23 | 38  | 70 - 15  | RE45329  | 3I19 | 6   | 41 - 8   |
| RE42306  | 2F25 | 10  | 30 - 62  | RE43774  | 7D25 | 38  | 70 - 17  | RE45330  | 3I19 | 8   | 41 - 8   |
| RE42777  | 3I18 | 6   | 41 - 7   | RE43836  | 7D15 | 3   | 70 - 7   | RE45337  | 1F3  | 10  | 20 - 35  |
| RE42777  | 3I19 | 7   | 41 - 8   | RE43836  | 7D17 | 1   | 70 - 9   | RE45337  | 1F4  | 3   | 20 - 36  |
| RE42809  | 1E19 | 2   | 20 - 25  | RE43837  | 7D15 | 9   | 70 - 7   | RE45368  | 4F20 | 3   | 51 - 23  |
| RE43025  | 3E2  | 7   | 40 - 9   | RE43889  | 7H23 | 19  | 70 - 117 | RE45369  | 4G14 | 8   | 51 - 43  |
| RE43025  | 3E2  | 8   | 40 - 9   | RE43889  | 7H25 | 4   | 70 - 119 | RE45369  | 4I18 | 8   | 51 - 95  |
| RE43025  | 3H5  | 5   | 40 - 85  | RE43892  | 7H23 | 17  | 70 - 117 | RE45370  | 4G6  | 14  | 51 - 35  |
| RE43025  | 3H7  | 5   | 40 - 87  | RE44118  | 1H24 | 15  | 20 - 103 | RE45370  | 4G6  | 30  | 51 - 35  |
| RE43058  | 5E21 | 13  | 54 - 9   | RE44260  | 8E22 | 11  | 80 - 17  | RE45370  | 4G8  | 40  | 51 - 37  |
| RE43058  | 5G4  | 6   | 54 - 41  | RE44353  | 8F12 | 1   | 80 - 33  | RE45374  | 4F23 | 15  | 51 - 27  |
| RE43059  | 5E21 | 11  | 54 - 9   | RE44559  | 7F18 | 14  | 70 - 63  | RE45374  | 4F25 | 27  | 51 - 29  |
| RE43059  | 5G2  | 4   | 54 - 39  | RE44561  | 7F18 | 11  | 70 - 63  | RE45374  | 4F25 | 39  | 51 - 29  |
| RE43059  | 5G4  | 5   | 54 - 41  | RE44581  | 3E22 | 12  | 40 - 27  | RE45374  | 4G2  | 12  | 51 - 31  |
| RE43166  | 1F3  | 20  | 20 - 35  | RE44581  | 3I23 | 1   | 41 - 13  | RE45374  | 4G2  | 24  | 51 - 31  |
| RE43166  | 3I14 | ..  | 41 - 4   | RE44582  | 3I23 | 2   | 41 - 13  | RE45374  | 4I2  | 15  | 51 - 79  |
| RE43166  | 3I16 | 8   | 41 - 5   | RE44590  | 3E10 | 33  | 40 - 15  | RE45374  | 4I4  | 27  | 51 - 81  |
| RE43166  | 3I19 | 5   | 41 - 8   | RE44590  | 3E12 | 34  | 40 - 17  | RE45374  | 4I4  | 39  | 51 - 81  |
| RE43266  | 3I14 | 10  | 41 - 4   | RE44590  | 3E14 | 40  | 40 - 19  | RE45374  | 4I6  | 12  | 51 - 83  |
| RE43369  | 1F9  | 21  | 20 - 39A | RE44590  | 3E16 | 41  | 40 - 21  | RE45374  | 4I6  | 24  | 51 - 83  |
| RE43369  | 2E25 | 21  | 30 - 39  | RE44590  | 3E18 | 34  | 40 - 23  | RE45374  | 5D6  | 11  | 53 - 3   |
| RE43446  | 9G4  | 4   | 92 - 15  | RE44590  | 3G20 | 2   | 40 - 76  | RE45374  | 5D8  | 11  | 53 - 5   |
| RE43451  | 3F1  | 2   | 40 - 31  | RE44632  | 1E13 | 4   | 20 - 19  | RE45382  | 1J5  | 1   | 20 - 132 |
| RE43451  | 9F18 | 2   | 92 - 3   | RE44632  | 1G4  | 4   | 20 - 56  | RE45388  | 4F18 | 13  | 51 - 21  |
| RE43451  | 9G6  | 19  | 92 - 17  | RE44632  | 1H16 | 4   | 20 - 94  | RE45388  | 4F20 | 14  | 51 - 23  |
| RE43462  | 3H13 | 2   | 40 - 93  | RE44680  | 9F7  | 12  | 91 - 51  | RE45388  | 4H20 | 13  | 51 - 73  |
| RE43492  | 3F21 | 11  | 40 - 53  | RE44680  | 9F9  | 14  | 91 - 53  | RE45388  | 4H22 | 14  | 51 - 75  |
| RE43497  | 3E10 | 25  | 40 - 15  | RE44687  | 9E14 | 8   | 91 - 33  | RE45391  | 4G16 | 4   | 51 - 45  |
| RE43497  | 3E12 | 25  | 40 - 17  | RE44688  | 4D13 | 8   | 42 - 9   | RE45392  | 4G16 | 13  | 51 - 45  |
| RE43497  | 3E14 | 29  | 40 - 19  | RE44688  | 4D13 | 10  | 42 - 9   | RE45393  | 4G12 | 21  | 51 - 41  |
| RE43497  | 3E16 | 29  | 40 - 21  | RE44688  | 4D15 | 1   | 42 - 11  | RE45393  | 4I16 | 21  | 51 - 93  |
| RE43497  | 3E18 | 25  | 40 - 23  | RE44688  | 4D21 | 9   | 42 - 17  | RE45397  | 4G6  | 10  | 51 - 35  |
| RE43497  | 3F17 | 12  | 40 - 49  | RE44716  | 2E7  | 3   | 30 - 25  | RE45397  | 4G6  | 26  | 51 - 35  |
| RE43497  | 3F19 | 12  | 40 - 51  | RE44718  | 2G7  | 23  | 30 - 71  | RE45397  | 4G8  | 44  | 51 - 37  |
| RE43508  | 3D24 | 18  | 40 - 7   | RE44727  | 6F6  | 18  | 60 - 51  | RE45399  | 4F20 | 5   | 51 - 23  |
| RE43508  | 3E6  | 17  | 40 - 11  | RE44731  | 7I22 | 4   | 70 - 141 | RE45399  | 4G2  | 5   | 51 - 31  |
| RE43508  | 7E7  | 5   | 70 - 25  | RE44733  | 7I16 | 2   | 70 - 135 | RE45399  | 4G2  | 38  | 51 - 31  |
| RE43511  | 1E18 | 1   | 20 - 24  | RE44735  | 7I16 | 5   | 70 - 135 | RE45399  | 4H22 | 5   | 51 - 75  |
| RE43511  | 1G9  | 2   | 20 - 61  | RE44737  | 6E4  | 1   | 60 - 23  | RE45399  | 4I6  | 5   | 51 - 83  |
| RE43511  | 1H21 | 2   | 20 - 99  | RE44738  | 6F6  | 4   | 60 - 51  | RE45399  | 4I6  | 38  | 51 - 83  |
| RE43511  | 3D24 | 10  | 40 - 7   | RE44743  | 7F2  | 1   | 70 - 47  | RE45400  | 4F25 | 44  | 51 - 29  |
| RE43511  | 3D24 | 16  | 40 - 7   | RE44743  | 7F4  | 1   | 70 - 49  | RE45400  | 4G2  | 7   | 51 - 31  |

# 1K10

8100, 8200, 8300, 8400 TRACTORS

## NUMERICAL INDEX - CONTINUED

| PART NO. | GRID | KEY | PAGE   | PART NO. | GRID | KEY | PAGE   | PART NO. | GRID | KEY | PAGE   |
|----------|------|-----|--------|----------|------|-----|--------|----------|------|-----|--------|
| RE45406  | 4G3  | 8   | 51-32  | RE46685  | 4H14 | 13  | 51-67  | RE48073  | 3E2  | 22  | 40-9   |
| RE45406  | 4I7  | 8   | 51-84  | RE46685  | 5D14 | 25  | 53-11  | RE48073  | 3E4  | 22  | 40-9B  |
| RE45407  | 4F18 | 12  | 51-21  | RE46685  | 5D14 | 28  | 53-11  | RE48073  | 3E8  | 22  | 40-13  |
| RE45407  | 4H20 | 12  | 51-73  | RE46685  | 5E17 | 11  | 54-4   | RE48142  | 8E22 | 11  | 80-17  |
| RE45409  | 4F23 | 16  | 51-27  | RE46685  | 7F2  | 8   | 70-47  | RE48145  | 8E22 | 11  | 80-17  |
| RE45409  | 4F25 | 28  | 51-29  | RE46685  | 7F4  | 8   | 70-49  | RE48145  | 8E25 | 3   | 80-20  |
| RE45409  | 4F25 | 40  | 51-29  | RE46687  | 1I20 | 17  | 20-123 | RE48234  | 3E16 | 32  | 40-21  |
| RE45409  | 4G2  | 11  | 51-31  | RE46687  | 1I24 | 17  | 20-127 | RE48234  | 6F20 | 11  | 60-63  |
| RE45409  | 4G2  | 23  | 51-31  | RE46687  | 7F6  | 1   | 70-51  | RE48310  | 2E9  | 11  | 30-27  |
| RE45410  | 4G8  | 47  | 51-37  | RE46687  | 7I10 | 12  | 70-129 | RE48310  | 3E2  | 16  | 40-9   |
| RE45410  | 4I12 | 47  | 51-89  | RE46717  | 3E10 | 24  | 40-15  | RE48310  | 3E8  | 16  | 40-13  |
| RE45415  | 4F20 | 12  | 51-23  | RE46717  | 3E12 | 24  | 40-17  | RE48321  | 2E9  | 11  | 30-27  |
| RE45415  | 4H22 | 12  | 51-75  | RE46717  | 3E14 | 28  | 40-19  | RE48345  | 5F2  | 28  | 54-15  |
| RE46252  | 1F9  | 17  | 20-39A | RE46717  | 3E16 | 28  | 40-21  | RE48345  | 5F4  | 7   | 54-17  |
| RE46252  | 2E25 | 17  | 30-39  | RE46717  | 3E18 | 24  | 40-23  | RE48400  | 7J6  | 26  | 70-149 |
| RE46252  | 2F2  | 6   | 30-41  | RE46717  | 3F17 | 11  | 40-49  | RE48579  | 6G8  | 6   | 60-71  |
| RE46252  | 2F12 | 17  | 30-49B | RE46717  | 3F19 | 11  | 40-51  | RE48579  | 6G10 | 6   | 60-73  |
| RE46252  | 2F14 | 6   | 30-51  | RE46734  | 4E14 | 3   | 43-9   | RE48580  | 6G14 | 2   | 60-77  |
| RE46365  | 5F4  | 16  | 54-17  | RE46735  | 4E14 | 4   | 43-9   | RE48609  | 6G8  | 10  | 60-71  |
| RE46365  | 5F8  | 4   | 54-19  | RE46736  | 3F21 | 7   | 40-53  | RE48610  | 6G8  | 8   | 60-71  |
| RE46365  | 5F10 | 19  | 54-21  | RE46736  | 4E14 | 5   | 43-9   | RE48610  | 6G10 | 8   | 60-73  |
| RE46375  | 2F22 | 17  | 30-59  | RE46742  | 3F17 | 14  | 40-49  | RE48610  | 6G12 | 8   | 60-75  |
| RE46375  | 2F24 | 6   | 30-61  | RE46742  | 3F19 | 14  | 40-51  | RE48636  | 7I22 | 6   | 70-141 |
| RE46460  | 6F4  | 2   | 60-49  | RE46800  | 5D16 | 1   | 53-13  | RE48637  | 6G14 | 21  | 60-77  |
| RE46534  | 3D20 | 18  | 40-3   | RE46890  | 4D25 | 14  | 42-21  | RE48638  | 6G14 | 27  | 60-77  |
| RE46534  | 3D22 | 12  | 40-5   | RE46957  | 5F2  | 21  | 54-15  | RE48761  | 5D12 | 1   | 53-9   |
| RE46534  | 3E10 | 40  | 40-15  | RE47070  | 8H14 | 29  | 90-11  | RE48838  | 3E10 | 34  | 40-15  |
| RE46534  | 3E12 | 41  | 40-17  | RE47070  | 8H20 | 26  | 90-17  | RE48838  | 3E12 | 35  | 40-17  |
| RE46534  | 3E14 | 48  | 40-19  | RE47095  | 3G20 | 5   | 40-76  | RE48838  | 3E14 | 41  | 40-19  |
| RE46534  | 3E16 | 49  | 40-21  | RE47120  | 2E23 | 12  | 30-37  | RE48838  | 3E16 | 42  | 40-21  |
| RE46534  | 3E18 | 41  | 40-23  | RE47120  | 2F20 | 12  | 30-57  | RE48838  | 3E18 | 35  | 40-23  |
| RE46534  | 3G24 | 4   | 40-80  | RE47328  | 5E4  | 36  | 53-27  | RE48838  | 3G20 | 1   | 40-76  |
| RE46534  | 4F8  | 5   | 51-11  | RE47336  | 1D18 | 19  | 20-5   | RE48867  | 3E22 | 10  | 40-27  |
| RE46534  | 4H10 | 5   | 51-63  | RE47336  | 1F8  | 18  | 20-39  | RE48867  | 8G3  | 3   | 80-50  |
| RE46587  | 9F7  | 8   | 91-51  | RE47392  | 4F4  | 19  | 51-7   | RE48875  | 3E2  | 11  | 40-9   |
| RE46587  | 9F9  | 4   | 91-53  | RE47392  | 4G17 | 7   | 51-46  | RE48875  | 3E8  | 11  | 40-13  |
| RE46588  | 9F7  | 4   | 91-51  | RE47392  | 4H6  | 19  | 51-59  | RE48875  | 3E10 | 4   | 40-15  |
| RE46588  | 9F9  | 8   | 91-53  | RE47426  | 2E23 | 7   | 30-37  | RE48875  | 3E12 | 4   | 40-17  |
| RE46589  | 9F7  | 16  | 91-51  | RE47426  | 2F8  | 7   | 30-47  | RE48875  | 3E14 | 4   | 40-19  |
| RE46589  | 9F9  | 25  | 91-53  | RE47427  | 2E23 | 5   | 30-37  | RE48875  | 3E16 | 4   | 40-21  |
| RE46608  | 3E2  | 10  | 40-9   | RE47427  | 2F8  | 6   | 30-47  | RE48875  | 3E18 | 4   | 40-23  |
| RE46608  | 3E8  | 10  | 40-13  | RE47428  | 2E23 | 4   | 30-37  | RE48875  | 3E22 | 1   | 40-27  |
| RE46608  | 3I11 | 2   | 41-1   | RE47428  | 2F8  | 5   | 30-47  | RE48876  | 3F4  | 3   | 40-34  |
| RE46608  | 3I13 | 8   | 41-3   | RE47429  | 2E23 | 3   | 30-37  | RE48876  | 3F7  | 8   | 40-37  |
| RE46608  | 3I13 | 11  | 41-3   | RE47429  | 2F8  | 3   | 30-47  | RE48876  | 3I6  | 4   | 40-111 |
| RE46609  | 8H5  | 2   | 90-1   | RE47430  | 2E23 | 2   | 30-37  | RE48876  | 3E10 | 11  | 40-15  |
| RE46648  | 7D15 | 27  | 70-7   | RE47430  | 2F8  | 2   | 30-47  | RE48954  | 3E12 | 11  | 40-17  |
| RE46684  | 3D22 | 14  | 40-5   | RE47431  | 2E23 | 1   | 30-37  | RE48954  | 3E18 | 11  | 40-23  |
| RE46684  | 4F2  | 20  | 51-5   | RE47431  | 2F8  | 1   | 30-47  | RE48954  | 4D5  | 1   | 42-1   |
| RE46684  | 4F6  | 19  | 51-9   | RE47501  | 2E19 | 4   | 30-33  | RE48955  | 3E10 | 29  | 40-15  |
| RE46684  | 4F8  | 34  | 51-11  | RE47501  | 2E21 | 4   | 30-35  | RE48955  | 3E12 | 30  | 40-17  |
| RE46684  | 4F8  | 40  | 51-11  | RE47635  | 2G3  | 6   | 30-67  | RE48955  | 3E18 | 30  | 40-23  |
| RE46684  | 4H4  | 20  | 51-57  | RE47635  | 2G3  | 7   | 30-67  | RE48955  | 4D5  | 1   | 42-1   |
| RE46684  | 4H8  | 19  | 51-61  | RE47635  | 2G3  | 10  | 30-67  | RE48985  | 3E10 | 44  | 40-15  |
| RE46684  | 4H10 | 8   | 51-63  | RE47758  | 5F2  | 18  | 54-15  | RE48985  | 4D8  | 4   | 42-4   |
| RE46684  | 4H10 | 10  | 51-63  | RE47959  | 4G10 | 24  | 51-39  | RE48985  | 4D8  | 4   | 42-4   |
| RE46684  | 4H10 | 14  | 51-63  | RE47959  | 4I14 | 24  | 51-91  | RE48986  | 3E10 | 37  | 40-15  |
| RE46684  | 4H14 | 10  | 51-67  | RE48028  | 3F15 | 5   | 40-46  | RE48986  | 4D8  | 4   | 42-4   |
| RE46684  | 5D10 | 6   | 53-7   | RE48029  | 3F15 | 3   | 40-46  | RE48989  | 3E10 | 12  | 40-15  |
| RE46684  | 6E14 | 12  | 60-33  | RE48031  | 3F15 | 4   | 40-46  | RE48989  | 3E14 | 44  | 40-19  |
| RE46684  | 6E16 | 12  | 60-35  | RE48048  | 2F2  | 1   | 30-41  | RE48989  | 4D10 | 6   | 42-6   |
| RE46684  | 7D15 | 29  | 70-7   | RE48048  | 2F14 | 1   | 30-51  | RE48989  | 4D22 | 6   | 42-18  |
| RE46684  | 7D23 | 19  | 70-15  | RE48048  | 2F24 | 1   | 30-61  | RE49011  | 3G10 | 16  | 40-67  |
| RE46684  | 7D25 | 19  | 70-17  | RE48073  | 1F5  | 16  | 20-37  | RE49091  | 6G14 | 35  | 60-77  |
| RE46684  | 7E7  | 7   | 70-25  | RE48073  | 1F6  | 15  | 20-37A | RE49091  | 7I20 | 21  | 70-139 |
| RE46684  | 7H19 | 3   | 70-113 | RE48073  | 1G19 | 16  | 20-73  | RE49136  | 7D15 | 19  | 70-7   |
| RE46685  | 4F12 | 13  | 51-15  | RE48073  | 1I7  | 16  | 20-109 | RE49242  | 3H15 | 2   | 40-95  |
|          |      |     |        |          |      |     |        | RE49256  | 5D24 | 10  | 53-21  |

**NUMERICAL INDEX - CONTINUED**

| PART NO. | GRID | KEY | PAGE   | PART NO. | GRID | KEY | PAGE   | PART NO. | GRID | KEY | PAGE    |
|----------|------|-----|--------|----------|------|-----|--------|----------|------|-----|---------|
| RE49315  | 5E16 | 4   | 54-3   | RE500773 | 2F10 | 1   | 30-49  | RE502147 | 3G16 | 15  | 40-72A  |
| RE49315  | 5F13 | 4   | 54-25  | RE500773 | 3G16 | 15  | 40-72A | RE502154 | 1G18 | 5   | 20-71   |
| RE49315  | 5F19 | 7   | 54-31  | RE500774 | 2F10 | 1   | 30-49  | RE502154 | 1G18 | 7   | 20-71   |
| RE49428  | 9E14 | 23  | 91-33  | RE500774 | 3G16 | 15  | 40-72A | RE502154 | 1I6  | 5   | 20-108A |
| RE49444  | 2E19 | 11  | 30-33  | RE501270 | 2D19 | 10  | 30-11  | RE502154 | 1I6  | 7   | 20-108A |
| RE49444  | 2G3  | 11  | 30-67  | RE501270 | 2D19 | 13A | 30-11  | RE502259 | 1F9  | 10  | 20-39A  |
| RE49445  | 2E19 | 6   | 30-33  | RE501270 | 2D19 | 13B | 30-11  | RE502259 | 1F9  | 11  | 20-39A  |
| RE49445  | 2G3  | 6   | 30-67  | RE50172  | 7D13 | 1   | 70-5   | RE502259 | 1F9  | 13  | 20-39A  |
| RE49445  | 2G3  | 7   | 30-67  | RE501723 | 2F10 | 1   | 30-49  | RE502259 | 2E25 | 10  | 30-39   |
| RE49446  | 2E19 | 7   | 30-33  | RE50173  | 7D13 | 2   | 70-5   | RE502259 | 2E25 | 11  | 30-39   |
| RE49446  | 2F1  | ..  | 30-40  | RE501731 | 2E25 | 1   | 30-39  | RE502259 | 2E25 | 13  | 30-39   |
| RE49446  | 2F13 | ..  | 30-50  | RE501731 | 2F10 | 1   | 30-49  | RE502404 | 2F10 | 1   | 30-49   |
| RE49446  | 2F23 | ..  | 30-60  | RE501731 | 2F12 | 1   | 30-49B | RE502425 | 2F22 | 1   | 30-59   |
| RE49446  | 2G3  | 7   | 30-67  | RE501731 | 2F22 | 1   | 30-59  | RE502425 | 3G16 | 15  | 40-72A  |
| RE49474  | 8E20 | 3   | 80-15  | RE501731 | 3G16 | 15  | 40-72A | RE502426 | 2F10 | 1   | 30-49   |
| RE49475  | 8E20 | 3   | 80-15  | RE50178  | 7D11 | 7   | 70-3   | RE502426 | 3G16 | 15  | 40-72A  |
| RE49476  | 8E20 | 3   | 80-15  | RE501823 | 2F22 | 1   | 30-59  | RE502427 | 2F10 | 1   | 30-49   |
| RE49540  | 1F3  | 15  | 20-35  | RE501823 | 3G16 | 15  | 40-72A | RE502427 | 3G16 | 15  | 40-72A  |
| RE49540  | 1F4  | 6   | 20-36  | RE501824 | 2E25 | 1   | 30-39  | RE502428 | 2F10 | 1   | 30-49   |
| RE49636  | 3E10 | 9   | 40-15  | RE501824 | 2F12 | 1   | 30-49B | RE502428 | 3G16 | 15  | 40-72A  |
| RE49636  | 3E12 | 9   | 40-17  | RE501824 | 3G16 | 15  | 40-72A | RE502429 | 2F22 | 1   | 30-59   |
| RE49636  | 3E14 | 11  | 40-19  | RE501825 | 2E25 | 1   | 30-39  | RE502697 | 2F12 | 10  | 30-49B  |
| RE49636  | 3E16 | 11  | 40-21  | RE501825 | 2F12 | 1   | 30-49B | RE502698 | 2F12 | 10  | 30-49B  |
| RE49636  | 3E18 | 9   | 40-23  | RE501825 | 3G16 | 15  | 40-72A | RE502824 | 2F12 | 1   | 30-49B  |
| RE49636  | 8H20 | 9   | 90-17  | RE501826 | 2E25 | 1   | 30-39  | RE503177 | 2E25 | 1   | 30-39   |
| RE49639  | 3G2  | 6   | 40-59  | RE501826 | 2F12 | 1   | 30-49B | RE503177 | 2F12 | 1   | 30-49B  |
| RE49661  | 1I13 | 14  | 20-115 | RE501826 | 3G16 | 15  | 40-72A | RE503178 | 2E25 | 1   | 30-39   |
| RE49724  | 3E10 | 3   | 40-15  | RE501828 | 3G16 | 15  | 40-72A | RE503178 | 2F12 | 1   | 30-49B  |
| RE49724  | 3E12 | 3   | 40-17  | RE50183  | 8E18 | 9   | 80-11  | RE503179 | 2E25 | 1   | 30-39   |
| RE49724  | 3E14 | 3   | 40-19  | RE50183  | 8E18 | 16  | 80-11  | RE503179 | 2F12 | 1   | 30-49B  |
| RE49724  | 3E16 | 3   | 40-21  | RE501834 | 2F10 | 1   | 30-49  | RE503182 | 2F10 | 1   | 30-49   |
| RE49724  | 3E18 | 3   | 40-23  | RE501835 | 2F10 | 1   | 30-49  | RE503183 | 2F10 | 1   | 30-49   |
| RE49724  | 3F7  | 6   | 40-37  | RE50184  | 8E18 | 9   | 80-11  | RE503184 | 2F22 | 1   | 30-59   |
| RE49724  | 4E14 | 2   | 43-9   | RE501847 | 2F10 | 1   | 30-49  | RE503260 | 1F3  | 15  | 20-35   |
| RE49726  | 3F7  | 3   | 40-37  | RE501847 | 3G16 | 15  | 40-72A | RE503340 | 2F22 | 1   | 30-59   |
| RE49727  | 3E10 | 5   | 40-15  | RE501848 | 2F10 | 1   | 30-49  | RE50374  | 9F5  | 20  | 91-49   |
| RE49727  | 3E12 | 5   | 40-17  | RE501849 | 2F10 | 1   | 30-49  | RE50374  | 9F5  | 21  | 91-49   |
| RE49727  | 3E14 | 5   | 40-19  | RE501849 | 3G16 | 15  | 40-72A | RE50374  | 9F5  | 33  | 91-49   |
| RE49727  | 3E16 | 5   | 40-21  | RE501938 | 5D10 | 16  | 53-7   | RE50376  | 9F7  | 22  | 91-51   |
| RE49727  | 3E18 | 5   | 40-23  | RE501938 | 5E4  | 27  | 53-27  | RE50378  | 9F7  | 7   | 91-51   |
| RE49727  | 3F17 | 21  | 40-49  | RE501940 | 3G16 | 15  | 40-72A | RE50378  | 9F9  | 5   | 91-53   |
| RE49727  | 3F19 | 21  | 40-51  | RE502104 | 3G16 | 15  | 40-72A | RE50379  | 9F7  | 33  | 91-51   |
| RE49736  | 3E22 | 9   | 40-27  | RE502110 | 2E25 | 1   | 30-39  | RE50401  | 6D14 | 4   | 60-10   |
| RE49778  | 4D5  | 2   | 42-1   | RE502110 | 2F12 | 1   | 30-49B | RE50401  | 6D15 | 4   | 60-11   |
| RE49778  | 4D18 | 3   | 42-14  | RE502110 | 3G16 | 15  | 40-72A | RE504071 | 2F10 | 1   | 30-49   |
| RE49931  | 9D10 | 8   | 91-5   | RE502111 | 2E25 | 1   | 30-39  | RE504071 | 3G16 | 15  | 40-72A  |
| RE49988  | 8E8  | 1   | 80-1   | RE502111 | 2F12 | 1   | 30-49B | RE50467  | 2E17 | 1   | 30-31B  |
| RE500157 | 2D19 | 13B | 30-11  | RE502111 | 3G16 | 15  | 40-72A | RE50467  | 2F18 | 1   | 30-55   |
| RE500161 | 2E15 | 5   | 30-31  | RE502112 | 2E25 | 1   | 30-39  | RE50533  | 7F18 | 13  | 70-63   |
| RE500209 | 1E10 | 1   | 20-16  | RE502112 | 2F12 | 1   | 30-49B | RE50533  | 7F20 | 7   | 70-65   |
| RE500209 | 1F24 | 1   | 20-53  | RE502112 | 3G16 | 15  | 40-72A | RE50533  | 7F22 | 7   | 70-67   |
| RE500209 | 1H13 | 1   | 20-91  | RE502121 | 2F10 | 1   | 30-49  | RE50699  | 8E22 | 11  | 80-17   |
| RE500214 | 1F3  | 10  | 20-35  | RE502121 | 3G16 | 15  | 40-72A | RE50747  | 5D6  | 16  | 53-3    |
| RE500214 | 1F3  | 15  | 20-35  | RE502122 | 2F10 | 1   | 30-49  | RE50747  | 5D8  | 16  | 53-5    |
| RE500214 | 1F4  | 3   | 20-36  | RE502122 | 3G16 | 15  | 40-72A | RE50749  | 8E22 | 11  | 80-17   |
| RE500214 | 1F4  | 6   | 20-36  | RE502123 | 2F10 | 1   | 30-49  | RE50750  | 8E22 | 11  | 80-17   |
| RE500280 | 2E19 | 6   | 30-33  | RE502123 | 3G16 | 15  | 40-72A | RE50752  | 2E15 | ..  | 30-31   |
| RE500280 | 2E19 | 10  | 30-33  | RE502124 | 2F22 | 1   | 30-59  | RE50752  | 2E17 | 2   | 30-31B  |
| RE500280 | 2E19 | 11  | 30-33  | RE502124 | 3G16 | 15  | 40-72A | RE50752  | 2E17 | ..  | 30-31B  |
| RE500280 | 2E21 | 6   | 30-35  | RE502125 | 2E25 | 1   | 30-39  | RE50752  | 2F18 | 2   | 30-55   |
| RE500280 | 2F6  | 2   | 30-45  | RE502125 | 2F10 | 1   | 30-49  | RE50782  | 4G17 | 4   | 51-46   |
| RE500280 | 2G3  | 11  | 30-67  | RE502125 | 2F12 | 1   | 30-49B | RE50803  | 5F2  | 7   | 54-15   |
| RE500280 | 2G5  | 2   | 30-69  | RE502125 | 2F22 | 1   | 30-59  | RE50803  | 5F4  | 9   | 54-17   |
| RE500769 | 2F22 | 1   | 30-59  | RE502125 | 3G16 | 15  | 40-72A | RE50803  | 5F6  | 1   | 54-17B  |
| RE500769 | 3G16 | 15  | 40-72A | RE502135 | 2E25 | 1   | 30-39  | RE50803  | 5F19 | 3   | 54-31   |
| RE500772 | 2F10 | 1   | 30-49  | RE502135 | 2F12 | 1   | 30-49B | RE50803  | 5F21 | 5   | 54-33   |
| RE500772 | 3G16 | 15  | 40-72A | RE502135 | 2F22 | 1   | 30-59  | RE50874  | 9F9  | 27  | 91-53   |

# 1K12

8100, 8200, 8300, 8400 TRACTORS

## NUMERICAL INDEX - CONTINUED

| PART NO. | GRID | KEY | PAGE     | PART NO. | GRID | KEY | PAGE     | PART NO. | GRID | KEY | PAGE     |
|----------|------|-----|----------|----------|------|-----|----------|----------|------|-----|----------|
| RE50874  | 9F11 | 47  | 91 - 53B | RE51656  | 8E20 | 3   | 80 - 15  | RE52559  | 9F21 | 7   | 92 - 7   |
| RE50889  | 1E9  | 2   | 20 - 15  | RE51657  | 8E20 | 3   | 80 - 15  | RE52560  | 9F21 | 6   | 92 - 7   |
| RE50889  | 1F23 | 2   | 20 - 52  | RE51658  | 8E20 | 3   | 80 - 15  | RE52561  | 9F21 | 4   | 92 - 7   |
| RE50889  | 1H12 | 2   | 20 - 90  | RE51672  | 8E18 | 9   | 80 - 11  | RE52562  | 9F18 | 2   | 92 - 3   |
| RE50889  | 8F9  | 6   | 80 - 30  | RE51797  | 2G10 | 7   | 30 - 74  | RE52563  | 9F18 | 3   | 92 - 3   |
| RE50911  | 8E24 | 10  | 80 - 19  | RE51797  | 7E7  | 6   | 70 - 25  | RE52564  | 9F18 | 1   | 92 - 3   |
| RE50928  | 8E24 | 10  | 80 - 19  | RE51962  | 8E24 | 10  | 80 - 19  | RE52564  | 9G6  | 1   | 92 - 17  |
| RE50957  | 5D18 | 4   | 53 - 15  | RE51963  | 8E24 | 10  | 80 - 19  | RE52566  | 9F18 | 1   | 92 - 3   |
| RE51017  | 8E24 | 10  | 80 - 19  | RE52026  | 3I13 | 1   | 41 - 3   | RE52566  | 9G6  | 1   | 92 - 17  |
| RE51018  | 8E25 | 8   | 80 - 20  | RE52028  | 3I13 | 3   | 41 - 3   | RE52579  | 7D15 | 21  | 70 - 7   |
| RE51052  | 8H5  | 1   | 90 - 1   | RE52087  | 2E7  | 17  | 30 - 25  | RE52580  | 7D15 | 25  | 70 - 7   |
| RE51052  | 8H5  | 2   | 90 - 1   | RE52109  | 2E23 | 17  | 30 - 37  | RE52633  | 3E14 | 35  | 40 - 19  |
| RE51083  | 9F5  | 13  | 91 - 49  | RE52109  | 2F4  | 11  | 30 - 43  | RE52633  | 3E16 | 36  | 40 - 21  |
| RE51091  | 3F15 | 1   | 40 - 46  | RE52110  | 2F4  | 8   | 30 - 43  | RE52633  | 3E25 | 1   | 40 - 30  |
| RE51091  | 3F17 | 25  | 40 - 49  | RE52113  | 2E23 | 17  | 30 - 37  | RE52645  | 3E2  | 8   | 40 - 9   |
| RE51091  | 3F17 | 37  | 40 - 49  | RE52113  | 2F4  | 11  | 30 - 43  | RE52645  | 3E8  | 8   | 40 - 13  |
| RE51091  | 3F19 | 38  | 40 - 51  | RE52114  | 2F4  | 8   | 30 - 43  | RE52645  | 3H5  | 16  | 40 - 85  |
| RE51234  | 3E10 | 28  | 40 - 15  | RE52128  | 8E20 | 11  | 80 - 15  | RE52645  | 3H7  | 16  | 40 - 87  |
| RE51234  | 3E12 | 29  | 40 - 17  | RE52228  | 5D8  | 13  | 53 - 5   | RE52645  | 3H9  | 2   | 40 - 89  |
| RE51234  | 3E14 | 34  | 40 - 19  | RE52242  | 1I20 | 22  | 20 - 123 | RE52660  | 9E4  | 6   | 91 - 23  |
| RE51234  | 3E16 | 35  | 40 - 21  | RE52242  | 1I24 | 22  | 20 - 127 | RE52668  | 9E16 | 8   | 91 - 35  |
| RE51234  | 3E18 | 29  | 40 - 23  | RE52242  | 4G10 | 27  | 51 - 39  | RE52669  | 9E16 | 8   | 91 - 35  |
| RE51234  | 3G21 | 1   | 40 - 77  | RE52242  | 4I14 | 27  | 51 - 91  | RE52677  | 9E16 | 5   | 91 - 35  |
| RE51239  | 3E10 | 37  | 40 - 15  | RE52277  | 1E21 | 9   | 20 - 27  | RE52678  | 9E16 | 5   | 91 - 35  |
| RE51239  | 3E10 | 44  | 40 - 15  | RE52319  | 3D20 | 4   | 40 - 3   | RE52702  | 2D15 | 1   | 30 - 7   |
| RE51239  | 3E12 | 38  | 40 - 17  | RE52319  | 3D20 | 6   | 40 - 3   | RE52702  | 2D15 | 2   | 30 - 7   |
| RE51239  | 3E12 | 45  | 40 - 17  | RE52319  | 3D22 | 2   | 40 - 5   | RE52702  | 2D15 | 3   | 30 - 7   |
| RE51239  | 3E18 | 38  | 40 - 23  | RE52319  | 3D22 | 5   | 40 - 5   | RE52702  | 2D15 | 4   | 30 - 7   |
| RE51239  | 3E18 | 45  | 40 - 23  | RE52319  | 3D24 | 5   | 40 - 7   | RE52703  | 2D11 | 1   | 30 - 3   |
| RE51239  | 4D9  | 10  | 42 - 5   | RE52319  | 3E6  | 6   | 40 - 11  | RE52719  | 3E8  | 5   | 40 - 13  |
| RE51240  | 3E10 | 12  | 40 - 15  | RE52319  | 4F4  | 10  | 51 - 7   | RE52719  | 3H9  | 9   | 40 - 89  |
| RE51240  | 3E12 | 12  | 40 - 17  | RE52319  | 4F4  | 12  | 51 - 7   | RE52722  | 3D24 | 17  | 40 - 7   |
| RE51240  | 3E14 | 17  | 40 - 19  | RE52319  | 4G17 | 2   | 51 - 46  | RE52722  | 3E6  | 16  | 40 - 11  |
| RE51240  | 3E14 | 44  | 40 - 19  | RE52319  | 4G17 | 6   | 51 - 46  | RE52866  | 1E8  | 2   | 20 - 14  |
| RE51240  | 3E16 | 17  | 40 - 21  | RE52319  | 4H6  | 10  | 51 - 59  | RE52866  | 3E2  | 13  | 40 - 9   |
| RE51240  | 3E16 | 45  | 40 - 21  | RE52319  | 4H6  | 25  | 51 - 59  | RE52866  | 3E2  | 15  | 40 - 9   |
| RE51240  | 3E18 | 12  | 40 - 23  | RE52319  | 5D14 | 7   | 53 - 11  | RE52866  | 3E8  | 15  | 40 - 13  |
| RE51240  | 4D11 | 9   | 42 - 7   | RE52321  | 5E17 | 3   | 54 - 4   | RE52868  | 3D20 | 1   | 40 - 3   |
| RE51240  | 4D23 | 9   | 42 - 19  | RE52341  | 4G10 | 16  | 51 - 39  | RE52868  | 3D20 | 16  | 40 - 3   |
| RE51266  | 3G22 | 7   | 40 - 78  | RE52341  | 4I14 | 16  | 51 - 91  | RE52868  | 4F8  | 34  | 51 - 11  |
| RE51267  | 3G22 | 2   | 40 - 78  | RE52341  | 7D11 | 8   | 70 - 3   | RE52868  | 4F12 | 10  | 51 - 15  |
| RE51281  | 1J9  | 10  | 20 - 137 | RE52427  | 3I2  | 3   | 40 - 107 | RE52868  | 4H14 | 10  | 51 - 67  |
| RE51281  | 6H19 | 13  | 60 - 107 | RE52434  | 4D12 | 5   | 42 - 8   | RE52981  | 7H23 | 24  | 70 - 117 |
| RE51297  | 3I13 | 4   | 41 - 3   | RE52454  | 8H5  | 2   | 90 - 1   | RE53000  | 1G6  | 10  | 20 - 58  |
| RE51298  | 3I13 | 5   | 41 - 3   | RE52504  | 2G9  | 2   | 30 - 73  | RE53046  | 8E10 | 1   | 80 - 3   |
| RE51299  | 3I13 | 7   | 41 - 3   | RE52506  | 8H8  | 1   | 90 - 4   | RE53049  | 5E24 | 17  | 54 - 13  |
| RE51300  | 3I13 | 9   | 41 - 3   | RE52507  | 8H5  | 2   | 90 - 1   | RE53050  | 5E24 | 17  | 54 - 13  |
| RE51519  | 2G9  | 1   | 30 - 73  | RE52507  | 8H7  | 1   | 90 - 3   | RE53089  | 4G17 | 6   | 51 - 46  |
| RE51519  | 3E2  | 2   | 40 - 9   | RE52508  | 8H5  | 2   | 90 - 1   | RE53154  | 1G6  | 6   | 20 - 58  |
| RE51519  | 3E8  | 2   | 40 - 13  | RE52508  | 8H8  | 3   | 90 - 4   | RE53154  | 1H17 | 6   | 20 - 95  |
| RE51570  | 7E7  | 4   | 70 - 25  | RE52509  | 8H5  | 2   | 90 - 1   | RE53180  | 8E10 | 1   | 80 - 3   |
| RE51573  | 4F8  | 14  | 51 - 11  | RE52509  | 8H6  | 1   | 90 - 2   | RE53199  | 1E12 | 5   | 20 - 18  |
| RE51573  | 4H10 | 31  | 51 - 63  | RE52510  | 3E2  | 3   | 40 - 9   | RE53199  | 1E12 | 8   | 20 - 18  |
| RE51573  | 6D19 | 19  | 60 - 15  | RE52510  | 3E8  | 3   | 40 - 13  | RE53282  | 2E7  | 16  | 30 - 25  |
| RE51573  | 6E16 | 10  | 60 - 35  | RE52510  | 8H5  | 2   | 90 - 1   | RE53380  | 8D13 | 5   | 71 - 11  |
| RE51573  | 6F8  | 17  | 60 - 51B | RE52510  | 8H8  | 2   | 90 - 4   | RE53380  | 8D15 | 21  | 71 - 13  |
| RE51629  | 2D11 | 6   | 30 - 3   | RE52548  | 9F23 | 1   | 92 - 9   | RE53662  | 9G1  | 9   | 92 - 12  |
| RE51629  | 2G10 | 1   | 30 - 74  | RE52549  | 9F23 | 3   | 92 - 9   | RE54017  | 3E8  | 5   | 40 - 13  |
| RE51630  | 2D11 | 5   | 30 - 3   | RE52550  | 3F1  | 1   | 40 - 31  | RE54017  | 3H9  | 9   | 40 - 89  |
| RE51630  | 2G10 | 2   | 30 - 74  | RE52550  | 9F23 | 5   | 92 - 9   | RE54029  | 7E11 | 16  | 70 - 31  |
| RE51631  | 2D13 | 1   | 30 - 5   | RE52551  | 9F23 | 7   | 92 - 9   | RE54058  | 7H16 | 7   | 70 - 109 |
| RE51649  | 2E15 | 5   | 30 - 31  | RE52552  | 9F23 | 2   | 92 - 9   | RE54077  | 2E15 | 5   | 30 - 31  |
| RE51649  | 2E17 | 9   | 30 - 31B | RE52553  | 9F23 | 4   | 92 - 9   | RE54077  | 2E17 | 4   | 30 - 31B |
| RE51649  | 2F18 | 9   | 30 - 55  | RE52554  | 9F23 | 6   | 92 - 9   | RE54077  | 2E17 | 11  | 30 - 31B |
| RE51650  | 2E15 | 9   | 30 - 31  | RE52555  | 9F21 | 9   | 92 - 7   | RE54077  | 2F18 | 3   | 30 - 55  |
| RE51650  | 2E17 | 10  | 30 - 31B | RE52557  | 9F21 | 1   | 92 - 7   | RE54077  | 2F18 | 4   | 30 - 55  |
| RE51650  | 2F18 | 10  | 30 - 55  | RE52558  | 9F21 | 2   | 92 - 7   | RE54077  | 2F18 | 11  | 30 - 55  |

# 1K13

8100, 8200, 8300, 8400 TRACTORS

## NUMERICAL INDEX - CONTINUED

| PART NO. | GRID | KEY | PAGE   | PART NO. | GRID | KEY | PAGE   | PART NO. | GRID | KEY | PAGE    |
|----------|------|-----|--------|----------|------|-----|--------|----------|------|-----|---------|
| RE54077  | 2F18 | 12  | 30-55  | RE54602  | 6H13 | 16  | 60-101 | RE55478  | 3E10 | 26  | 40-15   |
| RE54244  | 2E19 | 2   | 30-33  | RE54602  | 6H15 | 15  | 60-103 | RE55478  | 3E12 | 26  | 40-17   |
| RE54244  | 2E21 | 2   | 30-35  | RE54602  | 6H17 | 15  | 60-105 | RE55478  | 3E14 | 30  | 40-19   |
| RE54244  | 2F6  | 10  | 30-45  | RE54603  | 6H19 | 2   | 60-107 | RE55478  | 3E16 | 30  | 40-21   |
| RE54244  | 2G3  | 2   | 30-67  | RE54603  | 6H23 | 14  | 60-109 | RE55478  | 3E18 | 26  | 40-23   |
| RE54244  | 2G5  | 10  | 30-69  | RE54603  | 6H25 | 14  | 60-111 | RE55478  | 3F17 | 15  | 40-49   |
| RE54245  | 2E19 | 3   | 30-33  | RE54802  | 9F1  | 10  | 91-46  | RE55478  | 3F19 | 15  | 40-51   |
| RE54245  | 2E21 | 3   | 30-35  | RE54802  | 9F2  | 6   | 91-47  | RE55516  | 3D24 | 15  | 40-7    |
| RE54245  | 2F6  | 12  | 30-45  | RE54802  | 9F5  | 1   | 91-49  | RE55516  | 3E6  | 14  | 40-11   |
| RE54245  | 2G3  | 3   | 30-67  | RE54802  | 9F7  | 36  | 91-51  | RE55522  | 1G1  | 2   | 20-55   |
| RE54245  | 2G5  | 12  | 30-69  | RE54802  | 9F11 | 52  | 91-53B | RE55522  | 1G1  | 6   | 20-55   |
| RE54368  | 1F13 | 3   | 20-42A | RE54810  | 3E22 | ..  | 40-27  | RE55522  | 1H15 | 2   | 20-93   |
| RE54368  | 1G25 | 3   | 20-78A | RE54810  | 6G8  | 22  | 60-71  | RE55522  | 1H15 | 6   | 20-93   |
| RE54400  | 7H21 | 19  | 70-115 | RE54810  | 9E25 | 6   | 91-45  | RE55542  | 2D23 | 9   | 30-15   |
| RE54416  | 3I14 | 11  | 41-4   | RE54810  | 9F1  | 9   | 91-46  | RE55542  | 2E2  | 9   | 30-19   |
| RE54416  | 3I18 | ..  | 41-7   | RE54816  | 8E18 | 17  | 80-11  | RE55580  | 4F23 | 5   | 51-27   |
| RE54453  | 5D25 | 1   | 53-22  | RE54925  | 1I15 | 3   | 20-117 | RE55581  | 4G2  | 6   | 51-31   |
| RE54573  | 6H15 | 19  | 60-103 | RE54925  | 1I17 | 3   | 20-119 | RE55581  | 4I6  | 6   | 51-83   |
| RE54573  | 6H17 | 19  | 60-105 | RE54927  | 1I15 | 4   | 20-117 | RE55662  | 2F8  | 11  | 30-47   |
| RE54575  | 6G18 | 10  | 60-81  | RE54927  | 1I17 | 4   | 20-119 | RE55737  | 8F10 | 7   | 80-31   |
| RE54575  | 6H11 | 5   | 60-99  | RE54928  | 1I15 | 5   | 20-117 | RE55737  | 8F10 | 9   | 80-31   |
| RE54575  | 6H15 | 6   | 60-103 | RE54928  | 1I17 | 5   | 20-119 | RE55859  | 7I20 | 10  | 70-139  |
| RE54575  | 6H15 | 14  | 60-103 | RE54930  | 1I15 | 15  | 20-117 | RE55859  | 7I22 | 7   | 70-141  |
| RE54577  | 6G22 | 5   | 60-85  | RE54930  | 1I17 | 15  | 20-119 | RE55859  | 7I24 | 3   | 70-143  |
| RE54578  | 6G20 | 9   | 60-83  | RE54930  | 7E1  | 6   | 70-19  | RE55891  | 3I2  | 1   | 40-107  |
| RE54578  | 6G22 | 9   | 60-85  | RE54979  | 2D17 | 1   | 30-9   | RE55941  | 7I22 | 8   | 70-141  |
| RE54578  | 6H4  | 6   | 60-91  | RE54979  | 2D19 | 2   | 30-11  | RE55955  | 6G14 | 29  | 60-77   |
| RE54578  | 6H6  | 6   | 60-93  | RE55025  | 5D6  | 13  | 53-3   | RE55955  | 6H4  | 3   | 60-91   |
| RE54578  | 6H8  | 6   | 60-95  | RE55036  | 3E10 | 19  | 40-15  | RE55976  | 3I4  | 1   | 40-109  |
| RE54578  | 6H15 | 4   | 60-103 | RE55036  | 3E12 | 19  | 40-17  | RE55992  | 1I6  | 5   | 20-108A |
| RE54578  | 6H15 | 16  | 60-103 | RE55036  | 3E14 | 23  | 40-19  | RE55999  | 3I22 | 2   | 41-12   |
| RE54578  | 6H17 | 16  | 60-105 | RE55036  | 3E16 | 23  | 40-21  | RE55999  | 9E21 | 3   | 91-40   |
| RE54579  | 6G20 | 1   | 60-83  | RE55036  | 3E18 | 19  | 40-23  | RE56009  | 1E8  | 1   | 20-14   |
| RE54579  | 6G20 | 5   | 60-83  | RE55036  | 3F17 | 6   | 40-49  | RE56009  | 3E2  | 15  | 40-9    |
| RE54579  | 6G20 | 10  | 60-83  | RE55036  | 3F19 | 6   | 40-51  | RE56009  | 3E8  | 15  | 40-13   |
| RE54579  | 6G22 | 1   | 60-85  | RE55071  | 8E22 | 11  | 80-17  | RE56009  | 3F20 | 4   | 40-52   |
| RE54579  | 6H4  | 1   | 60-91  | RE55071  | 8E25 | 3   | 80-20  | RE56014  | 5E22 | 11  | 54-10   |
| RE54579  | 6H6  | 1   | 60-93  | RE55150  | 3E20 | 1   | 40-25  | RE56053  | 3E2  | 20  | 40-9    |
| RE54579  | 6H8  | 1   | 60-95  | RE55150  | 4D18 | 2   | 42-14  | RE56053  | 3I14 | 11  | 41-4    |
| RE54579  | 6H11 | 11  | 60-99  | RE55151  | 3E20 | 4   | 40-25  | RE56053  | 3I18 | ..  | 41-7    |
| RE54579  | 6H13 | 13  | 60-101 | RE55151  | 4D18 | 2   | 42-14  | RE56053  | 3I19 | 6   | 41-8    |
| RE54579  | 6H15 | 5   | 60-103 | RE55358  | 2D13 | 3   | 30-5   | RE56053  | 3I19 | 7   | 41-8    |
| RE54579  | 6H15 | 17  | 60-103 | RE55363  | 6H9  | 4   | 60-97  | RE56053  | 3I19 | 8   | 41-8    |
| RE54579  | 6H17 | 5   | 60-105 | RE55367  | 9D20 | 6   | 91-15  | RE56053  | 3I23 | 5   | 41-13   |
| RE54579  | 6H17 | 17  | 60-105 | RE55461  | 5D10 | 10  | 53-7   | RE56098  | 1I11 | 34  | 20-113  |
| RE54581  | 6H11 | 4   | 60-99  | RE55468  | 3E10 | 39  | 40-15  | RE56116  | 9F21 | 3   | 92-7    |
| RE54581  | 6H13 | 12  | 60-101 | RE55468  | 3E14 | 46  | 40-19  | RE56165  | 3D24 | 9   | 40-7    |
| RE54581  | 6H15 | 9   | 60-103 | RE55468  | 3G25 | 1   | 40-81  | RE56165  | 3E6  | 9   | 40-11   |
| RE54581  | 6H17 | 9   | 60-105 | RE55475  | 1F11 | 19  | 20-41  | RE56165  | 7E11 | 10  | 70-31   |
| RE54582  | 6G18 | 2   | 60-81  | RE55475  | 1G21 | 11  | 20-75  | RE56234  | 3I2  | 14  | 40-107  |
| RE54582  | 6H13 | 11  | 60-101 | RE55475  | 1G23 | 19  | 20-77  | RE56235  | 3I4  | 8   | 40-109  |
| RE54582  | 6H15 | 10  | 60-103 | RE55475  | 1I9  | 11  | 20-111 | RE56237  | 2D19 | 2   | 30-11   |
| RE54582  | 6H17 | 10  | 60-105 | RE55476  | 3E10 | 17  | 40-15  | RE56273  | 3E22 | 6   | 40-27   |
| RE54583  | 6G20 | 4   | 60-83  | RE55476  | 3E12 | 17  | 40-17  | RE56284  | 4D8  | 5   | 42-4    |
| RE54583  | 6H15 | 13  | 60-103 | RE55476  | 3E14 | 21  | 40-19  | RE56284  | 4D14 | 1   | 42-10   |
| RE54583  | 6H17 | 13  | 60-105 | RE55476  | 3E16 | 21  | 40-21  | RE56284  | 8G6  | 4   | 80-53   |
| RE54601  | 6G20 | 2   | 60-83  | RE55476  | 3E18 | 17  | 40-23  | RE56317  | 8E24 | 10  | 80-19   |
| RE54601  | 6G20 | 6   | 60-83  | RE55476  | 3F17 | 2   | 40-49  | RE56319  | 6E14 | 2   | 60-33   |
| RE54601  | 6G20 | 8   | 60-83  | RE55476  | 3F19 | 2   | 40-51  | RE56362  | 3F25 | 11  | 40-57   |
| RE54601  | 6G22 | 6   | 60-85  | RE55476  | 9E23 | 4   | 91-43  | RE56400  | 3F23 | 12  | 40-55   |
| RE54601  | 6H4  | 2   | 60-91  | RE55477  | 3E10 | 18  | 40-15  | RE56488  | 2E2  | 4   | 30-19   |
| RE54601  | 6H6  | 2   | 60-93  | RE55477  | 3E12 | 18  | 40-17  | RE56493  | 1E10 | 1   | 20-16   |
| RE54601  | 6H8  | 2   | 60-95  | RE55477  | 3E14 | 22  | 40-19  | RE56493  | 1F24 | 1   | 20-53   |
| RE54601  | 6H11 | 12  | 60-99  | RE55477  | 3E16 | 22  | 40-21  | RE56493  | 1H13 | 1   | 20-91   |
| RE54602  | 6G18 | 1   | 60-81  | RE55477  | 3E18 | 18  | 40-23  | RE56629  | 6F22 | 5A  | 60-65   |
| RE54602  | 6G18 | 11  | 60-81  | RE55477  | 3F17 | 4   | 40-49  | RE56716  | 7D23 | 24  | 70-15   |
| RE54602  | 6H11 | 3   | 60-99  | RE55477  | 3F19 | 4   | 40-51  | RE56717  | 7I16 | 1   | 70-135  |



## NUMERICAL INDEX - CONTINUED

| PART NO. | GRID | KEY | PAGE    | PART NO. | GRID | KEY | PAGE   | PART NO. | GRID | KEY | PAGE   |
|----------|------|-----|---------|----------|------|-----|--------|----------|------|-----|--------|
| RE56773  | 3G2  | 12  | 40-59   | RE57483  | 3I18 | ..  | 41-7   | RE57892  | 3E14 | 38  | 40-19  |
| RE56950  | 3D24 | 7   | 40-7    | RE57498  | 1J7  | 1   | 20-135 | RE57892  | 3E16 | 39  | 40-21  |
| RE56950  | 3E6  | 7   | 40-11   | RE57498  | 1J9  | 1   | 20-137 | RE57892  | 3E18 | 32  | 40-23  |
| RE56950  | 4G18 | 1   | 51-47   | RE57498  | 6H19 | 11  | 60-107 | RE57892  | 3G23 | 2   | 40-79  |
| RE56950  | 5D14 | 20  | 53-11   | RE57501  | 2F22 | 1   | 30-59  | RE57962  | 8G3  | 6   | 80-50  |
| RE57050  | 8E24 | 10  | 80-19   | RE57501  | 3G16 | 15  | 40-72A | RE58025  | 9F18 | 7   | 92-3   |
| RE57054  | 1D22 | 3   | 20-9    | RE57512  | 1E14 | 8   | 20-20  | RE58025  | 9F25 | 9   | 92-11  |
| RE57054  | 1F16 | 3   | 20-45   | RE57512  | 1E14 | 10  | 20-20  | RE58029  | 3G10 | 16  | 40-67  |
| RE57054  | 1H3  | 3   | 20-81   | RE57517  | 1E14 | 8   | 20-20  | RE58032  | 9F21 | 8   | 92-7   |
| RE57073  | 2G3  | 13  | 30-67   | RE57519  | 5E10 | 3   | 53-33  | RE58084  | 9F18 | 1   | 92-3   |
| RE57146  | 2F20 | 7   | 30-57   | RE57519  | 7F6  | 16  | 70-51  | RE58224  | 3F25 | 16  | 40-57  |
| RE57147  | 2F20 | 5   | 30-57   | RE57520  | 7D11 | 14  | 70-3   | RE58243  | 7J2  | 22  | 70-145 |
| RE57148  | 2F20 | 4   | 30-57   | RE57524  | 2E25 | 1   | 30-39  | RE58267  | 5E21 | 11  | 54-9   |
| RE57149  | 2F20 | 3   | 30-57   | RE57524  | 2F12 | 1   | 30-49B | RE58294  | 1G16 | 1   | 20-69  |
| RE57150  | 2F20 | 2   | 30-57   | RE57524  | 3G16 | 15  | 40-72A | RE58294  | 1I2  | 1   | 20-105 |
| RE57151  | 2F20 | 1   | 30-57   | RE57525  | 2E25 | 1   | 30-39  | RE58294  | 2D23 | 13  | 30-15  |
| RE57152  | 2F8  | 14  | 30-47   | RE57525  | 2F12 | 1   | 30-49B | RE58294  | 2E2  | 13  | 30-19  |
| RE57152  | 2F16 | 5   | 30-53   | RE57525  | 3G16 | 15  | 40-72A | RE58311  | 3E24 | 9   | 40-29  |
| RE57152  | 2F16 | 13  | 30-53   | RE57526  | 2E25 | 1   | 30-39  | RE58311  | 3G14 | 14  | 40-71  |
| RE57153  | 2F16 | 10  | 30-53   | RE57526  | 2F12 | 1   | 30-49B | RE58312  | 3E24 | 5   | 40-29  |
| RE57154  | 1G18 | 9   | 20-71   | RE57526  | 3G16 | 15  | 40-72A | RE58312  | 3H13 | 11  | 40-93  |
| RE57154  | 1I6  | 9   | 20-108A | RE57530  | 2D23 | 2   | 30-15  | RE58318  | 8D13 | 45  | 71-11  |
| RE57165  | 1G6  | 7   | 20-58   | RE57530  | 2E2  | 2   | 30-19  | RE58324  | 8D19 | 6   | 71-17  |
| RE57165  | 1H17 | 7   | 20-95   | RE57548  | 7J6  | 6   | 70-149 | RE58350  | 1F4  | 6   | 20-36  |
| RE57167  | 1G3  | 7   | 20-55B  | RE57548  | 7J8  | 6   | 70-151 | RE58356  | 1F4  | 6   | 20-36  |
| RE57170  | 1G3  | 3   | 20-55B  | RE57553  | 6G20 | 3   | 60-83  | RE58362  | 1I15 | 1   | 20-117 |
| RE57170  | 1G5  | 3   | 20-57   | RE57554  | 6H4  | 4   | 60-91  | RE58362  | 1I17 | 1   | 20-119 |
| RE57170  | 1H18 | 3   | 20-96   | RE57554  | 6H6  | 4   | 60-93  | RE58376  | 2E15 | 8   | 30-31  |
| RE57172  | 1G2  | 3   | 20-55A  | RE57554  | 6H8  | 4   | 60-95  | RE58376  | 2E17 | 3   | 30-31B |
| RE57172  | 1H18 | 3   | 20-96   | RE57555  | 6H4  | 5   | 60-91  | RE58376  | 2F18 | 3   | 30-55  |
| RE57173  | 1H18 | 3   | 20-96   | RE57555  | 6H6  | 5   | 60-93  | RE58376  | 2F18 | 11  | 30-55  |
| RE57175  | 1G3  | 5   | 20-55B  | RE57555  | 6H8  | 5   | 60-95  | RE58382  | 6G18 | 5   | 60-81  |
| RE57175  | 1G5  | 2   | 20-57   | RE57556  | 6H11 | 6   | 60-99  | RE58382  | 6H13 | 10  | 60-101 |
| RE57175  | 1H18 | 2   | 20-96   | RE57571  | 3E14 | 13  | 40-19  | RE58382  | 6H19 | 10  | 60-107 |
| RE57177  | 1G2  | 5   | 20-55A  | RE57571  | 8H20 | 15  | 90-17  | RE58382  | 6H23 | 6   | 60-109 |
| RE57177  | 1H18 | 2   | 20-96   | RE57574  | 8H20 | 23  | 90-17  | RE58382  | 6H25 | 6   | 60-111 |
| RE57178  | 1H18 | 2   | 20-96   | RE57575  | 8H12 | 2   | 90-9   | RE58382  | 6I2  | 9   | 60-113 |
| RE57181  | 1H7  | 1   | 20-85   | RE57575  | 8H20 | 22  | 90-17  | RE58382  | 6I4  | 5   | 60-115 |
| RE57184  | 2E2  | 4   | 30-19   | RE57575  | 8H20 | 23  | 90-17  | RE58386  | 6H19 | 1   | 60-107 |
| RE57184  | 2E3  | 1   | 30-20   | RE57594  | 6D9  | 12  | 60-5   | RE58409  | 5D14 | 30  | 53-11  |
| RE57185  | 2E3  | 1   | 30-20   | RE57603  | 1F25 | 3   | 20-54  | RE58409  | 7E7  | 22  | 70-25  |
| RE57186  | 1G21 | 19  | 20-75   | RE57603  | 1H14 | 3   | 20-92  | RE58409  | 7F2  | 8   | 70-47  |
| RE57186  | 1I9  | 19  | 20-111  | RE57632  | 1F13 | 1   | 20-42A | RE58409  | 7F4  | 8   | 70-49  |
| RE57187  | 1G21 | 38  | 20-75   | RE57632  | 1G25 | 1   | 20-78A | RE58479  | 6H9  | 2   | 60-97  |
| RE57187  | 1I9  | 38  | 20-111  | RE57644  | 8E14 | 15  | 80-7   | RE58495  | 8E16 | 1   | 80-9   |
| RE57188  | 1G6  | 8   | 20-58   | RE57653  | 4G10 | 2   | 51-39  | RE58508  | 7F20 | 11  | 70-65  |
| RE57188  | 1H17 | 8   | 20-95   | RE57653  | 4I14 | 2   | 51-91  | RE58508  | 7F22 | 11  | 70-67  |
| RE57189  | 1H17 | 10  | 20-95   | RE57696  | 3F17 | 16  | 40-49  | RE58509  | 7F20 | 12  | 70-65  |
| RE57190  | 1G18 | 1   | 20-71   | RE57696  | 3F19 | 16  | 40-51  | RE58516  | 1D18 | 18  | 20-5   |
| RE57190  | 1I6  | 1   | 20-108A | RE57697  | 3E14 | 6   | 40-19  | RE58516  | 1F6  | 19  | 20-37A |
| RE57372  | 1F9  | 10  | 20-39A  | RE57697  | 3F17 | 19  | 40-49  | RE58533  | 8F6  | 1   | 80-27  |
| RE57372  | 1F9  | 11  | 20-39A  | RE57697  | 3F19 | 19  | 40-51  | RE58548  | 3E24 | 17  | 40-29  |
| RE57372  | 1F9  | 12  | 20-39A  | RE57744  | 3E24 | 1   | 40-29  | RE58563  | 2D17 | 1   | 30-9   |
| RE57372  | 1F9  | 13  | 20-39A  | RE57744  | 3H13 | 3   | 40-93  | RE58581  | 6F6  | 2   | 60-51  |
| RE57372  | 2E25 | 10  | 30-39   | RE57750  | 1F11 | 18  | 20-41  | RE58592  | 3E2  | 7   | 40-9   |
| RE57372  | 2E25 | 11  | 30-39   | RE57750  | 1G23 | 18  | 20-77  | RE58592  | 3E2  | 8   | 40-9   |
| RE57372  | 2E25 | 12  | 30-39   | RE57815  | 6D17 | 1   | 60-13  | RE58592  | 3H5  | 5   | 40-85  |
| RE57372  | 2E25 | 13  | 30-39   | RE57817  | 6D14 | 2   | 60-10  | RE58592  | 3H7  | 5   | 40-87  |
| RE57373  | 2F22 | 10  | 30-59   | RE57817  | 6D15 | 2   | 60-11  | RE58593  | 3E8  | 14  | 40-13  |
| RE57394  | 1E23 | 13  | 20-29   | RE57818  | 9G1  | 1   | 92-12  | RE58593  | 4D13 | 14  | 42-9   |
| RE57394  | 1G16 | 9   | 20-69   | RE57819  | 9G1  | 7   | 92-12  | RE58598  | 3E2  | 14  | 40-9   |
| RE57394  | 1I2  | 9   | 20-105  | RE57820  | 9G1  | 11  | 92-12  | RE58605  | 8E14 | 13  | 80-7   |
| RE57394  | 2G10 | 3   | 30-74   | RE57843  | 7E3  | 6   | 70-21  | RE58606  | 8E14 | 13  | 80-7   |
| RE57402  | 4F23 | 1   | 51-27   | RE57849  | 2G7  | 16  | 30-71  | RE58614  | 3F17 | 14  | 40-49  |
| RE57402  | 4G14 | 1   | 51-43   | RE57850  | 2G7  | 14  | 30-71  | RE58614  | 3F19 | 14  | 40-51  |
| RE57420  | 1D24 | ..  | 20-11   | RE57892  | 3E10 | 31  | 40-15  | RE58614  | 8H20 | 33  | 90-17  |
| RE57483  | 3I16 | 10  | 41-5    | RE57892  | 3E12 | 32  | 40-17  | RE58619  | 4D11 | 6   | 42-7   |

# 1K15

8100, 8200, 8300, 8400 TRACTORS

## NUMERICAL INDEX - CONTINUED

| PART NO. | GRID | KEY | PAGE   | PART NO. | GRID | KEY | PAGE   | PART NO. | GRID | KEY | PAGE   |
|----------|------|-----|--------|----------|------|-----|--------|----------|------|-----|--------|
| RE58619  | 4D13 | 13  | 42-9   | RE60476  | 3F20 | 6   | 40-52  | RE60644  | 9D12 | 3   | 91-7   |
| RE58619  | 4D23 | 6   | 42-19  | RE60477  | 3E10 | 27  | 40-15  | RE60647  | 3E20 | 5   | 40-25  |
| RE58639  | 5F2  | 19  | 54-15  | RE60477  | 3F17 | 32  | 40-49  | RE60647  | 4D18 | 5   | 42-14  |
| RE58639  | 5F4  | 23  | 54-17  | RE60477  | 3F19 | 33  | 40-51  | RE60647  | 4D19 | 1   | 42-15  |
| RE58646  | 5F2  | 17  | 54-15  | RE60477  | 3F20 | 6   | 40-52  | RE60649  | 1I11 | 6   | 20-113 |
| RE58680  | 7E5  | 28  | 70-23  | RE60504  | 1I15 | 8   | 20-117 | RE60658  | 3G10 | 20  | 40-67  |
| RE58689  | 4D25 | 18  | 42-21  | RE60504  | 1I17 | 8   | 20-119 | RE60659  | 3G6  | 10  | 40-63  |
| RE58693  | 8E16 | 3   | 80-9   | RE60512  | 7F24 | 42  | 70-69  | RE60659  | 3G8  | 10  | 40-65  |
| RE58702  | 8E18 | 9   | 80-11  | RE60529  | 6E22 | 1   | 60-41  | RE60667  | 9F13 | 1   | 91-55  |
| RE58706  | 8H10 | 12  | 90-7   | RE60529  | 6F24 | ..  | 60-67  | RE60674  | 6G8  | 4   | 60-71  |
| RE58715  | 9F9  | 14  | 91-53  | RE60531  | 6E18 | 7   | 60-37  | RE60675  | 6F6  | 1   | 60-51  |
| RE58718  | 3I6  | 3   | 40-111 | RE60531  | 6F24 | 7   | 60-67  | RE60676  | 6F6  | 5   | 60-51  |
| RE58719  | 3I6  | 5   | 40-111 | RE60531  | 6G3  | 7   | 60-69B | RE60677  | 6F8  | 1   | 60-51B |
| RE58723  | 9D10 | 5   | 91-5   | RE60532  | 6F1  | 1A  | 60-45  | RE60678  | 6F8  | 2   | 60-51B |
| RE58729  | 8H10 | 14  | 90-7   | RE60534  | 6E20 | 36  | 60-39  | RE60679  | 6D19 | 22  | 60-15  |
| RE58763  | 6G14 | 6   | 60-77  | RE60534  | 6F1  | 5A  | 60-45  | RE60680  | 7E3  | 7   | 70-21  |
| RE58763  | 7I20 | 5   | 70-139 | RE60535  | 6E24 | 1   | 60-43  | RE60681  | 6D19 | 21  | 60-15  |
| RE58780  | 1G3  | 9   | 20-55B | RE60537  | 3E10 | 15  | 40-15  | RE60684  | 8H10 | 16  | 90-7   |
| RE58781  | 1G2  | 9   | 20-55A | RE60537  | 3F7  | 10  | 40-37  | RE60685  | 8H10 | 15  | 90-7   |
| RE58782  | 3D24 | 6   | 40-7   | RE60537  | 3F7  | ..  | 40-37  | RE60686  | 4G22 | 3   | 51-51  |
| RE58782  | 3E6  | 5   | 40-11  | RE60537  | 3F12 | 9   | 40-43  | RE60687  | 4E24 | 7   | 51-3   |
| RE58782  | 3G14 | 14  | 40-71  | RE60538  | 3E14 | 19  | 40-19  | RE60687  | 4H2  | 7   | 51-55  |
| RE58827  | 3F14 | 7   | 40-45  | RE60538  | 3F7  | 10  | 40-37  | RE60694  | 9D12 | 24  | 91-7   |
| RE58828  | 8H10 | 13  | 90-7   | RE60538  | 3F13 | 9   | 40-44  | RE60701  | 6G12 | 13  | 60-75  |
| RE58858  | 7I22 | 29  | 70-141 | RE60540  | 3H11 | 12  | 40-91  | RE60708  | 6E25 | 1   | 60-44  |
| RE58869  | 7H12 | 3   | 70-105 | RE60541  | 3D20 | 19  | 40-3   | RE60708  | 6F24 | ..  | 60-67  |
| RE58869  | 7H12 | 15  | 70-105 | RE60541  | 3D24 | 13  | 40-7   | RE60717  | 9F23 | 8   | 92-9   |
| RE58873  | 2G9  | 3   | 30-73  | RE60541  | 3E2  | 1   | 40-9   | RE60726  | 3H17 | 5   | 40-97  |
| RE58878  | 6D16 | 2   | 60-12  | RE60541  | 4D13 | 8   | 42-9   | RE60765  | 4D8  | 3   | 42-4   |
| RE58881  | 2E15 | 12  | 30-31  | RE60541  | 4D13 | 10  | 42-9   | RE60765  | 4D10 | 5   | 42-6   |
| RE58883  | 8F10 | 1   | 80-31  | RE60542  | 3D20 | 1   | 40-3   | RE60765  | 4D12 | 2   | 42-8   |
| RE58974  | 7E7  | 25  | 70-25  | RE60546  | 1G12 | 2   | 20-64  | RE60765  | 4D12 | 11  | 42-8   |
| RE58976  | 6E10 | 3   | 60-29  | RE60546  | 1H22 | 2   | 20-101 | RE60765  | 4D20 | 1   | 42-16  |
| RE58978  | 6E10 | 2   | 60-29  | RE60559  | 2E15 | 1   | 30-31  | RE60765  | 4D22 | 3   | 42-18  |
| RE58978  | 6E12 | 1   | 60-31  | RE60561  | 6D15 | 3   | 60-11  | RE60815  | 6E18 | 1   | 60-37  |
| RE58979  | 6E10 | 2   | 60-29  | RE60562  | 6D14 | 3   | 60-10  | RE60815  | 6E20 | 1   | 60-39  |
| RE58979  | 6E12 | 1   | 60-31  | RE60577  | 2F12 | 21  | 30-49B | RE60821  | 8F21 | 1   | 80-42  |
| RE58988  | 8G22 | 1   | 80-69  | RE60577  | 2F22 | 21  | 30-59  | RE60822  | 8F21 | 1   | 80-42  |
| RE58989  | 8G20 | 1   | 80-67  | RE60586  | 3G2  | 1   | 40-59  | RE60823  | 8F22 | 1   | 80-43  |
| RE59589  | 3I14 | 11  | 41-4   | RE60587  | 3G2  | 5   | 40-59  | RE60824  | 8F22 | 1   | 80-43  |
| RE59589  | 3I18 | ..  | 41-7   | RE60588  | 3E10 | 42  | 40-15  | RE60825  | 2E5  | 5   | 30-23  |
| RE60265  | 7G24 | 15  | 70-95  | RE60588  | 6D7  | 1   | 60-3   | RE60826  | 2E5  | 3   | 30-23  |
| RE60265  | 7H2  | 15  | 70-97  | RE60589  | 3E14 | 50  | 40-19  | RE60827  | 2E5  | 6   | 30-23  |
| RE60267  | 7D15 | 1   | 70-7   | RE60589  | 6D7  | 1   | 60-3   | RE60828  | 2E5  | 7   | 30-23  |
| RE60275  | 7D15 | 2   | 70-7   | RE60590  | 7D23 | 13  | 70-15  | RE60847  | 6E4  | 3   | 60-23  |
| RE60276  | 7D15 | 28  | 70-7   | RE60601  | 9F18 | 4   | 92-3   | RE60848  | 6G8  | 15  | 60-71  |
| RE60294  | 1E6  | 1   | 20-13D | RE60602  | 9F18 | 5   | 92-3   | RE60849  | 6G14 | 5   | 60-77  |
| RE60294  | 1E14 | 10  | 20-20  | RE60619  | 7F2  | 2   | 70-47  | RE60850  | 2G7  | 26  | 30-71  |
| RE60302  | 8H18 | 4   | 90-15  | RE60619  | 7F4  | 2   | 70-49  | RE60851  | 7E7  | 11  | 70-25  |
| RE60319  | 3F25 | 13  | 40-57  | RE60622  | 1G11 | 15  | 20-63  | RE60852  | 7F2  | 4   | 70-47  |
| RE60319  | 3F25 | 14  | 40-57  | RE60622  | 1H24 | 15  | 20-103 | RE60852  | 7F4  | 4   | 70-49  |
| RE60320  | 4F16 | 3   | 51-19  | RE60623  | 7F2  | 11  | 70-47  | RE60857  | 9E14 | 3   | 91-33  |
| RE60320  | 4H18 | 3   | 51-71  | RE60623  | 7F4  | 11  | 70-49  | RE60861  | 5E7  | 2   | 53-30  |
| RE60321  | 2G9  | 9   | 30-73  | RE60627  | 4D8  | 6   | 42-4   | RE60862  | 5E7  | 3   | 53-30  |
| RE60323  | 6E10 | 6   | 60-29  | RE60628  | 4D8  | 6   | 42-4   | RE60865  | 9E14 | 16  | 91-33  |
| RE60328  | 1G6  | 8   | 20-58  | RE60629  | 3G12 | 4   | 40-69  | RE60866  | 7H23 | 16  | 70-117 |
| RE60328  | 1H17 | 10  | 20-95  | RE60630  | 3G6  | 11  | 40-63  | RE60867  | 6D23 | 1   | 60-18  |
| RE60349  | 5E10 | 2   | 53-33  | RE60631  | 3G8  | 12  | 40-65  | RE60867  | 6D23 | 7   | 60-18  |
| RE60389  | 3H11 | 1   | 40-91  | RE60632  | 3E2  | 26  | 40-9   | RE60868  | 6D23 | 1   | 60-18  |
| RE60446  | 6F22 | 1   | 60-65  | RE60632  | 3E4  | 26  | 40-9B  | RE60868  | 6D23 | 7   | 60-18  |
| RE60458  | 1E2  | 1   | 20-13  | RE60632  | 3E8  | 26  | 40-13  | RE60868  | 6G10 | 15  | 60-73  |
| RE60467  | 5E6  | 3   | 53-29  | RE60633  | 3E2  | 24  | 40-9   | RE60872  | 6H23 | 13  | 60-109 |
| RE60468  | 6F22 | 13  | 60-65  | RE60633  | 3E4  | 24  | 40-9B  | RE60872  | 6H25 | 13  | 60-111 |
| RE60468  | 6F24 | 1   | 60-67  | RE60633  | 3E8  | 24  | 40-13  | RE60873  | 7H23 | 15  | 70-117 |
| RE60476  | 3E10 | 27  | 40-15  | RE60633  | 4D16 | 23  | 42-12  | RE60874  | 7H23 | 1   | 70-117 |
| RE60476  | 3F17 | 32  | 40-49  | RE60633  | 4D17 | 14  | 42-13  | RE60874  | 7I10 | 24  | 70-129 |
| RE60476  | 3F19 | 33  | 40-51  | RE60634  | 3F8  | 2   | 40-39  | RE60876  | 6H23 | 25  | 60-109 |

# 1K16

8100, 8200, 8300, 8400 TRACTORS

## NUMERICAL INDEX - CONTINUED

| PART NO. | GRID | KEY | PAGE   | PART NO. | GRID | KEY | PAGE   | PART NO. | GRID | KEY | PAGE   |
|----------|------|-----|--------|----------|------|-----|--------|----------|------|-----|--------|
| RE60880  | 6F24 | 3   | 60-67  | RE60955  | 3F19 | 33  | 40-51  | RE61168  | 2D11 | 3   | 30-3   |
| RE60882  | 6F25 | 1   | 60-68  | RE60955  | 3F20 | 6   | 40-52  | RE61175  | 2E7  | 4   | 30-25  |
| RE60883  | 6H23 | 16  | 60-109 | RE60956  | 3G14 | 3   | 40-71  | RE61181  | 7H23 | 14  | 70-117 |
| RE60883  | 6H25 | 16  | 60-111 | RE60957  | 3G14 | 4   | 40-71  | RE61181  | 7H25 | 12  | 70-119 |
| RE60885  | 6H23 | 15  | 60-109 | RE60959  | 3G14 | 3   | 40-71  | RE61183  | 3E10 | 2   | 40-15  |
| RE60885  | 6H25 | 15  | 60-111 | RE60959  | 3G14 | 4   | 40-71  | RE61183  | 3E12 | 2   | 40-17  |
| RE60886  | 6H23 | 7   | 60-109 | RE60969  | 6F6  | 25  | 60-51  | RE61183  | 3E14 | 2   | 40-19  |
| RE60886  | 6H25 | 7   | 60-111 | RE60974  | 3G14 | 10  | 40-71  | RE61183  | 3E16 | 2   | 40-21  |
| RE60887  | 3E10 | 21  | 40-15  | RE60998  | 9F7  | 14  | 91-51  | RE61183  | 3E18 | 2   | 40-23  |
| RE60887  | 3E12 | 21  | 40-17  | RE60998  | 9F9  | 21  | 91-53  | RE61183  | 3G17 | 2   | 40-73  |
| RE60887  | 3E14 | 25  | 40-19  | RE61043  | 8F8  | 1   | 80-29  | RE61184  | 3F20 | 5   | 40-52  |
| RE60887  | 3E16 | 25  | 40-21  | RE61046  | 6D14 | 1   | 60-10  | RE61185  | 3F20 | 4   | 40-52  |
| RE60887  | 3E18 | 21  | 40-23  | RE61047  | 6D15 | 1   | 60-11  | RE61186  | 3F20 | 2   | 40-52  |
| RE60887  | 8H12 | 16  | 90-9   | RE61051  | 4F16 | 5   | 51-19  | RE61187  | 3F20 | 5   | 40-52  |
| RE60888  | 3E10 | 20  | 40-15  | RE61051  | 4H18 | 5   | 51-71  | RE61188  | 3F20 | 4   | 40-52  |
| RE60888  | 3E12 | 20  | 40-17  | RE61051  | 9D12 | 7   | 91-7   | RE61189  | 3F20 | 2   | 40-52  |
| RE60888  | 3E14 | 24  | 40-19  | RE61052  | 7H10 | 7   | 70-103 | RE61201  | 3E20 | 2   | 40-25  |
| RE60888  | 3E16 | 24  | 40-21  | RE61060  | 8F12 | 12  | 80-33  | RE61201  | 4D20 | 5   | 42-16  |
| RE60888  | 3E18 | 20  | 40-23  | RE61061  | 8F12 | 12  | 80-33  | RE61207  | 7F15 | 2A  | 70-60  |
| RE60888  | 8H12 | 15  | 90-9   | RE61062  | 8F12 | 6   | 80-33  | RE61217  | 5E24 | 8   | 54-13  |
| RE60889  | 6I2  | 4   | 60-113 | RE61063  | 8F12 | 6   | 80-33  | RE61217  | 5G6  | ..  | 54-43  |
| RE60891  | 7I10 | 21  | 70-129 | RE61064  | 8F12 | 8   | 80-33  | RE61220  | 1I15 | 19A | 20-117 |
| RE60891  | 7I10 | 26  | 70-129 | RE61071  | 2G1  | 1   | 30-65  | RE61220  | 1I17 | 19A | 20-119 |
| RE60891  | 7I10 | 41  | 70-129 | RE61071  | 7E1  | 1   | 70-19  | RE61236  | 1I20 | 33  | 20-123 |
| RE60891  | 7I12 | 1   | 70-131 | RE61087  | 3E2  | 20  | 40-9   | RE61236  | 1I24 | 33  | 20-127 |
| RE60892  | 7H23 | 35  | 70-117 | RE61087  | 3I16 | 10  | 41-5   | RE61239  | 5E19 | 1   | 54-6   |
| RE60892  | 7H23 | 36  | 70-117 | RE61087  | 3I16 | 12  | 41-5   | RE61243  | 3E2  | 27  | 40-9   |
| RE60892  | 7H23 | 37  | 70-117 | RE61088  | 8F20 | 1   | 80-41  | RE61243  | 3E4  | 27  | 40-9B  |
| RE60892  | 7H25 | 1   | 70-119 | RE61089  | 8F20 | 1   | 80-41  | RE61243  | 3E8  | 27  | 40-13  |
| RE60893  | 7I2  | 5   | 70-121 | RE61100  | 9E16 | 1   | 91-35  | RE61243  | 4D15 | 2   | 42-11  |
| RE60893  | 7I10 | 9   | 70-129 | RE61107  | 3G6  | 4   | 40-63  | RE61244  | 3E2  | 28  | 40-9   |
| RE60894  | 7H25 | 5   | 70-119 | RE61119  | 3D24 | 8   | 40-7   | RE61244  | 3E4  | 28  | 40-9B  |
| RE60894  | 7I4  | 4   | 70-123 | RE61119  | 3E6  | 8   | 40-11  | RE61244  | 3E8  | 28  | 40-13  |
| RE60894  | 7I12 | 2   | 70-131 | RE61119  | 7I2  | 9   | 70-121 | RE61244  | 4D15 | 2   | 42-11  |
| RE60897  | 4F16 | 4   | 51-19  | RE61119  | 7I10 | 5   | 70-129 | RE61248  | 5F2  | 16  | 54-15  |
| RE60897  | 4H18 | 4   | 51-71  | RE61120  | 7I10 | 33  | 70-129 | RE61249  | 5F2  | 22  | 54-15  |
| RE60898  | 6I6  | 9   | 60-117 | RE61121  | 7H21 | 11  | 70-115 | RE61253  | 1G3  | 4   | 20-55B |
| RE60902  | 7H14 | 6   | 70-107 | RE61127  | 9E14 | 16  | 91-33  | RE61253  | 1G5  | 1   | 20-57  |
| RE60903  | 7H14 | 7   | 70-107 | RE61132  | 7E7  | 10  | 70-25  | RE61253  | 1H18 | 1   | 20-96  |
| RE60911  | 7H14 | 9   | 70-107 | RE61133  | 7D23 | 7   | 70-15  | RE61254  | 8F24 | 2   | 80-45  |
| RE60913  | 7H14 | 9   | 70-107 | RE61134  | 7D23 | 20  | 70-15  | RE61255  | 8F24 | 2   | 80-45  |
| RE60916  | 7H14 | 4   | 70-107 | RE61135  | 6F6  | 19  | 60-51  | RE61267  | 1G3  | 9   | 20-55B |
| RE60918  | 7H14 | 3   | 70-107 | RE61136  | 4G20 | 1   | 51-49  | RE61268  | 1G2  | 9   | 20-55A |
| RE60919  | 7H14 | 15  | 70-107 | RE61137  | 8H10 | 2   | 90-7   | RE61274  | 4F8  | 21  | 51-11  |
| RE60927  | 3E10 | 27  | 40-15  | RE61138  | 8H10 | 1   | 90-7   | RE61274  | 4H10 | 21  | 51-63  |
| RE60927  | 3F17 | 32  | 40-49  | RE61139  | 7E3  | 4   | 70-21  | RE61282  | 7G24 | 10  | 70-95  |
| RE60927  | 3F19 | 33  | 40-51  | RE61140  | 7E3  | 5   | 70-21  | RE61300  | 6F6  | 15  | 60-51  |
| RE60927  | 3F20 | 6   | 40-52  | RE61141  | 6E4  | 10  | 60-23  | RE61305  | 1I15 | 1   | 20-117 |
| RE60928  | 3E10 | 22  | 40-15  | RE61141  | 6E6  | 10  | 60-25  | RE61305  | 1I17 | 1   | 20-119 |
| RE60928  | 3E14 | 12  | 40-19  | RE61142  | 6E4  | 11  | 60-23  | RE61306  | 1I17 | 1   | 20-119 |
| RE60928  | 3F17 | 36  | 40-49  | RE61142  | 6E6  | 11  | 60-25  | RE61307  | 1I15 | 2   | 20-117 |
| RE60928  | 3F20 | 13  | 40-52  | RE61144  | 7E3  | 2   | 70-21  | RE61307  | 1I17 | 2   | 20-119 |
| RE60929  | 3E10 | 36  | 40-15  | RE61145  | 7E3  | 3   | 70-21  | RE61307  | 2D15 | 8   | 30-7   |
| RE60929  | 3E14 | 43  | 40-19  | RE61146  | 8H10 | 5   | 90-7   | RE61308  | 7I20 | 20  | 70-139 |
| RE60929  | 3H12 | 2   | 40-92  | RE61147  | 8H10 | 6   | 90-7   | RE61318  | 7I8  | 1   | 70-127 |
| RE60929  | 9D24 | 8   | 91-19  | RE61148  | 2G7  | 9   | 30-71  | RE61318  | 7I10 | 42  | 70-129 |
| RE60931  | 6H11 | 13  | 60-99  | RE61152  | 8G3  | 5   | 80-50  | RE61319  | 7I20 | 17  | 70-139 |
| RE60932  | 6I2  | 8   | 60-113 | RE61155  | 7H10 | 16  | 70-103 | RE61319  | 7I22 | 9   | 70-141 |
| RE60933  | 7H23 | 30  | 70-117 | RE61155  | 7H16 | 16  | 70-109 | RE61321  | 7H19 | 6   | 70-113 |
| RE60933  | 7H25 | 7   | 70-119 | RE61156  | 7H12 | 1   | 70-105 | RE61322  | 7I8  | 1   | 70-127 |
| RE60933  | 7I10 | 38  | 70-129 | RE61157  | 8H12 | 9   | 90-9   | RE61323  | 7I20 | 1   | 70-139 |
| RE60933  | 7I12 | 4   | 70-131 | RE61158  | 8H12 | 4   | 90-9   | RE61332  | 2D11 | 7   | 30-3   |
| RE60934  | 6H15 | 21  | 60-103 | RE61164  | 3E2  | 5   | 40-9   | RE61336  | 6G14 | 8   | 60-77  |
| RE60937  | 6I2  | 10  | 60-113 | RE61164  | 4D12 | 6   | 42-8   | RE61340  | 7I22 | 5   | 70-141 |
| RE60938  | 8F24 | 9   | 80-45  | RE61165  | 3E2  | 14  | 40-9   | RE61344  | 3D20 | 7   | 40-3   |
| RE60955  | 3E14 | 31  | 40-19  | RE61165  | 4D12 | 17  | 42-8   | RE61344  | 3D20 | 11  | 40-3   |
| RE60955  | 3F17 | 32  | 40-49  | RE61167  | 2D11 | 3   | 30-3   | RE61344  | 3D20 | 12  | 40-3   |

## NUMERICAL INDEX - CONTINUED

| PART NO. | GRID | KEY | PAGE   | PART NO. | GRID | KEY | PAGE   | PART NO. | GRID | KEY | PAGE   |
|----------|------|-----|--------|----------|------|-----|--------|----------|------|-----|--------|
| RE61346  | 9G8  | 1   | 92-19  | RE61576  | 6E8  | 3   | 60-27  | RE61802  | 8H21 | 1   | 90-18  |
| RE61388  | 6H4  | 10  | 60-91  | RE61577  | 6F6  | 14  | 60-51  | RE61813  | 2G7  | 10  | 30-71  |
| RE61391  | 6H4  | 7   | 60-91  | RE61578  | 6E6  | 4   | 60-25  | RE61814  | 2G7  | 12  | 30-71  |
| RE61394  | 1I13 | 5   | 20-115 | RE61578  | 6E8  | 4   | 60-27  | RE61851  | 1G2  | 4   | 20-55A |
| RE61395  | 6G14 | 42  | 60-77  | RE61593  | 2F8  | 14  | 30-47  | RE61851  | 1H18 | 1   | 20-96  |
| RE61401  | 5E24 | 4   | 54-13  | RE61593  | 2F16 | 5   | 30-53  | RE61879  | 1I11 | 16  | 20-113 |
| RE61401  | 5G6  | 3   | 54-43  | RE61593  | 2F16 | 13  | 30-53  | RE61919  | 6H25 | 24  | 60-111 |
| RE61401  | 5G6  | ..  | 54-43  | RE61593  | 2F20 | 17  | 30-57  | RE62025  | 9E18 | 16  | 91-37  |
| RE61402  | 5E24 | 3   | 54-13  | RE61593  | 2F25 | 11  | 30-62  | RE62025  | 9E20 | 16  | 91-39  |
| RE61402  | 5G6  | 3   | 54-43  | RE61593  | 2F25 | 12  | 30-62  | RE62060  | 6D20 | 1   | 60-16  |
| RE61402  | 5G6  | ..  | 54-43  | RE61593  | 2F25 | 13  | 30-62  | RE62060  | 6D21 | 1   | 60-17  |
| RE61403  | 3F4  | 4   | 40-34  | RE61600  | 3H11 | 1   | 40-91  | RE62063  | 9F25 | 4   | 92-11  |
| RE61404  | 3F14 | 2   | 40-45  | RE61622  | 7D23 | 28A | 70-15  | RE62063  | 9F25 | 16  | 92-11  |
| RE61409  | 1I20 | 9   | 20-123 | RE61623  | 6G8  | 20  | 60-71  | RE62064  | 9F25 | 5   | 92-11  |
| RE61409  | 1I24 | 9   | 20-127 | RE61648  | 3H22 | 5   | 40-103 | RE62066  | 5E21 | 2   | 54-9   |
| RE61418  | 9D16 | 6   | 91-11  | RE61650  | 3H22 | 10  | 40-103 | RE62066  | 7D11 | 2   | 70-3   |
| RE61419  | 3E10 | 38  | 40-15  | RE61651  | 3H19 | 9   | 40-99  | RE62107  | 8F13 | 1   | 80-34  |
| RE61419  | 3E12 | 39  | 40-17  | RE61651  | 3H22 | 3   | 40-103 | RE62130  | 6D9  | 2   | 60-5   |
| RE61419  | 3E14 | 47  | 40-19  | RE61652  | 7D23 | 31A | 70-15  | RE62145  | 4D16 | 10  | 42-12  |
| RE61419  | 3E16 | 48  | 40-21  | RE61652  | 7D23 | 34  | 70-15  | RE62146  | 4D16 | 13  | 42-12  |
| RE61419  | 3E18 | 39  | 40-23  | RE61658  | 2F22 | 10  | 30-59  | RE62163  | 3E10 | 7   | 40-15  |
| RE61419  | 8H16 | 15  | 90-13  | RE61659  | 1I11 | 2   | 20-113 | RE62163  | 3E12 | 7   | 40-17  |
| RE61441  | 1I20 | 24  | 20-123 | RE61660  | 2G7  | 20  | 30-71  | RE62163  | 3E14 | 6   | 40-19  |
| RE61441  | 1I24 | 24  | 20-127 | RE61665  | 2E15 | 11  | 30-31  | RE62163  | 3E16 | 6   | 40-21  |
| RE61447  | 8D15 | 46  | 71-13  | RE61673  | 1I11 | 42  | 20-113 | RE62163  | 3E18 | 7   | 40-23  |
| RE61449  | 8D15 | 14  | 71-13  | RE61674  | 1I11 | 42  | 20-113 | RE62163  | 3F17 | 19  | 40-49  |
| RE61450  | 8D15 | 31  | 71-13  | RE61675  | 3G14 | 10  | 40-71  | RE62163  | 3F19 | 19  | 40-51  |
| RE61451  | 8D15 | 6   | 71-13  | RE61689  | 6F22 | 9   | 60-65  | RE62188  | 6F6  | 7   | 60-51  |
| RE61452  | 8D15 | 5   | 71-13  | RE61693  | 2F6  | 13  | 30-45  | RE62191  | 6D19 | 8   | 60-15  |
| RE61453  | 8D15 | 52  | 71-13  | RE61693  | 2G3  | 4   | 30-67  | RE62192  | 9F13 | 1   | 91-55  |
| RE61454  | 8D15 | 60  | 71-13  | RE61693  | 2G5  | 13  | 30-69  | RE62204  | 8E12 | 1   | 80-5   |
| RE61455  | 8D15 | 60  | 71-13  | RE61699  | 7J6  | 20  | 70-149 | RE62205  | 8E10 | 1   | 80-3   |
| RE61456  | 8D15 | 26  | 71-13  | RE61717  | 3E10 | 41  | 40-15  | RE62250  | 6F14 | 18  | 60-57  |
| RE61460  | 8D15 | 41  | 71-13  | RE61717  | 3E12 | 42  | 40-17  | RE62250  | 6I6  | 1   | 60-117 |
| RE61463  | 8D15 | 30  | 71-13  | RE61717  | 3E14 | 49  | 40-19  | RE62255  | 2D19 | 7   | 30-11  |
| RE61464  | 8D15 | 49  | 71-13  | RE61717  | 3E16 | 50  | 40-21  | RE62297  | 9E20 | 23  | 91-39  |
| RE61477  | 8E12 | 1   | 80-5   | RE61717  | 3E18 | 42  | 40-23  | RE62300  | 3E25 | 1   | 40-30  |
| RE61498  | 8D15 | 52  | 71-13  | RE61717  | 3F21 | 10  | 40-53  | RE62300  | 8G6  | 14  | 80-53  |
| RE61501  | 7F22 | 12  | 70-67  | RE61740  | 9G8  | 9   | 92-19  | RE62312  | 9E20 | 1   | 91-39  |
| RE61507  | 7H14 | 19  | 70-107 | RE61744  | 4D17 | 6   | 42-13  | RE62341  | 4G22 | 1   | 51-51  |
| RE61511  | 7H12 | 3   | 70-105 | RE61745  | 6E6  | 2   | 60-25  | RE62345  | 2E19 | 7   | 30-33  |
| RE61512  | 7H12 | 15  | 70-105 | RE61745  | 6E8  | 2   | 60-27  | RE62345  | 2F1  | ..  | 30-40  |
| RE61513  | 7H12 | 11  | 70-105 | RE61746  | 6E6  | 1   | 60-25  | RE62345  | 2G3  | 7   | 30-67  |
| RE61514  | 7F14 | 1   | 70-59  | RE61746  | 6E8  | 1   | 60-27  | RE62358  | 4G6  | 18  | 51-35  |
| RE61515  | 7F14 | 1   | 70-59  | RE61754  | 8F6  | 6   | 80-27  | RE62358  | 4G8  | 36  | 51-37  |
| RE61516  | 3I14 | 11  | 41-4   | RE61755  | 8F6  | 4   | 80-27  | RE62399  | 3F25 | 13  | 40-57  |
| RE61520  | 4D25 | 19  | 42-21  | RE61760  | 3I2  | 9   | 40-107 | RE62399  | 3F25 | 14  | 40-57  |
| RE61543  | 6D24 | 1   | 60-19  | RE61760  | 3I2  | 10  | 40-107 | RE62423  | 2E15 | 8   | 30-31  |
| RE61545  | 3E10 | 35  | 40-15  | RE61760  | 3I4  | 2   | 40-109 | RE62423  | 2F18 | 3   | 30-55  |
| RE61545  | 3E12 | 36  | 40-17  | RE61760  | 3I4  | 4   | 40-109 | RE62423  | 2F18 | 11  | 30-55  |
| RE61545  | 3E14 | 42  | 40-19  | RE61764  | 6D21 | 1   | 60-17  | RE62489  | 6G14 | 45  | 60-77  |
| RE61545  | 3E16 | 43  | 40-21  | RE61779  | 3I6  | 10  | 40-111 | RE62489  | 8F20 | 9   | 80-41  |
| RE61545  | 3E18 | 36  | 40-23  | RE61786  | 3E2  | 29  | 40-9   | RE62507  | 7F2  | 4   | 70-47  |
| RE61545  | 3H18 | 2   | 40-98  | RE61786  | 3E4  | 29  | 40-9B  | RE62507  | 7F4  | 4   | 70-49  |
| RE61545  | 3H19 | 6   | 40-99  | RE61786  | 3E8  | 29  | 40-13  | RE62508  | 7I16 | 2   | 70-135 |
| RE61546  | 3E10 | 32  | 40-15  | RE61786  | 4D17 | 2   | 42-13  | RE62529  | 3H5  | 10  | 40-85  |
| RE61546  | 3E12 | 33  | 40-17  | RE61786  | 4D17 | 3   | 42-13  | RE62529  | 3H7  | 10  | 40-87  |
| RE61546  | 3E14 | 39  | 40-19  | RE61789  | 9F25 | 5   | 92-11  | RE62555  | 6G14 | 8   | 60-77  |
| RE61546  | 3E16 | 40  | 40-21  | RE61790  | 9F25 | 4   | 92-11  | RE62561  | 3F25 | 5   | 40-57  |
| RE61546  | 3E18 | 33  | 40-23  | RE61791  | 6G14 | 21  | 60-77  | RE62561  | 3G4  | 3   | 40-61  |
| RE61546  | 3H18 | 2   | 40-98  | RE61791  | 6G14 | 44  | 60-77  | RE62562  | 4G14 | 16  | 51-43  |
| RE61546  | 3H19 | 6   | 40-99  | RE61791  | 7I24 | 2   | 70-143 | RE62562  | 4I18 | 16  | 51-95  |
| RE61546  | 3H20 | 2   | 40-100 | RE61795  | 8F18 | 1   | 80-39  | RE62562  | 6E4  | 19B | 60-23  |
| RE61558  | 1I20 | 25  | 20-123 | RE61796  | 8F18 | 1   | 80-39  | RE62562  | 6E6  | 19B | 60-25  |
| RE61558  | 1I24 | 25  | 20-127 | RE61797  | 6D16 | 1   | 60-12  | RE62562  | 6E8  | 19  | 60-27  |
| RE61568  | 3D24 | 11  | 40-7   | RE61798  | 8F24 | 17  | 80-45  | RE62607  | 3G14 | 3   | 40-71  |
| RE61576  | 6E6  | 3   | 60-25  | RE61799  | 8F24 | 17  | 80-45  | RE62609  | 3G14 | 4   | 40-71  |

# 1K18

8100, 8200, 8300, 8400 TRACTORS

## NUMERICAL INDEX - CONTINUED

| PART NO. | GRID | KEY | PAGE   | PART NO. | GRID | KEY | PAGE   | PART NO. | GRID | KEY | PAGE   |
|----------|------|-----|--------|----------|------|-----|--------|----------|------|-----|--------|
| RE62610  | 3G14 | 3   | 40-71  | RE62791  | 1H11 | 1   | 20-89  | RE63206  | 7H14 | 9   | 70-107 |
| RE62611  | 3G14 | 4   | 40-71  | RE62791  | 1H17 | 10  | 20-95  | RE63207  | 7H12 | 1   | 70-105 |
| RE62615  | 2F20 | 17  | 30-57  | RE62792  | 7H16 | 7   | 70-109 | RE63209  | 7H14 | 6   | 70-107 |
| RE62615  | 2F25 | 5   | 30-62  | RE62794  | 2D19 | 13A | 30-11  | RE63210  | 7H14 | 7   | 70-107 |
| RE62615  | 2F25 | 13  | 30-62  | RE62794  | 2D19 | 13B | 30-11  | RE63211  | 3E10 | 39  | 40-15  |
| RE62626  | 6G8  | 20  | 60-71  | RE62807  | 3G14 | 10  | 40-71  | RE63211  | 3E14 | 46  | 40-19  |
| RE62635  | 7H18 | 10  | 70-111 | RE62816  | 8D13 | 7   | 71-11  | RE63211  | 3G25 | 1   | 40-81  |
| RE62640  | 1G6  | 8   | 20-58  | RE62817  | 8D13 | 9   | 71-11  | RE63215  | 8F8  | 1   | 80-29  |
| RE62640  | 1H17 | 10  | 20-95  | RE62820  | 8D13 | 22  | 71-11  | RE63229  | 4F18 | 1   | 51-21  |
| RE62645  | 2F12 | 10  | 30-49B | RE62823  | 8D13 | 10  | 71-11  | RE63229  | 4F20 | 4   | 51-23  |
| RE62649  | 3E10 | 27  | 40-15  | RE62824  | 8D13 | 23  | 71-11  | RE63236  | 4F4  | 2   | 51-7   |
| RE62649  | 3E12 | 27  | 40-17  | RE62827  | 8D13 | 12  | 71-11  | RE63236  | 4F6  | 1   | 51-9   |
| RE62649  | 3F17 | 32  | 40-49  | RE62840  | 2G7  | 23  | 30-71  | RE63236  | 4F8  | 1   | 51-11  |
| RE62649  | 3F19 | 33  | 40-51  | RE62872  | 6G14 | 21  | 60-77  | RE63236  | 4F10 | 1   | 51-13  |
| RE62649  | 3F20 | 6   | 40-52  | RE62872  | 6G14 | 44  | 60-77  | RE63236  | 4F12 | 1   | 51-15  |
| RE62650  | 3E10 | 27  | 40-15  | RE62901  | 9D10 | 5   | 91-5   | RE63236  | 4F14 | 8   | 51-17  |
| RE62650  | 3E12 | 27  | 40-17  | RE62904  | 7I4  | 6   | 70-123 | RE63289  | 1E8  | 2   | 20-14  |
| RE62650  | 3F17 | 32  | 40-49  | RE62910  | 9D10 | 3   | 91-5   | RE63289  | 3E2  | 13  | 40-9   |
| RE62650  | 3F19 | 33  | 40-51  | RE62929  | 3D20 | 7   | 40-3   | RE63289  | 3E2  | 15  | 40-9   |
| RE62650  | 3F20 | 6   | 40-52  | RE62929  | 3D20 | 11  | 40-3   | RE63289  | 3E8  | 13  | 40-13  |
| RE62651  | 3E10 | 27  | 40-15  | RE62929  | 3D20 | 12  | 40-3   | RE63289  | 3E8  | 15  | 40-13  |
| RE62651  | 3E12 | 27  | 40-17  | RE62951  | 8D11 | 3   | 71-9   | RE63306  | 3E24 | 17  | 40-29  |
| RE62651  | 3F17 | 32  | 40-49  | RE62952  | 8D7  | 2   | 71-5   | RE63312  | 2E17 | 13  | 30-31B |
| RE62651  | 3F19 | 33  | 40-51  | RE62952  | 8D9  | 2   | 71-7   | RE63313  | 2E17 | 6   | 30-31B |
| RE62651  | 3F20 | 6   | 40-52  | RE62954  | 8D7  | 3   | 71-5   | RE63313  | 2F14 | 4   | 30-51  |
| RE62652  | 3E14 | 31  | 40-19  | RE62954  | 8D9  | 3   | 71-7   | RE63313  | 2F18 | 6   | 30-55  |
| RE62652  | 3E16 | 31  | 40-21  | RE62956  | 8D7  | 4   | 71-5   | RE63313  | 2F24 | 4   | 30-61  |
| RE62652  | 3E18 | 27  | 40-23  | RE62956  | 8D9  | 5   | 71-7   | RE63328  | 8G6  | 14  | 80-53  |
| RE62652  | 3F17 | 32  | 40-49  | RE62957  | 8D9  | 6   | 71-7   | RE63350  | 3G14 | 10  | 40-71  |
| RE62652  | 3F19 | 33  | 40-51  | RE62959  | 8D7  | 6   | 71-5   | RE63351  | 5E17 | 3   | 54-4   |
| RE62652  | 3F20 | 6   | 40-52  | RE62959  | 8D9  | 11  | 71-7   | RE63376  | 3H15 | 15  | 40-95  |
| RE62653  | 3E10 | 10  | 40-15  | RE62960  | 8D7  | 7   | 71-5   | RE63382  | 5F2  | 6   | 54-15  |
| RE62653  | 3E14 | 13  | 40-19  | RE62961  | 8D7  | 10  | 71-5   | RE63382  | 5F4  | 8   | 54-17  |
| RE62653  | 8H20 | 15  | 90-17  | RE62967  | 7E13 | ..  | 70-33  | RE63411  | 7F20 | 11  | 70-65  |
| RE62677  | 5E18 | 1   | 54-5   | RE62976  | 4D17 | 3   | 42-13  | RE63411  | 7F22 | 11  | 70-67  |
| RE62678  | 6G8  | 10  | 60-71  | RE62976  | 4D17 | 6   | 42-13  | RE63412  | 7F20 | 12  | 70-65  |
| RE62678  | 6G10 | 10  | 60-73  | RE62977  | 4D16 | 13  | 42-12  | RE63413  | 2E21 | 9   | 30-35  |
| RE62723  | 1E21 | 9   | 20-27  | RE62981  | 5E24 | 18  | 54-13  | RE63413  | 2G5  | 5   | 30-69  |
| RE62765  | 5D14 | 1   | 53-11  | RE63002  | 1I20 | 35  | 20-123 | RE63414  | 2E21 | 6   | 30-35  |
| RE62776  | 1F8  | 8   | 20-39  | RE63003  | 1I24 | 35  | 20-127 | RE63414  | 2F6  | 2   | 30-45  |
| RE62776  | 1G21 | 3   | 20-75  | RE63007  | 3F25 | 5   | 40-57  | RE63414  | 2G5  | 2   | 30-69  |
| RE62776  | 1I9  | 3   | 20-111 | RE63007  | 3G4  | 3   | 40-61  | RE63422  | 6D7  | 1   | 60-3   |
| RE62776  | 2D20 | 7   | 30-12  | RE63026  | 8D15 | 29  | 71-13  | RE63427  | 3E14 | 33  | 40-19  |
| RE62776  | 2D24 | 7   | 30-16  | RE63036  | 8D15 | 23  | 71-13  | RE63427  | 6F22 | 1   | 60-65  |
| RE62776  | 2E4  | 7   | 30-21  | RE63037  | 8D17 | 1   | 71-15  | RE63440  | 3E10 | 22  | 40-15  |
| RE62777  | 1F8  | 10  | 20-39  | RE63038  | 8D17 | 1   | 71-15  | RE63440  | 3E14 | 12  | 40-19  |
| RE62777  | 1G21 | 4   | 20-75  | RE63039  | 8D17 | 3   | 71-15  | RE63440  | 3F17 | 36  | 40-49  |
| RE62777  | 1I9  | 4   | 20-111 | RE63063  | 8D13 | 24  | 71-11  | RE63440  | 3F20 | 13  | 40-52  |
| RE62777  | 2D20 | 8   | 30-12  | RE63065  | 8D13 | 25  | 71-11  | RE63452  | 9D10 | 8   | 91-5   |
| RE62777  | 2D24 | 8   | 30-16  | RE63090  | 2E19 | 10  | 30-33  | RE63455  | 4F2  | 1   | 51-5   |
| RE62777  | 2E4  | 8   | 30-21  | RE63115  | 1E21 | 9   | 20-27  | RE63455  | 4F4  | 2   | 51-7   |
| RE62778  | 3F25 | 16  | 40-57  | RE63115  | 1E21 | 11  | 20-27  | RE63455  | 4F6  | 1   | 51-9   |
| RE62779  | 6E4  | 24  | 60-23  | RE63182  | 2E15 | 5   | 30-31  | RE63455  | 4F8  | 1   | 51-11  |
| RE62779  | 6E6  | 34  | 60-25  | RE63182  | 2E17 | 3   | 30-31B | RE63455  | 4F10 | 1   | 51-13  |
| RE62780  | 6E4  | 25  | 60-23  | RE63182  | 2E17 | 4   | 30-31B | RE63455  | 4F12 | 1   | 51-15  |
| RE62780  | 6E6  | 32  | 60-25  | RE63182  | 2F18 | 3   | 30-55  | RE63455  | 4F14 | 8   | 51-17  |
| RE62783  | 6E4  | 10  | 60-23  | RE63182  | 2F18 | 4   | 30-55  | RE63458  | 3E10 | 36  | 40-15  |
| RE62783  | 6E4  | 11  | 60-23  | RE63182  | 2F18 | 11  | 30-55  | RE63458  | 3E12 | 37  | 40-17  |
| RE62783  | 6E4  | 15  | 60-23  | RE63182  | 2F18 | 12  | 30-55  | RE63458  | 3E14 | 43  | 40-19  |
| RE62783  | 6E6  | 10  | 60-25  | RE63183  | 2E15 | 5   | 30-31  | RE63458  | 3E16 | 44  | 40-21  |
| RE62783  | 6E6  | 11  | 60-25  | RE63183  | 2E17 | 4   | 30-31B | RE63458  | 3E18 | 37  | 40-23  |
| RE62783  | 6E6  | 32  | 60-25  | RE63183  | 2F18 | 3   | 30-55  | RE63458  | 3H12 | 2   | 40-92  |
| RE62783  | 6E6  | 33  | 60-25  | RE63183  | 2F18 | 4   | 30-55  | RE63458  | 9D24 | 8   | 91-19  |
| RE62783  | 6E6  | 34  | 60-25  | RE63183  | 2F18 | 9   | 30-55  | RE63465  | 4G3  | 1   | 51-32  |
| RE62783  | 6E8  | 33  | 60-27  | RE63183  | 2F18 | 12  | 30-55  | RE63465  | 4I7  | 1   | 51-84  |
| RE62785  | 7F2  | 11  | 70-47  | RE63194  | 1I13 | 14  | 20-115 | RE63468  | 2G1  | 1   | 30-65  |
| RE62785  | 7F4  | 11  | 70-49  | RE63205  | 7H14 | 9   | 70-107 | RE63468  | 7E1  | 1   | 70-19  |

## NUMERICAL INDEX - CONTINUED

| PART NO. | GRID | KEY | PAGE   | PART NO. | GRID | KEY | PAGE   | PART NO. | GRID | KEY | PAGE   |
|----------|------|-----|--------|----------|------|-----|--------|----------|------|-----|--------|
| RE63494  | 9D10 | 1   | 91-5   | RE63895  | 3G14 | 4   | 40-71  | RE64509  | 1H11 | 1   | 20-89  |
| RE63512  | 3E10 | 42  | 40-15  | RE63896  | 3G14 | 4   | 40-71  | RE64509  | 1H17 | 10  | 20-95  |
| RE63512  | 3E12 | 43  | 40-17  | RE63899  | 6H11 | 13  | 60-99  | RE64509  | 1H17 | ..  | 20-95  |
| RE63512  | 3E18 | 43  | 40-23  | RE63957  | 3E2  | 5   | 40-9   | RE64525  | 9F7  | 30  | 91-51  |
| RE63512  | 6D7  | 1   | 60-3   | RE63957  | 4D13 | 9   | 42-9   | RE64525  | 9F9  | 27  | 91-53  |
| RE63513  | 3E14 | 50  | 40-19  | RE63958  | 3E20 | 2   | 40-25  | RE64525  | 9F9  | 28  | 91-53  |
| RE63513  | 3E16 | 51  | 40-21  | RE63958  | 4D21 | 11  | 42-17  | RE64525  | 9F9  | 29  | 91-53  |
| RE63513  | 6D7  | 1   | 60-3   | RE63981  | 3E14 | 33  | 40-19  | RE64525  | 9F9  | 30  | 91-53  |
| RE63514  | 1F9  | 10  | 20-39A | RE63981  | 3E16 | 33  | 40-21  | RE64583  | 3E10 | 22  | 40-15  |
| RE63514  | 1F9  | 11  | 20-39A | RE63981  | 6F22 | 1   | 60-65  | RE64583  | 3E12 | 22  | 40-17  |
| RE63514  | 1F9  | 12  | 20-39A | RE64004  | 5D16 | 1   | 53-13  | RE64583  | 3E14 | 12  | 40-19  |
| RE63514  | 1F9  | 13  | 20-39A | RE64004  | 5D16 | 20  | 53-13  | RE64583  | 3E16 | 12  | 40-21  |
| RE63514  | 2E25 | 10  | 30-39  | RE64012  | 3F25 | 5   | 40-57  | RE64583  | 3E18 | 22  | 40-23  |
| RE63514  | 2E25 | 11  | 30-39  | RE64012  | 3F25 | 10  | 40-57  | RE64583  | 3F17 | 36  | 40-49  |
| RE63514  | 2E25 | 12  | 30-39  | RE64012  | 3G4  | 3   | 40-61  | RE64583  | 3F19 | 37  | 40-51  |
| RE63514  | 2E25 | 13  | 30-39  | RE64060  | 5E17 | 3   | 54-4   | RE64583  | 3F20 | 13  | 40-52  |
| RE63524  | 8D15 | 35  | 71-13  | RE64060  | 5E18 | 1   | 54-5   | RE64626  | 3E10 | 15  | 40-15  |
| RE63525  | 8D15 | 35  | 71-13  | RE64161  | 6F22 | 5B  | 60-65  | RE64626  | 3F7  | 10  | 40-37  |
| RE63527  | 8D15 | 47  | 71-13  | RE64161  | 6F22 | 9   | 60-65  | RE64626  | 3F7  | ..  | 40-37  |
| RE63528  | 8D15 | 47  | 71-13  | RE64170  | 1G6  | 10  | 20-58  | RE64626  | 3F12 | 9   | 40-43  |
| RE63545  | 7J6  | 26  | 70-149 | RE64170  | 1H17 | 10  | 20-95  | RE64627  | 3E14 | 19  | 40-19  |
| RE63545  | 7J8  | 26  | 70-151 | RE64177  | 9F3  | 1   | 91-47A | RE64627  | 3F7  | 10  | 40-37  |
| RE63551  | 8F12 | 8   | 80-33  | RE64206  | 1F8  | 37  | 20-39  | RE64627  | 3F13 | 9   | 40-44  |
| RE63563  | 8H15 | 7   | 90-12  | RE64212  | 1E6  | 1   | 20-13D | RE64628  | 3D20 | 19  | 40-3   |
| RE63575  | 5E16 | 8   | 54-3   | RE64215  | 2E7  | 4   | 30-25  | RE64628  | 3D24 | 13  | 40-7   |
| RE63575  | 5E16 | 9   | 54-3   | RE64225  | 5F4  | 28  | 54-17  | RE64628  | 3E2  | 1   | 40-9   |
| RE63578  | 8F24 | 2   | 80-45  | RE64225  | 5F8  | 7   | 54-19  | RE64628  | 3E6  | 12  | 40-11  |
| RE63579  | 8F24 | 2   | 80-45  | RE64236  | 6E10 | 2   | 60-29  | RE64628  | 3E8  | 1   | 40-13  |
| RE63580  | 8F12 | 6   | 80-33  | RE64236  | 6E12 | 1   | 60-31  | RE64629  | 3E20 | 5   | 40-25  |
| RE63581  | 8F12 | 6   | 80-33  | RE64237  | 6E10 | 2   | 60-29  | RE64629  | 4D18 | 5   | 42-14  |
| RE63599  | 8D19 | 12  | 71-17  | RE64237  | 6E12 | 1   | 60-31  | RE64629  | 4D19 | 1   | 42-15  |
| RE63600  | 8D19 | 18  | 71-17  | RE64278  | 3G2  | 12  | 40-59  | RE64646  | 9F9  | 27  | 91-53  |
| RE63638  | 3F12 | 4   | 40-43  | RE64279  | 3G10 | 20  | 40-67  | RE64765  | 2D23 | 4   | 30-15  |
| RE63638  | 3G18 | 10  | 40-74  | RE64309  | 4F2  | 1   | 51-5   | RE64806  | 5D16 | 13  | 53-13  |
| RE63683  | 5D24 | 13  | 53-21  | RE64309  | 4F4  | 2   | 51-7   | RE64874  | 9D22 | 2   | 91-17  |
| RE63686  | 8D19 | 11  | 71-17  | RE64309  | 4F6  | 1   | 51-9   | RE64907  | 1H11 | 1   | 20-89  |
| RE63687  | 3F25 | 5   | 40-57  | RE64309  | 4F8  | 1   | 51-11  | RE64936  | 2D23 | 4   | 30-15  |
| RE63687  | 3F25 | 10  | 40-57  | RE64309  | 4F10 | 1   | 51-13  | RE65049  | 1F20 | 1   | 20-49  |
| RE63687  | 3F25 | 13  | 40-57  | RE64309  | 4F12 | 1   | 51-15  | RE65049  | 1H7  | 1   | 20-85  |
| RE63687  | 3G4  | 3   | 40-61  | RE64309  | 4F14 | 8   | 51-17  | RE65049  | 1H9  | 1   | 20-87  |
| RE63708  | 3G6  | 4   | 40-63  | RE64323  | 3E24 | 5   | 40-29  | RE65081  | 1E2  | 1   | 20-13  |
| RE63708  | 3G6  | 5   | 40-63  | RE64323  | 3H13 | 11  | 40-93  | RE65081  | 1E4  | 1   | 20-13B |
| RE63708  | 3G8  | 4   | 40-65  | RE64376  | 3E10 | 30  | 40-15  | RE65081  | 1E5  | 1   | 20-13C |
| RE63751  | 4F4  | 2   | 51-7   | RE64376  | 3E12 | 31  | 40-17  | RE65100  | 3E2  | 20  | 40-9   |
| RE63751  | 4F6  | 1   | 51-9   | RE64376  | 3E14 | 37  | 40-19  | RE65100  | 3E8  | 20  | 40-13  |
| RE63751  | 4F6  | 13  | 51-9   | RE64376  | 3E16 | 38  | 40-21  | RE65100  | 3I15 | 13  | 41-4A  |
| RE63751  | 4F8  | 1   | 51-11  | RE64376  | 3E18 | 31  | 40-23  | RE65100  | 3I16 | 10  | 41-5   |
| RE63751  | 4F8  | 27  | 51-11  | RE64376  | 3H17 | 4   | 40-97  | RE65100  | 3I18 | ..  | 41-7   |
| RE63751  | 4F10 | 1   | 51-13  | RE64376  | 3H19 | 1   | 40-99  | RE65103  | 3E2  | 20  | 40-9   |
| RE63751  | 4F10 | 22  | 51-13  | RE64377  | 3E10 | 30  | 40-15  | RE65103  | 3E8  | 20  | 40-13  |
| RE63751  | 4F12 | 1   | 51-15  | RE64377  | 3E12 | 31  | 40-17  | RE65103  | 3I15 | 13  | 41-4A  |
| RE63751  | 4F12 | 7   | 51-15  | RE64377  | 3E14 | 37  | 40-19  | RE65103  | 3I16 | 10  | 41-5   |
| RE63751  | 4F14 | 8   | 51-17  | RE64377  | 3E16 | 38  | 40-21  | RE65103  | 3I18 | ..  | 41-7   |
| RE63751  | 4H8  | 13  | 51-61  | RE64377  | 3E18 | 31  | 40-23  | RE65103  | 3I19 | 6   | 41-8   |
| RE63751  | 4H10 | 27  | 51-63  | RE64377  | 3H17 | 4   | 40-97  | RE65103  | 3I19 | 7   | 41-8   |
| RE63751  | 4H12 | 22  | 51-65  | RE64377  | 3H19 | 1   | 40-99  | RE65103  | 3I19 | 8   | 41-8   |
| RE63751  | 4H14 | 7   | 51-67  | RE64391  | 2F8  | 14  | 30-47  | RE65103  | 3I21 | 7   | 41-11  |
| RE63763  | 3E24 | 17  | 40-29  | RE64391  | 2F16 | 5   | 30-53  | RE65103  | 3I23 | 5   | 41-13  |
| RE63794  | 8D15 | 6   | 71-13  | RE64391  | 2F16 | 13  | 30-53  | RE65123  | 2G7  | 23  | 30-71  |
| RE63795  | 8D19 | 17  | 71-17  | RE64392  | 2F16 | 10  | 30-53  | RE65126  | 3F25 | 5   | 40-57  |
| RE63801  | 8D13 | 6   | 71-11  | RE64427  | 4G10 | 16  | 51-39  | RE65126  | 3G4  | 3   | 40-61  |
| RE63826  | 7J6  | 20  | 70-149 | RE64427  | 4I14 | 16  | 51-91  | RE65176  | 3E2  | 20  | 40-9   |
| RE63826  | 7J8  | 20  | 70-151 | RE64427  | 7D11 | 8   | 70-3   | RE65176  | 3I14 | 11  | 41-4   |
| RE63832  | 9F21 | 8   | 92-7   | RE64438  | 6E16 | 4   | 60-35  | RE65176  | 3I18 | ..  | 41-7   |
| RE63888  | 6F14 | 18  | 60-57  | RE64475  | 8F8  | 1   | 80-29  | RE65176  | 3I19 | 6   | 41-8   |
| RE63888  | 6F16 | 21  | 60-59  | RE64509  | 1F22 | 1   | 20-51  | RE65176  | 3I19 | 7   | 41-8   |
| RE63888  | 6I6  | 1   | 60-117 | RE64509  | 1G6  | 10  | 20-58  | RE65176  | 3I19 | 8   | 41-8   |

# 1K20

8100, 8200, 8300, 8400 TRACTORS

## NUMERICAL INDEX - CONTINUED

| PART NO. | GRID | KEY | PAGE     | PART NO. | GRID | KEY | PAGE     | PART NO. | GRID | KEY | PAGE     |
|----------|------|-----|----------|----------|------|-----|----------|----------|------|-----|----------|
| RE65176  | 3I23 | 5   | 41 - 13  | RE65608  | 8F22 | 1   | 80 - 43  | RE66277  | 3G25 | 1   | 40 - 81  |
| RE65218  | 8F14 | 8   | 80 - 35  | RE65609  | 8F22 | 1   | 80 - 43  | RE66328  | 7H2  | 10  | 70 - 97  |
| RE65218  | 8G2  | 11  | 80 - 49  | RE65610  | 1I22 | 15  | 20 - 125 | RE66337  | 1I17 | 19B | 20 - 119 |
| RE65218  | 8G12 | 4   | 80 - 59  | RE65610  | 1J2  | 15  | 20 - 129 | RE66338  | 1I22 | 29  | 20 - 125 |
| RE65232  | 8E24 | 10  | 80 - 19  | RE65621  | 5F2  | 18  | 54 - 15  | RE66338  | 1J2  | 29  | 20 - 129 |
| RE65233  | 6F3  | 1   | 60 - 47  | RE65621  | 5F4  | 21  | 54 - 17  | RE66342  | 1I15 | 2   | 20 - 117 |
| RE65254  | 6E6  | 10  | 60 - 25  | RE65621  | 5F25 | 18  | 54 - 37  | RE66342  | 2D15 | 8   | 30 - 7   |
| RE65254  | 6E6  | 11  | 60 - 25  | RE65651  | 1I22 | 17  | 20 - 125 | RE66529  | 7D17 | 2   | 70 - 9   |
| RE65254  | 6E6  | 32  | 60 - 25  | RE65651  | 1J2  | 17  | 20 - 129 | RE66537  | 6D19 | 8   | 60 - 15  |
| RE65254  | 6E6  | 34  | 60 - 25  | RE65689  | 3H5  | 10  | 40 - 85  | RE66552  | 8H10 | 25  | 90 - 7   |
| RE65254  | 6E8  | 32  | 60 - 27  | RE65689  | 3H7  | 10  | 40 - 87  | RE66553  | 8H10 | 26  | 90 - 7   |
| RE65255  | 6E6  | 10  | 60 - 25  | RE65690  | 3H5  | 10  | 40 - 85  | RE66566  | 6I2  | 8   | 60 - 113 |
| RE65255  | 6E6  | 11  | 60 - 25  | RE65690  | 3H7  | 7   | 40 - 87  | RE66573  | 2G1  | 1   | 30 - 65  |
| RE65255  | 6E6  | 32  | 60 - 25  | RE65693  | 9F23 | 1   | 92 - 9   | RE66573  | 7E1  | 1   | 70 - 19  |
| RE65255  | 6E6  | 34  | 60 - 25  | RE65694  | 9F23 | 7   | 92 - 9   | RE66577  | 8F12 | 1   | 80 - 33  |
| RE65255  | 6E8  | 34  | 60 - 27  | RE65695  | 9F23 | 2   | 92 - 9   | RE66601  | 8E22 | 11  | 80 - 17  |
| RE65265  | 2F2  | 1   | 30 - 41  | RE65696  | 9F21 | 2   | 92 - 7   | RE66602  | 8E24 | 10  | 80 - 19  |
| RE65265  | 2F14 | 1   | 30 - 51  | RE65746  | 7D23 | 42A | 70 - 15  | RE66614  | 2E25 | 1   | 30 - 39  |
| RE65265  | 2F24 | 1   | 30 - 61  | RE65760  | 9F11 | 47  | 91 - 53B | RE66614  | 2F10 | 1   | 30 - 49  |
| RE65289  | 1G6  | 10  | 20 - 58  | RE65787  | 2E19 | 6   | 30 - 33  | RE66614  | 2F12 | 1   | 30 - 49B |
| RE65289  | 1H17 | 10  | 20 - 95  | RE65787  | 2E19 | 10  | 30 - 33  | RE66614  | 2F22 | 1   | 30 - 59  |
| RE65292  | 6D23 | 1   | 60 - 18  | RE65787  | 2E19 | 11  | 30 - 33  | RE66614  | 3G16 | 15  | 40 - 72A |
| RE65292  | 6D23 | 7   | 60 - 18  | RE65787  | 2E21 | 9   | 30 - 35  | RE66665  | 9F5  | 13  | 91 - 49  |
| RE65292  | 6D25 | 1   | 60 - 21  | RE65787  | 2F6  | 5   | 30 - 45  | RE66667  | 4G24 | 6   | 51 - 53  |
| RE65293  | 6D23 | 1   | 60 - 18  | RE65787  | 2F14 | 4   | 30 - 51  | RE66670  | 6F10 | 1   | 60 - 53  |
| RE65293  | 6D23 | 7   | 60 - 18  | RE65787  | 2F24 | 4   | 30 - 61  | RE66670  | 6F12 | 1   | 60 - 55  |
| RE65293  | 6D25 | 1   | 60 - 21  | RE65787  | 2G3  | 11  | 30 - 67  | RE66671  | 2G7  | 9   | 30 - 71  |
| RE65319  | 9E20 | 23  | 91 - 39  | RE65787  | 2G5  | 5   | 30 - 69  | RE66672  | 2G7  | 14  | 30 - 71  |
| RE65320  | 2G9  | 10  | 30 - 73  | RE65891  | 1I22 | 31  | 20 - 125 | RE66710  | 6D13 | 10  | 60 - 9   |
| RE65330  | 6E6  | 10  | 60 - 25  | RE65891  | 1J2  | 31  | 20 - 129 | RE66712  | 6E18 | 8   | 60 - 37  |
| RE65330  | 6E6  | 11  | 60 - 25  | RE66000  | 2F12 | 31  | 30 - 49B | RE66784  | 1E6  | 1   | 20 - 13D |
| RE65330  | 6E6  | 32  | 60 - 25  | RE66000  | 2F22 | 31  | 30 - 59  | RE66785  | 1E6  | 1   | 20 - 13D |
| RE65330  | 6E6  | 34  | 60 - 25  | RE66007  | 3E2  | 5   | 40 - 9   | RE66801  | 1I11 | 37  | 20 - 113 |
| RE65330  | 6E8  | 36  | 60 - 27  | RE66007  | 3E8  | 6   | 40 - 13  | RE66845  | 3E2  | 8   | 40 - 9   |
| RE65337  | 7D19 | 1   | 70 - 11  | RE66007  | 4D13 | 9   | 42 - 9   | RE66875  | 3G14 | 10  | 40 - 71  |
| RE65350  | 3D20 | 7   | 40 - 3   | RE66101  | 7G8  | 1   | 70 - 77  | RE66876  | 3G14 | 10  | 40 - 71  |
| RE65350  | 3D20 | 11  | 40 - 3   | RE66140  | 6E24 | 1   | 60 - 43  | RE66880  | 3G14 | 10  | 40 - 71  |
| RE65350  | 3D20 | 12  | 40 - 3   | RE66141  | 6F25 | 1   | 60 - 68  | RE66881  | 3D20 | 7   | 40 - 3   |
| RE65350  | 4F8  | 19  | 51 - 11  | RE66231  | 6E4  | 10  | 60 - 23  | RE66881  | 3D20 | 11  | 40 - 3   |
| RE65407  | 1H17 | 10  | 20 - 95  | RE66231  | 6E4  | 11  | 60 - 23  | RE66881  | 3D20 | 12  | 40 - 3   |
| RE65431  | 2E15 | 8   | 30 - 31  | RE66231  | 6E4  | 24  | 60 - 23  | RE66881  | 3D22 | 10  | 40 - 5   |
| RE65431  | 2E17 | 3   | 30 - 31B | RE66231  | 6E4  | 25  | 60 - 23  | RE66881  | 3D22 | 11  | 40 - 5   |
| RE65431  | 2E17 | 11  | 30 - 31B | RE66231  | 6E6  | 10  | 60 - 25  | RE66881  | 4F8  | 19  | 51 - 11  |
| RE65431  | 2F18 | 3   | 30 - 55  | RE66231  | 6E6  | 11  | 60 - 25  | RE66881  | 4H10 | 19  | 51 - 63  |
| RE65431  | 2F18 | 11  | 30 - 55  | RE66231  | 6E6  | 32  | 60 - 25  | RE66981  | 7H23 | 16  | 70 - 117 |
| RE65431  | 2G10 | 5   | 30 - 74  | RE66231  | 6E6  | 34  | 60 - 25  | RE66981  | 7H23 | 38  | 70 - 117 |
| RE65432  | 2E17 | 14  | 30 - 31B | RE66231  | 6G8  | 20  | 60 - 71  | RE67009  | 3G14 | 3   | 40 - 71  |
| RE65432  | 2F18 | 13  | 30 - 55  | RE66231  | 6G10 | 20  | 60 - 73  | RE67013  | 3F11 | 1   | 40 - 42  |
| RE65441  | 7D23 | 13  | 70 - 15  | RE66235  | 6E4  | 10  | 60 - 23  | RE67014  | 3F11 | 3   | 40 - 42  |
| RE65442  | 6E16 | 4   | 60 - 35  | RE66235  | 6E4  | 11  | 60 - 23  | RE67014  | 9D14 | 8   | 91 - 9   |
| RE65457  | 1I13 | 5   | 20 - 115 | RE66235  | 6E4  | 24  | 60 - 23  | RE67015  | 3F11 | 2   | 40 - 42  |
| RE65458  | 1I13 | 5   | 20 - 115 | RE66235  | 6E4  | 25  | 60 - 23  | RE67016  | 3F11 | 2   | 40 - 42  |
| RE65502  | 8H21 | 1   | 90 - 18  | RE66235  | 6G8  | 20  | 60 - 71  | RE67019  | 3F11 | 5   | 40 - 42  |
| RE65537  | 5E22 | 19  | 54 - 10  | RE66236  | 6E4  | 10  | 60 - 23  | RE67022  | 3G14 | 3   | 40 - 71  |
| RE65538  | 5E22 | 19  | 54 - 10  | RE66236  | 6E4  | 11  | 60 - 23  | RE67113  | 7I2  | 5   | 70 - 121 |
| RE65564  | 7D23 | 24  | 70 - 15  | RE66236  | 6E4  | 24  | 60 - 23  | RE67113  | 7I10 | 9   | 70 - 129 |
| RE65564  | 7D25 | 24  | 70 - 17  | RE66236  | 6E4  | 25  | 60 - 23  | RE67116  | 3G14 | 4   | 40 - 71  |
| RE65566  | 7D23 | 28A | 70 - 15  | RE66236  | 6G8  | 20  | 60 - 71  | RE67117  | 3G14 | 3   | 40 - 71  |
| RE65566  | 7D23 | 28B | 70 - 15  | RE66251  | 7D25 | 13  | 70 - 17  | RE67181  | 7J2  | 6   | 70 - 145 |
| RE65579  | 8F14 | 8   | 80 - 35  | RE66252  | 7D25 | 7   | 70 - 17  | RE67181  | 7J2  | 8   | 70 - 145 |
| RE65579  | 8G2  | 11  | 80 - 49  | RE66253  | 7D25 | 20  | 70 - 17  | RE67182  | 7J2  | 29  | 70 - 145 |
| RE65579  | 8G12 | 4   | 80 - 59  | RE66254  | 7D25 | 28  | 70 - 17  | RE67190  | 8E20 | 3   | 80 - 15  |
| RE65591  | 5F25 | 13  | 54 - 37  | RE66277  | 3E10 | 39  | 40 - 15  | RE67191  | 8E20 | 3   | 80 - 15  |
| RE65592  | 5F25 | 12  | 54 - 37  | RE66277  | 3E12 | 40  | 40 - 17  | RE67208  | 1F3  | 20  | 20 - 35  |
| RE65595  | 5F25 | 17  | 54 - 37  | RE66277  | 3E14 | 46  | 40 - 19  | RE67242  | 5F2  | 10  | 54 - 15  |
| RE65596  | 5F25 | 21  | 54 - 37  | RE66277  | 3E16 | 47  | 40 - 21  | RE67242  | 5F8  | 9   | 54 - 19  |
| RE65603  | 5F2  | 21  | 54 - 15  | RE66277  | 3E18 | 40  | 40 - 23  | RE67242  | 5F10 | 14  | 54 - 21  |

## NUMERICAL INDEX - CONTINUED

| PART NO. | GRID | KEY | PAGE     | PART NO. | GRID | KEY | PAGE     | PART NO. | GRID | KEY | PAGE     |
|----------|------|-----|----------|----------|------|-----|----------|----------|------|-----|----------|
| RE67263  | 4F8  | 19  | 51 - 11  | RE67828  | 2G10 | 6   | 30 - 74  | RE68597  | 7F14 | 1   | 70 - 59  |
| RE67285  | 3E16 | 16  | 40 - 21  | RE67828  | 8H15 | 2   | 90 - 12  | RE68598  | 7F14 | 1   | 70 - 59  |
| RE67285  | 4D7  | 2   | 42 - 3   | RE67851  | 8G1  | 17  | 80 - 48  | RE68604  | 6F18 | 1   | 60 - 61  |
| RE67290  | 8H10 | 26  | 90 - 7   | RE67866  | 3G14 | 3   | 40 - 71  | RE68604  | 6F20 | 21  | 60 - 63  |
| RE67290  | 8H12 | 9   | 90 - 9   | RE67868  | 3G14 | 4   | 40 - 71  | RE68622  | 6E1  | 1   | 60 - 21A |
| RE67291  | 8H10 | 25  | 90 - 7   | RE67869  | 3G14 | 3   | 40 - 71  | RE68622  | 6E2  | 1   | 60 - 21B |
| RE67291  | 8H12 | 4   | 90 - 9   | RE67870  | 3G14 | 4   | 40 - 71  | RE68623  | 6E1  | 1   | 60 - 21A |
| RE67354  | 7D15 | 9   | 70 - 7   | RE67898  | 2D11 | 4   | 30 - 3   | RE68623  | 6E2  | 1   | 60 - 21B |
| RE67355  | 3G12 | 4   | 40 - 69  | RE67924  | 5G2  | 13  | 54 - 39  | RE68686  | 6F10 | 6   | 60 - 53  |
| RE67366  | 8E8  | 1   | 80 - 1   | RE67924  | 5G4  | 13  | 54 - 41  | RE68686  | 6F12 | 3   | 60 - 55  |
| RE67377  | 9F13 | 1   | 91 - 55  | RE67934  | 2F12 | 33  | 30 - 49B | RE68722  | 1J9  | 10  | 20 - 137 |
| RE67440  | 4F23 | 1   | 51 - 27  | RE67934  | 2F22 | 33  | 30 - 59  | RE68722  | 6H19 | 13  | 60 - 107 |
| RE67440  | 4G14 | 1   | 51 - 43  | RE67948  | 4F20 | 1   | 51 - 23  | RE68757  | 7D23 | 28C | 70 - 15  |
| RE67457  | 4G6  | 14  | 51 - 35  | RE67948  | 4F23 | 4   | 51 - 27  | RE68777  | 6F18 | 4   | 60 - 61  |
| RE67457  | 4G6  | 30  | 51 - 35  | RE67948  | 4F23 | 19  | 51 - 27  | RE68777  | 6I6  | 9   | 60 - 117 |
| RE67457  | 4G8  | 40  | 51 - 37  | RE67948  | 4F25 | 31  | 51 - 29  | RE68808  | 6G14 | 2   | 60 - 77  |
| RE67457  | 4I10 | 14  | 51 - 87  | RE67948  | 4F25 | 42  | 51 - 29  | RE68882  | 8F25 | 15  | 80 - 46  |
| RE67457  | 4I10 | 30  | 51 - 87  | RE67948  | 4G2  | 20  | 51 - 31  | RE69034  | 8H12 | 9   | 90 - 9   |
| RE67457  | 4I12 | 40  | 51 - 89  | RE67948  | 4G2  | 32  | 51 - 31  | RE69036  | 8F21 | 1   | 80 - 42  |
| RE67458  | 4F23 | 11  | 51 - 27  | RE67948  | 4G12 | 6   | 51 - 41  | RE69036  | 8F22 | 1   | 80 - 43  |
| RE67458  | 4F23 | 23  | 51 - 27  | RE67948  | 4H22 | 1   | 51 - 75  | RE69037  | 8F21 | 1   | 80 - 42  |
| RE67458  | 4F25 | 35  | 51 - 29  | RE67948  | 4I2  | 4   | 51 - 79  | RE69037  | 8F22 | 1   | 80 - 43  |
| RE67458  | 4G2  | 16  | 51 - 31  | RE67948  | 4I2  | 19  | 51 - 79  | RE69062  | 8H10 | 15  | 90 - 7   |
| RE67458  | 4G2  | 28  | 51 - 31  | RE67948  | 4I4  | 31  | 51 - 81  | RE69063  | 8H10 | 15  | 90 - 7   |
| RE67458  | 4G12 | 17  | 51 - 41  | RE67948  | 4I4  | 42  | 51 - 81  | RE69069  | 9F19 | 1   | 92 - 5   |
| RE67458  | 4I2  | 11  | 51 - 79  | RE67948  | 4I6  | 20  | 51 - 83  | RE69071  | 4G24 | 4   | 51 - 53  |
| RE67458  | 4I2  | 23  | 51 - 79  | RE67948  | 4I6  | 32  | 51 - 83  | RE69072  | 6F12 | 5   | 60 - 55  |
| RE67458  | 4I4  | 35  | 51 - 81  | RE67948  | 4I16 | 6   | 51 - 93  | RE69073  | 6F12 | 5   | 60 - 55  |
| RE67458  | 4I6  | 16  | 51 - 83  | RE67949  | 4G6  | 10  | 51 - 35  | RE69074  | 6F10 | 8   | 60 - 53  |
| RE67458  | 4I6  | 28  | 51 - 83  | RE67949  | 4G6  | 26  | 51 - 35  | RE69075  | 6F10 | 8   | 60 - 53  |
| RE67458  | 4I16 | 17  | 51 - 93  | RE67949  | 4G8  | 44  | 51 - 37  | RE69078  | 8F20 | 1   | 80 - 41  |
| RE67458  | 5D6  | 7   | 53 - 3   | RE67949  | 4I10 | 10  | 51 - 87  | RE69082  | 1I15 | 19B | 20 - 117 |
| RE67458  | 5D8  | 7   | 53 - 5   | RE67949  | 4I10 | 26  | 51 - 87  | RE69082  | 1I17 | 19B | 20 - 119 |
| RE67459  | 9D22 | 6   | 91 - 17  | RE67949  | 4I12 | 44  | 51 - 89  | RE69083  | 1I22 | 11  | 20 - 125 |
| RE67483  | 4F23 | 5   | 51 - 27  | RE67963  | 6E24 | 1   | 60 - 43  | RE69083  | 1J2  | 11  | 20 - 129 |
| RE67483  | 4I2  | 5   | 51 - 79  | RE67963  | 6G6  | 1   | 60 - 69F | RE69092  | 6E20 | 46  | 60 - 39  |
| RE67505  | 4F25 | 48  | 51 - 29  | RE67965  | 6E18 | 1   | 60 - 37  | RE69092  | 6G3  | 6   | 60 - 69B |
| RE67505  | 4G14 | 21  | 51 - 43  | RE67965  | 6E20 | 1   | 60 - 39  | RE69102  | 9D10 | 1   | 91 - 5   |
| RE67508  | 9D10 | 1   | 91 - 5   | RE68018  | 6F10 | 3   | 60 - 53  | RE69103  | 3H9  | 13  | 40 - 89  |
| RE67610  | 2G9  | 9   | 30 - 73  | RE68018  | 6F12 | 2   | 60 - 55  | RE69104  | 3H9  | 13  | 40 - 89  |
| RE67617  | 8F8  | 1   | 80 - 29  | RE68209  | 6G12 | 10  | 60 - 75  | RE69122  | 4G12 | 20  | 51 - 41  |
| RE67618  | 9F13 | 1   | 91 - 55  | RE68214  | 6I4  | 4   | 60 - 115 | RE69122  | 4I16 | 20  | 51 - 93  |
| RE67645  | 3E10 | 10  | 40 - 15  | RE68229  | 1F3  | 15  | 20 - 35  | RE69133  | 1I15 | 3   | 20 - 117 |
| RE67645  | 3E12 | 10  | 40 - 17  | RE68229  | 1F4  | 6   | 20 - 36  | RE69133  | 1I17 | 3   | 20 - 119 |
| RE67645  | 3E14 | 13  | 40 - 19  | RE68237  | 6E22 | 1   | 60 - 41  | RE69134  | 1I15 | 5   | 20 - 117 |
| RE67645  | 3E16 | 13  | 40 - 21  | RE68237  | 6F24 | ..  | 60 - 67  | RE69134  | 1I17 | 5   | 20 - 119 |
| RE67645  | 3E18 | 10  | 40 - 23  | RE68243  | 6F1  | 1A  | 60 - 45  | RE69135  | 1I15 | 1   | 20 - 117 |
| RE67645  | 8H20 | 15  | 90 - 17  | RE68257  | 6F10 | 4   | 60 - 53  | RE69136  | 1I17 | 1   | 20 - 119 |
| RE67653  | 6F10 | 2   | 60 - 53  | RE68259  | 6F10 | 5   | 60 - 53  | RE69149  | 9D22 | 7   | 91 - 17  |
| RE67664  | 8F14 | 8   | 80 - 35  | RE68290  | 3F23 | 5   | 40 - 55  | RE69150  | 9D22 | 1   | 91 - 17  |
| RE67665  | 8H20 | 28  | 90 - 17  | RE68291  | 4F2  | 18  | 51 - 5   | RE69159  | 3E12 | 15  | 40 - 17  |
| RE67677  | 1F22 | 1   | 20 - 51  | RE68291  | 4H4  | 18  | 51 - 57  | RE69159  | 3F7  | 10  | 40 - 37  |
| RE67677  | 1H11 | 1   | 20 - 89  | RE68292  | 4F10 | 8   | 51 - 13  | RE69159  | 3F12 | 9   | 40 - 43  |
| RE67677  | 1H17 | ..  | 20 - 95  | RE68293  | 5E2  | 3   | 53 - 25  | RE69160  | 3E16 | 19  | 40 - 21  |
| RE67747  | 2D11 | 2   | 30 - 3   | RE68295  | 7E13 | 11  | 70 - 33  | RE69160  | 3F7  | 10  | 40 - 37  |
| RE67771  | 2F12 | 10  | 30 - 49B | RE68298  | 6G10 | 4   | 60 - 73  | RE69160  | 3F13 | 9   | 40 - 44  |
| RE67781  | 6G22 | 11  | 60 - 85  | RE68298  | 6G12 | 4   | 60 - 75  | RE69189  | 7G8  | 9   | 70 - 77  |
| RE67781  | 6H6  | 7   | 60 - 93  | RE68315  | 1F4  | 6   | 20 - 36  | RE69214  | 3G14 | 10  | 40 - 71  |
| RE67781  | 6H8  | 9   | 60 - 95  | RE68327  | 3F4  | 3   | 40 - 34  | RE69214  | 6F18 | 5   | 60 - 61  |
| RE67782  | 6G22 | 12  | 60 - 85  | RE68327  | 3F7  | 8   | 40 - 37  | RE69215  | 3G14 | 10  | 40 - 71  |
| RE67782  | 6H6  | 9   | 60 - 93  | RE68327  | 3F7  | ..  | 40 - 37  | RE69215  | 6F18 | 5   | 60 - 61  |
| RE67782  | 6H8  | 7   | 60 - 95  | RE68408  | 7G24 | 1   | 70 - 95  | RE69232  | 7G4  | 14  | 70 - 73  |
| RE67784  | 6G12 | 15  | 60 - 75  | RE68408  | 7H2  | 1   | 70 - 97  | RE69232  | 7G10 | 14  | 70 - 79  |
| RE67820  | 3H24 | 7   | 40 - 105 | RE68475  | 7F10 | 1   | 70 - 55  | RE69232  | 7G12 | 6   | 70 - 81  |
| RE67821  | 3F2  | 5   | 40 - 32  | RE68495  | 3F11 | 6   | 40 - 42  | RE69233  | 7G20 | 7   | 70 - 91  |
| RE67821  | 3F3  | 5   | 40 - 33  | RE68495  | 3F19 | 25  | 40 - 51  | RE69329  | 4G8  | 32  | 51 - 37  |
| RE67821  | 9D22 | 17  | 91 - 17  | RE68586  | 6F20 | 6   | 60 - 63  | RE69341  | 3E16 | 14  | 40 - 21  |



## NUMERICAL INDEX - CONTINUED

| PART NO. | GRID | KEY | PAGE    | PART NO. | GRID | KEY | PAGE   | PART NO. | GRID | KEY | PAGE   |
|----------|------|-----|---------|----------|------|-----|--------|----------|------|-----|--------|
| RE69341  | 4D7  | 7   | 42-3    | RE70487  | 3I21 | 10  | 41-11  | RE71121  | 3D24 | 10  | 40-7   |
| RE69474  | 3F2  | 8   | 40-32   | RE70488  | 7J4  | 1   | 70-147 | RE71121  | 3D24 | 16  | 40-7   |
| RE69550  | 2F22 | 1   | 30-59   | RE70555  | 7J4  | 8   | 70-147 | RE71121  | 3E2  | 23  | 40-9   |
| RE69550  | 3G16 | 15  | 40-72A  | RE70609  | 7J4  | 9   | 70-147 | RE71121  | 3E4  | 23  | 40-9B  |
| RE69551  | 2F10 | 1   | 30-49   | RE70610  | 7J4  | 10  | 70-147 | RE71121  | 3E6  | 10  | 40-11  |
| RE69551  | 3G16 | 15  | 40-72A  | RE70611  | 7J4  | 11  | 70-147 | RE71121  | 3E6  | 15  | 40-11  |
| RE69552  | 2F10 | 1   | 30-49   | RE70714  | 1I15 | 15  | 20-117 | RE71121  | 3E8  | 23  | 40-13  |
| RE69552  | 3G16 | 15  | 40-72A  | RE70714  | 1I17 | 15  | 20-119 | RE71121  | 5D10 | 15  | 53-7   |
| RE69553  | 2F10 | 1   | 30-49   | RE70714  | 7E1  | 6   | 70-19  | RE71121  | 5E4  | 33  | 53-27  |
| RE69553  | 3G16 | 15  | 40-72A  | RE70715  | 1I15 | 4   | 20-117 | RE71181  | 5F19 | 14  | 54-31  |
| RE69597  | 6F18 | 6   | 60-61   | RE70715  | 1I17 | 4   | 20-119 | RE71181  | 5F21 | 8   | 54-33  |
| RE69669  | 3E2  | 2   | 40-9    | RE70738  | 5F2  | 21  | 54-15  | RE71218  | 8F20 | 1   | 80-41  |
| RE69669  | 3E8  | 2   | 40-13   | RE70738  | 5F4  | 26  | 54-17  | RE71219  | 8F20 | 1   | 80-41  |
| RE69704  | 3E8  | 20  | 40-13   | RE70738  | 5F8  | 9   | 54-19  | RE71246  | 3E16 | 14  | 40-21  |
| RE69704  | 3I14 | 11  | 41-4    | RE70742  | 8H20 | 2   | 90-17  | RE71246  | 4D7  | 7   | 42-3   |
| RE69704  | 3I15 | 13  | 41-4A   | RE70742  | 8H22 | 5   | 90-19  | RE71260  | 3F7  | ..  | 40-37  |
| RE69704  | 3I21 | 7   | 41-11   | RE70756  | 3I21 | 6   | 41-11  | RE71267  | 9F12 | 6   | 91-54  |
| RE69708  | 7F22 | 20  | 70-67   | RE70775  | 8E18 | 9   | 80-11  | RE71267  | 9F12 | 9   | 91-54  |
| RE69771  | 8F21 | 1   | 80-42   | RE70776  | 8E18 | 9   | 80-11  | RE71268  | 3E2  | 29  | 40-9   |
| RE69795  | 8F21 | 1   | 80-42   | RE70777  | 8E18 | 9   | 80-11  | RE71268  | 3E4  | 29  | 40-9B  |
| RE69802  | 5D6  | 22  | 53-3    | RE70784  | 8E18 | 9   | 80-11  | RE71268  | 3E8  | 29  | 40-13  |
| RE69802  | 5D8  | 22  | 53-5    | RE70785  | 8E18 | 9   | 80-11  | RE71268  | 4D17 | 3   | 42-13  |
| RE69839  | 1F3  | 10  | 20-35   | RE70833  | 4I2  | 16  | 51-79  | RE71323  | 4F23 | 5   | 51-27  |
| RE69839  | 1F4  | 3   | 20-36   | RE70833  | 4I4  | 28  | 51-81  | RE71323  | 4F25 | 48  | 51-29  |
| RE69844  | 1G18 | 5   | 20-71   | RE70833  | 4I4  | 40  | 51-81  | RE71323  | 4I2  | 5   | 51-79  |
| RE69844  | 1G18 | ..  | 20-71   | RE70833  | 4I6  | 11  | 51-83  | RE71323  | 4I4  | 48  | 51-81  |
| RE69844  | 1I6  | 5   | 20-108A | RE70833  | 4I6  | 23  | 51-83  | RE71323  | 4I8  | 21  | 51-95  |
| RE69844  | 1I6  | ..  | 20-108A | RE70834  | 4F2  | 1   | 51-5   | RE71341  | 8F12 | 12  | 80-33  |
| RE69881  | 7E7  | 10  | 70-25   | RE70834  | 4F4  | 2   | 51-7   | RE71343  | 8F12 | 12  | 80-33  |
| RE69919  | 9F5  | 34  | 91-49   | RE70834  | 4F6  | 1   | 51-9   | RE71368  | 4F18 | 1   | 51-21  |
| RE70004  | 7J4  | 2   | 70-147  | RE70834  | 4F8  | 1   | 51-11  | RE71368  | 4F20 | 4   | 51-23  |
| RE70019  | 3H24 | 4   | 40-105  | RE70834  | 4F10 | 1   | 51-13  | RE71368  | 4H20 | 1   | 51-73  |
| RE70023  | 1F13 | 6   | 20-42A  | RE70834  | 4F12 | 1   | 51-15  | RE71368  | 4H22 | 4   | 51-75  |
| RE70023  | 1G25 | 6   | 20-78A  | RE70834  | 4F14 | 8   | 51-17  | RE71370  | 8E14 | 15  | 80-7   |
| RE70026  | 2F10 | 1   | 30-49   | RE70834  | 4H4  | 1   | 51-57  | RE71379  | 1I22 | 31  | 20-125 |
| RE70026  | 3G16 | 15  | 40-72A  | RE70834  | 4H6  | 2   | 51-59  | RE71379  | 1J2  | 31  | 20-129 |
| RE70027  | 2F10 | 1   | 30-49   | RE70834  | 4H8  | 1   | 51-61  | RE71382  | 9D10 | 1   | 91-5   |
| RE70027  | 3G16 | 15  | 40-72A  | RE70834  | 4H10 | 1   | 51-63  | RE71393  | 3D20 | 19  | 40-3   |
| RE70028  | 2F10 | 1   | 30-49   | RE70834  | 4H12 | 1   | 51-65  | RE71393  | 3E6  | 12  | 40-11  |
| RE70028  | 3G16 | 15  | 40-72A  | RE70834  | 4H14 | 1   | 51-67  | RE71393  | 3E8  | 1   | 40-13  |
| RE70044  | 3E2  | 14  | 40-9    | RE70834  | 4H16 | 8   | 51-69  | RE71420  | 3E10 | 37  | 40-15  |
| RE70044  | 3E8  | 14  | 40-13   | RE70838  | 4I10 | 18  | 51-87  | RE71420  | 3E10 | 44  | 40-15  |
| RE70044  | 4D13 | 14  | 42-9    | RE70838  | 4I12 | 32  | 51-89  | RE71420  | 3E12 | 38  | 40-17  |
| RE70054  | 4D13 | 9   | 42-9    | RE70838  | 4I12 | 36  | 51-89  | RE71420  | 3E12 | 45  | 40-17  |
| RE70062  | 3D20 | 16  | 40-3    | RE70844  | 6D19 | 8   | 60-15  | RE71420  | 3E18 | 38  | 40-23  |
| RE70062  | 3D22 | 14  | 40-5    | RE70845  | 6D19 | 22  | 60-15  | RE71420  | 3E18 | 45  | 40-23  |
| RE70062  | 4F8  | 34  | 51-11   | RE70846  | 6F8  | 1   | 60-51B | RE71420  | 4D9  | 10  | 42-5   |
| RE70062  | 4F12 | 10  | 51-15   | RE70957  | 3E2  | 20  | 40-9   | RE71421  | 3E10 | 12  | 40-15  |
| RE70062  | 4H10 | 8   | 51-63   | RE70957  | 3E8  | 20  | 40-13  | RE71421  | 3E12 | 12  | 40-17  |
| RE70062  | 4H14 | 10  | 51-67   | RE70957  | 3I14 | 11  | 41-4   | RE71421  | 3E14 | 17  | 40-19  |
| RE70072  | 2F10 | 1   | 30-49   | RE70957  | 3I15 | 13  | 41-4A  | RE71421  | 3E14 | 44  | 40-19  |
| RE70088  | 4F23 | 5   | 51-27   | RE70957  | 3I16 | 10  | 41-5   | RE71421  | 3E16 | 17  | 40-21  |
| RE70088  | 4I2  | 5   | 51-79   | RE70957  | 3I18 | ..  | 41-7   | RE71421  | 3E16 | 45  | 40-21  |
| RE70119  | 7H21 | 12  | 70-115  | RE70957  | 3I21 | 7   | 41-11  | RE71421  | 3E18 | 12  | 40-23  |
| RE70119  | 7H21 | 19  | 70-115  | RE70957  | 3I23 | 5   | 41-13  | RE71421  | 4D11 | 9   | 42-7   |
| RE70206  | 4F23 | 5   | 51-27   | RE70976  | 4F23 | 1   | 51-27  | RE71421  | 4D23 | 9   | 42-19  |
| RE70206  | 4I2  | 1   | 51-79   | RE70976  | 4G14 | 1   | 51-43  | RE71422  | 3E2  | 27  | 40-9   |
| RE70206  | 4I2  | 5   | 51-79   | RE70991  | 3E6  | 12  | 40-11  | RE71422  | 3E4  | 27  | 40-9B  |
| RE70206  | 4I18 | 1   | 51-95   | RE70991  | 3E8  | 1   | 40-13  | RE71422  | 3E8  | 27  | 40-13  |
| RE70210  | 7J4  | 3   | 70-147  | RE70992  | 3D22 | 3   | 40-5   | RE71422  | 4D15 | 2   | 42-11  |
| RE70276  | 9F21 | 5   | 92-7    | RE71008  | 7H12 | 23  | 70-105 | RE71423  | 3E2  | 28  | 40-9   |
| RE70389  | 4H22 | 3   | 51-75   | RE71084  | 3F25 | 5   | 40-57  | RE71423  | 3E4  | 28  | 40-9B  |
| RE70449  | 3D20 | 19  | 40-3    | RE71084  | 3F25 | 13  | 40-57  | RE71423  | 3E8  | 28  | 40-13  |
| RE70449  | 3E6  | 12  | 40-11   | RE71084  | 3G4  | 3   | 40-61  | RE71423  | 4D15 | 2   | 42-11  |
| RE70449  | 3E8  | 1   | 40-13   | RE71121  | 1E18 | 1   | 20-24  | RE71424  | 3E20 | 2   | 40-25  |
| RE70464  | 7J4  | 7   | 70-147  | RE71121  | 1G9  | 2   | 20-61  | RE71424  | 4D21 | 11  | 42-17  |
| RE70486  | 3I21 | 12  | 41-11   | RE71121  | 1H21 | 2   | 20-99  | RE71427  | 3E2  | 14  | 40-9   |

**NUMERICAL INDEX - CONTINUED**

| PART NO. | GRID | KEY | PAGE   | PART NO. | GRID | KEY | PAGE   | PART NO. | GRID | KEY | PAGE   |
|----------|------|-----|--------|----------|------|-----|--------|----------|------|-----|--------|
| RE71427  | 3E8  | 14  | 40-13  | R100369  | 1F4  | 2   | 20-36  | R104592  | 1H5  | 12  | 20-83  |
| RE71427  | 4D13 | 14  | 42-9   | R100410  | 8G20 | 2   | 80-67  | R104592  | 1I2  | 2   | 20-105 |
| RE71429  | 3E2  | 5   | 40-9   | R100412  | 8G22 | 3   | 80-69  | R104592  | 1I2  | 20  | 20-105 |
| RE71429  | 3E8  | 6   | 40-13  | R100499  | 1E23 | 5   | 20-29  | R104592  | 2D16 | 2   | 30-8   |
| RE71429  | 4D13 | 9   | 42-9   | R100508  | 3I18 | 13  | 41-7   | R104592  | 2D21 | 2   | 30-13  |
| RE71433  | 8H20 | 28  | 90-17  | R100509  | 3I18 | 8   | 41-7   | R104592  | 2D25 | 2   | 30-17  |
| RE71437  | 5F25 | 9   | 54-37  | R100511  | 3I18 | 7   | 41-7   | R104621  | 1E23 | 11  | 20-29  |
| RE71489  | 3D20 | 10  | 40-3   | R100512  | 3I18 | 12  | 41-7   | R104621  | 1G16 | 18  | 20-69  |
| RE71489  | 3D24 | 14  | 40-7   | R100513  | 3I18 | 5   | 41-7   | R104621  | 1I2  | 18  | 20-105 |
| RE71489  | 3E6  | 13  | 40-11  | R100569  | 1E19 | 1   | 20-25  | R104623  | 1E17 | 2   | 20-23  |
| RE71489  | 4F4  | 14  | 51-7   | R100569  | 1E21 | 10  | 20-27  | R104623  | 1F8  | 22  | 20-39  |
| RE71489  | 5D10 | 10  | 53-7   | R100569  | 1F8  | 34  | 20-39  | R104628  | 1E19 | 3   | 20-25  |
| RE71490  | 3D20 | 2   | 40-3   | R100569  | 1G11 | 10  | 20-63  | R104628  | 1E21 | 8   | 20-27  |
| RE71490  | 4F18 | 2   | 51-21  | R100569  | 1G12 | 1   | 20-64  | R104628  | 1G11 | 14  | 20-63  |
| RE71509  | 1E9  | 2   | 20-15  | R100569  | 1G21 | 31  | 20-75  | R104628  | 1G12 | 3   | 20-64  |
| RE71509  | 1E9  | 12  | 20-15  | R100569  | 1H22 | 1   | 20-101 | R104628  | 1H22 | 3   | 20-101 |
| RE71509  | 1F23 | 2   | 20-52  | R100569  | 1H24 | 10  | 20-103 | R104628  | 1H24 | 14  | 20-103 |
| RE71509  | 1F23 | 12  | 20-52  | R100569  | 1I9  | 31  | 20-111 | R104646  | 3I14 | 6   | 41-4   |
| RE71509  | 1H12 | 2   | 20-90  | R100774  | 5F10 | 11  | 54-21  | R104646  | 3I15 | 7   | 41-4A  |
| RE71509  | 1H12 | 12  | 20-90  | R100774  | 5F23 | 8   | 54-35  | R104656  | 1D22 | 5   | 20-9   |
| RE71509  | 8F9  | 6   | 80-30  | R100911  | 1F8  | 2   | 20-39  | R104656  | 1E17 | 15  | 20-23  |
| RE71543  | 3I23 | 1   | 41-13  | R100911  | 1G21 | 2   | 20-75  | R104656  | 1F16 | 5   | 20-45  |
| RE71557  | 3F21 | 11  | 40-53  | R100911  | 1I9  | 2   | 20-111 | R104656  | 1G8  | 12  | 20-60  |
| RE71559  | 7J4  | 4   | 70-147 | R10093   | 6E20 | 30  | 60-39  | R104656  | 1H3  | 5   | 20-81  |
| RE71560  | 7J4  | 5   | 70-147 | R10093   | 6E22 | 11  | 60-41  | R104656  | 1H20 | 12  | 20-98  |
| RE71561  | 7J4  | 6   | 70-147 | R10093   | 6E25 | 4   | 60-44  | R104676  | 3I14 | 5   | 41-4   |
| RE71561  | 7J4  | ..  | 70-147 | R10093   | 6F24 | 12  | 60-67  | R104676  | 3I15 | 6   | 41-4A  |
| RE71566  | 5F4  | 18  | 54-17  | R10093   | 6G3  | 12  | 60-69B | R104677  | 3I15 | 8   | 41-4A  |
| RE71566  | 5F8  | 9   | 54-19  | R10093   | 6G5  | 12  | 60-69D | R104700  | 4E10 | 14  | 43-5   |
| RE71649  | 7D19 | 3   | 70-11  | R10093   | 7H21 | 16  | 70-115 | R104701  | 3D20 | 3   | 40-3   |
| RE71650  | 7D19 | 4   | 70-11  | R10093   | 8H10 | 4   | 90-7   | R104701  | 3D20 | 5   | 40-3   |
| RE71651  | 7D19 | 5   | 70-11  | R10093   | 8H12 | 12  | 90-9   | R104701  | 3G14 | 1   | 40-71  |
| RE71652  | 7D19 | 6   | 70-11  | R10093   | 8H12 | 14  | 90-9   | R104701  | 3G14 | 2   | 40-71  |
| RE71653  | 7D19 | 9   | 70-11  | R10093   | 8H12 | 17  | 90-9   | R104701  | 3G14 | 5   | 40-71  |
| RE71654  | 7D19 | 13  | 70-11  | R101042  | 1F3  | 2   | 20-35  | R104701  | 3G14 | 6   | 40-71  |
| RE71655  | 7D19 | 15  | 70-11  | R101042  | 1F4  | 1   | 20-36  | R104701  | 3G14 | 8   | 40-71  |
| RE71657  | 7D21 | 15  | 70-13  | R101042  | 1F8  | 25  | 20-39  | R104701  | 3G14 | 9   | 40-71  |
| RG22248  | 1F8  | 19  | 20-39  | R101085  | 5D10 | 16  | 53-7   | R104701  | 3G14 | 11  | 40-71  |
| RG23426  | 1E7  | 1   | 20-13E | R102839  | 5E21 | 7   | 54-9   | R104701  | 4E10 | 1   | 43-5   |
| RG23551  | 1E12 | 2   | 20-18  | R102844  | 1E23 | 7   | 20-29  | R104701  | 4E10 | 13  | 43-5   |
| RG23551  | 1E12 | 5   | 20-18  | R102844  | 1G16 | 14  | 20-69  | R104745  | 4F10 | 14  | 51-13  |
| RG23551  | 1E12 | 8   | 20-18  | R102844  | 1I2  | 14  | 20-105 | R104745  | 4H12 | 3   | 51-65  |
| RG24026  | 1D18 | ..  | 20-5   | R102882  | 1D18 | 5   | 20-5   | R104755  | 5F10 | 3   | 54-21  |
| RG24026  | 1F11 | ..  | 20-41  | R102882  | 1F11 | 5   | 20-41  | R104755  | 5F23 | 7   | 54-35  |
| RG24026  | 1G23 | ..  | 20-77  | R102882  | 1G23 | 5   | 20-77  | R104756  | 5F10 | 21  | 54-21  |
| RG27880  | 1F8  | 19  | 20-39  | R102944  | 4D25 | 7   | 42-21  | R104814  | 4F10 | 2   | 51-13  |
| RG27881  | 1E6  | 1   | 20-13D | R104425  | 4E13 | 1   | 43-8   | R104814  | 4F10 | 4   | 51-13  |
| RG27881  | 1F8  | 37  | 20-39  | R104533  | 8F1  | 1   | 80-21  | R104814  | 4F12 | 5   | 51-15  |
| RG27914  | 1E6  | 1   | 20-13D | R104534  | 1F11 | 3   | 20-41  | R104814  | 4H12 | 13  | 51-65  |
| RG27920  | 1E6  | 1   | 20-13D | R104534  | 1G23 | 3   | 20-77  | R104814  | 4H14 | 5   | 51-67  |
| RG27921  | 1E6  | 1   | 20-13D | R104570  | 4E13 | 10  | 43-8   | R104846  | 3D20 | 9   | 40-3   |
| RG28370  | 1F3  | 10  | 20-35  | R104571  | 4E13 | 13  | 43-8   | R104846  | 3D20 | 15  | 40-3   |
| RG28370  | 1F3  | 15  | 20-35  | R104572  | 4E13 | 11  | 43-8   | R104846  | 3D20 | 17  | 40-3   |
| RG28370  | 1F4  | 3   | 20-36  | R104587  | 1E12 | 4   | 20-18  | R104846  | 3D20 | 19  | 40-3   |
| RG28370  | 1F4  | 6   | 20-36  | R104587  | 1G1  | 4   | 20-55  | R104846  | 3D22 | 9   | 40-5   |
| RW26739  | 8F1  | 6   | 80-21  | R104587  | 1G2  | 2   | 20-55A | R104846  | 3D22 | 13  | 40-5   |
| RW27069  | 8F1  | 8   | 80-21  | R104587  | 1G3  | 2   | 20-55B | R104846  | 3D22 | 16  | 40-5   |
| RW27070  | 8F1  | 8   | 80-21  | R104587  | 1H15 | 4   | 20-93  | R104846  | 3D24 | 13  | 40-7   |
| R100122  | 5E22 | 2   | 54-10  | R104589  | 1D22 | 6   | 20-9   | R104846  | 3E2  | 1   | 40-9   |
| R100122  | 5E24 | 16  | 54-13  | R104589  | 1F16 | 6   | 20-45  | R104846  | 3E10 | 15  | 40-15  |
| R100122  | 5F15 | 11  | 54-27  | R104589  | 1H3  | 6   | 20-81  | R104846  | 3E14 | 19  | 40-19  |
| R100246  | 5F10 | 12  | 54-21  | R104590  | 1F9  | 11  | 20-39A | R104846  | 3F5  | 1   | 40-35  |
| R100364  | 1F3  | 12  | 20-35  | R104590  | 2E25 | 11  | 30-39  | R104846  | 3F7  | 10  | 40-37  |
| R100367  | 1F3  | 11  | 20-35  | R104591  | 1F3  | 1   | 20-35  | R104846  | 3F12 | 9   | 40-43  |
| R100367  | 1F4  | 4   | 20-36  | R104592  | 1D24 | 16  | 20-11  | R104846  | 3F13 | 9   | 40-44  |
| R100367  | 1F8  | 26  | 20-39  | R104592  | 1F18 | 12  | 20-47  | R104846  | 3F17 | 3   | 40-49  |
| R100369  | 1F3  | 9   | 20-35  | R104592  | 1G16 | 20  | 20-69  | R104846  | 3F17 | 5   | 40-49  |

## NUMERICAL INDEX - CONTINUED

| PART NO. | GRID | KEY | PAGE  | PART NO. | GRID | KEY | PAGE   | PART NO. | GRID | KEY | PAGE   |
|----------|------|-----|-------|----------|------|-----|--------|----------|------|-----|--------|
| R104846  | 3F17 | 20  | 40-49 | R104932  | 4E13 | 6   | 43-8   | R107078  | 1J9  | 3   | 20-137 |
| R104846  | 3F17 | 22  | 40-49 | R104933  | 4E13 | 13  | 43-8   | R107138  | 2G9  | 8   | 30-73  |
| R104846  | 3F19 | 3   | 40-51 | R104934  | 4E13 | 12  | 43-8   | R107229  | 1E9  | 2   | 20-15  |
| R104846  | 3F19 | 5   | 40-51 | R104936  | 4E10 | 16  | 43-5   | R107229  | 1F23 | 2   | 20-52  |
| R104846  | 3F19 | 20  | 40-51 | R104937  | 4E10 | 16  | 43-5   | R107229  | 1H12 | 2   | 20-90  |
| R104846  | 3F19 | 22  | 40-51 | R104938  | 4E10 | 16  | 43-5   | R107230  | 8E12 | 1   | 80-5   |
| R104846  | 3G14 | 13  | 40-71 | R105346  | 1F8  | 5   | 20-39  | R107242  | 5D18 | 23  | 53-15  |
| R104846  | 3G18 | 6   | 40-74 | R105346  | 1G21 | 14  | 20-75  | R107242  | 5D20 | 24  | 53-17  |
| R104846  | 3G19 | 5   | 40-75 | R105346  | 1I9  | 14  | 20-111 | R107242  | 5D22 | 24  | 53-19  |
| R104846  | 3G24 | 5   | 40-80 | R105346  | 2D19 | 14  | 30-11  | R107242  | 5D24 | 8   | 53-21  |
| R104846  | 3H3  | 3   | 40-83 | R105346  | 2D23 | 7   | 30-15  | R107274  | 9F7  | 1   | 91-51  |
| R104846  | 4D6  | 7   | 42-2  | R105346  | 2E2  | 7   | 30-19  | R107274  | 9F9  | 1   | 91-53  |
| R104846  | 4D16 | 22  | 42-12 | R105388  | 1F9  | ..  | 20-39A | R107316  | 7E13 | 4   | 70-33  |
| R104846  | 4D17 | 13  | 42-13 | R105388  | 2E25 | ..  | 30-39  | R107336  | 4D14 | 2   | 42-10  |
| R104846  | 4E2  | 20  | 42-23 | R105388  | 2F22 | ..  | 30-59  | R107339  | 1E13 | 4   | 20-19  |
| R104846  | 4E2  | 28  | 42-23 | R105388  | 3G16 | 15  | 40-72A | R107339  | 1G4  | 4   | 20-56  |
| R104846  | 4E10 | 11  | 43-5  | R105479  | 7G4  | 15  | 70-73  | R107339  | 1H16 | 4   | 20-94  |
| R104846  | 4E12 | 3   | 43-7  | R105479  | 7G6  | 7   | 70-75  | R107343  | 1E9  | 1   | 20-15  |
| R104846  | 9E23 | 3   | 91-43 | R105572  | 8E22 | 1   | 80-17  | R107343  | 1H12 | 1   | 20-90  |
| R104859  | 1E17 | 4   | 20-23 | R105572  | 8F1  | 2   | 80-21  | R107357  | 3F20 | 8   | 40-52  |
| R104859  | 1G8  | 5   | 20-60 | R105572  | 8F1  | 4   | 80-21  | R107414  | 3H18 | 3   | 40-98  |
| R104859  | 1H20 | 5   | 20-98 | R105581  | 9G2  | 12  | 92-13  | R107430  | 9E8  | 3   | 91-27  |
| R104861  | 1E17 | 5   | 20-23 | R105619  | 8F1  | 5   | 80-21  | R107431  | 9E8  | 3   | 91-27  |
| R104861  | 1F3  | 6   | 20-35 | R105732  | 1E17 | 13  | 20-23  | R107444  | 9F5  | 30  | 91-49  |
| R104861  | 1G8  | 10  | 20-60 | R105732  | 1F3  | 19  | 20-35  | R107448  | 8E12 | 8   | 80-5   |
| R104861  | 1H20 | 10  | 20-98 | R105833  | 4F14 | 11  | 51-17  | R107454  | 5E7  | 4   | 53-30  |
| R104862  | 1E23 | 16  | 20-29 | R105833  | 4H16 | 11  | 51-69  | R107455  | 6I6  | 10  | 60-117 |
| R104919  | 3D20 | 8   | 40-3  | R105942  | 3H5  | 6   | 40-85  | R107466  | 8E10 | 8   | 80-3   |
| R104919  | 3D20 | 14  | 40-3  | R105942  | 3H7  | 6   | 40-87  | R107477  | 4D19 | 4   | 42-15  |
| R104919  | 3D22 | 8   | 40-5  | R106231  | 9E23 | 5   | 91-43  | R107478  | 4D19 | 2   | 42-15  |
| R104919  | 3D22 | 15  | 40-5  | R106252  | 9E6  | 1   | 91-25  | R107491  | 7E13 | 6   | 70-33  |
| R104919  | 3E24 | 16  | 40-29 | R106463  | 7E8  | 3   | 70-28  | R107495  | 7E13 | 7   | 70-33  |
| R104919  | 3F5  | 2   | 40-35 | R106529  | 8F14 | 2   | 80-35  | R107548  | 6D11 | 13  | 60-7   |
| R104919  | 3F5  | 5   | 40-35 | R106661  | 7G4  | 13  | 70-73  | R107551  | 6D12 | 1   | 60-8   |
| R104919  | 3F17 | 31  | 40-49 | R106661  | 7G10 | 13  | 70-79  | R107552  | 6D12 | 2   | 60-8   |
| R104919  | 3F19 | 32  | 40-51 | R106661  | 8F1  | 7   | 80-21  | R107554  | 6D11 | 2   | 60-7   |
| R104919  | 3G12 | 2   | 40-69 | R106663  | 3D20 | 2   | 40-3   | R107554  | 6D11 | 16  | 60-7   |
| R104919  | 3G20 | 3   | 40-76 | R106663  | 3D20 | 10  | 40-3   | R107555  | 6D13 | 3   | 60-9   |
| R104919  | 3H3  | 2   | 40-83 | R106663  | 3D22 | 1   | 40-5   | R107556  | 6D13 | 4   | 60-9   |
| R104919  | 3H5  | 17  | 40-85 | R106663  | 3D22 | 7   | 40-5   | R107561  | 6D9  | 8   | 60-5   |
| R104919  | 3H7  | 17  | 40-87 | R106663  | 4F4  | 14  | 51-7   | R107562  | 3G2  | 10  | 40-59  |
| R104919  | 3H9  | 1   | 40-89 | R106663  | 4F4  | 21  | 51-7   | R107562  | 3G8  | 3   | 40-65  |
| R104919  | 4D6  | 9   | 42-2  | R106663  | 4F18 | 2   | 51-21  | R107562  | 9G8  | 18  | 92-19  |
| R104919  | 4D8  | 2   | 42-4  | R106663  | 4F18 | 25  | 51-21  | R107563  | 6D11 | 3   | 60-7   |
| R104919  | 4D10 | 4   | 42-6  | R106663  | 4H6  | 14  | 51-59  | R107567  | 6D9  | 13  | 60-5   |
| R104919  | 4D11 | 8   | 42-7  | R106663  | 4H6  | 21  | 51-59  | R107583  | 3F25 | 14  | 40-57  |
| R104919  | 4D12 | 4   | 42-8  | R106663  | 4H20 | 2   | 51-73  | R107583  | 3F25 | 15  | 40-57  |
| R104919  | 4D12 | 16  | 42-8  | R106663  | 4H20 | 25  | 51-73  | R107588  | 3F25 | 2   | 40-57  |
| R104919  | 4D14 | 10  | 42-10 | R106663  | 5D10 | 10  | 53-7   | R107588  | 3G4  | 5   | 40-61  |
| R104919  | 4D16 | 21  | 42-12 | R106674  | 5F2  | 6   | 54-15  | R107598  | 3F21 | 5   | 40-53  |
| R104919  | 4D17 | 12  | 42-13 | R106714  | 6E14 | 11  | 60-33  | R107598  | 6D9  | 4   | 60-5   |
| R104919  | 4D20 | 4   | 42-16 | R106714  | 7D23 | 36  | 70-15  | R107601  | 2G7  | 19  | 30-71  |
| R104919  | 4D22 | 5   | 42-18 | R106789  | 5F15 | 10  | 54-27  | R107603  | 2G9  | 6   | 30-73  |
| R104919  | 4D23 | 8   | 42-19 | R106839  | 5E4  | 21  | 53-27  | R107628  | 3F25 | 20  | 40-57  |
| R104919  | 4E10 | 8   | 43-5  | R106843  | 5E4  | 20  | 53-27  | R107629  | 3F23 | 7   | 40-55  |
| R104919  | 4E12 | 6   | 43-7  | R106879  | 5F2  | 11  | 54-15  | R107657  | 7E13 | 8   | 70-33  |
| R104919  | 9E23 | 15  | 91-43 | R106911  | 7F18 | 8   | 70-63  | R107666  | 1I11 | 26  | 20-113 |
| R104920  | 4E10 | 4   | 43-5  | R106952  | 3F17 | 32  | 40-49  | R107666  | 8H14 | 1   | 90-11  |
| R104921  | 4E10 | 6   | 43-5  | R106952  | 3F19 | 33  | 40-51  | R107710  | 5E18 | 1   | 54-5   |
| R104922  | 4E10 | 5   | 43-5  | R106952  | 3F20 | 6   | 40-52  | R107718  | 5E16 | 13  | 54-3   |
| R104923  | 4E10 | 3   | 43-5  | R107070  | 8G7  | 1   | 80-54  | R107718  | 5F13 | 13  | 54-25  |
| R104926  | 4E13 | 2   | 43-8  | R107071  | 8G7  | 2   | 80-54  | R107718  | 5F17 | 1   | 54-29  |
| R104927  | 4E13 | 3   | 43-8  | R107072  | 8G7  | 3   | 80-54  | R107719  | 5E17 | 4   | 54-4   |
| R104928  | 4E13 | 4   | 43-8  | R107073  | 8G7  | 4   | 80-54  | R107719  | 5F17 | 5   | 54-29  |
| R104929  | 4E13 | 5   | 43-8  | R107074  | 8G8  | 1   | 80-55  | R107755  | 7F6  | 10  | 70-51  |
| R104930  | 4E13 | 7   | 43-8  | R107075  | 8G8  | 2   | 80-55  | R107759  | 7F8  | 6   | 70-53  |
| R104931  | 4E13 | 8   | 43-8  | R107078  | 1J7  | 3   | 20-135 | R107760  | 7G4  | 1   | 70-73  |

# 1K25

8100, 8200, 8300, 8400 TRACTORS

## NUMERICAL INDEX - CONTINUED

| PART NO. | GRID | KEY | PAGE   | PART NO. | GRID | KEY | PAGE  | PART NO. | GRID | KEY | PAGE  |
|----------|------|-----|--------|----------|------|-----|-------|----------|------|-----|-------|
| R107760  | 7G10 | 1   | 70-79  | R108214  | 4E24 | 8   | 51-3  | R108468  | 4F14 | 6   | 51-17 |
| R107760  | 7G17 | 1   | 70-88  | R108214  | 4H2  | 8   | 51-55 | R108468  | 4H16 | 6   | 51-69 |
| R107795  | 7D15 | 4   | 70-7   | R108214  | 9D12 | 30  | 91-7  | R108469  | 4G8  | 51  | 51-37 |
| R107796  | 7D15 | 5   | 70-7   | R108270  | 7F10 | 2   | 70-55 | R108469  | 4I12 | 51  | 51-89 |
| R107797  | 7D15 | 6   | 70-7   | R108270  | 7F14 | 10  | 70-59 | R108471  | 4G10 | 5   | 51-39 |
| R107798  | 7D15 | 7   | 70-7   | R108277  | 7F11 | 5   | 70-56 | R108471  | 4I14 | 5   | 51-91 |
| R107799  | 6E20 | 20  | 60-39  | R108278  | 7F11 | 5   | 70-56 | R108472  | 4F20 | 8   | 51-23 |
| R107799  | 7D15 | 8   | 70-7   | R108282  | 7F10 | 3   | 70-55 | R108472  | 4H22 | 8   | 51-75 |
| R107800  | 7D15 | 10  | 70-7   | R108282  | 7F14 | 8   | 70-59 | R108473  | 4G8  | 48  | 51-37 |
| R107801  | 7D15 | 11  | 70-7   | R108285  | 7F12 | 1   | 70-57 | R108473  | 4I12 | 48  | 51-89 |
| R107802  | 7D15 | 12  | 70-7   | R108290  | 7E13 | 9   | 70-33 | R108474  | 4F20 | 9   | 51-23 |
| R107803  | 7D15 | 13  | 70-7   | R108291  | 7G4  | 8   | 70-73 | R108474  | 4H22 | 9   | 51-75 |
| R107810  | 7D15 | 16  | 70-7   | R108291  | 7G17 | 8   | 70-88 | R108478  | 4G8  | 46  | 51-37 |
| R107811  | 7D15 | 17  | 70-7   | R108298  | 7G4  | 2   | 70-73 | R108478  | 4I12 | 46  | 51-89 |
| R107814  | 7D15 | 18  | 70-7   | R108298  | 7G10 | 2   | 70-79 | R108480  | 4G14 | 7   | 51-43 |
| R107816  | 7D15 | 20  | 70-7   | R108298  | 7G17 | 2   | 70-88 | R108481  | 4F18 | 11  | 51-21 |
| R107818  | 7D15 | 22  | 70-7   | R108299  | 7G4  | 5   | 70-73 | R108481  | 4H20 | 11  | 51-73 |
| R107823  | 9G6  | 2   | 92-17  | R108299  | 7G10 | 5   | 70-79 | R108482  | 4F18 | 14  | 51-21 |
| R107859  | 7H23 | 18  | 70-117 | R108299  | 7G17 | 5   | 70-88 | R108482  | 4H20 | 14  | 51-73 |
| R107890  | 3F20 | 1   | 40-52  | R108300  | 7G4  | 6   | 70-73 | R108484  | 4G10 | 7   | 51-39 |
| R107890  | 3F20 | 7   | 40-52  | R108300  | 7G10 | 6   | 70-79 | R108484  | 4I14 | 7   | 51-91 |
| R107890  | 3H11 | 1   | 40-91  | R108300  | 7G17 | 6   | 70-88 | R108485  | 4G10 | 8   | 51-39 |
| R107890  | 3H11 | 4   | 40-91  | R108301  | 7G4  | 4   | 70-73 | R108485  | 4I14 | 8   | 51-91 |
| R107890  | 3H12 | 1   | 40-92  | R108301  | 7G17 | 4   | 70-88 | R108486  | 4G3  | 7   | 51-32 |
| R107890  | 3H12 | 2   | 40-92  | R108303  | 7E13 | 10  | 70-33 | R108486  | 4I7  | 7   | 51-84 |
| R107890  | 3H13 | 4   | 40-93  | R108305  | 7E13 | 12  | 70-33 | R108488  | 4F10 | 15  | 51-13 |
| R107890  | 6D7  | 1   | 60-3   | R108306  | 7E13 | 13  | 70-33 | R108488  | 4H12 | 2   | 51-65 |
| R107957  | 8F12 | 19  | 80-33  | R108312  | 8H14 | 2   | 90-11 | R108489  | 4F4  | 8   | 51-7  |
| R107991  | 3E24 | ..  | 40-29  | R108314  | 8H18 | 16  | 90-15 | R108489  | 4H6  | 8   | 51-59 |
| R107991  | 8D17 | 8   | 71-15  | R108384  | 4G12 | 22  | 51-41 | R108491  | 4F6  | 12  | 51-9  |
| R108015  | 7D15 | 23  | 70-7   | R108384  | 5E16 | 21  | 54-3  | R108491  | 4H8  | 12  | 51-61 |
| R108016  | 7D15 | 24  | 70-7   | R108437  | 4G2  | 2   | 51-31 | R108492  | 4F10 | 13  | 51-13 |
| R108019  | 7D15 | 26  | 70-7   | R108437  | 4I6  | 2   | 51-83 | R108492  | 4H12 | 18  | 51-65 |
| R108024  | 5E24 | 19  | 54-13  | R108438  | 4G6  | 11  | 51-35 | R108496  | 4F23 | 7   | 51-27 |
| R108037  | 6E20 | 5   | 60-39  | R108446  | 4G6  | 19  | 51-35 | R108496  | 4F23 | 18  | 51-27 |
| R108038  | 6E20 | 7   | 60-39  | R108447  | 4F23 | 17  | 51-27 | R108496  | 4F25 | 30  | 51-29 |
| R108041  | 6E20 | 14  | 60-39  | R108447  | 4G2  | 9   | 51-31 | R108496  | 4G2  | 21  | 51-31 |
| R108041  | 6E22 | 21  | 60-41  | R108447  | 4I2  | 17  | 51-79 | R108496  | 4G2  | 33  | 51-31 |
| R108041  | 6F24 | 9   | 60-67  | R108447  | 4I6  | 9   | 51-83 | R108496  | 4G6  | 9   | 51-35 |
| R108041  | 6G3  | 9   | 60-69B | R108448  | 4F23 | 8   | 51-27 | R108496  | 4G6  | 25  | 51-35 |
| R108041  | 6G5  | 9   | 60-69D | R108448  | 4G2  | 19  | 51-31 | R108496  | 4G8  | 43  | 51-37 |
| R108042  | 6E20 | 12  | 60-39  | R108449  | 4G6  | 24  | 51-35 | R108496  | 4G12 | 7   | 51-41 |
| R108042  | 6E22 | 23  | 60-41  | R108449  | 4I10 | 24  | 51-87 | R108496  | 4I2  | 7   | 51-79 |
| R108042  | 6E25 | 5   | 60-44  | R108450  | 4G2  | 22  | 51-31 | R108496  | 4I2  | 18  | 51-79 |
| R108042  | 6F24 | 14  | 60-67  | R108451  | 4F23 | 20  | 51-27 | R108496  | 4I4  | 30  | 51-81 |
| R108042  | 6G3  | 14  | 60-69B | R108453  | 4G2  | 31  | 51-31 | R108496  | 4I6  | 21  | 51-83 |
| R108042  | 6G5  | 14  | 60-69D | R108454  | 4F21 | 2   | 51-24 | R108496  | 4I6  | 33  | 51-83 |
| R108045  | 6E20 | 10  | 60-39  | R108454  | 4H23 | 2   | 51-76 | R108496  | 4I10 | 9   | 51-87 |
| R108049  | 6E20 | 21  | 60-39  | R108455  | 4F21 | 3   | 51-24 | R108496  | 4I10 | 25  | 51-87 |
| R108051  | 6E20 | 23  | 60-39  | R108455  | 4H23 | 3   | 51-76 | R108496  | 4I12 | 43  | 51-89 |
| R108062  | 6E20 | 18  | 60-39  | R108456  | 4G6  | 27  | 51-35 | R108496  | 4I16 | 7   | 51-93 |
| R108062  | 6F24 | 11  | 60-67  | R108457  | 4G8  | 35  | 51-37 | R108499  | 4F2  | 3   | 51-5  |
| R108062  | 6G3  | 11  | 60-69B | R108458  | 4G8  | 45  | 51-37 | R108499  | 4H4  | 3   | 51-57 |
| R108066  | 6E20 | 8   | 60-39  | R108459  | 4G2  | 36  | 51-31 | R108500  | 4F2  | 6   | 51-5  |
| R108066  | 6E22 | 12  | 60-41  | R108459  | 4I6  | 36  | 51-83 | R108500  | 4H4  | 6   | 51-57 |
| R108066  | 6G5  | 5   | 60-69D | R108460  | 4G2  | 34  | 51-31 | R108501  | 4F12 | 8   | 51-15 |
| R108067  | 6E20 | 13  | 60-39  | R108460  | 4I6  | 34  | 51-83 | R108501  | 4H14 | 8   | 51-67 |
| R108067  | 6E22 | 22  | 60-41  | R108461  | 4F25 | 32  | 51-29 | R108502  | 4F6  | 14  | 51-9  |
| R108067  | 6E25 | 6   | 60-44  | R108465  | 4F18 | 1   | 51-21 | R108502  | 4F8  | 26  | 51-11 |
| R108067  | 6F24 | 13  | 60-67  | R108465  | 4F20 | 4   | 51-23 | R108502  | 4F10 | 20  | 51-13 |
| R108067  | 6G3  | 13  | 60-69B | R108466  | 4F2  | 1   | 51-5  | R108502  | 4H8  | 14  | 51-61 |
| R108077  | 9F2  | 13  | 91-47  | R108466  | 4F4  | 2   | 51-7  | R108502  | 4H10 | 26  | 51-63 |
| R108077  | 9F7  | 18  | 91-51  | R108466  | 4F6  | 1   | 51-9  | R108502  | 4H12 | 20  | 51-65 |
| R108166  | 3F15 | 2   | 40-46  | R108466  | 4F8  | 1   | 51-11 | R108503  | 4G14 | 15  | 51-43 |
| R108166  | 3F17 | 24  | 40-49  | R108466  | 4F10 | 1   | 51-13 | R108503  | 4I18 | 15  | 51-95 |
| R108166  | 3F17 | 38  | 40-49  | R108466  | 4F12 | 1   | 51-15 | R108507  | 4F23 | 12  | 51-27 |
| R108166  | 3F19 | 39  | 40-51  | R108466  | 4F14 | 8   | 51-17 | R108507  | 4F23 | 24  | 51-27 |

## NUMERICAL INDEX - CONTINUED

| PART NO. | GRID | KEY | PAGE  | PART NO. | GRID | KEY | PAGE   | PART NO. | GRID | KEY | PAGE    |
|----------|------|-----|-------|----------|------|-----|--------|----------|------|-----|---------|
| R108507  | 4F25 | 36  | 51-29 | R108537  | 4G10 | 11  | 51-39  | R109487  | 5D16 | 13  | 53-13   |
| R108507  | 4G2  | 15  | 51-31 | R108537  | 4I14 | 11  | 51-91  | R109488  | 5D16 | 20  | 53-13   |
| R108507  | 4G2  | 27  | 51-31 | R108546  | 4G6  | 6   | 51-35  | R109489  | 5D16 | 18  | 53-13   |
| R108507  | 4G12 | 18  | 51-41 | R108546  | 4G6  | 21  | 51-35  | R109528  | 5D14 | 1   | 53-11   |
| R108507  | 4I2  | 12  | 51-79 | R108546  | 4G8  | 55  | 51-37  | R109625  | 1G13 | 1   | 20-65   |
| R108507  | 4I2  | 24  | 51-79 | R108546  | 4I10 | 6   | 51-87  | R109625  | 1G21 | 32  | 20-75   |
| R108507  | 4I4  | 36  | 51-81 | R108546  | 4I10 | 21  | 51-87  | R109625  | 1I3  | 1   | 20-106  |
| R108507  | 4I6  | 15  | 51-83 | R108546  | 4I12 | 55  | 51-89  | R109625  | 1I9  | 32  | 20-111  |
| R108507  | 4I6  | 27  | 51-83 | R108547  | 4F14 | 1   | 51-17  | R109639  | 8E10 | 7   | 80-3    |
| R108507  | 4I16 | 18  | 51-93 | R108547  | 4G6  | 4   | 51-35  | R109639  | 8E12 | 7   | 80-5    |
| R108507  | 5D6  | 8   | 53-3  | R108547  | 4G6  | 21  | 51-35  | R109690  | 4G17 | 5   | 51-46   |
| R108507  | 5D8  | 8   | 53-5  | R108547  | 4G8  | 54  | 51-37  | R109690  | 5D14 | 7   | 53-11   |
| R108508  | 4G10 | 6   | 51-39 | R108547  | 4H16 | 1   | 51-69  | R109691  | 4G17 | 3   | 51-46   |
| R108508  | 4I14 | 6   | 51-91 | R108547  | 4I10 | 4   | 51-87  | R109808  | 8E10 | 7   | 80-3    |
| R108509  | 4G6  | 15  | 51-35 | R108547  | 4I10 | 21  | 51-87  | R109822  | 5D16 | 14  | 53-13   |
| R108509  | 4G6  | 31  | 51-35 | R108547  | 4I12 | 54  | 51-89  | R109823  | 8E22 | 8   | 80-17   |
| R108509  | 4I10 | 15  | 51-87 | R108551  | 4F2  | 9   | 51-5   | R109823  | 8E24 | 4   | 80-19   |
| R108509  | 4I10 | 31  | 51-87 | R108551  | 4H4  | 9   | 51-57  | R109830  | 5E24 | 24  | 54-13   |
| R108510  | 4G8  | 39  | 51-37 | R108555  | 4G16 | 2   | 51-45  | R109831  | 5E24 | 23  | 54-13   |
| R108510  | 4I12 | 39  | 51-89 | R108558  | 4G16 | 7   | 51-45  | R109840  | 5D20 | 25  | 53-17   |
| R108511  | 4G6  | 13  | 51-35 | R108558  | 5D12 | 16  | 53-9   | R109840  | 5D22 | 25  | 53-19   |
| R108511  | 4G6  | 29  | 51-35 | R108559  | 4G16 | 11  | 51-45  | R109840  | 5D24 | 11  | 53-21   |
| R108511  | 4G8  | 41  | 51-37 | R108562  | 4F4  | 6   | 51-7   | R109842  | 5D20 | 11  | 53-17   |
| R108511  | 4I10 | 13  | 51-87 | R108562  | 4H6  | 6   | 51-59  | R109842  | 5D22 | 11  | 53-19   |
| R108511  | 4I10 | 29  | 51-87 | R108565  | 4F2  | 2   | 51-5   | R109843  | 5D20 | 1   | 53-17   |
| R108511  | 4I12 | 41  | 51-89 | R108565  | 4H4  | 2   | 51-57  | R109843  | 5D22 | 1   | 53-19   |
| R108512  | 4G6  | 12  | 51-35 | R108568  | 5E2  | 8   | 53-25  | R109845  | 5D20 | 1   | 53-17   |
| R108512  | 4G6  | 28  | 51-35 | R108569  | 4G12 | 2   | 51-41  | R109845  | 5D22 | 1   | 53-19   |
| R108512  | 4G8  | 42  | 51-37 | R108569  | 4G14 | 12  | 51-43  | R109846  | 5D18 | 10  | 53-15   |
| R108512  | 4I10 | 12  | 51-87 | R108569  | 4I8  | 2   | 51-85  | R109847  | 5D18 | 1   | 53-15   |
| R108512  | 4I10 | 28  | 51-87 | R108569  | 4I16 | 2   | 51-93  | R109848  | 5D18 | 1   | 53-15   |
| R108512  | 4I12 | 42  | 51-89 | R108569  | 4I18 | 12  | 51-95  | R109849  | 5D18 | 1   | 53-15   |
| R108514  | 4G6  | 2   | 51-35 | R108573  | 4G2  | 8   | 51-31  | R110039  | 5F2  | 29  | 54-15   |
| R108517  | 4G12 | 20  | 51-41 | R108573  | 4G2  | 37  | 51-31  | R110039  | 5F4  | 34  | 54-17   |
| R108517  | 4I16 | 20  | 51-93 | R108573  | 4I6  | 8   | 51-83  | R110061  | 5E2  | 7   | 53-25   |
| R108518  | 4G12 | 2   | 51-41 | R108573  | 4I6  | 37  | 51-83  | R110126  | 1D21 | 15  | 20-8    |
| R108519  | 4G12 | 11  | 51-41 | R108576  | 4F14 | 2   | 51-17  | R110126  | 1D22 | 2   | 20-9    |
| R108519  | 4I16 | 11  | 51-93 | R108576  | 4H16 | 2   | 51-69  | R110126  | 1F15 | 15  | 20-44   |
| R108520  | 4G12 | 16  | 51-41 | R108580  | 5D6  | 2   | 53-3   | R110126  | 1F16 | 2   | 20-45   |
| R108520  | 4I16 | 16  | 51-93 | R108580  | 5D8  | 2   | 53-5   | R110126  | 1H2  | 15  | 20-80   |
| R108521  | 4G12 | 15  | 51-41 | R108582  | 4F20 | 2   | 51-23  | R110126  | 1H3  | 2   | 20-81   |
| R108521  | 4I16 | 15  | 51-93 | R108582  | 4H22 | 2   | 51-75  | R110303  | 5D18 | 20  | 53-15   |
| R108525  | 4G12 | 14  | 51-41 | R108583  | 4F20 | 6   | 51-23  | R110309  | 7G6  | 6   | 70-75   |
| R108525  | 4I16 | 14  | 51-93 | R108583  | 4H22 | 6   | 51-75  | R110309  | 7G14 | 6   | 70-83   |
| R108526  | 4G12 | 12  | 51-41 | R108584  | 4F25 | 29  | 51-29  | R110386  | 4D14 | 6   | 42-10   |
| R108526  | 4I16 | 12  | 51-93 | R108584  | 4I4  | 29  | 51-81  | R110387  | 4D14 | 7   | 42-10   |
| R108528  | 4G6  | 23  | 51-35 | R108699  | 2F16 | 7   | 30-53  | R110408  | 9D24 | 3   | 91-19   |
| R108528  | 4I10 | 23  | 51-87 | R108699  | 2F25 | 7   | 30-62  | R110680  | 8G12 | 8   | 80-59   |
| R108530  | 4F23 | 10  | 51-27 | R108700  | 2F16 | 8   | 30-53  | R110682  | 3F23 | 4   | 40-55   |
| R108530  | 4F23 | 22  | 51-27 | R108700  | 2F25 | 8   | 30-62  | R110710  | 2E11 | 1   | 30-29   |
| R108530  | 4F25 | 34  | 51-29 | R108701  | 2F16 | 9   | 30-53  | R110710  | 2E13 | 1   | 30-29B  |
| R108530  | 4G2  | 17  | 51-31 | R108701  | 2F25 | 9   | 30-62  | R110805  | 9E8  | 10  | 91-27   |
| R108530  | 4G2  | 29  | 51-31 | R108867  | 1E23 | 14  | 20-29  | R110806  | 9E8  | 10  | 91-27   |
| R108530  | 4I2  | 10  | 51-79 | R108867  | 1G14 | 5   | 20-66  | R11086   | 1G8  | 6   | 20-60   |
| R108530  | 4I2  | 22  | 51-79 | R108867  | 1G16 | 3   | 20-69  | R11086   | 1G18 | 4   | 20-71   |
| R108530  | 4I4  | 34  | 51-81 | R108867  | 1I2  | 3   | 20-105 | R11086   | 1H20 | 6   | 20-98   |
| R108530  | 4I6  | 17  | 51-83 | R108867  | 1I4  | 5   | 20-107 | R11086   | 1I6  | 4   | 20-108A |
| R108530  | 4I6  | 29  | 51-83 | R108955  | 8E24 | 11  | 80-19  | R111007  | 8E24 | 11  | 80-19   |
| R108530  | 5D6  | 6   | 53-3  | R109147  | 8E22 | 5   | 80-17  | R111009  | 8E22 | 7   | 80-17   |
| R108530  | 5D8  | 6   | 53-5  | R109419  | 9E4  | ..  | 91-23  | R111009  | 8E24 | 1   | 80-19   |
| R108531  | 4G10 | 4   | 51-39 | R109479  | 6F10 | 10  | 60-53  | R111010  | 8E22 | 15  | 80-17   |
| R108531  | 4I14 | 4   | 51-91 | R109479  | 6F12 | 7   | 60-55  | R111010  | 8E24 | 13  | 80-19   |
| R108533  | 4G12 | 13  | 51-41 | R109479  | 8F8  | 7   | 80-29  | R111011  | 8F2  | 5   | 80-22   |
| R108533  | 4I16 | 13  | 51-93 | R109480  | 5D16 | 16  | 53-13  | R111011  | 8F4  | 5   | 80-24   |
| R108534  | 4G8  | 49  | 51-37 | R109481  | 5D16 | 4   | 53-13  | R111012  | 8F2  | 3   | 80-22   |
| R108534  | 4I12 | 49  | 51-89 | R109483  | 5D16 | 3   | 53-13  | R111012  | 8F4  | 6   | 80-24   |
| R108535  | 4G3  | 1   | 51-32 | R109486  | 5D16 | 2   | 53-13  | R111013  | 8F2  | 3   | 80-22   |

## NUMERICAL INDEX - CONTINUED

| PART NO. | GRID | KEY | PAGE   | PART NO. | GRID | KEY | PAGE   | PART NO. | GRID | KEY | PAGE   |
|----------|------|-----|--------|----------|------|-----|--------|----------|------|-----|--------|
| R111013  | 8F3  | 3   | 80-23  | R111931  | 9D22 | 20  | 91-17  | R113054  | 6E22 | 17  | 60-41  |
| R111103  | 8E22 | 9   | 80-17  | R111932  | 1I11 | 31  | 20-113 | R113054  | 6G5  | 1   | 60-69D |
| R111103  | 8E24 | 6   | 80-19  | R111975  | 3F12 | 4   | 40-43  | R113056  | 6E20 | 22  | 60-39  |
| R111104  | 8E22 | 10  | 80-17  | R111975  | 3G18 | 10  | 40-74  | R113057  | 6E20 | 25  | 60-39  |
| R111104  | 8E24 | 6   | 80-19  | R111982  | 3I6  | 8   | 40-111 | R113057  | 6E22 | 18  | 60-41  |
| R111156  | 2D15 | 10  | 30-7   | R112053  | 1D22 | 7   | 20-9   | R113057  | 6G5  | 3   | 60-69D |
| R111234  | 7I14 | 1   | 70-133 | R112053  | 1F16 | 7   | 20-45  | R113058  | 6F1  | 4   | 60-45  |
| R111235  | 7I14 | 2   | 70-133 | R112053  | 1H3  | 7   | 20-81  | R113061  | 6E20 | 43  | 60-39  |
| R111238  | 7H23 | 10  | 70-117 | R112071  | 5D18 | 3   | 53-15  | R113061  | 6E22 | 24  | 60-41  |
| R111238  | 7I10 | 29  | 70-129 | R112267  | 1E17 | 9   | 20-23  | R113066  | 6D24 | 2   | 60-19  |
| R111289  | 9D12 | 37  | 91-7   | R112267  | 1F3  | 5   | 20-35  | R113148  | 7J2  | 13  | 70-145 |
| R111296  | 7D23 | 44  | 70-15  | R112268  | 1E17 | 8   | 20-23  | R113164  | 3F9  | 8   | 40-40  |
| R111296  | 7D25 | 29  | 70-17  | R112268  | 1F3  | 14  | 20-35  | R113221  | 8F12 | 3   | 80-33  |
| R111297  | 7D23 | 45  | 70-15  | R112268  | 1G8  | 9   | 20-60  | R113246  | 3F25 | 1   | 40-57  |
| R111297  | 7D25 | 30  | 70-17  | R112268  | 1H20 | 9   | 20-98  | R113246  | 3F25 | 26  | 40-57  |
| R111382  | 9E14 | 35  | 91-33  | R112269  | 1E17 | 6   | 20-23  | R113246  | 3G4  | 4   | 40-61  |
| R111397  | 8E8  | 1   | 80-1   | R112273  | 1E17 | 10  | 20-23  | R113246  | 3G10 | 1   | 40-67  |
| R111398  | 8E8  | 2   | 80-1   | R112300  | 7H21 | 3   | 70-115 | R113305  | 7J2  | 25  | 70-145 |
| R111410  | 5D16 | 29  | 53-13  | R112313  | 5D6  | 18  | 53-3   | R113329  | 8E10 | 5   | 80-3   |
| R111434  | 7G14 | 4   | 70-83  | R112313  | 5D8  | 18  | 53-5   | R113435  | 5D6  | 10  | 53-3   |
| R111434  | 8E24 | 8   | 80-19  | R112314  | 5D6  | 12  | 53-3   | R113435  | 5D8  | 10  | 53-5   |
| R111437  | 8E24 | 8   | 80-19  | R112314  | 5D8  | 12  | 53-5   | R113445  | 7D11 | 12  | 70-3   |
| R111437  | 8F1  | 7   | 80-21  | R112315  | 5D6  | 15  | 53-3   | R113459  | 8E25 | 2   | 80-20  |
| R111449  | 5D20 | 20  | 53-17  | R112315  | 5D8  | 15  | 53-5   | R113486  | 5E22 | 5   | 54-10  |
| R111449  | 5D22 | 20  | 53-19  | R112316  | 5D10 | 2   | 53-7   | R113500  | 8E25 | 5   | 80-20  |
| R111450  | 5D18 | 24  | 53-15  | R112395  | 7I18 | 3   | 70-137 | R113547  | 5D12 | 6   | 53-9   |
| R111467  | 5D18 | 19  | 53-15  | R112397  | 7I20 | 15  | 70-139 | R113555  | 7D11 | 13  | 70-3   |
| R111493  | 7I14 | 3   | 70-133 | R112424  | 8E20 | 1   | 80-15  | R113668  | 5D12 | 10  | 53-9   |
| R111570  | 9F5  | 22  | 91-49  | R112442  | 7H21 | 3   | 70-115 | R113686  | 7E8  | 5   | 70-28  |
| R111632  | 8H18 | 7   | 90-15  | R112477  | 2G9  | 12  | 30-73  | R113688  | 7E8  | 6   | 70-28  |
| R111632  | 9D18 | 6   | 91-13  | R112480  | 9E14 | 32  | 91-33  | R113688  | 7E9  | 6   | 70-29  |
| R111691  | 7E11 | 7   | 70-31  | R112513  | 3F23 | 6   | 40-55  | R113689  | 7E8  | 6   | 70-28  |
| R111692  | 7E11 | 1   | 70-31  | R112513  | 3G10 | 6   | 40-67  | R113689  | 7E9  | 6   | 70-29  |
| R111774  | 6D11 | 14  | 60-7   | R112514  | 3G10 | 7   | 40-67  | R113692  | 8E24 | 7   | 80-19  |
| R111774  | 6D12 | 4   | 60-8   | R112515  | 3G10 | 9   | 40-67  | R113692  | 8E25 | 4   | 80-20  |
| R111792  | 7E13 | 16  | 70-33  | R112526  | 3G10 | 8   | 40-67  | R113716  | 8E18 | 5   | 80-11  |
| R111793  | 7F6  | 18  | 70-51  | R112551  | 3G10 | 17  | 40-67  | R114022  | 2G9  | 13  | 30-73  |
| R111794  | 7F6  | 18  | 70-51  | R112553  | 3G10 | 12  | 40-67  | R114023  | 2G9  | 14  | 30-73  |
| R111807  | 3F7  | 9   | 40-37  | R112586  | 4D10 | 10  | 42-6   | R114059  | 9F1  | 5   | 91-46  |
| R111807  | 8G12 | 3   | 80-59  | R112586  | 4D11 | 13  | 42-7   | R114108  | 4G10 | 18  | 51-39  |
| R111807  | 8G16 | 2   | 80-63  | R112612  | 6F18 | 3   | 60-61  | R114108  | 4I14 | 18  | 51-91  |
| R111808  | 3F7  | 9   | 40-37  | R112612  | 6I6  | 7   | 60-117 | R114123  | 5E19 | 1   | 54-6   |
| R111808  | 8G16 | 2   | 80-63  | R112653  | 7J4  | 12  | 70-147 | R114125  | 7G4  | 17  | 70-73  |
| R111887  | 9E10 | 9   | 91-29  | R112679  | 7E11 | 4   | 70-31  | R114125  | 7G10 | 17  | 70-79  |
| R111887  | 9E12 | 4   | 91-31  | R11278   | 3H1  | 3   | 40-82  | R114125  | 7G16 | 8   | 70-85  |
| R111888  | 9E10 | 9   | 91-29  | R112828  | 9F12 | 7   | 91-54  | R114125  | 8E25 | 6   | 80-20  |
| R111888  | 9E12 | 4   | 91-31  | R112855  | 8F8  | 3   | 80-29  | R114130  | 1D24 | 26  | 20-11  |
| R111894  | 9E16 | 6   | 91-35  | R112857  | 4G16 | 12  | 51-45  | R114130  | 1F9  | 14  | 20-39A |
| R111904  | 5D20 | 2   | 53-17  | R112861  | 7I22 | 11  | 70-141 | R114130  | 1F18 | 2   | 20-47  |
| R111904  | 5D22 | 2   | 53-19  | R112888  | 5F10 | 9   | 54-21  | R114130  | 1H5  | 2   | 20-83  |
| R111931  | 3E10 | 6   | 40-15  | R112888  | 5F23 | 1   | 54-35  | R114130  | 2E25 | 14  | 30-39  |
| R111931  | 3E12 | 6   | 40-17  | R112893  | 1I20 | 28  | 20-123 | R114130  | 2F12 | 14  | 30-49B |
| R111931  | 3E12 | 28  | 40-17  | R112893  | 1I24 | 28  | 20-127 | R114130  | 2F22 | 14  | 30-59  |
| R111931  | 3E14 | 7   | 40-19  | R112906  | 5D12 | 3   | 53-9   | R114130  | 3I14 | 2   | 41-4   |
| R111931  | 3E16 | 7   | 40-21  | R112951  | 8E20 | 6   | 80-15  | R114130  | 3I15 | 2   | 41-4A  |
| R111931  | 3E16 | 34  | 40-21  | R112953  | 8E20 | 6   | 80-15  | R114130  | 3I16 | 1   | 41-5   |
| R111931  | 3E18 | 6   | 40-23  | R112954  | 6D23 | 10  | 60-18  | R114130  | 3I21 | 13  | 41-11  |
| R111931  | 3E18 | 28  | 40-23  | R112954  | 6E2  | 10  | 60-21B | R114219  | 4G3  | 3   | 51-32  |
| R111931  | 3F2  | 7   | 40-32  | R112975  | 2F12 | 13  | 30-49B | R114219  | 4I7  | 3   | 51-84  |
| R111931  | 3F2  | 9   | 40-32  | R112975  | 2F22 | 13  | 30-59  | R114224  | 6E10 | 1   | 60-29  |
| R111931  | 3F3  | 7   | 40-33  | R113023  | 4E24 | 9   | 51-3   | R114238  | 5D14 | 1   | 53-11  |
| R111931  | 3F4  | 1   | 40-34  | R113023  | 4H2  | 9   | 51-55  | R114345  | 4G6  | 1   | 51-35  |
| R111931  | 3F10 | 6   | 40-41  | R113042  | 3H17 | 8   | 40-97  | R114345  | 4G6  | 8   | 51-35  |
| R111931  | 3F11 | 9   | 40-42  | R113042  | 3H19 | 2   | 40-99  | R114345  | 4G6  | 20  | 51-35  |
| R111931  | 3F17 | 29  | 40-49  | R113050  | 8H10 | 17  | 90-7   | R114345  | 4G8  | 52  | 51-37  |
| R111931  | 3F19 | 30  | 40-51  | R113050  | 8H20 | 20  | 90-17  | R114345  | 4G12 | 19  | 51-41  |
| R111931  | 3H24 | 8   | 40-105 | R113054  | 6E20 | 34  | 60-39  | R114345  | 4I10 | 1   | 51-87  |

## NUMERICAL INDEX - CONTINUED

| PART NO. | GRID | KEY | PAGE   | PART NO. | GRID | KEY | PAGE   | PART NO. | GRID | KEY | PAGE   |
|----------|------|-----|--------|----------|------|-----|--------|----------|------|-----|--------|
| R114345  | 4I10 | 8   | 51-87  | R115434  | 5E22 | 4   | 54-10  | R116083  | 1H18 | 3   | 20-96  |
| R114345  | 4I10 | 20  | 51-87  | R115436  | 5E17 | 1   | 54-4   | R116084  | 1G3  | 4   | 20-55B |
| R114345  | 4I12 | 52  | 51-89  | R115438  | 5F2  | 12  | 54-15  | R116084  | 1G5  | 2   | 20-57  |
| R114345  | 4I16 | 19  | 51-93  | R115450  | 5D6  | 21  | 53-3   | R116084  | 1H18 | 2   | 20-96  |
| R114347  | 5D18 | 2   | 53-15  | R115450  | 5D8  | 21  | 53-5   | R116085  | 1G3  | 4   | 20-55B |
| R114347  | 5D20 | 3   | 53-17  | R115451  | 5D6  | 25  | 53-3   | R116085  | 1G3  | 5   | 20-55B |
| R114347  | 5D22 | 3   | 53-19  | R115451  | 5D8  | 25  | 53-5   | R116085  | 1G5  | 2   | 20-57  |
| R114349  | 7F6  | 2   | 70-51  | R115453  | 7G4  | 9   | 70-73  | R116085  | 1H18 | 2   | 20-96  |
| R114561  | 8F14 | 1   | 80-35  | R115453  | 7G10 | 9   | 70-79  | R116086  | 5E2  | 11  | 53-25  |
| R114561  | 8F14 | 2   | 80-35  | R115453  | 7G17 | 9   | 70-88  | R116115  | 4F2  | 17  | 51-5   |
| R114569  | 6D9  | 16  | 60-5   | R115454  | 7G4  | 4   | 70-73  | R116115  | 4F6  | 4   | 51-9   |
| R114570  | 8G8  | 3   | 80-55  | R115454  | 7G4  | 14  | 70-73  | R116115  | 4F10 | 6   | 51-13  |
| R114571  | 8G8  | 4   | 80-55  | R115454  | 7G10 | 4   | 70-79  | R116115  | 4F10 | 10  | 51-13  |
| R114685  | 9E8  | 1   | 91-27  | R115454  | 7G10 | 14  | 70-79  | R116115  | 4F12 | 2   | 51-15  |
| R114685  | 9E10 | 1   | 91-29  | R115454  | 7G12 | 6   | 70-81  | R116115  | 4H4  | 17  | 51-57  |
| R114685  | 9E12 | 1   | 91-31  | R115501  | 4F2  | 11  | 51-5   | R116115  | 4H8  | 4   | 51-61  |
| R114686  | 9E8  | 1   | 91-27  | R115501  | 4H4  | 11  | 51-57  | R116115  | 4H12 | 15  | 51-65  |
| R114686  | 9E10 | 1   | 91-29  | R115504  | 4F2  | 15  | 51-5   | R116115  | 4H12 | 23  | 51-65  |
| R114686  | 9E12 | 1   | 91-31  | R115504  | 4H4  | 15  | 51-57  | R116115  | 4H14 | 2   | 51-67  |
| R114802  | 8G18 | 5   | 80-65  | R115507  | 4G8  | 56  | 51-37  | R116179  | 8F2  | 4   | 80-22  |
| R114802  | 9G8  | 15  | 92-19  | R115507  | 4I12 | 56  | 51-89  | R116179  | 8F3  | 4   | 80-23  |
| R114820  | 9E3  | 7   | 91-22  | R115508  | 4F25 | 43  | 51-29  | R116179  | 8F4  | 4   | 80-24  |
| R114820  | 9F5  | 23  | 91-49  | R115508  | 4G2  | 39  | 51-31  | R116180  | 8F4  | 1   | 80-24  |
| R114837  | 1J9  | 11  | 20-137 | R115508  | 4G10 | 12  | 51-39  | R116206  | 6D23 | 8   | 60-18  |
| R114837  | 6H19 | 15  | 60-107 | R115508  | 4I4  | 43  | 51-81  | R116231  | 1I2  | 10  | 20-105 |
| R114841  | 6D7  | 3   | 60-3   | R115508  | 4I6  | 39  | 51-83  | R116231  | 1I2  | 16  | 20-105 |
| R114844  | 3I13 | 10  | 41-3   | R115508  | 4I14 | 12  | 51-91  | R116233  | 1G13 | 2   | 20-65  |
| R114899  | 3G10 | 5   | 40-67  | R115536  | 7G14 | 1   | 70-83  | R116233  | 1I3  | 2   | 20-106 |
| R114917  | 4D18 | 4   | 42-14  | R115566  | 5D16 | 25  | 53-13  | R116237  | 1G14 | 4   | 20-66  |
| R115037  | 2D15 | 6   | 30-7   | R115567  | 5D16 | 26  | 53-13  | R116237  | 1I4  | 4   | 20-107 |
| R115093  | 5E24 | 22  | 54-13  | R115609  | 3I13 | 6   | 41-3   | R116262  | 8F17 | 7   | 80-38  |
| R115129  | 1G8  | 3   | 20-60  | R115675  | 3G19 | 8   | 40-75  | R116290  | 9D12 | 14  | 91-7   |
| R115129  | 1H20 | 3   | 20-98  | R115675  | 9E10 | 10  | 91-29  | R116292  | 9D12 | 14  | 91-7   |
| R115171  | 4F23 | 6   | 51-27  | R115676  | 3G19 | 6   | 40-75  | R116311  | 1E11 | 2   | 20-17  |
| R115171  | 4F25 | 41  | 51-29  | R115705  | 9E16 | 2   | 91-35  | R116311  | 1E12 | 7   | 20-18  |
| R115171  | 4G2  | 1   | 51-31  | R115705  | 9E20 | 9   | 91-39  | R116311  | 1F25 | 2   | 20-54  |
| R115171  | 4G2  | 10  | 51-31  | R115714  | 7H23 | 22  | 70-117 | R116311  | 1G1  | 5   | 20-55  |
| R115171  | 4G2  | 35  | 51-31  | R115742  | 8H5  | ..  | 90-1   | R116311  | 1G2  | 8   | 20-55A |
| R115171  | 4I2  | 6   | 51-79  | R115743  | 8H5  | 2   | 90-1   | R116311  | 1G3  | 8   | 20-55B |
| R115171  | 4I4  | 41  | 51-81  | R115743  | 8H8  | 4   | 90-4   | R116311  | 1H14 | 2   | 20-92  |
| R115171  | 4I6  | 1   | 51-83  | R115828  | 3G22 | 3   | 40-78  | R116311  | 1H15 | 5   | 20-93  |
| R115171  | 4I6  | 10  | 51-83  | R115850  | 3G4  | 2   | 40-61  | R116336  | 8E20 | 6   | 80-15  |
| R115171  | 4I6  | 35  | 51-83  | R115850  | 3G6  | 6   | 40-63  | R116340  | 1G6  | 6   | 20-58  |
| R115172  | 7G14 | 3   | 70-83  | R115850  | 3G8  | 2   | 40-65  | R116340  | 1H17 | 6   | 20-95  |
| R115192  | 7G10 | 15  | 70-79  | R115850  | 3G8  | 6   | 40-65  | R116353  | 5F11 | 2   | 54-22  |
| R115192  | 7G14 | 7   | 70-83  | R115850  | 9G8  | 17  | 92-19  | R116353  | 8E10 | 2   | 80-3   |
| R115196  | 9E25 | 7   | 91-45  | R115881  | 5F2  | 31  | 54-15  | R116389  | 9E14 | 30  | 91-33  |
| R115233  | 4G10 | 9   | 51-39  | R115881  | 5F4  | 6   | 54-17  | R116390  | 9E14 | 27  | 91-33  |
| R115233  | 4I14 | 9   | 51-91  | R115908  | 4D5  | 3   | 42-1   | R116402  | 5D12 | 13  | 53-9   |
| R115277  | 8E20 | 9   | 80-15  | R115908  | 9E8  | 9   | 91-27  | R116440  | 8E8  | 3   | 80-1   |
| R115277  | 8E20 | 11  | 80-15  | R115909  | 7H10 | 3   | 70-103 | R116464  | 1I2  | 2   | 20-105 |
| R115278  | 8E20 | 10  | 80-15  | R115909  | 7H16 | 11  | 70-109 | R116536  | 5F2  | 10  | 54-15  |
| R115278  | 8E20 | 11  | 80-15  | R115945  | 3H17 | 2   | 40-97  | R116537  | 5F2  | 10  | 54-15  |
| R115289  | 3I13 | 2   | 41-3   | R115945  | 4D8  | 7   | 42-4   | R116570  | 8E25 | 1   | 80-20  |
| R115331  | 4G6  | 7   | 51-35  | R115968  | 3H22 | 14  | 40-103 | R116580  | 8G16 | 9   | 80-63  |
| R115331  | 4G8  | 53  | 51-37  | R116002  | 7G10 | 8   | 70-79  | R116598  | 6E14 | 8   | 60-33  |
| R115331  | 4I10 | 7   | 51-87  | R116031  | 7H25 | 6   | 70-119 | R116713  | 4G16 | 8   | 51-45  |
| R115331  | 4I12 | 53  | 51-89  | R116031  | 7I2  | 4   | 70-121 | R116713  | 5D12 | 17  | 53-9   |
| R115350  | 3H11 | 13  | 40-91  | R116031  | 7I4  | 3   | 70-123 | R116718  | 1G11 | 12  | 20-63  |
| R115367  | 9E25 | 4   | 91-45  | R116031  | 7I10 | 4   | 70-129 | R116718  | 1G13 | 6   | 20-65  |
| R115368  | 2F4  | 5   | 30-43  | R116031  | 7I12 | 3   | 70-131 | R116718  | 1H24 | 12  | 20-103 |
| R115369  | 2F4  | 3   | 30-43  | R116081  | 1G2  | 7   | 20-55A | R116718  | 1I3  | 6   | 20-106 |
| R115403  | 5D6  | 1   | 53-3   | R116081  | 1G6  | 7   | 20-58  | R116719  | 1I3  | 5   | 20-106 |
| R115403  | 5D8  | 1   | 53-5   | R116081  | 1H17 | 7   | 20-95  | R116726  | 4F2  | 13  | 51-5   |
| R115413  | 5D22 | 20  | 53-19  | R116082  | 1G5  | 3   | 20-57  | R116726  | 4H4  | 13  | 51-57  |
| R115413  | 5D24 | 1   | 53-21  | R116082  | 1H18 | 3   | 20-96  | R116727  | 2D16 | 1   | 30-8   |
| R115433  | 5E22 | 6   | 54-10  | R116083  | 1G5  | 3   | 20-57  | R116727  | 2D21 | 1   | 30-13  |

## NUMERICAL INDEX - CONTINUED

| PART NO. | GRID | KEY | PAGE     | PART NO. | GRID | KEY | PAGE      | PART NO. | GRID | KEY | PAGE     |
|----------|------|-----|----------|----------|------|-----|-----------|----------|------|-----|----------|
| R116727  | 2D25 | 1   | 30 - 17  | R119211  | 5D16 | 6   | 53 - 13   | R120108  | 3H7  | 6   | 40 - 87  |
| R116913  | 9D18 | 10  | 91 - 13  | R119221  | 5E16 | 2   | 54 - 3    | R120108  | 8G20 | 8   | 80 - 67  |
| R116932  | 1F13 | 2   | 20 - 42A | R119222  | 5E16 | 11  | 54 - 3    | R120111  | 8G16 | 5   | 80 - 63  |
| R116932  | 1G25 | 2   | 20 - 78A | R119223  | 2E19 | 1   | 30 - 33   | R120112  | 8G22 | 7   | 80 - 69  |
| R116933  | 2G9  | 19  | 30 - 73  | R119223  | 2E21 | 1   | 30 - 35   | R120113  | 8G20 | 7   | 80 - 67  |
| R116948  | 5E7  | 6   | 53 - 30  | R119223  | 2F6  | 11  | 30 - 45   | R120119  | 3I22 | ..  | 41 - 12  |
| R116975  | 8H15 | 1   | 90 - 12  | R119223  | 2G3  | 1   | 30 - 67   | R120119  | 8G22 | 4   | 80 - 69  |
| R116976  | 8H16 | 3   | 90 - 13  | R119223  | 2G5  | 11  | 30 - 69   | R120120  | 3I22 | ..  | 41 - 12  |
| R116977  | 8H16 | 7   | 90 - 13  | R119275  | 7F24 | 30  | 70 - 69   | R120122  | 8G22 | 11  | 80 - 69  |
| R117033  | 9F5  | 2   | 91 - 49  | R119276  | 7F24 | 32  | 70 - 69   | R120123  | 8G20 | 9   | 80 - 67  |
| R117060  | 1G14 | 17  | 20 - 66  | R119381  | 1G8  | 4   | 20 - 60   | R120124  | 8G11 | 3   | 80 - 58  |
| R117060  | 1G21 | 37  | 20 - 75  | R119381  | 1H20 | 4   | 20 - 98   | R120124  | 8G12 | 2   | 80 - 59  |
| R117060  | 1I4  | 17  | 20 - 107 | R119383  | 1G18 | 3   | 20 - 71   | R120124  | 9D24 | 12  | 91 - 19  |
| R117060  | 1I9  | 37  | 20 - 111 | R119383  | 1G21 | 20  | 20 - 75   | R120125  | 8G22 | 6   | 80 - 69  |
| R117073  | 1G16 | 6   | 20 - 69  | R119383  | 1I6  | 3   | 20 - 108A | R120126  | 8G20 | 13  | 80 - 67  |
| R117073  | 1I2  | 6   | 20 - 105 | R119383  | 1I9  | 20  | 20 - 111  | R120129  | 8G22 | 2   | 80 - 69  |
| R117074  | 1I2  | 16  | 20 - 105 | R119384  | 1G8  | 2   | 20 - 60   | R120130  | 8G20 | 10  | 80 - 67  |
| R117076  | 7H21 | 18  | 70 - 115 | R119384  | 1G21 | 22  | 20 - 75   | R120133  | 4G14 | 16  | 51 - 43  |
| R117153  | 6H19 | 8   | 60 - 107 | R119384  | 1H20 | 2   | 20 - 98   | R120133  | 4I18 | 16  | 51 - 95  |
| R117153  | 6H23 | 19  | 60 - 109 | R119384  | 1I9  | 22  | 20 - 111  | R120133  | 6E4  | 19A | 60 - 23  |
| R117153  | 6H25 | 19  | 60 - 111 | R119397  | 1I20 | 7   | 20 - 123  | R120133  | 6E6  | 19A | 60 - 25  |
| R117153  | 6I2  | 2   | 60 - 113 | R119397  | 1I24 | 7   | 20 - 127  | R120133  | 8F20 | 11  | 80 - 41  |
| R117153  | 6I4  | 2   | 60 - 115 | R119438  | 7G22 | 8   | 70 - 93   | R120134  | 8F20 | 6   | 80 - 41  |
| R117185  | 3I2  | 7   | 40 - 107 | R119439  | 7G22 | ..  | 70 - 93   | R120138  | 2D23 | 8   | 30 - 15  |
| R117237  | 6F22 | 16  | 60 - 65  | R119439  | 8G14 | 8   | 80 - 61   | R120138  | 2E2  | 8   | 30 - 19  |
| R117260  | 3I2  | 6   | 40 - 107 | R119442  | 5D25 | 1   | 53 - 22   | R120143  | 1J9  | 11  | 20 - 137 |
| R117307  | 6H19 | 9   | 60 - 107 | R119443  | 5D25 | 1   | 53 - 22   | R120143  | 6H19 | 16  | 60 - 107 |
| R117307  | 6H23 | 18  | 60 - 109 | R119489  | 1J7  | 9   | 20 - 135  | R120147  | 4F20 | 15  | 51 - 23  |
| R117307  | 6H25 | 18  | 60 - 111 | R119527  | 5D6  | 3   | 53 - 3    | R120147  | 4H22 | 15  | 51 - 75  |
| R117307  | 6I2  | 3   | 60 - 113 | R119527  | 5D8  | 3   | 53 - 5    | R120151  | 3G10 | 14  | 40 - 67  |
| R117307  | 6I4  | 3   | 60 - 115 | R119596  | 6D9  | 9   | 60 - 5    | R120152  | 3G10 | 21  | 40 - 67  |
| R117432  | 6D7  | 6   | 60 - 3   | R119604  | 4F16 | 6   | 51 - 19   | R120157  | 8F21 | 4   | 80 - 42  |
| R117569  | 3H22 | 21  | 40 - 103 | R119604  | 4H18 | 6   | 51 - 71   | R120157  | 8F22 | 4   | 80 - 43  |
| R117569  | 9F13 | 2   | 91 - 55  | R119604  | 9D12 | 9   | 91 - 7    | R120158  | 8F21 | 4   | 80 - 42  |
| R117569  | 9G8  | 14  | 92 - 19  | R119676  | 9F1  | 8   | 91 - 46   | R120158  | 8F22 | 4   | 80 - 43  |
| R117675  | 9G6  | 20  | 92 - 17  | R119678  | 9D16 | 15  | 91 - 11   | R120160  | 3H12 | 3   | 40 - 92  |
| R117718  | 9G8  | 8   | 92 - 19  | R119681  | 7G14 | 5   | 70 - 83   | R120160  | 3H18 | 4   | 40 - 98  |
| R117718  | 9G8  | 9   | 92 - 19  | R119682  | 7G6  | 5   | 70 - 75   | R120160  | 8H20 | 3   | 90 - 17  |
| R117721  | 1I11 | 18  | 20 - 113 | R119847  | 1G16 | 12  | 20 - 69   | R120160  | 9D16 | 14  | 91 - 11  |
| R117721  | 8H14 | 9   | 90 - 11  | R119847  | 1G21 | 28  | 20 - 75   | R120160  | 9D24 | 2   | 91 - 19  |
| R117721  | 8H20 | 24  | 90 - 17  | R119847  | 1I2  | 12  | 20 - 105  | R120166  | 7E13 | 17  | 70 - 33  |
| R117724  | 7I22 | 12  | 70 - 141 | R119847  | 1I9  | 28  | 20 - 111  | R120181  | 2F8  | 4   | 30 - 47  |
| R117724  | 7J2  | 11  | 70 - 145 | R119869  | 6E18 | 2   | 60 - 37   | R120182  | 2F8  | 4   | 30 - 47  |
| R117872  | 7F8  | 5   | 70 - 53  | R119890  | 9E25 | 1   | 91 - 45   | R120183  | 2F8  | 8   | 30 - 47  |
| R117977  | 8F24 | 15  | 80 - 45  | R119890  | 9E25 | 2   | 91 - 45   | R120183  | 2F8  | 9   | 30 - 47  |
| R118146  | 9E11 | 4   | 91 - 30  | R119972  | 6F14 | 7   | 60 - 57   | R120183  | 2F8  | 10  | 30 - 47  |
| R118147  | 9E11 | 4   | 91 - 30  | R119972  | 6F16 | 7   | 60 - 59   | R120184  | 2F8  | 8   | 30 - 47  |
| R118188  | 9E11 | 2   | 91 - 30  | R119989  | 3I22 | 6   | 41 - 12   | R120184  | 2F8  | 9   | 30 - 47  |
| R118245  | 7I20 | 14  | 70 - 139 | R120022  | 1G19 | 18  | 20 - 73   | R120185  | 2F8  | 4   | 30 - 47  |
| R118245  | 7I22 | 10  | 70 - 141 | R120022  | 1I7  | 18  | 20 - 109  | R120185  | 2F8  | 10  | 30 - 47  |
| R118453  | 3F23 | 8   | 40 - 55  | R120032  | 1F20 | 1   | 20 - 49   | R120186  | 2F8  | 8   | 30 - 47  |
| R118453  | 3G10 | 10  | 40 - 67  | R120032  | 1H7  | 1   | 20 - 85   | R120186  | 2F8  | 9   | 30 - 47  |
| R118453  | 3G10 | 11  | 40 - 67  | R120032  | 1H9  | 1   | 20 - 87   | R120187  | 2D23 | 11  | 30 - 15  |
| R119118  | 5F2  | 27  | 54 - 15  | R120048  | 7E13 | 16  | 70 - 33   | R120187  | 2E2  | 11  | 30 - 19  |
| R119118  | 5F4  | 22  | 54 - 17  | R120055  | 6D11 | 4   | 60 - 7    | R120201  | 4D8  | 10  | 42 - 4   |
| R119126  | 5D16 | 9   | 53 - 13  | R120103  | 7F24 | 2   | 70 - 69   | R120202  | 9F7  | 1   | 91 - 51  |
| R119132  | 1F11 | 12  | 20 - 41  | R120104  | 7F24 | 2   | 70 - 69   | R120202  | 9F9  | 1   | 91 - 53  |
| R119132  | 1G23 | 12  | 20 - 77  | R120104  | 8G20 | 12  | 80 - 67   | R120213  | 2G9  | 15  | 30 - 73  |
| R119133  | 7G6  | 1   | 70 - 75  | R120105  | 7F24 | 2   | 70 - 69   | R120233  | 2G9  | 20  | 30 - 73  |
| R119168  | 2G10 | 6   | 30 - 74  | R120105  | 8G22 | 9   | 80 - 69   | R120235  | 4F6  | 9   | 51 - 9   |
| R119168  | 8H15 | 2   | 90 - 12  | R120106  | 3H5  | 6   | 40 - 85   | R120235  | 4H8  | 9   | 51 - 61  |
| R119171  | 8H16 | 6   | 90 - 13  | R120106  | 3H7  | 6   | 40 - 87   | R120252  | 1J4  | 2   | 20 - 131 |
| R119203  | 9D12 | 20  | 91 - 7   | R120106  | 8G22 | 12  | 80 - 69   | R120256  | 4G18 | 5   | 51 - 47  |
| R119207  | 1I22 | 8   | 20 - 125 | R120107  | 3H5  | 6   | 40 - 85   | R120283  | 4D8  | 10  | 42 - 4   |
| R119207  | 1J2  | 8   | 20 - 129 | R120107  | 3H7  | 6   | 40 - 87   | R120321  | 8H14 | 27  | 90 - 11  |
| R119207  | 4G3  | 6   | 51 - 32  | R120107  | 8G12 | 5   | 80 - 59   | R120332  | 2E7  | 4   | 30 - 25  |
| R119207  | 4I7  | 6   | 51 - 84  | R120108  | 3H5  | 6   | 40 - 85   | R120332  | 2E7  | 8   | 30 - 25  |



## NUMERICAL INDEX - CONTINUED

| PART NO. | GRID | KEY | PAGE    | PART NO. | GRID | KEY | PAGE    | PART NO. | GRID | KEY | PAGE   |
|----------|------|-----|---------|----------|------|-----|---------|----------|------|-----|--------|
| R120332  | 4D13 | 2   | 42-9    | R120954  | 1H5  | 21  | 20-83   | R121354  | 1G2  | 5   | 20-55A |
| R120332  | 8F12 | 33  | 80-33   | R120955  | 8H10 | 28  | 90-7    | R121354  | 1H18 | 2   | 20-96  |
| R120352  | 9G1  | 3   | 92-12   | R120956  | 8H10 | 29  | 90-7    | R121355  | 1H18 | 2   | 20-96  |
| R120357  | 9F12 | 9   | 91-54   | R121022  | 5E24 | 5   | 54-13   | R121362  | 5F10 | 6   | 54-21  |
| R120358  | 9F12 | 6   | 91-54   | R121022  | 5G6  | 2   | 54-43   | R121362  | 5F23 | 4   | 54-35  |
| R120412  | 1E23 | 10  | 20-29   | R121022  | 5G6  | ..  | 54-43   | R121379  | 1J9  | 9   | 20-137 |
| R120432  | 3F20 | 12  | 40-52   | R121023  | 5E24 | 6   | 54-13   | R121379  | 6H19 | 12  | 60-107 |
| R120453  | 9G1  | 10  | 92-12   | R121023  | 5G6  | 2   | 54-43   | R121395  | 1E9  | 4   | 20-15  |
| R120467  | 1F13 | 5   | 20-42A  | R121023  | 5G6  | ..  | 54-43   | R121395  | 1F23 | 4   | 20-52  |
| R120467  | 1G25 | 5   | 20-78A  | R121162  | 9D12 | 29  | 91-7    | R121395  | 1H12 | 4   | 20-90  |
| R120501  | 8H20 | 2   | 90-17   | R121163  | 1G14 | 8   | 20-66   | R121435  | 3H17 | 1   | 40-97  |
| R120515  | 9D12 | 27  | 91-7    | R121163  | 1I4  | 8   | 20-107  | R121465  | 8H15 | 4   | 90-12  |
| R120522  | 1I15 | 12  | 20-117  | R121164  | 1F9  | 10  | 20-39A  | R121466  | 6D11 | 8   | 60-7   |
| R120522  | 1I17 | 12  | 20-119  | R121164  | 1F9  | 11  | 20-39A  | R121489  | 1D18 | 21  | 20-5   |
| R120523  | 1G18 | 2   | 20-71   | R121164  | 2E25 | 10  | 30-39   | R121489  | 1F11 | 21  | 20-41  |
| R120523  | 1I6  | 2   | 20-108A | R121164  | 2E25 | 11  | 30-39   | R121489  | 1G23 | 21  | 20-77  |
| R120568  | 9D12 | 22  | 91-7    | R121164  | 2F12 | 11  | 30-49B  | R121490  | 1D18 | 7   | 20-5   |
| R120578  | 4F18 | 16  | 51-21   | R121164  | 2F22 | 11  | 30-59   | R121490  | 1F11 | 7   | 20-41  |
| R120578  | 4H8  | 24  | 51-61   | R121183  | 8E16 | 14  | 80-9    | R121490  | 1G23 | 7   | 20-77  |
| R120578  | 4H20 | 16  | 51-73   | R121193  | 1F11 | 13  | 20-41   | R121491  | 1D18 | 6   | 20-5   |
| R120644  | 2D20 | 6   | 30-12   | R121193  | 1G23 | 13  | 20-77   | R121491  | 1F11 | 6   | 20-41  |
| R120644  | 2D24 | 6   | 30-16   | R121195  | 1F9  | 10  | 20-39A  | R121491  | 1G23 | 6   | 20-77  |
| R120644  | 2E4  | 6   | 30-21   | R121195  | 1F9  | 13  | 20-39A  | R121525  | 7J6  | 3   | 70-149 |
| R120645  | 2D20 | 1   | 30-12   | R121195  | 2E25 | 10  | 30-39   | R121525  | 7J8  | 3   | 70-151 |
| R120645  | 2D24 | 1   | 30-16   | R121195  | 2E25 | 13  | 30-39   | R121545  | 9E14 | 12  | 91-33  |
| R120645  | 2E4  | 1   | 30-21   | R121195  | 2F12 | 13  | 30-49B  | R121564  | 7F11 | 3   | 70-56  |
| R120646  | 1F8  | 9   | 20-39   | R121195  | 2F22 | 13  | 30-59   | R121564  | 7H14 | 12  | 70-107 |
| R120646  | 1G21 | 13  | 20-75   | R121200  | 1G14 | 11  | 20-66   | R121569  | 7F24 | 4   | 70-69  |
| R120646  | 1I9  | 13  | 20-111  | R121200  | 1I4  | 11  | 20-107  | R121603  | 4G10 | 3   | 51-39  |
| R120646  | 2D16 | 5   | 30-8    | R121233  | 3F17 | 17  | 40-49   | R121603  | 4I14 | 3   | 51-91  |
| R120646  | 2D21 | 5   | 30-13   | R121233  | 3F19 | 17  | 40-51   | R121609  | 4F10 | 23  | 51-13  |
| R120646  | 2D25 | 5   | 30-17   | R121233  | 3G2  | 7   | 40-59   | R121626  | 8F20 | 2   | 80-41  |
| R120653  | 9E21 | 5   | 91-40   | R121234  | 3G18 | 3   | 40-74   | R121660  | 8F20 | 8   | 80-41  |
| R120667  | 2G7  | 18  | 30-71   | R121234  | 3G19 | 2   | 40-75   | R121664  | 8H20 | 12  | 90-17  |
| R120705  | 9E23 | 5   | 91-43   | R121235  | 3F17 | 18  | 40-49   | R121666  | 3E14 | 13  | 40-19  |
| R120723  | 2D13 | 5   | 30-5    | R121235  | 3F19 | 18  | 40-51   | R121666  | 8H20 | 14  | 90-17  |
| R120728  | 9G12 | 9   | 92-23   | R121235  | 3G2  | 8   | 40-59   | R121666  | 8H20 | 15  | 90-17  |
| R120733  | 7E5  | 5   | 70-23   | R121236  | 3G18 | 4   | 40-74   | R121667  | 8H20 | 27  | 90-17  |
| R120752  | 1E12 | 3   | 20-18   | R121236  | 3G19 | 3   | 40-75   | R121668  | 8H20 | 5   | 90-17  |
| R120752  | 1G1  | 3   | 20-55   | R121239  | 5D18 | 12  | 53-15   | R121714  | 1I15 | 18  | 20-117 |
| R120752  | 1G2  | 1   | 20-55A  | R121239  | 5D20 | 13  | 53-17   | R121714  | 1I17 | 18  | 20-119 |
| R120752  | 1G3  | 1   | 20-55B  | R121239  | 5D22 | 13  | 53-19   | R121715  | 8F12 | 23  | 80-33  |
| R120752  | 1H15 | 3   | 20-93   | R121239  | 5D24 | 5   | 53-21   | R121738  | 1I11 | 22  | 20-113 |
| R120759  | 7E5  | 3   | 70-23   | R121253  | 7J6  | 1   | 70-149  | R121741  | 4F20 | 16  | 51-23  |
| R120784  | 8G7  | 5   | 80-54   | R121253  | 7J8  | 1   | 70-151  | R121741  | 4H22 | 16  | 51-75  |
| R120784  | 8G8  | 5   | 80-55   | R121257  | 6G24 | 1   | 60-87   | R121759  | 1I13 | 10  | 20-115 |
| R120785  | 8G7  | 6   | 80-54   | R121260  | 6G24 | 10  | 60-87   | R121762  | 1I13 | ..  | 20-115 |
| R120785  | 8G8  | 6   | 80-55   | R121260  | 6I6  | 3   | 60-117  | R121762  | 8F12 | 29  | 80-33  |
| R120801  | 1D24 | 25  | 20-11   | R121282  | 5F10 | 7   | 54-21   | R121764  | 1D24 | 25  | 20-11  |
| R120801  | 1E10 | 2   | 20-16   | R121282  | 5F23 | 3   | 54-35   | R121764  | 1E10 | 2   | 20-16  |
| R120801  | 1F24 | 2   | 20-53   | R121283  | 5F10 | 5   | 54-21   | R121764  | 1F24 | 2   | 20-53  |
| R120864  | 1F18 | 3   | 20-47   | R121283  | 5F23 | 5   | 54-35   | R121765  | 1D24 | 25  | 20-11  |
| R120864  | 1F20 | 1   | 20-49   | R121316  | 1G18 | 6   | 20-71   | R121765  | 1E10 | 2   | 20-16  |
| R120864  | 1H5  | 3   | 20-83   | R121316  | 1I6  | 6   | 20-108A | R121765  | 1F24 | 2   | 20-53  |
| R120864  | 1H7  | 1   | 20-85   | R121320  | 1D18 | 8   | 20-5    | R121775  | 7F16 | 2   | 70-61  |
| R120864  | 1H9  | 1   | 20-87   | R121320  | 1F11 | 8   | 20-41   | R121776  | 6E4  | 20  | 60-23  |
| R120864  | 1H13 | 2   | 20-91   | R121320  | 1G23 | 8   | 20-77   | R121776  | 6E6  | 20  | 60-25  |
| R120872  | 1D22 | 2   | 20-9    | R121338  | 1G3  | 7   | 20-55B  | R121776  | 6E8  | 20  | 60-27  |
| R120872  | 1D22 | 3   | 20-9    | R121342  | 1G2  | 3   | 20-55A  | R121777  | 6E6  | 21  | 60-25  |
| R120872  | 1F16 | 3   | 20-45   | R121342  | 1H18 | 3   | 20-96   | R121777  | 6E8  | 21  | 60-27  |
| R120872  | 1H3  | 3   | 20-81   | R121343  | 1H18 | 3   | 20-96   | R121785  | 9F2  | 7   | 91-47  |
| R120946  | 4G6  | 17  | 51-35   | R121346  | 1G2  | 3   | 20-55A  | R121787  | 9F2  | 9   | 91-47  |
| R120946  | 4G8  | 34  | 51-37   | R121346  | 1H18 | 3   | 20-96   | R121788  | 7G4  | 18  | 70-73  |
| R120946  | 4G8  | 37  | 51-37   | R121347  | 1H18 | 3   | 20-96   | R121788  | 7G10 | 18  | 70-79  |
| R120953  | 1F18 | 21  | 20-47   | R121350  | 1G2  | 5   | 20-55A  | R121788  | 7G12 | 2   | 70-81  |
| R120953  | 1H5  | 21  | 20-83   | R121350  | 1H18 | 2   | 20-96   | R121788  | 7G20 | 2   | 70-91  |
| R120954  | 1F18 | 21  | 20-47   | R121351  | 1H18 | 2   | 20-96   | R121790  | 9F1  | 3   | 91-46  |

# 1L6

8100, 8200, 8300, 8400 TRACTORS

## NUMERICAL INDEX - CONTINUED

| PART NO. | GRID | KEY | PAGE     | PART NO. | GRID | KEY | PAGE      | PART NO. | GRID | KEY | PAGE     |
|----------|------|-----|----------|----------|------|-----|-----------|----------|------|-----|----------|
| R121790  | 9F2  | 3   | 91 - 47  | R122225  | 3H13 | 5   | 40 - 93   | R122502  | 2E4  | 3   | 30 - 21  |
| R121794  | 7E5  | 25  | 70 - 23  | R122236  | 4F20 | 10  | 51 - 23   | R122503  | 1F8  | 8   | 20 - 39  |
| R121796  | 3F20 | 11  | 40 - 52  | R122266  | 1I15 | 7   | 20 - 117  | R122503  | 1I9  | 3   | 20 - 111 |
| R121797  | 3F20 | 10  | 40 - 52  | R122266  | 1I17 | 7   | 20 - 119  | R122503  | 2D20 | 7   | 30 - 12  |
| R121798  | 3F20 | 9   | 40 - 52  | R122267  | 1I15 | 6   | 20 - 117  | R122503  | 2D24 | 7   | 30 - 16  |
| R121810  | 3F17 | 33  | 40 - 49  | R122267  | 1I17 | 6   | 20 - 119  | R122503  | 2E4  | 7   | 30 - 21  |
| R121810  | 3F19 | 34  | 40 - 51  | R122268  | 1I15 | 1   | 20 - 117  | R122504  | 1F8  | 10  | 20 - 39  |
| R121823  | 4E24 | 13  | 51 - 3   | R122268  | 1I17 | 1   | 20 - 119  | R122504  | 1I9  | 4   | 20 - 111 |
| R121823  | 4H2  | 13  | 51 - 55  | R122269  | 1I15 | 1   | 20 - 117  | R122504  | 2D20 | 8   | 30 - 12  |
| R121827  | 3F13 | 6   | 40 - 44  | R122269  | 1I17 | 1   | 20 - 119  | R122504  | 2D24 | 8   | 30 - 16  |
| R121835  | 6H23 | 5   | 60 - 109 | R122313  | 7E8  | 4   | 70 - 28   | R122504  | 2E4  | 8   | 30 - 21  |
| R121835  | 6H25 | 5   | 60 - 111 | R122313  | 7E9  | 4   | 70 - 29   | R122537  | 3I2  | 12  | 40 - 107 |
| R121884  | 7F16 | 5   | 70 - 61  | R122313  | 7F6  | 13  | 70 - 51   | R122537  | 3I4  | 6   | 40 - 109 |
| R121915  | 3F25 | 3   | 40 - 57  | R122318  | 6H23 | 11  | 60 - 109  | R122547  | 7E5  | 18  | 70 - 23  |
| R121917  | 3F25 | 15  | 40 - 57  | R122318  | 6H23 | 17  | 60 - 109  | R122550  | 1I15 | 9   | 20 - 117 |
| R121918  | 3F25 | 21  | 40 - 57  | R122318  | 6H25 | 11  | 60 - 111  | R122550  | 1I17 | 9   | 20 - 119 |
| R121919  | 3F25 | 20  | 40 - 57  | R122318  | 6H25 | 17  | 60 - 111  | R122550  | 2D13 | 8   | 30 - 5   |
| R121920  | 3F25 | 12  | 40 - 57  | R122354  | 8E14 | 13  | 80 - 7    | R122557  | 6D24 | 5   | 60 - 19  |
| R121920  | 3F25 | 26  | 40 - 57  | R122355  | 8E14 | 13  | 80 - 7    | R122570  | 9D10 | 4   | 91 - 5   |
| R121922  | 3F23 | 3   | 40 - 55  | R122359  | 8F6  | 7   | 80 - 27   | R122591  | 8H10 | 20  | 90 - 7   |
| R121926  | 9D12 | 4   | 91 - 7   | R122364  | 1F18 | 20  | 20 - 47   | R122595  | 2D20 | 2   | 30 - 12  |
| R121938  | 9G1  | 8   | 92 - 12  | R122364  | 1H5  | 20  | 20 - 83   | R122595  | 2D24 | 2   | 30 - 16  |
| R121950  | 8F24 | 1   | 80 - 45  | R122371  | 2G7  | 21  | 30 - 71   | R122595  | 2E4  | 2   | 30 - 21  |
| R121965  | 8H14 | 4   | 90 - 11  | R122374  | 4G8  | 50  | 51 - 37   | R122608  | 8H14 | 5   | 90 - 11  |
| R121967  | 7E5  | 20  | 70 - 23  | R122374  | 4I12 | 50  | 51 - 89   | R122610  | 8H14 | 6   | 90 - 11  |
| R121969  | 1I11 | 19  | 20 - 113 | R122390  | 4G8  | 57  | 51 - 37   | R122610  | 8H14 | 28  | 90 - 11  |
| R121969  | 8H14 | 7   | 90 - 11  | R122390  | 4I10 | 22  | 51 - 87   | R122611  | 6H23 | 24  | 60 - 109 |
| R121977  | 9D12 | 31  | 91 - 7   | R122396  | 7H23 | 39  | 70 - 117  | R122611  | 6H25 | 24  | 60 - 111 |
| R121981  | 7H21 | 13  | 70 - 115 | R122419  | 1F11 | 18  | 20 - 41   | R122613  | 3H13 | 1   | 40 - 93  |
| R121990  | 1F5  | 18  | 20 - 37  | R122419  | 1G23 | 18  | 20 - 77   | R122618  | 2D19 | 12  | 30 - 11  |
| R122000  | 9G12 | 8   | 92 - 23  | R122424  | 2D15 | 14  | 30 - 7    | R122618  | 2D23 | 10  | 30 - 15  |
| R122007  | 9E12 | 10  | 91 - 31  | R122424  | 7E5  | 6   | 70 - 23   | R122618  | 2E2  | 10  | 30 - 19  |
| R122008  | 9E12 | 10  | 91 - 31  | R122428  | 7F24 | 2   | 70 - 69   | R122653  | 1G3  | 9   | 20 - 55B |
| R122009  | 9E11 | 3   | 91 - 30  | R122428  | 8D15 | 50  | 71 - 13   | R122654  | 1G2  | 9   | 20 - 55A |
| R122010  | 9E11 | 3   | 91 - 30  | R122428  | 8G11 | 4   | 80 - 58   | R122656  | 8G14 | 7   | 80 - 61  |
| R122015  | 9D12 | 29  | 91 - 7   | R122429  | 2G9  | 33  | 30 - 73   | R122741  | 1E2  | 1   | 20 - 13  |
| R122029  | 1I15 | 10  | 20 - 117 | R122430  | 1G18 | 7   | 20 - 71   | R122741  | 1E4  | 1   | 20 - 13B |
| R122029  | 1I17 | 10  | 20 - 119 | R122430  | 1I6  | 7   | 20 - 108A | R122741  | 1E5  | 1   | 20 - 13C |
| R122030  | 8F10 | 8   | 80 - 31  | R122469  | 4D13 | 3   | 42 - 9    | R122750  | 5E4  | 10  | 53 - 27  |
| R122034  | 8H14 | 24  | 90 - 11  | R122472  | 3D24 | 13  | 40 - 7    | R122752  | 7G17 | 13  | 70 - 88  |
| R122112  | 1D18 | 18  | 20 - 5   | R122472  | 3E6  | 12  | 40 - 11   | R122754  | 2G9  | 4   | 30 - 73  |
| R122120  | 5E17 | 10  | 54 - 4   | R122472  | 7E5  | 35  | 70 - 23   | R122783  | 4E24 | 4   | 51 - 3   |
| R122120  | 5F17 | 2   | 54 - 29  | R122473  | 1I15 | 23  | 20 - 117  | R122784  | 4E24 | 5   | 51 - 3   |
| R122134  | 1I20 | 8   | 20 - 123 | R122473  | 1I17 | 23  | 20 - 119  | R122786  | 8F24 | 1   | 80 - 45  |
| R122134  | 1I24 | 8   | 20 - 127 | R122474  | 1E9  | 3   | 20 - 15   | R122789  | 2E15 | 4   | 30 - 31  |
| R122135  | 7F16 | 6   | 70 - 61  | R122474  | 1F23 | 3   | 20 - 52   | R122790  | 7G4  | 14  | 70 - 73  |
| R122147  | 6G14 | 7   | 60 - 77  | R122474  | 1H12 | 3   | 20 - 90   | R122791  | 7G10 | 14  | 70 - 79  |
| R122147  | 7H23 | 28  | 70 - 117 | R122475  | 1E9  | 8   | 20 - 15   | R122792  | 7F11 | 6   | 70 - 56  |
| R122147  | 7H25 | 9   | 70 - 119 | R122475  | 1F23 | 8   | 20 - 52   | R122793  | 7F11 | 6   | 70 - 56  |
| R122147  | 7I10 | 37  | 70 - 129 | R122475  | 1H12 | 8   | 20 - 90   | R122794  | 7F11 | 1   | 70 - 56  |
| R122147  | 7I12 | 6   | 70 - 131 | R122476  | 1E9  | 6   | 20 - 15   | R122795  | 7F11 | 1   | 70 - 56  |
| R122147  | 7I20 | 6   | 70 - 139 | R122476  | 1F23 | 6   | 20 - 52   | R122798  | 8H18 | 2   | 90 - 15  |
| R122148  | 7H21 | 3   | 70 - 115 | R122476  | 1H12 | 6   | 20 - 90   | R122846  | 9D10 | 5   | 91 - 5   |
| R122158  | 7E13 | 15  | 70 - 33  | R122477  | 1E9  | 5   | 20 - 15   | R122866  | 7F6  | 9   | 70 - 51  |
| R122173  | 6D9  | 17  | 60 - 5   | R122477  | 1F23 | 5   | 20 - 52   | R122886  | 4G16 | 1   | 51 - 45  |
| R122180  | 9F7  | 5   | 91 - 51  | R122477  | 1H12 | 5   | 20 - 90   | R122889  | 8G20 | 4   | 80 - 67  |
| R122195  | 1F5  | 11  | 20 - 37  | R122487  | 4D9  | 6   | 42 - 5    | R122890  | 8G22 | 10  | 80 - 69  |
| R122195  | 1F6  | 10  | 20 - 37A | R122487  | 4D13 | 5   | 42 - 9    | R122901  | 5D6  | 19  | 53 - 3   |
| R122195  | 1G19 | 11  | 20 - 73  | R122487  | 4D21 | 6   | 42 - 17   | R122901  | 5D8  | 19  | 53 - 5   |
| R122195  | 1I7  | 11  | 20 - 109 | R122488  | 4D9  | 9   | 42 - 5    | R122901  | 5D10 | 1   | 53 - 7   |
| R122196  | 1F5  | 9   | 20 - 37  | R122488  | 4D11 | 1   | 42 - 7    | R122901  | 7D11 | 9   | 70 - 3   |
| R122196  | 1F6  | 8   | 20 - 37A | R122488  | 4D23 | 1   | 42 - 19   | R122902  | 7D11 | 11  | 70 - 3   |
| R122196  | 1G19 | 9   | 20 - 73  | R122491  | 1D18 | 18  | 20 - 5    | R122903  | 7D11 | 10  | 70 - 3   |
| R122196  | 1I7  | 9   | 20 - 109 | R122492  | 1F11 | 18  | 20 - 41   | R122904  | 5E4  | 15  | 53 - 27  |
| R122197  | 4F10 | 24  | 51 - 13  | R122493  | 6F22 | 11B | 60 - 65   | R122905  | 5E2  | 8   | 53 - 25  |
| R122197  | 4H12 | 26  | 51 - 65  | R122502  | 2D20 | 3   | 30 - 12   | R122906  | 5E4  | 26  | 53 - 27  |
| R122199  | 2G7  | 22  | 30 - 71  | R122502  | 2D24 | 3   | 30 - 16   | R122907  | 5E4  | 23  | 53 - 27  |

**NUMERICAL INDEX - CONTINUED**

| PART NO. | GRID | KEY | PAGE   | PART NO. | GRID | KEY | PAGE   | PART NO. | GRID | KEY | PAGE   |
|----------|------|-----|--------|----------|------|-----|--------|----------|------|-----|--------|
| R122908  | 5E4  | 1   | 53-27  | R124184  | 9G1  | 2   | 92-12  | R124338  | 6F22 | 21  | 60-65  |
| R122909  | 5E6  | 8   | 53-29  | R124186  | 1E23 | 8   | 20-29  | R124338  | 6I6  | 15  | 60-117 |
| R122910  | 5E4  | 13  | 53-27  | R124186  | 1G16 | 13  | 20-69  | R124344  | 6F14 | 17  | 60-57  |
| R122912  | 5E4  | 18  | 53-27  | R124186  | 1I2  | 13  | 20-105 | R124344  | 6F16 | 17  | 60-59  |
| R122914  | 5E6  | 7   | 53-29  | R124191  | 9E3  | 2   | 91-22  | R124344  | 6F22 | 19  | 60-65  |
| R122915  | 5E6  | 9   | 53-29  | R124193  | 9E10 | 7   | 91-29  | R124347  | 7E8  | 9   | 70-28  |
| R123139  | 3F12 | 4   | 40-43  | R124194  | 9E10 | 7   | 91-29  | R124347  | 7E9  | 7   | 70-29  |
| R123139  | 3F13 | 6   | 40-44  | R124202  | 9G8  | 3   | 92-19  | R124347  | 7F6  | 14  | 70-51  |
| R123139  | 3G18 | 9   | 40-74  | R124207  | 9D16 | 7   | 91-11  | R124351  | 9E10 | 21  | 91-29  |
| R123139  | 8G18 | 1   | 80-65  | R124208  | 1G14 | 10  | 20-66  | R124352  | 9E10 | 21  | 91-29  |
| R123962  | 7D15 | 14  | 70-7   | R124208  | 1I4  | 10  | 20-107 | R124353  | 8F8  | 10  | 80-29  |
| R123963  | 7D15 | 15  | 70-7   | R124209  | 8H16 | 2   | 90-13  | R124354  | 1I13 | 1   | 20-115 |
| R123973  | 9D18 | 3   | 91-13  | R124210  | 8H18 | 3   | 90-15  | R124359  | 3G14 | 7   | 40-71  |
| R123974  | 9D18 | 9   | 91-13  | R124211  | 1F5  | 19  | 20-37  | R124359  | 3G16 | 16  | 40-72A |
| R123975  | 9D18 | 8   | 91-13  | R124211  | 1F6  | 18  | 20-37A | R124360  | 9F7  | 23  | 91-51  |
| R123976  | 9D18 | 8   | 91-13  | R124211  | 1F8  | 37  | 20-39  | R124362  | 2G7  | 2   | 30-71  |
| R123986  | 9E14 | 24  | 91-33  | R124211  | 1G19 | 19  | 20-73  | R124363  | 2G7  | 3   | 30-71  |
| R123987  | 9E14 | 24  | 91-33  | R124211  | 1G21 | 8   | 20-75  | R124374  | 8H14 | 8   | 90-11  |
| R123988  | 6D23 | 7   | 60-18  | R124211  | 1I7  | 19  | 20-109 | R124377  | 8G5  | 8   | 80-52  |
| R123988  | 6D24 | 7   | 60-19  | R124211  | 1I9  | 8   | 20-111 | R124377  | 8H14 | 27  | 90-11  |
| R123993  | 2E9  | 3   | 30-27  | R124225  | 3H11 | 2   | 40-91  | R124378  | 8H18 | 9   | 90-15  |
| R123999  | 3F25 | 23  | 40-57  | R124231  | 8G5  | 7   | 80-52  | R124379  | 5F2  | 2   | 54-15  |
| R124004  | 4F16 | 1   | 51-19  | R124231  | 8H21 | 2   | 90-18  | R124380  | 5F2  | 2   | 54-15  |
| R124004  | 4H18 | 1   | 51-71  | R124235  | 9E3  | 5   | 91-22  | R124381  | 1G5  | 1   | 20-57  |
| R124005  | 4F16 | 7   | 51-19  | R124238  | 8H18 | 15  | 90-15  | R124381  | 1H18 | 1   | 20-96  |
| R124005  | 4H18 | 7   | 51-71  | R124241  | 3F25 | 6   | 40-57  | R124404  | 5F10 | 14  | 54-21  |
| R124005  | 9D12 | 12  | 91-7   | R124242  | 6D11 | 6   | 60-7   | R124404  | 5F23 | 10  | 54-35  |
| R124006  | 7H21 | 4   | 70-115 | R124249  | 8E22 | 3   | 80-17  | R124417  | 9F11 | 56  | 91-53B |
| R124007  | 7H21 | 7   | 70-115 | R124249  | 8E24 | 3   | 80-19  | R124418  | 2E7  | 11  | 30-25  |
| R124008  | 7H21 | 9   | 70-115 | R124250  | 8E22 | 3   | 80-17  | R124418  | 8F12 | 25  | 80-33  |
| R124009  | 7H21 | 6   | 70-115 | R124250  | 8E24 | 3   | 80-19  | R124419  | 2E7  | 15  | 30-25  |
| R124011  | 2G9  | 10  | 30-73  | R124252  | 9E2  | 1   | 91-21  | R124419  | 8F12 | 24  | 80-33  |
| R124012  | 2G9  | 11  | 30-73  | R124254  | 9F25 | 11  | 92-11  | R124423  | 7G24 | 14  | 70-95  |
| R124030  | 1G21 | ..  | 20-75  | R124254  | 9G1  | 2   | 92-12  | R124423  | 7H2  | 14  | 70-97  |
| R124030  | 1I9  | ..  | 20-111 | R124255  | 9D12 | 28  | 91-7   | R124428  | 4E24 | 14  | 51-3   |
| R124042  | 7E13 | 14A | 70-33  | R124256  | 8E22 | 12  | 80-17  | R124428  | 4H2  | 14  | 51-55  |
| R124043  | 7E13 | 5   | 70-33  | R124261  | 4D25 | 8   | 42-21  | R124430  | 6F3  | 16  | 60-47  |
| R124044  | 7F22 | 3   | 70-67  | R124262  | 4D25 | 12  | 42-21  | R124431  | 1I18 | 1   | 20-120 |
| R124045  | 7F20 | 5   | 70-65  | R124263  | 4D25 | 12  | 42-21  | R124432  | 9D24 | 1   | 91-19  |
| R124045  | 7F22 | 5   | 70-67  | R124264  | 4D25 | 8   | 42-21  | R124433  | 8H15 | 5   | 90-12  |
| R124049  | 5E7  | 8   | 53-30  | R124268  | 9F7  | 31  | 91-51  | R124441  | 6G14 | 17  | 60-77  |
| R124067  | 6F4  | 1   | 60-49  | R124270  | 9E8  | 4   | 91-27  | R124445  | 7H23 | 21  | 70-117 |
| R124097  | 3G6  | 8   | 40-63  | R124272  | 9E8  | 4   | 91-27  | R124446  | 7H23 | 23  | 70-117 |
| R124097  | 3G8  | 8   | 40-65  | R124274  | 3F25 | 25A | 40-57  | R124447  | 7H23 | 20  | 70-117 |
| R124102  | 8E22 | 17  | 80-17  | R124274  | 3F25 | 26  | 40-57  | R124454  | 7H23 | 5   | 70-117 |
| R124136  | 5E24 | 17  | 54-13  | R124275  | 3G10 | 18  | 40-67  | R124454  | 7H25 | 16  | 70-119 |
| R124137  | 5E24 | 17  | 54-13  | R124276  | 3G10 | 3   | 40-67  | R124454  | 7I10 | 28  | 70-129 |
| R124138  | 5E24 | 17  | 54-13  | R124282  | 6F14 | 8   | 60-57  | R124454  | 7I12 | 9   | 70-131 |
| R124139  | 5E24 | 17  | 54-13  | R124282  | 6F16 | 8   | 60-59  | R124455  | 7H23 | 10  | 70-117 |
| R124154  | 9F12 | 1   | 91-54  | R124282  | 6F20 | 8   | 60-63  | R124455  | 7I10 | 29  | 70-129 |
| R124155  | 9G8  | 6   | 92-19  | R124304  | 8F10 | 2   | 80-31  | R124456  | 7H23 | 6   | 70-117 |
| R124157  | 3F17 | 26  | 40-49  | R124308  | 3E24 | 15  | 40-29  | R124456  | 7H25 | 23  | 70-119 |
| R124162  | 8E22 | 14  | 80-17  | R124309  | 9F7  | 9   | 91-51  | R124456  | 7I10 | 17  | 70-129 |
| R124163  | 6G24 | 7   | 60-87  | R124309  | 9F9  | 13  | 91-53  | R124457  | 7H23 | 8   | 70-117 |
| R124164  | 1I20 | 15  | 20-123 | R124310  | 9D24 | 6   | 91-19  | R124457  | 7H25 | 25  | 70-119 |
| R124165  | 1I20 | 11  | 20-123 | R124311  | 9D24 | 5   | 91-19  | R124457  | 7I10 | 19  | 70-129 |
| R124166  | 1I20 | 15  | 20-123 | R124312  | 6F3  | 5   | 60-47  | R124458  | 7H23 | 9   | 70-117 |
| R124166  | 1I24 | 15  | 20-127 | R124313  | 6F3  | 6   | 60-47  | R124458  | 7H25 | 26  | 70-119 |
| R124167  | 1I20 | 11  | 20-123 | R124328  | 1G11 | 15  | 20-63  | R124458  | 7I10 | 20  | 70-129 |
| R124167  | 1I24 | 11  | 20-127 | R124328  | 1H24 | 15  | 20-103 | R124459  | 7H23 | 34  | 70-117 |
| R124173  | 4F18 | 20  | 51-21  | R124330  | 9D24 | 11  | 91-19  | R124460  | 7H23 | 32  | 70-117 |
| R124173  | 4H20 | 20  | 51-73  | R124331  | 3H18 | 5   | 40-98  | R124460  | 7H25 | 22  | 70-119 |
| R124174  | 4F18 | 21  | 51-21  | R124332  | 8H20 | 1   | 90-17  | R124461  | 7H23 | 31  | 70-117 |
| R124174  | 4H20 | 21  | 51-73  | R124332  | 8H22 | 7   | 90-19  | R124461  | 7H25 | 21  | 70-119 |
| R124175  | 4F18 | 19  | 51-21  | R124332  | 9E3  | 3   | 91-22  | R124462  | 6E20 | 3   | 60-39  |
| R124175  | 4H20 | 19  | 51-73  | R124333  | 9G12 | 10  | 92-23  | R124462  | 6E20 | 45  | 60-39  |
| R124178  | 1E17 | 3   | 20-23  | R124338  | 6F22 | 20  | 60-65  | R124462  | 6E22 | 19  | 60-41  |

## NUMERICAL INDEX - CONTINUED

| PART NO. | GRID | KEY | PAGE   | PART NO. | GRID | KEY | PAGE   | PART NO. | GRID | KEY | PAGE   |
|----------|------|-----|--------|----------|------|-----|--------|----------|------|-----|--------|
| R124462  | 6F1  | 7   | 60-45  | R124632  | 5D20 | 12  | 53-17  | R124823  | 2D13 | 12  | 30-5   |
| R124462  | 6F24 | 5   | 60-67  | R124632  | 5D22 | 12  | 53-19  | R124823  | 8F20 | 10  | 80-41  |
| R124462  | 6G3  | 1   | 60-69B | R124632  | 5D24 | 12  | 53-21  | R124824  | 6E4  | 16  | 60-23  |
| R124462  | 6G5  | 7   | 60-69D | R124650  | 9D13 | 1   | 91-8   | R124824  | 6E6  | 29  | 60-25  |
| R124463  | 6E20 | 35  | 60-39  | R124657  | 9E2  | 6   | 91-21  | R124824  | 6E8  | 29  | 60-27  |
| R124463  | 6E22 | 16  | 60-41  | R124658  | 9E2  | 3   | 91-21  | R124824  | 8F20 | 10  | 80-41  |
| R124463  | 6F24 | 4   | 60-67  | R124659  | 9E2  | 5   | 91-21  | R124826  | 2D13 | 12  | 30-5   |
| R124463  | 6G3  | 4   | 60-69B | R124660  | 9E2  | 7   | 91-21  | R124828  | 7E5  | 33  | 70-23  |
| R124463  | 6G5  | 8   | 60-69D | R124661  | 9E2  | 2   | 91-21  | R124829  | 8G5  | 3   | 80-52  |
| R124464  | 6E20 | 15  | 60-39  | R124663  | 9E25 | 1   | 91-45  | R124838  | 1I17 | 2   | 20-119 |
| R124464  | 6E22 | 20  | 60-41  | R124664  | 9E25 | 1   | 91-45  | R124838  | 2D15 | ..  | 30-7   |
| R124475  | 6E20 | 38  | 60-39  | R124665  | 9F1  | 1   | 91-46  | R124839  | 9D12 | 18  | 91-7   |
| R124476  | 7I10 | 10  | 70-129 | R124666  | 9F2  | 1   | 91-47  | R124840  | 9D12 | 19  | 91-7   |
| R124477  | 6E20 | 37  | 60-39  | R124670  | 8F24 | 7   | 80-45  | R124841  | 9D12 | 15  | 91-7   |
| R124478  | 6E20 | 11  | 60-39  | R124671  | 8F24 | 7   | 80-45  | R124842  | 1G2  | 4   | 20-55A |
| R124480  | 7I2  | 3   | 70-121 | R124673  | 7H19 | 1   | 70-113 | R124842  | 1H18 | 1   | 20-96  |
| R124480  | 7I10 | 3   | 70-129 | R124675  | 3G8  | 15  | 40-65  | R124848  | 2D11 | 7   | 30-3   |
| R124482  | 7H23 | 4   | 70-117 | R124679  | 2E7  | 4   | 30-25  | R124857  | 4F14 | 7   | 51-17  |
| R124482  | 7I10 | 25  | 70-129 | R124681  | 7E5  | 1   | 70-23  | R124858  | 9D13 | 1   | 91-8   |
| R124493  | 6I6  | 6A  | 60-117 | R124686  | 8G3  | 1   | 80-50  | R124859  | 9G8  | 13  | 92-19  |
| R124495  | 8H18 | 8   | 90-15  | R124688  | 9E14 | 1   | 91-33  | R124859  | 9G8  | 21  | 92-19  |
| R124511  | 7H12 | 12  | 70-105 | R124689  | 9E14 | 13  | 91-33  | R124873  | 3G10 | 5   | 40-67  |
| R124511  | 7H16 | 8A  | 70-109 | R124690  | 9E14 | 20  | 91-33  | R124886  | 5F11 | 1   | 54-22  |
| R124515  | 8F12 | 22  | 80-33  | R124691  | 9E14 | 6   | 91-33  | R124887  | 8G5  | 1   | 80-52  |
| R124518  | 8F17 | 8   | 80-38  | R124693  | 8G18 | 2   | 80-65  | R124893  | 9F25 | 1   | 92-11  |
| R124525  | 6G18 | 7   | 60-81  | R124694  | 9F5  | 3   | 91-49  | R124896  | 9F25 | 20  | 92-11  |
| R124530  | 3G2  | 9   | 40-59  | R124695  | 9F5  | 3   | 91-49  | R124897  | 9F25 | 16  | 92-11  |
| R124530  | 8G12 | 8   | 80-59  | R124701  | 5F2  | 26  | 54-15  | R124898  | 9F25 | 6   | 92-11  |
| R124530  | 8G18 | 3   | 80-65  | R124701  | 5F4  | 32  | 54-17  | R124900  | 9G4  | 6   | 92-15  |
| R124530  | 9G8  | 16  | 92-19  | R124711  | 3F25 | 24  | 40-57  | R124900  | 9G8  | 11  | 92-19  |
| R124552  | 4D20 | 6   | 42-16  | R124712  | 3F25 | 4   | 40-57  | R124902  | 9G4  | 12  | 92-15  |
| R124552  | 4D21 | 3   | 42-17  | R124715  | 8F9  | 1   | 80-30  | R124902  | 9G8  | 10  | 92-19  |
| R124556  | 8F14 | 7   | 80-35  | R124716  | 3G25 | 2   | 40-81  | R124903  | 9F25 | 23  | 92-11  |
| R124557  | 8F14 | 5   | 80-35  | R124719  | 4D8  | 12  | 42-4   | R124908  | 9G8  | 8   | 92-19  |
| R124558  | 8F14 | 7   | 80-35  | R124720  | 9E10 | 15  | 91-29  | R124926  | 1I20 | 27  | 20-123 |
| R124559  | 8F14 | 5   | 80-35  | R124721  | 9E10 | 15  | 91-29  | R124926  | 1I24 | 27  | 20-127 |
| R124563  | 8G16 | 3   | 80-63  | R124725  | 4F20 | 7   | 51-23  | R124951  | 8F20 | 3   | 80-41  |
| R124564  | 9D16 | 1   | 91-11  | R124725  | 4H22 | 7   | 51-75  | R124952  | 4G6  | 16  | 51-35  |
| R124565  | 9D16 | 5   | 91-11  | R124733  | 9F2  | 14  | 91-47  | R124952  | 4G8  | 33  | 51-37  |
| R124576  | 4G12 | 9   | 51-41  | R124745  | 5E24 | 7   | 54-13  | R124952  | 4G8  | 38  | 51-37  |
| R124576  | 4I16 | 9   | 51-93  | R124745  | 5G6  | 1   | 54-43  | R124952  | 4I12 | 38  | 51-89  |
| R124576  | 5F2  | 24  | 54-15  | R124745  | 5G6  | ..  | 54-43  | R124957  | 5E16 | 7   | 54-3   |
| R124576  | 5F4  | 30  | 54-17  | R124746  | 1E21 | 11  | 20-27  | R124958  | 8E12 | 2   | 80-5   |
| R124577  | 9D24 | 1   | 91-19  | R124754  | 8F14 | 9   | 80-35  | R124959  | 8E12 | 3   | 80-5   |
| R124578  | 8H10 | 30  | 90-7   | R124755  | 8F14 | 9   | 80-35  | R124959  | 8E12 | 9   | 80-5   |
| R124578  | 8H12 | 19  | 90-9   | R124756  | 8F12 | 17  | 80-33  | R124961  | 8E12 | 8   | 80-5   |
| R124579  | 2D15 | 5   | 30-7   | R124757  | 8F12 | 18  | 80-33  | R124962  | 8E12 | 10  | 80-5   |
| R124581  | 3I18 | ..  | 41-7   | R124758  | 8F12 | 16  | 80-33  | R125024  | 9D12 | 38  | 91-7   |
| R124593  | 9F7  | 35  | 91-51  | R124759  | 1I15 | 15  | 20-117 | R125027  | 1E16 | 3   | 20-22  |
| R124607  | 1F5  | 8   | 20-37  | R124759  | 1I17 | 15  | 20-119 | R125027  | 1G7  | 3   | 20-59  |
| R124607  | 1F6  | 7   | 20-37A | R124770  | 9E14 | 25  | 91-33  | R125027  | 1H19 | 3   | 20-97  |
| R124607  | 1F8  | 17  | 20-39  | R124771  | 3H11 | 5   | 40-91  | R125033  | 1I20 | 13  | 20-123 |
| R124607  | 1F8  | 37  | 20-39  | R124780  | 7F12 | 2   | 70-57  | R125033  | 1I24 | 13  | 20-127 |
| R124607  | 1G19 | 8   | 20-73  | R124781  | 8F12 | 9   | 80-33  | R125034  | 1I20 | 18  | 20-123 |
| R124607  | 1G21 | 7   | 20-75  | R124782  | 8F12 | 7   | 80-33  | R125034  | 1I24 | 18  | 20-127 |
| R124607  | 1I7  | 8   | 20-109 | R124785  | 1J7  | 8   | 20-135 | R125035  | 1I20 | 30  | 20-123 |
| R124607  | 1I9  | 7   | 20-111 | R124786  | 1J9  | 8   | 20-137 | R125035  | 1I24 | 30  | 20-127 |
| R124616  | 8F24 | 5   | 80-45  | R124786  | 6H19 | 6   | 60-107 | R125036  | 1I20 | 4   | 20-123 |
| R124617  | 8F24 | 5   | 80-45  | R124800  | 9D16 | 1   | 91-11  | R125036  | 1I24 | 4   | 20-127 |
| R124619  | 6D13 | 2   | 60-9   | R124804  | 3D24 | 13  | 40-7   | R125037  | 1I20 | 29  | 20-123 |
| R124622  | 1J4  | 1   | 20-131 | R124807  | 7I20 | 12  | 70-139 | R125037  | 1I24 | 29  | 20-127 |
| R124629  | 5D18 | 14  | 53-15  | R124807  | 7I22 | 2   | 70-141 | R125046  | 8D15 | 56  | 71-13  |
| R124629  | 5D20 | 15  | 53-17  | R124807  | 7I24 | 4   | 70-143 | R125050  | 8D15 | 8   | 71-13  |
| R124629  | 5D22 | 15  | 53-19  | R124812  | 3F23 | 9   | 40-55  | R125050  | 8D17 | 11  | 71-15  |
| R124630  | 5D22 | 15  | 53-19  | R124815  | 6F4  | 3   | 60-49  | R125051  | 8D15 | 1   | 71-13  |
| R124630  | 5D24 | 6   | 53-21  | R124816  | 4F14 | 5   | 51-17  | R125053  | 8D15 | 11  | 71-13  |
| R124631  | 5D18 | 11  | 53-15  | R124819  | 7F12 | 1   | 70-57  | R125054  | 8D15 | 37  | 71-13  |

**NUMERICAL INDEX - CONTINUED**

| PART NO. | GRID | KEY | PAGE     | PART NO. | GRID | KEY | PAGE     | PART NO. | GRID | KEY | PAGE     |
|----------|------|-----|----------|----------|------|-----|----------|----------|------|-----|----------|
| R125055  | 8D15 | 25  | 71 - 13  | R125209  | 4H4  | 14  | 51 - 57  | R125634  | 9E18 | 7   | 91 - 37  |
| R125056  | 8D15 | 32  | 71 - 13  | R125216  | 1I20 | 11  | 20 - 123 | R125634  | 9E20 | 7   | 91 - 39  |
| R125057  | 8D15 | 39  | 71 - 13  | R125216  | 1I20 | 15  | 20 - 123 | R125635  | 1I11 | 4   | 20 - 113 |
| R125058  | 8D15 | 55  | 71 - 13  | R125217  | 1I20 | 11  | 20 - 123 | R125666  | 6F4  | 5   | 60 - 49  |
| R125059  | 8D15 | 45  | 71 - 13  | R125217  | 1I20 | 15  | 20 - 123 | R125667  | 6F4  | 4   | 60 - 49  |
| R125060  | 8D15 | 40  | 71 - 13  | R125218  | 1I24 | 15  | 20 - 127 | R125700  | 5D14 | 6   | 53 - 11  |
| R125061  | 8D15 | 54  | 71 - 13  | R125219  | 1I24 | 11  | 20 - 127 | R125713  | 9E18 | 8   | 91 - 37  |
| R125062  | 8D15 | 34  | 71 - 13  | R125223  | 8H12 | 10  | 90 - 9   | R125713  | 9E20 | 8   | 91 - 39  |
| R125064  | 4F4  | 1   | 51 - 7   | R125223  | 8H20 | 35  | 90 - 17  | R125746  | 1J7  | 10  | 20 - 135 |
| R125064  | 4F6  | 13  | 51 - 9   | R125242  | 9F7  | 24  | 91 - 51  | R125746  | 1J9  | 12  | 20 - 137 |
| R125064  | 4F10 | 18  | 51 - 13  | R125324  | 6H15 | 3   | 60 - 103 | R125747  | 1J7  | 11  | 20 - 135 |
| R125064  | 4F12 | 7   | 51 - 15  | R125324  | 6H17 | 3   | 60 - 105 | R125747  | 1J9  | 13  | 20 - 137 |
| R125064  | 4G10 | 25  | 51 - 39  | R125325  | 3H22 | 18  | 40 - 103 | R125844  | 9E18 | 13  | 91 - 37  |
| R125064  | 4H6  | 1   | 51 - 59  | R125344  | 2G9  | 17  | 30 - 73  | R125844  | 9E20 | 13  | 91 - 39  |
| R125064  | 4H12 | 12  | 51 - 65  | R125345  | 8G16 | 10  | 80 - 63  | R125848  | 4F12 | 4   | 51 - 15  |
| R125064  | 4I14 | 25  | 51 - 91  | R125345  | 9D12 | 32  | 91 - 7   | R125848  | 4H14 | 4   | 51 - 67  |
| R125069  | 5D18 | 15  | 53 - 15  | R125346  | 7D23 | 32  | 70 - 15  | R125855  | 1E2  | 1   | 20 - 13  |
| R125069  | 5D20 | 16  | 53 - 17  | R125346  | 7D25 | 32  | 70 - 17  | R125855  | 1E4  | 1   | 20 - 13B |
| R125069  | 5D22 | 16  | 53 - 19  | R125347  | 7D23 | 33  | 70 - 15  | R125855  | 1E5  | 1   | 20 - 13C |
| R125070  | 5D22 | 16  | 53 - 19  | R125347  | 7D25 | 33  | 70 - 17  | R125855  | 1E6  | 1   | 20 - 13D |
| R125070  | 5D24 | 4   | 53 - 21  | R125362  | 5D18 | 27  | 53 - 15  | R125855  | 1E7  | 1   | 20 - 13E |
| R125078  | 9F12 | 5   | 91 - 54  | R125362  | 5D20 | 27  | 53 - 17  | R125855  | 1E9  | 1   | 20 - 15  |
| R125085  | 8F24 | 12  | 80 - 45  | R125362  | 5D22 | 27  | 53 - 19  | R125855  | 1F20 | 1   | 20 - 49  |
| R125086  | 5E4  | 9   | 53 - 27  | R125362  | 5D24 | 3   | 53 - 21  | R125855  | 1F22 | 1   | 20 - 51  |
| R125090  | 8D15 | 32  | 71 - 13  | R125363  | 9E14 | 9   | 91 - 33  | R125855  | 1F23 | 1   | 20 - 52  |
| R125091  | 7H18 | 10  | 70 - 111 | R125365  | 1I11 | 43  | 20 - 113 | R125855  | 1H7  | 1   | 20 - 85  |
| R125092  | 7H12 | 6   | 70 - 105 | R125379  | 4F14 | 9   | 51 - 17  | R125855  | 1H9  | 1   | 20 - 87  |
| R125093  | 7H12 | 6   | 70 - 105 | R125379  | 4H16 | 9   | 51 - 69  | R125855  | 1H11 | 1   | 20 - 89  |
| R125094  | 7H12 | 6   | 70 - 105 | R125390  | 7F20 | 3   | 70 - 65  | R125855  | 1H12 | 1   | 20 - 90  |
| R125095  | 7H12 | 6   | 70 - 105 | R125391  | 8F24 | 19  | 80 - 45  | R125869  | 9F13 | 4   | 91 - 55  |
| R125096  | 7H12 | 6   | 70 - 105 | R125396  | 7J6  | 22  | 70 - 149 | R125873  | 3F25 | 10  | 40 - 57  |
| R125098  | 9F1  | 12  | 91 - 46  | R125397  | 7J6  | 12  | 70 - 149 | R125873  | 3F25 | 11  | 40 - 57  |
| R125098  | 9F2  | 15  | 91 - 47  | R125397  | 7J8  | 12  | 70 - 151 | R125874  | 4D16 | 18  | 42 - 12  |
| R125138  | 3F17 | 23  | 40 - 49  | R125398  | 7J6  | 17  | 70 - 149 | R125877  | 3G6  | 5   | 40 - 63  |
| R125138  | 3F19 | 23  | 40 - 51  | R125398  | 7J8  | 17  | 70 - 151 | R125878  | 3G6  | 7   | 40 - 63  |
| R125138  | 8G18 | 4   | 80 - 65  | R125399  | 7J6  | 10  | 70 - 149 | R125878  | 3G8  | 7   | 40 - 65  |
| R125140  | 7H10 | 19  | 70 - 103 | R125399  | 7J8  | 10  | 70 - 151 | R125879  | 3G6  | 9   | 40 - 63  |
| R125140  | 7H16 | 17  | 70 - 109 | R125408  | 8G6  | 3   | 80 - 53  | R125879  | 3G8  | 9   | 40 - 65  |
| R125144  | 4F16 | 11  | 51 - 19  | R125449  | 7F18 | 15  | 70 - 63  | R125899  | 9G4  | 8   | 92 - 15  |
| R125144  | 4H18 | 11  | 51 - 71  | R125450  | 7F18 | 2   | 70 - 63  | R125905  | 9E18 | 4   | 91 - 37  |
| R125144  | 9D12 | 10  | 91 - 7   | R125450  | 7F24 | 4   | 70 - 69  | R125905  | 9E20 | 25  | 91 - 39  |
| R125147  | 9E3  | 2   | 91 - 22  | R125454  | 8H14 | 31  | 90 - 11  | R125905  | 9F12 | 10  | 91 - 54  |
| R125149  | 8D15 | 4   | 71 - 13  | R125454  | 8H20 | 25  | 90 - 17  | R125906  | 9E18 | 4   | 91 - 37  |
| R125153  | 6D24 | 3   | 60 - 19  | R125461  | 6E6  | 25  | 60 - 25  | R125906  | 9E20 | 25  | 91 - 39  |
| R125161  | 4D17 | 9   | 42 - 13  | R125461  | 6E8  | 25  | 60 - 27  | R125906  | 9F12 | 10  | 91 - 54  |
| R125162  | 8E16 | 9   | 80 - 9   | R125467  | 8H16 | 5   | 90 - 13  | R125915  | 3G10 | 10  | 40 - 67  |
| R125163  | 8E16 | 13  | 80 - 9   | R125468  | 2D20 | 5   | 30 - 12  | R125933  | 9G4  | 7   | 92 - 15  |
| R125164  | 8E16 | 13  | 80 - 9   | R125468  | 2D24 | 5   | 30 - 16  | R125933  | 9G8  | 12  | 92 - 19  |
| R125166  | 1I11 | 32  | 20 - 113 | R125468  | 2E4  | 5   | 30 - 21  | R125955  | 8F10 | 3   | 80 - 31  |
| R125166  | 1I13 | 6   | 20 - 115 | R125469  | 2D20 | 4   | 30 - 12  | R125963  | 7D23 | 21  | 70 - 15  |
| R125168  | 8G6  | 12  | 80 - 53  | R125469  | 2D24 | 4   | 30 - 16  | R125963  | 7D25 | 21  | 70 - 17  |
| R125169  | 8G6  | 12  | 80 - 53  | R125469  | 2E4  | 4   | 30 - 21  | R125963  | 7I16 | 7   | 70 - 135 |
| R125170  | 1I13 | 11  | 20 - 115 | R125472  | 3I22 | ..  | 41 - 12  | R125964  | 3F13 | 5   | 40 - 44  |
| R125175  | 1I11 | 26  | 20 - 113 | R125473  | 8G22 | 4   | 80 - 69  | R125971  | 4F14 | 5   | 51 - 17  |
| R125175  | 8H14 | 1   | 90 - 11  | R125474  | 8G20 | 3   | 80 - 67  | R125971  | 4H16 | 5   | 51 - 69  |
| R125178  | 5E4  | 7   | 53 - 27  | R125475  | 8E22 | 13  | 80 - 17  | R125972  | 4F14 | 7   | 51 - 17  |
| R125180  | 1I20 | 14  | 20 - 123 | R125475  | 8E22 | 16  | 80 - 17  | R125972  | 4H16 | 7   | 51 - 69  |
| R125180  | 1I24 | 14  | 20 - 127 | R125475  | 8E24 | 12  | 80 - 19  | R125974  | 8E10 | 7   | 80 - 3   |
| R125189  | 8G12 | 1   | 80 - 59  | R125484  | 8H10 | 7   | 90 - 7   | R125974  | 8E12 | 7   | 80 - 5   |
| R125190  | 8G12 | 1   | 80 - 59  | R125498  | 2F18 | 4   | 30 - 55  | R125980  | 5E4  | 3   | 53 - 27  |
| R125192  | 8G2  | 6   | 80 - 49  | R125512  | 6F14 | 13  | 60 - 57  | R125981  | 9E20 | 5   | 91 - 39  |
| R125193  | 3H11 | 10  | 40 - 91  | R125531  | 7I20 | 12  | 70 - 139 | R125991  | 4F8  | 6   | 51 - 11  |
| R125196  | 4G2  | 3   | 51 - 31  | R125532  | 8E16 | 12  | 80 - 9   | R125992  | 4F8  | 12  | 51 - 11  |
| R125196  | 4I6  | 3   | 51 - 83  | R125547  | 6F22 | 7   | 60 - 65  | R125999  | 6F3  | 7   | 60 - 47  |
| R125208  | 4F2  | 12  | 51 - 5   | R125553  | 2G7  | 13  | 30 - 71  | R126002  | 5D16 | 19  | 53 - 13  |
| R125208  | 4H4  | 12  | 51 - 57  | R125563  | 3I2  | 11  | 40 - 107 | R126003  | 8F24 | 4   | 80 - 45  |
| R125209  | 4F2  | 14  | 51 - 5   | R125563  | 3I4  | 5   | 40 - 109 | R126009  | 3F17 | 41  | 40 - 49  |

**NUMERICAL INDEX - CONTINUED**

| PART NO. | GRID | KEY | PAGE   | PART NO. | GRID | KEY | PAGE   | PART NO. | GRID | KEY | PAGE   |
|----------|------|-----|--------|----------|------|-----|--------|----------|------|-----|--------|
| R126009  | 3F19 | 42  | 40-51  | R126466  | 8G14 | 1   | 80-61  | R126911  | 6D9  | 17  | 60-5   |
| R126009  | 8G18 | 8   | 80-65  | R126467  | 3G2  | 4   | 40-59  | R126912  | 1E9  | 11  | 20-15  |
| R126009  | 9D16 | 18  | 91-11  | R126467  | 8G14 | 2   | 80-61  | R126912  | 1F23 | 11  | 20-52  |
| R126010  | 3F17 | 41  | 40-49  | R126468  | 3G2  | 2   | 40-59  | R126912  | 1H12 | 11  | 20-90  |
| R126010  | 3F19 | 42  | 40-51  | R126468  | 8G14 | 3   | 80-61  | R126919  | 4D17 | 9   | 42-13  |
| R126010  | 8G18 | 9   | 80-65  | R126470  | 8D15 | 51  | 71-13  | R126920  | 4D16 | 18  | 42-12  |
| R126014  | 4F8  | 9   | 51-11  | R126473  | 9G8  | 19  | 92-19  | R126927  | 8D13 | 14  | 71-11  |
| R126024  | 6D9  | 6   | 60-5   | R126490  | 8F12 | 32  | 80-33  | R126928  | 8D13 | 15  | 71-11  |
| R126025  | 9D18 | 1   | 91-13  | R126503  | 6F14 | 13  | 60-57  | R126929  | 8D13 | 27  | 71-11  |
| R126026  | 9D18 | 2   | 91-13  | R126503  | 6F16 | 13  | 60-59  | R126929  | 8D15 | 18  | 71-13  |
| R126027  | 5E2  | 10  | 53-25  | R126506  | 5D14 | 1   | 53-11  | R126944  | 8G7  | 5   | 80-54  |
| R126027  | 5E4  | 17  | 53-27  | R126510  | 7F18 | 16  | 70-63  | R126944  | 8G8  | 5   | 80-55  |
| R126032  | 9D20 | 4   | 91-15  | R126510  | 7F20 | 2   | 70-65  | R126945  | 8G7  | 6   | 80-54  |
| R126033  | 3H22 | 20  | 40-103 | R126510  | 7F22 | 2   | 70-67  | R126945  | 8G8  | 6   | 80-55  |
| R126039  | 6D9  | 3   | 60-5   | R126525  | 2G9  | 10  | 30-73  | R126946  | 8G7  | 1   | 80-54  |
| R126039  | 6D11 | 5   | 60-7   | R126532  | 7H12 | 12  | 70-105 | R126947  | 8G7  | 2   | 80-54  |
| R126040  | 6D9  | 10  | 60-5   | R126532  | 7H12 | 13  | 70-105 | R126948  | 8G7  | 3   | 80-54  |
| R126103  | 9F12 | 10  | 91-54  | R126532  | 7H16 | 8A  | 70-109 | R126949  | 8G7  | 4   | 80-54  |
| R126104  | 5E4  | 19  | 53-27  | R126532  | 7H16 | 8B  | 70-109 | R126950  | 8G8  | 1   | 80-55  |
| R126105  | 9F12 | 10  | 91-54  | R126536  | 3F12 | 4   | 40-43  | R126951  | 8G8  | 2   | 80-55  |
| R126161  | 9E18 | 2   | 91-37  | R126536  | 3G18 | 10  | 40-74  | R126952  | 8G8  | 3   | 80-55  |
| R126161  | 9E20 | 21  | 91-39  | R126537  | 3F13 | 6   | 40-44  | R126953  | 8G8  | 4   | 80-55  |
| R126174  | 9D24 | 13  | 91-19  | R126547  | 3E14 | 13  | 40-19  | R127150  | 8D17 | 2   | 71-15  |
| R126184  | 9F5  | 29  | 91-49  | R126547  | 8H16 | 11  | 90-13  | R127172  | 8D13 | 16  | 71-11  |
| R126271  | 9F9  | 27  | 91-53  | R126547  | 8H20 | 13  | 90-17  | R127176  | 2F16 | 11  | 30-53  |
| R126271  | 9F11 | 49  | 91-53B | R126547  | 8H20 | 15  | 90-17  | R127176  | 2F25 | 11  | 30-62  |
| R126274  | 9F7  | 31  | 91-51  | R126556  | 7H21 | 5   | 70-115 | R127177  | 8G6  | 5   | 80-53  |
| R126274  | 9F9  | 2   | 91-53  | R126561  | 9G8  | 6   | 92-19  | R127179  | 6I6  | 6A  | 60-117 |
| R126275  | 9F11 | 50  | 91-53B | R126566  | 5E18 | 1   | 54-5   | R127181  | 2F25 | 11  | 30-62  |
| R126282  | 9F9  | 31  | 91-53  | R126569  | 6D11 | 6   | 60-7   | R127194  | 4D9  | 2   | 42-5   |
| R126337  | 1G13 | 5   | 20-65  | R126570  | 6D11 | 2   | 60-7   | R127195  | 4D9  | 2   | 42-5   |
| R126337  | 1I3  | 5   | 20-106 | R126570  | 6D11 | 6   | 60-7   | R127196  | 4G2  | 22  | 51-31  |
| R126355  | 3H24 | 6   | 40-105 | R126570  | 6D11 | 16  | 60-7   | R127196  | 4I6  | 22  | 51-83  |
| R126355  | 9E2  | 4   | 91-21  | R126571  | 6E18 | 5   | 60-37  | R127197  | 4F14 | 6   | 51-17  |
| R126355  | 9E4  | 1   | 91-23  | R126585  | 8G18 | ..  | 80-65  | R127213  | 8D13 | 28  | 71-11  |
| R126355  | 9G8  | 2   | 92-19  | R126587  | 8E22 | 3   | 80-17  | R127213  | 8D15 | 19  | 71-13  |
| R126365  | 9F9  | 27  | 91-53  | R126587  | 8E24 | 3   | 80-19  | R127214  | 8D13 | 18  | 71-11  |
| R126381  | 6E4  | 21  | 60-23  | R126588  | 8D19 | 4   | 71-17  | R127216  | 9F9  | 27  | 91-53  |
| R126381  | 6E6  | 21  | 60-25  | R126616  | 7J6  | 1   | 70-149 | R127216  | 9F11 | 38  | 91-53B |
| R126381  | 6E8  | 21  | 60-27  | R126616  | 7J8  | 1   | 70-151 | R127224  | 9F25 | 16  | 92-11  |
| R126384  | 6F3  | 4   | 60-47  | R126620  | 7I18 | 3   | 70-137 | R127235  | 1I2  | 10  | 20-105 |
| R126387  | 8G5  | 1   | 80-52  | R126636  | 6D13 | 1   | 60-9   | R127235  | 1I2  | 16  | 20-105 |
| R126390  | 5F2  | 6   | 54-15  | R126640  | 6D13 | 3   | 60-9   | R127236  | 1I2  | 16  | 20-105 |
| R126404  | 1I11 | 41  | 20-113 | R126641  | 6D13 | 4   | 60-9   | R127240  | 8F9  | 1   | 80-30  |
| R126404  | 1I13 | 17  | 20-115 | R126645  | 2D15 | 5   | 30-7   | R127245  | 1I13 | 16  | 20-115 |
| R126408  | 7E13 | 14A | 70-33  | R126656  | 2G9  | 10  | 30-73  | R127247  | 5D18 | 2   | 53-15  |
| R126408  | 7E13 | 14B | 70-33  | R126716  | 3G19 | 6   | 40-75  | R127247  | 5D20 | 3   | 53-17  |
| R126408  | 7F6  | 9   | 70-51  | R126716  | 9E10 | 12  | 91-29  | R127247  | 5D22 | 3   | 53-19  |
| R126422  | 5E16 | 18  | 54-3   | R126721  | 8D13 | 8   | 71-11  | R127248  | 9D12 | 22  | 91-7   |
| R126422  | 5F13 | 18  | 54-25  | R126747  | 8D13 | 13  | 71-11  | R127282  | 8E24 | 11  | 80-19  |
| R126432  | 1F13 | 7   | 20-42A | R126748  | 8D13 | 26  | 71-11  | R127297  | 1G14 | 11  | 20-66  |
| R126432  | 1G25 | 7   | 20-78A | R126776  | 9D12 | 17  | 91-7   | R127297  | 1I4  | 11  | 20-107 |
| R126436  | 5F2  | 10  | 54-15  | R126776  | 9D12 | 35  | 91-7   | R127372  | 5E16 | 7   | 54-3   |
| R126436  | 5F4  | 12  | 54-17  | R126777  | 8F14 | 1   | 80-35  | R127415  | 1I2  | 2   | 20-105 |
| R126437  | 5F2  | 10  | 54-15  | R126777  | 8F14 | 2   | 80-35  | R127416  | 7I2  | 3   | 70-121 |
| R126437  | 5F4  | 12  | 54-17  | R126792  | 1I24 | 15  | 20-127 | R127416  | 7I10 | 3   | 70-129 |
| R126441  | 2G7  | 8   | 30-71  | R126793  | 1I24 | 11  | 20-127 | R127420  | 5E16 | 7   | 54-3   |
| R126441  | 2G7  | 28  | 30-71  | R126805  | 8F20 | 3   | 80-41  | R127420  | 5E17 | 3   | 54-4   |
| R126458  | 5E22 | 5   | 54-10  | R126814  | 8D13 | 43  | 71-11  | R127420  | 5F13 | 7   | 54-25  |
| R126459  | 5E22 | 4   | 54-10  | R126821  | 4I14 | 21  | 51-91  | R127437  | 4D21 | 4   | 42-17  |
| R126463  | 3G6  | 1   | 40-63  | R126822  | 7G14 | 5   | 70-83  | R127581  | 7F20 | 8   | 70-65  |
| R126463  | 8G14 | 4   | 80-61  | R126868  | 8D11 | 4   | 71-9   | R127581  | 7F22 | 8   | 70-67  |
| R126464  | 3G6  | 2   | 40-63  | R126870  | 8D11 | 5   | 71-9   | R127582  | 7F20 | 17  | 70-65  |
| R126464  | 8G14 | 5   | 80-61  | R126873  | 8D11 | 6   | 71-9   | R127592  | 9F25 | 16  | 92-11  |
| R126465  | 3G6  | 3   | 40-63  | R126874  | 8D11 | 7   | 71-9   | R127595  | 1F5  | 18  | 20-37  |
| R126465  | 8G14 | 6   | 80-61  | R126891  | 8D7  | 11  | 71-5   | R127595  | 1F6  | 17  | 20-37A |
| R126466  | 3G4  | 1   | 40-61  | R126895  | 7G10 | 14  | 70-79  | R127595  | 2E19 | 6   | 30-33  |

**NUMERICAL INDEX - CONTINUED**

| PART NO. | GRID | KEY | PAGE   | PART NO. | GRID | KEY | PAGE   | PART NO. | GRID | KEY | PAGE   |
|----------|------|-----|--------|----------|------|-----|--------|----------|------|-----|--------|
| R127595  | 2E19 | 10  | 30-33  | R128179  | 9D10 | 4   | 91-5   | R129746  | 9D20 | 3   | 91-15  |
| R127595  | 2E19 | 11  | 30-33  | R128226  | 8E8  | 1   | 80-1   | R129794  | 9G8  | 3   | 92-19  |
| R127647  | 8H15 | 6   | 90-12  | R128232  | 9F25 | 8   | 92-11  | R129820  | 1G16 | 10  | 20-69  |
| R127660  | 5F2  | 2   | 54-15  | R128323  | 9F25 | 20  | 92-11  | R129820  | 1G16 | 16  | 20-69  |
| R127660  | 5F4  | 2   | 54-17  | R128326  | 4D9  | 1   | 42-5   | R129820  | 1I2  | 10  | 20-105 |
| R127661  | 5F2  | 2   | 54-15  | R128326  | 4D14 | 1   | 42-10  | R129820  | 1I2  | 16  | 20-105 |
| R127661  | 5F4  | 2   | 54-17  | R128326  | 8G6  | 4   | 80-53  | R129821  | 1G16 | 16  | 20-69  |
| R127696  | 9E10 | 3   | 91-29  | R128328  | 5D16 | 1   | 53-13  | R129821  | 1I2  | 10  | 20-105 |
| R127696  | 9E12 | 3   | 91-31  | R128328  | 5D16 | 20  | 53-13  | R129821  | 1I2  | 16  | 20-105 |
| R127697  | 9E10 | 3   | 91-29  | R128359  | 5E16 | 11  | 54-3   | R129839  | 1I20 | 30  | 20-123 |
| R127697  | 9E12 | 3   | 91-31  | R128359  | 5F13 | 11  | 54-25  | R129839  | 1I24 | 30  | 20-127 |
| R127698  | 9E11 | 8   | 91-30  | R128360  | 5E16 | 23  | 54-3   | R129869  | 4D14 | 2   | 42-10  |
| R127699  | 9E2  | 6   | 91-21  | R128360  | 5E17 | 3   | 54-4   | R130024  | 3G10 | 18  | 40-67  |
| R127700  | 9E2  | 3   | 91-21  | R128360  | 5F13 | 12  | 54-25  | R130025  | 3G10 | 15  | 40-67  |
| R127701  | 9E2  | 5   | 91-21  | R128387  | 3F13 | 6   | 40-44  | R130026  | 3G10 | 14  | 40-67  |
| R127702  | 9E2  | 7   | 91-21  | R128387  | 7F15 | 2A  | 70-60  | R130069  | 5F19 | 1   | 54-31  |
| R127703  | 9E2  | 2   | 91-21  | R128387  | 7F15 | 2B  | 70-60  | R130069  | 5F21 | 10  | 54-33  |
| R127704  | 7F24 | 9   | 70-69  | R128397  | 4F18 | 23  | 51-21  | R130078  | 5F23 | 9   | 54-35  |
| R127705  | 7F24 | 9   | 70-69  | R128397  | 4H20 | 23  | 51-73  | R130135  | 1I22 | 14  | 20-125 |
| R127712  | 9G12 | 9   | 92-23  | R128490  | 2E11 | 1   | 30-29  | R130135  | 1J2  | 14  | 20-129 |
| R127714  | 9D20 | 2   | 91-15  | R128490  | 2E12 | 1   | 30-29A | R130141  | 1I22 | 20  | 20-125 |
| R127714  | 9G12 | 10  | 92-23  | R128500  | 8G6  | 12  | 80-53  | R130141  | 1J2  | 20  | 20-129 |
| R127715  | 5F2  | 12  | 54-15  | R128557  | 1E23 | 1   | 20-29  | R130318  | 9F12 | 1   | 91-54  |
| R127718  | 9F1  | 12  | 91-46  | R128557  | 1F8  | 33  | 20-39  | R130503  | 9E10 | 24  | 91-29  |
| R127718  | 9F2  | 15  | 91-47  | R128558  | 1E23 | 3   | 20-29  | R130504  | 9E10 | 24  | 91-29  |
| R127727  | 7J8  | 22  | 70-151 | R128558  | 1F8  | 29  | 20-39  | R130505  | 9E10 | 24  | 91-29  |
| R127764  | 8F17 | 7   | 80-38  | R128681  | 4F2  | 1   | 51-5   | R130506  | 9E10 | 24  | 91-29  |
| R127767  | 9F12 | 12  | 91-54  | R128681  | 4F4  | 2   | 51-7   | R130509  | 9E10 | 1   | 91-29  |
| R127769  | 9E16 | 2   | 91-35  | R128681  | 4F6  | 1   | 51-9   | R130510  | 9E10 | 1   | 91-29  |
| R127769  | 9E18 | 9   | 91-37  | R128681  | 4F8  | 1   | 51-11  | R130518  | 9F5  | 3   | 91-49  |
| R127769  | 9E20 | 9   | 91-39  | R128681  | 4F10 | 1   | 51-13  | R130522  | 9F5  | 3   | 91-49  |
| R127771  | 6E20 | 41  | 60-39  | R128681  | 4F12 | 1   | 51-15  | R130547  | 5E24 | 17  | 54-13  |
| R127771  | 6E24 | 4   | 60-43  | R128681  | 4F14 | 8   | 51-17  | R130548  | 5E24 | 17  | 54-13  |
| R127771  | 6F24 | 6   | 60-67  | R128694  | 1G16 | 2   | 20-69  | R130549  | 5E24 | 17  | 54-13  |
| R127771  | 6F25 | 3   | 60-68  | R128694  | 1I2  | 2   | 20-105 | R130550  | 5E24 | 17  | 54-13  |
| R127771  | 6G3  | 18  | 60-69B | R128695  | 9F11 | 50  | 91-53B | R130561  | 1I22 | 19  | 20-125 |
| R127791  | 2D15 | 5   | 30-7   | R128728  | 9E4  | 1   | 91-23  | R130561  | 1J2  | 19  | 20-129 |
| R127830  | 4E24 | 4   | 51-3   | R128728  | 9E5  | 2   | 91-24  | R130561  | 4F23 | 2   | 51-27  |
| R127830  | 4H2  | 4   | 51-55  | R128728  | 9E6  | 2   | 91-25  | R130561  | 4G14 | 3   | 51-43  |
| R127831  | 4E24 | 5   | 51-3   | R128775  | 4G6  | 2   | 51-35  | R130561  | 4I2  | 2   | 51-79  |
| R127831  | 4H2  | 5   | 51-55  | R128775  | 4I10 | 2   | 51-87  | R130561  | 4I18 | 3   | 51-95  |
| R127832  | 4E24 | 4   | 51-3   | R128779  | 9D10 | 7   | 91-5   | R130562  | 4D8  | 12  | 42-4   |
| R127832  | 4E24 | 18  | 51-3   | R128829  | 9D10 | 7   | 91-5   | R130599  | 5E22 | 6   | 54-10  |
| R127832  | 4H2  | 18  | 51-55  | R128894  | 3F12 | 4   | 40-43  | R130638  | 7G4  | 14  | 70-73  |
| R127837  | 8G6  | 12  | 80-53  | R128894  | 3G18 | 9   | 40-74  | R130638  | 7G10 | 14  | 70-79  |
| R127849  | 3F25 | 13  | 40-57  | R128894  | 8G18 | 1   | 80-65  | R130638  | 7G12 | 4   | 70-81  |
| R127849  | 3F25 | 25B | 40-57  | R128990  | 9E25 | 1   | 91-45  | R130639  | 4D13 | 3   | 42-9   |
| R127857  | 9D24 | 6   | 91-19  | R128991  | 9E25 | 1   | 91-45  | R130753  | 5G2  | 14  | 54-39  |
| R127858  | 9D24 | 5   | 91-19  | R129049  | 7I2  | 10  | 70-121 | R130753  | 5G4  | 14  | 54-41  |
| R127877  | 8D19 | 10  | 71-17  | R129049  | 7I10 | 39  | 70-129 | R130806  | 7G4  | 15  | 70-73  |
| R127879  | 3F25 | 5   | 40-57  | R129054  | 1J4  | 1   | 20-131 | R130806  | 7G8  | 2A  | 70-77  |
| R127879  | 3F25 | 10  | 40-57  | R129077  | 9E18 | 2   | 91-37  | R130806  | 7G8  | 3   | 70-77  |
| R127879  | 3F25 | 13  | 40-57  | R129077  | 9E20 | 21  | 91-39  | R130806  | 7G8  | 4   | 70-77  |
| R127879  | 3G4  | 3   | 40-61  | R129090  | 5E17 | 1   | 54-4   | R130806  | 7G8  | 6   | 70-77  |
| R127887  | 8F10 | 9   | 80-31  | R129090  | 5E17 | 3   | 54-4   | R130806  | 7G10 | 15  | 70-79  |
| R127893  | 3G6  | 5   | 40-63  | R129108  | 5E18 | 1   | 54-5   | R130806  | 7G16 | 2A  | 70-85  |
| R127893  | 3G8  | 5   | 40-65  | R129108  | 5G2  | 13  | 54-39  | R130806  | 7G16 | 3   | 70-85  |
| R127903  | 9F5  | 3   | 91-49  | R129108  | 5G4  | 13  | 54-41  | R130806  | 7G16 | 4   | 70-85  |
| R127904  | 9F5  | 30  | 91-49  | R129245  | 1I22 | 24  | 20-125 | R130835  | 8H14 | 24  | 90-11  |
| R128036  | 8D17 | 6   | 71-15  | R129245  | 1J2  | 24  | 20-129 | R130848  | 2D15 | 5   | 30-7   |
| R128043  | 7J8  | 21  | 70-151 | R129377  | 9E16 | 8   | 91-35  | R130894  | 4G12 | 22  | 51-41  |
| R128044  | 7E13 | 5   | 70-33  | R129377  | 9E16 | 15  | 91-35  | R130894  | 5E16 | 2   | 54-3   |
| R128044  | 7F6  | 9   | 70-51  | R129433  | 9F12 | 13  | 91-54  | R130894  | 5E16 | 21  | 54-3   |
| R128093  | 7J8  | 25  | 70-151 | R129518  | 3F23 | 7   | 40-55  | R130894  | 5F13 | 2   | 54-25  |
| R128134  | 7F6  | 9   | 70-51  | R129557  | 5D16 | 19  | 53-13  | R130895  | 4G12 | 22  | 51-41  |
| R128164  | 6F22 | 20  | 60-65  | R129605  | 8F1  | 1   | 80-21  | R130895  | 4I16 | 22  | 51-93  |
| R128164  | 6F22 | 21  | 60-65  | R129727  | 7J8  | 17  | 70-151 | R130895  | 5E16 | 2   | 54-3   |

## NUMERICAL INDEX - CONTINUED

| PART NO. | GRID | KEY | PAGE   | PART NO. | GRID | KEY | PAGE   | PART NO. | GRID | KEY | PAGE   |
|----------|------|-----|--------|----------|------|-----|--------|----------|------|-----|--------|
| R130895  | 5E16 | 21  | 54-3   | R131673  | 5F25 | 7   | 54-37  | R132245  | 4I2  | 20  | 51-79  |
| R130895  | 5F13 | 21  | 54-25  | R131675  | 5F25 | 7   | 54-37  | R132246  | 4G2  | 31  | 51-31  |
| R130921  | 9G1  | 8   | 92-12  | R131676  | 5F25 | 7   | 54-37  | R132246  | 4I6  | 31  | 51-83  |
| R130953  | 7G4  | 1   | 70-73  | R131677  | 7H23 | 16  | 70-117 | R132247  | 4F25 | 32  | 51-29  |
| R130953  | 7G10 | 1   | 70-79  | R131677  | 7H23 | 38  | 70-117 | R132247  | 4I4  | 32  | 51-81  |
| R130953  | 7G12 | 1   | 70-81  | R131738  | 5F10 | 23  | 54-21  | R132248  | 4G8  | 45  | 51-37  |
| R130953  | 7G20 | 1   | 70-91  | R131740  | 5F10 | 12  | 54-21  | R132248  | 4I12 | 45  | 51-89  |
| R130962  | 7J4  | 13  | 70-147 | R131751  | 9D22 | 21  | 91-17  | R132249  | 4G6  | 27  | 51-35  |
| R130981  | 7G20 | 5   | 70-91  | R131807  | 8F21 | 4   | 80-42  | R132249  | 4I10 | 27  | 51-87  |
| R130981  | 7J6  | 1   | 70-149 | R131807  | 8F22 | 4   | 80-43  | R132250  | 4G6  | 11  | 51-35  |
| R130981  | 7J8  | 1   | 70-151 | R131808  | 8F21 | 4   | 80-42  | R132250  | 4I10 | 11  | 51-87  |
| R130982  | 7G4  | 8   | 70-73  | R131808  | 8F22 | 4   | 80-43  | R132275  | 6D13 | 2   | 60-9   |
| R130982  | 7G10 | 8   | 70-79  | R131811  | 4G12 | 2   | 51-41  | R132322  | 8F8  | 3   | 80-29  |
| R130982  | 7G12 | 5   | 70-81  | R131811  | 4I16 | 2   | 51-93  | R132326  | 5D12 | 8   | 53-9   |
| R130988  | 9F25 | 1   | 92-11  | R131875  | 4E24 | 14  | 51-3   | R132496  | 1J2  | 6   | 20-129 |
| R130988  | 9F25 | 20  | 92-11  | R131966  | 9E10 | 9   | 91-29  | R132497  | 1I22 | 6   | 20-125 |
| R130988  | 9F25 | 22  | 92-11  | R131967  | 9E10 | 9   | 91-29  | R132498  | 1I22 | 3   | 20-125 |
| R130989  | 9F25 | 1   | 92-11  | R131970  | 9E10 | 7   | 91-29  | R132498  | 1J2  | 3   | 20-129 |
| R130990  | 9F25 | 20  | 92-11  | R131971  | 9E10 | 7   | 91-29  | R132499  | 1J2  | 3   | 20-129 |
| R131047  | 3G10 | 7   | 40-67  | R131975  | 9E10 | 21  | 91-29  | R132540  | 2G7  | 8   | 30-71  |
| R131047  | 3G10 | 8   | 40-67  | R131976  | 9E10 | 21  | 91-29  | R132544  | 7G16 | 5   | 70-85  |
| R131074  | 9E14 | 16  | 91-33  | R131977  | 9E10 | 15  | 91-29  | R132545  | 7G8  | 5   | 70-77  |
| R131135  | 3G10 | 7   | 40-67  | R131978  | 9E10 | 15  | 91-29  | R132561  | 9E8  | 3   | 91-27  |
| R131135  | 3G10 | 8   | 40-67  | R131985  | 5F25 | 7   | 54-37  | R132561  | 9E10 | 3   | 91-29  |
| R131148  | 7D17 | 3   | 70-9   | R131991  | 3H22 | 5   | 40-103 | R132562  | 9E8  | 3   | 91-27  |
| R131149  | 7D17 | 4   | 70-9   | R131996  | 5F19 | 12  | 54-31  | R132562  | 9E10 | 3   | 91-29  |
| R131165  | 9F9  | 1   | 91-53  | R131996  | 5F21 | 3   | 54-33  | R132574  | 5D14 | 6   | 53-11  |
| R131166  | 9F9  | 1   | 91-53  | R131997  | 5F19 | 12  | 54-31  | R132720  | 8G16 | 5   | 80-63  |
| R131192  | 8H14 | 4   | 90-11  | R131997  | 5F21 | 3   | 54-33  | R132823  | 8F25 | 1   | 80-46  |
| R131193  | 8H14 | 28  | 90-11  | R131998  | 5F19 | 12  | 54-31  | R132823  | 8G1  | 1   | 80-48  |
| R131196  | 6F10 | 11  | 60-53  | R131998  | 5F21 | 3   | 54-33  | R132824  | 8F25 | 11  | 80-46  |
| R131196  | 6F12 | 8   | 60-55  | R131999  | 5F19 | 12  | 54-31  | R132824  | 8G1  | 11  | 80-48  |
| R131197  | 6F10 | 12  | 60-53  | R131999  | 5F21 | 3   | 54-33  | R132840  | 6E20 | 21  | 60-39  |
| R131197  | 6F12 | 9   | 60-55  | R132000  | 5F19 | 12  | 54-31  | R132841  | 6E20 | 22  | 60-39  |
| R131208  | 9F5  | 3   | 91-49  | R132000  | 5F21 | 3   | 54-33  | R132843  | 6E20 | 33  | 60-39  |
| R131213  | 1I22 | 5   | 20-125 | R132001  | 5F19 | 12  | 54-31  | R132843  | 6E24 | 5   | 60-43  |
| R131213  | 1J2  | 5   | 20-129 | R132001  | 5F21 | 3   | 54-33  | R132852  | 7E13 | 17  | 70-33  |
| R131221  | 2D13 | 5   | 30-5   | R132015  | 8G9  | 1   | 80-56  | R132860  | 4G14 | 7   | 51-43  |
| R131222  | 1I22 | 12  | 20-125 | R132016  | 8G9  | 2   | 80-56  | R132860  | 4I18 | 7   | 51-95  |
| R131222  | 1J2  | 12  | 20-129 | R132017  | 8G9  | 3   | 80-56  | R132916  | 5G2  | 13  | 54-39  |
| R131224  | 1I18 | 1   | 20-120 | R132018  | 8G9  | 4   | 80-56  | R132916  | 5G4  | 13  | 54-41  |
| R131226  | 8F12 | 35  | 80-33  | R132019  | 8G10 | 1   | 80-57  | R132971  | 5E21 | 9   | 54-9   |
| R131261  | 9F11 | 57  | 91-53B | R132020  | 8G10 | 2   | 80-57  | R132971  | 5G2  | 3   | 54-39  |
| R131275  | 1I22 | 1   | 20-125 | R132021  | 8G10 | 3   | 80-57  | R132971  | 5G4  | 3   | 54-41  |
| R131275  | 1J2  | 1   | 20-129 | R132022  | 8G10 | 4   | 80-57  | R133053  | 3G6  | 1   | 40-63  |
| R131334  | 9D20 | 5   | 91-15  | R132027  | 8H14 | 8   | 90-11  | R133053  | 8G14 | 4   | 80-61  |
| R131336  | 5G2  | 6   | 54-39  | R132030  | 8E8  | 1   | 80-1   | R133054  | 3G6  | 2   | 40-63  |
| R131346  | 5G2  | 11  | 54-39  | R132066  | 3H9  | 5   | 40-89  | R133054  | 8G14 | 5   | 80-61  |
| R131346  | 5G4  | 11  | 54-41  | R132098  | 8G16 | 2   | 80-63  | R133055  | 3G6  | 3   | 40-63  |
| R131351  | 9E11 | 2   | 91-30  | R132099  | 8G16 | 2   | 80-63  | R133055  | 8G14 | 6   | 80-61  |
| R131356  | 9F9  | 27  | 91-53  | R132143  | 9D22 | 5   | 91-17  | R133056  | 3G8  | 1   | 40-65  |
| R131356  | 9F9  | 32  | 91-53  | R132149  | 9D16 | 7   | 91-11  | R133056  | 8G14 | 7   | 80-61  |
| R131418  | 5G4  | 2   | 54-41  | R132150  | 3F11 | 8   | 40-42  | R133057  | 3G2  | 4   | 40-59  |
| R131432  | 4D5  | 3   | 42-1   | R132150  | 3F19 | 26  | 40-51  | R133057  | 8G14 | 2   | 80-61  |
| R131432  | 9E8  | 9   | 91-27  | R132236  | 4F23 | 8   | 51-27  | R133058  | 3G2  | 2   | 40-59  |
| R131498  | 9D22 | 14  | 91-17  | R132236  | 4G2  | 19  | 51-31  | R133058  | 8G14 | 3   | 80-61  |
| R131499  | 9D22 | 11  | 91-17  | R132236  | 4I2  | 8   | 51-79  | R133095  | 4I2  | 14  | 51-79  |
| R131511  | 5G2  | 7   | 54-39  | R132236  | 4I6  | 19  | 51-83  | R133095  | 4I4  | 26  | 51-81  |
| R131511  | 5G4  | 7   | 54-41  | R132237  | 4F25 | 46  | 51-29  | R133095  | 4I4  | 38  | 51-81  |
| R131520  | 1I11 | 39  | 20-113 | R132237  | 4G14 | 19  | 51-43  | R133095  | 4I6  | 13  | 51-83  |
| R131646  | 1I11 | 35  | 20-113 | R132237  | 4I4  | 46  | 51-81  | R133095  | 4I6  | 25  | 51-83  |
| R131667  | 8E24 | 8   | 80-19  | R132237  | 4I18 | 19  | 51-95  | R133135  | 1G14 | 4   | 20-66  |
| R131671  | 3F2  | 2   | 40-32  | R132239  | 4F25 | 47  | 51-29  | R133135  | 1I4  | 4   | 20-107 |
| R131671  | 3F3  | 2   | 40-33  | R132239  | 4G14 | 20  | 51-43  | R133149  | 5G2  | 10  | 54-39  |
| R131671  | 3F17 | 40  | 40-49  | R132239  | 4I4  | 47  | 51-81  | R133149  | 5G4  | 10  | 54-41  |
| R131671  | 3F19 | 41  | 40-51  | R132239  | 4I18 | 20  | 51-95  | R133192  | 3F2  | 4   | 40-32  |
| R131671  | 9D22 | 9   | 91-17  | R132245  | 4F23 | 20  | 51-27  | R133192  | 3F3  | 4   | 40-33  |



**NUMERICAL INDEX - CONTINUED**

| PART NO. | GRID | KEY | PAGE     | PART NO. | GRID | KEY | PAGE     | PART NO. | GRID | KEY | PAGE     |
|----------|------|-----|----------|----------|------|-----|----------|----------|------|-----|----------|
| R133192  | 9D22 | 15  | 91 - 17  | R134224  | 8E12 | 9   | 80 - 5   | R135359  | 2D20 | 4   | 30 - 12  |
| R133288  | 5F25 | 11  | 54 - 37  | R134232  | 7F11 | 3   | 70 - 56  | R135359  | 2D20 | 5   | 30 - 12  |
| R133301  | 4D7  | 5   | 42 - 3   | R134232  | 7H14 | 12  | 70 - 107 | R135359  | 2D20 | 9   | 30 - 12  |
| R133302  | 4D7  | 6   | 42 - 3   | R134250  | 9G12 | 9   | 92 - 23  | R135359  | 2D24 | 3   | 30 - 16  |
| R133415  | 7G17 | 13  | 70 - 88  | R134287  | 9E3  | 4   | 91 - 22  | R135359  | 2D24 | 4   | 30 - 16  |
| R133415  | 7G20 | 6   | 70 - 91  | R134324  | 3F7  | 9   | 40 - 37  | R135359  | 2D24 | 5   | 30 - 16  |
| R133439  | 9E8  | 4   | 91 - 27  | R134324  | 8G16 | 2   | 80 - 63  | R135359  | 2D24 | 9   | 30 - 16  |
| R133440  | 9E8  | 4   | 91 - 27  | R134325  | 3F7  | 9   | 40 - 37  | R135359  | 2E4  | 3   | 30 - 21  |
| R133450  | 9F5  | 20  | 91 - 49  | R134325  | 8G16 | 2   | 80 - 63  | R135359  | 2E4  | 4   | 30 - 21  |
| R133450  | 9F5  | 21  | 91 - 49  | R134326  | 3H24 | 5   | 40 - 105 | R135359  | 2E4  | 5   | 30 - 21  |
| R133450  | 9F5  | 33  | 91 - 49  | R134351  | 9G4  | 12  | 92 - 15  | R135359  | 2E4  | 9   | 30 - 21  |
| R133450  | 9F5  | 38  | 91 - 49  | R134351  | 9G8  | 10  | 92 - 19  | R135364  | 4I10 | 16  | 51 - 87  |
| R133497  | 6F20 | 10  | 60 - 63  | R134352  | 9G4  | 6   | 92 - 15  | R135364  | 4I12 | 33  | 51 - 89  |
| R133517  | 6F20 | 7   | 60 - 63  | R134352  | 9G8  | 11  | 92 - 19  | R135380  | 4I12 | 35  | 51 - 89  |
| R133529  | 8G5  | 7   | 80 - 52  | R134390  | 4H22 | 10  | 51 - 75  | R135480  | 3G19 | 11  | 40 - 75  |
| R133529  | 8H21 | 2   | 90 - 18  | R134391  | 4H22 | 18  | 51 - 75  | R135480  | 8G16 | 7   | 80 - 63  |
| R133544  | 6F20 | 17  | 60 - 63  | R134401  | 9D20 | 3   | 91 - 15  | R135481  | 3G19 | 11  | 40 - 75  |
| R133544  | 6F22 | 19  | 60 - 65  | R134401  | 9G12 | 10  | 92 - 23  | R135481  | 8G16 | 6   | 80 - 63  |
| R133546  | 6F18 | 2   | 60 - 61  | R134402  | 9D20 | 2   | 91 - 15  | R135509  | 3I21 | 11  | 41 - 11  |
| R133546  | 6F20 | 9   | 60 - 63  | R134449  | 3F25 | 19  | 40 - 57  | R135510  | 3I21 | 9   | 41 - 11  |
| R133546  | 6I6  | 6B  | 60 - 117 | R134482  | 9E20 | 5   | 91 - 39  | R135516  | 4F18 | 1   | 51 - 21  |
| R133564  | 6E2  | 3   | 60 - 21B | R134562  | 8F24 | 5   | 80 - 45  | R135516  | 4F20 | 4   | 51 - 23  |
| R133572  | 6E2  | 8   | 60 - 21B | R134563  | 8F24 | 5   | 80 - 45  | R135516  | 4H20 | 1   | 51 - 73  |
| R133596  | 9F1  | 4   | 91 - 46  | R134581  | 4H12 | 25  | 51 - 65  | R135516  | 4H22 | 4   | 51 - 75  |
| R133596  | 9F2  | 5   | 91 - 47  | R134582  | 4H12 | 7   | 51 - 65  | R135537  | 4F20 | 13  | 51 - 23  |
| R133598  | 9D12 | 22  | 91 - 7   | R134583  | 4H12 | 24  | 51 - 65  | R135537  | 4H22 | 13  | 51 - 75  |
| R133631  | 9D16 | 5   | 91 - 11  | R134584  | 4H12 | 10  | 51 - 65  | R135543  | 5D16 | 5   | 53 - 13  |
| R133632  | 8G18 | 4   | 80 - 65  | R134605  | 9G4  | 7   | 92 - 15  | R135543  | 5D18 | 6   | 53 - 15  |
| R133691  | 7E13 | 15  | 70 - 33  | R134605  | 9G8  | 12  | 92 - 19  | R135543  | 5D20 | 7   | 53 - 17  |
| R133726  | 8F25 | 8   | 80 - 46  | R134619  | 9F11 | 55  | 91 - 53B | R135543  | 5D22 | 7   | 53 - 19  |
| R133726  | 8G1  | 8   | 80 - 48  | R134646  | 8H14 | 25  | 90 - 11  | R135621  | 4H22 | ..  | 51 - 75  |
| R133727  | 8F25 | 8   | 80 - 46  | R134647  | 9E14 | 16  | 91 - 33  | R135658  | 9E10 | 21  | 91 - 29  |
| R133727  | 8G1  | 8   | 80 - 48  | R134667  | 7F22 | 19  | 70 - 67  | R135659  | 9E10 | 21  | 91 - 29  |
| R133728  | 8F25 | 7   | 80 - 46  | R134668  | 7G22 | 8   | 70 - 93  | R135703  | 8G2  | 13  | 80 - 49  |
| R133728  | 8G1  | 7   | 80 - 48  | R134669  | 5D20 | 25  | 53 - 17  | R135753  | 8H20 | 5   | 90 - 17  |
| R133729  | 8F25 | 7   | 80 - 46  | R134669  | 5D22 | 25  | 53 - 19  | R135753  | 8H20 | 27  | 90 - 17  |
| R133729  | 8G1  | 7   | 80 - 48  | R134669  | 5D24 | 11  | 53 - 21  | R135753  | 8H20 | 37  | 90 - 17  |
| R133794  | 6G14 | 47  | 60 - 77  | R134670  | 9E14 | 13  | 91 - 33  | R135758  | 4D21 | 4   | 42 - 17  |
| R133794  | 7I20 | 25  | 70 - 139 | R134682  | 7F22 | 17  | 70 - 67  | R135786  | 6F18 | 2   | 60 - 61  |
| R133867  | 5G2  | 2   | 54 - 39  | R134705  | 7E9  | 5   | 70 - 29  | R135786  | 6F20 | 9   | 60 - 63  |
| R133868  | 9F2  | 7   | 91 - 47  | R134711  | 2G7  | 2   | 30 - 71  | R135786  | 6I6  | 6B  | 60 - 117 |
| R133871  | 5F19 | 2   | 54 - 31  | R134712  | 2G7  | 3   | 30 - 71  | R135810  | 8F20 | 10  | 80 - 41  |
| R133871  | 5F21 | 9   | 54 - 33  | R134727  | 1E23 | 5   | 20 - 29  | R135811  | 6E4  | 16  | 60 - 23  |
| R133966  | 1I22 | 14  | 20 - 125 | R134733  | 5D16 | 22  | 53 - 13  | R135811  | 6E6  | 29  | 60 - 25  |
| R133966  | 1J2  | 14  | 20 - 129 | R134737  | 7F6  | 9   | 70 - 51  | R135811  | 6E8  | 29  | 60 - 27  |
| R134052  | 2G7  | 8   | 30 - 71  | R134755  | 9E3  | 1   | 91 - 22  | R135811  | 8F20 | 10  | 80 - 41  |
| R134054  | 4G3  | 1   | 51 - 32  | R134770  | 2G7  | 31  | 30 - 71  | R135816  | 4H4  | 1   | 51 - 57  |
| R134054  | 4I7  | 1   | 51 - 84  | R134778  | 7H23 | 6   | 70 - 117 | R135816  | 4H6  | 2   | 51 - 59  |
| R134058  | 1I15 | 26  | 20 - 117 | R134885  | 8H14 | 5   | 90 - 11  | R135816  | 4H8  | 1   | 51 - 61  |
| R134058  | 1I17 | 26  | 20 - 119 | R134886  | 8H14 | 5   | 90 - 11  | R135816  | 4H10 | 1   | 51 - 63  |
| R134059  | 9E20 | 27  | 91 - 39  | R134887  | 8H14 | 6   | 90 - 11  | R135816  | 4H12 | 1   | 51 - 65  |
| R134060  | 9E20 | 28  | 91 - 39  | R134957  | 2E17 | 3   | 30 - 31B | R135816  | 4H14 | 1   | 51 - 67  |
| R134070  | 7G16 | 3   | 70 - 85  | R134957  | 2F18 | 3   | 30 - 55  | R135816  | 4H16 | 8   | 51 - 69  |
| R134071  | 7G16 | 4   | 70 - 85  | R134957  | 2F18 | 4   | 30 - 55  | R135864  | 5F25 | 5   | 54 - 37  |
| R134075  | 4I10 | 17  | 51 - 87  | R134986  | 4I10 | 19  | 51 - 87  | R135865  | 5F25 | 5   | 54 - 37  |
| R134075  | 4I12 | 34  | 51 - 89  | R135000  | 7F6  | 8   | 70 - 51  | R135866  | 5F23 | 16  | 54 - 35  |
| R134075  | 4I12 | 37  | 51 - 89  | R135001  | 7E9  | 1   | 70 - 29  | R135866  | 8E24 | 11  | 80 - 19  |
| R134098  | 9E10 | 19  | 91 - 29  | R135088  | 6E10 | 11  | 60 - 29  | R135871  | 3I23 | 5   | 41 - 13  |
| R134109  | 9E2  | 1   | 91 - 21  | R135096  | 4I4  | 37  | 51 - 81  | R135875  | 5G2  | 9   | 54 - 39  |
| R134152  | 9D22 | 4   | 91 - 17  | R135218  | 5F4  | 13  | 54 - 17  | R135875  | 5G4  | 9   | 54 - 41  |
| R134168  | 7J6  | 1   | 70 - 149 | R135218  | 5F8  | 1   | 54 - 19  | R135876  | 5G2  | 8   | 54 - 39  |
| R134168  | 7J8  | 1   | 70 - 151 | R135247  | 5F4  | 27  | 54 - 17  | R135876  | 5G4  | 8   | 54 - 41  |
| R134173  | 9D20 | 1   | 91 - 15  | R135247  | 5F8  | 6   | 54 - 19  | R135942  | 9G8  | 9   | 92 - 19  |
| R134173  | 9D22 | 22  | 91 - 17  | R135349  | 4I2  | 16  | 51 - 79  | R135944  | 8H20 | 3   | 90 - 17  |
| R134174  | 9D20 | 3   | 91 - 15  | R135349  | 4I4  | 28  | 51 - 81  | R135944  | 8H20 | 5   | 90 - 17  |
| R134174  | 9D20 | 4   | 91 - 15  | R135349  | 4I4  | 40  | 51 - 81  | R135944  | 8H22 | 6   | 90 - 19  |
| R134224  | 8E12 | 3   | 80 - 5   | R135359  | 2D20 | 3   | 30 - 12  | R135966  | 5D18 | 11  | 53 - 15  |

**NUMERICAL INDEX - CONTINUED**

| PART NO. | GRID | KEY | PAGE     | PART NO. | GRID | KEY | PAGE     | PART NO. | GRID | KEY | PAGE     |
|----------|------|-----|----------|----------|------|-----|----------|----------|------|-----|----------|
| R135967  | 5D20 | 12  | 53 - 17  | R150365  | 6G14 | 17  | 60 - 77  | R153146  | 9G8  | 3   | 92 - 19  |
| R135967  | 5D22 | 12  | 53 - 19  | R150538  | 6H2  | 4   | 60 - 89  | R153160  | 6D23 | 3   | 60 - 18  |
| R135967  | 5D24 | 12  | 53 - 21  | R150539  | 6H2  | 9   | 60 - 89  | R153184  | 3F25 | 15  | 40 - 57  |
| R135976  | 9E25 | 1   | 91 - 45  | R150573  | 4F6  | 7   | 51 - 9   | R153185  | 3F23 | 3   | 40 - 55  |
| R135977  | 9E25 | 1   | 91 - 45  | R150573  | 4H8  | 7   | 51 - 61  | R153306  | 5F25 | 22  | 54 - 37  |
| R135987  | 8G11 | 3   | 80 - 58  | R150574  | 4F6  | 6   | 51 - 9   | R153307  | 5F25 | 23  | 54 - 37  |
| R135987  | 8G12 | 2   | 80 - 59  | R150574  | 4H8  | 6   | 51 - 61  | R153485  | 9E10 | 10  | 91 - 29  |
| R135987  | 8G16 | 3   | 80 - 63  | R150626  | 5D14 | 1   | 53 - 11  | R153676  | 4F14 | 3   | 51 - 17  |
| R135989  | 5F19 | 5   | 54 - 31  | R150627  | 5D14 | 1   | 53 - 11  | R153676  | 4H16 | 3   | 51 - 69  |
| R135990  | 5F19 | 5   | 54 - 31  | R150627  | 5D14 | 37  | 53 - 11  | R153676  | 5E2  | 1   | 53 - 25  |
| R135991  | 5F21 | 12  | 54 - 33  | R150628  | 5D14 | 1   | 53 - 11  | R153676  | 5E2  | 9   | 53 - 25  |
| R136083  | 1D21 | 3   | 20 - 8   | R150628  | 5D14 | 38  | 53 - 11  | R153676  | 5E4  | 16  | 53 - 27  |
| R136083  | 1F15 | 3   | 20 - 44  | R150659  | 9F25 | 4   | 92 - 11  | R153676  | 6G14 | 41  | 60 - 77  |
| R136083  | 1H2  | 3   | 20 - 80  | R150659  | 9F25 | 5   | 92 - 11  | R153676  | 7D11 | 19  | 70 - 3   |
| R136111  | 8F12 | 35  | 80 - 33  | R150660  | 9F25 | 4   | 92 - 11  | R153676  | 7D13 | 4   | 70 - 5   |
| R136131  | 8H20 | 5   | 90 - 17  | R150660  | 9F25 | 5   | 92 - 11  | R153676  | 7D25 | 10  | 70 - 17  |
| R136157  | 4G14 | 5   | 51 - 43  | R150662  | 6H13 | 28  | 60 - 101 | R153826  | 9E16 | 16  | 91 - 35  |
| R136157  | 4I18 | 5   | 51 - 95  | R150664  | 6H13 | 6   | 60 - 101 | R154075  | 8H14 | 8   | 90 - 11  |
| R136185  | 7H19 | 1   | 70 - 113 | R150800  | 8F12 | 31  | 80 - 33  | R154392  | 3G18 | 1   | 40 - 74  |
| R136238  | 4D13 | 8   | 42 - 9   | R150815  | 6H2  | 7   | 60 - 89  | R154539  | 6F22 | 20  | 60 - 65  |
| R136238  | 4D13 | 10  | 42 - 9   | R150891  | 4F4  | 14  | 51 - 7   | R154539  | 6F22 | 21  | 60 - 65  |
| R136238  | 4D15 | 1   | 42 - 11  | R150892  | 3D20 | 2   | 40 - 3   | R154655  | 8F24 | 4   | 80 - 45  |
| R136238  | 4D21 | 9   | 42 - 17  | R150892  | 3D20 | 10  | 40 - 3   | R154668  | 7I18 | 6   | 70 - 137 |
| R136239  | 4D9  | 5   | 42 - 5   | R150892  | 4F4  | 14  | 51 - 7   | R154889  | 9D18 | 1   | 91 - 13  |
| R136239  | 4D11 | 2   | 42 - 7   | R150892  | 4F18 | 2   | 51 - 21  | R154936  | 8F24 | 1   | 80 - 45  |
| R136239  | 4D13 | 8   | 42 - 9   | R150907  | 5F19 | 13  | 54 - 31  | R155065  | 9E20 | 15  | 91 - 39  |
| R136239  | 4D13 | 10  | 42 - 9   | R150907  | 5F21 | 4   | 54 - 33  | R155817  | 9D13 | 1   | 91 - 8   |
| R136239  | 4D23 | 2   | 42 - 19  | R150920  | 9E10 | 7   | 91 - 29  | R156054  | 9F9  | 1   | 91 - 53  |
| R136260  | 2D13 | 12  | 30 - 5   | R150921  | 9E10 | 7   | 91 - 29  | R156497  | 8E20 | 6   | 80 - 15  |
| R136260  | 8F20 | 10  | 80 - 41  | R151139  | 9E25 | 8   | 91 - 45  | R156498  | 8E20 | 6   | 80 - 15  |
| R136320  | 1F11 | 3   | 20 - 41  | R151216  | 6E4  | 20  | 60 - 23  | R156499  | 8E20 | 6   | 80 - 15  |
| R136320  | 1G23 | 3   | 20 - 77  | R151216  | 6E8  | 20  | 60 - 27  | R156614  | 7G16 | 3   | 70 - 85  |
| R136348  | 8G5  | 7   | 80 - 52  | R151326  | 8H20 | 5   | 90 - 17  | R156614  | 7G16 | 4   | 70 - 85  |
| R136350  | 8H20 | 5   | 90 - 17  | R151326  | 8H20 | 27  | 90 - 17  | R156615  | 7G4  | 15  | 70 - 73  |
| R136350  | 8H20 | 27  | 90 - 17  | R151327  | 9E3  | 2   | 91 - 22  | R156615  | 7G8  | 2A  | 70 - 77  |
| R136355  | 5F15 | 5   | 54 - 27  | R151333  | 8H14 | 8   | 90 - 11  | R156615  | 7G8  | 2B  | 70 - 77  |
| R136355  | 6G1  | 5   | 60 - 69  | R151387  | 2E5  | 4   | 30 - 23  | R156615  | 7G8  | 3   | 70 - 77  |
| R136359  | 8E14 | 3   | 80 - 7   | R151387  | 2E7  | 1   | 30 - 25  | R156615  | 7G8  | 4   | 70 - 77  |
| R136467  | 5F4  | 15  | 54 - 17  | R151387  | 9D12 | 33  | 91 - 7   | R156615  | 7G8  | 6   | 70 - 77  |
| R136467  | 5F8  | 3   | 54 - 19  | R151439  | 7H23 | 41  | 70 - 117 | R156615  | 7G10 | 15  | 70 - 79  |
| R136471  | 1E9  | 2   | 20 - 15  | R151448  | 9E16 | 5   | 91 - 35  | R156615  | 7G16 | 2A  | 70 - 85  |
| R136471  | 1F23 | 2   | 20 - 52  | R151449  | 9E16 | 5   | 91 - 35  | R156615  | 7G16 | 2B  | 70 - 85  |
| R136471  | 1H12 | 2   | 20 - 90  | R151467  | 8G3  | 1   | 80 - 50  | R156615  | 7G16 | 3   | 70 - 85  |
| R136564  | 7D19 | 8   | 70 - 11  | R151641  | 7D19 | 32  | 70 - 11  | R156615  | 7G16 | 4   | 70 - 85  |
| R136565  | 7D19 | 10  | 70 - 11  | R151641  | 7D21 | 8   | 70 - 13  | R156627  | 5F6  | 5   | 54 - 17B |
| R136566  | 7D19 | 11  | 70 - 11  | R151642  | 7D19 | 34  | 70 - 11  | R156636  | 5F6  | 4   | 54 - 17B |
| R136566  | 7D21 | 2   | 70 - 13  | R151642  | 7D21 | 10  | 70 - 13  | R156637  | 5F6  | 4   | 54 - 17B |
| R136567  | 7D19 | 14  | 70 - 11  | R151701  | 3D22 | 7   | 40 - 5   | R156638  | 5F6  | 4   | 54 - 17B |
| R136568  | 7D19 | 17  | 70 - 11  | R151701  | 4H6  | 14  | 51 - 59  | R156639  | 5F6  | 4   | 54 - 17B |
| R136569  | 7D19 | 18  | 70 - 11  | R151720  | 8H14 | 8   | 90 - 11  | R156869  | 5F23 | 23  | 54 - 35  |
| R136570  | 7D19 | 19  | 70 - 11  | R151764  | 9E14 | 24  | 91 - 33  | R157015  | 9E8  | 1   | 91 - 27  |
| R136571  | 7D19 | 20  | 70 - 11  | R151789  | 9D24 | 13  | 91 - 19  | R157015  | 9E12 | 1   | 91 - 31  |
| R136572  | 7D19 | 24  | 70 - 11  | R151799  | 8F9  | 10  | 80 - 30  | R157016  | 9E8  | 1   | 91 - 27  |
| R136573  | 7D19 | 26  | 70 - 11  | R151799  | 9E14 | 23  | 91 - 33  | R157016  | 9E10 | 1   | 91 - 29  |
| R136573  | 7D21 | 4   | 70 - 13  | R151855  | 9E14 | 24  | 91 - 33  | R157016  | 9E12 | 1   | 91 - 31  |
| R136574  | 7D19 | 28  | 70 - 11  | R151924  | 3H9  | 11  | 40 - 89  | R157017  | 9E10 | 1   | 91 - 29  |
| R136575  | 7D19 | 39  | 70 - 11  | R152116  | 8F2  | 3   | 80 - 22  | R157018  | 9E10 | 1   | 91 - 29  |
| R136576  | 7D19 | 2   | 70 - 11  | R152116  | 8F3  | 3   | 80 - 23  | R157023  | 9E8  | 3   | 91 - 27  |
| R137592  | 9F25 | 4   | 92 - 11  | R152119  | 9F13 | 8   | 91 - 55  | R157023  | 9E10 | 3   | 91 - 29  |
| R150005  | 8F12 | 36  | 80 - 33  | R152120  | 9F13 | 9   | 91 - 55  | R157024  | 9E8  | 3   | 91 - 27  |
| R150222  | 5F15 | 3   | 54 - 27  | R152274  | 6E2  | 2   | 60 - 21B | R157024  | 9E10 | 3   | 91 - 29  |
| R150222  | 6G1  | 3   | 60 - 69  | R152283  | 3I2  | 3   | 40 - 107 | R157031  | 9E8  | 4   | 91 - 27  |
| R150307  | 8H20 | 5   | 90 - 17  | R152709  | 1J2  | 6   | 20 - 129 | R157032  | 9E8  | 4   | 91 - 27  |
| R150307  | 8H22 | 3   | 90 - 19  | R152879  | 7I20 | 26  | 70 - 139 | R157210  | 9F9  | 1   | 91 - 53  |
| R150315  | 5F4  | 19  | 54 - 17  | R152879  | 7I22 | 30  | 70 - 141 | R157334  | 6F22 | 7   | 60 - 65  |
| R150350  | 5F15 | 6   | 54 - 27  | R153024  | 8H20 | 5   | 90 - 17  | R157605  | 8F8  | 1   | 80 - 29  |
| R150350  | 6G1  | 6   | 60 - 69  | R153026  | 8H22 | 4   | 90 - 19  | R157605  | 8F8  | 10  | 80 - 29  |

## NUMERICAL INDEX - CONTINUED

| PART NO. | GRID | KEY | PAGE     | PART NO. | GRID | KEY | PAGE     | PART NO. | GRID | KEY | PAGE     |
|----------|------|-----|----------|----------|------|-----|----------|----------|------|-----|----------|
| R157679  | 5F25 | 24  | 54 - 37  | R26246   | 4I6  | 14  | 51 - 83  | R27302   | 5D8  | 17  | 53 - 5   |
| R157897  | 5F25 | 22  | 54 - 37  | R26246   | 4I6  | 26  | 51 - 83  | R27329   | 5E4  | 30  | 53 - 27  |
| R158630  | 5F15 | 1   | 54 - 27  | R26286   | 2E17 | 3   | 30 - 31B | R27329   | 5E6  | 2   | 53 - 29  |
| R158630  | 6G1  | 1   | 60 - 69  | R26286   | 2E17 | 4   | 30 - 31B | R27441   | 9G6  | 13  | 92 - 17  |
| R158631  | 5F15 | 2   | 54 - 27  | R26286   | 2E17 | 12  | 30 - 31B | R27443   | 1D21 | 9   | 20 - 8   |
| R158631  | 6G1  | 2   | 60 - 69  | R26286   | 2F18 | 3   | 30 - 55  | R27443   | 1F15 | 9   | 20 - 44  |
| R158652  | 6D23 | 7   | 60 - 18  | R26286   | 2F18 | 4   | 30 - 55  | R27443   | 1H2  | 9   | 20 - 80  |
| R158652  | 6D24 | 7   | 60 - 19  | R26286   | 2F18 | 9   | 30 - 55  | R27564   | 7H21 | 15  | 70 - 115 |
| R159204  | 5F21 | 13  | 54 - 33  | R26286   | 2F18 | 12  | 30 - 55  | R27928   | 3D22 | 1   | 40 - 5   |
| R159216  | 6E20 | 37  | 60 - 39  | R26286   | 7D17 | 6   | 70 - 9   | R27928   | 3D22 | 7   | 40 - 5   |
| R159353  | 9D16 | 5   | 91 - 11  | R26287   | 6E20 | 26  | 60 - 39  | R27928   | 4F4  | 14  | 51 - 7   |
| R159607  | 9D16 | 5   | 91 - 11  | R26287   | 6E22 | 7   | 60 - 41  | R27928   | 4F4  | 24  | 51 - 7   |
| R159609  | 9D16 | 5   | 91 - 11  | R26333   | 1E11 | 4   | 20 - 17  | R27928   | 4F18 | 2   | 51 - 21  |
| R159897  | 3E8  | 25  | 40 - 13  | R26333   | 1F25 | 4   | 20 - 54  | R27928   | 4F18 | 28  | 51 - 21  |
| R160281  | 7E13 | 5   | 70 - 33  | R26333   | 1H14 | 4   | 20 - 92  | R27928   | 4H6  | 12  | 51 - 59  |
| R161069  | 8F17 | 3   | 80 - 38  | R26333   | 5E16 | 18  | 54 - 3   | R27928   | 4H6  | 14  | 51 - 59  |
| R1612R   | 1D24 | 7   | 20 - 11  | R26375   | 7H14 | 18  | 70 - 107 | R27928   | 4H20 | 2   | 51 - 73  |
| R1612R   | 1F18 | 10  | 20 - 47  | R26375   | 7J2  | 20  | 70 - 145 | R27928   | 4H20 | 28  | 51 - 73  |
| R1612R   | 1H5  | 10  | 20 - 83  | R26375   | 7J2  | 27  | 70 - 145 | R27928   | 5D10 | 10  | 53 - 7   |
| R1612R   | 4I4  | 44  | 51 - 81  | R26375   | 7J9  | 4   | 70 - 152 | R27976   | 3D24 | 18  | 40 - 7   |
| R1612R   | 4I6  | 7   | 51 - 83  | R26375   | 8D19 | 2   | 71 - 17  | R27976   | 3E6  | 17  | 40 - 11  |
| R161279  | 4E2  | 26  | 42 - 23  | R26448   | 2F2  | 3   | 30 - 41  | R27976   | 7E7  | 2   | 70 - 25  |
| R161280  | 4E2  | 26  | 42 - 23  | R26448   | 2F14 | 3   | 30 - 51  | R28024   | 9E14 | 17  | 91 - 33  |
| R161282  | 8D17 | 15  | 71 - 15  | R26448   | 2F24 | 3   | 30 - 61  | R28473   | 9F13 | 1   | 91 - 55  |
| R161356  | 9E23 | 5   | 91 - 43  | R26448   | 5D14 | 9   | 53 - 11  | R28473   | 9F13 | 10  | 91 - 55  |
| R162459  | 4E2  | 19  | 42 - 23  | R26448   | 5D14 | 34  | 53 - 11  | R28556   | 7F24 | 38  | 70 - 69  |
| R163157  | 1I22 | 6   | 20 - 125 | R26448   | 5D14 | 36  | 53 - 11  | R28574   | 8E18 | 2   | 80 - 11  |
| R163157  | 1J2  | 6   | 20 - 129 | R26448   | 5E22 | 15  | 54 - 10  | R28583   | 2E9  | 5   | 30 - 27  |
| R163158  | 1I22 | 3   | 20 - 125 | R26448   | 5E24 | 14  | 54 - 13  | R28583   | 2E10 | 4   | 30 - 28  |
| R163158  | 1J2  | 3   | 20 - 129 | R26448   | 5F15 | 9   | 54 - 27  | R28640   | 4G10 | 14  | 51 - 39  |
| R163173  | 6F22 | 11C | 60 - 65  | R26448   | 6E20 | 27  | 60 - 39  | R28640   | 4I14 | 14  | 51 - 91  |
| R163305  | 5D18 | 2   | 53 - 15  | R26448   | 6E22 | 8   | 60 - 41  | R28671   | 4G10 | 20  | 51 - 39  |
| R163305  | 5D20 | 3   | 53 - 17  | R26448   | 6F6  | 31  | 60 - 51  | R28671   | 4I14 | 20  | 51 - 91  |
| R163305  | 5D22 | 3   | 53 - 19  | R26448   | 6F8  | 5   | 60 - 51B | R28776   | 6E20 | 32  | 60 - 39  |
| R163774  | 4E2  | 9   | 42 - 23  | R26448   | 6G8  | 1   | 60 - 71  | R28776   | 6E22 | 13  | 60 - 41  |
| R163775  | 4E2  | 12  | 42 - 23  | R26448   | 6G10 | 1   | 60 - 73  | R28776   | 6F1  | 3   | 60 - 45  |
| R163837  | 8G5  | 1   | 80 - 52  | R26448   | 6G12 | 1   | 60 - 75  | R28776   | 6G5  | 13  | 60 - 69D |
| R164437  | 4E2  | 4   | 42 - 23  | R26448   | 7E1  | 3   | 70 - 19  | R28776   | 6G16 | 5   | 60 - 79  |
| R165034  | 6F22 | 24  | 60 - 65  | R26448   | 8D19 | 9   | 71 - 17  | R28776   | 6G16 | 10  | 60 - 79  |
| R21612   | 5E22 | 1   | 54 - 10  | R26485   | 7F6  | 3   | 70 - 51  | R28776   | 7H23 | 29  | 70 - 117 |
| R21612   | 5E24 | 15  | 54 - 13  | R26552   | 6E20 | 2   | 60 - 39  | R28776   | 7H25 | 10  | 70 - 119 |
| R21612   | 5F15 | 12  | 54 - 27  | R26552   | 6E24 | 3   | 60 - 43  | R28776   | 7I10 | 36  | 70 - 129 |
| R21722   | 7J2  | 21  | 70 - 145 | R26552   | 6F1  | 2   | 60 - 45  | R28776   | 7I12 | 7   | 70 - 131 |
| R21722   | 7J9  | 1   | 70 - 152 | R26552   | 6F25 | 2   | 60 - 68  | R28776   | 8D15 | 15  | 71 - 13  |
| R21722   | 7J9  | 2   | 70 - 152 | R26552   | 6G3  | 5   | 60 - 69B | R28776   | 7D19 | 23  | 70 - 11  |
| R26058   | 1E16 | 4   | 20 - 22  | R26552   | 6G6  | 2   | 60 - 69F | R28782   | 7D21 | 3   | 70 - 13  |
| R26058   | 1F8  | 35  | 20 - 39  | R26559   | 1D21 | 4   | 20 - 8   | R28811   | 1E13 | 3   | 20 - 19  |
| R26058   | 1G7  | 4   | 20 - 59  | R26559   | 1F15 | 4   | 20 - 44  | R28811   | 1G4  | 3   | 20 - 56  |
| R26058   | 1G21 | 33  | 20 - 75  | R26559   | 1H2  | 4   | 20 - 80  | R28811   | 1H16 | 3   | 20 - 94  |
| R26058   | 1H19 | 4   | 20 - 97  | R26572   | 5D14 | 15  | 53 - 11  | R29936   | 7H23 | 13  | 70 - 117 |
| R26058   | 1I9  | 33  | 20 - 111 | R26643   | 7F18 | 10  | 70 - 63  | R29936   | 7H25 | 14  | 70 - 119 |
| R26079   | 1D21 | 8   | 20 - 8   | R26748   | 1D21 | 12  | 20 - 8   | R30319   | 5E10 | 4   | 53 - 33  |
| R26079   | 1F15 | 8   | 20 - 44  | R26748   | 1F15 | 12  | 20 - 44  | R30398   | 8E14 | 14  | 80 - 7   |
| R26079   | 1H2  | 8   | 20 - 80  | R26748   | 1H2  | 12  | 20 - 80  | R30815   | 7J9  | 5   | 70 - 152 |
| R26081   | 1D21 | 2   | 20 - 8   | R26871   | 7E11 | 9   | 70 - 31  | R30816   | 7J9  | 7   | 70 - 152 |
| R26081   | 1F15 | 2   | 20 - 44  | R26941   | 3F13 | 3   | 40 - 44  | R30817   | 7J9  | 6   | 70 - 152 |
| R26081   | 1H2  | 2   | 20 - 80  | R27094   | 2E15 | ..  | 30 - 31  | R30903   | 6E20 | 24  | 60 - 39  |
| R26115   | 4F18 | 10  | 51 - 21  | R27136   | 5D14 | 14  | 53 - 11  | R30903   | 6E22 | 5   | 60 - 41  |
| R26115   | 4H20 | 10  | 51 - 73  | R27149   | 1D24 | 12  | 20 - 11  | R30903   | 6E22 | 6   | 60 - 41  |
| R26149   | 4F8  | 7   | 51 - 11  | R27149   | 1F18 | 16  | 20 - 47  | R31251   | 8E14 | 10  | 80 - 7   |
| R26246   | 4F23 | 13  | 51 - 27  | R27149   | 1H5  | 16  | 20 - 83  | R31890   | 9G2  | 16  | 92 - 13  |
| R26246   | 4F25 | 25  | 51 - 29  | R27175   | 1E9  | 9   | 20 - 15  | R31935   | 8F12 | 4   | 80 - 33  |
| R26246   | 4F25 | 37  | 51 - 29  | R27175   | 1F23 | 9   | 20 - 52  | R32176   | 2G9  | 7   | 30 - 73  |
| R26246   | 4G2  | 14  | 51 - 31  | R27175   | 1H12 | 9   | 20 - 90  | R32214   | 5E21 | 8   | 54 - 9   |
| R26246   | 4G2  | 26  | 51 - 31  | R27175   | 5D10 | 4   | 53 - 7   | R32507   | 8D15 | 17  | 71 - 13  |
| R26246   | 4I2  | 13  | 51 - 79  | R27218   | 5E24 | 13  | 54 - 13  | R32588   | 4F8  | 8   | 51 - 11  |
| R26246   | 4I4  | 25  | 51 - 81  | R27302   | 5D6  | 17  | 53 - 3   | R33259   | 4F4  | 9   | 51 - 7   |

# 1L16

8100, 8200, 8300, 8400 TRACTORS

## NUMERICAL INDEX - CONTINUED

| PART NO. | GRID | KEY | PAGE     | PART NO. | GRID | KEY | PAGE     | PART NO. | GRID | KEY | PAGE     |
|----------|------|-----|----------|----------|------|-----|----------|----------|------|-----|----------|
| R33259   | 4F10 | 12  | 51 - 13  | R41440   | 3H24 | 7   | 40 - 105 | R44394   | 4F4  | 25  | 51 - 7   |
| R33259   | 4F12 | 6   | 51 - 15  | R41778   | 9G13 | 2   | 92 - 24  | R44394   | 4F10 | 9   | 51 - 13  |
| R33259   | 4H6  | 9   | 51 - 59  | R41934   | 1E12 | 1   | 20 - 18  | R44394   | 4H6  | 24  | 51 - 59  |
| R33259   | 4H12 | 17  | 51 - 65  | R41934   | 1G1  | 1   | 20 - 55  | R44394   | 4H12 | 14  | 51 - 65  |
| R33259   | 4H14 | 6   | 51 - 67  | R41934   | 1G2  | 6   | 20 - 55A | R46414   | 6I4  | 7   | 60 - 115 |
| R33259   | 7H23 | 40  | 70 - 117 | R41934   | 1G3  | 6   | 20 - 55B | R46479   | 1F8  | 17  | 20 - 39  |
| R33259   | 7H25 | 18  | 70 - 119 | R41934   | 1H15 | 1   | 20 - 93  | R47074   | 1E16 | 1   | 20 - 22  |
| R33259   | 7I10 | 27  | 70 - 129 | R41985   | 1I11 | 27  | 20 - 113 | R47074   | 1G7  | 1   | 20 - 59  |
| R33259   | 7I10 | 32  | 70 - 129 | R41985   | 8H14 | 11  | 90 - 11  | R47074   | 1H19 | 1   | 20 - 97  |
| R33259   | 7I10 | 40  | 70 - 129 | R42057   | 5D10 | 3   | 53 - 7   | R47150   | 7I14 | 4   | 70 - 133 |
| R33259   | 7I12 | 10  | 70 - 131 | R42340   | 1D24 | 6   | 20 - 11  | R47153   | 1G14 | 9   | 20 - 66  |
| R33259   | 8H10 | 3   | 90 - 7   | R42340   | 1F18 | 9   | 20 - 47  | R47153   | 1G16 | 7   | 20 - 69  |
| R33259   | 8H12 | 13  | 90 - 9   | R42340   | 1H5  | 9   | 20 - 83  | R47153   | 1G21 | 27  | 20 - 75  |
| R33259   | 8H20 | 21  | 90 - 17  | R42365   | 1D24 | 17  | 20 - 11  | R47153   | 1I2  | 7   | 20 - 105 |
| R33877   | 7E8  | 7   | 70 - 28  | R42849   | 5D14 | 12  | 53 - 11  | R47153   | 1I4  | 9   | 20 - 107 |
| R34222   | 5E22 | 3   | 54 - 10  | R43244   | 4D15 | 3   | 42 - 11  | R47153   | 1I9  | 27  | 20 - 111 |
| R35352   | 6H23 | 1   | 60 - 109 | R43244   | 8F14 | 4   | 80 - 35  | R47160   | 2E9  | 4   | 30 - 27  |
| R35352   | 6H25 | 1   | 60 - 111 | R43409   | 1F18 | 1   | 20 - 47  | R47160   | 2E10 | 2   | 30 - 28  |
| R35717   | 6H23 | 8   | 60 - 109 | R43409   | 1H5  | 1   | 20 - 83  | R47172   | 3H22 | 8   | 40 - 103 |
| R35717   | 6H23 | 22  | 60 - 109 | R43444   | 7F24 | 23  | 70 - 69  | R47578   | 7F24 | 22  | 70 - 69  |
| R35717   | 6H25 | 8   | 60 - 111 | R43621   | 1D24 | 9   | 20 - 11  | R47693   | 1E25 | 6   | 20 - 31  |
| R35717   | 6H25 | 22  | 60 - 111 | R43621   | 1F18 | 13  | 20 - 47  | R47693   | 1F1  | 4   | 20 - 32  |
| R35794   | 4H8  | 25  | 51 - 61  | R43621   | 1H5  | 13  | 20 - 83  | R47862   | 6G16 | 12  | 60 - 79  |
| R35794   | 6F8  | 9   | 60 - 51B | R43660   | 1E23 | 12  | 20 - 29  | R47998   | 6D7  | 9   | 60 - 3   |
| R36402   | 7G18 | 2   | 70 - 89  | R43660   | 1G16 | 9A  | 20 - 69  | R48163   | 7F24 | 14  | 70 - 69  |
| R36441   | 7F24 | 36  | 70 - 69  | R43660   | 1I2  | 9A  | 20 - 105 | R48164   | 7F24 | 15  | 70 - 69  |
| R36599   | 1D24 | 2   | 20 - 11  | R44097   | 3G18 | 5   | 40 - 74  | R48450   | 9E18 | 11  | 91 - 37  |
| R36599   | 1F18 | 5   | 20 - 47  | R44097   | 3G19 | 4   | 40 - 75  | R48450   | 9E20 | 11  | 91 - 39  |
| R36599   | 1H5  | 5   | 20 - 83  | R44097   | 3G21 | 2   | 40 - 77  | R48685   | 4F2  | 7   | 51 - 5   |
| R36658   | 7J9  | 3   | 70 - 152 | R44165   | 3F17 | 8   | 40 - 49  | R48685   | 4G14 | 6   | 51 - 43  |
| R36659   | 7J9  | 3   | 70 - 152 | R44165   | 3F19 | 8   | 40 - 51  | R48685   | 4H4  | 7   | 51 - 57  |
| R37023   | 7D25 | 11  | 70 - 17  | R44302   | 2E9  | 7   | 30 - 27  | R48685   | 4I18 | 6   | 51 - 95  |
| R37287   | 5E17 | 2   | 54 - 4   | R44302   | 3D20 | 13  | 40 - 3   | R48685   | 5E17 | 5   | 54 - 4   |
| R37287   | 5F21 | 1   | 54 - 33  | R44302   | 3D24 | 12  | 40 - 7   | R48685   | 5F19 | 6   | 54 - 31  |
| R375     | 3D24 | 7   | 40 - 7   | R44302   | 3E6  | 11  | 40 - 11  | R48693   | 1F9  | 7   | 20 - 39A |
| R375     | 3E6  | 7   | 40 - 11  | R44302   | 3E24 | 14  | 40 - 29  | R48693   | 2E25 | 7   | 30 - 39  |
| R375     | 4G18 | 2   | 51 - 47  | R44302   | 3F5  | 4   | 40 - 35  | R48693   | 2F12 | 7   | 30 - 49B |
| R375R    | 2F16 | 2   | 30 - 53  | R44302   | 3G2  | 12  | 40 - 59  | R48693   | 2F22 | 7   | 30 - 59  |
| R375R    | 2F25 | 2   | 30 - 62  | R44302   | 3H13 | 8   | 40 - 93  | R49002   | 4F18 | ..  | 51 - 21  |
| R375R    | 5D14 | 21  | 53 - 11  | R44302   | 3I6  | 2   | 40 - 111 | R49377   | 1G21 | 30  | 20 - 75  |
| R38221   | 5E4  | 14  | 53 - 27  | R44302   | 3I14 | 9   | 41 - 4   | R49377   | 1I9  | 30  | 20 - 111 |
| R39208   | 5D14 | 13  | 53 - 11  | R44302   | 3I15 | 11  | 41 - 4A  | R495R    | 7D13 | 3   | 70 - 5   |
| R39503   | 2D19 | 11  | 30 - 11  | R44302   | 3I16 | 7   | 41 - 5   | R49866   | 1D19 | 3   | 20 - 6   |
| R39554   | 2E9  | 2   | 30 - 27  | R44302   | 3I19 | 4   | 41 - 8   | R49866   | 1F8  | 16  | 20 - 39  |
| R39554   | 3E10 | 43  | 40 - 15  | R44302   | 4D25 | 16  | 42 - 21  | R49866   | 1F12 | 3   | 20 - 42  |
| R39554   | 3E12 | 44  | 40 - 17  | R44302   | 6E4  | 23  | 60 - 23  | R49866   | 1G21 | 6   | 20 - 75  |
| R39554   | 3E14 | 51  | 40 - 19  | R44302   | 6F8  | 21  | 60 - 51B | R49866   | 1G24 | 3   | 20 - 78  |
| R39554   | 3E16 | 52  | 40 - 21  | R44302   | 6F22 | ..  | 60 - 65  | R49866   | 1I9  | 6   | 20 - 111 |
| R39554   | 3E18 | 44  | 40 - 23  | R44302   | 6H4  | 11  | 60 - 91  | R500330  | 1E23 | 7   | 20 - 29  |
| R39554   | 3F21 | 3   | 40 - 53  | R44302   | 6H6  | 3   | 60 - 93  | R500330  | 1G16 | 14  | 20 - 69  |
| R39741   | 1D24 | 3   | 20 - 11  | R44302   | 6H8  | 3   | 60 - 95  | R500330  | 1I2  | 14  | 20 - 105 |
| R39741   | 1F18 | 6   | 20 - 47  | R44302   | 6H13 | 7   | 60 - 101 | R50034   | 6F3  | 9   | 60 - 47  |
| R39741   | 1H5  | 6   | 20 - 83  | R44302   | 6H23 | 3   | 60 - 109 | R500642  | 1D24 | 10  | 20 - 11  |
| R39741   | 1J3  | 1   | 20 - 130 | R44302   | 6H25 | 3   | 60 - 111 | R500642  | 1E21 | 1   | 20 - 27  |
| R40236   | 1G13 | 4   | 20 - 65  | R44302   | 6I4  | 6   | 60 - 115 | R500642  | 1F18 | 15  | 20 - 47  |
| R40236   | 1I3  | 4   | 20 - 106 | R44302   | 7D23 | 28A | 70 - 15  | R500642  | 1G11 | 1   | 20 - 63  |
| R40685   | 9D12 | 17  | 91 - 7   | R44302   | 7D23 | 43  | 70 - 15  | R500642  | 1H5  | 15  | 20 - 83  |
| R40687   | 3F25 | 17  | 40 - 57  | R44302   | 7D25 | 43  | 70 - 17  | R500642  | 1H24 | 1   | 20 - 103 |
| R40687   | 3F25 | 22  | 40 - 57  | R44302   | 7H14 | 16  | 70 - 107 | R50390   | 1G8  | 11  | 20 - 60  |
| R40915   | 7E11 | 2   | 70 - 31  | R44302   | 7H21 | 20  | 70 - 115 | R50390   | 1G21 | 21  | 20 - 75  |
| R41049   | 1E13 | 1   | 20 - 19  | R44302   | 7I18 | ..  | 70 - 137 | R50390   | 1H20 | 11  | 20 - 98  |
| R41071   | 8H14 | 26  | 90 - 11  | R44302   | 7J4  | 14  | 70 - 147 | R50390   | 1I9  | 21  | 20 - 111 |
| R41076   | 6F16 | 20  | 60 - 59  | R44302   | 8G20 | 5   | 80 - 67  | R50393   | 1G8  | 8   | 20 - 60  |
| R41076   | 6F20 | 20  | 60 - 63  | R44302   | 8G22 | 5   | 80 - 69  | R50393   | 1H20 | 8   | 20 - 98  |
| R41076   | 7E11 | 8   | 70 - 31  | R44302   | 8H10 | 27  | 90 - 7   | R50405   | 1F8  | 3   | 20 - 39  |
| R41285   | 1F3  | 7   | 20 - 35  | R44302   | 9E20 | ..  | 91 - 39  | R50405   | 1G21 | 18  | 20 - 75  |
| R41387   | 9G4  | 17  | 92 - 15  | R44342   | 3F21 | 9   | 40 - 53  | R50405   | 1I9  | 18  | 20 - 111 |

**NUMERICAL INDEX - CONTINUED**

| PART NO. | GRID | KEY | PAGE   | PART NO. | GRID | KEY | PAGE   | PART NO. | GRID | KEY | PAGE   |
|----------|------|-----|--------|----------|------|-----|--------|----------|------|-----|--------|
| R50424   | 1G14 | 12  | 20-66  | R53899   | 1G21 | 25  | 20-75  | R57159   | 1D24 | 19  | 20-11  |
| R50424   | 1G21 | 35  | 20-75  | R53899   | 1I9  | 25  | 20-111 | R57528   | 7F11 | 2   | 70-56  |
| R50424   | 1I4  | 12  | 20-107 | R53899   | 2E25 | 26  | 30-39  | R57583   | 1E14 | 7   | 20-20  |
| R50424   | 1I9  | 35  | 20-111 | R53899   | 2F1  | 7   | 30-40  | R57584   | 1E15 | 3   | 20-21  |
| R50879   | 6F3  | 8   | 60-47  | R53899   | 2F12 | 27  | 30-49B | R57696   | 1E21 | 5   | 20-27  |
| R50901   | 3I18 | 4   | 41-7   | R53899   | 2F13 | 7   | 30-50  | R57696   | 1G11 | 5   | 20-63  |
| R50902   | 3I18 | 2   | 41-7   | R53899   | 2F22 | 27  | 30-59  | R57696   | 1H24 | 5   | 20-103 |
| R51053   | 1G14 | 10  | 20-66  | R53899   | 2F23 | 7   | 30-60  | R57771   | 1E6  | 1   | 20-13D |
| R51053   | 1I4  | 10  | 20-107 | R53901   | 1F8  | 27  | 20-39  | R57771   | 1E14 | 2   | 20-20  |
| R51133   | 1E23 | 4   | 20-29  | R53901   | 1G21 | 25  | 20-75  | R57771   | 1G6  | 2   | 20-58  |
| R51133   | 2D19 | 8   | 30-11  | R53901   | 1I9  | 25  | 20-111 | R57771   | 1H17 | 2   | 20-95  |
| R51156   | 7J6  | 1   | 70-149 | R53901   | 2F1  | 9   | 30-40  | R58186   | 2E23 | 6   | 30-37  |
| R51156   | 7J8  | 1   | 70-151 | R53901   | 2F13 | 9   | 30-50  | R58186   | 2E23 | 10  | 30-37  |
| R51936   | 1F9  | 2   | 20-39A | R53901   | 2F23 | 9   | 30-60  | R58186   | 2F8  | 4   | 30-47  |
| R51936   | 2E23 | 25  | 30-37  | R54025   | 2F2  | 2   | 30-41  | R58186   | 2F20 | 6   | 30-57  |
| R51936   | 2E25 | 2   | 30-39  | R54025   | 2F14 | 2   | 30-51  | R58186   | 2F20 | 10  | 30-57  |
| R51936   | 2F8  | 23  | 30-47  | R54025   | 2F24 | 2   | 30-61  | R58255   | 5D12 | 11  | 53-9   |
| R51936   | 2F12 | 2   | 30-49B | R54064   | 7G22 | 4   | 70-93  | R58256   | 5D12 | 11  | 53-9   |
| R51936   | 2F12 | 30  | 30-49B | R54123   | 1E25 | 4   | 20-31  | R58257   | 5D12 | 11  | 53-9   |
| R51936   | 2F20 | 25  | 30-57  | R54123   | 1F1  | 7   | 20-32  | R58258   | 5D12 | 11  | 53-9   |
| R51936   | 2F22 | 2   | 30-59  | R54380   | 5D14 | 2   | 53-11  | R58617   | 7F24 | 25  | 70-69  |
| R51936   | 2F22 | 30  | 30-59  | R54380   | 5D14 | 5   | 53-11  | R58865   | 8E22 | 17  | 80-17  |
| R51937   | 2E23 | 20  | 30-37  | R54380   | 5D18 | 7   | 53-15  | R59009   | 9G2  | 17  | 92-13  |
| R51937   | 2F8  | 18  | 30-47  | R54380   | 5D20 | 8   | 53-17  | R59011   | 9G2  | 10  | 92-13  |
| R51937   | 2F20 | 20  | 30-57  | R54380   | 5D22 | 8   | 53-19  | R59012   | 9G2  | 13  | 92-13  |
| R52006   | 7G4  | 16  | 70-73  | R54380   | 8F8  | 2   | 80-29  | R59013   | 9G6  | 15  | 92-17  |
| R52006   | 7G10 | 16  | 70-79  | R54500   | 2D19 | 15  | 30-11  | R59018   | 9G2  | 11  | 92-13  |
| R52006   | 7G16 | 6   | 70-85  | R54500   | 2D23 | 5   | 30-15  | R59019   | 9G2  | 1   | 92-13  |
| R52006   | 8E22 | 2   | 80-17  | R54500   | 2E2  | 5   | 30-19  | R59020   | 9G6  | 9   | 92-17  |
| R52006   | 8E22 | 6   | 80-17  | R54510   | 1E25 | 2   | 20-31  | R59021   | 9G6  | 7   | 92-17  |
| R52006   | 8E24 | 2   | 80-19  | R54510   | 1F1  | 2   | 20-32  | R59022   | 9G6  | 14  | 92-17  |
| R52006   | 8E24 | 9   | 80-19  | R54511   | 1E25 | 3   | 20-31  | R59023   | 9G6  | 18  | 92-17  |
| R52006   | 8F1  | 2   | 80-21  | R54511   | 1F1  | 3   | 20-32  | R59028   | 9G6  | 4   | 92-17  |
| R52107   | 7H18 | 5   | 70-111 | R54565   | 1D21 | 1   | 20-8   | R59029   | 9G6  | 4   | 92-17  |
| R52130   | 3G22 | 4   | 40-78  | R54565   | 1F15 | 1   | 20-44  | R59030   | 9G4  | 14  | 92-15  |
| R52130   | 3G23 | 3   | 40-79  | R54565   | 1H2  | 1   | 20-80  | R59070   | 9G6  | 3   | 92-17  |
| R52130   | 8H20 | 17  | 90-17  | R54701   | 9E4  | 5   | 91-23  | R59297   | 2E23 | 8   | 30-37  |
| R52130   | 9E20 | 4   | 91-39  | R54856   | 1E18 | 2   | 20-24  | R59297   | 2E23 | 11  | 30-37  |
| R52188   | 8E14 | 11  | 80-7   | R54856   | 1G21 | 24  | 20-75  | R59297   | 2F8  | 8   | 30-47  |
| R52389   | 5D18 | 16  | 53-15  | R54856   | 1H21 | 3   | 20-99  | R59297   | 2F8  | 9   | 30-47  |
| R52634   | 1E13 | 1   | 20-19  | R54856   | 1I9  | 24  | 20-111 | R59297   | 2F8  | 10  | 30-47  |
| R52665   | 4F10 | 3   | 51-13  | R54856   | 3E2  | 23  | 40-9   | R59297   | 2F20 | 8   | 30-57  |
| R52665   | 4H12 | 6   | 51-65  | R54856   | 3E4  | 23  | 40-9B  | R59297   | 2F20 | 11  | 30-57  |
| R52690   | 9G4  | 17  | 92-15  | R54856   | 3E8  | 23  | 40-13  | R59298   | 2E23 | 8   | 30-37  |
| R52691   | 9G4  | 17  | 92-15  | R55081   | 5D16 | 23  | 53-13  | R59298   | 2E23 | 9   | 30-37  |
| R52725   | 3H1  | 2   | 40-82  | R55151   | 8E24 | 14  | 80-19  | R59298   | 2E23 | 11  | 30-37  |
| R52876   | 7H21 | 14  | 70-115 | R55326   | 8H18 | 1   | 90-15  | R59298   | 2F20 | 8   | 30-57  |
| R52931   | 3G22 | 6   | 40-78  | R55326   | 9E11 | 5   | 91-30  | R59298   | 2F20 | 9   | 30-57  |
| R53108   | 1F8  | 36  | 20-39  | R55327   | 9F12 | 8   | 91-54  | R59298   | 2F20 | 11  | 30-57  |
| R53108   | 1G21 | 34  | 20-75  | R55396   | 1F9  | 14  | 20-39A | R59305   | 2E23 | 6   | 30-37  |
| R53108   | 1I9  | 34  | 20-111 | R55396   | 2E25 | 14  | 30-39  | R59305   | 2E23 | 10  | 30-37  |
| R53226   | 6F3  | 3   | 60-47  | R55396   | 3I14 | 2   | 41-4   | R59305   | 2F20 | 6   | 30-57  |
| R53292   | 1E14 | 5   | 20-20  | R55427   | 8F10 | 3   | 80-31  | R59305   | 2F20 | 10  | 30-57  |
| R53292   | 1G6  | 5   | 20-58  | R55427   | 8F12 | 29  | 80-33  | R59384   | 5D16 | 10  | 53-13  |
| R53292   | 1H17 | 5   | 20-95  | R56101   | 2G9  | 16  | 30-73  | R59439   | 5D18 | 17  | 53-15  |
| R53524   | 7H14 | 13  | 70-107 | R56101   | 6F22 | 25  | 60-65  | R59439   | 5D20 | 18  | 53-17  |
| R53658   | 7E9  | 3   | 70-29  | R56101   | 7I18 | 2   | 70-137 | R59439   | 5D22 | 18  | 53-19  |
| R53665   | 9G2  | 3   | 92-13  | R56101   | 7I22 | 14  | 70-141 | R59440   | 5D18 | 17  | 53-15  |
| R53665   | 9G2  | 7   | 92-13  | R56397   | 4E24 | 2   | 51-3   | R59440   | 5D20 | 18  | 53-17  |
| R53668   | 9G2  | 18  | 92-13  | R56397   | 4H2  | 2   | 51-55  | R59440   | 5D22 | 18  | 53-19  |
| R53668   | 9G4  | 15  | 92-15  | R56397   | 6F3  | 10  | 60-47  | R59478   | 7F24 | 6   | 70-69  |
| R53668   | 9G6  | 16  | 92-17  | R56465   | 8D13 | 29  | 71-11  | R59575   | 9D10 | 8   | 91-5   |
| R53884   | 2F1  | 3   | 30-40  | R56465   | 8D15 | 20  | 71-13  | R59761   | 8F17 | 3   | 80-38  |
| R53884   | 2F13 | 3   | 30-50  | R56504   | 7E11 | 3   | 70-31  | R59843   | 5D18 | 28  | 53-15  |
| R53884   | 2F23 | 3   | 30-60  | R56751   | 7D19 | 7   | 70-11  | R59897   | 9G4  | 9   | 92-15  |
| R53899   | 1F8  | 27  | 20-39  | R56751   | 7D21 | 1   | 70-13  | R60170   | 8H12 | 19  | 90-9   |
| R53899   | 1F9  | 26  | 20-39A | R57158   | 1D24 | 19  | 20-11  | R60273   | 2F16 | 7   | 30-53  |

## NUMERICAL INDEX - CONTINUED

| PART NO. | GRID | KEY | PAGE   | PART NO. | GRID | KEY | PAGE   | PART NO. | GRID | KEY | PAGE   |
|----------|------|-----|--------|----------|------|-----|--------|----------|------|-----|--------|
| R60274   | 2F16 | 8   | 30-53  | R62930   | 1G11 | 1   | 20-63  | R65785   | 6F22 | 23  | 60-65  |
| R60275   | 2F16 | 9   | 30-53  | R62930   | 1H5  | 15  | 20-83  | R65785   | 7I22 | 15  | 70-141 |
| R60277   | 2F16 | 1   | 30-53  | R62930   | 1H24 | 1   | 20-103 | R65815   | 7F24 | 9   | 70-69  |
| R60277   | 2F25 | 1   | 30-62  | R62938   | 1E21 | 2   | 20-27  | R65816   | 7F24 | 9   | 70-69  |
| R60278   | 2F16 | 4   | 30-53  | R62938   | 1G11 | 2   | 20-63  | R66307   | 8E16 | 7   | 80-9   |
| R60278   | 2F25 | 4   | 30-62  | R62938   | 1H24 | 2   | 20-103 | R66452   | 1E6  | 1   | 20-13D |
| R60279   | 2F16 | 3   | 30-53  | R62986   | 1E15 | 1   | 20-21  | R66452   | 1E14 | 4   | 20-20  |
| R60279   | 2F25 | 3   | 30-62  | R62987   | 1E15 | 2   | 20-21  | R66452   | 1F22 | 1   | 20-51  |
| R60458   | 9G2  | 15  | 92-13  | R62988   | 1E15 | 2   | 20-21  | R66452   | 1G6  | 4   | 20-58  |
| R60458   | 9G6  | 6   | 92-17  | R63002   | 1E15 | 2   | 20-21  | R66452   | 1H11 | 1   | 20-89  |
| R60472   | 1E15 | 3   | 20-21  | R63003   | 1E15 | 2   | 20-21  | R66452   | 1H17 | 4   | 20-95  |
| R60473   | 1E15 | 3   | 20-21  | R63004   | 1E15 | 2   | 20-21  | R66477   | 4G18 | 4   | 51-47  |
| R60474   | 1E15 | 3   | 20-21  | R63005   | 1E15 | 2   | 20-21  | R66477   | 5D14 | 18  | 53-11  |
| R60475   | 1E15 | 3   | 20-21  | R63006   | 1E15 | 2   | 20-21  | R66492   | 1E6  | 1   | 20-13D |
| R60485   | 1E14 | 7   | 20-20  | R63007   | 1E15 | 2   | 20-21  | R66901   | 7F24 | 13  | 70-69  |
| R60486   | 1E14 | 7   | 20-20  | R63008   | 1E15 | 2   | 20-21  | R66901   | 7F24 | 21  | 70-69  |
| R60487   | 1E14 | 7   | 20-20  | R63009   | 1E15 | 2   | 20-21  | R67092   | 2D19 | 6   | 30-11  |
| R60488   | 1E14 | 7   | 20-20  | R63010   | 1E15 | 1   | 20-21  | R67092   | 2D23 | 1   | 30-15  |
| R60730   | 6D12 | 3   | 60-8   | R63016   | 2F1  | 10  | 30-40  | R67092   | 2E2  | 1   | 30-19  |
| R60755   | 6E20 | 17  | 60-39  | R63016   | 2F13 | 10  | 30-50  | R67092   | 2E17 | 5   | 30-31B |
| R60755   | 6E25 | 2   | 60-44  | R63016   | 2F23 | 10  | 30-60  | R67092   | 2E19 | 5   | 30-33  |
| R60755   | 6F24 | 16  | 60-67  | R63237   | 5D20 | 17  | 53-17  | R67092   | 2E21 | 5   | 30-35  |
| R60755   | 6G3  | 16  | 60-69B | R63237   | 5D22 | 17  | 53-19  | R67092   | 2F6  | 1   | 30-45  |
| R61144   | 2E23 | 6   | 30-37  | R63326   | 1E12 | 2   | 20-18  | R67092   | 2F18 | 5   | 30-55  |
| R61144   | 2E23 | 10  | 30-37  | R63326   | 1G1  | 2   | 20-55  | R67092   | 2G3  | 5   | 30-67  |
| R61144   | 2F20 | 6   | 30-57  | R63326   | 1H15 | 2   | 20-93  | R67092   | 2G5  | 1   | 30-69  |
| R61144   | 2F20 | 10  | 30-57  | R63548   | 7I14 | 5   | 70-133 | R67092   | 2G7  | 12  | 30-71  |
| R61145   | 2E23 | 9   | 30-37  | R63575   | 5D20 | 14  | 53-17  | R67092   | 2G7  | 14  | 30-71  |
| R61145   | 2F20 | 9   | 30-57  | R63575   | 5D22 | 14  | 53-19  | R67264   | 1F9  | 20  | 20-39A |
| R61288   | 1D24 | 23  | 20-11  | R63575   | 5D24 | 7   | 53-21  | R67264   | 2E25 | 20  | 30-39  |
| R61288   | 1F18 | 24  | 20-47  | R63604   | 2F12 | 32  | 30-49B | R67264   | 2F12 | 20  | 30-49B |
| R61288   | 1H5  | 24  | 20-83  | R63604   | 2F22 | 32  | 30-59  | R67264   | 2F12 | 34  | 30-49B |
| R61289   | 1E15 | 3   | 20-21  | R63647   | 2G1  | 2   | 30-65  | R67264   | 2F22 | 20  | 30-59  |
| R61461   | 5D18 | 17  | 53-15  | R63647   | 7E1  | 7   | 70-19  | R67264   | 2F22 | 34  | 30-59  |
| R61461   | 5D20 | 18  | 53-17  | R63667   | 6H15 | 22  | 60-103 | R67364   | 1F9  | 9   | 20-39A |
| R61461   | 5D22 | 18  | 53-19  | R63667   | 6H17 | 4   | 60-105 | R67364   | 2E25 | 9   | 30-39  |
| R61497   | 1D20 | 1   | 20-7   | R63737   | 7F8  | 10  | 70-53  | R67364   | 2F1  | 11  | 30-40  |
| R61497   | 1F14 | 1   | 20-43  | R63845   | 1F9  | 12  | 20-39A | R67364   | 2F12 | 9   | 30-49B |
| R61497   | 1H1  | 1   | 20-79  | R63845   | 2E25 | 12  | 30-39  | R67364   | 2F13 | 11  | 30-50  |
| R61608   | 1E15 | 3   | 20-21  | R64084   | 7F18 | 7   | 70-63  | R67364   | 2F22 | 9   | 30-59  |
| R61609   | 1E15 | 3   | 20-21  | R64084   | 7F20 | 15  | 70-65  | R67364   | 2F23 | 11  | 30-60  |
| R61610   | 1E15 | 3   | 20-21  | R64084   | 7F22 | 15  | 70-67  | R67477   | 7F18 | 9   | 70-63  |
| R61611   | 1E15 | 3   | 20-21  | R64085   | 7F18 | 5   | 70-63  | R67619   | 7F20 | 9   | 70-65  |
| R61775   | 3F12 | 7   | 40-43  | R64085   | 7F20 | 14  | 70-65  | R67619   | 7F22 | 9   | 70-67  |
| R61862   | 9G6  | 10  | 92-17  | R64085   | 7F22 | 14  | 70-67  | R67784   | 5D16 | 22  | 53-13  |
| R61871   | 7H23 | 27  | 70-117 | R64234   | 7D11 | 17  | 70-3   | R67879   | 2F1  | 6   | 30-40  |
| R61871   | 7H25 | 11  | 70-119 | R64235   | 7D11 | 17  | 70-3   | R67879   | 2F2  | 5   | 30-41  |
| R61871   | 7I10 | 34  | 70-129 | R64236   | 7D11 | 17  | 70-3   | R67879   | 2F13 | 6   | 30-50  |
| R61871   | 7I12 | 8   | 70-131 | R64237   | 7D11 | 17  | 70-3   | R67879   | 2F14 | 5   | 30-51  |
| R62070   | 3D20 | 2   | 40-3   | R64700   | 3E2  | 25  | 40-9   | R67879   | 2F23 | 6   | 30-60  |
| R62070   | 3D20 | 10  | 40-3   | R64700   | 3E4  | 25  | 40-9B  | R67879   | 2F24 | 5   | 30-61  |
| R62070   | 3D22 | 1   | 40-5   | R64700   | 3E8  | 25  | 40-13  | R68035   | 2F4  | 1   | 30-43  |
| R62070   | 3D22 | 7   | 40-5   | R64700   | 3H1  | 1   | 40-82  | R68036   | 2F4  | 4   | 30-43  |
| R62070   | 4F4  | 14  | 51-7   | R64822   | 3F17 | 34  | 40-49  | R68037   | 2F4  | 4   | 30-43  |
| R62070   | 4F4  | 23  | 51-7   | R64822   | 3F19 | 35  | 40-51  | R68038   | 2F4  | 4   | 30-43  |
| R62070   | 4F18 | 2   | 51-21  | R64822   | 8H18 | 12  | 90-15  | R68039   | 2F4  | 4   | 30-43  |
| R62070   | 4F18 | 27  | 51-21  | R64822   | 9D16 | 9   | 91-11  | R68040   | 2F4  | 4   | 30-43  |
| R62070   | 4H6  | 14  | 51-59  | R64822   | 9D18 | 4   | 91-13  | R68041   | 2F4  | 4   | 30-43  |
| R62070   | 4H6  | 23  | 51-59  | R65082   | 7F24 | 29  | 70-69  | R68042   | 2F4  | 4   | 30-43  |
| R62070   | 4H20 | 2   | 51-73  | R65239   | 7F8  | 9   | 70-53  | R68043   | 2F4  | 4   | 30-43  |
| R62070   | 4H20 | 27  | 51-73  | R65240   | 7F8  | 17  | 70-53  | R68044   | 2F4  | 4   | 30-43  |
| R62070   | 5D10 | 10  | 53-7   | R65242   | 7F24 | 35  | 70-69  | R68045   | 2F4  | 4   | 30-43  |
| R62129   | 5G2  | 12  | 54-39  | R65243   | 7F24 | 33  | 70-69  | R68046   | 2F4  | 4   | 30-43  |
| R62129   | 5G4  | 12  | 54-41  | R65553   | 1D21 | 3   | 20-8   | R68047   | 2F4  | 4   | 30-43  |
| R62930   | 1D24 | 10  | 20-11  | R65553   | 1F15 | 3   | 20-44  | R68048   | 2F4  | 4   | 30-43  |
| R62930   | 1E21 | 1   | 20-27  | R65553   | 1H2  | 3   | 20-80  | R68049   | 2F4  | 4   | 30-43  |
| R62930   | 1F18 | 15  | 20-47  | R65595   | 4E13 | 9   | 43-8   | R68050   | 2F4  | 4   | 30-43  |

## NUMERICAL INDEX - CONTINUED

| PART NO. | GRID | KEY | PAGE   | PART NO. | GRID | KEY | PAGE   | PART NO. | GRID | KEY | PAGE   |
|----------|------|-----|--------|----------|------|-----|--------|----------|------|-----|--------|
| R68051   | 2F4  | 4   | 30-43  | R72655   | 8F12 | 10  | 80-33  | R77175   | 5D10 | 9   | 53-7   |
| R68052   | 2F4  | 4   | 30-43  | R72659   | 1F13 | ..  | 20-42A | R77175   | 6D19 | 1   | 60-15  |
| R68166   | 5D16 | 24  | 53-13  | R72659   | 1G25 | ..  | 20-78A | R77175   | 6G8  | 16  | 60-71  |
| R68167   | 5D16 | 21  | 53-13  | R72853   | 1E17 | 12  | 20-23  | R77175   | 6G10 | 16  | 60-73  |
| R68682   | 5E8  | ..  | 53-31  | R72853   | 1E25 | 9   | 20-31  | R77175   | 6G12 | 16  | 60-75  |
| R68682   | 8G16 | 4   | 80-63  | R72853   | 3E2  | 24  | 40-9   | R77175   | 6G14 | 36  | 60-77  |
| R69089   | 2F4  | 2   | 30-43  | R72853   | 3E4  | 24  | 40-9B  | R77175   | 7D23 | 40  | 70-15  |
| R69166   | 7F8  | 14  | 70-53  | R72853   | 3E8  | 24  | 40-13  | R77175   | 7D25 | 40  | 70-17  |
| R69166   | 7J6  | 2   | 70-149 | R72853   | 4F6  | 16  | 51-9   | R77175   | 7E1  | 5   | 70-19  |
| R69166   | 7J8  | 2   | 70-151 | R72853   | 4H8  | 16  | 51-61  | R77175   | 7E7  | 8   | 70-25  |
| R69185   | 4G18 | 3   | 51-47  | R73040   | 5E2  | 2   | 53-25  | R77175   | 7H19 | 5   | 70-113 |
| R69185   | 5D14 | 19  | 53-11  | R73094   | 9F25 | 18  | 92-11  | R77175   | 7I10 | 13  | 70-129 |
| R69408   | 7G18 | 3   | 70-89  | R73291   | 4G20 | 5   | 51-49  | R77465   | 3G12 | 5   | 40-69  |
| R69409   | 7G18 | 3   | 70-89  | R73291   | 6E16 | 7   | 60-35  | R77480   | 3F21 | 4   | 40-53  |
| R69549   | 5D20 | 23  | 53-17  | R73380   | 6D11 | 15  | 60-7   | R77551   | 1F8  | 15  | 20-39  |
| R69549   | 5D22 | 23  | 53-19  | R73498   | 2E9  | 10  | 30-27  | R77551   | 1G21 | 5   | 20-75  |
| R69571   | 7F24 | 5   | 70-69  | R73599   | 7I8  | 6   | 70-127 | R77551   | 1I9  | 5   | 20-111 |
| R70268   | 1D24 | 18  | 20-11  | R73635   | 8E8  | 4   | 80-1   | R77551   | 2E23 | 18  | 30-37  |
| R70350   | 3E22 | 5   | 40-27  | R73858   | 1F9  | 18  | 20-39A | R77551   | 2E23 | 19  | 30-37  |
| R70534   | 5D10 | 4   | 53-7   | R73858   | 2E25 | 18  | 30-39  | R77551   | 2F8  | 16  | 30-47  |
| R70826   | 1D21 | 6   | 20-8   | R73858   | 2F12 | 18  | 30-49B | R77551   | 2F8  | 17  | 30-47  |
| R70826   | 1F15 | 6   | 20-44  | R73858   | 2F22 | 18  | 30-59  | R77551   | 2F20 | 18  | 30-57  |
| R70826   | 1H2  | 6   | 20-80  | R73858   | 2F22 | 26  | 30-59  | R77551   | 2F20 | 19  | 30-57  |
| R71074   | 1E14 | 6   | 20-20  | R74008   | 1E6  | 1   | 20-13D | R77673   | 1F5  | 15  | 20-37  |
| R71080   | 9E18 | 15  | 91-37  | R74008   | 1E14 | 3   | 20-20  | R77673   | 1F6  | 14  | 20-37A |
| R71208   | 1D21 | 7   | 20-8   | R74008   | 1G6  | 3   | 20-58  | R77673   | 1G19 | 15  | 20-73  |
| R71208   | 1F15 | 7   | 20-44  | R74008   | 1H17 | 3   | 20-95  | R77673   | 1I7  | 15  | 20-109 |
| R71208   | 1H2  | 7   | 20-80  | R74030   | 2E23 | 10  | 30-37  | R77673   | 2D11 | 8   | 30-3   |
| R71212   | 2E23 | 9   | 30-37  | R74030   | 2F8  | 9   | 30-47  | R77673   | 2D16 | 3   | 30-8   |
| R71212   | 2F8  | 8   | 30-47  | R74030   | 2F20 | 10  | 30-57  | R77673   | 2D21 | 3   | 30-13  |
| R71212   | 2F8  | 9   | 30-47  | R74210   | 8E22 | 19  | 80-17  | R77673   | 2D25 | 3   | 30-17  |
| R71212   | 2F20 | 9   | 30-57  | R74242   | 7J11 | 1   | 70-154 | R77673   | 3E2  | 12  | 40-9   |
| R71387   | 7J9  | 2   | 70-152 | R74243   | 7J11 | 2   | 70-154 | R77673   | 3E2  | 21  | 40-9   |
| R71398   | 2E23 | 9   | 30-37  | R74244   | 7J11 | 3   | 70-154 | R77673   | 3E2  | 22  | 40-9   |
| R71398   | 2E23 | 10  | 30-37  | R74246   | 7J11 | 4   | 70-154 | R77673   | 3E4  | 21  | 40-9B  |
| R71398   | 2F20 | 9   | 30-57  | R74804   | 2E23 | 10  | 30-37  | R77673   | 3E4  | 22  | 40-9B  |
| R71398   | 2F20 | 10  | 30-57  | R74804   | 2F8  | 9   | 30-47  | R77673   | 3E8  | 12  | 40-13  |
| R71732   | 1G11 | 11  | 20-63  | R74804   | 2F20 | 10  | 30-57  | R77673   | 3E8  | 21  | 40-13  |
| R71732   | 1G11 | 13  | 20-63  | R75176   | 4F23 | 14  | 51-27  | R77673   | 3E8  | 22  | 40-13  |
| R71732   | 1G13 | 7   | 20-65  | R75176   | 4F25 | 26  | 51-29  | R77715   | 8G11 | 1   | 80-58  |
| R71732   | 1H24 | 11  | 20-103 | R75176   | 4F25 | 38  | 51-29  | R77857   | 6E8  | 16  | 60-27  |
| R71732   | 1H24 | 13  | 20-103 | R75176   | 4G2  | 13  | 51-31  | R77869   | 8F1  | 2   | 80-21  |
| R71732   | 1I3  | 7   | 20-106 | R75176   | 4G2  | 25  | 51-31  | R78027   | 5E24 | 26  | 54-13  |
| R71975   | 5D20 | 29  | 53-17  | R76358   | 2F12 | 12  | 30-49B | R78027   | 5G6  | 4   | 54-43  |
| R71975   | 5D22 | 29  | 53-19  | R76358   | 2F22 | 12  | 30-59  | R78027   | 5G6  | ..  | 54-43  |
| R72090   | 5F2  | 9   | 54-15  | R76459   | 7J11 | 5   | 70-154 | R78027   | 8E16 | 2   | 80-9   |
| R72090   | 5F4  | 11  | 54-17  | R76477   | 3E10 | 15  | 40-15  | R78047   | 4E8  | 3   | 43-3   |
| R72090   | 5F6  | 3   | 54-17B | R76477   | 3E12 | 15  | 40-17  | R78048   | 3H15 | 11  | 40-95  |
| R72090   | 5F21 | 7   | 54-33  | R76477   | 3E14 | 19  | 40-19  | R78048   | 3H15 | 14  | 40-95  |
| R72328   | 1F3  | 3   | 20-35  | R76477   | 3E16 | 19  | 40-21  | R78048   | 4E8  | 10  | 43-3   |
| R72328   | 1F5  | 17  | 20-37  | R76477   | 3E18 | 15  | 40-23  | R78049   | 4E8  | 15  | 43-3   |
| R72328   | 1F6  | 16  | 20-37A | R76477   | 6F10 | ..  | 60-53  | R78050   | 4E8  | 19  | 43-3   |
| R72328   | 1F8  | 12  | 20-39  | R76477   | 6F12 | ..  | 60-55  | R78051   | 4E8  | 24  | 43-3   |
| R72328   | 1F13 | 4   | 20-42A | R76477   | 6G12 | 18  | 60-75  | R78052   | 4E8  | 5   | 43-3   |
| R72328   | 1G19 | 17  | 20-73  | R76477   | 7F2  | 24  | 70-47  | R78053   | 3H15 | 10  | 40-95  |
| R72328   | 1G21 | 9   | 20-75  | R76477   | 7F4  | 24  | 70-49  | R78053   | 4D25 | 15  | 42-21  |
| R72328   | 1G25 | 4   | 20-78A | R76477   | 7H14 | 14  | 70-107 | R78053   | 4E2  | 30  | 42-23  |
| R72328   | 1I7  | 17  | 20-109 | R76477   | 7J4  | 28  | 70-147 | R78053   | 4E8  | 13  | 43-3   |
| R72328   | 1I9  | 9   | 20-111 | R76477   | 7J11 | 6   | 70-154 | R78054   | 4E8  | 17  | 43-3   |
| R72653   | 4F10 | 17  | 51-13  | R76491   | 1D18 | 15  | 20-5   | R78055   | 4E8  | 22  | 43-3   |
| R72653   | 4H12 | 4   | 51-65  | R76491   | 1F11 | 15  | 20-41  | R78056   | 3E24 | 2   | 40-29  |
| R72653   | 6F3  | 11  | 60-47  | R76491   | 1G23 | 15  | 20-77  | R78056   | 4E8  | 26  | 43-3   |
| R72654   | 3F25 | 9   | 40-57  | R76695   | 3H22 | 9   | 40-103 | R78057   | 3E14 | 32  | 40-19  |
| R72654   | 7F24 | 12  | 70-69  | R76822   | 1F9  | 22  | 20-39A | R78057   | 3E16 | 32  | 40-21  |
| R72654   | 7F24 | 20  | 70-69  | R76822   | 2E25 | 22  | 30-39  | R78057   | 3E24 | 3   | 40-29  |
| R72655   | 6I6  | 5   | 60-117 | R77175   | 4F8  | 18  | 51-11  | R78057   | 3H5  | 15  | 40-85  |
| R72655   | 8F12 | 4   | 80-33  | R77175   | 4H10 | 18  | 51-63  | R78057   | 3H7  | 15  | 40-87  |

## NUMERICAL INDEX - CONTINUED

| PART NO. | GRID | KEY | PAGE   | PART NO. | GRID | KEY | PAGE   | PART NO. | GRID | KEY | PAGE   |
|----------|------|-----|--------|----------|------|-----|--------|----------|------|-----|--------|
| R78057   | 3H9  | 3   | 40-89  | R80436   | 7F8  | 12  | 70-53  | R82445   | 9F11 | 46  | 91-53B |
| R78057   | 4E8  | 2   | 43-3   | R80436   | 7F11 | 4   | 70-56  | R82549   | 8F17 | 6   | 80-38  |
| R78058   | 3E24 | 2   | 40-29  | R80436   | 7F14 | 14  | 70-59  | R82719   | 2E17 | 3   | 30-31B |
| R78058   | 3E24 | 6   | 40-29  | R80436   | 7F18 | 4   | 70-63  | R82719   | 2E17 | 12  | 30-31B |
| R78058   | 3H9  | 4   | 40-89  | R80436   | 7F20 | 13  | 70-65  | R82719   | 2F18 | 3   | 30-55  |
| R78058   | 3H13 | 9   | 40-93  | R80436   | 7F22 | 13  | 70-67  | R82719   | 2F18 | 9   | 30-55  |
| R78058   | 4E2  | 30  | 42-23  | R80623   | 7I18 | 6   | 70-137 | R82719   | 2F18 | 12  | 30-55  |
| R78058   | 4E8  | 23  | 43-3   | R81053   | 7H21 | 5   | 70-115 | R82908   | 5E21 | 12  | 54-9   |
| R78059   | 3E14 | 32  | 40-19  | R81162   | 5D18 | 21  | 53-15  | R82908   | 5G2  | 5   | 54-39  |
| R78059   | 3E16 | 32  | 40-21  | R81162   | 5D20 | 22  | 53-17  | R82908   | 5G4  | 4   | 54-41  |
| R78059   | 4E8  | 1   | 43-3   | R81162   | 5D22 | 22  | 53-19  | R82982   | 5F2  | 13  | 54-15  |
| R78059   | 4E12 | 30  | 43-7   | R81207   | 3F15 | ..  | 40-46  | R82982   | 5F2  | 23  | 54-15  |
| R78060   | 3H15 | 11  | 40-95  | R81207   | 9F13 | 5   | 91-55  | R82982   | 5F4  | 29  | 54-17  |
| R78060   | 3H15 | 14  | 40-95  | R81362   | 5D12 | 2   | 53-9   | R82982   | 5F8  | 8   | 54-19  |
| R78060   | 4D25 | 17  | 42-21  | R81363   | 5D12 | 2   | 53-9   | R83020   | 1F8  | 8   | 20-39  |
| R78060   | 4E8  | 2   | 43-3   | R81364   | 5D12 | 2   | 53-9   | R83021   | 1F8  | 10  | 20-39  |
| R78060   | 4E8  | 9   | 43-3   | R81372   | 8G22 | 13  | 80-69  | R83035   | 5E21 | 14  | 54-9   |
| R78060   | 4E8  | 12  | 43-3   | R81374   | 8G20 | 6   | 80-67  | R83036   | 5E21 | 16  | 54-9   |
| R78061   | 3H13 | 10  | 40-93  | R81424   | 9G13 | 1   | 92-24  | R83059   | 5E16 | 10  | 54-3   |
| R78061   | 3H15 | 10  | 40-95  | R81456   | 9E25 | 3   | 91-45  | R83060   | 5E16 | 10  | 54-3   |
| R78061   | 4D25 | 15  | 42-21  | R81560   | 9G4  | 13  | 92-15  | R83061   | 5E16 | 10  | 54-3   |
| R78061   | 4E8  | 6   | 43-3   | R81766   | 7E22 | 13  | 70-42  | R83066   | 6F22 | ..  | 60-65  |
| R78061   | 4E8  | 23  | 43-3   | R81767   | 7E20 | 13  | 70-40  | R83066   | 8H16 | 17  | 90-13  |
| R78062   | 4E8  | 1   | 43-3   | R81775   | 7E24 | 21  | 70-44  | R83066   | 8H18 | 14  | 90-15  |
| R78063   | 3F14 | 1   | 40-45  | R81775   | 7E25 | 21  | 70-45  | R83066   | 8H18 | 17  | 90-15  |
| R78063   | 3H13 | 10  | 40-93  | R81779   | 7E20 | 5   | 70-40  | R83066   | 8H20 | 5   | 90-17  |
| R78063   | 3H15 | 10  | 40-95  | R81779   | 7E22 | 5   | 70-42  | R83066   | 8H21 | 4   | 90-18  |
| R78063   | 3H15 | 11  | 40-95  | R81787   | 7E24 | 12  | 70-44  | R83066   | 8H22 | 4   | 90-19  |
| R78063   | 3H15 | 14  | 40-95  | R81787   | 7E25 | 12  | 70-45  | R83066   | 9F1  | 11  | 91-46  |
| R78063   | 4D25 | 15  | 42-21  | R81788   | 7E22 | 12  | 70-42  | R83119   | 5E21 | 17  | 54-9   |
| R78063   | 4D25 | 17  | 42-21  | R81788   | 7E23 | 12  | 70-43  | R83120   | 5E21 | 1   | 54-9   |
| R78063   | 4E8  | 1   | 43-3   | R81789   | 7E20 | 12  | 70-40  | R83121   | 5E21 | 15  | 54-9   |
| R78063   | 4E8  | 7   | 43-3   | R81789   | 7E21 | 12  | 70-41  | R83148   | 5E19 | 1   | 54-6   |
| R78063   | 4E8  | 12  | 43-3   | R81793   | 7E24 | 14  | 70-44  | R83150   | 5E16 | 10  | 54-3   |
| R78063   | 4E10 | 7   | 43-5   | R81793   | 7E25 | 14  | 70-45  | R83150   | 5E17 | 3   | 54-4   |
| R78063   | 4E10 | 12  | 43-5   | R81794   | 7E22 | 14  | 70-42  | R83150   | 5F19 | 8   | 54-31  |
| R78063   | 4E12 | 28  | 43-7   | R81794   | 7E23 | 14  | 70-43  | R83151   | 5E16 | 10  | 54-3   |
| R78064   | 4E8  | 27  | 43-3   | R81795   | 7E20 | 14  | 70-40  | R83151   | 5E17 | 3   | 54-4   |
| R78064   | 4E12 | 34  | 43-7   | R81795   | 7E21 | 14  | 70-41  | R83151   | 5F19 | 8   | 54-31  |
| R78066   | 3F14 | 1   | 40-45  | R81856   | 7E20 | 4   | 70-40  | R83152   | 5E16 | 10  | 54-3   |
| R78425   | 4E24 | 6   | 51-3   | R81856   | 7E22 | 4   | 70-42  | R83152   | 5E17 | 3   | 54-4   |
| R78425   | 4H2  | 6   | 51-55  | R81862   | 7E24 | 9   | 70-44  | R83152   | 5F19 | 8   | 54-31  |
| R79060   | 1F9  | 18  | 20-39A | R81862   | 7E25 | 9   | 70-45  | R83474   | 5E16 | 14  | 54-3   |
| R79060   | 2E25 | 18  | 30-39  | R81864   | 7E20 | 9   | 70-40  | R83474   | 5F13 | 14  | 54-25  |
| R79060   | 2F12 | 18  | 30-49B | R81864   | 7E21 | 9   | 70-41  | R83489   | 1F8  | 27  | 20-39  |
| R79060   | 2F22 | 18  | 30-59  | R81972   | 7E24 | 13  | 70-44  | R83489   | 1G21 | 25  | 20-75  |
| R79101   | 7E22 | 9   | 70-42  | R81973   | 7E24 | 4   | 70-44  | R83489   | 1I9  | 25  | 20-111 |
| R79101   | 7E23 | 9   | 70-43  | R81975   | 7E24 | 5   | 70-44  | R83489   | 2E19 | 6   | 30-33  |
| R79117   | 6D22 | 7   | 60-17B | R82007   | 1D24 | 21  | 20-11  | R83489   | 2E19 | 8   | 30-33  |
| R79604   | 2E23 | 22  | 30-37  | R82007   | 1F18 | 22  | 20-47  | R83489   | 2E21 | 7   | 30-35  |
| R79604   | 2F8  | 20  | 30-47  | R82007   | 1H5  | 22  | 20-83  | R83489   | 2F1  | ..  | 30-40  |
| R79604   | 2F20 | 22  | 30-57  | R82236   | 3H5  | 4   | 40-85  | R83489   | 2F6  | 4   | 30-45  |
| R79605   | 2E23 | 23  | 30-37  | R82236   | 3H7  | 4   | 40-87  | R83489   | 2G3  | 8   | 30-67  |
| R79605   | 2F8  | 21  | 30-47  | R82237   | 3H5  | 2   | 40-85  | R83489   | 2G5  | 4   | 30-69  |
| R79605   | 2F20 | 23  | 30-57  | R82237   | 3H7  | 2   | 40-87  | R83490   | 1F8  | 27  | 20-39  |
| R79606   | 2E23 | 24  | 30-37  | R82238   | 3H5  | 3   | 40-85  | R83490   | 1G21 | 25  | 20-75  |
| R79606   | 2F8  | 22  | 30-47  | R82238   | 3H7  | 3   | 40-87  | R83490   | 1I9  | 25  | 20-111 |
| R79606   | 2F20 | 24  | 30-57  | R82239   | 3H5  | 1   | 40-85  | R83531   | 7F24 | 2   | 70-69  |
| R79846   | 1E11 | 5   | 20-17  | R82239   | 3H7  | 1   | 40-87  | R83532   | 7F24 | 2   | 70-69  |
| R79846   | 1F25 | 5   | 20-54  | R82243   | 3H5  | 7   | 40-85  | R83533   | 7F24 | 2   | 70-69  |
| R79846   | 1H14 | 5   | 20-92  | R82272   | 9F9  | 27  | 91-53  | R83534   | 7F24 | 2   | 70-69  |
| R79915   | 1F8  | 23  | 20-39  | R82272   | 9F11 | 55  | 91-53B | R83559   | 5E21 | 9   | 54-9   |
| R79916   | 7F8  | 13  | 70-53  | R82355   | 3H5  | 14  | 40-85  | R83559   | 5G2  | 3   | 54-39  |
| R79989   | 5D18 | 17  | 53-15  | R82355   | 3H7  | 14  | 40-87  | R83559   | 5G4  | 3   | 54-41  |
| R79989   | 5D20 | 18  | 53-17  | R82444   | 9F9  | 27  | 91-53  | R83560   | 5E21 | 10  | 54-9   |
| R79989   | 5D22 | 18  | 53-19  | R82444   | 9F11 | 43  | 91-53B | R83560   | 5G2  | 3   | 54-39  |
| R80436   | 6H11 | 10  | 60-99  | R82445   | 9F9  | 27  | 91-53  | R83560   | 5G4  | 3   | 54-41  |



## NUMERICAL INDEX - CONTINUED

| PART NO. | GRID | KEY | PAGE   | PART NO. | GRID | KEY | PAGE   | PART NO. | GRID | KEY | PAGE   |
|----------|------|-----|--------|----------|------|-----|--------|----------|------|-----|--------|
| R83562   | 3H15 | 1   | 40-95  | R84618   | 1G23 | 16  | 20-77  | R89142   | 9G2  | 14  | 92-13  |
| R83575   | 7E20 | 8   | 70-40  | R84619   | 1D18 | 17  | 20-5   | R89143   | 9G2  | 5   | 92-13  |
| R83575   | 7E21 | 8   | 70-41  | R84619   | 1F11 | 17  | 20-41  | R89581   | 4F23 | 2   | 51-27  |
| R83576   | 7E22 | 8   | 70-42  | R84619   | 1G23 | 17  | 20-77  | R89581   | 4G14 | 3   | 51-43  |
| R83576   | 7E23 | 8   | 70-43  | R84976   | 1D18 | 12  | 20-5   | R89879   | 1F8  | 7   | 20-39  |
| R83577   | 7E24 | 8   | 70-44  | R84977   | 1D18 | 13  | 20-5   | R89879   | 1G21 | 16  | 20-75  |
| R83577   | 7E25 | 8   | 70-45  | R85027   | 1D21 | 14  | 20-8   | R89879   | 1I9  | 16  | 20-111 |
| R83630   | 7H23 | 22  | 70-117 | R85027   | 1F15 | 14  | 20-44  | R89879   | 2D19 | 17  | 30-11  |
| R83720   | 2F16 | 6   | 30-53  | R85027   | 1H2  | 14  | 20-80  | R89879   | 2D23 | 12  | 30-15  |
| R83720   | 2F25 | 6   | 30-62  | R86061   | 1F5  | 3   | 20-37  | R89879   | 2E2  | 12  | 30-19  |
| R83721   | 2F16 | 6   | 30-53  | R86061   | 1F6  | 3   | 20-37A | R89927   | 2E19 | 12  | 30-33  |
| R83721   | 2F25 | 6   | 30-62  | R86061   | 1G19 | 3   | 20-73  | R89927   | 2E21 | 10  | 30-35  |
| R83722   | 2F16 | 6   | 30-53  | R86061   | 1I7  | 3   | 20-109 | R89927   | 2F6  | 6   | 30-45  |
| R83722   | 2F25 | 6   | 30-62  | R86062   | 1F8  | 11  | 20-39  | R89927   | 2G3  | 12  | 30-67  |
| R83723   | 2F16 | 6   | 30-53  | R86063   | 1G16 | 8   | 20-69  | R89927   | 2G5  | 6   | 30-69  |
| R83723   | 2F25 | 6   | 30-62  | R86063   | 1I2  | 8   | 20-105 | R89940   | 7E20 | 15  | 70-40  |
| R83724   | 2F16 | 6   | 30-53  | R86308   | 4F20 | 11  | 51-23  | R89940   | 7E21 | 15  | 70-41  |
| R83724   | 2F25 | 6   | 30-62  | R86308   | 4H22 | 11  | 51-75  | R89940   | 7E22 | 15  | 70-42  |
| R83725   | 2F16 | 6   | 30-53  | R86457   | 7E11 | 5   | 70-31  | R89940   | 7E23 | 15  | 70-43  |
| R83725   | 2F25 | 6   | 30-62  | R86488   | 5F2  | 14  | 54-15  | R89940   | 7E24 | 15  | 70-44  |
| R83726   | 2F16 | 6   | 30-53  | R86571   | 1D20 | 2   | 20-7   | R89940   | 7E24 | 17  | 70-44  |
| R83726   | 2F25 | 6   | 30-62  | R86571   | 1F14 | 2   | 20-43  | R89940   | 7E25 | 15  | 70-45  |
| R83727   | 2F16 | 6   | 30-53  | R86571   | 1H1  | 2   | 20-79  | R89940   | 7E25 | 17  | 70-45  |
| R83727   | 2F25 | 6   | 30-62  | R86675   | 5D20 | 21  | 53-17  | R89973   | 8F1  | 5   | 80-21  |
| R83728   | 2F16 | 6   | 30-53  | R86675   | 5D22 | 21  | 53-19  | R89974   | 8F1  | 5   | 80-21  |
| R83728   | 2F25 | 6   | 30-62  | R86675   | 5D24 | 9   | 53-21  | R90529   | 2F4  | 4   | 30-43  |
| R83729   | 2F16 | 6   | 30-53  | R86743   | 1F8  | 4   | 20-39  | R90530   | 2F4  | 4   | 30-43  |
| R83729   | 2F25 | 6   | 30-62  | R86743   | 1G21 | 17  | 20-75  | R90531   | 2F4  | 4   | 30-43  |
| R83730   | 2F16 | 6   | 30-53  | R86743   | 1I9  | 17  | 20-111 | R90532   | 2F4  | 4   | 30-43  |
| R83730   | 2F25 | 6   | 30-62  | R87047   | 5F10 | 20  | 54-21  | R90533   | 2F4  | 4   | 30-43  |
| R83731   | 2F16 | 6   | 30-53  | R87047   | 5F23 | 15  | 54-35  | R90534   | 2F4  | 4   | 30-43  |
| R83731   | 2F25 | 6   | 30-62  | R87082   | 2E23 | 19  | 30-37  | R90535   | 2F4  | 4   | 30-43  |
| R83732   | 2F16 | 6   | 30-53  | R87082   | 2F8  | 17  | 30-47  | R90536   | 2F4  | 4   | 30-43  |
| R83732   | 2F25 | 6   | 30-62  | R87082   | 2F20 | 19  | 30-57  | R90537   | 2F4  | 4   | 30-43  |
| R83733   | 2F16 | 6   | 30-53  | R87561   | 1D22 | 1   | 20-9   | R90538   | 2F4  | 4   | 30-43  |
| R83733   | 2F25 | 6   | 30-62  | R87561   | 1D24 | 22  | 20-11  | R90539   | 2F4  | 4   | 30-43  |
| R83734   | 2F16 | 6   | 30-53  | R87561   | 1E6  | 1   | 20-13D | R90540   | 2F4  | 4   | 30-43  |
| R83734   | 2F25 | 6   | 30-62  | R87561   | 1F16 | 1   | 20-45  | R90541   | 2F4  | 4   | 30-43  |
| R83735   | 2F16 | 6   | 30-53  | R87561   | 1F18 | 23  | 20-47  | R90542   | 2F4  | 4   | 30-43  |
| R83735   | 2F25 | 6   | 30-62  | R87561   | 1H3  | 1   | 20-81  | R90543   | 2F4  | 4   | 30-43  |
| R83736   | 2F16 | 6   | 30-53  | R87561   | 1H5  | 23  | 20-83  | R90544   | 2F4  | 4   | 30-43  |
| R83736   | 2F25 | 6   | 30-62  | R87656   | 9D10 | 2   | 91-5   | R90584   | 7D19 | 35  | 70-11  |
| R83737   | 2F16 | 6   | 30-53  | R87682   | 2D19 | 10  | 30-11  | R90917   | 8F1  | 5   | 80-21  |
| R83737   | 2F25 | 6   | 30-62  | R87907   | 2G7  | 17  | 30-71  | R91729   | 7E20 | 10  | 70-40  |
| R83738   | 2F16 | 6   | 30-53  | R87907   | 2G7  | 25  | 30-71  | R91729   | 7E21 | 10  | 70-41  |
| R83738   | 2F25 | 6   | 30-62  | R88167   | 9D10 | 3   | 91-5   | R91730   | 7E22 | 10  | 70-42  |
| R83739   | 2F16 | 6   | 30-53  | R88246   | 5D16 | 15  | 53-13  | R91730   | 7E23 | 10  | 70-43  |
| R83739   | 2F25 | 6   | 30-62  | R88246   | 5E4  | 22  | 53-27  | R91731   | 7E24 | 10  | 70-44  |
| R84015   | 5D14 | 16  | 53-11  | R88397   | 1F5  | 4   | 20-37  | R91731   | 7E25 | 10  | 70-45  |
| R84262   | 5D14 | 3   | 53-11  | R88397   | 1F6  | 4   | 20-37A | R91822   | 1D18 | 4   | 20-5   |
| R84472   | 1F8  | 14  | 20-39  | R88397   | 1F8  | 13  | 20-39  | R91822   | 1F11 | 4   | 20-41  |
| R84472   | 1G21 | 10  | 20-75  | R88397   | 1G19 | 4   | 20-73  | R91822   | 1G23 | 4   | 20-77  |
| R84472   | 1I9  | 10  | 20-111 | R88397   | 1G21 | 12  | 20-75  | R91824   | 1F9  | 6   | 20-39A |
| R84472   | 2E23 | 16  | 30-37  | R88397   | 1I7  | 4   | 20-109 | R91824   | 2E25 | 6   | 30-39  |
| R84472   | 2E23 | 17  | 30-37  | R88397   | 1I9  | 12  | 20-111 | R91824   | 2F12 | 6   | 30-49B |
| R84472   | 2F4  | 10  | 30-43  | R88529   | 8H20 | 32  | 90-17  | R91824   | 2F22 | 6   | 30-59  |
| R84472   | 2F4  | 11  | 30-43  | R88665   | 7G22 | 9   | 70-93  | R91842   | 4G2  | 4   | 51-31  |
| R84472   | 2F8  | 15  | 30-47  | R88667   | 7G22 | 1   | 70-93  | R91842   | 4G6  | 3   | 51-35  |
| R84472   | 2F16 | 12  | 30-53  | R88993   | 1F8  | 1   | 20-39  | R91842   | 4I6  | 4   | 51-83  |
| R84472   | 2F20 | 16  | 30-57  | R88993   | 1G21 | 1   | 20-75  | R91842   | 4I10 | 3   | 51-87  |
| R84472   | 2F25 | 12  | 30-62  | R88993   | 1I9  | 1   | 20-111 | R91842   | 5F10 | 13  | 54-21  |
| R84529   | 9F7  | 13  | 91-51  | R89014   | 1F9  | 24  | 20-39A | R91842   | 5F23 | 11  | 54-35  |
| R84529   | 9F9  | 15  | 91-53  | R89014   | 2E25 | 24  | 30-39  | R92097   | 1F8  | 6   | 20-39  |
| R84570   | 5D16 | 15  | 53-13  | R89014   | 2F12 | 24  | 30-49B | R92097   | 1G21 | 15  | 20-75  |
| R84609   | 5D16 | 11  | 53-13  | R89014   | 2F22 | 24  | 30-59  | R92097   | 1I9  | 15  | 20-111 |
| R84618   | 1D18 | 16  | 20-5   | R89014   | 3E2  | 18  | 40-9   | R92871   | 5F10 | 8   | 54-21  |
| R84618   | 1F11 | 16  | 20-41  | R89014   | 3E8  | 18  | 40-13  | R92871   | 5F23 | 2   | 54-35  |

## NUMERICAL INDEX - CONTINUED

| PART NO. | GRID | KEY | PAGE  | PART NO. | GRID | KEY | PAGE    | PART NO. | GRID | KEY | PAGE   |
|----------|------|-----|-------|----------|------|-----|---------|----------|------|-----|--------|
| R92872   | 5F10 | 4   | 54-21 | R95119   | 6E2  | 5   | 60-21B  | R98885   | 5E17 | 6   | 54-4   |
| R92872   | 5F23 | 6   | 54-35 | R95250   | 6D23 | 9   | 60-18   | R99039   | 4G3  | 2   | 51-32  |
| R93008   | 2E19 | 6   | 30-33 | R95430   | 2G9  | 18  | 30-73   | R99039   | 4I7  | 2   | 51-84  |
| R93008   | 2E19 | 9   | 30-33 | R95654   | 8F12 | 31  | 80-33   | R99047   | 1F9  | 24  | 20-39A |
| R93008   | 2E21 | 8   | 30-35 | R95784   | 5E4  | 4   | 53-27   | R99047   | 2E25 | 24  | 30-39  |
| R93008   | 2F1  | ..  | 30-40 | R95800   | 3H17 | 9   | 40-97   | R99047   | 2F12 | 28  | 30-49B |
| R93008   | 2F6  | 3   | 30-45 | R95866   | 8G16 | 8   | 80-63   | R99047   | 2F22 | 28  | 30-59  |
| R93008   | 2F13 | ..  | 30-50 | R96066   | 3I23 | 4   | 41-13   | R99047   | 3E2  | 18  | 40-9   |
| R93008   | 2F23 | ..  | 30-60 | R96214   | 9E25 | 8   | 91-45   | R99047   | 3E8  | 18  | 40-13  |
| R93008   | 2G3  | 9   | 30-67 | R96248   | 8H16 | 1   | 90-13   | R99088   | 5E24 | 25  | 54-13  |
| R93008   | 2G3  | 11  | 30-67 | R96293   | 7F8  | 4   | 70-53   | R99088   | 5F2  | 30  | 54-15  |
| R93008   | 2G5  | 3   | 30-69 | R96295   | 7F8  | 3   | 70-53   | R99088   | 5F4  | 33  | 54-17  |
| R93055   | 5F2  | 25  | 54-15 | R96606   | 1F3  | 17  | 20-35   | R99233   | 3H17 | 7   | 40-97  |
| R93055   | 5F4  | 31  | 54-17 | R96616   | 1F3  | 18  | 20-35   | R99233   | 3H19 | 3   | 40-99  |
| R93175   | 8H16 | 14  | 90-13 | R96616   | 1F4  | 5   | 20-36   | R99353   | 5F10 | 14  | 54-21  |
| R93219   | 4E15 | 1   | 43-10 | R96616   | 1F8  | 28  | 20-39   | R99437   | 8E22 | 9   | 80-17  |
| R93220   | 4E15 | 1   | 43-10 | R96622   | 1F3  | 16  | 20-35   | R99437   | 8E24 | 5   | 80-19  |
| R93221   | 4E15 | 1   | 43-10 | R96703   | 3I21 | 5   | 41-11   | R99463   | 1E17 | 7   | 20-23  |
| R93222   | 4E15 | 1   | 43-10 | R96753   | 9F1  | 5   | 91-46   | R99464   | 1E17 | 14  | 20-23  |
| R93308   | 1D18 | 16  | 20-5  | R97061   | 1F9  | 4   | 20-39A  | R99464   | 1F8  | 20  | 20-39  |
| R93308   | 1F11 | 16  | 20-41 | R97061   | 2E23 | 29  | 30-37   | R99466   | 5D16 | 17  | 53-13  |
| R93308   | 1G23 | 16  | 20-77 | R97061   | 2E25 | 4   | 30-39   | R99498   | 5F10 | 10  | 54-21  |
| R93311   | 1D18 | 17  | 20-5  | R97061   | 2F8  | 27  | 30-47   | R99499   | 5F10 | 15  | 54-21  |
| R93311   | 1F11 | 17  | 20-41 | R97061   | 2F12 | 4   | 30-49B  | R99499   | 5F23 | 12  | 54-35  |
| R93311   | 1G23 | 17  | 20-77 | R97061   | 2F20 | 29  | 30-57   | R99510   | 5E18 | 1   | 54-5   |
| R93312   | 1D18 | 16  | 20-5  | R97061   | 2F22 | 4   | 30-59   | R99531   | 2F13 | 1   | 30-50  |
| R93312   | 1F11 | 16  | 20-41 | R97116   | 4F4  | 4   | 51-7    | R99531   | 2F23 | 1   | 30-60  |
| R93312   | 1G23 | 16  | 20-77 | R97116   | 4H6  | 4   | 51-59   | R99673   | 5F10 | 16  | 54-21  |
| R93313   | 1D18 | 17  | 20-5  | R97332   | 8H16 | 7   | 90-13   | R99673   | 5F23 | 20  | 54-35  |
| R93313   | 1F11 | 17  | 20-41 | R97332   | 8H16 | 11  | 90-13   | R99692   | 4F23 | 9   | 51-27  |
| R93313   | 1G23 | 17  | 20-77 | R97332   | 8H20 | 13  | 90-17   | R99692   | 4F23 | 21  | 51-27  |
| R93314   | 1D18 | 16  | 20-5  | R97549   | 5E21 | 5   | 54-9    | R99692   | 4F25 | 33  | 51-29  |
| R93314   | 1F11 | 16  | 20-41 | R97588   | 9F5  | 14  | 91-49   | R99692   | 4G2  | 18  | 51-31  |
| R93314   | 1G23 | 16  | 20-77 | R97588   | 9F7  | 12  | 91-51   | R99692   | 4G2  | 30  | 51-31  |
| R93315   | 1D18 | 17  | 20-5  | R97588   | 9F7  | 37  | 91-51   | R99692   | 4I2  | 9   | 51-79  |
| R93315   | 1F11 | 17  | 20-41 | R97588   | 9F9  | 10  | 91-53   | R99692   | 4I2  | 21  | 51-79  |
| R93315   | 1G23 | 17  | 20-77 | R97588   | 9F9  | 14  | 91-53   | R99692   | 4I4  | 33  | 51-81  |
| R93349   | 1D18 | 13  | 20-5  | R97605   | 5E24 | 9   | 54-13   | R99692   | 4I6  | 18  | 51-83  |
| R93350   | 1D18 | 12  | 20-5  | R98012   | 4G14 | 9   | 51-43   | R99692   | 4I6  | 30  | 51-83  |
| R93485   | 5E4  | 6   | 53-27 | R98012   | 4I18 | 9   | 51-95   | R99692   | 5D6  | 5   | 53-3   |
| R93849   | 6F14 | 12  | 60-57 | R98012   | 5E17 | 8   | 54-4    | R99692   | 5D8  | 5   | 53-5   |
| R93849   | 6F16 | 12  | 60-59 | R98012   | 5F10 | 1   | 54-21   | TY15939  | 7J10 | 2   | 70-153 |
| R93948   | 1E14 | 11  | 20-20 | R98012   | 5F17 | 4   | 54-29   | TY15939  | 8H10 | ..  | 90-7   |
| R93948   | 1G6  | 11  | 20-58 | R98012   | 5F23 | 21  | 54-35   | TY15949  | 8H5  | ..  | 90-1   |
| R93948   | 1H17 | 11  | 20-95 | R98064   | 1E23 | 15  | 20-29   | TY15950  | 8H5  | ..  | 90-1   |
| R94410   | 2F4  | 6   | 30-43 | R98064   | 1G14 | 6   | 20-66   | TY15951  | 8H5  | ..  | 90-1   |
| R94412   | 2F4  | 7   | 30-43 | R98064   | 1G16 | 4   | 20-69   | TY16004  | 1D15 | 2   | 20-2   |
| R94414   | 2F4  | 9   | 30-43 | R98064   | 1I2  | 4   | 20-105  | TY16005  | 1D15 | 3   | 20-2   |
| R94545   | 5D18 | 22  | 53-15 | R98064   | 1I4  | 6   | 20-107  | TY16021  | 5D14 | ..  | 53-11  |
| R94615   | 1E23 | 8   | 20-29 | R98322   | 7E20 | 17  | 70-40   | TY16021  | 5D22 | ..  | 53-19  |
| R94618   | 1E23 | 1   | 20-29 | R98322   | 7E21 | 17  | 70-41   | TY16021  | 7F6  | ..  | 70-51  |
| R94618   | 1F8  | 33  | 20-39 | R98323   | 7E20 | 20  | 70-40   | TY16306  | 9E23 | 7   | 91-43  |
| R94619   | 1E23 | 3   | 20-29 | R98323   | 7E21 | 20  | 70-41   | TY16423  | 1D15 | ..  | 20-2   |
| R94619   | 1F8  | 29  | 20-39 | R98412   | 2D15 | 7   | 30-7    | TY22007  | 1D14 | 2   | 20-1   |
| R94620   | 1E23 | 9   | 20-29 | R98412   | 2D15 | 9   | 30-7    | TY22008  | 1D14 | 2   | 20-1   |
| R94655   | 5D18 | 13  | 53-15 | R98500   | 1F9  | 25  | 20-39A  | TY22009  | 1D14 | 1   | 20-1   |
| R94655   | 5D22 | 14  | 53-19 | R98500   | 2E25 | 25  | 30-39   | TY22010  | 1D14 | 2   | 20-1   |
| R95045   | 4F4  | 15  | 51-7  | R98500   | 2F12 | 29  | 30-49B  | TY22011  | 1D14 | 2   | 20-1   |
| R95045   | 4F18 | 4   | 51-21 | R98500   | 2F22 | 29  | 30-59   | TY22041  | 1D14 | ..  | 20-1   |
| R95045   | 4H6  | 15  | 51-59 | R98500   | 3E2  | 19  | 40-9    | TY22042  | 1D14 | ..  | 20-1   |
| R95045   | 4H20 | 4   | 51-73 | R98500   | 3E8  | 19  | 40-13   | TY22043  | 7D9  | 2   | 70-1   |
| R95045   | 5D10 | 12  | 53-7  | R98527   | 1G8  | 13  | 20-60   | TY22044  | 7D9  | 2   | 70-1   |
| R95065   | 7D19 | 37  | 70-11 | R98527   | 1G18 | ..  | 20-71   | TY22063  | 7D9  | 2   | 70-1   |
| R95110   | 5E22 | 9   | 54-10 | R98527   | 1H20 | 13  | 20-98   | TY22064  | 1D14 | 1   | 20-1   |
| R95117   | 6D23 | 3   | 60-18 | R98527   | 1I6  | ..  | 20-108A | TY22065  | 1D14 | 1   | 20-1   |
| R95118   | 6D23 | 2   | 60-18 | R98809   | 5E22 | 7   | 54-10   | TY22066  | 1D14 | 1   | 20-1   |
| R95119   | 6D23 | 5   | 60-18 | R98810   | 5E22 | 10  | 54-10   | TY22067  | 1D14 | 1   | 20-1   |

## NUMERICAL INDEX - CONTINUED

| PART NO. | GRID | KEY | PAGE   | PART NO. | GRID | KEY | PAGE   | PART NO. | GRID | KEY | PAGE   |
|----------|------|-----|--------|----------|------|-----|--------|----------|------|-----|--------|
| TY22068  | 1D14 | 1   | 20-1   | TY6394   | 1D14 | 2   | 20-1   | T146102  | 3I14 | 8   | 41-4   |
| TY22069  | 1D14 | 1   | 20-1   | TY6731   | 3I14 | 10  | 41-4   | T146102  | 3I15 | 10  | 41-4A  |
| TY22070  | 1D14 | 1   | 20-1   | TY6762   | 3E2  | 10  | 40-9   | T146102  | 3I16 | 6   | 41-5   |
| TY22073  | 1D14 | 1   | 20-1   | TY6762   | 3E8  | 10  | 40-13  | T146102  | 3I19 | 3   | 41-8   |
| TY22074  | 1D14 | 1   | 20-1   | TY6762   | 3I11 | 2   | 41-1   | T146102  | 3I21 | 4   | 41-11  |
| TY22328  | 8H14 | 3   | 90-11  | TY6762   | 3I13 | 8   | 41-3   | T146102  | 8G12 | 6   | 80-59  |
| TY22413  | 1I11 | 19  | 20-113 | TY6762   | 3I13 | ..  | 41-3   | T146104  | 3I14 | 12  | 41-4   |
| TY22413  | 8H14 | 7   | 90-11  | TY6764   | 3E2  | 4   | 40-9   | T146104  | 3I15 | 15  | 41-4A  |
| TY22425  | 2D19 | 10  | 30-11  | TY6764   | 3E8  | 4   | 40-13  | T146104  | 3I16 | 13  | 41-5   |
| TY22425  | 2D19 | 13A | 30-11  | TY6764   | 8H5  | 2   | 90-1   | T146104  | 3I19 | 9   | 41-8   |
| TY22462  | 1I11 | 3   | 20-113 | TY6781   | 3E2  | 20  | 40-9   | T146104  | 3I21 | 8   | 41-11  |
| TY22462  | 1I11 | 33  | 20-113 | TY6781   | 3I14 | 11  | 41-4   | T146104  | 8G22 | 8   | 80-69  |
| TY22462  | 1I13 | 7   | 20-115 | TY6781   | 3I18 | ..  | 41-7   | T146106  | 3I14 | 12  | 41-4   |
| TY22462  | 1I13 | 15  | 20-115 | TY6781   | 3I23 | 5   | 41-13  | T146106  | 3I15 | 15  | 41-4A  |
| TY22462  | 2G7  | 1   | 30-71  | T107035  | 7H23 | 11  | 70-117 | T146106  | 3I16 | 13  | 41-5   |
| TY22462  | 6F22 | 10  | 60-65  | T107035  | 7H25 | 13  | 70-119 | T146106  | 3I19 | 9   | 41-8   |
| TY22462  | 7I18 | 2   | 70-137 | T11180   | 2D19 | 1   | 30-11  | T146106  | 3I21 | 8   | 41-11  |
| TY22462  | 8H20 | 31  | 90-17  | T11180   | 2D23 | 3   | 30-15  | T146106  | 8G20 | 11  | 80-67  |
| TY22464  | 6F22 | 26  | 60-65  | T11180   | 2E2  | 3   | 30-19  | T146515  | 3I14 | 12  | 41-4   |
| TY22465  | 2G7  | 29  | 30-71  | T112635  | 7J6  | 5   | 70-149 | T146515  | 3I15 | 15  | 41-4A  |
| TY22465  | 4G22 | 8   | 51-51  | T112635  | 7J8  | 5   | 70-151 | T146515  | 3I16 | 13  | 41-5   |
| TY22465  | 4G24 | 5   | 51-53  | T116274  | 4D25 | 1   | 42-21  | T146515  | 3I19 | 9   | 41-8   |
| TY22465  | 6H23 | 23  | 60-109 | T116275  | 4D25 | 1   | 42-21  | T146515  | 3I21 | 8   | 41-11  |
| TY22465  | 6H25 | 23  | 60-111 | T11899   | 6G14 | 40  | 60-77  | T146516  | 3I14 | 12  | 41-4   |
| TY22465  | 8H14 | 9   | 90-11  | T11899   | 7I20 | 7   | 70-139 | T146516  | 3I15 | 15  | 41-4A  |
| TY22465  | 8H14 | 10  | 90-11  | T121280  | 4G10 | 28  | 51-39  | T146516  | 3I16 | 13  | 41-5   |
| TY22465  | 8H14 | 12  | 90-11  | T121280  | 4I14 | 28  | 51-91  | T146516  | 3I19 | 9   | 41-8   |
| TY22465  | 8H14 | 13  | 90-11  | T121280  | 7D11 | 21  | 70-3   | T146516  | 3I21 | 8   | 41-11  |
| TY22467  | 2D19 | 9   | 30-11  | T122075  | 7I8  | 5   | 70-127 | T146517  | 3I14 | 12  | 41-4   |
| TY22467  | 6H13 | 27  | 60-101 | T12529   | 5E16 | 20  | 54-3   | T146517  | 3I15 | 15  | 41-4A  |
| TY22467  | 8H14 | 30  | 90-11  | T12529   | 5F13 | 20  | 54-25  | T146517  | 3I16 | 13  | 41-5   |
| TY22467  | 8H20 | 24  | 90-17  | T131169  | 6I2  | 7   | 60-113 | T146517  | 3I19 | 9   | 41-8   |
| TY22471  | 3I16 | 8   | 41-5   | T13119   | 2E9  | 9   | 30-27  | T146517  | 3I21 | 8   | 41-11  |
| TY22471  | 3I19 | 5   | 41-8   | T13331   | 5E16 | 17  | 54-3   | T151797  | 7G8  | 6   | 70-77  |
| TY22472  | 7E5  | 21  | 70-23  | T13331   | 5F13 | 17  | 54-25  | T155858  | 2E9  | 5   | 30-27  |
| TY22473  | 3H15 | 6   | 40-95  | T13332   | 5E16 | 17  | 54-3   | T155858  | 2E10 | 4   | 30-28  |
| TY22473  | 7E5  | 21  | 70-23  | T13332   | 5F13 | 17  | 54-25  | T15712   | 7H25 | 19  | 70-119 |
| TY22474  | 8H10 | 19  | 90-7   | T13333   | 5E16 | 17  | 54-3   | T15712   | 7I2  | 2   | 70-121 |
| TY22475  | 3H15 | 6   | 40-95  | T13333   | 5F13 | 17  | 54-25  | T15712   | 7I4  | 2   | 70-123 |
| TY22475  | 5F11 | 3   | 54-22  | T13814   | 4F16 | 5   | 51-19  | T15712   | 7I10 | 2   | 70-129 |
| TY22485  | 1I11 | 36  | 20-113 | T13814   | 4H18 | 5   | 51-71  | T15712   | 7I12 | 11  | 70-131 |
| TY22486  | 1I11 | 1   | 20-113 | T13814   | 6E4  | 10  | 60-23  | T15969   | 3F21 | 2   | 40-53  |
| TY22486  | 1I11 | 40  | 20-113 | T13814   | 6E4  | 11  | 60-23  | T17148   | 6D7  | 4   | 60-3   |
| TY22486  | 2D13 | 4   | 30-5   | T13814   | 6E4  | 24  | 60-23  | T18012   | 2F12 | 22  | 30-49B |
| TY24446  | 1D19 | ..  | 20-6   | T13814   | 6E4  | 25  | 60-23  | T18012   | 2F22 | 22  | 30-59  |
| TY24446  | 1F12 | ..  | 20-42  | T13814   | 6E6  | 10  | 60-25  | T19935   | 4D17 | 15  | 42-13  |
| TY24446  | 1G24 | ..  | 20-78  | T13814   | 6E6  | 11  | 60-25  | T20077   | 1D18 | 2   | 20-5   |
| TY3018   | 7J9  | 3   | 70-152 | T13814   | 6E6  | 32  | 60-25  | T20077   | 1F11 | 2   | 20-41  |
| TY3019   | 7J9  | 3   | 70-152 | T13814   | 6E6  | 34  | 60-25  | T20077   | 1G23 | 2   | 20-77  |
| TY6128   | 3I22 | 1   | 41-12  | T13814   | 6F6  | 20  | 60-51  | T20129   | 1D18 | 1   | 20-5   |
| TY6280   | 1D14 | 1   | 20-1   | T13814   | 6G8  | 20  | 60-71  | T20129   | 1F11 | 1   | 20-41  |
| TY6297   | 1D14 | 1   | 20-1   | T13814   | 6G8  | 21  | 60-71  | T20129   | 1G23 | 1   | 20-77  |
| TY6298   | 1D14 | 1   | 20-1   | T13814   | 6G10 | 21  | 60-73  | T20328   | 1F8  | 21  | 20-39  |
| TY6300   | 1D14 | 1   | 20-1   | T13814   | 6G12 | 11  | 60-75  | T21242   | 1E21 | 3   | 20-27  |
| TY6301   | 1D14 | 1   | 20-1   | T138822  | 3E24 | 6   | 40-29  | T21242   | 1G11 | 3   | 20-63  |
| TY6311   | 1D14 | 1   | 20-1   | T138822  | 3H9  | 4   | 40-89  | T21242   | 1H24 | 3   | 20-103 |
| TY6312   | 1D14 | 1   | 20-1   | T138822  | 3H13 | 10  | 40-93  | T21959   | 6F8  | 20  | 60-51B |
| TY6313   | 1D14 | 1   | 20-1   | T142419  | 7I2  | 6   | 70-121 | T22085T  | 8F20 | 5   | 80-41  |
| TY6359   | 1D14 | 1   | 20-1   | T142419  | 7I4  | 5   | 70-123 | T22828   | 6D22 | 9   | 60-17B |
| TY6360   | 1D14 | 1   | 20-1   | T142419  | 7I10 | 6   | 70-129 | T23027   | 8G2  | 2   | 80-49  |
| TY6361   | 1D14 | 1   | 20-1   | T143166  | 3D22 | 1   | 40-5   | T23033   | 8G2  | 3   | 80-49  |
| TY6364   | 1D14 | 1   | 20-1   | T143166  | 4H20 | 2   | 51-73  | T23891   | 1E13 | 2   | 20-19  |
| TY6389   | 1D14 | 2   | 20-1   | T143166  | 5D10 | 10  | 53-7   | T23891   | 1G4  | 2   | 20-56  |
| TY6390   | 1D14 | 2   | 20-1   | T143169  | 8H10 | 24  | 90-7   | T23891   | 1H16 | 2   | 20-94  |
| TY6391   | 1D14 | 2   | 20-1   | T143169  | 8H12 | 18  | 90-9   | T24166   | 4E13 | 1   | 43-8   |
| TY6392   | 1D14 | 2   | 20-1   | T14386   | 1J9  | 11  | 20-137 | T24167   | 4E13 | 9   | 43-8   |
| TY6393   | 1D14 | 2   | 20-1   | T14386   | 6H19 | 17  | 60-107 | T24210   | 2F1  | 2   | 30-40  |

**NUMERICAL INDEX - CONTINUED**

| PART NO. | GRID | KEY | PAGE   | PART NO. | GRID | KEY | PAGE   | PART NO. | GRID | KEY | PAGE   |
|----------|------|-----|--------|----------|------|-----|--------|----------|------|-----|--------|
| T24210   | 2F13 | 2   | 30-50  | T77613   | 4F8  | 4   | 51-11  | T77857   | 7D23 | 39  | 70-15  |
| T24210   | 2F23 | 2   | 30-60  | T77613   | 4F12 | 20  | 51-15  | T77857   | 7D25 | 3   | 70-17  |
| T25879   | 7G18 | 4   | 70-89  | T77613   | 4H8  | 21  | 51-61  | T77857   | 7D25 | 39  | 70-17  |
| T26565   | 4F14 | 12  | 51-17  | T77613   | 4H10 | 13  | 51-63  | T77857   | 7F2  | 12  | 70-47  |
| T26565   | 4F18 | 22  | 51-21  | T77613   | 4H14 | 20  | 51-67  | T77857   | 7F4  | 12  | 70-49  |
| T26565   | 4H16 | 12  | 51-69  | T77613   | 5D14 | 11  | 53-11  | T77857   | 7I16 | 9   | 70-135 |
| T26565   | 4H20 | 22  | 51-73  | T77613   | 5E22 | 14  | 54-10  | T77857   | 7J2  | 1   | 70-145 |
| T27260   | 9F5  | 18  | 91-49  | T77613   | 5F15 | 7   | 54-27  | T77857   | 7J2  | 5   | 70-145 |
| T27860   | 1E16 | 2   | 20-22  | T77613   | 6D19 | 15  | 60-15  | T77857   | 7J2  | 7   | 70-145 |
| T27860   | 1G7  | 2   | 20-59  | T77613   | 6E4  | 4   | 60-23  | T77857   | 7J2  | 26  | 70-145 |
| T27860   | 1H19 | 2   | 20-97  | T77613   | 6E6  | 28  | 60-25  | T77857   | 8F6  | 5   | 80-27  |
| T28631   | 4D16 | 4   | 42-12  | T77613   | 6E8  | 28  | 60-27  | T77858   | 4F6  | 10  | 51-9   |
| T30349   | 5E24 | 11  | 54-13  | T77613   | 6F6  | 6   | 60-51  | T77858   | 4F8  | 15  | 51-11  |
| T32146   | 8F16 | 1   | 80-37  | T77613   | 6F10 | 13  | 60-53  | T77858   | 4H8  | 10  | 51-61  |
| T34248   | 6D24 | 4   | 60-19  | T77613   | 6F12 | 10  | 60-55  | T77858   | 4H10 | 15  | 51-63  |
| T35390   | 1D24 | 11  | 20-11  | T77613   | 6G8  | 3   | 60-71  | T77858   | 4H10 | 30  | 51-63  |
| T35390   | 1F18 | 14  | 20-47  | T77613   | 6G8  | 5   | 60-71  | T77858   | 6D19 | 16  | 60-15  |
| T35390   | 1H5  | 14  | 20-83  | T77613   | 6G8  | 14  | 60-71  | T77858   | 6E16 | 3   | 60-35  |
| T39741   | 4G12 | 4   | 51-41  | T77613   | 6G10 | 3   | 60-73  | T77858   | 6F8  | 16  | 60-51B |
| T39741   | 4G14 | 13  | 51-43  | T77613   | 6G10 | 5   | 60-73  | T77858   | 7D23 | 6   | 70-15  |
| T39741   | 4I8  | 3   | 51-85  | T77613   | 6G10 | 14  | 60-73  | T77858   | 7D23 | 8   | 70-15  |
| T39741   | 4I16 | 4   | 51-93  | T77613   | 6G12 | 3   | 60-75  | T77858   | 7D25 | 8   | 70-17  |
| T39741   | 4I18 | 13  | 51-95  | T77613   | 6G12 | 5   | 60-75  | T77858   | 7E3  | 1   | 70-21  |
| T42302   | 6E10 | 8   | 60-29  | T77613   | 6G14 | 1   | 60-77  | T77858   | 7E7  | 18  | 70-25  |
| T42302   | 6E14 | 7   | 60-33  | T77613   | 6G22 | 13  | 60-85  | T77858   | 7J4  | 15  | 70-147 |
| T42302   | 7D23 | 27  | 70-15  | T77613   | 6H4  | 8   | 60-91  | T77932   | 4F8  | 3   | 51-11  |
| T42302   | 7D25 | 27  | 70-17  | T77613   | 6H6  | 8   | 60-93  | T77932   | 4F12 | 23  | 51-15  |
| T42571   | 6E20 | 4   | 60-39  | T77613   | 6H8  | 8   | 60-95  | T77932   | 4H14 | 23  | 51-67  |
| T42571   | 6E22 | 2   | 60-41  | T77613   | 7D23 | 15  | 70-15  | T77932   | 6D19 | 9   | 60-15  |
| T42571   | 6G5  | 4   | 60-69D | T77613   | 7D25 | 15  | 70-17  | T77932   | 6E20 | 19  | 60-39  |
| T44824   | 4G12 | 5   | 51-41  | T77613   | 7H14 | 2   | 70-107 | T77932   | 6E20 | 31  | 60-39  |
| T44824   | 4I16 | 5   | 51-93  | T77613   | 7I16 | 3   | 70-135 | T77932   | 6E22 | 14  | 60-41  |
| T44931   | 5E6  | 4   | 53-29  | T77613   | 7I20 | 2   | 70-139 | T77932   | 6F6  | 9   | 60-51  |
| T44932   | 5E6  | 4   | 53-29  | T77613   | 7I22 | 16  | 70-141 | T77932   | 6F8  | 14  | 60-51B |
| T44933   | 5E6  | 4   | 53-29  | T77613   | 7I22 | 17  | 70-141 | T77932   | 6F22 | 9   | 60-65  |
| T44934   | 5E6  | 4   | 53-29  | T77613   | 8D19 | 5   | 71-17  | T77932   | 6F24 | 17  | 60-67  |
| T44935   | 5E6  | 4   | 53-29  | T77613   | 8D19 | 7   | 71-17  | T77932   | 6G3  | 17  | 60-69B |
| T44936   | 5E6  | 4   | 53-29  | T77613   | 8F6  | 3   | 80-27  | T77932   | 6G5  | 2   | 60-69D |
| T44937   | 5E6  | 4   | 53-29  | T77613   | 8H10 | 31  | 90-7   | T77932   | 7D23 | 28A | 70-15  |
| T47649   | 6E14 | 3   | 60-33  | T77814   | 6D19 | 6   | 60-15  | T77932   | 7D23 | 41  | 70-15  |
| T47649   | 7D23 | 11  | 70-15  | T77814   | 6G14 | 26  | 60-77  | T77932   | 7D25 | 41  | 70-17  |
| T49616   | 7D11 | 17  | 70-3   | T77814   | 7D19 | 31  | 70-11  | T77932   | 7F2  | 6   | 70-47  |
| T519T    | 9G2  | 2   | 92-13  | T77814   | 7D21 | 7   | 70-13  | T77932   | 7F4  | 6   | 70-49  |
| T54904   | 7D19 | 22  | 70-11  | T77857   | 2G7  | 15  | 30-71  | T77932   | 7J4  | 16  | 70-147 |
| T55585   | 2E9  | 1   | 30-27  | T77857   | 4F8  | 2   | 51-11  | T78313   | 7D13 | 6   | 70-5   |
| T55585   | 3F21 | 1   | 40-53  | T77857   | 4F12 | 14  | 51-15  | T78313   | 7D25 | 6   | 70-17  |
| T57246   | 6F24 | 18  | 60-67  | T77857   | 4G20 | 9   | 51-49  | T79477   | 7I18 | 4   | 70-137 |
| T57246   | 6F24 | 20  | 60-67  | T77857   | 4G22 | 2   | 51-51  | T79477   | 7I18 | 5   | 70-137 |
| T57822   | 6F6  | 19  | 60-51  | T77857   | 4G24 | 3   | 51-53  | T79477   | 7I18 | 7   | 70-137 |
| T60657   | 7D19 | 29  | 70-11  | T77857   | 4H10 | 2   | 51-63  | T79477   | 7I22 | 11  | 70-141 |
| T60657   | 7D21 | 5   | 70-13  | T77857   | 4H14 | 14  | 51-67  | T81686   | 7H25 | 20  | 70-119 |
| T61226   | 5E16 | 12  | 54-3   | T77857   | 5D14 | 24  | 53-11  | T81686   | 7I2  | 1   | 70-121 |
| T61226   | 5E17 | 3   | 54-4   | T77857   | 5D14 | 29  | 53-11  | T81686   | 7I4  | 1   | 70-123 |
| T61226   | 5F13 | 10  | 54-25  | T77857   | 5E22 | 17  | 54-10  | T81686   | 7I10 | 1   | 70-129 |
| T65643   | 9E8  | 13  | 91-27  | T77857   | 6E4  | 5   | 60-23  | T81686   | 7I12 | 12  | 70-131 |
| T70177   | 7I14 | 6   | 70-133 | T77857   | 6E6  | 5   | 60-25  | UN7189   | 5D14 | ..  | 53-11  |
| T70659   | 7F2  | 14  | 70-47  | T77857   | 6E6  | 12  | 60-25  | U10289   | 4G12 | 10  | 51-41  |
| T70659   | 7F4  | 14  | 70-49  | T77857   | 6E6  | 16  | 60-25  | U10289   | 4I16 | 10  | 51-93  |
| T71307   | 4F8  | 11  | 51-11  | T77857   | 6E8  | 5   | 60-27  | U10289   | 6E14 | 9   | 60-33  |
| T72280   | 7D19 | 30  | 70-11  | T77857   | 6E8  | 12  | 60-27  | U10289   | 7D23 | 14  | 70-15  |
| T72280   | 7D21 | 6   | 70-13  | T77857   | 6F8  | 4   | 60-51B | U10289   | 7D25 | 14  | 70-17  |
| T72350   | 9G2  | 6   | 92-13  | T77857   | 6F8  | 13  | 60-51B | U10289   | 7E7  | 26  | 70-25  |
| T74416   | 8H10 | 7   | 90-7   | T77857   | 6G8  | 19  | 60-71  | U10624   | 5D12 | 9   | 53-9   |
| T74425   | 7F6  | 5   | 70-51  | T77857   | 6G10 | 19  | 60-73  | U11326   | 3D20 | 2   | 40-3   |
| T76938   | 7E7  | 21  | 70-25  | T77857   | 6G12 | 6   | 60-75  | U11326   | 3D20 | 10  | 40-3   |
| T76938   | 7F2  | 25  | 70-47  | T77857   | 6G14 | 38  | 60-77  | U11326   | 3D22 | 7   | 40-5   |
| T76938   | 7F4  | 25  | 70-49  | T77857   | 7D23 | 3   | 70-15  | U11326   | 4F4  | 14  | 51-7   |

# 1L25

8100, 8200, 8300, 8400 TRACTORS

## NUMERICAL INDEX - CONTINUED

| PART NO. | GRID | KEY | PAGE   | PART NO. | GRID | KEY | PAGE   | PART NO. | GRID | KEY | PAGE |
|----------|------|-----|--------|----------|------|-----|--------|----------|------|-----|------|
| U11326   | 4F4  | 22  | 51-7   | U4662    | 4E13 | 9   | 43-8   |          |      |     |      |
| U11326   | 4F18 | 2   | 51-21  | U46662   | 3F21 | 4   | 40-53  |          |      |     |      |
| U11326   | 4F18 | 26  | 51-21  | W27358   | 8D15 | 27  | 71-13  |          |      |     |      |
| U11326   | 4H6  | 14  | 51-59  | Z27858   | 7H18 | 7   | 70-111 |          |      |     |      |
| U11326   | 4H6  | 22  | 51-59  | Z44689   | 4D11 | 3   | 42-7   |          |      |     |      |
| U11326   | 4H20 | 26  | 51-73  | Z44689   | 4D23 | 3   | 42-19  |          |      |     |      |
| U11326   | 5D10 | 10  | 53-7   |          |      |     |        |          |      |     |      |
| U11326   | 7H23 | 33  | 70-117 |          |      |     |        |          |      |     |      |
| U11326   | 7H25 | 17  | 70-119 |          |      |     |        |          |      |     |      |
| U11647   | 7F6  | 4   | 70-51  |          |      |     |        |          |      |     |      |
| U11647   | 7J9  | 1   | 70-152 |          |      |     |        |          |      |     |      |
| U12547   | 7H23 | 2   | 70-117 |          |      |     |        |          |      |     |      |
| U12547   | 7I10 | 22  | 70-129 |          |      |     |        |          |      |     |      |
| U12547   | 7I10 | 30  | 70-129 |          |      |     |        |          |      |     |      |
| U12547   | 7J4  | 17  | 70-147 |          |      |     |        |          |      |     |      |
| U13639   | 1D24 | 4   | 20-11  |          |      |     |        |          |      |     |      |
| U13639   | 1E25 | 5   | 20-31  |          |      |     |        |          |      |     |      |
| U13639   | 1F1  | 6   | 20-32  |          |      |     |        |          |      |     |      |
| U13639   | 1F8  | 24  | 20-39  |          |      |     |        |          |      |     |      |
| U13639   | 1F18 | 7   | 20-47  |          |      |     |        |          |      |     |      |
| U13639   | 1G21 | 23  | 20-75  |          |      |     |        |          |      |     |      |
| U13639   | 1H5  | 7   | 20-83  |          |      |     |        |          |      |     |      |
| U13639   | 1I9  | 23  | 20-111 |          |      |     |        |          |      |     |      |
| U13639   | 1J3  | 2   | 20-130 |          |      |     |        |          |      |     |      |
| U15974   | 7H23 | 12  | 70-117 |          |      |     |        |          |      |     |      |
| U15974   | 7H25 | 15  | 70-119 |          |      |     |        |          |      |     |      |
| U17409   | 1E23 | 6   | 20-29  |          |      |     |        |          |      |     |      |
| U17409   | 1F8  | 30  | 20-39  |          |      |     |        |          |      |     |      |
| U17409   | 1G14 | 7   | 20-66  |          |      |     |        |          |      |     |      |
| U17409   | 1G16 | 5   | 20-69  |          |      |     |        |          |      |     |      |
| U17409   | 1G16 | 15  | 20-69  |          |      |     |        |          |      |     |      |
| U17409   | 1G21 | 26  | 20-75  |          |      |     |        |          |      |     |      |
| U17409   | 1I2  | 5   | 20-105 |          |      |     |        |          |      |     |      |
| U17409   | 1I2  | 15  | 20-105 |          |      |     |        |          |      |     |      |
| U17409   | 1I4  | 7   | 20-107 |          |      |     |        |          |      |     |      |
| U17409   | 1I9  | 26  | 20-111 |          |      |     |        |          |      |     |      |
| U17409   | 6E20 | 28  | 60-39  |          |      |     |        |          |      |     |      |
| U17409   | 6E22 | 9   | 60-41  |          |      |     |        |          |      |     |      |
| U17409   | 6F24 | 10  | 60-67  |          |      |     |        |          |      |     |      |
| U17409   | 6G3  | 10  | 60-69B |          |      |     |        |          |      |     |      |
| U17409   | 6G5  | 11  | 60-69D |          |      |     |        |          |      |     |      |
| U17409   | 7H23 | 7   | 70-117 |          |      |     |        |          |      |     |      |
| U17409   | 7H25 | 24  | 70-119 |          |      |     |        |          |      |     |      |
| U17409   | 7I10 | 18  | 70-129 |          |      |     |        |          |      |     |      |
| U17409   | 7I10 | 31  | 70-129 |          |      |     |        |          |      |     |      |
| U40708   | 7D17 | 7   | 70-9   |          |      |     |        |          |      |     |      |
| U41966   | 3D20 | 2   | 40-3   |          |      |     |        |          |      |     |      |
| U41966   | 3D20 | 10  | 40-3   |          |      |     |        |          |      |     |      |
| U41966   | 3D22 | 1   | 40-5   |          |      |     |        |          |      |     |      |
| U41966   | 3D22 | 7   | 40-5   |          |      |     |        |          |      |     |      |
| U41966   | 3D24 | 14  | 40-7   |          |      |     |        |          |      |     |      |
| U41966   | 3E6  | 13  | 40-11  |          |      |     |        |          |      |     |      |
| U41966   | 4F4  | 14  | 51-7   |          |      |     |        |          |      |     |      |
| U41966   | 4F4  | 20  | 51-7   |          |      |     |        |          |      |     |      |
| U41966   | 4F18 | 2   | 51-21  |          |      |     |        |          |      |     |      |
| U41966   | 4F18 | 3   | 51-21  |          |      |     |        |          |      |     |      |
| U41966   | 4H6  | 14  | 51-59  |          |      |     |        |          |      |     |      |
| U41966   | 4H6  | 20  | 51-59  |          |      |     |        |          |      |     |      |
| U41966   | 4H20 | 2   | 51-73  |          |      |     |        |          |      |     |      |
| U41966   | 4H20 | 3   | 51-73  |          |      |     |        |          |      |     |      |
| U41966   | 5D10 | 10  | 53-7   |          |      |     |        |          |      |     |      |
| U41966   | 5D10 | 11  | 53-7   |          |      |     |        |          |      |     |      |
| U42016   | 7D11 | 18  | 70-3   |          |      |     |        |          |      |     |      |
| U42111   | 5D12 | 12  | 53-9   |          |      |     |        |          |      |     |      |
| U44496   | 4G16 | 3   | 51-45  |          |      |     |        |          |      |     |      |
| U45916   | 9F11 | 44  | 91-53B |          |      |     |        |          |      |     |      |
| U46335   | 6D21 | 2   | 60-17  |          |      |     |        |          |      |     |      |