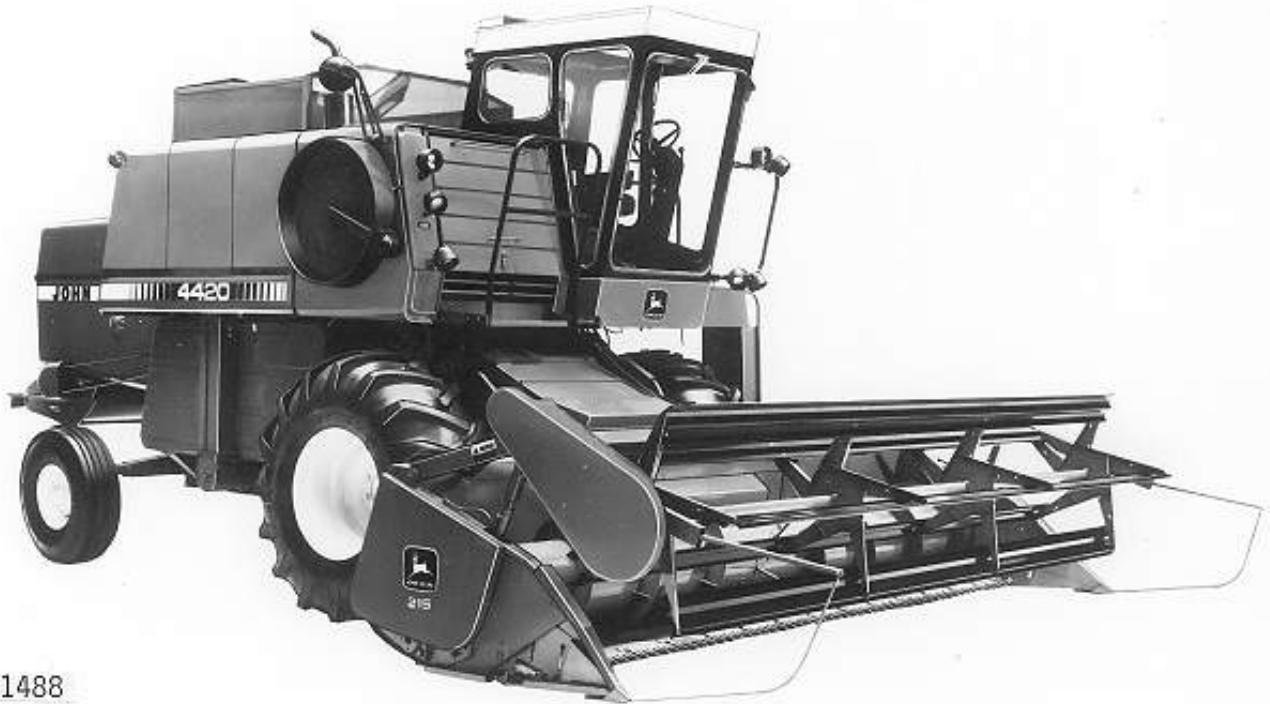


HP1488 -UN-01JAN94



HP1488

JOHN DEERE 4420 COMBINE WITH 215 PLATFORM

(SPECIFICATIONS AND DESIGN SUBJECT TO CHANGE WITHOUT NOTICE)

NOTE

FOR 200 SERIES PLATFORM PARTS INFORMATION, REFER TO JOHN DEERE 200 SERIES PLATFORM PARTS CATALOG - PC-1558.

FOR 40 SERIES CORN HEAD PARTS INFORMATION, REFER TO JOHN DEERE 40 SERIES CORN HEAD PARTS CATALOG - PC-1223.

FOR 50 SERIES ROW-CROP HEAD PARTS INFORMATION, REFER TO JOHN DEERE 50 SERIES ROW-CROP HEAD PARTS CATALOG - PC-1549.

FOR 50A SERIES ROW-CROP HEAD PARTS INFORMATION, REFER TO JOHN DEERE 50A SERIES ROW-CROP HEAD PARTS CATALOG - PC-1747.

FOR THREE-ROLLER BELT PICKUP PARTS INFORMATION, REFER TO JOHN DEERE THREE-ROLLER BELT PICKUP PARTS CATALOG - PC-1189.

IMPORTANT

THIS PARTS CATALOG CONTAINS PARTS INFORMATION FOR THE 4420 COMBINE. MACHINE VINTAGE IS DETERMINED BY THE COMBINE SERIAL NUMBER OR THE PRODUCT IDENTIFICATION NUMBER (PIN). IT IS IMPORTANT THAT THE CORRECT NUMBERS BE USED WHEN ORDERING PARTS.

SERIAL NUMBER AND PRODUCT IDENTIFICATION NUMBER (PIN) PLATES

USE ALL NUMBERS, LETTERS AND SPACES SHOWN ON THE SERIAL NUMBER PLATE OR THE PRODUCT IDENTIFICATION NUMBER PLATE IN WARRANTY CORRESPONDENCE.

COMBINES (-550000)

ON THESE COMBINES, THE SERIAL NUMBER PLATE IS LOCATED ON THE REAR LEFT-HAND UPRIGHT.

AN EXAMPLE OF THE SERIAL NUMBER ON THIS PLATE IS:

E442055000H

E - EQUIPMENT
4420 - COMBINE MODEL
550000 - COMBINE SEPARATOR SERIAL NUMBER
H - MANUFACTURING UNIT (HARVESTER WORKS)

COMBINES (550001-)

ON THESE COMBINES, THE PRODUCT IDENTIFICATION PLATE (PIN) IS LOCATED NEAR THE RIGHT-HAND SIDE OF THE TOOL BOX. AN EXAMPLE OF THE TWO-LINES ON THIS PIN PLATE IS:

H04420X550001
COMBINE

(FIRST LINE)

H0 - MANUFACTURING UNIT (HARVESTER WORKS)
4420 - MODEL IDENTIFIER
X - CONFIGURATION CODE/MODEL IDENTIFIER SUFFIX
550001 - SEQUENTIAL NUMBER USED IN SERIAL NO. COLUMN

(SECOND LINE)

COMBINE - TYPE OF PRODUCT

ENGINE SERIAL NUMBER

THE ENGINE SERIAL NUMBER PLATE IS LOCATED ON THE RIGHT-HAND SIDE OF THE ENGINE BLOCK.

ENGINES (-XXXXXX)

AN EXAMPLE OF THE ONE-LINE, FIFTEEN-DIGIT NUMBER ON THIS SERIAL NUMBER PLATE IS:

6329DH03XXXXXT

6 - NUMBER OF CYLINDERS
 329 - CUBIC INCH DISPLACEMENT
 D - FUEL TYPE
 H - MANUFACTURING UNIT OF MACHINE (HARVESTER WORKS)
 03 - ENGINE VERSION
 XXXXXX - ENGINE SERIAL NUMBER
 T - MANUFACTURING UNIT OF ENGINE (JOHN DEERE DUBUQUE WORKS)

ENGINES (XXXXXX-)

AN EXAMPLE OF THE TWO-LINE NUMBER ON THIS SERIAL NUMBER PLATE IS:

T06329DXXXXXX
 6329DH03

(FIRST LINE)

T0 - MANUFACTURING UNIT (JOHN DEERE DUBUQUE WORKS)
 6 - NUMBER OF CYLINDERS
 329 - CUBIC INCH DISPLACEMENT
 D - CONFIGURATION CODE/MODEL IDENTIFIER SUFFIX
 XXXXXX - SEQUENTIAL NUMBER USED IN SERIAL NO. COLUMN

(SECOND LINE)

6 - NUMBER OF CYLINDERS
 329 - CUBIC INCH DISPLACEMENT
 D - FUEL TYPE (NON-TURBOCHARGED DIESEL)
 H - MANUFACTURING UNIT OF MACHINE (HARVESTER WORKS)
 03 - ENGINE VERSION

PARTS LISTING INFORMATION

SERIAL NUMBER OR PRODUCT IDENTIFICATION NUMBER (PIN) INFORMATION SHOWS ON WHICH MACHINES A PART MAY BE USED. FOR EXAMPLE:

- THE PART CAN BE USED ON ALL MACHINES.

-000000 THE PART CAN BE USED ON ALL MACHINES UP TO AND INCLUDING THE SERIAL NUMBER LISTED.

000000- THE PART CAN BE USED ON ALL MACHINES BEGINNING WITH THE SERIAL NUMBER LISTED.

000000-000000 THE PART CAN BE USED ON ALL MACHINES BETWEEN AND INCLUDING THE SERIAL NUMBERS LISTED.

WHEN XXXXXX'S ARE LISTED IN PLACE OF A SERIAL NUMBER, A SERIAL NUMBER WAS MADE, BUT THE EXACT SERIAL NUMBER WAS NOT AVAILABLE WHEN THE CATALOG WAS PRINTED.

DIRECTION ARROW

ARROWS ARE USED WITH ILLUSTRATIONS TO INDICATE THE FRONT OF THE UNIT. "RIGHT-HAND" AND "LEFT-HAND" SIDES ARE DETERMINED BY FACING IN THE DIRECTION OF MACHINE FORWARD TRAVEL.

BOX-ENCLOSED ILLUSTRATIONS

A KEY NUMBER, SHOWN IN THE PARTS LIST, IS ASSIGNED TO A BOX ENCLOSING ALL PARTS SOLD AS A SERVICE ASSEMBLY. A BOX NOT KEYED INCLUDES NON-CURRENT PARTS.

KITS

KIT INFORMATION WILL BE FOUND IMMEDIATELY FOLLOWING THE STORY IN WHICH IT IS USED. THE ILLUSTRATION IS REPEATED WITH ONLY THE KIT PARTS CALLED OUT AND WITH ALL OTHER PARTS SHOWN IN PHANTOM FOR RELATIONSHIP.

JDM REMANUFACTURED COMPONENTS

THE SERVICE PARTS LISTED IN THIS CATALOG ARE INTENDED FOR THE REPAIR OF ORIGINAL EQUIPMENT COMPONENTS. ALTHOUGH MOST SERVICE PARTS MAY BE USED TO REPAIR REMANUFACTURED COMPONENTS, THE REMANUFACTURED DESIGN MAY CHANGE PARTS SUFFICIENTLY SO THAT SERVICE PARTS ARE INADEQUATE OR NOT USABLE.

BOLT AND CAP SCREW STRENGTH IDENTIFICATION

BOLTS AND CAP SCREWS REQUIRED TO HAVE HIGH-STRENGTH QUALITIES EQUIVALENT TO SAE GRADE 8 ARE IDENTIFIED THROUGHOUT THIS CATALOG BY THE DESCRIPTION HS SAE 8. ALL STANDARD BOLTS AND CAP SCREWS ARE SAE GRADE 5 OR LOWER.

COMPLETE GOODS LISTINGS

COMPLETE GOODS ARE LISTED IN BOLD FACE TYPE. ORDER SEPARATELY. DO NOT INCLUDE ON REPLACEMENT PARTS ORDER.

SI UNITS OF MEASURE

METRIC DIMENSIONS ARE GIVEN, WHERE APPLICABLE, THROUGHOUT THIS PARTS CATALOG.

TRADEMARKS

THROUGHOUT THIS PARTS CATALOG, YOU WILL FIND THE FOLLOWING DEERE & COMPANY TRADEMARKS:

DIAL-A-MATIC™
HARVESTRAK™

TORQ-GARD SUPREME®
QUIK-TATCH™

CHANGE INDICATOR LINE

CHANGES AFFECTING THE ORDERING OF PARTS ARE IDENTIFIED BY VERTICAL LINES MARKED IN THE LEFT-HAND MARGIN OF REVISED PARTS LISTING IMAGES. A LINE IS ALSO AT THE LEFT-HAND EDGE OF THE SAME PART NUMBER IN THE NUMERICAL INDEX TO SHOW THE LOCATION OF REVISED INFORMATION.

SECTIONAL INDEX

	SECTION
GENERAL INFORMATION	10
BASIC ENGINE	20
FUEL AND AIR	30
ELECTRICAL	40
POWER TRAIN	50
STEERING AND BRAKES	60
HYDRAULICS	70
SEPARATOR SHELL	80
OPERATOR'S STATION	90
HEADERS - REFER TO INDIVIDUAL HEADER PARTS CATALOGS	100
FEEDER HOUSE	110
SEPARATOR	120
GRAIN TANK AND UNLOADING AUGER	130
MAJOR DRIVES	140
HEADER HEIGHT CONTROL	160
DECALS, BELTS AND CHAINS	170
NUMERICAL INDEX	180

ALPHABETICAL INDEX

GRID		PAGE	GRID		PAGE
	A				
1F3	ACCUMULATOR PRESSURE GAUGE	40 - 10	1H18	AXLE, FINAL DRIVE (HEAVY-DUTY)	50 - 16
2C11	ACCUMULATOR, NAMEPLATE	70 - 45	1I24	AXLE, REAR	60 - 18
2C11	ACCUMULATOR,PRESS.CTL.VALVE AND MTG.BKT.	70 - 45	1I25	AXLE, REAR	60 - 19
2K12	ACTUATOR SWITCH AND MOUNTING	160 - 8	1H6	AXLE, SPACERS	50 - 4
1I25	ADJUSTABLE REAR AXLE	60 - 19	1H5	AXLE, WHEEL, DRIVE	50 - 3
1D5	AID, COLD WEATHER STARTING	30 - 9		B	
1E15	AIR CLEANER	30 - 44	1H25	BALL JOINT,RELATIVE GRD. SPD. INDICATOR	50 - 23
2E11	AIR COND. COMPR. MOUNTING AND SUPPORTS.....	90 - 30	2H4	BAR, CYLINDER SHEAR.....	120 - 25
2E12	AIR COND. COMPRESSOR MTG. & SUPTS.	90 - 31	2I6	BAR, FINGER, CHAFFER FRAME	120 - 54
2E13	AIR COND. CONDENSER AND RECEIVER-DRIER	90 - 33	1F8	BATTERY BOOT	40 - 15
2E13	AIR CONDITIONER	90 - 33	1F8	BATTERY, BRACKETS AND CABLES	40 - 15
2E14	AIR CONDITIONER LINES	90 - 34	1F7	BATTERY, BRACKETS, CABLES, AND SHIELDS.....	40 - 14
2E14	AIR CONDITIONER, LO PRESSURE SWITCH	90 - 34	1H17	BEARING CAP AND FINAL DRIVE HOUSING	50 - 15
1F12	AIR CONDITIONING WIRING ON ENGINE	40 - 20	1B12	BEARING, MAIN.....	20 - 19
1F13	AIR CONDITIONING WIRING ON ENGINE	40 - 21	1B13	BEARING, MAIN.....	20 - 20
2E16	AIR CONDITIONING, O-RING KIT	90 - 36	1H18	BEARINGS, FINAL DRIVE (HEAVY-DUTY)	50 - 16
2I11	AIR DUCTS, CLEANING FAN	120 - 59	2G23	BEATER AND TACHOMETER DRIVE	120 - 20
2E4	AIR INTAKE AT REAR OF OPERATOR'S CAB.....	90 - 23	2H1	BEATER AND TACHOMETER DRIVE	120 - 22
1B25	AIR INTAKE MANIFOLD	20 - 32	3B3	BEATER DRIVE SHEAVES AND BELTS	170 - 12
1E16	AIR INTAKE TUBE	30 - 45	3A25	BELT AND SHEAVES, SECONDARY COUNTERSHAFT ..	170 - 9
2J6	AIR INTAKE TUBE COVER.....	130 - 4	1C17	BELT TIGHTENER, RADIATOR FAN DRIVE	20 - 49
1E14	AIR INTAKE TUBES.....	30 - 43	1G5	BELT, ALTERNATOR.....	40 - 38
1D20	AIRTEX FUEL TRANSFER PUMP ASSEMBLY	30 - 24	3A21	BELT, ENGINE R.H. SIDE	170 - 3
1G5	ALTERNATOR SHEAVE AND BELT	40 - 38	1C16	BELT, RADIATOR FAN	20 - 48
1G7	ALTERNATOR SUPPORTS, FRONT AND REAR	40 - 41	3A22	BELT, ROTARY SCREEN	170 - 5
1G6	ALTERNATOR, COMPLETE, 90 AMP	40 - 39	3B4	BELT, SHOE GRAIN SUPPLY AUGERS DRIVE	170 - 13
1G1	ALTERNATOR, 72 AMP.....	40 - 34	3B2	BELTS AND CHAINS, FEEDER HOUSE DRIVE	170 - 11
1G3	ALTERNATOR, 90 AMP.....	40 - 36	3B3	BELTS AND SHEAVES, BEATER DRIVE	170 - 12
2K15	AMPLIFIER AND CIRCUIT BOX	160 - 11	3B10	BELTS AND SHEAVES, LOADING AUGER DRIVE.....	170 - 21
1F23	ANTENNA, RADIO	40 - 32	2G23	BELTS, BEATER AND TACHOMETER DRIVE	120 - 20
1G8	ARMATURE ASSEMBLY, STARTER MOTOR	40 - 42	2H1	BELTS, BEATER AND TACHOMETER DRIVE	120 - 22
1G11	ARMATURE, STARTING MOTOR.....	40 - 45	3B10	BELTS, CLEAN GRAIN ELEVATOR	170 - 21
2D21	ARMRESTS	90 - 15	3A24	BELTS, PRIMARY	170 - 7
2J12	AUGER COUNTERSHAFT, UNLOADING	130 - 10	2H17	BLADE, STRAW CHOPPER	120 - 38
2J16	AUGER DR.TIGHTENER,AUXILIARY UNLOADING.....	130 - 14	2H22	BLADE, STRAW SPREADER	120 - 43
2J10	AUGER DRIVE CONTROL, UNLOADING.....	130 - 8	1F21	BLADE, WINDSHIELD WIPER	40 - 30
3B9	AUGER DRIVE SHEAVES AND SPROCKETS	170 - 19	2K10	BLOCK, CHECK (AUTO HEIGHT).....	160 - 6
2I25	AUGER DRIVE TIGHTENER, UPPER TAILINGS.....	120 - 74	1A22	BLOCK, CYLINDER	20 - 4
3B12	AUGER DRIVES, UNLOADING	170 - 23	1A24	BLOCK, CYLINDER	20 - 6
2J17	AUGER HINGE AND SWING, UNLOADING.....	130 - 15	2K6	BLOCK, VALVE, MAIN (AUTO HEIGHT)	160 - 2
2J18	AUGER HOUSING, OUTER UNLOADING	130 - 16	2F2	BOTTOM, FEEDER HOUSE FALSE	110 - 9
2H24	AUGER HOUSING, SHOE GRAIN SUPPLY.....	120 - 45	2C20	BOX, TOOL.....	80 - 7
2K9	AUGER SWING	160 - 5	2C19	BRACE, CROSS, SEPARATOR	80 - 6
2B7	AUGER SWING CONTROL VALVE, UNLOADING	70 - 12	1F9	BRACKET AND CIRCUIT BREAKERS	40 - 17
2B6	AUGER SWING CONTROL, HYDRAULIC	70 - 11	1F21	BRACKET AND WINDSHIELD WIPER	40 - 30
2B11	AUGER SWING HOSES AND LINE, UNLOADING	70 - 17	2C11	BRACKET,MTG.,ACCUMULATOR,AND PRES.CTL. VALVE	70 - 45
2B9	AUGER SWING HYDRAULIC CYLINDER,UNLOADING	70 - 15	1H25	BRACKET,RELATIVE GROUND SPEED INDICATOR.....	50 - 23
2B12	AUGER SWING LINE, UNLOADING.....	70 - 18	2D16	BRACKETS, OPERATOR'S CAB MOUNTING	90 - 10
2I12	AUGER, CLEAN GRAIN	120 - 60	2C8	BRACKETS, PLATFORM LIFT	70 - 42
2J15	AUGER, INNER UNLOADING	130 - 13	1I10	BRAKE LINES	60 - 3
2I20	AUGER, LOWER TAILINGS	120 - 69	1I12	BRAKE MASTER CYLINDER	60 - 5
2J17	AUGER, OUTER UNLOADING	130 - 15	1I9	BRAKE PEDALS AND LINKAGE.....	60 - 2
2I24	AUGER, UPPER TAILINGS.....	120 - 73	1I13	BRAKE SLAVE CYLINDER	60 - 6
2J20	AUGERS, GRAIN TANK AUXILIARY UNLOADING	130 - 18	1I14	BRAKE SLAVE CYLINDER	60 - 7
2H25	AUGERS, SHOE GRAIN SUPPLY	120 - 47	1I15	BRAKE SLAVE CYLINDER KIT.....	60 - 9
1E2	AUTOMATIC ADVANCE	30 - 31	1I8	BRAKE, PARKING	60 - 1
2K9	AUTOMATIC HEADER HEIGHT LINES	160 - 5	1I11	BRAKES AND HOUSING.....	60 - 4
2B13	AUX. UNLDG. AUG. HYD. DR. SELECTOR VALVE	70 - 19	2I22	BUCKET, TAILINGS ELEVATOR	120 - 71
2B13	AUX. UNLDG. AUG. HYD. DR. VALVE SUPPORT	70 - 19	1F3	BULB, ACCUMULATOR PRESSURE GAUGE	40 - 10
2B14	AUX. UNLDG. AUGER HYD. DRIVE OIL LINES	70 - 20	2D16	BUSHINGS, OPERATOR'S CAB MOUNTING	90 - 10
2J11	AUXILIARY UNLDG. AUGER HYD. DR. CONTROL	130 - 9			
2J16	AUXILIARY UNLOADING AUG. DRIVE TIGHTENER	130 - 14			
2J16	AUXILIARY UNLOADING AUGER DR.MOTOR SUPT.	130 - 14			
2B15	AUXILIARY UNLOADING AUGER HYD. DR. MOTOR	70 - 21			
2J21	AUXILIARY UNLOADING AUGERS DRIVE SHAFT.....	130 - 19			

ALPHABETICAL INDEX - CONTINUED

GRID		PAGE	GRID		PAGE
	C				
2D23	CAB BODY, OPERATOR'S	90-17	2E9	COMPRESSOR, HI PRESSURE SWITCH	90-28
2E2	CAB ROOF	90-21	2G17	CONCAVE ADJUSTING CONTROLS	120-13
2E2	CAB ROOF RECIRCULATING FILTERS	90-21	2G16	CONCAVE ADJUSTING SHAFT	120-12
1F12	CAB, OPERATOR'S	40-20	2G11	CONCAVE, OPEN-BAR	120-7
1F13	CAB, OPERATOR'S	40-21	2G16	CONCAVE, SECTOR	120-12
2F13	CABLE, FLOAT SPRING INDICATOR	110-20	2G14	CONCAVE, SPIKE-TOOTH	120-10
1I8	CABLE, PARKING BRAKE	60-1	2E13	CONDENSER AND RECEIVER-DRIER, AIR COND.....	90-33
1H25	CABLE, RELATIVE GROUND SPEED INDICATOR.....	50-23	1A21	CONDITIONER, COOLANT AND STOP LEAK.....	20-3
1G15	CABLE, WIRING.....	40-50	1F3	CONNECTOR, ACCUMULATOR PRESSURE GAUGE	40-10
1F8	CABLES, BATTERY AND BRACKETS	40-15	1G17	CONNECTOR, ELECTRICAL, SERVICE KIT	40-52
1B17	CAMSHAFT.....	20-24	1G21	CONNECTORS, SUPPLEMENTARY TERMINALS.....	40-56
1B12	CAP, MAIN BEARING	20-19	2D22	CONSOLE AND INSTRUMENT PANEL	90-16
1F23	CAPACITOR, RADIO	40-32	2A23	CONTROL VALVE, HYDRAULIC.....	70-4
1B13	CAPS, MAIN BEARING	20-20	2B1	CONTROL VALVE, HYDRAULIC.....	70-6
2I4	CHAFFER AND SIEVE.....	120-51	2B7	CONTROL VALVE, UNLOADING AUGER SWING	70-12
2I6	CHAFFER FRAME, UPPER SHOE.....	120-54	2B8	CONTROL VALVE, UNLOADING AUGER SWING	70-13
2F10	CHAIN GUIDES, DRIVE, FEEDER CONVEYOR	110-17	2K14	CONTROL, DIAL-A-MATIC HEADER HEIGHT	160-10
2I14	CHAIN, CLEAN GRAIN ELEVATOR CONVEYOR	120-62	2K15	CONTROL, DIAL-A-MATIC HEADER HEIGHT	160-11
2F8	CHAIN, CONVEYOR, FEEDER	110-15	2B6	CONTROL, HYDRAULIC AUGER SWING	70-11
3A24	CHAIN, PRIMARY.....	170-7	2F24	CONTROL, PLATFORM VARIABLE BELT DRIVE	110-31
3B2	CHAINS AND BELTS, FEEDER HOUSE DRIVE	170-11	2J10	CONTROL, UNLOADING AUGER DRIVE.....	130-8
2K10	CHECK BLOCK (AUTO HEIGHT)	160-6	2C11	CONTROL,PRES.VALVE,ACCUMULATOR AND MTG. BKT.	70-45
2H15	CHOPPER CURTAIN AND SHIELDS, STRAW	120-36	2B4	CONTROL,VARIABLE SPEED CYLINDER-SEP.SIDE	70-9
2H9	CHOPPER HOUSING, STRAW	120-30	2J11	CONTROLS, AUXILIARY UNLDG. AUG. HYD. DR.....	130-9
2H11	CHOPPER, STRAW	120-32	1I8	CONTROLS, BRAKE, PARKING	60-1
2H13	CHOPPER, STRAW, PLATES AND FINS.....	120-34	2G17	CONTROLS, CONCAVE	120-13
2K15	CIRCUIT BOX AND AMPLIFIER	160-11	1H3	CONTROLS, GEARSHIFT	50-1
1F9	CIRCUIT BREAKERS AND BRACKET	40-17	1H24	CONTROLS, GROUND SPEED.....	50-22
1H25	CLAMP, RELATIVE GROUND SPEED INDICATOR	50-23	1H24	CONTROLS, GROUND SPEED INDICATOR	50-22
2I12	CLEAN GRAIN AUGER AND HOUSING	120-60	1I8	CONTROLS, HYDROSTATIC DRIVE REEL.....	60-1
3B10	CLEAN GRAIN ELEVATOR.....	170-21	2D9	CONTROLS, PIVOTING LADDER.....	90-3
3B10	CLEAN GRAIN ELEVATOR BELTS	170-21	2B16	CONTROLS, REEL LIFT	70-22
2I14	CLEAN GRAIN ELEVATOR CONVEYOR CHAIN.....	120-62	2J1	CONTROLS, SEPARATOR DRIVE	120-75
2I14	CLEAN GRAIN ELEVATOR CONVEYOR SHAFT	120-62	1I1	CONTROLS, SPEED, SELECTIVE GROUND	50-24
2I14	CLEAN GRAIN ELEVATOR CONVEYOR SHEAVE.....	120-62	1D4	CONTROLS, THROTTLE.....	30-8
2I14	CLEAN GRAIN ELEVATOR CONVEYOR SPROCKETS	120-62	2K1	CONTROLS, VARIABLE SPEED CLEANING FAN	140-4
2I17	CLEAN GRAIN ELEVATOR DRIVE IDLER.....	120-65	2B5	CONTROLS, VARIABLE SPEED CYLINDER	70-10
2I16	CLEAN GRAIN ELEVATOR DRIVE TIGHTENER.....	120-64	1C9	COOLANT HEATER, ENGINE.....	20-41
2I13	CLEAN GRAIN ELEVATOR HOUSING.....	120-61	1B22	COOLER, OIL, ENGINE.....	20-29
3B10	CLEAN GRAIN ELEVATOR SHEAVES.....	170-21	1B23	COOLER, OIL, ENGINE.....	20-30
2I12	CLEAN GRAIN LOWER AUGER AND HOUSING	120-60	1I4	COUNTERSHAFT SHEAVE, PROPULSION DRIVE.....	50-27
1E15	CLEANER, AIR	30-44	2I15	COUNTERSHAFT, CLEAN GRAIN ELEVATOR DRIVE.....	120-63
2I9	CLEANING FAN	120-57	2F21	COUNTERSHAFT, PLAT. LOWER VAR. DR. BELT	110-28
3B5	CLEANING FAN	170-15	2F22	COUNTERSHAFT, PLATFORM UPPER CHAIN DRIVE	110-29
2I11	CLEANING FAN AIR DUCTS	120-59	2J24	COUNTERSHAFT, PRIMARY	140-2
2K1	CLEANING FAN DRIVE ADJUSTMENT	140-4	3A24	COUNTERSHAFT, PRIMARY	170-7
2I10	CLEANING FAN HOUSING AND SHIELD	120-58	1I5	COUNTERSHAFT, PROPULSION DRIVE.....	50-28
3B5	CLEANING SHOE AND STRAW WALKER DRIVES	170-15	2K1	COUNTERSHAFT, SEPARATOR, SECONDARY	140-4
2D14	CLOSURE, ENGINE POWERSHAFT	90-8	1H12	COUNTERSHAFT, TRANSMISSION	50-10
1H22	CLUTCH AND HOUSING, DRIVE WHEEL.....	50-20	2J12	COUNTERSHAFT, UNLOADING AUGER.....	130-10
1H23	CLUTCH INPUT SHAFT AND HOUSING	50-21	2E21	COUPLER AND SHIELDS, QUIK-TATCH.....	110-1
1H21	CLUTCH PEDAL AND LINKAGE.....	50-19	2B23	COUPLERS AND HOSES	70-32
2E9	CLUTCH, COMPRESSOR	90-28	1F3	COVER, ACCUMULATOR PRESSURE GAUGE	40-10
1F2	CLUTCH, PLATFORM ELECTROMAGNETIC.....	40-9	2J6	COVER, AIR INTAKE TUBE	130-4
2E8	CLUTCH, PULLEY, AND COMPRESSOR COIL	90-27	2J8	COVER, EXTENSION SHEETS, GRAIN TANK	130-6
1G10	COIL ASSEMBLY, STARTING MOTOR	40-44	1E6	COVER, FUEL INJECTION PUMP	30-35
2E8	COIL, CLUTCH, PULLEY, AND COMPRESSOR	90-27	2J13	COVER, INNER UNLOADING AUGER	130-11
2K11	COIL, SOLENOID CONTROL VALVE (AUTO HGT.).....	160-7	1B10	COVER, ROCKER ARM	20-17
1D5	COLD WEATHER STARTING AID	30-9	1B11	COVER, ROCKER ARM	20-18
2E9	COMPRESSOR CHARGE LABEL	90-28	2J7	COVER, SIDE SHEETS, GRAIN TANK	130-5
2E9	COMPRESSOR CLUTCH.....	90-28	1B4	COVER, TIMING GEAR.....	20-11
2E8	COMPRESSOR COIL, CLUTCH, AND PULLEY	90-27	2J9	COVER, TOP SHEETS, GRAIN TANK	130-7
2E10	COMPRESSOR HARDWARE SET	90-29	2J20	COVERS, GRAIN TANK AUXILIARY UNLOADING	130-18
2E11	COMPRESSOR, AIR COND., MTG. & SUPTS.	90-30	2G17	CRANK, CONCAVE CONTROL.....	120-13
2E12	COMPRESSOR, AIR COND., MTG. & SUPTS.	90-31	2I8	CRANK, SHOE PITMAN	120-56
			1B14	CRANKSHAFT AND IDLER GEARS	20-21

ALPHABETICAL INDEX - CONTINUED

GRID		PAGE	GRID		PAGE
1B15	CRANKSHAFT AND IDLER GEARS	20-22	2J10	DRIVE CONTROL, UNLOADING AUGER.....	130-8
1B16	CRANKSHAFT KIT, UNDERSIZE	20-23	2H18	DRIVE IDLER, STRAW CHOPPER.....	120-39
2H6	CRANKSHAFT, STRAW WALKER	120-27	2J21	DRIVE SHAFT, AUXILIARY UNLOADING AUGERS	130-19
2H7	CRANKSHAFT, STRAW WALKER	120-28	2I16	DRIVE TIGHTENER, CLEAN GRAIN ELEVATOR	120-64
2H15	CURTAIN AND SHIELDS, STRAW CHOPPER	120-36	2G19	DRIVE TIGHTENER, CYLINDER.....	120-15
2H4	CURTAINS, SEPARATOR	120-25	2H18	DRIVE TIGHTENER, STRAW CHOPPER.....	120-39
2D20	CUSHIONS, SEAT	90-14	2I25	DRIVE TIGHTENER, UPPER TAILINGS AUGER.....	120-74
1A22	CYLINDER BLOCK.....	20-4	2J16	DRIVE TIGHTENER,AUXILIARY UNLOADING AUG.....	130-14
1A24	CYLINDER BLOCK.....	20-6	1H4	DRIVE WHEEL AND SPACERS	50-2
2B4	CYLINDER CONTROL,VARIABLE SPEED-SEP.SIDE	70-9	1H5	DRIVE WHEEL AXLE.....	50-3
2G19	CYLINDER DRIVE TIGHTENER	120-15	1H22	DRIVE WHEEL CLUTCH AND HOUSING	50-20
1B7	CYLINDER HEAD.....	20-14	1H7	DRIVE WHEELS, FENDERS	50-5
1B8	CYLINDER HEAD.....	20-15	1E4	DRIVE, FUEL INJECTION PUMP	30-33
1B9	CYLINDER HEAD OVERHEAT WARNING SENSOR	20-16	1G9	DRIVE, STARTING MOTOR	40-43
1B20	CYLINDER LINER KIT.....	20-27	3B7	DRIVES, STRAW CHOPPER	170-17
1A21	CYLINDER LINER PACKING LUBRICANT.....	20-3	3B7	DRIVES, STRAW SPREADER	170-17
2G21	CYLINDER SHAFT SHEAR HUB AND SHEAVE	120-17	3B5	DRIVES, STRAW WALKER	170-15
2G15	CYLINDER TACHOMETER, VARIABLE SPEED	120-11	3B12	DRIVES, UNLOADING AUGER	170-23
1114	CYLINDER, BRAKE	60-7	2K7	DROP RATE VALVE (AUTO HEIGHT)	160-3
1114	CYLINDER, BRAKE ROD	60-7	2F7	DRUM, FEEDER.....	110-14
1113	CYLINDER, BRAKE SLAVE.....	60-6	2I11	DUCTS, CLEANING FAN AIR	120-59
112	CYLINDER, HYD., SELECTIVE GROUND SPEED	50-25			
1112	CYLINDER, HYDRAULIC, BRAKE-MASTER	60-5	E		
2C6	CYLINDER, HYDRAULIC, FDR. HSE. VAR. DR.....	70-40	1F21	ELECTRIC MOTOR, WINDSHIELD WIPER	40-30
1123	CYLINDER, HYDRAULIC, POWER STEERING	60-17	1D11	ELECTRIC SHUT-OFF KIT, FUEL INJECTION PUMP	30-15
2C8	CYLINDER, PLATFORM LIFT	70-42	1G17	ELECTRICAL CONNECTOR SERVICE KIT	40-52
2G9	CYLINDER, RASP-BAR	120-5	1F2	ELECTROMAGNETIC CLUTCH, PLATFORM.....	40-9
2G18	CYLINDER, SEP., DR. INTERMEDIATE SHAFT	120-14	2I16	ELEVATOR DRIVE TIGHTENER, CLEAN GRAIN	120-64
2H4	CYLINDER, SEPARATOR, SHEAR BAR	120-25	2I13	ELEVATOR, CLEAN GRAIN	120-61
2G13	CYLINDER, SPIKE-TOOTH	120-9	3B10	ELEVATOR, CLEAN GRAIN	170-21
2B9	CYLINDER,UNLOADING AUGER SWING HYDRAULIC	70-15	2I21	ELEVATOR, TAILINGS.....	120-70
			3B9	ELEVATOR, TAILINGS.....	170-19
D			2C22	ENGINE COMPARTMENT REAR SHEET	80-9
3B17	DECALS	170-28	2D2	ENGINE COMPARTMENT WALKWAY	80-14
3B16	DECALS, FRONT AND REAR.....	170-27	1C9	ENGINE COOLANT HEATER	20-41
3B14	DECALS, R.H. AND L.H.	170-25	1A25	ENGINE FRONT PLATE	20-7
1F16	DIAL-A-MATIC HDR. HEIGHT CONTROL SWITCH.....	40-25	1B1	ENGINE FRONT PLATE	20-8
2K14	DIAL-A-MATIC HEADER HEIGHT CONTROL	160-10	1B22	ENGINE OIL COOLER.....	20-29
2K15	DIAL-A-MATIC HEADER HEIGHT CONTROL	160-11	1B23	ENGINE OIL COOLER.....	20-30
1D3	DIESEL FUEL FILTER, EXPORT	30-7	1A25	ENGINE OIL FILTER AND DIPSTICK.....	20-7
1C23	DIESEL FUEL LINES AND FILTER	30-2	1B1	ENGINE OIL FILTER AND DIPSTICK.....	20-8
1D2	DIESEL FUEL LINES, EXPORT	30-6	1B24	ENGINE OIL PUMP	20-31
1H15	DIFF. GEARS, SHAFTS, AND BEARINGS.....	50-13	1A20	ENGINE OIL, TORQ-GARD SUPREME	20-1
1H11	DIFFERENTIAL AND TRANSMISSION	50-9	1C1	ENGINE OVERHAUL GASKET SET	20-33
1H15	DIFFERENTIAL GEARS AND BEARINGS	50-13	1C3	ENGINE OVERHAUL GASKET SET	20-35
1H15	DIFFERENTIAL GEARS AND SHAFTS	50-13	2J23	ENGINE POWERSHAFT	140-1
1H14	DIFFERENTIAL PINION SHAFT AND GEARS.....	50-12	2D14	ENGINE POWERSHAFT CLOSURE	90-8
1G1	DIODE RING, ALTERNATOR, 72 AMP.....	40-34	3A21	ENGINE R.H. SIDE SHEAVES	170-3
1G3	DIODE TRIO ASSEMBLY, ALTERNATOR, 90 AMP	40-36	3A21	ENGINE R.H. SIDE TIGHTENERS	170-3
1A25	DIPSTICK, ENGINE OIL	20-7	3A21	ENGINE R.H. SIDE-BELT	170-3
1B1	DIPSTICK, ENGINE OIL	20-8	1B10	ENGINE ROCKER ARM COVER	20-17
3A22	DISK, ROTARY SCREEN	170-5	1B11	ENGINE ROCKER ARM COVER	20-18
1C13	DISPLACER, ROTARY SCREEN DRIVE BELT	20-45	1C8	ENGINE SUPPORTS	20-40
2D4	DOOR SEALS, ROTARY SCREEN.....	80-16	1F18	ENGINE TACH-HOUR METER	40-27
2I13	DOOR, CLEAN GRAIN ELEVATOR	120-61	1C4	ENGINE TUNE-UP GASKET SET.....	20-36
2G7	DOOR, CYLINDER.....	120-3	1C5	ENGINE TUNE-UP GASKET SET.....	20-37
2C24	DOOR, ENGINE COMPARTMENT, MIDDLE	80-11	1A20	ENGINE VALVE STEM LUBRICANT.....	20-1
2C23	DOOR, ENGINE COMPARTMENT, UPPER.....	80-10	1B10	ENGINE VENTILATOR TUBE	20-17
2D5	DOOR, OIL RESERVOIR.....	80-17	1B11	ENGINE VENTILATOR TUBE	20-18
2C18	DOOR, REAR HOOD.....	80-5	1F6	ENGINE WIRING HARNESS.....	40-13
2G7	DOOR, REMOTE DUMP STONE TRAP.....	120-3	2C24	ENGINE, MIDDLE DOOR FRAME.....	80-11
2D3	DOOR, ROTARY SCREEN	80-15	2D1	ENGINE, SEALS AND RUBBER CUSHIONS.....	80-13
2G11	DOOR, STONE TRAP	120-7	2C23	ENGINE, UPPER DOOR FRAME AND HINGES	80-10
2I21	DOOR, TAILINGS ELEVATOR	120-70	1B25	EXHAUST MANIFOLD	20-32
2D25	DOORS FOR OPERATOR'S CAB.....	90-19			

ALPHABETICAL INDEX - CONTINUED

GRID		PAGE	GRID		PAGE
1E17	EXHAUST PIPES AND MUFFLER	30-46	1H20	FINAL DRIVE PINION, HEAVY-DUTY	50-18
2J9	EXTENSION, TOP SHEETS, GRAIN TANK COVER	130-7	1H20	FINAL DRIVE SHAFT, HEAVY-DUTY	50-18
2J5	EXTENSIONS, GRAIN TANK	130-3	2I4	FINGER, BAR, CHAFFER FRAME	120-51
			2I6	FINGER, BAR, CHAFFER FRAME	120-54
			2H11	FINS, STRAW CHOPPER	120-32
			2H13	FINS, STRAW CHOPPER	120-34
			1I24	FIXED REAR AXLE	60-18
			1C10	FLAT ROTARY SCREEN.....	20-42
			2F13	FLOAT SPRING, INDICATOR	110-20
			2F12	FLOAT SPRINGS	110-19
			2D12	FLOOR MATS, OPERATOR'S PLATFORM	90-6
			2D12	FLOORBOARD AND SHLDS, OPERATOR'S PLATFORM ..	90-6
			2K8	FLOW CONTROL PLUG (AUTO HEIGHT).....	160-4
			2B16	FLOW CONTROL VALVE KNOB	70-22
			2B25	FLOW CONTROL VALVE, HYDROSTATIC DR. REEL	70-34
			1B2	FLYWHEEL HOUSING ASSEMBLY	20-9
			1B3	FLYWHEEL HOUSING ASSEMBLY	20-10
			1H11	FORK, TRANSMISSION.....	50-9
			2C15	FRAME AND SHEETS, SEPARATOR R.H. SIDE	80-2
			2F3	FRAME, FEEDER HOUSE.....	110-10
			2F5	FRAME, FEEDER HOUSE.....	110-12
			2I5	FRAME, LOWER SHOE, SIEVE	120-53
			2C16	FRAME, SEPARATOR	80-3
			2C16	FRAME, SEPARATOR L.H.....	80-3
			2I6	FRAME, UPPER SHOE, CHAFFER	120-54
			1G7	FRONT AND REAR ALTERNATOR SUPPORTS.....	40-41
			2C25	FRONT ENGINE COMPARTMENT PANEL	80-12
			1E20	FRONT WIRING HARNESS.....	40-2
			1C25	FUEL FILTER	30-4
			1D1	FUEL FILTER	30-5
			1D8	FUEL INJECTION LINES	30-12
			1D22	FUEL INJECTION NOZZLE	30-27
			1E11	FUEL INJECTION NOZZLE	30-40
			1D21	FUEL INJECTION NOZZLE ASSEMBLY	30-25
			1D8	FUEL INJECTION PUMP	30-12
			1D24	FUEL INJECTION PUMP	30-29
			1D12	FUEL INJECTION PUMP AUTOMATIC ADVANCE GROUP.....	30-16
			1E6	FUEL INJECTION PUMP COVER.....	30-35
			1E4	FUEL INJECTION PUMP DRIVE	30-33
			1D14	FUEL INJECTION PUMP DRIVE GROUP	30-18
			1D10	FUEL INJECTION PUMP ELEC. SHUT-OFF GROUP	30-14
			1D11	FUEL INJECTION PUMP ELECTRIC SHUT-OFF KIT	30-15
			1D19	FUEL INJECTION PUMP GASKET KIT	30-23
			1E10	FUEL INJECTION PUMP GASKET KIT	30-39
			1D15	FUEL INJECTION PUMP GOVERNOR GROUP	30-19
			1D16	FUEL INJECTION PUMP HEAD	30-20
			1E4	FUEL INJECTION PUMP HEAD	30-33
			1D13	FUEL INJECTION PUMP HOUSING.....	30-17
			1E2	FUEL INJECTION PUMP HOUSING.....	30-31
			1D17	FUEL INJECTION PUMP LINKAGE GROUP	30-21
			1D16	FUEL INJECTION PUMP ROTOR.....	30-20
			1E4	FUEL INJECTION PUMP ROTOR.....	30-33
			1D18	FUEL INJECTION PUMP TRANSFER GROUP	30-22
			1D6	FUEL INJECTION SYSTEM.....	30-10
			1D8	FUEL INJECTION SYSTEM.....	30-12
			1D24	FUEL INJECTION SYSTEM.....	30-29
			1C23	FUEL LINES	30-2
			1D2	FUEL LINES, DIESEL, EXPORT	30-6
			1C22	FUEL TANK AND SUPPORTS	30-1
			1E12	FUEL TRANSFER PUMP.....	30-41
			1E13	FUEL TRANSFER PUMP.....	30-42
			1E12	FUEL TRANSFER PUMP KIT	30-41
			1E22	FUEL, GAUGE SENDING UNIT	40-4
			1E22	FUEL, PUMP	40-4

ALPHABETICAL INDEX - CONTINUED

GRID		PAGE	GRID		PAGE			
G								
1E10	GASKET KIT.....	30-39	2B20	HOSES, REEL DRIVE OIL	70-28			
1D19	GASKET KIT, FUEL INJECTION PUMP.....	30-23	2C4	HOSES, VARIABLE DRIVE FEEDER HOUSE	70-38			
1C1	GASKET SET, ENGINE OVERHAUL	20-33	1I11	HOUSING AND BRAKES.....	60-4			
1C3	GASKET SET, ENGINE OVERHAUL	20-35	1H23	HOUSING AND CLUTCH INPUT SHAFT	50-21			
1C4	GASKET SET, ENGINE TUNE-UP	20-36	1H22	HOUSING AND CLUTCH, DRIVE WHEEL.....	50-20			
1C5	GASKET SET, ENGINE TUNE-UP	20-37	2I18	HOUSING AND LOADING AUGER.....	120-67			
1C19	GAUGE TUBE, OIL PRESSURE.....	20-51	1G1	HOUSING, ALTERNATOR, 72 AMP	40-34			
1F3	GAUGE, ACCUMULATOR PRESSURE	40-10	1G3	HOUSING, ALTERNATOR, 90 AMP	40-36			
1F17	GAUGES AND SWITCHES ON INSTRUMENT PANEL.....	40-26	2H24	HOUSING, AUGER, SHOE GRAIN SUPPLY	120-45			
2I19	GEAR CASE LOADING AUGER.....	120-68	2I2	HOUSING, CLEAN GRAIN AUGER	120-60			
1H18	GEAR, FINAL DRIVE (HEAVY-DUTY)	50-16	2I3	HOUSING, CLEAN GRAIN ELEVATOR	120-61			
1H14	GEARS AND DIFFERENTIAL PINION SHAFT.....	50-12	2I10	HOUSING, CLEANING FAN	120-58			
1H12	GEARS AND TRANSMISSION COUNTERSHAFT.....	50-10	1H17	HOUSING, FINAL DRIVE.....	50-15			
1B14	GEARS, IDLER AND CRANKSHAFT	20-21	1B2	HOUSING, FLYWHEEL	20-9			
1B15	GEARS, IDLER AND CRANKSHAFT	20-22	1B3	HOUSING, FLYWHEEL	20-10			
1H3	GEARSHIFT CONTROLS.....	50-1	1D13	HOUSING, FUEL INJECTION PUMP	30-17			
2D24	GLASS, OPERATOR'S CAB	90-18	1E2	HOUSING, FUEL INJECTION PUMP	30-31			
1D15	GOVERNOR ASSEMBLY.....	30-19	2I20	HOUSING, LOWER TAILINGS	120-69			
2H25	GRAIN SUPPLY AUGERS, SHOE	120-47	2J18	HOUSING, OUTER UNLOADING AUGER	130-16			
2J3	GRAIN TANK	130-1	1G10	HOUSING, STARTING MOTOR	40-44			
2J20	GRAIN TANK AUXILIARY UNLOADING AUGERS	130-18	2H9	HOUSING, STRAW CHOPPER	120-30			
2J20	GRAIN TANK AUXILIARY UNLOADING COVERS	130-18	2H10	HOUSING, STRAW CHOPPER.....	120-31			
2J8	GRAIN TANK COVER EXTENSION SHEETS	130-6	2H22	HOUSING, STRAW SPREADER.....	120-43			
2J7	GRAIN TANK COVER SIDE SHEETS	130-5	2I13	HOUSING, STRAW SPREADER.....	120-61			
2J9	GRAIN TANK COVER TOP SHEETS.....	130-7	2I21	HOUSING, TAILINGS ELEVATOR	120-70			
2J5	GRAIN TANK EXTENSIONS	130-3	2I24	HOUSING, UPPER TAILINGS AUGER.....	120-73			
2J13	GRAIN TANK INNER UNLOADING AUG. COVER	130-11	1H25	HOUSING,RELATIVE GROUND SPEED INDICATOR.....	50-23			
2J4	GRAIN TANK SKIRTS	130-2	2G21	HUB, SHEAR, CYLINDER SHAFT, AND SHEAVE	120-17			
2J7	GRAIN TANK, SIDE SHEETS, COVER	130-5	2B6	HYDRAULIC AUGER SWING CONTROL.....	70-11			
2J14	GRASS SEED UNLOADING ATTACHMENT	130-12	2A23	HYDRAULIC CONTROL VALVE	70-4			
2F13	GROUND SPEED, CONTROL LEVER	110-20	2B1	HYDRAULIC CONTROL VALVE	70-6			
1H24	GROUND SPEED, INDICATOR.....	50-22	2B23	HYDRAULIC HOSE	70-32			
2H20	GUARD AND MOUNTING, STRAW SPREADER.....	120-41	2A21	HYDRAULIC PUMP	70-2			
1H8	GUARD, TRANSMISSION SHEAVE	50-6	2B3	HYDRAULIC PUMP LINES, MAIN.....	70-8			
2F11	GUIDE, FEEDER CONVEYOR DRIVE CHAIN.....	110-18	2A22	HYDRAULIC PUMP TORQUE ARM AND SUPPORT	70-3			
2K3	GUIDES, SEPARATOR AUGER DRIVE BELT	140-6	2B18	HYDRAULIC PUMP, HYDROSTATIC DRIVE REEL.....	70-25			
2K3	GUIDES, UNLOADING AUGER DRIVE BELT	140-6	2B25	HYDROSTATIC DR. REEL FLOW CONTROL VALVE.....	70-34			
H								
2D12	HANDRAILS, OPERATOR'S PLATFORM.....	90-6	2B18	HYDROSTATIC DRIVE REEL HYDRAULIC PUMP	70-25			
1F6	HARNESS, ENGINE WIRING	40-13	2B19	HYDROSTATIC DRIVE REEL PUMP MOUNTING.....	70-27			
1E20	HARNESS, FRONT WIRING	40-2	1I8	HYDROSTATIC DRIVE REEL, CONTROL KNOB	60-1			
1F21	HARNESS, WIPER.....	40-30	I					
2K13	HARNESS, WIRING	160-9	2H18	IDLER, STRAW CHOPPER DRIVE.....	120-39			
2K14	HARNESS, WIRING	160-10	2F13	INDICATOR, FLOAT SPRING	110-20			
1E21	HARNESS, WIRING, MIDDLE.....	40-3	1F5	INDICATOR, LOW SHAFT SPEED	40-12			
1E22	HARNESS, WIRING, REAR.....	40-4	1H25	INDICATOR, RELATIVE GROUND SPEED	50-23			
1E22	HARNESS, WIRING, TAIL LAMP	40-4	1E11	INJECTION NOZZLE, FUEL	30-40			
1B7	HEAD, CYLINDER	20-14	1E10	INJECTION PUMP GASKET KIT.....	30-39			
1B8	HEAD, CYLINDER	20-15	1D6	INJECTION SYSTEM, FUEL	30-10			
1D16	HEAD, FUEL INJECTION PUMP.....	30-20	2J15	INNER UNLOADING AUGER	130-13			
1E4	HEAD, FUEL INJECTION PUMP.....	30-33	1H13	INPUT SHAFT, TRANSMISSION.....	50-11			
1F24	HEADPHONE, RADIO	40-33	2D22	INSTRUMENT PANEL AND CONSOLE	90-16			
2E17	HEATER AND HOSES.....	90-37	2C22	INSTRUMENT WALL, ENGINE COMPARTMENT	80-9			
1C9	HEATER, COOLANT, ENGINE	20-41	1B25	INTAKE MANIFOLD, AIR.....	20-32			
2E9	HI PRESSURE SWITCH, COMPRESSOR	90-28	2E4	INTAKE, AIR, REAR OF OPERATOR'S CAB.....	90-23			
2J17	HINGE AND SWING, UNLOADING AUGER.....	130-15	2G22	INTERMEDIATE SHAFT, CYL. DR., SLOW SPEED	120-19			
2D25	HINGES FOR OPERATOR'S CAB	90-19	2G18	INTERMEDIATE SHAFT, CYLINDER DRIVE	120-14			
2C18	HOOD, REAR	80-5	K					
1F14	HORNS, SIGNAL	40-23	1A21	KIT FOR OFF SEASON STORAGE	20-3			
1F3	HOSE, ACCUMULATOR PRESSURE GAUGE.....	40-10	2C2	KIT, ADJUSTING SCREW	70-36			
2B23	HOSES AND COUPLERS	70-32	1I15	KIT, BRAKE SLAVE CYLINDER	60-9			
2E17	HOSES AND HEATER.....	90-37	2E10	KIT, COMPRESSOR HARDWARE	90-29			

ALPHABETICAL INDEX - CONTINUED

<i>GRID</i>		<i>PAGE</i>	<i>GRID</i>		<i>PAGE</i>
1B20	KIT, CYLINDER LINER	20-27	2B3	MAIN HYDRAULIC PUMP LINES	70-8
1G17	KIT, ELECTRICAL CONNECTOR SERVICE.....	40-52	2K6	MAIN VALVE BLOCK (AUTO HEIGHT)	160-2
1D11	KIT, FUEL INJECTION PUMP ELECTRIC SHUT- OFF	30-15	1B25	MANIFOLD, EXHAUST.....	20-32
1D19	KIT, FUEL INJECTION PUMP GASKET	30-23	1C7	MANIFOLD, WATER.....	20-39
1E10	KIT, FUEL INJECTION PUMP GASKET	30-39	1F18	METER, TACH-HOUR, ENGINE	40-27
1E12	KIT, FUEL TRANSFER.....	30-41	1F4	MICRO SWITCH, STRAW WALKER SENSING UNIT	40-11
2C1	KIT, HYDRO. DR. REEL FLOW CONTROL VALVE	70-35	1E21	MIDDLE WIRING HARNESS	40-3
1G15	KIT, TERMINAL AND WIRING	40-50	2D24	MIRROR, OPERATOR'S CAB	90-18
2E16	KIT,O-RING, AIR CONDITIONING.....	90-36	2E5	MIRROR, RIGHT-HAND	90-24
2B10	KIT,UNLOADING AUGER SWING HYD.CYLINDER.....	70-16	2B15	MOTOR, HYD. DR. AUXILIARY UNLDG. AUGER	70-21
2H16	KNIFE AND SUPPORT, STRAW CHOPPER	120-37	2B17	MOTOR, REEL	70-23
2B16	KNOB, FLOW CONTROL VALVE	70-22	1G7	MOTOR, STARTING.....	40-41
2D18	KNOB, OPERATOR'S PLATFORM SEAT.....	90-12	1G9	MOTOR, STARTING.....	40-43
L			1G11	MOTOR, STARTING.....	40-45
2E9	LABEL, COMPRESSOR CHARGE	90-28	1F21	MOTOR, WINDSHIELD WIPER	40-30
2D8	LADDER AND LANDING, OPERATOR'S PLATFORM.....	90-1	2K12	MOUNTING AND ACTUATOR SWITCH.....	160-8
2D9	LADDER, PIVOTING CONTROLS.....	90-3	2H20	MOUNTING AND GUARD, STRAW SPREADER.....	120-41
2C19	LADDER, SEPARATOR	80-6	2E11	MOUNTING., COMPRESSOR, AIR COND.	90-30
2D25	LATCHES FOR OPERATOR'S CAB	90-19	2E12	MOUNTING., COMPRESSOR, AIR COND.	90-31
1I8	LEVER, PARKING BRAKE	60-1	1I24	MOUNTING, REAR AXLE	60-18
2D9	LEVER, PIVOTING LADDER	90-3	2B9	MOUNTING,UNLOADING AUGER SWING HYDRAULIC...	70-15
1D4	LEVER, THROTTLE	30-8	1H9	MUD SHIELD, TRANSMISSION DRIVE	50-7
2B5	LEVER, VAR. SPEED CYL. ON OPER. PLATFORM	70-10	1E17	MUFFLER AND EXHAUST PIPES	30-46
2C8	LIFT BRACKETS, PLATFORM	70-42	N		
2C8	LIFT CYLINDER, PLATFORM	70-42	2C11	NAMEPLATE, ACCUMULATOR.....	70-45
2B16	LIFT, PLATFORM.....	70-22	1D21	NOZZLE, FUEL INJECTION	30-25
1F20	LIGHTS, FIELD	40-29	1D22	NOZZLE, FUEL INJECTION	30-27
1E23	LIGHTS, WARNING	40-5	1E11	NOZZLE, FUEL INJECTION	30-40
2B11	LINE AND HOSES, UNLOADING AUGER SWING	70-17	O		
2B12	LINE, UNLOADING AUGER SWING	70-18	2E16	O-RING KIT, AIR CONDITIONING	90-36
1B20	LINER, PISTON	20-27	1B22	OIL COOLER, ENGINE	20-29
1B21	LINER, PISTON	20-28	1B23	OIL COOLER, ENGINE	20-30
2E14	LINES, AIR CONDITIONER	90-34	2B20	OIL HOSES, REEL DRIVE	70-28
2K9	LINES, AUTOMATIC HEADER HEIGHT	160-5	2B14	OIL LINES, AUX UNLDG. AUGER HYD. DRIVE	70-20
1I10	LINES, BRAKE	60-3	2C7	OIL LINES, PLATFORM LIFT	70-41
1C23	LINES, FUEL	30-2	2B22	OIL LINES, REEL LIFT	70-31
1D8	LINES, FUEL INJECTION	30-12	2C9	OIL LINES, REEL LIFT	70-43
2B14	LINES, OIL, AUX. UNLDG. AUGER HYD. DR.	70-20	1I3	OIL LINES, SELECTIVE GROUND SPEED	50-26
2C7	LINES, OIL, PLATFORM LIFT	70-41	1I19	OIL LINES, STEERING	60-13
2B3	LINES, PUMP, MAIN HYDRAULIC	70-8	1I21	OIL LINES, STEERING	60-15
2C9	LINES, REEL LIFT OIL	70-43	1I20	OIL LINES, STEERING LOWER-FRONT	60-14
1I3	LINES, SELECTIVE GROUND SPEED OIL	50-26	1I22	OIL LINES, STEERING LOWER-REAR	60-16
1I20	LINES, STEERING LOWER OIL-FRONT	60-14	2C3	OIL LINES,VARIABLE DRIVE FEEDER HOUSE	70-37
1I22	LINES, STEERING LOWER OIL-REAR	60-16	1B5	OIL PAN, ENGINE	20-12
2C3	LINES,OIL,VARIABLE DRIVE FEEDER HOUSE	70-37	1B6	OIL PAN, ENGINE	20-13
1I9	LINKAGE AND BRAKE PEDALS.....	60-2	1C19	OIL PRESSURE GAUGE TUBE	20-51
1H21	LINKAGE AND CLUTCH PEDAL.....	50-19	1B24	OIL PUMP, LUBRICATING, ENGINE	20-31
2E14	LO PRESSURE SWITCH, AIR CONDITIONER	90-34	2A20	OIL RESERVOIR	70-1
2I18	LOADING AUGER AND HOUSING.....	120-67	2D5	OIL RESERVOIR DOOR	80-17
3B10	LOADING AUGER DRIVE SHEAVES AND BELTS	170-21	1A20	OIL, ENGINE, TORQ-GARD SUPREME.....	20-1
2E3	LOUVERS AND PANELS, OPERATOR'S CAB	90-22	2G11	OPEN-BAR CONCAVE.....	120-7
1F5	LOW SHAFT SPEED INDICATOR	40-12	1F12	OPERATOR'S CAB	40-20
2I20	LOWER TAILINGS AUGER	120-69	1F13	OPERATOR'S CAB	40-21
2I23	LOWER TAILINGS AUGER DRIVE TIGHTENER.....	120-72	2D23	OPERATOR'S CAB BODY.....	90-17
2I20	LOWER TAILINGS HOUSING	120-69	2E7	OPERATOR'S CAB COMPRESSOR AND VALVE.....	90-26
1A21	LUBRICANT, PACKING, CYLINDER LINER.....	20-3	2D25	OPERATOR'S CAB DOORS	90-19
1A20	LUBRICANT, STEM, ENGINE VALVE	20-1	1F11	OPERATOR'S CAB ELECTRICAL SWITCHES	40-19
M			1F11	OPERATOR'S CAB ELECTRICAL WIRING	40-19
1B12	MAIN BEARING CAPS AND BEARINGS	20-19	2D25	OPERATOR'S CAB HINGES	90-19
1B13	MAIN BEARING CAPS AND BEARINGS	20-20	2D25	OPERATOR'S CAB LATCHES	90-19
			2D16	OPERATOR'S CAB MOUNTING BRACKETS	90-10

ALPHABETICAL INDEX - CONTINUED

<i>GRID</i>		<i>PAGE</i>	<i>GRID</i>		<i>PAGE</i>
2D16	OPERATOR'S CAB MOUNTING BUSHINGS	90 - 10	1E6	PUMP COVER, FUEL INJECTION	30 - 35
2D16	OPERATOR'S CAB MOUNTING SEALS	90 - 10	1E22	PUMP, FUEL	40 - 4
2E3	OPERATOR'S CAB PANELS AND LOUVERS	90 - 22	1D8	PUMP, FUEL INJECTION	30 - 12
2E6	OPERATOR'S CAB PRESSURIZER	90 - 25	1D24	PUMP, FUEL INJECTION	30 - 29
2E1	OPERATOR'S CAB SOUND INSULATION AND SEAL	90 - 20	1D20	PUMP, FUEL TRANSFER	30 - 24
2D25	OPERATOR'S CAB TOOL POCKET	90 - 19	1E12	PUMP, FUEL TRANSFER	30 - 41
2E4	OPERATOR'S CAB, AIR INTAKE, REAR	90 - 23	1E13	PUMP, FUEL TRANSFER	30 - 42
2D24	OPERATOR'S CAB, GLASS	90 - 18	2A21	PUMP, HYDRAULIC	70 - 2
2D24	OPERATOR'S CAB, MIRROR	90 - 18	2B18	PUMP, HYDROSTATIC DRIVE REEL	70 - 25
2D12	OPERATOR'S PLATFORM FLOOR MATS	90 - 6	1I17	PUMP, STEERING	60 - 11
2D12	OPERATOR'S PLATFORM HANDRAILS	90 - 6	1E8	PUMP, TRANSFER	30 - 37
2D8	OPERATOR'S PLATFORM LADDER AND LANDING	90 - 1			
2D17	OPERATOR'S PLATFORM SEAT SUPPORTS	90 - 11		Q	
2D18	OPERATOR'S PLATFORM SEAT SUPPORTS	90 - 12			
2D12	OPERATOR'S PLATFORM SHLDS AND FLOORBOARD ..	90 - 6	2E21	QUIK-TATCH COUPLER AND SHIELDS	110 - 1
2J18	OUTER UNLOADING AUGER HOUSING	130 - 16			
	P			R	
2I22	PADDLE, TAILINGS ELEVATOR	120 - 71	1C14	RADIATOR	20 - 46
1B5	PAN, OIL, ENGINE	20 - 12	1C15	RADIATOR	20 - 47
1B6	PAN, OIL, ENGINE	20 - 13	1C17	RADIATOR FAN DRIVE BELT TIGHTENER	20 - 49
2C25	PANEL, COMPARTMENT, FRONT ENGINE	80 - 12	1F22	RADIO	40 - 31
2E3	PANELS AND LOUVERS, OPERATOR'S CAB	90 - 22	1F23	RADIO	40 - 32
1H25	PIN, RELATIVE GROUND SPEED INDICATOR	50 - 23	1F24	RADIO, HEADPHONES	40 - 33
1B20	PISTON LINER	20 - 27	2D18	RAIL, OPERATOR'S PLATFORM SEAT	90 - 12
1B21	PISTON LINER	20 - 28	1H11	RAIL, SHIFTER, TRANSMISSION	50 - 9
1B20	PISTONS AND CONNECTING RODS	20 - 27	2D2	RAILING, SAFETY	80 - 14
1B21	PISTONS AND CONNECTING RODS	20 - 28	2G9	RASP-BAR CYLINDER	120 - 5
2I8	PITMAN, SHOE	120 - 56	1I24	REAR AXLE MOUNTING	60 - 18
2D9	PIVOTING LADDER CONTROLS	90 - 3	1J1	REAR AXLE SPINDLES	60 - 20
2G7	PLATE, FEED	120 - 3	1I25	REAR AXLE, ADJUSTABLE	60 - 19
2H11	PLATE, STRAW CHOPPER	120 - 32	1I24	REAR AXLE, FIXED	60 - 18
2H13	PLATE, STRAW CHOPPER	120 - 34	1J2	REAR AXLE, TIE ROD, STEERING	60 - 21
2F16	PLATF.VAR.DR.MIDDLE BELT TIGHTENER	110 - 23	2C18	REAR HOOD	80 - 5
2G1	PLATF.VARIABLE DR.LOWER BELT TIGHTENER	110 - 33	1J3	REAR WHEELS	60 - 22
2G2	PLATFORM CHAIN DRIVE TIGHTENER, L.H.	110 - 34	2B20	REEL DRIVE OIL HOSES	70 - 28
1F2	PLATFORM ELECTROMAGNETIC CLUTCH	40 - 9	2B25	REEL FLOW CONTROL VALVE, HYDROSTATIC DR.	70 - 34
2D8	PLATFORM LADDER AND LANDING, OPERATOR'S ..	90 - 1	2B16	REEL LIFT CONTROLS	70 - 22
2B16	PLATFORM LIFT AND REEL LIFT CONTROLS	70 - 22	2B22	REEL LIFT OIL LINES	70 - 31
2C8	PLATFORM LIFT BRACKETS	70 - 42	2C9	REEL LIFT OIL LINES	70 - 43
2C8	PLATFORM LIFT CYLINDER	70 - 42	2B17	REEL MOTOR	70 - 23
2C7	PLATFORM LIFT OIL LINES	70 - 41	1E23	REFLECTORS	40 - 5
2C8	PLATFORM LIFT SAFETY STOP	70 - 42	2G7	REINFORCEMENT, CYLINDER DOOR	120 - 3
2D12	PLATFORM SHLDS AND FLOORBOARD, OPERATOR'S ..	90 - 6	1H25	RELATIVE GROUND SPEED INDICATOR	50 - 23
2F25	PLATFORM UPPER DRIVE TIGHTENER	110 - 32	2G7	REMOTE DUMP STONE TRAP	120 - 3
2K8	PLUG, FLOW CONTROL (AUTO HEIGHT)	160 - 4	2A20	RESERVOIR, OIL	70 - 1
1I23	POWER STEERING CYLINDER	60 - 17	1B19	ROCKER ARM AND VALVES	20 - 26
1I18	POWER STEERING, CONTROL VALVE	60 - 12	1B18	ROCKER ARMS AND VALVES	20 - 25
1I21	POWER STEERING, OIL LINES	60 - 15	2D3	ROD, SAFETY	80 - 15
2D14	POWERSHAFT CLOSURE, ENGINE	90 - 8	1B20	RODS, CONNECTING AND PISTON	20 - 27
2J23	POWERSHAFT, ENGINE	140 - 1	1B21	RODS, CONNECTING AND PISTON	20 - 28
1E14	PRECLEANER	30 - 43	2E2	ROOF, CAB	90 - 21
2C11	PRESS.CTL.VALVE AND MTG.BKT, ACCUMULATOR ..	70 - 45	2H3	ROTARY DEFLECTOR DRIVE TIGHTENER	120 - 24
1F3	PRESSURE GAUGE, ACCUMULATOR	40 - 10	3A22	ROTARY SCREEN DISK, BELT, AND TIGHTENERS	170 - 5
2E6	PRESSURIZER, OPERATOR'S CAB	90 - 25	2D3	ROTARY SCREEN DOOR AND SAFETY ROD	80 - 15
3A24	PRIMARY BELTS	170 - 7	2D4	ROTARY SCREEN DOOR SEALS	80 - 16
3A24	PRIMARY CHAIN	170 - 7	1C13	ROTARY SCREEN DRIVE BELT DISPLACER	20 - 45
2J24	PRIMARY COUNTERSHAFT	140 - 2	1C13	ROTARY SCREEN DRIVE BELT TIGHTENERS	20 - 45
3A24	PRIMARY COUNTERSHAFT	170 - 7	1C18	ROTARY SCREEN DRIVE BELT TIGHTENERS	20 - 50
2J25	PRIMARY CTR'SHAFT. CYL. DRIVE SHEAVE	140 - 3	1C12	ROTARY SCREEN DRIVE SHAFT	20 - 44
3A24	PRIMARY SHEAVES	170 - 7	1C10	ROTARY SCREEN, FLAT	20 - 42
3A24	PRIMARY SPROCKETS	170 - 7	1G1	ROTOR, ALTERNATOR, 72 AMP	40 - 34
3A24	PRIMARY TIGHTENERS	170 - 7	1G3	ROTOR, ALTERNATOR, 90 AMP	40 - 36
1I4	PROPULSION DRIVE COUNTERSHAFT SHEAVE	50 - 27	1D16	ROTOR, FUEL INJECTION PUMP	30 - 20
1C6	PUMP ASSEMBLY, WATER	20 - 38	1E4	ROTOR, FUEL INJECTION PUMP	30 - 33

ALPHABETICAL INDEX - CONTINUED

GRID		PAGE	GRID		PAGE
2H17	ROTOR, STRAW CHOPPER.....	120-38	3B2	SHEAVES, FEEDER HOUSE DRIVE	170-11
	S		3A24	SHEAVES, PRIMARY.....	170-7
2D2	SAFETY RAILING.....	80-14	2J25	SHEAVES,DRIVE,PRIMARY CTR'SHAFT CYL.....	140-3
2D3	SAFETY ROD AND ROTARY SCREEN DOOR.....	80-15	3B4	SHEAVES,SHOE GRAIN SUPPLY AUGERS DRIVE.....	170-13
2C8	SAFETY STOP, PLATFORM LIFT	70-42	2J8	SHEET, EXTENSION, GRAIN TANK COVER	130-6
1E22	SAFETY SWITCH, NEUTRAL	40-4	2E23	SHEET, FEEDER HOUSE, FRONT	110-4
1C10	SCREEN ROTARY, FLAT	20-42	2F3	SHEET, FEEDER HOUSE, SIDE	110-10
2G7	SEAL, CYLINDER DOOR.....	120-3	2F5	SHEET, FEEDER HOUSE, SIDE	110-12
2D1	SEALS, ENGINE COMPARTMENT.....	80-13	2C16	SHEET, SEPARATOR, SIDE.....	80-3
2E1	SEALS, OPERATOR'S CAB	90-20	2C14	SHEET, SEPARATOR, TOP	80-1
2D16	SEALS, OPERATOR'S CAB MOUNTING	90-10	2J9	SHEET, TOP, GRAIN TANK COVER	130-7
2D4	SEALS, ROTARY SCREEN DOOR.....	80-16	2C15	SHEETS AND FRAME, SEPARATOR R.H. SIDE	80-2
2D19	SEAT BACKREST SUPPORTS.....	90-13	2G7	SHEETS, SEPARATOR FRONT	120-3
2D20	SEAT CUSHIONS.....	90-14	2E24	SHEETS, TOP, FEEDER HOUSE	110-5
2D17	SEAT SUPPORTS, OPERATOR'S PLATFORM.....	90-11	2I10	SHIELD AND CLEANING FAN HOUSING	120-58
2K1	SECONDARY COUNTERSHAFT.....	140-4	2F15	SHIELD, DRIVE, VARIABLE BELT	110-22
2K2	SECONDARY COUNTERSHAFT DR.TIGHTENER	140-5	2E23	SHIELD, FEEDER DRUM	110-4
3A25	SECONDARY COUNTERSHAFT SHEAVES AND BELT....	170-9	2F14	SHIELD, FEEDER HOUSE LEFT-HAND.....	110-21
2G16	SECTOR, CONCAVE	120-12	2E22	SHIELD, LOWER, L.H., SPECIAL	110-3
1I1	SELECTIVE GROUND SPEED CONTROLS	50-24	1H9	SHIELD, MUD, TRANSMISSION DRIVE.....	50-7
1I2	SELECTIVE GROUND SPEED CYLINDER	50-25	2E23	SHIELD, PLATFORM AUGER	110-4
1I3	SELECTIVE GROUND SPEED OIL LINES.....	50-26	2F14	SHIELD, R.H., FEEDER HOUSE.....	110-21
2B13	SELECTOR VALVE, AUX. UNLOADING AUGER	70-19	2C20	SHIELD, R.H., SEPARATOR	80-7
1F4	SENSING UNIT, STRAW WALKER, PLUGGING	40-11	2H19	SHIELD, SHEAVE, STRAW CHOPPER	120-40
1B9	SENSOR CYLINDER HEAD OVERHEAT WARNING	20-16	2H7	SHIELD, STRAW SPREADER.....	120-28
2K3	SEPARATOR AUGER DRIVE BELT GUIDES	140-6	2E21	SHIELDS AND COUPLER, QUIK-TATCH.....	110-1
2C19	SEPARATOR CROSS BRACE	80-6	2H15	SHIELDS AND CURTAIN, STRAW CHOPPER	120-36
2H4	SEPARATOR CURTAINS.....	120-25	1F7	SHIELDS, CABLES, BRACKETS, AND BATTERY.....	40-14
2J1	SEPARATOR DRIVE CONTROLS.....	120-75	2H23	SHIELDS, STRAW SPREADER	120-44
2G7	SEPARATOR FRONT SHEETS.....	120-3	2D12	SHLDS AND FLOORBOARD,OPERATOR'S PLATFORM ..	90-6
2C16	SEPARATOR L.H. FRAME	80-3	2H8	SHOE AND STRAW WALKER DRIVE TIGHTENER	120-29
2C16	SEPARATOR L.H. SIDE SHEETS.....	80-3	2I3	SHOE GR.SUPPLY AUGERS DR.TIGHTENER	120-50
2C19	SEPARATOR LADDER	80-6	2H24	SHOE GRAIN SUPPLY AUGER HOUSING	120-45
2C20	SEPARATOR R.H. SHIELD	80-7	2H25	SHOE GRAIN SUPPLY AUGERS	120-47
2C15	SEPARATOR R.H. SIDE SHEETS AND FRAME	80-2	2I3	SHOE GRAIN SUPPLY AUGERS DR. SHIELD	120-50
2C14	SEPARATOR TOP SHEET	80-1	3B4	SHOE GRAIN SUPPLY AUGERS DRIVE BELT	170-13
2K1	SEPARATOR, SECONDARY COUNTERSHAFT	140-4	2I1	SHOE GRAIN SUPPLY AUGERS DRIVE SHAFT	120-48
1G17	SERVICE KIT, ELECTRICAL CONNECTOR.....	40-52	2I1	SHOE GRAIN SUPPLY AUGERS DRIVE SHEAVE.....	120-48
2F19	SHAFT AND SHEAVE, FDR.HSE.VAR.BELT DRIVE.....	110-26	3B4	SHOE GRAIN SUPPLY AUGERS DRIVE SHEAVES	170-13
2I8	SHAFT AND SHOE PITMAN.....	120-56	2I8	SHOE PITMAN AND SHAFT	120-56
2J21	SHAFT, AUXILIARY UNLOADING AUGERS DRIVE	130-19	2I4	SHOE, CHAFFER AND SIEVE	120-51
2I14	SHAFT, CLEAN GRAIN ELEVATOR CONVEYOR.....	120-62	2I6	SHOE, CHAFFER FRAME, UPPER	120-54
1H23	SHAFT, CLUTCH INPUT	50-21	3B5	SHOE, CLEANING	170-15
2G16	SHAFT, CONCAVE ADJUSTING.....	120-12	2I4	SHOE, SIEVE AND CHAFFER	120-51
1C12	SHAFT, DRIVE, ROTARY SCREEN	20-44	2I5	SHOE, SIEVE FRAME, LOWER	120-53
2F17	SHAFT, UPPER, FEEDER HOUSE.....	110-24	2I4	SIEVE AND CHAFFER.....	120-51
2I1	SHAFT,DRIVE,SHOE GRAIN SUPPLY AUGERS.....	120-48	2I5	SIEVE FRAME, LOWER SHOE.....	120-53
2F20	SHAFT,LOWER,FEEDER HOUSE DRIVE CHAIN	110-27	1F14	SIGNAL HORNS.....	40-23
1H15	SHAFTS AND BEARINGS	50-13	1E24	SIGNAL, TURN.....	40-7
1H15	SHAFTS, BRGS., AND DIFFERENTIAL GEARS	50-13	2J4	SKIRTS, GRAIN TANK.....	130-2
2G21	SHEAVE AND CYLINDER SHAFT SHEAR HUB	120-17	1I13	SLAVE CYLINDER, BRAKE.....	60-6
1G5	SHEAVE, ALTERNATOR	40-38	2F17	SLIP CLUTCH AND SPROCKETS, FEEDER HOUSE.....	110-24
2I14	SHEAVE, CLEAN GRAIN ELEVATOR CONVEYOR	120-62	2G22	SLOW SPD.CYL.DRIVE INTERMEDIATE SHAFT	120-19
1I4	SHEAVE, PROPULSION DRIVE COUNTERSHAFT.....	50-27	2K5	SOLENOID CONTROL VALVE (AUTO HEIGHT).....	160-1
2H19	SHEAVE, ROTOR, STRAW CHOPPER	120-40	1G12	SOLENOID SWITCH STARTER MOTOR	40-46
2I1	SHEAVE,DRIVE,SHOE GRAIN SUPPLY AUGERS	120-48	1H6	SPACER, AXLE	50-4
3A25	SHEAVES AND BELT, SECONDARY COUNTERSHAFT ..	170-9	1H4	SPACERS AND DRIVE WHEEL	50-2
3B3	SHEAVES AND BELTS, BEATER DRIVE	170-12	2G14	SPIKE-TOOTH CONCAVE	120-10
3B10	SHEAVES AND BELTS, LOADING AUGER DRIVE.....	170-21	2G13	SPIKE-TOOTH CYLINDER	120-9
3B9	SHEAVES AND SPROCKETS, AUGER DRIVE	170-19	1J1	SPINDLES, REAR AXLE	60-20
2G23	SHEAVES, BEATER AND TACHOMETER DRIVE.....	120-20	1F15	SPOTLIGHT	40-24
2H1	SHEAVES, BEATER AND TACHOMETER DRIVE.....	120-22	2H23	SPREADER SHIELDS, STRAW	120-44
3B10	SHEAVES, CLEAN GRAIN ELEVATOR	170-21	2H20	SPREADER, STRAW, MOUNTING AND GUARD	120-41
3A21	SHEAVES, ENGINE R.H. SIDE.....	170-3	2D18	SPRING, OPERATOR'S PLATFORM SEAT	90-12
			2F12	SPRINGS, FLOAT	110-19
			3B9	SPROCKETS AND SHEAVES, AUGER DRIVE	170-19
			2F17	SPROCKETS AND SLIP CLUTCH, FEEDER HOUSE.....	110-24

ALPHABETICAL INDEX - CONTINUED

GRID		PAGE	GRID		PAGE
3B2	SPROCKETS, FEEDER HOUSE DRIVE.....	170-11	2B11	SWING HOSES AND LINE, UNLOADING AUGER	70-17
3A24	SPROCKETS, PRIMARY	170-7	2B12	SWING LINE, UNLOADING AUGER.....	70-18
2114	SPROCKETS,CLEAN GRAIN ELEVATOR CONVEYOR	120-62	2K9	SWING, AUGER.....	160-5
1G8	STARTER MOTOR ARMATURE ASSEMBLY	40-42	1F4	SWITCH, MICRO, STRAW WALKER SENSING UNIT.....	40-11
1G8	STARTER MOTOR DRIVE MOTOR	40-42	1E22	SWITCH, NEUTRAL SAFETY	40-4
1G12	STARTER MOTOR SOLENOID SWITCH.....	40-46	1G14	SWITCH, SOLENOID, STARTER	40-49
1G14	STARTER SOLENOID SWITCH	40-49	1G13	SWITCH, SOLENOID, STARTING MOTOR	40-47
1G7	STARTING MOTOR	40-41	1F16	SWITCH,DIAL-A-MATIC HDR.HEIGHT CONTROL.....	40-25
1G9	STARTING MOTOR	40-43	1F17	SWITCHES AND GAUGES ON INSTRUMENT PANEL.....	40-26
1G11	STARTING MOTOR	40-45	1F11	SWITCHES, OPERATOR'S CAB ELECTRICAL	40-19
1G11	STARTING MOTOR ARMATURE	40-45	1D24	SYSTEM, FUEL INJECTION	30-29
1G9	STARTING MOTOR DRIVE.....	40-43			
1G10	STARTING MOTOR HOUSING AND COIL ASSEMBLY	40-44		T	
1G13	STARTING MOTOR SOLENOID SWITCH	40-47			
1G1	STATOR, ALTERNATOR, 72 AMP	40-34	1F18	TACH-HOUR METER, ENGINE.....	40-27
1G3	STATOR, ALTERNATOR, 90 AMP	40-36	2H1	TACHOMETER AND BEATER DRIVE	120-22
1116	STEERING COLUMN AND WHEEL	60-10	2G23	TACHOMETER DRIVE AND BEATER	120-20
1118	STEERING CONTROL VALVE	60-12	2G15	TACHOMETER, VARIABLE SPEED CYLINDER	120-11
1121	STEERING LOWER OIL LINES (MIDDLE).....	60-15	2I20	TAILINGS AUGER, LOWER	120-69
1120	STEERING LOWER OIL LINES-FRONT.....	60-14	3B9	TAILINGS ELEVATOR	170-19
1122	STEERING LOWER OIL LINES-REAR	60-16	2I22	TAILINGS ELEVATOR BUCKET	120-71
1117	STEERING PUMP	60-11	2I22	TAILINGS ELEVATOR CONVEYOR CHAIN.....	120-71
1J2	STEERING TIE RODS.....	60-21	2I21	TAILINGS ELEVATOR HOUSING	120-70
1119	STEERING UPPER OIL LINES	60-13	2I22	TAILINGS ELEVATOR, PADDLE.....	120-71
1123	STEERING, CYLINDER	60-17	2I20	TAILINGS HOUSING, LOWER	120-69
1119	STEERING, OIL LINES	60-13	2I24	TAILINGS, AUGER, UPPER	120-73
2G11	STONE TRAP AND DOOR	120-7	1E23	TAILLIGHTS	40-5
2G7	STONE TRAP, REMOTE DUMP	120-3	2J3	TANK, GRAIN.....	130-1
1A21	STOP LEAK AND COOLANT CONDITIONER	20-3	1G15	TERMINAL AND WIRING KIT	40-50
1H25	STOP, RELATIVE GROUND SPEED INDICATOR.....	50-23	1G21	TERMINALS, SUPPLEMENTARY, AND CONNECTORS....	40-56
2C8	STOP, SAFETY, PLATFORM LIFT	70-42	1C7	THERMOSTAT AND WATER MANIFOLD	20-39
1A21	STORAGE KIT	20-3	1D4	THROTTLE CONTROL.....	30-8
3B7	STRAW CHOPPER AND STRAW SPREADER DRIVES....	170-17	1J2	TIE RODS, STEERING	60-21
2H15	STRAW CHOPPER CURTAIN AND SHIELDS.....	120-36	1C17	TIGHTENER, BELT, RADIATOR FAN DRIVE	20-49
2H18	STRAW CHOPPER DRIVE IDLER	120-39	2I16	TIGHTENER, CLEAN GRAIN ELEVATOR DRIVE	120-64
2H18	STRAW CHOPPER DRIVE TIGHTENER	120-39	2F16	TIGHTENER, DR., F.H. VAR. DR. MIDDLE	110-23
2H9	STRAW CHOPPER HOUSING	120-30	2F25	TIGHTENER, DR., FDR.HSE. AND PLAT.UPPER.....	110-32
2H10	STRAW CHOPPER HOUSING	120-31	2F16	TIGHTENER, DR., PLAT. VAR. DR. MIDDLE	110-23
2H16	STRAW CHOPPER KNIFE AND SUPPORT.....	120-37	2K2	TIGHTENER, DR., SECONDARY COUNTERSHAFT.....	140-5
2H11	STRAW CHOPPER PLATES AND FINS	120-32	2I3	TIGHTENER, DR., SHOE GRAIN SUPPLY AUGER	120-50
2H13	STRAW CHOPPER PLATES AND FINS	120-34	2I23	TIGHTENER, DRIVE, LOWER TAILINGS AUGER.....	120-72
2H17	STRAW CHOPPER ROTOR AND BLADES	120-38	1C18	TIGHTENER, DRIVE, RADIATOR FAN.....	20-50
2H19	STRAW CHOPPER ROTOR SHEAVE	120-40	2G2	TIGHTENER, FEEDER CONVEYOR DRIVE, L.H.	110-34
2H19	STRAW CHOPPER SHIELD	120-40	2F9	TIGHTENER, FEEDER CONVEYOR DRIVE, R.H.....	110-16
2H22	STRAW SPREADER	120-43	2G2	TIGHTENER, PLATFORM CHAIN DRIVE, L.H.	110-34
3B7	STRAW SPREADER AND STRAW CHOPPER DRIVES....	170-17	1C18	TIGHTENER, RADIATOR FAN DRIVE BELT	20-50
2H22	STRAW SPREADER BLADE	120-43	2H18	TIGHTENER, STRAW CHOPPER DRIVE.....	120-39
2H22	STRAW SPREADER HOUSING	120-43	2I25	TIGHTENER, UPPER TAILINGS AUGER DRIVE.....	120-74
2H20	STRAW SPREADER MOUNTING AND GUARD	120-41	2J16	TIGHTENER,AUXILIARY UNLOADING AUG.DRIVE	130-14
2H23	STRAW SPREADER SHIELDS	120-44	2G1	TIGHTENER,FDR.HSE.VARIABLE DR.LOWER BELT.....	110-33
3B5	STRAW WALKER DRIVES AND CLEANING SHOE	170-15	2G1	TIGHTENER,PLATF.VARIABLE DR.LOWER BELT	110-33
2H6	STRAW WALKER FRONT CRANKSHAFT	120-27	2G19	TIGHTENERS, DRIVE, CYLINDER	120-15
2H7	STRAW WALKER REAR CRANKSHAFT	120-28	2G20	TIGHTENERS, DRIVE, INTERMEDIATE SHAFT	120-16
1F4	STRAW WALKER, PLUGGING SENSING UNIT	40-11	2H3	TIGHTENERS, DRIVE, ROTARY DEFLECTOR	120-24
2H5	STRAW WALKERS	120-26	1C18	TIGHTENERS, DRIVE, ROTARY SCREEN	20-50
1H25	STRIP, RELATIVE GROUND SPEED INDICATOR	50-23	2H8	TIGHTENERS, DRIVE, SHOE AND STRAW WALKER	120-29
1G21	SUPPLEMENTARY TERMINALS AND CONNECTORS.....	40-56	3A21	TIGHTENERS, ENGINE R.H. SIDE.....	170-3
2A22	SUPPORT AND HYDRAULIC PUMP TORQUE ARM	70-3	3A24	TIGHTENERS, PRIMARY.....	170-7
2J16	SUPPORT,AUXILIARY UNLDG.AUGER DR.MOTOR.....	130-14	3A22	TIGHTENERS, ROTARY SCREEN	170-5
1C22	SUPPORTS AND FUEL TANK	30-1	1C13	TIGHTENERS, ROTARY SCREEN DRIVE BELT.....	20-45
2E11	SUPPORTS., COMPRESSOR, AIR COND.	90-30	1B4	TIMING GEAR COVER	20-11
2E12	SUPPORTS., COMPRESSOR, AIR COND.	90-31	2C20	TOOL BOX	80-7
2D19	SUPPORTS, BACKREST, SEAT.....	90-13	2D25	TOOL POCKET FOR OPERATOR'S CAB	90-19
1C8	SUPPORTS, ENGINE	20-40	1A20	TORQ-GARD SUPREME ENGINE OIL.....	20-1
2D18	SUPPORTS, OPERATOR'S PLATFORM SEAT.....	90-12	1E8	TRANSFER PUMP	30-37
2D17	SUPPORTS, SEAT, OPERATOR'S PLATFORM	90-11	1E12	TRANSFER PUMP, FUEL	30-41
2J17	SWING AND HINGE, UNLOADING AUGER.....	130-15			

ALPHABETICAL INDEX - CONTINUED

<i>GRID</i>		<i>PAGE</i>	<i>GRID</i>		<i>PAGE</i>
1E13	TRANSFER PUMP, FUEL	30 - 42	1B11	VENTILATOR TUBE, ENGINE.....	20 - 18
1H10	TRANSMISSION	50 - 8	1G3	VOLTAGE REGULATOR, ALTERNATOR, 90 AMP	40 - 36
1H11	TRANSMISSION AND DIFFERENTIAL	50 - 9	1G1	VOLTAGE REGULATOR,ALTERNATOR,72 AMP	40 - 34
1H12	TRANSMISSION COUNTERSHAFT AND GEARS	50 - 10			
1H9	TRANSMISSION DRIVE MUD SHIELD.....	50 - 7		W	
1H13	TRANSMISSION INPUT SHAFT	50 - 11			
2G7	TRAP, REMOTE DUMP STONE	120 - 3	2H5	WALKERS, STRAW	120 - 26
1E16	TUBE, AIR INTAKE	30 - 45	2D2	WALKWAY, ENGINE COMPARTMENT	80 - 14
1C19	TUBE, GAUGE, OIL PRESSURE	20 - 51	1E23	WARNING LIGHTS.....	40 - 5
1E14	TUBES, AIR INTAKE	30 - 43	1B9	WARNING SENSOR, CYLINDER HEAD OVERHEAT	20 - 16
1E24	TURN SIGNALS	40 - 7	1C7	WATER MANIFOLD AND THERMOSTAT	20 - 39
	U		1C6	WATER PUMP ASSEMBLY.....	20 - 38
1B16	UNDERSIZE CRANKSHAFT KIT.....	20 - 23	1J3	WEIGHT, REAR WHEEL	60 - 22
2J14	UNLOADING ATTACHMENT, GRASS SEED.....	130 - 12	1I16	WHEEL AND STEERING COLUMN	60 - 10
2J16	UNLOADING AUG.DRIVE TIGHTENER,AUXILIARY	130 - 14	1H4	WHEEL, DRIVE	50 - 2
2J12	UNLOADING AUGER COUNTERSHAFT	130 - 10	1H22	WHEEL, DRIVE, CLUTCH AND HOUSING	50 - 20
2J16	UNLOADING AUGER DR.MOTOR SUPT.,AUXILIARY	130 - 14	1H7	WHEEL, FENDER.....	50 - 5
2K3	UNLOADING AUGER DRIVE BELT GUIDES.....	140 - 6	1J3	WHEEL, REAR	60 - 22
2J10	UNLOADING AUGER DRIVE CONTROL	130 - 8	1J3	WHEEL, WEIGHTS	60 - 22
3B12	UNLOADING AUGER DRIVES	170 - 23	1F21	WINDSHIELD WIPER AND BRACKET	40 - 30
2J17	UNLOADING AUGER HINGE AND SWING	130 - 15	1F21	WIPER HARNESS	40 - 30
2J18	UNLOADING AUGER HOUSING, OUTER	130 - 16	1G15	WIRING AND TERMINAL KIT	40 - 50
2B7	UNLOADING AUGER SWING CONTROL VALVE	70 - 12	1G15	WIRING CRIMPING TOOL	40 - 50
2B8	UNLOADING AUGER SWING CONTROL VALVE	70 - 13	2K13	WIRING HARNESS	160 - 9
2B11	UNLOADING AUGER SWING HOSES AND LINE.....	70 - 17	2K14	WIRING HARNESS	160 - 10
2B10	UNLOADING AUGER SWING HYD.CYLINDER KIT	70 - 16	1F6	WIRING HARNESS, ENGINE	40 - 13
2B9	UNLOADING AUGER SWING HYDRAULIC CYLINDER	70 - 15	1E20	WIRING HARNESS, FRONT	40 - 2
2B9	UNLOADING AUGER SWING HYDRAULIC MOUNTING ..	70 - 15	1E21	WIRING HARNESS, MIDDLE	40 - 3
2B12	UNLOADING AUGER SWING LINE	70 - 18	1E22	WIRING HARNESS, REAR	40 - 4
2J11	UNLOADING AUGER, AUXILIARY, DR. CONTROL	130 - 9	1E22	WIRING HARNESS, TAIL LAMP.....	40 - 4
2J15	UNLOADING AUGER, INNER	130 - 13	1F12	WIRING ON ENGINE, AIR CONDITIONING.....	40 - 20
2J13	UNLOADING AUGER, INNER COVER	130 - 11	1F13	WIRING ON ENGINE, AIR CONDITIONING.....	40 - 21
2J17	UNLOADING AUGER, OUTER	130 - 15	1G15	WIRING STRIPPING TOOL	40 - 50
2J21	UNLOADING AUGERS DRIVE SHAFT, AUXILIARY	130 - 19	1F11	WIRING, OPERATOR'S CAB ELECTRICAL.....	40 - 19
2I25	UPPER AUGER DRIVE TIGHTENER, TAILINGS.....	120 - 74	1G21	WIRING, SUPPLEMENTARY TERMINALS AND CONNECTORS	40 - 56
2F17	UPPER SHAFT, FEEDER HOUSE	110 - 24			
2I24	UPPER TAILINGS AUGER AND HOUSING.....	120 - 73			
2I25	UPPER TAILINGS AUGER DRIVE TIGHTENER	120 - 74			
	V				
2E7	VALVE AND COMPRESSOR, OPERATOR'S CAB	90 - 26			
2B13	VALVE SUPPORT	70 - 19			
2B13	VALVE, AUX. UNLDG. AUGER SELECTOR	70 - 19			
2K5	VALVE, CONTROL, SOLENOID (AUTO HEIGHT).....	160 - 1			
2K7	VALVE, DROP RATE (AUTO HEIGHT)	160 - 3			
2E13	VALVE, EXPANSION, AIR CONDITIONER	90 - 33			
2A23	VALVE, HYDRAULIC CONTROL.....	70 - 4			
2B1	VALVE, HYDRAULIC CONTROL.....	70 - 6			
2B25	VALVE, HYDROSTATIC DR.REEL FLOW CONTROL.....	70 - 34			
1I18	VALVE, STEERING CONTROL	60 - 12			
2B7	VALVE, UNLOADING AUGER SWING CONTROL	70 - 12			
2B8	VALVE, UNLOADING AUGER SWING CONTROL	70 - 13			
2C11	VALVE,PRES.CTL.AND MTG.BKT,ACCUMULATOR	70 - 45			
1B18	VALVES AND ROCKER ARMS.....	20 - 25			
1B19	VALVES AND ROCKER ARMS.....	20 - 26			
2E9	VALVES, SERICE, COMPRESSOR CLUTCH	90 - 28			
2F15	VARIABLE BELT DRIVE SHIELD	110 - 22			
2C4	VARIABLE DRIVE FEEDER HOUSE HYD. HOSES	70 - 38			
2C3	VARIABLE DRIVE FEEDER HOUSE OIL LINES	70 - 37			
2B4	VARIABLE SPEED CYLINDER CONTROL-SEP.SIDE.....	70 - 9			
2G15	VARIABLE SPEED CYLINDER TACHOMETER	120 - 11			
1B10	VENTILATOR TUBE, ENGINE.....	20 - 17			

1A20

ENGINE

X3377 -UN-07NOV94

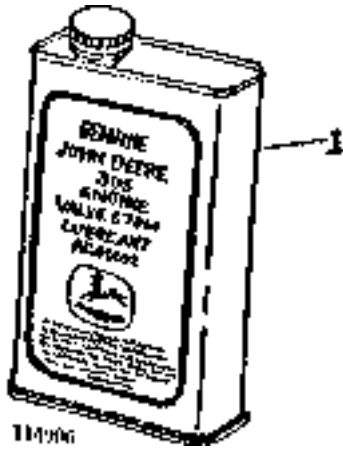
TORQ-GARD SUPREME ENGINE OIL



KEY	PART NO.	PART NAME	QTY	SERIAL NO.	REMARKS
..	AR63980	OIL	1	(237 ML) (SAE 5W/20)	
..	AR63979	OIL	1	(237 ML) (SAE 30)	
..	AR63228	OIL	1	(946 ML) (SAE 5W/20)	
..	AR63223	OIL	1	(946 ML) (SAE 10W/20)	
..	AR63218	OIL	1	(946 ML) (SAE 30)	
..	AR63229	OIL	1	(18.9 L) (SAE 5W/20)	
..	AR63224	OIL	1	(18.9 L) (SAE 10W/20)	
..	AR63219	OIL	1	(18.9 L) (SAE 30)	
..	AR63230	OIL	1	(208.5 L) (SAE 5W/20)	
..	AR63227	OIL	1	(208.5 L) (SAE 10W/20)	
..	AR63222	OIL	1	(208.5 L) (SAE 30)	

ENGINE VALVE STEM LUBRICANT

T14906 -UN-01JAN94



KEY	PART NO.	PART NAME	QTY	SERIAL NO.	REMARKS
1	AR44402	OIL	1	(0.9 L) CAN	

MEMORANDA

1A21

ENGINE

**CYLINDER LINER PACKING LUBRICANT
(NOT ILLUSTRATED)**

KEY	PART NO.	PART NAME	QTY	SERIAL NO.	REMARKS
..	AR54749	LUBRICANT	1		(0.9 L) CAN

**KIT FOR OFF-SEASON STORAGE
(NOT ILLUSTRATED)**

KEY	PART NO.	PART NAME	QTY	SERIAL NO.	REMARKS
..	AR41785	KIT	1		KIT, OFF-SEASON STORAGE, FOR ENGINE POWERED EQUIPMENT, THIS KIT CONTAINS QUART (0.9L) CAN OF INTERNAL CORROSION INHIBITOR, 1 ROLL OF TAPE AND 6 PLASTIC BAGS, (SUB FOR AR41870)

**STOP LEAK AND COOLANT CONDITIONER
(NOT ILLUSTRATED)**

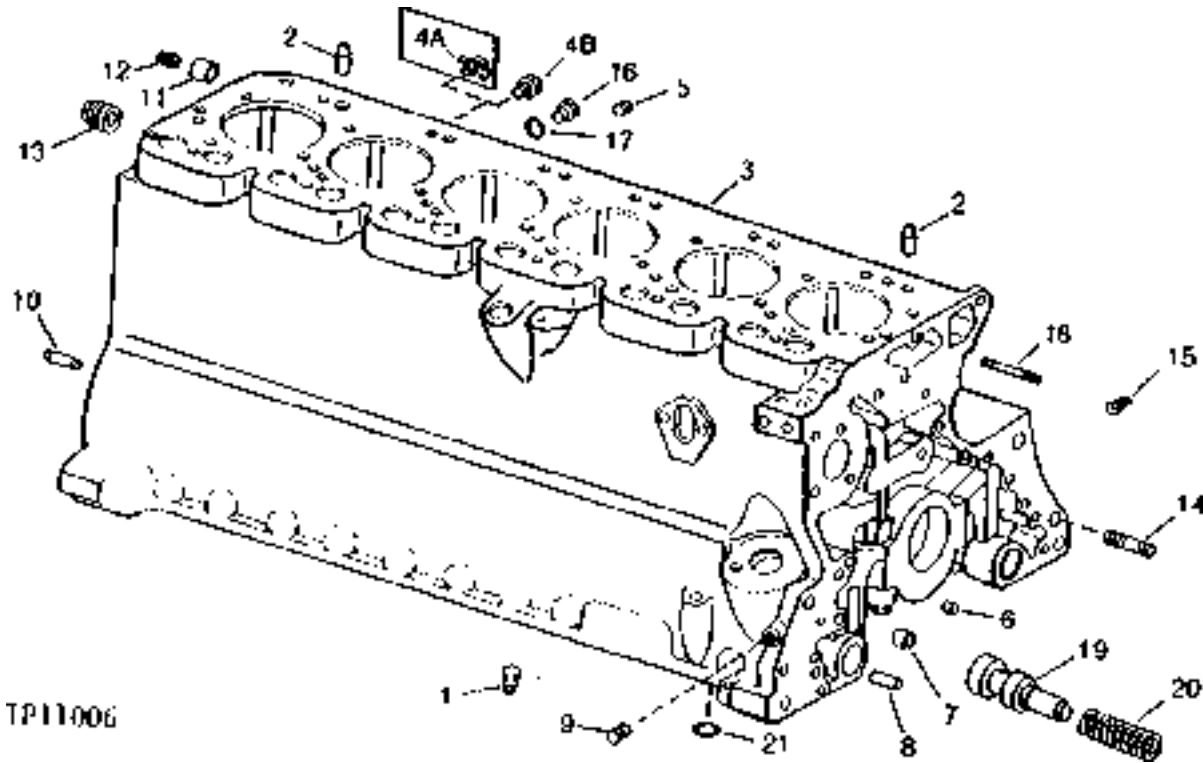
KEY	PART NO.	PART NAME	QTY	SERIAL NO.	REMARKS
..	RE12842	COOLANT	1		.91 KG (32 OZ.) (SUB FOR T19566)
..	T11847	SEALANT	1		(NO LONGER AVAILABLE)

1A22

ENGINE

CYLINDER BLOCK (6329DH)

TP11006 -UN-01JAN94



TP11006

KEY	PART NO.	PART NAME	QTY	ENGINE SERIAL NO.	REMARKS
1	R54802	ORIFICE	6		
2	R48685	DOWEL PIN	2		
3	AR64406	CYLINDER BLOCK	1	-566498	(SUB FOR R26241, THIS APPLICATION) WITH MAIN BEARING CAPS, NIPPLE, SLEEVE, BUSHING, DOWEL PINS, PIPE PLUGS, STUDS, PISTON COOLING ORIFICES, CAP SCREWS AND WASHERS, (MARKED R55012, R55037 OR R72968)
	RE19872	CYLINDER BLOCK	1	566499-	(SUB RE19872, R46625, R73139 AND R73140) WITH MAIN BEARING CAPS, NIPPLE, SLEEVE, BUSHING, DOWEL PINS, PIPE PLUGS, STUDS, PISTON COOLING ORIFICES, CAP SCREWS AND WASHERS, (MARKED R80405) (SUB FOR AR97027, MARKED R72968)
4A	AT13740	DRAIN VALVE	1		
4B	R55233	PIPE PLUG	1		
5	15H275	PIPE PLUG	1	1/4"	
6	T18891	CAP	2		
7	R26493	BUSHING	1		
8	R26650	DOWEL PIN	2		
9	15H563	PIPE PLUG	1	3/8"	
10	R48685	DOWEL PIN	2	(SUB FOR A120R)	
11	15H515	PIPE BUSHING	1		
12	15H584	PIPE PLUG	1	1/2"	
13	15H665	PIPE PLUG	AR	3/4"	
	15H562	PIPE PLUG	AR	1"	
14	R32042	STUD	1		

1A23

ENGINE

**CYLINDER BLOCK - CONTINUED
(6329DH)**

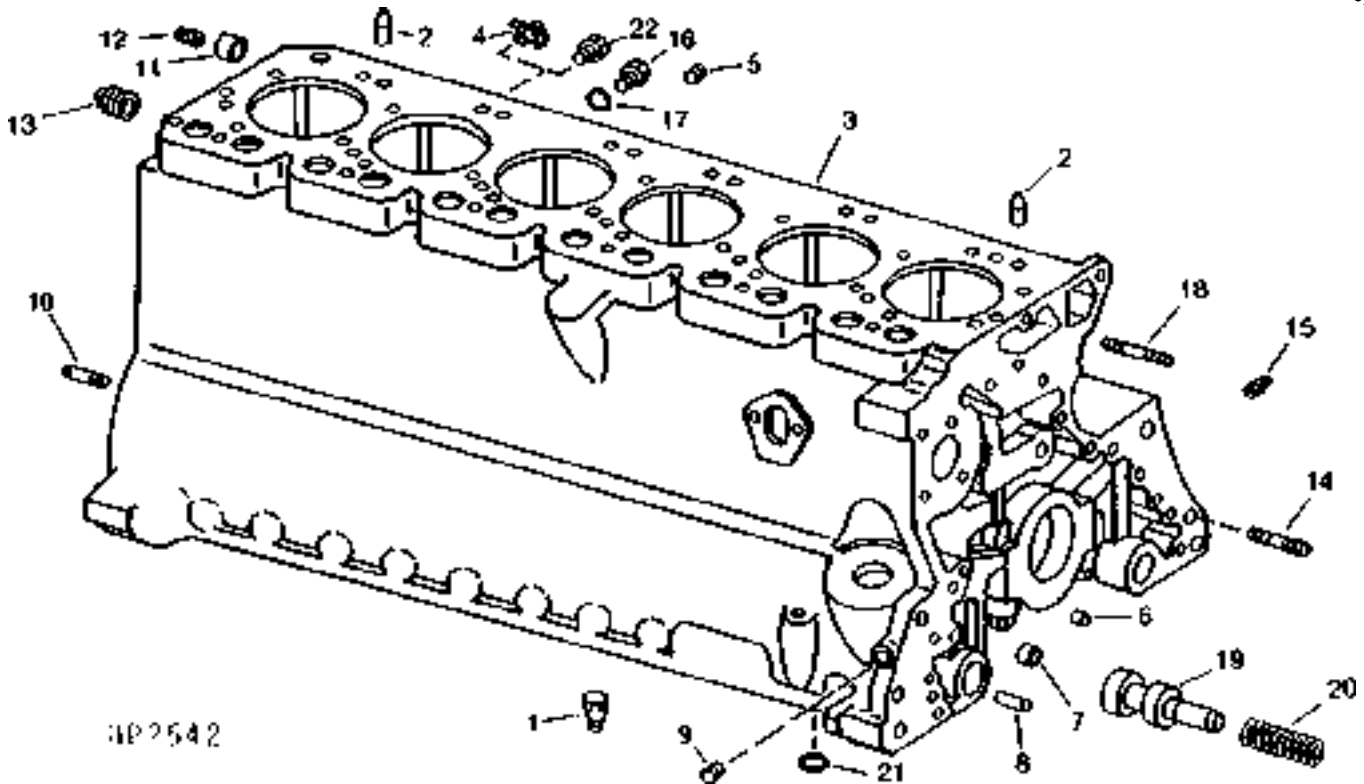
KEY	PART NO.	PART NAME	QTY	SERIAL NO.	REMARKS
15	15H558	PIPE PLUG	7		1/8", (SUB FOR RE12310)
16	R39741	DRAIN PLUG	1		
17	U13639	O-RING	1		
18	T33279	STUD	1		
19	R73139	VALVE	1	566499-	
20	R46625	SPRING	1	566499-	
21	R75892	O-RING	AR		(OIL PUMP TUBE)
..	AR64413	SHORT BLOCK ASSEMBLY	1	-566498	WITH CYLINDER BLOCK ASSEMBLY, CRANKSHAFT, CAMSHAFT, PISTONS, CONNECTING RODS, BEARINGS, CYLINDER LINERS, FRONT PLATE, IDLER COVERS, TAPPETS AND OVERHAUL GASKET SET, (SUB RE19873) (ALSO ORDER R81514)
..	RE19873	SHORT BLOCK ASSEMBLY	1		WITH CYLINDER BLOCK ASSEMBLY, CRANKSHAFT, CAMSHAFT, PISTONS, CONNECTING RODS, BEARINGS, CYLINDER LINERS, FRONT PLATE, IDLER GEARS, TAPPETS, BYPASS VALVE, BYPASS SPRING AND OVERHAUL GASKET SET, (SUB FOR AR97040) (ALSO ORDER R81514)

1A24

ENGINE

HP2542 -UN-01JAN94

CYLINDER BLOCK (6359DH)



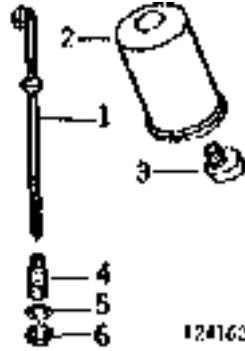
KEY	PART NO.	PART NAME	QTY	SERIAL NO.	REMARKS
1	R54802	ORIFICE	6		
2	R26241	DOWEL PIN	2		
3	RE19371	CYLINDER BLOCK	1		WITH MAIN BEARING CAPS, NIPPLE, SLEEVE, BUSHING, DOWEL PINS, PIPE PLUGS, STUDS, PISTON COOLING ORIFICES, CAP SCREWS AND WASHERS
4	AT13740	DRAIN VALVE	AR		
5	15H275	PIPE PLUG	1	1/4"	
6	T18891	CAP	2		
7	R26493	BUSHING	1		
8	R26650	DOWEL PIN	2		
9	15H255	PIPE PLUG	1	3/8"	
10	R48685	DOWEL PIN	2		
11	15H515	PIPE BUSHING	1		
12	15H584	PIPE PLUG	1	1/2"	
13	15H665	PIPE PLUG	1	3/4"	
14	R32042	STUD	1		
15	15H558	PIPE PLUG	7	1/8"	
16	R39741	DRAIN PLUG	1		
17	U13639	O-RING	1		
18	T33279	STUD	1		
19	R73139	VALVE	1		
20	R46625	SPRING	1		
21	R75892	O-RING	1		(OIL PUMP TUBE)
22	R55233	PIPE PLUG	1		
..	RE19372	SHORT BLOCK ASSEMBLY	1		WITH CYLINDER BLOCK ASSEMBLY, CRANKSHAFT, CAMSHAFT, PISTONS, CONNECTING RODS, BEARINGS, CYLINDER LINERS, FRONT PLATE, IDLER GEARS, TAPPETS, BYPASS VALVE, BYPASS SPRING AND OVERHAUL GASKET SET

1A25

ENGINE

ENGINE OIL FILTER AND DIPSTICK (6329DH)

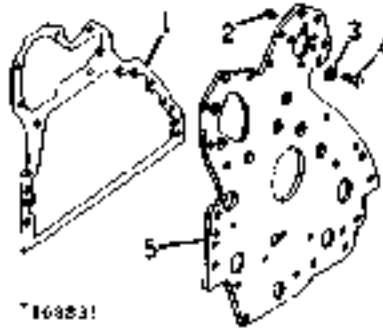
T24162 -UN-01JAN94



KEY	PART NO.	PART NAME	QTY	SERIAL NO.	REMARKS
1	AT23141	DIPSTICK	1		
2	T19044	OIL FILTER	1		
3	T23435	THREADED NIPPLE	1		
4	R49824	DIPSTICK TUBE	1		
5	14H826	NUT	1	1/2"	
6	R27976	O-RING	1		

ENGINE FRONT PLATE (6329DH)

T16883 -UN-01JAN94



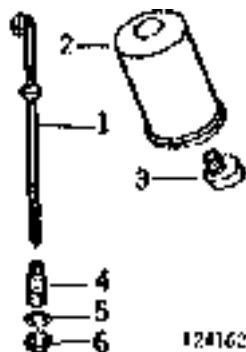
KEY	PART NO.	PART NAME	QTY	SERIAL NO.	REMARKS
1	T24965	GASKET	1	-566498	(SUB R73140)
	R73140	GASKET	1		
2	AT21191	SET SCREW	5		
	AT22919	SET SCREW	2		
3	12H324	WASHER	5	3/8"	
4	T20166	SCREW	5		
5	R56736	PLATE	1		(ALSO ORDER FIVE AT21191 SET SCREWS AND TWO AT22919 SET SCREWS)

1B1

ENGINE

T24162 -UN-01JAN94

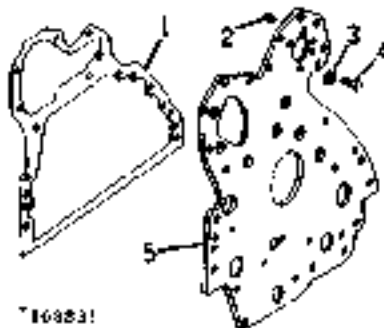
ENGINE OIL FILTER AND DIPSTICK (6359DH)



KEY	PART NO.	PART NAME	QTY	SERIAL NO.	REMARKS
1	AT23141	DIPSTICK	1		
2	T19044	OIL FILTER	1		
3	T23435	THREADED NIPPLE	1		
4	R49824	DIPSTICK TUBE	1		
5	R10093	O-RING	1		
6	14H826	NUT	1	1/2"	

ENGINE FRONT PLATE (6359DH)

T16883 -UN-01JAN94



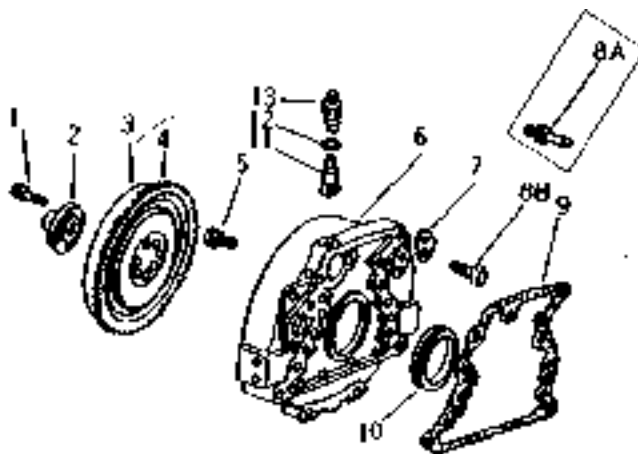
KEY	PART NO.	PART NAME	QTY	SERIAL NO.	REMARKS
1	R73140	GASKET	1		
2	AT21191	SET SCREW	8		
	AT22919	SET SCREW	2		
3	12H324	WASHER	5	3/8"	
4	T20166	SCREW	5		
5	R75470	PLATE	1		(ALSO ORDER (8) AT21191 SET SCREWS AND (2) AT22919 SET SCREWS)

1B2

ENGINE

FLYWHEEL HOUSING (6329DH)

TP11557 -UN-01JAN94



TP11557

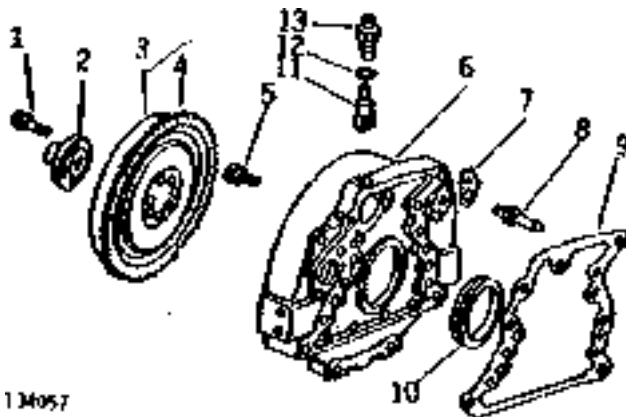
KEY	PART NO.	PART NAME	QTY	SERIAL NO.	REMARKS
1	19H2735	CAP SCREW	4	1/2" X 2"	
2	T32230	HUB	1		
3	AR52725	FLYWHEEL	1		
4	T20088	GEAR	1	(142 TEETH)	
5	19H2545	CAP SCREW	8	3/8" X 1-3/8"	
6	T25115	HOUSING	1		
7	T20089	COVER	1		
8A	T20090	SCREW	1	(SUB 19H2351)	
8B	19H2351	CAP SCREW	1	1/2" X 1/2"	
9	R70483	GASKET	1	(SUB FOR R49516, THIS APPLICATION)	
10	RE17831	SEAL	1	(SUB FOR AT22965 AND AR92893)	
11	T22536	GEAR	1		
12	H1058R	WASHER	1		
13	T22537	FITTING	1		

1B3

ENGINE

T34057 -UN-01JAN94

FLYWHEEL HOUSING (6359DH)



134057

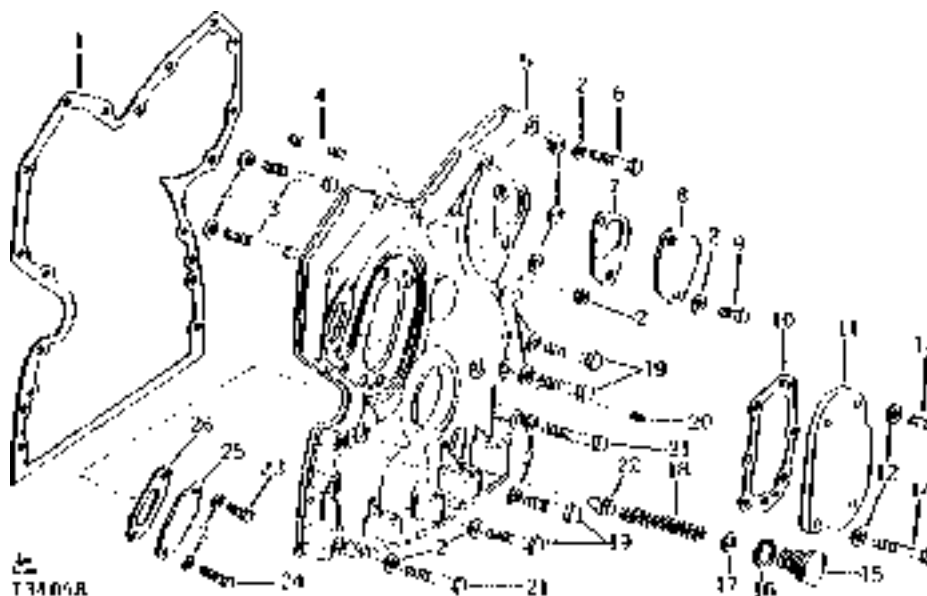
KEY	PART NO.	PART NAME	QTY	SERIAL NO.	REMARKS
1	19H2735	CAP SCREW	4		1/2" X 2"
2	T32230	HUB	1		
3	AR52725	FLYWHEEL	1		
4	T20088	GEAR	1		(142 TEETH)
5	19H2545	CAP SCREW	8		3/8" X 1-3/8"
6	T25115	HOUSING	1		
7	T20089	COVER	1		
8	T20090	SCREW	1		
9	R70483	GASKET	1		
10	AR92893	SEAL	1		
11	T22536	GEAR	1		
12	H1058R	WASHER	1		
13	T22537	FITTING	1		

1B4

ENGINE

T34058 -UN-01JAN94

TIMING GEAR COVER



KEY	PART NO.	PART NAME	QTY	SERIAL NO.	REMARKS
1	T20155	GASKET	1		
2	24H1304	WASHER	18	13/32" X 23/32" X 0.120"	
3	19H1765	CAP SCREW	2	3/8" X 1-3/4"	
4	T33279	STUD	2		
5	AR67821	COVER	1		(ALSO ORDER T20272 COVER, T20273 GASKET, (3) 19H2284 CAP SCREWS, 19H1726 CAP SCREW, (4) 24H1304 WASHERS AND 15H275 PIPE PLUG)
6	19H1801	CAP SCREW	6	3/8" X 2"	
7	R78366	GASKET	1		(SUB FOR R69260)
8	T20362	COVER	1		
9	19H2284	CAP SCREW	2	3/8" X 7/8"	
10	T20273	GASKET	1		
11	T20272	COVER	1		
12	24H1304	WASHER	4	13/32" X 23/32" X 0.120"	
13	19H2284	CAP SCREW	3	3/8" X 7/8"	
14	19H246	CAP SCREW	1	3/8" X 1-3/4"	
15	T27657	FITTING PLUG	1		
16	A4827R	WASHER	1		
17	24H1290	WASHER	1	21/64" X 3/4" X 0.035"	
18	T27658	SPRING	1		
19	19H2023	CAP SCREW	1	3/8" X 3-1/4"	
20	15H275	PIPE PLUG	1	1/4"	
21	19H268	CAP SCREW	2	3/8" X 2-1/2"	
22	R83169	VALVE	1		(SUB FOR R51516)
23	19H1801	CAP SCREW	1	3/8" X 2"	
24	19H1134	CAP SCREW	1	3/8" X 3/4"	
25	T23260	COVER	1		
26	T20336	GASKET	1		
27	14H812	NUT	2	3/8"	

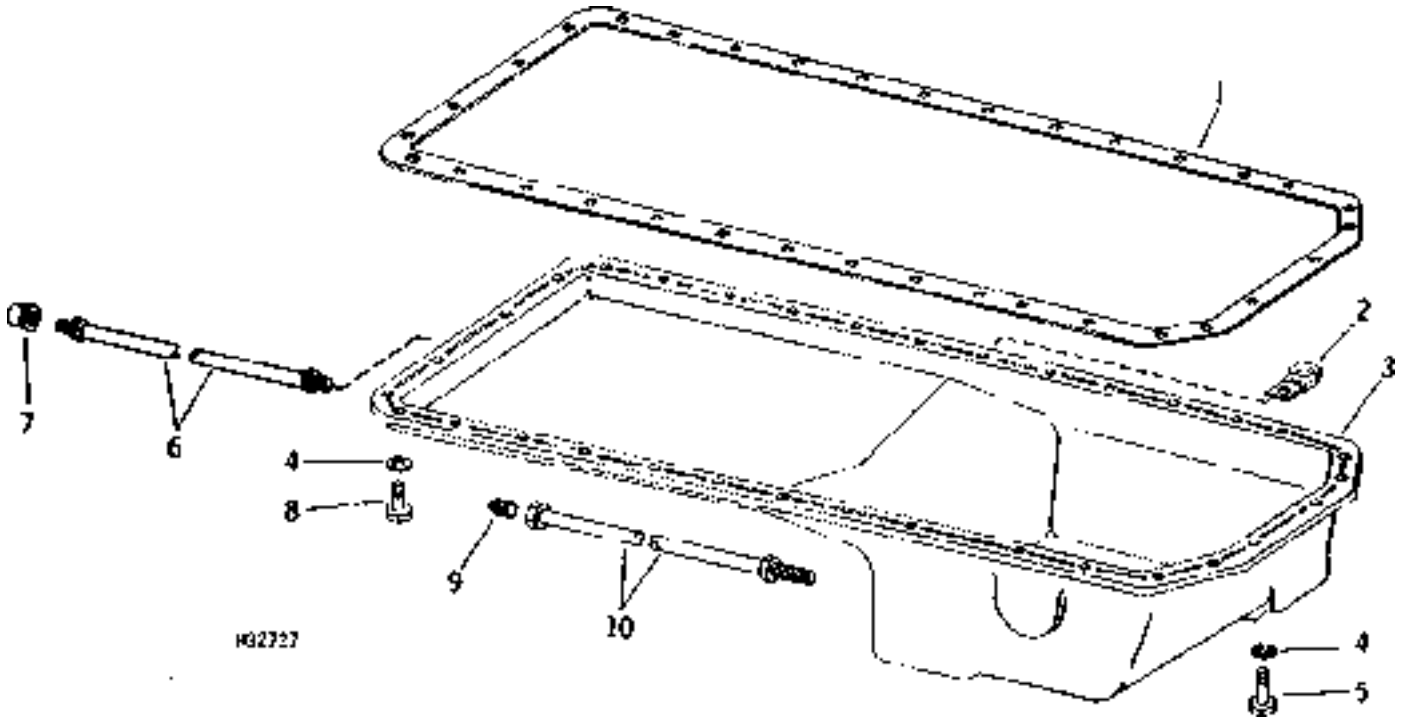
1B5

ENGINE

OIL PAN (6329DH)

H32727

-UN-01JAN94



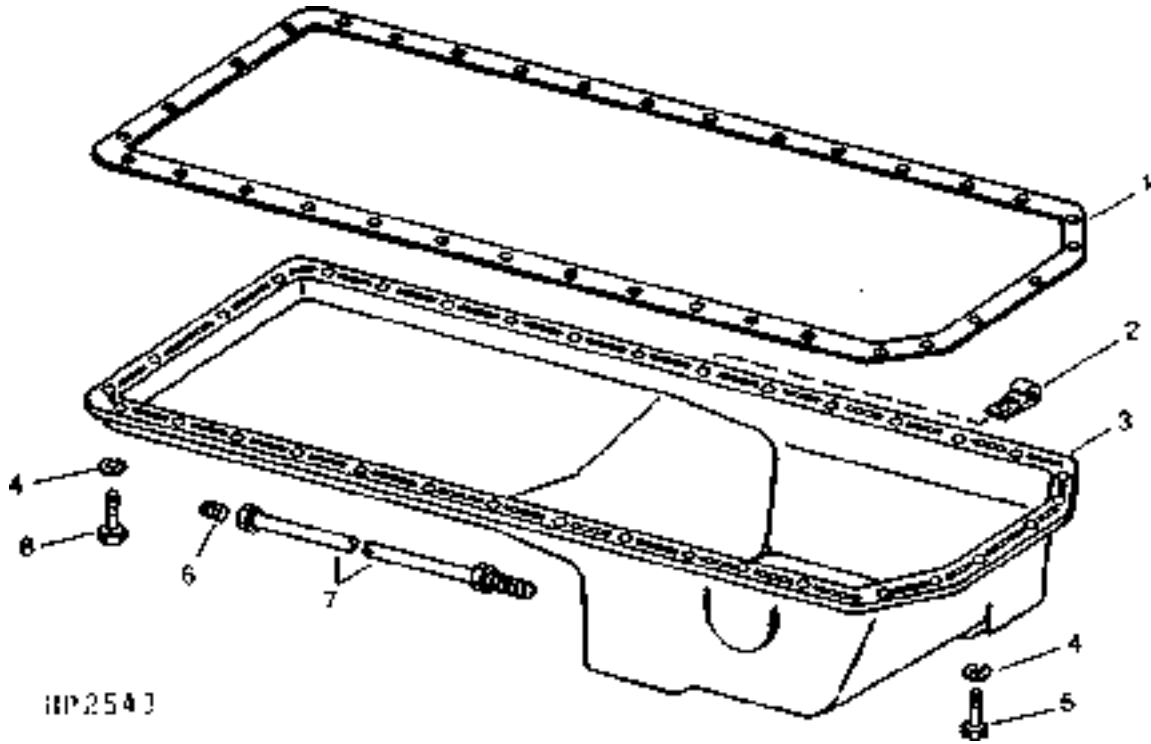
KEY	PART NO.	PART NAME	QTY	SERIAL NO.	REMARKS
1	T20205	GASKET	1		
2	T19935	CLAMP	1		FUEL LINE
3	T31219	OIL PAN	1		
4	12H304	LOCK WASHER	36		3/8"
5	19H1800	CAP SCREW	6		3/8" X 1-1/2"
6	AU11672	HOSE	1	-421411	(SUB AR80532 AND 15H584)
7	15H3	FITTING	1		1/2"
8	19H2552	CAP SCREW	29		3/8" X 1-1/8"
	19H1800	CAP SCREW	29		3/8" X 1-1/2"
9	15H584	PIPE PLUG	1		1/2"
10	AR80532	HYDRAULIC HOSE	1		1/2" X 1 168 MM (46") X 1/2"

1B6

ENGINE

HP2543 -UN-01JAN94

OIL PAN
(6359DH)



HP2543

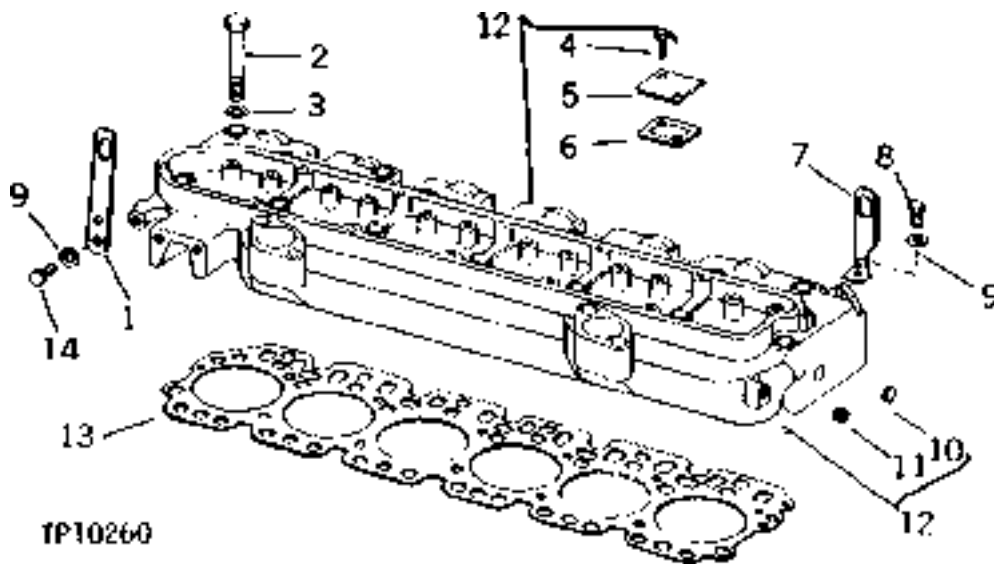
KEY	PART NO.	PART NAME	QTY	SERIAL NO.	REMARKS
1	T20205	GASKET	1		
2	T19935	CLAMP	1	FUEL LINE	
3	T31219	OIL PAN	1		
4	12H304	LOCK WASHER	36	3/8"	
5	19H1800	CAP SCREW	6	3/8" X 1-1/2"	
6	15H584	PIPE PLUG	1	1/2"	
7	AR80532	HYDRAULIC HOSE	1		
8	19H2552	CAP SCREW	29	3/8" X 1-1/8"	
	19H1800	CAP SCREW	29	3/8" X 1-1/2"	

1B7

ENGINE

CYLINDER HEAD (6329DH)

TP10260 -UN-01JAN94



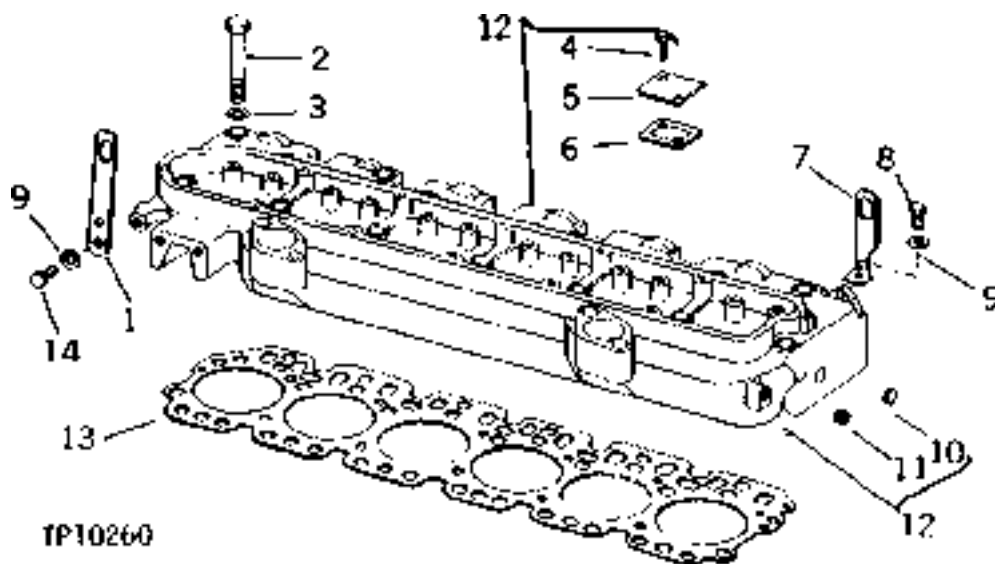
KEY	PART NO.	PART NAME	QTY	SERIAL NO.	REMARKS
1	T26509	STRAP	1		
2	R53223	CAP SCREW	23	1/2" X 4-1/4"	
	R53219	CAP SCREW	3	1/2" X 5", (USED WITH BLOCK MARKED R53260)	
3	T20168	WASHER	23		
4	19H1134	CAP SCREW	2	3/8" X 3/4"	
5	R56725	COVER	1		
6	R54641	GASKET	1		
7	T26508	STRAP	1		
8	19H1815	CAP SCREW	1	1/2" X 1-1/4"	
9	12H301	LOCK WASHER	2	1/2"	
10	A3910R	CAP	2		
11	15H559	PIPE PLUG	1	1/4"	
12	AR65596	CYLINDER HEAD	1	(MARKED R55950) (ALSO ORDER AR87693 SWITCH BELOW COMBINE SERIAL NO. 600000)	
13	R80243	ENGINE CYLINDER HEAD GASKET	1	(SUB FOR R59449)	
14	19H1895	CAP SCREW	1	1/2" X 3/4"	

1B8

ENGINE

TP10260 -UN-01JAN94

CYLINDER HEAD (6359DH)



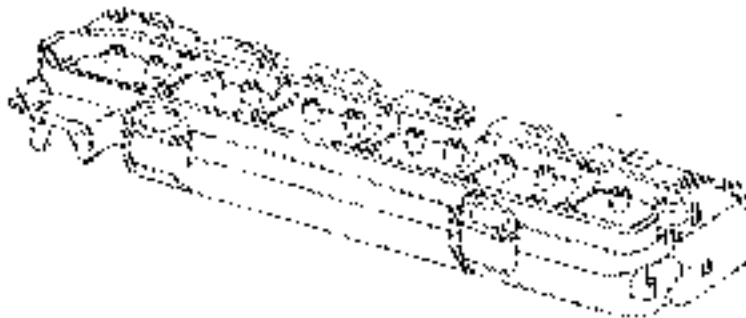
KEY	PART NO.	PART NAME	QTY	SERIAL NO.	REMARKS
1	T26509	STRAP	1		
2	T20182	CAP SCREW	23	1/2" X 4-1/4"	
	R53219	CAP SCREW	3	1/2" X 5", (USED WITH WATER MANIFOLD)	
3	T20168	WASHER	23		
4	19H1134	CAP SCREW	2	3/8" X 3/4"	
5	R56725	COVER	1		
6	R54641	GASKET	1		
7	T26508	STRAP	1		
8	19H1815	CAP SCREW	1	1/2" X 1-1/4"	
9	12H301	LOCK WASHER	2	1/2"	
10	A3910R	CAP	2		
11	15H559	PIPE PLUG	1	1/4"	
12	RE18931	CYLINDER HEAD	1	(MARKED R81067)	
13	R59449	GASKET	1		
14	19H444	CAP SCREW	1	1/2" X 1"	

1B9

ENGINE

HP2239 -UN-01JAN94

CYLINDER HEAD OVERHEAT WARNING SENSOR



HP2239

KEY	PART NO.	PART NAME	QTY	SERIAL NO.	REMARKS
1	AR87693	SWITCH	1	TEMPERATURE	

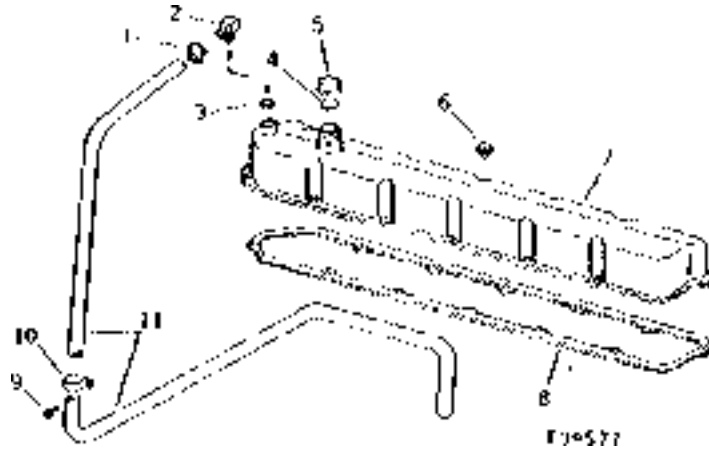
1B10

ENGINE

ENGINE VENTILATOR TUBE AND ROCKER ARM COVER (6329DH)

T39577

-UN-01JAN94



KEY	PART NO.	PART NAME	QTY	SERIAL NO.	REMARKS
1	M19356	HOSE CLAMP	1		
2	AT25192	FITTING	1		
3	R56463	O-RING	1		(SUB FOR R495R, THIS APPLICATION)
4	T20328	GASKET	1		
5	T20294	CAP	1		
6	AR100124	SCREW, WITH WASHER	11		(SUB FOR AR45530, THIS APPLICATION)
	12H302	LOCK WASHER	11		1/4"
	12H302	LOCK WASHER	11		1/4"
7	AT18188	VALVE COVER	1		(SUB FOR AT30694)
8	AR102260	KIT	1		(SUB FOR T20467)
9	37H14	SCREW	1		NO. 10 X 1/2"
10	AM2985T	CLIP	1		
11	H94255	TUBE	1		

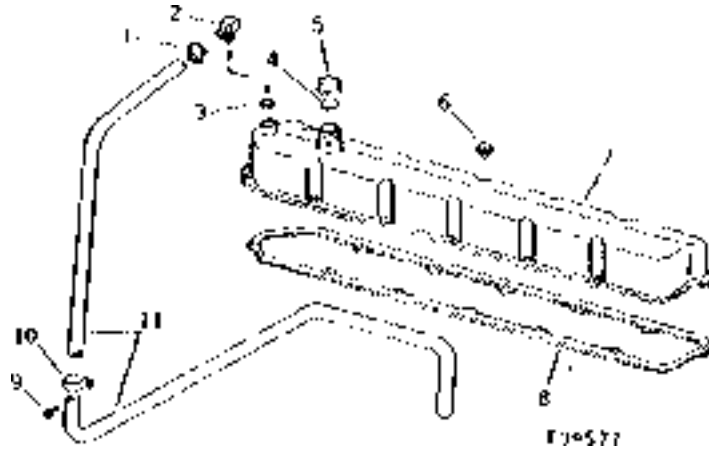
1B11

ENGINE

ENGINE VENTILATOR TUBE AND ROCKER ARM COVER (6359DH)

T39577

-UN-01JAN94



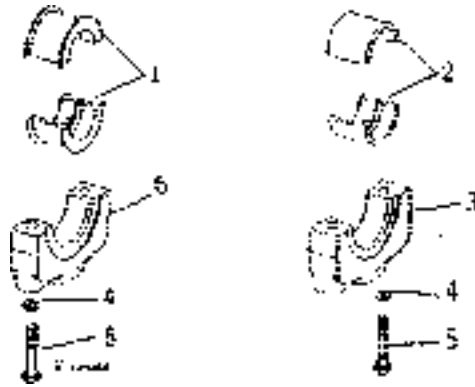
KEY	PART NO.	PART NAME	QTY	SERIAL NO.	REMARKS
1	M19356	HOSE CLAMP	1		
2	AT25192	FITTING	1		
3	R56463	O-RING	1		(SUB FOR R495R, THIS APPLICATION)
4	T20328	GASKET	1		
5	T20294	CAP	1		
6	AR100124	SCREW, WITH WASHER	12		
7	AT18188	VALVE COVER	1		
8	AR102260	KIT	1		
9	37H14	SCREW	1		NO. 10 X 1/2"
10	AM2985T	CLIP	1		
11	H94255	TUBE	1		

1B12

ENGINE

MAIN BEARING CAPS AND BEARINGS (6329DH)

T14504 -UN-01JAN94



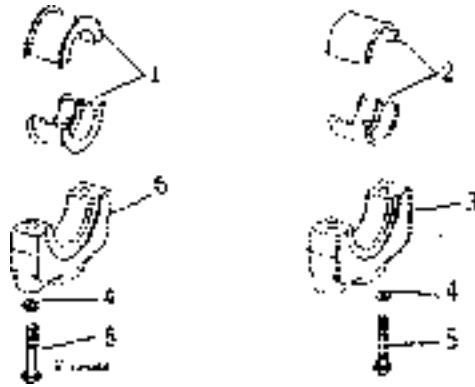
KEY	PART NO.	PART NAME	QTY	SERIAL NO.	REMARKS
1	AT21139	BEARING	1		STANDARD REAR (SET OF (2) T23215)
	AT21130	BEARING	1		0.05 MM (.002") UNDERSIZE, REAR (SET OF (2) T23574)
	AT21132	BEARING	1		0.25 MM (.010") UNDERSIZE, REAR (SET OF (2) T23576)
	AT21134	BEARING	1		0.51 MM (.020") UNDERSIZE, REAR (SET OF (2) T23578)
	AT21136	BEARING	1		0.76 MM (.030") UNDERSIZE, REAR (SET OF (2) T23580)
2	AT21140	BEARING	6		STANDARD, PLAIN (SET OF (2) T23214)
	AT21108	BEARING	6		0.05 MM (.002") UNDERSIZE, PLAIN (SET OF (2) T23552)
	AT21110	BEARING	6		0.25 MM (.010") UNDERSIZE, PLAIN (SET OF (2) T23554)
	AT21112	BEARING	6		0.51 MM (.020") UNDERSIZE, PLAIN (SET OF (2) T23556)
	AT21114	BEARING	6		0.76 MM (.030") UNDERSIZE, PLAIN (SET OF (2) T23558)
3	AT21226	CAP	6	-402787	FRONT AND CENTER, WITH SHIMS AND SET GAUGE, (SUB R65215)
	R65215	BEARING CAP	6		FRONT AND CENTER, (SUB FOR AR82294)
4	T20168	WASHER	14		
5	T23474	CAP SCREW	14		
6	AT21227	CAP	1	-402787	REAR, WITH SHIMS AND SET GAUGE, (SUB R79089)
	R79089	CAP	1		REAR, (SUB FOR AR82295)

1B13

ENGINE

MAIN BEARING CAPS AND BEARINGS (6359DH)

T14504 -UN-01JAN94



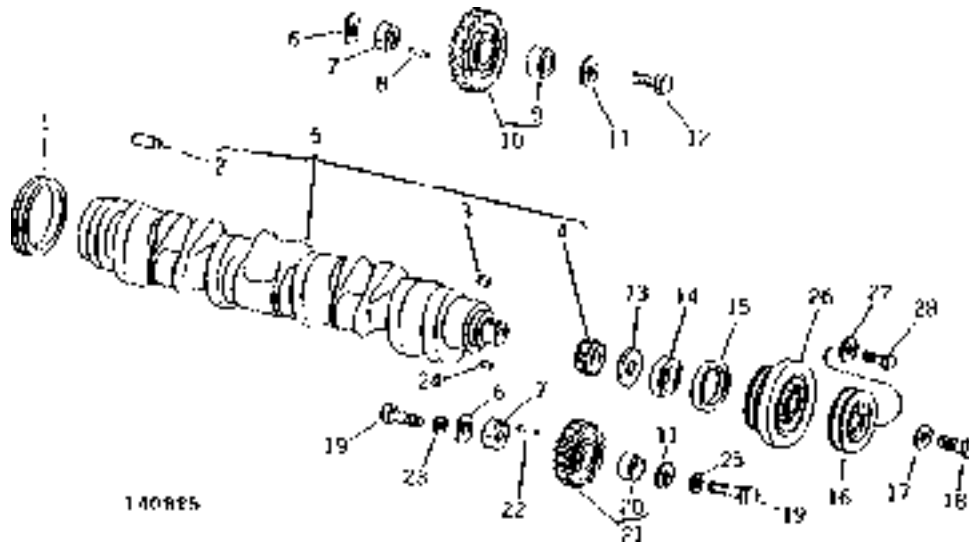
KEY	PART NO.	PART NAME	QTY	SERIAL NO.	REMARKS
1	AT21139	BEARING	1	(SET OF TWO T23215)	
	AT21130	BEARING	1	(0.05 MM) UNDERSIZE, REAR (SET OF TWO T23574)	
	AT21132	BEARING	1	(0.25 MM) UNDERSIZE, REAR (SET OF TWO T23576)	
	AT21134	BEARING	1	(0.51 MM) UNDERSIZE, REAR (SET OF TWO T23578)	
	AT21136	BEARING	1	(0.76 MM) UNDERSIZE, REAR (SET OF TWO T23580)	
2	AT21140	BEARING	6	(SET OF TWO T23214)	
	AT21108	BEARING	6	(0.05 MM) UNDERSIZE, PLAIN (SET OF TWO T23552)	
	AT21110	BEARING	6	(0.25 MM) UNDERSIZE, PLAIN (SET OF TWO T23554)	
	AT21112	BEARING	6	(0.51 MM) UNDERSIZE, PLAIN (SET OF TWO T23556)	
	AT21114	BEARING	6	(0.76 MM) UNDERSIZE, PLAIN (SET OF TWO T23558)	
3	R65215	BEARING CAP	6		
4	T20168	WASHER	14		
5	T23474	CAP SCREW	14		
6	R79089	CAP	1	(REAR)	

1B14

ENGINE

CRANKSHAFT AND IDLER GEARS (6329DH)

T40885 -UN-01JAN94



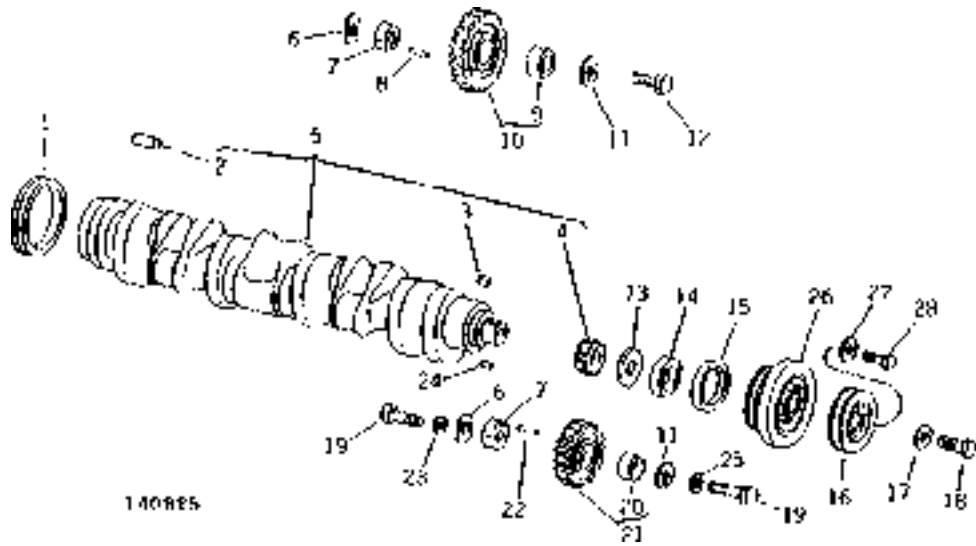
KEY	PART NO.	PART NAME	QTY	SERIAL NO.	REMARKS
1	RE17831	SEAL	1		(SUB FOR AT22965 AND AR92893)
2	T26565	DOWEL PIN	1		
3	26H72	SHAFT KEY	1		1/8" X 5/8"
4	T20094	GEAR	1		(24 TEETH)
5	AT22562	CRANKSHAFT	1		(MARKED T23266 OR T23267)
6	T26324	THRUST WASHER	2		
7	T26323	SHAFT	2		
8	34H283	SPRING PIN	1		3/16" X 1-1/8"
9	T20034	BUSHING	1		
10	AR91660	GEAR	1		(MARKED R70182) (55 TEETH) (SUB FOR AT18009, THIS APPLICATION) (MARKED T20029)
11	T26326	THRUST WASHER	2		
12	T26327	SCREW	1		
13	T20046	OIL SLINGER	1		
14	AR67942	SEAL	1		
15	T23270	BUSHING	1		
16	R56788	SHEAVE	1		
17	T20217	WASHER	1		
18	19H1721	CAP SCREW	1		1/2" X 1-1/2"
19	T26325	SCREW	2		
20	T26321	BUSHING	1		
21	AT24252	GEAR	1		(MARKED T26322) (45 TEETH)
22	34H286	SPRING PIN	1		3/16" X 1-1/2"
23	R42364	WASHER	1		
24	26H27	SHAFT KEY	1		5/16" X 1-1/8"
25	R42364	WASHER	1		
26	RE12823	PULLEY, WITH DAMPENER	1		(SUB FOR AR67820)
27	T20168	WASHER	2		
28	19H456	CAP SCREW	2		1/2" X 1-3/8"

1B15

ENGINE

CRANKSHAFT AND IDLER GEARS (6359DH)

T40885 -UN-01JAN94



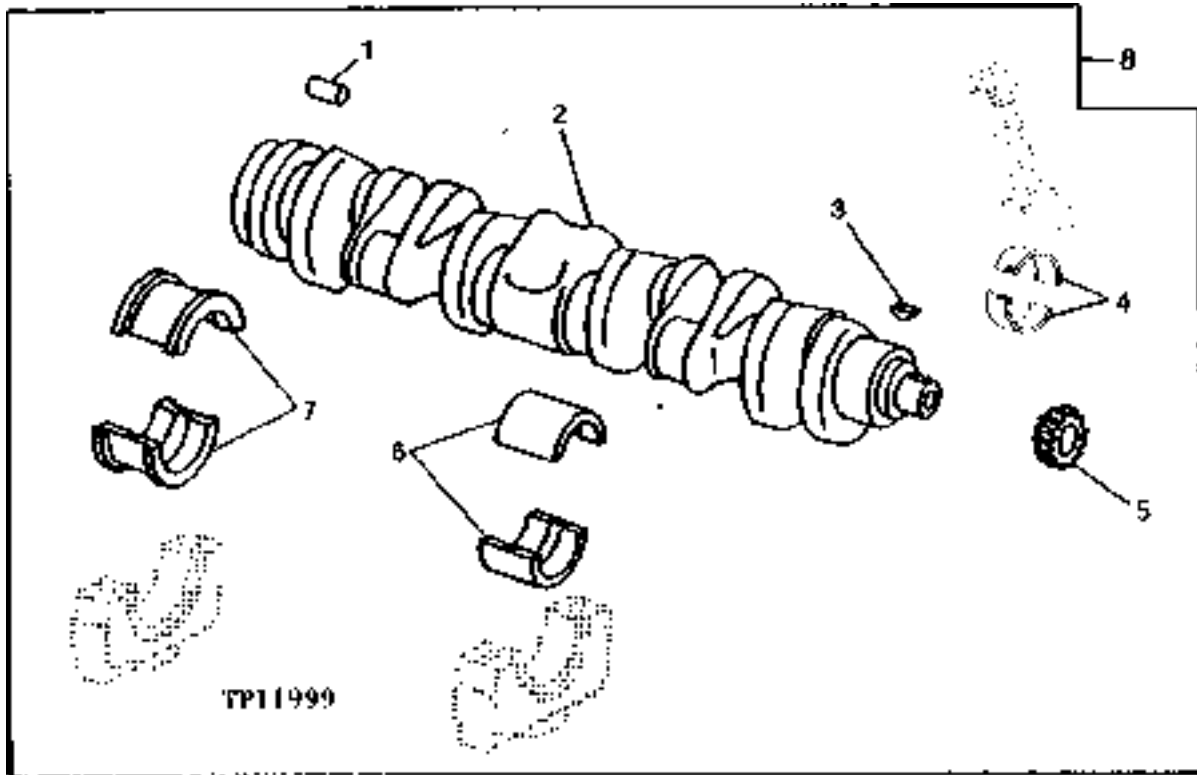
KEY	PART NO.	PART NAME	QTY	SERIAL NO.	REMARKS
1	AR92893	SEAL	1		
2	T26565	DOWEL PIN	1		
3	26H72	SHAFT KEY	1		1/8" X 5/8"
4	T20094	GEAR	1		(24 TEETH)
5	AT22562	CRANKSHAFT	1		(MARKED T23266 OR T23267)
6	T26324	THRUST WASHER	2		
7	T26323	SHAFT	2		
8	34H283	SPRING PIN	1		3/16" X 1-1/8"
9	T20034	BUSHING	1		
10	AR91660	GEAR	1		(55 TEETH) (MARKED R70182)
11	T26326	THRUST WASHER	2		
12	T26327	SCREW	1		
13	T20046	OIL SLINGER	1		
14	AR67942	SEAL	1		
15	T23270	BUSHING	1		
16	R56788	SHEAVE	1		
17	T20217	WASHER	1		
18	19H1721	CAP SCREW	1		1/2" X 1-1/2"
19	T26325	SCREW	2		
20	T26321	BUSHING	1		
21	AT24252	GEAR	1		(MARKED T26322) (45 TEETH)
22	34H286	SPRING PIN	1		3/16" X 1-1/2"
23	R42364	WASHER	1		
24	26H27	SHAFT KEY	1		5/16" X 1-1/8"
25	R42364	WASHER	1		
26	RE12823	PULLEY, WITH DAMPENER	1		(SUB FOR AR67820)
27	T20168	WASHER	2		
28	19H456	CAP SCREW	2		1/2" X 1-3/8"

1B16

ENGINE

UNDERSIZE CRANKSHAFT AND BEARING KIT (6329DH)

TP11999 -UN-01JAN94



KEY	PART NO.	PART NAME	QTY	SERIAL NO.	REMARKS
1	T26565	DOWEL PIN	1		
2	CRANKSHAFT	1		0.25 MM (.010") UNDERSIZE, (MARKED T23266) (SUB DD13896)
3	26H72	SHAFT KEY	1		1/8" X 5/8"
4	AR76129	BEARING	6		0.25 MM (.010") UNDERSIZE (SET OF (2) R62073)
5	T20094	GEAR	1		(24 TEETH)
6	AT21110	BEARING	6		(0.25 MM (.010") UNDERSIZE (SET OF (2) T23554)
7	AT21132	BEARING	1		0.25 MM (.010") UNDERSIZE (SET OF (2) T23576)
8	DD13896	KIT	1		(A)

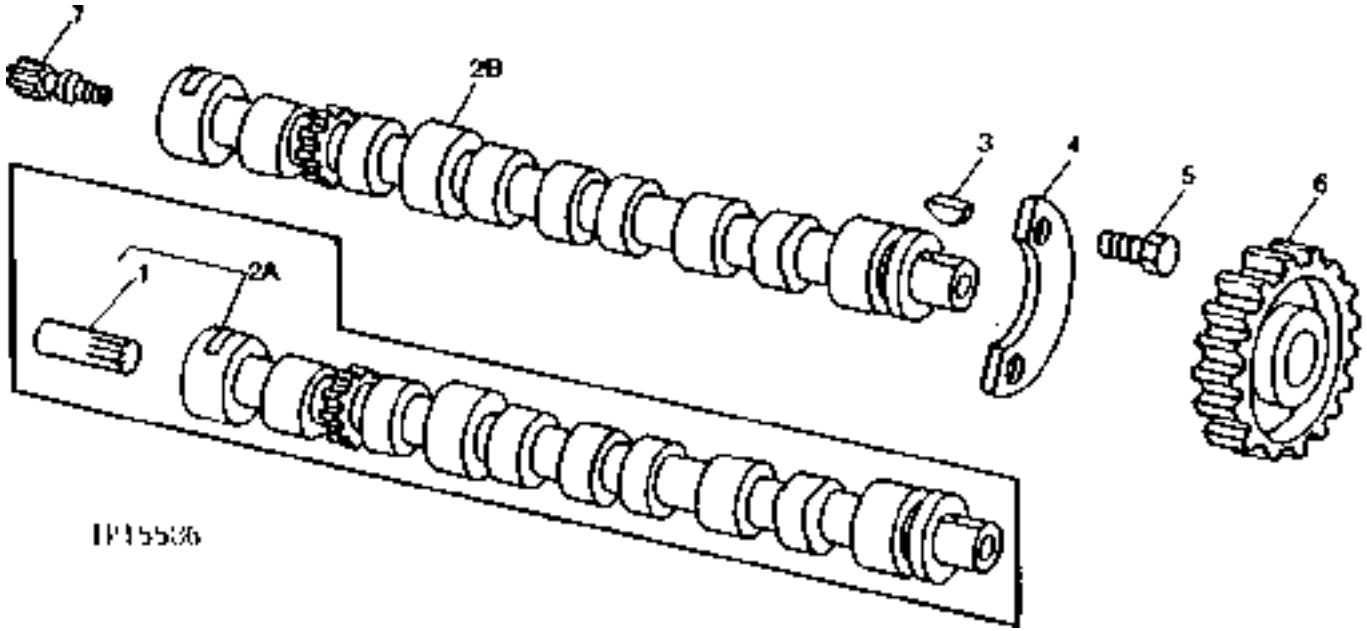
(A) UNDERSIZE CRANKSHAFT AND RELATED PARTS SUBJECT TO AVAILABILITY.

1B17

ENGINE

CAMSHAFT

TP15586 -UN-01JAN94



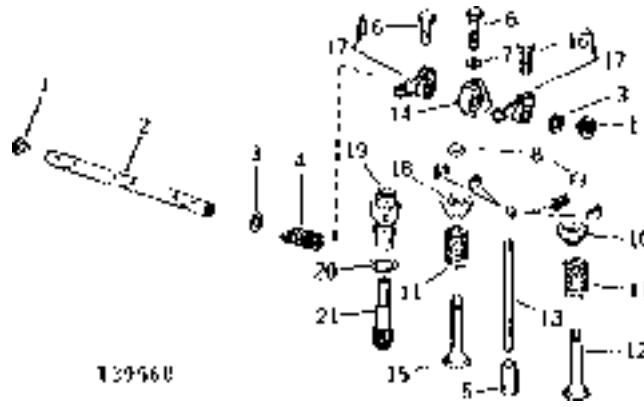
KEY	PART NO.	PART NAME	QTY	SERIAL NO.	REMARKS
1	T22535	SHAFT	1		(12 TEETH) (USE WITH AT25185)
2A	AT25185	CAMSHAFT	1		(MARKED T20464) (SUB R82821 AND R81514)
2B	R82821	CAMSHAFT	1		
3	T28041	SHAFT KEY	1		
4	T20072	PLATE	1		
5	19H218	CAP SCREW	2		3/8" X 1"
6	T20070	GEAR	1		(48 TEETH)
7	R81514	GEAR	1		(12 TEETH) (USE WITH R82821)

1B18

ENGINE

ROCKER ARMS AND VALVES (6329DH)

T39568 -UN-01JAN94



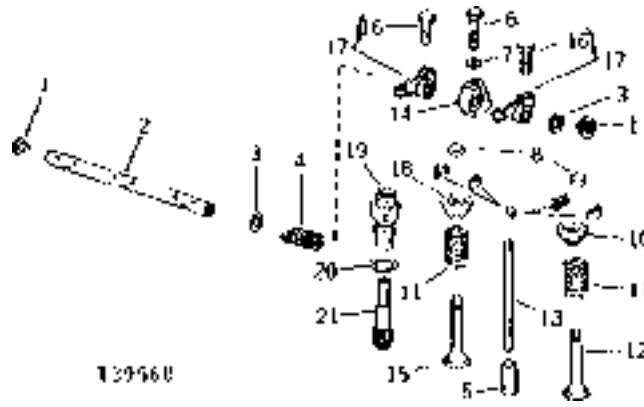
KEY	PART NO.	PART NAME	QTY	SERIAL NO.	REMARKS
1	R54565	PLUG	2		
2	R54986	SHAFT	1		
3	T20316	WASHER	2		
4	T20314	SPRING	5		
5	T20073	TAPPET	12		
6	19H268	CAP SCREW	6		3/8" X 2-1/2"
7	R42729	WASHER	6		
8	T20129	CAP	12		
9	T20077	RETAINER	24		
10	T20176	RETAINER	6		
11	R26125	SPRING	12		
12	R52252	EXHAUST VALVE	6		
	R57333	EXHAUST VALVE	6		(0.08 MM) OVERSIZE STEM
	R57335	EXHAUST VALVE	6		(0.38 MM) OVERSIZE STEM
	R57337	EXHAUST VALVE	6		(0.76 MM) OVERSIZE STEM
13	T20310	PIN	12		
14	T20315	SUPPORT	6		
15	R52251	INTAKE VALVE	6		
	R57332	INTAKE VALVE	6		(0.08 MM) OVERSIZE STEM
	R57334	INTAKE VALVE	6		(0.38 MM) OVERSIZE STEM
	R57336	INTAKE VALVE	6		(0.76 MM) OVERSIZE STEM
16	T32213	SCREW	1		(SUB RE19031)
17	RE19031	ROCKER ARM	12		(SUB FOR AT31250 AND AR103769)
18	T20176	RETAINER	6		
19	T22537	FITTING	1		
20	H1058R	WASHER	1		
21	T22536	GEAR	1		

1B19

ENGINE

T39568 -UN-01JAN94

ROCKER ARMS AND VALVES (6359DH)



KEY	PART NO.	PART NAME	QTY	SERIAL NO.	REMARKS
1	R54565	PLUG	2		
2	R54986	SHAFT	1		
3	T20316	WASHER	2		
4	T20314	SPRING	5		
5	T20073	TAPPET	12		
6	19H268	CAP SCREW	6		3/8" X 2-1/2"
7	R42729	WASHER	6		
8	T20129	CAP	12		
9	T20077	RETAINER	24		
10	T20176	RETAINER	6		
11	R26125	SPRING	12		
12	R52252	EXHAUST VALVE	6		
	R57333	EXHAUST VALVE	6		(0.08 MM) OVERSIZE STEM
	R57337	EXHAUST VALVE	6		(0.76 MM) OVERSIZE STEM
13	T20310	PIN	12		
14	T20315	SUPPORT	6		
15	R52251	INTAKE VALVE	6		
	R57332	INTAKE VALVE	6		(0.08 MM) OVERSIZE STEM
	R57336	INTAKE VALVE	6		(0.76 MM) OVERSIZE STEM
16	T32213	SCREW	1		SUB. AT31250
17	AT31250	ROCKER ARM	12		
18	T20176	RETAINER	6		
19	T22537	FITTING	1		
20	H1058R	WASHER	1		
21	T22536	GEAR	1		

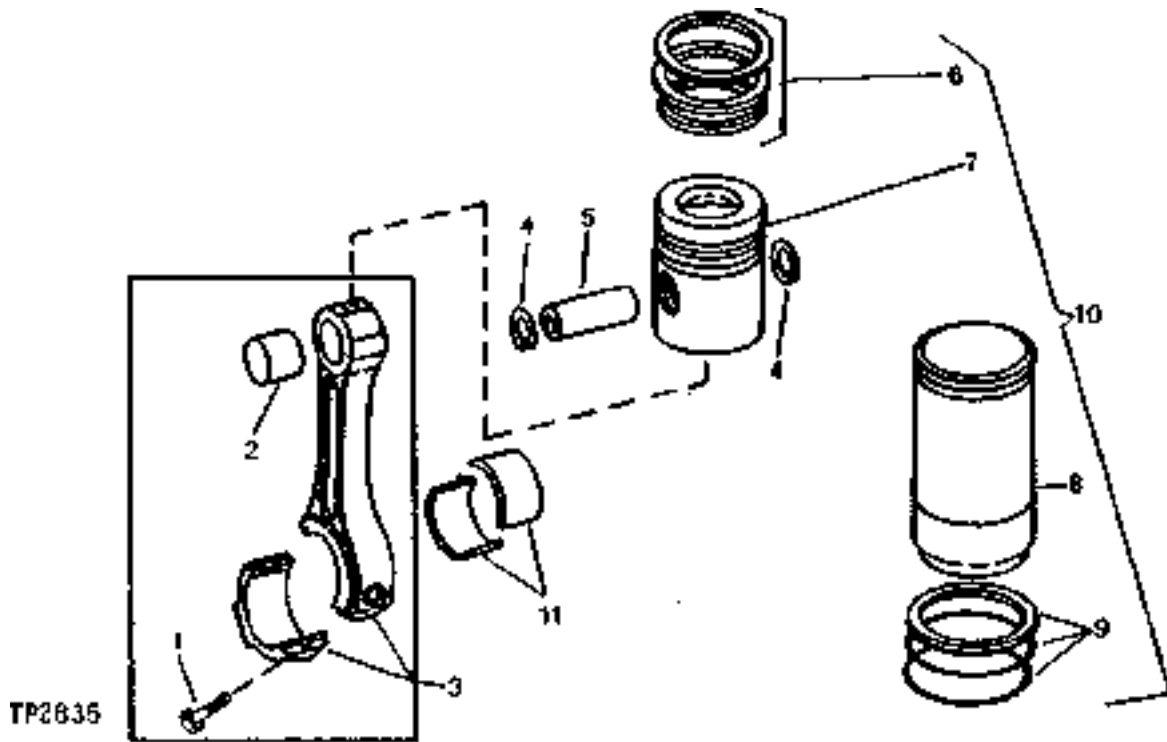
1B20

ENGINE

PISTONS, CYLINDERS, LINERS AND CONNECTING RODS (6329DH)

TP2835

-UN-01JAN94



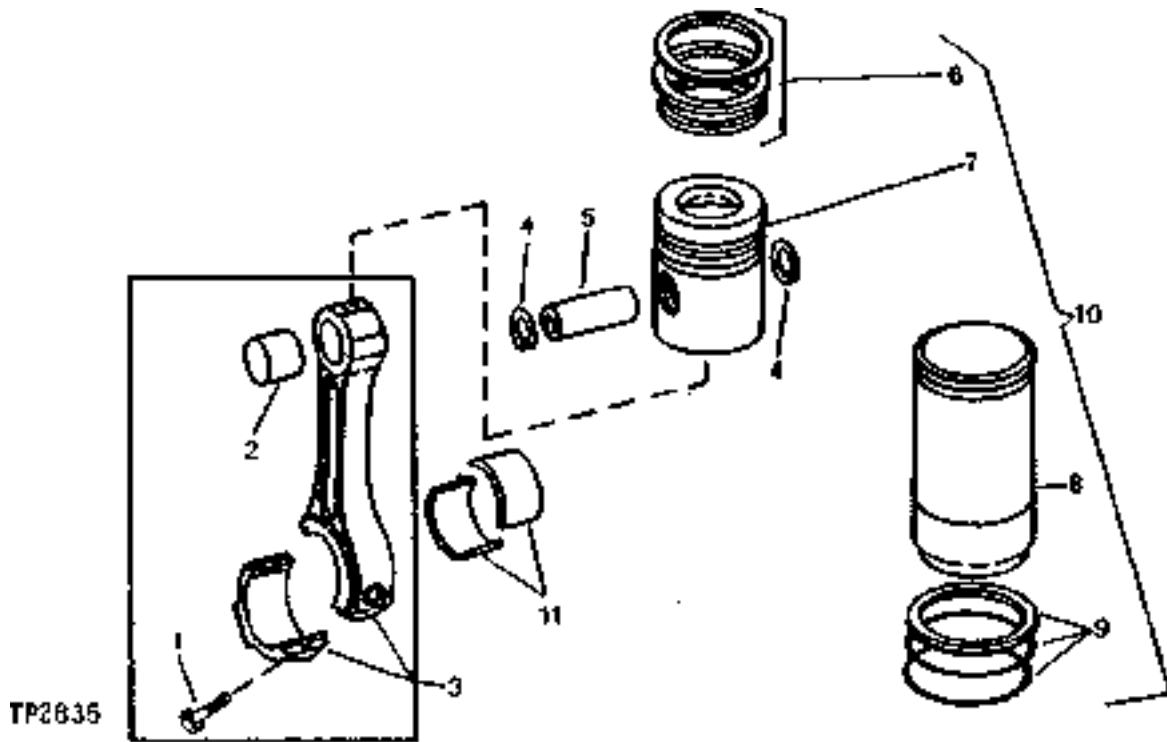
KEY	PART NO.	PART NAME	QTY	SERIAL NO.	REMARKS
1	T20009	CAP SCREW	12	-530518	(SUB R74194)
	R74194	SCREW	12		(USE WITH AR55978)
	R80033	SCREW	12		(USE WITH RE16495 AND RE21076)
2	R55647	BUSHING	6		
3	RE21076	CONNECTING ROD	6		(SUB FOR AR55978 AND RE16495)
4	M41029	SNAP RING	12		
5	R51731	PISTON PIN	6		
6	AR55759	PISTON RING KIT	1		(A) (SET OF 3 RINGS) (6 SETS USED)
7	AR77762	PISTON	6		(A)
8	T32343	CYLINDER LINER	6		
9	AR71618	KIT	6		
10	AR78041	PISTON-LINER KIT	6		
11	AT21138	BEARING	6		(SET OF (2) T20011)
	AT21122	BEARING	6		(0.05 MM) UNDERSIZE (SET OF (2) T23566)
	AT21124	BEARING	6		(0.25 MM) UNDERSIZE (SET OF (2) T23568)
	AT21126	BEARING	6		(0.51 MM) UNDERSIZE (SET OF (2) T23570)
	AT21128	BEARING	6		(0.76 MM) UNDERSIZE (SET OF (2) T23572)
..	AR54749	LUBRICANT	1		(USED FOR CYLINDER LINER PACKING INSTALLATION)

1B21

ENGINE

PISTONS, CYLINDERS AND CONNECTING RODS (6359DH)

TP2835 -UN-01JAN94



KEY	PART NO.	PART NAME	QTY	SERIAL NO.	REMARKS
1	R80033	CAP SCREW	12		
2	R55647	BUSHING	6		
3	RE16495	CONNECTING ROD	6		
4	M41029	SNAP RING	12		
5	R51731	PISTON PIN	6		
6	RE15674	PISTON RING KIT	6		(SUB FOR DD11831) (SET OF 3 RINGS)
7	PISTON	AR		(A) (ORDER RE18694)
	PISTON	AR		(B) (ORDER RE18697)
8	R51726	CYLINDER LINER	6		
9	AR65507	O-RING KIT	6		
10	RE18694	KIT	AR		(A) (SUB FOR RE11509)
	RE18697	KIT	AR		(B) (SUB FOR RE11510)
11	AT21138	BEARING	6		(SET OF TWO T20011)
	AT21122	BEARING	6		(0.05 MM) UNDERSIZE (SET OF TWO T23566)
	AT21124	BEARING	6		(0.25 MM) UNDERSIZE (SET OF TWO T23568)
	AT21126	BEARING	6		(0.51 MM) UNDERSIZE (SET OF TWO T23570)
	AT21128	BEARING	6		(0.76 MM) UNDERSIZE (SET OF TWO T23572)
..	AR54749	LUBRICANT	1		(USED FOR CYLINDER LINER PACKING INSTALLATION)

(A) PISTON MARKED "B"

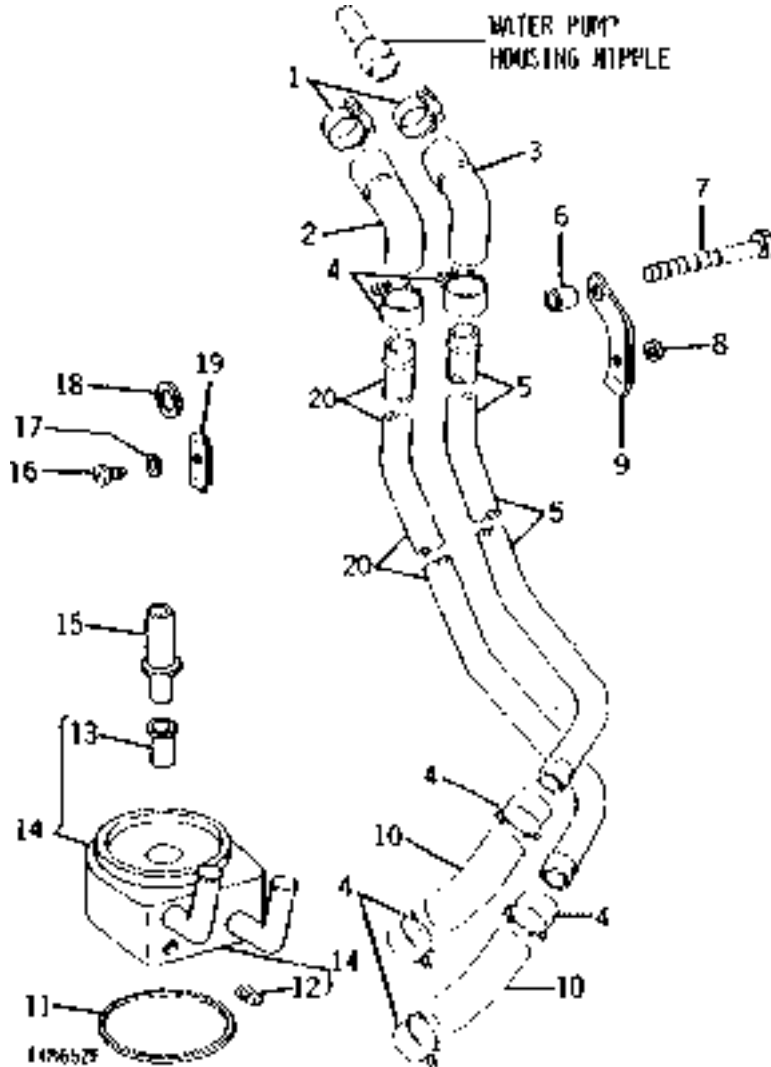
(B) PISTON MARKED "H"

1B22

ENGINE

ENGINE OIL COOLER (6329DH)

T48652 -UN-01JAN94



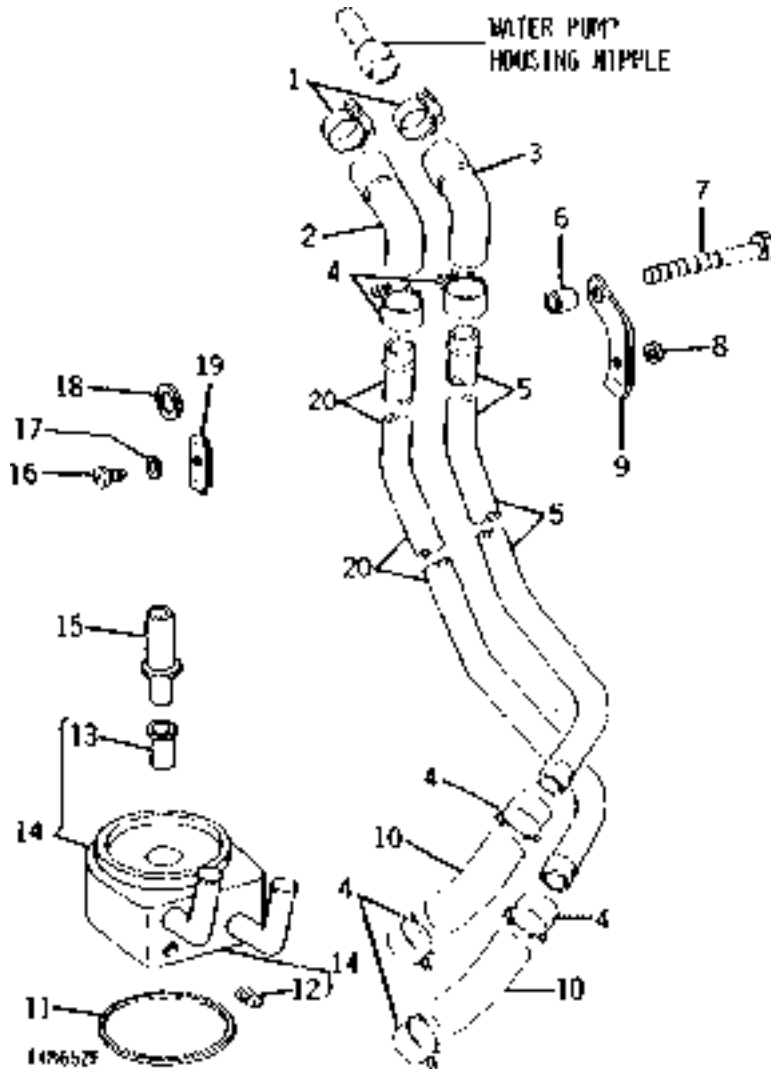
KEY	PART NO.	PART NAME	QTY	SERIAL NO.	REMARKS
1	AR21837	CLAMP	2		(SUB FOR AR21839, THIS APPLICATION)
2	R57700	HOSE	1		
3	R57699	HOSE	1		
4	AR21837	CLAMP	6		
5	R57698	TUBE	1		
6	28H2547	SPACER	1		3/8" X 1"
7	19H2023	CAP SCREW	1		3/8" X 3-1/4"
8	14H785	NUT	1		5/16"
9	R55128	FLANGE	1		
10	R55127	HOSE	2		
11	R55434	WASHER	1		
12	R56947	DRAIN PLUG	1		
13	AT31093	VALVE	1		(USE WITH AR64415)
	R77332	RELIEF VALVE	1		(USE WITH RE10869)
14	RE10869	OIL COOLER	1		(SUB FOR AR64415)
15	T31306	THREADED NIPPLE	1		
16	21H1312	SCREW	1		0.190" X 1"
17	12H295	LOCK WASHER	2		0.190"
18	24H1304	WASHER	1		13/32" X 23/32" X 0.120"
19	R55129	HALF CLAMP	1		
20	R57697	TUBE	1		

1B23

ENGINE

T48652 -UN-01JAN94

ENGINE OIL COOLER (6359DH)



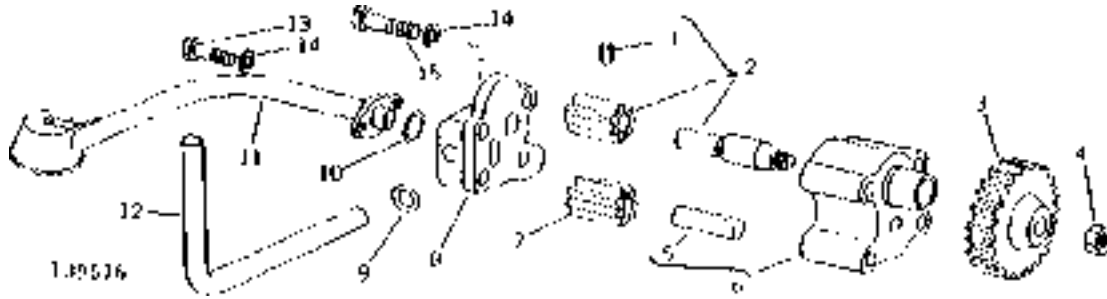
KEY	PART NO.	PART NAME	QTY	SERIAL NO.	REMARKS
1	AR21837	CLAMP	2		
2	R57700	HOSE	1		
3	R57699	HOSE	1		
4	AR21837	CLAMP	6		
5	R57698	TUBE	1		
6	28H2547	SPACER	1		3/8" X 1"
7	19H2023	CAP SCREW	1		3/8" X 3-1/4"
8	14H785	NUT	1		5/16"
9	R55128	FLANGE	1		
10	R55127	HOSE	2		
11	R70956	WASHER	1		
12	R56947	DRAIN PLUG	1		
13	R77332	RELIEF VALVE	1		
14	RE10869	OIL COOLER	1		
15	T31306	THREADED NIPPLE	1		
16	21H1312	SCREW	1		0.190" X 1"
17	12H295	LOCK WASHER	2		0.190"
18	24H1304	WASHER	1		13/32" X 23/32" X 0.120"
19	R55129	HALF CLAMP	1		
20	R57697	TUBE	1		

1B24

ENGINE

T39576 -UN-01JAN94

LUBRICATING OIL PUMP



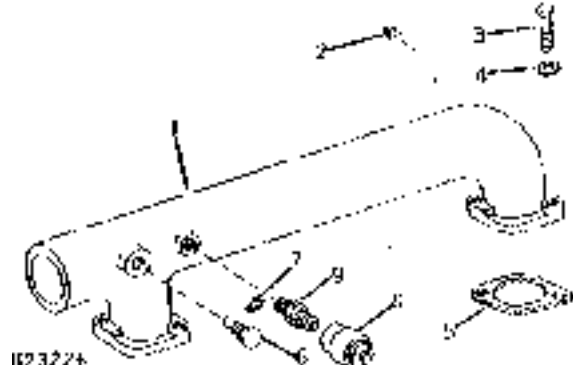
KEY	PART NO.	PART NAME	QTY	SERIAL NO.	REMARKS
1	M3853T	GROOVE PIN	1		
2	AR62978	PINION	1	(B)	
3	T20298	GEAR	1	(33 TEETH)	
4	14H826	NUT	1	1/2"	
5	T20091	DOWEL PIN	1		
6	AR62979	HOUSING	1	(B) (MARKED R54615)	
7	R54614	GEAR	1	(B) (7 TEETH)	
8	R53382	COVER	1	(C) (B)	
9	R74354	O-RING	1	(C) (B) (SUB FOR R27166, THIS APPLICATION)	
10	R61871	O-RING	1	(C) (B) (SUB FOR A4730R, THIS APPLICATION)	
11	AR59621	OIL PUMP INTAKE	1	(C) (B) INTAKE	
12	T20050	OIL TUBE	1		
13	R59409	CAP SCREW	2	(D) (A)	
14	12H304	LOCK WASHER	4	(B) 3/8"	
15	R57059	CAP SCREW	2	(B)	
(C) ASSEMBLY LISTED BELOW CONTAINS ALL PARTS IDENTIFIED BY (C):					
..	AR67673	KIT	1		KIT, OIL PUMP PICKUP
(A) ASSEMBLY LISTED BELOW CONTAINS ALL PARTS IDENTIFIED BY (A):					
..	AR67077	OIL PUMP	1		

1B25

ENGINE

H23226 -UN-01JAN94

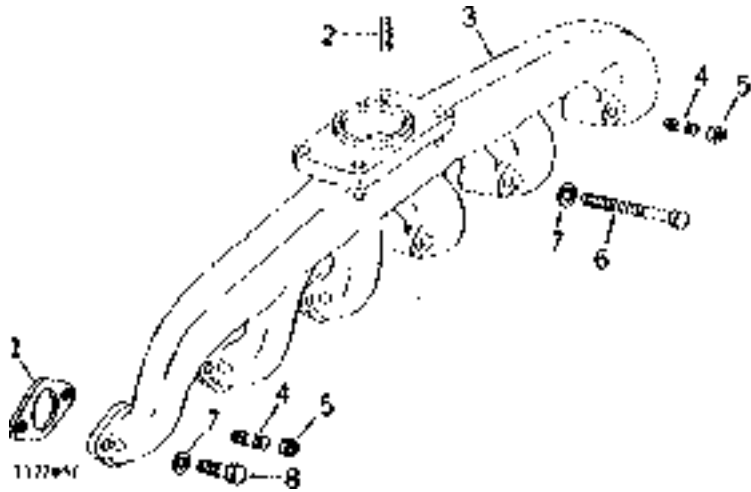
AIR INTAKE MANIFOLD



KEY	PART NO.	PART NAME	QTY	SERIAL NO.	REMARKS
1	AR52217	INTAKE MANIFOLD	1		(INCLUDES (2) 15H638 AND 15H255)
2	15H638	PIPE PLUG	2		1/8", (AIR CLEANER INDICATOR HOLE)
3	19H1732	CAP SCREW	4		3/8" X 1-1/4"
4	12H304	LOCK WASHER	4		3/8"
5	R81275	GASKET	2		(SUB FOR T20159, THIS APPLICATION)
6	R47160	NOZZLE HOLDER	1		
	15H255	PIPE PLUG	1		3/8", (WITHOUT STARTING AID)
7	R28583	NOZZLE	1		
8	AT25983	AIR RESTRICTION INDICATOR	1		
9	AR44361	FITTING	1		(WITH RESTRICTION INDICATOR)

EXHAUST MANIFOLD

T17705 -UN-01JAN94



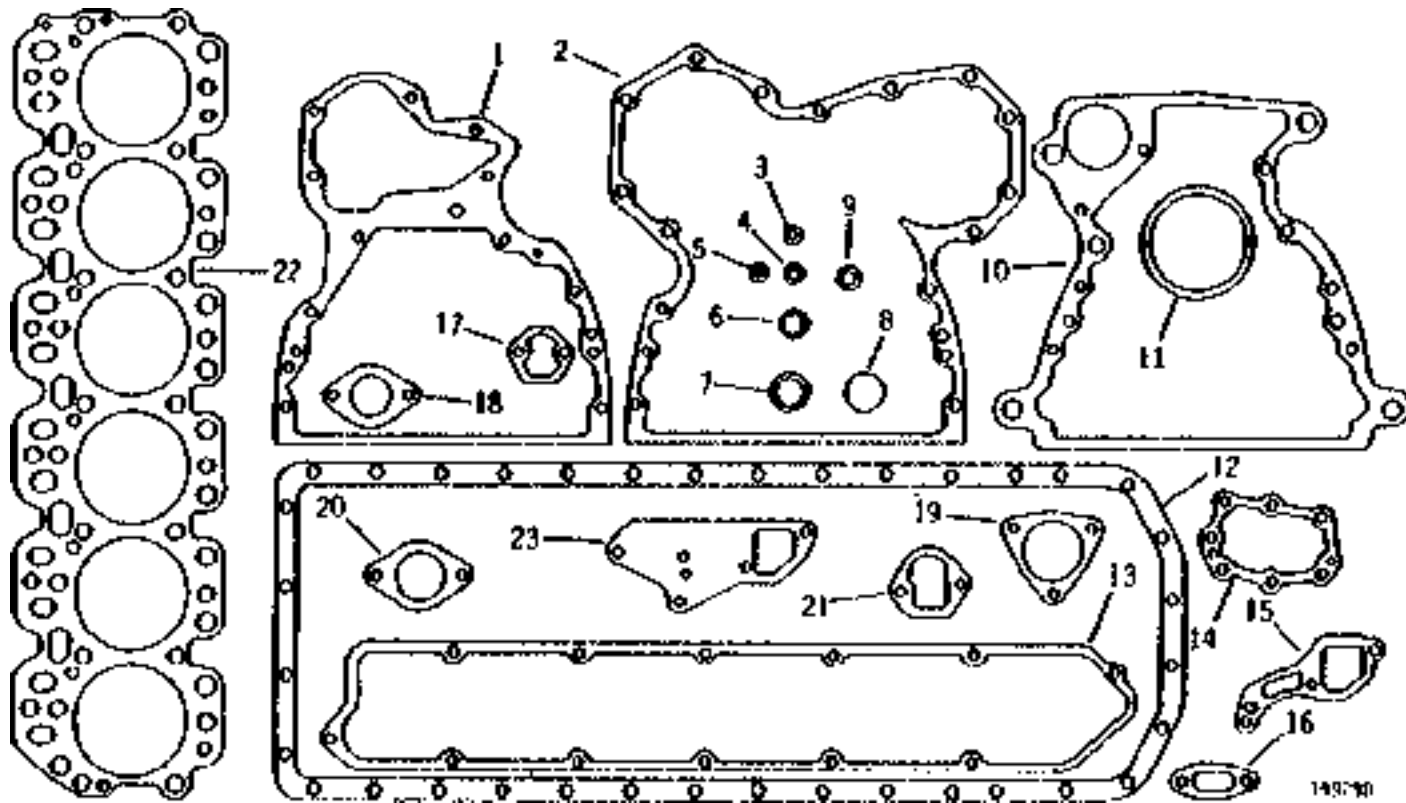
KEY	PART NO.	PART NAME	QTY	SERIAL NO.	REMARKS
1	T20006	GASKET	6		
2	T25701	STUD	4		
3	T29809	EXHAUST MANIFOLD	1		
4	M1112T	STUD	2		
5	14H812	NUT	2		3/8"
6	19H1912	CAP SCREW	3		3/8" X 3-1/2"
7	24H1304	WASHER	12		13/32" X 23/32" X 0.120"
8	19H988	CAP SCREW	8		3/8" X 1-1/4"

1C1

ENGINE

ENGINE OVERHAUL GASKET SET (6329DH)

T49298 -UN-01JAN94



KEY	PART NO.	PART NAME	QTY	SERIAL NO.	REMARKS
1	T24965	GASKET	1	(SUB R73140)	
	R73140	GASKET	1		
2	T20155	GASKET	1		
3	R34764	WASHER	6		
4	R74354	O-RING	1	(SUB FOR R27166, THIS APPLICATION)	
5	R48000	WASHER	6		
6	R56463	O-RING	1	(SUB FOR R495R, THIS APPLICATION)	
7	T23002	GASKET	3		
8	T20328	GASKET	1		
9	R26919	WASHER	2		
10	R70483	GASKET	1	(SUB FOR R49516, THIS APPLICATION)	
11	R48768	WASHER	6		
12	T20205	GASKET	1		
13	T20467	GASKET	1		
14	T20273	GASKET	1		
15	T23132	GASKET	1		
16	T20336	GASKET	1		
17	R27285	GASKET	1		
18	R81275	GASKET	2	(SUB FOR T20159, THIS APPLICATION)	
19	T24932	GASKET	1		
20	T20006	GASKET	6		
21	R78366	GASKET	1	(SUB FOR R69260)	
22	R80243	ENGINE CYLINDER HEAD GASKET	1	(SUB FOR R59449)	
23	T20243	GASKET	1		
..	AR79927	GASKET KIT	1	(C) (INCLUDES ALL GASKETS SHOWN ABOVE EXCEPT CYLINDER HEAD GASKET AND R48768 CYLINDER LINER PACKING) (ALSO ORDER R80243 HEAD GASKET) (SUB AR97194)	
..	AR97194	GASKET KIT	1	(C) (INCLUDES ALL GASKETS SHOWN ABOVE EXCEPT CYLINDER HEAD GASKET AND R48768 CYLINDER LINER PACKING) (ALSO ORDER R80243 HEAD GASKET)	

(C) NOTE: WHEN AR79927 OR AR97194 ARE ORDERED, ALSO ORDER SIX AR71618 CYLINDER LINER PACKINGS KITS

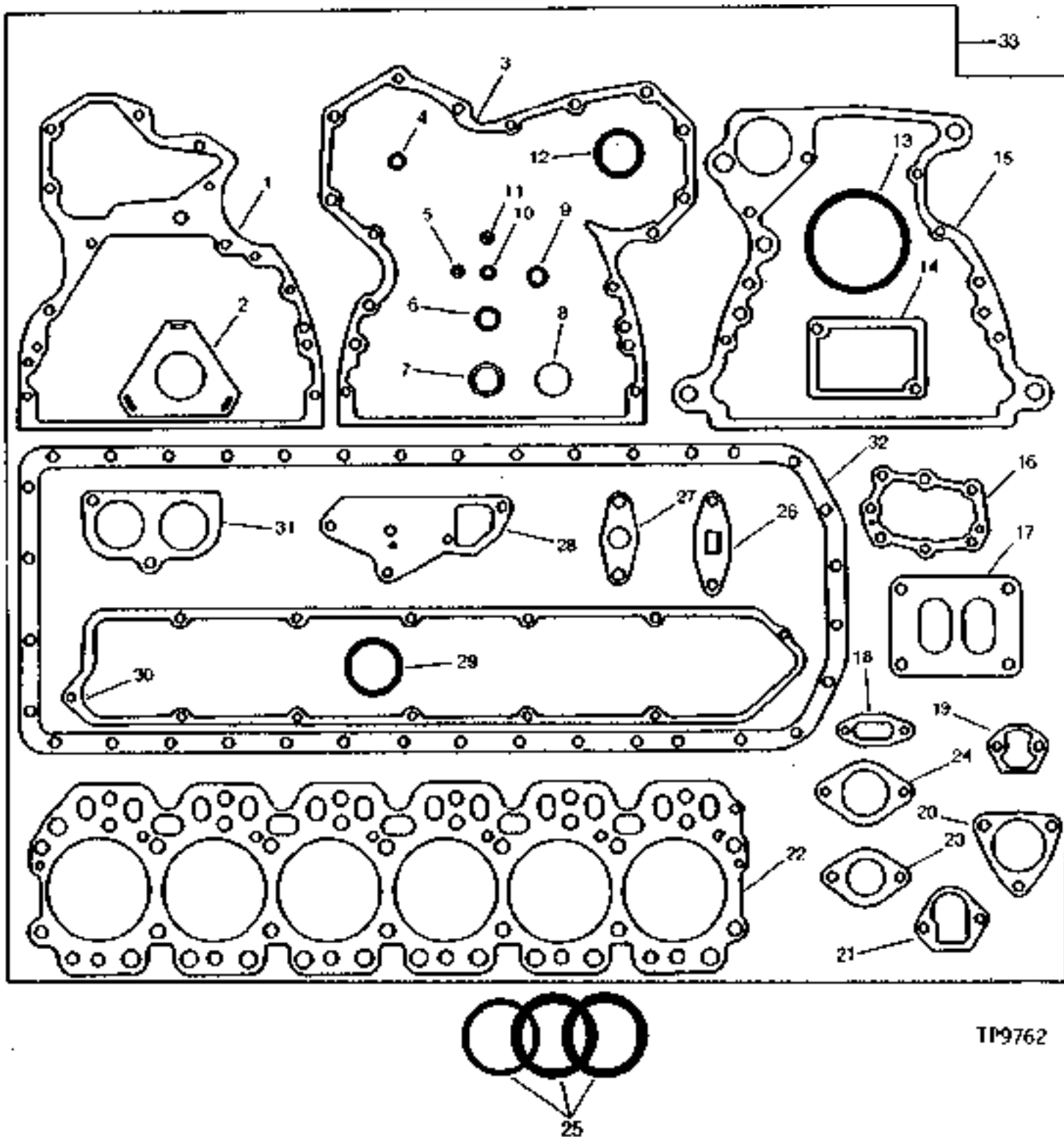
1C2

ENGINE

ENGINE OVERHAUL GASKET SET (6359DH)

TP9762

-UN-01JAN94



TP9762

**ENGINE OVERHAUL GASKET SET-CONTINUED
(6359DH)**

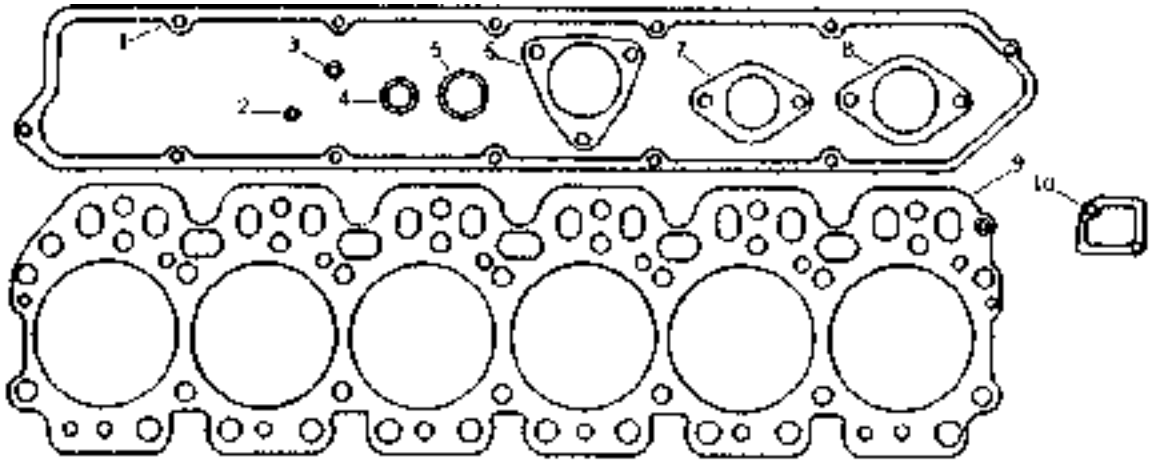
KEY	PART NO.	PART NAME	QTY	SERIAL NO.	REMARKS
1	R73140	GASKET	1		CYLINDER BLOCK PLATE
2	T24460	GASKET	1		(ROTO-DIESEL) INJECTION PUMP
	R77126	GASKET	1		
3	T20155	GASKET	1		TIMING GEAR COVER
4	R56461	O-RING	1		BYPASS THERMOSTAT (SUB FOR R47144)
5	R48000	WASHER	6		NOZZLE, LOWER
6	R56463	O-RING	1		VENT TUBE
7	T23002	GASKET	3		WATER OUTLET MANIFOLD
8	T20328	GASKET	1		OIL FILLER CUP
9	R26919	WASHER	2		OIL COOLER TO PAN
10	R74354	O-RING	1		OIL PUMP OUTLET
11	R60746	WASHER	6		NOZZLE, UPPER
12	R53543	O-RING	1		OIL COOLER
13	R70956	WASHER	1		
14	R54641	GASKET	1		WATER OUTLET
15	R70483	GASKET	1		FLYWHEEL HOUSING
16	T20273	GASKET	1		TIMING GEAR COVER
17	R55509	GASKET	1		TURBOCHARGER EXHAUST
18	T20336	GASKET	1		OIL FILLER INLET
19	R27285	GASKET	1		FUEL PUMP OPENING
20	T24932	GASKET	1		THERMOSTAT COVER
21	R69260	GASKET	1		INJECTION PUMP COVER
22	R59449	GASKET	1		CYLINDER HEAD
23	T20006	GASKET	6		EXHAUST MANIFOLD
24	T20159	GASKET	2		AIR INLET
25	AR65507	O-RING KIT	6		KIT, O-RING CYLINDER LINER
26	R43416	GASKET	1		TURBOCHARGER, OIL OUTLET
27	R43413	GASKET	1		TURBOCHARGER, OIL INLET
28	T20243	GASKET	1		WATER PUMP
29	R54229	SEAL	1		(ROOSA-MASTER) INJECTION PUMP
30	AR102260	KIT	1		ROCKER ARM COVER
31	R54638	GASKET	1		THERMOSTAT COVER
32	T20205	GASKET	1		OIL PAN
	R56933	GASKET	1		(WITH CAST OIL PAN)
33	AR102286	GASKET KIT	1		(ALSO ORDER (6) AR65507 CYLINDER LINER PACKING KITS)

1C4

ENGINE

ENGINE TUNE-UP GASKET SET (6329DH)

T40831 -UN-01JAN94



140031

KEY	PART NO.	PART NAME	QTY	SERIAL NO.	REMARKS
1	AR102260	KIT	1		ROCKER ARM COVER, (SUB FOR T20467) (ALSO ORDER (12) AR100124)
2	R48000	WASHER	6		NOZZLE, LOWER
3	R34764	WASHER	6		NOZZLE, UPPER
4	R56463	O-RING	1		VENT TUBE, (SUB FOR R495R, THIS APPLICATION)
5	T23002	GASKET	3		WATER OUTLET MANIFOLD
6	T24932	GASKET	1		THERMOSTAT COVER
7	T20006	GASKET	6		EXHAUST MANIFOLD
8	R81275	GASKET	2		AIR INLET, (SUB FOR T20159, THIS APPLICATION)
9	R80243	ENGINE CYLINDER HEAD GASKET	1		CYLINDER HEAD, (SUB FOR R59449)
10	R54641	GASKET	1		THERMOSTAT HOUSING
..	RE16924	GASKET KIT	1		(INCLUDES ALL GASKETS SHOWN ABOVE EXCEPT CYLINDER HEAD GASKET) (SUB FOR AR102267)

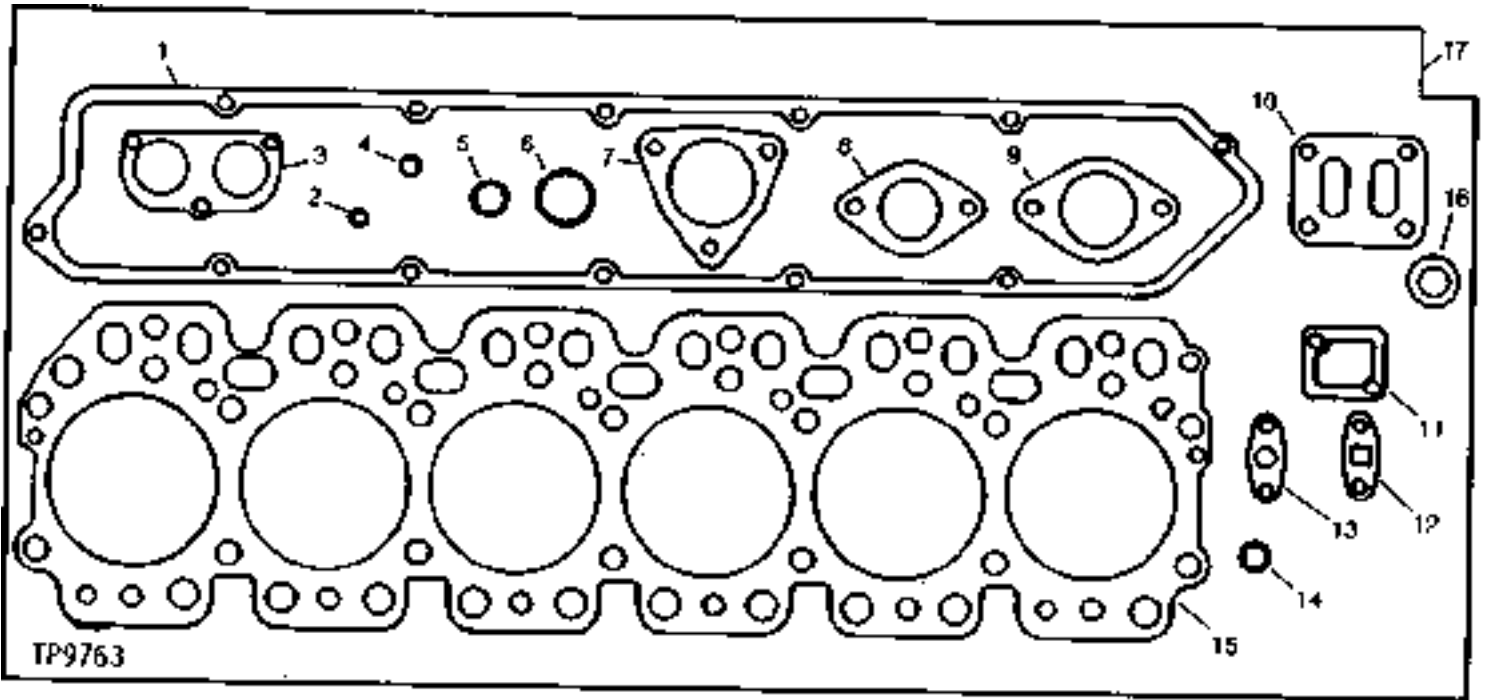
1C5

ENGINE

ENGINE TUNE-UP GASKET SET (6359DH)

TP9763

-UN-01JAN94



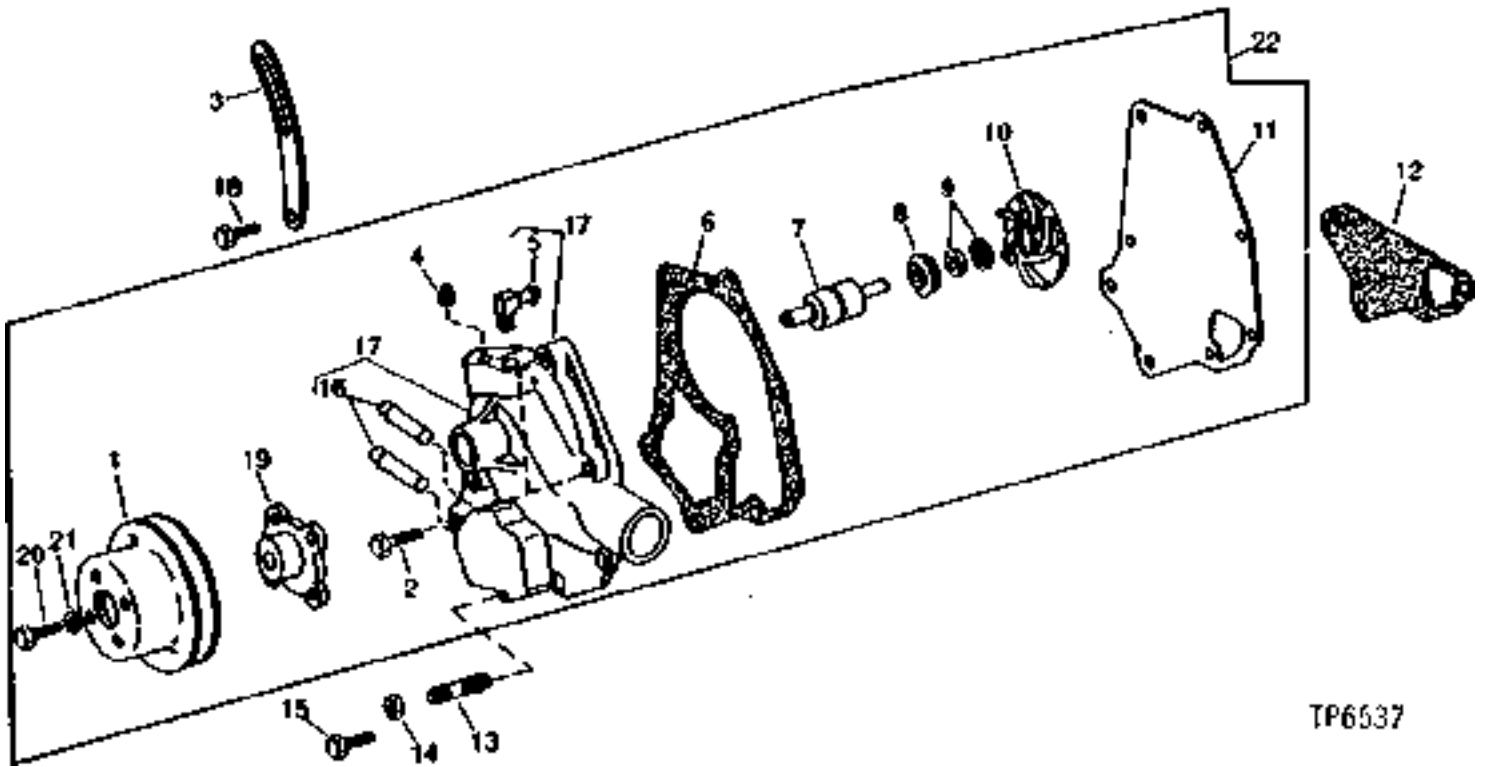
KEY	PART NO.	PART NAME	QTY	SERIAL NO.	REMARKS
1	AR102260	KIT	1		ROCKER ARM COVER
2	R48000	WASHER	6		NOZZLE LOWER
3	R54638	GASKET	1		THERMOSTAT COVER
4	R60746	WASHER	6		NOZZLE, UPPER
5	R56463	O-RING	1		VENT TUBE
6	T23002	GASKET	3		WATER OUTLET MANIFOLD
7	T24932	GASKET	1		THERMOSTAT COVER
8	T20006	GASKET	6		EXHAUST MANIFOLD
9	T20159	GASKET	2		AIR INLET
10	R55509	GASKET	1		TURBOCHARGER EXHAUST
11	R54641	GASKET	1		WATER OUTLET
12	R43416	GASKET	1		TURBOCHARGER, OIL OUTLET
13	R43413	GASKET	1		TURBOCHARGER, OIL INLET
14	R47144	O-RING	1		BYPASS, THERMOSTAT
15	R59449	GASKET	1		CYLINDER HEAD
16	R34764	WASHER	6		UPPER
17	AR102267	GASKET KIT	1		

1C6

ENGINE

TP6537 -UN-01JAN94

WATER PUMP



TP6537

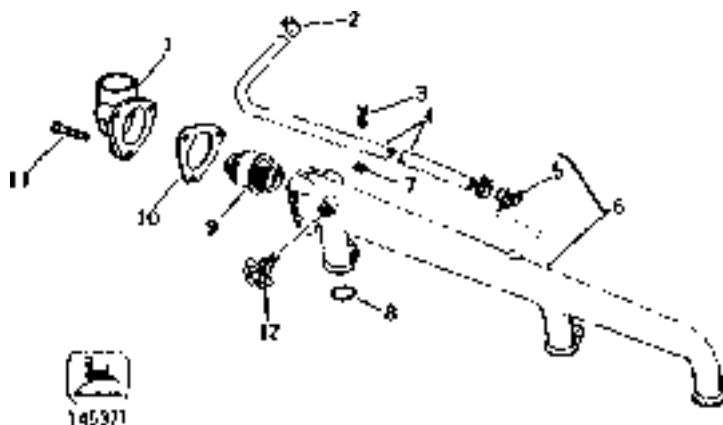
KEY	PART NO.	PART NAME	QTY	SERIAL NO.	REMARKS
1	AR40148	PULLEY	1		
2	19H2545	CAP SCREW	3		3/8" X 1-3/8"
3	T32853	STRAP	1		
4	15H584	PIPE PLUG	1		1/2"
5	AR26732	ELBOW FITTING	1		
6	T25485	GASKET	1		
7	JD9257	BALL BEARING	1		
8	T27261	SEAL	1		
9	AR41691	INSERT	1		
10	R40979	IMPELLER	1		
11	T25484	COVER	1		
12	T20243	GASKET	1		
13	T25701	STUD	1		
14	14H812	NUT	1		3/8"
15	19H1912	CAP SCREW	2		3/8" X 3-1/2"
16	R34985	LINE	2		
17	AR80113	HOUSING	1		(MARKED R62902)
18	19H1801	CAP SCREW	3		3/8" X 2"
19	R62371	HUB	1		(THIS APPLICATION ONLY)
20	19H2284	CAP SCREW	4		3/8" X 7/8", (USE WITH R62371)
21	24H1682	WASHER	4		13/32" X 7/8" X 0.120", (USE WITH R62371)
22	AR77682	WATER PUMP	1		

1C7

ENGINE

T45371 -UN-01JAN94

WATER MANIFOLD AND THERMOSTAT



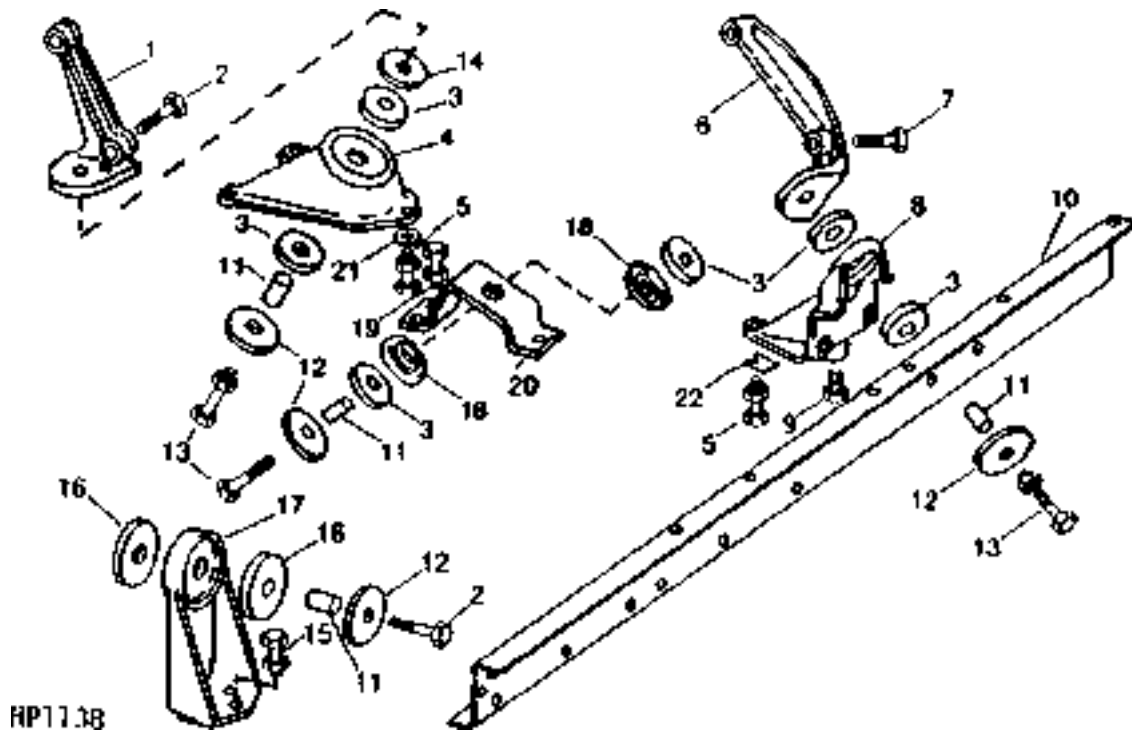
KEY	PART NO.	PART NAME	QTY	SERIAL NO.	REMARKS
1	T24934	COVER	1		
2	AR21839	CLAMP	2		
3	R53219	CAP SCREW	3		
4	T25479	HOSE	1		
5	AR26732	ELBOW FITTING	1		
6	AR74154	MANIFOLD	1		(MARKED R61178)
7	T20168	WASHER	3		
8	T23002	GASKET	3		
9	AR77411	THERMOSTAT	1		(91° C)
10	T24932	GASKET	1		
11	19H2549	CAP SCREW	3		3/8" X 1-7/8"
12	AT13740	DRAIN VALVE	1	-450000	(SUB AH109183, THIS APPLICATION)
	AH109183	VALVE	1		

1C8

ENGINE

HP1138 -UN-01JAN94

ENGINE SUPPORTS



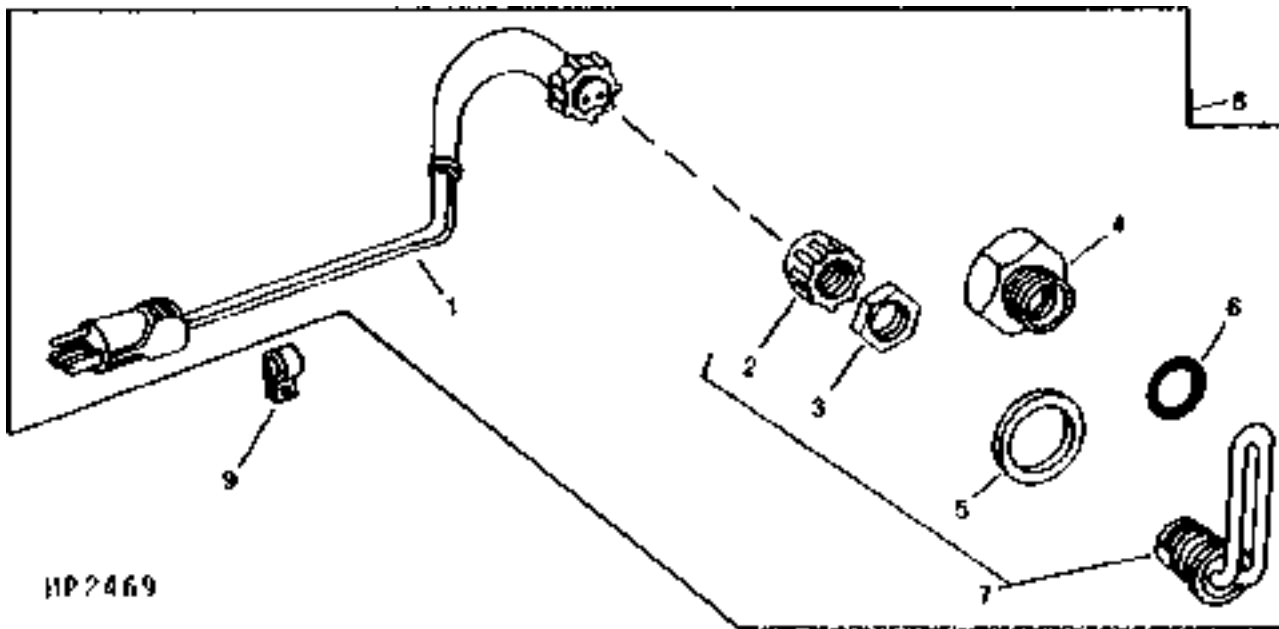
KEY	PART NO.	PART NAME	QTY	SERIAL NO.	REMARKS
1	H75748	SUPPORT	1		
2	19H1847	CAP SCREW	3	5/8" X 2-1/2"	
	12H294	LOCK WASHER	3	5/8"	
3	H80197	BUSHING	6		
4	H80989	SUPPORT	1		
5	19H1936	CAP SCREW	6	3/8" X 3/4"	
	14H812	NUT	3	3/8"	
6	H75747	SUPPORT	1		
7	19H1824	CAP SCREW	2	5/8" X 2-1/4"	
	12H294	LOCK WASHER	2	5/8"	
8	H80988	SUPPORT	1		
9	19H1815	CAP SCREW	1	1/2" X 1-1/4"	
	12H301	LOCK WASHER	1	1/2"	
10	H91710	RAIL	1	-401580	(SUB H103269)
	H103269	RAIL	1		
11	H85481	BUSHING	4		
12	P50456	WASHER	4		
13	19H1863	CAP SCREW	3	5/8" X 3"	
	12H294	LOCK WASHER	3	5/8"	
	14H760	NUT	3	5/8"	
14	P50456	WASHER	1		
15	19H1732	CAP SCREW	3	3/8" X 1-1/4"	
	14H812	NUT	3	3/8"	
16	H80198	ISOLATOR	2		
17	H78855	BRACKET	1		
18	H78856	RETAINER	2		
19	19H1731	CAP SCREW	3	3/8" X 1"	
	14H812	NUT	3	3/8"	
20	H78857	BRACKET	1		
21	24H1305	WASHER	AR	13/32" X 13/16" X 0.065"	
22	H83347	STRAP	1		

1C9

ENGINE

HP2469 -UN-01JAN94

ENGINE COOLANT HEATER



KEY	PART NO.	PART NAME	QTY	SERIAL NO.	REMARKS
1	AR50411	WIRING LEAD	1		
2	R54510	CAP	1		
3	R54511	NUT	1		
4	R54123	ADAPTER	1		
5	R47693	GASKET	1		
6	U13639	O-RING	1		
7	AR62399	COOLANT HEATER	1		
8	AR62492	COOLANT HEATER	1		
9	AH77279	CLIP	1		

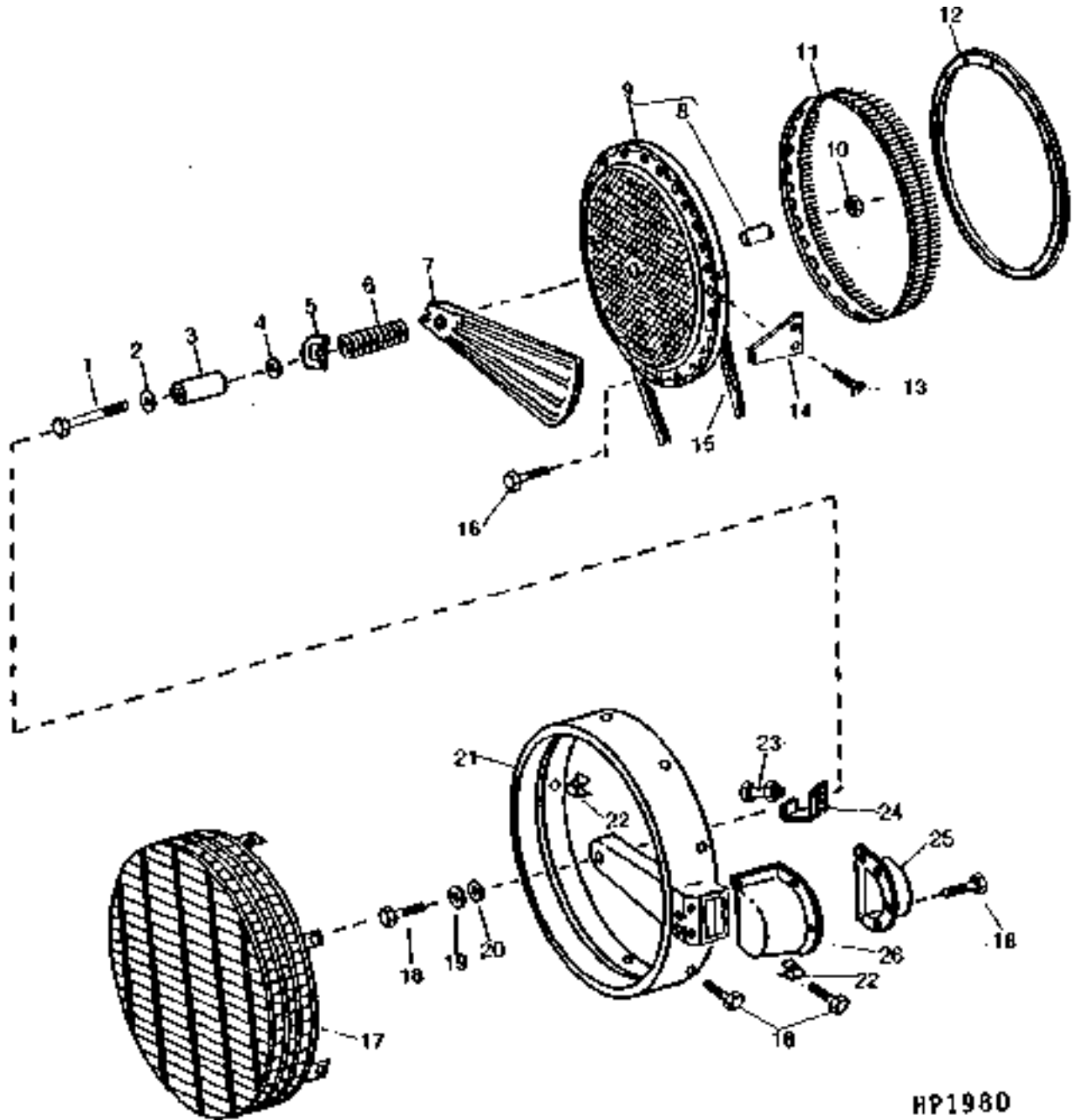
1C10

ENGINE

HP1980

-UN-01JAN94

FLAT ROTARY SCREEN



HP1980

1C11

ENGINE

FLAT ROTARY SCREEN - CONTINUED

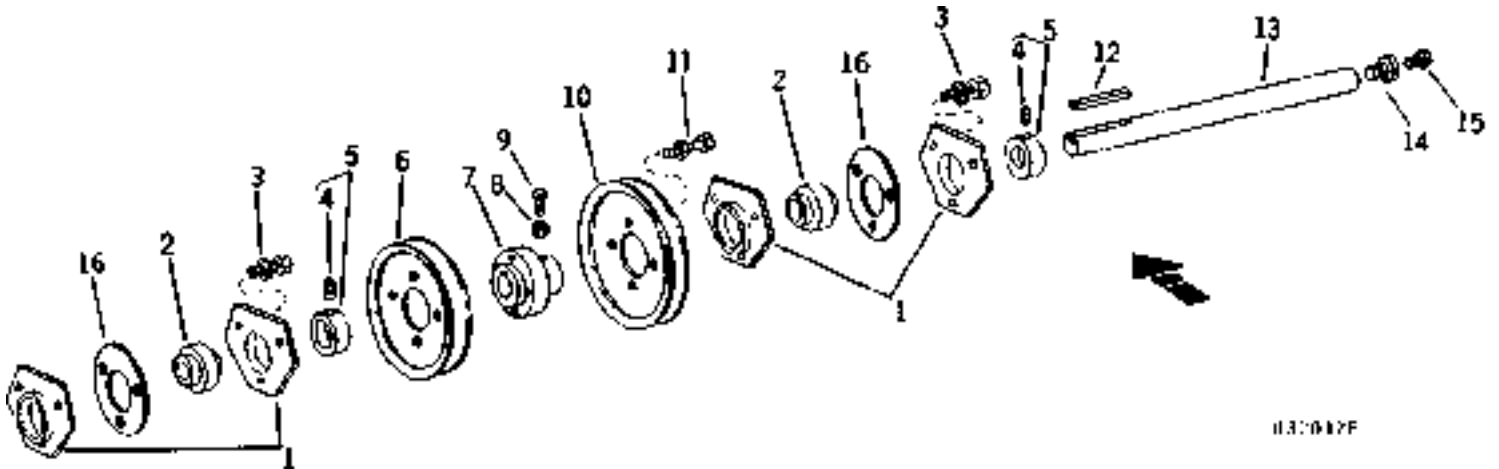
KEY	PART NO.	PART NAME	QTY	SERIAL NO.	REMARKS
1	H96344	BOLT	1		
2	24H1136	WASHER	1		11/32" X 11/16" X 0.065"
3	E46219	SPACER	1		
4	H100596	WASHER	1		
5	H97355	THRUST WASHER	1		
6	H574B	SPRING	1		
7	AH96050	ISOLATOR	1		
8	AH81161	BALL BEARING	1	-600000	(SUB AH115444)
	AH115444	BALL BEARING	1		
9	AH95373	SCREEN	1		
10	E54809	LOCK NUT	1		
11	AH92662	SEAL	1		
12	H118698	RETAINER	1		(USE WITH EXISTING SCREWS)
13	H86918	SCREW	2		
14	H95507	BLADE	1		
15	H86259	BELT	1		
16	37H149	SCREW	11		1/4" X 3/8"
17	AH108368	SHIELD	1		
18	37H148	SCREW	11		1/4" X 5/8"
	R54057	SCREW	1		(USE WITH 24H1436)
19	24H1917	WASHER	1		21/64" X 1-15/32" X 7/64"
20	24H1436	WASHER	AR		15/16" X 1-3/4" X 0.134"
21	H97175	SHROUD	1		
22	R53677	LOCK NUT	9		
23	37H148	SCREW	2		1/4" X 5/8"
	N10217	LOCK NUT	2		
24	H95324	BLADE	1		
25	H92012	AIR DUCT	1		
26	H97103	COVER	1		

1C12

ENGINE

H32012F -UN-01JAN94

ROTARY SCREEN DRIVE SHAFT



H32012F

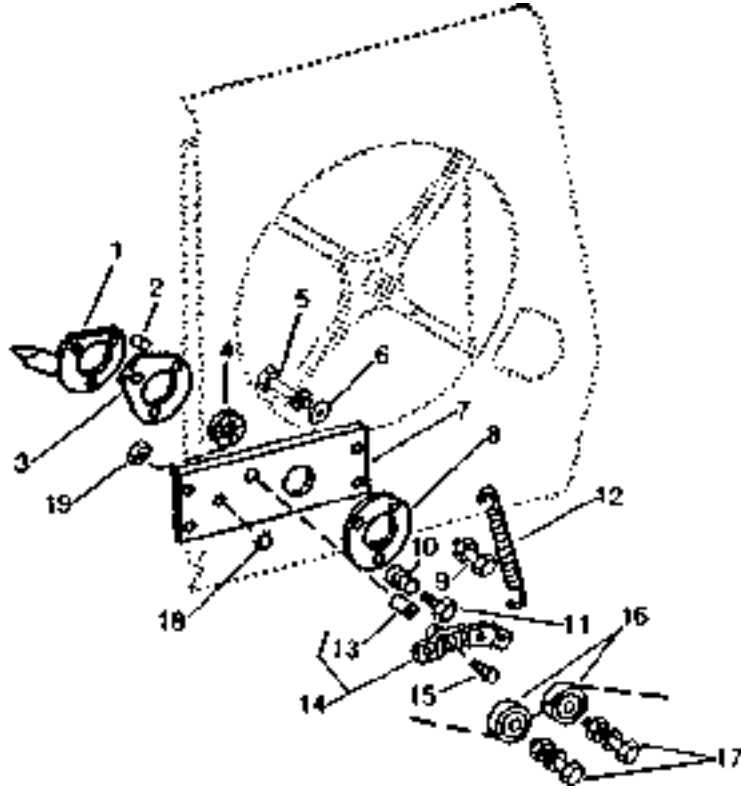
KEY	PART NO.	PART NAME	QTY	SERIAL NO.	REMARKS
1	E10018	PRESSED FLANGED HOUSING	4		
2	JD9246	BALL BEARING	2		
3	19H1936	CAP SCREW	6	3/8" X 3/4"	
	12H304	LOCK WASHER	6	3/8"	
4	22H897	SET SCREW	2	1/4" X 1/4"	
5	JD8551	ECCENTRIC LOCKING COLLAR	2		
6	H86262	SHEAVE	1	181 MM (7-1/8") DIA.	
7	H86263	HUB	1		
8	14H732	NUT	2	3/8"	
9	22H817	SET SCREW	2	3/8" X 3/4"	
10	H86260	SHEAVE	1	168 MM (6-5/8") DIA. (CAB WITHOUT AIR CONDITIONER AND LESS CAB)	
	H86262	SHEAVE	1	181 MM (7-1/8") DIA. (CAB WITH AIR CONDITIONER)	
11	19H1906	CAP SCREW	4	5/16" X 1-1/2"	
	N10213	LOCK NUT	4		
12	KEY	1	(6 MM X 38 MM) (CUT FROM H64374 IN AH64587 KEY STOCK KIT)	
13	H94705	COUNTERSHAFT	1	-400000	(USE WITH H96509 AND 19H3427) (SUB H103319)
	H103319	SHAFT	1		
14	H96509	SHEAVE	1	POLY-V	
15	19H3427	SCREW	1	5/16" X 2"	
16	H87784	SHIM	2		

1C13

ENGINE

HP597 -UN-01JAN94

ROTARY SCREEN DRIVE BELT TIGHTENERS AND DISPLACER



HP597

KEY	PART NO.	PART NAME	QTY	SERIAL NO.	REMARKS
1	AH89678	HANDLE	1	(A)	
2	28H1914	BUSHING	3	1/4" X 7/8"	
3	H88458	PLATE	1	(A)	
4	AH92661	SEAL	1	(A)	
5	19H1936	CAP SCREW	4	3/8" X 3/4"	
	12H304	LOCK WASHER	4	3/8"	
6	24H1312	WASHER	4	13/32" X 1-3/8" X 0.105"	
7	PLATE	1	(A) (SUB AH93325)	
8	H88457	WASHER	1	(A)	
9	19H1875	CAP SCREW	2	5/16" X 1-3/4"	
	M40699	NUT	2	(A)	
10	H100197	PIN	1	(A)	
11	19H1949	CAP SCREW	1	5/16" X 2-1/2"	
12	H86280	SPRING	1		
13	H91788	BUSHING	1	(USE WITH AH95281)	
14	AH95281	ARM	1		
15	H94562	BOLT	1		
16	AH87929	SHEAVE	2	78 MM (3-1/16") DIA.	
17	19H1732	CAP SCREW	2	3/8" X 1-1/4"	
18	R28473	PLUG	1	(A)	
19	N10215	LOCK NUT	1	(A)	
..	AH93325	DEVICE	1	KIT, DISPLACER ASSEMBLY	

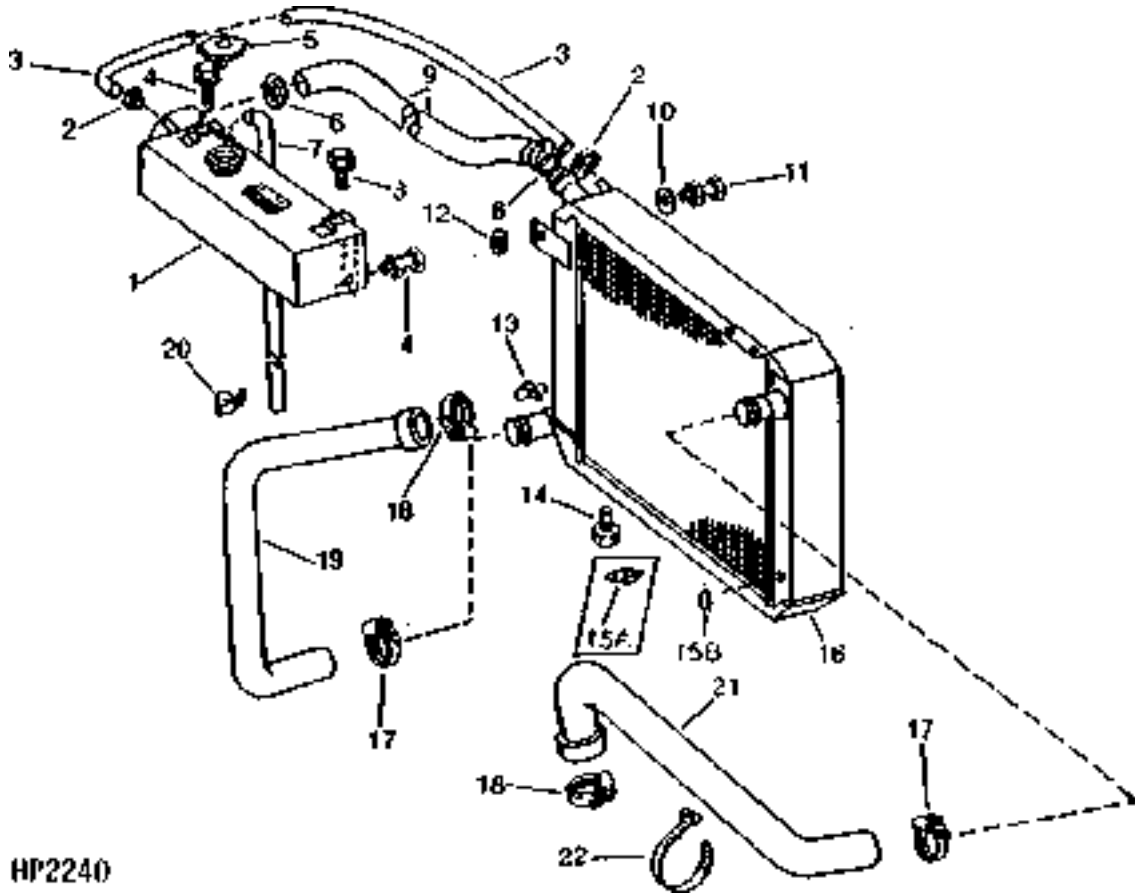
KIT LISTED BELOW CONSISTS OF ALL PARTS IDENTIFIED BY AN (A):

1C14

ENGINE

HP2240 -UN-01JAN94

RADIATOR (USE WITH AIR CONDITIONER)



HP2240

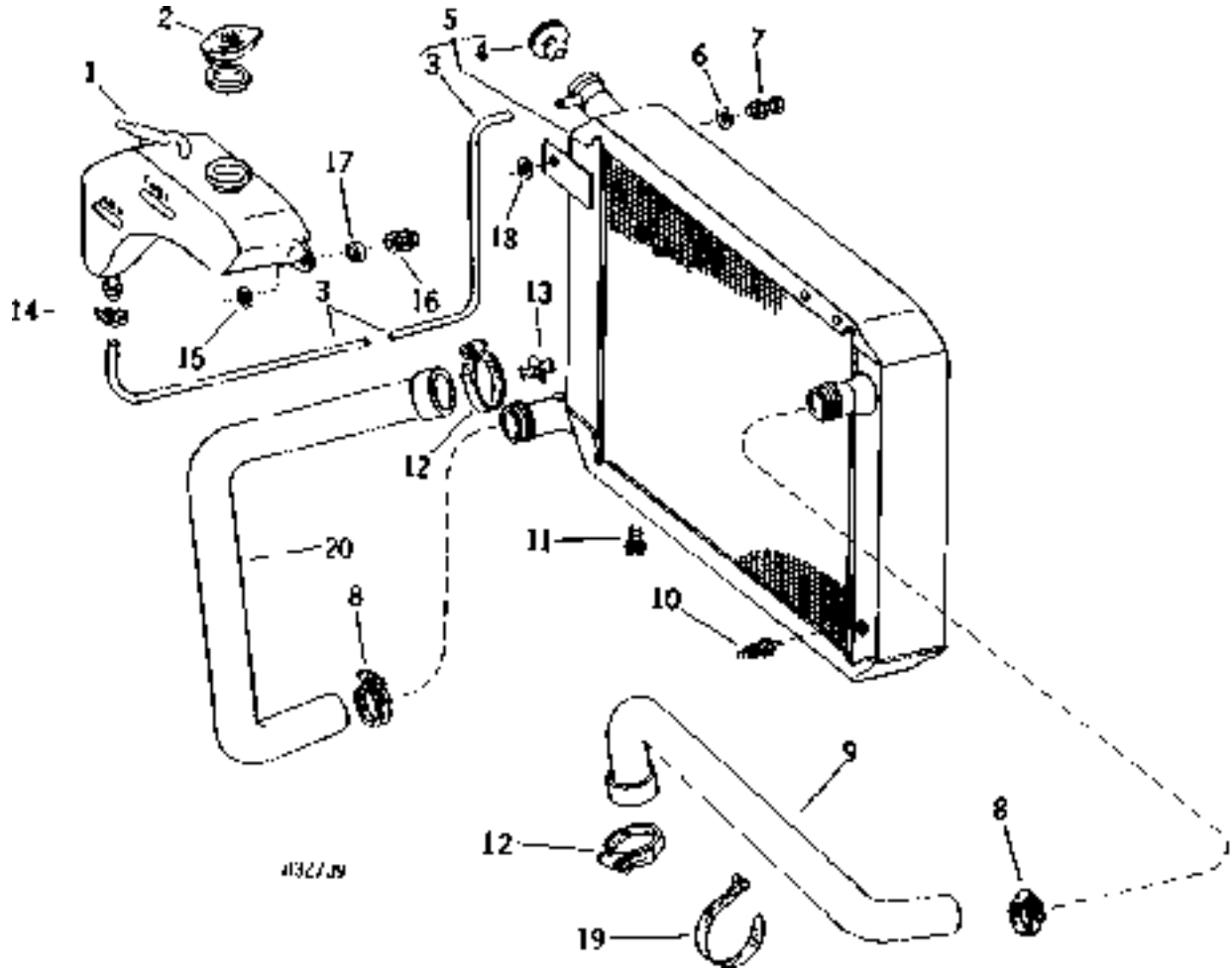
KEY	PART NO.	PART NAME	QTY	SERIAL NO.	REMARKS
1	H92599	TANK	1		(WITH DECAL)
2	AR48236	CLAMP	2		
3	H92726	HOSE	1		
4	N71292	SELF-LOCKING SCREW	3		
	N10213	LOCK NUT	2		
5	AN110020	CAP	1		
6	AR21839	CLAMP	2		
7	H86772	HOSE	1		
8	N10212	SELF-LOCKING SCREW	1		
9	H92849	RADIATOR HOSE	1		
10	24H1224	WASHER	1		11/32" X 1" X 1/16"
11	19H1900	CAP SCREW	1		5/16" X 3/4"
	N10213	LOCK NUT	1		
12	24H1311	WASHER	1		13/32" X 1-1/4" X 0.220"
13	AT13740	DRAIN VALVE	1		
14	N71292	SELF-LOCKING SCREW	3		
15A	AH87737	SWITCH	1	-600000	
15B	H87663	PLUG	1	600001-	
16	AH92498	RADIATOR	1		
17	AR21840	CLAMP	2		
	AR21999	HOSE CLAMP	2		
19	H120438	RADIATOR HOSE	1		LOWER
20	H76064	CLIP	2		
21	H87279	HOSE	1		UPPER
22	R45440	TIE BAND	1		

1C15

ENGINE

H32739 -UN-01JAN94

RADIATOR (USE WITHOUT AIR CONDITIONER)



KEY	PART NO.	PART NAME	QTY	SERIAL NO.	REMARKS
1	AH87560	TANK	1		
2	H86401	CAP	1		
3	H86772	HOSE	1		
4	AH87561	CAP	1		
5	AH88817	RADIATOR	1		
6	24H1224	WASHER	1		11/32" X 1" X 1/16"
7	19H1900	CAP SCREW	1		5/16" X 3/4"
	N10213	LOCK NUT	1		
8	AR21840	CLAMP	2		
9	H87279	HOSE	1		UPPER
10	AH87737	SWITCH	1	-600000	
	15H624	PIPE PLUG	1	600001-	1/2"
11	N71292	SELF-LOCKING SCREW	3		
12	AR21999	HOSE CLAMP	2		
13	AT13740	DRAIN VALVE	1		
14	AR21836	CLAMP	1		
15	24H1136	WASHER	2		11/32" X 11/16" X 0.065"
16	N10219	SELF-LOCKING SCREW	2		
	N10213	LOCK NUT	2		
17	H79784	BUSHING	2		
18	24H1311	WASHER	1		13/32" X 1-1/4" X 0.220"
19	R45440	TIE BAND	1		
20	H93310	HOSE	1		LOWER

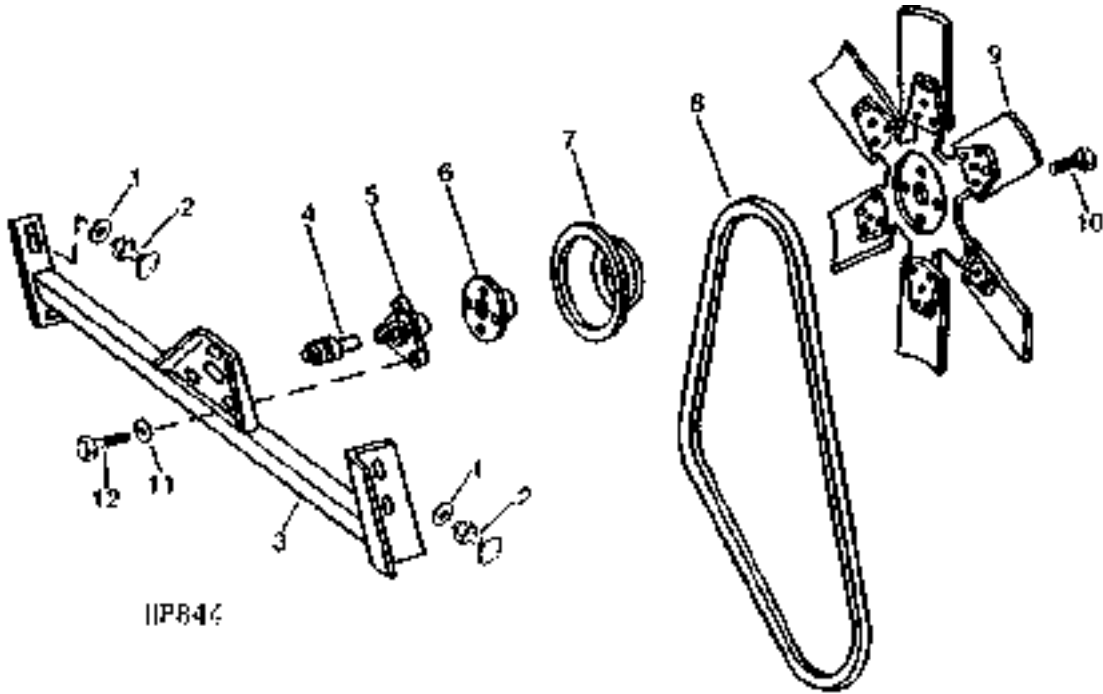
1C16

ENGINE

HP844

-UN-01JAN94

FAN, SHEAVE, AND SUPPORT



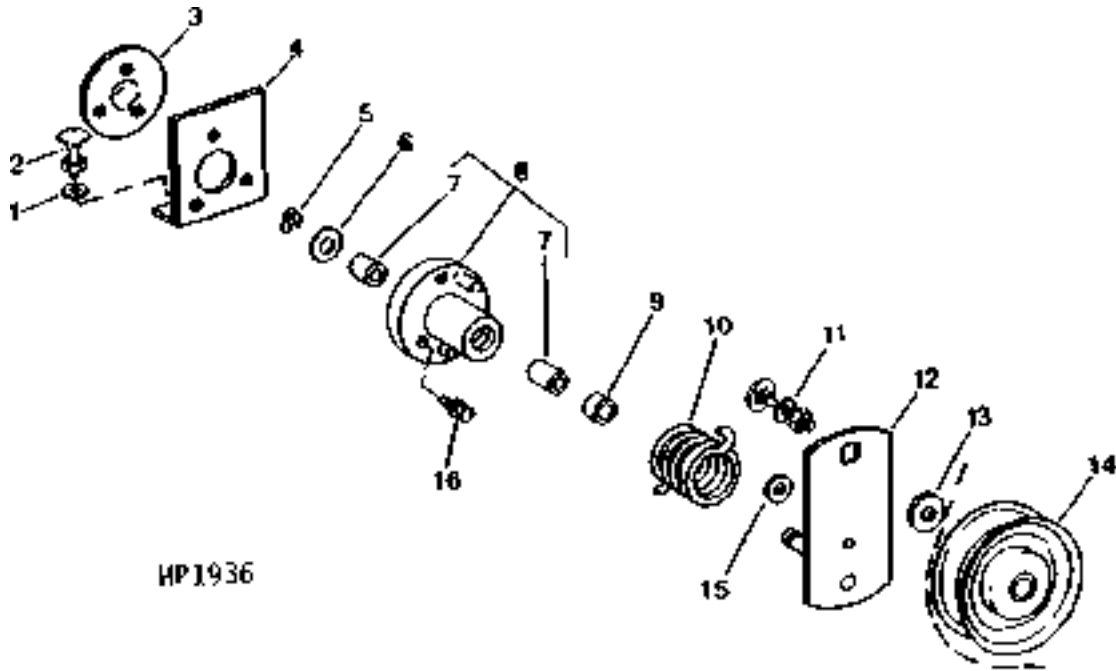
HP844

KEY	PART NO.	PART NAME	QTY	SERIAL NO.	REMARKS
1	24H1224	WASHER	4		11/32" X 1" X 1/16"
2	03H1709	BOLT	4		5/16" X 1"
	N10213	LOCK NUT	4		
3	AH90839	SUPPORT	1		
4	JD9294	BALL BEARING	1		
5	H92056	HOUSING	1		
6	H84556	HUB	1		
7	AH85041	SHEAVE	1		196 MM (7-23/32") DIA.
8	H86271	BELT	1		(CAB WITHOUT AIR CONDITIONER AND LESS CAB)
	H94373	BELT	1		(CAB WITH AIR CONDITIONER)
9	AH87533	FAN	1		
10	19H1731	CAP SCREW	4		3/8" X 1"
11	24H1305	WASHER	3		13/32" X 13/16" X 0.065"
12	N14822	SELF-LOCKING SCREW	3		

1C17

HP1936 -UN-01JAN94

RADIATOR FAN DRIVE BELT TIGHTENER



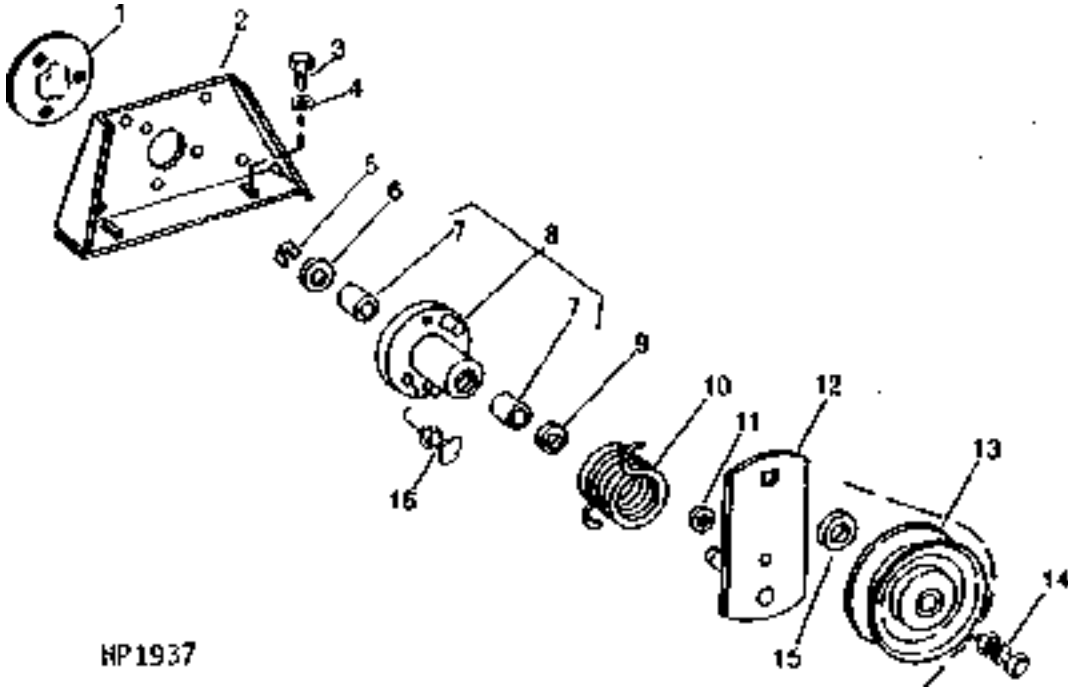
KEY	PART NO.	PART NAME	QTY	SERIAL NO.	REMARKS
1	24H1653	WASHER	2		13/32" X 1-1/4" X 0.120"
2	03H1557	BOLT	2		3/8" X 1-1/4"
	12H304	LOCK WASHER	2		3/8"
	14H812	NUT	2		3/8"
3	H96424	CAP	1		
4	AH90288	BRACKET	1	-450000	(SUB H109215)
	H109215	BRACKET	1		
5	H86839	SNAP RING	1		
6	24H1362	WASHER	1		41/64" X 1" X 0.075"
7	H91788	BUSHING	2		
8	AH95011	HUB	1		
9	H96251	WASHER	1		
10	H86264	TORSION SPRING	1		L.H. TORSION
11	03H1764	BOLT	1		1/2" X 1-3/4"
	12H301	LOCK WASHER	1		1/2"
	14H1040	NUT	1		1/2"
12	AH96492	ARM	1		
13	B31498	WASHER	1	-600000	(SUB H88355)
	H88355	WASHER	1		
14	AH77172	IDLER	1		102 MM (4") DIA.
15	H86886	NUT	1		
16	03H1937	BOLT	3		5/16" X 1-1/4"
	N10213	LOCK NUT	3		

1C18

ENGINE

HP1937 -UN-01JAN94

RADIATOR FAN AND ROTARY SCREEN SHAFT DRIVE BELT TIGHTENER



HP1937

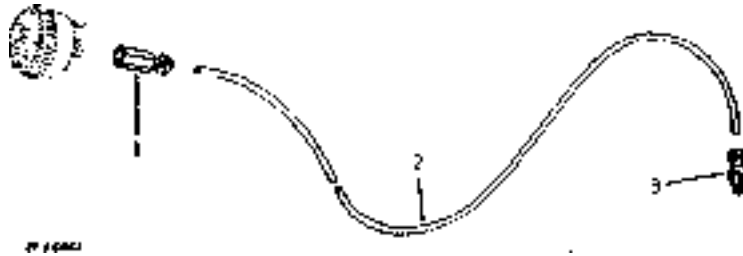
KEY	PART NO.	PART NAME	QTY	SERIAL NO.	REMARKS
1	H96424	CAP	1		
2	H86776	BRACKET	1		
3	19H1936	CAP SCREW	2		3/8" X 3/4"
	12H304	LOCK WASHER	2		3/8"
4	24H1305	WASHER	2		13/32" X 13/16" X 0.065"
5	H86839	SNAP RING	1		
6	24H1362	WASHER	1		41/64" X 1" X 0.075"
7	H91788	BUSHING	2		
8	AH95011	HUB	1		
9	H96251	WASHER	1		
10	H86265	TORSION SPRING	1		R.H. TORSION
11	H86886	NUT	1		
12	AH96492	ARM	1		
13	AH77172	IDLER	1		102 MM (4") DIA.
14	H86514	BOLT	1		
	12H301	LOCK WASHER	1		1/2"
	14H1040	NUT	1		1/2"
15	B31498	WASHER	1	-600000	(SUB H88355)
	H88355	WASHER	1		
16	03H1524	BOLT	3		5/16" X 1"
	N10213	LOCK NUT	3		

1C19

ENGINE

H16861 -UN-01JAN94

OIL PRESSURE GAUGE TUBE



KEY	PART NO.	PART NAME	QTY	SERIAL NO.	REMARKS
1	AT25265	FITTING	1		
2	TUBE	1		(1067 MM) (42") LONG (CUT FROM H86108)
3	AT25264	FITTING	1		

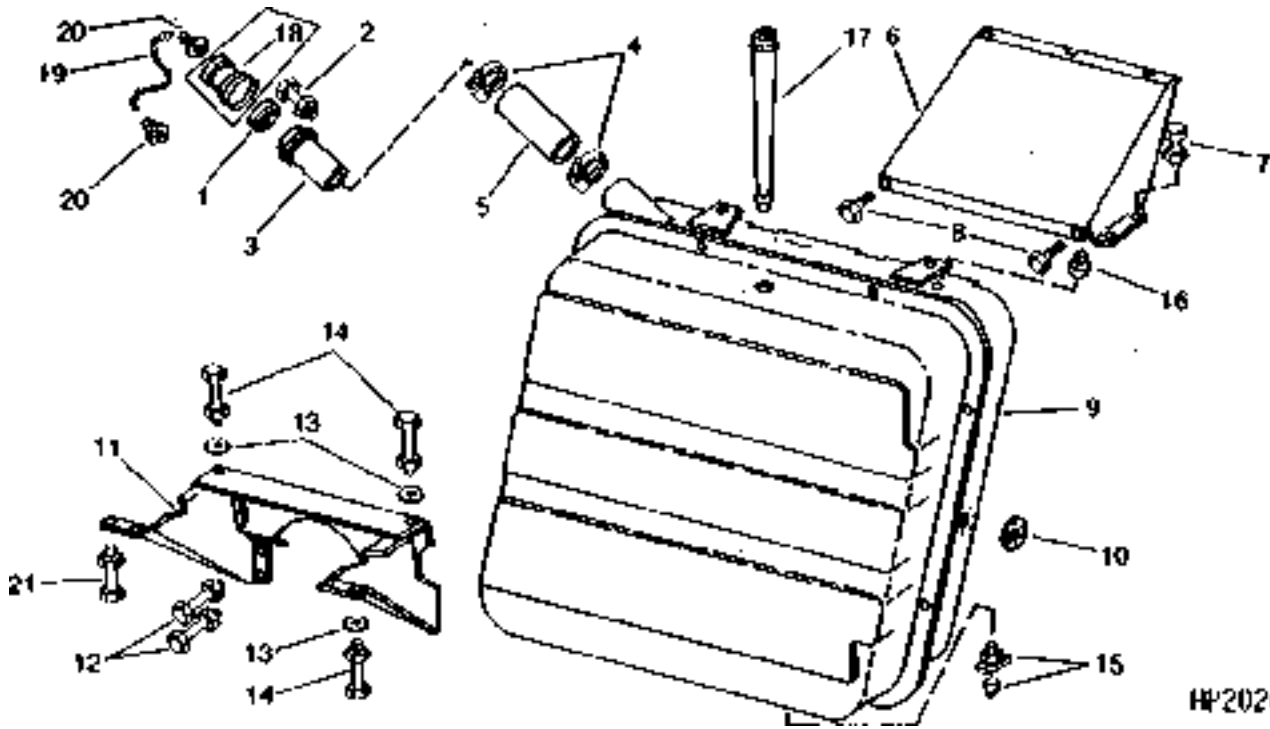
MEMORANDA

1C22

FUEL AND AIR

HP2026 -UN-01JAN94

FUEL TANK AND SUPPORTS



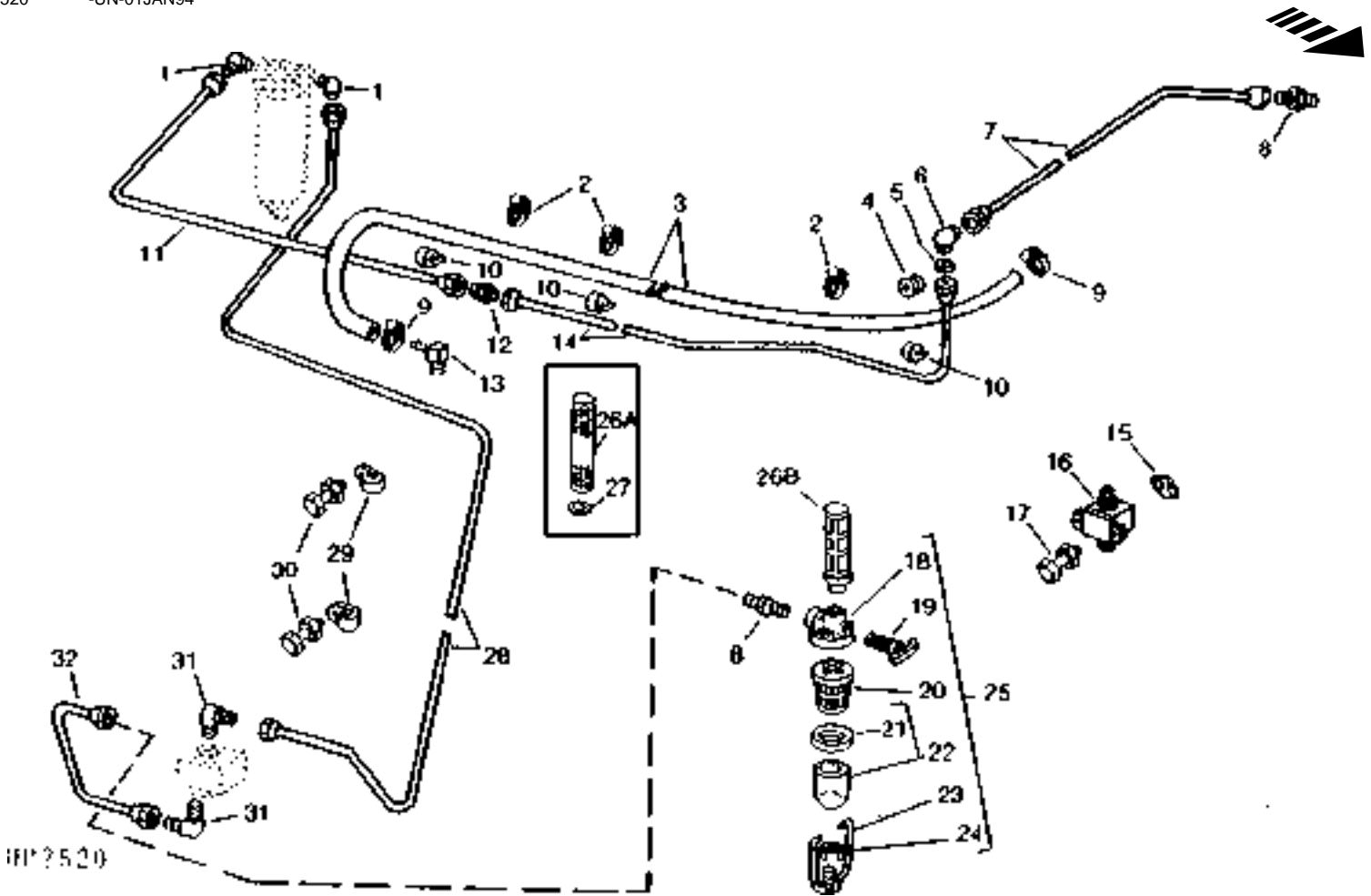
KEY	PART NO.	PART NAME	QTY	SERIAL NO.	REMARKS
1	AH97868	CAP	1	-451640	NON-VENTED, (SUB AH110230)
	AH110230	CAP	1		VENTED
2	21H1310	SCREW	2		1/4" X 1/2"
	14H786	NUT	2		1/4"
3	AH83337	FILLER NECK	1		
4	AR21999	HOSE CLAMP	2		
5	H76165	HOSE	1		
6	H76162	BRACKET	1		UPPER
7	19H1813	CAP SCREW	2	-450000	5/16" X 5/8"
	14H785	NUT	2	-450000	5/16"
	N10212	SELF-LOCKING SCREW	2	450001-	
	N10213	LOCK NUT	2	450001-	
8	H76139	SCREW	2		SELF-TAPPING
9	AH93230	FUEL TANK	1		
10	H105967	GASKET	1		
11	AH75543	SUPPORT	1		LOWER
	19H1907	CAP SCREW	2		5/16" X 2-3/4"
12	14H812	NUT	2		3/8"
	24H1136	WASHER	4	-450000	11/32" X 11/16" X 0.065"
14	19H2127	CAP SCREW	4		5/16" X 7/8"
	14H785	NUT	4		5/16"
15	AH20936	VALVE	1		
16	15H638	PIPE PLUG	1		1/8"
	AH96547	BREATHER	1		
18	H99234	COVER	1	-600000	
19	AH97869	LINK CHAIN	1		
20	H99897	RETAINER	2		
21	19H2127	CAP SCREW	2	-450000	5/16" X 7/8"
	14H785	NUT	2	-450000	5/16"
	N10212	SELF-LOCKING SCREW	2	450001-	
	N10213	LOCK NUT	2	450001-	

1C23

FUEL AND AIR

HP2520 -UN-01JAN94

FUEL LINES AND PUMP



KEY	PART NO.	PART NAME	QTY	SERIAL NO.	REMARKS
1	U45538	ELBOW FITTING	2		90°, (SUB FOR H81734)
2	M66044	TIE BAND	3		
3	HOSE	1		6 MM X 2591 MM (1/4" X 112") LONG (CUT FROM H83966)
4	H79481	GROMMET	1		
5	R27296	NUT	1		
6	AR35981	ELBOW FITTING	1		
7	AH83462	FUEL LINE	1		UPPER
8	R27346	FITTING	2		
9	T13254	CLAMP	2		
10	AH77279	CLIP	3		
11	AH80244	FUEL LINE	1		MIDDLE (WITH AUXILIARY FUEL FILTER)
12	R50201	FITTING	1		
13	H83287	HOSE FITTING	1		90°
14	AH77277	FUEL LINE	1		MIDDLE
15	H101158	TRANSISTOR	1		
16	AH107362	PUMP	1		(SUB FOR H80665)
17	19H1227	CAP SCREW	2	-450000	1/4" X 1/2"
	14H786	NUT	2	-450000	1/4"
	N14820	SELF-LOCKING SCREW	2	450001-	
	N10217	LOCK NUT	2	450001-	
18	HOUSING	1		
19	AH98799	VALVE	1		("T" HANDLE)
	AA4298R	SHUT-OFF VALVE	1		("L" HANDLE)
20	AH96221	SCREEN	1		

1C24

FUEL AND AIR

FUEL LINES AND PUMP - CONTINUED

KEY	PART NO.	PART NAME	QTY	SERIAL NO.	REMARKS
21	C1778R	GASKET	1		
22	AA4507R	SEDIMENT BOWL	1		
23	AA517R	BAIL	1		
24	R21752	NUT	1		
25	AH97859	FUEL FILTER	1	-450000	("T" HANDLE) (SUB AH106484 AND AH106982)
	AH106484	FUEL FILTER	1		("T" HANDLE) (USE WITH AH106982)
26A	AH105136	SCREEN	1	400001-450000	
26B	AH106982	SCREEN	1	450001-	
27	R10093	O-RING	1	400001-450000	
28	AH80242	FUEL LINE	1		(WITH AUXILIARY FUEL FILTER)
	AH77926	FUEL LINE	1		
29	T32231	CLAMP	2		
30	19H1900	CAP SCREW	2		5/16" X 3/4"
	14H785	NUT	2		5/16"
31	AR26674	ELBOW FITTING	2		
32	AH75547	FUEL LINE	1		

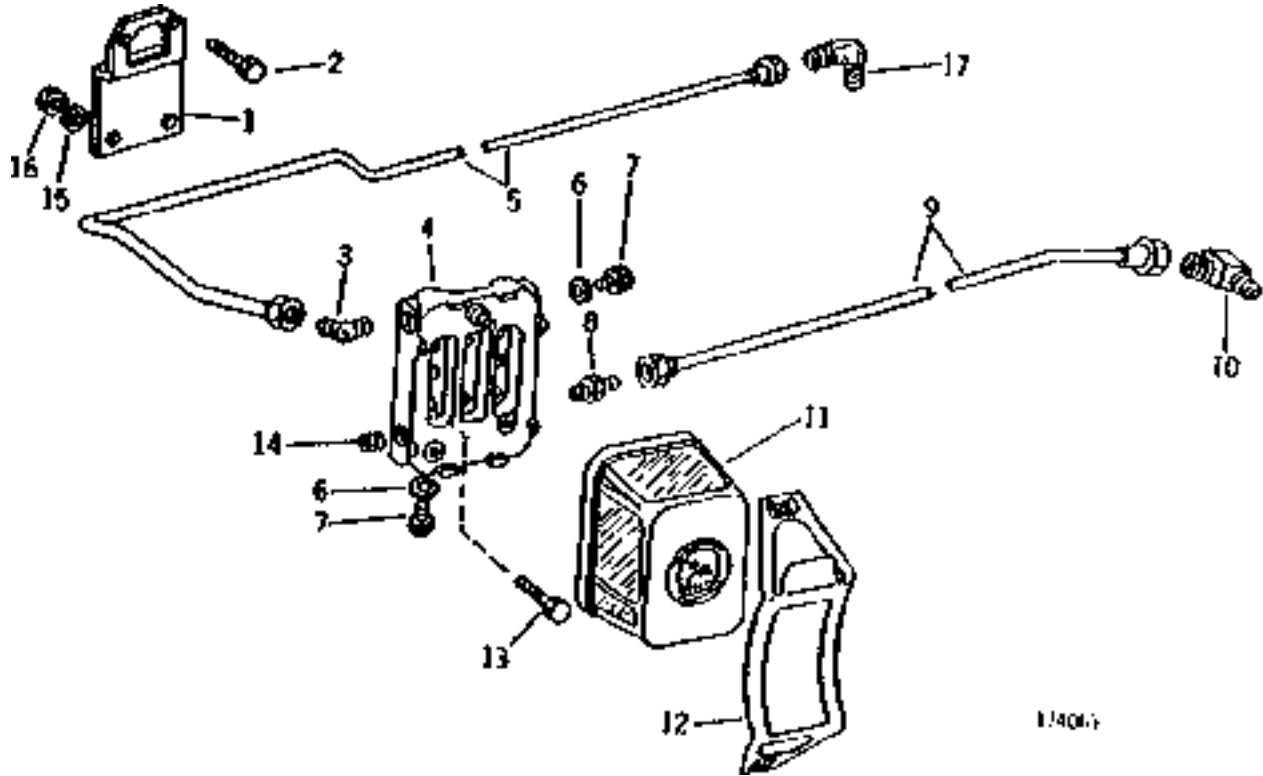
1C25

FUEL AND AIR

FUEL FILTER (6329DH)

T34065

-UN-01JAN94



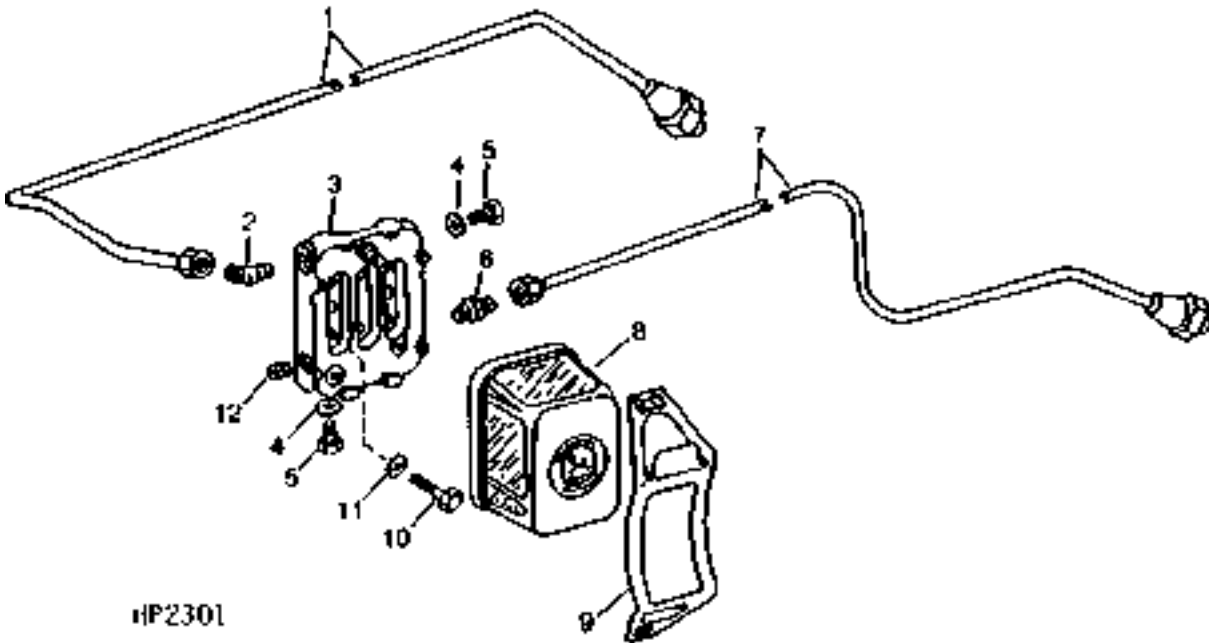
KEY	PART NO.	PART NAME	QTY	SERIAL NO.	REMARKS
1	R56832	BRACKET	1		
2	19H1134	CAP SCREW	2	3/8" X 3/4"	
3	T24945	ELBOW FITTING	1		
4	AR50040	HOUSING	1		
5	AR67858	FUEL LINE	1		(FUEL FILTER TO INJECTION PUMP)
6	R34447	WASHER	2		
7	R48071	DRAIN PLUG	2		
8	R27346	FITTING	1		
9	AR67860	FUEL LINE	1		(FUEL FILTER TO FUEL TRANSFER PUMP)
10	T30738	ELBOW FITTING	1		
11	AR86745	FILTER ELEMENT	1		(SUB FOR AR50041)
12	R66821	CLAMP	1		(SUB FOR R57258)
13	19H2284	CAP SCREW	2	3/8" X 7/8"	
14	15H558	PIPE PLUG	1	1/8"	
15	12H304	LOCK WASHER	2	3/8"	
16	14H812	NUT	2	3/8"	
17	R48008	ELBOW FITTING	1		

1D1

FUEL AND AIR

HP2301 -UN-01JAN94

FUEL FILTER AND LINES (6359DH)



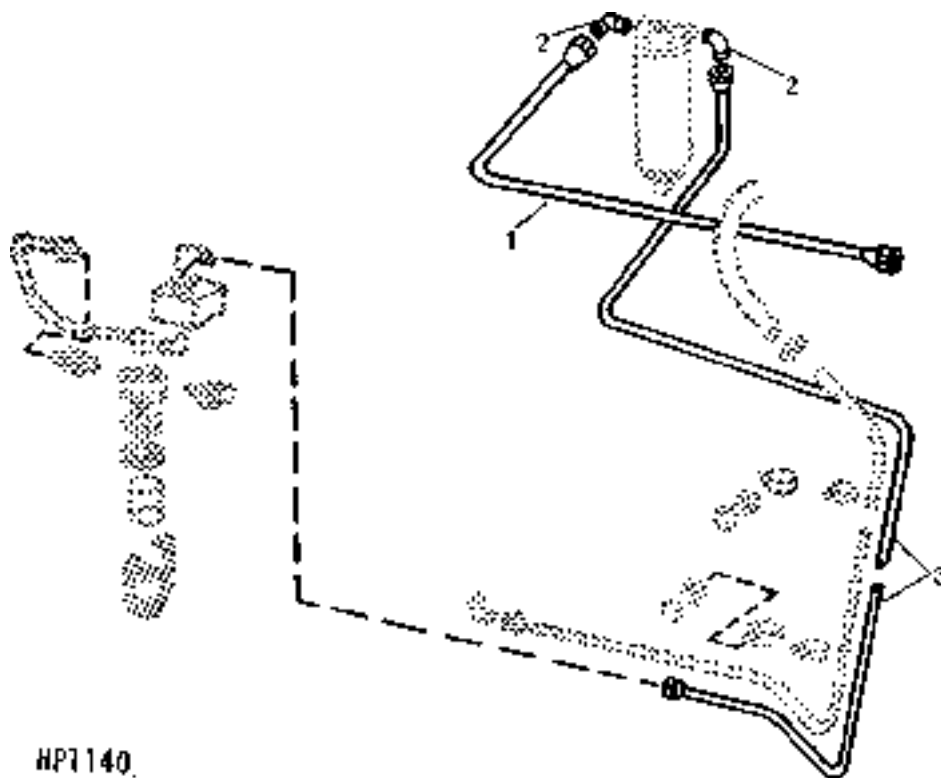
KEY	PART NO.	PART NAME	QTY	SERIAL NO.	REMARKS
1	AR63954	FUEL LINE	1		(FUEL FILTER TO INJECTION PUMP)
2	T30738	ELBOW FITTING	1		
3	AR50040	HOUSING	1		
4	R26287	O-RING	2		
5	R48071	DRAIN PLUG	2		
6	R27346	FITTING	1		
7	AR84732	FUEL LINE	1		(FUEL FILTER TO FUEL TRANSFER PUMP)
8	AR86745	FILTER ELEMENT	1		(SUB FOR AR50041)
9	R66821	CLAMP	1		
10	19H1731	CAP SCREW	2	3/8" X 1"	
11	24H1303	WASHER	2	13/32" X 11/16" X 0.065"	
12	15H558	PIPE PLUG	1	1/8"	

1D2

FUEL AND AIR

HP1140 -UN-01JAN94

FUEL LINES (FOR EXPORT USE ONLY)



HP1140

KEY	PART NO.	PART NAME	QTY	SERIAL NO.	REMARKS
1	AH80244	FUEL LINE	1		
2	H81734	ELBOW FITTING	2	90°	
3	AH80242	FUEL LINE	1		

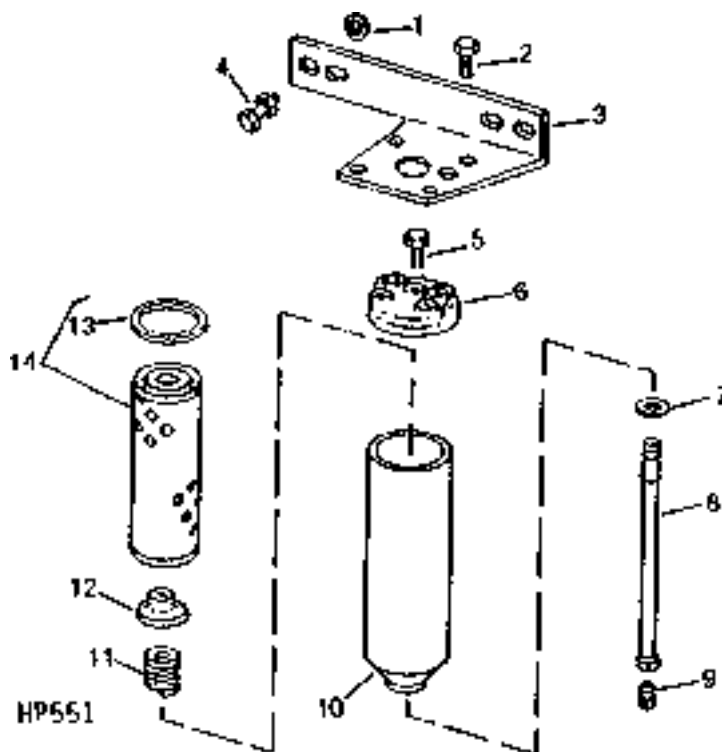
1D3

FUEL AND AIR

HP551

-UN-01JAN94

FUEL FILTER (FOR EXPORT USE ONLY)



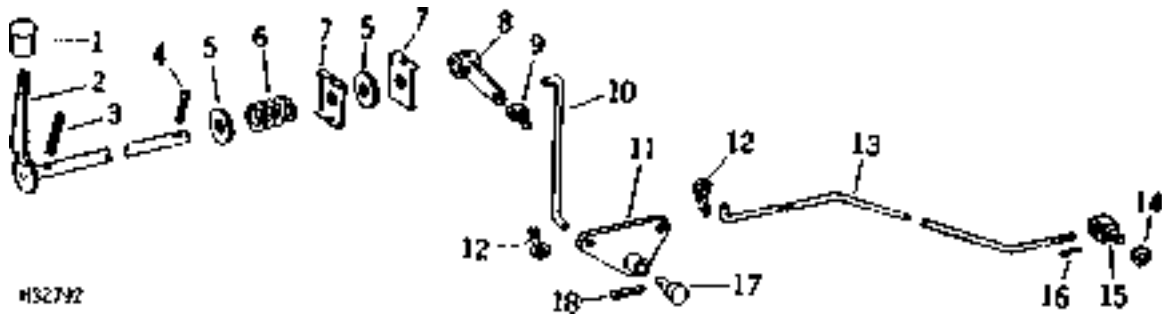
KEY	PART NO.	PART NAME	QTY	SERIAL NO.	REMARKS
1	19H1936	CAP SCREW	4	3/8" X 3/4"	
2	24H1136	WASHER	2	11/32" X 11/16" X 0.065"	
3	H88949	BRACKET	1		
4	H81528	SCREW	2	-317200	(SUB N10212, THIS APPLICATION)
	N10212	SELF-LOCKING SCREW	2		
	H77210	NUT	2		
5	P53007	BLEED SCREW	2		
6	P53005	COVER	1		
7	P53022	WASHER	1		
8	P54602	SCREW	1	(USE WITH 14H253)	
9	14H253	NUT	1	5/16"	
10	AP27684	BOWL	1		
11	AP27685	EXTENSION SPRING	1		
12	AP27686	ADAPTER	1		
13	P53006	GASKET	1		
14	AP27010	FILTER ELEMENT	1	-400987	(SUB AP27688)
	AP27688	FILTER ELEMENT	1		

1D4

FUEL AND AIR

H32792 -UN-01JAN94

THROTTLE CONTROLS

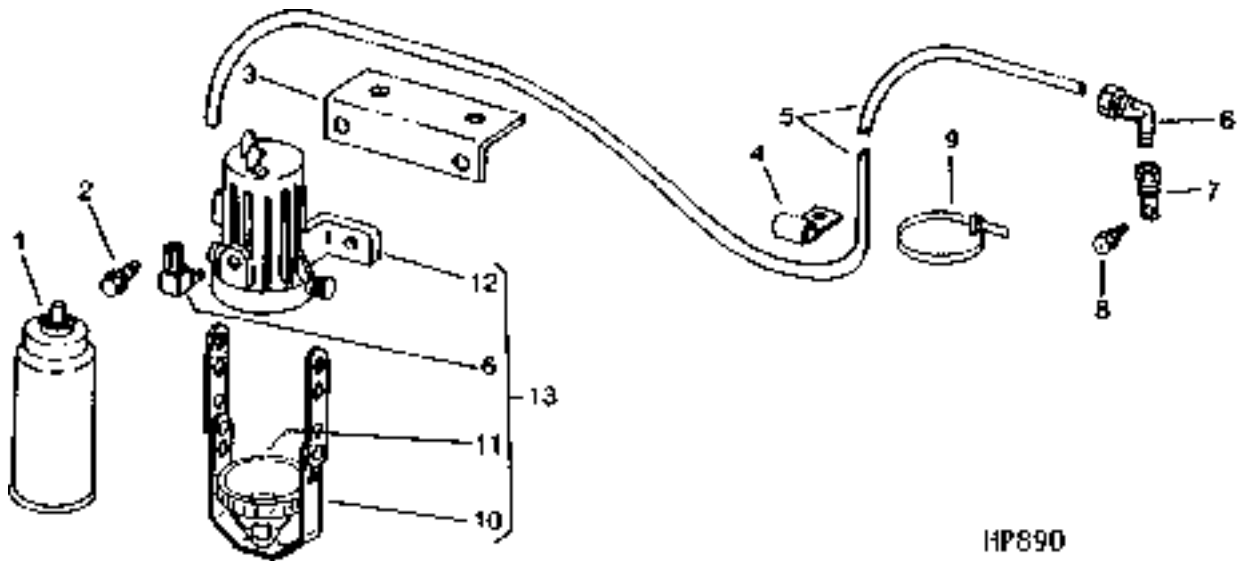


KEY	PART NO.	PART NAME	QTY	SERIAL NO.	REMARKS
1	H87467	KNOB	1		
2	AH97872	LEVER	1		
3	34H290	SPRING PIN	1		3/16" X 2"
4	11H218	COTTER PIN	1		3/16" X 1-1/2"
5	H78110	WASHER	2		
6	H574B	SPRING	1		
7	H78111	RETAINER	2		
8	H77243	ARM	1		
9	R26524	CLIP	1		CLEVIS, R.H.
10	H77240	PIN	1		THROTTLE, UPPER
11	AH76121	BRACKET	1		
12	R26501	CLIP	2		CLEVIS, L.H.
13	H83348	ROD	1	-450000	(SUB H110199)
	H110199	ROD	1	-600000	INJECTION PUMP (DOUBLE BEND)
	H121847	HOOK BOLT	1	600001-	
14	24H1287	WASHER	1		9/32" X 5/8" X 0.065"
15	H28108	SWIVEL	1		
16	11H206	COTTER PIN	1		3/32" X 3/4"
17	H77244	PIN	1		
18	11H206	COTTER PIN	1		3/32" X 3/4"

1D5

HP890 -UN-01JAN94

COLD WEATHER STARTING AID



HP890

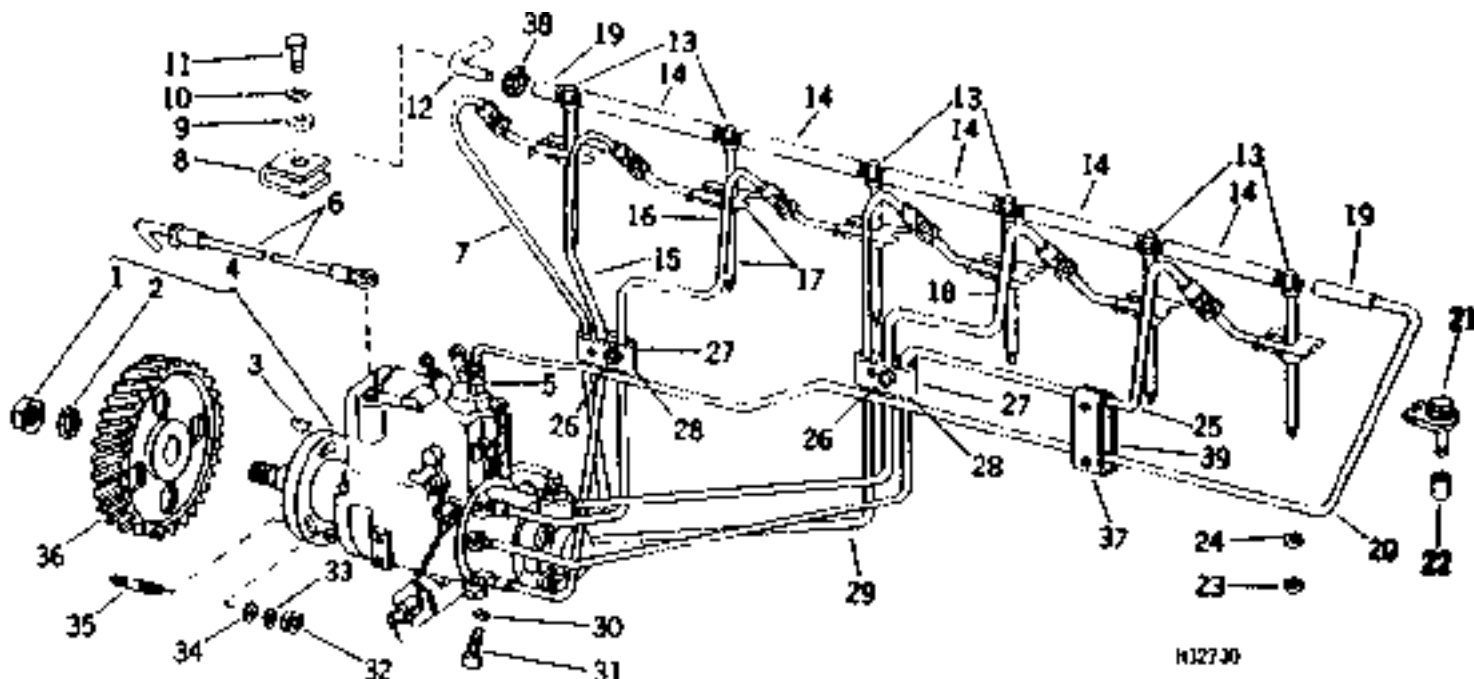
KEY	PART NO.	PART NAME	QTY	SERIAL NO.	REMARKS
1	AR27814	STARTING FLUID	1		
2	H76139	SCREW	2		
3	H89659	BRACKET	1	-401580	(SUB H103273)
4	H103273	BRACKET	1		
5	T32231	CLAMP	1		INSULATED
6	H86108	LINE	1		STARTING FLUID
7	AT25266	ELBOW FITTING	2		
8	15H638	PIPE PLUG	2		1/8"
9	R47160	NOZZLE HOLDER	1		
10	R28583	NOZZLE	1		
11	M66044	TIE BAND	3		
12	AT57288	BAIL	1		
13	T46726	GASKET	1		
	SOLENOID	1		(SUB AT39623)
	AT39623	SOLENOID	1		

1D6

FUEL AND AIR

FUEL INJECTION SYSTEM
(6329DH)
(ROOSA-MASTER NO. JDB635MD3055)
(ENGINE SERIAL NO. -505383)

H32730 -UN-01JAN94



H32730

KEY	PART NO.	PART NAME	QTY	SERIAL NO.	REMARKS
1	R48599	NUT	1		
2	R48600	LOCK WASHER	1		
3	26H10	SHAFT KEY	1	5/32" X 5/8"	
4	AR79462	FUEL INJECTION PUMP	1	(ROOSA-MASTER NO. JDB635MD3055)	
5	T13201	ELBOW FITTING	1		
6	AR49907	WIRING LEAD	1	(INJECTION PUMP SHUT-OFF TERMINAL)	
7	AR68962	FUEL LINE	1	(FUEL INJECTION NO. 1)	
8	T13913	CLIP	1		
9	R64764	WASHER	1	(SUB FOR L186T)	
10	12H302	LOCK WASHER	1	1/4"	
11	19H2036	CAP SCREW	1	1/4" X 7/8"	
12	R56830	TUBE	1		
13	AT27622	CAP	6		
14	HOSE	5	(CUT FROM AT32064)	
15	AR68963	FUEL LINE	1	(FUEL INJECTION NO. 2)	
16	AR68964	FUEL LINE	1	(FUEL INJECTION NO. 3)	
17	AR88239	INJECTION NOZZLE	6	(ROOSA-MASTER NO. 22042)	
18	AR68966	FUEL LINE	1	(FUEL INJECTION NO. 5)	
19	HOSE	2	35.6 MM (1.40") (CUT FROM AT32064)	
20	AR49915	FUEL LINE	1	(FUEL INJECTION PUMP LEAK-OFF)	
21	R34760	CLAMP	6		
22	R34761	SPACER	6	(SUB (6) RE13887, THIS APPLICATION)	
	R60745	SPACER	6	(K)	
23	R48000	WASHER	6		
24	R60746	WASHER	6	(K) (USE WITH AR88239) (USE AFTER RE13887 HAS BEEN INSTALLED)	
25	AR68967	FUEL LINE	1	(FUEL INJECTION NO. 6)	
26	AR76704	SCREW	6		
27	R59297	HALF CLAMP	2		
	R59298	STRAP	2		
	R61145	STRAP	2		
28	R59297	HALF CLAMP	2		
29	AR68965	FUEL LINE	1	(FUEL INJECTION NO. 4)	
30	T20055	WASHER	12		
31	R26726	FITTING	6		
32	14H812	NUT	2	3/8"	
33	12H304	LOCK WASHER	2	3/8"	

(K) KIT RE13887

1D7

FUEL AND AIR

FUEL INJECTION SYSTEM - CONTINUED
(6329DH)
(ROOSA-MASTER NO. JDB635MD3055)
(ENGINE SERIAL NO. -505383)

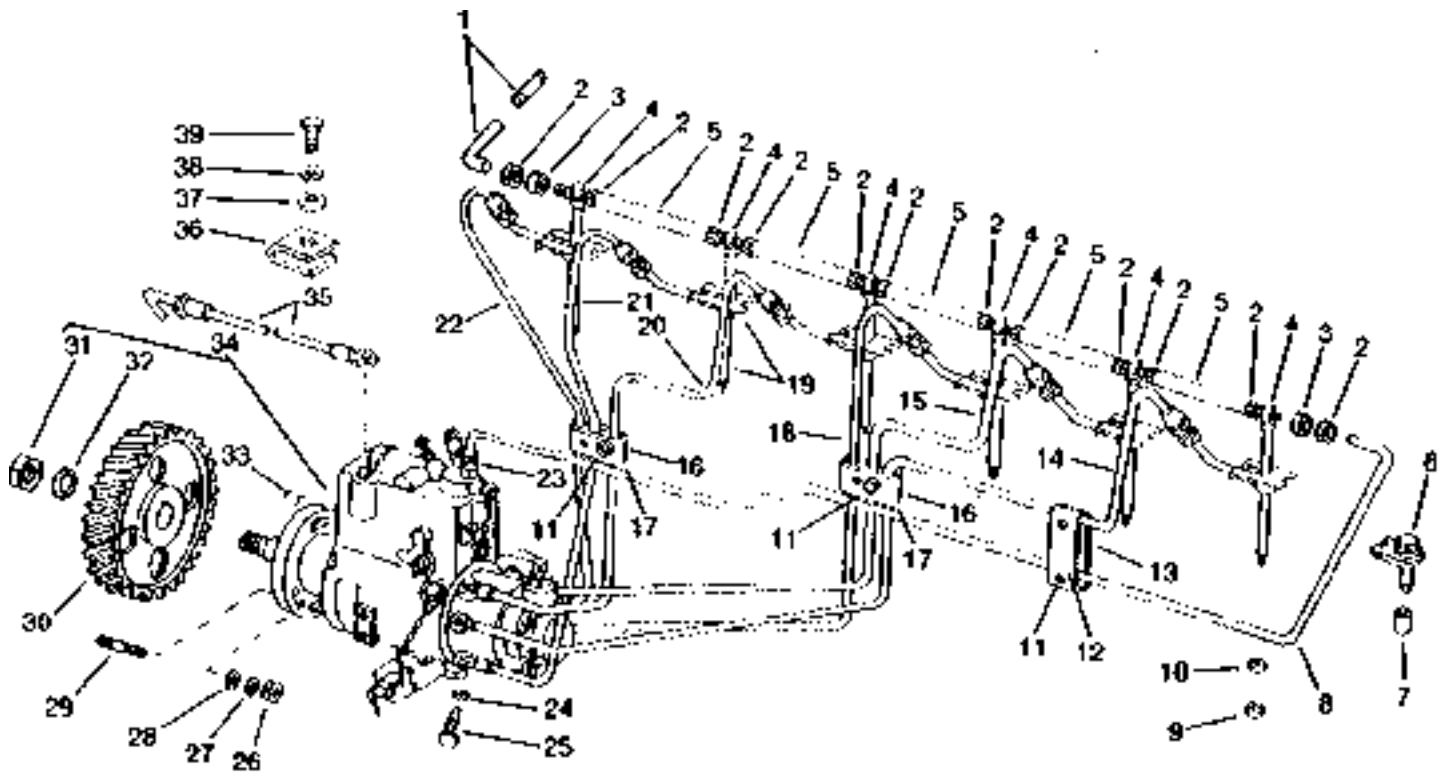
KEY	PART NO.	PART NAME	QTY	SERIAL NO.	REMARKS
34	24H1303	WASHER	2		
35	T20052	STUD	2		
36	T20165	GEAR	1		
37	R64810	CLAMP	1		
	R59298	STRAP	1		
	R61145	STRAP	1		
38	AR48236	CLAMP	1		
39	R64810	CLAMP	1		

1D8

FUEL AND AIR

FUEL INJECTION SYSTEM
(6329DH)
(ROOSA-MASTER NO. JDB635MD3055)
(ENGINE SERIAL NO. 505384-)

TP241 -UN-01JAN94



TP241

1D9

FUEL AND AIR

FUEL INJECTION SYSTEM - CONTINUED
 (6329DH)
 (ROOSA-MASTER NO. JDB635MD3055)
 (ENGINE SERIAL NO. 505384-)

KEY	PART NO.	PART NAME	QTY	SERIAL NO.	REMARKS
1	R71742	TUBE	1		(SUB FOR R56830, THIS APPLICATION)
2	R51937	TUBE NUT	13		
3	R51936	PACKING	12		
4	AR85618	CAP	6		(SUB (6) R79604, (6) R79605 AND (6) R79606)
5	R66090	TUBE	5		
6	R34760	CLAMP	6		
7	R34761	SPACER	6	-608907	(SUB (6) RE13887, THIS APPLICATION)
	R60745	SPACER	6	608908-	(K)
8	AR89960	FUEL LINE	1		
9	R48000	WASHER	6		
10	R60746	WASHER	6		(K) (USE WITH AR88239) (USE AFTER RE13887 HAS BEEN INSTALLED)
	R34764	WASHER	6	-608907	(USE WITH AR89564) (SUB (6) RE13887, THIS APPLICATION)
11	AR76704	SCREW	6		
12	R64810	CLAMP	1		
	R59298	STRAP	1		
13	R64810	CLAMP	1		
	R61145	STRAP	1		
14	AR68967	FUEL LINE	1		(NO. 6)
15	AR68966	FUEL LINE	1		(NO. 5)
16	R59297	HALF CLAMP	2		
	R61145	STRAP	2		
17	R59297	HALF CLAMP	2		
	R59298	STRAP	2		
18	AR68965	FUEL LINE	1		(NO. 4)
19	AR88239	INJECTION NOZZLE	6	-575164	(SUB AR89564)
	AR89564	INJECTION NOZZLE	6		
20	AR68964	FUEL LINE	1		(NO. 3)
21	AR68963	FUEL LINE	1		(NO. 2)
22	AR68962	FUEL LINE	1		(NO. 1)
23	T13201	ELBOW FITTING	1		
24	T20055	WASHER	12		
25	R26726	FITTING	6		
26	14H812	NUT	2		3/8"
27	12H304	LOCK WASHER	2		3/8"
28	24H1303	WASHER	2		13/32" X 11/16" X 0.065"
29	T20052	STUD	2		
30	T20165	GEAR	1		
31	R48599	NUT	1		
32	R48600	LOCK WASHER	1		
33	26H10	SHAFT KEY	1		5/32" X 5/8"
34	AR79462	FUEL INJECTION PUMP	1		(ROOSA-MASTER NO. JDB635M03055)
35	AR49907	WIRING LEAD	1		
36	T13913	CLIP	1		
37	L186T	WASHER	1		
38	12H302	LOCK WASHER	1		1/4"
39	19H2036	CAP SCREW	1		1/4" X 7/8"

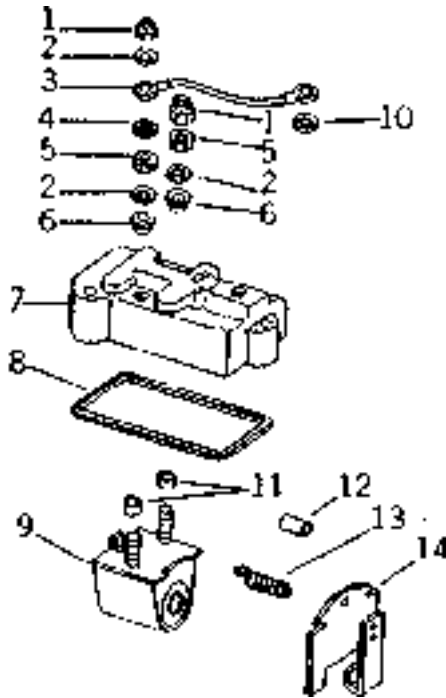
(K) KIT RE13887

1D10

FUEL AND AIR

FUEL INJECTION PUMP ELECTRIC SHUT-OFF (6329DH) (ROOSA- MASTER)

T20527 -UN-01JAN94



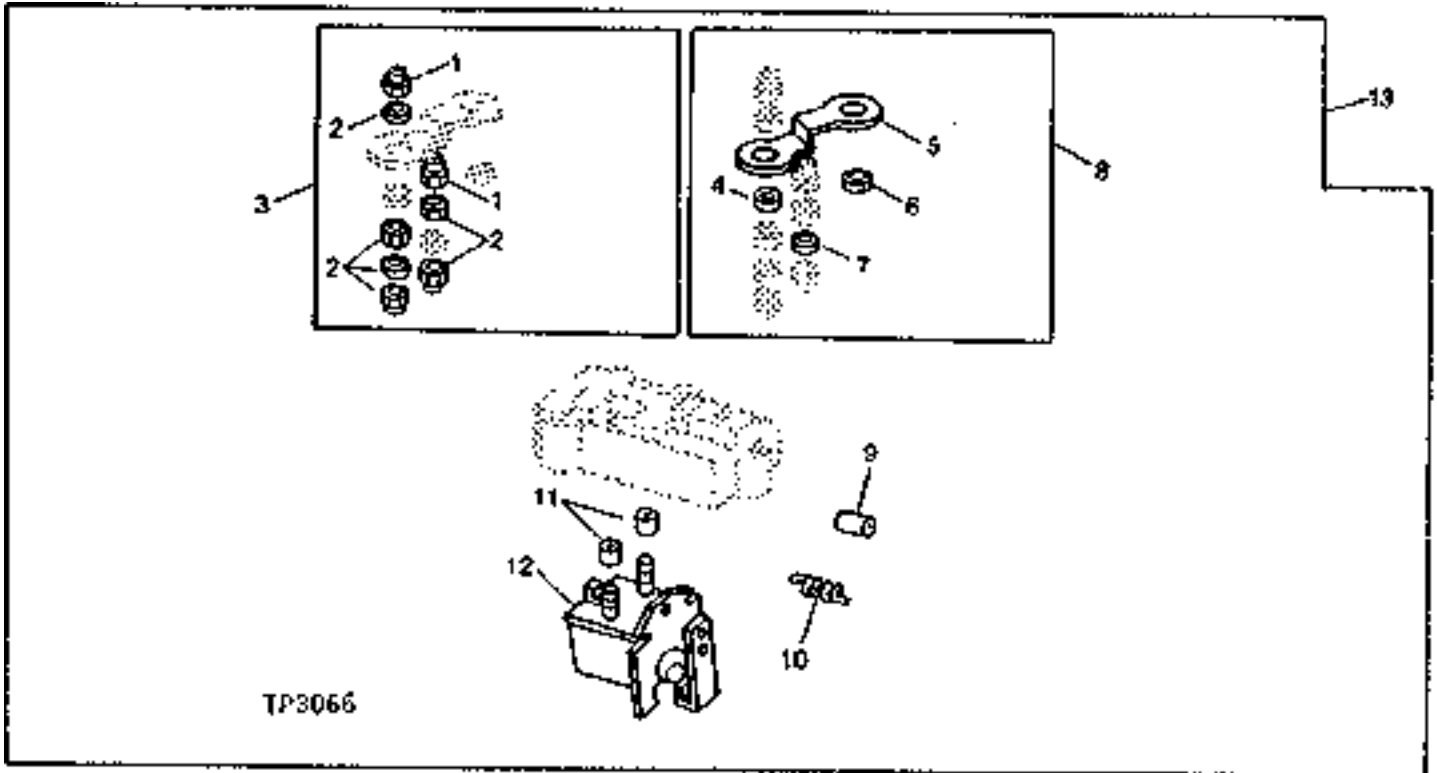
F 20 377

KEY	PART NO.	PART NAME	QTY	SERIAL NO.	REMARKS
1	T19977	LOCK NUT	2	(B) (C)	
2	R47049	WASHER	3	(B) (C) (SUB AR90601)	
3	R66593	STRAP	1	(GROUNDING) (SUB FOR AR49542) (SUB AR50874)	
4	R47077	LOCK WASHER	1		
5	T11938	NUT	2	(SUB AR90601)	
6	T11936	WASHER	2	(B) (C) (SUB AR90601)	
7	R37139	COVER	1	(B)	
8	T11918	GASKET	1	(A) (B)	
9	AR48219	SOLENOID	1	(B) (C) (SUB AR90340, THIS APPLICATION)	
10	12H295	LOCK WASHER	1	0.190"	
11	T11937	INSULATOR	2	(B) (C)	
12	R48795	SLEEVE	1		
13	T11935	SPRING	1	(B) (C)	
14	AT11524	ARM	1	(B) (C) (SUB AR90340, THIS APPLICATION)	
..	AR79462	FUEL INJECTION PUMP	1	(ROOSA-MASTER NO. JDB635MD3055)	
KIT LISTED BELOW CONSISTS OF ALL PARTS IDENTIFIED BY AN (A) ON THIS PAGE AND PAGES 30-4, 30-7, 30-10, 30-14, 30-20, AND 30-21.					
..	AR34612	GASKET KIT	1	OVERHAUL GASKET	
ASSEMBLY LISTED BELOW CONSISTS OF ALL PARTS IDENTIFIED BY A (B).					
..	AR49543	COVER	1	(SUB AR90340, THIS APPLICATION)	
ASSEMBLY LISTED BELOW CONSISTS OF ALL PARTS IDENTIFIED BY A (C).					
..	AR87068	KIT	1	(SUB FOR AR51796) (SUB AR90340, THIS APPLICATION)	

1D11

FUEL INJECTION PUMP ELECTRIC SHUT-OFF KIT
(6329DH)
(ROOSA-MASTER)

TP3066 -UN-01JAN94

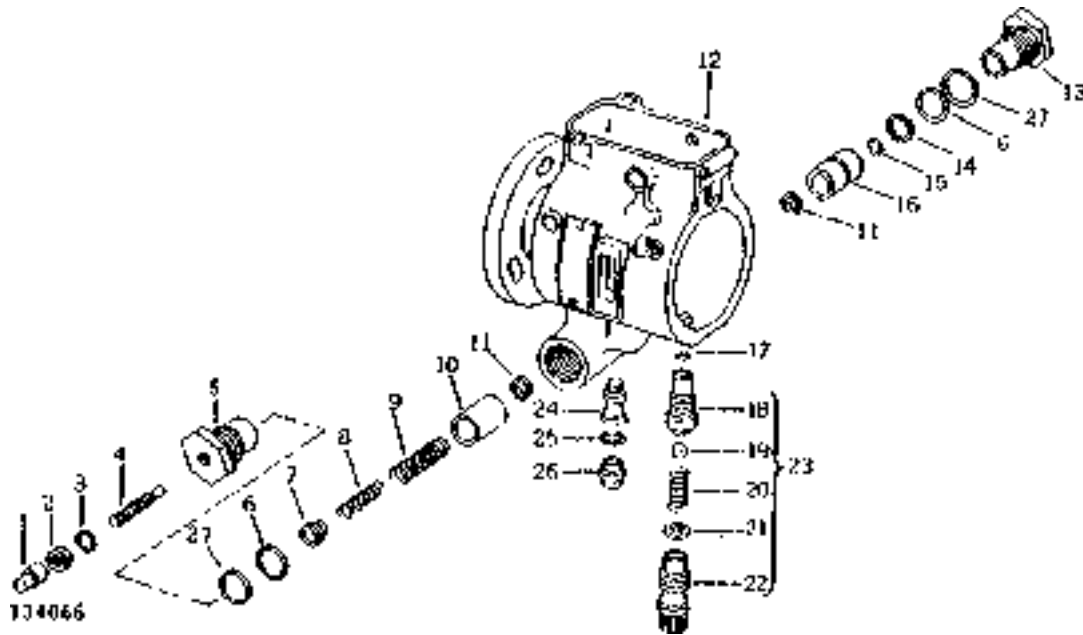


KEY	PART NO.	PART NAME	QTY	SERIAL NO.	REMARKS
1	T19977	LOCK NUT	2		
2	WASHER	1		(SUB AR90601)
3	AR90601	KIT	1		NUT AND WASHER
4	R47077	LOCK WASHER	1		
5	STRAP	1		(SUB AR50874)
6	12H295	LOCK WASHER	1		0.190"
7	WASHER	1		(SUB AR50874)
8	AR50874	KIT	1		GROUND STRAP
9	R48795	SLEEVE	1		
10	T11935	SPRING	1		
11	T11937	INSULATOR	2		
12	SOLENOID	1		
13	AR90340	KIT	1		
..	AR79462	FUEL INJECTION PUMP	1		(ROOSA-MASTER NO. JDB635MD3055)

1D12

FUEL INJECTION PUMP AUTOMATIC ADVANCE (6329DH) (ROOSA-MASTER)

T34066 -UN-01JAN94



KEY	PART NO.	PART NAME	QTY	SERIAL NO.	REMARKS
1	T17117	CAP	1		
2	T17122	NUT	1		
3	R76578	O-RING	1	(K)	(SUB FOR T11915)
4	T17123	SET SCREW	1		
5	T17126	PLUG	1		
6	T15710	O-RING	2	(K)	
7	T17125	GUIDE	1		
8	T24415	SPRING	1	(COLORED RED)	
9	R49238	SPRING	1	(COLORED BLACK AND BROWN)	
10	R74325	PISTON	1	(SUB FOR T17120, THIS APPLICATION)	
11	T15705	WASHER	2		
12	AR67675	HOUSING	1		
13	R74310	PLUG	1	(SUB FOR R49212, THIS APPLICATION)	
14	R49211	WASHER	1		
15	R34635	WASHER	1	(K)	
16	T19863	PISTON	1		
17	T11899	O-RING	2	(K)	
18	R48604	PLUG	1	(SUB AR51712)	
19	T17137	BALL	1	(SUB AR51712)	
20	R48601	SPRING	1	(SUB AR51712)	
21	R48603	WASHER	1	(SUB AR51712)	
22	R48602	SCREW	1	(SUB AR51712)	
23	AR51712	SCREW	1		
24	R36646	SCREW	1		
25	T15712	O-RING	1	(K)	
26	R40707	PLUG	1	(SUB FOR T15711, THIS APPLICATION)	
27	R56396	O-RING	2		
..	AR79462	FUEL INJECTION PUMP	1	(ROOSA-MASTER NO. JDB635MD3055)	

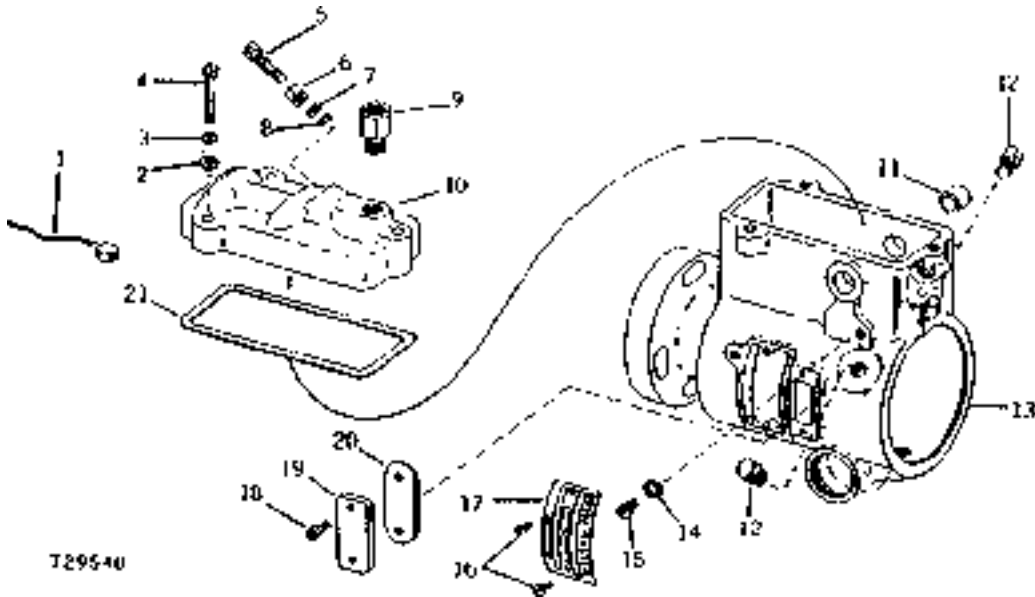
(K) KIT AR34612

1D13

FUEL AND AIR

FUEL INJECTION PUMP HOUSING (6329DH) (ROOSA-MASTER)

T29540 -UN-01JAN94



KEY	PART NO.	PART NAME	QTY	SERIAL NO.	REMARKS
1	T11877	WIRE	4		
2	T15715	WASHER	3		
3	12H295	LOCK WASHER	3	0.190"	
4	T15721	SCREW	3		
	R71851	SCREW	2		
5	T17953	CAP SCREW	1		
6	T11921	NUT	1		
7	T17947	WASHER	1		
8	R34812	O-RING	1	(A)	(SUB FOR T17951 AND T11906)
9	R36535	CHECK VALVE	1		
10	R37139	COVER	1		
11	R48493	BUSHING	2		
12	R30714	BOLT	2		
13	AR67675	HOUSING	1		
14	T11878	WASHER	1	(A)	
15	T11930	SCREW	1		
16	T11876	SCREW	2		
17	T11875	IDENTIFICATION PLATE	1		
18	T11884	SCREW	4		
19	T11882	COVER	2		
20	T11883	GASKET	2	(A)	
21	T11918	GASKET	1	(A)	
..	AR79462	FUEL INJECTION PUMP	1	(ROOSA-MASTER NO. JDB635MD3055)	

KIT LISTED BELOW CONSISTS OF ALL PARTS IDENTIFIED BY AN (A) ON THIS PAGE AND PAGES 30-4, 30-7, 30-10, 30-14, 30-15, AND 30-21.

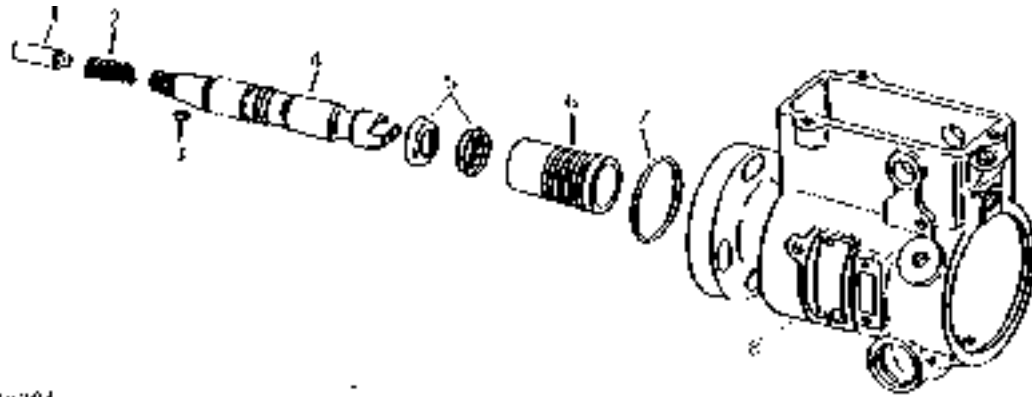
..	AR34612	GASKET KIT	1	OVERHAUL GASKET	
----	---------	------------	---	-----------------	--

1D14

FUEL AND AIR

FUEL INJECTION PUMP DRIVE
(6329DH)
(ROOSA-MASTER)

T29294 -UN-01JAN94



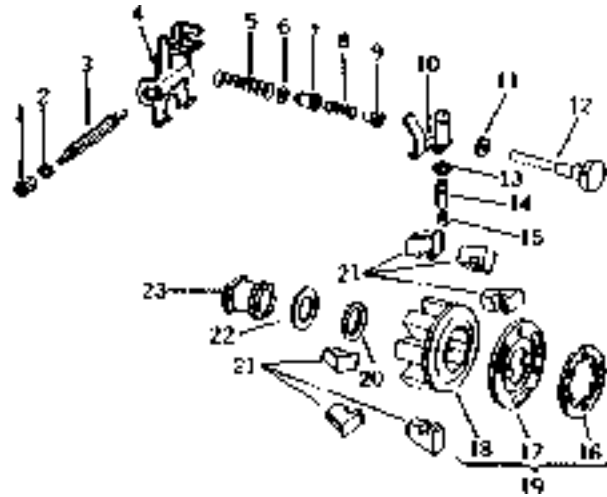
124794

KEY	PART NO.	PART NAME	QTY	SERIAL NO.	REMARKS
1	T19855	PIN	1		
2	R36540	SPRING	1		
3	26H10	SHAFT KEY	1	5/32" X 5/8"	
4	R36538	DRIVE SHAFT	1		
5	T11290	SEAL	2	(A)	
6	T19865	BUSHING	1		
7	T19854	O-RING	1	(A)	
8	AR67675	HOUSING	1		
..	AR79462	FUEL INJECTION PUMP	1	(ROOSA-MASTER NO. JDB635MD3055)	
KIT LISTED BELOW CONSISTS OF ALL PARTS IDENTIFIED BY AN (A) ON THIS PAGE AND PAGES 30-4, 30-7, 30-10, 30-14, 30-15, AND 30-20.					
..	AR34612	GASKET KIT	1	OVERHAUL GASKET	

1D15

FUEL INJECTION PUMP GOVERNOR (6329DH) (ROOSA-MASTER)

T20274 -UN-01JAN94



KEY	PART NO.	PART NAME	QTY	SERIAL NO.	REMARKS
1	T11932	NUT	2		
2	R34812	O-RING	2	(A)	
3	T11925	SHAFT	1		
4	T16602	ARM	1		
5	T11953	SPRING	1	(COLORED RED AND GREEN)	
6	T17952	WASHER	1		
7	T11924	RETAINER	1		
8	T11913	SPRING	1		
9	T11914	GUIDE	1		
10	R74312	ARM	1	(SUB FOR AR30736, THIS APPLICATION)	
11	T11943	WASHER	1	(A)	
12	T11923	STUD	1		
13	R30732	SHIM	1		
14	R48500	VALVE	1		
15	R58422	SPRING	1		
16	R42483	RING	1	(A)	
17	AR63213	HUB	1		
18	AR63212	RETAINER	1		
19	AR51959	RETAINER	1		
20	T11931	RING	1		
21	T11910	WEIGHT	6		
22	T11909	WASHER	1		
23	R74472	SLEEVE	1	(SUB FOR T16601)	
..	AR79462	FUEL INJECTION PUMP	1	(ROOSA-MASTER NO. JDB635MD3055)	
KIT LISTED BELOW CONSISTS OF ALL PARTS IDENTIFIED BY AN (A) ON THIS PAGE AND PAGES 30-4, 30-7, 30-10, 30-14, 30-15, 30-20, AND 30-21.					
..	AR34612	GASKET KIT	1	OVERHAUL GASKET	

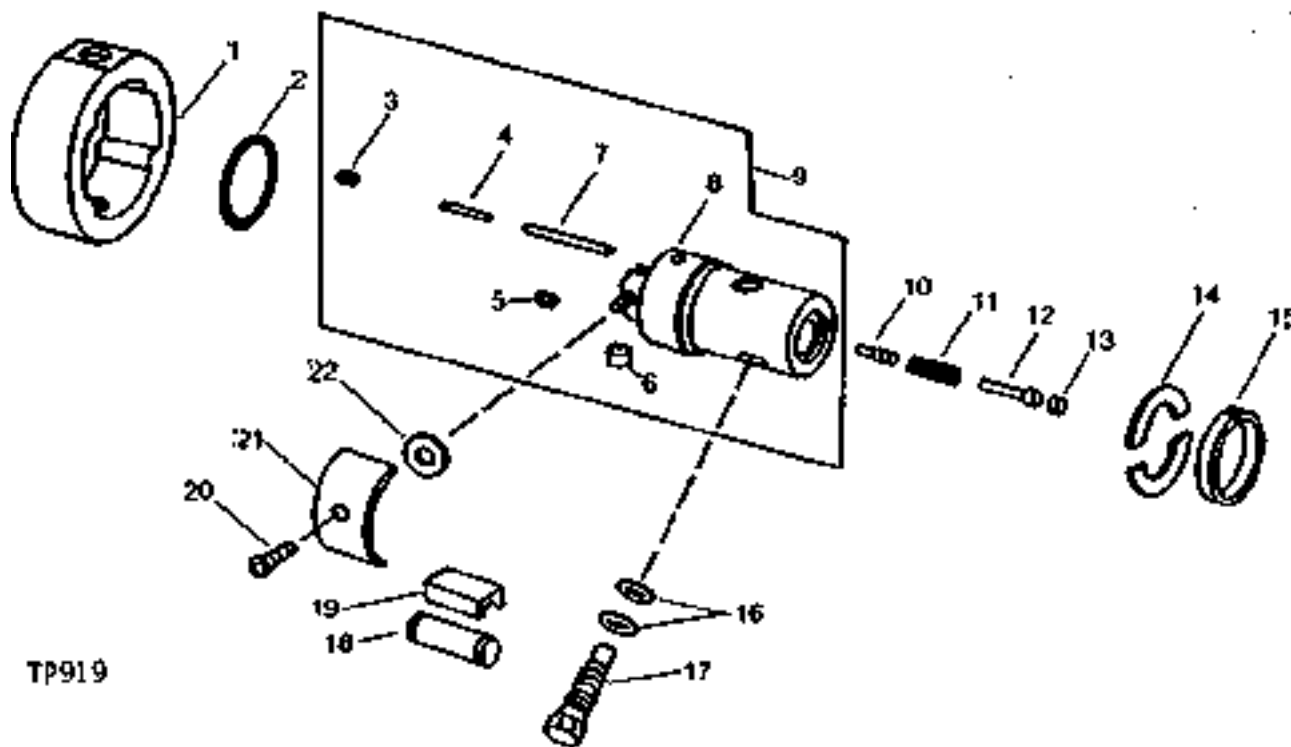
1D16

FUEL AND AIR

FUEL INJECTION PUMP HEAD AND ROTOR GROUP (6329DH)

TP919

-UN-01JAN94



TP919

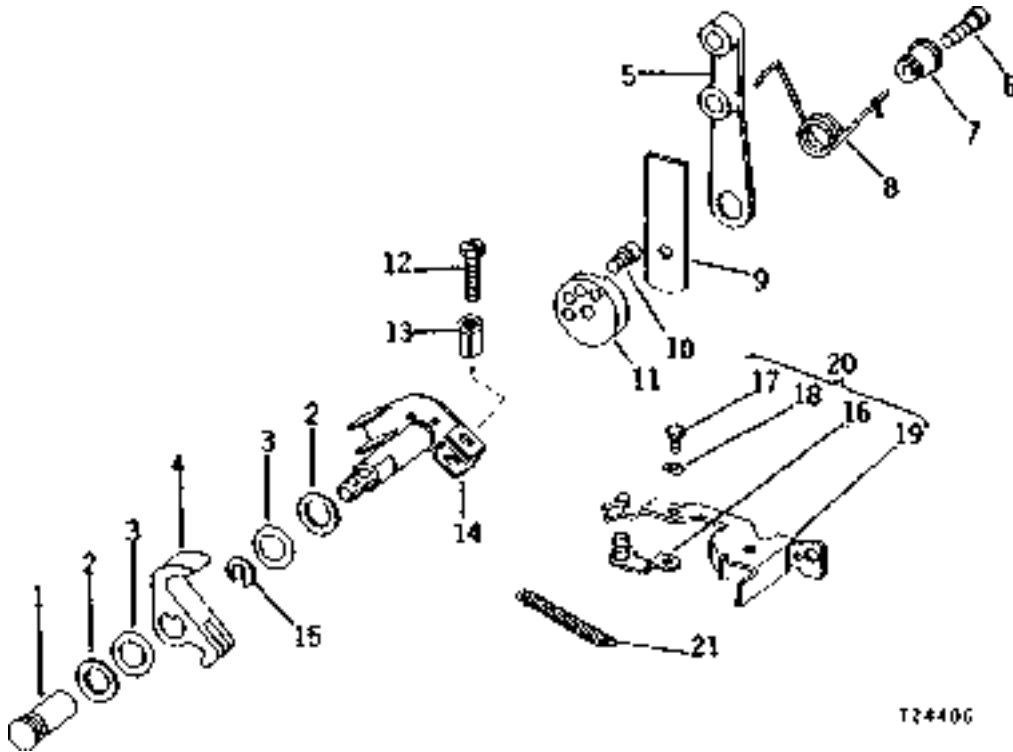
KEY	PART NO.	PART NAME	QTY	SERIAL NO.	REMARKS
1	R48494	RING	1		
2	T11891	O-RING	1	(A)	
3	R30725	SCREW	2		HYDRAULIC HEAD PLUG
4	R48495	WIRE	1	(DH-01, DN-03)	
	R49346	DOWEL PIN	1	(DH-02)	
5	T11926	SET SCREW	1		
6	T32238	PLUNGER	2	(ROTOR A)	
	T32239	PLUNGER	2	(ROTOR B)	
	T32240	PLUNGER	2	(ROTOR C)	
	T32241	PLUNGER	2	(ROTOR D)	
7	R30727	RETAINER	1		
8	ROTOR	1	(SUB AR52269)	
9	AR52269	HYDRAULIC HEAD, AND ROTOR	1		HEAD AND ROTOR ASSEMBLY
10	T31129	VALVE	1		(DH-01, DH-02, DN-03) (SUB FOR R30762, THIS APPLICATION)
	R31125	VALVE	1		(OVERSIZE) (DH-01, DN-03)
11	R30735	SPRING	1		DELIVERY VALVE
12	T26223	STOP	1		
13	R30737	SCREW	1		
14	T11890	RETAINER	2		
15	T11889	SNAP RING	1		
16	T20055	WASHER	12	(A)	
17	R26726	FITTING	6		
18	T11886	NEEDLE ROLLER	2		
19	R56483	SHOE	1		
20	T11887	SCREW	1		
21	R30724	LEAF SPRING	1		
22	T31124	SHIM	AR		0.13 MM (0.005")
	T31125	SHIM	AR		0.16 MM (0.006")
	T31126	SHIM	AR		0.18 MM (0.007")
	T31127	SHIM	AR		0.20 MM (0.008")
	T31128	SHIM	AR		0.23 MM (0.009")
..	AR79462	FUEL INJECTION PUMP	1		(ROOSA-MASTER NO. JDB635MD3055)

1D17

FUEL AND AIR

FUEL INJECTION PUMP LINKAGE (6329DH)

T24406 -UN-01JAN94



T24406

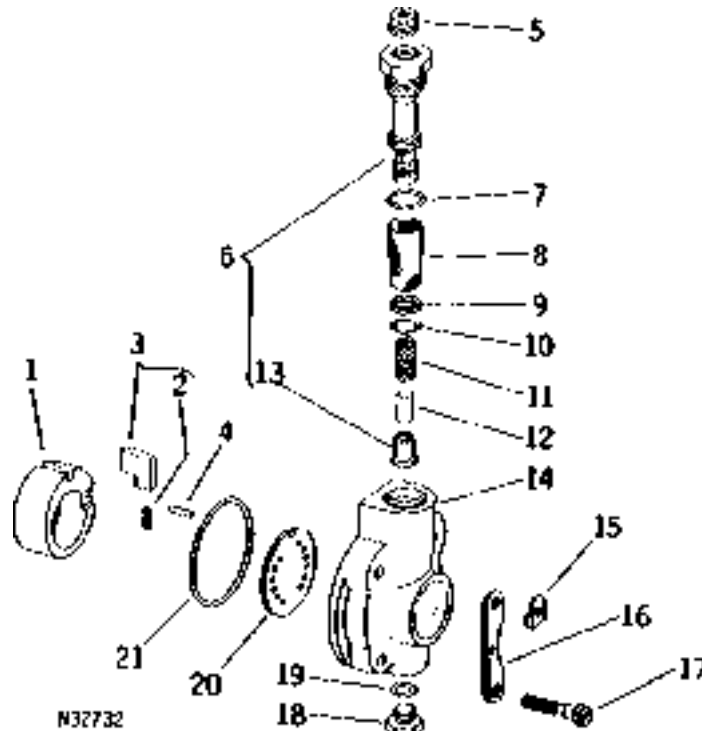
KEY	PART NO.	PART NAME	QTY	SERIAL NO.	REMARKS
1	R59079	SHAFT	1		
2	T15720	WASHER	2	(A)	
3	R76578	O-RING	2	(A) (SUB FOR T11915)	
4	T11927	LEVER	1		
5	T19858	LEVER	1		
6	R70513	SCREW	1	(SUB FOR T19859, THIS APPLICATION)	
7	T17950	RETAINER	1		
8	T17949	SPRING	1		
9	T19860	STRAP	1		
10	T11917	SCREW	1		
11	T19861	SPACER	1		
12	T11920	SCREW	1		
13	T19862	NUT	1		
14	R36542	SHAFT	1		
15	T11929	CLIP	1		
16	AR28602	LINK	1		
17	R30718	SCREW	1		
18	R30719	LOCK WASHER	1		
19	T15699	HOOK	1		
20	AT11520	HOOK	1		
21	T11911	SPRING	1		
..	AR79462	FUEL INJECTION PUMP	1	(ROOSA-MASTER NO. JDB635MD3055)	
KIT LISTED BELOW CONSISTS OF ALL PARTS IDENTIFIED BY AN (A) ON THIS PAGE AND PAGES 30-4, 30-7, 30-14, 30-15, 30-20, AND 30-21.					
..	AR34612	GASKET KIT	1	OVERHAUL GASKET	

1D18

FUEL AND AIR

FUEL INJECTION PUMP TRANSFER GROUP (6329DH) (ROOSA-MASTER)

H32732 -UN-01JAN94



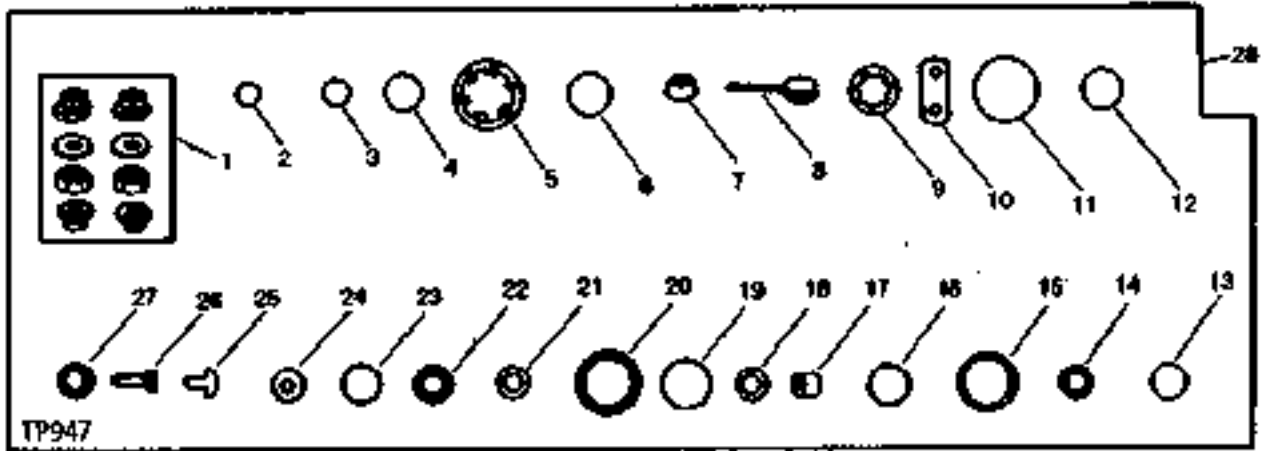
KEY	PART NO.	PART NAME	QTY	SERIAL NO.	REMARKS
1	T26238	SLEEVE	1		
2	R34630	SPRING	2		
3	AR73828	KIT	1		TRANSFER PUMP BLADE, WITH SPRINGS (STANDARD SIZE)
4	AR73829	KIT	1		TRANSFER PUMP BLADE, WITH SPRINGS (OVERSIZE)
4	34H240	SPRING PIN	1		1/8" X 1/4"
5	R34623	PLUG	1		
6	R34622	SLEEVE	1		
7	R33259	O-RING	1		(A)
8	R34625	STRAINER	1		
9	R34632	WASHER	1		(A)
10	T11899	O-RING	1		(A)
11	R49209	SPRING	1		(COLORED BLACK BOTH ENDS)
12	T11900	DOWEL PIN	1		
13	T25142	SEAL	1		(A)
14	R34624	PLATE	1		
15	R48496	CLIP	4		
16	R48497	STRAP	2		
17	R48498	BOLT	4		
18	T30607	DRAIN PLUG	1		(SUB FOR R34629, THIS APPLICATION)
19	T26256	O-RING	1		(A)
20	R34631	PLATE	1		
21	T11894	O-RING	1		(A)
..	AR79462	FUEL INJECTION PUMP	1		(ROOSA-MASTER NO. JDB635MD3055)
KIT LISTED BELOW CONSISTS OF ALL PARTS IDENTIFIED BY AN (A)					
..	AR34612	GASKET KIT	1		OVERHAUL GASKET

1D19

FUEL AND AIR

FUEL INJECTION PUMP OVERHAUL GASKET KIT (6329DH) (ROOSA-MASTER)

TP947 -UN-01JAN94



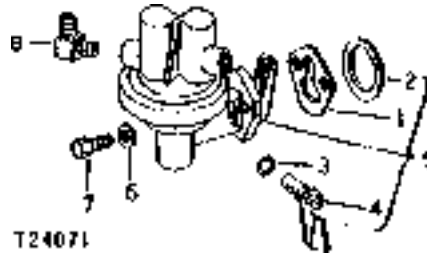
KEY	PART NO.	PART NAME	QTY	SERIAL NO.	REMARKS
1	AR90601	KIT	1		
2	R34632	WASHER	1		
3	R34635	WASHER	1		
4	R34812	O-RING	2		
5	R42483	RING	1		
6	R56396	O-RING	2		
7	T11290	SEAL	2		
8	T11877	WIRE	4		
9	T11878	WASHER	1		
10	T11883	GASKET	1		
11	T11891	O-RING	1		
12	T11894	O-RING	1		
13	T11899	O-RING	3		
14	R76578	O-RING	3		(SUB FOR T11915)
15	T11918	GASKET	1		
16	R33259	O-RING	1		
17	T11937	INSULATOR	2		
18	T11943	WASHER	1		
19	T15710	O-RING	2		
20	T15712	O-RING	1		
21	T15720	WASHER	2		
22	T11906	O-RING	1		(SUB FOR T17951)
23	T19854	O-RING	1		
24	T20055	WASHER	8		
25	T25142	SEAL	1		
26	T26223	STOP	1		
27	T26256	O-RING	1		
28	AR34612	GASKET KIT	1		

1D20

FUEL AND AIR

AIRTEX FUEL TRANSFER PUMP (6329DH)

T24071 -UN-01JAN94



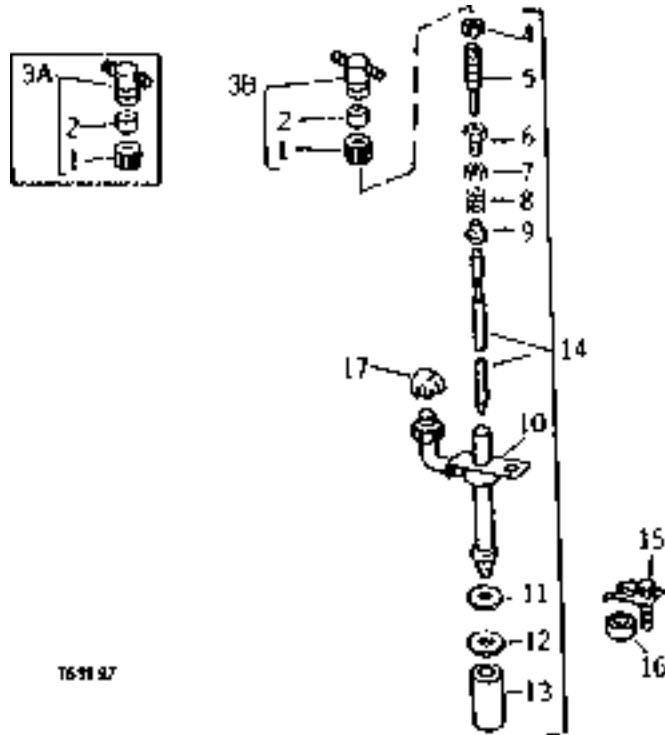
KEY	PART NO.	PART NAME	QTY	SERIAL NO.	REMARKS
1	R27285	GASKET	1		
2	R48399	WASHER	1		
3	A4365R	O-RING	1		
4	AR52556	LEVER	1		
5	AR52159	FUEL PUMP	1		
6	T27860	WASHER	2		(SUB FOR R20498, THIS APPLICATION)
7	19H1849	CAP SCREW	2		5/16" X 1-1/4"
8	R27346	FITTING	1		

1D21

FUEL AND AIR

FUEL INJECTION NOZZLE
(6329DH)
(ENGINE SERIAL NO. -575164)

T69197 -UN-01JAN94



KEY	PART NO.	PART NAME	QTY	SERIAL NO.	REMARKS
1	T29540	FITTING	1		(SUB R79604)
2	T29539	WASHER	1		(SUB R79605)
3A	AT27622	CAP	1	-505383	
3B	AR85618	CAP	1	505384-	(SUB R79604, R79605 AND R79606)
4	R47733	LOCK NUT	1		
5	R47732	SCREW	1		
6	R47734	SCREW	1		
7	R46675	NUT	1		
8	R47731	SPRING	1		
9	R39886	GUIDE	1		
10	R67779	CLAMP	1		
11	R60746	WASHER	1		
12	R48000	WASHER	1		(SUB FOR R34767)
13	T24472	PLUG	1		
14	AR88239	INJECTION NOZZLE	1		(ROOSA-MASTER NO. 22042) (SUB AR89564)
15	R34760	CLAMP	1		
16	R34761	SPACER	1		(SUB RE13887, THIS APPLICATION)
	R60745	SPACER	1		(K) (USE AFTER RE13887 HAS BEEN INSTALLED)
17	T31174	PLUG	1		(USE FOR SERVICING FUEL INJECTION NOZZLE)

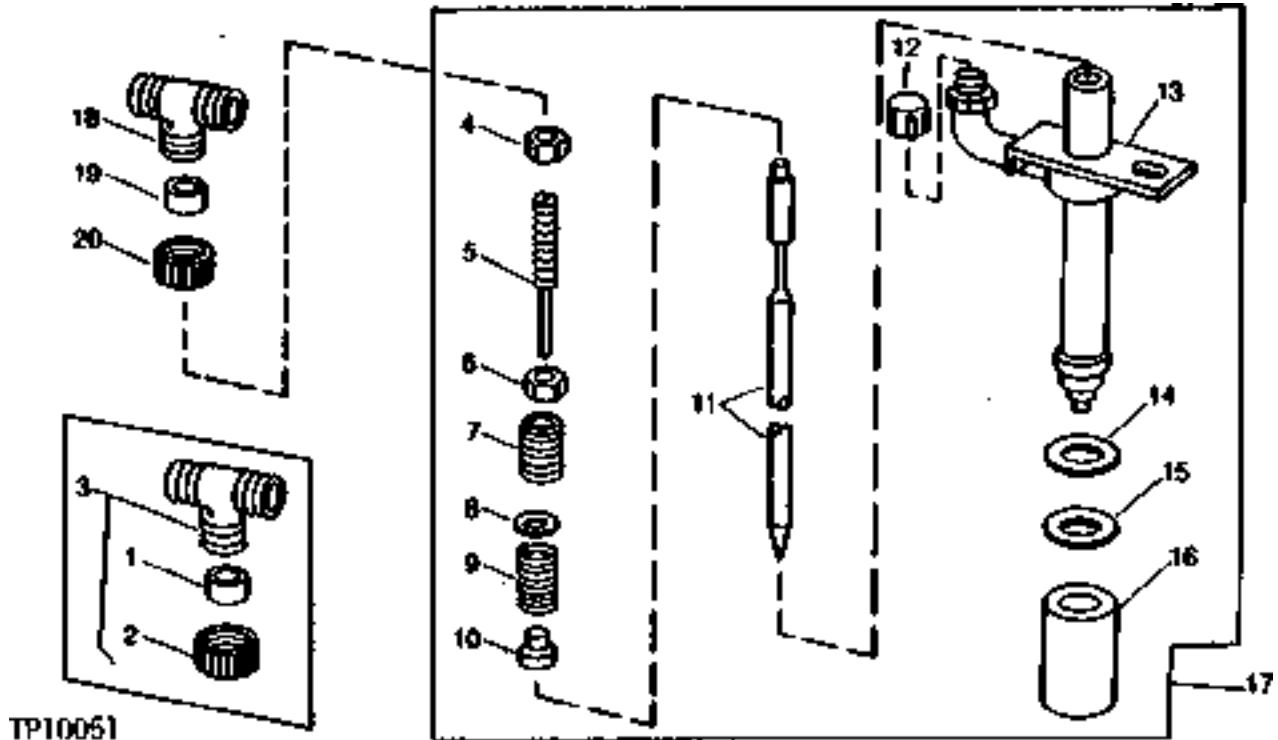
(K) KIT RE13887

MEMORANDA

1D22

FUEL INJECTION NOZZLE
(6329DH)
(ENGINE SERIAL NO. 575165-)

TP10051 -UN-01JAN94



TP10051

KEY	PART NO.	PART NAME	QTY	SERIAL NO.	REMARKS
1	T29539	WASHER	1		(SUB R79605)
2	T29540	FITTING	1		(SUB R79604)
3	AT27622	CAP	1	-505383	
	AR85618	CAP	1	505384-	(SUB R79604, R79605 AND R79606)
4	R47733	LOCK NUT	1		
5	R69443	SCREW	1		
6	R46675	NUT	1		
7	R62984	SCREW	1		
8	R62981	WASHER	1		
9	R69442	SPRING	1		
10	R62982	GUIDE	1		
11	VALVE	1		(SUB AR89564)
12	T31174	PLUG	1		(USE FOR SERVICING NOZZLE)
13	R67779	CLAMP	1		
14	R34764	WASHER	1	-608907	(SUB RE13887, THIS APPLICATION)
	R60746	WASHER	1	608908-	(K)
15	R48000	WASHER	1		
16	T24472	CAP	1		
17	AR89564	INJECTION NOZZLE	1		(ROOSA-MASTER NO. 22202)
18	R79606	TEE FITTING	1		
19	R79605	WASHER	1		
20	R79604	TUBE NUT	1		

(K) KIT RE13887

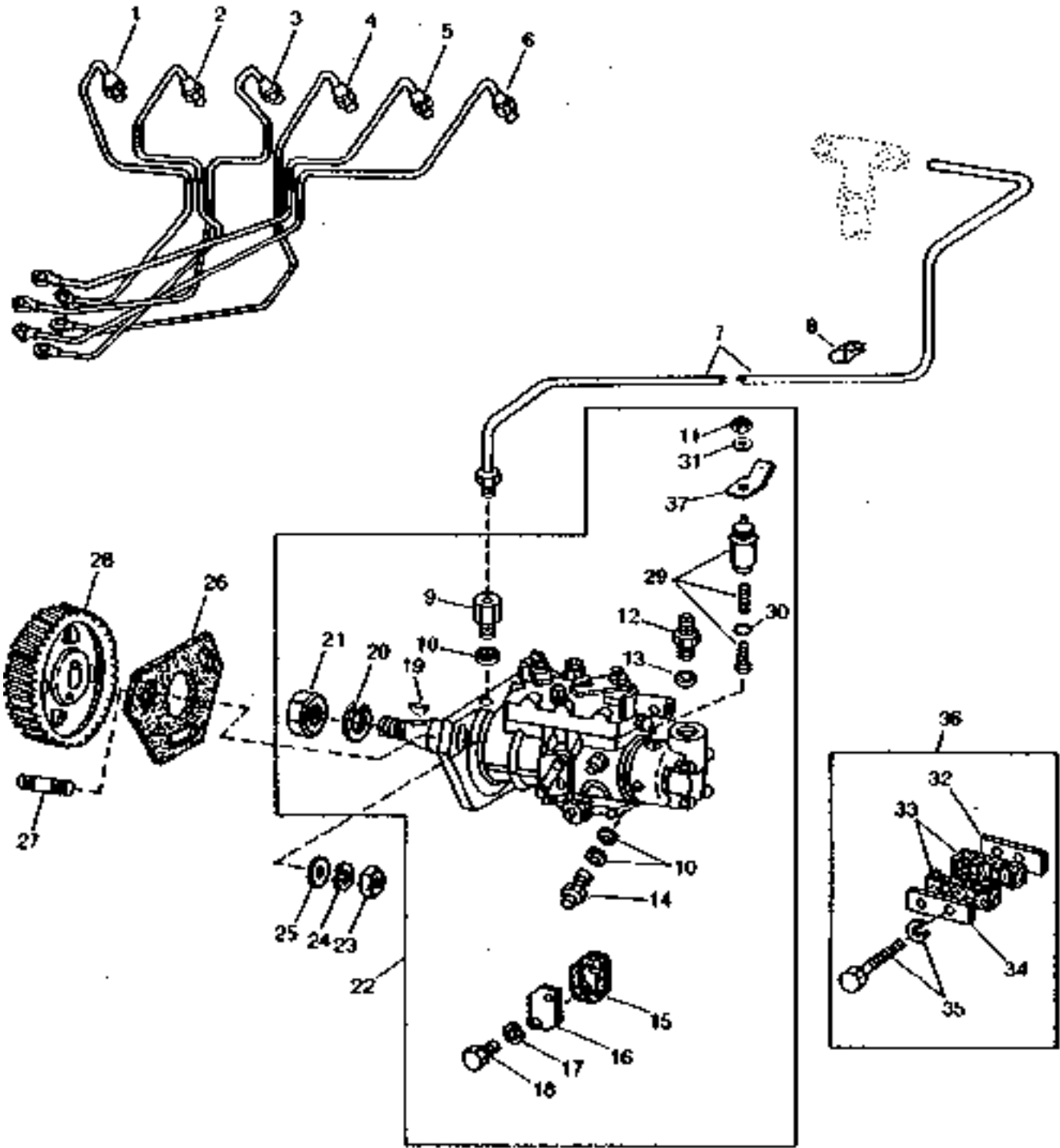
1D23

FUEL AND AIR

HP2302

-UN-01JAN94

FUEL INJECTION PUMP AND LINES (ROTO-DIESEL) (6359DH)



HP2302

FUEL INJECTION PUMP AND LINES - CONTINUED
(ROTO-DIESEL) (6359DH)

KEY	PART NO.	PART NAME	QTY	SERIAL NO.	REMARKS
1	AR67737	FUEL LINE	1	NO. 1	
2	AR67738	FUEL LINE	1	NO. 2	
3	AR67739	FUEL LINE	1	NO. 3	
4	AR67740	FUEL LINE	1	NO. 4	
5	AR67741	FUEL LINE	1	NO. 5	
6	AR67742	FUEL LINE	1	NO. 6	
7	AR89959	LINE	1	LEAK-OFF	
8	T29969	CLAMP	1		
9	RE11602	BALL CHECK	1		
10	T20055	WASHER	13		
11	R67150	NUT	1		
12	R79015	FITTING	1		
13	T24619	WASHER	1		
14	T29464	PEDAL	6		
15	T24543	GASKET	1		
16	T24542	COVER	1		
17	12H295	LOCK WASHER	2	0.190"	
18	T24544	SCREW	2		
19	R56131	SHAFT KEY	1		
20	12H317	LOCK WASHER	1	9/16"	
21	R78743	NUT	1		
22	RE18933	FUEL INJECTION PUMP	1	(ROTO-DIESEL NO. R3462F960)	
23	14H785	NUT	3	5/16"	
24	12H303	LOCK WASHER	3	5/16"	
25	24H1243	WASHER	3	11/32" X 5/8" X 1/16"	
26	R77126	GASKET	1		
27	T22242	SWIVEL	1		
28	R76964	PINION	1	(48 TEETH)	
29	RE14225	SOLENOID	1		
30	R67149	COVER	1		
31	12H295	LOCK WASHER	1	0.190"	
32	R61145	STRAP	1	(ALSO ORDER (2) AR76704)	
33	R59297	HALF CLAMP	2		
34	R59298	STRAP	1		
35	AR76704	SCREW	1	(ALSO ORDER R61145)	
36	DD13912	FLANGE	1		
37	CD13870	BLADE	AR	(MALE)	

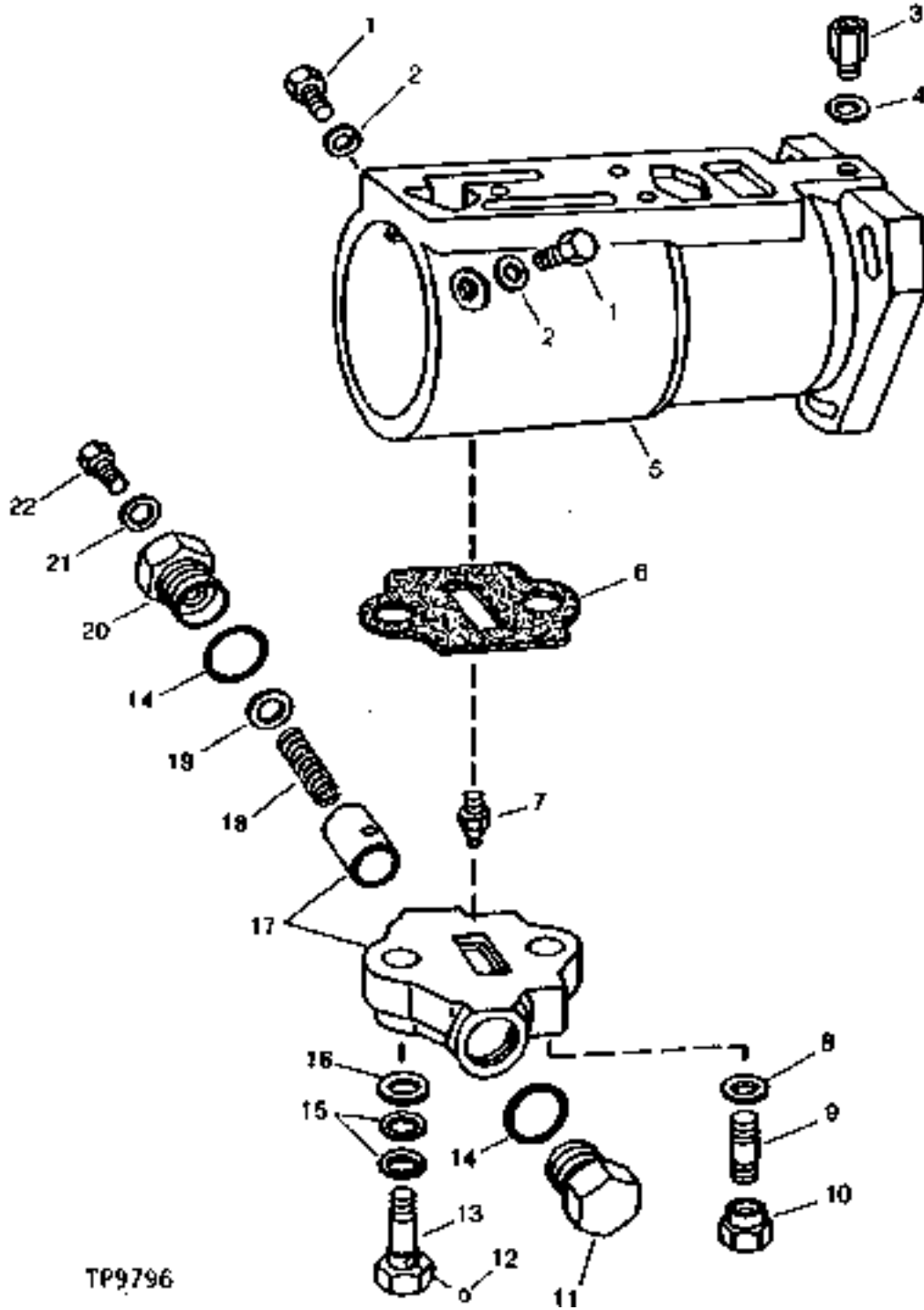
(A) EITHER PART ACCEPTABLE. CHECK LOCAL AVAILABILITY.

1E1

FUEL INJECTION PUMP HOUSING AND AUTOMATIC ADVANCE (ROTO-DIESEL) (6359DH)

TP9796

-UN-01JAN94



TP9796

FUEL INJECTION PUMP HOUSING AND AUTOMATIC ADVANCE - CONTINUED
(ROTO-DIESEL) (6359DH)

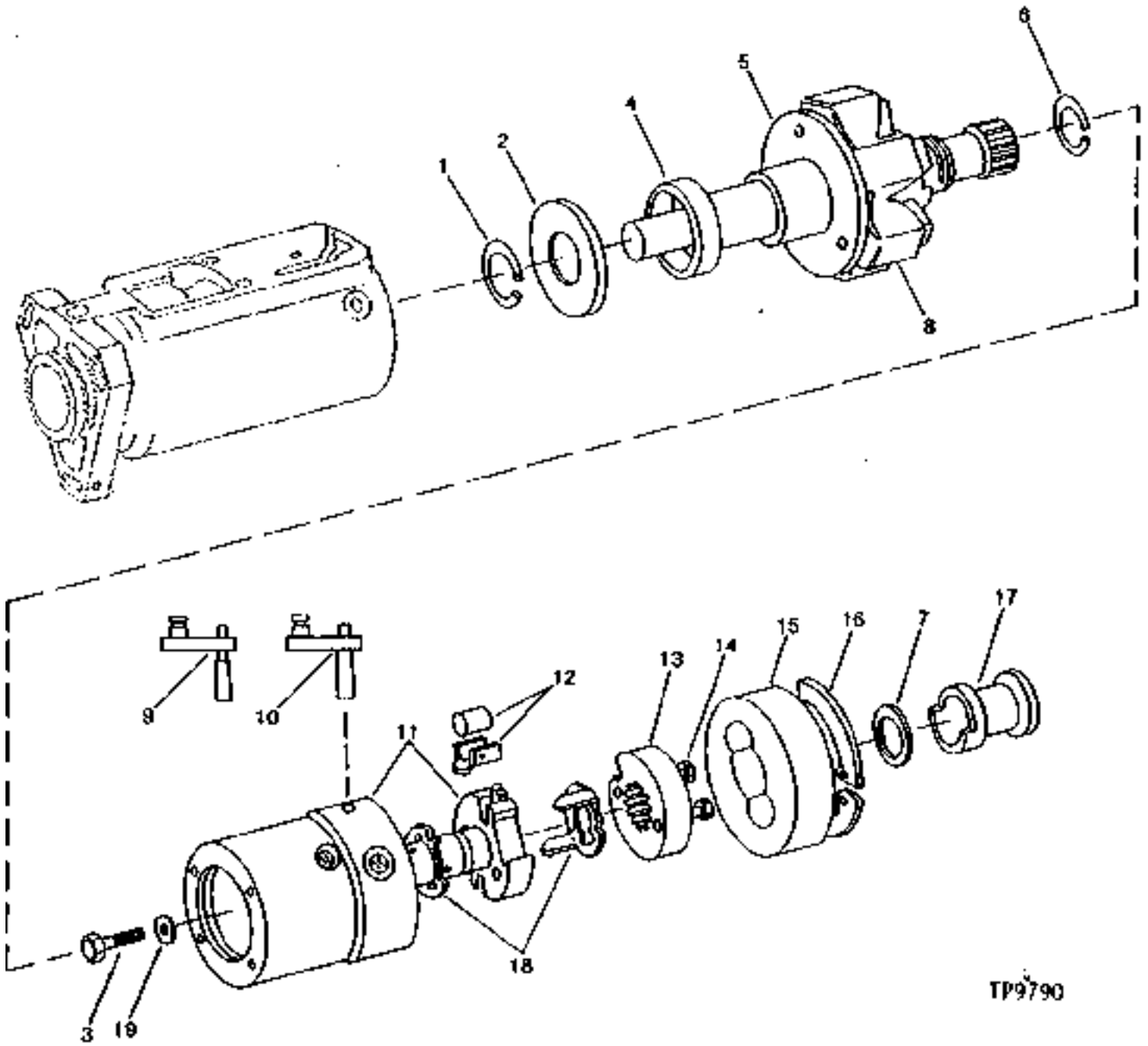
KEY	PART NO.	PART NAME	QTY	ENGINE SERIAL NO.	REMARKS
1	T24550	SCREW	1		
2	T24553	WASHER	2		
3	RE11602	BALL CHECK	1		
4	T20055	WASHER	1		
5	RE13783	HOUSING	1		
6	T24637	GASKET	1		
7	T24623	SCREW	1		
8	T24634	WASHER	1		
9	T24632	STUD	1		
10	T24633	FITTING	1		
11	T24625	PLUG	1		
12	T24652	BALL	1		
13	T24636	FITTING	1		
14	T24650	O-RING	1		
15	T24651	O-RING	1		
16	T24635	WASHER	1		
17	RE11598	HOUSING	1		
18	R63035	SPRING	1		
19	R73027	SHIM	AR	0.1 MM (.004")	
	T24628	SHIM	AR	0.2 MM (.008")	
	T24629	SHIM	AR	0.5 MM (.020")	
	T24630	WASHER	AR	1 MM (.040")	
	T24631	WASHER	AR	2 MM (.080")	
20	T24626	CAP	1		
21	T24627	WASHER	1		
22	T24649	SCREW	1		

1E3

TP9790

-UN-01JAN94

FUEL INJECTION PUMP HEAD, ROTOR AND DRIVE (ROTO-DIESEL) (6359DH)



TP9790

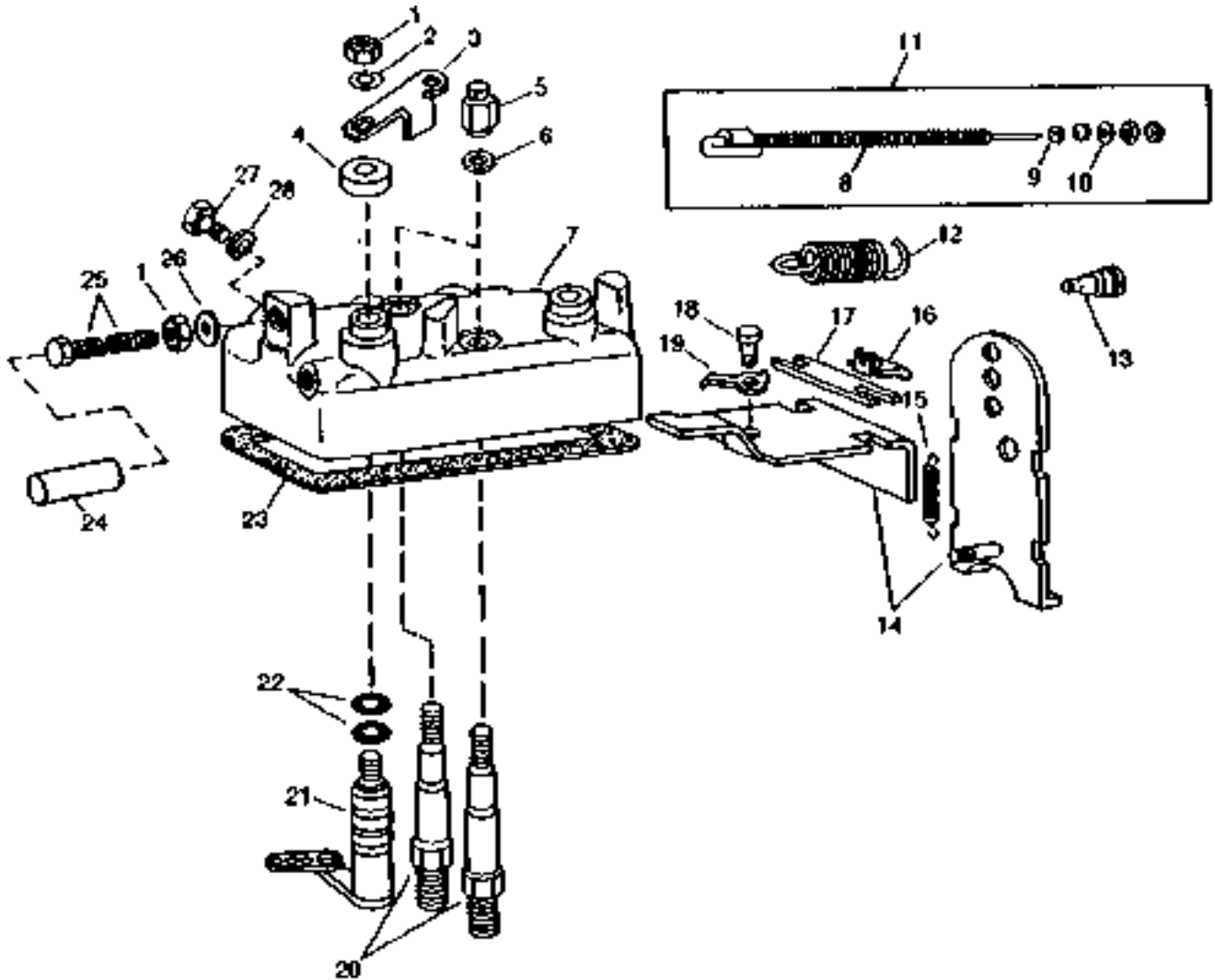
FUEL INJECTION PUMP HEAD, ROTOR AND DRIVE - CONTINUED
(ROTO-DIESEL) (6359DH)

KEY	PART NO.	PART NAME	QTY	SERIAL NO.	REMARKS
1	R56135	SNAP RING	1		
2	R56136	WASHER	AR		
	R77683	WASHER	AR		TK = 2.18 MM (.086")
	R77684	WASHER	AR		TK = 2.31 MM (.097")
3	T24546	SCREW	1		
4	AT21738	GASKET	1		
5	RE13782	DRIVE SHAFT	1		
6	R56132	SNAP RING	1		
7	T24564	WASHER	2		
8	T24562	WEIGHT	4		
9	RE14226	VALVE	AR		STANDARD
10	RE14227	VALVE	AR		OVERSIZE
11	AR87378	HYDRAULIC HEAD, AND ROTOR	1		
12	RE14224	KIT	1		
13	T24558	PLATE	1		
14	T24559	SCREW	2		
15	R63102	RING	1		
16	R51799	SNAP RING	1		
17	R60373	SLEEVE	1		
18	AR93638	PLATE	1		(ADJUSTMENT)
19	T27761	WASHER	1		

1E5

HP2303 -UN-01JAN94

FUEL INJECTION PUMP LINKAGE AND COVER (ROTO-DIESEL) (6359DH)



HP2303

1E6

FUEL AND AIR

FUEL INJECTION PUMP LINKAGE AND COVER - CONTINUED (ROTO-DIESEL) (6359DH)

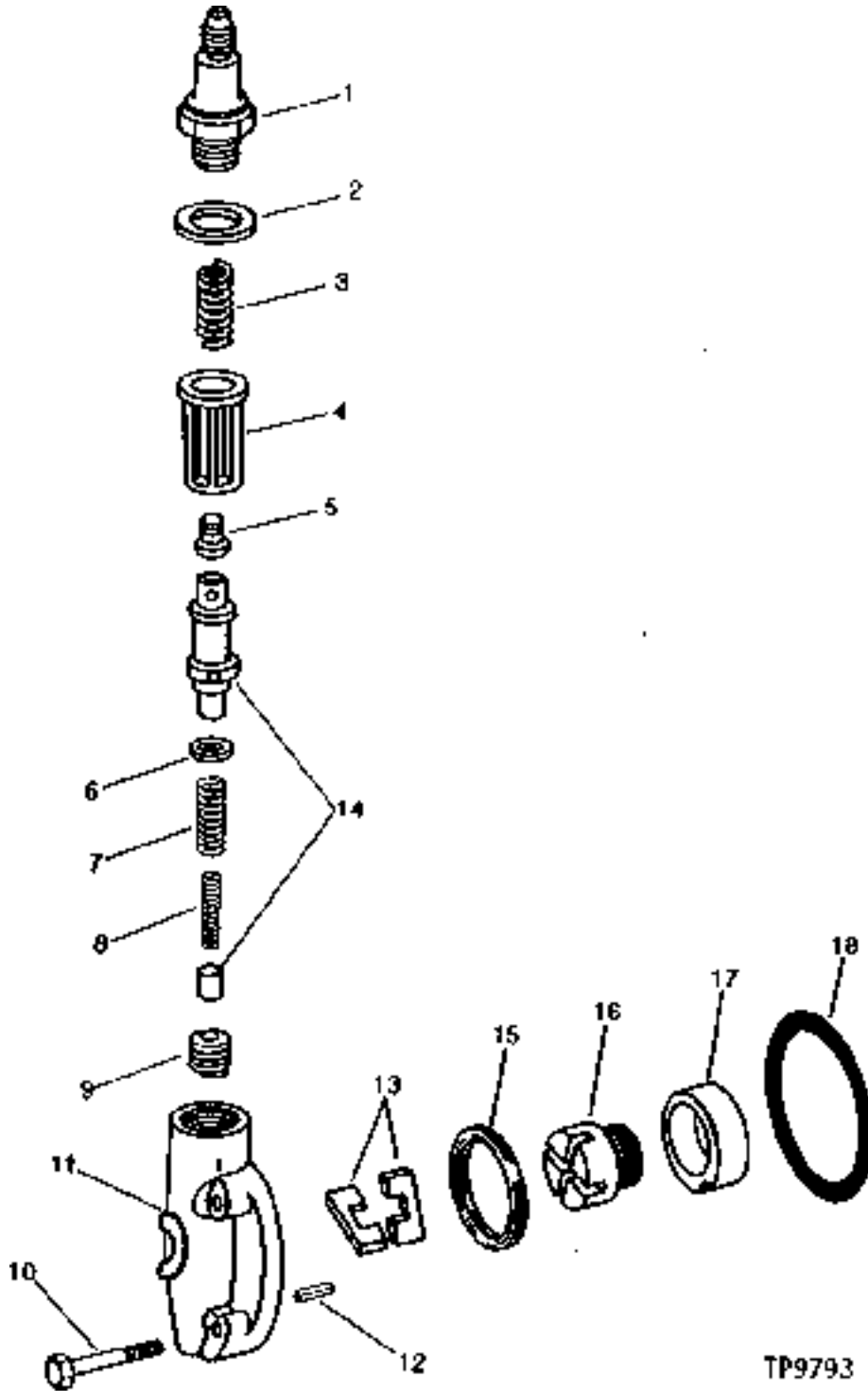
KEY	PART NO.	PART NAME	QTY	ENGINE SERIAL NO.	REMARKS
1	T24589	NUT	2		
2	12H295	LOCK WASHER	1	0.190"	
3	T24588	LEVER	1		
4	T24590	CAP	1		
5	T24598	NUT	2		
6	T24599	WASHER	2		
7	R67149	COVER	1		
8	T24577	BOLT	1	(SUB AT29461)	
9	T24581	WASHER	1	(SUB AT29461)	
10	T24583	WASHER	1	(SUB AT29461)	
11	AT29461	LINKAGE	1		
12	R50933	SPRING	1		
13	T24586	GUIDE	1		
14	RE16904	KIT	1		THROTTLE LEVER, BRACKET AND SPRING
15	T24576	SPRING	1		
16	T24596	WASHER	2		
17	T24595	PLATE	1		
18	R62077	CAP SCREW	1		
19	R62078	WASHER	1		
20	T24597	STUD	2		
21	AT21742	SHAFT	1		
22	T24647	O-RING	4		
23	R79541	GASKET	1		
24	R79016	COVER	1		
25	R80027	SCREW	1		
26	T24604	WASHER	2		
27	R80312	CAP SCREW	1		
28	R80313	WASHER	1		

1E7

TP9793

-UN-01JAN94

FUEL INJECTION PUMP TRANSFER (ROTO-DIESEL) (6359DH)



1E8

FUEL AND AIR

FUEL INJECTION PUMP TRANSFER - CONTINUED (ROTO-DIESEL) (6359DH)

KEY	PART NO.	PART NAME	QTY	ENGINE SERIAL NO.	REMARKS
1	R79015	FITTING	1		
2	T24619	WASHER	1		
3	T24617	SPRING	1		
4	T24618	FUEL FILTER	1		
5	R59821	PLUG	1		
6	T24622	SHIM	1		
7	R77680	SPRING	1		
8	R77681	SPRING	1		
9	T24658	SPRING	1		
10	R77682	CAP SCREW	4		
11	AR78632	PLATE	1		
12	34H240	SPRING PIN	1		1/8" X 1/4"
13	R62054	BLADE	2		
14	RE11601	KIT	1		
15	R24549	WASHER	1		
16	T24610	ROTOR	1		
17	R62052	CAM	1		
18	T24548	O-RING	1		

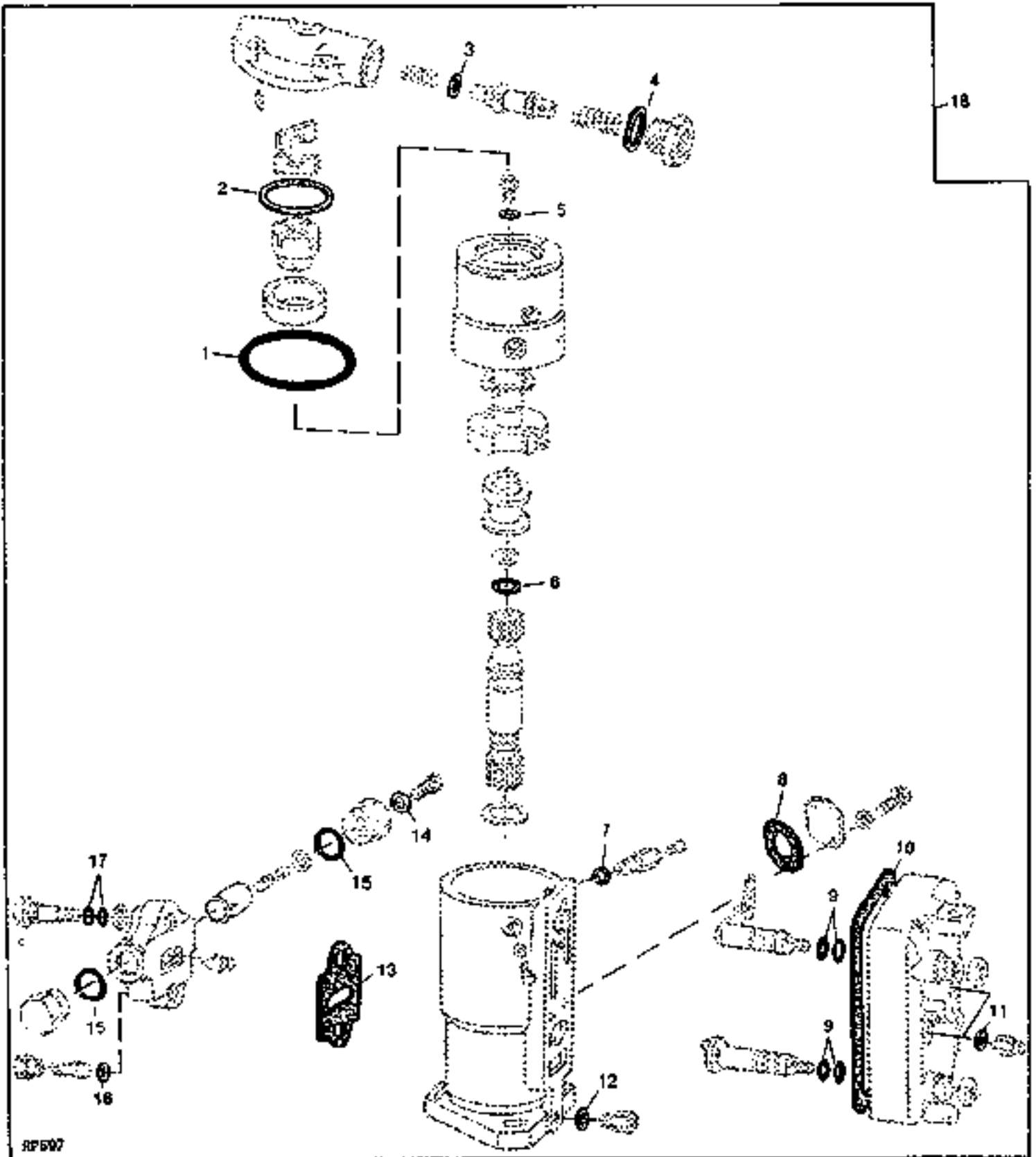
1E9

FUEL AND AIR

FUEL INJECTION PUMP GASKET KIT (ROTO-DIESEL) (6359DH)

RP697

-UN-01JAN94



RP697

FUEL INJECTION PUMP GASKET KIT - CONTINUED
(ROTO-DIESEL) (6359DH)

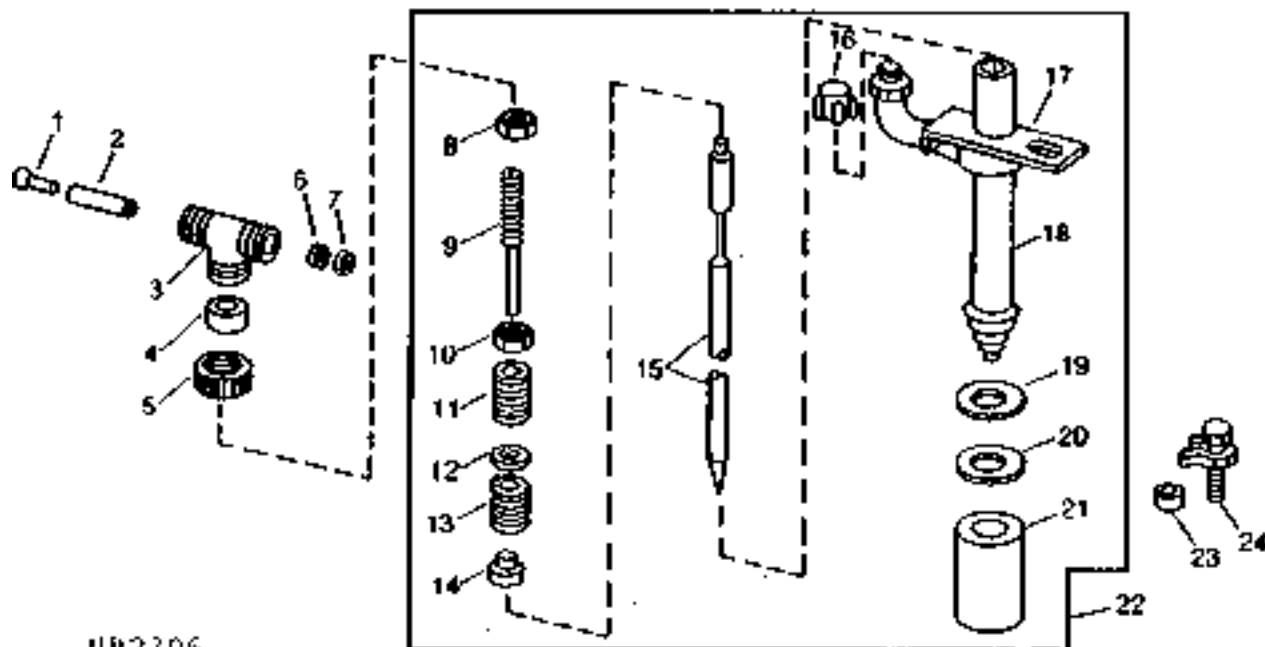
KEY	PART NO.	PART NAME	QTY	ENGINE SERIAL NO.	REMARKS
1	T24548	O-RING	1		
2	T24549	WASHER	1		
3	T24622	SHIM	1		
4	T24619	WASHER	1		
5	T27761	WASHER	1		
6	T30653	O-RING	1		
7	T24553	WASHER	2		
8	T24543	GASKET	1		
9	T24647	O-RING	4		
10	R79541	GASKET	1		(SUB FOR T24600)
11	T24599	WASHER	2		
12	T20055	WASHER	6		
13	T24637	GASKET	1		
14	T24627	WASHER	1		
15	T24650	O-RING	1		
16	T24634	WASHER	1		
17	T24651	O-RING	2		
18	AR69852	GASKET KIT	1		KIT

1E11

FUEL AND AIR

FUEL INJECTION NOZZLE (ROTO-DIESEL) (6359DH)

HP2306 -UN-01JAN94

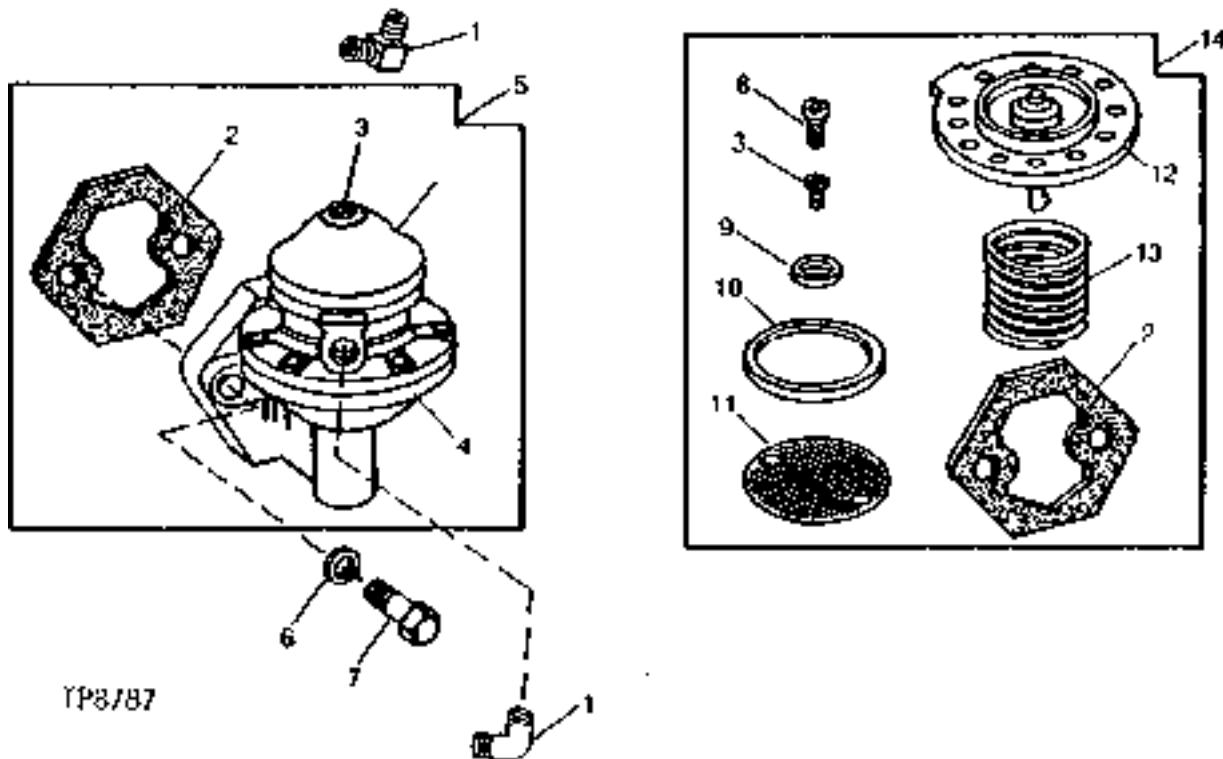


KEY	PART NO.	PART NAME	QTY	SERIAL NO.	REMARKS
1	16M2605	RIVET	1	6 X 20 MM	
2	R66090	TUBE	2		
3	R79606	TEE FITTING	1		
4	R79605	WASHER	1		
5	R79604	TUBE NUT	1		
6	R51936	PACKING	6		
7	R51937	TUBE NUT	6		
8	R47733	LOCK NUT	1		
9	R69443	SCREW	1		
10	R46675	NUT	1		
11	R62984	SCREW	1		
12	R62981	WASHER	1		
13	R69442	SPRING	1		
14	R62982	GUIDE	1		
15	VALVE	1	(SUB AR89564)	
16	T31174	PLUG	1	(USE FOR SERVICING NOZZLE)	
17	R67779	CLAMP	1		
18	TUBE	1	(SUB AR89564)	
19	R60746	WASHER	1	(K) (SUB RE13887) (SUB FOR R34764)	
20	R48000	WASHER	1		
21	T24472	PLUG	1	(USE FOR SERVICING NOZZLE)	
22	AR89564	INJECTION NOZZLE	1	(ROOSA-MASTER NO. 22202)	
23	R60745	SPACER	1	(K)	
24	R34760	CLAMP	1	WITH SCREW AND WASHER	

(K) KIT RE13887

FUEL TRANSFER PUMP
(AC AND SOFABEX)
(6359DH)

TP8787 -UN-01JAN94



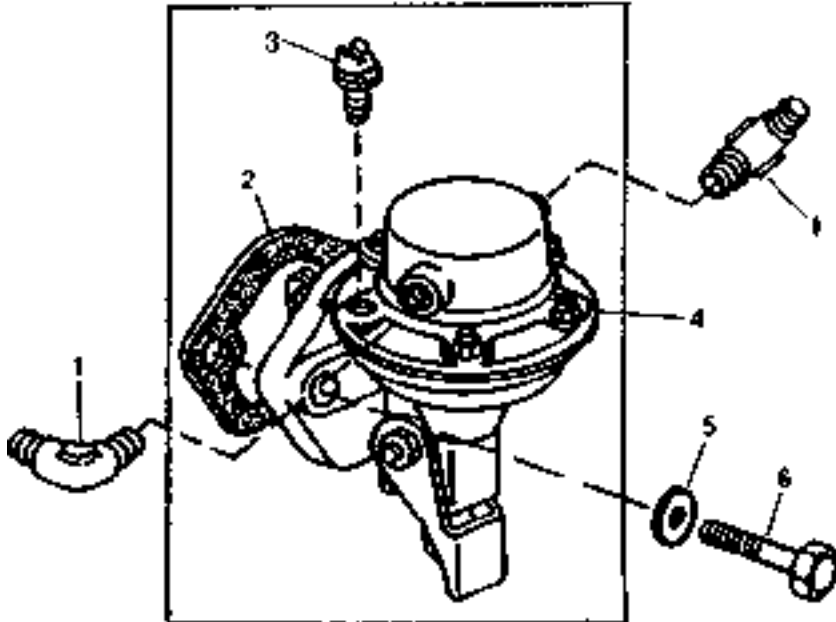
TP8787

KEY	PART NO.	PART NAME	QTY	SERIAL NO.	REMARKS
1	T30738	ELBOW FITTING	2		
2	R27285	GASKET	1		
3	21M7036	SCREW	1	M5 X 16	
4	FUEL PUMP	1	(SUB DD14292)	
5	DD14292	FUEL PUMP	1		
6	R20498	WASHER	2		
7	19H1849	CAP SCREW	2	5/16" X 1-1/4"	
8	R49266	BOLT	2		
9	GASKET	1	(SUB RE13517)	
10	GASKET	1	(SUB RE13517)	
11	SCREEN	1	(SUB RE13517)	
12	DIAPHRAGM	1	(SUB RE13517)	
13	SPRING	1	(SUB RE13517)	
14	RE13517	KIT	1		

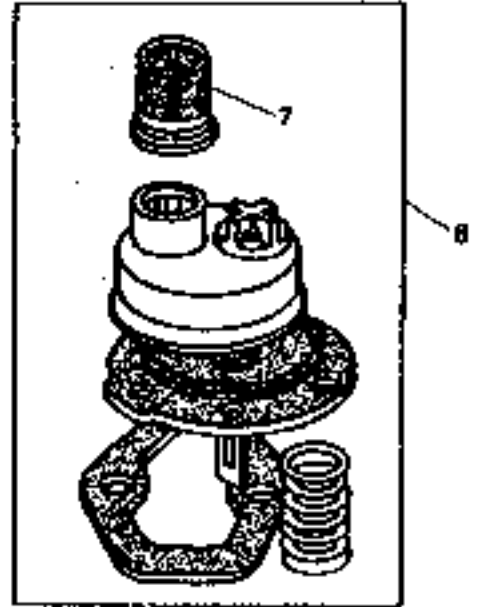
1E13

FUEL TRANSFER PUMP
(CORONA)
(6359DH)

TP5316 -UN-01JAN94



TP5316



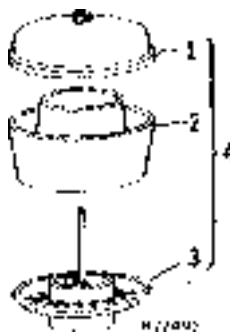
KEY	PART NO.	PART NAME	QTY	SERIAL NO.	REMARKS
1	T30738	ELBOW FITTING	2	90°	
2	R27285	GASKET	1		
3	AR102676	SCREW, WITH WASHER	6		
4	DD14195	FUEL PUMP	1		WITH GASKET
5	24H1136	WASHER	2		11/32" X 11/16" X 0.065"
6	19H1849	CAP SCREW	2		5/16" X 1-1/4"
7	R75931	STRAINER	1		
8	DD14194	FUEL PUMP	1		

1E14

FUEL AND AIR

H22493 -UN-01JAN94

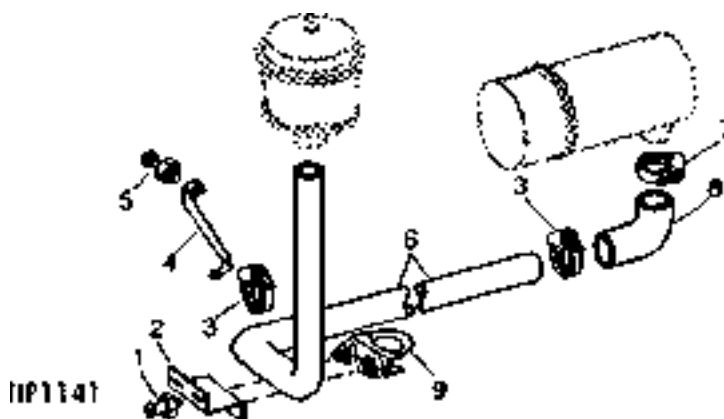
PRECLEANER



KEY	PART NO.	PART NAME	QTY	SERIAL NO.	REMARKS
1	AR1729R	COVER	1		
2	R28795	DUST BOWL	1		
3	AR28040	BASE	1		
4	AR26417	PRESCREENER	1		

AIR INTAKE TUBES (PRECLEANER TO AIR CLEANER)

HP1141 -UN-01JAN94

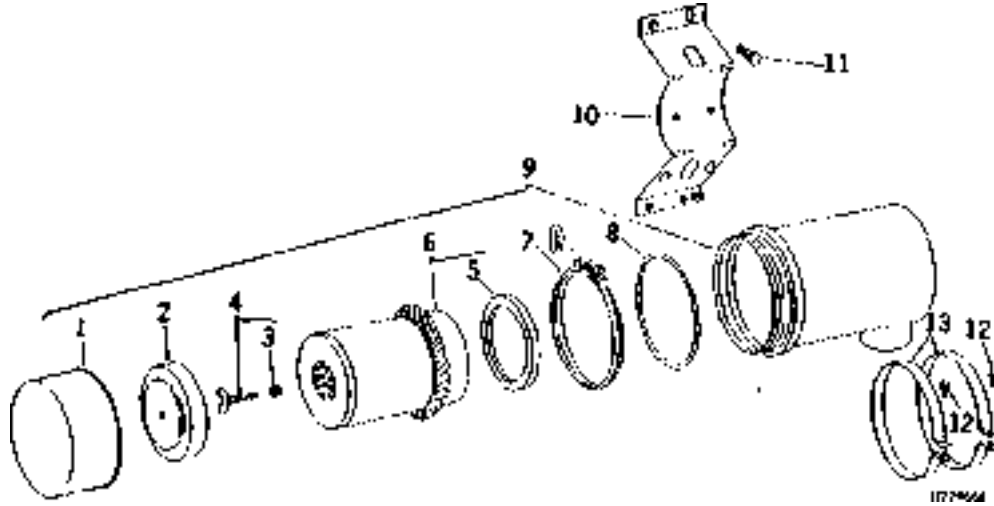


KEY	PART NO.	PART NAME	QTY	SERIAL NO.	REMARKS
1	03H1540	BOLT	2	5/16" X 3/4"	
	N10213	LOCK NUT	2		
2	H84692	BRACKET	1		
3	AR21841	CLAMP	2		
4	H102146	BRACE	1		
5	03H1540	BOLT	1	5/16" X 3/4"	
	N10213	LOCK NUT	1		
6	H98972	TUBE	1		
7	C16054	CLAMP	1		
8	H76357	HOSE	1		
9	AH83985	CLAMP	1		

1E15

H27966F -UN-01JAN94

AIR CLEANER

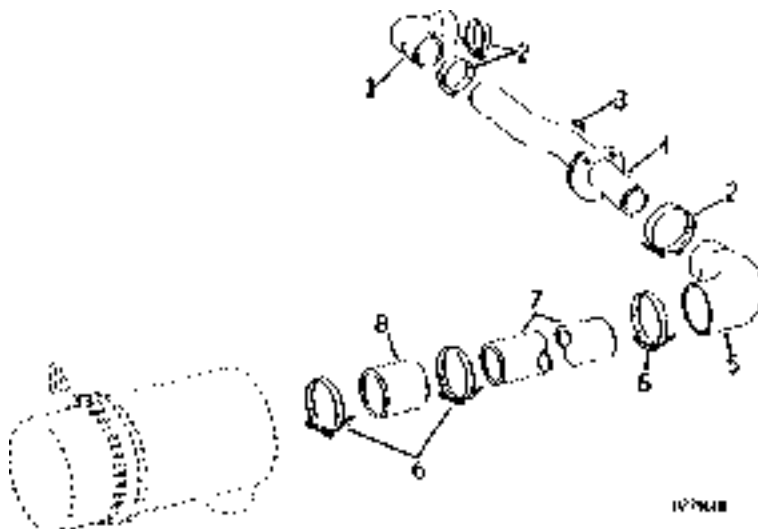


KEY	PART NO.	PART NAME	QTY	SERIAL NO.	REMARKS
1	AH21420	CAP	1		
2	R36698	COVER	1		
3	R36699	WASHER	1		
4	R36701	WING SCREW	1		
5	R36700	GASKET	1		
6	AR36044	AIR CLEANER	1		
7	AH21419	CLAMP	1		
8	H36036	O-RING	1		
9	AH21283	AIR CLEANER	1		
10	H84693	SUPPORT	1		
11	N10212	SELF-LOCKING SCREW	2		
12	21H1331	SCREW	2		5/16" X 1"
	14H785	NUT	2		5/16"
13	H76365	STRAP	2		

1E16

H27968F -UN-01JAN94

AIR INTAKE TUBES (AIR CLEANER TO MANIFOLD)



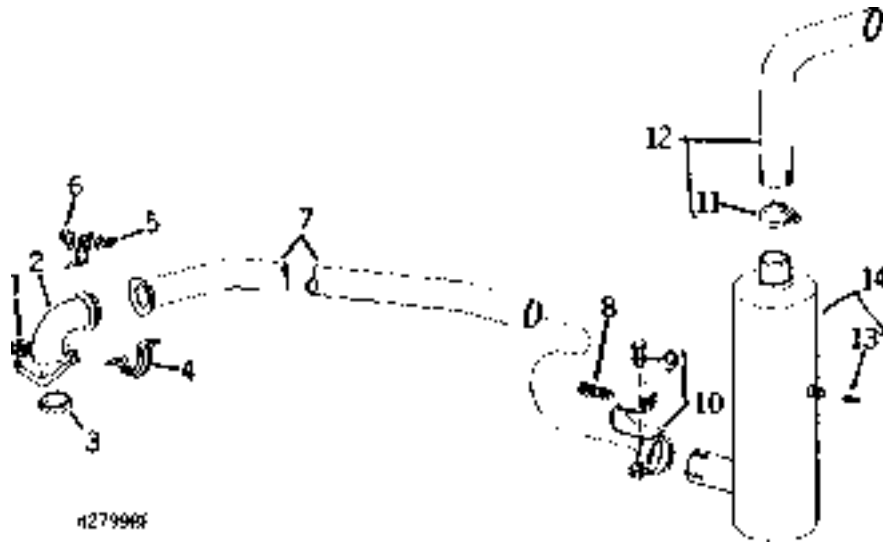
KEY	PART NO.	PART NAME	QTY	SERIAL NO.	REMARKS
1	H76467	HOSE	1		
2	AR21999	HOSE CLAMP	3		(SUB AR85328, THIS APPLICATION)
	AR85328	CLAMP	3		
3	H76139	SCREW	3		
4	AH83848	TUBE	1		
5	H81748	HOSE	1		
6	C16054	CLAMP	3	-400784	
	AH103182	HOSE CLAMP	3	400785-	
7	H87322	TUBE	1		
8	R45000	HOSE	1		

1E17

FUEL AND AIR

H27998F -UN-01JAN94

MUFFLER AND EXHAUST PIPE



KEY	PART NO.	PART NAME	QTY	SERIAL NO.	REMARKS
1	14H812	NUT	4	3/8"	
2	H76451	EXHAUST PIPE	1		
3	T29811	GASKET	1		
4	AR46323	CLAMP	1		
5	R32235	CLAMP	1		
6	19H1906	CAP SCREW	2	5/16" X 1-1/2"	
	12H303	LOCK WASHER	2	5/16"	
7	H86244	TUBE	1		
8	19H1900	CAP SCREW	1	5/16" X 3/4"	
	12H303	LOCK WASHER	1	5/16"	
	14H785	NUT	1	5/16"	
9	19H1800	CAP SCREW	1	3/8" X 1-1/2"	
	14H812	NUT	1	3/8"	
10	AH87697	BRACKET	1		
11	AP26468	CLAMP	1		
12	AH93599	EXHAUST PIPE	1		
13	15H585	PIPE PLUG	1	3/4"	
14	AH87289	MUFFLER	1		

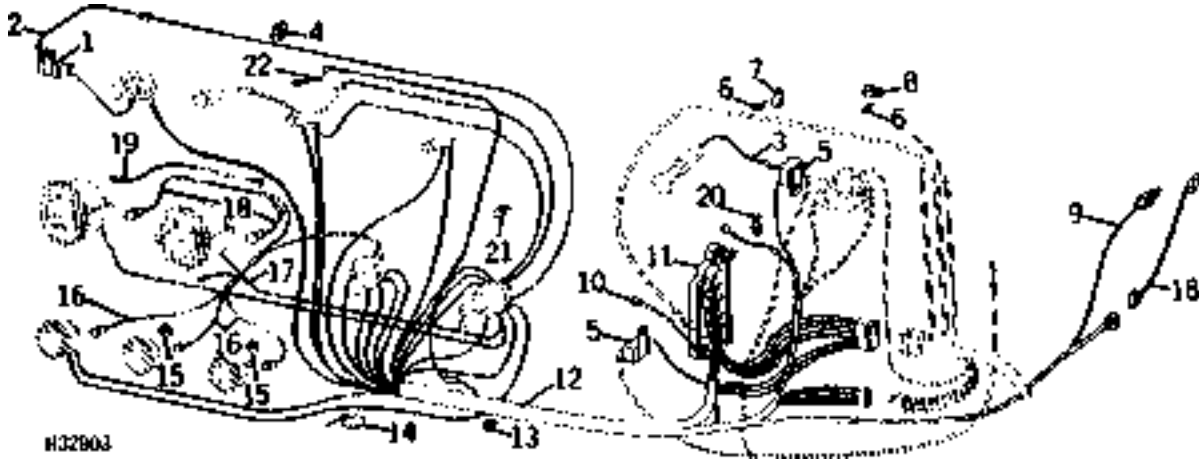
MEMORANDA

1E20

ELECTRICAL

H32803 -UN-01JAN94

FRONT WIRING HARNESS



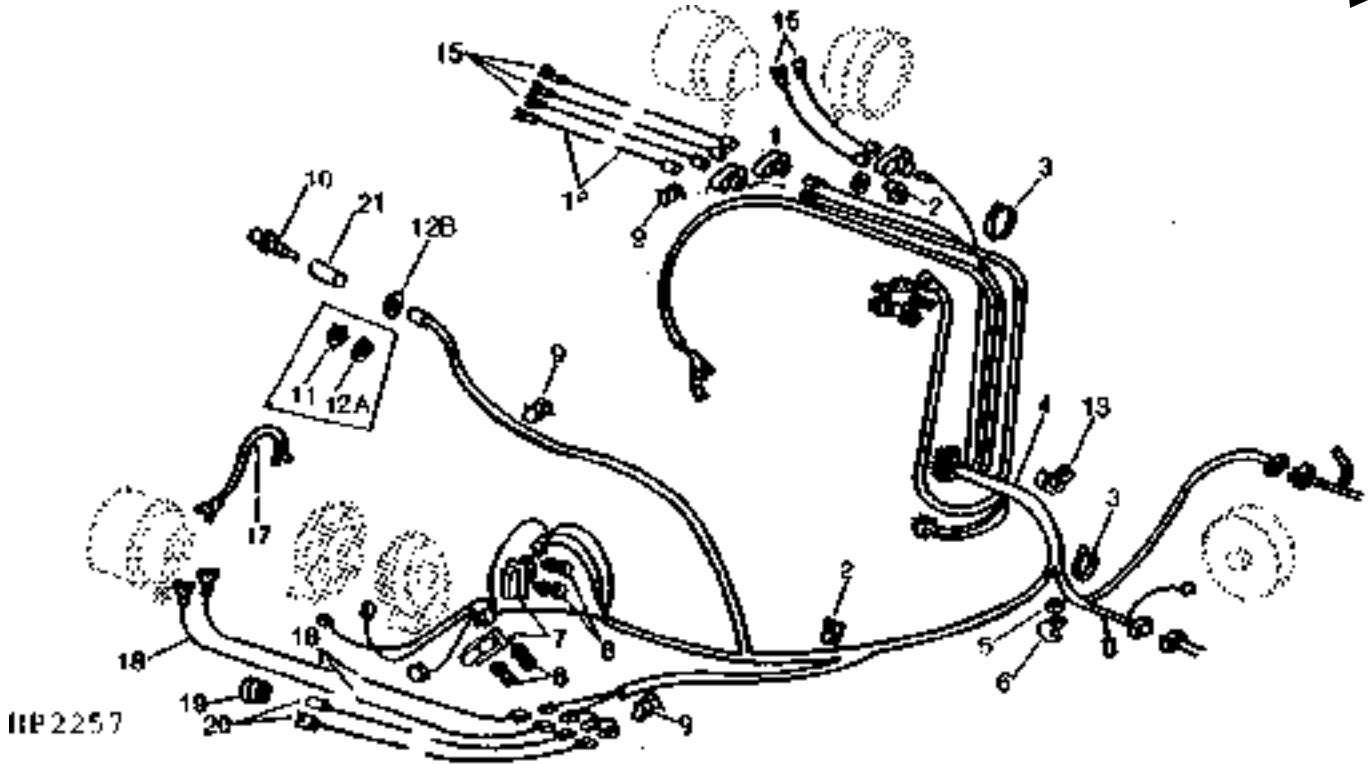
KEY	PART NO.	PART NAME	QTY	SERIAL NO.	REMARKS
1	AR55649	CIRCUIT BREAKER	1		
	14H631	NUT	2	0.190"	
2	AH85266	WIRING LEAD	1		
3	AH76637	WIRING LEAD	1		
4	H64612	CLIP	4		
5	AR49352	CIRCUIT BREAKER	1		
	14H631	NUT	4	0.190"	
6	H76478	SCREW	4		
7	T24959	CLAMP	2		
	AH11015	CLIP	1		
8	AH11015	CLIP	8		
9	AH87737	SWITCH	1	-600000	
	15H624	PIPE PLUG	1	600001-	1/2"
10	AH76692	WIRE	1		(RADIO) (WITHOUT OPERATOR'S CAB)
11	H88921	CLIP	1		(10 PER BAG)
12	AH90662	WIRING HARNESS	1	-600000	
	AH115007	WIRING HARNESS	1	600001-	
13	H80627	GROMMET	1		
14	M66044	TIE BAND	10		
15	H80304	GROMMET	2		
16	AH76108	WIRE	3		
	AH77204	LENS	1		
17	AH77199	LAMP	1		
	AH77204	LENS	1		
	AR56675	BULB	1		
18	AH77200	SOCKET	2		
	AH75662	BULB	1	-450350	
	AM31284	BULB	1	450351-	
19	WIRE	1		203 MM (8") LONG (MAKE FROM R66319 AND (2) R32018 IN AR84006 WIRE REPAIR KIT)
20	19H1900	CAP SCREW	1		5/16" X 3/4"
	14H785	NUT	1		5/16"
21	H76064	CLIP	5		
22	AH87219	WIRING HARNESS	1		

1E21

ELECTRICAL

HP2257 -UN-01JAN94

MIDDLE WIRING HARNESS



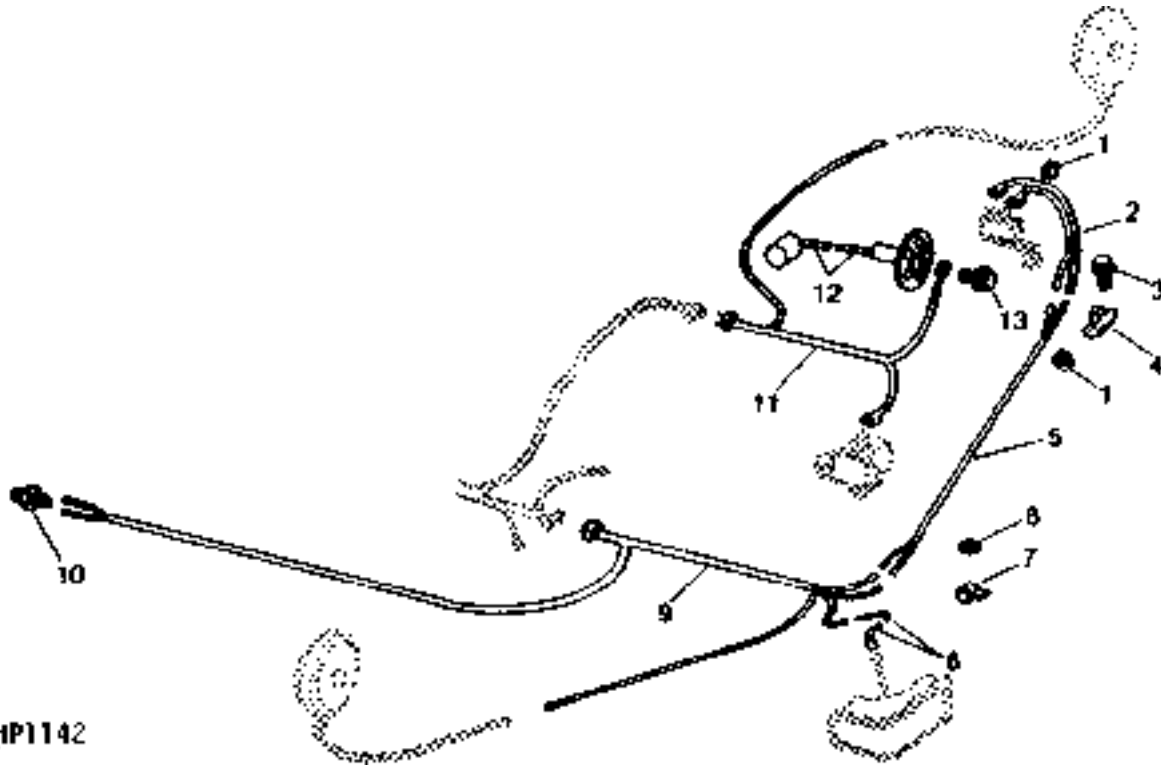
KEY	PART NO.	PART NAME	QTY	SERIAL NO.	REMARKS
1	P45476	GROMMET	1		
2	AH89557	CLIP	5		CUSHIONED
3	M66044	TIE BAND	9		
4	AH103389	WIRING HARNESS	1	-500000	(SUB AH109779)
	AH109779	WIRING HARNESS	1		
5	24H1338	WASHER	2		33/64" X 7/8" X 0.048"
6	T32231	CLAMP	2		
7	AH62341	RELAY	2		
8	19H1227	CAP SCREW	4		1/4" X 1/2"
	14H786	NUT	4		1/4"
9	H64612	CLIP	6		
10	AT25437	SWITCH	1		PARKING BRAKE
11	12H334	LOCK WASHER	1	-600000	5/16"
12A	14H611	NUT	1	-600000	5/16"
12B	P47210	NUT	1	600001-	
13	AH90990	CLIP	2		CUSHIONED
14	AM531T	CONNECTOR	3		
15	WIRING LEAD	5		305 MM (12") LONG (MAKE FROM R66319, R32016, AND R32006 IN AR84006 WIRING KIT)
16	WIRING LEAD	1		1016 MM (40") LONG (MAKE FROM R66319 AND (2) R32016 IN AR84006 WIRING KIT)
17	WIRING LEAD	1		305 MM (12") LONG (MAKE FROM R66319 AND (2) R32016 IN AR84006 WIRING KIT)
18	WIRING LEAD	2		1778 MM (70") LONG (MAKE FROM R66319, R32016, AND R32026 IN AR84006 WIRING KIT)
19	H79481	GROMMET	1		
20	WIRING LEAD	2		610 MM (24") LONG (MAKE FROM R66319 AND R32016 IN AR84006 WIRING KIT; T28583 AND U46662)
21	H88915	BOOT	1		SWITCH, PARKING BRAKE

1E22

ELECTRICAL

HP1142 -UN-01JAN94

REAR WIRING HARNESS AND FUEL GAUGE SENDING UNIT



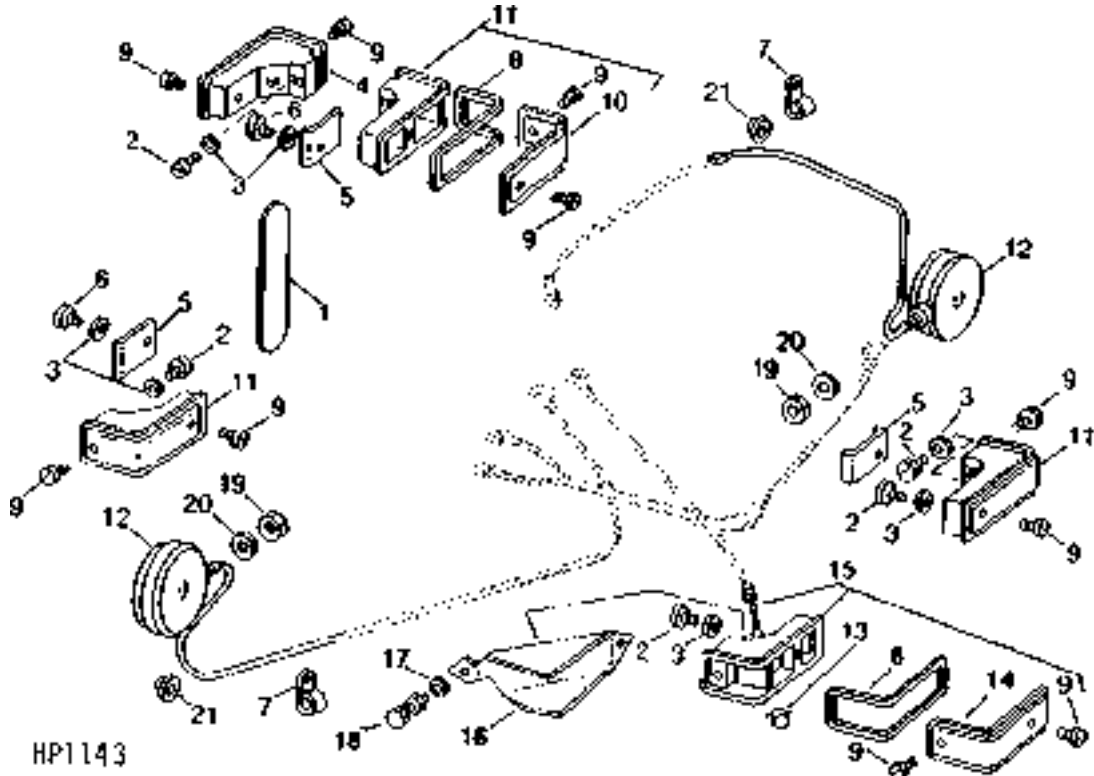
KEY	PART NO.	PART NAME	QTY	SERIAL NO.	REMARKS
1	P45476	GROMMET	2		
2	WIRING HARNESS	1		1295 MM (51") LONG, (MAKE FROM (2) R32018, (2) R32026 AND (2) R66319)
3	H24710	SCREW	1		SELF-TAPPING
4	H79897	PLATE	1		
5	AH78087	WIRING HARNESS	1	-600000	
	AH118014	WIRING HARNESS	1	600001-	(MAKE FROM (2) UNITS OF R77502, 40 MM (1-37/64") LONG, CUT FROM RE11154 KIT)
6	24H1289	WASHER	1		21/64" X 5/8" X 0.049"
7	AH77279	CLIP	1		CUSHIONED
8	AH81733	WIRING LEAD	1	-600000	
	WIRING LEAD	1	600001-	(MAKE FROM 2035 MM (8") OF R77500, (1) R77475, (1) T34067, AND (1) R32026 FROM RE11154 KIT AND (1) AL2976T)
9	AH100314	WIRING HARNESS	1		
10	AT18988	SWITCH	1		NEUTRAL SAFETY
11	AH79151	WIRING HARNESS	1		R.H.
12	AH85268	LEVEL GAUGE	1	-600000	(SUB AH115345)
	AH115345	SENSOR	1		
	14H631	NUT	1		0.190"
13	H85092	SCREW	5		SELF-TAPPING

1E23

ELECTRICAL

HP1143 -UN-01JAN94

WARNING LIGHTS, REFLECTORS, AND TAILLIGHTS



HP1143

KEY	PART NO.	PART NAME	QTY	SERIAL NO.	REMARKS
1	JD134	REFLECTOR	1		L.H.
2	19H2036	CAP SCREW	10		1/4" X 7/8"
3	24H1287	WASHER	10		9/32" X 5/8" X 0.065"
4	H81068	LENS	2		
5	H83789	CHANNEL	2		
6	19H1914	CAP SCREW	2		1/4" X 1"
7	AH11015	CLIP	2		
8	H81071	GASKET	6		
9	H81070	SCREW	8		
10	H81067	LENS	3		
11	AH80595	REFLECTOR	3		
12	AT23467	LAMP	2		
	AD2062R	BULB	2		
13	AB2599R	BULB	1		
14	H81069	LENS	1		
15	AH80597	TAIL LAMP	1		
16	H83387	SHIELD	1		
17	24H1289	WASHER	1		21/64" X 5/8" X 0.049"
18	H76139	SCREW	1		
	N10213	LOCK NUT	1		
19	14H865	NUT	2		1/2"
20	24H1162	WASHER	2		17/32" X 1-1/4" X 0.060"
21	H86056	BUSHING	2		

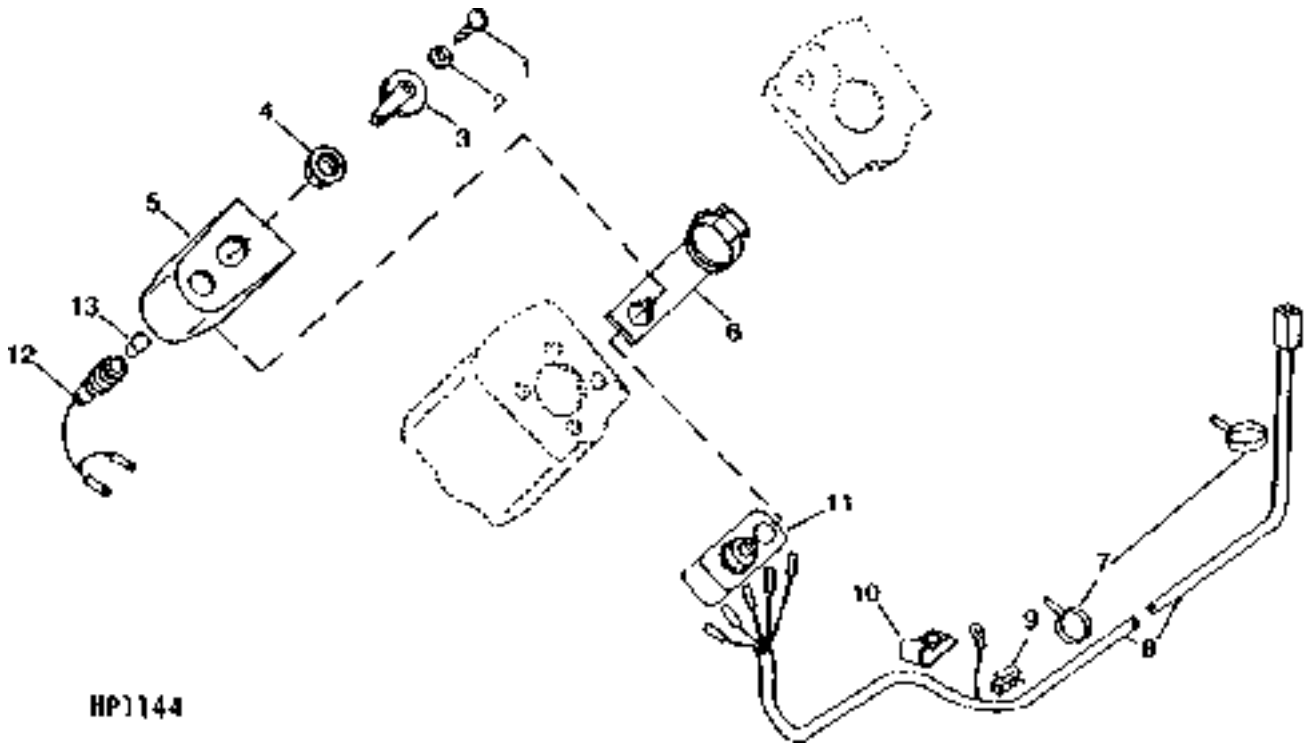
MEMORANDA

1E24

ELECTRICAL

HP1144 -UN-01JAN94

TURN SIGNALS



KEY	PART NO.	PART NAME	QTY	SERIAL NO.	REMARKS
1	21H1372	SCREW	1	1/8" X 3/8"	
2	12H338	LOCK WASHER	1	1/8"	
3	R56026	KNOB	1		
4	R56410	NUT	1	SPECIAL	
5	H86138	HOUSING	1		
6	AH87258	STRAP	1		
7	M66044	TIE BAND	9		
8	AH93842	WIRING HARNESS	1		
9	H64612	CLIP	1		
10	H86139	CLIP	2		
11	AR64422	TURN SIGNAL CONTROLLER	1		
	AR67398	FLASHER	1	(CALIFORNIA)	
12	AH87260	LAMP	1		
13	R56409	BULB	1		

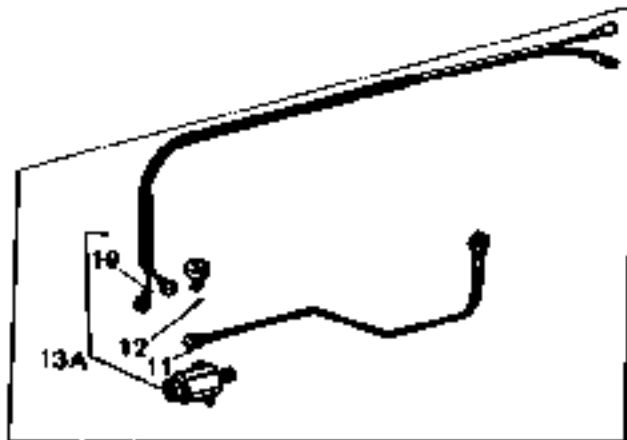
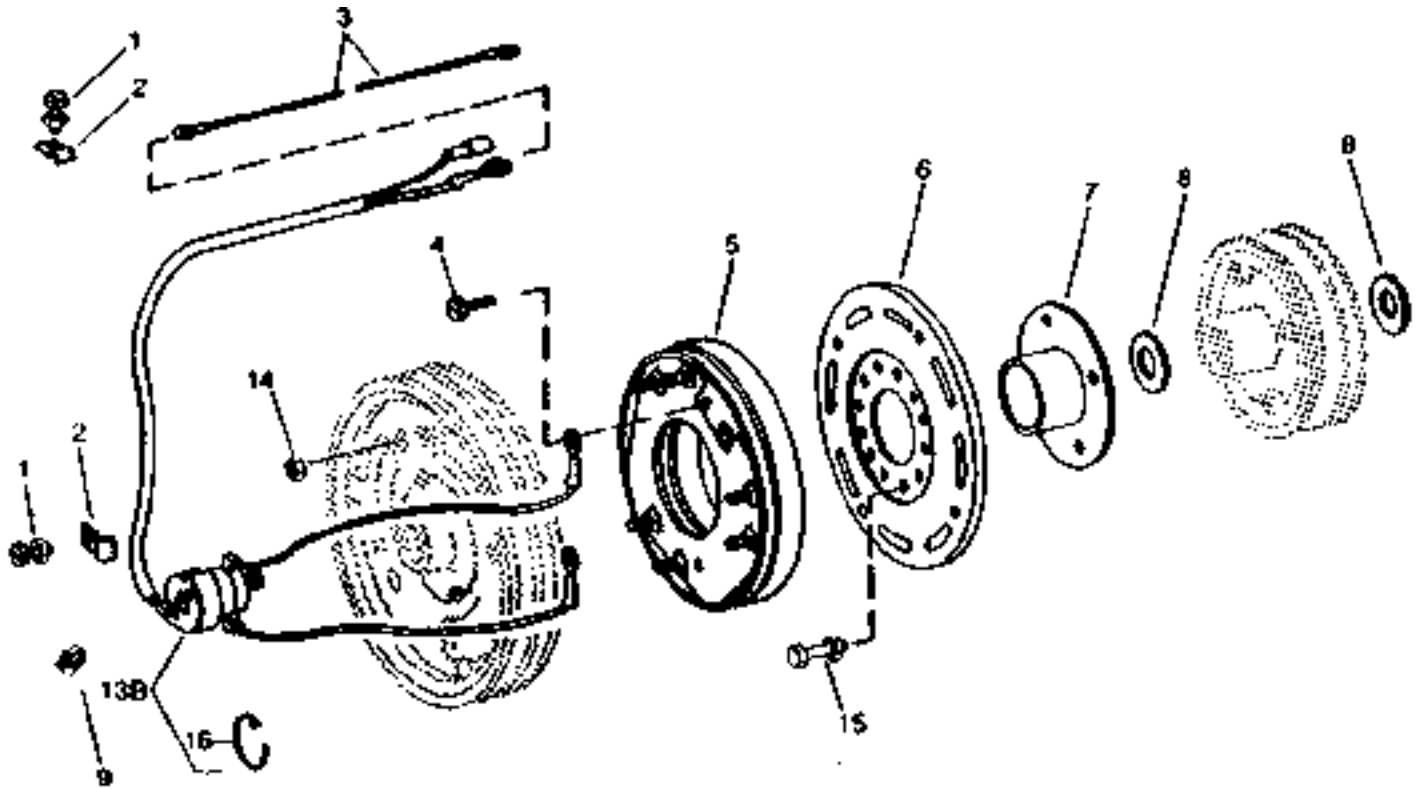
1F1

ELECTRICAL

HP1399

-UN-01JAN94

PLATFORM ELECTROMAGNETIC CLUTCH



HP1399

1F2

ELECTRICAL

PLATFORM ELECTROMAGNETIC CLUTCH - CONTINUED

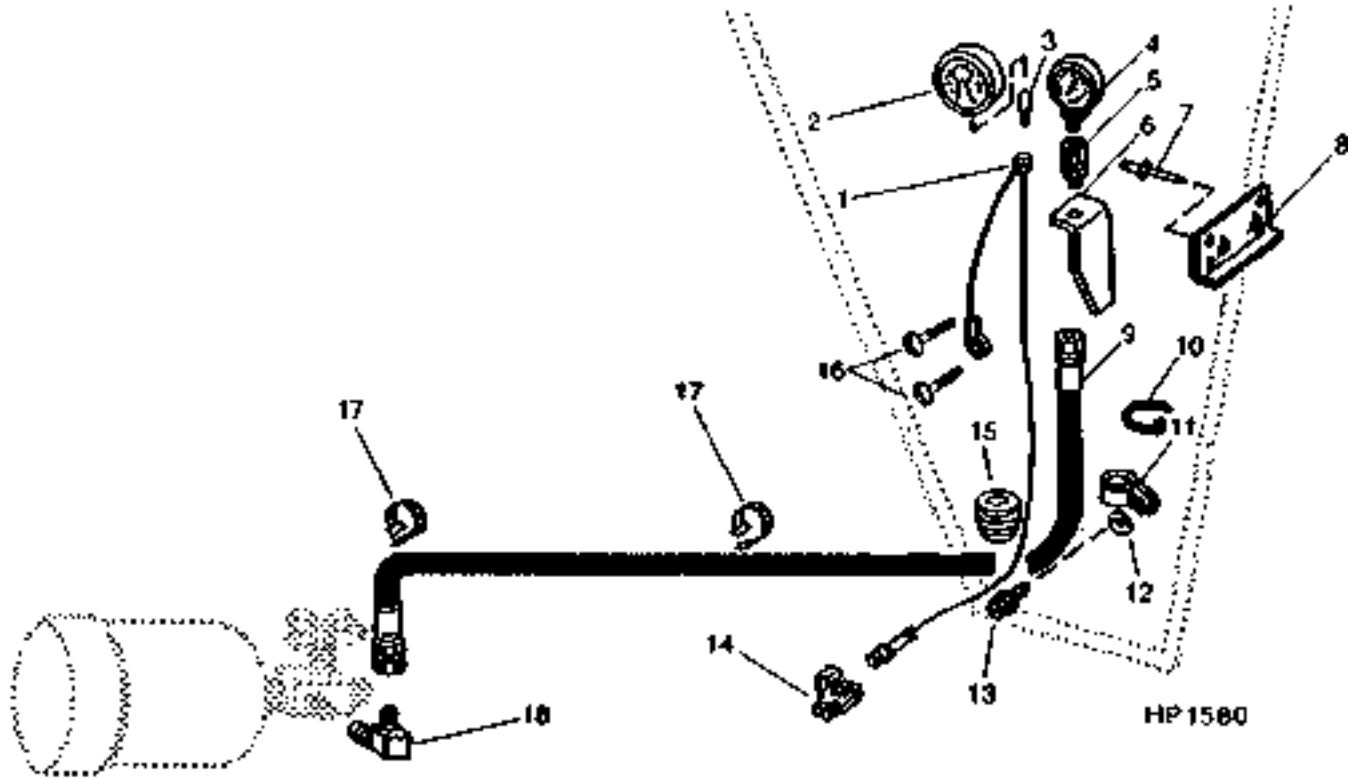
KEY	PART NO.	PART NAME	QTY	SERIAL NO.	REMARKS
1	21H1027	SCREW	2		1/4" X 3/4"
	14H786	NUT	2		1/4"
2	AH78237	CLAMP	2		INSULATED
3	AH76348	WIRING LEAD	1		
4	21H1335	SCREW	1		0.190" X 5/16"
5	AH90781	FIELD WINDING COIL	1		
6	AH96244	ARMATURE	1		
7	AH76195	SHIELD	1		
8	H95481	WASHER	1	-400280	(SUB 24H1577)
	24H1577	WASHER	1		1-25/32" X 2-7/8" X 0.036", (PLASTIC)
9	AR21837	CLAMP	1		HOSE
10	AH87927	CABLE	1	-500000	MODULE
11	WIRE	1	-500000	318 MM (12-1/2") LONG (MAKE FROM R66319 AND (2) R32018 IN AR84006 WIRING KIT)
12	SCREW	1	-500000	
	12H321	WASHER	1	-500000	0.138"
13A	AH87926	CARBON BRUSH HOLDER	1	-500000	(SUB AH109495)
13B	AH109495	CARBON BRUSH HOLDER	1		
14	14H812	NUT	6		3/8"
	12H304	LOCK WASHER	6		3/8"
15	19H1930	CAP SCREW	4		1/2" X 2-1/2"
	14H826	NUT	4		1/2"
16	H77698	TIE BAND	1		

1F3

ELECTRICAL

HP1580 -UN-01JAN94

ACCUMULATOR PRESSURE GAUGE



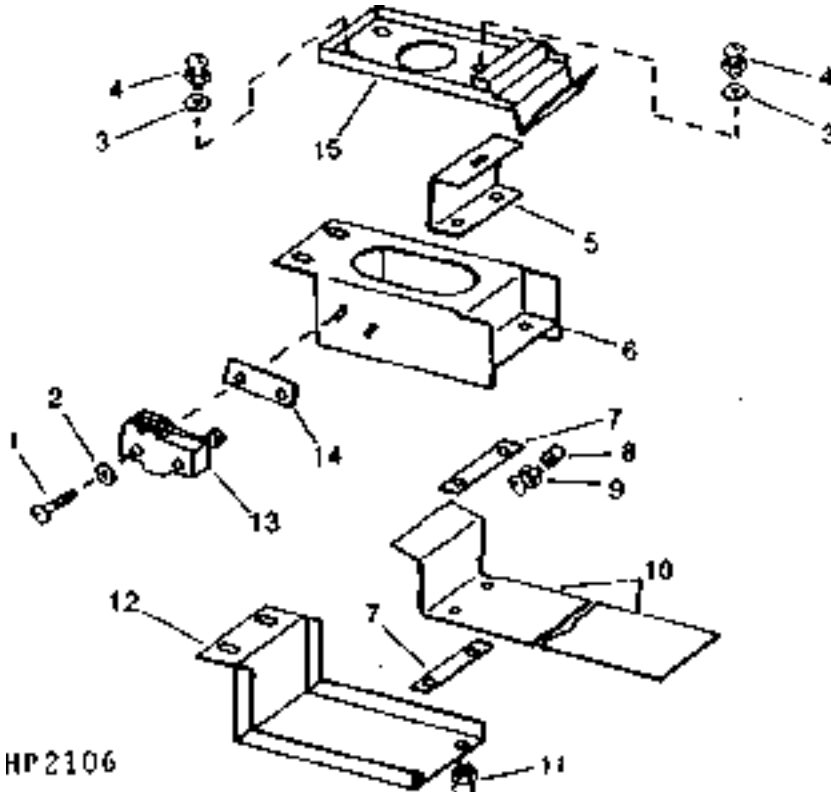
KEY	PART NO.	PART NAME	QTY	SERIAL NO.	REMARKS
1	AH109610	SOCKET	1		
2	H111378	COVER	1		
3	AH108380	BULB	1		
4	AH108080	PRESSURE GAUGE	1		
5	AB18206	ADAPTER	1		(WITH JAM NUT)
6	H109332	BRACKET	1		
7	RIVET	4		5/32" X 13/32"
8	H109334	PLATE	1		
9	AH108024	HOSE	1		
10	M60871	TIE BAND	1	-600000	(BLACK) (SUB R44302)
	R44302	TIE BAND	1		
11	H77358	CLIP	1		
12	24H1287	WASHER	1		9/32" X 5/8" X 0.065"
13	19H2205	CAP SCREW	1	-500000	
	H99282	CAP SCREW	1	500001-	
14	AR67855	CONNECTOR	1		
15	N119177	GROMMET	1		
16	H78354	SCREW	2	-500000	
	H89266	SCREW	2	500001-	
17	H77698	TIE BAND	6		
18	AR26635	ELBOW FITTING	1		

1F4

ELECTRICAL

HP2106 -UN-01JAN94

STRAW WALKER PLUGGING SENSING UNIT



KEY	PART NO.	PART NAME	QTY	SERIAL NO.	REMARKS
1	21H1184	SCREW	2		0.138" X 1-1/8"
	14H1026	NUT	2	-600000	0.138"
2	24H1281	WASHER	2		5/32" X 3/8" X 0.049"
3	24H1287	WASHER	3		9/32" X 5/8" X 0.065"
4	21H1024	SCREW	3	-600000	1/4" X 5/8"
	21H1044	SCREW	3	600001-	1/4" X 1-1/4"
	14H786	NUT	3		1/4"
5	H62447	BRACKET	1		
6	H94856	BRACKET	1		
7	H62443	STRAP	2		
8	28H1611	WASHER	1		0.269" X 0.405" X 5/16"
9	21H1302	SCREW	1		1/4" X 5/8"
	14H786	NUT	1		1/4"
10	H62444	LEVER	1		
11	21H1197	SCREW	2	-600000	0.190" X 1-1/4"
	14H778	NUT	4	-600000	0.190"
	19H3358	CAP SCREW	2	600001-	0.190" X 1"
	U45916	LOCK NUT	2	600001-	
12	H62445	COVER	1		
13	AH62345	SWITCH	1		
14	E71183	STRAP	1	600001-	SPECIAL
15	AH112548	SHIELD	1	600001-	

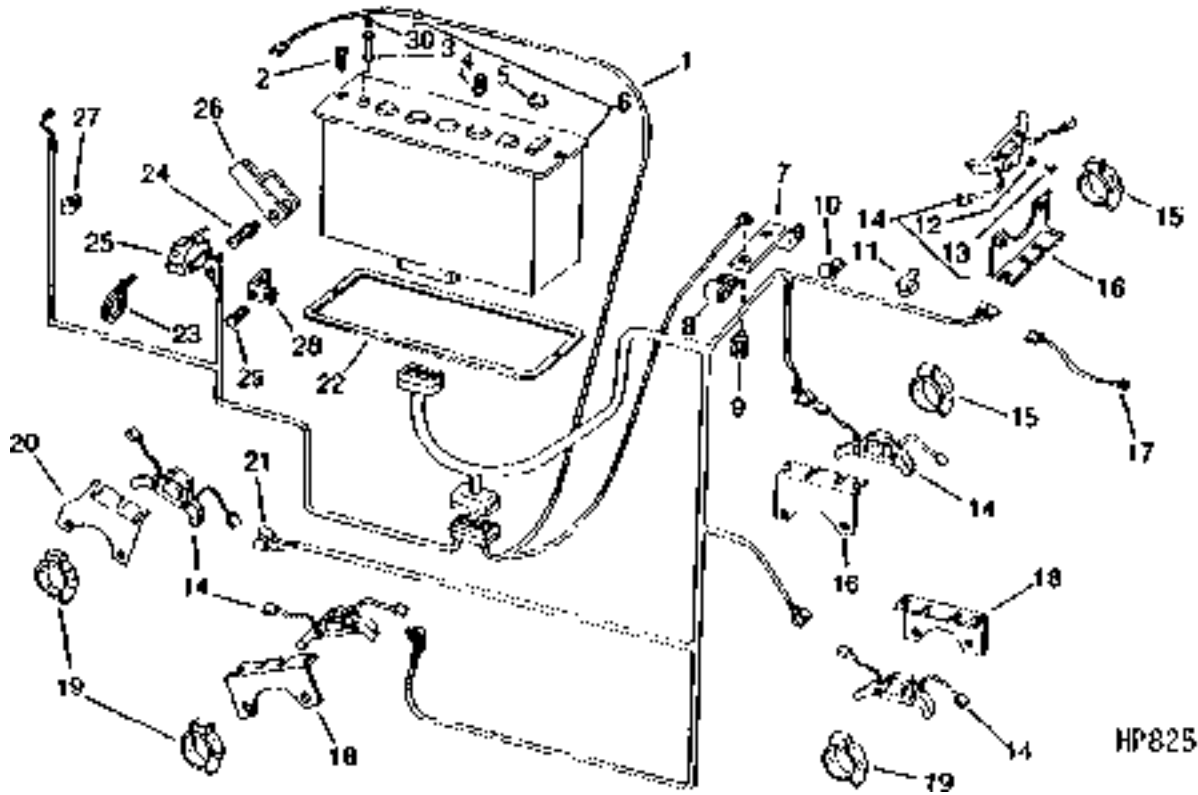
1F5

ELECTRICAL

HP825

-UN-01JAN94

LOW SHAFT SPEED INDICATOR



KEY	PART NO.	PART NAME	QTY	SERIAL NO.	REMARKS
1	AH96224	WIRING HARNESS	1		(WARNING SYSTEM) (USE WITH AH94189)
2	H65108	SCREW	2		SELF-TAPPING
3	B32206	FUSE	1		(USE WITH AH94189) (5 PER BOX)
4	B32205	BULB	5		
5	B32207	BEZEL	5		
6	AH94189	GAUGE	1		(REMANUFACTURED)
7	H80185	BRACKET	1		(PULSE PICKUP WIRING HARNESS)
8	H26065	CLIP	1		
9	19H1948	CAP SCREW	3		1/4" X 3/4"
	14H786	NUT	3		1/4"
10	T32231	CLAMP	9		INSULATED (STRAW CHOPPER WIRING HARNESS)
11	H64612	CLIP	2		
12	12H290	WASHER	AR		0.164", (8 USED, REGULAR; 10 USED, STRAW CHOPPER)
13	21H1299	SCREW	AR		0.164" X 3/8", (8 USED, REGULAR; 10 USED, STRAW CHOPPER)
14	AH83759	REED SWITCH	AR		(4 USED, REGULAR; 5 USED, STRAW CHOPPER)

1F6

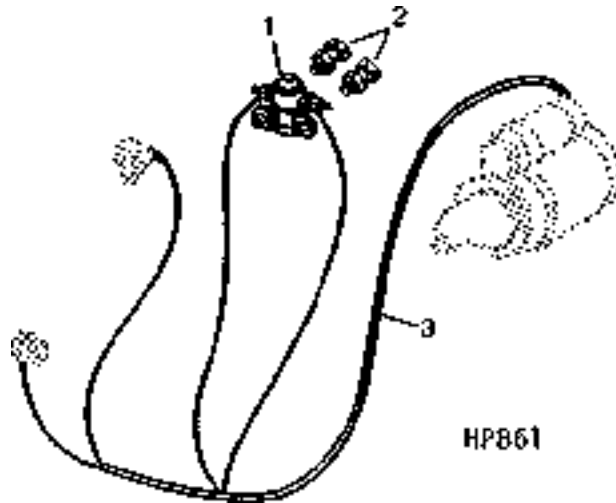
ELECTRICAL

LOW SHAFT SPEED INDICATOR - CONTINUED

KEY	PART NO.	PART NAME	QTY	SERIAL NO.	REMARKS
15	AH91336	CLAMP	1		
	AH91817	CLAMP	AR		(1 USED, REGULAR; 2 USED, STRAW CHOPPER)
16	H100541	BRACKET	1		(STRAW WALKER)
	H100540	BRACKET	1		(STRAW CHOPPER) (MACHINES EQUIPPED WITH NEW STRAW CHOPPER USE H100539)
	H100539	BRACKET	1		(NEW STRAW CHOPPER)
17	AH83763	WIRING HARNESS	1		
18	H100541	BRACKET	2		(CLEAN GRAIN ELEVATOR AND CONVEYOR AUGER)
19	AH91336	CLAMP	3		
20	H83617	BRACKET	1	-500022	(SUB H113058)
	H113058	BRACKET	1		
21	AH80881	WIRING HARNESS	1		(WARNING SYSTEM)
22	H80181	SEAL	1		(CONTROL BOX COVER)
23	M66044	TIE BAND	4		
24	21H1014	SCREW	1		1/4" X 1"
	14H786	NUT	1		1/4"
25	AH78158	SWITCH	1		(SEPARATOR LEVER)
26	H80180	ACTUATOR	1		(SEPARATOR LEVER)
27	AH11015	CLIP	3		
28	H80179	BRACKET	1		
29	19H1948	CAP SCREW	1		1/4" X 3/4"
	14H786	NUT	1		1/4"
30	AM3208T	FUSE HOLDER	1		

ENGINE WIRING HARNESS

HP861 -UN-01JAN94



KEY	PART NO.	PART NAME	QTY	SERIAL NO.	REMARKS
1	AM53945	SOLENOID	1		
	14H785	NUT	2	5/16"	
	12H303	LOCK WASHER	2	5/16"	
	14H631	NUT	1	0.190"	
	12H246	LOCK WASHER	1	0.190"	
2	19H1227	CAP SCREW	2	1/4" X 1/2"	
	12H302	LOCK WASHER	2	1/4"	
	14H786	NUT	2	1/4"	
3	AH79157	WIRING HARNESS	1		

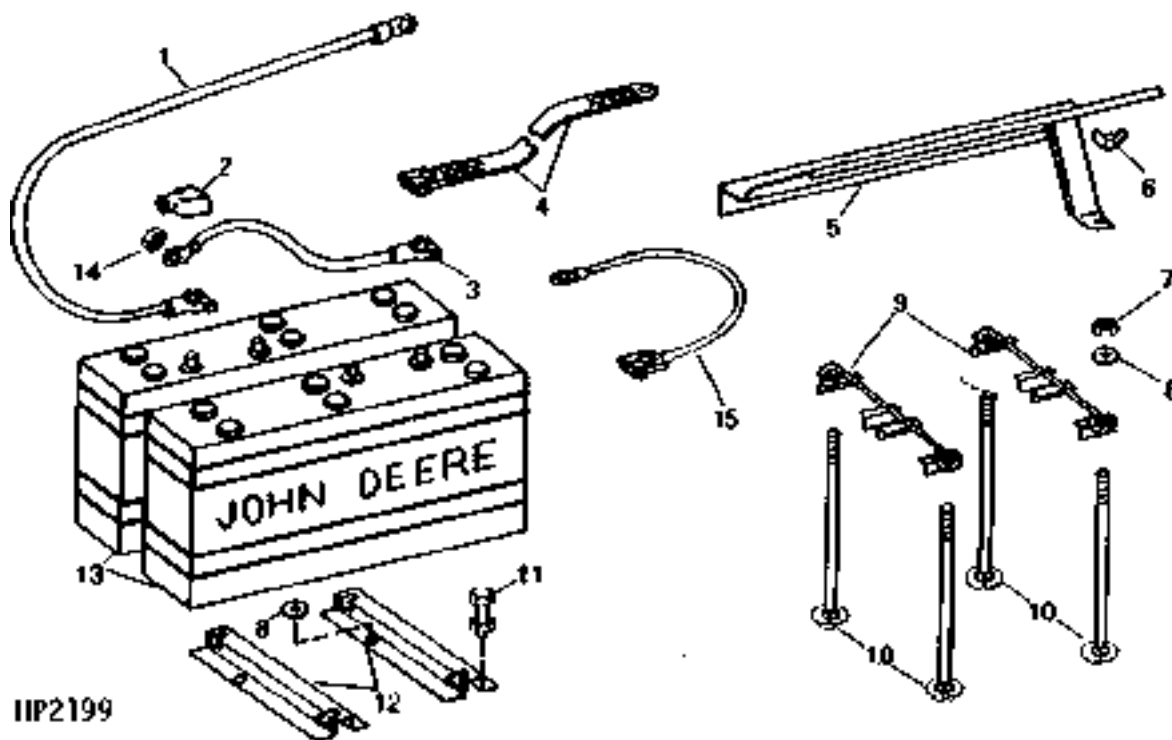
1F7

ELECTRICAL

BATTERY, BRACKETS, CABLES, AND SHIELDS (SERIAL NO. -600000)

HP2199

-UN-01JAN94



HP2199

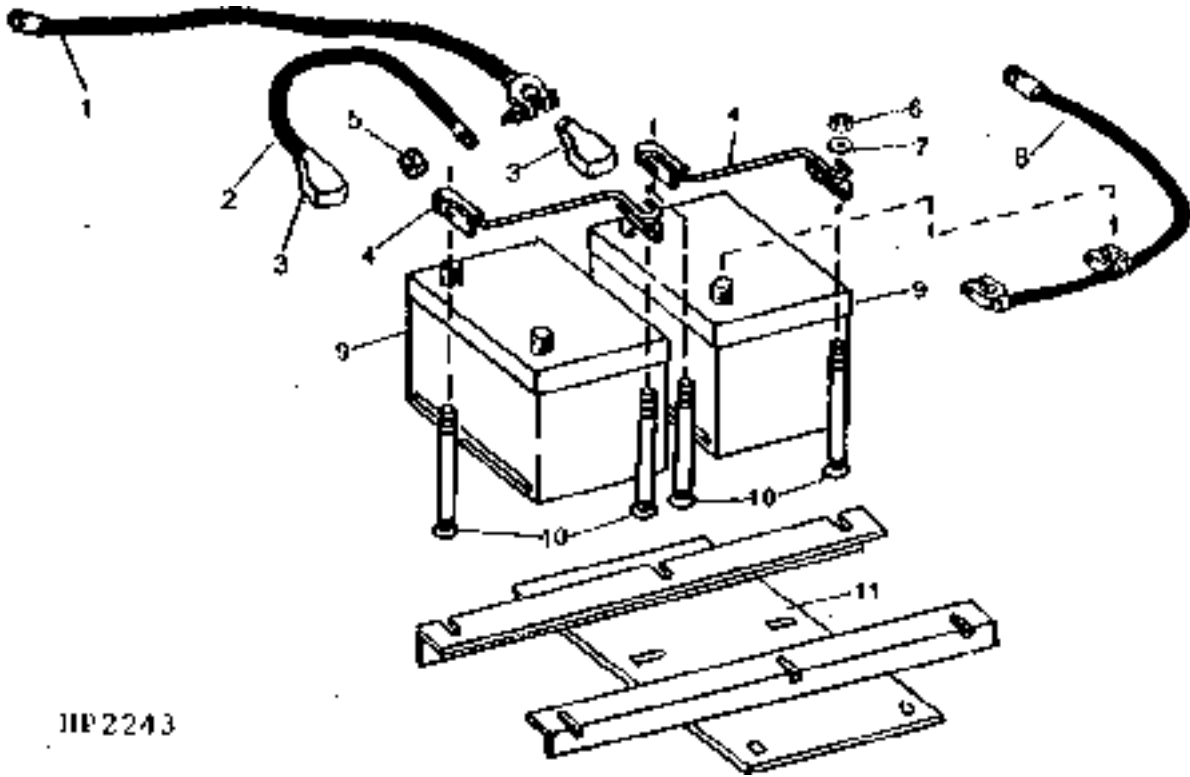
KEY	PART NO.	PART NAME	QTY	SERIAL NO.	REMARKS
1	AH76184	CABLE	1		
2	H82711	BOOT	2		
3	T22107	CABLE	1		(L.H. TO R.H. BATTERY)
4	AH78649	GROUND CABLE	1		
5	AH78105	SHIELD	1		
6	14H819	WING NUT	4		
7	14H611	NUT	4		5/16"
8	24H1136	WASHER	6		11/32" X 11/16" X 0.065"
9	AH78100	BRACKET	2		
10	03H2249	BOLT	4		5/16" X 10"
11	19H1900	CAP SCREW	4		5/16" X 3/4"
	12H303	LOCK WASHER	4		5/16"
	14H785	NUT	4		5/16"
12	H83330	SUPPORT	2		
13	AR46115	BATTERY	2		
14	14H785	NUT	1		5/16"
15	AH100117	CABLE	1		

1F8

ELECTRICAL

BATTERY, BRACKETS AND CABLES (SERIAL NO. 600001-)

HP2243 -UN-01JAN94



HP2243

KEY	PART NO.	PART NAME	QTY	SERIAL NO.	REMARKS
1	AH76184	CABLE	1		
2	T22107	CABLE	1		
3	H82711	BOOT	2		
4	AH105519	BRACKET	2		
5	14H785	NUT	1	5/16"	
6	14H611	NUT	4	5/16"	
7	24H1136	WASHER	4	11/32" X 11/16" X 0.065"	
8	AH112385	CABLE	1		
9	AH114771	BATTERY	2		
10	03H2298	BOLT	4	5/16" X 9-1/2"	
11	AH115404	SUPPORT	1		

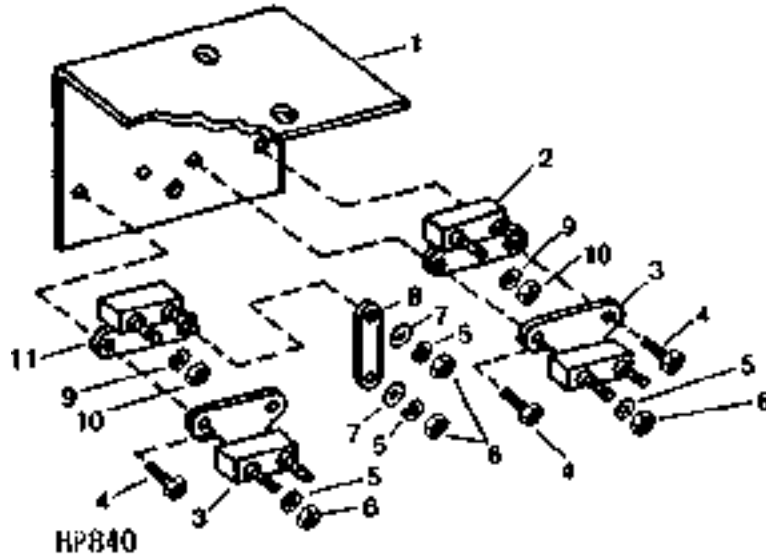
MEMORANDA

1F9

ELECTRICAL

HP840 -UN-01JAN94

CIRCUIT BREAKERS AND BRACKET



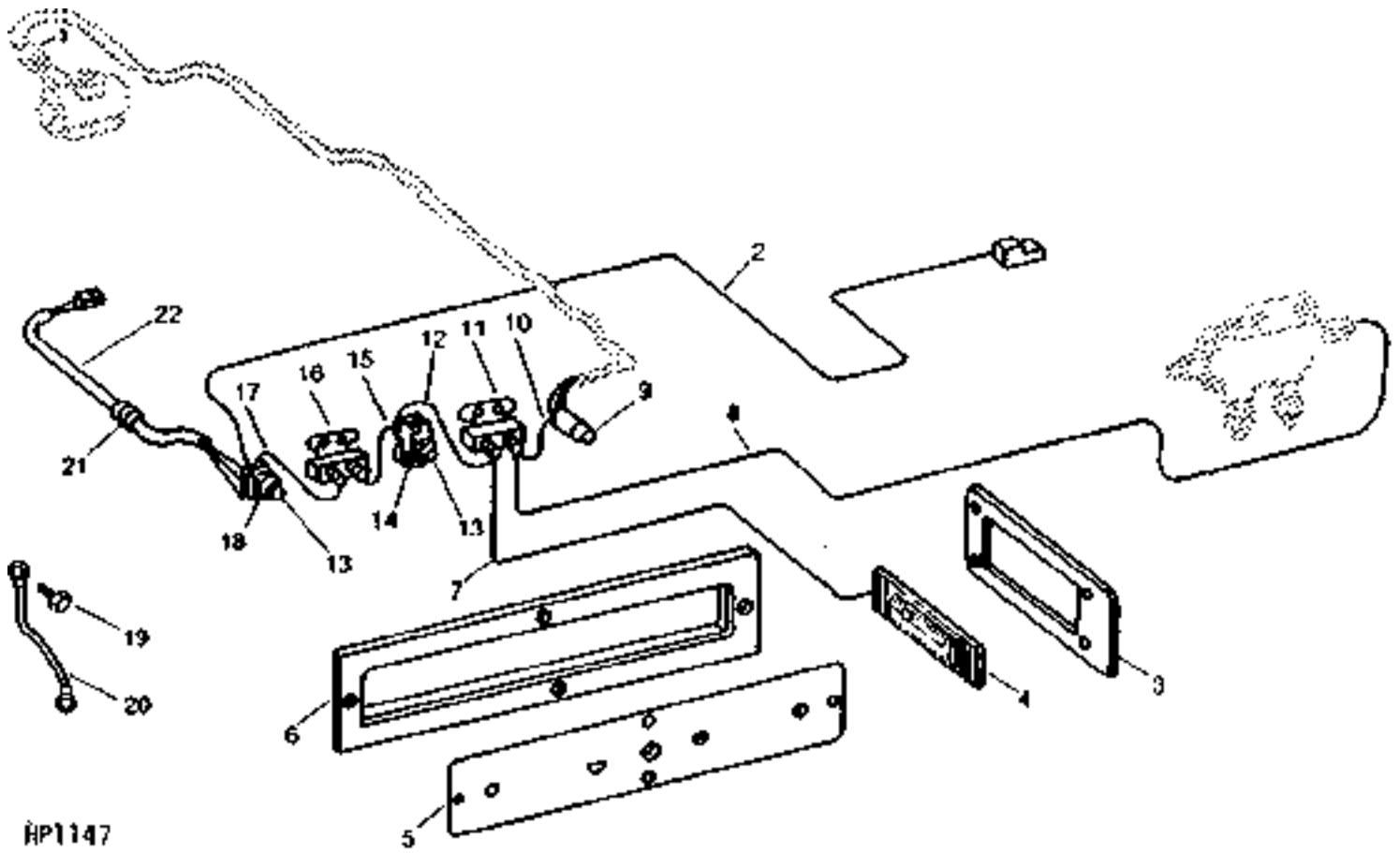
KEY	PART NO.	PART NAME	QTY	SERIAL NO.	REMARKS
1	H89713	BRACKET	1	(A)	
2	AR55649	CIRCUIT BREAKER	1	(A) 10 AMP	
3	AR49352	CIRCUIT BREAKER	2	30 AMP	
4	37H49	SCREW	3	(A) NO. 10 X 1/2" (SELF-TAPPING)	
5	12H246	LOCK WASHER	4	0.190"	
6	14H631	NUT	4	0.190"	
7	24H1283	WASHER	2	(A) 7/32" X 1/2" X 0.049"	
8	H89712	STRAP	1	(A)	
9	12H246	LOCK WASHER	4	(A) 0.190"	
10	14H631	NUT	4	(A) 0.190"	
11	AR28403	CIRCUIT BREAKER	1	(A) 20 AMP	
..	AH90875	KIT	1		CIRCUIT BREAKER, MAIN WIRING HARNESS

1F10

ELECTRICAL

HP1147 -UN-01JAN94

OPERATOR'S CAB ELECTRICAL WIRING AND SWITCHES



HP1147

1F11

ELECTRICAL

OPERATOR'S CAB ELECTRICAL WIRING AND SWITCHES - CONTINUED

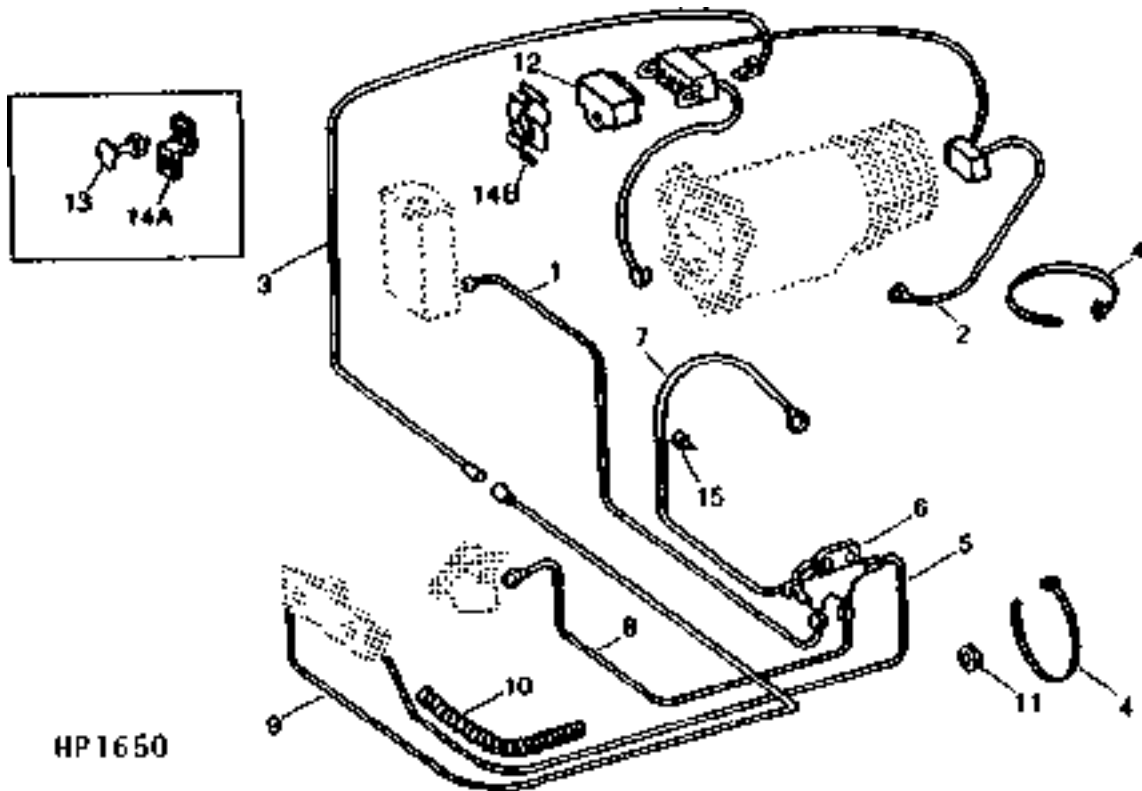
KEY	PART NO.	PART NAME	QTY	SERIAL NO.	REMARKS
1	L1863N	GROMMET	1		(WIPER)
2	WIRING LEAD	1	-610100	2845 MM (112") LONG (MAKE FROM R66319, (2) U46662, AND T28583 IN AR84006 WIRE REPAIR KIT) (AIR CONDITIONER AND HEATER)
3	AH117228 H84109	WIRING HARNESS GASKET	1 1	610101-	
4	AH80210	LAMP	1		DOME
5	H97813	PANEL	1		SWITCH
6	H85835	HOUSING	1		PLATE, SWITCH
7	WIRING LEAD	1		711 MM (28") LONG (MAKE FROM R66319, R32018, AND T28585 IN AR84006 WIRE REPAIR KIT) (AIR CONDITIONER, PRESSURIZER, AND HEATER)
8	WIRING LEAD	1		2591 MM (102") LONG (MAKE FROM R66319, AND (2) R32019 IN AR84006 WIRE REPAIR KIT) (AIR CONDITIONER, PRESSURIZER, AND HEATER)
9	AT38296	SWITCH	1		WIPER, WITH KNOB
	T44545	KNOB	1		WIPER SWITCH
10	WIRING LEAD	1		127 MM (5") LONG (MAKE FROM R66319, R32018, AND U46662 IN AR84006 WIRE REPAIR KIT) (AIR CONDITIONER AND HEATER)
11	AR49352	CIRCUIT BREAKER	1		30 AMP
12	WIRING LEAD	1		229 MM (9") LONG (MAKE FROM R66319, R32018, AND U46662 IN AR84006 WIRE REPAIR KIT) (AIR CONDITIONER, PRESSURIZER, AND HEATER)
13	AH80168	KNOB	1		(PRESSURIZER AND AIR CONDITIONER)
14	AH84588	SWITCH	1		PRESSURIZER
	R44165	LOCK NUT	1		
15	WIRING LEAD	1		127 MM (5") LONG (MAKE FROM R66319, R32018, AND U46662 IN AR84006 WIRE REPAIR KIT) (AIR CONDITIONER AND HEATER)
16	AH96309	CIRCUIT BREAKER	1		6 AMP
17	WIRING LEAD	1		229 MM (9") LONG (MAKE FROM R66319, R32018, AND U46662 IN AR84006 WIRE REPAIR KIT) (AIR CONDITIONER AND HEATER)
18	AH80197	SWITCH	1		THERMOSTAT (AIR CONDITIONER)
	R44165	LOCK NUT	1		(AIR CONDITIONER)
19	21H1299	SCREW	1		0.164" X 3/8"
20	WIRE	1		203 MM (8") LONG (MAKE FROM R66321, R32019, AND R32022 IN AR84006 WIRE REPAIR KIT) (USED TO GROUND OPERATOR'S CAB)
21	H81679	GROMMET	1		
22	AH80182	WIRING HARNESS	1		

1F12

ELECTRICAL

OPERATOR'S CAB AND AIR CONDITIONING WIRING ON ENGINE
(SERIAL NO. -610100)

HP1650 -UN-01JAN94



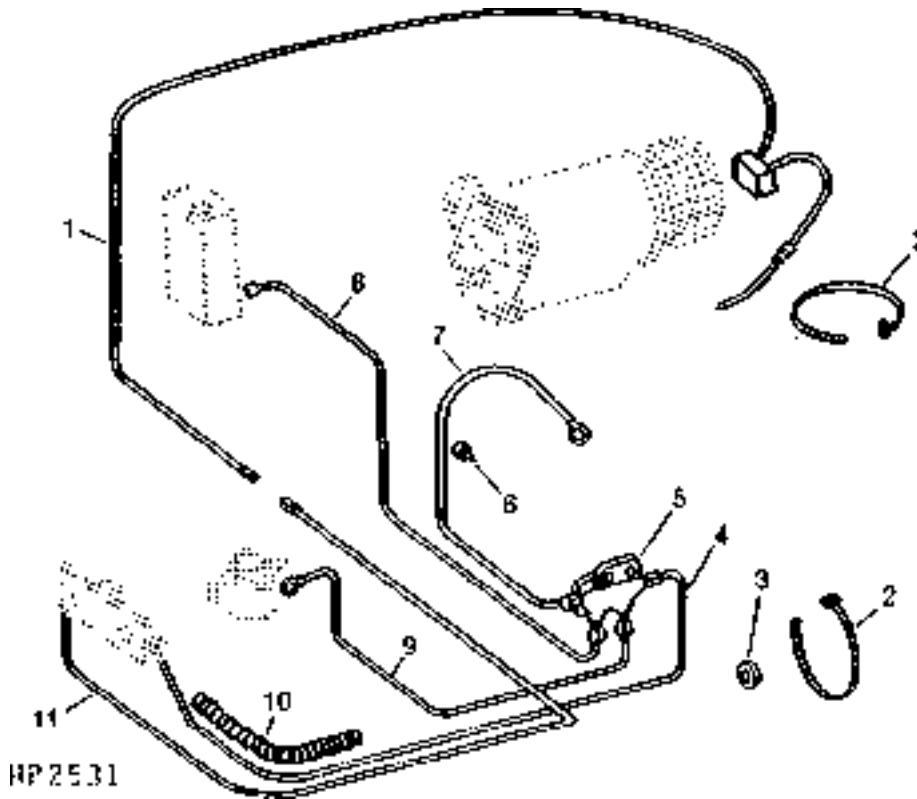
KEY	PART NO.	PART NAME	QTY	SERIAL NO.	REMARKS
1	AH79303	WIRING LEAD	1		
2	AR77345	WIRING HARNESS	1		
3	AH92362	WIRING LEAD	1		(AIR CONDITIONER)
4	M66044	TIE BAND	6		(AIR CONDITIONER)
5	AH80340	WIRE	1		
6	AH98337	RELAY	1		
7	AH79302	WIRING LEAD	1		
8	AH79304	WIRING LEAD	1		
9	AH88883	WIRING LEAD	1		(AIR CONDITIONER)
10	CONDUIT	1		305 MM (12") LONG (AIR CONDITIONER) (CUT FROM H88857)
11	H83060	GROMMET	1		
12	AR77344	FUSE	1		
13	21H1295	SCREW	1	-550000	0.190" X 5/8"
	R32176	NUT	1	-550000	
14A	H93362	BRACKET	1	-550000	(SUB R77405)
14B	R77405	CLIP	1		
15	H76478	SCREW	2		

1F13

ELECTRICAL

OPERATOR'S CAB AND AIR CONDITIONING WIRING ON ENGINE (SERIAL NO. 610101-)

HP2531 -UN-01JAN94



KEY	PART NO.	PART NAME	QTY	SERIAL NO.	REMARKS
1	AH117229	WIRING HARNESS	1		(AIR CONDITIONER)
2	M66044	TIE BAND	6		
3	H83060	GROMMET	1		
4	AH80340	WIRE	1		
5	AH98337	RELAY	1		
6	H76478	SCREW	2		
7	AH79302	WIRING LEAD	1		
8	AH79303	WIRING LEAD	1		
9	AH79304	WIRING LEAD	1		
10	CONDUIT	1		305 MM (12") LONG (AIR CONDITIONER) (CUT FROM H88857)
11	AH88883	WIRING LEAD	1		

MEMORANDA

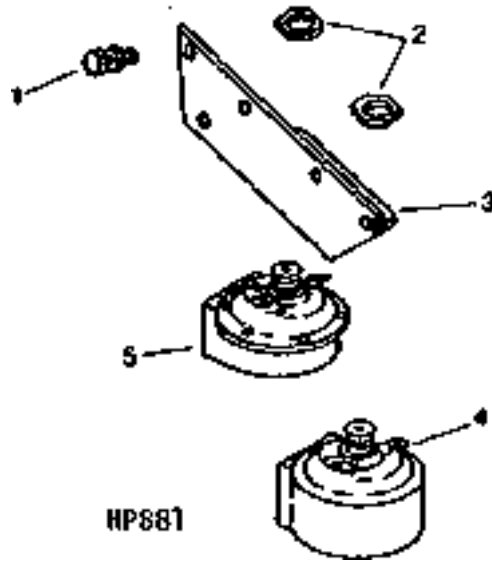
1F14

ELECTRICAL

HP881

-UN-01JAN94

SIGNAL HORNS



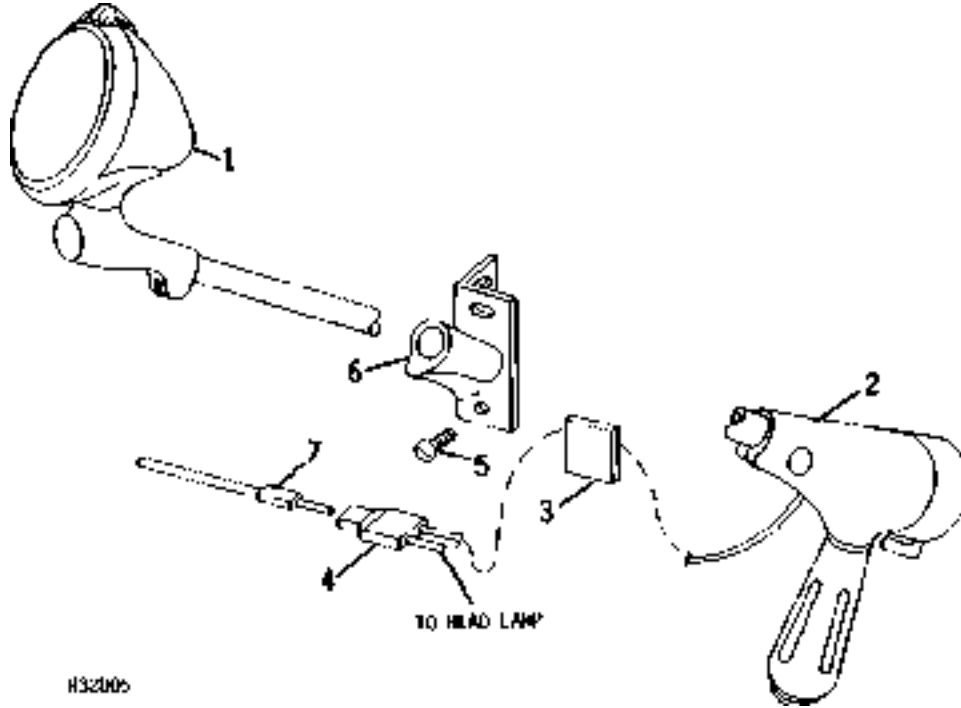
KEY	PART NO.	PART NAME	QTY	SERIAL NO.	REMARKS
1	19H1732	CAP SCREW	1		3/8" X 1-1/4"
	14H812	NUT	1		3/8"
2	R11278	NUT	2		
3	H81921	BRACKET	1		
4	AT39043	HIGH NOTE HORN	1		(LOW NOTE)
5	R64700	HIGH NOTE HORN	1		(HIGH NOTE)

1F15

ELECTRICAL

H32805 -UN-01JAN94

SPOTLIGHT



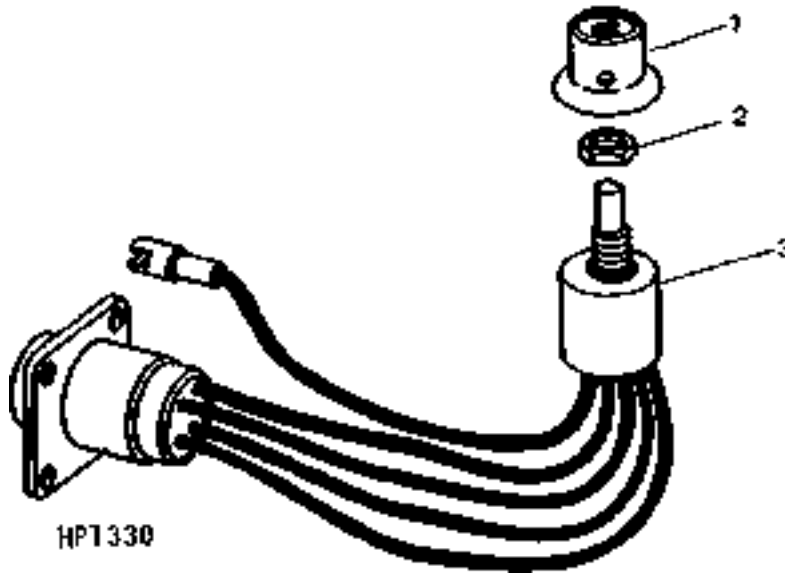
KEY	PART NO.	PART NAME	QTY	SERIAL NO.	REMARKS
1	AH91124	LAMP	1		
	H91273	CLIP	1		
2	AH91125	HANDLE	1		
3	R47474	CLIP	1		
4	AM531T	CONNECTOR	1		
5	H91272	SCREW	4		(A) SPECIAL, NO. 10 X 5/8"
6	AH91123	BRACKET	1		(A)
7	WIRING LEAD	1		76 MM (3") LONG (CONSISTS OF R66319 AND R32026 IN AR84006 WIRE KIT)
KIT LISTED BELOW CONSISTS OF ALL PARTS IDENTIFIED BY AN (A):					
..	AH94512	KIT	1		SPOTLIGHT

1F16

ELECTRICAL

DIAL-A-MATIC HEADER HEIGHT CONTROL SWITCH (SERIAL NO. 500001-)

HP1330 -UN-01JAN94



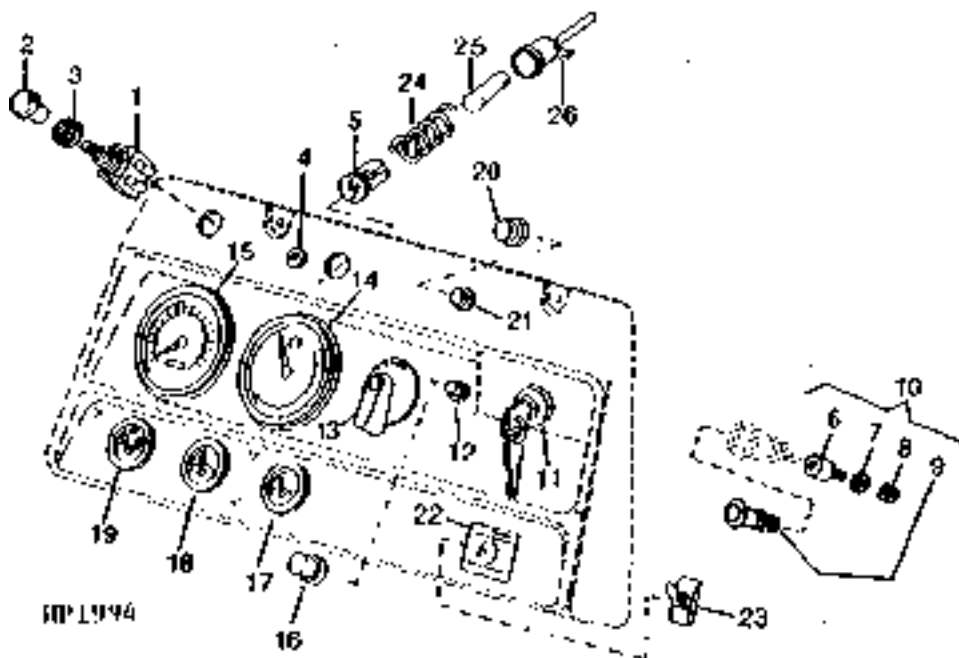
KEY	PART NO.	PART NAME	QTY	SERIAL NO.	REMARKS
1	AH104380	KNOB	1		
2	H106246	LOCK NUT	2		
3	AH108480	SWITCH	1		

1F17

ELECTRICAL

HP1994 -UN-01JAN94

SWITCHES AND GAUGES ON INSTRUMENT PANEL



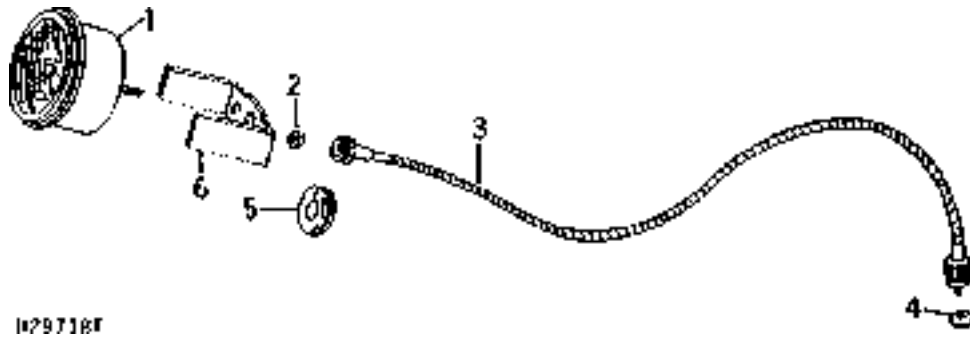
KEY	PART NO.	PART NAME	QTY	SERIAL NO.	REMARKS
1	AH85260	SWITCH	1		ELECTROMAGNETIC CLUTCH (PLATFORM DRIVE)
2	AH85259	KNOB	1		ELECTROMAGNETIC CLUTCH
3	M42561	NUT	1		
4	AH78215	LAMP	1		PARKING BRAKE INDICATOR
	AH61036	LAMP	1		RED FLASHER, 12-VOLT
5	AR45438	LENS	1	-400987	(SUB AT48673)
	AT48673	LENS	1		INDICATOR LAMP
6	AR30394	CIRCUIT BREAKER	1		
7	12H290	WASHER	1		0.164"
8	14H605	NUT	1		0.164"
9	AR60937	LIGHTER	1		(SUB FOR AA5787R)
10	AR30053	LIGHTER	1	-450000	(SUB AU41461)
	AU41461	LIGHTER	1		
11	AH83679	SWITCH	1		IGNITION AND STARTER, WITH KEYS
	AR51481	KEY	1		(SET OF 2)
	R44342	NUT	1		
12	AR21823	SWITCH	1		HORN
13	AH76134	SWITCH	1		LIGHT
	12H292	LOCK WASHER	1		1/2"
	A4655R	NUT	1		
	AR54445	KNOB	1		LIGHT SWITCH
	12H315	LOCK WASHER	1		0.164"
	21H996	SCREW	1		0.164" X 3/8"
14	HOUR METER	1		
15	TACHOMETER	1		
16	T55501	CAP	1		
17	AR48640	TEMPERATURE GAUGE	1		COOLANT TEMPERATURE
18	AH76107	PRESSURE GAUGE	1	-550000	(SUB AH113715)
	AH113715	GAUGE	1		OIL PRESSURE
19	14H631	NUT	1		0.190"
	AR45436	GAUGE	1		FUEL
20	T55585	CAP	1		
21	AR21823	SWITCH	1		ETHER STARTING AID
22	H88317	PLATE	1	-500000	(AUTOMATIC HEADER HEIGHT CONTROL)
23	AH87806	SWITCH	1	-500000	(AUTOMATIC HEADER HEIGHT CONTROL)
	H91792	PLUG	1	500001-	(DIAL-A-MATIC HEADER HEIGHT CONTROL)
24	R30378	SPRING	1		
25	AR55694	BULB	1		
26	AT44165	WIRING LEAD	1		

1F18

ELECTRICAL

H29718F -UN-01JAN94

ENGINE TACH-HOUR METER



H29718F

KEY	PART NO.	PART NAME	QTY	SERIAL NO.	REMARKS
1	AH91001	HOUR METER	1		
2	14H631	NUT	4	0.190"	
3	AR26721	CABLE	1		
4	B3285R	WASHER	1		
5	H80306	GROMMET	1		
6	H97303	BRACKET	1		

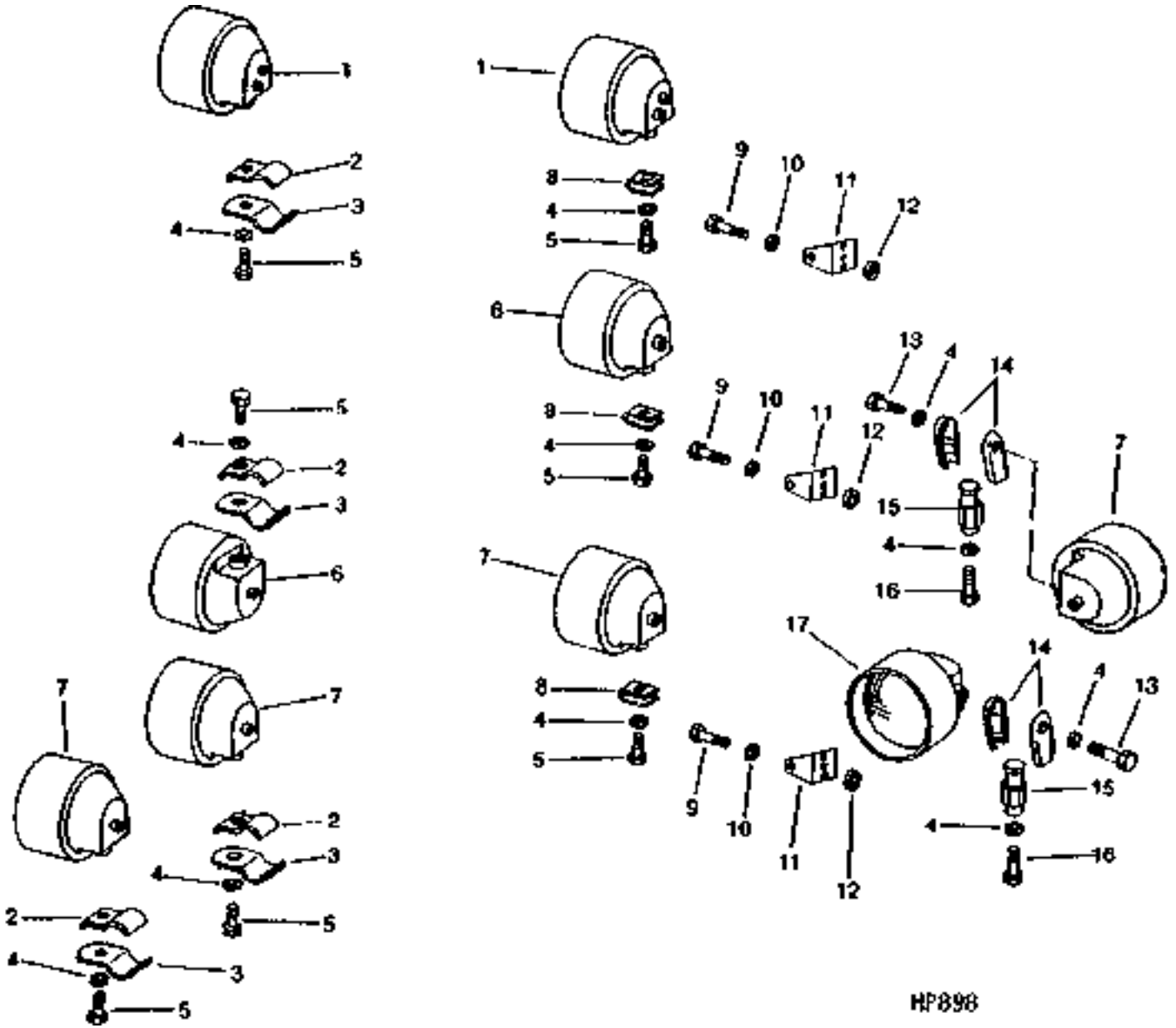
1F19

ELECTRICAL

HP898

-UN-01JAN94

FIELD LIGHTS



HP898

1F20

ELECTRICAL

FIELD LIGHTS - CONTINUED

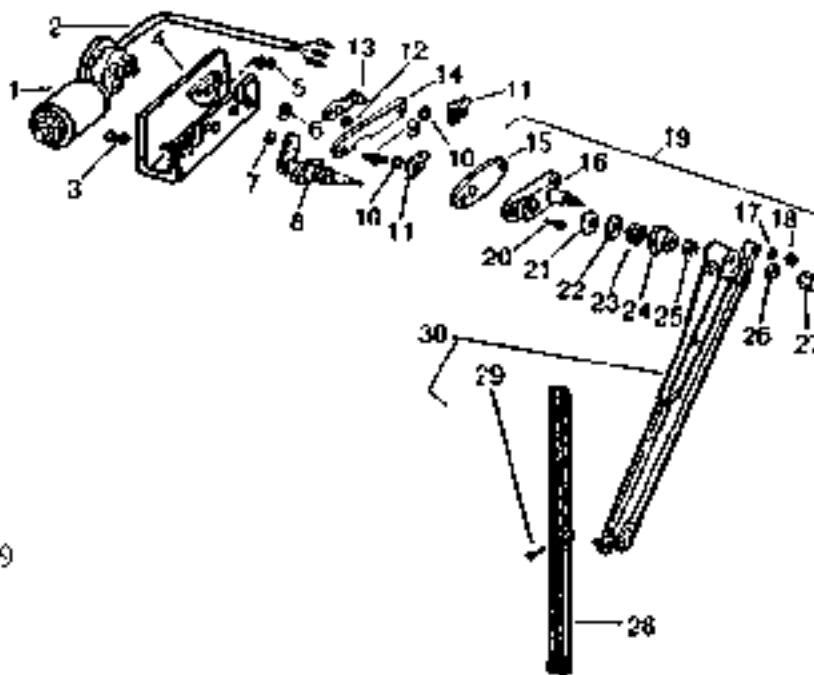
KEY	PART NO.	PART NAME	QTY	SERIAL NO.	REMARKS
1	AH90899	LAMP	2		LEAD WIRE (CONSISTS OF R32026, R32016, AND 2007 MM (79") OF R66319, AVAILABLE IN AR84006 WIRING KIT)
	AR48723	LAMP	1		(12-VOLT)
	R42689	BEZEL	1		(FOR HOBBS LAMP)
	R48293	BEZEL	1		(FOR GUIDE LAMP)
2	H83790	CLAMP	AR		
3	H83791	CLAMP	AR		
4	12H301	LOCK WASHER	AR		1/2"
5	19H1831	CAP SCREW	AR		1/2" X 2"
6	AH90897	HEADLIGHT	2		
	AE31263	LAMP	1		(12-VOLT)
	R42689	BEZEL	1		(FOR HOBBS LAMP)
	R48293	BEZEL	1		(FOR GUIDE LAMP)
7	AH90898	HEADLIGHT	4		
	AM31282	LAMP	1		(12-VOLT)
	R42689	BEZEL	1		(FOR HOBBS LAMP)
	R48293	BEZEL	1		(FOR GUIDE LAMP)
8	H86611	CLEVIS	3		
9	19H2020	CAP SCREW	AR		5/16" X 1/2"
10	12H303	LOCK WASHER	AR		5/16"
11	AH87704	BRACKET	3		
12	H89842	GROMMET	3		
13	19H1930	CAP SCREW	2		1/2" X 2-1/2"
14	R27460	CLAMP	4		
15	R54778	NUT	2		
16	19H1895	CAP SCREW	2		1/2" X 3/4"
17	AR42119	FLOODLAMP	1		
	AR42591	HEADLIGHT	1		(12-VOLT)
	R42689	BEZEL	1		(FOR HOBBS LAMP)
	R48293	BEZEL	1		(FOR GUIDE LAMP)
..	19H1721	CAP SCREW	1		1/2" X 1-1/2", (USE WITH AH90897, R.H. LAMP)
..	14H1040	NUT	1		1/2", (USE WITH AH90897, R.H. LAMP)
..	H89720	SUPPORT	1		(USE WITH AH90897, R.H. LAMP)
..	12H301	LOCK WASHER	1		1/2", (USE WITH AH90897, R.H. LAMP)
..	19H1721	CAP SCREW	1		1/2" X 1-1/2", (USE WITH AH90897, R.H. LAMP)

1F21

ELECTRICAL

HP1059 -UN-01JAN94

WINDSHIELD WIPER AND BRACKET



HP1059

KEY	PART NO.	PART NAME	QTY	SERIAL NO.	REMARKS
1	AR59444	MOTOR	1	-450350	(SUB AH108712 AND AH108739)
	AH108739	MOTOR	1		
2	AH108712	WIRING HARNESS	1		
3	AU43855	SCREW, WITH WASHER	2	-450000	(A) (SUB 21H1298 AND 12H295)
	21H1298	SCREW	2		0.190" X 3/8"
	12H295	LOCK WASHER	2		0.190"
4	U46515	BRACKET	1		(A)
5	AU43854	SCREW, WITH WASHER	3		(A)
6	U46508	WASHER	1		(A) (SUB AH112301)
7	14H649	NUT	1		(A) 1/4"
8	AU43852	SHAFT	1		(A)
9	U46507	PIN	1		(A)
10	AT29862	WASHER	2		(A)
11	U46506	CLIP	2		(A)
12	AU43857	LOCK NUT	1		(A)
13	AR43856	ARM	1		(A)
14	AU43853	LINK	1		(A)
15	U46517	GASKET	1		
16	AR78596	KIT	1		
17	WASHER	1		
18	NUT	1		
19	AU42023	PLATE	1		ADAPTER
20	19H3138	CAP SCREW	2		1/4" X 5/8"
21	U46509	WASHER	1		(A)
22	U46510	WASHER	1		(A)
23	U46511	NUT	1		(A)
24	U46512	CAP	1		(A)
25	U46513	NUT	1		(A)
26	12H291	LOCK WASHER	1		(A) 5/16"
27	R63671	NUT	1		(A)
28	AH96223	BLADE	1		
29	SCREW	1		
30	AU42025	WIPER ARM	1		
..	AT58208	MOTOR	1	-450350	
..	AT67339	MOTOR	1	450351-	
..	AT38297	MOTOR	1		KIT, MOTOR

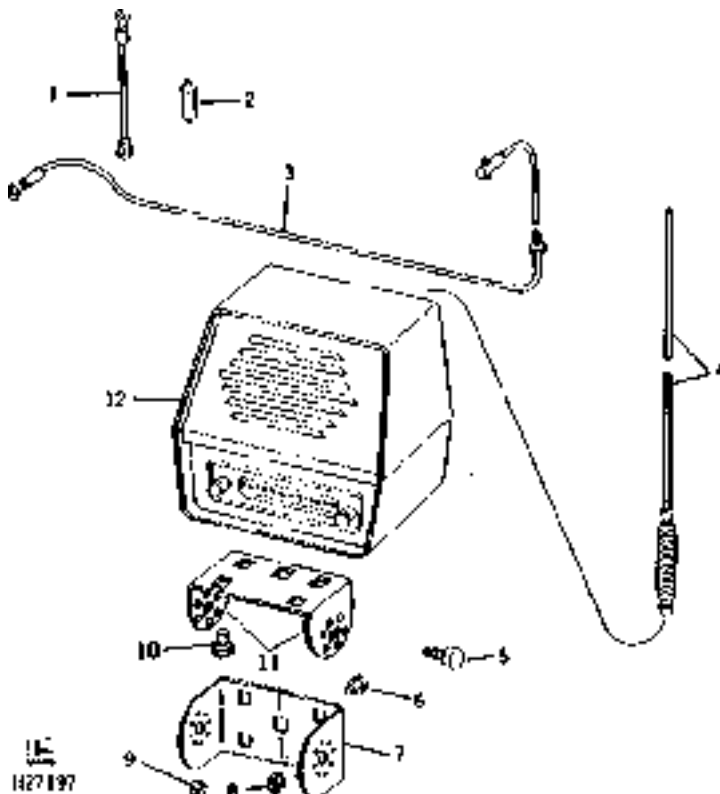
KIT LISTED BELOW CONSISTS OF ALL PARTS IDENTIFIED BY AN (A):

1F22

ELECTRICAL

H27197 -UN-01JAN94

RADIO (NOT USED WITH OPERATOR'S CAB) (MOTOROLA)



KEY	PART NO.	PART NAME	QTY	SERIAL NO.	REMARKS
1	AR41758	CAPACITOR	1		
2	R42799	RESISTOR	1	(A)	
3	AR41756	WIRING LEAD	1	(A)	
4	AR46986	ANTENNA	1	(B)	
5	19H1936	CAP SCREW	2	(A) 3/8" X 3/4"	
6	19H1813	CAP SCREW	4	(A) 5/16" X 5/8"	
7	R41880	BRACKET	1		
8	AR41950	NUT	2	(A)	
9	AR41951	NUT	4	(A)	
10	19H1227	CAP SCREW	4	1/4" X 1/2"	
11	R41880	BRACKET	1	(A)	
12	AR68361	RADIO	1	-500000	(B) (SUB AR101245)
	AR101245	RADIO	1	-550000	(SUB TY15155, THIS APPLICATION)

KIT LISTED BELOW CONSISTS OF ALL PARTS IDENTIFIED BY AN (A):

..	AR41754	KIT	1	-550000	
----	---------	-----	---	---------	--

ASSEMBLY LISTED BELOW CONSISTS OF ALL PARTS IDENTIFIED BY A (B):

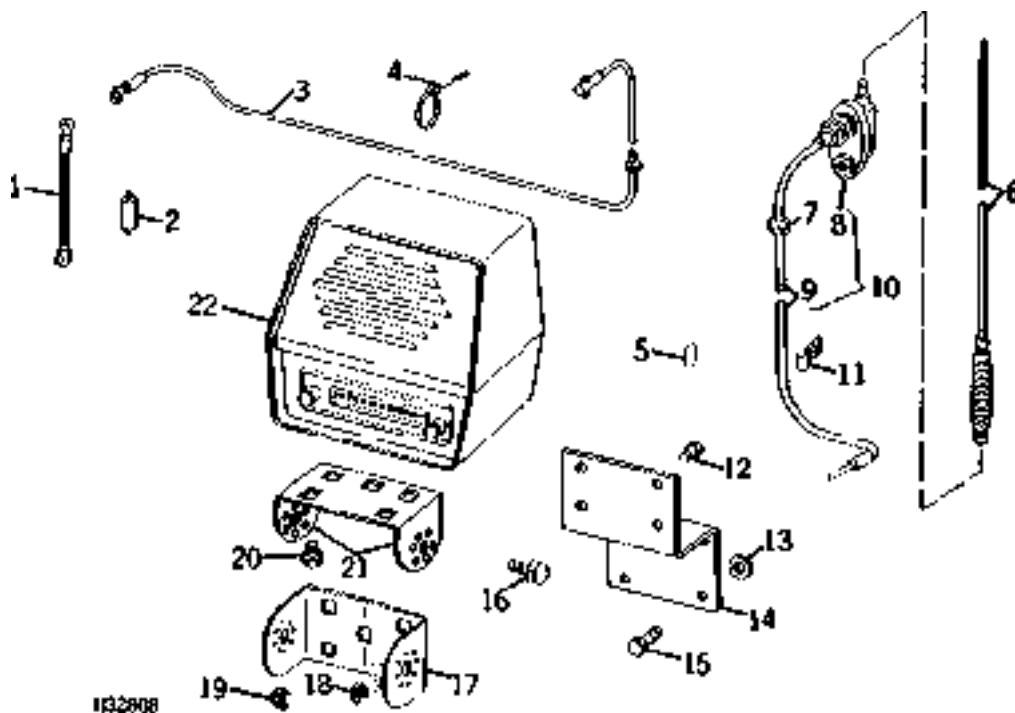
..	AR71981	RADIO	1	-550000	
----	---------	-------	---	---------	--

1F23

ELECTRICAL

H32808 -UN-01JAN94

RADIO (USED WITH OPERATOR'S CAB) (MOTOROLA)



KEY	PART NO.	PART NAME	QTY	SERIAL NO.	REMARKS
1	AR41758	CAPACITOR	1		
2	R42799	RESISTOR	1		(C)
3	AR41756	WIRING LEAD	1		(C)
4	M66044	TIE BAND	1		(B)
5	R45136	PLUG	1		
6	AR46986	ANTENNA	1		(D)
7	R27583	GROMMET	1		(A)
8	AR46984	BASE	1		(A)
9	AR46985	WIRING LEAD	1		(A)
10	AR45014	COUPLING	1		(A) (SUB AR46984)
11	T19935	CLAMP	1		(B)
12	19H1813	CAP SCREW	4		(C) 5/16" X 5/8"
13	24H1294	WASHER	2		11/32" X 1-1/8" X 1/16"
14	H86029	BRACKET	1		
15	H76139	SCREW	4		SELF-TAPPING
16	19H1936	CAP SCREW	2		(C) 3/8" X 3/4"
17	R41880	BRACKET	1		(C)
18	AR41950	NUT	2		(C)
19	AR41951	NUT	4		(C)
20	19H1227	CAP SCREW	4		1/4" X 1/2"
21	R41880	BRACKET	1		
22	AR68361	RADIO	1	-500000	(D) (SUB AR101245)
	AR101245	RADIO	1	-550000	(SUB TY15155, THIS APPLICATION)
	TY15155	RADIO	1		

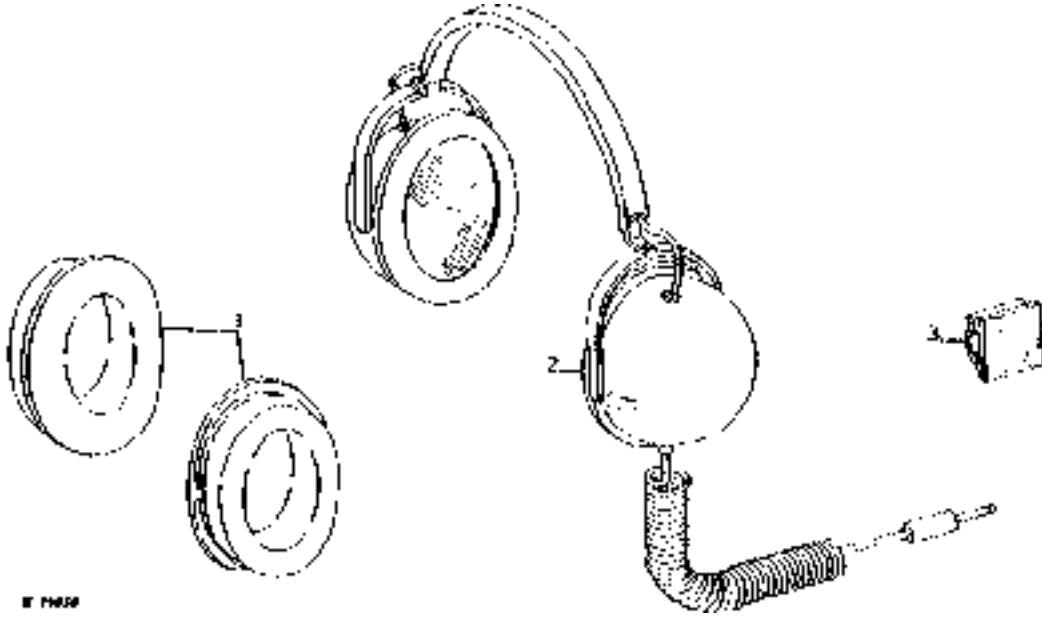
KIT LISTED BELOW CONSISTS OF ALL PARTS IDENTIFIED BY AN (A):					
..	AR46983	BASE	1	-550000	
ASSEMBLY LISTED BELOW CONSISTS OF ALL PARTS IDENTIFIED BY A (B):					
..	AH87161	SUPPORT	1		
KIT LISTED BELOW CONSISTS OF ALL PARTS IDENTIFIED BY A (C):					
..	AR41754	KIT	1	-550000	MOUNTING FOR 2ND VEHICLE RADIO APPLICATION
ASSEMBLY LISTED BELOW CONSISTS OF ALL PARTS IDENTIFIED BY A (D):					
..	AR71981	RADIO	1	-550000	

1F24

ELECTRICAL

R19850 -UN-01JAN94

RADIO HEAD PHONES



KEY	PART NO.	PART NAME	QTY	SERIAL NO.	REMARKS
1	AR73311	FOAM PAD	1		
2	AR59663	HEADPHONES	1	-550000	
3	R53410	CLIP	1		

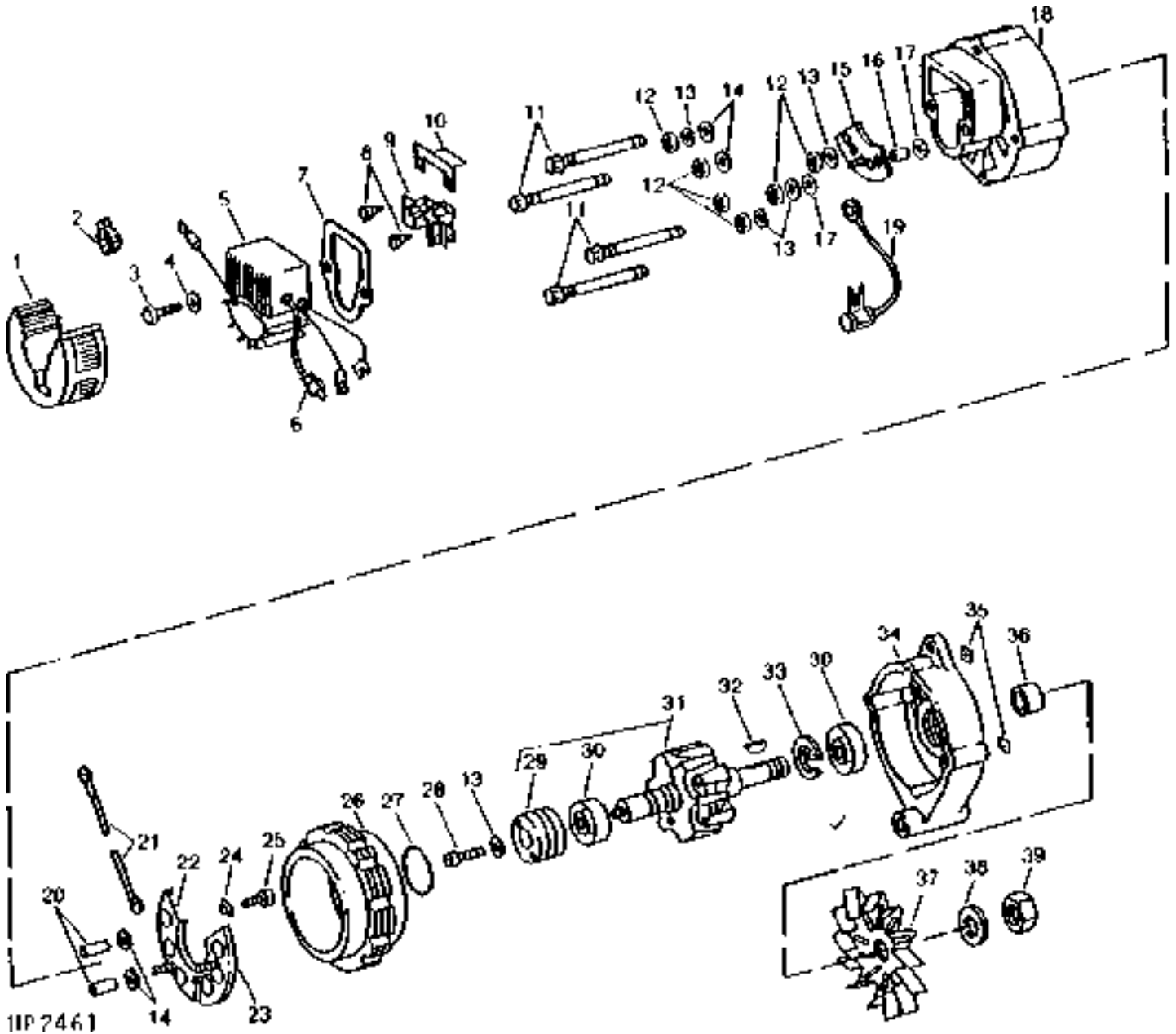
1G1

ELECTRICAL

ALTERNATOR AND VOLTAGE REGULATOR (72 AMP)
(SERIAL NO. -600000)

HP2461

-UN-01JAN94



ALTERNATOR AND VOLTAGE REGULATOR (72 AMP) - CONTINUED
(SERIAL NO. -600000)

KEY	PART NO.	PART NAME	QTY	SERIAL NO.	REMARKS
1	AH93170	COVER	1		
2	H77698	TIE BAND	1		
3	T29103	SCREW	2		
4	12H315	LOCK WASHER	2	0.164"	
5	AT56592	REGULATOR	1		
6	R48887	TAB CONNECTOR BODY	1		
7	T29100	GASKET	1		
8	37H47	SCREW	2		
9	AT27128	HOLDER	1		
10	T25357	INSULATOR	1	-400000	(SUB T46862)
	T46862	ISOLATOR	1		
11	R47460	BOLT	4		
12	14H778	NUT	6	0.190"	
13	12H246	LOCK WASHER	5	0.190"	
14	R39804	WASHER	4	(INSULATOR)	
15	AR50229	DIODE	1		
16	R39803	WASHER	1		
17	R15036	WASHER	2		
18	R63977	HOUSING	1		
19	AH105521	CAPACITOR	1	401299-	
20	T25353	BUSHING	2		
21	AT27126	WIRING LEAD	1		
22	AH103067	PLATE	1		(RECTIFYING, POSITIVE)
23	AH103068	PLATE	1		(RECTIFYING, NEGATIVE)
24	T25350	INSULATOR	1		
25	T29099	BOLT	1		
26	AR50226	STATOR	1		
27	T50860	RING	1		
28	T29102	SCREW	1		
29	AT27127	RING	1		
30	AT23188	BEARING	2		
31	AR50227	ROTOR	1		(WITH SLIP RINGS AND BEARINGS)
32	26H9	SHAFT KEY	1		1/8" X 5/8"
33	R15029	RETAINER	1		
34	R15033	HOUSING	1		
35	14H631	NUT	4	0.190"	
36	T25343	BUSHING	1		
37	R15027	FAN	1		
38	12H294	LOCK WASHER	1	5/8"	
39	14H866	NUT	1	5/8"	
..	AR52077	ALTERNATOR	1	-600000	(SUB TY6653)
..	TY6603	ALTERNATOR	1	-600000	(REMANUFACTURED) (SUB TY6653)

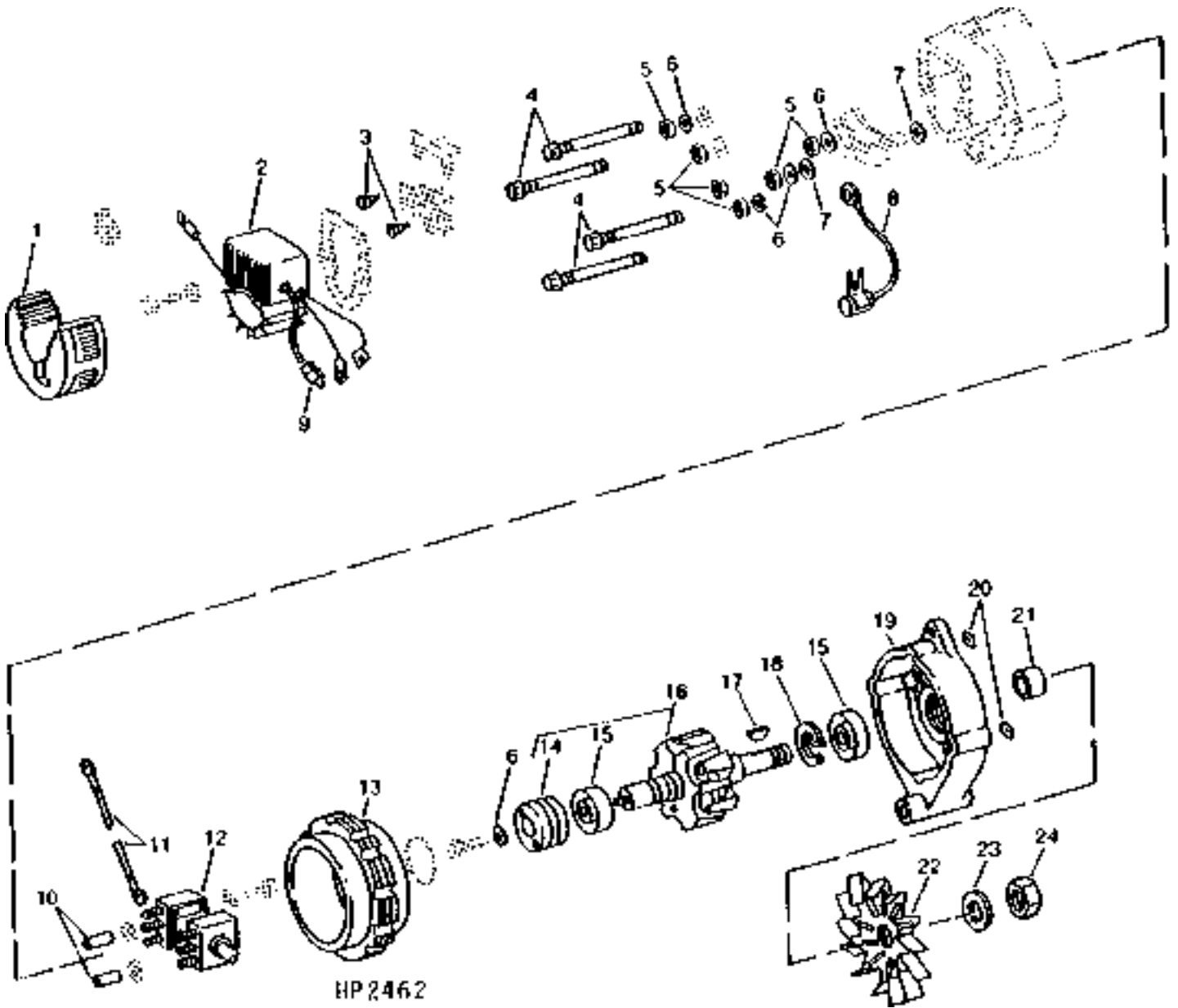
1G3

ELECTRICAL

ALTERNATOR AND VOLTAGE REGULATOR (90 AMP) (SERIAL NO. 600001-)

HP2462

-UN-01JAN94



1G4

ELECTRICAL

ALTERNATOR AND VOLTAGE REGULATOR (90 AMP) - CONTINUED (SERIAL NO. 600001-)

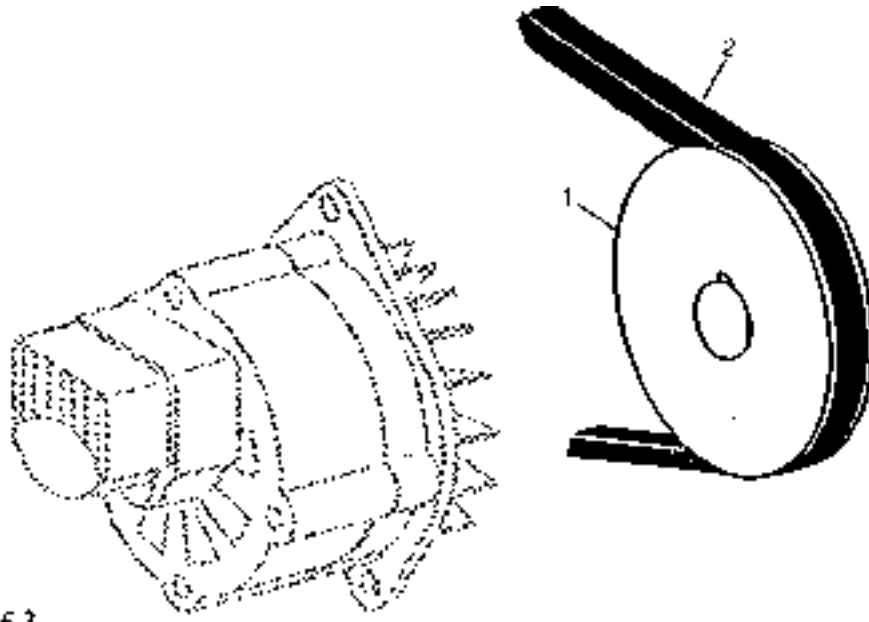
KEY	PART NO.	PART NAME	QTY	SERIAL NO.	REMARKS
1	H121705	COVER	1		
2	AH117788	VOLTAGE REGULATOR	1		
3	37H47	SCREW	2		NO. 8 X 1/2"
4	R77460	CONNECTOR	4		
5	14H778	NUT	6		0.190"
6	12H246	LOCK WASHER	5		0.190"
7	R15036	WASHER	2		
8	AH105521	CAPACITOR	1		
9	R48887	TAB CONNECTOR BODY	1		
10	T25353	BUSHING	2		
11	AT27126	WIRING LEAD	1		
12	AH117790	DIODE	2		
13	AH117791	STATOR	1		
14	AT27127	RING	1		
15	AT23188	BEARING	2		
16	AH117789	ROTOR	1		
17	26H9	SHAFT KEY	1		1/8" X 5/8", (W/SLIP RINGS AND BEARINGS)
18	R15029	RETAINER	1		
19	R15033	HOUSING	1		
20	14H631	NUT	4		0.190"
21	T25343	BUSHING	1		
22	R15027	FAN	1		
23	12H294	LOCK WASHER	1		5/8"
24	14H866	NUT	1		5/8"
..	TY6653	ALTERNATOR	1		(REMANUFACTURED)

1G5

ELECTRICAL

HP2463 -UN-01JAN94

ALTERNATOR SHEAVE AND BELT (72 AMP AND 90 AMP)



HP2463

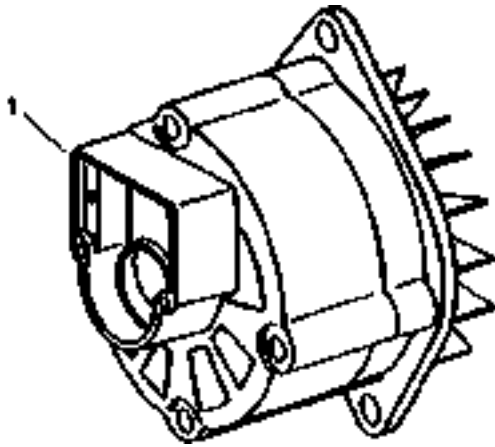
KEY	PART NO.	PART NAME	QTY	SERIAL NO.	REMARKS
1	H93619	PULLEY	1		
2	H82724	BELT	1	-550000	
	H101813	BELT	1	550001-	

1G6

ELECTRICAL

HP2604 -UN-01JAN94

ALTERNATOR (90 AMP)
(SERIAL NO. 600001-)



HP2604

KEY	PART NO.	PART NAME	QTY	SERIAL NO.	REMARKS
1	TY6653	ALTERNATOR	1	90 AMP (REMANUFACTURED)	

MEMORANDA

1G7

ELECTRICAL

FRONT AND REAR ALTERNATOR SUPPORTS (6329DH)

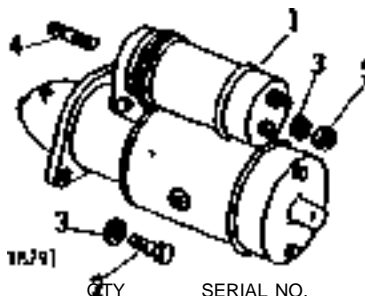
T17823 -UN-01JAN94



KEY	PART NO.	PART NAME	QTY	SERIAL NO.	REMARKS
1	19H2284	CAP SCREW	2		3/8" X 7/8"
2	24H1305	WASHER	2		13/32" X 13/16" X 0.065"
3	R38372	BRACKET	1	-550000	
	R59677	BRACKET	1	550001-	
4	28H2547	SPACER	2		0.423" X 0.675" X 1"
5	T20202	BRACKET	1	-550000	
	R59676	BRACKET	1	550001-	
6	T32853	STRAP	1		
7	12H304	LOCK WASHER	1		3/8"
8	19H1801	CAP SCREW	1		3/8" X 2"
9	19H2128	CAP SCREW	2		3/8" X 3"

STARTING MOTOR ATTACHING HARDWARE (6329DH)

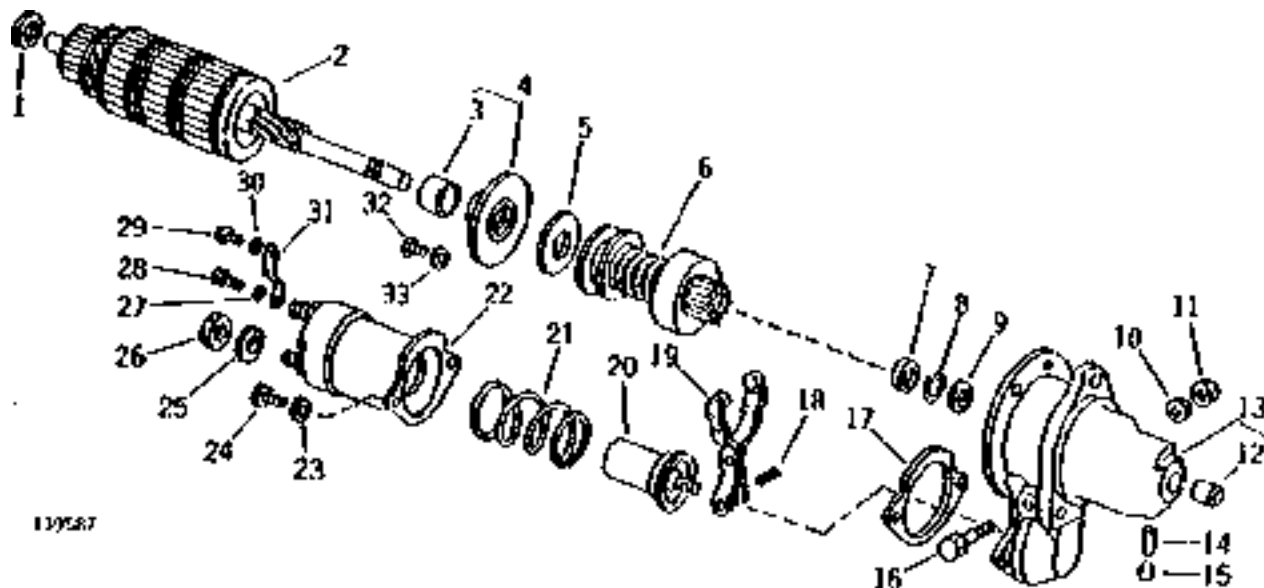
T8791 -UN-01JAN94



KEY	PART NO.	PART NAME	QTY	SERIAL NO.	REMARKS
1	AT25619	STARTER MOTOR	1	-110624	(DELCO-REMY NO. 1107863 AND 1107871) (SUB RE19187)
	RE19187	STARTER MOTOR	1		(DELCO-REMY NO. 1998367)
	TY6620	STARTER MOTOR	1		(REMANUFACTURED) (12-VOLT) (DELCO-REMY)
2	19H1731	CAP SCREW	1		3/8" X 1"
3	12H304	LOCK WASHER	2		3/8"
4	C2175R	STUD	1		(SUB FOR M3636T, THIS APPLICATION)
5	14H1076	NUT	1		3/8"

STARTING MOTOR DRIVE MOTOR AND ARMATURE ASSEMBLY
(6329DH)
(DELCO-REMY NOS. 1107863 AND 1107871)
(ENGINE SERIAL NO. -110624)

T39587 -UN-01JAN94



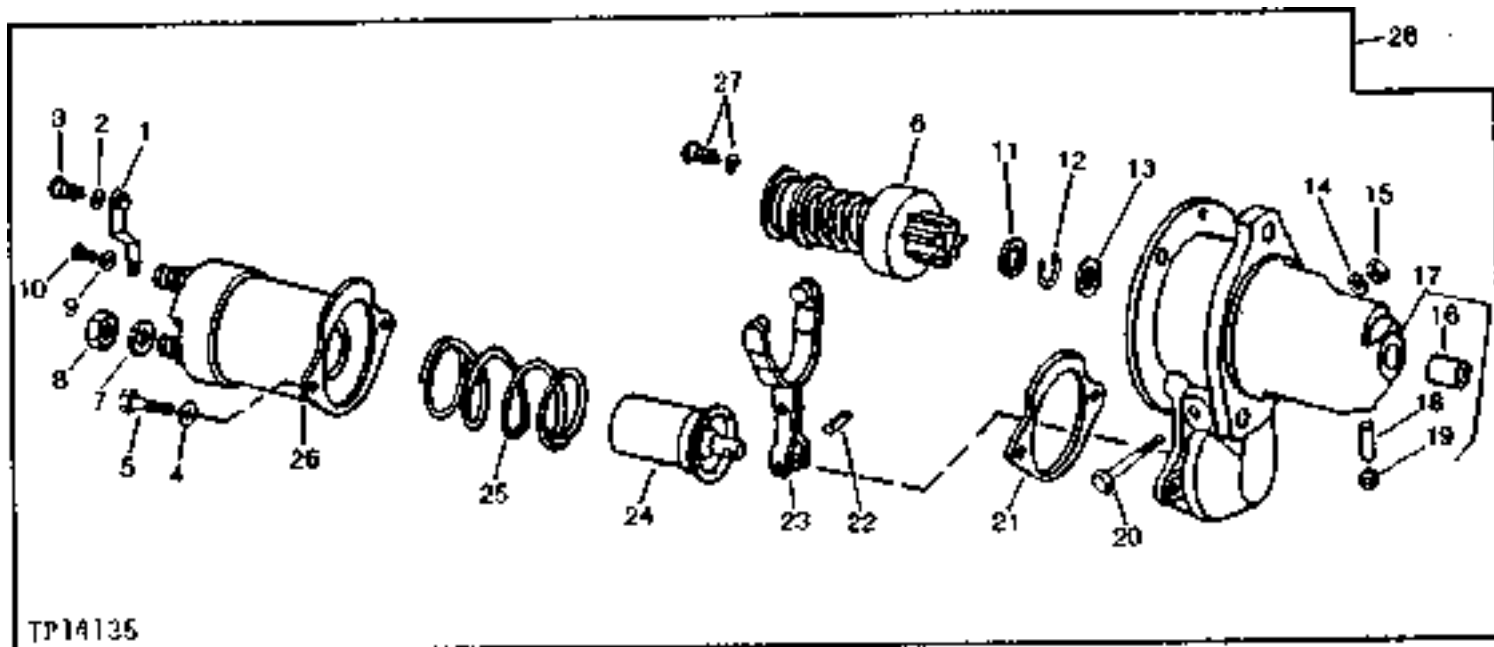
KEY	PART NO.	PART NAME	QTY	ENGINE SERIAL NO.	REMARKS
1	R11096	WASHER	1		
2	AT16291	ARMATURE	1		
3	T11684	BUSHING	1		
4	820149	BEARING	1		
5	R11095	WASHER	1		
6	AR54923	BENDIX DRIVE	1		
7	R11116	SPACER	1		
8	R11117	SNAP RING	1		
9	T24539	WASHER	1		
10	12H303	LOCK WASHER	1	5/16"	
11	14H611	NUT	1	5/16"	
12	T17987	BUSHING	1		
13	RE19193	HOUSING	1		(SUB FOR AR70082)
14	R40337	WICK	1		
15	15H558	PIPE PLUG	1	1/8"	
16	T11672	CAP SCREW	1		
17	T17058	GASKET	1		
18	34H279	SPRING PIN	1	3/16" X 13/16"	
19	T18113	SHIFTER	1		
20	AT15147	PLUNGER	1		
21	T11675	SPRING	1		
22	AR68304	SOLENOID	1		(SUB FOR R11240)
23	12H302	LOCK WASHER	2	1/4"	
24	21H1142	SCREW	2	1/4" X 1/2"	
25	12H304	LOCK WASHER	1	3/8"	
26	14H732	NUT	1	3/8"	
27	12H295	LOCK WASHER	1	0.190"	
28	T15564	SCREW	1		
29	21H1127	SCREW	1	0.190" X 7/16"	
30	12H246	LOCK WASHER	1	0.190"	
31	R39877	BRACKET	1		
32	T19589	SCREW	2		
33	T19569	LOCK WASHER	2		
..	AT25619	STARTER MOTOR	1		(SUB RE19187)

1G9

ELECTRICAL

STARTING MOTOR DRIVE AND SWITCH ASSEMBLY
 (6329DH)
 (DELCO-REMY NO. 1998367)
 (ENGINE SERIAL NO. 110625-)

TP14135 -UN-01JAN94



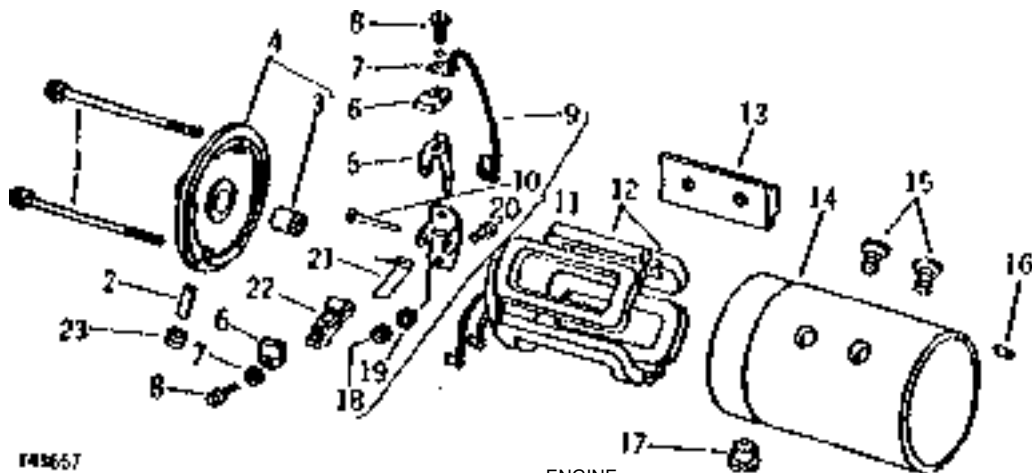
KEY	PART NO.	PART NAME	QTY	ENGINE SERIAL NO.	REMARKS
1	R57025	FITTING	1		
2	21H1127	SCREW	1	0.190" X 7/16"	
3	12H246	LOCK WASHER	1	0.190"	
4	12H302	LOCK WASHER	2	1/4"	
5	21H1142	SCREW	2	1/4" X 1/2"	
6	AR54923	BENDIX DRIVE	1		
7	12H304	LOCK WASHER	1	3/8"	
8	14H732	NUT	1	3/8"	
9	12H295	LOCK WASHER	1	0.190"	
10	T15564	SCREW	1		
11	R11116	SPACER	1		
12	R11117	SNAP RING	1		
13	T24539	WASHER	1		
14	12H303	LOCK WASHER	1	5/16"	
15	14H611	NUT	1	5/16"	
16	R57029	BUSHING	1		
17	RE19193	HOUSING	1		
18	R81175	WICK	1		
19	R81174	PLUG	1	1/8"	
20	T11672	CAP SCREW	1		
21	T17058	GASKET	1		
22	34H279	SPRING PIN	1	3/16" X 13/16"	
23	T18113	SHIFTER	1		
24	AM39970	PLUNGER	1		
25	R81176	COMPRESSION SPRING	1		
26	AM39968	SOLENOID	1		
27	RE19191	SCREW, WITH WASHER	1		
28	STARTER MOTOR	1	(SUB RE19187)	

1G10

ELECTRICAL

STARTING MOTOR HOUSING AND COIL ASSEMBLY
 (6329DH)
 (DELCO-REMY NOS. 1107863 AND 1107871)
 (ENGINE SERIAL NO. -110624)

T48657 -UN-01JAN94



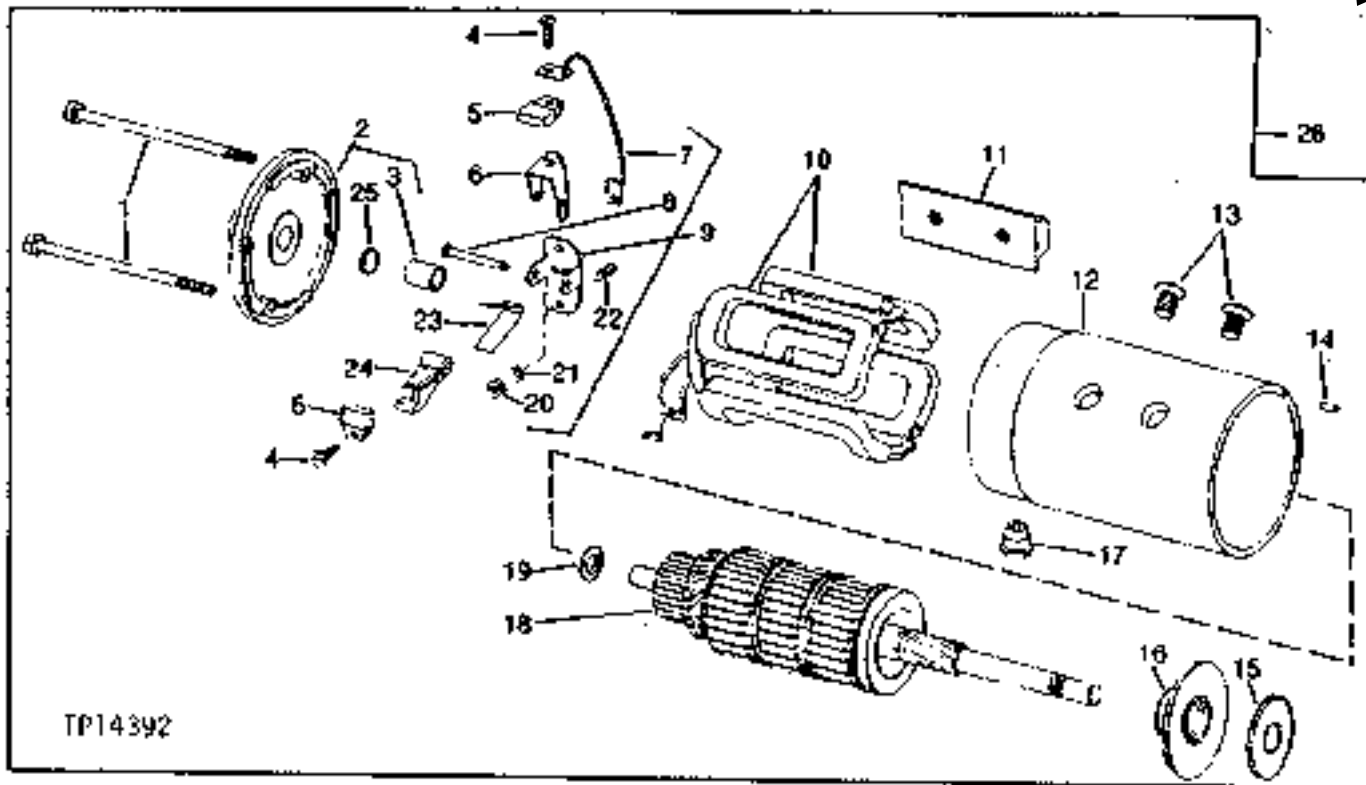
KEY	PART NO.	PART NAME	QTY	ENGINE SERIAL NO.	REMARKS
1	R11243	CAP SCREW	2		
2	H23193	FELT	1		
3	T11739	BUSHING	1		
4	R11238	END PLATE	1		
5	T738T	HOLDER	2		
6	R11239	BRUSH	4		
7	12H290	WASHER	4	0.164"	
8	37H79	SCREW	4	1/4" X 5/8"	
9	AT514T	WIRING LEAD	2		
10	T736T	PIN	2		
11	AT516T	KIT	2		INCLUDES GROUND LEAD, BRUSH HOLDER, PIN SUPPORT, SCREWS, LOCK WASHERS AND NUTS
12	AT16290	FIELD WINDING COIL	1		
13	T11680	SHOE	4		
14	STARTER MOTOR	1	(SUB RE19187)	
15	21H1280	SCREW	8	3/8" X 3/4"	
16	R11087	DOWEL PIN	1		
17	R11236	GROMMET	1		
18	14H778	NUT	4	0.190"	
19	12H246	LOCK WASHER	4	0.190"	
20	21H1301	SCREW	4	0.190" X 1/2"	
21	T740T	SPRING	4		
22	T739T	HOLDER	2		
23	15H558	PIPE PLUG	1	1/8"	
..	AT25619	STARTER MOTOR	1	(SUB RE19187)	

1G11

ELECTRICAL

STARTING MOTOR COIL ASSEMBLY, HOUSING AND ARMATURE
 (6329DH)
 (DELCO-REMY NO. 1998367)
 (ENGINE SERIAL NO. 110625-)

TP14392 -UN-01JAN94



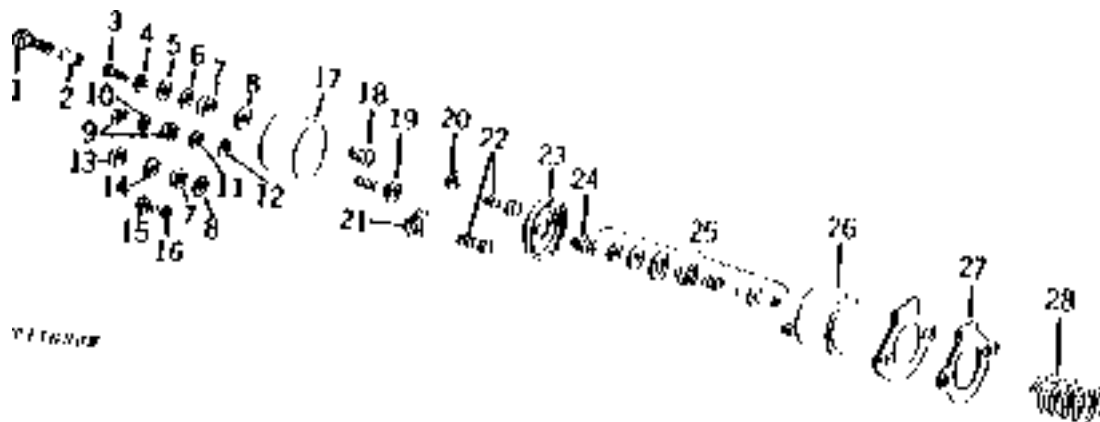
KEY	PART NO.	PART NAME	QTY	ENGINE SERIAL NO.	REMARKS
1	R81171	BOLT	2		
2	R81167	END PLATE	1		
3	R61932	BUSHING	1		
4	RE19189	SCREW	4		
5	R81168	BRUSH	4		
6	R81169	CARBON BRUSH HOLDER	2		
7	R57028	WIRING LEAD	2		
8	T736T	PIN	2		
9	AR68302	KIT	2		
10	RE19188	FIELD WINDING COIL	1		
11	T11680	SHOE	4		
12	HOUSING	1	(SUB RE19187)	
13	21H1280	SCREW	4	3/8" X 3/4"	
14	R81173	DOWEL PIN	4		
15	R81172	WASHER	1		
16	RE19192	PLATE	1	WITH BUSHING	
17	R11236	GROMMET	1		
18	AR68299	ARMATURE	1		
19	R81198	THRUST WASHER	1		
20	14H778	NUT	4	0.190"	
21	12H246	LOCK WASHER	4	0.190"	
22	21H1301	SCREW	4	0.190" X 1/2"	
23	R81170	SPRING	4		
24	R57027	HOLDER	2		
25	R61934	WICK	AR	1/8"	
26	STARTER MOTOR	1	(SUB RE19187)	

1G12

ELECTRICAL

STARTING MOTOR SOLENOID SWITCH
(6329DH)
(DELCO-REMY NO. 1114356)
(ENGINE SERIAL NO. -110624)

T11680 -UN-01JAN94



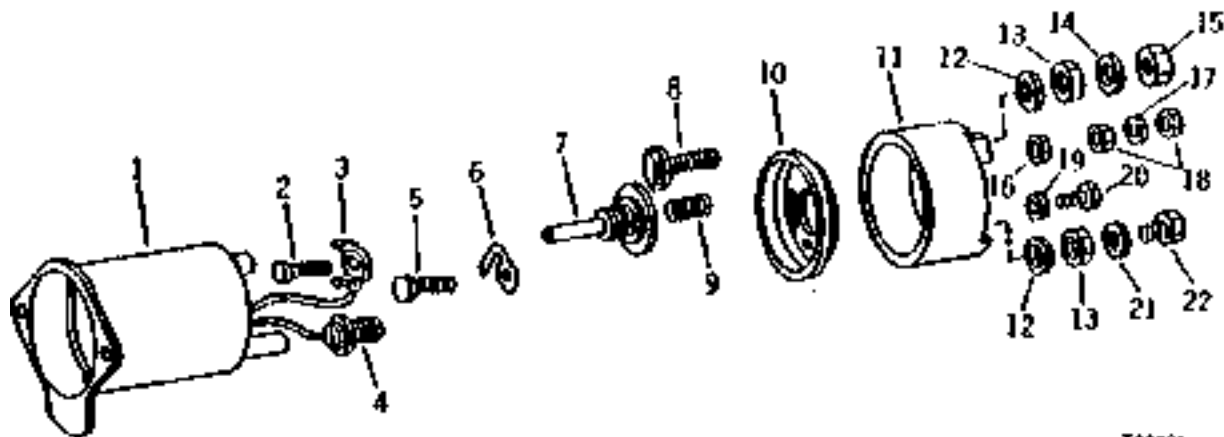
KEY	PART NO.	PART NAME	QTY	ENGINE SERIAL NO.	REMARKS
1	T19610	CAP SCREW	1		
2	T19608	BUSHING	1		
3	T15564	SCREW	1		
4	12H295	LOCK WASHER	1	0.190"	
5	T19600	WASHER	1		
6	T19602	WASHER	1		
7	14H732	NUT	2	3/8"	
8	T18107	WASHER	2		
9	14H605	NUT	4	0.164"	
10	T19603	LOCK WASHER	2		
11	T19601	WASHER	2		
12	T19607	WASHER	2		
13	14H732	NUT	1	3/8"	
14	12H304	LOCK WASHER	1	3/8"	
15	21H1127	SCREW	2	0.190" X 7/16"	
16	R11039	WASHER	2		
17	R57452	COVER	1		
18	T18354	SCREW	1		
19	T18105	STUD	1		
20	T19605	CLIP	1		
21	T19604	CONTACT	1		
22	T19606	STUD	2		
23	R49394	GASKET	1		
24	R11066	SPRING	1		
25	AT15146	CONTACT	1		
26	ELECTRICAL COIL	1	(SUB AR68304)	
27	T17058	GASKET	1		
28	T11675	SPRING	1		
..	R11240	SWITCH	1	(SUB AR68304)	

1G13

ELECTRICAL

STARTING MOTOR SOLENOID SWITCH
 (6329DH)
 (DELCO-REMY NO. 1114381)
 (ENGINE SERIAL NO. -110624)

T42290 -UN-01JAN94



T47700

KEY	PART NO.	PART NAME	QTY	ENGINE SERIAL NO.	REMARKS
1	ELECTRICAL COIL	1	(SUB AR68304)	
2	T19606	STUD	1		
3	T19605	CLIP	1		
4	T18354	SCREW	1		
5	T19606	STUD	1		
6	T19604	CONTACT	1		
7	AT15146	CONTACT	1		
8	T18105	STUD	1		
9	R11066	SPRING	1		
10	R49394	GASKET	1		
11	R57452	COVER	1		
12	T18107	WASHER	2		
13	14H732	NUT	2	3/8"	
14	12H304	LOCK WASHER	1	3/8"	
15	14H812	NUT	1	3/8"	
16	T19607	WASHER	2		
17	T19603	LOCK WASHER	2		
18	14H605	NUT	4	0.164"	
19	R11039	WASHER	2		
20	21H1298	SCREW	2	0.190" X 3/8"	
21	12H295	LOCK WASHER	1	0.190"	
22	T15564	SCREW	1		
..	AR68304	SOLENOID	1	(12-VOLT)	

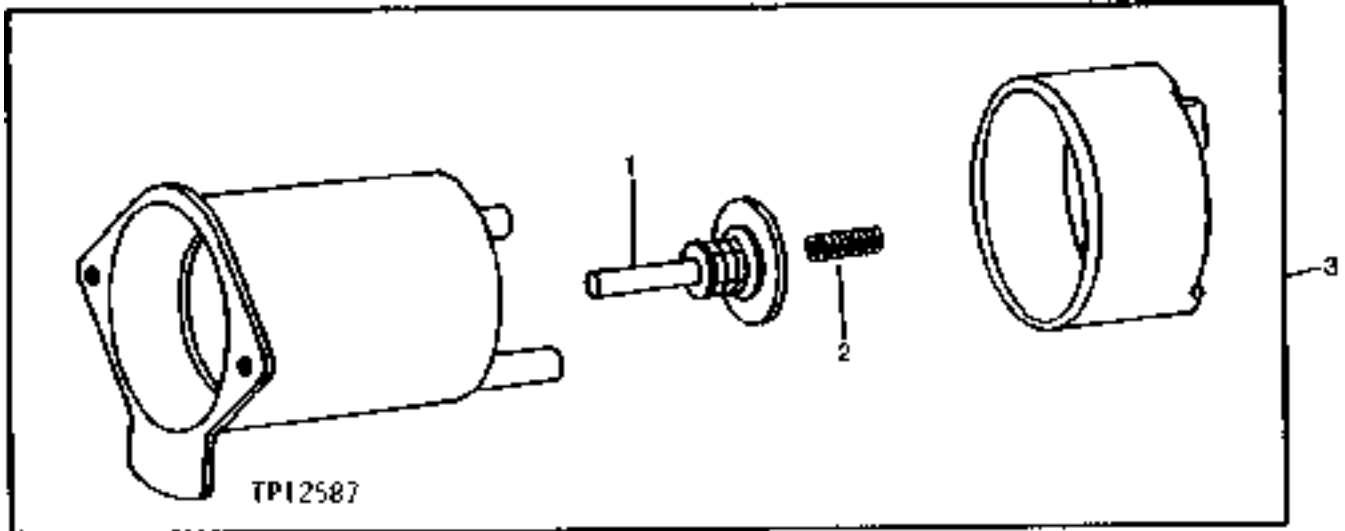
MEMORANDA

1G14

ELECTRICAL

STARTER SOLENOID SWITCH
(6329DH)
(DELCO-REMY NO. 1998367)
(ENGINE SERIAL NO. 110625-)

TP12587 -UN-01JAN94



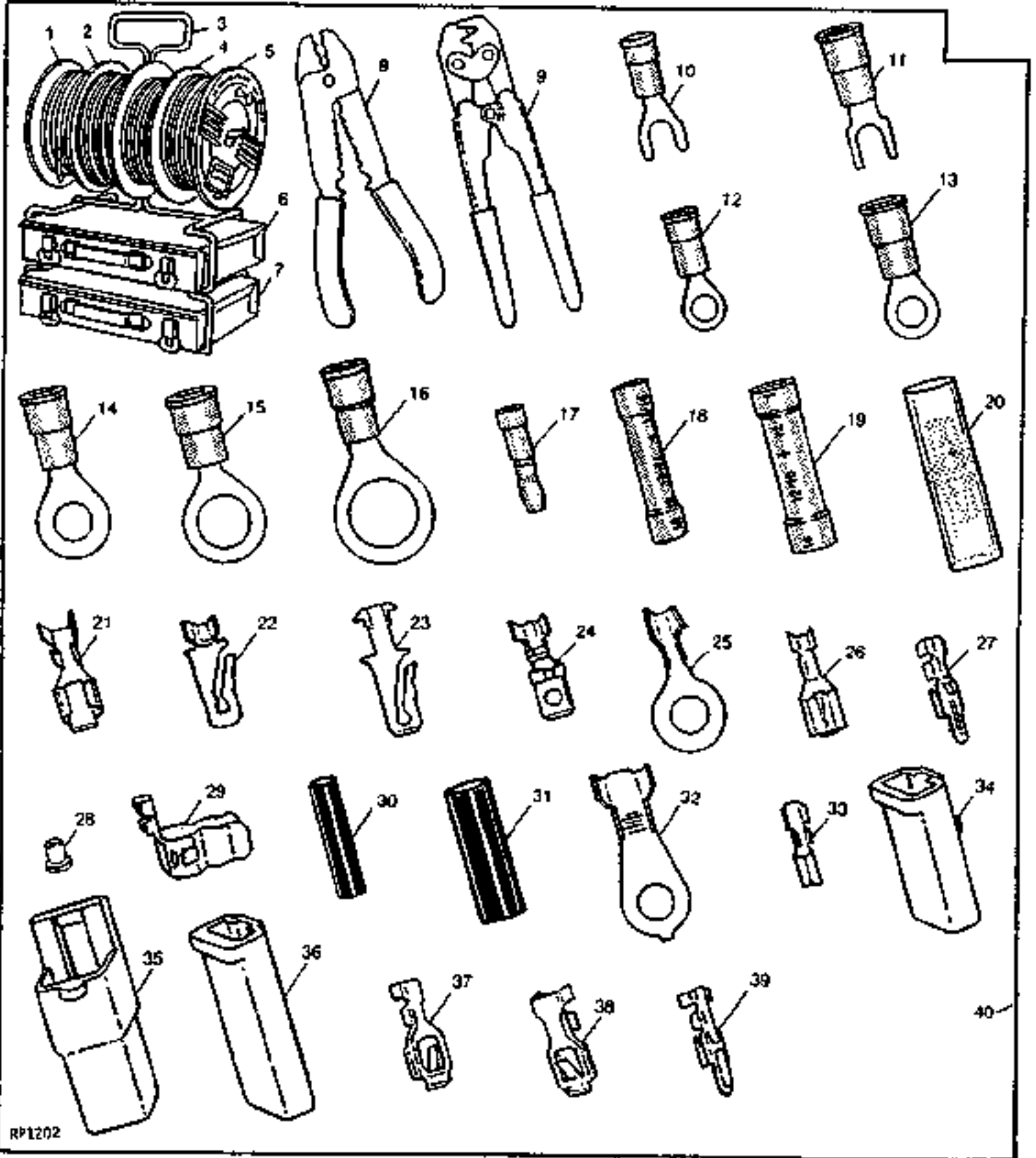
KEY	PART NO.	PART NAME	QTY	ENGINE SERIAL NO.	REMARKS
1	AM39969	CONTACT	1		
2	R11066	SPRING	1		
3	AM39968	SOLENOID	1		(12-VOLT) (DELCO-REMY NO. 1114524)

1G15

ELECTRICAL

RP1202 -UN-12SEP95

TERMINAL AND WIRING KIT



RP1202

1G16

ELECTRICAL

TERMINAL AND WIRING KIT - CONTINUED

KEY	PART NO.	PART NAME	QTY	SERIAL NO.	REMARKS
1	R66319	WIRING LEAD	1		14 GA., 30.5 MM (100 FT.) (1 SPOOL)
2	R65593	WIRING LEAD	1		16 GA., 30.5 MM (100 FT.) (1 SPOOL)
3	R65608	RACK	1		
4	R66321	WIRING LEAD	1		10 GA., 15 MM (50 FT.) (1 SPOOL)
5	R66320	WIRING LEAD	1		12 GA., 30.5 MM (100 FT.) (1 SPOOL)
6	R65609	CONTAINER	1		
7	R65610	CONTAINER	1		
8	R32011	TOOL	1		
9	R65594	TOOL	1		
10	R32016	TERMINAL	1		14-16 GA., NO. 10 SPADE
11	R32017	TERMINAL	1		10-12 GA., NO. 10 SPADE
12	R32018	TERMINAL	1		14-16 GA., NO. 10 EYELET
13	R32019	TERMINAL	1		10-12 GA., NO. 10 EYELET
14	R32021	TERMINAL	1		10-12 GA., 1/4" EYELET
15	R32022	TERMINAL	1		10-12 GA., 3/8" EYELET
16	R32023	TERMINAL	1		10-12 GA., 1/2" EYELET
17	R32026	TERMINAL	1		MALE BULLETT
18	R32027	CONNECTOR	1		SPLICE, 14-16 GA.
19	R32028	TERMINAL	1		SPLICE, 10-12 GA.
20	R32029	TERMINAL	1	-610100	(SUB AL2976T, THIS APPLICATION)
	AL2976T	CONNECTOR	1		2-WIRE BULLET CONNECTOR
21	R65595	TERMINAL	1		FEMALE, 10 GA.
22	R65596	TERMINAL	1		MALE, 10 GA. OR (2) 14 GA. CABLES
23	R65597	TERMINAL	1		MALE, 14-16 GA.
24	R65598	TERMINAL	1		MALE, SHORT, 14-16 GA.
25	R65599	TERMINAL	1		14-16 GA., 1/4" EYELET
26	R65600	TERMINAL	1		FEMALE, 14-16 GA.
27	R65601	TERMINAL	1		TWIN-LOCK, (2) 16 GA. CABLES
28	R65602	SOCKET CONTACT	1		BULB SOCKET, 16-18 GA.
29	R65603	TERMINAL NIPPLE	1		FUSE
30	R65604	INSULATING SLEEVE	1		14-18 GA.
31	R65605	INSULATING SLEEVE	1		8-12 GA.
32	R65606	TERMINAL	1		6-8 GA., 1/4" EYELET
33	R65607	TERMINAL	1		18-20 GA.
34	T28583	RECEPTACLE CONNECTOR BODY	1		ONE CONTACT, LOCK-TYPE, MALE
35	T28585	TAB CONNECTOR BODY	1		ONE CONTACT, LOCK-TYPE, FEMALE
36	U46370	CONNECTOR	1		ONE CONTACT, SINGLE BODY, MALE
37	U46662	TERMINAL	1		MALE
38	U46663	TERMINAL	1		MALE
39	U46664	TERMINAL	1		MALE
40	AR84006	KIT	1	-XXXXXX	TERMINAL AND WIRING, (SUB RE11154)

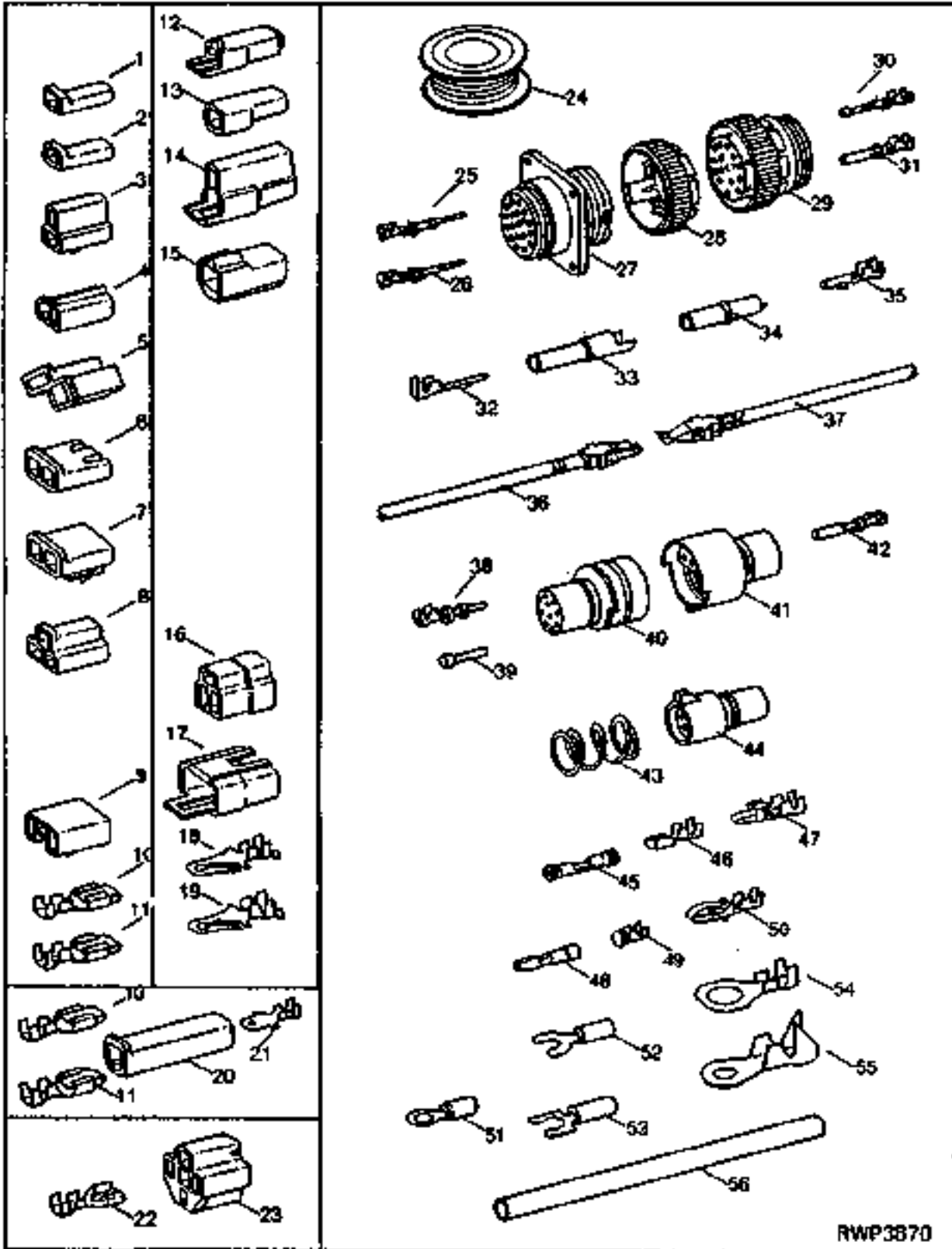
1G17

ELECTRICAL

RWP3870

-UN-01JAN94

ELECTRICAL CONNECTOR SERVICE KIT



RWP3870

ELECTRICAL CONNECTOR SERVICE KIT - CONTINUED

KEY	PART NO.	PART NAME	QTY	SERIAL NO.	REMARKS
1	T28583	RECEPTACLE CONNECTOR BODY	1		PKG. OF 3
2	M43835	FLAT CONNECTOR	1		PKG. OF 3
3	R77476	CONNECTOR	1		PKG. OF 2
4	R77477	RECEPTACLE CONNECTOR BODY	1		PKG. OF 2
5	R77479	CONNECTOR	1		PKG. OF 2
6	R77480	RECEPTACLE CONNECTOR BODY	1		PKG. OF 2
7	R77481	CONNECTOR	1		PKG. OF 2
8	R77482	CONNECTOR	1		
9	H104855	RECEPTACLE CONNECTOR BODY	1		
10	U46662	TERMINAL	1		PKG. OF 25 (14 OR 16 GA. WIRE)
11	N115096	TERMINAL	1		PKG. OF 15 (10 OR 12 GA. WIRE)
12	T28585	TAB CONNECTOR BODY	1		PKG. OF 3
13	R77475	CONNECTOR	1		PKG. OF 3
14	T28586	CONNECTOR	1		PKG. OF 2
15	R77478	CONNECTOR	1		PKG. OF 2
16	R77483	CONNECTOR	1		
17	R48887	TAB CONNECTOR BODY	1		
18	T34067	TERMINAL	1		PKG. OF 25 (14 OR 16 GA. WIRE)
19	R77484	TERMINAL	1		PKG. OF 15 (10 OR 12 GA. WIRE)
20	U46370	CONNECTOR	1		PKG. OF 3
21	R77485	TAB	1		PKG. OF 10 (14 OR 16 GA. WIRE)
22	R77486	TERMINAL	1		PKG. OF 25
23	R77487	CONNECTOR	1		PKG. OF 3
24	R66321	WIRING LEAD	1		15M (50 FT.) 10 GA.
	R66320	WIRING LEAD	1		30.5M (100 FT.) 12 GA.
	R77501	WIRE	1		30.5M (100 FT.) 14 GA.
	R77500	WIRE	1		30.5M (100 FT.) 16 GA.
	R77499	WIRE	1		30.5M (100 FT.) 18 GA.
	R77498	WIRE	1		30.5M (100 FT.) 20 GA.
25	R77462	PIN CONTACT	1		PKG. OF 40 (20-22 OR 24 GA. WIRE)
26	R77464	PIN CONTACT	1		PKG. OF 50 (14-16 OR 18 GA. WIRE)
27	R77456	RECEPTACLE	1		37 WAY
28	R77458	CONNECTOR	1		PKG. OF 2 (SIZE 23)
	R77459	CONNECTOR	1		PKG. OF 2 (SIZE 17)
	R77460	CONNECTOR	1		PKG. OF 2 (SIZE 13)
	R77461	CONNECTOR	1		PKG. OF 2 (SIZE 11)
29	R77457	ELECTRICAL PLUG	1		37 WAY
30	R77463	SOCKET CONTACT	1		PKG. OF 40 (20-22 OR 24 GA. WIRE)
31	R77465	SOCKET CONTACT	1		PKG. OF 50 (14-16 OR 18 GA. WIRE)
32	R77468	TERMINAL	1		PKG. OF 5
33	R77466	CONNECTOR	1		PKG. OF 2
34	R77467	CONNECTOR	1		PKG. OF 2
35	R77469	TERMINAL	1		PKG. OF 5
36	RE11156	TERMINAL	1		PKG. OF 3 (MALE)
37	RE11157	TERMINAL	1		PKG. OF 3 (FEMALE)
38	R70222	PIN CONTACT	1		PKG. OF 20 (14-16 OR 18 GA. WIRE)
39	R70221	ELECTRICAL PLUG	1		PKG. OF 25
40	R70219	PLUG	1		PKG. OF (2) R70218 AND (2) R70219 (10 WAY)
	R70217	PLUG	1		PKG. OF (2) R70216 AND (2) R70217 (7 WAY)
	R70215	PLUG	1		PKG. OF (2) R70214 AND (2) R70215 (4 WAY)
	R70213	PIN CONTACT CONNECTOR BODY	1		PKG. OF (2) R70212 AND (2) R70213 (3 WAY)
	R70211	CONNECTOR	1		PKG. OF (2) R70210 AND (2) R70211 (2 WAY)
41	R70218	RECEPTACLE	1		(ORDER R70219)
	R70216	RECEPTACLE	1		(ORDER R70217)
	R70214	RECEPTACLE	1		(ORDER R70215)
	R70212	RECEPTACLE	1		(ORDER R70213)
	R70210	RECEPTACLE	1		(ORDER R70211)

NOTE: THIS PARTS LISTING IS CONTINUED ON NEXT PAGE.

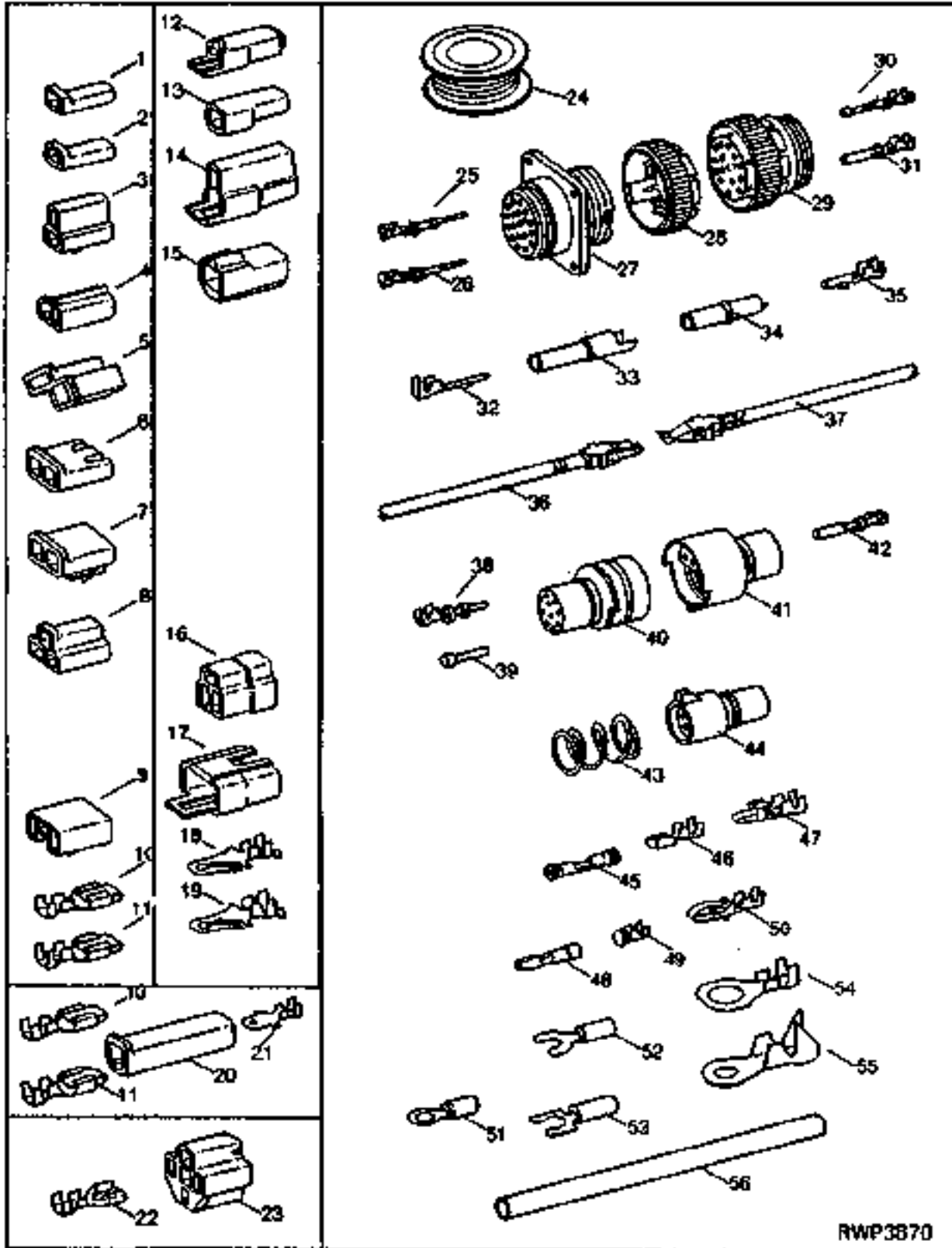
1G19

ELECTRICAL

RWP3870

-UN-01JAN94

ELECTRICAL CONNECTOR SERVICE KIT - CONTINUED



ELECTRICAL CONNECTOR SERVICE KIT - CONTINUED

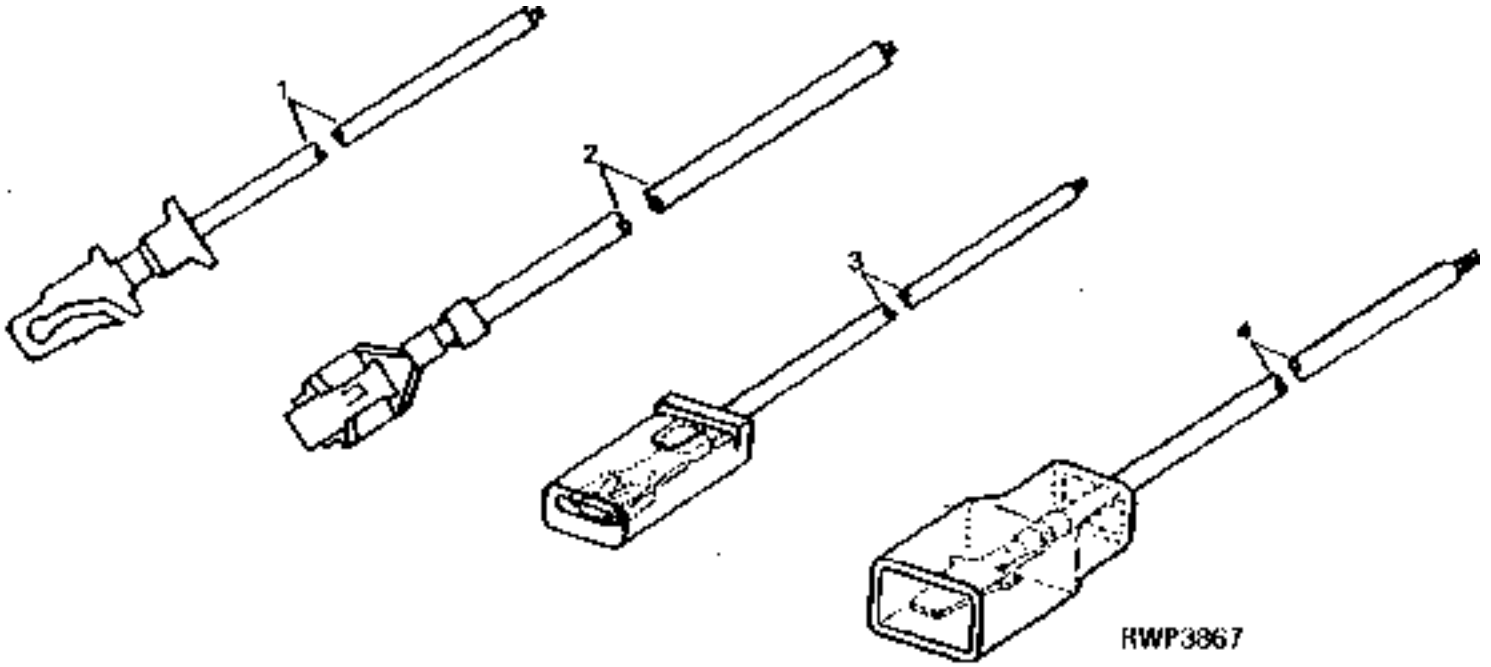
KEY	PART NO.	PART NAME	QTY	SERIAL NO.	REMARKS
42	AR91793	SOCKET CONTACT	1		PKG. OF 20
43	R30378	SPRING	1		PKG. OF 10
44	R77474	CONNECTOR	1		PKG. OF 2 (6 WAY)
45	R77470	TERMINAL	1		SPLICE (PKG. OF 15)(16-18-20 OR 22 GA. WIRE)
	R77471	TERMINAL	1		PKG. OF 10 (10 OR 12 GA. WIRE) SPLICE
	R77472	TERMINAL	1		PKG. OF 2 (8 GA. WIRE) SPLICE
	R77473	TERMINAL	1		PKG. OF 2 (6 GA. WIRE) SPLICE
46	R65607	TERMINAL	1		PKG. OF 10 (18 OR 20 GA. WIRE)
47	U46664	TERMINAL	1		PKG. OF 10 (14 OR 16 GA. WIRE)
48	R32026	TERMINAL	1		PKG. OF 20 (14 OR 16 GA. WIRE)
49	R65602	SOCKET CONTACT	1		PKG. OF 10 (16 OR 18 GA. WIRE)
50	R70220	TERMINAL	1		PKG. OF 10 (18 OR 20 GA. WIRE)
51	R77489	TERMINAL	1		PKG. OF 20 (14-16-18 OR 20 GA. WIRE) (NO. 10 EYELET)
	R77493	TERMINAL	1		PKG. OF 20 (10 OR 12 GA. WIRE)(NO. 10 EYELET)
	R77488	TERMINAL	1		PKG. OF 20 (14-16-18 OR 20 GA. WIRE) (3/8" EYELET)
	R77490	TERMINAL	1		PKG. OF 20 (10 OR 12 GA. WIRE)(1/2" EYELET)
52	R77496	TERMINAL	1		PKG. OF 20 (14 OR 16 GA. WIRE)(NO. 8 SPADE)
	R77495	TERMINAL	1		PKG. OF 20 (18 GA. WIRE)(NO. 10 SPADE)
53	R77497	TERMINAL	1		PKG. OF 20 (14 OR 16 GA. WIRE)(NO. 6 SPADE)
54	R77491	TERMINAL	1		PKG. OF 20 (10 OR 12 GA. WIRE)(3/8" EYELET)
	R77492	TERMINAL	1		PKG. OF 20 (10 OR 12 GA. WIRE)(1/4" EYELET)
55	R77494	TERMINAL	1		PKG. OF 20 (6 OR 8 GA. WIRE)(1/4" EYELET)
56	R77502	TUBE	1		PKG. OF 8 (3/8")(HEAT SHRINK)
	R77503	TUBE	1		PKG. OF 8 (3/16")(HEAT SHRINK)
57	RE11154	KIT	1		

1G21

ELECTRICAL

RWP3867 -UN-01JAN94

SUPPLEMENTARY TERMINALS AND CONNECTORS



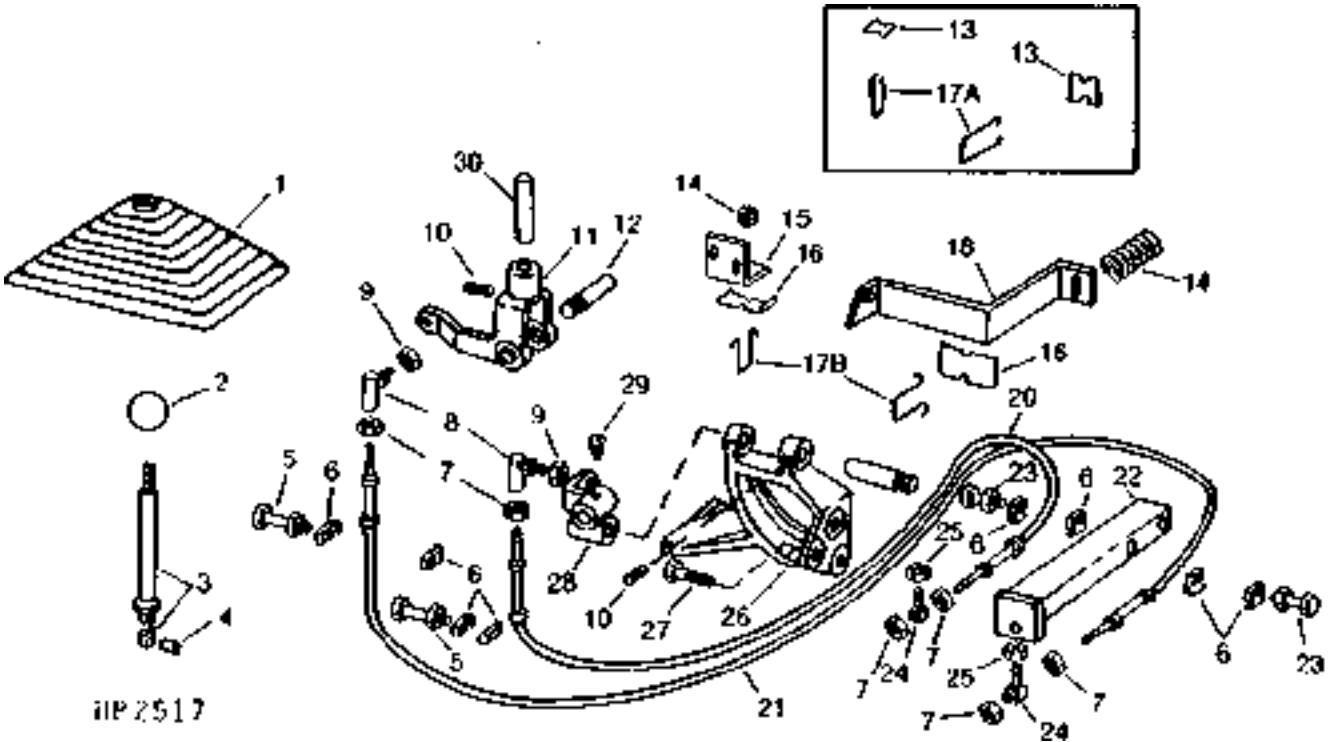
KEY	PART NO.	PART NAME	QTY	SERIAL NO.	REMARKS
1	AR65005	TERMINAL	1		
2	AR65006	TERMINAL	1		
3	R32024	WIRING LEAD	1		
4	R32025	WIRING LEAD	1		

1H3

POWER TRAIN

HP2517 -UN-01JAN94

GEARSHIFT CONTROLS

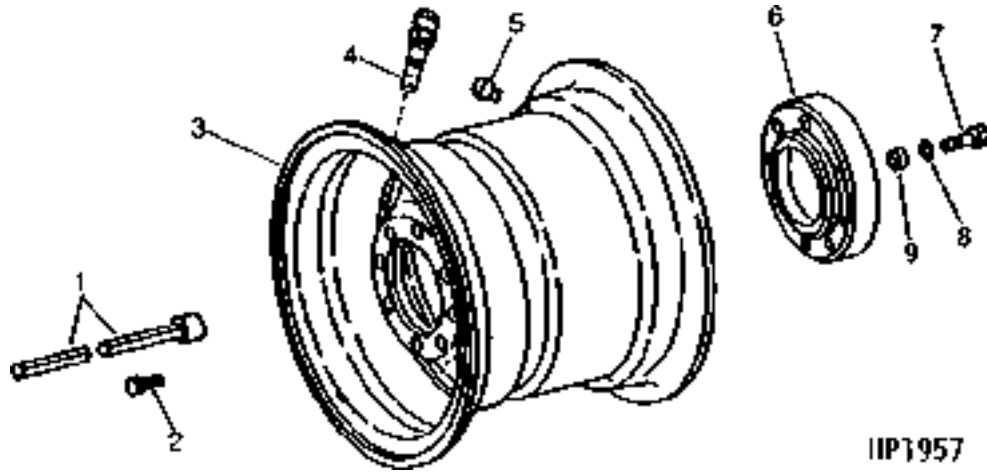


KEY	PART NO.	PART NAME	QTY	SERIAL NO.	REMARKS
1	AH90543	BOOT	1		
2	H93809	KNOB	1		
3	AH93277	LEVER	1		
4	34H385	SPRING PIN	1	1/4" X 1-3/4"	
5	19H1726	CAP SCREW	2	3/8" X 2-1/4"	
	14H812	NUT	2	3/8"	
6	H76869	CLAMP	8		
7	14H882	NUT	6	5/16"	
8	AH76556	BALL JOINT	2		
9	14H846	NUT	2	3/8"	
10	22H835	SET SCREW	2	5/16" X 1/2"	
11	H78001	SHIFTER	1		
12	H77943	PIN	1		
13	H80153	RETAINER	2	-610550	(SUB H122290)
14	R26151	SPRING	2		
15	H78440	BRACKET	1		UPPER
16	AH76765	CLAMP	2		
17A	H78437	HOOK	2	-610550	(SUB H122290)
17B	H122290	HOOK	2		
18	H80811	BRACKET	1		LOWER
19	H77938	PIN	1		
20	AH76769	CABLE	1		
21	AH76767	CABLE	1		
22	AH76764	BRACKET	1		
23	19H1765	CAP SCREW	2	3/8" X 1-3/4"	
	14H812	NUT	2	3/8"	
24	H76873	PIVOT	2		
25	14H785	NUT	2	5/16"	
26	H78002	SUPPORT	1		
27	19H1815	CAP SCREW	3	1/2" X 1-1/4"	
	12H301	LOCK WASHER	3	1/2"	
28	H85401	SHIFT COLLAR	1		
29	JD7806	LUBRICATION FITTING	1	90°, 1/4"	
30	H89272	BUMPER	1		

1H4

HP1957 -UN-01JAN94

DRIVE WHEEL AND SPACERS

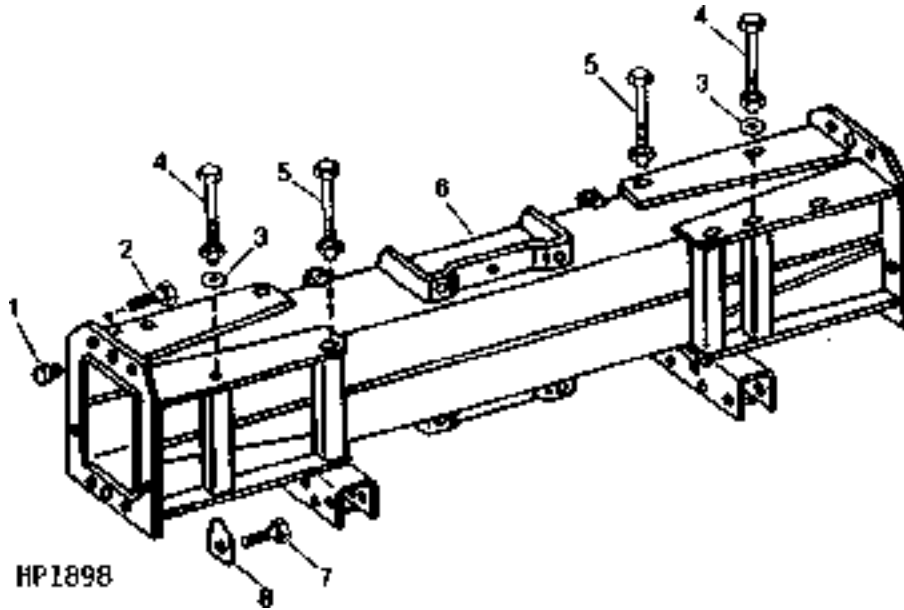


KEY	PART NO.	PART NAME	QTY	SERIAL NO.	REMARKS
1	AH79764	SOCKET	1		
	AH79765	SOCKET	1		(HEAVY-DUTY FINAL DRIVE)
2	H86160	SCREW	16	-550000	(USE WITHOUT SPACERS) (HEAVY-DUTY FINAL DRIVE) (SUB H86161, THIS APPLICATION)
	H86160	SCREW	16	-500000	(USE WITH 18.4-26 TIRES)
	H86161	BOLT	16		(USE WITHOUT SPACERS) (HEAVY-DUTY FINAL DRIVE)
	H86162	BOLT	16		(USE WITH 51 MM (2") WHEEL SPACERS) (HEAVY-DUTY FINAL DRIVE)
	H86164	SCREW	16		(USE WITH 102 MM (4") WHEEL SPACERS) (HEAVY-DUTY FINAL DRIVE)
3	AH76709	WHEEL	2		(USE WITH 16.9-26 TIRES)
	AH84636	WHEEL	2	-500000	(USE WITH 18.4-26 TIRES) (HEAVY-DUTY FINAL DRIVE)
	AH87873	WHEEL	2	-550000	(SUB AH108503)
	AH108503	WHEEL	2		(USE WITH 23.1-26 TIRES) (HEAVY-DUTY FINAL DRIVE)
	AH88520	WHEEL	2		(USE WITH 16.9-26 TIRES) (HEAVY-DUTY FINAL DRIVE)
4	AT25226	TIRE VALVE STEM	2		
5	AH86866	PLUG	2		(USE WITH 16.9-26, 18.4-26, AND 23.1-26 TUBELESS TIRES)
6	H77644	SPACER	2		(HEAVY-DUTY FINAL DRIVE)
	H77645	SPACER	2		(HEAVY-DUTY FINAL DRIVE)
7	19H1824	CAP SCREW	4		5/8" X 2-1/4", (USED WITH WHEEL SPACERS)
8	24H1367	WASHER	4		21/32" X 1-1/4" X 1/4", (USED WITH WHEEL SPACERS)
9	P50273	BUSHING	4		(USE WITH WHEEL SPACERS)

1H5

HP1898 -UN-01JAN94

DRIVE WHEEL AXLE

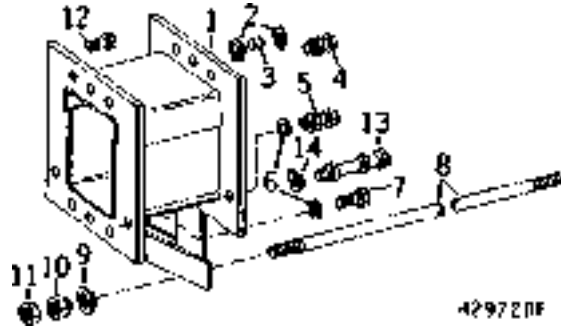


KEY	PART NO.	PART NAME	QTY	SERIAL NO.	REMARKS
1	H75423	PIN	4		
2	19H1798	CAP SCREW	8		3/4" X 1-3/4"
3	24H1399	WASHER	4		25/32" X 1-5/8" X 0.180"
4	08H4423	CAP SCREW	4		3/4" X 9"
	12H236	LOCK WASHER	4		3/4"
	14H794	NUT	4		3/4"
5	08H4525	CAP SCREW	4		3/4" X 9-1/2"
	12H236	LOCK WASHER	4		3/4"
	14H794	NUT	4		3/4"
6	AH75132	FRONT AXLE	1	-550000	
	AH112365	FRONT AXLE	1	550001-	
7	19H2174	CAP SCREW	4		3/4" X 4-1/4"
8	H80107	STRAP	4		

1H6

H29728F -UN-01JAN94

AXLE SPACERS



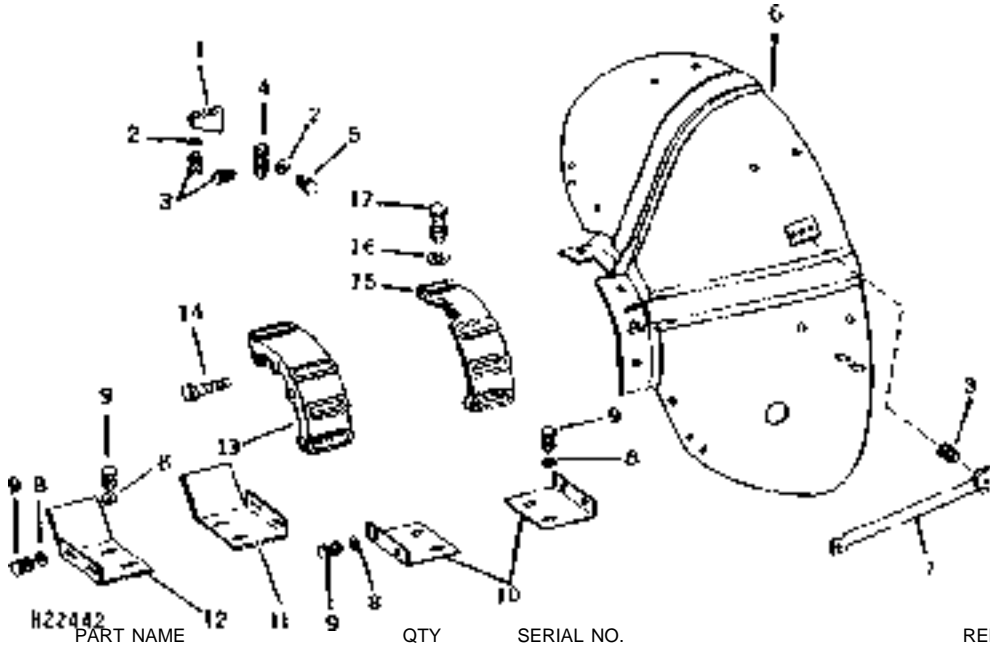
KEY	PART NO.	PART NAME	QTY	SERIAL NO.	REMARKS
1	AH95999	SPACER	2		
2	M1871T	SNAP RING	8		
3	H85200	PIN	4		
4	19H1768	CAP SCREW	8	3/4" X 2"	
	14H794	NUT	8	3/4"	
5	19H1862	CAP SCREW	4	3/4" X 2-1/2"	
	14H794	NUT	4	3/4"	
6	H78426	BUSHING	16		
7	19H1768	CAP SCREW	4	3/4" X 2"	
8	H94343	STUD	1	(USE WITH 8" SPACERS)	
9	H105579	SPACER	2		
10	H61941	NUT	2		
11	14H876	NUT	2	1"	
12	19H1798	CAP SCREW	4	3/4" X 1-3/4"	
13	19H2084	CAP SCREW	4	3/4" X 4-1/2"	
	12H236	LOCK WASHER	20	3/4"	
14	H80107	STRAP	4		

1H7

POWER TRAIN

H22442 -UN-01JAN94

FENDERS (RIGHT-HAND ILLUSTRATED)



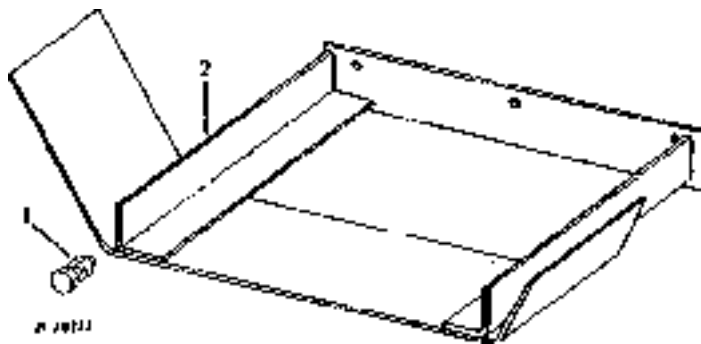
KEY	PART NO.	PART NAME	QTY	SERIAL NO.	REMARKS
1	H80993	BRACKET	1	L.H.	
2	24H1305	WASHER	8	13/32" X 13/16" X 0.065"	
3	19H1731	CAP SCREW	5	3/8" X 1"	
	14H812	NUT	5	3/8"	
4	H82157	BRACKET	1	L.H.	
5	19H1800	CAP SCREW	1	3/8" X 1-1/2"	
	14H812	NUT	1	3/8"	
6	AH77858	FENDER	1	L.H.	
	AH77859	FENDER	1	R.H.	
7	H80995	BRACE	1	R.H.	
8	24H1136	WASHER	16	11/32" X 11/16" X 0.065"	
9	19H2127	CAP SCREW	12	5/16" X 7/8"	
	14H785	NUT	12	5/16"	
10	H79934	SHIELD	2	R.H.	
11	H84620	SHIELD	1	INNER, L.H.	
12	H84621	SHIELD	1	OUTER, L.H.	
13	H80708	SUPPORT	1	L.H.	
14	19H1974	CAP SCREW	8	1/2" X 2-3/4"	
15	H80707	SUPPORT	1	R.H.	
16	24H1111	WASHER	8	17/32" X 1-1/16" X 0.090"	
17	19H1777	CAP SCREW	8	1/2" X 1-3/4"	
	12H301	LOCK WASHER	8	1/2"	
	14H1040	NUT	8	1/2"	

1H8

POWER TRAIN

H18233 -UN-01JAN94

TRANSMISSION SHEAVE GUARD

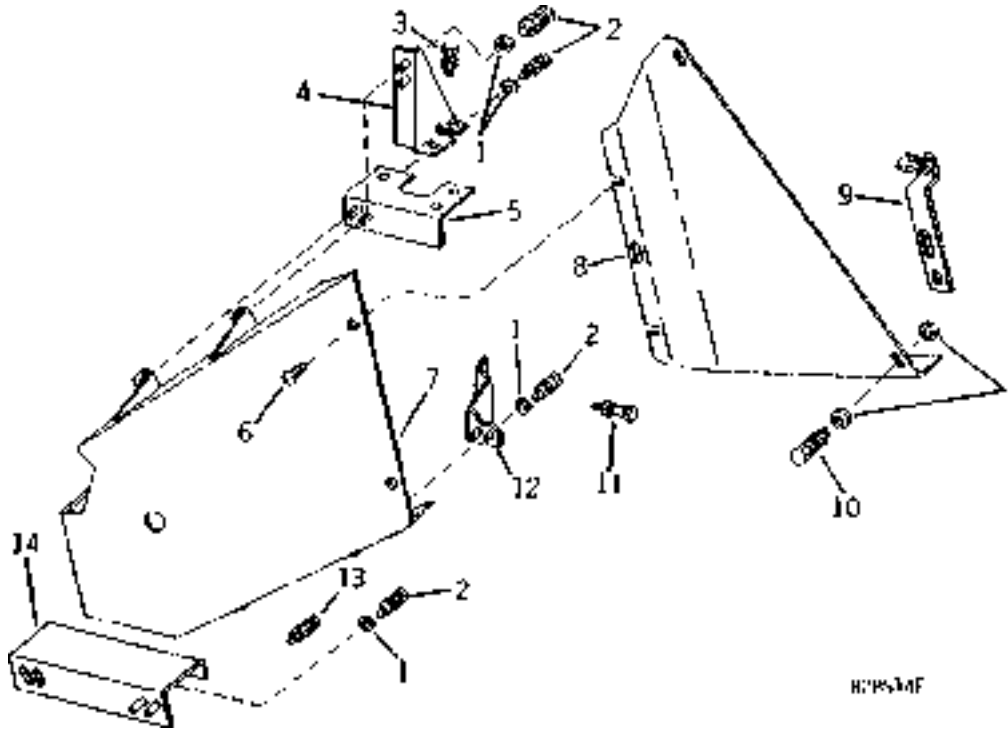


KEY	PART NO.	PART NAME	QTY	SERIAL NO.	REMARKS
1	19H1905	CAP SCREW	3	5/16" X 1"	
	14H785	NUT	3	5/16"	
2	AH78913	GUARD	1		

1H9

H28514F -UN-01JAN94

TRANSMISSION DRIVE MUD SHIELD

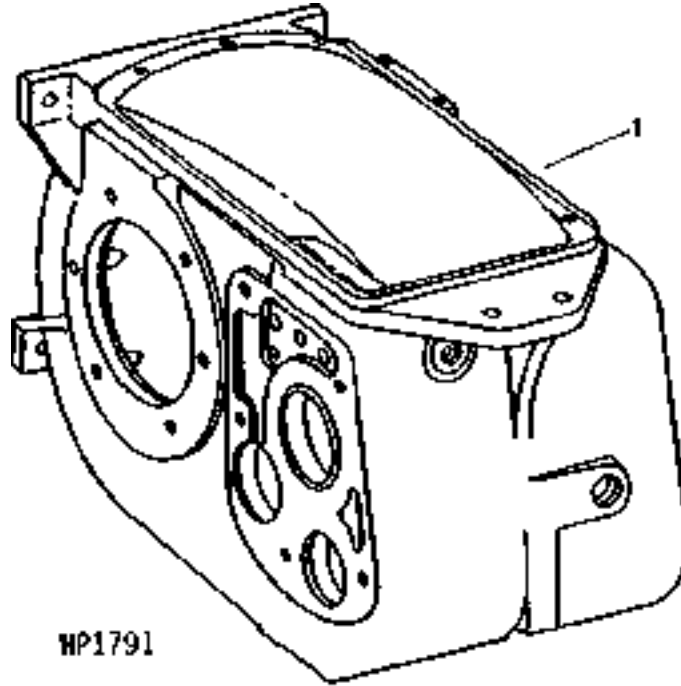


KEY	PART NO.	PART NAME	QTY	SERIAL NO.	REMARKS
1	24H1305	WASHER	9	13/32" X 13/16" X 0.065"	
2	03H1707	BOLT	5	3/8" X 1"	
3	19H2552	CAP SCREW	3	3/8" X 1-1/8"	
	12H304	LOCK WASHER	3	3/8"	
	14H812	NUT	3	3/8"	
4	H94810	BRACKET	1	UPPER FRONT	
5	H94811	BRACKET	1	LOWER FRONT	
6	H77932	SCREW	2	SELF-LOCKING	
7	AH99677	SHIELD	1	(WITHOUT FENDERS)	
8	H89774	SHIELD	1	COUNTERSHAFT	
9	H94555	BRACKET	1	(WITH FENDERS)	
10	19H2284	CAP SCREW	2	3/8" X 7/8"	
	12H304	LOCK WASHER	2	3/8"	
	14H812	NUT	2	3/8"	
11	19H1733	CAP SCREW	2	3/8" X 2-1/2"	
	12H304	LOCK WASHER	2	3/8"	
	14H812	NUT	2	3/8"	
12	H94812	BRACKET	1	REAR	
13	19H1905	CAP SCREW	3	5/16" X 1"	
	14H785	NUT	3	5/16"	
14	H94813	BRACKET	1	LOWER	

1H10

HP1791 -UN-01JAN94

TRANSMISSION



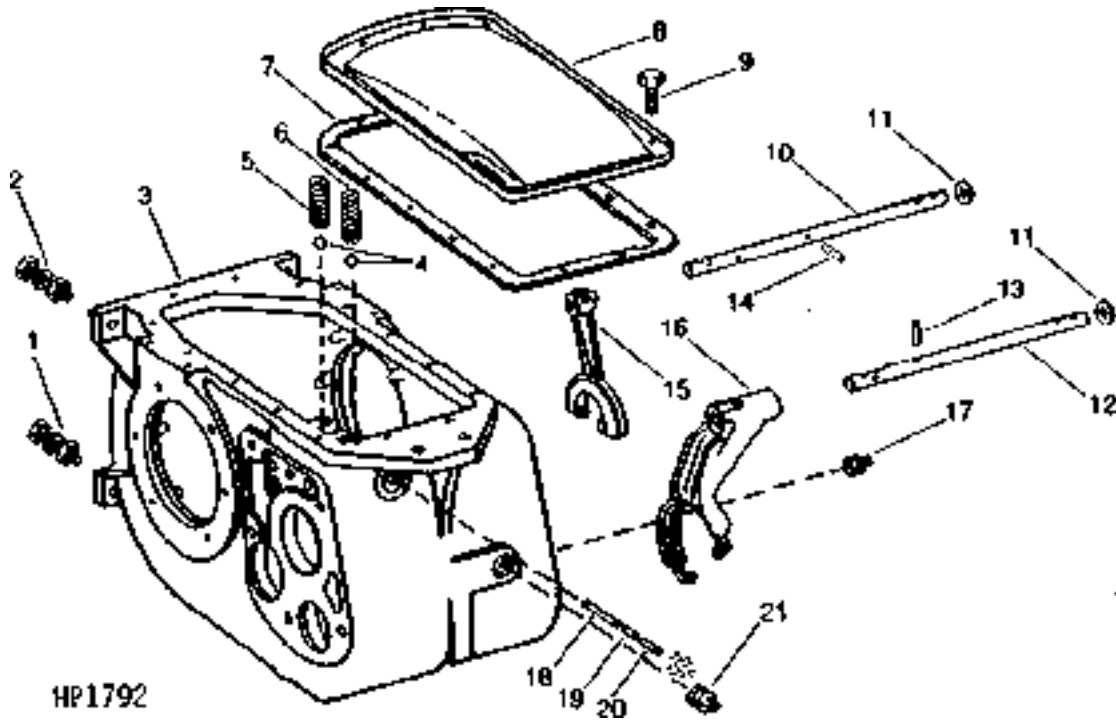
WP1791

KEY	PART NO.	PART NAME	QTY	SERIAL NO.	REMARKS
1	AH99563	TRANSMISSION	1	-550000	(LESS BRAKES) (COMPLETE COMPONENT) (DEALER RECONDITIONED) (SUB AH113961)
	AH113961	TRANSMISSION	1		(LESS BRAKES) (COMPLETE COMPONENT)

1H11

TRANSMISSION AND DIFFERENTIAL CASE, COVER, SHIFTER RAILS AND FORKS

HP1792 -UN-01JAN94

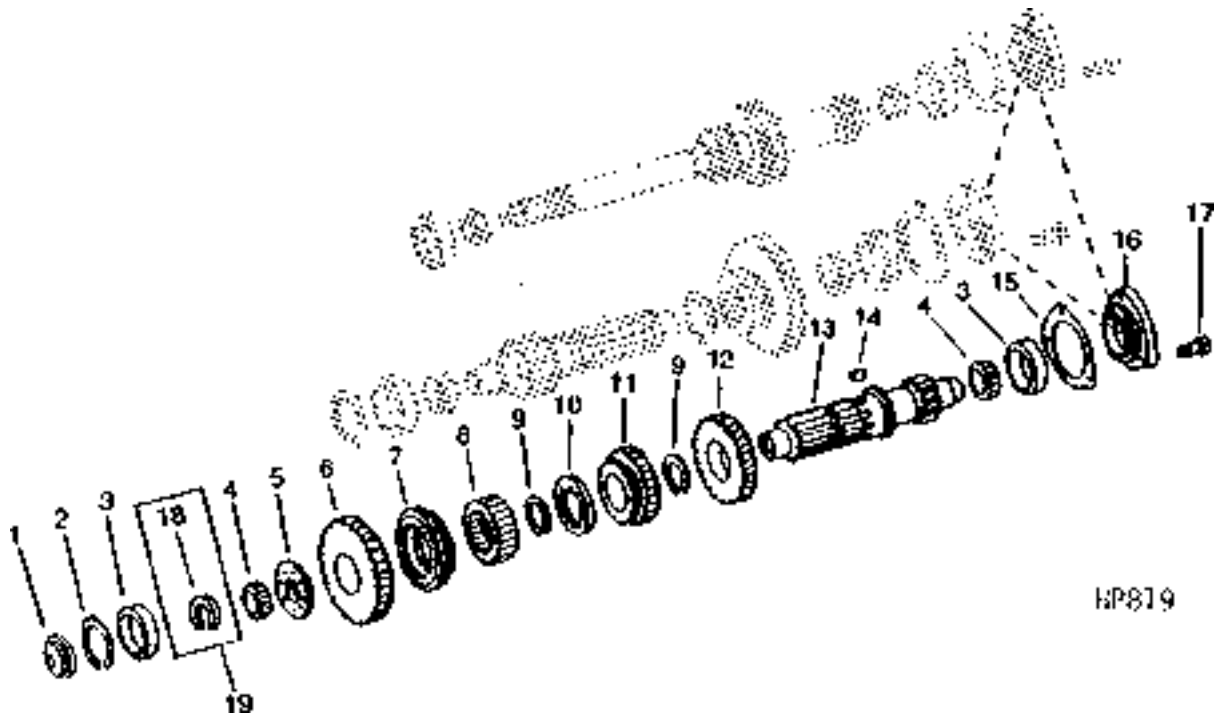


KEY	PART NO.	PART NAME	QTY	SERIAL NO.	REMARKS
1	19H2644	CAP SCREW	2		1/2" X 2-1/2"
	12H301	LOCK WASHER	2		1/2"
	14H1040	NUT	2		1/2"
2	H84229	BOLT	2		
	12H301	LOCK WASHER	2		1/2"
	14H1040	NUT	2		1/2"
3	H84231	TRANSMISSION CASE	1		
4	405R	BALL	2		
5	H75251	SPRING	1		48 MM (1-29/32") LONG
6	H75252	SPRING	1		42 MM (1-21/32") LONG
7	P48666	GASKET	1		
8	H75249	COVER	1		
9	19H1813	CAP SCREW	14		5/16" X 5/8"
10	H75254	RAIL	1		
11	AP19599	SEAL	2		
12	H75255	RAIL	1		
13	34H298	SPRING PIN	1		7/32" X 1-1/8"
14	34H301	SPRING PIN	1		7/32" X 1-1/2"
15	PK1826H	FORK	1		
16	H11479	FORK	1		
17	AH18240	HOSE FITTING	1		
18	H33500	COTTER PIN	1		
19	H30266	PIN	1		
20	H75813	PIN	1		
21	15H585	PIPE PLUG	1		3/4"

1H12

HP819 -UN-01JAN94

TRANSMISSION COUNTERSHAFT AND GEARS



HP819

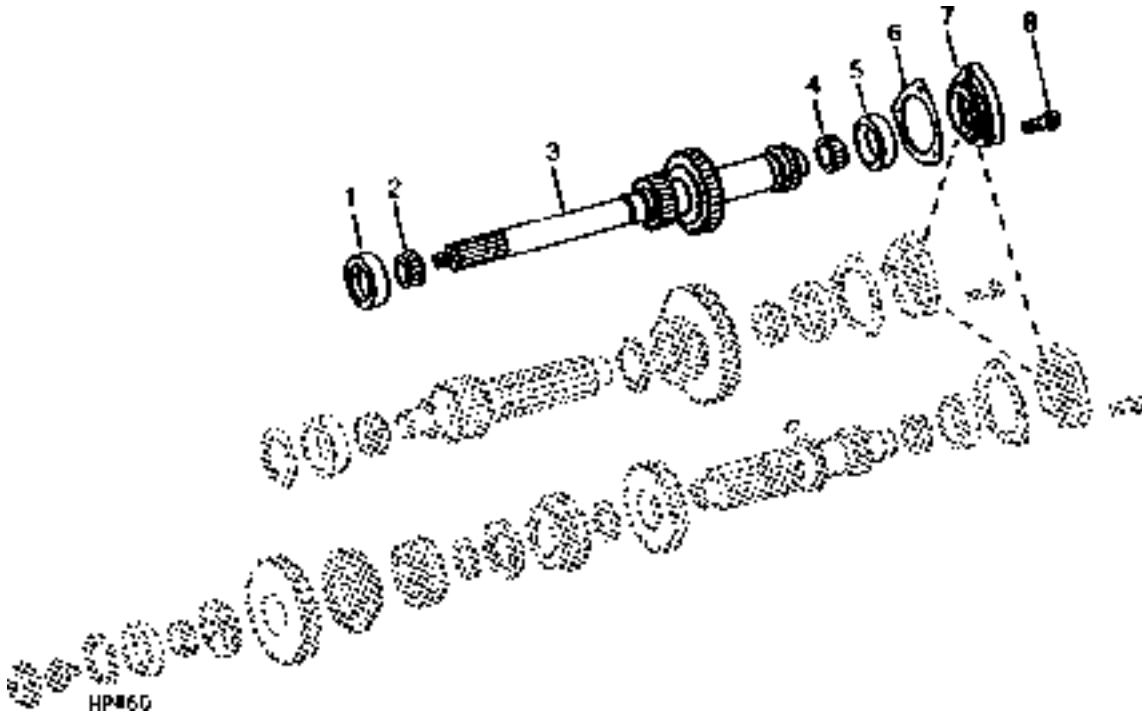
KEY	PART NO.	PART NAME	QTY	SERIAL NO.	REMARKS
1	H64037	SHIELD	1		
2	P42669	RING	1		
3	JD7449	BEARING CUP	2		
4	JD8134	BEARING CONE	2		
5	H35906	WASHER	1		
6	H75180	GEAR	1		34 TEETH
7	H82165	SYNCHRONIZER	1		
8	R26255	GEAR	1		SHIFTER
9	R26266	SNAP RING	2		
10	R26253	THRUST WASHER	1	-500000	(SUB H103167, THIS APPLICATION)
	H103167	WASHER	1		
11	H75179	GEAR	1		26 TEETH
12	H33491	GEAR	1		HIGH-RANGE
13	H87445	COUNTERSHAFT	1		
14	26H23	SHAFT KEY	1		5/16" X 1"
15	P49116	SHIM	1		0.05 MM (.002") (RED PLASTIC)
	P48652	SHIM	1		0.08 MM (.003") (GREEN PLASTIC)
	P49117	SHIM	1		0.13 MM (.005) (STEEL)
	P49118	SHIM	1		0.25 MM (.010") (STEEL)
	P49119	SHIM	1		0.51 MM (.020") (STEEL)
16	H89510	CRADLE	1		
17	19H1821	CAP SCREW	3		7/16" X 1-1/4"
18	SNAP RING	1		1.93 MM (.076") (KIT AH90493)
	SNAP RING	1		2.01 MM (.079") (KIT AH90493)
	SNAP RING	1		2.08 MM (.082") (KIT AH90493)
	SNAP RING	1		2.16 MM (.085") (KIT AH90493)
	SNAP RING	1		2.24 MM (.088") (KIT AH90493)
	SNAP RING	1		2.31 MM (.091") (KIT AH90493)
	SNAP RING	1		2.39 MM (.094") (KIT AH90493)
19	AH90493	KIT	1		RING SNAP

1H13

POWER TRAIN

HP460 -UN-01JAN94

TRANSMISSION INPUT SHAFT

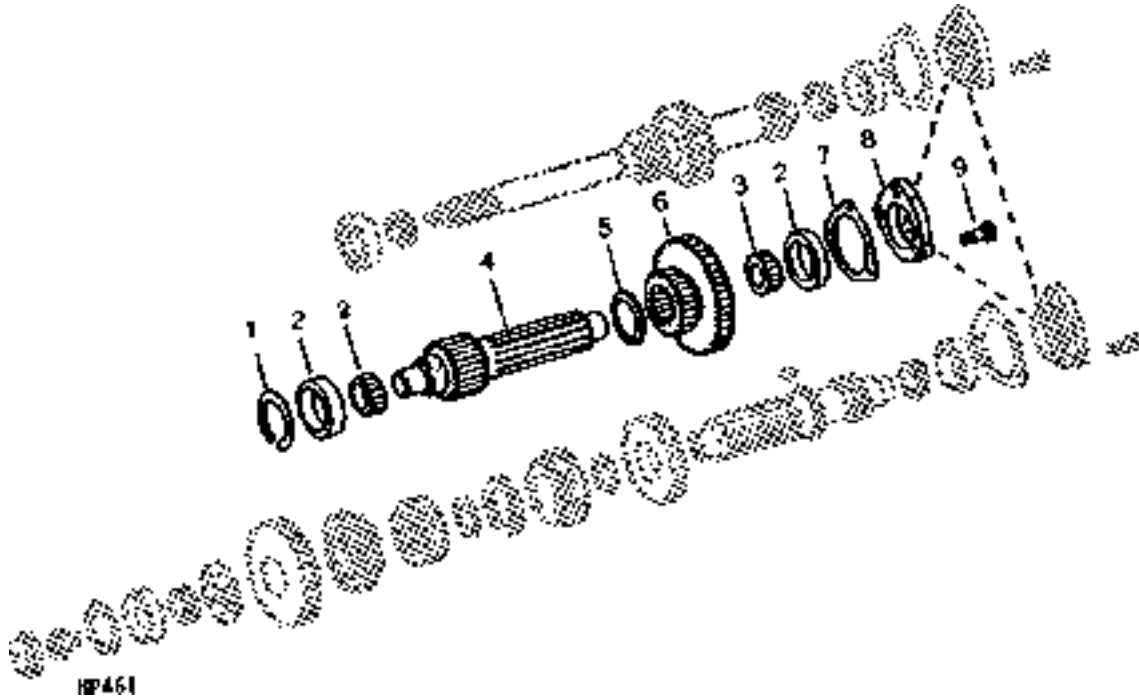


KEY	PART NO.	PART NAME	QTY	SERIAL NO.	REMARKS
1	JD7409	BEARING CUP	1		
2	JD7207	BEARING CONE	1		
3	H33495	SHAFT	1		
4	JD8134	BEARING CONE	1		
5	JD7449	BEARING CUP	1		
6	P49116	SHIM	1		0.05 MM (.002") (RED PLASTIC)
	P48652	SHIM	1		0.08 MM (.003") (GREEN PLASTIC)
	P49117	SHIM	1		0.13 MM (.005") (STEEL)
	P49118	SHIM	1		0.25 MM (.010") (STEEL)
	P49119	SHIM	1		0.51 MM (.020") (STEEL)
7	H89510	CRADLE	1		
8	19H1821	CAP SCREW	3		7/16" X 1-1/4"

1H14

HP461 -UN-01JAN94

DIFFERENTIAL PINION SHAFT AND GEARS

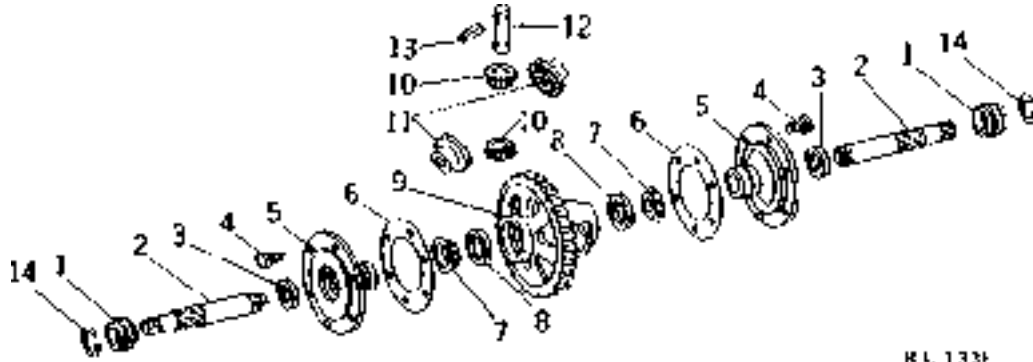


KEY	PART NO.	PART NAME	QTY	SERIAL NO.	REMARKS
1	P46356	RING	1		
2	JD7424	BEARING CUP	2		
3	JD8100	BEARING CONE	2		
4	H80357	PINION SHAFT	1		
5	H32300	SNAP RING	1		
6	H32057	GEAR	1		LOW-RANGE
7	P49116	SHIM	1		0.05 MM (.002") (RED PLASTIC)
	P48652	SHIM	1		0.08 MM (.003") (GREEN PLASTIC)
	P49117	SHIM	1		0.13 MM (.005") (STEEL)
	P49118	SHIM	1		0.25 MM (.010") (STEEL)
	P49119	SHIM	1		0.51 MM (.020") (STEEL)
8	H11013	PRESSED FLANGED HOUSING	1		
9	19H1821	CAP SCREW	3		7/16" X 1-1/4"

1H15

H32133F -UN-01JAN94

DIFFERENTIAL GEARS, SHAFTS, AND BEARINGS



L 133#

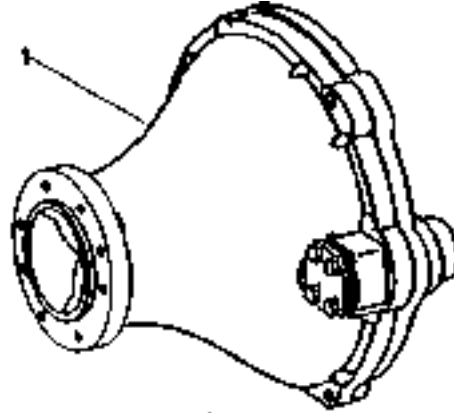
KEY	PART NO.	PART NAME	QTY	SERIAL NO.	REMARKS
1	JD9213	BALL BEARING	2		
2	H98364	SHAFT	2		
3	AH19842	SEAL	2		
4	19H1815	CAP SCREW	6	1/2" X 1-1/4"	
	12H301	LOCK WASHER	6	1/2"	
5	H11321	BEARING HOUSING W/O BEARING	2		
6	P49128	SHIM	AR	0.05 MM (.002") (RED PLASTIC)	
	P48658	SHIM	AR	0.08 MM (.003") (GREEN PLASTIC)	
	P49129	SHIM	AR	0.13 MM (.005") (STEEL)	
	P49130	SHIM	AR	0.25 MM (.010") (STEEL)	
	P49131	SHIM	AR	0.51 MM (.020") (STEEL)	
7	JD8147	BEARING CONE	2		
8	JD7425	BEARING CUP	2		
9	AH19836	GEAR	1		DIFFERENTIAL
10	R26103	PINION	2		
11	R26102	BEVEL GEAR	2		BEVEL
12	H30939	PINION SHAFT	1		
13	34H336	SPRING PIN	1	5/16" X 2-1/4"	
14	P46407	SNAP RING	2		

1H16

POWER TRAIN

HP1948 -UN-01JAN94

FINAL DRIVE



HP1948

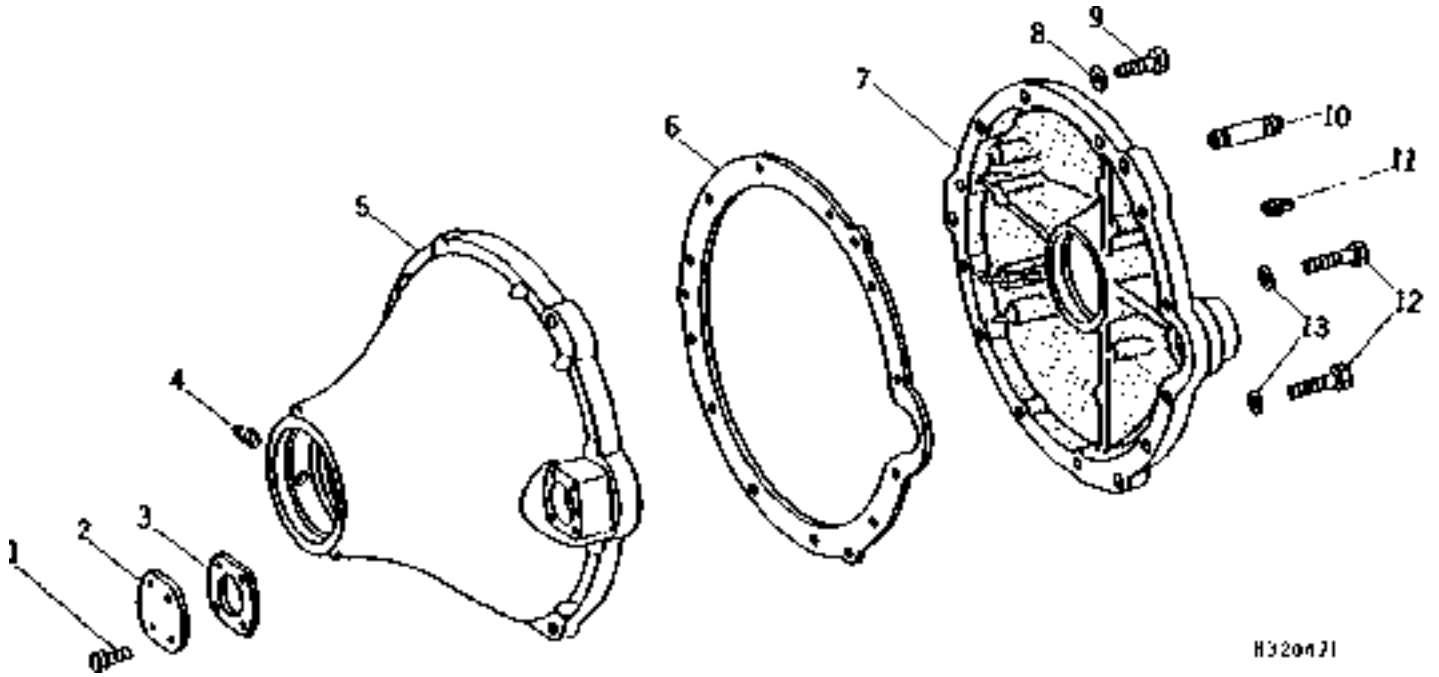
KEY	PART NO.	PART NAME	QTY	SERIAL NO.	REMARKS
1	AH104872	DRIVE	1		(HEAVY-DUTY, 13 TO 89 RATIO)(COMPLETE COMPONENT)(REMANUFACTURED)

NOTE: QUANTITIES SHOWN ARE FOR ONE UNIT. TWO UNITS USED PER MACHINE.

1H17

H32047F -UN-01JAN94

FINAL DRIVE HOUSING AND BEARING CAP



H32047I

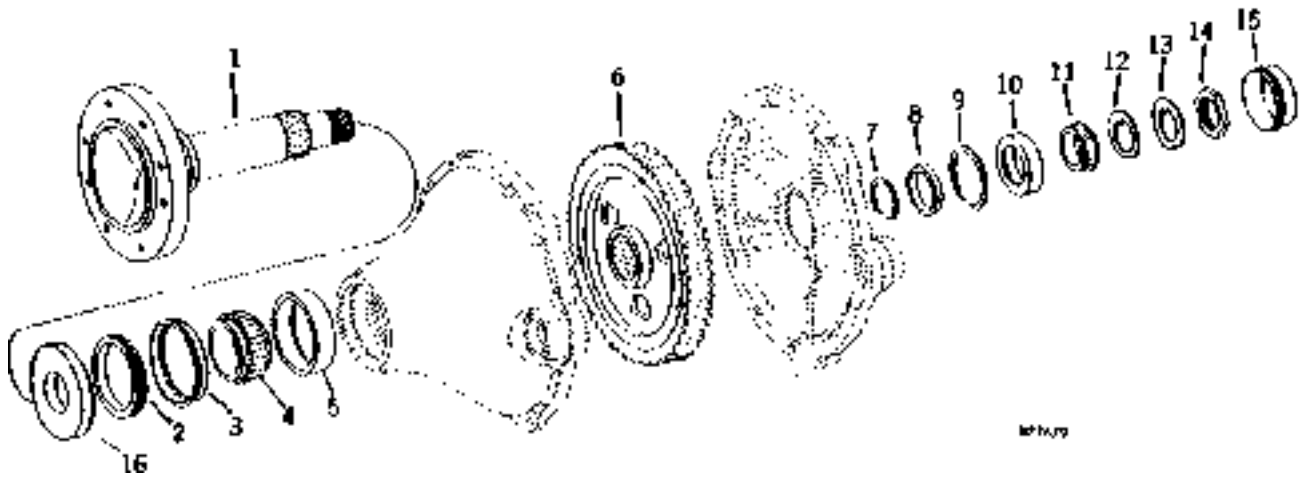
KEY	PART NO.	PART NAME	QTY	SERIAL NO.	REMARKS
1	19H1732	CAP SCREW	4		
2	H85354	CAP	1		(HEAVY-DUTY FINAL DRIVE)
3	H75711	SHIM	AR		PLASTIC, 0.05 MM (.002")
	H75712	SHIM	AR		PLASTIC, 0.08 MM (.003")
	H75713	SHIM	AR		PLASTIC, 0.13 MM (.005")
	H75714	SHIM	AR		STEEL, 0.25 MM (.010")
	H75715	SHIM	AR		STEEL, 0.51 MM (.020")
4	15H558	PIPE PLUG	1		1/8"
5	H94883	HOUSING	1		OUTER, (HEAVY-DUTY FINAL DRIVE; 13 TO 89 RATIO)
6	H75244	GASKET	1		
7	H86902	HOUSING	1		INNER, (HEAVY-DUTY FINAL DRIVE; 13 TO 89 RATIO)
8	H75716	LOCK WASHER	2		
9	19H1831	CAP SCREW	2		1/2" X 2"
10	H95027	PIN	3		
11	P46369	FITTING	1		
	15H584	PIPE PLUG	1		1/2"
12	19H1805	CAP SCREW	10		1/2" X 2-1/4"
13	12H301	LOCK WASHER	10		1/2"

NOTE: QUANTITIES SHOWN ARE FOR ONE UNIT. TWO UNITS USED PER MACHINE.

1H18

FINAL DRIVE AXLE, GEAR, AND BEARINGS
(SERIAL NO. -400489)

H27679 -UN-01JAN94



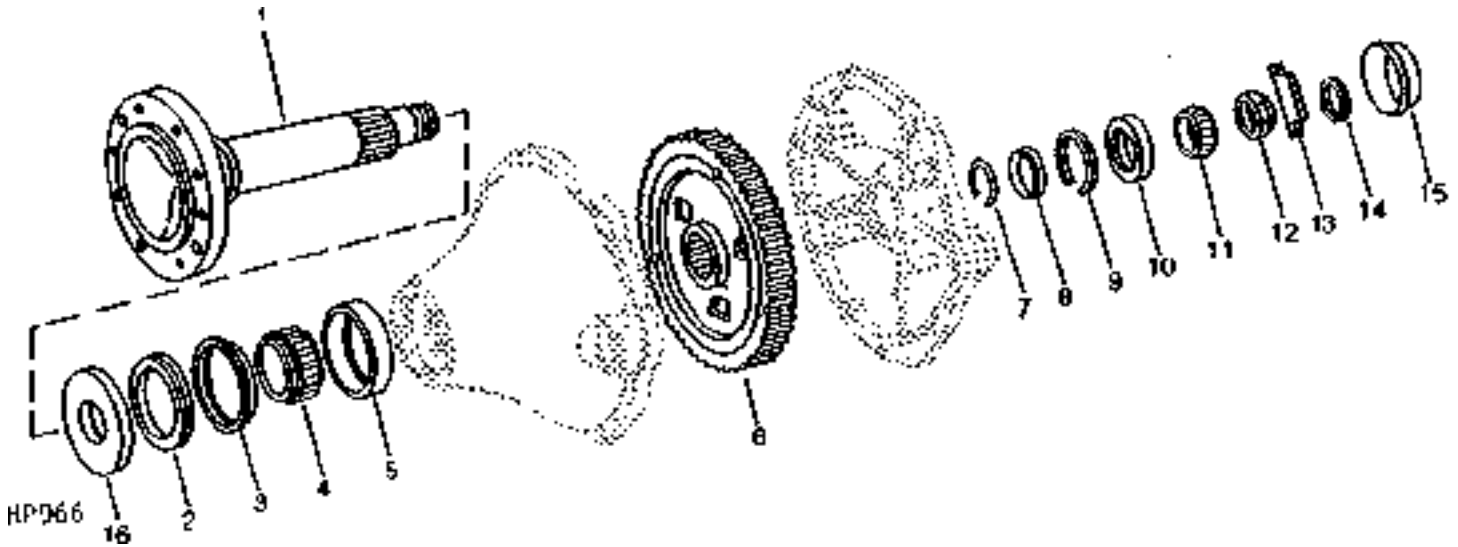
KEY	PART NO.	PART NAME	QTY	SERIAL NO.	REMARKS
1	H94800	SPINDLE	1		(SUB H103537, H103538, H93681 AND P48703)
2	AH93852	SEAL	1		
3	R59074	OIL CUP	1		
4	JD9018	BEARING CONE	1		
5	JD8248	BEARING CUP	1		
6	AH75466	RING GEAR	1		(MARKED H76025) (13 TO 89 RATIO)
7	B3611R	SNAP RING	1		
8	H76155	BUSHING	1		
9	C565R	SNAP RING	1		
10	JD8296	BEARING CUP	1		
11	JD7378	BEARING CONE	1		
12	H83262	LOCK WASHER	1		
13	H83263	LOCK WASHER	1		
14	H76446	NUT	1		
15	H76441	CAP	1		
16	H94885	SEAL	1		(USE WITH R-2 TIRES AND CRAWLER TRACKS)

NOTE: QUANTITIES SHOWN ARE FOR ONE UNIT. TWO UNITS USED PER MACHINE.

1H19

FINAL DRIVE AXLE, GEAR, AND BEARINGS
(SERIAL NO. 400490-)

HP966 -UN-01JAN94



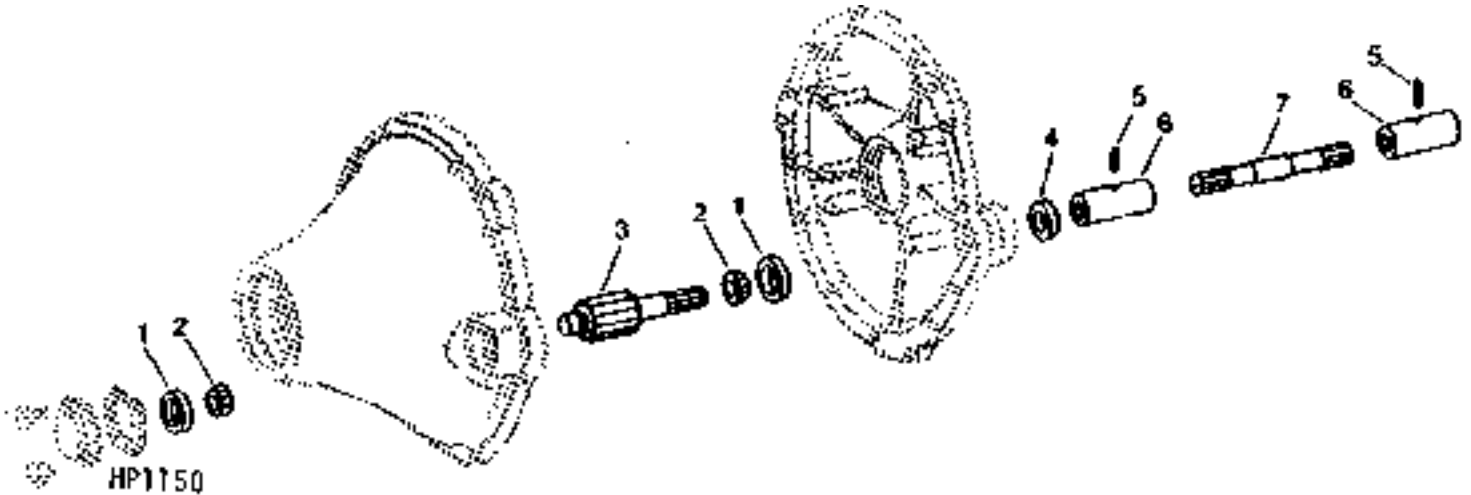
KEY	PART NO.	PART NAME	QTY	SERIAL NO.	REMARKS
1	H103537	SPINDLE	1		
2	AH93852	SEAL	1		
3	R59074	OIL CUP	1		
4	JD9018	BEARING CONE	1		
5	JD8248	BEARING CUP	1		
6	AH75466	RING GEAR	1		(MARKED H76025) (13 TO 89 RATIO)
7	B3611R	SNAP RING	1		
8	H76155	BUSHING	1		
9	C565R	SNAP RING	1		
10	JD8296	BEARING CUP	1		
11	JD7378	BEARING CONE	1		
12	H103538	NUT	1		
13	H93681	KEY	1		
14	P48703	SNAP RING	1		
15	H76441	CAP	1		
16	H94885	SEAL	1		(USE WITH R-2 TIRES AND CRAWLER TRACKS)

NOTE: QUANTITIES SHOWN ARE FOR ONE UNIT. TWO UNITS USED PER MACHINE.

1H20

HP1150 -UN-01JAN94

FINAL DRIVE PINION, DRIVE SHAFT, AND BEARINGS



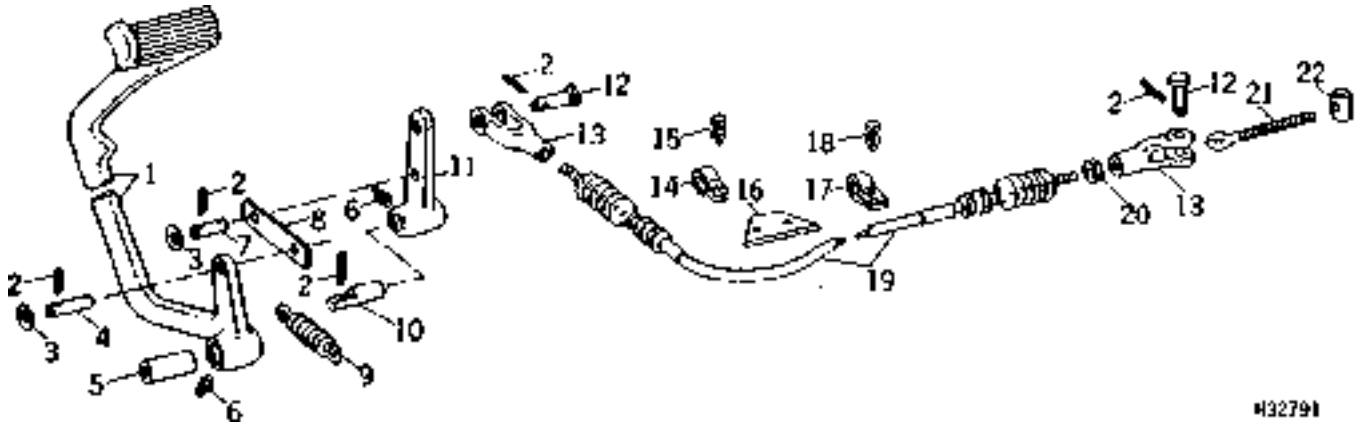
KEY	PART NO.	PART NAME	QTY	SERIAL NO.	REMARKS
1	JD8221	BEARING CUP	2		
2	JD8180	BEARING CONE	2		
3	H75164	PINION	1		
4	T22069	SEAL	1	-450000	(SUB AH107857, THIS APPLICATION)
	AH107857	SEAL	1		
5	34H385	SPRING PIN	2		1/4" X 1-3/4"
6	H91808	SPLINED COUPLING	2		
7	H87165	DRIVE SHAFT	1		
	H87275	DRIVE SHAFT	1		(WITH SPACERS)

NOTE: QUANTITIES SHOWN ARE FOR ONE UNIT. TWO UNITS USED PER MACHINE.

1H21

H32791 -UN-01JAN94

CLUTCH PEDAL AND LINKAGE



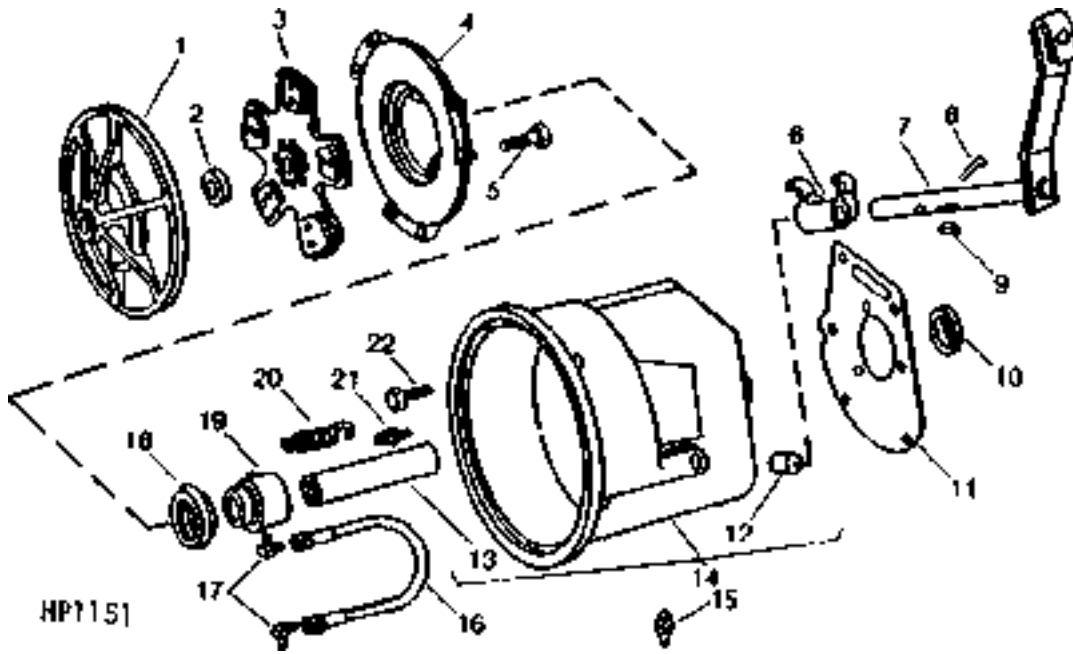
H32791

KEY	PART NO.	PART NAME	QTY	SERIAL NO.	REMARKS
1	H104006	PEDAL	1		
2	11H244	COTTER PIN	7	3/16" X 2-1/2"	
3	24H1305	WASHER	4	13/32" X 13/16" X 0.065"	
4	X7111C	PIN	1		
5	H80387	BUSHING	1		
6	JD7797	LUBRICATION FITTING	2		
7	P50777	PIN	1		
8	H104148	STRAP	2		
9	H104075	SPRING	1		
10	H78307	SHAFT	1		
11	H78309	ARM	1		
12	H24979	PIN	2		
13	1C3621H	YOKE	2	-550000	
	T21158	YOKE	2	550001-	
14	AH11015	CLIP	1	-400000	(SUB H77358, THIS APPLICATION)
	H77358	CLIP	1		
15	19H1936	CAP SCREW	2	3/8" X 3/4"	
	14H812	NUT	2	3/8"	
16	H78802	BRACKET	1		
17	AH80916	CLIP	1		
18	19H2127	CAP SCREW	1	5/16" X 7/8"	
	14H785	NUT	1	5/16"	
19	AH103649	PUSH PULL CABLE	1		
20	14H856	NUT	1	1/2"	
21	H75257	EYEBOLT	1		
22	H75256	PIN	1		

1H22

HP1151 -UN-01JAN94

DRIVE WHEEL CLUTCH AND HOUSING



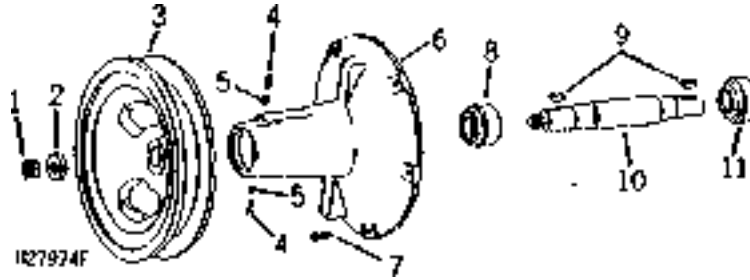
KEY	PART NO.	PART NAME	QTY	SERIAL NO.	REMARKS
1	H94323	WHEEL	1		
2	JD9436	BALL BEARING	1		
3	AH93293	DISK	1		
4	AH93292	PLATE	1		
	AH93337	BRACKET	1		
	T35294	BOLT	3		
	T35296	CLAMP	3		
	T35298	LINK	3		
	T35300	RING	1		
	T39871	PLATE	1		
	T52507	SPRING	1		
5	19H2284	CAP SCREW	6	3/8" X 7/8"	
	12H304	LOCK WASHER	6	3/8"	
6	H75814	FORK	1		
7	AH75065	ARM	1		
8	11H244	COTTER PIN	1	3/16" X 2-1/2"	
9	26H14	SHAFT KEY	1	3/16" X 3/4"	
10	T22069	SEAL	1	-450000	(SUB AH107857, THIS APPLICATION)
	AH107857	SEAL	1		
11	H64042	GASKET	1		
12	H80934	BUSHING	1		
13	H75832	SLEEVE	1		
14	AH93294	HOUSING	1		(MARKED H94321)
15	JD7759	LUBRICATION FITTING	1		STRAIGHT, 1/8"
16	AH81168	HYDRAULIC HOSE	1		3 MM X 229 MM (1/8" I.D. X 9") LONG
17	H80936	ELBOW FITTING	2		90°
18	AR41942	THRUST BEARING	1		
19	H80937	SLEEVE	1		
20	H105055	SPRING	1		
21	T21147	EYEBOLT	1		
22	H82748	CAP SCREW	4		
	19H1740	CAP SCREW	1	7/16" X 1-3/4"	
	12H293	LOCK WASHER	5	7/16"	

1H23

POWER TRAIN

H27974 -UN-01JAN94

CLUTCH INPUT SHAFT AND HOUSING



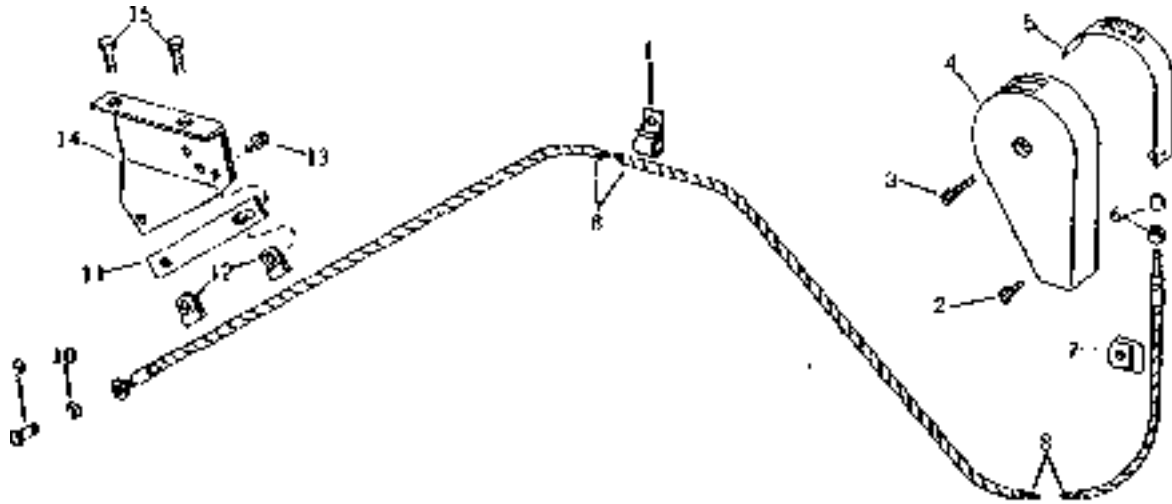
KEY	PART NO.	PART NAME	QTY	SERIAL NO.	REMARKS
1	H82587	LOCK NUT	1		
2	24H1446	WASHER	1		1-1/64" X 2" X 0.134"
3	H75833	SHEAVE	1		356 MM (14") DIA.
4	22H1049	SET SCREW	2		1/4" X 1-1/2"
5	14H850	NUT	1		1/4"
6	H94322	HOUSING	1		
7	19H1732	CAP SCREW	6		3/8" X 1-1/4"
	12H304	LOCK WASHER	6		3/8"
8	JD8524	BEARING	1		
9	26H41	SHAFT KEY	2		5/16" X 2-1/8"
10	H94324	SHAFT	1		
11	JD9301	BALL BEARING	1		

1H24

POWER TRAIN

RELATIVE GROUND SPEED INDICATOR
(SERIAL NO. -450000)

H24147 -UN-01JAN94



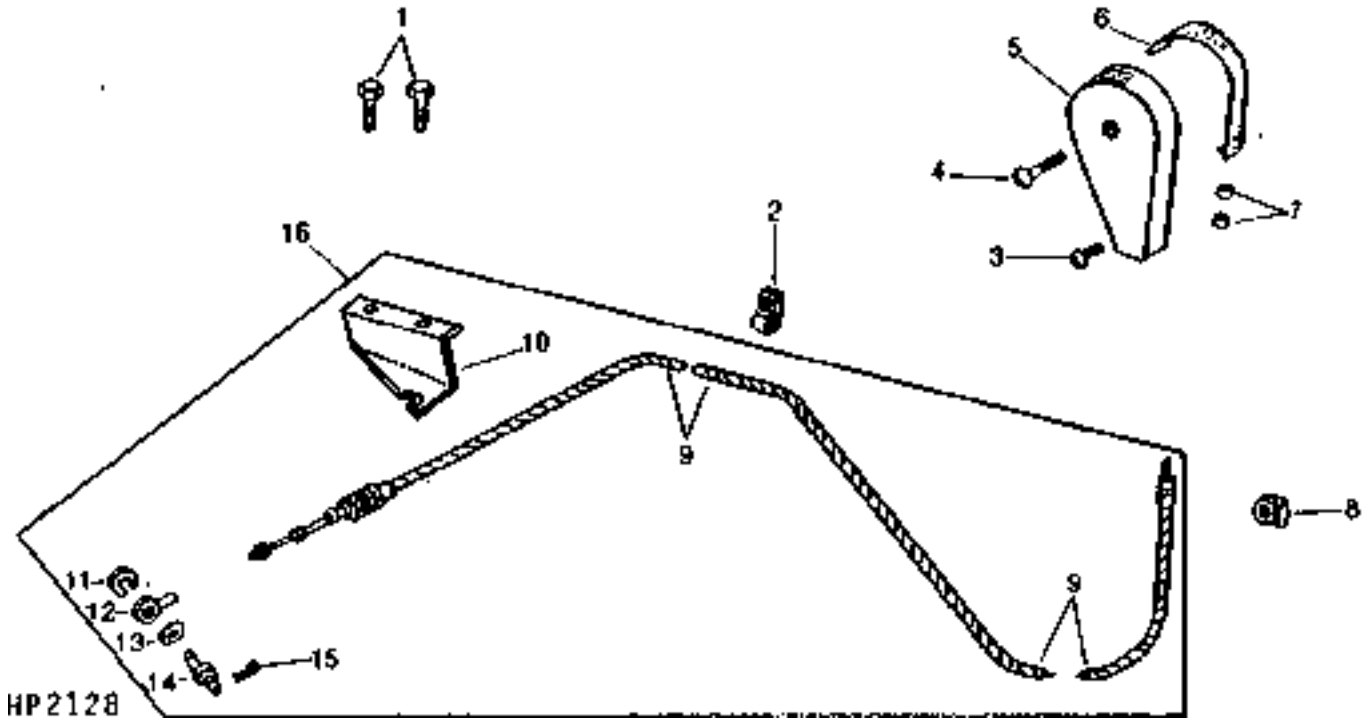
KEY	PART NO.	PART NAME	QTY	SERIAL NO.	REMARKS
1	AH76883	CLIP	1		
2	37H32	SCREW	1		0.190" X 3/8"
3	R53678	SCREW	1		SELF-TAPPING
4	H85953	HOUSING	1		
5	AH87111	GAUGE	1		
6	AH87112	STOP	2		
7	BP13682	CLIP	1		
8	AH97895	CABLE	1	-450000	(SUB AH108960)
	AH108960	CABLE	1		
9	H85959	PIN	1		
10	T23529	SNAP RING	1		
11	H86143	STRAP	1		
12	H22660	CLIP	2		
13	H76139	SCREW	2		SELF-TAPPING
14	AH87263	BRACKET	1		
15	19H2284	CAP SCREW	2		3/8" X 7/8"
	12H304	LOCK WASHER	2		3/8"

1H25

POWER TRAIN

RELATIVE GROUND SPEED INDICATOR (SERIAL NO. 450001-)

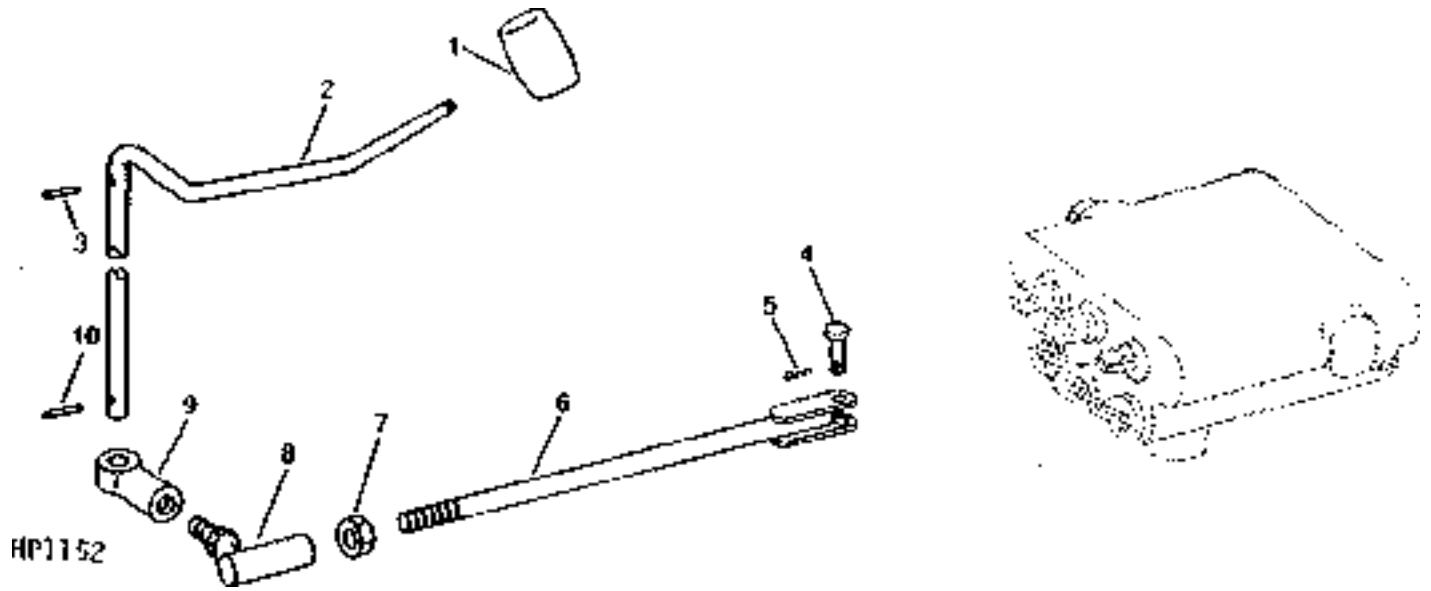
HP2128 -UN-01JAN94



KEY	PART NO.	PART NAME	QTY	SERIAL NO.	REMARKS
1	19H2284	CAP SCREW	2	3/8" X 7/8"	
	12H304	LOCK WASHER	2	3/8"	
2	AH76883	CLIP	1		
3	37H32	SCREW	1	0.190" X 3/8"	
4	R53678	SCREW	1	SELF-TAPPING	
5	H85953	HOUSING	1		
6	AH87111	GAUGE	1		
7	AH87112	STOP	2		
8	BP13682	CLIP	1		
9	AH108056	CABLE	1		
10	AH108057	BRACKET	1		
11	R31935	SNAP RING	1		
12	AH108055	TIE ROD END	1		
13	24H1287	WASHER	1	9/32" X 5/8" X 0.065"	
14	H110273	PIN	1		
15	11H233	COTTER PIN	1	3/32" X 1/2"	
16	AH108960	CABLE	1		

HP1152 -UN-01JAN94

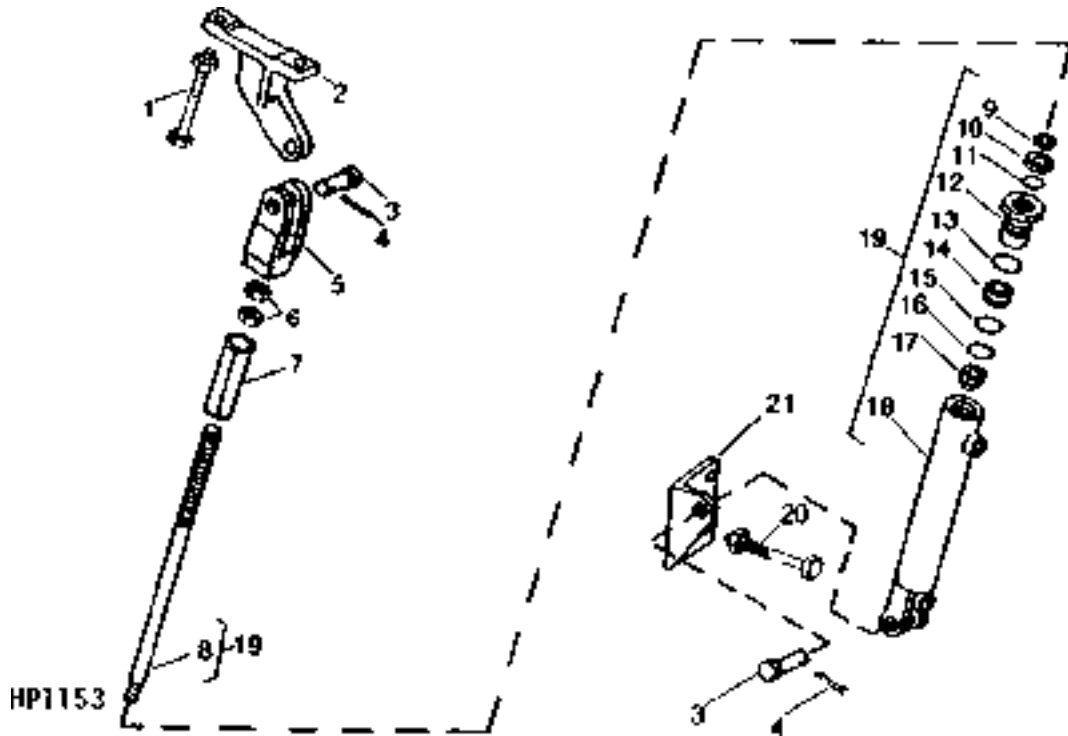
SELECTIVE GROUND SPEED CONTROLS



KEY	PART NO.	PART NAME	QTY	SERIAL NO.	REMARKS
1	H87468	KNOB	1		
2	H99269	LEVER	1		
3	34H266	SPRING PIN	1		5/32" X 1"
4	H35481	PIN	1	-500000	
	U42845	PIN	1	500001-	
5	11H266	COTTER PIN	1		1/16" X 1/2"
6	AH76371	YOKE	1	-500000	
	AH111057	ROD	1	500001-	
7	14H774	NUT	1		3/8"
8	AH83521	BALL JOINT	1		
9	AH92607	ARM	1		
10	34H282	SPRING PIN	1		3/16" X 1"

HP1153 -UN-01JAN94

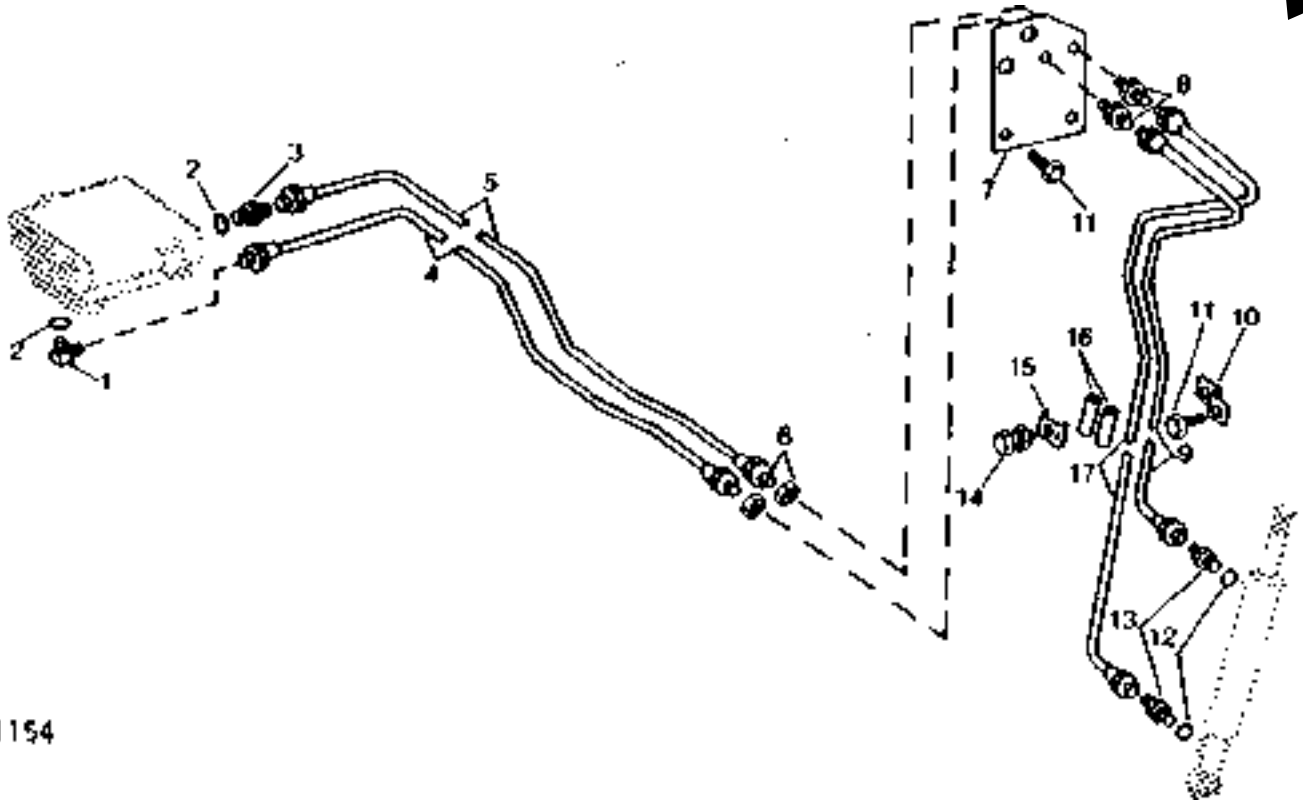
SELECTIVE GROUND SPEED CYLINDER



KEY	PART NO.	PART NAME	QTY	SERIAL NO.	REMARKS
1	19H2345	CAP SCREW	2	3/8" X 5-1/2"	
	14H812	NUT	2	3/8"	
2	H83460	ANCHOR	1		
3	P43548	PIN	1	(LOWER)	
	H76788	PIN	1	(UPPER)	
4	11H237	COTTER PIN	1	1/8" X 2", (LOWER)	
	11H234	COTTER PIN	1	3/32" X 1", (UPPER)	
5	H92700	YOKE	1		
6	14H821	NUT	2	5/8"	
7	H75938	NUT	1		
8	H80437	ROD	1		
9	SEAL	1	(A)	
10	WASHER	1	(A)	
11	O-RING	1	(A)	
12	H80439	GUIDE	1		
13	O-RING	1	(A)	
14	H80438	PISTON	1		
15	O-RING	1	(A)	
16	RING	1	(A)	
17	H80440	LOCK NUT	1		
18	AH78773	HYDRAULIC CYLINDER BARREL	1		
19	AH75428	CYLINDER	1		
20	19H1726	CAP SCREW	2	3/8" X 2-1/4"	
	14H812	NUT	2	3/8"	
21	H75926	BRACKET	1		
..	AH78772	SEAL KIT	1		

HP1154 -UN-01JAN94

SELECTIVE GROUND SPEED OIL LINES

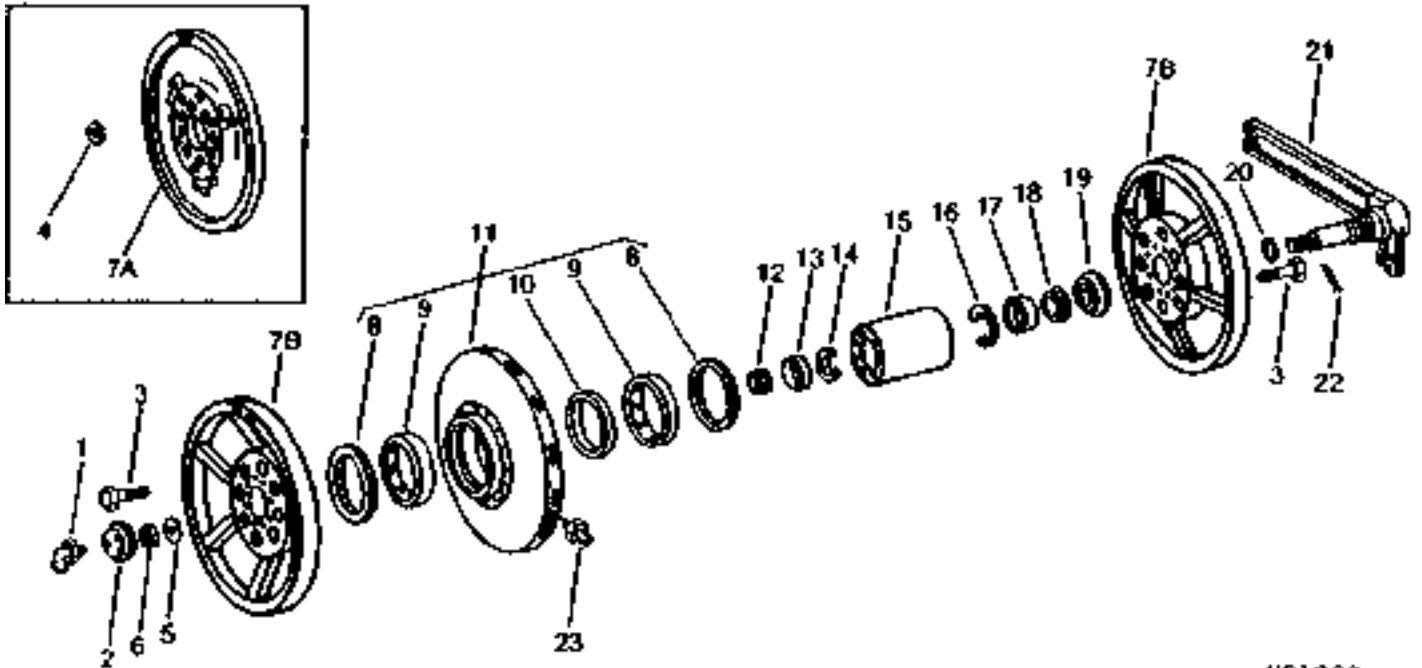


HP1154

KEY	PART NO.	PART NAME	QTY	SERIAL NO.	REMARKS
1	AH75160	ELBOW FITTING	1		
2	R26448	O-RING	2		
3	H75414	ADAPTER	1		
4	AH75461	LINE	1		PRESSURE, FRONT
5	AH75460	LINE	1		PRESSURE, FRONT
6	14H934	NUT	2		7/16"
7	H79019	BRACKET	1		
8	H75416	UNION FITTING	2		
9	AH78578	LINE	1		PRESSURE, REAR
10	H79576	BRACKET	1		
11	H65108	SCREW	3		SELF-TAPPING
12	R28782	O-RING	2		
13	AM30686	FITTING	2	-610100	(SUB T39220 AND R28782)
	T39220	FITTING	2		
14	19H1905	CAP SCREW	1		5/16" X 1"
	14H785	NUT	1		5/16"
15	H83208	CLAMP	1		
16	H23941	ISOLATOR	2		
17	AH78579	LINE	1		PRESSURE, REAR

HP1829 -UN-01JAN94

PROPULSION DRIVE COUNTERSHAFT SHEAVE

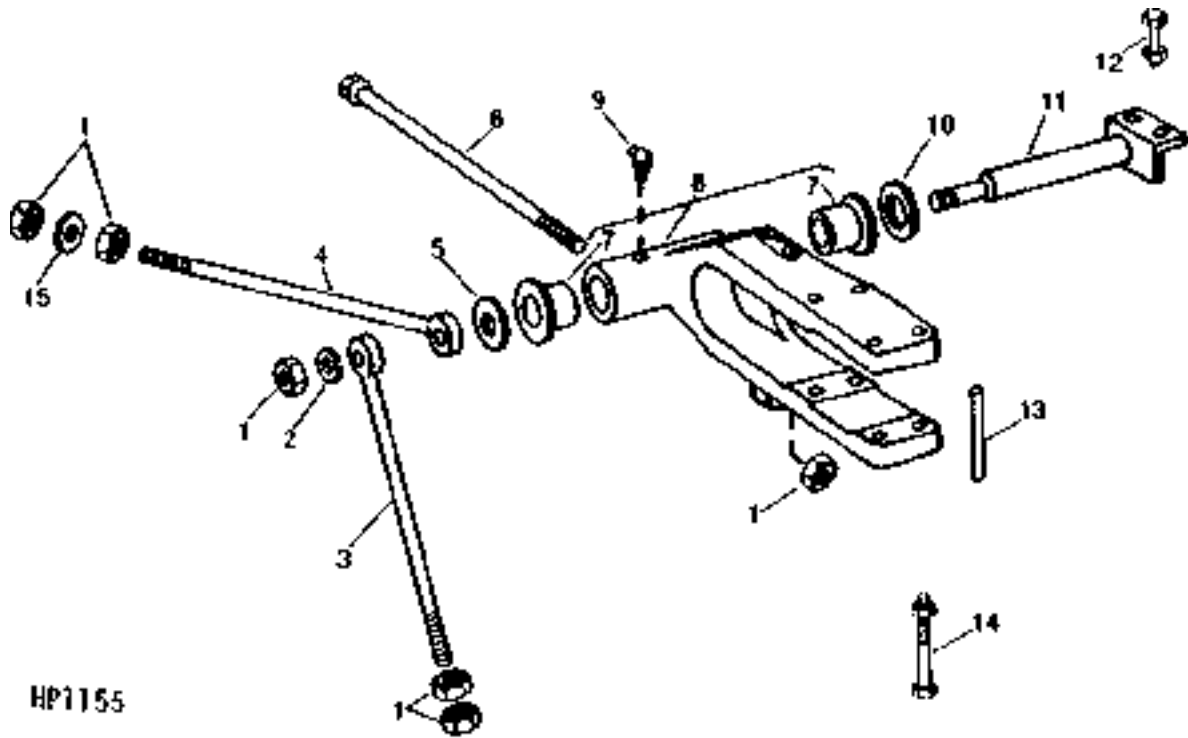


HP1829

KEY	PART NO.	PART NAME	QTY	SERIAL NO.	REMARKS
1	JD7797	LUBRICATION FITTING	1		
2	H89303	CAP	1		
3	19H1765	CAP SCREW	16		3/8" X 1-3/4"
4	P49970	DOWEL PIN	8	-500209	
5	T19572	WASHER	1		
6	14H875	NUT	1		7/8"
7A	H75855	SHEAVE	2	-500209	(SUB H112547)
7B	H112547	SHEAVE	2		397 MM (15-5/8") DIA.
8	AH12466	PACKING	2		
9	H23005	BUSHING	2		
10	AH12467	FELT	1		
11	AH85700	CENTER SHEAVE	1		WITH BUSHINGS AND SEALS, (MARKED H85253)
12	JD8134	BEARING CONE	1		
13	JD7449	BEARING CUP	1		
14	P42669	RING	1		
15	H75856	HUB	1	-500209	(SUB H112548)
	H112548	HUB	1		
16	E10911	SNAP RING	1		
17	JD8271	BEARING CUP	1		
18	JD8988	BEARING CONE	1		
19	AH86596	SEAL	1		
20	A4730R	O-RING	1		
21	AH94803	ARM	1		(MARKED H83494)
22	11H237	COTTER PIN	1		1/8" X 2"
23	JD7759	LUBRICATION FITTING	1		

HP1155 -UN-01JAN94

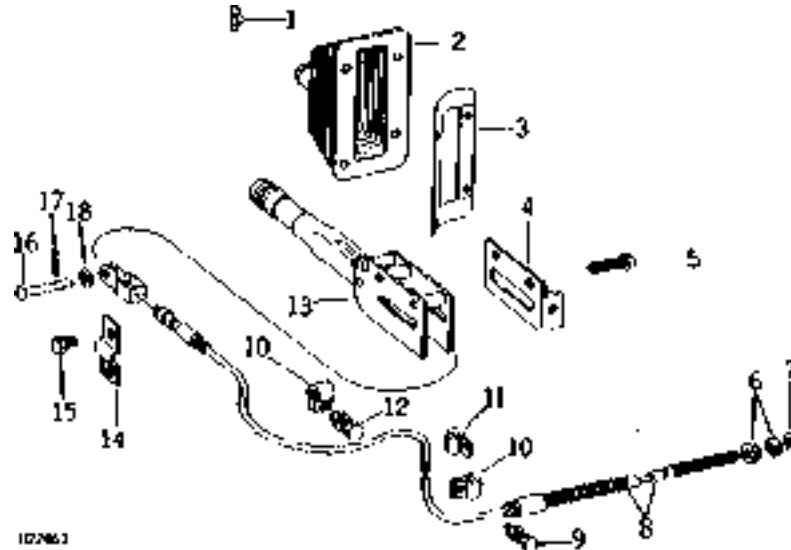
PROPULSION DRIVE COUNTERSHAFT



KEY	PART NO.	PART NAME	QTY	SERIAL NO.	REMARKS
1	14H1039	NUT	6	5/8"	
2	12H294	LOCK WASHER	1	5/8"	
3	H75925	EYEBOLT	1	REAR	
4	H75924	EYEBOLT	1	FRONT	
5	24H1626	WASHER	1	21/32" X 2" X 0.060"	
6	H75851	CAP SCREW	1		
7	H85568	BUSHING	2		
8	AH86829	ARM	1	UPPER, WITH BUSHINGS, (MARKED H85845)	
9	JD7806	LUBRICATION FITTING	1	90°, 1/4"	
10	24H1667	WASHER	1	1-17/64" X 2-1/4" X 0.075"	
11	AH77224	BRACKET	1		
12	19H1731	CAP SCREW	2	3/8" X 1"	
	14H812	NUT	2	3/8"	
13	H75850	BUSHING	4		
14	19H2104	CAP SCREW	2	3/8" X 5"	
	14H812	NUT	2	3/8"	
15	24H1368	WASHER	1	21/32" X 1-5/16" X 0.090"	

H22463 -UN-01JAN94

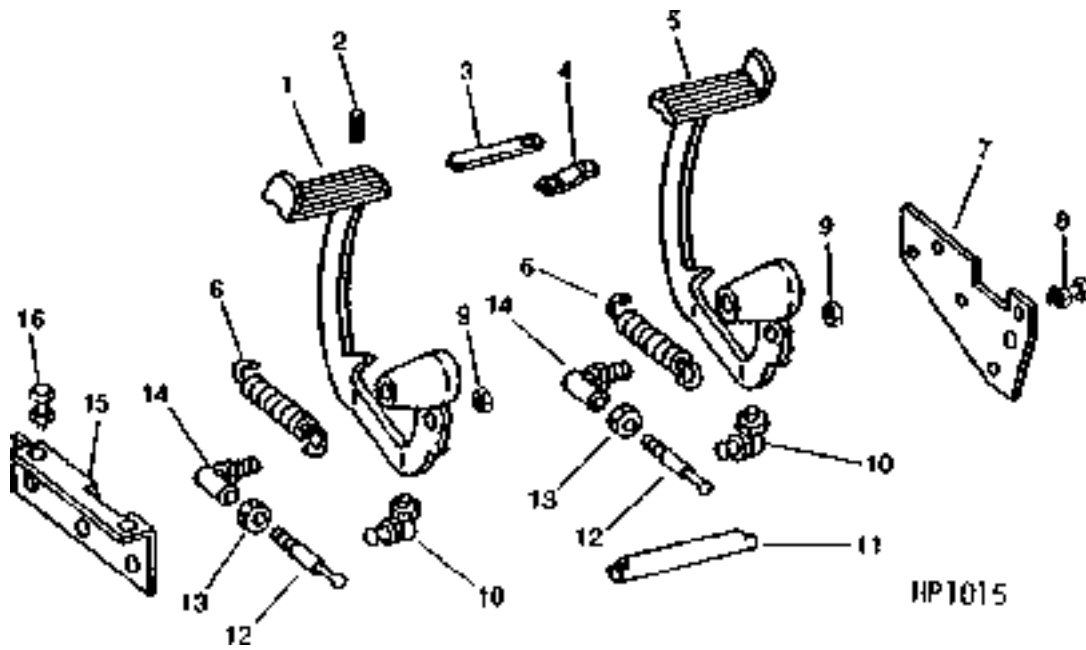
PARKING BRAKE CONTROLS



KEY	PART NO.	PART NAME	QTY	SERIAL NO.	REMARKS
1	H88910	PLUG	4		
2	AH94812	BOOT	1	-600000	(SUB H94267)
	H94267	BOOT	1		
3	H94638	RETAINER	1		
4	H84659	BRACKET	1		SWITCH
5	H78421	SCREW	2		SELF-TAPPING
6	H77337	WASHER	2		
7	14H774	NUT	2	3/8"	
8	AH96679	PUSH PULL CABLE	1		
9	19H1732	CAP SCREW	1	3/8" X 1-1/4"	
	14H812	NUT	1	3/8"	
10	AH11015	CLIP	2		CUSHIONED
11	AH76883	CLIP	1		CUSHIONED
12	19H2284	CAP SCREW	1	3/8" X 7/8"	
	14H812	NUT	1	3/8"	
13	AH93255	LEVER	1	-450000	
	AH106513	LEVER	1	450001-	
14	H78420	CLAMP	1		
15	H77931	SCREW	2		SELF-TAPPING
16	H78423	PIN	1		
17	11H211	COTTER PIN	1		1/8" X 3/4"
18	24H1136	WASHER	1		11/32" X 11/16" X 0.065"
19	H94640	SEAL	1	600001-	

HP1015 -UN-01JAN94

BRAKE PEDALS AND LINKAGE



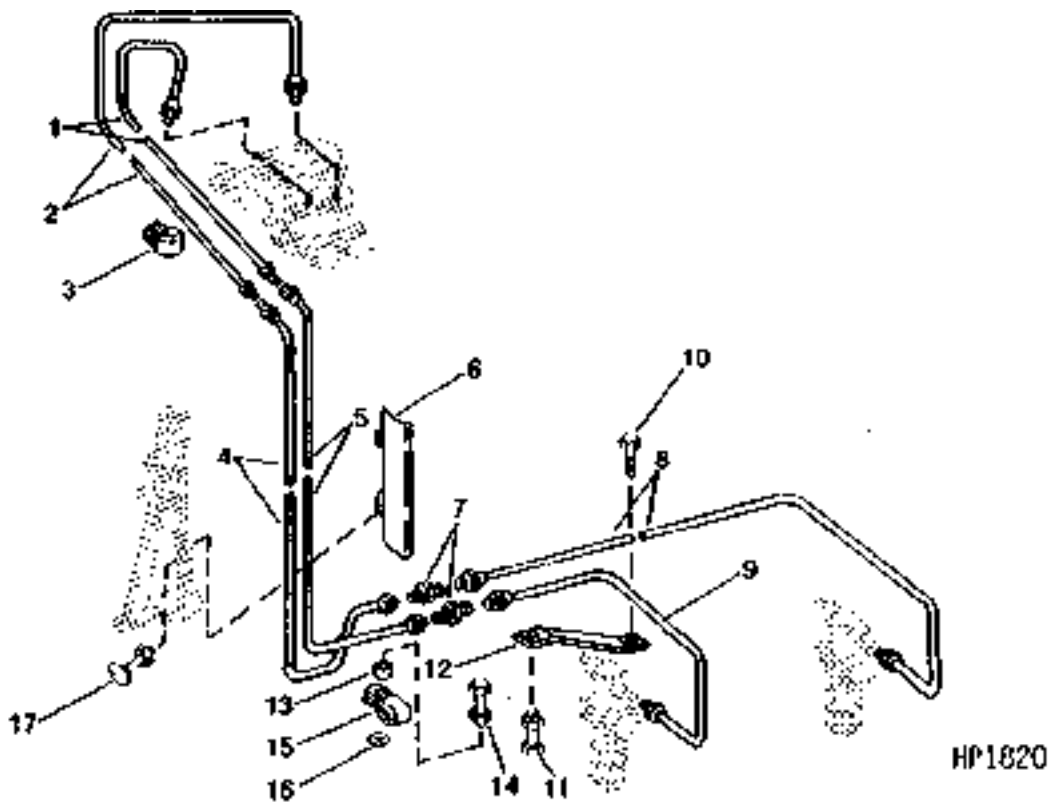
KEY	PART NO.	PART NAME	QTY	SERIAL NO.	REMARKS
1	H99272	PEDAL	1		L.H.
2	34H311	SPRING PIN	1		1/4" X 7/8"
3	H99264	STRAP	1		
4	R31602	LEAF SPRING	1		
5	H99271	PEDAL	1		R.H.
6	H77373	SPRING	1		L.H.
	H81688	SPRING	1		R.H.
7	H78812	SUPPORT	1		R.H.
8	19H1731	CAP SCREW	2		3/8" X 1"
	14H812	NUT	2		3/8"
9	14H846	NUT	2		3/8"
10	JD7806	LUBRICATION FITTING	2		90°
11	H77372	SHAFT	1	-550000	(SUB H117225)
	H117225	SHAFT	1		
12	H77371	STUD	2	-451143	(SUB H109824)
	H109824	WELD STUD	2		
13	14H774	NUT	2		3/8"
14	AH83521	BALL JOINT	2		
15	H78813	SUPPORT	1		L.H.
16	21H1069	SCREW	2		3/8" X 1"
	14H812	NUT	2		3/8"

1110

STEERING AND BRAKES

HP1820 -UN-01JAN94

BRAKE LINES

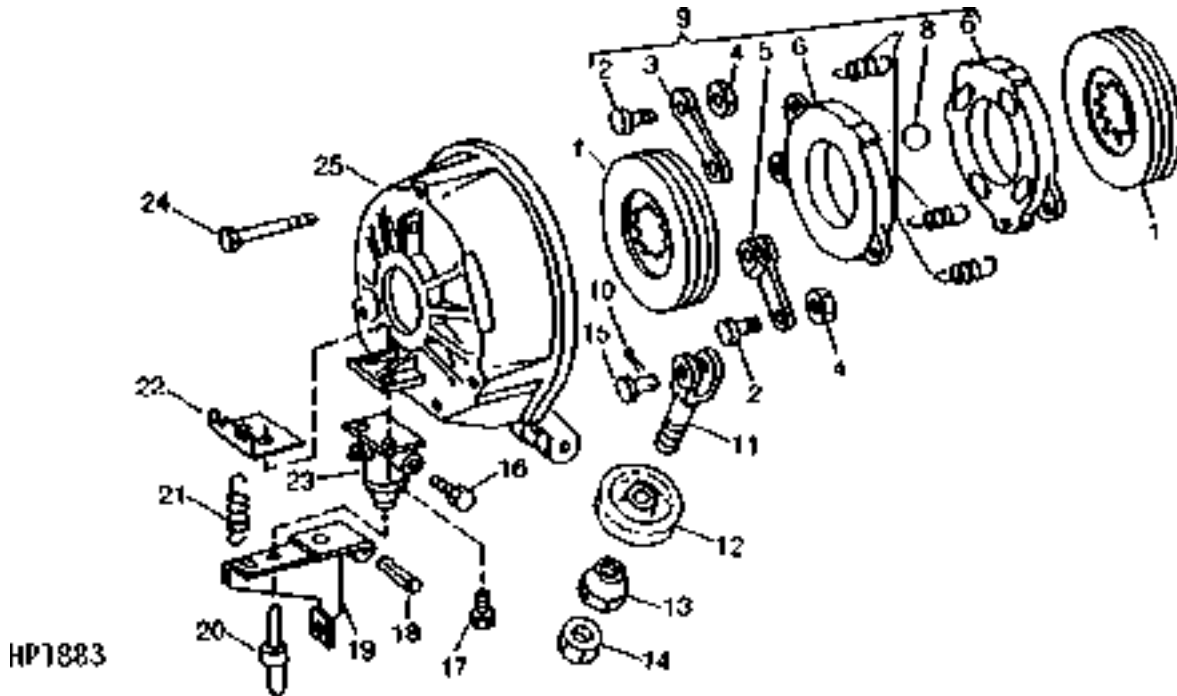


KEY	PART NO.	PART NAME	QTY	SERIAL NO.	REMARKS
1	AH96779	LINE	1	(L.H.)	
2	AH96780	LINE	1	(R.H.)	
3	AH76883	CLIP	1		
4	AH99349	LINE	1	(R.H.)	
5	AH101327	LINE	1	(L.H.)	
6	H99825	SHIELD	1		
7	H33795	UNION FITTING	2		
8	AH96782	LINE	1	(R.H.)	
9	AH96781	LINE	1	(L.H.)	
10	19H1936	CAP SCREW	1	3/8" X 3/4"	
11	19H1948	CAP SCREW	1	1/4" X 3/4"	
	14H786	NUT	1	1/4"	
12	H83138	BRACKET	1		
13	28H1883	SPACER	1	1/4" X 1/2"	
14	19H1898	CAP SCREW	1	1/4" X 1-1/2"	
	14H786	NUT	1	1/4"	
15	AH76996	CLIP	1		
16	24H1287	WASHER	1	9/32" X 5/8" X 0.065"	
17	10H1028	BOLT	2	3/8" X 1-1/2"	
	12H304	LOCK WASHER	2	3/8"	
	14H812	NUT	2	3/8"	

1111

HP1883 -UN-01JAN94

BRAKES AND HOUSING



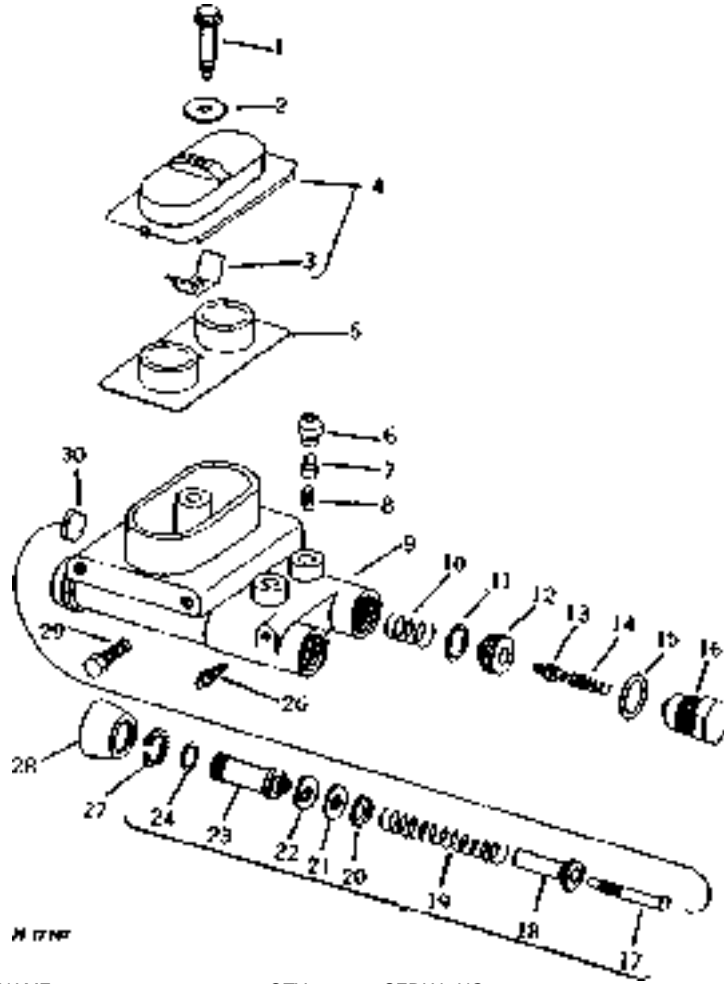
HP1883

KEY	PART NO.	PART NAME	QTY	SERIAL NO.	REMARKS
1	AH19839	BRAKE DISK	2		
2	P48685	STUD	2		
3	H33511	LINK	1		
4	14H882	NUT	2		5/16"
5	AH19841	LINK	1		
6	H11318	DISK	2		
7	P47704	EXTENSION SPRING	3		
8	M830T	BALL	5		
9	AH19840	DISK	1		
10	J16931	SPRING LOCKING PIN	1		
11	P48669	YOKE	1		
12	H79514	BOOT	1		
13	H33513	NUT	1		
14	14H934	NUT	1		7/16"
15	L364T	PIN	1		
16	H100457	FITTING	1	-550000	
17	19H1914	CAP SCREW	2		1/4" X 1"
	12H302	LOCK WASHER	2		1/4"
18	34H379	SPRING PIN	1		1/2" X 4"
19	AH96680	LEVER	1		(R.H.)
	AH96681	LEVER	1		(L.H.)
20	H98190	PUSH ROD	1	-450000	(SUB H111181)
	H111181	ROD	1	-550000	(SUB H114990 AND H114991)
	H114990	PUSH ROD	1		
21	M226T	SPRING	2	-550000	
	H114562	EXTENSION SPRING	2	550001-	
22	H100394	BRACKET	1		
23	AH99360	CYLINDER	1	-550000	(SUB AH112541)
	AH112541	CYLINDER	1		
24	19H1739	CAP SCREW	3		1/2" X 4-1/2"
25	H100455	HOUSING	1		
..	AH100003	KIT	1	-550000	BRAKE CYLINDER, (SUB AH112542)
..	AH112542	HYDRAULIC CYLINDER KIT	1		BRAKE SLAVE CYLINDER

NOTE: QUANTITIES SHOWN ARE FOR ONE UNIT. TWO UNITS USED PER MACHINE.

H17107 -UN-01JAN94

BRAKE MASTER CYLINDER

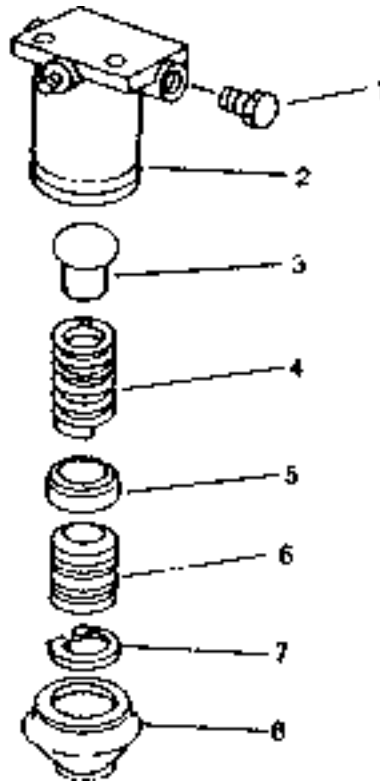


KEY	PART NO.	PART NAME	QTY	SERIAL NO.	REMARKS
1	H81459	SCREW	1		
2	H81460	DUST SHIELD	1		
3	ISOLATOR	1	(SUB AH79858)	
4	AH79858	COVER	1		
5	H81458	GASKET	1		
6	H81471	SEAT	1		
7	H81470	VALVE	1		
8	H81469	SPRING	1		
9	HOUSING	1	(SUB AH76186)	
10	H81462	SPRING	2		
11	H81466	O-RING	2		
12	H81463	BEARING	2		
13	H81464	POPPET	2		
14	H81465	SPRING	2		
15	H81468	O-RING	2		
16	H81467	FITTING PLUG	2		
17	SCREW	2	(SUB AH79857)	
18	RETAINER	2	(SUB AH79857)	
19	SPRING	2	(SUB AH79857)	
20	RETAINER	2	(SUB AH79857)	
21	PACKING	2	(SUB AH79857)	
22	PACKING	2	(SUB AH79857)	
23	PISTON	2	(SUB AH79857)	
24	O-RING	2	(SUB AH79857)	
25	AH79857	PISTON	2		
26	R21612	BLEED SCREW	1		
27	H81472	SNAP RING	2		
28	H77378	BOOT	2		
29	19H2247	CAP SCREW	4	7/16" X 1"	
30	H81461	RETAINER	2		
..	AH76186	CYLINDER	1		

1113

HP801 -UN-01JAN94

BRAKE SLAVE CYLINDER
(SERIAL NO. -550000)



HP801

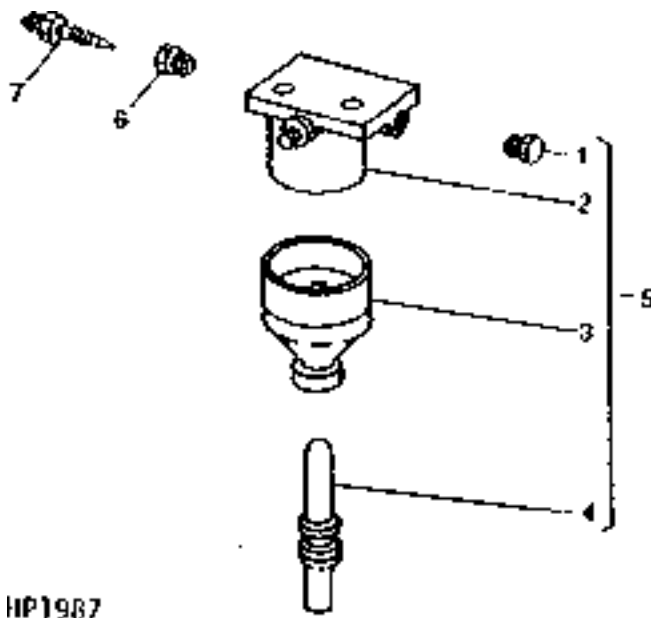
KEY	PART NO.	PART NAME	QTY	SERIAL NO.	REMARKS
1	H100457	FITTING	1		(KIT AH100003)
2	AH99360	CYLINDER	1	-550000	(SUB AH112541, H117041 AND H117042)
	AH112541	CYLINDER	1		
3	STOP	1		(KIT AH100003)
4	SPRING	1		(KIT AH100003)
5	PACKING	1		(KIT AH100003)
6	PISTON	1		(KIT AH100003)
7	SNAP RING	1		(KIT AH100003)
8	H111566	BOOT	1	-550000	(SUB H114990 AND H114991)
	H114990	PUSH ROD	1		
	H114991	BOOT	1		
..	AH100003	KIT	1	-550000	BRAKE CYLINDER, (SUB AH112542)
..	AH112542	HYDRAULIC CYLINDER KIT	1		BRAKE CYLINDER

NOTE: QUANTITIES SHOWN ARE FOR ONE UNIT. TWO UNITS USED PER MACHINE.

1114

BRAKE SLAVE CYLINDER
(SERIAL NO. 550001-)

HP1987 -UN-01JAN94



KEY	PART NO.	PART NAME	QTY	SERIAL NO.	REMARKS
1	H100457	FITTING	2		(SHIPPING PLUG)
2	HOUSING	1		
3	H114991	BOOT	1		
4	H114990	PUSH ROD	1		
5	AH112541	CYLINDER	1		
6	H117041	FITTING	2		
7	H117042	BLEED SCREW	1		
..	AH112542	HYDRAULIC CYLINDER KIT	1		

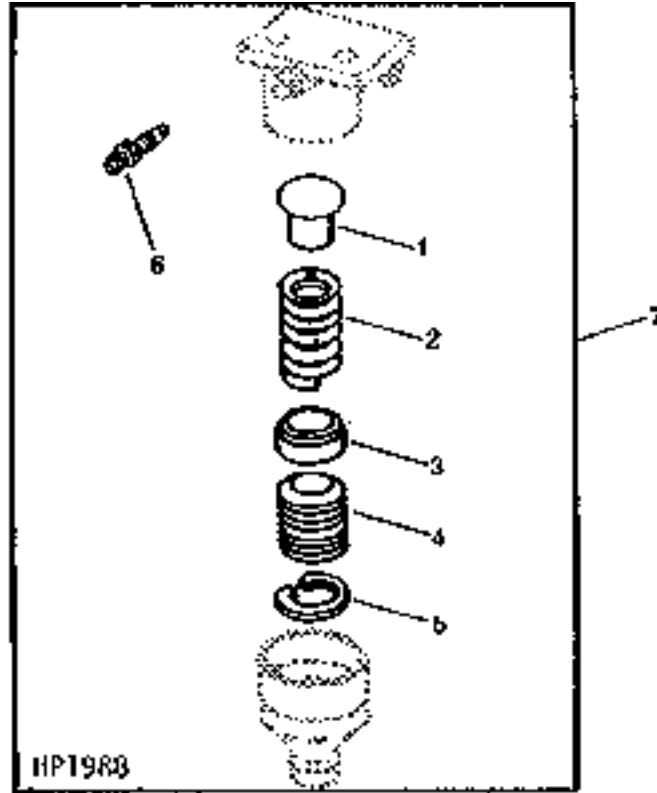
NOTE: QUANTITIES SHOWN ARE FOR ONE UNIT. TWO UNITS USED PER MACHINE.

MEMORANDA

1115

HP1988 -UN-01JAN94

KIT, BRAKE SLAVE CYLINDER

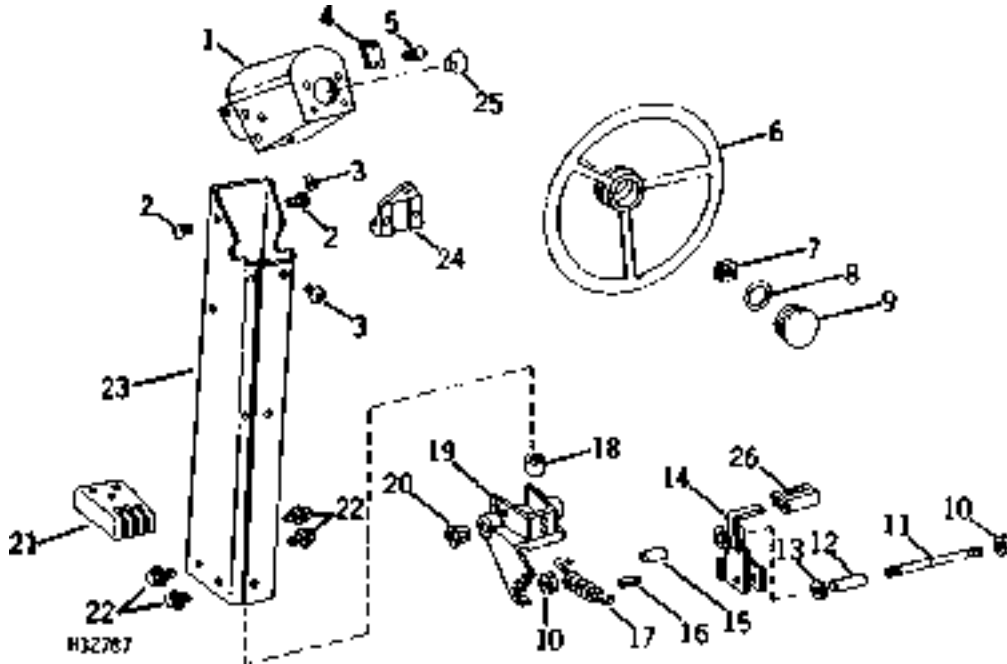


KEY	PART NO.	PART NAME	QTY	SERIAL NO.	REMARKS
1	STOP	1		
2	SPRING	1		
3	PACKING	1		
4	PISTON	1		
5	SNAP RING	1		
6	BLEED SCREW	1		
7	AH112542	HYDRAULIC CYLINDER KIT	1		BRAKE CYLINDER

1116

H32787 -UN-01JAN94

STEERING COLUMN AND WHEEL

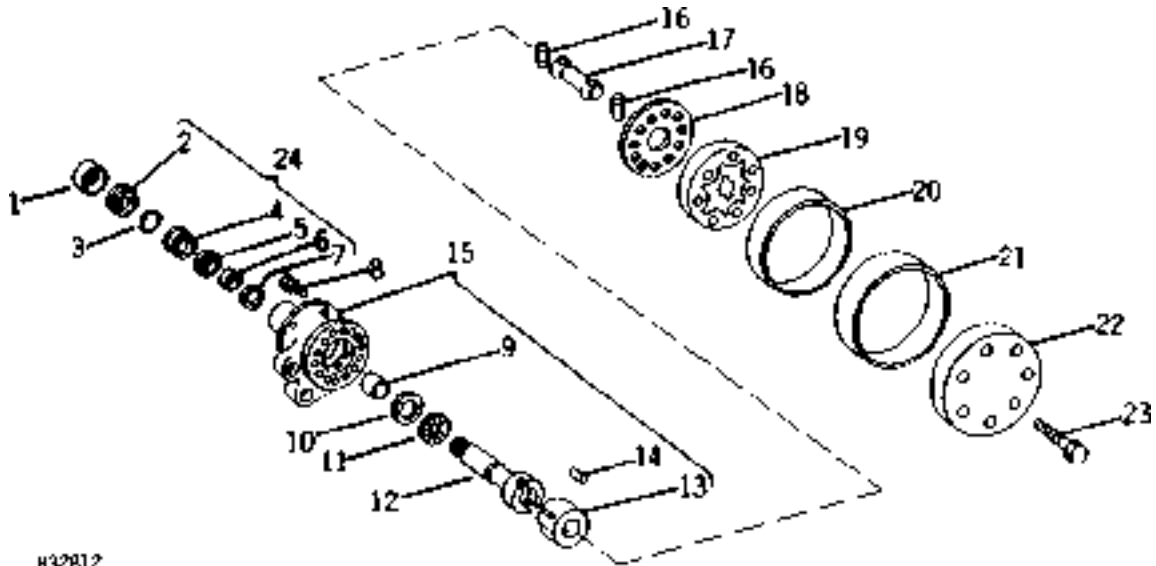


KEY	PART NO.	PART NAME	QTY	SERIAL NO.	REMARKS
1	H99274	STEERING COLUMN	1		(BELT DRIVE)
	AH94133	STEERING COLUMN	1		(HYDROSTATIC DRIVE)
2	H99275	SCREW	2		SELF-TAPPING
3	H99276	SCREW	3		
4	H82556	SUPPORT	1		(LOW SHAFT SPEED INDICATOR)
5	H99277	CAP SCREW	4		
	R53669	THRUST WASHER	4		
6	AR26625	STEERING WHEEL	1		
7	H35228	NUT	1		
8	B3690R	O-RING	1		
9	R47998	CAP	1		
10	14H1040	NUT	2		1/2"
	12H301	LOCK WASHER	2		1/2"
11	H84624	STUD	1		
12	28H1845	BUSHING	1		1/2" X 3-13/16"
13	24H1788	WASHER	1		17/32" X 1-1/8" X 0.060"
14	AH96744	PEDAL	1		
15	H84625	BUSHING	1		
16	34H329	SPRING PIN	1		5/16" X 1-1/4"
17	H77924	SPRING	1		
18	H86876	WASHER	3		
19	AH89824	PIVOT	1		
20	H86870	BUSHING	2		
21	H95361	SEAL	1		
22	H99275	SCREW	5		SELF-TAPPING
23	H99273	STEERING COLUMN	1		
24	H77937	BEARING	1		
25	AH61036	LAMP	1		(LOW SHAFT SPEED INDICATOR)
26	H98237	PAD	1		

1117

H32812 -UN-01JAN94

STEERING PUMP



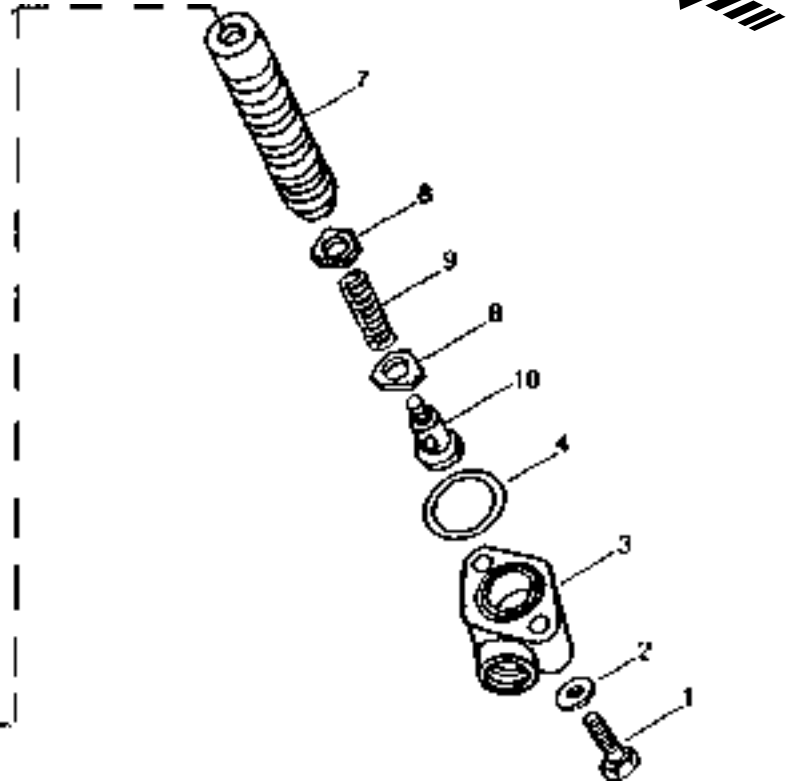
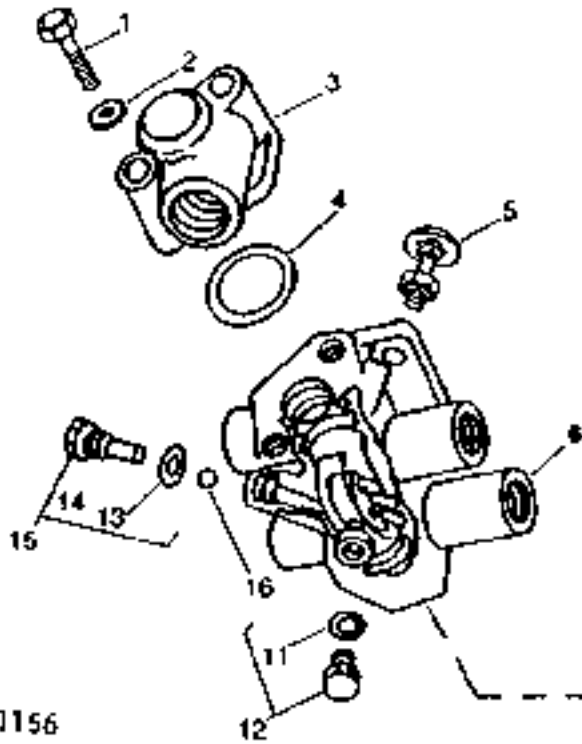
H32812

KEY	PART NO.	PART NAME	QTY	SERIAL NO.	REMARKS
1	H35227	SEAL	1		
2	SEAL	1		
3	H35226	SNAP RING	1		
4	SPACER	1		
5	SEAL	1		
6	SEAL	1		
7	WASHER	1		
8	19H1900	CAP SCREW	4	5/16" X 3/4"	
9	AH20812	BEARING	1		
10	H35213	THRUST BEARING	1		
11	AH20813	BEARING	1		
12	H35212	SHAFT	1		
13	RING	1	(COMMUTATOR) (SUB AH20811)	
14	H35214	DOWEL PIN	2		
15	AH20811	HOUSING	1		
16	H35216	PIN	2		
17	H35215	LINK	1		
18	H64747	BUSHING	1		
19	AH78779	STATOR	1		
20	H35219	BUSHING	1		
21	H35218	BUSHING	1		
22	H35220	COVER	1		
23	H35221	CAP SCREW	7		
24	AH91068	KIT	1	SEAL REPAIR	
..	AH75429	PUMP	1	(REMANUFACTURED)	

1118

HP1156 -UN-01JAN94

STEERING CONTROL VALVE



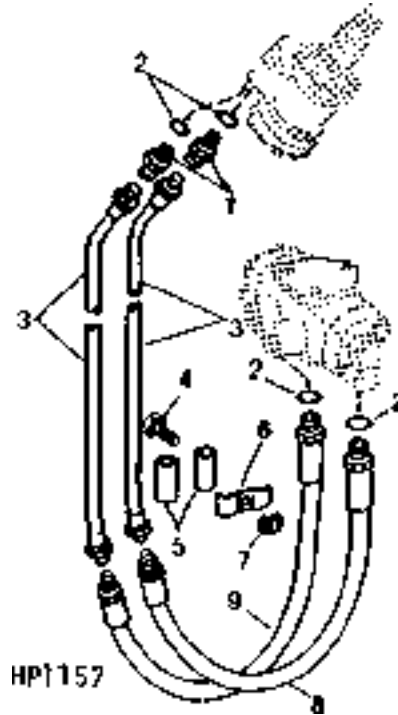
HP1156

KEY	PART NO.	PART NAME	QTY	SERIAL NO.	REMARKS
1	19H1801	CAP SCREW	4	3/8" X 2"	
2	H30816	WASHER	4		
3	H35210	VALVE	2		
4	H36257	WASHER	2		
5	21H1069	SCREW	3	3/8" X 1"	
	14H812	NUT	3	3/8"	
6	HOUSING	1	(SUB AH19773)	
7	SPOOL	1	(SUB AH19773)	
8	H35207	WASHER	2	O-RING	
9	H35208	SPRING	1		
10	H35209	SCREW	1		
11	R26286	O-RING	1		
12	AH20809	FITTING	1		
13	R26287	O-RING	1		
14	34H250	SPRING PIN	1	1/8" X 15/16"	
15	AH20810	PLUG	1		
16	P49134	BALL	1		
..	AH19773	VALVE	1	(REMANUFACTURED)	

1119

HP1157 -UN-01JAN94

STEERING UPPER OIL LINES

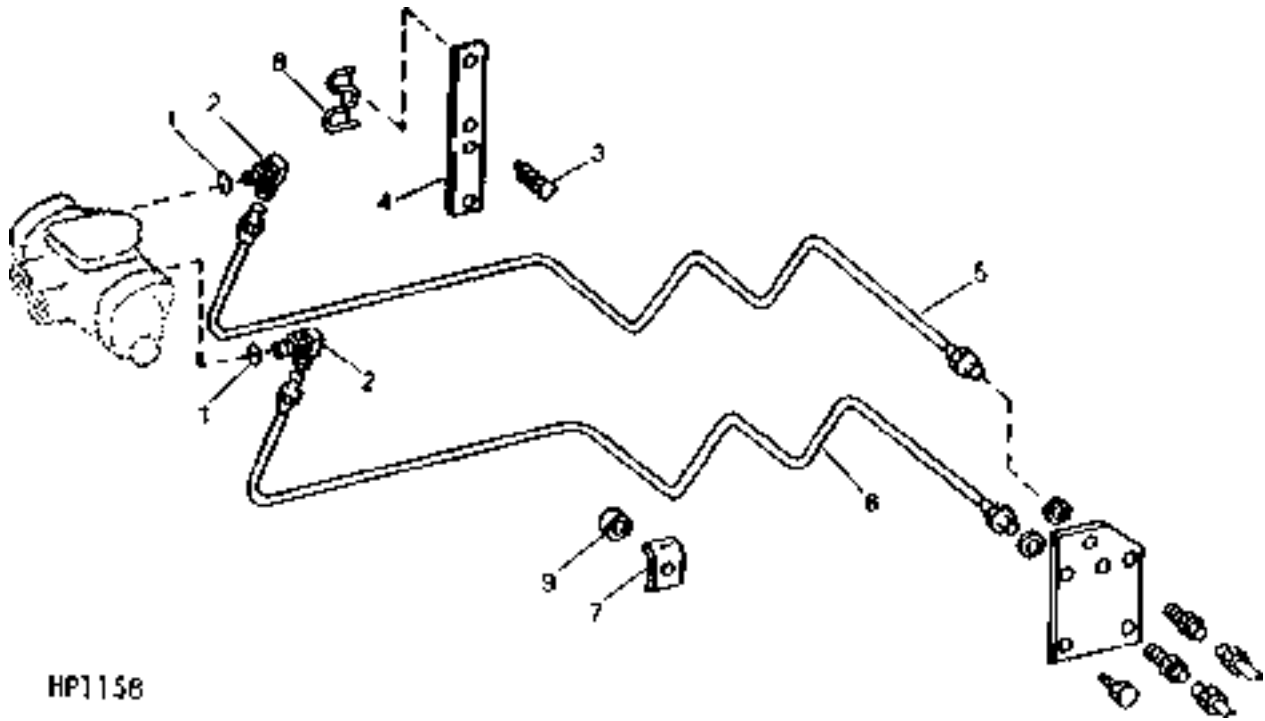


KEY	PART NO.	PART NAME	QTY	SERIAL NO.	REMARKS
1	R27237	FITTING	2		
2	R26375	O-RING	4		
3	AH76838	LINE	2		
4	19H1849	CAP SCREW	1	5/16" X 1-1/4"	
5	H22979	BUSHING	2		
6	H78560	CLAMP	1		
7	P43033	NUT	1		
8	AH76841	HYDRAULIC HOSE	1		13 MM X 508 MM (1/2" I.D. X 20") LONG
9	AH76842	HYDRAULIC HOSE	1		13 MM X 584 MM (1/2" I.D. X 23") LONG

1120

HP1158 -UN-01JAN94

STEERING LOWER OIL LINES (FRONT)



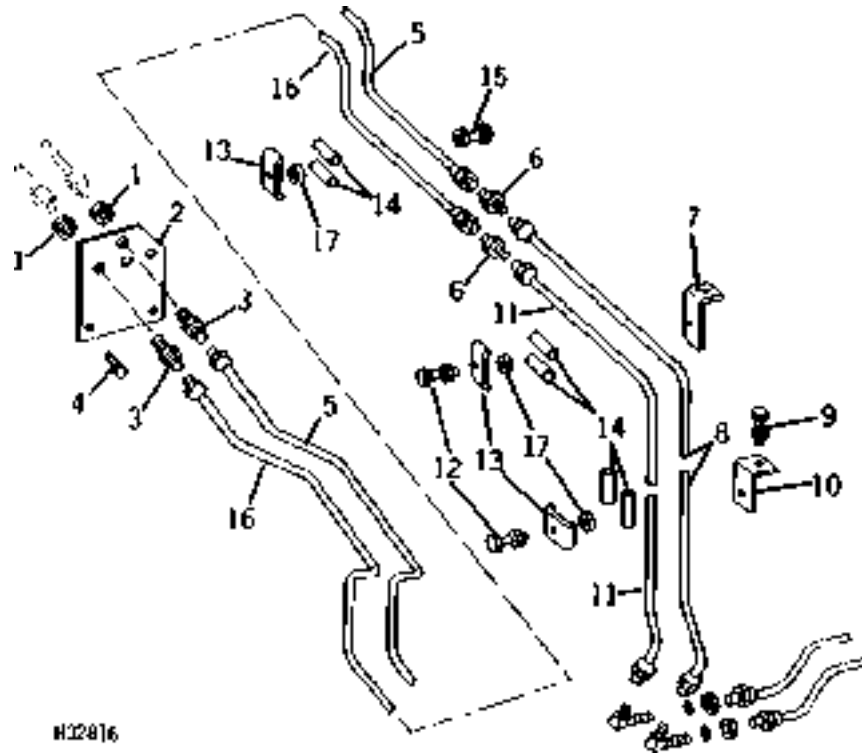
HP1158

KEY	PART NO.	PART NAME	QTY	SERIAL NO.	REMARKS
1	R26448	O-RING	2		
2	AR26725	ELBOW FITTING	2	90°	
3	08H4416	BOLT	1	5/16" X 1"	
	14H785	NUT	1	5/16"	
4	H87781	STRAP	1		
5	AH103603	LINE	1		UPPER
6	AH103604	LINE	1		LOWER
7	H83208	CLAMP	1		
8	AH83845	CLAMP	1		
9	28H90	BUSHING	1	1/4" X 7/16"	

1121

H32816 -UN-01JAN94

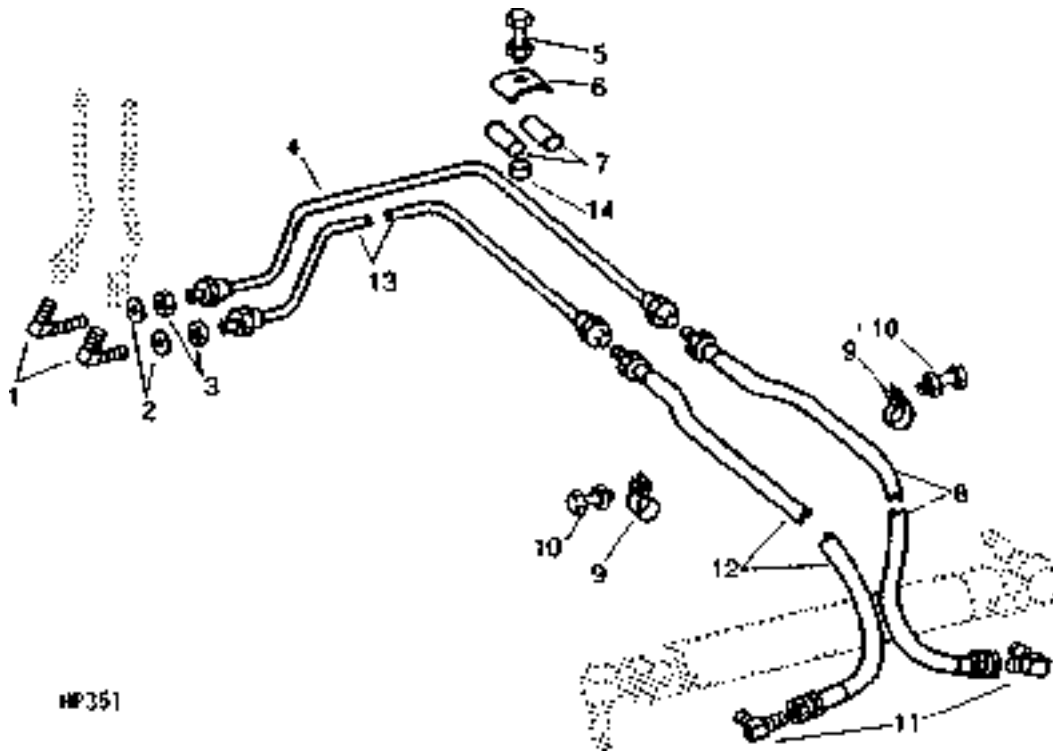
STEERING LOWER OIL LINES (MIDDLE)



KEY	PART NO.	PART NAME	QTY	SERIAL NO.	REMARKS
1	R26572	NUT	2		
2	H79019	BRACKET	1		UPPER
3	R27238	FITTING	2		
4	H65108	SCREW	2		SELF-TAPPING
5	AH77462	LINE	1		R.H.
6	R27095	FITTING	2		
7	H79573	BRACKET	1		MIDDLE
8	AH77387	LINE	1		UPPER
9	19H1813	CAP SCREW	1		5/16" X 5/8"
	14H785	NUT	1		5/16"
10	H79577	BRACKET	1		LOWER
11	AH77386	LINE	1		LOWER
12	19H1849	CAP SCREW	2		5/16" X 1-1/4"
	14H785	NUT	2		5/16"
13	H83208	CLAMP	3		
14	H23932	ISOLATOR	6		RUBBER
15	03H1613	BOLT	1		5/16" X 1-1/4"
	14H785	NUT	1		5/16"
16	AH77463	LINE	1		L.H.
17	28H90	BUSHING	1		1/4" X 7/16"

HP351 -UN-01JAN94

STEERING LOWER OIL LINES (REAR)



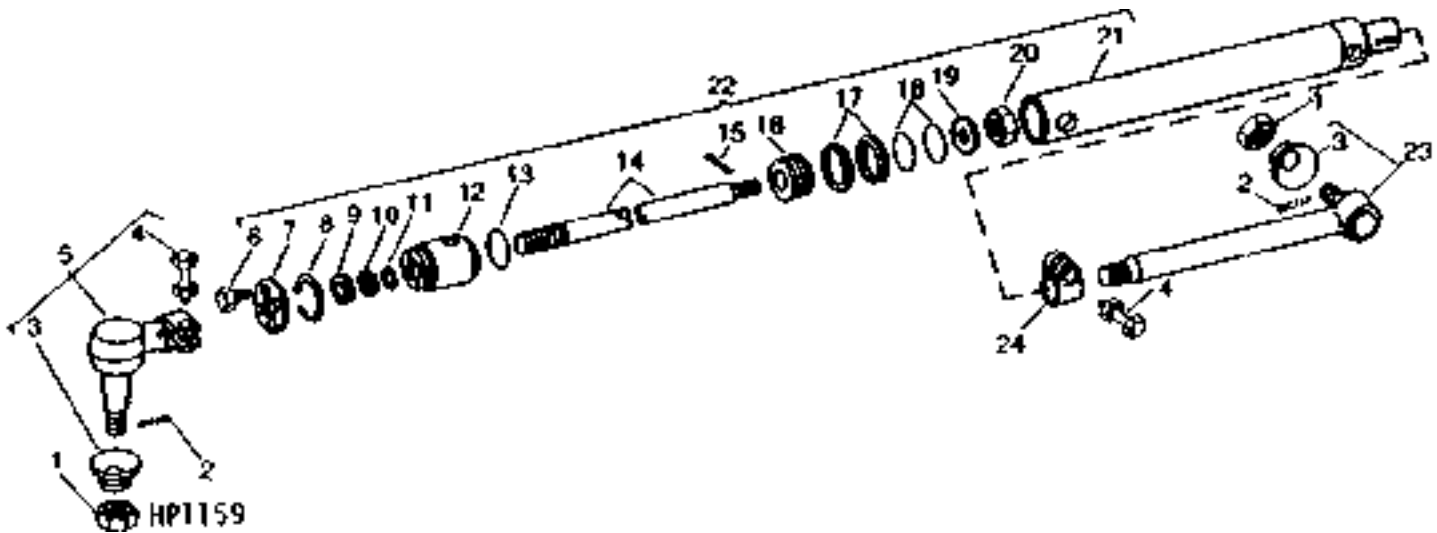
HP351

KEY	PART NO.	PART NAME	QTY	SERIAL NO.	REMARKS
1	H75413	ELBOW FITTING	2	90°	
2	24H1357	WASHER	2	19/32" X 1-5/32" X 0.090"	
3	R26572	NUT	2		
4	AH77148	LINE	1	R.H.	
5	19H1849	CAP SCREW	1	5/16" X 1-1/4"	
	14H785	NUT	1	5/16"	
6	H83208	CLAMP	1		
7	H23932	ISOLATOR	2		RUBBER
8	AH75507	HYDRAULIC HOSE	1	-500000	R.H., 6 MM X 610 MM (1/4" I.D. X 24") LONG, (FIXED REAR AXLE)
	AH75510	HYDRAULIC HOSE	1		R.H., 6 MM X 914 MM (1/4" I.D. X 36") LONG, (ADJUSTABLE REAR AXLE)
9	H77358	CLIP	AR		(2 USED, FIXED REAR AXLE; 4 USED, ADJUSTABLE REAR AXLE)
10	19H1919	CAP SCREW	AR		1/4" X 5/8", (2 USED, FIXED REAR AXLE; 4 USED, ADJUSTABLE REAR AXLE)
	14H786	NUT	AR		1/4", (2 USED, FIXED REAR AXLE; 4 USED, ADJUSTABLE REAR AXLE)
11	AR26635	ELBOW FITTING	2	90°	
12	AH75507	HYDRAULIC HOSE	1	-500000	L.H., 6 MM X 610 MM (1/4" I.D. X 24") LONG, (NARROW FIXED REAR AXLE)
	AH75509	HYDRAULIC HOSE	1	-500000	L.H., 6 MM X 813 MM (1/4" I.D. X 32") LONG, (WIDE FIXED REAR AXLE)
	AH75511	HYDRAULIC HOSE	1		L.H., 6 MM X 1118 MM (1/4" I.D. X 44") LONG, (ADJUSTABLE REAR AXLE)
13	AH77147	LINE	1	L.H.	
14	28H90	BUSHING	1	1/4" X 7/16"	

1123

HP1159 -UN-01JAN94

POWER STEERING CYLINDER

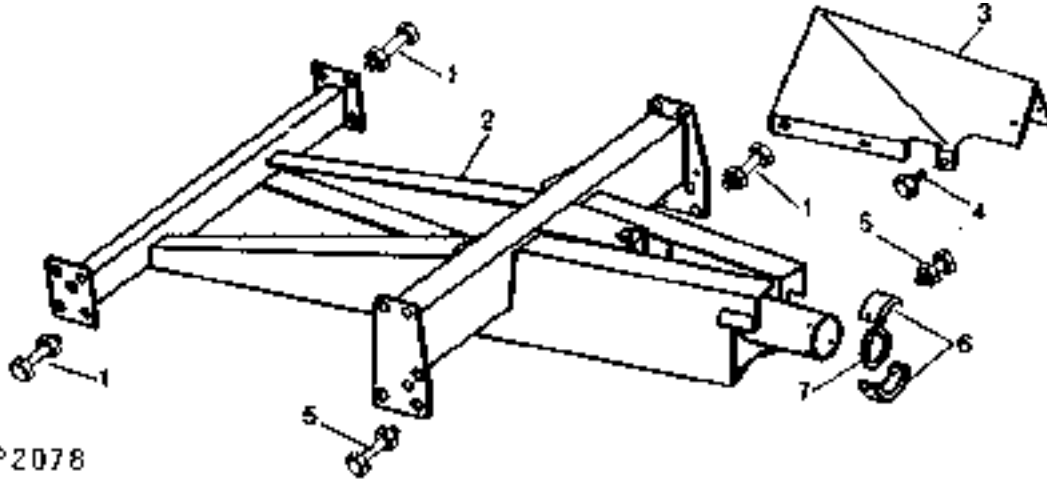


KEY	PART NO.	PART NAME	QTY	SERIAL NO.	REMARKS
1	14H918	NUT	2	5/8"	
2	11H236	COTTER PIN	2	1/8" X 1"	
3	H35664	BOOT	2		
4	19H1765	CAP SCREW	2	3/8" X 1-3/4"	
	14H812	NUT	2	3/8"	
5	AH75396	TIE ROD END	1	-500000	(USE WITH NARROW FIXED REAR AXLE)
	AH75396	TIE ROD END	1		(USE WITH ADJUSTABLE REAR AXLE)
6	21H1301	SCREW	4	0.190" X 1/2"	
7	H31254	WASHER	1		
8	H31253	SNAP RING	1		
9	AM3426T	SEAL	1		
10	H60330	BACK-UP RING	1		
11	P48347	O-RING	1		
12	H35242	BEARING	1		
13	U10289	O-RING	1		
14	H35240	ROD	1		
15	11H234	COTTER PIN	1	3/32" X 1"	
16	H35241	PISTON	1		
17	H35243	PISTON RING	2		
18	H35244	RING	2		
19	24H1111	WASHER	1	17/32" X 1-1/16" X 0.090"	
20	14H994	NUT	1	1/2"	
21	AH20836	HYDRAULIC CYLINDER BARREL	1		
22	AH19764	HYDRAULIC CYLINDER	1	-500000	(USE WITH NARROW FIXED REAR AXLE)
	AH19764	HYDRAULIC CYLINDER	1		(USE WITH ADJUSTABLE REAR AXLE)
23	AH75397	TIE ROD END	1		(USE WITH ADJUSTABLE REAR AXLE)
	AH75397	TIE ROD END	1	-500000	(USE WITH NARROW FIXED REAR AXLE)
	AH75398	END	1	-500000	(USE WITH WIDE FIXED REAR AXLE)
24	M2300T	CLAMP	1		

1124

HP2078 -UN-01JAN94

REAR AXLE MOUNTING

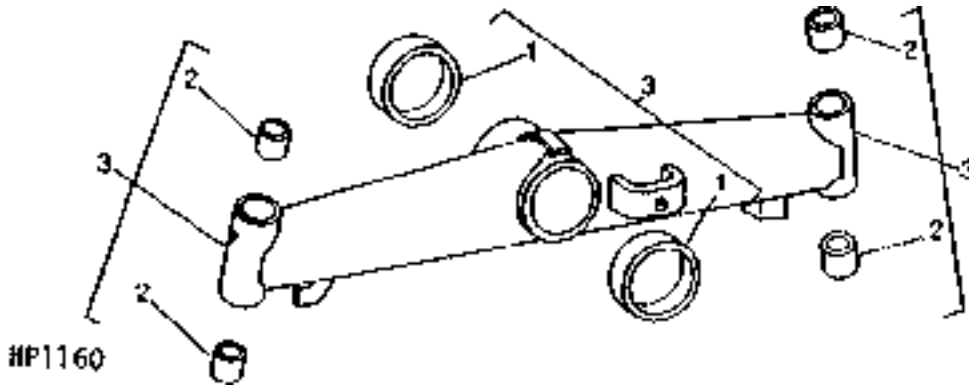


HP2078

KEY	PART NO.	PART NAME	QTY	SERIAL NO.	REMARKS
1	19H1731	CAP SCREW	13		3/8" X 1"
	14H812	NUT	13		3/8"
2	AH90642	SUPPORT	1		
3	H76918	DEFLECTOR	1		
4	H65108	SCREW	6		SELF-TAPPING
5	19H1732	CAP SCREW	9		3/8" X 1-1/4"
	14H812	NUT	9		3/8"
6	H75775	STOP	2		
7	H26433	WASHER	1		

FIXED REAR AXLE (SERIAL NO. -500000)

HP1160 -UN-01JAN94



HP1160

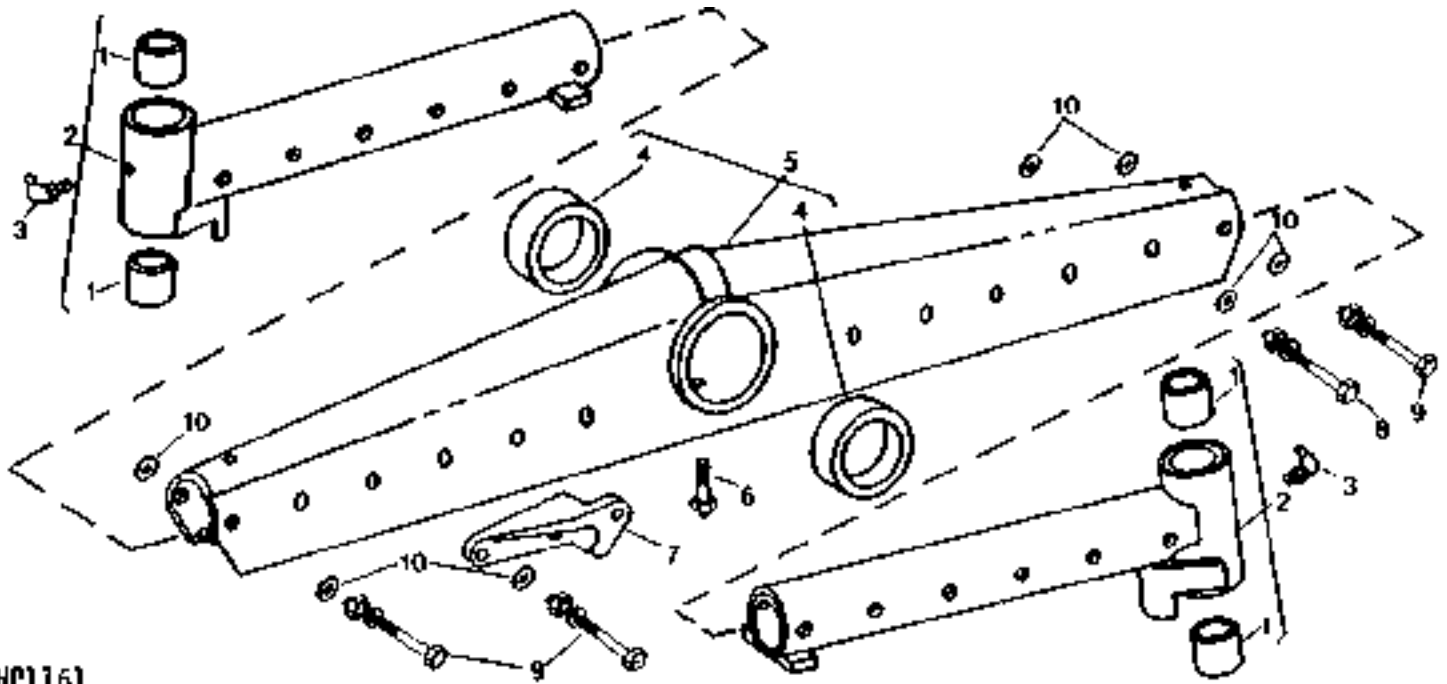
KEY	PART NO.	PART NAME	QTY	SERIAL NO.	REMARKS
1	H86254	BUSHING	2		
2	H75777	BUSHING	4		
3	AH87546	REAR AXLE	1		NARROW, WITH BUSHINGS
	AH87547	REAR AXLE	1		WIDE, WITH BUSHINGS
4	JD7806	LUBRICATION FITTING	2		90°, 1/4"
5	JD7813	LUBRICATION FITTING	1		STRAIGHT, 1/4"

1125

STEERING AND BRAKES

HP1161 -UN-01JAN94

ADJUSTABLE REAR AXLE



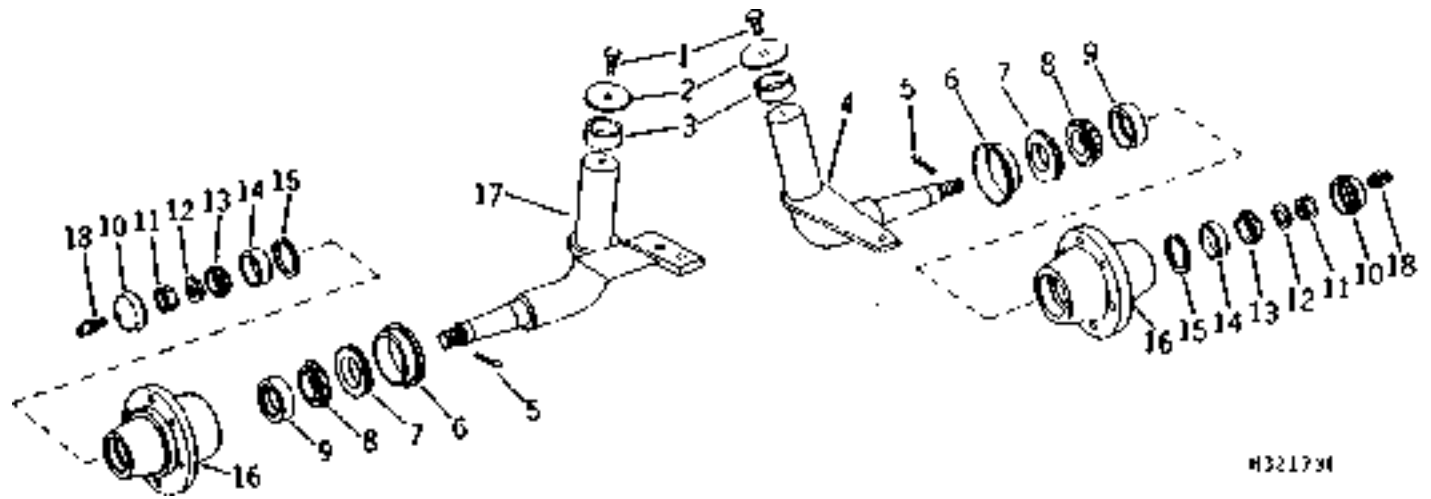
HP1161

KEY	PART NO.	PART NAME	QTY	SERIAL NO.	REMARKS
1	H75777	BUSHING	4		
2	AH75332	AXLE KNEE	2		
3	JD7806	LUBRICATION FITTING	2		90°, 1/4"
4	H86254	BUSHING	2		
5	AH87545	AXLE	1		
6	JD7813	LUBRICATION FITTING	1		STRAIGHT, 1/4"
7	H75931	BRACKET	1		
8	19H2718	CAP SCREW	2		5/8" X 4-3/4"
	14H800	NUT	2		5/8"
9	19H3174	CAP SCREW	4		5/8" X 5-1/4"
	14H800	NUT	4		5/8"
10	T40728	WASHER	10		

1J1

H32173F -UN-01JAN94

REAR AXLE SPINDLES

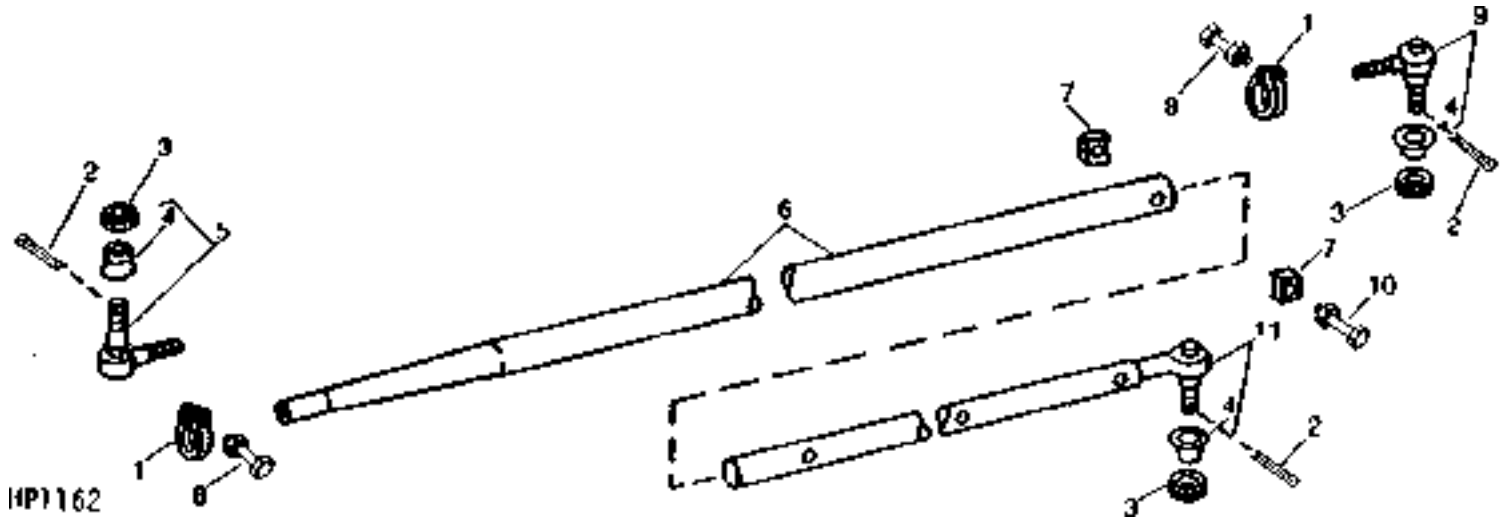


KEY	PART NO.	PART NAME	QTY	SERIAL NO.	REMARKS
1	19H1731	CAP SCREW	2	3/8" X 1"	
2	H77999	WASHER	2		
3	JD8412	THRUST BEARING	2		
4	AH75407	SPINDLE	1	R.H.	
5	11H237	COTTER PIN	2	1/8" X 2"	
6	H75937	SLEEVE	2		
7	AH75408	SEAL	2		
8	JD8902	BEARING CONE	2		
9	JD8237	BEARING CUP	2		
10	H76047	CAP	2		
11	14H875	NUT	2	7/8"	
12	T19572	WASHER	1		
13	JD8187	BEARING CONE	2		
14	JD8225	BEARING CUP	2		
15	Z9902H	SNAP RING	2		
16	H89772	HUB	2		
17	AH75405	SPINDLE	1	L.H.	
18	JD7759	LUBRICATION FITTING	1	STRAIGHT, 1/8"	

1J2

HP1162 -UN-01JAN94

STEERING TIE RODS

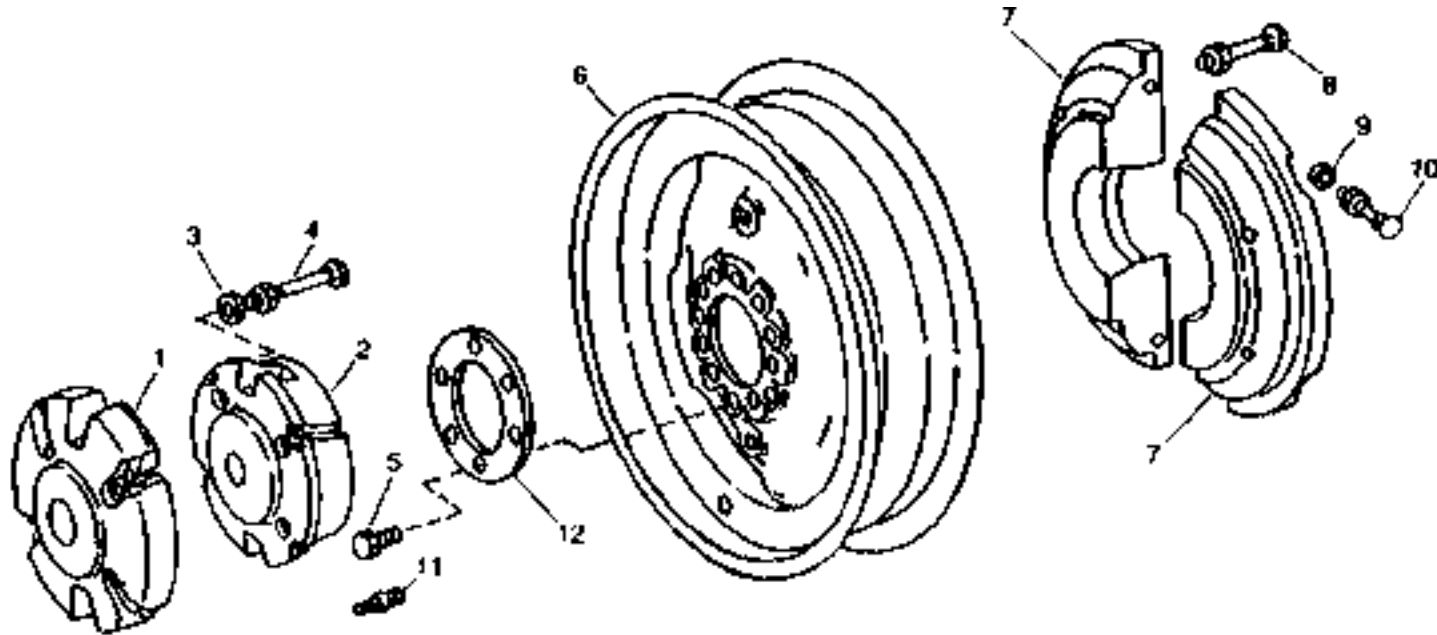


KEY	PART NO.	PART NAME	QTY	SERIAL NO.	REMARKS
1	M2300T	CLAMP	1		(ADJUSTABLE REAR AXLE)
	AP18380	CLAMP	2	-500000	(FIXED REAR AXLE)
2	11H236	COTTER PIN	2		1/8" X 1"
3	14H862	NUT	2		9/16"
4	H28271	SEAL	2		
5	AH79241	UNIVERSAL JOINT	1		R.H. THREAD, WITH SHIELD
6	H80252	TUBE	1		(ADJUSTABLE REAR AXLE)
	H75928	TIE ROD	1	-500000	(NARROW FIXED REAR AXLE)
	H75929	TIE ROD	1	-500000	(WIDE FIXED REAR AXLE)
7	R28024	CLAMP	2		(ADJUSTABLE REAR AXLE)
8	19H1765	CAP SCREW	1		3/8" X 1-3/4", (ADJUSTABLE REAR AXLE)
	14H812	NUT	1		3/8", (ADJUSTABLE REAR AXLE)
	19H1906	CAP SCREW	2	-500000	5/16" X 1-1/2", (FIXED REAR AXLE)
	14H785	NUT	2	-500000	5/16", (FIXED REAR AXLE)
9	AH79240	BALL JOINT	1	-500000	L.H. THREAD, WITH SHIELD, (FIXED REAR AXLE)
10	19H1944	CAP SCREW	1		3/8" X 2-3/4", (ADJUSTABLE REAR AXLE)
	H99923	LOCK NUT	1		(ADJUSTABLE REAR AXLE)
11	AH75402	ROD	1		(ADJUSTABLE REAR AXLE)

1J3

HP1163 -UN-01JAN94

REAR WHEELS AND WHEEL WEIGHTS



HP1163

KEY	PART NO.	PART NAME	QTY	SERIAL NO.	REMARKS
1	H93799	WEIGHT	AR		
2	H93849	WEIGHT	1		(16" WHEEL)
3	24H1625	WASHER	4		17/32" X 1" X 0.120"
4	03H2261	BOLT	4		1/2" X 3-1/2"
	03H1946	BOLT	4		1/2" X 4-1/2"
	14H1040	NUT	AR		1/2", (4 USED, WITH 03H1946; 8 USED, WITH 03H2261)
	12H301	LOCK WASHER	4		1/2"
5	JD16	WHEEL BOLT	6		
	19H3384	CAP SCREW	6		9/16" X 1-3/4"
6	JD3227	RIM	1	-400000	(USE WITH 7.50-20 TIRES)
	JD1298	WHEEL	1	400001-	(USE WITH 7.50-20 TIRES)
	AE31147	WHEEL	1		(USE WITH 11.00-16 OR 11L-16 TIRES)
	AE31147	WHEEL	1		(USE WITH 10.00-16 AND 11.00-16 TIRES)
7	H78062	WEIGHT	2		(16" AND 20" WHEEL)
8	03H1946	BOLT	4		1/2" X 4-1/2"
	03H2055	BOLT	4		1/2" X 7-1/2"
	03H2250	BOLT	4		1/2" X 9"
	14H1040	NUT	4		1/2"
	12H301	LOCK WASHER	4		1/2"
9	24H1111	WASHER	2		17/32" X 1-1/16" X 0.090"
10	03H1806	BOLT	2		1/2" X 3-3/4"
	14H1040	NUT	2		1/2"
	12H301	LOCK WASHER	2		1/2"
11	AM30347	TIRE VALVE STEM	1		(USE WITH TUBELESS TIRES)
12	H89992	RING	1		(USE WITH 7.50-20 TIRES)

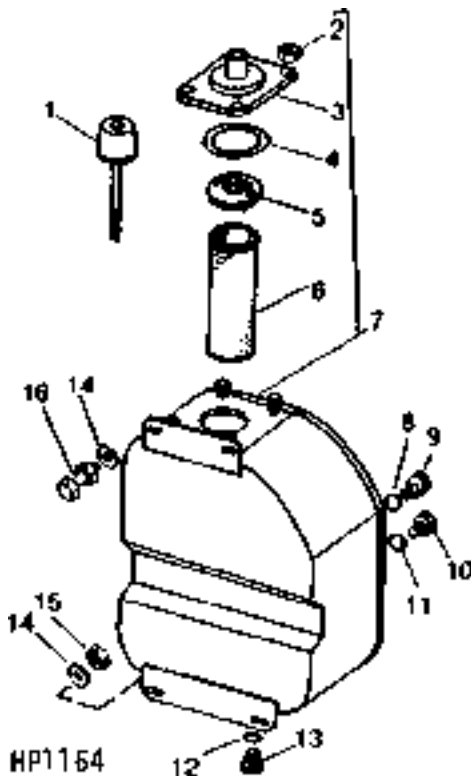
NOTE: QUANTITIES SHOWN ARE FOR ONE UNIT. TWO UNITS PER MACHINE.

2A20

HYDRAULICS

HP1164 -UN-01JAN94

OIL RESERVOIR



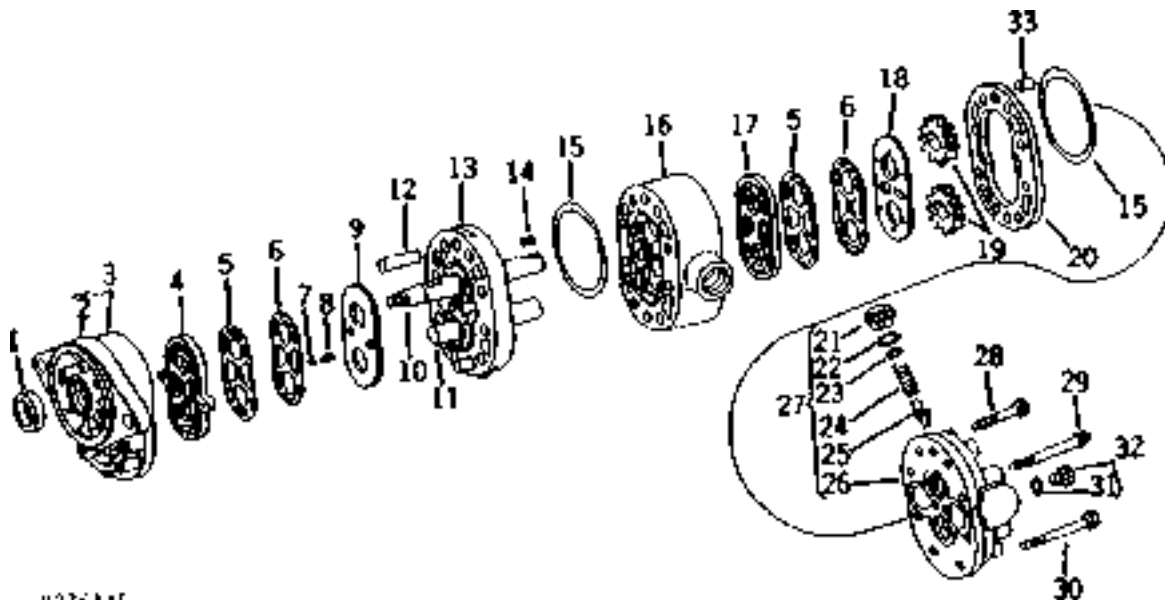
KEY	PART NO.	PART NAME	QTY	SERIAL NO.	REMARKS
1	AH76670	EXHAUST CAP	1		
2	14H786	NUT	6	1/4"	
	12H302	LOCK WASHER	6	1/4"	
3	AH78763	COVER	1		
4	H80405	O-RING	1		
5	AH78764	VALVE	1		
6	AH76668	FILTER ELEMENT	1		
7	AH76669	RESERVOIR	1		
8	R26906	O-RING	1		
9	R27474	DRAIN PLUG	1		(NOT USED WITH HYDROSTATIC DRIVE REEL)
10	R27175	DRAIN PLUG	1		(NOT USED WITH HYDROSTATIC DRIVE REEL)
11	U12547	O-RING	1		
12	R26448	O-RING	1		
13	R27218	FITTING PLUG	1		
14	24H1136	WASHER	4	11/32" X 11/16" X 0.065"	
15	14H785	NUT	2	5/16"	
16	21H1304	SCREW	2	5/16" X 3/4"	
	14H785	NUT	2	5/16"	

2A21

HYDRAULICS

H27614 -UN-01JAN94

HYDRAULIC PUMP (CESSNA NO. 24382-RAB)



11276141

KEY	PART NO.	PART NAME	QTY	SERIAL NO.	REMARKS
1	AH15442	SEAL	1		(A)
2	BEARING	1		(SUB AT12111)
3	AT12111	HOUSING	1		FRONT, WITH BEARING
4	T12956	SEAL	2		
5	T12959	GASKET	2		
6	T12958	GASKET	2		
7	BALL CHECK	2		
8	H22695	SPRING	2		
9	N126257	DIAPHRAGM	1		
10	AH91798	STEERING GEAR	1		
11	AH91799	STEERING GEAR	1		
12	H65662	DOWEL PIN	2		
13	H92075	HOUSING	1		
14	H83241	KEY	1	-400987	(A)
	N111500	SHAFT KEY	1	400988-	
15	H80821	O-RING	2		(A)
16	H80819	PLATE	1		
17	N111497	DIAPHRAGM	1		
18	N126258	DIAPHRAGM	1		
19	H80820	GEAR	2		
20	H80818	HOUSING	1		
21	AH79117	FITTING	1	-450350	(SUB AH108495)
	AH108495	DRAIN PLUG	1		
22	R375R	O-RING	1	-450350	(A) (THIS APPLICATION ONLY)
	U40745	O-RING	1	450351-	
23	H31257	SHIM	AR		
24	H31256	SPRING	1		
25	AH18137	POPPET	1		
26	PLATE	1		
27	AH79115	KIT	1		BACK PLATE REPAIR
28	19H1897	CAP SCREW	4	-400784	5/16" X 3-3/4"
	H63062	CAP SCREW	4	400785-	
	N111507	BOLT	2		
29	19H2729	CAP SCREW	2	-400784	5/16" X 4-1/4"
	N111507	BOLT	2	400785-	
31	R28782	O-RING	1		(A)
32	AH63282	FITTING PLUG	1	-450350	
	R51031	FITTING	1	450351-	
33	H92074	DOWEL PIN	2		
..	AH89479	HYDRAULIC PUMP	1		(CESSNA NO. 24382-RAB) (REMANUFACTURED)

KIT LISTED BELOW CONSISTS OF ALL PARTS IDENTIFIED BY AN (A):

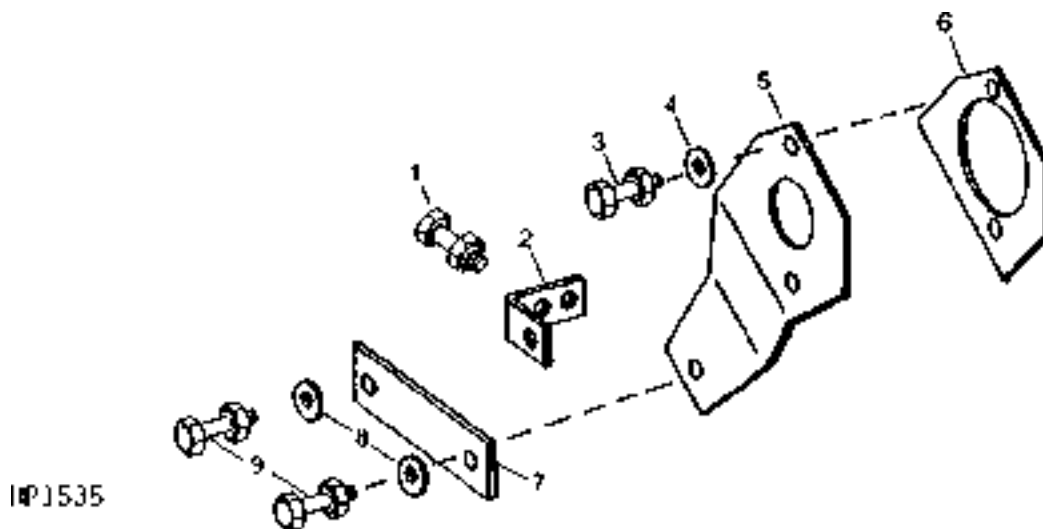
..	AH79116	KIT	1	-450350	(SUB AH101242)
..	AH101242	TUNE-UP KIT	1		

2A22

HYDRAULICS

HP1535 -UN-01JAN94

HYDRAULIC PUMP TORQUE ARM AND SUPPORT



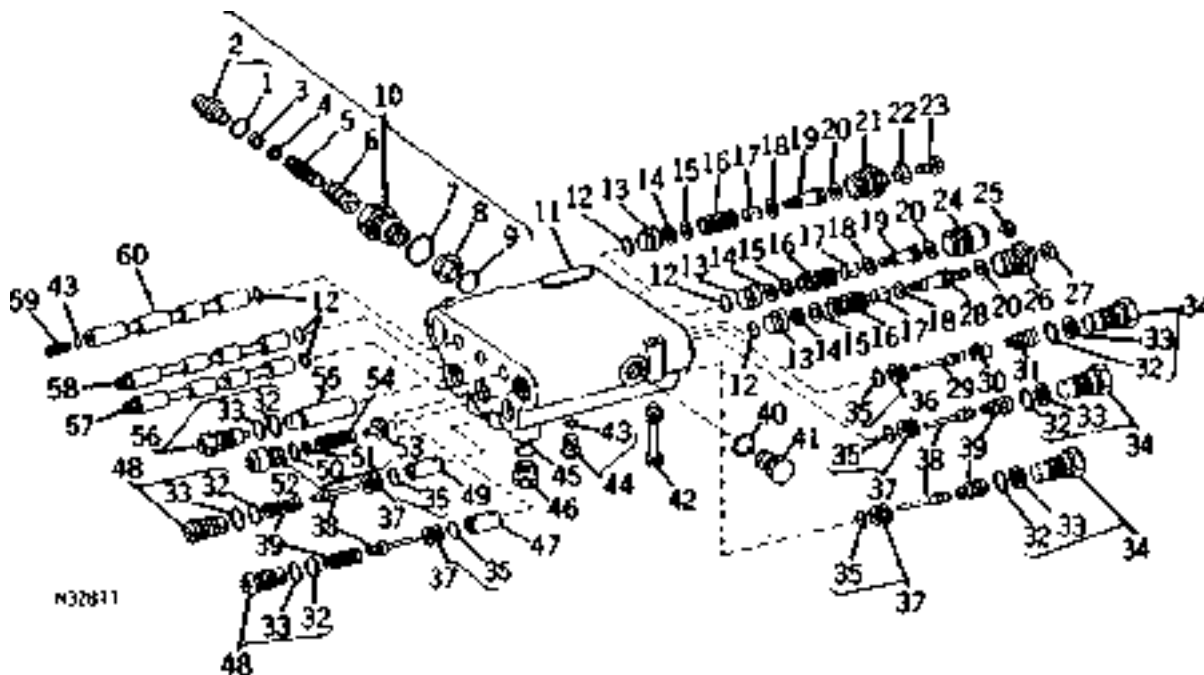
KEY	PART NO.	PART NAME	QTY	SERIAL NO.	REMARKS
1	19H1905	CAP SCREW	2		5/16" X 1"
	14H785	NUT	2		5/16"
2	H88441	BRACKET	1		
3	19H1800	CAP SCREW	2	-500000	3/8" X 1-1/2"
	19H1765	CAP SCREW	2	500001-	3/8" X 1-3/4"
	12H304	LOCK WASHER	2		3/8"
	14H812	NUT	2		3/8"
4	24H1653	WASHER	2		13/32" X 1-1/4" X 0.120"
5	H80682	ARM	1		
6	H80681	PLATE	1	-500000	(SUB H113054, THIS APPLICATION)
	H113054	PLATE	1		
7	H78340	STRAP	1		
8	24H1294	WASHER	2		11/32" X 1-1/8" X 1/16"
9	19H1849	CAP SCREW	2		5/16" X 1-1/4"
	14H785	NUT	2		5/16"

2A23

HYDRAULICS

HYDRAULIC CONTROL VALVE (SERIAL NO. -610100)

H32811 -UN-01JAN94



KEY	PART NO.	PART NAME	QTY	SERIAL NO.	REMARKS
1	P46051	O-RING	1	(B)	
2	CONNECTOR	1		
3	WASHER	AR		
4	H102493	ORIFICE	1		
5	SPRING	1		
6	POPPET	1		
7	T13119	O-RING	1	(A) (B)	
8	N140001	BACK-UP RING	1	(B)	
9	R27166	O-RING	1	(B)	
10	AH101625	CONTROL VALVE	1		
11	HOUSING	1	(SUB AH88807)	
12	M81668	SEAL	6	(A)	
13	N150470	BUSHING	3		
14	M46768	WASHER	3	(USE WITH AH108709)	
15	M46767	WASHER	3	(USE WITH AH108709)	
16	N150471	SPRING	3		
17	N150469	BUSHING	3		
18	N153975	WASHER	3	(USE WITH AH108709)	
19	N150468	SCREW	2	(USE WITH AH88807)	
20	M44169	SNAP RING	3	(USE WITH AH108709)	
21	AH78785	PLUG	1	(PLATFORM LIFT)	
22	14H882	NUT	1	5/16"	
23	19H2551	CAP SCREW	1	5/16" X 3/4"	
24	AH78780	CAP	1	(USE WITH AH88807)	
	M82702	DRAIN PLUG	1	-500000	(USE WITH AH108709) (SUB AM38629, THIS APPLICATION)
	AM38629	DETENT	1		(USE WITH AH108709)
25	T13911	PLUG	1		
26	H80450	EXHAUST CAP	1		
27	E19700	LOCK NUT	1		
28	H80449	SCREW	1	(USE WITH AH88807)	
29	AH80223	POPPET	1	(A)	
30	H84537	GUIDE	1	(A)	
31	H81707	SPRING	1		
32	U40745	O-RING	6	(A)	
33	H63357	BACK-UP RING	6	(A)	
34	AE24788	PLUG	3		
35	R28776	O-RING	5	(A)	
36	AH80224	SEAT	1		

THIS PARTS LISTING IS CONTINUED

HYDRAULIC CONTROL VALVE - CONTINUED
(SERIAL NO. -610100)

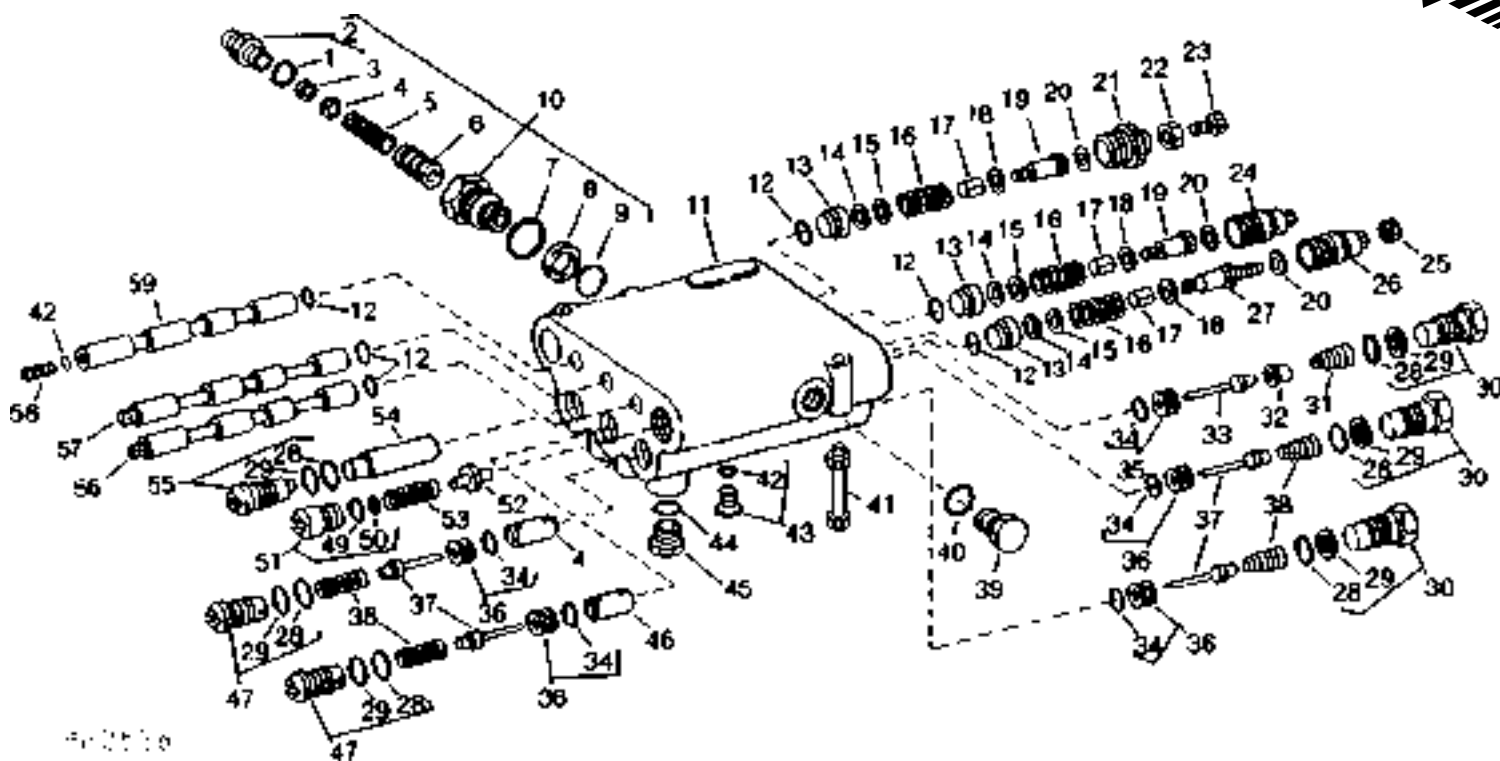
KEY	PART NO.	PART NAME	QTY	SERIAL NO.	REMARKS
37	AE24787	SEAL	4		
38	AN30940	POPPET	4	(A)	
39	E40772	SPRING	4		
40	R28782	O-RING	1	(USE WITH AH108709)	
41	R51031	FITTING	1	(USE WITH AH108709)	
42	19H1996	CAP SCREW	2	1/4" X 2"	
	14H786	NUT	2	1/4"	
43	E56086	O-RING	2		
44	AH62843	FITTING	1		
45	R26448	O-RING	1		
46	R27218	FITTING PLUG	1		
47	N31766	PLUNGER	1		
48	AH78784	PLUG	2		
49	H80448	PLUNGER	1		
50	32246	O-RING	1	(A)	
51	H31257	SHIM	AR	0.254 MM (.010") (STEEL)	
	T24871	SHIM	AR	0.381 MM (.015") (STEEL)	
	N111502	WASHER	1		
52	AE25156	PLUG	1		
53	AE14096	CHECK VALVE	1		
54	H60817	SPRING	1		
55	H80452	PLUNGER	1		
56	AE24792	PLUG	1		
57	SPOOL	1	(HYDRAULIC LIFT REEL) (SUB AH88807)	
58	SPOOL	1	(SELECTIVE GROUND SPEED) (SUB AH88807)	
59	H80447	SPOOL	1	(PLATFORM LIFT)	
60	SPOOL	1	(PLATFORM LIFT) (SUB AH88807)	
..	AH88807	CONTROL VALVE	1	-500000	(CESSNA NO. 31923-AAE)
..	AH108709	CONTROL VALVE	1	500001-	(CESSNA NO. 31923-CAK)
PART LISTED BELOW CONSISTS OF ALL PARTS IDENTIFIED BY AN (A):					
..	AH78786	SEAL KIT	1	-500000	(CESSNA NO. 31923-915) (SUB AH108726)
..	AH108726	SEAL KIT	1		(CESSNA NO. 31923-917)
PART LISTED BELOW CONSISTS OF ALL PARTS IDENTIFIED BY A (B):					
..	AH78796	SEAL KIT	1		

2B1

HYDRAULICS

HYDRAULIC CONTROL VALVE (SERIAL NO. 610101-)

HP2526 -UN-01JAN94



KEY	PART NO.	PART NAME	QTY	SERIAL NO.	REMARKS
1	P46051	O-RING	1	(B)	
2	CONNECTOR	1		
3	WASHER	AR		
4	H102493	ORIFICE	1		
5	SPRING	1		
6	POPPET	1		
7	T13119	O-RING	1	(A) (B)	
8	N140001	BACK-UP RING	1	(B)	
9	R27166	O-RING	1	(B)	
10	AH101625	CONTROL VALVE	1		
11	HOUSING	1		
12	M81668	SEAL	6	(A)	
13	N150470	BUSHING	3		
14	M87511	WASHER	3		
15	M46767	WASHER	3		
16	M87401	SPRING	3		
17	AM100539	SPACER	3		
18	N153975	WASHER	3		
19	N150468	SCREW	2		
20	M87403	SNAP RING	3		
21	AH121235	CAP SCREW, AND NUT	1	(PLATFORM LIFT)	
22	14H882	NUT	1	5/16"	
23	19H2529	CAP SCREW	1	5/16" X 1"	
24	AM100541	CAP	1		
25	E19700	LOCK NUT	1		
26	H126073	CAP	1		
27	H80449	SCREW	1		
28	U40745	O-RING	6	(A)	
29	H63357	BACK-UP RING	6	(A)	
30	AE24788	PLUG	3		
31	H81707	SPRING	1		
32	H84537	GUIDE	1	(A)	
33	AH80223	POPPET	1	(A)	
34	R28776	O-RING	5	(A)	
35	AH80224	SEAT	1		

THIS PARTS LISTING IS CONTINUED

2B2

HYDRAULICS

HYDRAULIC CONTROL VALVE - CONTINUED
(SERIAL NO. 610101-)

KEY	PART NO.	PART NAME	QTY	SERIAL NO.	REMARKS
36	AE24787	SEAL	4		
37	AN30940	POPPET	4	(A)	
38	E40772	SPRING	4		
39	R51031	FITTING	1		
40	R28782	O-RING	1		
41	19H1996	CAP SCREW	2	1/4" X 2"	
	14H786	NUT	2	1/4"	
42	E56086	O-RING	2		
43	AH62843	FITTING	1		
44	R26448	O-RING	1		
45	R27218	FITTING PLUG	1		
46	N31766	PLUNGER	1		
47	AH78784	PLUG	2		
48	H80448	PLUNGER	1		
49	32246	O-RING	1	(A)	
50	H31257	SHIM	AR	0.254 MM (.010") (STEEL)	
	T24871	SHIM	AR	0.381 MM (.015") (STEEL)	
	N111502	WASHER	AR		
51	AE25156	PLUG	1		
52	E40775	POPPET	1		
53	H60817	SPRING	1		
54	H80452	PLUNGER	1		
55	AE24792	PLUG	1		
56	SPOOL	1	(HYDRAULIC LIFT REEL)	
57	SPOOL	1	(SELECTIVE GROUND SPEED)	
58	H80447	SPOOL	1	(PLATFORM LIFT)	
59	SPOOL	1	(PLATFORM LIFT)	
..	AH120374	CONTROL VALVE	1	(CESSNA NO. 31923-CAZ) (REMANUFACTURED)	

PARTS LISTED BELOW CONSISTS OF ALL PARTS IDENTIFIED BY AN (A):

..	AH108726	SEAL KIT	1	(CESSNA NO. 31923-917)
----	----------	----------	---	------------------------

PART LISTED BELOW CONSISTS OF ALL PARTS IDENTIFIED BY A (B):

..	AH78796	SEAL KIT	1	
----	---------	----------	---	--

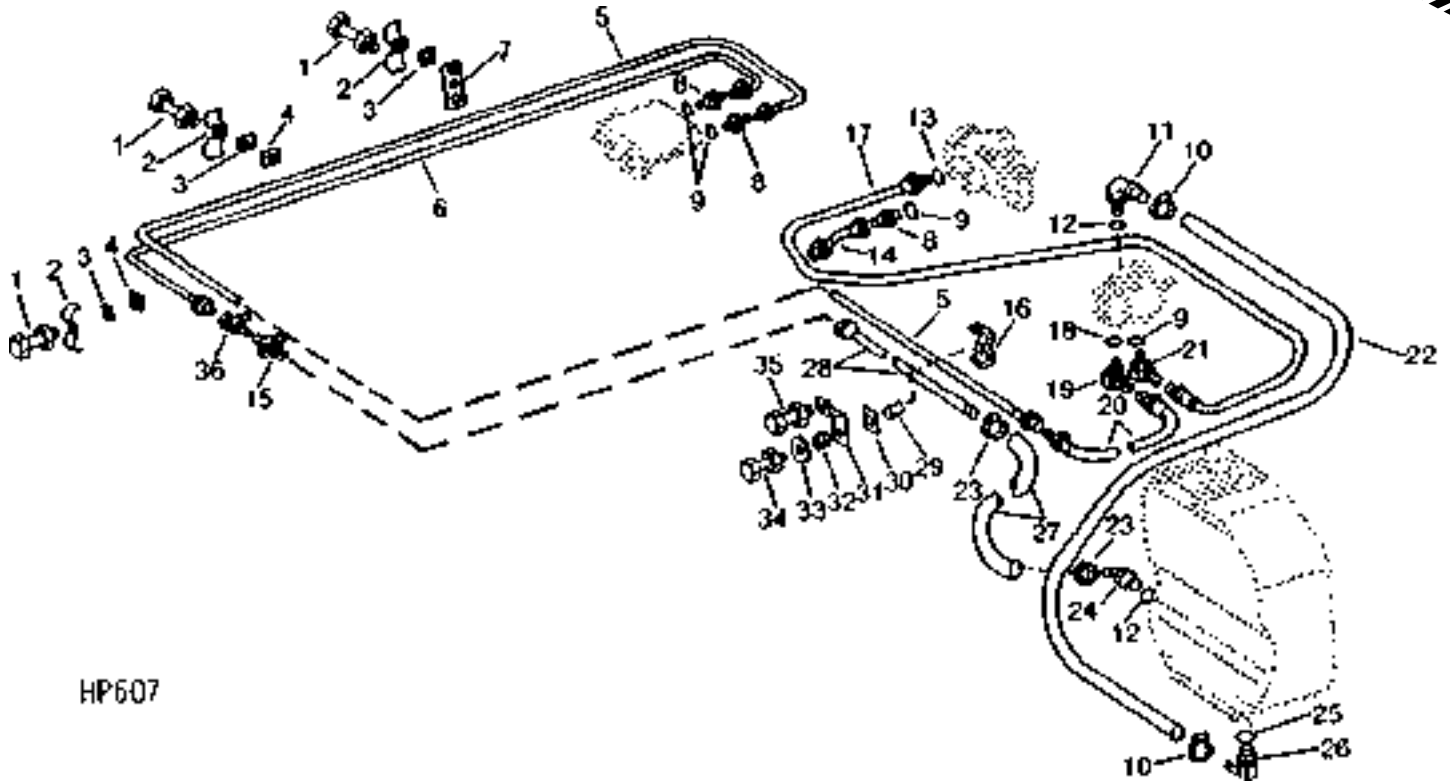
2B3

HYDRAULICS

HP607

-UN-01JAN94

MAIN HYDRAULIC PUMP LINES



HP607

KEY	PART NO.	PART NAME	QTY	SERIAL NO.	REMARKS
1	08H4416	BOLT	3	5/16" X 1"	
	12H303	LOCK WASHER	3	5/16"	
	14H785	NUT	3	5/16"	
2	AH83847	CLAMP	3		
3	H83769	FOAM PAD	3		
4	H83371	STRAP	2		
5	AH75450	LINE	1		
6	AH75454	OIL TUBE	1		(USED WITHOUT AUTOMATIC HEADER HEIGHT CONTROL)
7	H87781	STRAP	1		
8	R27237	FITTING	3		
9	R26375	O-RING	4		
10	AR21839	CLAMP	1		
11	AH75157	FITTING	1		
12	U12547	O-RING	2		
13	R26448	O-RING	1		
14	AH75452	LINE	1		
15	H75415	TEE FITTING	1		
16	AH83843	CLAMP	1		
17	AH78292	HYDRAULIC HOSE	1		10MM X 1524MM (3/8" I.D. X 60") LONG
18	R26906	O-RING	1		
19	AR26724	ELBOW FITTING	1		90°
20	AH89615	HYDRAULIC HOSE	1		10MM X 610 MM (3/8" I.D. X 24") LONG
21	AR26763	ELBOW FITTING	1		90°
22	H88374	HYDRAULIC HOSE	1		19MM X 927MM (3/4" I.D. X 36-1/2") LONG
23	AR21837	CLAMP	2		
24	AH103078	ELBOW FITTING	1		45°
25	R29936	O-RING	1		
26	AH75156	FITTING	1		90°
27	H78685	HOSE	1		RETURN, 16 MM X 584 MM (5/8" I.D. X 23") LONG
28	AH75462	LINE	1		RETURN, REAR
29	28H1903	BUSHING	1		1/4" X 3/4"
30	H87783	STRAP	1		
31	H87782	BRACKET	1		
32	H91811	GROMMET	1		
33	24H1822	WASHER	1		11/32" X 7/8" X 1/16"
34	19H1906	CAP SCREW	1		5/16" X 1-1/2"
	12H303	LOCK WASHER	1		5/16"
	14H785	NUT	1		5/16"

THIS PARTS LISTING IS CONTINUED

2B4

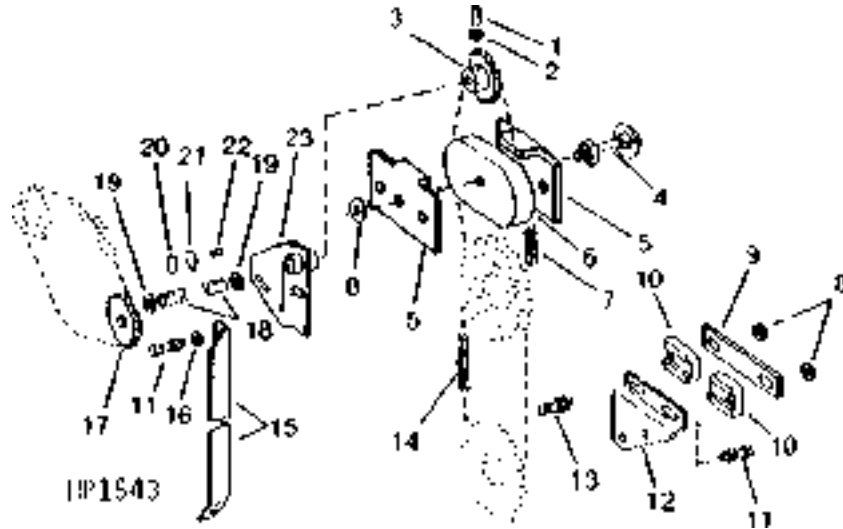
HYDRAULICS

MAIN HYDRAULIC PUMP LINES - CONTINUED

KEY	PART NO.	PART NAME	QTY	SERIAL NO.	REMARKS
35	19H2552	CAP SCREW	1	3/8" X 1-1/8"	
	12H304	LOCK WASHER	1	3/8"	
	14H812	NUT	1	3/8"	
36	AN33434	TEE FITTING	1		

VARIABLE SPEED CYLINDER CONTROL ON SEPARATOR SIDE

HP1543 -UN-01JAN94

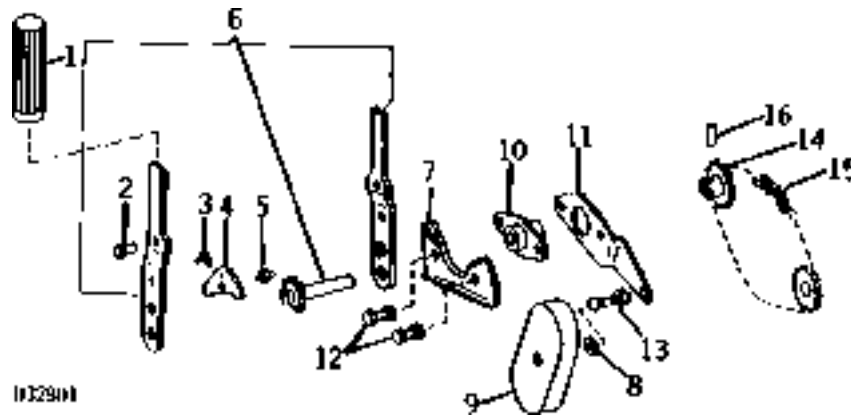


KEY	PART NO.	PART NAME	QTY	SERIAL NO.	REMARKS
1	22H892	SET SCREW	1	1/4" X 5/8"	
2	14H850	NUT	1	1/4"	
3	AH101521	CHAIN SPROCKET	1		
4	03H1505	BOLT	1	5/16" X 1-3/4"	
	12H303	LOCK WASHER	1	5/16"	
	14H785	NUT	1	5/16"	
5	H113727	RETAINER	2		
6	H76518	TIGHTENER	1		
7	LINK CHAIN	1		CONTROL, ROLLER, TYPE 65, 13 MM (1/2") PITCH, 58 LINKS (ASSEMBLE FROM 55 LINKS OF AB18594, AB14025, AND (2) AB17232)
8	24H1294	WASHER	3		11/32" X 1-1/8" X 1/16"
9	H96911	STRAP	1		
10	P47883	TIGHTENER	2		
11	19H1731	CAP SCREW	2	3/8" X 1"	
	12H304	LOCK WASHER	2	3/8"	
	14H812	NUT	2	3/8"	
12	H82542	BRACKET	1		
13	03H2020	BOLT	2	3/8" X 2"	
	14H812	NUT	2	3/8"	
14	LINK CHAIN	1		CONTROL, ROLLER, TYPE 65, 13 MM (1/2") PITCH, 116 LINKS (ASSEMBLE FROM 115 LINKS OF AB18594 AND AB14025) (COUPLER, WITH CLIP)
	AH77091	ROLLER CHAIN	1		(OFFSET)
	AH77090	TRACK CHAIN W/O SHOES	1		(OFFSET)
	H78972	CLIP	1		
	H78973	PIN	1		(OFFSET LINK)
15	H86170	SUPPORT	1		
16	24H1305	WASHER	2	13/32" X 13/16" X 0.065"	
17	H89035	CHAIN SPROCKET	1		
18	H101822	SHAFT	1		
19	24H1368	WASHER	2	21/32" X 1-5/16" X 0.090"	
20	34H283	SPRING PIN	2	3/16" X 1-1/8"	
21	11H224	COTTER PIN	1	1/8" X 1-1/4"	
22	U46425	SHAFT KEY	1		
23	AH80954	BRACKET	1		

2B5

VARIABLE SPEED CYLINDER CONTROL ON OPERATOR'S PLATFORM

H32801 -UN-01JAN94



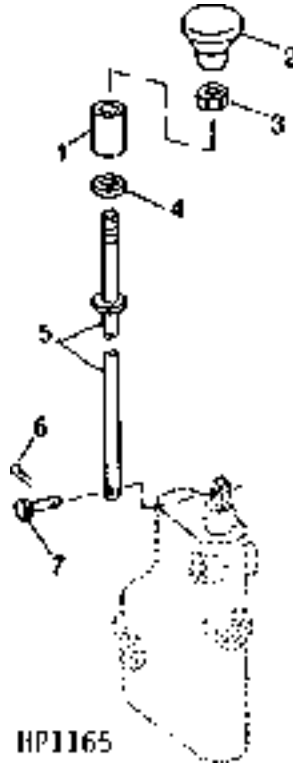
KEY	PART NO.	PART NAME	QTY	SERIAL NO.	REMARKS
1	H83058	GRIP	1		
2	16H658	RIVET	1		1/4" X 5/8"
3	H76523	SPRING	1		
4	H76522	PAWL	1		
5	P46115	RIVET	1		
6	AH97871	RATCHET	1		
7	H99238	STOP	1		
8	24H1294	WASHER	2		11/32" X 1-1/8" X 1/16"
9	H76518	TIGHTENER	1		
10	H76502	BEARING	1		
11	H76526	BRACKET	1		
12	H99281	CAP SCREW	2		
	14H785	NUT	2		5/16"
13	03H1505	BOLT	1		5/16" X 1-3/4"
	14H785	NUT	1		5/16"
14	H89035	CHAIN SPROCKET	1		14 TEETH
15	LINK CHAIN	1		CONTROL, ROLLER, TYPE 65, 13 MM (1/2") PITCH, 79 LINKS (ASSEMBLE FROM 77 LINKS OF AB18594, AB14025, AND AB17232)
16	34H283	SPRING PIN	1		3/16" X 1-1/8"

2B6

HYDRAULICS

HP1165 -UN-01JAN94

HYDRAULIC AUGER SWING CONTROL



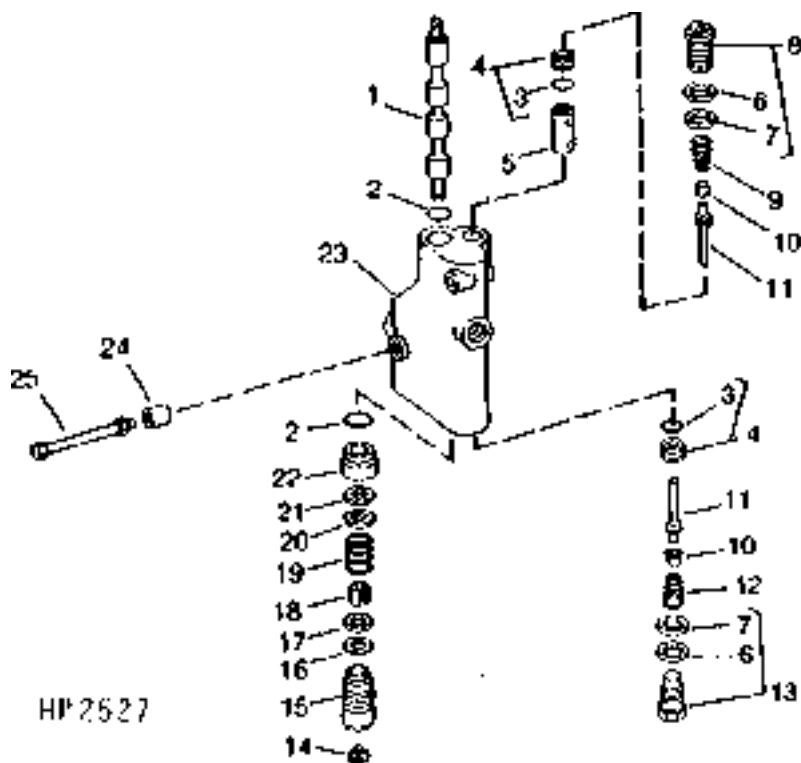
KEY	PART NO.	PART NAME	QTY	SERIAL NO.	REMARKS
1	H83944	ISOLATOR	1		
2	H80205	KNOB	1		
3	14H732	NUT	1		3/8"
4	24H1306	WASHER	1		13/32" X 1" X 0.035"
5	AH97975	ROD	1		
6	11H266	COTTER PIN	1		1/16" X 1/2"
7	U42845	PIN	1		

2B7

HYDRAULICS

UNLOADING AUGER SWING CONTROL VALVE (SERIAL NO. -610149)

HP2527 -UN-01JAN94



KEY	PART NO.	PART NAME	QTY	SERIAL NO.	REMARKS
1	SPOOL	1	(SUB AH101631)	
2	M81668	SEAL	2	(A)	
3	R28776	O-RING	2	(A)	
4	AH80224	SEAT	2		
5	N31766	PLUNGER	1		
6	H63357	BACK-UP RING	2	(A)	
7	U40745	O-RING	2	(A)	
8	AH78784	PLUG	1		
9	H103201	SPRING	1		
10	H84537	GUIDE	2		
11	AH80223	POPPET	2	(A)	
12	H81707	SPRING	1		
13	AE24788	PLUG	1		
14	T13911	PLUG	1		
15	M82702	DRAIN PLUG	1		
16	M44169	SNAP RING	1		
17	N153975	WASHER	1		
18	N150469	BUSHING	1		
19	H101998	SPRING	1		
20	M46767	WASHER	1		
21	M46768	WASHER	1		
22	N150470	BUSHING	1		
23	HOUSING	1	(SUB AH101631)	
24	28H1688	BUSHING	2	1/4" X 11/16"	
25	H99283	CAP SCREW	2		
	12H302	LOCK WASHER	2	1/4"	
	14H786	NUT	2	1/4"	
..	AH101631	CONTROL VALVE	1	-610149 (SUB AH120377)	

KIT LISTED BELOW CONSISTS OF ALL PARTS IDENTIFIED BY AN (A):

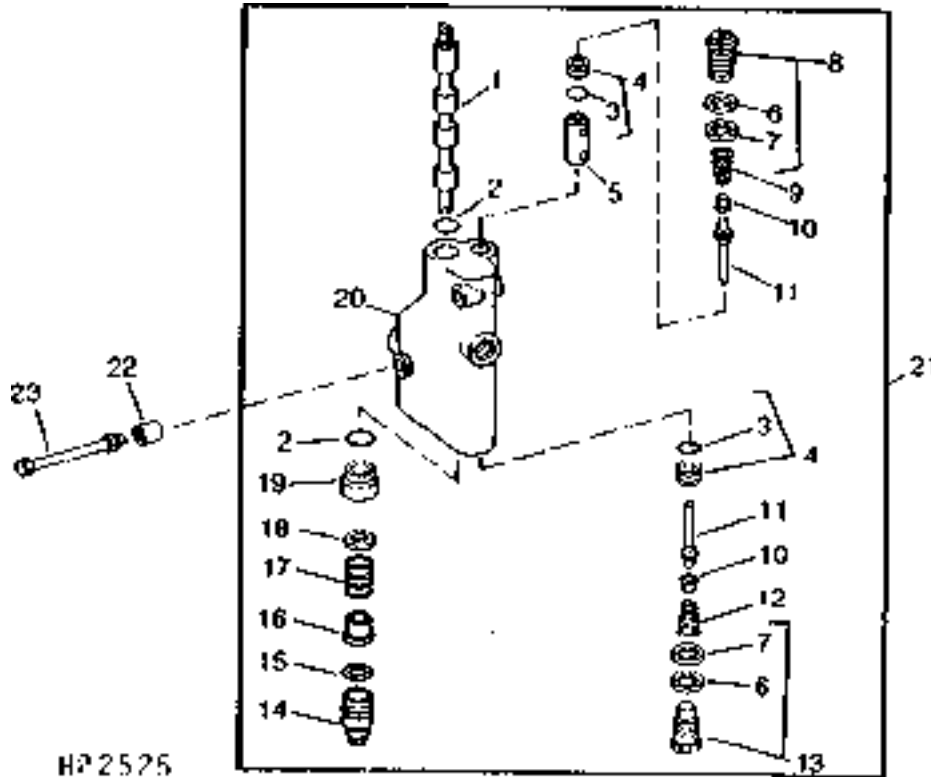
..	AH103895	SEAL KIT	1		
----	----------	----------	---	--	--

2B8

HYDRAULICS

UNLOADING AUGER SWING CONTROL VALVE (SERIAL NO. 610150-)

HP2525 -UN-01JAN94



HP2525

KEY	PART NO.	PART NAME	QTY	SERIAL NO.	REMARKS
1	SPOOL	1		
2	M81668	SEAL	2	(A)	
3	R28776	O-RING	2	(A)	
4	AH80224	SEAT	2		
5	N31766	PLUNGER	1		
6	H63357	BACK-UP RING	2	(A)	
7	U40745	O-RING	2	(A)	
8	AH78784	PLUG	1		
9	H103201	SPRING	1		
10	H84537	GUIDE	2		
11	AH80223	POPPET	2	(A)	
12	H81707	SPRING	1		
13	AE24788	PLUG	1		
14	AM100541	CAP	1		
15	M87403	SNAP RING	1		
16	AM100539	SPACER	1		
17	M87401	SPRING	1		
18	M87511	WASHER	1		
19	N150470	BUSHING	1		
20	HOUSING	1		
21	AH120377	CONTROL VALVE	1		
22	28H1688	BUSHING	2	0.364" X 0.540" X 11/16"	
23	H99283	CAP SCREW	2		
	12H302	LOCK WASHER	2	1/4"	
	14H786	NUT	2	1/4"	

KIT LISTED BELOW CONSISTS OF ALL PARTS IDENTIFIED BY AN (A):

..	AH103895	SEAL KIT	1		
----	----------	----------	---	--	--

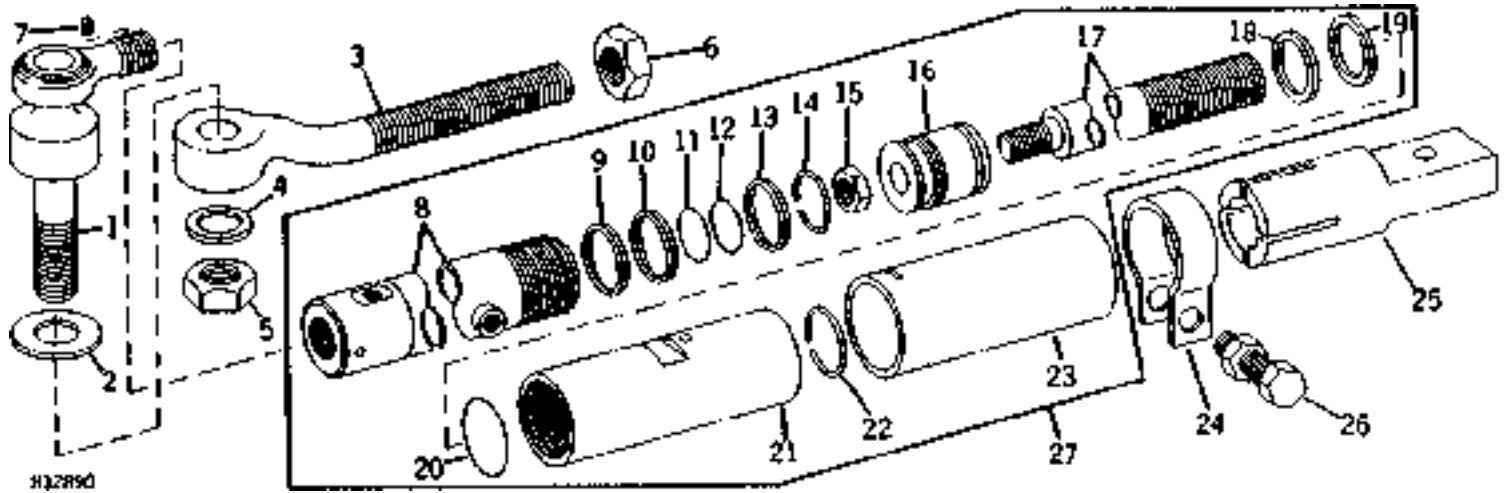
MEMORANDA

2B9

HYDRAULICS

UNLOADING AUGER SWING HYDRAULIC CYLINDER AND MOUNTING

H32890 -UN-01JAN94



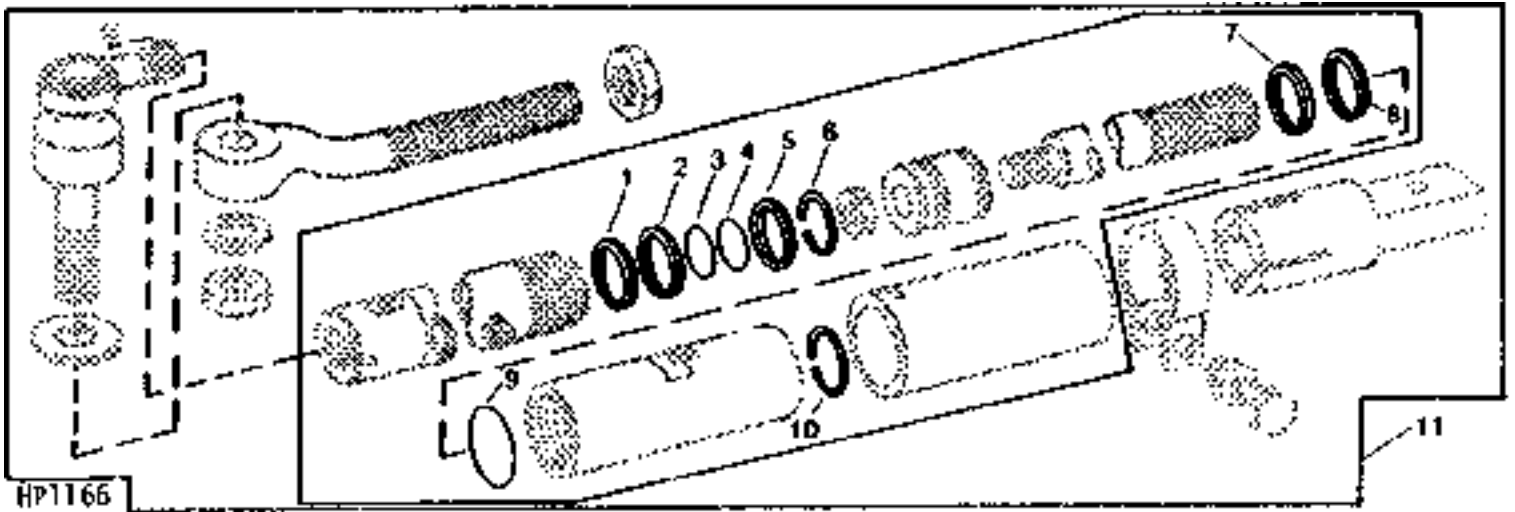
KEY	PART NO.	PART NAME	QTY	SERIAL NO.	REMARKS
1	AH104294	BALL JOINT	1		
2	24H1217	WASHER	1		1-9/32" X 2-7/32" X 0.060"
3	H102281	EYEBOLT	1		
4	12H236	LOCK WASHER	1		3/4"
5	14H794	NUT	1		3/4"
6	14H793	NUT	2		3/4"
7	22H898	SET SCREW	1		1/4" X 3/8"
8	AH104674	HYDRAULIC CYLINDER BARREL	1		
9	WEAR RING	1		(KIT AH103335)
10	E42435	RING	1		(KIT AH103335)
11	O-RING	1		(KIT AH103335)
12	32238	PACKING	1		(KIT AH103335)
13	PISTON RING	1		(KIT AH103335)
14	H35246	SNAP RING	1		(KIT AH103335)
15	P42337	LOCK NUT	1		
16	H105716	PISTON	1		
17	H105718	ROD	1		
18	AH87264	SEAL	1		(KIT AH103335)
19	AH20841	SEAL	1		(KIT AH103335)
20	O-RING	1		(KIT AH103335)
21	H105717	BEARING	1	-450000	(SUB H112108)
	H112108	BEARING	1		
22	RING	1		(KIT AH103335)
23	H105719	BUSHING	1	-450350	(SUB H109998)
	H109998	HUB	1		
24	H102284	CLAMP	1		
25	H101620	CLAMP	1		
26	19H1765	CAP SCREW	1		3/8" X 1-3/4"
	H99923	LOCK NUT	1		
27	AH101316	CYLINDER	1		

2B10

HYDRAULICS

HP1166 -UN-01JAN94

KIT, UNLOADING AUGER SWING HYDRAULIC CYLINDER



KEY	PART NO.	PART NAME	QTY	SERIAL NO.	REMARKS
1	WEAR RING	1		
2	E42435	RING	1		
3	O-RING	1		
4	32238	PACKING	1		
5	PISTON RING	1		
6	H35246	SNAP RING	1		
7	AH87264	SEAL	1		
8	AH20841	SEAL	1		
9	O-RING	1		
10	RING	1		
11	AH103335	SEAL KIT	1		

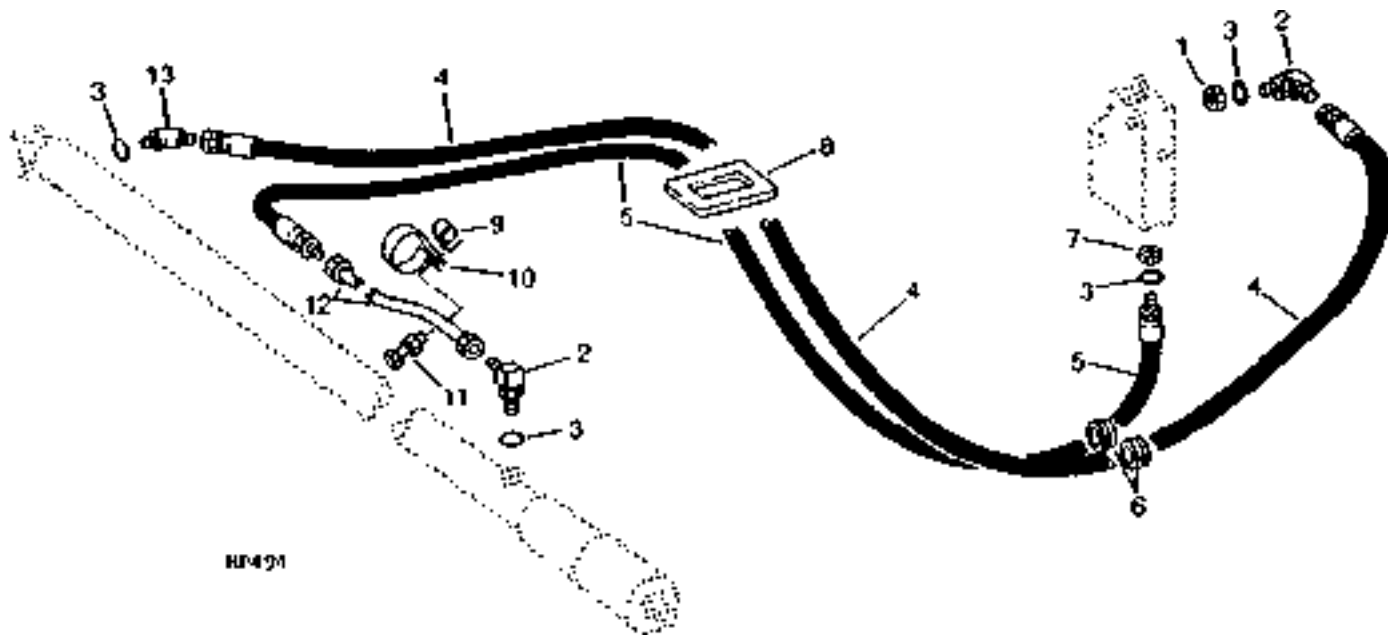
2B11

HYDRAULICS

UNLOADING AUGER SWING HOSES AND LINE

HP494

-UN-01JAN94



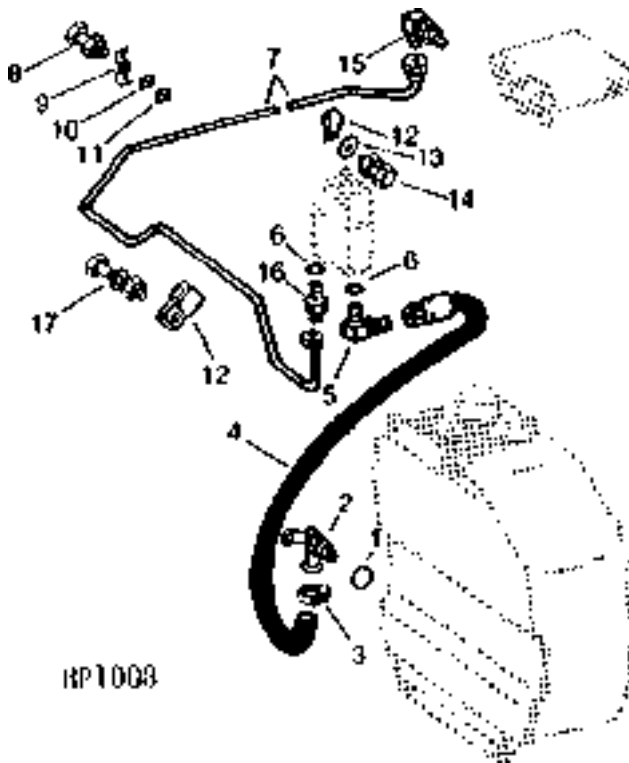
KEY	PART NO.	PART NAME	QTY	SERIAL NO.	REMARKS
1	H94190	ORIFICE	1		
2	AR26725	ELBOW FITTING	2	90°	
3	R26448	O-RING	4		
4	AH94858	HOSE	1	6 MM X 978 MM (1/4" I.D. X 38-1/2") LONG	
5	AH107013	HOSE	1	6 MM X 1092 MM (1/4" I.D. X 43") LONG	
6	H80627	GROMMET	2		
7	N155290	ORIFICE	1		
8	R20759	GROMMET	1		
9	AH76882	CLIP	2		
10	AH77714	CLIP	2		
11	19H1936	CAP SCREW	2	3/8" X 3/4"	
	14H812	NUT	2	3/8"	
12	AH103143	LINE	1		
13	AT38033	ELBOW FITTING	1	45°	

2B12

HYDRAULICS

HP1008 -UN-01JAN94

UNLOADING AUGER SWING LINE



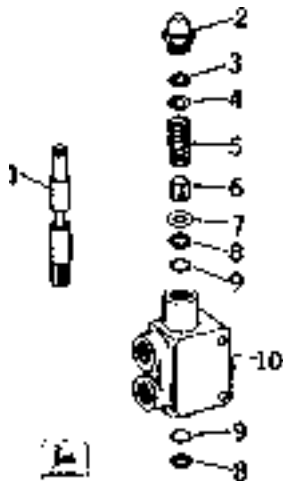
KEY	PART NO.	PART NAME	QTY	SERIAL NO.	REMARKS
1	U12547	O-RING	1		
2	AH103078	ELBOW FITTING	1	45°	
3	AR21836	CLAMP	1		
4	AH89603	HOSE	1		
5	AR27699	ELBOW FITTING	1		
6	R26375	O-RING	2		
7	AH103077	LINE	1	-450000	
	AH108749	LINE	1	450001-	
8	08H4416	BOLT	1		5/16" X 1"
	12H303	LOCK WASHER	1		5/16"
	14H785	NUT	1		5/16"
9	AH83847	CLAMP	1		
10	H83769	FOAM PAD	1		
11	H83371	STRAP	1		
12	H75541	CLAMP	2		
13	24H1243	WASHER	1		11/32" X 5/8" X 1/16"
14	19H1900	CAP SCREW	1		5/16" X 3/4"
	12H303	LOCK WASHER	1		5/16"
	14H785	NUT	1		5/16"
15	AH75164	ELBOW FITTING	1	90°	
16	R27237	FITTING	1		
17	19H1919	CAP SCREW	1	1/4" X 5/8"	
	12H302	LOCK WASHER	1	1/4"	
	14H786	NUT	1	1/4"	

2B13

HYDRAULICS

H23280 -UN-01JAN94

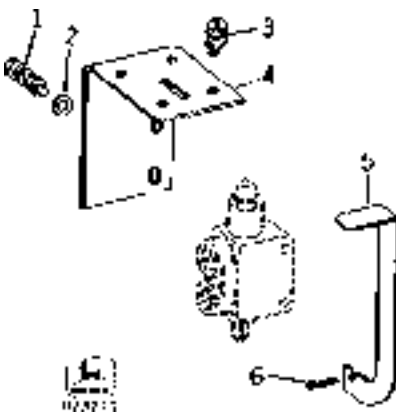
AUXILIARY UNLOADING AUGER HYDRAULIC DRIVE SELECTOR VALVE



KEY	PART NO.	PART NAME	QTY	SERIAL NO.	REMARKS
1	SPOOL	1		
2	H25638	EXHAUST CAP	1		
3	32244	SNAP RING	1		
4	N31768	WASHER	1		
5	N31762	SPRING	1		
6	N31761	SLEEVE	1		
7	N31767	WASHER	1		
8	H28931	WASHER	2		
9	H28930	O-RING	2	-400000	(SUB R375R)
	R375R	O-RING	2		
10	HOUSING	1		
..	AH86630	VALVE	1		

H23273 -UN-01JAN94

AUXILIARY UNLOADING AUGER HYDRAULIC DRIVE SELECTOR VALVE SUPPORT



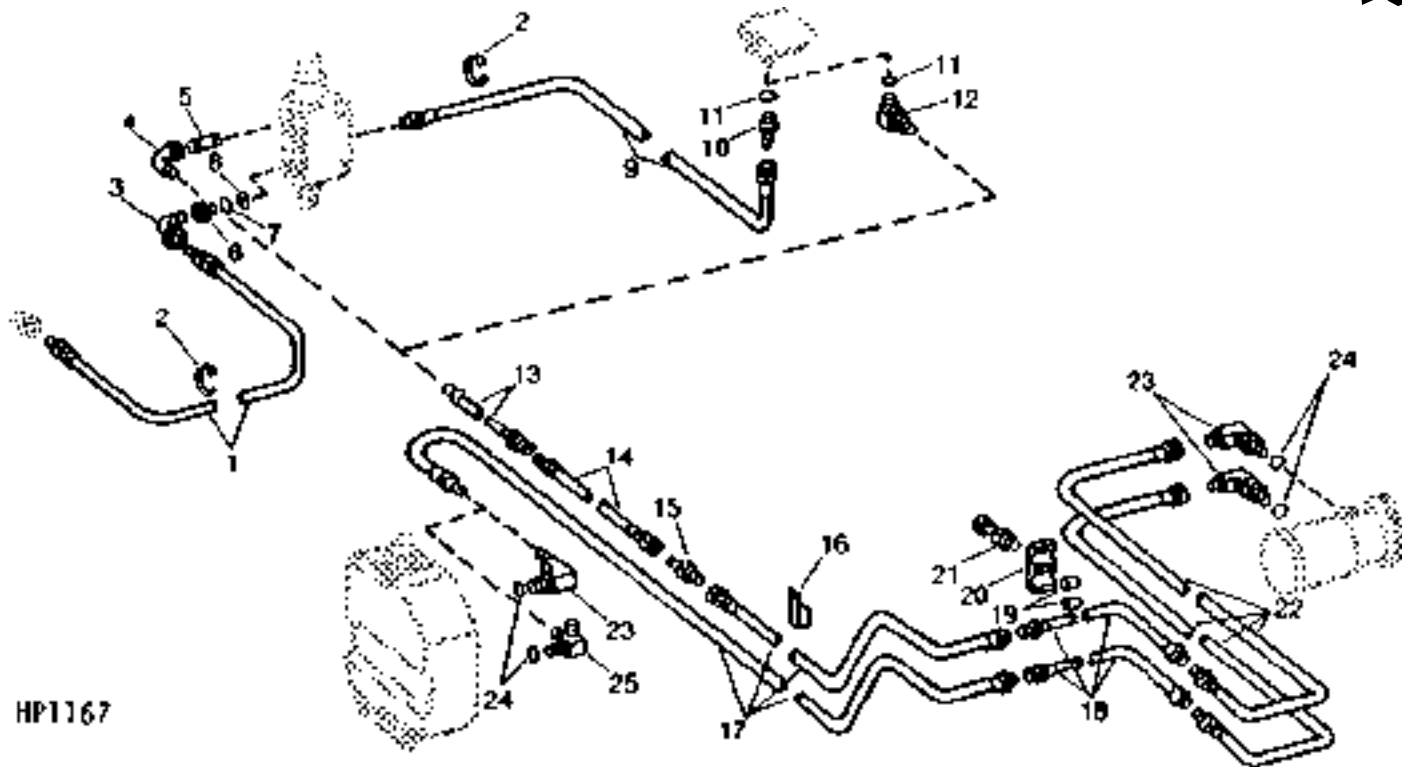
KEY	PART NO.	PART NAME	QTY	SERIAL NO.	REMARKS
1	19H1949	CAP SCREW	2	5/16" X 2-1/2"	
	12H303	LOCK WASHER	2	5/16"	
	14H785	NUT	2	5/16"	
2	24H1136	WASHER	2	11/32" X 11/16" X 0.065"	
3	21H1070	SCREW	4	5/16" X 7/8"	
	12H303	LOCK WASHER	4	5/16"	
	14H785	NUT	4	5/16"	
4	H85586	BRACKET	1		
5	H85587	PEDAL	1		
6	11H216	COTTER PIN	1	3/16" X 1"	

2B14

HYDRAULICS

AUXILIARY UNLOADING AUGER HYDRAULIC DRIVE OIL LINES

HP1167 -UN-01JAN94



HP1167

KEY	PART NO.	PART NAME	QTY	SERIAL NO.	REMARKS
1	AH12307	HYDRAULIC HOSE	1		6 MM X 1048 MM (1/4" I.D. X 41-1/4") LONG
2	H81372	STRAP	6		
3	P47478	ELBOW FITTING	1		STREET, 90°
4	H33776	ELBOW FITTING	1		90°
5	29H588	THREADED NIPPLE	1		3/8" X 1-1/4"
6	P51319	ADAPTER	1		
7	N31771	PLUG	1		
8	H85637	ORIFICE	1		
9	AH86644	HYDRAULIC HOSE	1		10 MM X 1194 MM (3/8" I.D. X 47") LONG
10	R27212	FITTING	1		
11	R26448	O-RING	1		
12	AR37017	ELBOW FITTING	1	-610100	(SUB AT35120)
	AT35120	ELBOW FITTING	1		90°
13	AH75452	LINE	1		
14	AH77860	HYDRAULIC HOSE	1		13 MM X 1324 MM (1/2" I.D. X 60") LONG
15	R35717	FITTING	1		
16	AH77869	CLIP	4		INSULATED
17	AH77867	HYDRAULIC HOSE	2		13 MM X 3048 MM (1/2" I.D. X 120") LONG
18	AH77479	LINE	2		
19	H22979	BUSHING	4		RUBBER
20	H76109	CLAMP	2		
21	21H1137	SCREW	2		5/16" X 1-1/4"
	12H303	LOCK WASHER	2		5/16"
	14H785	NUT	2		5/16"
22	AH77473	HYDRAULIC HOSE	2		13 MM X 711 MM (1/2" I.D. X 28") LONG
23	AR26724	ELBOW FITTING	AR		90° (2 USED, WITH REEL DRIVE; 3 USED, WITHOUT REEL DRIVE)
24	R26906	O-RING	3		
25	AH86624	FITTING	1		

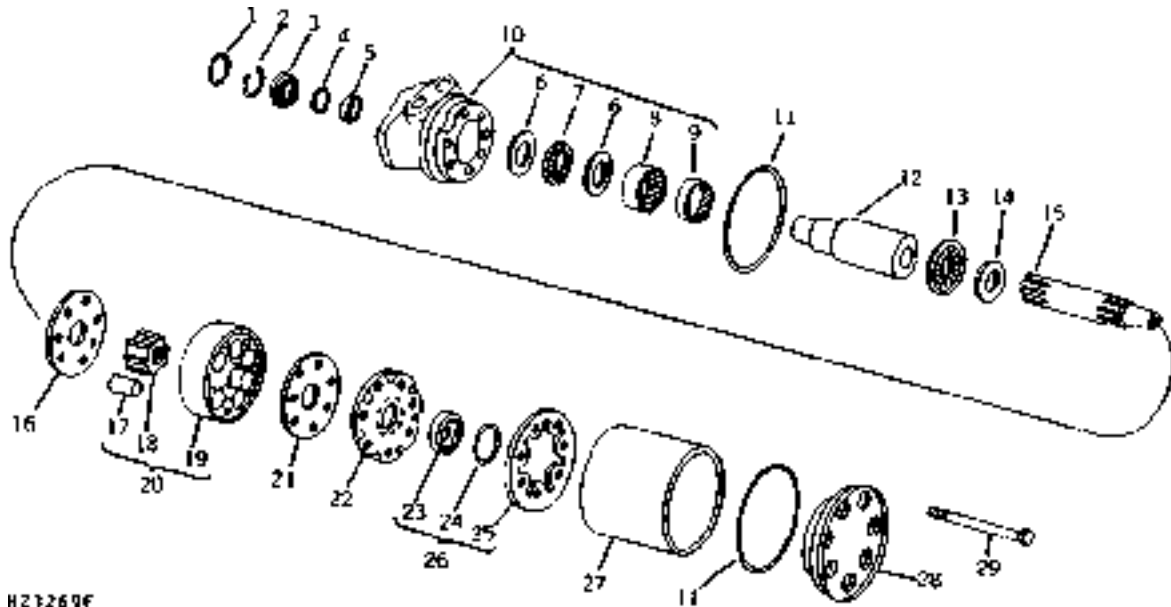
2B15

HYDRAULICS

HYDRAULIC MOTOR (HYDRAULIC DRIVE AUXILIARY UNLOADING AUGER)

H23269

-UN-01JAN94



H23269F

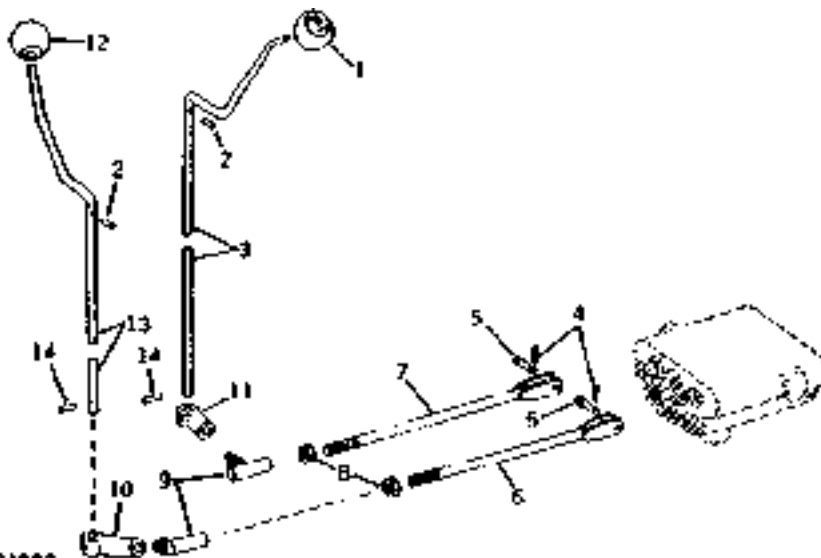
KEY	PART NO.	PART NAME	QTY	SERIAL NO.	REMARKS
1	SEAL	1	(A)	
2	SNAP RING	1	(A)	
3	SPACER	1	(A)	
4	H85803	WASHER	1	(A)	
5	SEAL	1	(A)	
6	H85794	WASHER	2		
7	AH86808	THRUST BEARING	1		
8	AH86809	NEEDLE BEARING	1		
9	JD8870	NEEDLE BEARING	1		
10	AH86807	HOUSING	1		
11	H85800	WASHER	2	(A)	
12	H85795	SHAFT	1		
13	JD8841	THRUST BEARING	1		
14	H80419	BEARING RACE	1		
15	H85796	LINK	1		
16	H85797	PLATE	1		
17	VANE	1		
18	ROTOR	1		
19	STATOR	1		
20	AH86810	ROTOR	1		
21	AH103809	PLATE	1		
22	H85798	MANIFOLD	1		
23	RING	1	(COMMUTATOR)	
24	H85806	RING	1	(A)	
25	RING	1		
26	AH86813	COMMUTATOR HOUSING	1		
27	H85801	BUSHING	1		
28	AH86814	COVER	1		
29	H85807	BOLT	7	SPECIAL	
..	AH83835	MOTOR	1	(REMANUFACTURED)	
KIT LISTED BELOW CONSISTS OF ALL PARTS IDENTIFIED BY AN (A):					
..	AH83836	KIT	1	SEAL	

2B16

HYDRAULICS

H21992 -UN-01JAN94

PLATFORM LIFT AND REEL LIFT CONTROLS



H21992

KEY	PART NO.	PART NAME	QTY	SERIAL NO.	REMARKS
1	H83053	KNOB	1		(PLATFORM LIFT)
2	34H266	SPRING PIN	2		5/32" X 1"
3	H99268	LEVER	1		(PLATFORM LIFT)
4	11H266	COTTER PIN	2		1/16" X 1/2"
5	H35481	PIN	2	-500000	
	U42845	PIN	2	500001-	
6	AH76491	YOKE	1	-500000	(SUB AH111058 AND U42845)
	AH111058	ROD	1		(LIFT REEL)
7	AH76372	YOKE	1	-500000	(PLATFORM LIFT) (SUB AH111056 AND U42845)
	AH111056	ROD	1		(PLATFORM LIFT)
8	14H774	NUT	2		3/8"
9	AH83521	BALL JOINT	2		
10	AH92608	ARM	1		
11	AH92606	ARM	1		(PLATFORM LIFT)
12	H83054	KNOB	1		(REEL LIFT)
13	H99267	LEVER	1		(REEL LIFT)
14	34H282	SPRING PIN	2		3/16" X 1"

FLOW CONTROL VALVE KNOB (HYDROSTATIC DRIVE REEL)

H16750 -UN-01JAN94



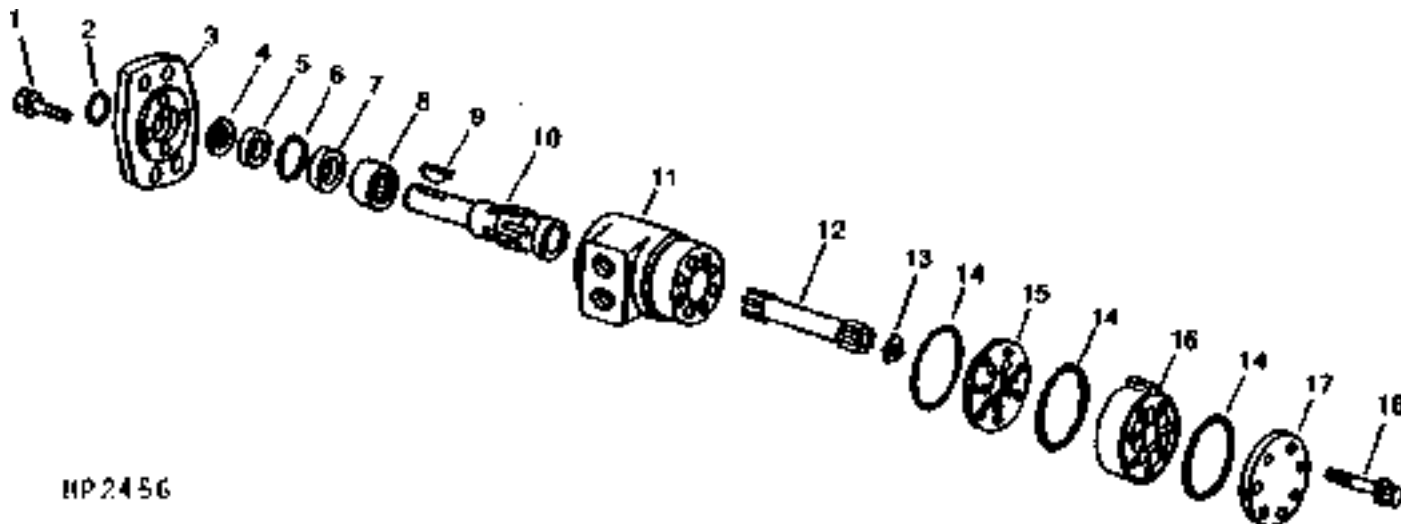
KEY	PART NO.	PART NAME	QTY	SERIAL NO.	REMARKS
1	22H922	SET SCREW	2		0.190" X 1/4"
2	AH76955	KNOB	1		

2B17

HYDRAULICS

REEL MOTOR
(SERIAL NO. 610101-)

HP2456 -UN-01JAN94



HP2456

KEY	PART NO.	PART NAME	QTY	SERIAL NO.	REMARKS
1	N132503	BOLT	4		
2	SEAL	1	(A)	
3	H122141	FLANGE	1		
4	WASHER	1	(A)	
5	SEAL	1	(A)	
6	SEAL	1	(A)	
7	H122143	THRUST BEARING	1		
8	AH118381	NEEDLE BEARING	1		
9	26H22	SHAFT KEY	1		
10	H122142	SHAFT	1		
11	HOUSING	1	(SUB AH83835)	
12	H122139	DRIVE	1		
13	H122140	SPACER	1		
14	SEAL	3	(A)	
15	H106807	SPACER	1		
16	AH118380	ROTOR	1	(GEROLER ASSEMBLY)	
17	H106806	SEAL KIT	1		
18	H122138	CAP SCREW	7		
..	AH83835	MOTOR	1	(CHAR-LYNN IDENTIFICATION NO. 126-1101-108)	
KIT LISTED BELOW CONSISTS OF ALL PARTS IDENTIFIED BY AN (A):					
..	AH118382	SEAL KIT	1	(TO REPAIR AH83835 MOTOR)	

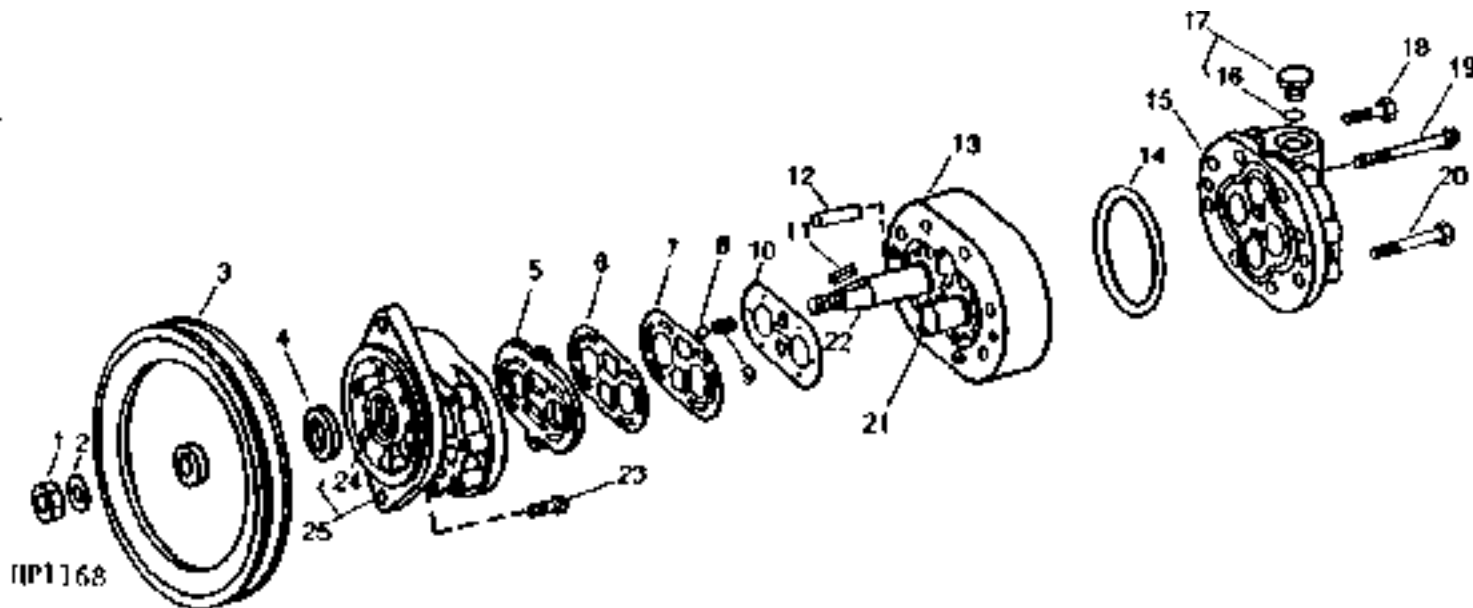
MEMORANDA

2B18

HYDRAULICS

HYDROSTATIC DRIVE REEL HYDRAULIC PUMP (CESSNA NO. 24306-RAC)

HP1168 -UN-01JAN94



KEY	PART NO.	PART NAME	QTY	SERIAL NO.	REMARKS
1	14H812	NUT	1	3/8"	
2	24H1237	WASHER	1	25/64" X 7/8" X 0.060"	
3	AH83518	SHEAVE	1	178 MM (7") DIA.	
4	AH15442	SEAL	1	(A)	
5	SEAL	1	(A)	
6	GASKET	1	(A)	
7	T12958	GASKET	1	(A)	
8	BALL CHECK	2	(A)	
9	SPRING	2	(A)	
10	DIAPHRAGM	1	(A)	
11	N34986	SHAFT KEY	1		
12	P51444	DOWEL PIN	2		
13	H80813	HOUSING	1		
14	O-RING	1	(A)	
15	AH66645	PLATE	1		
16	R28782	O-RING	1		
17	AH63282	FITTING PLUG	1	-450350	
	R51031	FITTING	1	450351-	
18	19H1949	CAP SCREW	4	-400784	5/16" X 2-1/2"
	H28156	SCREW	4	400785-	
19	T12966	CAP SCREW	3		
20	19H1904	CAP SCREW	2	-400784	5/16" X 3"
	T12966	CAP SCREW	3	400785-	
21	AE28051	GEAR	1		IDLER
22	AE28050	STEERING GEAR	1		
23	19H1732	CAP SCREW	2		3/8" X 1-1/4"
24	BEARING	1		(SUB AT12111)
25	AT12111	HOUSING	1		
..	AH75515	PUMP	1		(REMANUFACTURED)
..	AH66648	KIT	1		SEAL REPAIR

KIT LISTED BELOW CONSISTS OF ALL PARTS IDENTIFIED BY AN (A):

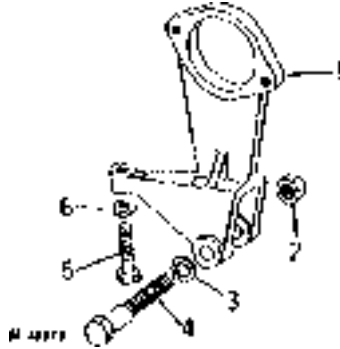
MEMORANDA

2B19

HYDRAULICS

H16678 -UN-01JAN94

HYDROSTATIC DRIVE REEL PUMP MOUNTING



KEY	PART NO.	PART NAME	QTY	SERIAL NO.	REMARKS
1	H77680	ARM	1		
2	14H821	NUT	1		5/8"
	12H294	LOCK WASHER	1		5/8"
3	24H1362	WASHER	AR		41/64" X 1" X 0.075"
4	H77682	BOLT	1		
5	19H1793	CAP SCREW	1		1/2" X 2"
6	14H826	NUT	1		1/2"

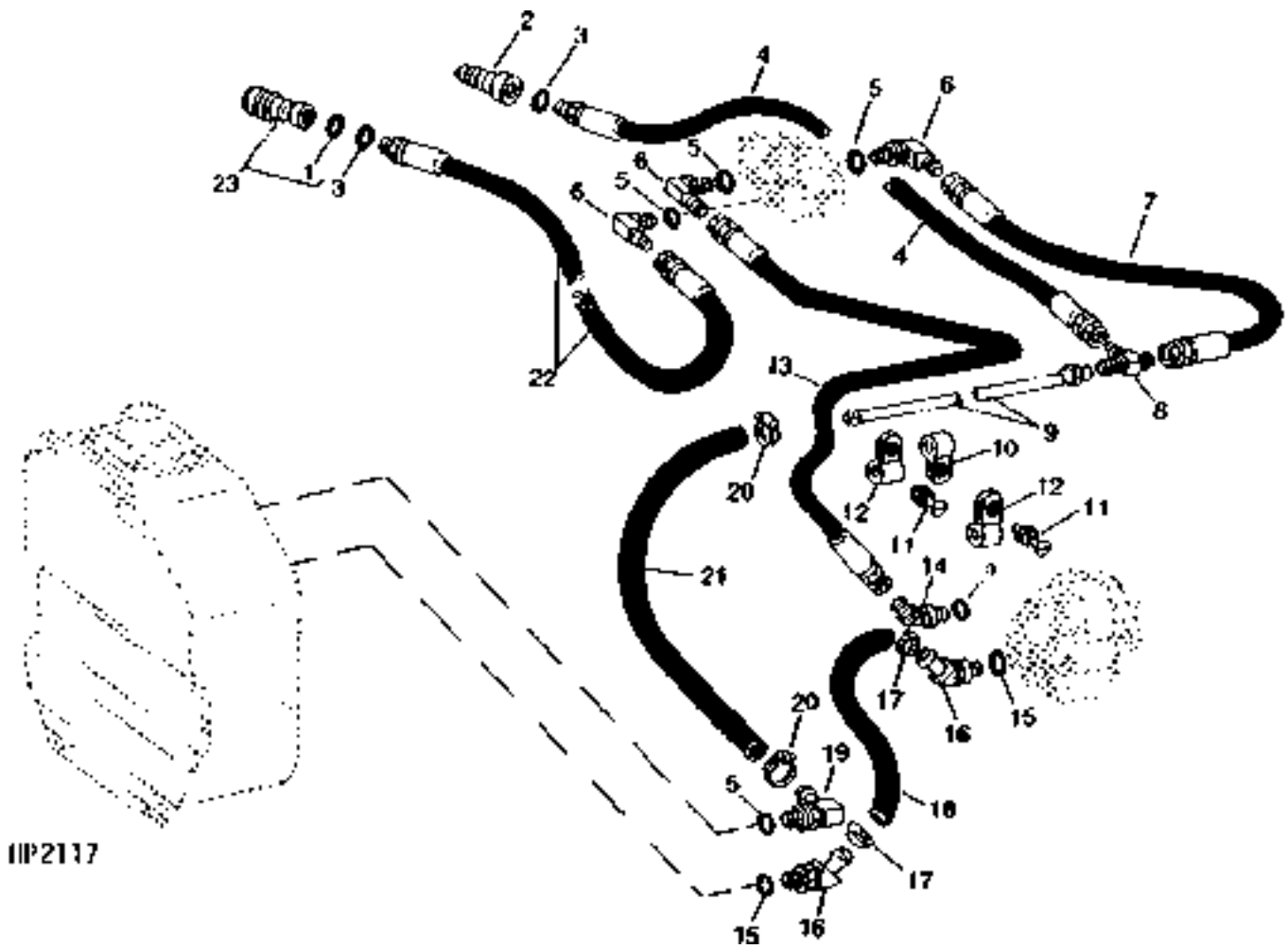
2B20

HYDRAULICS

HP2117

-UN-01JAN94

REEL DRIVE OIL HOSES



HP2117

2B21

HYDRAULICS

REEL DRIVE OIL HOSES - CONTINUED

KEY	PART NO.	PART NAME	QTY	SERIAL NO.	REMARKS
1	P45750	O-RING	1		
2	AH15000	HYD. QUICK-CONNECT COUPLER	1	-600000	(SUB AR94522, THIS APPLICATION)
	AR94522	INTERNAL HALF COUPLER	1		
3	R26375	O-RING	2		
4	AH78086	HYDRAULIC HOSE	1	-600000	(SUB AH112764 OR AH112766, THIS APPLICATION)
	AH112764	HYDRAULIC HOSE	1		12.7 MM X 3300 MM (1/2" I.D. X 130") LONG, (REGULAR VARIABLE DRIVE AND REGULAR CHAIN DRIVE)
	AH112766	HYDRAULIC HOSE	1		12.7 MM X 3500 MM (1/2" I.D. X 138") LONG, (LONG CHAIN DRIVE AND LONG VARIABLE DRIVE)
5	R26906	O-RING	5		
6	AR26724	ELBOW FITTING	3		
7	AH76927	HOSE	1		
8	H60885	TEE FITTING	1		
9	AH75462	LINE	1		
10	AH77924	CLIP	1		
11	21H1014	SCREW	2	1/4" X 1"	
	12H302	LOCK WASHER	2	1/4"	
	14H786	NUT	2	1/4"	
12	H77358	CLIP	2		
13	AH76900	HYDRAULIC HOSE	1		
14	AR26828	ELBOW FITTING	1		
15	U12547	O-RING	2		
16	AH75159	FITTING	2		
17	AR21839	CLAMP	2		
18	H78684	HYDRAULIC HOSE	1		
19	AH75158	FITTING	1		
20	AR21837	CLAMP	2		(SUB AR94522, THIS APPLICATION)
21	H78685	HOSE	1		
22	AH76926	HYDRAULIC HOSE	1	-600001	(SUB AH112764 OR AH112766, THIS APPLICATION)
	AH112764	HYDRAULIC HOSE	1		12.7 MM X 3300 MM (1/2" I.D. X 130") LONG, (REGULAR VARIABLE DRIVE AND REGULAR CHAIN DRIVE)
	AH112766	HYDRAULIC HOSE	1		12.7 MM X 3500 MM (1/2" I.D. X 138") LONG, (LONG CHAIN DRIVE AND LONG VARIABLE DRIVE)
23	AH75167	HYD. QUICK-CONNECT COUPLER	1		

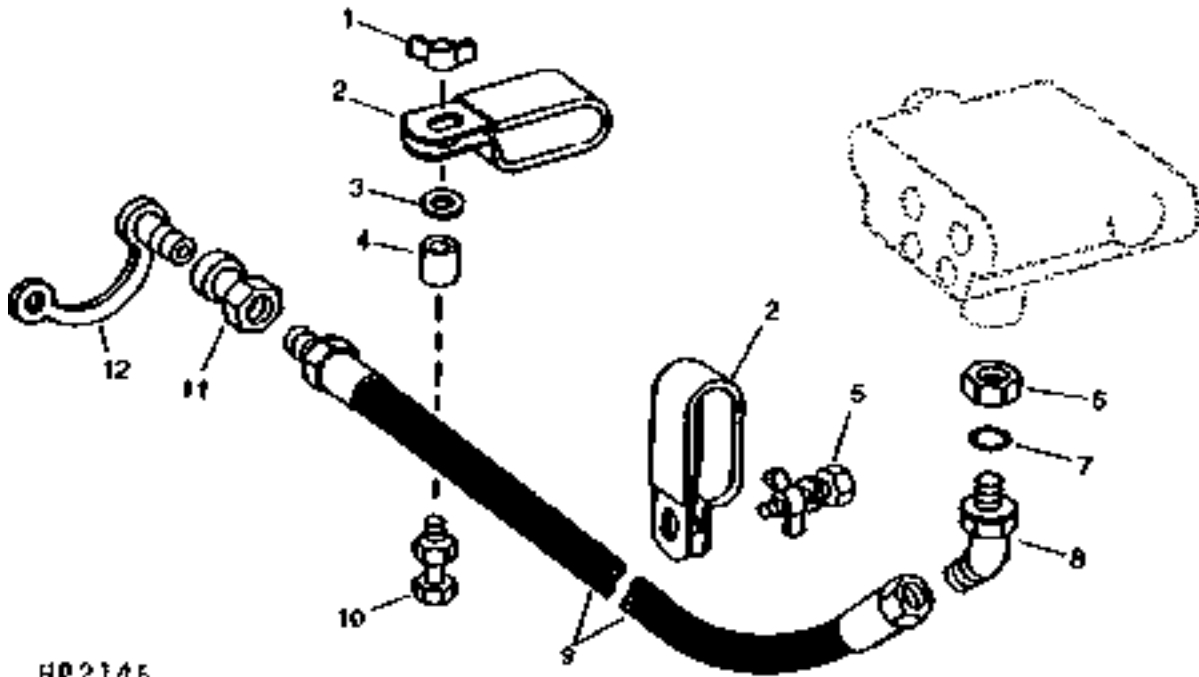
MEMORANDA

2B22

HYDRAULICS

REEL LIFT HYDRAULIC HOSES
(LONG VARIABLE FEEDER HOUSE)
(SERIAL NO. 600001-)

HP2145 -UN-01JAN94



HP2145

KEY	PART NO.	PART NAME	QTY	SERIAL NO.	REMARKS
1	14H827	WING NUT	1	3/8"	
2	AH77884	CLIP	2		
3	24H1305	WASHER	1	13/32" X 13/16" X 0.065"	
4	28H2497	SPACER	1	0.423" X 0.675" X 5/8"	
5	19H1731	CAP SCREW	1	3/8" X 1"	
	12H304	LOCK WASHER	1	3/8"	
6	14H827	WING NUT	1	3/8"	
	H94190	ORIFICE	1		
7	R26448	O-RING	1		
8	AT38033	ELBOW FITTING	1		
9	AH112932	HYDRAULIC HOSE	1	6.5 MM X 2400 MM (1/4" I.D. X 94") LONG (LONG VARIABLE FEEDER HOUSE)	
10	19H1936	CAP SCREW	1	3/8" X 3/4"	
	14H812	NUT	1	3/8"	
11	AH15940	HYD. QUICK-CONNECT COUPLER	1		

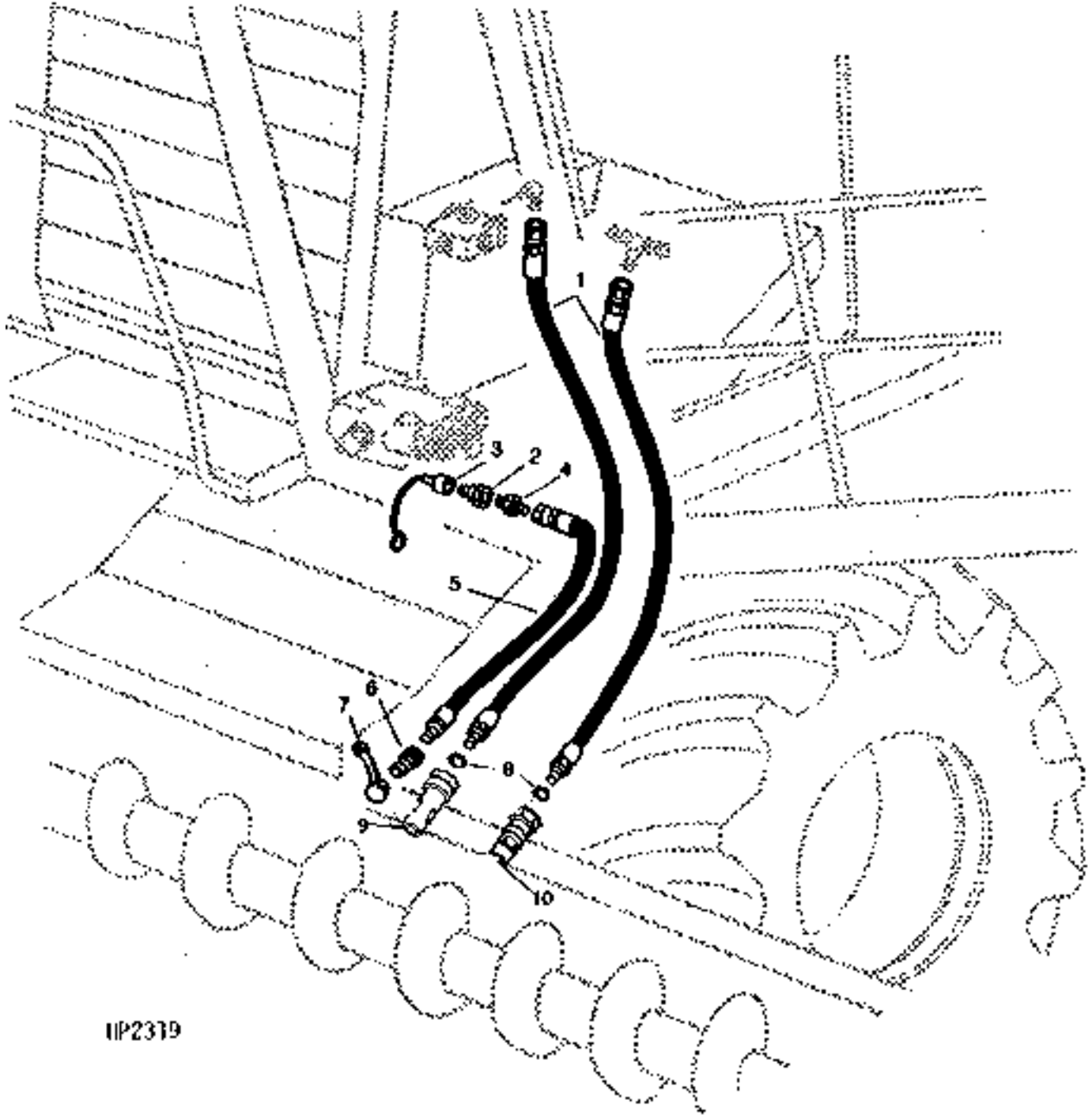
2B23

HYDRAULICS

HOSES AND COUPLERS FOR COMBINES (-600000)
USED WITH PLATFORMS (600001-)

HP2319

-UN-01JAN94



HP2319

2B24

HYDRAULICS

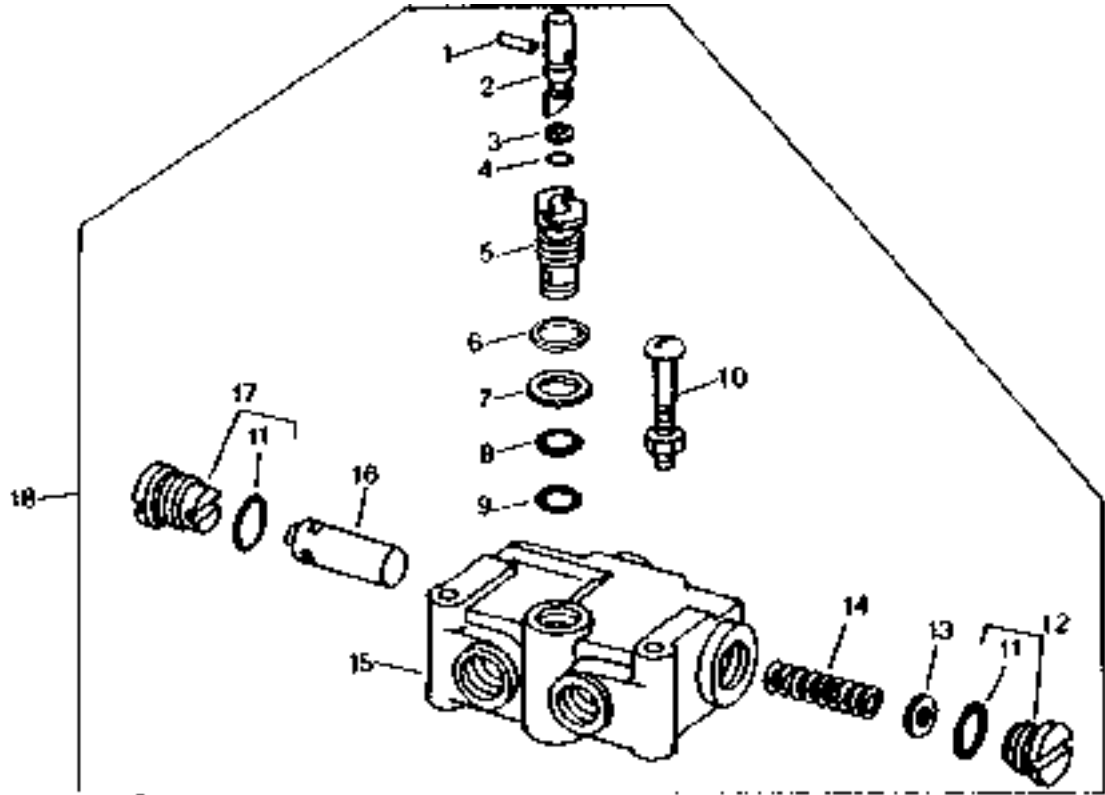
HOSES AND COUPLERS FOR COMBINES (-600000) - CONTINUED
USED WITH PLATFORMS (600001-)

KEY	PART NO.	PART NAME	QTY	SERIAL NO.	REMARKS
1	AH112764	HYDRAULIC HOSE	2		12.7 MM X 3300 MM (1/2" X 130") LONG, (REGULAR F.H.) (REEL DRIVE)
	AH112766	HYDRAULIC HOSE	2		12.7 X 3500 MM (1/2" X 156") LONG (LONG F.H.) (REEL DRIVE)
2	AH15939	HYD. QUICK-CONNECT COUPLER	1		
3	AH83821	CAP	1		
4	R26892	FITTING	1		
5	AH112930	HYDRAULIC HOSE	1		6.5 MM X 2200 MM (1/4" X 87") LONG, (REGULAR F.H.) (REEL LIFT)
	AH112932	HYDRAULIC HOSE	1		6.5 MM X 2300 MM (1/4" X 103") LONG (LONG F.H.) (REEL LIFT)
6	AH15940	HYD. QUICK-CONNECT COUPLER	1		
7	H83742	DEFLECTOR	1		
8	R26375	O-RING	2		
9	AH75167	HYD. QUICK-CONNECT COUPLER	1		
10	AH15000	HYD. QUICK-CONNECT COUPLER	1		

2B25

HP710 -UN-01JAN94

HYDROSTATIC DRIVE REEL FLOW CONTROL VALVE

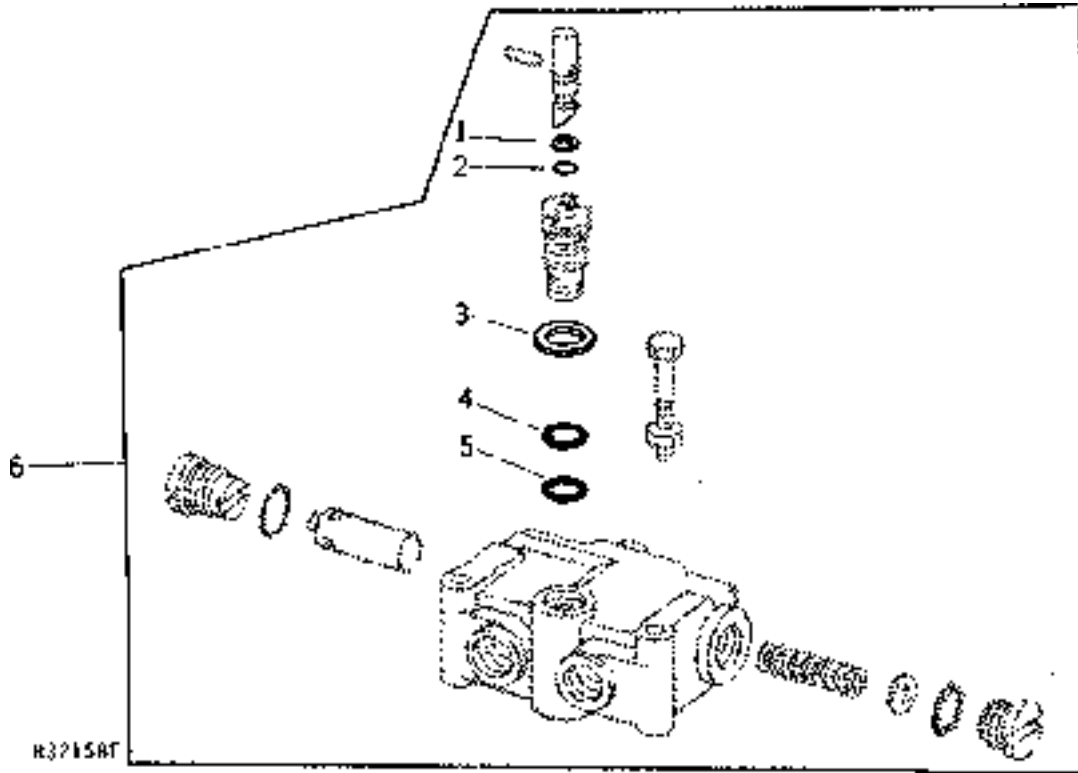


HP710

KEY	PART NO.	PART NAME	QTY	SERIAL NO.	REMARKS
1	H101370	GROOVE PIN	1		(KIT AH81166)
2	SPOOL	1		(KIT AH81166)
3	T27624	BACK-UP RING	1		(KIT AH81166 AND AH81167)
4	P51212	O-RING	1		(KIT AH81166 AND AH81167)
5	PLUG	1		(KIT AH81166)
6	H63357	BACK-UP RING	1		(KIT AH81166 AND AH81167)
7	T42786	O-RING	1		(KIT AH81166 AND AH81167)
8	R28776	O-RING	1		(KIT AH81166 AND AH81167)
9	R28776	O-RING	1		(KIT AH81166 AND AH81167)
10	H99280	SCREW	2		
	14H785	NUT	2	5/16"	
11	H63289	O-RING	2		
12	AH78760	DRAIN PLUG	1		
13	SHIM	1		
14	SPRING	1		
15	HOUSING	1		
16	RELIEF VALVE	1		
17	AH81165	PLUG	1		
18	AH81164	VALVE	1	-610100	(REMANUFACTURED) (SUB AH122371)
	AH122371	CHECK VALVE	1		(REMANUFACTURED)
..	AH81167	SEAL KIT	1		
..	AH81166	KIT	1	-610100	(SUB AH122354)
..	AH122354	KIT	1		ADJUSTING SCREW

KIT, SEAL REPAIR
HYDROSTATIC DRIVE REEL FLOW CONTROL VALVE

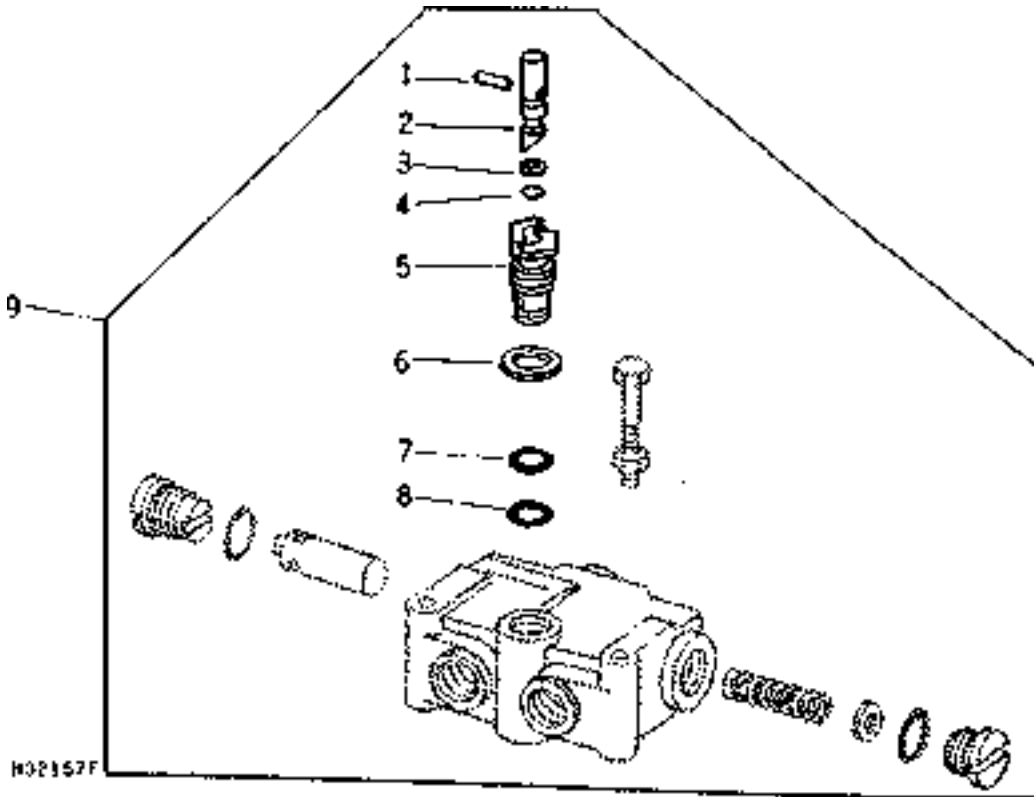
H32158F -UN-01JAN94



KEY	PART NO.	PART NAME	QTY	SERIAL NO.	REMARKS
1	T27624	BACK-UP RING	1		
2	P51212	O-RING	1		
3	H63357	BACK-UP RING	1		
4	T42786	O-RING	1		
5	R28776	O-RING	1		
6	AH81167	SEAL KIT	1		
..	O-RING	2		(NOT USED THIS APPLICATION)
..	WASHER	1		(NOT USED THIS APPLICATION)
..	O-RING	1		(NOT USED THIS APPLICATION)

H32157F -UN-01JAN94

KIT, ADJUSTING SCREW
(HYDROSTATIC DRIVE REEL FLOW CONTROL VALVE)



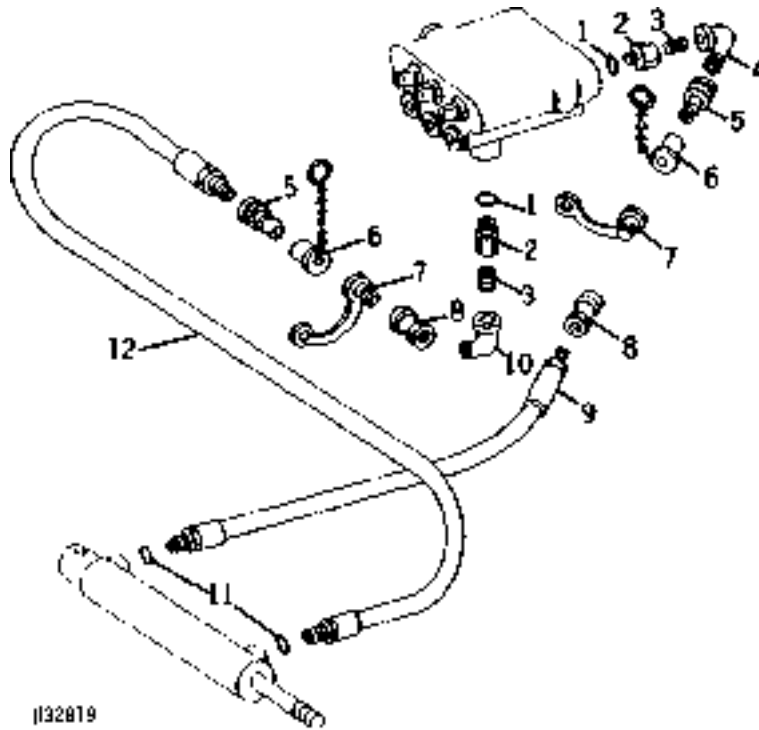
KEY	PART NO.	PART NAME	QTY	SERIAL NO.	REMARKS
1	H101370	GROOVE PIN	1		
2	SPOOL	1		
3	T27624	BACK-UP RING	1		
4	P51212	O-RING	1		
5	PLUG	1		
6	H63357	BACK-UP RING	1		
7	T42786	O-RING	1		
8	R28776	O-RING	1		
9	AH81166	KIT	1	-610100	(SUB AH122354)
	AH122354	KIT	1		

2C3

HYDRAULICS

VARIABLE DRIVE FEEDER HOUSE OIL HOSES
(SERIAL NO. -600000)

H32819 -UN-01JAN94



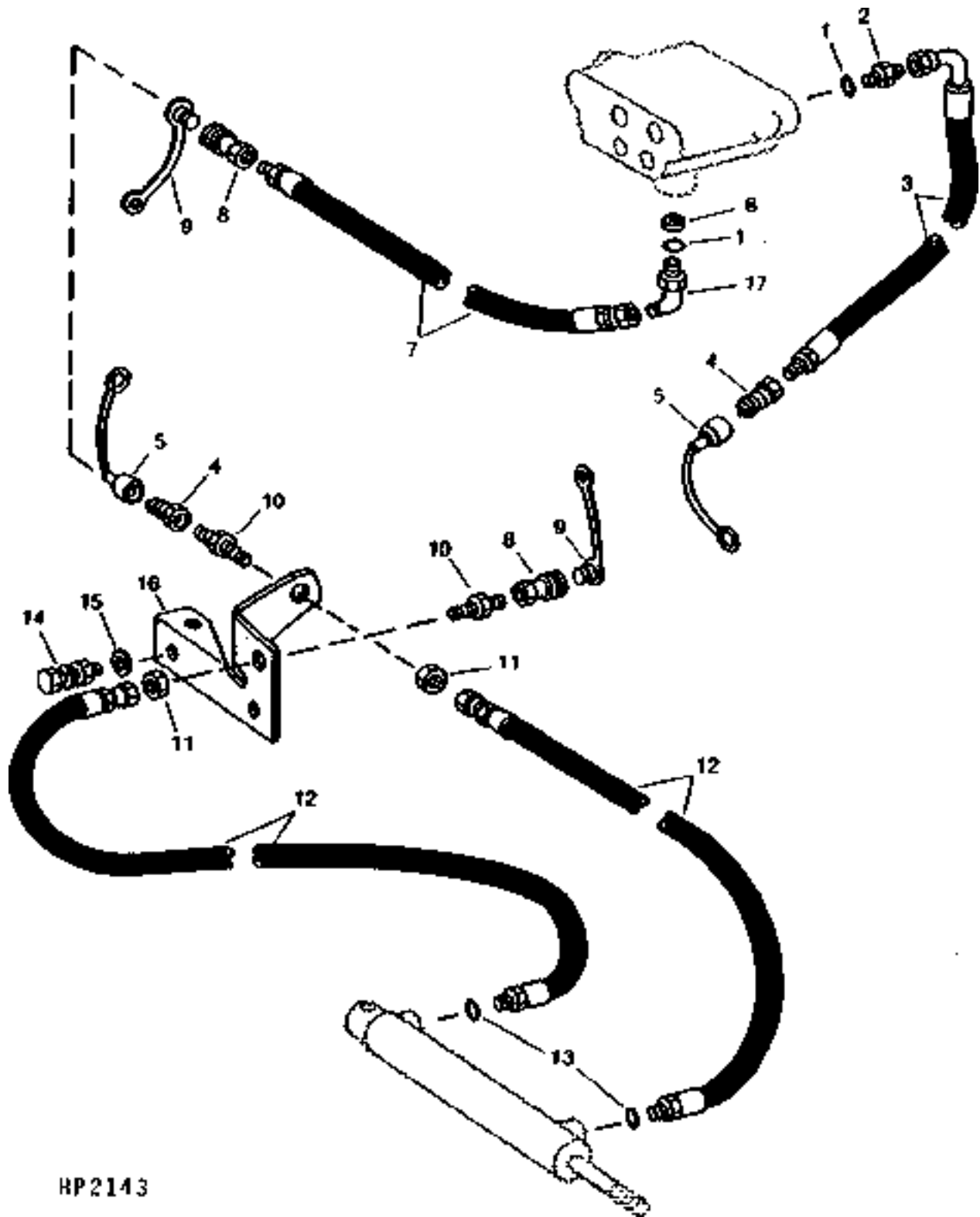
KEY	PART NO.	PART NAME	QTY	SERIAL NO.	REMARKS
1	R26448	O-RING	2		
2	H75412	ADAPTER	2		
3	29H598	THREADED NIPPLE	2	1/4" X 7/8"	
4	P47478	ELBOW FITTING	1	60°	
5	AH15939	HYD. QUICK-CONNECT COUPLER	2		
6	AH83821	CAP	2		
7	H83743	PLUG	2		
8	AH15940	HYD. QUICK-CONNECT COUPLER	2		
9	AH75506	HYDRAULIC HOSE	1		6 MM X 1270 MM (1/4" I.D. X 50") LONG
10	P50647	ELBOW FITTING	1	90°	
11	R28782	O-RING	1		
12	AH75505	HYDRAULIC HOSE	1		6 MM X 864 MM (1/4" I.D. X 34") LONG

2C4

VARIABLE DRIVE FEEDER HOUSE HYDRAULIC HOSES (SERIAL NO. 600001-)

HP2143

-UN-01JAN94



HP2143

2C5

HYDRAULICS

VARIABLE DRIVE FEEDER HOUSE HYDRAULIC HOSES - CONTINUED
(SERIAL NO. 600001-)

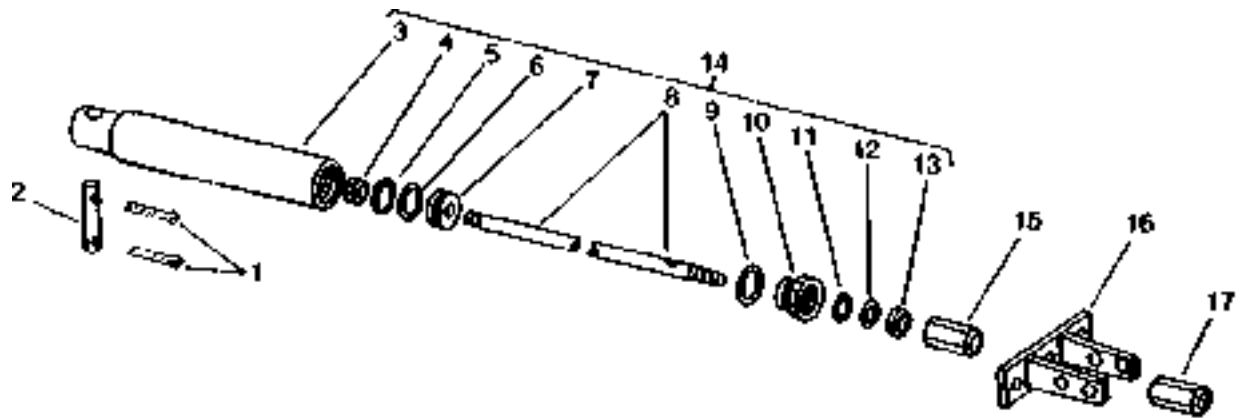
KEY	PART NO.	PART NAME	QTY	SERIAL NO.	REMARKS
1	R26448	O-RING	2		
2	R27212	FITTING	1		
3	AH113137	HYDRAULIC HOSE	1		6.5 MM X 900 MM (1/4" X 23") LONG (REGULAR AND LONG VARIABLE DRIVE)
4	AH15939	HYD. QUICK-CONNECT COUPLER	2		
5	AH83821	CAP	2		
6	H94190	ORIFICE	1		
7	AH112930	HYDRAULIC HOSE	1		6.5 MM X 2100 MM (1/4" X 83") LONG (REGULAR VARIABLE AND REGULAR CHAIN DRIVE)
	AH112932	HYDRAULIC HOSE	1		6.5 MM X 2400 MM (1/4" X 94") LONG (LONG CHAIN AND LONG VARIABLE DRIVE)
8	AH15940	HYD. QUICK-CONNECT COUPLER	2		
9	H83743	PLUG	2		
10	H115880	UNION FITTING	1		
11	14H832	NUT	2		9/16"
12	AH113136	HYDRAULIC HOSE	2		6.5 MM X 580 MM (1/4" X 15") LONG (REGULAR AND LONG VARIABLE DRIVE)
13	R28782	O-RING	2		
14	19H2127	CAP SCREW	2		5/16" X 7/8"
	12H303	LOCK WASHER	2		5/16"
	14H785	NUT	2		5/16"
15	24H1136	WASHER	2		11/32" X 11/16" X 0.065"
16	H115732	BRACKET	1		
17	AT38033	ELBOW FITTING	1		45° ELBOW

2C6

HYDRAULICS

HP1577 -UN-01JAN94

FEEDER HOUSE VARIABLE DRIVE HYDRAULIC CYLINDER



HP 1577

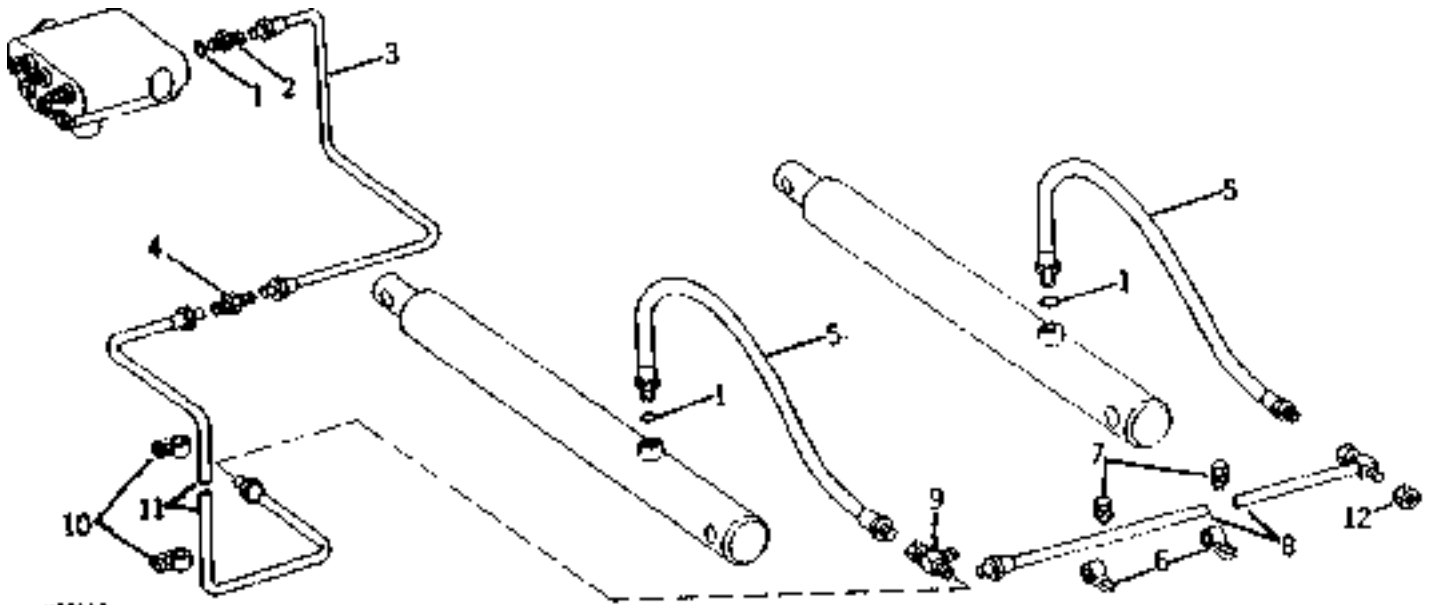
KEY	PART NO.	PART NAME	QTY	SERIAL NO.	REMARKS
1	11H216	COTTER PIN	2	3/16" X 1"	
2	P454M	PIN	1		
3	AH78778	HYDRAULIC CYLINDER BARREL	1		
4	H80440	LOCK NUT	1		
5	RING	1	(A)	
6	WASHER	1	(A)	
7	H80443	PISTON	1		
8	H80441	STUD	1		
9	O-RING	1	(A)	
10	H80442	BEARING	1		
11	O-RING	1	(A)	
12	PISTON RING	1	(A)	
13	SEAL	1	(A)	
14	AH75422	CYLINDER	1	(REMANUFACTURED)	
15	H75938	NUT	1		
16	AH87592	CLEVIS	1		
17	H84367	NUT	1		
..	AH78777	SEAL KIT	1		

2C7

HYDRAULICS

H32817 -UN-01JAN94

PLATFORM LIFT OIL LINES



H32817

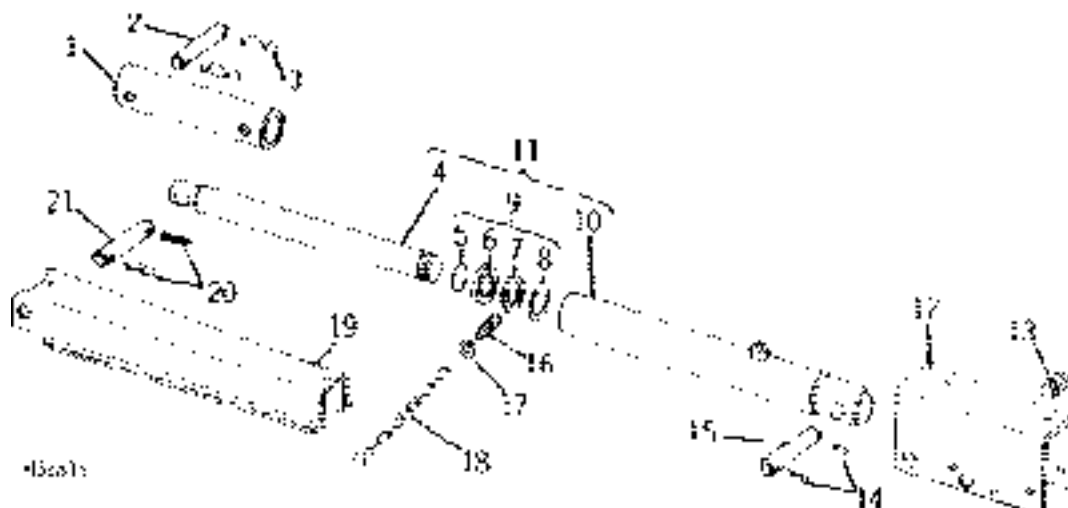
KEY	PART NO.	PART NAME	QTY	SERIAL NO.	REMARKS
1	R26448	O-RING	3		
2	R27212	FITTING	1		
3	AH76897	LINE	1		UPPER
4	R27095	FITTING	1		
5	AH75502	HYDRAULIC HOSE	2		
6	AH76882	CLIP	2		CUSHIONED
7	19H1813	CAP SCREW	2		5/16" X 5/8"
	14H785	NUT	2		5/16"
8	AH99828	TUBE	1	-400000	(SUB AH101642)
	AH101642	OIL LINE	1		LOWER
9	AH75165	TEE FITTING	1	-451070	(SUB AT36921)
	AT36921	TEE FITTING	1		
10	AH76883	CLIP	2		CUSHIONED
11	AH102531	LINE	1		MIDDLE
12	R39783	FITTING	1		

2C8

HYDRAULICS

PLATFORM LIFT CYLINDER, BRACKETS, AND SAFETY STOP

H32815 -UN-01JAN94



KEY	PART NO.	PART NAME	QTY	SERIAL NO.	REMARKS
1	AH96699	EXTENSION	1		(LONG FEEDER HOUSE)
2	H95041	PIN	1		
3	H95042	COTTER PIN	2		
4	ROD	1		
5	SNAP RING	1		
6	SEAL	1		
7	WASHER	1		
8	O-RING	1		
9	AH78775	SEAL KIT	1		
10	HYDRAULIC CYLINDER BARREL	1		
11	AH89362	HYDRAULIC CYLINDER	1		
12	AH101491	BRACKET	1	-550000	(SUB AH112374)
	AH112374	BRACKET	1		R.H.
	AH101492	BRACKET	1	-550000	(SUB AH112375)
	AH112375	BRACKET	1		L.H.
13	19H2898	CAP SCREW	3	-550000	1/2" X 1-1/4"
	12H301	LOCK WASHER	3	-550000	1/2"
	14H1040	NUT	3	-550000	1/2"
	19H2205	CAP SCREW	5	550001-	3/8" X 6"
	E54809	LOCK NUT	5	550001-	
14	H95042	COTTER PIN	2		
15	H99086	PIN	1		
16	19H1900	CAP SCREW	1		5/16" X 3/4"
	14H785	NUT	1		5/16"
17	24H1136	WASHER	1		11/32" X 11/16" X 0.065"
18	AH20203	LINK CHAIN	1		(WITHOUT FLOAT SPRINGS)
	AH80055	LINK CHAIN	1		(WITH FLOAT SPRINGS)
19	H88237	STOP	1		
20	H95042	COTTER PIN	2		
21	H95041	PIN	1	-500000	(SUB H112109)
	H112109	PIN	1		

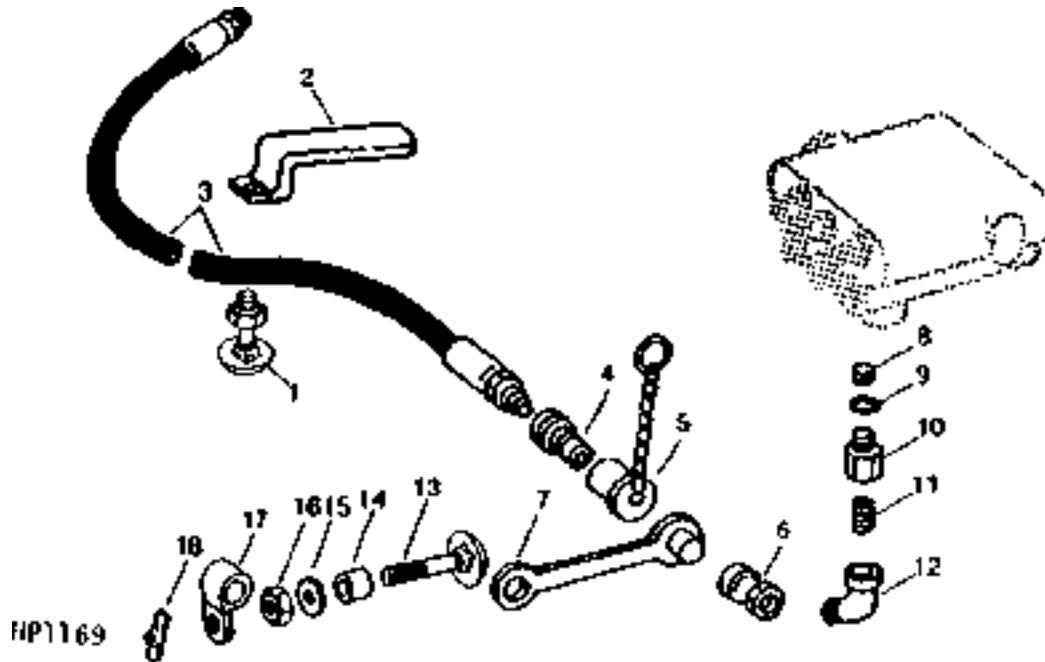
NOTE: QUANTITIES SHOWN ARE FOR ONE UNIT. TWO UNITS USED PER MACHINE

2C9

HYDRAULICS

HP1169 -UN-01JAN94

REEL LIFT OIL LINES

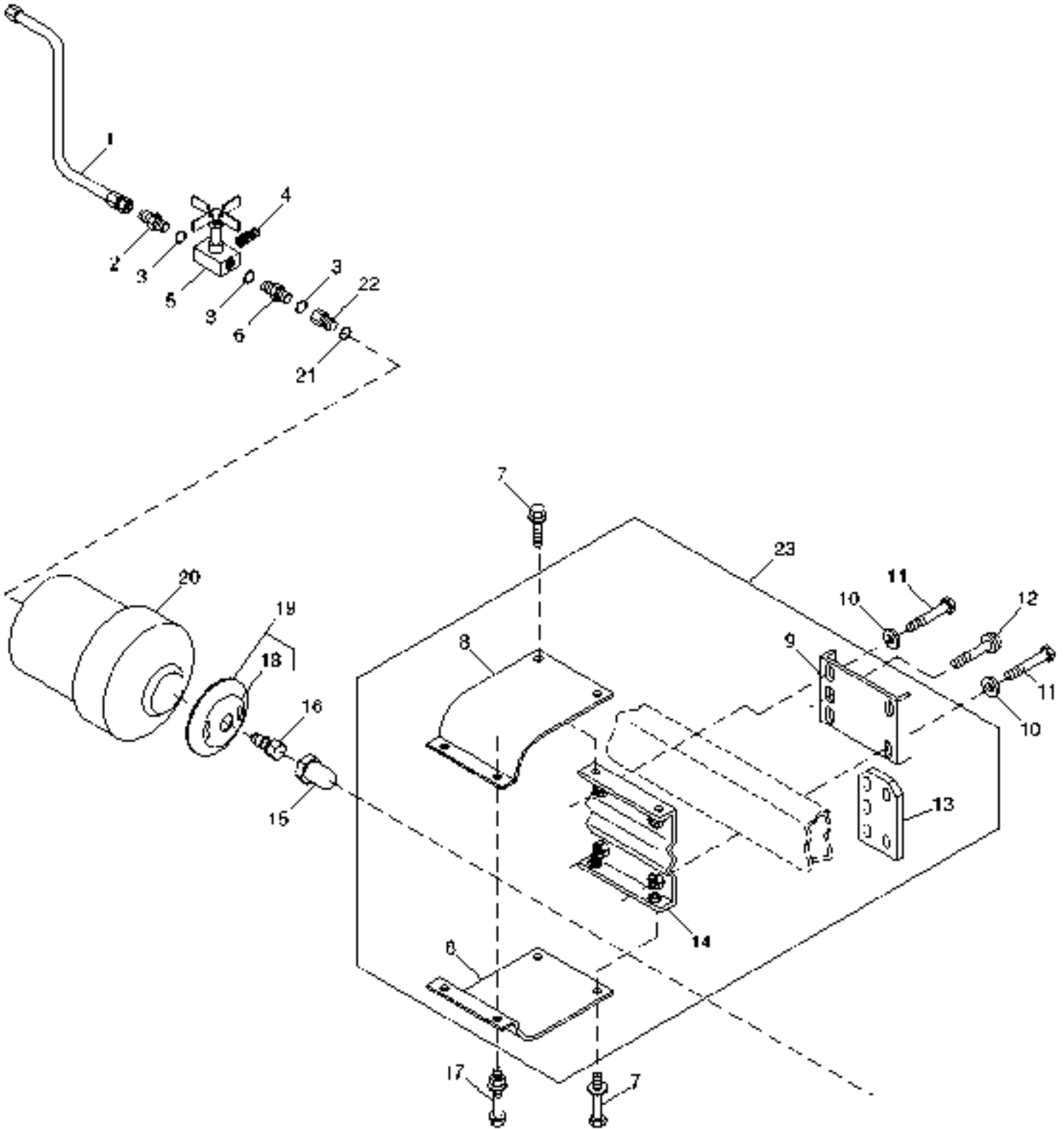


KEY	PART NO.	PART NAME	QTY	SERIAL NO.	REMARKS
1	19H1936	CAP SCREW	1	3/8" X 3/4"	
	14H812	NUT	1	3/8"	
2	AH78124	CLIP	1		
3	AH62037	LINE	1		6 MM X 1727 MM (1/4" I.D. X 68") LONG, (WITH LONG FEEDER HOUSE)
	AH78119	HYDRAULIC HOSE	1		6 MM X 1422 MM (1/4" I.D. X 56") LONG, (WITH REGULAR LENGTH FEEDER HOUSE)
4	AH15939	HYD. QUICK-CONNECT COUPLER	1		
5	AH83821	CAP	1		
6	AH15940	HYD. QUICK-CONNECT COUPLER	1		
7	H83743	PLUG	1		
8	H94190	ORIFICE	1		
9	R26448	O-RING	1		
10	H75412	ADAPTER	1		
11	29H598	THREADED NIPPLE	1	1/4" X 7/8"	
12	P50647	ELBOW FITTING	1		
13	03H2020	BOLT	1	3/8" X 2"	
14	28H2497	SPACER	1	3/8" X 5/8"	
15	24H1305	WASHER	1	13/32" X 13/16" X 0.065"	
16	14H812	NUT	1	3/8"	
17	AH78125	CLIP	1		
18	14H827	WING NUT	1	3/8"	

2C10

HYDRAULICS

HP9689 -UN-12APR00 ACCUMULATOR, PRESSURE CONTROL VALVE, AND MOUNTING BRACKET



HP9689

ACCUMULATOR, PRESSURE CONTROL VALVE, AND MOUNTING BRACKET - CONTINUED

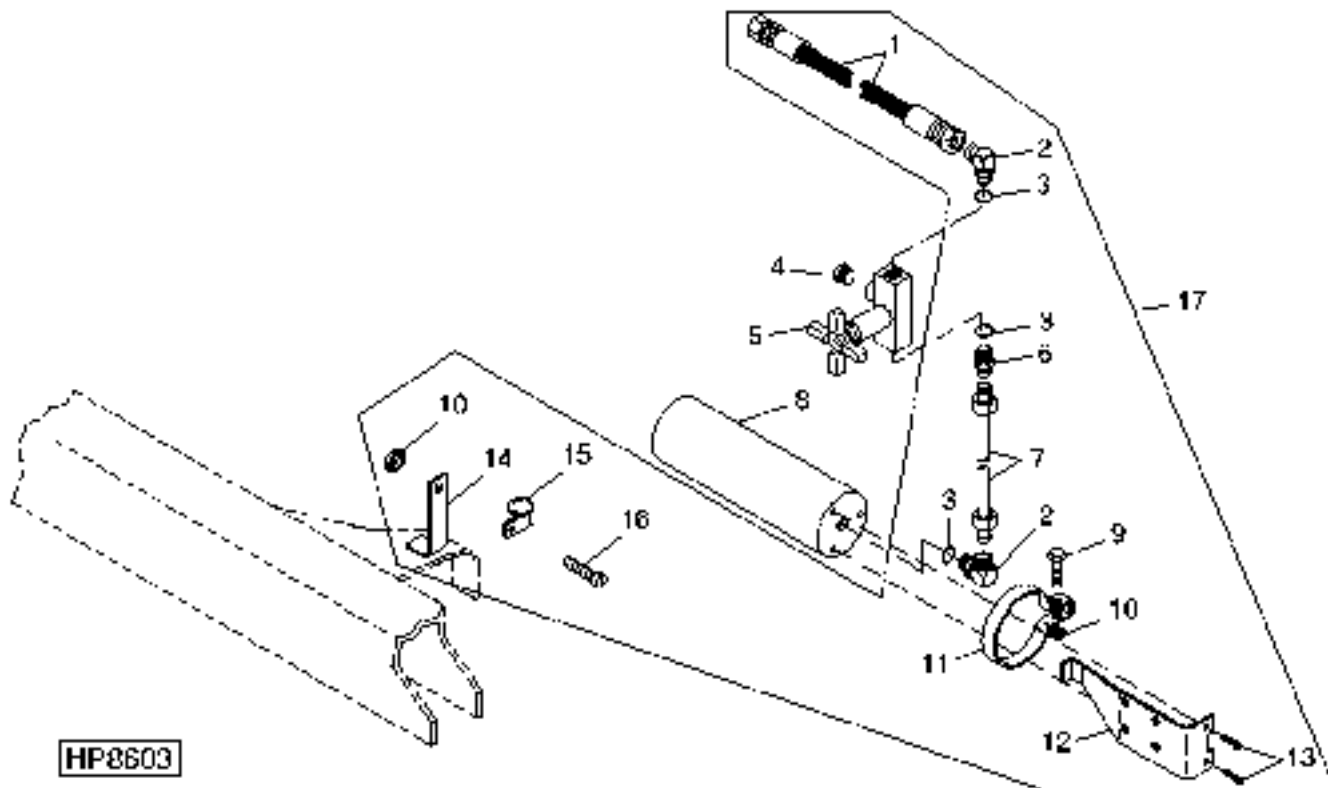
KEY	PART NO.	PART NAME	QTY	SERIAL NO.	REMARKS
1	AH101382	LINE	1		
2	AR31674	FITTING	1		
3	R26375	O-RING	3		
4	15H275	PIPE PLUG	1	1/4"	
5	AA14834	VALVE	1		
6	AN131153	UNION FITTING	1		
7	N10212	SELF-LOCKING SCREW	4		
8	H101178	STRAP	2		
9	H101179	CHANNEL	1		
10	H101177	BRACKET	1		
11	19H1913	CAP SCREW	4	5/16" X 2-1/4"	
	12H303	LOCK WASHER	4	5/16"	
12	24H1136	WASHER	4	11/32" X 11/16" X 0.065"	
13	AH100282	BRACKET	1		
14	19H1849	CAP SCREW	2	5/16" X 1-1/4"	
	12H303	LOCK WASHER	2	5/16"	
	14H785	NUT	2	5/16"	
15	A16065	GUARD	1		
16	AA15092	VALVE	1		
17	H109826	DECAL	1		
18	H101544	INSTRUCTION PLATE	1	-450000	(SUB H109555)
	H109555	DECAL	1		INCLUDES DECAL
19	AH100091	ACCUMULATOR	1		(ONE-HALF GALLON) (AUTOMATIC HEADER HEIGHT CONTROL)
	AH108187	ACCUMULATOR	1		(ONE GALLON)
20	U12547	O-RING	1		(ONE GALLON TANK)
21	R70921	ADAPTER	1		(ONE GALLON TANK)

2C12

HYDRAULICS

HP8603 -UN-12APR00

ACCUMULATOR AND REPLACEMENT MOUNTING BRACKET



KEY	PART NO.	PART NAME	QTY	SERIAL NO.	REMARKS
1	AH165472	HOSE	1		
2	AT32332	ELBOW FITTING	2		
3	R26375	O-RING	3		
4	15H275	PIPE PLUG	1		1/4", (OR OPTIONAL GAGE HOSE)
5	AA14834	VALVE	1		
6	R27237	FITTING	1		
7	AH165471	TUBE	1		
8	AH133265	ACCUMULATOR	1		(1/2 GALLON) (SUB FOR AH100091) (FOR 1ST TIME INSTALLATION, AH166769 KIT ALSO REQUIRED)
	AH143455	ACCUMULATOR	1		(1 GALLON) (SUB FOR AH108187) (FOR 1ST TIME INSTALLATION, AH166769 KIT ALSO REQUIRED)
9	03M7196	BOLT	1		M10 X 50
10	14M7296	FLANGE NUT	2		M10
11	R77178	CLAMP	1		
12	H171289	BRACKET	1		
13	19M7864	SCREW	2		M8 X 12
14	H171290	CLAMP	1		
15	AH79175	CLIP	1		
16	19M7784	SCREW	1		M10 X 20
17	AH166769	KIT	1		

2C14

SEPARATOR SHELL

H22446 -UN-01JAN94

SEPARATOR TOP SHEET



H22446

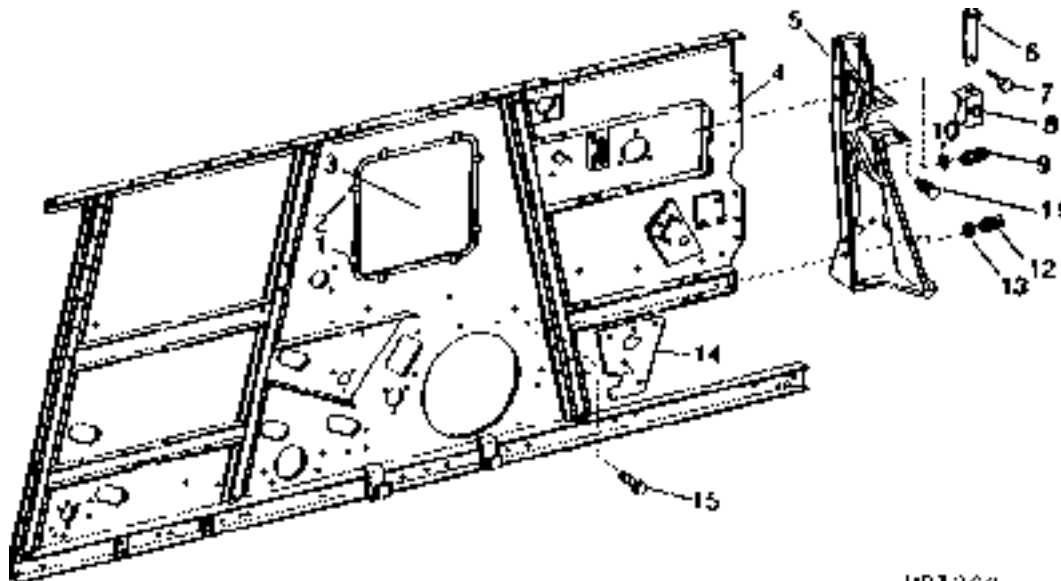
KEY	PART NO.	PART NAME	QTY	SERIAL NO.	REMARKS
1	AH101579	SHEET	1		
2	19H1905	CAP SCREW	3	5/16" X 1"	
	14H785	NUT	3	5/16"	
3	24H1136	WASHER	10	11/32" X 11/16" X 0.065"	
4	19H1813	CAP SCREW	2	5/16" X 5/8"	
	14H785	NUT	2	5/16"	
5	19H2127	CAP SCREW	4	5/16" X 7/8"	
	14H785	NUT	4	5/16"	

2C15

SEPARATOR SHELL

HP1362 -UN-01JAN94

SEPARATOR RIGHT-HAND SIDE SHEETS AND FRAME



HP1362

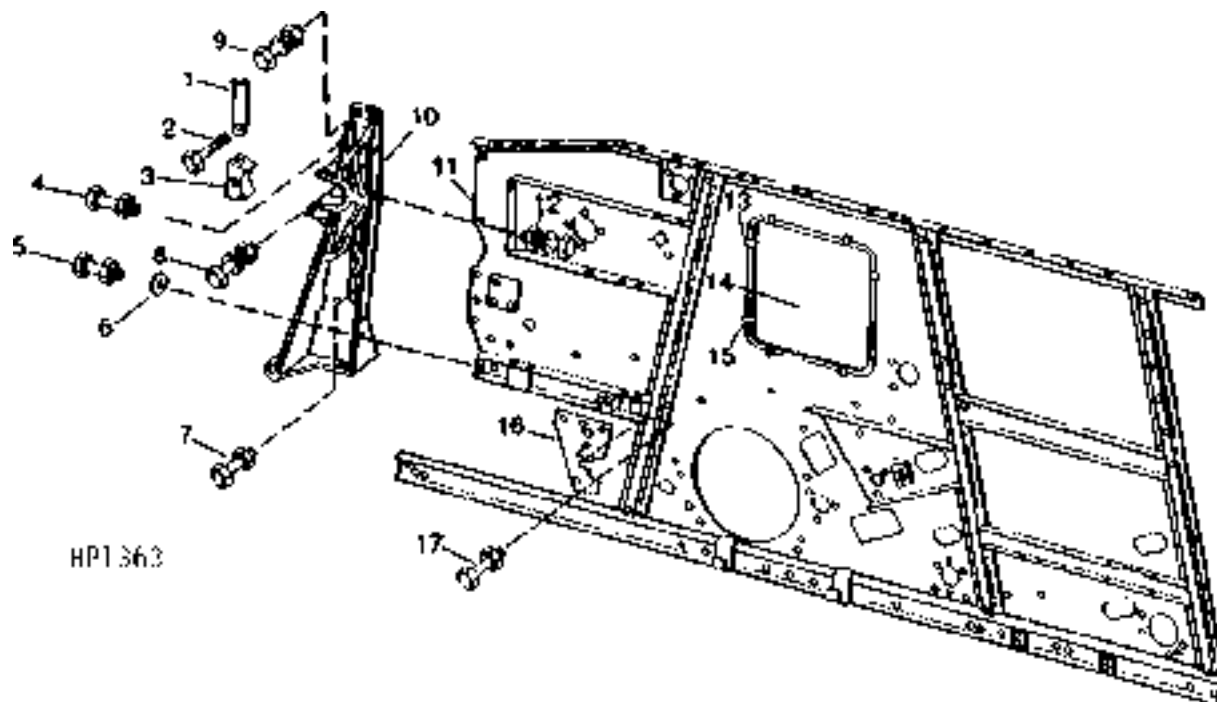
KEY	PART NO.	PART NAME	QTY	SERIAL NO.	REMARKS
1	03H1540	BOLT	7		5/16" X 3/4"
	14H819	WING NUT	7		5/16"
2	P47159	CLAMP	1		
3	H77885	DOOR	1		
4	AH101577	FRAME	1	-550000	(SUB AH112245)
	AH112245	FRAME	1		
5	H92938	SUPPORT	1		
6	P47415	KEY	1		
7	19H2020	CAP SCREW	1		5/16" X 1/2"
8	H10835	RETAINER	1		
9	19H2993	CAP SCREW	2		1/2" X 1-1/2"
	12H301	LOCK WASHER	2		1/2"
	14H1040	NUT	2		1/2"
10	24H1341	WASHER	2		17/32" X 15/16" X 0.060"
11	10H1026	BOLT	3		3/8" X 1"
	12H304	LOCK WASHER	3		3/8"
	14H812	NUT	3		3/8"
12	19H3239	CAP SCREW	2		3/8" X 1-1/4"
	12H304	LOCK WASHER	2		3/8"
	14H812	NUT	2		3/8"
13	24H1122	WASHER	2		3/8" X 7/8" X 0.083"
14	H86204	GUSSET	1		
15	19H1731	CAP SCREW	5		3/8" X 1"
	12H304	LOCK WASHER	5		3/8"
	14H812	NUT	5		3/8"

2C16

SEPARATOR SHELL

HP1363 -UN-01JAN94

SEPARATOR LEFT-HAND SIDE SHEETS AND FRAME



KEY	PART NO.	PART NAME	QTY	SERIAL NO.	REMARKS
1	P47415	KEY	1		
2	19H2020	CAP SCREW	1	5/16" X 1/2"	
3	H10835	RETAINER	1		
4	19H3263	CAP SCREW	1	1/2" X 2-1/2"	
	14H1040	NUT	1	1/2"	
	12H301	LOCK WASHER	2	1/2"	
5	19H3217	CAP SCREW	2	3/8" X 1-3/4"	
	14H812	NUT	2	3/8"	
6	24H1122	WASHER	2	3/8" X 7/8" X 0.083"	
7	10H1028	BOLT	1	3/8" X 1-1/2"	
	14H812	NUT	1	3/8"	
8	09H1590	BOLT	2	3/8" X 1-1/2"	
	12H304	LOCK WASHER	2	3/8"	
	14H812	NUT	2	3/8"	
9	19H1815	CAP SCREW	2	1/2" X 1-1/4"	
	12H301	LOCK WASHER	2	1/2"	
	14H1040	NUT	2	1/2"	
10	H92939	SUPPORT	1		
11	AH101578	FRAME	1	-550000	(SUB AH112244)
	AH112244	FRAME	1		
12	19H2993	CAP SCREW	1	1/2" X 1-1/2"	
	12H301	LOCK WASHER	1	1/2"	
	14H1040	NUT	1	1/2"	
13	03H1540	BOLT	8	5/16" X 3/4"	
	14H819	WING NUT	8	5/16"	
14	H77885	DOOR	1		
15	P47159	CLAMP	8		
16	H86204	GUSSET	1		
17	19H1731	CAP SCREW	5	3/8" X 1"	
	14H812	NUT	5	3/8"	

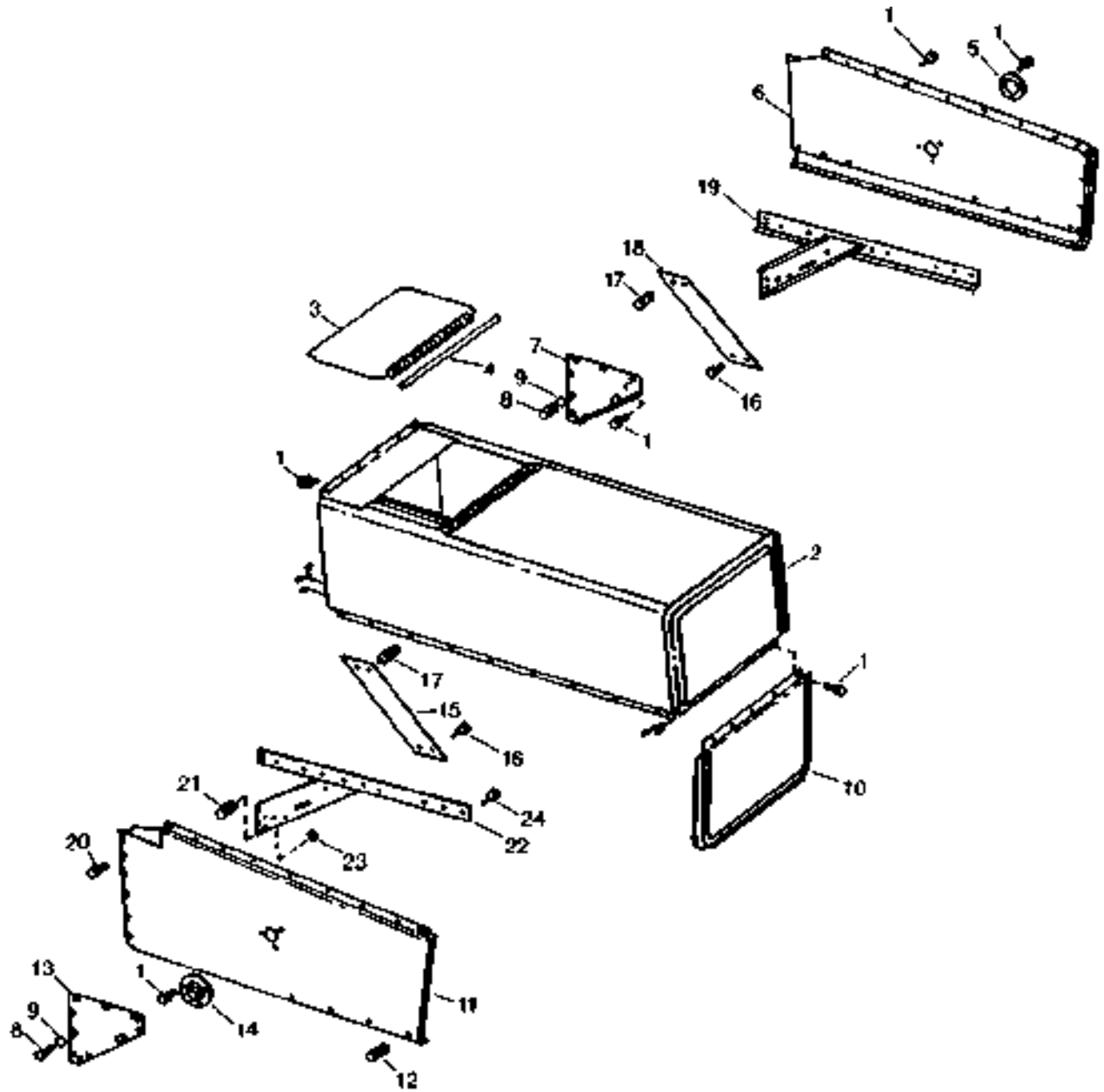
2C17

SEPARATOR SHELL

HP1901

-UN-01JAN94

REAR HOOD



HP1901

2C18

SEPARATOR SHELL

REAR HOOD - CONTINUED

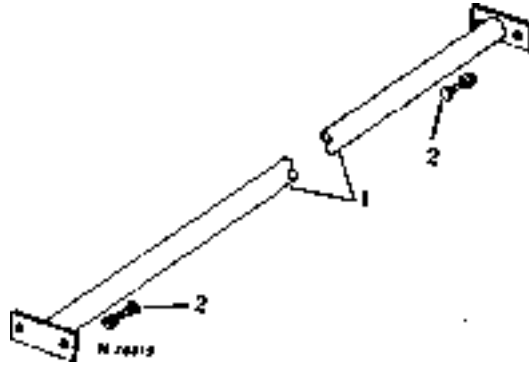
KEY	PART NO.	PART NAME	QTY	SERIAL NO.	REMARKS
1	H65108	SCREW	AR	-550000	SELF-TAPPING
2	AH98947	HOOD	1		TOP
3	H75294	DOOR	1		
4	H75295	PIN	1		
5	H76805	COVER	1	-550000	R.H.
	H99297	COVER	1	550001-	R.H.
6	AH85648	SHEET	1	-550000	(SUB AH112250)
	AH112250	SHEET	1		R.H.
7	H77529	GUSSET	1	-550000	R.H.
	H114557	GUSSET	1	550001-	R.H.
8	19H1813	CAP SCREW	6		5/16" X 5/8"
	14H785	NUT	6		5/16"
9	24H1136	WASHER	6		11/32" X 11/16" X 0.065"
10	AH76263	SHEET	1		
11	AH76261	SHEET	1		(SUB AH85649)
	AH85649	SHEET	1	-550000	(SUB AH112251)
	AH112251	SHEET	1		L.H.
12	N10212	SELF-LOCKING SCREW	8		
	N10213	LOCK NUT	8		
13	H77530	GUSSET	1	-550000	L.H.
	H114557	GUSSET	1	550001-	L.H.
14	H83386	COVER	1	-550000	(SUB H99297)
	H99297	COVER	1		L.H.
15	AH112282	STRAP	1		L.H.
16	N14822	SELF-LOCKING SCREW	4	550001-	
17	N10212	SELF-LOCKING SCREW	4	550001-	
	N10213	LOCK NUT	4	550001-	
18	AH112281	STRAP	1		R.H.
19	AH113196	REINFORCEMENT	1	550001-	R.H.
20	N14822	SELF-LOCKING SCREW	12	550001-	
21	19H1813	CAP SCREW	4	550001-	5/16" X 5/8"
	12H303	LOCK WASHER	4	550001-	5/16"
	14H785	NUT	4	550001-	5/16"
22	AH113195	REINFORCEMENT	1	550001-	L.H.
23	24H1136	WASHER	4	550001-	11/32" X 11/16" X 0.065"
24	N10212	SELF-LOCKING SCREW	4	550001-	

2C19

SEPARATOR SHELL

H18319 -UN-01JAN94

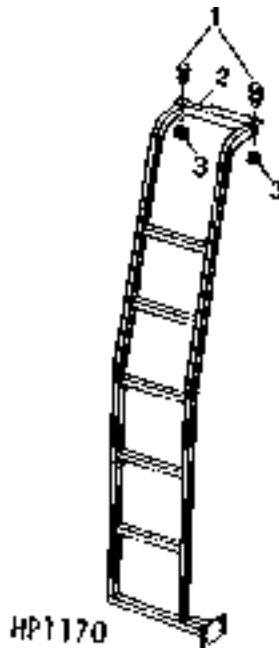
SEPARATOR CROSS BRACE



KEY	PART NO.	PART NAME	QTY	SERIAL NO.	REMARKS
1	AH83430	BRACE	1		
2	03H1500	BOLT	4	3/8" X 1"	
	14H812	NUT	4	3/8"	

HP1170 -UN-01JAN94

SEPARATOR LADDER



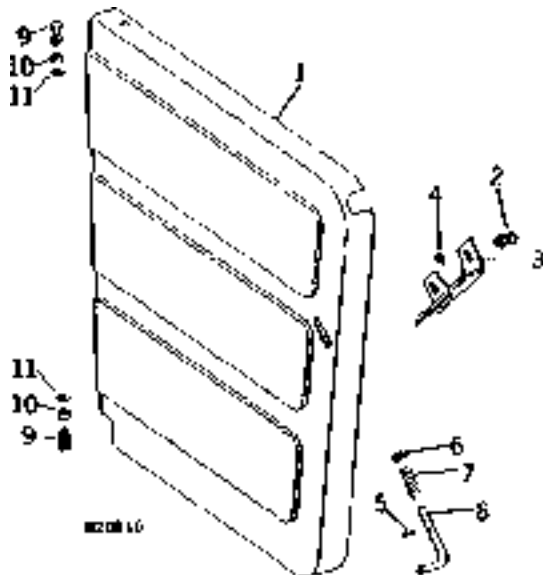
KEY	PART NO.	PART NAME	QTY	SERIAL NO.	REMARKS
1	19H1905	CAP SCREW	2	5/16" X 1"	
	14H785	NUT	2	5/16"	
2	AH77692	LADDER	1		
3	24H1136	WASHER	2	11/32" X 11/16" X 0.065"	

2C20

SEPARATOR SHELL

H20810 -UN-01JAN94

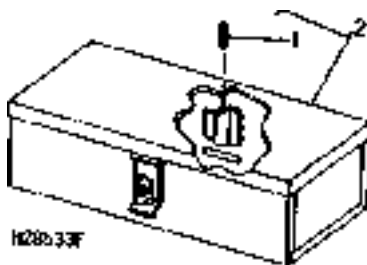
SEPARATOR RIGHT-HAND SHIELD



KEY	PART NO.	PART NAME	QTY	SERIAL NO.	REMARKS
1	AH76985	SHIELD	1		
2	03H1524	BOLT	2	5/16" X 1"	
	14H785	NUT	2	5/16"	
3	H80067	LATCH	1		
4	24H1122	WASHER	2	3/8" X 7/8" X 0.083"	
5	11H211	COTTER PIN	1	1/8" X 3/4"	
6	24H1305	WASHER	1	13/32" X 13/16" X 0.065"	
7	HZ5621H	SPRING	1		
8	H78557	PIN	1		
9	19H1731	CAP SCREW	2	3/8" X 1"	
	14H812	NUT	2	3/8"	
10	28H1517	WASHER	2	0.493" X 0.675" X 1/4"	
11	24H1305	WASHER	2	13/32" X 13/16" X 0.065"	

TOOL BOX

H28533F -UN-01JAN94



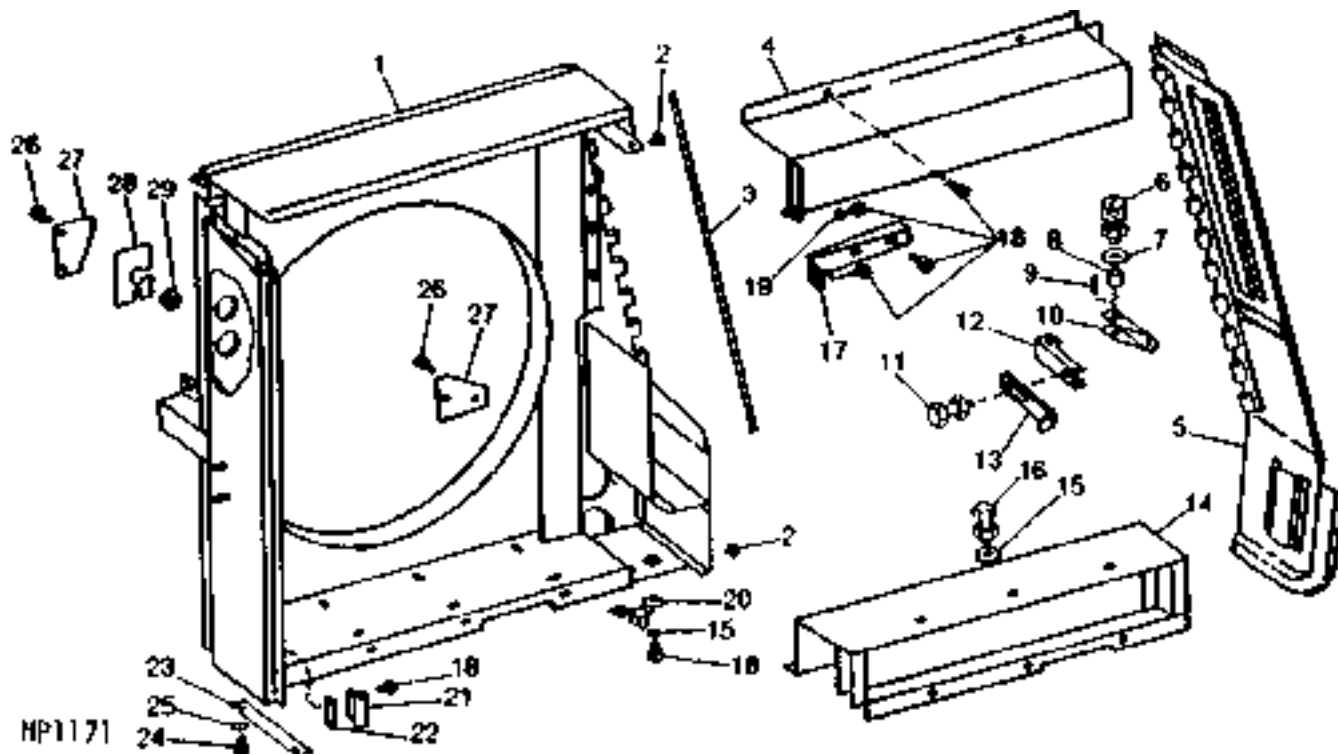
KEY	PART NO.	PART NAME	QTY	SERIAL NO.	REMARKS
1	34H94	SPRING PIN	1	7/32" X 1-3/4"	
2	AH84966	TOOLBOX	1		

2C21

SEPARATOR SHELL

HP1171 -UN-01JAN94

CORNER FRAME, RADIATOR CLOSURES, AND DOOR



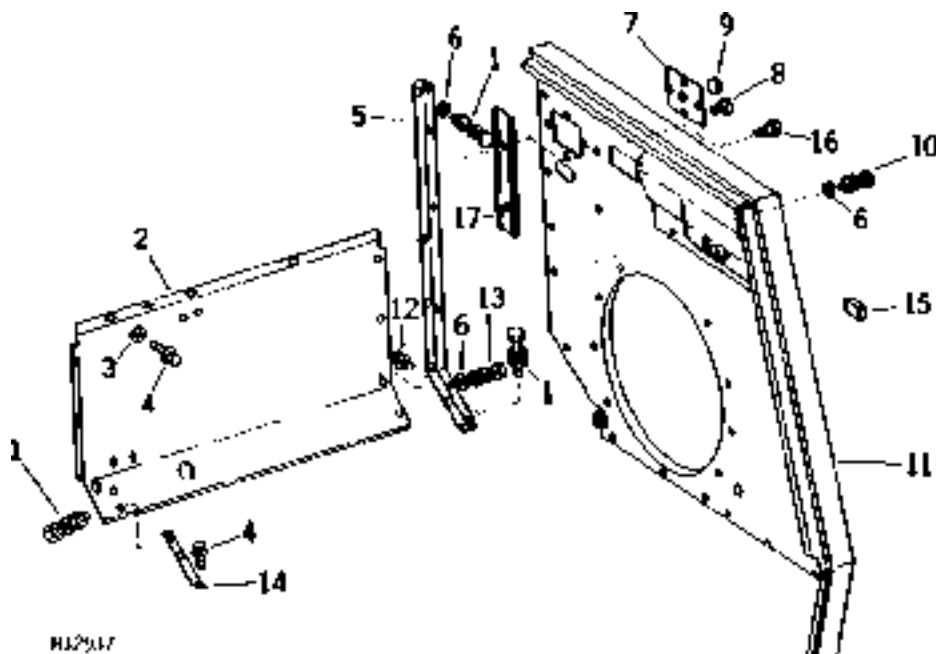
KEY	PART NO.	PART NAME	QTY	SERIAL NO.	REMARKS
1	AH92224	FRAME	1		
2	H81804	BUMPER	2		
3	H86509	PIN	1		
4	AH92222	COVER	1		UPPER
5	AH90894	PANEL	1		
6	21H1045	SCREW	1		1/4" X 2"
	12H302	LOCK WASHER	1		1/4"
	14H786	NUT	1		1/4"
7	24H1287	WASHER	1		9/32" X 5/8" X 0.065"
8	28H1955	BUSHING	1		1/8" X 1-15/32"
9	34H270	SPRING PIN	1		5/32" X 1-1/2"
10	H86493	HANDLE	1		
11	03H1416	BOLT	1		5/16" X 3/4"
	N10213	LOCK NUT	1		
12	H89313	BRACKET	1		
13	H89312	HOOK	1		
14	AH87730	SUPPORT	1		BOTTOM (WITHOUT AIR CONDITIONING)
15	24H1136	WASHER	5		11/32" X 11/16" X 0.065"
16	19H1813	CAP SCREW	3		5/16" X 5/8"
	N10213	LOCK NUT	3		
17	H86689	BRACKET	1		
18	N71292	SELF-LOCKING SCREW	12		
19	24H1224	WASHER	1		11/32" X 1" X 1/16"
20	H99937	BRACKET	1		
21	H94605	HINGE	2		
22	H86523	STRAP	2		
23	H86688	STRAP	AR		
24	N10214	SELF-LOCKING SCREW	2		
25	24H1305	WASHER	2		13/32" X 13/16" X 0.065"
26	37H3	SCREW	2		1/4" X 5/8"
27	H87661	COVER	2		
28	H88190	COVER	1		(WITH AIR CONDITIONING)
29	H80306	GROMMET	1		(WITH AIR CONDITIONING)

2C22

SEPARATOR SHELL

H32937 -UN-01JAN94

ENGINE COMPARTMENT REAR SHEET AND INSTRUMENT WALL



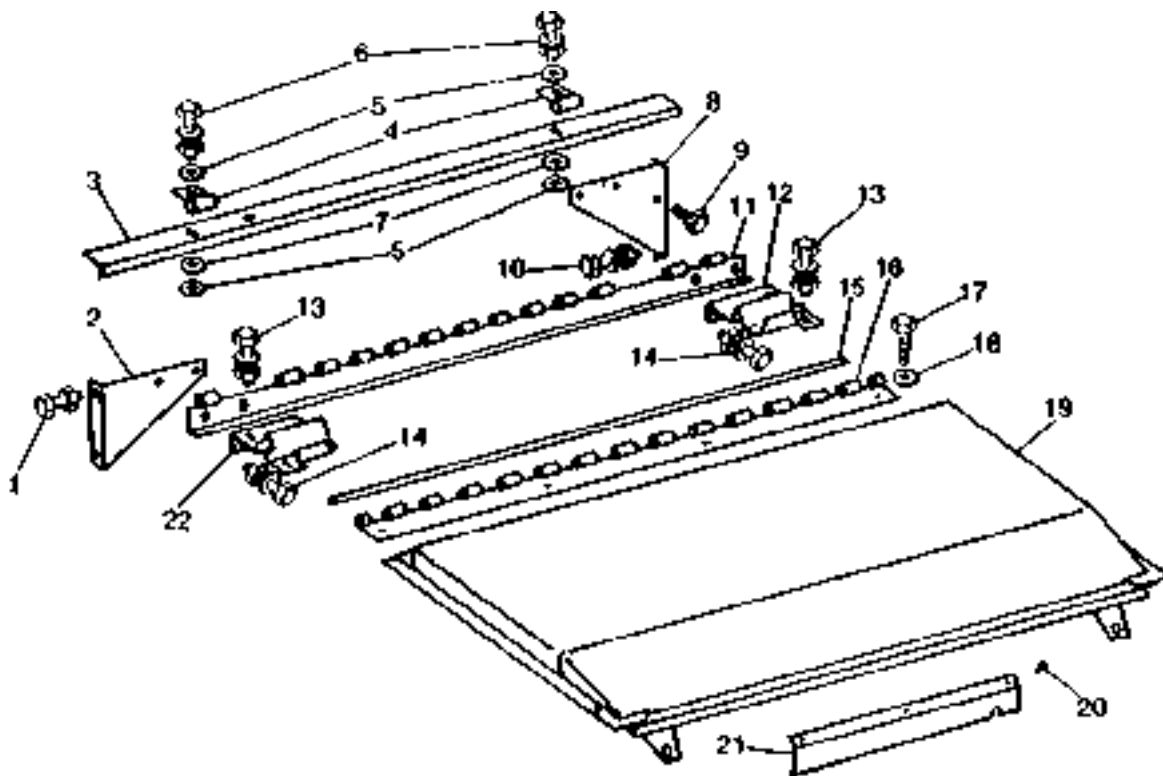
KEY	PART NO.	PART NAME	QTY	SERIAL NO.	REMARKS
1	19H1905	CAP SCREW	5	5/16" X 1"	
	12H303	LOCK WASHER	5	5/16"	
	14H785	NUT	5	5/16"	
2	AH89058	SHEET	1	REAR	
3	24H1224	WASHER	4	11/32" X 1" X 1/16"	
4	H76139	SCREW	5	SELF-TAPPING	
5	H84581	ANGLE	1		
6	24H1136	WASHER	5	11/32" X 11/16" X 0.065"	(WITHOUT AIR CONDITIONING)
7	H86115	COVER	1		
8	37H120	SCREW	4	0.164" X 1/2",	(WITHOUT AIR CONDITIONING)
9	H83060	GROMMET	1		(WITHOUT AIR CONDITIONING)
10	19H2127	CAP SCREW	1	5/16" X 7/8"	
	12H303	LOCK WASHER	1	5/16"	
	14H785	NUT	1	5/16"	
11	AH97875	PANEL	1		
12	H65108	SCREW	4	SELF-TAPPING	
13	19H1813	CAP SCREW	2	5/16" X 5/8"	
	12H303	LOCK WASHER	2	5/16"	
	14H785	NUT	2	5/16"	
14	H86339	STRAP	1		
15	SEAL	1	19 MM X 35 MM X 76 MM (3/4" X 1-3/4" X 3")	LONG (CUT FROM H92017)
16	H76139	SCREW	1	SELF-TAPPING	
17	H99527	RETAINER	1		

2C23

SEPARATOR SHELL

HP1172 -UN-01JAN94

ENGINE COMPARTMENT UPPER DOOR



HP1172

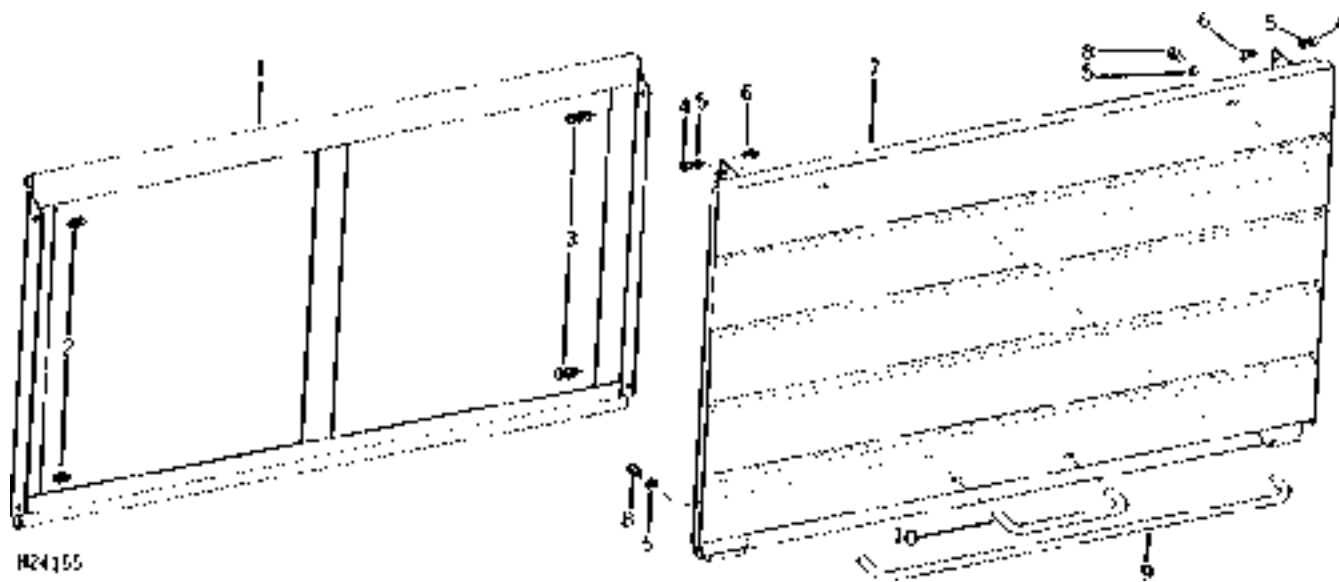
KEY	PART NO.	PART NAME	QTY	SERIAL NO.	REMARKS
1	H77932	SCREW	2		SELF-LOCKING
2	H86326	GUSSET	1		
3	H86328	SEAL	1		
4	H86847	CLIP	2		
5	24H1305	WASHER	4		13/32" X 13/16" X 0.065"
6	19H1732	CAP SCREW	2		3/8" X 1-1/4"
	12H304	LOCK WASHER	2		3/8"
	14H812	NUT	2		3/8"
7	24H1309	WASHER	2		13/32" X 1-1/16" X 0.120"
8	H99936	GUSSET	1		
9	H76139	SCREW	1		SELF-TAPPING
10	19H1900	CAP SCREW	2		5/16" X 3/4"
	12H303	LOCK WASHER	2		5/16"
	14H785	NUT	2		5/16"
11	H86321	HINGE	1		
12	H87453	STOP	1		L.H. DOOR
13	19H1905	CAP SCREW	4		5/16" X 1"
	12H303	LOCK WASHER	4		5/16"
	14H785	NUT	4		5/16"
14	19H1936	CAP SCREW	4		3/8" X 3/4"
	12H304	LOCK WASHER	4		3/8"
	14H812	NUT	4		3/8"
15	H86316	PIN	1		
16	AH87584	HINGE	1		
17	19H1813	CAP SCREW	4		5/16" X 5/8"
18	24H1136	WASHER	4		11/32" X 11/16" X 0.065"
19	AH87586	DOOR	1		
20	H64584	RIVET	4		(WITHOUT OPERATOR'S CAB)
21	H86819	REINFORCEMENT	1		(WITHOUT OPERATOR'S CAB)
22	H87454	STOP	1		R.H. DOOR

2C24

SEPARATOR SHELL

H24155 -UN-01JAN94

ENGINE COMPARTMENT MIDDLE DOOR AND FRAME



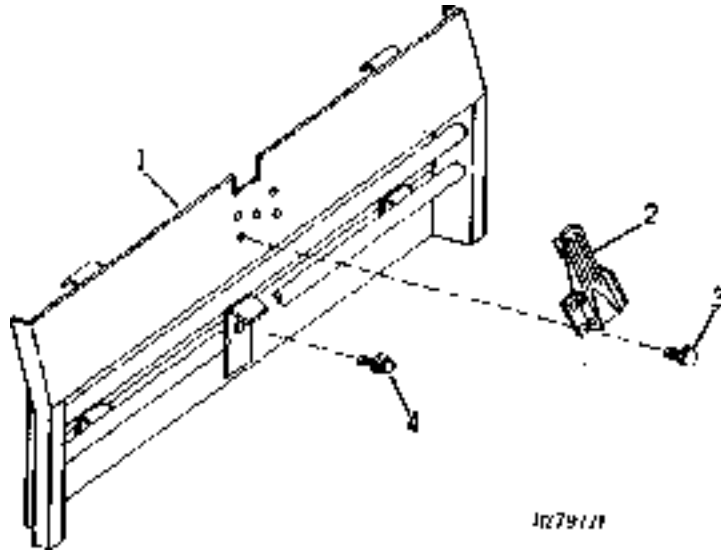
KEY	PART NO.	PART NAME	QTY	SERIAL NO.	REMARKS
1	AH87574	FRAME	1		
2	H65108	SCREW	2		
3	19H1900	CAP SCREW	2		5/16" X 3/4"
	12H303	LOCK WASHER	2		5/16"
	14H785	NUT	2		5/16"
4	BP12232	LOCK NUT	2	-550000	(SUB M40699)
	M40699	NUT	2		
5	24H1136	WASHER	6		11/32" X 11/16" X 0.065"
6	19H2127	CAP SCREW	2		5/16" X 7/8"
7	AH93351	DOOR	1		
8	19H1849	CAP SCREW	4		5/16" X 1-1/4"
	12H303	LOCK WASHER	4		5/16"
9	H86347	HANDRAIL	1		
10	H86349	HANDRAIL	1		

2C25

SEPARATOR SHELL

H27977F -UN-01JAN94

FRONT ENGINE COMPARTMENT PANEL



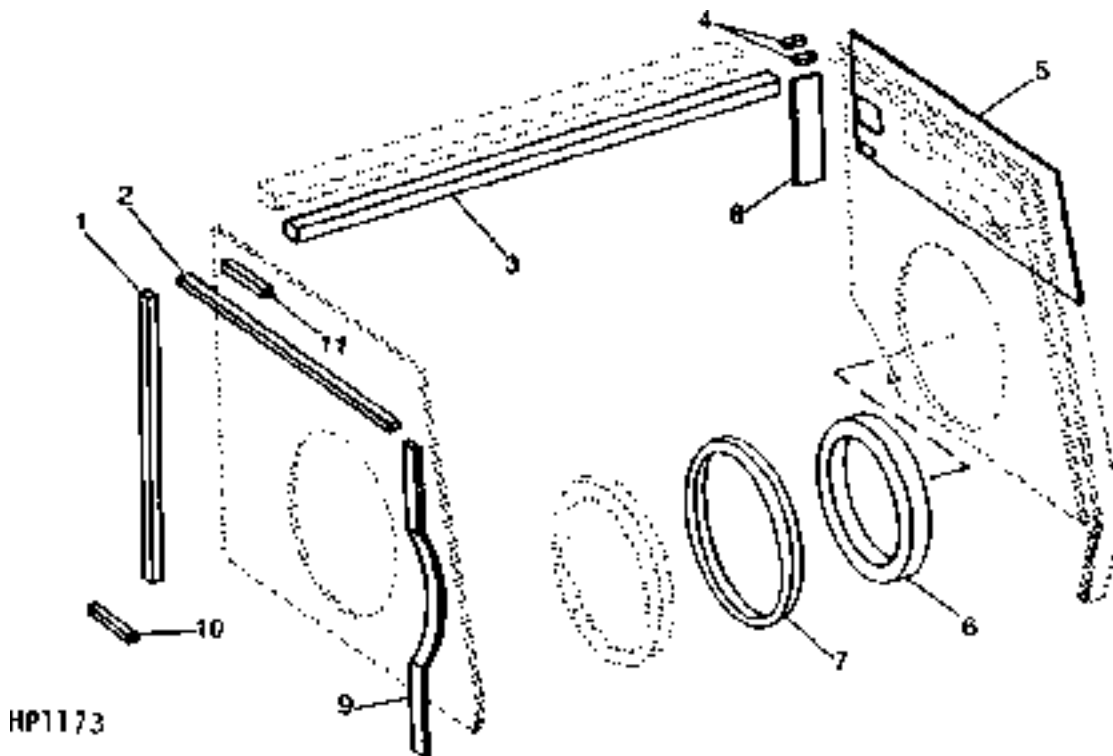
KEY	PART NO.	PART NAME	QTY	SERIAL NO.	REMARKS
1	AH91707	PANEL	1		
2	AH87272	LATCH	1		
3	H85092	SCREW	4		SELF-TAPPING
4	H65108	SCREW	3		SELF-TAPPING

2D1

SEPARATOR SHELL

HP1173 -UN-01JAN94

ENGINE COMPARTMENT SEALS



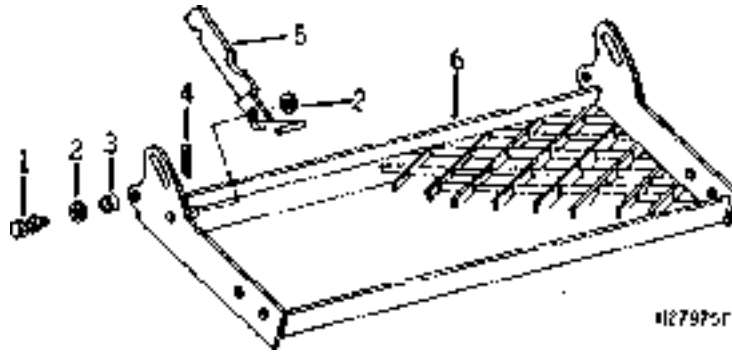
KEY	PART NO.	PART NAME	QTY	SERIAL NO.	REMARKS
1	SEAL	1		19 MM X 19 MM X 610 MM (3/4" X 3/4" X 24") PRESSURE SENSITIVE (BETWEEN RADIATOR AND CORNER FRAME AT REAR) (CUT FROM H88769)
2	SEAL	1		10 MM X 25 MM X 711 MM (3/8" X 1" X 28") PRESSURE SENSITIVE (BETWEEN RADIATOR AND CORNER FRAME AT TOP) (CUT FROM H88773)
3	SEAL	1		25 MM X 25 MM X 1114 MM (1" X 1" X 4-7/8") (BETWEEN TOP DOOR HINGE SEAL AND GRAIN TANK) (CUT FROM H81326)
4	SEAL	2		27 MM X 27 MM X 76 MM (1-1/16" X 1-1/16" X 3") (UNDER GRAIN TANK CHANNEL NEXT TO INSTRUMENT WALL AND BETWEEN L.H. GUSSET AND INSTRUMENT WALL) (CUT FROM H88770)
5	H86990	SEAL	1		PRESSURE SENSITIVE (ON ENGINE SIDE OF INSTRUMENT WALL AT TOP)
6	AH85910	ISOLATOR	1		(BETWEEN INSTRUMENT WALL AND BELL HOUSING)
7	H81350	SEAL	1		(BETWEEN INSTRUMENT WALL AND ENGINE SEAL PLATE)
8	SEAL	1		3 MM X 32 MM X 457 MM (1/8" X 1-1/4" X 18") (BETWEEN REAR SHEET AND CORNER REINFORCEMENT ANGLE AT TOP) (CUT FROM H88771)
9	SEAL	1		19 MM X 19 MM X 737 MM (3/4" X 3/4" X 29") PRESSURE SENSITIVE (BETWEEN RADIATOR AND CORNER FRAME AT FRONT) (CUT FROM H88769)
10	SEAL	1		19 MM X 19 MM X 76 MM (3/4" X 3/4" X 3") PRESSURE SENSITIVE (BETWEEN ROTARY SCREEN DOOR STOP BRACKET AND CORNER FRAME) (CUT FROM H88769)
11	SEAL	1		19 MM X 19 MM X 203 MM (3/4" X 3/4" X 8") PRESSURE SENSITIVE (BETWEEN RADIATOR AND CORNER FRAME AT LEFT FRONT) (CUT FROM H88769)

2D2

SEPARATOR SHELL

H27975F -UN-01JAN94

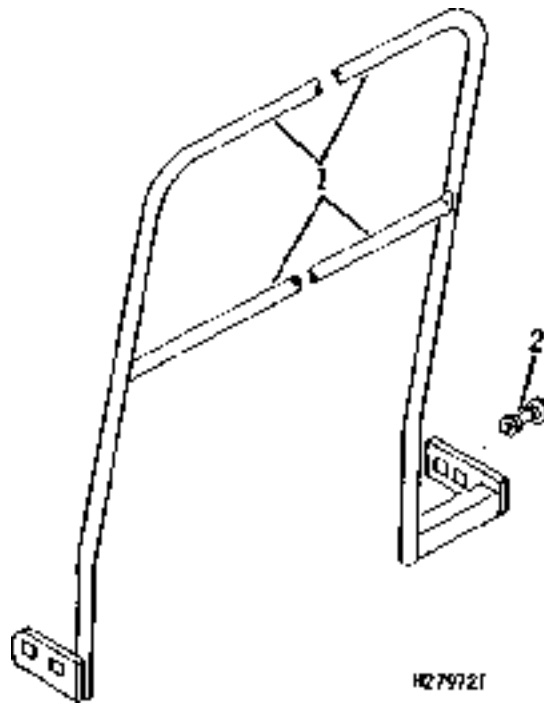
ENGINE COMPARTMENT WALKWAY



KEY	PART NO.	PART NAME	QTY	SERIAL NO.	REMARKS
1	19H1815	CAP SCREW	4	1/2" X 1-1/4"	
	E54809	LOCK NUT	4		
2	24H1111	WASHER	5	17/32" X 1-1/16" X 0.090"	
3	28H935	SPACER	4	1/2" X 7/16"	
4	11H206	COTTER PIN	1	3/32" X 3/4"	
5	AH90998	LATCH	1		
6	AH93235	STEP	1		

H27972F -UN-01JAN94

SAFETY RAILING



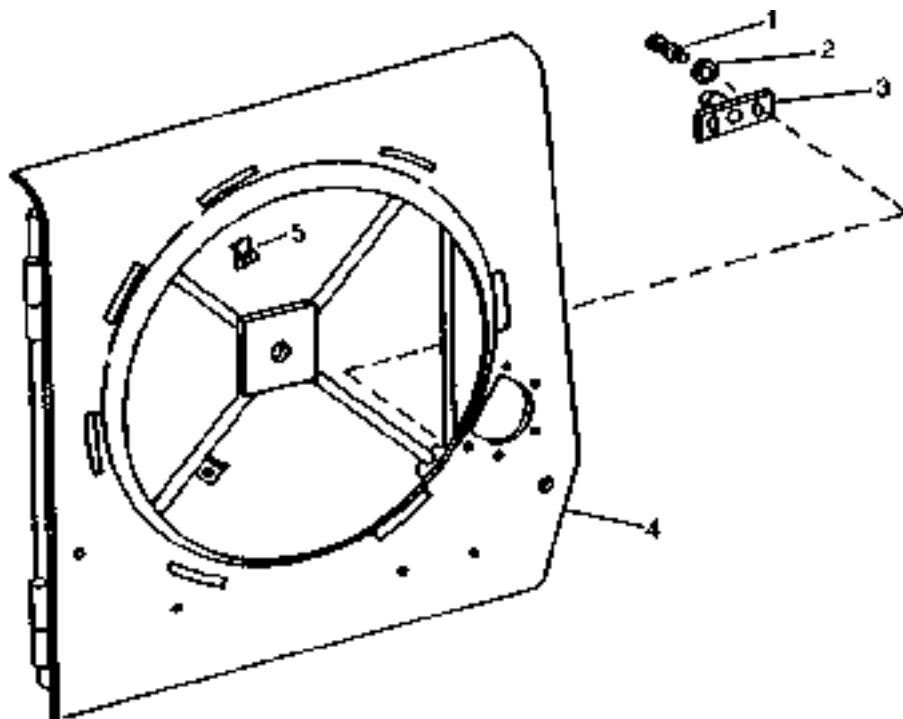
KEY	PART NO.	PART NAME	QTY	SERIAL NO.	REMARKS
1	AH92686	HANDRAIL	1		
2	03H1500	BOLT	4	3/8" X 1"	
	N10215	LOCK NUT	4		

2D3

SEPARATOR SHELL

HP559 -UN-01JAN94

ROTARY SCREEN DOOR AND SAFETY ROD



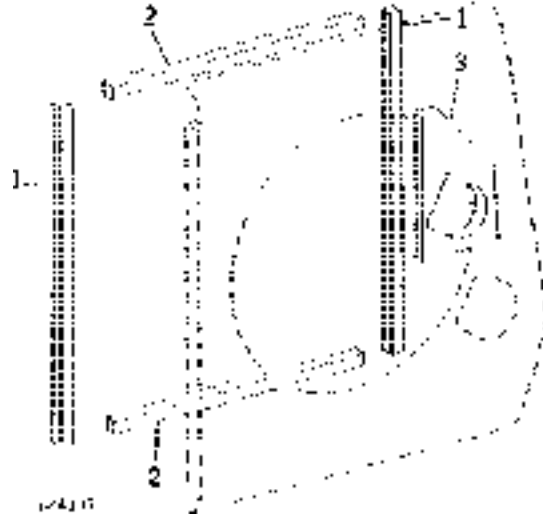
KEY	PART NO.	PART NAME	QTY	SERIAL NO.	REMARKS
1	19H1900	CAP SCREW	2	5/16" X 3/4"	
	12H303	LOCK WASHER	2	5/16"	
2	24H1136	WASHER	2	11/32" X 11/16" X 0.065"	
3	AH87612	SUPPORT	1	-600000	(SUB AH113908)
	AH113908	SUPPORT	1		
4	AH93926	DOOR	1		
5	R53677	LOCK NUT	7		

2D4

SEPARATOR SHELL

H24137 -UN-01JAN94

ROTARY SCREEN DOOR SEALS



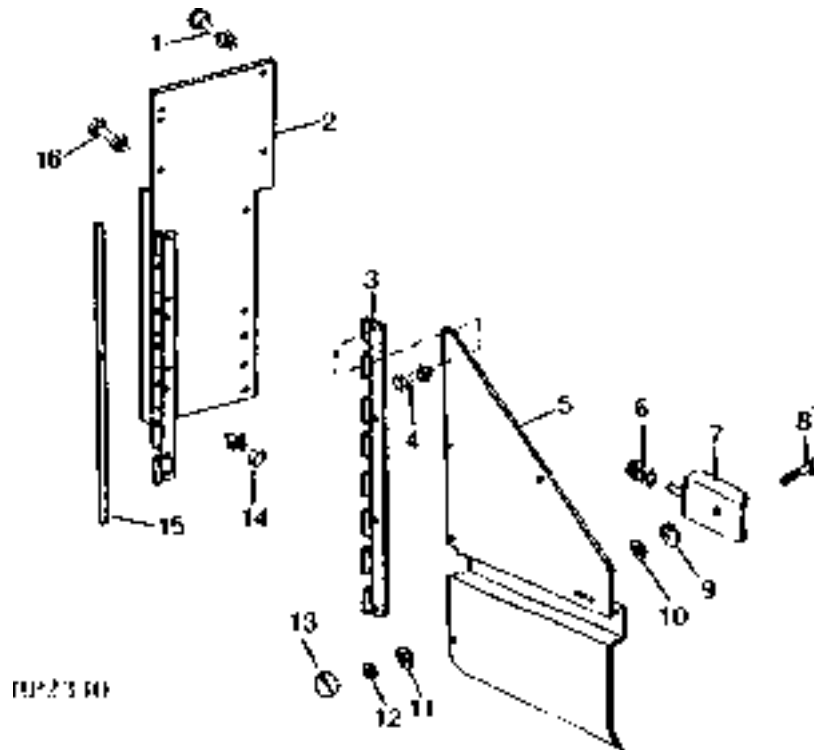
KEY	PART NO.	PART NAME	QTY	SERIAL NO.	REMARKS
1	SEAL	2		27 MM X 27 MM X 867 MM (1-1/16" X 1-1/16" X 34") (CUT FROM H88842)
2	SEAL	2		27 MM X 27 MM X 724 MM (1-1/16" X 1-1/16" X 28-1/2") (CUT FROM H88842)
3	H93421	SEAL	1		
PARTS LISTED BELOW ARE NOT ILLUSTRATED:					
..	H88842	SEAL	1		
..	AR31790	ADHESIVE	1		

2D5

SEPARATOR SHELL

HP2330 -UN-01JAN94

OIL RESERVOIR ACCESS DOOR



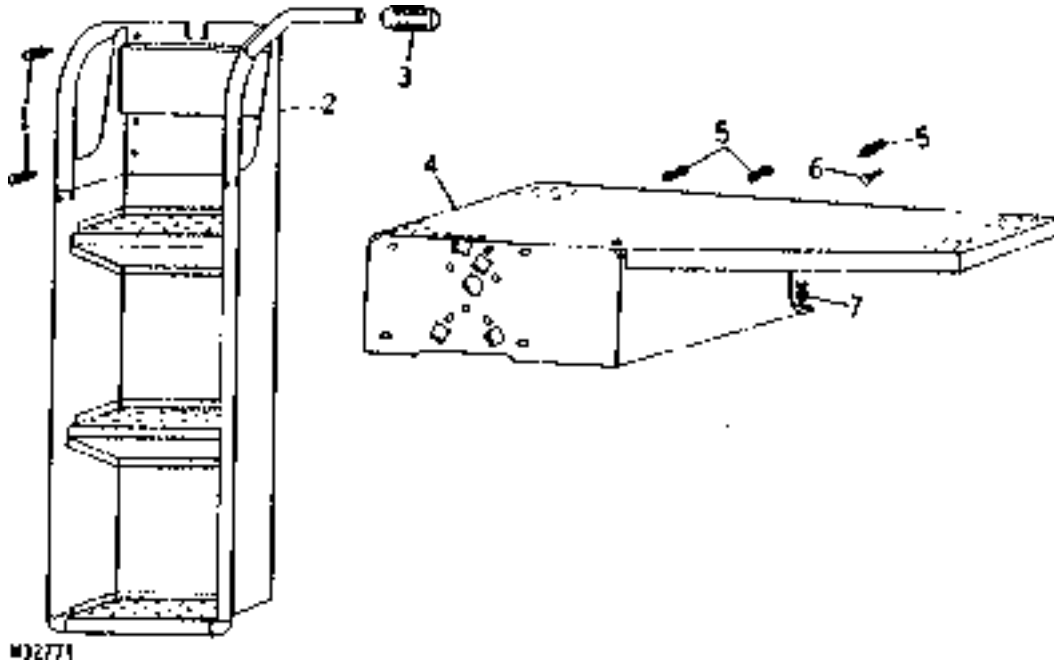
KEY	PART NO.	PART NAME	QTY	SERIAL NO.	REMARKS
1	21H1030	SCREW	3	3/8" X 3/4"	
2	AH76595	SUPPORT	1		
3	H77420	HINGE	1		
4	19H1813	CAP SCREW	4	5/16" X 5/8"	
	14H785	NUT	4	5/16"	
5	AH76211	DOOR	1		
6	F1463R	SPRING	1		
7	AH78173	LATCH	1		
8	19H2529	CAP SCREW	1	5/16" X 1"	
9	24H1211	WASHER	1	9/16" X 1-3/8" X 0.105"	
10	28H1861	WASHER	1	0.364" X 0.540" X 7/32"	
11	24H1224	WASHER	1	11/32" X 1" X 1/16"	
12	14H882	NUT	1	5/16"	
13	H29296	KNOB	1		
14	19H1731	CAP SCREW	5	3/8" X 1"	
	14H812	NUT	5	3/8"	
15	H75293	DOWEL PIN	1		
16	19H1936	CAP SCREW	1	3/8" X 3/4"	
	14H812	NUT	1	3/8"	

MEMORANDA

2D8

H32771 -UN-01JAN94

OPERATOR'S PLATFORM LADDER AND LANDING



KEY	PART NO.	PART NAME	QTY	SERIAL NO.	REMARKS
1	03H1707	BOLT	4		3/8" X 1", (USE WITH FIXED LADDER)
	14H812	NUT	4		3/8"
2	AH90298	LADDER	1	-450000	(SUB AH108066)
	AH108066	LADDER	1		
3	C3203E	GRIP	1		
4	AH101641	STEP	1	-550000	
	AH114447	STEP	1	550001-	
5	19H1732	CAP SCREW	3		3/8" X 1-1/4"
	14H812	NUT	3		3/8"
6	H65108	SCREW	2		SELF-TAPPING
7	19H2284	CAP SCREW	4		3/8" X 7/8"
	14H812	NUT	4		3/8"

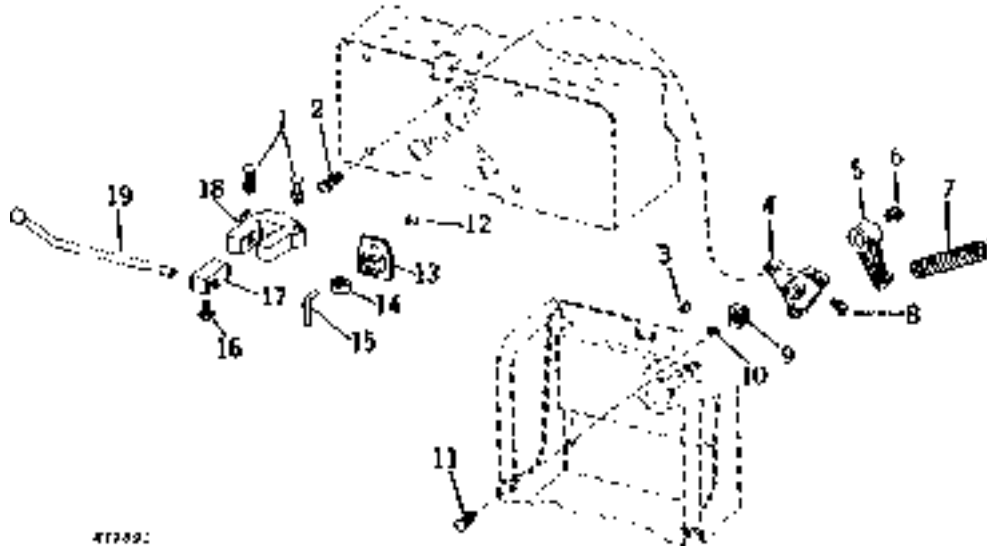
MEMORANDA

2D9

OPERATOR'S STATION

H19892 -UN-01JAN94

PIVOTING LADDER CONTROLS



417892

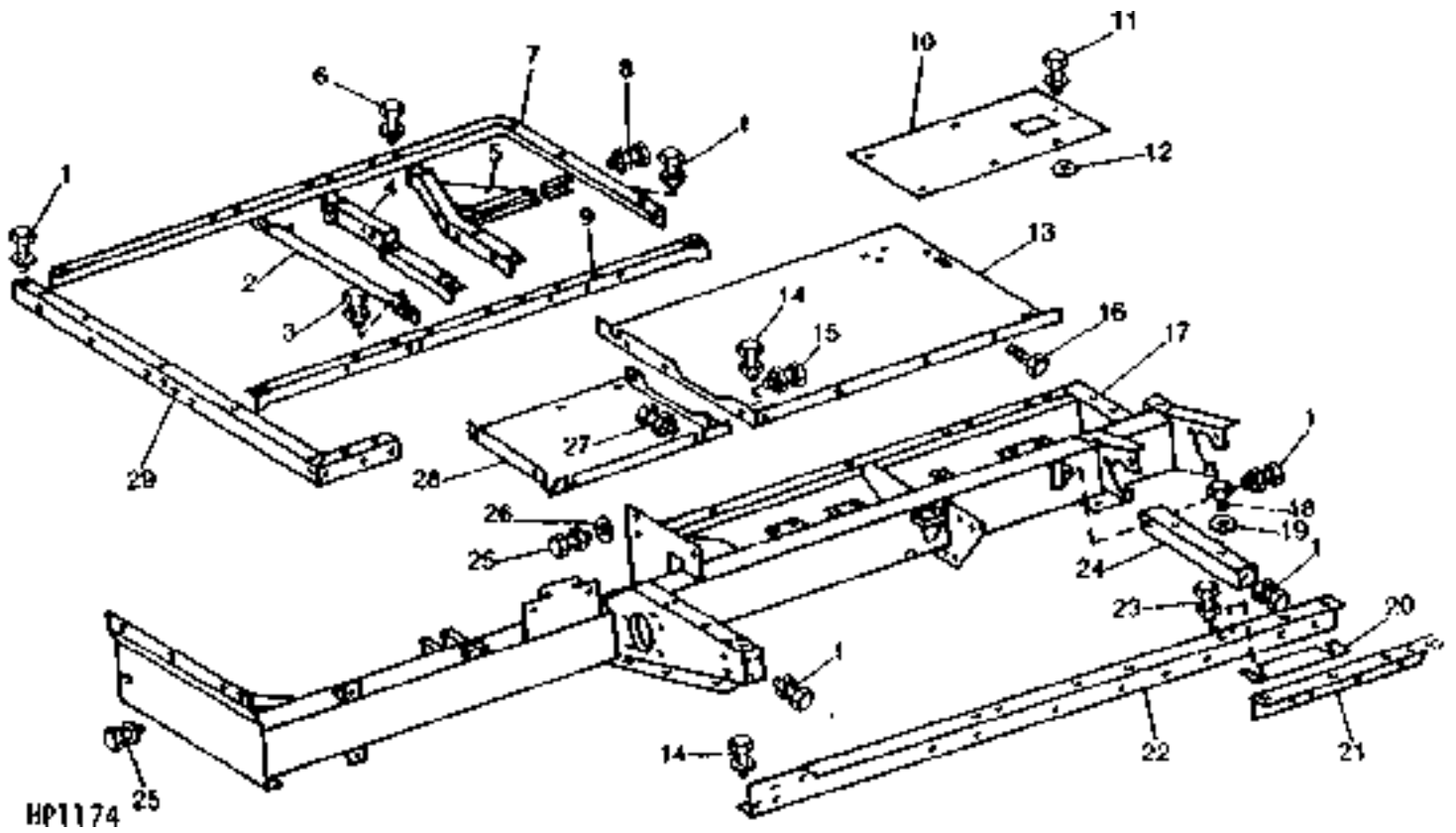
KEY	PART NO.	PART NAME	QTY	SERIAL NO.	REMARKS
1	03H1560	BOLT	2	3/8" X 1-3/4"	
	14H812	NUT	2	3/8"	
2	19H1732	CAP SCREW	3	3/8" X 1-1/4"	
	14H812	NUT	3	3/8"	
3	26H22	SHAFT KEY	1	1/4" X 1"	
4	H82069	SUPPORT	1		
5	H81253	ARM	1		
6	H34753	LOCK NUT	1		
7	S2827M	EXTENSION SPRING	1		
8	JD7788	LUBRICATION FITTING	1	45°, 1/4"	
9	H81342	STOP	1		
10	24H1237	WASHER	1	25/64" X 7/8" X 0.060"	
11	03H1558	BOLT	1	3/8" X 1-1/2"	
	14H812	NUT	1	3/8"	
12	H81721	NUT	3		
13	H81247	RETAINER	3		
14	H79962	ROLLER	3		
15	H81720	SPRING PIN	3		
16	22H844	SET SCREW	1	3/8" X 1/2"	
17	H81246	LOCK	1		
18	H81252	BEARING	1		
19	H81250	LEVER	1		

2D10

ENGINE AND OPERATOR'S PLATFORM ANGLES AND SUPPORTS

HP1174

-UN-01JAN94



ENGINE AND OPERATOR'S PLATFORM ANGLES AND SUPPORTS-CONTINUED

KEY	PART NO.	PART NAME	QTY	SERIAL NO.	REMARKS
1	19H1731	CAP SCREW	11		3/8" X 1"
	12H304	LOCK WASHER	11		3/8"
	14H812	NUT	11		3/8"
2	AH87796	ANGLE	1		
3	21H1137	SCREW	1		5/16" X 1-1/4"
	12H303	LOCK WASHER	1		5/16"
	14H785	NUT	1		5/16"
4	AH87795	ANGLE	1		
5	AH93670	SUPPORT	1		
6	19H1905	CAP SCREW	7		5/16" X 1"
	12H303	LOCK WASHER	7		5/16"
	14H785	NUT	7		5/16"
7	H78809	ANGLE	1		
8	19H1900	CAP SCREW	2		5/16" X 3/4"
	12H303	LOCK WASHER	2		5/16"
	14H785	NUT	2		5/16"
9	H78808	ANGLE	1		
10	H95044	SHEET	1	-401580	(SUB H103271)
	H103271	SHEET	1		
11	21H1069	SCREW	5		3/8" X 1"
	12H304	LOCK WASHER	5		3/8"
	14H812	NUT	5		3/8"
12	24H1378	WASHER	2		11/16" X 1-15/32" X 0.134"
13	H86583	SHEET	1		
14	19H1792	CAP SCREW	2		1/2" X 1"
	12H301	LOCK WASHER	2		1/2"
	14H1040	NUT	2		1/2"
15	19H1813	CAP SCREW	4		5/16" X 5/8"
	12H303	LOCK WASHER	4		5/16"
	14H785	NUT	4		5/16"
16	H65108	SCREW	3		
	H76139	SCREW	2		
17	AH102739	SUPPORT	1	-401580	(SUB AH105315)
	AH105315	SUPPORT	1	-500000	(SUB AH109597)
	AH109597	SUPPORT	1		
18	19H1732	CAP SCREW	3		3/8" X 1-1/4"
	12H304	LOCK WASHER	3		3/8"
19	24H1305	WASHER	3		13/32" X 13/16" X 0.065"
20	H85345	STRAP	3		
21	H86687	ANGLE	1		
22	H91710	RAIL	1	-401580	(SUB H103269)
	H103269	RAIL	1		
23	19H1732	CAP SCREW	2		3/8" X 1-1/4"
	N10215	LOCK NUT	2		
24	AH83452	ANGLE	1	-401580	(SUB AH105062)
	AH105062	SUPPORT	1		
25	19H1815	CAP SCREW	3		1/2" X 1-1/4"
	12H301	LOCK WASHER	3		1/2"
	14H1040	NUT	3		1/2"
26	24H1788	WASHER	2		17/32" X 1-1/8" X 0.060"
27	19H1936	CAP SCREW	1		3/8" X 3/4"
	12H304	LOCK WASHER	1		3/8"
	14H812	NUT	1		3/8"
28	H82617	SHEET	1		
29	H78827	ANGLE	1		

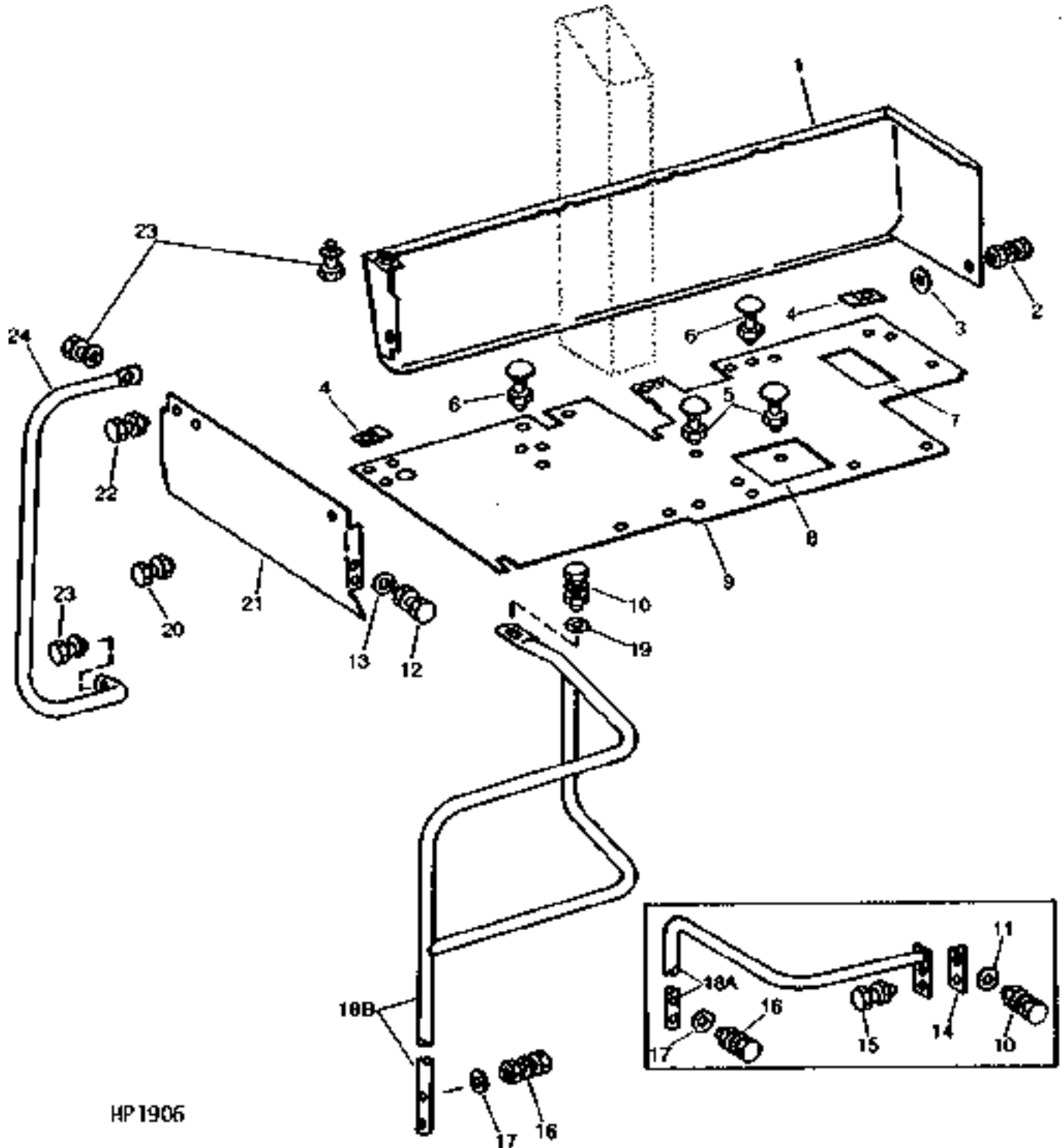
2D12

OPERATOR'S STATION

OPERATOR'S PLATFORM SHIELDS, FLOORBOARD, FLOOR MATS, AND HANDRAILS

HP1906

-UN-01JAN94



HP 1906

2D13

OPERATOR'S STATION

OPERATOR'S PLATFORM SHIELDS, FLOORBOARD, FLOOR MATS, AND HANDRAILS - CONTINUED

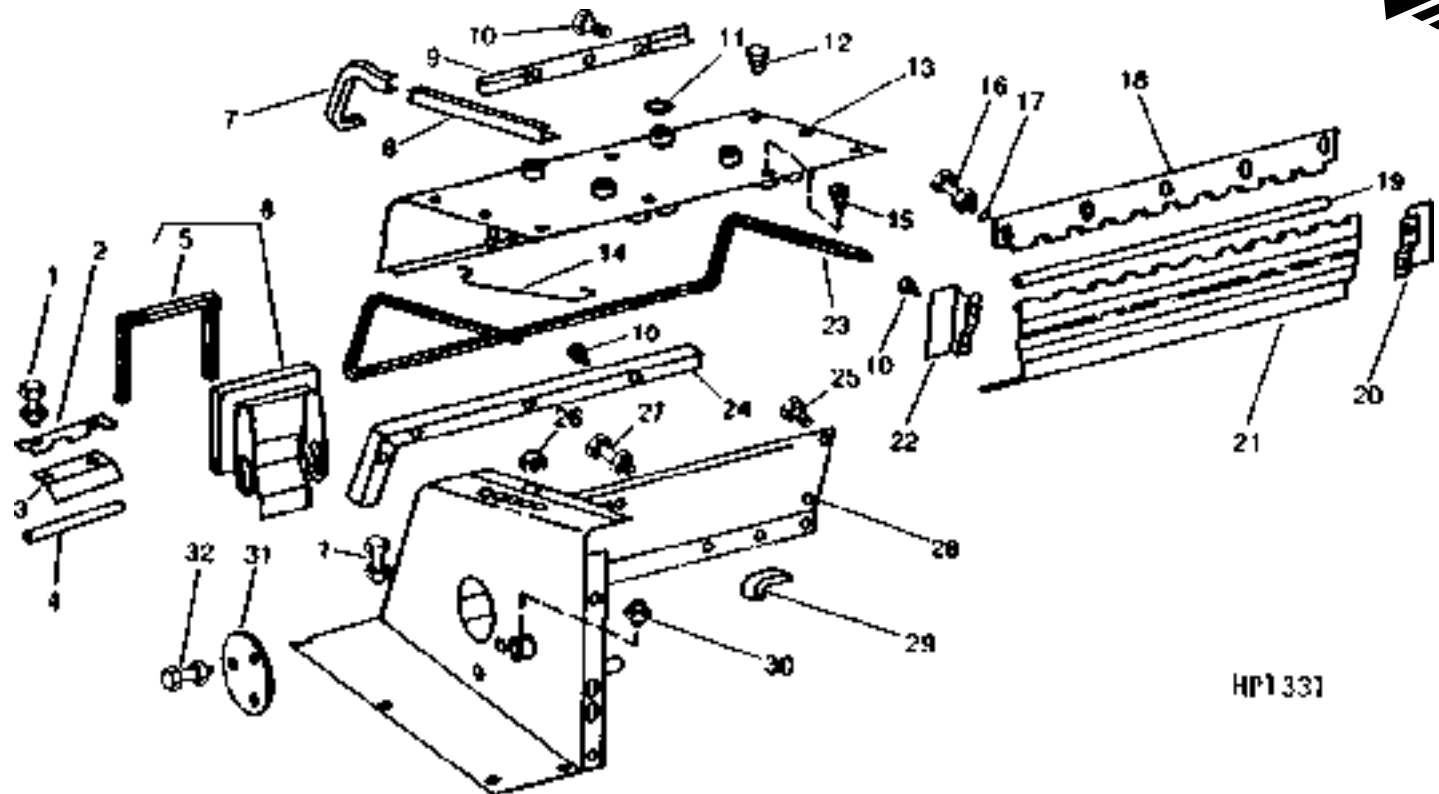
KEY	PART NO.	PART NAME	QTY	SERIAL NO.	REMARKS
1	AH87713	SHIELD	1		FRONT
2	19H1900	CAP SCREW	1		5/16" X 3/4"
	12H303	LOCK WASHER	1		5/16"
	14H785	NUT	1		5/16"
3	24H1136	WASHER	1		11/32" X 11/16" X 0.065"
4	H80970	REINFORCEMENT	2		
5	21H1069	SCREW	2		3/8" X 1"
	14H812	NUT	2		3/8"
6	21H1075	SCREW	4		5/16" X 1"
	14H785	NUT	4		5/16"
7	H82936	DOOR	1		
8	H82937	DOOR	1		
9	H95212	FLOOR	1	-500004	(LESS FLOOR MATS) (SUB H109904)
	H109904	BOARD	1		
	AH86445	MAT	1	-500004	(WITH OPERATOR'S CAB) (SUB AH108504)
	AH108504	MAT	1		
10	19H1731	CAP SCREW	4	-550000	3/8" X 1"
	12H304	LOCK WASHER	4	-550000	3/8"
	14H812	NUT	4	-550000	3/8"
	19H1731	CAP SCREW	1	550001-	3/8" X 1"
	12H304	LOCK WASHER	1	550001-	3/8"
	14H812	NUT	1	550001-	3/8"
11	24H1305	WASHER	4	-550000	13/32" X 13/16" X 0.065"
12	21H1310	SCREW	1		1/4" X 1/2"
	14H786	NUT	1		1/4"
13	24H1287	WASHER	1		9/32" X 5/8" X 0.065"
	24H1305	WASHER	1		13/32" X 13/16" X 0.065"
14	H83448	REINFORCEMENT	1	-550000	
15	R53663	SELF-LOCKING SCREW	2	-550000	
	14H812	NUT	2	-550000	3/8"
16	19H1801	CAP SCREW	2		3/8" X 2"
	12H304	LOCK WASHER	2		3/8"
	14H812	NUT	2		3/8"
17	24H1305	WASHER	2		13/32" X 13/16" X 0.065"
18A	AH97870	HANDRAIL	1	-550000	L.H., REAR
18B	AH114060	HANDRAIL	1	550001-	L.H., REAR
19	24H1312	WASHER	1	550001-	13/32" X 1-3/8" X 0.105"
20	21H1304	SCREW	2		5/16" X 3/4"
	14H785	NUT	2		5/16"
21	H103618	SHIELD	1		L.H., REAR
22	21H1030	SCREW	2		3/8" X 3/4"
	14H812	NUT	2		3/8"
23	R53664	SELF-LOCKING SCREW	4		
	R53668	THRUST WASHER	4		
24	AH97858	HANDRAIL	1		(WITH OPERATOR'S CAB)
..	SEAL	1		3 MM X 32 MM X 25 MM (1/8" X 1-1/4" X 1") (AROUND LEFT AND RIGHT CONDENSATE DRAIN TUBES AT FLOORBOARD) (CUT FROM H88771)

2D14

OPERATOR'S STATION

HP1331 -UN-01JAN94

ENGINE POWERSHAFT CLOSURE



HP1331

KEY	PART NO.	PART NAME	QTY	SERIAL NO.	REMARKS
1	21H1331	SCREW	5		5/16" X 1"
	14H785	NUT	5		5/16"
2	H75987	HINGE	1		(SUB H113113)
	H113113	HINGE	1		
3	H78289	DEFLECTOR	1		
4	H75985	DOWEL PIN	1		
5	AH110867	ISOLATOR	1	451641-	(USE WITH AH110868)
6	AH85464	DOOR	1		(WITHOUT OPERATOR'S CAB)
	AH86444	DOOR	1	-451640	(WITH OPERATOR'S CAB)
	AH110868	DOOR	1	451641-	(WITH OPERATOR'S CAB)
7	H85496	RETAINER	1		(R.H.)
	H85497	RETAINER	1		(L.H.)
8	H85492	CHANNEL	1		(R.H.)
	H85493	CHANNEL	1		(L.H.)
	H85494	CHANNEL	1		FRONT
10	H85233	RIVET	10		
11	H85464	NUT	4		
12	H85465	PLUG	14		(WITHOUT OPERATOR'S CAB)
13	AH97887	COVER	1		
14	H84975	SUPPORT	1		
15	H76139	SCREW	4		
16	21H1304	SCREW	4		5/16" X 3/4"
	14H785	NUT	4		5/16"
17	24H1136	WASHER	4		11/32" X 11/16" X 0.065"
18	H84981	HINGE	1		UPPER
19	H78134	DOWEL PIN	1		
20	H85457	COVER	1		
21	AH85457	HINGE	1		LOWER
22	H85458	COVER	1		
23	SEAL	1		21 MM X 33 MM X 1981 MM (27/32" X 1-5/16" X 78") LONG (CUT FROM AH83289)

2D15

OPERATOR'S STATION

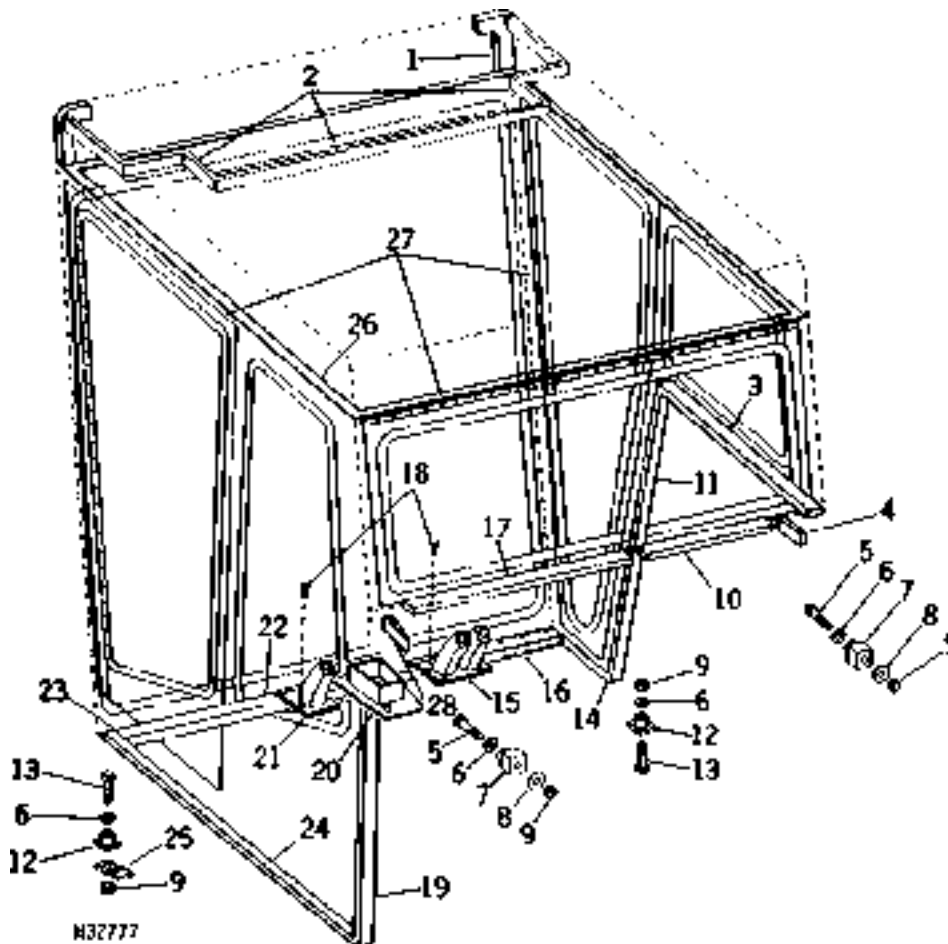
ENGINE POWERSHAFT CLOSURE - CONTINUED

KEY	PART NO.	PART NAME	QTY	SERIAL NO.	REMARKS
24	H85498	RETAINER	1		
25	H65108	SCREW	2		SELF-TAPPING
26	M2655T	PLUG	1		
27	19H1905	CAP SCREW	4		5/16" X 1"
	14H785	NUT	4		5/16"
28	AH97886	SHROUD	1		
29	SEAL	1		27 MM X 27 MM X 127 MM (1-1/16" X 1-1/16" X 5") LONG (CUT FROM H88770)
30	JD7797	LUBRICATION FITTING	1		STRAIGHT, 1/4"
31	H99260	DOOR	1		
32	H99282	CAP SCREW	1		
	14H786	NUT	1		1/4"

2D16

OPERATOR'S CAB MOUNTING BRACKETS, BUSHINGS, AND SEALS

H32777 -UN-01JAN94



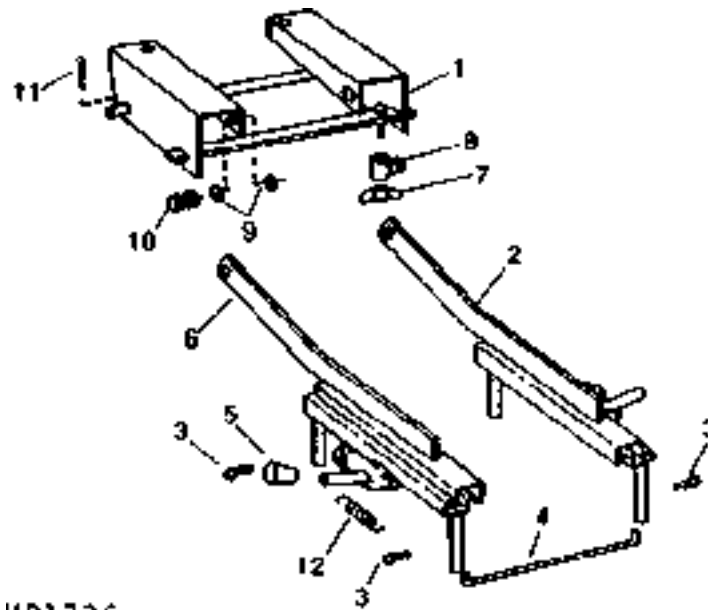
KEY	PART NO.	PART NAME	QTY	SERIAL NO.	REMARKS
1	SEAL	2		318 MM (12-1/2") LONG (CUT FROM AH86791)
2	H81696	SEAL	1		(SUB H93819)
3	SEAL	1		819 MM (32-15/64") LONG (CUT FROM H92017)
4	SEAL	1		102 MM (4") LONG (CUT FROM H92017)
5	19H2128	CAP SCREW	2		3/8" X 3"
6	24H1312	WASHER	5		13/32" X 1-3/8" X 0.105"
7	AH79104	ISOLATOR	2		
8	24H1315	WASHER	2		13/32" X 2-1/8" X 0.134"
9	14H812	NUT	5		3/8"
10	SEAL	1		615 MM (24-13/64") LONG (CUT FROM H92017)
11	SEAL	1		832 MM (32-47/64") LONG (CUT FROM H92017)
12	AH79105	ISOLATOR	3		
13	19H1726	CAP SCREW	3		3/8" X 2-1/4"
14	SEAL	1		25 MM (10") LONG (CUT FROM H92017)
15	H93579	BOOT	1		BRAKE, PEDAL
16	SEAL	1		158 MM (6-15/64") LONG (CUT FROM H92017)
17	SEAL	1		345 MM (13-5/8") LONG (CUT FROM H92017)
18	H82771	NUT	4		
19	AH79758	WEATHERSTRIP	1		
20	H94149	BOOT	1		STEERING COLUMN
21	H104223	BOOT	1		CLUTCH PEDAL
22	SEAL	1		782 MM (30-51/64") LONG (CUT FROM H92017)
23	SEAL	1		64 MM (2-1/2") LONG (CUT FROM H92017)
24	SEAL	1		122 MM (48") LONG (CUT FROM H92017)
25	H80970	REINFORCEMENT	2		
26	SEAL	1		3 MM X 6 MM (1/8" X 1/4") LONG (CUT FROM H81847)
27	SEAL	1		(CUT FROM AH80335)
28	AH96110	SEAL	1		

2D17

OPERATOR'S STATION

HP1736 -UN-01JAN94

OPERATOR'S PLATFORM SEAT SUPPORTS
(SERIAL NO. -550000)



HP1736

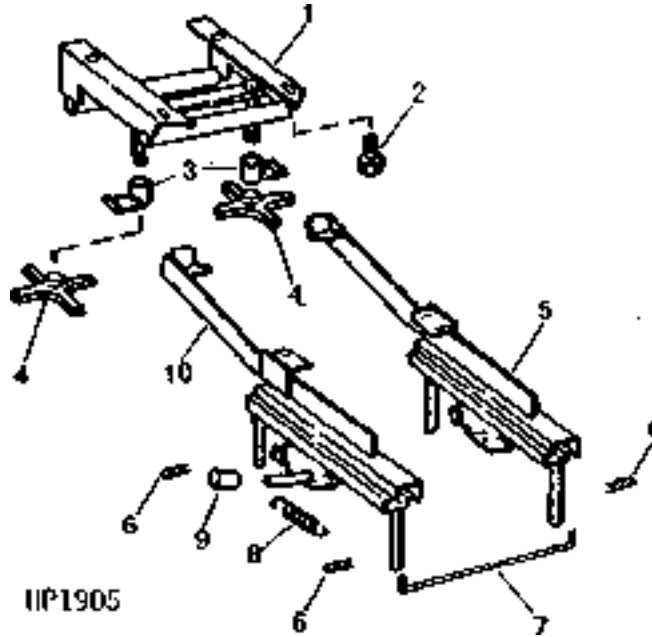
KEY	PART NO.	PART NAME	QTY	SERIAL NO.	REMARKS
1	AH90485	SUPPORT	1	(REGULAR)	
	AH97885	SUPPORT	1	(PERSONAL POSTURE)	
2	AH97888	RAIL	1	R.H.	
3	28316	SPRING LOCKING PIN	4		
4	H99258	PIN	1		
5	H83055	KNOB	1		
6	AH97889	RAIL	1	L.H.	
7	H99316	WING NUT	2		
	12H304	LOCK WASHER	2	3/8"	
8	H99259	LOCK	1		
9	24H1237	WASHER	4	25/64" X 7/8" X 0.060"	
10	19H1731	CAP SCREW	2	3/8" X 1"	
	12H304	LOCK WASHER	2	3/8"	
	14H812	NUT	2	3/8"	
11	J16931	SPRING LOCKING PIN	2		
12	H114637	SPRING	2		

2D18

OPERATOR'S STATION

HP1905 -UN-01JAN94

OPERATOR'S PLATFORM SEAT SUPPORTS (SERIAL NO. 550001-)



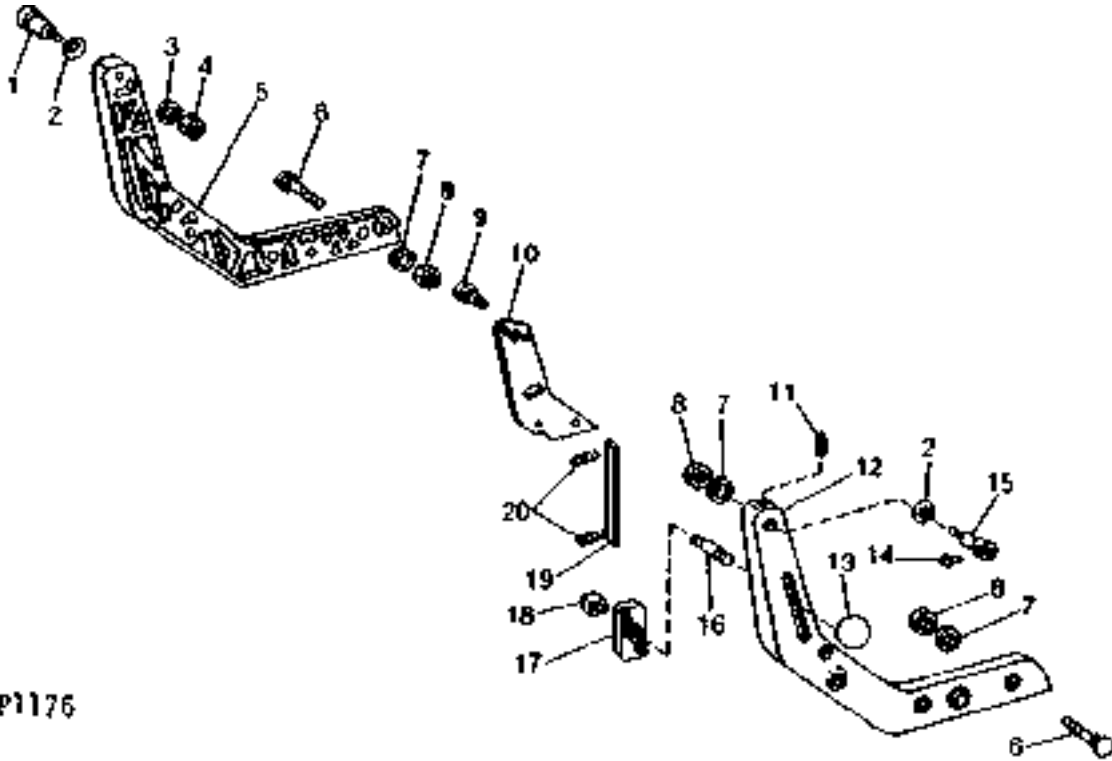
KEY	PART NO.	PART NAME	QTY	SERIAL NO.	REMARKS
1	AH112120	SUPPORT	1		
2	N10212	SELF-LOCKING SCREW	4		
3	H99259	LOCK	2		
4	M48237	KNOB	2		
5	AH112122	RAIL	1		R.H.
6	28316	SPRING LOCKING PIN	4		
7	H99258	PIN	1		
8	H114637	SPRING	2		
9	H83055	KNOB	1		
10	AH112121	RAIL	1		L.H.

2D19

OPERATOR'S STATION

HP1176 -UN-01JAN94

SEAT BACKREST SUPPORTS (PERSONAL POSTURE SEAT)



HP1176

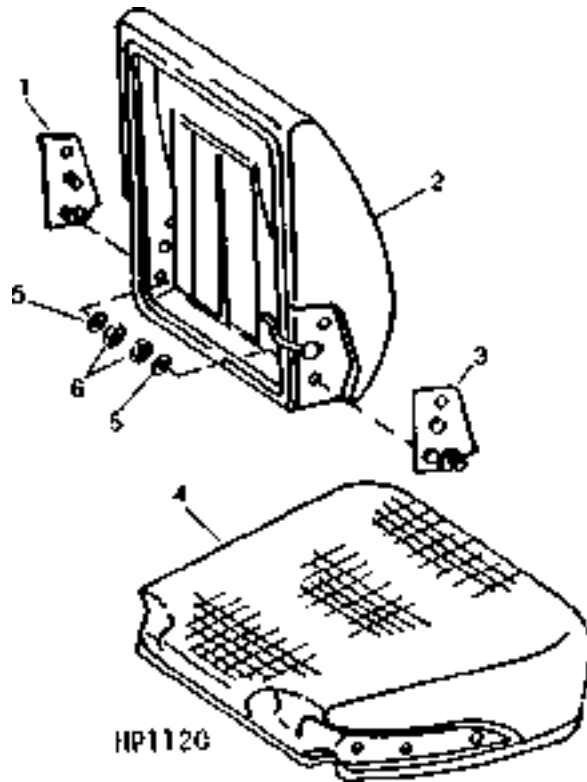
KEY	PART NO.	PART NAME	QTY	SERIAL NO.	REMARKS
1	R59019	SCREW	1		
2	T519T	WASHER	2		
3	R53668	THRUST WASHER	2		
4	R53670	WELD NUT	2		
5	R58814	SUPPORT	1		
6	R59015	GANG BOLT	4		
7	R53668	THRUST WASHER	4		
8	R53670	WELD NUT	4		
9	37H78	SCREW	3	0.164" X 3/4"	
10	R59011	PLATE	1		
11	22H971	SET SCREW	1	0.190" X 1/2"	
12	H92310	SUPPORT	1		
13	R60458	KNOB	1		
14	19H2948	SCREW	1	1/4" X 0.380"	
15	H92311	STUD	1	R.H.	
16	R59012	WELD STUD	1		
17	R59010	ADJUSTER	1		
18	R59018	BUSHING	1		
19	R59009	REINFORCEMENT	1		
20	R31890	SPRING	2		

2D20

OPERATOR'S STATION

HP1120 -UN-01JAN94

SEAT CUSHIONS (PERSONAL POSTURE SEAT)

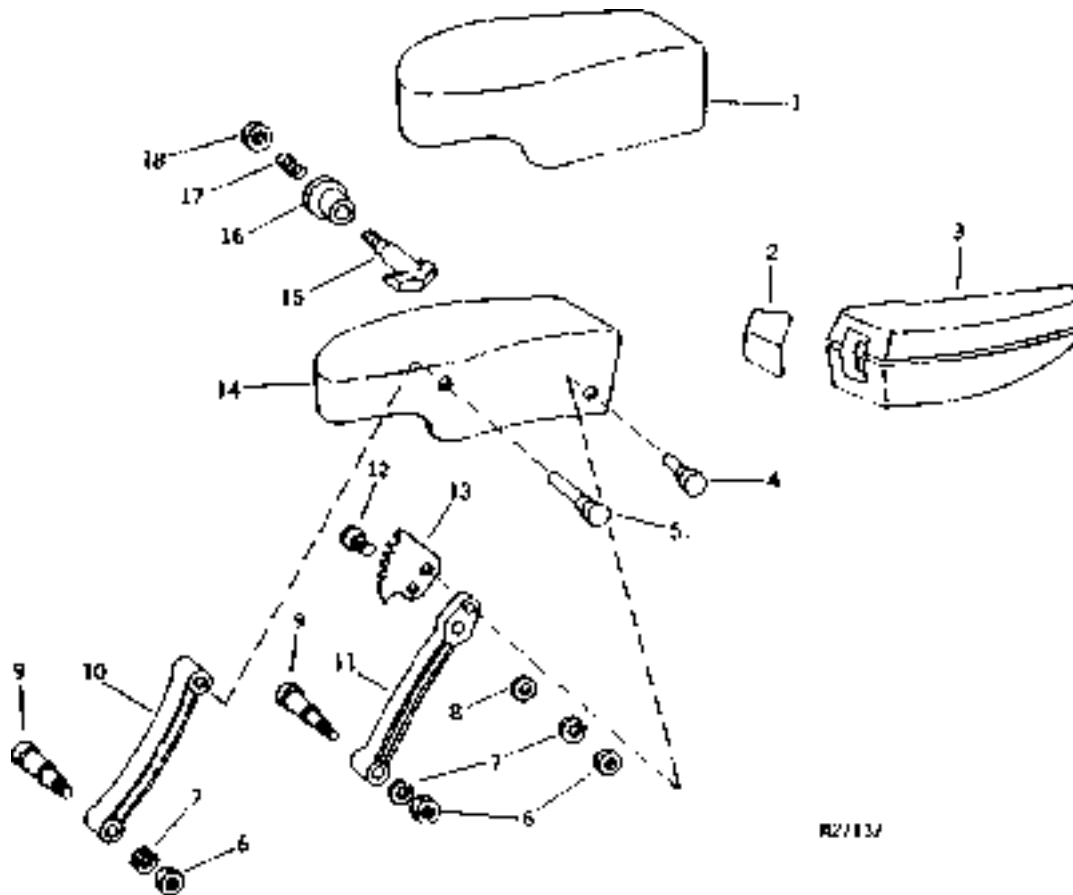


KEY	PART NO.	PART NAME	QTY	SERIAL NO.	REMARKS
1	AR71109	PLATE	1		BACKREST, PIVOT, L.H.
2	AR71107	CUSHION	1		BACKREST
3	AR71108	PLATE	1		BACKREST, PIVOT, R.H.
4	AR71106	CUSHION	1	-610100	(SUB AT74219)
5	AT74219	CUSHION	1		
5	R53668	THRUST WASHER	4		
6	R53670	WELD NUT	4		

2D21

H27137 -UN-01JAN94

ARMRESTS (PERSONAL POSTURE SEAT)



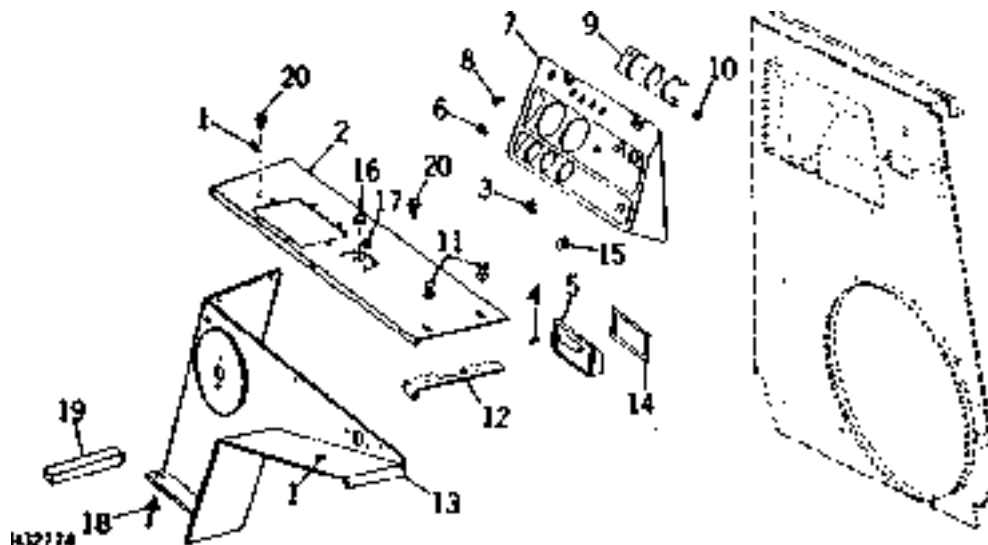
KEY	PART NO.	PART NAME	QTY	SERIAL NO.	REMARKS
1	R59025	CUSHION	1		ARMREST, L.H.
2	H92315	PLATE	1		ARMREST, R.H.
3	AH92078	ARMREST	1		R.H.
4	R59021	PIN	1		
5	R59023	PIN	1		
6	R53670	WELD NUT	3		
7	R53668	THRUST WASHER	3		
8	R53665	WASHER	1		
9	R59022	SCREW	2		SPECIAL
10	R59013	LINK	1		ARMREST, REAR
11	R59020	LINK	1		ARMREST, FRONT
12	03H1765	BOLT	1		3/8" X 3/4"
13	R59026	PLATE	1		
14	R58816	ARMREST	1		L.H.
15	R59070	SHAFT KEY	1		
16	R59028	BUSHING	1		
17	A4741R	SPRING	1		
18	R59029	KNOB	1		

2D22

OPERATOR'S STATION

H32774 -UN-01JAN94

INSTRUMENT PANEL AND CONSOLE



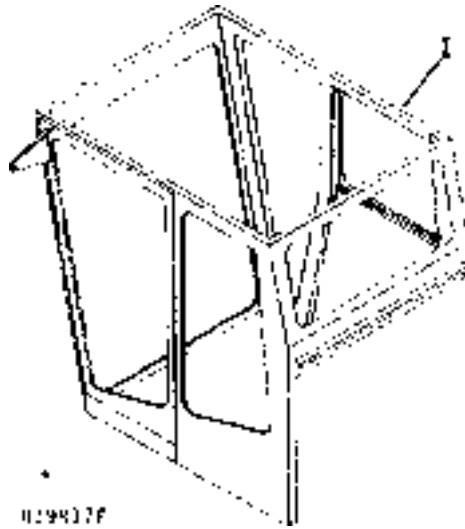
KEY	PART NO.	PART NAME	QTY	SERIAL NO.	REMARKS
1	H89266	SCREW	1		
2	H99237	COVER	1	-500000	(SUB H113093 AND H113094)
	H113093	COVER	1	-500000	(SUB H115764)
	H115764	COVER	1		
	H99236	COVER	1	-500000	(SUB H113092 AND H113094)
	H113092	COVER	1	-500000	(SUB H115765)
	H115765	COVER	1		(USE WITH LOW SHAFT SPEED INDICATOR)
3	H81352	PLUG	1		
4	H98110	SCREW	2		
5	AH96177	ASHTRAY	1		
6	H80264	SCREW	3		
7	H91338	INSTRUMENT PANEL	1		
8	H99278	SCREW	4		
9	H78546	RETAINER	1		
10	14H786	NUT	3		1/4"
11	19H1900	CAP SCREW	2		5/16" X 3/4"
	14H785	NUT	2		5/16"
12	H99239	EXTENSION	1	-500000	
	H113094	EXTENSION	1	500001-	
13	AH97884	PANEL	1		
14	H98108	SEAL	1		
15	H91792	PLUG	1		
16	H62218	PLUG	1	-400784	(SUB H106000)
	H106000	PLUG	1		
17	P48338	PLUG	2		
18	21H1312	SCREW	1		0.190" X 1"
	14H778	NUT	1		0.190"
19	SEAL	1		19 MM X 19 MM X 225 MM (3/4" X 3/4" X 3-7/8") (CUT FROM H88769)
20	H99284	SCREW	7		

2D23

OPERATOR'S STATION

H29817F -UN-01JAN94

OPERATOR'S CAB BODY



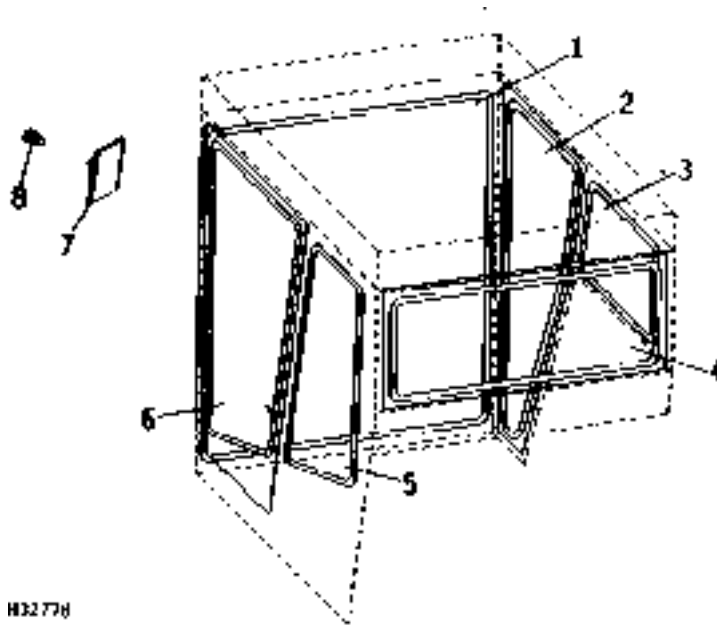
KEY	PART NO.	PART NAME	QTY	SERIAL NO.	REMARKS
1	AH97973	CAB	1		(INCLUDES GLASS AND DOOR FRAMES)

2D24

OPERATOR'S STATION

H32778 -UN-01JAN94

OPERATOR'S CAB GLASS, MOLDING, AND MIRROR



H32778

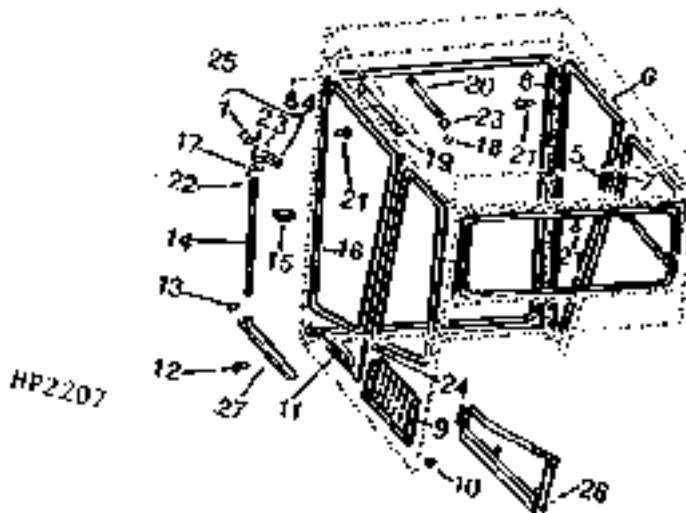
KEY	PART NO.	PART NAME	QTY	SERIAL NO.	REMARKS
1	H81792	WINDOWPANE	1		WINDSHIELD
2	H81793	WINDOWPANE	1		R.H. DOOR
3	H81798	WINDOWPANE	1		R.H.
4	H81796	WINDOWPANE	1		REAR
5	H81797	WINDOWPANE	1		L.H.
6	H81794	WINDOWPANE	1		L.H. DOOR
7	AH16186	REAR VIEW MIRROR	1		
8	19H2651	CAP SCREW	1		1/4" X 3/4"

2D25

OPERATOR'S STATION

HP2207 -UN-01JAN94

DOORS, HINGES, LATCHES, AND TOOL POCKET FOR OPERATOR'S CAB

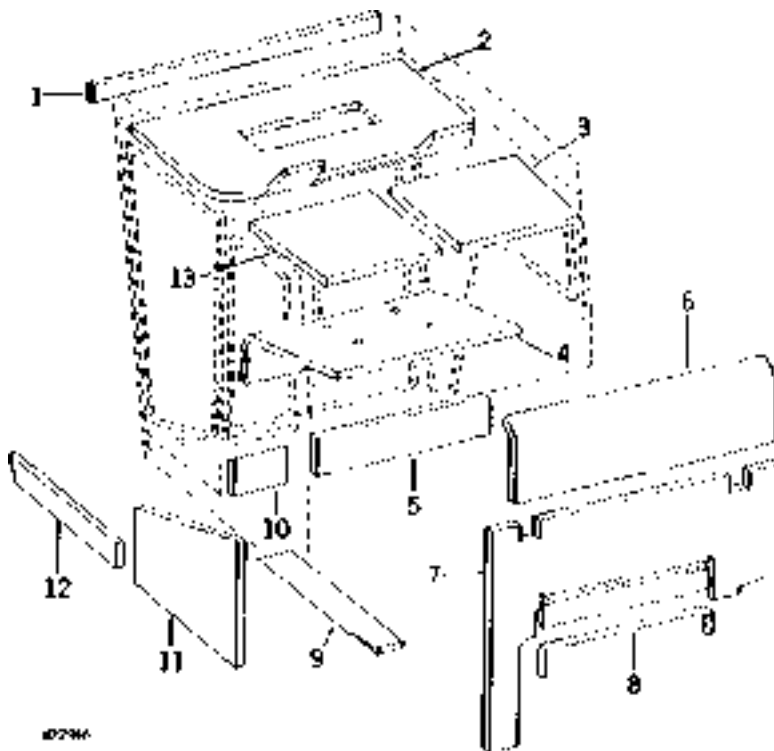


KEY	PART NO.	PART NAME	QTY	SERIAL NO.	REMARKS
1	H81782	BOLT	1		
2	H88849	SPRING	1		INNER HANDLE, R.H. DOOR
3	34H251	SPRING PIN	1		1/8" X 1"
4	AH80329	HANDLE	1		INNER, L.H. DOOR
5	AH86853	LATCH	1		
	37H32	SCREW	2		0.190" X 3/8"
6	AH80338	FRAME	1		R.H. DOOR
7	AH81544	HANDLE	1		OUTER, R.H. DOOR
8	AH80331	HINGE	1		R.H. DOOR
9	AH80715	HOLDER	1		
10	21H1300	SCREW	10		0.190" X 3/8"
11	AH84129	FRAME	1		L.H. DOOR
12	H81804	BUMPER	1		
13	34H277	SPRING PIN	1		3/16" X 5/8"
14	H84481	PIN	1		
15	H82241	PLATE	1	-550000	(SUB H100286)
	H100286	LATCH	1		STRIKER
16	AH84125	HINGE	1		
17	H84197	SPRING	1		
18	16H1300	RIVET	3		3/8" X 5/8"
19	AH84127	HOUSING	1		
20	AH84126	STRAP	1		L.H. DOOR
21	37H32	SCREW	30		0.190" X 3/8"
22	34H282	SPRING PIN	1		3/16" X 1"
23	H83943	PUSH NUT	1		
24	H89012	PIN	1		
25	H89266	SCREW	9		
26	AH107850	PANEL	1	400988-	L.H. INNER DOOR
27	AH84128	HANDLE	1		L.H., LOWER

2E1

H22966 -UN-01JAN94

OPERATOR'S CAB SOUND INSULATION AND SEALS



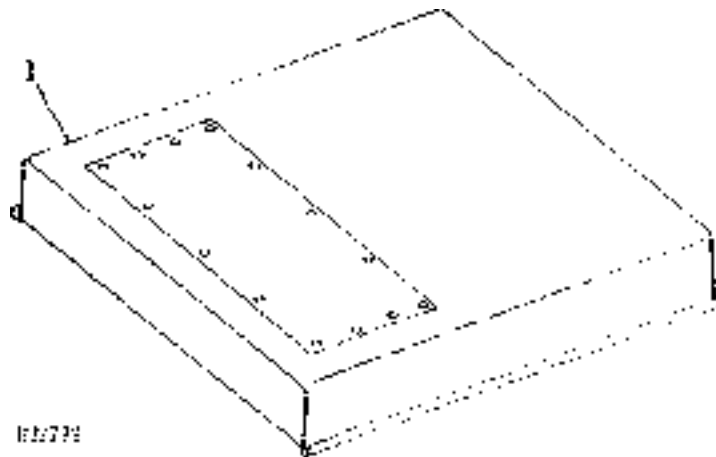
KEY	PART NO.	PART NAME	QTY	SERIAL NO.	REMARKS
1	AH86563	INSULATOR	1		FRONT, TOP, (CUT AS REQUIRED FOR CABS EQUIPPED WITH WINDSHIELD WIPERS)
2	AH96289	INSULATOR	1		ROOF, FRONT
3	AH86824	INSULATOR	1		HEADLINER, R.H.
4	AH86441	INSULATOR	1		LID, SEAT
5	AH86440	INSULATOR	1		SEAT, LOWER
6	AH85443	INSULATOR	1		(TRIM TO SIZE)
7	AH86434	INSULATOR	1		CAB, REAR
8	SEAL	1		19 MM X 15 MM X 597 MM (3/4" X 37/64" X 23-1/2") (CUT FROM H85782)
9	AH86555	MAT	1		FLOOR, L.H.
10	AH86439	INSULATOR	1		DOOR, ELEVATOR
11	AH86560	INSULATOR	1		SILL, L.H. WINDOW
12	AH86559	INSULATOR	1		SILL, L.H. DOOR
13	AH86825	INSULATOR	1		HEADLINER, L.H.

2E2

OPERATOR'S STATION

H32779 -UN-01JAN94

CAB ROOF

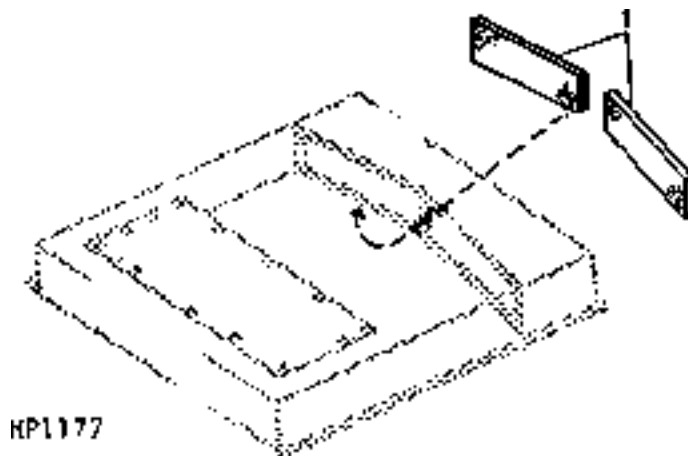


KEY PART NO. PART NAME QTY SERIAL NO. REMARKS

1 AH96319 ROOF 1

HP1177 -UN-01JAN94

CAB ROOF RECIRCULATING FILTERS



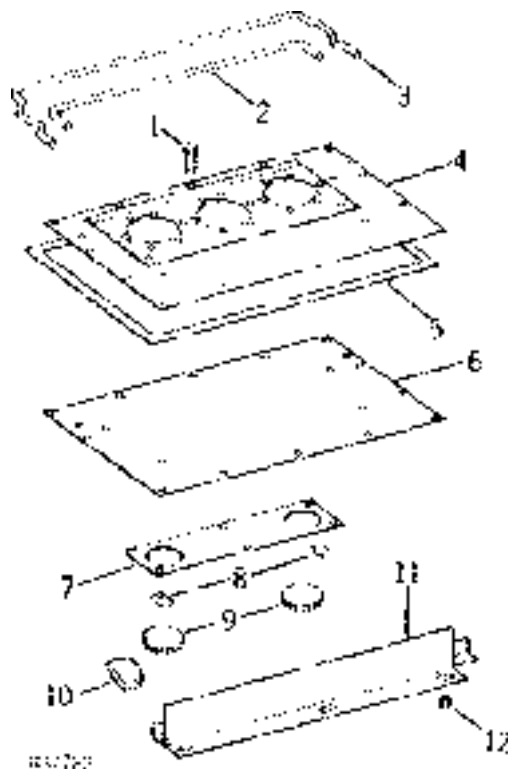
KEY PART NO. PART NAME QTY SERIAL NO. REMARKS

1 H97814 AIR FILTER 2

2E3

H32782 -UN-01JAN94

OPERATOR'S CAB PANELS AND LOUVERS



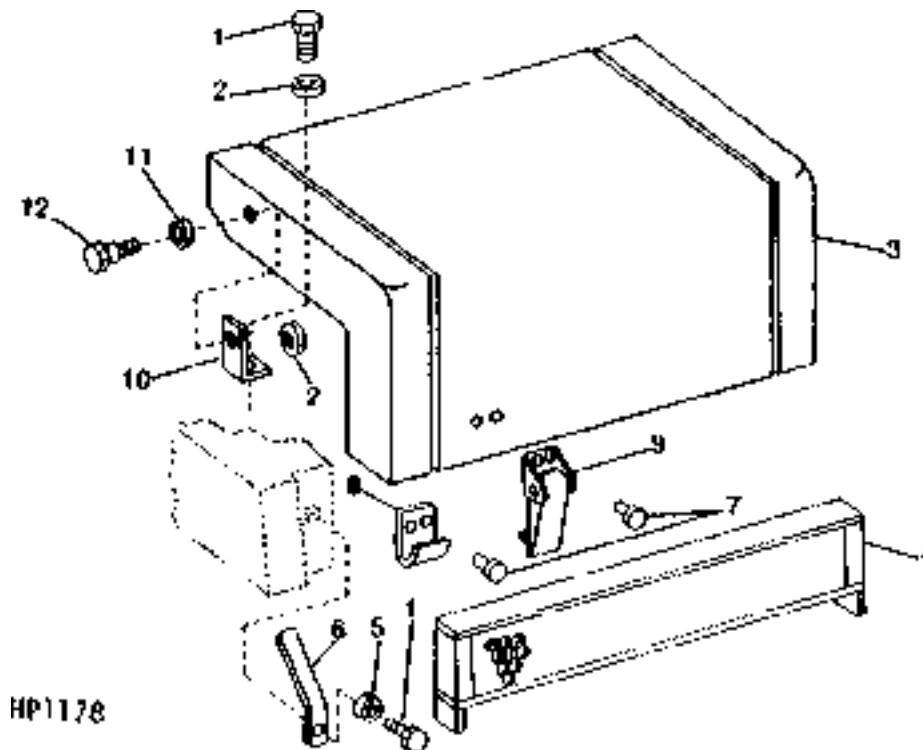
KEY	PART NO.	PART NAME	QTY	SERIAL NO.	REMARKS
1	AH87867	SCREW	16		
2	SEAL	1		19 MM X 19 MM X 1130 MM (3/4" X 3/4" X 44-1/2") (CUT FROM H88769)
3	SEAL	1		6 MM X 13 MM X 1829 MM (1/4" X 1/2" X 72") (CUT FROM H118398)
4	H88578	SHEET	1		
5	SEAL	1		3 MM X 6 MM X 3658 MM (1/8" X 1/4" X 144") (CUT FROM H81847)
6	H88779	SEAL	1		
7	H81685	PANEL	1		
8	H83282	CLIP	6		
9	AH96276	LOUVER	2		
10	H83062	DEFLECTOR	1		
11	AH85442	PANEL	1		
12	37H105	SCREW	3		NO. 10 X 3/8"

2E4

OPERATOR'S STATION

HP1178 -UN-01JAN94

AIR INTAKE AT REAR OF OPERATOR'S CAB



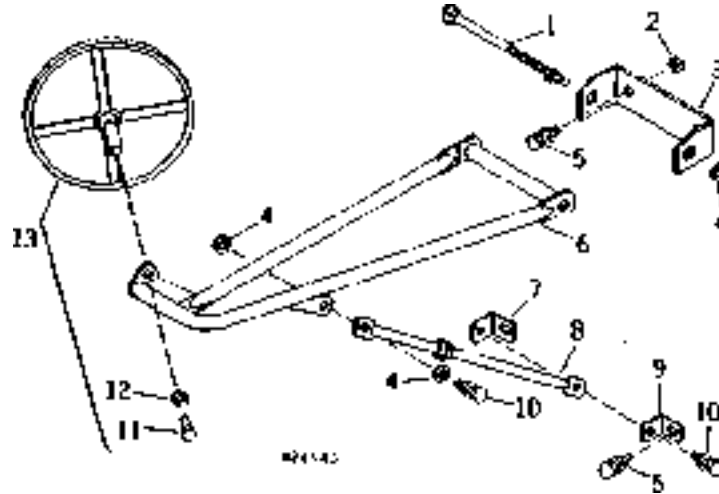
KEY	PART NO.	PART NAME	QTY	SERIAL NO.	REMARKS
1	19H1948	CAP SCREW	3		1/4" X 3/4"
2	24H1287	WASHER	4		9/32" X 5/8" X 0.065"
3	AH96387	COVER	1		
4	AH80920	FILTER	1		
5	M40333	LOCK NUT	1		
6	H97815	HANDLE	1		
7	H64584	RIVET	4		
8	H61805	HOOK	1		
9	AH61903	LATCH	1		
10	H96870	ANGLE	2		
11	24H1136	WASHER	2		11/32" X 11/16" X 0.065"
12	E55780	CAP SCREW	2		
	14H786	NUT	2		1/4"

2E5

OPERATOR'S STATION

H24543 -UN-01JAN94

RIGHT-HAND REAR VIEW MIRROR



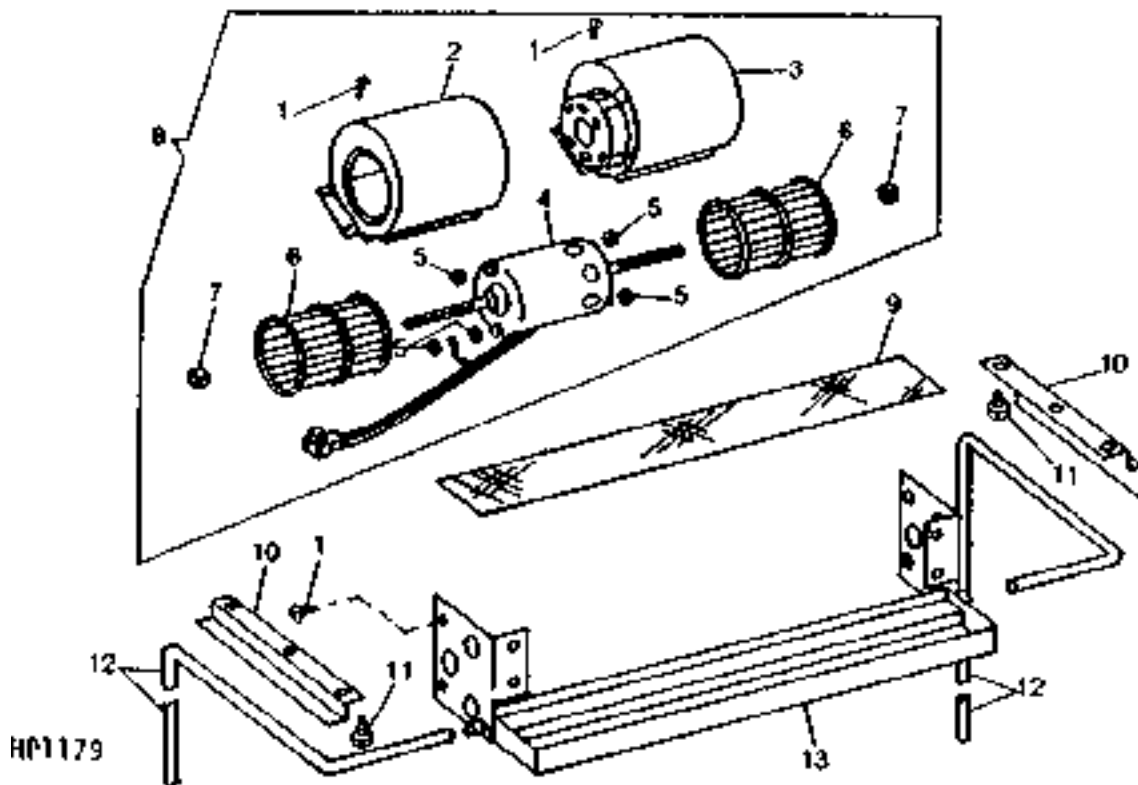
KEY	PART NO.	PART NAME	QTY	SERIAL NO.	REMARKS
1	03H2299	BOLT	1		5/16" X 6-1/2"
	14H785	NUT	1		5/16"
2	24H1305	WASHER	2		13/32" X 13/16" X 0.065"
3	H86757	BRACKET	1	-400000	(SUB H100673)
	H100673	BRACKET	1		
4	24H1122	WASHER	3		3/8" X 7/8" X 0.083"
5	19H2284	CAP SCREW	3		3/8" X 7/8"
	14H812	NUT	3		3/8"
6	AH87744	SUPPORT	1		
7	H86391	ANGLE	1		OUTER
8	AH99411	ARM	1		
9	H86390	ANGLE	1		INNER
10	19H2127	CAP SCREW	2		5/16" X 7/8"
	14H785	NUT	2		5/16"
11	19H1919	CAP SCREW	1		1/4" X 5/8"
12	12H302	LOCK WASHER	1		1/4"
13	AH85485	REAR VIEW MIRROR	1	-400000	
	AH99408	REAR VIEW MIRROR	1		

2E6

OPERATOR'S STATION

HP1179 -UN-01JAN94

OPERATOR'S CAB PRESSURIZER



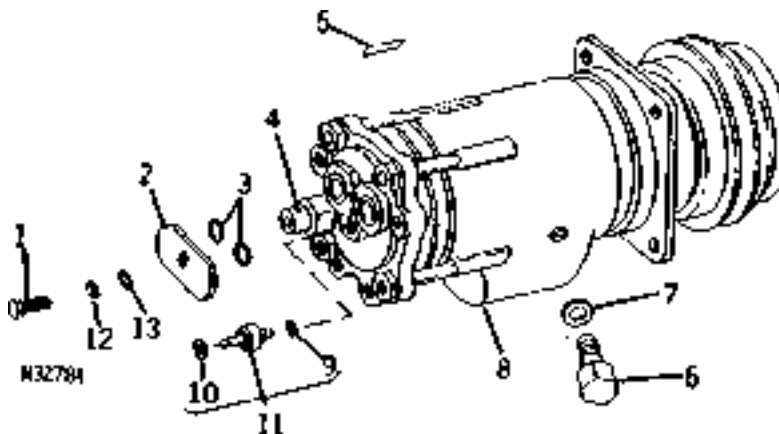
KEY	PART NO.	PART NAME	QTY	SERIAL NO.	REMARKS
1	19H1919	CAP SCREW	8		1/4" X 5/8"
2	AH89814	CASE	1		L.H.
3	AH89813	CASE	1		R.H.
4	AH80194	MOTOR	1		
5	14H778	NUT	5		0.190"
6	H84107	WHEEL	2		
7	H84108	CLIP	2		
8	AH89816	FAN	1		
9	H82237	SCREEN	1		
10	H85485	SHIELD	2		
11	37H32	SCREW	6		0.190" X 3/8"
12	H83025	LINE	2		
13	AH88881	HOLDER	1		

2E7

OPERATOR'S STATION

H32784 -UN-01JAN94

OPERATOR'S CAB COMPRESSOR AND VALVE (SERIAL NO. -610100)



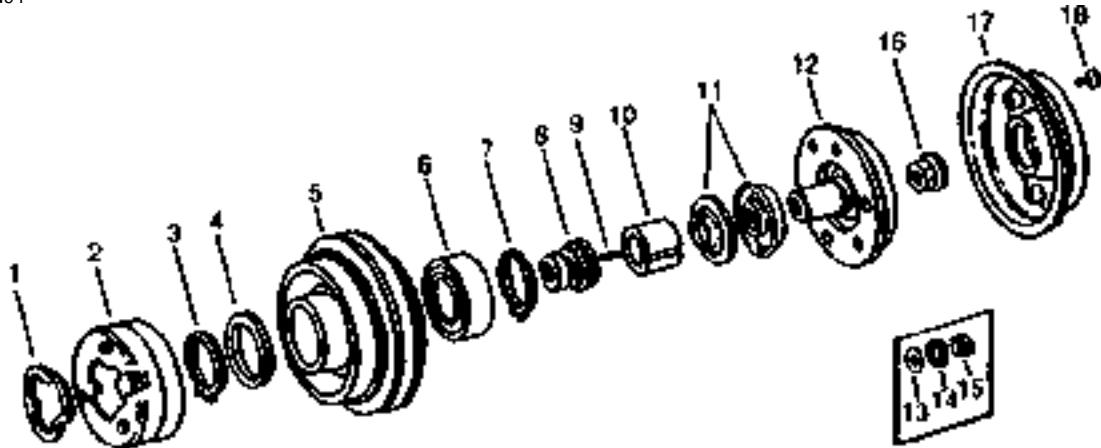
KEY	PART NO.	PART NAME	QTY	SERIAL NO.	REMARKS
1	19M7170	CAP SCREW	1	M10 X 50	
2	R60171	STRAP	1		
3	R47235	O-RING	2		
4	AR49808	VALVE	1		
5	R42822	LABEL	1	-400000	(COMPRESSOR CHARGE)
	H106299	LABEL	1	400001-	(COMPRESSOR CHARGE)
6	R47233	PLUG	1		
7	R47234	WASHER	1		
8	AR92109	COMPRESSOR	1		
9	32240	O-RING	1		
10	R63571	SNAP RING	1		
11	AR78501	KIT	1		
12	12M7066	LOCK WASHER	1	10 MM (3/8")	
13	24H1884	WASHER	1	13/32" X 13/16" X 0.120"	

2E8

OPERATOR'S STATION

COMPRESSOR COIL, CLUTCH, AND PULLEY (SERIAL NO. -610100)

HP514 -UN-01JAN94



KEY	PART NO.	PART NAME	QTY	SERIAL NO.	REMARKS
1	R56246	GASKET	1		(A) (ALSO ORDER AR71289)
2	AR49803	ELECTRICAL COIL	1		(A) (ALSO ORDER AR71289)
3	R47224	SNAP RING	1		(A) (ALSO ORDER AR71289)
4	R54766	WASHER	1		(A) REAR, (ALSO ORDER AR71289)
5	AR71287	PULLEY	1		(INCLUDES KEYS 4, 6 AND 11)
	AH119050	ROTOR	1		ROTOR-MAGNET CLUTCH
6	AR71288	BALL BEARING	1		
7	R47226	SNAP RING	1		(A) (ALSO ORDER AR71289)
8	AR71285	KIT	1		SEAL WITH FRONT SHIELD (INCLUDES KEY 11)
9	R47229	SHAFT KEY	1		
10	R47227	SEAL	1		(A) (ALSO ORDER AR71289)
11	AR71289	SHIELD	1		FRONT
12	AR71286	CLUTCH	1		(INCLUDES AR71290)
13	R47230	WASHER	1	-400000	
14	R47231	SNAP RING	1	-400000	
15	R47232	NUT	1	-400000	
16	R69297	FLANGE NUT	1	400001-	
17	AR71290	COVER	1		
18	37H32	SCREW	3	0.190" X 3/8"	

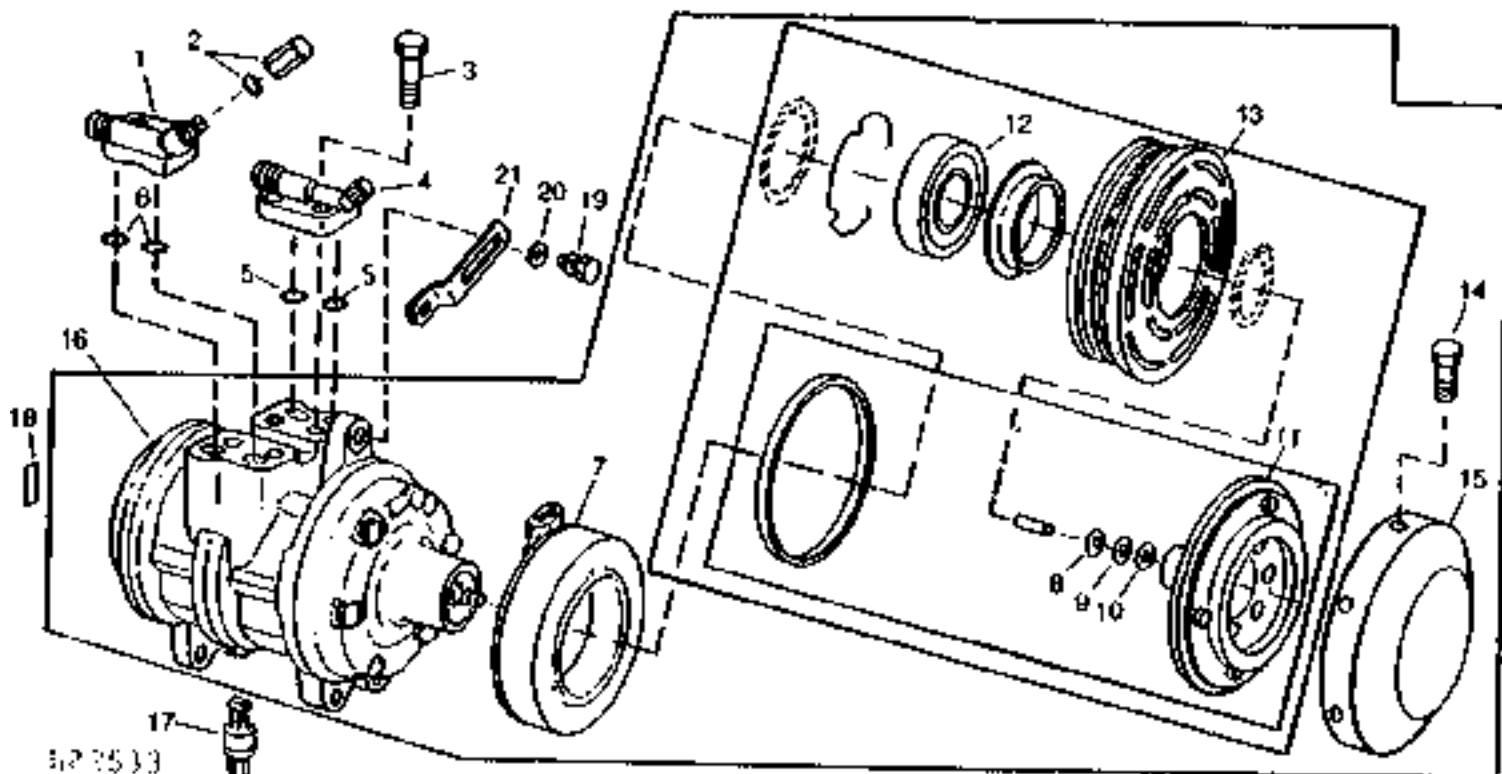
NOTE: WHEN ANY OF THE PARTS MARKED WITH AN (A) ARE ORDERED FOR PARTS, ALSO ORDER AR71289.

2E9

OPERATOR'S STATION

COMPRESSOR, CLUTCH AND SERVICE VALVES (SERIAL NO. 610101-)

HP2533 -UN-01JAN94



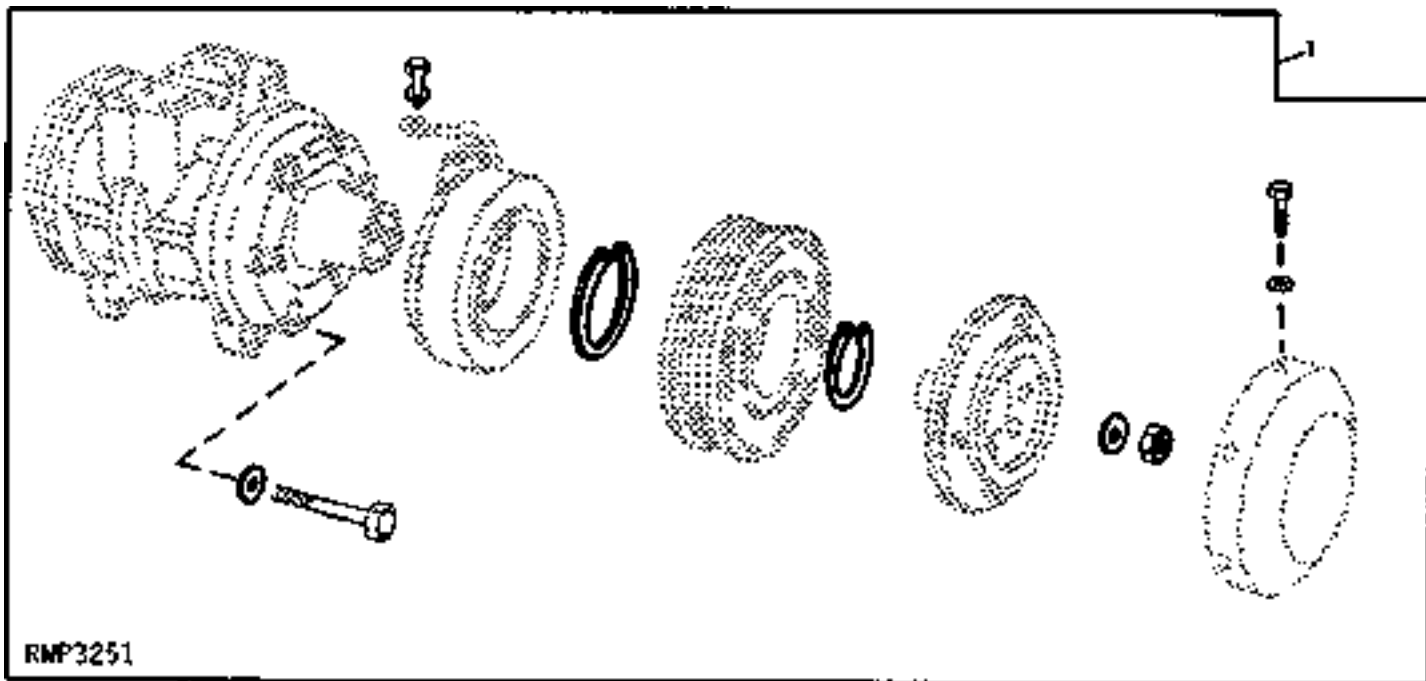
KEY	PART NO.	PART NAME	QTY	SERIAL NO.	REMARKS
1	RE10981	MANIFOLD	1		
2	RE10982	VALVE	1		
3	R77398	SCREW	4		
4	RE10980	MANIFOLD	1		
5	R77401	O-RING	1		
6	R77400	PACKING	1		
7	R77395	CLUTCH	1		
8	R77391	WASHER	AR		
9	R77392	SHIM	AR		
10	R77393	SHIM	AR		
11	RE10974	KIT	1		
12	R77394	BEARING	1		
13	RE10975	KIT	1		
14	R77390	SCREW	6		
15	R77389	COVER	1		
16	RE12513	COMPRESSOR	1		
17	AT63265	SWITCH	1		HI PRESSURE SWITCH
18	H115067	LABEL	1		COMPRESSOR CHARGE
..	RE10976	KIT	1		

2E10

OPERATOR'S STATION

COMPRESSOR HARDWARE SET (SERIAL NO. 610101-)

RWP3251 -UN-01JAN94



KEY	PART NO.	PART NAME	QTY	SERIAL NO.	REMARKS
1	RE10976	KIT	1		

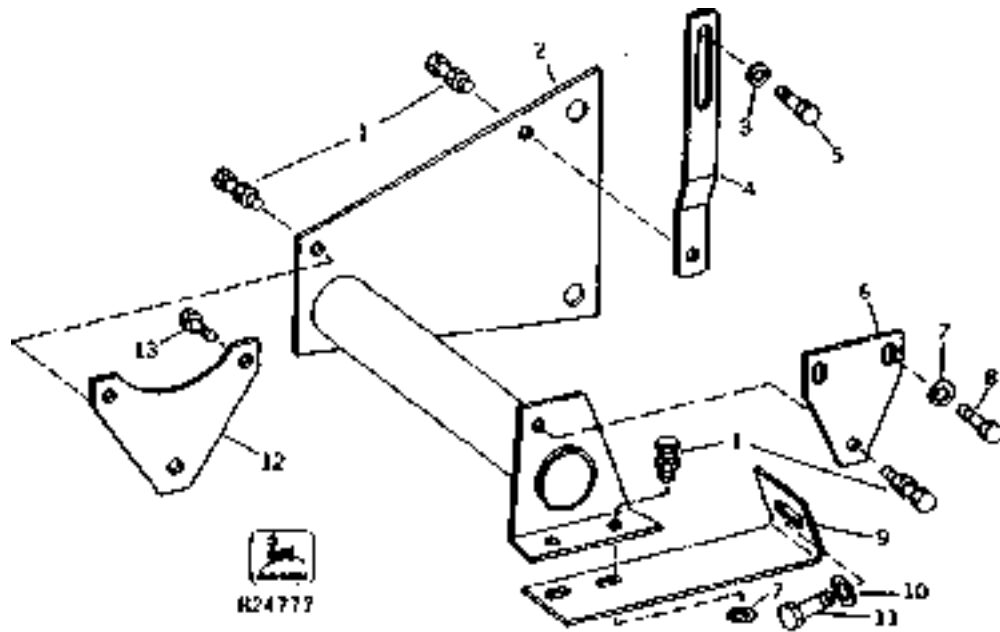
2E11

OPERATOR'S STATION

AIR CONDITIONER COMPRESSOR MOUNTING AND SUPPORTS (SERIAL NO. -610100)

H24777

-UN-01JAN94



KEY	PART NO.	PART NAME	QTY	SERIAL NO.	REMARKS
1	19H1731	CAP SCREW	5	3/8" X 1"	
	14H812	NUT	5	3/8"	
2	AH87977	SUPPORT	1		
3	24H1292	WASHER	1	11/32" X 3/4" X 0.120"	
4	H87116	ARM	1		
5	19M7163	CAP SCREW	1	8 MM X 25 MM (5/16" X 1")	
	12M7065	LOCK WASHER	1	8 MM (5/16")	
6	H87114	HOLDER	1	REAR	
7	24H1305	WASHER	3	13/32" X 13/16" X 0.065"	
8	19M7662	CAP SCREW	2	10 MM X 30 MM (3/8" X 1-3/16")	
	12M7066	LOCK WASHER	2	10 MM (3/8")	
9	H87115	BRACE	1		
10	24H1357	WASHER	1	19/32" X 1-5/32" X 0.090"	
11	19H2355	CAP SCREW	1	9/16" X 1-1/2"	
	12H317	LOCK WASHER	1	9/16"	
12	H87101	PLATE	1	FRONT	
13	19M7163	CAP SCREW	2	8 MM X 25 MM (5/16" X 1")	
	12M7065	LOCK WASHER	2	8 MM (5/16")	

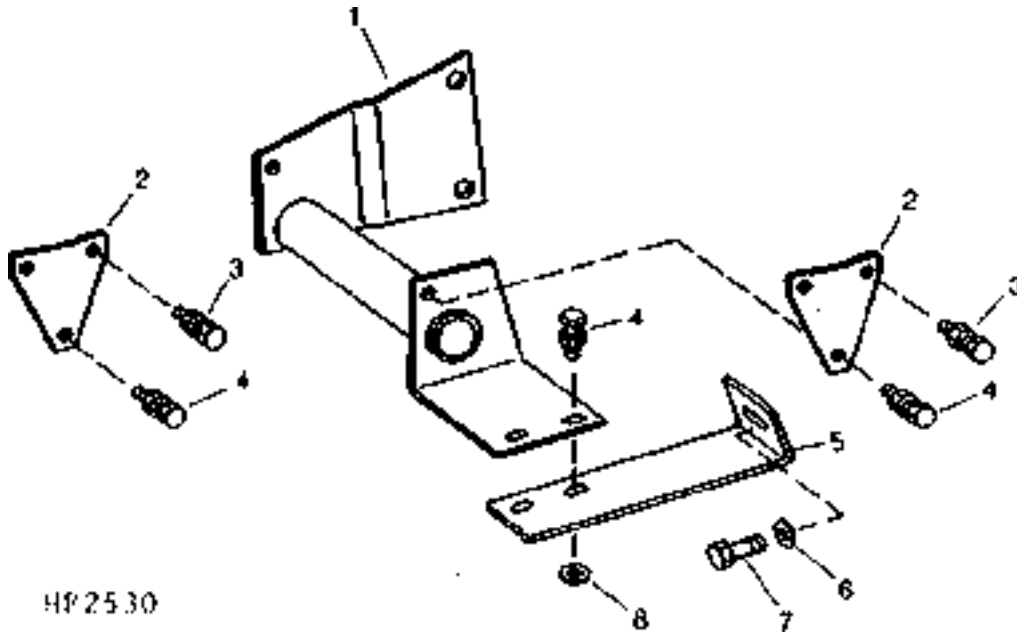
2E12

OPERATOR'S STATION

AIR CONDITIONER COMPRESSOR MOUNTING AND SUPPORTS (SERIAL NO. 610101-)

HP2530

-UN-01JAN94



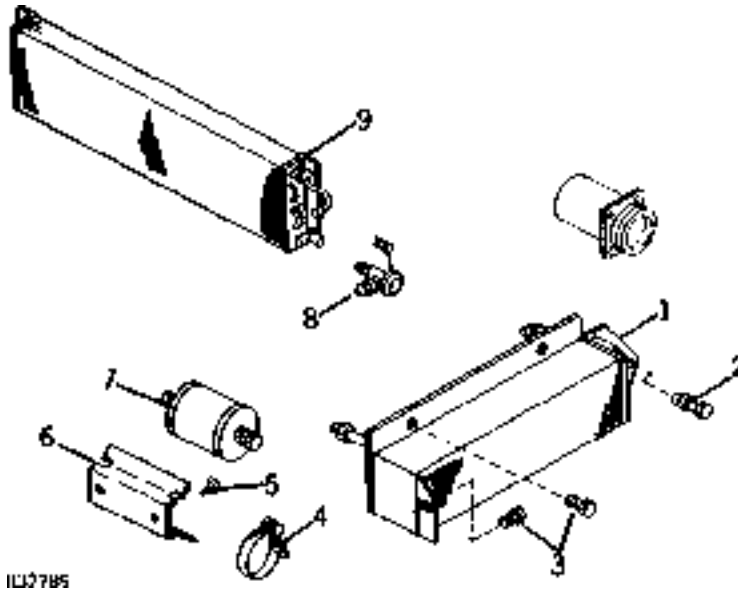
KEY	PART NO.	PART NAME	QTY	SERIAL NO.	REMARKS
1	AH119896	SUPPORT	1		
2	H120407	PLATE	2		
3	19M8007	CAP SCREW	4	M10 X 25	
	12M7066	LOCK WASHER	4	10.200 MM	
4	19H1731	CAP SCREW	4	3/8" X 1"	
	12H304	LOCK WASHER	4	3/8"	
	14H812	NUT	4	3/8"	
5	H87115	BRACE	1		
6	24H1357	WASHER	1	19/32" X 1-5/32" X 0.090"	
7	19H2355	CAP SCREW	1	9/16" X 1-1/2"	
	12H317	LOCK WASHER	1	9/16"	
	24H1305	WASHER	2	13/32" X 13/16" X 0.065"	
8	24H1305	WASHER	2	13/32" X 13/16" X 0.065"	

MEMORANDA

2E13

H32785 -UN-01JAN94

AIR CONDITIONER CONDENSER AND RECEIVER-DRYER



KEY	PART NO.	PART NAME	QTY	SERIAL NO.	REMARKS
1	AH92499	VAPOR CONDENSER	1		
2	19H1900	CAP SCREW	1	5/16" X 3/4"	
	N10213	LOCK NUT	1		
3	N71292	SELF-LOCKING SCREW	3		
4	AR21842	CLAMP	2		
5	H65108	SCREW	2	SELF-TAPPING	
6	H87092	SUPPORT	1		
7	AR59780	RECEIVER-DRYER	1		
8	AH80191	VALVE	1		
9	AH80696	EVAPORATOR	1		

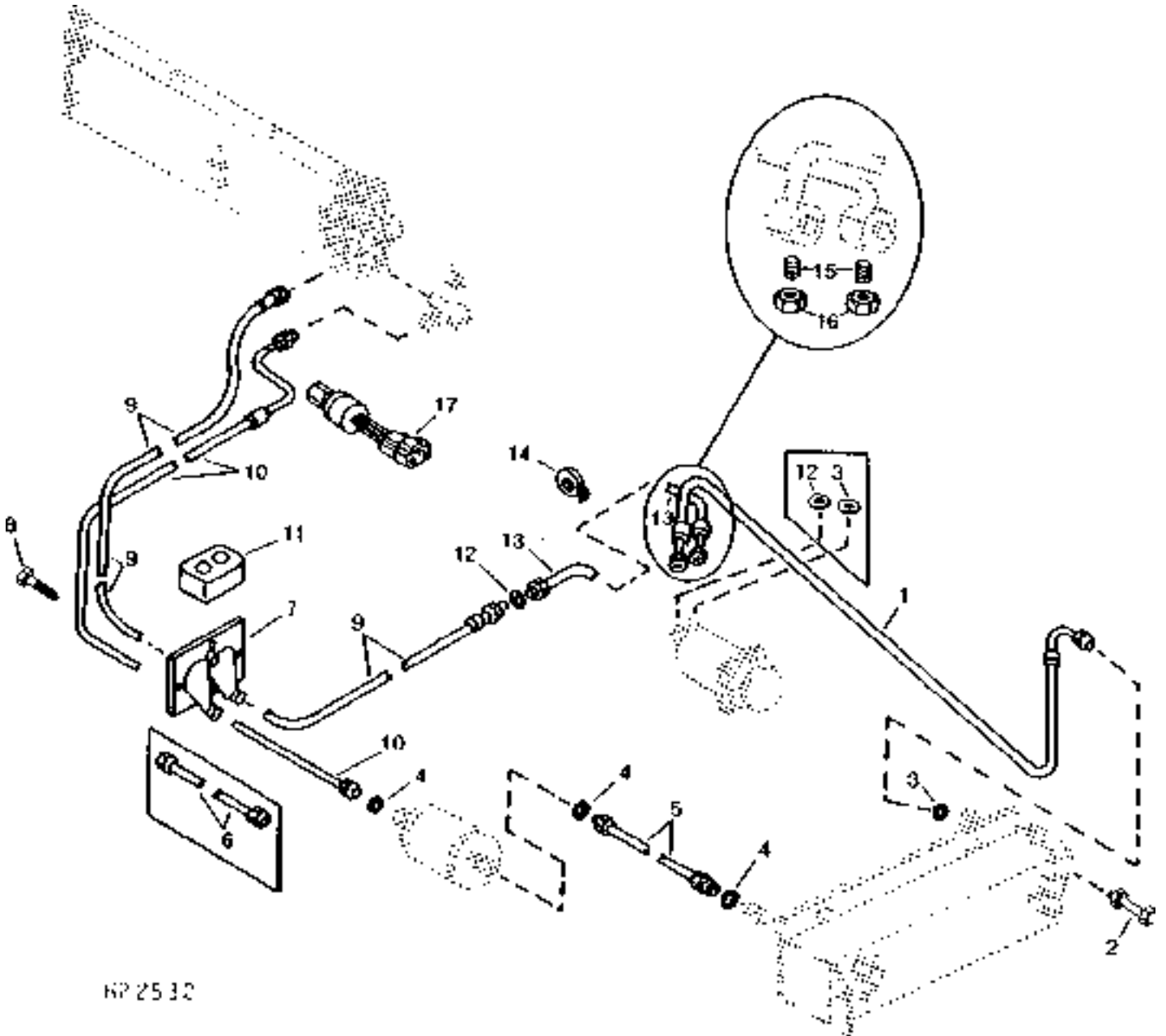
2E14

OPERATOR'S STATION

HP2532

-UN-01JAN94

AIR CONDITIONER LINES



HP 2532

2E15

OPERATOR'S STATION

AIR CONDITIONER LINES - CONTINUED

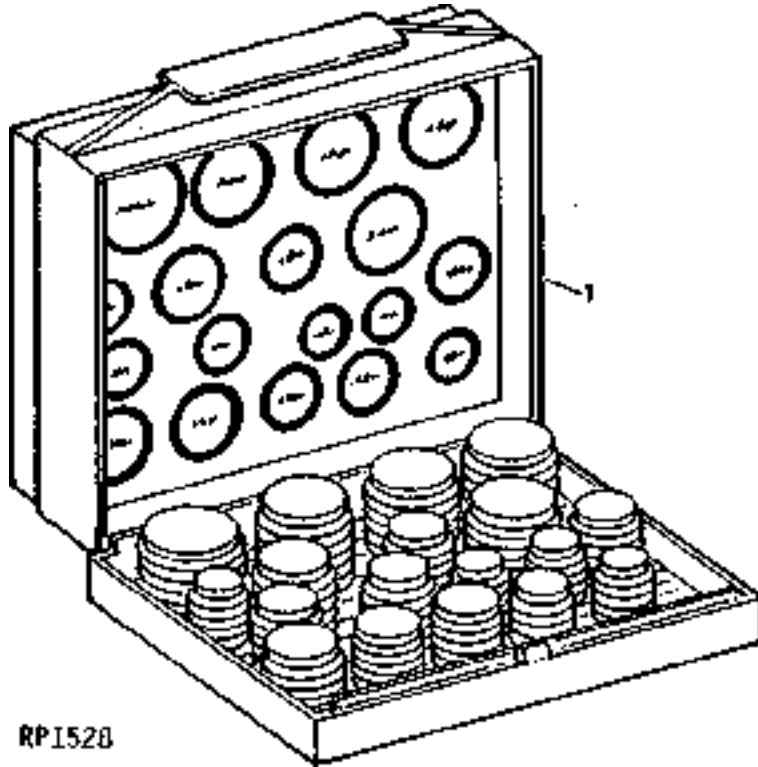
KEY	PART NO.	PART NAME	QTY	SERIAL NO.	REMARKS
1	AH91612	HYDRAULIC HOSE	1	-610100	
	AH116882	HOSE	1	610101-	
2	19H1900	CAP SCREW	1		5/16" X 3/4"
	N10213	LOCK NUT	1		
3	P51212	O-RING	1		
4	R10093	O-RING	1		
5	AH87968	LINE	1		
6	AH87970	LINE	1		
7	H87117	BOOT	1		
8	37H120	SCREW	4		0.164" X 1/2"
9	AH89593	HOSE	1		
10	AH91326	HOSE	1	-610100	
	AH117218	HOSE	1	610101-	
11	H97745	SEAL	1		
12	R33259	O-RING	1		
13	AH91607	LINE	1	-610100	
	AH116881	LINE	1	610101-	
14	H91298	CLIP	1		
15	R60170	VALVE	2		
16	R60172	NUT	2		
17	AT63266	SWITCH	1	610101-	LO PRESSURE SWITCH
..	PT94	SEALANT	1	-500000	(SUB TY15130)
..	TY15130	SEALANT	1		

2E16

OPERATOR'S STATION

RP1528 -UN-01JAN94

KIT, O-RING - AIR CONDITIONING



RP1528

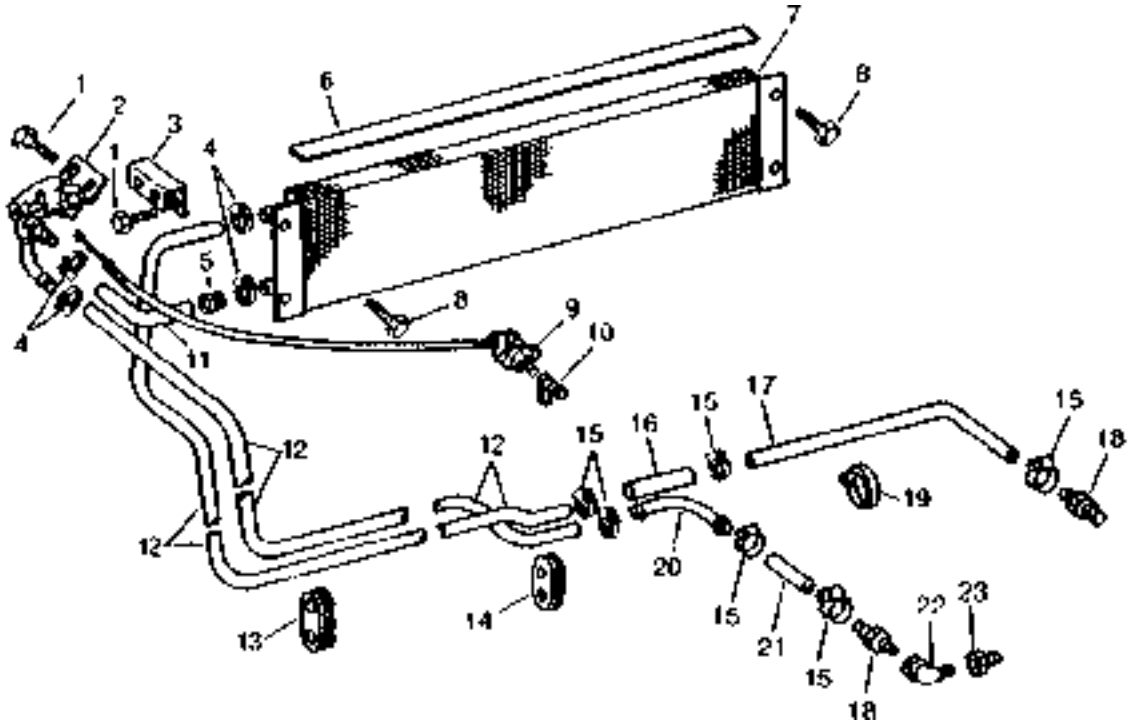
KEY	PART NO.	PART NAME	QTY	SERIAL NO.	REMARKS
1	AT66632	KIT	1		

2E17

OPERATOR'S STATION

HP714 -UN-01JAN94

HEATER AND HOSES



HP714

KEY	PART NO.	PART NAME	QTY	SERIAL NO.	REMARKS
1	19H1919	CAP SCREW	3		1/4" X 5/8"
2	AH80166	VALVE	1		
3	AH80164	BRACKET	1		
4	AR21837	CLAMP	8	-400784	
	AH105953	CLAMP	4	400785-	
5	H82426	GROMMET	1		
6	H81669	WEATHERSTRIP	1		
7	AH80167	HEATER	1		
8	37H14	SCREW	4		NO. 10 X 1/2"
9	AH80165	PUSH PULL CABLE	1		
10	AH91003	KNOB	1		
11	H82425	HOSE	1		16 MM X 140 MM (5/8" I.D. X 5-1/2") LONG
12	H81011	HOSE	2		16 MM X 3353 MM (5/8" I.D. X 132") LONG
13	H81001	GROMMET	1		
14	H88890	GROMMET	1		
15	AR21837	CLAMP	6		
16	H81010	BUSHING	2	-450000	
	H81010	BUSHING	1	450001-	
17	HOSE	1		16 MM X 813 MM (5/8" I.D. X 32") LONG (CUT FROM R45847)
18	H23196	FITTING	2		
19	H91298	CLIP	1		
20	H106018	TUBE	1	450001-	
21	R45847	HOSE	1		16 MM X 711 MM (5/8" I.D. X 28") LONG
22	15H200	ELBOW FITTING	1		90°
23	15H515	PIPE BUSHING	1		3/4" X 1/2"

MEMORANDA

FOR INDIVIDUAL HEADER PARTS CATALOGS REFER TO:

PC-1558 - PARTS CATALOG FOR JOHN DEERE 200 SERIES PLATFORMS

PC-1223 - PARTS CATALOG FOR JOHN DEERE 40 SERIES CORN HEADS

PC-1549 - PARTS CATALOG FOR JOHN DEERE 50 SERIES ROW-CROP HEADS

PC-1747 - PARTS CATALOG FOR JOHN DEERE 50A SERIES ROW-CROP HEADS

PC-1189 - PARTS CATALOG FOR JOHN DEERE THREE-ROLLER BELT PICKUPS

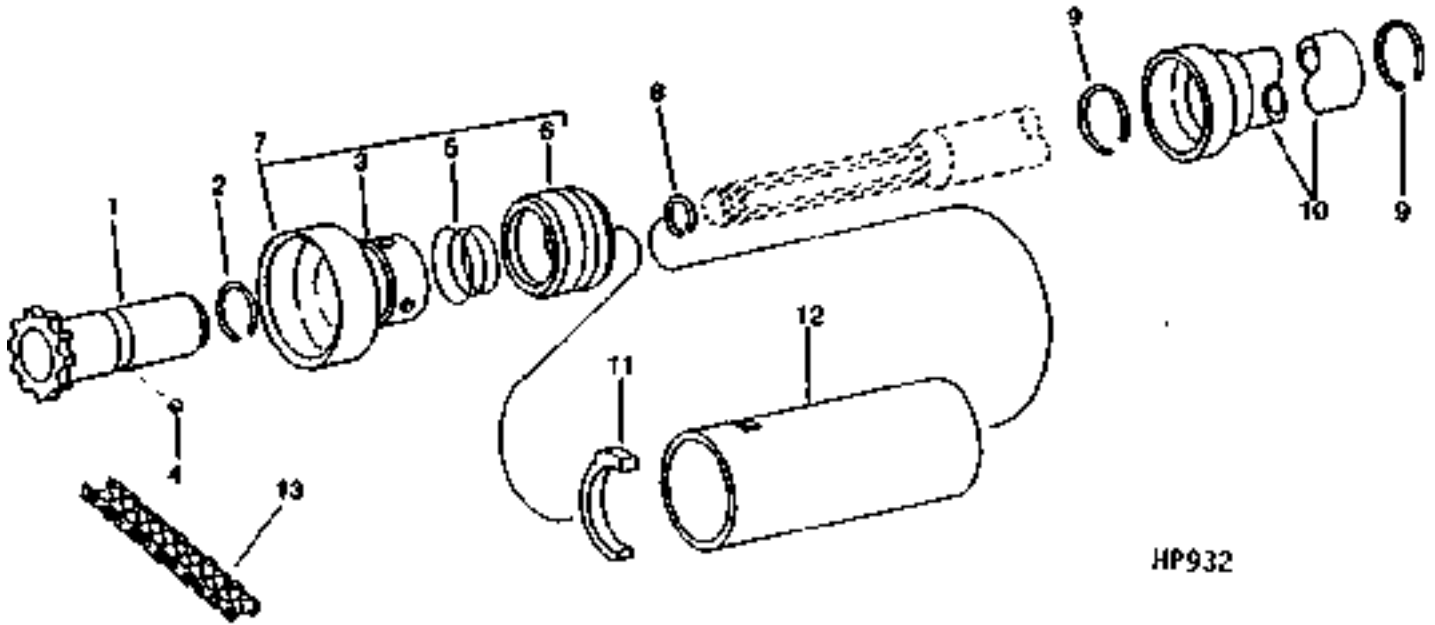
MEMORANDA

2E21

FEEDER HOUSE

HP932 -UN-01JAN94

QUIK-TATCH COUPLER AND SHIELDS



HP932

KEY	PART NO.	PART NAME	QTY	SERIAL NO.	REMARKS
1	AN102382	CHAIN SPROCKET	1		14 TEETH
2	H25360	SNAP RING	1		
3	RETAINER	1		(SUB AH89038)
4	N104243	BALL	3		
5	SPRING	1		(SUB AH89038)
6	COVER	1		(SUB AH89038)
7	AH89038	QUIK COUPLER	1		
8	H80926	SNAP RING	1		
9	H28865	SNAP RING	2		
10	SHIELD	1		(CUT FROM AH89028)
11	H22039	UNIVERSAL JOINT BEARING	2	-400987	(SUB E62951)
	E62951	UNIVERSAL JOINT BEARING	2		
12	H87725	SHIELD	1		
13	AN102383	LINK CHAIN	1		

NOTE: QUANTITIES SHOWN ARE FOR ONE COUPLER ASSEMBLY.

MEMORANDA

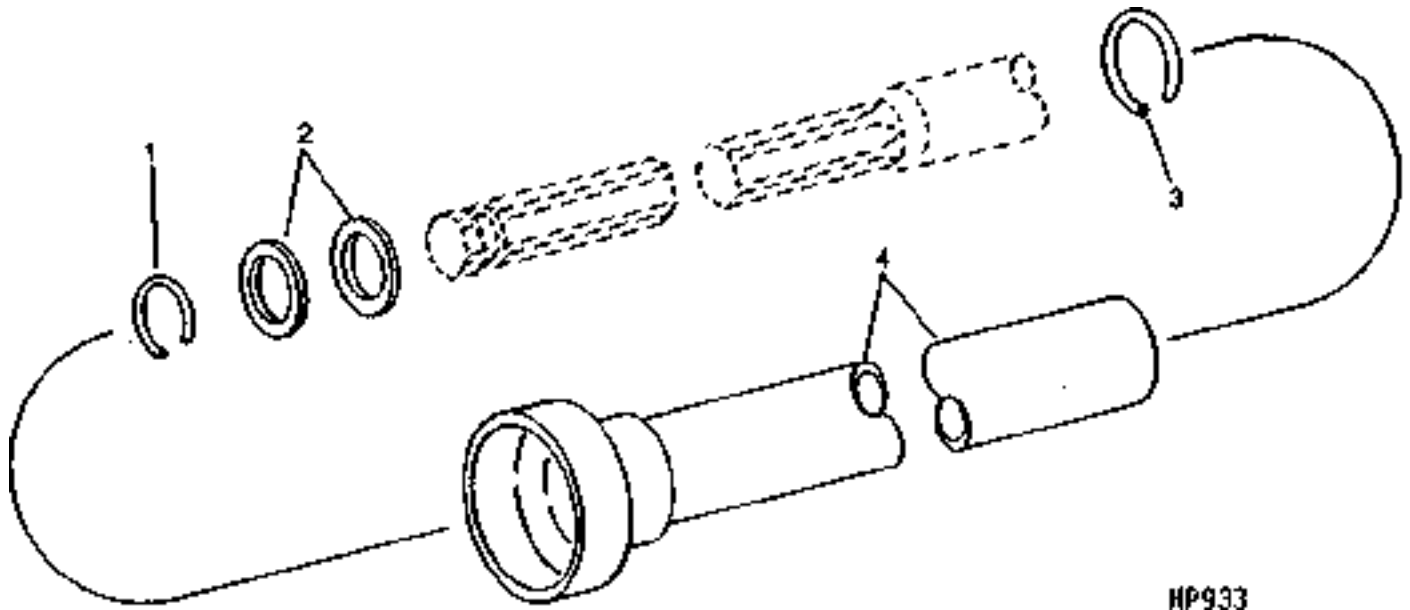
2E22

FEEDER HOUSE

HP933

-UN-01JAN94

SPECIAL LEFT-HAND LOWER SHIELD



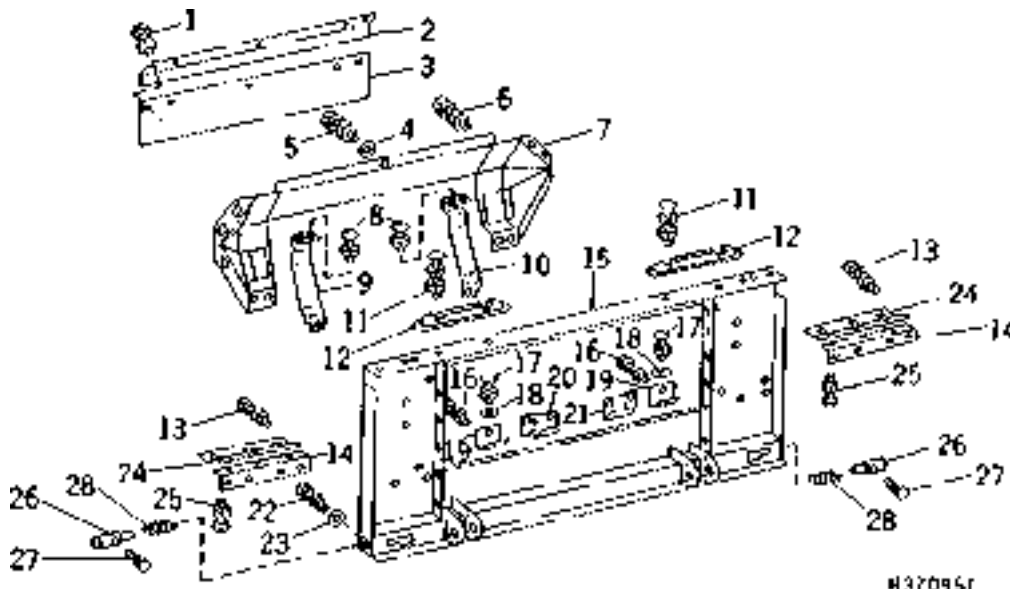
KEY	PART NO.	PART NAME	QTY	SERIAL NO.	REMARKS
1	P50419	SNAP RING	1		
2	24H1633	WASHER	2	1-17/64" X 1-7/8" X 0.048"	
3	H28865	SNAP RING	1		
4	AH90527	SHIELD	1		

2E23

FEEDER HOUSE

FEEDER HOUSE FRONT SHEETS

H32095F -UN-01JAN94



KEY	PART NO.	PART NAME	QTY	SERIAL NO.	REMARKS
1	21H1030	SCREW	5	3/8" X 3/4"	
	N10215	LOCK NUT	5		
2	H83737	STRIP	1		
3	H83738	DEFLECTOR	1		
4	24H1136	WASHER	1	11/32" X 11/16" X 0.065"	
5	21H1304	SCREW	6	5/16" X 3/4"	
	14H785	NUT	6	5/16"	
6	21H1071	SCREW	6	5/16" X 5/8"	
	14H785	NUT	6	5/16"	
7	AH84657	SHIELD	1		
8	21H1116	SCREW	6	3/8" X 5/8"	
	N10215	LOCK NUT	6		
9	H83576	EXTENSION	1		L.H. CONVEYOR SHIELD
10	H83575	EXTENSION	1		R.H. CONVEYOR SHIELD
11	03H1439	BOLT	4	1/2" X 1-3/4"	
	12H301	LOCK WASHER	4	1/2"	
	14H1040	NUT	4	1/2"	
12	H93556	CLAMP	2		
13	21H1030	SCREW	6	3/8" X 3/4"	
	N10215	LOCK NUT	6		
14	H87762	SUPPORT	2		STRIPPER
15	AH95012	SUPPORT	1		FRONT
16	21H1030	SCREW	2	3/8" X 3/4"	
	N10215	LOCK NUT	2		
17	03H1519	BOLT	2	3/8" X 1"	
	14H812	NUT	2	3/8"	
18	24H1305	WASHER	2	13/32" X 13/16" X 0.065"	
19	H77628	STRIP	2		
20	H85936	EXTENSION	1		L.H. CLOSURE STRIP
21	H85935	EXTENSION	1		R.H. CLOSURE STRIP
22	03H1499	BOLT	AR		1/2" X 1-1/2", (3 USED, WITH CORN HEAD; 4 USED, WITH CUTTING PLATFORM)
	12H301	LOCK WASHER	AR		1/2", (3 USED, WITH CORN HEAD; 4 USED, WITH CUTTING PLATFORM)
	14H1040	NUT	AR		1/2", (3 USED, WITH CORN HEAD; 4 USED, WITH CUTTING PLATFORM)
23	24H1850	WASHER	AR		17/32" X 1-1/4" X 0.180", (3 USED, WITH CORN HEAD; 4 USED, WITH CUTTING PLATFORM)

2E24

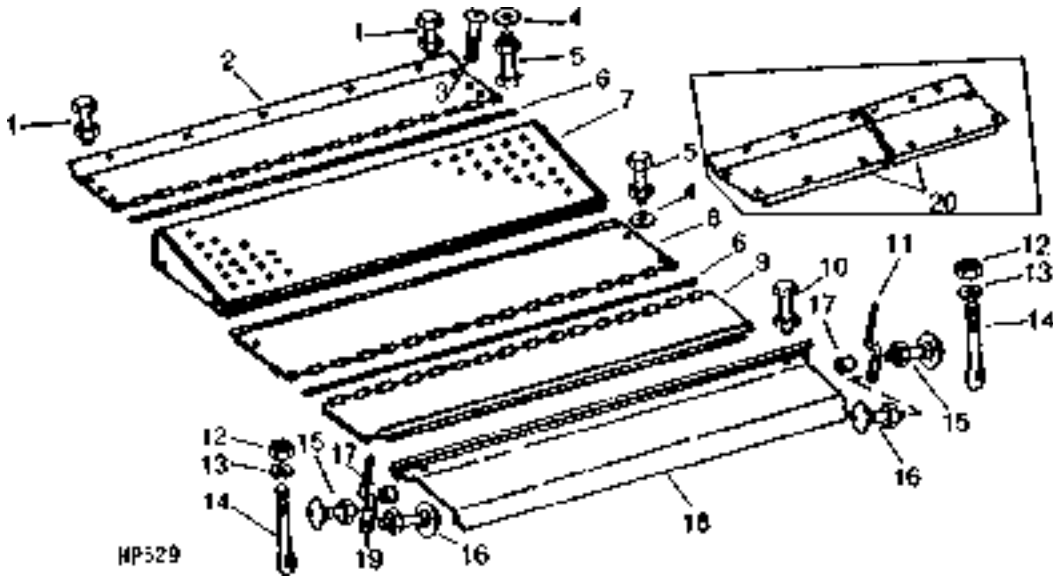
FEEDER HOUSE

FEEDER HOUSE FRONT SHEETS - CONTINUED

KEY	PART NO.	PART NAME	QTY	SERIAL NO.	REMARKS
24	H87761	STRIPPER	2		
25	03H1765	BOLT	6	3/8" X 3/4"	
	N10215	LOCK NUT	1		
26	H89360	PIN	2		
27	19H3189	CAP SCREW	2	1/2" X 3"	
28	124424	SPRING	2		

FEEDER HOUSE TOP SHEETS

HP529 -UN-01JAN94



KEY	PART NO.	PART NAME	QTY	SERIAL NO.	REMARKS
1	21H1304	SCREW	2	5/16" X 3/4"	
	14H785	NUT	2	5/16"	
2	AH81163	SHEET	1	(REGULAR)	
	H82699	SHEET	1	(LONG)	
3	21H1029	SCREW	2	-400784	5/16" X 3/4", (SUB M66314, THIS APPLICATION)
	M66314	SCREW	2		
4	24H1136	WASHER	10	11/32" X 11/16" X 0.065"	
5	19H1900	CAP SCREW	6	5/16" X 3/4"	
	14H785	NUT	6	5/16"	
6	H77578	PIN	2		
7	AH76285	DOOR	1		
8	AH76288	SHEET	1		
9	AH77690	DOOR	1		
10	19H2021	CAP SCREW	2	3/8" X 5/8"	
	14H812	NUT	2	3/8"	
11	H78624	LEVER	1		
12	14H611	NUT	2	5/16"	
13	N10213	LOCK NUT	1		
14	H76683	EYEBOLT	2		
15	09H1696	BOLT	2	5/16" X 1-1/4"	
	H76696	LOCK NUT	2		
16	03H1524	BOLT	2	5/16" X 1"	
	H76696	LOCK NUT	2		
17	H79784	BUSHING	1		
18	AH77688	DOOR	1	-550000	
	AH111190	DOOR	1	550001-	
	H76701	LEVER	1		
20	H82700	SUPPORT	1	(LONG)	

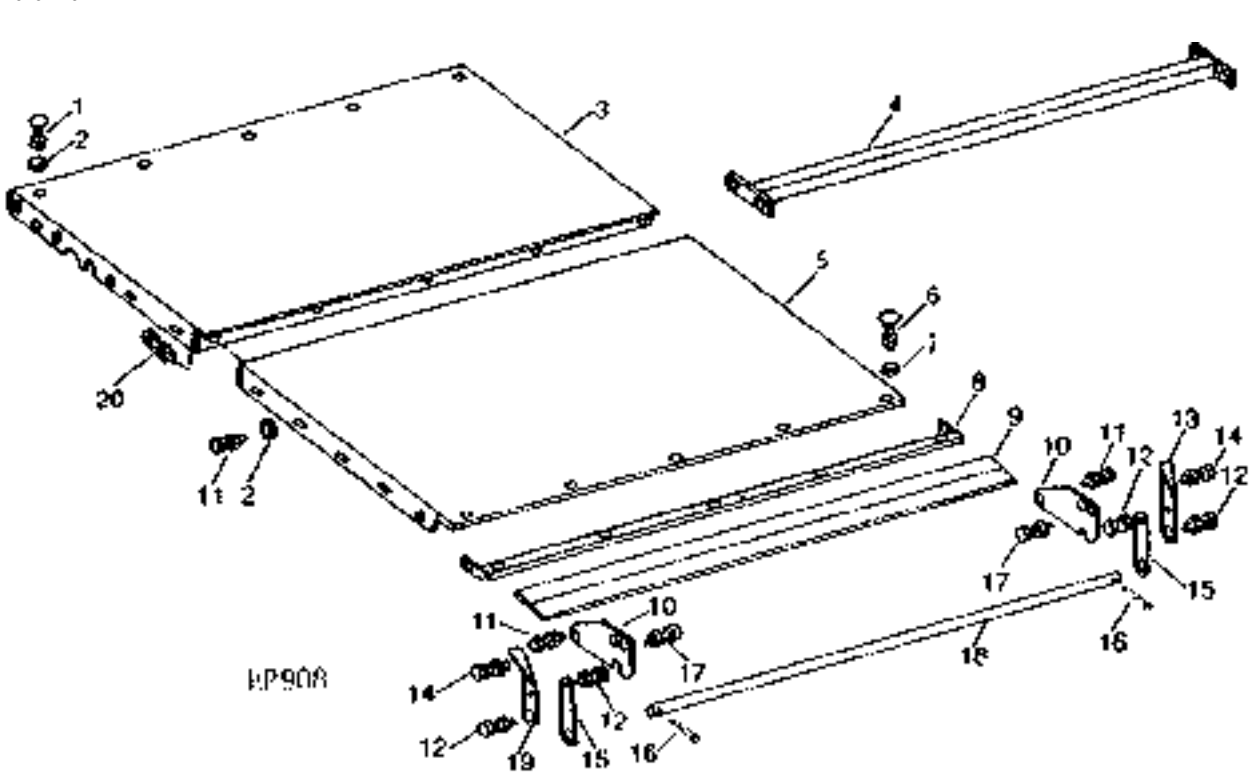
2E25

FEEDER HOUSE

HP908

-UN-01JAN94

REGULAR FEEDER HOUSE BOTTOM SHEETS



KEY	PART NO.	PART NAME	QTY	SERIAL NO.	REMARKS
1	03H1519	BOLT	6		3/8" X 1"
	14H812	NUT	6		3/8"
2	24H1305	WASHER	23		13/32" X 13/16" X 0.065"
3	AH83627	SHEET	1		
4	AH78881	REINFORCEMENT	2		
5	AH83623	SHEET	1		PERFORATED
	AH83616	SHEET	1		SOLID
6	09H1649	BOLT	6		5/16" X 3/4"
	14H785	NUT	6		5/16"
7	24H1652	WASHER	5		13/32" X 11/16" X 7/64"
8	AH80937	REINFORCEMENT	1		
9	H98032	COVER	1		
10	H93170	BRACKET	2		
11	19H1731	CAP SCREW	8		3/8" X 1"
	14H812	NUT	8		3/8"
12	21H1226	SCREW	4		5/16" X 7/8"
	H76696	LOCK NUT	4		
13	H76690	HANDLE	1		R.H.
14	19H1900	CAP SCREW	2		5/16" X 3/4"
	14H785	NUT	2		5/16"
15	H93166	LATCH	2		
16	11H224	COTTER PIN	2		1/8" X 1-1/4"
17	03H1463	BOLT	2		3/8" X 3/4"
	14H812	NUT	2		3/8"
18	H99878	TUBE	1		
19	H76700	HANDLE	1		L.H.
20	03H1765	BOLT	5		3/8" X 3/4"
	12H304	LOCK WASHER	5		3/8"
	14H812	NUT	5		3/8"

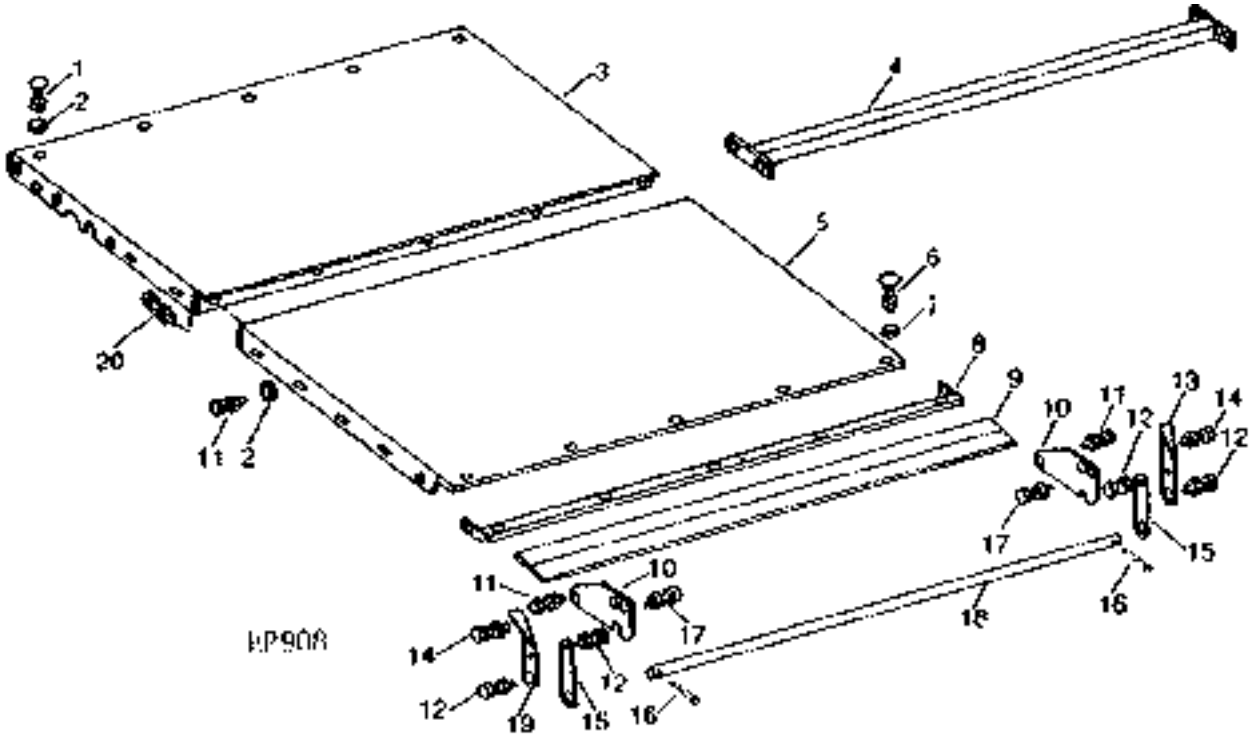
2F1

FEEDER HOUSE

HP908

-UN-01JAN94

LONG FEEDER HOUSE BOTTOM SHEETS



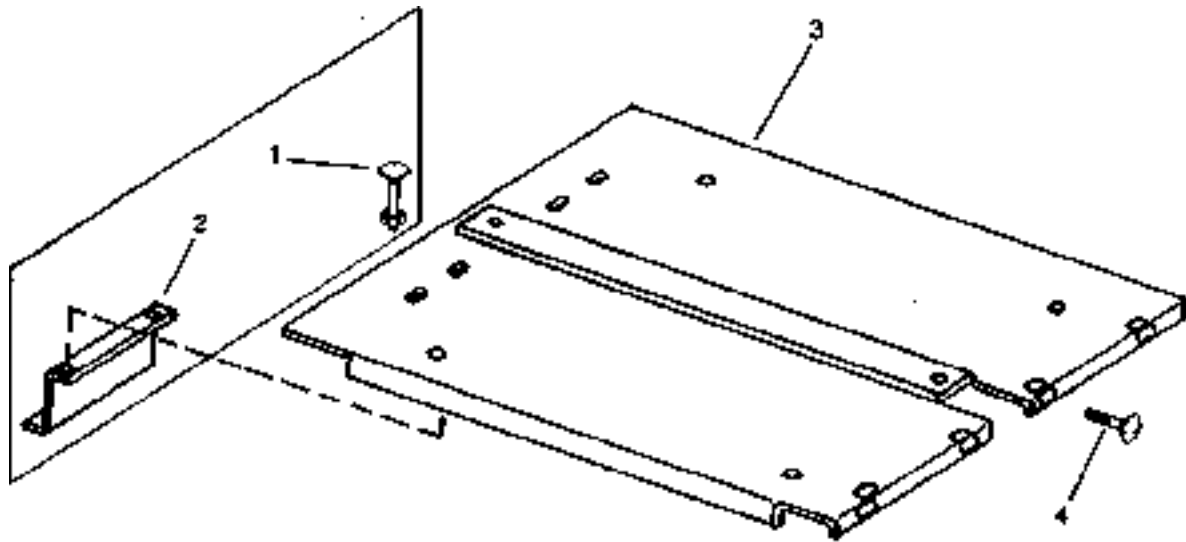
KEY	PART NO.	PART NAME	QTY	SERIAL NO.	REMARKS
1	03H1519	BOLT	6	3/8" X 1"	
	14H812	NUT	6	3/8"	
2	24H1305	WASHER	23	13/32" X 13/16" X 0.065"	
3	AH83628	SHEET	1		
4	AH78881	REINFORCEMENT	2		
5	AH83617	SHEET	1	SOLID	
	AH83631	SHEET	1	PERFORATED	
6	09H1649	BOLT	6	5/16" X 3/4"	
	14H785	NUT	6	5/16"	
7	24H1652	WASHER	5	13/32" X 11/16" X 7/64"	
8	AH80937	REINFORCEMENT	1		
9	H98032	COVER	1		
10	H93170	BRACKET	2		
11	19H1731	CAP SCREW	8	3/8" X 1"	
	14H812	NUT	8	3/8"	
12	21H1226	SCREW	4	5/16" X 7/8"	
	H76696	LOCK NUT	4		
13	H76690	HANDLE	1	R.H.	
14	19H1900	CAP SCREW	2	5/16" X 3/4"	
	14H785	NUT	2	5/16"	
15	H93166	LATCH	2		
16	11H224	COTTER PIN	2	1/8" X 1-1/4"	
17	03H1463	BOLT	2	3/8" X 3/4"	
	14H812	NUT	2	3/8"	
18	H99878	TUBE	1		
19	H76700	HANDLE	1	L.H.	
20	03H1765	BOLT	5	3/8" X 3/4"	
	12H304	LOCK WASHER	5	3/8"	
	14H812	NUT	5	3/8"	

MEMORANDA

2F2

HP1679 -UN-01JAN94

FEEDER HOUSE FALSE BOTTOM



HP1679

KEY	PART NO.	PART NAME	QTY	SERIAL NO.	REMARKS
1	21H1024	SCREW	4	-550000	1/4" X 5/8"
	12H302	LOCK WASHER	4	-550000	1/4"
	14H786	NUT	4	-550000	1/4"
2	H104954	CLAMP	2	-550000	
3	AH89516	PLATE	1	-550000	(REGULAR, VARIABLE, AND CHAIN)
	AH111504	BOTTOM	1	550001-	(REGULAR, VARIABLE)
	AH89518	PLATE	1	-550000	(LONG, VARIABLE, AND CHAIN)
4	AH111178	BOTTOM	1	550001-	(LONG, VARIABLE, AND CHAIN)
	H65108	SCREW	4		

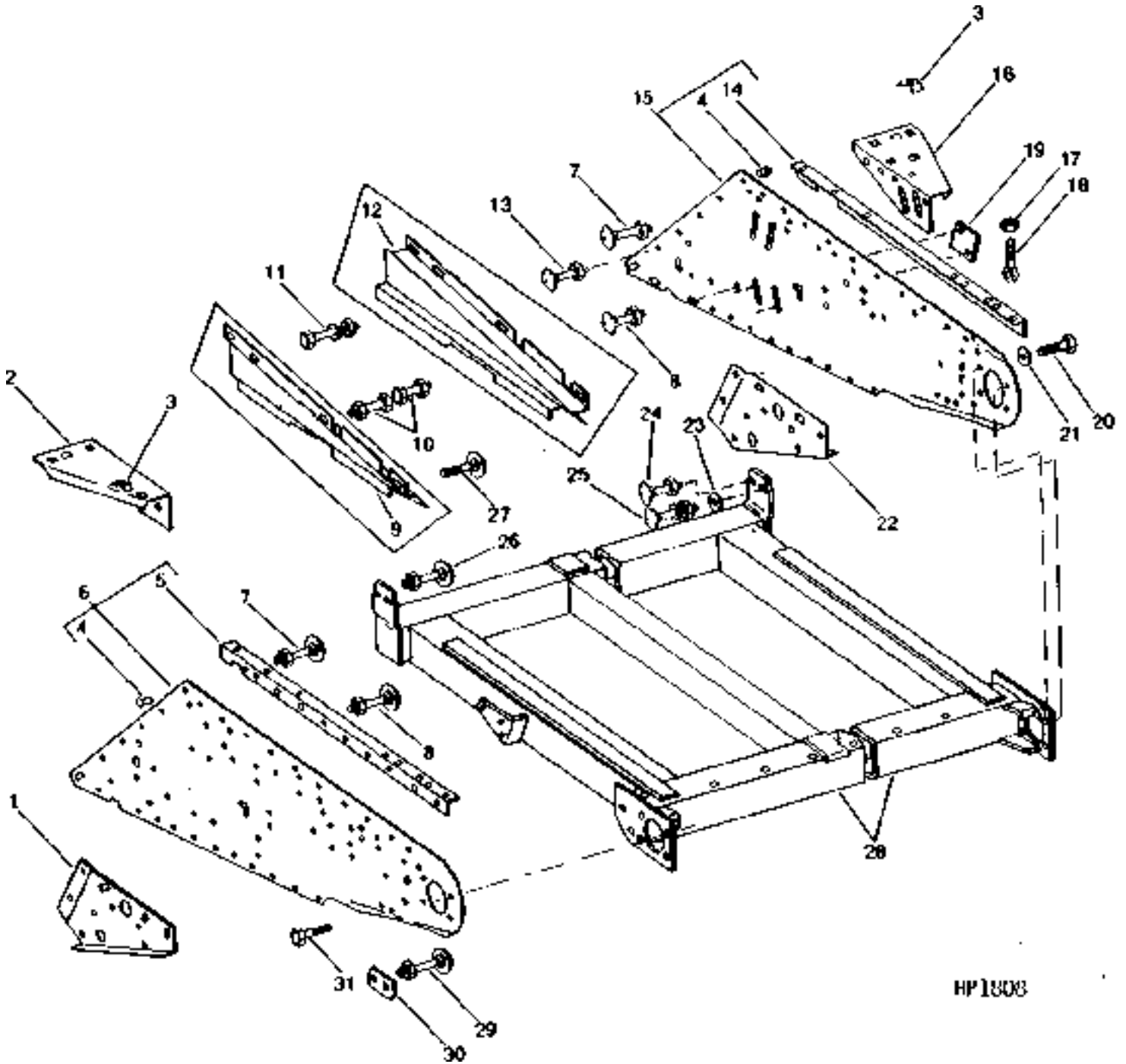
2F3

FEEDER HOUSE

HP1808

-UN-01JAN94

REGULAR FEEDER HOUSE SIDE SHEETS AND FRAME



HP1808

2F4

FEEDER HOUSE

REGULAR FEEDER HOUSE SIDE SHEETS AND FRAME - CONTINUED

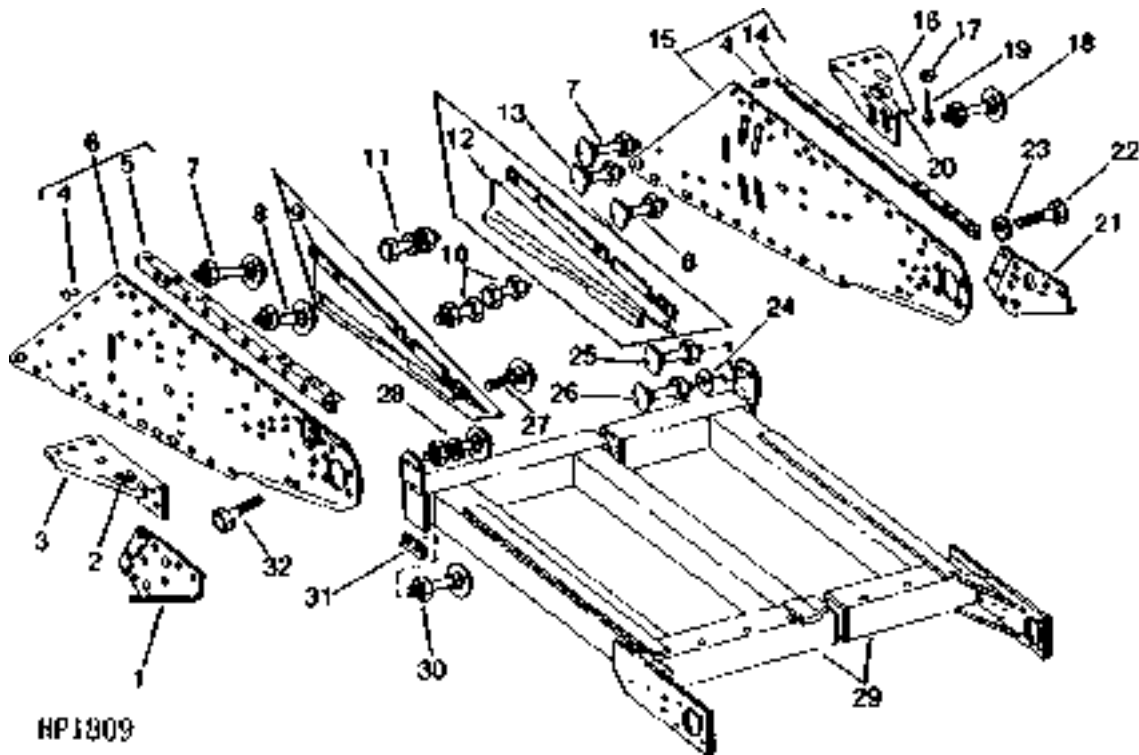
KEY	PART NO.	PART NAME	QTY	SERIAL NO.	REMARKS
1	H100207	REINFORCEMENT	1		
2	H102681	BRACE	1		
3	H88767	SPACER	2		
4	16H658	RIVET	14		1/4" X 5/8"
	16H697	RIVET	2		1/4" X 1"
5	H78273	FLANGE	1		
6	AH102725	SHEET	1	-550000	
	AH111651	SHEET	1	550001-610100	
	AH115063	SHEET	1	610101-	
7	03H1519	BOLT	3		3/8" X 1"
	14H812	NUT	3		3/8"
8	03H1709	BOLT	3		5/16" X 1"
	14H785	NUT	3		5/16"
9	H101755	SHIELD	1	-550000	
10	21H1304	SCREW	2		5/16" X 3/4"
	14H785	NUT	2		5/16"
11	21H1030	SCREW	4		3/8" X 3/4"
	12H304	LOCK WASHER	4		3/8"
	14H812	NUT	4		3/8"
12	H101754	SHIELD	1	-550000	
13	03H1463	BOLT	3		3/8" X 3/4"
	14H812	NUT	3		3/8"
14	H78274	FLANGE	1		
15	AH102724	SHEET	1	-550000	(USE WITH H101795) (SUB AH111668, THIS APPLICATION)
	AH111668	SHEET	1		(USE WITH H101795)
16	H102680	BRACE	1		
17	14H1039	NUT	1		5/8"
18	H102690	EYEBOLT	1		
19	H101795	PLATE	1		
20	19H1895	CAP SCREW	2	550001-	1/2" X 3/4"
21	24H1111	WASHER	2	550001-	17/32" X 1-1/16" X 0.090"
22	H100206	REINFORCEMENT	1		
23	24H1371	WASHER	1		21/32" X 1-3/8" X 0.194"
24	03H1603	BOLT	1		5/8" X 2"
	12H294	LOCK WASHER	1		5/8"
	14H1039	NUT	1		5/8"
25	03H1801	BOLT	1		5/8" X 1-3/4"
	12H294	LOCK WASHER	1		5/8"
	14H1039	NUT	1		5/8"
26	03H1801	BOLT	2		5/8" X 1-3/4"
	12H294	LOCK WASHER	2		5/8"
	14H1039	NUT	2		5/8"
27	21H1030	SCREW	1	-500000	3/8" X 3/4"
	21H1139	SCREW	1	500001-	3/8" X 1-1/4"
	12H304	LOCK WASHER	1		3/8"
	14H812	NUT	1		3/8"
28	AH101370	FRAME	1	-550000	
	AH111497	FRAME	1	550001-	
29	03H1522	BOLT	1		1/2" X 1-1/4"
	12H301	LOCK WASHER	1		1/2"
	14H1040	NUT	1		1/2"
30	H101814	STRAP	1		
31	19H1792	CAP SCREW	2	550001-	1/2" X 1"

2F5

FEEDER HOUSE

HP1809 -UN-01JAN94

LONG FEEDER HOUSE SIDE SHEETS AND FRAME



HP1809

KEY	PART NO.	PART NAME	QTY	SERIAL NO.	REMARKS
1	H101718	REINFORCEMENT	1		
2	H88767	SPACER	1		
3	H102713	BRACE	1		
4	16H658	RIVET	16		1/4" X 5/8"
	16H697	RIVET	2		1/4" X 1"
5	H98043	ANGLE	1		
6	AH102726	SHEET	1	-450000	(SUB AH105293)
	AH105293	SHEET	1	-550000	
	AH111701	SHEET	1	550001-610100	
	AH117526	SHEET	1	610101-	L.H.
7	03H1519	BOLT	3		3/8" X 1"
	14H812	NUT	3		3/8"
8	03H1709	BOLT	3		5/16" X 1"
	14H785	NUT	3		5/16"
9	H83824	SHIELD	1	-550000	
10	21H1304	SCREW	2		5/16" X 3/4"
	14H785	NUT	2		5/16"
11	21H1029	SCREW	4		5/16" X 3/4"
	12H303	LOCK WASHER	4		5/16"
	14H785	NUT	4		5/16"
12	H83823	SHIELD	1	-550000	
13	03H1463	BOLT	3		3/8" X 3/4"
	14H812	NUT	3		3/8"
14	H98042	ANGLE	1		
15	AH101608	SHEET	1	-450000	(SUB AH105292)
	AH105292	SHEET	1	-550000	
	AH111700	SHEET	1	550001-610000	
	AH117525	SHEET	1	610101-	R.H.
16	H102678	BRACE	1		
17	14H1039	NUT	1		5/8"
18	03H1603	BOLT	1		5/8" X 2"
	12H294	LOCK WASHER	1		5/8"
	14H1039	NUT	1		5/8"
19	H102690	EYEBOLT	1		
20	H102691	SPACER	1		
21	H101717	REINFORCEMENT	1		
22	19H1895	CAP SCREW	2	550001-	1/2" X 3/4"
23	24H1111	WASHER	2	550001-	17/32" X 1-1/16" X 0.090"

2F6

FEEDER HOUSE

LONG FEEDER HOUSE SIDE SHEETS AND FRAME - CONTINUED

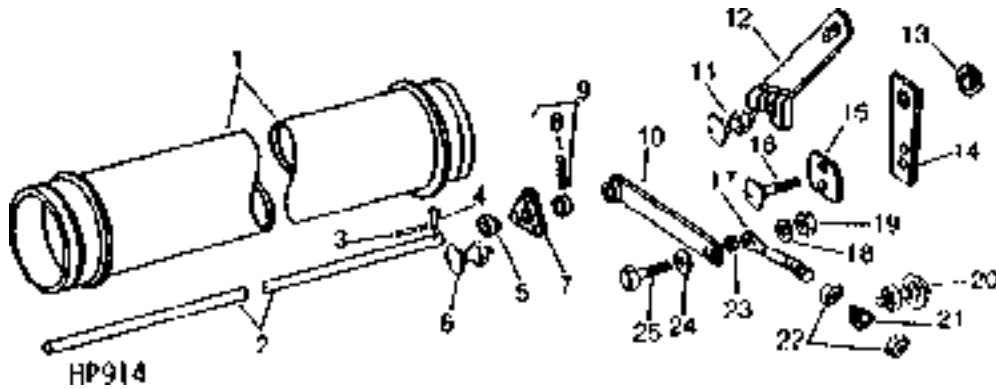
KEY	PART NO.	PART NAME	QTY	SERIAL NO.	REMARKS
24	24H1371	WASHER	1		21/32" X 1-3/8" X 0.194"
25	03H1603	BOLT	1		5/8" X 2"
	12H294	LOCK WASHER	1		5/8"
	14H1039	NUT	1		5/8"
26	03H1801	BOLT	1		5/8" X 1-3/4"
	12H294	LOCK WASHER	1		5/8"
	14H1039	NUT	1		5/8"
27	21H1137	SCREW	1	-500000	5/16" X 1-1/4"
	21H1235	SCREW	1	500001-	5/16" X 1-3/4"
28	03H1801	BOLT	2		5/8" X 1-3/4"
	12H294	LOCK WASHER	2		5/8"
	14H1039	NUT	2		5/8"
29	AH101149	FRAME	1	-550000	
	AH111148	FRAME	1	550001-	
30	03H1522	BOLT	2		1/2" X 1-1/4"
	12H301	LOCK WASHER	2		1/2"
	14H1040	NUT	2		1/2"
31	H102882	PLATE	1		
32	19H1792	CAP SCREW	2	550001-	1/2" X 1"

2F7

FEEDER HOUSE

HP914 -UN-01JAN94

FEEDER CONVEYOR IDLER SHAFT AND FEEDER DRUM



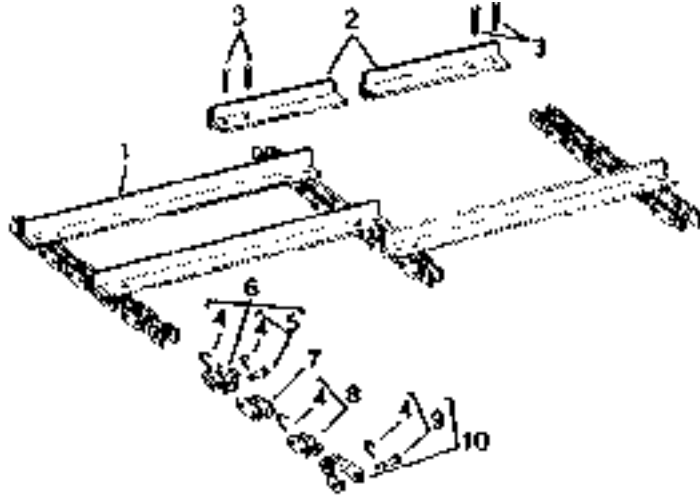
KEY	PART NO.	PART NAME	QTY	SERIAL NO.	REMARKS
1	AH76375	DRUM	1	-500001	
	AH108852	DRUM	1	500002-	
2	H77751	PIN	1		
3	11H211	COTTER PIN	2		1/8" X 3/4"
4	H81710	PIN	2		
5	JD8665	BALL BEARING	2		
6	03H1500	BOLT	6	-500001	3/8" X 1"
	14H812	NUT	6	-500001	3/8"
	19H1731	CAP SCREW	6	500002-	3/8" X 1"
	12H304	LOCK WASHER	6	500002-	3/8"
	14H812	NUT	6	500002-	3/8"
7	H80806	HOUSING	2		
8	22H897	SET SCREW	2		1/4" X 1/4"
9	JD8554	ECCENTRIC LOCKING COLLAR	2		
10	AH79728	ARM	2	-610100	
	AH116698	ARM	2	610101-	
11	03H1439	BOLT	2		1/2" X 1-3/4"
	12H301	LOCK WASHER	2		1/2"
	14H1040	NUT	2		1/2"
12	H84945	STOP	1		R.H.
	H84946	STOP	1		L.H.
13	H97322	CAM	2		
14	H84942	PLATE	2		
15	H84944	STOP	2		
16	H84943	BOLT	2		SPECIAL
17	H76694	EYEBOLT	2	-610100	(SUB H118582, THIS APPLICATION)
	H118582	EYEBOLT	2		
18	12H301	LOCK WASHER	2		1/2"
19	14H1040	NUT	2		1/2"
20	03H1540	BOLT	4		5/16" X 3/4"
	14H785	NUT	4		5/16"
21	H81074	CLIP	2		
22	14H1039	NUT	4		5/8"
23	H81277	BUSHING	2		
24	24H1162	WASHER	4		17/32" X 1-1/4" X 0.060"
25	H31381	BOLT	2		

2F8

FEEDER HOUSE

HP1228 -UN-01JAN94

FEEDER CONVEYOR CHAIN



HP1228

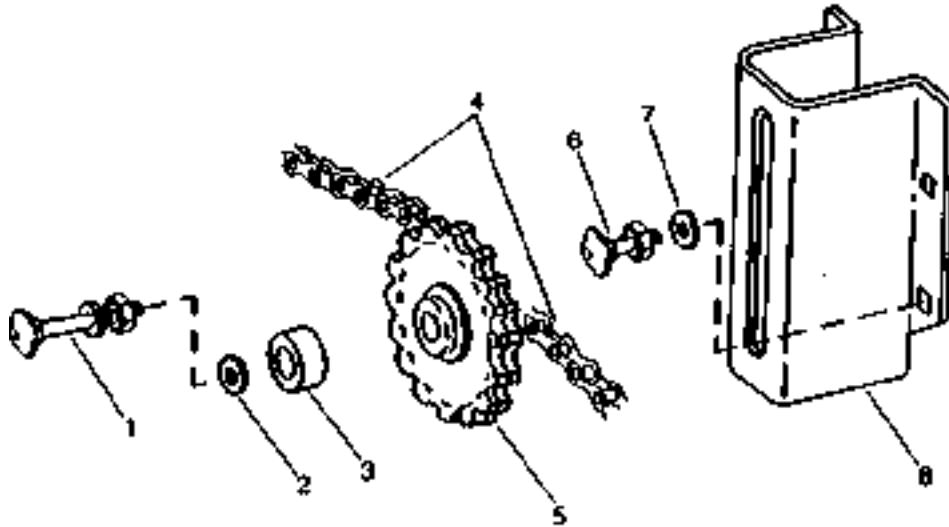
KEY	PART NO.	PART NAME	QTY	SERIAL NO.	REMARKS	
1	AH86860	CONVEYOR	1	-450000	(REGULAR) (SUB AH96284)	
	AH96284	CONVEYOR	1	-550000	24 H97615 "T" SLATS, (REGULAR)	
	AH112321	CONVEYOR	1	550001-610100	(SUB AH116711, (3) AH84241 AND (3) C10233)	
	AH116711	CONVEYOR	1	-610550	(SUB AH123532)	
	AH123532	CONVEYOR	1		(REGULAR)	
	AH86861	CONVEYOR	1	-450000	(SUB AH96295)	
	AH96295	CONVEYOR	1	-550000	28 H97615 "T" SLATS (LONG) (SUB AH112322)	
	AH112322	CONVEYOR	1	-610100	(SUB AH116712, (3) AH84241 AND (3) C10233)	
	AH116712	CONVEYOR	1	-610550	(SUB AH123533)	
	AH123533	CONVEYOR	1		(LONG)	
	2	H85894	SLAT	AR	-450000	(37 USED, REGULAR; 42 USED, LONG)
		H97615	SLAT	AR	450001-550000	(24 USED, REGULAR; 28 USED, LONG)
	H85894	SLAT	AR	550001-610550	(24 USED, REGULAR; 28 USED, LONG)	
	H85894	SLAT	AR	610551-	(37 USED, REGULAR; 42 USED, LONG)	
3	16H1083	RIVET	AR		5/16" X 5/8", (4 USED PER SLAT)	
4	H84026	HOOK	1			
5	AC14974	PIN	1	-450000		
6	AH18582	CHAIN LINK	1	-450000	(CORN)	
	AH83426	CHAIN LINK	1	-450000	(5/16" RIVET) (CORN)	
	AH83426	CHAIN LINK	1	-450000	(5/16" RIVET) (GRAIN)	
	AH18582	CHAIN LINK	1	-450000	(1/4" RIVET) (RICE)	
	AH110740	CHAIN LINK	1	450001-550000		
	AH83426	CHAIN LINK	1	550001-		
	C10232	LINK	1		ROLLER	
8	AH84241	CHAIN LINK	1		COUPLER	
9	AC11779	PIN	1		OFFSET LINK, WITH COTTER PIN	
10	C10233	CHAIN LINK	1		OFFSET	

2F9

FEEDER HOUSE

HP1683 -UN-01JAN94

FEEDER CONVEYOR CHAIN DRIVE TIGHTENER ON RIGHT-HAND SIDE OF FEEDER HOUSE



HP1683

KEY	PART NO.	PART NAME	QTY	SERIAL NO.	REMARKS
1	03H2113	BOLT	1		1/2" X 2"
	14H1040	NUT	1		1/2"
	12H301	LOCK WASHER	1		1/2"
2	24H1662	WASHER	1		49/64" X 1-1/2" X 0.075"
3	28H1596	WASHER	1		0.546" X 0.840" X 5/16"
4	LINK CHAIN	1		DRIVE, ROLLER, TYPE 50, 16 MM (5/8") PITCH, 225 LINKS (ASSEMBLE FROM (4) AP6093H AND AP6094H)
5	AH98176	CHAIN SPROCKET	1		
6	03H1463	BOLT	4	-550000	3/8" X 3/4"
	14H812	NUT	4	-550000	3/8"
	19H1731	CAP SCREW	3	550001-	3/8" X 1"
	12H304	LOCK WASHER	3	550001-	3/8"
	14H812	NUT	3	550001-	3/8"
7	24H1305	WASHER	3	550001-	13/32" X 13/16" X 0.065"
8	H77964	BRACKET	1	-550000	
	H98332	BRACKET	1	550001-	

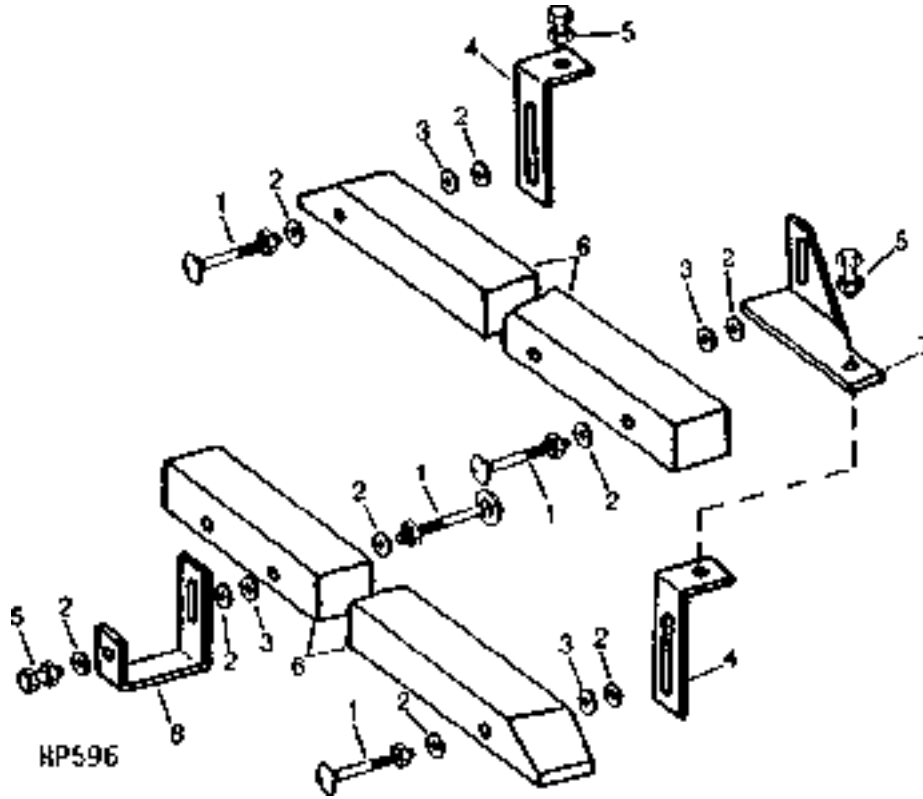
2F10

FEEDER HOUSE

HP596

-UN-01JAN94

FEEDER CONVEYOR DRIVE CHAIN GUIDES (REGULAR)

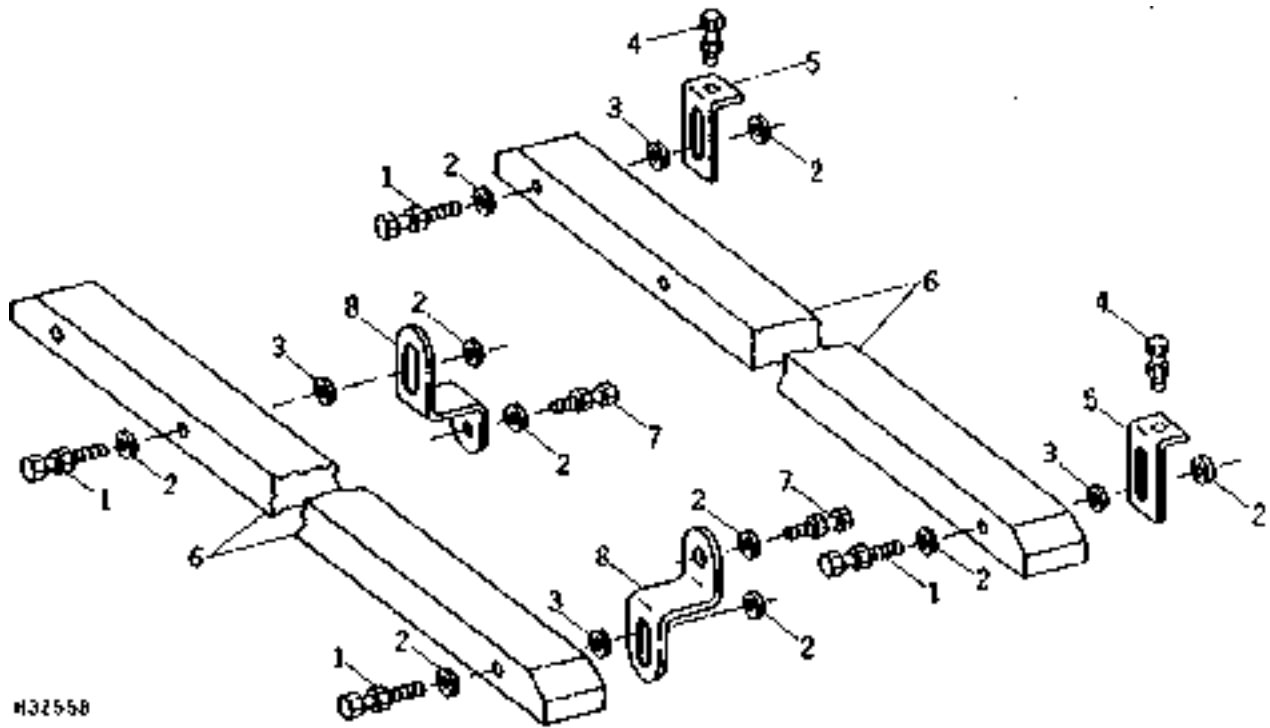


KEY	PART NO.	PART NAME	QTY	SERIAL NO.	REMARKS
1	19H1944	CAP SCREW	4		3/8" X 2-3/4"
	12H304	LOCK WASHER	4		3/8"
	14H812	NUT	4		3/8"
2	24H1305	WASHER	9		13/32" X 13/16" X 0.065"
	24H1308	WASHER	4		13/32" X 1" X 0.134"
3	H80843	ANGLE	2		UPPER REAR AND LOWER FRONT
4	19H1732	CAP SCREW	3		3/8" X 1-1/4"
	12H304	LOCK WASHER	3		3/8"
	14H812	NUT	3		3/8"
5	H80838	GUIDE	2		
6	H80840	BRACKET	1		UPPER FRONT
7	H82510	BRACKET	1		LOWER REAR

2F11

H32558 -UN-01JAN94

FEEDER CONVEYOR DRIVE CHAIN GUIDES (LONG)



KEY	PART NO.	PART NAME	QTY	SERIAL NO.	REMARKS
1	19H2128	CAP SCREW	4	3/8" X 3"	
	12H304	LOCK WASHER	4	3/8"	
	14H812	NUT	4	3/8"	
2	24H1305	WASHER	10	13/32" X 13/16" X 0.065"	
	24H1308	WASHER	4	13/32" X 1" X 0.134"	
4	19H2284	CAP SCREW	2	3/8" X 7/8"	
	12H304	LOCK WASHER	2	3/8"	
	14H812	NUT	2	3/8"	
5	H80843	ANGLE	2	UPPER	
6	H95464	GUIDE	2		
7	19H1732	CAP SCREW	2	3/8" X 1-1/4"	
	12H304	LOCK WASHER	2	3/8"	
	14H812	NUT	2	3/8"	
8	H82530	BRACKET	2	LOWER	

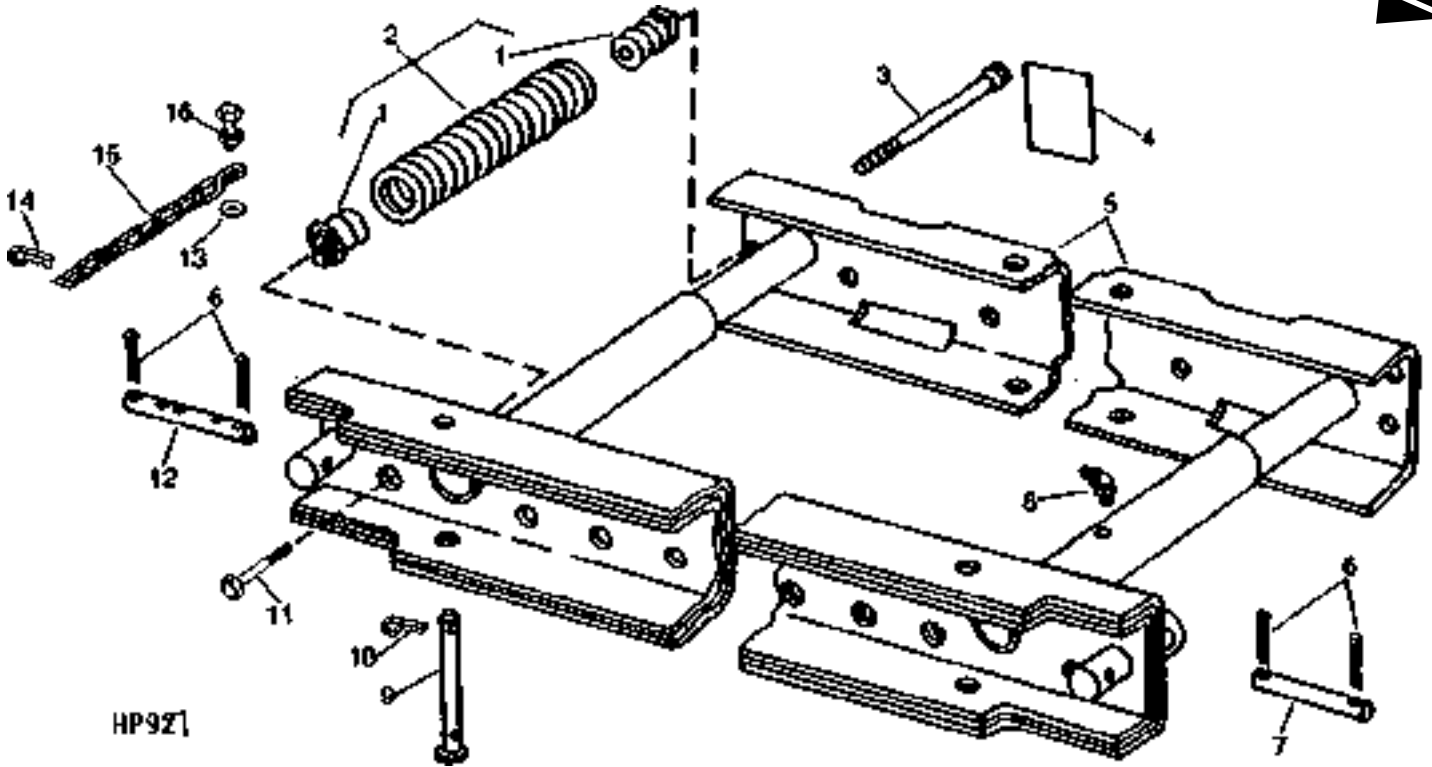
2F12

FEEDER HOUSE

HP921

-UN-01JAN94

FLOAT SPRINGS



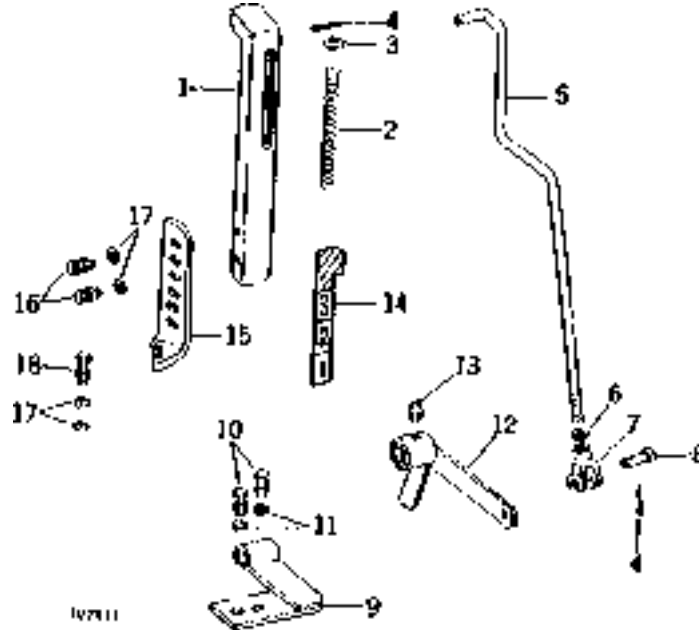
KEY	PART NO.	PART NAME	QTY	SERIAL NO.	REMARKS
1	H60209	PLUG	2		(PER SPRING)
2	AH60736	SPRING ASSEMBLY	AR		
3	08H4559	CAP SCREW	AR		5/8" X 9"
4	H89657	DECAL	1		
5	AH89501	FRAME	1		
6	11H222	COTTER PIN	4		3/16" X 2"
7	H99087	PIN	2		
8	JD7806	LUBRICATION FITTING	4		90°, 1/4"
9	AH90761	PIN	2		
10	28316	SPRING LOCKING PIN	2		
11	19H2261	CAP SCREW	1		5/8" X 2-1/2"
12	H99114	PIN	1		
13	24H1305	WASHER	2		13/32" X 13/16" X 0.065"
14	J16931	SPRING LOCKING PIN	2		
15	AH10367	LINK CHAIN	2		
16	19H1731	CAP SCREW	2		3/8" X 1"
	14H812	NUT	2		3/8"

2F13

FEEDER HOUSE

H22417 -UN-01JAN94

FLOAT SPRING INDICATOR



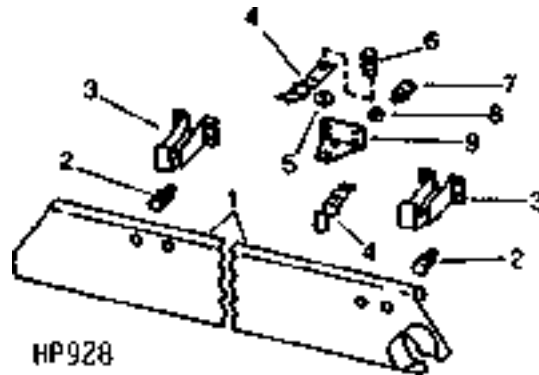
KEY	PART NO.	PART NAME	QTY	SERIAL NO.	REMARKS
1	AH84962	GUIDE	1		
2	H61803	SPRING	1		
3	24H1286	WASHER	1		9/32" X 1/2" X 1/16"
4	11H231	COTTER PIN	2		1/16" X 1"
5	H83592	ROD	1		
6	14H860	NUT	1		1/4"
7	P42921	YOKE	1	-550000	
	M3742T	YOKE	1	550001-	
8	P47303	PIN	1		
9	H88242	STOP	1		
10	H81101	SCREW	2		SELF-TAPPING
11	24H1136	WASHER	2		11/32" X 11/16" X 0.065"
12	AH83691	ARM	1		
13	JD7797	LUBRICATION FITTING	1		STRAIGHT, 1/4"
14	H84513	DECAL	1		
15	H83596	BRACKET	1		
16	19H1732	CAP SCREW	2		3/8" X 1-1/4"
	14H812	NUT	2		3/8"
17	24H1305	WASHER	4		13/32" X 13/16" X 0.065"
18	19H1731	CAP SCREW	1		3/8" X 1"
	14H812	NUT	1		3/8"

2F14

FEEDER HOUSE

HP928 -UN-01JAN94

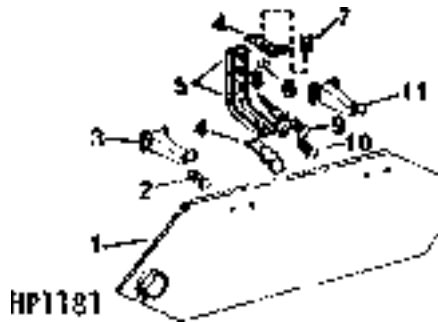
FEEDER HOUSE RIGHT-HAND SHIELD



KEY	PART NO.	PART NAME	QTY	SERIAL NO.	REMARKS
1	AH98890	SHIELD	1		(CORN OR GRAIN) (REGULAR)
	AH98891	SHIELD	1	-610100	(LONG) (RICE, GRAIN, OR CORN)
	AH115249	SHIELD	1	610101-	(LONG) (RICE, GRAIN OR CORN)
2	03H1268	BOLT	4		5/16" X 3/4"
3	H88055	BRACKET	2		
4	H78884	LATCH	2		
5	24H1136	WASHER	1		11/32" X 11/16" X 0.065"
6	19H1900	CAP SCREW	2		5/16" X 3/4"
	14H785	NUT	2		5/16"
7	19H1732	CAP SCREW	2		3/8" X 1-1/4"
	14H812	NUT	2		3/8"
8	24H1305	WASHER	4		13/32" X 13/16" X 0.065"
9	H88056	BRACKET	1		(REGULAR)
	H88057	BRACKET	1		(LONG)

HP1181 -UN-01JAN94

FEEDER HOUSE LEFT-HAND SHIELD



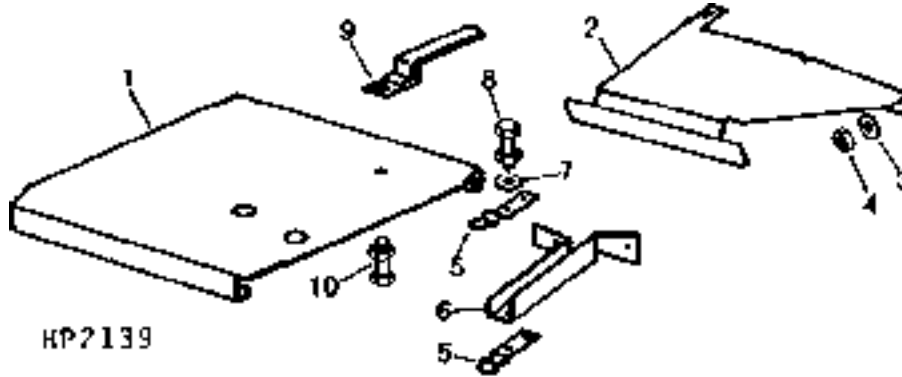
KEY	PART NO.	PART NAME	QTY	SERIAL NO.	REMARKS
1	AH94459	SHIELD	1		(REGULAR)
	AH94460	SHIELD	1	-600000	(SUB AH114776)
	AH114776	SHIELD	1		(LONG)
2	03H1463	BOLT	6		3/8" X 3/4"
	14H812	NUT	6		3/8"
3	H83776	BRACKET	1		FRONT
4	H78884	LATCH	2		
5	H82521	BRACKET	1		
6	24H1136	WASHER	1		11/32" X 11/16" X 0.065"
7	19H1900	CAP SCREW	2		5/16" X 3/4"
	14H785	NUT	2		5/16"
8	24H1305	WASHER	2		13/32" X 13/16" X 0.065"
9	03H1765	BOLT	1		3/8" X 3/4"
	14H812	NUT	1		3/8"
10	19H1731	CAP SCREW	1		3/8" X 1"
	14H812	NUT	1		3/8"
11	H78880	BRACKET	1		REAR

2F15

FEEDER HOUSE

HP2139 -UN-01JAN94

VARIABLE BELT DRIVE SHIELD



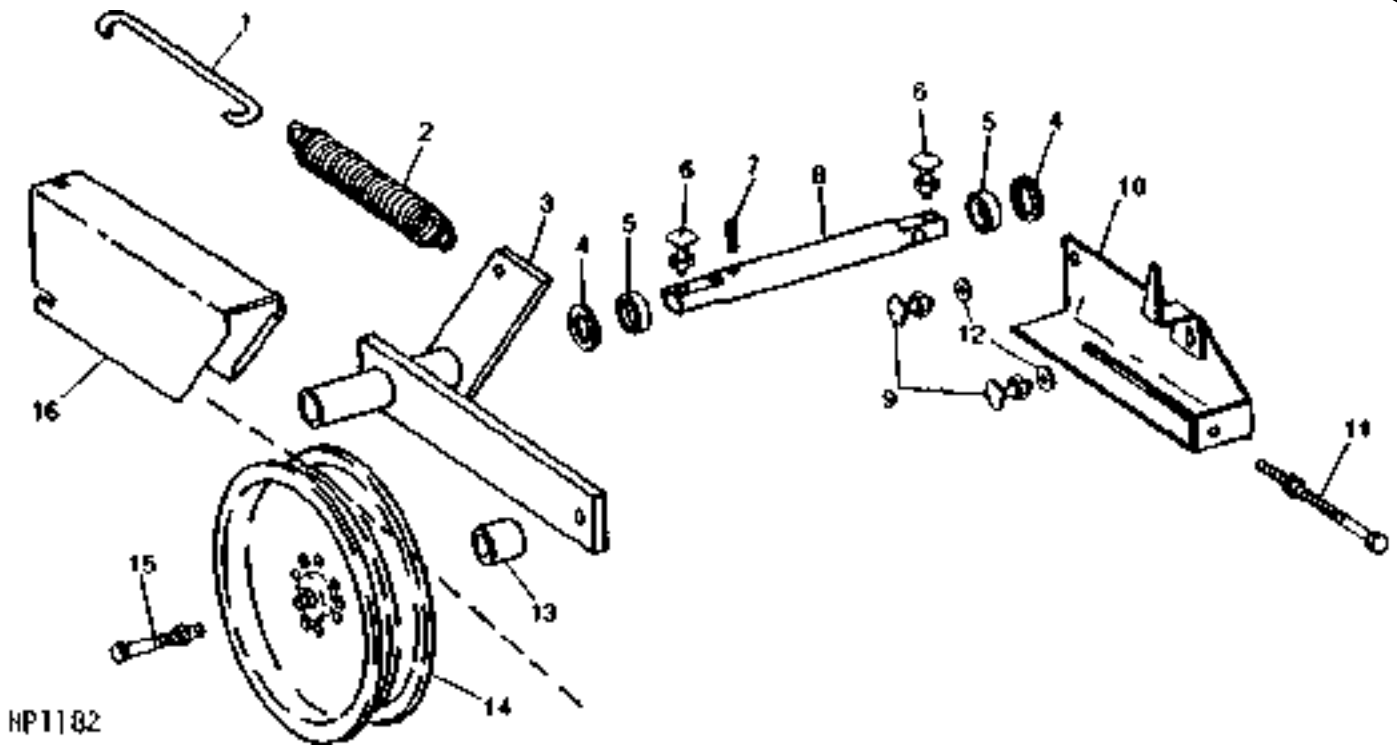
KEY	PART NO.	PART NAME	QTY	SERIAL NO.	REMARKS
1	AH85437	SHIELD	1	-600000	(SUB AH114774)
	AH114774	SHIELD	1		
2	H84958	SUPPORT	1	-400000	(SUB H100592)
	H100592	SUPPORT	1		
3	H84956	SUPPORT	1		(LONG FEEDER HOUSE)
	24H1136	WASHER	1		11/32" X 11/16" X 0.065"
4	14H785	NUT	1		5/16"
5	H78884	LATCH	2		
6	H84959	SUPPORT	1	-400000	
	H100593	SUPPORT	1	400001-	
7	H99639	SUPPORT	1		(LONG FEEDER HOUSE)
	24H1305	WASHER	2		13/32" X 13/16" X 0.065"
8	19H1900	CAP SCREW	2		5/16" X 3/4"
	14H785	NUT	2		5/16"
9	AH78124	CLIP	1		
10	21H1069	SCREW	1	600001-	3/8" X 1"
	12H304	LOCK WASHER	1	600001-	3/8"
	14H812	NUT	1	600001-	3/8"

2F16

FEEDER HOUSE

PLATFORM AND FEEDER HOUSE VARIABLE DRIVE MIDDLE BELT TIGHTENER

HP1182 -UN-01JAN94



HP1182

KEY	PART NO.	PART NAME	QTY	SERIAL NO.	REMARKS
1	H77286	LINK	1		
	H83284	LINK	1		(LONG FEEDER HOUSE)
2	124725	SPRING	1		
	H86646	SPRING	1		(LONG FEEDER HOUSE)
3	AH85435	ARM	1		
4	24H1413	WASHER	2		57/64" X 1-3/8" X 0.048"
5	M42565	BUSHING	2		
6	03H1495	BOLT	2		3/8" X 1-1/2"
	14H812	NUT	2		3/8"
7	34H284	SPRING PIN	1		3/16" X 1-1/4"
8	H89433	SHAFT	1		
9	03H1500	BOLT	2		3/8" X 1"
	14H812	NUT	2		3/8"
10	AH78581	BRACKET	1		
11	19H3042	CAP SCREW	1		3/8" X 6"
	14H841	NUT	1		3/8"
12	24H1305	WASHER	2		13/32" X 13/16" X 0.065"
13	28H1016	SPACER	1		3/4" X 1"
14	AH85276	PULLEY	1		229 MM (9") DIA.
15	19H1863	CAP SCREW	1		5/8" X 3"
	14H1039	NUT	1		5/8"
16	H95450	SHIELD	1		

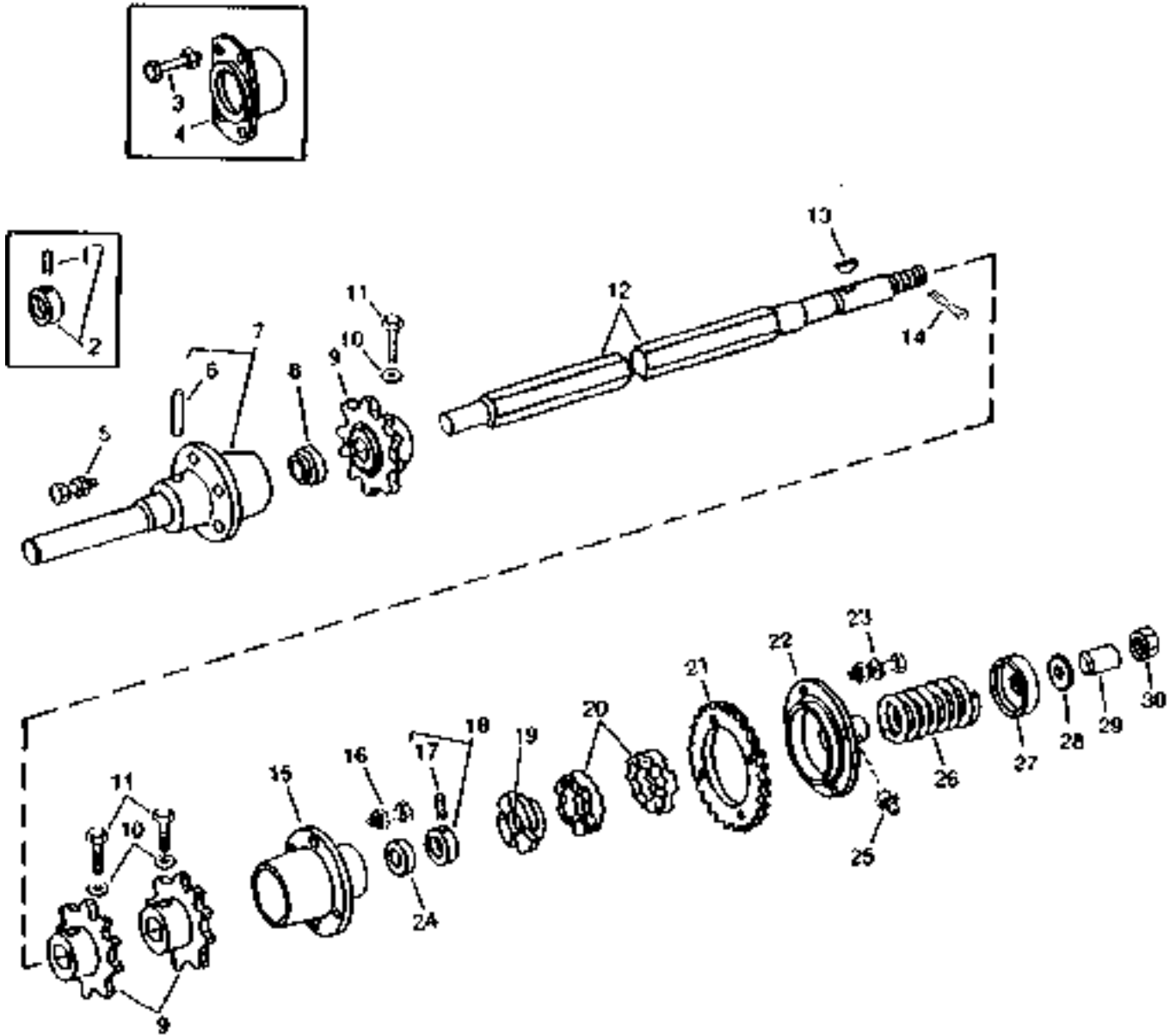
2F17

FEEDER HOUSE

HP2372

-UN-01JAN94

FEEDER HOUSE UPPER SHAFT, SPROCKETS, AND SLIP CLUTCH



HP2372

2F18

FEEDER HOUSE

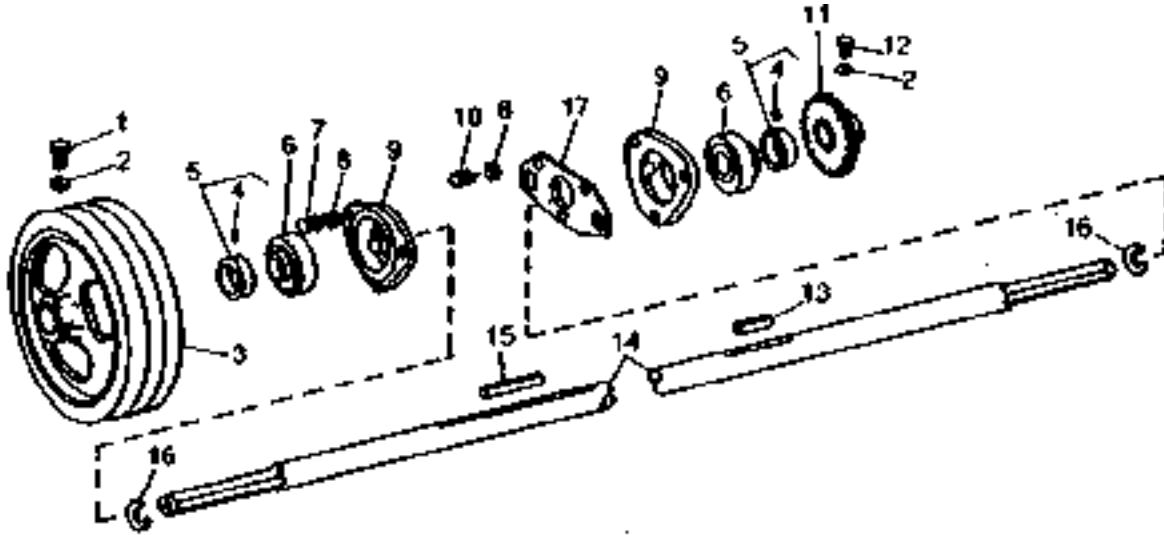
FEEDER HOUSE UPPER SHAFT, SPROCKETS, AND SLIP CLUTCH - CONTINUED

KEY	PART NO.	PART NAME	QTY	SERIAL NO.	REMARKS
1	22H899	SET SCREW	1	-550000	3/8" X 1/2"
2	JD8544	ECCENTRIC LOCKING COLLAR	1	-550000	
3	H95783	SCREW	4	-550000	
	12H301	LOCK WASHER	4	-550000	1/2"
	14H1040	NUT	4	-550000	1/2"
4	H102505	HOUSING	1	-550000	(CORN, GRAIN, RICE, SOYBEAN)
5	H95783	SCREW	2	550001-	
	T49269	SCREW	2	550001-	
	12H301	LOCK WASHER	4	550001-	1/2"
	14H1040	NUT	4	550001-	1/2"
6	34H321	SPRING PIN	1	550001-	1/4" X 2-1/2"
7	AH111642	SHAFT	1	550001-	
8	JD8545	BALL BEARING	1	-550000	
	JD9373	BALL BEARING	1	550001-	
9	H94168	CHAIN SPROCKET	3	-610100	10 TEETH
	H121435	CHAIN SPROCKET	3	610101-	10 TEETH, 45 MM (1-3/4") HEX BORE
10	14H732	NUT	6		3/8"
11	H84158	SCREW	6	-610100	
	H118776	SET SCREW	6	610101-	
12	H86092	SHAFT	1	-550000	
	H113409	SHAFT	1	550001-	
13	26H82	SHAFT KEY	1		1/4" X 7/8"
14	11H218	COTTER PIN	1		3/16" X 1-1/2"
15	H95857	HOUSING	1		(CORN, GRAIN, RICE, SOYBEAN)
16	H100562	SCREW	4	-550000	
	H95783	SCREW	2	550001-	REAR
	T49269	SCREW	2	550001-	FRONT
	12H301	LOCK WASHER	4		1/2"
	14H1040	NUT	4		1/2"
17	22H899	SET SCREW	1		3/8" X 1/2"
18	JD8544	ECCENTRIC LOCKING COLLAR	1		
19	H85015	HUB	1		
20	Z699H	SLIP CLUTCH	2		
21	H80845	CHAIN SPROCKET	1		35 TEETH
22	H93736	HUB	1		
23	19H1732	CAP SCREW	4		3/8" X 1-1/4"
	14H812	NUT	4		3/8"
24	JD8545	BALL BEARING	1		
25	JD7797	LUBRICATION FITTING	1		STRAIGHT, 1/4"
26	H84390	SPRING	1	-402700	
	H101244	SPRING	1	402701-	
27	H22216	CAP	1		
28	J4489H	WASHER	1		
29	M18105	SPACER	1	-400280	(SUB 28H1576, THIS APPLICATION)
	28H1576	BUSHING	1		3/4" X 7/8"
30	H83786	NUT	1	-402700	
	H105936	NUT	1	402701-	

2F19

FEEDER HOUSE VARIABLE BELT DRIVE LOWER SHAFT AND SHEAVE

HP2074 -UN-01JAN94



HP2074

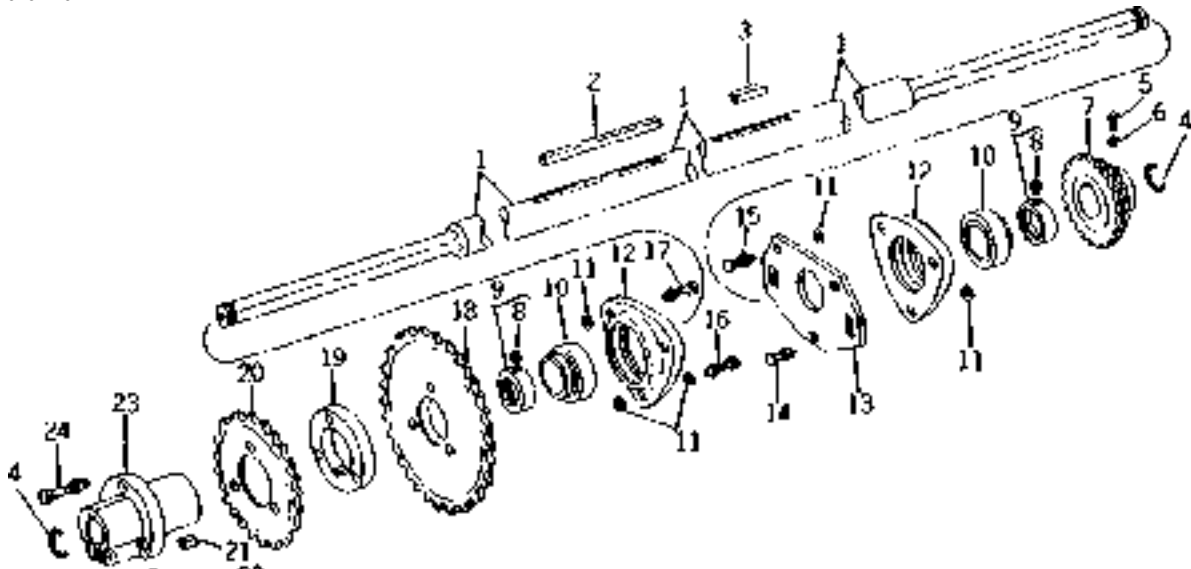
KEY	PART NO.	PART NAME	QTY	SERIAL NO.	REMARKS
1	22H853	SET SCREW	2		3/8" X 7/8"
2	14H732	NUT	4		3/8"
3	H76849	SHEAVE	1		275 MM (10-13/16") DIA.
	H76851	SHEAVE	1		289 MM(10-3/8") DIA. (LONG FEEDER HOUSE)
4	22H979	SET SCREW	2		3/8" X 3/8"
5	JD9201	ECCENTRIC LOCKING COLLAR	2		
6	JD9202	BALL BEARING	2		
7	19H1800	CAP SCREW	3		3/8" X 1-1/2"
	14H812	NUT	3		3/8"
8	24H1305	WASHER	6		13/32" X 13/16" X 0.065"
9	H93927	HOUSING	2		
10	10H1027	BOLT	3		3/8" X 1-1/4"
	14H812	NUT	3		3/8"
11	AH101146	CHAIN SPROCKET	1		18 AND 29 TEETH
12	H82306	SCREW	2		
13	KEY	1		10 MM X 10 MM X 38 MM (3/8" X 3/8" X 1-1/2") (CUT FROM H64376 IN AH64587 KEY STOCK KIT)
14	H80923	SHAFT	1	-550000	(SUB H115230)
	H115230	SHAFT	1		
15	KEY	1		10 MM X 10 MM X 86 MM (3/8" X 3/8" X 3-3/8") (CUT FROM H64376 IN AH64587 KEY STOCK KIT)
16	H80926	SNAP RING	2		
17	H82532	PLATE	1		

2F20

FEEDER HOUSE

FEEDER HOUSE DRIVE CHAIN LOWER SHAFT

H19309 -UN-01JAN94



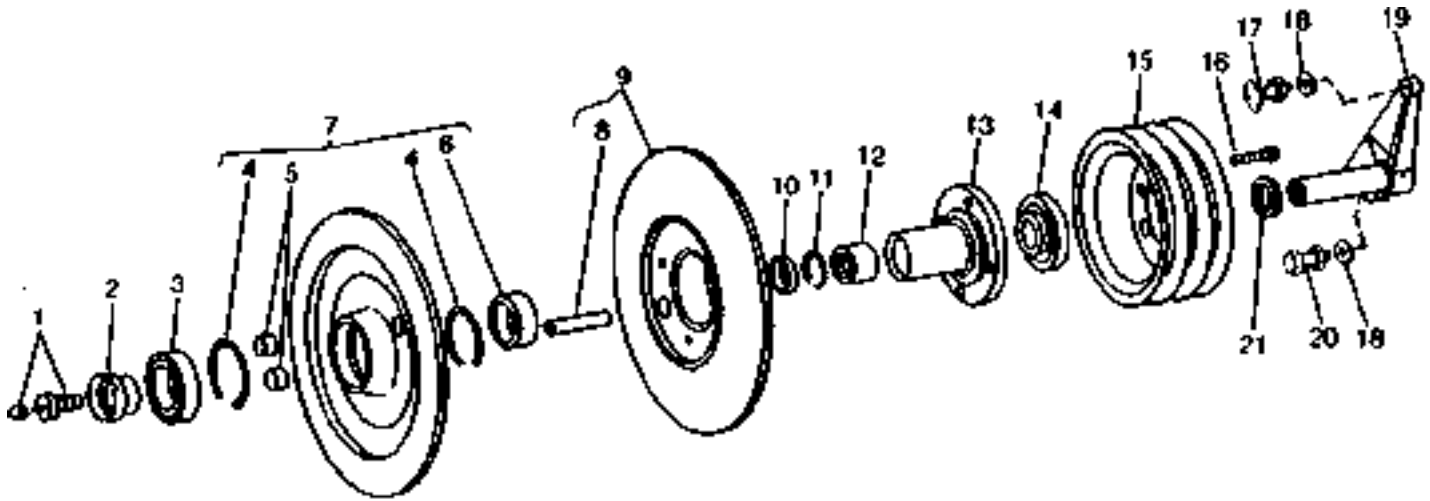
KEY	PART NO.	PART NAME	QTY	SERIAL NO.	REMARKS
1	H80923	SHAFT	1	-550000	(SUB H115230)
	H115230	SHAFT	1		
2	KEY	1		10 MM X 10 MM X 159 MM (3/8" X 3/8" X 6-1/4")
3	KEY	1		(CUT FROM H64376 IN AH64587 KEY STOCK KIT) 10 MM X 10 MM X 38 MM (3/8" X 3/8" X 1-1/2") (CUT FROM H64376 IN AH64587 KEY STOCK KIT)
4	H80926	SNAP RING	2		
5	H82306	SCREW	2		
6	14H732	NUT	2		3/8"
7	AH101146	CHAIN SPROCKET	1		18 AND 29 TEETH
8	22H979	SET SCREW	2		3/8" X 3/8"
9	JD9201	ECCENTRIC LOCKING COLLAR	2		
10	JD9202	BALL BEARING	2		
11	24H1305	WASHER	10		13/32" X 13/16" X 0.065"
12	H93927	HOUSING	2		
13	H82532	PLATE	1		
14	03H1519	BOLT	2		3/8" X 1"
	14H812	NUT	2		3/8"
15	10H1027	BOLT	3		3/8" X 1-1/4"
	14H812	NUT	3		3/8"
16	19H1765	CAP SCREW	2		3/8" X 1-3/4"
17	19H1732	CAP SCREW	1		3/8" X 1-1/4"
	14H812	NUT	1		3/8"
18	H77951	CHAIN SPROCKET	1		29 TEETH
	H77979	CHAIN SPROCKET	1		22 TEETH
	H77950	CHAIN SPROCKET	1		18 TEETH
19	H75895	SPACER	1		
20	H77979	CHAIN SPROCKET	1		22 TEETH
	H77950	CHAIN SPROCKET	1		18 TEETH
	H77951	CHAIN SPROCKET	1		29 TEETH
21	SHAFT KEY	1		6 MM X 6 MM X 13 MM (1/4" X 1/4" X 1/2") (CUT FROM H64374 IN AH64587 KEY STOCK KIT)
22	19H1974	CAP SCREW	1		1/2" X 2-3/4"
	12H301	LOCK WASHER	1		1/2"
	14H1040	NUT	1		1/2"
23	H75894	HUB	1		
24	19H1820	CAP SCREW	3		1/2" X 3"
	12H301	LOCK WASHER	3		1/2"
	14H1040	NUT	3		1/2"

2F21

FEEDER HOUSE

LOWER COUNTERSHAFT AND SHEAVES FOR PLATFORM AND FEEDER HOUSE VARIABLE BELT DRIVE

HP1183 -UN-01JAN94



HP1183

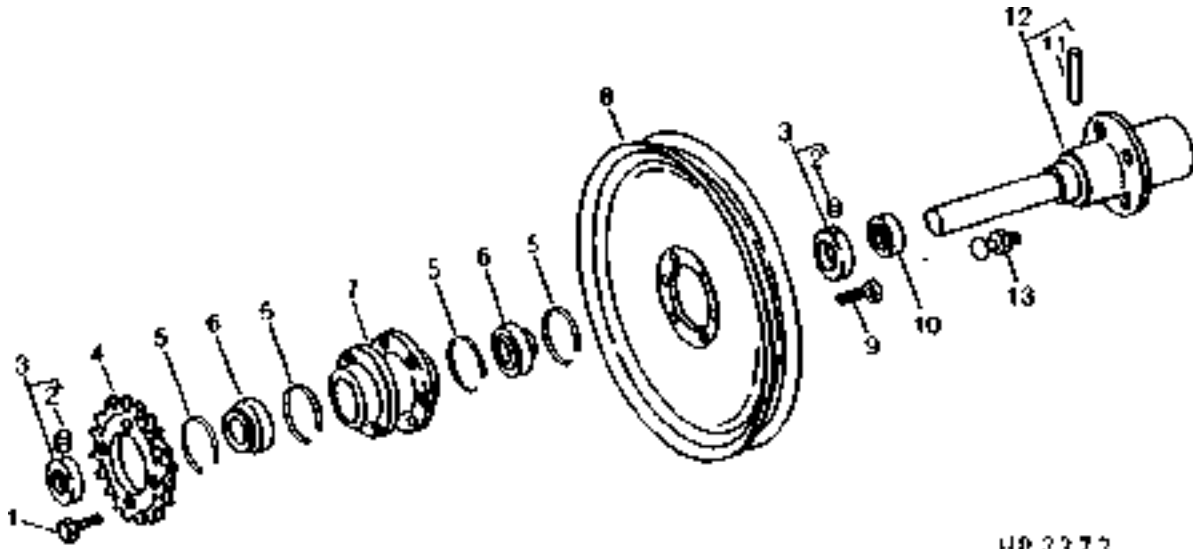
KEY	PART NO.	PART NAME	QTY	SERIAL NO.	REMARKS
1	JD7797	LUBRICATION FITTING	1		1/4" (USE FOR PERIODIC LUBRICATION ONLY)
2	H85652	HUB	1		
3	JD9406	BALL BEARING	1		
4	H83285	SNAP RING	2		
5	H82457	BUSHING	4		
6	H75691	BUSHING	1		(64 MM) I.D.
7	AH84613	SHEAVE	1		OUTER, 377 MM (14-55/64") DIA. (WITH BUSHINGS AND SNAP RING) (MARKED H84201)
8	H79404	PIN	4		
9	AH83816	SHEAVE	1		WITH DRIVE PINS, (MARKED H83721)
10	H25051	SEAL	1		
11	E1343FN	SNAP RING	1		
12	JD9878	NEEDLE BEARING	1		
13	H84449	HUB	1		
14	JD9301	BALL BEARING	1		
15	H76848	SHEAVE	1		216 MM (8-1/2") DIA.
	H86021	SHEAVE	1		226 MM (8-27/32") DIA. (LONG FEEDER HOUSE)
	19H1765	CAP SCREW	1		3/8" X 1-3/4"
17	03H1492	BOLT	1		1/2" X 2"
	14H1040	NUT	1		1/2"
18	24H1305	WASHER	4		13/32" X 13/16" X 0.065"
19	AH96810	SUPPORT	1	-550000	(MARKED H80226)
	AH109096	SHAFT	1	550001-	
	AH84897	SUPPORT	1		(LONG FEEDER HOUSE)
20	03H1439	BOLT	2		1/2" X 1-3/4"
	14H1040	NUT	2		1/2"
21	24H1669	WASHER	1		1-25/64" X 2-1/8" X 0.075"

2F22

FEEDER HOUSE

HP2373 -UN-01JAN94

UPPER COUNTERSHAFT AND SPROCKET FOR PLATFORM AND FEEDER HOUSE CHAIN DRIVE



HP2373

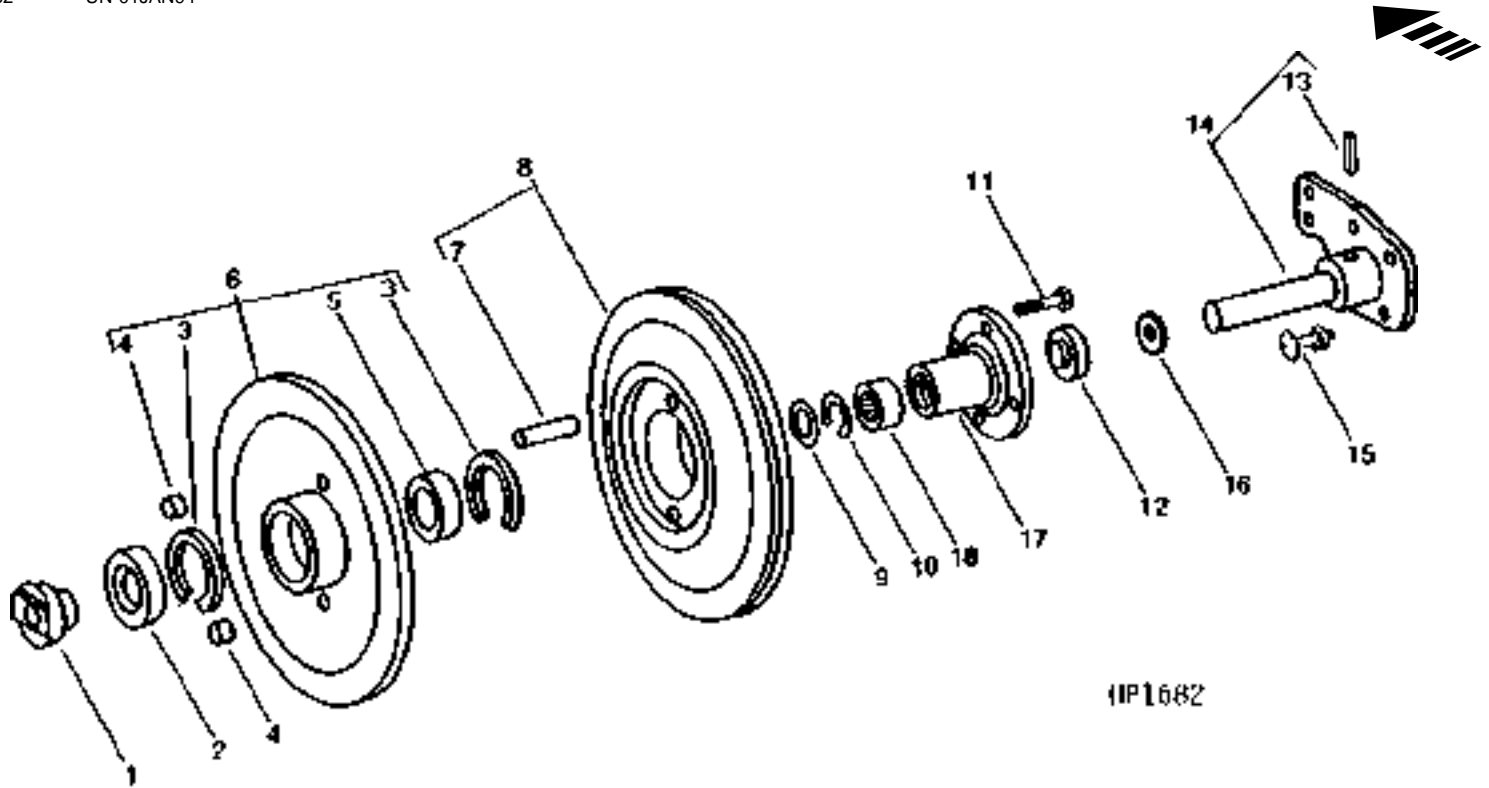
KEY	PART NO.	PART NAME	QTY	SERIAL NO.	REMARKS
1	19H1732	CAP SCREW	4		3/8" X 1-1/4"
2	22H897	SET SCREW	2		1/4" X 1/4"
3	JD9220	ECCENTRIC LOCKING COLLAR	2		
4	H77967	CHAIN SPROCKET	1		18 TEETH
5	P42232	SNAP RING	4		
6	JD9221	BALL BEARING	2		
7	H75893	HUB	1		
8	AH75979	SHEAVE	1		440 MM (17-5/16") DIA.
9	19H1936	CAP SCREW	6		3/8" X 3/4"
10	E31845	BUSHING	1	-550000	
11	34H321	SPRING PIN	1		1/4" X 2-1/2"
12	AH94705	SHAFT	1	-550000	(MARKED H95856)
	AH111642	SHAFT	1	550001-	
13	H95783	SCREW	2		
	T49269	SCREW	2		
	12H301	LOCK WASHER	4		1/2"
	14H1040	NUT	4		1/2"

2F23

FEEDER HOUSE

UPPER COUNTERSHAFT AND SHEAVES FOR PLATFORM AND FEEDER HOUSE VARIABLE BELT DRIVE

HP1682 -UN-01JAN94



HP1682

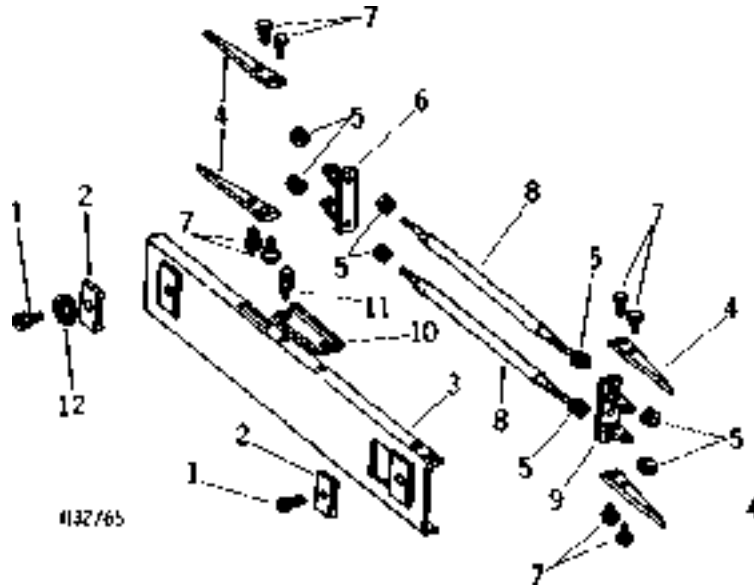
KEY	PART NO.	PART NAME	QTY	SERIAL NO.	REMARKS
1	H85652	HUB	1		
2	JD9406	BALL BEARING	1		
3	H83285	SNAP RING	1		
4	H82457	BUSHING	4		
5	H75691	BUSHING	1		
6	AH84613	SHEAVE	1		WITH BUSHINGS AND SNAP RING, (MARKED H84201)
7	H79404	PIN	4		
8	AH83815	SHEAVE	1		INNER, WITH DRIVE PINS, 374 MM (14-55/64") DIA. (MARKED H83720)
9	H25051	SEAL	1		
10	E1343FN	SNAP RING	1		
11	19H1732	CAP SCREW	4		3/8" X 1-1/4"
12	JD9301	BALL BEARING	1		
13	34H321	SPRING PIN	1		
14	AH94706	SUPPORT	1	-550000	(MARKED H95784)
	AH111100	SHAFT	1	550001-	
15	H95783	SCREW	1		
	12H301	LOCK WASHER	4		1/2"
	14H1040	NUT	4		1/2"
16	24H1669	WASHER	1		1-25/64" X 2-1/8" X 0.075"
17	H84449	HUB	1		
18	JD9878	NEEDLE BEARING	1		

2F24

FEEDER HOUSE

H32765 -UN-01JAN94

PLATFORM AND FEEDER HOUSE VARIABLE BELT DRIVE SHEAVE CONTROL



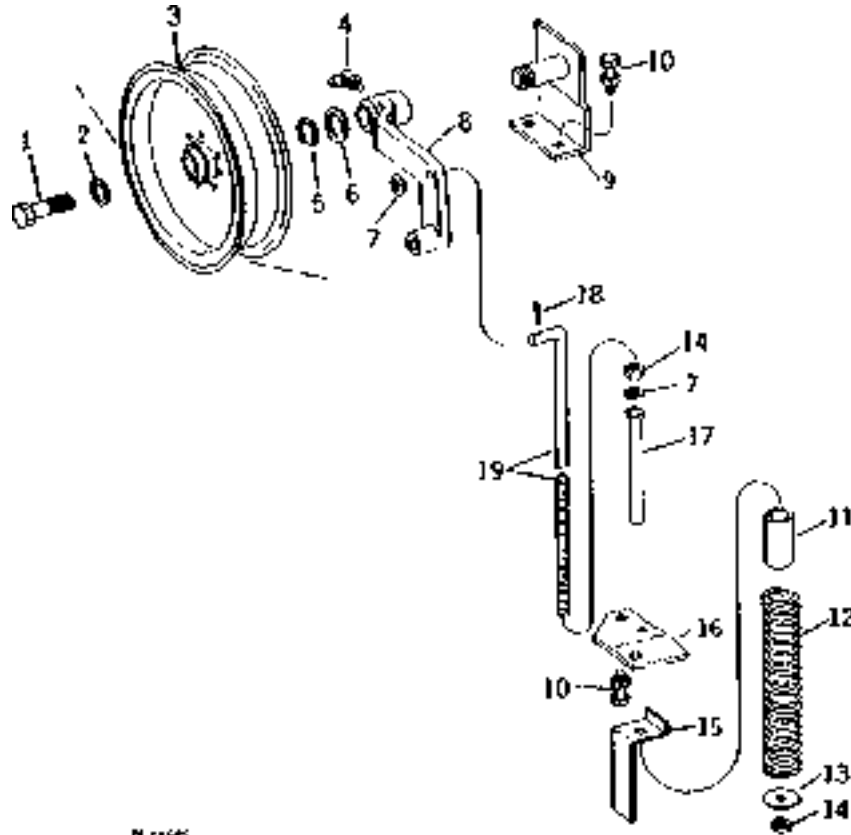
KEY	PART NO.	PART NAME	QTY	SERIAL NO.	REMARKS
1	H77280	CAP SCREW	2		
2	H85651	PLATE	2		
3	AH84898	SUPPORT	1		
4	H85912	WEDGE	4		
5	14H1040	NUT	8	1/2"	
6	AH87591	CLEVIS	1	LOWER	
7	19H2284	CAP SCREW	8	3/8" X 7/8"	
8	AH76147	TUBE	2		
9	AH87592	CLEVIS	1	UPPER	
10	H84954	BRACKET	1		
11	19H1936	CAP SCREW	2	3/8" X 3/4"	
	14H812	NUT	2	3/8"	
12	H84961	WASHER	1		

2F25

FEEDER HOUSE

H18505 -UN-01JAN94

PLATFORM AND FEEDER HOUSE UPPER DRIVE TIGHTENER



Notes

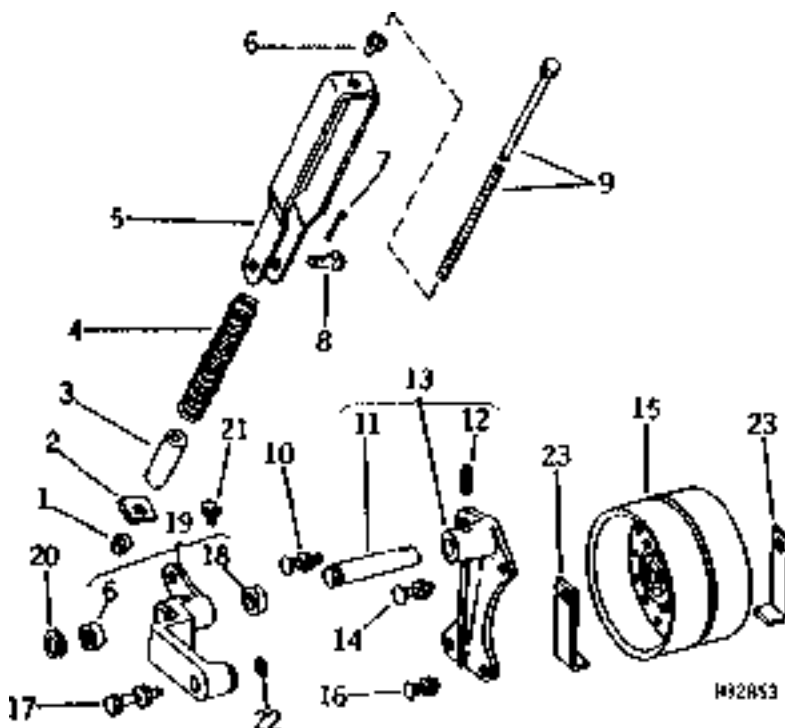
KEY	PART NO.	PART NAME	QTY	SERIAL NO.	REMARKS
1	19H1708	CAP SCREW	1	5/8" X 1-3/4"	
2	24H1362	WASHER	1	41/64" X 1" X 0.075"	
3	AH85276	PULLEY	1		
4	JD7806	LUBRICATION FITTING	1	90°, 1/4"	
5	P43026	SNAP RING	1		
6	24H1441	WASHER	1	1-1/64" X 1-1/2" X 0.048"	
7	24H1305	WASHER	2	13/32" X 13/16" X 0.065"	
8	H76032	ARM	1		
9	AH78545	PIVOT	1		
10	19H1731	CAP SCREW	4	3/8" X 1"	
	14H812	NUT	4	3/8"	
11	HOSE	1	51 MM (2") LONG, (CUT FROM T61939)	
12	H76040	SPRING	1		
13	24H1312	WASHER	1	13/32" X 1-3/8" X 0.105"	
14	14H812	NUT	2	3/8"	
15	H80759	GAUGE	1		
16	H80760	BRACKET	1		
17	H76041	SPACER	1		
18	11H236	COTTER PIN	1	1/8" X 1"	
19	H76038	BOLT	1		

2G1

FEEDER HOUSE

PLATFORM AND FEEDER HOUSE VARIABLE DRIVE LOWER BELT TIGHTENER

H32853 -UN-01JAN94

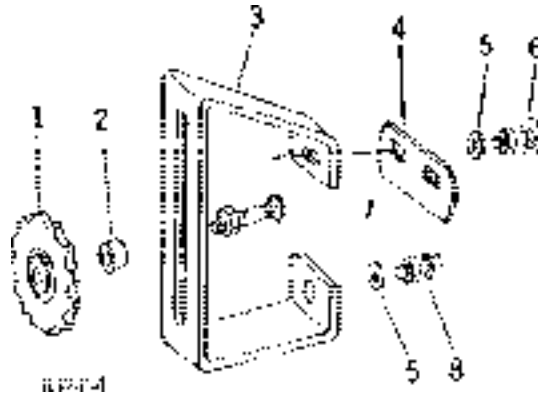


KEY	PART NO.	PART NAME	QTY	SERIAL NO.	REMARKS
1	14H812	NUT	1	3/8"	
2	H77287	STRAP	1		
3	28H2611	SPACER	1	1/2" X 2"	
4	H26552	SPRING	1		
5	H77288	CLEVIS	1	(RICE)	
	H77292	CLEVIS	1	(LONG FEEDER HOUSE) (RICE)	
6	H77289	WASHER	1		
7	11H216	COTTER PIN	1	3/16" X 1"	
8	H748DA	PIN	1		
9	08H4665	CAP SCREW	1	3/8" X 10"	
10	03H1557	BOLT	1	3/8" X 1-1/4"	
	14H812	NUT	1	3/8"	
11	H76846	PIN	1		
12	34H316	SPRING PIN	1	1/4" X 1-1/2"	
13	AH80928	BRACKET	1		
14	03H1764	BOLT	1	1/2" X 1-3/4"	
	14H812	NUT	1	3/8"	
15	AH86835	SHEAVE	1	165 MM (6-1/2") DIA.	
	AH87118	SHEAVE	1	165 MM (6-1/2") DIA. (LONG FEEDER HOUSE) (USE WITH AH81161)	
	AH81161	BALL BEARING	1		
16	03H1524	BOLT	1	5/16" X 1"	
	14H785	NUT	1	5/16"	
17	19H1739	CAP SCREW	1	1/2" X 4-1/2"	
	H79449	LOCK NUT	1	-610550 (SUB K40014)	
	K40014	LOCK NUT	1		
18	L4694T	BUSHING	2		
19	AH86900	ARM	1		
20	P46614	SNAP RING	1		
21	JD7806	LUBRICATION FITTING	1	90°, 1/4"	
22	T21242	WASHER	1		
23	H85859	BRACKET	1		

PLATFORM AND FEEDER HOUSE CHAIN DRIVE TIGHTENER
ON LEFT-HAND SIDE OF FEEDER HOUSE

H32854

-UN-01JAN94



KEY	PART NO.	PART NAME	QTY	SERIAL NO.	REMARKS
1	AH20447	CHAIN SPROCKET	1		12 TEETH
2	H27952	BUSHING	1		
3	H82520	BRACKET	1		
4	H101814	STRAP	1		
5	24H1305	WASHER	2		13/32" X 13/16" X 0.065"
6	03H1522	BOLT	1		1/2" X 1-1/4"
	12H301	LOCK WASHER	1		1/2"
	14H1040	NUT	1		1/2"
7	03H1591	BOLT	1		1/2" X 2-1/4"
	12H301	LOCK WASHER	1		1/2"
	14H1040	NUT	1		1/2"
8	19H1732	CAP SCREW	1		3/8" X 1-1/4"
	12H304	LOCK WASHER	1		3/8"
	14H812	NUT	1		3/8"

MEMORANDA

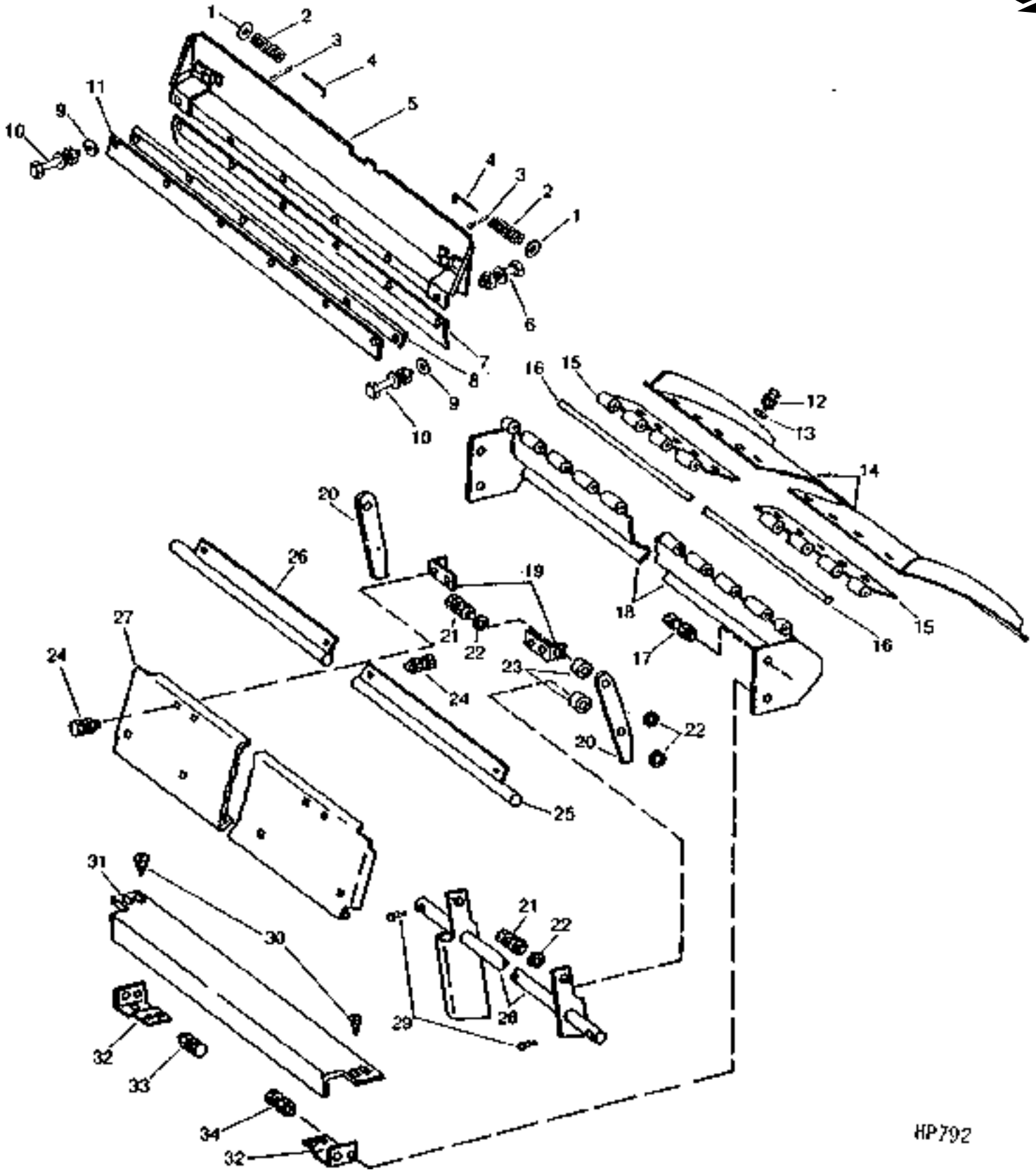
2G6

SEPARATOR

HP792

-UN-01JAN94

SEPARATOR FRONT SHEETS, FEED PLATE, REMOTE DUMP STONE TRAP, AND DOOR



HP792

SEPARATOR FRONT SHEETS, FEED PLATE, REMOTE DUMP STONE TRAP, AND DOOR - CONTINUED

KEY	PART NO.	PART NAME	QTY	SERIAL NO.	REMARKS
1	24H1305	WASHER	2		13/32" X 13/16" X 0.065"
2	HZ5621H	SPRING	2		
3	11H211	COTTER PIN	2		1/8" X 3/4"
4	H76877	PIN	2		
5	AH87716	DOOR	1		
6	03H1540	BOLT	6		5/16" X 3/4"
	12H303	LOCK WASHER	6		5/16"
	14H785	NUT	6		5/16"
7	H82630	SEAL	1		
8	H75732	STRIP	1		
9	24H1136	WASHER	2		11/32" X 11/16" X 0.065"
10	19H2127	CAP SCREW	6		5/16" X 7/8"
	12H303	LOCK WASHER	6		5/16"
	14H785	NUT	6		5/16"
11	H78938	SEAL	1		
12	03H1463	BOLT	7		3/8" X 3/4"
	12H304	LOCK WASHER	7		3/8"
	14H812	NUT	7		3/8"
13	24H1305	WASHER	7		13/32" X 13/16" X 0.065"
14	H102468	PLATE	1		
15	H82497	HINGE	1		
16	H76258	PIN	1		
17	19H1732	CAP SCREW	2		3/8" X 1-1/4"
	12H304	LOCK WASHER	2		3/8"
	14H812	NUT	2		3/8"
18	AH92374	SUPPORT	1		
19	H89649	BRACKET	2		
20	H92931	LINK	2		
21	19H1849	CAP SCREW	4		5/16" X 1-1/4"
	12H303	LOCK WASHER	4		5/16"
	14H785	NUT	4		5/16"
22	24H1822	WASHER	8		11/32" X 7/8" X 1/16"
23	28H1883	SPACER	4		1/4" X 1/2"
24	03H1268	BOLT	8		5/16" X 3/4"
	12H303	LOCK WASHER	8		5/16"
	14H785	NUT	8		5/16"
25	AH96025	SUPPORT	1		DOOR, PIVOT, L.H.
26	AH96024	SUPPORT	1		DOOR, PIVOT, R.H.
27	AH92376	DOOR	1	-550000	(SUB AH113900)
	AH113900	DOOR	1		
28	AH92380	SHAFT	1	-550000	
	AH113901	SHAFT	1	550001-	
29	11H218	COTTER PIN	2		3/16" X 1-1/2"
30	H76139	SCREW	4		SELF-TAPPING
31	H92918	DEFLECTOR	1		
32	H92919	SUPPORT	2		
33	19H2284	CAP SCREW	2		3/8" X 7/8"
	12H304	LOCK WASHER	2		3/8"
	14H812	NUT	2		3/8"
34	19H1800	CAP SCREW	2		3/8" X 1-1/2"
	12H304	LOCK WASHER	2		3/8"
	14H812	NUT	2		3/8"

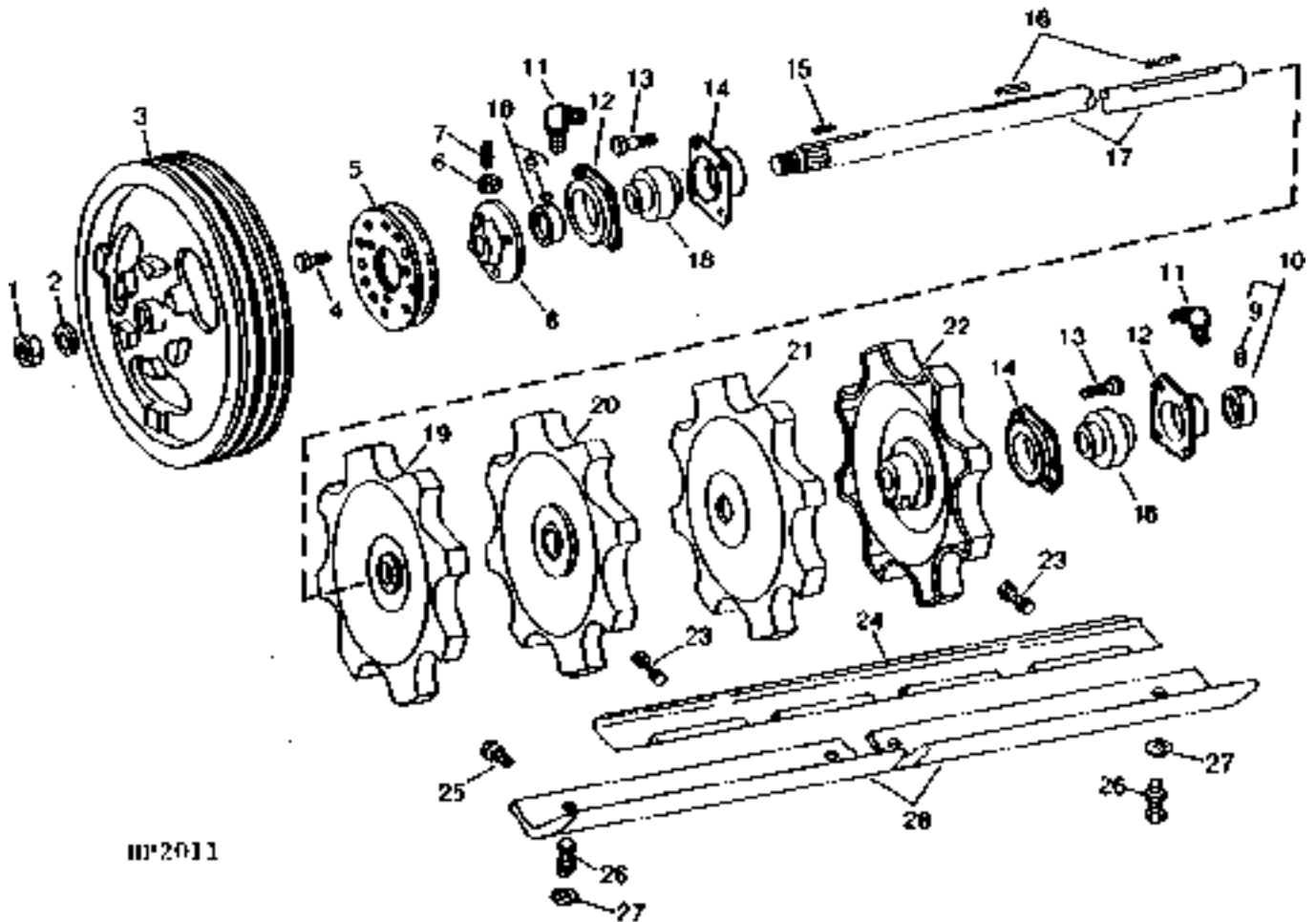
2G8

SEPARATOR

HP2011

-UN-01JAN94

RASP-BAR CYLINDER



HP2011

2G9

SEPARATOR

RASP-BAR CYLINDER - CONTINUED

KEY	PART NO.	PART NAME	QTY	SERIAL NO.	REMARKS
1	H82619	LOCK NUT	1		
2	24H1471	WASHER	1		1-9/64" X 1-3/4" X 0.134"
3	H84542	SHEAVE	1		467 MM (18-25/64") DIA.
4	19H1936	CAP SCREW	3		3/8" X 3/4"
5	AH80755	SHEAVE	1		229 MM (9") DIA. (100 PER CENT BEATER SPEED)
	AH100303	SHEAVE	1		254 MM (10") DIA. (150 PER CENT BEATER SPEED)
6	14H732	NUT	2		3/8"
7	22H888	SET SCREW	1		3/8" X 1-1/4"
8	H82314	HUB	1		
9	22H979	SET SCREW	2		3/8" X 3/8"
10	JD9201	ECCENTRIC LOCKING COLLAR	2		
11	JD7806	LUBRICATION FITTING	2	500001-	90°, 1/4"
12	G6661E	PRESSED FLANGED HOUSING	2	-450000	(SUB E62484)
	E62484	PRESSED FLANGED HOUSING	2	-500000	
	H113626	PRESSED FLANGED HOUSING	2	500001-	
13	19H1815	CAP SCREW	8		1/2" X 1-1/4"
	12H301	LOCK WASHER	8		1/2"
14	G6661E	PRESSED FLANGED HOUSING	2	-450000	(SUB E62484)
	E62484	PRESSED FLANGED HOUSING	2	-500000	
	H113625	PRESSED FLANGED HOUSING	2	500001-	
15	KEY	2		10 MM X 10 MM X 32 MM (3/8" X 3/8" X 1-1/4") (CUT FROM H64376 IN AH64587 KEY STOCK KIT)
16	KEY	2		(A) 10 MM X 10 MM X 57 MM (3/8" X 3/8" X 2-1/4") (CUT FROM H64376 IN AH64587 KEY STOCK KIT)
17	H79757	SHAFT	1		(A)
18	JD9276	BALL BEARING	2	-500000	
	JD9434	BEARING	2	500001-	
19	AH75122	CYLINDER HEAD	1		(A) (WITH HUB)
20	AH75118	CYLINDER HEAD	1		(A) (R.H.) (WITH KEYED HUB)
21	H75324	CYLINDER HEAD	1	-550000	(A) (SUB H117614, H99923, 19H2676 AND R42729) (WITHOUT HUB)
	H117614	THRESHING CYLINDER HEAD	1		
22	AH96530	CYLINDER HEAD	1		(L.H.) (WITH KEYED HUB)
23	19H1930	CAP SCREW	2		(A) 1/2" X 2-1/2"
	14H1040	NUT	2		(A) 1/2"
	P3629H	LOCK WASHER	2	-610600	(A) (SUB 12H301)
	12H301	LOCK WASHER	2		1/2"
24	H79484	PLATE	8		
25	19H2554	CAP SCREW	32		(A) 3/8" X 5/8"
26	19H2676	CAP SCREW	AR	-550000	3/8" X 1", (32 USED, WITHOUT FILLER PLATES; 64 USED, WITH FILLER PLATES) (SUB 19H3239)
	19H3239	CAP SCREW	AR		3/8" X 1-1/4", (32 USED, WITHOUT FILLER PLATES; 64 USED, WITH FILLER PLATES)
	H99923	LOCK NUT	AR		(32 USED, WITHOUT FILLER PLATES; 64 USED, WITH FILLER PLATES)
27	R42729	WASHER	AR		(32 USED, WITHOUT FILLER PLATES; 64 USED, WITH FILLER PLATES)
28	AH75125	RASP BAR	2		(A) (R.H.) (HARDENED) (SET OF 2)
	AH75126	RASP BAR	2		(A) (L.H.) (HARDENED) (SET OF 2)
PART LISTED BELOW CONSISTS OF ALL PARTS INDICATED BY AN (A):					
..	AH76099	RASP-BAR CYLINDER	1		

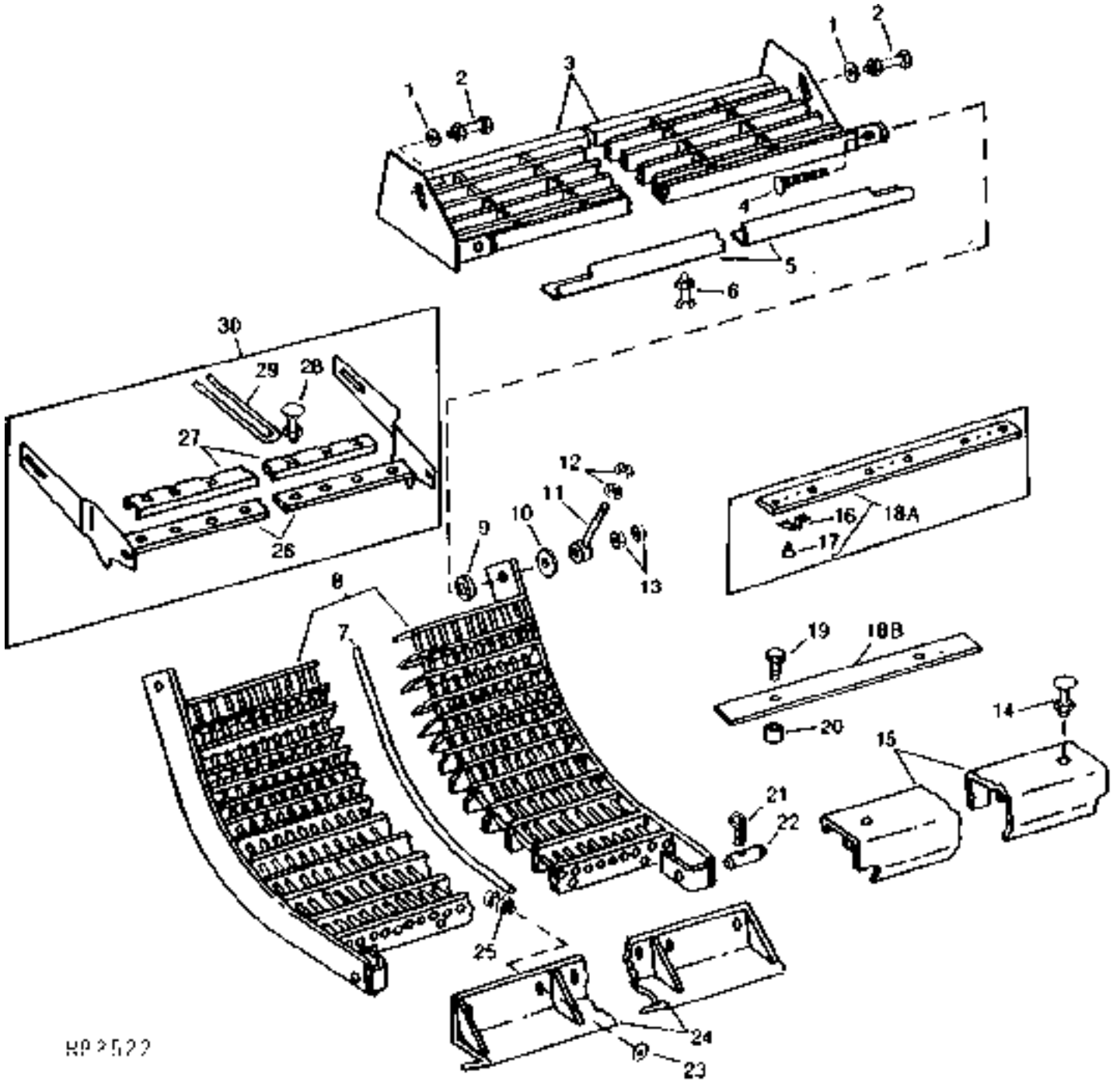
2G10

SEPARATOR

HP2522

-UN-01JAN94

OPEN-BAR CONCAVE, STONE TRAP, AND DOOR



HP 2522

2G11

SEPARATOR

OPEN-BAR CONCAVE, STONE TRAP, AND DOOR - CONTINUED

KEY	PART NO.	PART NAME	QTY	SERIAL NO.	REMARKS
1	24H1111	WASHER	2		17/32" X 1-1/16" X 0.090"
2	19H1815	CAP SCREW	2		1/2" X 1-1/4"
	12H301	LOCK WASHER	2		1/2"
	14H1040	NUT	2		1/2"
3	AH100283	GRATE	1	-450000	(SUB AH106721)
	AH106721	GRATE	1		
4	03H2240	BOLT	2		3/4" X 3"
5	H101189	RETAINER	1	-400000	(SUB AH106278)
	AH106278	RETAINER	1	-450000	(SUB AH108733)
	AH108733	RETAINER	1	-600000	
	H116273	RETAINER	1	600001-	(USE WITH AH85396)
6	19H1732	CAP SCREW	4		3/8" X 1-1/4"
	12H304	LOCK WASHER	4		3/8"
	14H812	NUT	4		3/8"
7	H97824	PIN	36	-600000	
	H84857	DOWEL PIN	36	600001-	
8	AH101597	CONCAVE	1	-450000	(SUB AH108863)
	AH108863	CONCAVE	1	-600000	(SUB AH85396)
	AH85396	CONCAVE	1		(USE WITH H116273)
9	H84869	BUSHING	2		
10	24H1161	WASHER	2		13/16" X 1-15/32" X 0.134"
11	H84292	EYEBOLT	2		
12	14H821	NUT	4		5/8"
13	14H794	NUT	4		3/4"
14	03H1631	BOLT	4		3/8" X 3-1/2"
	12H304	LOCK WASHER	4		3/8"
	14H812	NUT	4		3/8"
15	AH92382	COVER	1		
16	P45427	CLIP	6	-610550	(PER PLATE) (USE WITH AH85380)
17	16H235	RIVET	6	-610550	3/16" X 1/4", (PER PLATE) (USE WITH AH85380)
18A	AH85380	PLATE	10	-610550	(SUB H119094)
18B	H119094	PLATE	10		
19	19H1732	CAP SCREW	2		3/8" X 1-1/4", (PER PLATE) (USE WITH H119094)
20	AH118989	ISOLATOR	2		(PER PLATE) (USE WITH H119094)
21	11H218	COTTER PIN	2		3/16" X 1-1/2"
22	H84867	PIN	2		
23	24H1305	WASHER	6		13/32" X 13/16" X 0.065"
24	AH92372	SEPARATOR	1		STONE TRAP
25	19H2552	CAP SCREW	6		3/8" X 1-1/8"
	12H304	LOCK WASHER	6		3/8"
	14H812	NUT	6		3/8"
26	AH107062	GRATE	1		
27	H94170	RETAINER	1		
28	03H1937	BOLT	17		5/16" X 1-1/4"
	12H303	LOCK WASHER	17		5/16"
	14H785	NUT	17		5/16"
29	H87132	FINGER	17		
30	AH106816	GRATE	1		

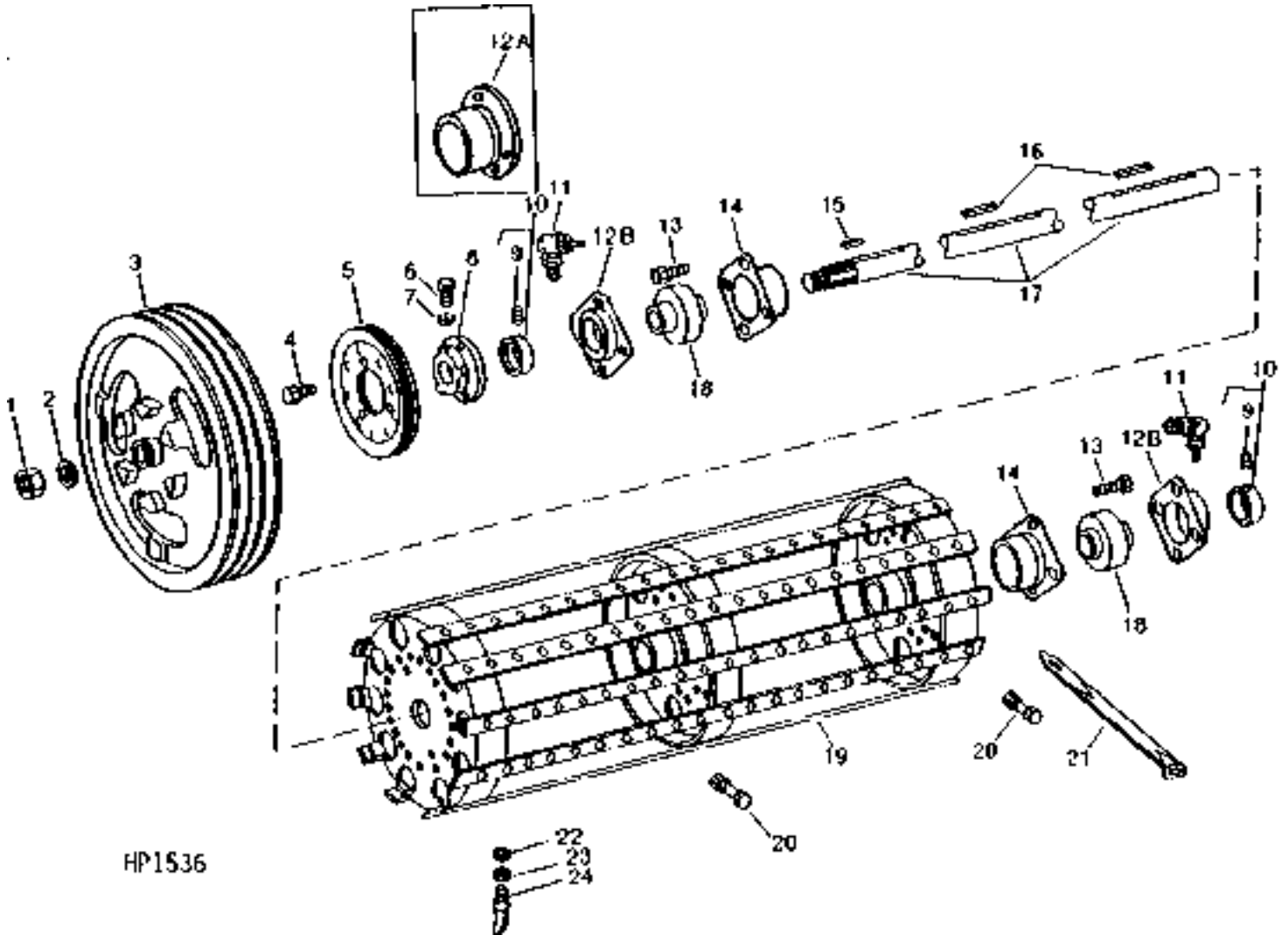
2G12

SEPARATOR

HP1536

-UN-01JAN94

SPIKE-TOOTH CYLINDER



HP1536

2G13

SEPARATOR

SPIKE-TOOTH CYLINDER - CONTINUED

KEY	PART NO.	PART NAME	QTY	SERIAL NO.	REMARKS
1	H82619	LOCK NUT	1		
2	24H1471	WASHER	1		1-9/64" X 1-3/4" X 0.134"
3	H84542	SHEAVE	1		467 MM (18-25/64") DIA.
4	19H1936	CAP SCREW	3		3/8" X 3/4"
5	AH80755	SHEAVE	1		229 MM (9") DIA. (100 PER CENT BEATER SPEED)
	AH100303	SHEAVE	1		254 MM (10") DIA. (150 PER CENT BEATER SPEED)
6	22H888	SET SCREW	1		3/8" X 1-1/4"
7	14H732	NUT	2		3/8"
8	H82314	HUB	1		
9	22H979	SET SCREW	2		3/8" X 3/8"
10	JD9201	ECCENTRIC LOCKING COLLAR	2		
11	JD7806	LUBRICATION FITTING	2	500001-	90°, 1/4"
12A	G6661E	PRESSED FLANGED HOUSING	2	-450000	(SUB E62484)
	E62484	PRESSED FLANGED HOUSING	2	-500000	
12B	H113626	PRESSED FLANGED HOUSING	2	500001-	
13	19H1815	CAP SCREW	8		1/2" X 1-1/4"
	12H301	LOCK WASHER	8		1/2"
14	AH83380	PRESSED FLANGED HOUSING	2		
15	KEY	1		10 MM X 10 MM X 32 MM (3/8" X 3/8" X 1-1/4") (CUT FROM H64376 IN AH64587 KEY STOCK KIT)
16	KEY	2		(A) 10 MM X 10 MM X 57 MM (3/8" X 3/8" X 2-1/4") (CUT FROM H64376 IN AH64587 KEY STOCK KIT)
17	H79757	SHAFT	1		(A)
18	JD9276	BALL BEARING	2	-500000	
	JD9434	BEARING	2	500001-	
19	CYLINDER	1		(A) (SUB AH77670)
20	19H1930	CAP SCREW	2		(A) 1/2" X 2-1/2"
	P3629H	LOCK WASHER	2	-610600	(A) (SUB 12H301)
	12H301	LOCK WASHER	2		1/2"
	14H1040	NUT	2		(A) 1/2"
21	P5403H	TOOL	1		
22	12H301	LOCK WASHER	AR		(A) 1/2"
23	14H865	NUT	AR		(A) 1/2"
24	P44H	TOOTH	AR		(A)

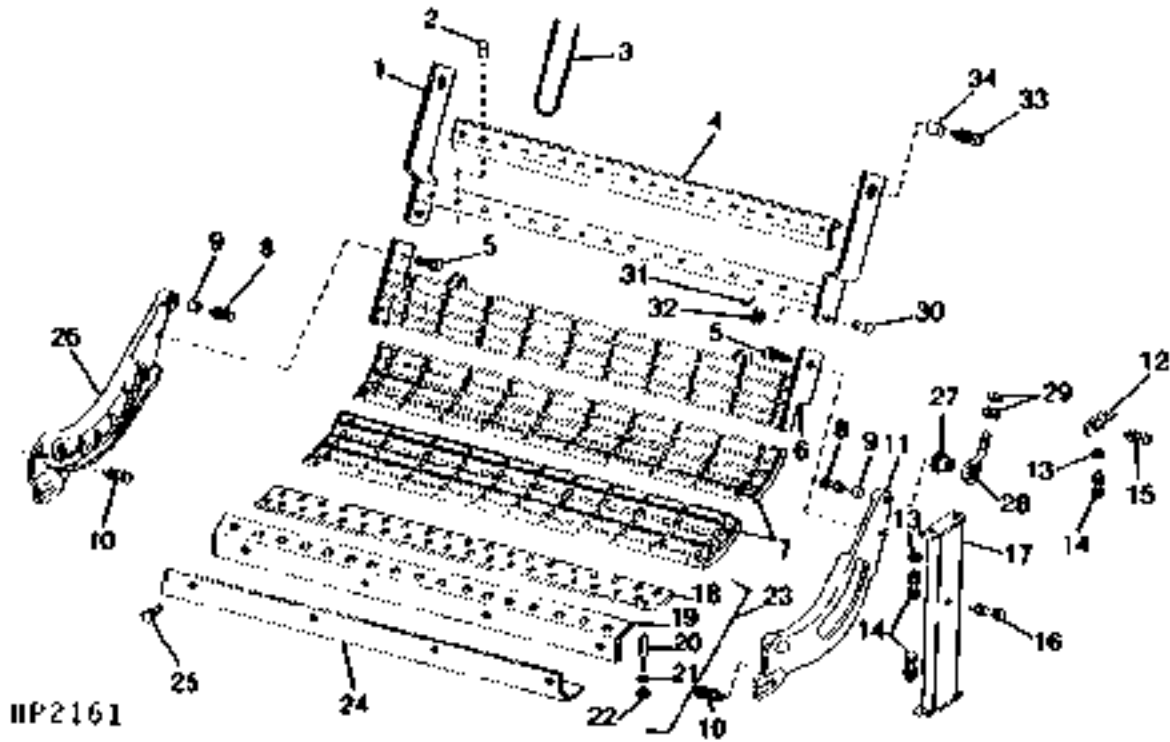
PART LISTED BELOW CONSISTS OF ALL PARTS IDENTIFIED BY AN (A):
 .. AH77670 SPIKE-TOOTH CYLINDER 1

2G14

SEPARATOR

HP2161 -UN-01JAN94

SPIKE-TOOTH CONCAVE



KEY	PART NO.	PART NAME	QTY	SERIAL NO.	REMARKS
1	AH95892	SUPPORT	1		
2	03H1544	BOLT	15	5/16" X 1-1/4"	
	14H785	NUT	15	5/16"	
3	H87132	FINGER	15		
4	H96941	RETAINER	1		
5	19H1792	CAP SCREW	2	1/2" X 1"	
	24H1111	WASHER	2	17/32" X 1-1/16" X 0.090"	
	28H1597	WASHER	2	0.546" X 0.840" X 3/8"	
6	AH101526	GRATE	1		
7	AH86873	GRATE	2		
8	19H1945	CAP SCREW	2	1/2" X 3-1/4"	
	12H301	LOCK WASHER	2	1/2"	
	14H1040	NUT	2	1/2"	
9	28H1676	BUSHING	2	1/2" X 1-5/8"	
10	19H1900	CAP SCREW	2	5/16" X 3/4"	
	12H303	LOCK WASHER	2	5/16"	
	28H1511	WASHER	2	0.364" X 0.540" X 1/4"	
11	H85903	CONCAVE	1		
12	H94435	BRACKET	2		
13	24H1136	WASHER	AR	11/32" X 11/16" X 0.065"	
14	19H1905	CAP SCREW	12	5/16" X 1"	
	14H785	NUT	12	5/16"	
15	19H2461	CAP SCREW	2	3/8" X 1-1/4"	
	14H812	NUT	2	3/8"	
16	19H3162	CAP SCREW	2	3/8" X 2"	
	14H812	NUT	2	3/8"	
17	AH77906	SUPPORT	2		
18	H79996	PLATE	2		
19	AH80789	SEAL	1		
20	P44H	TOOTH	AR		
21	12H301	LOCK WASHER	AR	1/2"	
22	14H865	NUT	AR	1/2"	
23	AH78550	CONCAVE	AR	(1 OR 2 USED)	

2G15

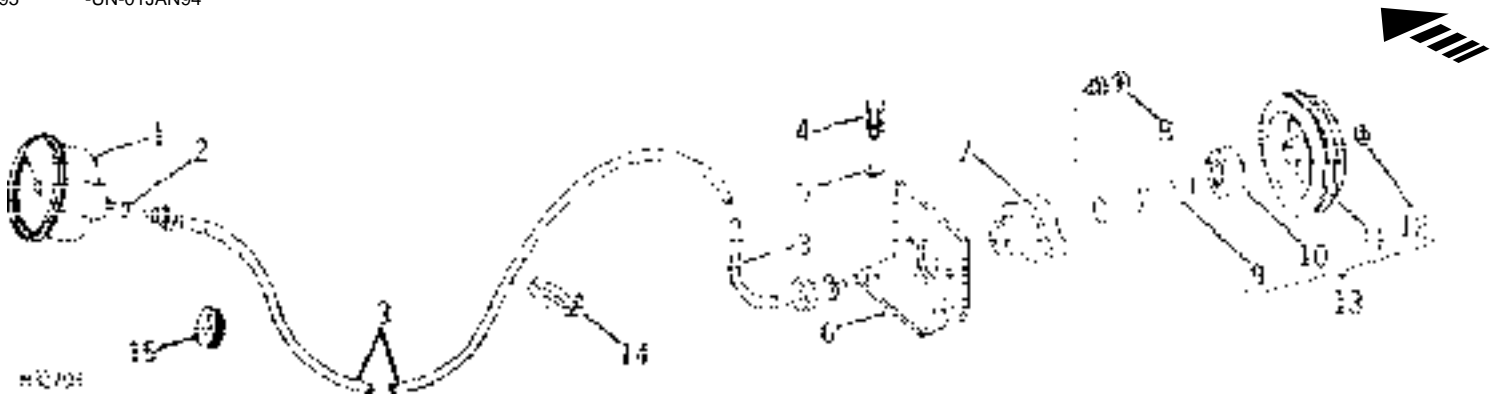
SEPARATOR

SPIKE-TOOTH CONCAVE - CONTINUED

KEY	PART NO.	PART NAME	QTY	SERIAL NO.	REMARKS
24	H82368	EXTENSION	1		
25	H77931	SCREW	5		SELF-TAPPING
26	H85904	CONCAVE	1		CIRCLE, R.H.
27	H84295	BUSHING	2		
28	H84292	EYEBOLT	2		
29	14H821	NUT	4		5/8"
30	N104051	PIN	2		
31	11H213	COTTER PIN	2		3/16" X 1-3/4"
32	24H1211	WASHER	2		9/16" X 1-3/8" X 0.105"
33	19H1721	CAP SCREW	2		1/2" X 1-1/2"
	12H301	LOCK WASHER	2		1/2"
	14H1040	NUT	2		1/2"
	24H1211	WASHER	2		9/16" X 1-3/8" X 0.105"
34	28H2482	BUSHING	2		1/2" X 1/2"
..	AH95889	FINGER	1		(CONSISTS OF AH95892, (15) H87132, H96941, (15) 03H1544, (15) 12H303, AND (15) 14H785)

VARIABLE SPEED CYLINDER TACHOMETER

H32795 -UN-01JAN94



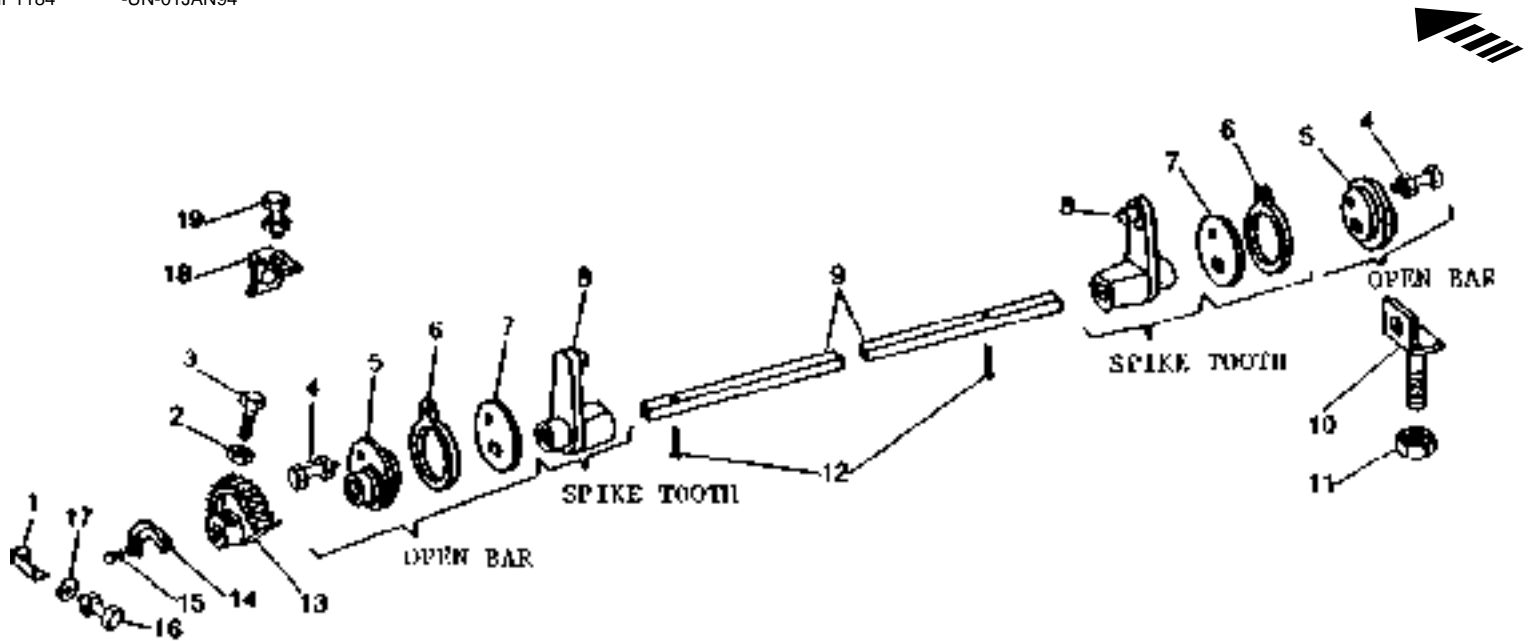
KEY	PART NO.	PART NAME	QTY	SERIAL NO.	REMARKS
1	AH91002	TACHOMETER	1		
2	14H631	NUT	2		0.190"
3	AH75616	CABLE	1		
4	19H1731	CAP SCREW	2		3/8" X 1"
	12H304	LOCK WASHER	2		3/8"
	14H812	NUT	2		3/8"
5	24H1305	WASHER	2		13/32" X 13/16" X 0.065"
6	H100973	BRACKET	1		
7	H100586	HUB	1		
8	21H1287	SCREW	2		1/4" X 1-1/4"
	12H302	LOCK WASHER	2		1/4"
	14H786	NUT	2		1/4"
9	H100584	SHAFT	1		
10	JD9399	BALL BEARING	1	-550000	(SUB AT23189)
	AT23189	BALL BEARING	1		
11	H100585	SHEAVE	1		
12	R11026	SNAP RING	1		
13	AH99422	SHAFT	1		
14	H77698	TIE BAND	1		
15	H80305	GROMMET	1		

2G16

SEPARATOR

HP1184 -UN-01JAN94

CONCAVE ADJUSTING SHAFT



HP1184

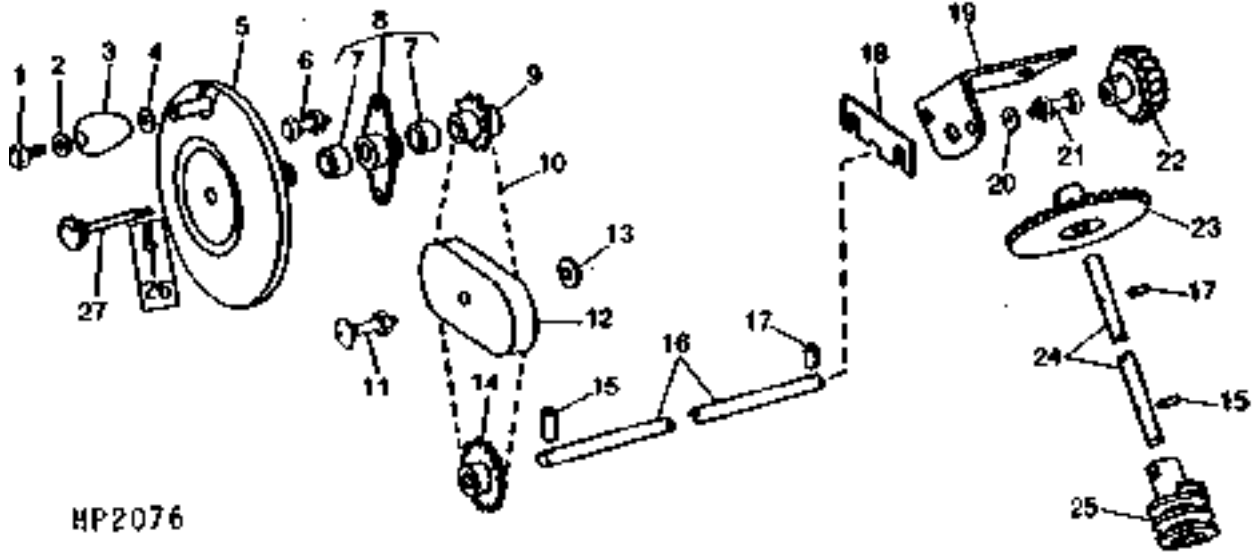
KEY	PART NO.	PART NAME	QTY	SERIAL NO.	REMARKS
1	H85229	POINTER	1		
2	14H732	NUT	1	3/8"	
3	22H853	SET SCREW	1	3/8" X 7/8"	
4	19H1906	CAP SCREW	2	5/16" X 1-1/2"	
	14H785	NUT	2	5/16"	
5	H89619	CAM	2		
6	H85372	LINK	2		
7	H75367	PLATE	2		
8	H89620	ARM	2		
9	H75374	SHAFT	1		
10	AH94130	BOLT	1		
11	14H794	NUT	2	3/4"	
12	11H222	COTTER PIN	2	3/16" X 2"	
13	H82447	SECTOR	1		
14	H82444	PLATE	1	(SPIKE TOOTH)	
	H82445	PLATE	1	(RASP BAR)	
15	P43110	SCREW	2		
16	03H1540	BOLT	1	5/16" X 3/4"	
	14H785	NUT	1	5/16"	
17	24H1224	WASHER	1	11/32" X 1" X 1/16"	
18	H94304	STOP	1	(USED WITH SPIKE-TOOTH CONCAVE)	
19	03H1709	BOLT	1	5/16" X 1"	
	14H819	WING NUT	1	5/16"	

2G17

SEPARATOR

HP2076 -UN-01JAN94

CONCAVE ADJUSTING CONTROLS



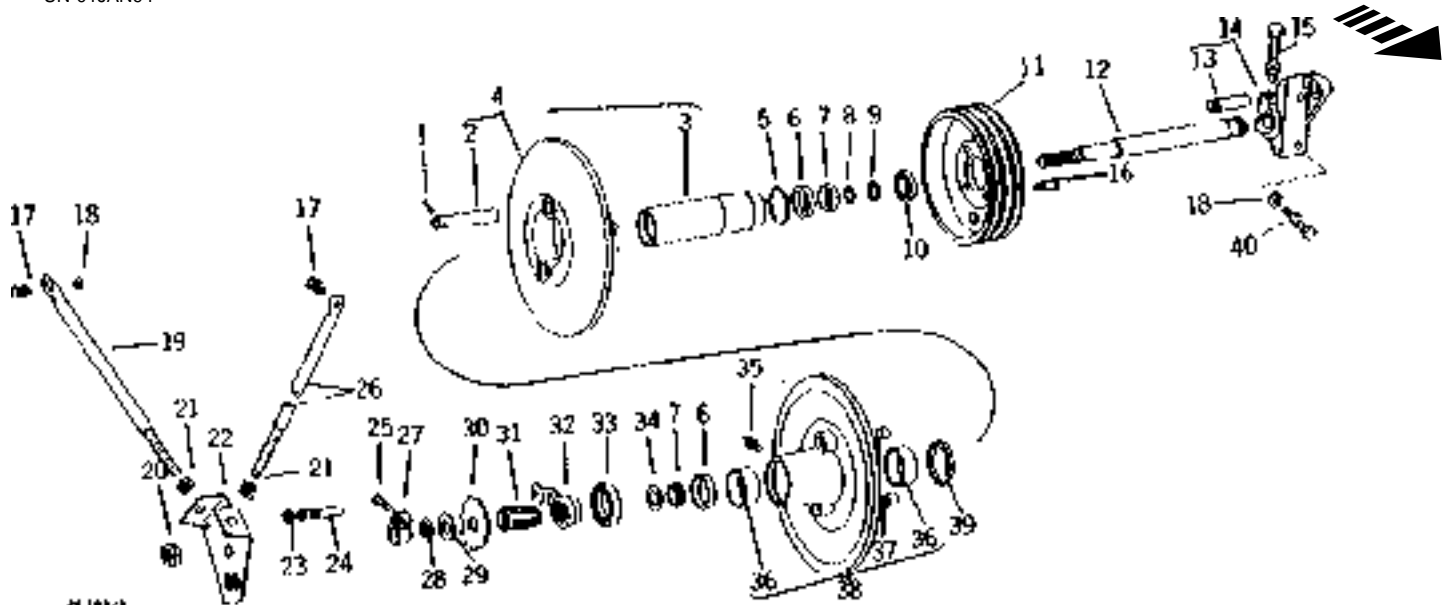
KEY	PART NO.	PART NAME	QTY	SERIAL NO.	REMARKS
1	19H2948	SCREW	1		1/4" X 0.380"
2	24H1286	WASHER	1		9/32" X 1/2" X 1/16"
3	H76517	KNOB	1		
4	H82448	WASHER	1		
5	AH97873	CRANK	1	-600000	
	AH95020	CRANK	1	600001-	
6	19H1905	CAP SCREW	2		5/16" X 1"
	14H785	NUT	2		5/16"
7	H96455	BUSHING	2	600001-	
8	H76502	BEARING	1	-600000	
	AH112198	BEARING	1	600001-	
9	H94783	CHAIN SPROCKET	1	-600000	11 TEETH
	H100016	SHAFT	1	600001-	9 TEETH
10	LINK CHAIN	1	-600000	98 LINKS, 13 MM (1/2") PITCH ROLLER CHAIN (ASSEMBLE FROM 97 LINKS OF AB18594 AND AB14025)
	LINK CHAIN	1	600001-	97 LINKS, 13 MM (1/2") PITCH ROLLER CHAIN (ASSEMBLE FROM (96) LINKS OF AB18594 AND (1) AB14052)
11	03H1505	BOLT	1		5/16" X 1-3/4"
	14H785	NUT	1		5/16"
12	H76518	TIGHTENER	1		
13	24H1294	WASHER	1		11/32" X 1-1/8" X 1/16"
14	H89035	CHAIN SPROCKET	1		14 TEETH
15	34H283	SPRING PIN	2		3/16" X 1-1/8"
16	H76507	PIN	1		UPPER
17	34H282	SPRING PIN	2		3/16" X 1"
18	H80686	STRAP	AR		
19	H76505	BRACKET	1		
20	24H1237	WASHER	2		25/64" X 7/8" X 0.060"
21	19H1731	CAP SCREW	2		3/8" X 1"
	14H812	NUT	2		3/8"
22	H76503	SUN GEAR	1		13 TEETH
23	H76504	GEAR	1		26 TEETH
24	H76515	PIN	1		LOWER
25	H100400	GEAR	1		LOWER
26	11H266	COTTER PIN	1	-600000	1/16" X 1/2"
27	AH78915	KNOB	1	-600000	
	AH95018	KNOB	1	600001-	

2G18

SEPARATOR

H19343 -UN-01JAN94

CYLINDER DRIVE INTERMEDIATE SHAFT



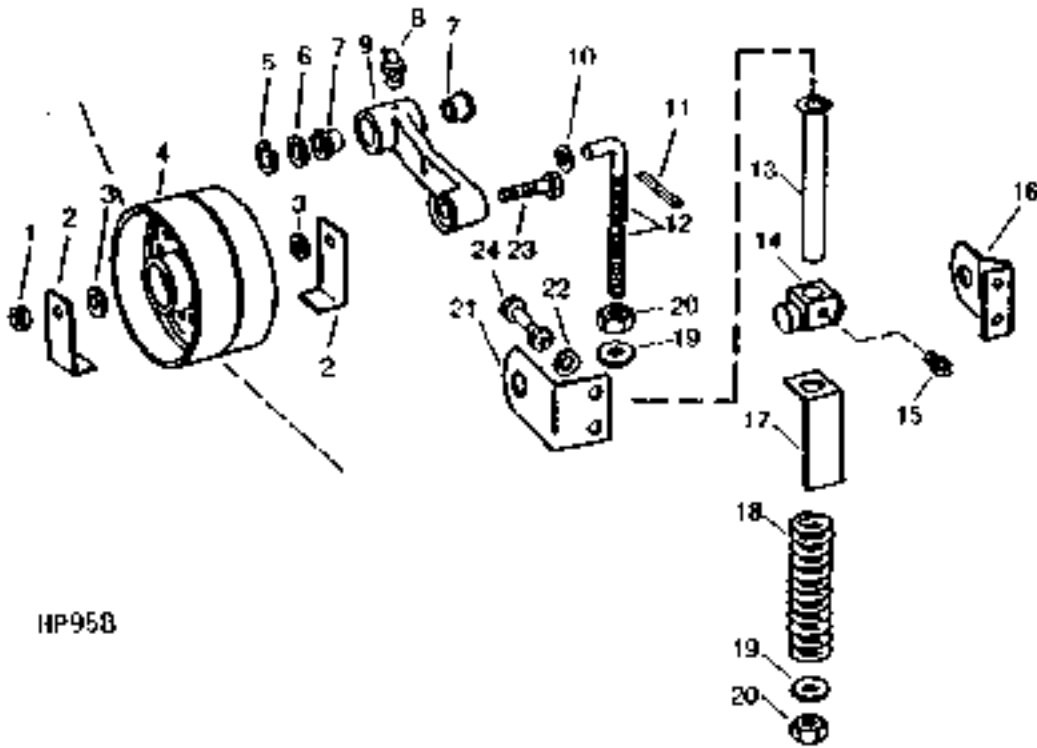
KEY	PART NO.	PART NAME	QTY	SERIAL NO.	REMARKS
1	34H313	SPRING PIN	2		1/4" X 1-1/8"
2	H75695	PIN	2		
3	H75696	SPOOL	1		
4	AH75294	SHEAVE	1		356 MM (14-1/32") DIA. (MARKED H75007)
5	R26246	SNAP RING	1		
6	JD8225	BEARING CUP	2		
7	JD8187	BEARING CONE	2		
8	H2172B	WASHER	1		
9	P33554	SNAP RING	1		
10	AH75296	SEAL	1		
11	H79646	SHEAVE	1		174 MM (6-55/64")DIA. (SLOW SPEED CYLINDER ATTACHMENT)
	H79647	SHEAVE	1		215 MM (8-29/64") DIA.
12	H75697	SHAFT	1		
13	H79683	PIN	1		
14	AH77606	BRACKET	1		(MARKED H79638)
15	19H2444	CAP SCREW	1		7/16" X 3-1/4"
16	19H1732	CAP SCREW	4		3/8" X 1-1/4"
17	19H1731	CAP SCREW	3		3/8" X 1"
	14H812	NUT	3		3/8"
18	24H1305	WASHER	3		13/32" X 13/16" X 0.065"
19	AH75300	BRACE	1		REAR
20	14H962	NUT	1		1"
21	14H794	NUT	4		3/4"
22	H79688	PLATE	1		
23	14H1040	NUT	2		1/2"
24	H75555	STUD	1		
25	19H1800	CAP SCREW	1		3/8" X 1-1/2"
26	AH75299	BRACE	1		FRONT
27	H75348	NUT	1		
28	H78360	WASHER	1		
29	J4489H	WASHER	1		
30	H89034	CHAIN SPROCKET	1		28 TEETH
31	H89033	SCREW	1		
32	AH75297	NUT	1		
33	JD9241	BALL BEARING	1		
34	H75346	WASHER	1		
35	JD7797	LUBRICATION FITTING	1		STRAIGHT, 1/4"
36	H84935	BUSHING	2		
37	H75693	BUSHING	2		
38	AH75293	SHEAVE	1		356 MM (14-1/32") DIA. (MARKED H75009)
39	AH75295	SEAL	1		
40	19H1944	CAP SCREW	2		3/8" X 2-3/4"
	14H812	NUT	2		3/8"

2G19

SEPARATOR

HP958 -UN-01JAN94

CYLINDER DRIVE TIGHTENER



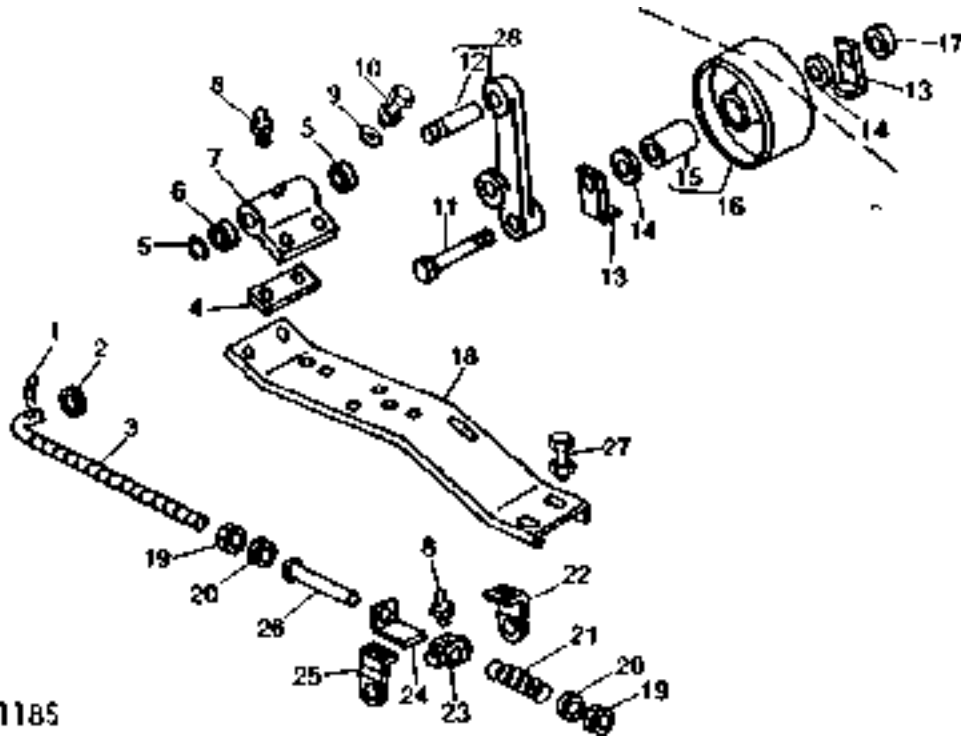
KEY	PART NO.	PART NAME	QTY	SERIAL NO.	REMARKS
1	H79449	LOCK NUT	1	-610550	(SUB K40014)
	K40014	LOCK NUT	1		
2	H94395	BRACKET	2		
3	T21242	WASHER	2		
4	AH86835	SHEAVE	1		165 MM (6-1/2") DIA. (WITH AH81161)
	AH81161	BALL BEARING	1		
5	P46614	SNAP RING	1		
6	24H1413	WASHER	1		57/64" X 1-3/8" X 0.048"
7	H85857	BUSHING	2		
8	JD7788	LUBRICATION FITTING	2		45°, 1/4"
9	H85862	ARM	1		
10	24H1338	WASHER	1		33/64" X 7/8" X 0.048"
11	11H236	COTTER PIN	1		1/8" X 1"
12	H85580	BOLT	1		
13	H75571	SPACER	1		
14	H86082	SWIVEL	1		
15	JD7788	LUBRICATION FITTING	1		45°, 1/4"
16	H75689	CLIP	1		INNER
17	H75688	ANGLE	1		
18	H26552	SPRING	1		
19	24H1211	WASHER	2		9/16" X 1-3/8" X 0.105"
20	14H865	NUT	2		1/2"
21	H75690	CLIP	1		OUTER
22	24H1305	WASHER	2		13/32" X 13/16" X 0.065"
23	19H2123	CAP SCREW	1		1/2" X 4-1/4"
24	19H1733	CAP SCREW	2		3/8" X 2-1/2"
	14H812	NUT	2		3/8"

2G20

SEPARATOR

HP1185 -UN-01JAN94

INTERMEDIATE SHAFT DRIVE TIGHTENER



HP1185

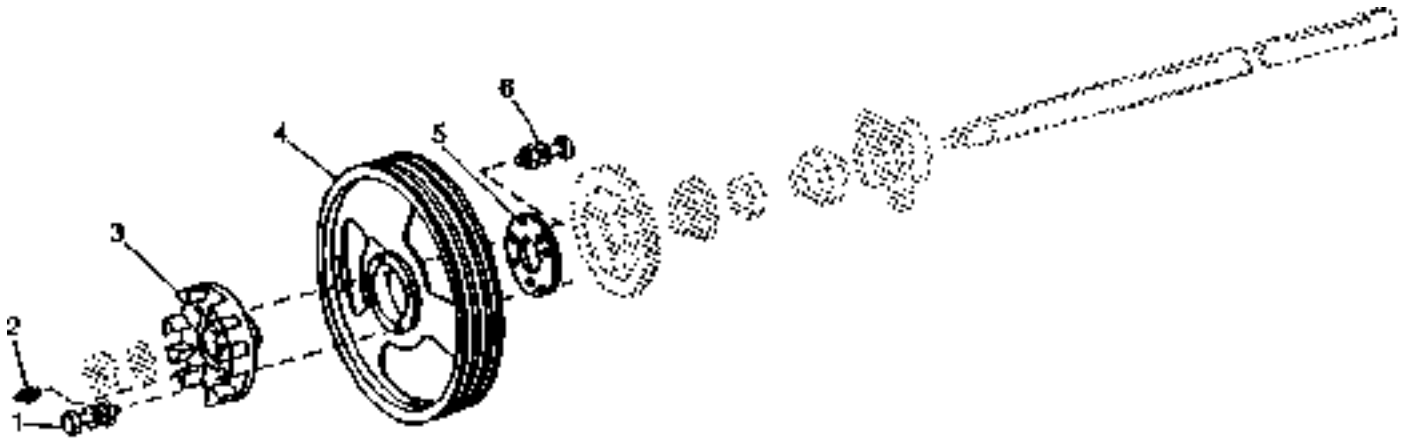
KEY	PART NO.	PART NAME	QTY	SERIAL NO.	REMARKS
1	11H236	COTTER PIN	1		1/8" X 1"
2	24H1338	WASHER	1		33/64" X 7/8" X 0.048"
3	H85579	BOLT	1		
4	H85440	STRAP	1		(SLOW SPEED)
5	P46614	SNAP RING	1		
6	H85857	BUSHING	2		
7	H79599	PIVOT	1		
8	JD7797	LUBRICATION FITTING	2		STRAIGHT, 1/4"
9	24H1305	WASHER	1		13/32" X 13/16" X 0.065"
10	19H1732	CAP SCREW	2		3/8" X 1-1/4"
	19H1801	CAP SCREW	2		3/8" X 2", (SLOW SPEED)
	14H812	NUT	2		3/8"
11	19H1739	CAP SCREW	1		1/2" X 4-1/2"
12	H85858	PIN	1		
13	H94396	BRACKET	2		
14	T21242	WASHER	2		
15	AH81161	BALL BEARING	1		
16	AH86839	IDLER	1		165 MM (6-1/2") DIA. (MARKED H85863)
17	H79449	LOCK NUT	1	-610550	(SUB K40014)
	K40014	LOCK NUT	1		
18	H86667	SUPPORT	1	-450000	(SUB H109579)
	H109579	SUPPORT	1		
19	14H865	NUT	2		1/2"
20	24H1211	WASHER	2		9/16" X 1-3/8" X 0.105"
21	H26552	SPRING	1		
22	H75689	CLIP	1		INNER
23	H86062	SWIVEL	1		
24	H75282	ANGLE	1		
25	H79689	CLIP	1		OUTER
26	H75571	SPACER	1		
27	03H1519	BOLT	2		3/8" X 1"
	12H304	LOCK WASHER	2		3/8"
	14H812	NUT	2		3/8"
28	AH86836	ARM	1		(MARKED H85860)

2G21

SEPARATOR

HP1186 -UN-01JAN94

CYLINDER SHAFT SHEAR HUB AND SHEAVE



HP1186

KEY	PART NO.	PART NAME	QTY	SERIAL NO.	REMARKS
1	19H2335	CAP SCREW	1	1/4" X 2-3/4"	
	12H302	LOCK WASHER	1	1/4"	
	14H786	NUT	1	1/4"	
2	JD7797	LUBRICATION FITTING	1	STRAIGHT, 1/4"	
3	H94232	HUB	1		
4	H92382	SHEAVE	1	457 MM (18-25/64") DIA	
5	H92418	PLATE	1		
6	19H1733	CAP SCREW	3	3/8" X 2-1/2"	
	12H304	LOCK WASHER	3	3/8"	
	14H812	NUT	3	3/8"	

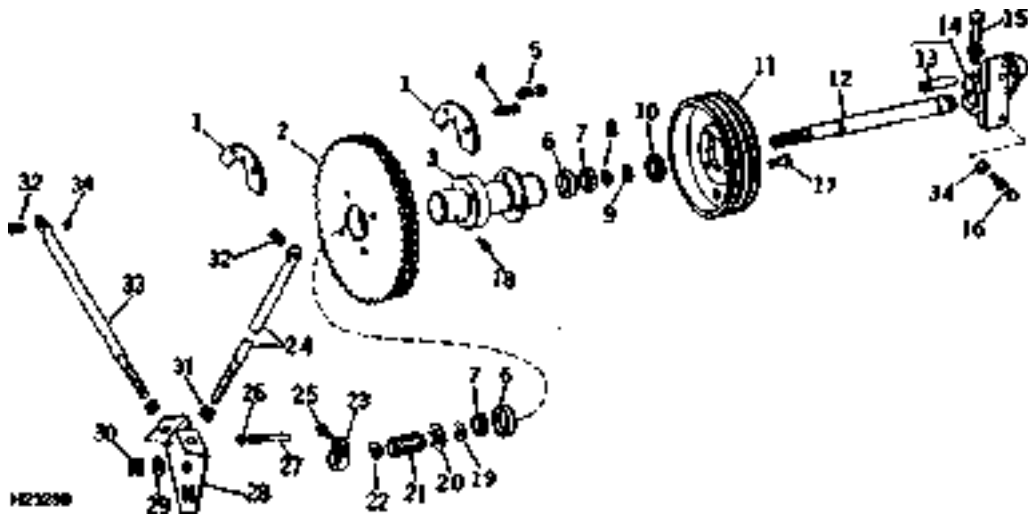
MEMORANDA

2G22

SEPARATOR

H23239 -UN-01JAN94

SLOW SPEED CYLINDER DRIVE INTERMEDIATE SHAFT



KEY	PART NO.	PART NAME	QTY	SERIAL NO.	REMARKS
1	H85450	PLATE	4		
2	H85448	CHAIN SPROCKET	1	77 TEETH	
3	AH86431	HUB	1		
4	19H1996	CAP SCREW	1	1/4" X 2"	
	12H302	LOCK WASHER	1	1/4"	
	14H786	NUT	1	1/4"	
5	19H1726	CAP SCREW	4	3/8" X 2-1/4"	
	12H304	LOCK WASHER	4	3/8"	
	14H812	NUT	4	3/8"	
6	JD8225	BEARING CUP	2		
7	JD8187	BEARING CONE	2		
8	H2172B	WASHER	1		
9	P33554	SNAP RING	1		
10	AH75296	SEAL	1		
11	H79646	SHEAVE	1	174 MM (6-55/64") DIA.	
12	H75697	SHAFT	1		
13	H79683	PIN	1		
14	AH77606	BRACKET	1	(MARKED H79638)	
15	19H2444	CAP SCREW	1	7/16" X 3-1/4"	
16	19H1944	CAP SCREW	2	3/8" X 2-3/4"	
	14H812	NUT	2	3/8"	
17	19H1732	CAP SCREW	4	3/8" X 1-1/4"	
	12H304	LOCK WASHER	4	3/8"	
18	JD7797	LUBRICATION FITTING	1	STRAIGHT, 1/4"	
19	24H1266	WASHER	1	1-9/32" X 1-3/4" X 0.060"	
20	AH76193	SEAL	1		
21	H85449	BUSHING	1		
22	H78360	WASHER	1		
23	H75348	NUT	1		
24	AH75299	BRACE	1	FRONT	
25	19H1800	CAP SCREW	1	3/8" X 1-1/2"	
26	14H1040	NUT	2	1/2"	
27	H75555	STUD	1		
28	H79688	PLATE	1		
29	12H234	LOCK WASHER	1	1"	
30	14H962	NUT	1	1"	
31	14H794	NUT	4	3/4"	
32	19H1731	CAP SCREW	3	3/8" X 1"	
	14H812	NUT	3	3/8"	
33	AH75300	BRACE	1	REAR	
34	24H1305	WASHER	3	13/32" X 13/16" X 0.065"	

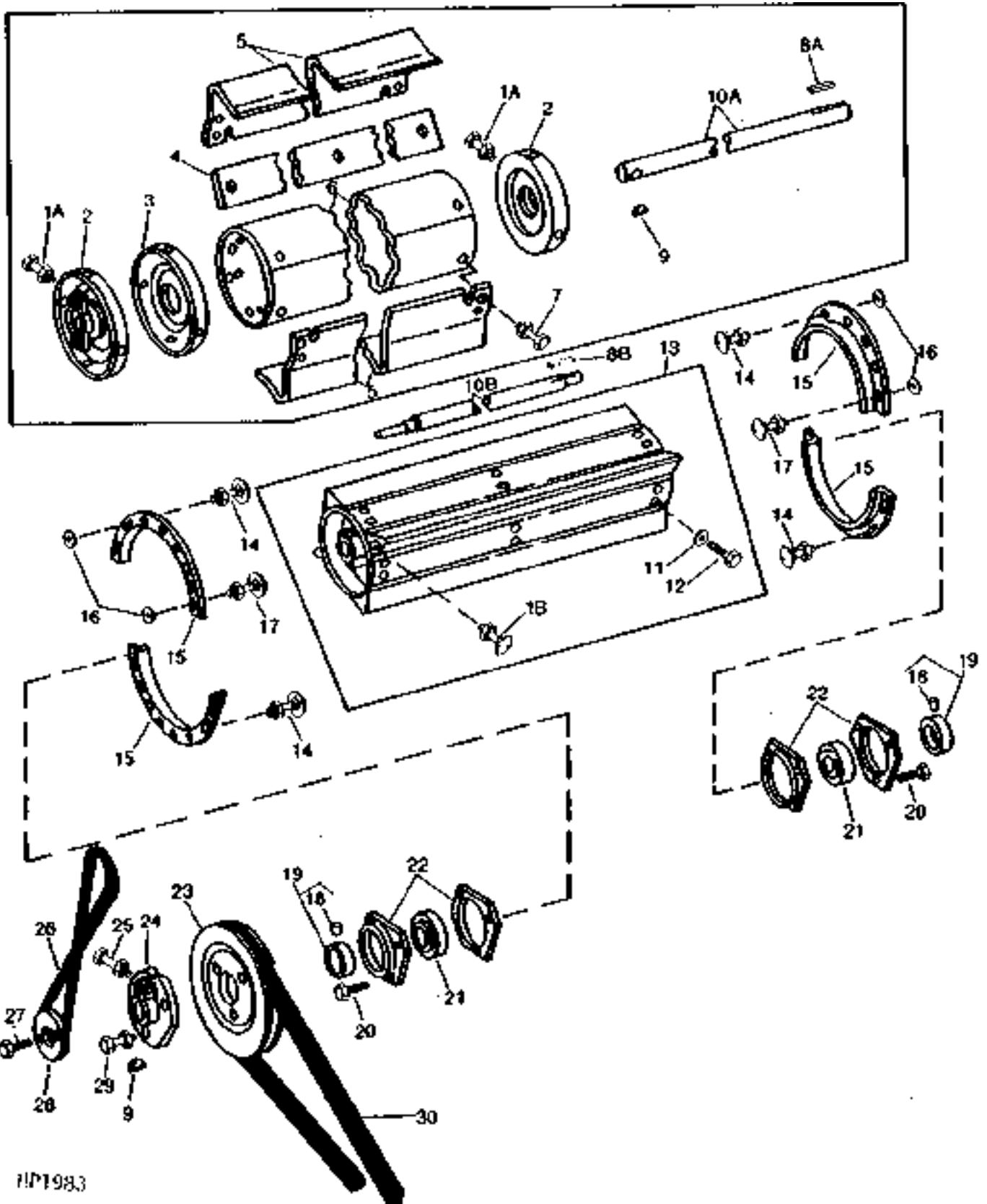
2G23

SEPARATOR

BEATER AND TACHOMETER DRIVE
(SERIAL NO. -600000)

HP1983

-UN-01JAN94



HP1983

2G24

SEPARATOR

BEATER AND TACHOMETER DRIVE - CONTINUED
(SERIAL NO. -600000)

KEY	PART NO.	PART NAME	QTY	SERIAL NO.	REMARKS
1A	03H1439	BOLT	2	-400987	1/2" X 1-3/4"
	12H301	LOCK WASHER	2	-400987	1/2"
	14H1040	NUT	2	-400987	1/2"
1B	03H1439	BOLT	2		1/2" X 1-3/4"
	12H301	LOCK WASHER	2		1/2"
	14H1040	NUT	2		1/2"
2	AH100271	CYLINDER HEAD	2		
3	AH101474	CYLINDER HEAD	1	-400987	(SUB AH108532)
4	H109245	STRAP	1	-400987	(SUB AH108532)
5	H101149	DEFLECTOR	4		
6	H101150	DRUM	1		
7	19H1732	CAP SCREW	16	-400987	3/8" X 1-1/4"
	12H304	LOCK WASHER	16	-400987	3/8"
8A	KEY	1	-400987	10 MM X 10 MM X 51 MM (3/8" X 3/8" X 2") (CUT FROM H64376 IN AH64587 KEY STOCK KIT)
8B	KEY	1		10 MM X 10 MM X 50 MM (3/8" X 3/8" X 2") (CUT FROM H64376 IN AH64587 KEY STOCK KIT)
9	26H42	SHAFT KEY	1		3/8" X 2-1/8"
10A	H102598	SHAFT	1	-400987	(SUB H110005)
10B	H110005	SHAFT	1		
11	24H1305	WASHER	4		13/32" X 13/16" X 0.065"
12	19H1732	CAP SCREW	16		3/8" X 1-1/4"
	12H304	LOCK WASHER	16		3/8"
13	AH108532	BEATER	1	-600000	(SUB AH114805)
14	03H1540	BOLT	9		5/16" X 3/4"
	12H303	LOCK WASHER	9		5/16"
	14H785	NUT	9		5/16"
15	H98955	SEAL	4		
16	24H1136	WASHER	6		11/32" X 11/16" X 0.065"
17	03H1709	BOLT	3		5/16" X 1"
	12H303	LOCK WASHER	3		5/16"
	14H785	NUT	3		5/16"
18	22H775	SET SCREW	2		5/16" X 1/4"
19	JD8544	ECCENTRIC LOCKING COLLAR	2		
20	H77931	SCREW	6		SELF-TAPPING
21	JD8545	BALL BEARING	2		
22	E10018	PRESSED FLANGED HOUSING	4		
23	AH87155	SHEAVE	1		229 MM (9") DIA. (100 PER CENT BEATER SPEED)
	AH100302	SHEAVE	1		178 MM (7") DIA. (150 PER CENT BEATER SPEED)
24	H102749	HUB	1		
25	19H1831	CAP SCREW	1		1/2" X 2"
	12H301	LOCK WASHER	1		1/2"
	14H1040	NUT	1		1/2"
26	H83078	O-RING	1		
27	19H1731	CAP SCREW	1		3/8" X 1"
	12H304	LOCK WASHER	1		3/8"
	24H1305	WASHER	1		13/32" X 13/16" X 0.065"
28	H108544	SHEAVE	1		82 MM (3-1/4") DIA. (100 PER CENT BEATER SPEED)
	H102126	SHEAVE	1		62 MM (2-27/64") DIA. (150 PER CENT BEATER SPEED)
29	19H1936	CAP SCREW	3		3/8" X 3/4"
	12H304	LOCK WASHER	3		3/8"
30	H86039	BELT	1		(100 PER CENT BEATER SPEED)
	H101352	BELT	1		(150 PER CENT BEATER SPEED)

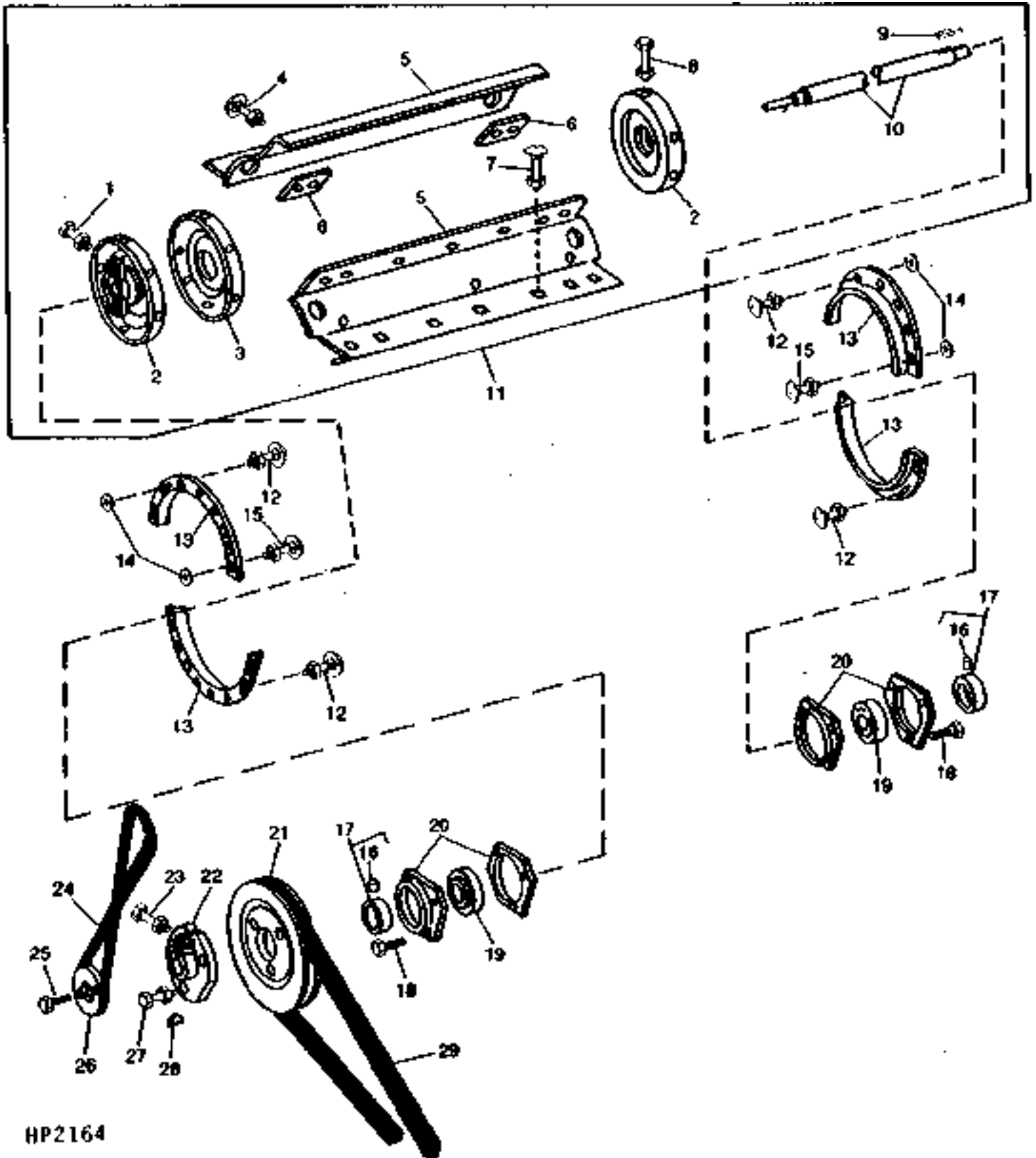
2H1

SEPARATOR

BEATER AND TACHOMETER DRIVE (SERIAL NO. 600001-)

HP2164

-UN-01JAN94



HP2164

2H2

SEPARATOR

BEATER AND TACHOMETER DRIVE - CONTINUED
(SERIAL NO. 600001-)

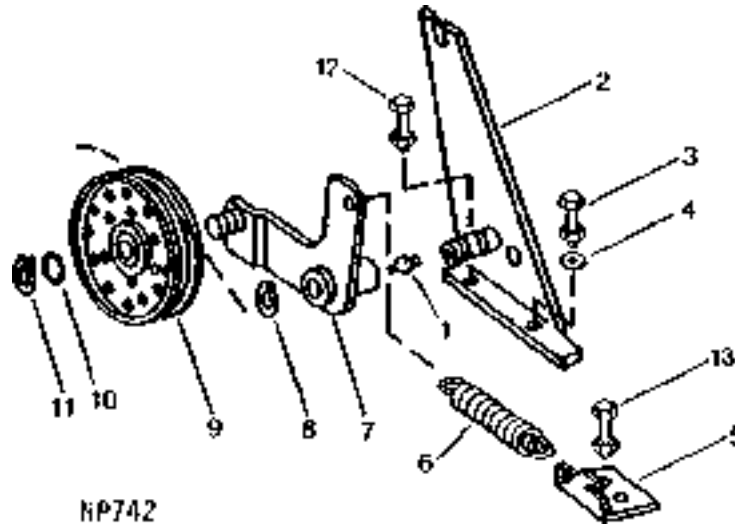
KEY	PART NO.	PART NAME	QTY	SERIAL NO.	REMARKS
1	03H1439	BOLT	2		1/2" X 1-3/4"
	12H301	LOCK WASHER	2		1/2"
	14H1040	NUT	2		1/2"
2	AH113355	CYLINDER HEAD	2		
3	AH113362	CYLINDER HEAD	1		
4	03H1480	BOLT	AR		3/8" X 1-1/4"
	12H304	LOCK WASHER	AR		3/8"
	14H812	NUT	AR		3/8"
5	H117549	BEATER	6		
6	H110734	STRAP	AR		
	H110736	STRAP	AR		
	24H1781	WASHER	AR		13/32" X 7/8" X 1/4", (USE WITH H110734)
	24H1307	WASHER	AR		13/32" X 1" X 1/16", (USE WITH H110736)
7	03H1519	BOLT	30		3/8" X 1"
	12H304	LOCK WASHER	30		3/8"
	14H812	NUT	30		3/8"
8	19H1936	CAP SCREW	18		3/8" X 3/4"
	12H304	LOCK WASHER	18		3/8"
9	KEY	1		10 MM X 10 MM X 50 MM (3/8" X 3/8" X 2") (CUT FROM H64376 IN AH64587 KEY STOCK KIT)
10	H110005	SHAFT	1		
11	AH114805	BEATER	1		
12	03H1540	BOLT	9		5/16" X 3/4"
	12H303	LOCK WASHER	9		5/16"
	14H785	NUT	9		5/16"
13	H98955	SEAL	4		
14	24H1136	WASHER	6		11/32" X 11/16" X 0.065"
15	03H1709	BOLT	3		5/16" X 1"
	12H303	LOCK WASHER	3		5/16"
	14H785	NUT	3		5/16"
16	22H775	SET SCREW	2		5/16" X 1/4"
17	JD8544	ECCENTRIC LOCKING COLLAR	2		
18	H77931	SCREW	6		SELF-TAPPING
19	JD8545	BALL BEARING	2		
20	E10018	PRESSED FLANGED HOUSING	4		
21	AH87155	SHEAVE	1		229 MM (9") DIA. (100 PER CENT BEATER SPEED)
	AH100302	SHEAVE	1		178 MM (7") DIA. (150 PER CENT BEATER SPEED)
22	H102749	HUB	1		
23	19H1831	CAP SCREW	1		1/2" X 2"
	12H301	LOCK WASHER	1		1/2"
	14H1040	NUT	1		1/2"
24	H83078	O-RING	1		
25	19H1731	CAP SCREW	1		3/8" X 1"
	12H304	LOCK WASHER	1		3/8"
	24H1305	WASHER	1		13/32" X 13/16" X 0.065"
26	H108544	SHEAVE	1		82 MM (3-1/4") DIA. (100 PER CENT BEATER SPEED)
	H102126	SHEAVE	1		62 MM (2-27/64") DIA. (150 PER CENT BEATER SPEED)
27	19H1936	CAP SCREW	3		3/8" X 3/4"
	12H304	LOCK WASHER	3		3/8"
28	26H42	SHAFT KEY	1		3/8" X 2-1/8"
29	H86039	BELT	1		(100 PER CENT BEATER SPEED)
	H101352	BELT	1		(150 PER CENT BEATER SPEED)

2H3

SEPARATOR

HP742 -UN-01JAN94

BEATER DRIVE TIGHTENER



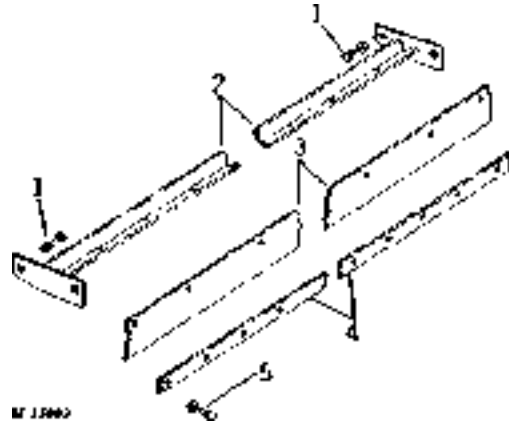
KEY	PART NO.	PART NAME	QTY	SERIAL NO.	REMARKS
1	JD7797	LUBRICATION FITTING	1		
2	AH102554	BRACKET	1	-450000	STRAIGHT, 1/4"
	AH107883	BRACKET	1		(SUB AH107883)
	AH93195	BRACKET	1	-450000	(150 PER CENT BEATER SPEED)
	AH107884	BRACKET	1		(SUB AH107884)
3	19H1732	CAP SCREW	1	-500000	(100 PER CENT BEATER SPEED)
	12H304	LOCK WASHER	1	-500000	3/8" X 1-1/4"
	14H812	NUT	1	-500000	3/8"
	19H1849	CAP SCREW	1	500001-	5/16" X 1-1/4"
	12H303	LOCK WASHER	1	500001-	5/16"
	14H785	NUT	1	500001-	5/16"
4	24H1136	WASHER	2		11/32" X 11/16" X 0.065"
5	H86040	CLIP	1		
6	E10086	SPRING	1		
7	AH93206	ARM	1		
8	U17408	RING	1		
9	AH80757	SHEAVE	1		140 MM (5-1/2") DIA.
10	R28776	O-RING	1		
11	H82987	SNAP RING	1		
12	E60315	SELF-LOCKING SCREW	1	450001-	
	12H304	LOCK WASHER	1	450001-	3/8"
	14H812	NUT	1	450001-	3/8"
13	19H1731	CAP SCREW	1		3/8" X 1"
	12H304	LOCK WASHER	1		3/8"
	14H812	NUT	1		3/8"

2H4

SEPARATOR

H15983 -UN-01JAN94

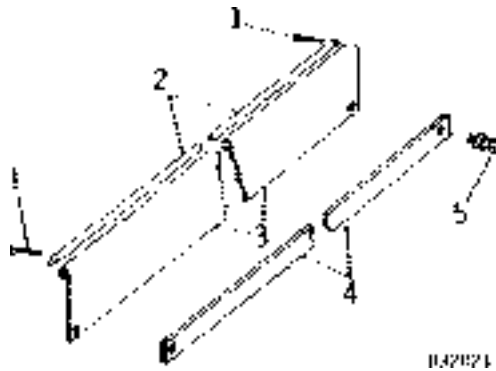
CYLINDER SHEAR BAR



KEY	PART NO.	PART NAME	QTY	SERIAL NO.	REMARKS
1	03H1480	BOLT	6		
	14H812	NUT	6		3/8" X 1-1/4"
2	AH76355	BAR	1		3/8"
3	H77703	SEAL	1		
4	H77706	RETAINER	1		
5	03H1825	BOLT	8		5/16" X 1-1/2"

H32821 -UN-01JAN94

SEPARATOR CURTAINS



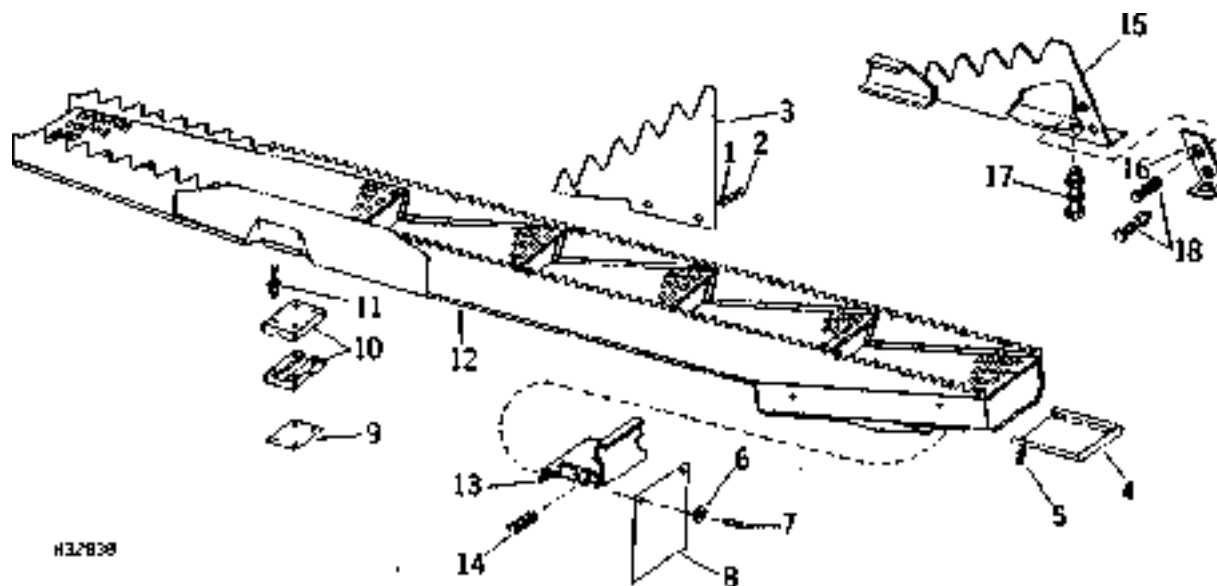
KEY	PART NO.	PART NAME	QTY	SERIAL NO.	REMARKS
1	11H211	COTTER PIN	4		1/8" X 3/4"
2	H76890	PIN	2		
3	AH84216	LIMIT CURTAIN	1		(REAR)
	AH84218	LIMIT CURTAIN	1		(FRONT)
4	H76010	STRIP	1		
5	21H1071	SCREW	12		5/16" X 5/8"
	14H785	NUT	12		5/16"

2H5

SEPARATOR

H32838 -UN-01JAN94

STRAW WALKERS



KEY	PART NO.	PART NAME	QTY	SERIAL NO.	REMARKS
1	24H1287	WASHER	2		9/32" X 5/8" X 0.065"
2	21H1016	SCREW	2		1/4" X 1/2", (PER RISER)
	14H786	NUT	2		1/4", (PER RISER)
3	H94669	RISER	1		(BETWEEN EACH WALKER)
4	H82460	PAN	1		(GRAIN)
5	03H1540	BOLT	2		5/16" X 3/4"
	14H785	NUT	2		5/16"
6	24H1711	WASHER	2		11/32" X 1-1/8" X 0.105", (STRAW CHOPPER)
7	19H1900	CAP SCREW	2		5/16" X 3/4"
	14H785	NUT	2		5/16"
8	H76636	SEAL	1		(STRAW CHOPPER)
9	H93580	PLATE	2		
10	AH93030	BEARING	1	-600000	(MATCHED HALVES)
	H119612	BEARING	2	600001-	(SINGLE HALF)
11	03H1506	BOLT	8		5/16" X 3"
	M40699	NUT	8		
12	AH99693	STRAW WALKER	1		
13	H85190	SHIELD	1		(USED WITH STRAW CHOPPER)
14	19H1227	CAP SCREW	4		1/4" X 1/2", (USE WITH STRAW CHOPPER)
	24H1287	WASHER	4		9/32" X 5/8" X 0.060", (USE WITH STRAW CHOPPER)
	14H786	NUT	4	-400784	1/4", (USE WITH STRAW CHOPPER)
	N10217	LOCK NUT	4		(USE WITH STRAW CHOPPER)
15	AH99755	RISER	1		
16	H100869	CLIP	1		
17	N10212	SELF-LOCKING SCREW	1		
18	03H1774	BOLT	2		5/16" X 5/8"
	12H303	LOCK WASHER	2		5/16"
	14H785	NUT	2		5/16"

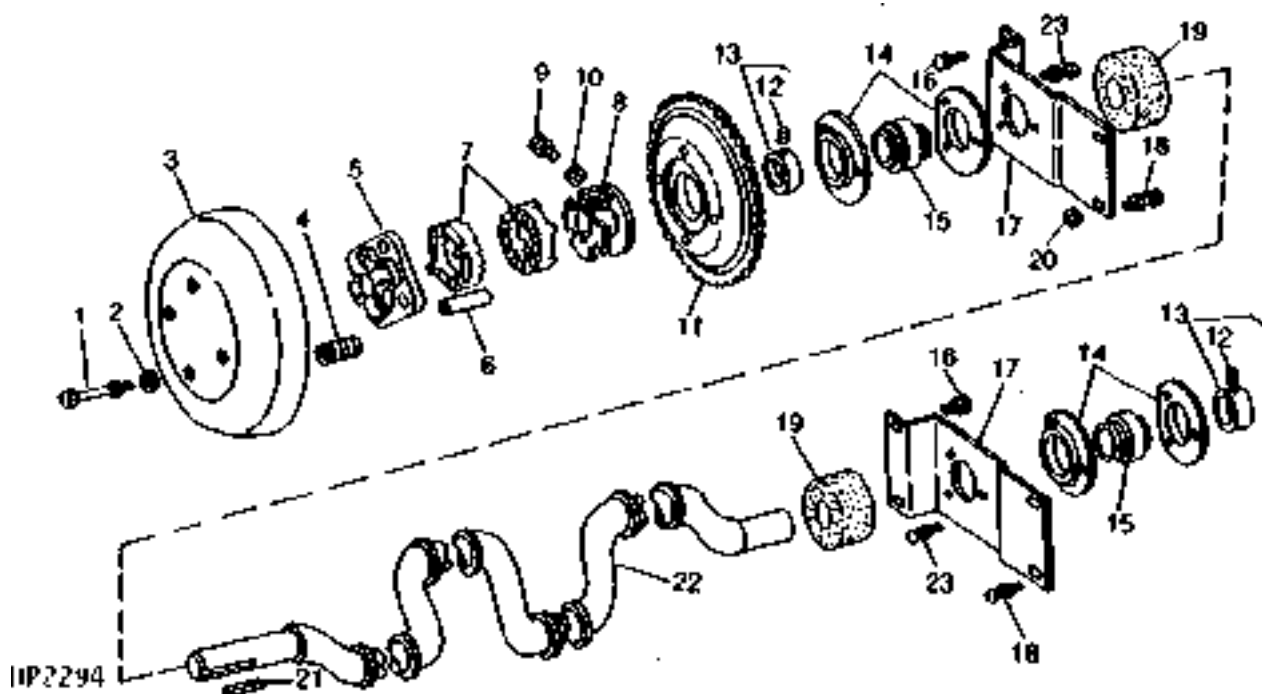
NOTE: QUANTITIES USED ARE FOR ONE UNIT. FOUR UNITS USED PER MACHINE.

2H6

SEPARATOR

HP2294 -UN-01JAN94

STRAW WALKER FRONT CRANKSHAFT



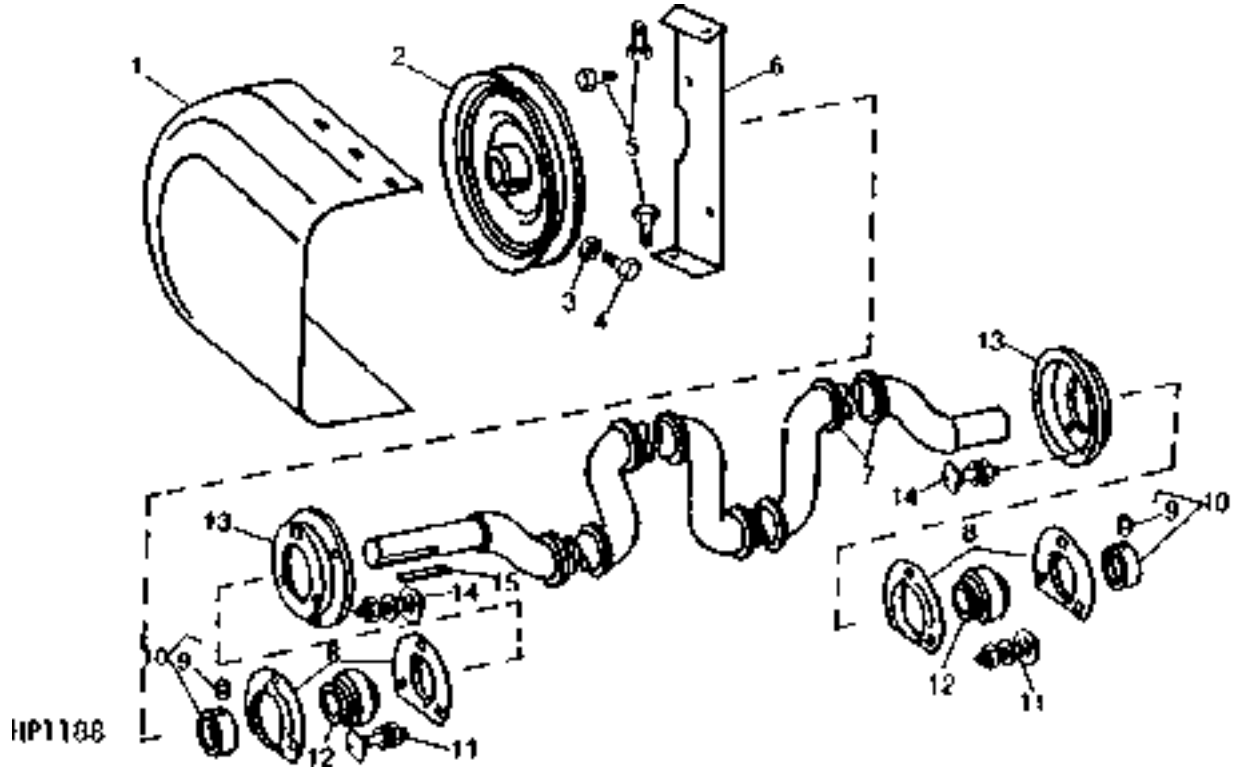
KEY	PART NO.	PART NAME	QTY	SERIAL NO.	REMARKS
1	19H2205	CAP SCREW	4		3/8" X 6"
	H99923	LOCK NUT	4		
2	24H1305	WASHER	4		13/32" X 13/16" X 0.065"
3	H76436	SHIELD	1		
4	B10608	SPRING	4		
5	N100101	RETAINER	1	-600000	
	H89525	RETAINER	1	600001-	
6	H76435	SPACER	4		
7	Z699H	SLIP CLUTCH	2		
8	H76432	HUB	1		
9	19H1765	CAP SCREW	1		3/8" X 1-3/4"
10	14H812	NUT	1		3/8"
11	H76434	CHAIN SPROCKET	1		49 TEETH
12	22H897	SET SCREW	2		1/4" X 1/4"
13	JD8554	ECCENTRIC LOCKING COLLAR	2		
14	H87472	PRESSED FLANGED HOUSING	4	-600400	
	H103264	PRESSED FLANGED HOUSING	4	600401-	
15	JD8665	BALL BEARING	2		
16	H65108	SCREW	4		SELF-TAPPING
17	H76440	BRACKET	2		
18	03H1540	BOLT	4		5/16" X 3/4"
	14H785	NUT	4		5/16"
19	H76431	ISOLATOR	2		
20	24H1136	WASHER	2		11/32" X 11/16" X 0.065"
21	KEY	1		6 MM X 6 MM X 51 MM (11/32" X 11/16" X 0.060") (CUT FROM H64374 IN AH64587 KEY STOCK KIT)
22	AH92414	SHAFT	1		(USE WITH (4) AH93030 OR (8) H119612)
23	03H1774	BOLT	6		5/16" X 5/8"
	14H785	NUT	6		5/16"

2H7

SEPARATOR

HP1188 -UN-01JAN94

STRAW WALKER REAR CRANKSHAFT



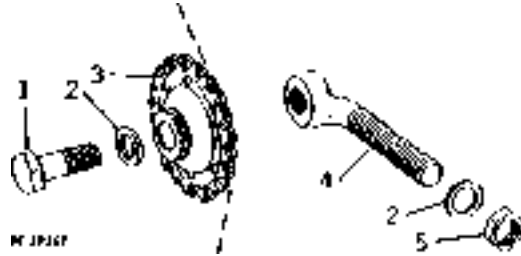
KEY	PART NO.	PART NAME	QTY	SERIAL NO.	REMARKS
1	H98221	SHIELD	1		
2	AH75982	SHEAVE	1		238 MM (9-3/8") DIA. (STRAW SPREADER DRIVE)
3	14H732	NUT	2		3/8"
4	22H817	SET SCREW	2		3/8" X 3/4"
5	H65108	SCREW	5		SELF-TAPPING
6	H83469	BRACKET	1		
7	AH92414	SHAFT	1		(USE WITH (4) AH93030)
8	H87472	PRESSED FLANGED HOUSING	4	-600400	
	H103264	PRESSED FLANGED HOUSING	4	600401-	
9	22H897	SET SCREW	2		1/4" X 1/4"
10	JD8554	ECCENTRIC LOCKING COLLAR	2		
11	03H1540	BOLT	6		5/16" X 3/4"
	14H785	NUT	6		5/16"
12	JD8665	BALL BEARING	2		
13	H76437	SUPPORT	2		
14	03H1774	BOLT	6		5/16" X 5/8"
	12H303	LOCK WASHER	6		5/16"
	14H785	NUT	6		5/16"
15	KEY	1		6 MM X 6 MM X 29 MM (1/4" X 1/4" X 1-1/8") (CUT FROM H64374 IN AH64587 KEY STOCK KIT)

2H8

SEPARATOR

H19362 -UN-01JAN94

STRAW WALKER AND SHOE DRIVE TIGHTENER



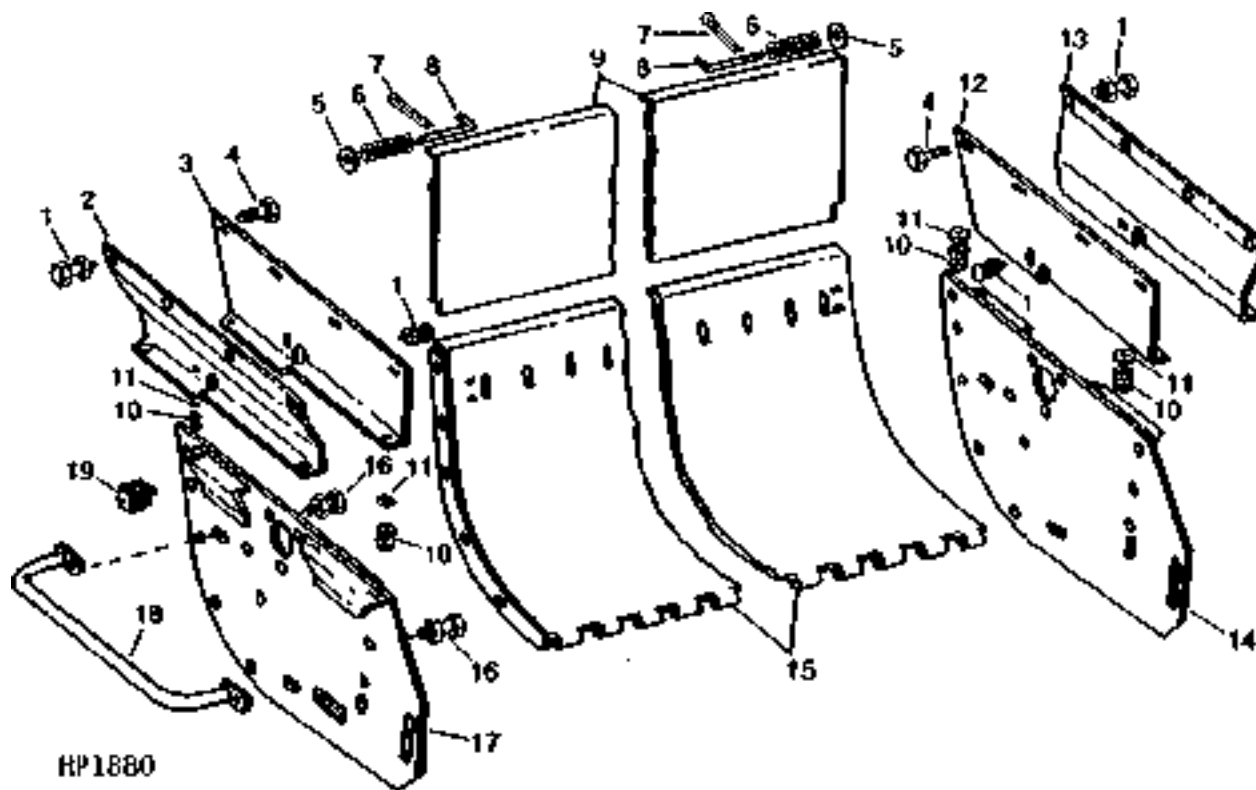
KEY	PART NO.	PART NAME	QTY	SERIAL NO.	REMARKS
1	19H1805	CAP SCREW	1	1/2" X 2-1/4"	
	12H301	LOCK WASHER	1	1/2"	
2	24H1111	WASHER	2	17/32" X 1-1/16" X 0.090"	
3	AH21440	CHAIN SPROCKET	1	17 TEETH	
4	H76607	EYEBOLT	1		
5	14H1040	NUT	2	1/2"	

2H9

SEPARATOR

STRAW CHOPPER HOUSING (SERIAL NO. -550435)

HP1880 -UN-01JAN94



KEY	PART NO.	PART NAME	QTY	SERIAL NO.	REMARKS
1	N10212	SELF-LOCKING SCREW	8		
	03H1774	BOLT	2	5/16" X 5/8"	
	14H785	NUT	AR	5/16"	
2	AH92252	HANGER	1		
3	H85175	HANGER	1		
4	N71292	SELF-LOCKING SCREW	10		
5	24H1338	WASHER	2	33/64" X 7/8" X 0.048"	
6	T12274	SPRING	2		
7	34H249	SPRING PIN	2	1/8" X 7/8"	
8	H85156	PIN	2		
9	AH85663	EXTENSION	1		
10	19H1731	CAP SCREW	4	3/8" X 1"	
	14H812	NUT	4	3/8"	
11	24H1305	WASHER	4	13/32" X 13/16" X 0.065"	
12	H85174	HANGER	1		
13	AH92251	SUPPORT	1		
14	AH99306	SHEET	1	-550000	(SUB AH112162, AH111646 AND H113983 OR BH77683) (DO NOT USE WITH H76258 AND H85004)
	AH112162	SHEET	1		
15	H88802	SHEET	1	-550000	(SUB H113075)
	H113075	SHEET	1		
16	03H1463	BOLT	4	3/8" X 3/4"	
	14H812	NUT	4	-450000	3/8", (SUB N10215, THIS APPLICATION)
	N10215	LOCK NUT	4		
17	AH99307	SHEET	1	-550000	(SUB AH112163, AH111647 AND H113984 OR BH77683)
	AH112163	SHEET	1		
18	AH94598	HANDLE	2		
19	N10212	SELF-LOCKING SCREW	8		
	N10213	LOCK NUT	8		

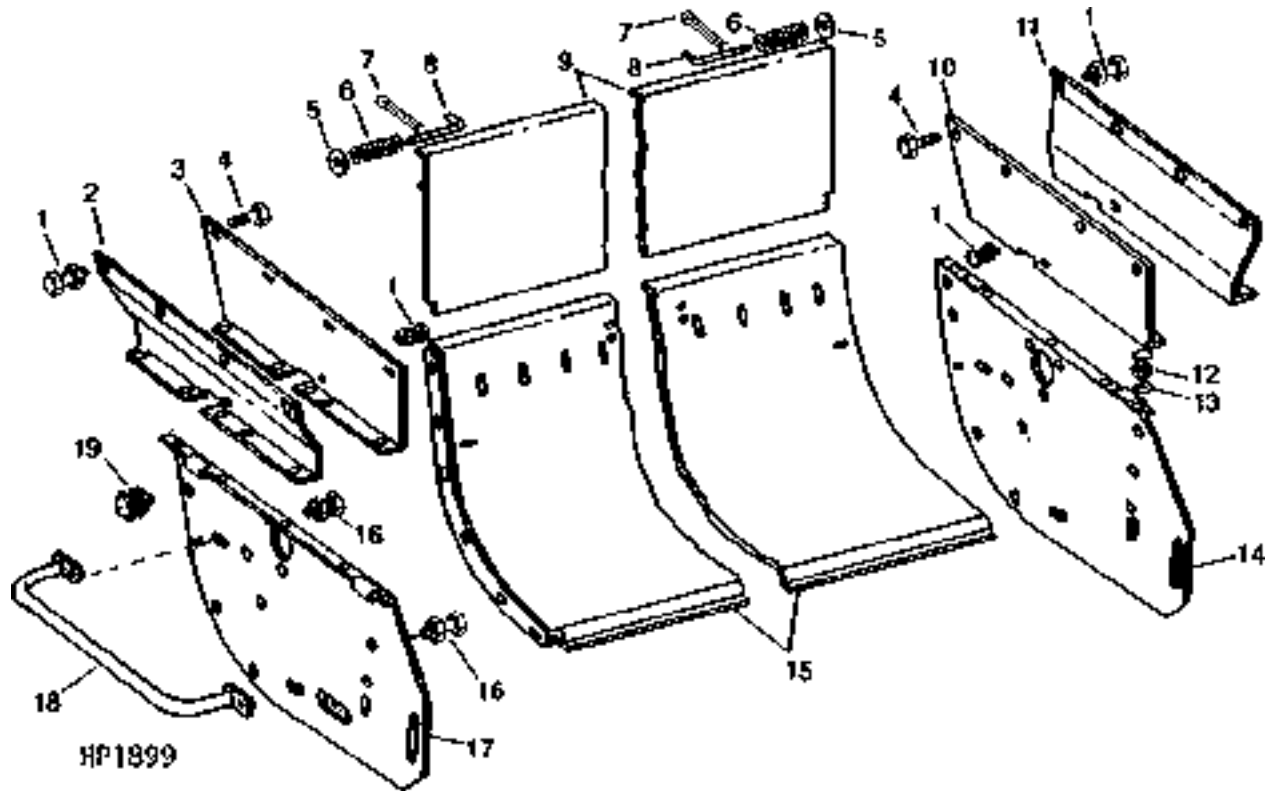
2H10

SEPARATOR

STRAW CHOPPER HOUSING (SERIAL NO. 550436-)

HP1899

-UN-01JAN94



KEY	PART NO.	PART NAME	QTY	SERIAL NO.	REMARKS
1	N10212	SELF-LOCKING SCREW	8		
	03H1774	BOLT	2	5/16" X 5/8"	
	14H785	NUT	AR	5/16"	
2	AH111647	HANGER	1		
3	H113984	HANGER	1		
4	N71292	SELF-LOCKING SCREW	10		
5	24H1338	WASHER	2	33/64" X 7/8" X 0.048"	
6	T12274	SPRING	2		
7	34H249	SPRING PIN	2	1/8" X 7/8"	
8	H85156	PIN	2		
9	AH85663	EXTENSION	1		
10	H113983	HANGER	1		
11	AH111646	HANGER	1		
12	03H1557	BOLT	10	3/8" X 1-1/4"	
	14H812	NUT	10	3/8"	
13	24H1308	WASHER	4	13/32" X 1" X 0.134"	
14	AH112162	SHEET	1	(DO NOT USE WITH H76258 AND H85004)	
15	H113075	SHEET	1		
16	03H1463	BOLT	4	3/8" X 3/4"	
	N10215	LOCK NUT	4		
17	AH112163	SHEET	1		
18	AH94598	HANDLE	2		
19	N10212	SELF-LOCKING SCREW	10		
	N10213	LOCK NUT	10		

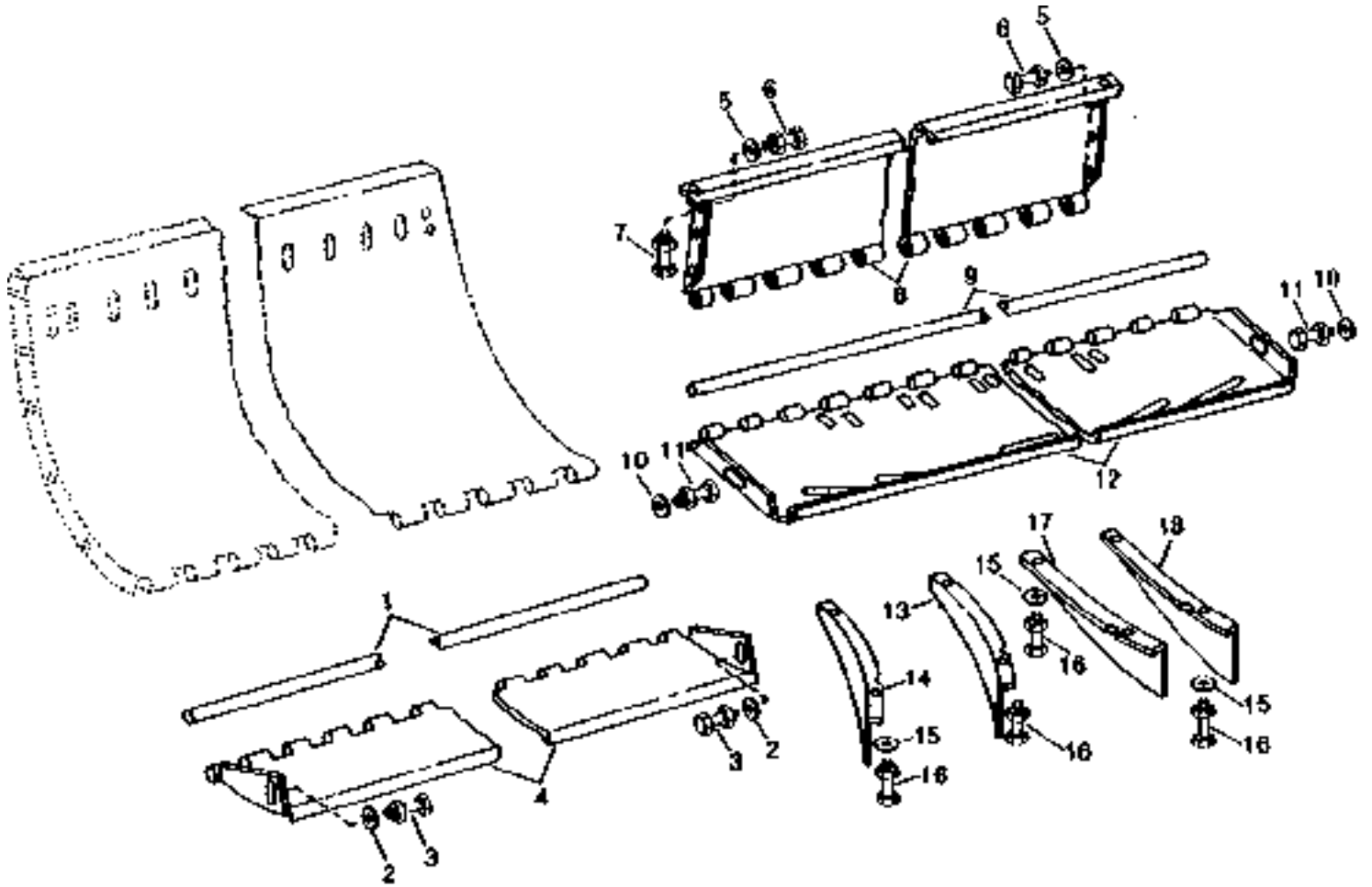
2H11

SEPARATOR

HP2126

-UN-01JAN94

STRAW CHOPPER PLATES AND FINs
(SERIAL NO. -550000)



HP2126

2H12

SEPARATOR

STRAW CHOPPER PLATES AND FINS - CONTINUED
(SERIAL NO. -550000)

KEY	PART NO.	PART NAME	QTY	SERIAL NO.	REMARKS
1	H76258	PIN	1		
2	24H1136	WASHER	2		11/32" X 11/16" X 0.065"
3	03H1268	BOLT	2		5/16" X 3/4"
	14H785	NUT	2		5/16"
4	H85004	PLATE	1		
5	24H1136	WASHER	4		11/32" X 11/16" X 0.065"
6	19H1900	CAP SCREW	4		5/16" X 3/4"
	14H785	NUT	4		5/16"
7	19H2284	CAP SCREW	2		3/8" X 7/8"
	14H812	NUT	2		3/8"
8	H88820	SHEET	1		
9	H76258	PIN	1		
10	24H1219	WASHER	2		7/16" X 1" X 0.083"
11	03H1463	BOLT	2		3/8" X 3/4"
	14H812	NUT	2		3/8"
12	H88797	PLATE	1		
13	H84984	DEFLECTOR	1		
14	H85014	DEFLECTOR	2		
15	24H1136	WASHER	12	-450000	11/32" X 11/16" X 0.065"
16	21H1029	SCREW	12		5/16" X 3/4"
	14H785	NUT	12	-450000	5/16", (SUB N10213, THIS APPLICATION)
	N10213	LOCK NUT	12		
17	H84983	DEFLECTOR	1		
18	H85013	DEFLECTOR	2		

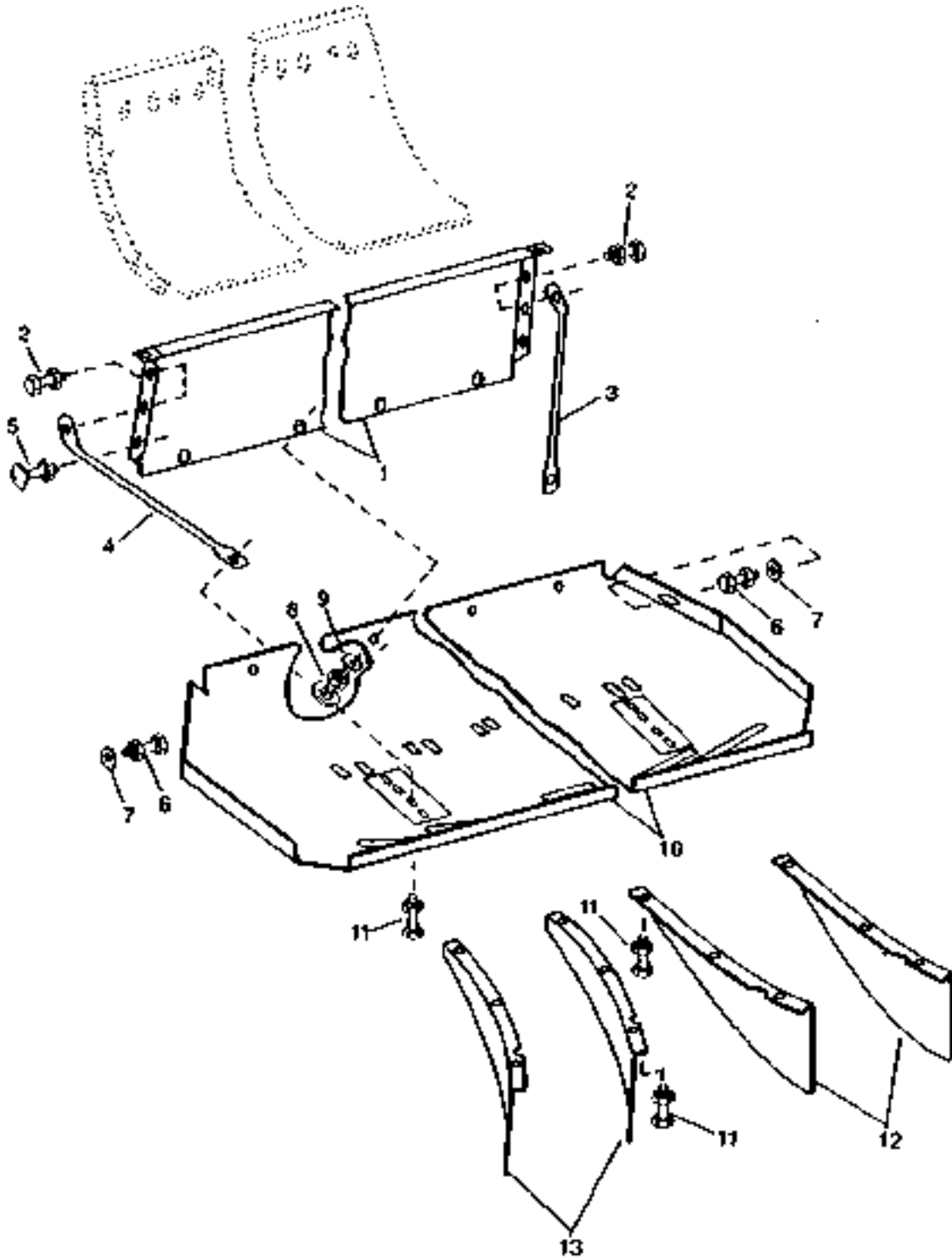
2H13

SEPARATOR

HP1882

-UN-01JAN94

STRAW CHOPPER PLATES AND FINS
(SERIAL NO. 550001-)



HP1882

2H14

SEPARATOR

STRAW CHOPPER PLATES AND FINS - CONTINUED (SERIAL NO. 550001-)

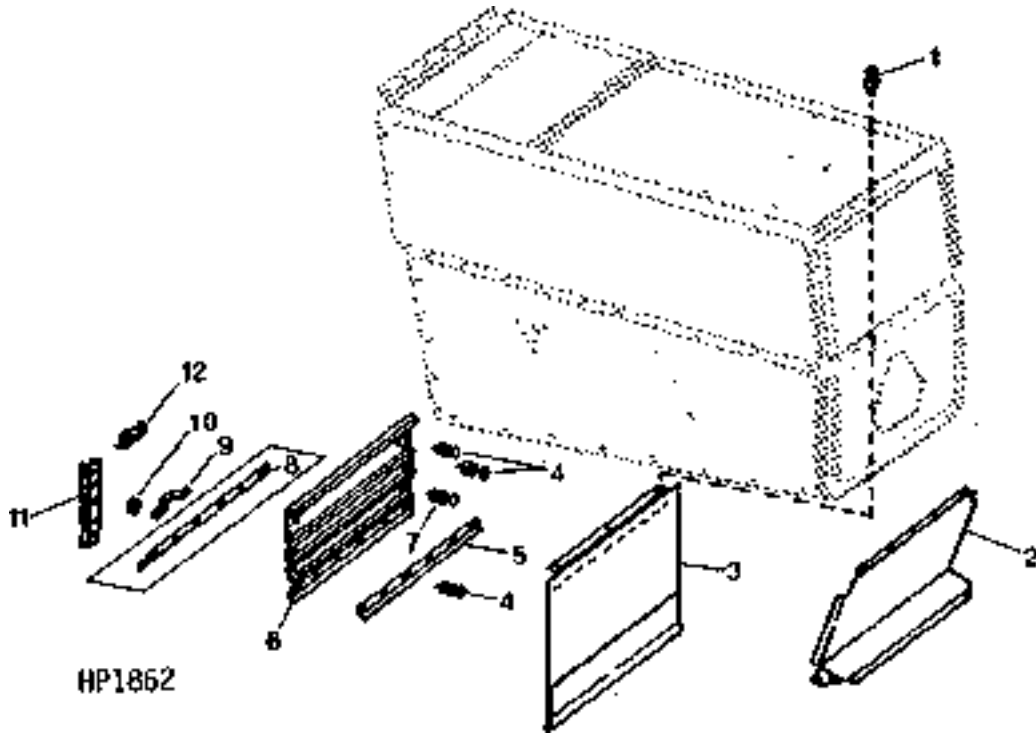
KEY	PART NO.	PART NAME	QTY	SERIAL NO.	REMARKS
1	AH112393	SHEET	1	-600400	(SUB H113330)
	H113330	SHEET	1		
2	19H1731	CAP SCREW	4		3/8" X 1"
	N10215	LOCK NUT	4		
3	H114465	PIPE	1		R.H.
4	H114466	PIPE	1		L.H.
5	03H1500	BOLT	2		3/8" X 1"
	N10215	LOCK NUT	2		
6	03H1463	BOLT	2		3/8" X 3/4"
	12H304	LOCK WASHER	2		3/8"
	14H812	NUT	2		3/8"
7	24H1219	WASHER	2		7/16" X 1" X 0.083"
8	03H1524	BOLT	4		5/16" X 1"
	M40699	NUT	4		
9	24H1136	WASHER	4		11/32" X 11/16" X 0.065"
10	AH112218	DEFLECTOR	1		
11	03H1540	BOLT	14		5/16" X 3/4"
	N10213	LOCK NUT	14		
12	H114535	VANE	2		R.H.
13	H114536	VANE	2		L.H.

2H15

SEPARATOR

HP1862 -UN-01JAN94

STRAW CHOPPER CURTAIN AND SHIELDS (CORN)



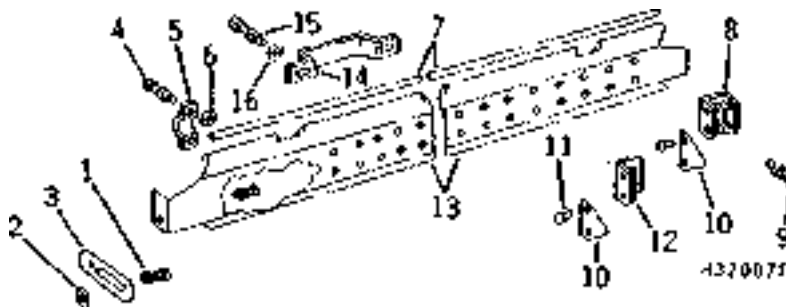
KEY	PART NO.	PART NAME	QTY	SERIAL NO.	REMARKS
1	H76139	SCREW	3		
	12H303	LOCK WASHER	3	5/16"	
	14H785	NUT	3	5/16"	
2	H85181	ISOLATOR	1		
3	AH85660	SUPPORT	1	-550000	(SUB AH111430)
	AH111430	SUPPORT	1		
4	03H1500	BOLT	9	3/8" X 1"	
	14H812	NUT	9	3/8"	
5	H85186	REINFORCEMENT	1		
6	H85164	EXTENSION	1	-550000	(CORN)
	H113823	EXTENSION	1	550001-	(CORN)
7	03H1765	BOLT	8	3/8" X 3/4"	
	14H812	NUT	8	3/8"	
8	H85167	REINFORCEMENT	1	-550000	
9	H85184	HANDLE	1		
10	24H1305	WASHER	4	13/32" X 13/16" X 0.065"	
11	H85169	BRACKET	2	-550000	
	H113825	BRACKET	2	550001-	
12	AH86590	BRACKET	1	(R.H.)	
	AH86591	BRACKET	1	(L.H.)	

2H16

SEPARATOR

H32087F -UN-01JAN94

STRAW CHOPPER KNIFE AND SUPPORT



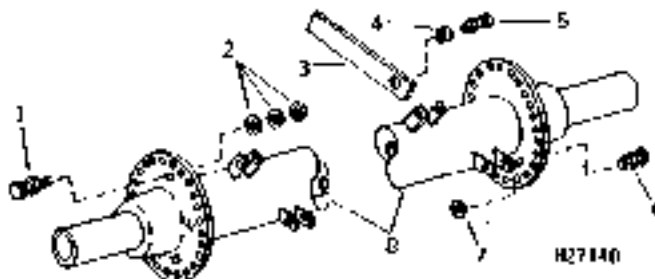
KEY	PART NO.	PART NAME	QTY	SERIAL NO.	REMARKS
1	03H1500	BOLT	4		3/8" X 1"
	12H304	LOCK WASHER	4		3/8"
	14H812	NUT	4		3/8"
2	24H1305	WASHER	2		13/32" X 13/16" X 0.065"
3	H84992	STRAP	2		
4	03H1540	BOLT	6		5/16" X 3/4"
	12H303	LOCK WASHER	6	-450000	5/16"
	14H785	NUT	6	-450000	5/16", (SUB N10213, THIS APPLICATION)
	N10213	LOCK NUT	6		
5	H84990	CLAMP	3		
6	24H1136	WASHER	6	-450000	11/32" X 11/16" X 0.065"
	H84994	PIN	1		
8	H88801	BRACKET	11		
9	19H1813	CAP SCREW	24		5/16" X 5/8"
	19H1813	CAP SCREW	22	-450000	5/16" X 5/8", (SUB N10212, THIS APPLICATION)
	N10212	SELF-LOCKING SCREW	22		
	12H303	LOCK WASHER	22	-450000	5/16"
10	14H785	NUT	22	-450000	5/16", (SUB N10213, THIS APPLICATION)
	N10213	LOCK NUT	22		
10	Z6451H	SECTION	23		
11	AH84096	RIVET	46	-600000	(SUB AH116874, THIS APPLICATION)
	AH116874	RIVET	1		(CARTON OF 100 Z8946H)
12	P48067	BRACKET	1		
13	H88816	SUPPORT	1		
14	H85184	HANDLE	1		
15	19H1900	CAP SCREW	2		5/16" X 3/4"
	14H785	NUT	2	-450000	5/16", (SUB N10213, THIS APPLICATION)
	N10213	LOCK NUT	2		
16	24H1136	WASHER	2	-450000	11/32" X 11/16" X 0.065"

2H17

SEPARATOR

H27140 -UN-01JAN94

STRAW CHOPPER ROTOR AND BLADES



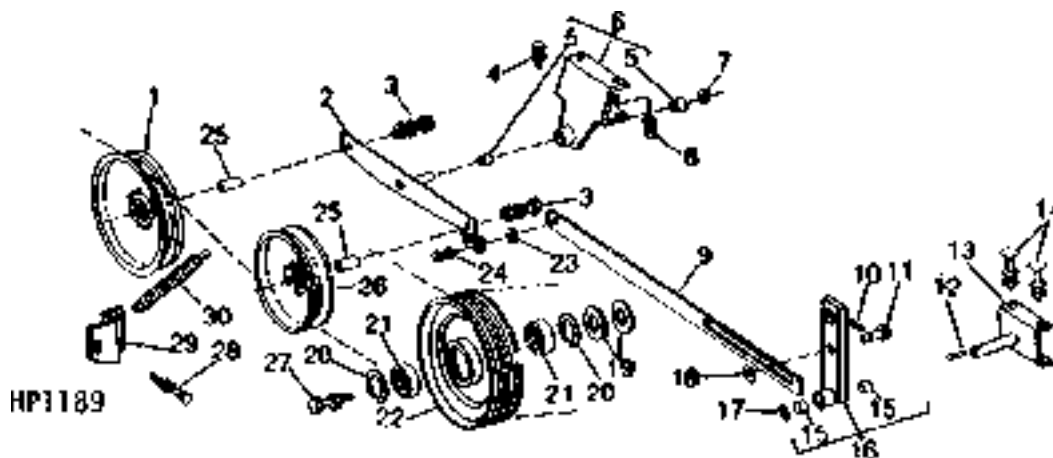
KEY	PART NO.	PART NAME	QTY	SERIAL NO.	REMARKS
1	19H2076	CAP SCREW	2	5/8" X 5"	
	12H304	LOCK WASHER	2	3/8"	
	14H812	NUT	2	3/8"	
2	24H1623	WASHER	6	7/16" X 3" X 0.220"	
3	P48066	BLADE	24		
4	H88783	WASHER	24		
5	03H2304	BOLT	22	3/8" X 1"	
	03H2305	BOLT	2	3/8" X 1-1/4"	
	H32147	LOCK NUT	24		
6	19H1849	CAP SCREW	AR	5/16" X 1-1/4"	
	19H1905	CAP SCREW	AR	5/16" X 1"	
	19H1906	CAP SCREW	AR	5/16" X 1-1/2"	
	NUT	AR	5/16"	
7	24H1136	WASHER	AR	11/32" X 11/16" X 0.065"	
	24H1296	WASHER	AR	11/32" X 1-3/8" X 0.134"	
	24H1299	WASHER	AR	3/8" X 1-1/4" X 0.065"	
	24H1300	WASHER	AR	25/64" X 2" X 0.220"	
8	AH95367	ROTOR	1		

2H18

SEPARATOR

HP1189 -UN-01JAN94

STRAW CHOPPER DRIVE IDLER AND TIGHTENER



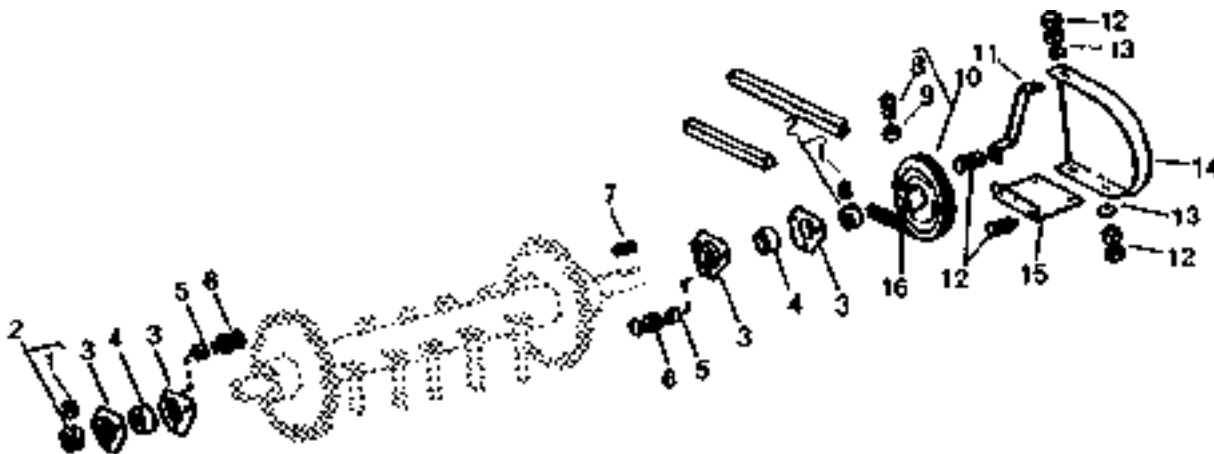
KEY	PART NO.	PART NAME	QTY	SERIAL NO.	REMARKS
1	AH85276	PULLEY	1		229 MM (9") DIA.
2	AH101206	ARM	1		
3	19H2727	CAP SCREW	2		5/8" X 2-5/8"
	12H294	LOCK WASHER	2		5/8"
	14H821	NUT	2		5/8"
4	19H1905	CAP SCREW	1		5/16" X 1"
	12H303	LOCK WASHER	1		5/16"
	14H785	NUT	1		5/16"
5	H94114	BUSHING	2		
6	AH101208	SUPPORT	1		
7	A369R	SNAP RING	1		
8	19H1900	CAP SCREW	3		5/16" X 3/4"
	12H303	LOCK WASHER	3		5/16"
	14H785	NUT	3		5/16"
9	H83756	STRAP	1		
10	11H211	COTTER PIN	1		1/8" X 3/4"
11	RV702A	PIN	1		
12	11H215	COTTER PIN	1		1/4" X 1-1/2"
13	AH101205	PIVOT	1		
14	03H1631	BOLT	2		3/8" X 3-1/2"
	12H304	LOCK WASHER	2		3/8"
	14H812	NUT	2		3/8"
15	H98655	BUSHING	2		
16	AH101209	ARM	1		
17	24H1413	WASHER	1		57/64" X 1-3/8" X 0.048"
18	24H1305	WASHER	1		13/32" X 13/16" X 0.065"
19	24H1429	WASHER	2		29/32" X 1-3/4" X 0.194"
20	J13683	SNAP RING	2		
21	JD8662	BALL BEARING	2		
22	AH90633	SHEAVE	1		238 MM (9-3/8") DIA.
23	24H1682	WASHER	1		13/32" X 7/8" X 0.120"
24	19H1731	CAP SCREW	1		3/8" X 1"
	BP12233	LOCK NUT	1		
25	28H1016	SPACER	2		3/4" X 1"
26	AN15237	IDLER	1		202 MM (7-15/16") DIA.
27	H89244	BOLT	1		
	U14554	LOCK NUT	1		
28	19H1901	CAP SCREW	1		5/16" X 2"
	12H303	LOCK WASHER	1		5/16"
	14H785	NUT	1		5/16"
29	H82798	SUPPORT	1		
30	H86646	SPRING	1		

2H19

SEPARATOR

HP1625 -UN-01JAN94

STRAW CHOPPER ROTOR SHEAVE AND SHIELD



HP1625

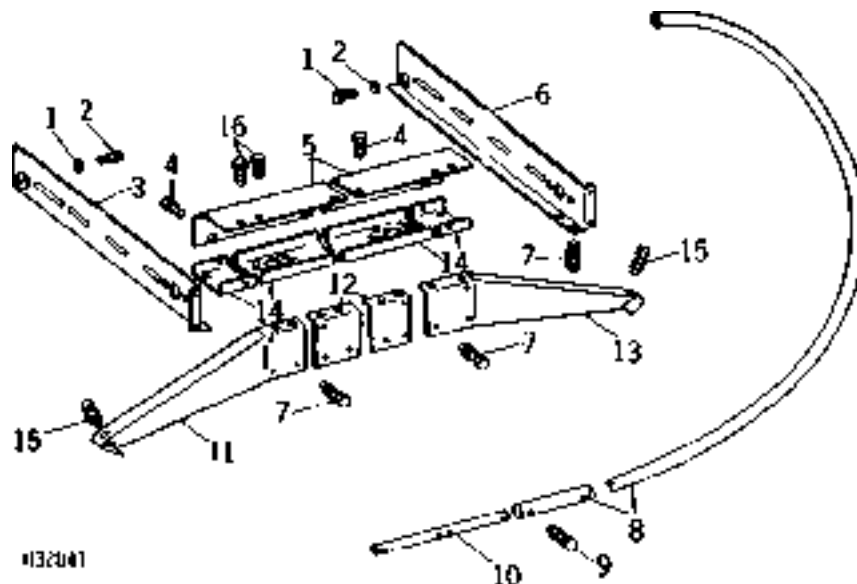
KEY	PART NO.	PART NAME	QTY	SERIAL NO.	REMARKS
1	22H979	SET SCREW	2		3/8" X 3/8"
2	JD8576	ECCENTRIC LOCKING COLLAR	2		
3	H23581	PRESSED FLANGED HOUSING	4	-550000	(SUB H103265, THIS APPLICATION)
	H103265	PRESSED FLANGED HOUSING	4		
4	JD9275	BALL BEARING	2		
5	H20042	BUSHING	6		
6	19H1732	CAP SCREW	6		3/8" X 1-1/4"
	12H304	LOCK WASHER	6		3/8"
	14H812	NUT	6		3/8"
7	KEY	1		6 MM X 6 MM X 35 MM (1/4" X 1/4" X 1-3/8") (CUT FROM H64374 IN AH64587 KEY STOCK KIT)
8	22H817	SET SCREW	2		3/8" X 3/4"
9	14H732	NUT	2		3/8"
10	AH90273	SHEAVE	1		187 MM (7-3/8") DIA.
11	H98222	BRACKET	1		
12	19H1813	CAP SCREW	6		5/16" X 5/8"
	12H303	LOCK WASHER	7	-600000	5/16", (SUB N10213, THIS APPLICATION)
	14H785	NUT	7	-600000	5/16", (SUB N10213, THIS APPLICATION)
	N10213	LOCK NUT	7		
13	24H1136	WASHER	3		11/32" X 11/16" X 0.065"
14	H98221	SHIELD	1		
15	H76209	BRACKET	1		
16	H79787	BELT	1		

2H20

SEPARATOR

H32841 -UN-01JAN94

STRAW SPREADER MOUNTING AND GUARD



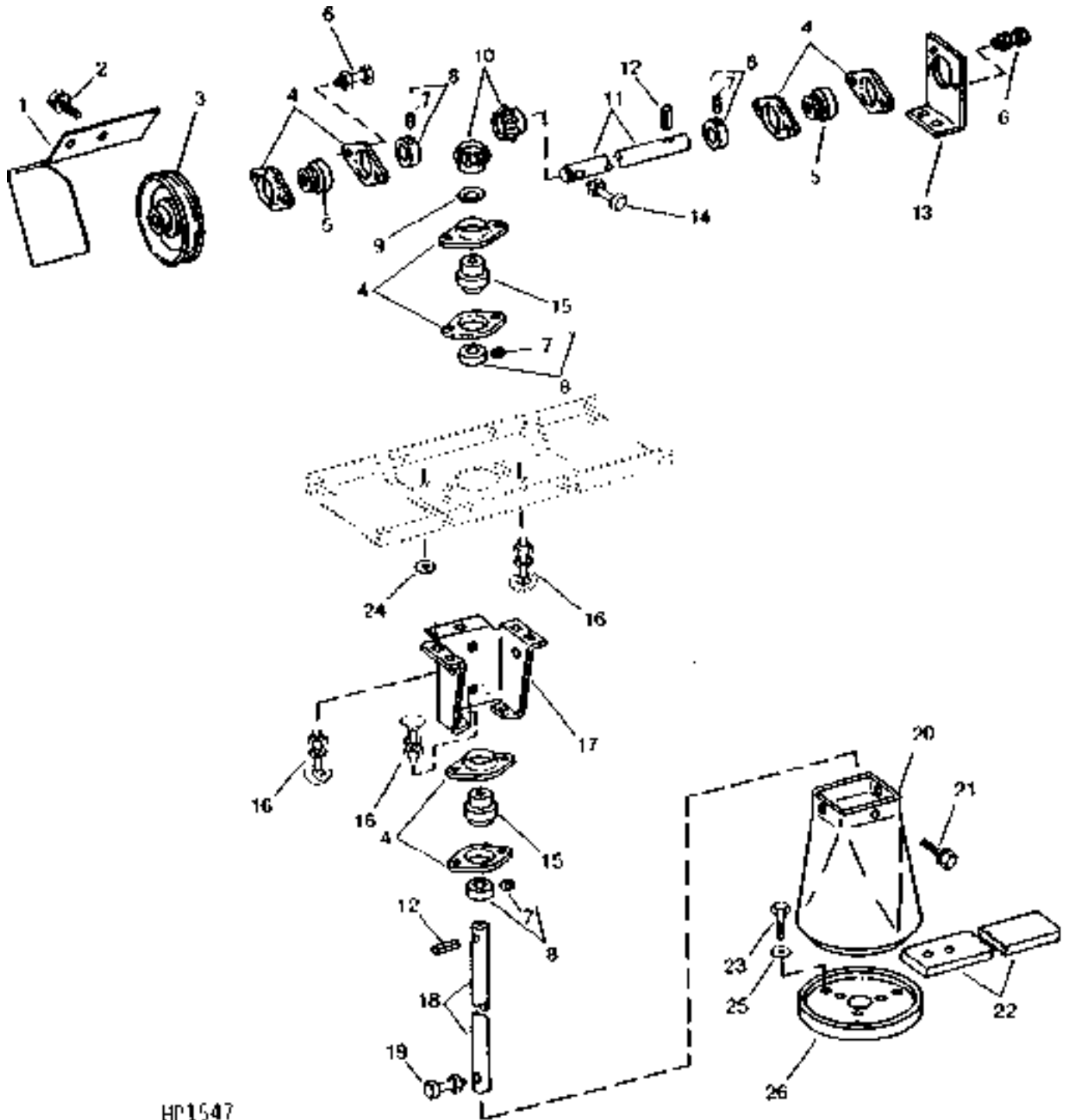
KEY	PART NO.	PART NAME	QTY	SERIAL NO.	REMARKS
1	19H1792	CAP SCREW	2		1/2" X 1"
2	24H1254	WASHER	2		17/32" X 1-1/8" X 0.105"
3	H77713	BRACKET	1	-550008	(SUB H112396)
	H112396	SHEET	1		L.H.
4	H65108	SCREW	8		SELF-TAPPING
5	H83806	COVER	1		
6	H77712	BRACKET	1		R.H.
7	19H1936	CAP SCREW	10		3/8" X 3/4"
	14H812	NUT	10		3/8"
8	AH85412	TUBE	2		
9	19H2102	CAP SCREW	4		1/4" X 1-3/4"
	14H786	NUT	4		1/4"
10	H84932	TUBE	1		
11	H100962	SUPPORT	1		L.H.
12	H100960	SUPPORT	1		CENTER
13	H100961	SUPPORT	1		R.H.
14	H100967	SUPPORT	1	-500000	(SUB H113760)
	H113760	SUPPORT	1		
15	19H1901	CAP SCREW	2		5/16" X 2"
	24H1136	WASHER	2		11/32" X 11/16" X 0.065"
	14H785	NUT	2		5/16"
16	H76139	SCREW	2		SELF-TAPPING

2H21

SEPARATOR

HP1547 -UN-01JAN94

STRAW SPREADER



HP1547

2H22

SEPARATOR

STRAW SPREADER - CONTINUED

KEY	PART NO.	PART NAME	QTY	SERIAL NO.	REMARKS
1	H83796	SHIELD	1		
2	H65108	SCREW	1		SELF-TAPPING
3	AH75981	SHEAVE	1	-600010	(SUB AH108938)
	AH108938	SHEAVE	1		152 MM (6") DIA.
4	P44439	PRESSED FLANGED HOUSING	8		
5	JD8562	BALL BEARING	2		
6	03H1540	BOLT	4		5/16" X 3/4"
	14H785	NUT	4		5/16"
7	22H897	SET SCREW	1		1/4" X 1/4"
8	JD8563	ECCENTRIC LOCKING COLLAR	1		
9	24H1433	WASHER	1		29/32" X 2-1/4" X 1/4"
10	H91228	GEAR	2		BEVEL, 13 TEETH
11	H77719	SHAFT	1		
12	34H331	SPRING PIN	2		5/16" X 1-1/2"
13	H96250	SUPPORT	1		
14	19H1901	CAP SCREW	1		5/16" X 2"
15	JD9442	BALL BEARING	2		
16	03H1540	BOLT	9		5/16" X 3/4"
	14H785	NUT	9		5/16"
17	H83798	SUPPORT	1	-500000	(SUB H113743)
	H113743	SUPPORT	1		
18	H27332	PIN	1		
19	19H1875	CAP SCREW	1		5/16" X 1-3/4"
	H76696	LOCK NUT	1		
20	H83795	GUARD	1		
21	H83132	SCREW	3		SELF-TAPPING
22	H76933	BLADE	3		
23	21H1172	SCREW	6		5/16" X 1-1/2"
	14H785	NUT	6		5/16"
24	24H1136	WASHER	2		11/32" X 11/16" X 0.065"
25	24H1296	WASHER	6		11/32" X 1-3/8" X 0.134"
26	AH90738	PLATE	1		

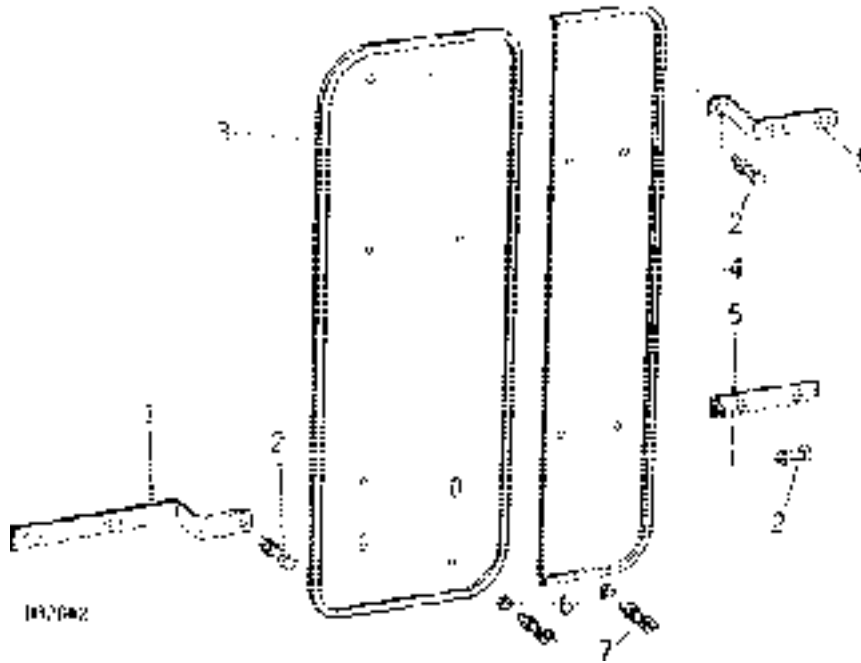
2H23

SEPARATOR

H32842

-UN-01JAN94

STRAW SPREADER SHIELDS



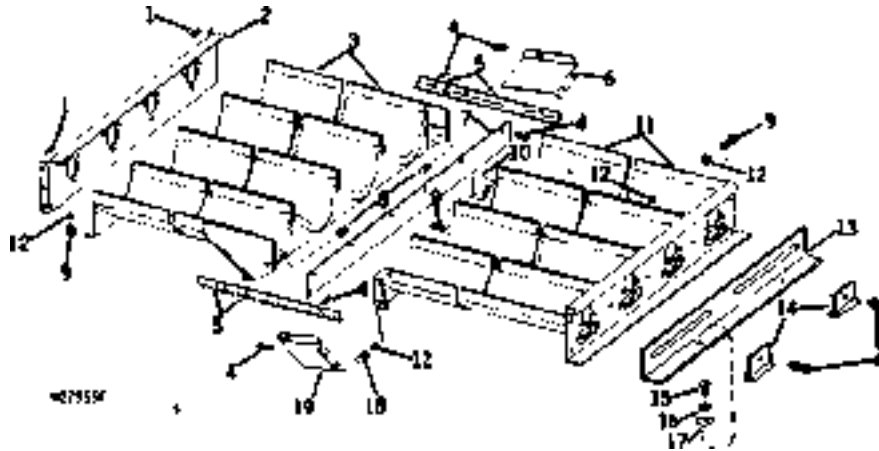
KEY	PART NO.	PART NAME	QTY	SERIAL NO.	REMARKS
1	H80138	BRACKET	2	L.H.	
2	19H1913	CAP SCREW	3	5/16" X 2-1/4"	
	12H303	LOCK WASHER	3	5/16"	
	14H785	NUT	3	5/16"	
3	H80052	SHIELD	1	L.H.	
4	H103351	SHIELD	1	R.H.	
5	H103349	BRACKET	1	R.H. (LOWER SHIELD)	
6	24H1136	WASHER	8	11/32" X 11/16" X 0.065"	
7	21H1029	SCREW	8	5/16" X 3/4"	
	12H303	LOCK WASHER	8	5/16"	
	14H785	NUT	8	5/16"	
8	H103350	BRACKET	1	R.H. (UPPER SHIELD)	

2H24

SEPARATOR

H27955F -UN-01JAN94

SHOE GRAIN SUPPLY AUGER HOUSING



KEY	PART NO.	PART NAME	QTY	SERIAL NO.	REMARKS
1	H76139	SCREW	4		SELF-TAPPING
2	AH79743	PLATE	1		REAR
3	AH79746	HOUSING	1		REAR
4	19H2020	CAP SCREW	13		5/16" X 1/2"
	N10213	LOCK NUT	13		
5	H75394	SEAL	2		
6	H75396	SHIELD	1		L.H.
7	H76024	SEAL	1		
8	19H1731	CAP SCREW	2		3/8" X 1"
	H99923	LOCK NUT	2		
9	19H1900	CAP SCREW	27		5/16" X 3/4"
	12H303	LOCK WASHER	27		5/16"
	14H785	NUT	27		5/16"
10	H81960	PARTITION	3		
11	AH104362	HOUSING	1		FRONT
12	24H1136	WASHER	34		11/32" X 11/16" X 0.065"
13	H105418	DOOR	1		
14	H94167	CLAMP	2		
15	03H1778	BOLT	2		1/4" X 5/8"
16	24H1287	WASHER	2		9/32" X 5/8" X 0.065"
17	14H952	WING NUT	2		1/4"
18	19H2127	CAP SCREW	2		5/16" X 7/8"
	12H303	LOCK WASHER	2		5/16"
	14H785	NUT	2		5/16"
19	H75395	SHIELD	1		R.H.

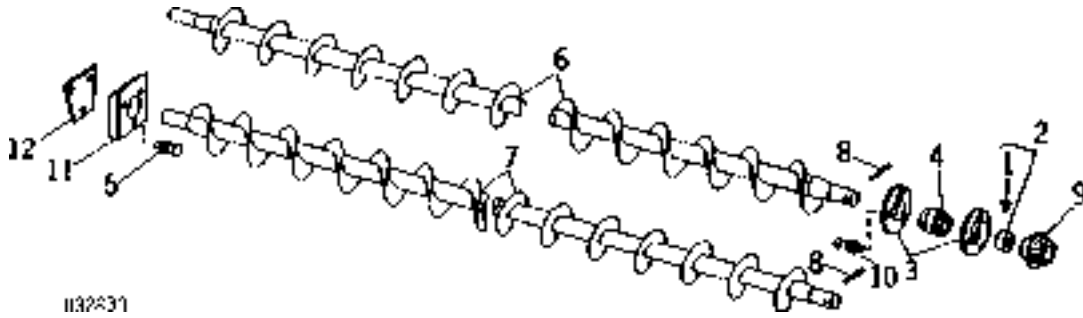
MEMORANDA

2H25

SEPARATOR

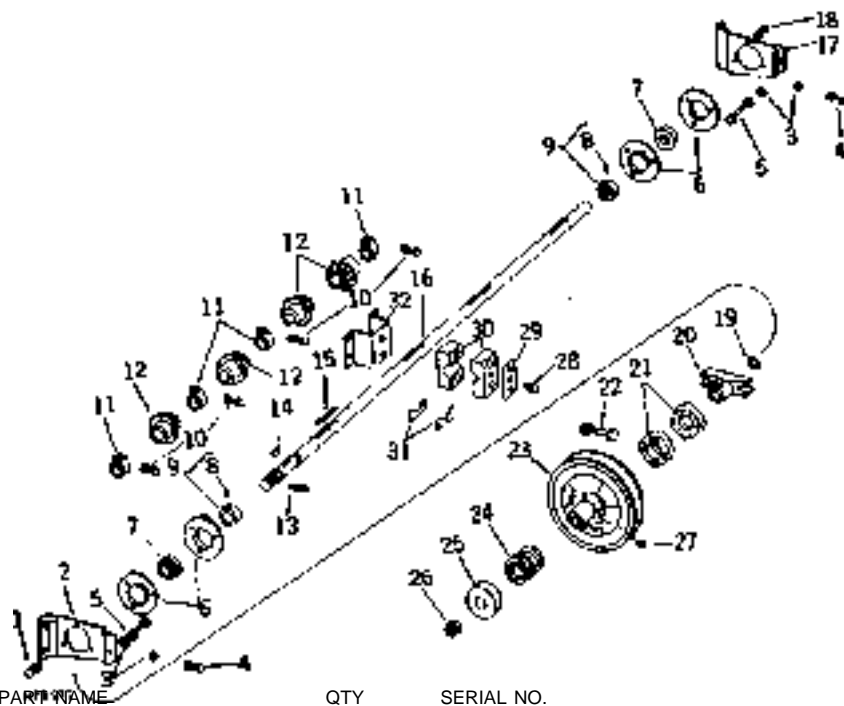
H32833 -UN-01JAN94

SHOE GRAIN SUPPLY AUGERS



KEY	PART NO.	PART NAME	QTY	SERIAL NO.	REMARKS
1	22H897	SET SCREW	4		1/4" X 1/4"
2	JD8554	ECCENTRIC LOCKING COLLAR	4		
3	H87472	PRESSED FLANGED HOUSING	8	-600400	
	H103264	PRESSED FLANGED HOUSING	8	600401-	
4	JD9273	BALL BEARING	4		
5	03H2125	BOLT	12		5/16" X 2"
	14H785	NUT	12		5/16"
6	AH85356	AUGER	2		R.H.
7	AH85357	AUGER	2		L.H.
8	34H188	SPRING PIN	4		5/16" X 1-3/4"
9	H75406	GEAR	4		13 TEETH
10	03H1540	BOLT	12		5/16" X 3/4"
	14H785	NUT	12		5/16"
11	H84838	BEARING	4		
12	H84839	PLATE	4		

H21577 -UN-01JAN94

SHOE GRAIN SUPPLY AUGERS DRIVE SHAFT AND SHEAVE


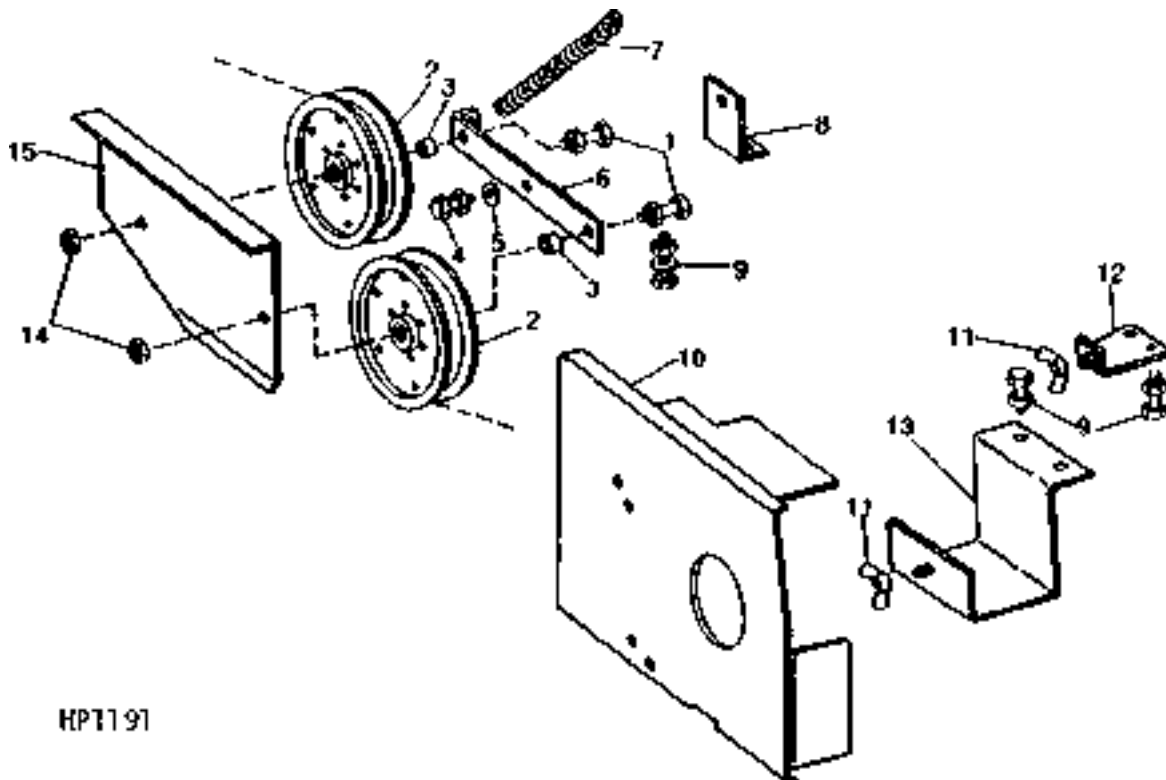
KEY	PART NO.	PART NAME	QTY	SERIAL NO.	REMARKS
1	03H1709	BOLT	3		5/16" X 1"
	14H785	NUT	3		5/16"
2	H85504	BRACKET	1		R.H.
3	24H1136	WASHER	6		11/32" X 11/16" X 0.065"
4	19H1900	CAP SCREW	4		5/16" X 3/4"
	14H785	NUT	4		5/16"
5	19H1905	CAP SCREW	2		5/16" X 1"
	14H785	NUT	2		5/16"
6	H87472	PRESSED FLANGED HOUSING	4	-600400	
	H103264	PRESSED FLANGED HOUSING	4	600401-	
7	JD8665	BALL BEARING	2		
8	22H897	SET SCREW	2		1/4" X 1/4"
9	JD8554	ECCENTRIC LOCKING COLLAR	2		
10	19H1765	CAP SCREW	4		3/8" X 1-3/4"
	14H812	NUT	4		3/8"
11	M2300T	CLAMP	4		
12	H75406	GEAR	4		13 TEETH
13	11H215	COTTER PIN	1		1/4" X 1-1/2"
14	26H14	SHAFT KEY	1		3/16" X 3/4"
15	KEY	4		6 MM X 6 MM X 19 MM (1/4" X 1/4" X 3/4") (CUT FROM H64374 IN AH64587 KEY STOCK KIT)
16	H83083	SHAFT	1		
17	H85505	BRACKET	1		L.H.
18	03H1540	BOLT	3		5/16" X 3/4"
	14H785	NUT	3		5/16"
19	H80714	SNAP RING	1		
20	H76901	DRIVER	1		
21	Z699H	SLIP CLUTCH	2		
22	19H1731	CAP SCREW	2		3/8" X 1"
	H99923	LOCK NUT	2		
23	H83081	SHEAVE	1		241 MM (9-1/2") DIA.

SHOE GRAIN SUPPLY AUGERS DRIVE SHAFT AND SHEAVE-CONTINUED

KEY	PART NO.	PART NAME	QTY	SERIAL NO.	REMARKS
24	J21022	SPRING	1		
25	H97542	CAP	1		
26	14H872	NUT	1	1"	
27	JD7797	LUBRICATION FITTING	1		STRAIGHT, 1/4"
28	JD7768	LUBRICATION FITTING	1		WOOD, STRAIGHT, 7/16"
29	H83089	PLATE	1		
30	AH15397	BEARING	1		(MATCHED PAIR)
31	P16643	SHIM	AR		
32	H83090	BRACKET	1		CENTER

SHOE GRAIN SUPPLY AUGERS DRIVE TIGHTENER AND SHIELDS

HP1191 -UN-01JAN94

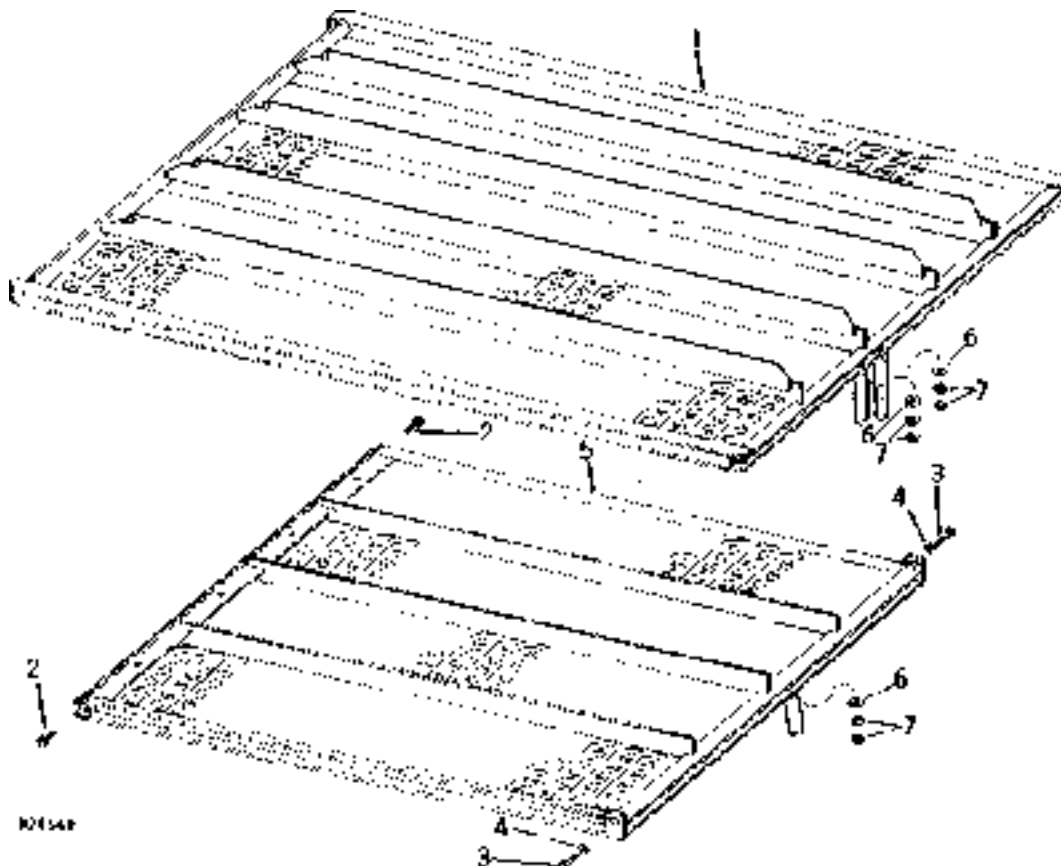


HP1191

KEY	PART NO.	PART NAME	QTY	SERIAL NO.	REMARKS
1	19H1930	CAP SCREW	2		1/2" X 2-1/2"
	12H301	LOCK WASHER	2		1/2"
	14H826	NUT	2		1/2"
2	AH14097	SHEAVE	2		178 MM (7") DIA.
3	28H1597	WASHER	2		0.546" X 0.840" X 3/8"
4	19H1731	CAP SCREW	1		3/8" X 1"
	H99923	LOCK NUT	1		
5	24H1305	WASHER	1		13/32" X 13/16" X 0.065"
6	H78745	ARM	1		
7	H85783	SPRING	1		
8	H78744	BRACKET	1		
9	19H2127	CAP SCREW	6		5/16" X 7/8"
	14H785	NUT	6		5/16"
10	AH76977	SHIELD	1		
11	14H819	WING NUT	2		5/16"
12	AH76979	BRACKET	1		UPPER
13	AH76978	BRACKET	1		LOWER
14	14H826	NUT	1		1/2"
15	H100709	SHIELD	1		

H24569 -UN-01JAN94

CHAFFER AND SIEVE

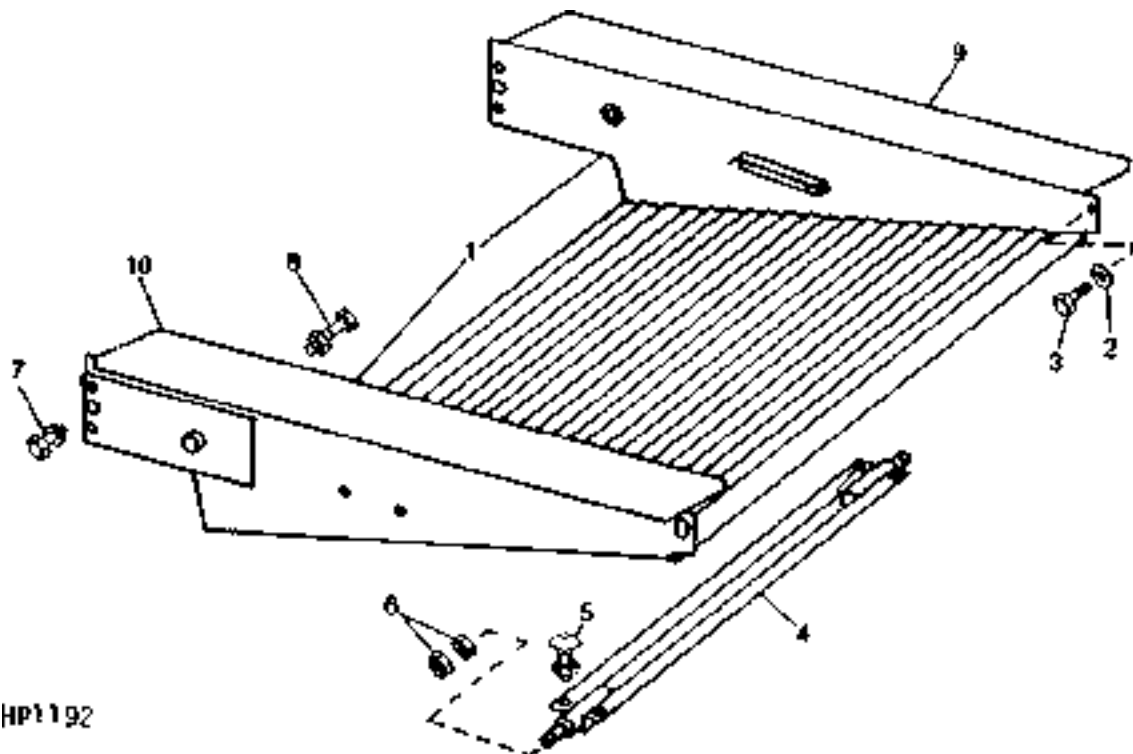


KEY	PART NO.	PART NAME	QTY	SERIAL NO.	REMARKS
1	AH87874	CHAFFER	1		REGULAR TOOTH, 29 MM (1-1/8") SPACING
	AH87875	CHAFFER	1		REGULAR TOOTH, 41 MM (1-5/8") SPACING
	AH87876	CHAFFER	1		DEEP TOOTH, 41 MM (1-5/8") SPACING
2	19H2548	CAP SCREW	4		1/2" X 7/8"
3	19H1900	CAP SCREW	2		5/16" X 3/4"
4	24H1136	WASHER	2		11/32" X 11/16" X 0.065"
5	AH85351	SIEVE	1		ADJUSTABLE
	AH77393	SIEVE	1		FIXED, 3 MM (1/10") RD. HOLES
	AH77395	SIEVE	1		FIXED, 7 MM (9/32") RD. HOLES
	AH77397	SIEVE	1		FIXED, 10 MM ((3/8") RD. HOLES
	AH98003	SIEVE	1		DEEP TOOTH
6	H86767	WASHER	AR		(2 USED, CHAFFER; 1 USED, SIEVE)
7	H86768	WASHER	AR		(4 USED, CHAFFER; 2 USED, SIEVE)

MEMORANDA

HP1192 -UN-01JAN94

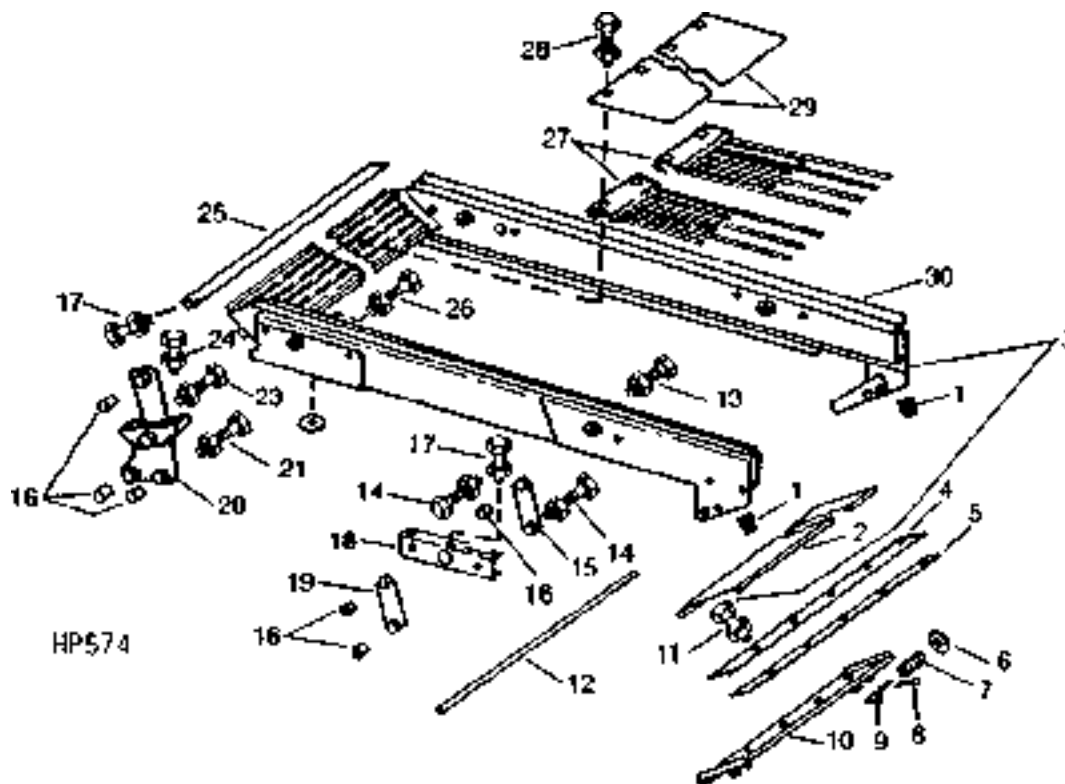
LOWER SHOE SIEVE FRAME



KEY	PART NO.	PART NAME	QTY	SERIAL NO.	REMARKS
1	AH86893	FRAME	1		
2	24H1136	WASHER	2	11/32" X 11/16" X 0.065"	
3	19H1900	CAP SCREW	2	5/16" X 3/4"	
4	AH84155	SUPPORT	1		
5	03H1540	BOLT	4	5/16" X 3/4"	
	14H785	NUT	4	5/16"	
6	14H1039	NUT	4	5/8"	
7	19H2548	CAP SCREW	2	1/2" X 7/8"	
	12H301	LOCK WASHER	2	1/2"	
8	19H3142	SCREW	2	5/8" X 3-1/4"	
	14H1039	NUT	4	5/8"	
9	H78480	SEAL	1	R.H.	
10	H80141	SEAL	1	L.H.	

HP574 -UN-01JAN94

UPPER SHOE CHAFFER FRAME



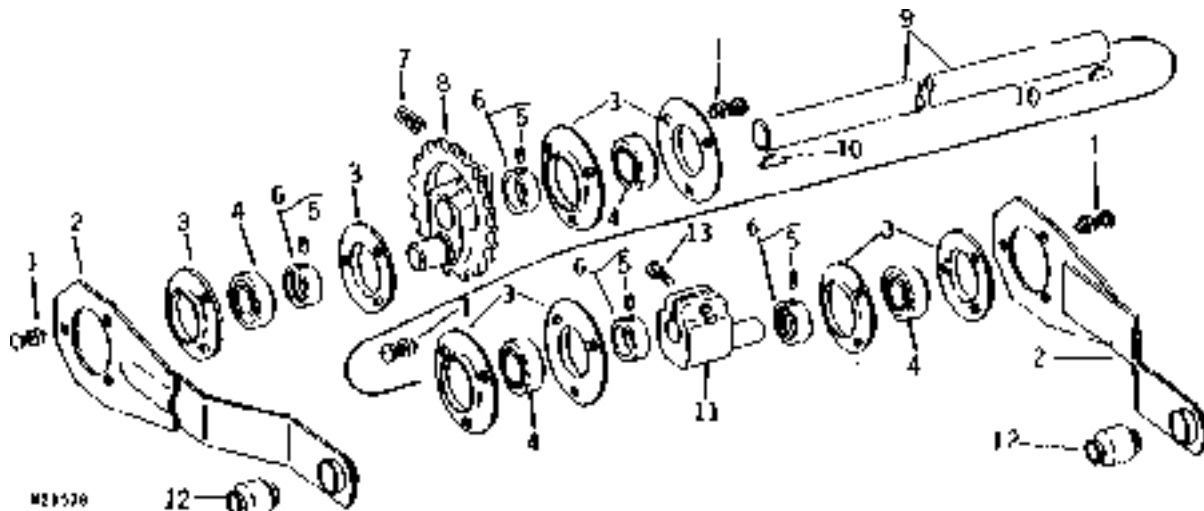
KEY	PART NO.	PART NAME	QTY	SERIAL NO.	REMARKS
1	H97780	BRACKET	2		
2	H97683	FLOOR	1		
3	AH91006	FRAME	1		
4	H80370	SEAL	1		
5	H80372	STRIP	1		
6	24H1305	WASHER	2		13/32" X 13/16" X 0.065"
7	HZ5621H	SPRING	2		
8	11H211	COTTER PIN	2		1/8" X 3/4"
9	P39705	PIN	2		
10	AH96558	DOOR	1		
11	19H1900	CAP SCREW	6		5/16" X 3/4"
	14H785	NUT	6		5/16"
12	H78505	PIN	1		
13	19H3144	SCREW	2		5/8" X 3-1/2"
	14H821	NUT	4		5/8"
14	19H1847	CAP SCREW	4		5/8" X 2-1/2"
	12H294	LOCK WASHER	4		5/8"
	14H1039	NUT	4		5/8"
15	AH80496	ARM	2		
16	AH80384	ISOLATOR	16		

UPPER SHOE CHAFFER FRAME - CONTINUED

KEY	PART NO.	PART NAME	QTY	SERIAL NO.	REMARKS
17	19H1813	CAP SCREW	14	5/16" X 5/8"	
	14H785	NUT	14	5/16"	
18	H81962	SUPPORT	1	(R.H.)	
	H81963	SUPPORT	1	(L.H.)	
19	AH76808	ARM	2		
20	AH76813	ROCKER ARM	1	(R.H.)	
	AH76814	ROCKER ARM	1	(L.H.)	
21	03H1758	BOLT	2	5/8" X 3-1/4"	
	14H1039	NUT	4	5/8"	
22	24H1136	WASHER	4	11/32" X 11/16" X 0.065"	
23	19H1890	CAP SCREW	2	5/8" X 2-3/4"	
	12H294	LOCK WASHER	2	5/8"	
	14H1039	NUT	2	5/8"	
24	19H2284	CAP SCREW	4	3/8" X 7/8"	
	14H812	NUT	4	3/8"	
25	H78500	DEFLECTOR	1		
26	19H3143	SCREW	2	5/8" X 4"	
	14H1039	NUT	4	5/8"	
27	AH80495	FINGER	1		
28	19H1905	CAP SCREW	4	5/16" X 1"	
	14H785	NUT	4	5/16"	
29	H81972	DEFLECTOR	1		
30	H78498	SEAL	2		

H21578 -UN-01JAN94

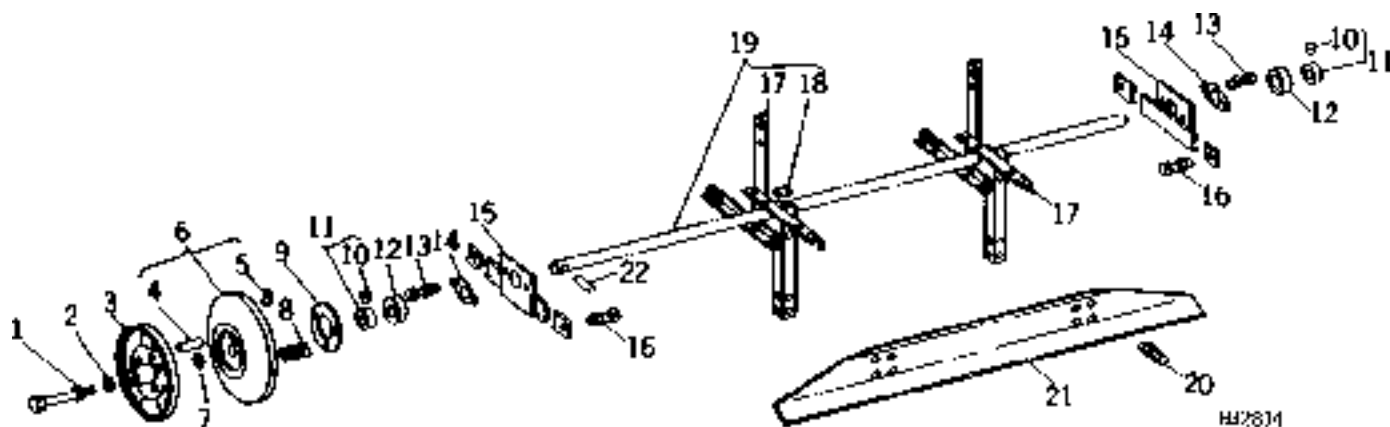
SHOE PITMAN AND SHAFT



KEY	PART NO.	PART NAME	QTY	SERIAL NO.	REMARKS
1	03H1540	BOLT	12	5/16" X 3/4"	
	14H785	NUT	12	5/16"	
2	AH76816	PITMAN	2		
3	H76654	PRESSED FLANGED HOUSING	8		
4	JD8665	BALL BEARING	4		
5	22H897	SET SCREW	4	1/4" X 1/4"	
6	JD8554	ECCENTRIC LOCKING COLLAR	4		
7	19H1765	CAP SCREW	2	3/8" X 1-3/4"	
	14H812	NUT	2	3/8"	
8	H78523	CHAIN SPROCKET	1	27 TEETH	
9	H78526	CRANKSHAFT	1		
10	26H31	SHAFT KEY	2	5/16" X 1-1/4"	
11	H78522	CRANK	1		
12	AH80384	ISOLATOR	2		
13	19H1733	CAP SCREW	1	3/8" X 2-1/2"	

H32834 -UN-01JAN94

CLEANING FAN



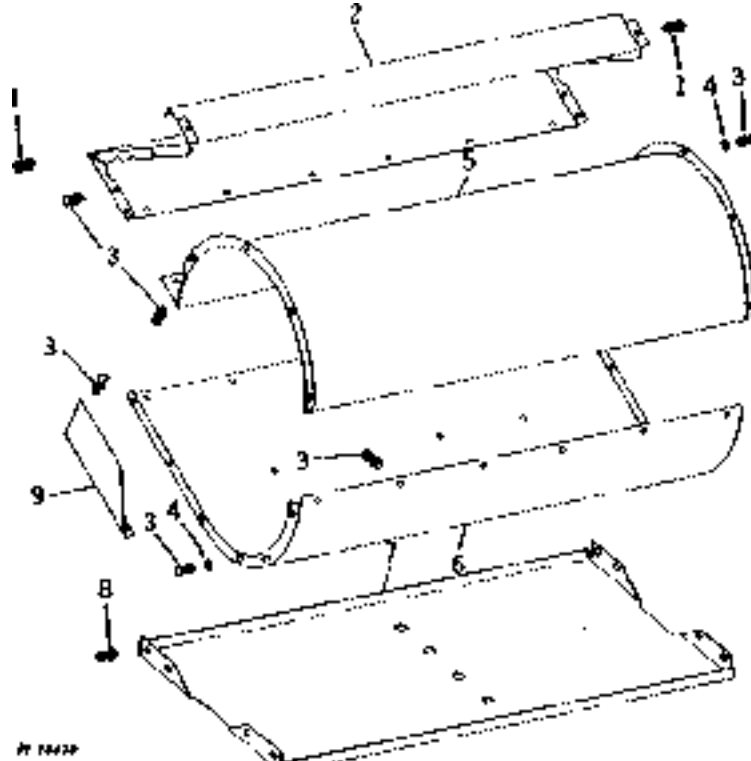
KEY	PART NO.	PART NAME	QTY	SERIAL NO.	REMARKS
1	19H2342	CAP SCREW	3	5/16" X 4-1/2"	
	M40699	NUT	3		
2	24H1136	WASHER	11	11/32" X 11/16" X 0.065"	
3	H97703	SHEAVE	1	213 MM (8-3/8") DIA. (USE WITH 34H307 AND 34H357)	
4	N137598	SPRING PIN	1		
5	JD7798	LUBRICATION FITTING	1	STRAIGHT, 1/8"	
6	AH100009	SHEAVE	1	213 MM (8-3/8") DIA. (MARKED H100793)	
7	A4730R	O-RING	1		
8	H75536	SPRING	3		
9	H75535	WASHER	1		
10	22H897	SET SCREW	2	1/4" X 1/4"	
11	JD8554	ECCENTRIC LOCKING COLLAR	2		
12	JD8665	BALL BEARING	2		
13	03H1540	BOLT	4	5/16" X 3/4"	
	12H303	LOCK WASHER	4	5/16"	
	14H785	NUT	4	5/16"	
14	P44439	PRESSED FLANGED HOUSING	4		
15	AH101288	BRACKET	2	(USE WITH (2) P44439)	
16	19H2127	CAP SCREW	4	5/16" X 7/8"	
	14H785	NUT	4	5/16"	
17	H80826	ANGLE	8		
18	16H1101	RIVET	8	5/16" X 7/8"	
19	AH79119	SHAFT	1		
20	19H1813	CAP SCREW	20	5/16" X 5/8"	
	14H785	NUT	20	5/16"	
21	H80827	FAN BLADE	4		
22	34H307	SPRING PIN	1	7/32" X 2-1/2"	
	34H357	SPRING PIN	1	3/8" X 2-1/2"	

2110

SEPARATOR

H18430 -UN-01JAN94

CLEANING FAN HOUSING AND SHIELD



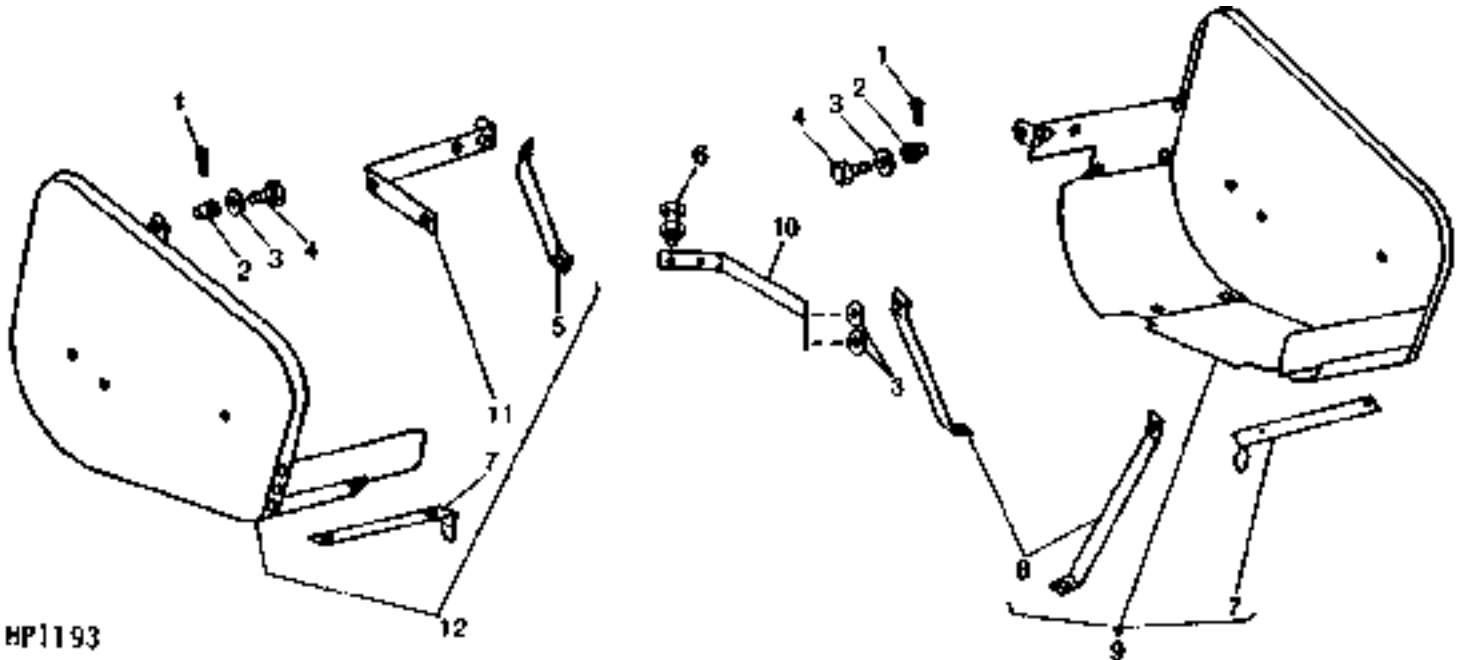
KEY	PART NO.	PART NAME	QTY	SERIAL NO.	REMARKS
1	19H1900	CAP SCREW	4	5/16" X 3/4"	
	14H785	NUT	4	5/16"	
2	H76022	NOZZLE	1		
3	19H1813	CAP SCREW	49	5/16" X 5/8"	
	14H785	NUT	49	5/16"	
4	24H1136	WASHER	24	11/32" X 11/16" X 0.065"	
5	H83732	HOUSING	1	UPPER	
6	H76020	HOUSING	1	LOWER	
7	H77710	SHIELD	1		
8	03H1519	BOLT	8	3/8" X 1"	
	14H812	NUT	8	3/8"	
9	H80829	NOZZLE	3		

2111

SEPARATOR

HP1193 -UN-01JAN94

CLEANING FAN AIR DUCTS



HP1193

KEY	PART NO.	PART NAME	QTY	SERIAL NO.	REMARKS
1	A3581R	SPRING LOCKING PIN	2		
2	H76989	PIN	2		
3	24H1136	WASHER	2		11/32" X 11/16" X 0.065"
4	19H2020	CAP SCREW	2		5/16" X 1/2"
5	H80754	BRACE	1		L.H., FAN DUCT
6	24H1498	WASHER	17		1-9/32" X 2-1/8" X 0.120"
	14H785	NUT	17		5/16"
7	H79357	BRACE	4		
8	H92386	BRACE	2		LOWER
9	AH92113	AIR DUCT	1		R.H.
10	H79358	BRACE	1		UPPER
11	H80755	ARM	1		
12	AH92112	AIR DUCT	1		L.H.

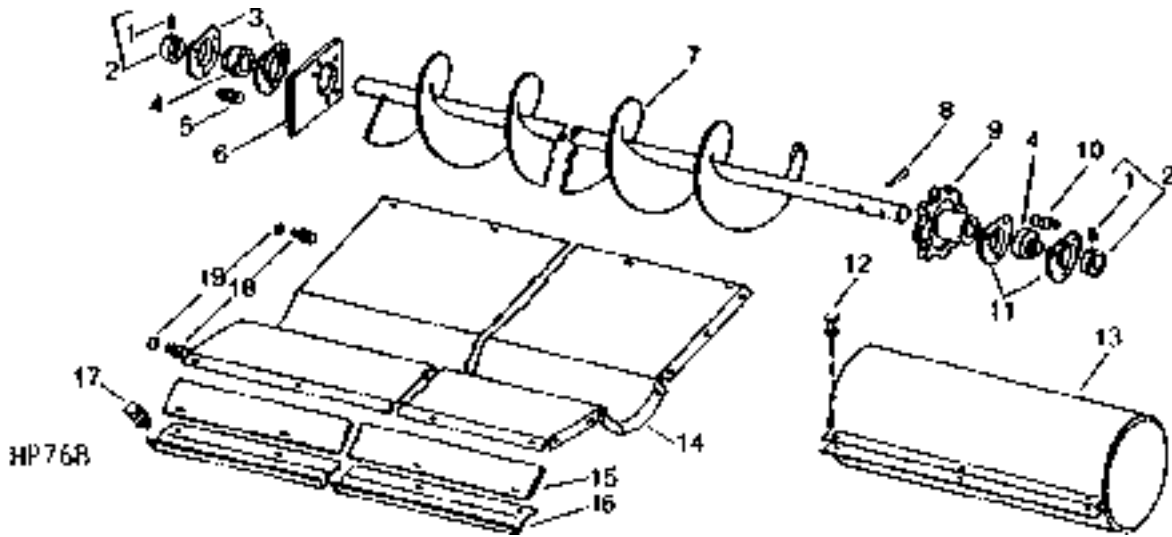
2112

SEPARATOR

HP768

-UN-01JAN94

CLEAN GRAIN LOWER AUGER AND HOUSING



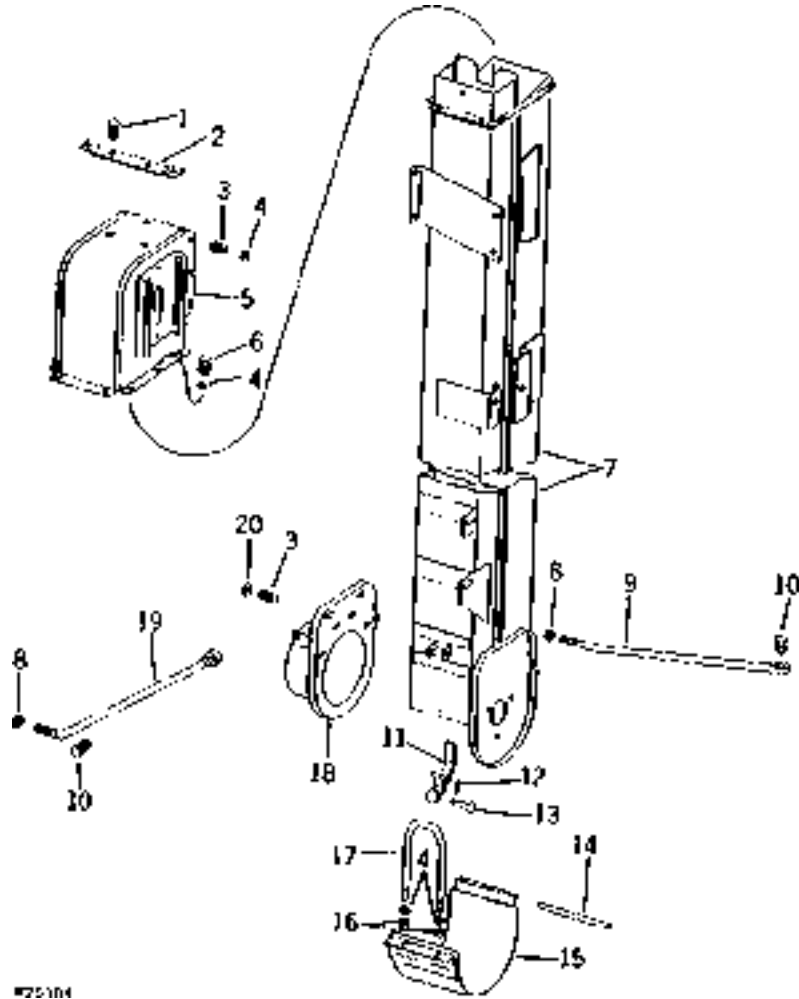
KEY	PART NO.	PART NAME	QTY	SERIAL NO.	REMARKS
1	22H897	SET SCREW	2		1/4" X 1/4"
2	JD8554	ECCENTRIC LOCKING COLLAR	2		
3	H87472	PRESSED FLANGED HOUSING	2		
4	JD8665	BALL BEARING	2		
5	03H1709	BOLT	3		5/16" X 1"
	14H785	NUT	3		5/16"
6	H28563	PLATE	1		
7	AH76772	AUGER	1		
8	11H249	COTTER PIN	2		1/4" X 2"
9	H63578	CHAIN SPROCKET	1		7 TEETH
10	03H1539	BOLT	3		5/16" X 5/8"
	14H785	NUT	3		5/16"
11	H87472	PRESSED FLANGED HOUSING	2	-600400	
	H103264	PRESSED FLANGED HOUSING	2	600401-	
12	19H1849	CAP SCREW	3		5/16" X 1-1/4"
	14H785	NUT	3		5/16"
13	H78850	HOOP	1		(SOLID)
	H78851	HOOP	1		(PERFORATED)
14	H76012	HOUSING	1		
15	H76014	SEAL	1		
16	H76016	STRIP	1		
17	19H1849	CAP SCREW	3		5/16" X 1-1/4"
	14H785	NUT	3		5/16"
18	19H1813	CAP SCREW	20		5/16" X 5/8"
	14H785	NUT	20		5/16"
19	24H1136	WASHER	10		11/32" X 11/16" X 0.065"

2113

SEPARATOR

H25304 -UN-01JAN94

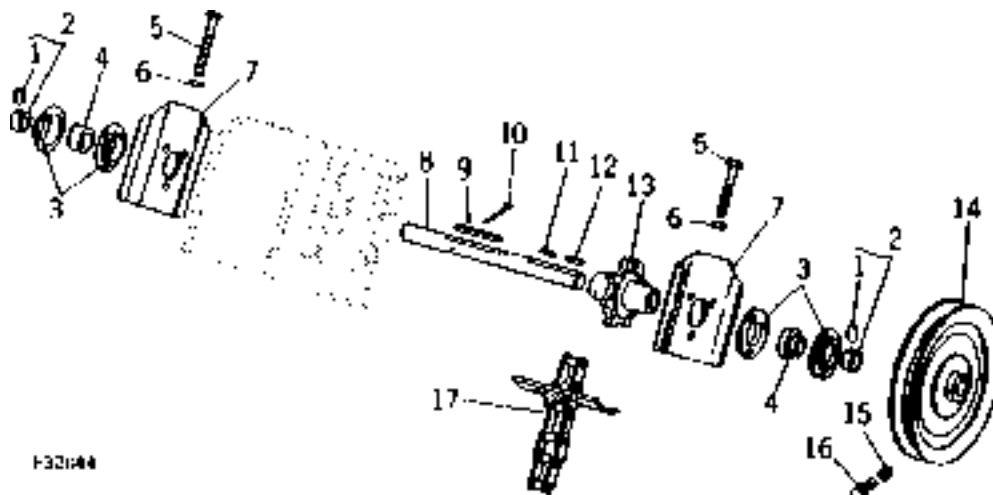
CLEAN GRAIN ELEVATOR HOUSING



#25104

KEY	PART NO.	PART NAME	QTY	SERIAL NO.	REMARKS
1	03H1540	BOLT	2	5/16" X 3/4"	
	14H785	NUT	2	5/16"	
2	H83105	STRAP	1		
3	03H2119	BOLT	12	1/4" X 5/8"	
	14H786	NUT	12	1/4"	
4	24H1136	WASHER	14	11/32" X 11/16" X 0.065"	
5	AH83211	HOOD	1		
6	19H1813	CAP SCREW	8	5/16" X 5/8"	
	14H785	NUT	8	5/16"	
7	AH88986	ELEVATOR	1		
8	14H812	NUT	4	3/8"	
9	H78450	BRACE	1	FRONT	
10	19H1731	CAP SCREW	2	3/8" X 1"	
	14H812	NUT	2	3/8"	
11	H101297	LEVER	1		
12	11H206	COTTER PIN	1	3/32" X 3/4"	
13	RV810A	PIN	1		
14	P42406	DOWEL PIN	1		
15	AH12678	DOOR	1	(SOLID)	
	AH11794	DOOR	1	(PERFORATED)	
16	M40699	NUT	2		
17	H35688	U-BOLT	1		
18	AH77038	PLATE	1		
19	H80148	EYEBOLT	1	REAR	
20	24H1287	WASHER	6	9/32" X 5/8" X 0.065"	

H32844 -UN-01JAN94

CLEAN GRAIN ELEVATOR CONVEYOR CHAIN, SHAFT, SHEAVE, AND SPROCKETS


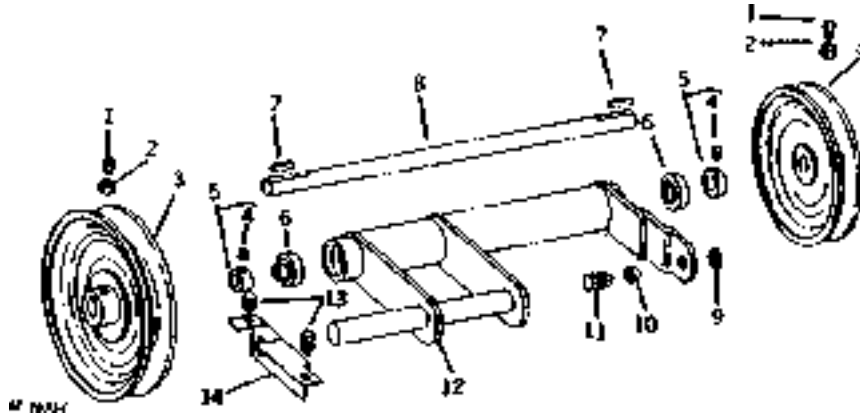
KEY	PART NO.	PART NAME	QTY	SERIAL NO.	REMARKS
1	22H897	SET SCREW	2		1/4" X 1/4"
2	JD8554	ECCENTRIC LOCKING COLLAR	2		
3	H87472	PRESSED FLANGED HOUSING	4	-600400	
	H103264	PRESSED FLANGED HOUSING	4	600401-	
4	JD8665	BALL BEARING	2		
5	19H2462	CAP SCREW	2		3/8" X 3-1/4"
6	14H732	NUT	2		3/8"
7	AH80508	BRACKET	2		
8	H80704	SHAFT	1		
9	KEY	1		8 MM X 8 MM X 57 MM (5/16" X 5/16" X 2-1/4") (CUT FROM H64375 IN AH64587 KEY STOCK KIT)
10	11H244	COTTER PIN	1		3/16" X 2-1/2"
11	KEY	1		6 MM X 6 MM X 35 MM (1/4" X 1/4" X 1-3/8") (CUT FROM H64374 IN AH64587 KEY STOCK KIT)
12	KEY	1		6 MM X 6 MM X 25 MM (1/4" X 1/4" X 1") (CUT FROM H64374 IN AH64587 KEY STOCK KIT)
13	H63577	CHAIN SPROCKET	1		7 TEETH
14	AH75987	PULLEY	1		299 MM (11-3/4") DIA.
15	14H732	NUT	2		3/8"
16	22H853	SET SCREW	2		3/8" X 7/8"
17	AH87745	LINK CHAIN	1		(CA-550 ROLLER CHAIN) (25 PADDLES)
	AH76775	LINK CHAIN	1		(CA-550 ROLLER CHAIN) (33 BUCKETS)
	C10232	LINK	1		ROLLER
	C10233	CHAIN LINK	1		OFFSET
	AC11779	PIN	1		OFFSET LINK
	C10263	TRACK CHAIN W/O SHOES	1		COUPLER
	AC14974	PIN	1		COUPLER LINK, WITH COTTER PIN
	H86759	PADDLE	25		RUBBER
	H63576	LOADER BUCKET	33		
	H86761	PADDLE	1		STEEL CLEANING
	AH87765	CHAIN LINK	50		
	AH86897	BOLT	50		(PADDLE) (REPLACES RIVETS)
	19H1948	CAP SCREW	AR		1/4" X 3/4", (2 USED, STEEL CLEANING PADDLE; 66 USED, BUCKET)
	14H786	NUT	AR		1/4", (2 USED, STEEL CLEANING PADDLE; 66 USED, BUCKET)
	24H1286	WASHER	66		9/32" X 1/2" X 1/16", (BUCKET)

2115

SEPARATOR

H19354 -UN-01JAN94

CLEAN GRAIN ELEVATOR DRIVE COUNTERSHAFT



KEY	PART NO.	PART NAME	QTY	SERIAL NO.	REMARKS
1	22H853	SET SCREW	4	3/8" X 7/8"	
2	14H732	NUT	4	3/8"	
3	AH75980	SHEAVE	2	222 MM (8-3/4") DIA.	
4	22H897	SET SCREW	2	1/4" X 1/4"	
5	JD8554	ECCENTRIC LOCKING COLLAR	2		
6	JD8597	BALL BEARING	2		
7	KEY	2	6 MM X 6 MM X 25 MM (1/4" X 1/4" X 1") (CUT FROM H64374 IN AH64587 KEY STOCK KIT)	
8	H79067	JACKSHAFT	1		
9	24H1783	WASHER	1	13/32" X 1" X 7/64"	
10	H78919	SPACER	1		
11	19H1731	CAP SCREW	1	3/8" X 1"	
	14H812	NUT	1	3/8"	
12	AH77141	SUPPORT	1		
13	19H1813	CAP SCREW	2	5/16" X 5/8"	
	14H785	NUT	2	5/16"	
14	H79072	HANGER	1		

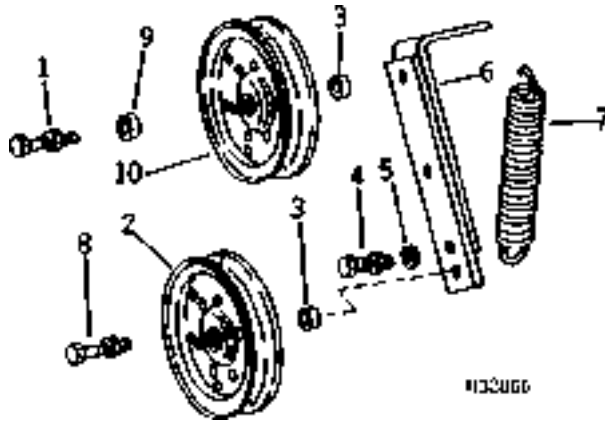
2116

SEPARATOR

H32856

-UN-01JAN94

CLEAN GRAIN ELEVATOR DRIVE TIGHTENER



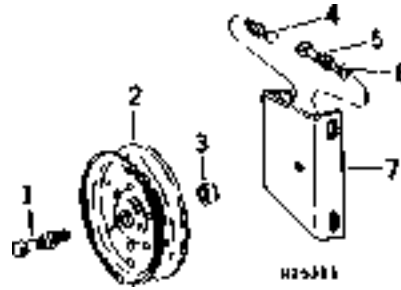
KEY	PART NO.	PART NAME	QTY	SERIAL NO.	REMARKS
1	19H1820	CAP SCREW	1	1/2" X 3"	
	12H301	LOCK WASHER	1	1/2"	
	14H1040	NUT	1	1/2"	
2	AH14097	SHEAVE	1	178 MM (7") DIA.	
3	28H2490	BUSHING	2	1/2" X 9/16"	
4	19H1831	CAP SCREW	1	1/2" X 2"	
	U16721	LOCK NUT	1		
	24H1341	WASHER	2	17/32" X 15/16" X 0.060"	
6	AH87949	ARM	1		
7	H82072	SPRING	1		
8	19H1974	CAP SCREW	1	1/2" X 2-3/4"	
	12H301	LOCK WASHER	1	1/2"	
	14H1040	NUT	1	1/2"	
9	U40538	BUSHING	1		
10	AH65015	SHEAVE	1	133 MM (5-1/4") DIA.	

2117

SEPARATOR

H25311 -UN-01JAN94

CLEAN GRAIN ELEVATOR DRIVE IDLER



KEY	PART NO.	PART NAME	QTY	SERIAL NO.	REMARKS
1	19H1890	CAP SCREW	1	5/8" X 2-3/4"	
	M2023T	LOCK NUT	1		
2	AH85276	PULLEY	1	229 MM (9") DIA.	
3	28H1016	SPACER	1	3/4" X 1"	
4	03H1765	BOLT	2	3/8" X 3/4"	
	14H812	NUT	2	3/8"	
5	03H1500	BOLT	2	3/8" X 1"	
	14H812	NUT	2	3/8"	
6	24H1305	WASHER	2	13/32" X 13/16" X 0.065"	
7	H87073	CHANNEL	1		

MEMORANDA

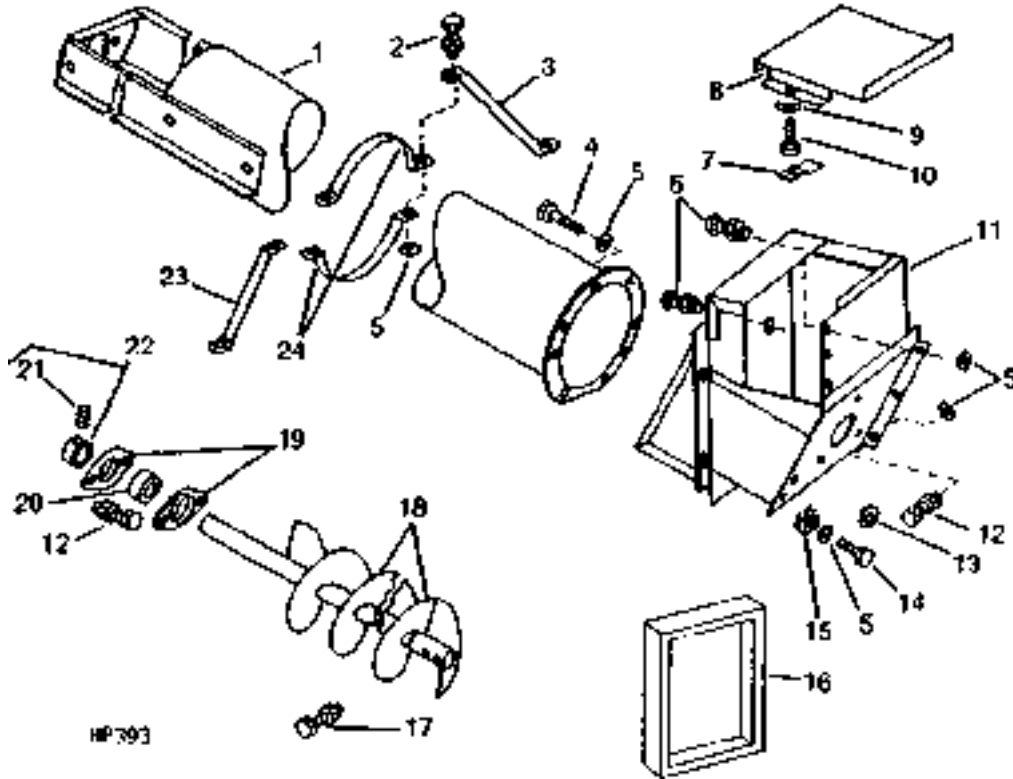
2118

SEPARATOR

HP393

-UN-01JAN94

LOADING AUGER AND HOUSING



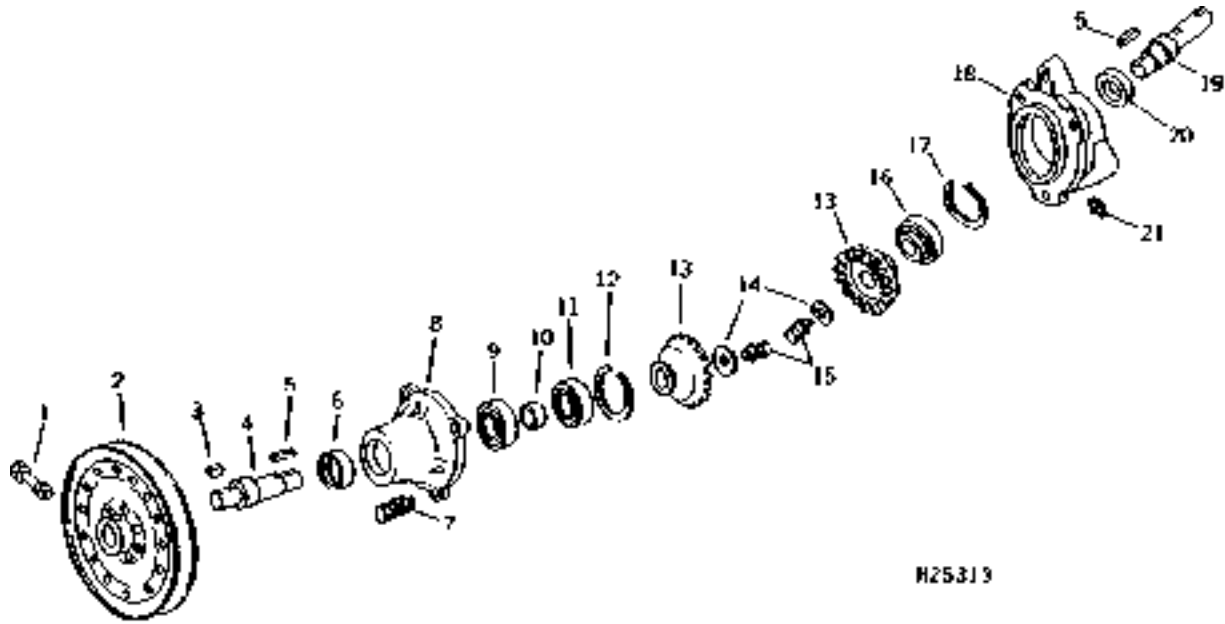
KEY	PART NO.	PART NAME	QTY	SERIAL NO.	REMARKS
1	AH88983	HOUSING	1		
2	19H1905	CAP SCREW	4	5/16" X 1"	
	14H785	NUT	4	5/16"	
3	H97783	PIPE	1		REAR BRACE
4	H76139	SCREW	8		SELF-TAPPING
5	24H1136	WASHER	26	11/32" X 11/16" X 0.065"	
6	03H2119	BOLT	6	1/4" X 5/8"	
	14H786	NUT	6	1/4"	
7	P47159	CLAMP	1		
8	H87649	DOOR	1		
9	14H819	WING NUT	1	5/16"	
10	03H1540	BOLT	1	5/16" X 3/4"	
11	AH88990	SPOUT	1		
12	19H1900	CAP SCREW	5	5/16" X 3/4"	
	14H785	NUT	5	5/16"	
13	19H2284	CAP SCREW	3	3/8" X 7/8"	
	12H304	LOCK WASHER	3	3/8"	
14	19H1905	CAP SCREW	8	5/16" X 1"	
15	M41139	NUT	8		
16	SEAL	1		(CUT FROM H81330)
17	19H1875	CAP SCREW	2	5/16" X 1-3/4"	
	14H785	NUT	2	5/16"	
18	AH90623	AUGER	1		
19	P44439	PRESSED FLANGED HOUSING	2		
20	JD9273	BALL BEARING	1		
21	22H897	SET SCREW	1	1/4" X 1/4"	
22	JD8554	ECCENTRIC LOCKING COLLAR	1		
23	H97782	PIPE	1		FRONT BRACE
24	H85979	SUPPORT	2		

2119

SEPARATOR

H25313 -UN-01JAN94

GEAR CASE LOADING AUGER



H25313

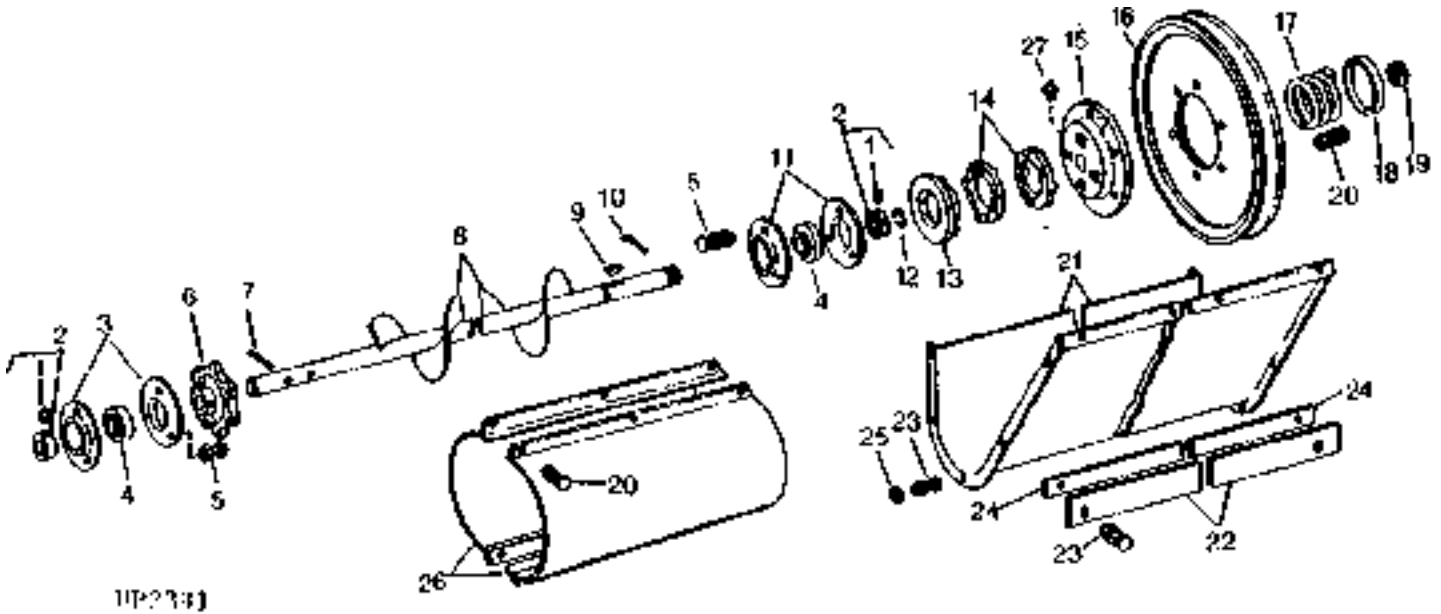
KEY	PART NO.	PART NAME	QTY	SERIAL NO.	REMARKS
1	22H853	SET SCREW	2	3/8" X 7/8"	
	14H732	NUT	2	3/8"	
2	AH75987	PULLEY	1	299 MM (11-3/4") DIA.	
3	26H22	SHAFT KEY	1	1/4" X 1"	
4	H94703	SHAFT	1	INPUT	
5	KEY	2	6 MM X 6 MM X 19 MM (1/4" X 1/4" X 3/4") (CUT FROM H64374 IN AH64587 KEY STOCK KIT)	
6	AH21815	SEAL	1		
7	19H1801	CAP SCREW	3	3/8" X 2"	
	12H304	LOCK WASHER	3	3/8"	
	14H812	NUT	3	3/8"	
8	H86914	HOUSING	1	OUTER	
9	JD7681	BALL BEARING	1		
10	J17823	BUSHING	1		
11	JD7689	BALL BEARING	1		
12	P46874	SNAP RING	1		
13	H86912	GEAR	2	17 TEETH	
14	24H1730	WASHER	2	13/32" X 1-1/2" X 0.120"	
15	19H2676	CAP SCREW	2	3/8" X 1"	
	12H304	LOCK WASHER	2	3/8"	
16	AH88893	BALL BEARING	1		
17	P42232	SNAP RING	1		
18	H86913	HOUSING	1	INNER	
19	H94702	SHAFT	1	OUTPUT	
20	M2848DN	WASHER	1		
21	JD7759	LUBRICATION FITTING	1	STRAIGHT, 1/8"	
..	AH96760	GEAR CASE	1	(DEALER RECONDITIONED)	

2120

SEPARATOR

HP2331 -UN-01JAN94

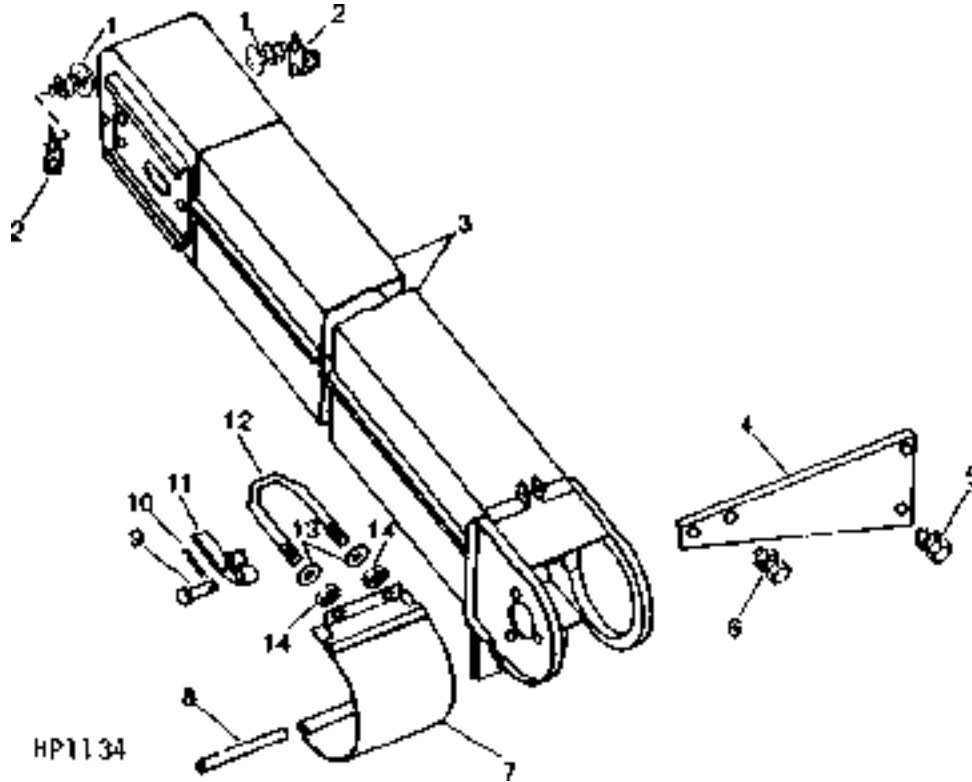
LOWER TAILINGS AUGER AND HOUSING



KEY	PART NO.	PART NAME	QTY	SERIAL NO.	REMARKS
1	22H897	SET SCREW	2		1/4" X 1/4"
2	JD8554	ECCENTRIC LOCKING COLLAR	2		
3	H87472	PRESSED FLANGED HOUSING	2	-600400	
	H103264	PRESSED FLANGED HOUSING	2	600401-	
4	JD8665	BALL BEARING	2		
5	03H1540	BOLT	6		5/16" X 3/4"
6	H63578	CHAIN SPROCKET	1		7 TEETH
7	11H249	COTTER PIN	1		1/4" X 2"
8	AH76130	AUGER	1		
9	26H14	SHAFT KEY	1		3/16" X 3/4"
10	11H215	COTTER PIN	1		1/4" X 1-1/2"
11	H87472	PRESSED FLANGED HOUSING	2		
12	H80714	SNAP RING	1		
13	H87019	DRIVER	1		
14	Z699H	SLIP CLUTCH	2		
15	H83087	HUB	1		
16	AH75988	SHEAVE	1		299 MM (11-3/4") DIA.
17	J21022	SPRING	1		
18	H97542	CAP	1		
19	14H872	NUT	1		1"
20	19H1905	CAP SCREW	12		5/16" X 1"
	14H785	NUT	12		5/16"
21	H76006	HOUSING	1		
22	H76008	SEAL	1		
23	19H1813	CAP SCREW	18		5/16" X 5/8"
	14H785	NUT	18		5/16"
24	H76010	STRIP	1		
25	24H1136	WASHER	6		11/32" X 11/16" X 0.065"
26	H75975	COVER	2		(SOLID)
	H78296	COVER	2		(PERFORATED)
27	JD7797	LUBRICATION FITTING	1		STRAIGHT, 1/4"

HP1134 -UN-01JAN94

TAILINGS ELEVATOR HOUSING

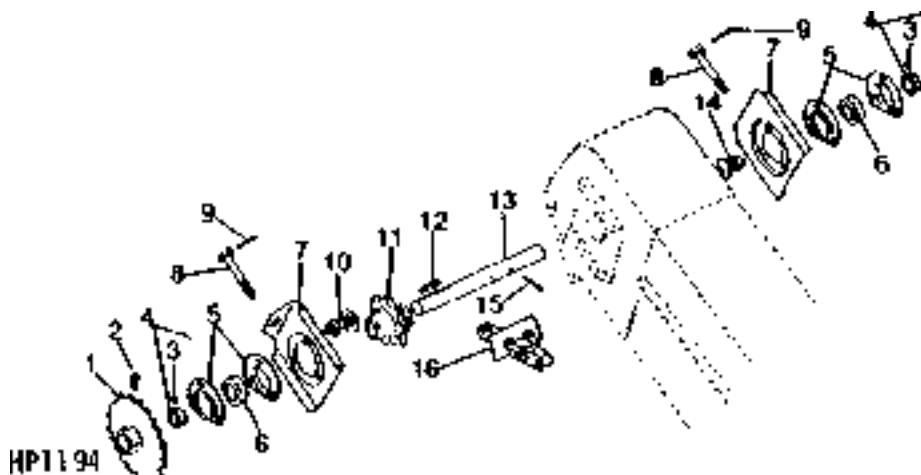


HP1134

KEY	PART NO.	PART NAME	QTY	SERIAL NO.	REMARKS
1	03H1540	BOLT	4		5/16" X 3/4"
	14H785	NUT	4		5/16"
2	H75977	BRACKET	2		
3	AH93797	ELEVATOR	1		
4	H78290	SUPPORT	1		
5	19H1901	CAP SCREW	2		5/16" X 2"
	14H785	NUT	2		5/16"
6	19H1900	CAP SCREW	2		5/16" X 3/4"
	14H785	NUT	2		5/16"
7	AH11794	DOOR	1		(PERFORATED)
	AH12678	DOOR	1		(SOLID)
8	P42406	DOWEL PIN	1		
9	RV810A	PIN	1		
10	11H206	COTTER PIN	1		3/32" X 3/4"
11	H101297	LEVER	1		
12	H35688	U-BOLT	1		
13	24H1136	WASHER	2		11/32" X 11/16" X 0.065"
14	M40699	NUT	2		

TAILINGS ELEVATOR CONVEYOR CHAIN, SPROCKETS, AND BEARINGS

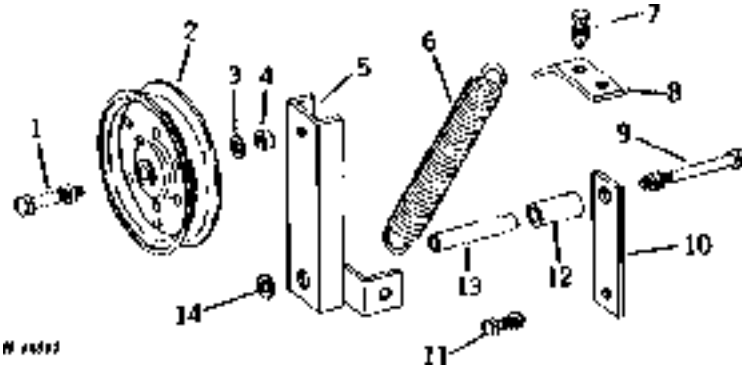
HP1194 -UN-01JAN94



KEY	PART NO.	PART NAME	QTY	SERIAL NO.	REMARKS
1	H78297	CHAIN SPROCKET	1		14 TEETH
2	22H836	SET SCREW	1		3/8" X 1"
3	22H897	SET SCREW	2		1/4" X 1/4"
4	JD8554	ECCENTRIC LOCKING COLLAR	2		
5	H87472	PRESSED FLANGED HOUSING	4	-600400	
	H103264	PRESSED FLANGED HOUSING	4	600401-	
6	JD8665	BALL BEARING	2		
7	AH80508	BRACKET	2		
8	H78294	BOLT	2		
9	J16931	SPRING LOCKING PIN	2		
10	03H1709	BOLT	3		5/16" X 1"
	14H785	NUT	3		5/16"
11	H63578	CHAIN SPROCKET	1		7 TEETH
12	KEY	1		6 MM X 6 MM X 38 MM (1/4" X 1/4" X 1-1/2") (CUT FROM H64374 IN AH64587 KEY STOCK KIT)
13	H75978	SHAFT	1		
14	03H1540	BOLT	3		5/16" X 3/4"
	14H785	NUT	3		5/16"
15	11H249	COTTER PIN	2		1/4" X 2"
16	AH87749	LINK CHAIN	1		(CA-550 ROLLER CHAIN) (21 PADDLES)
	AH76661	LINK CHAIN	1		(CA-550 ROLLER CHAIN) (42 BUCKETS)
	AH87765	CHAIN LINK	21		
	AC11779	PIN	1		OFFSET LINK, WITH COTTER PIN
	C10232	LINK	1		ROLLER
	C10233	CHAIN LINK	1		OFFSET
	AC14974	PIN	1		COUPLER LINK, WITH COTTER PIN
	C10263	TRACK CHAIN W/O SHOES	1		COUPLER
	H86759	PADDLE	21		RUBBER
	H63576	LOADER BUCKET	42		
	H86761	PADDLE	1		STEEL CLEANING
	AH86897	BOLT	42		(PADDLE)
	19H1948	CAP SCREW	AR		1/4" X 3/4", (2 USED, STEEL CLEANING PADDLE; 84 USED, BUCKET)
	14H786	NUT	AR		1/4", (2 USED, STEEL CLEANING PADDLE; 84 USED, BUCKET)
	24H1286	WASHER	84		9/32" X 1/2" X 1/16", (BUCKET)

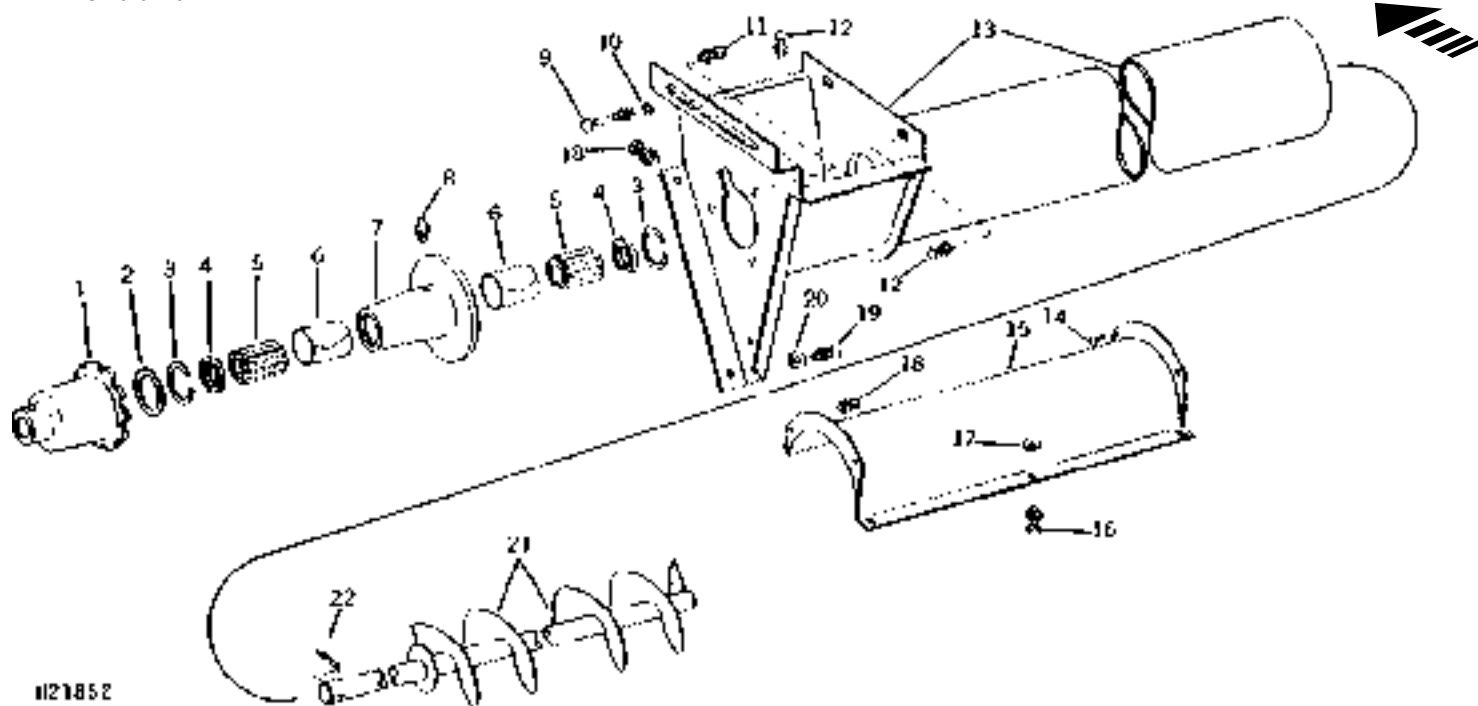
H18515 -UN-01JAN94

LOWER TAILINGS AUGER DRIVE TIGHTENER



KEY	PART NO.	PART NAME	QTY	SERIAL NO.	REMARKS
1	19H1930	CAP SCREW	1	1/2" X 2-1/2"	
	14H1040	NUT	1	1/2"	
	12H301	LOCK WASHER	1	1/2"	
2	AH14097	SHEAVE	1	178 MM (7") DIA.	
3	24H1625	WASHER	AR	17/32" X 1" X 0.120"	
4	28H1597	WASHER	1	0.546" X 0.840" X 3/8"	
5	AH77788	ARM	1		
6	H82071	SPRING	1		
7	19H1900	CAP SCREW	1	5/16" X 3/4"	
	14H785	NUT	1	5/16"	
8	H79918	BRACKET	1		
9	19H2007	CAP SCREW	1	3/8" X 4-1/2"	
	14H812	NUT	1	3/8"	
10	H79921	SUPPORT	1		
11	19H1732	CAP SCREW	1	3/8" X 1-1/4"	
	14H812	NUT	1	3/8"	
	24H1305	WASHER	1	13/32" X 13/16" X 0.065"	
12	28H2602	BUSHING	1	3/4" X 1-7/8"	
13	H79922	BUSHING	1	-450000 (SUB H93462)	
14	24H1305	WASHER	1	13/32" X 13/16" X 0.065"	

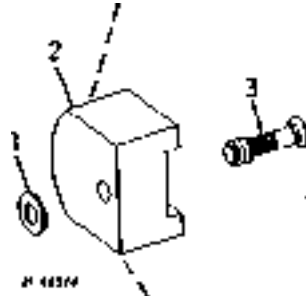
H21852 -UN-01JAN94

UPPER TAILINGS AUGER AND HOUSING


KEY	1121852 PART NO.	PART NAME	QTY	SERIAL NO.	REMARKS
1	PK1613H	CHAIN SPROCKET	1	12 TEETH	
2	24H1431	WASHER	1	29/32" X 2" X 0.060"	
3	P42289	SNAP RING	2		
4	AP19351	SEAL	2		
5	JD7900	NEEDLE BEARING	2		
6	JD7451	BEARING RACE	2		
7	PK1607H	BOX	1		
8	JD7759	LUBRICATION FITTING	1	STRAIGHT, 1/8"	
9	03H1833	BOLT	1	3/8" X 1-3/4"	
	14H812	NUT	1	3/8"	
10	24H1287	WASHER	1	9/32" X 5/8" X 0.065"	
11	03H1709	BOLT	3	5/16" X 1"	
	14H785	NUT	3	5/16"	
12	03H1540	BOLT	4	5/16" X 3/4"	
	14H785	NUT	4	5/16"	
13	AH84400	SPOUT	1		
14	H65108	SCREW	2	SELF-TAPPING	
15	H82618	COVER	1		
16	03H1774	BOLT	3	5/16" X 5/8"	
	14H785	NUT	3	5/16"	
17	24H1136	WASHER	3	11/32" X 11/16" X 0.065"	
18	19H1900	CAP SCREW	3	5/16" X 3/4"	
	14H785	NUT	3	5/16"	
19	19H1849	CAP SCREW	1	5/16" X 1-1/4"	
	14H785	NUT	1	5/16"	
20	24H1305	WASHER	2	13/32" X 13/16" X 0.065"	
21	AH76573	AUGER	1		
22	34H331	SPRING PIN	1	5/16" X 1-1/2"	

H18514 -UN-01JAN94

UPPER TAILINGS AUGER DRIVE TIGHTENER



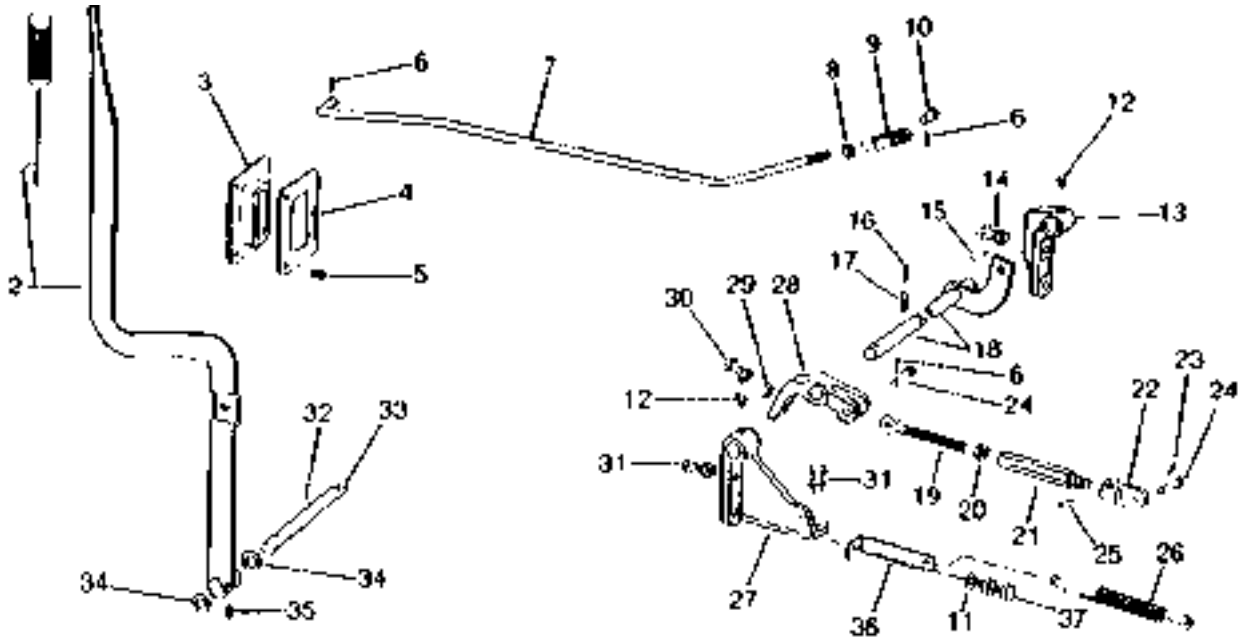
KEY	PART NO.	PART NAME	QTY	SERIAL NO.	REMARKS
1	24H1305	WASHER	1		13/32" X 13/16" X 0.065"
2	P47883	TIGHTENER	1		
3	03H1833	BOLT	1		3/8" X 1-3/4"
	14H812	NUT	1		3/8"

2J1

SEPARATOR

SEPARATOR DRIVE CONTROLS

HP1551 -UN-01JAN94



HP1551

KEY	PART NO.	PART NAME	QTY	SERIAL NO.	REMARKS
1	H83059	GRIP	1	-550045	
	H83058	GRIP	1	550046-	
2	AH97894	LEVER	1	-550045	
	AH111435	LEVER	1	550046-	(SUB AH1113135)
	AH1113135	LEVER	1		
3	H83590	SEAL	1		
4	H99266	RETAINER	1		
5	H89266	SCREW	3		SELF-TAPPING
6	11H237	COTTER PIN	3		1/8" X 2"
7	H84662	LINK	1		
8	14H856	NUT	1		1/2"
9	1C3621H	YOKE	1	-550000	
	T21158	YOKE	1	550001-	
10	H24979	PIN	1		
11	24H1305	WASHER	1		13/32" X 13/16" X 0.065"
12	JD7788	LUBRICATION FITTING	2		45°
13	H80758	BEARING	1		R.H.
14	19H1800	CAP SCREW	4		3/8" X 1-1/2"
	14H812	NUT	4		3/8"
15	34H270	SPRING PIN	1		5/32" X 1-1/2"
16	34H303	SPRING PIN	1		7/32" X 1-3/4"
17	34H353	SPRING PIN	1		3/8" X 1-3/4"
18	AH77041	JACKSHAFT	1		
19	H80295	EYEBOLT	1		R.H. THREAD
20	14H821	NUT	1		5/8"
21	AH78543	NUT	1		
22	H80296	LINK	1		
23	J16931	SPRING LOCKING PIN	1		
24	C1628E	PIN	2		
25	34H313	SPRING PIN	1		1/4" X 1-1/8"
26	H77387	SPRING	1		
27	H80757	BEARING	1		L.H.
28	H78865	LEVER	1		
29	14H812	NUT	1		3/8"
30	19H2791	CAP SCREW	1		3/8" X 1-3/4"
31	19H1732	CAP SCREW	4		3/8" X 1-1/4"
	14H812	NUT	4		3/8"
32	11H218	COTTER PIN	3		3/16" X 1-1/2"
33	H78869	SHAFT	1		
34	24H1274	WASHER	2		49/64" X 1-1/4" X 0.048"
35	JD7797	LUBRICATION FITTING	1		STRAIGHT, 1/4"
36	H98424	BRACKET	1		
37	19H3034	CAP SCREW	1		3/8" X 3"
	14H812	NUT	1		3/8"

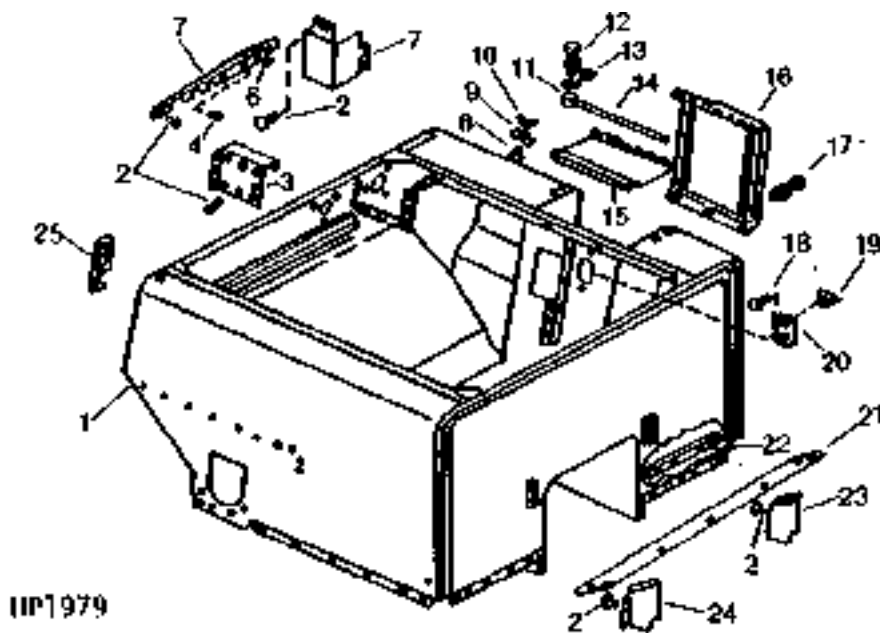
MEMORANDA

2J3

GRAIN TANK AND UNLOADING AUGER

HP1979 -UN-01JAN94

GRAIN TANK



KEY	PART NO.	PART NAME	QTY	SERIAL NO.	REMARKS
1	AH101605	TANK	1		
2	H65108	SCREW	26		
3	H86603	DOOR	1	-450000	
4	N71292	SELF-LOCKING SCREW	2		
5	H85396	EXTENSION	1		
6	19H2020	CAP SCREW	2	5/16" X 1/2"	
	14H785	NUT	2	5/16"	
7	H102246	SHIELD	1		
8	03H1544	BOLT	2	5/16" X 1-1/4"	
9	P47159	CLAMP	2		
10	14H819	WING NUT	1	5/16"	
11	24H1287	WASHER	2	9/32" X 5/8" X 0.065"	
12	21H1027	SCREW	4	1/4" X 3/4"	
	14H786	NUT	4	1/4"	
13	H76084	CLAMP	2		
14	H77454	PIN	1		
15	H84884	PANEL	1		
16	H86864	PANEL	1		
17	N71292	SELF-LOCKING SCREW	3		
	N10213	LOCK NUT	1		
18	19H1227	CAP SCREW	2	1/4" X 1/2"	
19	P41706	NUT	2		
20	H25772	DOOR	1	-550000	(SUB H89569)
	H89569	DOOR	1		
21	H77416	DOOR	1		
22	H77417	ANGLE	1		
23	H78838	COVER	1		
24	H78839	COVER	1		
25	AH103790	SUPPORT	1		

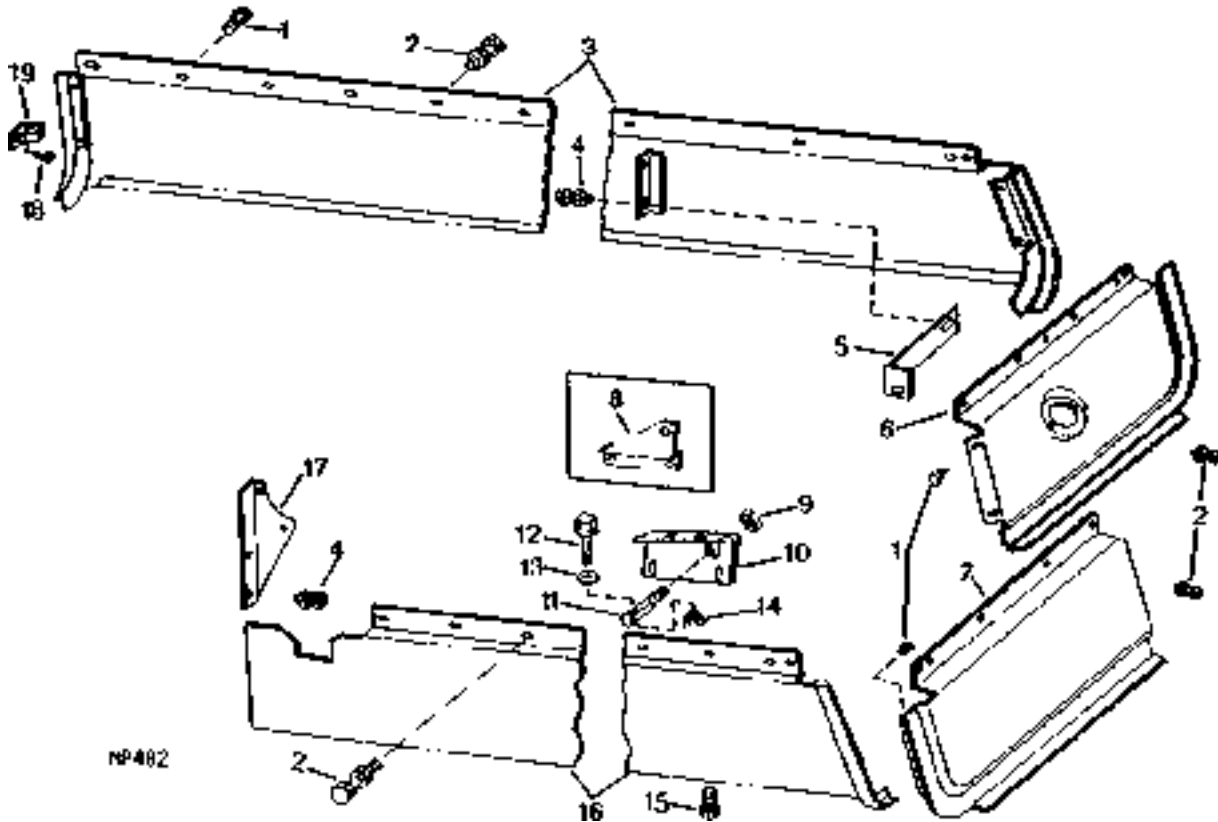
2J4

GRAIN TANK AND UNLOADING AUGER

HP482

-UN-01JAN94

GRAIN TANK SKIRTS



KEY	PART NO.	PART NAME	QTY	SERIAL NO.	REMARKS
1	H65108	SCREW	8		SELF-TAPPING
2	N71292	SELF-LOCKING SCREW	23		
	N10213	LOCK NUT	23		
3	AH87718	PANEL	1		R.H.
4	19H1900	CAP SCREW	4		5/16" X 3/4"
	14H785	NUT	4		5/16"
5	H87647	BRACE	1		R.H.
6	AH76542	SHIELD	1		R.H., REAR
7	AH76543	PANEL	1		L.H., REAR
8	H103444	SUPPORT	1	-400987	(SUB AH107325, H108623, H108624, 14H794)
9	14H794	NUT	1		3/4"
10	AH107325	BRACKET	1	400989-	
11	H108623	STUD	1		
12	19H1912	CAP SCREW	1		3/8" X 3-1/2"
13	24H1305	WASHER	2		13/32" X 13/16" X 0.065"
14	14H827	WING NUT	1		3/8"
15	N10212	SELF-LOCKING SCREW	2		
16	AH101639	SHEET	1		L.H.
17	H77920	SUPPORT	1		L.H.
18	H76139	SCREW	1		SELF-TAPPING
19	H86653	ANGLE	1		

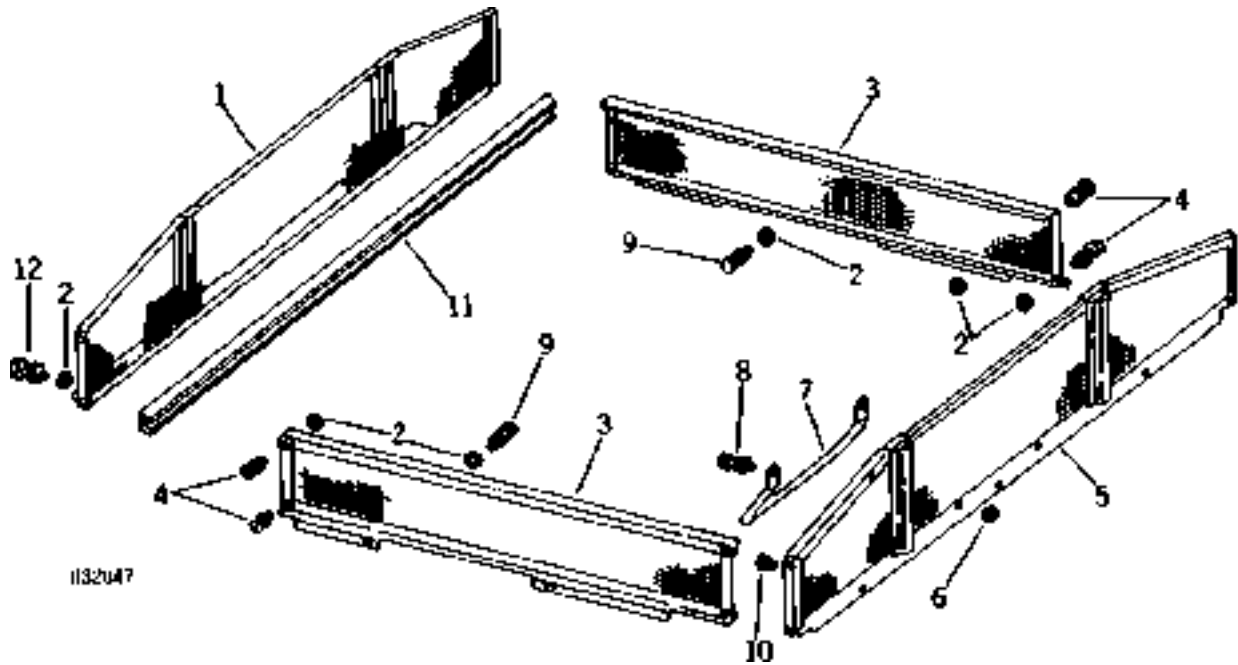
2J5

GRAIN TANK AND UNLOADING AUGER

H32847

-UN-01JAN94

GRAIN TANK EXTENSIONS



KEY	PART NO.	PART NAME	QTY	SERIAL NO.	REMARKS
1	AH83876	FRAME	1		FRONT AND REAR
2	24H1136	WASHER	15		11/32" X 11/16" X 0.065"
3	AH83874	FRAME	2		SIDE
4	21H1070	SCREW	8		5/16" X 7/8"
	14H785	NUT	8		5/16"
5	AH83876	FRAME	1		FRONT AND REAR
6	24H1305	WASHER	2		13/32" X 13/16" X 0.065"
7	H82780	STEP	1		
8	19H1731	CAP SCREW	2		3/8" X 1"
	14H812	NUT	2		3/8"
9	19H1900	CAP SCREW	4		5/16" X 3/4"
	14H785	NUT	4		5/16"
10	H65108	SCREW	3		SELF-TAPPING
11	H83860	REINFORCEMENT	1		
12	19H2127	CAP SCREW	7		5/16" X 7/8"
	14H785	NUT	7		5/16"

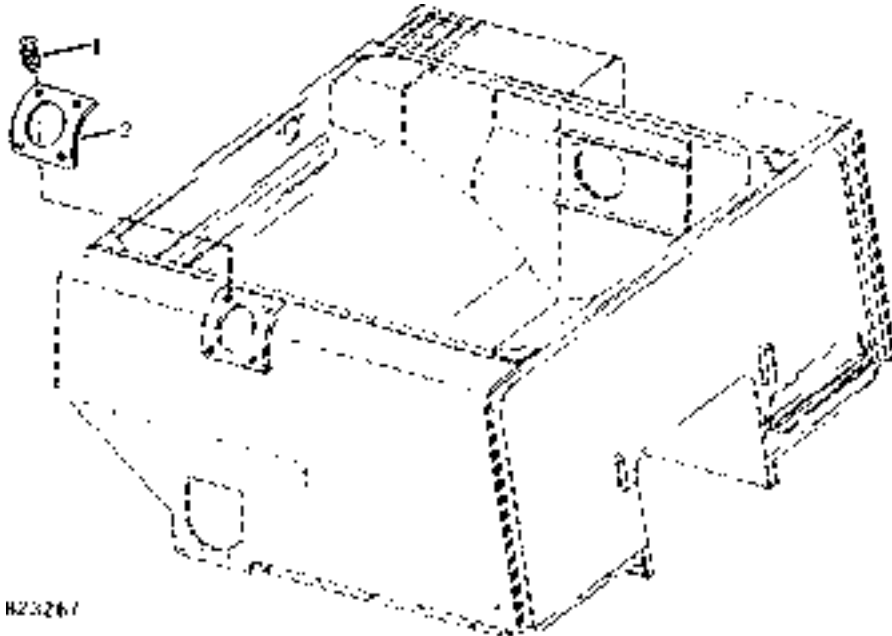
2J6

GRAIN TANK AND UNLOADING AUGER

H23267

-UN-01JAN94

AIR INTAKE TUBE COVER (WITH GRAIN TANK COVER)



H23267

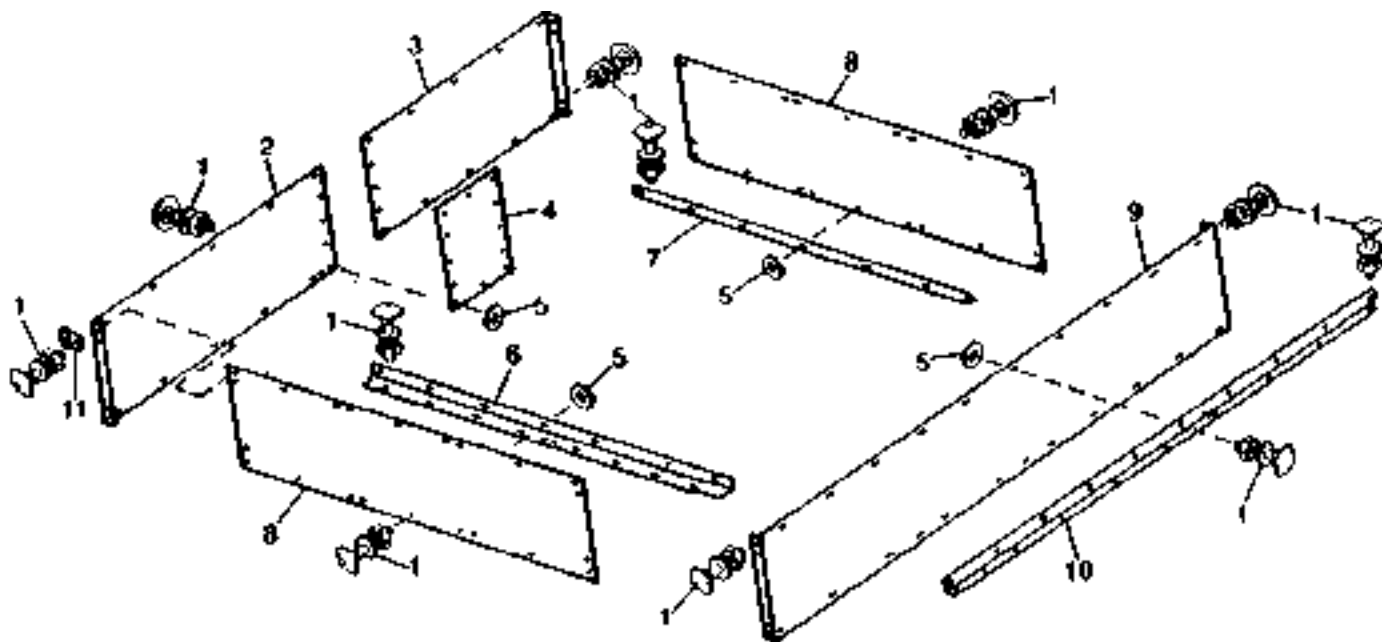
KEY	PART NO.	PART NAME	QTY	SERIAL NO.	REMARKS
1	21H1029	SCREW	4	5/16" X 3/4"	
	12H303	LOCK WASHER	4	5/16"	
	14H785	NUT	4	5/16"	
2	H85588	COVER	1		

2J7

GRAIN TANK AND UNLOADING AUGER

HP1195 -UN-01JAN94

GRAIN TANK COVER SIDE SHEETS



HP1195

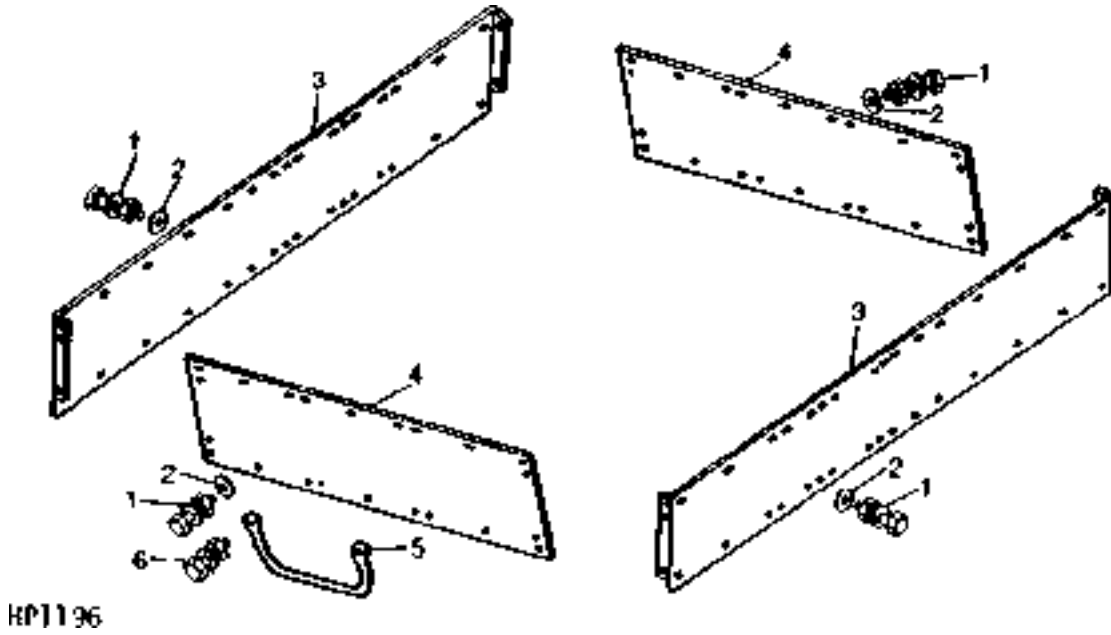
KEY	PART NO.	PART NAME	QTY	SERIAL NO.	REMARKS
1	21H1029 12H303 14H785	SCREW LOCK WASHER NUT	54 54 54	5/16" X 3/4" 5/16" 5/16"	
2	H85632	SHEET	1		FRONT, L.H.
3	H85633	SHEET	1		FRONT, R.H.
4	H85646	WINDOW	1		
5	24H1136	WASHER	32		11/32" X 11/16" X 0.065"
6	H85626	ANGLE	1		L.H.
7	H86052	ANGLE	1		R.H.
8	H85625	SIDE WALL	2		
9	H85623	SHEET	1		REAR
10	H86049	ANGLE	1		REAR
11	H85636	CLIP	1		

2J8

GRAIN TANK AND UNLOADING AUGER

HP1196 -UN-01JAN94

GRAIN TANK COVER EXTENSION SHEETS



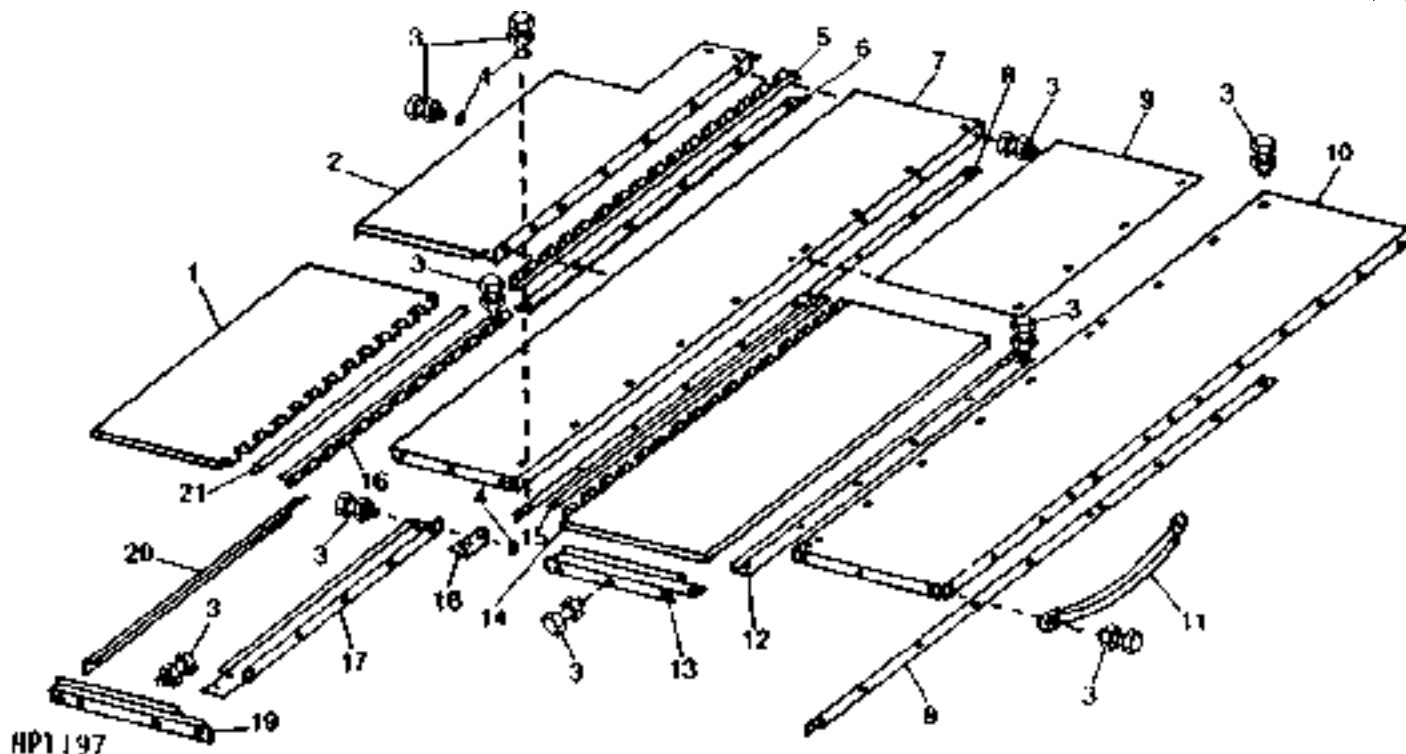
KEY	PART NO.	PART NAME	QTY	SERIAL NO.	REMARKS
1	21H1029	SCREW	47	5/16" X 3/4"	
	12H303	LOCK WASHER	47	5/16"	
	14H785	NUT	47	5/16"	
2	24H1136	WASHER	47	11/32" X 11/16" X 0.065"	
3	H86046	SHEET	2	FRONT AND REAR	
4	H85625	SIDE WALL	2		
5	H82780	STEP	1		
6	19H1731	CAP SCREW	2	3/8" X 1"	
	12H304	LOCK WASHER	2	3/8"	
	14H812	NUT	2	3/8"	

2J9

GRAIN TANK AND UNLOADING AUGER

HP1197 -UN-01JAN94

GRAIN TANK COVER TOP SHEETS



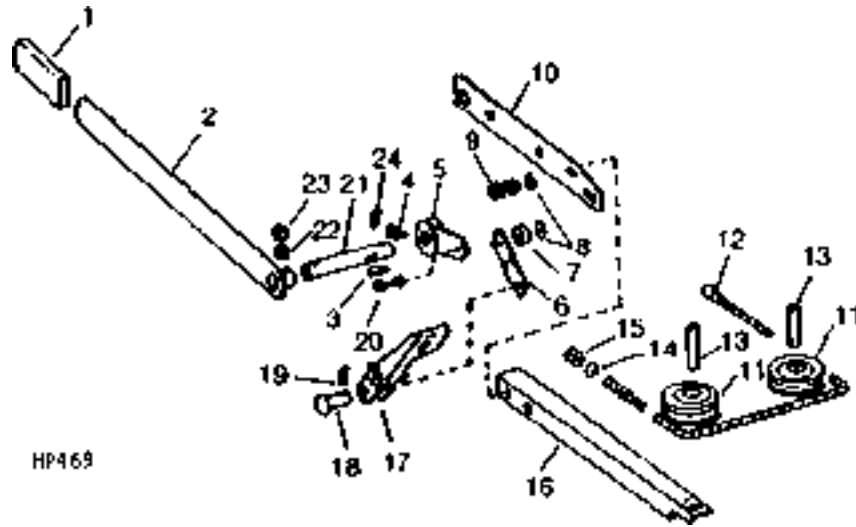
KEY	PART NO.	PART NAME	QTY	SERIAL NO.	REMARKS
1	H85607	DOOR	1		LOWER
2	H85629	PLATE	1		FRONT, LOWER
3	21H1029	SCREW	86		5/16" X 3/4"
	12H303	LOCK WASHER	86		5/16"
	14H785	NUT	86		5/16"
4	24H1136	WASHER	42		11/32" X 11/16" X 0.065"
5	H85609	HINGE	1		UPPER DOOR
6	H85605	SEAL	1		FRONT, UPPER
7	H85619	PANEL	1		FRONT, UPPER
8	H85622	ANGLE	2		
9	H85620	PANEL	1		MIDDLE, UPPER
10	H85621	PANEL	1		REAR, UPPER
11	H80731	HANDLE	1		
12	H85606	SEAL	1		REAR, UPPER
13	H85597	SEAL	1		L.H., UPPER
14	H85608	DOOR	1		UPPER
15	H28358	DOWEL PIN	1		UPPER
16	H85610	HINGE	1		LOWER DOOR
17	H85603	STOP	1		REAR, LOWER
18	H85630	SEAL	1		
19	H85604	STOP	1		L.H., LOWER
20	H85601	STOP	1		FRONT, LOWER
21	H77578	PIN	1		LOWER

2J10

GRAIN TANK AND UNLOADING AUGER

HP469 -UN-01JAN94

UNLOADING AUGER DRIVE CONTROL



KEY	PART NO.	PART NAME	QTY	SERIAL NO.	REMARKS
1	H96259	GRIP	1		
2	AH97326	LEVER	1		
3	26H14	SHAFT KEY	1	3/16" X 3/4"	
4	22H817	SET SCREW	1	3/8" X 3/4"	
5	H100018	ARM	1		
6	H83220	STRAP	1		
7	H78537	BUSHING	1		
8	24H1305	WASHER	2	13/32" X 13/16" X 0.065"	
9	19H1731	CAP SCREW	2	3/8" X 1"	
	14H812	NUT	2	3/8"	
10	H80314	STRAP	1		
11	H82935	PULLEY	2	(PLASTIC)	
12	AH83352	CABLE	1		
13	H78531	PIN	2		
14	24H1136	WASHER	1	11/32" X 11/16" X 0.065"	
15	M40699	NUT	1		
16	H80315	ANGLE	1		
17	H83217	CRANK	1		
18	C11271	PIN	1		
19	11H211	COTTER PIN	1	1/8" X 3/4"	
20	19H1732	CAP SCREW	1	3/8" X 1-1/4"	
	14H812	NUT	1	3/8"	
21	H100864	SHAFT	1		
22	34H131	SPRING PIN	1	3/8" X 1-3/4"	
23	34H78	SPRING PIN	1	3/16" X 1-1/8"	
24	11H218	COTTER PIN	1	3/16" X 1-1/2"	

2J11

GRAIN TANK AND UNLOADING AUGER

AUXILIARY UNLOADING AUGER HYDRAULIC DRIVE CONTROL

H32789

-UN-01JAN94



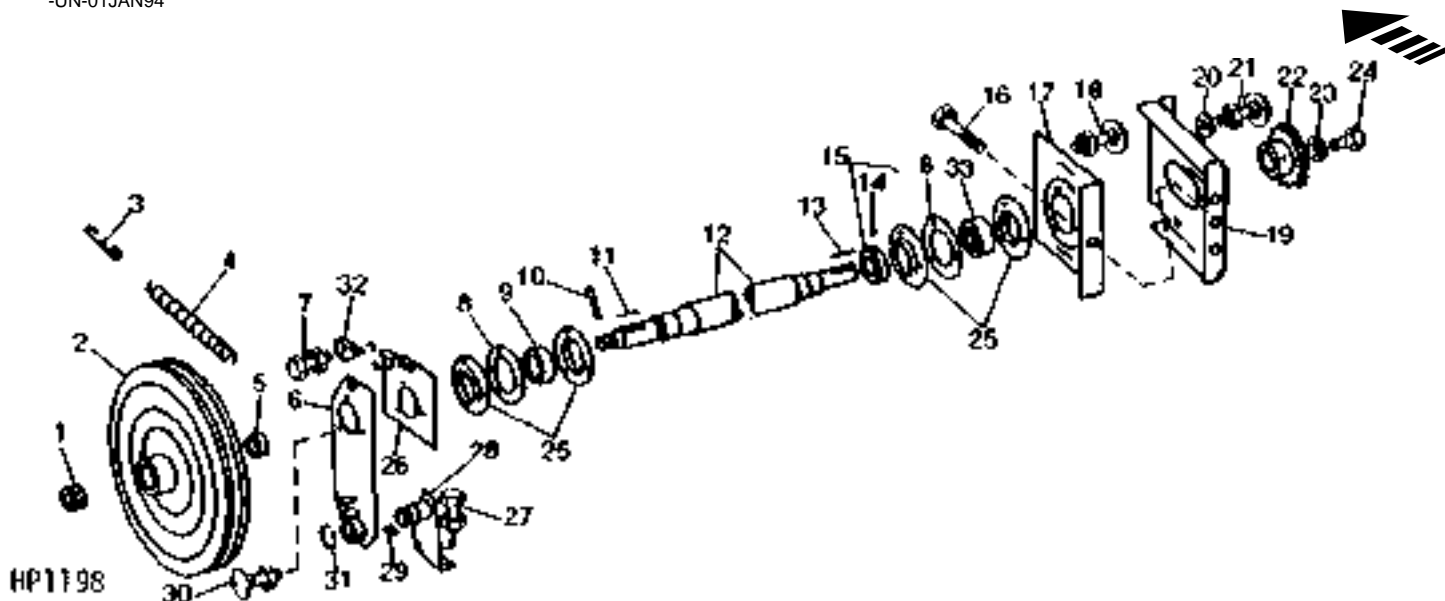
KEY	PART NO.	PART NAME	QTY	SERIAL NO.	REMARKS
1	H83054	KNOB	1		
2	34H266	SPRING PIN	1	5/32" X 1"	
3	H99267	LEVER	1		
4	34H282	SPRING PIN	1	3/16" X 1"	
5	AH92608	ARM	1		
6	AH83521	BALL JOINT	1		
7	14H774	NUT	1	3/8"	
8	AH76491	YOKE	1	-500000	(SUB AH111058 AND U42845)
	AH111058	ROD	1		
9	H35481	PIN	1	-500000	
	U42845	PIN	1	500001-	
10	11H266	COTTER PIN	1	1/16" X 1/2"	

2J12

GRAIN TANK AND UNLOADING AUGER

HP1198 -UN-01JAN94

UNLOADING AUGER COUNTERSHAFT



KEY	PART NO.	PART NAME	QTY	SERIAL NO.	REMARKS
1	P49075	LOCK NUT	1		
2	14H874	NUT	1	5/8"	
2	AH75984	PULLEY	1	245 MM (9-5/8") DIA.	
3	H88575	LINK	1		
4	H85783	SPRING	1		
5	28H1666	BUSHING	1	1" X 7/16"	
6	AH87202	ARM	1		
7	19H1800	CAP SCREW	1	3/8" X 1-1/2"	
	14H812	NUT	1	3/8"	
8	H36155	SHIM	2		
9	JD8665	BALL BEARING	1		
10	11H237	COTTER PIN	1	1/8" X 2"	
11	KEY	1	6 MM X 6 MM X 25 MM (1/4" X 1/4" X 1") (CUT FROM H64374 IN AH64587 KEY STOCK KIT)	
12	AH86633	COUNTERSHAFT	1		
13	KEY	1	6 MM X 6 MM X 51 MM (1/4" X 1/4" X 2") (CUT FROM H64374 IN AH64587 KEY STOCK KIT)	
14	22H897	SET SCREW	1	1/4" X 1/4"	
15	JD8554	ECCENTRIC LOCKING COLLAR	1		
16	19H3034	CAP SCREW	1	3/8" X 3"	
	14H812	NUT	1	3/8"	
17	H86484	BRACKET	1		
18	03H1540	BOLT	3	5/16" X 3/4"	
	14H785	NUT	3	5/16"	
19	AH89687	SUPPORT	1		
20	24H1136	WASHER	2	11/32" X 11/16" X 0.065"	
21	03H1709	BOLT	2	5/16" X 1"	
	14H785	NUT	2	5/16"	
22	AH84244	DRIVE SPROCKET	1	18 TEETH	
23	14H611	NUT	2	5/16"	
24	22H818	SET SCREW	2	5/16" X 3/4"	
25	C12865	PRESSED FLANGED HOUSING	4		
26	H86083	SPACER	1		
27	03H1500	BOLT	2	3/8" X 1"	
	14H812	NUT	2	3/8"	
28	AH75520	BRACKET	1		
29	JD7788	LUBRICATION FITTING	1	45°, 1/4"	
30	03H1524	BOLT	3	5/16" X 1"	
	14H785	NUT	3	5/16"	
31	P43026	SNAP RING	1		
32	H94197	ANCHOR	1		
33	JD9273	BALL BEARING	1		

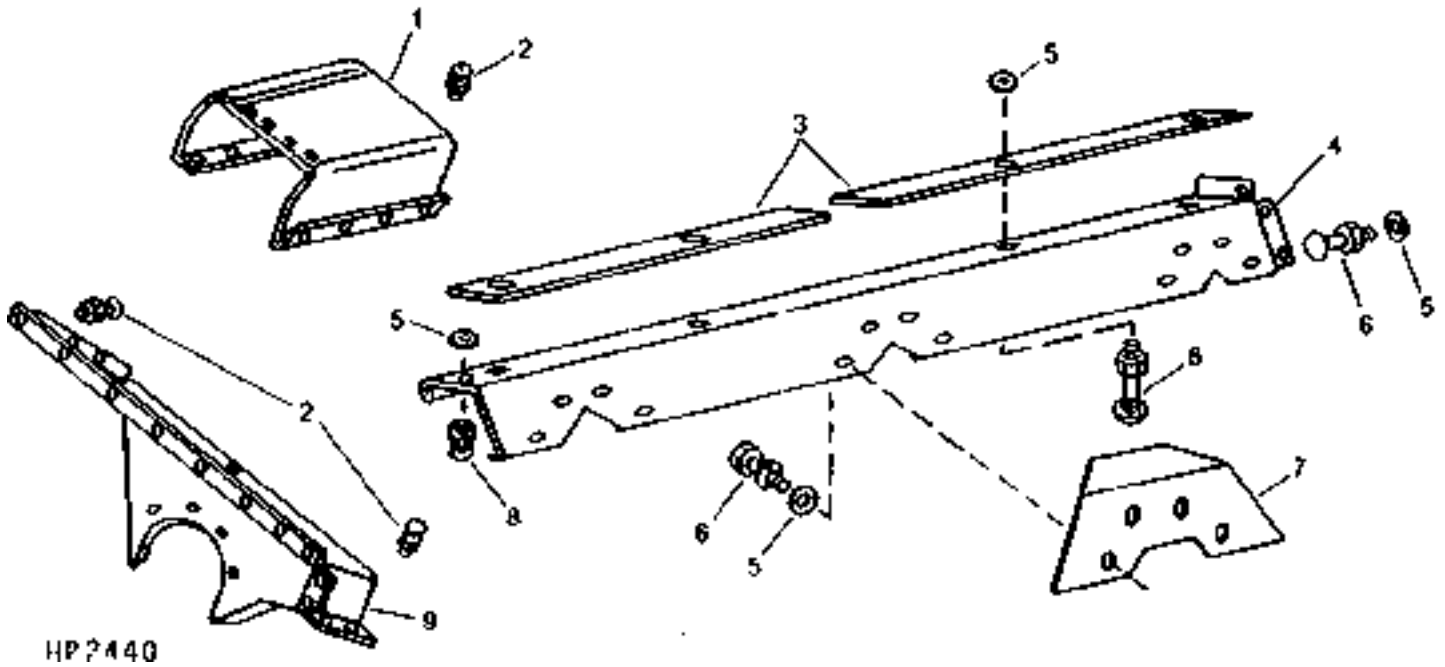
2J13

GRAIN TANK AND UNLOADING AUGER

GRAIN TANK INNER UNLOADING AUGER COVER

HP2440

-UN-01JAN94



KEY	PART NO.	PART NAME	QTY	SERIAL NO.	REMARKS
1	H86019	HOUSING	1		
2	21H1310	SCREW	32	1/4" X 1/2"	
	14H786	NUT	32	1/4"	
3	H101782	COVER	1		ADJUSTABLE (REGULAR)
4	H101145	COVER	1		(REGULAR)
5	24H1136	WASHER	AR		11/32" X 11/16" X 0.065"
6	03H1540	BOLT	AR		5/16" X 3/4"
	12H303	LOCK WASHER	AR		5/16"
	14H785	NUT	AR		5/16"
7	H120416	REINFORCEMENT	1		CENTER (ONE USED PER MACHINE)
8	19H1900	CAP SCREW	AR		5/16" X 3/4", (REGULAR)
	14H785	NUT	AR		5/16", (REGULAR)
9	AH76219	SHIELD	1		

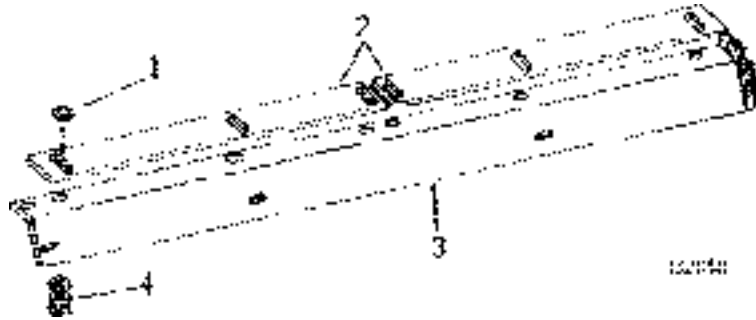
2J14

GRAIN TANK AND UNLOADING AUGER

H32848

-UN-01JAN94

GRASS SEED UNLOADING ATTACHMENT



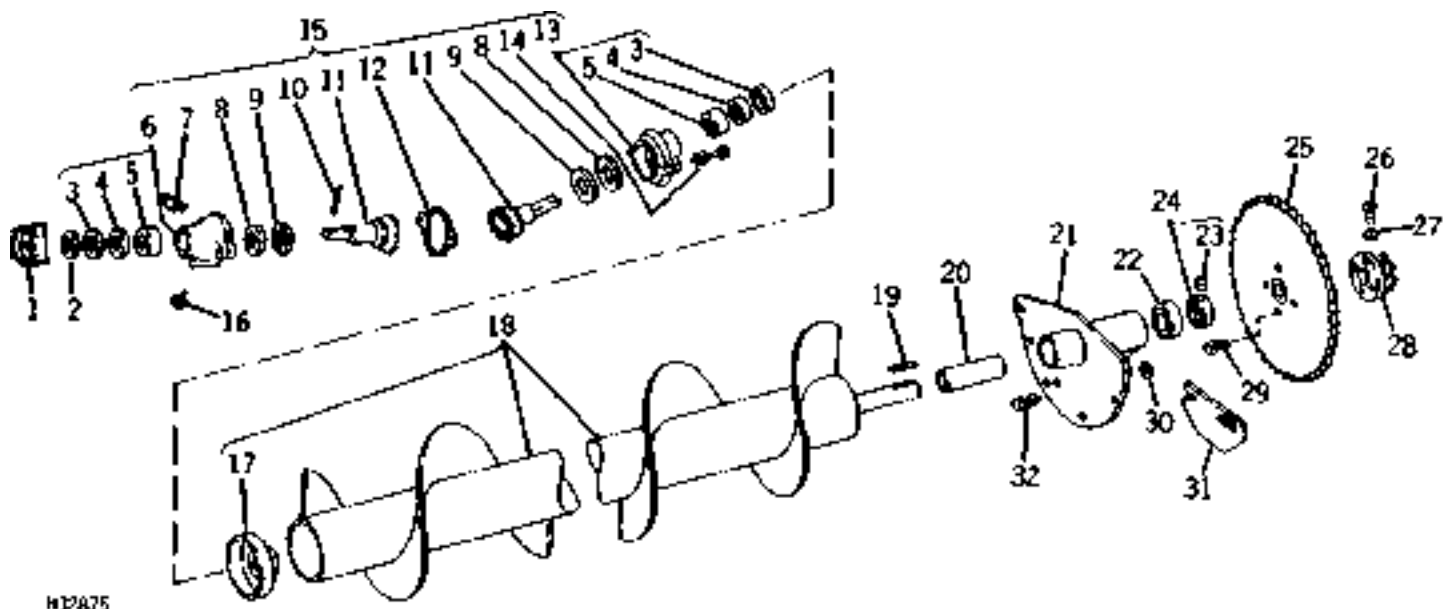
KEY	PART NO.	PART NAME	QTY	SERIAL NO.	REMARKS
1	24H1136	WASHER	8		11/32" X 11/16" X 0.065"
2	H85641	COVER	2		ADJUSTABLE (INNER AUGER)
3	H85638	COVER	1		(INNER AUGER)
4	03H1540	BOLT	8		5/16" X 3/4"
	12H303	LOCK WASHER	8		5/16"
	14H785	NUT	8		5/16"

2J15

GRAIN TANK AND UNLOADING AUGER

H32875 -UN-01JAN94

INNER UNLOADING AUGER



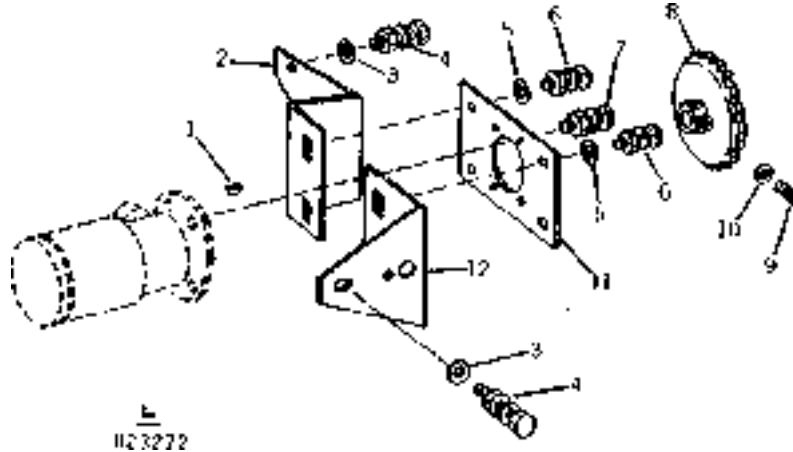
KEY	PART NO.	PART NAME	QTY	SERIAL NO.	REMARKS
1	H97395	DRIVER	1		
2	24H1633	WASHER	1	1-17/64" X 1-7/8" X 0.048"	
3	C10519	SEAL	2		
4	AH78919	NEEDLE BEARING	2		
5	JD8832	NEEDLE BEARING	2		
6	AH78917	HOUSING	1	OUTER	
7	JD7797	LUBRICATION FITTING	1	STRAIGHT, 1/8"	
8	H85096	BEARING RACE	2		
9	JD8841	THRUST BEARING	2		
10	34H321	SPRING PIN	1	1/4" X 2-1/2"	
11	H85097	STEERING GEAR	2		
12	H76584	SHIM	AR	PLASTIC	
13	AH78918	HOUSING	1	INNER	
14	19H2128	CAP SCREW	2	3/8" X 3"	
	14H812	NUT	2	3/8"	
15	AH85491	GEAR CASE	1		
16	19H2676	CAP SCREW	2	3/8" X 1"	
	12H304	LOCK WASHER	2	3/8"	
17	AH85408	CAP	1		
18	AH76241	AUGER	1		
19	H97345	SHAFT KEY	1		
20	H80364	BUSHING	1		
21	H80227	HOUSING	1		
22	JD8545	BALL BEARING	1		
23	22H996	SET SCREW	1	5/16" X 1"	
24	JD8544	ECCENTRIC LOCKING COLLAR	1		
25	H76958	CHAIN SPROCKET	1	60 TEETH	
26	22H836	SET SCREW	2	3/8" X 1"	
27	14H732	NUT	2	3/8"	
28	H80800	CHAIN SPROCKET	1	8 TEETH	
29	19H1905	CAP SCREW	4	5/16" X 1"	
	12H303	LOCK WASHER	4	5/16"	
30	24H1136	WASHER	2	11/32" X 11/16" X 0.065"	
31	H80663	COVER	1		
32	19H1849	CAP SCREW	5	5/16" X 1-1/4"	
	12H303	LOCK WASHER	5	5/16"	
	14H785	NUT	5	5/16"	

2J16

GRAIN TANK AND UNLOADING AUGER

H23272 -UN-01JAN94

AUXILIARY UNLOADING AUGER DRIVE MOTOR SUPPORT



H23272

KEY	PART NO.	PART NAME	QTY	SERIAL NO.	REMARKS
1	26H22	SHAFT KEY	1	1/4" X 1"	
2	H85585	BRACKET	1		
3	24H1224	WASHER	4	11/32" X 1" X 1/16"	
4	19H1900	CAP SCREW	4	5/16" X 3/4"	
	12H303	LOCK WASHER	4	5/16"	
	14H785	NUT	4	5/16"	
5	24H1305	WASHER	4	13/32" X 13/16" X 0.065"	
6	03H1519	BOLT	4	3/8" X 1"	
	12H304	LOCK WASHER	4	3/8"	
	14H812	NUT	4	3/8"	
7	03H1731	BOLT	4	1/2" X 1-1/2"	
	12H301	LOCK WASHER	4	1/2"	
	14H1040	NUT	4	1/2"	
8	H83746	CHAIN SPROCKET	1	22 TEETH	
9	22H853	SET SCREW	2	3/8" X 7/8"	
10	14H732	NUT	2	3/8"	
11	H85584	PLATE	1		
12	H85583	BRACKET	1		

H17538 -UN-01JAN94

AUXILIARY UNLOADING AUGER DRIVE TIGHTENER



H17538

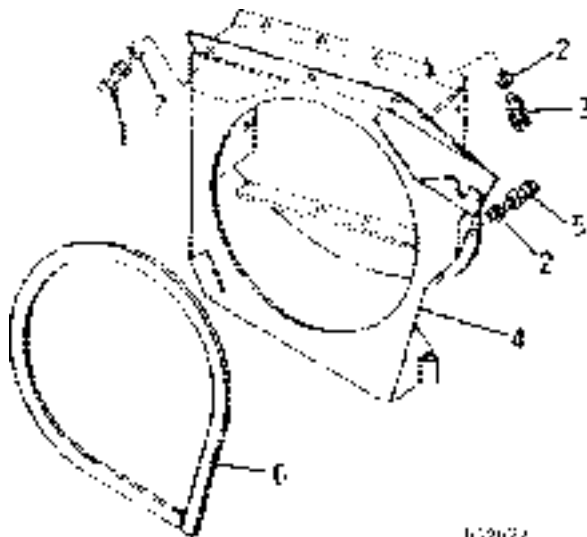
KEY	PART NO.	PART NAME	QTY	SERIAL NO.	REMARKS
1	24H1136	WASHER	1	11/32" X 11/16" X 0.065"	
2	H25393	TIGHTENER	1		
3	03H1549	BOLT	1	5/16" X 2-1/4"	
	14H785	NUT	1	5/16"	

2J17

GRAIN TANK AND UNLOADING AUGER

H32877 -UN-01JAN94

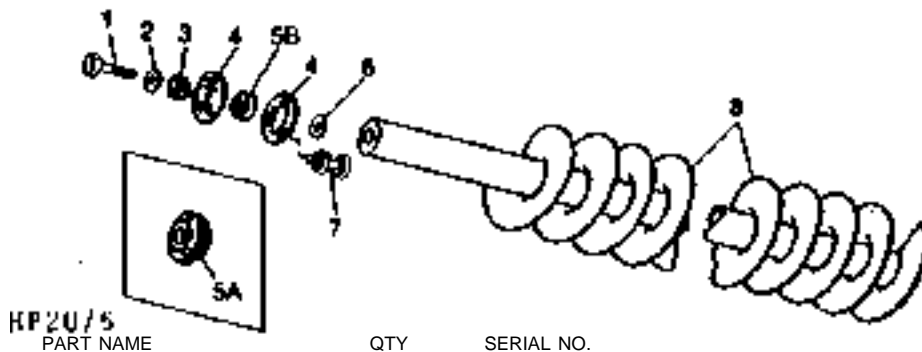
UNLOADING AUGER HINGE AND SWING



KEY	PART NO.	PART NAME	QTY	SERIAL NO.	REMARKS
1	19H1813	CAP SCREW	3	5/16" X 5/8"	
	12H303	LOCK WASHER	3	5/16"	
	14H785	NUT	3	5/16"	
2	24H1292	WASHER	16	11/32" X 3/4" X 0.120"	
3	19H1813	CAP SCREW	8	5/16" X 5/8"	
	12H303	LOCK WASHER	8	5/16"	
	14H785	NUT	8	5/16"	
4	AH76243	HINGE	1	INNER	
5	19H2127	CAP SCREW	5	5/16" X 7/8"	
	12H303	LOCK WASHER	5	5/16"	
	14H785	NUT	5	5/16"	
6	SEAL	1	880 MM (34-5/8") (CUT FROM H81660)	

OUTER UNLOADING AUGER

HP2075 -UN-01JAN94



KEY	PART NO.	PART NAME	QTY	SERIAL NO.	REMARKS
1	19H1768	CAP SCREW	1	-600000	3/4" X 2"
	19H2122	CAP SCREW	1	600001-	1" X 2-1/2"
2	12H236	LOCK WASHER	1	-600000	3/4"
	12H234	LOCK WASHER	1	600001-	1"
3	H76790	BUSHING	1		(USE WITH (2) H103264 AND JD8665 UP TO SERIAL NO. 550476)
	H85559	WASHER	AR	600001-	
4	H103264	PRESSED FLANGED HOUSING	2	600001-	(USE WITH JD8665 AND H76790)
5A	AP26308	BEARING	1	-600000	
5B	JD8665	BALL BEARING	1	600001-	
6	24H1663	WASHER	AR	-600000	49/64" X 1-1/2" X 0.134"
7	03H1540	BOLT	3		5/16" X 3/4"
	12H303	LOCK WASHER	3		5/16"
	14H785	NUT	3		5/16"
8	AH76609	AUGER	1	-600000	(SUB AH114138)
	AH114138	AUGER	2		(LONG) (USE WITH (2) H103264, (4) H85559, JD8665, 19H2122 AND 12H234)

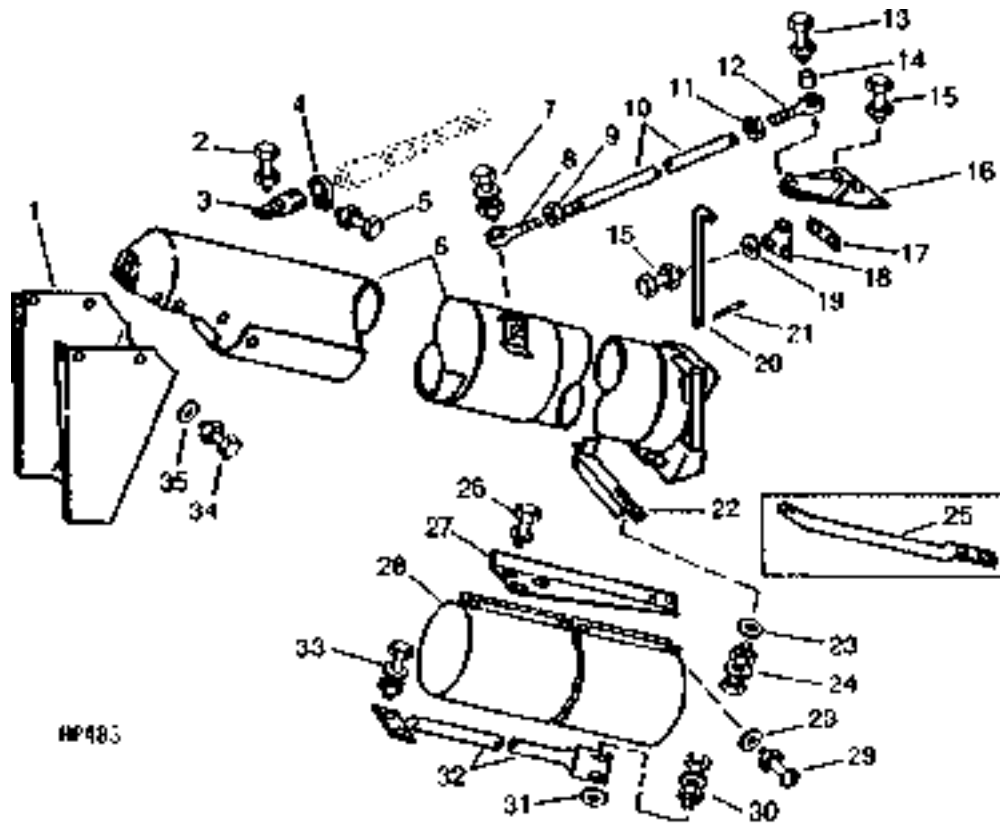
2J18

GRAIN TANK AND UNLOADING AUGER

HP483

-UN-01JAN94

OUTER UNLOADING AUGER HOUSING



KEY	PART NO.	PART NAME	QTY	SERIAL NO.	REMARKS
1	H85940	SPOUT	1	(RUBBER)	
2	19H1768	CAP SCREW	1	3/4" X 2"	
	T25879	NUT	1		
3	H101620	CLAMP	1		
4	H102284	CLAMP	1		
5	19H1765	CAP SCREW	1	3/8" X 1-3/4"	
	H99923	LOCK NUT	1		
6	AH101599	HOUSING	1	(LONG)	
	AH101598	HOUSING	1	(LONG) (PERFORATED)	
7	19H1708	CAP SCREW	1	5/8" X 1-3/4"	
	M2023T	LOCK NUT	1		
8	H76760	EYEBOLT	1		
9	14H793	NUT	1	3/4"	
10	AH75801	BRACE	1		
11	14H929	NUT	1	3/4"	
12	H76759	EYEBOLT	1		
13	19H1765	CAP SCREW	1	3/8" X 1-3/4"	
	H99923	LOCK NUT	1		
14	H77490	BUSHING	1		
15	19H2284	CAP SCREW	5	3/8" X 7/8"	
	12H304	LOCK WASHER	5	3/8"	
	14H812	NUT	5	3/8"	
16	AH76244	SUPPORT	1		

2J19

GRAIN TANK AND UNLOADING AUGER

OUTER UNLOADING AUGER HOUSING - CONTINUED

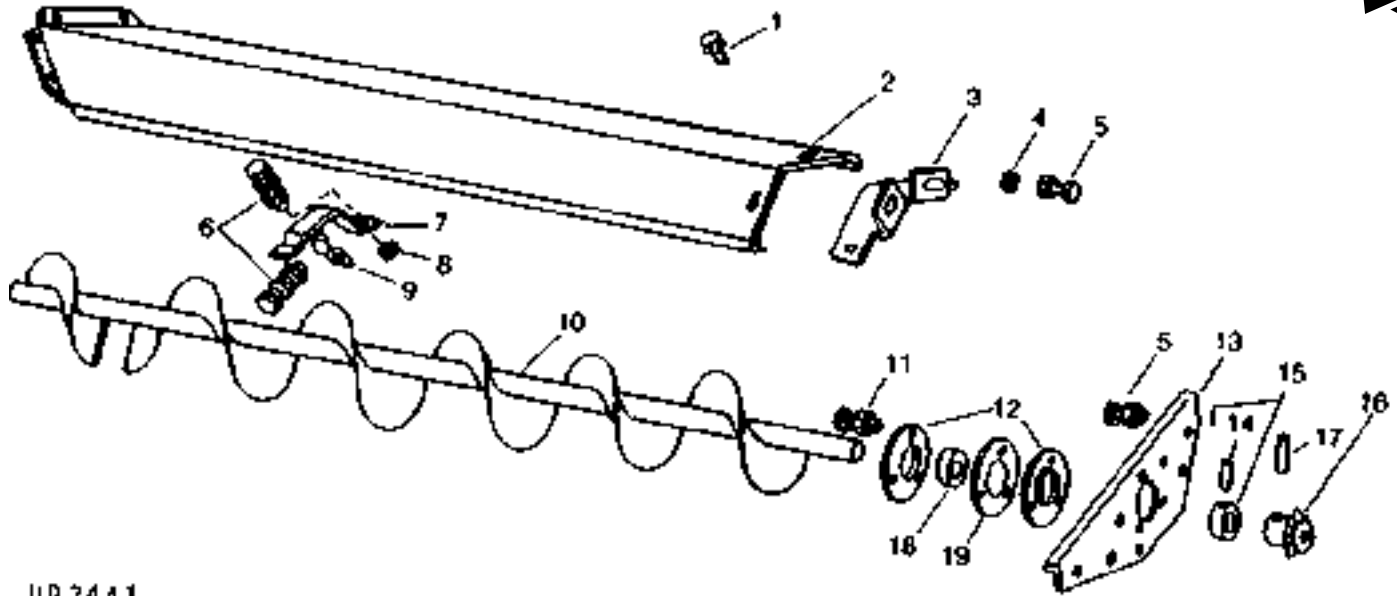
KEY	PART NO.	PART NAME	QTY	SERIAL NO.	REMARKS
17	H77493	STRAP	1		
18	H77494	BRACE	1		
19	24H1305	WASHER	3		13/32" X 13/16" X 0.065"
20	H78180	PIN	1		
21	11H236	COTTER PIN	1		1/8" X 1"
22	H103061	SUPPORT	1		
23	24H1136	WASHER	7		11/32" X 11/16" X 0.065"
24	19H2127	CAP SCREW	2		5/16" X 7/8"
	12H303	LOCK WASHER	2		5/16"
	14H785	NUT	2		5/16"
25	H103454	PIPE	1	-400987	(SUB AH107325, H108623, H108624, 14H794)
26	N10214	SELF-LOCKING SCREW	3	400988-	
	N10215	LOCK NUT	3	400988-	
27	H108624	BRACE	1		
28	H103645	COVER	1		(WITH PERFORATED HOUSING)
29	21H1077	SCREW	5		5/16" X 2"
	14H785	NUT	5		5/16"
30	19H1815	CAP SCREW	2		1/2" X 1-1/4"
	12H301	LOCK WASHER	2		1/2"
	14H1040	NUT	2		1/2"
31	24H1111	WASHER	2		17/32" X 1-1/16" X 0.090"
32	AH102740	BRACE	1		
33	03H1500	BOLT	2		3/8" X 1"
	12H304	LOCK WASHER	2		3/8"
	14H812	NUT	2		3/8"
34	19H1900	CAP SCREW	6		5/16" X 3/4"
	N10213	LOCK NUT	6	-600000	
	14H785	NUT	6	600001-	5/16"
	12H303	LOCK WASHER	6	600001-	5/16"
35	24H1293	WASHER	6		11/32" X 1-1/16" X 0.120"

2J20

GRAIN TANK AND UNLOADING AUGER

GRAIN TANK AUXILIARY UNLOADING AUGERS AND COVERS

HP2441 -UN-01JAN94



KEY	HP 2441 PART NO.	PART NAME	QTY	SERIAL NO.	REMARKS
1	H65108	SCREW	2		SELF-TAPPING
2	H101146	COVER	1		
3	H80068	BRACKET	1		
4	24H1136	WASHER	2	11/32" X 11/16" X 0.065"	
5	19H1900	CAP SCREW	2	5/16" X 3/4"	
	14H785	NUT	2	5/16"	
6	19H2127	CAP SCREW	4	5/16" X 7/8"	
	12H303	LOCK WASHER	4	5/16"	
	14H785	NUT	4	5/16"	
7	H85644	HANGER	1		
8	24H1296	WASHER	4	11/32" X 1-3/8" X 0.134"	
9	H85631	RETAINER	3		
10	AH76218	AUGER	1		
11	03H1540	BOLT	3	5/16" X 3/4"	
	14H785	NUT	3	5/16"	
12	H35465	PRESSED FLANGED HOUSING	2		
13	H100325	REINFORCEMENT	1		
14	22H897	SET SCREW	1	1/4" X 1/4"	
15	JD8554	ECCENTRIC LOCKING COLLAR	1		
16	H75406	GEAR	1	13 TEETH	
17	34H188	SPRING PIN	1	5/16" X 1-3/4"	
18	JD8665	BALL BEARING	1		
19	H36155	SHIM	1		

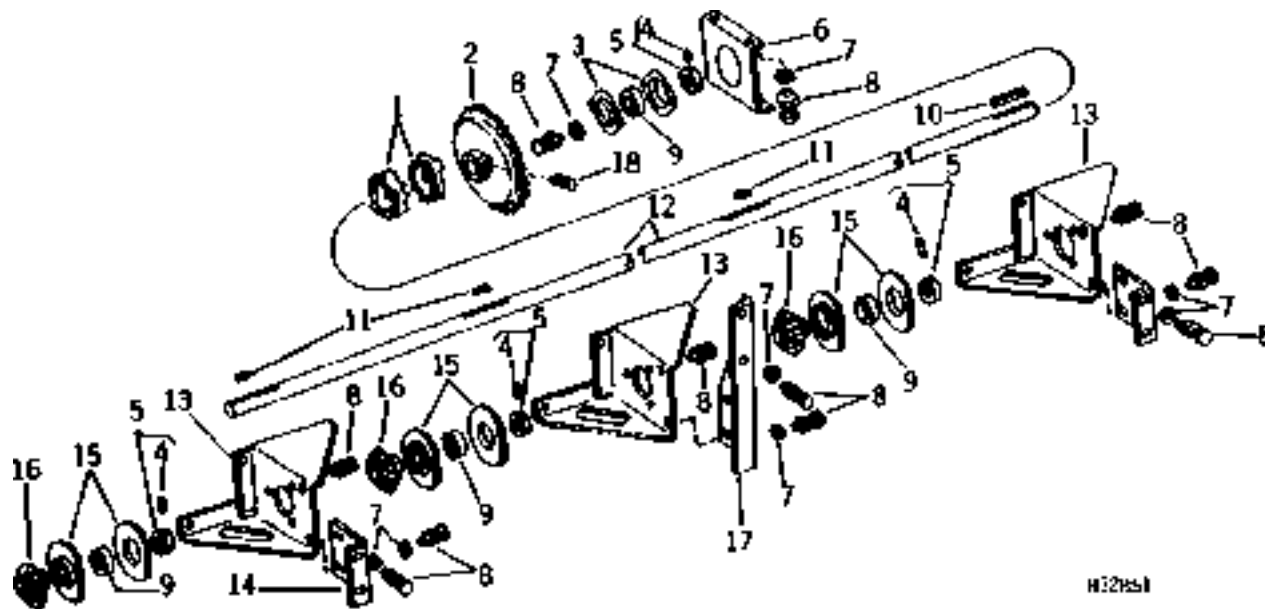
QUANTITIES SHOWN ARE FOR ONE UNIT. THREE UNITS USED PER MACHINE.

2J21

GRAIN TANK AND UNLOADING AUGER

H32851 -UN-01JAN94

AUXILIARY UNLOADING AUGERS DRIVE SHAFT



KEY	PART NO.	PART NAME	QTY	SERIAL NO.	REMARKS
1	Z699H	SLIP CLUTCH	2		
2	H83746	CHAIN SPROCKET	1		22 TEETH
3	L2287C	PRESSED FLANGED HOUSING	2	-610550	(SUB M66125, THIS APPLICATION)
	M66125	PRESSED FLANGED HOUSING	2		
4	22H897	SET SCREW	4		1/4" X 1/4"
5	JD8554	ECCENTRIC LOCKING COLLAR	4		
6	H77434	BRACKET	1		
7	24H1136	WASHER	1		11/32" X 11/16" X 0.065"
8	03H1540	BOLT	27		5/16" X 3/4"
	14H785	NUT	23		5/16"
9	JD8665	BALL BEARING	4		
10	KEY	1		6 MM X 6 MM X 51 MM (1/4" X 1/4" X 2") (CUT FROM H64374 IN AH64587 KEY STOCK KIT)
11	KEY	3		6 MM X 6 MM X 19 MM (1/4" X 1/4" X 3/4") (CUT FROM H64374 (IN AH64587 KEY STOCK KIT)
12	H77460	DRIVE SHAFT	1		
13	H77431	BRACKET	3		
14	H77459	SUPPORT	2		
15	H35465	PRESSED FLANGED HOUSING	6		
16	H75406	GEAR	3		13 TEETH
17	H77458	SUPPORT	1		
18	22H853	SET SCREW	2		3/8" X 7/8"
	14H732	NUT	2		3/8"

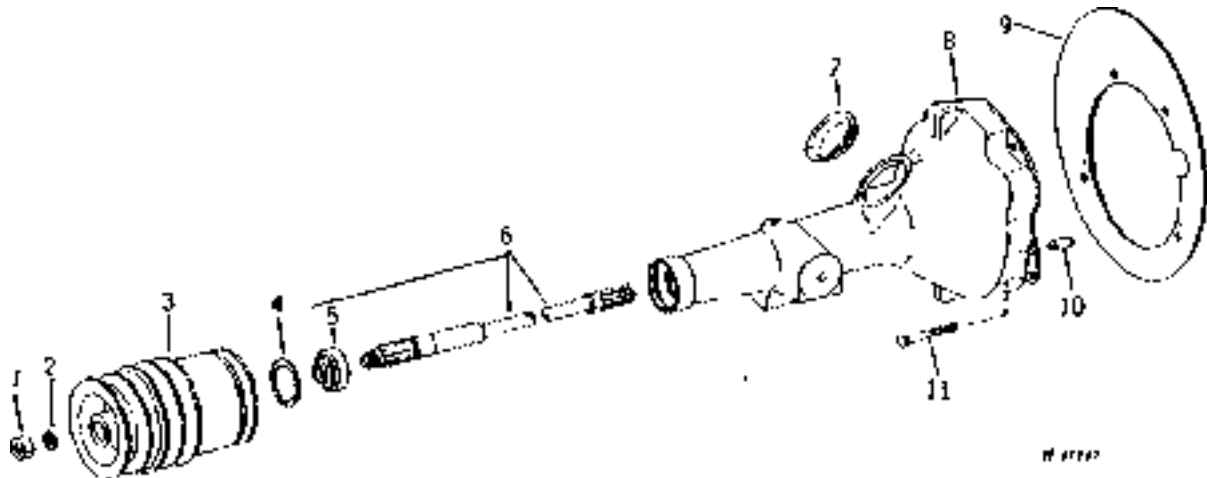
MEMORANDA

2J23

MAJOR DRIVES

H17117 -UN-01JAN94

ENGINE POWERSHAFT



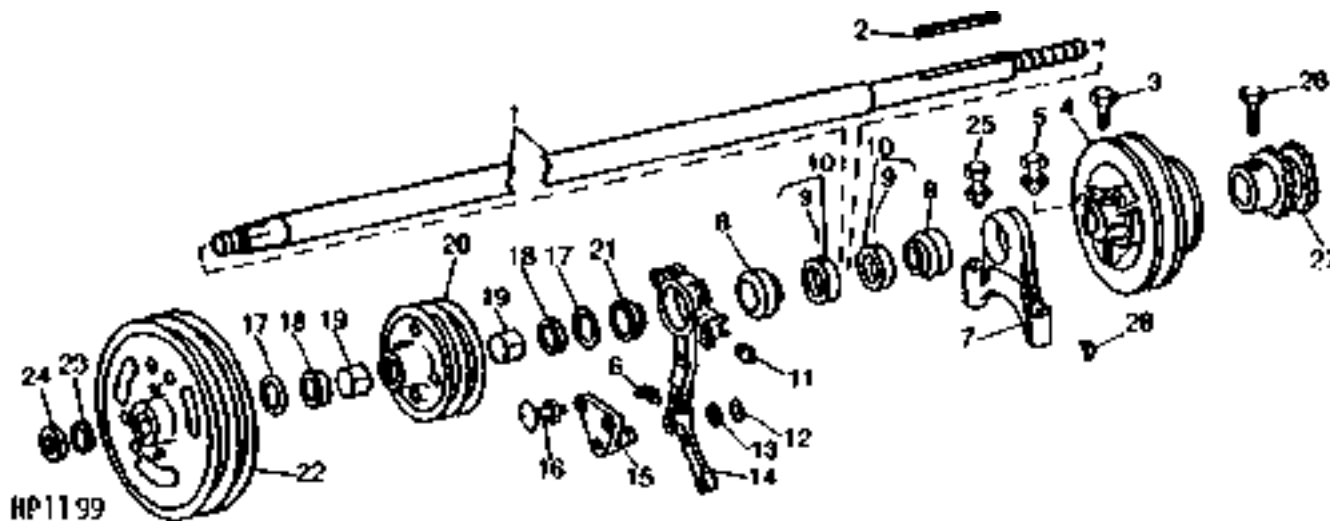
KEY	PART NO.	PART NAME	QTY	SERIAL NO.	REMARKS
1	H82619	LOCK NUT	1		
2	24H1481	WASHER	1	1-5/32" X 2" X 0.134"	
3	H84106	SHEAVE	1	227 MM, 232 MM AND 181 MM (8-15/16", 9-1/8" AND 7-1/8") DIAS.	
4	31415	SNAP RING	1		
5	JD9404	BALL BEARING	1		
6	AH79763	SHAFT	1		
7	H76728	COVER	1		
8	H80991	HOUSING	1		
9	H81362	PLATE	1		
10	H76732	DOWEL PIN	2		
11	19H2133	CAP SCREW	4	5/8" X 4-1/2"	
	12H294	LOCK WASHER	4	5/8"	

2J24

MAJOR DRIVES

HP1199 -UN-01JAN94

PRIMARY COUNTERSHAFT



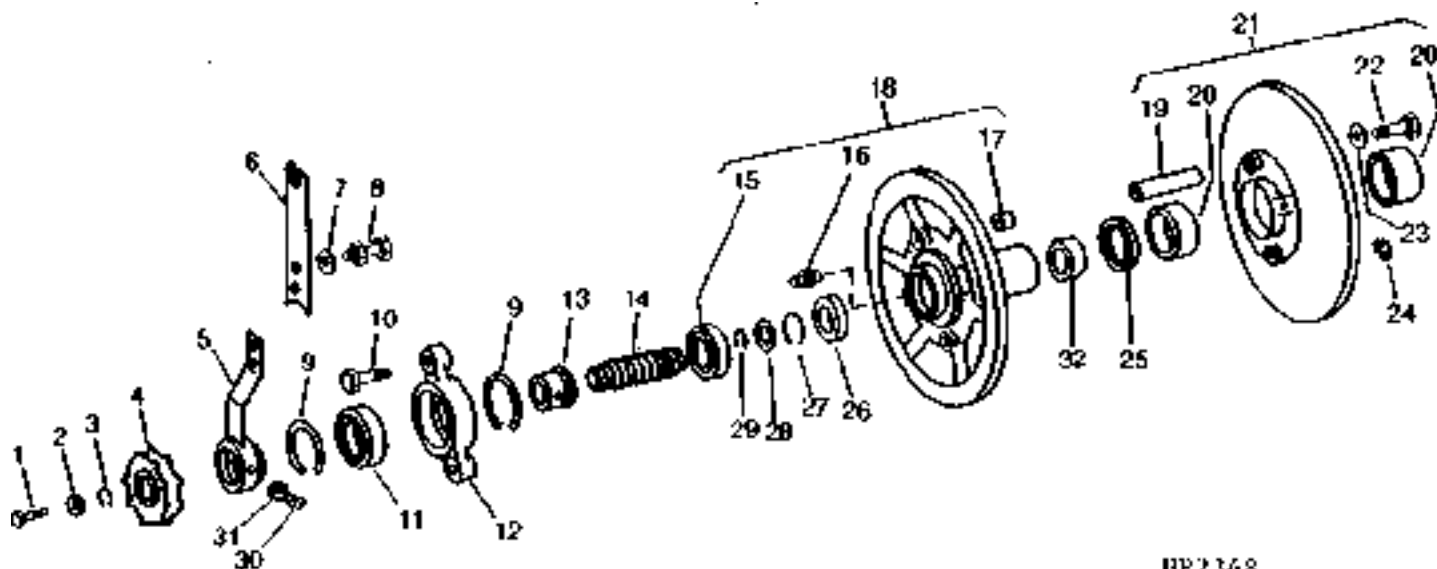
KEY	PART NO.	PART NAME	QTY	SERIAL NO.	REMARKS
1	H77383	SHAFT	1	-550000	(SUB H114617)
	H114617	SHAFT	1		(ALSO ORDER H114618 AND H114628)
2	H84102	SHAFT KEY	1	-550000	(SUB H114628)
	H114628	KEY	1		
3	22H837	SET SCREW	1		3/8" X 5/8"
4	H84103	SHEAVE	1		185 MM AND 292 MM (7-9/32" AND 11-1/2") DIAS.
5	19H1781	CAP SCREW	2		1/2" X 3-1/2"
	12H301	LOCK WASHER	2		1/2"
	14H1040	NUT	2		1/2"
6	JD7806	LUBRICATION FITTING	1		90°, 1/4"
7	H87455	HOUSING	1		R.H.
8	JD9339	BALL BEARING	2		
9	22H979	SET SCREW	2		3/8" X 3/8"
10	JD8579	ECCENTRIC LOCKING COLLAR	2		
11	JD7797	LUBRICATION FITTING	1		STRAIGHT, 1/4"
12	P43026	SNAP RING	1		
13	24H1275	WASHER	1		1-1/64" X 1-1/2" X 0.075"
14	H93557	SUPPORT	1		L.H.
15	AH76191	PIVOT	1		
16	03H1480	BOLT	2		3/8" X 1-1/4"
	14H812	NUT	2		3/8"
17	24H1577	WASHER	AR		1-25/32" X 2-7/8" X 0.036", (ELECTROMAGNETIC CLUTCH)
18	AH76193	SEAL	2		(ELECTROMAGNETIC CLUTCH)
19	H96996	BUSHING	2		(ELECTROMAGNETIC CLUTCH)
20	AH96107	SHEAVE	1		229 MM (9") DIA. (ELECTROMAGNETIC CLUTCH) (MARKED H97311)
	H77392	SHEAVE	1		229 MM (9") DIA. (WITHOUT ELECTROMAGNETIC CLUTCH)
21	24H1571	WASHER	1		1-25/32" X 2-7/8" X 0.120"
22	H96848	SHEAVE	1		402 MM (15-53/64") DIA.
23	24H1218	WASHER	1		1-9/32" X 3" X 0.120"
24	H82620	LOCK NUT	1		
25	19H1974	CAP SCREW	2		1/2" X 2-3/4"
	12H301	LOCK WASHER	2		1/2"
	14H1040	NUT	2		1/2"
26	22H888	SET SCREW	2		3/8" X 1-1/4", (SLOW SPEED CYLINDER DRIVE INTERMEDIATE SHAFT)
27	H85441	CHAIN SPROCKET	1		21 TEETH, (SLOW SPEED CYLINDER DRIVE INTERMEDIATE SHAFT)
	H85442	CHAIN SPROCKET	1		25 TEETH, (SLOW SPEED CYLINDER DRIVE INTERMEDIATE SHAFT)
28	JD7788	LUBRICATION FITTING	1		45°, 1/4"

2J25

MAJOR DRIVES

HP2348 -UN-01JAN94

PRIMARY COUNTERSHAFT CYLINDER DRIVE SHEAVES



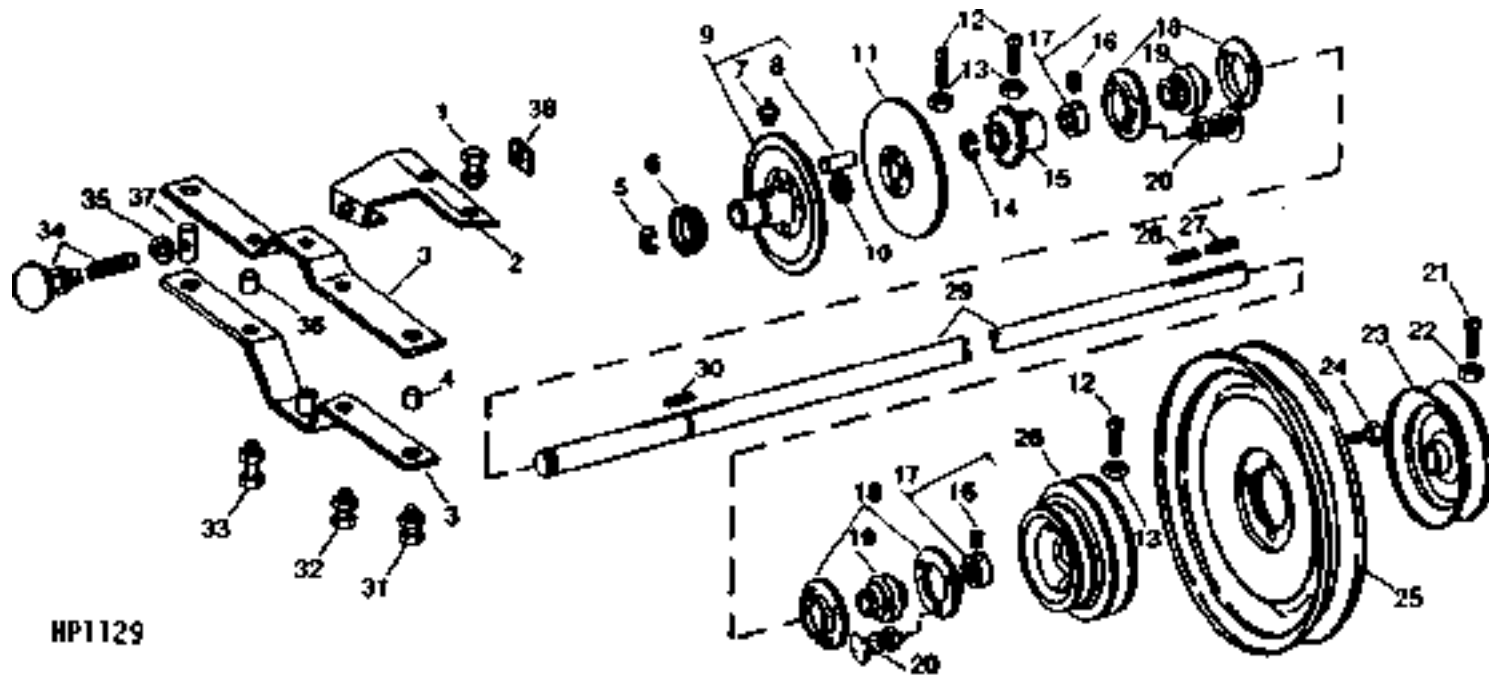
HP2348

KEY	PART NO.	PART NAME	QTY	SERIAL NO.	REMARKS
1	H75549	SCREW	1		
2	JD9399	BALL BEARING	1	-550000	(SUB AT23189)
	AT23189	BALL BEARING	1		
3	P46437	SNAP RING	1		
4	AH90514	DRIVE SPROCKET	1		28 TEETH
5	AH80732	ANCHOR	1		
6	AH86881	STRAP	1		
7	24H1305	WASHER	2		13/32" X 13/16" X 0.065"
8	19H2284	CAP SCREW	2		3/8" X 7/8"
	14H812	NUT	2		3/8"
9	31415	SNAP RING	2		
10	19H2563	CAP SCREW	2		7/16" X 1-3/4"
11	JD9241	BALL BEARING	1		
12	H75701	CRADLE	1		
13	H75702	BUSHING	1		
14	H83761	SCREW	1		
15	JD9450	BALL BEARING	1		
16	JD7797	LUBRICATION FITTING	1		STRAIGHT, 1/4"
17	H75693	BUSHING	2		
18	AH84885	SHEAVE	1		FIXED, WITH BUSHINGS, 356 MM (14") DIA. (MARKED H84417)
19	H75692	PIN	2		
20	H84365	BUSHING	2		
21	AH84845	SHEAVE	1		SLIDING, WITH PINS AND BEARINGS, 356 MM (14") DIA. (MARKED H75008)
22	19H1924	CAP SCREW	2		7/16" X 3/4"
	12H293	LOCK WASHER	2		7/16"
23	24H1327	WASHER	2		15/32" X 1-1/8" X 7/64"
24	JD7788	LUBRICATION FITTING	1		45°, 1/4"
25	AN85023	SEAL	1		
26	H114618	SPACER	1	550001-	(USE WITH H114617)
27	Z9250H	SNAP RING	1		
28	H75700	WASHER	1		
29	P42273	SNAP RING	1		
30	22H1006	SET SCREW	1		5/16" X 7/8"
31	14H611	NUT	1		5/16"
32	H114618	SPACER	1		

2K1

SECONDARY COUNTERSHAFT AND CLEANING FAN DRIVE ADJUSTMENT

HP1129 -UN-01JAN94



HP1129

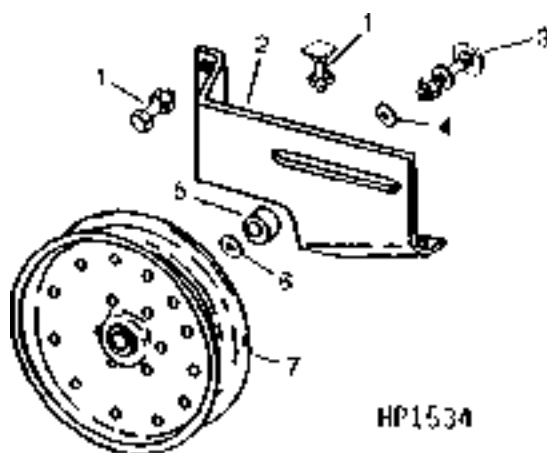
KEY	PART NO.	PART NAME	QTY	SERIAL NO.	REMARKS
1	19H2284	CAP SCREW	2		3/8" X 7/8"
	14H812	NUT	2		3/8"
2	H80215	BRACKET	1		
3	AH102871	YOKE	2		
4	P50362	BUSHING	1		
5	P43363	SNAP RING	1		
6	AH87207	THRUST BEARING	1		
7	JD7798	LUBRICATION FITTING	1		STRAIGHT, 1/8"
8	H100796	SPRING PIN	1		
9	AH100010	SHEAVE	1		SLIDING, 256 MM (10-1/16") DIA. (FAN DRIVE) (MARKED H100794)
10	A4730R	O-RING	1		
11	H80724	HALF SHEAVE	1		FIXED, 256 MM (10-1/16") DIA.
12	22H853	SET SCREW	6		3/8" X 7/8"
13	14H732	NUT	6		3/8"
14	H64160	SNAP RING	1		
15	AH84242	CHAIN SPROCKET	1		15 TEETH
16	22H897	SET SCREW	2		1/4" X 1/4"
17	JD8554	ECCENTRIC LOCKING COLLAR	2		
18	H87472	PRESSED FLANGED HOUSING	4	-600400	
	H103264	PRESSED FLANGED HOUSING	4	600401-	
19	JD8665	BALL BEARING	2		
20	03H1524	BOLT	6		5/16" X 1"
	14H785	NUT	6		5/16"
21	22H836	SET SCREW	2		3/8" X 1"
22	14H732	NUT	2		3/8"
23	AH75980	SHEAVE	1		222 MM (8-3/4") DIA. (CLEAN GRAIN ELEVATOR DRIVE)
24	19H2127	CAP SCREW	4		5/16" X 7/8"
25	AH76140	SHEAVE	1		502 MM (19-3/4") DIA.
26	H77263	SHEAVE	1		162 MM AND 184 MM (6-3/8" AND 7-1/4") DIAS. (TAILINGS AUGER AND SHOE GRAIN SUPPLY AUGERS DRIVE)
27	KEY	1		6 MM X 6 MM X 25 MM (1/4" X 1/4" X 1") (CUT FROM H64374 IN AH64587 KEY STOCK KIT)
28	KEY	1		6 MM X 6 MM X 57 MM (1/4" X 1/4" X 2-1/4") (CUT FROM H64374 IN AH64587 KEY STOCK KIT)
29	H77265	JACKSHAFT	1		
30	N13224	SHAFT KEY	2		

SECONDARY COUNTERSHAFT AND CLEANING FAN DRIVE ADJUSTMENT - CONTINUED

KEY	PART NO.	PART NAME	QTY	SERIAL NO.	REMARKS
31	19H1800	CAP SCREW	1	3/8" X 1-1/2"	
	14H812	NUT	1	3/8"	
32	19H1731	CAP SCREW	1	3/8" X 1"	
	14H812	NUT	1	3/8"	
33	19H1765	CAP SCREW	1	3/8" X 1-3/4"	
	12H304	LOCK WASHER	1	3/8"	
	14H812	NUT	1	3/8"	
34	AH77098	WHEEL	1		
35	24H1304	WASHER	1	13/32" X 23/32" X 0.120"	
36	28H1697	SPACER	1	3/8" X 3/4"	
37	H78988	PIN	1		
38	14H841	NUT	1	3/8"	

SECONDARY COUNTERSHAFT DRIVE TIGHTENER

HP1534 -UN-01JAN94

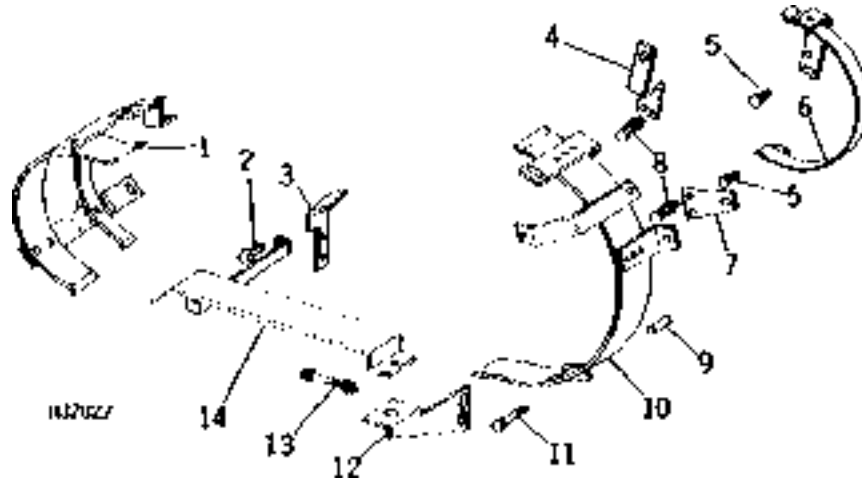


KEY	PART NO.	PART NAME	QTY	SERIAL NO.	REMARKS
1	03H1268	BOLT	4	5/16" X 3/4"	
	14H785	NUT	4	5/16"	
2	H77516	BRACKET	1		
3	03H1628	BOLT	1	-400987 5/8" X 2-1/2"	
	03H2073	BOLT	1	400988- 5/8" X 2-3/4"	
	14H1039	NUT	1	5/8"	
	12H294	LOCK WASHER	1	5/8"	
4	24H1424	WASHER	1	29/32" X 1-1/2" X 0.060"	
5	28H2524	BUSHING	1	3/4" X 13/16"	
6	24H1368	WASHER	1	21/32" X 1-5/16" X 0.090"	
7	AH85276	PULLEY	1	-500000 (SUB AH97031, THIS APPLICATION)	
	AH97031	IDLER	1	222 MM (8-3/4") DIA.	

2K3

H32827 -UN-01JAN94

SEPARATOR AND UNLOADING AUGER DRIVE BELT GUIDES



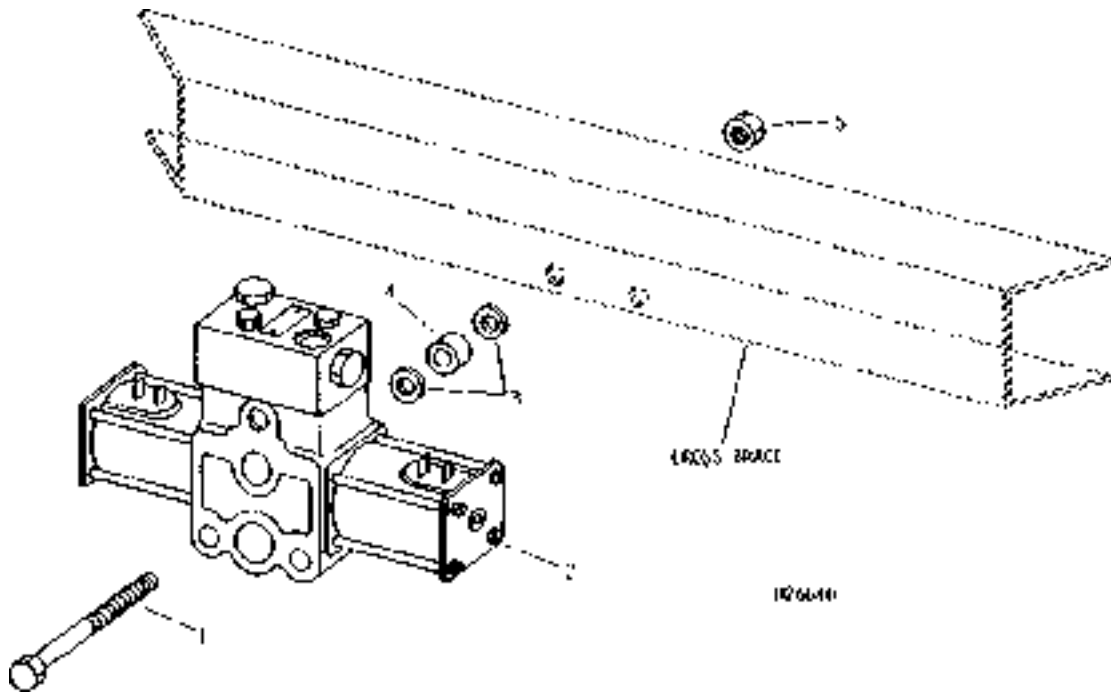
KEY	PART NO.	PART NAME	QTY	SERIAL NO.	REMARKS
1	AH86589	GUIDE	1		FRONT
2	H76139	SCREW	1		SELF-TAPPING
3	H78794	BRACKET	1		
4	H77687	BRACKET	1		
5	19H1732	CAP SCREW	3		3/8" X 1-1/4"
6	AH75521	GUIDE	1		REAR
7	H77688	PLATE	1		
8	19H1732	CAP SCREW	4		3/8" X 1-1/4"
	14H812	NUT	4		3/8"
9	H65133	BUSHING	1		
10	AH98053	GUIDE	1		REAR
11	19H1944	CAP SCREW	1		3/8" X 2-3/4"
12	H76371	SUPPORT	1		REAR
13	19H1726	CAP SCREW	2		3/8" X 2-1/4"
	14H812	NUT	2		3/8"
14	AH75635	SUPPORT	1		MIDDLE

2K5

HEADER HEIGHT CONTROL

H26640 -UN-01JAN94

AUTO HEADER CONTROL VALVE (AUTOMATIC HEADER HEIGHT CONTROL AND DIAL-A-MATIC HEADER HEIGHT CONTROL)

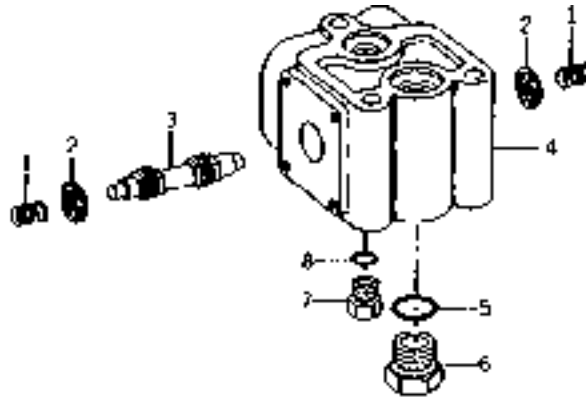


KEY	PART NO.	PART NAME	QTY	SERIAL NO.	REMARKS
1	19H1854	CAP SCREW	2		
2	AH89357	VALVE	1	-450000	3/8" X 3-3/4"
	AH106547	VALVE	1		(SUB AH106547) (REMANUFACTURED)
3	24H1310	WASHER	4		13/32" X 1-1/8" X 7/64"
4	H28031	WASHER	2		RUBBER
5	N10215	LOCK NUT	2		

2K6

**MAIN VALVE BLOCK
(AUTOMATIC HEADER HEIGHT CONTROL AND
DIAL-A-MATIC HEADER HEIGHT CONTROL)**

H25945 -UN-01JAN94



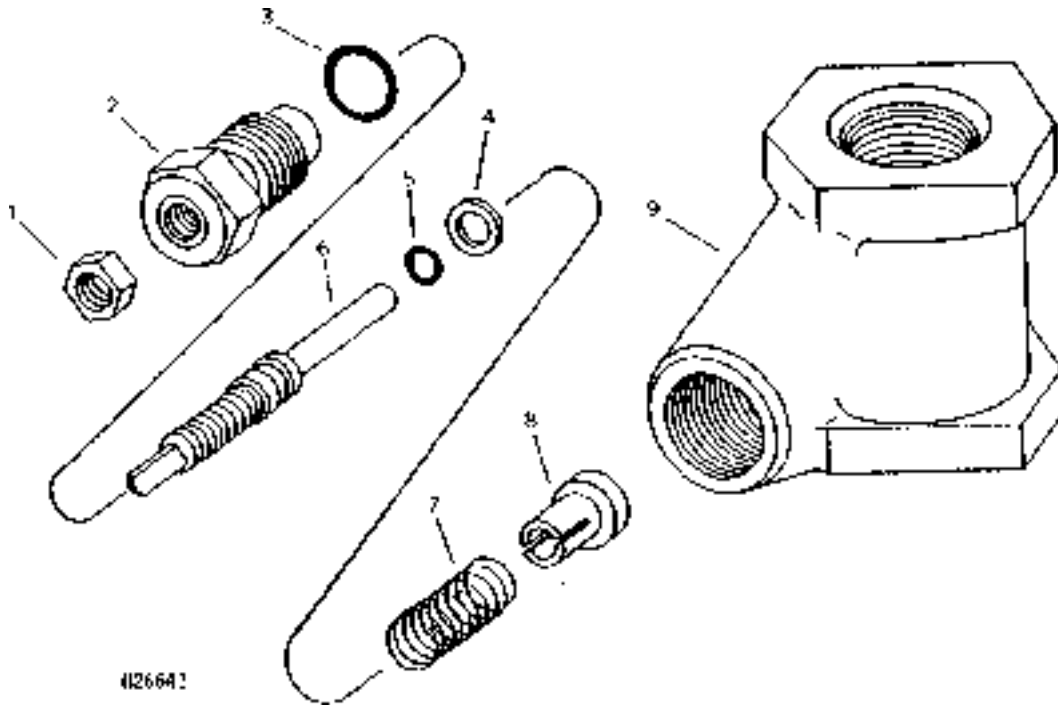
H25945

KEY	PART NO.	PART NAME	QTY	SERIAL NO.	REMARKS
1	H89337	SPRING	2	-450000	
2	H89340	WASHER	2	-450000	
	H107970	BUSHING	1	450001-	
3	H89329	SPOOL	1	-450000	(SUB AH106626)
	AH106626	KIT	1		(INCLUDES H107970 AND H89337)
4	VALVE	1		(SUB AH89357)
5	R26375	O-RING	1		
6	R39112	FITTING	1		
7	R27218	FITTING PLUG	1		
8	R26448	O-RING	1		

2K7

**DROP RATE VALVE
(AUTOMATIC HEADER HEIGHT CONTROL AND
DIAL-A-MATIC HEADER HEIGHT CONTROL)**

H26643 -UN-01JAN94

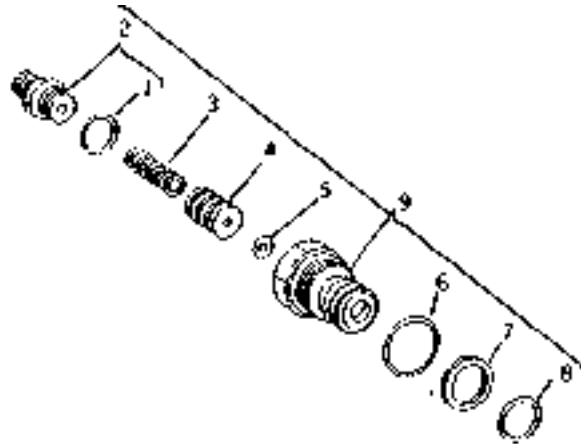


KEY	PART NO.	PART NAME	QTY	SERIAL NO.	REMARKS
1	H89949	NUT	1	(A)	
2	CAP	1	(A) (SUB AH90686)	
3	R26375	O-RING	1	(A)	
4	WASHER	1	(SUB AH90686)	
5	A4365R	O-RING	1	(A)	
6	STEM	1	(A) (SUB AH90686)	
7	H89338	SPRING	1	(A)	
8	H89336	POPPET	1	(A)	
9	AH89358	VALVE	1		
KIT LISTED BELOW CONSISTS OF ALL PARTS IDENTIFIED BY AN (A):					
..	AH90686	KIT	1		

2K8

**FLOW CONTROL PLUG
(AUTOMATIC HEADER HEIGHT CONTROL AND
DIAL-A-MATIC HEADER HEIGHT CONTROL)**

H16860 -UN-01JAN94



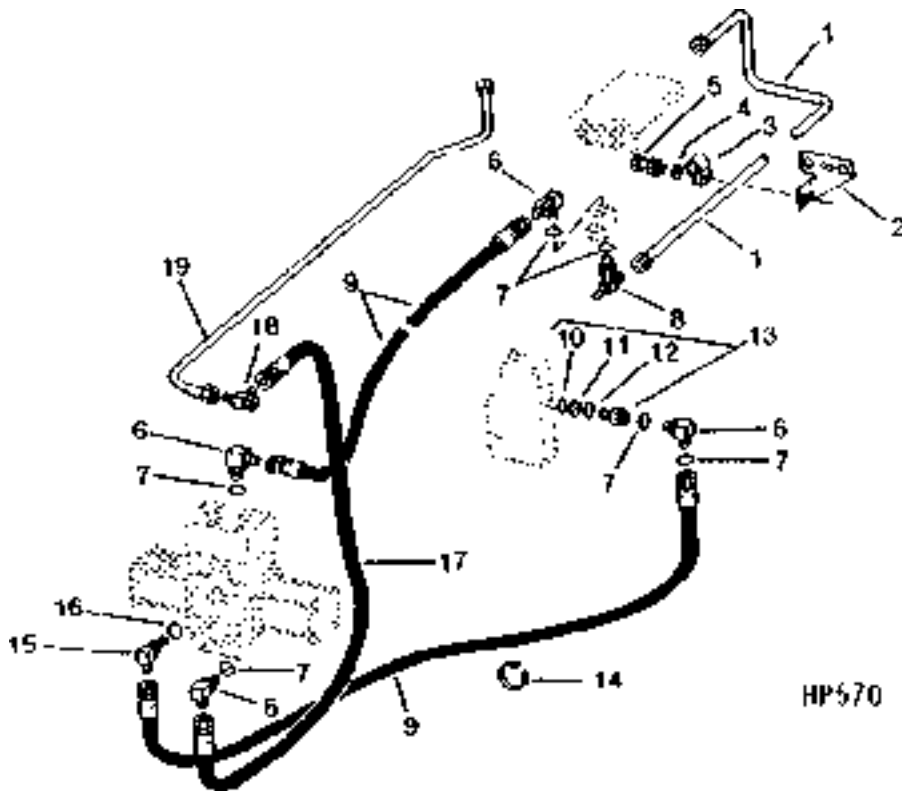
◆ ◆ ◆ ◆ ◆

KEY	PART NO.	PART NAME	QTY	SERIAL NO.	REMARKS
1	P46051	O-RING	1	(A)	
2	CONNECTOR	1		
3	SPRING	1	(SUB AH89045)	
4	POPPET	1	(SUB AH89045)	
5	WASHER	AR	(SUB AH89045)	
6	T13119	O-RING	1	(A)	
7	N140001	BACK-UP RING	1	(A)	
8	R27166	O-RING	1	(A)	
9	AH101625	CONTROL VALVE	1		
KIT LISTED BELOW CONSISTS OF ALL PARTS IDENTIFIED BY AN (A):					
..	AH78796	SEAL KIT	1		

2K9

HP570 -UN-01JAN94

AUGER SWING, AUTOMATIC HEADER HEIGHT LINES, AND
DIAL-A-MATIC HEADER HEIGHT CONTROL)



HP570

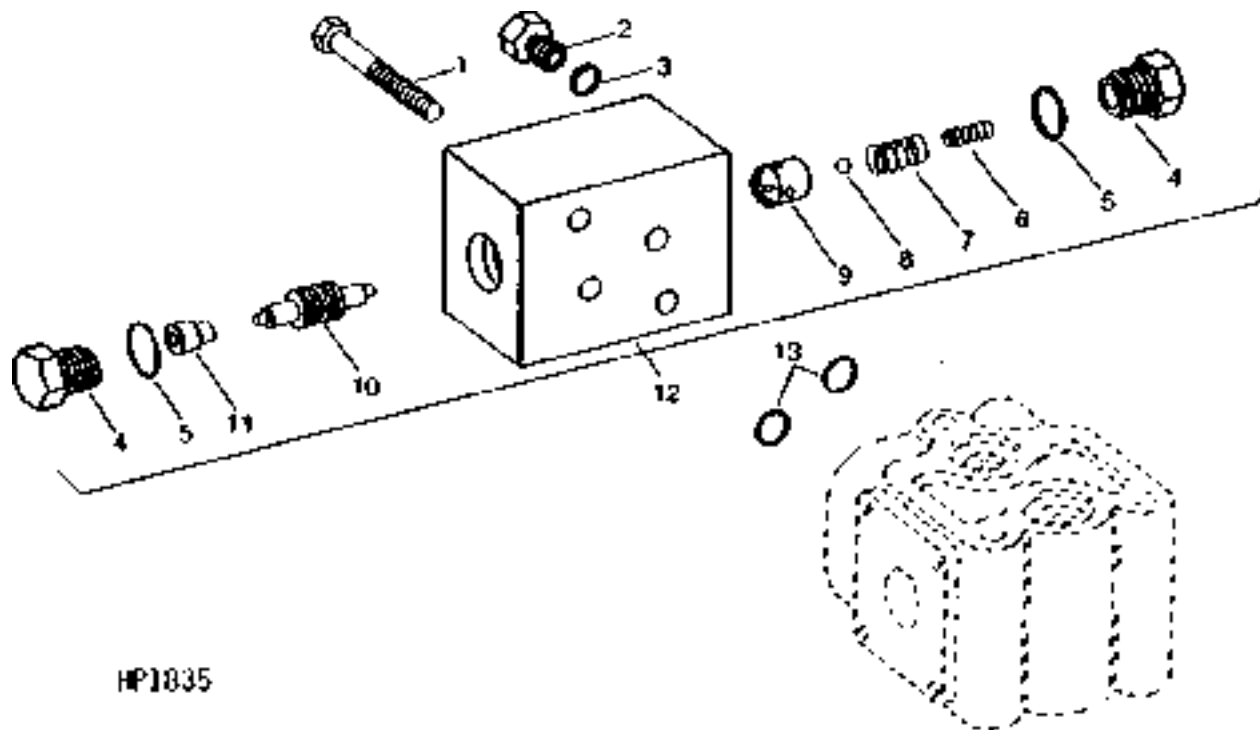
KEY	PART NO.	PART NAME	QTY	SERIAL NO.	REMARKS
1	AH89609	LINE	1		UPPER PLATFORM
2	H88393	BRACKET	1		
3	AH76882	CLIP	1		
4	24H1243	WASHER	1	11/32" X 5/8" X 1/16"	
5	19H1900	CAP SCREW	1	5/16" X 3/4"	
	12H303	LOCK WASHER	1	5/16"	
	14H785	NUT	1	5/16"	
6	AR26763	ELBOW FITTING	5	90°	
7	R26375	O-RING	6		
8	AR32667	TEE FITTING	1		
9	AH89607	HYDRAULIC HOSE	2		
10	R28776	O-RING	1		(WITH AUTOMATIC AND DIAL-A-MATIC HEADER HEIGHT)
11	E41820	WASHER	1		(WITH AUTOMATIC AND DIAL-A-MATIC HEADER HEIGHT)
12	U40745	O-RING	1		(WITH AUTOMATIC AND DIAL-A-MATIC HEADER HEIGHT)
13	AH89356	PIPE PLUG	1		(WITH AUTOMATIC AND DIAL-A-MATIC HEADER HEIGHT)
	R39112	FITTING	1		(WITHOUT AUTOMATIC AND DIAL-A-MATIC HEADER HEIGHT)
	R26375	O-RING	1		(WITHOUT AUTOMATIC AND DIAL-A-MATIC HEADER HEIGHT)
14	M66044	TIE BAND	1		
15	AR37017	ELBOW FITTING	1	-610100	(SUB AT35120)
	AT35120	ELBOW FITTING	1		90°
16	R26448	O-RING	1		
17	AH89613	HYDRAULIC HOSE	1		
18	AN33434	TEE FITTING	1		
19	AH89610	LINE	1		

2K10

HEADER HEIGHT CONTROL

CHECK BLOCK (AUTOMATIC HEADER HEIGHT CONTROL AND DIAL-A-MATIC HEADER HEIGHT CONTROL)

HP1835 -UN-01JAN94



HP1835

KEY	PART NO.	PART NAME	QTY	SERIAL NO.	REMARKS
1	19H1901	CAP SCREW	2	5/16" X 2"	
2	R39112	FITTING	1		
3	R26375	O-RING	1		
4	H89339	FITTING	2		
5	R26375	O-RING	1	(A)	
6	SPRING	1	(A) (SUB AH90688)	
7	SPRING	1	(A) (SUB AH90688)	
8	BALL CHECK	1	(A) (SUB AH90688)	
9	POPPET	1	(A) (SUB AH90688)	
10	SPOOL	1	(SUB AH90892)	
11	H89768	SPACER	1		
12	AH90892	VALVE	1		
13	H81608	O-RING	2	(A)	
KIT LISTED BELOW CONSISTS OF ALL PARTS IDENTIFIED BY AN (A):					
..	AH90688	TUNE-UP KIT	1		

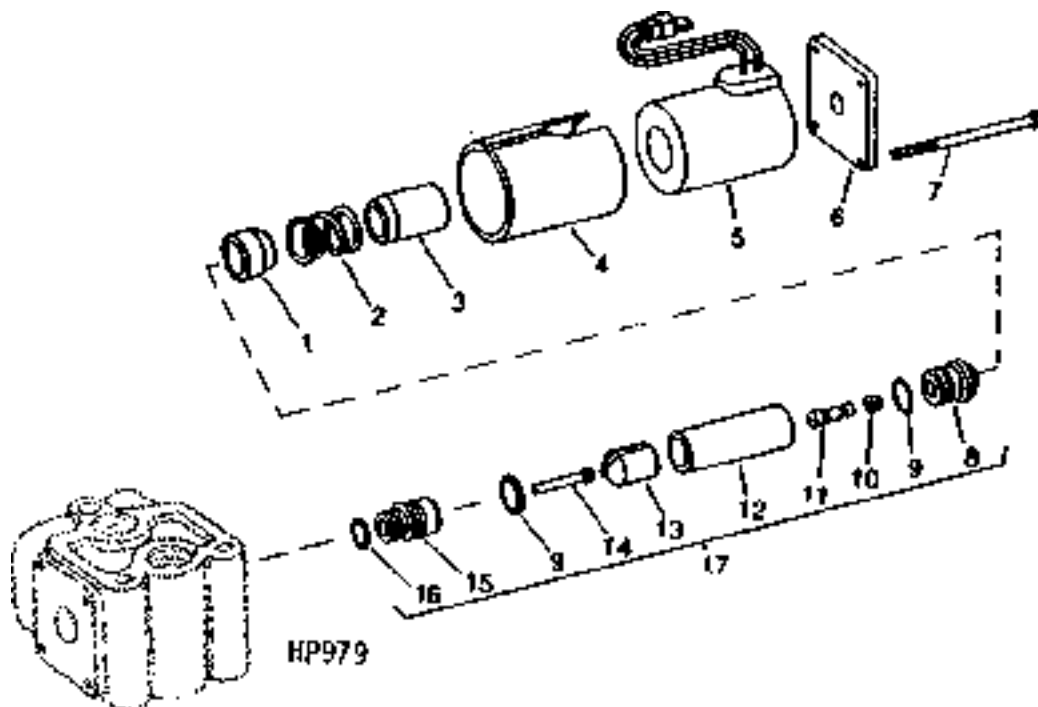
2K11

HEADER HEIGHT CONTROL

COIL FOR SOLENOID CONTROL VALVE (AUTOMATIC HEADER HEIGHT CONTROL AND DIAL-A-MATIC HEADER HEIGHT CONTROL)

HP979

-UN-01JAN94



KEY	PART NO.	PART NAME	QTY	SERIAL NO.	REMARKS
1	SPOOL	1		
2	SPRING	1		
3	SPOOL	1		
4	CASE	1		
5	AH90690	ELECTRICAL COIL	1	-450000	(SUB AH106625)
	AH106625	ELECTRICAL COIL	2		
6	H89331	PLATE	1		
7	H89769	SCREW	4		
8	GUIDE	1		
9	H63283	O-RING	2		
10	H89335	RING	1		
11	PIN	1		
12	TUBE	1		
13	PLUNGER	1		
14	PIN	1		
15	BEARING CONE	1		
16	Z29304	O-RING	1		
17	AH90683	CAP	1		
..	AH90684	KIT	1		

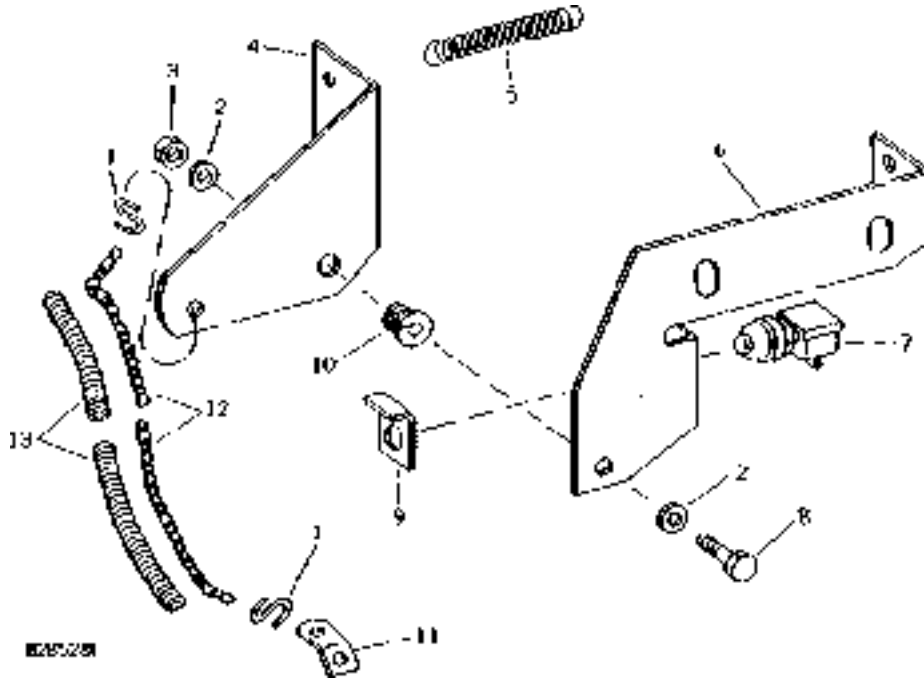
NOTE: QUANTITIES SHOWN ARE FOR ONE UNIT. TWO UNITS USED PER VALVE.

2K12

HEADER HEIGHT CONTROL

ACTUATOR SWITCH AND MOUNTING (AUTOMATIC HEADER HEIGHT CONTROL AND DIAL-A-MATIC HEADER HEIGHT CONTROL)

H28528F -UN-01JAN94



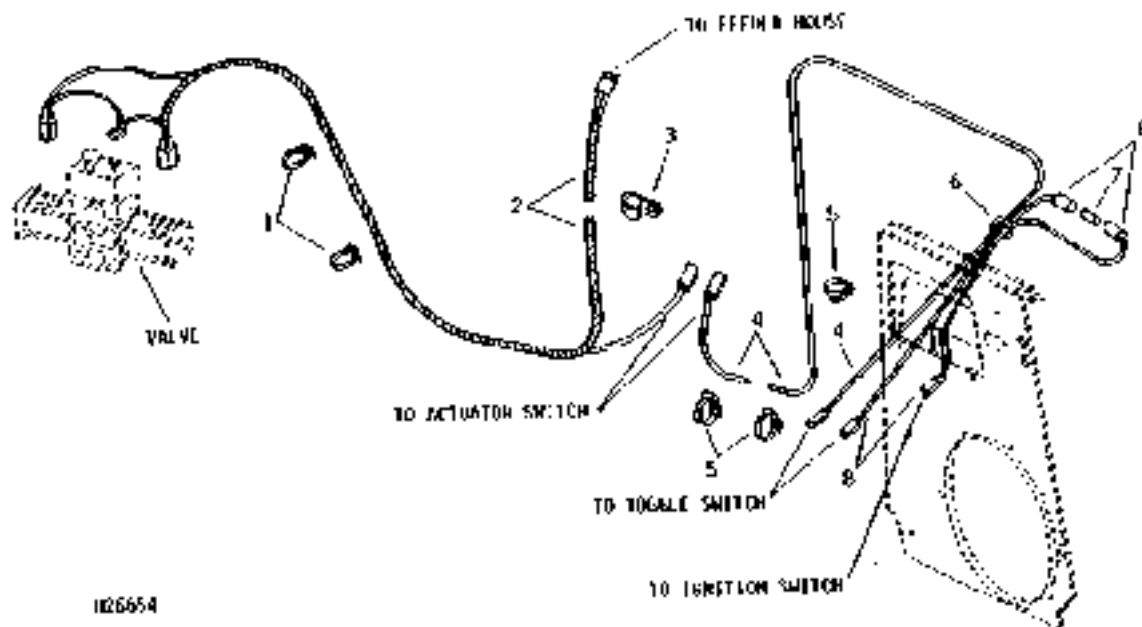
KEY	PART NO.	PART NAME	QTY	SERIAL NO.	REMARKS
1	H94623	HOOK	2		
2	24H1136	WASHER	2		11/32" X 11/16" X 0.065"
3	14H850	NUT	1		1/4"
	12H302	LOCK WASHER	1		1/4"
4	H88984	ARM	1		
5	17047	SPRING	1		
6	H88985	PLATE	1		
7	AH78765	BRAKE SWITCH	1		
8	H100122	BOLT	1		
9	H89514	STOP	1		
10	H89515	WASHER	1		
11	H89870	STOP	1		
12	AH90798	LINK CHAIN	1		
13	H89522	CONDUIT	1		

2K13

HEADER HEIGHT CONTROL

**WIRING HARNESS
(AUTOMATIC HEADER HEIGHT CONTROL)
(SERIAL NO. -500000)**

H26654 -UN-01JAN94



H26654

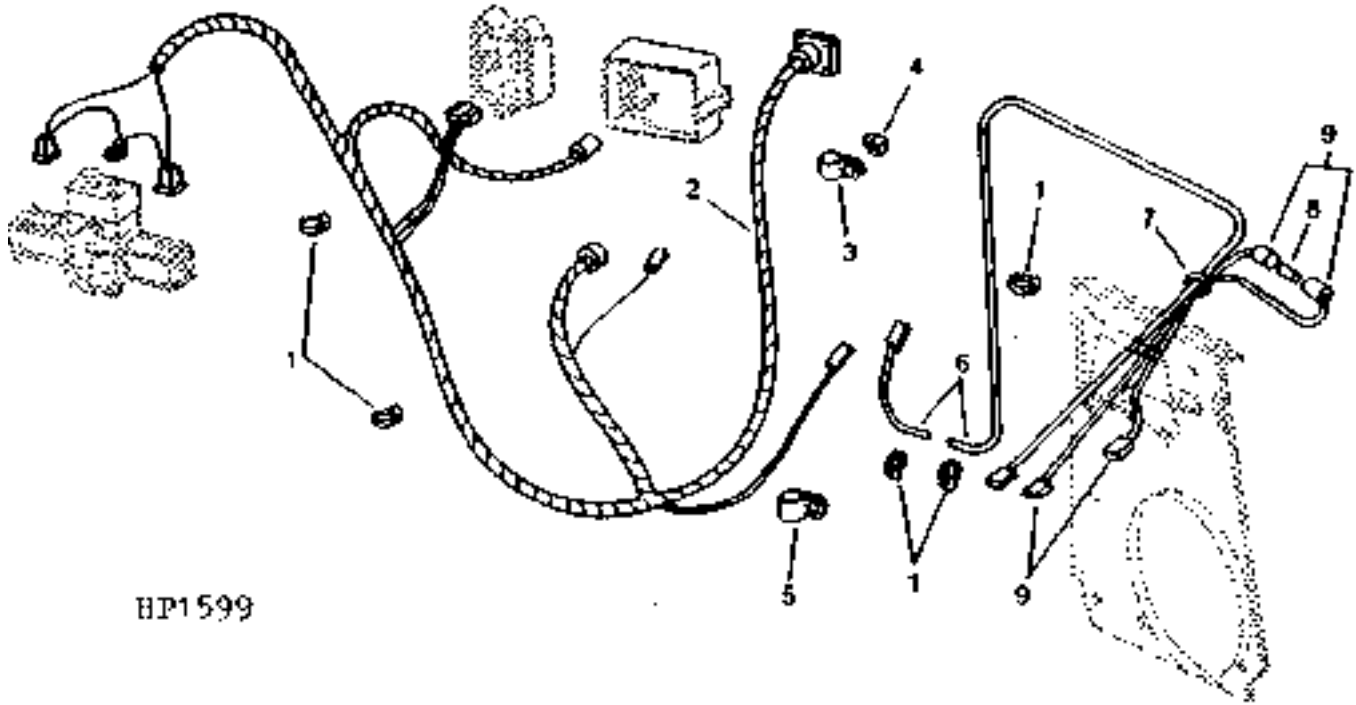
KEY	PART NO.	PART NAME	QTY	SERIAL NO.	REMARKS
1	H77698	TIE BAND	2		
2	AH89560	WIRING HARNESS	1		
3	AH89557	CLIP	3		
4	AH89562	WIRING HARNESS	1		
5	R44302	TIE BAND	3		
6	R1134R	EYELET	1		
7	AH80089	FUSE	1		
8	AH89563	WIRING HARNESS	1	(WITH FUSE)	

2K14

HEADER HEIGHT CONTROL

**WIRING HARNESS
(DIAL-A-MATIC HEADER HEIGHT CONTROL)
(SERIAL NO. 500001-)**

HP1599 -UN-01JAN94



HP1599

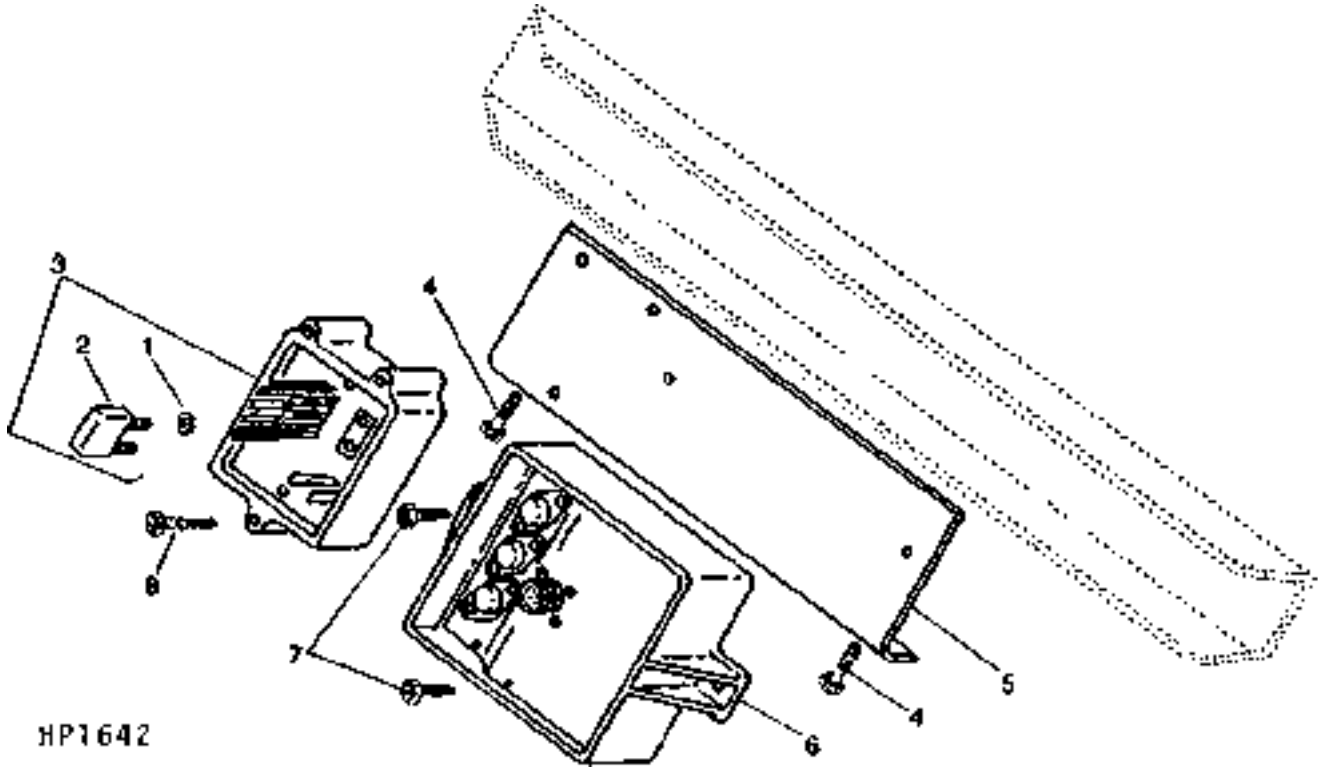
KEY	PART NO.	PART NAME	QTY	SERIAL NO.	REMARKS
1	M66044	TIE BAND	6		
2	AH109588	WIRING HARNESS	1		
3	AH89557	CLIP	2		
4	14H785	NUT	2	5/16"	
5	R41465	CLAMP	1		
6	AH109602	WIRING LEAD	1		
7	R1134R	EYELET	1		
8	AH80089	FUSE	1		
9	AH89563	WIRING HARNESS	1	(WITH FUSE)	

2K15

HEADER HEIGHT CONTROL

AMPLIFIER AND CIRCUIT BOX
DIAL-A-MATIC HEADER HEIGHT CONTROL
(SERIAL NO. 500001-)

HP1642 -UN-01JAN94



KEY	PART NO.	PART NAME	QTY	SERIAL NO.	REMARKS
1	12H295	LOCK WASHER	2	0.190"	
	14H631	NUT	2	0.190"	
2	AR56671	CIRCUIT BREAKER	1		
3	AH108414	PRINTED CIRCUIT	1		
4	H89266	SCREW	2		
5	H111374	BRACKET	1		
6	AH108742	CONTROL	1	-500372	(SUB AH111485)
	AH111485	CONTROL	1		
7	37H24	SCREW	2	1/4" X 3/4"	
8	37H117	SCREW	3	NO. 10 X 1-1/4"	

MEMORANDA

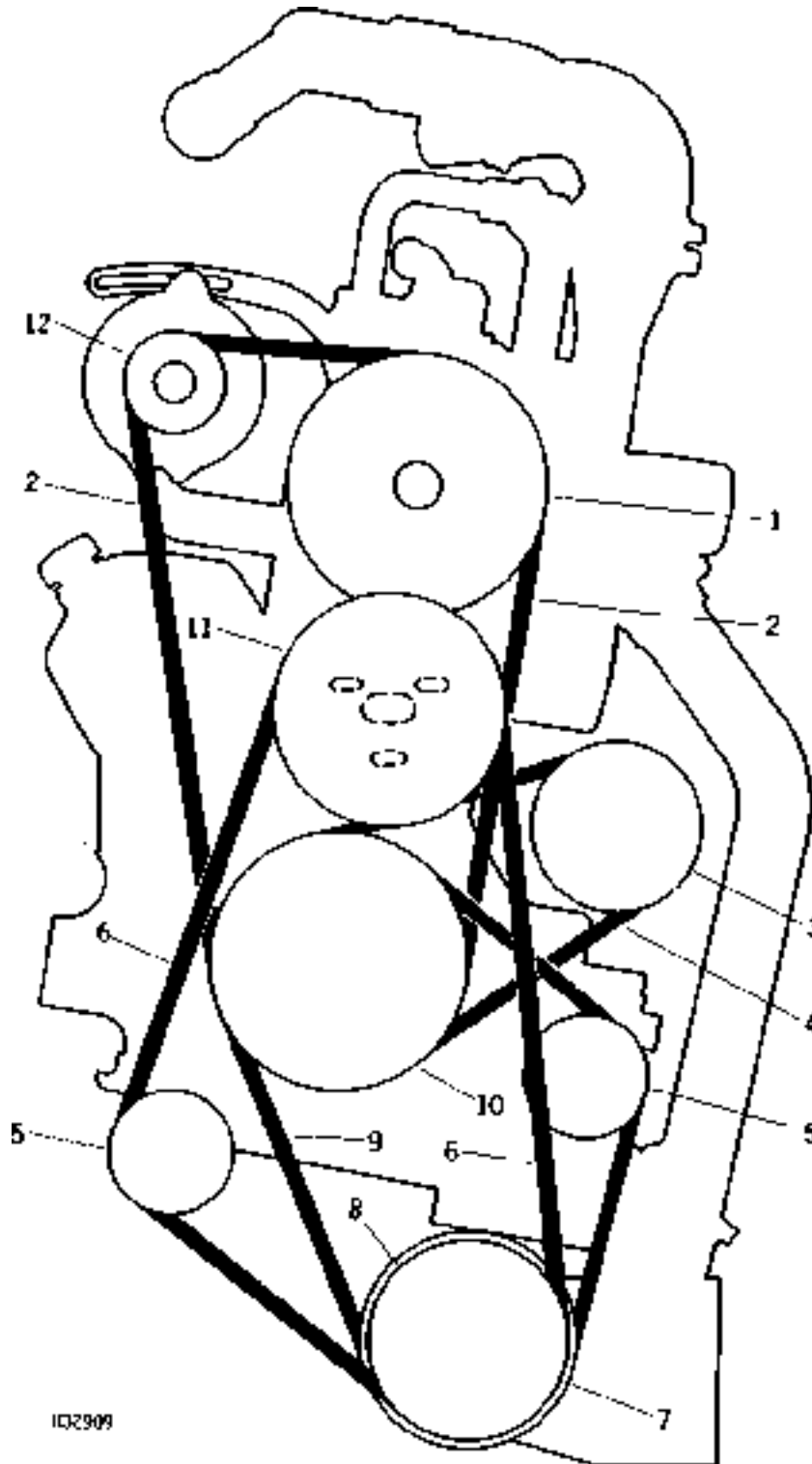
MEMORANDA

3A20

ENGINE RIGHT-HAND SIDE-BELT, SHEAVES, AND TIGHTENERS

H32909

-UN-01JAN94



102909

3A21

DECALS, BELTS, AND CHAINS

ENGINE RIGHT-HAND SIDE-BELT, SHEAVES, AND TIGHTENERS - CONTINUED

KEY	PART NO.	PART NAME	QTY	SERIAL NO.	REMARKS
1	AR40148	PULLEY	1		DRIVEN, WATER PUMP, 124 MM (4-7/8") DIA.
2	H82724	BELT	1	-550000	ALTERNATOR AND WATER PUMP
	H101813	BELT	1	550001-	ALTERNATOR AND WATER PUMP
3	AH85846	SHEAVE	1		DRIVEN, AIR COMPRESSOR, 152 MM (6")
4	H86275	BELT	1		COMPRESSOR, AIR CONDITIONER
5	AH77172	IDLER	2		TIGHTENER, ENGINE FAN AND ROTARY SCREEN DRIVE SHAFT, AND ENGINE FAN, 102 MM (4") DIA.
6	H86271	BELT	1		ENGINE FAN (CAB WITHOUT AIR CONDITIONER)
	H94373	BELT	1		ENGINE FAN (CAB WITH AIR CONDITIONER)
7	H86262	SHEAVE	1		DRIVEN, ENGINE FAN AND ROTARY SCREEN DRIVE SHAFT, 181 MM (7-1/8") DIA.
8	H86260	SHEAVE	1		DRIVE, ENGINE FAN, 168 MM (6-5/8") DIA. (CAB WITHOUT AIR CONDITIONER)
	H86262	SHEAVE	1		181 MM (7-1/8") DIA. (CAB WITH AIR CONDITIONER)
9	H86275	BELT	1		ENGINE FAN AND ROTARY SCREEN DRIVE SHAFT
10	R56788	SHEAVE	1		DRIVE, ENGINE FAN AND ROTARY SCREEN DRIVE SHAFT, WATER PUMP, AND ALTERNATOR, 165 MM (6-1/2") DIA.
11	AH85041	SHEAVE	1		DRIVEN, ENGINE FAN, 196 MM (7-23/32") DIA.
12	H93619	PULLEY	1		DRIVEN, ALTERNATOR, 76 MM (3") DIA.

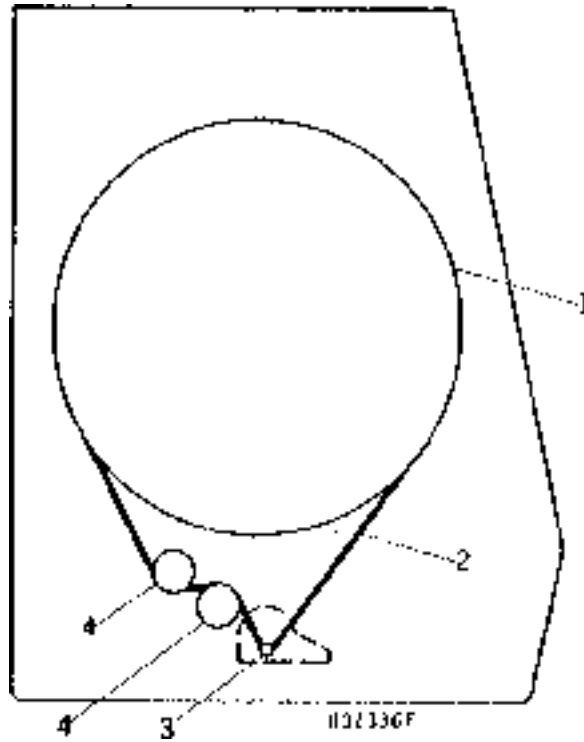
MEMORANDA

3A22

DECALS, BELTS, AND CHAINS

H32336F -UN-01JAN94

ROTARY SCREEN DISK, BELT, AND TIGHTENERS



KEY	PART NO.	PART NAME	QTY	SERIAL NO.	REMARKS
1	AH95373	SCREEN	1		
2	H86259	BELT	1		
3	H96509	SHEAVE	1		DRIVE, GROOVED, 29 MM (1-1/8") DIA.
4	AH87929	SHEAVE	2		78 MM (3-1/16") DIA.

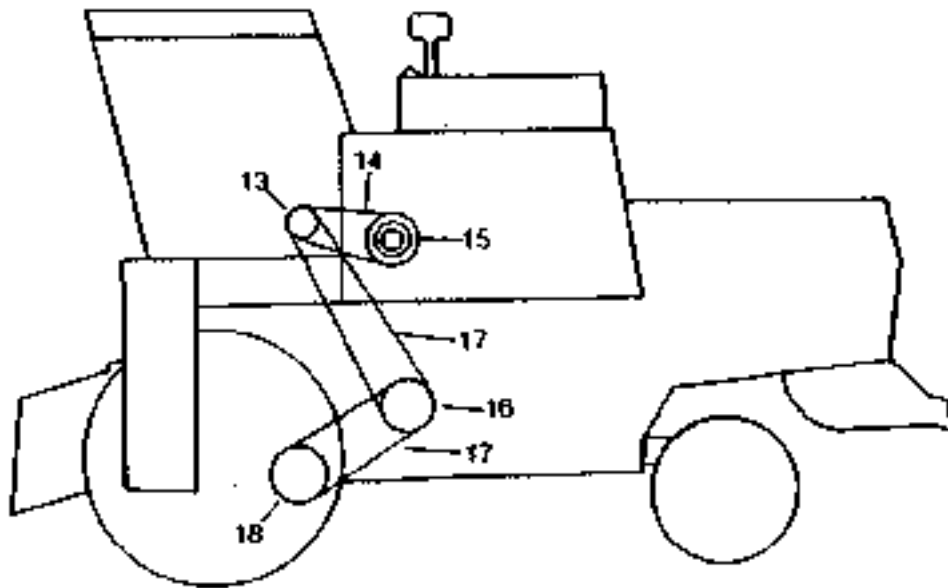
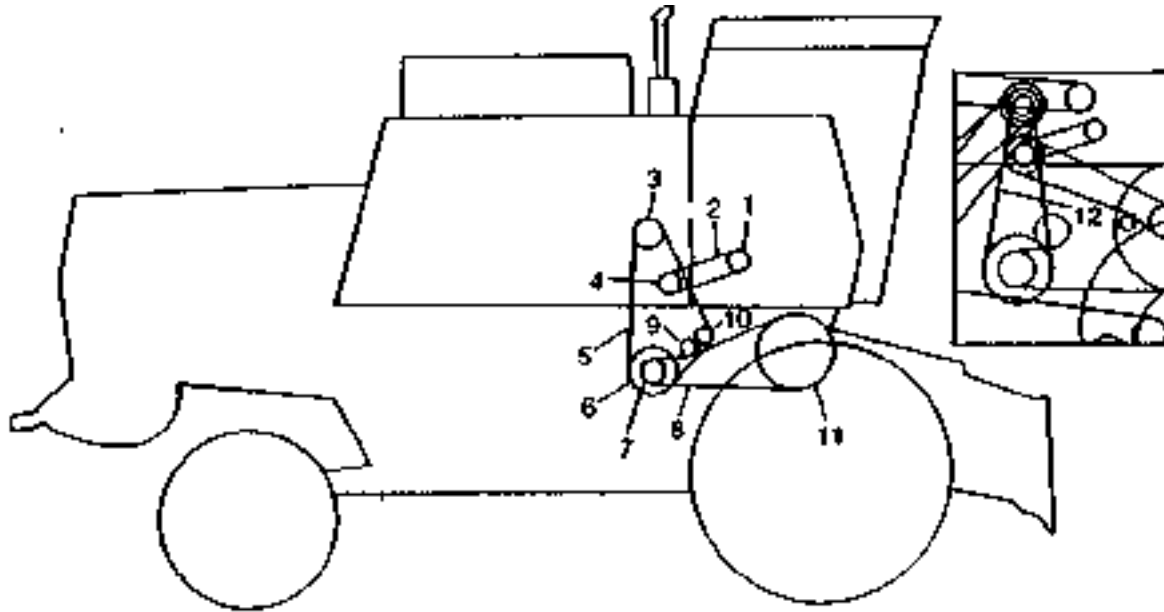
3A23

DECALS, BELTS, AND CHAINS

PRIMARY COUNTERSHAFT, BELTS, SHEAVES, SPROCKETS, CHAIN, AND TIGHTENERS

HP1959

-UN-01JAN94



HP1959

**PRIMARY COUNTERSHAFT, BELTS, SHEAVES, SPROCKETS, CHAIN, AND TIGHTENERS
--CONTINUED**

KEY	PART NO.	PART NAME	QTY	SERIAL NO.	REMARKS
1	H100585	SHEAVE	1		DRIVEN, CYLINDER TACHOMETER, 76 MM (3") DIA.
2	H83078	O-RING	1		CYLINDER, TACHOMETER
3	AH84845	SHEAVE	1		SLIDING, PRIMARY COUNTERSHAFT CYLINDER DRIVE, 356 MM (14") DIA. (MARKED H75008)
	AH84885	SHEAVE	1		FIXED, PRIMARY COUNTERSHAFT CYLINDER DRIVE, 356 MM (14-1/32") DIA. (MARKED H84417)
	H85441	CHAIN SPROCKET	1		DRIVE, INTERMEDIATE CYLINDER, 21 TEETH (SLOW SPEED) (153 RPM)
	H85442	CHAIN SPROCKET	1		DRIVE, INTERMEDIATE CYLINDER, 25 TEETH (SLOW SPEED) (182 RPM)
4	H97481	SHEAVE	1		DRIVE, CYLINDER TACHOMETER, 76 MM (3") DIA.
5	H75816	BELT	1		CYLINDER INTERMEDIATE SHAFT
6	AH75294	SHEAVE	1		SLIDING, DRIVEN, INTERMEDIATE CYLINDER, 356 MM (14-1/32") DIA.
	AH75293	SHEAVE	1		FIXED, DRIVEN, INTERMEDIATE CYLINDER, 356 MM (14-1/32") DIA.
	H85448	CHAIN SPROCKET	1		DRIVEN, INTERMEDIATE CYLINDER, 77 TEETH (SLOW SPEED)
7	H79647	SHEAVE	1		DRIVE, CYLINDER, 215 MM (8-29/64") DIA. (HIGH SPEED)
	H79646	SHEAVE	1		DRIVE, CYLINDER, 174 MM (6-55/64") DIA. (SLOW SPEED)
8	AH80500	BELT SET	1		CYLINDER (MATCHED SET OF THREE)
9	AH86835	SHEAVE	1		TIGHTENER, CYLINDER DRIVE, 165 MM (6-1/2") DIA.
10	AH86839	IDLER	1		TIGHTENER, INTERMEDIATE CYLINDER DRIVE, 165 MM (6-1/2") DIA.
11	H84542	SHEAVE	1		DRIVEN, CYLINDER, 467 MM (18-25/64") DIA.
12	LINK CHAIN	1		DRIVE, ROLLER, TYPE 50-2, 16 MM (5/8") DOUBLE WIDTH, 126 LINKS (INTERMEDIATE SHAFT) (ASSEMBLE WITH 124 LINKS FROM AH66615 AND (2) AP15291) (SLOW SPEED CYLINDER DRIVE)
13	H84106	SHEAVE	1		ENGINE, POWERSHAFT, 227 MM, 232 MM, AND 181 MM (8-15/16", 9-1/8", AND 7-1/8") DIAS.
14	AH98052	BELT SET	1		PRIMARY COUNTERSHAFT (MATCHED PAIR)
15	H96848	SHEAVE	1		402 MM (15-53/64") DIA.
16	H75855	SHEAVE	2	-500209	HALF, PROPULSION COUNTERSHAFT, 397 MM (15-5/8") DIA. (SUB H112547)
	H112547	SHEAVE	2		HALF, PROPULSION COUNTERSHAFT, 397 MM (15-5/8") DIA.
	AH85700	CENTER SHEAVE	1		CENTER, PROPULSION COUNTERSHAFT, 397 MM (15-5/8") DIA.
17	H75847	BELT	2		PROPULSION (BELT DRIVE)
18	H75833	SHEAVE	1		DRIVEN, LOWER PROPULSION, 356 MM (14") DIA.

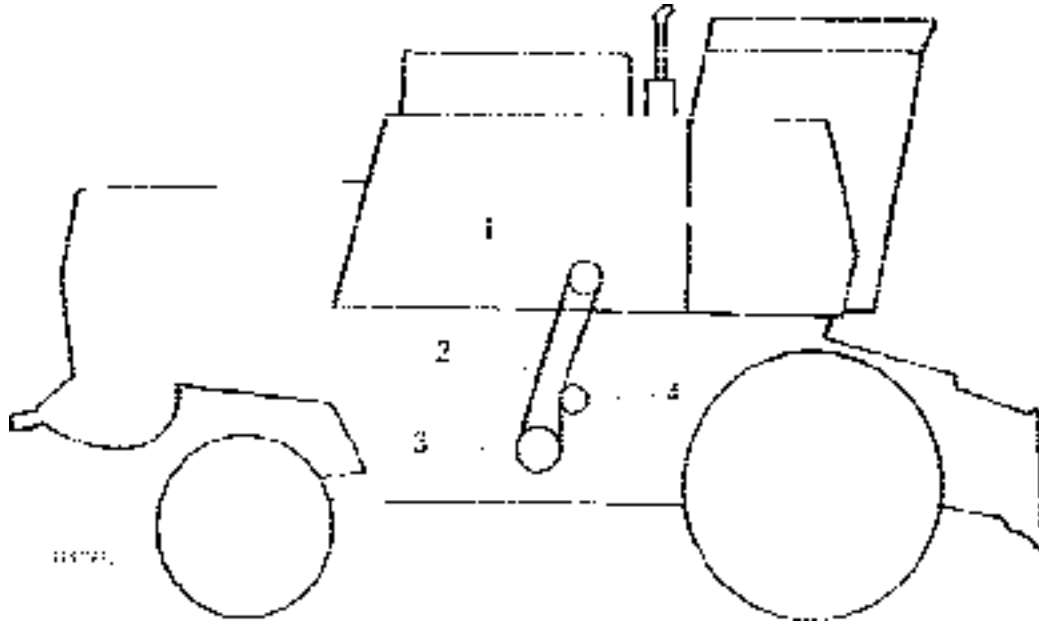
MEMORANDA

3A25

DECALS, BELTS, AND CHAINS

H32912 -UN-01JAN94

SECONDARY COUNTERSHAFT SHEAVES AND BELT



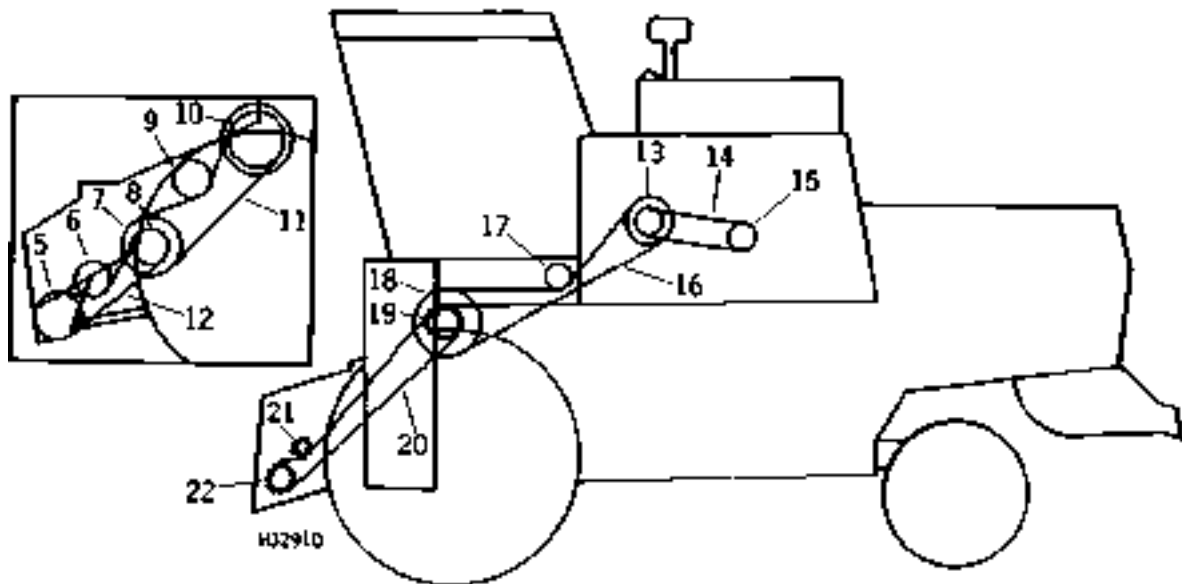
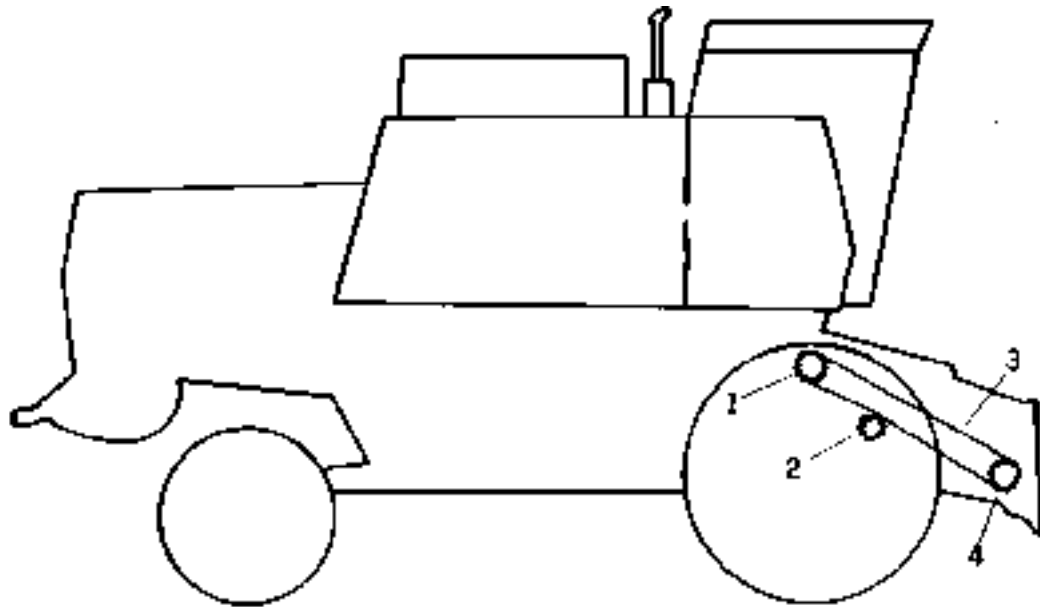
KEY	PART NO.	PART NAME	QTY	SERIAL NO.	REMARKS
1	H84103	SHEAVE	1		DRIVE, PRIMARY COUNTERSHAFT AND FRONT STRAW CHOPPER, 185 MM AND 279 MM (7-9/32" AND 11") DIAS.
2	H80103	BELT	1		SECONDARY COUNTERSHAFT
3	AH76140	SHEAVE	1		DRIVEN, SECONDARY COUNTERSHAFT, 502 MM (19-3/4") DIA.
4	AH85276	PULLEY	1		TIGHTENER, SECONDARY COUNTERSHAFT DRIVE, 229 MM (9") DIA.

3B1

FEEDER HOUSE DRIVE SHEAVES, SPROCKETS, BELTS, AND CHAINS

H32910

-UN-01JAN94



H32910

3B2

DECALS, BELTS, AND CHAINS

FEEDER HOUSE DRIVE SHEAVES, SPROCKETS, BELTS, AND CHAINS - CONTINUED

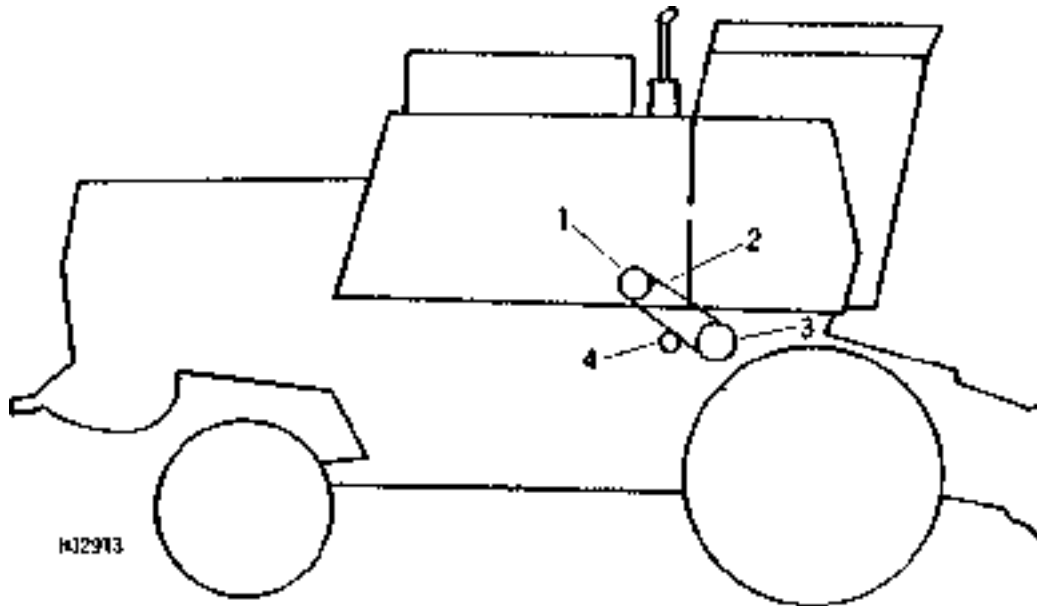
KEY	PART NO.	PART NAME	QTY	SERIAL NO.	REMARKS
1	H80845	CHAIN SPROCKET	1		DRIVEN, FEEDER CONVEYOR, 35 TEETH
2	AH98176	CHAIN SPROCKET	1		TIGHTENER, FEEDER CONVEYOR DRIVE, 17 TEETH
3	LINK CHAIN	1		DRIVE, ROLLER, TYPE 50, 16 MM (5/8") PITCH, 225 LINKS (FEEDER CONVEYOR) (ASSEMBLE FROM (4) AP6093H AND AP6094H)
4	AH101146	CHAIN SPROCKET	1		DRIVE, FEEDER CONVEYOR, 18 AND 29 TEETH
5	H76851	SHEAVE	1		DRIVEN, PLATFORM AND FEEDER HOUSE VARIABLE BELT LOWER, 298 MM (11-3/8") DIA. (LONG FEEDER HOUSE)
6	AH86835	SHEAVE	1		TIGHTENER, PLATFORM AND FEEDER HOUSE VARIABLE DRIVE LOWER BELT, 165 MM (6-1/2") DIA.
7	AH84613	SHEAVE	1		OUTER, 377 MM (14-55/64") DIA., WITH BUSHINGS AND SNAP RING, (MARKED H84201)
	AH83817	SHEAVE	1		OUTER, 377 MM (14-55/64") DIA., WITH BUSHINGS AND SNAP RING, (MARKED H83722)
8	H76848	SHEAVE	1		DRIVE, PLATFORM AND FEEDER HOUSE VARIABLE BELT MIDDLE, 216 MM (8-1/2") DIA.
9	AH85276	PULLEY	1		TIGHTENER, PLATFORM AND FEEDER HOUSE VARIABLE DRIVE MIDDLE BELT, 229 MM (9") DIA.
10	AH83815	SHEAVE	1		INNER, 437 MM (17-3/16") DIA., WITH DRIVE PINS, (MARKED H83720)
	AH84613	SHEAVE	1		OUTER, 377 MM (14-55/64") DIA., WITH BUSHINGS AND SNAP RING, (MARKED H84201)
11	P46553	BELT	1		PLATFORM AND CORN HEAD MIDDLE VARIABLE
12	AH87197	BELT SET	1		PLATFORM AND CORN HEAD LOWER VARIABLE (MATCHED SET OF 3)
	AH76154	BELT SET	1		PLATFORM, RICE, GRAIN, CORN FEEDER HOUSE LOWER VARIABLE (MATCHED SET OF 3) (LONG FEEDER HOUSE)
13	H77392	SHEAVE	1		DRIVE, PLATFORM AND FEEDER HOUSE AND HYDROSTATIC DRIVE REEL PUMP, 229 MM (9") DIA. (WITHOUT ELECTROMAGNETIC CLUTCH)
	AH96107	SHEAVE	1		DRIVE, PLATFORM AND FEEDER HOUSE AND HYDROSTATIC DRIVE REEL PUMP, 229 MM (9") DIA. (WITH ELECTROMAGNETIC CLUTCH) (MARKED H97311)
14	H77683	BELT	1		HYDROSTATIC REEL PUMP
15	AH83518	SHEAVE	1		DRIVEN, HYDROSTATIC DRIVE REEL PUMP, 178 MM (7") DIA.
16	H76028	BELT	1		PLATFORM AND FEEDER HOUSE UPPER
17	AH85276	PULLEY	1		TIGHTENER, PLATFORM AND FEEDER HOUSE UPPER DRIVE, 229 MM (9") DIA.
18	AH75979	SHEAVE	1		DRIVEN, PLATFORM AND FEEDER HOUSE UPPER CHAIN, 440 MM (17-5/16") DIA.
19	H77967	CHAIN SPROCKET	1		DRIVE, PLATFORM AND FEEDER HOUSE LOWER CHAIN, 18 TEETH
20	LINK CHAIN	1		DRIVE, ROLLER, TYPE 80, 25 MM (1") PITCH, 146 LINKS (PLATFORM AND CORN HEAD) (ASSEMBLE FROM (2) AJ2765H, AJ2766H, (2) AJ2767H AND J4217H)
21	AH20447	CHAIN SPROCKET	1		TIGHTENER, PLATFORM AND FEEDER HOUSE CHAIN DRIVE, 12 TEETH
22	H77951	CHAIN SPROCKET	1		DRIVEN, PLATFORM AND FEEDER HOUSE CHAIN, 29 TEETH
	H77950	CHAIN SPROCKET	1		DRIVEN, PLATFORM AND FEEDER HOUSE CHAIN, 18 TEETH
	H77979	CHAIN SPROCKET	1		DRIVE, FEEDER CONVEYOR, 22 TEETH

3B3

DECALS, BELTS, AND CHAINS

H32913 -UN-01JAN94

BEATER DRIVE SHEAVES AND BELTS



KEY	PART NO.	PART NAME	QTY	SERIAL NO.	REMARKS
1	AH87155	SHEAVE	1		DRIVEN, BEATER, 229 MM (9") DIA. (100 PER CENT BEATER SPEED)
	AH100302	SHEAVE	1		DRIVEN, BEATER, 178 MM (7") DIA. (150 PER CENT BEATER SPEED)
2	H86039	BELT	1		BEATER (100 PER CENT BEATER SPEED)
	H101352	BELT	1		BEATER (150 PER CENT BEATER SPEED)
3	AH80755	SHEAVE	1		DRIVE, BEATER, 229 MM (9") DIA. (100 PER CENT BEATER SPEED)
	AH100303	SHEAVE	1		DRIVE, BEATER, 254 MM (10") DIA. (150 PER CENT BEATER SPEED)
4	AH80757	SHEAVE	1		BEATER DRIVE, 140 MM (5-1/2") DIA.

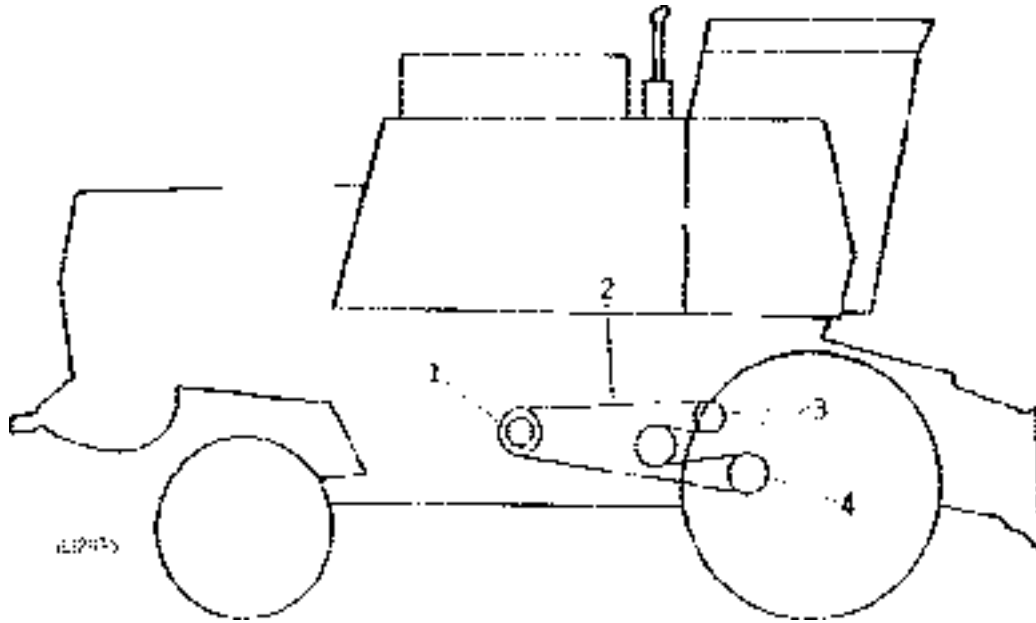
3B4

DECALS, BELTS, AND CHAINS

H32915

-UN-01JAN94

SHOE GRAIN SUPPLY AUGERS DRIVE SHEAVES AND BELT



KEY	PART NO.	PART NAME	QTY	SERIAL NO.	REMARKS
1	H77263	SHEAVE	1		DRIVE, TAILINGS AUGER AND SHOE GRAIN SUPPLY AUGERS, 162 MM AND 184 MM (6-3/8" AND 7-1/4") DIAS.
2	H79285	BELT	1		SHOE GRAIN SUPPLY AUGERS
3	AH14097	SHEAVE	2		TIGHTENER, SHOE GRAIN SUPPLY AUGERS DRIVE, 178 MM (7") DIA.
4	H83081	SHEAVE	1		DRIVEN, SHOE GRAIN SUPPLY AUGERS, 241 MM (9-1/2") DIA.

MEMORANDA

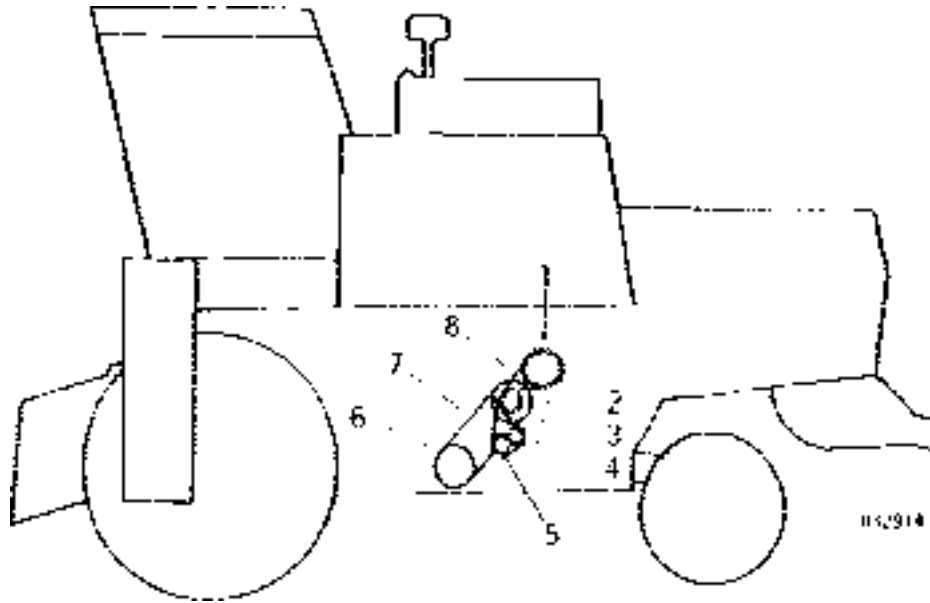
3B5

DECALS, BELTS, AND CHAINS

CLEANING FAN, CLEANING SHOE, AND STRAW WALKER DRIVES

H32914

-UN-01JAN94



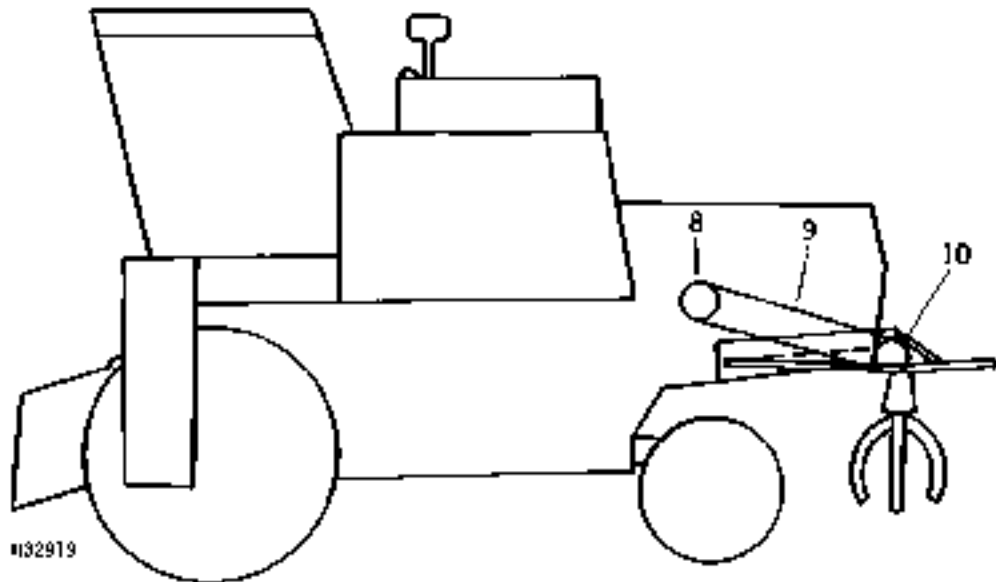
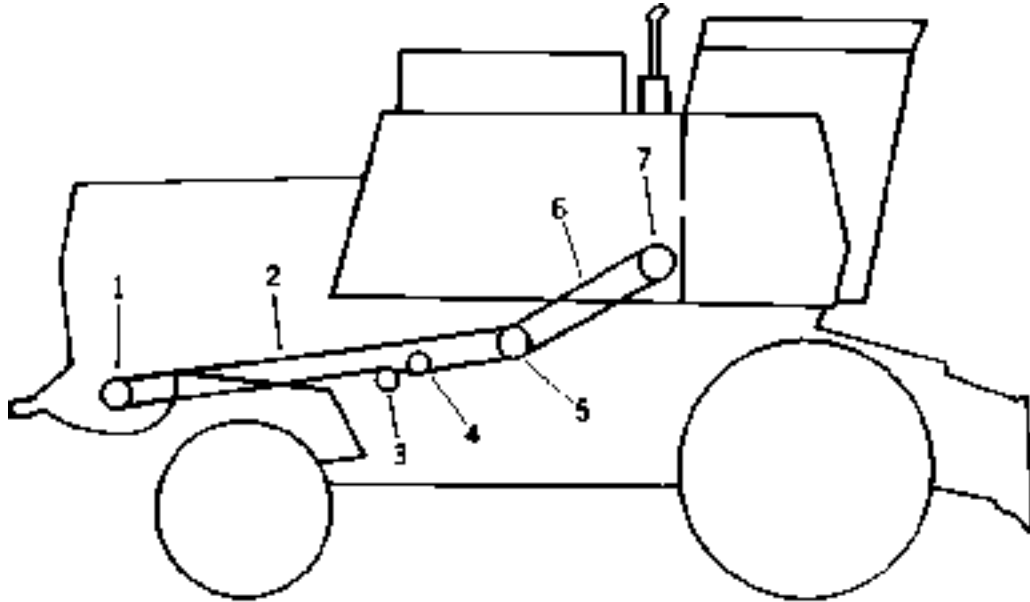
KEY	PART NO.	PART NAME	QTY	SERIAL NO.	REMARKS
1	H76434	CHAIN SPROCKET	1		DRIVE, STRAW WALKER, 49 TEETH
2	AH84242	CHAIN SPROCKET	1		DRIVE, SHOE AND STRAW WALKER, 15 TEETH
3	AH100010	SHEAVE	1		SLIDING, DRIVEN, CLEANING FAN, 256 MM (10-1/16") DIA. (MARKED H100794)
	H80724	HALF SHEAVE	1		FIXED, DRIVE, CLEANING FAN, 256 MM (10-1/16") DIA.
4	AH21440	CHAIN SPROCKET	1		TIGHTENER, SHOE AND STRAW WALKER DRIVE, 17 TEETH
5	H78523	CHAIN SPROCKET	1		DRIVEN, SHOE PITMAN, 27 TEETH
6	H97703	SHEAVE	1		FIXED, DRIVEN, CLEANING FAN, 213 MM (8-3/8") DIA.
	AH100009	SHEAVE	1		SLIDING, DRIVEN, CLEANING FAN, 213 MM (8-3/8") DIA. (MARKED H100793)
7	H80726	BELT	1		CLEANING FAN
8	LINK CHAIN	1		DRIVE, ROLLER, TYPE 50, 16 MM (5/8") PITCH, 136 LINKS (SHOE AND STRAW WALKER) (ASSEMBLE FROM (2) AP6093H, AP6094H, AP6095H AND P20352)

3B6

H32919

-UN-01JAN94

STRAW CHOPPER AND STRAW SPREADER DRIVES



#132919

3B7

DECALS, BELTS, AND CHAINS

STRAW CHOPPER AND STRAW SPREADER DRIVES - CONTINUED

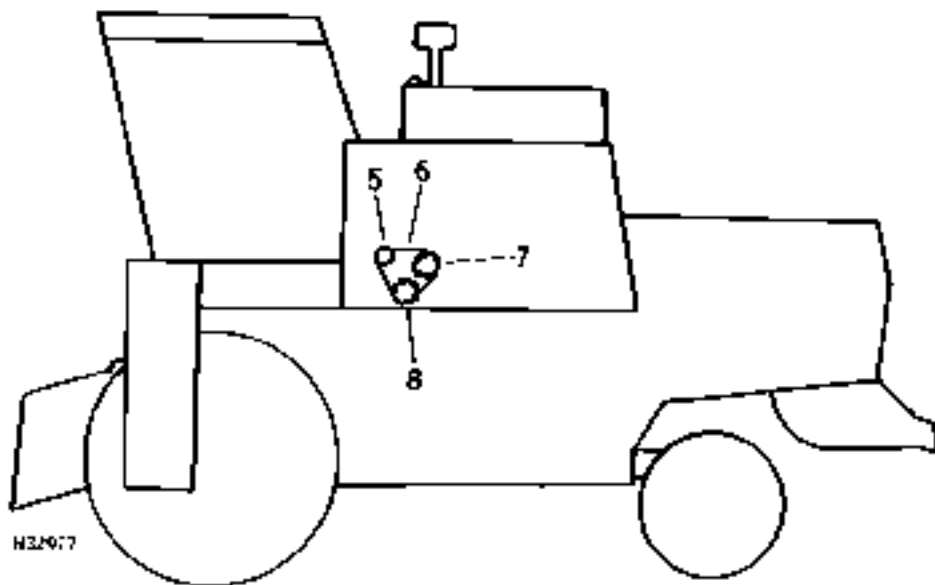
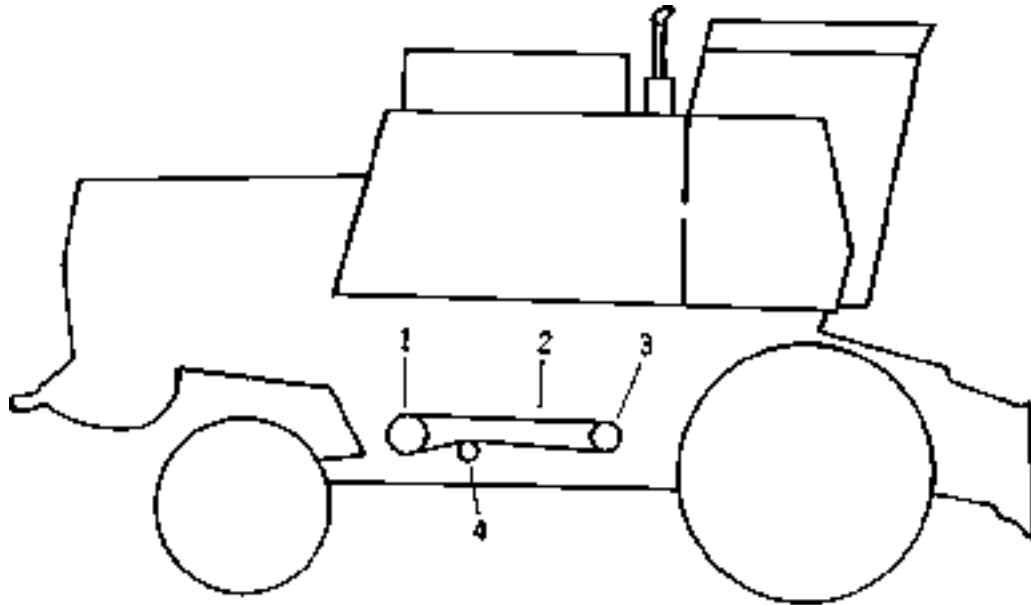
KEY	PART NO.	PART NAME	QTY	SERIAL NO.	REMARKS
1	AH90273	SHEAVE	1		DRIVEN, STRAW CHOPPER, 187 MM (7-3/8") DIA.
2	H79787	BELT	1		REAR STRAW CHOPPER
3	AH85276	PULLEY	1		IDLER, STRAW CHOPPER DRIVE, 229 MM (9") DIA.
4	AN15237	IDLER	1		IDLER, STRAW CHOPPER DRIVE, 186 MM (7-5/16") DIA.
5	AH90633	SHEAVE	1		TIGHTENER, STRAW CHOPPER DRIVE, 238 MM (9-3/8") DIA.
6	H20407	BELT	1		FRONT STRAW CHOPPER
7	H84103	SHEAVE	1		DRIVE, PRIMARY COUNTERSHAFT AND FRONT STRAW CHOPPER, 185 MM AND 279 MM (7-9/32" AND 11") DIAS.
8	AH75982	SHEAVE	1		DRIVE, STRAW SPREADER, 238 MM (9-3/8") DIA.
9	H80159	BELT	1		STRAW SPREADER
10	AH75981	SHEAVE	1	-600010	(SUB AH108938)
	AH108938	SHEAVE	1		DRIVEN, STRAW SPREADER, 149 MM (5-7/8") DIA.

3B8

TAILINGS ELEVATOR AND AUGER DRIVE SHEAVES AND SPROCKETS

H32917

-UN-01JAN94



H32917

3B9

DECALS, BELTS, AND CHAINS

TAILINGS ELEVATOR AND AUGER DRIVE SHEAVES AND SPROCKETS - CONTINUED

KEY	PART NO.	PART NAME	QTY	SERIAL NO.	REMARKS
1	AH75988	SHEAVE	1		DRIVEN, LOWER TAILINGS AUGER, 299 MM (11-3/4") DIA.
2	H79917	BELT	1		TAILINGS LOWER AUGER
3	H77263	SHEAVE	1		DRIVE, TAILINGS AUGER AND SHOE GRAIN SUPPLY AUGERS, 162 MM AND 184 MM (6-3/8" AND 7-1/4") DIAS.
4	AH14097	SHEAVE	1		TIGHTENER, TAILINGS LOWER AUGER DRIVE, 178 MM (7") DIA.
5	P47883	TIGHTENER	1		TIGHTENER, TAILINGS UPPER AUGER DRIVE
6	LINK CHAIN	1		DRIVE, ROLLER, TYPE 2040, 25 MM (1") PITCH, 30 LINKS (TAILINGS UPPER AUGER) (ASSEMBLE FROM (3) AP19997)
7	H78297	CHAIN SPROCKET	1		DRIVE, UPPER TAILINGS AUGER, 14 TEETH
8	PK1613H	CHAIN SPROCKET	1		DRIVEN, UPPER TAILINGS AUGER, 12 TEETH

MEMORANDA

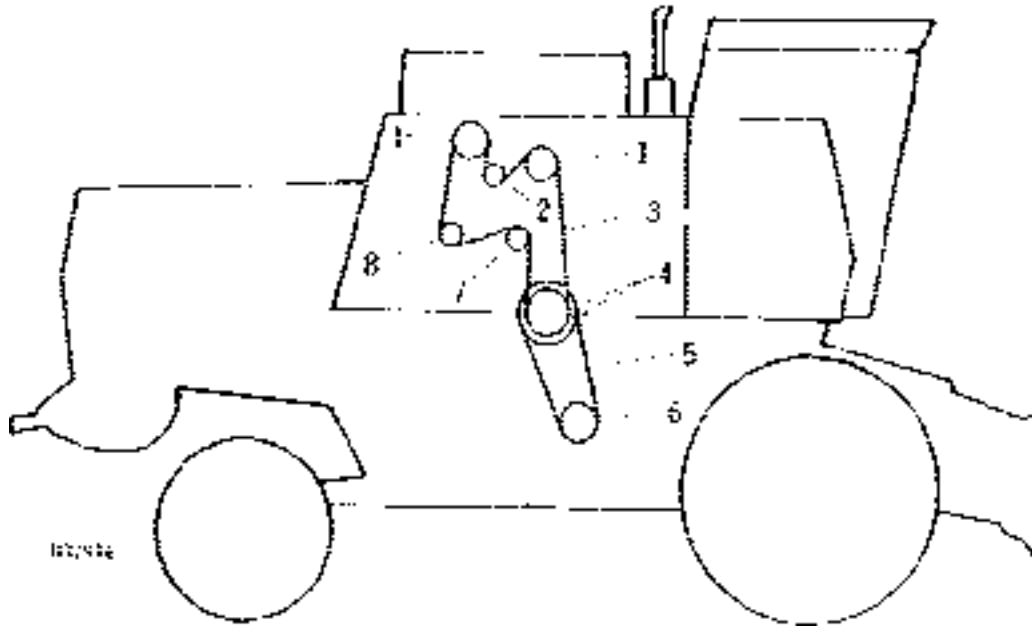
3B10

DECALS, BELTS, AND CHAINS

CLEAN GRAIN ELEVATOR AND LOADING AUGER DRIVE SHEAVES AND BELTS

H32916

-UN-01JAN94



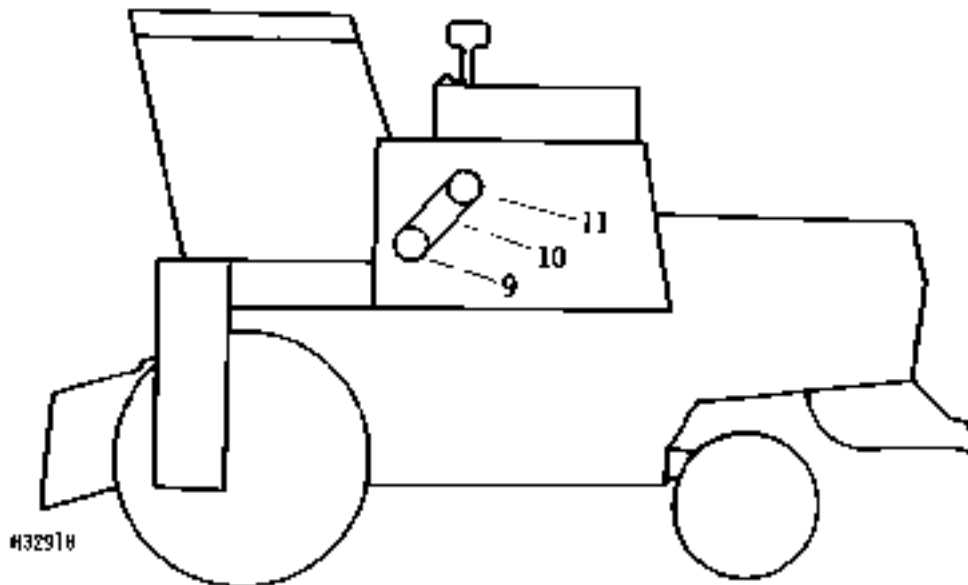
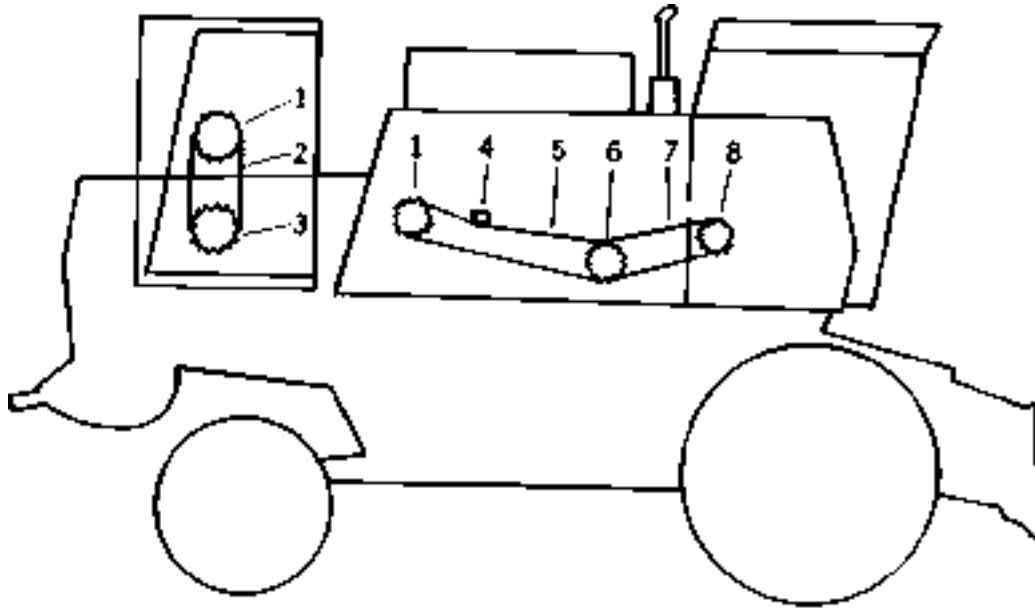
KEY	PART NO.	PART NAME	QTY	SERIAL NO.	REMARKS
1	AH75987	PULLEY	2		DRIVEN, CLEAN GRAIN ELEVATOR, 299 MM (11-3/4") DIA.
2	AH85276	PULLEY	1		TIGHTENER, CLEAN GRAIN ELEVATOR, 229 MM (9") DIA.
3	H81222	BELT	1		CLEAN GRAIN ELEVATOR
4	AH75980	SHEAVE	2		DRIVE, CLEAN GRAIN ELEVATOR; DRIVEN, CLEAN GRAIN ELEVATOR COUNTERSHAFT, 222 MM (8-3/4") DIA.
5	H23817	BELT	1		CLEAN GRAIN ELEVATOR COUNTERSHAFT
6	AH75980	SHEAVE	1		DRIVE, CLEAN GRAIN ELEVATOR COUNTERSHAFT, 222 MM (8-3/4") DIA.
7	AH14097	SHEAVE	1		TIGHTENER, CLEAN GRAIN ELEVATOR DRIVE, 178 MM (7") DIA.
8	AH65015	SHEAVE	1		TIGHTENER, CLEAN GRAIN ELEVATOR DRIVE, 133 MM (5-1/4") DIA.

3B11

H32918

-UN-01JAN94

UNLOADING AUGER DRIVES



#163218

3B12

DECALS, BELTS, AND CHAINS

UNLOADING AUGER DRIVES - CONTINUED

KEY	PART NO.	PART NAME	QTY	SERIAL NO.	REMARKS
1	H83746	CHAIN SPROCKET	1		DRIVEN, AUXILIARY UNLOADING AUGERS, 22 TEETH DRIVE, ROLLER, TYPE A2040, 25 MM (1") DOUBLE PITCH, 44 LINKS (AUXILIARY UNLOADING AUGER HYDRAULIC DRIVE) (ASSEMBLE FROM (4) AP19997, (2) AP19994 AND (2) AP19993)
2	LINK CHAIN	1		
3	H83746	CHAIN SPROCKET	1		DRIVE, AUXILIARY UNLOADING AUGER HYDRAULIC DRIVE, 22 TEETH
4	H25393	TIGHTENER	1		TIGHTENER, AUXILIARY UNLOADING AUGER DRIVE DRIVE, ROLLER, TYPE A2040, 25 MM (1") DOUBLE PITCH, 99 LINKS (AUXILIARY UNLOADING AUGERS) (ASSEMBLE FROM (2) AP19993, (2) AP19994, (2) AP19997, AP19998 AND AP19999)
5	LINK CHAIN	1		
6	H76958	CHAIN SPROCKET	1		DRIVE AND DRIVEN, INNER UNLOADING AUGER, 60 TEETH DRIVE, ROLLER, TYPE 50, 16 MM (5/8") PITCH, 120 LINKS (UNLOADING AUGER) (ASSEMBLE FROM (2) AP6093H AND (2) AP6095H)
7	LINK CHAIN	1		
8	AH84244	DRIVE SPROCKET	1		DRIVE, INNER UNLOADING, 18 TEETH
9	H84106	SHEAVE	1		ENGINE, POWERSHAFT, 227 MM, 232 MM, AND 181 MM (8-15/16", 9-1/8", AND 7-1/8") DIAS.
10	H76136	BELT	1		UNLOADING AUGER COUNTERSHAFT
11	AH75984	PULLEY	1		DRIVEN, UNLOADING AUGER COUNTERSHAFT, 245 MM (9-5/8") DIA.

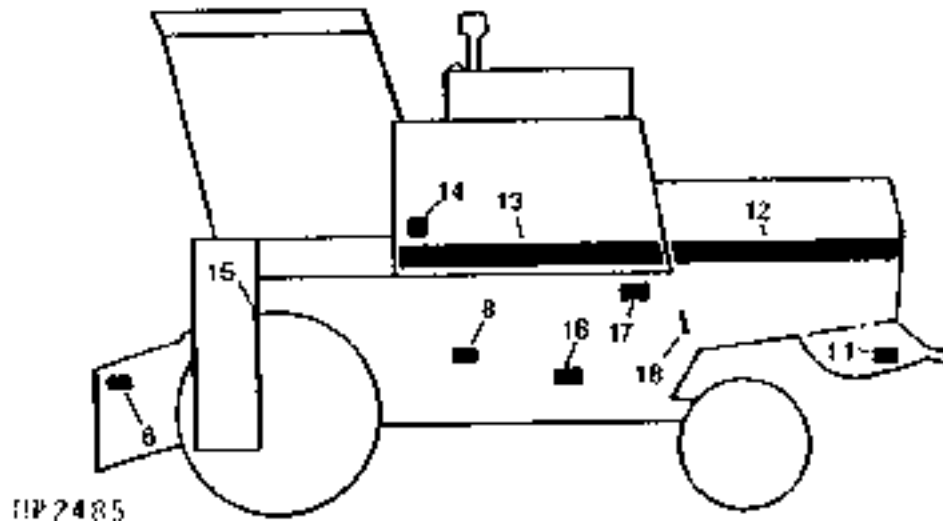
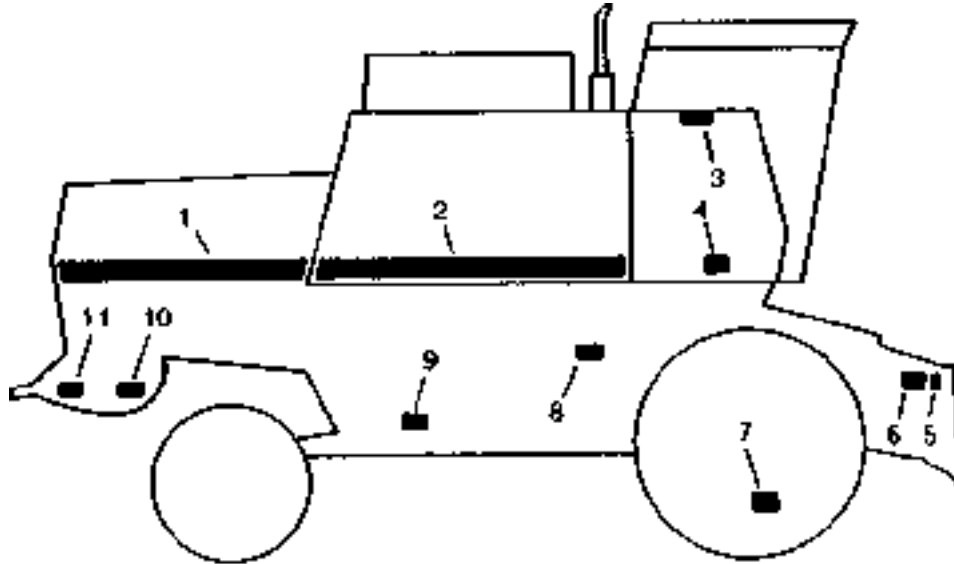
3B13

DECALS, BELTS, AND CHAINS

HP2485

-UN-01JAN94

RIGHT-HAND AND LEFT-HAND DECALS



HP2485

3B14

DECALS, BELTS, AND CHAINS

RIGHT-HAND AND LEFT-HAND DECALS - CONTINUED

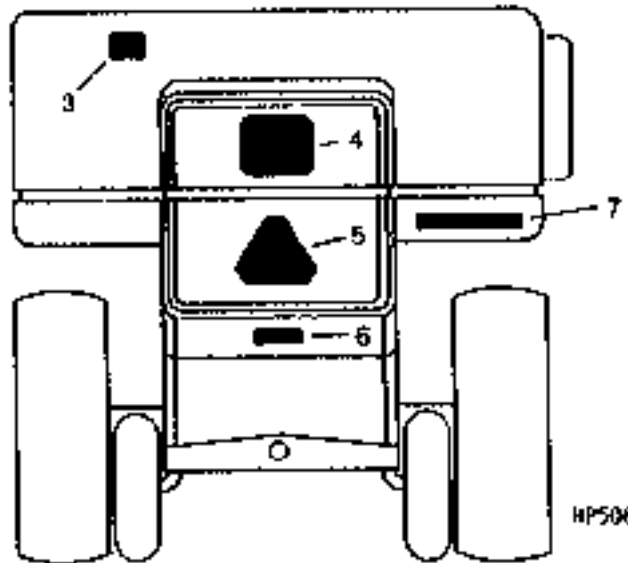
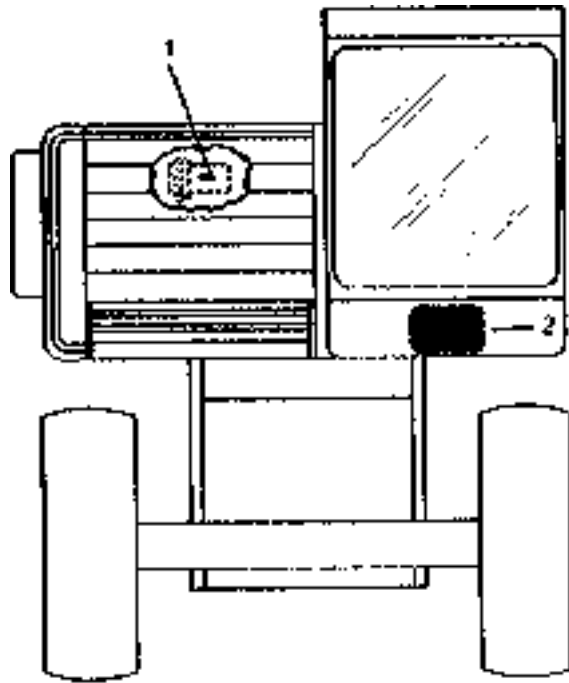
KEY	PART NO.	PART NAME	QTY	SERIAL NO.	REMARKS
1	H102232	DECAL	1		"JOHN DEERE" (R.H. REAR HOOD) (KIT AH103262)
2	DECAL	1		"4420" (R.H. GRAIN TANK)
3	A2913R	LABEL	1		
4	H117776	DECAL	1		"WARNING" (FAN)
5	H84947	LABEL	1	-610100	(SUB H123351)
	H123351	LABEL	1		"FEEDER DRUM HEIGHT ADJUSTMENT"
6	H100065	DECAL	2		"WARNING" (RAM SAFETY STOP)
7	H79317	DECAL	4	-550000	WHEEL BOLT TORQUE, 300 FT-LBS, (SUB H115673)
	H115673	DECAL	4		WHEEL BOLT TORQUE, 425 FT-LBS
8	H79287	DECAL	2		FAN DUCTS
9	H89984	DECAL	1		"WARNING" (FUEL TANK)
10	H80034	DECAL	1		"STRAW CHOPPER DRIVE"
11	H80596	DECAL	2		"WARNING" (STRAW CHOPPER)
12	H102231	DECAL	1		"JOHN DEERE" (L.H. REAR HOOD) (KIT AH103262)
13	DECAL	1		"4420" (L.H. GRAIN TANK)
14	H105899	DECAL	1		HYDRAULIC RESERVOIR
	H105900	DECAL	1		HYDRAULIC RESERVOIR (CANADIAN)
15	H81780	DECAL	1		"WARNING" (LADDER)
16	DECAL	1		WALKER AND SHOE DRIVE CHAIN
17	JD5255	DECAL	1		"CAUTION"
18	SERIAL NUMBER PLATE	1		
	P43110	SCREW	2		

3B15

HP506

-UN-01JAN94

FRONT AND REAR DECALS



3B16

DECALS, BELTS, AND CHAINS

FRONT AND REAR DECALS - CONTINUED

KEY	PART NO.	PART NAME	QTY	SERIAL NO.	REMARKS
1	H106299	LABEL	1		COMPRESSOR CHARGE
2	DECAL	1		LEAPING DEER
3	H85398	DECAL	2		"WARNING" (GRAIN TANK)
4	JD5591	DECAL	1		LEAPING DEER, 12"
5	JD5401	SMV EMBLEM	1		SLOW MOVING VEHICLE
6	H100209	DECAL	1	-600400	"DANGER" (STRAW CHOPPER)
7	H83107	DECAL	1		"DIESEL"

DECALS (NOT ILLUSTRATED)

KEY	PART NO.	PART NAME	QTY	SERIAL NO.	REMARKS
..	AH103262	DECAL KIT	1		KIT, CONSISTS OF:
..			1		VARIABLE SPEED CYLINDER
..			1		FAN DUCTS
..			1		WALKER AND SHOE DRIVE CHAIN
..			1		CONCAVE CRANK
..			1		VARIABLE SPEED FAN HANDWHEEL
..			1		"WARNING" (LADDER)
..			1		CYLINDER TIMING CHAIN
..			1		SIGN (INSTRUCTIONAL BATTERY SHIELD)
..			1		HYDRAULIC RESERVOIR
..			1		WHEEL BOLT TORQUE--200 FT-LBS
..			1		"WARNING" (GRAIN TANK)
..			1		DISPLACER OPERATION
..			1		INSTRUCTIONAL
..			1		RADIATOR FILL PROCEDURE
..			1		"WARNING" (FUEL TANK)
..			1		"WARNING" (RAM SAFETY STOP)
..			1		L.H. GRAIN TANK
..			1		R.H. GRAIN TANK
..			1		L.H. REAR HOOD
..			1		R.H. REAR HOOD
..			1		"NO STEP"
..			1		"CAUTION"
..			1		"JOHN DEERE"
..			1		SLOW MOVING VEHICLE
..			1		LEAPING DEER
..			1		"WARNING" (FAN)
..	AH94800	KIT	1		DECAL (FRENCH LANGUAGE)
..	AH101606	DECAL KIT	1		(FRENCH LANGUAGE)
..	H76042	DECAL	1		"IMPORTANT" (FEEDER HOUSE IDLER ADJUSTMENT)
..	H80407	DECAL	1		"GEARSHIFT PATTERN"
..	H80796	DECAL	1		VARIABLE SPEED FAN HANDWHEEL
..	H81592	DECAL	1		"IMPORTANT" (FEEDER HOUSE LOWER SHAFT)
..	H81593	DECAL	1		"IMPORTANT" (29-TOOTH SPROCKET)
..	H81695	LABEL	1		"HEATER - FAN SPEED"
..	H82446	DECAL	1		CONCAVE ADJUSTMENT (RASP-BAR ONLY)
..	H84175	LABEL	1		"HEATER"
..	H87457	DECAL	1		"AIR CONDITIONER"
..	H87458	DECAL	1		"FAN SPEED"
..	H89657	DECAL	1		"SPRING TENSION ADJUSTMENT"
..	H94349	DECAL	1		"IDLER", PIVOT (ROTARY SCREEN DISPLACER)
..	H97762	DECAL	1		"FILTER SERVICE"
..	H99315	DECAL	1		"WARNING" (CANADIAN REEL ARM)
..	H100667	LABEL	1		"CAUTION" (BRAKE) (CONSOLE COVER)
..	H103164	DECAL	1		"NO STEP"
..	H109801	TAG	1	450001-	"WARNING" (ACCUMULATOR)
..	H109897	LABEL	1	500001-	DIAL-A-MATIC HEADER HEIGHT CONTROL
..	H118030	DECAL	1		"WARNING" (FRENCH)

1K20

COMBINE - 4420

NUMERICAL INDEX

PART NO.	GRID	KEY	PAGE	PART NO.	GRID	KEY	PAGE	PART NO.	GRID	KEY	PAGE
AA14834	2C11	5	70-45	AH101146	2F19	11	110-26	AH103603	1I20	5	60-14
AA14834	2C12	5	70-46	AH101146	2F20	7	110-27	AH103604	1I20	6	60-14
AA15092	2C11	16	70-45	AH101146	3B2	4	170-11	AH103649	1H21	19	50-19
AA4298R	1C23	19	30-2	AH101149	2F6	29	110-13	AH10367	2F12	15	110-19
AA4507R	1C24	22	30-3	AH101205	2H18	13	120-39	AH103790	2J3	25	130-1
AA517R	1C24	23	30-3	AH101206	2H18	2	120-39	AH103809	2B15	21	70-21
AA5787R	1F17	9	40-26	AH101208	2H18	6	120-39	AH103895	2B7	..	70-12
AB14025	2B4	7	70-9	AH101209	2H18	16	120-39	AH103895	2B8	..	70-13
AB14025	2B4	14	70-9	AH101242	2A21	..	70-2	AH104294	2B9	1	70-15
AB14025	2B5	15	70-10	AH101288	2I9	15	120-57	AH104362	2H24	11	120-45
AB14025	2G17	10	120-13	AH101316	2B9	27	70-15	AH104380	1F16	1	40-25
AB14052	2G17	10	120-13	AH101327	1I10	5	60-3	AH104674	2B9	8	70-15
AB17232	2B4	7	70-9	AH101370	2F4	28	110-11	AH104872	1H16	1	50-14
AB17232	2B5	15	70-10	AH101382	2C11	1	70-45	AH105062	2D11	24	90-5
AB18206	1F3	5	40-10	AH101474	2G24	3	120-21	AH105136	1C24	26A	30-3
AB18594	2B4	7	70-9	AH101491	2C8	12	70-42	AH105292	2F5	15	110-12
AB18594	2B4	14	70-9	AH101492	2C8	12	70-42	AH105293	2F5	6	110-12
AB18594	2B5	15	70-10	AH101521	2B4	3	70-9	AH105315	2D11	17	90-5
AB18594	2G17	10	120-13	AH101526	2G14	6	120-10	AH105519	1F8	4	40-15
AB2599R	1E23	13	40-5	AH101577	2C15	4	80-2	AH105521	1G2	19	40-35
AC11779	2F8	9	110-15	AH101578	2C16	11	80-3	AH105521	1G4	8	40-37
AC11779	2I14	17	120-62	AH101579	2C14	1	80-1	AH105953	2E17	4	90-37
AC11779	2I22	16	120-71	AH101597	2G11	8	120-7	AH106278	2G11	5	120-7
AC14974	2F8	5	110-15	AH101598	2J18	6	130-16	AH106484	1C24	25	30-3
AC14974	2I14	17	120-62	AH101599	2J18	6	130-16	AH106513	1I8	13	60-1
AC14974	2I22	16	120-71	AH101605	2J3	1	130-1	AH106547	2K5	2	160-1
AD2062R	1E23	12	40-5	AH101606	3B17	..	170-28	AH106625	2K11	5	160-7
AE14096	2A24	53	70-5	AH101608	2F5	15	110-12	AH106626	2K6	3	160-2
AE24787	2A24	37	70-5	AH101625	2A23	10	70-4	AH106721	2G11	3	120-7
AE24787	2B2	36	70-7	AH101625	2B1	10	70-6	AH106816	2G11	30	120-7
AE24788	2A23	34	70-4	AH101625	2K8	9	160-4	AH106982	1C24	25	30-3
AE24788	2B1	30	70-6	AH101631	2B7	1	70-12	AH106982	1C24	26B	30-3
AE24788	2B7	13	70-12	AH101631	2B7	23	70-12	AH107013	2B11	5	70-17
AE24788	2B8	13	70-13	AH101631	2B7	..	70-12	AH107062	2G11	26	120-7
AE24792	2A24	56	70-5	AH101639	2J4	16	130-2	AH107325	2J4	8	130-2
AE24792	2B2	55	70-7	AH101641	2D8	4	90-1	AH107325	2J4	10	130-2
AE25156	2A24	52	70-5	AH101642	2C7	8	70-41	AH107325	2J19	25	130-17
AE25156	2B2	51	70-7	AH102531	2C7	11	70-41	AH107362	1C23	16	30-2
AE28050	2B18	22	70-25	AH102554	2H3	2	120-24	AH107850	2D25	26	90-19
AE28051	2B18	21	70-25	AH102724	2F4	15	110-11	AH107857	1H20	4	50-18
AE31147	1J3	6	60-22	AH102725	2F4	6	110-11	AH107857	1H22	10	50-20
AE31263	1F20	6	40-29	AH102726	2F5	6	110-12	AH107883	2H3	2	120-24
AH100003	1I11	..	60-4	AH102739	2D11	17	90-5	AH107884	2H3	2	120-24
AH100003	1I13	1	60-6	AH102740	2J19	32	130-17	AH108024	1F3	9	40-10
AH100003	1I13	3	60-6	AH102871	2K1	3	140-4	AH108055	1H25	12	50-23
AH100003	1I13	4	60-6	AH103067	1G2	22	40-35	AH108056	1H25	9	50-23
AH100003	1I13	5	60-6	AH103068	1G2	23	40-35	AH108057	1H25	10	50-23
AH100003	1I13	6	60-6	AH103077	2B12	7	70-18	AH108066	2D8	2	90-1
AH100003	1I13	7	60-6	AH103078	2B3	24	70-8	AH108080	1F3	4	40-10
AH100003	1I13	..	60-6	AH103078	2B12	2	70-18	AH108187	2C11	19	70-45
AH100009	2I9	6	120-57	AH103143	2B11	12	70-17	AH108187	2C12	8	70-46
AH100009	3B5	6	170-15	AH103182	1E16	6	30-45	AH108368	1C11	17	20-43
AH100010	2K1	9	140-4	AH103262	3B14	1	170-25	AH108380	1F3	3	40-10
AH100010	3B5	3	170-15	AH103262	3B14	12	170-25	AH108414	2K15	3	160-11
AH100091	2C11	19	70-45	AH103262	3B17	..	170-28	AH108480	1F16	3	40-25
AH100091	2C12	8	70-46	AH103335	2B9	9	70-15	AH108495	2A21	21	70-2
AH100117	1F7	15	40-14	AH103335	2B9	10	70-15	AH108503	1H4	3	50-2
AH100271	2G24	2	120-21	AH103335	2B9	11	70-15	AH108504	2D13	9	90-7
AH100282	2C11	13	70-45	AH103335	2B9	12	70-15	AH108532	2G24	3	120-21
AH100283	2G11	3	120-7	AH103335	2B9	13	70-15	AH108532	2G24	4	120-21
AH100302	2G24	23	120-21	AH103335	2B9	14	70-15	AH108532	2G24	13	120-21
AH100302	2H2	21	120-23	AH103335	2B9	18	70-15	AH108709	2A23	14	70-4
AH100302	3B3	1	170-12	AH103335	2B9	19	70-15	AH108709	2A23	15	70-4
AH100303	2G9	5	120-5	AH103335	2B9	20	70-15	AH108709	2A23	18	70-4
AH100303	2G13	5	120-9	AH103335	2B9	22	70-15	AH108709	2A23	20	70-4
AH100303	3B3	3	170-12	AH103335	2B10	11	70-16	AH108709	2A23	24	70-4
AH100314	1E22	9	40-4	AH103389	1E21	4	40-3	AH108709	2A24	40	70-5

NUMERICAL INDEX - CONTINUED

PART NO.	GRID	KEY	PAGE	PART NO.	GRID	KEY	PAGE	PART NO.	GRID	KEY	PAGE
AH108709	2A24	41	70-5	AH112218	2H14	10	120-35	AH117228	1F11	2	40-19
AH108709	2A24	..	70-5	AH112244	2C16	11	80-3	AH117229	1F13	1	40-21
AH108712	1F21	1	40-30	AH112245	2C15	4	80-2	AH117525	2F5	15	110-12
AH108712	1F21	2	40-30	AH112250	2C18	6	80-5	AH117526	2F5	6	110-12
AH108726	2A24	..	70-5	AH112251	2C18	11	80-5	AH117788	1G4	2	40-37
AH108726	2B2	..	70-7	AH112281	2C18	18	80-5	AH117789	1G4	16	40-37
AH108733	2G11	5	120-7	AH112282	2C18	15	80-5	AH117790	1G4	12	40-37
AH108739	1F21	1	40-30	AH112301	1F21	6	40-30	AH117791	1G4	13	40-37
AH108742	2K15	6	160-11	AH112321	2F8	1	110-15	AH11794	2I13	15	120-61
AH108749	2B12	7	70-18	AH112322	2F8	1	110-15	AH11794	2I21	7	120-70
AH108852	2F7	1	110-14	AH112365	1H5	6	50-3	AH118014	1E22	5	40-4
AH108863	2G11	8	120-7	AH112374	2C8	12	70-42	AH118380	2B17	16	70-23
AH108938	2H22	3	120-43	AH112375	2C8	12	70-42	AH118381	2B17	8	70-23
AH108938	3B7	10	170-17	AH112385	1F8	8	40-15	AH118382	2B17	..	70-23
AH108960	1H24	8	50-22	AH112393	2H14	1	120-35	AH118989	2G11	20	120-7
AH108960	1H25	16	50-23	AH112541	1I11	23	60-4	AH119050	2E8	5	90-27
AH109096	2F21	19	110-28	AH112541	1I13	2	60-6	AH119896	2E12	1	90-31
AH109183	1C7	12	20-39	AH112541	1I14	5	60-7	AH120374	2B2	..	70-7
AH109495	1F2	13A	40-9	AH112542	1I11	..	60-4	AH120377	2B7	..	70-12
AH109495	1F2	13B	40-9	AH112542	1I13	..	60-6	AH120377	2B8	21	70-13
AH109588	2K14	2	160-10	AH112542	1I14	..	60-7	AH121235	2B1	21	70-6
AH109597	2D11	17	90-5	AH112542	1I15	7	60-9	AH122354	2B25	..	70-34
AH109602	2K14	6	160-10	AH112548	1F4	15	40-11	AH122354	2C2	9	70-36
AH109610	1F3	1	40-10	AH112764	2B21	4	70-29	AH122371	2B25	18	70-34
AH109779	1E21	4	40-3	AH112764	2B21	22	70-29	AH12307	2B14	1	70-20
AH11015	1E20	7	40-2	AH112764	2B24	1	70-33	AH123532	2F8	1	110-15
AH11015	1E20	8	40-2	AH112766	2B21	4	70-29	AH123533	2F8	1	110-15
AH11015	1E23	7	40-5	AH112766	2B21	22	70-29	AH12466	1I4	8	50-27
AH11015	1F6	27	40-13	AH112766	2B24	1	70-33	AH12467	1I4	10	50-27
AH11015	1H21	14	50-19	AH112930	2B24	5	70-33	AH12678	2I13	15	120-61
AH11015	1I8	10	60-1	AH112930	2C5	7	70-39	AH12678	2I21	7	120-70
AH110230	1C22	1	30-1	AH112932	2B22	9	70-31	AH133265	2C12	8	70-46
AH110740	2F8	6	110-15	AH112932	2B24	5	70-33	AH14097	2I3	2	120-50
AH110867	2D14	5	90-8	AH112932	2C5	7	70-39	AH14097	2I16	2	120-64
AH110868	2D14	5	90-8	AH113135	2J1	2	120-75	AH14097	2I23	2	120-72
AH110868	2D14	6	90-8	AH113136	2C5	12	70-39	AH14097	3B4	3	170-13
AH111056	2B16	7	70-22	AH113137	2C5	3	70-39	AH14097	3B9	4	170-19
AH111057	1I1	6	50-24	AH113195	2C18	22	80-5	AH14097	3B10	7	170-21
AH111058	2B16	6	70-22	AH113196	2C18	19	80-5	AH143455	2C12	8	70-46
AH111058	2J11	8	130-9	AH113355	2H2	2	120-23	AH15000	2B21	2	70-29
AH111100	2F23	14	110-30	AH113362	2H2	3	120-23	AH15000	2B24	10	70-33
AH111148	2F6	29	110-13	AH113715	1F17	18	40-26	AH15397	2I2	30	120-49
AH111178	2F2	3	110-9	AH113900	2G7	27	120-3	AH15442	2A21	1	70-2
AH111190	2E24	18	110-5	AH113901	2G7	28	120-3	AH15442	2B18	4	70-25
AH111430	2H15	3	120-36	AH113908	2D3	3	80-15	AH15939	2B24	2	70-33
AH111435	2J1	2	120-75	AH113961	1H10	1	50-8	AH15939	2C3	5	70-37
AH111485	2K15	6	160-11	AH114060	2D13	18B	90-7	AH15939	2C5	4	70-39
AH111497	2F4	28	110-11	AH114138	2J17	8	130-15	AH15939	2C9	4	70-43
AH111504	2F2	3	110-9	AH114447	2D8	4	90-1	AH15940	2B22	11	70-31
AH111642	2F18	7	110-25	AH114771	1F8	9	40-15	AH15940	2B24	6	70-33
AH111642	2F22	12	110-29	AH114774	2F15	1	110-22	AH15940	2C3	8	70-37
AH111646	2H9	14	120-30	AH114776	2F14	1	110-21	AH15940	2C5	8	70-39
AH111646	2H10	11	120-31	AH114805	2G24	13	120-21	AH15940	2C9	6	70-43
AH111647	2H9	17	120-30	AH114805	2H2	11	120-23	AH16186	2D24	7	90-18
AH111647	2H10	2	120-31	AH115007	1E20	12	40-2	AH165471	2C12	7	70-46
AH111651	2F4	6	110-11	AH115063	2F4	6	110-11	AH165472	2C12	1	70-46
AH111668	2F4	15	110-11	AH115249	2F14	1	110-21	AH166769	2C12	17	70-46
AH111700	2F5	15	110-12	AH115345	1E22	12	40-4	AH18137	2A21	25	70-2
AH111701	2F5	6	110-12	AH115404	1F8	11	40-15	AH18240	1H11	17	50-9
AH112120	2D18	1	90-12	AH115444	1C11	8	20-43	AH18582	2F8	6	110-15
AH112121	2D18	10	90-12	AH116698	2F7	10	110-14	AH19764	1I23	22	60-17
AH112122	2D18	5	90-12	AH116711	2F8	1	110-15	AH19773	1I18	6	60-12
AH112162	2H9	14	120-30	AH116712	2F8	1	110-15	AH19773	1I18	7	60-12
AH112162	2H10	14	120-31	AH116874	2H16	11	120-37	AH19773	1I18	..	60-12
AH112163	2H9	17	120-30	AH116881	2E15	13	90-35	AH19836	1H15	9	50-13
AH112163	2H10	17	120-31	AH116882	2E15	1	90-35	AH19839	1I11	1	60-4
AH112198	2G17	8	120-13	AH117218	2E15	10	90-35	AH19840	1I11	9	60-4

NUMERICAL INDEX - CONTINUED

PART NO.	GRID	KEY	PAGE	PART NO.	GRID	KEY	PAGE	PART NO.	GRID	KEY	PAGE
AH19841	1I11	5	60-4	AH75118	2G9	20	120-5	AH75980	2K1	23	140-4
AH19842	1H15	3	50-13	AH75122	2G9	19	120-5	AH75980	3B10	4	170-21
AH20203	2C8	18	70-42	AH75125	2G9	28	120-5	AH75980	3B10	6	170-21
AH20447	2G2	1	110-34	AH75126	2G9	28	120-5	AH75981	2H22	3	120-43
AH20447	3B2	21	170-11	AH75132	1H5	6	50-3	AH75981	3B7	10	170-17
AH20809	1I18	12	60-12	AH75156	2B3	26	70-8	AH75982	2H7	2	120-28
AH20810	1I18	15	60-12	AH75157	2B3	11	70-8	AH75982	3B7	8	170-17
AH20811	1I17	13	60-11	AH75158	2B21	19	70-29	AH75984	2J12	2	130-10
AH20811	1I17	15	60-11	AH75159	2B21	16	70-29	AH75984	3B12	11	170-23
AH20812	1I17	9	60-11	AH75160	1I3	1	50-26	AH75987	2I14	14	120-62
AH20813	1I17	11	60-11	AH75164	2B12	15	70-18	AH75987	2I19	2	120-68
AH20836	1I23	21	60-17	AH75165	2C7	9	70-41	AH75987	3B10	1	170-21
AH20841	2B9	19	70-15	AH75167	2B21	23	70-29	AH75988	2I20	16	120-69
AH20841	2B10	8	70-16	AH75167	2B24	9	70-33	AH75988	3B9	1	170-19
AH20936	1C22	15	30-1	AH75293	2G18	38	120-14	AH76099	2G9	..	120-5
AH21283	1E15	9	30-44	AH75293	3A24	6	170-7	AH76107	1F17	18	40-26
AH21419	1E15	7	30-44	AH75294	2G18	4	120-14	AH76108	1E20	16	40-2
AH21420	1E15	1	30-44	AH75294	3A24	6	170-7	AH76121	1D4	11	30-8
AH21440	2H8	3	120-29	AH75295	2G18	39	120-14	AH76130	2I20	8	120-69
AH21440	3B5	4	170-15	AH75296	2G18	10	120-14	AH76134	1F17	13	40-26
AH21815	2I19	6	120-68	AH75296	2G22	10	120-19	AH76140	2K1	25	140-4
AH60736	2F12	2	110-19	AH75297	2G18	32	120-14	AH76140	3A25	3	170-9
AH61036	1F17	4	40-26	AH75299	2G18	26	120-14	AH76147	2F24	8	110-31
AH61036	1I16	25	60-10	AH75299	2G22	24	120-19	AH76154	3B2	12	170-11
AH61903	2E4	9	90-23	AH75300	2G18	19	120-14	AH76184	1F7	1	40-14
AH62037	2C9	3	70-43	AH75300	2G22	33	120-19	AH76184	1F8	1	40-15
AH62341	1E21	7	40-3	AH75332	1I25	2	60-19	AH76186	1I12	9	60-5
AH62345	1F4	13	40-11	AH75396	1I23	5	60-17	AH76186	1I12	..	60-5
AH62843	2A24	44	70-5	AH75397	1I23	23	60-17	AH76191	2J24	15	140-2
AH62843	2B2	43	70-7	AH75398	1I23	23	60-17	AH76193	2G22	20	120-19
AH63282	2A21	32	70-2	AH75402	1J2	11	60-21	AH76193	2J24	18	140-2
AH63282	2B18	17	70-25	AH75405	1J1	17	60-20	AH76195	1F2	7	40-9
AH64587	1C12	12	20-44	AH75407	1J1	4	60-20	AH76211	2D5	5	80-17
AH64587	2F19	13	110-26	AH75408	1J1	7	60-20	AH76218	2J20	10	130-18
AH64587	2F19	15	110-26	AH75422	2C6	14	70-40	AH76219	2J13	9	130-11
AH64587	2F20	2	110-27	AH75428	1I2	19	50-25	AH76241	2J15	18	130-13
AH64587	2F20	3	110-27	AH75429	1I17	..	60-11	AH76243	2J17	4	130-15
AH64587	2F20	21	110-27	AH75450	2B3	5	70-8	AH76244	2J18	16	130-16
AH64587	2G9	15	120-5	AH75452	2B3	14	70-8	AH76261	2C18	11	80-5
AH64587	2G9	16	120-5	AH75452	2B14	13	70-20	AH76263	2C18	10	80-5
AH64587	2G13	15	120-9	AH75454	2B3	6	70-8	AH76285	2E24	7	110-5
AH64587	2G13	16	120-9	AH75460	1I3	5	50-26	AH76288	2E24	8	110-5
AH64587	2G24	8A	120-21	AH75461	1I3	4	50-26	AH76348	1F2	3	40-9
AH64587	2G24	8B	120-21	AH75462	2B3	28	70-8	AH76355	2H4	2	120-25
AH64587	2H2	9	120-23	AH75462	2B21	9	70-29	AH76371	1I1	6	50-24
AH64587	2H6	21	120-27	AH75466	1H18	6	50-16	AH76372	2B16	7	70-22
AH64587	2H7	15	120-28	AH75466	1H19	6	50-17	AH76375	2F7	1	110-14
AH64587	2H19	7	120-40	AH75502	2C7	5	70-41	AH76491	2B16	6	70-22
AH64587	2I1	15	120-48	AH75505	2C3	12	70-37	AH76491	2J11	8	130-9
AH64587	2I14	9	120-62	AH75506	2C3	9	70-37	AH76542	2J4	6	130-2
AH64587	2I14	11	120-62	AH75507	1I22	8	60-16	AH76543	2J4	7	130-2
AH64587	2I14	12	120-62	AH75507	1I22	12	60-16	AH76556	1H3	8	50-1
AH64587	2I15	7	120-63	AH75509	1I22	12	60-16	AH76573	2I24	21	120-73
AH64587	2I19	5	120-68	AH75510	1I22	8	60-16	AH76595	2D5	2	80-17
AH64587	2I22	12	120-71	AH75511	1I22	12	60-16	AH76609	2J17	8	130-15
AH64587	2J12	11	130-10	AH75515	2B18	..	70-25	AH76637	1E20	3	40-2
AH64587	2J12	13	130-10	AH75520	2J12	28	130-10	AH76661	2I22	16	120-71
AH64587	2J21	10	130-19	AH75521	2K3	6	140-6	AH76668	2A20	6	70-1
AH64587	2J21	11	130-19	AH75543	1C22	11	30-1	AH76669	2A20	7	70-1
AH64587	2K1	27	140-4	AH75547	1C24	32	30-3	AH76670	2A20	1	70-1
AH64587	2K1	28	140-4	AH75616	2G15	3	120-11	AH76692	1E20	10	40-2
AH65015	2I16	10	120-64	AH75635	2K3	14	140-6	AH76709	1H4	3	50-2
AH65015	3B10	8	170-21	AH75662	1E20	18	40-2	AH76764	1H3	22	50-1
AH66615	3A24	12	170-7	AH75801	2J18	10	130-16	AH76765	1H3	16	50-1
AH66645	2B18	15	70-25	AH75979	2F22	8	110-29	AH76767	1H3	21	50-1
AH66648	2B18	..	70-25	AH75979	3B2	18	170-11	AH76769	1H3	20	50-1
AH75065	1H22	7	50-20	AH75980	2I15	3	120-63	AH76772	2I12	7	120-60

NUMERICAL INDEX - CONTINUED

PART NO.	GRID	KEY	PAGE	PART NO.	GRID	KEY	PAGE	PART NO.	GRID	KEY	PAGE
AH76775	2I14	17	120-62	AH77867	2B14	17	70-20	AH79303	1F13	8	40-21
AH76808	2I7	19	120-55	AH77869	2B14	16	70-20	AH79304	1F12	8	40-20
AH76813	2I7	20	120-55	AH77884	2B22	2	70-31	AH79304	1F13	9	40-21
AH76814	2I7	20	120-55	AH77906	2G14	17	120-10	AH79728	2F7	10	110-14
AH76816	2I8	2	120-56	AH77924	2B21	10	70-29	AH79743	2H24	2	120-45
AH76838	1I19	3	60-13	AH77926	1C24	28	30-3	AH79746	2H24	3	120-45
AH76841	1I19	8	60-13	AH78086	2B21	4	70-29	AH79758	2D16	19	90-10
AH76842	1I19	9	60-13	AH78087	1E22	5	40-4	AH79763	2J23	6	140-1
AH76882	2B11	9	70-17	AH78100	1F7	9	40-14	AH79764	1H4	1	50-2
AH76882	2C7	6	70-41	AH78105	1F7	5	40-14	AH79765	1H4	1	50-2
AH76882	2K9	3	160-5	AH78119	2C9	3	70-43	AH79857	1I12	17	60-5
AH76883	1H24	1	50-22	AH78124	2C9	2	70-43	AH79857	1I12	18	60-5
AH76883	1H25	2	50-23	AH78124	2F15	9	110-22	AH79857	1I12	19	60-5
AH76883	1I8	11	60-1	AH78125	2C9	17	70-43	AH79857	1I12	20	60-5
AH76883	1I10	3	60-3	AH78158	1F6	25	40-13	AH79857	1I12	21	60-5
AH76883	2C7	10	70-41	AH78173	2D5	7	80-17	AH79857	1I12	22	60-5
AH76897	2C7	3	70-41	AH78215	1F17	4	40-26	AH79857	1I12	23	60-5
AH76900	2B21	13	70-29	AH78237	1F2	2	40-9	AH79857	1I12	24	60-5
AH76926	2B21	22	70-29	AH78292	2B3	17	70-8	AH79857	1I12	25	60-5
AH76927	2B21	7	70-29	AH78543	2J1	21	120-75	AH79858	1I12	3	60-5
AH76955	2B16	2	70-22	AH78545	2F25	9	110-32	AH79858	1I12	4	60-5
AH76977	2I3	10	120-50	AH78550	2G14	23	120-10	AH80055	2C8	18	70-42
AH76978	2I3	13	120-50	AH78578	1I3	9	50-26	AH80089	2K13	7	160-9
AH76979	2I3	12	120-50	AH78579	1I3	17	50-26	AH80089	2K14	8	160-10
AH76985	2C20	1	80-7	AH78581	2F16	10	110-23	AH80164	2E17	3	90-37
AH76996	1I10	15	60-3	AH78649	1F7	4	40-14	AH80165	2E17	9	90-37
AH77038	2I13	18	120-61	AH78760	2B25	12	70-34	AH80166	2E17	2	90-37
AH77041	2J1	18	120-75	AH78763	2A20	3	70-1	AH80167	2E17	7	90-37
AH77090	2B4	14	70-9	AH78764	2A20	5	70-1	AH80168	1F11	13	40-19
AH77091	2B4	14	70-9	AH78765	2K12	7	160-8	AH80182	1F11	22	40-19
AH77098	2K2	34	140-5	AH78772	1I2	..	50-25	AH80191	2E13	8	90-33
AH77141	2I15	12	120-63	AH78773	1I2	18	50-25	AH80194	2E6	4	90-25
AH77147	1I22	13	60-16	AH78775	2C8	9	70-42	AH80197	1F11	18	40-19
AH77148	1I22	4	60-16	AH78777	2C6	..	70-40	AH80210	1F11	4	40-19
AH77172	1C17	14	20-49	AH78778	2C6	3	70-40	AH80223	2A23	29	70-4
AH77172	1C18	13	20-50	AH78779	1I17	19	60-11	AH80223	2B1	33	70-6
AH77172	3A21	5	170-3	AH78780	2A23	24	70-4	AH80223	2B7	11	70-12
AH77199	1E20	17	40-2	AH78784	2A24	48	70-5	AH80223	2B8	11	70-13
AH77200	1E20	18	40-2	AH78784	2B2	47	70-7	AH80224	2A23	36	70-4
AH77204	1E20	16	40-2	AH78784	2B7	8	70-12	AH80224	2B1	35	70-6
AH77204	1E20	17	40-2	AH78784	2B8	8	70-13	AH80224	2B7	4	70-12
AH77224	1I5	11	50-28	AH78785	2A23	21	70-4	AH80224	2B8	4	70-13
AH77277	1C23	14	30-2	AH78786	2A24	..	70-5	AH80242	1C24	28	30-3
AH77279	1C9	9	20-41	AH78796	2A24	..	70-5	AH80242	1D2	3	30-6
AH77279	1C23	10	30-2	AH78796	2B2	..	70-7	AH80244	1C23	11	30-2
AH77279	1E22	7	40-4	AH78796	2K8	..	160-4	AH80244	1D2	1	30-6
AH77386	1I21	11	60-15	AH78881	2E25	4	110-6	AH80329	2D25	4	90-19
AH77387	1I21	8	60-15	AH78881	2F1	4	110-7	AH80331	2D25	8	90-19
AH77393	2I4	5	120-51	AH78913	1H8	2	50-6	AH80335	2D16	27	90-10
AH77395	2I4	5	120-51	AH78915	2G17	27	120-13	AH80338	2D25	6	90-19
AH77397	2I4	5	120-51	AH78917	2J15	6	130-13	AH80340	1F12	5	40-20
AH77462	1I21	5	60-15	AH78918	2J15	13	130-13	AH80340	1F13	4	40-21
AH77463	1I21	16	60-15	AH78919	2J15	4	130-13	AH80384	2I6	16	120-54
AH77473	2B14	22	70-20	AH79104	2D16	7	90-10	AH80384	2I8	12	120-56
AH77479	2B14	18	70-20	AH79105	2D16	12	90-10	AH80495	2I7	27	120-55
AH77606	2G18	14	120-14	AH79115	2A21	27	70-2	AH80496	2I6	15	120-54
AH77606	2G22	14	120-19	AH79116	2A21	..	70-2	AH80500	3A24	8	170-7
AH77670	2G13	19	120-9	AH79117	2A21	21	70-2	AH80508	2I14	7	120-62
AH77670	2G13	..	120-9	AH79119	2I9	19	120-57	AH80508	2I22	7	120-71
AH77688	2E24	18	110-5	AH79151	1E22	11	40-4	AH80595	1E23	11	40-5
AH77690	2E24	9	110-5	AH79157	1F6	3	40-13	AH80597	1E23	15	40-5
AH77692	2C19	2	80-6	AH79175	2C12	15	70-46	AH80696	2E13	9	90-33
AH77714	2B11	10	70-17	AH79240	1J2	9	60-21	AH80715	2D25	9	90-19
AH77788	2I23	5	120-72	AH79241	1J2	5	60-21	AH80732	2J25	5	140-3
AH77858	1H7	6	50-5	AH79302	1F12	7	40-20	AH80755	2G9	5	120-5
AH77859	1H7	6	50-5	AH79302	1F13	7	40-21	AH80755	2G13	5	120-9
AH77860	2B14	14	70-20	AH79303	1F12	1	40-20	AH80755	3B3	3	170-12

NUMERICAL INDEX - CONTINUED

PART NO.	GRID	KEY	PAGE	PART NO.	GRID	KEY	PAGE	PART NO.	GRID	KEY	PAGE
AH80757	2H3	9	120-24	AH83817	3B2	7	170-11	AH85356	2H25	6	120-47
AH80757	3B3	4	170-12	AH83821	2B24	3	70-33	AH85357	2H25	7	120-47
AH80789	2G14	19	120-10	AH83821	2C3	6	70-37	AH85380	2G11	16	120-7
AH80881	1F6	21	40-13	AH83821	2C5	5	70-39	AH85380	2G11	17	120-7
AH80916	1H21	17	50-19	AH83821	2C9	5	70-43	AH85380	2G11	18A	120-7
AH80920	2E4	4	90-23	AH83835	2B15	..	70-21	AH85396	2G11	5	120-7
AH80928	2G1	13	110-33	AH83835	2B17	11	70-23	AH85396	2G11	8	120-7
AH80937	2E25	8	110-6	AH83835	2B17	..	70-23	AH85408	2J15	17	130-13
AH80937	2F1	8	110-7	AH83835	2B17	..	70-23	AH85412	2H20	8	120-41
AH80954	2B4	23	70-9	AH83836	2B15	..	70-21	AH85435	2F16	3	110-23
AH81161	1C11	8	20-43	AH83843	2B3	16	70-8	AH85437	2F15	1	110-22
AH81161	2G1	15	110-33	AH83845	1I20	8	60-14	AH85442	2E3	11	90-22
AH81161	2G19	4	120-15	AH83847	2B3	2	70-8	AH85443	2E1	6	90-20
AH81161	2G20	15	120-16	AH83847	2B12	9	70-18	AH85457	2D14	21	90-8
AH81163	2E24	2	110-5	AH83848	1E16	4	30-45	AH85464	2D14	6	90-8
AH81164	2B25	18	70-34	AH83874	2J5	3	130-3	AH85485	2E5	13	90-24
AH81165	2B25	17	70-34	AH83876	2J5	1	130-3	AH85491	2J15	15	130-13
AH81166	2B25	1	70-34	AH83876	2J5	5	130-3	AH85648	2C18	6	80-5
AH81166	2B25	2	70-34	AH83985	1E14	9	30-43	AH85649	2C18	11	80-5
AH81166	2B25	3	70-34	AH84096	2H16	11	120-37	AH85660	2H15	3	120-36
AH81166	2B25	4	70-34	AH84125	2D25	16	90-19	AH85663	2H9	9	120-30
AH81166	2B25	5	70-34	AH84126	2D25	20	90-19	AH85663	2H10	9	120-31
AH81166	2B25	6	70-34	AH84127	2D25	19	90-19	AH85700	1I4	11	50-27
AH81166	2B25	7	70-34	AH84128	2D25	27	90-19	AH85700	3A24	16	170-7
AH81166	2B25	8	70-34	AH84129	2D25	11	90-19	AH85846	3A21	3	170-3
AH81166	2B25	9	70-34	AH84155	2I5	4	120-53	AH85910	2D1	6	80-13
AH81166	2B25	..	70-34	AH84216	2H4	3	120-25	AH86431	2G22	3	120-19
AH81166	2C2	9	70-36	AH84218	2H4	3	120-25	AH86434	2E1	7	90-20
AH81167	2B25	3	70-34	AH84241	2F8	1	110-15	AH86439	2E1	10	90-20
AH81167	2B25	4	70-34	AH84241	2F8	8	110-15	AH86440	2E1	5	90-20
AH81167	2B25	6	70-34	AH84242	2K1	15	140-4	AH86441	2E1	4	90-20
AH81167	2B25	7	70-34	AH84242	3B5	2	170-15	AH86444	2D14	6	90-8
AH81167	2B25	8	70-34	AH84244	2J12	22	130-10	AH86445	2D13	9	90-7
AH81167	2B25	9	70-34	AH84244	3B12	8	170-23	AH86555	2E1	9	90-20
AH81167	2B25	..	70-34	AH84400	2I24	13	120-73	AH86559	2E1	12	90-20
AH81167	2C1	6	70-35	AH84588	1F11	14	40-19	AH86560	2E1	11	90-20
AH81168	1H22	16	50-20	AH84613	2F21	7	110-28	AH86563	2E1	1	90-20
AH81544	2D25	7	90-19	AH84613	2F23	6	110-30	AH86589	2K3	1	140-6
AH81733	1E22	8	40-4	AH84613	3B2	7	170-11	AH86590	2H15	12	120-36
AH83211	2I13	5	120-61	AH84613	3B2	10	170-11	AH86591	2H15	12	120-36
AH83289	2D14	23	90-8	AH84636	1H4	3	50-2	AH86596	1I4	19	50-27
AH83337	1C22	3	30-1	AH84657	2E23	7	110-4	AH86624	2B14	25	70-20
AH83352	2J10	12	130-8	AH84845	2J25	21	140-3	AH86630	2B13	..	70-19
AH83380	2G13	14	120-9	AH84845	3A24	3	170-7	AH86633	2J12	12	130-10
AH83426	2F8	6	110-15	AH84885	2J25	18	140-3	AH86644	2B14	9	70-20
AH83430	2C19	1	80-6	AH84885	3A24	3	170-7	AH86791	2D16	1	90-10
AH83452	2D11	24	90-5	AH84897	2F21	19	110-28	AH86807	2B15	10	70-21
AH83462	1C23	7	30-2	AH84898	2F24	3	110-31	AH86808	2B15	7	70-21
AH83518	2B18	3	70-25	AH84962	2F13	1	110-20	AH86809	2B15	8	70-21
AH83518	3B2	15	170-11	AH84966	2C20	2	80-7	AH86810	2B15	20	70-21
AH83521	1I1	8	50-24	AH85041	1C16	7	20-48	AH86813	2B15	26	70-21
AH83521	1I9	14	60-2	AH85041	3A21	11	170-3	AH86814	2B15	28	70-21
AH83521	2B16	9	70-22	AH85259	1F17	2	40-26	AH86824	2E1	3	90-20
AH83521	2J11	6	130-9	AH85260	1F17	1	40-26	AH86825	2E1	13	90-20
AH83616	2E25	5	110-6	AH85266	1E20	2	40-2	AH86829	1I5	8	50-28
AH83617	2F1	5	110-7	AH85268	1E22	12	40-4	AH86835	2G1	15	110-33
AH83623	2E25	5	110-6	AH85276	2F16	14	110-23	AH86835	2G19	4	120-15
AH83627	2E25	3	110-6	AH85276	2F25	3	110-32	AH86835	3A24	9	170-7
AH83628	2F1	3	110-7	AH85276	2H18	1	120-39	AH86835	3B2	6	170-11
AH83631	2F1	5	110-7	AH85276	2I17	2	120-65	AH86836	2G20	28	120-16
AH83679	1F17	11	40-26	AH85276	2K2	7	140-5	AH86839	2G20	16	120-16
AH83691	2F13	12	110-20	AH85276	3A25	4	170-9	AH86839	3A24	10	170-7
AH83759	1F5	14	40-12	AH85276	3B2	9	170-11	AH86853	2D25	5	90-19
AH83763	1F6	17	40-13	AH85276	3B2	17	170-11	AH86860	2F8	1	110-15
AH83815	2F23	8	110-30	AH85276	3B7	3	170-17	AH86861	2F8	1	110-15
AH83815	3B2	10	170-11	AH85276	3B10	2	170-21	AH86866	1H4	5	50-2
AH83816	2F21	9	110-28	AH85351	2I4	5	120-51	AH86873	2G14	7	120-10

NUMERICAL INDEX - CONTINUED

PART NO.	GRID	KEY	PAGE	PART NO.	GRID	KEY	PAGE	PART NO.	GRID	KEY	PAGE
AH86881	2J25	6	140-3	AH87977	2E11	2	90-30	AH90633	2H18	22	120-39
AH86893	2I5	1	120-53	AH88520	1H4	3	50-2	AH90633	3B7	5	170-17
AH86897	2I14	17	120-62	AH88807	2A23	11	70-4	AH90642	1I24	2	60-18
AH86897	2I22	16	120-71	AH88807	2A23	19	70-4	AH90662	1E20	12	40-2
AH86900	2G1	19	110-33	AH88807	2A23	24	70-4	AH90683	2K11	17	160-7
AH87111	1H24	5	50-22	AH88807	2A23	28	70-4	AH90684	2K11	..	160-7
AH87111	1H25	6	50-23	AH88807	2A24	57	70-5	AH90686	2K7	2	160-3
AH87112	1H24	6	50-22	AH88807	2A24	58	70-5	AH90686	2K7	4	160-3
AH87112	1H25	7	50-23	AH88807	2A24	60	70-5	AH90686	2K7	6	160-3
AH87118	2G1	15	110-33	AH88807	2A24	..	70-5	AH90686	2K7	..	160-3
AH87155	2G24	23	120-21	AH88817	1C15	5	20-47	AH90688	2K10	6	160-6
AH87155	2H2	21	120-23	AH88881	2E6	13	90-25	AH90688	2K10	7	160-6
AH87155	3B3	1	170-12	AH88883	1F12	9	40-20	AH90688	2K10	8	160-6
AH87161	1F23	..	40-32	AH88883	1F13	11	40-21	AH90688	2K10	9	160-6
AH87197	3B2	12	170-11	AH88893	2I19	16	120-68	AH90688	2K10	..	160-6
AH87202	2J12	6	130-10	AH88983	2I18	1	120-67	AH90690	2K11	5	160-7
AH87207	2K1	6	140-4	AH88986	2I13	7	120-61	AH90738	2H22	26	120-43
AH87219	1E20	22	40-2	AH88990	2I18	11	120-67	AH90761	2F12	9	110-19
AH87258	1E24	6	40-7	AH89028	2E21	10	110-1	AH90781	1F2	5	40-9
AH87260	1E24	12	40-7	AH89038	2E21	3	110-1	AH90798	2K12	12	160-8
AH87263	1H24	14	50-22	AH89038	2E21	5	110-1	AH90839	1C16	3	20-48
AH87264	2B9	18	70-15	AH89038	2E21	6	110-1	AH90875	1F9	..	40-17
AH87264	2B10	7	70-16	AH89038	2E21	7	110-1	AH90892	2K10	10	160-6
AH87272	2C25	2	80-12	AH89045	2K8	3	160-4	AH90892	2K10	12	160-6
AH87289	1E17	14	30-46	AH89045	2K8	4	160-4	AH90894	2C21	5	80-8
AH87533	1C16	9	20-48	AH89045	2K8	5	160-4	AH90897	1F20	6	40-29
AH87545	1I25	5	60-19	AH89058	2C22	2	80-9	AH90897	1F20	..	40-29
AH87546	1I24	3	60-18	AH89356	2K9	13	160-5	AH90898	1F20	7	40-29
AH87547	1I24	3	60-18	AH89357	2K5	2	160-1	AH90899	1F20	1	40-29
AH87560	1C15	1	20-47	AH89357	2K6	4	160-2	AH90990	1E21	13	40-3
AH87561	1C15	4	20-47	AH89358	2K7	9	160-3	AH90998	2D2	5	80-14
AH87574	2C24	1	80-11	AH89362	2C8	11	70-42	AH91001	1F18	1	40-27
AH87584	2C23	16	80-10	AH89479	2A21	..	70-2	AH91002	2G15	1	120-11
AH87586	2C23	19	80-10	AH89501	2F12	5	110-19	AH91003	2E17	10	90-37
AH87591	2F24	6	110-31	AH89516	2F2	3	110-9	AH91006	2I6	3	120-54
AH87592	2C6	16	70-40	AH89518	2F2	3	110-9	AH91068	1I17	24	60-11
AH87592	2F24	9	110-31	AH89557	1E21	2	40-3	AH91123	1F15	6	40-24
AH87612	2D3	3	80-15	AH89557	2K13	3	160-9	AH91124	1F15	1	40-24
AH87697	1E17	10	30-46	AH89557	2K14	3	160-10	AH91125	1F15	2	40-24
AH87704	1F20	11	40-29	AH89560	2K13	2	160-9	AH91326	2E15	10	90-35
AH87713	2D13	1	90-7	AH89562	2K13	4	160-9	AH91336	1F6	15	40-13
AH87716	2G7	5	120-3	AH89563	2K13	8	160-9	AH91336	1F6	19	40-13
AH87718	2J4	3	130-2	AH89563	2K14	9	160-10	AH91607	2E15	13	90-35
AH87730	2C21	14	80-8	AH89593	2E15	9	90-35	AH91612	2E15	1	90-35
AH87737	1C14	15A	20-46	AH89603	2B12	4	70-18	AH91707	2C25	1	80-12
AH87737	1C15	10	20-47	AH89607	2K9	9	160-5	AH91798	2A21	10	70-2
AH87737	1E20	9	40-2	AH89609	2K9	1	160-5	AH91799	2A21	11	70-2
AH87744	2E5	6	90-24	AH89610	2K9	19	160-5	AH91817	1F6	15	40-13
AH87745	2I14	17	120-62	AH89613	2K9	17	160-5	AH92078	2D21	3	90-15
AH87749	2I22	16	120-71	AH89615	2B3	20	70-8	AH92112	2I11	12	120-59
AH87765	2I14	17	120-62	AH89678	1C13	1	20-45	AH92113	2I11	9	120-59
AH87765	2I22	16	120-71	AH89687	2J12	19	130-10	AH92222	2C21	4	80-8
AH87795	2D11	4	90-5	AH89813	2E6	3	90-25	AH92224	2C21	1	80-8
AH87796	2D11	2	90-5	AH89814	2E6	2	90-25	AH92251	2H9	13	120-30
AH87806	1F17	23	40-26	AH89816	2E6	8	90-25	AH92252	2H9	2	120-30
AH87867	2E3	1	90-22	AH89824	1I16	19	60-10	AH92362	1F12	3	40-20
AH87873	1H4	3	50-2	AH90273	2H19	10	120-40	AH92372	2G11	24	120-7
AH87874	2I4	1	120-51	AH90273	3B7	1	170-17	AH92374	2G7	18	120-3
AH87875	2I4	1	120-51	AH90288	1C17	4	20-49	AH92376	2G7	27	120-3
AH87876	2I4	1	120-51	AH90298	2D8	2	90-1	AH92380	2G7	28	120-3
AH87926	1F2	13A	40-9	AH90485	2D17	1	90-11	AH92382	2G11	15	120-7
AH87927	1F2	10	40-9	AH90493	1H12	18	50-10	AH92414	2H6	22	120-27
AH87929	1C13	16	20-45	AH90493	1H12	19	50-10	AH92414	2H7	7	120-28
AH87929	3A22	4	170-5	AH90514	2J25	4	140-3	AH92498	1C14	16	20-46
AH87949	2I16	6	120-64	AH90527	2E22	4	110-3	AH92499	2E13	1	90-33
AH87968	2E15	5	90-35	AH90543	1H3	1	50-1	AH92606	2B16	11	70-22
AH87970	2E15	6	90-35	AH90623	2I18	18	120-67	AH92607	1I1	9	50-24

NUMERICAL INDEX - CONTINUED

PART NO.	GRID	KEY	PAGE	PART NO.	GRID	KEY	PAGE	PART NO.	GRID	KEY	PAGE
AH92608	2B16	10	70-22	AH96223	1F21	28	40-30	AH99677	1H9	7	50-7
AH92608	2J11	5	130-9	AH96224	1F5	1	40-12	AH99693	2H5	12	120-26
AH92661	1C13	4	20-45	AH96244	1F2	6	40-9	AH99755	2H5	15	120-26
AH92662	1C11	11	20-43	AH96276	2E3	9	90-22	AH99828	2C7	8	70-41
AH92686	2D2	1	80-14	AH96284	2F8	1	110-15	AJ2765H	3B2	20	170-11
AH93030	2H5	10	120-26	AH96289	2E1	2	90-20	AJ2766H	3B2	20	170-11
AH93030	2H6	22	120-27	AH96295	2F8	1	110-15	AJ2767H	3B2	20	170-11
AH93030	2H7	7	120-28	AH96309	1F11	16	40-19	AL2976T	1E22	8	40-4
AH93170	1G2	1	40-35	AH96319	2E2	1	90-21	AL2976T	1G16	20	40-51
AH93195	2H3	2	120-24	AH96387	2E4	3	90-23	AM100539	2B1	17	70-6
AH93206	2H3	7	120-24	AH96492	1C17	12	20-49	AM100539	2B8	16	70-13
AH93230	1C22	9	30-1	AH96492	1C18	12	20-50	AM100541	2B1	24	70-6
AH93235	2D2	6	80-14	AH96530	2G9	22	120-5	AM100541	2B8	14	70-13
AH93255	1I8	13	60-1	AH96547	1C22	17	30-1	AM2985T	1B10	10	20-17
AH93277	1H3	3	50-1	AH96558	2I6	10	120-54	AM2985T	1B11	10	20-18
AH93292	1H22	4	50-20	AH96679	1I8	8	60-1	AM30347	1J3	11	60-22
AH93293	1H22	3	50-20	AH96680	1I11	19	60-4	AM30686	1I3	13	50-26
AH93294	1H22	14	50-20	AH96681	1I11	19	60-4	AM31282	1F20	7	40-29
AH93325	1C13	7	20-45	AH96699	2C8	1	70-42	AM31284	1E20	18	40-2
AH93325	1C13	..	20-45	AH96744	1I16	14	60-10	AM3208T	1F6	30	40-13
AH93337	1H22	4	50-20	AH96760	2I19	..	120-68	AM3426T	1I23	9	60-17
AH93351	2C24	7	80-11	AH96779	1I10	1	60-3	AM38629	2A23	24	70-4
AH93599	1E17	12	30-46	AH96780	1I10	2	60-3	AM39968	1G9	26	40-43
AH93670	2D11	5	90-5	AH96781	1I10	9	60-3	AM39968	1G14	3	40-49
AH93797	2I21	3	120-70	AH96782	1I10	8	60-3	AM39969	1G14	1	40-49
AH93842	1E24	8	40-7	AH96810	2F21	19	110-28	AM39970	1G9	24	40-43
AH93852	1H18	2	50-16	AH97031	2K2	7	140-5	AM531T	1E21	14	40-3
AH93852	1H19	2	50-17	AH97326	2J10	2	130-8	AM531T	1F15	4	40-24
AH93926	2D3	4	80-15	AH97858	2D13	24	90-7	AM53945	1F6	1	40-13
AH94130	2G16	10	120-12	AH97859	1C24	25	30-3	AN102382	2E21	1	110-1
AH94133	1I16	1	60-10	AH97868	1C22	1	30-1	AN102383	2E21	13	110-1
AH94189	1F5	1	40-12	AH97869	1C22	19	30-1	AN110020	1C14	5	20-46
AH94189	1F5	3	40-12	AH97870	2D13	18A	90-7	AN131153	2C11	6	70-45
AH94189	1F5	6	40-12	AH97871	2B5	6	70-10	AN15237	2H18	26	120-39
AH94459	2F14	1	110-21	AH97872	1D4	2	30-8	AN15237	3B7	4	170-17
AH94460	2F14	1	110-21	AH97873	2G17	5	120-13	AN30940	2A24	38	70-5
AH94512	1F15	..	40-24	AH97875	2C22	11	80-9	AN30940	2B2	37	70-7
AH94598	2H9	18	120-30	AH97884	2D22	13	90-16	AN33434	2B4	36	70-9
AH94598	2H10	18	120-31	AH97885	2D17	1	90-11	AN33434	2K9	18	160-5
AH94705	2F22	12	110-29	AH97886	2D15	28	90-9	AN85023	2J25	25	140-3
AH94706	2F23	14	110-30	AH97887	2D14	13	90-8	AP15291	3A24	12	170-7
AH94800	3B17	..	170-28	AH97888	2D17	2	90-11	AP18380	1J2	1	60-21
AH94803	1I4	21	50-27	AH97889	2D17	6	90-11	AP19351	2I24	4	120-73
AH94812	1I8	2	60-1	AH97894	2J1	2	120-75	AP19599	1H11	11	50-9
AH94858	2B11	4	70-17	AH97895	1H24	8	50-22	AP19993	3B12	2	170-23
AH95011	1C17	8	20-49	AH97973	2D23	1	90-17	AP19993	3B12	5	170-23
AH95011	1C18	8	20-50	AH97975	2B6	5	70-11	AP19994	3B12	2	170-23
AH95012	2E23	15	110-4	AH98003	2I4	5	120-51	AP19994	3B12	5	170-23
AH95018	2G17	27	120-13	AH98052	3A24	14	170-7	AP19997	3B9	6	170-19
AH95020	2G17	5	120-13	AH98053	2K3	10	140-6	AP19997	3B12	2	170-23
AH95281	1C13	13	20-45	AH98176	2F9	5	110-16	AP19997	3B12	5	170-23
AH95281	1C13	14	20-45	AH98176	3B2	2	170-11	AP19998	3B12	5	170-23
AH95367	2H17	8	120-38	AH98337	1F12	6	40-20	AP19999	3B12	5	170-23
AH95373	1C11	9	20-43	AH98337	1F13	5	40-21	AP26308	2J17	5A	130-15
AH95373	3A22	1	170-5	AH98799	1C23	19	30-2	AP26468	1E17	11	30-46
AH95889	2G15	..	120-11	AH98890	2F14	1	110-21	AP27010	1D3	14	30-7
AH95892	2G14	1	120-10	AH98891	2F14	1	110-21	AP27684	1D3	10	30-7
AH95892	2G15	..	120-11	AH98947	2C18	2	80-5	AP27685	1D3	11	30-7
AH95999	1H6	1	50-4	AH99306	2H9	14	120-30	AP27686	1D3	12	30-7
AH96024	2G7	26	120-3	AH99307	2H9	17	120-30	AP27688	1D3	14	30-7
AH96025	2G7	25	120-3	AH99349	1I10	4	60-3	AP6093H	3B2	3	170-11
AH96050	1C11	7	20-43	AH99360	1I11	23	60-4	AP6093H	3B5	8	170-15
AH96107	2J24	20	140-2	AH99360	1I13	2	60-6	AP6093H	3B12	7	170-23
AH96107	3B2	13	170-11	AH99408	2E5	13	90-24	AP6094H	3B2	3	170-11
AH96110	2D16	28	90-10	AH99411	2E5	8	90-24	AP6094H	3B5	8	170-15
AH96177	2D22	5	90-16	AH99422	2G15	13	120-11	AP6095H	3B5	8	170-15
AH96221	1C23	20	30-2	AH99563	1H10	1	50-8	AP6095H	3B12	7	170-23

NUMERICAL INDEX - CONTINUED

PART NO.	GRID	KEY	PAGE	PART NO.	GRID	KEY	PAGE	PART NO.	GRID	KEY	PAGE
AR100124	1B10	6	20-17	AR31790	2D4	..	80-16	AR50229	1G2	15	40-35
AR100124	1B11	6	20-18	AR32667	2K9	8	160-5	AR50411	1C9	1	20-41
AR100124	1C4	1	20-36	AR34612	1D10	..	30-14	AR50874	1D10	3	30-14
AR101245	1F22	12	40-31	AR34612	1D13	..	30-17	AR50874	1D11	5	30-15
AR101245	1F23	22	40-32	AR34612	1D14	..	30-18	AR50874	1D11	7	30-15
AR102260	1B10	8	20-17	AR34612	1D15	..	30-19	AR50874	1D11	8	30-15
AR102260	1B11	8	20-18	AR34612	1D17	..	30-21	AR51481	1F17	11	40-26
AR102260	1C3	30	20-35	AR34612	1D18	..	30-22	AR51712	1D12	18	30-16
AR102260	1C4	1	20-36	AR34612	1D19	28	30-23	AR51712	1D12	19	30-16
AR102260	1C5	1	20-37	AR35981	1C23	6	30-2	AR51712	1D12	20	30-16
AR102267	1C4	..	20-36	AR36044	1E15	6	30-44	AR51712	1D12	21	30-16
AR102267	1C5	17	20-37	AR37017	2B14	12	70-20	AR51712	1D12	22	30-16
AR102286	1C3	33	20-35	AR37017	2K9	15	160-5	AR51712	1D12	23	30-16
AR102676	1E13	3	30-42	AR40148	1C6	1	20-38	AR51796	1D10	..	30-14
AR103769	1B18	17	20-25	AR40148	3A21	1	170-3	AR51959	1D15	19	30-19
AR1729R	1E14	1	30-43	AR41691	1C6	9	20-38	AR52077	1G2	..	40-35
AR21823	1F17	12	40-26	AR41754	1F22	..	40-31	AR52159	1D20	5	30-24
AR21823	1F17	21	40-26	AR41754	1F23	..	40-32	AR52217	1B25	1	20-32
AR21836	1C15	14	20-47	AR41756	1F22	3	40-31	AR52269	1D16	8	30-20
AR21836	2B12	3	70-18	AR41756	1F23	3	40-32	AR52269	1D16	9	30-20
AR21837	1B22	1	20-29	AR41758	1F22	1	40-31	AR52556	1D20	4	30-24
AR21837	1B22	4	20-29	AR41758	1F23	1	40-32	AR52725	1B2	3	20-9
AR21837	1B23	1	20-30	AR41785	1A21	..	20-3	AR52725	1B3	3	20-10
AR21837	1B23	4	20-30	AR41870	1A21	..	20-3	AR54445	1F17	13	40-26
AR21837	1F2	9	40-9	AR41942	1H22	18	50-20	AR54749	1A21	..	20-3
AR21837	2B3	23	70-8	AR41950	1F22	8	40-31	AR54749	1B20	..	20-27
AR21837	2B21	20	70-29	AR41950	1F23	18	40-32	AR54749	1B21	..	20-28
AR21837	2E17	4	90-37	AR41951	1F22	9	40-31	AR54923	1G8	6	40-42
AR21837	2E17	15	90-37	AR41951	1F23	19	40-32	AR54923	1G9	6	40-43
AR21839	1B22	1	20-29	AR42119	1F20	17	40-29	AR55649	1E20	1	40-2
AR21839	1C7	2	20-39	AR42591	1F20	17	40-29	AR55649	1F9	2	40-17
AR21839	1C14	6	20-46	AR43856	1F21	13	40-30	AR55694	1F17	25	40-26
AR21839	2B3	10	70-8	AR44361	1B25	9	20-32	AR55759	1B20	6	20-27
AR21839	2B21	17	70-29	AR44402	1A20	1	20-1	AR55978	1B20	1	20-27
AR21840	1C14	17	20-46	AR45014	1F23	10	40-32	AR55978	1B20	3	20-27
AR21840	1C15	8	20-47	AR45436	1F17	19	40-26	AR56671	2K15	2	160-11
AR21841	1E14	3	30-43	AR45438	1F17	5	40-26	AR56675	1E20	17	40-2
AR21842	2E13	4	90-33	AR45530	1B10	6	20-17	AR59444	1F21	1	40-30
AR21999	1C14	18	20-46	AR46115	1F7	13	40-14	AR59621	1B24	11	20-31
AR21999	1C15	12	20-47	AR46323	1E17	4	30-46	AR59663	1F24	2	40-33
AR21999	1C22	4	30-1	AR46983	1F23	..	40-32	AR59780	2E13	7	90-33
AR21999	1E16	2	30-45	AR46984	1F23	8	40-32	AR60937	1F17	9	40-26
AR26417	1E14	4	30-43	AR46984	1F23	10	40-32	AR62399	1C9	7	20-41
AR26625	1I16	6	60-10	AR46985	1F23	9	40-32	AR62492	1C9	8	20-41
AR26635	1F3	18	40-10	AR46986	1F22	4	40-31	AR62978	1B24	2	20-31
AR26635	1I22	11	60-16	AR46986	1F23	6	40-32	AR62979	1B24	6	20-31
AR26674	1C24	31	30-3	AR48219	1D10	9	30-14	AR63212	1D15	18	30-19
AR26721	1F18	3	40-27	AR48236	1C14	2	20-46	AR63213	1D15	17	30-19
AR26724	2B3	19	70-8	AR48236	1D7	38	30-11	AR63218	1A20	..	20-1
AR26724	2B14	23	70-20	AR48640	1F17	17	40-26	AR63219	1A20	..	20-1
AR26724	2B21	6	70-29	AR48723	1F20	1	40-29	AR63222	1A20	..	20-1
AR26725	1I20	2	60-14	AR49352	1E20	5	40-2	AR63223	1A20	..	20-1
AR26725	2B11	2	70-17	AR49352	1F9	3	40-17	AR63224	1A20	..	20-1
AR26732	1C6	5	20-38	AR49352	1F11	11	40-19	AR63227	1A20	..	20-1
AR26732	1C7	5	20-39	AR49542	1D10	3	30-14	AR63228	1A20	..	20-1
AR26763	2B3	21	70-8	AR49543	1D10	..	30-14	AR63229	1A20	..	20-1
AR26763	2K9	6	160-5	AR49803	2E8	2	90-27	AR63230	1A20	..	20-1
AR26828	2B21	14	70-29	AR49808	2E7	4	90-26	AR63954	1D1	1	30-5
AR27699	2B12	5	70-18	AR49907	1D6	6	30-10	AR63979	1A20	..	20-1
AR27814	1D5	1	30-9	AR49907	1D9	35	30-13	AR63980	1A20	..	20-1
AR28040	1E14	3	30-43	AR49915	1D6	20	30-10	AR64406	1A22	3	20-4
AR28403	1F9	11	40-17	AR50040	1C25	4	30-4	AR64413	1A23	..	20-5
AR28602	1D17	16	30-21	AR50040	1D1	3	30-5	AR64415	1B22	13	20-29
AR30053	1F17	10	40-26	AR50041	1C25	11	30-4	AR64415	1B22	14	20-29
AR30394	1F17	6	40-26	AR50041	1D1	8	30-5	AR64422	1E24	11	40-7
AR30736	1D15	10	30-19	AR50226	1G2	26	40-35	AR65005	1G21	1	40-56
AR31674	2C11	2	70-45	AR50227	1G2	31	40-35	AR65006	1G21	2	40-56

NUMERICAL INDEX - CONTINUED

PART NO.	GRID	KEY	PAGE	PART NO.	GRID	KEY	PAGE	PART NO.	GRID	KEY	PAGE
AR65507	1B21	9	20-28	AR71981	1F23	..	40-32	AR88239	1D6	17	30-10
AR65507	1C3	25	20-35	AR73311	1F24	1	40-33	AR88239	1D6	24	30-10
AR65507	1C3	33	20-35	AR73828	1D18	3	30-22	AR88239	1D9	10	30-13
AR65596	1B7	12	20-14	AR73829	1D18	3	30-22	AR88239	1D9	19	30-13
AR67077	1B24	..	20-31	AR74154	1C7	6	20-39	AR88239	1D21	14	30-25
AR67398	1E24	11	40-7	AR76129	1B16	4	20-23	AR89564	1D9	10	30-13
AR67673	1B24	..	20-31	AR76704	1D6	26	30-10	AR89564	1D9	19	30-13
AR67675	1D12	12	30-16	AR76704	1D9	11	30-13	AR89564	1D21	14	30-25
AR67675	1D13	13	30-17	AR76704	1D24	32	30-29	AR89564	1D22	11	30-27
AR67675	1D14	8	30-18	AR76704	1D24	35	30-29	AR89564	1D22	17	30-27
AR67737	1D24	1	30-29	AR77344	1F12	12	40-20	AR89564	1E11	15	30-40
AR67738	1D24	2	30-29	AR77345	1F12	2	40-20	AR89564	1E11	18	30-40
AR67739	1D24	3	30-29	AR77411	1C7	9	20-39	AR89564	1E11	22	30-40
AR67740	1D24	4	30-29	AR77682	1C6	22	20-38	AR89959	1D24	7	30-29
AR67741	1D24	5	30-29	AR77762	1B20	7	20-27	AR89960	1D9	8	30-13
AR67742	1D24	6	30-29	AR78041	1B20	10	20-27	AR90340	1D10	9	30-14
AR67820	1B14	26	20-21	AR78501	2E7	11	90-26	AR90340	1D10	14	30-14
AR67820	1B15	26	20-22	AR78596	1F21	16	40-30	AR90340	1D10	..	30-14
AR67821	1B4	5	20-11	AR78632	1E8	11	30-37	AR90340	1D11	13	30-15
AR67855	1F3	14	40-10	AR79462	1D6	4	30-10	AR90601	1D10	2	30-14
AR67858	1C25	5	30-4	AR79462	1D9	34	30-13	AR90601	1D10	5	30-14
AR67860	1C25	9	30-4	AR79462	1D10	..	30-14	AR90601	1D10	6	30-14
AR67942	1B14	14	20-21	AR79462	1D11	..	30-15	AR90601	1D11	2	30-15
AR67942	1B15	14	20-22	AR79462	1D12	..	30-16	AR90601	1D11	3	30-15
AR68299	1G11	18	40-45	AR79462	1D13	..	30-17	AR90601	1D19	1	30-23
AR68302	1G11	9	40-45	AR79462	1D14	..	30-18	AR91660	1B14	10	20-21
AR68304	1G8	22	40-42	AR79462	1D15	..	30-19	AR91660	1B15	10	20-22
AR68304	1G12	26	40-46	AR79462	1D16	..	30-20	AR91793	1G20	42	40-55
AR68304	1G12	..	40-46	AR79462	1D17	..	30-21	AR92109	2E7	8	90-26
AR68304	1G13	1	40-47	AR79462	1D18	..	30-22	AR92893	1B2	10	20-9
AR68304	1G13	..	40-47	AR79927	1C1	..	20-33	AR92893	1B3	10	20-10
AR68361	1F22	12	40-31	AR79927	1C1	..	20-33	AR92893	1B14	1	20-21
AR68361	1F23	22	40-32	AR80113	1C6	17	20-38	AR92893	1B15	1	20-22
AR68962	1D6	7	30-10	AR80532	1B5	6	20-12	AR93638	1E4	18	30-33
AR68962	1D9	22	30-13	AR80532	1B5	10	20-12	AR94522	2B21	2	70-29
AR68963	1D6	15	30-10	AR80532	1B6	7	20-13	AR94522	2B21	20	70-29
AR68963	1D9	21	30-13	AR82294	1B12	3	20-19	AR97027	1A22	3	20-4
AR68964	1D6	16	30-10	AR82295	1B12	6	20-19	AR97040	1A23	..	20-5
AR68964	1D9	20	30-13	AR84006	1E20	19	40-2	AR97194	1C1	..	20-33
AR68965	1D6	29	30-10	AR84006	1E21	15	40-3	AR97194	1C1	..	20-33
AR68965	1D9	18	30-13	AR84006	1E21	16	40-3	AT11520	1D17	20	30-21
AR68966	1D6	18	30-10	AR84006	1E21	17	40-3	AT11524	1D10	14	30-14
AR68966	1D9	15	30-13	AR84006	1E21	18	40-3	AT12111	2A21	2	70-2
AR68967	1D6	25	30-10	AR84006	1E21	20	40-3	AT12111	2A21	3	70-2
AR68967	1D9	14	30-13	AR84006	1F2	11	40-9	AT12111	2B18	24	70-25
AR69852	1E10	18	30-39	AR84006	1F11	2	40-19	AT12111	2B18	25	70-25
AR70082	1G8	13	40-42	AR84006	1F11	7	40-19	AT13740	1A22	4A	20-4
AR71106	2D20	4	90-14	AR84006	1F11	8	40-19	AT13740	1A24	4	20-6
AR71107	2D20	2	90-14	AR84006	1F11	10	40-19	AT13740	1C7	12	20-39
AR71108	2D20	3	90-14	AR84006	1F11	12	40-19	AT13740	1C14	13	20-46
AR71109	2D20	1	90-14	AR84006	1F11	15	40-19	AT13740	1C15	13	20-47
AR71285	2E8	8	90-27	AR84006	1F11	17	40-19	AT15146	1G12	25	40-46
AR71286	2E8	12	90-27	AR84006	1F11	20	40-19	AT15146	1G13	7	40-47
AR71287	2E8	5	90-27	AR84006	1F15	7	40-24	AT15147	1G8	20	40-42
AR71288	2E8	6	90-27	AR84006	1F20	1	40-29	AT16290	1G10	12	40-44
AR71289	2E8	1	90-27	AR84006	1G16	40	40-51	AT16291	1G8	2	40-42
AR71289	2E8	2	90-27	AR84732	1D1	7	30-5	AT18009	1B14	10	20-21
AR71289	2E8	3	90-27	AR85328	1E16	2	30-45	AT18188	1B10	7	20-17
AR71289	2E8	4	90-27	AR85618	1D9	4	30-13	AT18188	1B11	7	20-18
AR71289	2E8	7	90-27	AR85618	1D21	3B	30-25	AT18988	1E22	10	40-4
AR71289	2E8	10	90-27	AR85618	1D22	3	30-27	AT21108	1B12	2	20-19
AR71289	2E8	11	90-27	AR86745	1C25	11	30-4	AT21108	1B13	2	20-20
AR71290	2E8	12	90-27	AR86745	1D1	8	30-5	AT21110	1B12	2	20-19
AR71290	2E8	17	90-27	AR87068	1D10	..	30-14	AT21110	1B13	2	20-20
AR71618	1B20	9	20-27	AR87378	1E4	11	30-33	AT21110	1B16	6	20-23
AR71618	1C1	..	20-33	AR87693	1B7	12	20-14	AT21112	1B12	2	20-19
AR71981	1F22	..	40-31	AR87693	1B9	1	20-16	AT21112	1B13	2	20-20

NUMERICAL INDEX - CONTINUED

PART NO.	GRID	KEY	PAGE	PART NO.	GRID	KEY	PAGE	PART NO.	GRID	KEY	PAGE
AT21114	1B12	2	20-19	AT27128	1G2	9	40-35	BP12233	2H18	24	120-39
AT21114	1B13	2	20-20	AT27622	1D6	13	30-10	BP13682	1H24	7	50-22
AT21122	1B20	11	20-27	AT27622	1D21	3A	30-25	BP13682	1H25	8	50-23
AT21122	1B21	11	20-28	AT27622	1D22	3	30-27	B10608	2H6	4	120-27
AT21124	1B20	11	20-27	AT29461	1E6	8	30-35	B31498	1C17	13	20-49
AT21124	1B21	11	20-28	AT29461	1E6	9	30-35	B31498	1C18	15	20-50
AT21126	1B20	11	20-27	AT29461	1E6	10	30-35	B32205	1F5	4	40-12
AT21126	1B21	11	20-28	AT29461	1E6	11	30-35	B32206	1F5	3	40-12
AT21128	1B20	11	20-27	AT29862	1F21	10	40-30	B32207	1F5	5	40-12
AT21128	1B21	11	20-28	AT30694	1B10	7	20-17	B3285R	1F18	4	40-27
AT21130	1B12	1	20-19	AT31093	1B22	13	20-29	B3611R	1H18	7	50-16
AT21130	1B13	1	20-20	AT31250	1B18	17	20-25	B3611R	1H19	7	50-17
AT21132	1B12	1	20-19	AT31250	1B19	17	20-26	B3690R	1I16	8	60-10
AT21132	1B13	1	20-20	AT32064	1D6	14	30-10	CD13870	1D24	37	30-29
AT21132	1B16	7	20-23	AT32064	1D6	19	30-10	C10232	2F8	7	110-15
AT21134	1B12	1	20-19	AT32332	2C12	2	70-46	C10232	2I14	17	120-62
AT21134	1B13	1	20-20	AT35120	2B14	12	70-20	C10232	2I22	16	120-71
AT21136	1B12	1	20-19	AT35120	2K9	15	160-5	C10233	2F8	1	110-15
AT21136	1B13	1	20-20	AT36921	2C7	9	70-41	C10233	2F8	10	110-15
AT21138	1B20	11	20-27	AT38033	2B11	13	70-17	C10233	2I14	17	120-62
AT21138	1B21	11	20-28	AT38033	2B22	8	70-31	C10233	2I22	16	120-71
AT21139	1B12	1	20-19	AT38033	2C5	17	70-39	C10263	2I14	17	120-62
AT21139	1B13	1	20-20	AT38296	1F11	9	40-19	C10263	2I22	16	120-71
AT21140	1B12	2	20-19	AT38297	1F21	..	40-30	C10519	2J15	3	130-13
AT21140	1B13	2	20-20	AT39043	1F14	4	40-23	C11271	2J10	18	130-8
AT21191	1A25	2	20-7	AT39623	1D5	12	30-9	C12865	2J12	25	130-10
AT21191	1A25	5	20-7	AT39623	1D5	13	30-9	C16054	1E14	7	30-43
AT21191	1B1	2	20-8	AT44165	1F17	26	40-26	C16054	1E16	6	30-45
AT21191	1B1	5	20-8	AT48673	1F17	5	40-26	C1628E	2J1	24	120-75
AT21226	1B12	3	20-19	AT514T	1G10	9	40-44	C1778R	1C24	21	30-3
AT21227	1B12	6	20-19	AT516T	1G10	11	40-44	C2175R	1G7	4	40-41
AT21738	1E4	4	30-33	AT56592	1G2	5	40-35	C3203E	2D8	3	90-1
AT21742	1E6	21	30-35	AT57288	1D5	10	30-9	C565R	1H18	9	50-16
AT22562	1B14	5	20-21	AT58208	1F21	..	40-30	C565R	1H19	9	50-17
AT22562	1B15	5	20-22	AT63265	2E9	17	90-28	DD11831	1B21	6	20-28
AT22919	1A25	2	20-7	AT63266	2E15	17	90-35	DD13896	1B16	2	20-23
AT22919	1A25	5	20-7	AT66632	2E16	1	90-36	DD13896	1B16	8	20-23
AT22919	1B1	2	20-8	AT67339	1F21	..	40-30	DD13912	1D24	36	30-29
AT22919	1B1	5	20-8	AT74219	2D20	4	90-14	DD14194	1E13	8	30-42
AT22965	1B2	10	20-9	AU11672	1B5	6	20-12	DD14195	1E13	4	30-42
AT22965	1B14	1	20-21	AU41461	1F17	10	40-26	DD14292	1E12	4	30-41
AT23141	1A25	1	20-7	AU42023	1F21	19	40-30	DD14292	1E12	5	30-41
AT23141	1B1	1	20-8	AU42025	1F21	30	40-30	E10018	1C12	1	20-44
AT23188	1G2	30	40-35	AU43852	1F21	8	40-30	E10018	2G24	22	120-21
AT23188	1G4	15	40-37	AU43853	1F21	14	40-30	E10018	2H2	20	120-23
AT23189	2G15	10	120-11	AU43854	1F21	5	40-30	E10086	2H3	6	120-24
AT23189	2J25	2	140-3	AU43855	1F21	3	40-30	E10911	1I4	16	50-27
AT23467	1E23	12	40-5	AU43857	1F21	12	40-30	E1343FN	2F21	11	110-28
AT24252	1B14	21	20-21	A120R	1A22	10	20-4	E1343FN	2F23	10	110-30
AT24252	1B15	21	20-22	A16065	2C11	15	70-45	E19700	2A23	27	70-4
AT25185	1B17	1	20-24	A2913R	3B14	3	170-25	E19700	2B1	25	70-6
AT25185	1B17	2A	20-24	A3581R	2I11	1	120-59	E31845	2F22	10	110-29
AT25192	1B10	2	20-17	A369R	2H18	7	120-39	E40772	2A24	39	70-5
AT25192	1B11	2	20-18	A3910R	1B7	10	20-14	E40772	2B2	38	70-7
AT25226	1H4	4	50-2	A3910R	1B8	10	20-15	E40775	2B2	52	70-7
AT25264	1C19	3	20-51	A4365R	1D20	3	30-24	E41820	2K9	11	160-5
AT25265	1C19	1	20-51	A4365R	2K7	5	160-3	E42435	2B9	10	70-15
AT25266	1D5	6	30-9	A4655R	1F17	13	40-26	E42435	2B10	2	70-16
AT25437	1E21	10	40-3	A4730R	1B24	10	20-31	E46219	1C11	3	20-43
AT25619	1G7	1	40-41	A4730R	1I4	20	50-27	E54809	1C11	10	20-43
AT25619	1G8	..	40-42	A4730R	2I9	7	120-57	E54809	2C8	13	70-42
AT25619	1G10	..	40-44	A4730R	2K1	10	140-4	E54809	2D2	1	80-14
AT25983	1B25	8	20-32	A4741R	2D21	17	90-15	E55780	2E4	12	90-23
AT27126	1G2	21	40-35	A4827R	1B4	16	20-11	E56086	2A24	43	70-5
AT27126	1G4	11	40-37	BH77683	2H9	14	120-30	E56086	2B2	42	70-7
AT27127	1G2	29	40-35	BH77683	2H9	17	120-30	E60315	2H3	12	120-24
AT27127	1G4	14	40-37	BP12232	2C24	4	80-11	E62484	2G9	12	120-5

NUMERICAL INDEX - CONTINUED

PART NO.	GRID	KEY	PAGE	PART NO.	GRID	KEY	PAGE	PART NO.	GRID	KEY	PAGE
E62484	2G9	14	120-5	H101352	2H2	29	120-23	H103349	2H23	5	120-44
E62484	2G13	12A	120-9	H101352	3B3	2	170-12	H103350	2H23	8	120-44
E62951	2E21	11	110-1	H101370	2B25	1	70-34	H103351	2H23	4	120-44
E71183	1F4	14	40-11	H101370	2C2	1	70-36	H103444	2J4	8	130-2
F1463R	2D5	6	80-17	H101544	2C11	18	70-45	H103454	2J19	25	130-17
G6661E	2G9	12	120-5	H101620	2B9	25	70-15	H103537	1H18	1	50-16
G6661E	2G9	14	120-5	H101620	2J18	3	130-16	H103537	1H19	1	50-17
G6661E	2G13	12A	120-9	H101717	2F5	21	110-12	H103538	1H18	1	50-16
HZ5621H	2C20	7	80-7	H101718	2F5	1	110-12	H103538	1H19	12	50-17
HZ5621H	2G7	2	120-3	H101754	2F4	12	110-11	H103618	2D13	21	90-7
HZ5621H	2I6	7	120-54	H101755	2F4	9	110-11	H103645	2J19	28	130-17
H100016	2G17	9	120-13	H101782	2J13	3	130-11	H104006	1H21	1	50-19
H100018	2J10	5	130-8	H101795	2F4	15	110-11	H104075	1H21	9	50-19
H100065	3B14	6	170-25	H101795	2F4	19	110-11	H104148	1H21	8	50-19
H100122	2K12	8	160-8	H101813	1G5	2	40-38	H104223	2D16	21	90-10
H100197	1C13	10	20-45	H101813	3A21	2	170-3	H104855	1G18	9	40-53
H100206	2F4	22	110-11	H101814	2F4	30	110-11	H104954	2F2	2	110-9
H100207	2F4	1	110-11	H101814	2G2	4	110-34	H105055	1H22	20	50-20
H100209	3B16	6	170-27	H101822	2B4	18	70-9	H105418	2H24	13	120-45
H100286	2D25	15	90-19	H101998	2B7	19	70-12	H105579	1H6	9	50-4
H100325	2J20	13	130-18	H102126	2G24	28	120-21	H105716	2B9	16	70-15
H100394	1I11	22	60-4	H102126	2H2	26	120-23	H105717	2B9	21	70-15
H100400	2G17	25	120-13	H102146	1E14	4	30-43	H105718	2B9	17	70-15
H100455	1I11	25	60-4	H102231	3B14	12	170-25	H105719	2B9	23	70-15
H100457	1I11	16	60-4	H102232	3B14	1	170-25	H1058R	1B2	12	20-9
H100457	1I13	1	60-6	H102246	2J3	7	130-1	H1058R	1B3	12	20-10
H100457	1I14	1	60-7	H102281	2B9	3	70-15	H1058R	1B18	20	20-25
H100539	1F6	16	40-13	H102284	2B9	24	70-15	H1058R	1B19	20	20-26
H100540	1F6	16	40-13	H102284	2J18	4	130-16	H105899	3B14	14	170-25
H100541	1F6	16	40-13	H102468	2G7	14	120-3	H105900	3B14	14	170-25
H100541	1F6	18	40-13	H102493	2A23	4	70-4	H105936	2F18	30	110-25
H100562	2F18	16	110-25	H102493	2B1	4	70-6	H105967	1C22	10	30-1
H100584	2G15	9	120-11	H102505	2F18	4	110-25	H106000	2D22	16	90-16
H100585	2G15	11	120-11	H102598	2G24	10A	120-21	H106018	2E17	20	90-37
H100585	3A24	1	170-7	H102678	2F5	16	110-12	H106246	1F16	2	40-25
H100586	2G15	7	120-11	H102680	2F4	16	110-11	H106299	2E7	5	90-26
H100592	2F15	2	110-22	H102681	2F4	2	110-11	H106299	3B16	1	170-27
H100593	2F15	6	110-22	H102690	2F4	18	110-11	H106806	2B17	17	70-23
H100596	1C11	4	20-43	H102690	2F5	19	110-12	H106807	2B17	15	70-23
H100667	3B17	..	170-28	H102691	2F5	20	110-12	H107970	2K6	2	160-2
H100673	2E5	3	90-24	H102713	2F5	3	110-12	H107970	2K6	3	160-2
H100709	2I3	15	120-50	H102749	2G24	24	120-21	H10835	2C15	8	80-2
H100793	2I9	6	120-57	H102749	2H2	22	120-23	H10835	2C16	3	80-3
H100793	3B5	6	170-15	H102882	2F6	31	110-13	H108544	2G24	28	120-21
H100794	2K1	9	140-4	H103061	2J19	22	130-17	H108544	2H2	26	120-23
H100794	3B5	3	170-15	H103164	3B17	..	170-28	H108623	2J4	8	130-2
H100796	2K1	8	140-4	H103167	1H12	10	50-10	H108623	2J4	11	130-2
H100864	2J10	21	130-8	H103201	2B7	9	70-12	H108623	2J19	25	130-17
H100869	2H5	16	120-26	H103201	2B8	9	70-13	H108624	2J4	8	130-2
H100960	2H20	12	120-41	H103264	2H6	14	120-27	H108624	2J19	25	130-17
H100961	2H20	13	120-41	H103264	2H7	8	120-28	H108624	2J19	27	130-17
H100962	2H20	11	120-41	H103264	2H25	3	120-47	H109215	1C17	4	20-49
H100967	2H20	14	120-41	H103264	2I1	6	120-48	H109245	2G24	4	120-21
H100973	2G15	6	120-11	H103264	2I2	11	120-60	H109332	1F3	6	40-10
H101145	2J13	4	130-11	H103264	2I4	3	120-62	H109334	1F3	8	40-10
H101146	2J20	2	130-18	H103264	2I20	3	120-69	H109555	2C11	18	70-45
H101149	2G24	5	120-21	H103264	2I22	5	120-71	H109579	2G20	18	120-16
H101150	2G24	6	120-21	H103264	2J17	3	130-15	H109801	3B17	..	170-28
H101158	1C23	15	30-2	H103264	2J17	4	130-15	H109824	1I9	12	60-2
H101177	2C11	10	70-45	H103264	2J17	8	130-15	H109826	2C11	17	70-45
H101178	2C11	8	70-45	H103264	2K1	18	140-4	H109897	3B17	..	170-28
H101179	2C11	9	70-45	H103265	2H19	3	120-40	H109904	2D13	9	90-7
H101189	2G11	5	120-7	H103269	1C8	10	20-40	H109998	2B9	23	70-15
H101244	2F18	26	110-25	H103269	2D11	22	90-5	H110005	2G24	10A	120-21
H101297	2I13	11	120-61	H103271	2D11	10	90-5	H110005	2G24	10B	120-21
H101297	2I21	11	120-70	H103273	1D5	3	30-9	H110005	2H2	10	120-23
H101352	2G24	30	120-21	H103319	1C12	13	20-44	H11013	1H14	8	50-12

NUMERICAL INDEX - CONTINUED

PART NO.	GRID	KEY	PAGE	PART NO.	GRID	KEY	PAGE	PART NO.	GRID	KEY	PAGE
H110199	1D4	13	30-8	H115732	2C5	16	70-39	H25360	2E21	2	110-1
H110273	1H25	14	50-23	H115764	2D22	2	90-16	H25393	2J16	2	130-14
H110734	2H2	6	120-23	H115765	2D22	2	90-16	H25393	3B12	4	170-23
H110736	2H2	6	120-23	H115880	2C5	10	70-39	H25638	2B13	2	70-19
H111181	1I11	20	60-4	H116273	2G11	5	120-7	H25772	2J3	20	130-1
H111374	2K15	5	160-11	H116273	2G11	8	120-7	H26065	1F5	8	40-12
H111378	1F3	2	40-10	H117041	1I13	2	60-6	H26433	1I24	7	60-18
H111566	1I13	8	60-6	H117041	1I14	6	60-7	H26552	2G1	4	110-33
H112108	2B9	21	70-15	H117042	1I13	2	60-6	H26552	2G19	18	120-15
H112109	2C8	21	70-42	H117042	1I14	7	60-7	H26552	2G20	21	120-16
H112396	2H20	3	120-41	H117225	1I9	11	60-2	H27332	2H22	18	120-43
H112547	1I4	7A	50-27	H117549	2H2	5	120-23	H27952	2G2	2	110-34
H112547	1I4	7B	50-27	H117614	2G9	21	120-5	H28031	2K5	4	160-1
H112547	3A24	16	170-7	H117776	3B14	4	170-25	H28108	1D4	15	30-8
H112548	1I4	15	50-27	H118030	3B17	..	170-28	H28156	2B18	18	70-25
H113054	2A22	6	70-3	H118398	2E3	3	90-22	H28271	1J2	4	60-21
H113058	1F6	20	40-13	H118582	2F7	17	110-14	H28358	2J9	15	130-7
H113075	2H9	15	120-30	H118698	1C11	12	20-43	H28563	2I12	6	120-60
H113075	2H10	15	120-31	H118776	2F18	11	110-25	H28865	2E21	9	110-1
H113092	2D22	2	90-16	H119094	2G11	18A	120-7	H28865	2E22	3	110-3
H113093	2D22	2	90-16	H119094	2G11	18B	120-7	H28930	2B13	9	70-19
H113094	2D22	2	90-16	H119094	2G11	19	120-7	H28931	2B13	8	70-19
H113094	2D22	12	90-16	H119094	2G11	20	120-7	H29296	2D5	13	80-17
H113113	2D14	2	90-8	H119612	2H5	10	120-26	H30266	1H11	19	50-9
H11318	1I11	6	60-4	H119612	2H6	22	120-27	H30816	1I18	2	60-12
H11321	1H15	5	50-13	H120407	2E12	2	90-31	H30939	1H15	12	50-13
H113330	2H14	1	120-35	H120416	2J13	7	130-11	H31253	1I23	8	60-17
H113409	2F18	12	110-25	H120438	1C14	19	20-46	H31254	1I23	7	60-17
H113625	2G9	14	120-5	H121435	2F18	9	110-25	H31256	2A21	24	70-2
H113626	2G9	12	120-5	H121705	1G4	1	40-37	H31257	2A21	23	70-2
H113626	2G13	12B	120-9	H121847	1D4	13	30-8	H31257	2A24	51	70-5
H113727	2B4	5	70-9	H122138	2B17	18	70-23	H31257	2B2	50	70-7
H113743	2H22	17	120-43	H122139	2B17	12	70-23	H31381	2F7	25	110-14
H113760	2H20	14	120-41	H122140	2B17	13	70-23	H32057	1H14	6	50-12
H113823	2H15	6	120-36	H122141	2B17	3	70-23	H32147	2H17	5	120-38
H113825	2H15	11	120-36	H122142	2B17	10	70-23	H32300	1H14	5	50-12
H113983	2H9	14	120-30	H122143	2B17	7	70-23	H33491	1H12	12	50-10
H113983	2H10	10	120-31	H122290	1H3	13	50-1	H33495	1H13	3	50-11
H113984	2H9	17	120-30	H122290	1H3	17A	50-1	H33500	1H11	18	50-9
H113984	2H10	3	120-31	H122290	1H3	17B	50-1	H33511	1I11	3	60-4
H114465	2H14	3	120-35	H123351	3B14	5	170-25	H33513	1I11	13	60-4
H114466	2H14	4	120-35	H126073	2B1	26	70-6	H33776	2B14	4	70-20
H114535	2H14	12	120-35	H171289	2C12	12	70-46	H33795	1I10	7	60-3
H114536	2H14	13	120-35	H171290	2C12	14	70-46	H34753	2D9	6	90-3
H114557	2C18	7	80-5	H20042	2H19	5	120-40	H35207	1I18	8	60-12
H114557	2C18	13	80-5	H20407	3B7	6	170-17	H35208	1I18	9	60-12
H114562	1I11	21	60-4	H2172B	2G18	8	120-14	H35209	1I18	10	60-12
H114617	2J24	1	140-2	H2172B	2G22	8	120-19	H35210	1I18	3	60-12
H114617	2J25	26	140-3	H22039	2E21	11	110-1	H35212	1I17	12	60-11
H114618	2J24	1	140-2	H22216	2F18	27	110-25	H35213	1I17	10	60-11
H114618	2J25	26	140-3	H22660	1H24	12	50-22	H35214	1I17	14	60-11
H114618	2J25	32	140-3	H22695	2A21	8	70-2	H35215	1I17	17	60-11
H114628	2J24	1	140-2	H22979	1I19	5	60-13	H35216	1I17	16	60-11
H114628	2J24	2	140-2	H22979	2B14	19	70-20	H35218	1I17	21	60-11
H114637	2D17	12	90-11	H23005	1I4	9	50-27	H35219	1I17	20	60-11
H114637	2D18	8	90-12	H23193	1G10	2	40-44	H35220	1I17	22	60-11
H11479	1H11	16	50-9	H23196	2E17	18	90-37	H35221	1I17	23	60-11
H114990	1I11	20	60-4	H23581	2H19	3	120-40	H35226	1I17	3	60-11
H114990	1I13	8	60-6	H23817	3B10	5	170-21	H35227	1I17	1	60-11
H114990	1I14	4	60-7	H23932	1I21	14	60-15	H35228	1I16	7	60-10
H114991	1I11	20	60-4	H23932	1I22	7	60-16	H35240	1I23	14	60-17
H114991	1I13	8	60-6	H23941	1I3	16	50-26	H35241	1I23	16	60-17
H114991	1I14	3	60-7	H24710	1E22	3	40-4	H35242	1I23	12	60-17
H115067	2E9	18	90-28	H24979	1H21	12	50-19	H35243	1I23	17	60-17
H115230	2F19	14	110-26	H24979	2J1	10	120-75	H35244	1I23	18	60-17
H115230	2F20	1	110-27	H25051	2F21	10	110-28	H35246	2B9	14	70-15
H115673	3B14	7	170-25	H25051	2F23	9	110-30	H35246	2B10	6	70-16

NUMERICAL INDEX - CONTINUED

PART NO.	GRID	KEY	PAGE	PART NO.	GRID	KEY	PAGE	PART NO.	GRID	KEY	PAGE
H35465	2J20	12	130 - 18	H64376	2F20	2	110 - 27	H75395	2H24	19	120 - 45
H35465	2J21	15	130 - 19	H64376	2F20	3	110 - 27	H75396	2H24	6	120 - 45
H35481	1I1	4	50 - 24	H64376	2G9	15	120 - 5	H75406	2H25	9	120 - 47
H35481	2B16	5	70 - 22	H64376	2G9	16	120 - 5	H75406	2I1	12	120 - 48
H35481	2J11	9	130 - 9	H64376	2G13	15	120 - 9	H75406	2J20	16	130 - 18
H35664	1I23	3	60 - 17	H64376	2G13	16	120 - 9	H75406	2J21	16	130 - 19
H35688	2I13	17	120 - 61	H64376	2G24	8A	120 - 21	H75412	2C3	2	70 - 37
H35688	2I21	12	120 - 70	H64376	2G24	8B	120 - 21	H75412	2C9	10	70 - 43
H35906	1H12	5	50 - 10	H64376	2H2	9	120 - 23	H75413	1I22	1	60 - 16
H36036	1E15	8	30 - 44	H64584	2C23	20	80 - 10	H75414	1I3	3	50 - 26
H36155	2J12	8	130 - 10	H64584	2E4	7	90 - 23	H75415	2B3	15	70 - 8
H36155	2J20	19	130 - 18	H64612	1E20	4	40 - 2	H75416	1I3	8	50 - 26
H36257	1I18	4	60 - 12	H64612	1E21	9	40 - 3	H75423	1H5	1	50 - 3
H574B	1C11	6	20 - 43	H64612	1E24	9	40 - 7	H75535	2I9	9	120 - 57
H574B	1D4	6	30 - 8	H64612	1F5	11	40 - 12	H75536	2I9	8	120 - 57
H60209	2F12	1	110 - 19	H64747	1I17	18	60 - 11	H75541	2B12	12	70 - 18
H60330	1I23	10	60 - 17	H65108	1F5	2	40 - 12	H75549	2J25	1	140 - 3
H60817	2A24	54	70 - 5	H65108	1I3	11	50 - 26	H75555	2G18	24	120 - 14
H60817	2B2	53	70 - 7	H65108	1I21	4	60 - 15	H75555	2G22	27	120 - 19
H60885	2B21	8	70 - 29	H65108	1I24	4	60 - 18	H75571	2G19	13	120 - 15
H61803	2F13	2	110 - 20	H65108	2C18	1	80 - 5	H75571	2G20	26	120 - 16
H61805	2E4	8	90 - 23	H65108	2C22	12	80 - 9	H75688	2G19	17	120 - 15
H61941	1H6	10	50 - 4	H65108	2C24	2	80 - 11	H75689	2G19	16	120 - 15
H62218	2D22	16	90 - 16	H65108	2C25	4	80 - 12	H75689	2G20	22	120 - 16
H62443	1F4	7	40 - 11	H65108	2D8	6	90 - 1	H75690	2G19	21	120 - 15
H62444	1F4	10	40 - 11	H65108	2D11	16	90 - 5	H75691	2F21	6	110 - 28
H62445	1F4	12	40 - 11	H65108	2D15	25	90 - 9	H75691	2F23	5	110 - 30
H62447	1F4	5	40 - 11	H65108	2E13	5	90 - 33	H75692	2J25	19	140 - 3
H63062	2A21	28	70 - 2	H65108	2F2	4	110 - 9	H75693	2G18	37	120 - 14
H63283	2K11	9	160 - 7	H65108	2H6	16	120 - 27	H75693	2J25	17	140 - 3
H63289	2B25	11	70 - 34	H65108	2H7	5	120 - 28	H75695	2G18	2	120 - 14
H63357	2A23	33	70 - 4	H65108	2H20	4	120 - 41	H75696	2G18	3	120 - 14
H63357	2B1	29	70 - 6	H65108	2H22	2	120 - 43	H75697	2G18	12	120 - 14
H63357	2B7	6	70 - 12	H65108	2I24	14	120 - 73	H75697	2G22	12	120 - 19
H63357	2B8	6	70 - 13	H65108	2J3	2	130 - 1	H75700	2J25	28	140 - 3
H63357	2B25	6	70 - 34	H65108	2J4	1	130 - 2	H75701	2J25	12	140 - 3
H63357	2C1	3	70 - 35	H65108	2J5	10	130 - 3	H75702	2J25	13	140 - 3
H63357	2C2	6	70 - 36	H65108	2J20	1	130 - 18	H75711	1H17	3	50 - 15
H63576	2I14	17	120 - 62	H65133	2K3	9	140 - 6	H75712	1H17	3	50 - 15
H63576	2I22	16	120 - 71	H65662	2A21	12	70 - 2	H75713	1H17	3	50 - 15
H63577	2I14	13	120 - 62	H748DA	2G1	8	110 - 33	H75714	1H17	3	50 - 15
H63578	2I12	9	120 - 60	H75007	2G18	4	120 - 14	H75715	1H17	3	50 - 15
H63578	2I20	6	120 - 69	H75008	2J25	21	140 - 3	H75716	1H17	8	50 - 15
H63578	2I22	11	120 - 71	H75008	3A24	3	170 - 7	H75732	2G7	8	120 - 3
H64037	1H12	1	50 - 10	H75009	2G18	38	120 - 14	H75747	1C8	6	20 - 40
H64042	1H22	11	50 - 20	H75164	1H20	3	50 - 18	H75748	1C8	1	20 - 40
H64160	2K1	14	140 - 4	H75179	1H12	11	50 - 10	H75775	1I24	6	60 - 18
H64374	1C12	12	20 - 44	H75180	1H12	6	50 - 10	H75777	1I24	2	60 - 18
H64374	2F20	21	110 - 27	H75244	1H17	6	50 - 15	H75777	1I25	1	60 - 19
H64374	2H6	21	120 - 27	H75249	1H11	8	50 - 9	H75813	1H11	20	50 - 9
H64374	2H7	15	120 - 28	H75251	1H11	5	50 - 9	H75814	1H22	6	50 - 20
H64374	2H19	7	120 - 40	H75252	1H11	6	50 - 9	H75816	3A24	5	170 - 7
H64374	2I1	15	120 - 48	H75254	1H11	10	50 - 9	H75832	1H22	13	50 - 20
H64374	2I14	11	120 - 62	H75255	1H11	12	50 - 9	H75833	1H23	3	50 - 21
H64374	2I14	12	120 - 62	H75256	1H21	22	50 - 19	H75833	3A24	18	170 - 7
H64374	2I15	7	120 - 63	H75257	1H21	21	50 - 19	H75847	3A24	17	170 - 7
H64374	2I19	5	120 - 68	H75282	2G20	24	120 - 16	H75850	1I5	13	50 - 28
H64374	2I22	12	120 - 71	H75293	2D5	15	80 - 17	H75851	1I5	6	50 - 28
H64374	2J12	11	130 - 10	H75294	2C18	3	80 - 5	H75855	1I4	7A	50 - 27
H64374	2J12	13	130 - 10	H75295	2C18	4	80 - 5	H75855	3A24	16	170 - 7
H64374	2J21	10	130 - 19	H75324	2G9	21	120 - 5	H75856	1I4	15	50 - 27
H64374	2J21	11	130 - 19	H75346	2G18	34	120 - 14	H75893	2F22	7	110 - 29
H64374	2K1	27	140 - 4	H75348	2G18	27	120 - 14	H75894	2F20	23	110 - 27
H64374	2K1	28	140 - 4	H75348	2G22	23	120 - 19	H75895	2F20	19	110 - 27
H64375	2I14	9	120 - 62	H75367	2G16	7	120 - 12	H75924	1I5	4	50 - 28
H64376	2F19	13	110 - 26	H75374	2G16	9	120 - 12	H75925	1I5	3	50 - 28
H64376	2F19	15	110 - 26	H75394	2H24	5	120 - 45	H75926	1I2	21	50 - 25

NUMERICAL INDEX - CONTINUED

PART NO.	GRID	KEY	PAGE	PART NO.	GRID	KEY	PAGE	PART NO.	GRID	KEY	PAGE
H75928	1J2	6	60-21	H76434	2H6	11	120-27	H76989	2I11	2	120-59
H75929	1J2	6	60-21	H76434	3B5	1	170-15	H77210	1D3	4	30-7
H75931	1I25	7	60-19	H76435	2H6	6	120-27	H77240	1D4	10	30-8
H75937	1J1	6	60-20	H76436	2H6	3	120-27	H77243	1D4	8	30-8
H75938	1I2	7	50-25	H76437	2H7	13	120-28	H77244	1D4	17	30-8
H75938	2C6	15	70-40	H76440	2H6	17	120-27	H77263	2K1	26	140-4
H75975	2I20	26	120-69	H76441	1H18	15	50-16	H77263	3B4	1	170-13
H75977	2I21	2	120-70	H76441	1H19	15	50-17	H77263	3B9	3	170-19
H75978	2I22	13	120-71	H76446	1H18	14	50-16	H77265	2K1	29	140-4
H75985	2D14	4	90-8	H76451	1E17	2	30-46	H77280	2F24	1	110-31
H75987	2D14	2	90-8	H76467	1E16	1	30-45	H77286	2F16	1	110-23
H76006	2I20	21	120-69	H76478	1E20	6	40-2	H77287	2G1	2	110-33
H76008	2I20	22	120-69	H76478	1F12	15	40-20	H77288	2G1	5	110-33
H76010	2H4	4	120-25	H76478	1F13	6	40-21	H77289	2G1	6	110-33
H76010	2I20	24	120-69	H76502	2B5	10	70-10	H77292	2G1	5	110-33
H76012	2I12	14	120-60	H76502	2G17	8	120-13	H77337	1I8	6	60-1
H76014	2I12	15	120-60	H76503	2G17	22	120-13	H77358	1F3	11	40-10
H76016	2I12	16	120-60	H76504	2G17	23	120-13	H77358	1H21	14	50-19
H76020	2I10	6	120-58	H76505	2G17	19	120-13	H77358	1I22	9	60-16
H76022	2I10	2	120-58	H76507	2G17	16	120-13	H77358	2B21	12	70-29
H76024	2H24	7	120-45	H76515	2G17	24	120-13	H77371	1I9	12	60-2
H76025	1H18	6	50-16	H76517	2G17	3	120-13	H77372	1I9	11	60-2
H76025	1H19	6	50-17	H76518	2B4	6	70-9	H77373	1I9	6	60-2
H76028	3B2	16	170-11	H76518	2B5	9	70-10	H77378	1I12	28	60-5
H76032	2F25	8	110-32	H76518	2G17	12	120-13	H77383	2J24	1	140-2
H76038	2F25	19	110-32	H76522	2B5	4	70-10	H77387	2J1	26	120-75
H76040	2F25	12	110-32	H76523	2B5	3	70-10	H77392	2J24	20	140-2
H76041	2F25	17	110-32	H76526	2B5	11	70-10	H77392	3B2	13	170-11
H76042	3B17	..	170-28	H76584	2J15	12	130-13	H77416	2J3	21	130-1
H76047	1J1	10	60-20	H76607	2H8	4	120-29	H77417	2J3	22	130-1
H76064	1C14	20	20-46	H76636	2H5	8	120-26	H77420	2D5	3	80-17
H76064	1E20	21	40-2	H76654	2I8	3	120-56	H77431	2J21	13	130-19
H76084	2J3	13	130-1	H76683	2E24	14	110-5	H77434	2J21	6	130-19
H76109	2B14	20	70-20	H76690	2E25	13	110-6	H77454	2J3	14	130-1
H76136	3B12	10	170-23	H76690	2F1	13	110-7	H77458	2J21	17	130-19
H76139	1C22	8	30-1	H76694	2F7	17	110-14	H77459	2J21	14	130-19
H76139	1D5	2	30-9	H76696	2E24	15	110-5	H77460	2J21	12	130-19
H76139	1E16	3	30-45	H76696	2E24	16	110-5	H77490	2J18	14	130-16
H76139	1E23	18	40-5	H76696	2E25	12	110-6	H77493	2J19	17	130-17
H76139	1F23	15	40-32	H76696	2F1	12	110-7	H77494	2J19	18	130-17
H76139	1H24	13	50-22	H76696	2H22	19	120-43	H77516	2K2	2	140-5
H76139	2C22	4	80-9	H76700	2E25	19	110-6	H77529	2C18	7	80-5
H76139	2C22	16	80-9	H76700	2F1	19	110-7	H77530	2C18	13	80-5
H76139	2C23	9	80-10	H76701	2E24	19	110-5	H77578	2E24	6	110-5
H76139	2D11	16	90-5	H76728	2J23	7	140-1	H77578	2J9	21	130-7
H76139	2D14	15	90-8	H76732	2J23	10	140-1	H77628	2E23	19	110-4
H76139	2G7	30	120-3	H76759	2J18	12	130-16	H77644	1H4	6	50-2
H76139	2H15	1	120-36	H76760	2J18	8	130-16	H77645	1H4	6	50-2
H76139	2H20	16	120-41	H76788	1I2	3	50-25	H77680	2B19	1	70-27
H76139	2H24	1	120-45	H76790	2J17	3	130-15	H77682	2B19	4	70-27
H76139	2I18	4	120-67	H76790	2J17	4	130-15	H77683	3B2	14	170-11
H76139	2J4	18	130-2	H76805	2C18	5	80-5	H77687	2K3	4	140-6
H76139	2K3	2	140-6	H76846	2G1	11	110-33	H77688	2K3	7	140-6
H76155	1H18	8	50-16	H76848	2F21	15	110-28	H77698	1F2	16	40-9
H76155	1H19	8	50-17	H76848	3B2	8	170-11	H77698	1F3	17	40-10
H76162	1C22	6	30-1	H76849	2F19	3	110-26	H77698	1G2	2	40-35
H76165	1C22	5	30-1	H76851	2F19	3	110-26	H77698	2G15	14	120-11
H76209	2H19	15	120-40	H76851	3B2	5	170-11	H77698	2K13	1	160-9
H76258	2G7	16	120-3	H76869	1H3	6	50-1	H77703	2H4	3	120-25
H76258	2H10	14	120-31	H76873	1H3	24	50-1	H77706	2H4	4	120-25
H76258	2H12	1	120-33	H76877	2G7	4	120-3	H77710	2I10	7	120-58
H76258	2H12	9	120-33	H76890	2H4	2	120-25	H77712	2H20	6	120-41
H76357	1E14	8	30-43	H76901	2I1	20	120-48	H77713	2H20	3	120-41
H76365	1E15	13	30-44	H76918	1I24	3	60-18	H77719	2H22	11	120-43
H76371	2K3	12	140-6	H76933	2H22	22	120-43	H77751	2F7	2	110-14
H76431	2H6	19	120-27	H76958	2J15	25	130-13	H77885	2C15	3	80-2
H76432	2H6	8	120-27	H76958	3B12	6	170-23	H77885	2C16	14	80-3

NUMERICAL INDEX - CONTINUED

PART NO.	GRID	KEY	PAGE	PART NO.	GRID	KEY	PAGE	PART NO.	GRID	KEY	PAGE
H77920	2J4	17	130-2	H78685	2B3	27	70-8	H79787	2H19	16	120-40
H77924	1I16	17	60-10	H78685	2B21	21	70-29	H79787	3B7	2	170-17
H77931	1I8	15	60-1	H78744	2I3	8	120-50	H79897	1E22	4	40-4
H77931	2G15	25	120-11	H78745	2I3	6	120-50	H79917	3B9	2	170-19
H77931	2G24	20	120-21	H78794	2K3	3	140-6	H79918	2I23	8	120-72
H77931	2H2	18	120-23	H78802	1H21	16	50-19	H79921	2I23	10	120-72
H77932	1H9	6	50-7	H78808	2D11	9	90-5	H79922	2I23	13	120-72
H77932	2C23	1	80-10	H78809	2D11	7	90-5	H79934	1H7	10	50-5
H77937	1I16	24	60-10	H78812	1I9	7	60-2	H79962	2D9	14	90-3
H77938	1H3	19	50-1	H78813	1I9	15	60-2	H79996	2G14	18	120-10
H77943	1H3	12	50-1	H78827	2D11	29	90-5	H80034	3B14	10	170-25
H77950	2F20	18	110-27	H78838	2J3	23	130-1	H80052	2H23	3	120-44
H77950	2F20	20	110-27	H78839	2J3	24	130-1	H80067	2C20	3	80-7
H77950	3B2	22	170-11	H78850	2I12	13	120-60	H80068	2J20	3	130-18
H77951	2F20	18	110-27	H78851	2I12	13	120-60	H80103	3A25	2	170-9
H77951	2F20	20	110-27	H78855	1C8	17	20-40	H80107	1H5	8	50-3
H77951	3B2	22	170-11	H78856	1C8	18	20-40	H80107	1H6	14	50-4
H77964	2F9	8	110-16	H78857	1C8	20	20-40	H80138	2H23	1	120-44
H77967	2F22	4	110-29	H78865	2J1	28	120-75	H80141	2I5	10	120-53
H77967	3B2	19	170-11	H78869	2J1	33	120-75	H80148	2I13	19	120-61
H77979	2F20	18	110-27	H78880	2F14	11	110-21	H80153	1H3	13	50-1
H77979	2F20	20	110-27	H78884	2F14	4	110-21	H80159	3B7	9	170-17
H77979	3B2	22	170-11	H78884	2F14	4	110-21	H80179	1F6	28	40-13
H77999	1J1	2	60-20	H78884	2F15	5	110-22	H80180	1F6	26	40-13
H78001	1H3	11	50-1	H78919	2I15	10	120-63	H80181	1F6	22	40-13
H78002	1H3	26	50-1	H78938	2G7	11	120-3	H80185	1F5	7	40-12
H78062	1J3	7	60-22	H78972	2B4	14	70-9	H80197	1C8	3	20-40
H78110	1D4	5	30-8	H78973	2B4	14	70-9	H80198	1C8	16	20-40
H78111	1D4	7	30-8	H78988	2K2	37	140-5	H80205	2B6	2	70-11
H78134	2D14	19	90-8	H79019	1I3	7	50-26	H80215	2K1	2	140-4
H78180	2J19	20	130-17	H79019	1I21	2	60-15	H80226	2F21	19	110-28
H78273	2F4	5	110-11	H79067	2I15	8	120-63	H80227	2J15	21	130-13
H78274	2F4	14	110-11	H79072	2I15	14	120-63	H80252	1J2	6	60-21
H78289	2D14	3	90-8	H79285	3B4	2	170-13	H80264	2D22	6	90-16
H78290	2I21	4	120-70	H79287	3B14	8	170-25	H80295	2J1	19	120-75
H78294	2I22	8	120-71	H79317	3B14	7	170-25	H80296	2J1	22	120-75
H78296	2I20	26	120-69	H79357	2I11	7	120-59	H80304	1E20	15	40-2
H78297	2I22	1	120-71	H79358	2I11	10	120-59	H80305	2G15	15	120-11
H78297	3B9	7	170-19	H79404	2F21	8	110-28	H80306	1F18	5	40-27
H78307	1H21	10	50-19	H79404	2F23	7	110-30	H80306	2C21	29	80-8
H78309	1H21	11	50-19	H79449	2G1	17	110-33	H80314	2J10	10	130-8
H78340	2A22	7	70-3	H79449	2G19	1	120-15	H80315	2J10	16	130-8
H78354	1F3	16	40-10	H79449	2G20	17	120-16	H80357	1H14	4	50-12
H78360	2G18	28	120-14	H79481	1C23	4	30-2	H80364	2J15	20	130-13
H78360	2G22	22	120-19	H79481	1E21	19	40-3	H80370	2I6	4	120-54
H78420	1I8	14	60-1	H79484	2G9	24	120-5	H80372	2I6	5	120-54
H78421	1I8	5	60-1	H79514	1I11	12	60-4	H80387	1H21	5	50-19
H78423	1I8	16	60-1	H79573	1I21	7	60-15	H80405	2A20	4	70-1
H78426	1H6	6	50-4	H79576	1I3	10	50-26	H80407	3B17	..	170-28
H78437	1H3	17A	50-1	H79577	1I21	10	60-15	H80419	2B15	14	70-21
H78440	1H3	15	50-1	H79599	2G20	7	120-16	H80437	1I2	8	50-25
H78450	2I13	9	120-61	H79638	2G18	14	120-14	H80438	1I2	14	50-25
H78480	2I5	9	120-53	H79638	2G22	14	120-19	H80439	1I2	12	50-25
H78498	2I7	30	120-55	H79646	2G18	11	120-14	H80440	1I2	17	50-25
H78500	2I7	25	120-55	H79646	2G22	11	120-19	H80440	2C6	4	70-40
H78505	2I6	12	120-54	H79646	3A24	7	170-7	H80441	2C6	8	70-40
H78522	2I8	11	120-56	H79647	2G18	11	120-14	H80442	2C6	10	70-40
H78523	2I8	8	120-56	H79647	3A24	7	170-7	H80443	2C6	7	70-40
H78523	3B5	5	170-15	H79683	2G18	13	120-14	H80447	2A24	59	70-5
H78526	2I8	9	120-56	H79683	2G22	13	120-19	H80447	2B2	58	70-7
H78531	2J10	13	130-8	H79688	2G18	22	120-14	H80448	2A24	49	70-5
H78537	2J10	7	130-8	H79688	2G22	28	120-19	H80448	2B2	48	70-7
H78546	2D22	9	90-16	H79689	2G20	25	120-16	H80449	2A23	28	70-4
H78557	2C20	8	80-7	H79757	2G9	17	120-5	H80449	2B1	27	70-6
H78560	1I19	6	60-13	H79757	2G13	17	120-9	H80450	2A23	26	70-4
H78624	2E24	11	110-5	H79784	1C15	17	20-47	H80452	2A24	55	70-5
H78684	2B21	18	70-29	H79784	2E24	17	110-5	H80452	2B2	54	70-7

NUMERICAL INDEX - CONTINUED

PART NO.	GRID	KEY	PAGE	PART NO.	GRID	KEY	PAGE	PART NO.	GRID	KEY	PAGE
H80596	3B14	11	170 - 25	H81246	2D9	17	90 - 3	H82071	2I23	6	120 - 72
H80627	1E20	13	40 - 2	H81247	2D9	13	90 - 3	H82072	2I16	7	120 - 64
H80627	2B11	6	70 - 17	H81250	2D9	19	90 - 3	H82157	1H7	4	50 - 5
H80663	2J15	31	130 - 13	H81252	2D9	18	90 - 3	H82165	1H12	7	50 - 10
H80665	1C23	16	30 - 2	H81253	2D9	5	90 - 3	H82237	2E6	9	90 - 25
H80681	2A22	6	70 - 3	H81277	2F7	23	110 - 14	H82241	2D25	15	90 - 19
H80682	2A22	5	70 - 3	H81326	2D1	3	80 - 13	H82306	2F19	12	110 - 26
H80686	2G17	18	120 - 13	H81330	2I18	16	120 - 67	H82306	2F20	5	110 - 27
H80704	2I14	8	120 - 62	H81342	2D9	9	90 - 3	H82314	2G9	8	120 - 5
H80707	1H7	15	50 - 5	H81350	2D1	7	80 - 13	H82314	2G13	8	120 - 9
H80708	1H7	13	50 - 5	H81352	2D22	3	90 - 16	H82368	2G15	24	120 - 11
H80714	2I1	19	120 - 48	H81362	2J23	9	140 - 1	H82425	2E17	11	90 - 37
H80714	2I20	12	120 - 69	H81372	2B14	2	70 - 20	H82426	2E17	5	90 - 37
H80724	2K1	11	140 - 4	H81458	1I12	5	60 - 5	H82444	2G16	14	120 - 12
H80724	3B5	3	170 - 15	H81459	1I12	1	60 - 5	H82445	2G16	14	120 - 12
H80726	3B5	7	170 - 15	H81460	1I12	2	60 - 5	H82446	3B17	..	170 - 28
H80731	2J9	11	130 - 7	H81461	1I12	30	60 - 5	H82447	2G16	13	120 - 12
H80754	2I11	5	120 - 59	H81462	1I12	10	60 - 5	H82448	2G17	4	120 - 13
H80755	2I11	11	120 - 59	H81463	1I12	12	60 - 5	H82457	2F21	5	110 - 28
H80757	2J1	27	120 - 75	H81464	1I12	13	60 - 5	H82457	2F23	4	110 - 30
H80758	2J1	13	120 - 75	H81465	1I12	14	60 - 5	H82460	2H5	4	120 - 26
H80759	2F25	15	110 - 32	H81466	1I12	11	60 - 5	H82497	2G7	15	120 - 3
H80760	2F25	16	110 - 32	H81467	1I12	16	60 - 5	H82510	2F10	8	110 - 17
H80796	3B17	..	170 - 28	H81468	1I12	15	60 - 5	H82520	2G2	3	110 - 34
H80800	2J15	28	130 - 13	H81469	1I12	8	60 - 5	H82521	2F14	5	110 - 21
H80806	2F7	7	110 - 14	H81470	1I12	7	60 - 5	H82530	2F11	8	110 - 18
H80811	1H3	18	50 - 1	H81471	1I12	6	60 - 5	H82532	2F19	17	110 - 26
H80813	2B18	13	70 - 25	H81472	1I12	27	60 - 5	H82532	2F20	13	110 - 27
H80818	2A21	20	70 - 2	H81528	1D3	4	30 - 7	H82542	2B4	12	70 - 9
H80819	2A21	16	70 - 2	H81592	3B17	..	170 - 28	H82556	1I16	4	60 - 10
H80820	2A21	19	70 - 2	H81593	3B17	..	170 - 28	H82587	1H23	1	50 - 21
H80821	2A21	15	70 - 2	H81608	2K10	13	160 - 6	H82617	2D11	28	90 - 5
H80826	2I9	17	120 - 57	H81660	2J17	6	130 - 15	H82618	2I24	15	120 - 73
H80827	2I9	21	120 - 57	H81669	2E17	6	90 - 37	H82619	2G9	1	120 - 5
H80829	2I10	9	120 - 58	H81679	1F11	21	40 - 19	H82619	2G13	1	120 - 9
H80838	2F10	6	110 - 17	H81685	2E3	7	90 - 22	H82619	2J23	1	140 - 1
H80840	2F10	7	110 - 17	H81688	1I9	6	60 - 2	H82620	2J24	24	140 - 2
H80843	2F10	4	110 - 17	H81695	3B17	..	170 - 28	H82630	2G7	7	120 - 3
H80843	2F11	5	110 - 18	H81696	2D16	2	90 - 10	H82699	2E24	2	110 - 5
H80845	2F18	21	110 - 25	H81707	2A23	31	70 - 4	H82700	2E24	20	110 - 5
H80845	3B2	1	170 - 11	H81707	2B1	31	70 - 6	H82711	1F7	2	40 - 14
H80923	2F19	14	110 - 26	H81707	2B7	12	70 - 12	H82711	1F8	3	40 - 15
H80923	2F20	1	110 - 27	H81707	2B8	12	70 - 13	H82724	1G5	2	40 - 38
H80926	2E21	8	110 - 1	H81710	2F7	4	110 - 14	H82724	3A21	2	170 - 3
H80926	2F19	16	110 - 26	H81720	2D9	15	90 - 3	H82748	1H22	22	50 - 20
H80926	2F20	4	110 - 27	H81721	2D9	12	90 - 3	H82771	2D16	18	90 - 10
H80934	1H22	12	50 - 20	H81734	1C23	1	30 - 2	H82780	2J5	7	130 - 3
H80936	1H22	17	50 - 20	H81734	1D2	2	30 - 6	H82780	2J8	5	130 - 6
H80937	1H22	19	50 - 20	H81748	1E16	5	30 - 45	H82798	2H18	29	120 - 39
H80970	2D13	4	90 - 7	H81780	3B14	15	170 - 25	H82935	2J10	11	130 - 8
H80970	2D16	25	90 - 10	H81782	2D25	1	90 - 19	H82936	2D13	7	90 - 7
H80988	1C8	8	20 - 40	H81792	2D24	1	90 - 18	H82937	2D13	8	90 - 7
H80989	1C8	4	20 - 40	H81793	2D24	2	90 - 18	H82987	2H3	11	120 - 24
H80991	2J23	8	140 - 1	H81794	2D24	6	90 - 18	H83025	2E6	12	90 - 25
H80993	1H7	1	50 - 5	H81796	2D24	4	90 - 18	H83053	2B16	1	70 - 22
H80995	1H7	7	50 - 5	H81797	2D24	5	90 - 18	H83054	2B16	12	70 - 22
H81001	2E17	13	90 - 37	H81798	2D24	3	90 - 18	H83054	2J11	1	130 - 9
H81010	2E17	16	90 - 37	H81804	2C21	2	80 - 8	H83055	2D17	5	90 - 11
H81011	2E17	12	90 - 37	H81804	2D25	12	90 - 19	H83055	2D18	9	90 - 12
H81067	1E23	10	40 - 5	H81847	2D16	26	90 - 10	H83058	2B5	1	70 - 10
H81068	1E23	4	40 - 5	H81847	2E3	5	90 - 22	H83058	2J1	1	120 - 75
H81069	1E23	14	40 - 5	H81921	1F14	3	40 - 23	H83059	2J1	1	120 - 75
H81070	1E23	9	40 - 5	H81960	2H24	10	120 - 45	H83060	1F12	11	40 - 20
H81071	1E23	8	40 - 5	H81962	2I7	18	120 - 55	H83060	1F13	3	40 - 21
H81074	2F7	21	110 - 14	H81963	2I7	18	120 - 55	H83060	2C22	9	80 - 9
H81101	2F13	10	110 - 20	H81972	2I7	29	120 - 55	H83062	2E3	10	90 - 22
H81222	3B10	3	170 - 21	H82069	2D9	4	90 - 3	H83078	2G24	26	120 - 21

NUMERICAL INDEX - CONTINUED

PART NO.	GRID	KEY	PAGE	PART NO.	GRID	KEY	PAGE	PART NO.	GRID	KEY	PAGE
H83078	2H2	24	120-23	H83795	2H22	20	120-43	H84942	2F7	14	110-14
H83078	3A24	2	170-7	H83796	2H22	1	120-43	H84943	2F7	16	110-14
H83081	2I1	23	120-48	H83798	2H22	17	120-43	H84944	2F7	15	110-14
H83081	3B4	4	170-13	H83806	2H20	5	120-41	H84945	2F7	12	110-14
H83083	2I1	16	120-48	H83823	2F5	12	110-12	H84946	2F7	12	110-14
H83087	2I20	15	120-69	H83824	2F5	9	110-12	H84947	3B14	5	170-25
H83089	2I2	29	120-49	H83860	2J5	11	130-3	H84954	2F24	10	110-31
H83090	2I2	32	120-49	H83943	2D25	23	90-19	H84956	2F15	2	110-22
H83105	2I13	2	120-61	H83944	2B6	1	70-11	H84958	2F15	2	110-22
H83107	3B16	7	170-27	H83966	1C23	3	30-2	H84959	2F15	6	110-22
H83132	2H22	21	120-43	H84026	2F8	4	110-15	H84961	2F24	12	110-31
H83138	1I10	12	60-3	H84102	2J24	2	140-2	H84975	2D14	14	90-8
H83208	1I3	15	50-26	H84103	2J24	4	140-2	H84981	2D14	18	90-8
H83208	1I20	7	60-14	H84103	3A25	1	170-9	H84983	2H12	17	120-33
H83208	1I21	13	60-15	H84103	3B7	7	170-17	H84984	2H12	13	120-33
H83208	1I22	6	60-16	H84106	2J23	3	140-1	H84990	2H16	5	120-37
H83217	2J10	17	130-8	H84106	3A24	13	170-7	H84992	2H16	3	120-37
H83220	2J10	6	130-8	H84106	3B12	9	170-23	H84994	2H16	7	120-37
H83241	2A21	14	70-2	H84107	2E6	6	90-25	H85004	2H12	4	120-33
H83262	1H18	12	50-16	H84108	2E6	7	90-25	H85013	2H12	18	120-33
H83263	1H18	13	50-16	H84109	1F11	3	40-19	H85014	2H12	14	120-33
H83282	2E3	8	90-22	H84158	2F18	11	110-25	H85015	2F18	19	110-25
H83284	2F16	1	110-23	H84175	3B17	..	170-28	H85092	1E22	13	40-4
H83285	2F21	4	110-28	H84197	2D25	17	90-19	H85092	2C25	3	80-12
H83285	2F23	3	110-30	H84201	2F21	7	110-28	H85096	2J15	8	130-13
H83287	1C23	13	30-2	H84201	2F23	6	110-30	H85097	2J15	11	130-13
H83330	1F7	12	40-14	H84201	3B2	7	170-11	H85156	2H9	8	120-30
H83347	1C8	22	20-40	H84201	3B2	10	170-11	H85156	2H10	8	120-31
H83348	1D4	13	30-8	H84229	1H11	2	50-9	H85164	2H15	6	120-36
H83371	2B3	4	70-8	H84231	1H11	3	50-9	H85167	2H15	8	120-36
H83371	2B12	11	70-18	H84292	2G11	11	120-7	H85169	2H15	11	120-36
H83386	2C18	14	80-5	H84292	2G15	28	120-11	H85174	2H9	12	120-30
H83387	1E23	16	40-5	H84295	2G15	27	120-11	H85175	2H9	3	120-30
H83448	2D13	14	90-7	H84365	2J25	20	140-3	H85181	2H15	2	120-36
H83460	1I2	2	50-25	H84367	2C6	17	70-40	H85184	2H15	9	120-36
H83469	2H7	6	120-28	H84390	2F18	26	110-25	H85184	2H16	14	120-37
H83494	1I4	21	50-27	H84417	2J25	18	140-3	H85186	2H15	5	120-36
H83575	2E23	10	110-4	H84417	3A24	3	170-7	H85190	2H5	13	120-26
H83576	2E23	9	110-4	H84449	2F21	13	110-28	H85200	1H6	3	50-4
H83590	2J1	3	120-75	H84449	2F23	17	110-30	H85229	2G16	1	120-12
H83592	2F13	5	110-20	H84481	2D25	14	90-19	H85233	2D14	10	90-8
H83596	2F13	15	110-20	H84513	2F13	14	110-20	H85253	1I4	11	50-27
H83617	1F6	20	40-13	H84537	2A23	30	70-4	H85345	2D11	20	90-5
H83720	2F23	8	110-30	H84537	2B1	32	70-6	H85354	1H17	2	50-15
H83720	3B2	10	170-11	H84537	2B7	10	70-12	H85372	2G16	6	120-12
H83721	2F21	9	110-28	H84537	2B8	10	70-13	H85396	2J3	5	130-1
H83722	3B2	7	170-11	H84542	2G9	3	120-5	H85398	3B16	3	170-27
H83732	2I10	5	120-58	H84542	2G13	3	120-9	H85401	1H3	28	50-1
H83737	2E23	2	110-4	H84542	3A24	11	170-7	H85440	2G20	4	120-16
H83738	2E23	3	110-4	H84556	1C16	6	20-48	H85441	2J24	27	140-2
H83742	2B24	7	70-33	H84581	2C22	5	80-9	H85441	3A24	3	170-7
H83743	2C3	7	70-37	H84620	1H7	11	50-5	H85442	2J24	27	140-2
H83743	2C5	9	70-39	H84621	1H7	12	50-5	H85442	3A24	3	170-7
H83743	2C9	7	70-43	H84624	1I16	11	60-10	H85448	2G22	2	120-19
H83746	2J16	8	130-14	H84625	1I16	15	60-10	H85448	3A24	6	170-7
H83746	2J21	2	130-19	H84659	1I8	4	60-1	H85449	2G22	21	120-19
H83746	3B12	1	170-23	H84662	2J1	7	120-75	H85450	2G22	1	120-19
H83746	3B12	3	170-23	H84692	1E14	2	30-43	H85457	2D14	20	90-8
H83756	2H18	9	120-39	H84693	1E15	10	30-44	H85458	2D14	22	90-8
H83761	2J25	14	140-3	H84838	2H25	11	120-47	H85464	2D14	11	90-8
H83769	2B3	3	70-8	H84839	2H25	12	120-47	H85465	2D14	12	90-8
H83769	2B12	10	70-18	H84857	2G11	7	120-7	H85481	1C8	11	20-40
H83776	2F14	3	110-21	H84867	2G11	22	120-7	H85485	2E6	10	90-25
H83786	2F18	30	110-25	H84869	2G11	9	120-7	H85492	2D14	8	90-8
H83789	1E23	5	40-5	H84884	2J3	15	130-1	H85493	2D14	8	90-8
H83790	1F20	2	40-29	H84932	2H20	10	120-41	H85494	2D14	9	90-8
H83791	1F20	3	40-29	H84935	2G18	36	120-14	H85496	2D14	7	90-8

NUMERICAL INDEX - CONTINUED

PART NO.	GRID	KEY	PAGE	PART NO.	GRID	KEY	PAGE	PART NO.	GRID	KEY	PAGE
H85497	2D14	7	90-8	H85862	2G19	9	120-15	H86390	2E5	9	90-24
H85498	2D15	24	90-9	H85863	2G20	16	120-16	H86391	2E5	7	90-24
H85504	2I1	2	120-48	H85894	2F8	2	110-15	H86401	1C15	2	20-47
H85505	2I1	17	120-48	H85903	2G14	11	120-10	H86484	2J12	17	130-10
H85559	2J17	3	130-15	H85904	2G15	26	120-11	H86493	2C21	10	80-8
H85559	2J17	8	130-15	H85912	2F24	4	110-31	H86509	2C21	3	80-8
H85568	1I5	7	50-28	H85935	2E23	21	110-4	H86514	1C18	14	20-50
H85579	2G20	3	120-16	H85936	2E23	20	110-4	H86523	2C21	22	80-8
H85580	2G19	12	120-15	H85940	2J18	1	130-16	H86583	2D11	13	90-5
H85583	2J16	12	130-14	H85953	1H24	4	50-22	H86603	2J3	3	130-1
H85584	2J16	11	130-14	H85953	1H25	5	50-23	H86611	1F20	8	40-29
H85585	2J16	2	130-14	H85959	1H24	9	50-22	H86646	2F16	2	110-23
H85586	2B13	4	70-19	H85979	2I18	24	120-67	H86646	2H18	30	120-39
H85587	2B13	5	70-19	H86019	2J13	1	130-11	H86653	2J4	19	130-2
H85588	2J6	2	130-4	H86021	2F21	15	110-28	H86667	2G20	18	120-16
H85597	2J9	13	130-7	H86029	1F23	14	40-32	H86687	2D11	21	90-5
H85601	2J9	20	130-7	H86039	2G24	30	120-21	H86688	2C21	23	80-8
H85603	2J9	17	130-7	H86039	2H2	29	120-23	H86689	2C21	17	80-8
H85604	2J9	19	130-7	H86039	3B3	2	170-12	H86757	2E5	3	90-24
H85605	2J9	6	130-7	H86040	2H3	5	120-24	H86759	2I14	17	120-62
H85606	2J9	12	130-7	H86046	2J8	3	130-6	H86759	2I22	16	120-71
H85607	2J9	1	130-7	H86049	2J7	10	130-5	H86761	2I14	17	120-62
H85608	2J9	14	130-7	H86052	2J7	7	130-5	H86761	2I22	16	120-71
H85609	2J9	5	130-7	H86056	1E23	21	40-5	H86767	2I4	6	120-51
H85610	2J9	16	130-7	H86062	2G20	23	120-16	H86768	2I4	7	120-51
H85619	2J9	7	130-7	H86082	2G19	14	120-15	H86772	1C14	7	20-46
H85620	2J9	9	130-7	H86083	2J12	26	130-10	H86772	1C15	3	20-47
H85621	2J9	10	130-7	H86092	2F18	12	110-25	H86776	1C18	2	20-50
H85622	2J9	8	130-7	H86108	1C19	2	20-51	H86819	2C23	21	80-10
H85623	2J7	9	130-5	H86108	1D5	5	30-9	H86839	1C17	5	20-49
H85625	2J7	8	130-5	H86115	2C22	7	80-9	H86839	1C18	5	20-50
H85625	2J8	4	130-6	H86138	1E24	5	40-7	H86847	2C23	4	80-10
H85626	2J7	6	130-5	H86139	1E24	10	40-7	H86864	2J3	16	130-1
H85629	2J9	2	130-7	H86143	1H24	11	50-22	H86870	1I16	20	60-10
H85630	2J9	18	130-7	H86160	1H4	2	50-2	H86876	1I16	18	60-10
H85631	2J20	9	130-18	H86161	1H4	2	50-2	H86886	1C17	15	20-49
H85632	2J7	2	130-5	H86162	1H4	2	50-2	H86886	1C18	11	20-50
H85633	2J7	3	130-5	H86164	1H4	2	50-2	H86902	1H17	7	50-15
H85636	2J7	11	130-5	H86170	2B4	15	70-9	H86912	2I19	13	120-68
H85637	2B14	8	70-20	H86204	2C15	14	80-2	H86913	2I19	18	120-68
H85638	2J14	3	130-12	H86204	2C16	16	80-3	H86914	2I19	8	120-68
H85641	2J14	2	130-12	H86244	1E17	7	30-46	H86918	1C11	13	20-43
H85644	2J20	7	130-18	H86254	1I24	1	60-18	H86990	2D1	5	80-13
H85646	2J7	4	130-5	H86254	1I25	4	60-19	H87019	2I20	13	120-69
H85651	2F24	2	110-31	H86259	1C11	15	20-43	H87073	2I17	7	120-65
H85652	2F21	2	110-28	H86259	3A22	2	170-5	H87092	2E13	6	90-33
H85652	2F23	1	110-30	H86260	1C12	10	20-44	H87101	2E11	12	90-30
H85782	2E1	8	90-20	H86260	3A21	8	170-3	H87114	2E11	6	90-30
H85783	2I3	7	120-50	H86262	1C12	6	20-44	H87115	2E11	9	90-30
H85783	2J12	4	130-10	H86262	1C12	10	20-44	H87115	2E12	5	90-31
H85794	2B15	6	70-21	H86262	3A21	7	170-3	H87116	2E11	4	90-30
H85795	2B15	12	70-21	H86262	3A21	8	170-3	H87117	2E15	7	90-35
H85796	2B15	15	70-21	H86263	1C12	7	20-44	H87132	2G11	29	120-7
H85797	2B15	16	70-21	H86264	1C17	10	20-49	H87132	2G14	3	120-10
H85798	2B15	22	70-21	H86265	1C18	10	20-50	H87132	2G15	..	120-11
H85800	2B15	11	70-21	H86271	1C16	8	20-48	H87165	1H20	7	50-18
H85801	2B15	27	70-21	H86271	3A21	6	170-3	H87275	1H20	7	50-18
H85803	2B15	4	70-21	H86275	3A21	4	170-3	H87279	1C14	21	20-46
H85806	2B15	24	70-21	H86275	3A21	9	170-3	H87279	1C15	9	20-47
H85807	2B15	29	70-21	H86280	1C13	12	20-45	H87322	1E16	7	30-45
H85835	1F11	6	40-19	H86316	2C23	15	80-10	H87445	1H12	13	50-10
H85845	1I5	8	50-28	H86321	2C23	11	80-10	H87453	2C23	12	80-10
H85857	2G19	7	120-15	H86326	2C23	2	80-10	H87454	2C23	22	80-10
H85857	2G20	6	120-16	H86328	2C23	3	80-10	H87455	2J24	7	140-2
H85858	2G20	12	120-16	H86339	2C22	14	80-9	H87457	3B17	..	170-28
H85859	2G1	23	110-33	H86347	2C24	9	80-11	H87458	3B17	..	170-28
H85860	2G20	28	120-16	H86349	2C24	10	80-11	H87467	1D4	1	30-8

NUMERICAL INDEX - CONTINUED

PART NO.	GRID	KEY	PAGE	PART NO.	GRID	KEY	PAGE	PART NO.	GRID	KEY	PAGE
H87468	1I1	1	50-24	H88910	1I8	1	60-1	H91788	1C17	7	20-49
H87472	2H6	14	120-27	H88915	1E21	21	40-3	H91788	1C18	7	20-50
H87472	2H7	8	120-28	H88921	1E20	11	40-2	H91792	1F17	23	40-26
H87472	2H25	3	120-47	H88949	1D3	3	30-7	H91792	2D22	15	90-16
H87472	2I1	6	120-48	H88984	2K12	4	160-8	H91808	1H20	6	50-18
H87472	2I12	3	120-60	H88985	2K12	6	160-8	H91811	2B3	32	70-8
H87472	2I12	11	120-60	H89012	2D25	24	90-19	H92012	1C11	25	20-43
H87472	2I14	3	120-62	H89033	2G18	31	120-14	H92017	2C22	15	80-9
H87472	2I20	3	120-69	H89034	2G18	30	120-14	H92017	2D16	3	90-10
H87472	2I20	11	120-69	H89035	2B4	17	70-9	H92017	2D16	4	90-10
H87472	2I22	5	120-71	H89035	2B5	14	70-10	H92017	2D16	10	90-10
H87472	2K1	18	140-4	H89035	2G17	14	120-13	H92017	2D16	11	90-10
H87647	2J4	5	130-2	H89244	2H18	27	120-39	H92017	2D16	14	90-10
H87649	2I18	8	120-67	H89266	1F3	16	40-10	H92017	2D16	16	90-10
H87661	2C21	27	80-8	H89266	2D22	1	90-16	H92017	2D16	17	90-10
H87663	1C14	15B	20-46	H89266	2D25	25	90-19	H92017	2D16	22	90-10
H87725	2E21	12	110-1	H89266	2J1	5	120-75	H92017	2D16	23	90-10
H87761	2E24	24	110-5	H89266	2K15	4	160-11	H92017	2D16	24	90-10
H87762	2E23	14	110-4	H89272	1H3	30	50-1	H92056	1C16	5	20-48
H87781	1I20	4	60-14	H89303	1I4	2	50-27	H92074	2A21	33	70-2
H87781	2B3	7	70-8	H89312	2C21	13	80-8	H92075	2A21	13	70-2
H87782	2B3	31	70-8	H89313	2C21	12	80-8	H92310	2D19	12	90-13
H87783	2B3	30	70-8	H89329	2K6	3	160-2	H92311	2D19	15	90-13
H87784	1C12	16	20-44	H89331	2K11	6	160-7	H92315	2D21	2	90-15
H88055	2F14	3	110-21	H89335	2K11	10	160-7	H92382	2G21	4	120-17
H88056	2F14	9	110-21	H89336	2K7	8	160-3	H92386	2I11	8	120-59
H88057	2F14	9	110-21	H89337	2K6	1	160-2	H92418	2G21	5	120-17
H88190	2C21	28	80-8	H89337	2K6	3	160-2	H92599	1C14	1	20-46
H88237	2C8	19	70-42	H89338	2K7	7	160-3	H92700	1I2	5	50-25
H88242	2F13	9	110-20	H89339	2K10	4	160-6	H92726	1C14	3	20-46
H88317	1F17	22	40-26	H89340	2K6	2	160-2	H92849	1C14	9	20-46
H88355	1C17	13	20-49	H89360	2E24	26	110-5	H92918	2G7	31	120-3
H88355	1C18	15	20-50	H89433	2F16	8	110-23	H92919	2G7	32	120-3
H88374	2B3	22	70-8	H89510	1H12	16	50-10	H92931	2G7	20	120-3
H88393	2K9	2	160-5	H89510	1H13	7	50-11	H92938	2C15	5	80-2
H88441	2A22	2	70-3	H89514	2K12	9	160-8	H92939	2C16	10	80-3
H88457	1C13	8	20-45	H89515	2K12	10	160-8	H93166	2E25	15	110-6
H88458	1C13	3	20-45	H89522	2K12	13	160-8	H93166	2F1	15	110-7
H88575	2J12	3	130-10	H89525	2H6	5	120-27	H93170	2E25	10	110-6
H88578	2E3	4	90-22	H89569	2J3	20	130-1	H93170	2F1	10	110-7
H88767	2F4	3	110-11	H89619	2G16	5	120-12	H93310	1C15	20	20-47
H88767	2F5	2	110-12	H89620	2G16	8	120-12	H93362	1F12	14A	40-20
H88769	2D1	1	80-13	H89649	2G7	19	120-3	H93421	2D4	3	80-16
H88769	2D1	9	80-13	H89657	2F12	4	110-19	H93462	2I23	13	120-72
H88769	2D1	10	80-13	H89657	3B17	..	170-28	H93556	2E23	12	110-4
H88769	2D1	11	80-13	H89659	1D5	3	30-9	H93557	2J24	14	140-2
H88769	2D22	19	90-16	H89712	1F9	8	40-17	H93579	2D16	15	90-10
H88769	2E3	2	90-22	H89713	1F9	1	40-17	H93580	2H5	9	120-26
H88770	2D1	4	80-13	H89720	1F20	..	40-29	H93619	1G5	1	40-38
H88770	2D15	29	90-9	H89768	2K10	11	160-6	H93619	3A21	12	170-3
H88771	2D1	8	80-13	H89769	2K11	7	160-7	H93681	1H18	1	50-16
H88771	2D13	..	90-7	H89772	1J1	16	60-20	H93681	1H19	13	50-17
H88773	2D1	2	80-13	H89774	1H9	8	50-7	H93736	2F18	22	110-25
H88779	2E3	6	90-22	H89842	1F20	12	40-29	H93799	1J3	1	60-22
H88783	2H17	4	120-38	H89870	2K12	11	160-8	H93809	1H3	2	50-1
H88797	2H12	12	120-33	H89949	2K7	1	160-3	H93819	2D16	2	90-10
H88801	2H16	8	120-37	H89984	3B14	9	170-25	H93849	1J3	2	60-22
H88802	2H9	15	120-30	H89992	1J3	12	60-22	H93927	2F19	9	110-26
H88816	2H16	13	120-37	H91228	2H22	10	120-43	H93927	2F20	12	110-27
H88820	2H12	8	120-33	H91272	1F15	5	40-24	H94114	2H18	5	120-39
H88842	2D4	1	80-16	H91273	1F15	1	40-24	H94149	2D16	20	90-10
H88842	2D4	2	80-16	H91298	2E15	14	90-35	H94167	2H24	14	120-45
H88842	2D4	..	80-16	H91298	2E17	19	90-37	H94168	2F18	9	110-25
H88849	2D25	2	90-19	H91338	2D22	7	90-16	H94170	2G11	27	120-7
H88857	1F12	10	40-20	H91710	1C8	10	20-40	H94190	2B11	1	70-17
H88857	1F13	10	40-21	H91710	2D11	22	90-5	H94190	2B22	6	70-31
H88890	2E17	14	90-37	H91788	1C13	13	20-45	H94190	2C5	6	70-39

NUMERICAL INDEX - CONTINUED

PART NO.	GRID	KEY	PAGE	PART NO.	GRID	KEY	PAGE	PART NO.	GRID	KEY	PAGE
H94190	2C9	8	70-43	H96455	2G17	7	120-13	H99260	2D15	31	90-9
H94197	2J12	32	130-10	H96509	1C12	13	20-44	H99264	1I9	3	60-2
H94232	2G21	3	120-17	H96509	1C12	14	20-44	H99266	2J1	4	120-75
H94255	1B10	11	20-17	H96509	3A22	3	170-5	H99267	2B16	13	70-22
H94255	1B11	11	20-18	H96848	2J24	22	140-2	H99267	2J11	3	130-9
H94267	1I8	2	60-1	H96848	3A24	15	170-7	H99268	2B16	3	70-22
H94304	2G16	18	120-12	H96870	2E4	10	90-23	H99269	1I1	2	50-24
H94321	1H22	14	50-20	H96911	2B4	9	70-9	H99271	1I9	5	60-2
H94322	1H23	6	50-21	H96941	2G14	4	120-10	H99272	1I9	1	60-2
H94323	1H22	1	50-20	H96941	2G15	..	120-11	H99273	1I16	23	60-10
H94324	1H23	10	50-21	H96996	2J24	19	140-2	H99274	1I16	1	60-10
H94343	1H6	8	50-4	H97103	1C11	26	20-43	H99275	1I16	2	60-10
H94349	3B17	..	170-28	H97175	1C11	21	20-43	H99275	1I16	22	60-10
H94373	1C16	8	20-48	H97303	1F18	6	40-27	H99276	1I16	3	60-10
H94373	3A21	6	170-3	H97311	2J24	20	140-2	H99277	1I16	5	60-10
H94395	2G19	2	120-15	H97311	3B2	13	170-11	H99278	2D22	8	90-16
H94396	2G20	13	120-16	H97322	2F7	13	110-14	H99280	2B25	10	70-34
H94435	2G14	12	120-10	H97345	2J15	19	130-13	H99281	2B5	12	70-10
H94555	1H9	9	50-7	H97355	1C11	5	20-43	H99282	1F3	13	40-10
H94562	1C13	15	20-45	H97395	2J15	1	130-13	H99282	2D15	32	90-9
H94605	2C21	21	80-8	H97481	3A24	4	170-7	H99283	2B7	25	70-12
H94623	2K12	1	160-8	H97542	2I2	25	120-49	H99283	2B8	23	70-13
H94638	1I8	3	60-1	H97542	2I20	18	120-69	H99284	2D22	20	90-16
H94640	1I8	19	60-1	H97615	2F8	1	110-15	H99297	2C18	5	80-5
H94669	2H5	3	120-26	H97615	2F8	2	110-15	H99297	2C18	14	80-5
H94702	2I19	19	120-68	H97683	2I6	2	120-54	H99315	3B17	..	170-28
H94703	2I19	4	120-68	H97703	2I9	3	120-57	H99316	2D17	7	90-11
H94705	1C12	13	20-44	H97703	3B5	6	170-15	H99527	2C22	17	80-9
H94783	2G17	9	120-13	H97745	2E15	11	90-35	H99639	2F15	6	110-22
H94800	1H18	1	50-16	H97762	3B17	..	170-28	H99825	1I10	6	60-3
H94810	1H9	4	50-7	H97780	2I6	1	120-54	H99878	2E25	18	110-6
H94811	1H9	5	50-7	H97782	2I18	23	120-67	H99878	2F1	18	110-7
H94812	1H9	12	50-7	H97783	2I18	3	120-67	H99897	1C22	20	30-1
H94813	1H9	14	50-7	H97813	1F11	5	40-19	H99923	1J2	10	60-21
H94856	1F4	6	40-11	H97814	2E2	1	90-21	H99923	2B9	26	70-15
H94883	1H17	5	50-15	H97815	2E4	6	90-23	H99923	2G9	21	120-5
H94885	1H18	16	50-16	H97824	2G11	7	120-7	H99923	2G9	26	120-5
H94885	1H19	16	50-17	H98032	2E25	9	110-6	H99923	2H6	1	120-27
H95027	1H17	10	50-15	H98032	2F1	9	110-7	H99923	2H24	8	120-45
H95041	2C8	2	70-42	H98042	2F5	14	110-12	H99923	2I1	22	120-48
H95041	2C8	21	70-42	H98043	2F5	5	110-12	H99923	2I3	4	120-50
H95042	2C8	3	70-42	H98108	2D22	14	90-16	H99923	2J18	5	130-16
H95042	2C8	14	70-42	H98110	2D22	4	90-16	H99923	2J18	13	130-16
H95042	2C8	20	70-42	H98190	1I11	20	60-4	H99936	2C23	8	80-10
H95044	2D11	10	90-5	H98221	2H7	1	120-28	H99937	2C21	20	80-8
H95212	2D13	9	90-7	H98221	2H19	14	120-40	JD1298	1J3	6	60-22
H95324	1C11	24	20-43	H98222	2H19	11	120-40	JD134	1E23	1	40-5
H95361	1I16	21	60-10	H98237	1I16	26	60-10	JD16	1J3	5	60-22
H95450	2F16	16	110-23	H98332	2F9	8	110-16	JD3227	1J3	6	60-22
H95464	2F11	6	110-18	H98364	1H15	2	50-13	JD5255	3B14	17	170-25
H95481	1F2	8	40-9	H98424	2J1	36	120-75	JD5401	3B16	5	170-27
H95507	1C11	14	20-43	H98655	2H18	15	120-39	JD5591	3B16	4	170-27
H95783	2F18	3	110-25	H98955	2G24	15	120-21	JD7207	1H13	2	50-11
H95783	2F18	5	110-25	H98955	2H2	13	120-23	JD7378	1H18	11	50-16
H95783	2F18	16	110-25	H98972	1E14	6	30-43	JD7378	1H19	11	50-17
H95783	2F22	13	110-29	H99086	2C8	15	70-42	JD7409	1H13	1	50-11
H95783	2F23	15	110-30	H99087	2F12	7	110-19	JD7424	1H14	2	50-12
H95784	2F23	14	110-30	H99114	2F12	12	110-19	JD7425	1H15	8	50-13
H95856	2F22	12	110-29	H99234	1C22	18	30-1	JD7449	1H12	3	50-10
H95857	2F18	15	110-25	H99236	2D22	2	90-16	JD7449	1H13	5	50-11
H96250	2H22	13	120-43	H99237	2D22	2	90-16	JD7449	1I4	13	50-27
H96251	1C17	9	20-49	H99238	2B5	7	70-10	JD7451	2I24	6	120-73
H96251	1C18	9	20-50	H99239	2D22	12	90-16	JD7681	2I19	9	120-68
H96259	2J10	1	130-8	H99258	2D17	4	90-11	JD7689	2I19	11	120-68
H96344	1C11	1	20-43	H99258	2D18	7	90-12	JD7759	1H22	15	50-20
H96424	1C17	3	20-49	H99259	2D17	8	90-11	JD7759	1I4	23	50-27
H96424	1C18	1	20-50	H99259	2D18	3	90-12	JD7759	1J1	18	60-20

NUMERICAL INDEX - CONTINUED

PART NO.	GRID	KEY	PAGE	PART NO.	GRID	KEY	PAGE	PART NO.	GRID	KEY	PAGE
JD7759	2I19	21	120-68	JD8544	2H2	17	120-23	JD9241	2J25	11	140-3
JD7759	2I24	8	120-73	JD8544	2J15	24	130-13	JD9246	1C12	2	20-44
JD7768	2I2	28	120-49	JD8545	2F18	8	110-25	JD9257	1C6	7	20-38
JD7788	2D9	8	90-3	JD8545	2F18	24	110-25	JD9273	2H25	4	120-47
JD7788	2G19	8	120-15	JD8545	2G24	21	120-21	JD9273	2I18	20	120-67
JD7788	2G19	15	120-15	JD8545	2H2	19	120-23	JD9273	2J12	33	130-10
JD7788	2J1	12	120-75	JD8545	2J15	22	130-13	JD9275	2H19	4	120-40
JD7788	2J12	29	130-10	JD8551	1C12	5	20-44	JD9276	2G9	18	120-5
JD7788	2J24	28	140-2	JD8554	2F7	9	110-14	JD9276	2G13	18	120-9
JD7788	2J25	24	140-3	JD8554	2H6	13	120-27	JD9294	1C16	4	20-48
JD7797	1H21	6	50-19	JD8554	2H7	10	120-28	JD9301	1H23	11	50-21
JD7797	1I4	1	50-27	JD8554	2H25	2	120-47	JD9301	2F21	14	110-28
JD7797	2D15	30	90-9	JD8554	2I1	9	120-48	JD9301	2F23	12	110-30
JD7797	2F13	13	110-20	JD8554	2I8	6	120-56	JD9339	2J24	8	140-2
JD7797	2F18	25	110-25	JD8554	2I9	11	120-57	JD9373	2F18	8	110-25
JD7797	2F21	1	110-28	JD8554	2I12	2	120-60	JD9399	2G15	10	120-11
JD7797	2G18	35	120-14	JD8554	2I14	2	120-62	JD9399	2J25	2	140-3
JD7797	2G20	8	120-16	JD8554	2I15	5	120-63	JD9404	2J23	5	140-1
JD7797	2G21	2	120-17	JD8554	2I18	22	120-67	JD9406	2F21	3	110-28
JD7797	2G22	18	120-19	JD8554	2I20	2	120-69	JD9406	2F23	2	110-30
JD7797	2H3	1	120-24	JD8554	2I22	4	120-71	JD9434	2G9	18	120-5
JD7797	2I2	27	120-49	JD8554	2J12	15	130-10	JD9434	2G13	18	120-9
JD7797	2I20	27	120-69	JD8554	2J20	15	130-18	JD9436	1H22	2	50-20
JD7797	2J1	35	120-75	JD8554	2J21	5	130-19	JD9442	2H22	15	120-43
JD7797	2J15	7	130-13	JD8554	2K1	17	140-4	JD9450	2J25	15	140-3
JD7797	2J24	11	140-2	JD8562	2H22	5	120-43	JD9878	2F21	12	110-28
JD7797	2J25	16	140-3	JD8563	2H22	8	120-43	JD9878	2F23	18	110-30
JD7798	2I9	5	120-57	JD8576	2H19	2	120-40	J13683	2H18	20	120-39
JD7798	2K1	7	140-4	JD8579	2J24	10	140-2	J16931	1I11	10	60-4
JD7806	1H3	29	50-1	JD8597	2I15	6	120-63	J16931	2D17	11	90-11
JD7806	1I5	9	50-28	JD8662	2H18	21	120-39	J16931	2F12	14	110-19
JD7806	1I9	10	60-2	JD8665	2F7	5	110-14	J16931	2I22	9	120-71
JD7806	1I24	4	60-18	JD8665	2H6	15	120-27	J16931	2J1	23	120-75
JD7806	1I25	3	60-19	JD8665	2H7	12	120-28	J17823	2I19	10	120-68
JD7806	2F12	8	110-19	JD8665	2I1	7	120-48	J21022	2I2	24	120-49
JD7806	2F25	4	110-32	JD8665	2I8	4	120-56	J21022	2I20	17	120-69
JD7806	2G1	21	110-33	JD8665	2I9	12	120-57	J4217H	3B2	20	170-11
JD7806	2G9	11	120-5	JD8665	2I12	4	120-60	J4489H	2F18	28	110-25
JD7806	2G13	11	120-9	JD8665	2I14	4	120-62	J4489H	2G18	29	120-14
JD7806	2J24	6	140-2	JD8665	2I20	4	120-69	K40014	2G1	17	110-33
JD7813	1I24	5	60-18	JD8665	2I22	6	120-71	K40014	2G19	1	120-15
JD7813	1I25	6	60-19	JD8665	2J12	9	130-10	K40014	2G20	17	120-16
JD7900	2I24	5	120-73	JD8665	2J17	3	130-15	L186T	1D6	9	30-10
JD8100	1H14	3	50-12	JD8665	2J17	4	130-15	L186T	1D9	37	30-13
JD8134	1H12	4	50-10	JD8665	2J17	5B	130-15	L1863N	1F11	1	40-19
JD8134	1H13	4	50-11	JD8665	2J17	8	130-15	L2287C	2J21	3	130-19
JD8134	1I4	12	50-27	JD8665	2J20	18	130-18	L364T	1I11	15	60-4
JD8147	1H15	7	50-13	JD8665	2J21	9	130-19	L4694T	2G1	18	110-33
JD8180	1H20	2	50-18	JD8665	2K1	19	140-4	M1112T	1B25	4	20-32
JD8187	1J1	13	60-20	JD8832	2J15	5	130-13	M18105	2F18	29	110-25
JD8187	2G18	7	120-14	JD8841	2B15	13	70-21	M1871T	1H6	2	50-4
JD8187	2G22	7	120-19	JD8841	2J15	9	130-13	M19356	1B10	1	20-17
JD8221	1H20	1	50-18	JD8870	2B15	9	70-21	M19356	1B11	1	20-18
JD8225	1J1	14	60-20	JD8902	1J1	8	60-20	M2023T	2I17	1	120-65
JD8225	2G18	6	120-14	JD8988	1I4	18	50-27	M2023T	2J18	7	130-16
JD8225	2G22	6	120-19	JD9018	1H18	4	50-16	M226T	1I11	21	60-4
JD8237	1J1	9	60-20	JD9018	1H19	4	50-17	M2300T	1I23	24	60-17
JD8248	1H18	5	50-16	JD9201	2F19	5	110-26	M2300T	1J2	1	60-21
JD8248	1H19	5	50-17	JD9201	2F20	9	110-27	M2300T	2I1	11	120-48
JD8271	1I4	17	50-27	JD9201	2G9	10	120-5	M2655T	2D15	26	90-9
JD8296	1H18	10	50-16	JD9201	2G13	10	120-9	M2848DN	2I19	20	120-68
JD8296	1H19	10	50-17	JD9202	2F19	6	110-26	M3636T	1G7	4	40-41
JD8412	1J1	3	60-20	JD9202	2F20	10	110-27	M3742T	2F13	7	110-20
JD8524	1H23	8	50-21	JD9213	1H15	1	50-13	M3853T	1B24	1	20-31
JD8544	2F18	2	110-25	JD9220	2F22	3	110-29	M40333	2E4	5	90-23
JD8544	2F18	18	110-25	JD9221	2F22	6	110-29	M40699	1C13	9	20-45
JD8544	2G24	19	120-21	JD9241	2G18	33	120-14	M40699	2C24	4	80-11

NUMERICAL INDEX - CONTINUED

PART NO.	GRID	KEY	PAGE	PART NO.	GRID	KEY	PAGE	PART NO.	GRID	KEY	PAGE
M40699	2H5	11	120-26	N10213	1C14	11	20-46	N140001	2K8	7	160-4
M40699	2H14	8	120-35	N10213	1C15	7	20-47	N14820	1C23	17	30-2
M40699	2I9	1	120-57	N10213	1C15	16	20-47	N14822	1C16	12	20-48
M40699	2I13	16	120-61	N10213	1C16	2	20-48	N14822	2C18	16	80-5
M40699	2I21	14	120-70	N10213	1C17	16	20-49	N14822	2C18	20	80-5
M40699	2J10	15	130-8	N10213	1C18	16	20-50	N150468	2A23	19	70-4
M41029	1B20	4	20-27	N10213	1C22	7	30-1	N150468	2B1	19	70-6
M41029	1B21	4	20-28	N10213	1C22	21	30-1	N150469	2A23	17	70-4
M41139	2I18	15	120-67	N10213	1E14	1	30-43	N150469	2B7	18	70-12
M42561	1F17	3	40-26	N10213	1E14	5	30-43	N150470	2A23	13	70-4
M42565	2F16	5	110-23	N10213	1E23	18	40-5	N150470	2B1	13	70-6
M43835	1G18	2	40-53	N10213	2C18	12	80-5	N150470	2B7	22	70-12
M44169	2A23	20	70-4	N10213	2C18	17	80-5	N150470	2B8	19	70-13
M44169	2B7	16	70-12	N10213	2C21	11	80-8	N150471	2A23	16	70-4
M46767	2A23	15	70-4	N10213	2C21	16	80-8	N153975	2A23	18	70-4
M46767	2B1	15	70-6	N10213	2E13	2	90-33	N153975	2B1	18	70-6
M46767	2B7	20	70-12	N10213	2E15	2	90-35	N153975	2B7	17	70-12
M46768	2A23	14	70-4	N10213	2E24	13	110-5	N155290	2B11	7	70-17
M46768	2B7	21	70-12	N10213	2H9	19	120-30	N31761	2B13	6	70-19
M48237	2D18	4	90-12	N10213	2H10	19	120-31	N31762	2B13	5	70-19
M60871	1F3	10	40-10	N10213	2H12	16	120-33	N31766	2A24	47	70-5
M66044	1C23	2	30-2	N10213	2H14	11	120-35	N31766	2B2	46	70-7
M66044	1D5	9	30-9	N10213	2H16	4	120-37	N31766	2B7	5	70-12
M66044	1E20	14	40-2	N10213	2H16	9	120-37	N31766	2B8	5	70-13
M66044	1E21	3	40-3	N10213	2H16	15	120-37	N31767	2B13	7	70-19
M66044	1E24	7	40-7	N10213	2H19	12	120-40	N31768	2B13	4	70-19
M66044	1F6	23	40-13	N10213	2H24	4	120-45	N31771	2B14	7	70-20
M66044	1F12	4	40-20	N10213	2J3	17	130-1	N34986	2B18	11	70-25
M66044	1F13	2	40-21	N10213	2J4	2	130-2	N71292	1C14	4	20-46
M66044	1F23	4	40-32	N10213	2J19	34	130-17	N71292	1C14	14	20-46
M66044	2K9	14	160-5	N10214	2C21	24	80-8	N71292	1C15	11	20-47
M66044	2K14	1	160-10	N10214	2J19	26	130-17	N71292	2C21	18	80-8
M66125	2J21	3	130-19	N10215	1C13	19	20-45	N71292	2E13	3	90-33
M66314	2E24	3	110-5	N10215	2D2	2	80-14	N71292	2H9	4	120-30
M81668	2A23	12	70-4	N10215	2D11	23	90-5	N71292	2H10	4	120-31
M81668	2B1	12	70-6	N10215	2E23	1	110-4	N71292	2J3	4	130-1
M81668	2B7	2	70-12	N10215	2E23	8	110-4	N71292	2J3	17	130-1
M81668	2B8	2	70-13	N10215	2E23	13	110-4	N71292	2J4	2	130-2
M82702	2A23	24	70-4	N10215	2E23	16	110-4	N71292	2J4	2	130-2
M82702	2B7	15	70-12	N10215	2E24	25	110-5	PK1607H	2I24	7	120-73
M830T	1I11	8	60-4	N10215	2H9	16	120-30	PK1613H	2I24	1	120-73
M87401	2B1	16	70-6	N10215	2H10	16	120-31	PK1613H	3B9	8	170-19
M87401	2B8	17	70-13	N10215	2H14	2	120-35	PK1826H	1H11	15	50-9
M87403	2B1	20	70-6	N10215	2H14	5	120-35	PT94	2E15	..	90-35
M87403	2B8	15	70-13	N10215	2J19	26	130-17	P16643	2I2	31	120-49
M87511	2B1	14	70-6	N10215	2K5	5	160-1	P20352	3B5	8	170-15
M87511	2B8	18	70-13	N10217	1C11	23	20-43	P33554	2G18	9	120-14
N100101	2H6	5	120-27	N10217	1C23	17	30-2	P33554	2G22	9	120-19
N10212	1C14	8	20-46	N10217	1C23	17	30-2	P3629H	2G9	23	120-5
N10212	1C22	7	30-1	N10217	2H5	14	120-26	P3629H	2G13	20	120-9
N10212	1C22	21	30-1	N10219	1C15	16	20-47	P39705	2I6	9	120-54
N10212	1D3	4	30-7	N104051	2G15	30	120-11	P41706	2J3	19	130-1
N10212	1E15	11	30-44	N104243	2E21	4	110-1	P42232	2F22	5	110-29
N10212	2C11	7	70-45	N111497	2A21	17	70-2	P42232	2I19	17	120-68
N10212	2C18	12	80-5	N111500	2A21	14	70-2	P42273	2J25	29	140-3
N10212	2C18	17	80-5	N111502	2A24	51	70-5	P42289	2I24	3	120-73
N10212	2C18	17	80-5	N111502	2B2	50	70-7	P42337	2B9	15	70-15
N10212	2C18	24	80-5	N111507	2A21	29	70-2	P42406	2I13	14	120-61
N10212	2D18	2	90-12	N111507	2A21	30	70-2	P42406	2I21	8	120-70
N10212	2H5	17	120-26	N115096	1G18	11	40-53	P42669	1H12	2	50-10
N10212	2H9	1	120-30	N119177	1F3	15	40-10	P42669	1I4	14	50-27
N10212	2H9	19	120-30	N126257	2A21	9	70-2	P42921	2F13	7	110-20
N10212	2H10	1	120-31	N126258	2A21	18	70-2	P43026	2F25	5	110-32
N10212	2H10	19	120-31	N13224	2K1	30	140-4	P43026	2J12	31	130-10
N10212	2H16	9	120-37	N132503	2B17	1	70-23	P43026	2J24	12	140-2
N10212	2J4	15	130-2	N137598	2I9	4	120-57	P43033	1I19	7	60-13
N10213	1C12	11	20-44	N140001	2A23	8	70-4	P43110	2G16	15	120-12
N10213	1C14	4	20-46	N140001	2B1	8	70-6	P43110	3B14	18	170-25

NUMERICAL INDEX - CONTINUED

PART NO.	GRID	KEY	PAGE	PART NO.	GRID	KEY	PAGE	PART NO.	GRID	KEY	PAGE
P43363	2K1	5	140-4	P49129	1H15	6	50-13	RE13887	1D21	..	30-25
P43548	1I2	3	50-25	P49130	1H15	6	50-13	RE13887	1D22	14	30-27
P44H	2G13	24	120-9	P49131	1H15	6	50-13	RE13887	1D22	..	30-27
P44H	2G14	20	120-10	P49134	1I18	16	60-12	RE13887	1E11	19	30-40
P44439	2H22	4	120-43	P49970	1I4	4	50-27	RE13887	1E11	..	30-40
P44439	2I9	14	120-57	P50273	1H4	9	50-2	RE14224	1E4	12	30-33
P44439	2I9	15	120-57	P50362	2K1	4	140-4	RE14225	1D24	29	30-29
P44439	2I18	19	120-67	P50419	2E22	1	110-3	RE14226	1E4	9	30-33
P454M	2C6	2	70-40	P50456	1C8	12	20-40	RE14227	1E4	10	30-33
P45427	2G11	16	120-7	P50456	1C8	14	20-40	RE15674	1B21	6	20-28
P45476	1E21	1	40-3	P50647	2C3	10	70-37	RE16495	1B20	1	20-27
P45476	1E22	1	40-4	P50647	2C9	12	70-43	RE16495	1B20	3	20-27
P45750	2B21	1	70-29	P50777	1H21	7	50-19	RE16495	1B21	3	20-28
P46051	2A23	1	70-4	P51212	2B25	4	70-34	RE16904	1E6	14	30-35
P46051	2B1	1	70-6	P51212	2C1	2	70-35	RE16924	1C4	..	20-36
P46051	2K8	1	160-4	P51212	2C2	4	70-36	RE17831	1B2	10	20-9
P46115	2B5	5	70-10	P51212	2E15	3	90-35	RE17831	1B14	1	20-21
P46356	1H14	1	50-12	P51319	2B14	6	70-20	RE18694	1B21	7	20-28
P46369	1H17	11	50-15	P51444	2B18	12	70-25	RE18694	1B21	10	20-28
P46407	1H15	14	50-13	P53005	1D3	6	30-7	RE18697	1B21	7	20-28
P46437	2J25	3	140-3	P53006	1D3	13	30-7	RE18697	1B21	10	20-28
P46553	3B2	11	170-11	P53007	1D3	5	30-7	RE18931	1B8	12	20-15
P46614	2G1	20	110-33	P53022	1D3	7	30-7	RE18933	1D24	22	30-29
P46614	2G19	5	120-15	P5403H	2G13	21	120-9	RE19031	1B18	16	20-25
P46614	2G20	5	120-16	P54602	1D3	8	30-7	RE19031	1B18	17	20-25
P46874	2I19	12	120-68	RE10869	1B22	13	20-29	RE19187	1G7	1	40-41
P47159	2C15	2	80-2	RE10869	1B22	14	20-29	RE19187	1G8	..	40-42
P47159	2C16	15	80-3	RE10869	1B23	14	20-30	RE19187	1G9	28	40-43
P47159	2I18	7	120-67	RE10974	2E9	11	90-28	RE19187	1G10	14	40-44
P47159	2J3	9	130-1	RE10975	2E9	13	90-28	RE19187	1G10	..	40-44
P47210	1E21	12B	40-3	RE10976	2E9	..	90-28	RE19187	1G11	12	40-45
P47303	2F13	8	110-20	RE10976	2E10	1	90-29	RE19187	1G11	26	40-45
P47415	2C15	6	80-2	RE10980	2E9	4	90-28	RE19188	1G11	10	40-45
P47415	2C16	1	80-3	RE10981	2E9	1	90-28	RE19189	1G11	4	40-45
P47478	2B14	3	70-20	RE10982	2E9	2	90-28	RE19191	1G9	27	40-43
P47478	2C3	4	70-37	RE11154	1E22	5	40-4	RE19192	1G11	16	40-45
P47704	1I11	7	60-4	RE11154	1E22	8	40-4	RE19193	1G8	13	40-42
P47883	2B4	10	70-9	RE11154	1G16	40	40-51	RE19193	1G9	17	40-43
P47883	2I25	2	120-74	RE11154	1G20	57	40-55	RE19371	1A24	3	20-6
P47883	3B9	5	170-19	RE11156	1G18	36	40-53	RE19372	1A24	..	20-6
P48066	2H17	3	120-38	RE11157	1G18	37	40-53	RE19872	1A22	3	20-4
P48067	2H16	12	120-37	RE11509	1B21	10	20-28	RE19873	1A23	..	20-5
P48338	2D22	17	90-16	RE11510	1B21	10	20-28	RE21076	1B20	1	20-27
P48347	1I23	11	60-17	RE11598	1E2	17	30-31	RE21076	1B20	3	20-27
P48652	1H12	15	50-10	RE11601	1E8	14	30-37	RV702A	2H18	11	120-39
P48652	1H13	6	50-11	RE11602	1D24	9	30-29	RV810A	2I13	13	120-61
P48652	1H14	7	50-12	RE11602	1E2	3	30-31	RV810A	2I21	9	120-70
P48658	1H15	6	50-13	RE12310	1A23	15	20-5	R10093	1B1	5	20-8
P48666	1H11	7	50-9	RE12513	2E9	16	90-28	R10093	1C24	27	30-3
P48669	1I11	11	60-4	RE12823	1B14	26	20-21	R10093	2E15	4	90-35
P48685	1I11	2	60-4	RE12823	1B15	26	20-22	R11026	2G15	12	120-11
P48703	1H18	1	50-16	RE12842	1A21	..	20-3	R11039	1G12	16	40-46
P48703	1H19	14	50-17	RE13517	1E12	9	30-41	R11039	1G13	19	40-47
P49075	2J12	1	130-10	RE13517	1E12	10	30-41	R11066	1G12	24	40-46
P49116	1H12	15	50-10	RE13517	1E12	11	30-41	R11066	1G13	9	40-47
P49116	1H13	6	50-11	RE13517	1E12	12	30-41	R11066	1G14	2	40-49
P49116	1H14	7	50-12	RE13517	1E12	13	30-41	R11087	1G10	16	40-44
P49117	1H12	15	50-10	RE13517	1E12	14	30-41	R11095	1G8	5	40-42
P49117	1H13	6	50-11	RE13782	1E4	5	30-33	R11096	1G8	1	40-42
P49117	1H14	7	50-12	RE13783	1E2	5	30-31	R11116	1G8	7	40-42
P49118	1H12	15	50-10	RE13887	1D6	22	30-10	R11116	1G9	11	40-43
P49118	1H13	6	50-11	RE13887	1D6	24	30-10	R11117	1G8	8	40-42
P49118	1H14	7	50-12	RE13887	1D6	..	30-10	R11117	1G9	12	40-43
P49119	1H12	15	50-10	RE13887	1D9	7	30-13	R11236	1G10	17	40-44
P49119	1H13	6	50-11	RE13887	1D9	10	30-13	R11236	1G11	17	40-45
P49119	1H14	7	50-12	RE13887	1D9	..	30-13	R11238	1G10	4	40-44
P49128	1H15	6	50-13	RE13887	1D21	16	30-25	R11239	1G10	6	40-44

NUMERICAL INDEX - CONTINUED

PART NO.	GRID	KEY	PAGE	PART NO.	GRID	KEY	PAGE	PART NO.	GRID	KEY	PAGE
R11240	1G8	22	40-42	R26572	1I22	3	60-16	R28782	2C3	11	70-37
R11240	1G12	..	40-46	R26650	1A22	8	20-4	R28782	2C5	13	70-39
R11243	1G10	1	40-44	R26650	1A24	8	20-6	R28795	1E14	2	30-43
R11278	1F14	2	40-23	R26726	1D6	31	30-10	R29936	2B3	25	70-8
R1134R	2K13	6	160-9	R26726	1D9	25	30-13	R30378	1F17	24	40-26
R1134R	2K14	7	160-10	R26726	1D16	17	30-20	R30378	1G20	43	40-55
R15027	1G2	37	40-35	R26892	2B24	4	70-33	R30714	1D13	12	30-17
R15027	1G4	22	40-37	R26906	2A20	8	70-1	R30718	1D17	17	30-21
R15029	1G2	33	40-35	R26906	2B3	18	70-8	R30719	1D17	18	30-21
R15029	1G4	18	40-37	R26906	2B14	24	70-20	R30724	1D16	21	30-20
R15033	1G2	34	40-35	R26906	2B21	5	70-29	R30725	1D16	3	30-20
R15033	1G4	19	40-37	R26919	1C1	9	20-33	R30727	1D16	7	30-20
R15036	1G2	17	40-35	R26919	1C3	9	20-35	R30732	1D15	13	30-19
R15036	1G4	7	40-37	R27095	1I21	6	60-15	R30735	1D16	11	30-20
R20498	1D20	6	30-24	R27095	2C7	4	70-41	R30737	1D16	13	30-20
R20498	1E12	6	30-41	R27166	1B24	9	20-31	R30762	1D16	10	30-20
R20759	2B11	8	70-17	R27166	1C1	4	20-33	R31125	1D16	10	30-20
R21612	1I12	26	60-5	R27166	2A23	9	70-4	R31602	1I9	4	60-2
R21752	1C24	24	30-3	R27166	2B1	9	70-6	R31890	2D19	20	90-13
R24549	1E8	15	30-37	R27166	2K8	8	160-4	R31935	1H25	11	50-23
R26102	1H15	11	50-13	R27175	2A20	10	70-1	R32006	1E21	15	40-3
R26103	1H15	10	50-13	R27212	2B14	10	70-20	R32011	1G16	8	40-51
R26125	1B18	11	20-25	R27212	2C5	2	70-39	R32016	1E21	15	40-3
R26125	1B19	11	20-26	R27212	2C7	2	70-41	R32016	1E21	16	40-3
R26151	1H3	14	50-1	R27218	2A20	13	70-1	R32016	1E21	17	40-3
R26241	1A22	2	20-4	R27218	2A24	46	70-5	R32016	1E21	18	40-3
R26241	1A24	2	20-6	R27218	2B2	45	70-7	R32016	1E21	20	40-3
R26246	2G18	5	120-14	R27218	2K6	7	160-2	R32016	1F20	1	40-29
R26253	1H12	10	50-10	R27237	1I19	1	60-13	R32016	1G16	10	40-51
R26255	1H12	8	50-10	R27237	2B3	8	70-8	R32017	1G16	11	40-51
R26266	1H12	9	50-10	R27237	2B12	16	70-18	R32018	1E20	19	40-2
R26286	1I18	11	60-12	R27237	2C12	6	70-46	R32018	1E22	2	40-4
R26287	1D1	4	30-5	R27238	1I21	3	60-15	R32018	1F2	11	40-9
R26287	1I18	13	60-12	R27285	1C1	17	20-33	R32018	1F11	7	40-19
R26375	1I19	2	60-13	R27285	1C3	19	20-35	R32018	1F11	10	40-19
R26375	2B3	9	70-8	R27285	1D20	1	30-24	R32018	1F11	12	40-19
R26375	2B12	6	70-18	R27285	1E12	2	30-41	R32018	1F11	15	40-19
R26375	2B21	3	70-29	R27285	1E13	2	30-42	R32018	1F11	17	40-19
R26375	2B24	8	70-33	R27296	1C23	5	30-2	R32018	1G16	12	40-51
R26375	2C11	3	70-45	R27346	1C23	8	30-2	R32019	1F11	8	40-19
R26375	2C12	3	70-46	R27346	1C25	8	30-4	R32019	1F11	20	40-19
R26375	2K6	5	160-2	R27346	1D1	6	30-5	R32019	1G16	13	40-51
R26375	2K7	3	160-3	R27346	1D20	8	30-24	R32021	1G16	14	40-51
R26375	2K9	7	160-5	R27460	1F20	14	40-29	R32022	1F11	20	40-19
R26375	2K9	13	160-5	R27474	2A20	9	70-1	R32022	1G16	15	40-51
R26375	2K10	3	160-6	R27583	1F23	7	40-32	R32023	1G16	16	40-51
R26375	2K10	5	160-6	R27976	1A25	6	20-7	R32024	1G21	3	40-56
R26448	1I3	2	50-26	R28024	1J2	7	60-21	R32025	1G21	4	40-56
R26448	1I20	1	60-14	R28473	1C13	18	20-45	R32026	1E21	18	40-3
R26448	2A20	12	70-1	R28583	1B25	7	20-32	R32026	1E22	2	40-4
R26448	2A24	45	70-5	R28583	1D5	8	30-9	R32026	1E22	8	40-4
R26448	2B2	44	70-7	R28776	2A23	35	70-4	R32026	1F15	7	40-24
R26448	2B3	13	70-8	R28776	2B1	34	70-6	R32026	1F20	1	40-29
R26448	2B11	3	70-17	R28776	2B7	3	70-12	R32026	1G16	17	40-51
R26448	2B14	11	70-20	R28776	2B8	3	70-13	R32026	1G20	48	40-55
R26448	2B22	7	70-31	R28776	2B25	8	70-34	R32027	1G16	18	40-51
R26448	2C3	1	70-37	R28776	2B25	9	70-34	R32028	1G16	19	40-51
R26448	2C5	1	70-39	R28776	2C1	5	70-35	R32029	1G16	20	40-51
R26448	2C7	1	70-41	R28776	2C2	8	70-36	R32042	1A22	14	20-4
R26448	2C9	9	70-43	R28776	2H3	10	120-24	R32042	1A24	14	20-6
R26448	2K6	8	160-2	R28776	2K9	10	160-5	R32176	1F12	13	40-20
R26448	2K9	16	160-5	R28782	1I3	12	50-26	R32235	1E17	5	30-46
R26493	1A22	7	20-4	R28782	1I3	13	50-26	R33259	1D18	7	30-22
R26493	1A24	7	20-6	R28782	2A21	31	70-2	R33259	1D19	16	30-23
R26501	1D4	12	30-8	R28782	2A24	40	70-5	R33259	2E15	12	90-35
R26524	1D4	9	30-8	R28782	2B2	40	70-7	R34447	1C25	6	30-4
R26572	1I21	1	60-15	R28782	2B18	16	70-25	R34622	1D18	6	30-22

NUMERICAL INDEX - CONTINUED

PART NO.	GRID	KEY	PAGE	PART NO.	GRID	KEY	PAGE	PART NO.	GRID	KEY	PAGE
R34623	1D18	5	30-22	R42689	1F20	1	40-29	R48008	1C25	17	30-4
R34624	1D18	14	30-22	R42689	1F20	6	40-29	R48071	1C25	7	30-4
R34625	1D18	8	30-22	R42689	1F20	7	40-29	R48071	1D1	5	30-5
R34629	1D18	18	30-22	R42689	1F20	17	40-29	R48293	1F20	1	40-29
R34630	1D18	2	30-22	R42729	1B18	7	20-25	R48293	1F20	6	40-29
R34631	1D18	20	30-22	R42729	1B19	7	20-26	R48293	1F20	7	40-29
R34632	1D18	9	30-22	R42729	2G9	21	120-5	R48293	1F20	17	40-29
R34632	1D19	2	30-23	R42729	2G9	27	120-5	R48399	1D20	2	30-24
R34635	1D12	15	30-16	R42799	1F22	2	40-31	R48493	1D13	11	30-17
R34635	1D19	3	30-23	R42799	1F23	2	40-32	R48494	1D16	1	30-20
R34760	1D6	21	30-10	R42822	2E7	5	90-26	R48495	1D16	4	30-20
R34760	1D9	6	30-13	R43413	1C3	27	20-35	R48496	1D18	15	30-22
R34760	1D21	15	30-25	R43413	1C5	13	20-37	R48497	1D18	16	30-22
R34760	1E11	24	30-40	R43416	1C3	26	20-35	R48498	1D18	17	30-22
R34761	1D6	22	30-10	R43416	1C5	12	20-37	R48500	1D15	14	30-19
R34761	1D9	7	30-13	R44165	1F11	14	40-19	R48599	1D6	1	30-10
R34761	1D21	16	30-25	R44165	1F11	18	40-19	R48599	1D9	31	30-13
R34764	1C1	3	20-33	R44302	1F3	10	40-10	R48600	1D6	2	30-10
R34764	1C4	3	20-36	R44302	2K13	5	160-9	R48600	1D9	32	30-13
R34764	1C5	16	20-37	R44342	1F17	11	40-26	R48601	1D12	20	30-16
R34764	1D9	10	30-13	R45000	1E16	8	30-45	R48602	1D12	22	30-16
R34764	1D22	14	30-27	R45136	1F23	5	40-32	R48603	1D12	21	30-16
R34764	1E11	19	30-40	R45440	1C14	22	20-46	R48604	1D12	18	30-16
R34767	1D21	12	30-25	R45440	1C15	19	20-47	R48685	1A22	2	20-4
R34812	1D13	8	30-17	R45847	2E17	17	90-37	R48685	1A22	10	20-4
R34812	1D15	2	30-19	R45847	2E17	21	90-37	R48685	1A24	10	20-6
R34812	1D19	4	30-23	R46625	1A22	3	20-4	R48768	1C1	11	20-33
R34985	1C6	16	20-38	R46625	1A23	20	20-5	R48768	1C1	..	20-33
R35717	2B14	15	70-20	R46625	1A24	20	20-6	R48795	1D10	12	30-14
R36535	1D13	9	30-17	R46675	1D21	7	30-25	R48795	1D11	9	30-15
R36538	1D14	4	30-18	R46675	1D22	6	30-27	R48887	1G2	6	40-35
R36540	1D14	2	30-18	R46675	1E11	10	30-40	R48887	1G4	9	40-37
R36542	1D17	14	30-21	R47049	1D10	2	30-14	R48887	1G18	17	40-53
R36646	1D12	24	30-16	R47077	1D10	4	30-14	R49209	1D18	11	30-22
R36698	1E15	2	30-44	R47077	1D11	4	30-15	R49211	1D12	14	30-16
R36699	1E15	3	30-44	R47144	1C5	14	20-37	R49212	1D12	13	30-16
R36700	1E15	5	30-44	R47160	1B25	6	20-32	R49238	1D12	9	30-16
R36701	1E15	4	30-44	R47160	1D5	7	30-9	R49266	1E12	8	30-41
R37139	1D10	7	30-14	R47224	2E8	3	90-27	R49346	1D16	4	30-20
R37139	1D13	10	30-17	R47226	2E8	7	90-27	R49394	1G12	23	40-46
R375R	2A21	22	70-2	R47227	2E8	10	90-27	R49394	1G13	10	40-47
R375R	2B13	9	70-19	R47229	2E8	9	90-27	R495R	1B10	3	20-17
R38372	1G7	3	40-41	R47230	2E8	13	90-27	R495R	1B11	3	20-18
R39112	2K6	6	160-2	R47231	2E8	14	90-27	R495R	1C1	6	20-33
R39112	2K9	13	160-5	R47232	2E8	15	90-27	R495R	1C4	4	20-36
R39112	2K10	2	160-6	R47233	2E7	6	90-26	R49516	1B2	9	20-9
R39741	1A23	16	20-5	R47234	2E7	7	90-26	R49516	1C1	10	20-33
R39741	1A24	16	20-6	R47235	2E7	3	90-26	R49824	1A25	4	20-7
R39783	2C7	12	70-41	R47460	1G2	11	40-35	R49824	1B1	4	20-8
R39803	1G2	16	40-35	R47474	1F15	3	40-24	R50201	1C23	12	30-2
R39804	1G2	14	40-35	R47693	1C9	5	20-41	R50933	1E6	12	30-35
R39877	1G8	31	40-42	R47731	1D21	8	30-25	R51031	2A21	32	70-2
R39886	1D21	9	30-25	R47732	1D21	5	30-25	R51031	2A24	41	70-5
R40337	1G8	14	40-42	R47733	1D21	4	30-25	R51031	2B2	39	70-7
R40707	1D12	26	30-16	R47733	1D22	4	30-27	R51031	2B18	17	70-25
R40979	1C6	10	20-38	R47733	1E11	8	30-40	R51516	1B4	22	20-11
R41465	2K14	5	160-10	R47734	1D21	6	30-25	R51726	1B21	8	20-28
R41880	1F22	7	40-31	R47998	1I16	9	60-10	R51731	1B20	5	20-27
R41880	1F22	11	40-31	R48000	1C1	5	20-33	R51731	1B21	5	20-28
R41880	1F23	17	40-32	R48000	1C3	5	20-35	R51799	1E4	16	30-33
R41880	1F23	21	40-32	R48000	1C4	2	20-36	R51936	1D9	3	30-13
R42364	1B14	23	20-21	R48000	1C5	2	20-37	R51936	1E11	6	30-40
R42364	1B14	25	20-21	R48000	1D6	23	30-10	R51937	1D9	2	30-13
R42364	1B15	23	20-22	R48000	1D9	9	30-13	R51937	1E11	7	30-40
R42364	1B15	25	20-22	R48000	1D21	12	30-25	R52251	1B18	15	20-25
R42483	1D15	16	30-19	R48000	1D22	15	30-27	R52251	1B19	15	20-26
R42483	1D19	5	30-23	R48000	1E11	20	30-40	R52252	1B18	12	20-25

NUMERICAL INDEX - CONTINUED

PART NO.	GRID	KEY	PAGE	PART NO.	GRID	KEY	PAGE	PART NO.	GRID	KEY	PAGE
R52252	1B19	12	20-26	R56135	1E4	1	30-33	R59023	2D21	5	90-15
R53219	1B7	2	20-14	R56136	1E4	2	30-33	R59025	2D21	1	90-15
R53219	1B8	2	20-15	R56246	2E8	1	90-27	R59026	2D21	13	90-15
R53219	1C7	3	20-39	R56396	1D12	27	30-16	R59028	2D21	16	90-15
R53223	1B7	2	20-14	R56396	1D19	6	30-23	R59029	2D21	18	90-15
R53260	1B7	2	20-14	R56409	1E24	13	40-7	R59070	2D21	15	90-15
R53382	1B24	8	20-31	R56410	1E24	4	40-7	R59074	1H18	3	50-16
R53410	1F24	3	40-33	R56461	1C3	4	20-35	R59074	1H19	3	50-17
R53543	1C3	12	20-35	R56463	1B10	3	20-17	R59079	1D17	1	30-21
R53663	2D13	15	90-7	R56463	1B11	3	20-18	R59297	1D6	27	30-10
R53664	2D13	23	90-7	R56463	1C1	6	20-33	R59297	1D6	28	30-10
R53665	2D21	8	90-15	R56463	1C3	6	20-35	R59297	1D9	16	30-13
R53668	2D13	23	90-7	R56463	1C4	4	20-36	R59297	1D9	17	30-13
R53668	2D19	3	90-13	R56463	1C5	5	20-37	R59297	1D24	33	30-29
R53668	2D19	7	90-13	R56483	1D16	19	30-20	R59298	1D6	27	30-10
R53668	2D20	5	90-14	R56725	1B7	5	20-14	R59298	1D7	37	30-11
R53668	2D21	7	90-15	R56725	1B8	5	20-15	R59298	1D9	12	30-13
R53669	1I16	5	60-10	R56736	1A25	5	20-7	R59298	1D9	17	30-13
R53670	2D19	4	90-13	R56788	1B14	16	20-21	R59298	1D24	34	30-29
R53670	2D19	8	90-13	R56788	1B15	16	20-22	R59409	1B24	13	20-31
R53670	2D20	6	90-14	R56788	3A21	10	170-3	R59449	1B7	13	20-14
R53670	2D21	6	90-15	R56830	1D6	12	30-10	R59449	1B8	13	20-15
R53677	1C11	22	20-43	R56830	1D9	1	30-13	R59449	1C1	22	20-33
R53677	2D3	5	80-15	R56832	1C25	1	30-4	R59449	1C3	22	20-35
R53678	1H24	3	50-22	R56933	1C3	32	20-35	R59449	1C4	9	20-36
R53678	1H25	4	50-23	R56947	1B22	12	20-29	R59449	1C5	15	20-37
R54057	1C11	18	20-43	R56947	1B23	12	20-30	R59676	1G7	5	40-41
R54123	1C9	4	20-41	R57025	1G9	1	40-43	R59677	1G7	3	40-41
R54229	1C3	29	20-35	R57027	1G11	24	40-45	R59821	1E8	5	30-37
R54510	1C9	2	20-41	R57028	1G11	7	40-45	R60170	2E15	15	90-35
R54511	1C9	3	20-41	R57029	1G9	16	40-43	R60171	2E7	2	90-26
R54565	1B18	1	20-25	R57059	1B24	15	20-31	R60172	2E15	16	90-35
R54565	1B19	1	20-26	R57258	1C25	12	30-4	R60373	1E4	17	30-33
R54614	1B24	7	20-31	R57332	1B18	15	20-25	R60458	2D19	13	90-13
R54615	1B24	6	20-31	R57332	1B19	15	20-26	R60745	1D6	22	30-10
R54638	1C3	31	20-35	R57333	1B18	12	20-25	R60745	1D9	7	30-13
R54638	1C5	3	20-37	R57333	1B19	12	20-26	R60745	1D21	16	30-25
R54641	1B7	6	20-14	R57334	1B18	15	20-25	R60745	1E11	23	30-40
R54641	1B8	6	20-15	R57335	1B18	12	20-25	R60746	1C3	11	20-35
R54641	1C3	14	20-35	R57336	1B18	15	20-25	R60746	1C5	4	20-37
R54641	1C4	10	20-36	R57336	1B19	15	20-26	R60746	1D6	24	30-10
R54641	1C5	11	20-37	R57337	1B18	12	20-25	R60746	1D9	10	30-13
R54766	2E8	4	90-27	R57337	1B19	12	20-26	R60746	1D21	11	30-25
R54778	1F20	15	40-29	R57452	1G12	17	40-46	R60746	1D22	14	30-27
R54802	1A22	1	20-4	R57452	1G13	11	40-47	R60746	1E11	19	30-40
R54802	1A24	1	20-6	R57697	1B22	20	20-29	R61145	1D6	27	30-10
R54986	1B18	2	20-25	R57697	1B23	20	20-30	R61145	1D7	37	30-11
R54986	1B19	2	20-26	R57698	1B22	5	20-29	R61145	1D9	13	30-13
R55012	1A22	3	20-4	R57698	1B23	5	20-30	R61145	1D9	16	30-13
R55037	1A22	3	20-4	R57699	1B22	3	20-29	R61145	1D24	32	30-29
R55127	1B22	10	20-29	R57699	1B23	3	20-30	R61145	1D24	35	30-29
R55127	1B23	10	20-30	R57700	1B22	2	20-29	R61178	1C7	6	20-39
R55128	1B22	9	20-29	R57700	1B23	2	20-30	R61871	1B24	10	20-31
R55128	1B23	9	20-30	R58422	1D15	15	30-19	R61932	1G11	3	40-45
R55129	1B22	19	20-29	R58814	2D19	5	90-13	R61934	1G11	25	40-45
R55129	1B23	19	20-30	R58816	2D21	14	90-15	R62052	1E8	17	30-37
R55233	1A22	4B	20-4	R59009	2D19	19	90-13	R62054	1E8	13	30-37
R55233	1A24	22	20-6	R59010	2D19	17	90-13	R62073	1B16	4	20-23
R55434	1B22	11	20-29	R59011	2D19	10	90-13	R62077	1E6	18	30-35
R55509	1C3	17	20-35	R59012	2D19	16	90-13	R62078	1E6	19	30-35
R55509	1C5	10	20-37	R59013	2D21	10	90-15	R62371	1C6	19	20-38
R55647	1B20	2	20-27	R59015	2D19	6	90-13	R62371	1C6	20	20-38
R55647	1B21	2	20-28	R59018	2D19	18	90-13	R62371	1C6	21	20-38
R55950	1B7	12	20-14	R59019	2D19	1	90-13	R62902	1C6	17	20-38
R56026	1E24	3	40-7	R59020	2D21	11	90-15	R62981	1D22	8	30-27
R56131	1D24	19	30-29	R59021	2D21	4	90-15	R62981	1E11	12	30-40
R56132	1E4	6	30-33	R59022	2D21	9	90-15	R62982	1D22	10	30-27

NUMERICAL INDEX - CONTINUED

PART NO.	GRID	KEY	PAGE	PART NO.	GRID	KEY	PAGE	PART NO.	GRID	KEY	PAGE
R62982	1E11	14	30-40	R67779	1D21	10	30-25	R77126	1C3	2	20-35
R62984	1D22	7	30-27	R67779	1D22	13	30-27	R77126	1D24	26	30-29
R62984	1E11	11	30-40	R67779	1E11	17	30-40	R77178	2C12	11	70-46
R63035	1E2	18	30-31	R69260	1B4	7	20-11	R77332	1B22	13	20-29
R63102	1E4	15	30-33	R69260	1C1	21	20-33	R77332	1B23	13	20-30
R63571	2E7	10	90-26	R69260	1C3	21	20-35	R77389	2E9	15	90-28
R63671	1F21	27	40-30	R69297	2E8	16	90-27	R77390	2E9	14	90-28
R63977	1G2	18	40-35	R69442	1D22	9	30-27	R77391	2E9	8	90-28
R64700	1F14	5	40-23	R69442	1E11	13	30-40	R77392	2E9	9	90-28
R64764	1D6	9	30-10	R69443	1D22	5	30-27	R77393	2E9	10	90-28
R64810	1D7	37	30-11	R69443	1E11	9	30-40	R77394	2E9	12	90-28
R64810	1D7	39	30-11	R70182	1B14	10	20-21	R77395	2E9	7	90-28
R64810	1D9	12	30-13	R70182	1B15	10	20-22	R77398	2E9	3	90-28
R64810	1D9	13	30-13	R70210	1G18	41	40-53	R77400	2E9	6	90-28
R65215	1B12	3	20-19	R70211	1G18	40	40-53	R77401	2E9	5	90-28
R65215	1B13	3	20-20	R70211	1G18	41	40-53	R77405	1F12	14A	40-20
R65593	1G16	2	40-51	R70212	1G18	41	40-53	R77405	1F12	14B	40-20
R65594	1G16	9	40-51	R70213	1G18	40	40-53	R77456	1G18	27	40-53
R65595	1G16	21	40-51	R70213	1G18	41	40-53	R77457	1G18	29	40-53
R65596	1G16	22	40-51	R70214	1G18	41	40-53	R77458	1G18	28	40-53
R65597	1G16	23	40-51	R70215	1G18	40	40-53	R77459	1G18	28	40-53
R65598	1G16	24	40-51	R70215	1G18	41	40-53	R77460	1G4	4	40-37
R65599	1G16	25	40-51	R70216	1G18	41	40-53	R77460	1G18	28	40-53
R65600	1G16	26	40-51	R70217	1G18	40	40-53	R77461	1G18	28	40-53
R65601	1G16	27	40-51	R70217	1G18	41	40-53	R77462	1G18	25	40-53
R65602	1G16	28	40-51	R70218	1G18	41	40-53	R77463	1G18	30	40-53
R65602	1G20	49	40-55	R70219	1G18	40	40-53	R77464	1G18	26	40-53
R65603	1G16	29	40-51	R70219	1G18	41	40-53	R77465	1G18	31	40-53
R65604	1G16	30	40-51	R70220	1G20	50	40-55	R77466	1G18	33	40-53
R65605	1G16	31	40-51	R70221	1G18	39	40-53	R77467	1G18	34	40-53
R65606	1G16	32	40-51	R70222	1G18	38	40-53	R77468	1G18	32	40-53
R65607	1G16	33	40-51	R70483	1B2	9	20-9	R77469	1G18	35	40-53
R65607	1G20	46	40-55	R70483	1B3	9	20-10	R77470	1G20	45	40-55
R65608	1G16	3	40-51	R70483	1C1	10	20-33	R77471	1G20	45	40-55
R65609	1G16	6	40-51	R70483	1C3	15	20-35	R77472	1G20	45	40-55
R65610	1G16	7	40-51	R70513	1D17	6	30-21	R77473	1G20	45	40-55
R66090	1D9	5	30-13	R70921	2C11	21	70-45	R77474	1G20	44	40-55
R66090	1E11	2	30-40	R70956	1B23	11	20-30	R77475	1E22	8	40-4
R66319	1E20	19	40-2	R70956	1C3	13	20-35	R77475	1G18	13	40-53
R66319	1E21	15	40-3	R71742	1D9	1	30-13	R77476	1G18	3	40-53
R66319	1E21	16	40-3	R71851	1D13	4	30-17	R77477	1G18	4	40-53
R66319	1E21	17	40-3	R72968	1A22	3	20-4	R77478	1G18	15	40-53
R66319	1E21	18	40-3	R73027	1E2	19	30-31	R77479	1G18	5	40-53
R66319	1E21	20	40-3	R73139	1A22	3	20-4	R77480	1G18	6	40-53
R66319	1E22	2	40-4	R73139	1A23	19	20-5	R77481	1G18	7	40-53
R66319	1F2	11	40-9	R73139	1A24	19	20-6	R77482	1G18	8	40-53
R66319	1F11	2	40-19	R73140	1A22	3	20-4	R77483	1G18	16	40-53
R66319	1F11	7	40-19	R73140	1A25	1	20-7	R77484	1G18	19	40-53
R66319	1F11	8	40-19	R73140	1B1	1	20-8	R77485	1G18	21	40-53
R66319	1F11	10	40-19	R73140	1C1	1	20-33	R77486	1G18	22	40-53
R66319	1F11	12	40-19	R73140	1C3	1	20-35	R77487	1G18	23	40-53
R66319	1F11	15	40-19	R74194	1B20	1	20-27	R77488	1G20	51	40-55
R66319	1F11	17	40-19	R74310	1D12	13	30-16	R77489	1G20	51	40-55
R66319	1F15	7	40-24	R74312	1D15	10	30-19	R77490	1G20	51	40-55
R66319	1F20	1	40-29	R74325	1D12	10	30-16	R77491	1G20	54	40-55
R66319	1G16	1	40-51	R74354	1B24	9	20-31	R77492	1G20	54	40-55
R66320	1G16	5	40-51	R74354	1C1	4	20-33	R77493	1G20	51	40-55
R66320	1G18	24	40-53	R74354	1C3	10	20-35	R77494	1G20	55	40-55
R66321	1F11	20	40-19	R74472	1D15	23	30-19	R77495	1G20	52	40-55
R66321	1G16	4	40-51	R75470	1B1	5	20-8	R77496	1G20	52	40-55
R66321	1G18	24	40-53	R75892	1A23	21	20-5	R77497	1G20	53	40-55
R66593	1D10	3	30-14	R75892	1A24	21	20-6	R77498	1G18	24	40-53
R66821	1C25	12	30-4	R75931	1E13	7	30-42	R77499	1G18	24	40-53
R66821	1D1	9	30-5	R76578	1D12	3	30-16	R77500	1E22	8	40-4
R67149	1D24	30	30-29	R76578	1D17	3	30-21	R77500	1G18	24	40-53
R67149	1E6	7	30-35	R76578	1D19	14	30-23	R77501	1G18	24	40-53
R67150	1D24	11	30-29	R76964	1D24	28	30-29	R77502	1E22	5	40-4

NUMERICAL INDEX - CONTINUED

PART NO.	GRID	KEY	PAGE	PART NO.	GRID	KEY	PAGE	PART NO.	GRID	KEY	PAGE
R77502	1G20	56	40-55	R83169	1B4	22	20-11	T11932	1D15	1	30-19
R77503	1G20	56	40-55	S2827M	2D9	7	90-3	T11935	1D10	13	30-14
R77680	1E8	7	30-37	TY15130	2E15	..	90-35	T11935	1D11	10	30-15
R77681	1E8	8	30-37	TY15155	1F22	12	40-31	T11936	1D10	6	30-14
R77682	1E8	10	30-37	TY15155	1F23	22	40-32	T11937	1D10	11	30-14
R77683	1E4	2	30-33	TY6603	1G2	..	40-35	T11937	1D11	11	30-15
R77684	1E4	2	30-33	TY6620	1G7	1	40-41	T11937	1D19	17	30-23
R78366	1B4	7	20-11	TY6653	1G2	..	40-35	T11938	1D10	5	30-14
R78366	1C1	21	20-33	TY6653	1G4	..	40-37	T11943	1D15	11	30-19
R78743	1D24	21	30-29	TY6653	1G6	1	40-39	T11943	1D19	18	30-23
R79015	1D24	12	30-29	T11290	1D14	5	30-18	T11953	1D15	5	30-19
R79015	1E8	1	30-37	T11290	1D19	7	30-23	T12274	2H9	6	120-30
R79016	1E6	24	30-35	T11672	1G8	16	40-42	T12274	2H10	6	120-31
R79089	1B12	6	20-19	T11672	1G9	20	40-43	T12956	2A21	4	70-2
R79089	1B13	6	20-20	T11675	1G8	21	40-42	T12958	2A21	6	70-2
R79541	1E6	23	30-35	T11675	1G12	28	40-46	T12958	2B18	7	70-25
R79541	1E10	10	30-39	T11680	1G10	13	40-44	T12959	2A21	5	70-2
R79604	1D9	4	30-13	T11680	1G11	11	40-45	T12966	2B18	19	70-25
R79604	1D21	1	30-25	T11684	1G8	3	40-42	T12966	2B18	20	70-25
R79604	1D21	3B	30-25	T11739	1G10	3	40-44	T13119	2A23	7	70-4
R79604	1D22	2	30-27	T11847	1A21	..	20-3	T13119	2B1	7	70-6
R79604	1D22	3	30-27	T11875	1D13	17	30-17	T13119	2K8	6	160-4
R79604	1D22	20	30-27	T11876	1D13	16	30-17	T13201	1D6	5	30-10
R79604	1E11	5	30-40	T11877	1D13	1	30-17	T13201	1D9	23	30-13
R79605	1D9	4	30-13	T11877	1D19	8	30-23	T13254	1C23	9	30-2
R79605	1D21	2	30-25	T11878	1D13	14	30-17	T13911	2A23	25	70-4
R79605	1D21	3B	30-25	T11878	1D19	9	30-23	T13911	2B7	14	70-12
R79605	1D22	1	30-27	T11882	1D13	19	30-17	T13913	1D6	8	30-10
R79605	1D22	3	30-27	T11883	1D13	20	30-17	T13913	1D9	36	30-13
R79605	1D22	19	30-27	T11883	1D19	10	30-23	T15564	1G8	28	40-42
R79605	1E11	4	30-40	T11884	1D13	18	30-17	T15564	1G9	10	40-43
R79606	1D9	4	30-13	T11886	1D16	18	30-20	T15564	1G12	3	40-46
R79606	1D21	3B	30-25	T11887	1D16	20	30-20	T15564	1G13	22	40-47
R79606	1D22	3	30-27	T11889	1D16	15	30-20	T15699	1D17	19	30-21
R79606	1D22	18	30-27	T11890	1D16	14	30-20	T15705	1D12	11	30-16
R79606	1E11	3	30-40	T11891	1D16	2	30-20	T15710	1D12	6	30-16
R80027	1E6	25	30-35	T11891	1D19	11	30-23	T15710	1D19	19	30-23
R80033	1B20	1	20-27	T11894	1D18	21	30-22	T15711	1D12	26	30-16
R80033	1B21	1	20-28	T11894	1D19	12	30-23	T15712	1D12	25	30-16
R80243	1B7	13	20-14	T11899	1D12	17	30-16	T15712	1D19	20	30-23
R80243	1C1	22	20-33	T11899	1D18	10	30-22	T15715	1D13	2	30-17
R80243	1C1	..	20-33	T11899	1D19	13	30-23	T15720	1D17	2	30-21
R80243	1C4	9	20-36	T11900	1D18	12	30-22	T15720	1D19	21	30-23
R80312	1E6	27	30-35	T11906	1D13	8	30-17	T15721	1D13	4	30-17
R80313	1E6	28	30-35	T11906	1D19	22	30-23	T16601	1D15	23	30-19
R80405	1A22	3	20-4	T11909	1D15	22	30-19	T16602	1D15	4	30-19
R81067	1B8	12	20-15	T11910	1D15	21	30-19	T17058	1G8	17	40-42
R81167	1G11	2	40-45	T11911	1D17	21	30-21	T17058	1G9	21	40-43
R81168	1G11	5	40-45	T11913	1D15	8	30-19	T17058	1G12	27	40-46
R81169	1G11	6	40-45	T11914	1D15	9	30-19	T17117	1D12	1	30-16
R81170	1G11	23	40-45	T11915	1D12	3	30-16	T17120	1D12	10	30-16
R81171	1G11	1	40-45	T11915	1D17	3	30-21	T17122	1D12	2	30-16
R81172	1G11	15	40-45	T11915	1D19	14	30-23	T17123	1D12	4	30-16
R81173	1G11	14	40-45	T11917	1D17	10	30-21	T17125	1D12	7	30-16
R81174	1G9	19	40-43	T11918	1D10	8	30-14	T17126	1D12	5	30-16
R81175	1G9	18	40-43	T11918	1D13	21	30-17	T17137	1D12	19	30-16
R81176	1G9	25	40-43	T11918	1D19	15	30-23	T17947	1D13	7	30-17
R81198	1G11	19	40-45	T11920	1D17	12	30-21	T17949	1D17	8	30-21
R81275	1B25	5	20-32	T11921	1D13	6	30-17	T17950	1D17	7	30-21
R81275	1C1	18	20-33	T11923	1D15	12	30-19	T17951	1D13	8	30-17
R81275	1C4	8	20-36	T11924	1D15	7	30-19	T17951	1D19	22	30-23
R81514	1A23	..	20-5	T11925	1D15	3	30-19	T17952	1D15	6	30-19
R81514	1B17	2A	20-24	T11926	1D16	5	30-20	T17953	1D13	5	30-17
R81514	1B17	7	20-24	T11927	1D17	4	30-21	T17987	1G8	12	40-42
R82821	1B17	2A	20-24	T11929	1D17	15	30-21	T18105	1G12	19	40-46
R82821	1B17	2B	20-24	T11930	1D13	15	30-17	T18105	1G13	8	40-47
R82821	1B17	7	20-24	T11931	1D15	20	30-19	T18107	1G12	8	40-46

NUMERICAL INDEX - CONTINUED

PART NO.	GRID	KEY	PAGE	PART NO.	GRID	KEY	PAGE	PART NO.	GRID	KEY	PAGE
T18107	1G13	12	40-47	T20055	1E10	12	30-39	T20315	1B19	14	20-26
T18113	1G8	19	40-42	T20070	1B17	6	20-24	T20316	1B18	3	20-25
T18113	1G9	23	40-43	T20072	1B17	4	20-24	T20316	1B19	3	20-26
T18354	1G12	18	40-46	T20073	1B18	5	20-25	T20328	1B10	4	20-17
T18354	1G13	4	40-47	T20073	1B19	5	20-26	T20328	1B11	4	20-18
T18891	1A22	6	20-4	T20077	1B18	9	20-25	T20328	1C1	8	20-33
T18891	1A24	6	20-6	T20077	1B19	9	20-26	T20328	1C3	8	20-35
T19044	1A25	2	20-7	T20088	1B2	4	20-9	T20336	1B4	26	20-11
T19044	1B1	2	20-8	T20088	1B3	4	20-10	T20336	1C1	16	20-33
T19566	1A21	..	20-3	T20089	1B2	7	20-9	T20336	1C3	18	20-35
T19569	1G8	33	40-42	T20089	1B3	7	20-10	T20362	1B4	8	20-11
T19572	1I4	5	50-27	T20090	1B2	8A	20-9	T20464	1B17	2A	20-24
T19572	1J1	12	60-20	T20090	1B3	8	20-10	T20467	1B10	8	20-17
T19589	1G8	32	40-42	T20091	1B24	5	20-31	T20467	1C1	13	20-33
T19600	1G12	5	40-46	T20094	1B14	4	20-21	T20467	1C4	1	20-36
T19601	1G12	11	40-46	T20094	1B15	4	20-22	T21147	1H22	21	50-20
T19602	1G12	6	40-46	T20094	1B16	5	20-23	T21158	1H21	13	50-19
T19603	1G12	10	40-46	T20129	1B18	8	20-25	T21158	2J1	9	120-75
T19603	1G13	17	40-47	T20129	1B19	8	20-26	T21242	2G1	22	110-33
T19604	1G12	21	40-46	T20155	1B4	1	20-11	T21242	2G19	3	120-15
T19604	1G13	6	40-47	T20155	1C1	2	20-33	T21242	2G20	14	120-16
T19605	1G12	20	40-46	T20155	1C3	3	20-35	T22069	1H20	4	50-18
T19605	1G13	3	40-47	T20159	1B25	5	20-32	T22069	1H22	10	50-20
T19606	1G12	22	40-46	T20159	1C1	18	20-33	T22107	1F7	3	40-14
T19606	1G13	2	40-47	T20159	1C3	24	20-35	T22107	1F8	2	40-15
T19606	1G13	5	40-47	T20159	1C4	8	20-36	T22242	1D24	27	30-29
T19607	1G12	12	40-46	T20159	1C5	9	20-37	T22535	1B17	1	20-24
T19607	1G13	16	40-47	T20165	1D7	36	30-11	T22536	1B2	11	20-9
T19608	1G12	2	40-46	T20165	1D9	30	30-13	T22536	1B3	11	20-10
T19610	1G12	1	40-46	T20166	1A25	4	20-7	T22536	1B18	21	20-25
T19854	1D14	7	30-18	T20166	1B1	4	20-8	T22536	1B19	21	20-26
T19854	1D19	23	30-23	T20168	1B7	3	20-14	T22537	1B2	13	20-9
T19855	1D14	1	30-18	T20168	1B8	3	20-15	T22537	1B3	13	20-10
T19858	1D17	5	30-21	T20168	1B12	4	20-19	T22537	1B18	19	20-25
T19859	1D17	6	30-21	T20168	1B13	4	20-20	T22537	1B19	19	20-26
T19860	1D17	9	30-21	T20168	1B14	27	20-21	T23002	1C1	7	20-33
T19861	1D17	11	30-21	T20168	1B15	27	20-22	T23002	1C3	7	20-35
T19862	1D17	13	30-21	T20168	1C7	7	20-39	T23002	1C4	5	20-36
T19863	1D12	16	30-16	T20176	1B18	10	20-25	T23002	1C5	6	20-37
T19865	1D14	6	30-18	T20176	1B18	18	20-25	T23002	1C7	8	20-39
T19935	1B5	2	20-12	T20176	1B19	10	20-26	T23132	1C1	15	20-33
T19935	1B6	2	20-13	T20176	1B19	18	20-26	T23214	1B12	2	20-19
T19935	1F23	11	40-32	T20182	1B8	2	20-15	T23214	1B13	2	20-20
T19977	1D10	1	30-14	T20202	1G7	5	40-41	T23215	1B12	1	20-19
T19977	1D11	1	30-15	T20205	1B5	1	20-12	T23215	1B13	1	20-20
T20006	1B25	1	20-32	T20205	1B6	1	20-13	T23260	1B4	25	20-11
T20006	1C1	20	20-33	T20205	1C1	12	20-33	T23266	1B14	5	20-21
T20006	1C3	23	20-35	T20205	1C3	32	20-35	T23266	1B15	5	20-22
T20006	1C4	7	20-36	T20217	1B14	17	20-21	T23266	1B16	2	20-23
T20006	1C5	8	20-37	T20217	1B15	17	20-22	T23267	1B14	5	20-21
T20009	1B20	1	20-27	T20217	1B15	17	20-22	T23267	1B15	5	20-22
T20011	1B20	11	20-27	T20243	1C1	23	20-33	T23267	1B15	5	20-22
T20011	1B21	11	20-28	T20243	1C3	28	20-35	T23270	1B14	15	20-21
T20029	1B14	10	20-21	T20243	1C6	12	20-38	T23270	1B15	15	20-22
T20034	1B14	9	20-21	T20272	1B4	5	20-11	T23435	1A25	3	20-7
T20034	1B15	9	20-22	T20272	1B4	11	20-11	T23435	1B1	3	20-8
T20046	1B14	13	20-21	T20273	1B4	5	20-11	T23474	1B12	5	20-19
T20046	1B15	13	20-22	T20273	1B4	5	20-11	T23474	1B13	5	20-20
T20050	1B24	12	20-31	T20273	1B4	10	20-11	T23474	1B13	5	20-20
T20052	1D7	35	30-11	T20273	1C1	14	20-33	T23529	1H24	10	50-22
T20052	1D9	29	30-13	T20273	1C3	16	20-35	T23552	1B12	2	20-19
T20055	1D6	30	30-10	T20294	1B10	5	20-17	T23552	1B13	2	20-20
T20055	1D9	24	30-13	T20294	1B11	5	20-18	T23554	1B12	2	20-19
T20055	1D16	16	30-20	T20298	1B24	3	20-31	T23554	1B13	2	20-20
T20055	1D19	24	30-23	T20310	1B18	13	20-25	T23554	1B16	6	20-23
T20055	1D24	10	30-29	T20310	1B19	13	20-26	T23556	1B12	2	20-19
T20055	1E2	4	30-31	T20314	1B18	4	20-25	T23556	1B13	2	20-20
T20055	1E2	4	30-31	T20314	1B19	4	20-26	T23558	1B12	2	20-19
T20055	1E2	4	30-31	T20315	1B18	14	20-25	T23558	1B13	2	20-20

NUMERICAL INDEX - CONTINUED

PART NO.	GRID	KEY	PAGE	PART NO.	GRID	KEY	PAGE	PART NO.	GRID	KEY	PAGE
T23566	1B20	11	20-27	T24627	1E10	14	30-39	T26327	1B14	12	20-21
T23566	1B21	11	20-28	T24628	1E2	19	30-31	T26327	1B15	12	20-22
T23568	1B20	11	20-27	T24629	1E2	19	30-31	T26508	1B7	7	20-14
T23568	1B21	11	20-28	T24630	1E2	19	30-31	T26508	1B8	7	20-15
T23570	1B20	11	20-27	T24631	1E2	19	30-31	T26509	1B7	1	20-14
T23570	1B21	11	20-28	T24632	1E2	9	30-31	T26509	1B8	1	20-15
T23572	1B20	11	20-27	T24633	1E2	10	30-31	T26565	1B14	2	20-21
T23572	1B21	11	20-28	T24634	1E2	8	30-31	T26565	1B15	2	20-22
T23574	1B12	1	20-19	T24634	1E10	16	30-39	T26565	1B16	1	20-23
T23574	1B13	1	20-20	T24635	1E2	16	30-31	T27261	1C6	8	20-38
T23576	1B12	1	20-19	T24636	1E2	13	30-31	T27624	2B25	3	70-34
T23576	1B13	1	20-20	T24637	1E2	6	30-31	T27624	2C1	1	70-35
T23576	1B16	7	20-23	T24637	1E10	13	30-39	T27624	2C2	3	70-36
T23578	1B12	1	20-19	T24647	1E6	22	30-35	T27657	1B4	15	20-11
T23578	1B13	1	20-20	T24647	1E10	9	30-39	T27658	1B4	18	20-11
T23580	1B12	1	20-19	T24649	1E2	22	30-31	T27761	1E4	19	30-33
T23580	1B13	1	20-20	T24650	1E2	14	30-31	T27761	1E10	5	30-39
T24415	1D12	8	30-16	T24650	1E10	15	30-39	T27860	1D20	6	30-24
T24460	1C3	2	20-35	T24651	1E2	15	30-31	T28041	1B17	3	20-24
T24472	1D21	13	30-25	T24651	1E10	17	30-39	T28583	1E21	20	40-3
T24472	1D22	16	30-27	T24652	1E2	12	30-31	T28583	1F11	2	40-19
T24472	1E11	21	30-40	T24658	1E8	9	30-37	T28583	1G16	34	40-51
T24539	1G8	9	40-42	T24871	2A24	51	70-5	T28583	1G18	1	40-53
T24539	1G9	13	40-43	T24871	2B2	50	70-7	T28585	1F11	7	40-19
T24542	1D24	16	30-29	T24932	1C1	19	20-33	T28585	1G16	35	40-51
T24543	1D24	15	30-29	T24932	1C3	20	20-35	T28585	1G18	12	40-53
T24543	1E10	8	30-39	T24932	1C4	6	20-36	T28586	1G18	14	40-53
T24544	1D24	18	30-29	T24932	1C5	7	20-37	T29099	1G2	25	40-35
T24546	1E4	3	30-33	T24932	1C7	10	20-39	T29100	1G2	7	40-35
T24548	1E8	18	30-37	T24934	1C7	1	20-39	T29102	1G2	28	40-35
T24548	1E10	1	30-39	T24945	1C25	3	30-4	T29103	1G2	3	40-35
T24549	1E10	2	30-39	T24959	1E20	7	40-2	T29464	1D24	14	30-29
T24550	1E2	1	30-31	T24965	1A25	1	20-7	T29539	1D21	2	30-25
T24553	1E2	2	30-31	T24965	1C1	1	20-33	T29539	1D22	1	30-27
T24553	1E10	7	30-39	T25115	1B2	6	20-9	T29540	1D21	1	30-25
T24558	1E4	13	30-33	T25115	1B3	6	20-10	T29540	1D22	2	30-27
T24559	1E4	14	30-33	T25142	1D18	13	30-22	T29809	1B25	3	20-32
T24562	1E4	8	30-33	T25142	1D19	25	30-23	T29811	1E17	3	30-46
T24564	1E4	7	30-33	T25343	1G2	36	40-35	T29969	1D24	8	30-29
T24576	1E6	15	30-35	T25343	1G4	21	40-37	T30607	1D18	18	30-22
T24577	1E6	8	30-35	T25350	1G2	24	40-35	T30653	1E10	6	30-39
T24581	1E6	9	30-35	T25353	1G2	20	40-35	T30738	1C25	10	30-4
T24583	1E6	10	30-35	T25353	1G4	10	40-37	T30738	1D1	2	30-5
T24586	1E6	13	30-35	T25357	1G2	10	40-35	T30738	1E12	1	30-41
T24588	1E6	3	30-35	T25479	1C7	4	20-39	T30738	1E13	1	30-42
T24589	1E6	1	30-35	T25484	1C6	11	20-38	T31124	1D16	22	30-20
T24590	1E6	4	30-35	T25485	1C6	6	20-38	T31125	1D16	22	30-20
T24595	1E6	17	30-35	T25701	1B25	2	20-32	T31126	1D16	22	30-20
T24596	1E6	16	30-35	T25701	1C6	13	20-38	T31127	1D16	22	30-20
T24597	1E6	20	30-35	T25879	2J18	2	130-16	T31128	1D16	22	30-20
T24598	1E6	5	30-35	T26223	1D16	12	30-20	T31129	1D16	10	30-20
T24599	1E6	6	30-35	T26223	1D19	26	30-23	T31174	1D21	17	30-25
T24599	1E10	11	30-39	T26238	1D18	1	30-22	T31174	1D22	12	30-27
T24600	1E10	10	30-39	T26256	1D18	19	30-22	T31174	1E11	16	30-40
T24604	1E6	26	30-35	T26256	1D19	27	30-23	T31219	1B5	3	20-12
T24610	1E8	16	30-37	T26321	1B14	20	20-21	T31219	1B6	3	20-13
T24617	1E8	3	30-37	T26321	1B15	20	20-22	T31306	1B22	15	20-29
T24618	1E8	4	30-37	T26322	1B14	21	20-21	T31306	1B23	15	20-30
T24619	1D24	13	30-29	T26322	1B15	21	20-22	T32213	1B18	16	20-25
T24619	1E8	2	30-37	T26323	1B14	7	20-21	T32213	1B19	16	20-26
T24619	1E10	4	30-39	T26323	1B15	7	20-22	T32230	1B2	2	20-9
T24622	1E8	6	30-37	T26324	1B14	6	20-21	T32230	1B3	2	20-10
T24622	1E10	3	30-39	T26324	1B15	6	20-22	T32231	1C24	29	30-3
T24623	1E2	7	30-31	T26325	1B14	19	20-21	T32231	1D5	4	30-9
T24625	1E2	11	30-31	T26325	1B15	19	20-22	T32231	1E21	6	40-3
T24626	1E2	20	30-31	T26326	1B14	11	20-21	T32231	1F5	10	40-12
T24627	1E2	21	30-31	T26326	1B15	11	20-22	T32238	1D16	6	30-20

NUMERICAL INDEX - CONTINUED

PART NO.	GRID	KEY	PAGE	PART NO.	GRID	KEY	PAGE	PART NO.	GRID	KEY	PAGE
T32239	1D16	6	30-20	U46370	1G18	20	40-53				
T32240	1D16	6	30-20	U46425	2B4	22	70-9				
T32241	1D16	6	30-20	U46506	1F21	11	40-30				
T32343	1B20	8	20-27	U46507	1F21	9	40-30				
T32853	1C6	3	20-38	U46508	1F21	6	40-30				
T32853	1G7	6	40-41	U46509	1F21	21	40-30				
T33279	1A23	18	20-5	U46510	1F21	22	40-30				
T33279	1A24	18	20-6	U46511	1F21	23	40-30				
T33279	1B4	4	20-11	U46512	1F21	24	40-30				
T34067	1E22	8	40-4	U46513	1F21	25	40-30				
T34067	1G18	18	40-53	U46515	1F21	4	40-30				
T35294	1H22	4	50-20	U46517	1F21	15	40-30				
T35296	1H22	4	50-20	U46662	1E21	20	40-3				
T35298	1H22	4	50-20	U46662	1F11	2	40-19				
T35300	1H22	4	50-20	U46662	1F11	10	40-19				
T39220	1I3	13	50-26	U46662	1F11	12	40-19				
T39871	1H22	4	50-20	U46662	1F11	15	40-19				
T40728	1I25	10	60-19	U46662	1F11	17	40-19				
T42786	2B25	7	70-34	U46662	1G16	37	40-51				
T42786	2C1	4	70-35	U46662	1G18	10	40-53				
T42786	2C2	7	70-36	U46663	1G16	38	40-51				
T44545	1F11	9	40-19	U46664	1G16	39	40-51				
T46726	1D5	11	30-9	U46664	1G20	47	40-55				
T46862	1G2	10	40-35	X7111C	1H21	4	50-19				
T49269	2F18	5	110-25	Z29304	2K11	16	160-7				
T49269	2F18	16	110-25	Z6451H	2H16	10	120-37				
T49269	2F22	13	110-29	Z699H	2F18	20	110-25				
T50860	1G2	27	40-35	Z699H	2H6	7	120-27				
T519T	2D19	2	90-13	Z699H	2I1	21	120-48				
T52507	1H22	4	50-20	Z699H	2I20	14	120-69				
T55501	1F17	16	40-26	Z699H	2J21	1	130-19				
T55585	1F17	20	40-26	Z8946H	2H16	11	120-37				
T61939	2F25	11	110-32	Z9250H	2J25	27	140-3				
T736T	1G10	10	40-44	Z9902H	1J1	15	60-20				
T736T	1G11	8	40-45	1C3621H	1H21	13	50-19				
T738T	1G10	5	40-44	1C3621H	2J1	9	120-75				
T739T	1G10	22	40-44	124424	2E24	28	110-5				
T740T	1G10	21	40-44	124725	2F16	2	110-23				
U10289	1I23	13	60-17	17047	2K12	5	160-8				
U12547	2A20	11	70-1	28316	2D17	3	90-11				
U12547	2B3	12	70-8	28316	2D18	6	90-12				
U12547	2B12	1	70-18	28316	2F12	10	110-19				
U12547	2B21	15	70-29	31415	2J23	4	140-1				
U12547	2C11	20	70-45	31415	2J25	9	140-3				
U13639	1A23	17	20-5	32238	2B9	12	70-15				
U13639	1A24	17	20-6	32238	2B10	4	70-16				
U13639	1C9	6	20-41	32240	2E7	9	90-26				
U14554	2H18	27	120-39	32244	2B13	3	70-19				
U16721	2I16	4	120-64	32246	2A24	50	70-5				
U17408	2H3	8	120-24	32246	2B2	49	70-7				
U40538	2I16	9	120-64	405R	1H11	4	50-9				
U40745	2A21	22	70-2	820149	1G8	4	40-42				
U40745	2A23	32	70-4								
U40745	2B1	28	70-6								
U40745	2B7	7	70-12								
U40745	2B8	7	70-13								
U40745	2K9	12	160-5								
U42845	1I1	4	50-24								
U42845	2B6	7	70-11								
U42845	2B16	5	70-22								
U42845	2B16	6	70-22								
U42845	2B16	7	70-22								
U42845	2J11	8	130-9								
U42845	2J11	9	130-9								
U45538	1C23	1	30-2								
U45916	1F4	11	40-11								
U46370	1G16	36	40-51								