



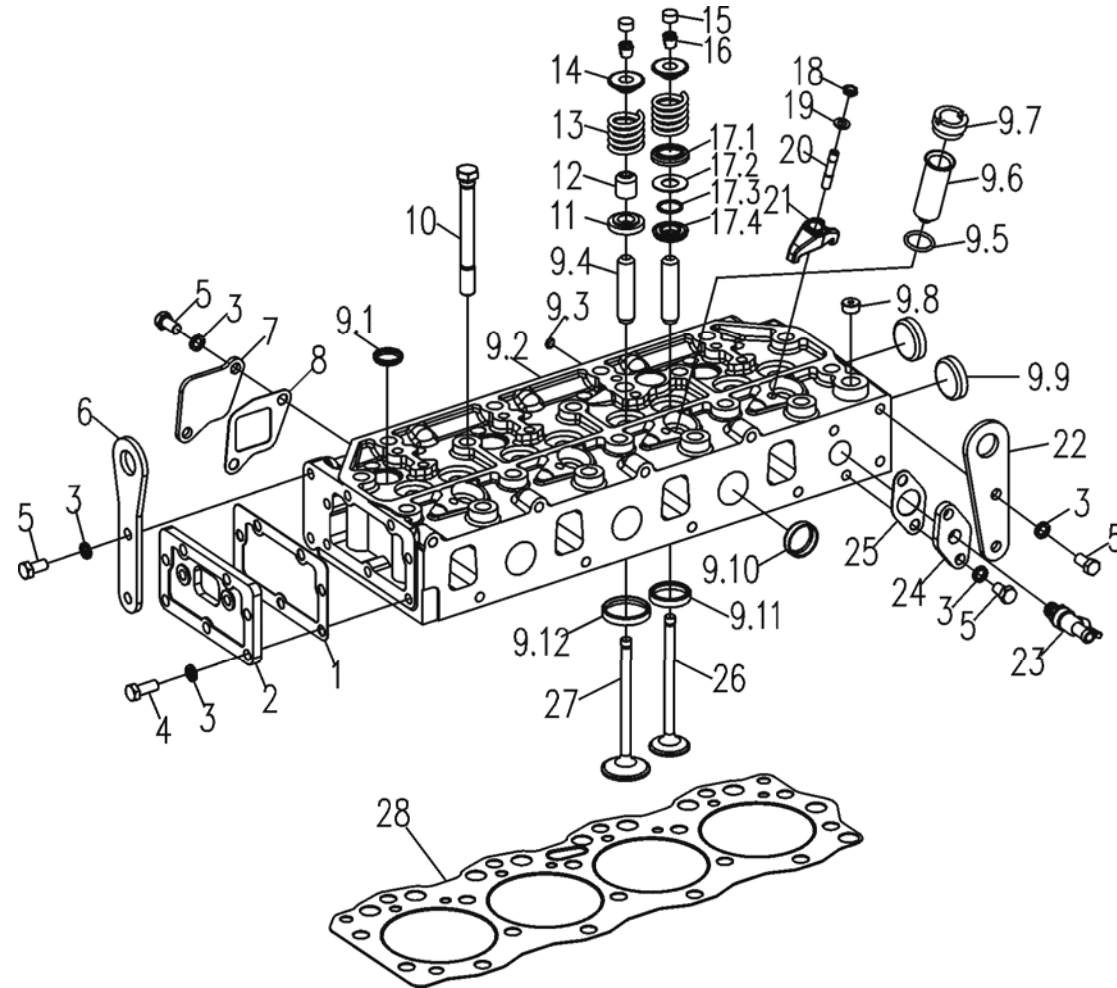
YTO LR 4105, 4108 & 4110 ENGINE PARTS MANUAL

Fitted to: DFS 554
DFS 654
DFS 854

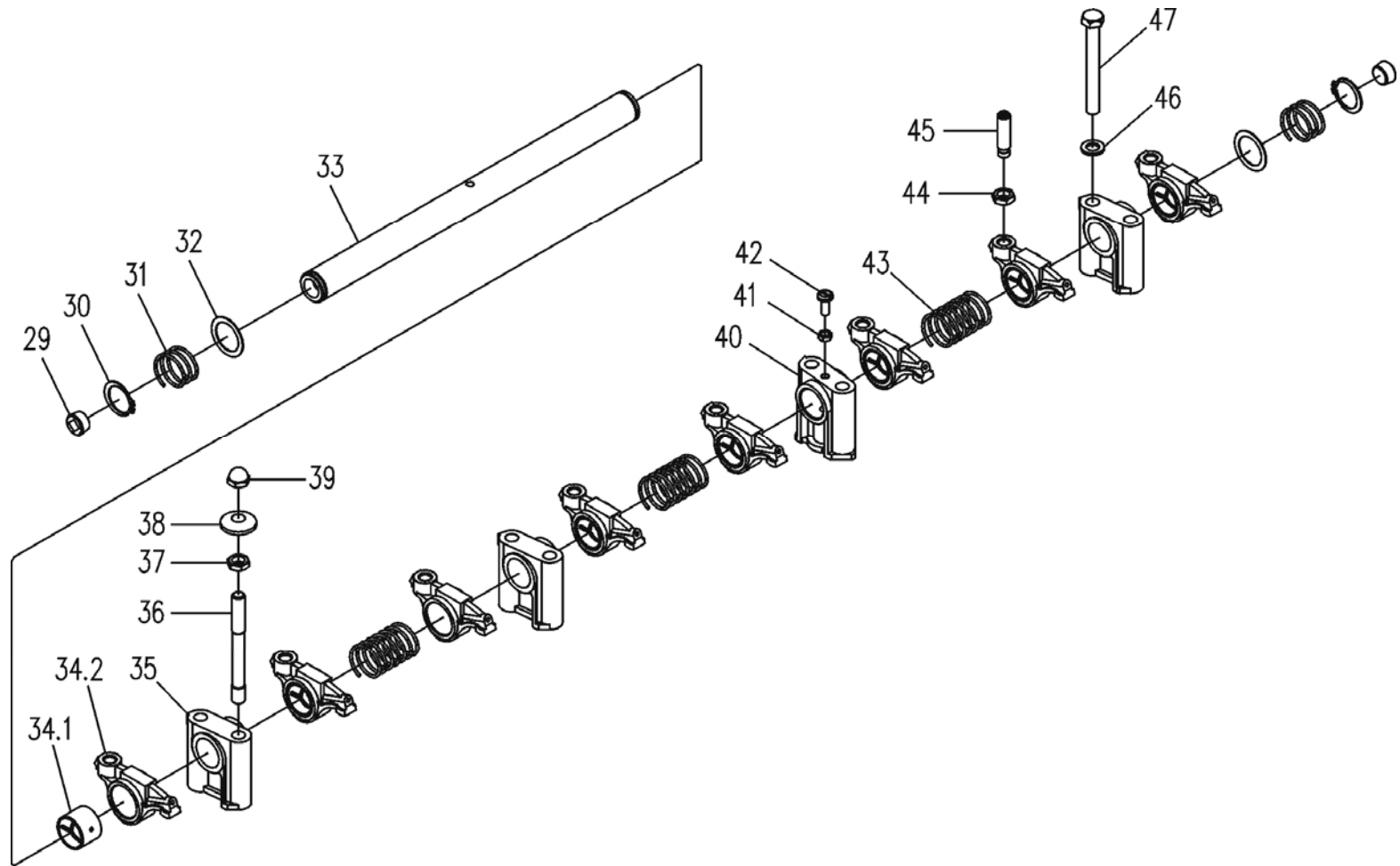
Contents

| | | | | |
|----|--|------|--|------|
| 01 | Cylinder Head Assembly..... | (1) | (1)ZHB Injection Pump Assembly..... | (54) |
| 02 | Cylinder Block Assembly | (7) | (2)Feed Pump Assembly..... | (56) |
| 03 | CameshaftAssembly..... | (11) | (3)TAGovernor Assembly..... | (58) |
| 04 | Crankshaft and Flywheel Assembly | (13) | 32 Fuel Injection Assembly(PB84P30)..... | (60) |
| 05 | Piston and Connecting Rod Assembly..... | (15) | 33 Fuel Filter Installation Assembly | (62) |
| 06 | Gear Train Assembly..... | (17) | 34 Fuel Injection Pipes Assembly | (64) |
| 07 | Sump Assembly (I) | (20) | 35 Fuel Low Pressure Pipes Installation Assembly(I)..... | (66) |
| | Sump Assembly (II) | (22) | Fuel Low Pressure Pipes Installation Assembly (II) | (68) |
| | Sump Assembly (III) | (24) | 41 Oil Pump Installation Assembly..... | (70) |
| 08 | Timing Gear Chamber Assembly..... | (26) | 42 Oil Suction Strainer Assembly..... | (70) |
| 09 | Flywheel Housing Assembly(I) | (29) | 43 Oil Filter Assembly..... | (72) |
| | Flywheel Housing Assembly (II) | (31) | 46 Oil Radiator Installation and Oil Line Assembly..... | (74) |
| 11 | Cylinder Head Hood Assembly..... | (33) | 51 Water Pump Installation Assembly..... | (76) |
| 12 | Crankcase Installation Assembly..... | (35) | 52 Fan and Pulley Assembly..... | (76) |
| 21 | Air Cleaner Installation Assembly(I) | (37) | 53 Thermostat Assembly..... | (78) |
| | Oil Bath Air Cleaner Installation Assembly (II) | (39) | 54 Radiation Installation Assembly..... | (80) |
| | Air Cleaner Installation Assembly (III) | (42) | 61 Starter Installation Assembly..... | (83) |
| 22 | Intake Tube Assembly (I) | (44) | 62 Alternator and Bracket Assembly | (85) |
| | Intake Tube Assembly (II) | (46) | | |
| 23 | Exhaust Tube Assembly (I) | (48) | | |
| | Exhaust Tube Assembly (II) | (50) | | |
| | Exhaust Tube Assembly (III) | (52) | | |
| 31 | Fuel Injection Pump with Governor Installation Assembly..... | (54) | | |

01 Cylinder Head Assembly



01 Cylinder Head Assembly



01 Cylinder Head Assembly

| No. | Part Name | Drawing No. | QTY. | Remarks |
|------|-----------------------------------|-------------------------------------|------|---------|
| | Cylinder head assembly | 4RTF.010000 | 1 | |
| | Cylinder head with valve assembly | L4R0101HJ _Y ^X | 1 | |
| 1 | Gasket, Cap | R010024 | 1 | |
| 2 | Cap, front water outlet hole | R010023 | 1 | |
| 3 | Spring washer 10 | GB/T93-1987 | 15 | |
| 4 | Bolt M10×25 | GB/T5782-2000 | 7 | |
| 5 | Bolt M10×20 | GB/T5782-2000 | 8 | |
| 6 | Front hoisting ear | 6RT8.010009-FE | 1 | |
| 7 | Cap, side water outlet hole | RT010021FE | 1 | |
| 8 | Gasket, thermostat | 6RTIII.530004FE | 1 | |
| 9 | Cylinder head mechanical | 4RB.010100 | 1 | |
| 9.1 | assembly | YTQ031.2-1992 | 4 | |
| 9.2 | Bowl plug 28 | 4RB.010101 | 1 | |
| 9.3 | Cylinder head | R010107 | 4 | |
| 9.4 | Bowl plug 10 | R010104 | 8 | |
| 9.5 | Valve guide | YTQ020.2-1992 | 4 | |
| 9.6 | O-sealing ring 30×3.1 | LR010109 | 4 | |
| 9.7 | Sleeve, fuel injector | LR010111 | 4 | |
| 9.8 | Injector stud bolt | YTQ021.1-1992 | 1 | |
| 9.9 | Screw plug Z1/2' | R010105 | 2 | |
| 9.10 | Bowl plug 42 | R010106 | 3 | |
| 9.11 | Bowl plug 35 | R010103 | 4 | |

01 Cylinder Head Assembly

| No. | Part Name | Drawing No. | QTY. | Remarks |
|------|--------------------------------------|-------------------|------|---------|
| 9.12 | Seat ring, inlet valve | R010102Y | 4 | |
| 10 | Bolt, cylinder head | RHZL.010007 | 18 | |
| 11 | Spacer, inlet valve spring | R010015Y | 4 | |
| 12 | Oil seal, valve | R010019Y | 4 | |
| 13 | Valve spring | LR010003Y | 8 | |
| 14 | Retainer, valve spring | R010004Y | 8 | |
| 15 | Valve cap | R010006 | 8 | |
| 16 | Valve collet | R010005 | 16 | |
| 17 | Valve rotocap assembly | R010300Y | 4 | |
| 17.1 | Upper seat, valve rotocap | R010301Y | 4 | |
| 17.2 | Thrust washer, valve rotocap spring | R010302 | 4 | |
| 17.3 | Spring, valve rotocap | R010304 | 4 | |
| 17.4 | Lower seat, valve rotocap | R010303 | 4 | |
| 18 | Nut M8 | GB/T6175-2000 | 4 | |
| 19 | Spherical washer 8 | GB849-1988 | 4 | |
| 20 | Stud, clamp plate of injector | R010018 | 4 | |
| 21 | Clamp plate, injector | R010008 | 4 | |
| 22 | Hoisting ear | R010009 | 1 | |
| 23 | Heater switch | WN4003-F-100 | 1 | |
| 24 | Install plate, water valve of heater | 1002/1202.81A.101 | 1 | |
| 25 | Gasket, water return adapter | R010013 | 1 | |
| 26 | Exhaust valve | R010002 | 4 | |

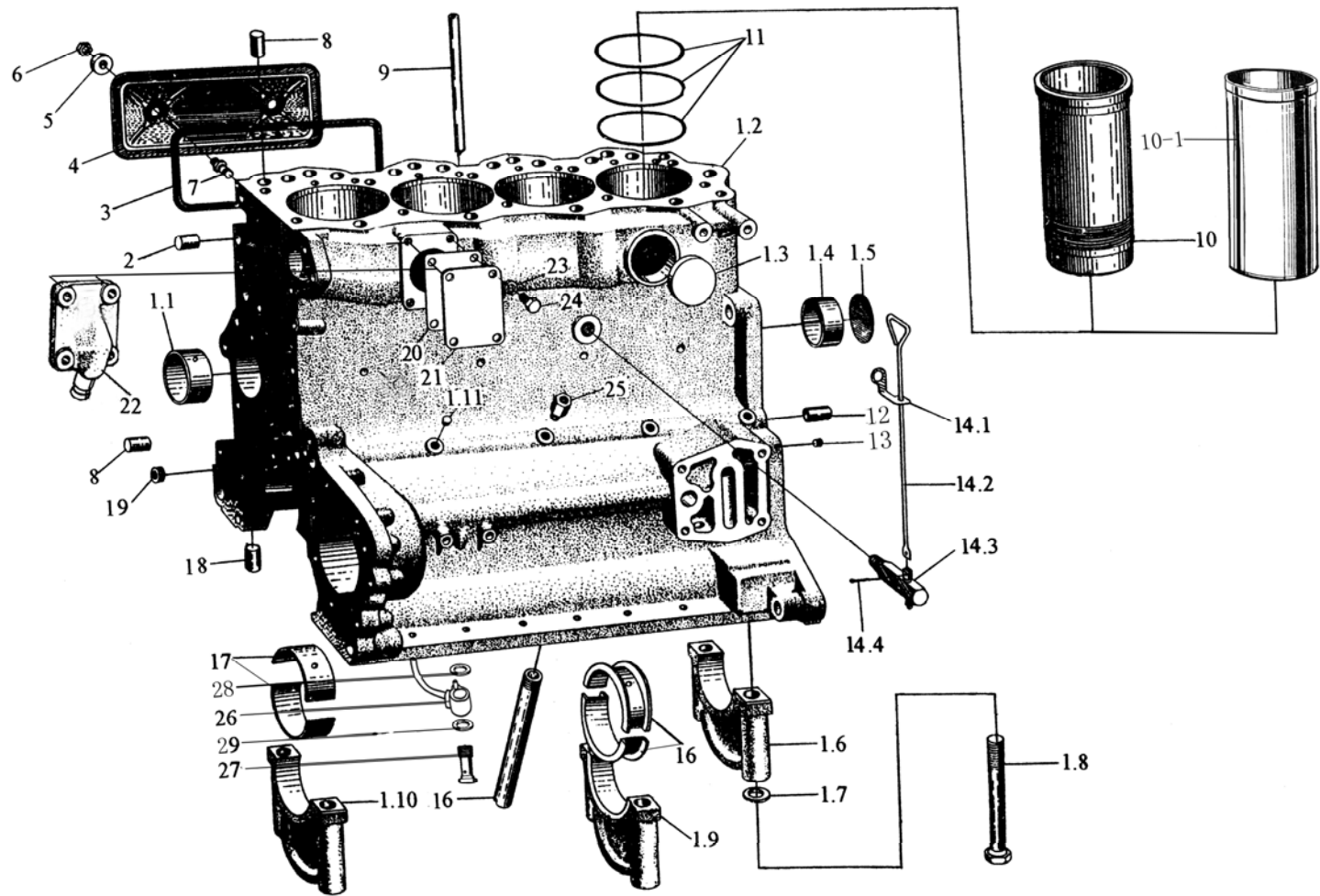
01 Cylinder Head Assembly

| No. | Part Name | Drawing No. | QTY. | Remarks |
|------|---------------|------------------------|------|---------|
| 27 | R010001Y | Inlet valve | 4 | |
| 28 | RW41100100.11 | Gasket,Cylinder head | 1 | |
| 29 | R010209 | Screw plug NPT3/8 | 2 | |
| 30 | GB894.1-1986 | Retaining ring 25 | 2 | |
| 31 | R010203 | Spring,rocker shaft | 2 | |
| 32 | R010204 | end | 2 | |
| 33 | R010201 | Washer,rocker shaft | 1 | |
| 34 | R010250 | Rocker shaft | 8 | |
| 34.1 | R010252A | Rocker shaft assembly | 8 | |
| 34.2 | R010251 | Bush,rocker arm | 8 | |
| 35 | R010206 | Rocker arm | 3 | |
| 36 | R010016 | Seat,rocker shaft | 4 | |
| 37 | GB/T6175-2000 | Stud,rocker shaft seat | 4 | |
| 38 | R010017 | Nut M10 | 4 | |
| 39 | GB/T923-1988 | Rubber sealing ring | 4 | |
| 40 | R010205 | Acorn nut M10 | 1 | |
| 41 | GB/T6175-2000 | Seat,rocker | 4 | |
| 42 | GB/T75-1985 | shaft(feeding oil) | 4 | |
| 43 | R010202 | Nut M6 | 3 | |
| 44 | GB/T6176-2000 | Nut M6×16 | 8 | |
| 45 | R010208 | Spring,rocker shaft | 8 | |
| 46 | GB/T848-1987 | Nut M10×1 | 4 | |
| 47 | GB/T5782-2000 | Adjusting screw | 4 | |

01 Cylinder Head Assembly

| No. | Part Name | Drawing No. | QTY. | Remarks |
|-----|-------------------------------------|------------------|------|---------|
| 18 | Retaining ring 25 | GB 894-76 | 2 | |
| 19 | Bush,rocker arm | R010252A | 8 | |
| 20 | Valve cap | R010006 | 8 | |
| 21 | Valve collet | R010005 | 16 | |
| 22 | Retainer, valve spring | R010004Y | 8 | |
| 23 | Oil hood, valve | R010019Y | 4 | |
| 24 | Upper seat, valve rotocap | R010301Y | 4 | |
| 25 | Thrust washer, valve rotocap spring | R010302 | 4 | |
| 26 | Spring, valve rotocap | R010304 | 4 | |
| 27 | Lower seat, valve rotocap | R010303 | 4 | |
| 28 | Spacer, inlet valve spring | R010015Y | 4 | |
| 29 | Rocker arm | R010251 | 8 | |
| 30 | Valve spring | R010003Y | 8 | |
| 31 | Bolt, cylinder head | R010007A-1 | 18 | |
| 32 | Washer, cylinder head bolt | R010012 | 18 | |
| 33 | Nut M8 | GB 52-76-Zn • D | 4 | |
| 34 | Spherical washer 8 | GB 849-76-Zn • D | 4 | |
| 35 | Stud, clamp plate | R010018 | 4 | |
| 36 | Clamp plate, injector | R010008 | 4 | |
| 37 | Cover, cap, side water outlet | RT010021 | 1 | |
| 38 | Gasket, thermostat | 6RTIII530004 | 1 | |
| 39 | Screw plug 1/2" | YTQ 021.1-87 | 1 | |

02 Cylinder Block Assembly



02 Cylinder Block Assembly

| No. | Part Name | Drawing No. | QTY. | Remarks |
|-------|---------------------------------------|-------------------|------|---------|
| | Cylinder block assembly | 4RAT • 020000 | 1 | |
| 1 | Cylinder block mechanical assembly | 4RAT020100 | 1 | |
| | Cylinder block mechanical assembly | 4RAT3 • 020100 | 1 | |
| 1.1 | Camshaft front bearing | R020106 | 1 | |
| 1.2-1 | Cylinder block | 4RBAQ 020100-1FE | 1 | |
| 1.2-2 | Cylinder block | 4RBAT.020100-1FEZ | 1 | |
| 1.2-3 | Cylinder block | RW4110Q.020101 | 1 | |
| 1.2-4 | Cylinder block | 4RAT.020100 | 1 | |
| 1.2-5 | Cylinder block | 4RAQ.020100 | 1 | |
| 1.3 | Bowl plug ϕ 50 | R020108 | 1 | |
| 1.4 | Camshaft bearing | R020107 | 4 | |
| 1.5 | Plug 60 | Q/SB144-64 | 1 | |
| 1.6 | Cap,rear main bearing | LR020111 | 1 | |
| 1.7 | Washer,main bearing bolt | R020105 | 10 | |
| 1.8 | Bolt,main bearing | R020104 | 10 | |
| 1.9 | Cap,locating main bearing | LR020103 | 1 | |
| 1.10 | Main bearing cap | LR020102 | 3 | |
| 1.11 | Screw plug Z 1/8" | YTQ 021.1-87 | 4 | |
| 2 | Dowel,cylinder block upper front face | R020023 | 1 | |
| 3 | Gasket,push rod chamber cover | 4R020009 | 1 | |
| 4 | Cover,front push rod chamber | 4R020008A | 1 | |
| 5 | Sealing washer | R010017 | 4 | |
| 6 | Acorn Nut M10 | GB/T 923-2000 | 4 | |

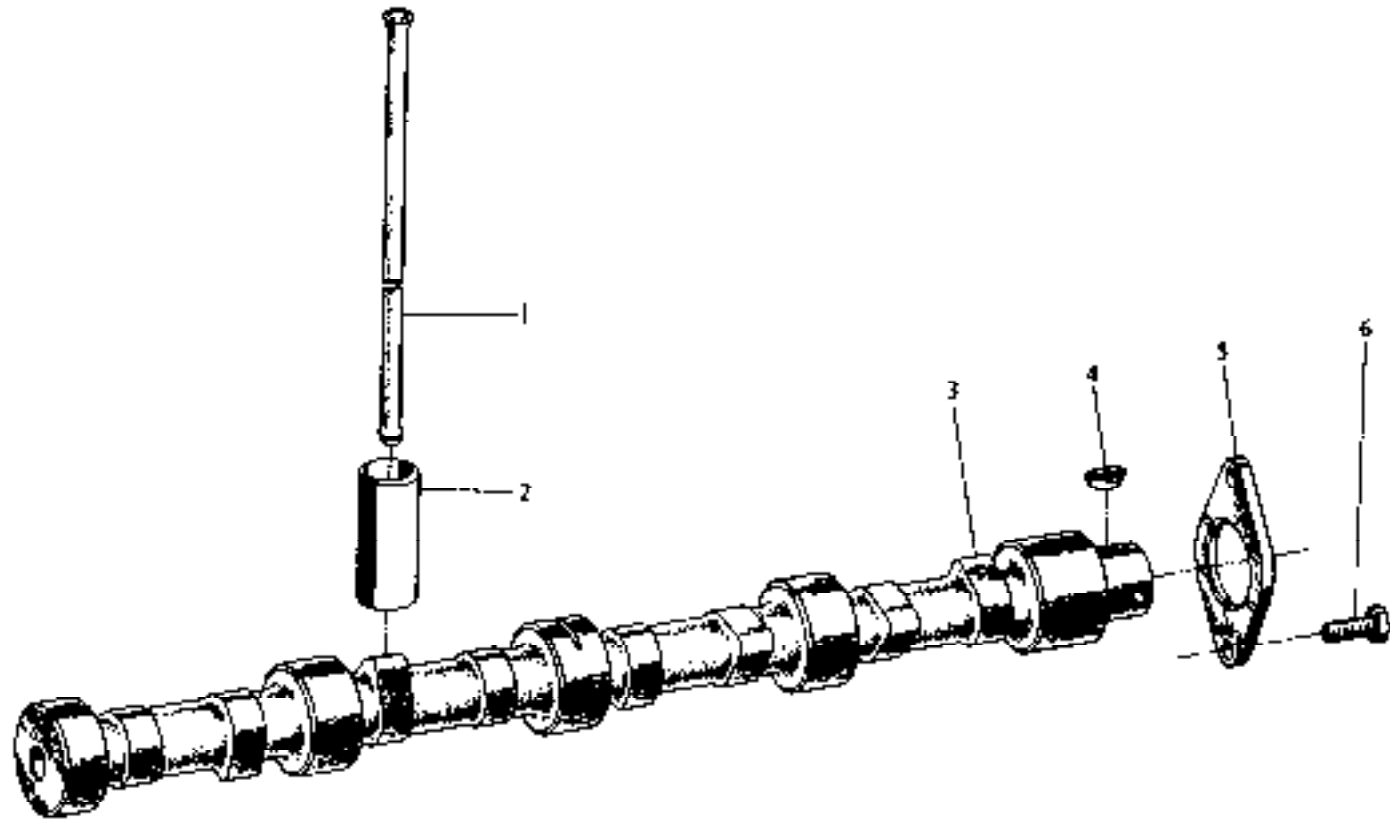
02 Cylinder Block Assembly

| No. | Part Name | Drawing No. | QTY. | Remarks |
|------|---|------------------|-------|---------|
| 7 | Stud,push rod chamber cover | R020011 | 4 | |
| 8 | Dowel.cylinder block top face | R020021 | 3 | |
| 9 | Drain pipe assembly,crankcase ventilation | LR020300 | 1 | |
| 10-1 | Cylinder liner | RAZ1.020001 | 4 | |
| 10-2 | Cylinder liner | RBA.020001 | 4 | |
| 10-3 | Cylinder liner | RW110.020001 | 4 | |
| 10-4 | Cylinder liner | RA.020001-1S | 4 | |
| 11 | Sealing ring,cylinder liner | RA020002/3 | 12 | |
| 12 | Hollow dowel,cylinder block rear face | R020015 | 2 | |
| 13 | Nozzle,rear oil sealing | R020004 | 1 | |
| 14 | Drain cock assy,radiator | LR020400 | 1 | |
| 14.1 | Clamp | 6RQ2.020034-1 | 1 | |
| 14.2 | Handle | 13C-05031 | 1 | |
| 14.3 | Water Valve | 1305C-010 | 1 | |
| 14.4 | Cotter pin 2×20 | GB 91-76 | 1 | |
| 15 | Thrust shell(top/bottom),main bearing | LR020043/44 | 1set | |
| 17 | Bottom shell,main bearing | R020041/42 | 4sets | |
| 18 | Dowel,cylinder block bottom face | R020027 | 2 | |
| 19 | Screw plug Z 3/8" | LR010209 | 2 | |
| 20 | Casket,feeding water adaptor | R020017 | 1 | |
| 21 | Cover plate | 6RTIII020028 | 1 | |
| 22 | Feeding water adaptor,oil cooler | 4RT12.020200FE-1 | 1 | |

02 Cylinder Block Assembly

| No. | Part Name | Drawing No. | QTY. | Remarks |
|-----|-------------------------------|---------------|------|---------|
| 23 | Spring washer 10 | GB 93-76 | 4 | |
| 24 | Bolt M10×25 | GB 21-76-Zn·D | 4 | |
| 25 | Connector,oil pressure sensor | 6RQ2020031 | 1 | |
| 26 | Piston Cooling Nozzle | RW020200 | 4 | |
| 27 | Nozzle bolt | RW020003 | 4 | |
| 28 | Gasket | 6RAZL.020006 | 4 | |
| 29 | Spring washer | B II -049 | 4 | |

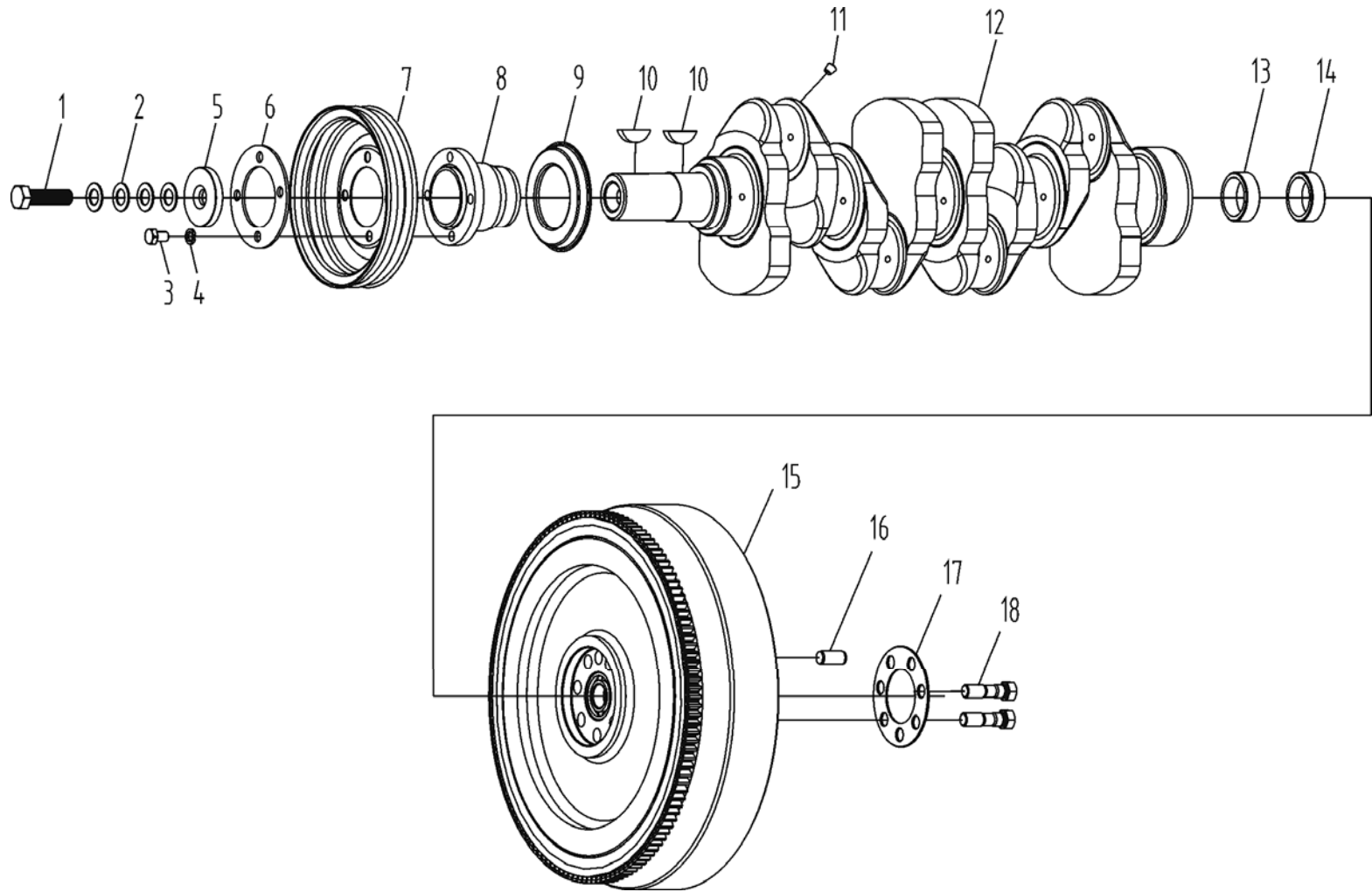
03 Camshaft Assembly



03 Camshaft Assembly

| No. | Part Name | Drawing No. | QTY. | Remarks |
|-----|------------------------|----------------|------|---------|
| | Camshaft assy | 4R030000Y | 1 | |
| 1 | Push rod | R030003 | 8 | |
| 2 | Tappet | R030002 | 8 | |
| 3 | Camshaft | 4R030001YA | 1 | |
| | | LR4EGR3.030001 | 1 | |
| 4 | Semi-circular key 6×22 | GB 1099-79 | 1 | |
| 5 | Thrust,camshaft | R030004 | 1 | |
| 6 | Bolt M8×20-ZnD | GB /T5783-2000 | 2 | |

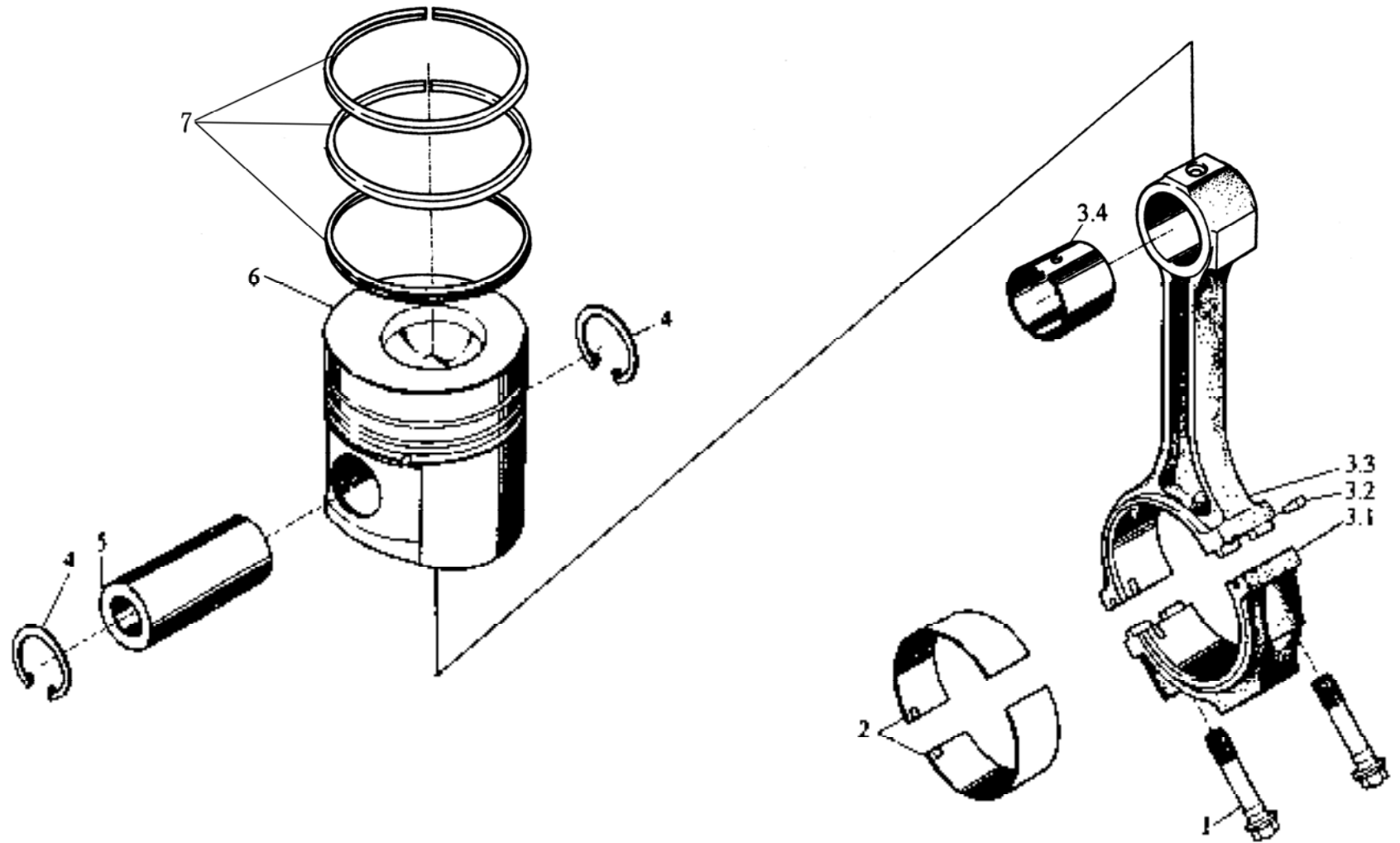
04 Crankshaft and Flywheel Assembly



04 Crankshaft and Flywheel Assembly

| No. | Part Name | Drawing No. | QTY. | Remarks |
|------|----------------------------------|--------------------|------|---------|
| | Crankshaft and flywheel assembly | 4RTF.040000 | 1 | |
| 1 | Bolt M16×55×1.5 | GB21-76-ZnD | 1 | |
| 2 | Waved spring washer 16 | GB/T955-87 | 4 | |
| 3 | Bolt M10×18 | GB/T5783-2000-10.9 | 4 | |
| 4 | Spring washer 10 | GB/T93-1987 | 4 | |
| 5 | Plate, Crankshaft jaw | L040007 | 1 | |
| 6 | Plate,crankshaft pulley | R040006 | 1 | |
| 7 | Crankshaft pulley | 4RG1.040003-1 | 1 | |
| 8 | Hub ,crankshaft pulley | R040004(I) | 1 | |
| 9 | Dust hood,pulley | R040012 | 1 | |
| 10 | Semi-circular10×38 | GB1099-72 | 2 | |
| 11-2 | Screw plug NPT1×8 | LR020109 | 4 | |
| 11-1 | Crankshaft | L4R040301A | 1 | |
| 12 | Crankshaft | 4RC.040001 | 1 | |
| 13 | Retaining ring | 4RTF.040010 | 1 | |
| 14 | Bearing | GB/T276-1994 | 1 | |
| 15 | Flywheel assy | 4RTF.040100-1 | 1 | |
| 16 | Pin 14ga×30 | GB/T119-76 | 1 | |
| 17 | Washer,flywheel | R040005 | 1 | |
| 18 | Flywheel bolt | LR040021 | 7 | |

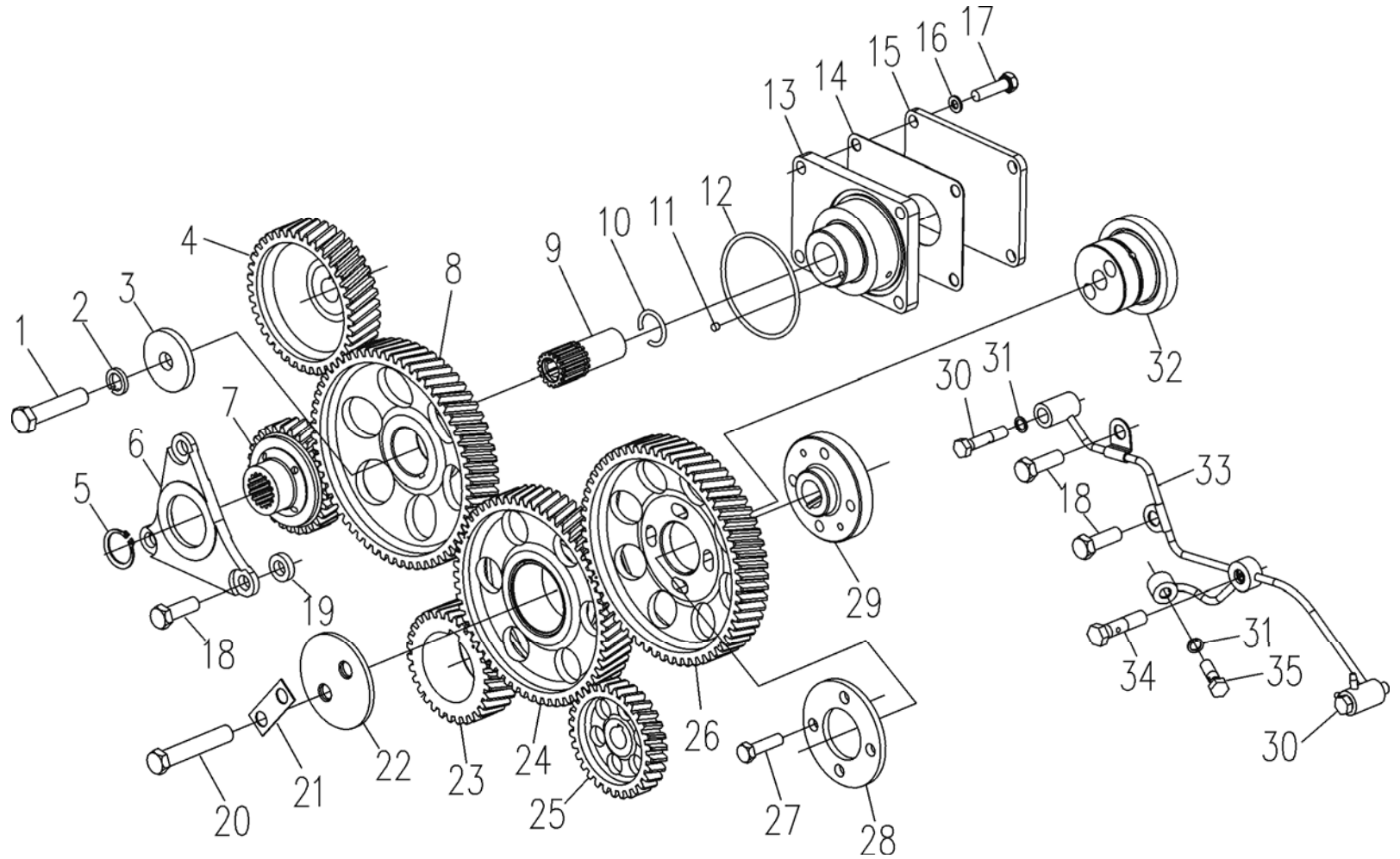
05 Piston and Conne Assembly



05 Piston and Conne Assembly

| No. | Part Name | Drawing No. | QTY. | Remarks |
|-----|------------------------------------|------------------------|------|---------|
| | Piston and connecting rod assembly | RA050000 | 1 | |
| 1 | Bolt,connecting rod | RA050104 | 8 | |
| 2 | Shell,connecting rod | RZ050005 | 8 | |
| 3 | Connecting rod mechanical | RA050100 | 4 | |
| 3.1 | assembly | RA050102 | 4 | |
| 3.2 | Cap,connecting rod | LR050105 | 4 | |
| 3.3 | Dowel | RA050101 | 4 | |
| 3.4 | Body,connecting rod | R050103A | 4 | |
| 4 | Bush,connecting rod | GB 893-76 | 8 | |
| 5 | Retaining ring 36 | RA050004 | 4 | |
| 6-1 | Piston pin | RA050001F | 4 | |
| 6-2 | Piston | A5.050001 | 4 | |
| 6-3 | Piston | B3.050001 | 4 | |
| 6-4 | Piston | B5.050001 | 4 | |
| 6-5 | Piston | LR110.050001A | 4 | |
| 7-1 | Piston | RA 050002/3/0200 | 4 | |
| 7-2 | Piston Wreath | RAZL 050002/3/0200 | 4 | |
| 7-3 | Piston Wreath | RB 050002-1/3-1/0200-1 | 4 | |
| 7-4 | Piston Wreath | LR110 050002/3/0200 | 4 | |
| 7-5 | Piston Wreath | 4B3L 050002/3/0200 | 4 | |
| | Piston Wreath | | | |

06 Gear Train Assembly



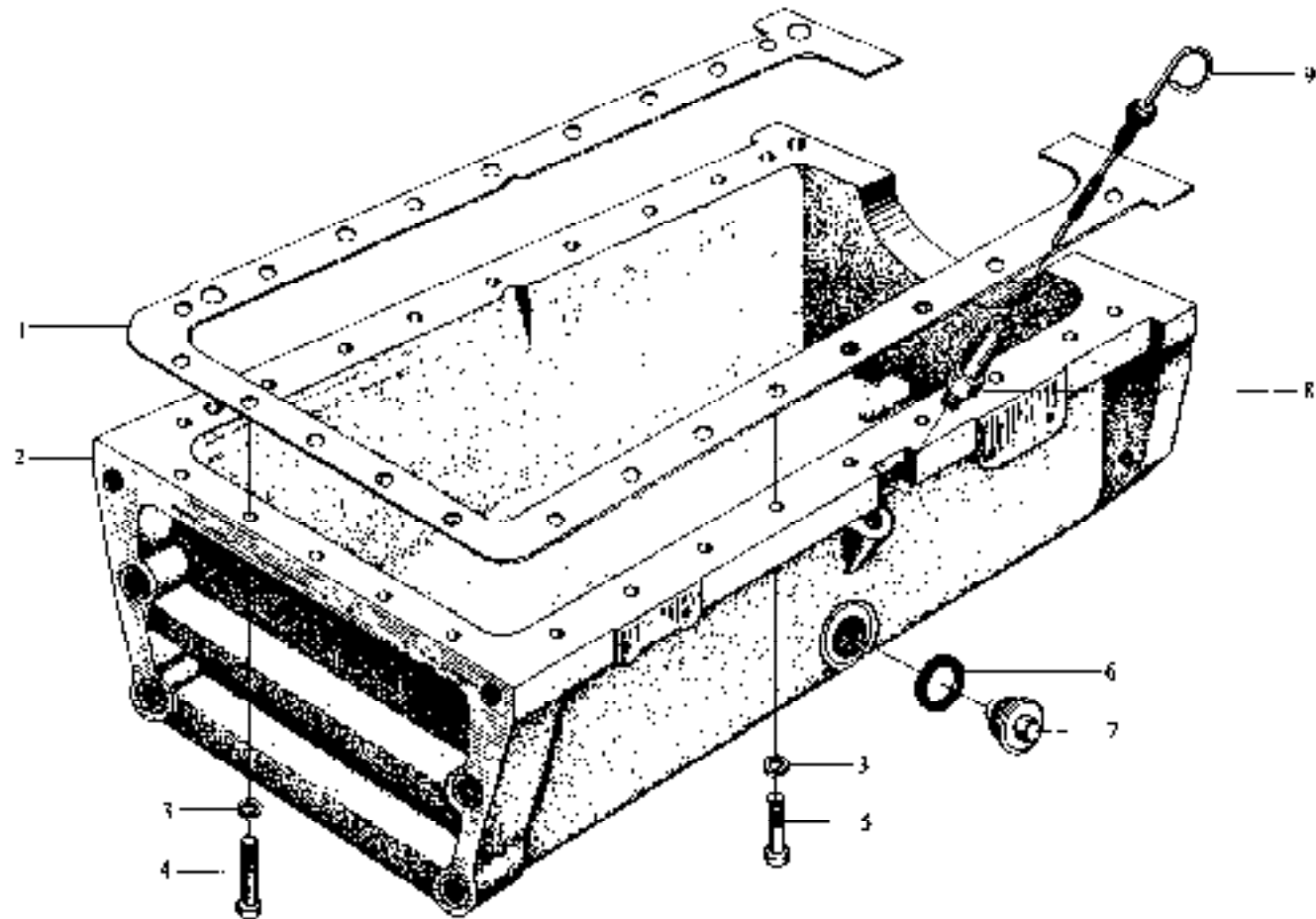
06 Gear Train Assembly

| No. | Part Name | Drawing No. | QTY. | Remarks |
|-----|---|--------------|------|---------|
| | Gear train assembly | RT060000-1 | 1 | |
| 1 | Bolt M12×55-Zn.D | GB22-76-8.8 | 1 | |
| 2 | Washer 12 | GB93-76 | 1 | |
| 3 | Retaining ring, camshaft gear | R060004 | 1 | |
| 4 | Air compressor gear | R060021A | 1 | |
| 5 | Retaining ring 25 | GB/T894-1976 | 1 | |
| 6 | Thrust plate,hydraulic pump gear | RT060026-1 | 1 | |
| 7 | Hydraulic pump gear assy | RT061100 | 1 | |
| 8 | Camshaft gear | R060003A | 1 | |
| 9 | Driving splined sleeve,hydraulic pump | RT060025A | 1 | |
| 10 | Retaining ring 25 | GB/T895-1976 | 1 | |
| 11 | Plug | RT060027 | 1 | |
| 12 | Sealing ring | RT060019-1 | 1 | |
| 13 | Driving gear shaft,hydraulic pump | LRT060024-2A | 1 | |
| 14 | Gasket,hydraulic pump | RT060029 | 1 | |
| 15 | Cover plate | RT060028 | 1 | |
| 16 | Washer 8 | GB/T97-1976 | 4 | |
| 17 | Bolt M8×30-Zn.D | GB22-76-ZnD | 4 | |
| 18 | Bolt M10×30-Zn.D | GB21-76 | 5 | |
| 19 | Thrust plate washer,hydraulic pump gear | RT060032 | 3 | |
| 20 | Bolt M10×65-Zn.D | GB22-76-88 | 2 | |
| 21 | Locking washer | R060031-1 | 1 | |

06 Gear Train Assembly

| No. | Part Name | Drawing No. | QTY. | Remarks |
|-----|-------------------------------------|-------------|------|---------|
| 22 | Thrust plate,idle gear | R060011 | 1 | |
| 23 | Crankshaft gear | LR060001 | 1 | |
| 24 | Idle gear assembly | R060100 | 1 | |
| 25 | Driving gear,oil pump | R060002A-3 | 1 | |
| 26 | Injection pump gear | LR060005 | 1 | |
| 27 | Bolt M8×30-Zn.D | GB22-76.8.8 | 4 | |
| 28 | Retaining plate,injection pump gear | LR060007 | 1 | |
| 29 | Hub,injection pump gear | LR060006 | 1 | |
| 30 | Screw,lubrication oil passage | R060023-1 | 2 | |
| 31 | Washer 8 | GB97-76 | 3 | |
| 32 | Shaft,idle gear | R060009 | 1 | |
| 33 | Oil pipe assy,timing gear | RT060200 | 1 | |
| 34 | Screw,lubrication oil passage | R060012 | 1 | |
| 35 | Screw,lubrication oil passage | RT060022 | 1 | |

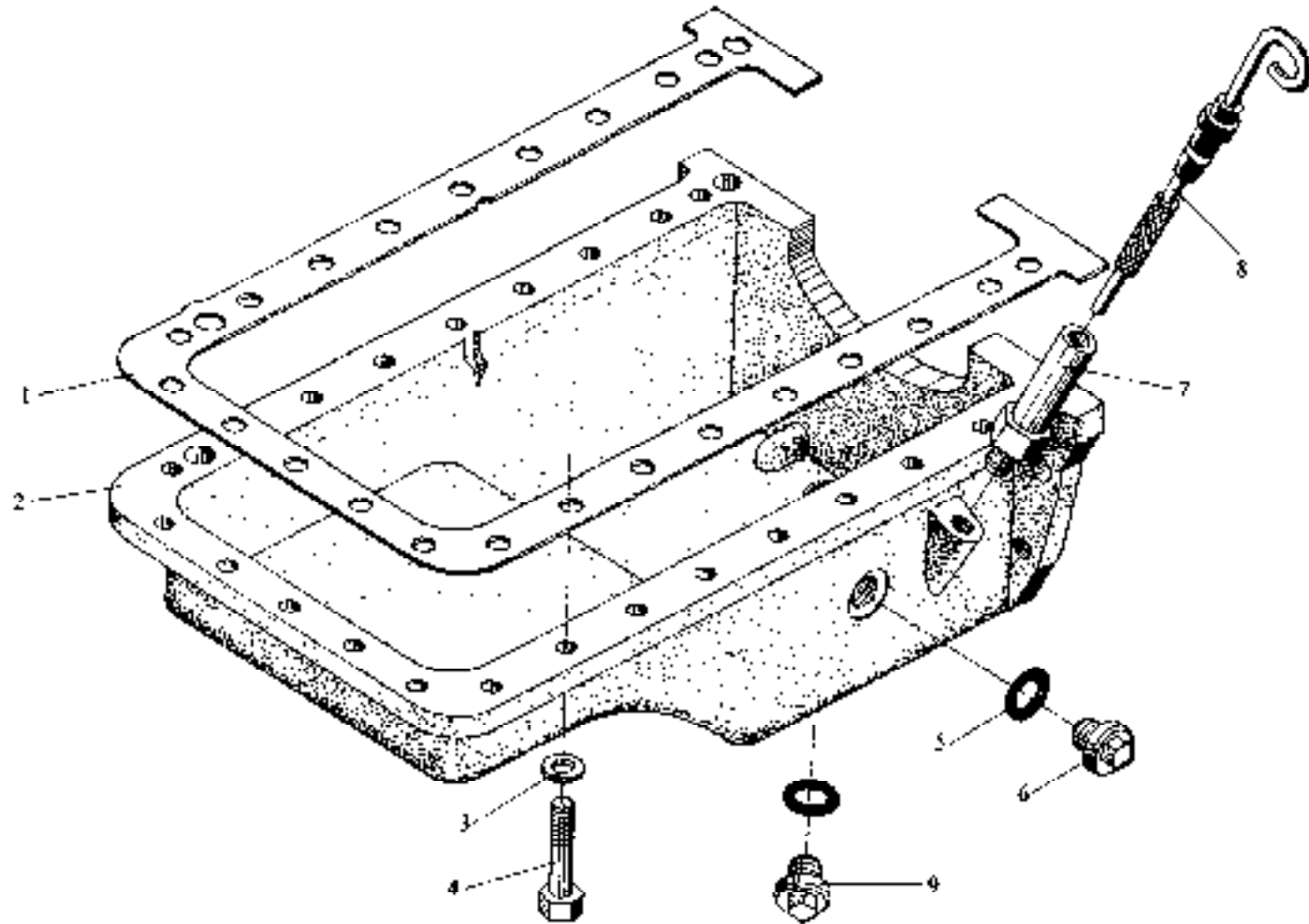
07 Sump Assembly (I)



07 Sump Assembly (I)

| No. | Part Name | Drawing No. | QTY. | Remarks |
|-----|---------------------|-------------------|------|---------|
| | Sump assembly | 4RTF070000-3 | 1 | |
| | Sump assembly | 4RT7-070000 | 1 | |
| 1 | Gasket,sump | 4RG1-070004 | 1 | |
| 2 | Sump | 4RTF-070001-3FE | 1 | |
| | Sump | 4RT7-070001-1A | 1 | |
| 3 | Spring washer 10 | GB 93-76 | 23 | |
| 4 | Bolt M10×45 | GB 22-76-8-8-Zn-D | 5 | |
| 5 | Bolt M10×40 | GB 22-76-8-8-Zn-D | 18 | |
| 6 | O-seal ring 35×3.1 | YTQ 020.2-86 | 1 | |
| 7 | Oil drain plug assy | 6RQJ-070100 | 1 | |
| 8 | Sleeve,dipstick | 6RQ-070024 | 1 | |
| 9 | Dipstick assembly | 4RTF-070200-1 | 1 | |

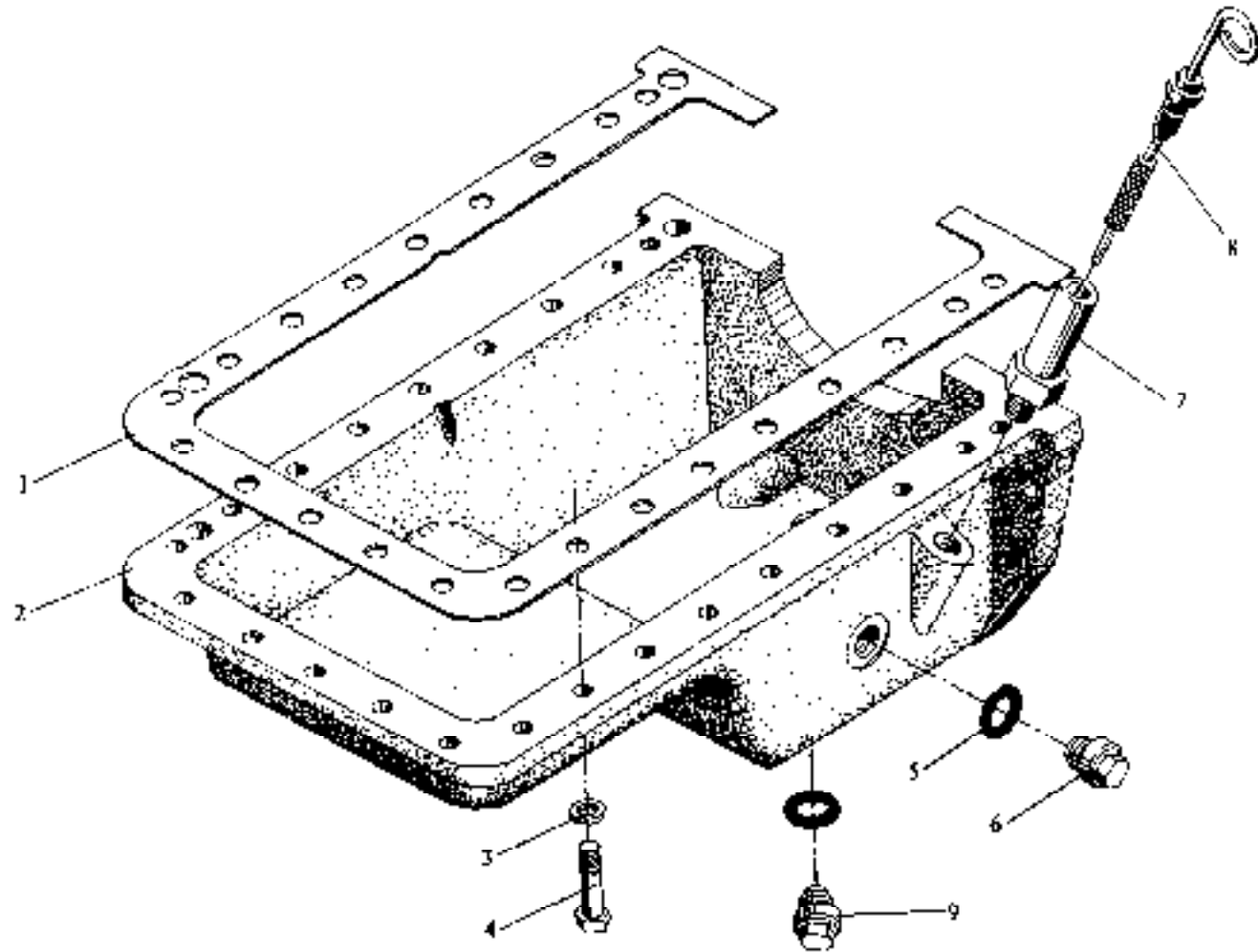
07 Sump Assembly (II)



07 Sump Assembly (II)

| No. | Part Name | Drawing No. | QTY. | Remarks |
|-----|---------------------|-------------------|------|---------|
| | Sump assembly | 4RT16-070000 | 1 | |
| 1 | Gasket, sump | 4RG1-070004 | 1 | |
| 2 | Sump | 4RT16-070001 | 1 | |
| 3 | Spring washer 10 | GB 93-76-Zn-D | 23 | |
| 4 | Bolt M10×35 | GB 21-76-8-8-Zn-D | 23 | |
| 5 | O-seal ring 35×3.5 | YTQ 020.2-86 | 1 | |
| 6 | Oil drain plug assy | 6RQJ-070100 | 1 | |
| 7 | Sleeve, dipstick | RTJ 070002 | 1 | |
| 8 | Dipstick assembly | 6RG5 070200 | 1 | |
| 9 | Screw plug NPT 1/2" | Q/SB 143-64 | 1 | |

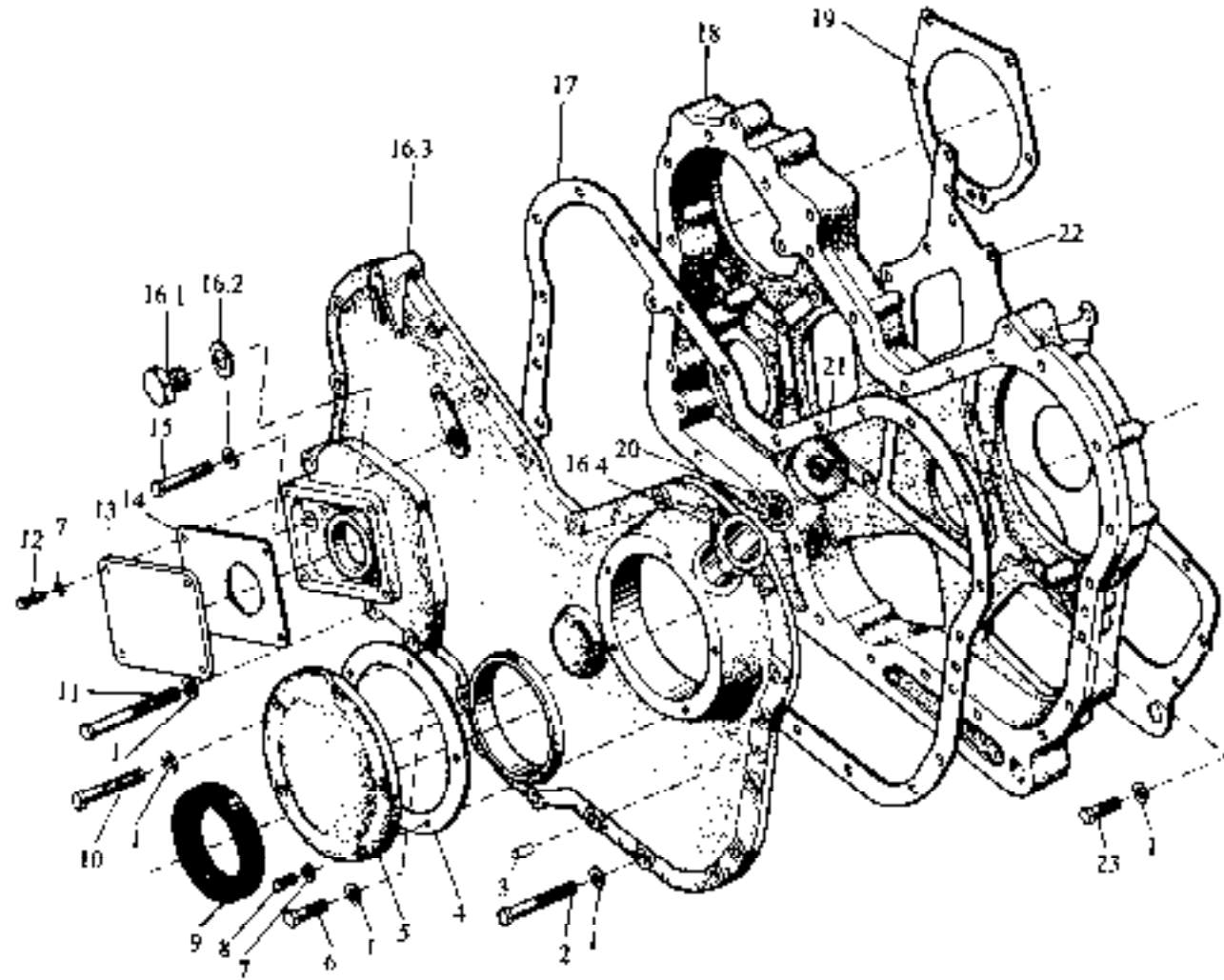
07 Sump Assembly (III)



07 Sump Assembly (III)

| No. | Part Name | Drawing No. | QTY. | Remarks |
|-----|---------------------|-------------------|------|---------|
| | Sump assembly | 4RG12-070000 | 1 | |
| 1 | Gasket, sump | 4RG1-070004 | 1 | |
| 2 | Sump | 4RG12-070001 | 1 | |
| 3 | Spring washer 10 | GB 93-76 | 23 | |
| 4 | Bolt M10×35 | GB 21-76-8-8-Zn-D | 23 | |
| 5 | O-seal ring 35×3.1 | YTQ 020.2-86 | 1 | |
| 6 | Oil drain plug assy | 6RQJ-070100 | 1 | |
| 7 | Sleeve, dipstick | 4RG3-070300 | 1 | |
| 8 | Dipstick assembly | 4RG3-070400 | 1 | |
| 9 | Screw plug NPT 1/2" | YTQ 021.1-86 | 1 | |

08 Timing Gear Chamber Assembly



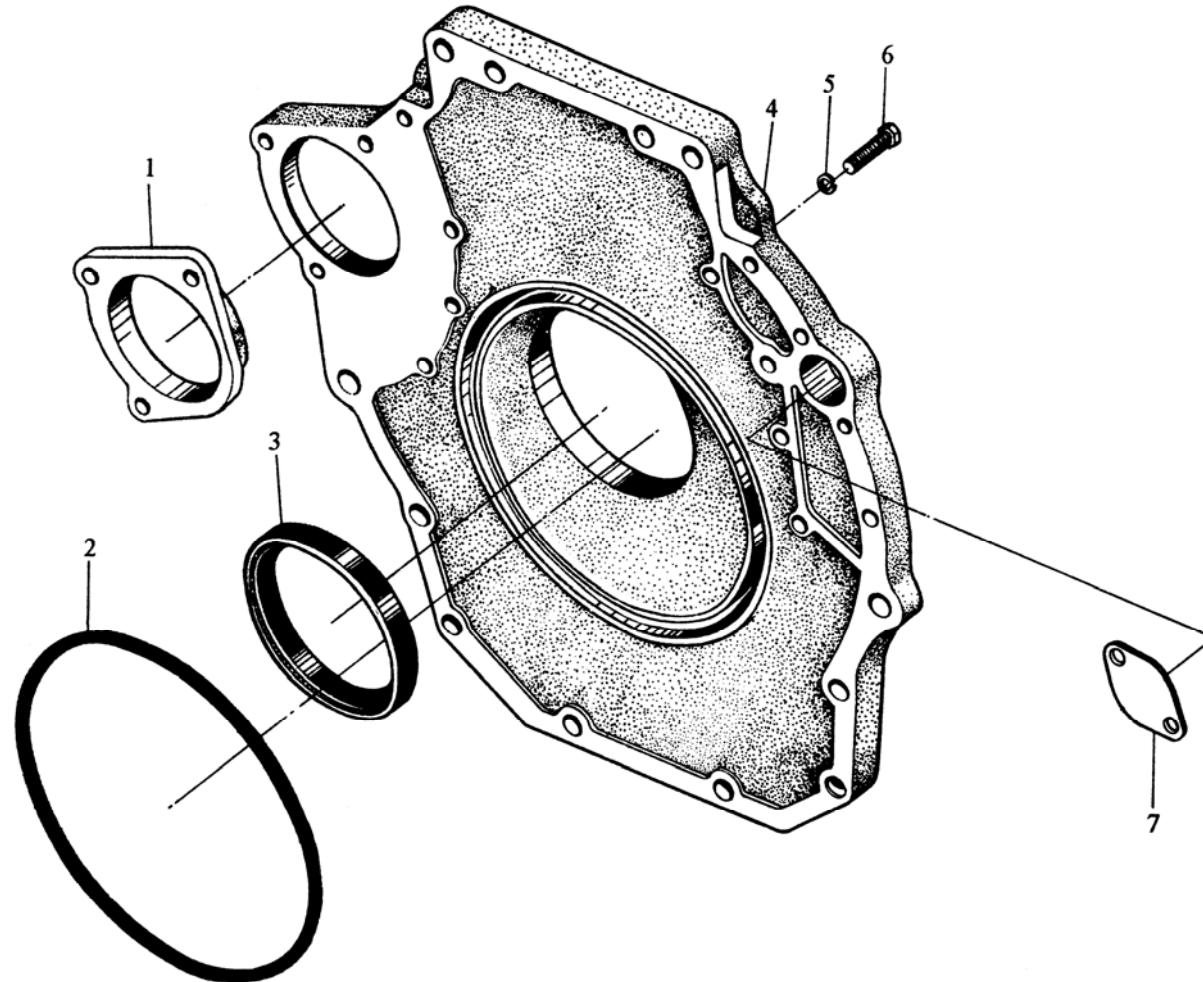
08 Timing Gear Chamber Assembly

| No. | Part Name | Drawing No. | QTY. | Remarks |
|--------|------------------------------------|----------------|------|---------|
| | Timing gear chamber assembly | 4RTF-080000 | 1 | |
| 1 | Washer 10 | GB 848-76-Zn-D | 33 | |
| 2 | Bolt M10×70 | GB 22-76-Zn-D | 7 | |
| 3 | Pin 8ga×16 | GB 119-76 | 2 | |
| 4 | Gasket,inspection hole cover | R080005 | 1 | |
| 5 | Inspection hole cover | R080004 | 1 | |
| 6 | Bolt M10×35 | GB 21-76-Zn-D | 2 | |
| 7 | Washer 8 | GB 848-76-Zn-D | 9 | |
| 8 | Bolt M8×22 | GB 21-76-Zn-D | 5 | |
| 9 | Oil sealing 65×90×12 | LR080150 | 1 | |
| 10 | Bolt M10×60 | GB 22-76-Zn-D | 2 | |
| 11 | Bolt M10×90 | GB 22-76-Zn-D | 2 | |
| 12 | Bolt M8×18 | GB 21-76-Zn-D | 4 | |
| 13 | Cover plate | RT060028 | 1 | |
| 14 | Gasket,hydraulic pump | LRT060029 | 1 | |
| 15 | Bolt M10×50 | GB 22-76-Zn-D | 2 | |
| 16 | Cover assembly,timing gear chamber | 3RTF-080100A | 1 | |
| 16.1 | Screw plug | 3RTF-080105 | 1 | |
| 16.2 | Washer 18 | GB 95-76 | 1 | |
| 16.3-1 | Cover assembly,timing gear chamber | 3RTF-080101 | 1 | |
| 16.3-2 | Cover assembly,timing gear chamber | 4RG3.080101-2 | 1 | |
| 16.4 | Oil filler | R080102-1 | 1 | |
| 17 | Gasket,timing gear chamber cover | RT080003 | 1 | |

08 Timing Gear Chamber Assembly

| No. | Part Name | Drawing No. | QTY. | Remarks |
|-----|------------------------------|---------------|------|---------|
| 18 | Timing gear chamber | RT080001-2 | 1 | |
| 19 | Sealing plate,air compressor | R080011 | 1 | |
| 20 | Screen | R080008 | 1 | |
| 21 | Cover,oil filler | R080015 | 1 | |
| 22 | Gasket,timing gear chamber | RT080002 | 1 | |
| 23 | Bolt M10×30 | GB 21-76-Zn·D | 18 | |

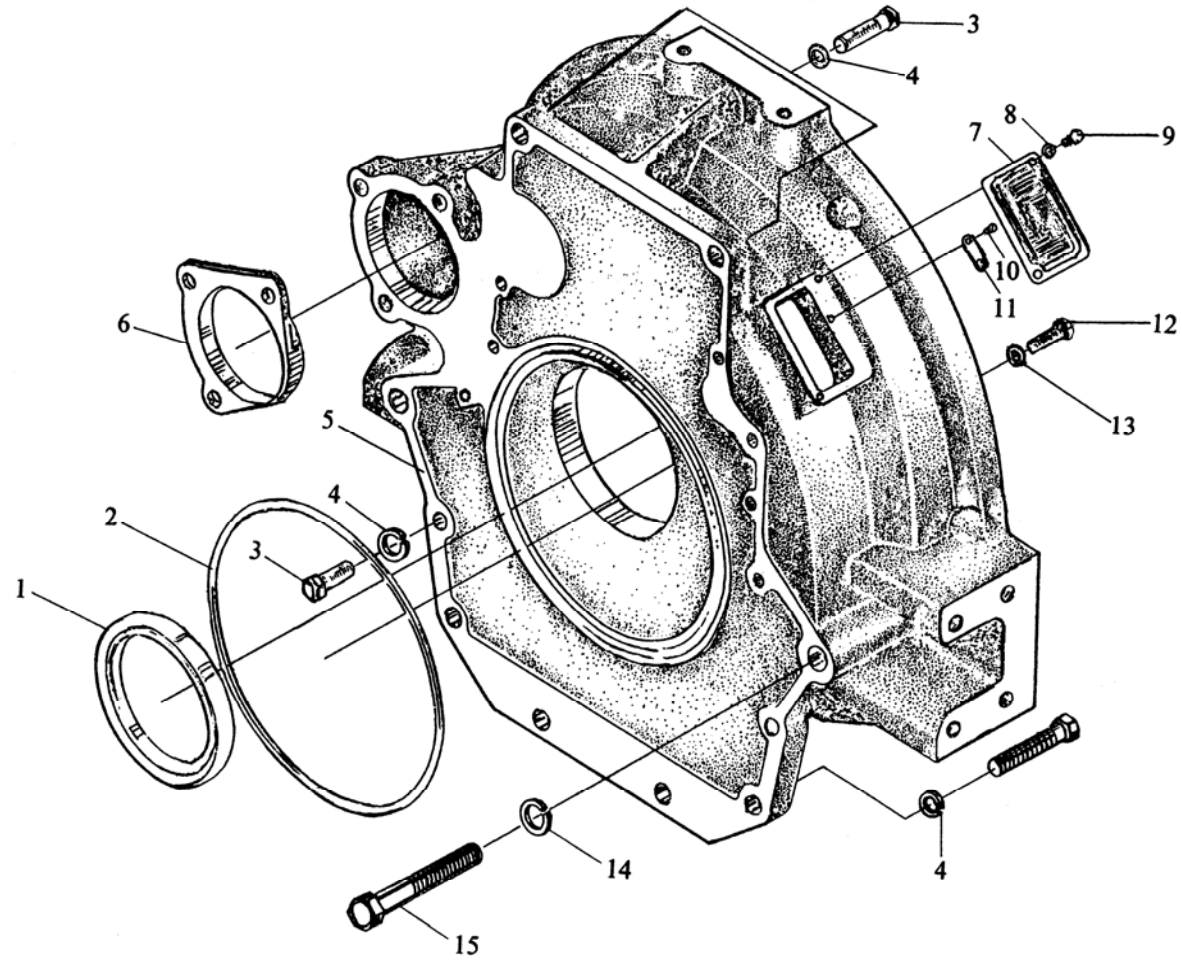
09 Flywheel Housing Assembly (I)



09 Flywheel Housing Assembly (I)

| No. | Part Name | Drawing No. | QTY. | Remarks |
|-----|-----------------------------|---------------|------|---------|
| | Flywheel housing assy | 4RTF-090000-1 | 1 | |
| | Flywheel housing assy | 4RG14-090000 | 1 | |
| 1 | Intermediate plate | 4RTF-090009-1 | 1 | |
| 2 | O-seal ring | LR090008 | 1 | |
| 3 | Oil seal 105×130×12 | LR090100 | 1 | |
| 4 | Flywheel housing | 4RTF-090001-2 | 1 | |
| | Flywheel housing | 4RG14-090001 | 1 | |
| 5 | Washer 10 | GB 93-76 | 7 | |
| 6 | Bolt M10×30 | GB 21-76 | 7 | |
| 7 | Cover plate,gear shaft hole | 4RTF-090004 | 1 | |

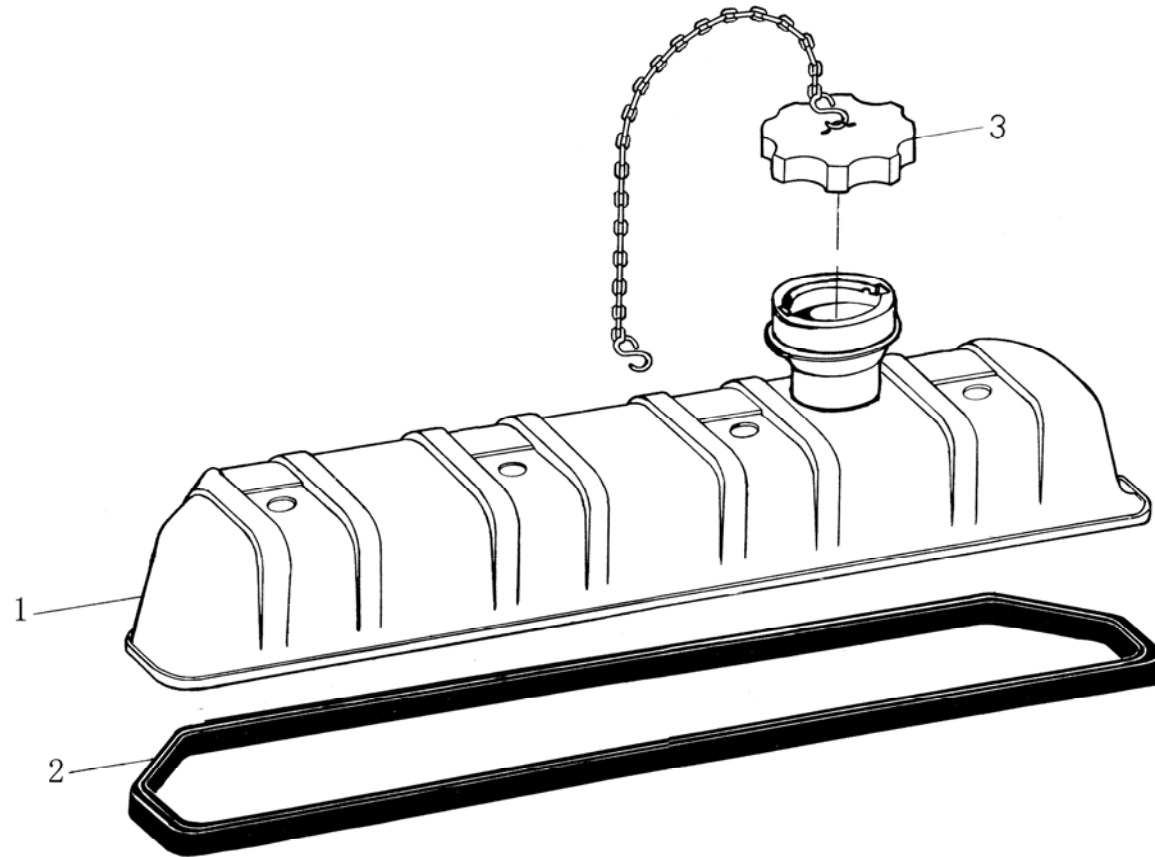
09 Flywheel Housing Assembly (II)



09 Flywheel Housing Assembly (II)

| No. | Part Name | Drawing No. | QTY. | Remarks |
|-----|---------------------------|------------------|------|---------|
| | Flywheel housing assembly | 4RT3 • 090000-2 | 1 | |
| 1 | Oil seal 105×130×12 | LR090100 | 1 | |
| 2 | O-ring | LR090008 | 1 | |
| 3 | Bolt M14×50 | GB 5782-86 | 8 | |
| 4 | Washer 14 | GB 93-87 | 8 | |
| 5 | Flywheel housing | 4RT3 • 090001-2A | 1 | |
| 6 | Intermediate plate | 4RTF • 090009-1 | 1 | |
| 7 | Observation port cover | 4RG1-090003 | 1 | |
| 8 | Washer 6 | GB 93-87 | 2 | |
| 9 | Bolt M6×12 | GB 5781-86 | 2 | |
| 10 | Screw M4×10 | GB 67-85 | 2 | |
| 11 | Pointer | 4RG1 • 090004 | 1 | |
| 12 | Bolt M10×30 | GB 5783-86 | 7 | |
| 13 | Washer 10 | GB 93-87 | 7 | |
| 14 | Washer 16 | GB 93-87 | 2 | |
| 15 | Bolt M16×90 | GB 5782-86 | 2 | |

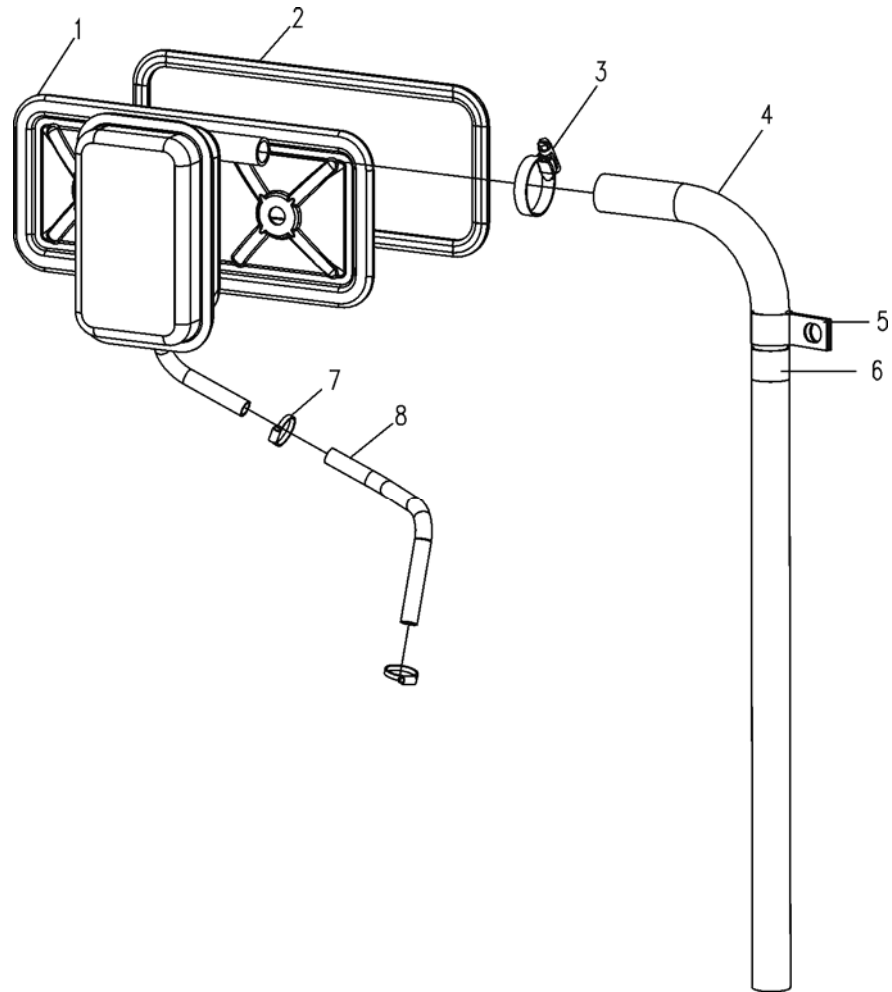
11 Cylinder Head Hood Assembly



11 Cylinder Head Hood Assembly

| No. | Part Name | Drawing No. | QTY. | Remarks |
|-----|-----------------------------------|-----------------|------|---------|
| | Cylinder head hood assembly | L4R110000 | 1 | |
| 1 | Hood,cylinder head | 4RT62.110100A-1 | 1 | |
| 2 | Sealing gasket,cylinder head hood | L4R110001 | 1 | |
| 3 | Cover,oil filler | 4RG1.110300 | 1 | |

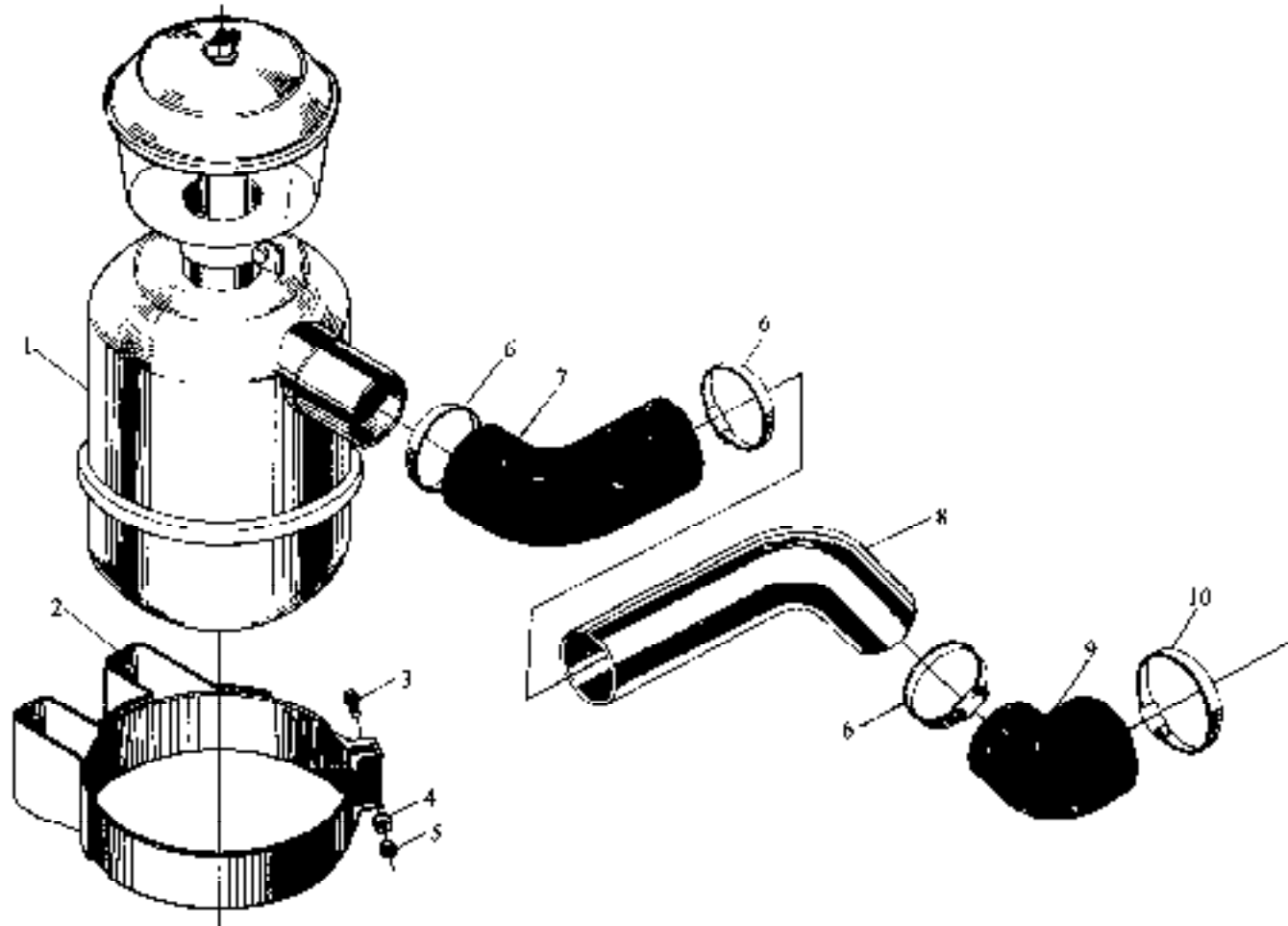
12 Crankcase Ventilation Assembly



12 Crankcase Ventilation Assembly

| No. | Part Name | Drawing No. | QTY. | Remarks |
|-----|--|----------------|------|---------|
| | Crankcase ventilation assembly | 4RG1.120000-2 | 1 | |
| 1 | Oil-air separator and rear push rod chamber cover assembly | 4RG1-120100FE | 1 | |
| 2 | Gasket,push rod chamber cover | 4R020009 | 1 | |
| 3 | Hoop | JK-1A | 1 | |
| 4 | Exhaust pipe,ventilation | 6RG63.120301-1 | 1 | |
| 5 | Clamp | 6RQ.120023-1 | 1 | |
| 6 | Clamp bush | R120007 | 1 | |
| 7 | Hoop | JK-0 | 2 | |
| 8 | Upper oil return pipe,crankcase | R120001-2 | 1 | |

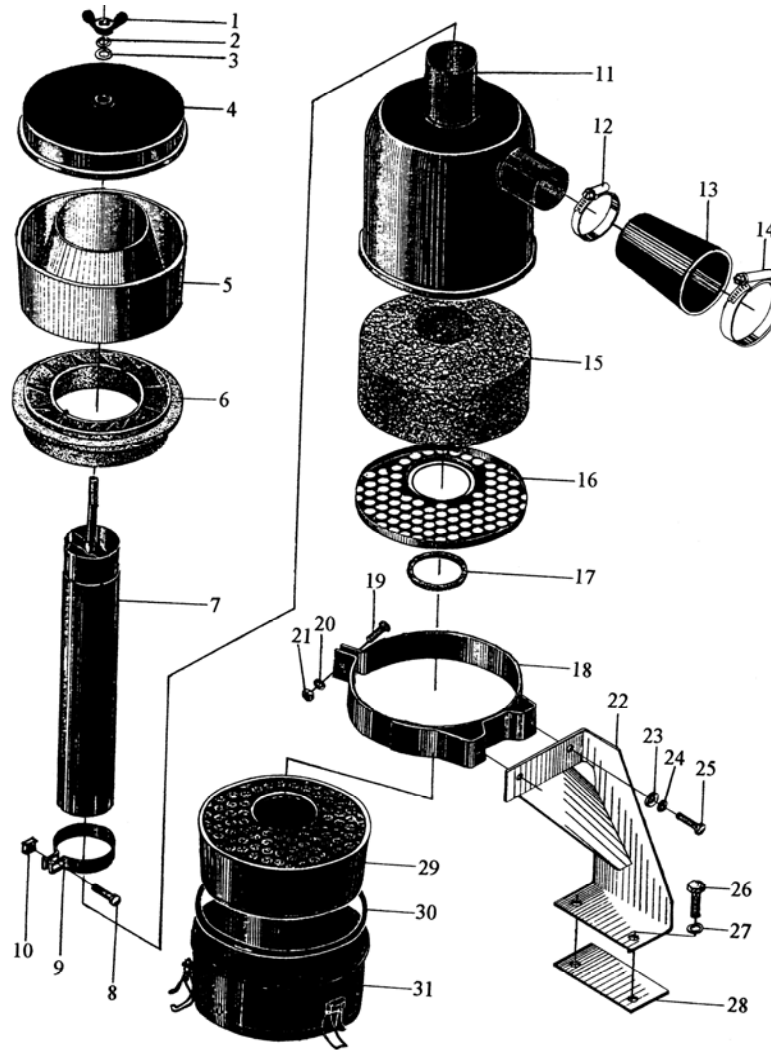
21 Air Cleaner Installation Assembly (I)



21 Air Cleaner Installation Assembly (I)

| No. | Part Name | Drawing No. | QTY. | Remarks |
|-----|-----------------------------------|-----------------|------|---------|
| | Air cleaner installation assembly | 4RTF210000 | 1 | |
| 1 | Air cleaner assembly | KY 250A-0000 | 1 | |
| 2 | Bracket assembly,air cleaner | 4RTF • 210350 | 1 | |
| 3 | Bolt M8×25 | GB 21-76-Zn • D | 2 | |
| 4 | Washer 8 | GB 93-76 | 2 | |
| 5 | Nut M8 | GB 51-76-Zn • D | 2 | |
| 6 | Hoop,rubber hose | JK-3X | 3 | φ 64~76 |
| 7 | Outlet hose,air cleaner | 4RTF • 210001 | 1 | |
| 8 | Connecting hose | 4RTF • 210002 | 1 | |
| 9 | Connecting rubber hose,intake | 4RTF • 210003 | 1 | |
| 10 | Hoop,tubber hose | JK-4X | 1 | φ 70~89 |

21 Oil Bath Air Cleaner Installation Assembly (II)



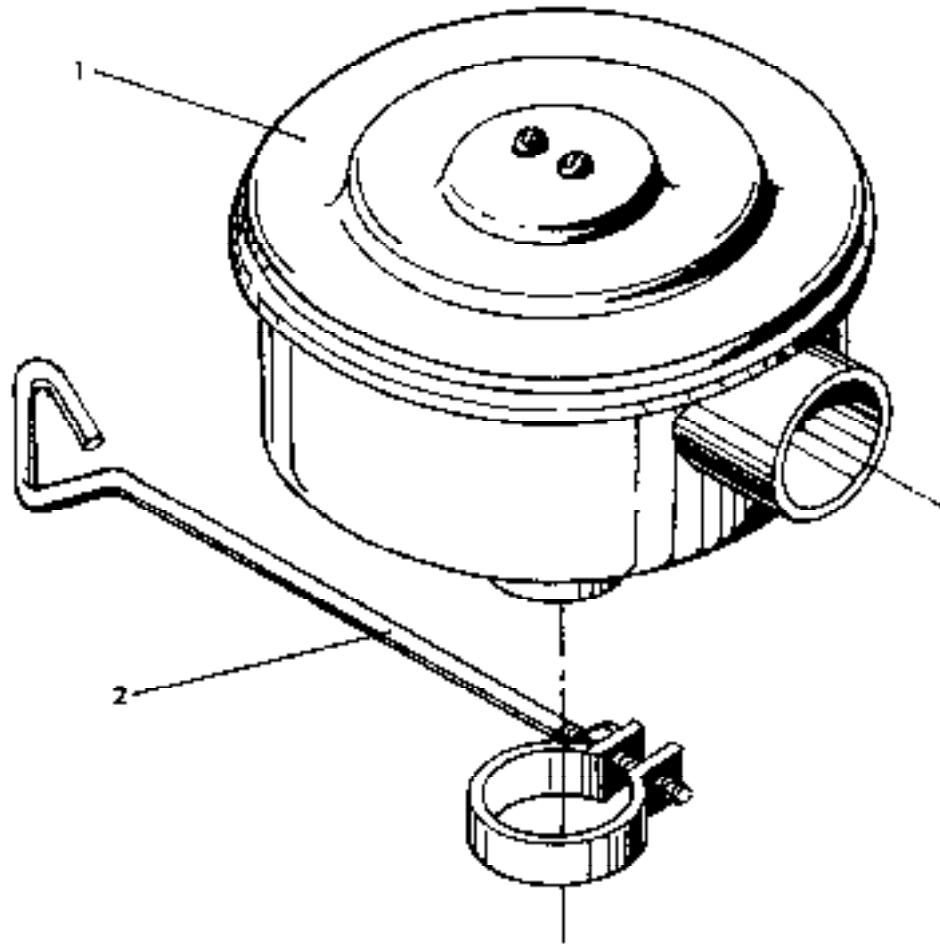
21 Oil Bath Air Cleaner Installation Assembly (II)

| No. | Part Name | Drawing No. | QTY. | Remarks |
|-----|------------------------------|----------------|------|---------|
| 1 | Nut M8 | GB 62-76 | 1 | |
| 2 | Washer 8 | GB 97-76 | 1 | |
| 3 | Paper gasker | 空 2410-0033 | 1 | |
| 4 | Cover,preliminary filter | 空 4115-0101 | 1 | |
| 5 | Dust collector | 空 4115-0102 | 1 | |
| 6 | Fan | 空 4115-0103 | 1 | |
| 7 | Air inlet pipe assembly | 空 4115-0200 | 1 | |
| 8 | Bolt M8×30 | GB 30-76 | 1 | |
| 9 | Clamp | 空 4115-0001 | 1 | |
| 10 | Nut M8 | GB 39-76 | 1 | |
| 11 | Body assembly | F3/4L912A-0200 | 1 | |
| 12 | Clamp 64~76 | JK-3X | 1 | |
| 13 | Connecting hose | 220006 | 1 | |
| 14 | Clamp 80~92 | JK-4X | 1 | |
| 15 | Fine filter | F3/4L912-0101 | 1 | |
| 16 | Lower strainer,fine filter | F3/4L912-0102 | 1 | |
| 17 | Seal ring | F3/4L912-0002 | 1 | |
| 18 | Mounting bracket assembly | F3/4L912A-0900 | 1 | |
| 19 | Bolt M6×30 | GB 30-76 | 1 | |
| 20 | Spring washer 6 | GB 93-76 | 1 | |
| 21 | Nut M6 | GB 39-76 | 1 | |
| 22 | Bracket assembly,air cleaner | 65L-1109030 | 1 | |

21 Oil Bath Air Cleaner Installation Assembly (II)

| No. | Part Name | Drawing No. | QTY. | Remarks |
|-----|--------------------|---------------|------|---------|
| 23 | Washer 8 | GB 97-76 | 2 | |
| 24 | Spring washer 8 | GB 93-76 | 2 | |
| 25 | Bolt M8×25 | GB 21-76 | 2 | |
| 26 | Bolt M12×30 | GB 21-76 | 2 | |
| 27 | Spring washer 12 | GB 93-76 | 2 | |
| 28 | Gasket | 65L-1109033 | 1 | |
| 29 | Prefilter assembly | F3/4L912-0400 | 1 | |
| 30 | Sealing ring | F3/4L912-0001 | 1 | |
| 31 | Oil pan assembly | F3/4L912-0600 | 1 | |

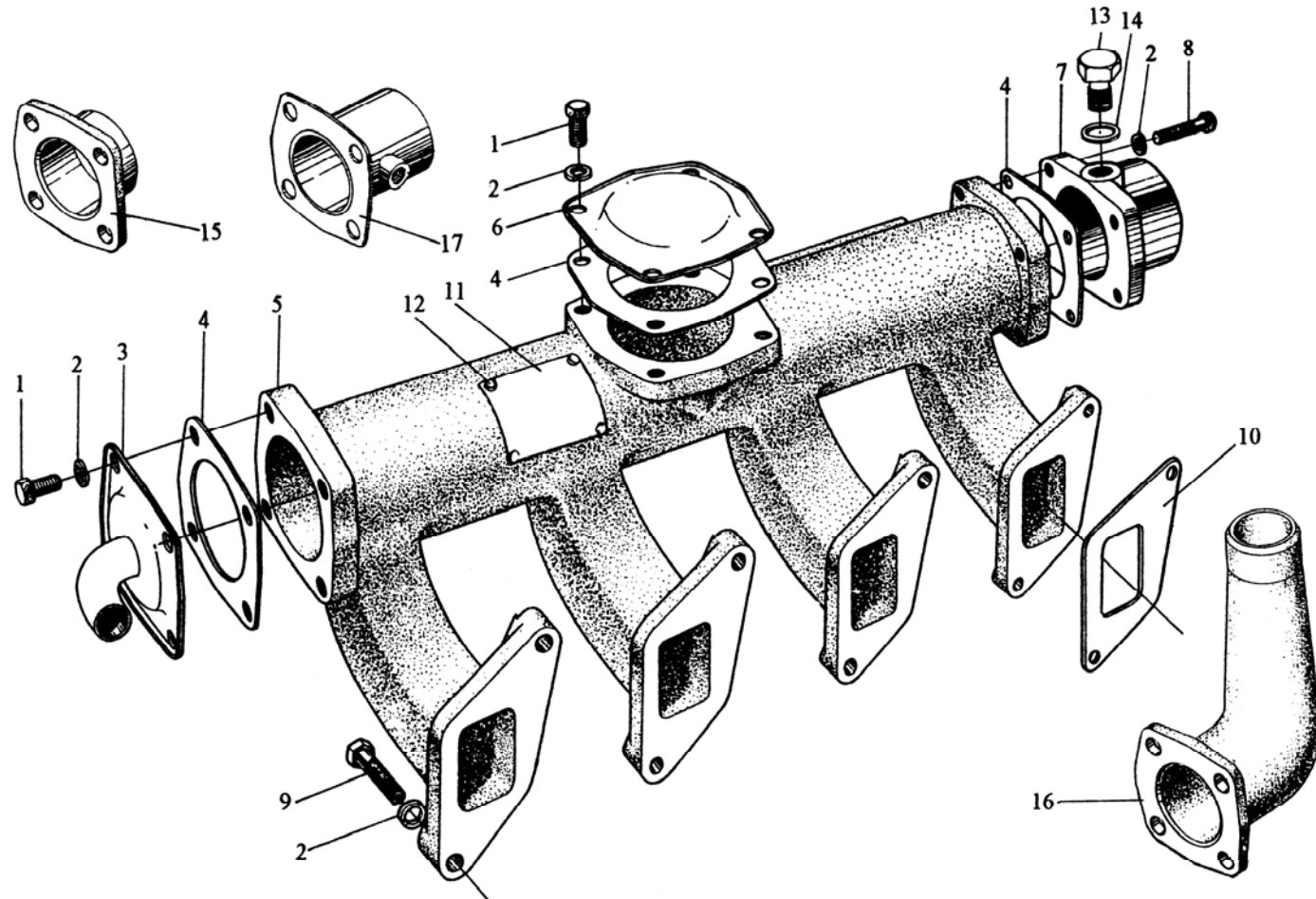
22 Air Cleaner Installation Assembly (III)



21 Air Cleaner Installation Assembly (III)

| No. | Part Name | Drawing No. | QTY. | Remarks |
|-----|-----------------------------------|----------------|------|--------------|
| | Air cleaner installation assembly | 4RG12 • 210000 | 1 | 4RG12 • 0001 |
| 1 | Air cleaner assembly | K2410A-0000 | 1 | 4RG12 • 0000 |
| 2 | Hoop | | | K2410A-0000 |

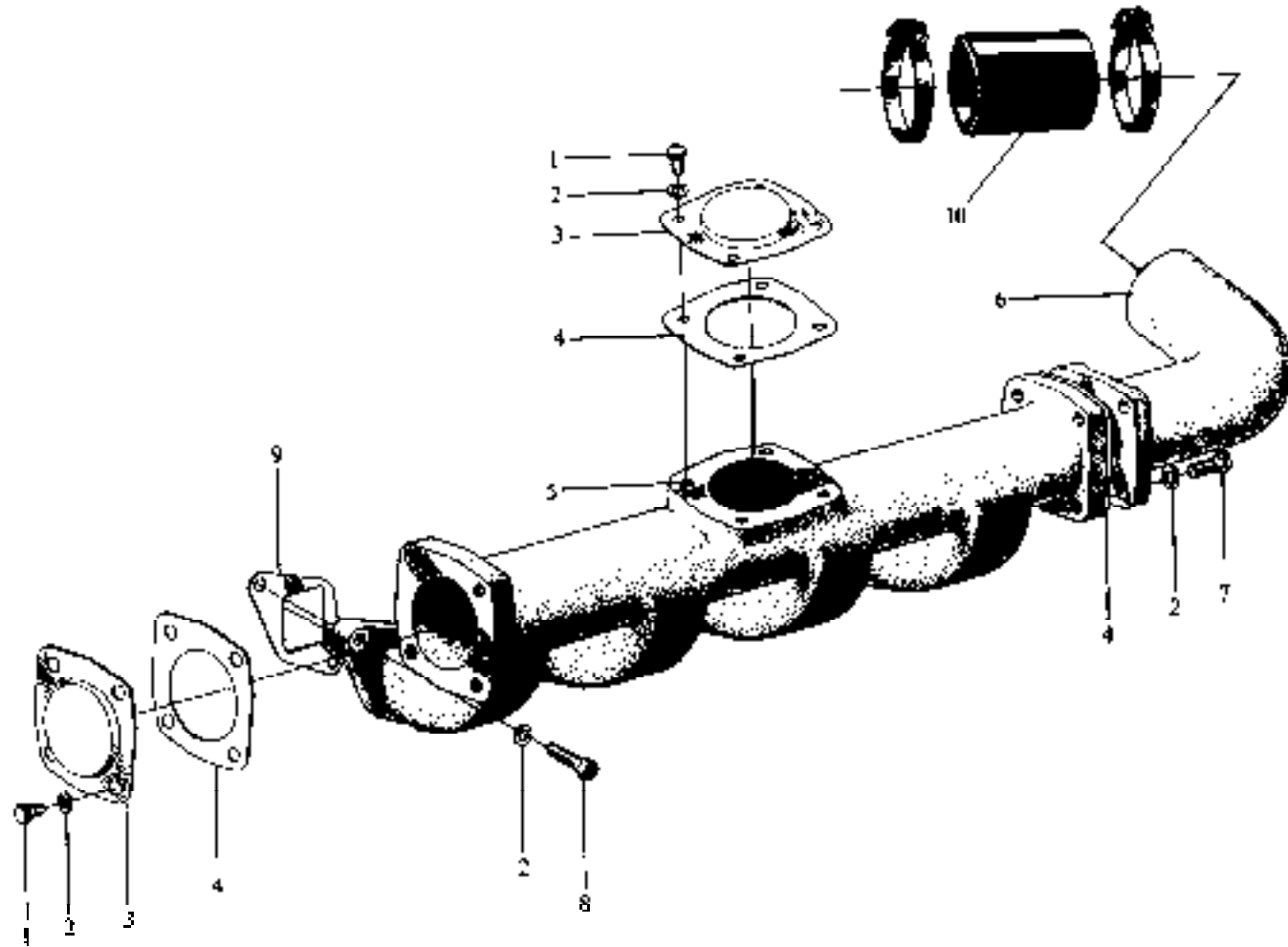
22 Intake Tube Assembly (I)



22 Intake Tube Assembly (I)

| No. | Part Name | Drawing No. | QTY. | Remarks |
|-----|---------------------------------|-----------------|------|---------|
| | Intake manifold assembly | 4RTF220000-1 | 1 | |
| | Intake manifold assembly | 4RT7 • 220000 | 1 | |
| 1 | Bolt M10×25 | GB5783-2000-ZnD | 8 | |
| 2 | Spring washer 10 | GB 93-76 | 20 | |
| 3 | Rear cover,intake manifold | 4RTF • 220100 | 1 | |
| | Rear cover,intake manifold | 4RT3.710510 | 1 | |
| 4 | Gasket,intake manifold | 4RG1 • 220002 | 3 | |
| 5 | Intake manifold | 4RG1 • 220001 | 1 | |
| 6 | End cover,intake manifold | 4RT12 • 220004N | 1 | |
| 7 | Connecting tube,intake manifold | 4RTF • 220005 | 1 | |
| 8 | Bolt M10×25 | GB 21-76-Zn • D | 4 | |
| 9 | Bolt M10×35 | GB 21-76-Zn • D | 8 | |
| 10 | Gasket,intake manifold | R220003 | 4 | |
| 11 | Name plate | LR070009A | 1 | |
| 12 | Rivet 4×6 | GB 827-76 | 4 | |
| 13 | Screw plug,air intake | 4RG1-220005 | 1 | |
| 14 | Washer | 16-062 | 1 | |
| 15 | Connecting tube,air intake | 4RG12 • 220102 | 1 | |
| 16 | Connecting tube,air intake | 4RG8 • 220007 | 1 | |
| 17 | Connecting tube,air intake | 4RG1 • 2201000 | 1 | |

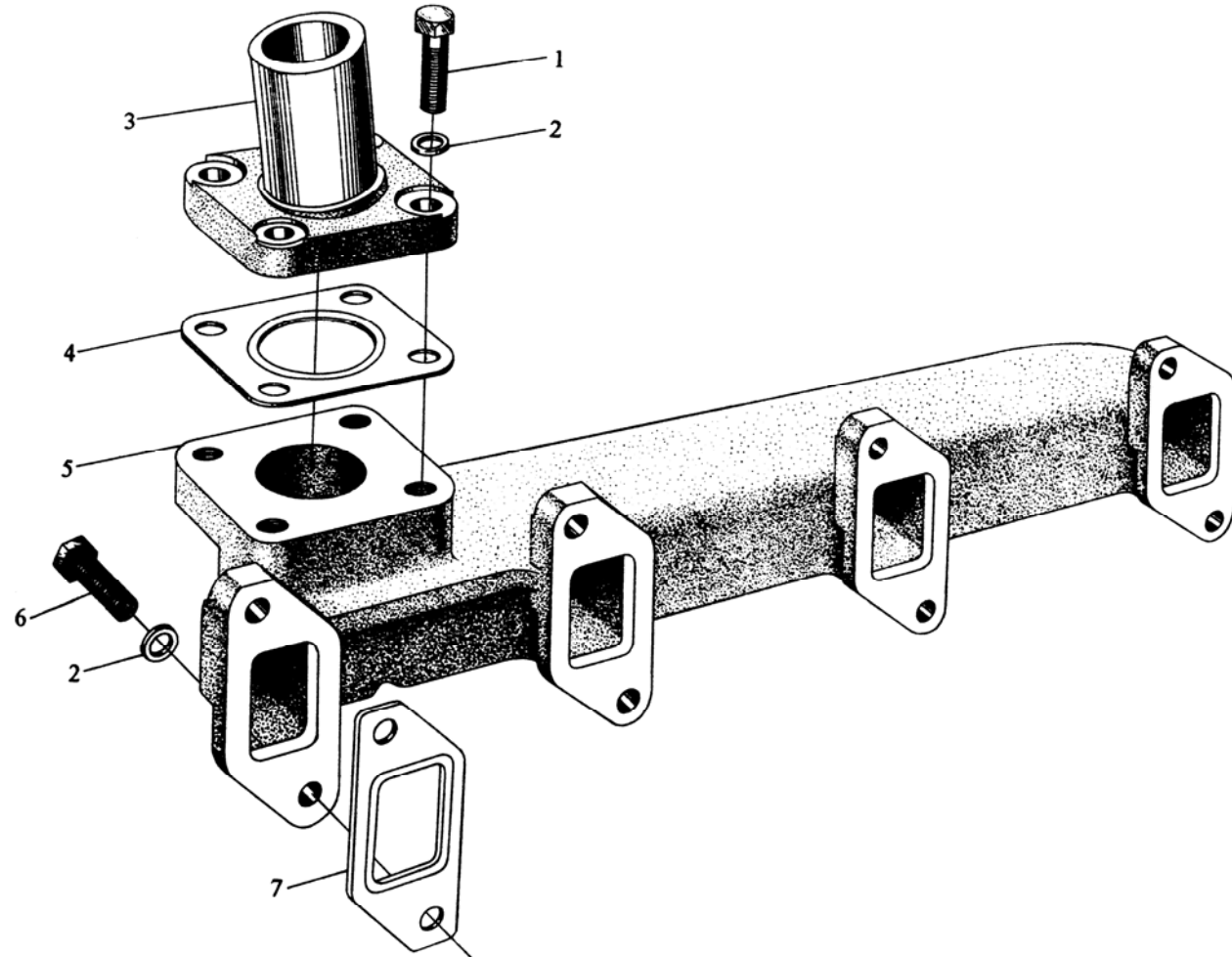
22 Intake Tube Assembly (II)



22 Intake Tube Assembly (II)

| No. | Part Name | Drawing No. | QTY. | Remarks |
|-----|----------------------------|-----------------|------|---------|
| 1 | Bolt M10×25 | GB 21-76 | 8 | |
| 2 | Washer 10 | GB 93-76 | 20 | |
| 3 | Cover ,air intake manifold | 4RT12 • 220004N | 2 | |
| 4 | Gasket | 4RG1 • 220002 | 3 | |
| 5 | Air intake manifold | 4RG1 • 220001 | 1 | |
| | Air intake manifold | 4RG1 • 220011 | 1 | |
| 6 | Connecting tube,air intake | 4RT3 • 220005-1 | 1 | |
| 7 | Bolt M10×25 | GB 5781-86 | 4 | |
| 8 | Bolt M10×35 | GB 5781-86 | 8 | |
| 9 | Air intake manifold gasket | R220003 | 4 | |

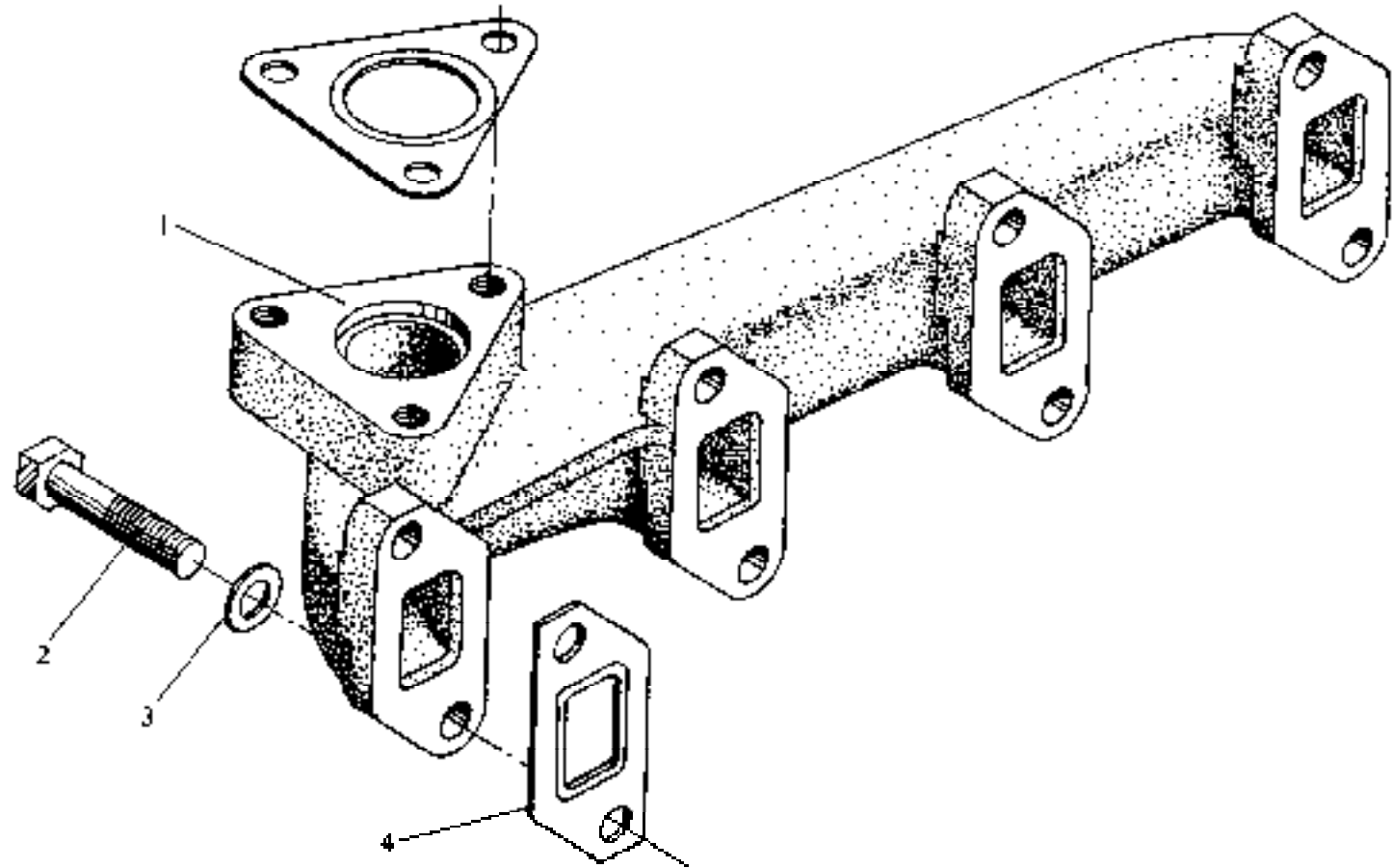
23 Exhaust Tube Assembly (I)



23 Exhaust Tube Assembly (I)

| No. | Part Name | Drawing No. | QTY. | Remarks |
|-----|-------------------------------------|-----------------|------|---------|
| | Exhaust tube assembly | 4RTF • 230000-1 | 1 | |
| 1 | Bolt M10×30 | GB/T5783-2000GB | 4 | |
| 2 | Washer 10 | GB/T848-1985 | 4 | |
| 3 | Connecting tube,exhaust tube | 4RTF • 230003 | 1 | |
| 4 | Washer,connecting tube,exhaust tube | 4RTF • 230002 | 1 | |
| 5 | Exhaust tube | 4RTF • 230001-1 | 1 | |
| 6 | Bolt M10×35 | GB5787-86 | 8 | |
| 7 | Gasket exhaust manifold | LR230002A | 4 | |

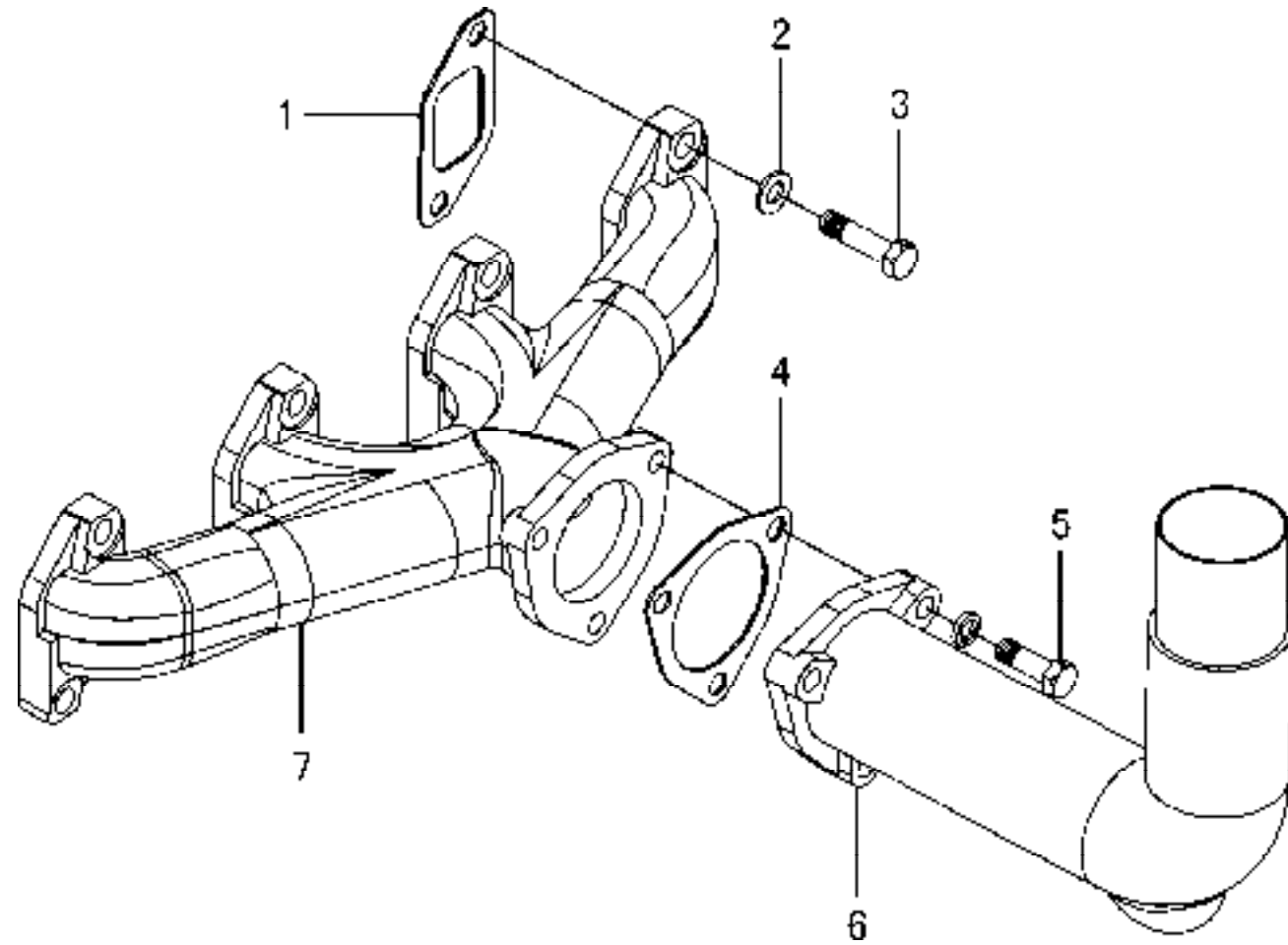
23 Exhaust Tube Assembly (II)



23 Exhaust Tube Assembly (II)

| No. | Part Name | Drawing No. | QTY. | Remarks |
|-----|--------------------------|----------------|------|---------|
| | Exhaust tube assembly | | | |
| 1 | Exhaust tube | 4RG14 • 230001 | 1 | |
| 2 | Bolt M10×35 | GB/T5787-2000 | 8 | |
| 3 | Washer 10 | GB 93-76 | 8 | |
| 4 | Gasket, exhaust manifold | R230002A | 4 | |

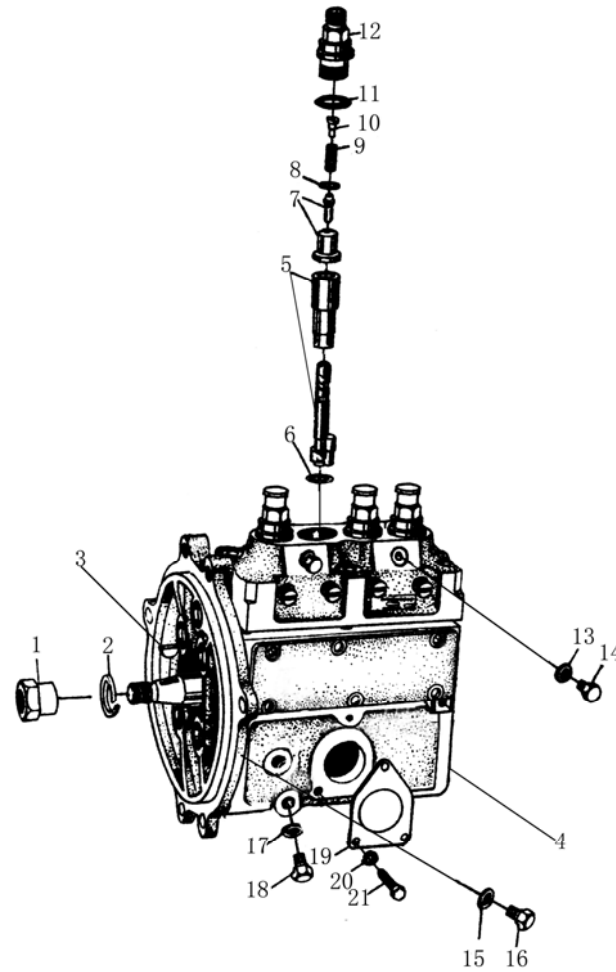
23 Exhaust Tube Assembly (III)



23 Exhaust Tube Assembly (III)

| No. | Part Name | Drawing No. | QTY. | Remarks |
|-----|-------------------------|---------------|------|---------|
| | Exhaust tube assembly | 4RT60.230000 | 1 | |
| 1 | Gasket,exhaust manifold | R230002A | 4 | |
| 2 | Spring washer 10 | GB/T848-1985 | 3 | |
| 3 | Bolt M10×35-Zn.D | GB/T5787-2000 | 8 | |
| 4 | Gasket, muffler elbow | R230003A | 1 | |
| 5 | Bolt M10×30-Zn.D | GB/T5783-2000 | 3 | |
| 6 | Exhaust elbow | 4RT3.230004 | 1 | |
| 7 | Exhaust tube | 4R230001 | 1 | |

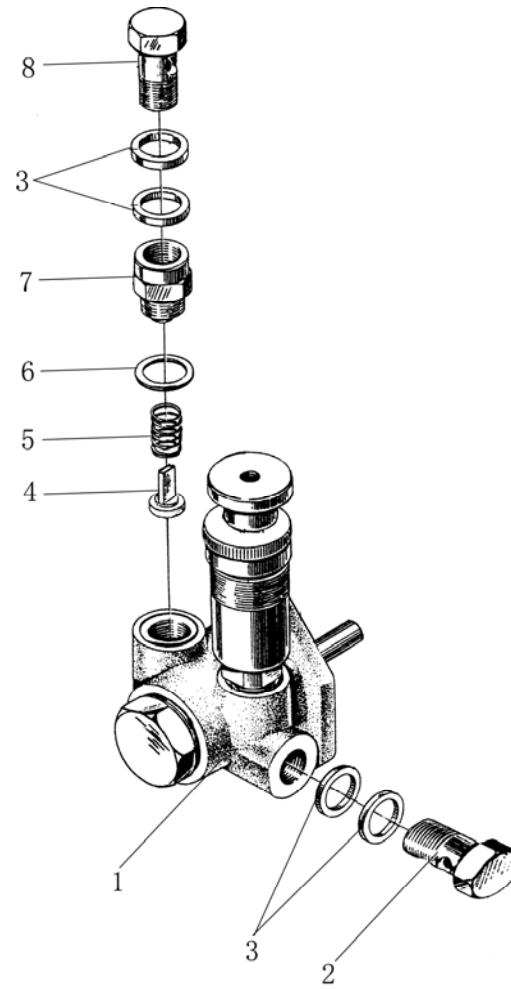
31 Fuel Injection Pump with Governor Installation Assembly (1) ZHB Injection Pump Assembly



31 (1) ZHB Injection Pump Assembly

| No. | Part Name | Drawing No. | QTY. | Remarks |
|-----|-------------------------------|------------------|------|---------|
| 1 | Nut | ZHBF6-10-016 | 1 | |
| 2 | Spring washer 14 | GB93-87 | 1 | |
| 3 | Woodruff key | ZHB-039 | 1 | |
| 4 | Body,fuel injection pump | ZHBF4-000 | 1 | |
| 5 | Plunger pair | ZHE9540Z-00-1 | 4 | |
| 6 | Washer | ZHB-025 | 4 | |
| 7 | Delivery valve pair | ZHF6-00 | 4 | |
| 8 | Washer,fuel outlet valve seat | ZHB-024 | 4 | |
| 9 | Spring,fuel outlet valve | B II -207A | 4 | |
| 10 | Volume reducer | B II -208 | 4 | |
| 11 | Sealing ring | ZHB-017 | 4 | |
| 12 | Delivery valve holder | ZHBF6-10-029 | 4 | |
| 13 | Washer | B II -044 | 4 | |
| 14 | Air-vent screw | B II -053-2 | 2 | |
| 15 | Washer | 8120F • 01 • 042 | 1 | |
| 16 | Screw plug | ZHBF6-10-015 | 1 | |
| 17 | Washer | B II -044 | 2 | |
| 18 | Screw plug | ZHB-038 | 2 | |
| 19 | Gasket,feed pump | B II -019A | 1 | |
| 20 | Spring washer 6 | GB93-87 | 3 | |
| 21 | Bolt M6×16 | GB5783-86 | 3 | |

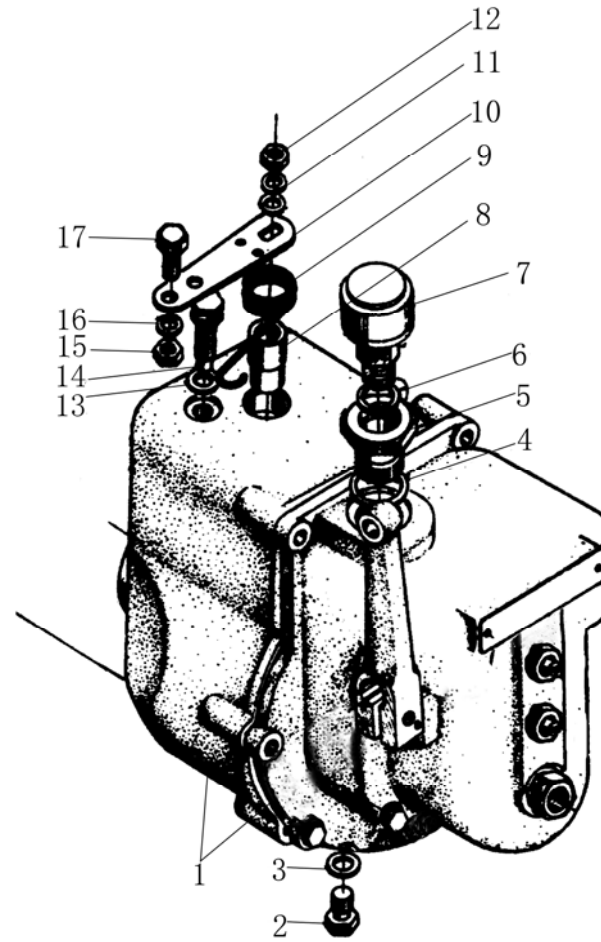
31 (2) Feed pump Assembly



31 (2) Feed pump Assembly

| No. | Part Name | Drawing No. | QTY. | Remarks |
|-----|------------------------|--------------|------|---------|
| 1 | Feed pump assembly | B II -060-3A | 1 | |
| 2 | Pipe joint bolt | 16-110B | 1 | |
| 3 | Washer | 16-006 | 4 | |
| 4 | Feed pump valve | 16-123D | 2 | |
| 5 | Spring feed pump valve | B II -069 | 2 | |
| 6 | Washer | 16-062 | 2 | |
| 7 | Outlet pipe joint seat | B II -065 | 1 | |
| 8 | Pipe joint bolt | 16-110B | 1 | |

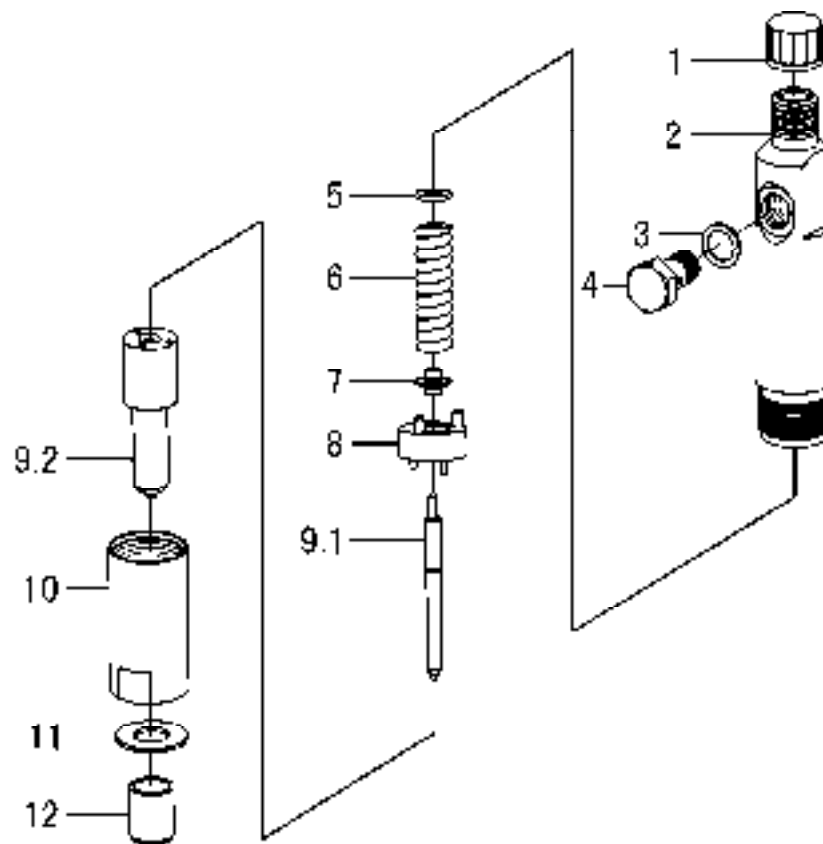
31 (3) TA Governor Assembly



31 (3) TA Governor Assembly

| No. | Part Name | Drawing No. | QTY. | Remarks |
|-----|------------------------|-------------|------|---------|
| 1 | Governor assembly | TA-13-000 | 1 | |
| 2 | Screw plug | ZHB-038 | 1 | |
| 3 | Washer | B II -044 | 1 | |
| 4 | Washer | 16-159 | 1 | |
| 5 | Breather seat | TA-00-019 | 1 | |
| 6 | Washer | 42.19.155 | 1 | |
| 7 | Breather assembly | TA-00-060 | 1 | |
| 8 | Bush,stop shaft | TA-00-002 | 1 | |
| 9 | Torsion spring | TA-00-005 | 1 | |
| 10 | Stop handle | TA-00-004 | 1 | |
| 11 | Washer 6 | GB93-87 | 2 | |
| 12 | Nut M6 | GB6170-86 | 1 | |
| 13 | Washer | B II -044 | 1 | |
| 14 | Stop screw,control rod | TA00-008A | 1 | |
| 15 | Nut M6 | GB6170-86 | 1 | |
| 16 | Washer 6 | GB93-87 | 1 | |
| 17 | Screw | T II -075 | 1 | |

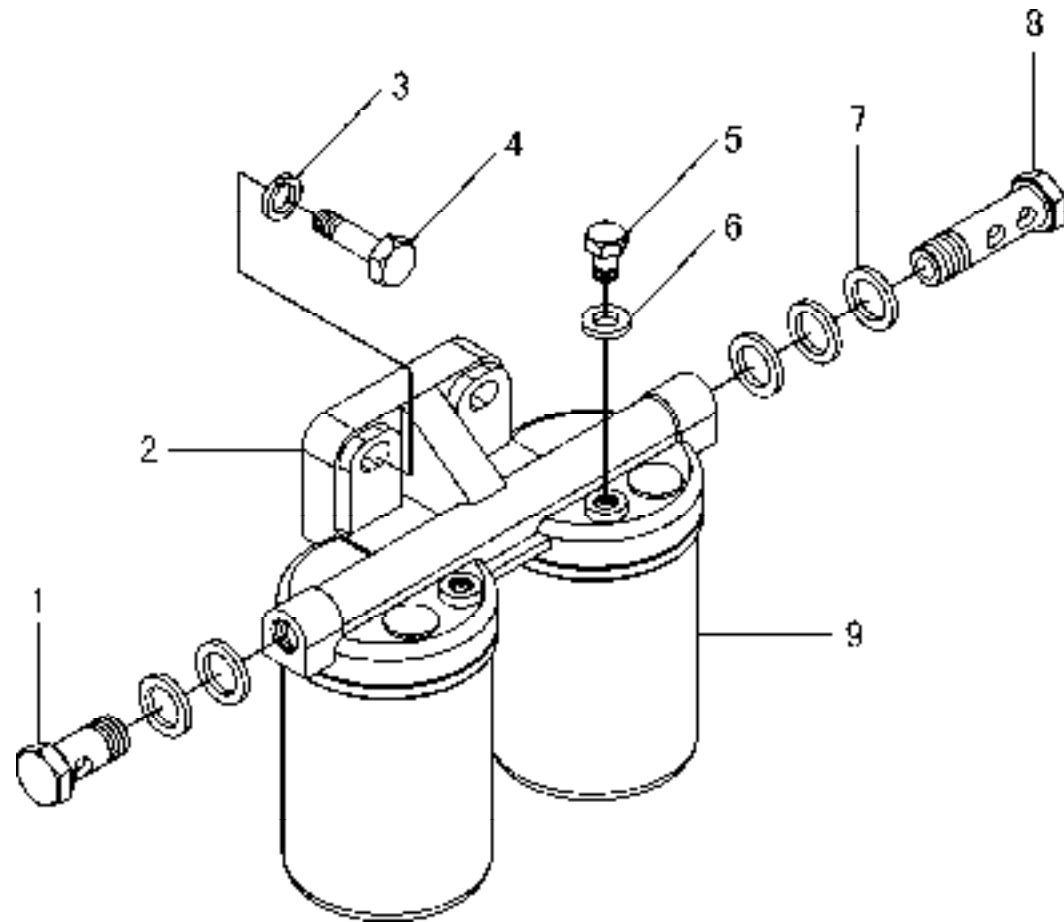
32 Fuel Injector Assembly (PB84P30)



32 Fuel Injector Assembly (PB84P30)

| No. | Part Name | Drawing No. | QTY. | Remarks |
|-----|----------------------------|----------------------|------------|---------|
| | Fuel injector | PB84P30 | 4 | |
| 1 | Inlet protection cap | PB86J-00-008A | 4 | |
| 2 | Nozzle holder body | BK.PB84P-30-001 | 4 | |
| 3 | Shims | PB84P-00-012 | 8 | |
| 4 | Leak-off bleed screw joint | PB84P-00-011 | 4 | |
| 5 | Pressure-adjusting shim | PB86J-00-029 | As require | |
| 6 | Spring | PB85PL-00-002A | 4 | |
| 7 | Spring seat | PB85PL-00-006 | 4 | |
| 8 | Adaptor plate | PB85PL-00-010 | 4 | |
| 9 | Nozzle | BK.DSLA150P920-30 | 4 | |
| 9.1 | Nozzle needle | DSL135P005-00-01 | 4 | |
| 9.2 | Nozzle body | BK.DSLA150P920-30-02 | 4 | |
| 10 | Nozzle cap nut | BK.PB84P-00A-004 | 4 | |
| 11 | Shims | PS01-003A | 4 | |
| 12 | Nozzle body protection cap | PB85PL-00-009 | 4 | |

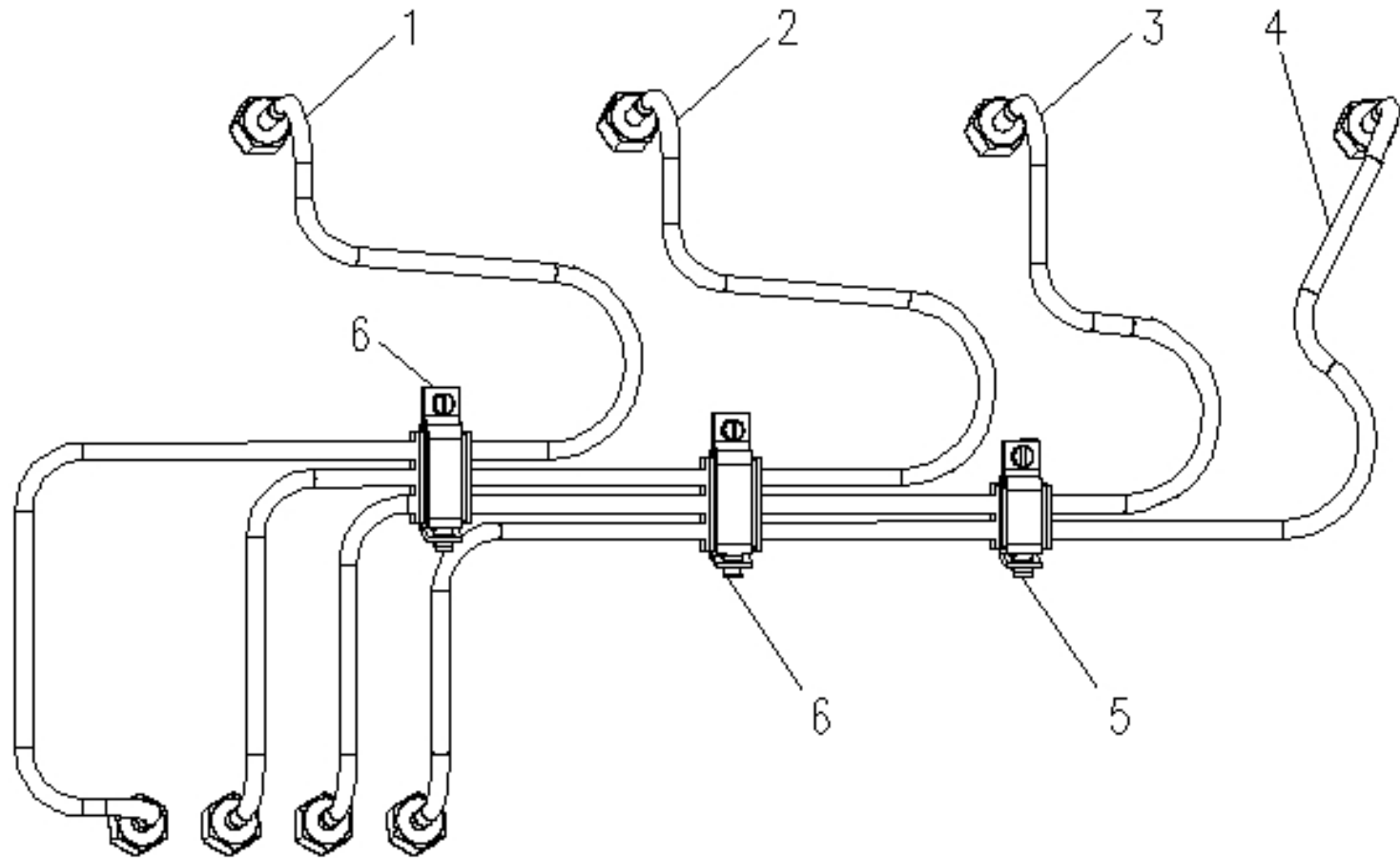
33 Fuel Filter Installation Assembly



33 Fuel Filter Installation Assembly

| No. | Part Name | Drawing No. | QTY. | Remarks |
|-----|-------------------------------------|---------------|------|---------|
| | Fuel filter installation assembly | 4R330000 | 1 | |
| | Fuel filter assembly | CX0708S-0000 | 1 | |
| 1 | Bolt,fuel pipe | C0810A-0011 | 1 | |
| 2 | Filter seat | CX0708S-0003 | 1 | |
| 3 | Spring washer 10 | GB/T93-1987 | 2 | |
| 4 | Bolt M10×30 | GB/T5783-2000 | 2 | |
| 5 | Air bleed screw plug | C0708S-0005 | 2 | |
| 6 | Washer | C0506B-0017 | 2 | |
| 7 | Washer | C0810A-0009 | 7 | |
| 8 | Locking bolt,filter fuel inlet hole | 54.18.427 | 1 | |
| 9 | Fuel filter | CX0708S | 2 | |

34 Fuel Injection Pipes Assembly



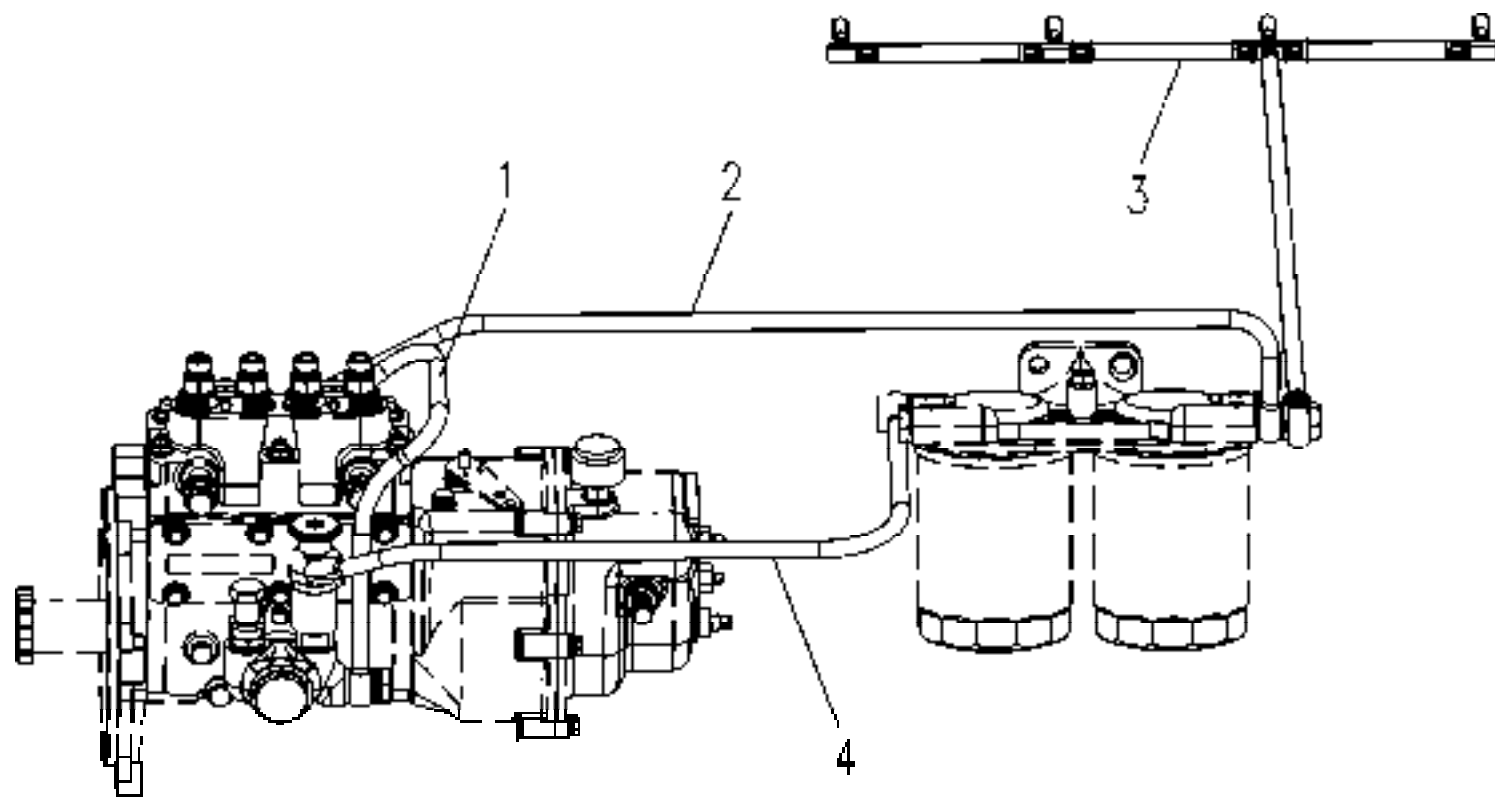
34 Fuel Injection Pipes Assembly

| No. | Part Name | Drawing No. | QTY. | Remarks |
|-----|--|----------------|------|---------|
| | Fuel injection pipes assembly | L4R340000BFE | 1 | |
| 1 | Fuel injection pipe assy,cylinder No.1 | L4R340000BFE-1 | 1 | |
| 2 | Fuel injection pipe assy,cylinder No.2 | L4R340000BFE-2 | 1 | |
| 3 | Fuel injection pipe assy,cylinder No.3 | L4R340000BFE-3 | 1 | |
| 4 | Fuel injection pipe assy,cylinder No.4 | L4R340000BFE-4 | 1 | |
| 5 | Clamp assy for 2 injection pipes | R340700 | 1 | |
| 6 | Clamp assy for 3 injection pipes | R340600 | 2 | |

35 Fuel Low Pressure Pipes Installation Assembly (I)

| No. | Part Name | Drawing No. | QTY. | Remarks |
|-----|---|-----------------|------|---------|
| 1 | Fuel return pipe assy,Injection PM pump | 4PY.350500FE | 1 | |
| 2 | Fuel feed pipe assembly,from filter to injection pump | 4PY.350200FE | 1 | |
| 3 | Fuel return pipe assy,injection pump | 4RG12.350600BFE | 1 | |
| 4 | Fuel feed pipe assembly,from feed pump to filter | 4PY.350100FE | 1 | |
| 5 | Clamp plate | 4PY.350013FE | 1 | |
| 6 | Clamp plate | 4PY.350011FE | 1 | |

35 Fuel Low Pressure Pipes Installation Assembly (II)

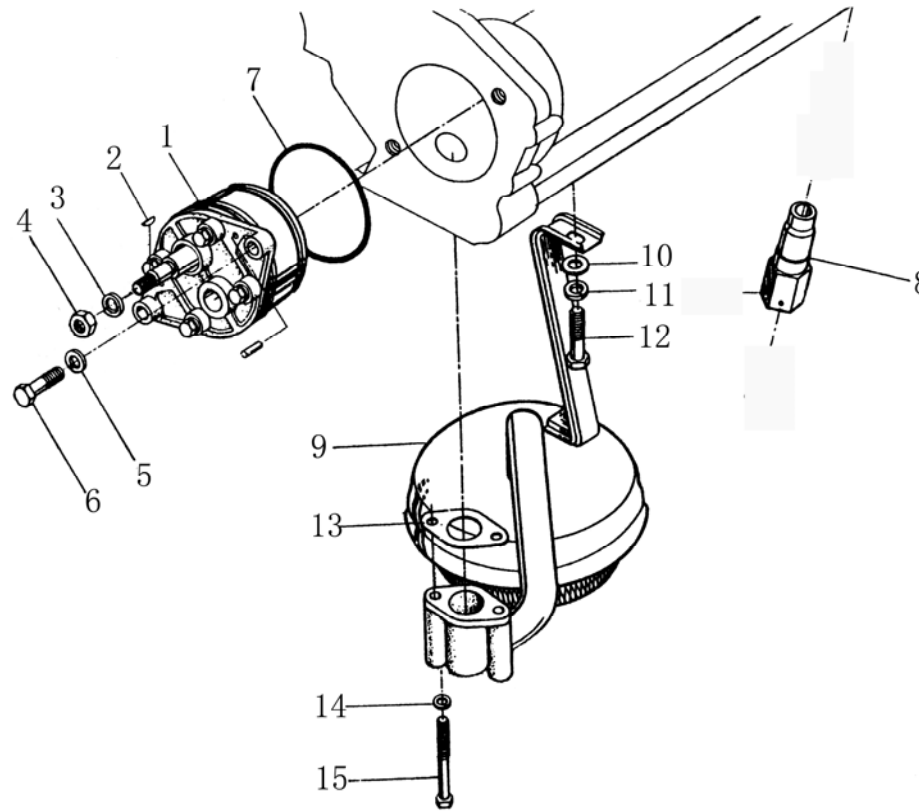


35 Fuel Low Pressure Pipes Installation Assembly (II)

| No. | Part Name | Drawing No. | QTY. | Remarks |
|-----|---|-----------------|------|---------|
| | Fuel low pressure pipes assembly | 4RT3.350000 | 1 | |
| 1 | Fuel return pipe assy,injection pump | RT350500A | 1 | |
| 2 | Fuel feed pipe assembly,from filter to injection pump | 4RT73..350200FE | 1 | |
| 3 | Fuel return pipe assy,injection pump | 4RG12.350600B | 1 | |
| 4 | Fuel feed pipe assembly,from feed pump to filter | 4RT73.350100FE | 1 | |

41 Oil Pump Installation Assembly

42 Oil Suction Strainer Assembly

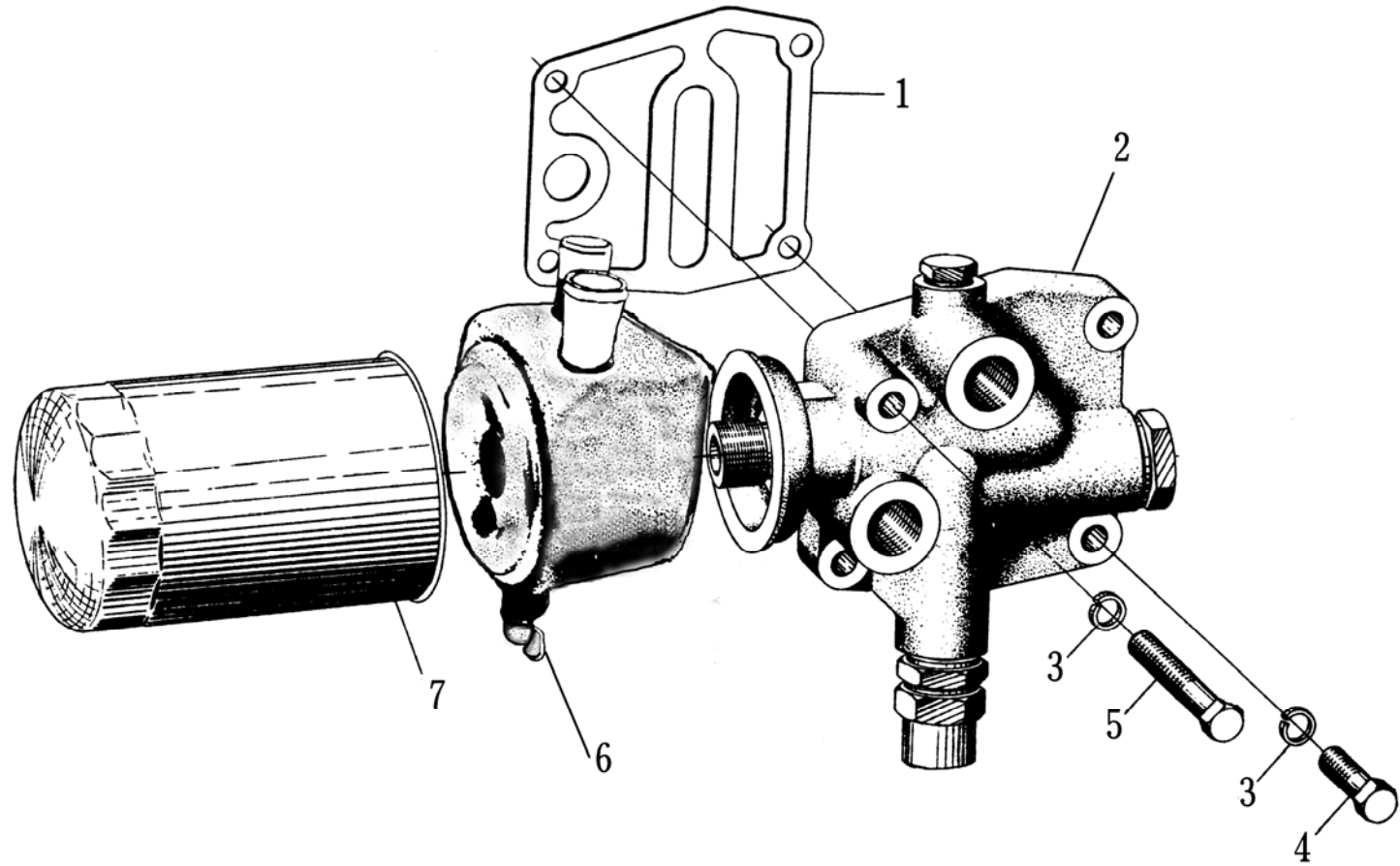


41 Oil Pump Installation Assembly

42 Oil Suction Strainer Assembly

| No. | Part Name | Drawing No. | QTY. | Remarks |
|-----|--------------------------------|---------------|------|---------|
| 1 | Oil pump assembly | 4RHZQ.410000 | 1 | |
| 2 | Flat key C5×12 | GB1096-79 | 1 | |
| 3 | Spring washer 12 | GB93-76 | 1 | |
| 4 | Nut M12 | GB52-76 | 1 | |
| 5 | Spring washer 10 | GB93-76 | 2 | |
| 6 | Bolt M10×30 | GB21-76 | 2 | |
| 7 | O-rubber sealing ring | R410001 | 2 | |
| 8 | Pressure relief valve | LR412100-2 | 1 | |
| 9 | Oil suction strainer | 4RG14.420100 | 1 | |
| | Oil suction strainer | 4RG1.420100FE | 1 | |
| | Oil suction strainer | L4R420100FE | 1 | |
| 10 | Spring washer 10 | GB848-76 | 1 | |
| 11 | Spring washer 10 | GB93-76 | 1 | |
| 12 | Bolt M10×20 | GB21-76 | 1 | |
| 13 | Gasket oil suction pipe flange | R420001 | 1 | |
| 14 | Spring washer 8 | GB93-76 | 2 | |
| 15 | Bolt M8×25 | GB21-76 | 2 | |

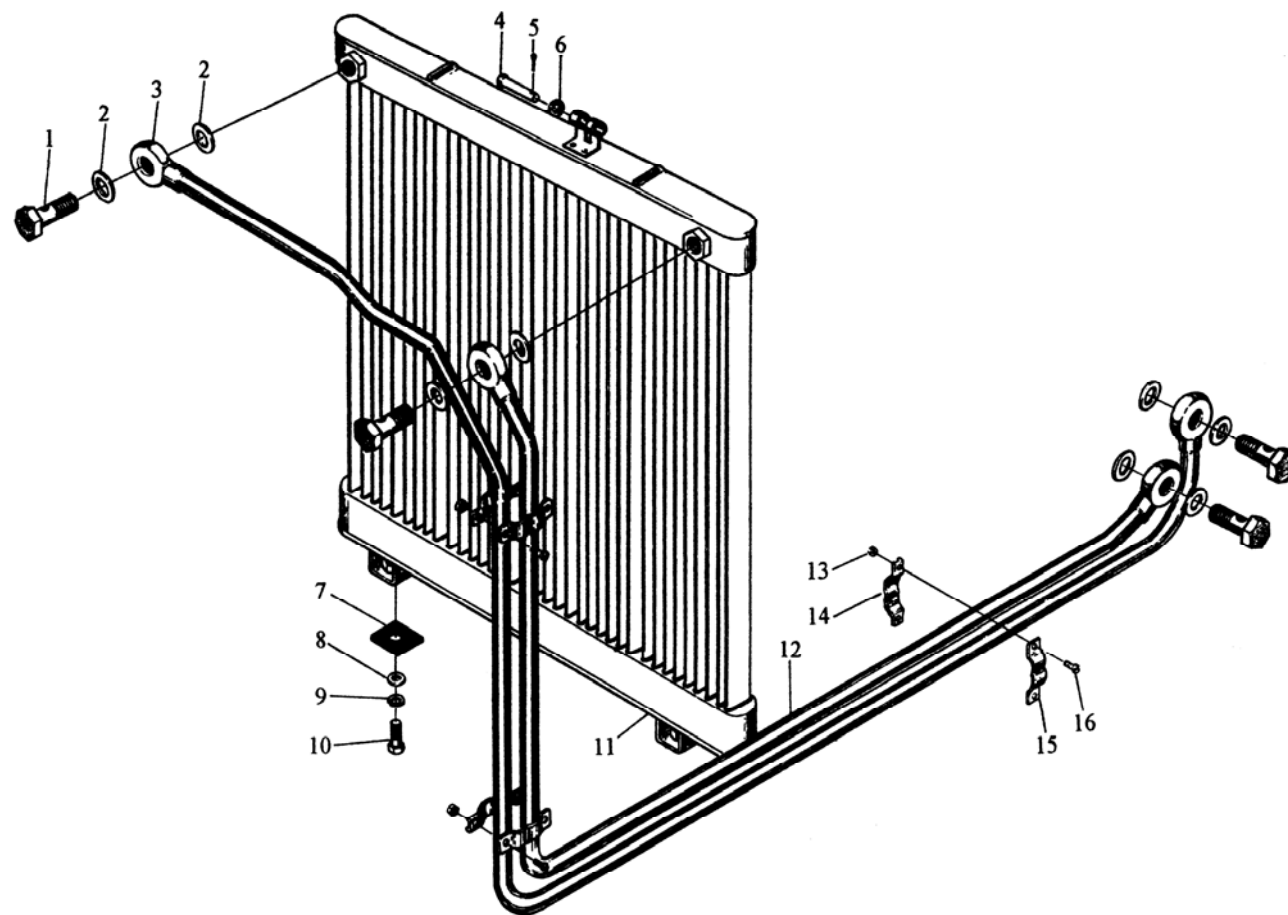
43 Oil Filter Assembly



43 Oil Filter Assembly

| No. | Part Name | Drawing No. | QTY. | Remarks |
|-------|----------------------------------|-----------------|------|---------|
| | Oil filter installation assembly | 4RTF.4300AZ | 1 | |
| | | 3RTF.4300AZ | 1 | |
| 1 | Bottom gasket | R430001 | 1 | |
| 2 | Oil filter bottom | 4RTF430100-1 | 1 | |
| | | 3RTF.430100 | 1 | |
| 3 | Spring washer 10 | GB93-76 | 4 | |
| 4 | Bolt M10×40 | GB22-76 | 3 | |
| 5 | Bolt M10×80 | GB22-76 | 1 | |
| 4 . 5 | Bolt M10×30 | GB22-76 | 4 | |
| 6 | Oil cooler assembly | 4RG22.450100-11 | 1 | |
| 7 | Oil filter | JX1008L | 1 | |

46 Oil Radiator Installation and Oil Line Assembly

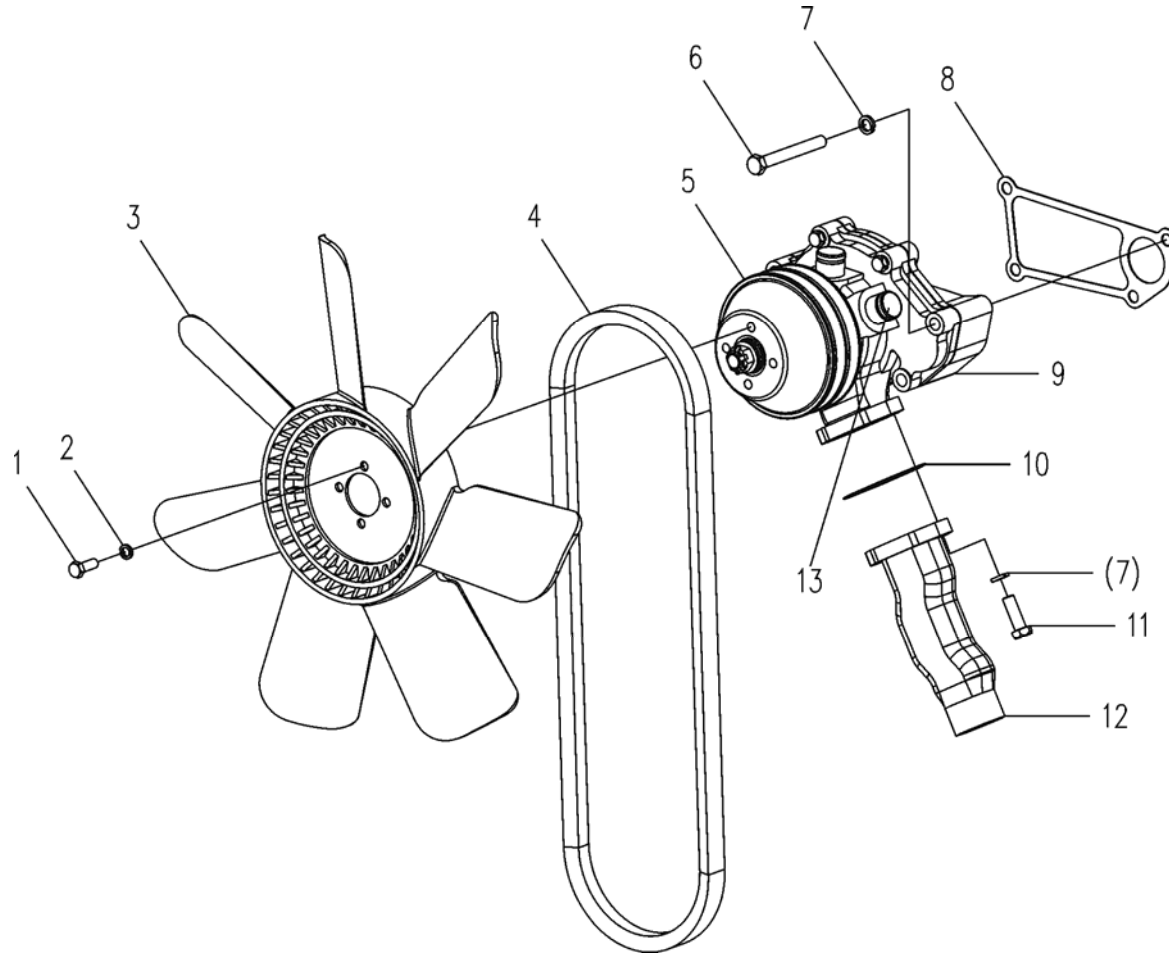


46 Oil Radiator Installation and Oil Line Assembly

| No. | Part Name | Drawing No. | QTY. | Remarks |
|-----|---|---------------|------|---------|
| | Oil radiator installation and oil line assembly | 4RTF.460000 | 1 | |
| 1 | Locking bolt | 54 • 08 • 406 | 4 | |
| 2 | Sealing ring | 54 • 08 • 407 | 8 | |
| 3 | Inlet pipe,oil radiator | 4RTF460300 | 1 | |
| 4 | Pin shaft 8×35 | GB 882-76 | 1 | |
| 5 | Pin 3×16 | GB 91-76 | 1 | |
| 6 | Spring washer 8 | GB 95-76 | 1 | |
| 7 | Rubber gasket | 6RTF460001 | 2 | |
| 8 | Washer 10 | GB 95-76 | 2 | |
| 9 | Spring washer 10 | GB 93-76 | 2 | |
| 10 | Bolt M10×25 | GB 21-76 | 2 | |
| 11 | Oil radiator assembly | 6RTF460100 | 1 | |
| 12 | Outlet pipe assembly,oil radiator | 4RTF460200 | 1 | |
| 13 | Nut M5 | GB 39-76 | 6 | |
| 14 | Upper clamp | 4RTF460401 | 3 | |
| 15 | Bottom clamp | 4RTF460402 | 3 | |
| 16 | Screw M5×14 | GB 65-76 | 6 | |

51 Water Pump Installation Assembly

52 Fan and Pulley Assembly

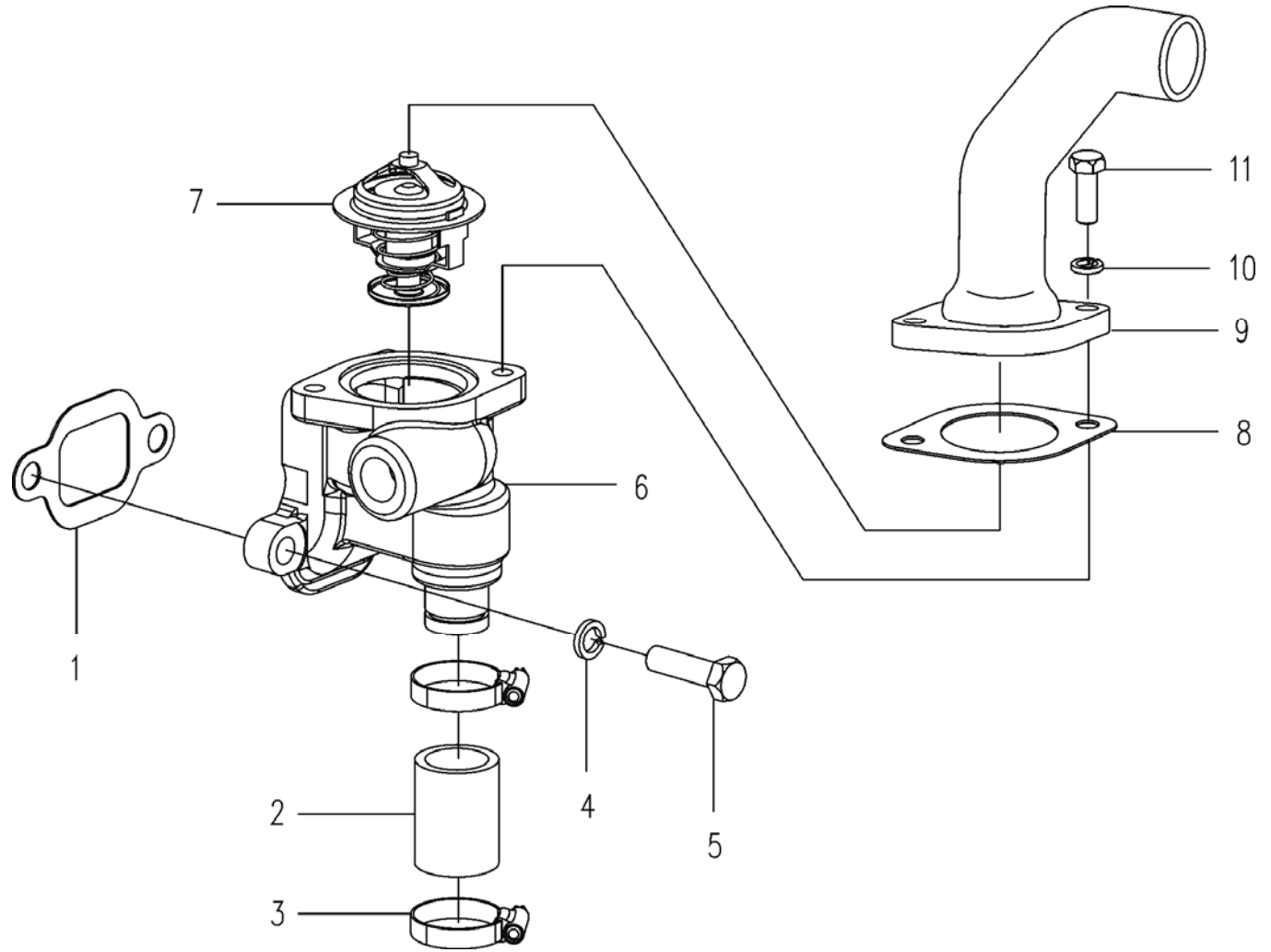


51 Water Pump Installation Assembly

52 Fan and Pulley Assembly

| No. | Part Name | Drawing No. | QTY. | Remarks |
|-----|----------------------------------|---------------|------|---------|
| | Water pump installation assembly | 6RTF.510000AZ | 1 | |
| | Fan and pulley assembly | 4RT3.520000 | 1 | |
| 1 | Bolt M8×20 | GB/T5783-2000 | 4 | |
| 2 | Spring washer 8 | GB/T93-1987 | 4 | |
| 3 | Fan assy | Z-450-64-42-7 | 1 | |
| | | F-450-28-52-7 | 1 | |
| 4 | Belt AV13×1340 | A1340 | 2 | |
| 5 | Belt pulley,water pump | 4R.520002 | 1 | |
| | | 4RG1.520003 | 1 | |
| 6 | Bolt M10×85 | GB/T5782-2000 | 4 | |
| 7 | Spring washer 10 | GB/T93-1987 | 6 | |
| 8 | Gasket water pump read cover | 3R510007 | 1 | |
| 9 | Water pump assembly | 4RTF.510200 | 1 | |
| | | 4RT60.510000 | 1 | |
| | | L4R510000 | 1 | |
| 10 | Gasket water inlet pipe flange | 6RTF.510002AZ | 1 | |
| 11 | Bolt M10×30 | GB/T5783-2000 | 2 | |
| 12 | Water inlet pipe | 4RG1.510011 | 1 | |
| 13 | Heating return water adaptor | 5147324 | 1 | |

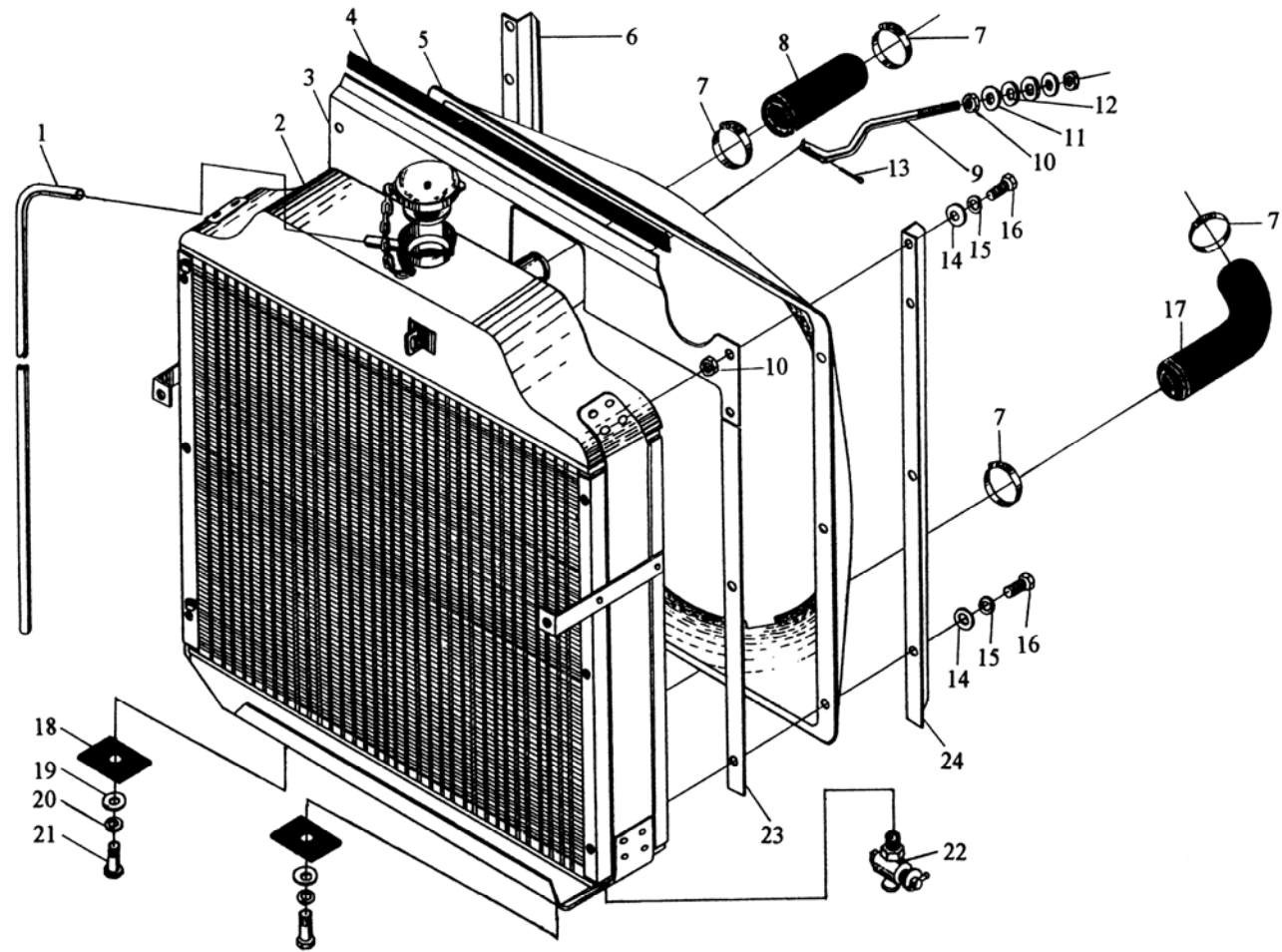
53 Thermostat Assembly



53 Thermostat Assembly

| No. | Part Name | Drawing No. | QTY. | Remarks |
|-----|----------------------------|---------------|------|---------|
| | Thermostat assembly | 4RTF.530000 | 1 | |
| 1 | Gasket, thermostat housing | 4R.530004-1 | 1 | |
| 2 | Rubber hose | 4R530003 | 1 | |
| 3 | Hoop | JK-1 | 2 | |
| 4 | Spring washer 8 | GB93-76 | 2 | |
| 5 | Bolt M8×25 | GB21-76-ZnD | 2 | |
| 6-1 | Housing assy, thermostat | 4RTF.530101-1 | 1 | |
| | Thermostat body | 4RTF.530101 | 1 | |
| | Bypass connector | R510102 | 1 | |
| 6-2 | Housing assy, thermostat | 4RT3.530101-1 | 1 | |
| | Thermostat body | 4RT3.530101 | 1 | |
| | Bypass connector | R510102 | 1 | |
| 7 | Thermostat | 1039-76-X | 1 | |
| 8 | Gasket, thermostat cap | 4R530002 | 1 | |
| 9 | Cap, thermostat | 4RTF.530001 | 1 | |
| | Cap, thermostat | 4RG12.530001 | 1 | |
| | Cap, thermostat | 4RG3.530001 | 1 | |
| | Cap, thermostat | 4RG8.530001 | 1 | |
| 10 | Spring washer 10 | GB93-76 | 2 | |
| 11 | Bolt M10×35 | GB21-76-ZnD | 2 | |

54 Radiator Installation Assembly



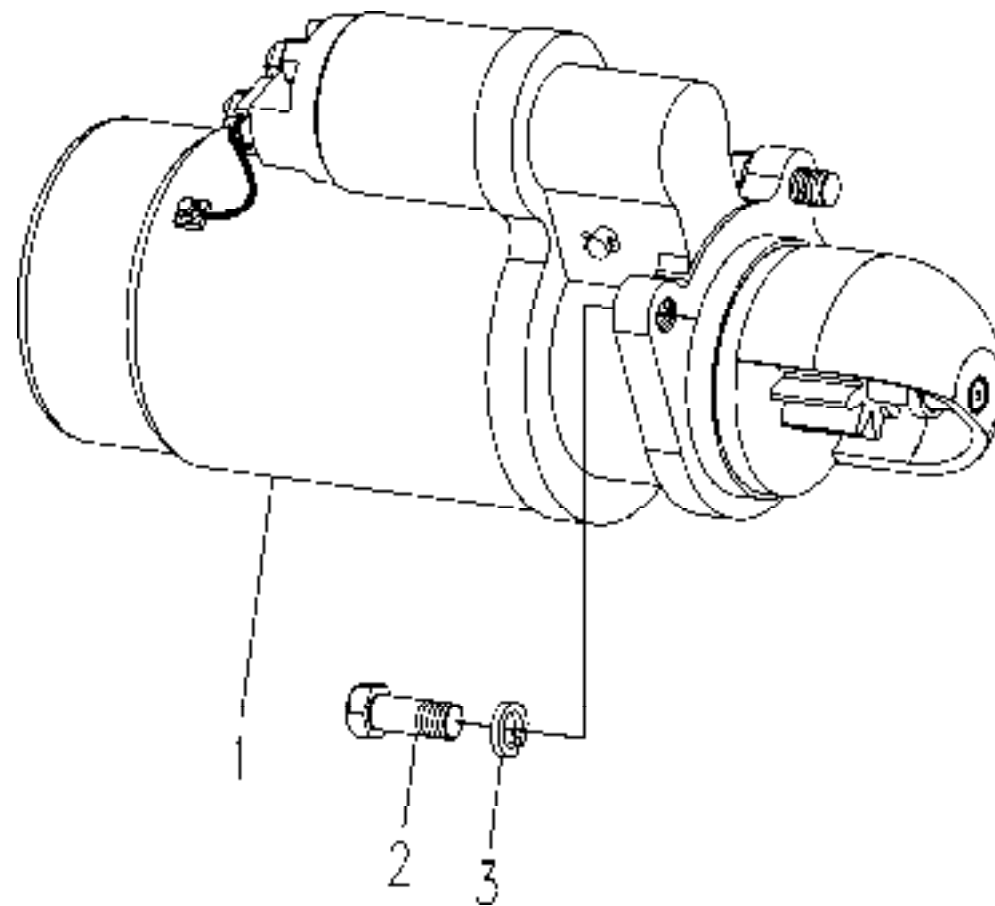
54 Radiator Installation Assembly

| No. | Part Name | Drawing No. | QTY. | Remarks |
|-----|----------------------------------|-----------------|------|---------|
| | Radiator installation assembly | 4RTF-540000AZ | 1 | |
| 1 | Water drain hose | 6RTF • 540001 | 1 | |
| 2 | Radiator assembly | 6RTF • 540000 | 1 | |
| 3 | Wind protector | 4RTF • 540004AZ | 1 | |
| 4 | Sealing strip | 6RTF • 540005AZ | 1 | |
| 5 | Fan protect cage | 4RTF • 540001AZ | 1 | |
| 6 | Right pressing plate | 6RTF • 540007AZ | 1 | |
| 7 | Hoop,rubber hose | JK2X | 4 | |
| 8 | Water inlet rubber hose,radiator | 4RTF • 540007AZ | 1 | |
| 9 | Pull rod,radiator | 4RTF • 540009AZ | 1 | |
| 10 | Nut M8 | GB 52-76 | 4 | |
| 11 | Washer 8 | GB 849-88 | 2 | |
| 12 | Washer 8 | GB 850-88 | 2 | |
| 13 | Cotter pin3×16 | GB 91-76 | 1 | |
| 14 | Washer 8 | GB 95-76-Zn • D | 8 | |
| 15 | Spring washer 8 | GB 93-76 | 8 | |
| 16 | Bolt M8×12 | GB 21-76-Zn • D | 8 | |
| 17 | Water outlet pipe,radiator | 4RTF • 540006AZ | 1 | |
| 18 | Rubber gasket | 6RTF • 540008AZ | 2 | |
| 19 | Washer 10 | GB 95-76-Zn • D | 2 | |
| 20 | Spring washer 10 | GB 93-76 | 2 | |
| 21 | Bolt M10×25 | GB 21-76-Zn • D | 2 | |

54 Radiator Installation Assembly

| No. | Part Name | Drawing No. | QTY. | Remarks |
|-----|--------------------------|-----------------|------|---------|
| 22 | Drain cock assembly 3/8" | Q/SB152-64 | 1 | |
| 23 | Pad | 6RTF • 540002AZ | 2 | |
| 24 | Left pressing plate | 6RTF • 540003AZ | 1 | |

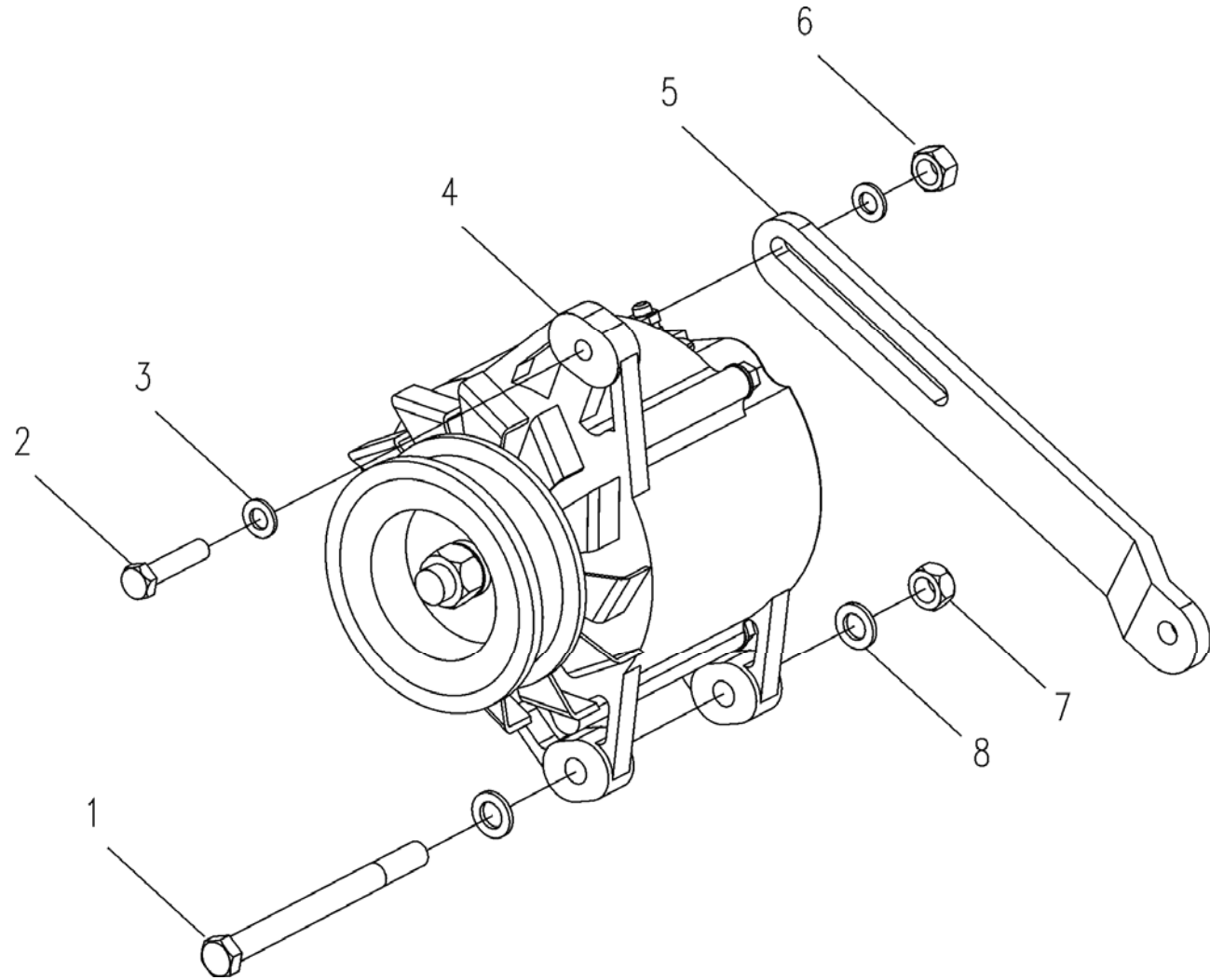
61 Starter Installation Assembly



61 Starter Installation Assembly

| No. | Part Name | Drawing No. | QTY. | Remarks |
|-----|-------------------------------|--------------|------|---------|
| | Starter installation assembly | 4RT3.610000 | 1 | |
| 1 | Starter | QD141G-000WX | 1 | |
| 2 | Bolt M12×35 | GB/T21-1987 | 3 | |
| 3 | Spring washer 12 | GB/T93-1987 | 3 | |

62 Alternator and Bracket Assembly



62 Alternator and Bracket Assembly

| No. | Part Name | Drawing No. | QTY. | Remarks |
|-----|---------------------------------|-----------------|------|---------|
| | Alternator and bracket assembly | 6RTF.620000 | 1 | |
| 1 | Bolt M10×100 | GB899-76-ZnD | 1 | |
| 2 | Bolt M8×25 | GB21-76.8.8-ZnD | 1 | |
| 3 | Spring washer 8 | GB/T848-1987 | 2 | |
| 4 | Alternator | JFZ2722Y | 1 | |
| | | JFZ1512Y | 1 | |
| 5 | Adjusting bracket,alternator | 6RTF.620001B | 1 | |
| | | 4RT11.620001 | 1 | |
| | | 4RG12.620001-1 | 1 | |
| 6 | Nut M8 | GB52-76-ZnD | 1 | |
| 7 | Nut M10 | GB52-76-ZnD | 1 | |
| 8 | Spring washer 10 | GB848-76ZnD | 2 | |



EAST WINDTM



Midway Sales Australia
252 Eastern Service Road
Burpengary Qld 4505
Australia

Email: midway@midwaysales.com.au

Website: www.midwaysales.com.au

phone: 1300 TRACTOR

Fax: (07)3888 3180