

JINMA TRACTORS

600



604



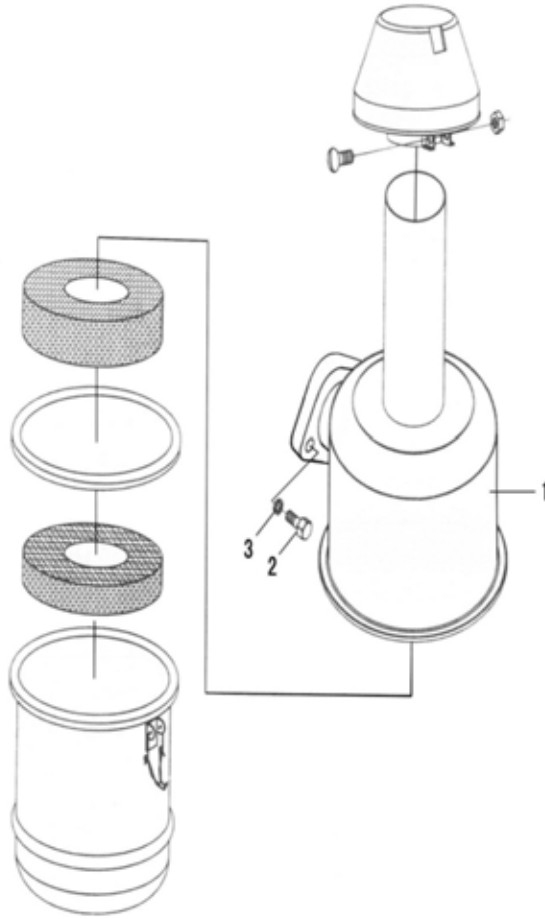
60 hp. Range.

0800 TRACTOR
0800 872 2767

Contents

Air Filter Assembly (I)	3
Air Filter Assembly (II)	4
Air Filter Assembly (III)	5
Cooling System Assembly	6
Exhaust System	8
Engine Control Mechanism	9
Single Stage Clutch	11
Single Stage Clutch (B)	12
Dual Stage Clutch (I)	14
Dual Stage Clutch (II)	16
Bracket & Sleeve	18
Front Axle Arm & Front Wheel Hub	20
Drag Link & Tie Rod	22
Front Ballast & Bracket	24
Tie rod (four wheel drive)	25
Front Central Drive (A) (Four wheel drive)	27
Front Central Drive (B) (Four wheel drive)	29
Front Final Drive Assembly (Four wheel drive)	31
Directive Wheel	34
Driving Wheel	36
Drawbar (I)	38
Drawbar (II)	39
Intermediate Axle & Transmission (A)	41
Intermediate Axle & Transmission (B)	43
Intermediate Axle & Transmission (C)	45
Gearbox Assembly with Shuttle-Action Gear Change (A)	48
Gearbox Assembly with Shuttle-Action Gear Change (B)	50
Control Mechanism of Shuttle-Action Gear Change	53
Rear Axle	55

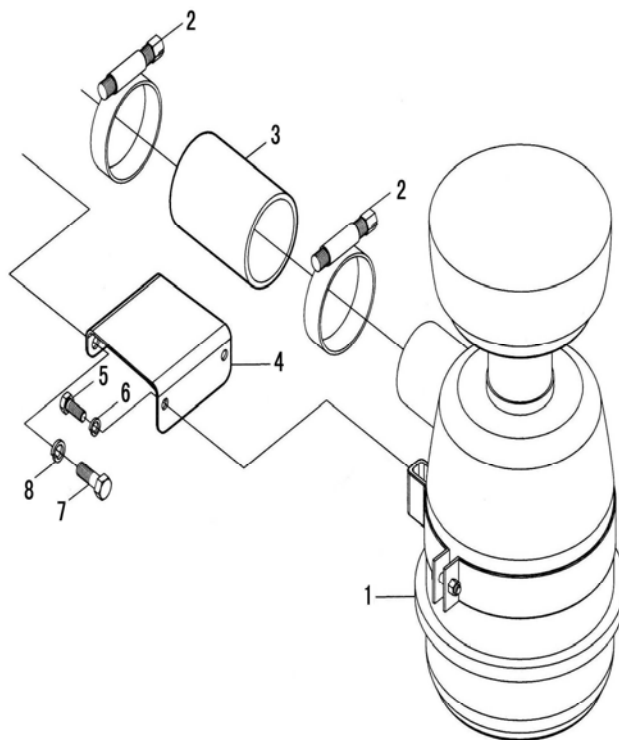
Rear Axle	56
Differential & Differential Lock	58
Creeper Control Mechanism	60
Power Take-off	61
Final Transmission	63
Steering Gear & Steering-wheel Assembly	65
Power Steering Assembly (I)	67
Power Steering Assembly (II)	70
Transfer Case (Four wheel drive)	73
Brake and Operating Mechanism	76
Seat (I)	78
Seat (II)	79
Hood	82
Front Baffle	83
Mud Shield (Left and Right)	84
Step (Left and Right)	86
Electrical System Assembly (A)	87
Electrical System Assembly (B)	89
Tool Box Assembly	91
Fuel Tank (I)	92
Fuel Tank (II)	94
Pump and pipe (I)	96
Pump and Pipe (II)	98
Hydraulic Take-off Pipe (I)	100
Hydraulic Take-off Pipe (II)	101
Suspension Mechanism	Error! Bookmark not defined.
Distributor Assembly	Error! Bookmark not defined.
Air Brake Device	Error! Bookmark not defined.



Air Filter Assembly (I)

Air Filter Assembly (I)

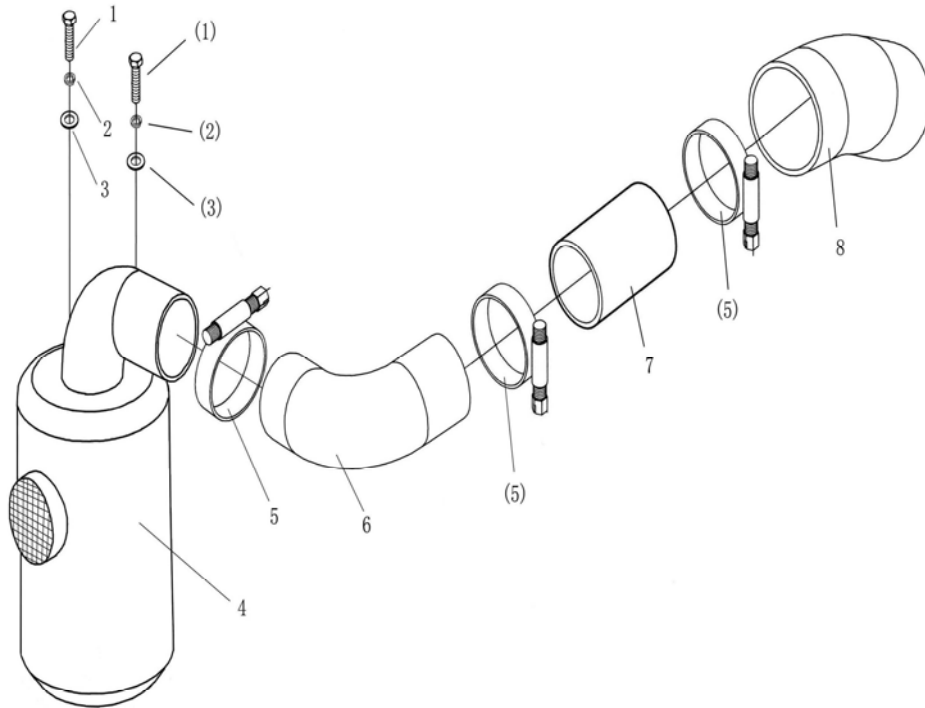
Ser No.	Part No.	Description	Qty
1	SL2105.11.010 LS2105.11.010A-1	TY395 Air filter assembly K4100 Air filter assembly	1
2	GB/T5783	Bolt M8 x 25	2
3	GB/T93	Washer 8	2



Air Filter Assembly (II)

Air Filter Assembly (II)

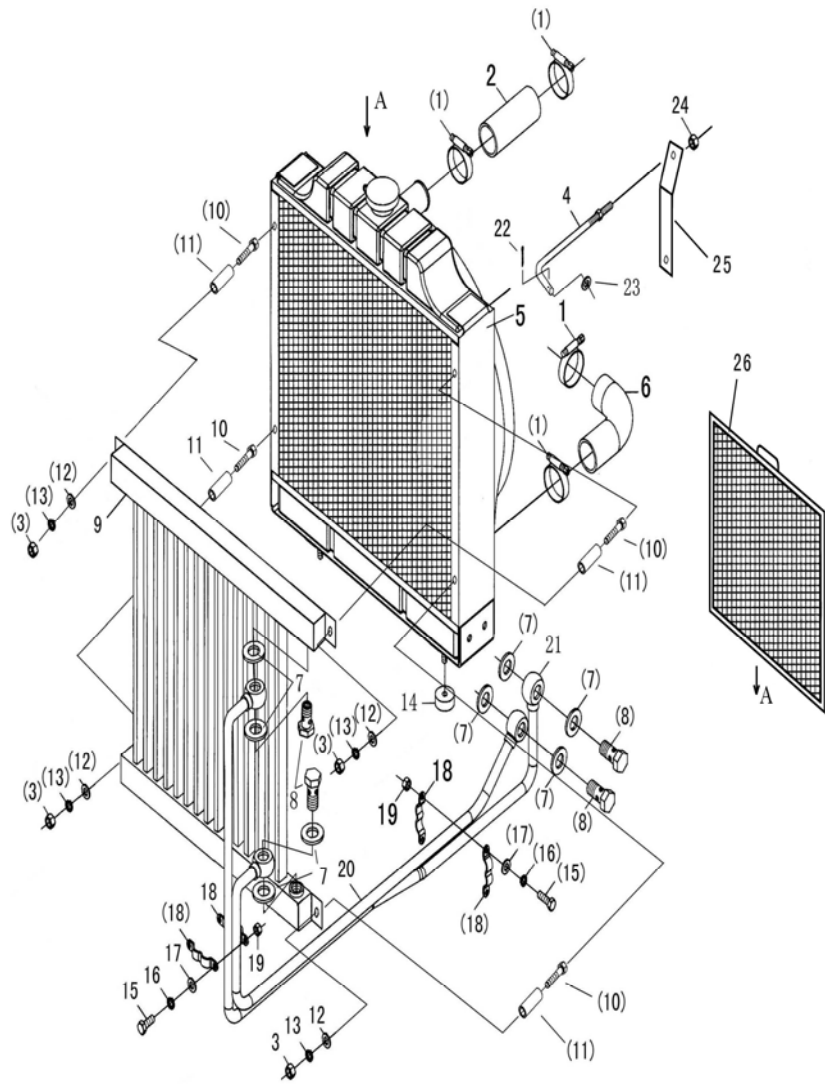
Ser No.	Part No.	Description	Qty
1	SL4105BT.030	Air filter assembly	
2	ZBJ15001	Clamp D90	
3	700.11.102	Air hose	
4	SL4105BT.015-1	Support weldment	
5	GB/T5783	Bolt M8 x 20	
6	GB/T93	Washer 8	
7	GB/T5783	Bolt M10 x 25	
8	GB/T93	Washer 10	



Air Filter Assembly (III)

Air Filter Assembly (III)

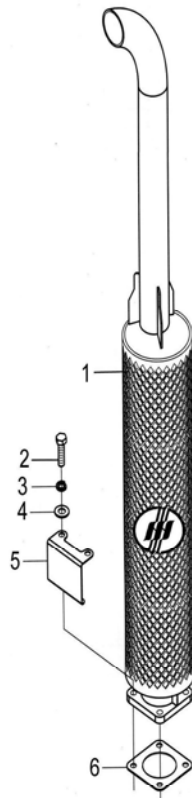
Ser No.	Part No.	Description	Qty
1	GB/T5783	Bolt M8 x 20	2
2	GB/T93	Washer 8	2
3	GB/T97.1	Washer 8	2
4	TY395.11.010A	Air filter assembly	1
	SL4105BT.030A	Air filter assembly	
5	ZBJ15001	Clamp D70	4
6	TY395.104	Hose	1
7	TY395.105-2	Hose	1
8	SL3105BT.202	Hose	1
	SL4105BT.118	Hose	



Cooling System Assembly

Cooling System Assembly

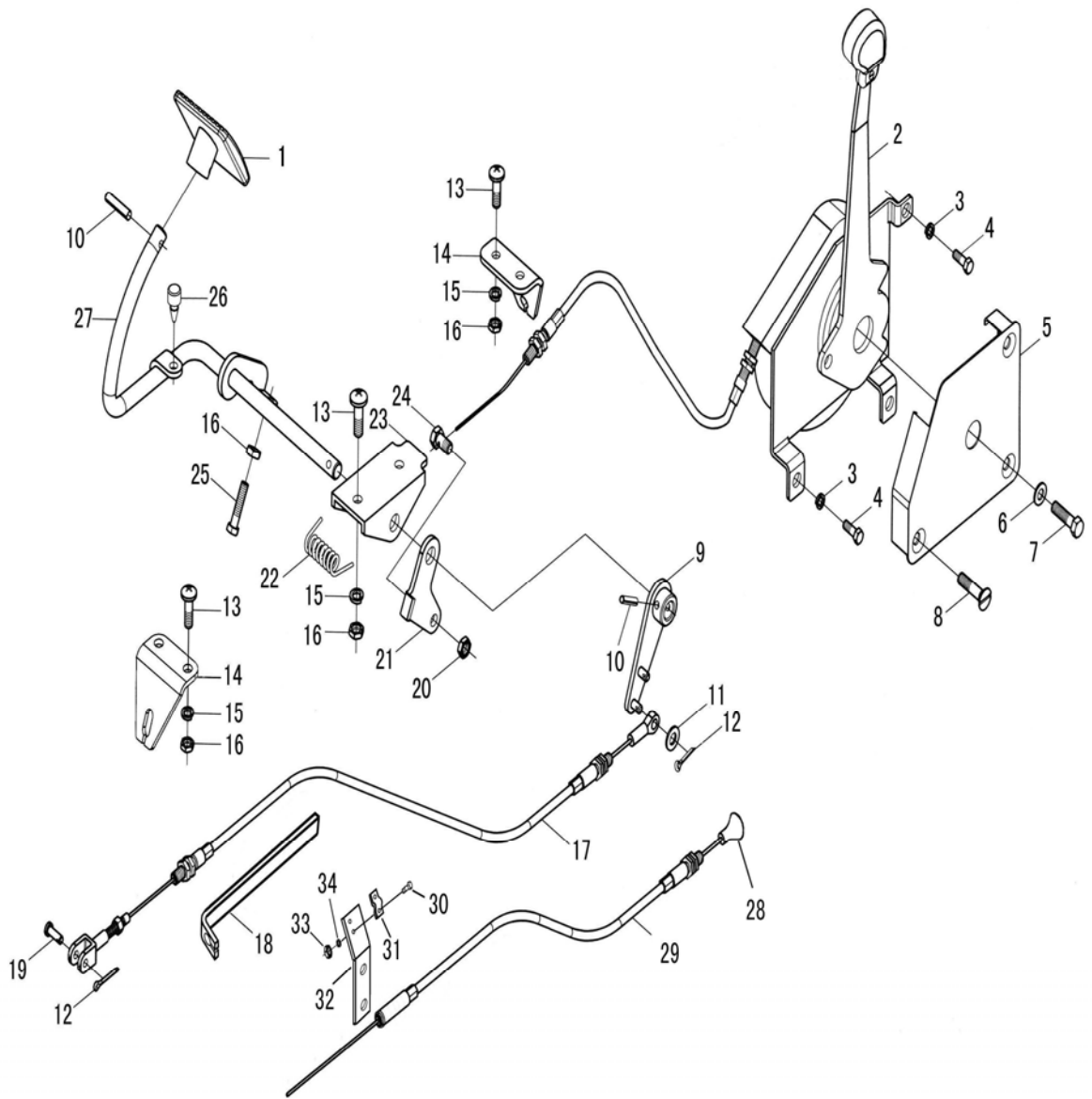
Ser No.	Part No.	Description	Qty
1	ZBJ15001	Clamp D35-51	4
2	SL3105BT.201	Inlet hose of water tank	1(a)
	495BT.101-2	Inlet hose of water tank	1(b)
	SL4105BT.105	Inlet hose of water tank	
	YTR105T56.015	Inlet hose of water tank	
3	GB/T6170	Nut M10	4
4	TY395.106	Bolt	1
	JD490T.110	Bolt	
5	495BT.010-2	Water tank assembly	1(a)
	SL3105.12.010-2	Water tank assembly	1(b)
	SL4105BT.010-3	Water tank assembly	
	SL4105ABT.010	Water tank assembly	
6	SL3105BT.203	Outlet hose of water tank	1(a)
	495BT.102	Outlet hose of water tank	1(b)
7		Compound washer	
8	700.13.130	Hollow bolt	
9	SL4105BT.013	Oil cooler assembly	
10	GB/T5783	Bolt M10 x 55	
11		Bush	
12	GB/T97.1	Washer 10	
13	GB/T93	Washer 10	
14	BL-178	Rubber washer	
15	GB/T5783	Bolt M6 x 16	2
16	GB/T97.1	Washer 6	4
17	GB/T93	Washer 6	4
18	700.13.123	Oil pipe keeper	4
19	GB/T6170	Nut M6	4
20	SL4105BT.011-2	Oil inlet pipe assembly for oil cooler	
	YTR4105T56.013-1	Oil inlet pipe assembly for oil cooler	
21	SL4105BT.012-2	Oil inlet pipe assembly for oil cooler	
	YTR4105T56.014-1	Oil inlet pipe assembly for oil cooler	
22	GB/T91	Pin 2 x 16	1
23	GB/T93	Washer 8	1
24	GB/T6170	Nut M8	2
25	Y385.10.200	Bracket	1(a)
	YTR4105T56.10.200	Bracket	
26	SL3105.13.130-1	Front skit (Selected by user)	1
	SL4105BT.130-1	Front skit (Selected by user)	



Exhaust System

Exhaust System

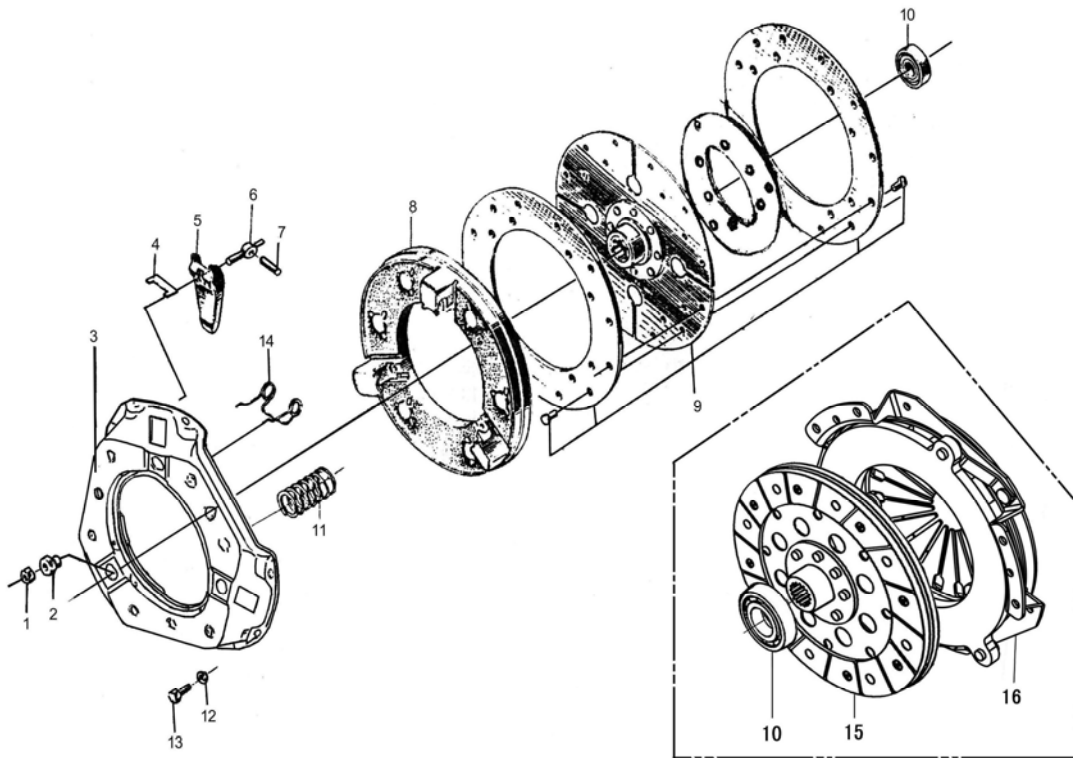
Ser No.	Part No.	Description	Qty
1	SL2105.10.010-1	Muffler	1
	700.22.001	Muffler	
2	GB/T5783	Bolt M8 x 25	4
3	GB/T93	Washer 8	4
4	GB/T97.1	Washer 8	4
5	180.47.301	Bracket for label, exhaust tube	1
	700.22.102	Bracket for label, exhaust tube	
6	Y385.19	Muffler washer	1
	700.22.103	Muffler washer	



Engine Control Mechanism

Engine Control Mechanism

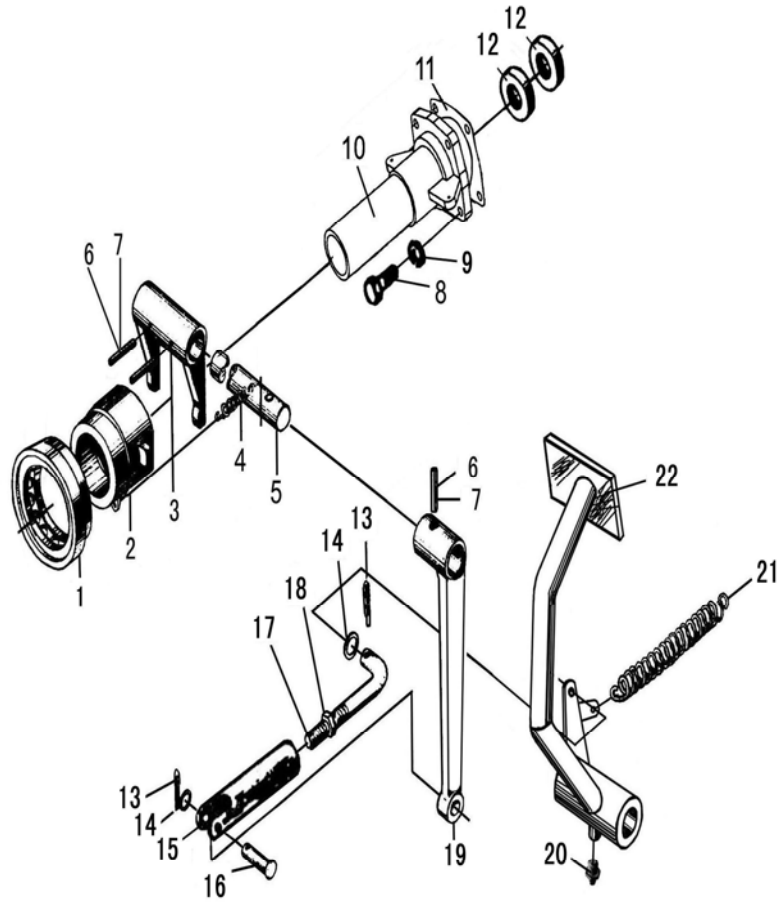
Ser. No	Part No.	Description	Qty
1	700.20.101	Foot pedal	1
2	400.20.023	Hand throttle assembly	1
3	GB/T93	Washer 6	3
4	GB/T5783	Bolt M6 x 16	3
5	400.20.127	Cover hand throttle	1
6	GB/T96	Washer 10	1
7	GB/T5783	Bolt M10 x 45	1
8	GB/T5783	Bolt M6 x 30	3
9	700.20.011	Foot throttle rocker weldment	1
10	GB/T879.1	Spring-type straight pin-slotted 5 x 20	2
11	GB/T97.1	Washer 6	1
12	GB/T91	Split pin 2 x 12	2
13	GB/T818	Screw M8 x 20	6
14	700.20.105	Bracket for wire	2
15	GB/T93	Washer 8	6
16	GB/T6170	Nut M8	7
17	550.20.015-2	Foot throttle wire assembly	1
	550.20.015A	Foot throttle wire assembly	
18	400.20.028-1	Bracket for wire	1(a)
	500.20.028	Bracket for wire	1(b)
	550.20.104	Bracket for wire	
19	GB/T882	Pin roll B5 x 20	1
20	GB/T6170	Nut M6	1
21	700.20.114	Hand throttle rocker	1
22	700.50.104	Torsion spring	1
23	700.20.108	Throttle bracket	1
24	700.20.133-1	Fastening bolt	1
25	GB/T5783	Bolt M8 x 45	1
26	700.20.107	Rubber plug	1
27	400.20.021	Foot pedal rocker weldment	1
28	184.20.028	Handle	1
29	400.20.025A	Choke assembly	1
30	GB/T5783	Bolt M5 x 16	2
31	184.20.163	Plate	1
32	550.20.159A	Shutdown support	
	550.20.105	Shutdown support	
33	GB/T6170	Nut M5	2
34	GB/T93	Washer 5	2



Single Stage Clutch

Single Stage Clutch

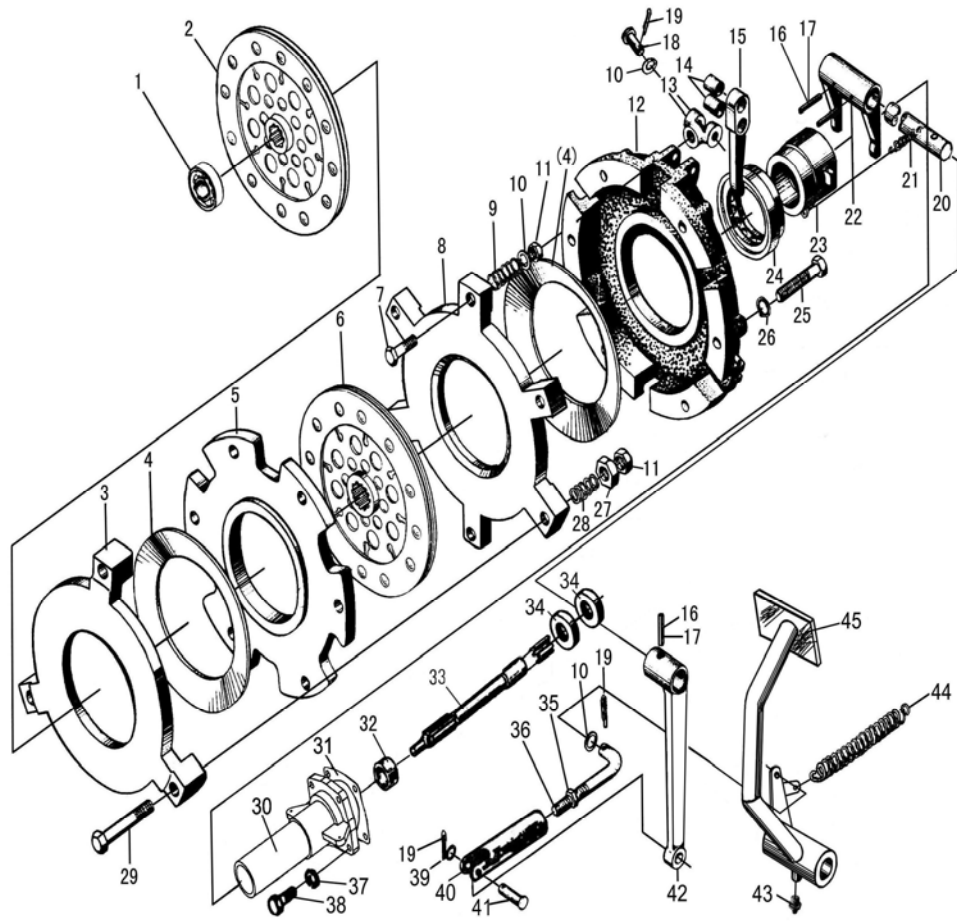
Ser No.	Part No.	Description	Qty
1	GB/T6173	Nut 10 x 1	3
2	130-160.1107	Adjusting nut, release lever	3
3	130-1601091B	Clutch cover	1
4	130-1601098B	Clamp iron, release lever	3
5	130-1601095B	Clutch release lever	3
6	130-1601104B	Adjusting bolt release lever	3
7	130-1601103B	Parallel pin release lever	3
8	130-1601093B	Clutch pressure disk	1
9	NJ-130	Clutch driven disk assembly	1
10	GB/T276	Rolling bearing 6204-2LS	1
11	130-1601115	Clutch compression spring	9
12	GB/T93	Spring lock washer 8	6
13	GB/T5783	Bolt M8 x 20	6
14	130-1601096	Spring release lever	9
15	DS300-200	Clutch driven disk assembly	
16	550.21.012	Clutch	



Single Stage Clutch (B)

Single Stage Clutch (B)

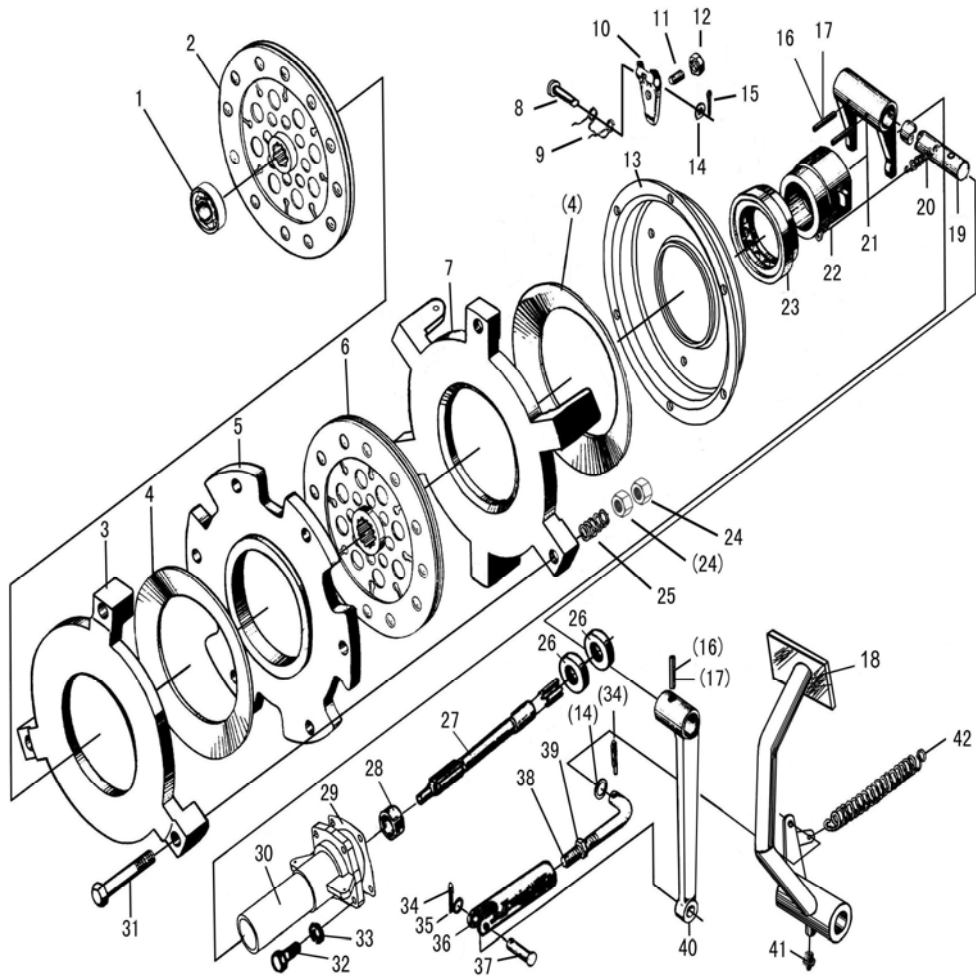
Ser No.	Part No.	Description	Qty
1	400.21.108	Bearing 989911	1
2	400.21S.104-1	Bearing seat	1
	550.21S.104-1	Bearing seat	
3	304.21S.102-1	York	1
4	160.21.109	Spring	2
5	400.21S.107-1	York shaft	1
6	GB/T879	Pin 8 x 40	3
7	GB/T879	Pin 5 x 40	3
8	GB/T5783	Bolt M8 x 25	4
9	GB/T93	Washer 8	4
10	400.21S.124	Cover	1
	550.21.124	Cover	
11	400.21S.125-1	Paper gasket	1
12	GB/T9877.1	Oil seal FB40 x 62 x 8	2
13	GB/T91	Pin 3.2 x 16	2
14	GB/T97.1	Washer 10	2
15	300.21.107	Adjustment fork, clutch push rod	1
16	GB/T882	Axis pin B8 x 30	1
17	300.21.106	Push rod	1
18	GB/T6170	Nut M10	1
19	400.21S.105	Release rock arm, clutch	1
20	GB/T9740.1	Oil cup M10 x 1	1
21	400.21.115	Pedal return spring	1
22	400.21S.015-1	Clutch pedal assembly	1



Dual Stage Clutch (I)

Dual Stage Clutch (I)

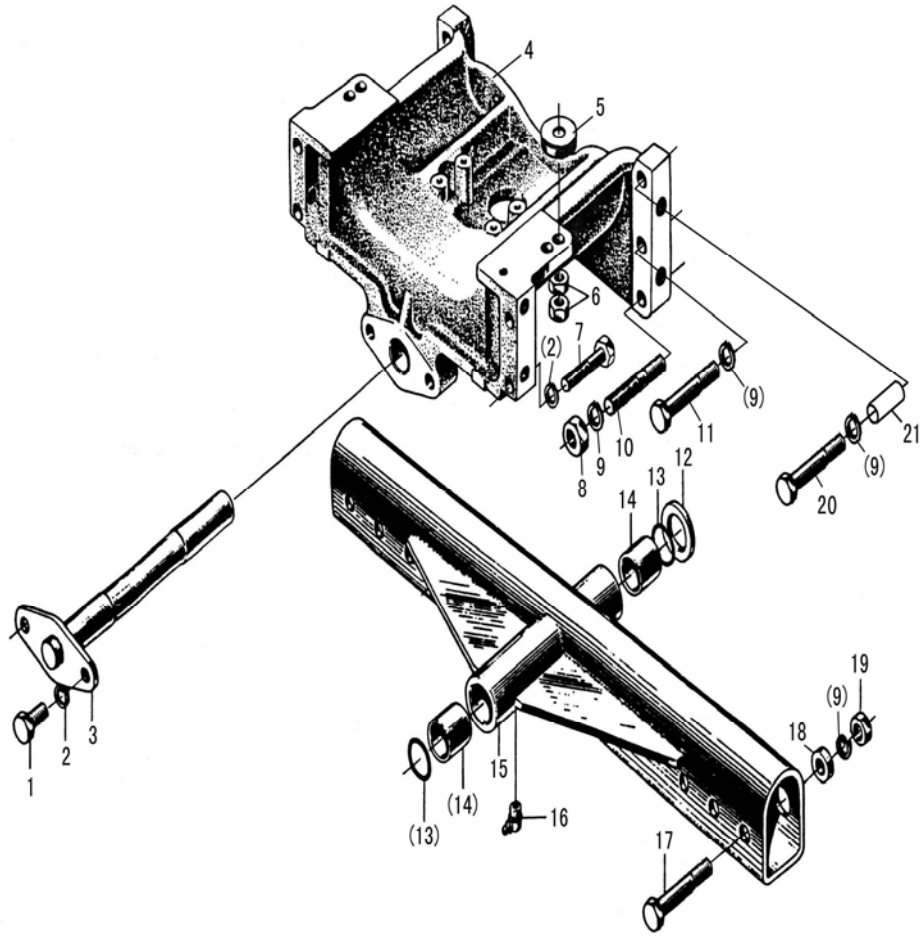
Ser No.	Part No.	Description	Qty
1	GB/T276	Rolling bearing 6204-1LS	1
2	304.21S.013	PTO clutch disc assy	1
3	304.21S.116	Pressure plate	1
4	400.21S.118	Spring	2
5	304.21S.117	Pressure plate	1
6	400.21S.018	Main clutch disc assy	1
7	184.21S.121	Adjusting bolt	3
8	304.21S.119	Main pressure plate	1
9	184.21S.122	Spring	3
10	GB/T97.1	Washer 10	10
11	GB/T6173	Nut M10 x 1	6
12	304.21S.120	Cover	1
13	184.21S.123	Connecting fork	3
14	184.212S.129	Bush	6
15	304.21S.130	Release lever	3
16	GB/T879	Pin 8 x 40	3
17	GB/T879	Pin 5 x 40	3
18	GB/T882	Axis pin B10 x 45	6
19	GB/T91	Pin 3.2 x 16	8
20	400.21S.107-1	York shaft	1
21	160.21S.109	Spring	2
22	304.21S.102-1	York	1
23	400.21S.104	Bearing seat	1
24	GB/T301	Bearing 996713	1
25	GB/T5783	Bolt M10 x 70	6
26	GB/T93	Washer 10	6
27	184.21S.125	Adjusting nut	3
28	184.21S.124	Spring	3
29	184.21S.115	Pull rod	3
30	400.21S.124	Cover	1
31	400.21S.125-1	Paper gasket	1
32	400.37.133	Compound bush	1
33	400.21S.101	Secondary clutch shaft	1
34	GB/T9877.1	Oil seal FB40 x 62 x 8	2
35	GB/T6170	Nut M10	1
36	300.21.106	Push rod	1
37	GB/T93	Washer 8	4
38	GB/T5783	Bolt M8 x 25	4
39	GB/T97.1	Washer 8	1
40	300.21.107	Adjustment fork, clutch push rod	1
41	GB/T882	Axis pin B8 x 30	1
42	400.21S.105	Release rock arm, clutch	1
43	GB/T7940.1	Oil cup M10 x 1	1
44	400.21.115	Pedal return spring	1
45	400.21S.015-1	Clutch pedal assembly	1



Dual Stage Clutch (II)

Dual Stage Clutch (II)

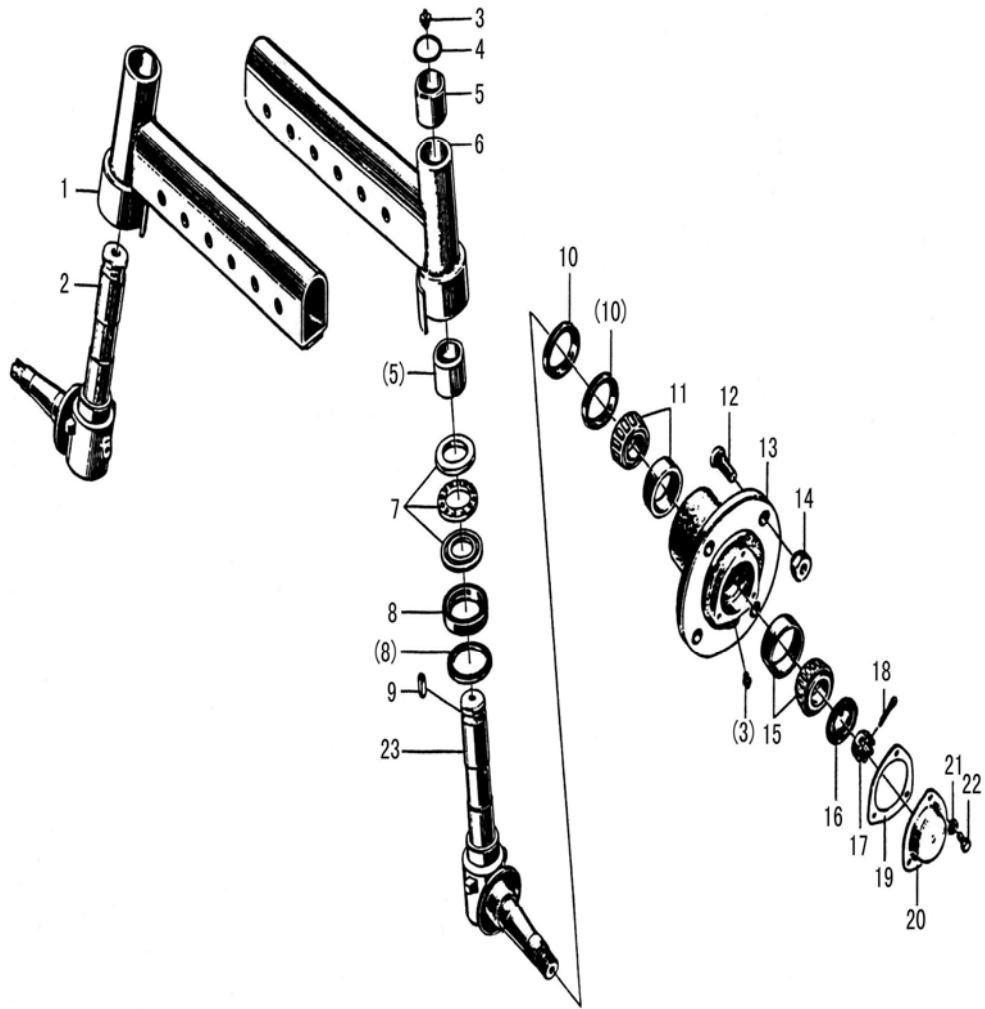
Ser No.	Part No.	Description	Qty
1	GB/T276	Rolling bearing 6204-2LS	
2	E500.21.011	PTO clutch disc assy	
3	E500.21.104	Pressure plate	
4	E500.21.102	Spring	
5	E500.21.105	Pressure plate	
6	E500.21.015	Main clutch disc assy	
7	E500.21.106	Main pressure plate	
8	E500.21.113	Axis pin	
9	E500.21.124	Spring	
10	E500.21.012	Release lever	
11	E500.21.101	Screw	
12	GB/T6173	Nut M12 x 1.25	
13	E500.21.013	Cover	
14	GB/T97.1	Washer 10	
15	GB/T91	Pin 3.2 x 20	
16	GB/T879	Pin 8 x 40	
17	GB/T879	Pin 5 x 40	
18	400.21S.015-1	Clutch pedal assembly	
19	400.21S.107-1	York shaft	
20	160.21.109	Spring	
21	304.21S.102-1	York	
22	550.21S.104	Bearing seat	
23		Bearing 996713	
24	GB/T6173	Nut M10 x 1	
25	E500.21.107	Spring	
26	GB/T9877.1	Oil seal FB40 x 62 x 8	
27	550.21S.101	Secondary clutch shaft	
28	400.37.133	Compound bush	
29	400.21S.125-1	Paper gasket	
30	550.21S.124	Cover	
31	E500.21.103	Pull rod	
32	GB/T5783	Bolt M8 x 25	
33	GB/T93	Washer 8	
34	GB/T91	Pin 3.2 x 16	
35	GB/T97.1	Washer 8	
36	300.21.107	Adjusting fork, clutch push rod	
37	GB/T882	Axis pin B8 x 30	
38	300.21.106	Push rod	
39	GB/T6170	Nut M10	
40	400.21S.105	Release rock arm, clutch	
41	GB/T7940.1	Oil cup M10 x 1	
42	400.21.115	Pedal return spring	



Bracket & Sleeve

Bracket & Sleeve

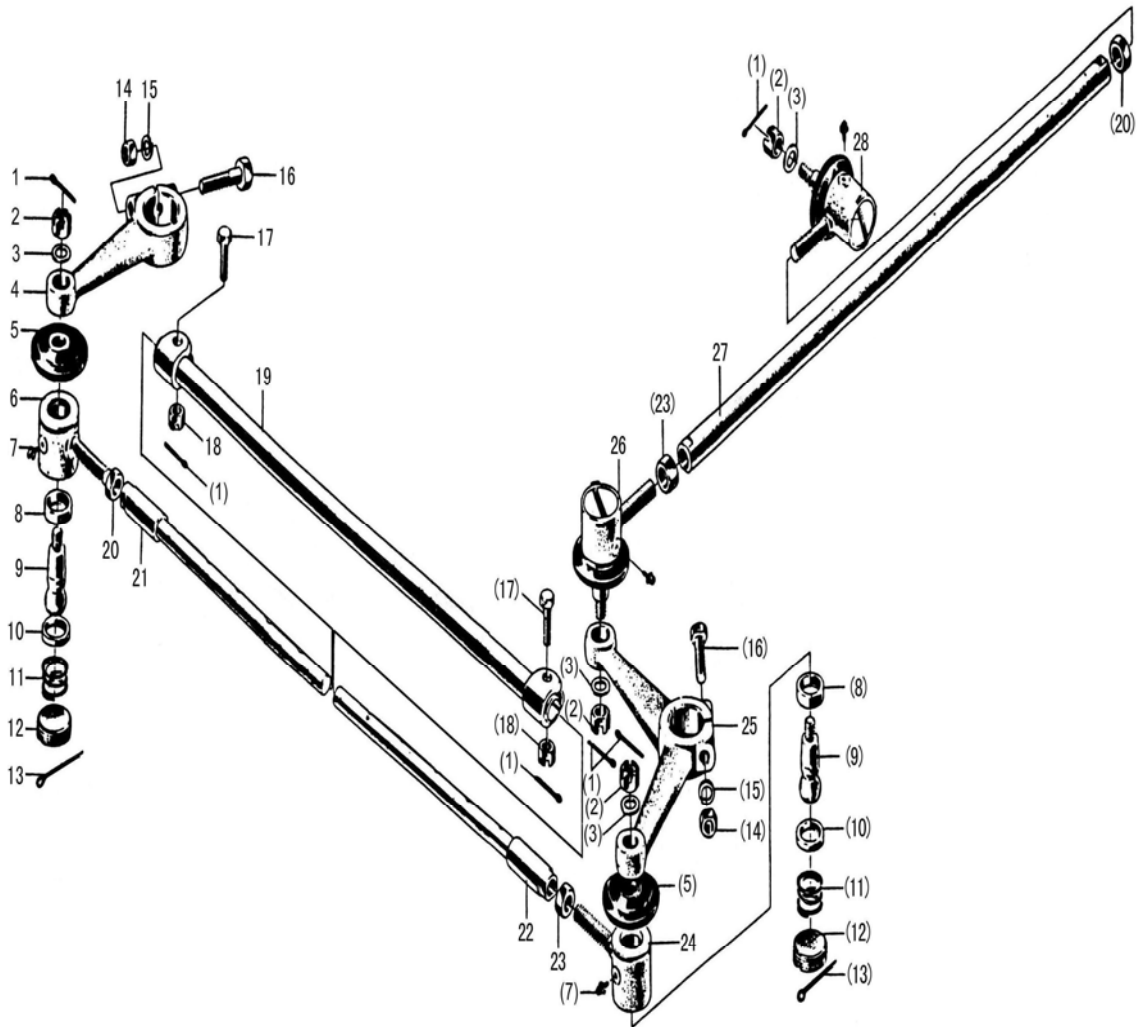
Ser No.	Part No.	Description	Qty
1	GB/T5783	Bolt M14 x 1.5 x 25	
2	GB/T93	Spring lock washer 14	
3	400.31.011	Pendulum shaft weldment assembly	
4	400.31.101-2	Bracket	
	550.31.101-1	Bracket	
5		Rubber pad	
6	GB/T6170	Nut M12	
7	GB/T5782	Bolt M14 x 70	
8	GB/T6175	Nut M16	
9	GB/T93	Washer 16	
10	GB/T898	Stud AM16 x 80	
11	GB/T5782	Bolt M16 x 80	
12	400.31.103	Washer of pendulum shaft	
13	GB/T3452.1	O-ring 34.5 x 3.55	
14	400.31.123	Bush of pendulum shaft	
15	400.31.024	Sleeve weldment assembly	
16	GB/T7940.1	Oil cup M10 x 1	
17	GB/T5785	Bolt M16 x 1.5 x 95	
18	400.31.105	Washer	
19	GB/T6176	Nut M16 x 1.5	
20	GB/T5782	Bolt M6 x 135	
21	700.31.106	Bush	



Front Axle Arm & Front Wheel Hub

Front Axle Arm & Front Wheel Hub

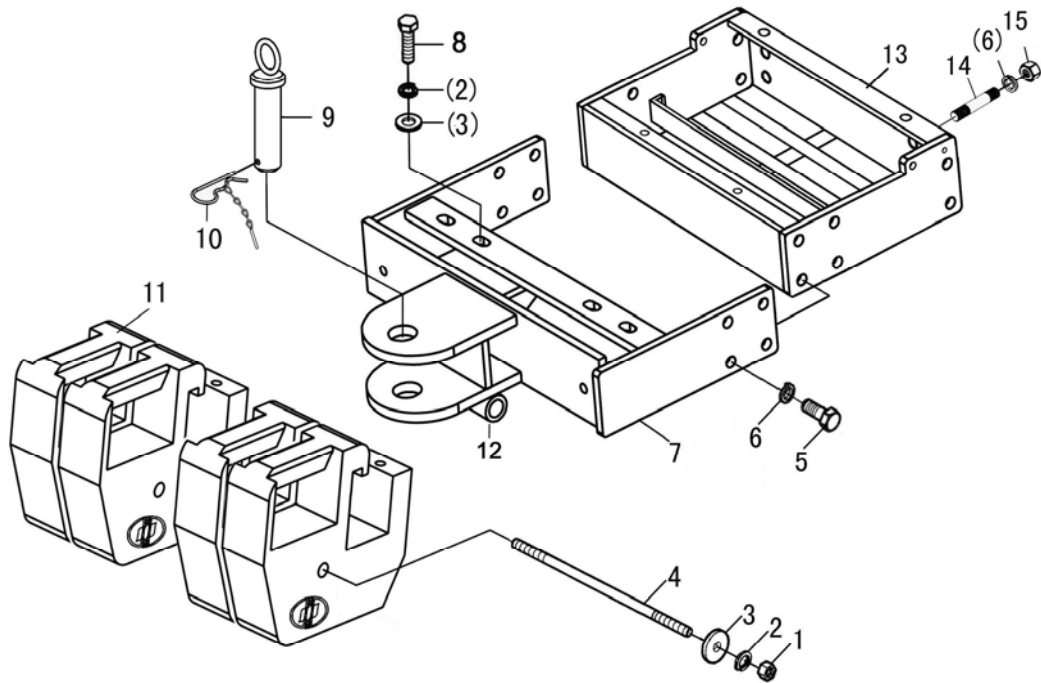
Ser No.	Part No.	Description	Qty
1	400.31.014	Front axle arm weldment assembly (right)	
2	400.31.015	Steering knuckle assembly	
3	GB/T7940.1	Oil cup M10 x 1	
4	GB/T3452.1	O-ring 34.5 x 3.55	
5	400.31.123	Bush	
6	400.31.013	Front axle arm weldment assembly (left)	
7	GB/T301	Bearing 51207	
8	GB/T9877.1	Oil seal FB 50 70 8	
9	GB/T1096	Key 10 x 25	
10	GB/T9877.1	Oil seal FB 55 80 8	
11	GB/T297	Rolling bearing 2207	
12	300.39.113	Wheel fixing screw	
13	400.31.102	Front wheel hub	
14	300.39.114	Wheel fixing nut	
15	GB/T297	Rolling bearing 32206	
16	400.31.111	Washer	
17	400.31.112	Nut M24 x 2	
18	GB/T91	Split pin 5 x 45	
19	400.31.114	Paper gasket	
20	400.31.113	Bearing cap	
21	GB/T93	Spring lock washer 6	
22	GB/T5783	Bolt M6 x 16	
23	400.31.015	Steering knuckle assembly	
	400.31.015A	Left steering knuckle assembly	



Drag Link & Tie Rod

Drag Link & Tie Rod

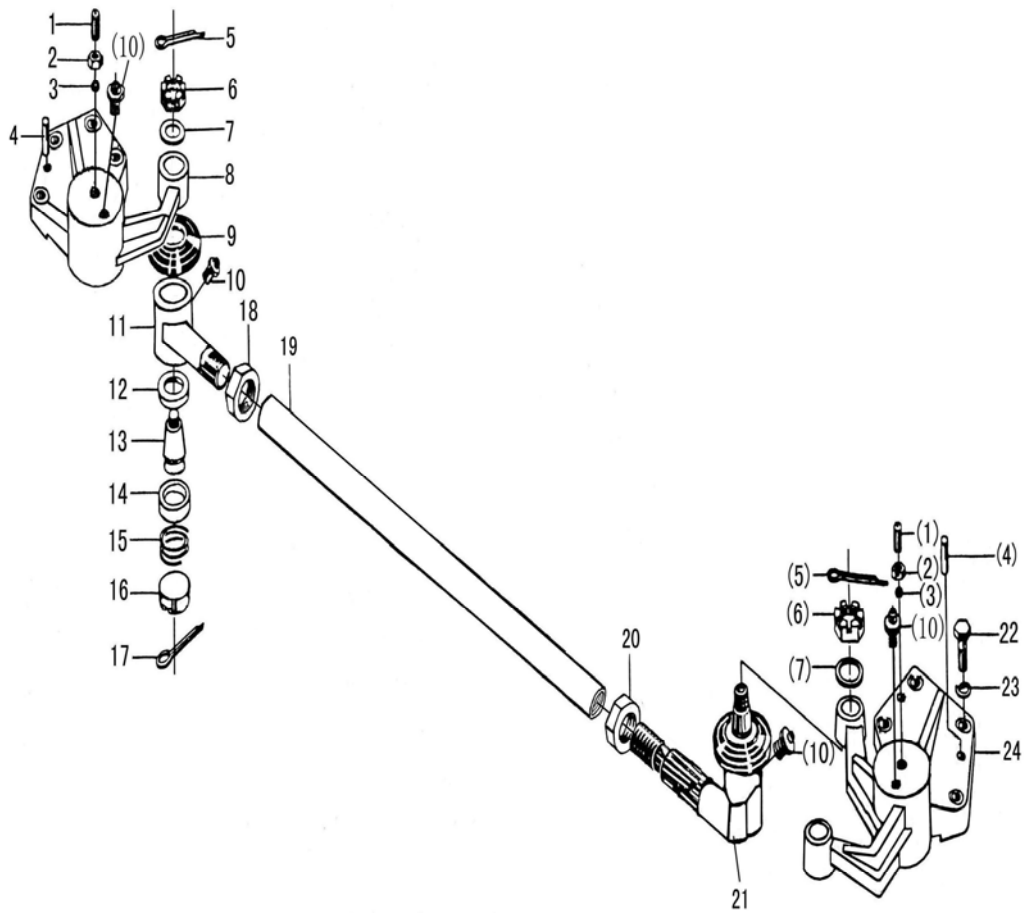
Ser No.	Part No.	Description	Qty
1	GB/T91	Split pin 3.2 x 26	
2	GB/T6181	Nut M14	
3	GB/T97.1	Plain washer 14	
4	300.31.104	Right steering knuckle arm	
5	300.31.145-2	Oil seal boot, joint	
6	400.31.133	Pull rod joint (right)	
7	GB/T7940.1	Oil cup M10 x 1	
8	300.31.140-1	Ball pin seat	
9	400.31.131	Ball pin	
10	300.31.141-1	Ball pin cap	
11	300.31.142-2	Compression spring	
12	300.31.143-1	Screw cap	
13	GB/T91	Split pin 2.5 x 50	
14	GB/T6170	Nut M12	
15	GB/T93	Spring lock washer 12	
16	GB/T5782	Bolt M12 x 75	
17	GB/T31.1	Bolt M14 x 50	
18	GB/T6181	Nut M14	
19	400.31.027-1	Main tie rod assembly	
20	GB/T6173	Nut M20 x 1.5	
21	400.31.023	Secondary tie rod assembly (right)	
22	400.31.022	Secondary tie rod assembly (left)	
23	GB/T6173	Nut M20 x 1.5 (left)	
24	400.31.132	Pull rod joint (left)	
25	300.31.103	Left steering knuckle arm	
26	400.31.020	Steering joint assembly (left)	
27	400.31.130	Drag link	
	500.31.130	Drag link	
	550.31.130	Drag link	
28	400.31.021	Steering joint assembly (right)	



Front Ballast & Bracket

Front Ballast & Bracket

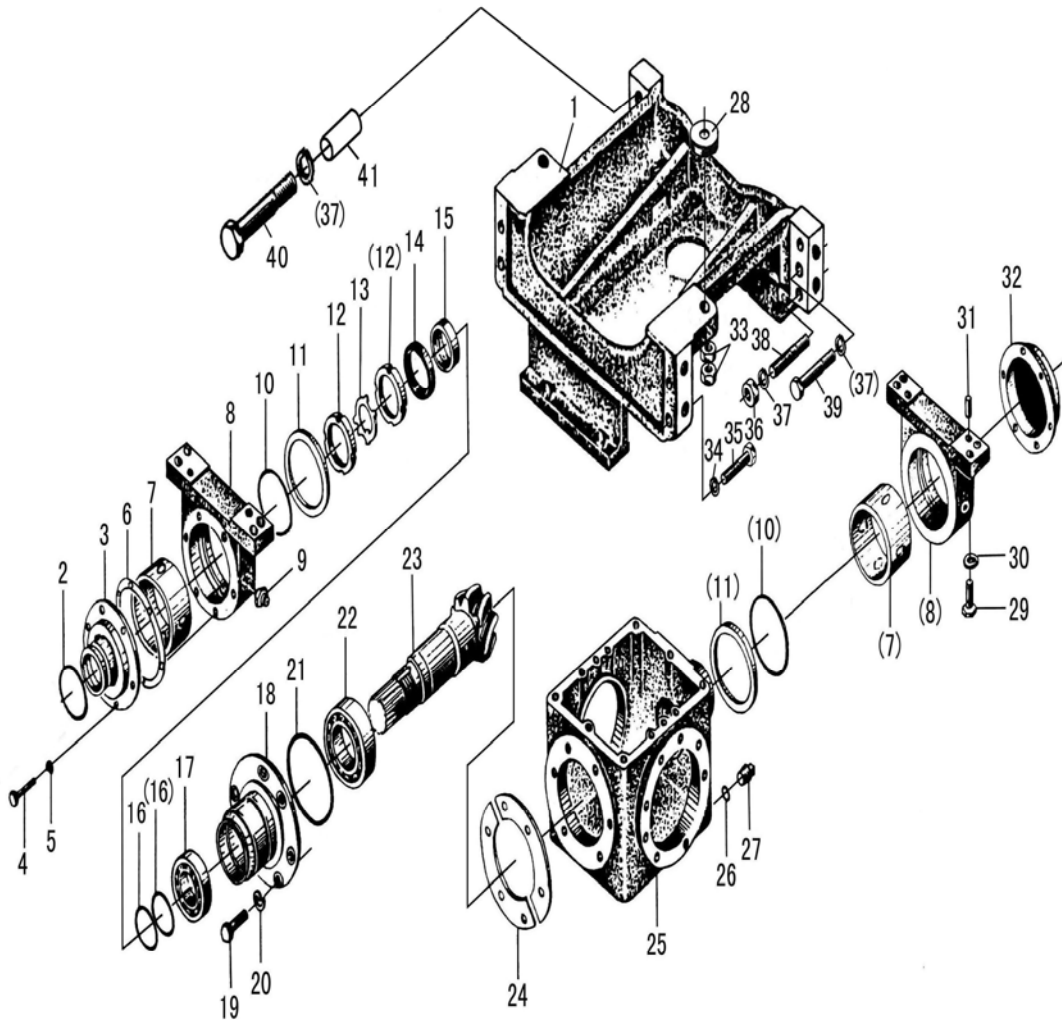
Ser No.	Part No.	Description	Qty
1	GB/T6107	Nut M16	2
2	GB/T93	Washer 16	6
3	GB/T97.1	Washer 16	6
4	400.31.305-1	Screw lever	1
5	GB/T5783	Bolt M14 x 35	8
6	GB/T93	Washer 14	12
7	400.31.030B	Bracket	1
8	GB/T5783	Bolt M16 x 35	4
9	300E.31.011	Connect pin	1
10	300E.35.020	Split pin	1
11	400.31.304-1	Front ballast	4
	400.31.304A-1	Front ballast (selected by user)	4
12	400.31.300	Bush	1
13	400.48.051	Batter support seat	1
14	GB/T898	Stud AM14 x 60	4
15	GB/T6170	Nut M14	4



Tie rod (four wheel drive)

Tie rod (four wheel drive)

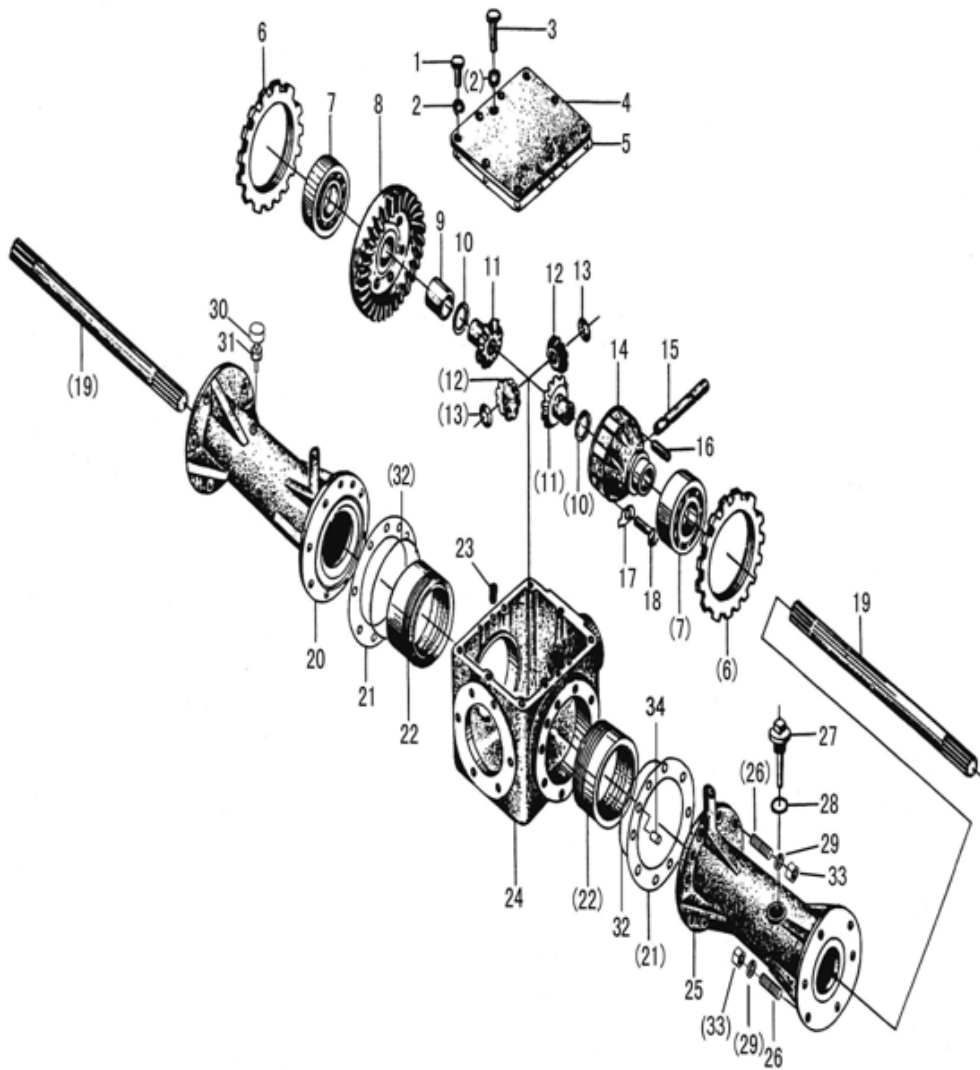
Ser No.	Part No.	Description	Qty
1	304.31.219	Set screw M10 x 1	2
2	GB/T6171	Nut M10 x 1	2
3	GB/T308	Steel ball 8.7312 G400b	2
4	GB/T119	Parallel pin 3.2 x 26	4
5	GB/T91	Split pin A8 x 20	2
6	GB/T9459	Nut M16 x 1.5	2
7	GB/T95	Plain washer 16	2
8	304.31.186-1	Right steering knuckle arm	1
9	300.31.145-1	Oil seal boot, joint	2
10	JBT7940.1	Oil cup M10 x 1	4
11	304.31.192-3	Tie rod joint (right)	1
12	300.31.140-1	Ball pin seat	2
13	404.31.131	Ball pin	2
14	300.31.141-1	Ball pin cap	2
15	300.31.142-1	Compression spring	2
16	304YZ.31.134-1	Hermetic cap	2
17	GB/T91	Split pin 2.5 x 50	2
18	GB/T6173	Nut M24 x 1.5	1
19	404.31.195	Connecting sleeve	1
20	GB/T6173	Nut M24 x 1.5 (left)	1
21	304.31.020-3	Tie rod joint assembly	1
22	GB/T5781	Bolt M12 x 35-8.8	8
23	GB/T93	Spring lock washer 12	8
24	304YZ.31.155-1	Left steering knuckle arm	1



Front Central Drive (A) (Four wheel drive)

Front Central Drive (A) (Four wheel drive)

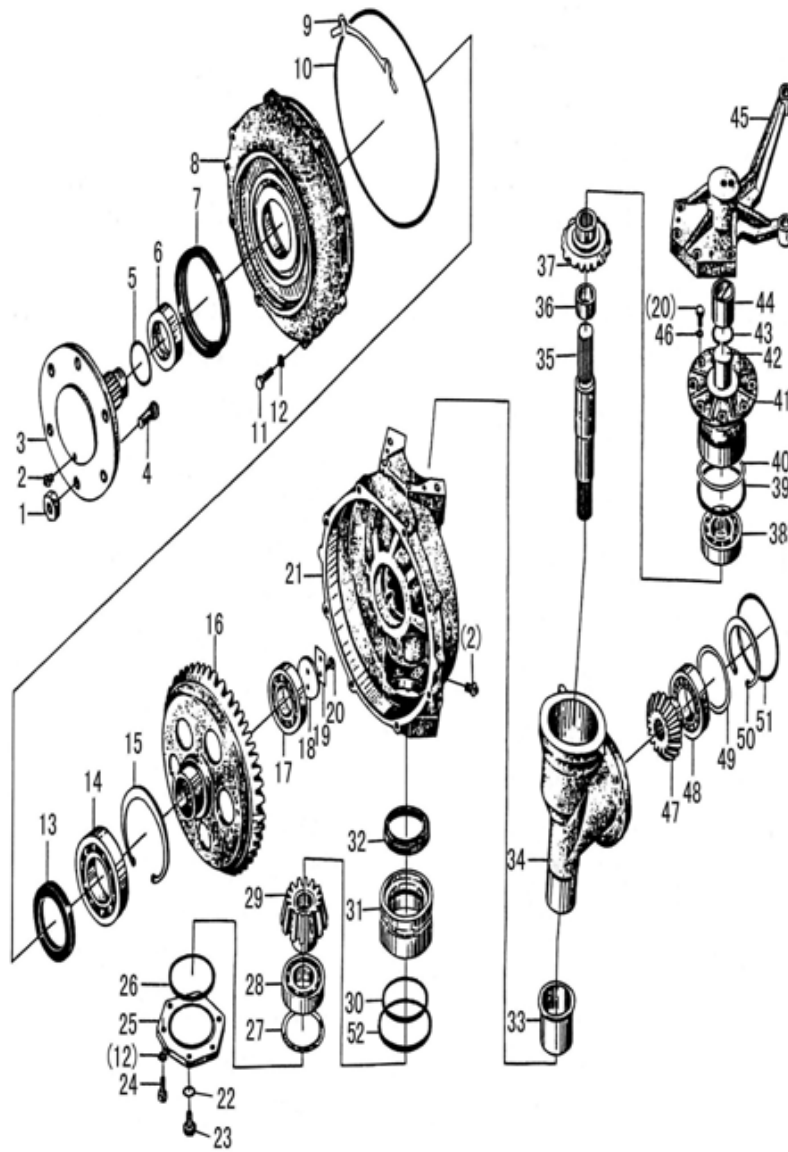
Ser No.	Part No.	Description	Qty
1	404.31.101-2	Bracket	1
	554.31.101-1	Bracket	
2	GB/T3452.1	O-ring 48.7x3.55	1
3	304.31.211	Dust pipe seat	1
4	GB/T5780	Bolt M6 x 12	12
5	GB/T93	Spring lock washer 6	12
6	304.31.144	Paper gasket	2
7	304.31.123-1	Pendulum lining	2
8	304.31.124	Pendulum seat	2
9	GB/T7940.1	Oil cup M10 x 1	2
10	GB/T3452.1	O-ring 85 x 2.65	2
11	304.31.113	Thrust washer	2
12	GB/T810	Nut (M33 xx 1.5)	2
13	GB/T858	Washer 33	1
14	GB/T9877.1	Oil seal FB45 70 8	1
15	304.31.122	Supporting sleeve	1
16	GB/T3452.1	O-ring 32.5 x 2.65	2
17	GB/T297	Rolling bearing 32007	1
18	304.31.106	Shaft seat	1
19	GB/T5783	Bolt M10 x 30	6
20	GB/T93	Spring lock washer 10	6
21	GB/T3452.1	O-ring 95 x 2.65	1
22	GB/T297	Rolling bearing 30208	1
23	404.31.117	Driving gear	1
24	304.31.502	Adjusting shim 0.7	Δ
25	304.31.104-1	Main drive case	1
26	GB3452.1	O-ring 10 x 2.65	1
27	304.31.152	Bevel screw plug	1
28		Rubber pad	2
29	GB/T5783	Bolt M12 x 30	8
30	GB/T93	Spring lock washer 12	8
31	GB/T119	Parallel pin D8 x 16	4
32	304.31.111	Dust cap	1
33	GB/T6170	Nut M12	4
34	GB/T93	Spring lock washer 14	4
35	GB/T5782	Bolt M16 x 80	4
36	GB/T6175	Nut M16	2
37	GB/T93	Washer 16	6
38	GB/T898	Stud AM16 x 80	2
39	GB/T5782	Bolt M16 x 85	4
40	GB/T5782	Bolt M16 x 135	
41	700.31.106	Bush	



Front Central Drive (B) (Four wheel drive)

Front Central Drive (B) (Four wheel drive)

Ser No.	Part No.	Description	Qty
1	GB/T5781	Bolt M8 x 25	10
2	GB/T93	Spring lock washer 8	10
3	304.31.138	Limit screw	2
4	304.31.130	Case cover	1
5	304.31.131	Paler gasket	1
6	304.31.109	Adjusting nut	2
7	GB/T297	Rolling bearing 30211	2
8	304.31.118	Driven gear	1
9	304.31.119-1	Bush	1
10	304.31.130	Plain washer	2
11	304.31.103	Differential side gear	2
12	304.31.102	Planet gear	2
13	304.31.121	Spherical washer	2
14	304.31.107	Differential cover	1
15	304.31.116-2	Planet gear shaft	1
16	GB/T879	Pin 6 x 30	1
17	GB/T861.1	Internal tooth lock washer 10	6
18	GB/T5785	Bolt M10 x 1 x 85	6
19	404.31.108-1	Differential axle	2
20	304.31.105A-3	Differential axle housing	1
21	304.31.115-1	Paper gasket	2
22	304.31.110	Bearing seat	2
23	GB/T72	Screw M8 x 22	2
24	304.31.104-1	Front case	1
25	304YZ.31.105A-1	Differential axle housing	2
26	GB/T899	Stud AM12-M12 x 1.25 x 30	28
27	184.31.030	Dipstick assembly	1
28	GB3452.1	O-ring 13.2 x 2.65	1
29	GB/T93	Spring lock washer 12	28
30	184.31.060	Vent pipe	1
31	184.31.125-1	Vent pipe plug	1
32	GB3452.1	O-ring 112 x 2.65	1
33	GB/T6176	Nut M12 x 1.25	28
34	GB/T119	Pin B10 x 25	2

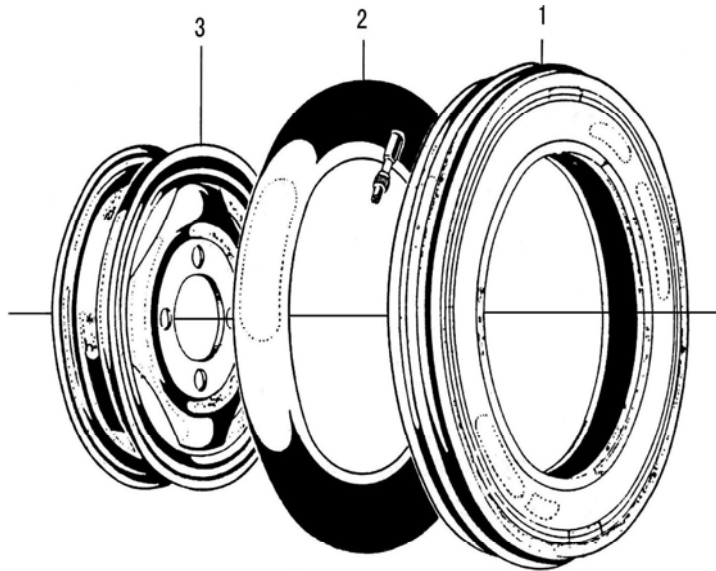


Front Final Drive Assembly (Four wheel drive)

Front Final Drive Assembly (Four wheel drive)

Ser No.	Part No.	Description	Qty
1	300.39.114	Wheel fixing nut	12
2	GB/T7940.1	Oil cup M10 x 1	4
3	304.31.179-3	Front driving shaft	2
4	300.39.113	Wheel fixing screw	12
5	GB3452.1	O-ring 46.2 x 3.55	2
6	304.31.178-2	Liner	2
7	304.31.180	End face oil seal	2
8	304.31.151	Front drive end cover	2
9	304.31.173	Adjusting shim 0.2	Δ
	304.31.174	Adjusting shim 0.5	Δ
	304.31.175	Adjusting shim 1.0	Δ
10	GB/T3452.1	O-ring 258 x 5.3	2
11	GB/T5783	Bolt M10 x 35	16
12	GB/T93	Spring lock washer 10	28
13	GB/T9877.1	Oil seal FB659010	2
14	GB/T276	Rolling bearing 310	2
15	GB/T893.1	Circlip for hole 110	2
16	304.31.153	Large gear, front final drive	2
17	GB/T283	Rolling bearing N208E	2
18	304.31.182	Clamping plate	2
19	304.31.181	Safety washer	2
20	GB/T5783	Bolt M8 x 20 (40Cr, hardened and tempered)	20
21	304.31.150	Right side reduction housing	1
	304.31.154	Left side reduction housing	1
22	GB3452.1	O-ring 10 x 2.65	2
23	304.31.152	Plug	1
24	GB/T5783	Bolt M10 x 25 (40Cr, hardened and tempered)	12
25	304.31.172-1	Lower end cover	2
26	GB3452.1	O-ring 90 x 2.65	2
27	304.31.169	Adjusting shim 0.2	Δ
	304.31.170	Adjusting shim 0.5	Δ
	304.31.171	Adjusting shim 1.0	Δ
28	GB/T279	Rolling bearing 30210	2
29	304.31.167	Pinion gear, front final drive	2
30	GB3452.1	O-ring 63 x 5.3	2
31	304.31.215-1	Support sleeve	2
32	304.31.217	Dust ring	2
33	304.31.177	Boot	2
34	304.31.161	Left kingpin housing	1
	304.31.187	Right kingpin housing	1
35	304.31.183	Kingpin	2
36	304.31.165	Supporting sleeve	2
37	304.31.184	Bevel bearing (2)	2
38	GB/T297	Rolling bearing 30208	2
39	GB3452.1	O-ring 85 x 5.3	1
40	304.31.157	Adjusting shim 0.2	Δ
	304.31.158	Adjusting shim 0.5	Δ
	304.31.159	Adjusting shim 1.0	Δ
41	304.31.160	Kingpin shaft seat	12
42	304.31.216-1	Kingpin shaft head	2
43	GB3452.1	O-ring 37.8 x 3.55	2
44	304.31.156-1	Bush	2

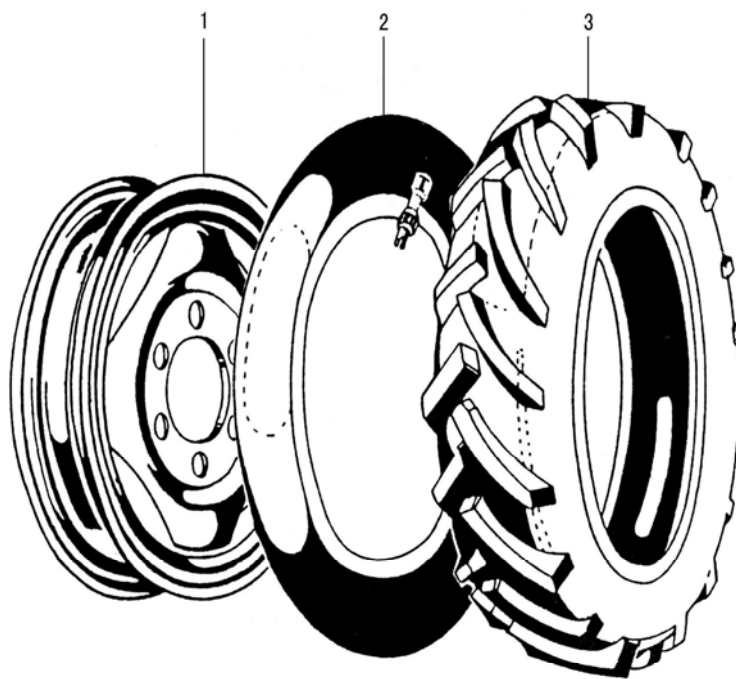
Ser No.	Part No.	Description	Qty
45	304YZ.31.155-1	Left steering knuckle arm	1
46	304.31.186-1	Right steering knuckle arm	1
	GB/T93	Spring lock washer 8	20
47	304.31.166	Bevel gear (1)	2
48	GB/T276	Rolling bearing 6209	2
49	304.31.162	Adjusting shim 0.2	Δ
	304.31.163	Adjusting shim 0.5	Δ
	304.31.164	Adjusting shim 1.0	Δ
50	GB/T893.1	Circlip for hole 85	2
51	GB3452.1	O-ring 100 x 5.3	2
52	GB3452.1	O-ring 77.5 x 2.65	2



Directive Wheel

Directive Wheel

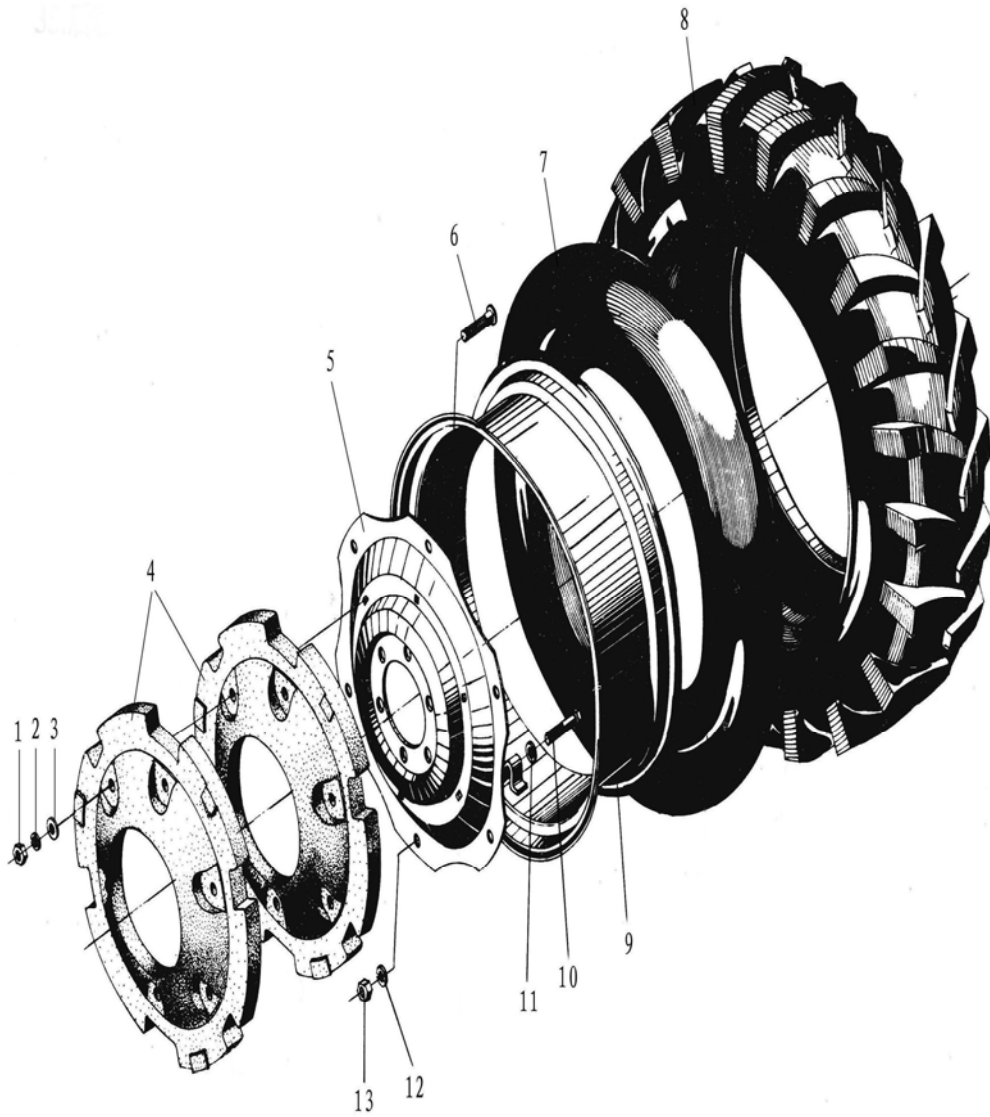
Ser No.	Part No.	Description	Qty
1	400.32.011 400.32.011A	Rim assembly directive wheel Rim assembly directive wheel (selected by user)	
2	GB/T2979 GB/T2979	Tube 6.00-16 Tube 6.50-16 Tube 31 x 9.50-16 (selected by user)	
3	GB/T2979 GB/T2979	Tyre 6.00-16 Tyre 6.50-16 Tyre 31 x 9.5-16	



Front Driving Wheel (Four wheel drive)

Front Driving Wheel (Four wheel drive)

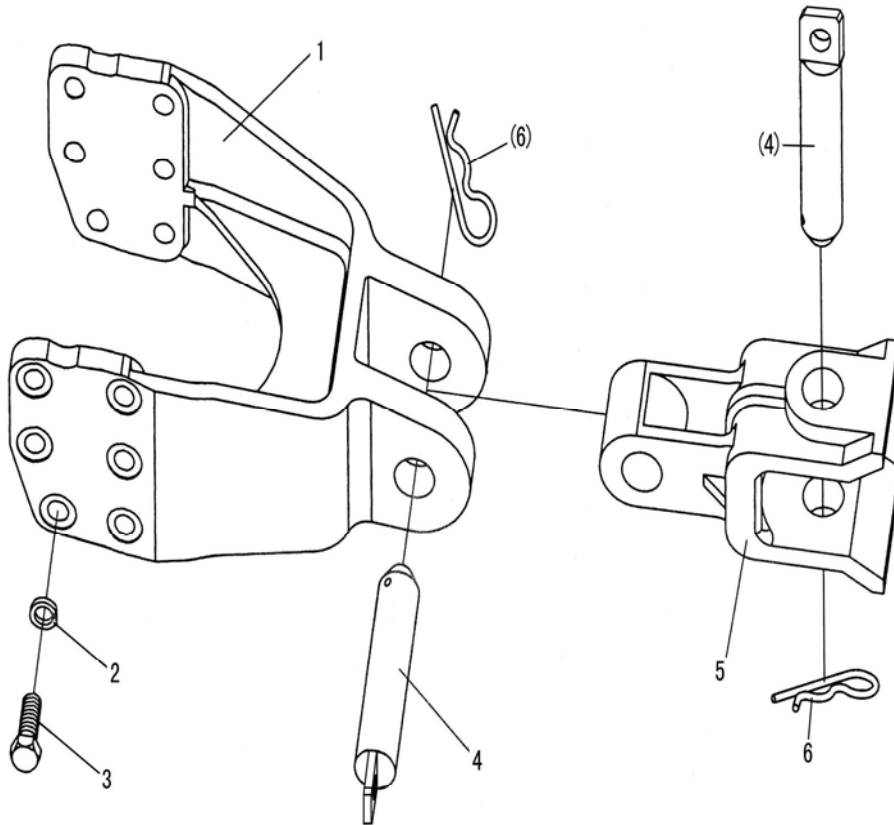
Ser No.	Part No.	Description	Qty
1	304.32.011B	Rim assembly, front driving wheel	2
	454.32.011	Rim assembly, front driving wheel	
	554.32.011	Rim assembly, front driving wheel	
	304.32.011A	Rim assembly, front driving wheel	
2	GB/T2979	Tube 7.50-16	2
	GB/T2979	Tube 8.3-20	2
	GB/T2979	Tube 8.3-24	2
	GB/T2979	Tyre 8.3-20 (for paddy field tractor)	2
3		Tube 31-9.5 x 16 (for gardening tractor)	2
	GB/T2979	Tyre 7.50-16	2
	GB/T2979	Tyre 8.3-20	2
	GB/T2979	Tyre 8.3-24	2
	GB/T2979	Tyre 8.3-20 (for paddy field tractor)	2
		Tyre 31-9.5 x 16 (for gardening tractor)	2



Driving Wheel

Driving Wheel

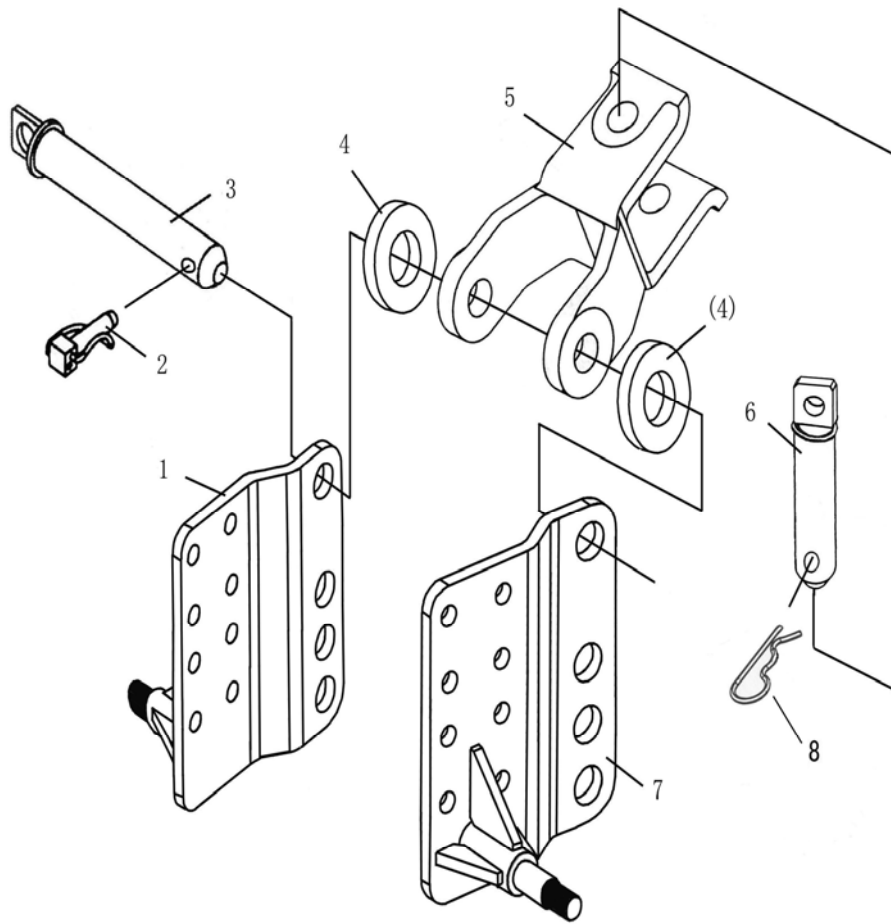
Ser No.	Part No.	Description	Qty
1	GB/T6170	Nut M16	12
2	GB/T93	Washer 16	12
3	400.34.108-1	Washer 16	12
4	400.34.105-3	Ballast	4
5	400.34.102-1	Spoke, driving wheel	2
	550.34.102	Spoke, driving wheel	
6	GB/T12	Bolt M16 x 95	12
7	GB/T2979	Tube 11.2-28	
		Tube 12.4-28	2
		Tube 13.6-28	
		Tube 12.4-32	
		Tube 11-28 (for paddy field tractor)	2
		Tube 13-20 (for gardening tractor)	2
8	GB/T2979	Tyre 11.2-28	
		Tyre 12.4-28	2
		Tyre 13.6-28	
		Tyre 12.4-32	
		Tyre 11-28 (for paddy field tractor)	2
		Tyre 13-20 (for gardening tractor)	2
9	400.34.011	Rim assembly, driving wheel	2
	450.34.011	Rim assembly, driving wheel	2
	550.34.101	Rim assembly, driving wheel	
	400.34.011B-1	Rim assembly, driving wheel	2
10	GB/T13	Bolt M16 x 80	12
11	GB/T97.1	Washer 16	12
12	GB/T93	Washer 16	12
13	GB/T6170	Nut M16	12



Drawbar (I)

Drawbar (I)

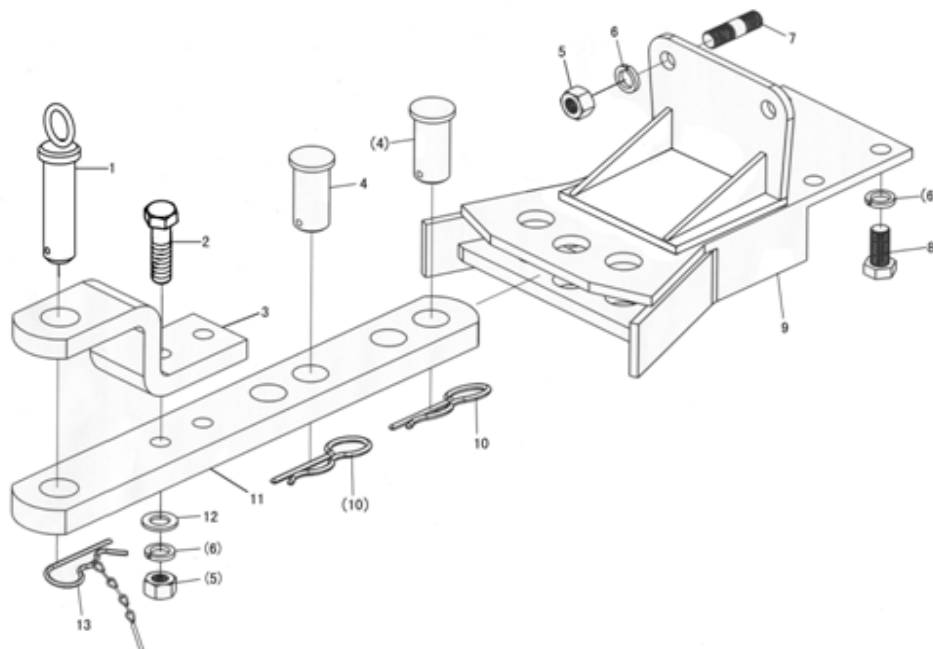
Ser No.	Part No.	Description	Qty
1	400.35.011	Drawbar	1
2	GB/T93	Washer 16	12
3	GB/T5783	Bolt M16 x 40	12
4	160.35.012-1	Drawbar pin	2
5	400.35.102	Drawbar crossing	1
6	160.35.107	Lock pin	2



Drawbar (II)

Drawbar (II)

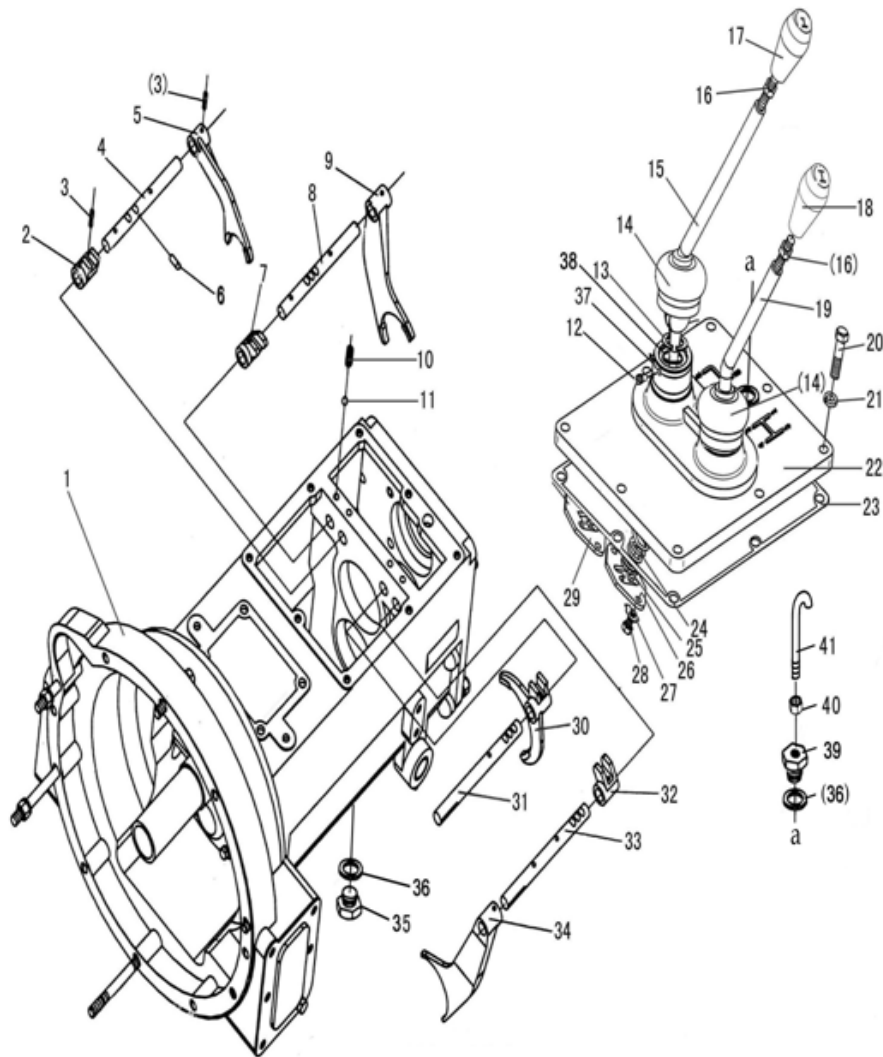
Ser No.	Part No.	Description	Qty
1	400.35.022	Right bracket weldment	1
	450.35.022	Right bracket weldment	
2	160.56.014	Lock pin	1
3	254.35.112	Drawbar connecting pin	1
4	400.35.203	Bush	2
5	160.35.102-1	Drawbar crossing	1
6	160.35.012-1	Drawbar (II)	1
7	400.35.021	Left bracket weldment	1
	1540.35.021	Left bracket weldment	
8	160.35.107	Lock pin	1



Pendulum Drawbar

Pendulum Drawbar

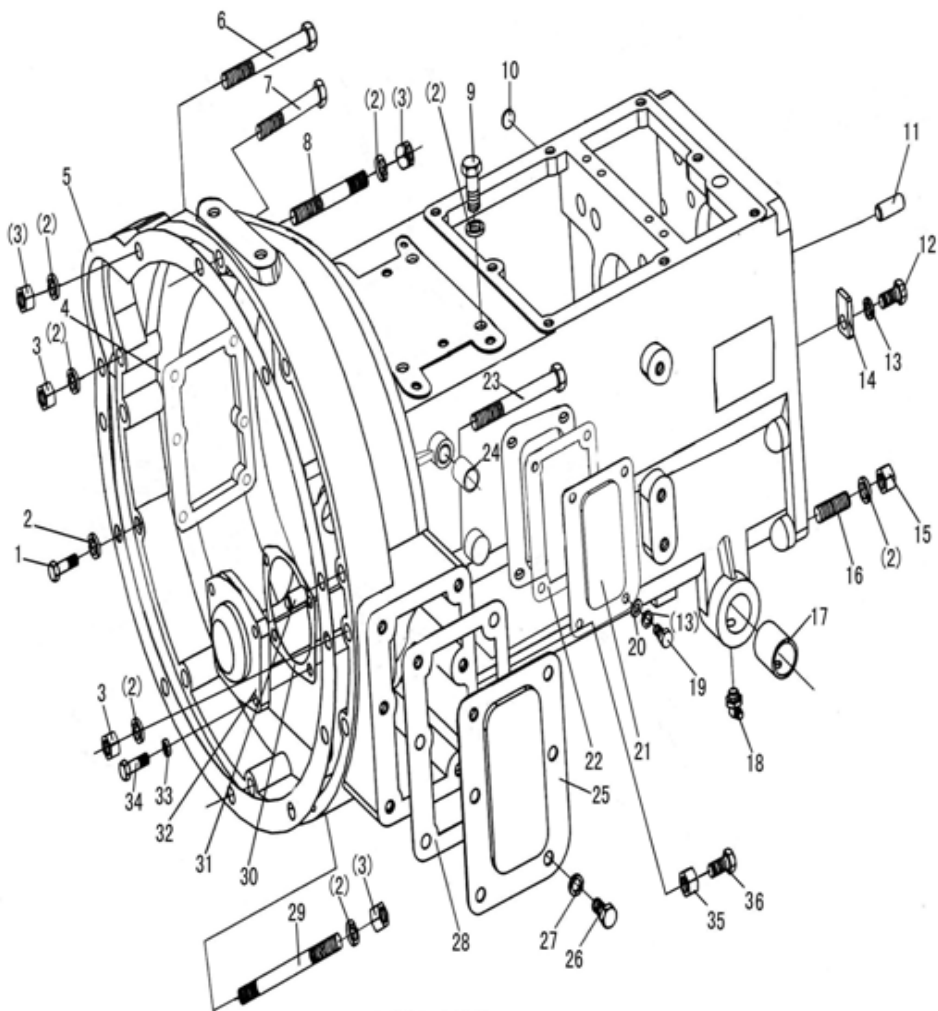
Ser No.	Part No.	Description	Qty
1	300E.35.019	Drawbar connecting pin assembly	1
2	GB/T5782	Bolt M16 x 70	2
3	300.35.203	Drawbar	1
4	300.35.103	Drawbar connecting pin	2
	700.53.201	Drawbar connecting pin	
5	GB/T6170	Nut M16	4
6	GB/T93	Washer 16	8
7	GB/T898	Stud AM16-M16 x 35	2
8	GB/T5783	Bolt M16 x 35	4
9	300.35.011-1	Pendulum drawbar assembly	1
	400.35.011B-1	Pendulum drawbar assembly	
10	300.35.104	Lock pin	2
11	300.35.013	Drawbar	1
12	GB/T97.1	Washer 16	2
13	300E.35.020	Lock pin	1



Intermediate Axle & Transmission (A)

Intermediate Axle & Transmission (A)

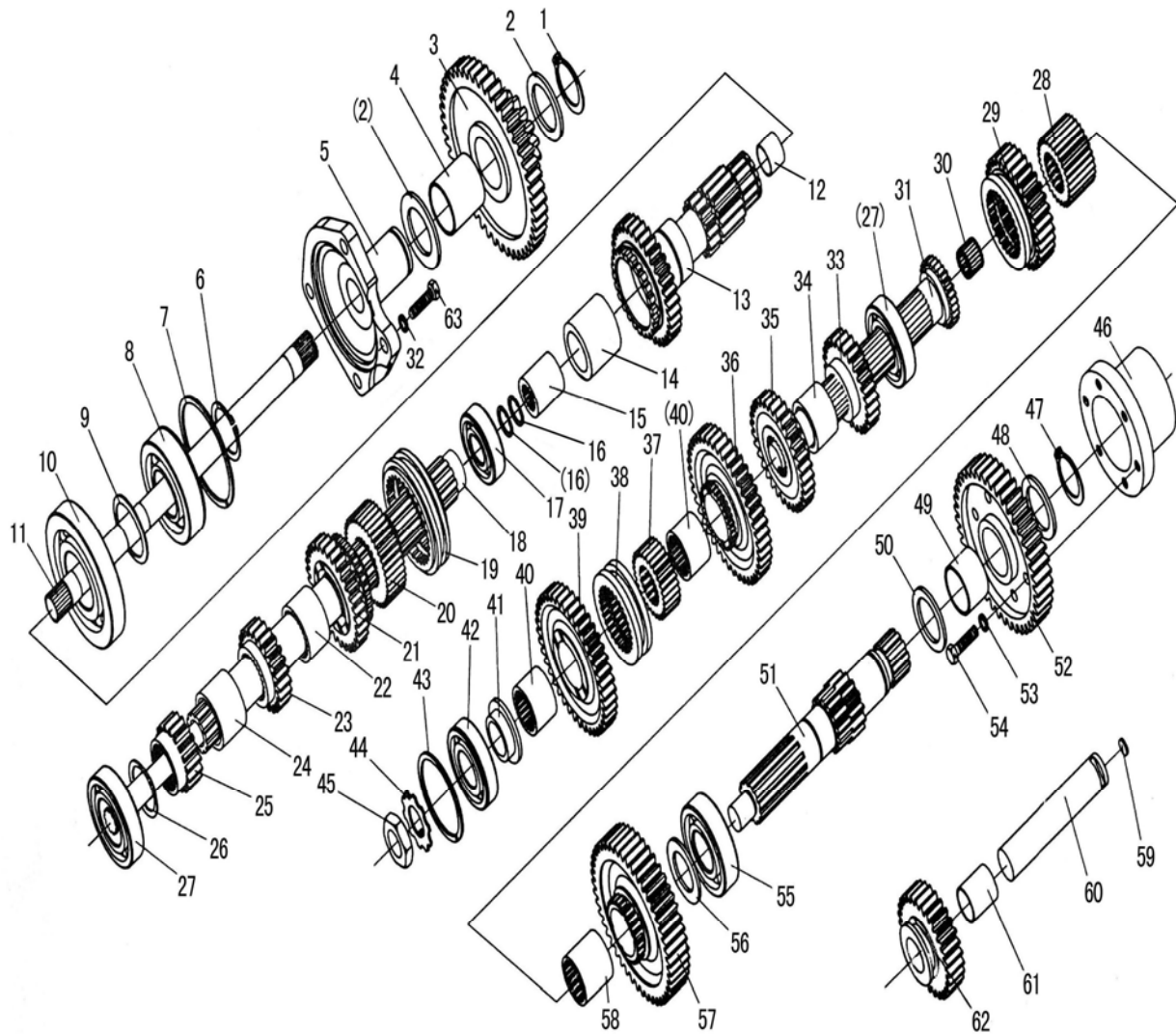
Ser No.	Part No.	Description	Qty
1	400.37.101-1	Gear box	1
2	400.37.153	Reverse shift lump	1
3	GB/T879	Pin 5 x 24	7
4	400.37.155	Reverse-fork shaft	1
5	400.37.146	Reverse-fork	1
6	400.37.151	Pin	1
7	400.37.154	Sub-lump	1
8	400.37.156	Sub-fork shaft	1
9	400.37.145-1	Sub-fork	1
10	400.38.186	Spring	4
11	GB/T308	Ball 8.00	4
12	GB/T75	Screw M10 x 30	2
13	GB/T893.1	Circlip 37	2
14	400.37.166	Sealing cap	2
15	400.37.160-1	Sub-selector lever	1
16	GB/T6170	Nut M10	2
17	400.37.016	Knob	1
18	400.37.015	Knob	1
19	400.37.167-1	Selector lever	1
20	GB/T5783	Bolt M10 x 30	8
21	GB/T93	Washer 10	8
22	400.37.163-3	Cover	1
23	400.37.129	Gasket	1
24	160.37.183	Spring	2
25	160.37.184	Washer	2
26	400.37.162	Shift guide plate	1
27	400.37.164	Washer	4
28	GB/T5783	Bolt M8 x 16	4
29	400.37.161	Sub-shift guide plate	1
30	400.37.147	III-IV Fork	1
31	400.37.150	III-IV Fork shaft	1
32	400.37.152	I-II Shaft lump	1
33	400.37.149	I-II Fork shaft	1
34	400.37.148-1	I-II Fork	1
35	400.38.024	Oil drain plug	1
36		Seal washer 20	2
37	GB/T921	Circlip 41	2
38	800.37.015	Oil seal	2
39	400.38.114-1	Oil drain plug	1
40	GB/T6170	Nut M12	1
41	160.37.402-1	Vent screw plug	1



Intermediate Axle & Transmission (B)

Intermediate Axle & Transmission (B)

Ser No.	Part No.	Description	Qty
1	GB/T5782	Bolt M12 x 110-8.8	2
2	GB/T93	Washer 12	24
3	GB/T6170	Nut M12	8
4	400.37.101-1	Transmission box	1
5	300.21.111	Gasket	1
6	GB/T5782	Bolt M12 x 125-8.8	2
7	GB/T5782	Bolt M12 x 50-8.8	1
8	GB/T898	Bolt AM12-M12 x 100-8.8	1
9	GB/T5783	Bolt M12 x 30	4
10	400.37.168	Plugging leaf	1
11	GB/T119	Pin D12 x 30	2
12	GB/T5783	Bolt M10 x 20	1
13	GB/T93	Washer 10	5
14	400.37.140	Plate	1
15	TGB/T6171	Nut M12 x 1.25	10
16	GB/T899	Stud AM12-M12 x 1.25 x 40-8.8	10
17	400.37.158	Bush	2
18	GB/T7940.1	Grease	2
19	GB/T5783	Bolt M10 x 20	4
20	GB/T97.1	Washer 10	4
21	400.37.178	Cover plate	1
22	400.37.179	Gasket	1
23	GB/T5782	Bolt M12 x 80-8.8	1
24	400.37.165	Bush	1
25	400.37.174	Cover plate	2
26	GB/T5783	Bolt M16 x 25	12
27	GB/T93	Washer 16	12
28	400.37.175	Gasket	2
29	GB/T898	Bolt AM12-M12 x 190-8.8	3
30	400.37.119-1	Gasket	1
31	GB/T119	Pin D12 x 22	2
32	400.37.120	Bearing cover	1
33	GB/T93	Washer 8	1
34	GB/T5783	Bolt M8 x 25	4
35	GB/T6170	Nut M10	1
36	GB/T5783	Bolt 10 x 40	1



Intermediate Axle & Transmission (C)

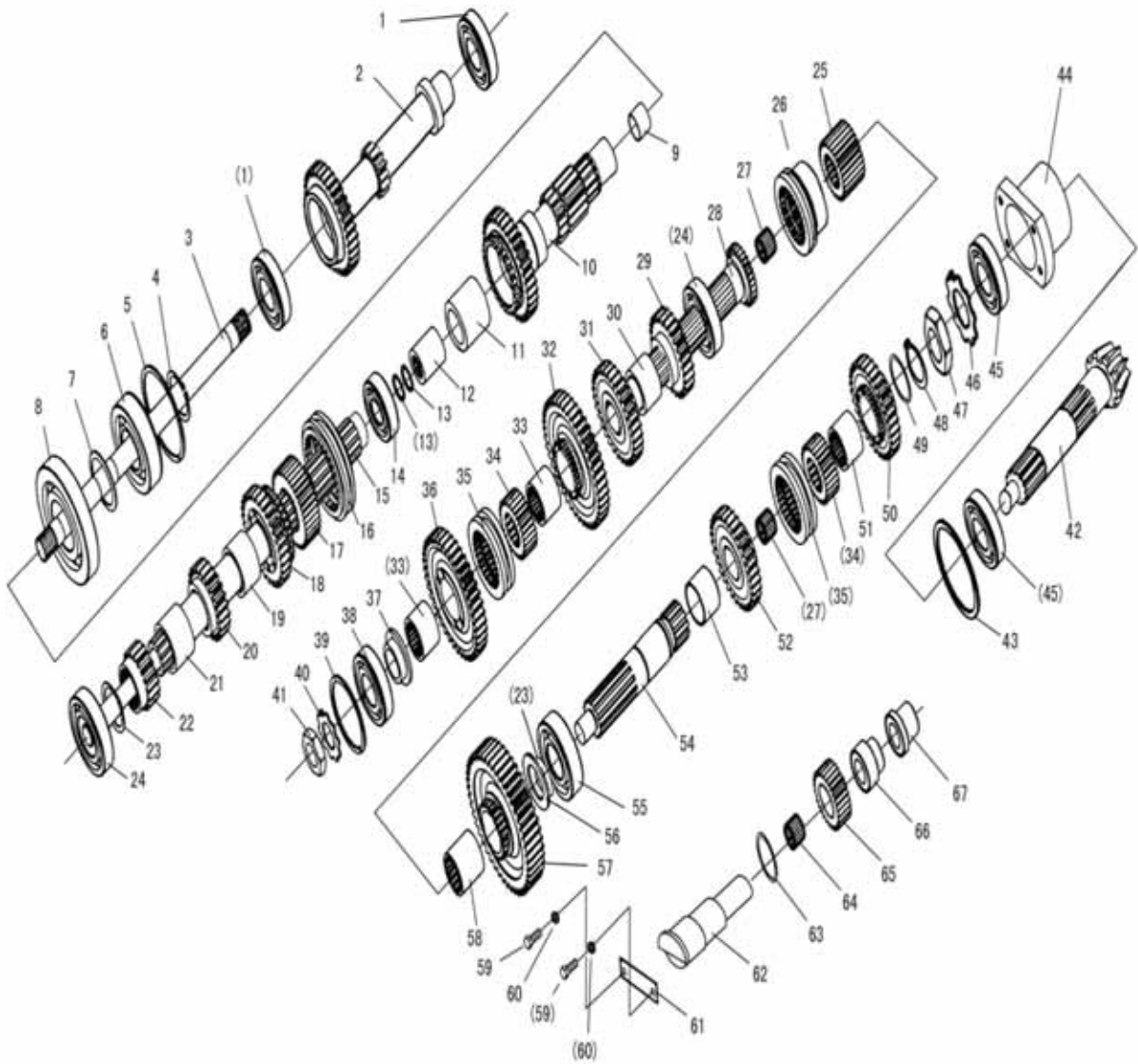
Intermediate Axle & Transmission (C)

Ser No.	Part No.	Description	Qty
1	GB/T894.1	Circlip 38	1
2	400.37.124	Washer	2
3	400.37.111	Garr	1
4	400.37.125	Bush	1
5	400.37.139	Bearing cover	1
6	GB/T894.1	Circlip 45	1
7	GB/T305	Circlip 100/106.5	1
8	GB/T276	Bearing 6309N	1
9	GB/T894.1	Circlip 55	1
10	GB/T276	Bearing 6211	1
11	400.37.137	Connecting shaft	1
12	400.37.170	Bush	1
13	400.37.169	Shaft	1
	400.37.169A	Shaft (selected by user)	1
14	400.37.159	Bush	1
15	400.37.136	Connecting sleeve	1
16	GB/T3452.1	O-ring 23.6 x 2.65	2
17	GB/T283	Bearing RN207	1
	GB/T276	Bearing 6305 (selected by user)	1
18	400.37.102	1 st shaft	1
	400.37.102A	1 st shaft (selected by user)	1
	550.37.102	1 st shaft	1
19	400.37.134	Meshing sleeve	1
20	400.37.132-1	Meshing sleeve seat	1
21	400.37.131	29T gear	1
22	400.37.130	Bush	1
23	400.37.128	22T gear	1
24	400.37.127	Bush	1
25	400.37.126	17T gear	1
26	GB/T894.1	Circlip 40	3
27	GB/T276	Bearing 6208	2
28	400.37.106	Meshing sleeve seat	1
29	400.37.105	31T gear	1
30	GB/T7918	Needle bearing K20 x 26 x 20	1
31	400.37.109	2 nd shaft	2
32	GB/T93	Washer 10	4
33	400.37.108	26T gear	1
34	400.37.110	Bush	1
35	400.37.112	30T gear	1
36	400.37.113	32/37T gear	1
37	400.37.116	Meshing sleeve seat	1
38	400.37.115	Meshing sleeve	1
39	400.37.117	32/42T gear	2
40	400.37.114	Bush	1
41	400.37.118	Washer	1
42	GB/T276	Bearing 6307N	1
43	GB/T305	Thrust ring 80/86.6	1
44	GB/T858	Washer 30	1
45	GB/T812	Nut M30 x 1.5	1
46	400.37.122	Thrust ring	1
47	GB/T894.1	Circlip 40	3
48	400.37.142	Gear	1

Ser No.	Part No.	Description	Qty
49	400.37.133	Bush	1
50	400.37.138	Thrust ring	1
51	400.37.107-1	Shaft	1
52	400.37.121	Gear	1
53	GB/T93	Washer 8	6
54	GB/T5783	Bolt M8 x 30	6
55	GB/T276	Bearing 6308	1
56	400.37.143	Washer	1
57	400.37.103	46Tgear	1
58	400.37.104-1	Bush	1
59	400.37.168	Plug ring shaft 14	1
60	400.37.141	Shaft	1
61	400.37.171	Bush	1
62	400.37.172	27Tgear	1
63	GB/T5783	Bolt M10 x 30	4

Gearbox Assembly with Shuttle-Action Gear Change (A)

Ser No.	Part No.	Description	Qty
1	400.37S.101	Gear box	1
2	400.37S.314	Shift limp	2
3	GB/T879	Pin 5 x 24	7
4	400.37S.208-1	Reverse-fork shaft	1
5	400.37S.207	Reverse-fork	1
6	400.38.024	Oil drain plug	1
7	400.37S.315	Shift limp	1
8	400.37S.156-1	Fork shaft	1
9	400.37.145	Fork	1
10	400.38.186	Spring	4
11	GB/T308	Ball 8.00	4
12	GB/T93	Washer 10	8
13	GB/T5783	Bolt M10 x 30	8
14	400.38.114	Oil drain plug	1
15		Seal washer 20	2
16	400.37.129	Gasket	1
17	40.37.147	III-IV Fork	1
18	40.37S.150	III-IV Fork shaft	1
19	400.37S.148-1	I-II Fork	1
20	400.37.149	I-II Fork shaft	1

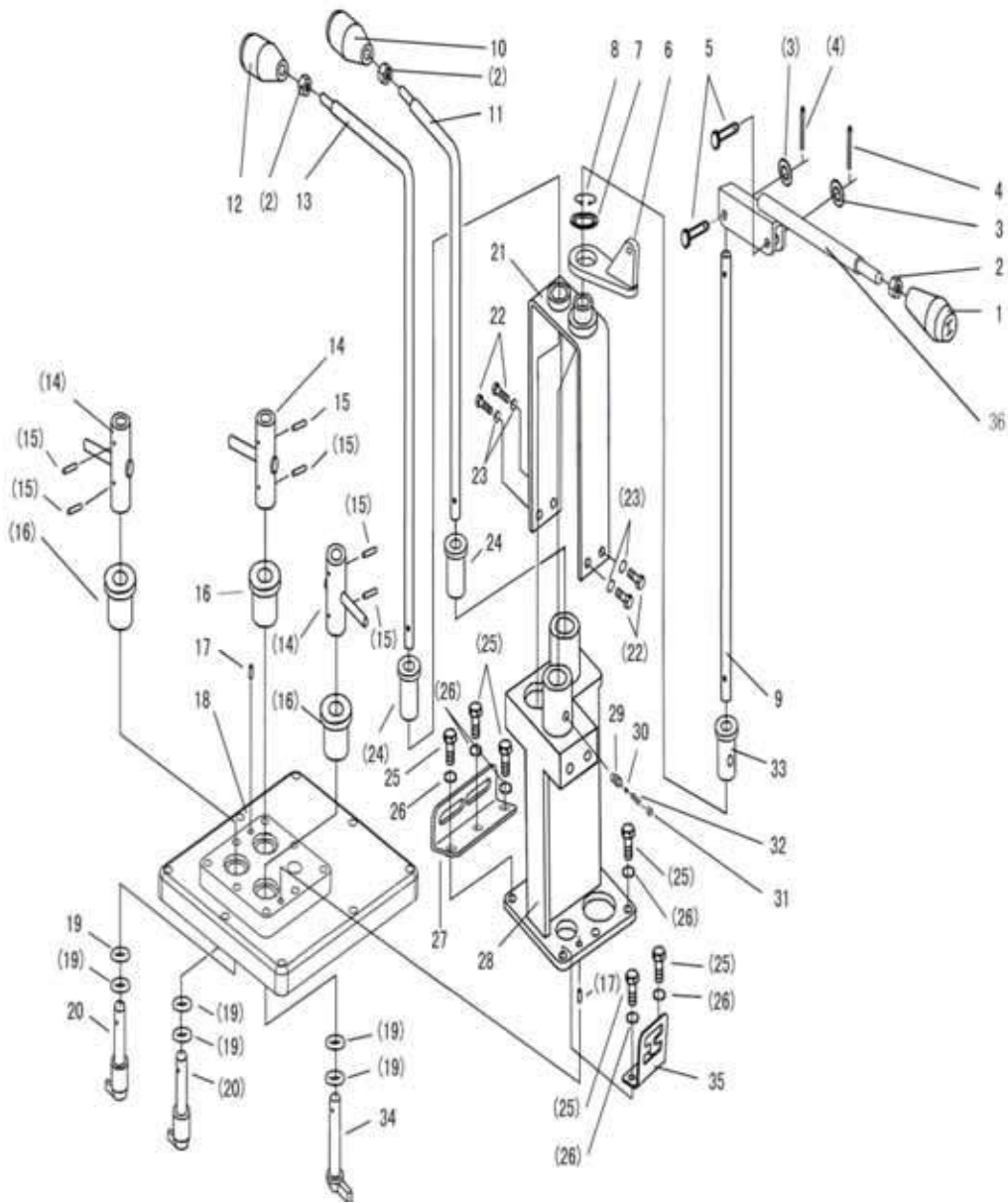


Gearbox Assembly with Shuttle-Action Gear Change (B)

Gearbox Assembly with Shuttle-Action Gear Change (B)

Ser No.	Part No.	Description	Qty
1	GB/T276	Bearing 6208	2
2	400.37S.203	Shaft	1
3	400.37.137	Connecting shaft	1
4	GB/T984.1	Circlip 45	1
5	GB/T305	Circlip 100/106.5	1
6	GB/T276	Bearing 6309N	1
7	GB/T894.1	Circlip 55	1
8	GB/T276	Bearing 6211	1
9	400.37.170	Bush	1
10	400.37S.169	Shaft	1
11	400.37.159	Bush	1
12	400.37.136	Connecting sleeve	1
13	GB/T3452.1	O-ring 23.6 x 2.65	2
14	GB/T283	Bearing RN207	1
15	400.37.102	1 st shaft	1
	550.37.102	1 st shaft	
16	400.37.134	Meshing sleeve	1
17	400.37.132-1	Meshing sleeve seat	1
18	400.37.131	29Tgear	1
19	400.37.130	Bush	1
20	400.37.128	22T gear	1
21	400.37.127	Bush	1
22	400.37.126	17T gear	1
23	GB/T894.1	Circlip 40	2
24	GB/T276	Bearing 6208	2
25	400.37.106	Meshing sleeve seat	1
26	400.37S.105	Meshing sleeve	1
27	GB/T7918	Needle bearing K20 x 26 x 20	1
28	400.37.109	2 nd shaft	2
29	400.37.108	26T gear	1
30	400.37.110	Bush	1
31	400.37.112	30T gear	1
32	400.37.113	32/37T gear	1
33	400.37.114	Bush	2
34	400.37.116	Meshing sleeve seat	2
35	400.37.115	Meshing sleeve	2
36	400.37.117	32/42Tgear	2
37	400.37.118	Washer	1
38	GB/T276	Bearing 6307N	1
39	GB/T305	Thrust ring 80/86.6	1
40	GB/T858	Washer 30	1
41	GB/T812	Nut M30 x 1.5	1
42	400.38S.115	Shaft	1
43	400.38S.118	Adjusting washer	Δ
44	400.38S.117	Thrust ring	1
45	GB/T279	Bearing 32209	2
46	GB/T858	Washer 42	1
47	GB/T812	Nut M42 x 1.5	2
48	304.21S.150	Circlip	1
49	400.37.143	Circlip	1
50	400.37S.205	26T gear	1
51	400.37S.206	Bush	1

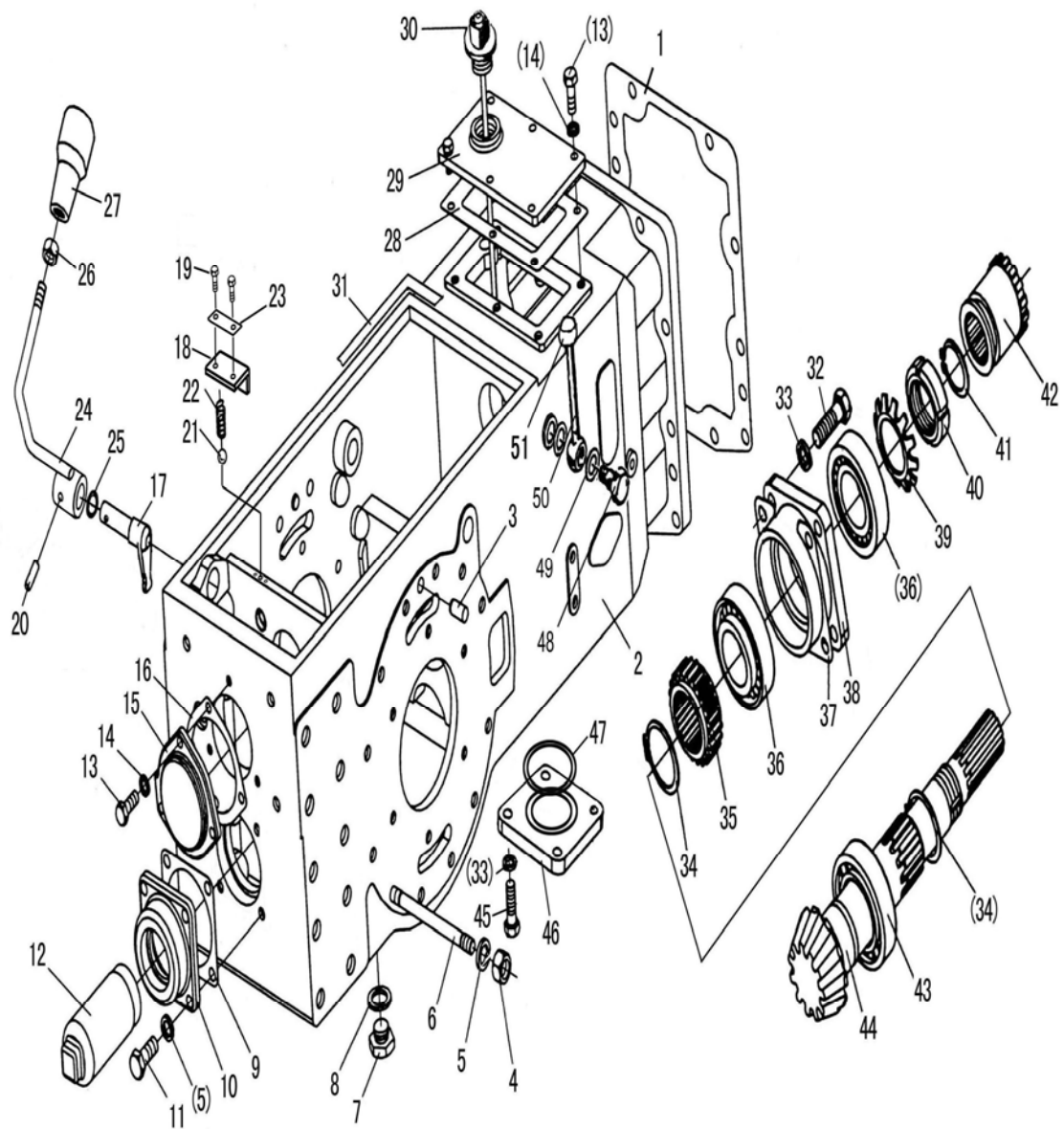
Ser No.	Part No.	Description	Qty
52	400.37S.202	30T gear	1
53	400.37S.201	Bush	1
54	400.37S.107	Shaft	1
55	GB/T276	Bearing 6308	1
56	400.37.143	Circlip	1
57	400.37.103	46Tgear	1
58	400.37.104-1	Bush	1
59	GB/T5783	Bolt M6 x 20	2
60	GB/T93	Washer 6	2
61	400.37S.209	Limiting plate	1
62	400.37S.210	Shaft	1
63	254.37.518	Washer	1
64		Bearing 27 x 32 x 24	1
65	400.37S.204	17T gear	1
66	254.37.559	Washer	1
67	400.37S.211	Bush	1



Control Mechanism of Shuttle-Action Gear Change

Control Mechanism of Shuttle-Action Gear Change

Ser No.	Part No.	Description	Qty
1	400.37S.033	Knob	1
2	GB/T6170	Nut M10	3
3	GB/T97.1	Washer 8	2
4	GB/T91	Pin 3 x 20	2
5	GB/T882	Pin B8 x 26	2
6	400.37S.321	Bracket	1
7	400.37S.402	Circlip	1
8	GB/T894.1	Circlip 30	1
9	400.37S.401	Selector lever	1
10	400.37S.035	Knob	1
11	400.37S.309	Sub-selector lever	1
12	400.37S.034	Knob	1
13	400.37S.308-1	Selector sleeve	1
14	400.37S.032	Connecting sleeve	3
15	GB/T879	Pin 5 x 26	6
16	40.37S.305	Bush	3
17	GB/T119	Pin D8 x 16	2
18	400.37S.163	Cover	1
19	GB/T3452.1	O-ring 15 x 2.65	6
20	400.37S.302	Sub-lump	2
21	400.37S.042-1	Bracket	1
22	GB/T5783	Bolt M10 x 20	4
23	GB/T93	Washer 10	4
24	400.37S.304	Bush	2
25	GB/T5783	Bolt M10 x 20	6
26	GB/T93	Washer 10	1
27	400.37S.161	Sub-shift guide plate	1
28	400.37S.320	Bracket	1
29	400.37S.303	Bush	1
30	GB/T308	Ball 8.7312	1
31	300.37.302	Screw	1
32	300.37.301	Spring	1
33	400.37S.304	Bush	1
34	400.37S.301	Shift lump	1
35	400.37S.162	Shift guide plate	1
36	400.37S.044-2	Selector lever	1

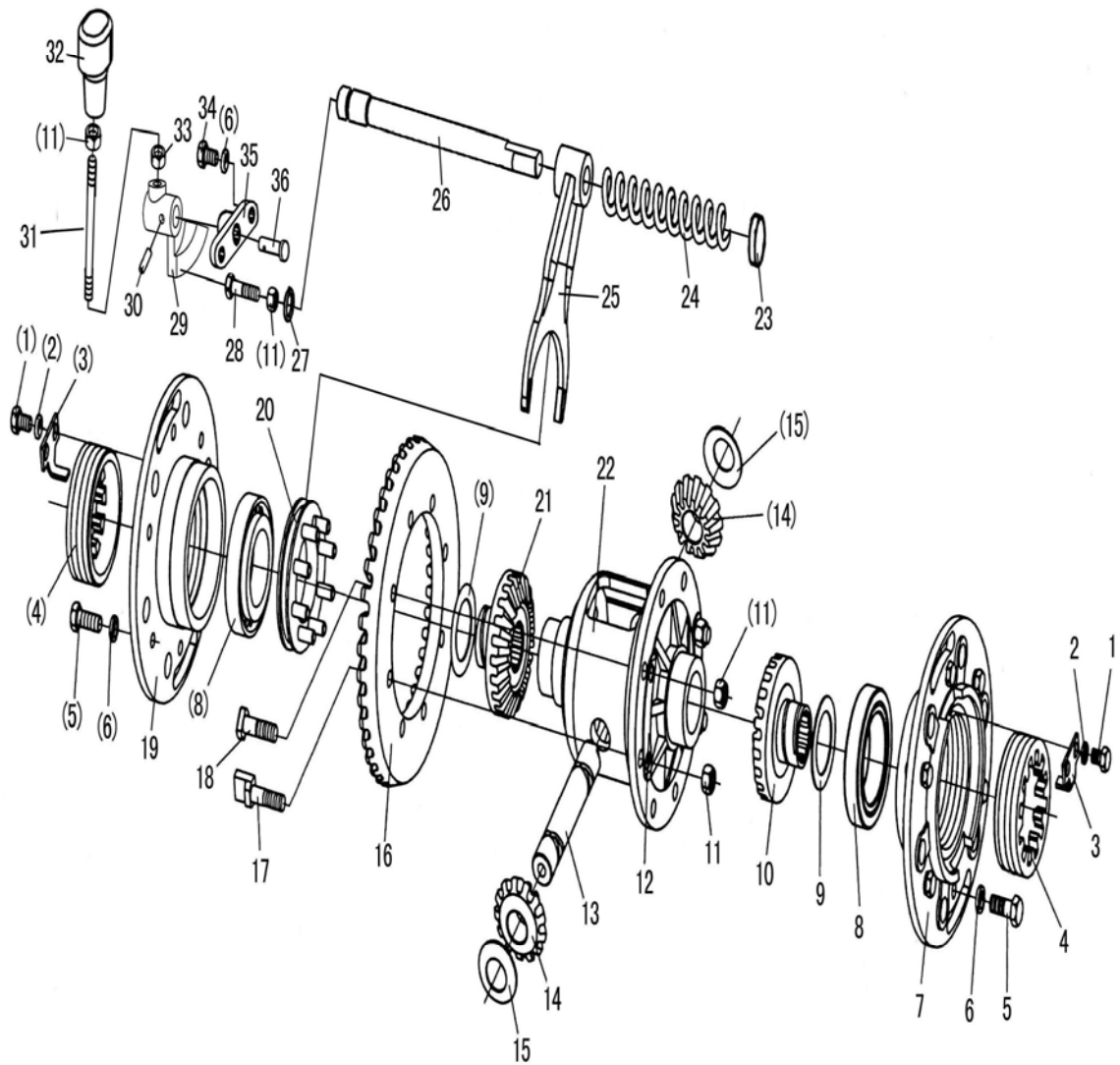


Rear Axle

Rear Axle

Ser No.	Part No.	Description	Qty
1	400.38.123-1	Gasket	1
	400.38S.123	Gasket	1
2	400.38.101-5	Rear axle housing	1
	400.38S.101	Rear axle housing	1
3	GB/T119	Pin 12 x 30	2
4	GB/T6171	Nut M12 x 1.25	24
5	GB/T93	Washer 12	28
6	GB/T899	Stud AM12-AM12 x 1.25 x 155-8.8	24
	GB/T899	Stud AM12-AM12 x 1.25 x 160-8.8	
7	400.38.024	Oil drug plug	1
8		Seal washer 20	1
9	400.38.105-2	Gasket I	1
10	400.38.106-5	Rear cover I	1
11	GB/T5783	Bolt M12 x 35	1
12	160.37.159	Guard	1
13	GB/T5783	Bolt M8 x 20	9
14	GB/T93	Washer 8	11
15	400.38.102	Rear cover II	1
	400.38.102A-1	Rear cover II (selected by user)	1
16	400.38.104	Gasket II	1
17	400.38.164	Shift lump	1
18	400.38.211	Board	1
19	GB/T5783	Bolt M8 x 12	2
20	GB/T879	Pin 5 x 24	1
21	GB/T308	Ball 8.000 0G100b	1
22	400.38.186	Spring	1
23	400.38.222	Washer	1
24	400.38.011-2	Lever	1
	400.38.011A-1	Lever (selected by user)	1
25	GB/T3452.1	O-ring 15 x 2.65	1
26	GB/T6170	Nut M10	1
27	400.38.013	Handle knob	1
	400.38.014	Handle knob (selected by user)	1
28	400.38.125	Gasket	1
	400.38S.125	Gasket	1
29	400.38.124	Upper cover	1
	400.38S.124	Upper cover	1
30	300.37.018	Dipstick assembly	1
31	400.38.126	Gasket	1
32	GB/T5783	Bolt M10 x 30	4
33	GB/T93	Washer 10	12
34	GB/T894.1	Circlip for shaft	2
35	404.38.134	Gear	1
	554.38.134	Gear	
36	GB/T297	Bearing 32209	2
37	400.38.118-1	Adjusting washer	Δ
38	400.38.117	Bearing seat	1
39	GB/T858	Washer 12	1
40	GB/T812	Nut M42 x 1.5	2
41	GB/T894.1	Circlip for shaft 40	1
42	400.38.185-1	Sleeve	1
43	GB/T283	Bearing NUP2210	1
44	400.38.115	Shaft	1

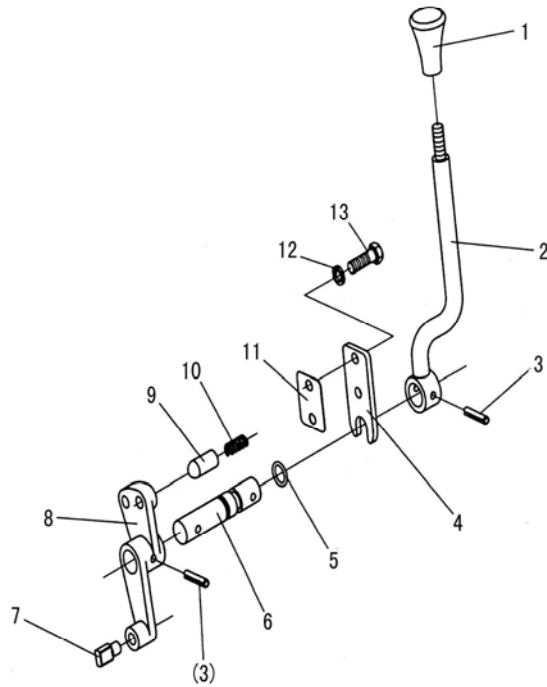
Ser. No.	Part No.	Description	Qty
45	GB/T5783	Bolt M10 x 25	4
46	400.38.175	Lower cover	1
47	GB3452.1	O-ring 136 x 3.55	1
48	300.37.023-1	Breather piper weldment	1
49	300.37.307	Screw, oil outlet piper	1
50		Compound washer 16	2
51	184.37.060	Vent pipe	1



Differential & Differential Lock

Differential & Differential Lock

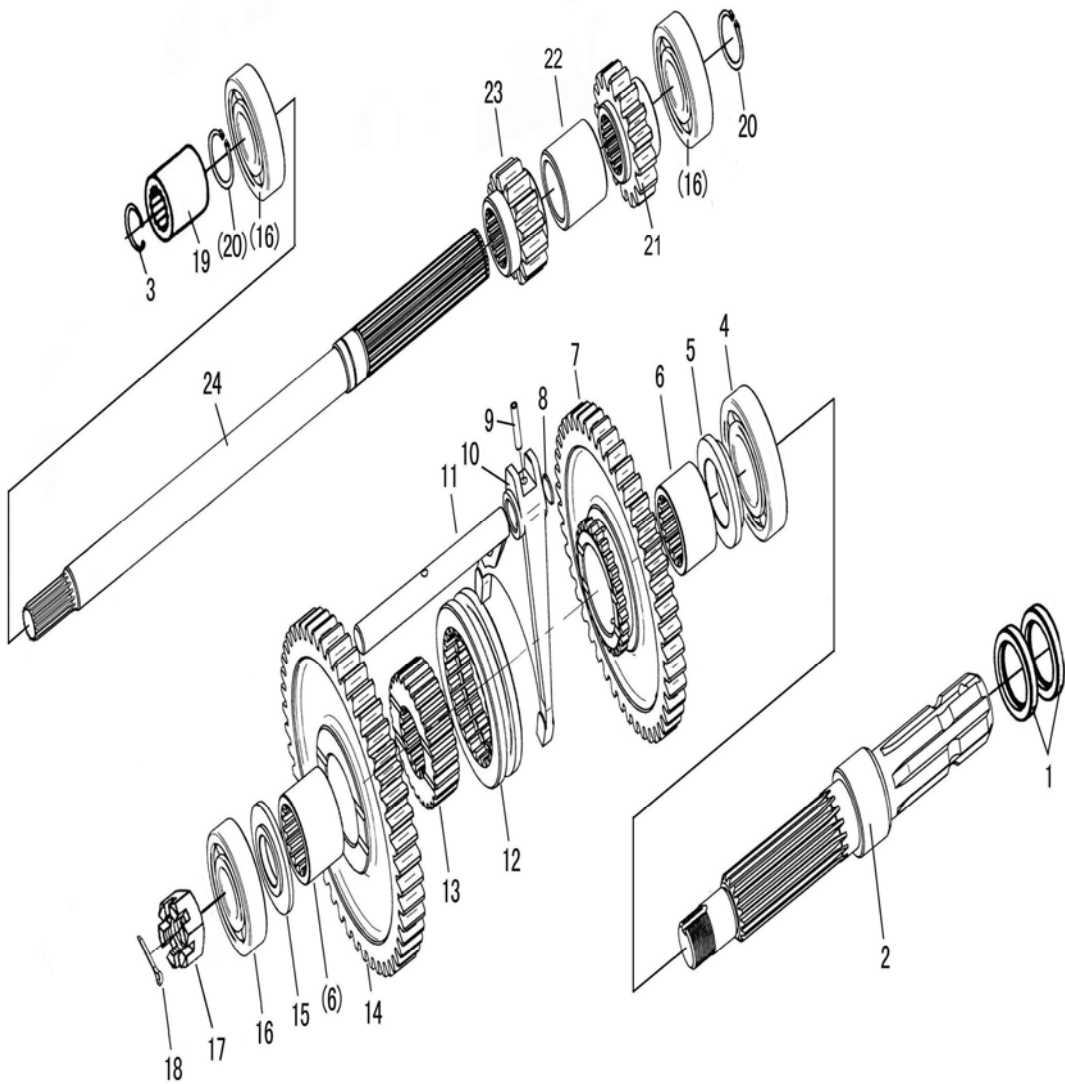
Ser No.	Part No.	Description	Qty
1	GB/T5783	Bolt M8 x 20	4
2	GB/T93	Washer 8	4
3	400.38.161	Locking slice	2
4	400.38.151	Adjusting nut	2
5	GB/T5783	Bolt M10 x 20	12
6	GB/T93	Washer 10	14
7	400.38.177	Right differential bearing seat	1
8	GB/T297	Bearing 30212	2
9	400.38.147	Washer	2
	400.38.147A	Washer (selected by user)	2
	400.38.147B	Washer (selected by user)	2
10	400.38.144	Right differential side gear	1
11	GB/T6170	Nut M10	10
12	400.38.152	Locking slice	4
13	400.38.146-2	Shaft	1
14	400.38.145	Planet gear	2
15	400.38.148-1	Washer	2
16	400.38.141	Large bevel gear	1
17	400.38.150	Bolt	2
18	400.38.149	Bolt	6
19	400.38.142	Left differential bearing seat	1
20	400.38.019	Differential lock	1
21	400.38.143	Left differential side gear	1
22	400.38.140	Differential case	1
23	160.37.232	Plugging shaft	1
24	400.38.160	Spring	1
25	400.38.159	Fork	1
26	400.38.158	Fork shaft	1
27	GB/T3452.1	O-ring 15 x 2.65	1
28	180.37.305	Stud	1
29	400.38.178-1	Plate	1
30	GB/T879	Pin 5 x 22	1
31	400.38.182-2	Operation rod	1
	400.38.182A-1	Operation rod (selected by user)	1
32	184.37.042	Handle knob	1
33	GB/T6171	Nut M10 x 1	1
34	GB/T5783	Bolt M10 x 20	2
35	180.37.303-1	Seat	1
36	180.37.302-1	Axis pin	1



Creeper Control Mechanism

Creeper Control Mechanism

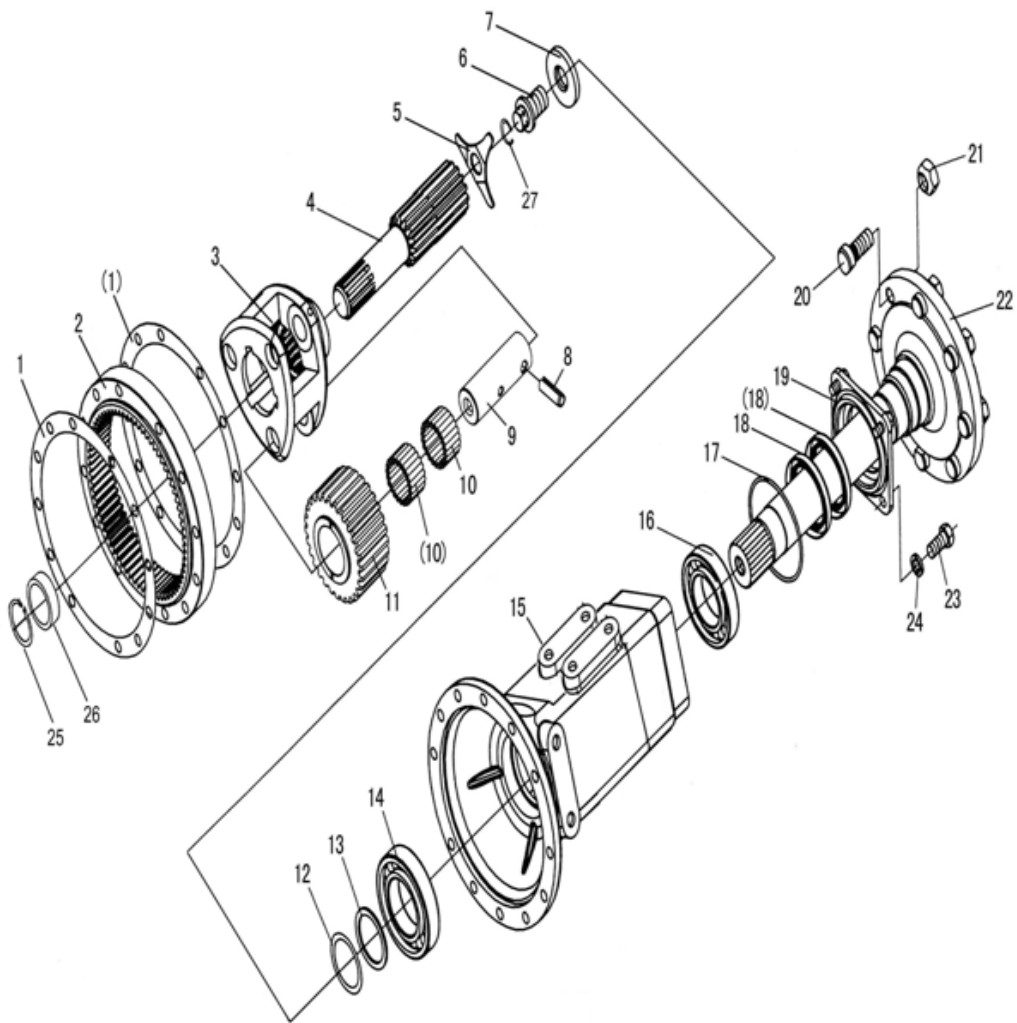
Ser No.	Part No.	Description	Qty
1	400.38.015	Handle knob	1
2	400.38.017-1	Lever	1
3	GB/T879	Ping 6 x 30	2
4	400.38.137	Board	1
5	GB3452.1	O-ring 15 x 2.65	1
6	400.38.183	Shaft	1
7	400.38.139	Shaft lump	1
8	400.38.138	Fork	1
9	400.38.184-1	Pin	1
10	400.38.186	Spring	1
11	400.38.135	Gasket	1
12	GB/T93	Washer 8	2
13	GB/T5783	Bolt M8 x 20	2



Power Take-off

Power Take-off

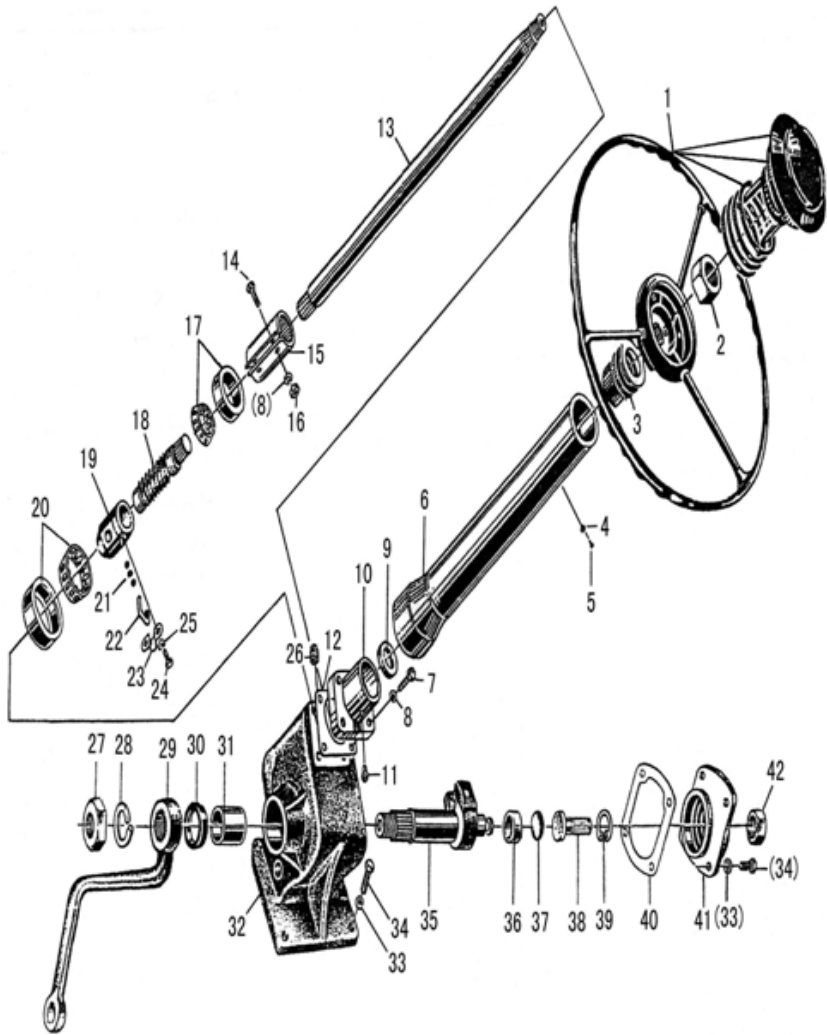
Ser No.	Part No.	Description	Qty
1	GB/T9877.1	Oil seal FB 50 72 8	2
2	400.38.107-4	PTO shaft (6T)	1
	400.38.107A-4	PTO shaft (8T)	1
3	GB/T893.1	Circlip for shaft 21	1
4	GB/T276	Bearing 6308	1
5	400.38.113-2	Block	1
6	400.37.114	Bush	2
7	400.38.109	P.T.O. driven gear (45T)	1
	400.38.110	P.T.O. driven gear (41T)	1
8	160.37.232	Plugging shaft	1
9	GB/T879	Pin 5 x 24	1
10	400.38.132-1	Fork	1
11	400.38.131-1	Shaft	1
12	400.37.115	Sleeve	1
13	400.37.116	Seat	1
14	400.38.108	P.T.O. driven gear (48T)	1
	400.38.109	P.T.O. driven gear (45T)	1
15	400.38.111	Block	1
16	GB/T276	Bearing 6306	3
17	GB/T9459	Nut M24 x 2	1
18	GB/T91	Pin 5 x 40	1
19	400.38.136	Connect knot	1
20	GB/T894.1	Circlip for shaft 30	1
21	400.38.129	P.T.O. driven gear (16T)	1
	400.38.130	P.T.O. driven gear (20T)	1
22	400.38.116	Block	1
23	400.38.128	P.T.O. driving gear (13T)	1
	400.38.129	P.T.O. driving gear (16T)	1
24	400.38.103-3	P.T.O. driving shaft	1



Final Transmission

Final Transmission

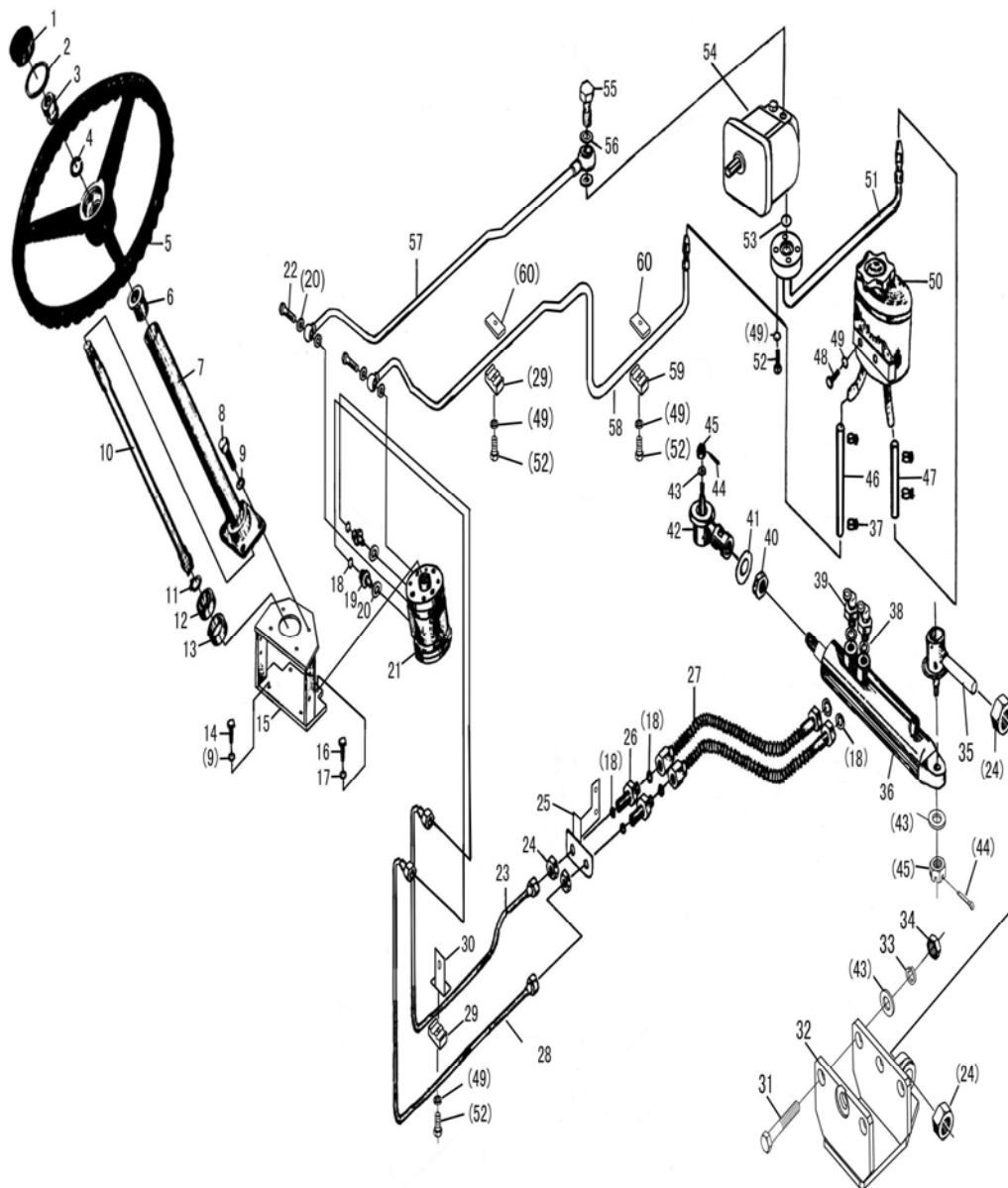
Ser No.	Part No.	Description	Qty
1	400.39.108	Gear ring seal cushion	4
2	400.39.107	Gear ring	2
3	400.39.104-1	Planet frame	2
4	400.39.101-1	Left differential axle	1
	400.39.102-1	Right differential axle	1
	600.39.101	Left differential axle	
	600.39.102	Right differential axle	
5	400.39.110-1	Locking slice	2
6	400.39.112-1	Locking bolt	2
7	400.39.111	Stopper	2
8	GB/T879	Pin 8 x 25	6
9	400.39.106	Planet wheel axle	6
10	GB/T5840	Needle bearing K30 x 40 x 27	12
11	400.39.103	Planer wheel	6
12	400.39.121-1	Adjusting shim	Δ
13	400.39.113-1	Bush	2
14	GB/T276	Ball bearing 6212	2
15	400.39.115-1	Left driving shaft housing	1
	400.39.114-1	Right driving shaft housing	1
16	GB/T276	Ball bearing 6213	2
17	400.39.105	Oil seal seat cushion	2
18	GB/T13871	Oil seal FB 70 95 10	4
19	400.39.120	Oil seal	2
20	400.39.120	Real wheel hub bolt	16
21	400.39.119	Real wheel hub nut	16
22	400.39.118-2	Driving shaft	2
23	GB/T5783	Bolt M12 x 25	8
24	GB/T93	Washer 12	8
25	GB/T894.1	Circlip 34	2
26	400.39.124	Bush	2
27	GB/T894.1	Circlip 19	2



Steering Gear & Steering-wheel Assembly

Steering Gear & Steering-wheel Assembly

Ser No.	Part No.	Description	Qty
1	160.40.015A	Steering wheel assembly	
2	GB/T173	Nut M16 x 1.5	
3		Contract ring assembly	
4	GB/T93	Spring lock washer 4	
5	GB/T848	Tapping screw ST4.2 x 9.5 x -C-Z	
6	13YT-3401170	Steering sleeve assembly	
7	GB/T5783	Bolt M10 X 30	
8	GB/T93	Spring lock washer 10	
9		Oil seal 40 x 25 x 10	
10	136NT-3401104	Steering gear above cover	
11	GB/T1152	Oil cup M8 x 1	
12	BT136-3401108	Adjusting shim thin, steering gear above cover	
	BY136-3401108	Adjusting shim thin, steering gear above cover	
13	136YT-3401040	Steering shaft	
14	GB/T5782	Bolt M10 x40	
15	136NT-3401251	Connect cover	
16	GB/T6170	Nut M10	
17	GB/T297	Rolling bearing 7206E	
18	136NT-3401038	Steering screw stem	
19	136NT-3401043	Steering nut	
20		Rolling bearing 9168306	
21	GB/T308	Steel ball Φ 7.928 (5/16")	
22	BY1236-3401160	Ball canal steering nut	
23	BY136-3401162	Ball canal clip, steering nut	
24	GB/T67	Screw M6 x 8	
25	GB/T93	Spring lock washer 6	
26	BY13-3401171	Oiling sea lock	
27	GB/T6171	Nut M22 x 1.5	
28	GB/T93	Spring lock washer 22	
29	350.40.115	Steering rock arm	
30		Oil seal 32 x 44 x 10	
31	BY136-3401013	Steering house bush	
32	13YT-3401040	Steering gear housing assembly	
33	GB/T93	Spring lock washer 12	
34	GB/T5783	Bolt M12 x 30	
35	136NT-3401061	Steering rock arm shaft	
36	BY130-3401012A	Bush, steering rock arm shaft rolling wheel	
37	BY136-34101086	Adjusting shim	
38	BY136-3401090	Adjusting screw	
39	GB/T893.1	Shield ring 20,hole	
40	BY136-3401084	Liner, steering gear side cover	
41	136NT-3401081	Steering gear side cover	
42	GB/T6171	Nut M12 x 1.25	

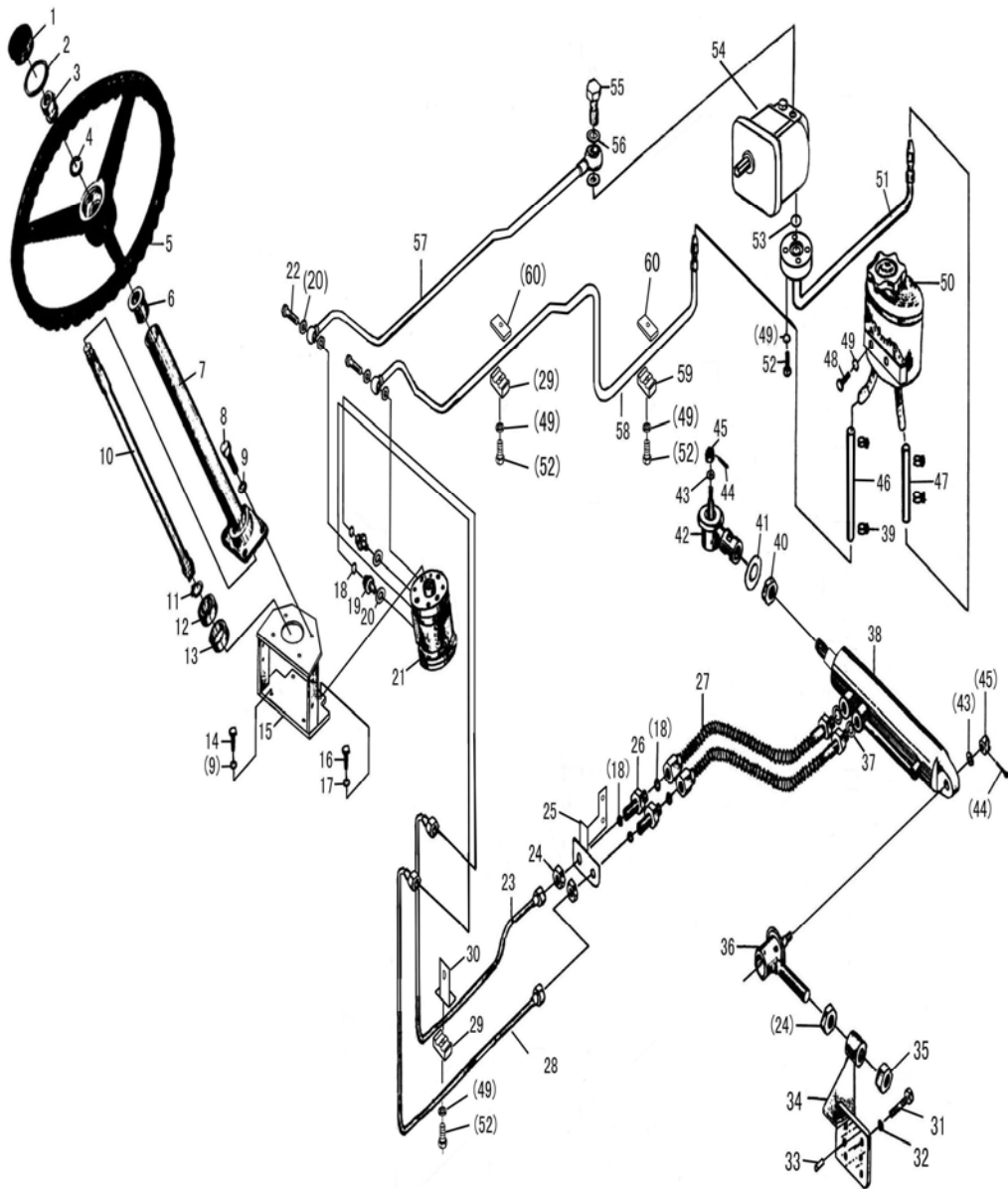


Power Steering Assembly (I)

Power Steering Assembly (I)

Ser No.	Part No.	Description	Qty
1	160.40.107-2	Cover	
2	160.40.106	Rubber cushion	
3	GB/T6171	Nut M16 x 1.5	
4	GB/T93	Washer 16	
5	160.40.015A	Steering wheel assembly	
	160.40.020	Steering wheel assembly	
6	160.40.104	Upper oil seal	
7	404YZ.40.013	Column	
8	GB/T5783	Bolt M10 x 30	
9	GB/T93	Washer 10	
10	404YZ.40.108	Column	
11	GB/T894.1	Circlip 20	
12	GB/T276	Bearing 6004	
13	160YZ.40.131	Circlip	
14	GB/T5783	Bolt M10 x 25	
15	404YZ.40.011-3	Steering support weldment	
16	GB/T5783	Bolt M12 x 25	
17	GB/T93	Washer 12	
18	GB3452.1	O-ring 10 x 2.65	
19	160.YZ.40.107-2	Pipe connector	
20		Washer 20	
21	BZZ-80	Power steering gear	
22	300.54.101	Bolt	
23	400YZ.40.014-1	Pipe assembly, steering cylinder (left)	
	500YZ.40.014-1	Pipe assembly, steering cylinder (left)	
	550YZ.40.014-1	Pipe assembly, steering cylinder (left)	
	554YZ.40.014A-1	Pipe assembly, steering cylinder (left)	
24	GB/T6173	Nut M20 x 1.5	
25	400YZ.40.101	Pipe support weldment, steering cylinder	
	554YZ.40.019-1	Pipe support weldment, steering cylinder	
26	304YZ.40.121	Connector	
27	184YZ.40.011-2	Steering pipe assembly	
28	400YZ.40.015-1	Pipe assembly, steering cylinder (right)	
	500YZ.40.015-1	Pipe assembly, steering cylinder (right)	
	550YZ.40.015-1	Pipe assembly, steering cylinder (right)	
	554YZ.40.015A-1	Pipe assembly, steering cylinder (right)	
29	304YZ.40.204	Pipe clip II	
30	400YZ.40.102	Pipe press plate	
	554YZ.40.202-1	Pipe press plate	
31	GB/T5783	Bolt M16 x 1.5 x 110	
32	400.31.301-1	Back support of hydraulic cylinder	
33	GB/T93	Washer 16	
34	GB/T6176	Nut M16 x 1.5	
35	400.31.032-1	Connector assembly	
36	.404YZ.40.010B	Steering cylinder assembly	
37		Circlip Φ 20	
38		Washer 16	
39	160YZ.40.030-1	Elbow	
40	GB/T6173	Nut M24 x 1.5	
41	404YZ.31.151	Washer	
42	404YZ.31.020A-1	Connector assembly, steering cylinder	
43	GB/T97.1	Washer 16	

Ser No.	Part No.	Description	Qty
44	GB/T91	Split pin 4 x 30	
45	GB/T9495	Nut M16	
46	304YZ.40.212A	Soft pipe Φ 16	
47	304YZ.40.212B	Soft pipe Φ 16	
48	GB/T5783	Bolt M8 x 20	
49	GB/T93	Washer 8	
50	DP160.40.010	Power steering tank	
51	404YZ.40.018-1	Inlet pipe assembly, steering pump	
	504YZ.40.018	Inlet pipe assembly, steering pump	
	554YZ.40.018	Inlet pipe assembly, steering pump	
	554YZ.40.018B-1	Inlet pipe assembly, steering pump	
52	GB/T5783	Bolt M8 x 35	
53	GB3452.1	O-ring 19 x 2.65	
54	C901-306-102	Stable gear pump	
	C901-306-105	Stable gear pump	
	C901-306-101	Stable gear pump	
55	160.54.108	Bolt	
	504YZ.40.102	Bolt	
56		Washer 18	
57	404YZ.40.016-1	Inter pipe assembly, power steering gear	
	504YZ.40.016	Inter pipe assembly, power steering gear	
	554YZ.40.016B-1	Inter pipe assembly, power steering gear	
	554YZ.40.016C-1	Inter pipe assembly, power steering gear	
58	404YZ.40.017-1	Oil return pipe assembly, power steering gear	
	504YZ.40.017	Oil return pipe assembly, power steering gear	
	554YZ.40.017B	Oil return pipe assembly, power steering gear	
	554YZ.40.017C	Oil return pipe assembly, power steering gear	
59	304YZ.40.203	Pipe clip I	
60	304YZ.40.202	Pipe press plate II	

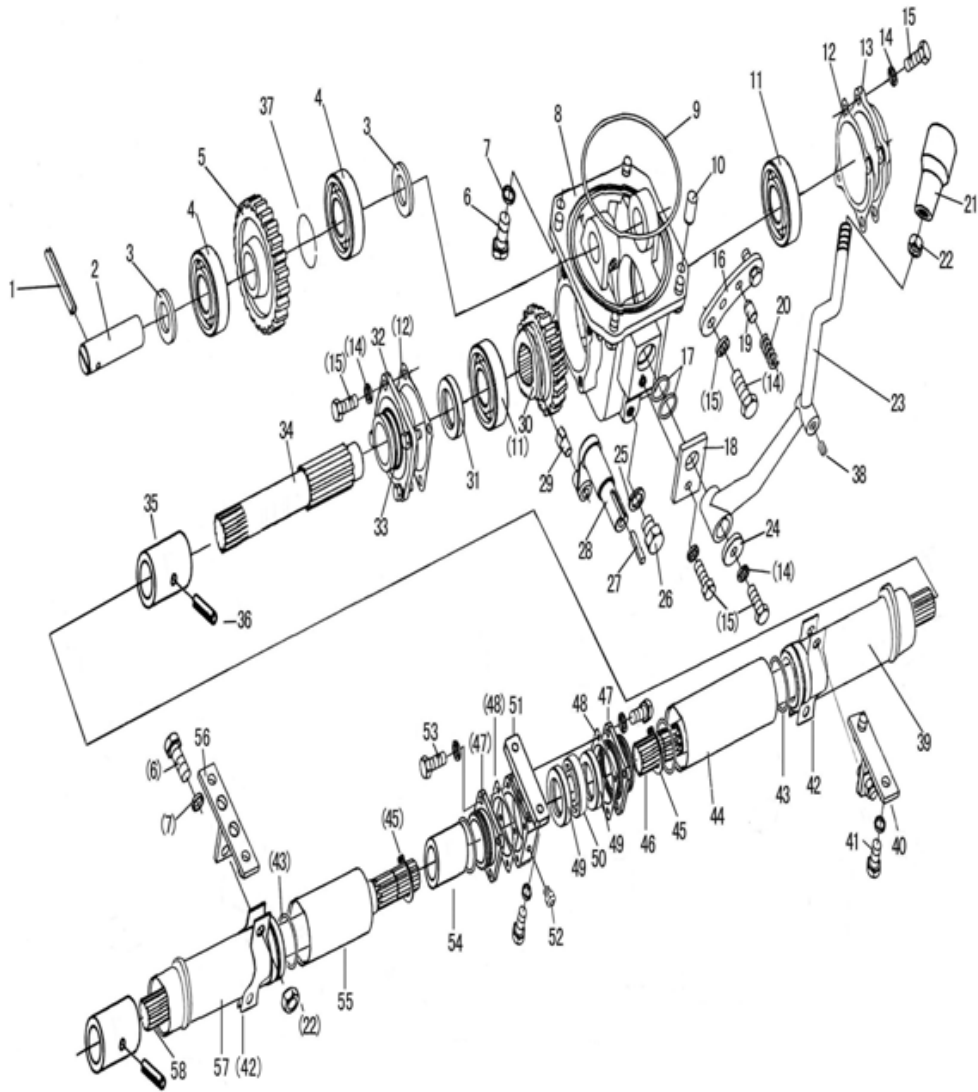


Power Steering Assembly (II)

Power Steering Assembly (II)

Ser No.	Part No.	Description	Qty
1	160.40.107-2	Cover	1
2	160.40.106	Rubber cushion	1
3	GB/T6171	Nut M16 x 1.5	1
4	GB/T93	Washer 16	1
5	160.40.015A	Steering wheel assembly	1
	160.40.020	Steering wheel assembly	1
6	160.40.104	Upper oil seal	1
7	404YZ.40.013	Column	1
8	GB/T5783	Bolt M10 x 30	4
9	GB/T93	Washer 10	6
10	404YZ.40.108	Column	1
11	GB/T894.1	Circlip 20	1
12	GB/T276	Bearing 6004	1
13	160YZ.40.131	Circlip	1
14	GB/T5783	Bolt M10 x 25	2
15	404YZ.40.011-3	Steering support weldment	1
16	GB/T5783	Bolt M12 x 25	2
17	GB/T93	Washer 12	2
18	GB3452.1	O-ring 10 x 2.65	6
19	160YZ.40.107-2	Pipe connector	2
20		Washer 20	6
21	BZZ-80	Power steering gear	1
22	300.54.101	Bolt	2
23	400YZ.40.014-1	Pipe assembly, steering cylinder (left)	1(a)
	500YZ.40.014-1	Pipe assembly, steering cylinder (left)	1(b)
	500YZ.40.014-1	Pipe assembly, steering cylinder (left)	
	554YZ.40.014A-1	Pipe assembly, steering cylinder (left)	
24	GB/T6173	Nut M20 x 1.5	3
25	400YZ.40.101	Pipe support, weldment steering cylinder	1
	554YZ.40.019-1	Pipe support, weldment steering cylinder	
26	304YZ.40.121	Connector	2
27	504YZ.40.020	Steering pipe cylinder	2
	304YZ.40.020	Steering pipe cylinder	
28	400YZ.40.015-1	Pipe assembly, steering cylinder (right)	1(a)
	500YZ.40.015-1	Pipe assembly, steering cylinder (right)	1(b)
	550YZ.40.015-1	Pipe assembly, steering cylinder (right)	
	554YZ.40.015A-1	Pipe assembly, steering cylinder (right)	
29	304YZ.40.204	Pipe clip II	2
30	400YZ.40.102	Pipe press plate	1
	554YZ.40.202-1	Pipe press pare	
31	GB/T5783	Bolt M14 x 35	4
32	GB/T93	Washer 14	4
33	GB/T119	Pin D12 x 25	1
34	304YZ.31.301-1	Back support of hydraulic cylinder	1
35	GB/T6171	Nut M20 x 1.5	1
36	404YZ.31.022A-1	Connector assembly	1
37		Washer 16	2
38	404YZ.40.010B	Steering cylinder assembly	1
39		Circlip Φ 20	4
40	GB/T6173	Nut M24 x 1.5	1
41	404YZ.31.151	Washer	1
42	404YZ.31.020A-1	Connector assembly, steering cylinder	1
43	GB/T97.1	Washer 16	2

Ser No.	Part No.	Description	Qty
44	GB/T91	Split pin 4 x 30	2
45	GB/T9495	Nut M16	2
46	304YZ.40.212A	Soft pipe Φ 16	1
47	304YZ.40.212B	Soft pipe Φ 16	1
48	GB/T5783	Bolt M8 x 20	2
49	GB/T93	Washer 8	6
50	DP160.40.010	Power steering tank	1
51	404YZ.40.018-1	Inlet pipe assembly, steering pump	1(a)
	504YZ.40.018	Inlet pipe assembly, steering pump	1(b)
	554YZ.40.018	Inlet pipe assembly, steering pump	
	554YZ.40.018B-1	Inlet pipe assembly, steering pump	
52	GB/T5783	Bolt M8 x 35	7
53	GB3452.1	O-ring 19 x 2.65	1
54	C901-306-102	Stable gear pump	1(a)
	C901-306-105	Stable gear pump	1(b)
	C901-306-101	Stable gear pump	
55	160.54.108	Bolt	1(a)
	504YZ.40.102	Bolt	1(b)
56		Washer 18	2
57	404YZ.40.016-1	Inlet pipe assembly, power steering gear	1(a)
	504YZ.40.016	Inlet pipe assembly, power steering gear	1(b)
	554YZ.40.016B-1	Inlet pipe assembly, power steering gear	
	554YZ.40.016C-1	Inlet pipe assembly, power steering gear	
58	404YZ.40.017-1	Oil return pipe assembly, power steering gear	1(a)
	504YZ.40.017	Oil return pipe assembly, power steering gear	1(b)
	554YZ.40.017B	Oil return pipe assembly, power steering gear	
	554YZ.40.017C	Oil return pipe assembly, power steering gear	
59	304YZ.40.203	Pipe clip I	1
60	304YZ.40.202	Pipe clip II	2

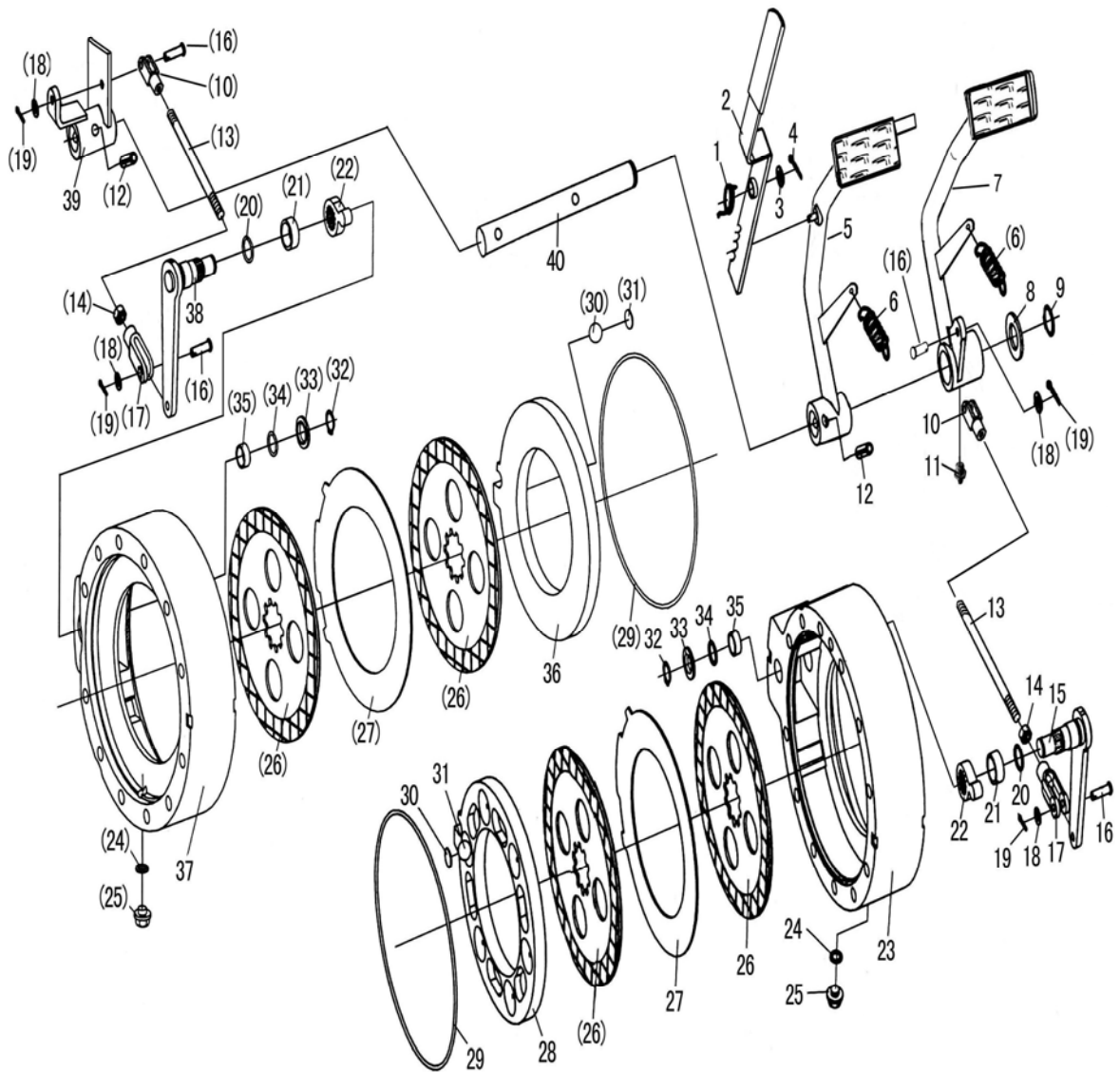


Transfer Case (Four wheel drive)

Transfer Case (Four wheel drive)

Ser No.	Part No.	Description	Qty
1	GB/T879	Pin 6 x 45	1
2	404.24.102-2	Shaft	1
3	404.42.103-2	Thrust ring	2
4	GB/T276	Bush	1
5	404.42.125-1	Middle gear	1
6	GB/T5783	Bolt M10 x 25	10
7	GB/T93	Washer 10	12
8	404.42.101-1	Case	1
	554.42.101-1	Case	
9	GB3452.1	O-ring 132 x 3.55	1
10	GB/T119	Pin A10 x 22	2
11	GB/T276	Bearing 6306	2
12	404.42.112	Gasket	2
13	404.42.117	Rear cover	1
14	GB/T93	Washer 8	24
15	GB/T5783	Bolt M8 x 25	16
16	404.42.114-1	Check slice	1
17	GB3452.1	O-ring 25 x 2.65	2
18	404.42.115	Check leaf	1
19	404.42.113	Pin	1
20	404.38.186	Spring	1
21	404.42.015	Release handle	1
22	GB/T6170	Nut M10	5
23	404.42.104-1	Rod	1
24	404.42.116	Plugging shaft	1
25	GB/T848	Washer 12	1
26	JB/T798	Bolt M12 x 1.5	1
27	GB/T1096	Key C6 x 30	1
28	404.42.119	Fork shaft	1
29	404.42.120	Lump	1
30	404.42.104	Gear	1
	554.42.104	Gear	
31	GB/T9877	Oil sealing FB30 x 52 x 10	1
32	404.42.106	Front bearing cover	1
33	GB3452.1	O-ring 51.5 x 2.65	1
34	404.42.105A	Shaft	1
35	404.42.207	Connect spine knot	2
36	GB/T879	Pin 6 x 30	2
37	GB/T893.1	Circlip for shaft 52	1
38	300.37.302	Bolt M10 x 1	1
39	404.42.021	Bush (I)	1
40	404.42.013A	Support	1
41	GB/T5783	Bolt M10 x 20	2
42	404.42.140-1	Clamp	4
43	GB3452.1	O-ring 58 x 3.55	4
44	404.42.022-1	Bush (II)	1
45	GB/T894.1	Circlip for shaft 30	2
46	404.42.204	Shaft	1
47	404.42.202-2	Bearing cover	2
48	404.42.203	Gasket	2
49	GB/T9877	Oil sealing FB40 x 55 x 10	2
50	GB/T276	Bearing 6008	1
51	404.42.201-1	Bearing seat	1

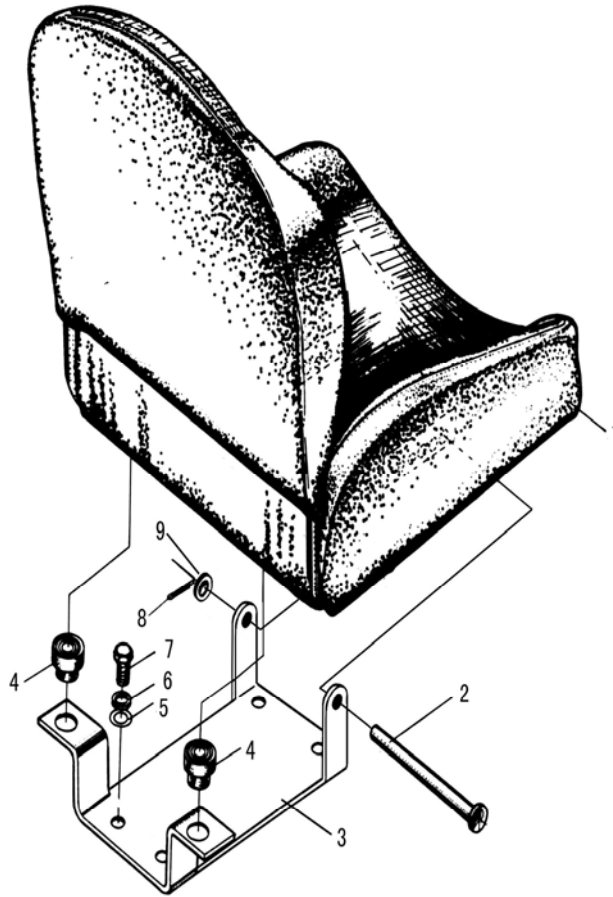
Ser No.	Part No.	Description	Qty
52	GB/T7940.1	Oil cup M10 x 1	1
53	GB/T5783	Bolt M8 x 20	8
54	404.42.206-1	Spine connect knot for shaft	1
55	404.42.023-1	Bush (III)	1(a)
	504.42.023	Bush (III)	1(b)
	554.42.023	Bush (III)	
56	404.42.016	Support	1(a)
	504.42.016-1	Support	1(b)
	554.42.016C	Support	
57	404.42.024	Bush (IV)	1(a)
	504.42.024	Bush (IV)	1(b)
	554.42.024	Bush (IV)	
58	404.42.205	Shaft	1(a)
	504.42.205	Shaft	1(b)
	554.42.205A	Shaft	
	554.42.205C	Shaft	



Brake and Operating Mechanism

Brake and Operating Mechanism

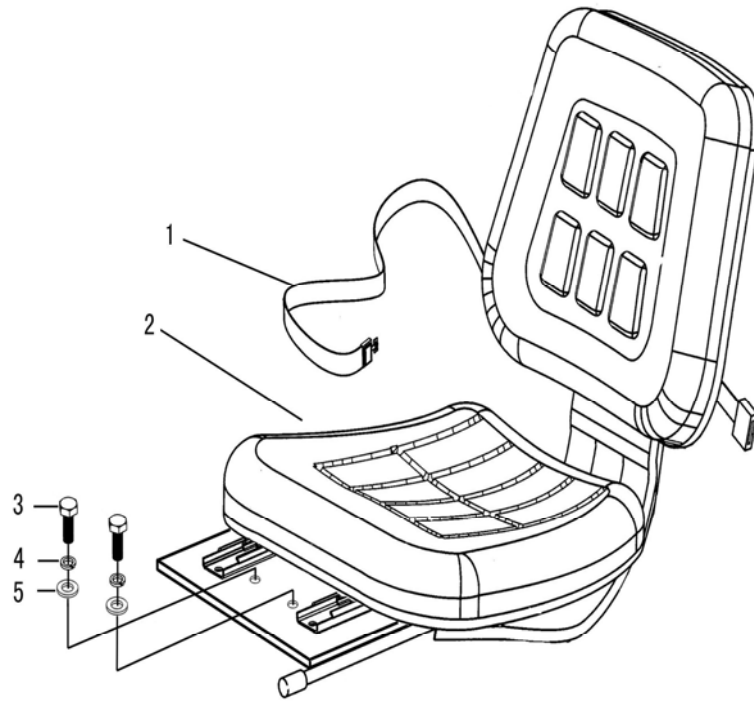
Ser No.	Part No.	Description	Qty
1	160.43.147	Spring	1
2	160.43.023	Plate	1
3	GB/T97.1	Washer 6	1
4	GB/T91	Pin 2 x 20	1
5	400.43.015-1	Left pedal	1
6	400.215.115	Spring	2
7	400.43.016-1	Right pedal	1
8	160.43.112	Washer	1
9	GB/T894.1	Circlip 25	1
10	400.43.130	Adjusting York	2
11	GB/T7940.1	Oil cup M10 x 1	1
12	GB/T879	Pin 8 x 40	2
13	400.43.019	Rod	2
14	GB/T6170	Nut M10	2
15	400.43.018-1	Right crank weldment	1
	600.43.018	Right crack weldment	
16	GB/T882	Pin axle B8 x 35	4
17	400.43.108	Adjusting York	2
18	GB/T97.1	Washer 8	4
19	GB/T91	Pin 3.2 x 16	4
20	GB3452.1	O-ring 20 x 2.65	2
21	400.43.107	Sleeve	2
22	400.43.106-1	Block	2
23	400.43.122	Right brake case	1
	600.43.113	Right brake case	
24		Washer 12	2
25	JB/T798	Bolt M12 x 1.5	2
26	400.43.011	Friction disc assy	4
27	400.43.105	Clapboard	2
28	400.43.104	Right pressure plate	1
29	400.43.101	O-ring	2
30	400.43.102	Stopper	12
31	GB/T308	Ball 18.000 0G100b	12
32	GB/T894.1	Circlip 18	2
33	400.43.109-1	Washer	2
34	GB3452.1	O-ring 18 x 2.65	2
35	400.43.114A	Bush	2
36	400.43.103	Left pressure plate	1
37	400.43.121	Left brake case	1
	600.43.111	Left brake case	
38	400.43.014-1	Left crank weldment	1
	600.46.017	Left crank weldment	
39	400.43.017	Left brake rocker arm weldment	1
40	400.43.119-1	Pedal shaft	1



Seat (I)

Seat (I)

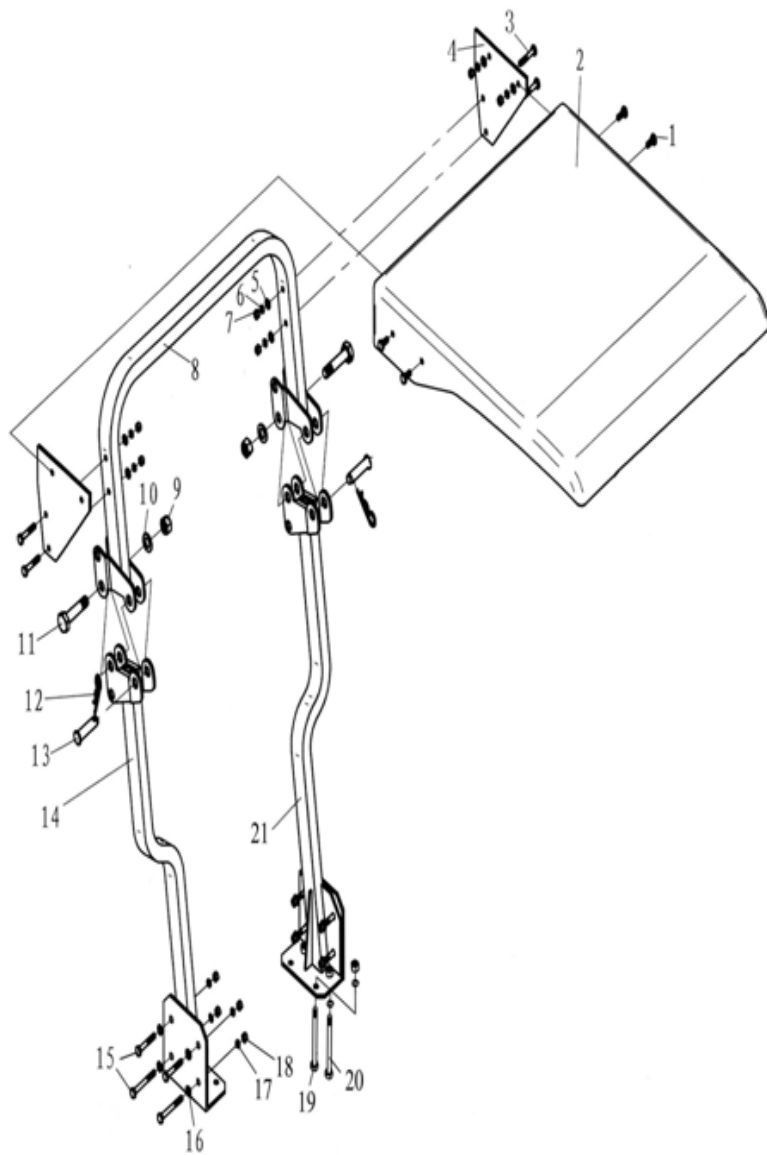
Ser No.	Part No.	Description	Qty
1	160.44.011	Seat	1
2	160.44.105	Axis pin	1
3	400.44.113	Support	1
4	160.44.102	Rubber cushion	2
5	GB/T97.1	Washer 12	4
6	GB/T93	Washer 12	4
7	GB/T5783	Bolt M12 xx 20	4
8	GB/T91	Pin 3.2 x 20	2
9	GB/T97.1	Washer 10	2



Seat (II)

Seat (II)

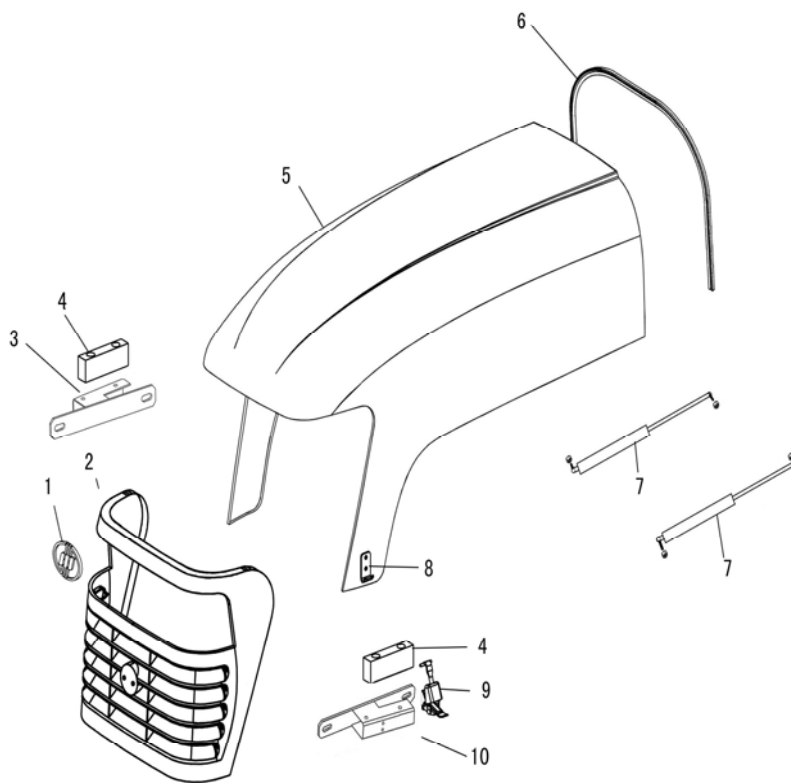
Ser No.	Part No.	Description	Qty
1	160.44.901	Safety belt (selected by user)	1
2	400.44.011A	Seat	1
	160.44.001A	Seat (selected by user)	1
3	GB/T5783	Bolt M12 x 20	4
4	GB/T93	Washer 12	4
5	GB/T97.1	Washer 12	4



Foldable Protective Structure

Foldable Protective Structure

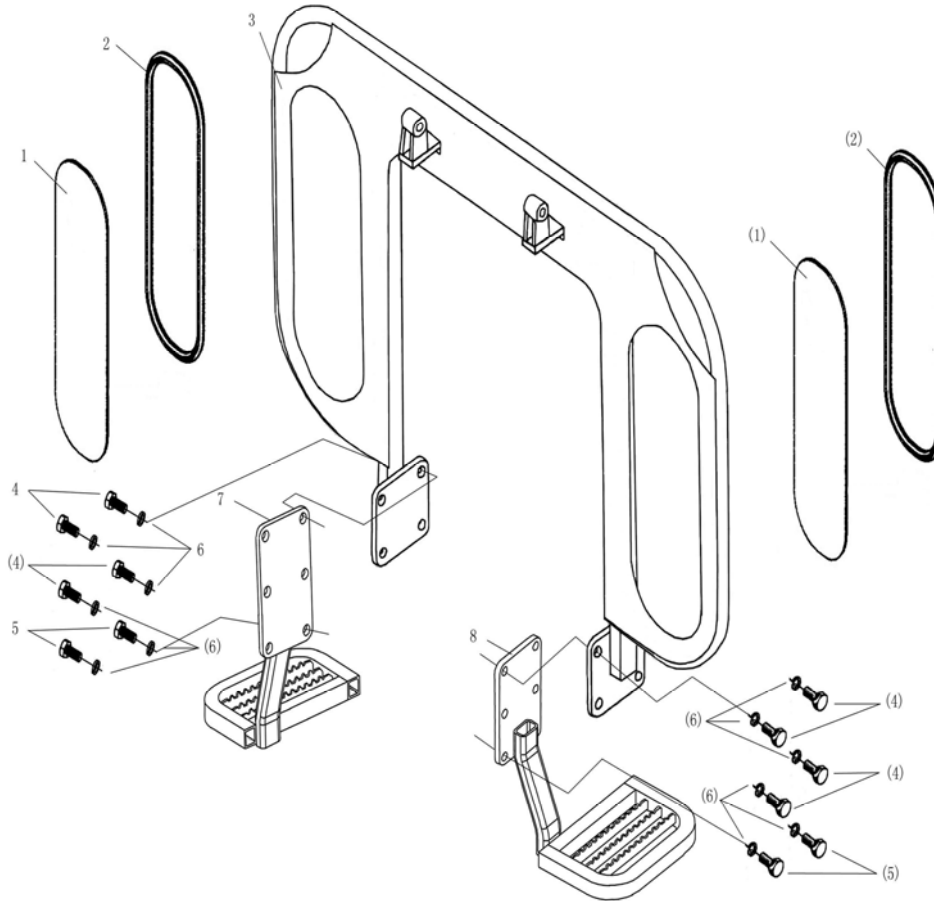
Ser No.	Part No.	Description	Qty
1	GB/T5783	Bolt M12 x 40	4
2	300.45B.011	Canopy	1
3	GB/T5782	Bolt M12 x 70	4
4	180.45.402-1	Connecting plate	2
5	GB/T97.1	Washer 12	8
6	GB/T93	Washer 12	8
7	GB/T6170	Nut M12	8
8	300.45.010	Upper frame	1
9	GB/T88	Nut M24	2
10	GB/T95	Washer 24	2
11	300.45.102	Bolt	2
12	180.45.309	Stop pin	2
13	300.45.101	Pin axle	2
14	400.45.011	Right support pipe	1
15	GB/T5782	Bolt M14 x 80	8
16	GB/T97.1	Washer 14	8
17	GB/T93	Washer 14	16
18	GB/T6170	Nut M14	12
19	GB/T5782	Bolt M14 x 210-8.8	4
20	GB/T5782	Bolt M14 x 200-8.8	4
21	400.45.012	Left support pipe	1



Hood

Hood

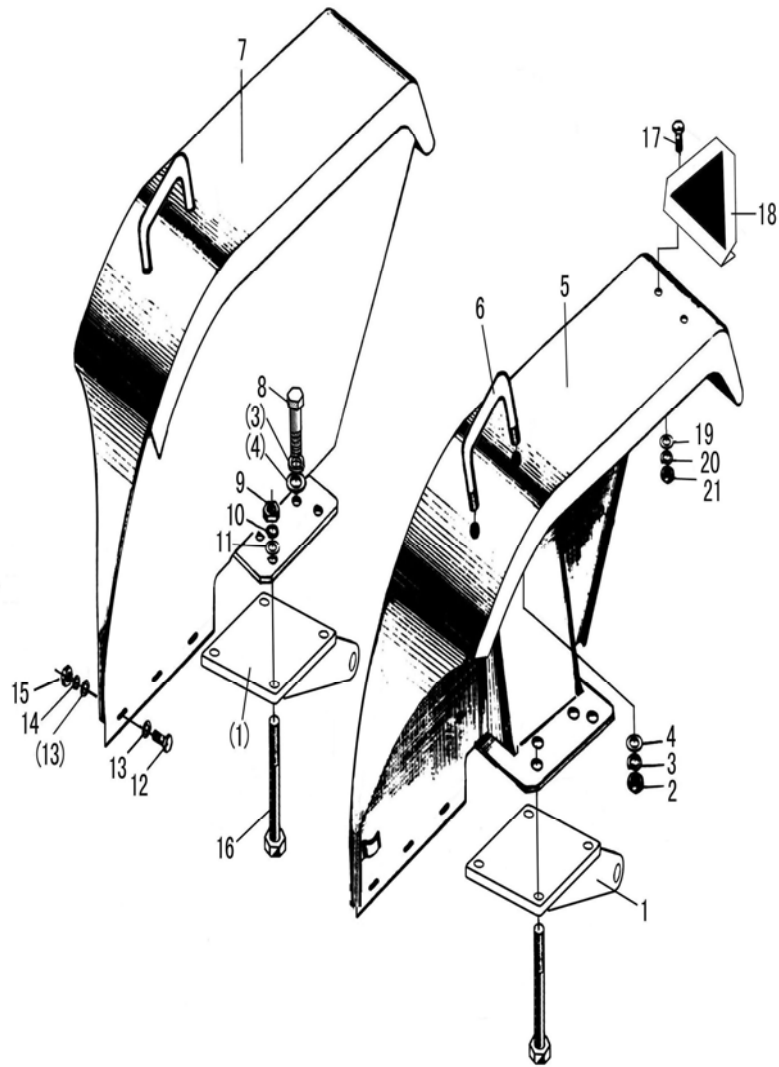
Ser No.	Part No.	Description	Qty
1	750.47.145	Emblem	1
2	400.47.111	Front plate assembly	1
3	400.47.016-2	Right support	1
4	400.47.221	Rubber washer	2
5	400.47.010	Hood assembly	1(a)
	500.47.010a	Hood assembly	1(b)
	550.47.010	Hood assembly	
6	184.47.501	Rear packing rubber strip	1
7	YQ10-330-770	Spring for gas (300N)	2
	YQ10-345-835	Spring for gas (400N)	
8	700.47.650	Plate	2
9	700.47.064	Lock	2
10	400.47.015-2	Left support	1



Front Baffle

Front Baffle

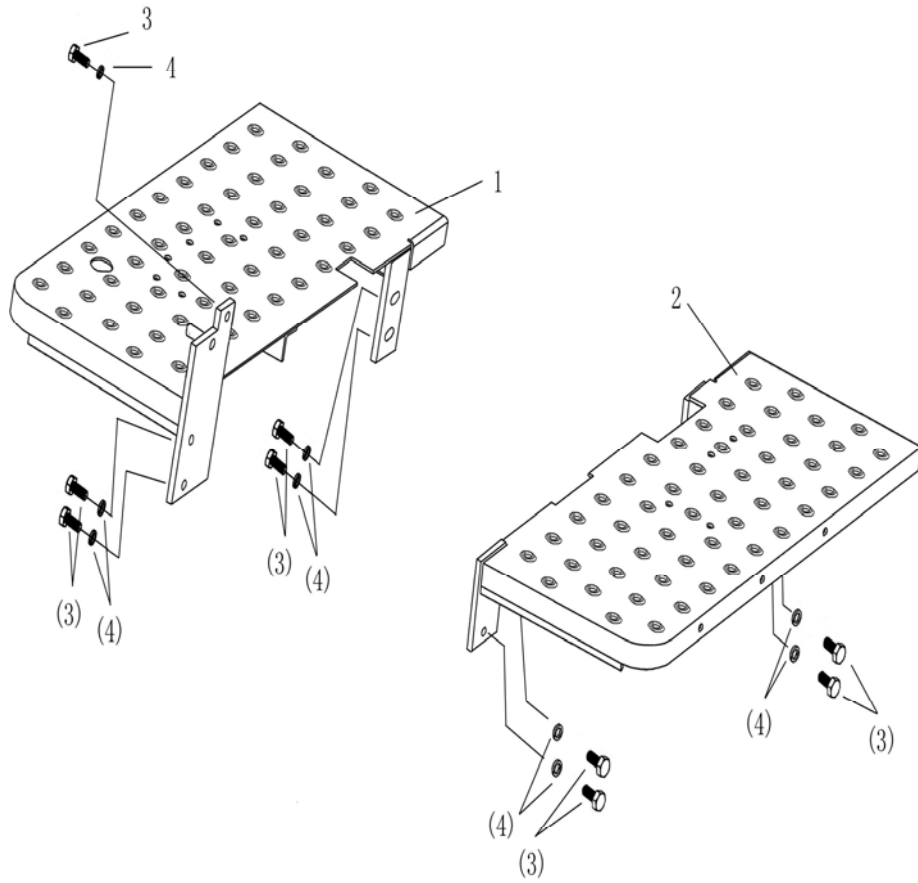
Ser No.	Part No.	Description	Qty
1	700.45.133	Glass, front lower window	2
2	700.45.134	Parking strip, front lower window	2
3	400.47.011-2	Front baffle	1
	400.47.011A-1	Front baffle (selected by user)	1
4	GB/T5783	Bolt M16 x 45	8
5	GB/T5783	Bolt M16 x 35	4
6	GB/T93	Washer 16	12
7	400.47.045-1	Right footstep assembly	1
8	400.47.054-1	Left footstep assembly	1



Mud Shield (Left and Right)

Mud Shield (Left and Right)

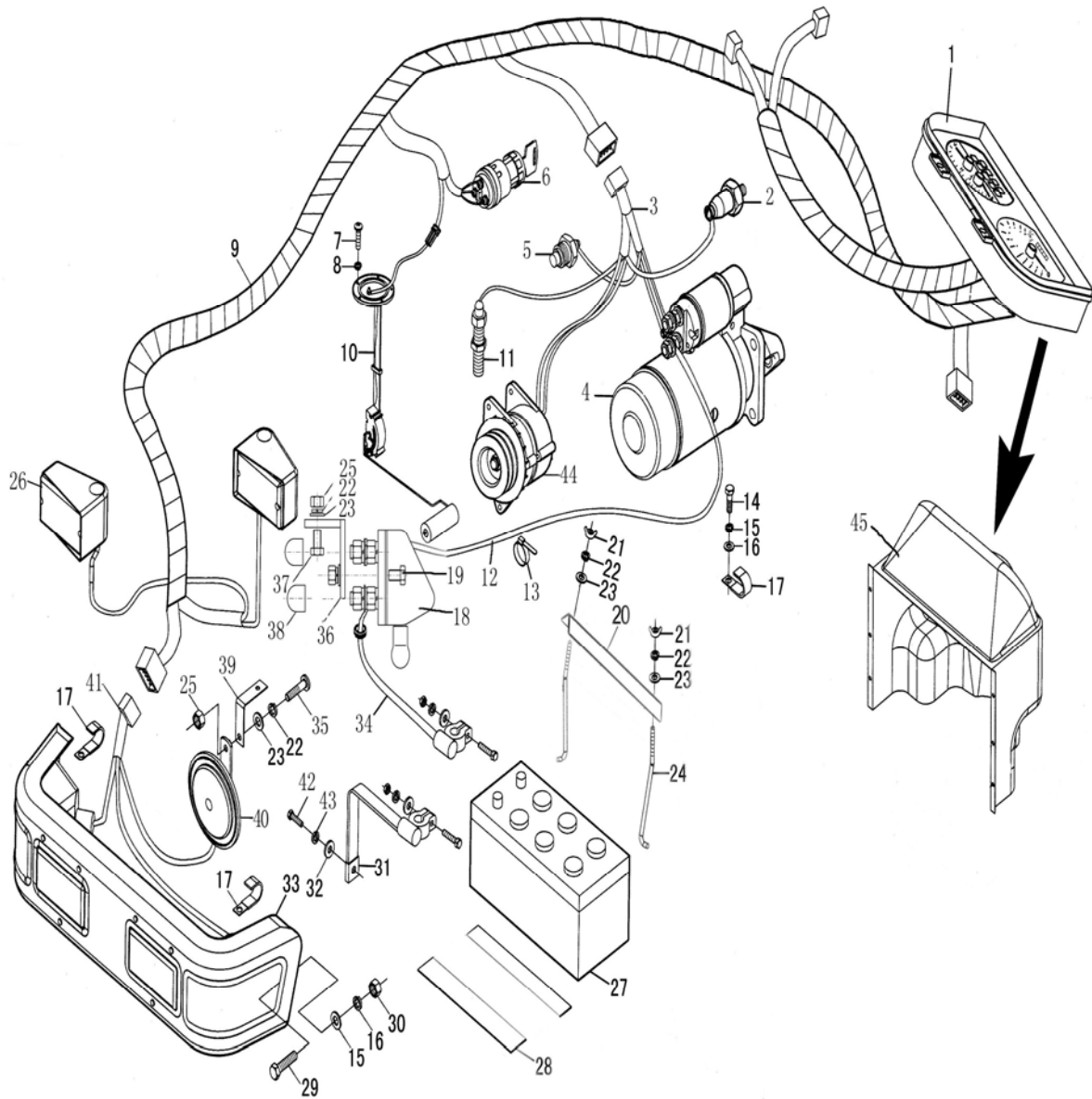
Ser No.	Part No.	Description	Qty
1	400.47.022	Limiting chain pull plate	2
	400.47.022B	Limiting chain pull plate	
2	GB/T6170	Nut M12	4
3	GB/T93	Washer 12	12
4	GB/T97.1	Washer 12	12
5	400.47.020-2	Left mud shield	1
6	400.47.024A	Hand rail (Left and Right)	1
7	400.47.021-4	Right mud shield	1
8	GB/T5783	Bolt M12 x 35	8
9	GB/T6170	Nut M14	8
10	GB/T93	Washer 14	8
11	GB/T97.1	Washer 14	8
12	GB/T5783	Bolt M8 x20	6
13	GB/T97.1	Washer 8	12
14	GB/T93	Washer 8	6
15	GB/T6170	Nut M8	6
16	GB/T5782	Bolt M14 x 200-8.8	8
17	GB/T5783	Bolt M6 x 20	2
18	180.47.402	Caution mark	1
19	GB/T97.1	Washer 6	2
20	GB/T93	Washer 6	2
21	GB/T6170	Nut M6	2



Step (Left and Right)

Step (Left and Right)

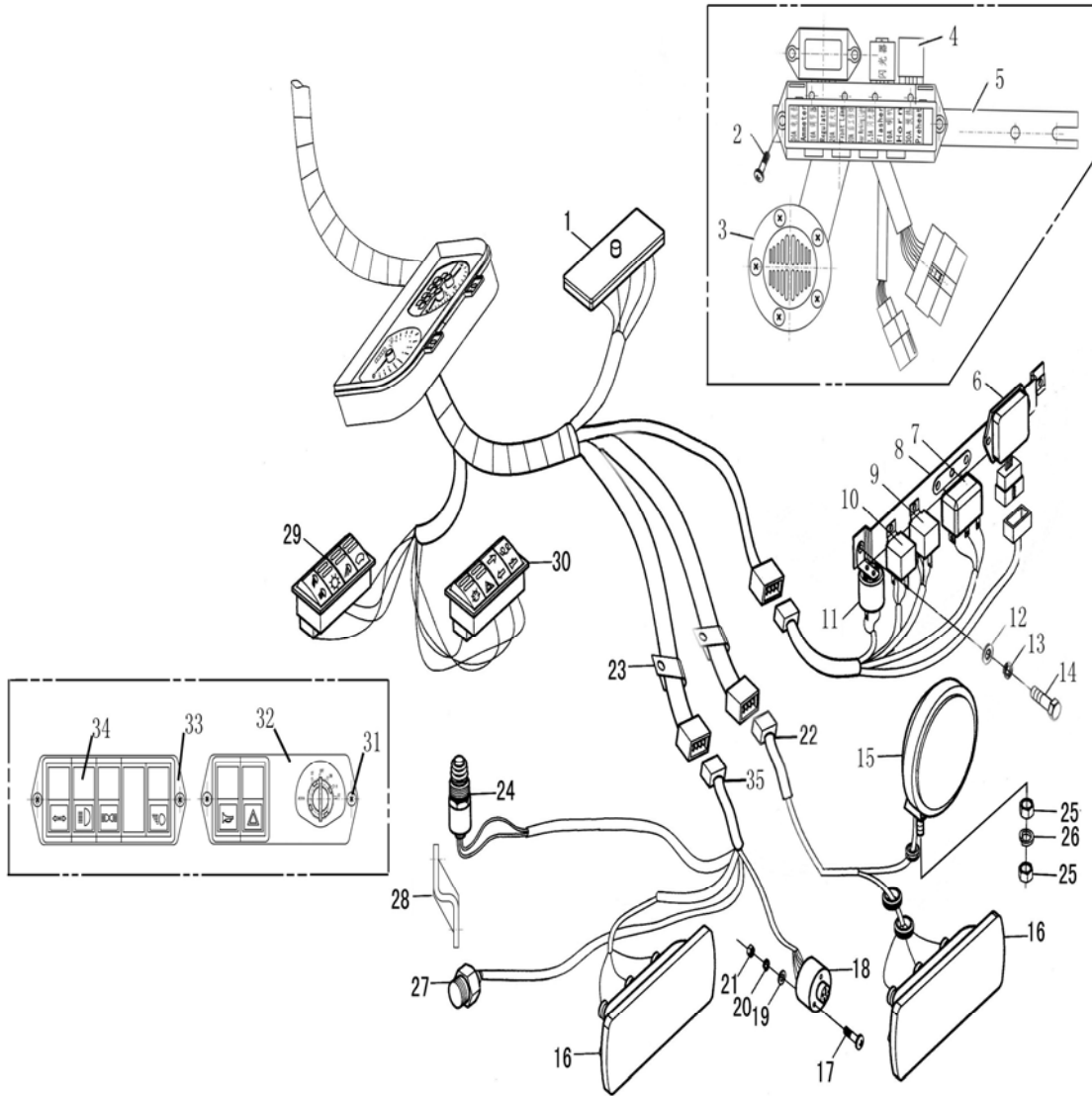
Ser No.	Part No.	Description	Qty
1	400.47.41A-3	Right step	1
2	400.47.051A-1	Left step	1
3	GB/T5782	Bolt M10 x 25	9
4	GB/T93	Washer 10	9



Electrical System Assembly (A)

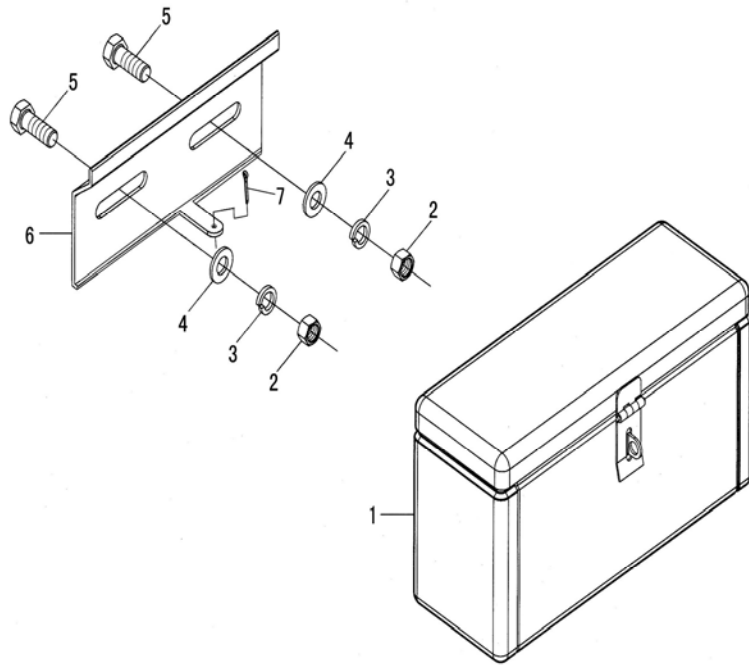
Electrical System Assembly (A)

Ser No.	Part No.	Description	Qty
1	C110-014	Combination instrument assembly	1
	C110-015	Combination instrument assembly	1
2	C303-002	Watch oil transducer	1
3	60.48.015	Engine bareness assembly	1
	400.48.081-1B	Engine bareness assembly	1
4	QD13L	Stator	1
	QDJ1408	Stator	1
5	C301-003	Water temperature sensor	1
6	C402-003	Ignition lock JK290A	1
7	GB/T818	Screw M5 x 10	5
8	GB/T93	Washer 5	5
9	600.48.011	Body harness assembly	1
	500.48.062A	Body harness assembly	1
10	C302-013	Fuel sensor	1
11	C304-003	Speed sensor	1
12	180.48.027-3	Cable	1
13	Z03-406	Adjustable keeper	15
14	GB/T5783	Bolt M6 x 20	5
15	GB/T93	Washer 6	5
16	GB/T97.1	Washer 6	5
17	160.48.130	Harness holed	5
18	C402-018	Power supply switch	1
19	GB/T5783	Rubber ring	2
20	300.48.107	Hexagon head bolt	1
21	GB/T889	Nut M8	2
22	GB/T93	Washer 8	9
23	GB/T97.1	Washer	9
24	400.48.201A	Fender	2
25	GB/T6170	Nut M8	4
26	C202-007	Van lamp	2
27	6-QW-90Ah	105Ab-Battery	1
28	160.48.124	Latex mat	2
29	GB/T818	Crosse recessed pan head screw	4
30	GB/T6170	Hexagon nut style 1	4
31	180.48.027	Ground wire for battery	1
32	GB/T97.1	Washer 10	3
33	C201-011	Front lamp unit assembly	1
34	400.48.027-1A	Power source wire	1
35	GB/T5783	Bolt M8 x 20	1
36	400.48.038	Bracket joining	1
37	GB/T5783	Bolt M8 x 30	2
38	250.48.505	Connection latex cover	2
39	400.48.305	Bracket horn	1
40	C502-Q280	Q280-Horn	1
41	500.48.011	Harness assembly from lamp	1
	600.48.012	Harness assembly from lamp	1
42	GB/T5783	Bolt M10 x 20	3
43	GB/T93	Washer 10	3
44	JF131	Alternator	1
	JF151	Alternator	1
45	400.47.019	Panel assembly	1
	400.47S.019	Panel assembly	1



Electrical System Assembly (B)

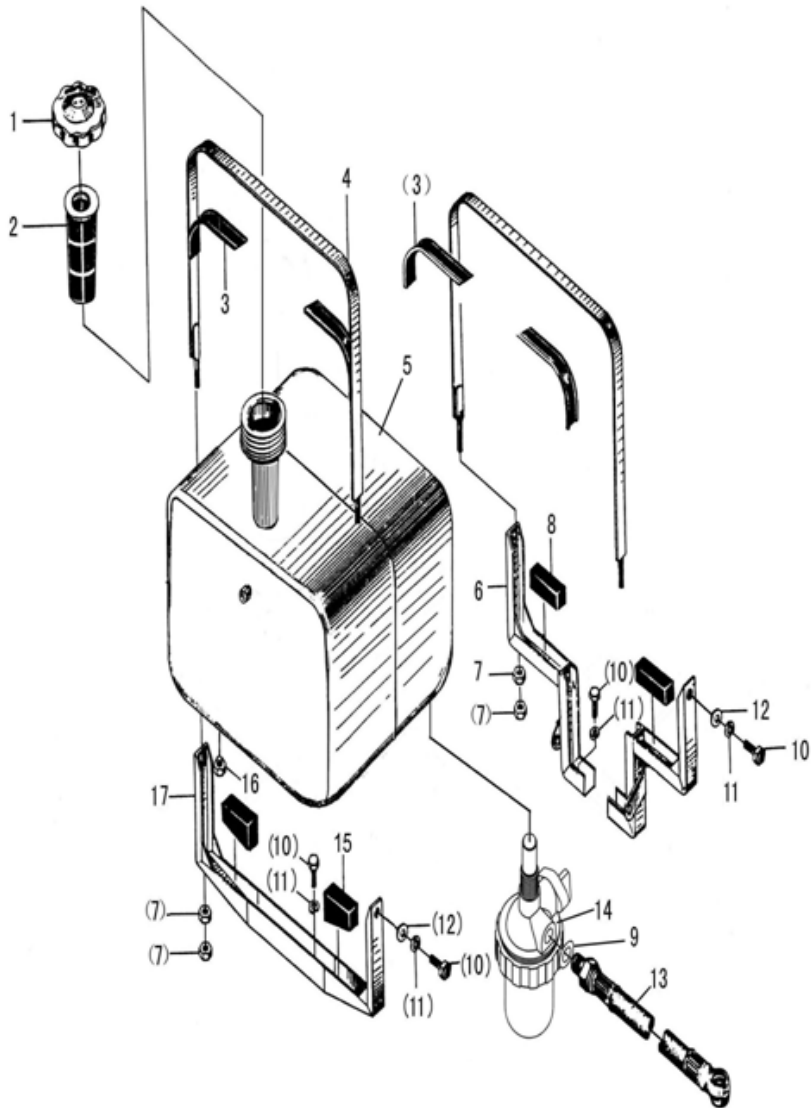
Ser No.	Part No.	Description	Qty
1	C702-BX-508	Fuse box	1
2	C502-Q280	Horn	1
3	GB/T5783	Bolt M6 x 40	1
4	C703-001	Fuse box	1
5	250.48.038-2A	Bracket jointing piece	1
6	C501-002	Voltage adjuster	1
7	C502-002	Relay for starting	1
8	700.48.032	Bracket assembly relay	1
9	C502-001	Main power source relay	1
10	C502-001	Main power source relay	1
11	SG163C-12V	Electronic flasher	1
12	GB/T97.1	Washer 6	8
13	GB/T93	Washer 6	8
14	GB/T5783	Bolt M6 x 20	8
15	C203-006	Rear light assembly	1
16	C202-002	Rear tail lamp assembly	1
17	GB/T818	Screw M5 x 35	3
18	C604-011	Socket rear trailer	1
19	GB/T97.1	Washer 5	3
20	GB/T93	Washer 5	3
21	GB/T6170	Nut M5	3
22	600.48.014	Harness assembly rear lamp	1
	400.48.084A	Harness assembly rear lamp	1
23	160.48.130	Harness tighten keeper	4
24	JK212	Switch for brake lamp	1
25	GB/T5783	Hexagon nut style 1	2
26	GB/T93	Washer	1
27	C402-007	Clutch switch	1
28	400.48.024-1	Bracket for brake lamp	1
29	700.48.012	4-function switch	1
30	700.48.013	4-function switch	1
31	GB/T818	Screw M6 x 25	4
32	250.48.158-9	Switch join plank	1
33	250.48.158-8	Switch join plank	1
34	180.48D.046	5+1-function switch	1
35	600.48.013	Harness assembly rear lamp	1
	400.48.085-1A	Harness assembly rear lamp	1



Tool Box Assembly

Tool Box Assembly

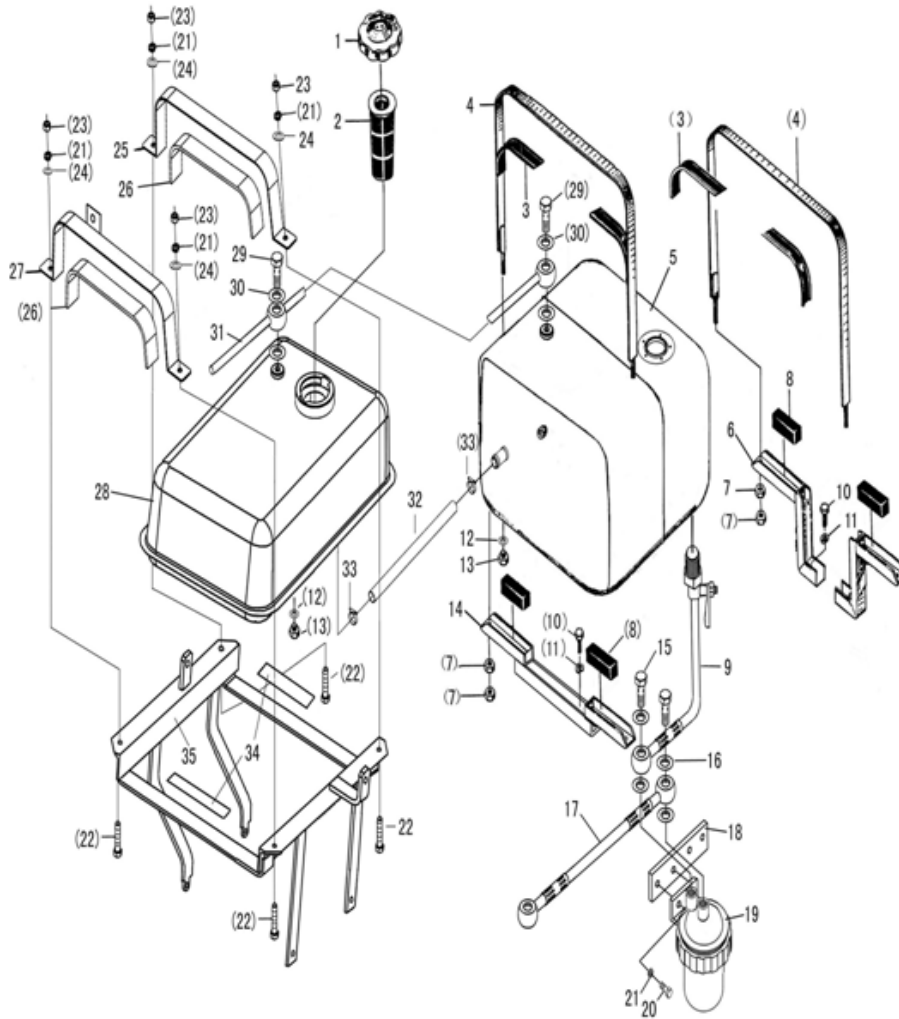
Ser No.	Part No.	Description	Qty
1	160.49.001	Tool box assembly	1
2	GB/T6170	Nut 8	2
3	GB/T93	Washer 8	2
4	GB/T97.1	Washer 8	2
5	GB/T5783	Bolt M8 x 25	2
6	700.49.101	Fixed bracket	1
7	GB/T91	Pin 6.3 x 20	1



Fuel Tank (I)

Fuel Tank (I)

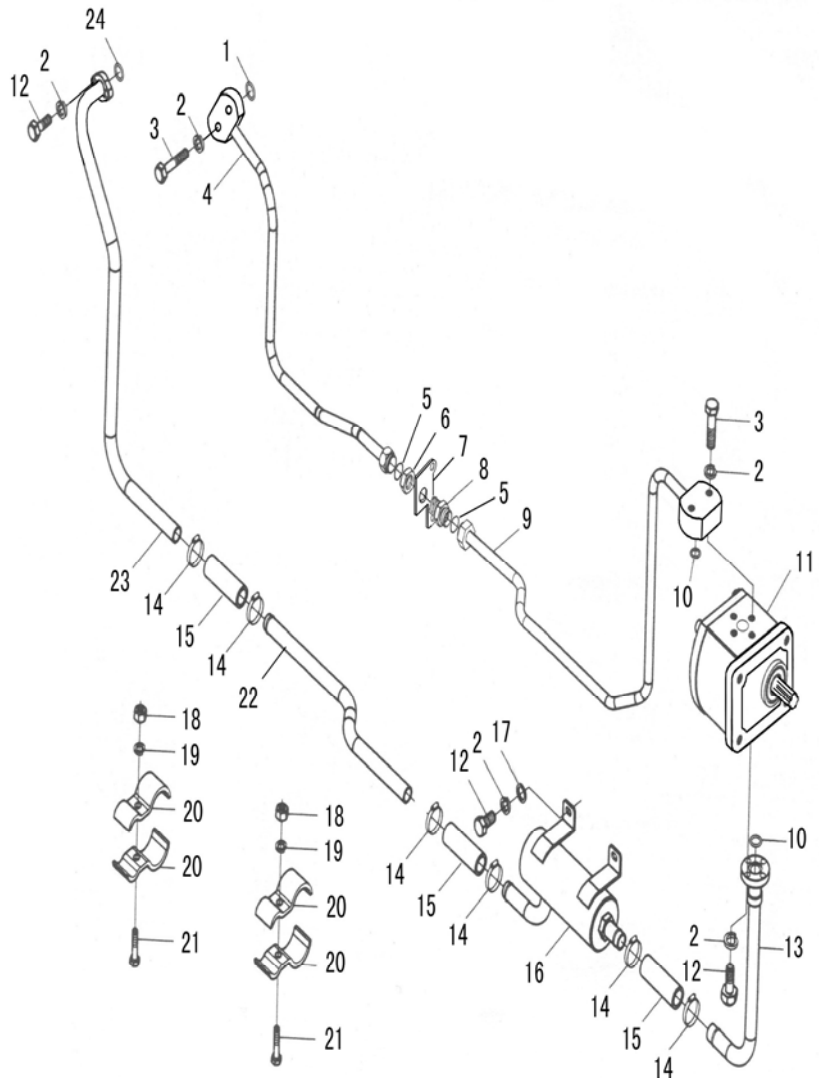
Ser No.	Part No.	Description	Qty
1	400.50.023A	Fuel tank cap	1
2	160.50.015	Screen fuel filler hole	1
3	300.50.101-2	Rubber pad	4
4	400.50.013	Steel band	2
5	400.50.011-2	Fuel tank	1
	400.50.011F	Fuel tank (selected by user)	1
6	400.50.017-1	Fuel tank rear support	1
7	GB/T6170	Nut M8	8
8	300.50.104	Rear rubber block	2
9		Washer 12	1
10	GB/T5783	Bolt M10 x 20	8
11	GB/T93	Washer 10	8
12	GB/T97.1	Washer 10	4
13	304.50.018-1	Fuel pipe assembly	1
	550.50.018	Fuel pipe assembly	
14	250.50.020	Sedimentary cup	1
15	300.50.103	Front rubber block	2
16	300.50.118	Drain plug	1
17	400.50.016	Fuel tank front support	1



Fuel Tank (II)

Fuel Tank (II)

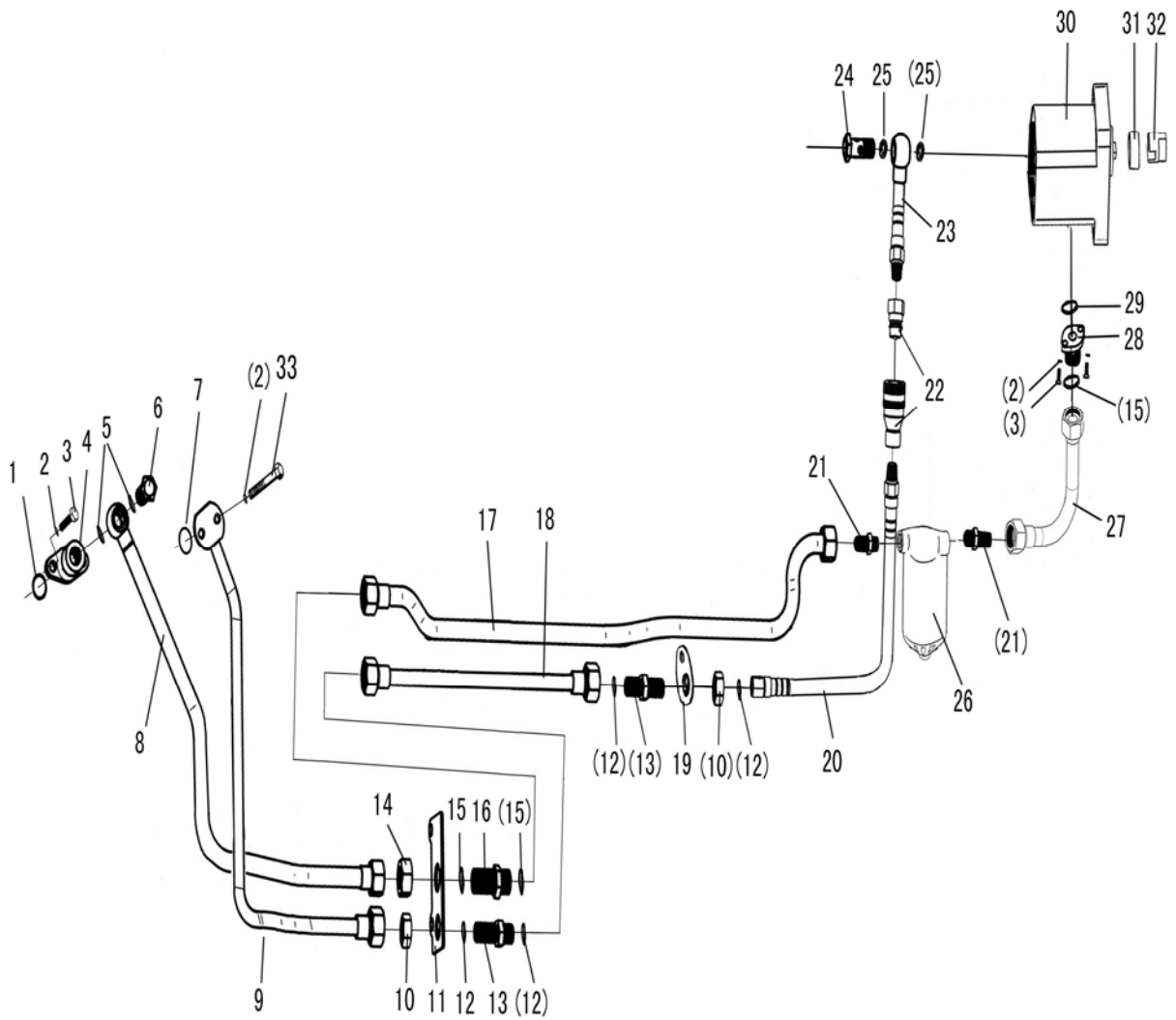
Ser No.	Part No.	Description	Qty
1	700.50.022	Fuel tank cap	1
2	160.50.015	Screen fuel filter hole	1
3	300.50.101-2	Rubber pad	4
4	400.50.013	Steel band	2
5	550.50.011-1	Fuel tank	1
6	400.50.017A-1	Fuel tank rear support	1
7	GB/T6170	Nut M8	8
8	400.50.104A	Rear rubber block	4
9	550.50.022-1	Fuel pipe assembly (II)	1
10	GB/T5783	Bolt M10 x 20	4
11	GB/T93	Washer 10	4
12	300.50.118	Drain plug	2
13		Washer 16	2
14	400.50.016A-1	Fuel tank from support	1
15	700.50.106	Bolt	2
16		Washer 14	4
16	300.50.103	Front rubber block	2
17	550.50.021	Fuel pipe assembly (I)	1
18	400.20.028A	Sedimentary cap support	1(a)
	500.50.013-2	Sedimentary cap support	4(b)
	550.50.013A-1	Sedimentary cap support	
19	250.50.020A	Sedimentary cap	1
20	GB/T5783	Bolt M8 x 20	2
21	GB/T93	Washer 8	6
22	GB/T5783	Bolt M8 x 30	4
23	GB/T6170	Nut M8	4
24	GB/T97.1	Washer 8	4
25	550.50.205	Rear binding strip auxiliary fuel tank	1
26	700.50.209	Upper felt strip	2
27	550.50.028	Rear binding strip auxiliary fuel tank	1
28	550.50.012-2	Auxiliary fuel tank weldment	1
29	300.54.101	Bolt	2
30		Washer 20	4
31	550.50.023	Breather pipe	1
32	550.50.212	Oil supply hose	1
33	ZBJ15001	Hoop 25-36	2
34	700.50.207	Lower felt strip	2
35	400.47.033/033A	Supper	1(a)
	500.50.031	Supper plate of auxiliary fuel tank	1(b)
	550.50.031	Supper plate of auxiliary fuel tank	
	550.50.031A	Supper plate of auxiliary fuel tank	



Pump and pipe (I)

Pump and pipe (I)

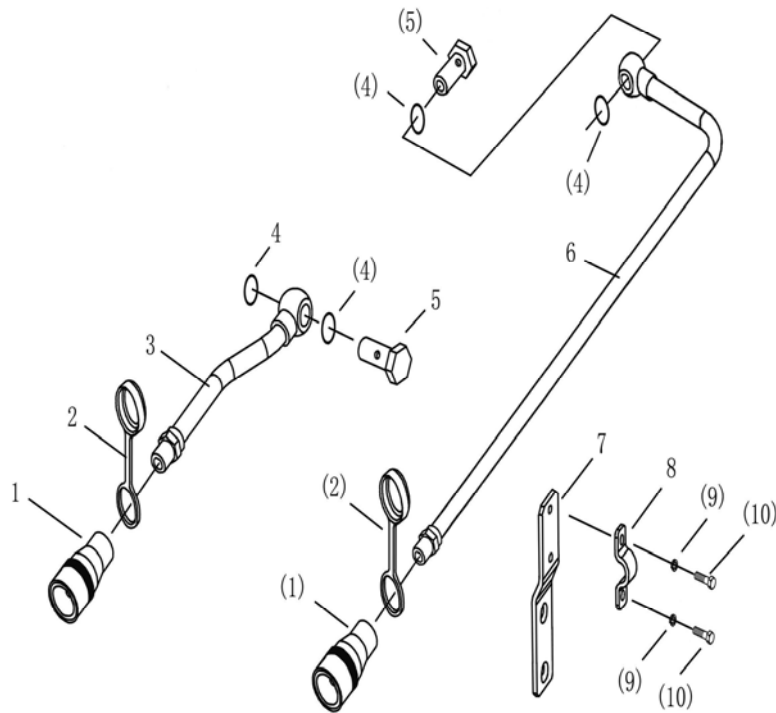
Ser No.	Part No.	Description	Qty
1	GB3452.1	O-ring 11 x 2.65	1
2	GB/T93	Washer 8	12
3	GB/T5783	Bolt M8 x 40	4
4	400.54.022A	Oil pipe	1
5	GB3452.1	O-ring 12.5 x 2.65	2
6	400.54.124	Nut	1
7	400.54.220A	Oil pipe support	1
8	400.54.123	Connector	1
9	500.54.021A	Oil pipe	1
	550.54.021E	Oil pipe	
	550.54.021F	Oil pipe	
10	GB3452.1	O-ring 19 x 2.65	2
11	CBN-E314	Gear pump	1
12	GB/T5783	Bolt M8 x 25	8
13	500.54.023A	Oil pipe	1
	550.54.023E	Oil pipe	
	550.54.023F	Oil pipe	
14	ZBJ15001	Hoop 25-38	6
15	400.54.601	Oil supply hose	3
16	400.54.041	Oil filter assembly	1
	400.54.041A	Oil filter assembly	
	550.54.041	Oil filter assembly	
17	GB/T97.1	Washer 8	2
18	GB/T6170	Nut	2
19	GB/T93	Washer 6	2
20	400.54.060	Pipe clamp and rubber cushion	2
21	GB/T5783	Bolt M6 x 30	2
22	400.54.224A	Oil pipe	
	550.54.224E	Oil pipe	1
	550.54.224E	Oil pipe	
23	400.54.025A	Oil pipe	1
24	GB3452.1	O-ring 25 x 2.65	1



Pump and Pipe (II)

Pump and Pipe (II)

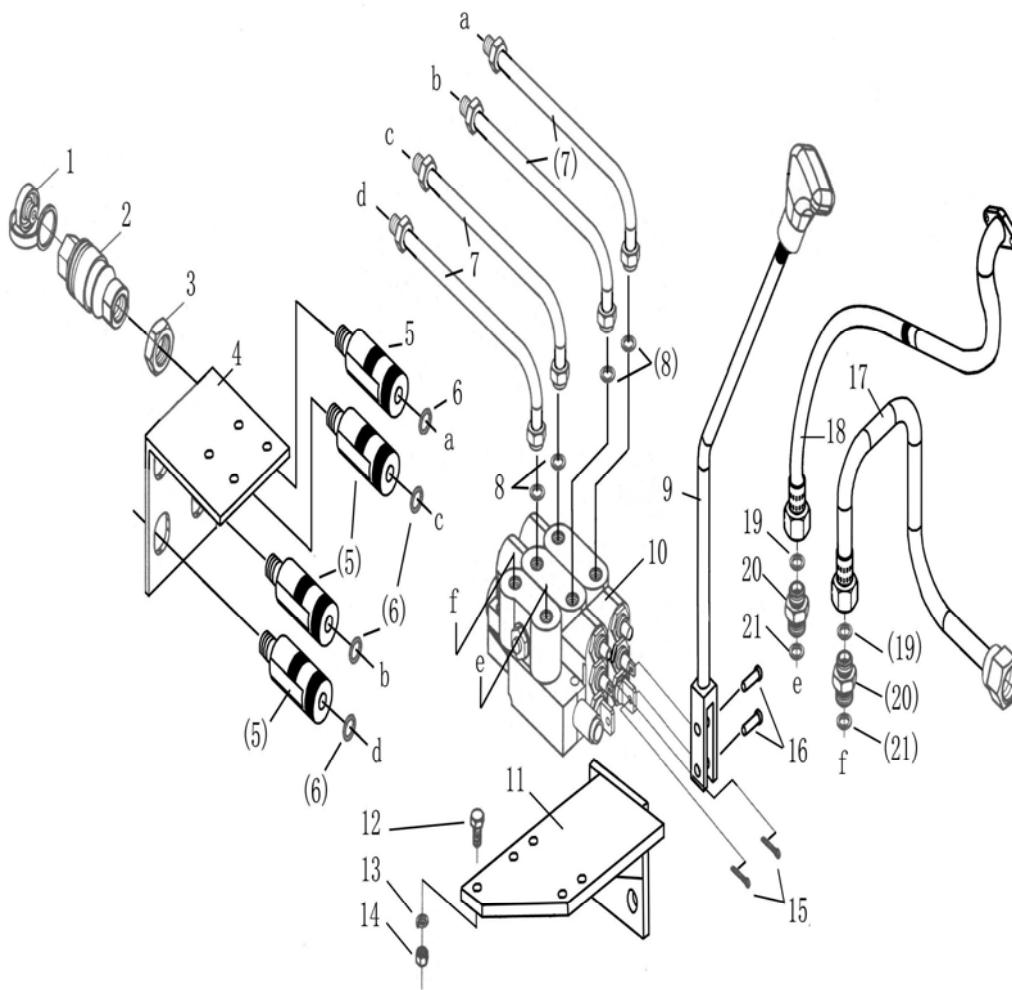
Ser No.	Part No.	Description	Qty
1	GB3452.1	O-ring 23.6 x 2.65	1
2	GB/T93	Washer 8	6
3	GB/T5783	Bolt M8 x 25	4
4	400.54.111-1	Connector	1
5		Washer 20	2
6	400.54.114	Bolt	1
7	GB3452.1	O-ring 11.2 x 2.65	1
8	400.54.025	Oil pipe	1
9	400.54.022	Oil pipe	1
10	400.54.124	Nut	1
11	400.54.220	Oil pipe support	1
12	GB3452.1	O-ring 12 x 2.65	2
13	400.54.123	Connector	1
14	DP160.54.205	Nut	1
15	GB3452.1	O-ring 15 x 2.65	3
16	DP184.54.130	Connector	1
17	400.54.024-1	Oil pipe	1
	550.54.024	Oil pipe	
18	400.54.021A	Oil pipe	1
19	400.54.129	Link plate	1
20	400.54.028	Oil pipe	1
21	250.54.112	Connector	2
22		Quick release connector TRA12.5	1
23	400.54.026	Oil pipe	1(a)
	500.54.026-1	Oil pipe	1(b)
24	160.54.108	Bolt	1
25		Washer 18	2
26	JX0811A	Filter assembly	1
27	400.54.023-1	Oil pipe	1(a)
	500.54.023-1	Oil pipe	1(b)
	550.54.023B-1	Oil pipe	
	550.54.023C-1	Oil pipe	
28	DP184.54.131	Connector	1
29	GB/T3452.1	O-ring 18 x 2.65	1
30	C901-314-001	Gear pump	1(a)
	C901-314-003	Gear pump	1(b)
31	400.54.102	Bush	1
32	400.54.101	Cross connector	1
33	GB/T5783	Bolt M8 x 40	2



Hydraulic Take-off Pipe (I)

Hydraulic Take-off Pipe (I)

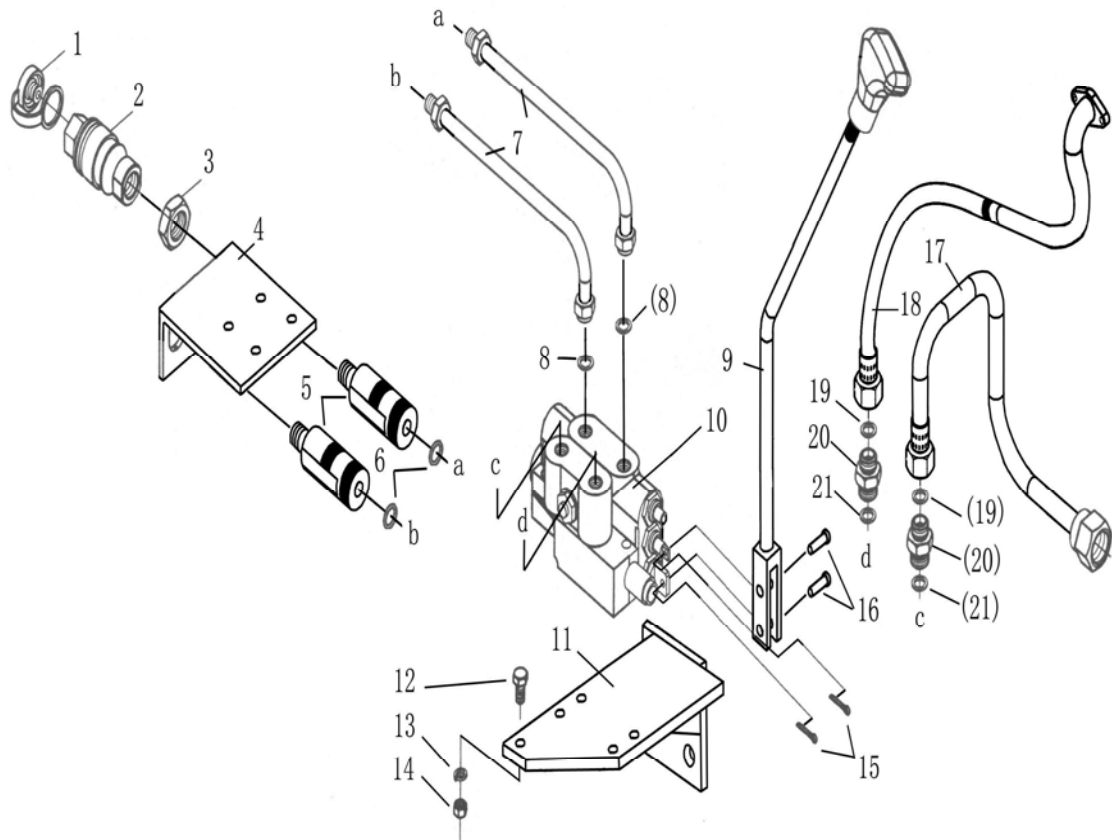
Ser No.	Part No.	Description	Qty
1		Quick release connector TRA12.5	2
2	160.54.220	Dust cover (I)	2
3	160.54.025-2	Oil pipe (input)	1
4		Washer 18	4
5	160.54.108	Bolt	2
6	400.54.020	Oil pipe (output)	1
7	400.54.134-1	Oil pipe support	1
8	400.54.135	Plate	1
9	GB/T93	Washer 8	2
10	GB/T5783	Bolt M6 x 16	2



Hydraulic Take-off Pipe (II)

Hydraulic Take-off Pipe (II)

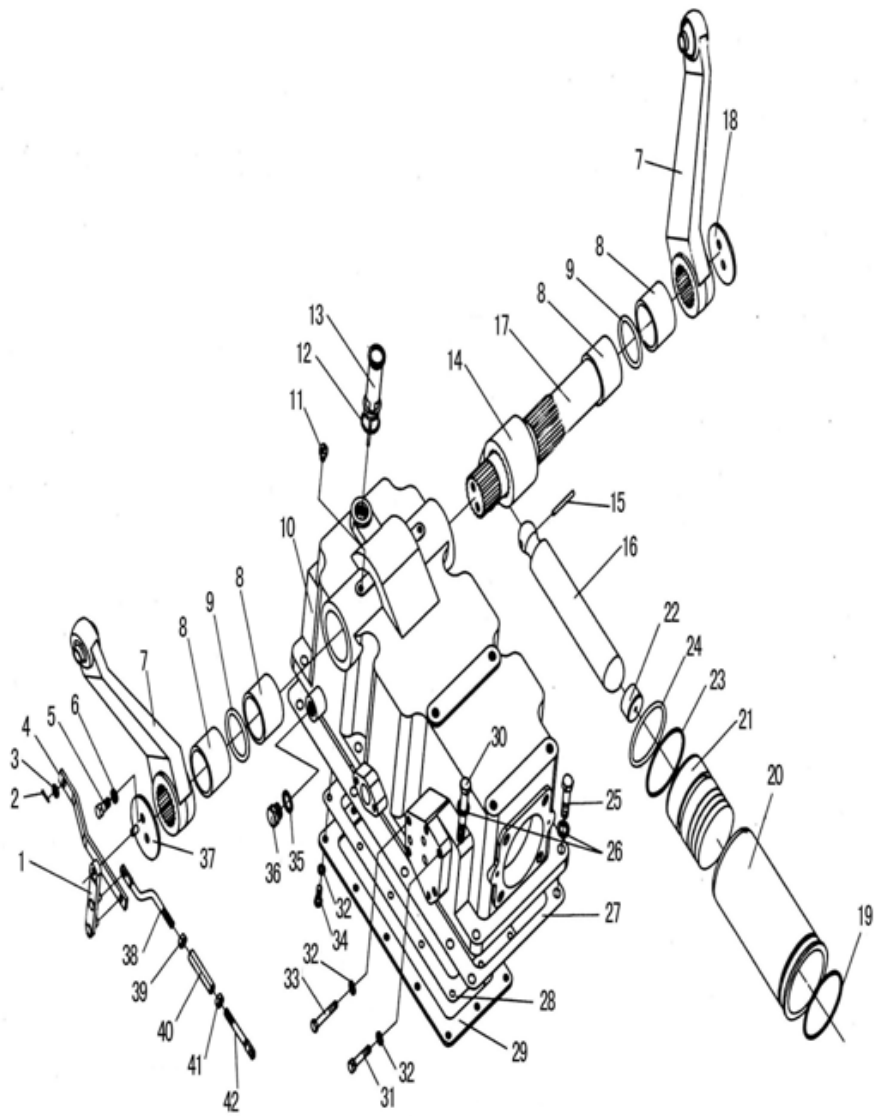
Ser No.	Part No.	Description	Qty
1	160.54.022	Dust cover (I)	4
2		Quick release connector TRA12.5	4
3	GB/T6171	Bolt M27 x 1.5	4
4	400.54.305A	Oil pipe support	1
5	160.54.310	Connector	4
6	GB/T3452.1	O-ring 11.2 x 2.65	4
7	400.54.034	Oil pipe	4
8	GB/T3452.1	O-ring 16 x 2.65	4
9	400.54.702-1	Control handle	2
10	DL-8J-2	Multi-way valve	1
11	400.54.042A	Support	1
	400.54.042-1	Support	1
12	GB/T5783	Bolt M10 x 40	3
13	GB/T93	Washer 10	3
14	GB/T6170	Nut M10	3
15	GB/T91	Split pin 1.6 x 16	2
16	GB/T882	Axis pin B6 x 20	2
17	400.54.041-3	Oil pipe (input)	1
18	400.54.032A	Oil pipe (output)	1
19	GB/T3452.1	O-ring 10 x 2.65	2
20	400.54.701	Connector	2
21		Washer 22	2



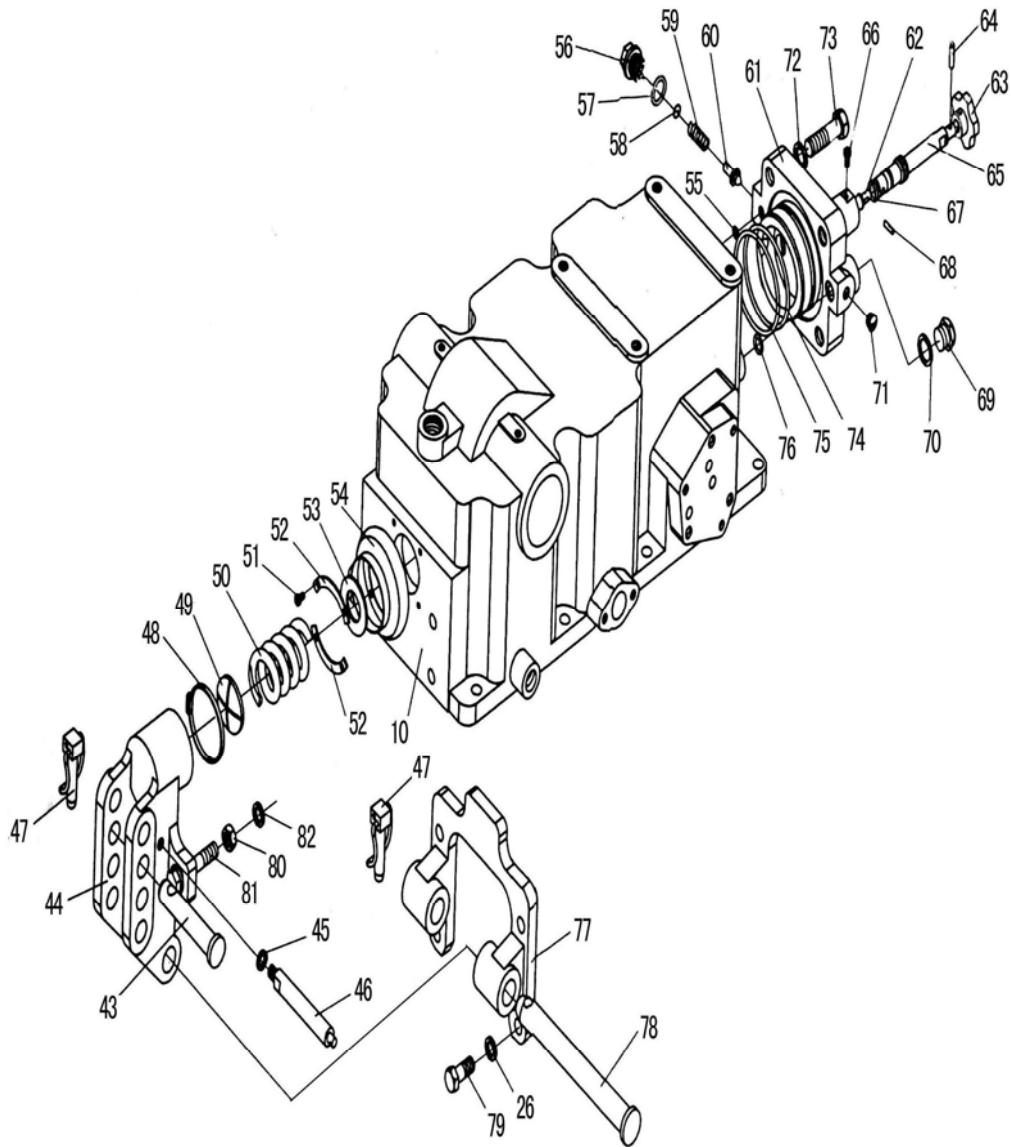
Hydraulic Take-off Pipe (III)

Hydraulic Take-off Pipe (III)

Ser No.	Part No.	Description	Qty
1	160.54.022	Dust cover	2
2		Quick release connector TRA12.5	2
3	GB/T6171	Bolt M27 x 1.5	2
4	400.54.305B	Oil pipe support	1
5	160.54.310	Connector	2
6	GB/T3452.1	O-ring 11.2 x 2.65	2
7	400.54.034	Oil pipe	2
8	GB/T3452.1	O-ring 16 x 2.65	2
9	400.54.702-1	Control handle	1
10	DL-8J-1	Multi-way valve	1
11	400.54.042A	Support	1
	400.54.042-1	Support	1
12	GB/T5783	Bolt M10 x 40	3
13	GB/T93	Washer 10	3
14	GB/T6171	Nut M10	3
15	GB/T91	Split pin 1.6 x 16	1
16	GB/T882	Axis pin B6 x 20	1
17	400.54.041-3	Oil pipe (input)	1
18	400.54.032A	Oil pipe (output)	1
19	GB/T3452.1	O-ring 10 x 2.65	2
20	400.54.701	Connector	2
21		Washer 22	2



Lift Assembly (A)



Lift Assembly (B)

Lift Assembly (A) and Lift Assembly (B)

Ser No.	Part No.	Description	Qty
1	400.55.017	Swing pole	1
2	GB/T91	Pin D2 x 16	5
3	GB/T848	Washer 8	5
4	400.55.122	Feedback link	1
5	GB/T5781	Bolt M10 x 20	4
6	GB/T93	Washer 10	4
7	500.55.148	Lift arm	2
8	400.55.116-1	Bush	4
9	GB/T1235	O-ring 60 x 5.7	2
10	500.55.101	Lifter case	1
11	GB/T828	Screw 8 x 10 x 6	2
12	400.55.103	Washer	1
13	400.55.013	Dipstick	1
14	400.55.151	Inlet arm	1
15	GB/T119	Pin D5 x 50	1
16	400.55.152	Piston rod	1
17	400.55.115	Lift shaft	1
18	400.55.119	Plate	1
19	GB/T3452.1	O-ring 109 x 3.55	1
20	500.55.102	Cylinder	1
21	500.55.141	Piston	1
22	400.55.142	Piston ball seat	1
23	GB/T3452.1	O-ring 90 x 5.3	1
24	520.55.143	Washer	1
25	GB/T5783	Bolt M12 x 35	9
26	GB/T93	Washer 12	14
27	400.55.114	Gasket	1
28	400.55.112	Gasket	1
29	400.55.113	Bottom cover	1
30	GB/T5782	Bolt	1
31	GB/T5782	Bolt M8 x 80	2
32	GB/T93	Washer 8	17
33	400.55.123	Bolt	1
34	GB/T5781	Bolt M8 x 20	12
35	400.55.111	Washer	2
36	400.55.110	Plug	2
37	400.55.020	Plate	1
38	500.55.156	Rear adjusting link	1
39	GB/T6170	Nut M10	1
40	65.55.123	Adjusting bush	1
41	65.55.126	Nut M10 (left)	1
42	65.55.125	Front adjusting link	1
43	400.55.121	Connecting pin	1
44	500.55.155	Rocker arm	1
45	GB/T93	Washer 10	1
46	500.55.158	Connecting link	1
47	400.55.026	Stop pin	2
48	JB3616.1	Clamp	1
49	400.55.108	Ball washer	1
50	400.55.107	Draft-responsive control spring	1
51	GB/T65	Screw M5 x 8	4
52	400.55.104	Plate	2
53	400.55.106	Washer	1

Ser No.	Part No.	Description	Qty
54	400.55.105	Dust-proof bowling	1
55	GB/T3452.1	O-ring 6.3 x 1.8	1
56	400.55.131	Plug	1
57	GB/T3452.1	O-ring 15 x 2.65	1
58	400.55.132	Adjusting washer	Δ
	400.55.133	Adjusting washer	Δ
59	400.55.134	Spring	1
60	400.55.135	Safety valve	1
61	500.55.011	Cylinder cap	1
62	400.55.137	Adjusting valve	1
63	400.55.140	Hand wheel	1
64	GB/T879	Pin D5 x 20	1
65	400.55.138	Adjusting valve link	1
66	GB/T75	Screw M5 x 10	1
67	GB/T3452.1	O-ring 11.8 x 2.65	1
68	400.55.139	Pin	1
69	400.55.110	Plug	1
70	400.55.111	Washer	1
71	A61101	Taper threaded plug Z1/8"	1
72	GB/T93	Washer 16	4
73	GB/T5785	Bolt M16 x 1.5 x 50	4
74	GB/T3452.1	O-ring 92.5 x 3.55	1
75	520.55.144	Stop ring	1
76	GB/T3452.1	O-ring 10.6 x 2.65	3
77	400.55.109	Support	1
78	400.55.120	Rocker arm link pin	1
79	GB/T5783	Bolt M12 x 1.5 x 30	4
80	GB/T6170	Nut M14	2
81	GB/T5787	Bolt AM14 x 65	2
82	GB/T93	Washer 14	2

