

JINMA SERIES WHEELED TRACTOR PARTS CATALOGUE
(300/304/350/354)



Mahindra Yueda (Yancheng) Tractor Co.,Ltd.

黄海金马-30-40A型轮式拖拉机部件组成表

Parts List of Huanghai JM-30-40A Wheel Tractor

序号 Ser. No.	名称 Part Name	机型 Model						页号 Page
		300	304	350	354	400A	404A	
1	散热器总成 Radiator Assembly	✓	✓	✓	✓	✓	✓	1
2	进气系统总成I Air Intake SystemI	△	△	△	△	△	△	3
3	进气系统总成II Air Intake SystemII	✓	✓	✓	✓	✓	✓	5
4	排气系统总成I Exhaust SystemI	△	△	△	△	△	△	7
5	排气系统总成II Exhaust SystemII	✓	✓	✓	✓	✓	✓	9
6	排气系统总成III Exhaust SystemIII			△	△			11
7	发动机操纵机构总成 Engine Control Mechanism	✓	✓	✓	✓	✓	✓	13
8	单作用离合器总成 Single Stage Clutch	✓	✓	✓	✓	✓	✓	16
9	双作用离合器总成 Dual Stage Clutch	△	△	△	△	△	△	18
10	过桥 Intermediate Axle	✓	✓	✓	✓	✓	✓	22
11	过桥(四轮驱动·单作用) Intermediate Axle (4WD and Single stage clutch)		✓		✓		✓	26
12	过桥(双作用离合器) Intermediate Axle (For dual Stage Clutch)	△	△	△	△	△	△	30
13	前驱动拨叉(四轮驱动) Front Drive Release Fork (Four wheel drive)		△		△		△	33
14	托架及套管 Bracket & Sleeve	✓		✓		✓		35
15	付套管及前轮毂 Front Axle Arm & Front Wheel Hub	✓		✓		✓		38
16	纵横拉杆 Drag Link & Tile Rod	✓		✓		✓		41
17	前中央传动(一)(四轮驱动) Front Central Drive (A) (Four wheel drive)		✓		✓		✓	44
18	前中央传动(二)(四轮驱动) Front Central Drive (B) (Four wheel drive)		✓		✓		✓	47

黄海金马-30-40A型轮式拖拉机部件组成表

Parts List of Huanghai JM-30-40A Wheel Tractor

序号 Ser. No.	名称 Part Name	机型 Model						页号 Page	
		300	304	350	354	400A	404A		
19	前末端传动总成 (四轮驱动)	Front Final Drive Assembly (Four wheel drive)		✓		✓		✓	50
20	导向轮	Directive Wheel	✓		✓		✓		54
21	前驱动轮 (四轮驱动)	Front Driving Wheel (Four wheel drive)		✓		✓		✓	56
22	驱动轮	Driving Wheel	✓	✓	✓	✓			58
23	驱动轮I	Driving Wheel I					✓	✓	60
24	摆式牵引板总成	Pendulum Drawbar	△	△	△	△	△	△	62
25	牵引板总成 I	Drawbar I	△	△	△	△	△	△	64
26	牵引板总成 II	Drawbar II	△	△	△	△	△	△	66
27	变速箱盖	Transmission Cover	✓	✓	✓	✓	✓	✓	68
28	变速箱盖	Transmission Cover	✓	✓	✓	✓	✓	✓	70
29	传动箱第一轴(单作用)	Drive Gearbox Main Shaft (Single stage clutch)	✓	✓	✓	✓	✓	✓	73
30	传动箱第一轴 (双作用离合器)	Drive Gearbox Primary Shaft	△	△	△	△	△	△	76
31	传动箱第二轴(单作用)	Drive Gearbox(Single stage clutch)	✓	✓	✓	✓	✓	✓	79
32	传动箱第二轴 (双作用离合器)	Drive Gearbox Main Shaft (For dual stage clutch)	△	△	△	△	△	△	82
33	传动箱第二轴 (防掉档)	Drive Gearbox Main Shaft	✓	✓	✓	✓	✓	✓	84
34	差速器	Differential	✓	✓	✓	✓	✓	✓	86
35	差速锁	Differential Lock	✓	✓	✓	✓	✓	✓	88
36	动力输出 (啮合套换档)	Power Take-Off (Meshing sleeve shift)	✓	✓	✓	✓	✓	✓	90

黄海金马-30-40A型轮式拖拉机部件组成表

Parts List of Huanghai JM-30-40A Wheel Tractor

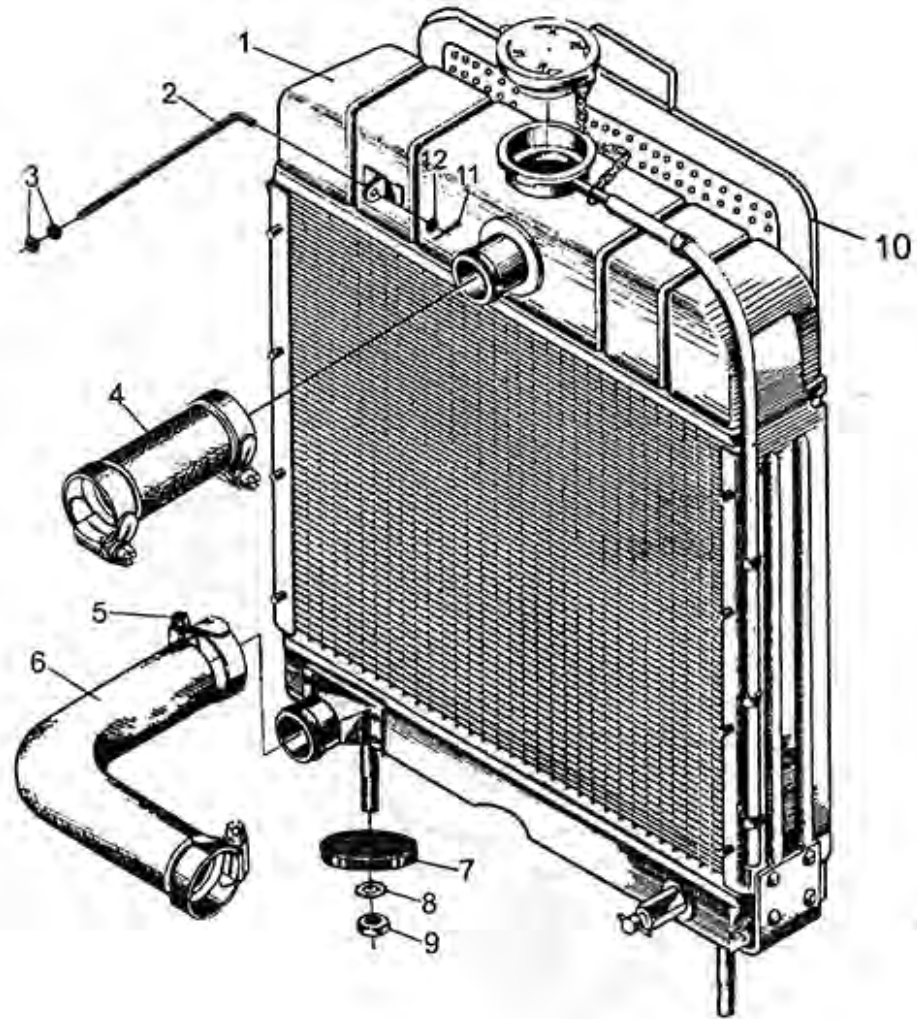
序号 Ser. No.	名称 Part Name	机型 Model						页号 Page
		300	304	350	354	400A	404A	
37	传动箱 Drive Gearbox	✓	✓	✓	✓	✓	✓	93
38	末端传动总成 Final Drive Assembly	✓	✓	✓	✓	✓	✓	98
39	末端传动总成(加长轴) Final Drive Assembly	△	△	△	△	△	△	101
40	转向器 Side Hydraulic Steering Assembly	✓		✓		✓		103
41	分动箱传动轴总成 Transfer Case Drive Shaft Assembly		✓		✓		✓	106
42	制动器及操纵机构总成 Brake and Operation Mechanism	✓	✓	✓	✓	✓	✓	110
43	驾驶座总成 Seat	✓	✓	✓	✓	✓	✓	114
44	驾驶座总成I Seat I	△	△	△	△	△	△	116
45	折叠式安全架总成 Roll-over Protective Structure	△	△	△	△	△	△	118
46	发动机罩壳、仪表盘及支架总成 I Hood, Panel and Bracket I	✓	✓	✓	✓	✓	✓	120
47	发动机罩壳、仪表盘及支架总成 II Hood, Panel and Bracket II	△	△	△	△	△	△	124
48	发动机罩壳、仪表盘及支架总成 III Hood, Panel and Bracket III	△	△	△	△	△	△	127
49	左右护板及左右地板总成 Mud Shield and Step	✓	✓	✓	✓	✓	✓	130
50	电瓶座总成 I Battery Support Seat Assy I	✓	✓	✓	✓	✓	✓	133
51	电瓶座总成 II Battery Support Seat Assy II	✓	✓	✓	✓	✓	✓	135
52	工具箱总成 Tool Box	△	△	△	△	△	△	137
53	燃油箱总成 Fuel Tank	✓	✓	✓	✓	✓	✓	139
54	提升器总成 Lifter Assembly	✓	✓	✓	✓	✓	✓	142

黄海金马-30-40A型轮式拖拉机部件组成表

Parts List of Huanghai JM-30-40A Wheel Tractor

序号 Ser. No.	名称 Part Name	机型 Model						页号 Page	
		300	304	350	354	400A	404A		
55	分配器总成	Distributor Assembly	✓	✓	✓	✓	✓	✓	146
56	悬挂机构总成	Suspension Mechanism Assembly	✓	✓	✓	✓	✓	✓	150
57	气制动总成	Air Brake Assembly	△	△	△	△	△	△	153
58	液压转向器总成	Hydraulic Steering Gear Assembly	△	✓	△	✓	△	✓	156
59	侧置液压转向	Side Hydraulic Steering Assembly		✓					161
60	液压油泵及管路总成 I	Pump and Pipe I	✓	✓	✓	✓	✓	✓	163
61	液压油泵及管路总成 II	Pump and Pipe II	✓	✓	✓	✓	✓	✓	166
62	液压输出油管总成	Hydraulic Take-off pipe	△	△	△	△	△	△	169
63	液压输出油管总成(多路阀)	Hydraulic Take-off Pipe (Multi-way valve)	△	△	△	△	△	△	171
64	电器系统总成	Electrical System	✓	✓	✓	✓	✓	✓	174
65	电器系统总成 I	Electrical System I	✓	✓	✓	✓	✓	✓	177
66	电器系统总成 II	Electrical System II	✓	✓	✓	✓	✓	✓	182

"△"表示用户选装 May Be Selected By User

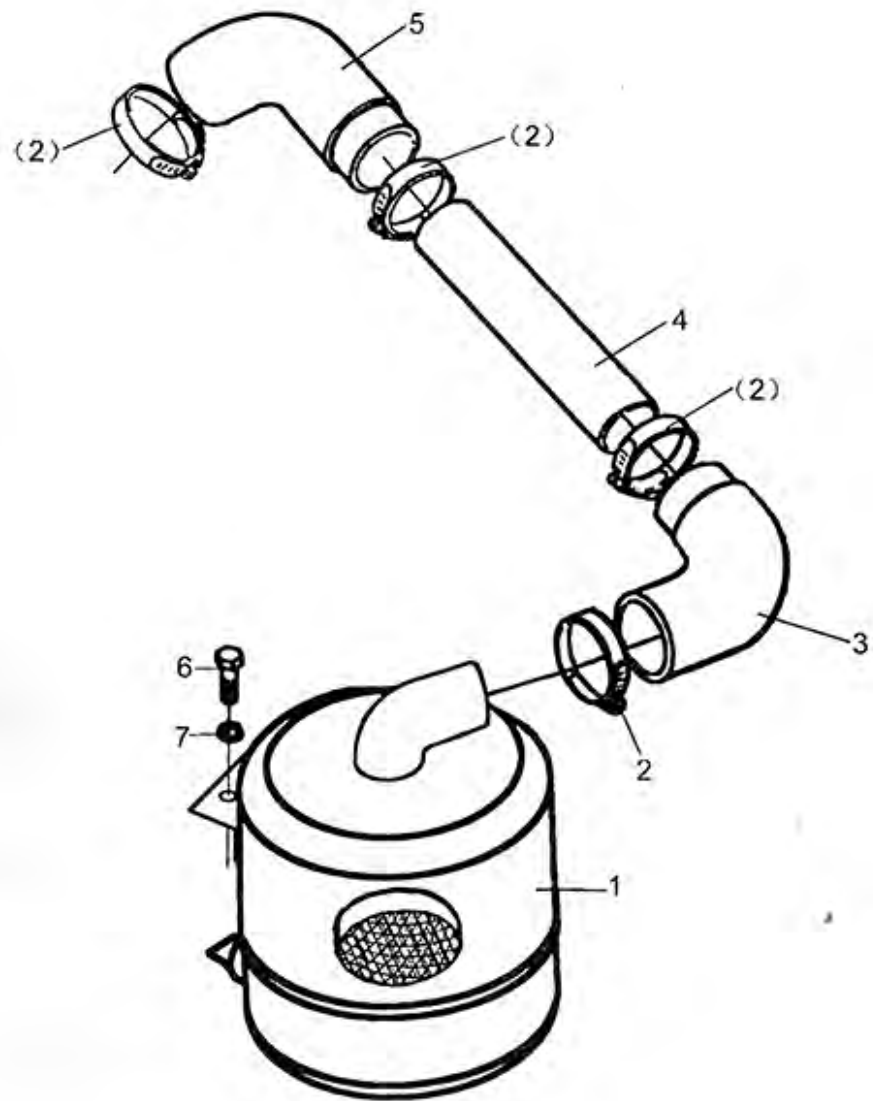


散热器总成
Radiator Assembly

散热器总成

Radiator Assembly

序号 Ser. No.	代 号 Part No.	名 称	Name	数量 Qty.
1	TY395.12.010-1	散热器总成 (YC350) -----TY395/3100	Radiator assembly-----TY395/3100	1
	4L22T.12.010-1	散热器总成 (YC350D) -----4L22T/BT	Radiator assembly-----4L22T/BT	1
	ZN390.12.010-1	散热器总成 (YC300B) -----ZN390/490	Radiator assembly-----ZN390/490	1
	304T.12.010-1	散热器总成 (YC304T) -----SL2105	Radiator assembly-----SL2105	1
2	TY395.106	拉杆	Rod	1
3	GB/T6170	螺母M8	Nut M8	2
4	TY395.101	出水管(TY3100/TY395)	Rubber tube	1
	SL3105BT.202	出水管(4L22T/4L22BT)	Rubber tube	1
	ZN390.102	出水管(ZN390/ZN490/4L22BT)	Rubber tube	1
	TY395.101	出水管(SL2105ABT)	Rubber tube	1
5	D16-ABA-50	喉箍Φ38-Φ55	Tube clamp Φ38-Φ55	4
6	TY395.102	进水管(TY3100/TY395)	Rubber tube	1
	Y385.109	进水管(4L22T)	Rubber tube	1
	4L22T.203	进水管(4L22BT)	Rubber tube	1
	ZN390.101-1	进水管(ZN390/ZN490)	Rubber tube	1
	SL2105.13.102	进水管(SL2105ABT)	Rubber tube	1
7	BL-178	橡胶垫	Rubber pad	2
8	GB/T97.1	垫圈12	Washer 12	2
9	GB/T889	螺母M12	Nut M12	2
10	B395.109	挡草板	Shutter	1
11	GB/T91	开口销2×16	Split pin 2×16	1
12	GB/T97.1	垫圈8	Washer 8	1

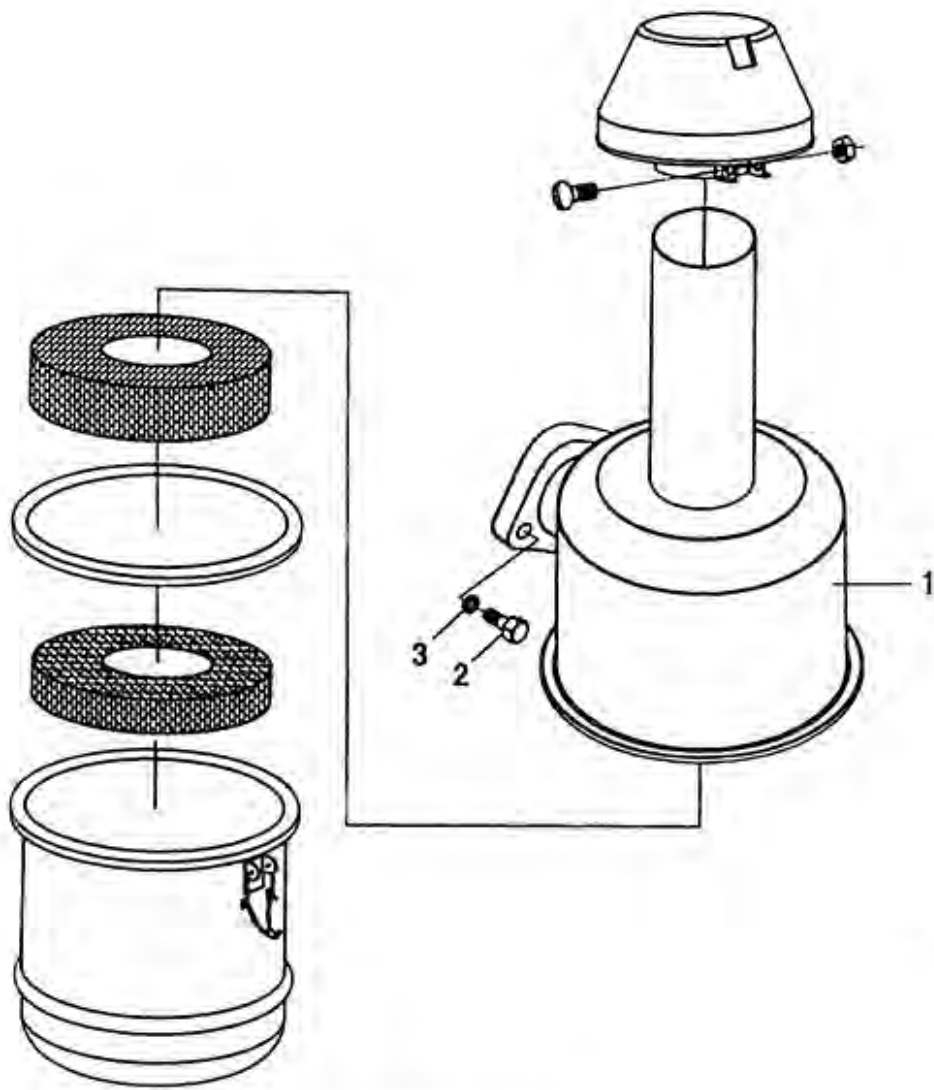


进气系统总成
Air Intake System

进气系统总成

Air Intake System

序号 Ser. No.	代号 Part No.	名称	Name	数量 Qty.
1	TY395.11.010A	空滤器总成(干式)	Air filter assembly	1
	SL2105.11.010B	空滤器总成(湿式)	Air filter assembly	1
2	D16-ABA-65	喉箍Φ50-65	Tube clampΦ50-65	4
3	TY395.104	橡胶管2	Rubber tube 2	1
4	TY395.105-2	进气管	Air filter tube	1
5	TY395.103-1	橡胶管1	Rubber tube 1	1
6	GB/T5783	螺栓M8×25	Bolt M8×25	
7	GB/T93	垫圈8	Washer 8	

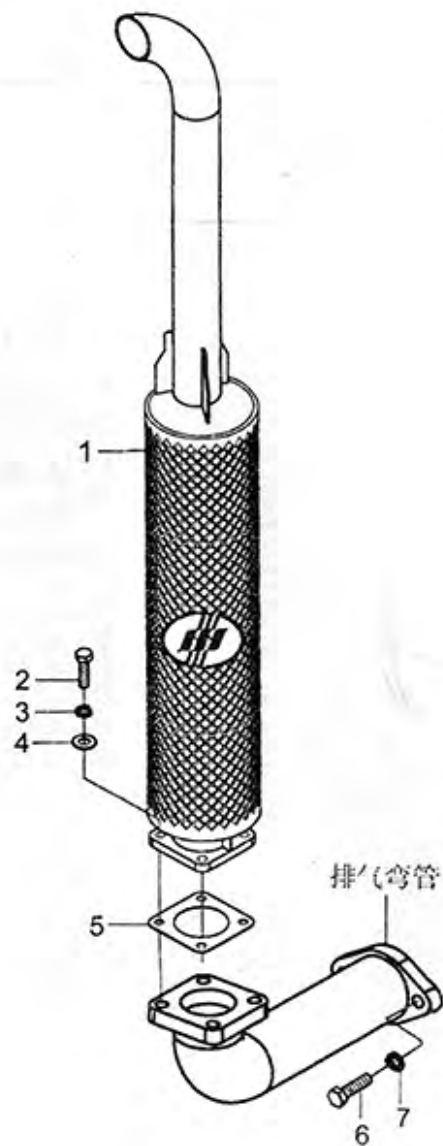


进气系统总成 II
Air Intake System II

进气系统总成 II

Air Intake System II

序号 Ser. No.	代 号 Part No.	名 称 Name	数量 Qty.
1	SL2105.11.010	空滤器总成 Air filter assembly	1
2	GB/T5783	螺栓M8×25 Bolt M8×25	1
3	GB/T93	垫圈8 Washer 8	1

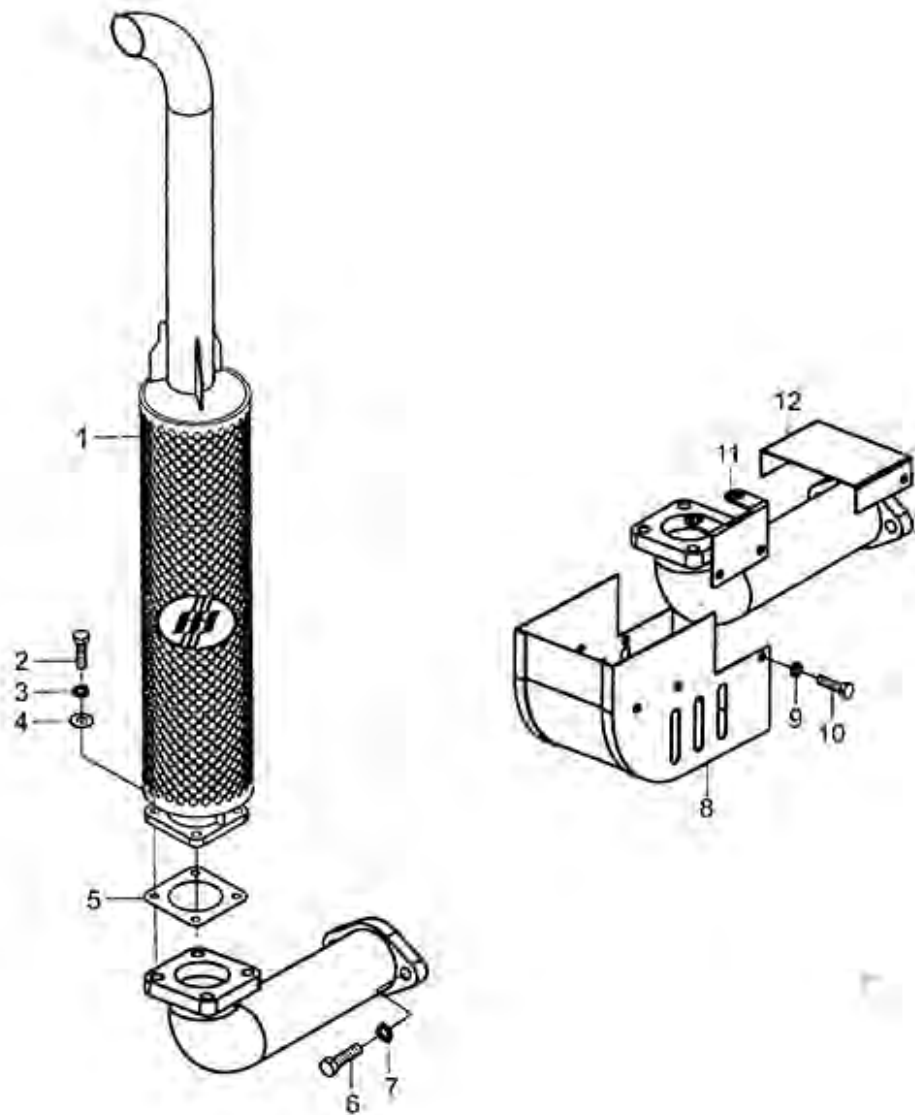


排气系统总成 I
Exhaust System I

排气系统总成 I

Exhaust System I

序号 Ser. No.	代号 Part No.	名称	Name	数量 Qty.
1	SL2105.10.010-1	消声器总成	Muffler assembly	1
	4L22T.10.010A	消声器总成 (EPAIV)	Muffler assembly	1
2	GB/T5783	螺栓M8×25	Bolt M8×25	4
3	GB/T93	垫圈8	Washer 8	4
4	GB/T97.1	垫圈8	Washer 8	4
5	Y385.10.119	消声器垫片	Muffler washer	1
6	GB/T5783	螺栓M10×30	Bolt M10×30	2
7	GB/T93	垫圈10	Washer 10	2

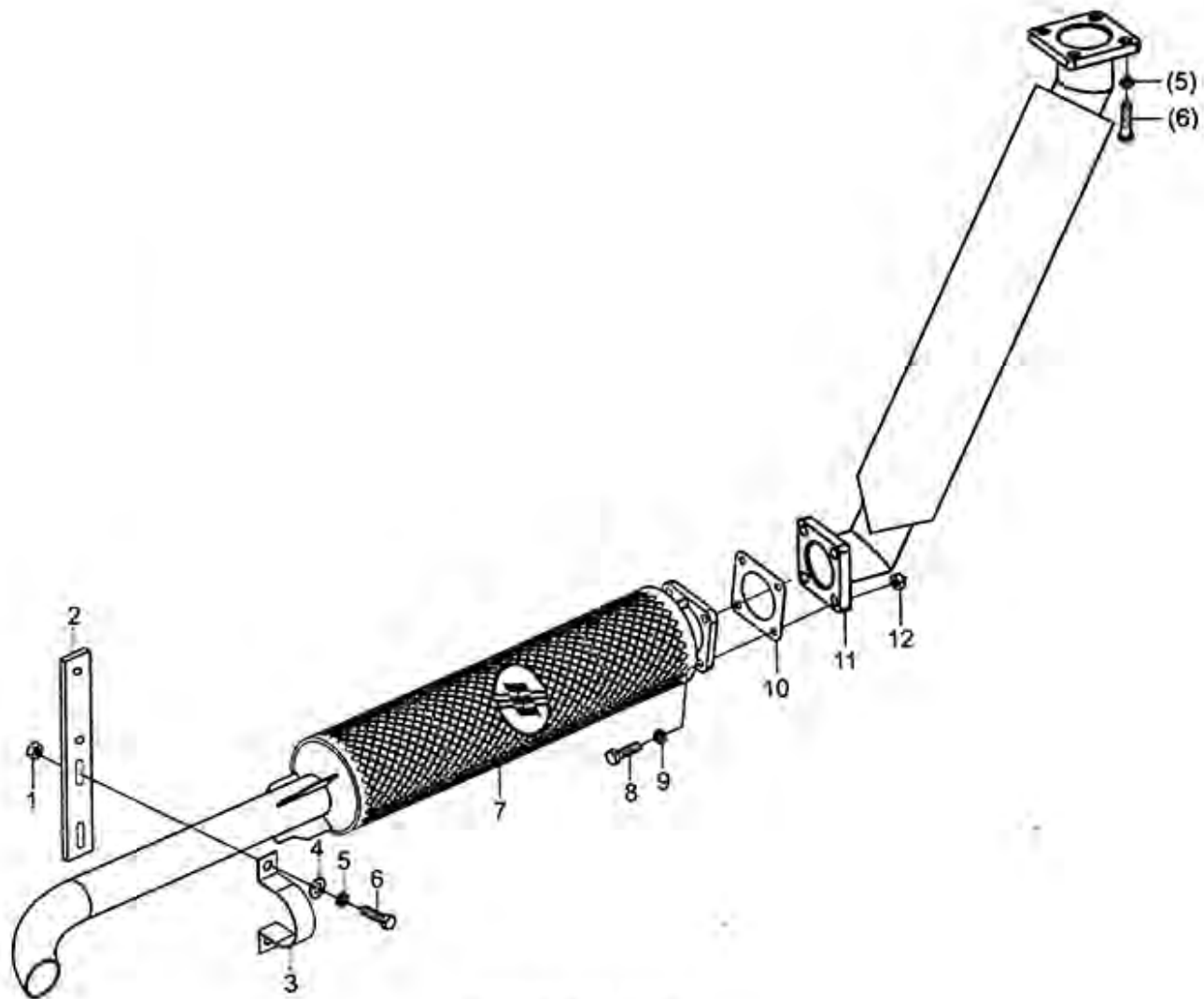


排气系统总成 II
Exhaust System II

排气系统总成 II

Exhaust System II

序号 Ser. No.	代 号 Part No.	名 称	Name	数量 Qty.
1	SL2105.10.010-1	消声器总成	Muffler assembly	1
	4L22T.10.010A	消声器总成 (EPAIV)	Muffler assembly	1
2	GB/T5783	螺栓M8×25	Bolt M8×25	4
3	GB/T93	垫圈8	Washer 8	4
4	GB/T97.1	垫圈8	Washer 8	4
5	Y385.10.119	消声器垫片	Muffler washer	1
6	GB/T5783	螺栓M10×30	Bolt M10×30	2
7	GB/T93	垫圈10	Washer 10	2
8	Y385.10.003	防护罩总成	Cover assembly	1
9	GB/T93	垫圈6	Washer 6	6
10	GB/T5783	螺栓M6×20	Bolt M6×20	6
11	TY395.10.014	护罩连接板焊合件I	Shield weld connection plate	1
12	TY395.10.013	护罩连接板焊合件	Shield weld connection plate	1

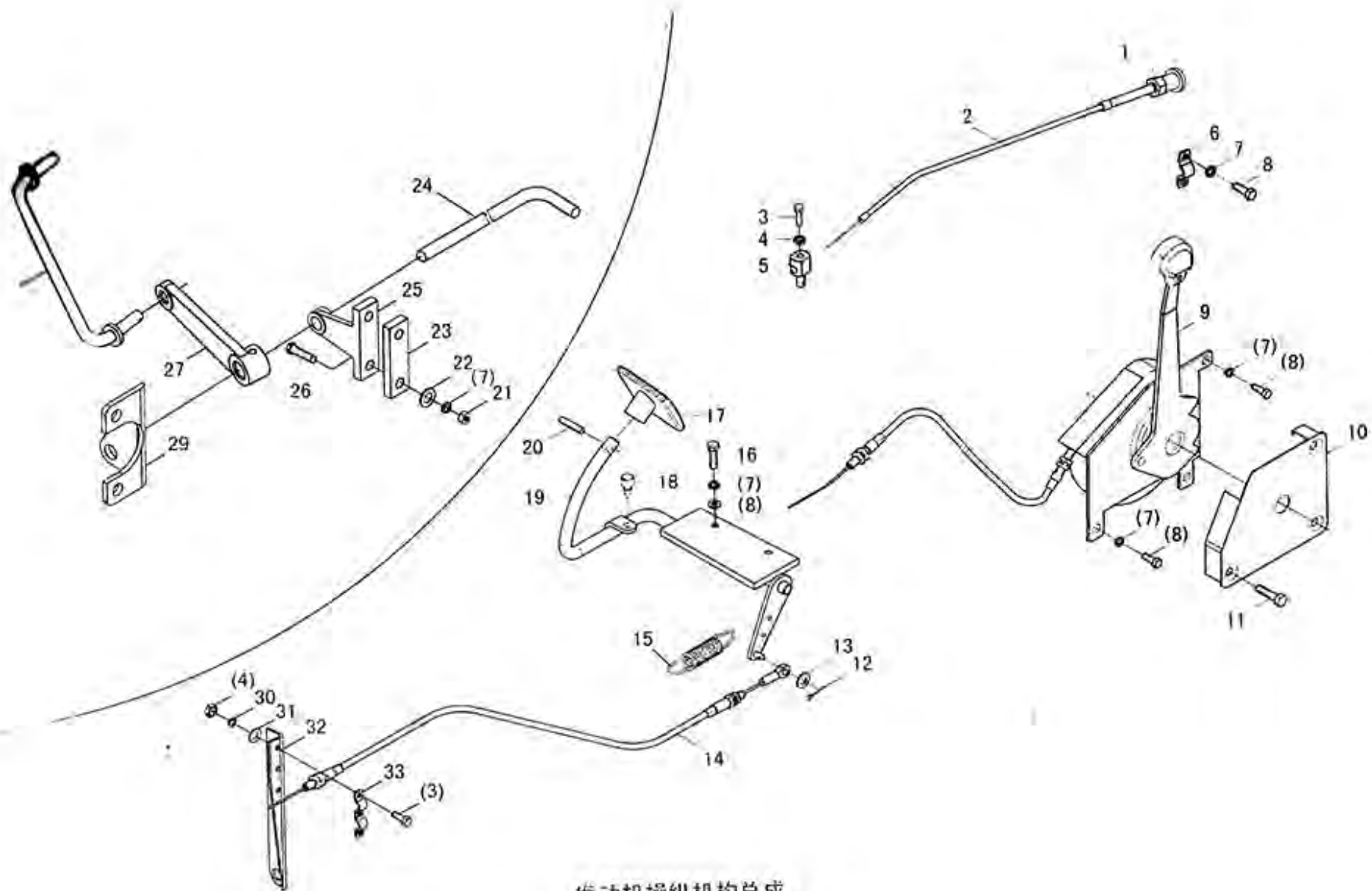


排气系统总成 III
Exhaust System III

排气系统总成III

Exhaust System III

序号 Ser. No.	代号 Part No.	名称	Name	数量 Qty.
1	GB/T6170	螺母M8	Nut M8	4
2	TY395.10.104A	连接板	Connection plate	1
3	TY295.10.106	消声器固定卡	Muffler fixed card	1
4	GB/T97.1	垫圈8	Washer 8	6
5	GB/T93	垫圈8	Washer 8	6
6	GB/T5783	螺栓M8×25	Bolt M8×25	6
7	SL2105.10.010-1	消声器总成	Muffler assembly	1
8	GB/T5783	螺栓M10×30	Bolt M10×30	4
9	GB/T93	垫圈10	Washer 10	4
10	Y385.10.119	消声器垫片	Muffler washer	2
11	TY395.10.010	消声器连接管合作	The muffler tube connection	1
12	GB/T6170	螺母M10	Nut M10	4



发动机操纵机构总成
Engine Control Mechanism

发动机操纵机构总成

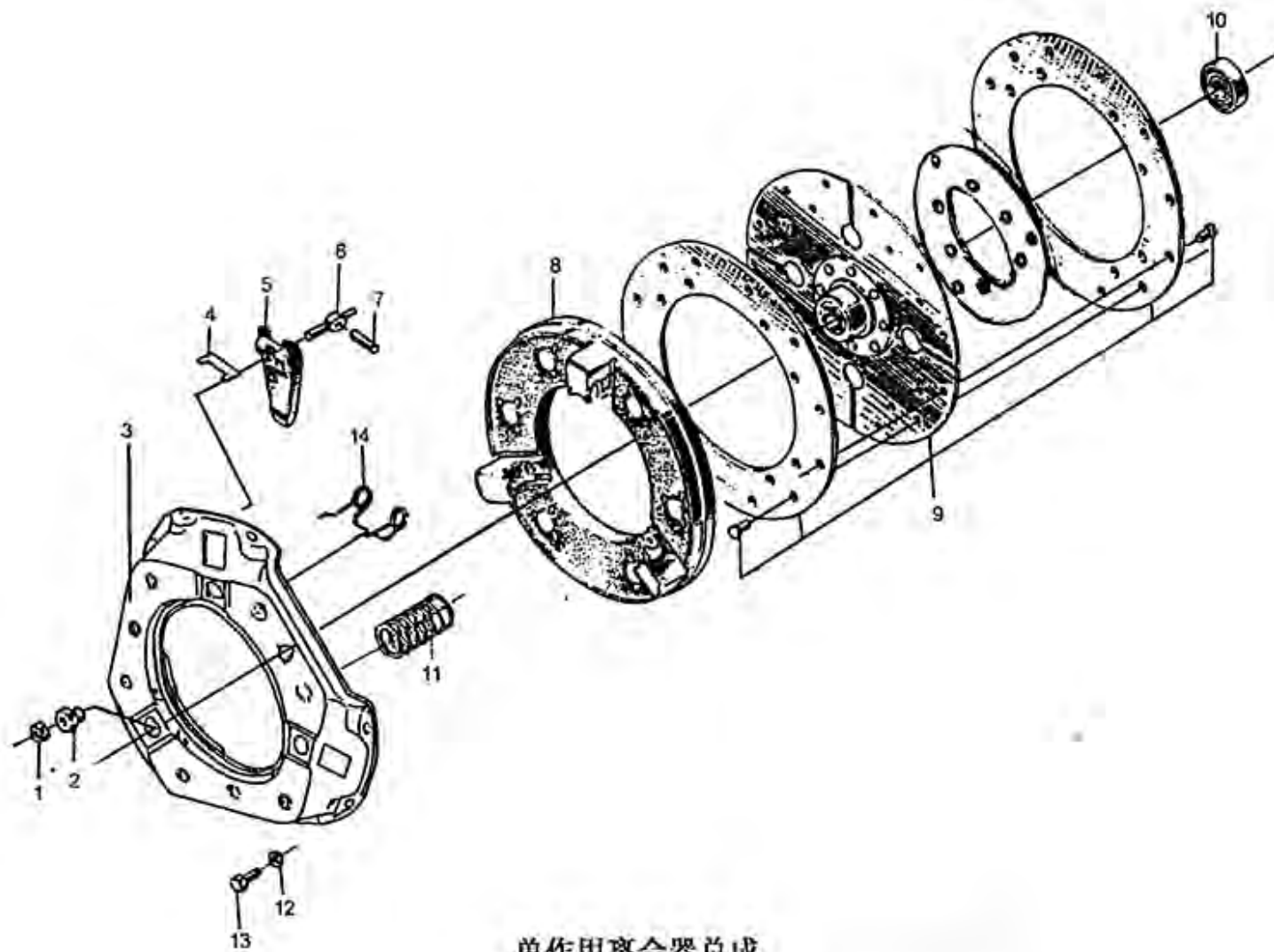
Engine Control Mechanism

序号 Ser. No.	代号 Part No.	名称	Name	数量 Qty.
1	184.20.151	手柄	bulb	1
2	300.20.025	熄火拉线总成 (常用型)	Extinguish wire assembly	1
	300.20.025A	熄火拉线总成 (配流线型铁机罩用)	Extinguish wire assembly	1
	300.20.025B	熄火拉线总成 (配驾驶室用)	Extinguish wire assembly	1
3	GB/T5783	螺栓M5*20	Bolt M5×20	6
4	GB/T6170	螺母M5	Nut M5	5
5	300.20.213	连接销	Pin	2
6	300.20.117	支座 (1)	Support (1)	1
7	GB/T93	垫圈6	Washer 6	5
8	GB/T5783	螺栓M6*16	Bolt M6×16	5
9	300.20.030	手油门总成	Hand throttle assembly	1
10	700.20.127A	手油门盖	Cover, hand throttle	1
11	GB/T68	螺钉M8*30	Bolt M8×30	3
12	GB/T91	开口销2×12	Split pin 2×12	4
13	GB/T97.1	垫圈6	Washer 6	9
14	300.20.031	脚油门拉线总成	Foot throttle wire assembly	1
15	300.20.125	回位弹簧	Return spring	1
16	GB/T5783	螺栓M8*20	Bolt M8×20	2
17	700.20.101	脚踏板	Foot pedal	1
18	700.20.107	橡胶塞	Rubber plug	1
19	300.20.027-1	脚油门焊合作	Foot pedal rocker weldment	1
20	GB/T1879.1	弹性圆柱销5×20	Spring-type straight pin-slotted 5×20	1
21	GB/T6170	螺母M8	Nut M8	2

续. 发动机操纵机构总成

Cont. Engine Control Mechanism

序号 Ser. No.	代号 Part No.	名称	Name	数量 Qty.
22	GB/T97.1	垫圈8	Washer 8	2
23	300.20.204	垫板	plate	1
24	300.20.120	减压手柄	Decompression handle	1
25	300.20.122	支座(Ⅲ)	Support (III)	1
26	GB/T5783	螺栓M8*25	Bolt M8×25	2
27	300.20.121	减压摇臂	Decompression arm	1
28	300.20.016	减压拉杆焊合件(SL2105/ZN390)	Decompression pull rod(SL2105/ZN390)	1
	300.20.016B	减压拉杆焊合件(TY395/TY3100)	Decompression pull rod(TY395/TY3100)	1
	300.20.016C	减压拉杆焊合件(Y480/Y485)	Decompression pull rod(Y480/Y485)	1
29	300.20.118-1	支座(SL2105)	Support(SL2105)	1
	300.20.118B	支座(TY395/TY3100)	Support(TY395/TY3100)	1
	300.20.118C	支座(Y480/Y485)	Support(Y480/Y485)	1
	300.20.118D	支座(ZN390)	Support(ZN390)	1
30	GB/T93	垫圈5	Washer 5	5
31	GB/T97.1	垫圈5	Washer 5	5
32	300E.20.202	熄火软轴支架	Support	1
33	300E.20.203	压板	Press plate	1

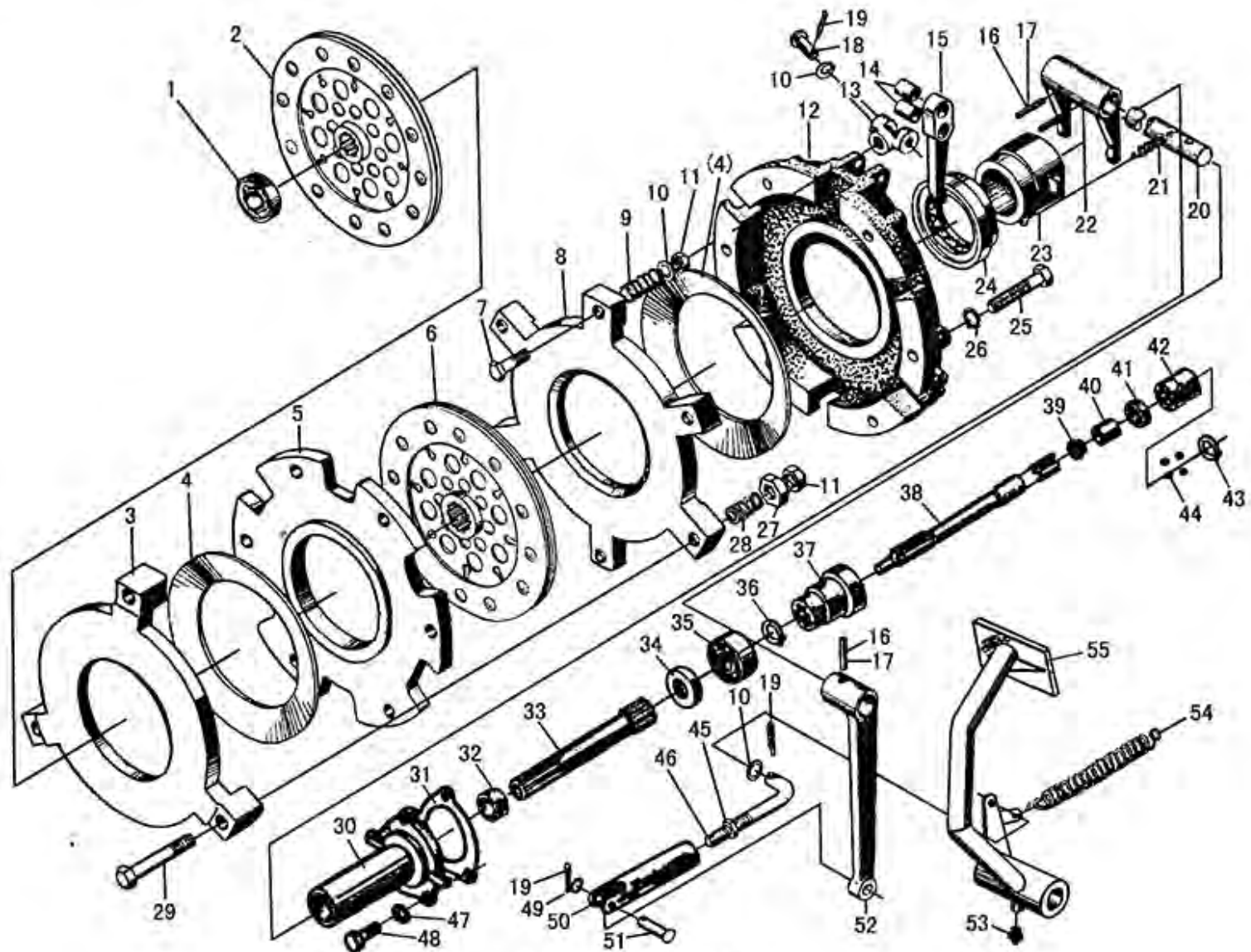


单作用离合器总成
Single Stage Clutch

单作用离合器总成

Single Stage Clutch

序号 Ser. No.	代号 Part No.	名称	Name	数量 Qty.
1	GB/T6173	螺母M10×1	Nut M10×1	3
2	130-160.1107	分离杠杆调整螺母	Adjusting nut,release lever	3
3	130-1601091B	离合器盖	Clutch cover	1
4	130-1601098B	分离杠杆卡铁	Clamp iron,release lever	3
5	130-1601095B	分离杠杆	Clutch release lever	3
6	130-1601104B	分离杠杆调整螺栓	Adjusting bolt,release lever	3
7	130-16011038	分离杠杆销	Parallel pin,release lever	3
8	130-1601093B	离合器压盘	Clutch pressure disk	1
9	NJ-130	离合器从动盘总成	Clutch driven disk assembly	1
10	GB/T278	轴承60204-2RS	Rolling bearing 6204-2RS	1
11	130-1601115	离合器压紧弹簧	Clutch compression spring	9
12	GB 193	垫圈8	Spring lock washer 8	6
13	GB 1783	螺栓M8×20	Bolt M8×20	6
14	130-1601096	分离杠杆弹簧	Spring,release lever	3



双作用离合器总成
Dual Stage Clutch

双作用离合器总成

Dual Stage Clutch

序号 Ser. No.	代 号 Part No.	名 称	Name	数量 Qty.
1	GB/T276	滚动轴承6203-2RS	Rolling bearing 6203-Z	1
2	304.21S.013	功率输出离合器从动盘总成	PTO clutch disc assy	1
3	304.21S.116	副离合器压盘	Pressure plate	1
4	304.21S.118	碟形弹簧	Spring	2
5	304.21S.117	固定压盘	Pressure plate	1
6	304.21S.018	主离合器从动盘总成	Main clutch disc assy	1
7	184.21S.121	调整螺钉	Adjusting bolt	3
8	304.21S.119	主离合器压盘	Main pressure plate	1
9	184.21S.122	回位弹簧	Spring	3
10	GB/T97.1	垫圈10	Washer 10	10
11	GB/T6173	螺母M10×1	Nut M10×1	6
12	304.21S.120	离合器盖	Cover	1
13	184.21S.123	分离杠杆连接叉	Connecting fork	3
14	184.21S.129	衬套	Bush	6
15	304.21S.130	分离杠杆	Release lever	3
16	GB/T879	销8×40	Pin 8×40	3
17	GB/T879	销5×40	Pin 5×40	3
18	GB/T882	销轴B10×45	Axis pin B10×45	6
19	GB/T91	销3.2×16	Pin 3.2×16	8
20	304.21S.103-1	离合器拨叉轴	York shaft	1
	304.21S.020	离合器分离叉轴焊合件	York shaft	1
21	160.20.109	分离轴承座弹簧	Spring	2
22	304.21S.102-1	离合器分离叉	York	1

续. 双作用离合器总成

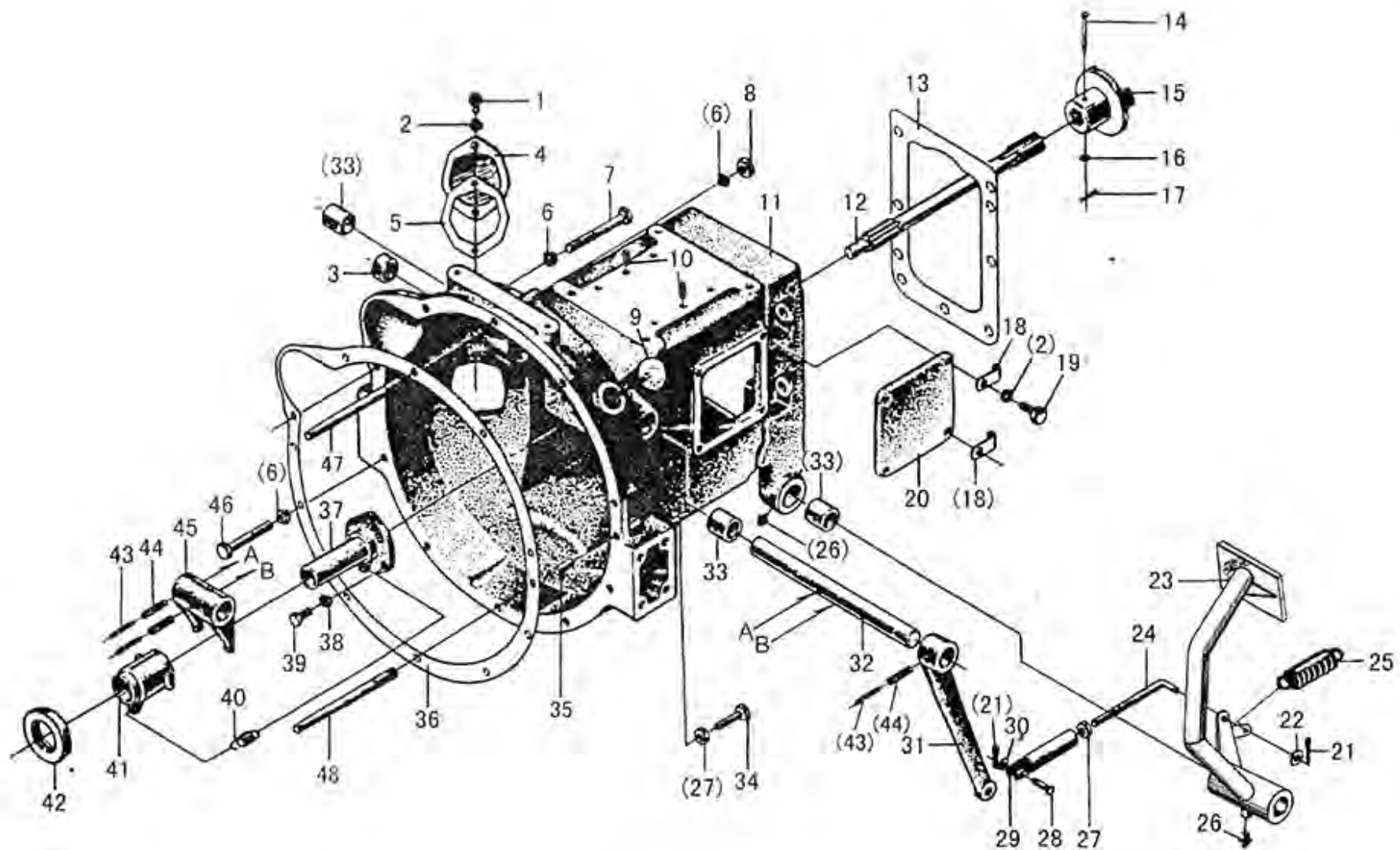
Cont. Dual Stage Clutch

序号 Ser. No.	代号 Part No.	名称	Name	数量 Qty.
23	304.21S.104-1	分离轴承座	Bearing seat	1
24	非标准(Non-standard)	滚动轴承996713	Bearing996713	1
25	GB/T5782-1986	螺栓M10×70	Bolt M10×70	6
26	GB/T93-1987	垫圈10	Washer 10	6
27	184.21S.125	调整螺母	Adjusting nut	3
28	184.21S.124	调整压紧弹簧	Spring	3
29	184.21S.115	拉杆	Pull rod	3
30	304.21S.106	分离轴承座支座	Support release bearing seat	1
31	304.21S.113	分离轴承座纸垫	Paper gasket, release bearing seat	1
32	304.21S.143-1	复合衬套	Compound bush	1
33	304.21S.111	主离合器轴	Main clutch shaft	1
34	GB/T9877.1	油封FB35×55×8	Oil seal FB35×55×8	1
35	GB/T296	轴承3207-2Z	Bearing 3207-2Z	1
36	304.21S.150	挡圈40	Circlip for shaft 40	1
37	304.21S.109	主离合器联轴节主动套	Coupling driving sleeve, main clutch	1
38	304.21S.131	离合器轴	Secondary clutch shaft	1
39	304.21S.107-1	密封套	Seal sleeve	1
40	304.21S.142-1	复合衬套	Compound bush	1
41	304.37S.245-1	轴套	Bush	1
42	304.21S.108	副离合器轴联轴节主动套	Coupling driving sleeve, secondary clutch	1
43	GB/T894.1	挡圈19	Circlip for shaft 19	1
44	GB/T308	钢球10.3188 G400b	Steel ball 10.3188 G400b	4
45	GB/T6170	螺母M10	Nut M10	1

续. 双作用离合器总成

Cont. Dual Stage Clutch

序号 Ser. No.	代号 Part No.	名称	Name	数量 Qty.
46	304.21S.138	离合器推杆	Push rod	1
47	GB/T93	垫圈8	Washer 8	3
48	GB/T5783	螺栓M8×20	Bolt M8×20	3
49	GB/T97.1	垫圈8	Washer 8	1
50	300.21.107	离合器推杆调整叉	Adjusting fork, clutch push rod	1
51	GB/T882	销轴B8×30	Axis pin B8×30	1
52	304.21S.105	离合器分离摇臂	Release rock arm, clutch	1
53	JB/T7940.1	直通式压注油杯M10×1	Oil cup M10×1	1
54	160.21.105	离合器踏板弹簧	Pedal return spring	1
55	300.21.015A	离合器踏板组合件	Clutch pedal assembly	1



过桥
Intermediate Axle

过桥

Intermediate Axle

序号 Ser. No.	代号 Part No.	名称	Name	数量 Qty.
1	GB/T5783	螺栓M10×20	Bolt M10×20	2
2	GB/T93	垫圈10	Spring lock washer 10	6
3	300.21.115	衬套	Bush	1
4	300.21.141	盖板	Cover plate	1
5	300.21.142	盖板纸垫	Paper gasket,cover plate	1
6	GB/T93	垫圈12	Spring lock washer 12	10
7	GB/T5782	螺栓M12×95-8.8	Bolt M12×95-8.8	1
8	GB/T6175	螺母M12	Nut M12	4
9	300.21.229	螺塞	Plug	1
10	GB/T119	圆柱销D8×16	Parallel pin D8×16	2
11	300.21.114-1	过桥壳体	Intermediate axle housing	1
12	350.21.131	离合器轴	Clutch shaft	1
13	300.21.140	过桥-变速箱纸垫	Paper gasket,intermediate axle and transmission	1
14	300.21.146	联轴节销	Coupling pin	1
15	300.21.143	主动联轴节	Driving coupling	1
16	GB/T97.1	垫圈5	Plain washer 5	1
17	GB/T91	开口销2×12	Split pin 2×12	1
18	300.21.215	线夹(2)	Clip (2)	2
19	GB/T5783	螺栓M10×25	Bolt M10×25	4
20	300.21.112	盖板	Cover plate	1
21	GB/T91	开口销3.2×16	Split pin 3.2×16	2
22	GB/T97.1	垫圈10	Plain washer 10	1

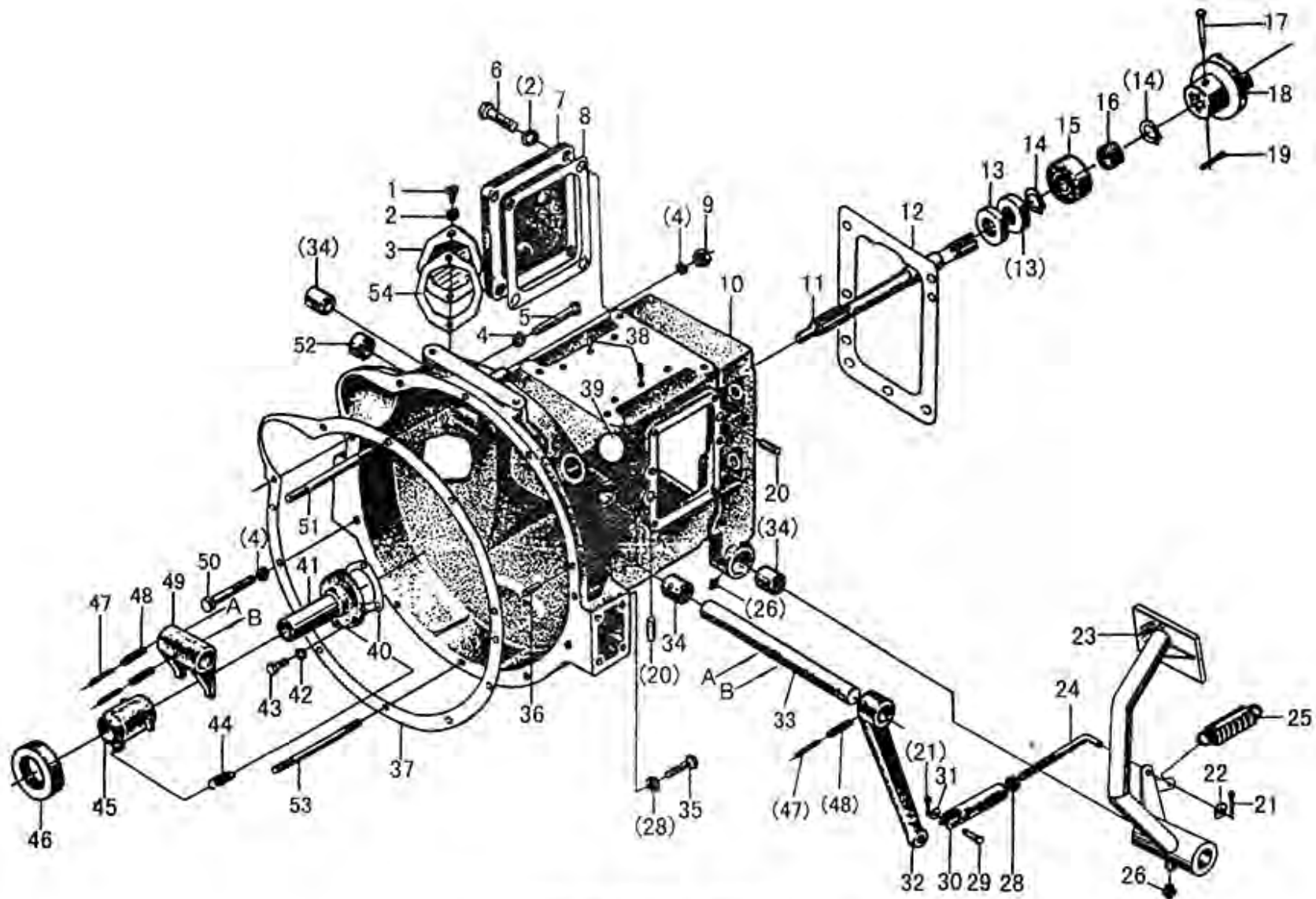
Cont. Intermediate Axle

序号 Ser. No.	代号 Part No.	名称	Name	数量 Qty.
23	300.21.015-2	离合器踏板焊合件	Clutch pedal assembly	1
24	300.21.106	离合器推杆	Clutch push rod	1
25	160.21.105	离合器踏板弹簧	Pedal return spring	1
26	JB/T7940.1	直通式压注油杯M10×1	Oil cup M10×1	3
27	GB/T6170	螺母M10	Nut M10	2
28	GB/T882	销轴B8×30	Clevis pin with head B8×30	1
29	300.21.107	离合器推杆调整叉	Adjusting fork,clutch push rod	1
30	GB/T197.1	垫圈8	Plain washer 8	1
31	300.21.105	离合器分离摇臂	Release rock arm,clutch	1
32	350.21.103	离合器分离叉轴	Release fork shaft,clutch	1
	350.21.020	离合器分离叉轴焊合件-----防掉档	Release fork shaft,clutch	1
33	160.21.118	离合器踏板轴衬套	Bush	3
34	GB/T5783	螺栓M10×45	Bolt M10×45	1
35	GB/T119	销D12×25	Parallel pin D12×24	2
36	300.21.111	过桥纸垫	Paper gasket,intermediate axle	1
37	350.21.101-1	分离轴承座支座	Support,release bearing seat	1
38	GB/T193	垫圈8	Spring lock washer 8	3
39	GB/T5783	螺栓M8×20	Bolt M8×20	3
40	160.21.109	分离轴承座弹簧	Return spring,release bearing seat	1
41	350.21.130	分离轴承座	Return bearing seat	1
42	非标准(Non-standard)	轴承986911	Rolling bearing 996911	1
43	GB/T879	销5×40	Pin 5×40	3
44	GB/T879	销8×40	Pin 8×40	3

续. 过桥

Cont. Intermediate Axle

序号 Ser. No.	代号 Part No.	名称	Name	数量 Qty.
45	304.21S.102-1	离合器分离叉	Clutch release fork	1
46	GB/T5782	螺栓M12×80-8.8	Bolt M12×80-8.8	5
47	GB/T898	螺柱AM12-M12×100-8.8	Stud AM12-M12×100-8.8	1
48	GB/T898	螺柱AM12-M12×190-8.8	Stud AM12-M12×190-8.8	3



过桥 (四轮驱动 + 单作用)
 Intermediate Axle (4WD and Single Stage Clutch)

过桥 (四轮驱动+单作用)

Intermediate Axle (4WD and Single stage clutch)

序号 Ser. No.	代号 Part No.	名称	Name	数量 Qty.
1	GB/T5783	螺栓M10×20	Bolt M10×20	2
2	GB/T93	垫圈10	Spring lock washer 10	6
3	300.21.141	盖板	Cover plate	1
4	GB/T93	垫圈12	Spring lock washer 12	10
5	GB/T5782	螺栓M12×95-8.8	Bolt M12×95-8.8	1
6	GB/T5783	螺栓M10×25	Bolt M10×25	4
7	300.21.112	盖板	Cover plate	1
8	300.21.230	盖板纸垫	Paper gasket,cover plate	1
9	GB/T6175	螺母M12	Nut M12	4
10	304.21.114-1	过桥壳体	Intermediate axle housing	1
11	354.21.131	离合器轴	Clutch shaft	1
12	300.21.140	过桥-变速箱纸垫	Paper gasket between intermediate axle and transmission	1
13	GB/T9877.1	旋转轴唇形密封圈FB30×50×8	Oil Seal FB30×50×8	2
14	GB/T894.1	挡圈30	Circlip for shaft 30	2
15	GB/T1276	轴承6206	Rolling bearing 6206	1
16	304.21.302	隔离套	Spacing sleeve	1
17	300.21.146	联轴节销	Coupling pin	1
18	300.21.143	主动联轴节	Driving coupling	1
19	GB/T191	销2×12	Split pin 2×12	1
20	GB/T119	销D10×22	Parallel pin D10×22	4
21	GB/T191	销3.2×16	Split pin 3.2×16	2

续. 过桥 (四轮驱动+单作用)

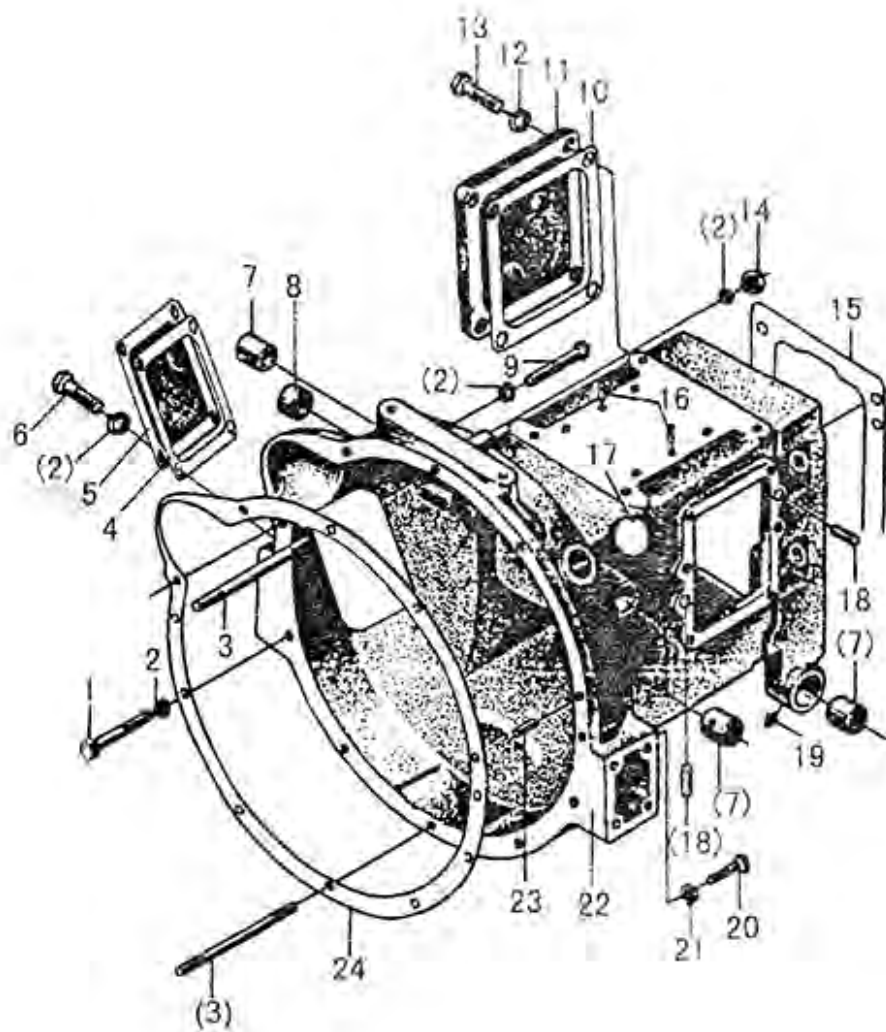
Cont. Intermediate Axle (4WD and Single stage clutch)

序号 Ser. No.	代号 Part No.	名称	Name	数量 Qty.
22	GB/T97.1	垫圈10	Plain washer 10	1
23	300.21.015-2	离合器踏板焊合件	Clutch pedal	1
	304.21.015	离合器踏板焊合件(配液压转向)	Clutch pedal (For Power Steering)	1
24	300.21.106	离合器推杆	Clutch push rod	1
25	160.21.105	离合器踏板弹簧	Pedal return spring	1
26	JB/T7940.1	直通式压注油杯M10×1	Oil cup M10×1	3
28	GB/T6170	螺母M10	Nut M10	2
29	GB/T882	销轴B8×30	Clevis pin with head B8×30	1
30	300.21.107	离合器推杆调整叉	Adjusting fork,clutch push rod	1
31	GB/T97.1	垫圈8	Plain washer 8	1
32	300.21.105	离合器分离摇臂	Release rock arm,clutch	1
33	350.21.103	离合器分离叉轴	Release fork shaft,clutch	1
	350.21.020	离合器分离叉轴焊合件-----防掉档	Release fork shaft,clutch	1
34	160.21.118	离合器踏板轴衬套	Bush	3
35	GB/T5783	螺栓M10×45	Bolt M10×45	1
36	GB/T119	销D12×25	Parallel pin D12×25	2
37	300.21.111	过桥纸垫	Paper gasket,intermediate axle	1
38	GB/T119	销D8×16	Parallel pin D8×16	2
39	300.21.229	螺塞	Plug	1
40	304.21.241	分离轴承座纸垫	Paper gasket,release bearing seat	1
41	354.21.101-1	分离轴承座支座	Support release bearing seat	1
42	GB/T93	垫圈8	Spring lock washer 8	3

续. 过桥 (四轮驱动+单作用)

Cont. Intermediate Axle (4WD and Single stage clutch)

序号 Ser. No.	代 号 Part No.	名 称	Name	数量 Qty.
43	GB/T5783	螺栓M8×20	Bolt M8×20	3
44	160.21.109	分离轴承座回位弹簧	Return spring,release bearing seat	1
45	350.21.130	分离轴承座	Release bearing seat	1
46	D18-996911	轴承986911	Rolling bearing 996911	1
47	GB/T879	销5×40	Pin 5×40	3
48	GB/T879	销8×40	Pin 8×40	3
49	304.21S.102-1	离合器分离叉	Clutch release fork	1
50	GB/T5782	螺栓M12×80-8.8	Bolt M12×80-8.8	5
51	GB/T898	螺柱AM12-M12×100-8.8	Stud AM12-M12×100-8.8	1
52	300.21.115	衬套	Bush	1
53	GB/T898	螺柱AM12-M12×190-8.8	Stud AM12-M12×190-8.8	3
54	300.21.142	盖板纸垫	Paper gasket,cover plate	1



过桥 (双作用离合器)
Intermediate Axle (Dual Stage Clutch)

过桥(双作用离合器)

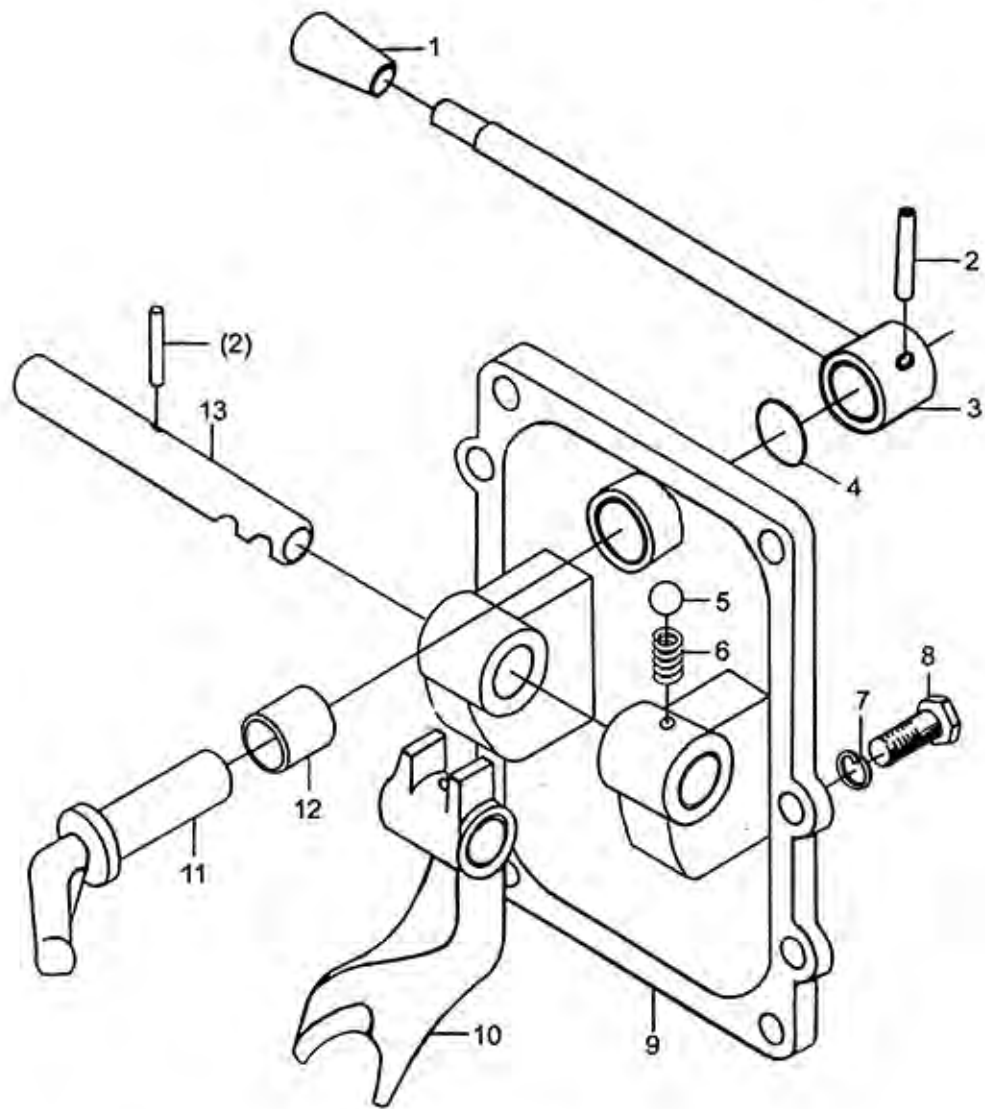
Intermediate Axle (Dual Stsge Clutch)

序号 Ser. No.	代号 Part No.	名称	Name	数量 Qty.
1	GB/T5782	螺栓M12×45-10.9	Blot M12×45-10.9	5
2	GB/T93	垫圈12	Spring lock washer 12	10
3	GB/T898	螺柱AM12-M12×100-8.8	Stud AM12-M12×100-8.8	4
4	304.21S.145	盖板纸垫	Paper gasket,cover plate	1
5	304.21S.146	窗口盖板	Cover plate	1
6	GB/T5783	螺栓M12×20	Blot M12×20	4
7	160.21.118	离合器踏板轴衬套	Bush	3
8	300.21.115	衬套	Bush	1
9	GB/T5782	螺栓M12×50-10.9	Bolt M12×50-10.9	1
10	300.21.230	盖板纸垫	Paper gasket,cover plate	1
11	300.21.112	盖板	Cover plate	1
12	GB/T93	垫圈10	Spring lock washer 10	4
13	GB/T5783	螺栓M10×25	Blot M10×25	4
14	GB/T6175	螺母M12	Nut M12	4
15	300.21.140	过桥-变速箱纸垫	Paper gasket between intermediate axle and transmission	1
16	GB/T119	销D8×16	Parallel pin D8×16	2
17	300.21.229	螺塞	Plug	1
18	GB/T119	销D10×22	Parallel pin D10×22	4
19	JB/T7940.1	直通式压注油杯M10×1	Oil cup M10×1	3
20	GB/T5783	螺栓M10×45	Blot M10×45	1
21	GB/T6170	螺母M10	Nut M10	1
22	304.21S.114-1	过桥壳体	Intermediate axle housing	1

续.过桥(双作用离合器)

Cont Intermediate Axle (Dual Stsge Clutch)

序号 Ser. No.	代号 Part No.	名称	Name	数量 Qty.
23	GB/T119	销D12×25	Parallel pin D12×25	2
24	300.21.111	过桥纸垫	Paper gasket,intermediate axle	1

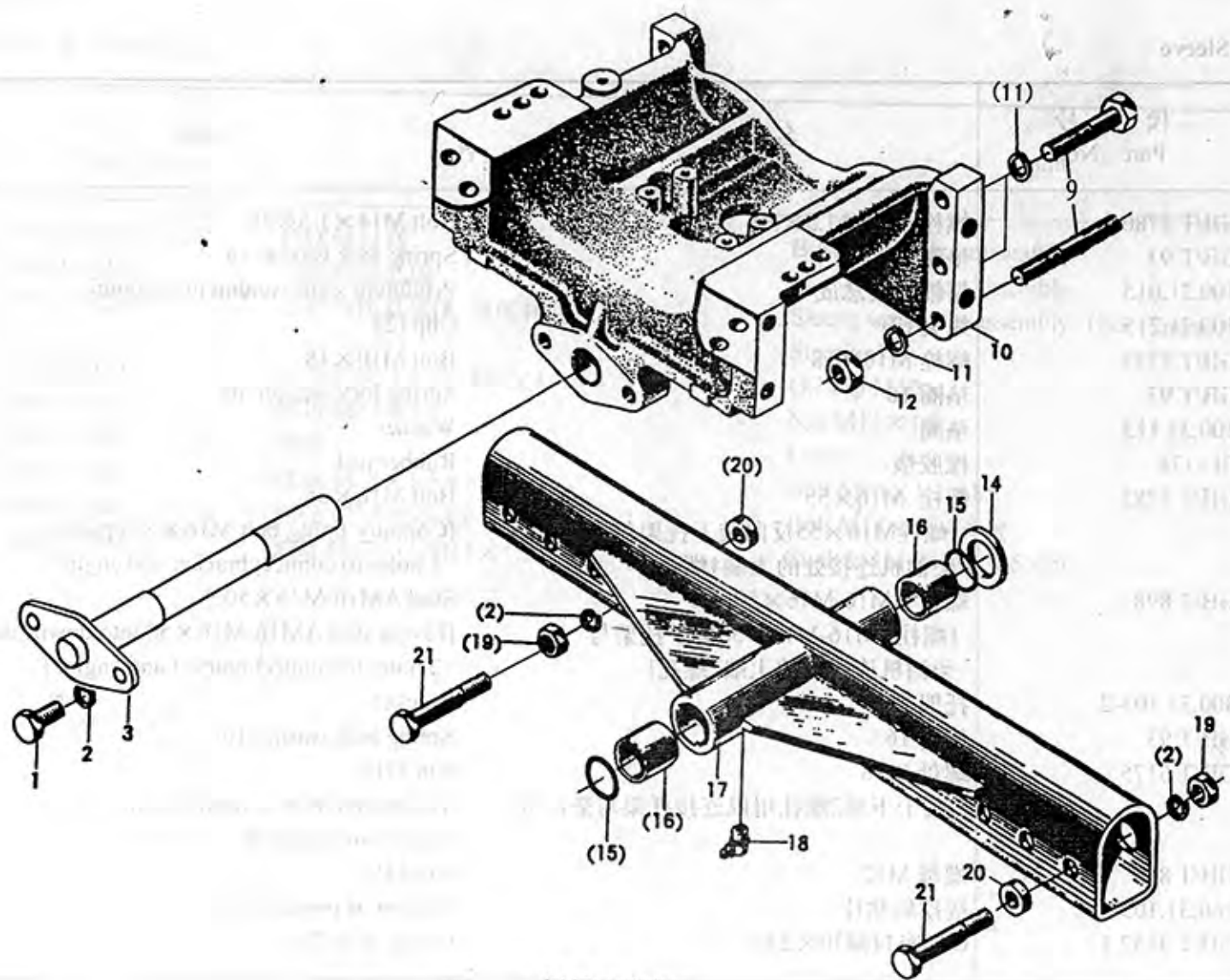


前驱动拨叉（四轮驱动）
Front Drive Release Fork(Four wheel drive)

前驱动拨叉(四轮驱动)

Front Drive Release Fork(Four wheel drive)

序号 Ser. No.	代 号 Part No.	名 称	Name	数 量 Qty.
1	184.37.043	前驱动手柄球	Handle control lever assembly	1
2	GB/T1879	销5×24	Pin 5×24	2
3	304.21.020-2	操纵杆焊合件	Control rod weldment assembly	1
4	GB/T3452.1	O形密封圈15×2.65	O-ring 15×2.65	1
5	GB/T308	钢球8.7312 G400b	Steel ball 8.7312-G400b	1
6	160.37.148	拨叉轴锁定弹簧	Locking spring,release fork shaft	1
7	GB/T93	垫圈10	Spring lock washer 10	6
8	GB/T5783	螺栓M10×25	Bolt M10×25	6
9	304.21.237-2	拨叉总成座板	Seat plate,release fork assembly	1
10	304.21.233	前驱动拨叉	Front drive release fork	1
11	304.21.234	拨头轴	Shaft,release fork head	1
12	304.21.235	轴套	Bush	1
13	304.21.236	前驱动拨叉轴	Shaft,front drive release fork	1



托架及套管
Bracket & Sleeve

托架及套管

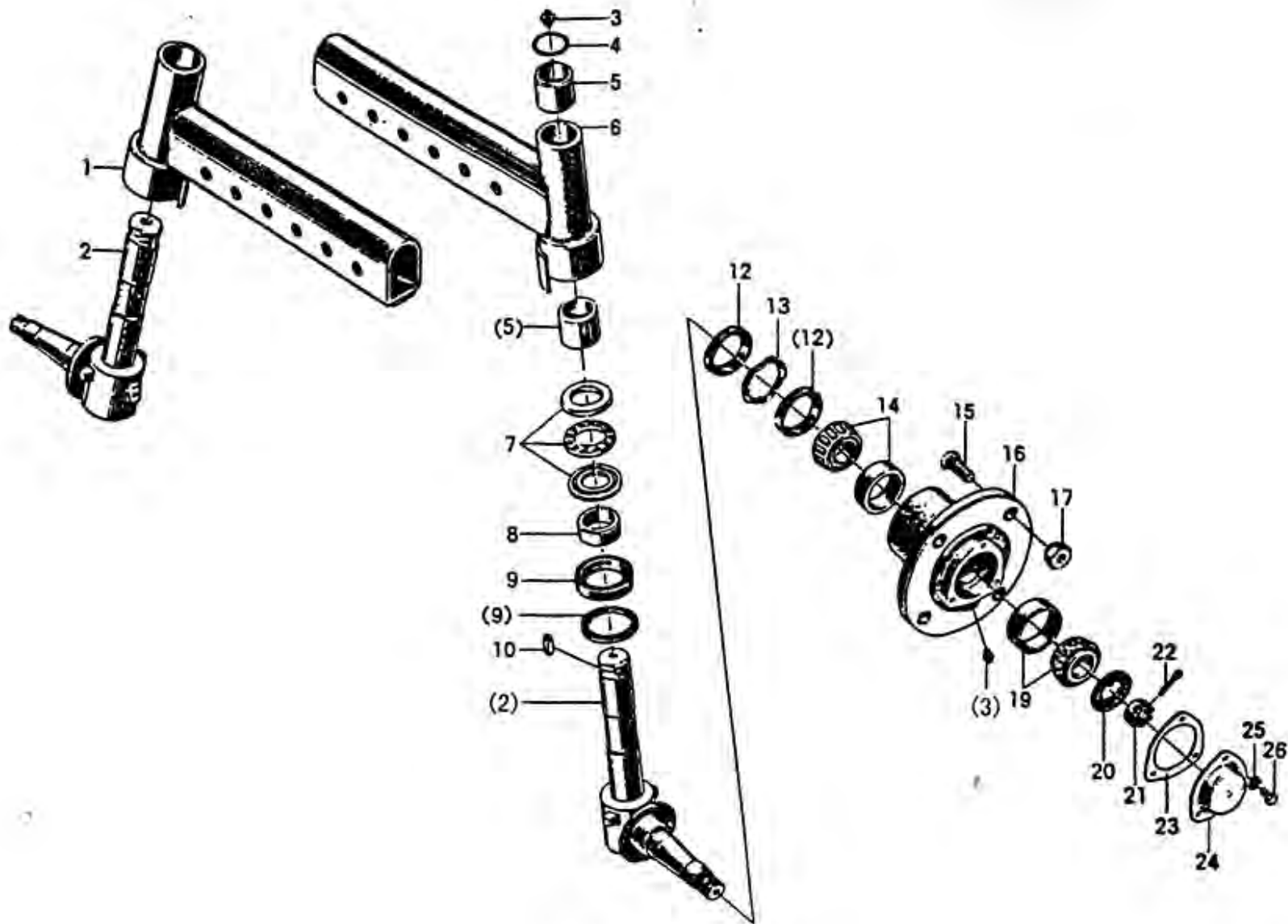
Bracket & Sleeve

序号 Ser. No.	代 号 Part No.	名 称	Name	数量 Qty.
1	GB/T 5786	螺栓 M14×1.5×30	Bolt M14×1.5×30	2
2	GB/T 93	垫圈 14	Spring lock washer 14	12
3	300.31.015	摆轴焊接总成	Pendulum shaft weldment assembly	1
4	300.21.215	线夹 (2)	Clip (2)	1
5	GB/T 5781	螺栓 M10×18	Bolt M10×18	1
6	GB/T 93	垫圈 10	Spring lock washer 10	1
7	300.31.113	垫圈	Washer	2
8	BL-178	橡胶垫	Rubber pad	2
9	GB/T 5782	螺栓 M16×55	Bolt M16×55	4
		[螺栓M16×55反向装于托架与 柴油机连接处的上端4螺孔]	[Contrary fixing bolt M16×55 upside 4 holes to connect bracket and engine]	
	GB/T 898	螺柱 AM16-M16×50	Stud AM16-M16×50	2
		[螺柱AM16-M16×50装于托架与 柴油机连接处的上端2螺孔]	[Fixing stud AM16-M16×50 into downside 2 holes to connect bracket and engine]	
10	300.31.101-2	托架	Bracket	1
11	GB/T 93	垫圈 16	Spring lock washer 16	6
12	GB/T 6175	螺母 M16	Nut M16	2
		[装于下端2螺柱用以连接托架与柴油机]	[fixing nut M16 to downside to connect bracket and engine]	
13	GB/T 889	螺母 M12	Nut M12	2
14	160.31.103	摇摆轴垫片	Washer of pendulum shaft	1
15	GB/T 3452.1	O形密封圈30×2.65	O-ring 30×2.65	2

续. 托架及套管

Cont. Bracket & Sleeve

序号 Ser. No.	代 号 Part No.	名 称 Name	数量 Qty.	
16	300.31.118	摇摆轴衬套	Bush of pendulum shaft	2
17	300.31.020	套管焊接总成	Sleeve weldment assembly	1
	300.31.020A	套管焊接总成(配液压转向)	Sleeve weldment assembly (For Power Steering)	1
18	GB/T 7940.2	直通式压注油杯M10×1	Oil cup M10×1	1
19	GB/T 6176	螺母 M14×1.5	Nut M14×1.5	6
20	220.31.105	热套	Liner	6
21	GB/T 5785	螺栓 M14×1.5×85	Bolt M14×1.5×85	6
22	GB/T 5782 或GB/T898	螺栓 M14×55-8.8 或螺柱AM14-M14×1.5×50	Bolt M14×55-8.8 or Stud AM14-M14×1.5×50	4



付套管及前轮毂
Front Axle Arm & Front Wheel Hub

付套管及前轮毂

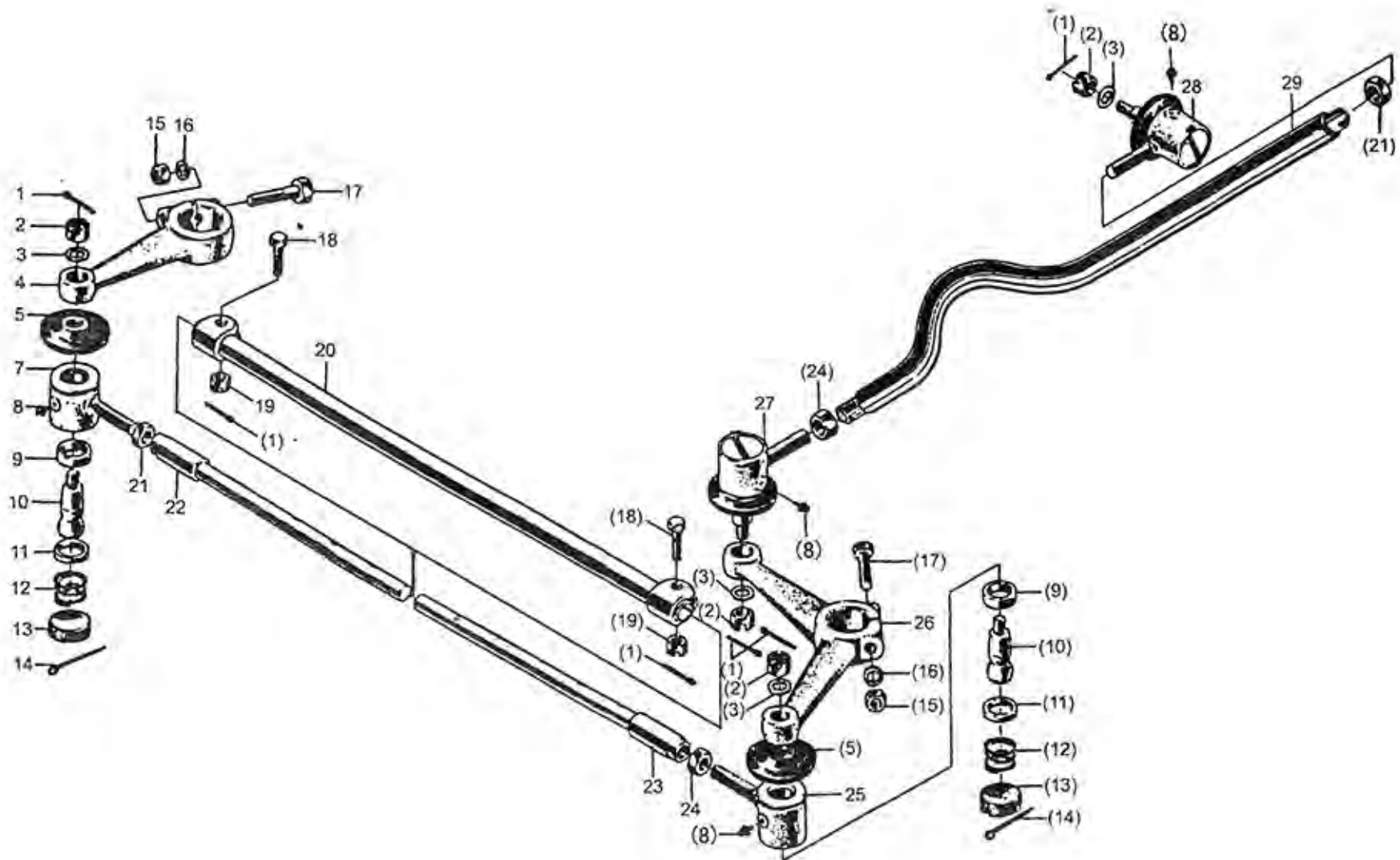
Front Axle Arm & Front Wheel Hub

序号 Ser. No.	代 号 Part No.	名 称	Name	数 量 Qty.
1	300.31.022-1 300.31.022B	付套管焊接总成(右) 付套管焊接总成(右)(高地隙)	Front axle arm weldment assembly(Right) Front axle arm weldment assembly(Right) (For high ground clearance)	1 1
2	300.31.014 300.31.014A 300.31.014B	转向节总成 左转向节总成(配液压转向) 转向节总成(高地隙)	Steering knuckle assembly Left-Steering knuckle assembly (For Power Steering) Steering knuckle assembly (For high ground clearance)	2 1 2
3	JB/T 7940.1	直通式压注油杯M10×1	Oil cup M10×1	4
4	GB/T 3452.1 GB 19877.1	O型密封圈34.5×3.55 油封FB35×50×8(高地隙)	O-ring 34.5×3.55 Oil seal FB35×50×8 (For high ground clearance)	2 2
5	300.31.123	转向节衬管	Bush	4
6	300.31.021-1 300.31.021B	付套管焊接总成(左) 付套管焊接总成(左)(高地隙)	Front axle arm weldment assembly(Left) Front axle arm weldment assembly(Left) (For high ground clearance)	1 1
7	GB/T 301	滚动轴承51207	Rolling bearing 51207	2
8	300.31.110	肩套	Rubber pad	2
9	GB/T 9877.1	油封FB45×65×8	Oil seal FB45×65×8	4
10	GB/T 1096	键 10×25	Key 10×25	2
11				
12	300.31.111	油封 40×64×8	Oil seal 40×64×8	4
13	300.31.112	油封隔离圈	Spacing ring, oil seal	2

续. 付套管及前轮毂

Cont. Front Axle Arm & Front Wheel Hub

序号 Ser. No.	代 号 Part No.	名 称	Name	数量 Qty.
14	GB/T 297	滚动轴承32206	Rolling bearing 32206	2
15	300.39.113	螺栓	Wheel fixing screw	8
16	300.31.105	前轮毂	Front wheel hub	2
17	300.39.114	螺母	Wheel fixing nut	8
19	GB/T 297	滚动轴承30305	Rolling bearing 30305	2
20	300.31.107	挡圈	Washer	2
21	300.31.108	调整螺母M22×1.5	Nut M22×1.5	2
22	GB/T 91	开口销 5×40	Split pin 5×40	2
23	300.31.109	纸垫	Paper gasket	2
24	300.31.106	轴承盖	Bearing cap	2
25	GB/T 93	垫圈 6	Spring lock washer 6	6
26	GB/T 5781	螺栓 M6×12	Bolt M6×12	6



纵横拉杆
Drag Link & Tie Rod

纵横拉杆

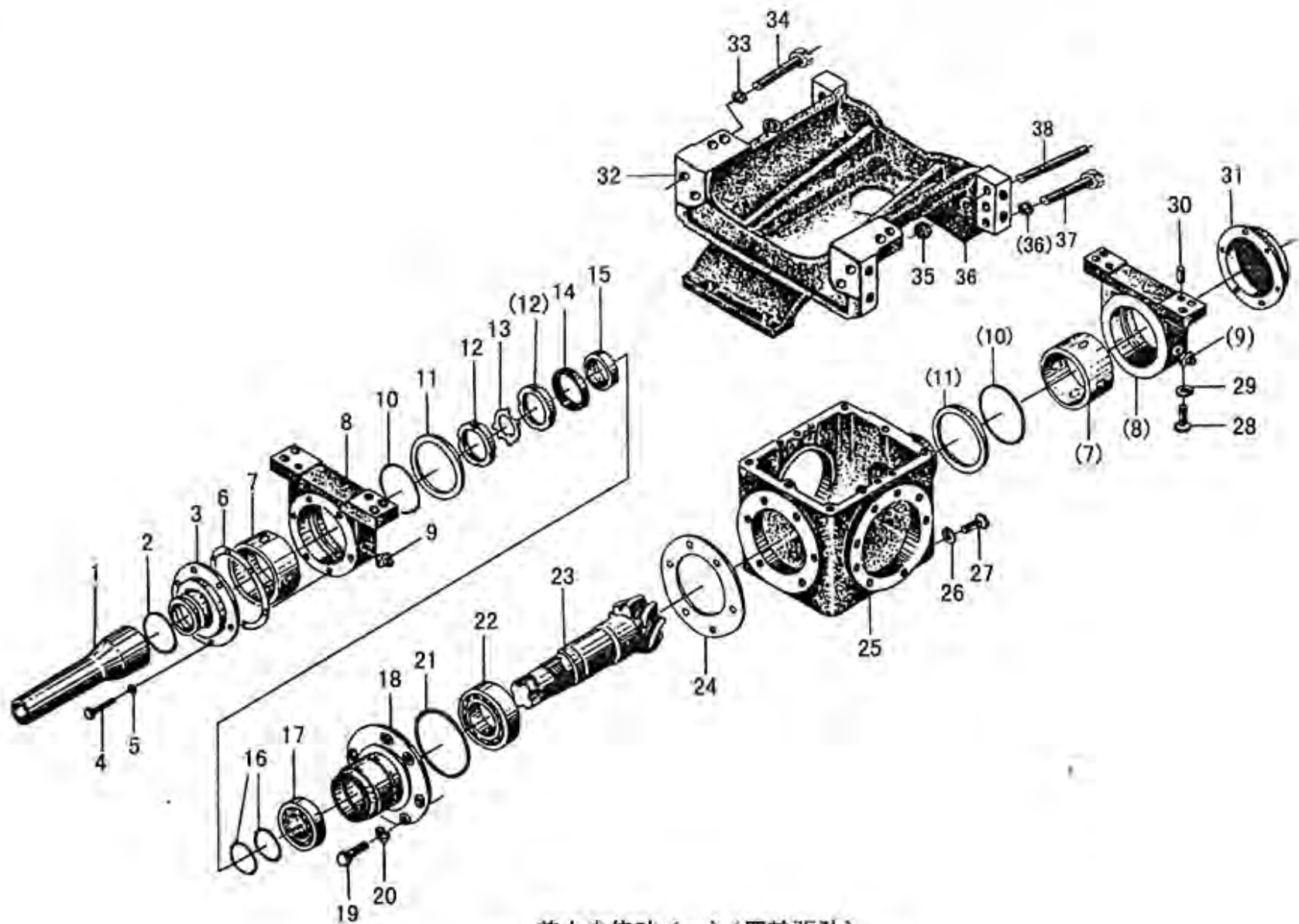
Drag Link & Tie Rod

序号 Ser. No.	代 号 Part No.	名 称	Name	数量 Qty.
1	GB/T 91	开口销 3.2×26	Split pin 3.2×26	6
2	GB/T 9459	螺母 M12×1.5	Nut M12×1.5	4
3	GB/T 97.1	垫圈 12	Plain washer 12	4
4	300.31.104	右转向臂	Right steering knuckle arm	1
5	300.31.145-1	接头油封套	Oil seal boot, joint	2
6				
7	300.31.147-2	拉杆接头(右)	Pull rod joint (Right)	1
8	JB/T7940.1	直通式压注油杯 M10×1	Oil cup M10×1	4
9	300.31.140-1	球头销座	Ball pin seat	2
10	300.31.139-1	球头销	Ball pin	2
11	300.31.141-1	球头销盖	Ball pin cap	2
12	300.31.142-1	压紧弹簧	Compression spring	2
13	300.31.143-1	螺旋盖	Screw cap	2
14	GB/T 91	开口销 2.5×55	Split pin 2.5×55	2
15	GB/T 6170	螺母 M12	Nut M12	2
16	GB/T 93	垫圈 12	Spring lock washer 12	2
17	GB/T 5782	螺栓 M12×70	Bolt M12×70	2
18	GB/T 31.1	螺栓 M12×45	Bolt M12×45	2
19	GB/T 6178	螺母 M12	Nut M12	2
20	300.31.023	主横拉杆总成	Main tie rod assembly	1
	300.31.023B	主横拉杆总成(高地隙)	Main tie rod assembly (For high ground clearance)	1
21	GB/T 6176	螺母 M16×1.5	Nut M16×1.5	2

续. 纵横拉杆

Cont. Drag Link & Tie Rod

序号 Ser. No.	代 号 Part No.	名 称	Name	数量 Qty.
22	300.31.024	副横拉杆总成(右)	Secondary tie rod assembly (Right)	1
23	300.31.025	副横拉杆总成(左)	Secondary tie rod assembly (Left)	1
24	GB/T 6176	螺母M16×1.5(左)	Nut M16×1.5 (Left)	1
25	300.31.146-2	拉杆接头(左)	Pull rod joint (Left)	1
26	300.31.103	左转向臂	Left steering knuckle arm	1
	300.31.310	左转向臂 I (配液压转向)	Left steering knuckle arm I (For Power Steering)	1
27	300.31.026-1	转向接头总成(左)	Steering joint assembly (Left)	1
28	300.31.027-1	转向接头总成(右)	Steering joint assembly (Right)	1
29	300.31.148B	纵拉杆	Drag link	1
		664mm—配SL2105柴油机	664mm—For SL2105 engine	
		820mm—配TY395/TY3100柴油机	820mm—For TY395 or TY3100 engine	
		配4L22T柴油机	For 4L22T engine	
		配ZN390柴油机	For ZN390 engine	
	304.31.024A	903mm—配ZN490/4L22BT柴油机	903mm—For ZN490 or 4L22BT engine	



前中央传动 (一) (四轮驱动)
Front Central Drive (A) (Four wheel drive)

前中央传动(一) (四轮驱动)

Front Central Drive (A) (Four wheel drive)

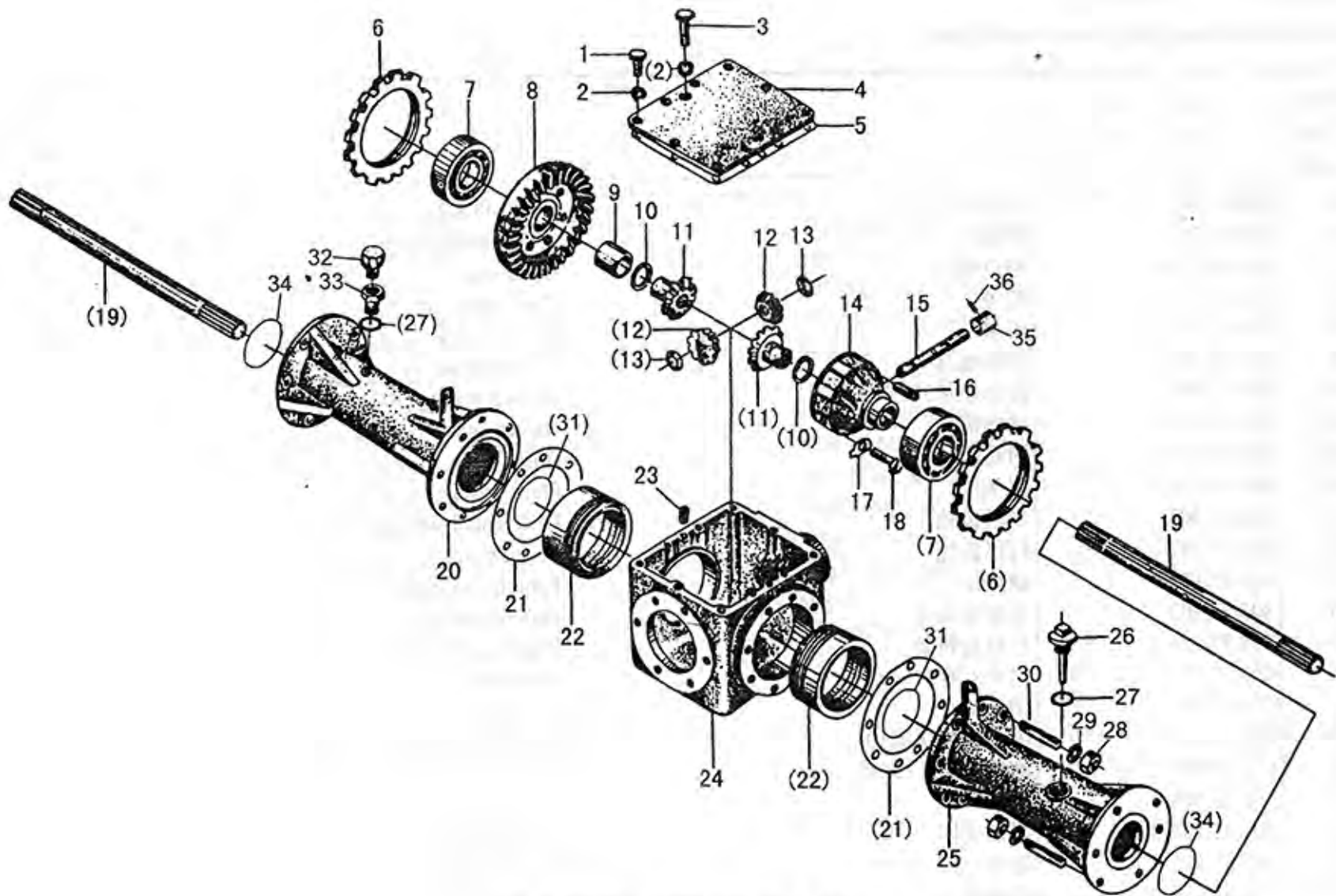
序号 Ser. No.	代号 Part No.	名称	Name	数量 Qty.
1	304.31.014-1	防尘罩焊合件	Dust pipe weldment	1
2	GB/T 3452.1	O形密封圈48.7×3.55	O-ring 48.7×3.55	1
3	304.31.211	防尘管座	Dust pipe seat	1
4	GB/T 5780	螺栓M6×12	Bolt M6×12	12
5	GB/T 93	垫圈6	Spring lock washer 6	12
6	304.31.114	纸垫	Paper gasket	2
7	304.31.123-1	摆衬	Pendulum lining	2
8	304.31.124	摆座	Pendulum seat	2
9	JB/T 7940.1	直通式压注油杯M10×1	Oil cup M10×1	2
10	GB/T 3452.1	O形密封圈85×2.65	O-ring 85×2.65	2
11	304.31.113	止推垫片	Thrust washer	2
12	GB/T 810	小圆螺母 (M33×1.5)	Nut (M33×1.5)	2
13	GB/T 858	圆螺母用止动垫圈33	Washer 33	1
14	GB/T 9877.1	油封FB45×70×8	Oil seal FB45×70×8	1
15	304.31.122-1	支承套	Supporting sleeve	1
16	GB/T 3452.1	O形密封圈32.5×3.55	O-ring 32.5×3.55	2
17	GB/T 297	滚动轴承32007	Rolling bearing 32007	1
18	304.31.106	轴座	Shaft seat	1
19	GB/T 5783	螺栓M10×30	Bolt M10×30	6
20	GB/T 93	垫圈10	Spring lock washer 10	6
21	GB/T 3452.1	O形密封圈95×2.65	O-ring 95×2.65	1
22	GB/T 297	滚动轴承30208	Rolling bearing 30208	1
23	304.31.117	主动齿轮	Driving gear	1

续. 前中央传动(一) (四轮驱动)

Cont. Front Central Drive (A) (Four wheel drive)

序号 Ser. No.	代 号 Part No.	名 称	Name	数量 Qty.
24	304.31.502	调整纸垫	Adjusting shim	△
25	304.31.104-1	主传动壳体	Main drive case	1
26		复合垫圈16	Washer 16	1
27	GB/T5786	螺栓M16×1.5×18	Bolt M16×1.5×18	1
28	304.31.220	衬套	Bush	1
29	GB/T 5783	螺栓M12×35	Bolt M12×30	8
30	GB/T 93	垫圈12	Spring lock washer 12	8
31	GB/T 119	销D8×16	Parallel pin D8×16	4
32	304.31.111	防尘盖	Dust cap	1
33	304.31.101	托架	Bracket	1
34	GB/T 93	垫圈14	Spring lock washer 14	4
35	GB/T 5786	螺栓M14×55-8.8	Bolt M14×55-8.8	4
36	GB/T 6175	螺母M16	Nut M16	6
37	GB/T 93	垫圈16	Spring lock washer 16	6
38	GB/T 5782	螺栓M16×55	Bolt M16×55	4
39	GB/T 898	螺柱AM16-M16×50	Stud AM16-M16×50	2

△适量 Just right amount



前中央传动 (二) (四轮驱动)
 Front Central Drive(B)(Four wheel drive)

前中央传动(二) (四轮驱动)

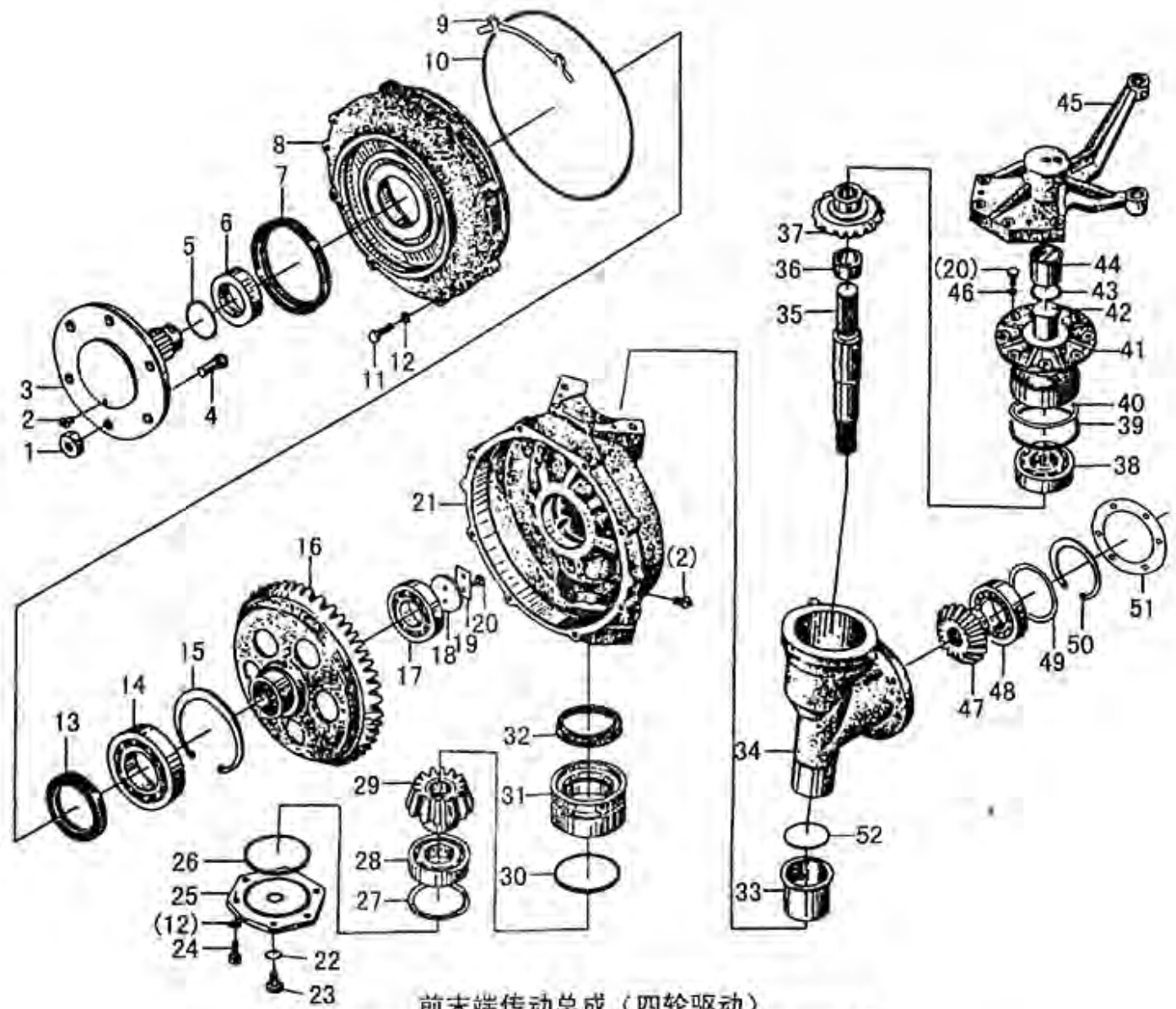
Front Central Drive (B) (Four wheel drive)

序号 Ser. No.	代号 Part No.	名称	Name	数量 Qty.
1	GB/T 5781	螺栓M8×25	Bolt M8×25	10
2	GB/T 93	垫圈8	Spring lock washer 8	1
3	304.31.138	限位螺钉	Limit screw	2
4	304.31.130	箱盖	Case cover	1
5	304.31.131	纸垫	Paper gasket	1
6	304.31.109	调整螺母	Adjusting nut	2
7	GB/T 297	滚动轴承30211	Rolling bearing 30211	2
8	304.31.118	从动齿轮	Driven gear	1
9	304.31.119-1	衬套	Bush	2
10	304.31.120	平垫片	Plain washer	2
11	304.31.103	半轴齿轮	Differential side gear	2
12	304.31.102	行星齿轮	Planet gear	2
13	304.31.121	球垫片	Spherical washer	2
14	304.31.107	差速器壳体	Differential cover	1
15	304.31.116-2	行星齿轮轴	Planet gear shaft	1
16	GB/T 879	销6×30	Pin 6×30	1
	GB/T 879	销4×30	Pin 4×30	1
17	GB/T 861.1	内齿锁紧垫圈10	Internal tooth lock washer#10	6
18	GB/T 5785	螺栓M10×1×85	Bolt M10×1×85	6
19	304.31.108-1	半轴	Differential axle	2
20	304.31.105-2	半轴壳体	Differential axle housing	1
21	304.31.115-1	纸垫	Paper gasket	2
22	304.31.110	轴承座	Bearing seat	2

续. 前中央传动(二) (四轮驱动)

Cont. Front Central Drive (B) (Four wheel drive)

序号 Ser. No.	代号 Part No.	名称	Name	数量 Qty.
23	GB/T 72	螺钉M8×22	Screw M8×22	2
24	304.31.104-1	主传动壳体	Front case	1
25	304YZ.31.105-2	右半轴壳	Differential axle housing	1
26	184.31.030	前桥量油尺总成	Dipstick assembly	1
27		复合垫圈16	Washer 16	2
28	GB/T 6171	螺母M12×1.25	Bolt M12×1.25	28
29	GB/T 93	垫圈12	Spring lock washer 12	28
30	GB/T 899	螺柱AM12-M12×1.25×30	Stud AM12-M12×1.25×30	28
31	GB 33452.1	O形密封圈112×2.65	O-ring 112×2.65	2
32	184.31.060	呼吸器总成	Vent pipe	1
33	184.31.125-1	通气螺塞	Vent screw plug	1
34	GB 33452.1	O形密封圈80×2.65	O-ring 80×2.65	2
35	304.31.201	行星齿轮隔套	Sleeve	1
36	GB/T 1879	销3×20	Pin 3×20	1



前末端传动总成 (四轮驱动)
 Front Final Drive Assembly (Four wheel drive)

前末端传动总成(四轮传动)

Front Final Drive Assembly (Four wheel drive)

序号 Ser. No.	代号 Part No.	名称	Name	数量 Qty.
1	300.39.114	螺母	Wheel fixing nut	12
2	JB/T 7940.1	直通式压注油杯M10×1	Oil cup M10×1	4
3	304.31.179-3	前驱动轴	Front driving shaft	2
4	300.39.113	螺栓	Wheel fixing screw	12
5	GB3452.1	O形密封圈46.2×3.55	O-ring 46.2×3.55	2
6	304.31.178-2	衬套	Liner	2
7	304.31.180	端面油封	End face oil seal	2
8	304.31.151	前驱动端盖	Front drive end cover	2
9	304.31.173	调整垫片0.2	Adjusting shim 0.2	△
	304.31.174	调整垫片0.5	Adjusting shim 0.5	△
	304.31.175	调整垫片1.0	Adjusting shim 1.0	△
10	GB/T 3452.1	O形密封圈 258×5.3	O-ring 258×5.3	2
11	GB/T 5783	螺栓M10×35	Bolt M10×35	16
12	GB/T 93	垫圈10	Spring lock washer 10	28
13	GB/T 9877.1	油封FB65×90×10	Oil seal FB65×90×10	2
14	GB/T 276	滚动轴承6310	Rolling bearing 310	2
15	GB/T 893.1	挡圈110	Circlip for hole 110	2
16	304.31.153	前末端传动大齿轮	Large gear, front final drive	2
17	GB/T 283	滚动轴承NF208E	Rolling bearing NF208E	2
18	304.31.182	压板	Clamping plate	2
19	304.31.181	保险垫片	Safety washer	2
20	GB/T 5783	螺栓M8×20 (40Cr调质)	Bolt M8×20 (40Cr, hardened and tempered)	20

△适量 Just right amount

续. 前末端传动总成 (四轮传动)

Cont. Front Final Drive Assembly (Four wheel drive)

序号 Ser. No.	代 号 Part No.	名 称 Name	数量 Qty.
21	304.31.150	右边减速壳体	1
	304.31.154	左边减速壳体	1
22	GB 3452.1	O形密封圈 10×2.65	2
23	304.31.152	螺塞	2
24	GB/T 5783	螺栓M10×25 (40Cr调质)	12
25	304.31.172-1	下端盖	2
26	GB 3452.1	O形密封圈 90×2.65	2
27	304.31.169	调整垫圈0.2	△
	304.31.170	调整垫圈0.5	△
	304.31.171	调整垫圈1.0	△
28	GB/T 297	滚动轴承30210	2
29	304.31.167	前末端小齿轮	2
30	GB 3452.1	O形密封圈 63×5.3	2
31	304.31.215-1	支承套	2
32	304.31.217	防尘圈	2
33	304.31.177	衬套	2
34	304.31.161	左立轴套管	1
	304.31.187	右立轴套管	1
35	304.31.183	立轴	2
36	304.31.165	隔套	2
37	304.31.184	锥齿轮 (二)	2
38	GB/T 297	滚动轴承30208	2

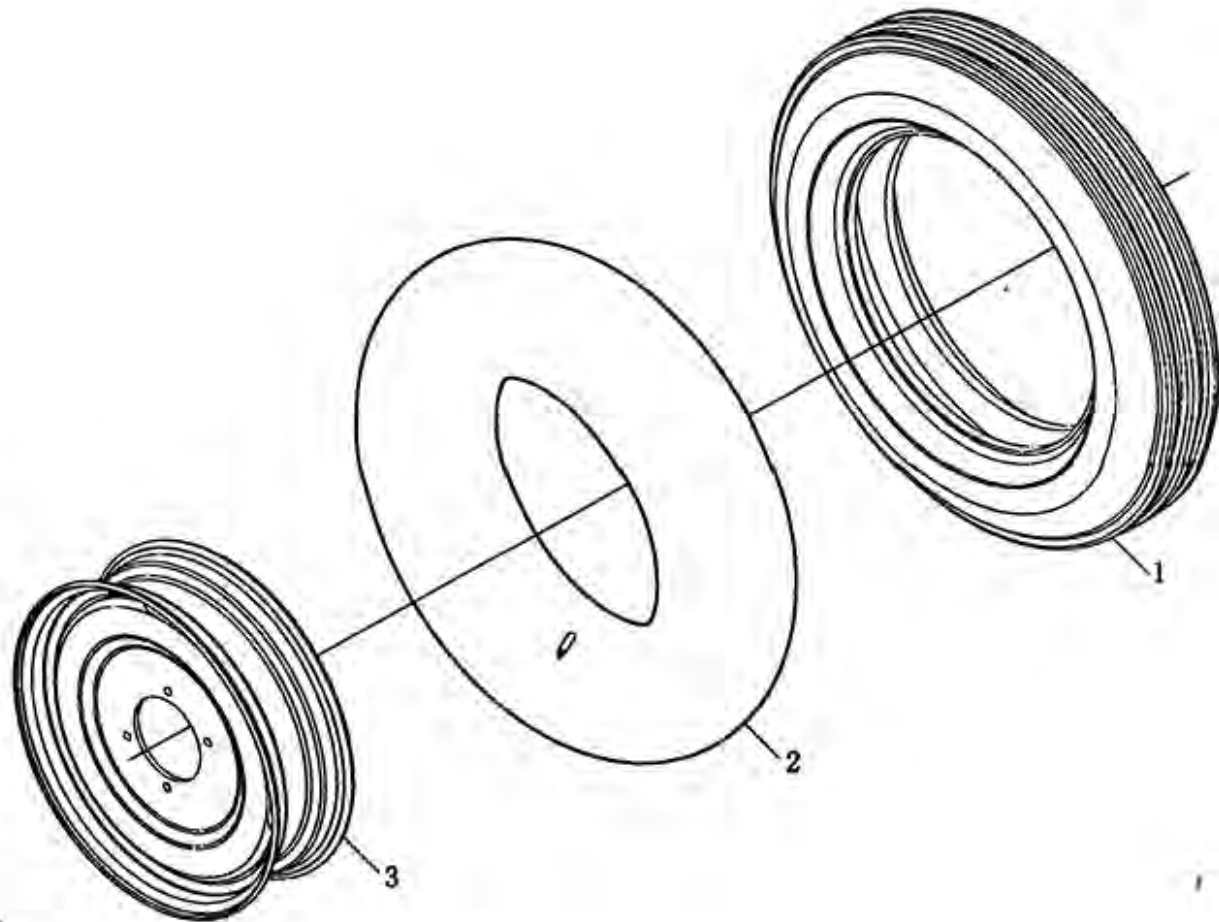
△适量 Just right amount

续. 前末端传动总成 (四轮传动)

Cont. Front Final Drive Assembly (Four wheel drive)

序号 Ser. No.	代号 Part No.	名称	Name	数量 Qty.
39	GB 3452.1	O形密封圈 85×5.3	O-ring 85×5.3	2
40	304.31.157	调整垫圈0.2	Adjusting shim 0.2	△
	304.31.158	调整垫圈0.5	Adjusting shim 0.5	△
	304.31.159	调整垫圈1.0	Adjusting shim 1.0	△
41	304.31.160	主销轴座	Kingpin shaft seat	2
42	304.31.216	主销轴头	Kingpin shaft head	2
43	GB 3452.1	O形密封圈37.5×3.55	O-ring 37.5×3.55	2
44	304.31.156-1	衬套	Bush	2
45	304YZ.31.155-1	左转向臂	Left steering knuckle arm	1
	304.31.186-1	右转向臂	Right steering knuckle arm	1
46	GB/T 93-1987	垫圈8	Spring lock washer 8	16
47	304.31.166	锥齿轮 (-)	Bevel gear (1)	2
48	GB/T 276	滚动轴承6209	Rolling bearing 6209	2
49	304.31.162	调整垫圈0.2	Adjusting shim 0.2	△
	304.31.163	调整垫圈0.5	Adjusting shim 0.5	△
	304.31.164	调整垫圈1.0	Adjusting shim 1.0	△
50	GB/T 893.1	挡圈85	Circlip for hole 85	2
51	304.31.231	纸垫	Paper gasket	2
52	GB3452.1-1992	O形密封圈 51.5×2.65	O-ring 51.5×2.65	2

△适量 Just right amount

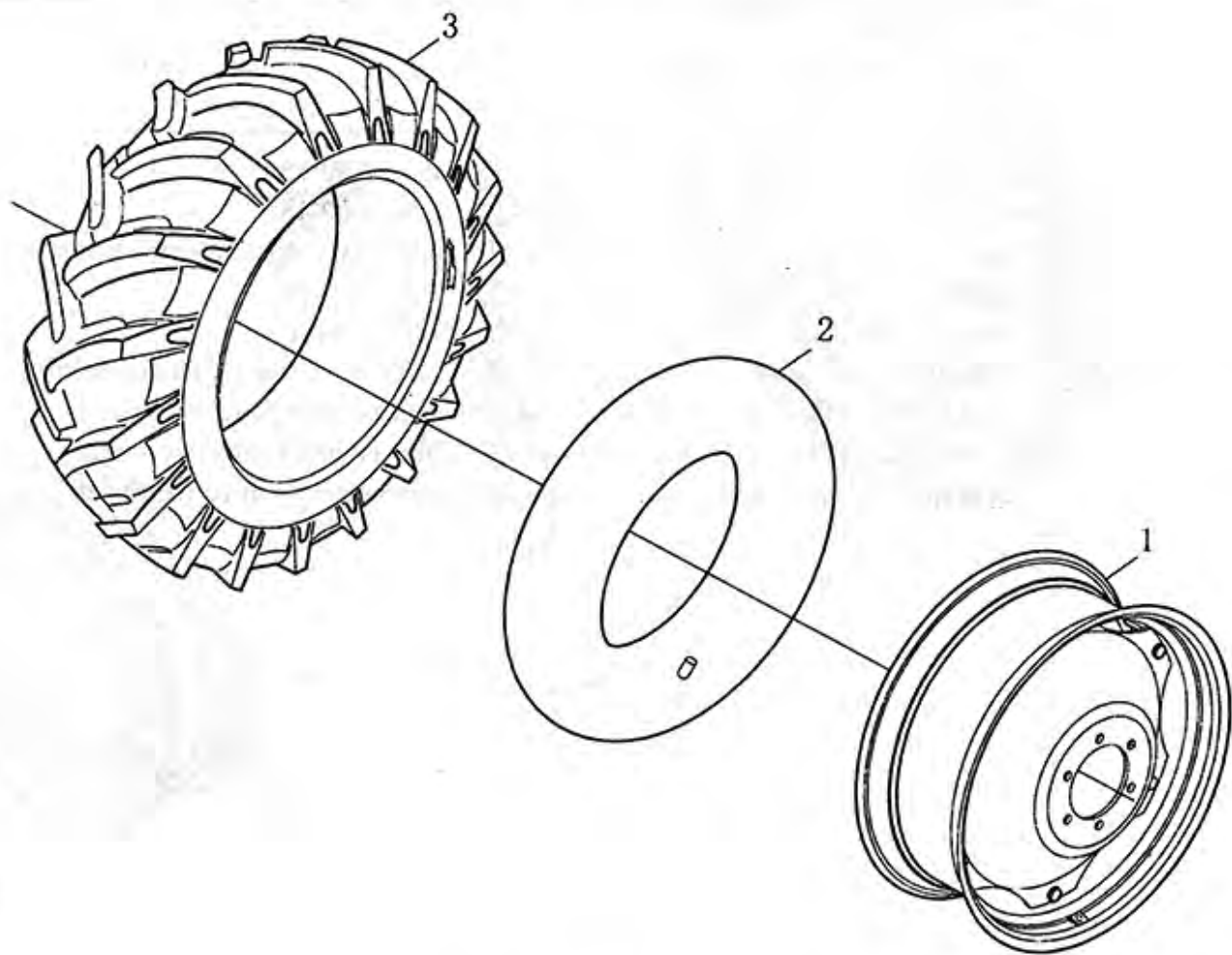


导向轮
Directive Wheel

导向轮

Directive Wheel

序号 Ser. No.	代 号 Part No.	名 称 Name	数量 Qty.
1	GB/T2979	外胎5.00-15 -----① Tyre 5.00-15	2
	GB/T2979	外胎6.00-16 -----② Tyre 6.00-16	2
	非标准(Non-standard)	草地胎外胎-----③ Lawn Tyre (for gardening tractor)	2
2	GB/T2979	内胎5.00-15-----① Tube 5.00-15	2
	GB/T2979	内胎6.00-16-----② Tube 6.00-16	2
	非标准(Non-standard)	草地胎内胎-----③ Lawn Tube (for gardening tractor)	2
3	300.32.011	导向轮轮辋焊合件-----① Rim assembly directive wheel	2
	400.32.011	导向轮轮辋焊合件-----② Rim assembly directive wheel	2
	300.32.011A	草地胎导向轮轮辋焊合件 -----③ Rim assembly directive wheel	2

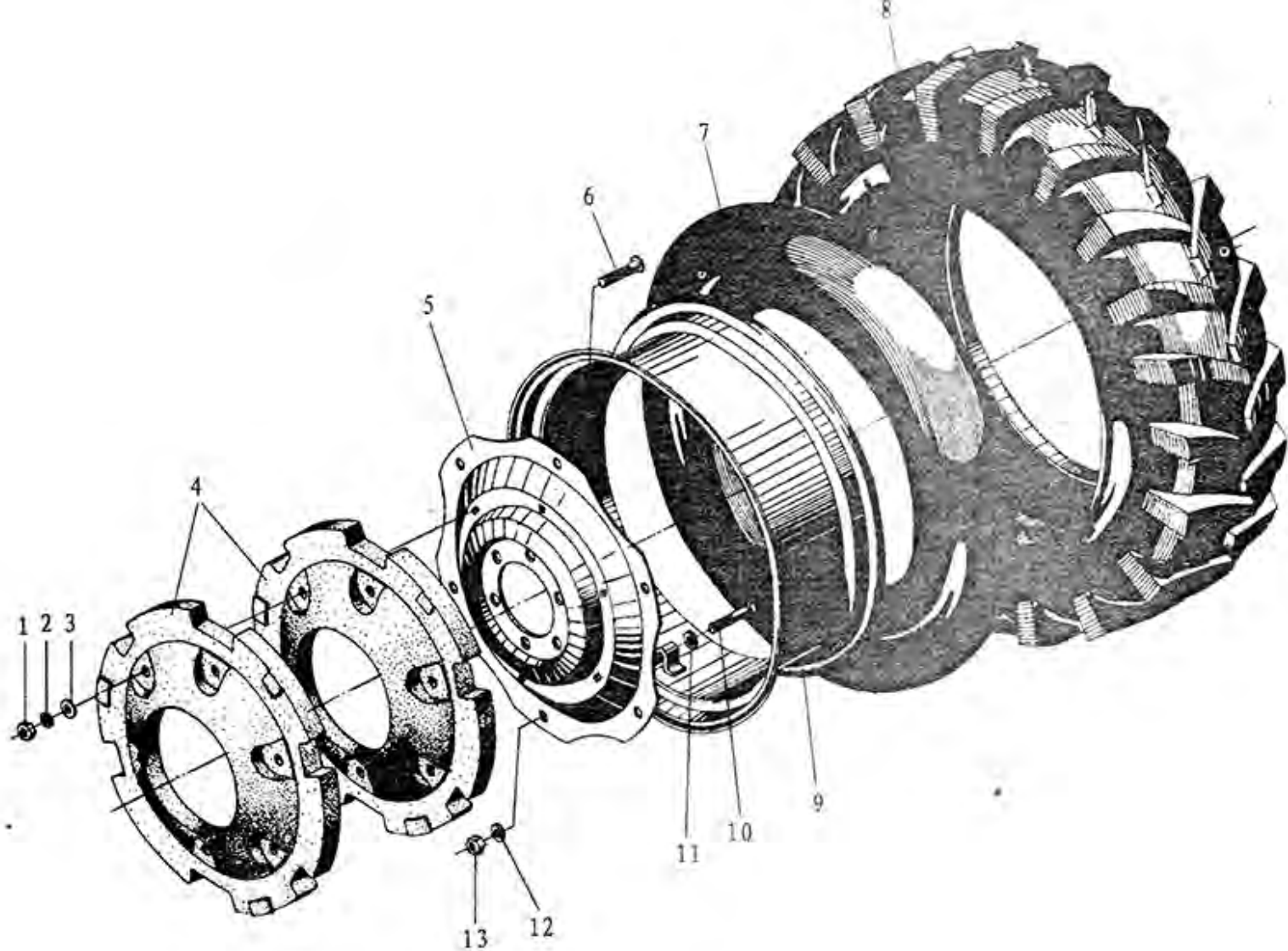


前驱动轮
Front Driving Wheel

前驱动轮 (四轮驱动)

Front driving wheel (Four wheel drive)

序号 Ser. No.	代号 Part No.	名称 Name	数量 Qty.
1	304.32.011	前驱动轮轮辋总成-----①	2
	304.32.011B	前驱动轮轮辋总成-----②③	2
	304.32.011A	草地胎前驱动轮轮辋焊合件-----④ (for gardening tractor)	2
2	GB/T 2979	6.00-16 前驱动轮内胎-----①	2
	GB/T 2979	7.50-16 前驱动轮内胎-----②	2
	GB/T 29799	6.50-16 水田前驱动轮内胎-----③	2
	非标准(Non-standard)	草地胎内胎-----④	2
3	GB/T 2979	6.00-16 前驱动轮外胎-----①	2
	GB/T 2979	7.50-16 前驱动轮外胎-----②	2
	GB/T 2979	6.50-16 水田前驱动轮外胎-----③	2
	非标准(Non-standard)	草地胎外胎-----④	2

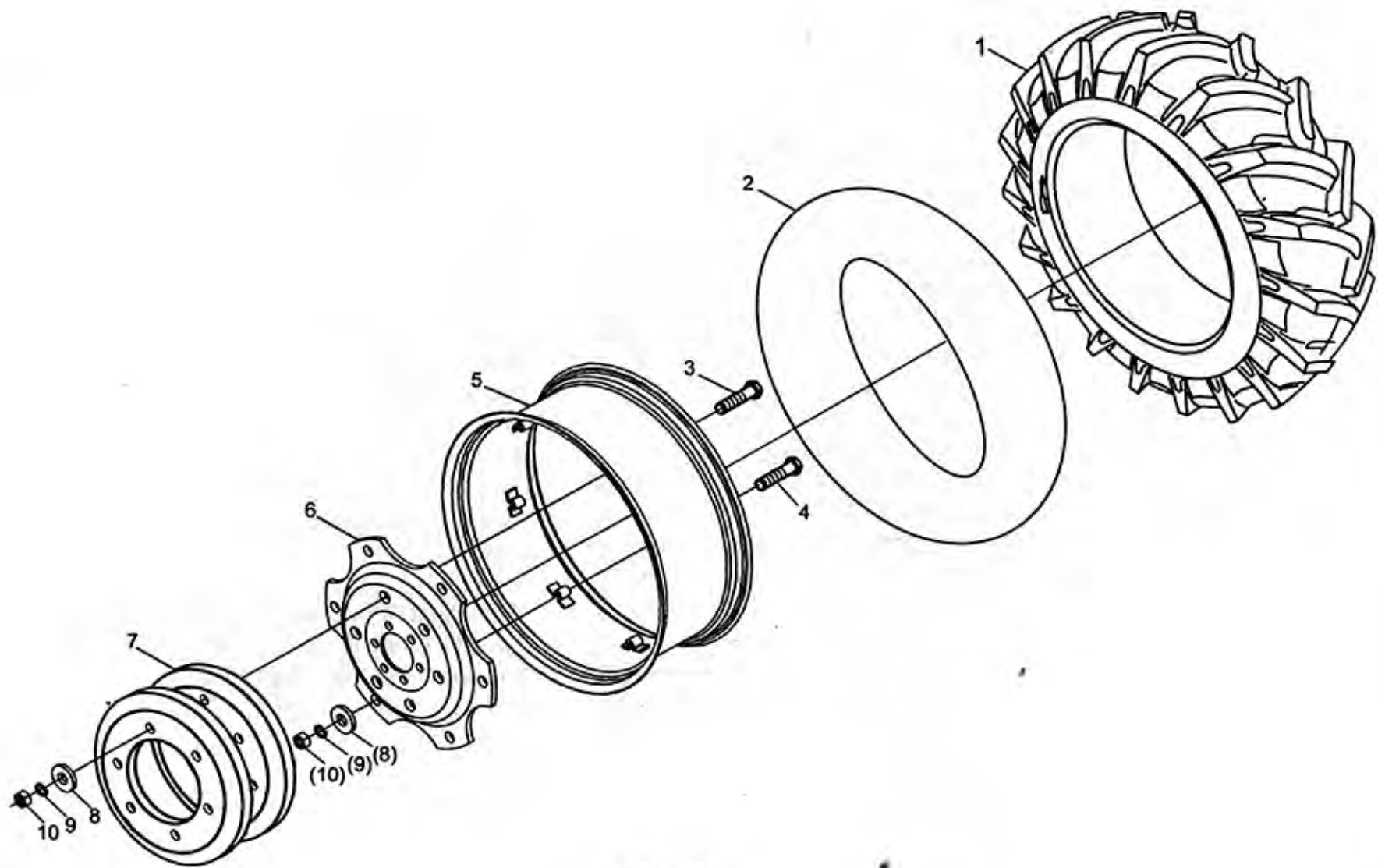


驱动轮
Driving Wheel

驱动轮

Driving Wheel

序号 Ser. No.	代号 Part No.	名称	Name	数量 Qty.
1	GB/T6170	螺母M12	Nut M12	12
2	GB/T93	垫圈12	Washer 12	12
3	GB/T96	大垫圈12	Big washer 12	12
4	300.34.108-2	驱动轮配重铁	Ballast	2/4
5	300.34.103	驱动轮辐板—————①②③④	Spoke,driving wheel	2
	300.34.103C	驱动轮辐板(配草地胎)—————⑤	Spoke,driving wheel (for gardening tractor)	2
6	GB/T12	螺栓M12×100	Bolt M12×100	12
	GB/T12	螺栓M12×60	Bolt M12×60	12
7	GB/T2979	驱动轮内胎11.2-24—————①	Tube 11.2-24	2
	GB/T2979	水田轮内胎11.2-24—————②	Tube 11.2-24 (for paddyfield tractor)	2
		水田轮内胎9.5-24—————③	Tube 9.5-24 (for paddyfield tractor)	2
	非标准(Non-tandard)	草地胎内胎—————④	Tube (for gardening tractor)	2
8	GB/T2979	驱动轮外胎11.2-24—————①	Tyre 11.2-24	2
	GB/T2979	水田轮外胎11.2-24—————②	Tyre 9.5-24	2
		水田轮外胎9.5-24—————③	Tyre 9.5-24(for paddyfield tractor)	2
	非标准(Non-tandard)	草地胎外胎—————④	Tyre (for gardening tractor)	2
9	300.34.011-1	驱动轮轮辋总成—————①②	Rim assembly,driving wheel	2
	300.34.011A-1	驱动轮轮辋总成—————③④	Rim assembly,driving wheel	2
	300.34.011C	草地胎驱动轮轮辋焊合件—————⑤	Rim assembly (for gardening tractor)	2
10	GB/T5782	螺栓M14×70	Bolt M14×70	12
	300.34.012	钢圈螺栓焊合件	Bolt	12
11	GB/T97.1	垫圈14	Washer 14	12
12	GB/T93	垫圈14	Washer 14	12
13	GB/T6170	螺母M14	Nut M14	12

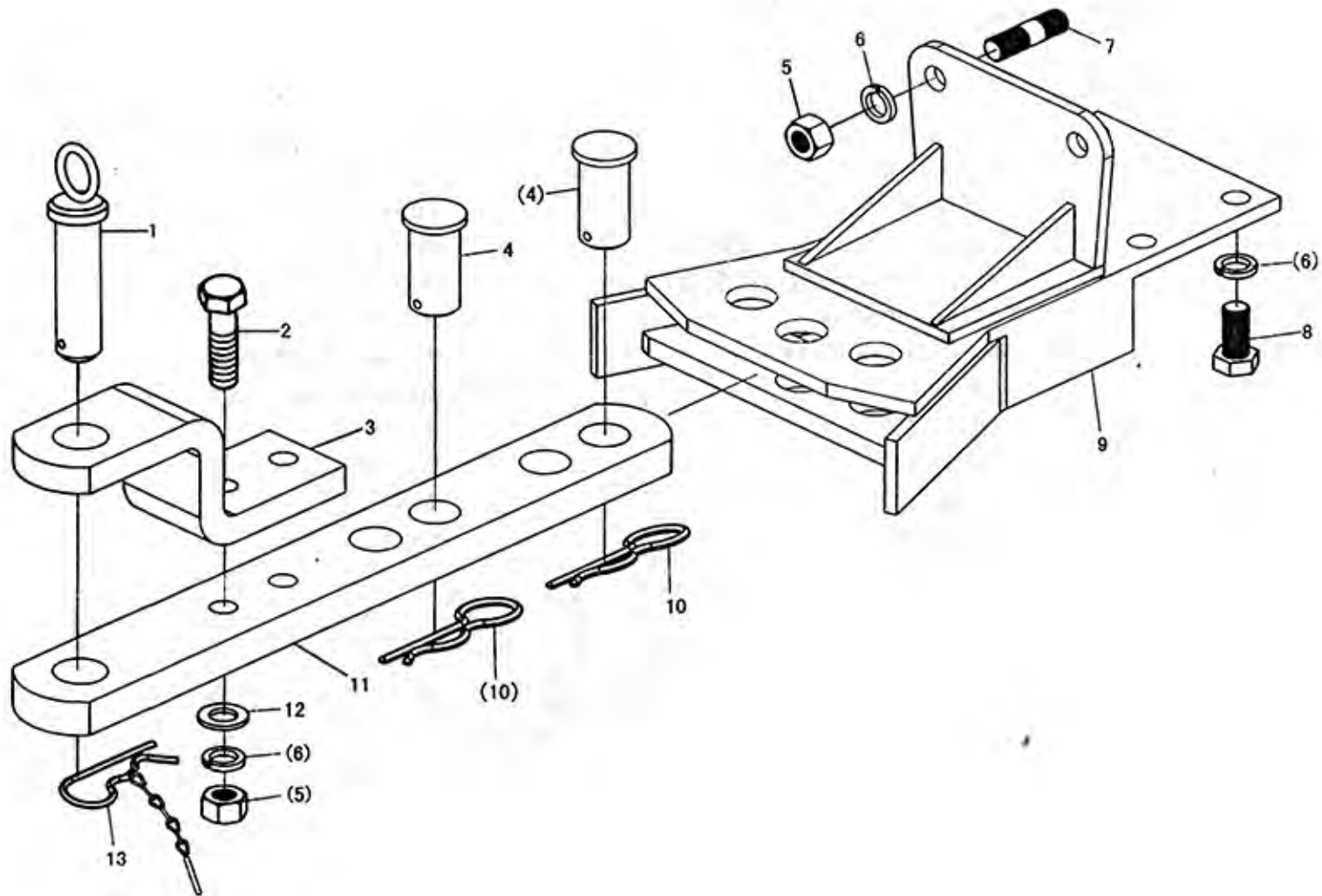


驱动轮 I
Driving Wheel I

驱动轮 I

Driving Wheel I

序号 Ser. No.	代号 Part No.	名称	Name	数量 Qty.
1	GB/T2979	驱动轮外胎11.2-28	Tyre 11.2-28	2
2	GB/T2979	驱动轮内胎11.2-28	Tube 11.2-28	2
3	GB/T12	螺栓M16×60(装一块配重)	Bolt M16×60	6
	GB/T12	螺栓M16×95(装两块配重)	Bolt M16×95	6
4	GB/T12	螺栓M16×80	Bolt M16×80	6
5	400.34.011	驱动轮轮辋焊合作	Rim assembly, driving wheel	2
6	300.34.103B	驱动轮辐板	Spoke, driving wheel	2
7	400.34.105-4	配重铁II	Ballast II	2或4
8	GB/T97.1	垫圈16	Washer 16	24
9	GB/T93	垫圈16	Washer 16	24
10	GB/T6170	螺母M16	Nut M16	24

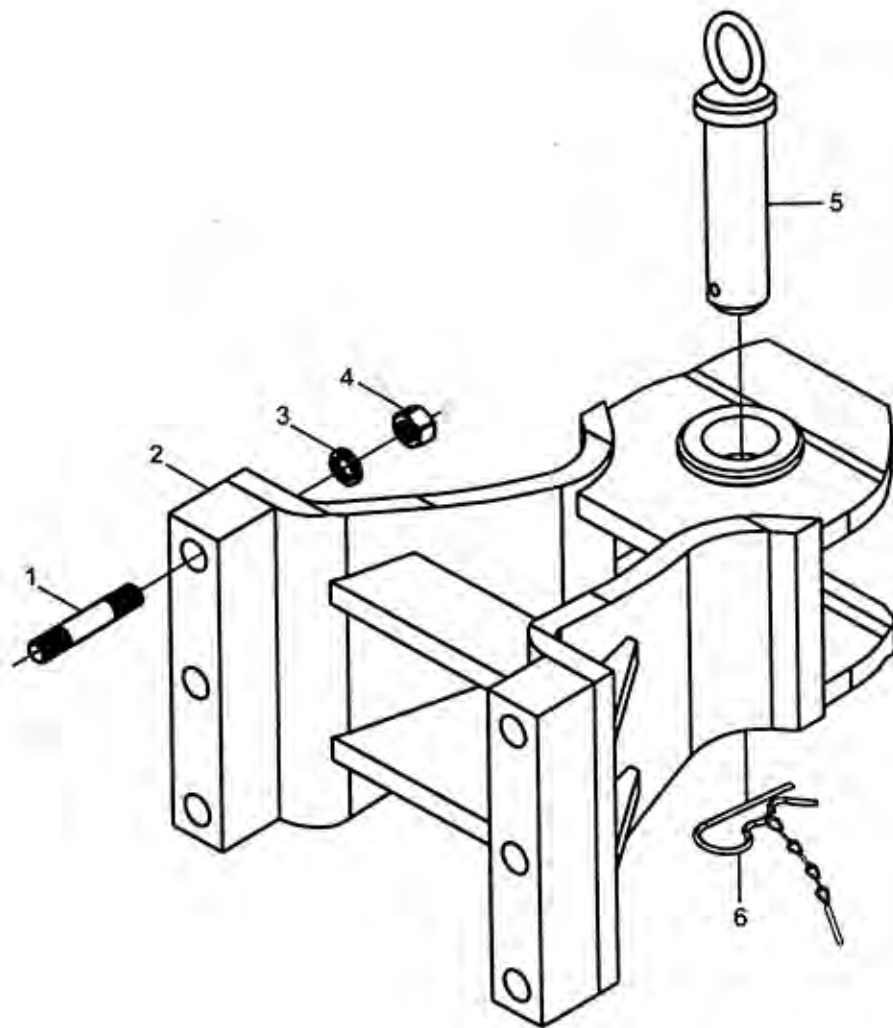


摆式牵引板总成
Pendulum Drawbar

摆式牵引板总成

Pendulum Drawbar

序号 Ser. No.	代 号 Part No.	名 称 Name	数量 Qty.
1	300E.35.019	后连接销焊合作	1
2	GB/T5782	螺栓M16×70	2
3	300E.35.203	弯牵引杆	1
4	300.35.103	牵引销	2
5	GB/T6170	螺母M16	4
6	GB/T93	垫圈16	8
7	GB/T898	螺柱AM16-M16×35	2
8	GB/T5783	螺栓M16×35	4
9	300.35.011-1	牵引板焊合作(无钩)	1
10	300.35.104	锁销	2
11	300.35.013	牵引杆焊合作	1
12	GB/T97.1	垫圈16	2
13	300E.35.020	弹簧锁销焊合作	1

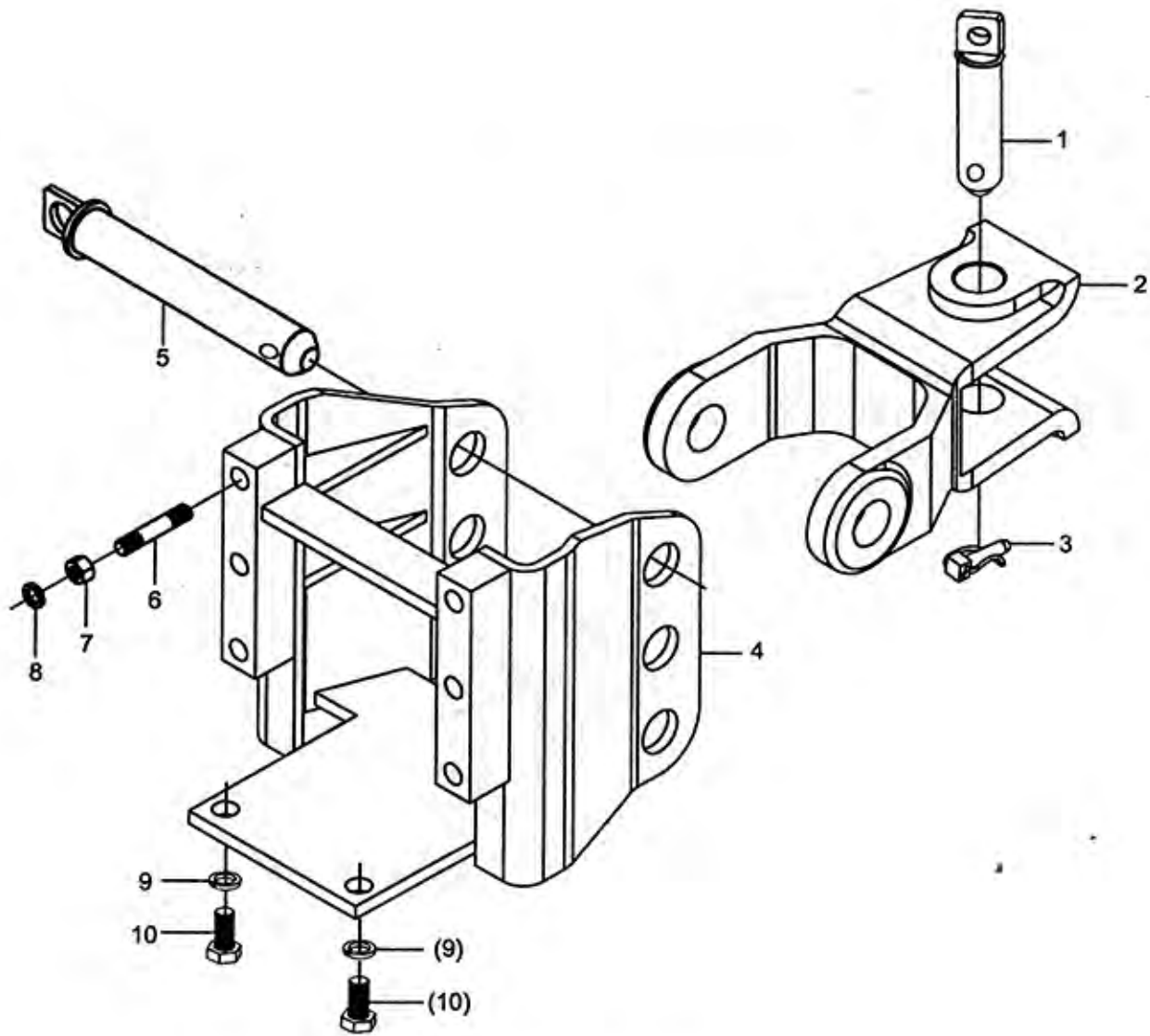


牵引板总成 I
Drawbar I

牵引板总成 I

Drawbar I

序号 Ser. No.	代号 Part No.	名称	Name	数量 Qty.
1	GB/T899	螺柱AM14-M14×1.5×70-8.8	Stud AM14-M14×1.5×70-8.8	6
2	300.56.041B-1	牵引机构焊接总成	Drawbar assembly	1
3	GB/T93	垫圈14	Washer 14	6
4	GB/T6176	螺母M14×1.5	Nut M14×1.5	6
5	300E.35.019	后连接销焊合件	Drawbar connecting pin	1
6	300E.35.020	弹簧锁销焊合件	Spring latch weld	1

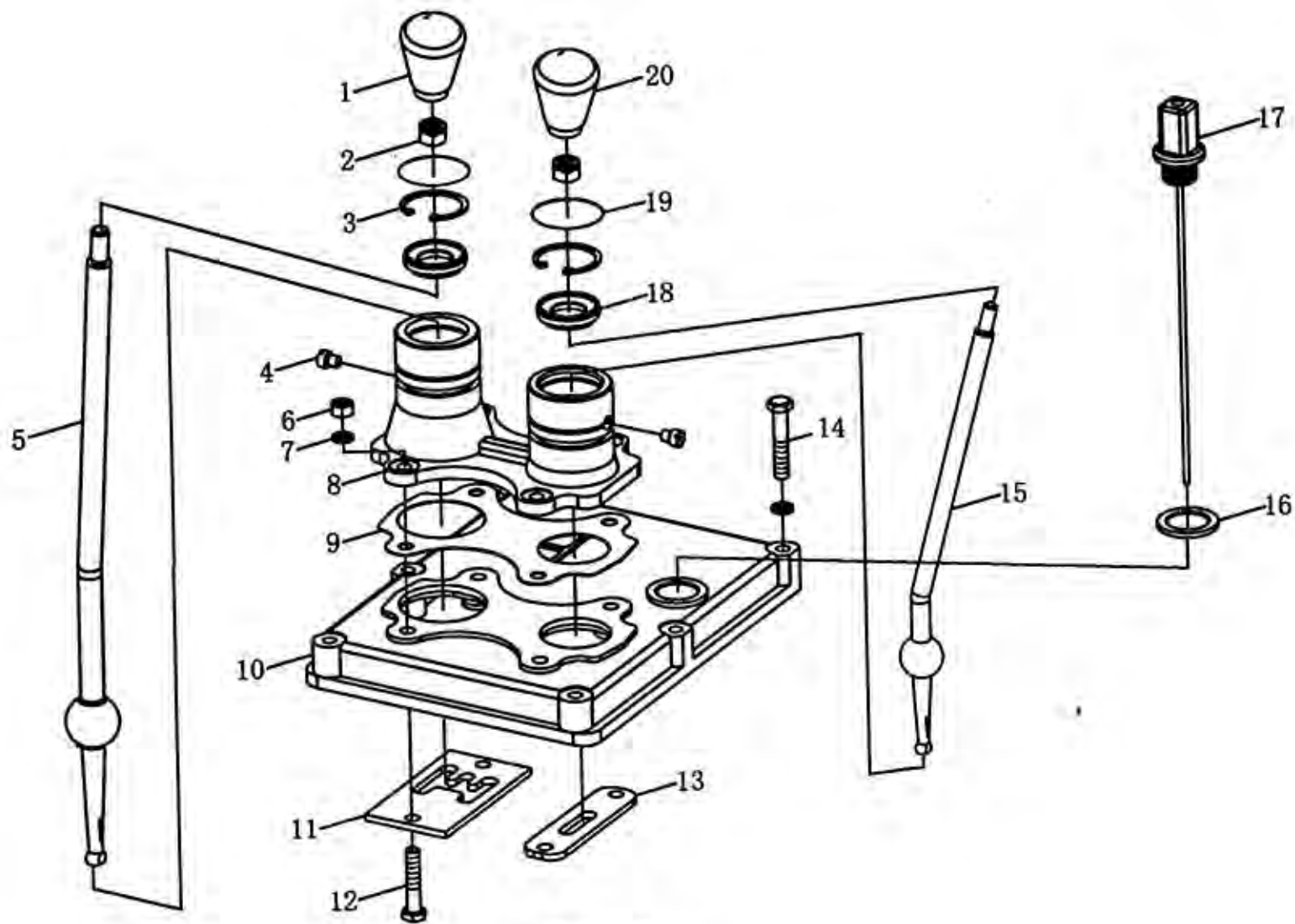


牵引板总成 II
Drawbar II

牵引板总成 II

Drawbar II

序号 Ser. No.	代 号 Part No.	名 称	Name	数量 Qty.
1	160.35.012-1	牵引销焊合件 II	Drawbar connecting pin assembly II	1
2	160.35.102-1	牵引十字节	Drawbar crossing	1
3	160.56.014	锁销总成	Lock pin	2
4	300.35.015	可调式牵引板焊合件	Drawbar assembly	1
5	300.35.206	牵引销	Drawbar connecting pin	1
6	GB/T1899	螺柱 M14-M14×1.5×70-8.8	Stud M14-M14×1.5×70-8.8	6
7	GB/T16176	螺母 M14×1.5	Nut M14×1.5	6
8	GB/T93	垫圈 14	Washer 14	6
9	GB/T93	垫圈 16	Washer 16	2
10	GB/T15783	螺栓 M16×35	Bolt M16×35	2



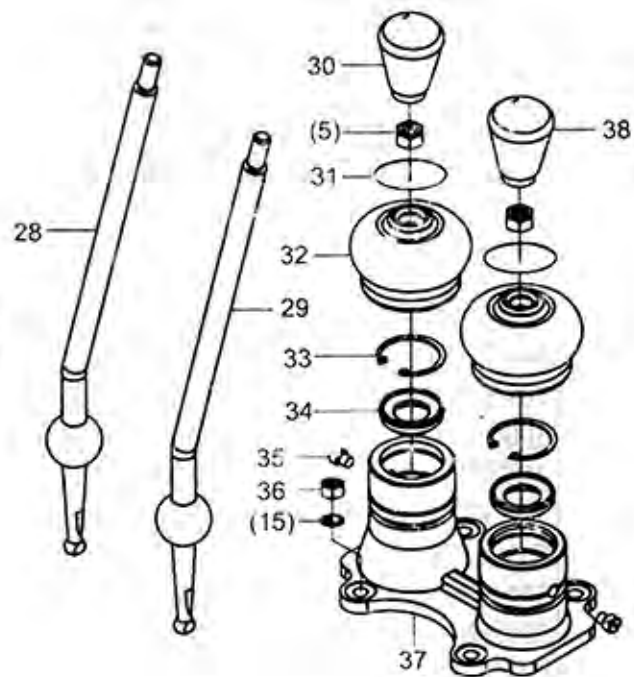
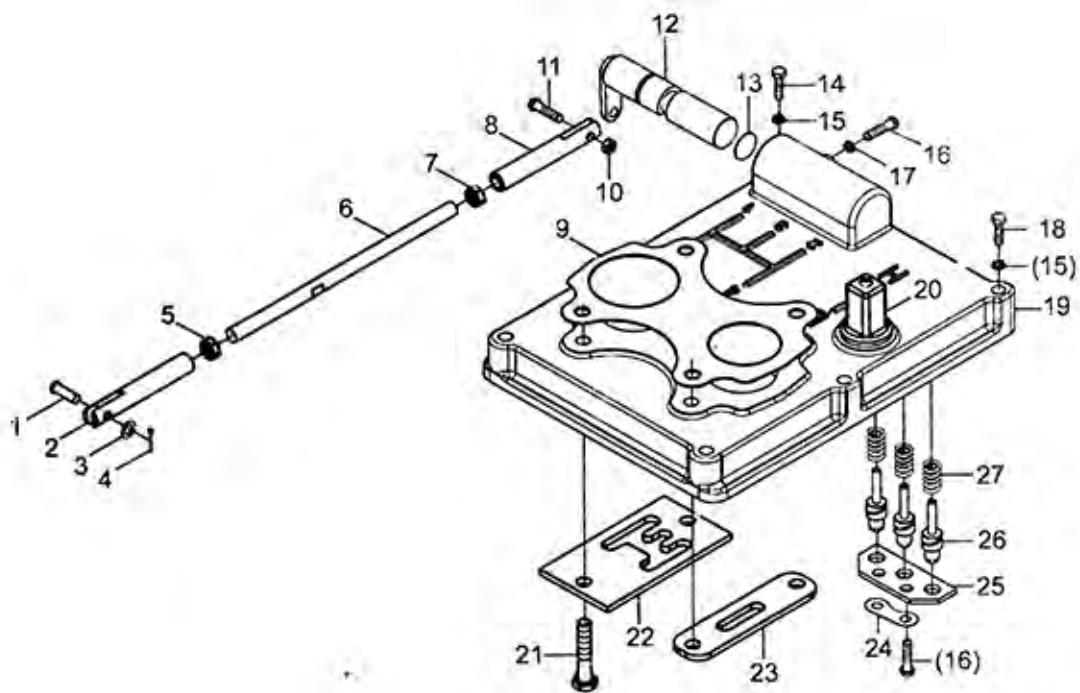
变速箱盖
Transmission Cover

变速箱盖

Transmission Cover

序号 Ser. No.	代号 Part No.	名称	Name	数量 Qty.
1	304.37S.211A	变速手柄组合件(双作用)	Handle control lever -----①	1
	300.37.211A	变速手柄组合件(单作用)	Handle control lever-----②	1
2	GB/T 889	螺母M10	Nut M10	2
3	GB/T 893.1	挡圈37	Retaining ring 37	2
4	GB/T 75	开槽长圆柱端紧定螺钉M10×13	Screw M10×13	2
5	300.37.192-1	主变速操纵杆	Control lever, main change speed	1
6	GB/T 889	螺母M8	Nut M8	4
7	GB/T 93	垫圈8	Spring lock washer 6	10
8	300E.37.101	变速杆座	Change speed lever seat	1
9	300.37.195	变速杆座垫片	Gasket.change speed lever seat	1
10	304.37S.189	变速箱上前盖	Transmission upper front cover-----①	1
	300.37.189	变速箱上前盖	Transmission upper front cover-----②	1
11	304.37S.190	主变速框板	Guide plate,main change speed-----①	1
	300.37.190	主变速框板	Guide plate.main change speed-----②	1
12	GB/T 5782	螺栓M8×40	Bolt M8×40	4
13	304.37S.191	副变速框板	Guide plate,secondary change speed-----①	1
	300.37.191	副变速框板	Guide plate,secondary change speed-----②	1
14	GB/T 5782	螺栓M8*45	Bolt M8×45	6
15	300.37.193-3	副变速操纵杆	Control lever,secondary change speed	1
16	160.55.104	垫片	Washer	1
17	300.37.018A	油尺总成	Dipstick assembly	1
18	800.37.015	操纵杆密封圈	Oil seal	2
19	GB/T 3082	镀锌钢丝∠d1.4*250		2
20	160.37.032-3	副变速手柄组合件	Handle control lever,secondary change speed	1

①---For double action clutch , ②---For single-action clutch



变速箱盖
Transmission Cover

变速箱盖(防掉档)

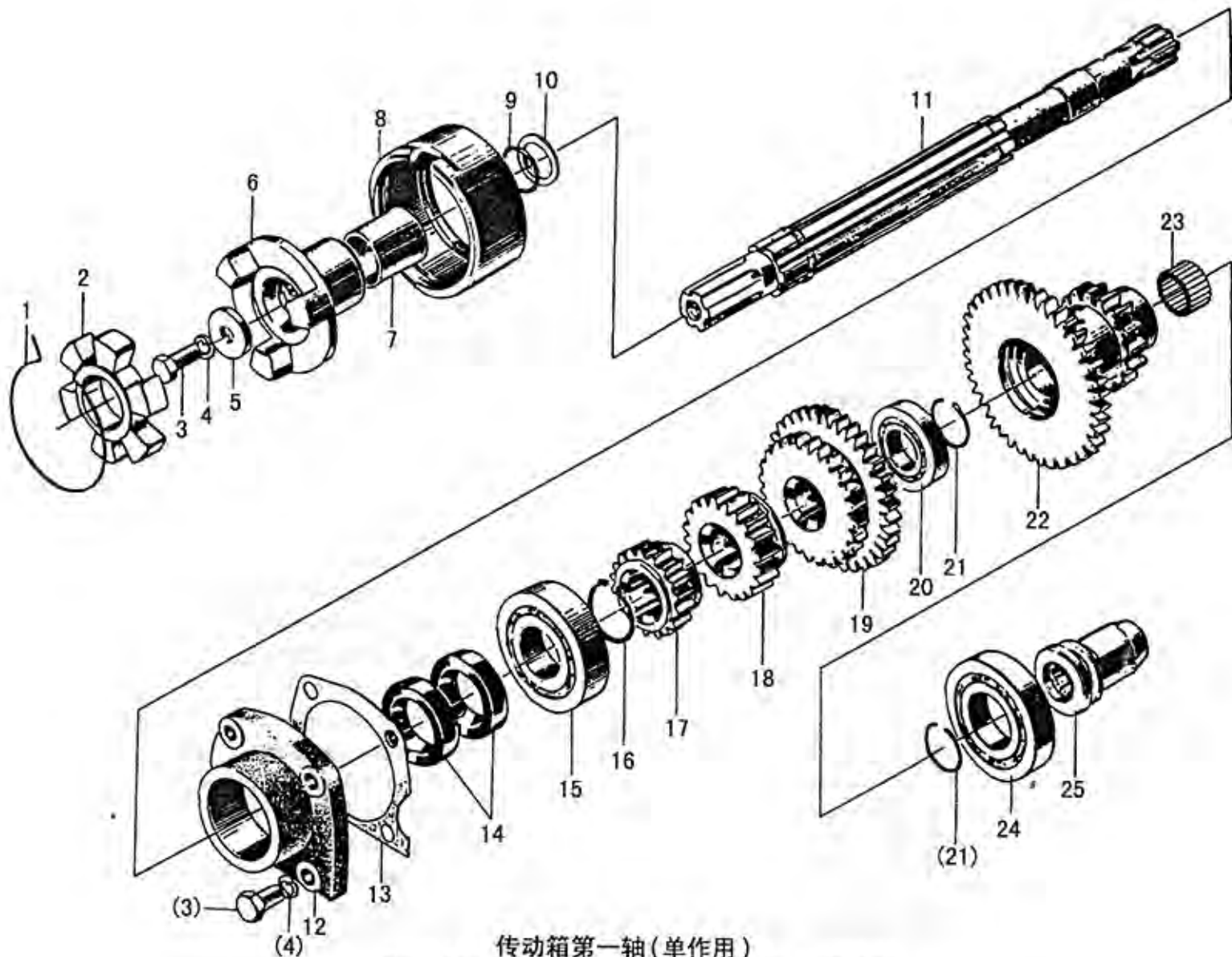
Transmission Cover

序号 Ser. No.	代号 Part No.	名称	Name	数量 Qty.
1	GB/T882	销轴B6*20	Pin roll B5×20	1
2	300.37.449-1	调节杆	adjusterbar	1
3	GB/T97.1	垫圈6	Washer 6	1
4	GB/T91	销2*16	Split pin 2×12	1
5	GB/T6170	螺母M10	Nut M10	3
6	300.37.448-1	调节杆	adjusterbar	1
7	GB/T6170	螺母M10-左	Nut M10	1
8	300.37.449A	调节杆	adjusterbar	1
9	300.37.195	变速杆座垫片	Gasket,change speed lever seat	1
10	GB/T889	螺母M6	Nut M6	1
11	GB/T5783	螺栓M6*20	Bolt M6×20	1
12	300.37.024	摇臂轴焊合件	Radial shaft weld	1
13	GB/T3452.1	O形密封圈17*1.8	O-ring 17*1.8	1
14	GB/T5783	螺栓M8*20	Bolt M8×20	1
15	GB/T93	垫圈8	Washer 8	8
16	GB/T5783	螺栓M6*16	Bolt M6×16	2
17	GB/T93	垫圈6	Washer 6	2
18	GB/T5782	螺栓M8*45	Bolt M8×45	5
19	300.37.189-1	变速箱上前盖(单作用)	Transmission upper front cover	1
	304.37S.189-1	变速箱上前盖(双作用)	Transmission upper front cover	1
20	300.37.018A	油尺总成	Dipstick assembly	1
21	GB/T5782	螺栓M8*40	Bolt M8×40	2
22	300.37.190	主变速框板	Guide plate,main change speed	1

变速箱盖(防掉档)

Transmission Cover

序号 Ser. No.	代 号 Part No.	名 称	Name	数量 Qty.
23	300.37.191	副变速框板	Guide plate,secondary change speed	1
24	300.37.451	锁片	Lock piece	1
25	300.37.450	压板	flat	1
26	300.37.447	锁定销	Locking pin	3
27	300.37.453	拨叉轴锁定弹簧	Fork shaft locking spring	3
28	300.37.192-1	主变速操纵杆	Control lever, main change speed	1
29	300.37.193-3	副变速操纵杆	Control lever,secondary change speed	1
30	300.37.211	变速手柄组合件	Handle control lever	1
	304.37S.211	变速手柄组合件	Handle control lever	1
31	GB/T3082	镀锌钢丝Zd1.4*250	Galvanized wire/Zd1.4*250	1
32	400.37.166	变速杆防尘罩	Gear shift lever rubber cap	2
33	GB/T893.1	挡圈37	Retaining ring 37	2
34	800.37.015	操纵杆密封圈	Oil seal	2
35	GB/T75	开槽长圆柱端紧定螺钉M10*13	Screw M10×13	2
36	GB/T6170	螺母M8	Nut M8	2
37	300E.37.101	变速杆座	Change speed lever seat	1
38	160.37.032	副变速手柄组合件	Handle control lever,secondary change speed	1



传动箱第一轴(单作用)
Drive Gearbox Primary Shaft (Single Stage Clutch)

传动箱第一轴(单作用)

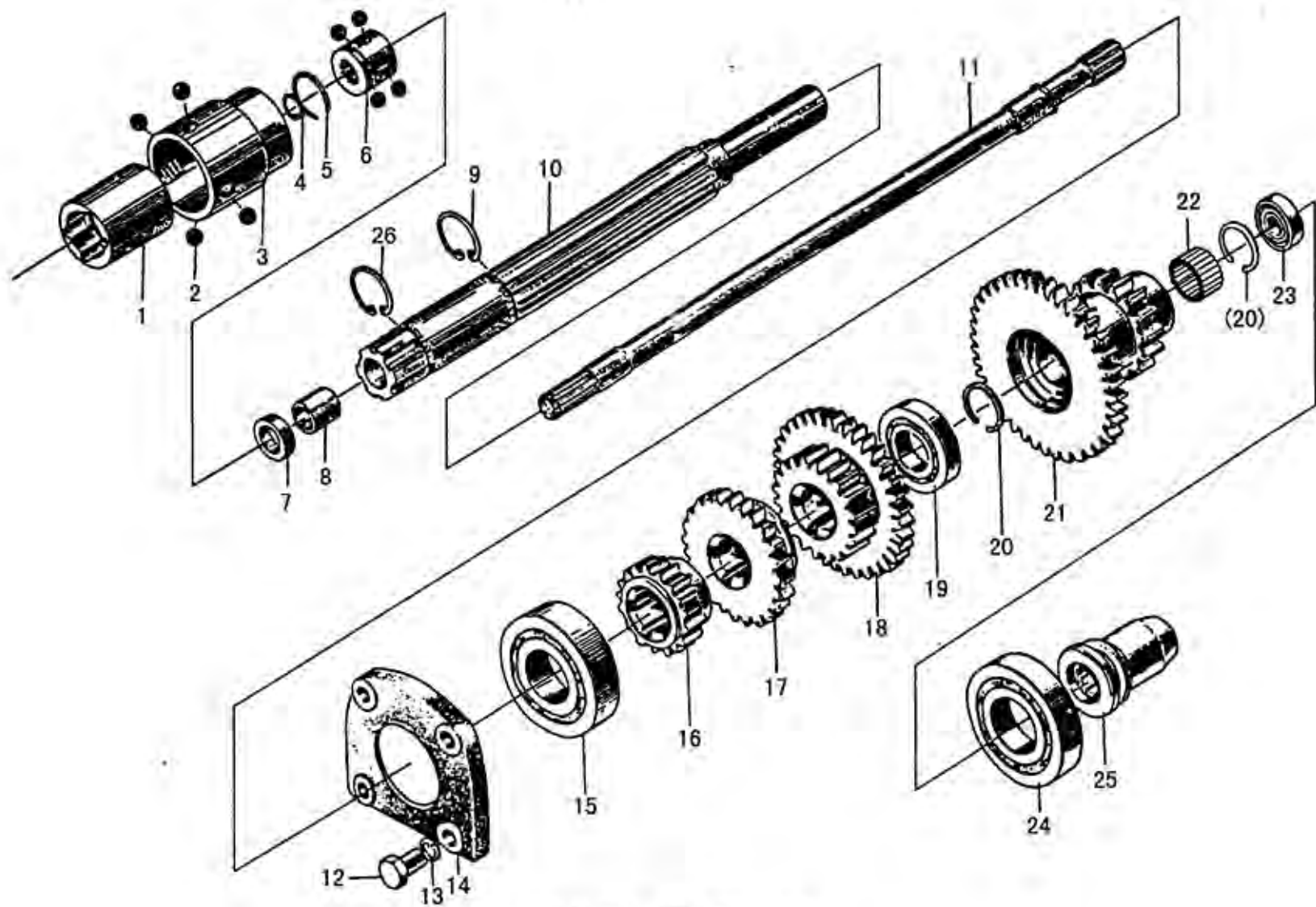
Drive Gearbox Primary Shaft (Single stage clutch)

序号 Ser. No.	代号 Part No.	名称	Name	数量 Qty.
1	300.21.147-1	钢丝挡圈	Snap ring, steel wire	1
2	300.21.145	弹性块	Elastic block	1
3	GB/T5783	螺栓M10×25	Bolt M10×25	5
4	GB/T93	垫圈10	Spring lock washer 10	5
5	300.37.315	厚垫圈	Thick washer	1
6	300.37.314	第一轴联轴节	Coupling, primary shaft	1
7	300.37.160	套	Sleeve	1
8	300.21.144	联轴节套	Coupling boot	1
9	GB3452.1	O形密封圈23.6×3.55	O-ring 23.6×3.55	1
10	300.37.320	联轴节垫片	Coupling washer	1
11	300.37.188-1	第一轴	Primary shaft	1
12	300.37.119	一轴前轴承盖	Primary shaft front bearing cap	1
13	300.37.171-1	一轴前轴承盖垫片	Gasket, primary shaft front bearing cap	1
14	GB/T9877.1	油封FB35×55×8	Oil seal FB35×55×8	2
15	GB/T276	滚动轴承6307	Rolling bearing 6307	1
16	GB/T894.1	挡圈35	Circlip for shaft 35	1
17	300.37.104	I 档滑动齿轮	Sliding gear, 1st speed	1
18	300.37.106	II-倒档滑动齿轮	Sliding gear, 2nd reverse speed	1
19	300.37.108	III-IV 档滑动齿轮	Sliding gear, 3rd-4th speed	1
20	GB/T276	滚动轴承6006	Rolling bearing 6006	1
21	GB/T895.1	挡圈30	Roundwire snap ring for hole 30	2
22	300.37.133	高低档双联齿轮	Twin gear, high-low speed	1
23	非标准(Non-standard)	滚针轴承K25×30×25	Needle roller bearing 25×30×25	1

续. 传动箱第一轴(单作用)

Cont. Drive Gearbox Primary Shaft (Single stage clutch)

序号 Ser. No.	代号 Part No.	名称 Name	数量 Qty.
24	GB/T 276	滚动轴承6208	1
25	300.37.136	花键连接套	1



传动箱第一轴 (双作用离合器)
 Drive Gearbox Primary Shaft (For dual stage clutch)

传动箱第一轴（双作用离合器）

Drive Gearbox Primary Shaft (For dual stage clutch)

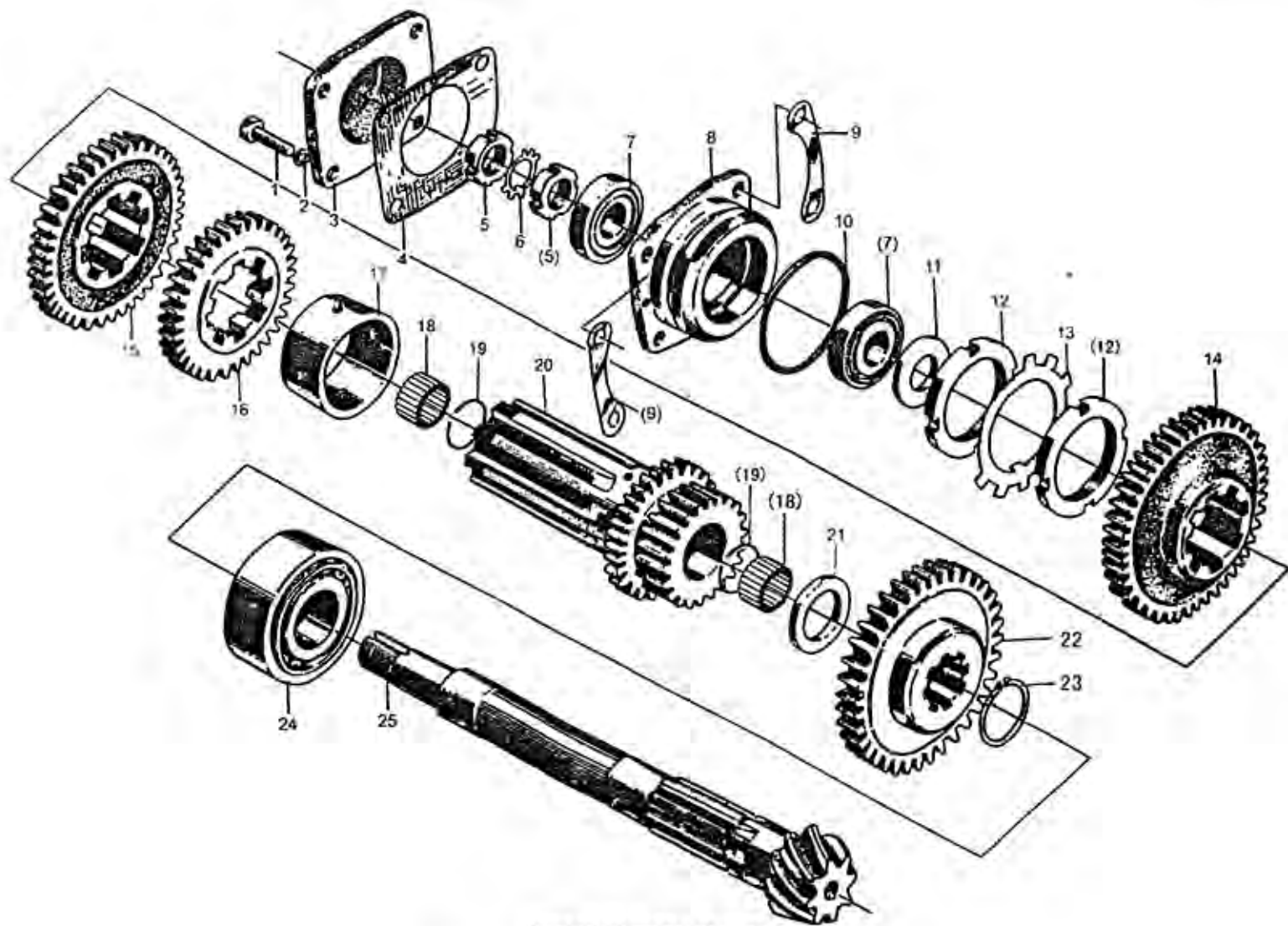
序号 Ser. No.	代 号 Part No.	名 称	Name	数量 Qty.
1	304.37S.242-1	副离合器联轴节联接套	Connecting sleeve, secondary clutch coupling	1
2	GB/T308	钢球10.3188 G400b	Steel ball 10.3188 G400b	8
3	304.37S.246	主离合器联轴节从动套	Driven sleeve, main clutch coupling	1
4	GB/T894.1	挡圈19	Circlip for shaft 19	1
5	304.37S.243	挡圈	Circlip for shaft	1
6	304.37S.244	副离合器联轴节从动套	Driven sleeve, secondary clutch coupling	1
7	304.37S.245-1	轴套	Shaft sleeve	1
8	304.21S.142-1	复合衬套	Compound bush	1
9	GB/T894.1	挡圈40	Circlip for shaft 40	1
10	304.37S.188-1	第一轴	Primary shaft	1
11	304.37S.240-1	动力输出传动轴	P.T.O. driving shaft	1
12	GB/T5783	螺栓M10×25	Bolt M10×25	4
13	GB/T93	垫圈10	Washer 10	4
14	304.37S.119	一轴前轴承盖	Primary shaft front bearing cap	1
15	GB/T276	滚动轴承6208	Rolling bearing 6208	1
16	304.37S.104	I-倒档滑动齿轮	Sliding gear, 1st reverse speed	1
17	304.37S.106	III档滑动齿轮	Sliding gear, 3rd speed	1
18	304.37S.108	II-IV档滑动齿轮	Sliding gear, 2nd-4th speed	1
19	GB/T276	滚动轴承6007	Rolling bearing 6007	1
20	GB/T895.1	挡圈38	Circlip for shaft 38	2
21	304.37S.111-1	高低档双联齿轮	Twin gear high-low speed	1
22	非标准(Non-standard)	滚针轴承K32×38×26	Needle roller bearingK 32×38×26	1

△适量 Just right amount

续. 传动箱第一轴 (双作用离合器)

Cont. Drive Gearbox Primary Shaft (For dual stage clutch)

序号 Ser. No.	代 号 Part No.	名 称 Name	数量 Qty.
23	GB/T276	滚动轴承6004	1
24	GB/T276	滚动轴承6010	1
25	300.37.136	花键联结套	1
26	304.21S.150	挡圈40	1

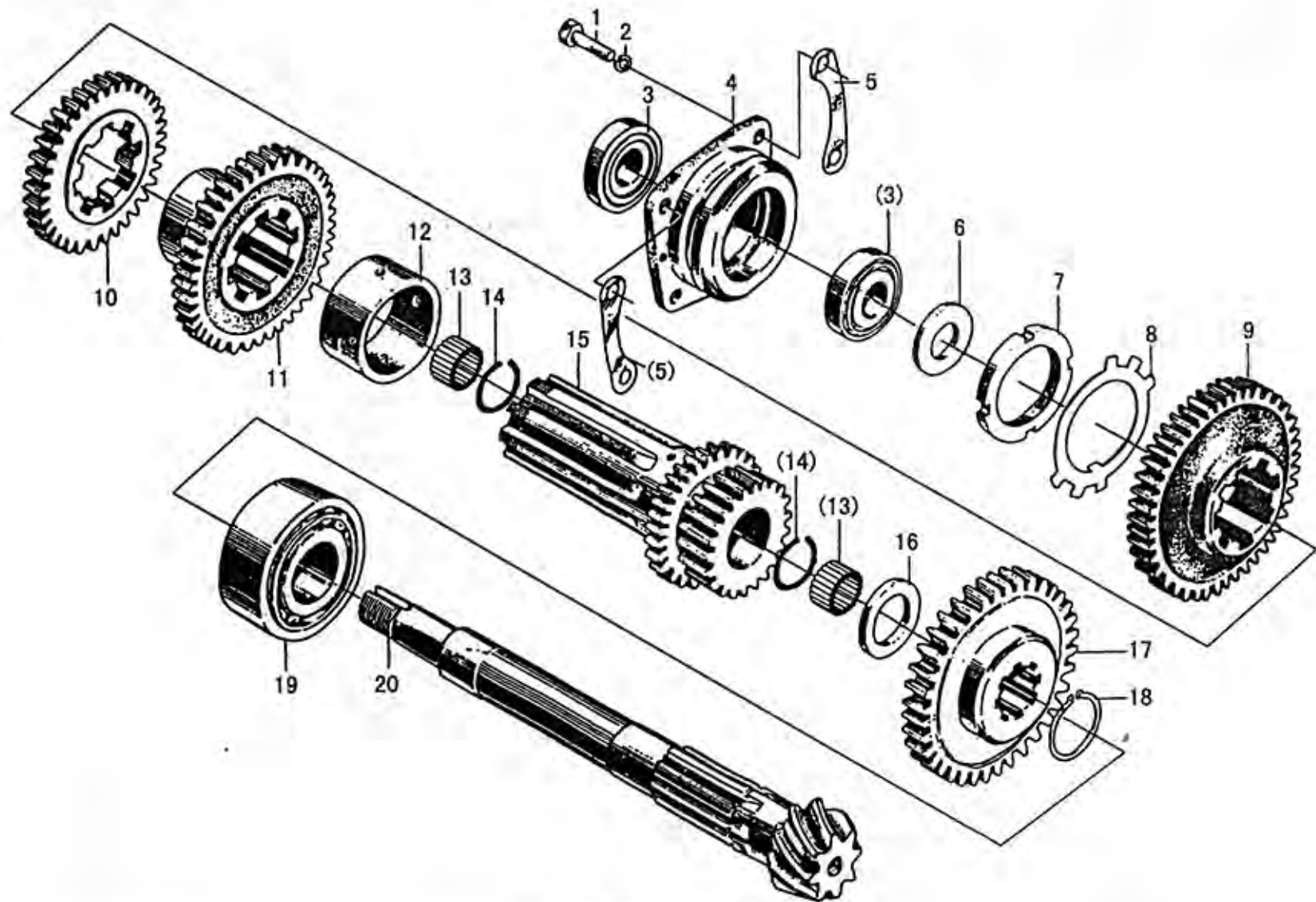


传动箱第二轴(单作用)
Drive Gearbox Main Shaft (Single Stage Clutch)

传动箱第二轴(单作用)

Drive gearbox Main Shaft (Single stage clutch)

序号 Ser. No.	代号 Part No.	名称	Name	数量 Qty.
1	GB/T5783	螺栓M10×35	Bolt M10×25	4
2	GB/T93	垫圈10	Spring lock washer 10	4
3	300.37.135	二轴前轴承盖	Main shaft front bearing cap	1
4	300.37.170	二轴前端盖垫片	Gasket.main shaft front end cap	1
5	GB/T812	螺母M24×1.5	Nut M24×1.5	2
6	GB/T858	垫圈24	Washer 24	1
7	GB/T297	滚动轴承31305	Rolling bearing 31305	2
8	300.37.117	二轴前轴承套	Front bearing sleeve.main shaft	1
9	300.37.132	二轴调整垫片	Adjusting shim.main shaft	△
10	GB/T3452.1	O形密封圈80×5.3	O-ring 80×5.3	1
11	300.37.151	二轴前止推环	Front thrust ring.main shaft	1
12	300.37.317	圆螺母M60×2	Round nut M60×2	2
13	300.37.430	圆螺母用止动垫圈	Washer	1
14	300.37.105	I档从动齿轮	Driven gear.1st speed	1
15	300.37.107	II档从动齿轮	Driven gear.2st speed	1
16	300.37.109	III档从动齿轮	Driven gear.3st speed	1
17	300.37.142	二轴隔离套	Spacing sleeve.main shaft	1
18	非标准(Non-standard)	滚针轴承K31×37×28	Needle roller bearing K31×37×28	2
19	300.37.407	挡圈37	Circlip 37	2
20	300.37.110	二轴花键套	Spline sleeve.main shaft	1
21	300.37.152	二轴后止推环	Rear thrust ring.main shaft	1
22	300.37.134	高低档滑动齿轮	Sliding gear.high-low speed	1
	300.37.134A	高低档滑动齿轮(可选)	Sliding gear.high-low speed (Selected)	1



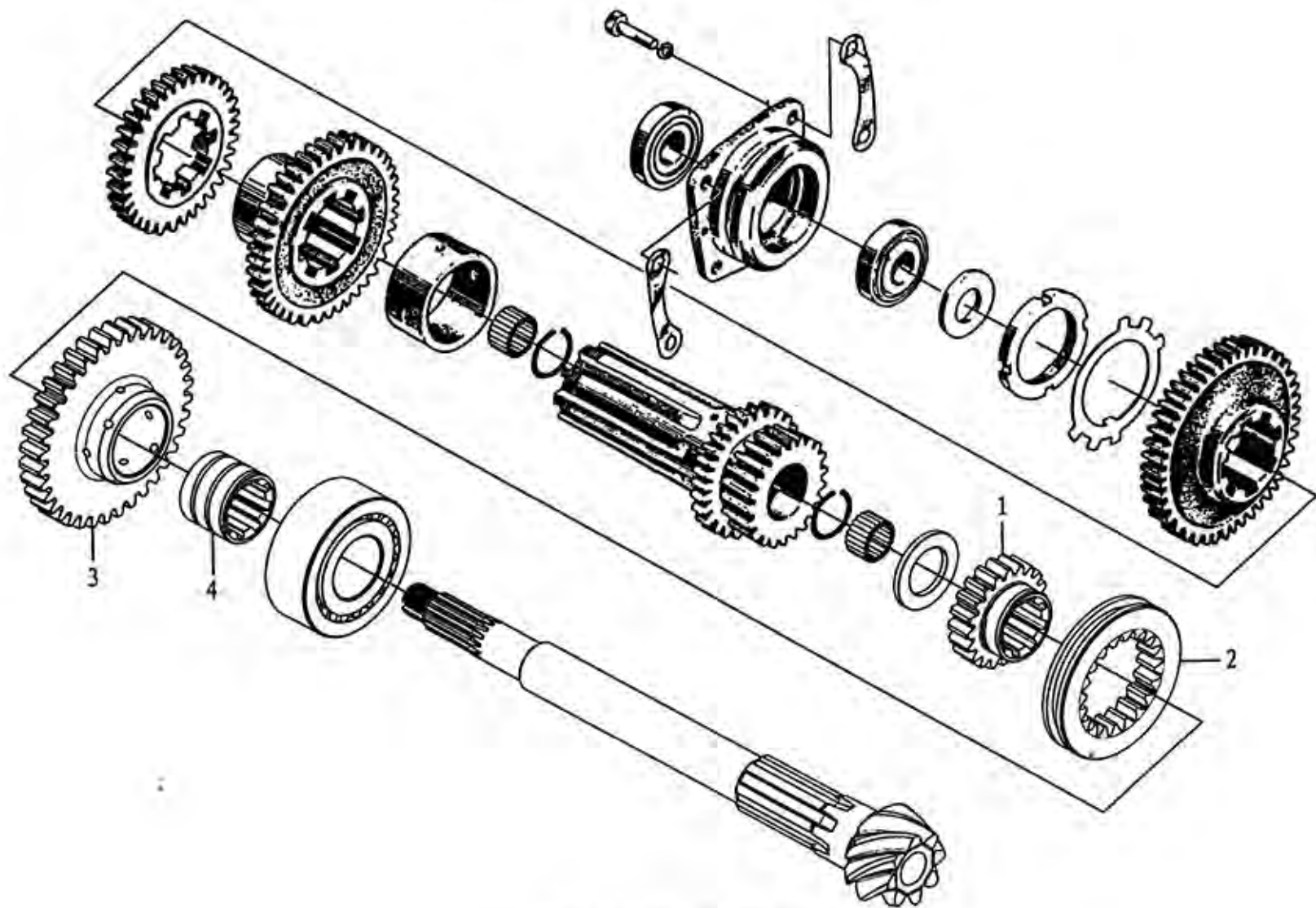
传动箱第二轴 (双作用离合器)
 Drive Gearbox Main Shaft (For dual stage clutch)

传动箱第二轴（双作用离合器）

Drive Gearbox Main Shaft (For dual stage clutch)

序号 Ser. No.	代号 Part No.	名称	Name	数量 Qty.
1	GB/T5783	螺栓M10×35	Bolt M10×35	4
2	GB/T93	垫圈10	Spring lock washer 10	4
3	GB/T297	滚动轴承31305	Rolling bearing 31305	2
4	304.37S.117	二轴前轴承套	Front bearing sleeve, main shaft	1
5	300.37.132	二轴调整垫片0.1/0.2/0.5	Adjusting shim 0.1/0.2/0.5, main shaft	△
6	304.37S.151	二轴前止推环	Front thrust ring, main shaft	1
7	GB/T810	小圆螺母M60×2	Round nut M60×2	1
8	300.37.430	圆螺母用止动垫圈	Washer	1
9	304.37S.105	I档从动齿轮	Driven gear, 1st speed	1
10	304.37S.109	III档从动齿轮	Driven gear, 3rd speed	1
11	304.37S.107	II档从动齿轮	Driven gear, 2nd speed	1
12	304.37S.142	二轴隔离套	Spacing sleeve, main shaft	1
13	非标准(Non-standard)	滚针轴承K31×37×28	Needle roller bearing 31×37×28	2
14	300.37.407	挡圈37	Circclip for shaft 37	2
15	304.37S.110	二轴花键套	Spline sleeve, main shaft	1
16	300.37.152	二轴后止推环	Rear thrust ring, main shaft	1
17	304.37S.112A-1	高低档滑动齿轮	Sliding gear, high-low speed	1
18	300.37.431	挡圈38	Circclip for shaft 38	1
19	GB/T288	调心滚子轴承22308	Self-aligning roller bearing 22308	1
20	304.37S.101	第二轴	Main shaft	1

△适量 Just right amount



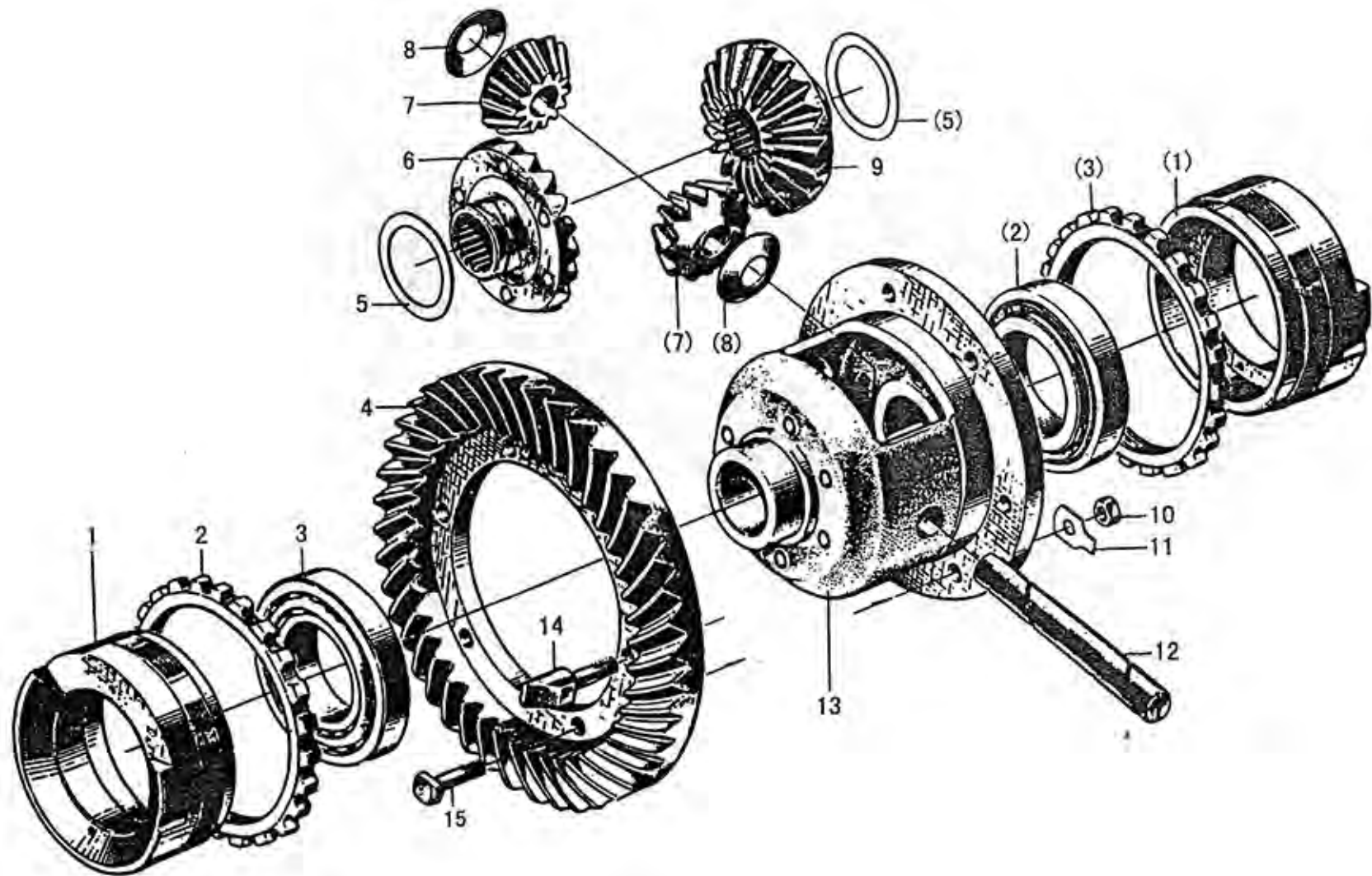
传动箱第二轴 (防掉档)
Drive Gearbox Main Shaft

传动箱第二轴（防掉档）

Drive Gearbox Main Shaft ()

序号 Ser. No.	代号 Part No.	名称	Name	数量 Qty.
1	300.37.261	高低档固定齿座	High garde fixed gear	1
	304.37S.220	高低档固定齿座	High garde fixed gear	1
2	300.37.262	高低档啮合套	High garde meshing sets	1
	304.37S.221	高低档啮合套	High garde meshing sets	1
3	300.37.134-1	低档从动齿轮	Cheap driven gear	1
	304.37S.112-1	低档从动齿轮	Cheap driven gear	1
4	300.37.263	低档从动齿轮衬套	Cheap driven gear bushing	1
5	GB/T283	轴承NUP2308	Rolling bearing NUP2308	1

除标注零件外其余第二轴零件不变

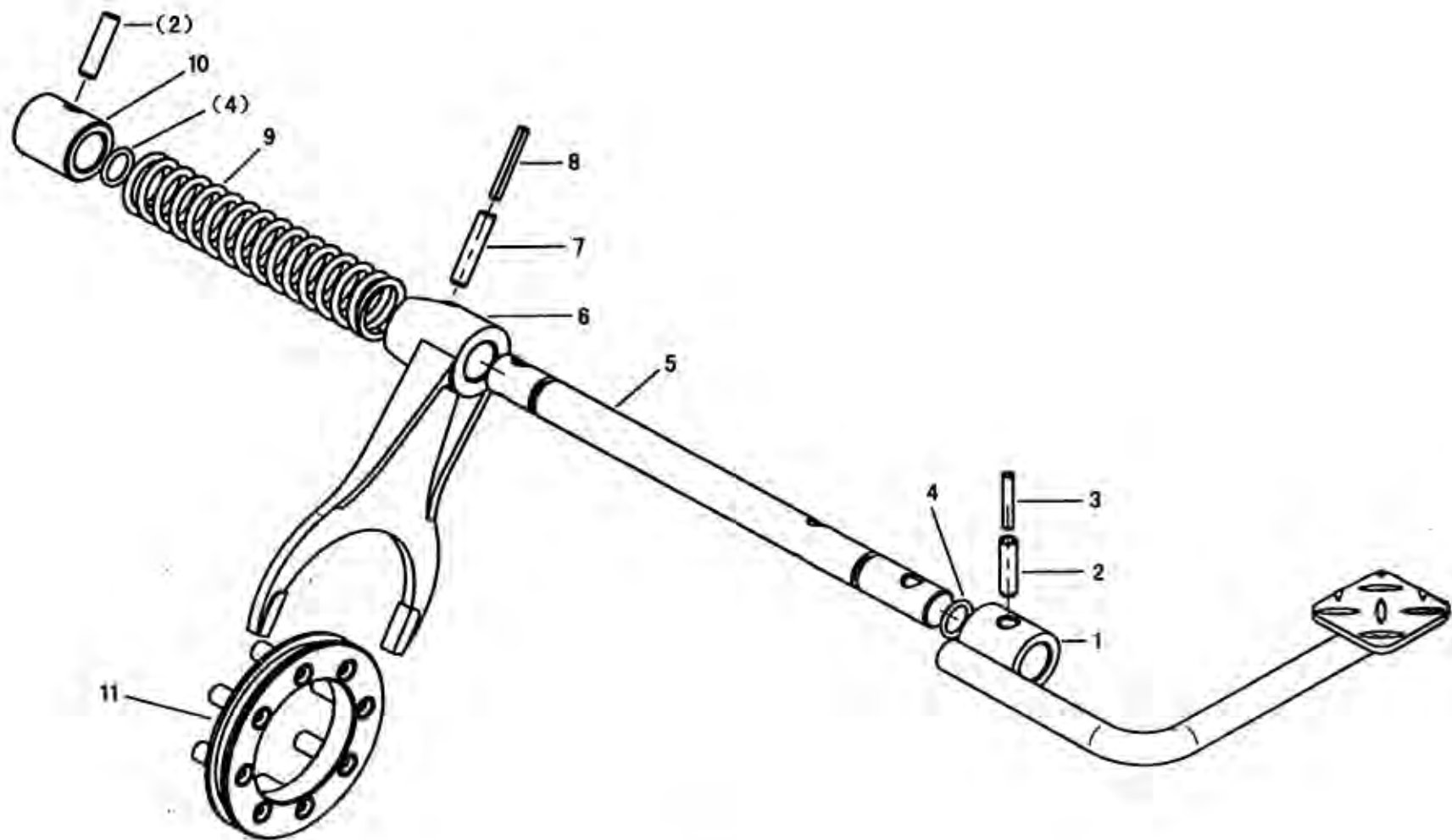


差速器
Differential

差速器

Differential

序号 Ser. No.	代号 Part No.	名称	Name	数量 Qty.
1	300.37.164	差速器轴承座	Differential bearing seat	2
2	300.37.150	差速器调整螺母	Differential adjusting nut	2
3	GB/T297	圆锥滚子轴承30212	Conical roller bearing 30212	2
4	300.37.180-1	大圆锥齿轮	Large bevel gear	1
5	300.37.184-1	半轴齿轮垫片	Washer,differential side gear	2
6	300.37.182	右半轴齿轮	Right differential side gear	1
7	300.37.201	行星齿轮	Planet gear	2
8	300.37.185-1	行星齿轮垫片	Washer,planet gear	2
9	300.37.181	左半轴齿轮	Left differential side gear	1
10	GB/T6170	螺母M10	Nut M10	6
11	GB/T855	垫圈10	Washer 10	6
12	300.37.183-1	行星齿轮轴	Planet gear shaft	1
13	300.37.179-1	差速器壳	Differential housing	1
14	300.37.205-1	止推螺栓	Thrust bolt	2
15	300.37.187	大圆锥齿轮螺栓	Bolt,large bevel gear	4

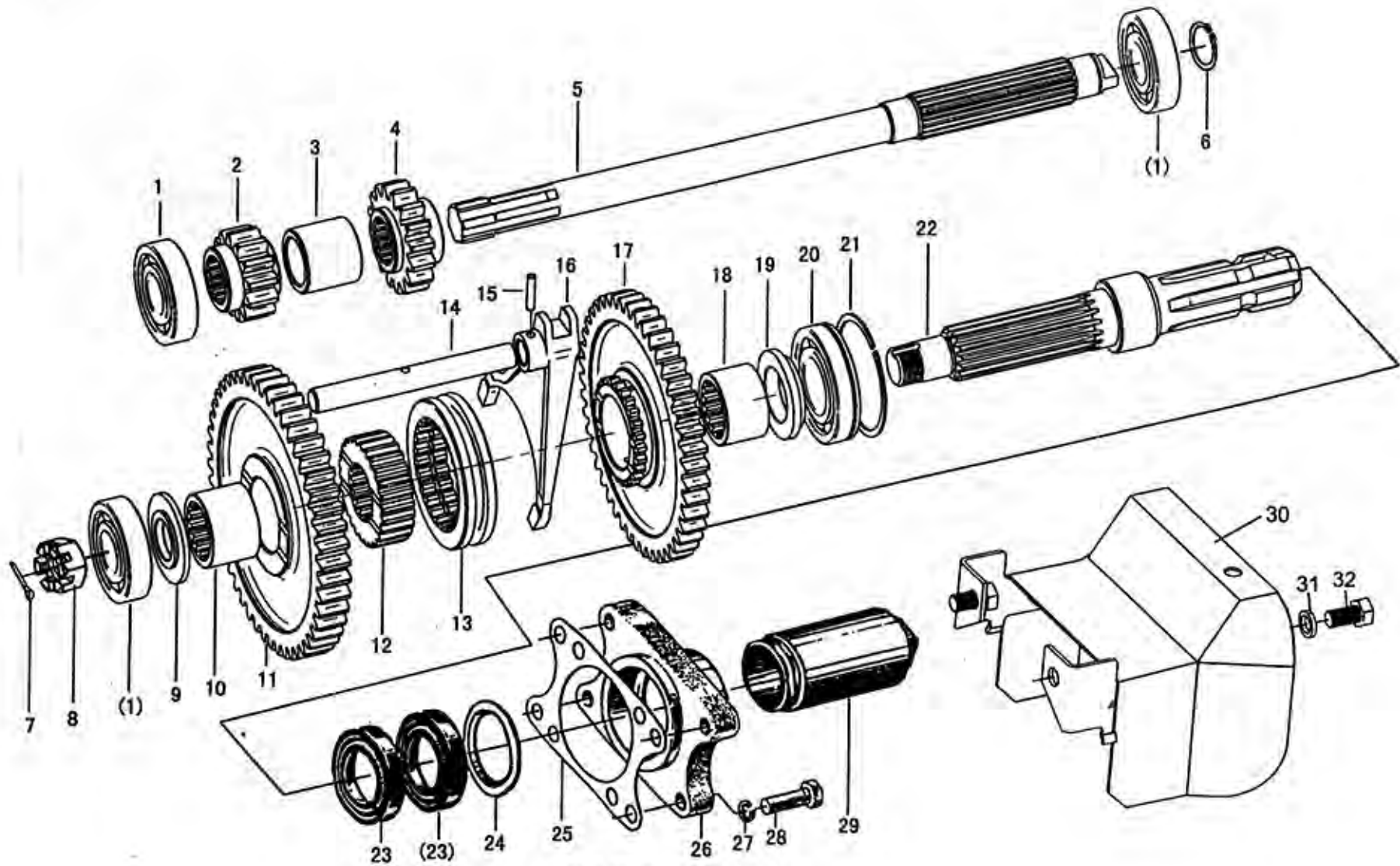


差速锁
Differential Lock

差速锁

Differential Lock

序号 Ser. No.	代 号 Part No.	名 称	Name	数量 Qty.
1	300.37.015	差速锁踏板焊合件	Pedal	1
2	GB/T879	销8×32	Pin 8×32	2
3	GB/T879	销5×32	Pin 5×32	1
4	GB3452.1	O形密封圈15×2.65	O-ring 15×2.65	2
5	300.37.222	差速锁拨叉轴	Fork shaft	1
6	300.37.221	差速锁拨叉	Fork	1
7	GB/T879	销8×40	Pin 8×40	1
8	GB/T879	销5×40	Pin 5×40	1
9	300.37.223	差速锁回位弹簧	Spring	1
10	300.37.224	轴套	Bush	1
11	300.37.013	差速锁总成	Differential lock	1



动力输出 (啮合套换挡)
 Power Take-off (Meshing sleeve shift)

动力输出（啮合套换挡）

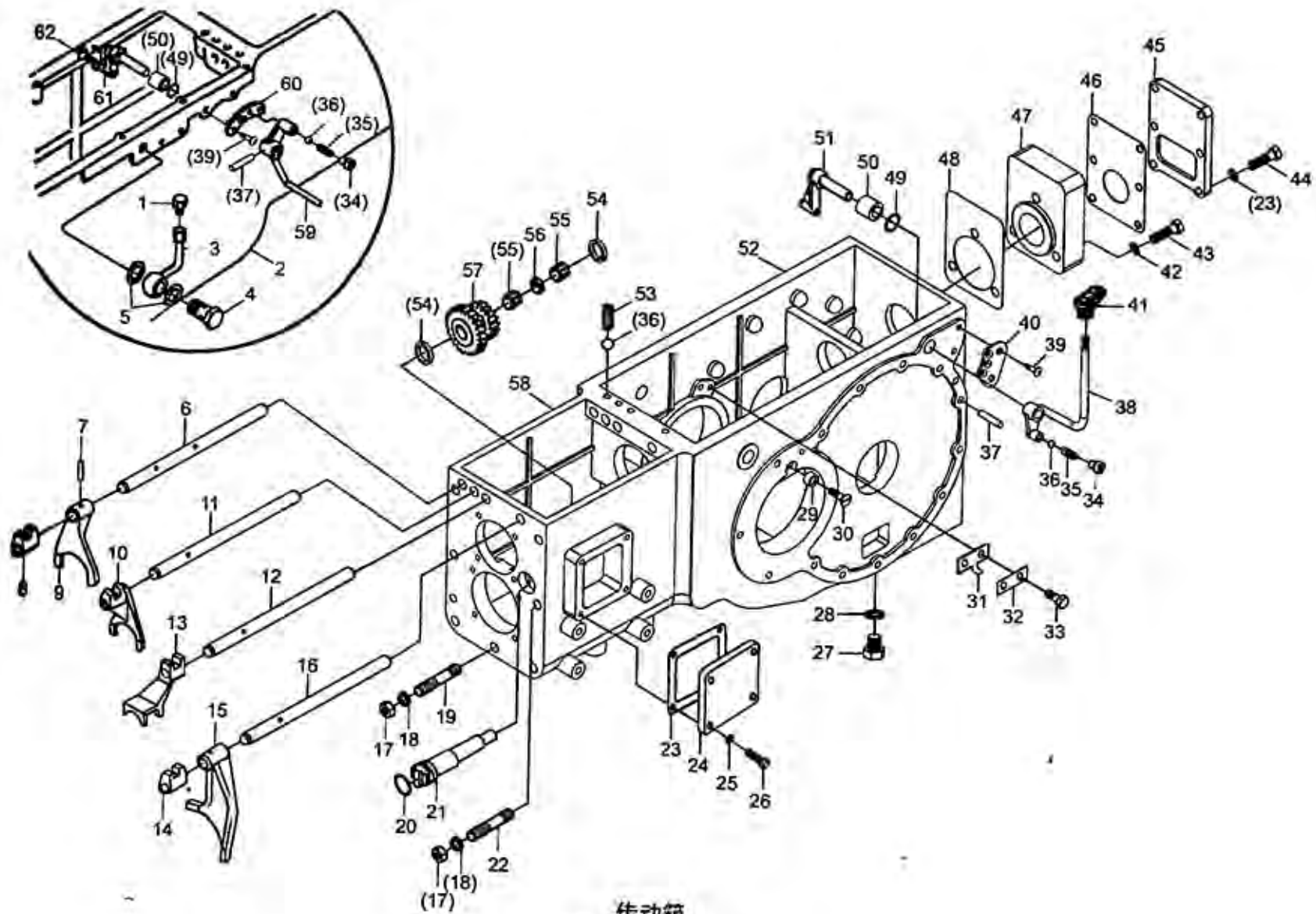
Power Take-Off (Meshing sleeve shift)

序号 Ser. No.	代 号 Part No.	名 称	Name	数量 Qty.
1	GB/T276	滚动轴承6305	Rolling bearing 6305	3
2	300.37.251	动力输出低速主动齿轮(540r/min)	P.T.O. low speed driving gear (540r/min)	1
3	300.37.253	隔套	Spacing sleeve	1
4	300.37.252	动力输出高速主动齿轮(720r/min)	P.T.O. high speed driving gear (720r/min)	1
5	300.37.102-2	输出主动轴	P.T.O. driving shaft	1
6	GB/T894.1	挡圈25	Circlip for shaft 25	1
7	GB/T91	开口销5×40	Pin 5×40	1
8	GB/T9459	六角开槽薄螺母M24×2	Nut M24×2	1
9	300.37.254	动力输出轴前止推环	Front thrust ring,P.T.O shaft	1
10	300.37.255	输出低速齿轮滑套	Sliding sleeve	1
11	300.37.116-1	动力输出低速从动齿轮(540r/min)	P.T.O. low speed gear (540r/min)	1
12	300.37.257	啮合套座	Seat	1
13	300.37.258	啮合套	Sleeve	1
14	300.37.260	动力输出拨叉轴	Shaft	1
15	GB/T879	销5×24	Pin 5×24	1
16	300.37.259	动力输出轴拨叉	Fork	1
17	300.37.115-1	动力输出高速从动齿轮(720r/min)	P.T.O. high speed gear (720r/min)	1
18	300.37.256	输出高速齿轮滑套	Sliding sleeve	1
19	300.37.155-1	输出轴后止推环	Rear thrust ring,P.T.O shaft	1
20	GB/T276	滚动轴承6207N	Rolling bearing 6207N	1
21	GB/T305	止动环72	Snap ring 72	1
22	300.37.103A-2	动力输出轴(6-34.79×28.91×8.69)	P.T.O. shaft (6-34.79×28.91×8.69)	1
	300.37.103-2	动力输出轴 (8-38×31.4×6)	P.T.O. shaft (8-38×31.4×6)	1

续. 动力输出 (啮合套换挡)

Cont. Power Take-Off (Meshing sleeve shift)

序号 Ser. No.	代号 Part No.	名称	Name	数量 Qty.
23	GB/T9877.1	油封FB45×65×8	Oil seal FB45×65×8	2
24	300.37.184-1	半轴齿轮垫片	Washer,differential side gear	1
25	300.37.172	后端盖垫片	Gasket,rear end cover	1
26	300.37.118A-1	输出轴后端盖	Rear end cover P.T.O.shaft	1
27	GB/T93	垫圈10	Spring lock washer 10	4
28	GB/T5783	螺栓M10×35	Bolt M10×35	4
29	160.37.159-1	动力输出轴保护罩	P.T.O.shaft guard	1
30	300.47.060-1	动力输出轴防护罩焊合件	P.T.O.shaft guard	1
31	GB/T93	垫圈16	Washer 16	2
32	GB/T5783	螺栓M16×30	Bolt M16×30	2



传动箱
Drive Gearbox

传动箱

Drive Gearbox

序号 Ser. No.	代号 Part No.	名称	Name	数量 Qty.
1	184.31.060	呼吸器总成	Vent pipe cap	1
2	300.37.176-1	传动箱体	Drive gearbox body	1
3	300.37.023-1	通气管焊合件	Breather pipe weldment	1
4	300.37.307	通气管螺钉	Screw, oil outlet pipe	1
5		复合垫圈16	Compound washer 16	2
6	300.37.128-1	Ⅲ-Ⅳ档拨叉轴-----①	3nd-4th shift fork shaft	1
	300.37.128-2	Ⅲ-Ⅳ档拨叉轴-----②	3nd-4th shift fork shaft	1
	304.37S.128-1	Ⅱ-Ⅳ档拨叉轴-----③	2nd-4th shift fork shaft	1
	304.37S.128-2	Ⅱ-Ⅳ档拨叉轴-----④	2nd-4th shift fork shaft	1
7	GB/T 879	销5×24	Pin 5×24	8
8	300.37.137	Ⅲ-Ⅳ档拨头	3nd-4th shift fork head	1
9	300.37.121	I档拨叉-----①②	1th shift fork	1
	304.37S.123	Ⅱ-Ⅳ档拨叉-----③④	2nd-4th shift fork	1
10	300.37.122	Ⅱ-倒档拨叉-----①②	2nd-reverse shift fork	1
	304.37S.122	Ⅲ档拨叉-----③④	3rd shift fork	1
11	300.37.127-1	Ⅱ-倒档拨叉轴-----①	2nd-reverse shift fork shaft	1
	300.37.127-2	Ⅱ-倒档拨叉轴-----②	2nd-reverse shift fork shaft	1
	304.37S.127-1	Ⅲ档拨叉轴-----③	3rd shift fork shaft	1
	304.37S.127-2	Ⅲ档拨叉轴-----④	3rd shift fork shaft	1
12	300.37.126-1	I档拨叉轴-----①	1st shift fork shaft	1
	300.37.126-2	I档拨叉轴-----②	1st shift fork shaft	1
	304.37S.126-1	I-倒档拨叉轴-----③	1st-reverse shift fork shaft	1
	304.37S.126-2	I-倒档拨叉轴-----④	1st-reverse shift fork shaft	1

续. 传动箱

Cont. Drive Gearbox

序号 Ser. No.	代号 Part No.	名称	Name	数量 Qty.
13	300.37.121	I 档档拨叉-----①②	1st shift fork	1
	304.37S.121	I -倒档拨叉-----③④	1st-reverse shift fork	1
14	300.37.138	高低档拨头	High-low shift fork head	1
15	300.37.124	高低档拨叉-----①②	High-low shift fork	1
	304.37S.124	高低档拨叉-----③④	High-low shift fork	1
16	300.37.129-1	高低档拨叉轴-----①②	High-low shift fork shaft	1
	304.37S.129-1	高低档拨叉轴-----③④	High-low shift fork shaft	1
17	GB/T 6176	螺母M14×1.5	Nut M14×1.5	7
18	GB/T 93	垫圈14	Spring lock washer 14	7
19	GB/T 898	螺柱ΛM14-M14×1.5×75	Stud ΛM14-M14×1.5×75	7
20	GB/T 3452.1	O形密封圈25.8×3.55	O-ring 25.8×3.55	1
21	300.37.120	倒档轴-----①②	Reverse shaft	1
	304.37S.120	倒档轴-----③④	Reverse shaft	1
22	GB/T 898	螺柱ΛM14-M14×1.5×50	Stud ΛM14-M14×1.5×50	4
23	300.37.306	垫片	Gasket	1
24	300.37.303	盖板	Blank cover	1
25	GB/T 93	垫圈8	Spring lock washer 8	8
26	GB/T 5783	螺栓M8×25	Bolt M8×25	4
27	400.38.024	六角头磁性螺塞M20×1.5	Bolt M20×1.5	1
28		复合垫圈20	Compound washer 16	1
29	300.37.175	差速器轴承座导向键	Guide key,differential bearing seat	1
30	GB/T 819	螺钉M8×16	Screw M8×16	1
31	300.37.166	调整螺母定位片	Locating plate,adjusting nut	2

续. 传动箱

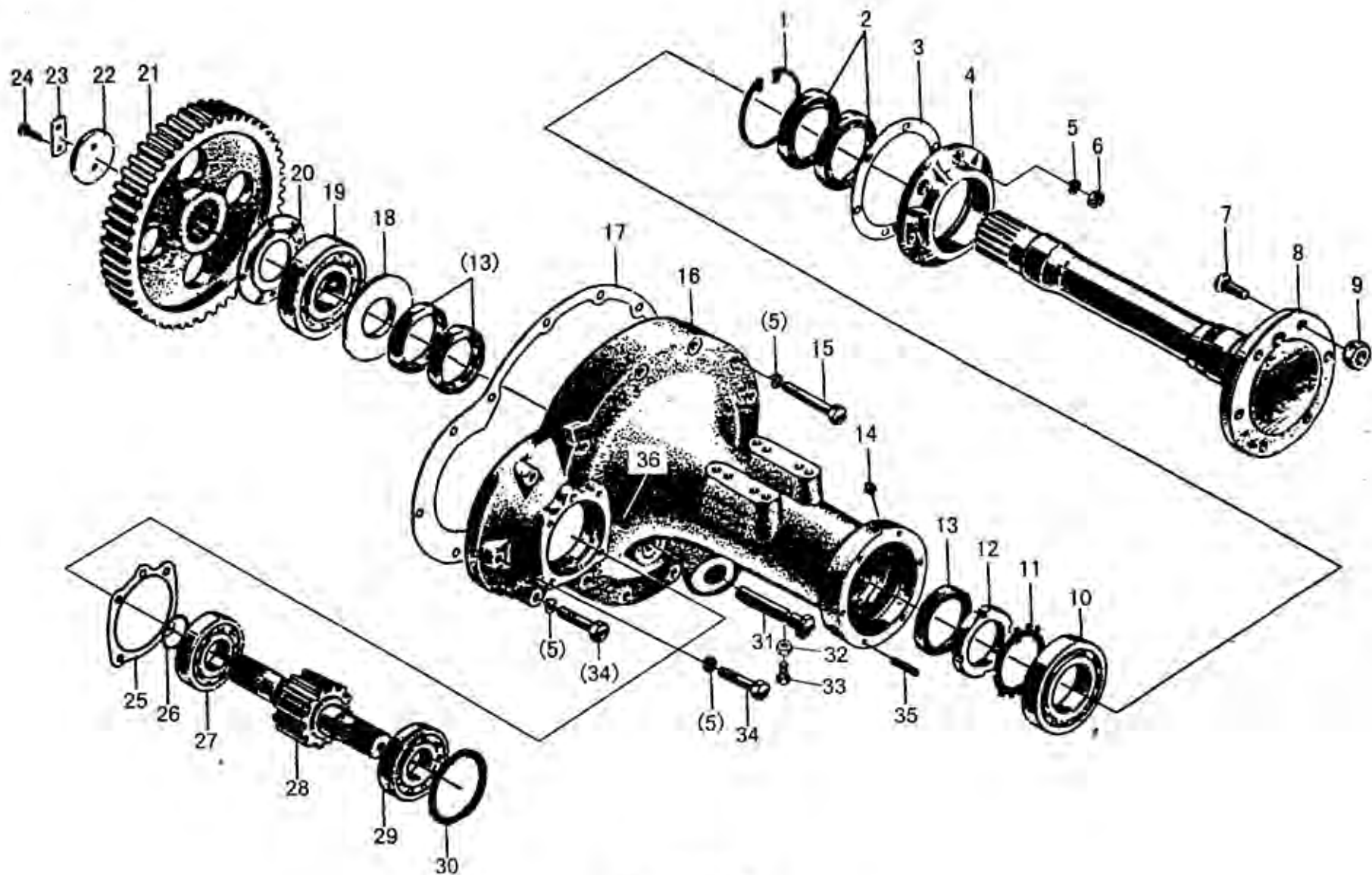
Cont. Drive Gearbox

序号 Ser. No.	代号 Part No.	名称 Name	数量 Qty.
32	300.37.167	定位片锁片	2
33	GB/T 5783	螺栓M8×16	4
34	300.37.302	螺塞M10×1	2
35	300.37.301-1	弹簧	2
36	GB/T 308	钢球11/32" (8.7312G400b)	5
37	GB/T 119	销D12×25	4
38	300.37.020	动力输出轴拨叉焊接总成	1
39	GB/T 818	螺钉M8×14	2
40	300.37.165-1	动力轴操纵杆定位片	1
41	700.38.051	拉压手柄合件	1
42	GB/T 859	垫圈10	3
43	GB/T 70	螺钉M10×30	3
44	GB/T 5783	螺栓M8×30	6
45	184.37.416-1	盖板	1
46	300.54.107	油泵纸垫	1
47	300.54.105	油泵垫板	1
48	300.54.106	纸垫	1
49	GB/T 3452.1	O形密封圈15×2.65	2
50	300.37.177	输出拨叉轴衬套	2
51	300.37.131-1	动力输出换挡拨头	1
52	300.37.156	传动箱后纸垫	1
53	160.37.148	拨叉轴锁定弹簧-----①①	1
	160.37.148	拨叉轴锁定弹簧-----②③	4

续. 传动箱

Cont. Drive Gearbox

序号 Ser. No.	代号 Part No.	名称	Name	数量 Qty.
54	300.37.432	倒档轴止推环-----①②	Thrust ring,reverse shaft	1
	304.37S.154	倒档轴止推环 I -----③④	Thrust ring,reverse shaft I	1
55	非标准(Non-standard)	滚针轴承K20×25×20	Needle roller bearing K20×25×20	2
56	300.37.414	倒档轴滚针轴承隔圈	Spacing sleeve	1
57	300.37.113	倒档齿轮-----①②	Reverse gear	1
	304.37S.113	倒档齿轮-----③④	Reverse gear	1
58	300.37.169	箱盖垫片	Gasket,box cover	1
59	160.37.112	倒档轴前止推环-----①②	Release fork shaft	1
	304.37S.153	倒档轴止推环-----③④	Thrust ring,reverse shaft	1
60	300.37.021	分离拨叉焊接总成	Release fork weldment assembly	1
61	300.37.139	动力输出轴拨头	P.T.O. shaft fork head	1
62	300.37.154-1	分离拨叉轴	Release fork shaft	1
63	300.37.163	动力输出轴分离杆定位片	Locating plate,P.T.O.shaft release lever	1



末端传动总成
Final Drive Assembly

末端传动总成

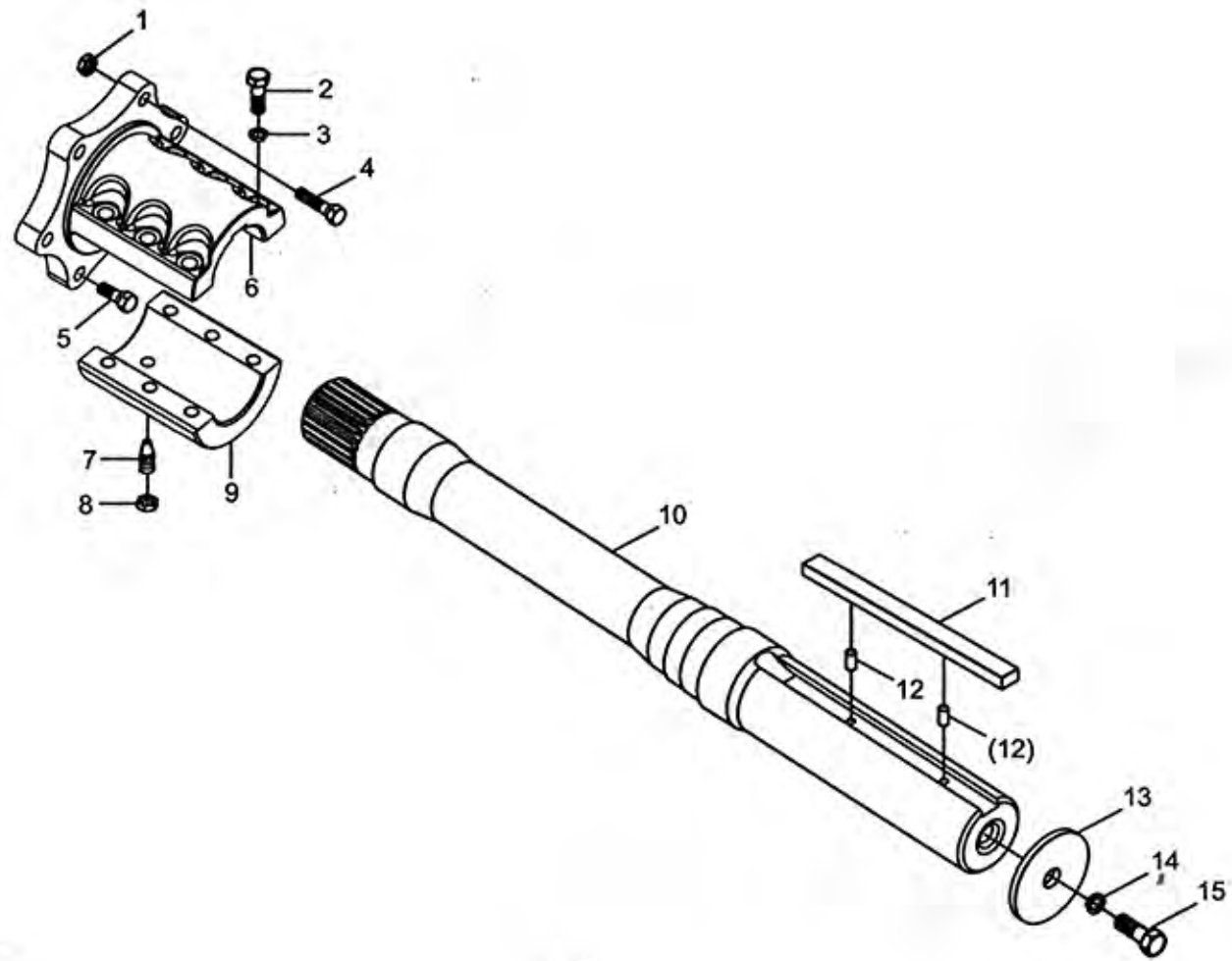
Final Drive Assembly

序号 Ser. No.	代号 Part No.	名称	Name	数量 Qty.
1	GB893.1	挡圈100	Circlip for hole 100	2
2	GB/T 9877.1	油封FB75×100×10	Oil seal FB 75×100×10	4
3	300.39.119	驱动轴压盖纸垫	Paper gasket, driving shaft pressing cover	2
4	300.39.106	驱动轴压盖	Driving shaft pressing cover	2
5	GB/T 93	垫圈10	Spring lock washer 10	40
6	GB/T 6170	螺母M10	Nut M10	12
7	300.39.113	螺栓	Wheel fixing screw	12
8	300.39.102-1	驱动轴	Driving shaft	2
9	300.39.114	螺母	Wheel fixing nut	12
10	GB/T 276	轴承6213	Rolling bearing 6213	2
11	GB/T 858	垫圈64	Washer 64	2
12	GB/T 812	螺母M64×2	Nut M64×2	2
13	GB/T 9877.1	油封FB60×85×8	Oil seal FB 60×85×8	6
14	GB/T 17940.1	直通式压注油杯M10×1	Oil cup M10×1	2
15	GB/T 5782	螺栓M10×75	Bolt M10×75	22
16	300.39.201B	左末端传动壳体	Left final drive housing	1
	300.39.202B	右末端传动壳体	Right final drive housing	1
17	300.39.108	末端传动壳体纸垫	Paper gasket, final drive housing	2
18	300.39.112	垫板	Stool plate	2
19	GB/T 283	轴承NU311E	Rolling bearing NU311E	2
20	300.39.111	挡板	Stop plate	2
21	300.39.105	末端传动大齿轮(53齿)	Large gear, final drive (53 teeth)	2
	300.39.105-1	末端传动大齿轮(52齿)	Large gear, final drive (52 teeth)	2

续 末端传动总成

Con. Final Drive Assembly

序号 Ser. No.	代 号 Part No.	名 称 Name	数量 Qty.
22	300.39.110	压板	2
23	300.39.109	保险垫片	2
24	GB/T 5783	螺栓M8×20-8.8	4
25	300.39.203	制动器鼓壳纸垫	2
26	GB/T 895.2	挡圈40	2
27	GB/T 276	轴承6308	2
28	300.39.124	末端传动小齿轮(13齿)	2
	300.39.124-1	末端传动小齿轮(14齿)	2
29	GB/T 276	轴承6308N	2
30	GB/T 305	止动环90/94.4	2
31	300.39.204-1	销子轴	2
32	GB/T6172	螺母M12	2
33	GB/T85	螺钉M12×35	2
34	GB/T 5782	螺栓M10×60	6
35	GB/T 898	螺柱AM10-M10×28	12
36	GB/T 119	销D10×20	2

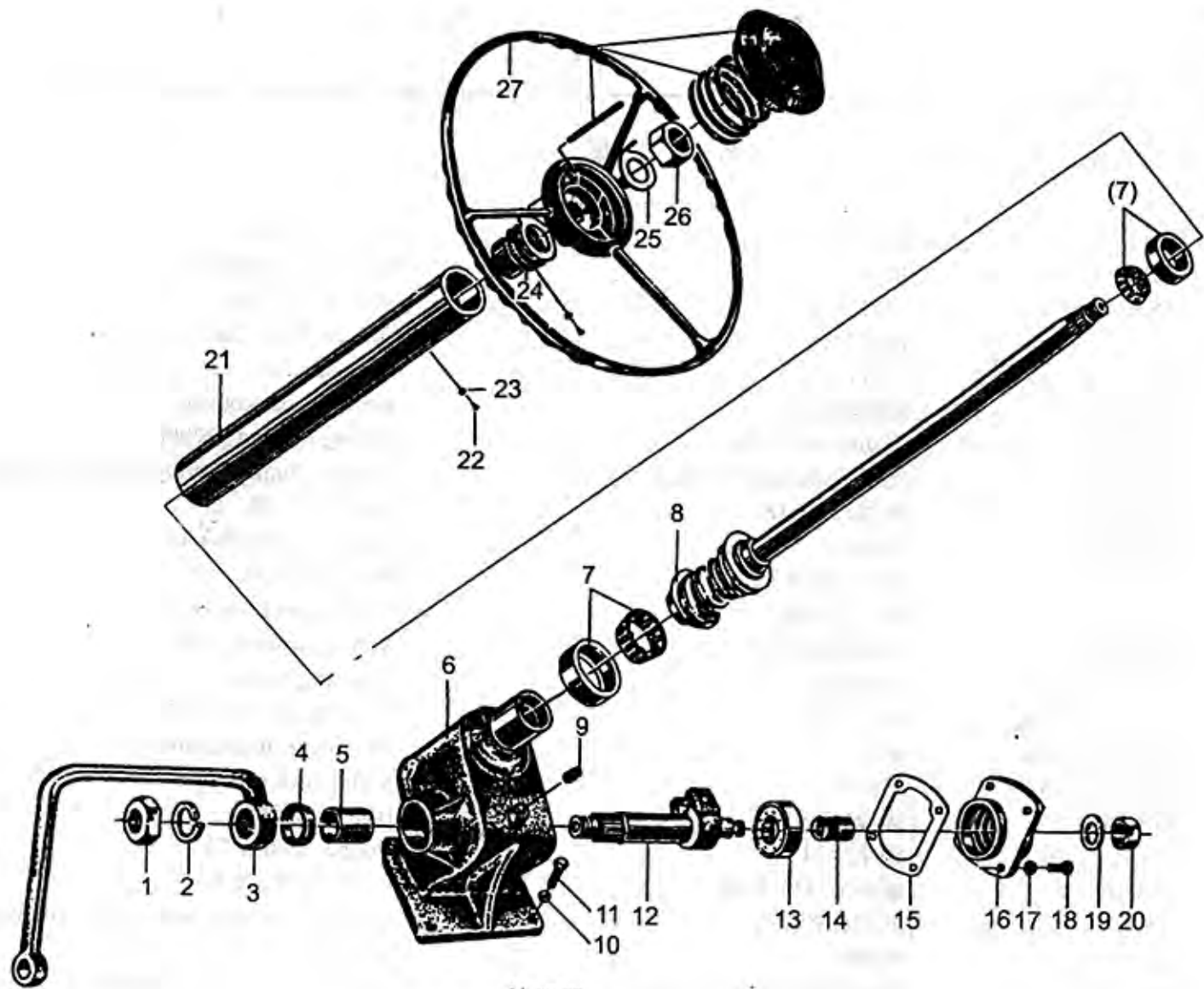


末端传动总成
Final Drive Assembly

末端传动总成

Final Drive Assembly

序号 Ser. No.	代 号 Part No.	名 称	Name	数量 Qty.
1	GB/T6170	螺母M14	Nut M14	4
2	GB/T5782	螺栓M12×55-10.9	Bolt M12×55-10.9	12
3	GB/T93	垫圈12	Washer 12	12
4	300.34.132A	轮毂螺栓	Wheel bolts	4
5	300.34.132	轮毂螺栓	Wheel bolts	8
6	300.34.130	驱动轮轮毂	Driving wheel hub	2
7	GB/T75	止动螺钉M12×30	Bolt M12×30	2
8	GB/T6170	螺母M12	Nut M12	2
9	300.34.131	驱动轮轮毂盖	Driving wheel cover	2
10	300.39.102A	驱动轴	Driving shaft	2
11	300.39.126	平键	straight key	2
12	GB/T119	销B6×12	PinB6×12	4
13	300.39.127	挡圈	ring	2
14	GB/T93	垫圈16	Washer 16	2
15	GB/T5783	螺栓M16×40	Bolt M16×40	2



转向器
Steering Gear

转向器

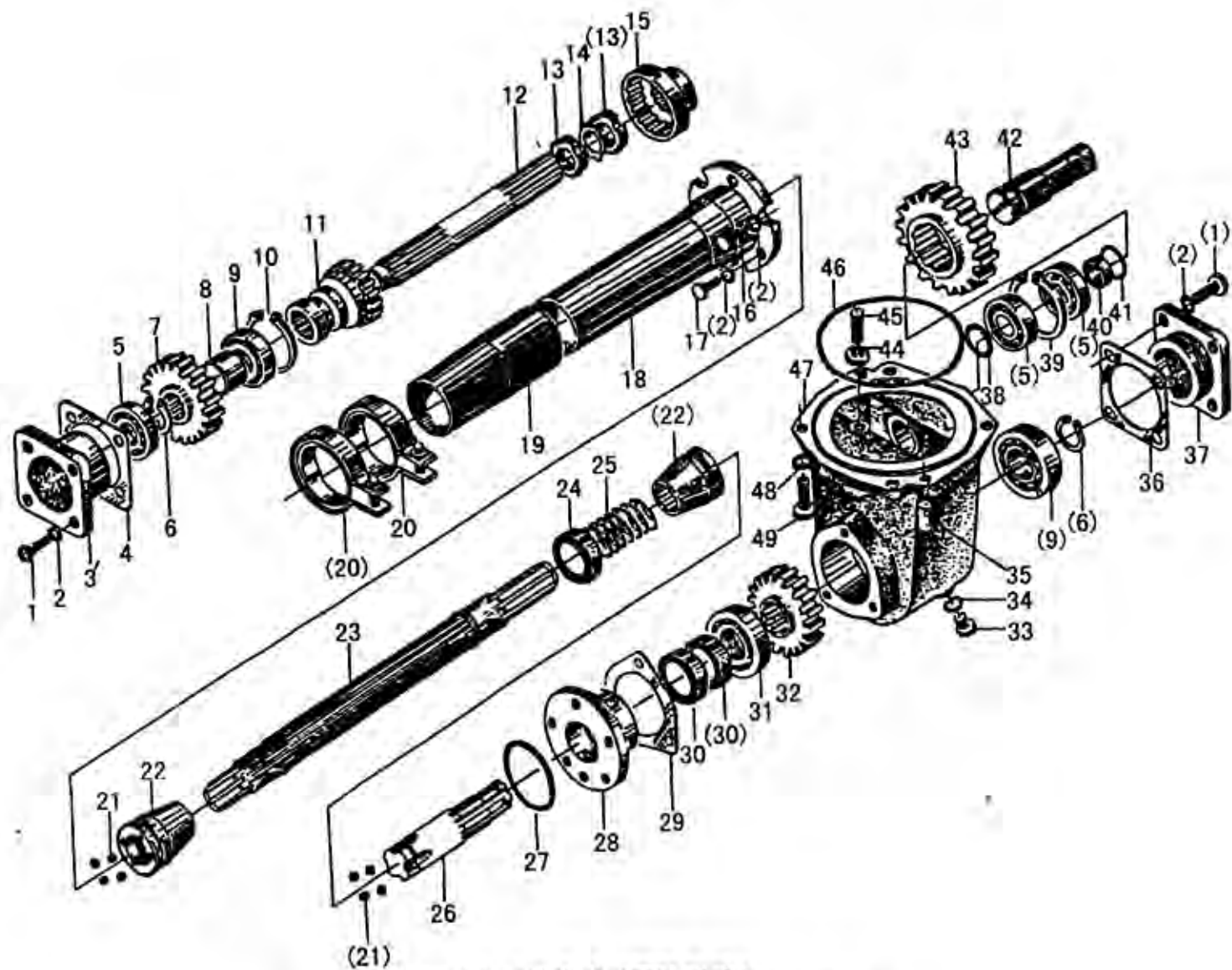
Steering Gear

序号 Ser. No.	代号 Part No.	名称	Name	数量 Qty.
1	GB/T6171	螺母M22×1.5	Nut M22×1.5	1
2	GB/T93-1987	垫圈22	Spring lock washer 22	1
3	TS30.40.101-1A	转向垂臂	Steering rock arm	1
4		油封44×32×10	Oil seal 44×32×10	1
5	TS.30.40.110	摇臂衬套	Rock arm bush	1
6	TS30.40.109A	转向器壳体	Steering gear housing	1
7	非标准Non-standard	滚动轴承977908	Rolling bearing 977908	2
8	TS30.40.012A	转向轴带转向蜗杆总成	Steering shaft assembly with steering worm	1
9	ZBT32001.4	螺塞Z1/4"-18	Plug Z1/4"-18	1
10	GB/T93	垫圈10	Spring lock washer 10	4
11	GB/T5781	螺栓M10×30	Bolt M10×30	4
12	TS30.40.017	转向摇臂轴	Steering rock arm shaft	1
13	GB/T276	滚动轴承6205	Rolling bearing 6205	1
14	TS30.40.202	调整螺钉	Adjusting screw	1
15	TS25A.40.208	侧盖衬块	Steering gear side cover	1
16	TS30.40.207A	侧盖	Steering gear side cover	1
17	GB/T93-1987	垫圈8	Spring lock washer 8	4
18	GB/T5781	螺栓M8×20	Bolt M8×20	4
19	TS30.40.402	铜垫片24	Copper washer 24	1
20	GB/T6173	螺母M24*1.5-8.8	Nut M24*1.5-8.8	1
21	TS30.40.108A	转向柱管组合	Portfolio management steering columns	1
22	GB/T93	垫圈4	Spring lock washer 4	1
23	GB/T845	自攻螺钉ST4.2×9.5-C-Z	Tapping screw ST4.2×9.5-C-Z	1

续. 转向器

Cont. Steering Gear

序号 Ser. No.	代号 Part No.	名称	Name	数量 Qty.
24	24.40.024	接触环总成	Contact ring assembly	1
	GB/T845	自攻螺钉ST4.2×9.5-C-Z	Tapping screw ST4.2×9.5-C-Z	2
	24.40.119	触环	Contact ring	1
	GB/T859	垫圈4	Spring lock washer 4	2
	24.40.200	环座	Ring base	1
25	GB/T97.1	垫圈16	Washer 16	1
26	GB/T6173	螺母M16×1.5-8.8	Nut M16×1.5	1
27	160.40.019	转向盘总成	Steering-wheel assembly	1



分动箱传动轴总成（四轮驱动）
Transfer Case Drive Shaft Assembly (Four wheel drive)

分动箱传动轴总成(四轮驱动)

Transfer Case Drive Shaft Assembly (Four wheel drive)

序号 Ser. No.	代号 Part No.	名称	Name	数量 Qty.
1	GB/T5783	螺栓M8×20	Bolt M8×20	8
2	GB/T93	垫圈8	Spring lock washer 8	14
3	304.42.116	传动轴轴承盖	Drive shaft bearing cap	1
4	304.42.117	轴承盖纸垫	Paper gasket,bearing cap	1
5	GB/T276	轴承6304	Rolling bearing 6304	3
6	GB/T894.1	挡圈25	Circlip for shaft 25	1
7	304.42.119-1	分动箱动力输入齿轮	Power input gear.transfer case	1
8	304.42.120	隔离套	Spacing sleeve	1
9	GB/T276	轴承6305	Rolling bearing 6305	2
10	GB/T893.1	挡圈62	Circlip for hole 62	1
11	304.42.122-1	齿轮联轴节	Gear coupling	1
	304.42.122A	齿轮联轴节(配双作用)	Gear coupling (for dual stage clutch)	1
12	304.42.118-1	动力输入轴	Power input shaft	1
	304.42.118A	动力输入轴(配双作用)	Power input shaft (for dual stage clutch)	1
13	GB/T812	螺母M20×1.5	Nut M20×1.5	2
14	GB/T858	垫圈20	Washer 20	1
15	304.42.123A	联接内齿轮	Connecting internal gear	1
16	GB/T5783	螺栓M8×25	Bolt M8×25	3
17	GB/T5783	螺栓M8×16	Bolt M8×16	3
18	304.42.011	联轴节护罩焊合件(250mm)	Coupling guard weldment (250mm)	1
	304.42.011A	联轴节护罩焊合件(425mm)	Coupling guard weldment(425mm)	1
	304.42.011B	联轴节护罩焊合件(487mm)	Coupling guard weldment(487mm)	1
19	304.42.112	外防尘圈	Outside dust ring	1

续. 分动箱传动轴总成 (四轮驱动)

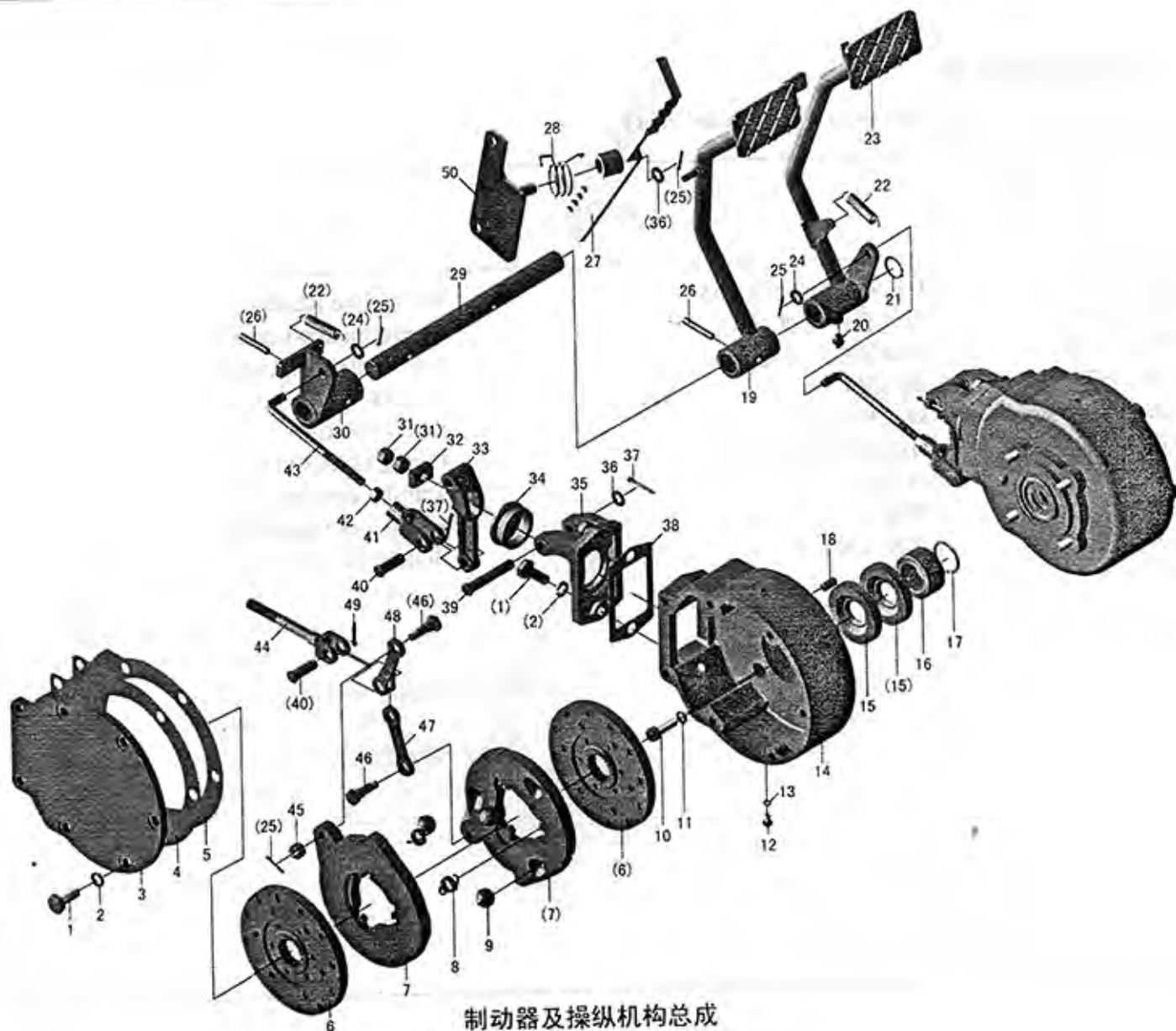
Cont. Transfer Case Drive Shaft Assembly (Four wheel drive)

序号 Ser. No.	代 号 Part No.	名 称	Name	数量 Qty.
20		包箍44-64	Clip 44-64	2
21	GB/T308	钢球12.7000 G400 b	Steel ball 12.7000 G400 b	8
22	304.42.121	滚珠联轴节	Ball coupling shaft	2
23	304.42.127	联轴节轴(527mm)	Coupling shaft (527mm)	1
	304.42.127A	联轴节轴(683mm)	Coupling shaft (683mm)	1
	304.42.127B	联轴节轴(746mm)	Coupling shaft (746mm)	1
24	12.37.148	防护罩	Guard	1
25	184.42.107	压紧弹簧	Compression spring	1
26	304.42.105	分动箱动力输出轴	Transfer case P.T.O.shaft	1
27	GB/T3452.1	O形密封圈61.5×3.55	O-ring 61.5×3.55	1
28	304.42.108	油封座	Oil seal seat	1
29	304.42.109	纸垫	Paper gasket	1
30	GB/T9877.1	旋转轴唇形密封圈FB30×50×8	Oil seal FB30×50×8	1
31	GB/T276	轴承6206	Rolling bearing 6206	1
32	304.42.107	分动箱动力输出齿轮	Transfer case P.T.O.gear	1
33	304.31.152	螺塞	Oil drain plug	1
34	GB/T3452.1	O形密封圈14×2.65	O-ring 14×2.65	1
35	GB/T119	销D10×22	Parallel pin D10×22	2
36	304.42.106	后轴承盖纸垫	Paper gasket ,rear bearing cap	1
37	304.42.104	分动箱后轴承盖	Rear bearing cap,transfer case	1
38	GB/T3452.1	O形密封圈20×2.65	O-ring 20×2.65	1
39	GB/T893.1	挡圈52	Circlip for hole 52	1
40	304.42.130	隔离套	Spacing sleeve	1

续. 分动箱传动轴总成 (四轮驱动)

Cont. Transfer Case Drive Shaft Assembly (Four wheel drive)

序号 Ser. No.	代 号 Part No.	名 称	Name	数量 Qty.
41	GB/T3452.1	O形密封圈10.6×2.65	O-ring 10.6×2.65	1
42	304.42.101	分动箱中间轴	Intermediate axle,transfer case	1
43	304.42.103	分动箱中间齿轮	Intermediate gear,transfer case	1
44	GB/T6170	螺母M8	Nut M8	1
45	GB/T71	螺钉M8×30	Screw M8×30	1
46	GB/T3452.1	O形密封圈128×3.55	O-ring 128×3.55	1
47	304.42.102-1	分动箱体	Transfer case body	1
48	GB/T193	垫圈10	Spring lock washer 10	4
49	GB/T5783	螺栓M10×25	Bolt M10×25	4



制动器及操纵机构总成
 Brake and operation mechanism

制动器及操纵机构总成

Brake and Operation Mechanism

序号 Ser. No.	代号 Part No.	名称	Name	数量 Qty.
1	GB/T 5783	螺栓M12×30	Bolt M12×30	18
2	GB/T 93	垫圈12	Washer 12	18
3	300.43.102-1	制动器盖	Cover	2
4	300.43.105-1	制动器盖纸垫80.5	Gasket 80.5	2
5	300.43.105	制动器盖纸垫80.3	Gasket 80.3	2
6	300.43.012	摩擦片总成	Friction disc assy	4
7	300.43.111	压盘	Pressure plate	4
8	250.43.112	压盘回位弹簧	Spring	6
9	GB/T 308	钢球22.2250G40±0(±0)	Ball 22.2250G40±0(±0)	6
10	GB/T 70	螺钉M10×30	Screw M10×30	8
11	GB/T 93	垫圈10	Washer 10	8
12	GB/T 5783	螺栓M6×10	Bolt M6×10	2
13	GB/T 97.1	垫圈6	Washer 6	2
14	300.43.101	制动器壳	Brake case	2
15	JB/T 2600	油封PD55×75×12	Oil seal PD55×75×12	4
16	300.43.121-1	油封套圈	Sleeve	2
17	GB 3452.1	O形密封圈33.5×3.55	O-ring 33.5×3.55	2
18	GB/T 119	销10×20	Pin 10×20	2
19	300.43.014-2	左制动踏板焊合件	Left pedal	1
20	GB/T 7940.1	直通式压注油杯M10×1	Grease cup M10×1	1
21	GB/T 894.1	挡圈25	Circlip 25	1
22	160.21.105	离合器踏板弹簧	Spring	2
23	300.43.015-2	右制动器踏板焊合件	Right pedal	1

续. 制动器及操纵机构总成

Cont. Brake and Operation Mechanism

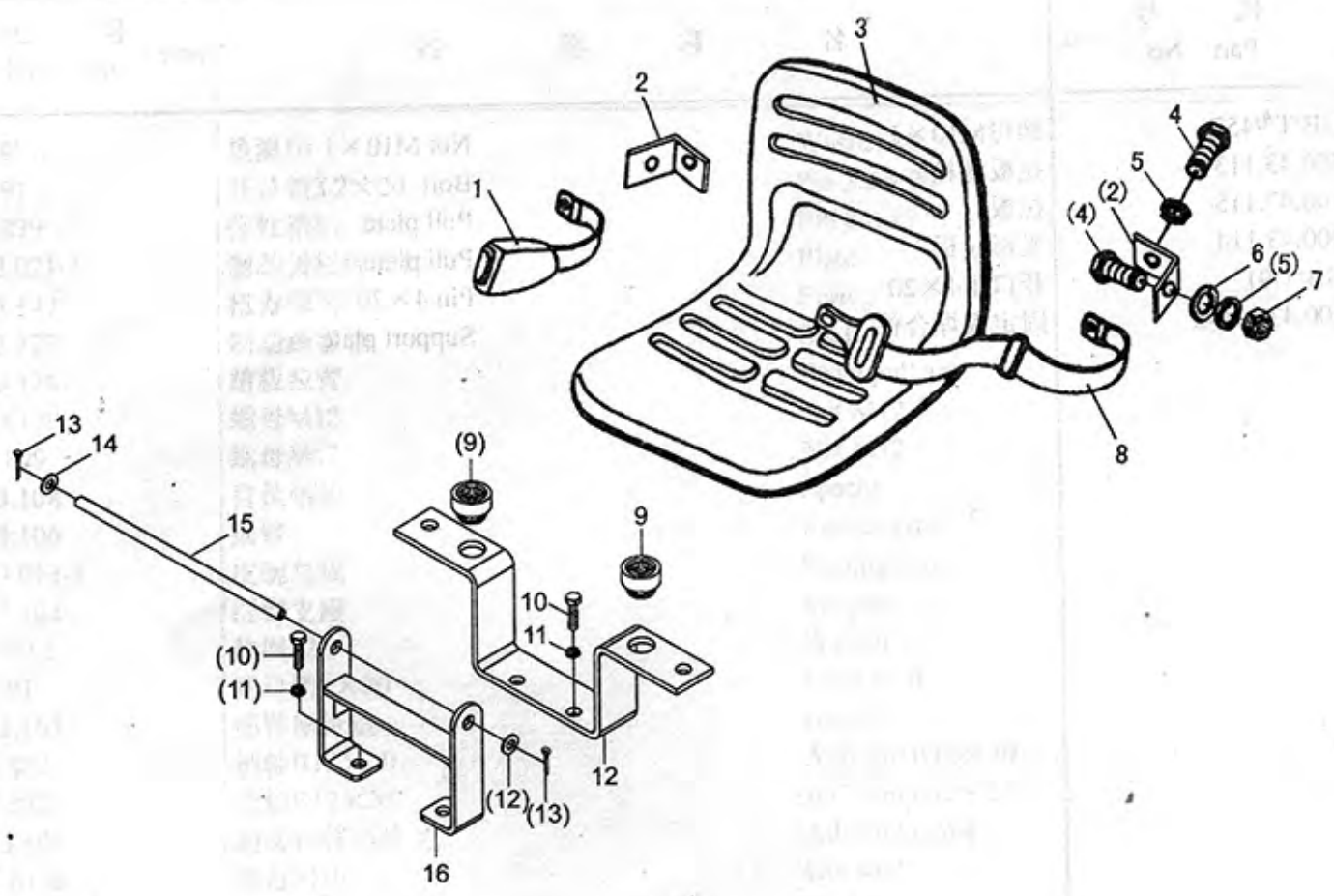
序号 Ser. No.	代号 Part No.	名称	Name	数量 Qty.
24	GB/T 97.1	垫圈10	Washer 10	2
25	GB/T 91	开口销3.2×20	Pin 3.2×20	7
26	GB/T 879	弹性销8×45	Pin 8×45	2
27	160.43.021-1	制动齿板焊合件	Plate	1
28	160.43.147	扭力弹簧	Spring	1
29	300.43.127	制动踏板轴	Shaft	1
30	300.43.126	踏板拉臂	Pedal pull arm	1
31	GB/T 6170	螺母M12	Nut M12	2
	GB/T 899	螺母M12	Nut M12	2
32	300.43.108	自位垫块	Spacer	2
33	300.43.106	摇臂	Rocker arm	2
34	300.43.013-1	皮碗总成	Sealing cap	2
35	300.43.104	摇臂支座	Support	2
36	GB/T 97.1	垫圈12	Washer 12	3
37	GB/T 91	开口销4×30	Pin 4×30	4
38	300.43.103	摇臂座纸垫	Gasket	2
39	GB/T 882-	销轴B12×70	Axis pin B12×70	2
40	GB/T 882	销轴B12×35	Axis pin B12×35	4
41	300.43.109	制动拉杆调整叉	Adjusting yolk	2
42	GB/T 6170	螺母M10	Nut M10	2
43	300.43.110	制动拉杆	Rod	2[1]
	300.43.020	右制动拉杆焊合件(配气刹)	Right rod (for air bracking)	1
44	300.43.116	调节杆	Adjusting Rod	2

续. 制动器及操纵机构总成

Cont. Brake and Operation Mechanism

序号 Ser. No.	代号 Part No.	名称	Name	数量 Qty.
45	GB/T 9457	螺母M10×1	Nut M10×1	4
46	300.43.113-1	拉板螺栓	Bolt	4
47	300.43.115	拉板	Pull plate	2
48	300.43.114	叉形拉板	Pull plate	2
49	GB/T 91	开口销4×20	Pin 4×20	2
50	300.43.016-2	固定板焊合件	Support plate	2

1 | 内配气刹时数量

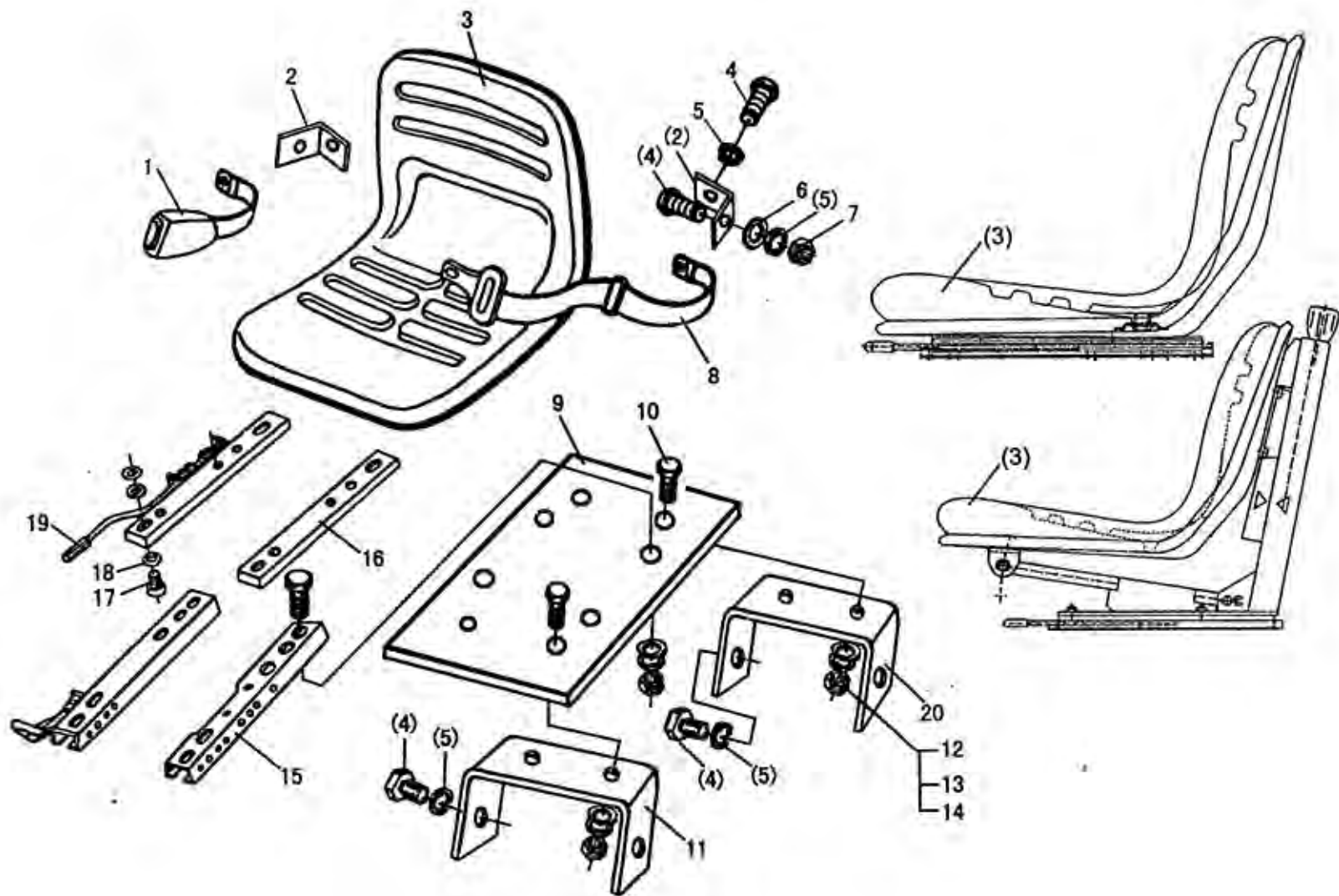


驾驶座总成
Seat

驾驶座总成

Seat

序号 Ser. No.	代号 Part No.	名称	Name	数量 Qty.
1	ZY-1-201	安全带插盒	Scat	1
2	ZY-1-107	安全带固定架	Bracket	2
3	300.44.001B	座椅总成	Seat	1
4	GB/T5783	螺栓M12×25	Bolt M12×25	4
5	GB/T93	垫圈12	Washer 12	4
6	GB/T97.1	垫圈12	Washer 12	2
7	GB/T6170	螺母M12	Nut M12	4
8	ZY-1-202	安全带	Safe belt	1
9	160.44.102	减振支撑块		2
10	GB/T5783	螺栓M10×25	Bolt M10×25	4
11	GB/T93	垫圈10	Washer 10	4
12	300.44.111-1	座椅后支架		2
13	GB/T91	开口销3*20		2
14	GB/T97.1	垫圈10		1
15	160.44.105-1	销轴		1
16	300.44.021A	前支撑板焊合件		

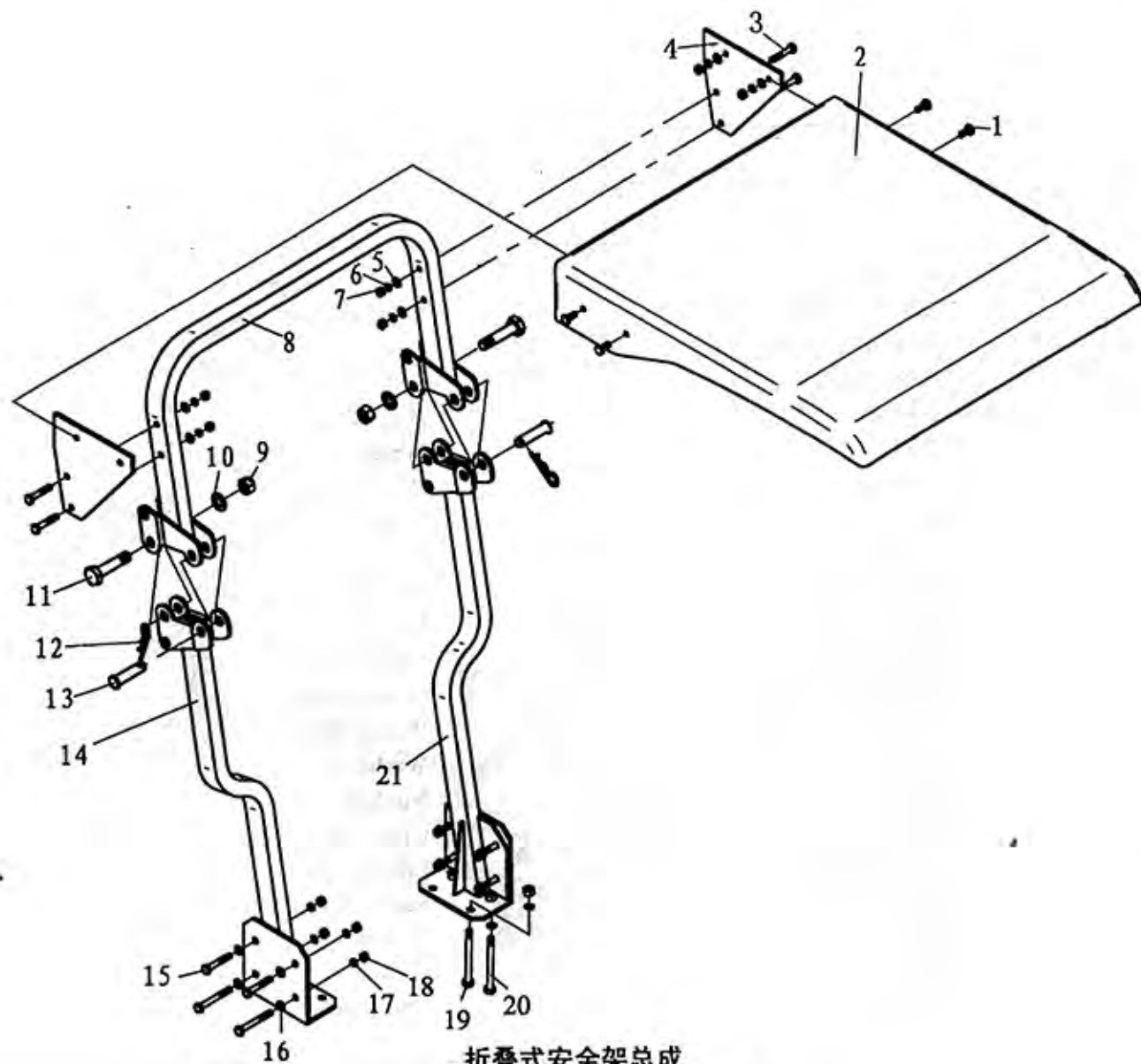


驾驶座总成 I
Seat I

驾驶座总成 I

Seat I

序号 Ser. No.	代 号 Part No.	名 称	Name	数量 Qty.
1	ZY-1-201	安全带插盒	Seat	1
2	ZY-1-107	安全带固定架	Bracket	2
3	160.44.001A	座椅总成(悬浮)	Seat	1
	160.44.001B	座椅总成(滑轨)	Seat	1
4	GB/T5783	螺栓M12×25	Bolt M12×25	8
5	GB/T93	垫圈12	Washer 12	8
6	GB/T97.1	垫圈12	Washer 12	4
7	GB/T6170	螺母M12	Nut M12	4
8	ZY-1-202	安全带	Safe belt	1
9	300.44.102A	座位支撑板	Support plate	1
10	GB/T5783	螺栓M8×25	Bolt M8×25	6
11	300.44.107	座椅支架I(悬浮)	Seat support I	1
	300.44.101	座椅支架(滑轨)	Seat support	1
12	GB/T93	垫圈8	Washer 8	8
13	GB/T97.1	垫圈8	Washer 8	6
14	GB/T6170	螺母M8	Nut M8	4
15	ZY-1-203	座椅下导板	Upper board	2
16	ZY-1-204	座椅上导板	Lower board	2
17	GB/T70	螺钉M8×25	Screw M8×25	4
18	GB/T97.1	垫圈8	Washer 8	8
19	ZY-1-205	手柄	Handle	1
20	300.44.101	座椅支架	Seat support	1

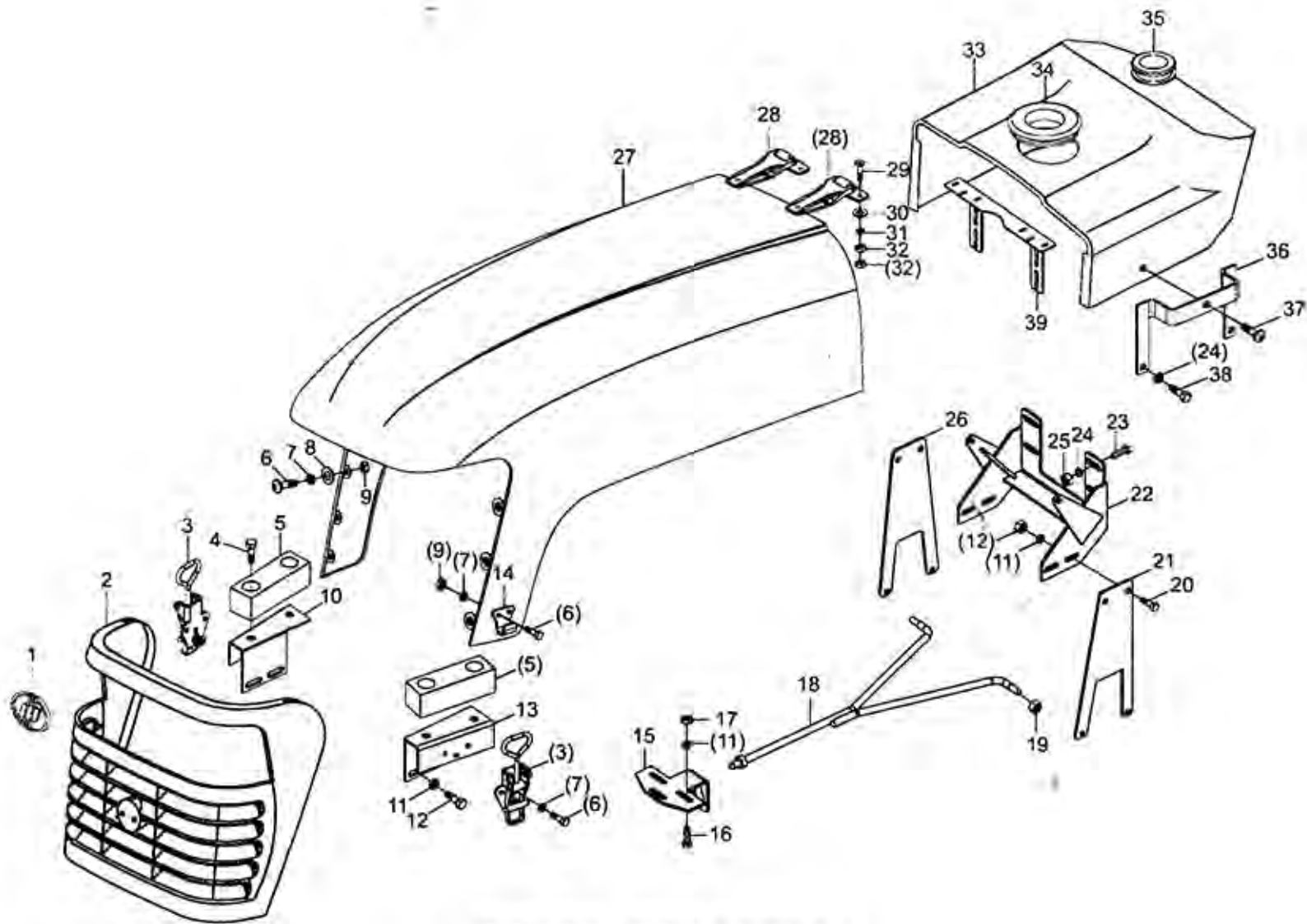


折叠式安全架总成
Roll-over Protective Structure

折叠式安全架总成

Roll-over Protective Structure

序号 Ser. No.	代号 Part No.	名称	Name	数量 Qty.
1	GB/T5782	螺栓M12×40	Bolt M12×40	4
2	300.45B.011	遮阳篷	Canopy	1
3	GB/T5782	螺栓M12×70	Bolt M12×70	4
4	300.45.124	遮阳篷连接板	Connecting plate	2
5	GB/T97.1	垫圈12	Washer 12	8
6	GB/T93	垫圈12	Washer 12	8
7	GB/T6170	螺母M12	Nut M12	8
8	300.45.010-1	安全架上框焊合件	Upper frame	1
9	GB/T889	螺母M24	Nut M24	2
10	GB/T95	垫圈24	Washer 24	2
11	300.45.102	螺栓	Bolt	2
12	180.45.309	弹簧锁销	Stop pin	2
13	300.45.101	销轴	Pin axle	2
14	300.45.011-1	安全架右撑管焊合件	Right support	1
15	GB/T5782	螺栓M14×80	Bolt M14×80	8
16	GB/T97.1	垫圈14	Washer 14	16
17	GB/T93	垫圈14	Washer 14	16
18	GB/T6170	螺母M14	Nut M14	16
19	GB/T5782	螺栓M14×190	Bolt M14×190	4
20	GB/T5782	螺栓M14×180	Bolt M14×180	4
21	300.45.012-1	安全架左撑管焊合件	Left support	1



发动机罩壳、仪表盘及支架总成 |
Hood, Panel and Bracket |

发动机罩壳、仪表盘及支架总成 I

Hood, Panel and Bracket I

序号 Ser. No.	代号 Part No.	名称	Name	数量 Qty.
1	180.47.145-C	产品图案标牌	Product design sign	1
2	300.47.040	前面照大灯合件	According to the front	1
3	300.47B.010	机罩锁总成	Cover lock assembly	2
4	GB5783	螺栓M10*40	Bolt M10×40	4
5	700.47.664	橡胶垫	rubber blanket	2
6	GB/T5783	螺栓M6*20	Bolt M6×20	8
7	GB/T97.1	垫圈M6	Washer 6	12
8	GB/T93	垫圈M6	Washer 6	12
9	GB/T6170	螺母M6	Nut 6	12
10	300.47.085	右支架焊合件	Right stents weld	1
11	GB/T97.1	垫圈M8	Washer 8	4
12	GB/T5783	螺栓M8*16	Bolt M8×16	4
13	300.47.084	左支架焊合件	Left stents weld	1
14	700.47.650	锁扣板	Lock gusset plate	2
15	300.47.067	支架焊合件	support weld	1
16	GB/T5783	螺栓M8*25	Bolt M8×25	3
17	GB/T6170	螺母M8	Nut 8	3
18	300.47.064-1	机罩支撑架焊合件	Cover support weld	1
19	GB/T889	螺母M8	Nut 8	2
20	GB/T5783	螺栓M8*30	Bolt M8×30	2
21	300.47.531B-3	左侧连接板 (TY3100/TY395)	Right bracket weldment (TY3100/TY395)	1
	300.47.531H	左侧连接板 (ZN390)	Right bracket weldment (ZN390)	1
	300.47.710A	左侧连接板 (4L22BT)	Right bracket weldment (4L22BT)	1
	300.47.711-1	左侧连接板 (ZN490)	Right bracket weldment (ZN490)	1

续.发动机罩壳、仪表盘及支架总成 I

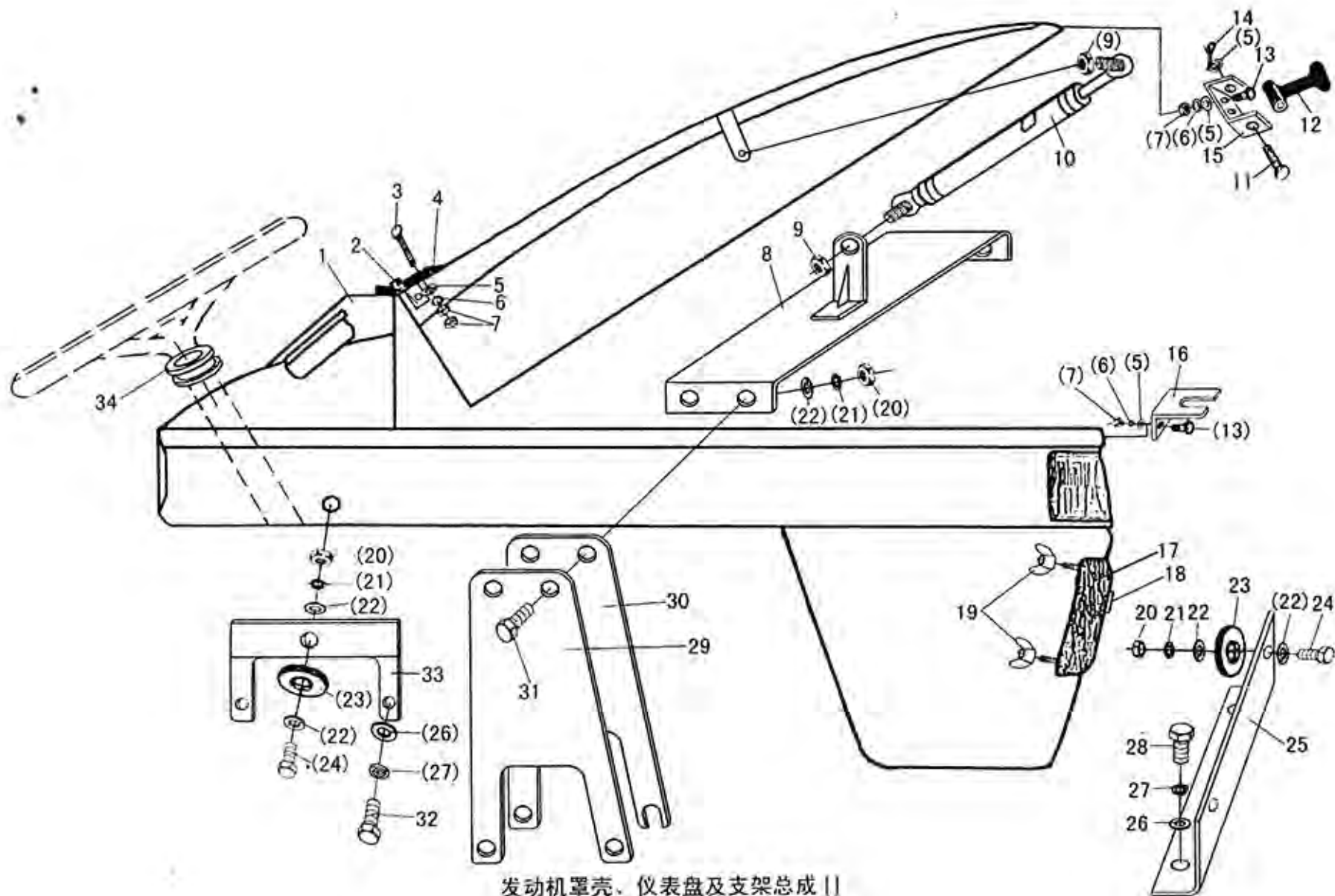
Cont.Hood、Panel and Bracket I

序号 Ser. No.	代 号 Part No.	名 称	Name	数量 Qty.
	300.47.548	左侧连接板 (SL2105)	Right bracket weldment (SL2105)	1
22	300.47.079	调节板焊合件	Accomodate bracket	1
23	GB/T5783	螺栓M10*25	Bolt M10×25	4
24	GB/T97.1	垫圈M10	Washer 10	4
25	GB/T6170	螺母M10	Nut 10	4
26	300.47.530B-2	左侧连接板 (TY3100/TY395)	Left bracket weldment (TY3100/TY395)	1
	300.47.530F	左侧连接板 (ZN390)	Left bracket weldment (ZN390)	1
	300.47.711A	左侧连接板 (4L22BT)	Left bracket weldment (4L22BT)	1
	300.47.710	左侧连接板 (ZN490)	Left bracket weldment (ZN490)	1
	300.47.547	左侧连接板 (SL2105)	Left bracket weldment (SL2105)	1
27	300.47.008-4	前翻铁机罩焊合件	Engine hood	1
28	BL-017-A	铰链组合件	Hingle	2
29	GB/T5783	螺栓M5*30	Screw M5×30	12
30	GB/T97.1	垫圈M5	Washer 5	12
31	GB/T93	垫圈M5	Washer 5	12
32	GB/T6170	螺母M5	Nut 5	24
33	300.47.540-2	玻璃钢仪表盘 (SL2105)	Fuel tank hood (SL2105)	1
	300.47.540A	玻璃钢仪表盘 (TY3100/4L22BT/ZN390)	Fuel tank hood (TY3100/4L22BT/ZN390)	1
	300.47.540B-1	玻璃钢仪表盘 (ZN490)	Fuel tank hood (ZN490)	1
34	160.50.210	加油口衬套	Re-fuelling valve bushing	1
35	BL-116	转向管柱支架	Rubber support	1
36	300.47.555	机罩后支承板	Engine hood back bracket	2
37	GB/T818	螺栓M8*40	Bolt M8×40	2

续.发动机罩壳、仪表盘及支架总成 I

Cont.Hood、Panel and Bracket I

序号 Ser. No.	代 号 Part No.	名 称 Name	数 量 Qty.
38	GB/T5783	螺栓M10*20 Bolt M10×20	4
39	300.47.078-2	上调节板焊合件 Accomodate bracket	1



发动机罩壳、仪表盘及支架总成 ||
 Hood, Panel and Bracket ||

发动机罩壳、仪表盘及支架总成 II

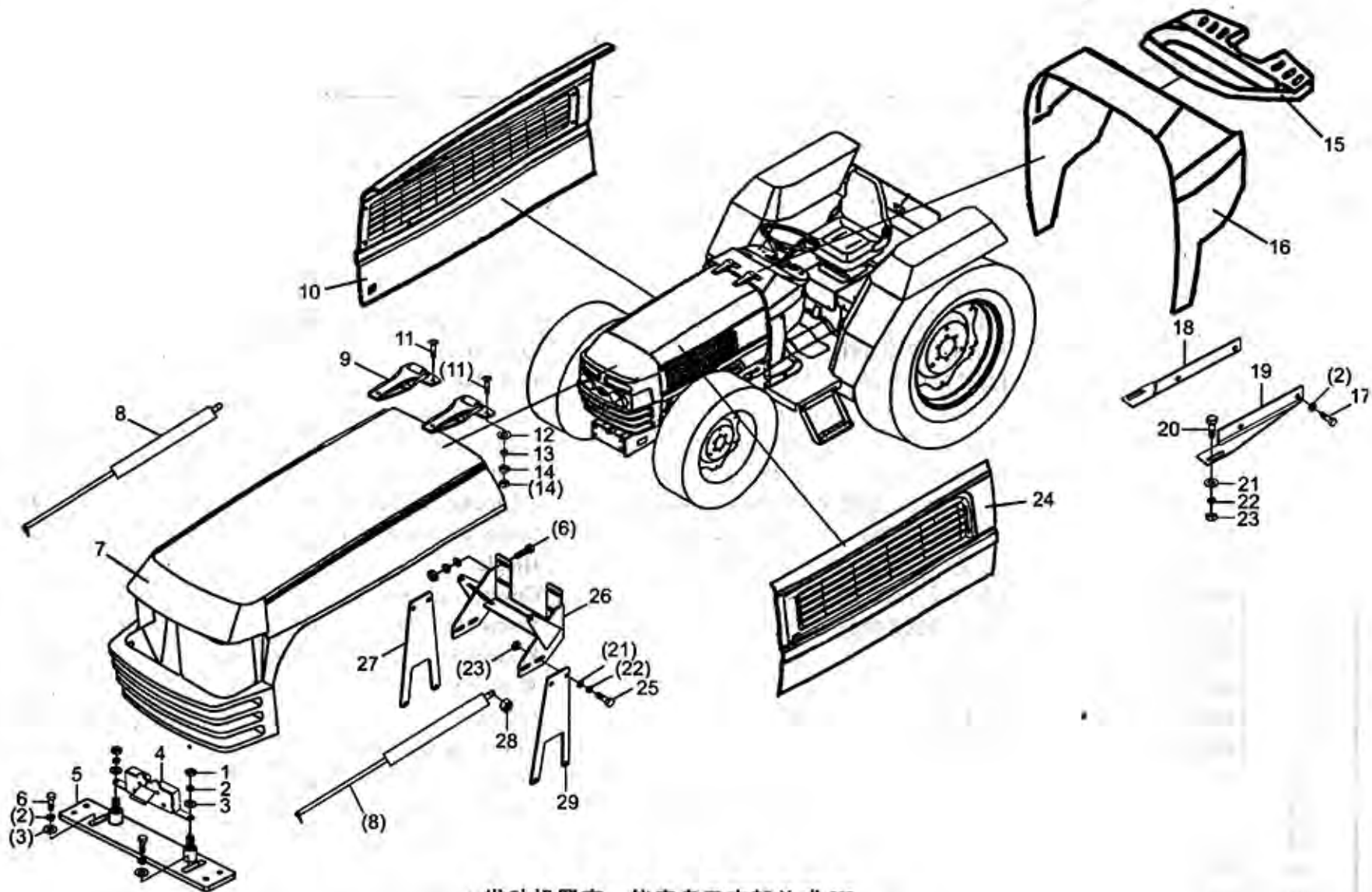
Hood, Panel and Bracket II

序号 Ser. No.	代 号 Part No.	名 称	Name	数量 Qty.
1	300.47B.011	玻璃钢机罩合件	Upper hood and low hood	1
2	BL-015	机罩撑杆支架焊合件	Support bracket	1
3	GB/T819	十字槽沉头螺钉M5×30	Screw M5×30	12
4	BL-017-A	铰链组合件	Hingle	1
5	GB/T97.1	垫圈5	Washer 5	17
6	GB/T93	垫圈5	Washer 5	16
7	GB/T6170	螺母M5	Nut 5	28
8	300.47.065-1	机罩上支撑板焊合件(配TY395柴油机)	Support bracket (for TY395 engine)	1
	300.47.065C	机罩上支撑板焊合件(配Y480柴油机)	Support bracket (for Y480 engine)	1
9	GB/T889	螺母M8	Nut 8	2
10	YQ-10-175-560	250N ² 气弹簧	Shock absorber(250N)	1
11	GB/T882	销轴5×35	Axis pin 5×35	1
12	BL-107	橡胶锁销	Knot	1
13	GB/T818	螺钉M5×20	Screw M5×20	4
14	GB/T91	销2×20	Pin 2×20	1
15	BL-105	上盖固定板	Upper bracket for knot	1
16	BL-106	下连接板	Low bracket for knot	1
17	300.47.011A	窗网合件尺寸图	Front skirt	1
18	180.47.145-B	产品图案标牌	Emblem	1
19	GB/T62	螺母M5	Nut M5	4
20	GB/T6170	螺母M8	Nut M8	4
21	GB/T93	垫圈8	Washer 8	4

续.发动机罩壳、仪表盘及支架总成 II

Cont.Hood, Panel and Bracket II

序号 Ser. No.	代 号 Part No.	名 称	Name	数量 Qty.
22	GB/T97.1	垫圈8	Washer 8	8
23	BL-178	橡胶垫	Rubber washer	按需
24	GB/T818	螺钉M8×40	Screw M8×40	4
25	300.47.556	前固定板	Front bracket for hood	1
26	GB/T97.1	垫圈10	Washer 10	6
27	GB/T93	垫圈10	Washer 10	6
28	GB/T5783	螺栓M10×25	Bolt M10×25	2
29	300.47.530A-1	右侧连接板(配TY395柴油机)	Right bracket(for TY395 engine)	1
	300.47.530C	右侧连接板(配Y480柴油机)	Right bracket(for Y480 engine)	1
30	300.47.531A-1	左侧连接板(配TY395柴油机)	Left bracket(for Y480 engine)	1
	300.47.531C	左侧连接板(配Y480柴油机)	Left bracket(for Y480 engine)	1
31	GB/T5783	螺栓M8×25	Bolt M8×25	4
32	GB/T5783	螺栓M10×20	Bolt M10×20	4
33	300.47.555	机罩后支承板	Back bracket for hood	2
34	BL-116	转向管柱支架	Rubber support	1



发动机罩壳、仪表盘及支架总成 III
Hood、Panel and Bracket III

发动机罩壳、仪表盘及支架总成 III

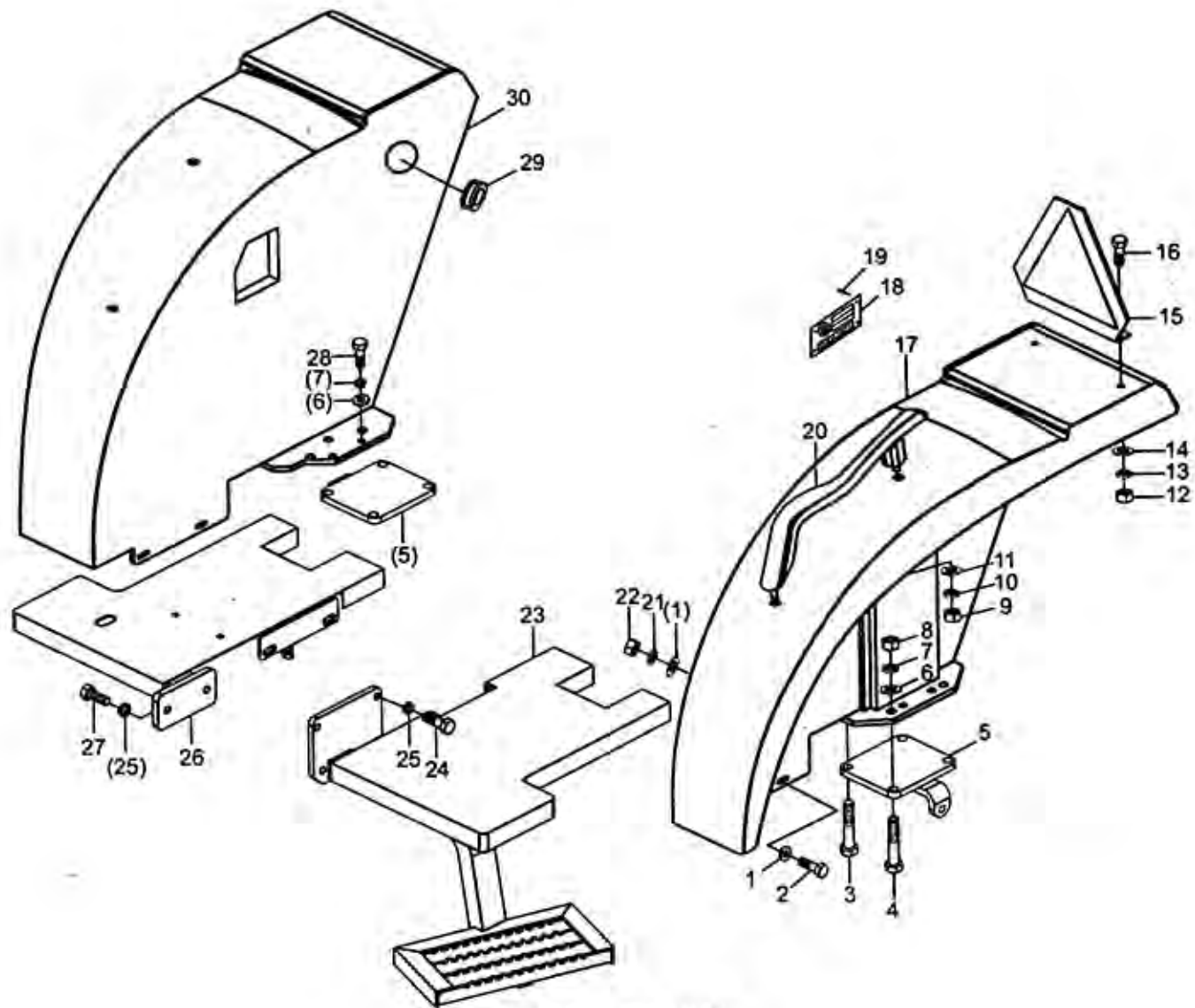
Hood, Panel and Bracket III

序号 Ser. No.	代号 Part No.	名称	Name	数量 Qty.
1	GB/T6170	螺母M10	Nut M10	2
2	GB/T97.1	垫圈10	Washer 10	8
3	GB/T93	垫圈10	Washer 10	4
4	300.47B.019	机罩锁合件	Engine hood front bracket weldment	1
5	300.47.083	锁扣支架焊合件	Support	1
6	GB/T5783	螺栓M10×25	Bolt M10×25	6
7	300.47B.014	机罩总成(大头前翻) -----①	Engine hood assembly-----①	1
	300.47B.014A	机罩总成(高仪表台) -----②	Engine hood assembly-----②	1
	300.47B.023A	机罩总成(分片半封闭) -----③	Engine hood assembly-----③	1
	300.47B.023	机罩总成(分片全封闭) -----④	Engine hood assembly-----④	1
8	YQ10-175-560	气弹簧(400N)	Spring for gas(400N)	2
9	BL-017-B	铰链组合件(大)	Hingle	2
10	300.47B.203	右侧板(全封闭用)	Cover, right side	1
11	GB/T819	十字槽沉头螺钉M5×30	Screw M5×30	12
12	GB/T93	垫圈5	Washer 5	12
13	GB/T97.1	垫圈5	Washer 5	24
14	GB/T6170	螺母M5	Nut M5	12
15	300.47B.205	仪表板	Cover, instrument	2
16	300.47B.206	玻璃钢仪表盘	Fuel tank hood	1
17	GB/T5783	螺栓M10×20	Bolt M10×20	4
18	300.47.558A	右支架		1
19	300.47.557A	左支架		1
20	GB/T5782	螺栓M8×45	Bolt M8×45	2

续.发动机罩壳、仪表盘及支架总成 III

Cont.Hood、Panel and Bracket III

序号 Ser. No.	代号 Part No.	名称	Name	数量 Qty.
21、	GB/T97.1	垫圈8	Washer 8	6
22	GB/T93	垫圈8	Washer 8	6
23	GB/T6170	螺母M8	Nut M8	6
24	300.47B.207	左侧板(全封闭用)	Cover, left side	1
25	GB/T5783	螺栓M8×30	Bolt M8×30	4
26	300.47.079	调节板焊合件	Accomodate bracket	1
27	300.47.530A-1	右侧联接板(TY395)-----②	Right bracket(TY395)-----②	1
	300.47.530B-2	右侧联接板(TY395)-----①③④	Right bracket(TY395)-----①③④	1
	300.47.530G	右侧联接板(4L22T)-----②	Right bracket(4L22T)-----②	1
	300.47.530D	右侧联接板(4L22T)-----①③④	Right bracket(4L22T)-----①③④	1
28	GB/T889	螺母M8	Nut M8	4
29	300.47.531A-1	左侧联接板(TY395)-----②	Left bracket(TY395)-----②	1
	300.47.531B-3	左侧联接板(TY395)-----①③④	Left bracket(TY395)-----①③④	1
	300.47.531G	左侧联接板(4L22T)-----②	Left bracket(4L22T)-----②	1
	300.47.531D	左侧联接板(4L22T)-----①③④	Left bracket(4L22T)-----①③④	1



左右护板及左右地板总成
Mud Shield and Step

左右护板及左右地板总成

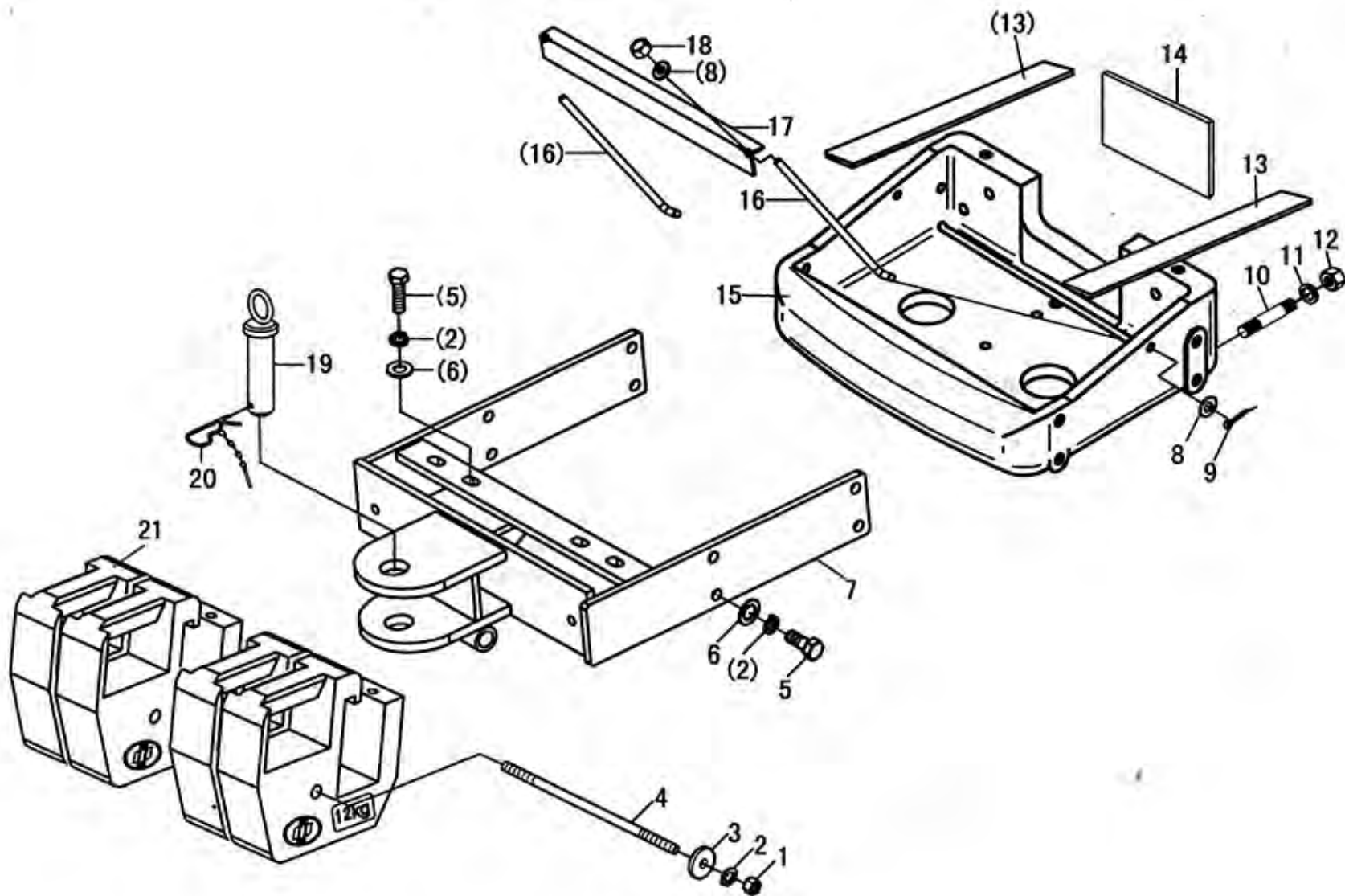
Mud Shield and Step

序号 Ser. No.	代 号 Part No.	名 称	Name	数量 Qty.
1	GB/T93	垫圈8	Washer8	4
2	GB/T5783	螺栓M8×20	Bolt M8×20	4
3	GB/T5782	螺栓M14×190-8.8	Bolt M14×190-8.8	4
4	GB/T5782	螺栓M14×180-8.8	Bolt M14×180-8.8	4
5	300.47.024	限位链拉板焊合作	Limiting chain pull plate	2
6	GB/T97.1	垫圈14	Washer 14	8
7	GB/T93	垫圈14	Spring washer 14	12
8	GB/T6170	螺母M14	Nut M14	8
9	GB/T6170	螺母M12	Nut M12	4
10	GB/T93	垫圈12	Washer 12	12
11	GB/T97.1	垫圈12	Washer 12	12
12	GB/T6170	螺母M6	Nut M6	2
13	GB/T93	垫圈6	Washer 6	2
14	GB/T97.1	垫圈6	Washer 6	2
15	180.47.402-1	后反射器	Caution mark	1
16	GB/T5783	螺栓M6×20	Bolt M6×20	1
17	300.47.032A	流线型左挡泥板焊合作	Left mud shield	1
	304.47B.051A	玻璃钢护板		1
18	180.47.147-F	产品标牌	Emblem	1
19	GB/T12618	开口型扁圆头抽芯铆钉	rivet	4
20	180.47.024	扶手总成	Hand rail	2
	400.47.024	扶手总成	Hand rail	2
21	GB/T93	垫圈8	Washer 8	14

续. 左右护板及左右地板总成

Cont. Mud Shield and Step

序号 Ser. No.	代号 Part No.	名称	Name	数量 Qty.
22	GB/T6170	螺母M8	Nut M6	4
23	300.47.034	左地板及支撑焊合件(冲孔地板)	Left step and bracket(Hole-step)	1
24	GB/T5783	螺栓M10×35	Bolt M10×30	4
25	GB/T93	垫圈10	Washer 10	10
26	300.47.033A	右地板及支撑焊合件(冲孔地板)	Right step and bracket(Hole-step)	1
27	GB/T5783	螺栓M10×20	Bolt M10×20	6
28	GB/T5783	螺栓M14×40	Bolt M14×40	4
29	300.47.701	电线保护套	Rubber washer	1
30	300.47.031A-1 304.47B.051A	流线型右挡泥板焊合件 玻璃钢护板	Right mud shield	1

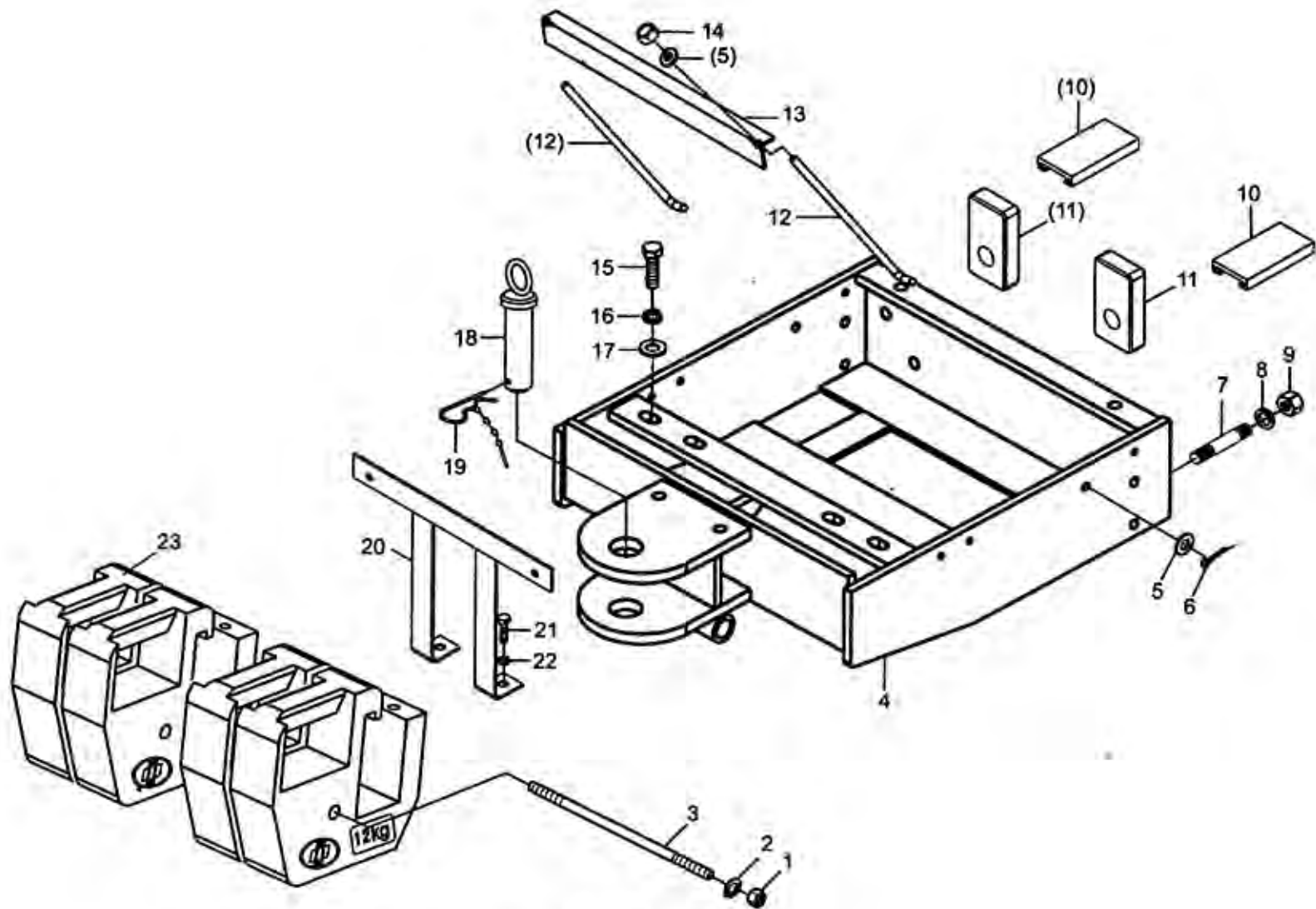


电瓶座总成 I
Battery Support Seat Assmy I

电瓶座总成

Battery Support Seat Assmy

序号 Ser. No.	代 号 Part No.	名 称	Name	数量 Qty.
1	GB/T 6170	螺母M12	Nut M12	2
2	GB/T 93	垫圈12	Washer12	14
3	GB/T 96	大垫圈12	Big washer12	2
4	300E.31.203	螺杆	Screw rod	1
5	GB/T 5783	螺栓M12×35	Bolt M12×35	12
6	GB/T 97.1	垫圈12	Washer12	12
7	300E.31.010-1	配重支架焊合件	Front ballast carrier weldment	1
8	GB/T 97.1	垫圈8	Washer8	4
9	GB/T 91	开口销2×20	Split pin 2×20	2
10	GB/T 898	螺柱AM14-M14×1.5×50	Stud AM14-M14×1.5×50	4
11	GB/T 93	垫圈14	Washer14	4
12	GB/T 6176	螺母M14×1.5	Nut M14	4
13	160.48.124	橡胶垫	Rubber pad	2
14	300.48.103-1	衬板	pad	1
15	300.48.121-1	电瓶支座	Batter support seat	1
16	300.48.150	电瓶拉杆	Thread rod	2
17	300.48.107	电瓶压板	Clamping plate	1
18	GB/T 6170	螺母M8	Nut M8	4
19	300E.31.011	前联接销焊合件	Connect pin	1
20	300E.35.020	弹簧锁销焊合件	Split pin	1
21	300E.31.202	前配重	Ballast weight	4



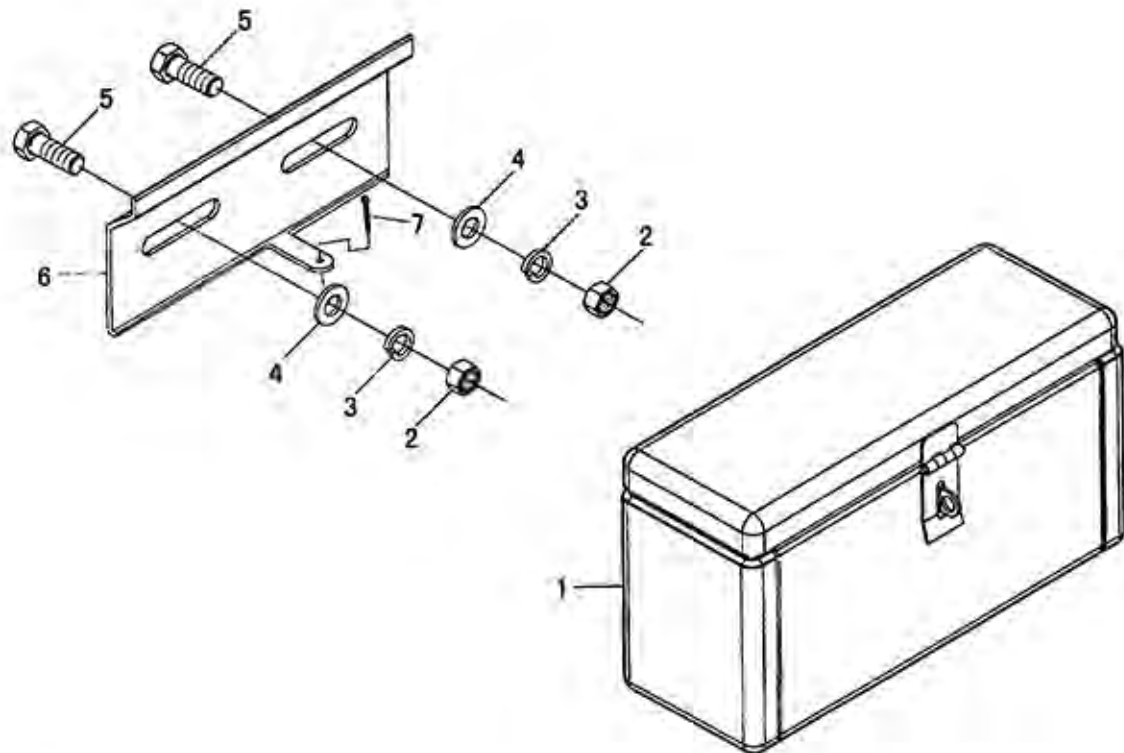
电瓶座总成 II
Battery Support Seat Assmy II

电瓶座总成 II

Battery Support Seat Assy II

序号 Ser. No.	代 号 Part No.	名 称	Name	数量 Qty.
1	GB/T6170	螺母M12	Nut M12	2
2	GB/T93	垫圈12	Washer12	6
3	300E.31.203	螺杆	Screw rod	1
4	300.48.032	电瓶支座及配重支架焊合作(SI.2105)	welding pieces of support	1
	300.48.032A	电瓶支座及配重支架焊合作	welding pieces of support	1
5	GB/T97.1	垫圈8	Washer8	2
6	GB/T 91	开口销2×20	Split pin 2×20	2
7	GB/T 898	螺柱AM14-M14×1.5×50	Stud AM14-M14×1.5×50	4
8	GB/T 93	垫圈14	Washer14	4
9	GB/T 6176	螺母M14×1.5	Nut M14	4
10	300.48.325	橡胶垫	Rubber pad	2
11	300.48.156	橡胶垫	Rubber pad	2
12	300.48.150	电瓶拉杆	Thread rod	2
13	300.48.107	电瓶压板	Clamping plate	1
14	GB/T 889	螺母M8	Washer8	2
15	GB/T 5783	螺栓M12×35	Bolt M12×35	4
16	GB/T 97.1	垫圈12	Washer12	4
17	GB/T 93	垫圈12	Washer12	4
18	300E.31.011*	前联接销焊合作	Connect pin	1
19	300E.35.020	弹簧锁销焊合作	Split pin	1
20	300.47.702	前号牌座		1
21	GB/T 5783	螺栓M10×20	Bolt M10×20	2
22	GB/T 93	垫圈10	Washer10	2
23	300E.31.202	前配重	Ballast weight	4

※配流铁机专用

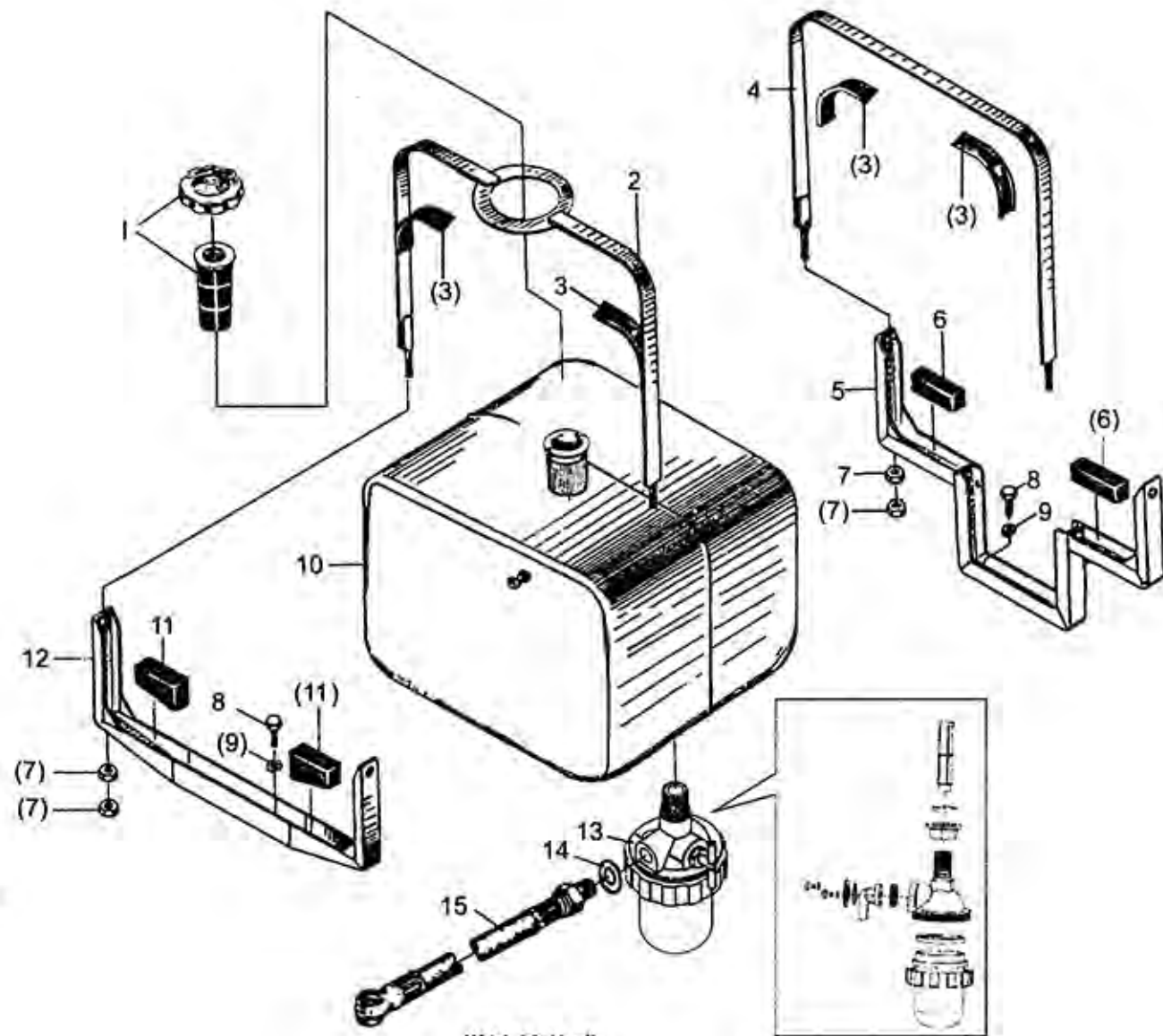


工具箱总成
Tool Box

工具箱总成

Tool Box Assembly

序号 Ser. No.	代 号 Part No.	名 称	Name	数量 Qty.
1	160.49.001	工具箱总成	Tool box assembly	1
2	GB/T6170	螺母M12	Nut 12	2
3	GB/T93	垫圈12	Washer 12	2
4	GB/T97.1	垫圈12	Washer	2
5	GB/T5783	螺栓M12×25	Bolt M12×25	2
6	700.49.101	固定支板	Fixed bracket	1
7	GB/T 91	销 6.3×20	Pin 6.3×20	1



燃油箱总成
Fuel Tank

燃油箱总成

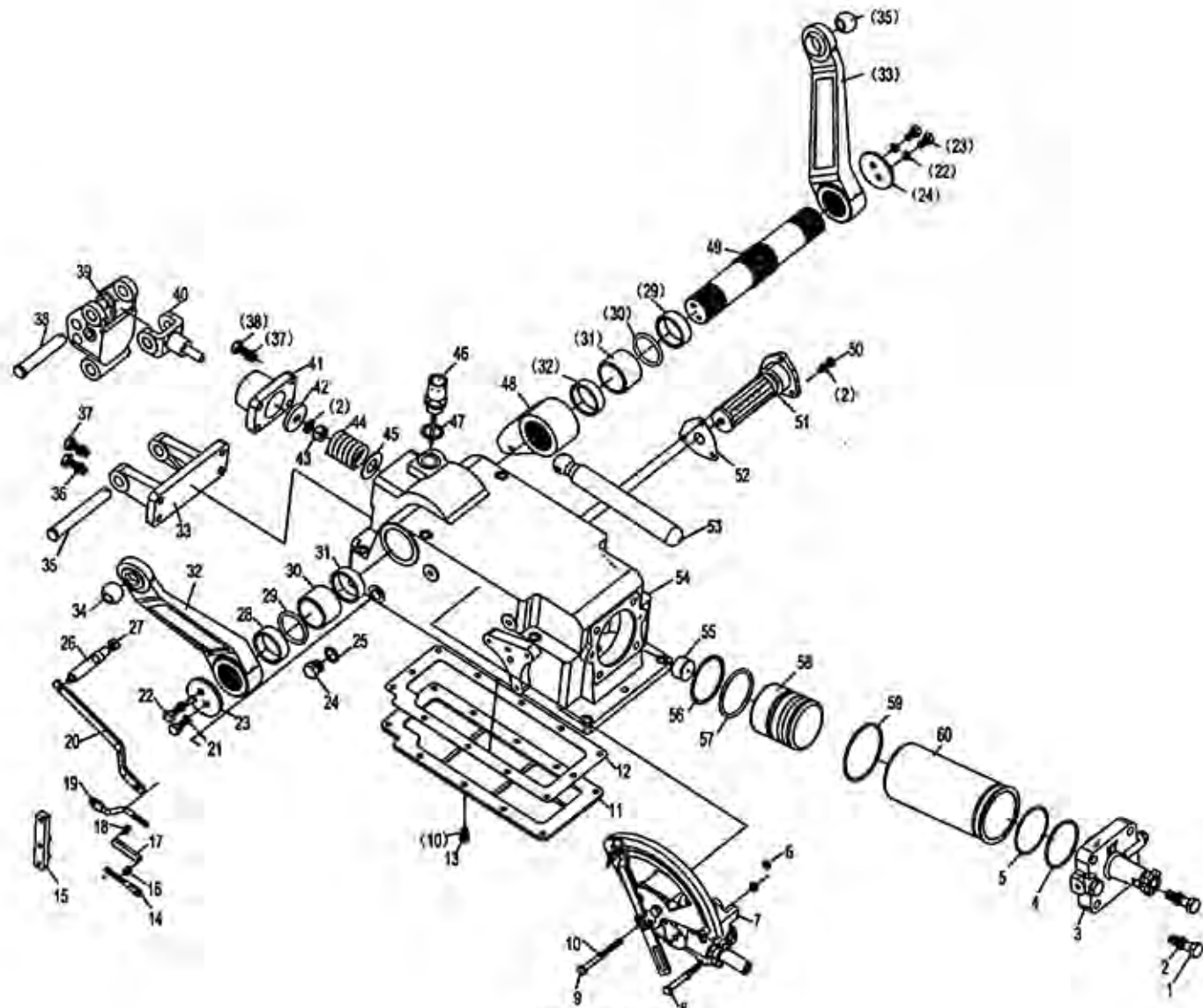
Fuel Tank

序号 Ser. No.	代号 Part No.	名称	Name	数量 Qty.
1	250.50.022	油箱盖组合件	Fuel tank cap assembly	1
	160.50.015	滤网组件	Screen, oil filler hole	1
2	300.50.012	前钢带焊合件	Front steel band	1
3	300.50.101-2	钢带胶垫	Rubber pad	4
4	300.50.013	后钢带焊合件	Rear steel band	2
5	300.50.017-1	油箱后支架焊合件	Fuel tank rear support	1
6	300.50.104	后橡胶块	Rear rubber block	2
7	GB/T6170	螺母M8	Nut M8	8
8	GB/T5783	螺栓M8×20	Bolt M8×20	4
9	GB/T93	垫圈8	Washer8	4
10	300.50.011A-2	油箱体焊合件	Fuel tank	1
	300.50.011H	油箱体焊合件-----配驾驶室	Fuel tank	1
11	300.50.103	前橡胶块	Front rubber block	2
12	300.50.016-1	油箱前支架焊合件	Fuel tank front support	1
13	250.50.020	沉淀杯总成	Sedimentary cup	1
	250.50.901	进油过滤网	Screen, oil filler hole	1
	250.50.902	沉淀杯滤座	Oil filler seat	1
	250.50.903	法兰螺母密封圈	Seal ring	1
	250.50.904	装配固定法兰螺母	Nut	1
	250.50.905	开关关通橡胶孔圈	Seal ring	1
	250.50.906	关通后圆过滤网	Screen	1
	250.50.907	开关面盖板	Handle cap	1
	250.50.908	开关压弹垫片	Washer	1

续.燃油箱总成

Cont.Fuel Tank

序号 Ser. No.	代号 Part No.	名称 Name	数量 Qty.
	250.50.909	开关手柄	1
	250.50.910	塑料环固紧圈	1
	250.50.911	塑料杯	1
14		复合垫圈12	1
15	300.50.018-1	输油管总成(500mm) (配TY395柴油机)	1
		Handle	
		Seal ring	
		Cup	
		Washer 12	
		Fuel pipe assembly(500mm) (For TY395 engine)	



提升器总成
Lifter Assembly

提升器总成

Lifter Assembly

序号 Ser. No.	代号 Part No.	名称	Name	数量 Qty.
1	GB5785-86	螺栓M14X1.5X50	BOLT M14X1.5X50	4
2	GB93-87	垫圈14	washer 14	4
3	YT300B.55.011	缸头总成	cylinder cap assy	1
4	GB3452.1-92	O型密封圈77.5X3.55	O-ring 77.5X3.55	1
5	E300.55.118	挡圈85X1.5	circlip 85X1.5	1
6	GB3452.1-92	O型密封圈11.8X2.65	O-ring 11.8X2.65	2
7	E300.57.001	分配器总成	distributor assy	1
8	GB5782-86	螺栓M8X80	bolt M8X80	2
9	GB5782-86	螺栓M8X100	bolt M8X100	1
10	GB93-87	垫圈8	washer 8	18
11	YT300B.55.103	底板	bottom cover	1
12	YT300B.55.102	纸垫	gasket	1
13	GB5781-86	螺栓M8X20	bolt M8X20	12
14	E300.55.169	前调节杆	front adjusting link	1
15	E300.55.017	综合调节摆杆合件	swing pole	1
16	300.55.158	螺母M8 (左)	nut M8	1
17	YT300B.55.110	调节螺套	adjusting bush	1
18	GB6170-86	螺母M8	nut M8	1
19	300.55.156	后调节杆	rear adjusting link	1
20	YT300B.55.109	力调节反馈杆	connecting link	1
21	GB93-87	垫圈10	washer 10	4
22	GB5781-86	螺栓M10X20	bolt M10X20	4
23	YT500.55.020	右压板合件	plate	1

续. 提升器总成

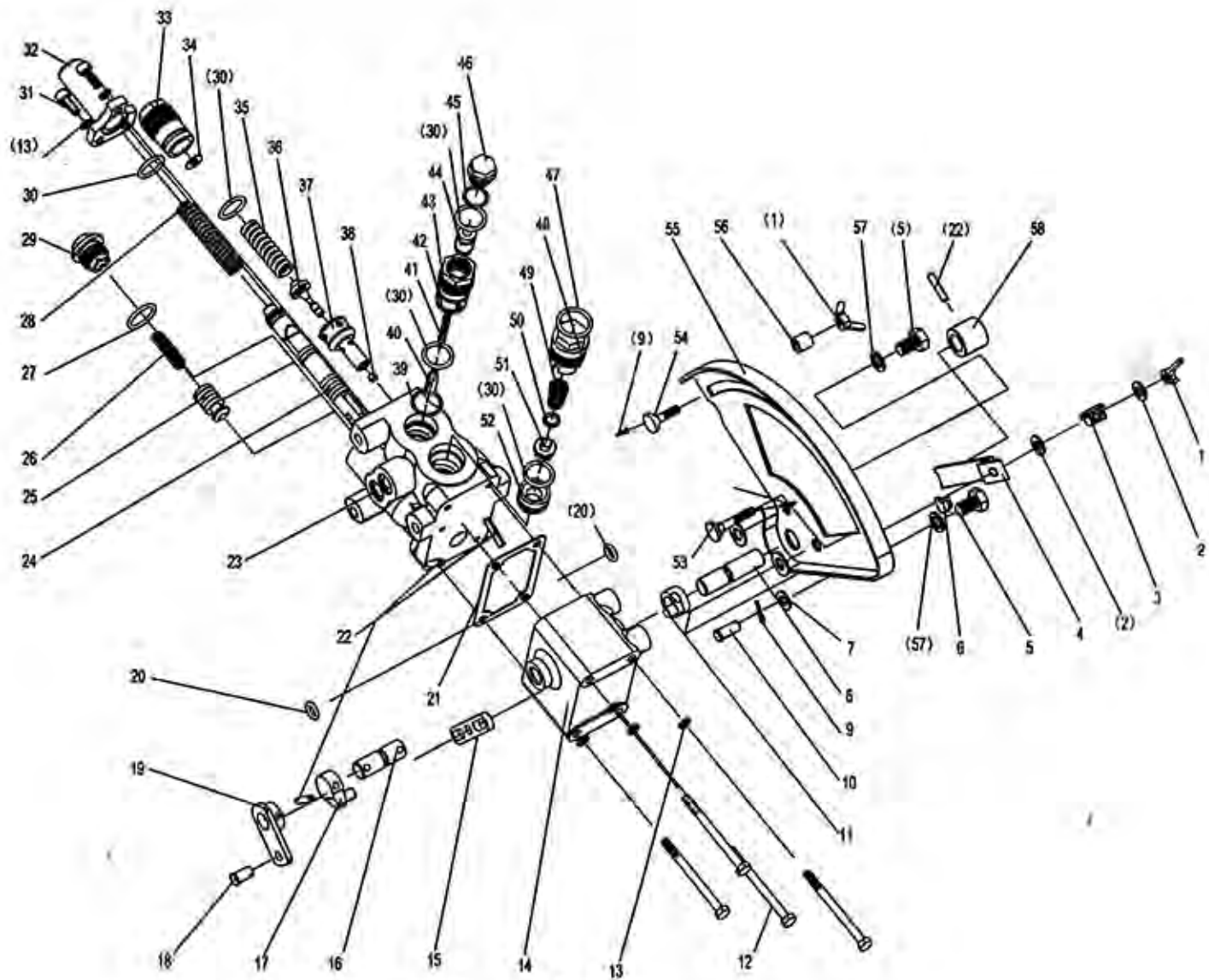
Cont. Lifter Assembly

序号 Ser. No.	代 号 Part No.	名 称	Name	数量 Qty.
24	150D.55.228-2	螺塞	plug	1
25	150D.54.118	铝垫	washer	1
26	YT300B.55.115	支承销	pin	1
27	GB6170-86	螺母M10	nut M10	1
28	YT300B.55.111C	轴套	bush	2
29	GB1235-76	O型密封圈60X5.7	O-ring 60X5.7	2
30	BY350.55.122	提升轴套	lifting bush	2
31	YT300B.55.111B	轴套	bush	2
32	FT500A.55.119	提升臂	lifting arm	2
33	25.55.125	上挂结点摇臂支架	support	1
34	25.55.156	球形接头	ball connector	2
35	25.55.128	摇臂连接销	rocker arm link pin	1
36	GB93-87	垫圈12	washer 12	8
37	GB5782-86	螺栓M12X35	bolt M12X35	8
38	25.55.126	摇臂上连接销	pin	1
39	YT300B.55.108	摇臂	rocker arm	1
40	YT300B.55.107	力调节传感头	Sensor	1
41	YT300B.55.105	弹簧座	spring	1
42	YT300B.55.106	弹簧垫板	spring plate	1
43	GB6170-86	螺母M14	nut M14	1
44	E300.55.107	力调节弹簧	draft-responsive control spring	1
45	YT300B.55.104	垫片	washer	1
46	TS300B.55.041	油尺通气塞总成	dipstick	1

3. 提升器总成

3. Lifter Assembly

序号 Ser. No.	代号 Part No.	名称	Name	数量 Qty.
47	18.55.104	垫片	washer	1
48	300.55.151	内提升臂	inlet arm	1
49	YT300B.55.112	提升轴	lift shaft	1
50	GB5783-86	螺栓M8X25	bolt M8X25	3
51	YT300A.55.039	滤清器总成	filter assy	1
52	YT300.55.253	出油接头纸垫	gasket	1
53	E300.55.152	顶杆	piston rod	1
54	YT300B.55.101	提升器壳体	lift case	1
55	E300.55.142	活塞球座	piston ball seat	1
56	E300.55.117	挡圈85X2	washer 85X2	1
57	GB3452.1-92	O型密封圈75X5.3	O-ring 75X5.3	1
58	E300.55.141	活塞	piston	1
59	GB3452.1-92	O型密封圈90X3.55	O-ring 90X3.55	1
60	YT300B.55.114	缸筒	cylinder	1



分配器总成
Distributor Assembly

分配器总成

Distributor Assembly

序号 Ser. No.	代号 Part No.	名称	Name	数量 Qty.
1	GB62-88	蝶形螺母M6	Nut M6	2
2	GB97.1-85	垫圈8	Washer 8	3
3	T30.57.123	手柄压紧弹簧	Spring	1
4	E300.57.151	手柄	Control handle	1
5	GB5781-86	螺栓M10X16	Bolt M10X16	2
6	T30.57.147	挡块	Stopper	1
7	E300.57.128	隔套	Bush	2
8	T30.57.108	手柄轴	Handle shaft	1
9	GB91-86	销2X12	Pin 2X12	3
10	T30.57.125	销轴	Pin	1
11	T30.57.110	操纵臂	Control level	1
12	GB5782-86	螺栓M6X75	Bolt M6X75	4
13	GB859-87	垫圈6	Washer 6	7
14	T30.57.117A	侧盖	Cover	1
15	T30.57.119	摆杆	Swing pole	1
16	T30.57.109	反馈轴	Feedback shaft	1
17	T30.57.120	反馈小臂	Feedback small arm	1
18	E300.57.135	销轴	Pin	1
19	T30.57.133-2	反馈臂	Feedback arm	1
20	GB3452.1-92	O型密封圈9.5X2.65	O-ring 9.5X2.65	2
21	T30.57.118	纸垫	Gasket	1
22	GB879-86	销5X24	Pin 5X24	4
23	T30.57.115-2A	分配器壳体	Distributor case	1

续. 分配器总成

Cont. Distributor Assembly

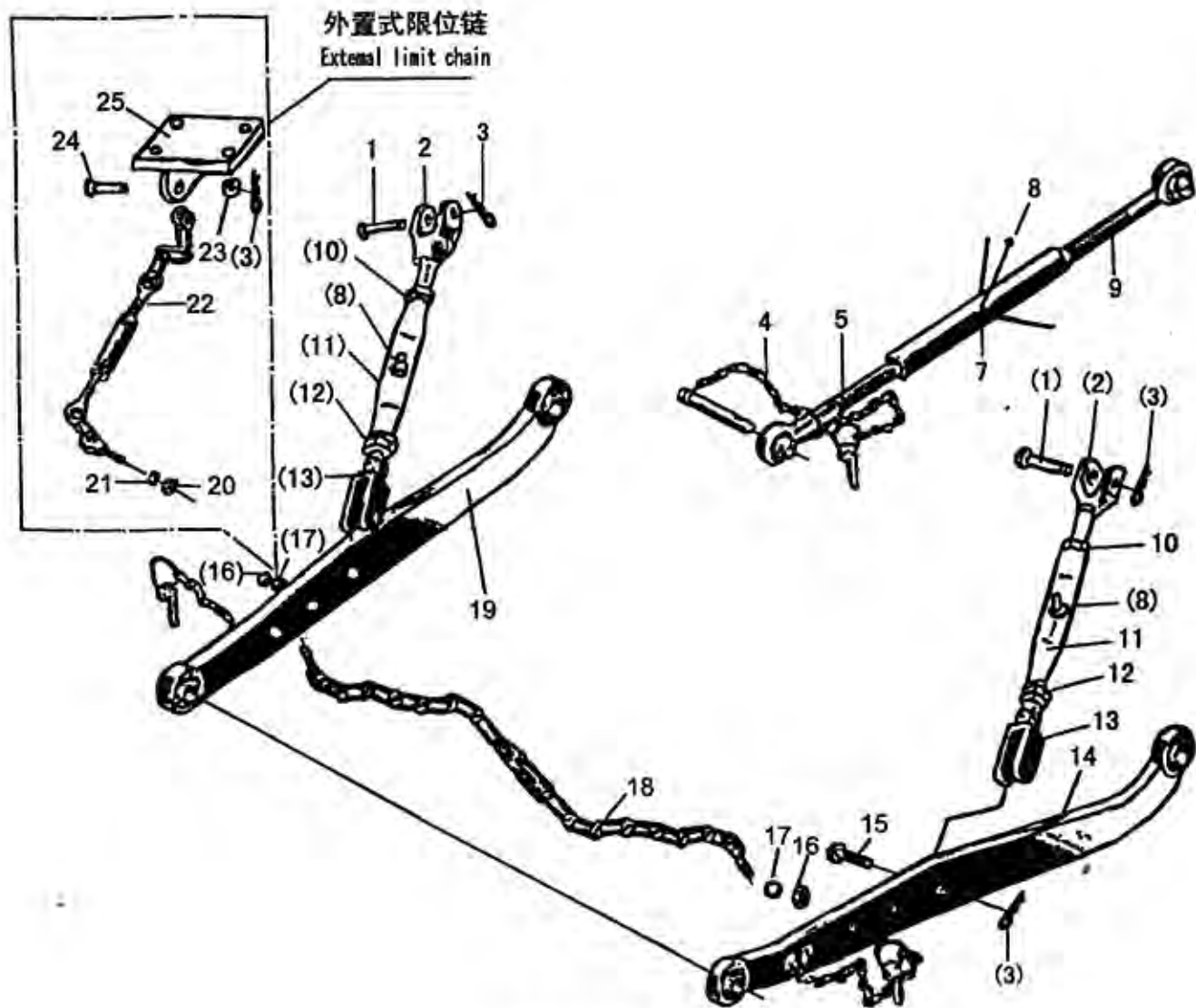
序号 Ser. No.	代号 Part No.	名称	Name	数量 Qty.
24	T30.57.122	主控制阀	Main control valve	1
25	T30.57.104-2	回油阀体	Oil return valve	1
26	T30.57.103-1	回油阀弹簧	Spring	1
27	GB3452.1-92	O型密封圈21.2X2.65	O-ring 21.2X2.65	1
28	T30.57.112	主控制阀弹簧	Spring	1
29	T30.57.102-1	回油阀堵塞	Plug	1
30	GB3452.1-92	O型密封圈19X2.65	O-ring 19X2.65	6
31	GB70-85	螺钉M6X16	Screw M6X16	3
32	T30.57.113	主阀前盖	Front cover	1
33	T30.57.105	安全阀弹簧座	Spring support	1
34	T30.57.156~158	调整垫片	Adjusting washer	△
35	T30.57.106	安全阀弹簧	Spring	1
36	T30.57.107	安全阀体	Safety valve	1
37	T30.57.127	安全阀座	Safety valve support	1
38	T30.57.128	安全阀堵头	Safety valve plug	1
39	T30.57.159~161	调整垫片	Adjusting washer	△
40	T30.57.114	推销	Pushing pin	1
41	T30.57.166	下降阀芯	relief valve	1
42	T30.57.140-1	下降阀弹簧	Spring	1
43	T30.57.138	下降阀套	Valve bush	1
44	T30.57.139	下降阀体	Valve case	1
45	GB3452.1-92	O型密封圈16X1.8	O-ring 16X1.8	1
46	T30.57.137	下降阀堵塞	Valve plug	1

8. 分配器总成

(ont. Distributor Assembly

序号 Ser. No.	代号 Part No.	名称	Name	数量 Qty.
47	GB3452.1-92	O型密封圈22.4X2.65	O-ring 22.4X2.65	1
48	T30.57.145B	单向阀堵塞	Plug	1
49	T30.57.144B	单向阀弹簧	Spring	1
50	T30.57.164	单向阀体垫	Washer	1
51	T30.57.142B	单向阀体	Needle valve	1
52	T30.57.143B	单向阀座	Valve seat	1
53	T30.57.124	手柄压紧螺钉	Impacted screw	1
54	T30.57.126	耕深限位螺钉	Limited screw	1
55	E300.57.147-1	操纵板	Control plate	1
56	T30.57.129	耕深限位套	Limited bush	1
57	GB859-87	垫圈10	Washer 10	2
58	E300.57.132	手柄连接套	Handle bush	1

△适量 Just right amount



悬挂机构总成
Suspension Mechanism Assembly

悬挂机构总成

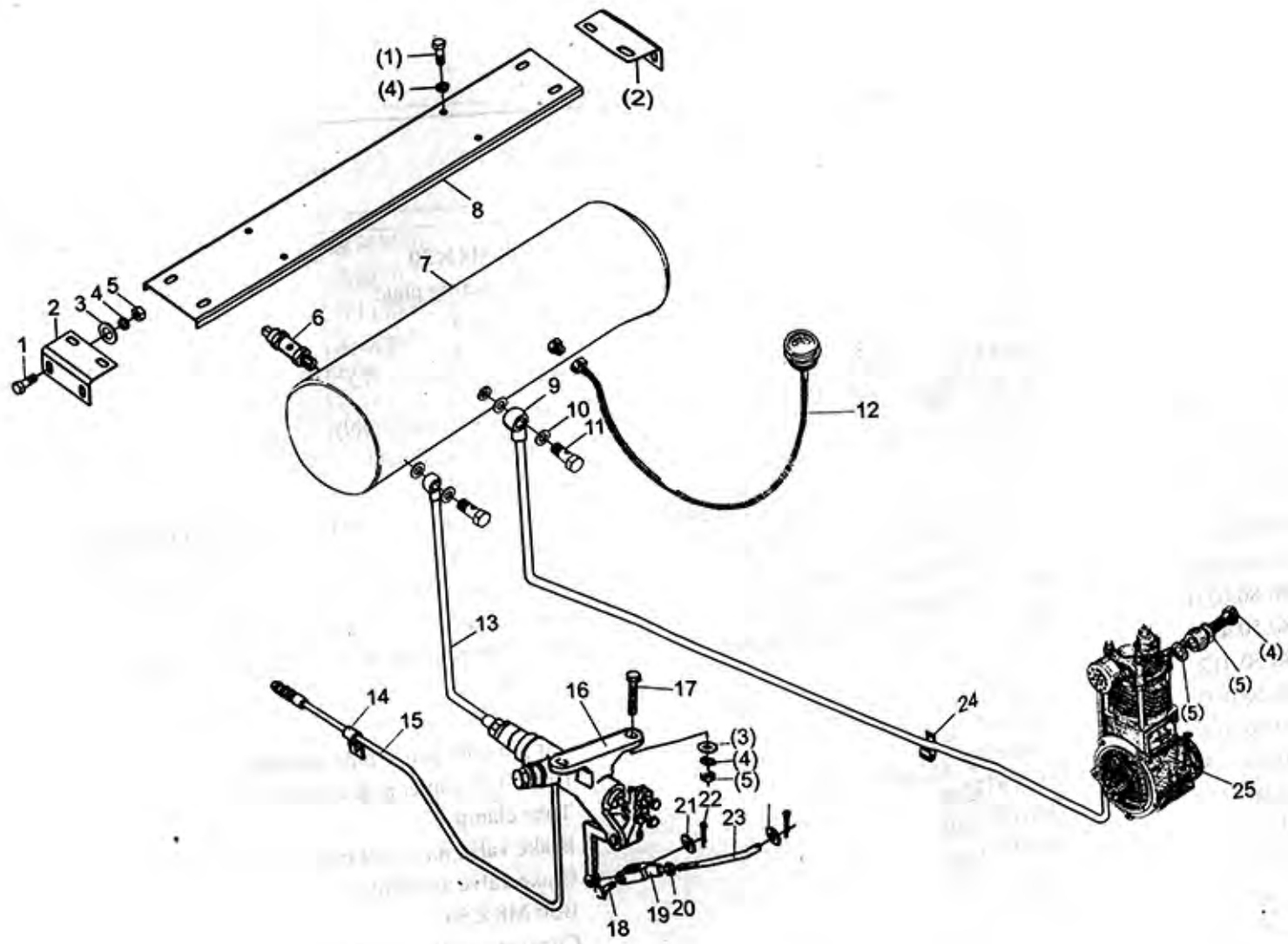
Suspension Mechanism Assembly

序号 Ser. No.	代 号 Part No.	名 称	Name	数量 Qty.
1	300.56.184	提升杆连接销	Connecting pin	2
2	300.56.018	斜拉杆上端焊接总成	Upper adjusting ukd.lift link	2
3	184.56.102	弹簧锁销	Split pin (I)	6
4	300.56.023	上拉杆后连接销及锁销总成	Rear connecting pin & lock pin assembly,	1
	160.56.014	锁销总成	upper link Lock pin assembly	1
		镀锌铁丝链14#	Zinc-coated iron wire chain #14	2
	300.56.127	上拉杆后连接销	Reat connecting pin,upper link	1
	300.56.128	连接环	Connecting ring	1
	300.56.129	连接圆环	Connecting round ring	1
5	300.56.020	上拉杆后调节杆总成	Rear adjusting rod assembly,upper link	1
	300.56.122	上拉杆后调节杆	Rear adjusting rod,upper link	1
	160.56.110	上拉杆球形接头	Spherical joint,ipper link	1
7	300.56.022-1	上拉杆调节螺管焊合作	Adjusting thread pipe assembly,upper link	1
8	GB/17940.1	直通式压注油杯M10×1	Oil cup M10×1	3
9	300.56.021	上拉杆前调节杆总成	Front adjusting rod assembly,upper link	1
10	GB/16170	螺母M22-左	Nut M22-Left	2
11	300.56.105	提升杆螺管	Thread pipe,Hdraulic Power Lift	2
12	GB/16170	螺母M22	Nut M22	2
13	300.56.019	斜拉杆下端焊接总成	Weldment assembly,lift link	2
14	300.56.015	右下拉杆带锁销总成	Right lower linkassembly with lock pin	1
	300.56.028	右下拉杆总成	Right lower link assembly	1
	160.56.014	锁销总成	Lock pin assembly	1
		镀锌铁丝链14#	Zinc-coated iron wire chain #14	1

续. 悬挂机构总成

Cont. Suspension Mechanism Assembly

序号 Ser. No.	代 号 Part No.	名 称 Name	数 量 Qty.	
	GB/T91	销5×22	Split pin 5×22	1
15	GB/T882	销轴B16×50	Axis pin B16×50	2
16	GB/T6170	螺母M14	Nut M14	2
17	GB/T93	垫圈14	Plain washer 14	2
18	300.56.048	下拉杆限位链总成	Limit chain assembly lower link	1
	300.56.144	下拉杆限位链链环	Chain ring, lower link	13
	300.56.145	下拉杆限位链固定螺栓	Fixing bolt, lower link	2
19	300.56.012	左下拉杆带锁销总成	Left lower link assembly with lock pin	1
	300.56.024	左下拉杆总成	Left lower link assembly	1
	160.56.014	锁销总成	Lock pin assembly	1
		镀锌铁丝链14#	Zinc-coated iron wire chain 14#	1
	GB/T91	销5×22	Split pin 5×22	1
20	GB/T6170	螺母M16	Nut 16	2
21	GB/T93-1987	垫圈16	Plain washer 16	2
22	300.56.017A	外置式限位链总成	External limit assembly	2
	300.56.035	限位链调节杆焊合件 I	Adjusting bolt assembly I	1
	300.56.036	限位链调节杆焊合件 II	Adjusting bolt assembly II	1
	300.56.220	限位链螺管	Adjusting rod	1
	GB/T6170	螺母M22-左	Nut M22-Left	1
	GB/T6170	螺母M22	Nut M22	1
23	GB/T95	垫圈10	Plain washer 10	2
24	GB/T882	销轴B10×40	Clevis pin with head B10×40	2
25	300.56.301	限位链拉板	External limit chain	2



气制动总成
 Air Brake Assembly

气制动总成

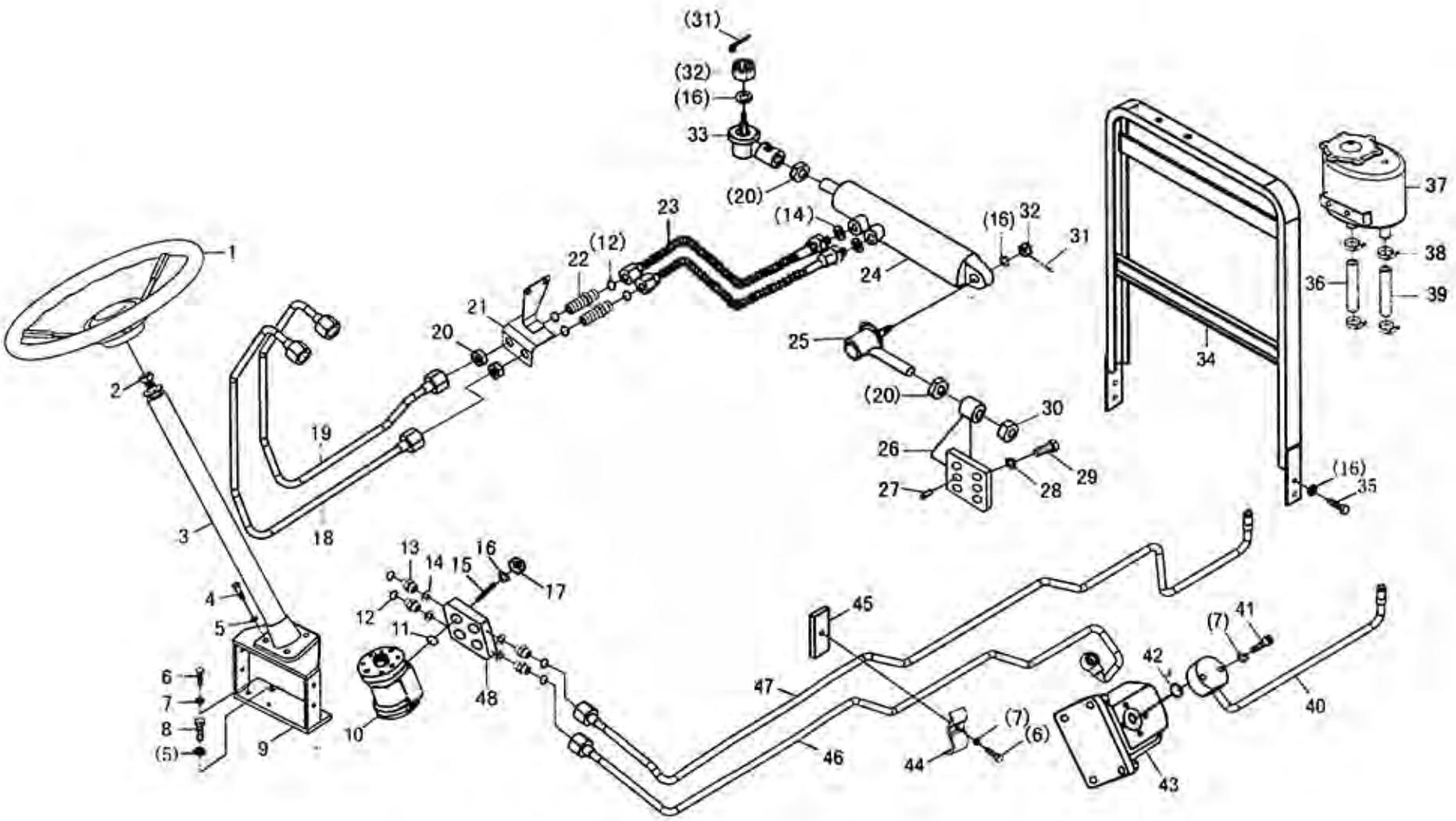
Air Brake Assembly

序号 Ser. No.	代号 Part No.	名称	Name	数量 Qty.
1	GB/T5783	螺栓M8×20	Bolt M8×20	8
2	300.80.322	联接板	Connecting plate	2
3	GB/T97.1	垫圈8	Washer 8	10
4	GB/T93	垫圈8	Washer 8	10
5	GB/T6170	螺母M8	Nut M8	6
6	180.50.021	安全阀总成	Safety valve assembly	1
7	300.80.012B-1	储气筒焊接总成	Air tank weldment	1
8	300.80.321	储气筒支承板	Air tank plate	1
9	300.80.021B	出气管总成(配TY395 / TY3100柴油机)	Outlet pipe assembly(For TY395 /3100 engine)	1
	300.80.021C	出气管总成((配SL2105ABT柴油机)	Outlet pipe assembly(For SL2105ABT engine)	1
	300.80.021D	出气管总成((配ZN390柴油机)	Outlet pipe assembly(For ZN390 engine)	1
	300.80.021E	出气管总成((配ZN490 柴油机)	Outlet pipe assembly(For ZN490 engine)	1
	300.80.021F	出气管总成((配4L22BT柴油机)	Outlet pipe assembly(For 4L22BT engine)	1
10	180.50.413	垫圈	Washer	8
11	180.50.412	铰接螺栓	Bolt	4
12	300.80.010	气压表管总成	Air pressure gauge pipe assembly	1
13	300.80.018	制动阀进气管总成	Brake valve inlet pipe assembly	1
14	300.80.315	气管固定板	Tube clamp	1
15	300.80.011	制动管总成	Brake valve air outlet pipe assembly	1
16	180.50.020	制动阀总成	Brake valve assembly	1
17	GB/T5782	螺栓M8×50	Bolt M8×50	2
18	GB/T882	销轴B10×30	Clevis pin with head B10×30	1
19	180.50.411	制动阀调整叉	Brake valve adjusting fork	1

续.气制动总成

Cont. Air Brake Assembly

序号 Ser. No.	代 号 Part No.	名 称	Name	数量 Qty.
20	GB/T6170	螺母M10	Nut M10	1
21	GB/T95	垫圈10	Washer 10	2
22	GB/T91	开口销3.2×16	Split pin 3.2×16	2
23	300.80.313	制动拉杆	Brake valve pull rod	1
24	300.80.304	气管固定板	Tube clamp	2
25	×300.80.021	空压机总成(直连泵)-----ZN390/490/SL2105	Air compressor-----ZN390/490/SL2105	1
	300.80.016	空压机总成(皮带传动)----TY395/TY3100	Air compressor-----TY395/TY3100	1



全液压转向系统总成
Power Steering Assembly

全液压转向系统总成

Power Steering Assembly

序号 Ser. No.	代号 Part No.	名称 Name	数量 Qty.
1	160.40.016A	方向盘(镁合金骨架)	1
	160.40.019	方向盘(无喇叭)	1
	160.40.020	方向盘(带喇叭)	1
2	GB/T6171	螺母M16×1.5	1
3	404YZ.40.003	转向管柱总成	1
4	GB/T5783	螺栓M10×30	4
5	GB/T93	垫圈10	6
6	GB/T5783	螺栓M8×25	2
7	GB/T93	垫圈8	2
8	GB/T5783	螺栓M10×25	2
9	304YZ.40.011-1	转向器支架焊合件	1
10	C905-01	全液压转向器	1
11	160.54.401	齿轮泵密封圈	4
12	GB33452.1	O形密封圈10×2.65	8
13	304YZ.40.106	转向器油管接头	4
14	D17-EAA-16	复合垫圈16	4
15	GB/T898	螺柱AM12-M12×40	2
16	GB/T93	垫圈12	6
17	GB/T6170	螺母M12	2
18	304YZ.40.015-2	油缸油管总成(右)	1
19	304YZ.40.014-2	油缸油管总成(左)	1
20	304YZ.40.130	M20×1.5薄螺母	2
21	304YZ.40.019-3	油缸油管支架焊合件	1

续. 全液压转向系统总成

Cont. Power Steering Assembly

序号 Ser. No.	代号 Part No.	名称	Name	数量 Qty.
22	304YZ.40.121	进出油管接头	Connector	2
23	304YZ.40.020	转向油缸油管总成-----ZN390/TY395/4L22T	Steering pipe assembly--ZN390/TY395/4L22T	2
	554YZ.40.021	转向油缸油管总成-----4L22BT/ZN490	Steering pipe assembly----4L22BT/ZN490	2
24	304YZ.40.010-1	液压转向油缸总成-----配四轮驱动	Steering cylinder assembly	1
	180YZ.40.041-A	液压转向油缸总成-----配两轮驱动	Steering cylinder assembly	1
25	304YZ.31.022-1	球头总成	Pull rod joint assy	1
26	304YZ.31.301-1	液压油缸后支座	Back support of hydraulic cylinder	1
27	GB/T119	销D12×25	Pin D12×25	2
28	GB/T93	垫圈14	Washer 14	2
29	GB/T5786	螺栓M14×35	Bolt M14×35	2
30	GB/T6171	螺母M20×1.5	Nut M20×1.5	1
31	GB/T91	开口销3.2×26	Split pin 3.2×26	2
32	GB/T6178	螺母M12	Nut M12	2
33	304YZ.31.020-1	油缸连接球头总成	Connector assembly, steering cylinder	1
34	304YZ.40.012B	散热器支架焊合件		1
35	GB/T5783	螺栓M12×25	Bolt M12×25	4
36	304YZ.40.212A	耐油胶管	Soft pipe, PVC	1
37	DP160.40.010-1	动力转向油箱总成	Power steering tank	1
38	D16-15001-20	喉箍13-32	Circlip 13-32	4
39	304YZ.40.212B	耐油胶管	Soft pipe, PVC	1
40	304YZ.40.018-2	转向油泵进油管总成-----TY395/4L22T	Inlet pipe assembly, power steering gear	1
	304T.40.018	转向油泵进油管总成-----SL2105ABT	Inlet pipe assembly, power steering gear	1
	304YZ.40.018C	转向油泵进油管总成-----ZN390	Inlet pipe assembly, power steering gear	1

Cont. Power Steering Assembly

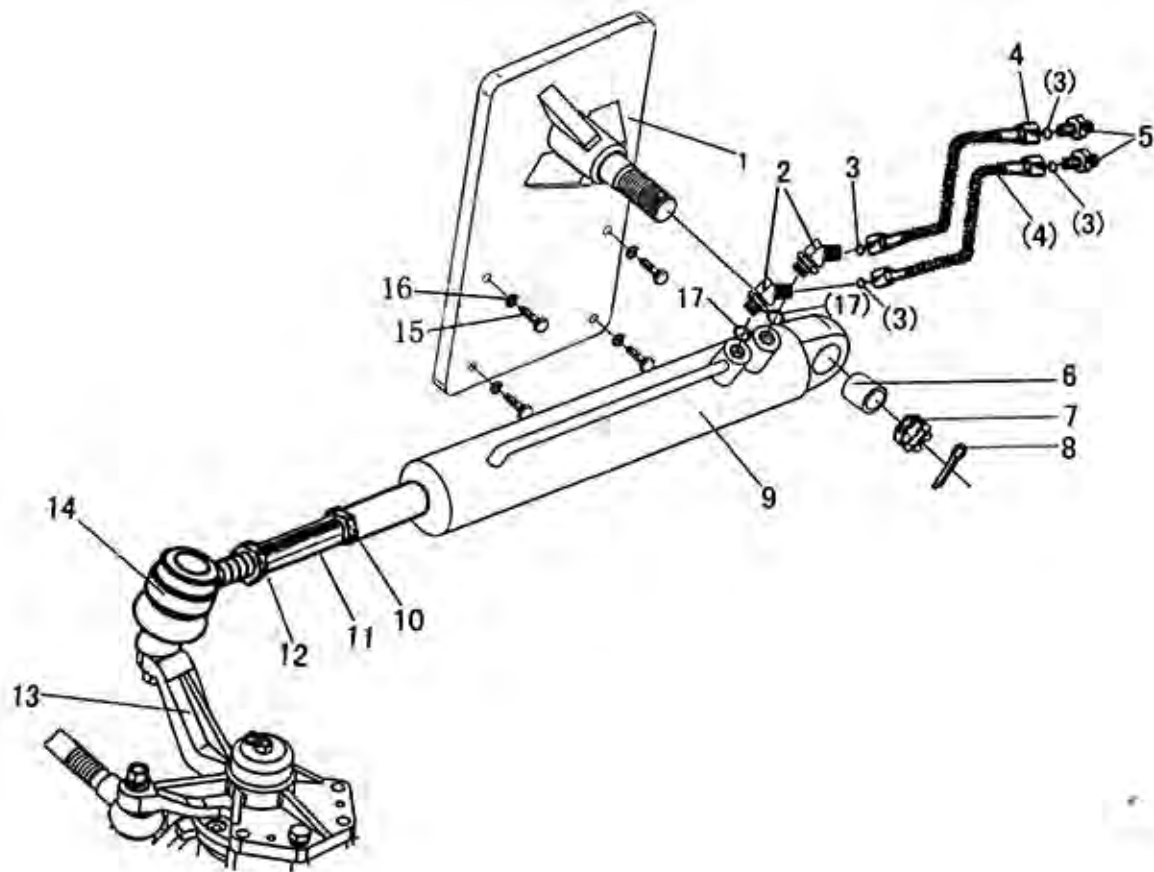
续. 全液压转向系统总成

序号 Ser. No.	代号 Part No.	名称	Name	数量 Qty.
	304YZ.40.018E	转向油泵进油管总成-----4L22BT	Inlet pipe assembly, power steering gear	1
	304YZ.40.052	转向油泵进油管总成-----JD3100	Inlet pipe assembly, power steering gear	1
	354YZ.40.014	转向油泵进油管总成-----SL3100/SL3105	Inlet pipe assembly, power steering gear	1
	354YZ.40.014A	转向油泵进油管总成-----ZN490	Inlet pipe assembly, power steering gear	1
41	GB/T70	内六角螺栓 M8×40	Bolt M8×40	2
42	GB/T3452.1	O形密封圈20*2.65	O-ring 20×2.65	1
43	C901-306-102	恒流泵(左旋/花键/70×100)---TY395/4L22T	Stable overflow pump	1
	C901-306-103	恒流泵(右旋/花键/70×100)---4L22BT	Stable overflow pump	1
	C901-306-105	恒流泵(右旋/扁口/70×100)---SL2105/ZN490	Stable overflow pump	1
44	304YZ.40.204	油管固定卡II	Pipe clip II	1
45	304YZ.40.202	油管固定板II	Pipe press plate II	1
46	304YZ.40.016-2	转向器进油管总成-----TY395/4L22T	Inlet pipe assembly, power steering gear	1
	304.40.016SB	转向器进油管总成-----SL2105ABT	Inlet pipe assembly, power steering gear	1
	304YZ.40.016C	转向器进油管总成-----ZN390	Inlet pipe assembly, power steering gear	1
	304YZ.40.016E	转向器进油管总成-----4L22BT	Inlet pipe assembly, power steering gear	1
	304YZ.40.050	转向器进油管总成-----JD3100	Inlet pipe assembly, power steering gear	1
	354YZ.40.012	转向器进油管总成-----SL3100/SL3105	Inlet pipe assembly, power steering gear	1
	354YZ.40.012A	转向器进油管总成-----ZN490	Inlet pipe assembly, power steering gear	1
47	304YZ.40.017-2	转向器回油管总成-----TY395/4L22T	Oil return pipe assembly, power steering gear	1
	304.40.017SB	转向器回油管总成-----SL2105ABT	Oil return pipe assembly, power steering gear	1
	304YZ.40.017C	转向器回油管总成-----ZN390	Oil return pipe assembly, power steering gear	1
	304YZ.40.017E	转向器回油管总成-----4L22BT	Oil return pipe assembly, power steering gear	1
	304YZ.40.051	转向器回油管总成-----JD3100	Oil return pipe assembly, power steering gear	1

Cont. Power Steering Assembly

续. 全液压转向系统总成

序号 Ser. No.	代号 Part No.	名称	Name	数量 Qty.
48	354YZ.40.012	转向器回油管总成-----SL3100/SL3105	Oil return pipe assembly, power steering gear	1
	354YZ.40.012A	转向器回油管总成-----ZN490	Oil return pipe assembly, power steering gear	1
	304YZ.40.105-1	转向器阀座	connecting base, power steering gear	1

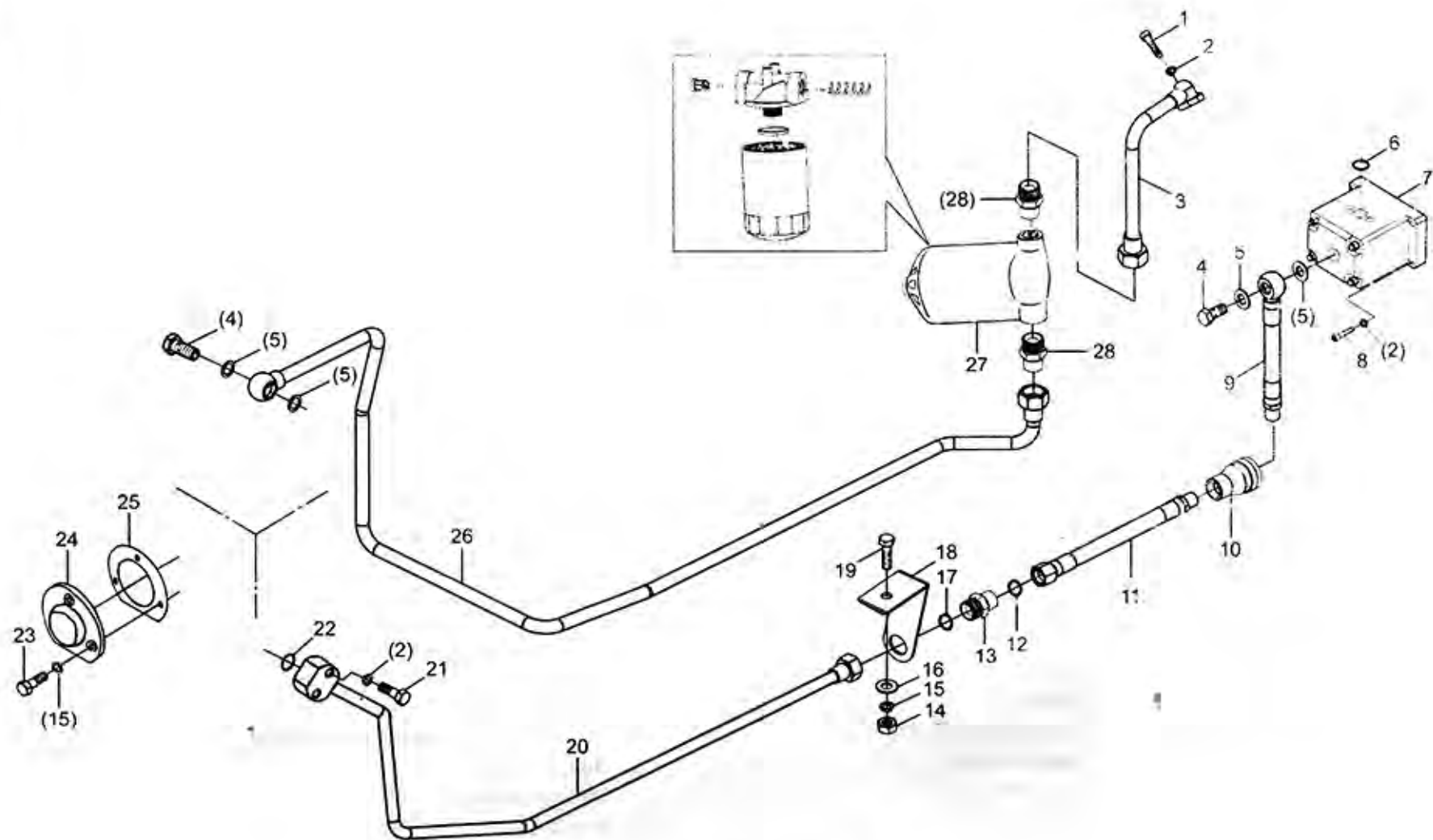


侧置液压转向总成
Side Hydraulic Steering Assembly

侧置液压转向总成

Side Hydraulic Steering Assembly

序号 Ser. No.	代号 Part No.	名称	Name	数量 Qty.
1	304YZ.40.030	油缸支座焊合件	Rear support seat	1
2	160YZ.40.030-1	45° 弯头(合件)	45° Connector	2
3	GB3452.1-1992	O形密封圈10×2.65	O-ring 10×2.65	4
4	160YZ.40.011-1	转向右油管总成	Pipe	2
5	304YZ.40.106	转向器油管接头	Pipe connector power steering	2
6	160YZ.40.102	隔套	Bush	1
7	GB/T6178	六角开槽螺母M16	Nut M16	1
8	GB/T91	销4×32	Pin 4×32	1
9	184YZ.40.041-B	侧置液压转向油缸SG45×160	Steering cylinder SG45×160	1
10	GB/T6173	薄螺母M20×1.5	Nut M20×1.5	1
11	304YZ.40.140	接杆	Connecting rod	1
12	GB/T6173	薄螺母M20×1.5-左	Nut M20×1.5-left	1
13	304YZ.31.156-1	左转向臂	Left steering knuckle arm	1
14	304YZ.31.022-1A	转向拉杆接头总成	Pull rod joint	1
15	GB/T5783	螺栓M12×30	Bolt M12×30	4
16	GB/T93	垫圈12	Washer 12	4
17		复合垫圈16	Washer 14	2



液压油泵及管路总成 I
Pump and pipe I

液压油泵及管路总成 I

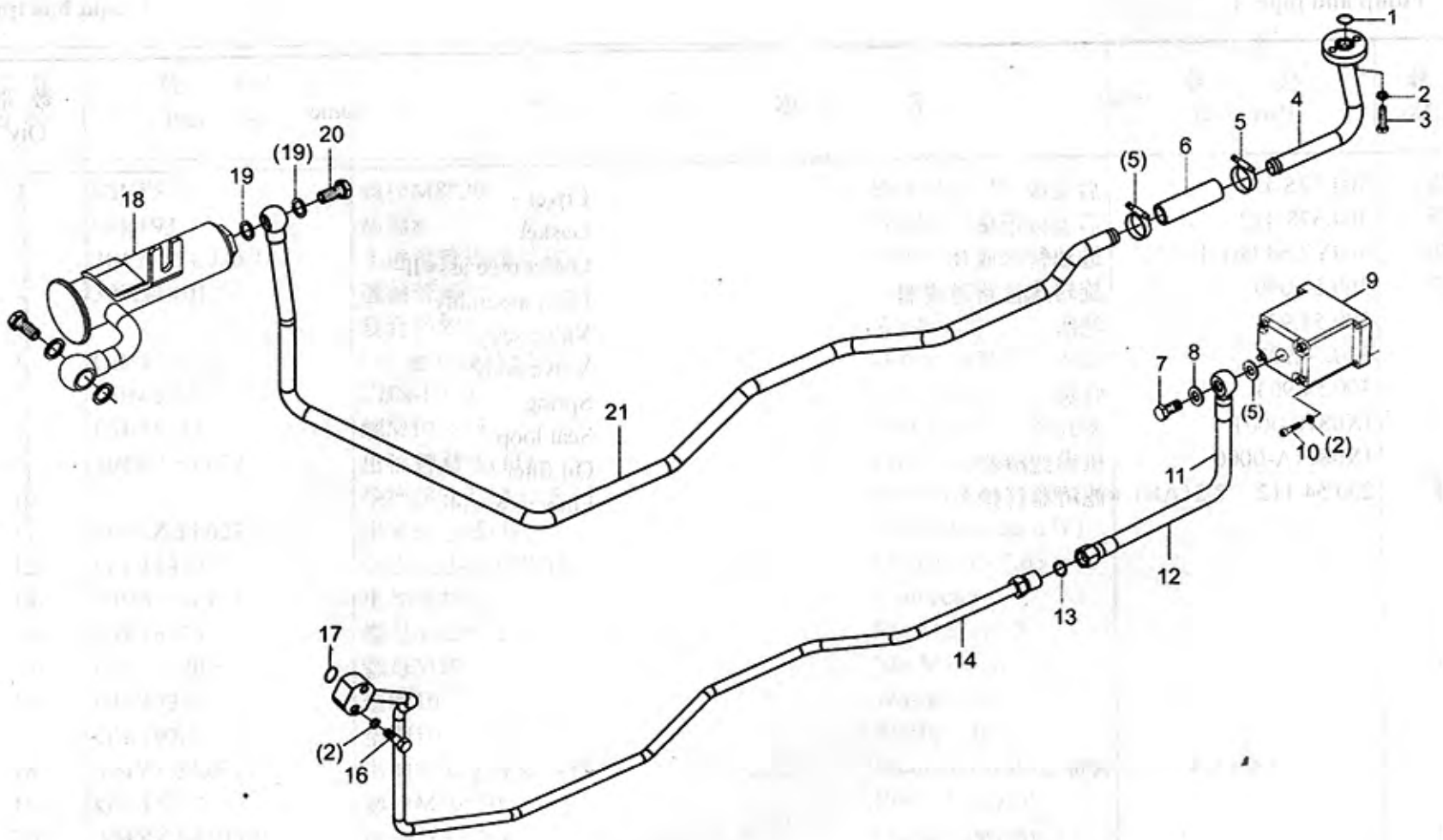
Pump and pipe I

序号 Ser. No.	代 号 Part No.	名 称	Name	数 量 Qty.
1	GB/T5783	螺栓M8*20	Bolt M8×20	2
2	GB/T93	垫圈8	Washer 8	2
3	304YZ.54.040-1	上进油管焊接总成	Inlet pipe assembly	1
4	300.54.101	进油管螺钉	Screw, inlet pipe	1
5		复合垫圈20	Washer 20	2
6	GB/T3452.1	O形密封圈18*2.65	O-ring 18×2.65	1
7	CBN-E314	CBN-E314	Gear pump	1
8	GB/T5783	螺M10×35	Bolt 10×35	4
9	304YZ.54.022	出油管总成(Ⅲ)	Outlet pipe assy (III)	1
10		快换接头TRA12.5	Quick release connector TRA12.5	1
11	304YZ.54.023	出油管总成(Ⅳ)	Outlet pipe assy(IV)	1
12	GB/T3452.1	O形密封圈10*2.65	O-ring 10×2.65	1
13	DP184.54.116	出油管接头	Connector	1
14	GB/T6173	螺母M22*1.5	Nut M22×1.5	1
15	GB/T6170	螺母M10	Nut M10	1
16	GB/T93	垫圈10	Washer 10	5
17	GB/T97.1	垫圈10	Washer 10	5
18	304YZ.54.021-2	出油管安装座焊合件	Mounting seat weldment of outlet pipe	1
19	GB/T5783	螺栓M10*30	Bolt 10×30	1
20	304YZ.54.013A	出油管总成 I	Outlet pipe assy I	1
21	GB/T5783	螺栓M8*40	Bolt 8×40	2
22	GB/T3452.1	O形密封圈11.2*2.65	O-ring 11.2×2.65	1
23	GB/T5783	螺栓M10×25	Bolt M10×25	3

续. 液压油泵及管路总成 I

Cont. Pump and pipe I

序号 Ser. No.	代 号 Part No.	名 称	Name	数量 Qty.
24	304.37S.411	后盖板	Cover	1
25	304.37S.412	后盖板纸垫	Gasket	1
26	304YZ.54.041-1	进油管总成 II	Outlet pipe assy II	1
27	300.54.090	旋转式管路过滤器	Filter assembly	1
	300.54.901	滤座	Valve seat	1
	300.54.902	阀体	Valve body	1
	300.54.903	弹簧	Spring	1
	JX0810-0001	密封圈	Seal loop	1
	JX0811A-0000	机油滤清器	Oil filter	1
28	250.54.112	滤清器管接头	Filter assembly	2



液压油泵及管路总成 II
Pump and pipe II

液压油泵及管路总成II

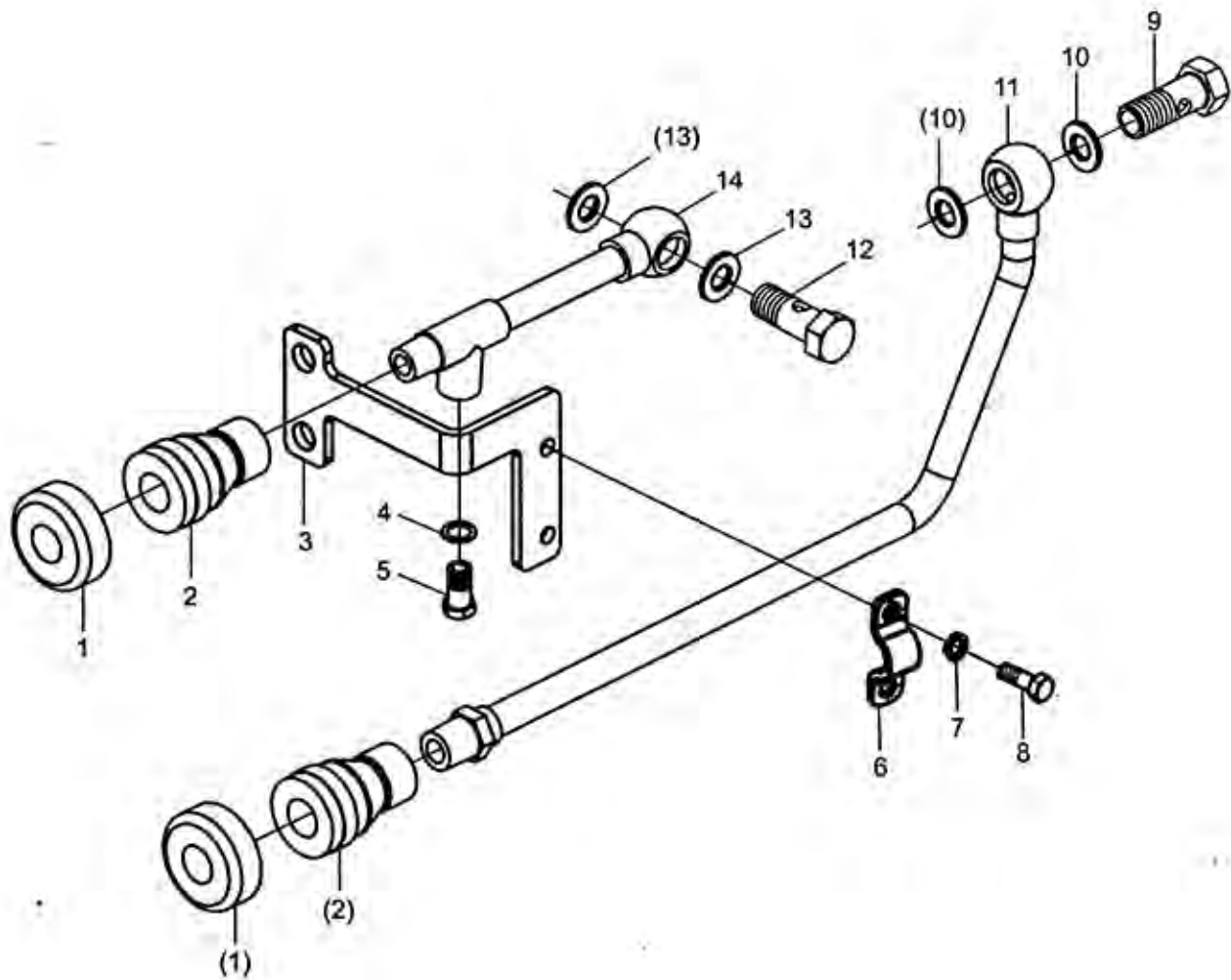
Pump and pipe II

序号 Ser. No.	代号 Part No.	名称	Name	数量 Qty.
1	GB/T3452.1	O形密封圈18×2.65	O-ring 18×2.65	1
2	GB/T93	垫圈8	Washer 8	2
3	GB/T5783	螺栓M8×20	Bolt M8×20	2
4	304.54.012	进油管总成II	Inlet pipe assembly II	1
	304.54.012A	进油管总成II	Inlet pipe assembly II	1
	304.54.012B	进油管总成II	Inlet pipe assembly II	1
	304.54.012C	进油管总成II	Inlet pipe assembly II	1
	304.54.012D	进油管总成II	Inlet pipe assembly II	1
5		卡箍25	Clamp 25	2
6	304YZ.54.513A	夹布输油胶管	Clip cloth oil hose	1
7	160.54.108	铰接螺栓	Screw, inlet pipe	4
8		复合垫圈18	Washer 18	1
9	C901-310-003	齿轮泵(310,左旋,扁口)-----SL210ABT	Gear pump	1
	C901-314-004	齿轮泵(314,右旋,花键)-----4L22BT	Gear pump	1
	C901-314-008	齿轮泵(314,左旋,扁口)-----ZN390/ZN490	Gear pump	1
10	C901-314-010	齿轮泵(314,右旋,花键)-----TY3100	Gear pump	1
11	GB/T5783	螺M10×35	Bolt 10×35	1
12	304YZ.54.014C	出油管总成II	Outlet pipe assy II	1
	304YZ.54.053A	出油管总成II	Outlet pipe assy II	1
13	GB/T3452.1	O形密封圈10*2.65	O-ring 10×2.65	1
14	304.54.011	出油管总成 I	Outlet pipe assy II	1
15	304.54.011A	出油管总成 I	Outlet pipe assy II	1
16	GB/T5782	螺栓M8×40	Bolt M8×40	1

续. 液压油泵及管路总成II

Cont. Pump and pipe II

序号 Ser. No.	代 号 Part No.	名 称	Name	数 量 Qty.
18	GB/T3452.1	O形密封圈11.2*2.65	O-ring 11.2×2.65	1
19		复合垫圈20	Washer 18	4
20	300.54.101	进油管螺钉	Bolt	2
21	304.54.010	进油管总成 I	Inlet pipe assembly I	1
	304.54.010A	进油管总成 I	Inlet pipe assembly II	1

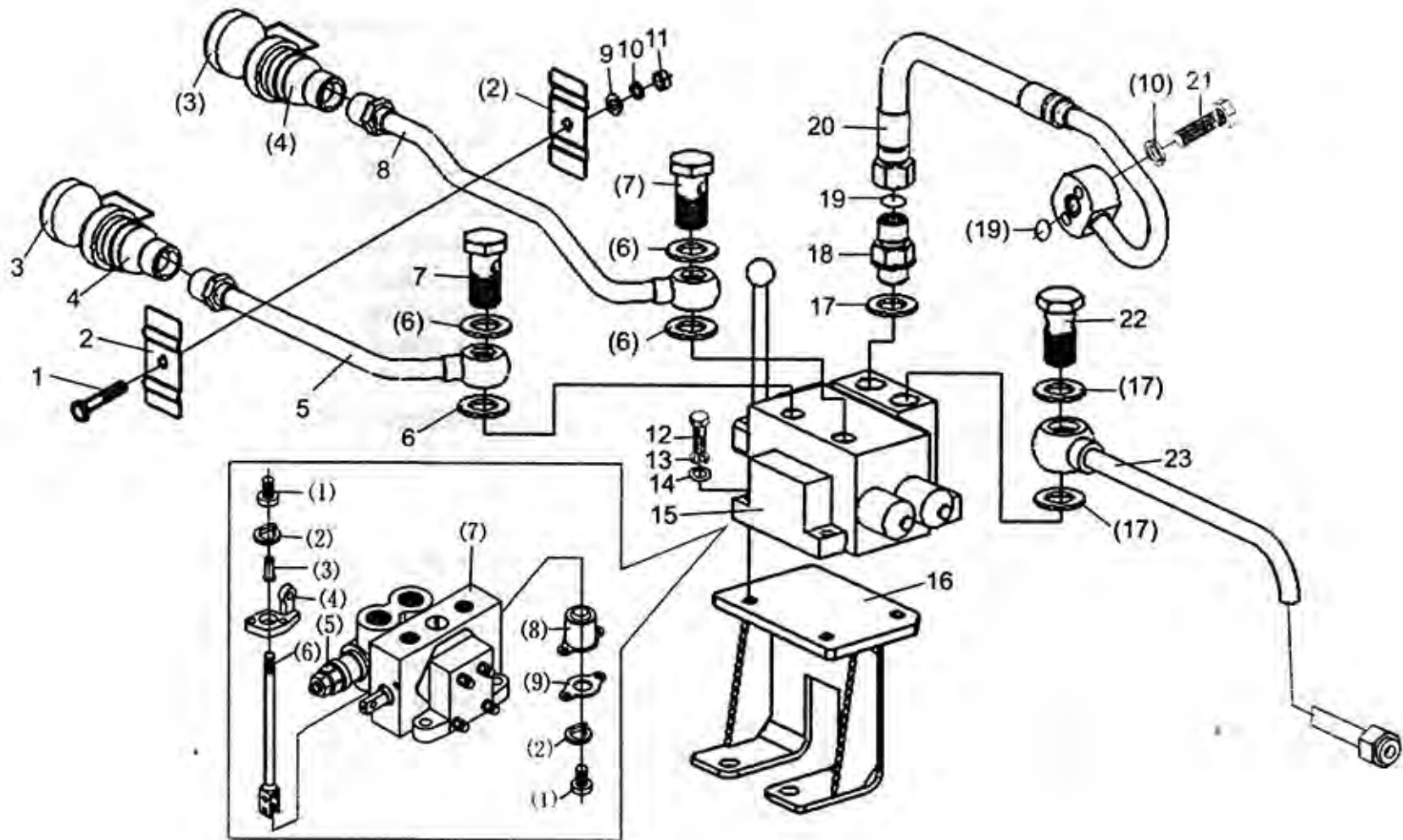


液压输出油管总成
Hydraulic Take-off Pipe

液压输出油管总成

Hydraulic Take-off Pipe

序号 Ser. No.	代号 Part No.	名称	Name	数量 Qty.
1	160.54.220	快换接头防尘罩(I)	plastic cover for connector	2
2		TRA12.5快换接头(凹)	Quick release connector TRA12.5	2
3	300.54.201	液压输出油管固定座	Outlet pipe bracket	1
4		复合垫圈16	Compound Washer 16	1
5	GB/T5786	螺栓M16×1.5×16	Bolt M16×1.5×16	1
6	400.54.135	输出油管压盖	Outlet pipe bracket II	1
7	GB/T93	垫圈8	Washer8	2
8	GB/T5783	螺栓M8×16	Bolt M8×16	2
9	160.54.108	铰接螺栓	Bolt	1
10		复合垫圈18	Compound Washer 18	2
11	300.54.016	液压输出油管焊合件	Outlet pipe assembly	1
12	300.54.101	进油管螺钉	Screw, inlet pipe	1
13		复合垫圈20	Compound Washer 20	2
14	300.54.015	液压输出回油管焊接总成	Return pipe assembly	1



液压输出油管总成 (多路阀)
Hydraulic Take-off Pipe (Multi-way valve)

液压输出油管总成(多路阀)

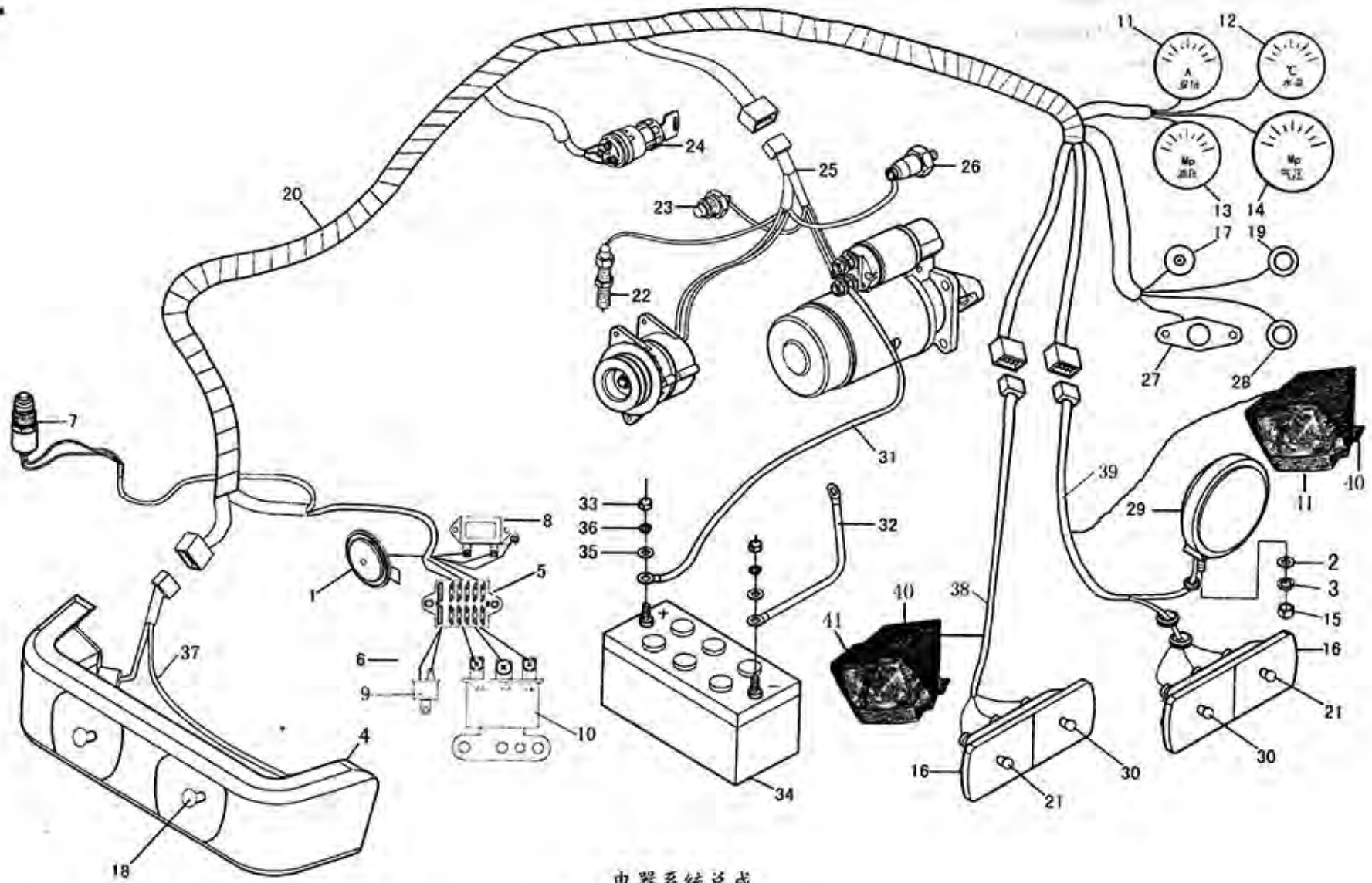
Hydraulic Take-off Pipe (Multi-way valve)

序号 Ser. No.	代号 Part No.	名称	Name	数量 Qty.
1	GB/T5783	螺栓M8×25	Bolt M8×25	1
2	700.40.145	双管夹	Clamp plate	2
3	160.54.220	快换接头防尘罩(I)	Plastic cover for connector	2
4		TRA12.5快换接头(凹)	Quick release connector TRA12.5	2
5	304YZ.54.058	液压输出油管焊合件 I	Outlet pipe assembly I	1
6		复合垫圈18	Washer 18	4
7	160.54.108	铰接螺栓	Bolt	2
8	304YZ.54.059	液压输出油管焊合件 II	Outlet pipe assembly II	1
9	GB/T97.1	垫圈8	Washer 8	1
10	GB/T93	垫圈8	Washer 8	3
11	GB/T6170	螺母M8	Nut M8	1
12	GB/T5783	螺栓M10×30	Bolt M10×30	3
13	GB/T93	垫圈10	Washer 10	3
14	GB/T6170	垫圈10	Washer 10	3
15	DLS-L15F-T	多路换向阀	Multi-way valve	1
(1)	DLS-L15F-01	螺钉M6×20	Screw M6×20	4
(2)	DLS-L15F-02	垫圈6	Washer 6	4
(3)	DLS-L15F-03	销轴	Axis pin	1
(4)	DLS-L15F-04	小支架	Support	1
(5)	DLS-L15F-05	主溢流阀	Main safety valve	1
(6)	DLS-L15F-06	手柄	Handle	1
(7)	DLS-L15F-07	阀体	Valve body	1
(8)	DLS-L15F-08	罩壳	Case	1

续.液压输出油管总成(多路阀)

Cont.Hydraulic Take-off Pipe (Multi-way valve)

序号 Ser. No.	代 号 Part No.	名 称	Name	数量 Qty.
(9)	DI.S-L15F-09	垫片	Washer	1
16	304YZ.54.056	多路阀安装座焊合件	Bracket weldment	1
17		复合垫圈22	Washer 22	3
18	400.54.701	阀接头	Connector	1
19	GB3452.1	O形密封圈11.2×2.65	O-ring 11.2×2.65	2
20	304YZ.54.057	出油管合件	Outlet pipe assembly	1
21	GB/T5782	螺栓M8×40	Bolt M8×40	1
22	700.13.130	空心螺栓	Bolt	1
23	300.54.026A	出油管总成	Outlet pipe assembly	1



电器系统总成
Electrical System Assy

电器系统总成

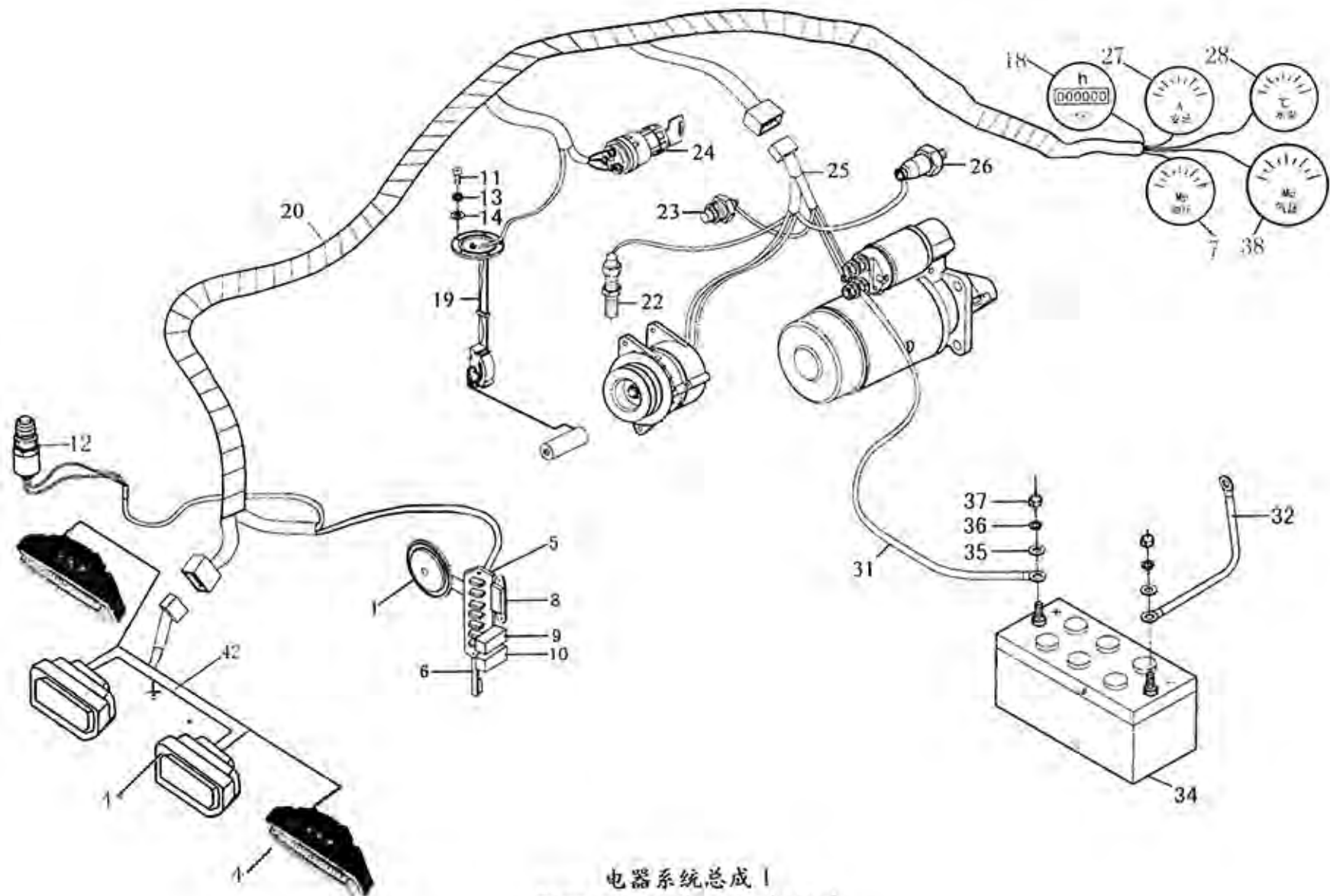
Electrical System Assembly

序号 Ser. No.	代号 Part No.	名称	Name	数量 Qty.
1	C502-Q280	喇叭	Horn	1
2	GB/T93	垫圈12	Washer 12	3
3	GB/T97.1	垫圈12	Washer 12	3
4	C201-016	组合前大灯	Front right	1
5	C702-BX-410	保险丝盒	Fuse box	1
6	250.48.035-3	保险丝盒支架	Bracket	1
7	C402-008	制动灯开关	Switch for brake light	1
8	C501-001	电压调节器	Regulator	1
9	C503-SG123	电子闪光灯	Flasher	1
10	C502-J2	喇叭继电器	Horn relay	1
11	C107-30A	电流表	Electric current meter	1
12	C101-002	水温表	Water temperature meter	1
13	C103-001	油压表	Oil press meter	1
14	C104	气压表	Gas press meter	1
15	GB/T6170	螺母M12	Nut M12	1
16	C202-004	后组合灯	Rear light	1
17	C402-010	转向灯开关	Turn light switch	1
18	C210-010	前大灯灯泡	Front bulb	2
19	C402-002	前大灯近远光开关	Front light switch	1
20	300.48D.025	主线束	Main harness	1
21	C210-015	三色灯灯泡	Double light bulb	2
22	C304-003	转速表感应塞	Speed sensor	1

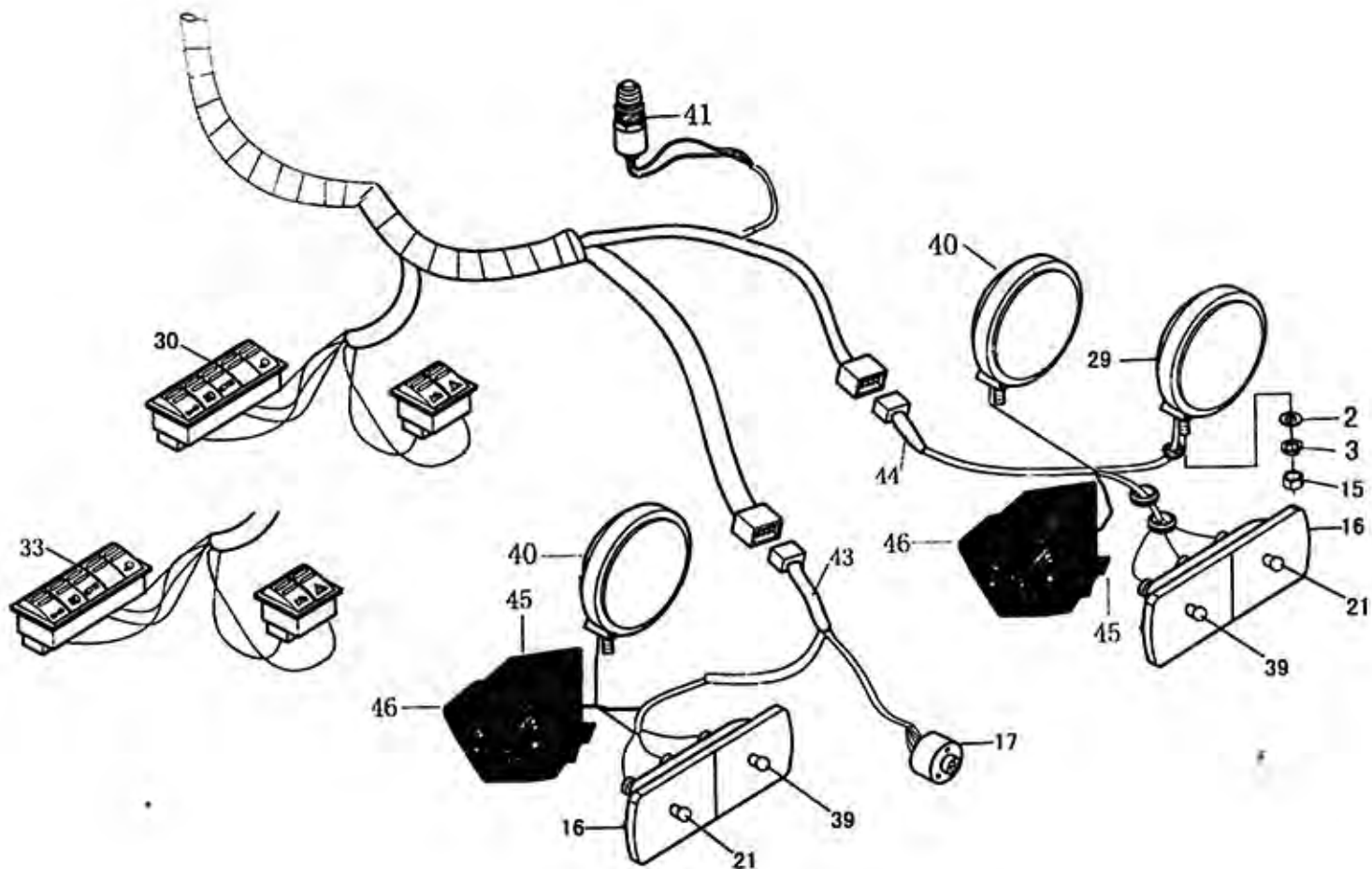
电器系统总成

Electrical System Assembly

序号 Ser. No.	代号 Part No.	名称	Name	数量 Qty.
23	C301-003	水温传感器	Water temperature sensor	1
24	C402-0031	预热启动开关	Preheat starting switch	1
25	300.48.062D	柴油机线束	Diesel engine harness	1
26	C303-002	油压传感器	Oil pressure plug	1
27	C402-005	喇叭开关	Horn switch	1
28	C402-002	后工作灯开关	Tail lamp switch	1
29	C203-001	后工作灯总成	Tail lamp	1
30	C210-018	制动灯灯泡	Bulb	2
31	180.48.027-3	蓄电池至起动机电缆(长910)	Cable, form battery to starter	1
32	180.48.028	搭铁线总成(长270)	Earth cable. battery	1
33	GB/T6170	螺母M8	Nut M8	2
34	C603-6QW-90A11	蓄电池总成	Battery	1
35	GB/T97.1	垫圈8	Washer 8	2
36	GB/T93	垫圈8	Washer 8	2
37	300.48.063C	前大灯线束	Headlamp harness	1
38	300.48.065C	右护板线束	Right apron harness	1
39	300.48.064C	左护板线束	Left apron harness	1
40	250.48.233	前位灯支架	Bracket of teposition lamp	2
41	C202-009	前位灯	teposition lamp	2



电器系统总成 I
 Electrical System Assy I



续图. 电器系统总成 I
 Cont. Electrical System Assy I

电器系统总成 I

Electrical System Assembly I

序号 Ser. No.	代 号 Part No.	名 称	Name	数量 Qty.
1	C502-Q280	喇叭	Horn	1
2	GB/T93	垫圈12	Washer 12	3
3	GB/T97.1	垫圈12	Washer 12	3
4	C201-016	组合前大灯	Front right	1
5	C702-BX-410	保险丝盒	Fuse box	1
6	250.48.035-3	保险丝盒支架	Bracket	1
7	C402-008	制动灯开关	Switch for brake light	1
8	C501-001	电压调节器	Regulator	1
9	C503-SG123	电子闪光器	Flasher	1
10	C502-J2	喇叭继电器	Horn relay	1
11	C107-30A	电流表	Electric current meter	1
12	C101-002	水温表	Water temperature meter	1
13	C103-001	油压表	Oil press meter	1
14	C104	气压表	Gas press meter	1
15	GB/T6170	螺母M12	Nut M12	1
16	C202-004	后组合灯	Rear light	1
17	C402-010	转向灯开关	Turn light switch	1
18	C210-010	前大灯灯泡	Front bulb	2
19	C402-002 *	前大灯近远光开关	Front light switch	1
20	300.48D.025	主线束	Main harness	1
21	C210-015	三色灯灯泡	Double light bulb	2
22	C304-003	转速表感应塞	Speed sensor	1

续. 电器系统总成 I

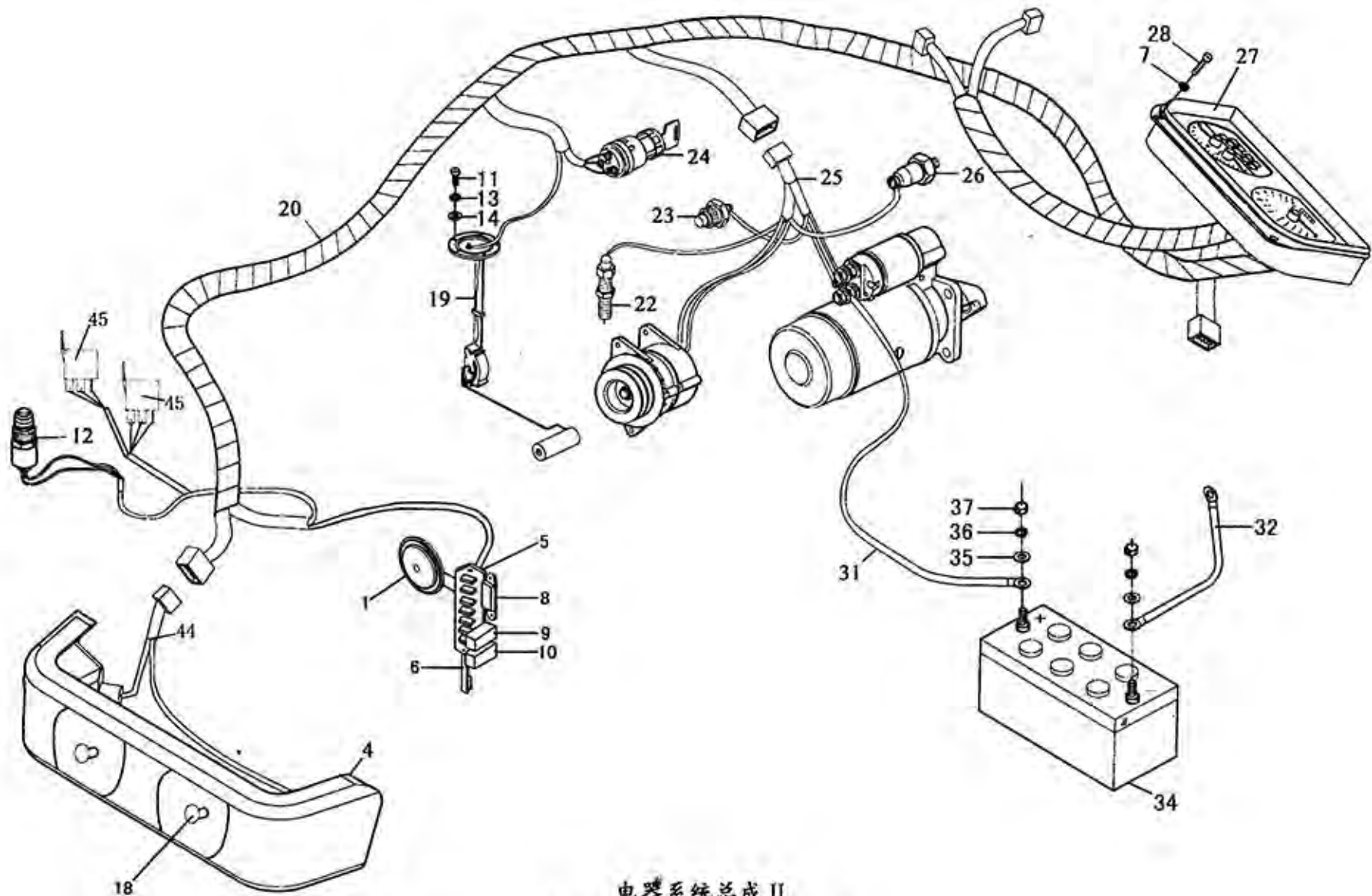
Cont. Electrical System Assembly I

序号 Ser. No.	代号 Part No.	名称	Name	数量 Qty.
22	C304-003	转速表感应塞	Speed sensor	1
23	C301-003	水温传感器	Water temperature sensor	1
24	C402-003	预热启动开关	Preheat starting switch	1
25	300.48.062	柴油机线束	Diesel engine harness	1
26	C303-002	油压传感器	Oil pressure plug	1
27	C107-30A1	电流表	Electric current meter	1
28	C101-002I	水温表	Water temperature meter	1
29	C203-002	后工作灯总成	Tail lamp	1
30	180.48D.039	5·2联开关(单)	Left 5-function switch	1
31	180.48.027-3	蓄电池至起动机电缆(长910)	Cable, from battery to starter	1
32	180.48.028	搭铁线总成(长270)	Earth cable, battery	1
33	180.48D.040	5·2联开关(双)	Right 2-function switch	1
34	C603-6QW-90A11	蓄电池总成	Battery	1
35	GB/T97.1	垫圈8	Washer 8	2
36	GB/T93	垫圈8	Washer 8	2
37	GB/T6170	螺母M8	Nut M8	2
38	C104	气压表	Gas press meter	1
39	C210-018	制动灯灯泡	Brake light bulb	2
40	C208-002	警示灯(选项)	Warning (option)	2
41	C402-007	离合器连锁开关(中立开关)	Clutch chain switch (neutral switch)	1
42	300.48.063E	前大灯线束(单灯丝)	Headlamp harness	1
	300.48.063A	前大灯线束(双灯丝)	Headlamp harness	1
43	300.48.064	左护板线束	Left apron harness	1

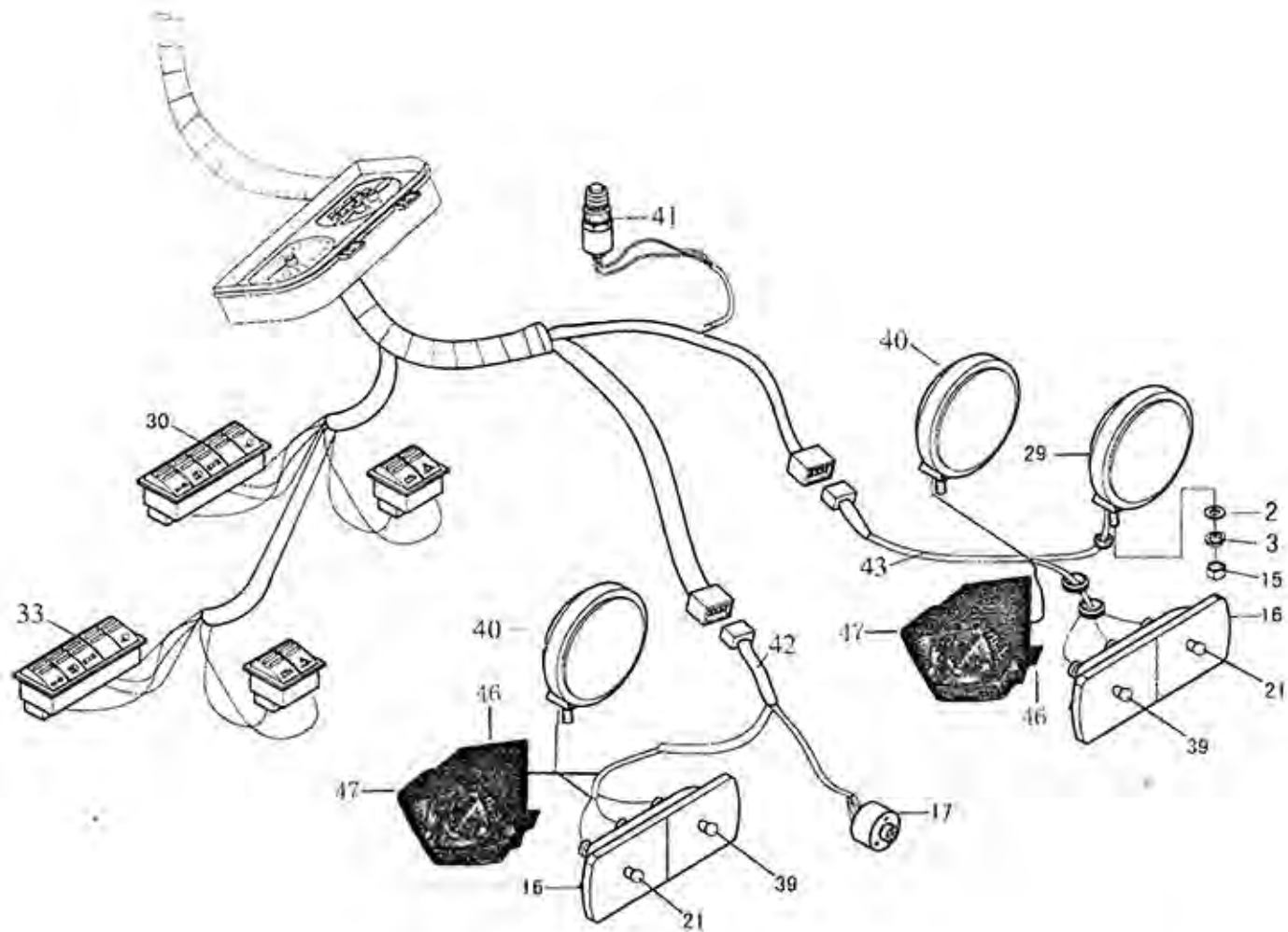
续. 电器系统总成 I

Cont. Electrical System Assembly I

序号 Ser. No.	代 号 Part No.	名 称	Name	数量 Qty.
44	300.48.065	右护板线束	Right apron harness	1
45	250.48.233	前大灯支架	Bracket of teposition lamp	2
46	C202-009	前大灯	teposition lamp	2



电器系统总成 II
Electrical System Assy II



续图. 电器系统总成 II
 Cont. Electrical System Assy II

电器系统总成II

Electrical System Assembly II

序号 Ser. No.	代 号 Part No.	名 称	Name	数量 Qty.
1	C502-Q280	喇叭	Horn	1
2	GB/T93	垫圈12	Washer 12	3
3	GB/T97.1	垫圈12	Washer 12	3
4	C201-016	组合前大灯	Front right	1
5	C702-BX-410	保险丝盒	Fuse box	1
6	250.48.035-3	保险丝盒支架	Bracket	1
7	C402-008	制动灯开关	Switch for brake light	1
8	C501-001	电压调节器	Regulator	1
9	C503-SG123	电子闪光器	Flasher	1
10	C502-J2	喇叭继电器	Horn relay	1
11	C107-30A	电流表	Electric current meter	1
12	C101-002	水温表	Water temperature meter	1
13	C103-001	油压表	Oil press meter	1
14	C104	气压表	Gas press meter	1
15	GB/T6170	螺母M12	Nut M12	1
16	C202-004	后组合灯	Rear light	1
17	C402-010	转向灯开关	Turn light switch	1
18	C210-010	前大灯灯泡	Front bulb	2
19	C402-002	前大灯远近光开关	Front light switch	1
20	300.48D.025	主线束	Main harness	1
21	C210-015	三色灯灯泡	Double light bulb	2
22	C304-003	转速表感应塞	Speed sensor	1

续. 电器系统总成II

Cont. Electrical System Assembly II

序号 Ser. No.	代号 Part No.	名称	Name	数量 Qty.
22	C304-003	转速表感应塞	Speed sensor	1
23	C301-003	水温传感器	Water temperature sensor	1
24	C402-003	预热启动开关	Preheat starting switch	1
25	300.48.062	柴油机线束	Diesel engine harness	1
26	C303-002	油压传感器	Oil pressure plug	1
27	C110-015	组合仪表总成	Gauge unit assembly	1
28	GB/T818	螺栓M6×20	Bolt M6×20	6
29	C203-002	后工作灯总成	Tail lamp	1
30	180.48D.039	5+2联开关(单)	Left 5-function switch	1
31	180.48.027-3	蓄电池至起动机电缆(长910)	Cable, from battery to starter	1
32	180.48.028	搭铁线总成(长270)	Earth cable, battery	1
33	180.48D.040	5+2联开关(双)	Right 2-function switch	1
34	C603-6QW-90A11	蓄电池总成	Battery	1
35	GB/T97.1	垫圈8	Washer 8	2
36	GB/T93	垫圈8	Washer 8	2
37	GB/T6170	螺母M8	Nut M8	2
38	C402-007	中立开关	Neutrally switch	1
39	C210-018	制动灯灯泡	Brake light bulb	2
40	C208-002	警示灯(选项)	Warning (option)	2
41	C402-007	离合器连锁开关(中立开关)	Clutch chain switch (neutral switch)	1
42	300.48.064	左护板线束	Left apron harness	1
43	300.48.065	右护板线束	Right apron harness	1

续. 电器系统总成II

Cont. Electrical System Assembly II

序号 Ser. No.	代号 Part No.	名称	Name	数量 Qty.
44	300.48.063E	前大灯线束(单灯丝)	Headlamp harness	1
	300.48.063A	前大灯线束(双灯丝)	Headlamp harness	1
45	C502-001	继电器 (选项)	relay	2
46	250.48.233	前大灯支架	Bracket of teposition lamp	2
47	C202-009	前大灯	teposition lamp	2