

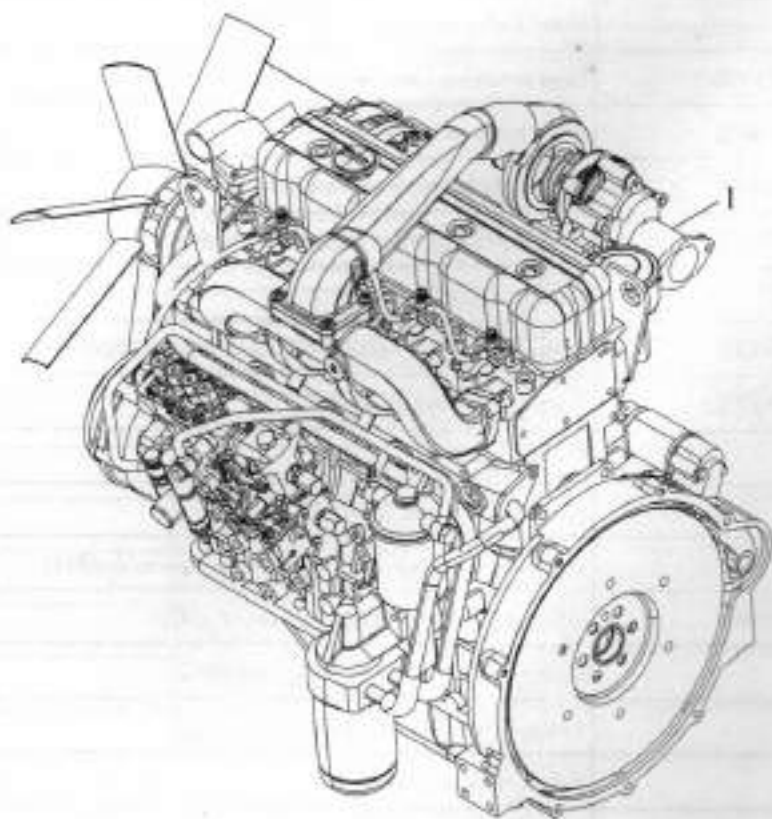
Catalogue

Label	Part code and specifications	Part name	Page code
1	4L22BT-1H44	Engine assembly(001)	1
2	TL01110060000K	Air filter assembly(001)	3
3	TE354.13	Cooling system assembly	5
4	TE354.201	Hand throttle, stall pull line assembly(005)	7
5	TE300.211D	Clutch assembly	9
6	TE354.212	Clutch operating mechanism assembly(011)	11
7	TE350.22C	Exhaust system assembly(002)	13
8	TL02311010000	Front drive axle assembly	15
9	TL02312010000K	Bracket assembly(001)	27
10	TE254.313G	Front support assembly(002)	29
11	TE254.314G	Rear support assembly(002)	31
12	TE300.35	Traction device assembly	33
13	TE354.361T	Shuttle shift assembly(005)	35
14	TE250.362M	Shuttle type shift control assembly	41
15	TE354.371T	Transmission assembly(007)	43
16	TE354.372A	Transmission case rear central assembly(010)	49
17	TE354.373	Transmission control assembly	55
18	TE300.391	Left axle assembly	61
19	TE300.392	Right axle assembly	63
20	TE250.401A	Steering wheel assembly	65
21	TE354.402	Steering pipe assembly(012)	67
22	TL01403040000K	Steering column assembly(002)	71
23	TE300.411	Power output shaft assembly(6 teeth)	73
24	TE354.412	Power output gear assembly(006)	75
25	TE354.413	Power output control mechanism assembly	77
26	TE254.421B	Transfer case assembly(004)	79
27	TE354.422	Transfer gear shaft and shield assembly(005)	81
28	TE254.423C	Transfer box control assembly(007)	83
29	TE354.431A	Brake assembly(006)	85
30	TE354.433B	Service brake control assembly	87
31	TE300.44	Seat assembly(004)	93
32	TE250.472F	Floor assembly(013)	95
33	TE254.457	Front connection assembly(004)	99

Catalogue

Label	Part code and specifications	Part name	Page code
34	TE354.458	Rear connection assembly(004)	101
35	TE250.471C	Hood assembly(012)	103
36	TE250.474C	Instrument panel assembly(001)	105
37	TE250.476D	Hood air spring mounting assembly(003)	107
38	TE250.477	Hood lock control assembly(005)	109
39	TL01481190000K	Engine wiring harness assembly(003)	111
40	TL01482320000K	Body harness assembly	113
41	TL01483020000K	Headlight harness assembly(001)	115
42	TL01484240000K	After installing wire harness assembly	117
43	TE300.485C	Battery assembly(004)	119
44	TE2S487030000K	Combination instrument installation assembly(001)	121
45	TL02500010000K	Fuel tank assembly(002)	123
46	TE354.55	Lift assembly	125
47	TE354.56	Suspension assembly(012)	127
48	TE354.57	Distributor and control mechanism assembly(003)	131
49	TL02581010000K	Oil pump tubing oil filter assembly(001)	135
50	TE354.582	Multiway valve oil pipe assembly(012)	137
51	TE254.742	Front weight assembly(010)	141
52	TE354.46A	Safety rack assembly	143
53	TA600.62A	3 inch seat belt assembly	145
54	TE354.202	Foot throttle assembly(006)	147
55	TE204.32F	Front drive wheel assembly	149
56	TE254.34F	Rear drive wheel assembly (13-20 gardening)	151
57	TE354.583	Simple hydraulic output assembly assembly(003)	153
58	TE250.556B	Hydraulic fuel tank assembly(009)	155
59	FT300.49.001	Tool kit assembly	157

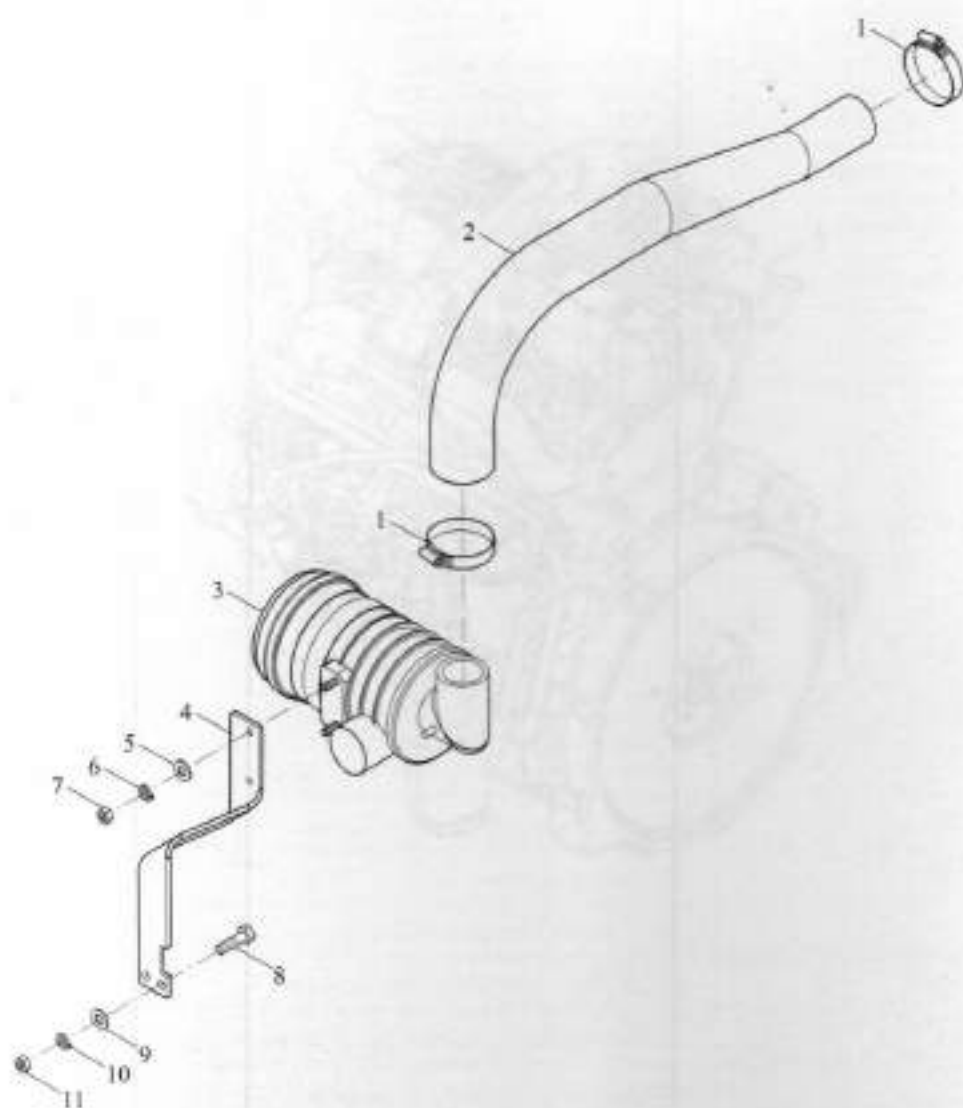
4L22BT-1H44 Engine assembly(001)



4L22BT-1H44 Engine assembly(001)

No.	Part code and specification	Part name	Quantity	Remark
1	4L22BT-1H44 4L22BT-1H44	Engine assembly Engine assembly	1 1	

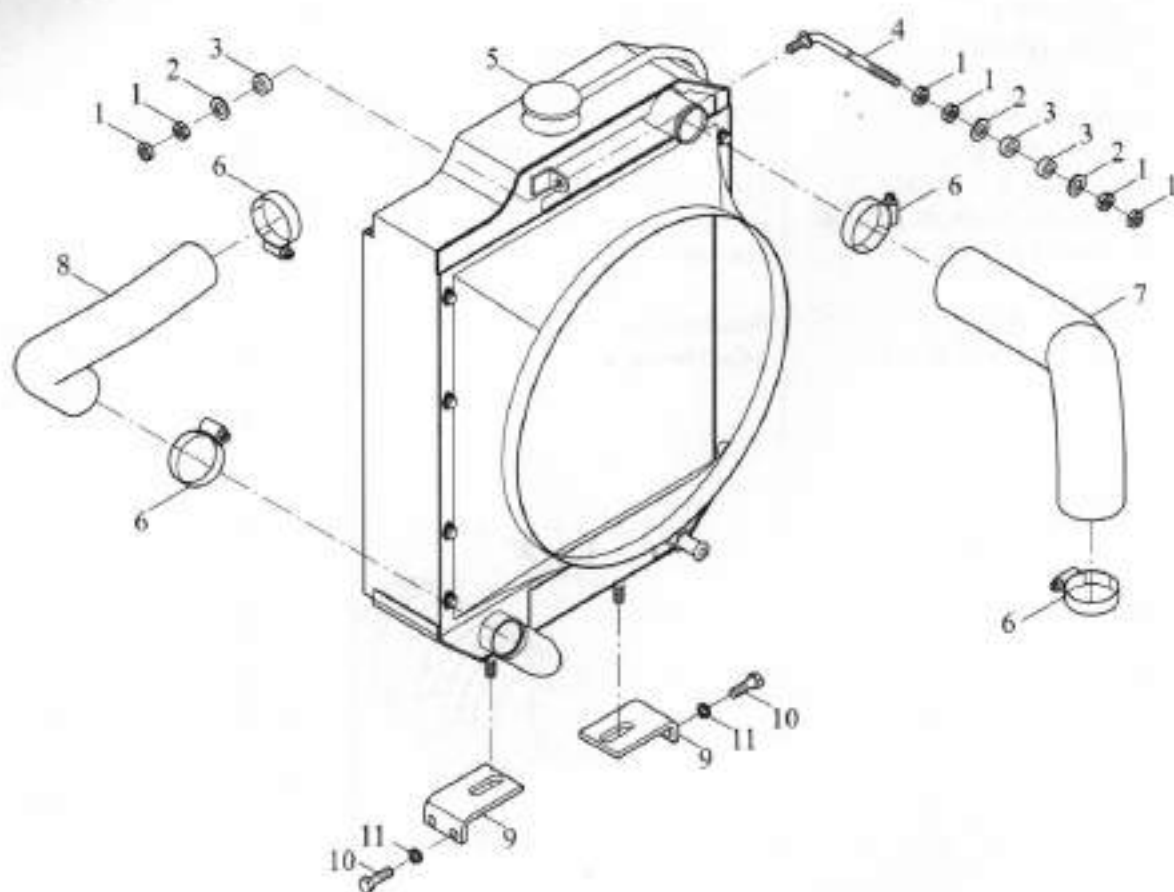
TL01110060000K Air filter assembly(001)



TL01110060000K Air filter assembly(001)

No.	Part code and specification	Part name	Quantity	Remark
	TL01110060000K	Air filter assembly	1	
1	Q67676	B type worm drive hose ring	2	
2	TL01110060001K	Intake hose	1	
3	TE250.11F.1	Air filter assembly	1	
4	TE320.11B-02	Air filter mounting plate	1	
5	GBT97.1-8-A3L	Flat washer	2	
6	GBT93-8-A3L	Normal type single coil spring lock washers	2	
7	GBT6170-M8-8-A2L	Type I hexagon nut	2	
8	GBT5783-M10X30-8.8-A3L	Hexagon headed bolt	2	
9	GBT97.1-10-A3L	Flat washer	2	
10	GBT93-10-A3L	Normal type single coil spring lock washers	2	
11	GBT6170-M10-8-A3L	Type I hexagon nut	2	

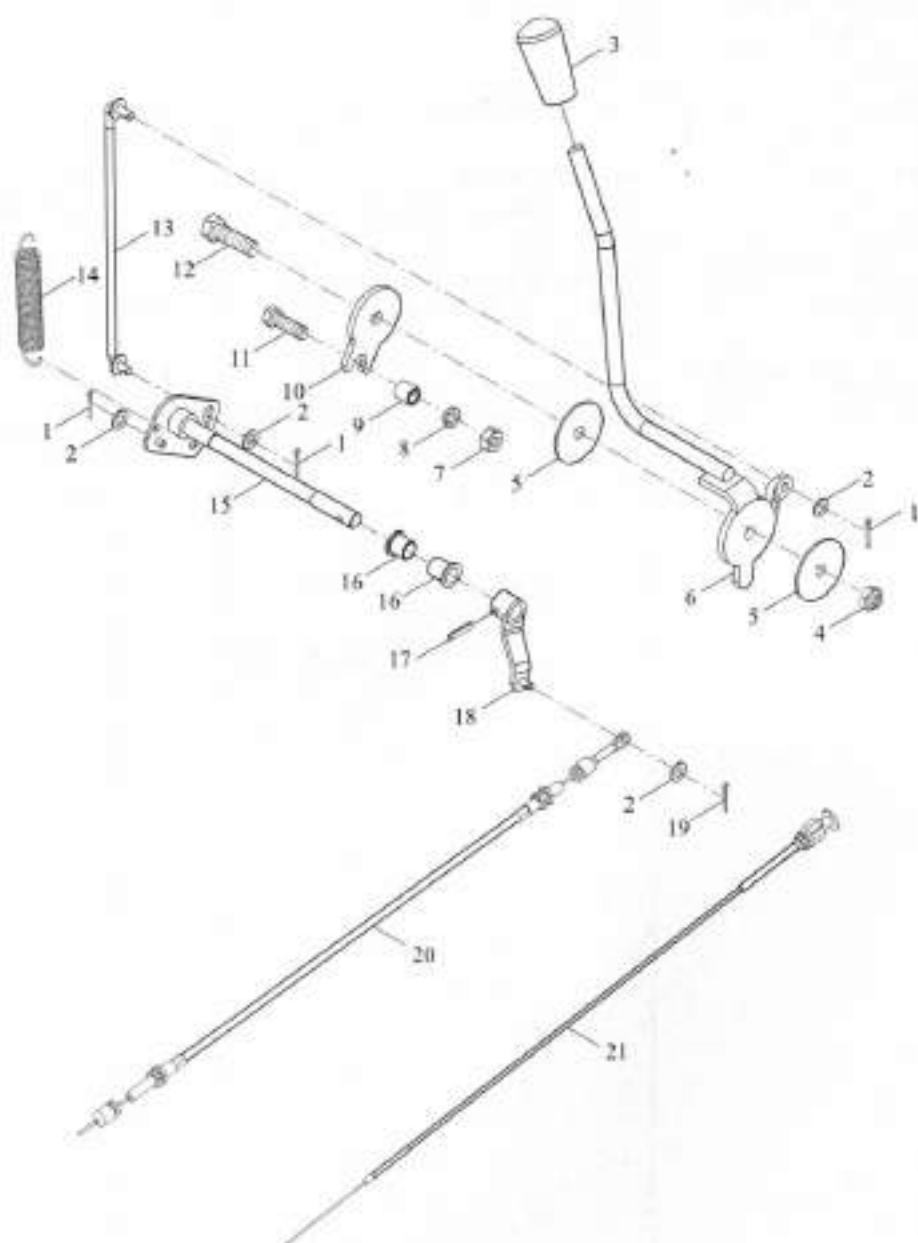
TE354.13 Cooling system assembly



TE354.13 Cooling system assembly

No.	Part code and specification	Part name	Quantity	Remark
	TE354.13	Cooling system assembly	1	
1	GBT6172.1-M8-04-A2L	Six angle thin nut	6	
2	GBT97.1-8-A0P	Plain washer	3	
3	FT650.13.135	Rubber pad	3	
4	TE354.13.2	Radiator rod welding	1	
5	TE354.13.1	Radiator assembly	1	
6	Q67657	B type worm drive hose ring	4	
7	TE354.13-01	Plain washer	1	
8	TE250.13-05	Water tank water hose	1	
9	TE250.13B.2	Radiator bracket welding	2	
10	GBT5783-M8X35-8.8-A2L	Hex bolt	4	
11	GBT93-8-A0P	Normal type single coil spring lock washer	4	

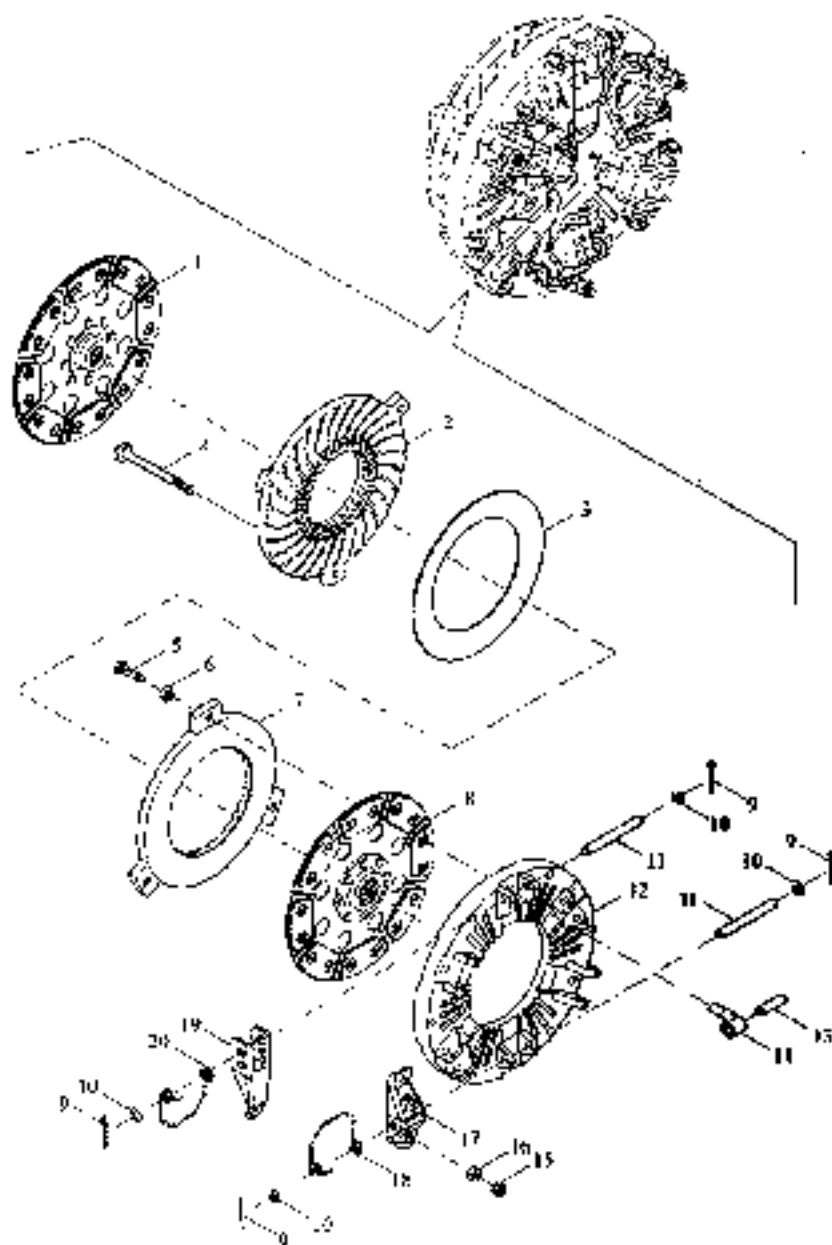
TE354.201 Hand throttle Extinction cable assembly(005)



TE354.201 Hand throttle Extinction cable assembly(005)

No.	Part code and specification	Part name	Quantity	Remark
	TE354.201	Hand throttle, stall pull wire assembly (005)	1	
1	GBT91-2X10-A0P	Cotter pin	3	
2	GBT97.1-6-A0P	Plain washer	4	
3	LA754.201-01	Handle	1	
4	GBT1337-M10	Hexagonal self-locking nuts	1	
5	LA754.201-03	Friction plate	2	
6	TE254.201A.2	Rocker welding	1	
7	GBT6170-M8-8-A2L	Type 1 hexagon nut	1	
8	GBT93-8-A0P	Normal type single coil spring lock washer	1	
9	LA754.201-04	Limit sleeve	1	
10	LA754.201-02	Limit plate	1	
11	GBT5783-M8X35-8.8-A2L	Hex bolt	1	
12	GBT5783-M10X40-8.8-A3L	Hex bolt	1	
13	TE254.201A.1a	Pull rod weldment	1	
14	GBT2088-LHIB-2X16X112	Cylindrical spiral tension spring	1	
15	LA754.201.3	Arm welding	1	
16	LA754.201-05	Nylon bushings	2	
17	GBT879.1-5X20	Elastic cylindrical pin	1	
18	LA754.201.4	Pull the rope arm welding	1	
19	GBT91-2X12-A0P	Cotter pin	1	
20	TE354.201-01	Hand throttle wire assembly	1	
21	FT300.20.018	Stamped wire assembly	1	

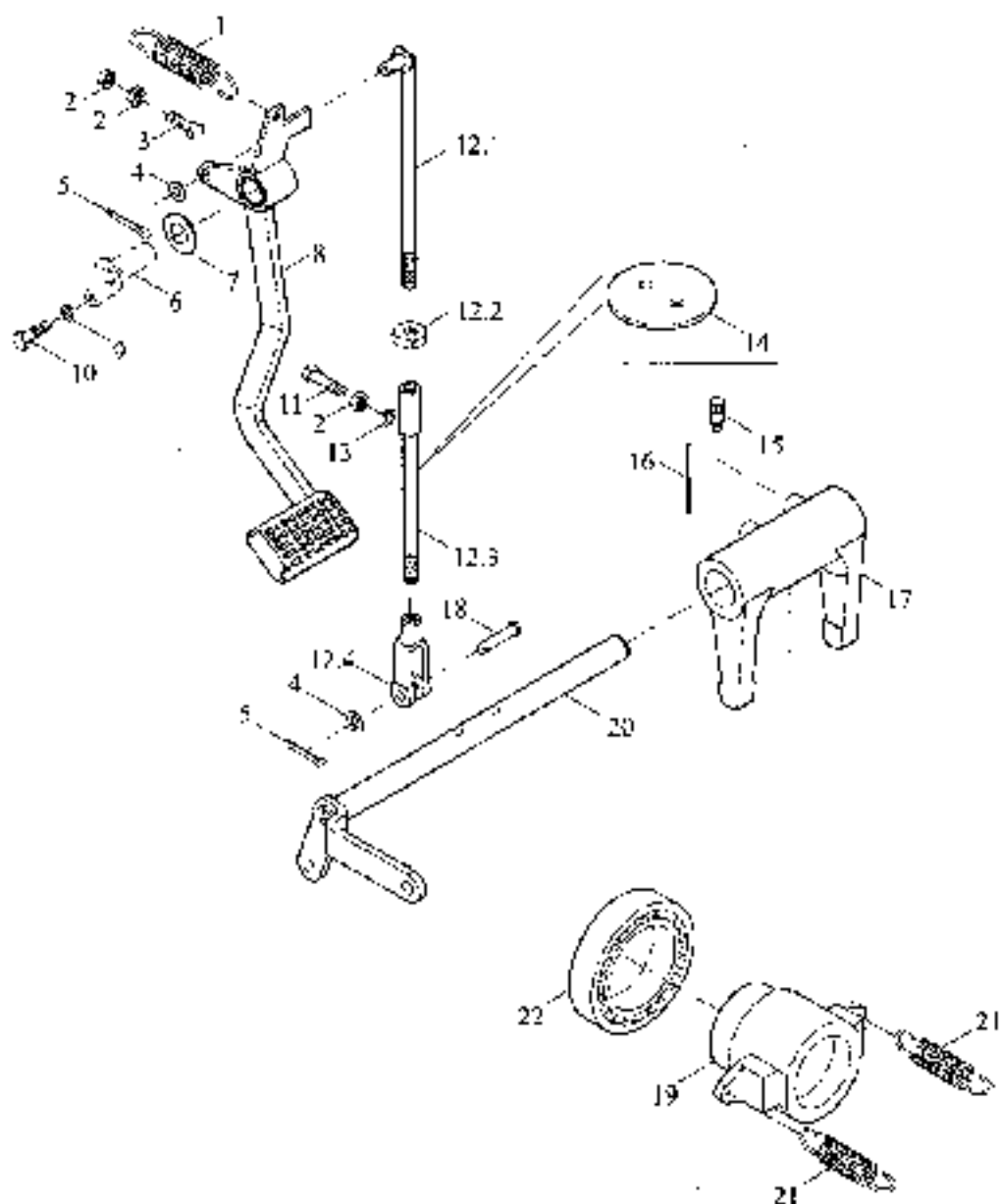
TE300.211D Clutch assembly



TE300.211D Clutch assembly

No.	Part code and specification	Part name	Quantity	Remark
	TE300.211D	Clutch assembly	1	
1	TE300.211D.2	Vice clutch friction plate assembly	1	
2	FT300.21D.102	Vice clutch pressure plate	1	
3	FT350.21D.103	Disc spring	1	
4	FT300.21D.104	Vice clutch lever	3	
5	FT300.21D.114	Main clutch adjustment screw	3	
6	GBT6171-M8X1.8-A2L	Type 1 hexagonal nut	3	
7	FT300.21B.113	Main clutch plater	1	
8	TE300.211D.1	Main clutch friction plate assembly	1	
9	GBT91-3.2X26-A0P	Center pin	12	
10	GBT848-10-A0P	Small washers	12	
11	FT300.21B.111	Long setting	6	
12	FT300.21B.112	Clutch cover	1	
13	FT300.21B.109	Pin	4	
14	FT300.21D.110	Mandrel	3	
15	GBT6171-M8X1.8-A2L	Type 1 hexagon nut	3	
16	FT300.21D.105	Ball nuts	3	
17	FT300.21D.106	The secondary clutch separates the lever	3	
18	FT300.21D.120	Separate lever spring	3	
19	FT300.21B.107	Main clutch separation lever	3	
20	FT300.21D.108	Main separation lever spring	3	

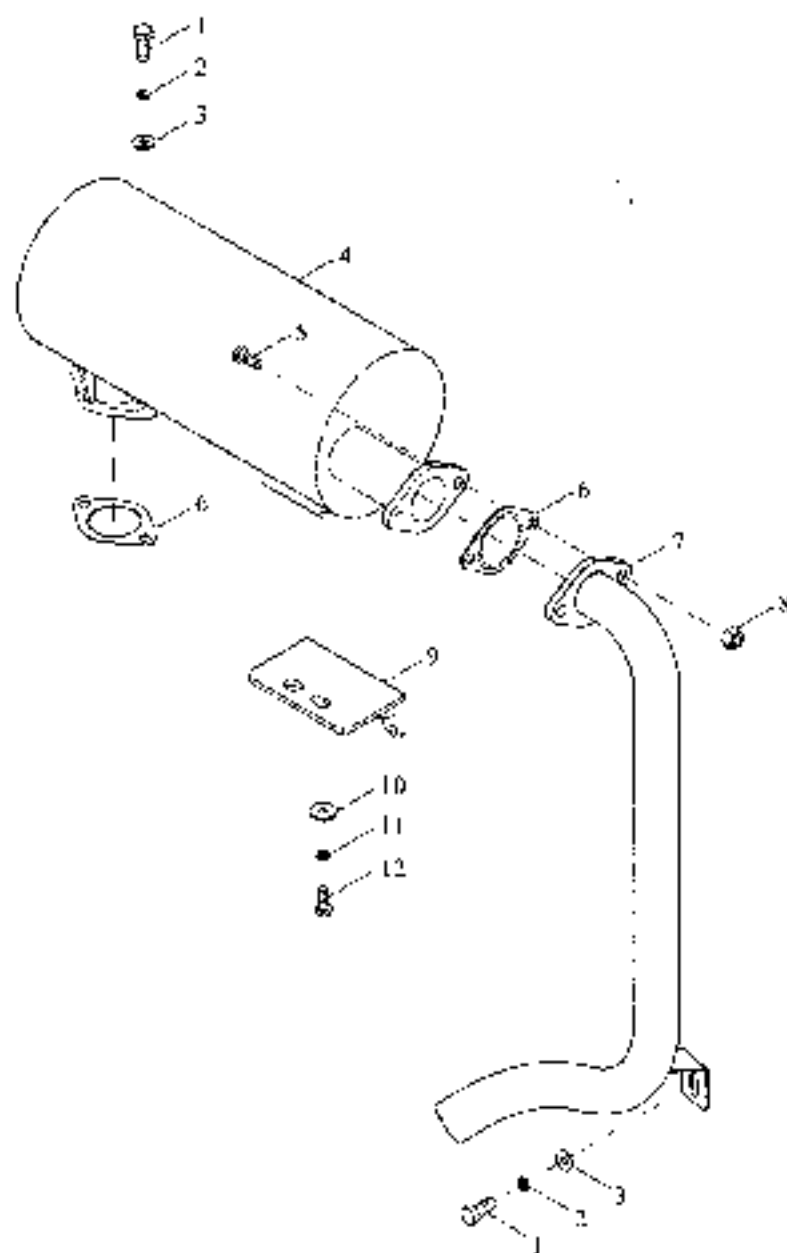
TE354.212 Clutch operating mechanism assembly (011)



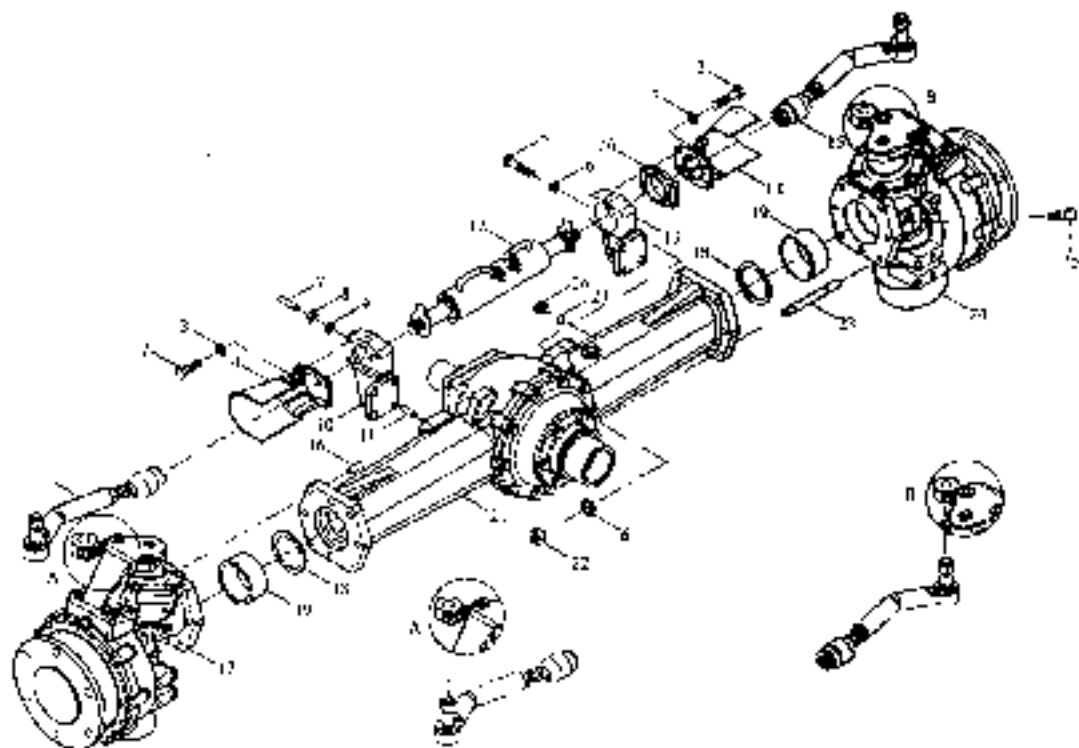
TE354.212 Clutch operating mechanism assembly (011)

No	Part code and specification	Part name	Quantity	Remark
	TE354.212	Clutch control assembly	1	
1	TE250.212D-05	Clutch pedal return spring	1	
2	G-816172.1-M10-09-A3L	Hexagonal nuts	3	
3	GBT5783-M10X40-8.8-A3L	Hex bolt	1	
4	GBT97.1-10-A3F	Plain washer	2	
5	GB191-A.2X22 A3F	Coiler pin	2	
6	TE250.212D-08	Clutch pedal shaft welding	1	
7	TE250.4330-02	Gasket	2	
8	TE250.212D.6	Clutch pedal rocker press	1	
9	GBT93-8-A3L	Normal type single coil spring lock washer	1	
10	GBT5783 M8X16-8.8 A2F	Hex bolt	1	
11	GBT5783-M10X50-8.8-A3L	Hex bolt	1	
12	TE250.212D.5	Rod assembly	1	
12.1	TE250.212D.3	Clutch on the clutch	1	
12.2	GBT6171-M10X1-8-A2L	Type 1 hexagon nut	2	
12.3	TE250.212D.4	Clutch rod welding	1	
12.4	FT300.43.119	Rod after fork	1	
13	GBT93-10-A3L	Normal type single coil spring lock washer	1	
14	TE250.212D-04	Rubber seal plate	1	
15	VT65.37.109	Stop screw	2	
16	TE250.212-05	Low carbon steel wire SZ-1.2	2	
17	FT200.21.107	Clutch fork	1	
18	GBT882 B10X30-A3L	Pin	2	
19	TE300.212B-01	Separate bearing housing	1	
20	TE250.212D.7	Clutch separation rocker welding	1	
21	FT200.21.106	Separate bearing seat return spring	2	
22	TA600.212-02	Separation bearing 996713	1	

TE350.22C Exhaust system assembly(002)



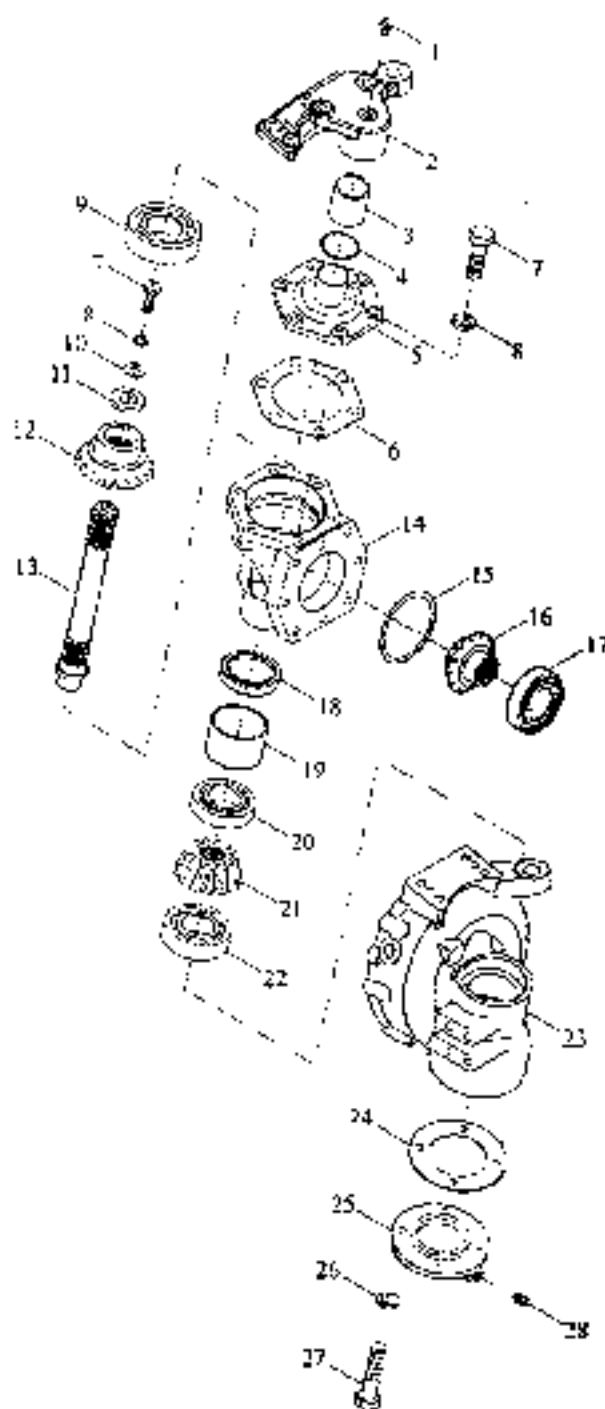
TL02311010000 Front drive axle assembly-1



TL02311010000 Front drive axle assembly-1

No.	Part code and specification	Part name	Quantity	Remark
	TL02311010000	Front axle assembly	1	
	TL02311010001	Front drive axle assembly	1	
1	TL02311010007	Left turn cable assembly	1	
2	GB/T 5783-M8 x 20-8.8-A2L	Hex bolt	8	
3	GB/T 93-8-A09	Normal type single coil spring lock washer	8	
4	TL02311020008	Cylinder cover welding (left)	1	
5	GB/T 5783-M10 x 25-8.8-A3L	Hex bolt	10	
6	GB/T 93 10-A09	Normal type single coil spring lock washer	12	
7	GB/T 71-M6 x 20-14H	Self-tapping screw	1	
8	GB/T 6174-M6-10HV30-A2F	Hexagonal nuts	1	
9	GB/T 93-6-A09	Normal type single coil spring lock washer	1	
10	TL02311010013	Cylinder holder II	1	
11	GB/T 119.1-6h8 x 14-A09	Round pin	2	
12	TL02311010006	Hydraulic cylinder assembly	1	
13	TL02311010012	Cylinder holder	1	
14	TL02311020009	Cylinder cover welding (right)	1	
15	TL02311010008	Right turn to the tie rod assembly	1	
16	GB/T 119.1-10h8 x 20-A09	Round pin	4	
17	TL02311010004	Left drive assembly	1	
18	TL02311010010	Adjust the pad	Optional	
19	TL02311010009	Positioning sleeve	2	
20	TL02311010011	Seat cover	1	
21	TL02311010003	Main gearbox assembly	1	
22	GB/T 6171-M10 x 1.25-8-A2L	Type L hexagon nut	12	
23	GB/T 89-10h8 x 35-8.8-A2L	Stud studs	12	
24	TL02311010005	Right drive assembly	1	
25	TL02311020010	Turn links	2	
26	Q517K14	Hex head plug	2	
27	GB/T 982-14	Combined sealing washer	2	

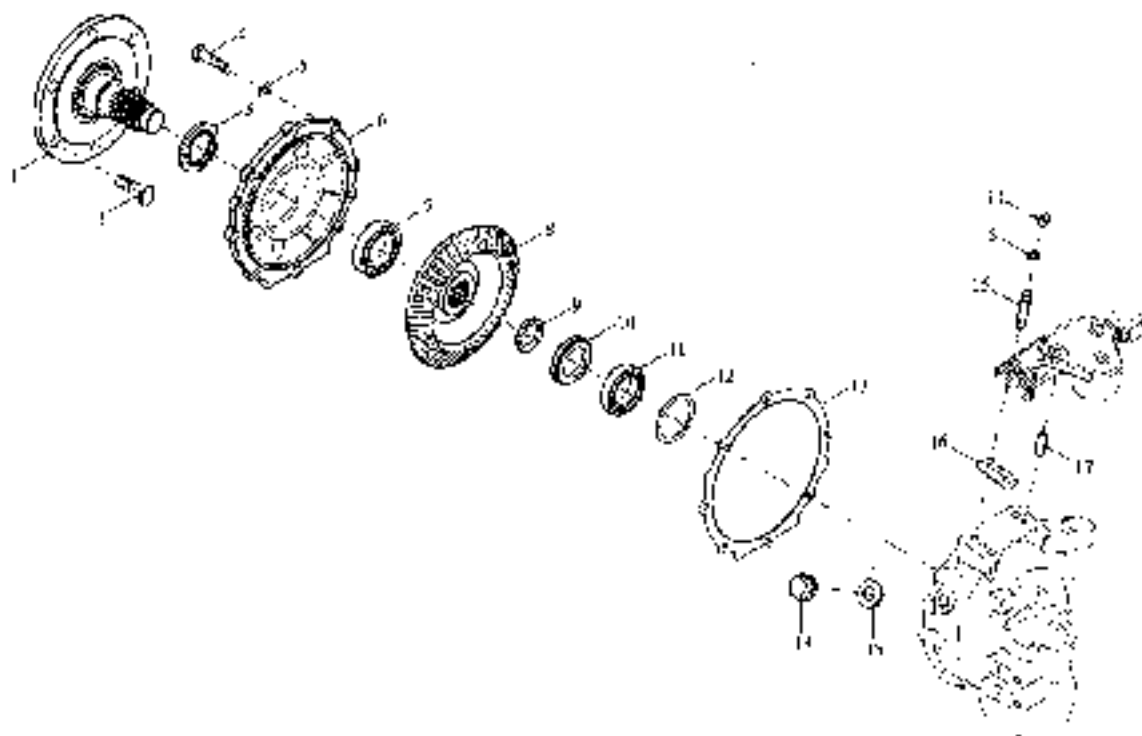
TL02311010000 Front drive axle assembly-2



TL02311010000 Front drive axle assembly-2

No.	Part code and specification	Part name	Quantity	Remark
	TL02311010000	Front axle assembly	1	
	TL02311010001	Front drive axle assembly	1	
	TL02311010004	Left drive assembly	1	
	TL02311010005	Right drive assembly	1	
1	GB/T 7942.1-M10 x 1	Straight hydraulic grease nipple	1	
2	TL02311010005	Left turn support	1	
	TL02311010006	Right turn support	1	
3	TL02311010040	Sliding sleeve 32 x 39 x 40	1	
4	GB/T 3452.1-33.5 x 3.55G	Pneumatic O-ring rubber seals	1	
5	TL02311010041	Steering axle seat	1	
6	TL02311010029	Gasket	Order as needed	
7	GB/T 5783-M10 x 25-8.8-A31	Hex bolt	7	
8	GB/T 93-10-A0P	Normal type single coil spring lock washer	7	
9	GB/T 276-6210	Deep groove ball bearings	1	
10	GB/T 961-10-A0P	Flange washer	1	
11	TL02311010042	Pad	1	
12	TL02311010044	Axle gears	1	
13	TL02311010050	End pin	1	
14	TL02311010056	Steering gear housing	1	
15	GB/T 3452.1-80.0 x 2.65G	Pneumatic O-ring rubber seals	1	
16	TL02311010038	Axle pinion	1	
17	GB/T 276-6207	Deep groove ball bearings	1	
18	TL02311010045	Dust ring	1	
19	TL02311010051	Sliding sleeve 50 x 55 x 35	1	
20	GB/T 301-51106	Thrust ball bearings	1	
21	TL02311010057	Terminal pinion	1	
22	GB/T 276-6205	Deep groove ball bearings	1	
23	TL02311010058	Left end shell	1	
	TL02311010056	Right end shell	1	
24	TL02311010049	Adjust the pad	Order as needed	
25	TL02311010048	Bottom cover	1	
26	GB/T 93-6-A0P	Normal type single coil spring lock washer	4	
27	GB/T 5783-M6 x 20-8.8-A2L	Hex bolt	4	
28	Q9141001	Square head conical plug	1	

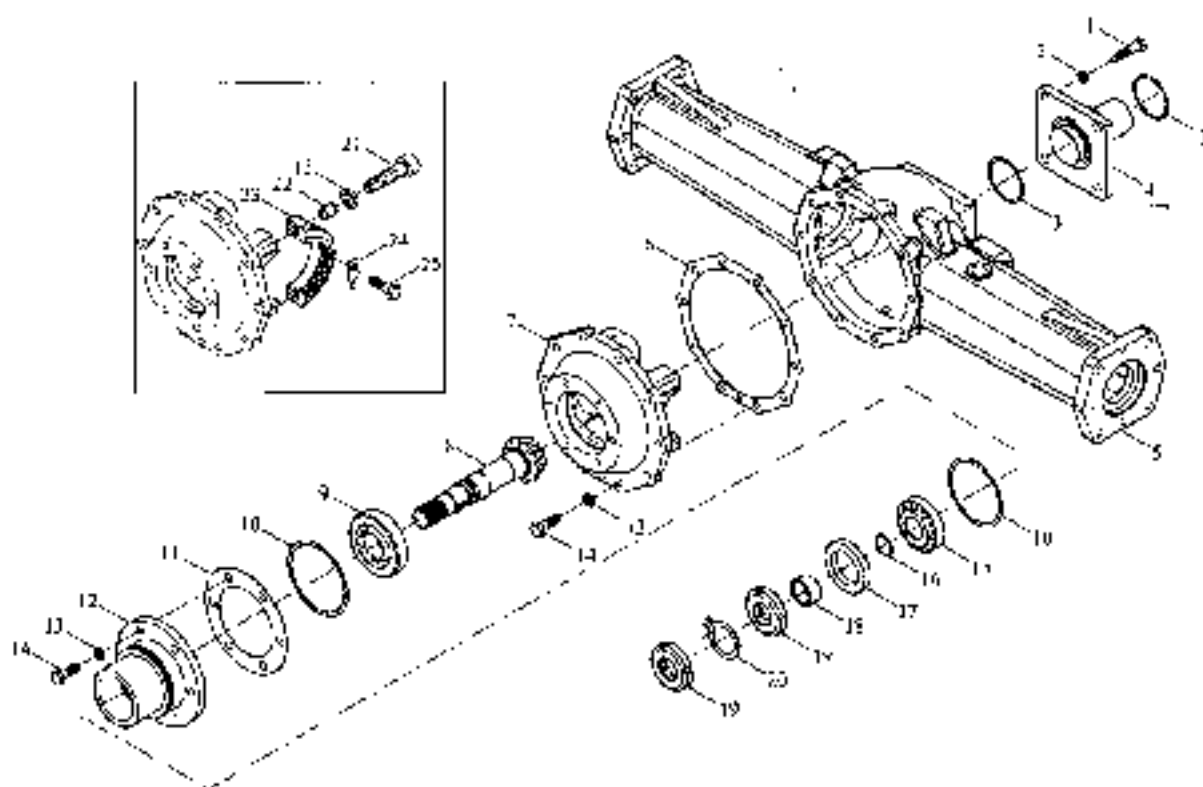
TL02311010000 Front drive axle assembly-3



TL02311010000 Front drive axle assembly-3

No	Part code and specification	Part name	Quantity	Remark
	TL02311010000	Front axle assembly	1	
	TL02311010001	Front drive axle assembly	1	
	TL02311010004	Left drive assembly	1	
	TL02311010005	Right drive assembly	1	
1	TL02311010061	Front drive shaft	1	
2	TL02311010054	Knurled bolts	6	
3	TL02311010064	Oil seal	1	
4	GB/T 5783-M10×30-8.8-A3L	Hex bolt	8	
5	GB/T 92-10-A0P	Normal type single end spring lock washer	12	
6	TL02311010059	End cog cover	1	
7	GB/T 276-630B	Deep groove ball bearings	1	
8	TL02311010060	Terminal gears	1	
9	TL02311010062	Wire ring	1	
10	TL02311010063	Locating ring	1	
11	GB/T 276-620B	Deep groove ball bearings	1	
12	TL02311010047	Adjust the pad	On demand	
13	TL02311010046	Adjust the pad	On demand	
14	GB/T 6171-M10×1.25-8-371	Type 1 hexagon nut	4	
15	GB/T 997-2000 308×125×32-8.8-321	Steel studs	4	
16	TL02311010043	Adjust the pad	On demand	
17	GB/T 119.2 8×20 A0P	Round pin	2	
18	TL02311010052	Plug plug	1	
19	TL02311010053	Washer	1	

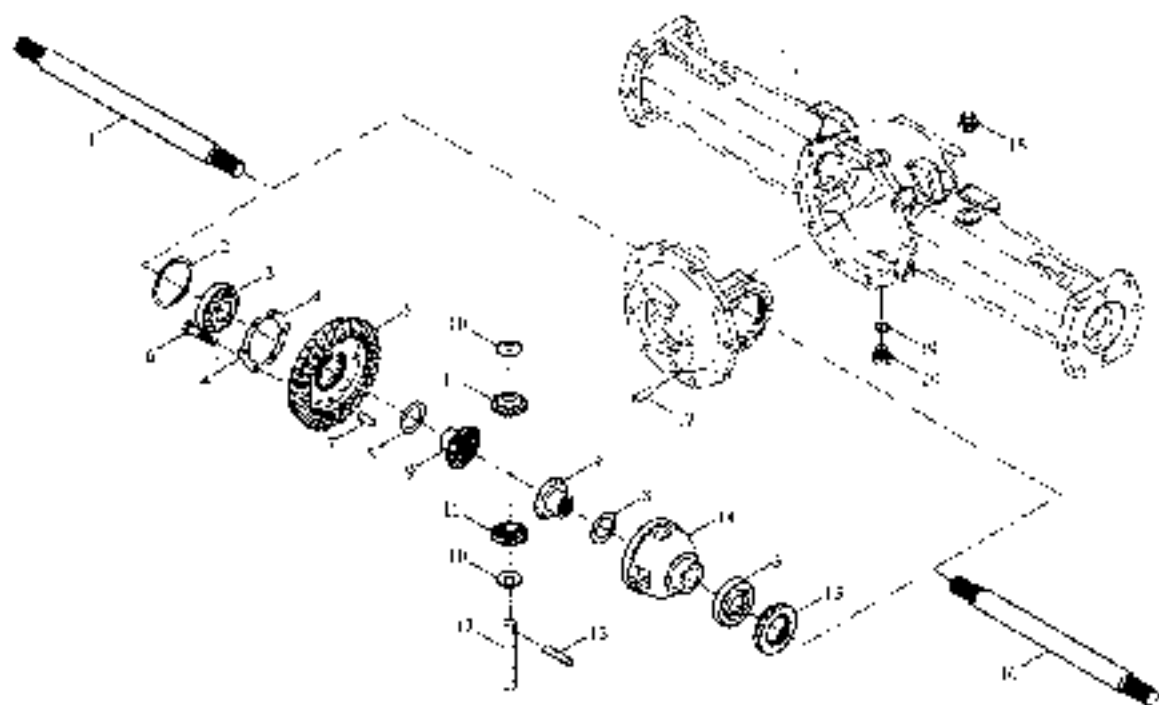
TL02311010000 Front drive axle assembly-4



TL02311010000 Front drive axle assembly-4

No	Part code and specification	Part name	Quantity	Remark
	TL02311010000	Front axle assembly	1	
	TL02311010001	Front drive axle assembly	1	
	TL02311010005	Main gearbox assembly	1	
1	GB/T 5783-M12 × 30-8.8-A31	Hex bolt	4	
2	GB/T 93-12-A0F	Normal type single coil spring lock washer	4	
3	GB/T 3452.1-63.0 × 3.55G	Pneumatic O-ring rubber seals	2	
4	TL02311010036	Front support shaft	1	
5	TL02311010037	Main gearbox housing	1	
6	TL02311010023	Adjust the pad	1	
7	TL02311010035	Differential bearing	1	
8	TL02311010029	Enter the bevel gear shaft	1	
9	GB/T 297-31306	Tapered roller bearing	4	
10	GB/T 3452.1-73.0 × 3.55G	Pneumatic O-ring rubber seals	2	
11	TL02311010018	Adjust the pad	In demand	
12	TL02311010034	Rear support shaft	1	
13	GB/T 93-10-A0F	Normal type single coil spring lock washer	18	
14	GB/T 5783-M10 × 30-8.8-A31	Hex bolt	16	
15	GB/T 297-32006	Tapered roller bearing	1	
16	GB/T 3452.1-71.6 × 3.65G	Pneumatic O-ring rubber seals	1	
17	GB/T 9877.1-TR35 × 35 × 38	Lip-shape seal ring	1	
18	TL02311010021	Oil seal bushing	1	
19	GB/T 810-M27 × 1.5	Small round nut	2	
20	GB/T 858-27	Circular washers for nuts	1	
21	GB/T 701-M10 × 40-8.8	Hexagon socket cap head screw	2	
22	TL02311010016	Positioning sleeve	2	
23	TL02311010022	Bearing fixing sleeve	1	
24	TL02311010024	Stop gasket	1	
25	GB/T 5783-M8 × 16-8.8-A21	Hex bolt	1	

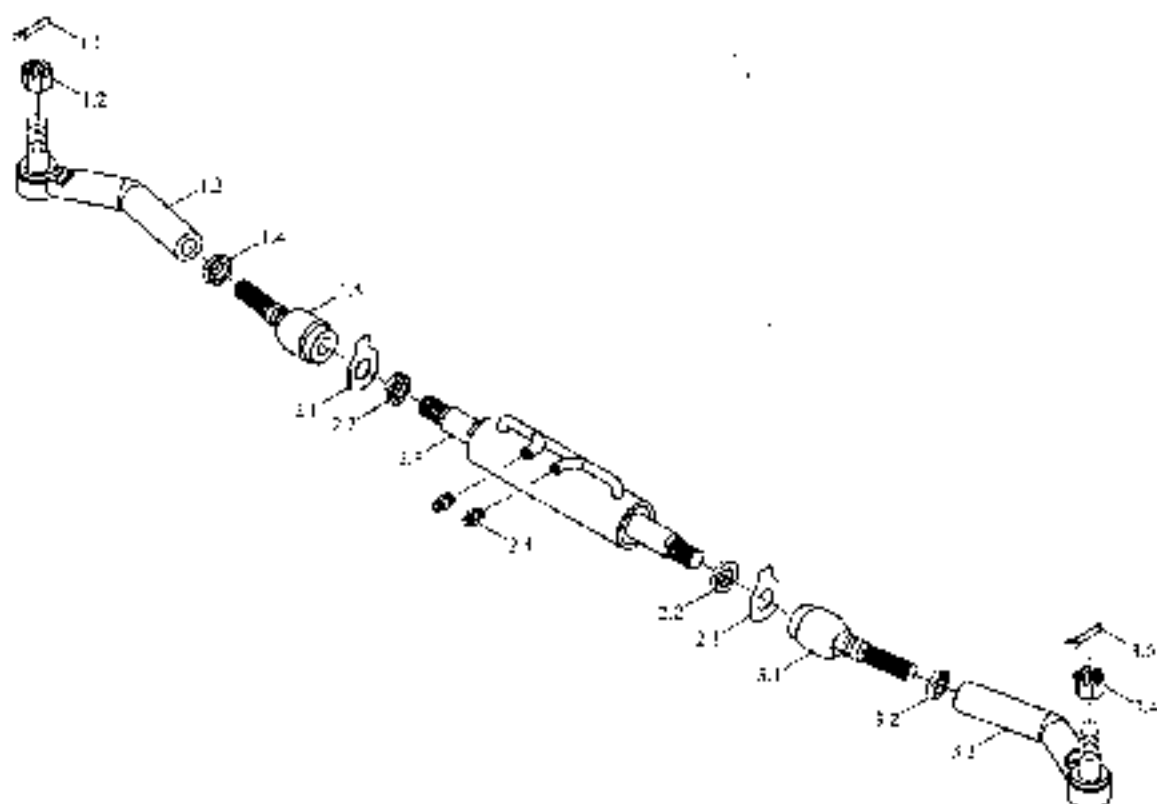
TL02311010000 Front drive axle assembly-5



TL02311010000 Front drive axle assembly-5

No.	Part code and specification	Part name	Quantity	Remark
	TL02311010000	Front axle assembly	1	
	TL02311010001	Front drive axle assembly	1	
	TL02311010003	Main gearbox assembly	1	
1	TL02311010028	Left half axle	1	
2	TL02311010014	Adjust the nut	(in demand)	
3	GB/T 297-32009	Tapered roller bearing	2	
4	TL02311010025	Stop gasket	2	
5	TL02311010017	Big wheel gears	1	
6	GB/T 5783 M8 × 25 8.8-A2L	Hex bolt	6	
7	GB/T 119.2 8 × 20 A09	Round pin	1	
8	TL02311010026	Plain washer	2	
9	TL02311010032	Differential gears	2	
10	TL02311010031	Spherical washers	2	
11	TL02311010027	Planetary gear	2	
12	TL02311010019	Differential pin	1	
13	GB/T 119.1-8 × 6 × 46-A09	Round pin	1	
14	TL02311010030	Differential case	1	
15	TL02311010020	Adjust the nut	1	
16	TL02311010033	Right half axle	1	
17	GB/T 119.2-8 × 18-A09	Round pin	1	
18	TL02311010025	Steel ball bearing plug	1	
19	TL02311010022	Washer	1	
20	Q817B12	Hex head plug	1	

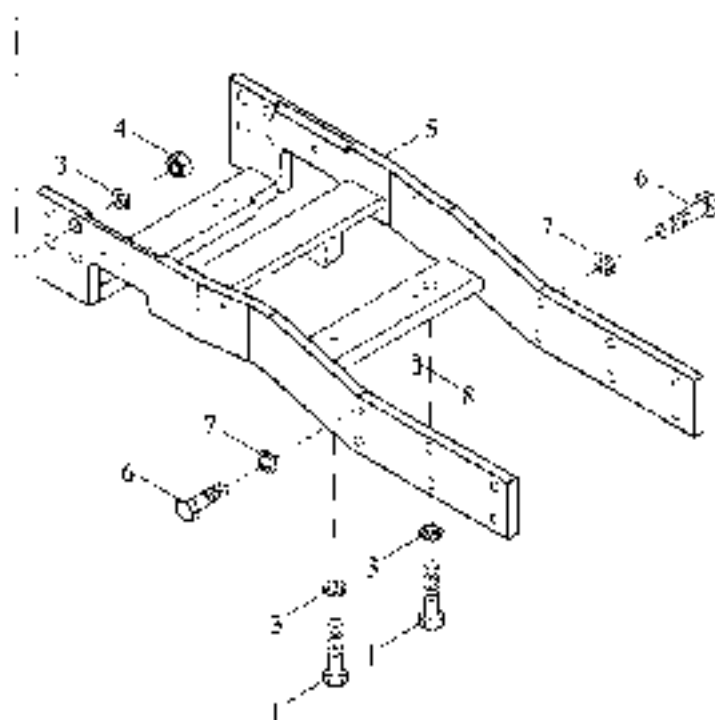
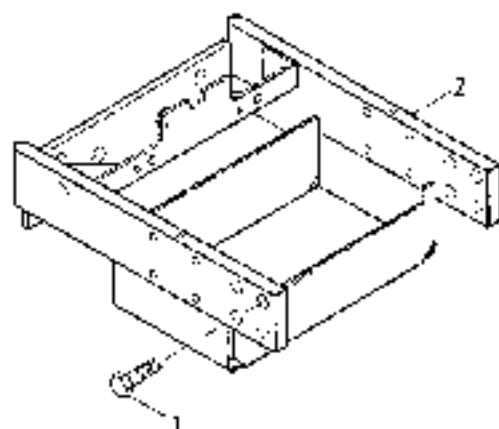
TL02311010000 Front drive axle assembly-6



TL02311010000 Front drive axle assembly-6

No.	Part code and specification	Part name	Quantity	Remark
	TL02311010000	Front axle assembly	1	
	TL02311010001	Front drive axle assembly	1	
1	TL02311010007	Left turn cable assembly	1	
1.1	GB/T 91-3.2 x 28-A0F	Center pin	1	
1.2	GB/T 9458-M14 x 1.5-8	Type 2 hexagonal slotted nut	1	
1.3	TL02311010070	Left rocker joint assembly	1	
1.4	GB/T 6173-M18 x 1.5-05-A3L	Hexagonal nuts	1	
1.5	TL02311010069	Cylinder connector assembly	1	
2	TL02311010066	Hydraulic cylinder assembly	1	
2.1	GB/T 854-20	Single ear stop washer	2	
2.2	TL02311010068	Fasten the sensor nut	2	
2.3	TL02311010067	Hydraulic cylinder	1	
2.4	TL02311010073	Fittings	2	
3	TL02311010008	Right turn to the tie rod assembly	1	
3.1	TL02311010069	Cylinder connector assembly	1	
3.2	GB/T 6173-M18 x 1.5-05-A3L	Hexagonal nuts	1	
3.3	TL02311010071	Right rocker joint assembly	1	
3.4	GB/T 9458-M14 x 1.5-8	Type 2 hexagonal slotted nut	1	
3.5	GB/T 91-3.2 x 28-A0F	Center pin	1	

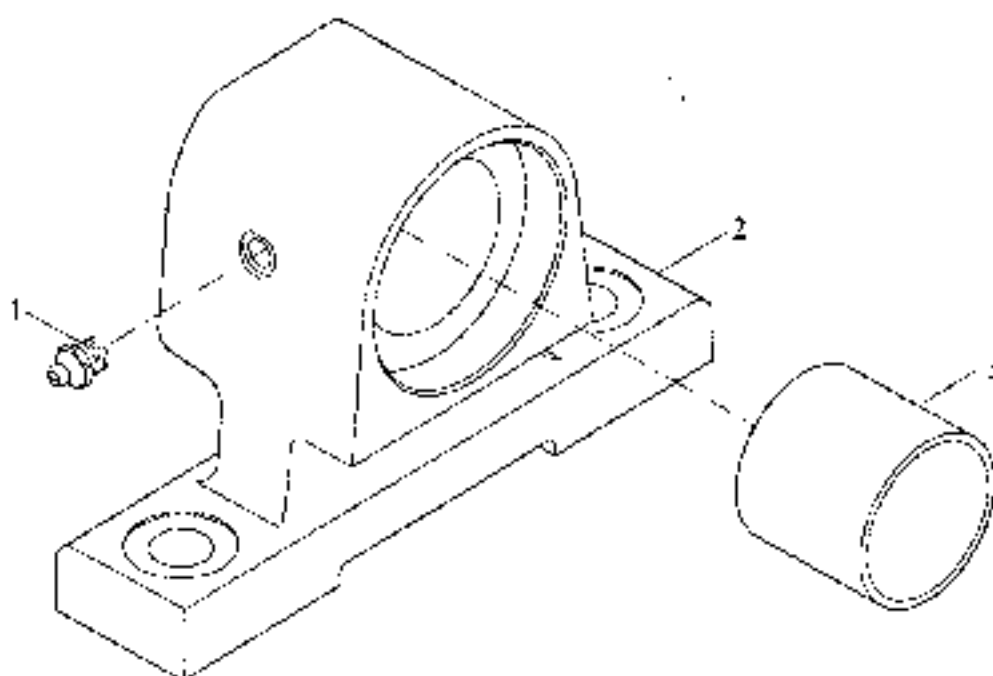
TL02312010000K Bracket assembly (001)



TL02312010000K Bracket assembly (001)

No.	Part code and specification	Part name	Quantity	Remark
	TL02312010000K	Bracket assembly (001)	1	
1	GBT5783-M16X55-8.8-A3L	Hex bolt	12	
2	TL02312010001K	Battery mounting bracket welding	1	
3	GBT93-15-A0P	Normal type single coil spring lock washer	12	
4	GBT5170-M16-8-A3L	Type L hexagonal nut	8	
5	TL02312010002K	Half-frame welding	1	
6	GBT5783-M12X35-8.8-A3L	Hex bolt	12	
7	GBT93-12-A0P	Normal type single coil spring lock washer	12	
8	GBT119.2-3X20-A0P	Cylinder coil pin	4	

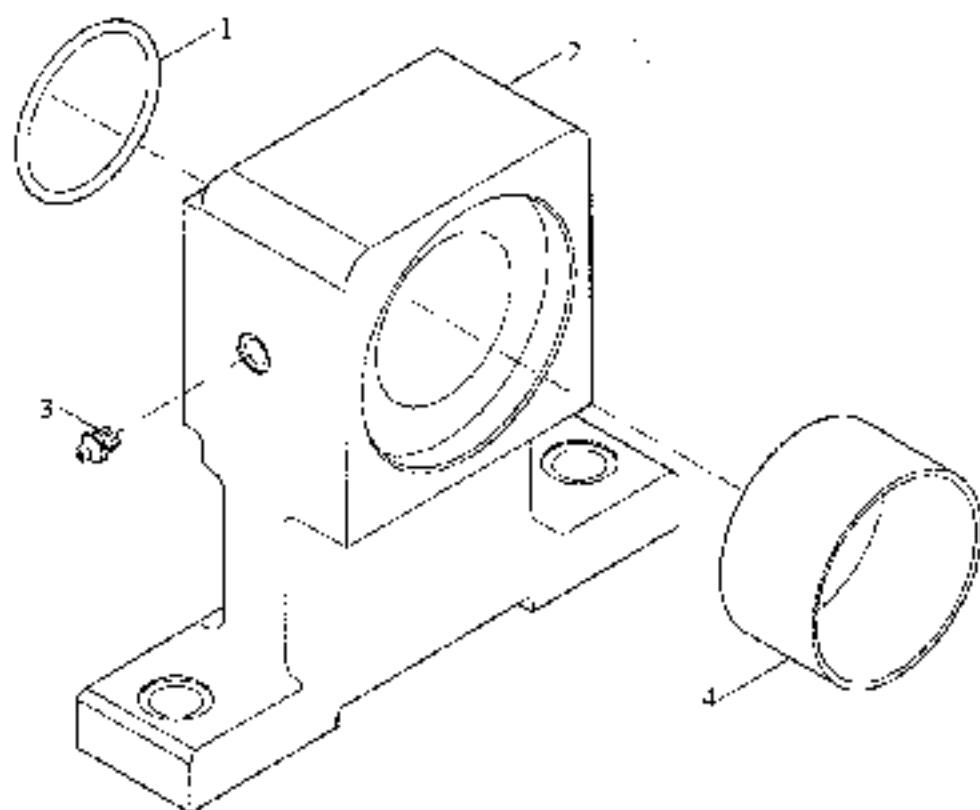
TE254.313G Front support assembly (002)



TE254.313G Front support assembly (002)

No.	Part code and specification	Part name	Quantity	Remark
	TE254.313G	Front support seat assembly	1	
1	J817940.1-M10X1	Straight hydraulic grease nipple	1	
2	TE254.313G-01	Front support seat	1	
3	FT254.31E.136	Sliding sleeve 4X50X45	1	

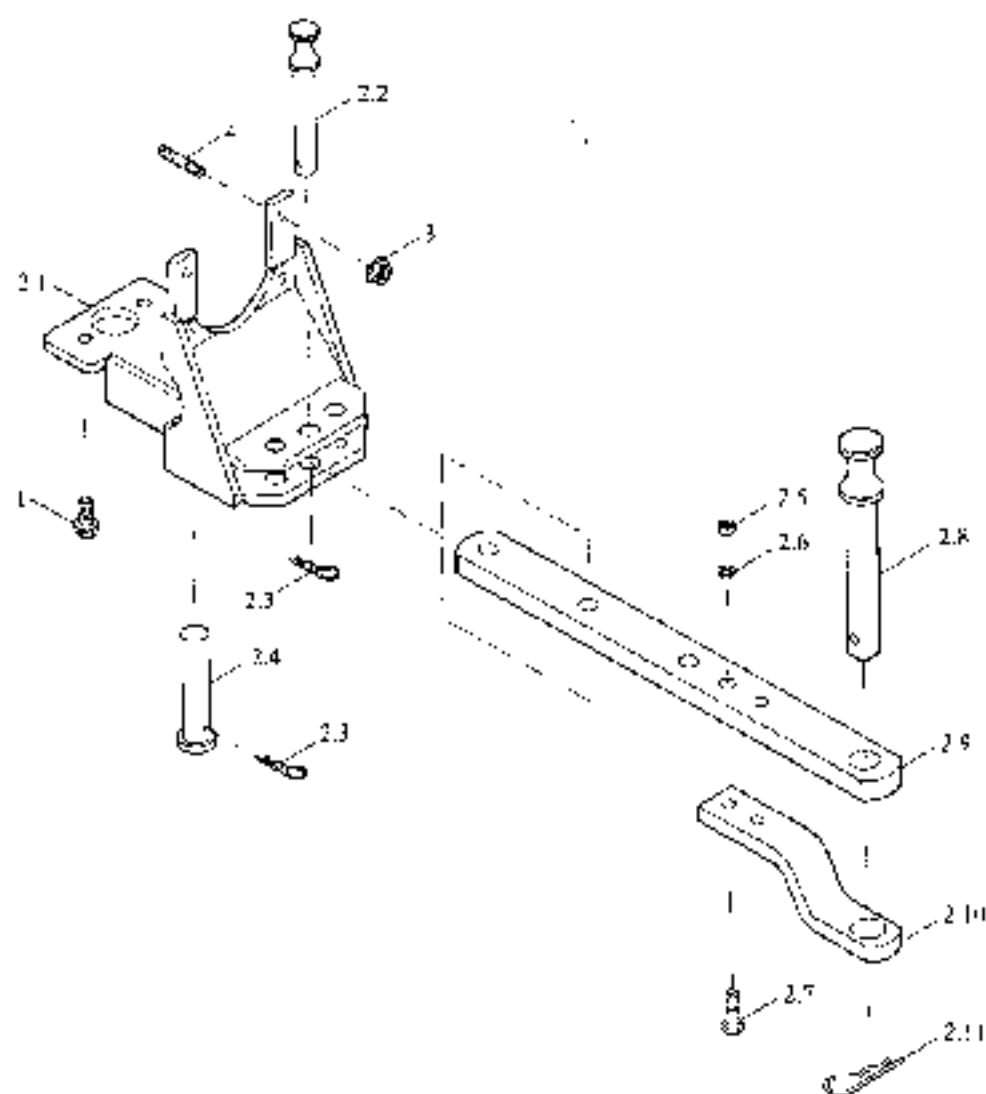
TE254.314G Rear support assembly (002)



TE254.314G Rear support assembly (002)

No.	Part code and specification	Part name	Quantity	Remark
	TE254.314G	Rear support seat assembly	1	
1	GBT3452.1 54 5X3.55G	Pneumatic O - ring rubber seal's	1	
2	TE254.311R.1-01	Rear support stand	1	
3	JB17940.1 M10X1	Straight hydraulic grease nipple	1	
4	TE254.311.129	Sliding sleeve 70X75X40	1	

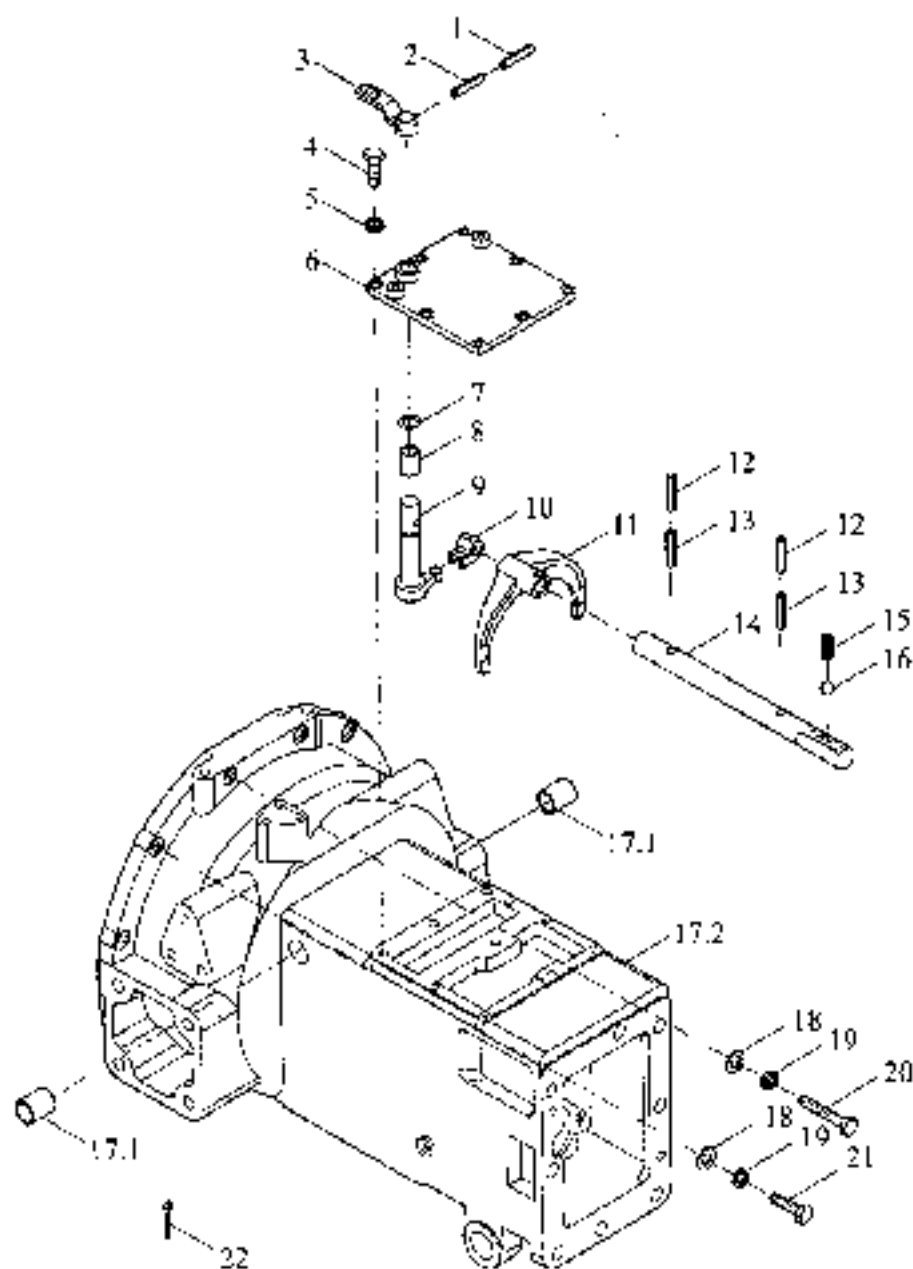
TE300.35 Traction device assembly



TE300.35 Traction device assembly

No.	Part code and specification	Part name	Quantity	Remark
	TE300.35	Traction assembly assembly	1	
1	GB/T 16674-1-M12×35-10.9-A2L	Hexagonal flange bolts	2	
2	TE300.35.2	Traction device assembly	1	
2.1	TE300.35.2.1	Traction frame welding	1	
2.2	FT250.35.103	Lamellar	1	
2.3	FT65.35.103	Elastic locking pin	2	
2.4	FT250.35.101	Connecting pin	1	
2.5	GB/T 6170-M16-A3L	Nuts	2	
2.6	GB/T 93-16-A0P	Washer	2	
2.7	GB/T 5782-M16×80-A3L	Bolt	2	
2.8	FT300.35A.105	Pendulum	1	
2.9	TE300.35.2-01	Swing rod	1	
2.10	FT300.35A.101	Connecting pendulum	1	
2.11	FT900.35.112	Elastic locking pin	1	
3	SPL 1.0-M12-10-F3	Hexagonal flange nuts	4	
4	GB/T 899-GM12-M12×32-8.8-A3L	Stud	4	

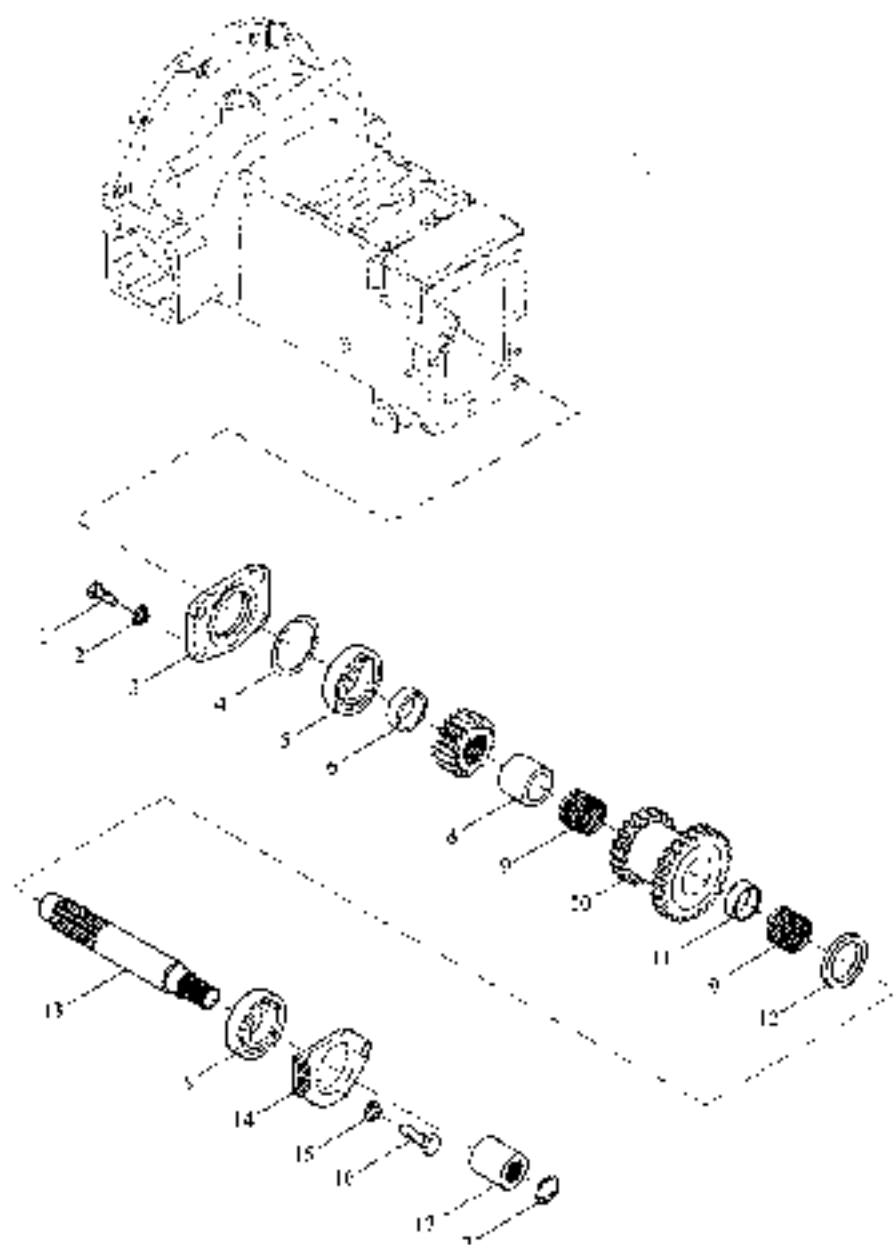
TE354.361T Shuttle shift assembly-1 (005)



TE354.361T Shuttle shift assembly-1 (005)

No.	Part code and specification	Part name	Quantity	Remark
	TE354.361T	Shuttle gear assembly	1	
1	GUT879.1-4X28	Elastic cylindrical pin	1	
2	GUT879.1-6X28	Elastic cylindrical pin	1	
3	TE250.361M.2	Manipulate rocker wulfring	1	
4	GHT5783-M8X25-8.8-A2L	Hex bolt	8	
5	GHT93-8	Normal type single end spring lock washer	11	
6	TE250.361M-02	Shuttle flange cover	1	
7	GHT3-152.1-13.2X2.65G	Pneumatic O-ring rubber seals	1	
8	TE250.361M-05	Limit sets	1	
9	TE250.361M-01	Shuttle gear roll arm	1	
10	TE250.361M-04	Shuttle gear	1	
11	TE354.361T-06	Shuttle shift fork	1	
12	GUT879.1-3X26	Elastic cylindrical pin	2	
13	GUT879.1-5X26	Elastic cylindrical pin	2	
14	TE354.361T-07	Shuttle shift fork shaft	1	
14	TE354.361T-23	Shuttle shift fork shaft	1	
14	TE354.361T-26	Shuttle shift fork shaft	1	
15	FT250.37.148	The fork shaft locks the spring	1	
16	GHT308-8.731-G200-4	Steel ball	1	
17	TE354.361T.1	Clutch housing is pressed	1	
17.1	FT250.36.109	Rocker shaft shaft bushing	2	
17.2	TE354.361T.1-01	Clutch housing	1	
18	GHT97.1-10-A3L	Plain washer	12	
19	GHT93-10-A3L	Normal type single end spring lock washer	20	
20	GHT5782-M10X35-8.8-A3L	Hex bolt	4	
21	GHT5783-M10X35-8.8-A3L	Hex bolt	8	
22	GHT91-4X20-A3L	Cotter pin	1	

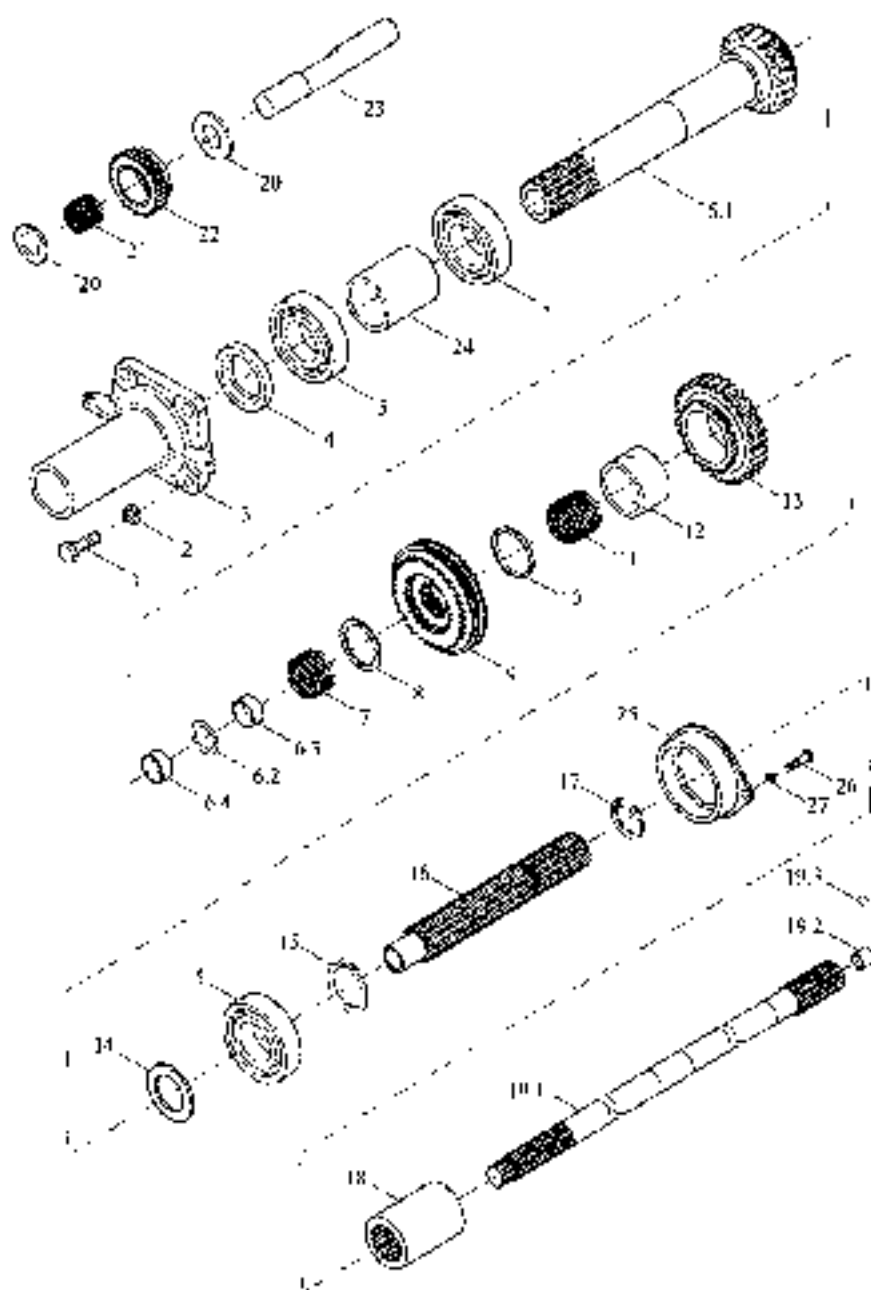
TE354.361T Shuttle shift assembly-2 (005)



TE354.361T Shuttle shift assembly-2 (005)

No.	Part code and specification	Part name	Quantity	Remark
	TE354.361T	Shuttle gear assembly	1	
1	GRT5783-M10X25-8.8-A31	Hex bolt	8	
2	GRT93-1G-A31	Normal type single coil spring lock washer	20	
3	TE250.361F-04	Bearing gland	-	
4	TE250.361F-21	Adjusting washer	-	
5	GRT276-6305	Deep groove ball bearing	2	
6	TE250.361F-05	Sleeves	1	
7	GRT893.1-18	Guard for shaft	1	
8	TE354.361T-17	Spacer spacer	1	
9	GRT20056-K30X35X27	Centering needle roller and cage assembly	2	
10	TE354.361T-01	Shuttle gearshift driven double gear	1	
11	TE354.361T-02	Short bushing	1	
12	TE354.361T-04	Center shaft	1	
13	TE250.361F-12	Shuttle shaft/intermediate shaft	1	
14	TE250.361F-22	Bearing gland	1	
15	GRT93-8	Normal type single coil spring lock washer	11	
16	GRT5783-M8X20-8.8-A2L	Hex bolt	5	
17	TE250.361F-13	Spline bushing	1	

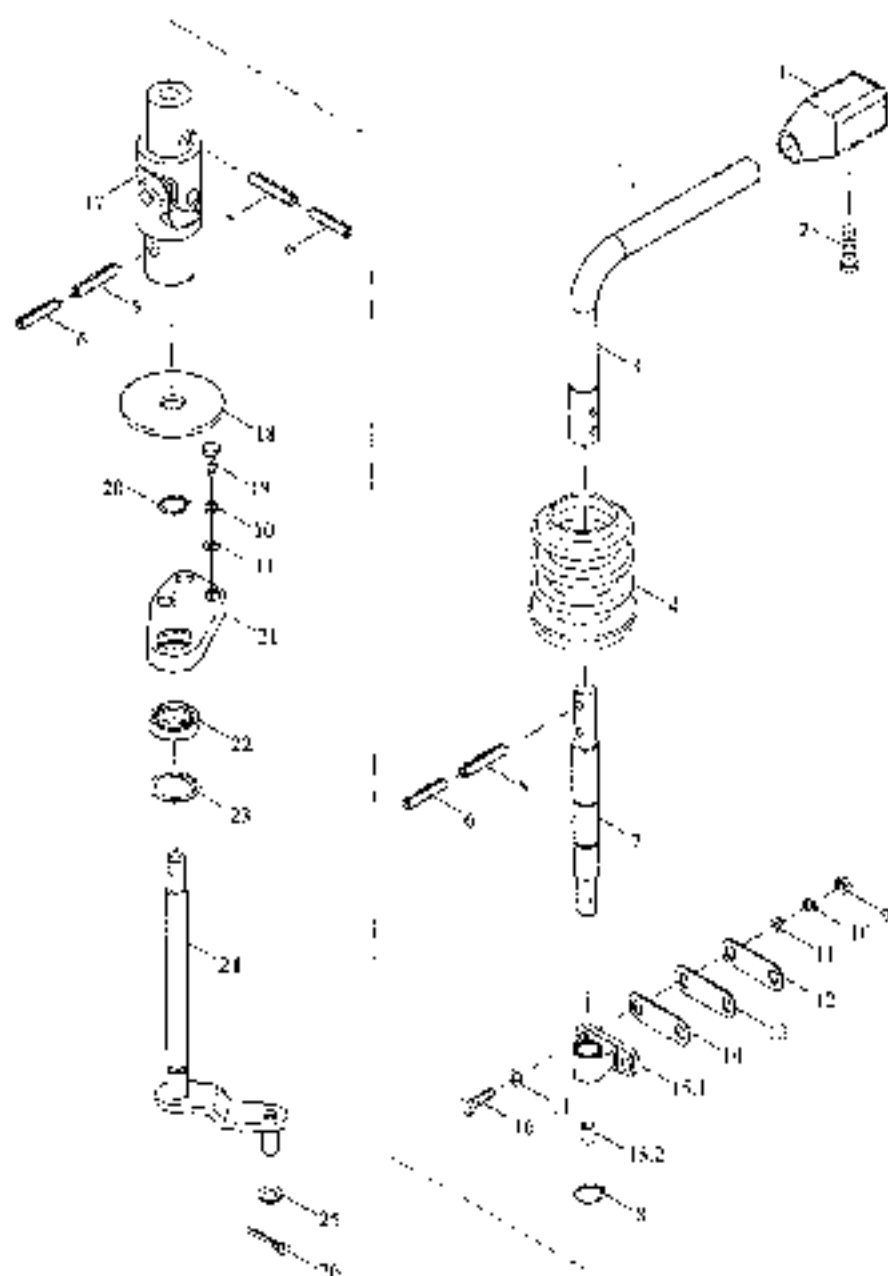
TE354.361T Shuttle shift assembly-3 (005)



TE354.361T Shuttle shift assembly-3 (005)

No.	Part code and specification	Part name	Quantity	Remark
	TE354.361T	Shuttle gear assembly	1	
1	GB15783-M10X25-8.8-A2L	Hex bolt	8	
2	GB193-10-A3L	Normal type single coil spring lock washer	20	
3	TE250.361E-01	Separate bearing seat	1	
4	GB19877.1-FR35X55X3F	Lap-slope seal ring	1	
5	GB1276-0207	Deep groove ball bearing	3	
6	TE354.361T-2	Shuttle gearshift drive gear shaft assembly	1	
6.1	TE354.361E.2-01	Shuttle gearshift drive shaft	1	
6.2	TE250.361E.2-03	O-ring	1	
6.3	TE250.361E.2-02	Bushing	1	
6.4	TE250.361E.2-04	Bushing II	1	
7	GB120056-k26X36X20	Centering needle roller and cage assembly	1	
8	TE354.361E-16	Active shaft retaining ring	1	
9	TE354.361E.3	Synchronizer assembly	1	
10	TE250.361D-13	Needle spacer	1	
11	QJLWZB120-K42X68X21	Needle roller bearings	1	
12	TE354.361T-13	Passive gear bushings	1	
13	TE354.361E-03	Shuttle gear shift gear	1	
14	TE354.361E-08	Output shaft retaining ring	1	
14	TE354.361E-21	Output shaft retaining ring	1	
14	TE354.361T-22	Output shaft retaining ring	1	
14	TE354.361T-23	Output shaft retaining ring	1	
14	TE354.361T-24	Output shaft retaining ring	1	
15	GB1894.1-35	Circlip for shaft	1	
16	TE354.361T-14	Shuttle gear output shaft	1	
17	GB1893.1-32	Circlip for hole	1	
18	TE354.361T-15	Output shaft spline sleeve	1	
19	TE354.361T-4	Power output clutch shaft assembly	1	
19.1	TE354.361T-4 (1)	Power output clutch shaft	1	
19.2	FT250.36B.F28	Bushings	1	
19.3	GB1308-11 G100 K	Steel ball	1	
20	TE354.361E-10	Idler ring	2	
21	GB120056-k20X24X17	Centering needle roller and cage assembly	1	
22	TE354.361T-11	Shuttle gear shift idler	1	
23	TE354.361T-12	Shuttle gear shift shaft	1	
24	TE354.361T-09	Spindle sleeve	1	
25	TE354.361T-05	Spindle sleeve	1	
26	GB15783-M8X20-8.8-A2L	Hex bolt	5	
27	GB193-8	Normal type single coil spring lock washer	11	

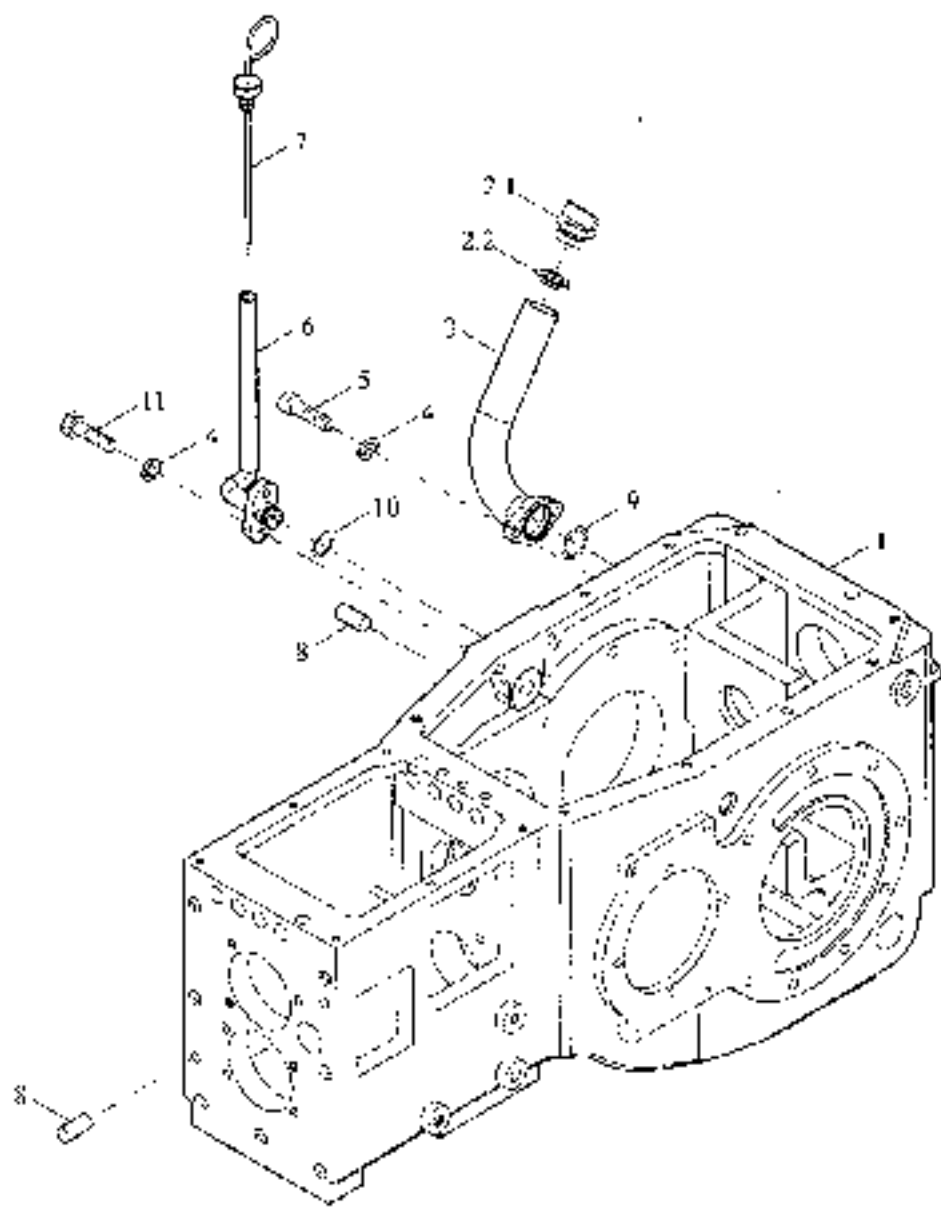
TE250.362M Shuttle shift control mechanism assembly



TE250.362M Shuttle shift control mechanism assembly

No.	Part code and specification	Part name	Quantity	Remark
	TE250.362M	Shuttle gear shift mechanism assembly	1	
1	TE250.362H-04	Elastic handle	1	
2	GB/T 818 M5 × 16-A2L	Cross recessed pan head screw	1	
3	TE250.362M.2	Shift lever welding	1	
4	TE250.362D-01	Dust ring	1	
5	GB/T 279.1 6 × 18	Elastic cylindrical pin	4	
6	GB/T 279.1 3.5 × 18	Elastic cylindrical pin	4	
7	TE250.362M-07b	Middle bar	1	
8	GB/T 894.1-16	Carlip for shaft	1	
9	GB/T 6170-M10-A3L	Type 1 Hexagon nut	2	
10	GB/T 93 10 A0P	Normal type single coil spring lock washer	5	
11	GB/T 93.1 10 A0P	Plain washer	4	
12	TE250.362M-06	Adjusting washer	Overhaul	
13	TE250.362M-05	Adjusting washer	Overhaul	
14	TE250.362M-04	Adjusting washer	Overhaul	
15	TE250.362M.3	Guide sleeve assembly	1	
15.1	TE250.362M.3-01	Guide sleeve	1	
15.2	TE250.362M.3-02	Rolling ring	1	
16	GB/T 5783 M10 × 35-A3L	Hex bolt	2	
17	TE250.362D.2	Universal joint assembly	1	
18	TE250.362M-03	Seal block	1	
19	GB/T 5783-M10 × 25 A3L	Hex bolt	3	
20	GB/T 894.1-15	Carlip for shaft	1	
21	TE250.362M-01a	Guide sleeve	1	
22	GB/T 276-8002-2RS	Deep groove ball bearing	1	
23	GB/T 894.1-12	Carlip for shaft	1	
24	TE250.362M.1a	Joystick welding	1	
25	GB/T 818-12-A0P	Small washers	1	
26	GB/T 91 2.5 × 20-A0P	Other pin	1	

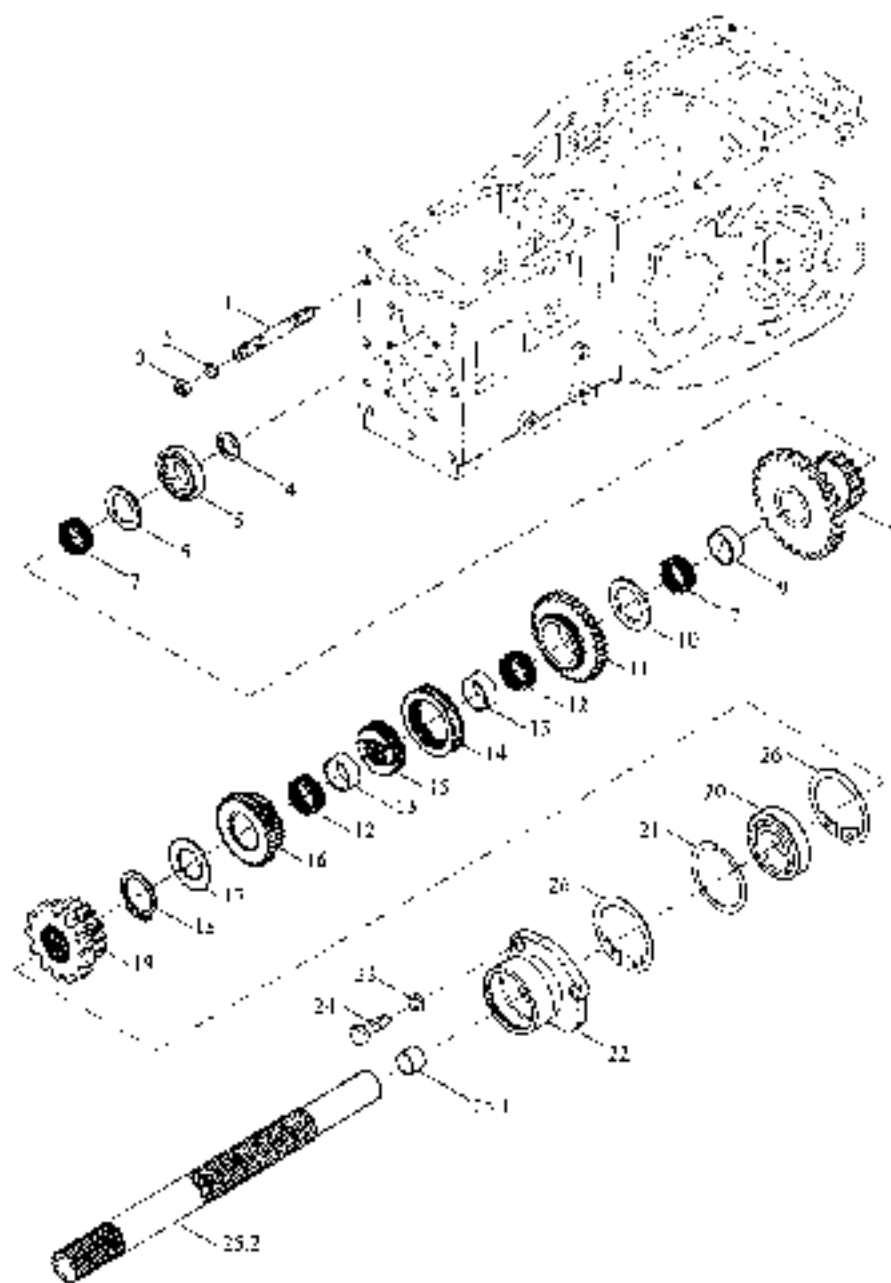
TE354.371T Transmission assembly-1 (007)



TE354.371T Transmission assembly-1 (007)

No.	Part code and specification	Part name	Quantity	Remark
	TE354.371T	Gearbox assembly	1	
	TE354.371.1a	Gearbox shell assembly	1	
1	TE354.371.1-01a	Gearbox housing	1	
2	TB604.384.3.2	Retracting plug assembly	1	
2.1	TB604.384.3.2-01	Retracting screw cap	1	
2.2	TH604.384.3.2-02	Pads	1	
3	TE250.371F.1.1	Welding pipe welding	1	
4	GH193-8-A0P	Normal type single coil spring lock washer	4	
5	GH19783-M8X25-8.8-A2L	Hex bolt	2	
6	TE250.371F.1.2	Oil pressure pipe welding	1	
7	TE250.371F.1.3	Dipstick assembly	1	
8	GRT119.1-10mGX25-A0P	Round pin	4	
9	GRT3432.1-32.5X1.80G	Pneumatic O-ring rubber seals	1	
10	GRT3432.1-15.5X2.65G	Pneumatic O-ring rubber seals	1	
11	GRT70.1-M8X25-10.9-A2L	Hexagon socket cap head screw	2	

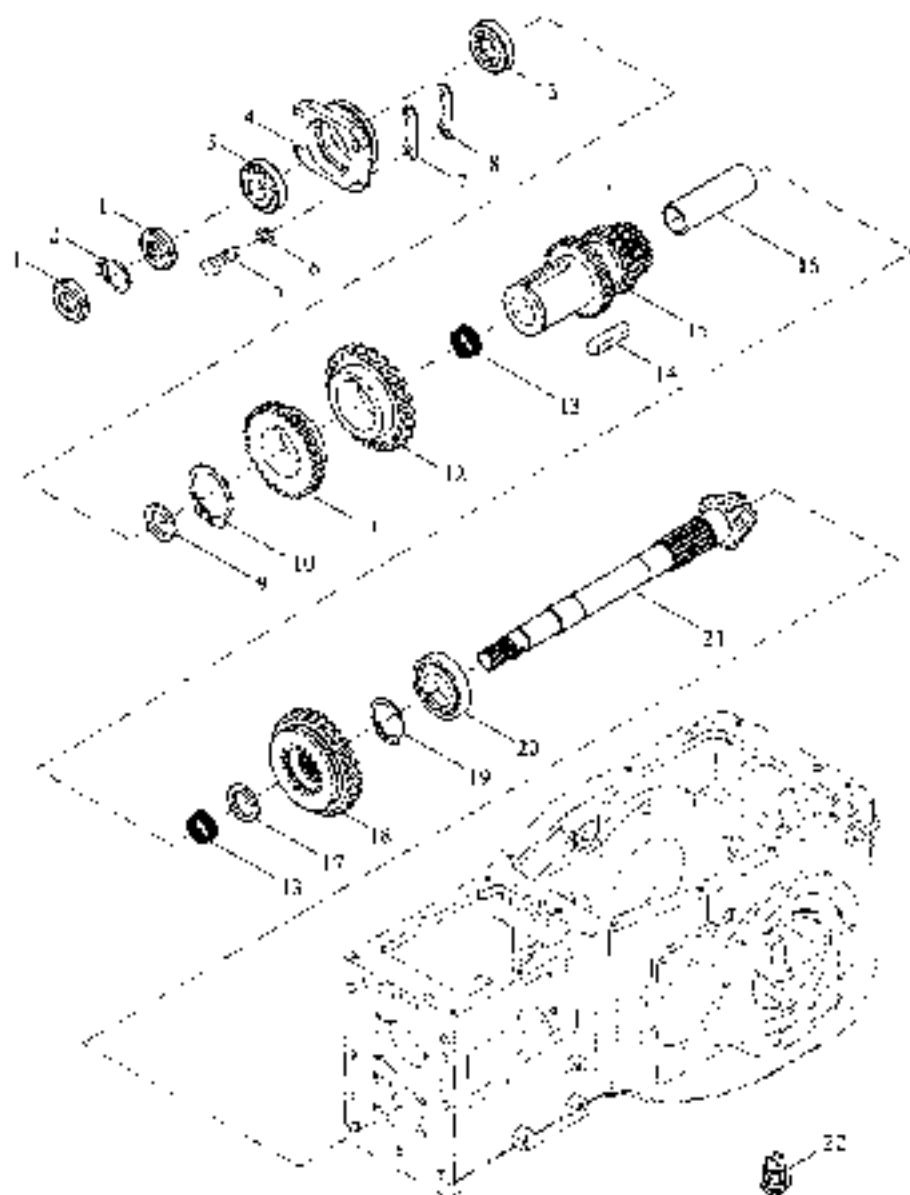
TE354.371T Transmission assembly-2 (007)



TE354.371T Transmission assembly-2 (007)

No.	Part code and specification	Part name	Quantity	Remark
	TE354.371T	Gearbox assembly	1	
1	GB189-1014-BL-XL5340-3.3-M1	Stud studs	7	
2	GBT93-14-A31	Normal type single coil spring lock washer	7	
3	GBT6171-M14X1.5-8-A31	Type 1 hexagon nut	7	
4	FT250.37A.277	Thrust ring	1	
5	GBT283-MJ206K	Cylindrical Roller Bearings	1	
6	FT250.37A.150	A shaft auxiliary variable speed spacer	1	
6	FT250.37A.151	A shaft auxiliary variable speed spacer	1	
6	FT250.37A.152	A shaft auxiliary variable speed spacer	1	
6	FT250.37A.153	A shaft auxiliary variable speed spacer	1	
6	FT250.37A.154	A shaft auxiliary variable speed spacer	1	
7	GBT20056-K30X35X77	Centering needle roller and cage assembly	2	
8	FT250.37.146	High and low gears	1	
9	FT250.37.139	Short spacer	1	
10	FT250.37.138	IV gear drive gear ring	1	
11	TF300.371.08	IV gears	1	
12	Q1WZB120-K42X48X22	Needle roller bearings	2	
13	FT250.37.154	Gear slip sleeve	2	
14	TE300.371.09	Engagement axis	1	
15	FT250.37.135	Engaging the socket	1	
16	TE300.371-07	III gear drive gear	1	
17	FT250.37.133	Third gear drive gear ring	1	
18	GBT894.1.34	Clevis for shaft	1	
19	TE300.371.05	I-II gear sliding gear	1	
20	GB1276-6207X	Deep groove ball bearing	1	
21	GBT305-72-74.6	Stop ring	1	
22	FT250.37.128	A shaft front bearing cover	1	
23	GBT93-10-A31	Normal type single coil spring lock washer	3	
24	GBT5783-M10X25-8.8-A2L	Hex bolt	3	
25	TE354.371T1	A shaft assembly	1	
25.1	FT250.37A.137	Bushings	1	
25.2	TE354.371T1.01	A shaft	1	
26	GBT894.1.35	Clevis for shaft	2	

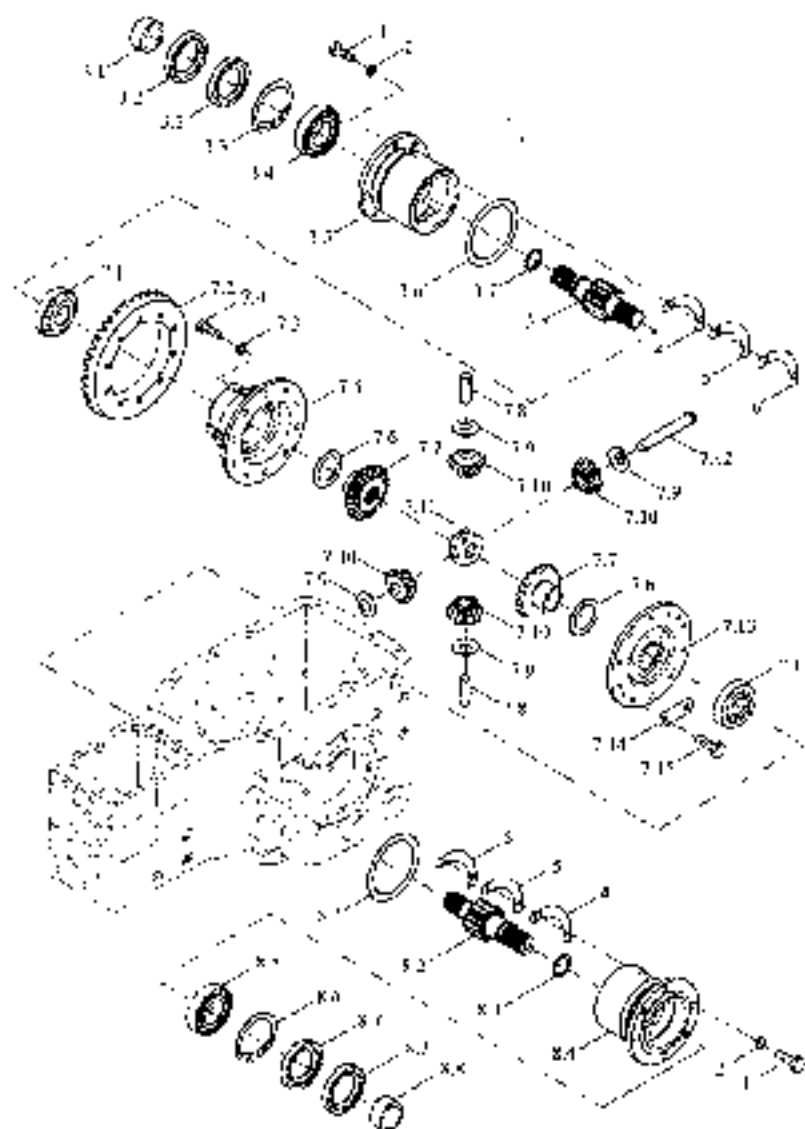
TE354.371T Transmission assembly-3 (007)



TE354.371T Transmission assembly-3 (007)

No.	Part code and specification	Part name	Quantity	Remark
	TE354.371T	Courbox assembly	1	
1	GBT812-M27X1.5	Round nut	2	
2	GBT858-37	Circular washers for nuts	1	
3	GBT297-30206	Tapered roller bearing	2	
4	FT250.37.127	Two axle front bearing	1	
5	GBT1983-M10X25 8.8-A3L	Hex bolt	4	
6	GBT192-10 A3L	Normal type single coil spring lock washer	4	
7	FT250.37.122	Two-axis adjustment gasket	1	
8	FT250.37.123	Two-axis adjustment gasket	1	
9	FT250.37.110a	Two-axis front thrust ring	1	
10	GBT894.1-55	Coil pin for shaft	1	
11	TE300.371-03	A second gear driven gear	1	
12	TE300.371-04	I gear driven gear	1	
13	GBT20056-K52X37X27	Centering needle roller and cage assembly	2	
14	GBT1096-14X9X56	Flat key	1	
15	TE300.371-06a	II - IV gear driven gear	1	
16	FT250.37.105a	Long spacer	1	
17	FT250.37.104a	Two-axis thrust ring	1	
18	FT250.37.103a	High and low sliding gears	1	
19	GBT894.1-58	Circipolar shaft	1	
20	TE250.3710-02	Cylindrical roller bearings NL158X75X23	1	
21	TE300.371-01a	Second axle	1	
22	FT65.38.026	Oil plug assembly	1	

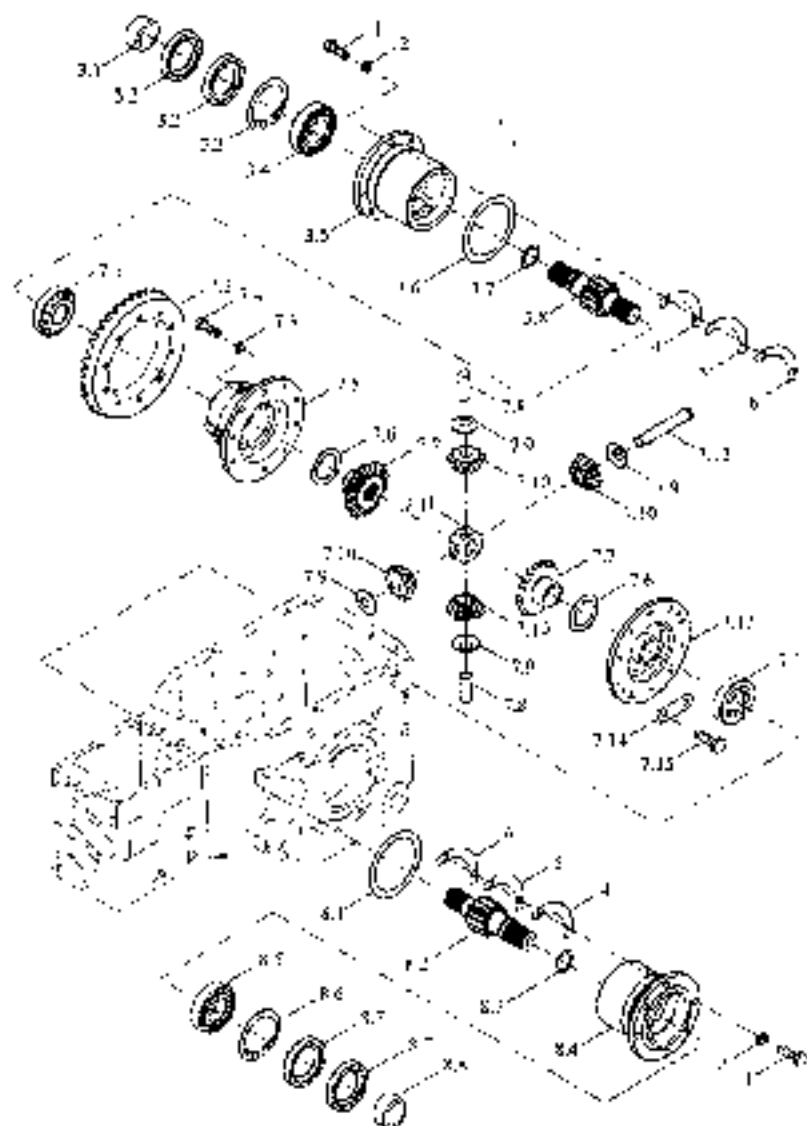
TE354.372A Transmission case rear central assembly-1 (010)



TE354.372A Transmission case rear central assembly-1 (010)

No.	Part code and specification	Part name	Quantity	Remarks
	TE354.372A	Gearbox after the central assembly	1	
1	GBT5783-M10X30-8.8-A3L	Hex bolt	8	
2	GHT93-10-A3L	Normal type single coil spring lock washer	8	
3	TE354.372A.2	Right shaft assembly	1	
3.1	FT250.37.208	Oil ring	1	
3.2	GBT0877.1-5D52X80X80	Lip shape seal ring	2	
3.3	GBT593.1-80	Clamp for hole	1	
3.4	GBT233-NLP407E	Cylindrical Roller Bearings	1	
3.5	TE354.372A.2-01	Right bearing seat	1	
3.6	GBT3457.1-103X3.55C	Pneumatic O-ring rubber seals	1	
3.7	GBT3452.1-28.0X3.55C	Pneumatic O-ring rubber seals	1	
3.8	TE300.372.1-02	The final drive of the drive gear	1	
4	FT250.37.204	Adjusting washer	1	
5	FT250.37.205	Adjusting washer	1	
6	FT250.37.206	Adjusting washer	1	
7	TE300.372.2	Differential assembly	1	
7.1	GHT297-32011	Tapered Roller Bearings	2	
7.2	FT300.372.2-07	Driver spiral bevel gear	1	
7.3	GBT193-8-A3L	Normal type single coil spring lock washer	3	
7.4	FT250.37.201	Fixing screws	3	
7.5	TE300.372.2-05	Differential case	1	
7.6	FT250.37.203	Shaft gears	1	
7.6	FT250.37.332	Shaft gears	1	
7.6	FT250.37.333	Shaft gears	1	
7.6	FT250.37.334	Shaft gears	1	
7.6	FT250.37.335	Shaft gears	1	
7.6	FT250.37.356	Shaft gears	1	
7.7	FT250.37.202	Side gears	2	
7.8	TE300.372.2-09	Motor planetary gear shaft	2	
7.9	FT250.37.109	Planetary gears	4	
7.10	FT250.37.200	Planetary gear	4	
7.11	TE300.372.2-08	Center ring	1	
7.12	FT250.37.198	Planetary gear shaft	1	
7.13	TE300.372.2-06	Differential gland	1	
7.14	TE300.372.2-03	Locking plate	5	
7.15	GBT5786-M10X1.25X35-8.8-A2F	Hex bolt	10	
8	TE354.372A.1	Left shaft assembly	1	
8.1	GBT3457.1-103X3.55C	Pneumatic O-ring rubber seals	1	
8.2	TE300.372.1-02	The final drive of the drive gear	1	
8.3	GBT3457.1-28.0X3.55C	Pneumatic O-ring rubber seals	1	

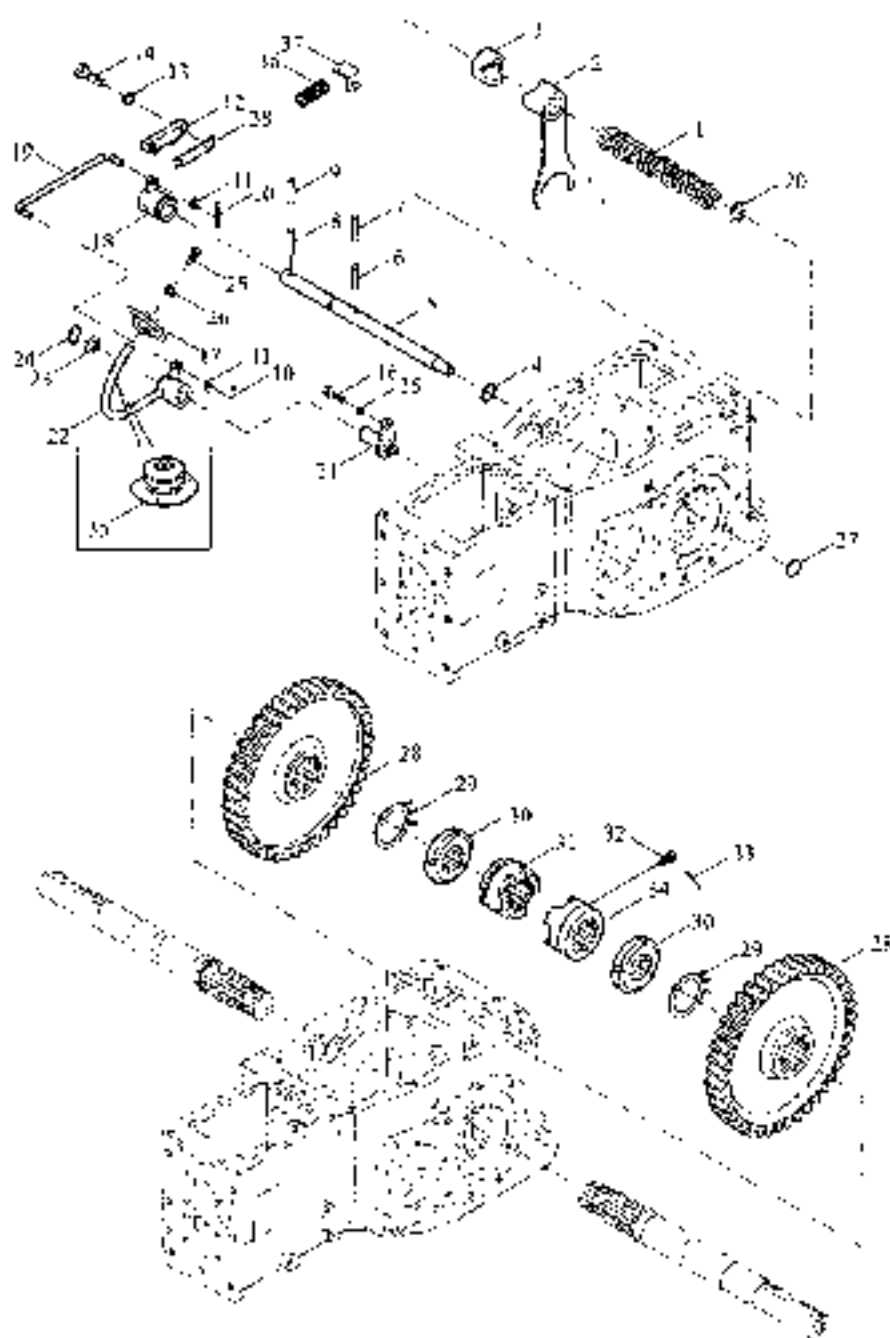
TE354.372A Transmission case rear central assembly-1 (010) Continu



TE354.372A Transmission case rear central assembly-1 (010) Continued

No	Part code and specification	Part name	Quantity	Remark
8.4	TE354.372A.1 01	Left bearing seat	1	
8.5	GB1293 NUP307F.	Cylindrical Roller Bearings	1	
8.6	GHT894.1-80	Circlip for lock	1	
8.7	GHT9671.1-FB52X20XSD	Lip-shape seal ring	2	
8.8	FT250.57 708	Oil ring	1	

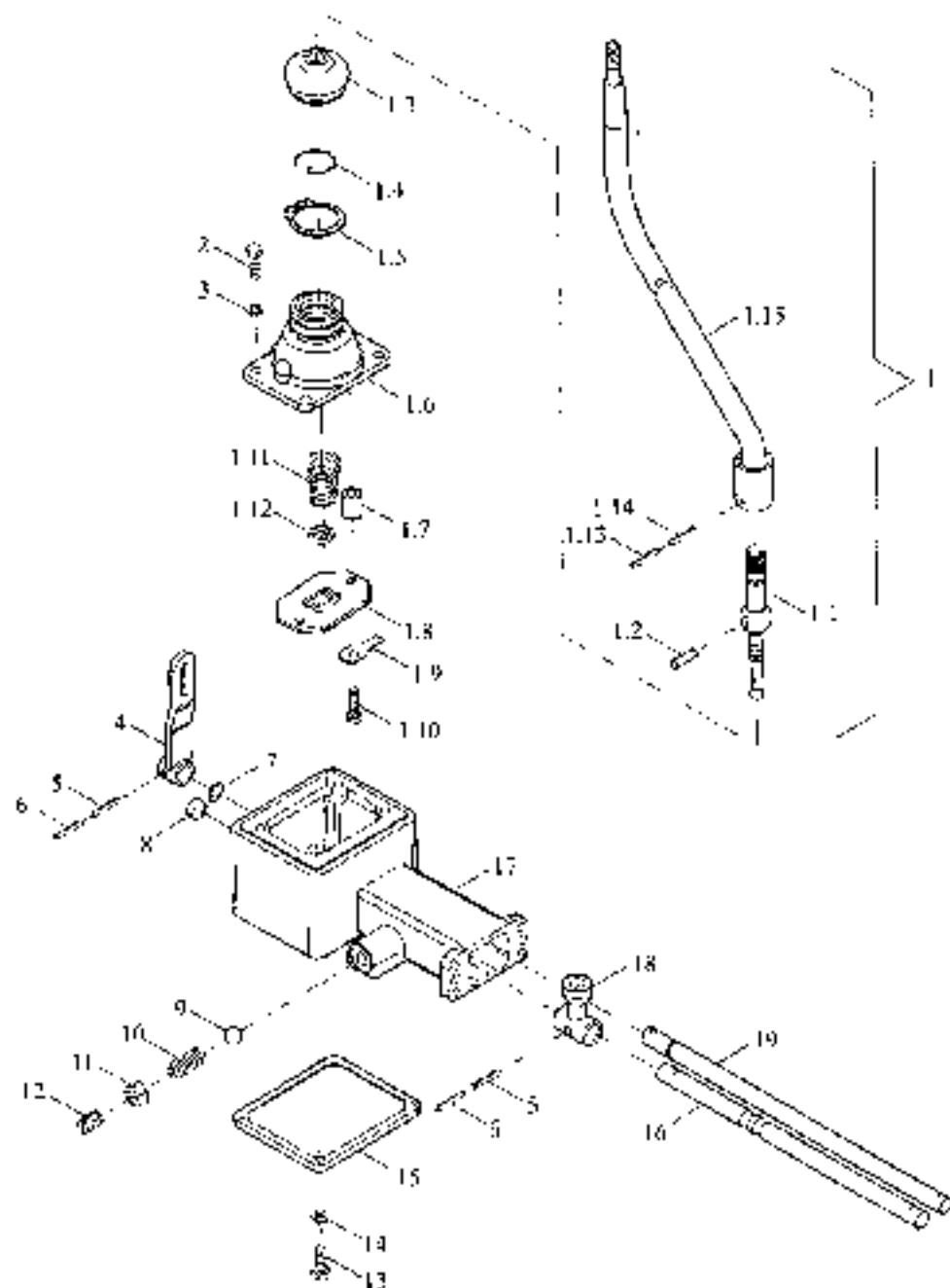
TE354.372A Transmission case rear central assembly-2 (010)



TE354.372A Transmission case rear central assembly-2 (010)

No	Part code and specification	Part name	Quantity	Remark
	TE354.372A	Casebox after the central assembly	1	
1	FT250.37.263	Differential lock spring	1	
2	TE354.372-02	Differential lock fork	1	
3	TE250.372F-05	Differential lock block	1	
4	GBT2452.1-15.0X2.65G	Pneumatic O-ring rubber seals	1	
5	TE354.372-03	Differential lock fork shaft	1	
6	GBT879.1-8X40	Elastic cylindrical pin	1	
7	GBT879.1-5X40	Elastic cylindrical pin	1	
8	GBT879.1-8X35	Elastic cylindrical pin	1	
9	GBT879.1-5X35	Elastic cylindrical pin	1	
10	GBT91.3.2X16 A31.	Center pin	2	
11	GBT95.8 A31.	Plain washer	2	
12	TE250.372F-02	Buffer	1	
13	GBT93-10-A31.	Normal type single coil spring lock washer	2	
14	GBT5783-M10X30-8.8-A31	Hex bolt	2	
15	GBT93-8-A31.	Normal type single coil spring lock washer	1	
16	GBT5783 M8X20 8.8 A21.	Hex bolt	1	
17	TE250.372F-07	Differential lock pedal	1	
18	TE250.372F-3	Differential lock fork shaft shaft hub welding	1	
19	TE354.372-01	Differential lock lever	1	
20	GBT97.1-16-A3L	Plain washer	1	
21	TE250.372F-7	Differential lock hub support shaft welding	1	
22	TE354.372.1	Differential lock rocker welding	1	
23	GBT97.1 20 A3L	Plain washer	1	
24	GBT894.1 20	Case lip for shaft	1	
25	GBT167-M6X16-4.4-A21.	Round-slanted plug	1	
26	GBT93-6-A31.	Normal type single coil spring lock washer	1	
27	Q72220	Round slanted plug	1	
28	TE300.372-01	Final drive driven gear	2	
29	GBT838-52	Circular washers for nuts	2	
30	GBT812-M52X1.5	Round nut	2	
31	TE300.372-05	Right teeth	1	
32	FT250.37.264	Locking screw	1	
33	TE250.212-05	Low carbon steel wire SZ-1.2	1	
34	TE300.372-04	Left teeth	1	
35	TE250.372F-06	Dust cover	1	
36	TE250.372F-05	Return spring	1	
37	TE250.372F-04	Spring hooks	1	
38	TE250.372F-18	Adjusting washer	1	

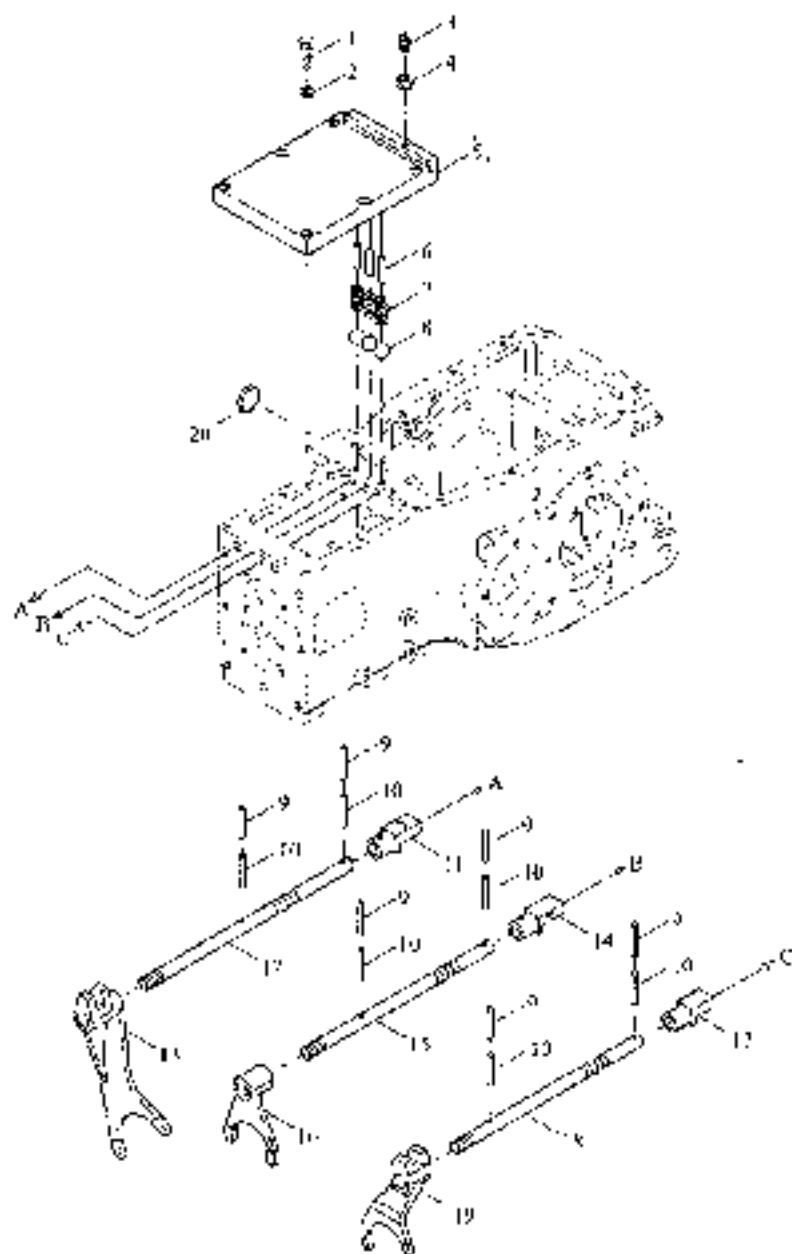
TE354.373 Transmission control assembly-1



TE354.373 Transmission control assembly-1

No.	Part code and specification	Part name	Quantity	Remark
	TE354.373	Transmission lever control mechanism assembly	1	
	TE354.373.1	Side control mechanism assembly	1	
1	TE250.373F.1.1	Main speed control cover assembly	1	
1.1	TE250.373F.1.1-01b	Main shift joystick	1	
1.2	GBT119.1-51.5X40-ADP	Round pin	1	
1.3	FT800.37.138	Shift lever dust cover	1	
1.4	FT250.37.248	Wire ring	1	
1.5	GBT894.1-45	Cover for shaft	1	
1.6	FT250.37.211	Main shift lever seat	1	
1.7	TE250.373F.1.1-03	Pad	2	
1.8	TE250.373F.1.1-02	Shift lever limit plate	1	
1.9	GBT854.8	Single ear stop washers	2	
1.1	GBT5782 M5X40 8.8 A2L	Hex bolt	2	
1.31	FT250.37.183	Shift lever spring	1	
1.32	FT300.37.164	Shift lever spring ring	1	
1.33	GBT879.1-5X35	Elastic cylindrical pin	1	
1.34	GBT879.1-8X35	Elastic cylindrical pin	1	
1.35	TE250.373F.1.1-04	Main shift lever welding	1	
2	GBT5783-M5X25 8.8 A2L	Hex bolt	4	
3	GBT93-8-ADP	Normal type single coil spring lock washer	4	
4	TE250.373F.1.2	Welding the rotating rocker subassembly	1	
5	GBT879.1-6X24	Elastic cylindrical pin	2	
6	GBT879.1-3.5X24	Elastic cylindrical pin	2	
7	GBT3452.1-12.5X1.80C	Pneumatic O-ring rubber seals	1	
8	GBT308-9.5-Q200 2	Steel ball	1	
9	GBT6172.1-M12-06-A3L	Hexagonal nuts	1	
10	GBT73-M12X25-14H-A3L	Slot of flat end screw	1	
11	GBT5783 M6X20-8.8-A2L	Hex bolt	4	
12	GBT93-6-ADP	Normal type single coil spring lock washer	4	
13	TE250.373F.1-03	Side control under the cover	1	
14	TE250.373F.1-05	Main transmission control lever	1	
15	TE354.373.1-01	Side cover	1	
16	TE250.373F.1-02	Transmission lever base for control shaft	1	
17	TE250.373F.1-04	Auxiliary shift lever	1	
18	Q72218	Bowl-shaped plug	1	
19	FT704.42B.163	The fork shift breaks the spring	1	

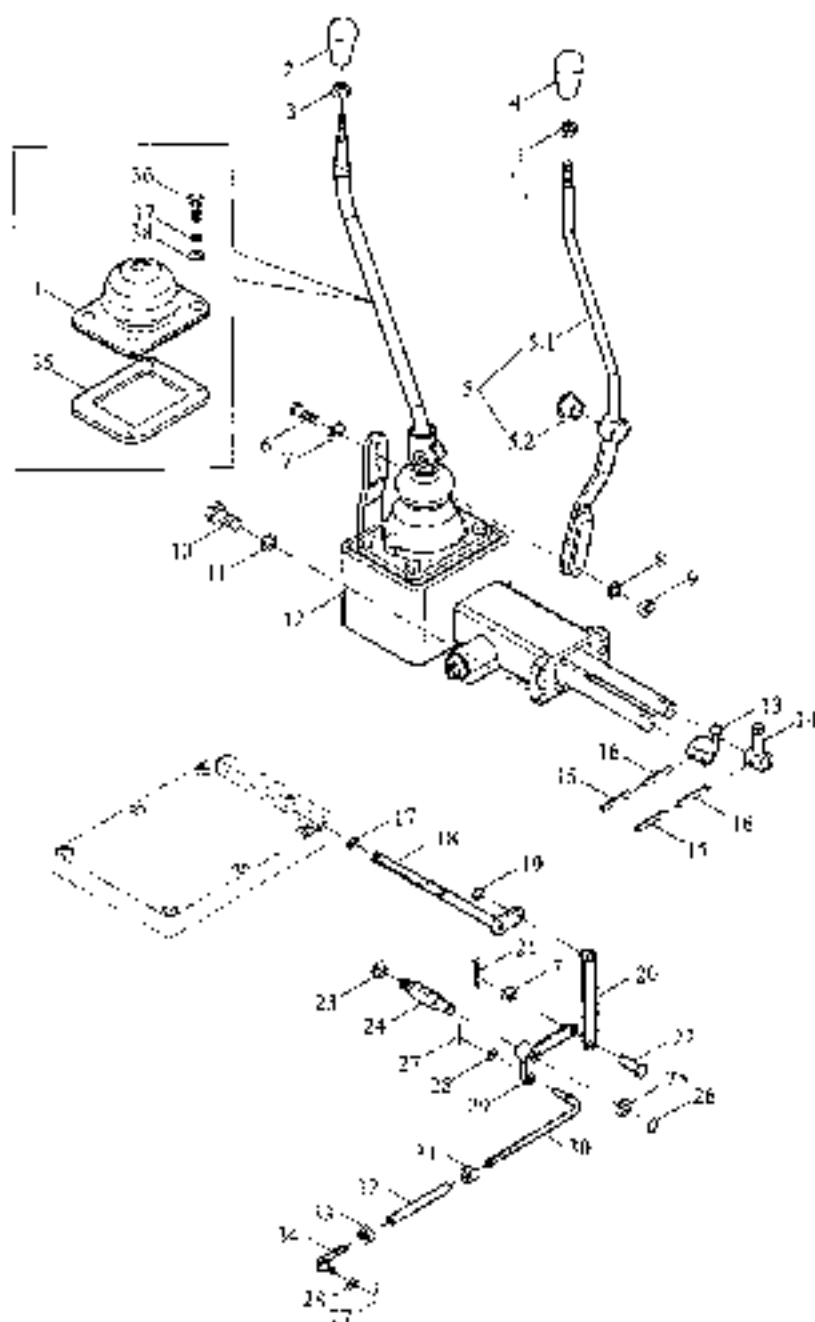
TE354.373 Transmission control assembly-2



TE354.373 Transmission control assembly-2

No.	Part code and specification	Part name	Quantity	Remark
	TE354.373	Transmission box control member assembly	1	
1	GBT5783 M8X40 8.8-A2L	Hex bolt	6	
2	GBT93-8-ADP	Normal type single oil spring lock washer	6	
3	FT250.37.249	Fixing screws	1	
4	GBT6173-M8X1-05-A2L	Hexagonal nuts	1	
5	TE250.373F-01	Gearbox chain cover	1	
6	FT250.37.250	Fixed pin	3	
7	TE354.373A-01	Fork shaft self-locking spring	3	
8	GBT308-8.711-4.200-b	Steel ball	3	
9	GBT879.1 3X24	Elastic cylindrical pin	6	
10	GBT879.1 5X24	Elastic cylindrical pin	6	
11	TE250.372F-11	High and low tipped	1	
12	TE354.373-03	High and low gear fork shaft	1	
13	FT250.37.145	High and low lock	1	
14	TE250.373E-10	III-IV block fork	1	
15	TE354.373-02	IV gear fork shaft	1	
16	TE250.37.143	IV fork	1	
17	TE250.373F-09	IV file end, the board	1	
18	TE354.373-01	I-II gear fork shaft	1	
19	FE300.375-01	I-II stall	1	
20	Q72114	Plugs	1	

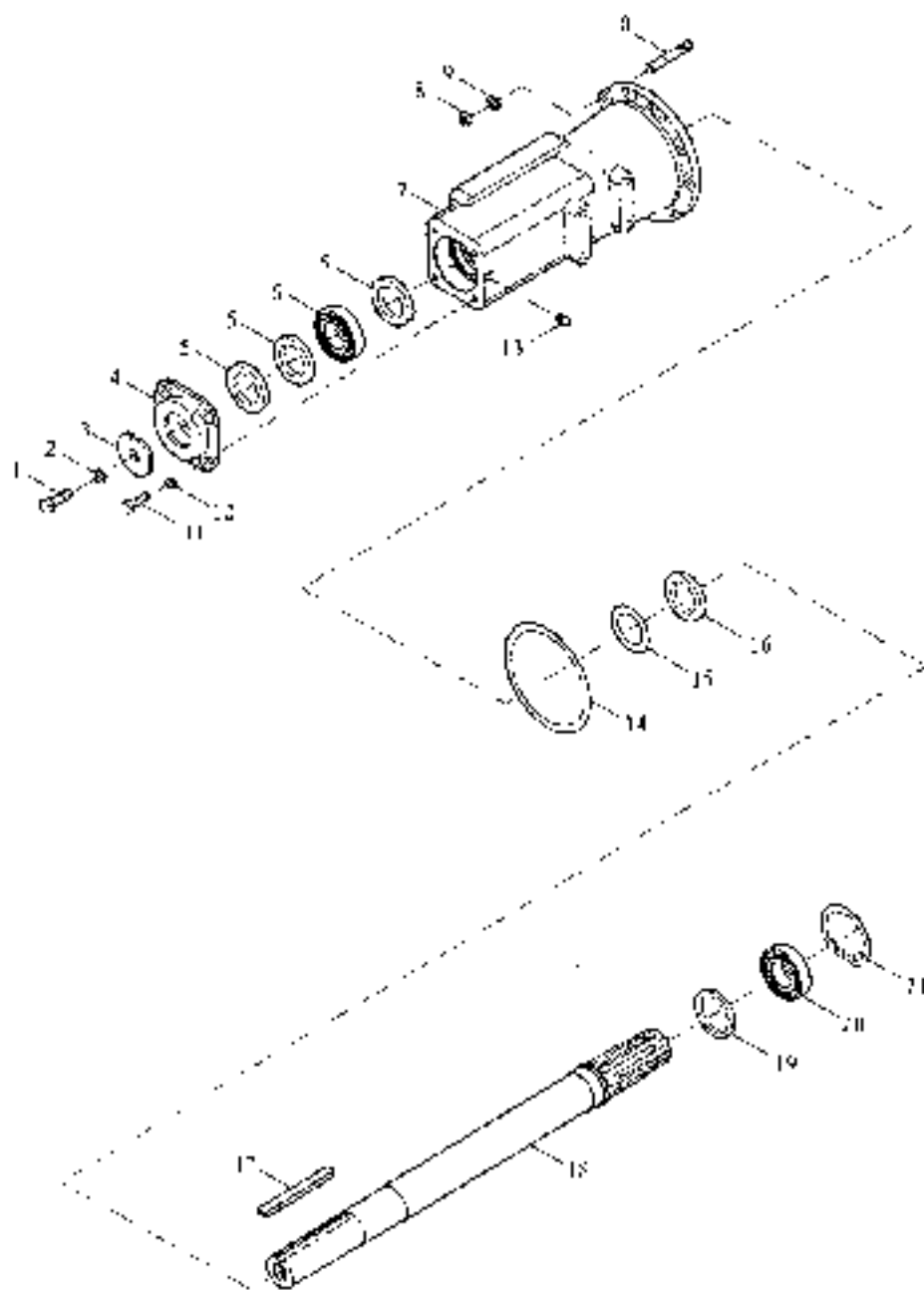
TE354.373 Transmission control assembly-3



TE354.373 Transmission control assembly-3

No.	Part code and specification	Part name	Quantity	Remark
	TE354.373	Transmission box control mechanism assembly	1	
1	TE250.373F-15	Protecting mask	1	
2	TE250.371C.2.2	Main speed control joystick assembly	1	
3	GBT6170-M10-8-A30	Type I hexagon nut	1	
4	TE250.373F	View shift joystick	1	
5	TE354.373.2	The joystick is pressed after variable speed	1	
5.1	TE354.373.2.1	View speed joystick welding	1	
5.2	TE254.582H.11-01	View-speed joystick welding	1	
6	TE250.473F-13	Stop bolts	1	
7	GRT95-8-A0P	Plain washer	1	
8	GRT93-6-A0P	Normal type single coil spring lock washer	1	
9	GRT6170-M6-8-A21	Type I hexagon nut	1	
10	GRT70.1-M8X25-12.9	Hexagon socket cap head screw	4	
11	GRT93-8-A0P	Normal type single coil spring lock washer	4	
12	TE354.373	Side control mechanism assembly	1	
13	TE250.373E-02	Main speed control	1	
14	TE250.373F-03	View variable speed operation inside the box	1	
15	GRT879.2-3.5X24	Elastic cylindrical pin	2	
16	GRT879.1-6X24	Elastic cylindrical pin	2	
17	GRT3452.1-8.75X1.50G	Pneumatic O-ring rubber seals	1	
18	TE250.373F.2	Interlocking shaft: welding	1	
19	GRT896-6	Open ring	1	
20	TE250.373F.7	Pull plate welding	1	
21	GRT91-3.0X20-A0P	Cotter pin	1	
22	GRT882-58X16-A0P	Pin	1	
23	GRT93-12-A0P	Normal type single coil spring lock washer	1	
24	TE250.373F-14	Studs	1	
25	GRT848-12-A0P	Small washers	1	
26	GRT894.1-12	Lift up for shaft	1	
27	GRT91-3.2X75-A0P	Cotter pin	2	
28	GRT95-10-A0P	Plain washer	2	
29	TE250.373F.4	Chain turn weld Lag	1	
30	TE250.373F.5	Box welding	1	
31	GBT6171-M10X1-L11-8-A21	Type I hexagon nut	1	
32	TE250.473C-09	Connecting rod	1	
33	GBT6171-M10X1-L11-8-A21	Type I hexagon nut	1	
34	TE250.455C.14	Back-shear nut welding (II)	1	
35	TE250.373F-12	Pressure plate	1	
36	GRT5783-615X20-8.8-A21	Hex bolt	4	
37	GRT93-5-A0P	Normal type single coil spring lock washer	1	
38	GRT95-5-A0P	Plain washer	4	

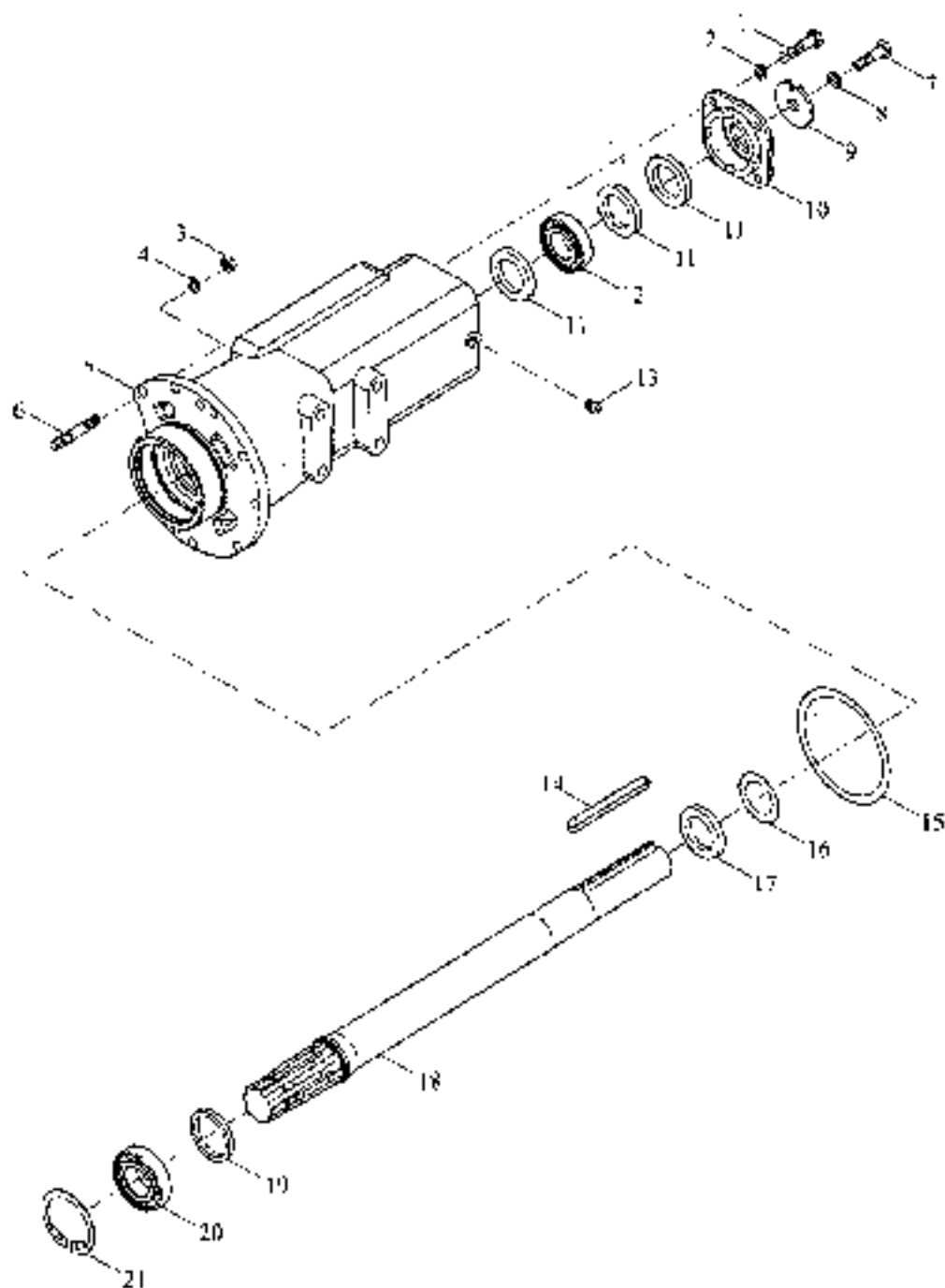
TE300.391 Left axle assembly



TE300.391 Left axle assembly

No	Part code and specification	Part name	Quantity	Remark
	TE300.391	Left shaft assembly	1	
1	GRT5783 M16X35-8.8-A3L	Hex bolt	1	
2	GHT93-16-AOP	Normal type single coil spring lock washer	1	
3	FT250.37.216	Carclip	1	
4	FT250.37.214	Drive shaft bearing cover	1	
5	GBT9877.1-FB50X72X8D	Inner Frame Shaft Rotary Shaft Lip Seal	3	
6	GBT276-0210	Deep groove ball bearings	1	
7	TE300.391-02	Left drive shaft sleeve	1	
8	GST8171-M12X1.75-10-A2L	Type 1 hexagon nut	8	
9	GRT93-12-AOP	Normal type single coil spring lock washer	8	
10	GBT99-AM12-ME2M-25X3-109-07	Sand studs	8	
11	GRT5783 M10X25-8.8-A3L	Hex bolt	4	
12	GRT93-16-AOP	Normal type single coil spring lock washer	4	
13	JB17960.1-M10X1	Steigbit hydraulic grease nipple	1	
14	GRT3452.1-112X3.55G	Pneumatic O-ring rubber seals	1	
15	FT250.37.212	Oil seal circlip	1	
16	GBT9877.1-FH55X75X8D	Inner Frame Shaft Rotary Shaft Lip Seal	1	
17	FT250.37.215	Flat key	1	
18	TE300.391-01	Drive shaft	1	
19	FT250.47.218	Bushing ring	1	
20	GBT276-0211	Deep groove ball bearings	1	
21	GRT893.1-100	Carclip for hole	1	

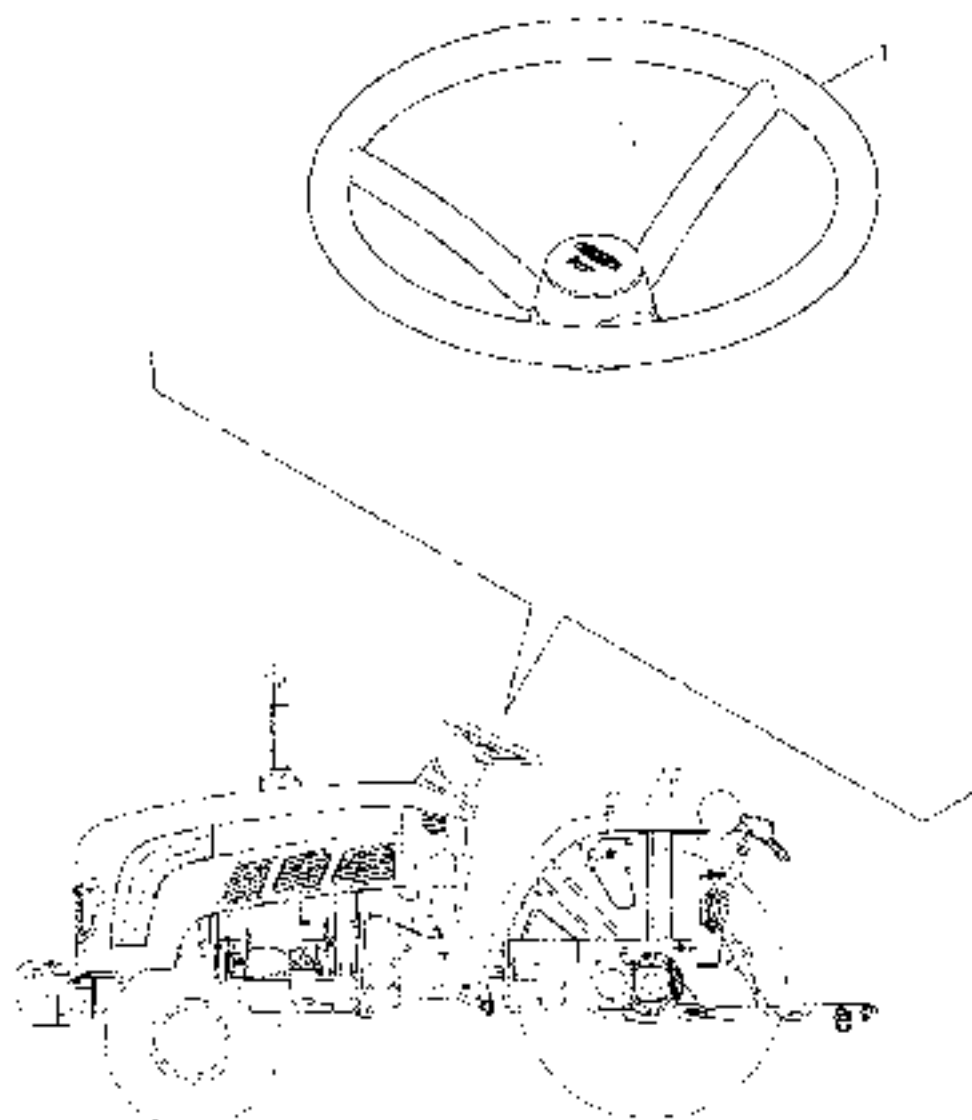
TE300.392 Right axle assembly



TE300.392 Right axle assembly

No.	Part code and specification	Part name	Quantity	Remark
	TE300.392	Right axle assembly	1	
1	GB15783-M16X25-8.8-A31	Hex bolt	4	
2	GBT93-10-A0P	Normal type single coil spring lock washer	4	
3	GBT6171-M12X1.25-10-A21	Type 1 hexagon nut	8	
4	GBT93-12-A0P	Normal type single coil spring lock washer	8	
5	TE300.392-01	Right drive shaft sleeve	1	
6	GB489-367-M 30X35-10-A31	Steel shaft	8	
7	GB15783-M16X35-8.8-A31	Hex bolt	1	
8	GBT93-16-A0P	Normal type single coil spring lock washer	1	
9	FT250.37.216	Grease lip	1	
10	FT250.37.214	Drive shaft bearing cover	1	
11	GB19877.1-FR50X75X8D	Lip shape seal ring	3	
12	GBT276-6211	Deep groove ball bearings	1	
13	JBT79011-M10X1	Straight hydraulic grease nipple	1	
14	FT250.37.215	Flat key	1	
15	GBT3452.1-112XS55C	Pneumatic O-ring rubber seals	1	
16	FT250.37.242	Oil seal circle	1	
17	GB19877.1-FR55X75X8D	Lip shape seal ring	1	
18	TE300.391-01	Drive shaft	1	
19	FT250.37.218	Beating ring	1	
20	GBT276-6211	Deep groove ball bearings	1	
21	GBT893.1-500	Grease lip for hole	1	

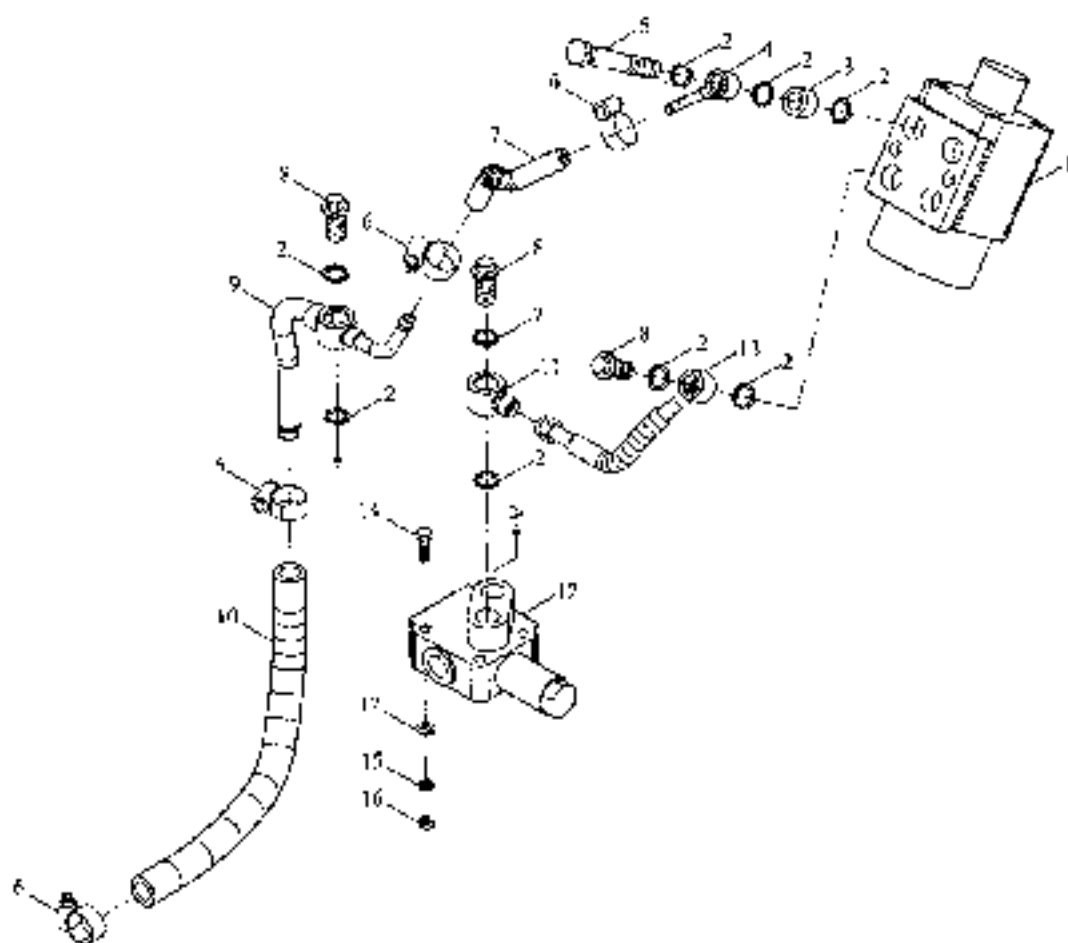
TE250.401A Steering wheel assembly



TE250.401A Steering wheel assembly

No.	Part code and specification	Part name	Quantity	Remark
1	TE250.401A TE250.401A 1	Steering wheel assembly Steering cap assembly	1 1	

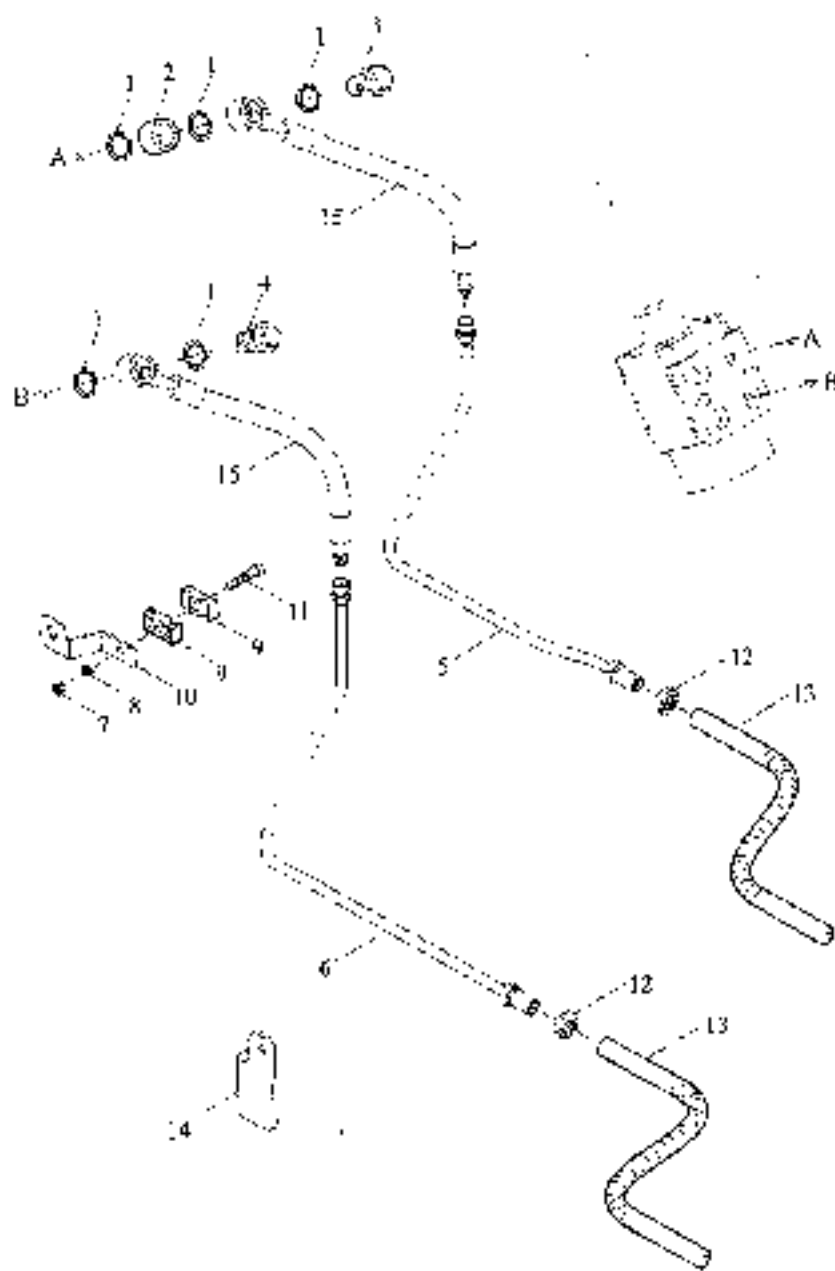
TE354.402 Steering pipe assembly-1 (012)



TE354.402 Steering pipe assembly-1 (012)

No.	Part code and specification	Part name	Quantity	Remark
	TE354.402	Steering pipe assembly	1	
1	FT254.40.028	Hydraulic steering gear assembly	1	
2	JB1982-20	Combined sealing washer	14	
3	TE354.402.05	Shims	2	
4	TE354.402.1	Steer return pipe welding	1	
5	TE354.402.02	Hollow Bolt M20X1.5	2	
6	Q67627	Type B worm drive hose loop	4	
7	TE354.402C-10	Oil return hose	1	
8	FT254.40.102	Hollow bolts	4	
9	TE354.402.2a	Single valve return pipe welding	1	
10	TE354.402.01a	Single valve return hose	1	
11	TE354.402F-04	Connector	1	
12	FT254.40.040	Single-channel stabilized shunt valve	1	
13	TE354.402F.1a	Steer inlet tube	1	
14	GBT5782 M6X5.5-6.8-12L	Hex bolt	3	
15	GBT93-8-A31	Normal type single coil spring lock washer	4	
16	GBT6170 M8-8-A21	Type 1 hexagon nut	4	
17	GBT90.1-8-A31	Large washers	3	

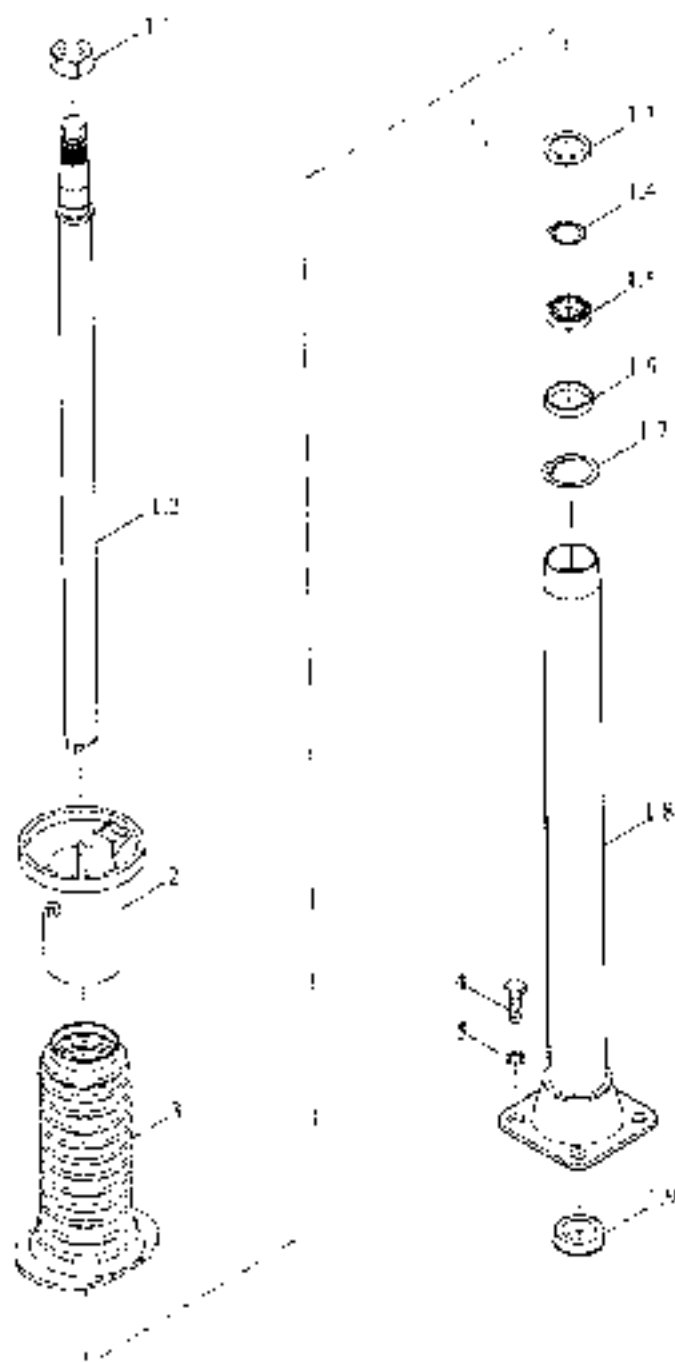
TE354.402 Steering pipe assembly-2 (012)



TE354.402 Steering pipe assembly-2 (012)

No.	Part code and specification	Part name	Quantity	Remark
	TE354.402	Steering pipe assembly	1	
1	JBT982-20	Combined sealing washer	14	
2	TH354.402-03	Sleeves	7	
3	TH354.402-02	Hollow Bolt M20X1.5	2	
4	FT254.40.102	Hollow bolts	4	
5	TE254.402F.11	Steering left pipe for welding	1	
6	TE254.402F.13	Steering of the right turn tubing	1	
7	GBT6170-M8-8-A2T	Type 1 hexagon nut	4	
8	GRT93-8-A3L	Normal type single coil spring lock washer	4	
9	TT554.400.121	Double pipe clamp	2	
10	TE254.402F-05	Tubing bracket 2	1	
11	GRT5782-M8X40-8.8-A2L	Hex bolt	1	
12	GBT6173-M16X1.5-05-A3F.	Hexagonal nuts	7	
13	TE354.402.4u	Steering tubing assembly two	2	
14	TT254.402F-01	Tubing bracket	1	
15	TT254.402F.10	Steering hose assembly	2	

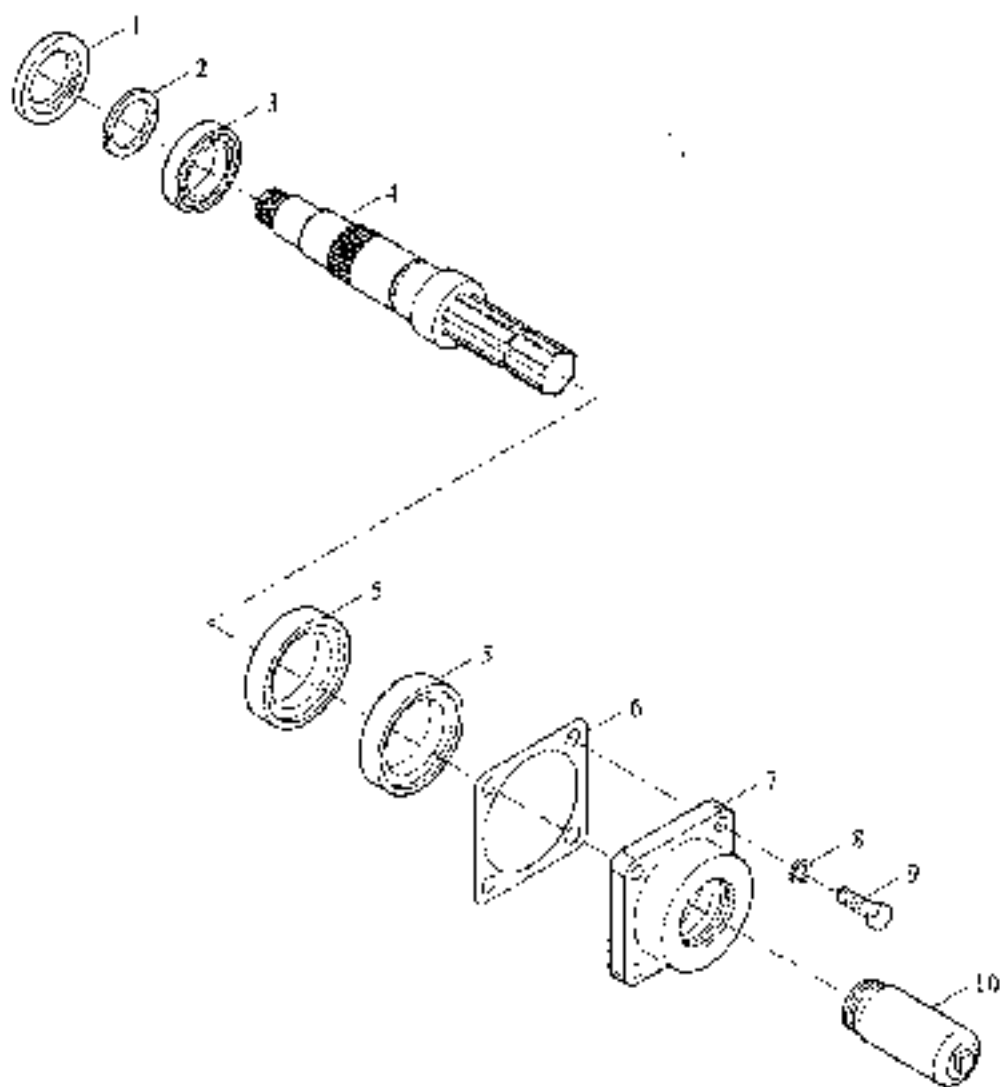
TL01403040000K Steering column assembly (002)



TL01403040000K Steering column assembly (002)

No	Part code and specification	Part name	Quantity	Remark
	TL01403040000K	Steering column assembly assembly	1	
1	FE250403F1	Steering column assembly	1	
1.1	GBT6173-M16X1.5-05-A3L	Six angle thin nut	1	
1.2	FE250403F1-01	Steering rod	1	
1.3	FE65040172	Bearing ring	1	
1.4	GB1894.1-20	Circclip for shaft	1	
1.5	GBT276-61804-20S	Deep groove ball bearing	1	
1.6	FE65040173	Bearing ring 2	1	
1.7	GB1895.1-32	Circclip for hole	1	
1.8	FE250403F1.1	Steering sleeve welding	1	
1.9	FE25440114	Shims	1	
2	TL01403010001K	Speaker brush holder assembly	1	
3	FE254403D-01	Steering rod sheathed	1	
4	GBT5783-M16X30-8.8-A3L	Hex bolt	4	
5	GBT93-10-A3L	Normal type single coil spring lock washer	4	

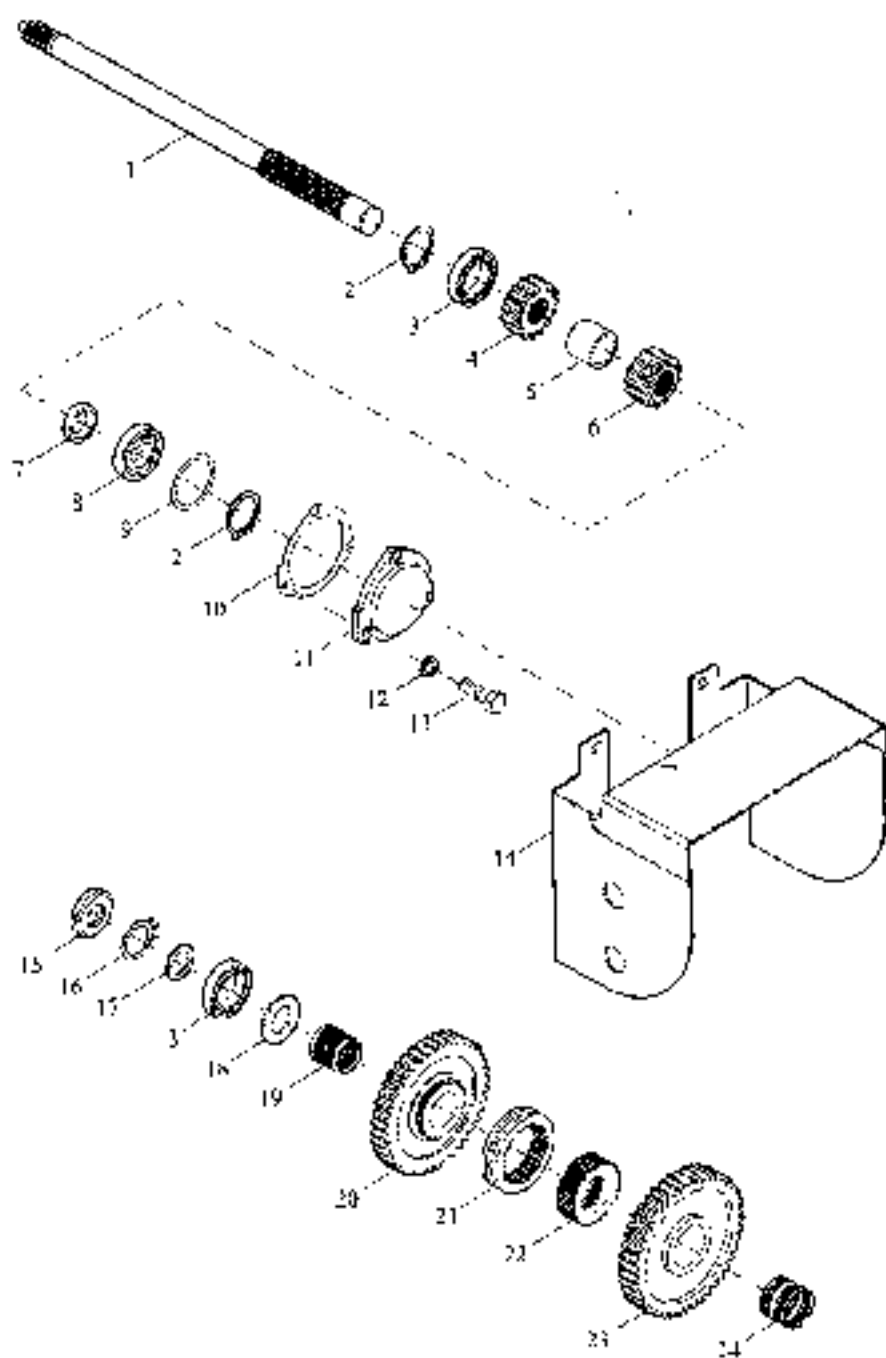
TE300.411 Power output shaft assembly(6 teeth)



TE300.411 Power output shaft assembly(6 teeth)

No	Part code and specification	Part name	Quantity	Remark
	TE300.411	Power output shaft assembly	1	
1	TK300.411-03	Thrust ring	1	
1	TE300.411-04	Thrust ring	1	
1	TK300.411-05	Thrust ring	1	
2	TK300.411-02	Thrust ring	1	
3	GHT276-6308	Deep groove ball bearings	1	
4	TE300.411-01	Power output shaft	1	
5	GB19877.1 F1150X72X8D	Lip-shape seal ring	2	
6	FT300.41-136	Back cover 1 pad	1	
7	FT300.41-101	Back cover 1	1	
8	GHT93-10-30P	Normal type single coil spring lock washer	4	
9	GHT5783 M10X30 8.8-A31	Hex bolt	4	
10	TK550.412-02	Power output shaft head shield	1	

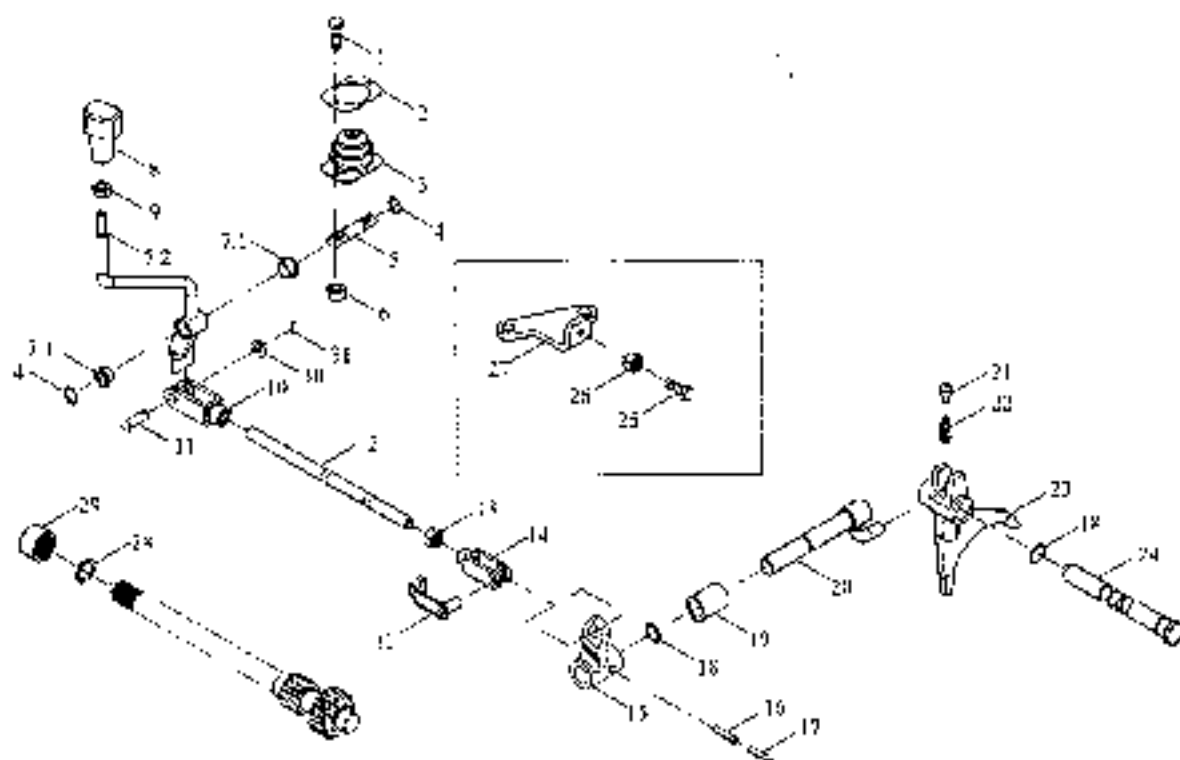
TE354.412 Power output gear assembly (006)



TE354.412 Power output gear assembly (006)

No.	Part code and specification	Part name	Quantity	Remark
	TE354.412	Power output gear assembly	1	
1	TE300.412-03	Power output drive shaft	1	
2	GBT894.1-30	Circle lip for shaft	2	
3	GBT276-6306	Deep groove ball bearings	2	
4	TE300.412-02	Power output high grade active gear	1	
5	TE300.412-03	Before the sleeves	1	
6	TE300.412-04	Power output low-grade active gear	1	
7	TE300.412-05	After the cover	1	
8	GBT276-6306	Deep groove ball bearings	1	
9	GBT505-72-78.6	Stop ring	1	
10	FT300.41.125	Rack cover II pad	1	
11	TE300.412-09	Rack cover	1	
12	GBT93-8-A2L	Normal type single coil spring lock washer	3	
13	GBT5783 M8X20 8.8 A2L	Hex bolt	3	
14	TE300.412.1	Power output shield welding	1	
15	GBT812-M25X1.5	Hex nut	1	
16	GBT858-25	Circular washers for nuts	1	
17	FT300.41.122	Washer	1	
18	FT300.41C.118	Output shaft front ring	1	
19	GBT20056 K35X40X27	Centering needle roller and cage assembly	1	
20	TE300.412-08	Power output high-grade passive gear	1	
21	TL02412010005	Power output clutch sleeve	1	
22	FT300.41C.117	Power output meshing seal	1	
23	TE300.412-06	Power output low gear passive gear	1	
24	TE300.412-07	Needle roller bearings Kk40X46X34	1	

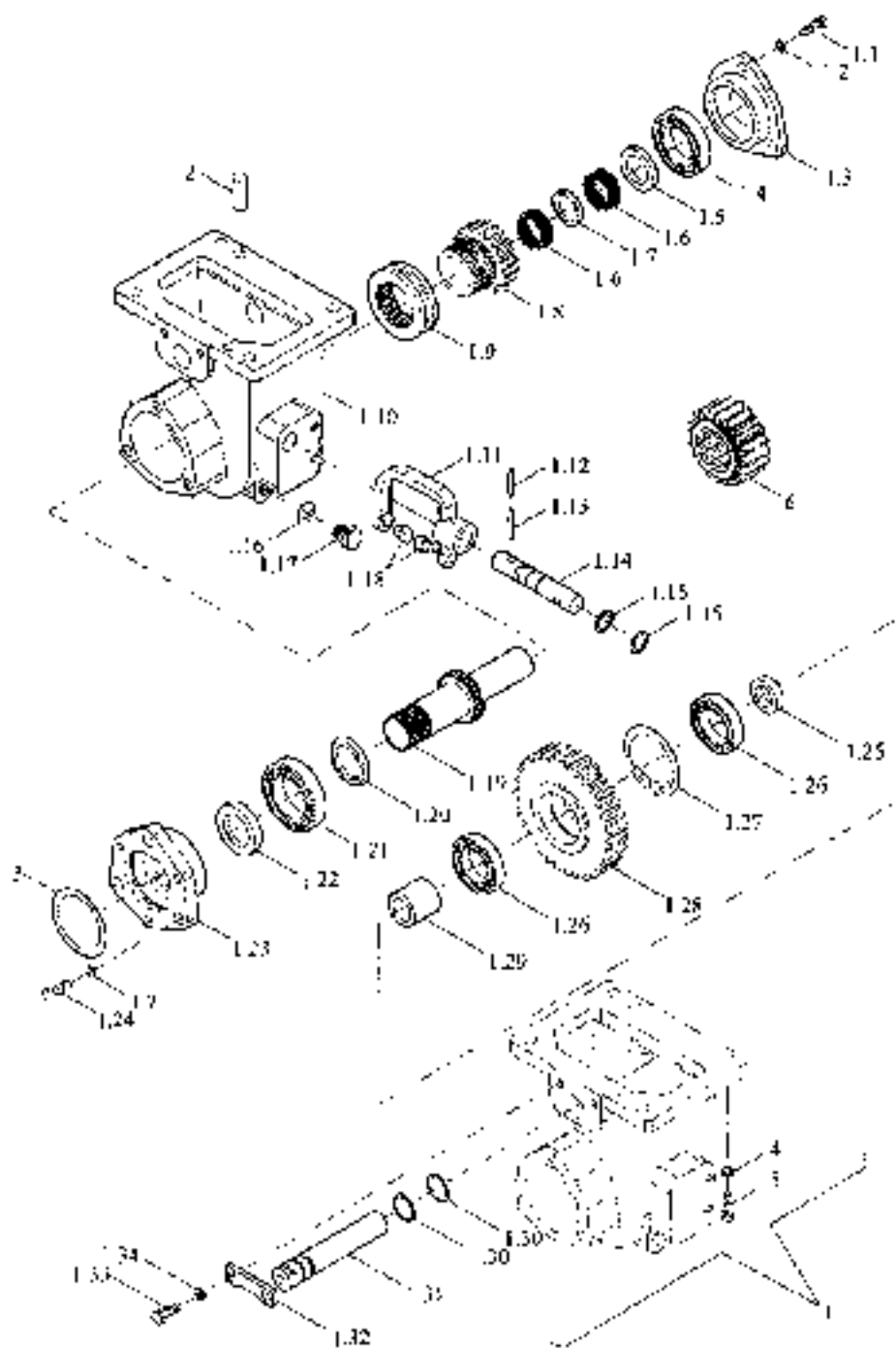
TE354.413 Power output control mechanism assembly



TE354.413 Power output control mechanism assembly

No.	Part code and specification	Part name	Quantity	Remark
	TE354.413	Power output control mechanism assembly	1	
1	GRT5783 M8X30-8.8-A21	Hex bolt	2	
2	TE250.413D-07	Tablet	1	
3	TE250.413D-03	Dust cover	1	
4	GRT894.1-18	Limit pin for shaft	2	
5	TE250.413D-04	Fixed shaft	1	
6	GRT6170 M8 X A21	Type 1 hexagon nut	2	
7	TE354.413.4	Joystick	1	
7.1	TE250.413D 5-111	Nylon pins	2	
7.2	TE354.413.4.1	Joystick welding	1	
8	FT250.41016	Power output shift handle	1	
9	GRT6170 M10 X A41	Type 1 hexagon nut	1	
10	FT800A.43B.119	Left-hand levers	1	
11	GRT91-3.2X20-AOP	Locking pin	2	
12	TE354.413-01	Main bar	1	
13	GRT6172.1 M10-04-A31	Hexagonal nuts	1	
14	FT800A.43B.116	Right-hand lever fork	1	
15	TE354.413.3	Bracket welding	1	
16	GRT879.1-6X26	Elastic cylindrical pin	1	
17	GRT879.1-3.5X26	Elastic cylindrical pin	1	
18	GRT3452.1-11.8X1.800	Pneumatic O-ring rubber seals	2	
19	TE300.413-04	Sleeves	1	
20	TE354.413.1	Shift lever welding	1	
21	TE250.413D-05	Shift shaft lock pin	1	
22	FT250.37.148	The fork shaft locks the spring	1	
23	TE300.413-02a	Power output shift fork	1	
24	TE300.413-03a	Power output shift fork shaft	1	
25	GRT5783 M8X35-8.8-A2L	Hex bolt	1	
26	GRT6172.1-M8-04-A21	Hexagonal nuts	1	
27	TE354.413.2-01	Limit plate	1	
28	GRT891.1-21	Limit pin for axle	1	
29	FT300.37-136	Cam timing sleeve	1	
30	GRT882-150X30-AOP	Pin	2	
31	GRT97.1-10-AOP	Plain washer	2	

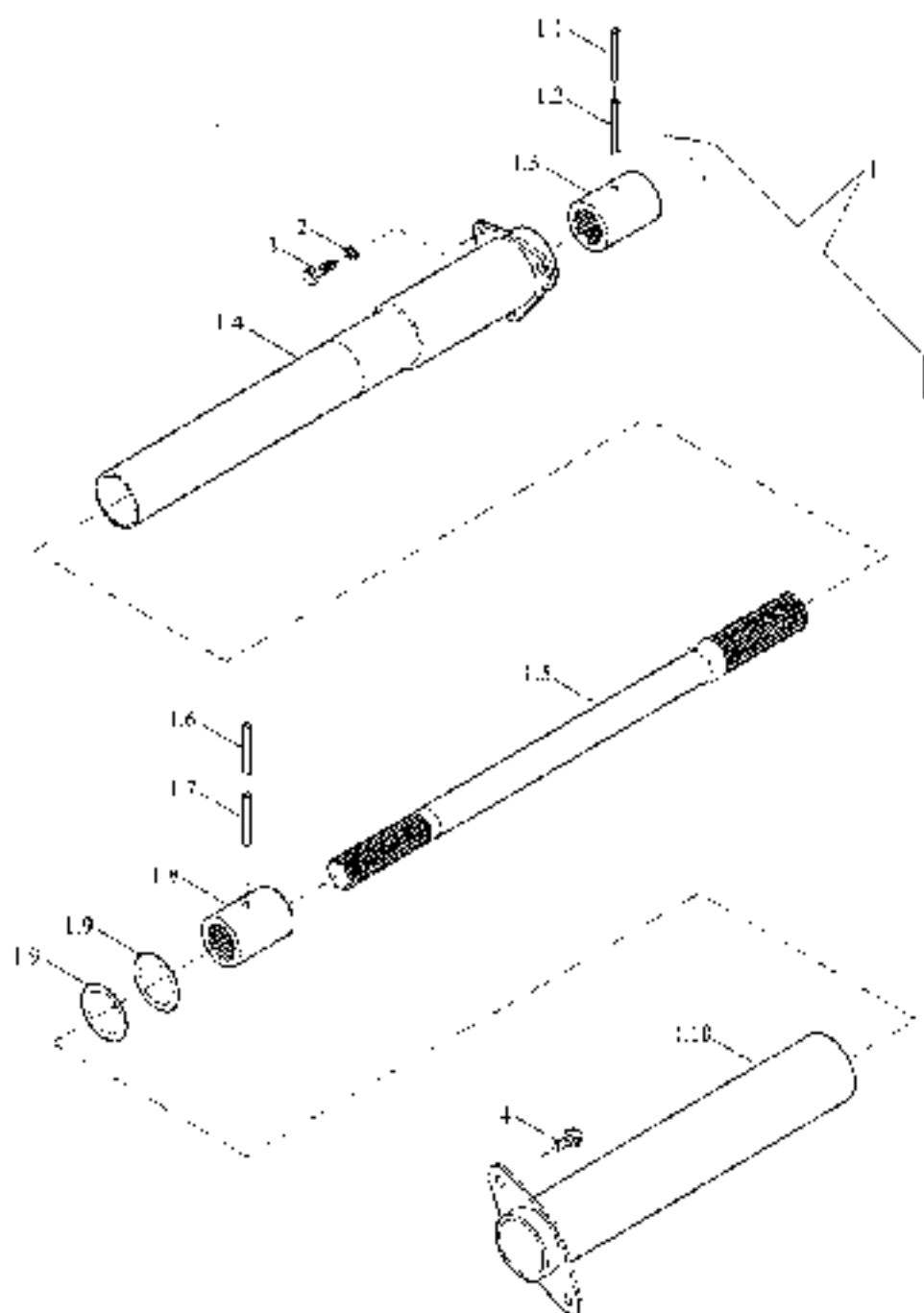
TE254.421B Transfer case assembly(004)



TE254.421B Transfer case assembly(004)

No.	Part code and specification	Part name	Quantity	Remark
	TE254.421B	Transfer box assembly	1	
1	TE254.421B.1	Transfer box box assembly	1	
1.1	GBT5783-M10X20-8.8-A3L	Hex bolt	3	
1.2	GBT93-10-A0P	Normal type single coil spring lock washer	4	
1.3	GBT93-10-A0P	Normal type single coil spring lock washer	6	
1.4	TE254.421A.1-01	Rear bearing cover	1	
1.5	GBT276-6306	Deep groove ball bearings	1	
1.6	FT254.42.107	Output shaft shaft thrust ring	1	
1.7	JBT7918-K22X31X20	Centering needle roller and cage assembly	2	
1.8	FT254.42.108	Output shaft needle roller bearing spacer	1	
1.9	TE254.421B.1-01a	Transfer case driven gear	1	
1.10	FT254.42F.103	Engagement sets	1	
1.11	TE254.421A.1-01	Transfer case shell	1	
1.12	TE254.421A.1-02	Transfer box fork	1	
1.13	GBT1879.1-6X24	Elastic cylindrical pin	1	
1.14	GBT1879.1-4X24	Elastic cylindrical pin	1	
1.15	TE254.421A.1-03	Transfer box box shaft	1	
1.16	GBT3452.1-12.5X1.80G	Pneumatic O-ring rubber seals	2	
1.17	JBT982-12	Concaved sealing washer	1	
1.18	Q617012	Hex head plug	1	
1.19	FT254.42.121	Transfer box fork	2	
1.20	FT254.42.102	Output shaft	1	
1.21	FT254.42.109	Output shaft front thrust ring	1	
1.22	GU1276-6206	Deep groove ball bearings	1	
1.23	TE254.421A.1.1	Oil seal FB30X45X8B	1	
1.24	TE254.421A.1-09	Front bearing cover	1	
1.25	GBT5783-M10X30-8.8-A3L	Hex bolt	3	
1.26	TE254.421A.1-10	The middle shaft is shaft thrust ring	1	
1.27	GBT276-6204	Deep groove ball bearings	2	
1.28	GBT993.1-67	Hole with elastic ring	1	
1.29	TE254.421B.1-02	Transfer gear intermediate gear	1	
1.30	TE254.421A.1-11	Intermediate shaft thrust ring	1	
1.31	GBT3452.1-15.0X2.65G	Pneumatic O-ring rubber seals	2	
1.32	TE254.421A.1-05	Intermediate shaft	1	
1.33	TE254.421A.1-07	Intermediate case positioning plate	1	
1.34	GBT5783-M8X20-8.8-A3L	Hex bolt	2	
2	GBT93-8-A0P	Normal type single coil spring lock washer	2	
3	GBT119.1-10a6X18-A0P	Round pin	2	
4	GBT3452.1-55.0X2.65G	Pneumatic O-ring rubber seals	1	
5	GBT5783-M10X30-10.9-A3L	Hex bolt	2	
6	TL3001361-0K	Front drive gears	1	

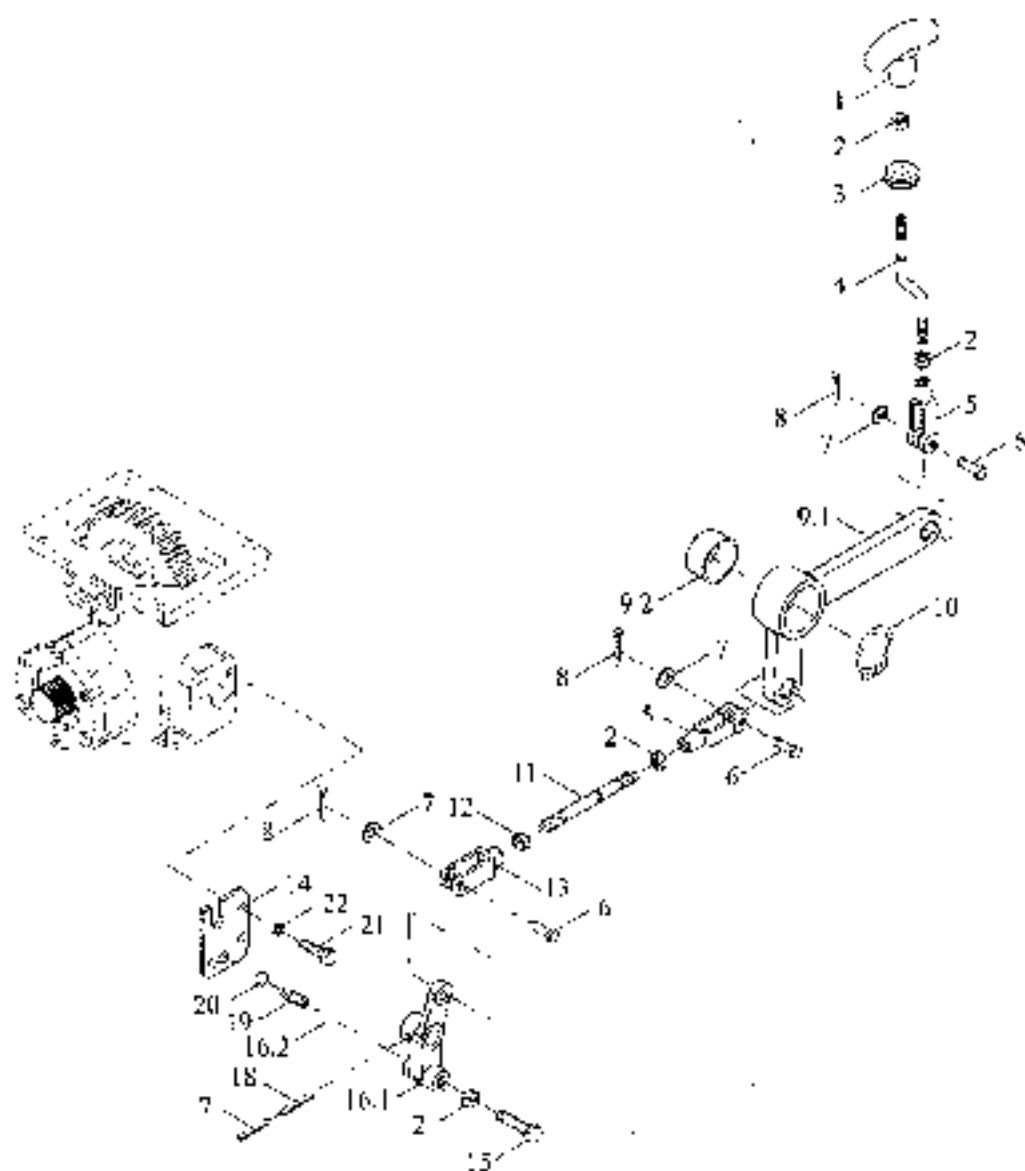
TE354.422 Transfer gear shaft and shield assembly(005)



TE354.422 Transfer gear shaft and shield assembly

No	Part code and specification	Part name	Quantity	Remark
	TE354.422	Transfer box drive shaft assembly	1	
1	TE354.422.1	Transfer box drive shaft assembly	1	
1.1	GB1879.1-3.5X40	Elastic cylindrical pin	1	
1.2	GB1879.1-6X40	Elastic cylindrical pin	1	
1.3	FT254.42.1.3	Spline bushing	1	
1.4	TE354.422.1.1	After the casing casing welding	1	
1.5	TE354.422.1.01	Transfer box drive shaft	1	
1.6	GB1879.1-3.5X35	Elastic cylindrical pin	1	
1.7	GB1879.1-6X35	Elastic cylindrical pin	1	
1.8	FT254.42F.120	Front spline sets	1	
1.9	GB13452.1-46.2X3.55G	Pneumatic O-ring rubber seals	1	
1.10	TE254.422A.1.1	Front Casing Welding	1	
2	GBT93-8-A2L	Nut type single endoring lock washers	3	
3	GBT5783-M8X16-8.8-A2L	Hex bolt	3	
4	GBT5789-M8X15-10.9-A2L	Hexagonal flange bolts	2	

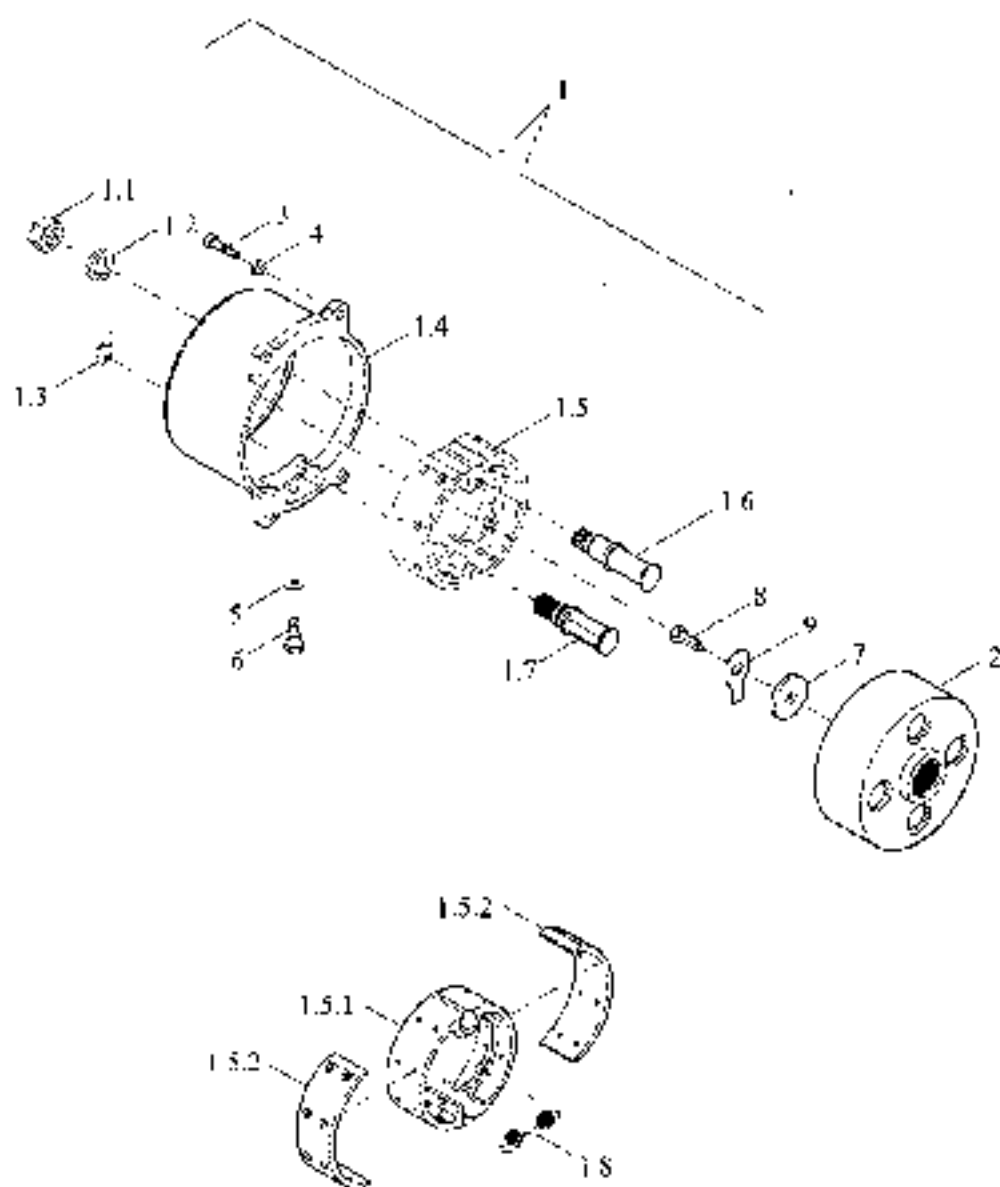
TE254.423C Transfer box control assembly (007)



TE254.423C Transfer box control assembly (007)

No.	Part code and specification	Part name	Quantity	Remark
	TE254.423L	Transfer box handling assembly	1	
1	FT65.38.051	Pal. the handle	2	
2	GBT6170-M10-8-A3L	Type 1 hexagon nut	4	
3	TE254.423A-01	Threading spacers	2	
4	TE254.423W-01	Forw.ck	2	
5	FT300.43.108	Driver link	1	
6	GBT882-B10X30-A0P	Circlip for shaft	2	
7	GBT97.1-10-A0P	Plain washer	2	
8	GBT91-12X20-A0P	Collar pin	2	
9	TE254.423C.1	Middle rocker pieces	1	
9.1	GBT894.1-20	Circlip for shaft	1	
9.2	TE254.423C.02	Middle bar	1	
10	GBT5170-M10-LH-8-A3L	Type 1 hexagon nut	1	
11	FT800A.430.119	Left hand levers	1	
12	TE254.423A-05	Positioning plate	1	
13	GBT5783-M10X25-8.8-A31	Hex bolt	1	
14	TE254.423A.1	Rocker pieces	1	
15	GBT8.09.1-3.5X24	Elastic cylindrical pin	1	
16	GBT8.09.1-6X24	Elastic cylindrical pin	1	
17	FT304.42.124	Positioning spring	1	
18	GBT308-8-G100-1	Steel ball	1	
19	GBT5783-68X20-8.8-A2L	Hex bolt	2	
20	GBT93-8-A0P	Normal type single coil spring lock washer	2	
21	TE254.423C.1.1	Intermediate rocker welding	1	
22	TE254.423C.1-01	Intermediate rocker bushings	1	

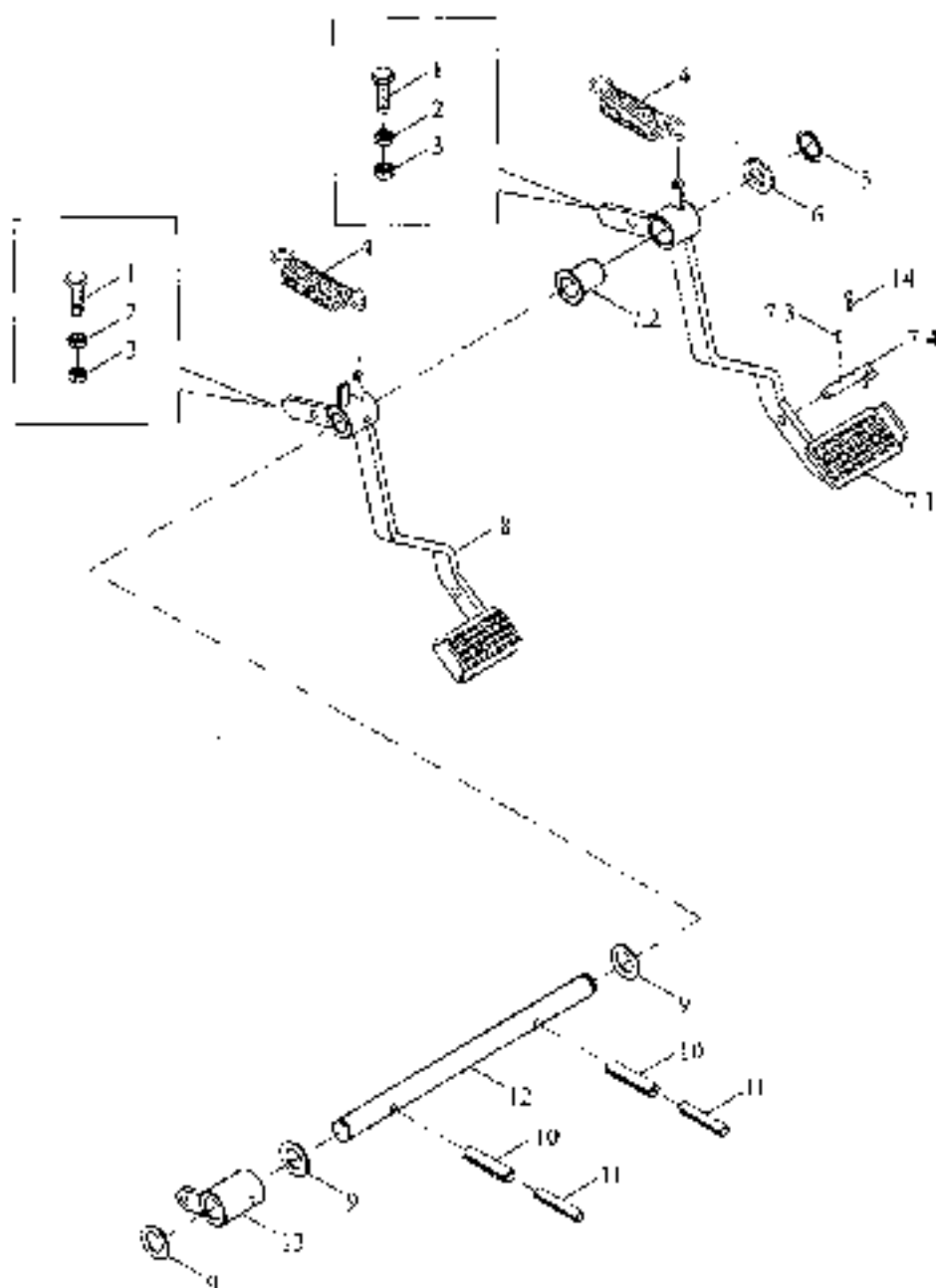
TE354.431A Brake assembly (006)



TE354.431A Brake assembly { 006 }

No.	Part code and specification	Part name	Quantity	Remark
	TE354.431A	Brake assembly	1	
1	TE354.431A.2	Brake bearing fit	1	
1.1	GBT8170-M16-8-3M	Type J hex nuts	1	
1.2	GBT93-16-A3	Normal type single coil spring lock washers	1	
1.3	GBT9452...-15.0X2.65G	Pneumatic O-ring rubber seals	1	
1.4	TE354.431A-01	Brake shoe	4	
1.5	TE354.431A.1	Brake shoe assembly	1	
1.5.1	TE354.431A.1-01	Brake shoes	1	
1.5.2	TE354.431A.1-02	Brake function plate	2	
1.6	TE354.431A-02	Brake shoe pin	1	
1.7	TE354.431A-04	Brake cam	1	
1.8	TE354.431A-05	Return spring	2	
2	TE354.431A-03	Brake drum	1	
3	GBT70.1-M8X20-8.8	Hexagon socket cap head screw	4	
4	GBT93-8-A3	Normal type single coil spring lock washers	4	
5	JBT982-8	Concave sealing washer	1	
6	GBT5783 M8X16 8.8-A2L	Hex bolt	1	
7	FT250.43.101	Washer	1	
8	GBT5783 M12X30 8.8-A3L	Hex bolt	1	
9	FT250.43.102a	Single one step washer	1	

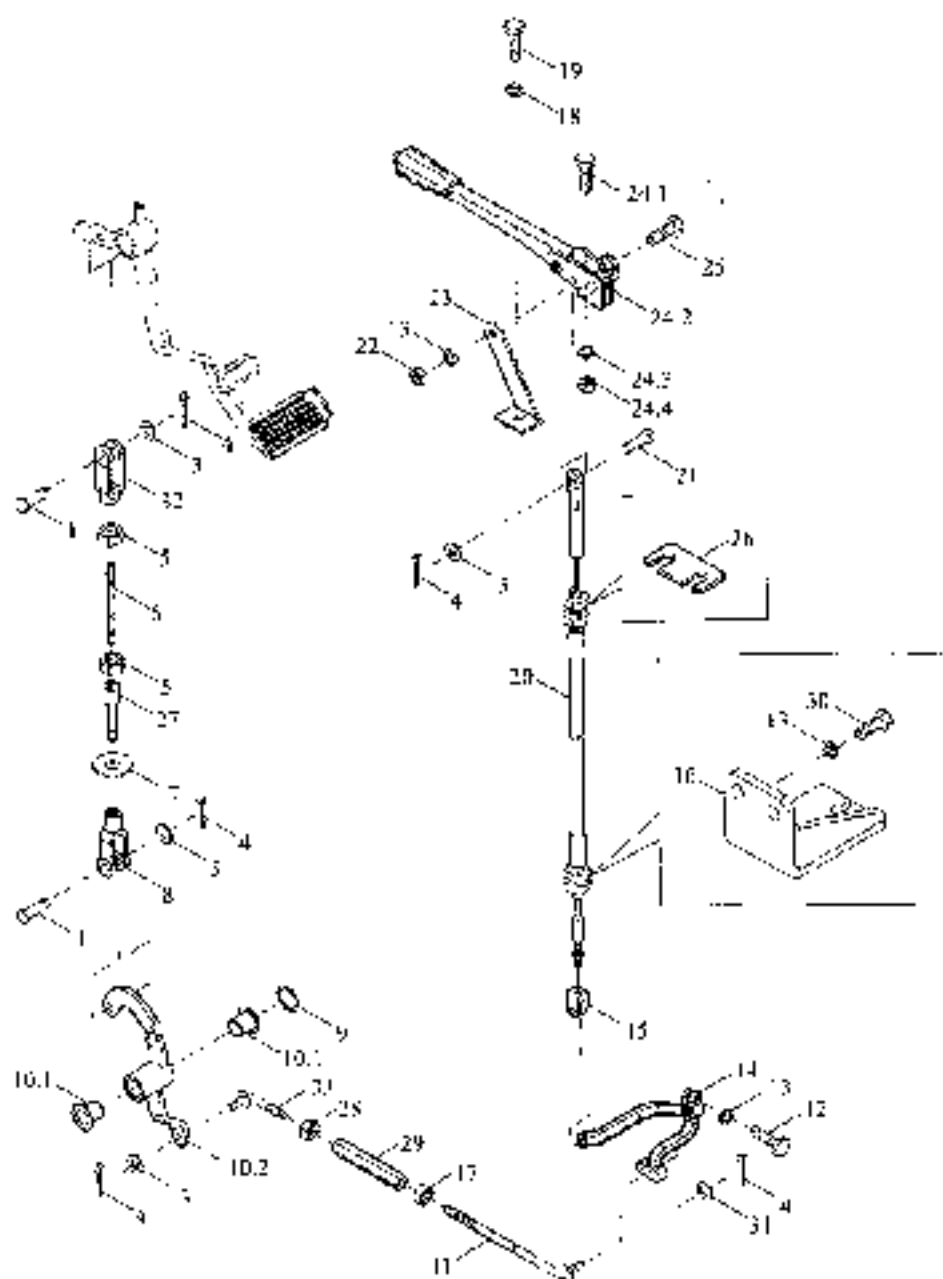
TE354.433B Brake control assembly-1



TE354.433B Brake control assembly-1

No.	Part code and specification	Part name	Quantity	Remark
	TE354.433B	Brake control assembly	1	
1	GB/T 5783-M10×35-F 8-43L	Hex bolt	2	
2	GB/T 6172.1-M10 04-33L	Hexagonal nuts	2	
3	GB/T 6170-M10-8-A3L	Type 1 hexagon nut	2	
4	TE250.212D 05	Control pedal return spring	2	
5	GB/T 894.1-25	Collar for shaft	1	
6	GB/T 97.1-24-A0F	Plain washer	1	
7	TE250.433C.2	Right brake pedal assembly	1	
7.1	TE250.433C.2.1	Right brake pedal welding	1	
7.2	TE250.433C.2.01	Bushing	1	
7.3	GB/T 879.1 5×16	Elastic cylindrical pin	1	
7.4	TE250.433C.2.2	Brake interlocking rod welding	1	
8	TE250.433C.1a	Left brake pedal welding	1	
9	TE250.433C-02	Gasket	3	
10	GB/T 879.1-10×40	Elastic cylindrical pin	2	
11	GB/T 879.1 6×40	Elastic cylindrical pin	2	
12	TE250.433C.01	Brake shaft	1	
13	TE250.433C.3	Left rocker welding	1	
14	FT600A.43.401	Lock pin	1	

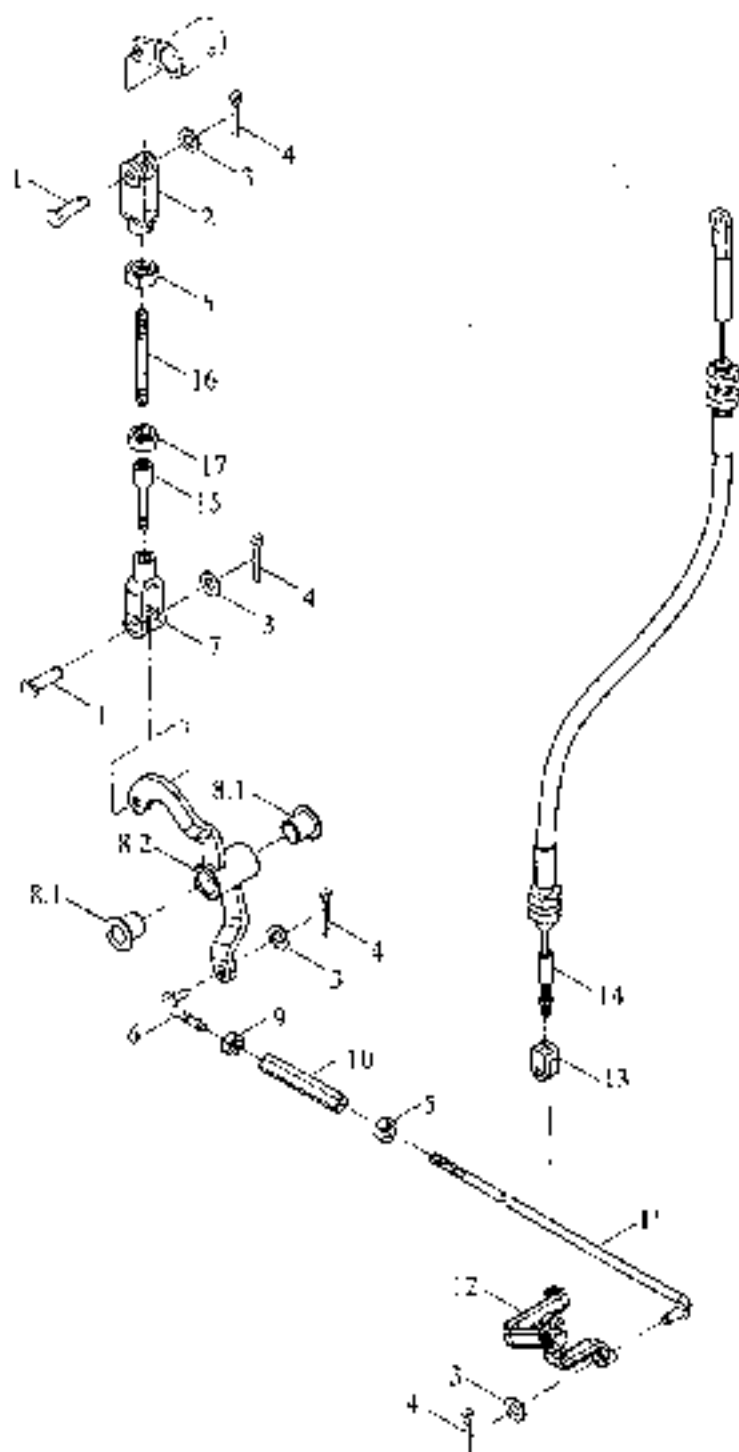
TE354.433B Brake control assembly-2



TE354.433B Brake control assembly-2

No.	Part code and specification	Part name	Quantity	Remark
	TE354.433B	Brake control assembly	1	
1	GB/T 882-B10 × 30-A0P	Pin	2	
2	TF300.43.110	Bracket fork	1	
3	GB/T 97.1-10-A0P	Plain washer	4	
4	GB/T 91-3.2 × 22-A0P	Cotter pin	5	
5	GB/T 6171-M10 × 1-8-A2L	Type 1 hexagon nut	2	
6	TE250.433C-14	Brake upper connecting rod	1	
7	TE250.433C-08	Rubber seal plate	1	
8	TF300.43.106	Drawer fork	1	
9	GB/T 894.1-20	Connecting plate	1	
10	TE354.433B	Right lower rocker assembly	1	
10.1	TE250.433C-01	Bushing	2	
10.2	TE354.433B.1	Bottom right rocker welding	1	
11	TE354.433B.2	Right brake fork and welding	1	
12	GB/T 5783-M8 × 25-8.8-A2L	Hex bolt	2	
13	GB/T 93-8-A0P	Normal type single coil spring lock washers	5	
14	TE354.433-02	Right brake rocker	1	
15	TE250.433C-11	Connection fork	1	
16	TE354.433.1	Right bearing welding	1	
17	GB/T 6171-M12 × 1.5-8-A3L	Type 1 hexagon nut	2	
18	GB/T 93-10-A0P	Normal type single coil spring lock washers	2	
19	GB/T 5783-M10 × 25-8.8-A3L	Hex bolt	2	
20	TE250.433C.8	Right brake cable assembly	1	
21	GB/T 882-B10 × 35-A0P	Pin	1	
22	GB/T 6170-M8-8-A2L	Type 1 hexagon nut	1	
23	TE250.433C.12	Ratchet bracket welding	1	
24	TE250.433C.7	Handbrake mouth assembly	1	
24.1	GB/T 5783-M8 × 30-A2L	Hex bolt	2	
24.2	TE250.433C.7.1	Handbrake mouth	1	
24.3	GB/T 93-8-A0P	Normal type single coil spring lock washers	2	
24.4	GB/T 6170-M8-A2L	Type 1 hexagon nut	2	
25	GB/T 5783-M8 × 35-8.8-A2L	Hex bolt	1	
26	TE250.433C-12	Brake cable on the base plate	1	
27	TE250.433C.17	Brake shaft and welding	1	
28	GB/T 6171-M12 × 1.5-11E-8-A3L	Type 1 hexagon nut	1	
29	TE354.433-03	Connecting rod	1	
30	GB/T 5783-M8 × 30-8.8-A2L	Hex bolt	2	
31	GB/T 97.1-12-A0P	Plain washer	4	
32	GB/T 6170-M10-8-A3L	Type 1 hexagon nut	1	
33	TE354.433B.3	Right brake shaft and welding	1	

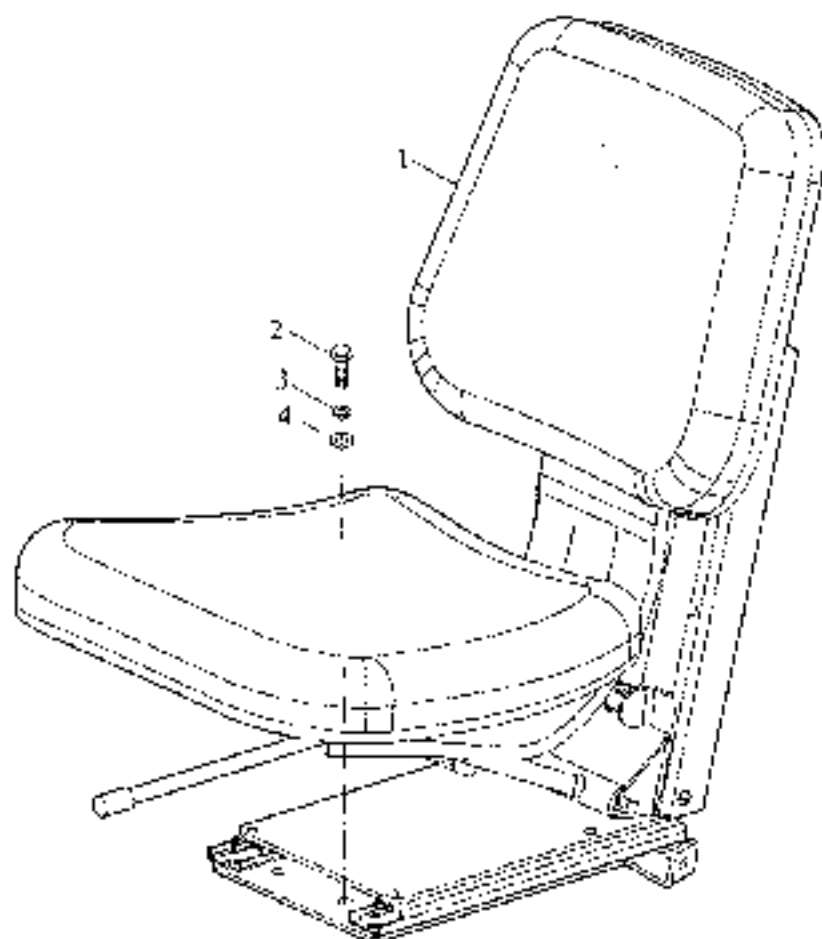
TE354.433B Brake control assembly-3



TE354.433B Brake control assembly-3

No.	Part code and specification	Part name	Quantity	Remark
	TE354.433B	Brake control assembly	1	
1	GB/T 882 B10×30 AQP	Pin	5	
2	FT300.43.110	Rod after fork	1	
3	GB/T 97.1-10 AQP	Plain washer	3	
4	GB/T 91 3.2×22-AQP	Color pin	6	
5	GB/T 6170-M10×8-A31	Type 1 hexagon nut	2	
6	TE354.433.4	Brake short rod welding	1	
7	FT300.43.108	Heaven fork	1	
8	TE354.433.5	Left lower arm assembly	1	
8.1	TE250.433C.4 01	Bushing	2	
8.2	TE354.433.5.1	Left lower rocker welding	1	
9	GB/T 6171 M12×1.5 L10 8 A31	Type 1 hexagon nut	1	
10	TE354.433 U3	Connecting rod	1	
11	TE354.4330.1	Left brake long rod welding	1	
12	TE354.433-110	Left brake rocker	1	
13	TE250.433C.-11	Connection fork	1	
14	TE250.433C.12	Left brake cable assembly	1	
15	TE250.433C.17	Brake short rod welding	1	
16	TE250.433C.-14	Brake upper connecting rod	1	
17	GB/T 6171-M10×1-8-A21	Type 1 hexagon nut	1	

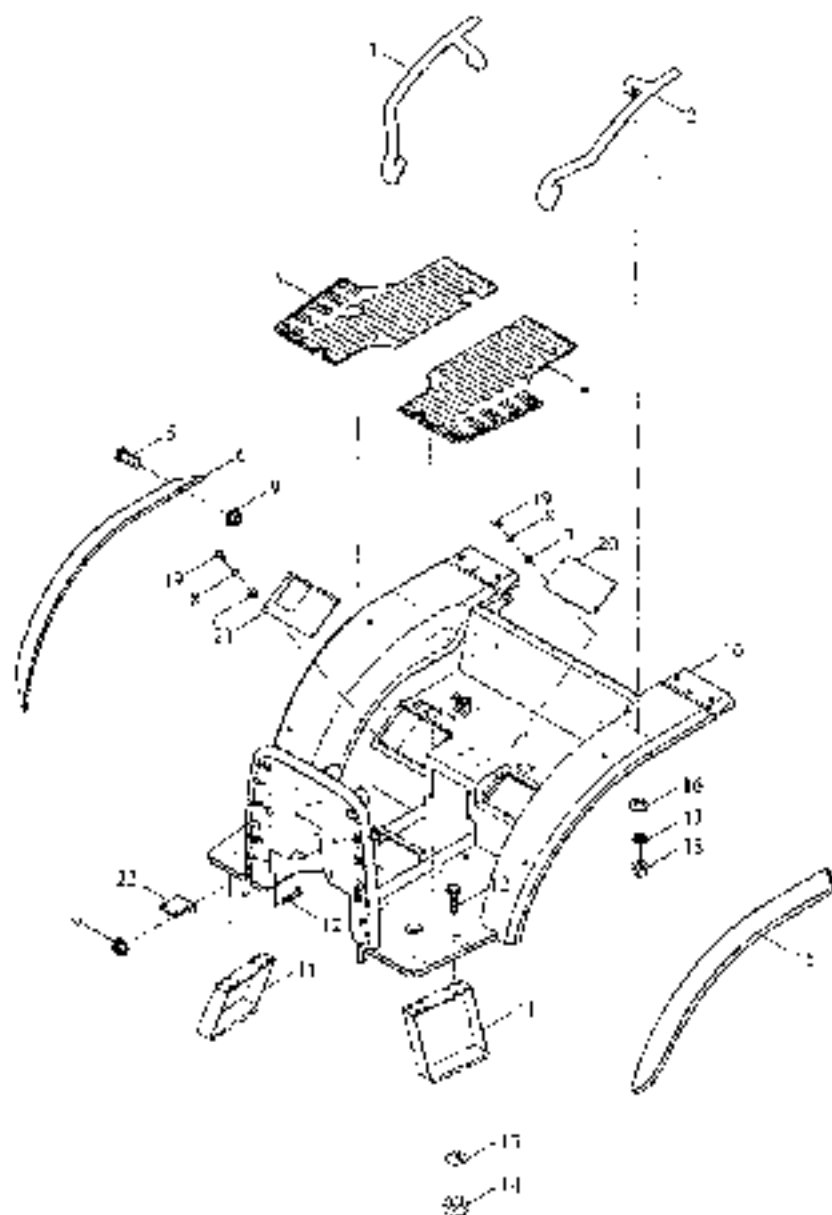
TE300.44 Seat assembly(004)



TE300.44 Seat assembly(004)

No.	Part code and specification	Part name	Quantity	Remarks
	TE300.44	Seat mounting assembly	1	
1	TE250.44A.1	Seat assembly	1	
2	GBT5783-M8X25-8.8-A2L	Hex bolt	4	
3	GBT193-8-A0P	Normal type single rail spring lock washer	4	
4	GBT197.1-8-A0P	Plain washer	4	

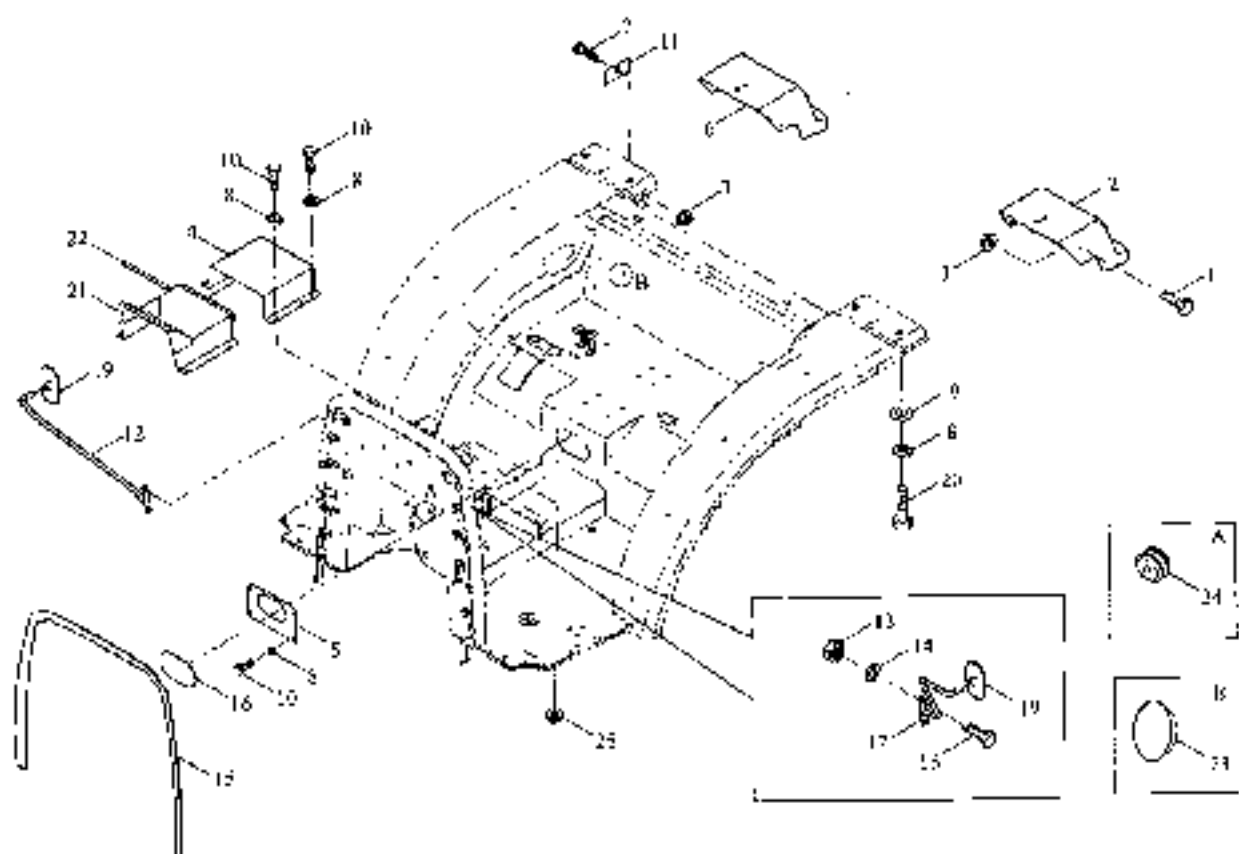
TE250.472F Floor assembly-1(013)



TE250.472F Floor assembly-1(013)

No.	Part code and specification	Part name	Quantity	Remark
	TE250.472F	Floor assembly assembly	1	
1	TE254.472-02	Right armrest	1	
2	TE254.472-01	Left armrest	1	
3	TE250.472F-03	Right floor rest	1	
4	TE250.472F-02	Left floor rest	1	
5	GH15783-M5X16-8.8-A2L	Hex bolt	4	
6	TE254.472-02	Outer part of right fender	1	
7	GH197.1-5-A3L	Plain washer	8	
8	GH193-5-A3L	Normal type single coil spring lock washer	8	
9	GH1866-M5	Face nut with six angle flange face	14	
10	TE250.472F.1	Floor welding	1	
11	TE254.472.3	Pedal welding	2	
12	GH15783-M8X20-8.8-A2L	Hex bolt	10	
13	GH193-8-A3L	Normal type single coil spring lock washer	4	
14	GH16170-M8-8-A2L	Type 1 hexagon nut	4	
15	TE254.472-01	Left fender outer part	1	
16	GH196.1-16-A2L	Big washers	4	
17	GH195-16-A3L	Normal type single coil spring lock washer	4	
18	GH16170-M16-8-A3L	Type 1 hexagon nut	4	
19	GH15783-M5X12-8.8-A2L	Hex bolt	8	
20	TE254.472-14	Cover plate	1	
21	TE254.472-13	Control cover plate	1	
22	TE250.472F-04	Main stable valve bracket	1	

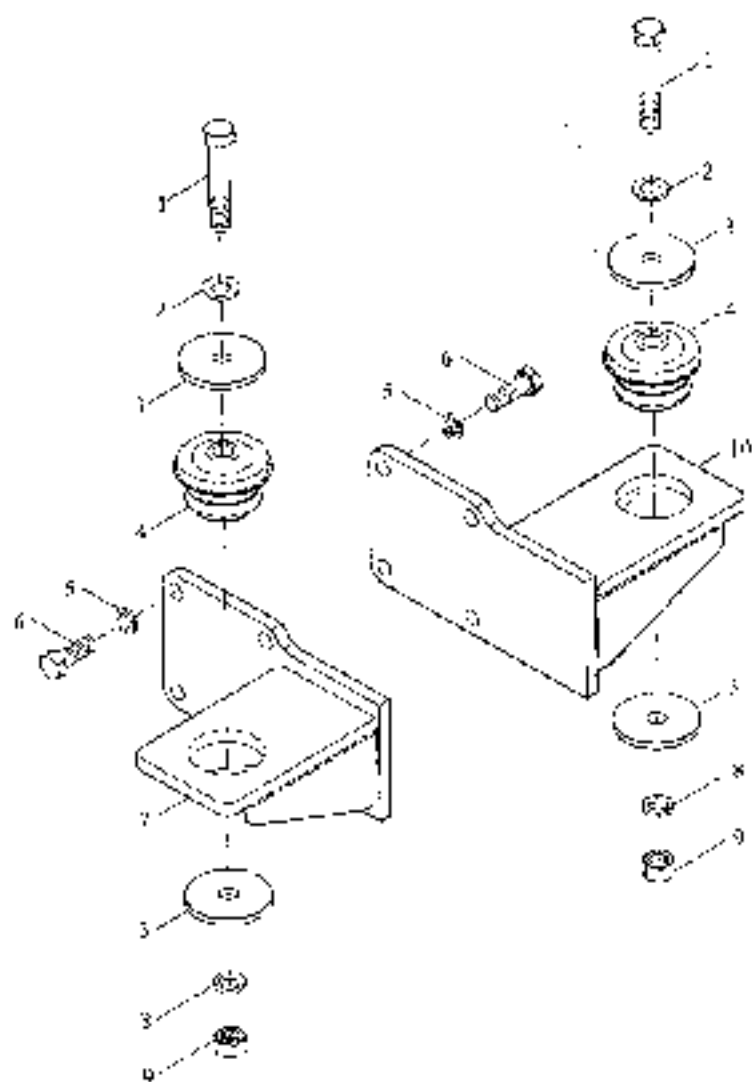
TE250.472F Floor assembly-2(013)



TE250.472F Floor assembly-2(013)

No.	Part code and specification	Part name	Quantity	Remark
	110145213000K	Floor assembly assembly	1	
1	GBT5783-M5X16-8.8-A2L	Hex bolt	2	
2	TE324.472.1-01	Left fender post	1	
3	GBT97.1-5-A0P	Plain washer	3	
4	GBT93-5-A0P	Nutrit type single coil spring lock washers	1	
5	GBT6170-M5-8-A2L	Type 1 hexagon nut	2	
6	TE324.472.2-01	Right fender post	1	
7	GBT6170-M6-8-A2L	Type 1 hexagon nut	2	
8	GBT93-6-A0P	Nutrit type single coil spring lock washers	10	
9	GBT97.1-6-A0P	Plain washer	14	
10	GBT5783-M6X16-8.8-A2L	Hex bolt	14	
11	GBT5783-M6X16-4.8-A2L	Hex bolt	1	
12	TE250.472F-2	Rear view mirror right bracket welding	1	
13	GBT6170-M8-8-A2L	Type 1 hexagon nut	6	
14	GBT93-8-A0P	Nutrit type single coil spring lock washers	10	
15	TE250.472F-01	Seal	1	
16	TE254.472-10	Rear floor cover	1	
17	TE324.473.2	Rear view mirror bracket welding	1	
18	GBT5783-M8X50-8.8-A2L	Hex bolt	1	
19	TH400.456A.3	Rear view mirror assembly	2	
20	GBT5783-M6X17-8.8-A2L	Hex bolt	8	
21	TE250.472F-3	Welding on the cover plate	1	
22	TE250.472F-05	Sealing strip	1	
23	TE250.472E-06	Blockages	3	
24	GT1204.20A-02	Threading spacers	1	
25	TE250.472F-06	Rear cover	1	
26	TE250.472F-07	Upper cover	1	

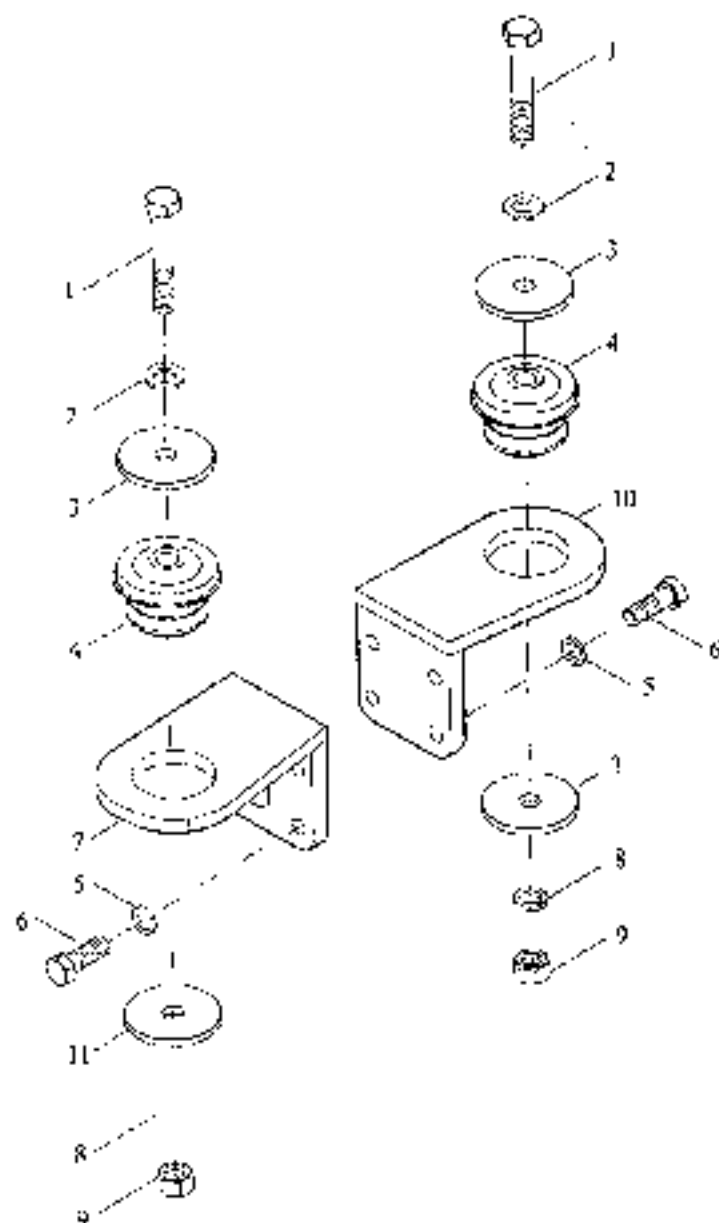
TE254.457 Front connection assembly (004)



TE254.457 Front connection assembly (004)

No.	Part code and specification	Part name	Quantity	Remark
	TE254.457	Front connection assembly (004)		
1	GBT5783-M16X90 8.8-A2L	Hex bolt	2	
2	GBT97.1-16-A0P	Plain washer	2	
3	TE254.457-0E	Retaining ring	4	
4	TE254.457.3	Damping blocks	2	
5	GBT93-14-A0P	Normal type single coil spring lock washer	8	
6	GBT5783 M14X40-8.8-A3L	Hex bolt	8	
7	TE254.457.1	Left front mounting bracket	1	
8	GBT93-16 A0P	Normal type single coil spring lock washer	2	
9	GBT6170-M16-8-A3L	Big washer	2	
10	TE254.457.2	Right front mounting bracket is welded	1	

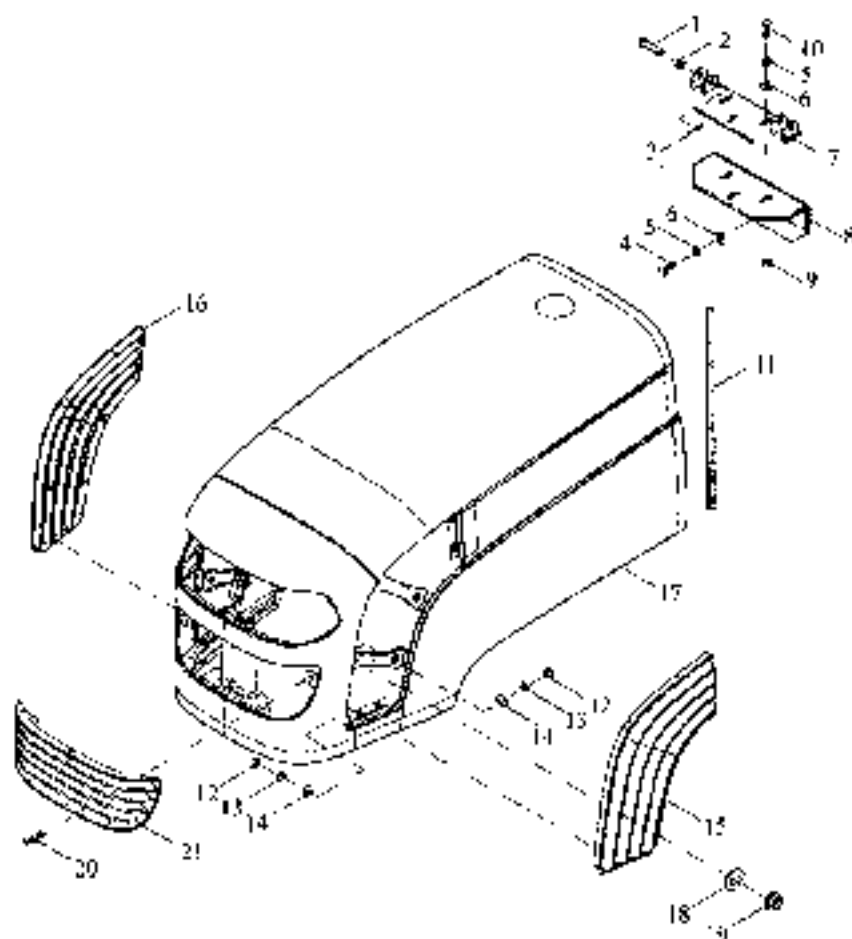
TE354.458 Rear connection assembly (004)



TE354.458 Rear connection assembly (004)

No.	Part code and specification	Part name	Quantity	Remark
	TE354.458	Rear connection assembly (004)	1	
1	CRT5783-M16X90-8.8-A21	Hex bolt	2	
2	CRT97.1 16 A0P	Plain washer	2	
3	TE254.457.01	Carlip	4	
4	TE254.457.3	Dampin g blocks	2	
5	CRT93-12-A0P	Normal type single coil spring lock washer	8	
6	CRT5783-M12X30-8.8-A31	Hex bolt	8	
7	TE354.458.1	Left rear mounting bracket	1	
8	CRT93-16-A0P	Normal type single coil spring lock washer	1	
9	CB16170 M16-8-A3L	Type 1 hexagon nut	1	
10	TE354.458.2	Right rear mounting bracket is welded	1	
11	TE254.458.3	Rear welding	1	

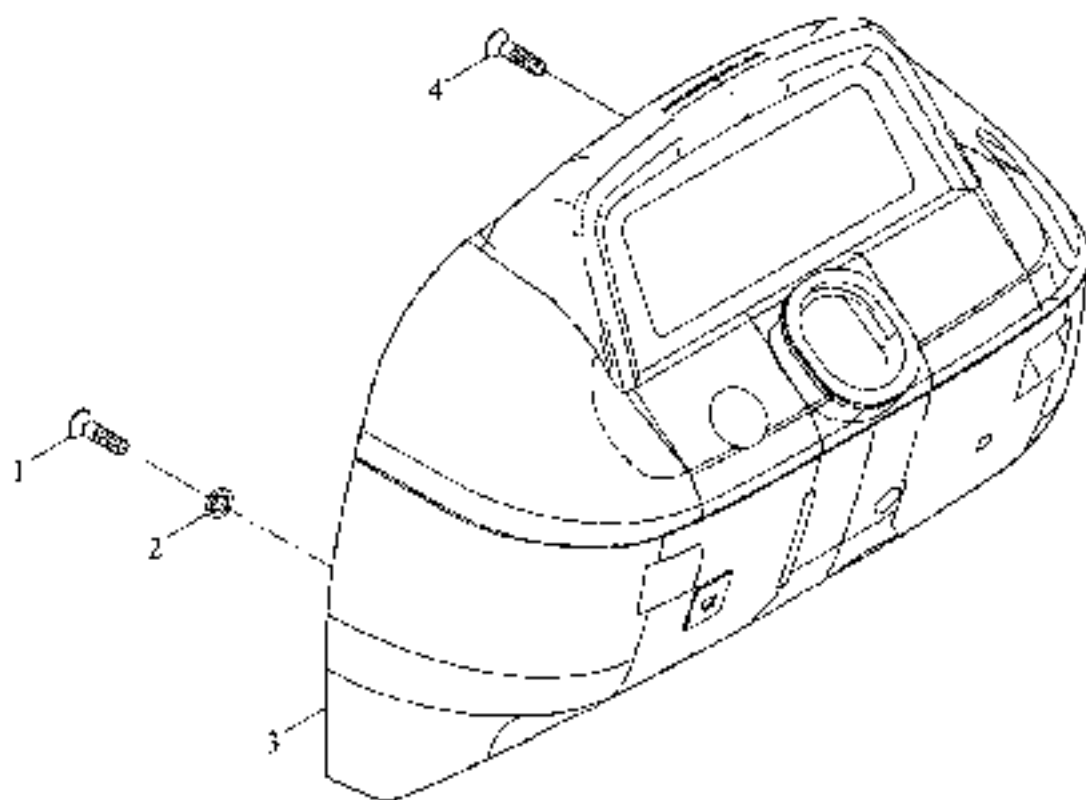
TE250.471C Hood assembly(012)



TE250.471C Hood assembly(012)

No.	Part code and specification	Part name	Quantity	Remark
	TE250.471C	Hood assembly assembly (012)	1	
1	GH1882-B12X50	Pin	2	
2	GB197.1-12-A0P	Plain washer	2	
3	GB191-4X20-A0P	Collar pin	2	
4	GB15783-M10X10-8.8-A3L	Hex bolt	3	
5	GB193-10-A0P	Normal type single coil spring lock washers	6	
6	GB197.1-10-A0P	Plain washer	9	
7	TE250.471C.1	Hinged welding	1	
8	TE250.471C.2	Hood fixture welding	1	
9	GB16170-M10-8-A3L	Type 1 hexagon nut	3	
10	GB15783-M10X35-8.8-A3L	Hex bolt	3	
11	FT250.47C.230	Hood seal	1	
12	GB16170-M6-8-A2L	Type 1 hexagon nut	2	
13	GB193-6-A0P	Normal type single coil spring lock washers	2	
14	GB197.1-6-A0P	Plain washer	2	
15	FT250B.47.302	Left front fender	1	
16	FT250B.47.303	Right front fender	1	
17	TE250.471C.4	Hood welding	-	
18	GB196.1-5-A0P	Big washer	16	
19	QJ1864-M5	Hexagon flange face with tooth nut	16	
20	GB1818-M6X16-4.8-A2L	Cross recessed countersunk head screws	2	
21	FT250B.47.301	Front fender fender	1	

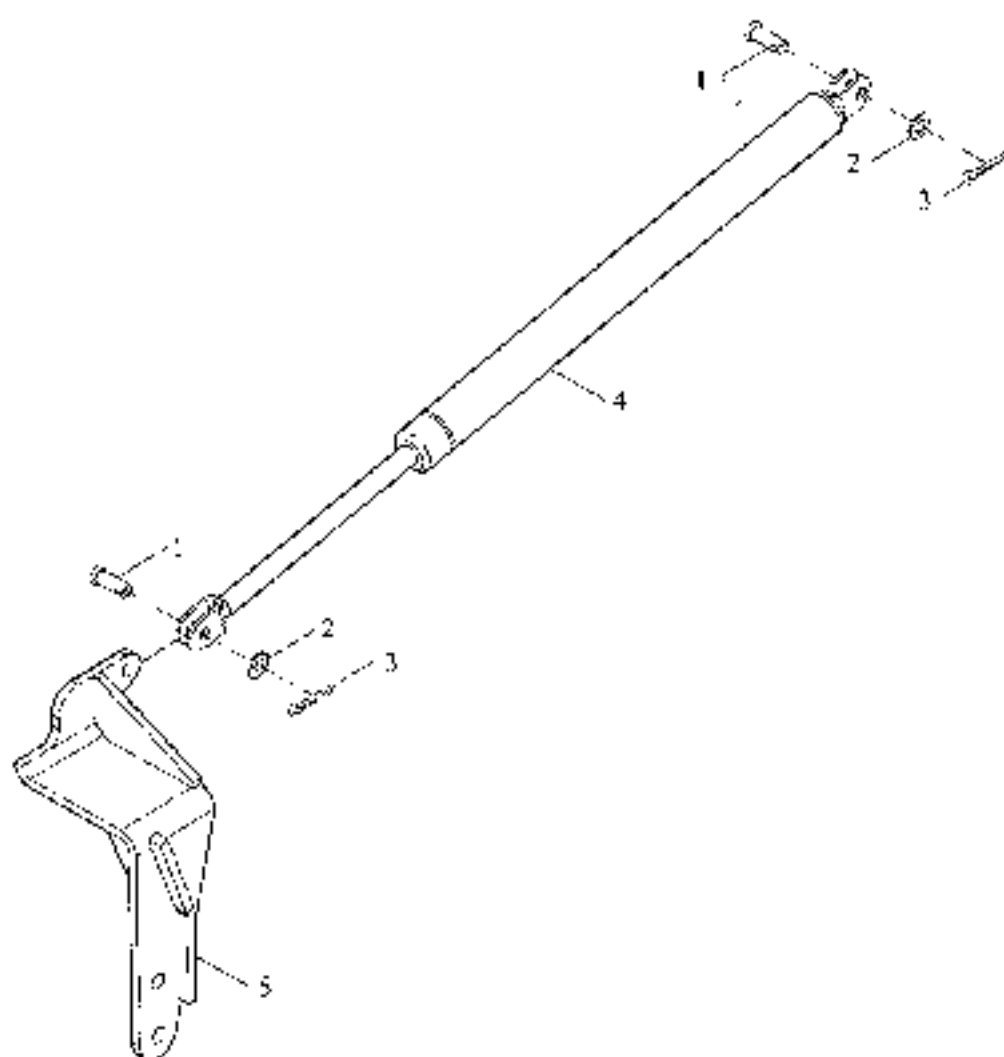
TE250.474C Instrument panel assembly (001)



TE250.474C Instrument panel assembly (001)

No.	Part code and specification	Part name	Quantity	Remark
	TE250.474C	Instrument table assembly kit (001)	1	
1	GBT819.1-M5X50-4.8-A11	Countersunk flat head screw with cross recess	6	
2	GBT93-5-A0P	Normal type single coil spring lock washer	6	
3	TE250.474C.1	Dashboard	1	
4	GBT819.1-M5X10-4.8-A2L	Countersunk flat head screw with cross recess	1	

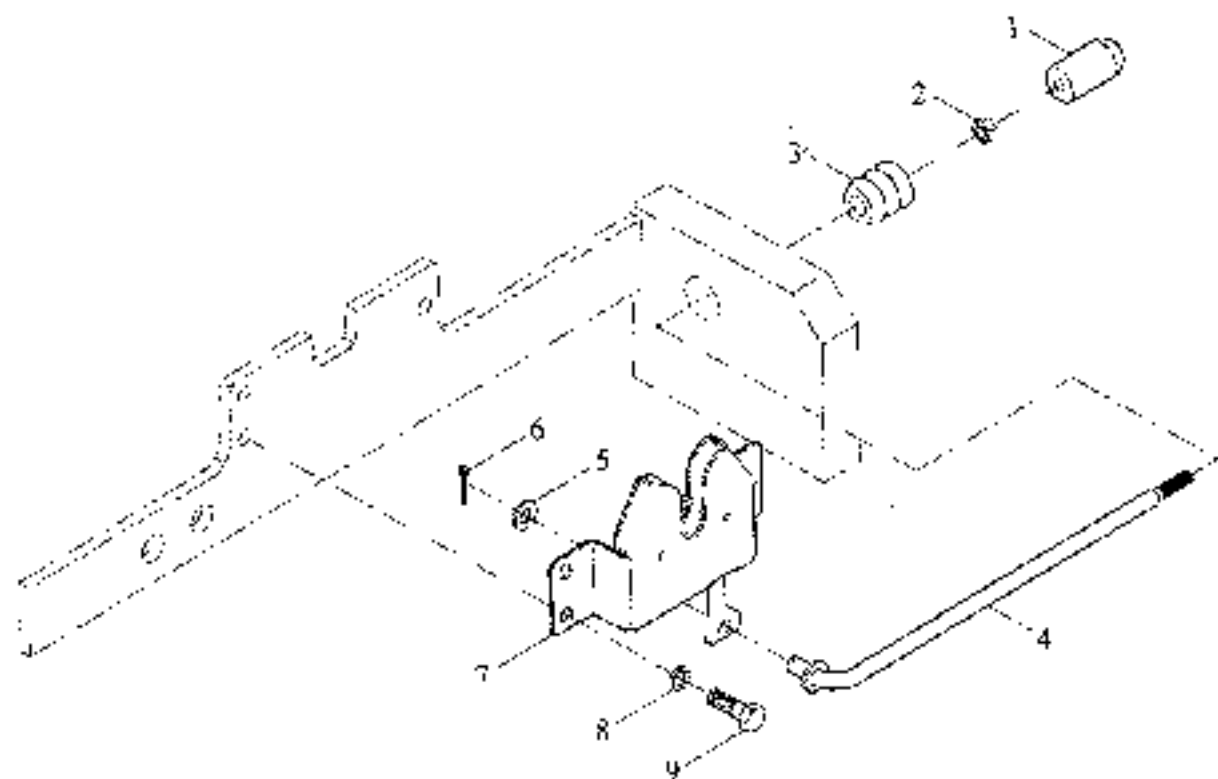
TE250.476D Hood air spring mounting assembly (003)



TE250.476D Hood air spring mounting assembly (003)

No	Part code and specification	Part name	Quantity	Remark
	TE250.476D	Hood gas spring mounting assembly (003)	1	
1	CBT882-B8X27	Pin	2	
2	GBT93 8-A0P	Plan washer	2	
3	CBT93 3.2X16-A0P	Cutter pin	2	
4	TE250.476D-01	Hood gas spring	1	
5	TE250.471.6	Gas spring holder welding	1	

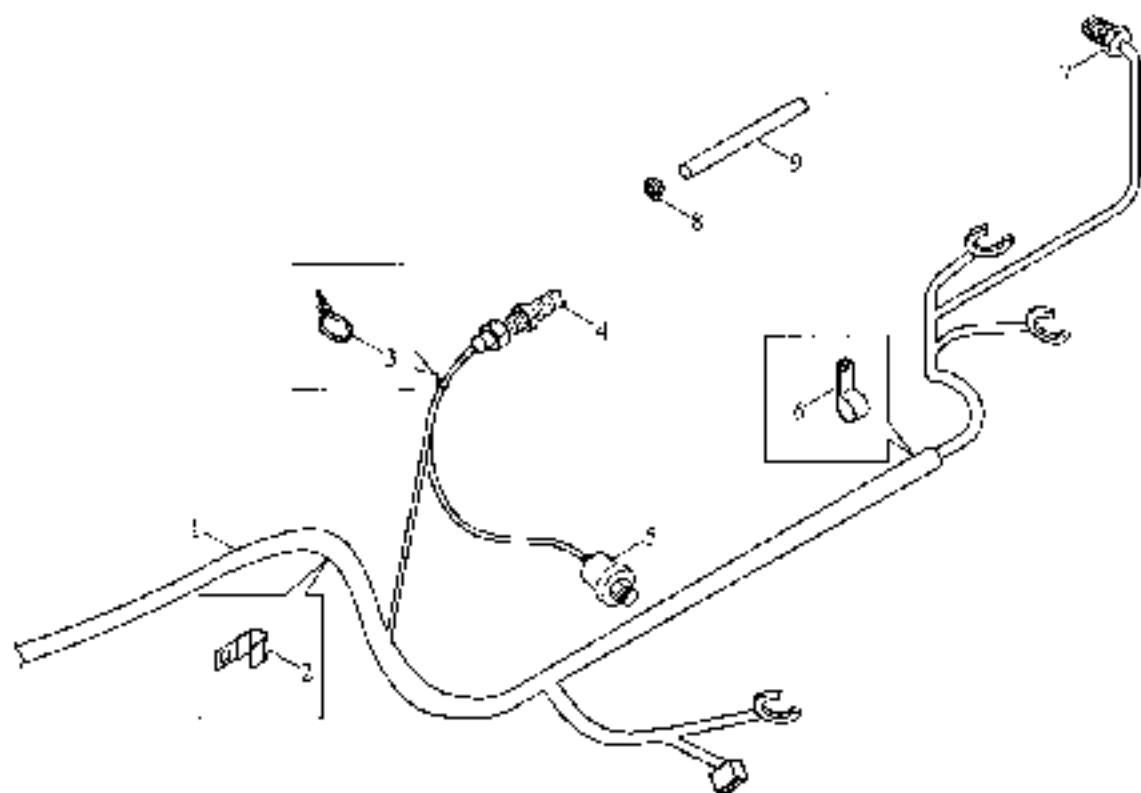
TE250.477 Hood lock assembly (005)



TE250.477 Hood lock assembly (005)

No.	Part code and specification	Part name	Quantity	Remark
	TE250.477	Hood lock assembly	1	
1	TE250.477.3	Handle assembly	1	
2	GBT6170-M5-8 A2L	Type 1 hexagon nut	1	
3	TE250.477-01	Spring	1	
4	TE250.477.2	Roller riding	1	
5	GBT97.1-6-A0P	Plain washer	1	
6	GBT91 2X16 A0P	Cotter pin	1	
7	TE250.477.1	Hood lock	1	
8	GBT93-5-A0P	Normal type single coil spring lock washers	3	
9	GBT5783 MSX10-8.9-A2L	Hex bolt	3	

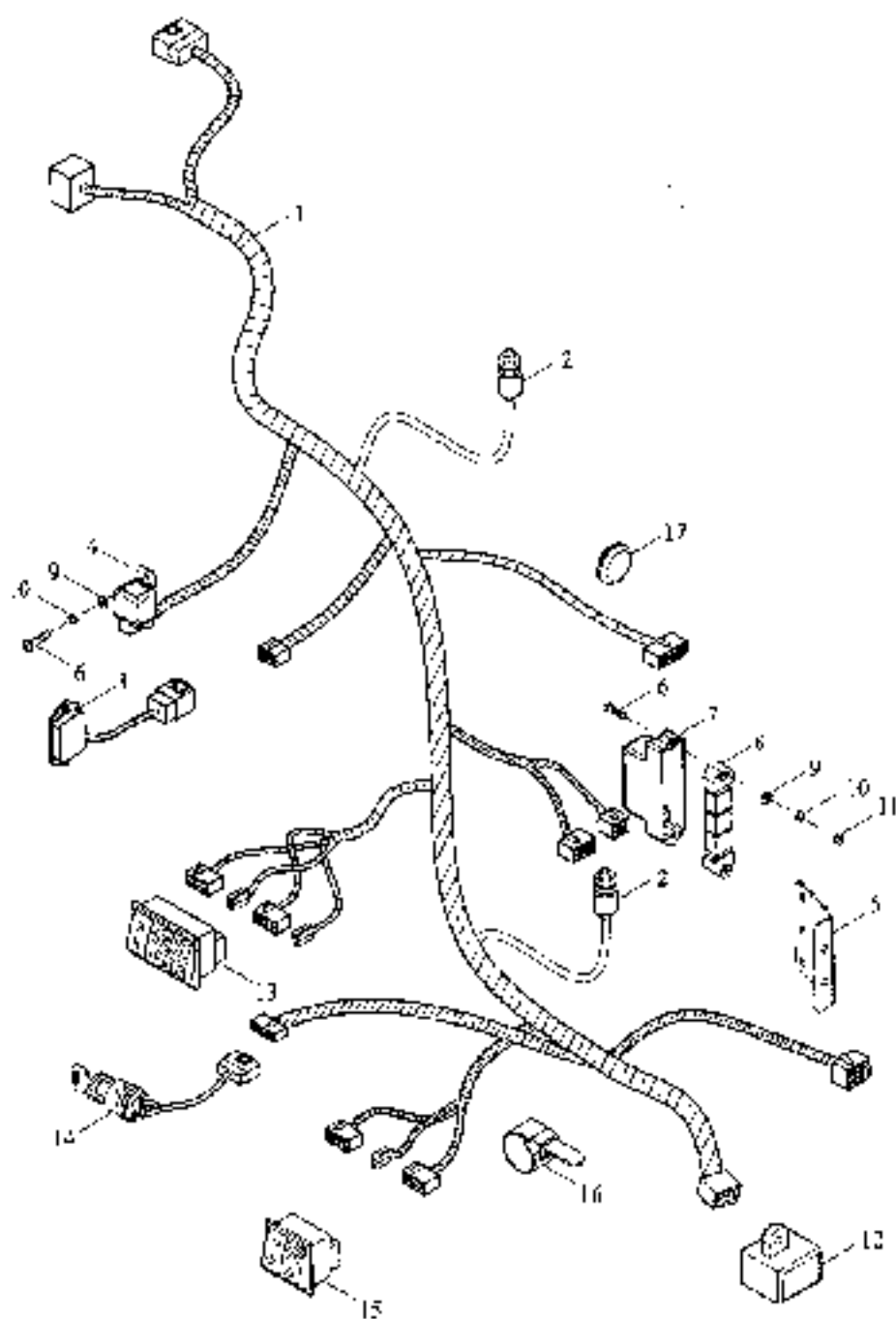
TL01481190000K Engine wiring harness assembly (003)



TL01481190000K Engine wiring harness assembly (003)

No.	Part code and specification	Part name	Quantity	Remark
	TL01481190000K	Engine harness mounting assembly	1	
1	TL01481190001K	Engine harness assembly	1	
2	FT304.48L.203	Harness fastening clip	2	
3	Q67405100	Intermediate shaft	1	
4	TS10481010002	Speed sensor	1	
5	FF300.48.1073a	Oil pressure alarm	1	
6	FF300.48.202	Excessing clip	2	
7	FL024810510006	Water temperature sensor assembly	1	
8	FE800.48L.107	Nursing wire sets	2	
9	FF300.48.201	Casing	2	

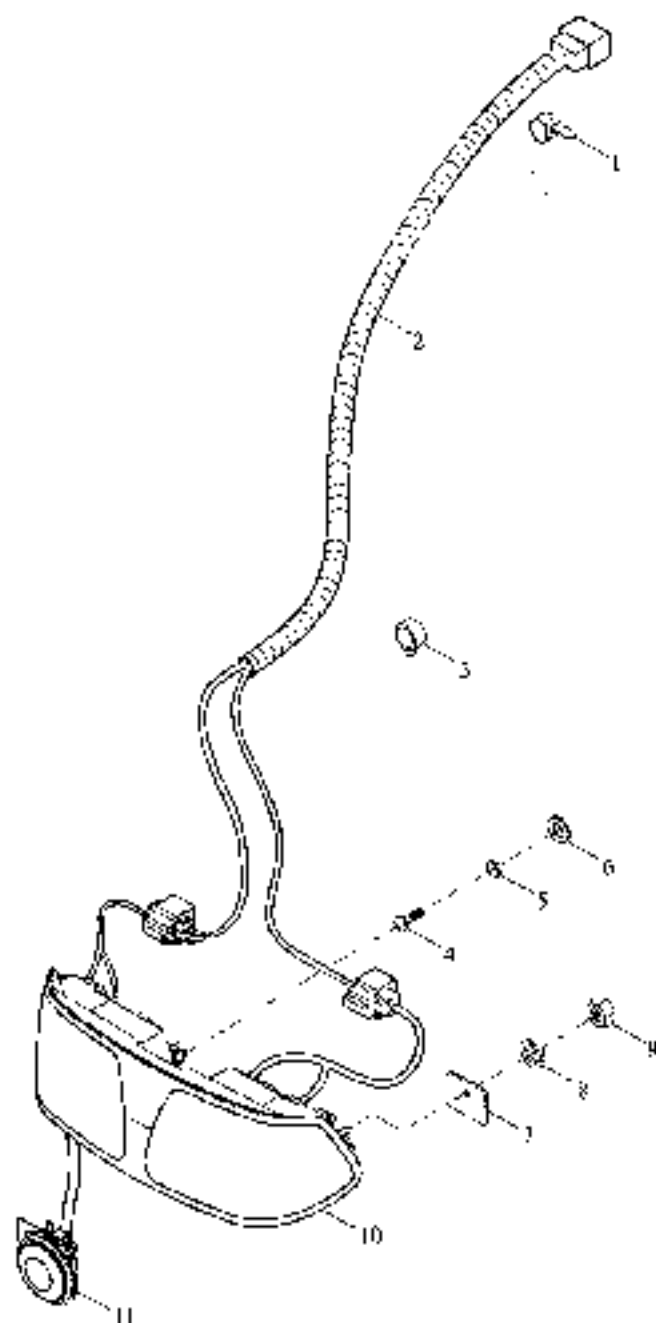
TL01482320000K Body harness assembly



TL01482320000K Body harness assembly

No.	Part code and specification	Part name	Quantity	Remark
	TL01482320000A	Body harness installation	1	
1	TL01482320001K	Body harness assembly	1	
2	TB550.484.2	Brake light switch	2	
3	TL01482150004K	Voltage regulator	1	
4	FT300.48.055	Start relay	1	
5	TE250.482Y 01	Relay socket	1	
6	GH1818-M6X20 4 B A21	Cross recessed pan head screw	10	
7	TE250.482A 02	Relay carrier	1	
8	TL01482150002K	Relay box assembly	1	
9	GBT97.1-6-A0P	Flange washer	10	
10	GBT93 6-A0P	Normal type single coil spring lock washers	10	
11	GBT6.70 M6-S-A2L	Type L hexagon nut	8	
12	TL01482150003K	Safety box assembly	1	
13	TH354.482.5	Right rocker switch	1	
14	TB550.482.3	Ignition lock	1	
15	TH354.482.4	Left rocker switch	1	
16	3724D01-20J	Can be loose cable ties	8	
17	F7800A.48L.101	Threaded Apron (J)	3	

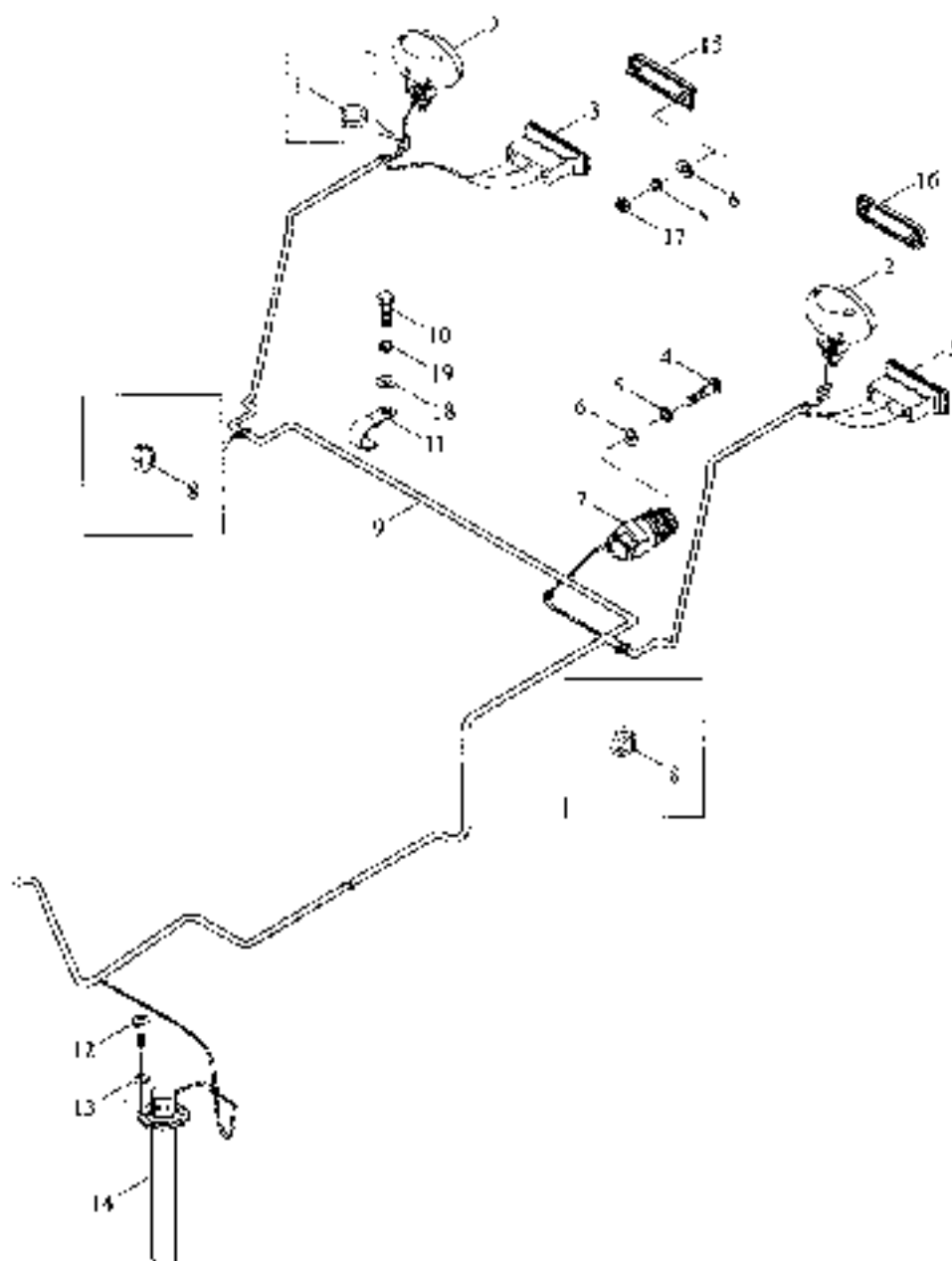
TL01483020000K Headlight harness assembly (001)



TL01483020000K Headlight harness assembly (001)

No.	Part code and specification	Part name	Quantity	Remark
	TL01483020000K	Headlight harness installation assembly	1	
1	3724101-201	Can be loose cable ties	1	
2	TL01483020000K	Headlight harness assembly	1	
3	370350509-1	Tie	5	
4	GBT818-M8X16-4.8-A2L	Cross recessed countersunk head screws	2	
5	GBT92-8-ADF	Normal type single coil spring lock washers	2	
6	GBT97-1-8-A0L	Plate washer	2	
7	TE250.483-01	Plate	1	
8	GBT94-6-ADF	Normal type single coil spring lock washers	1	
9	GBT6170-M6-8-42L	Type 1 hexagon nut	1	
10	TE250.483-2	Eachlight assembly	1	
11	FJ6S.48.340	Speaker assembly	1	

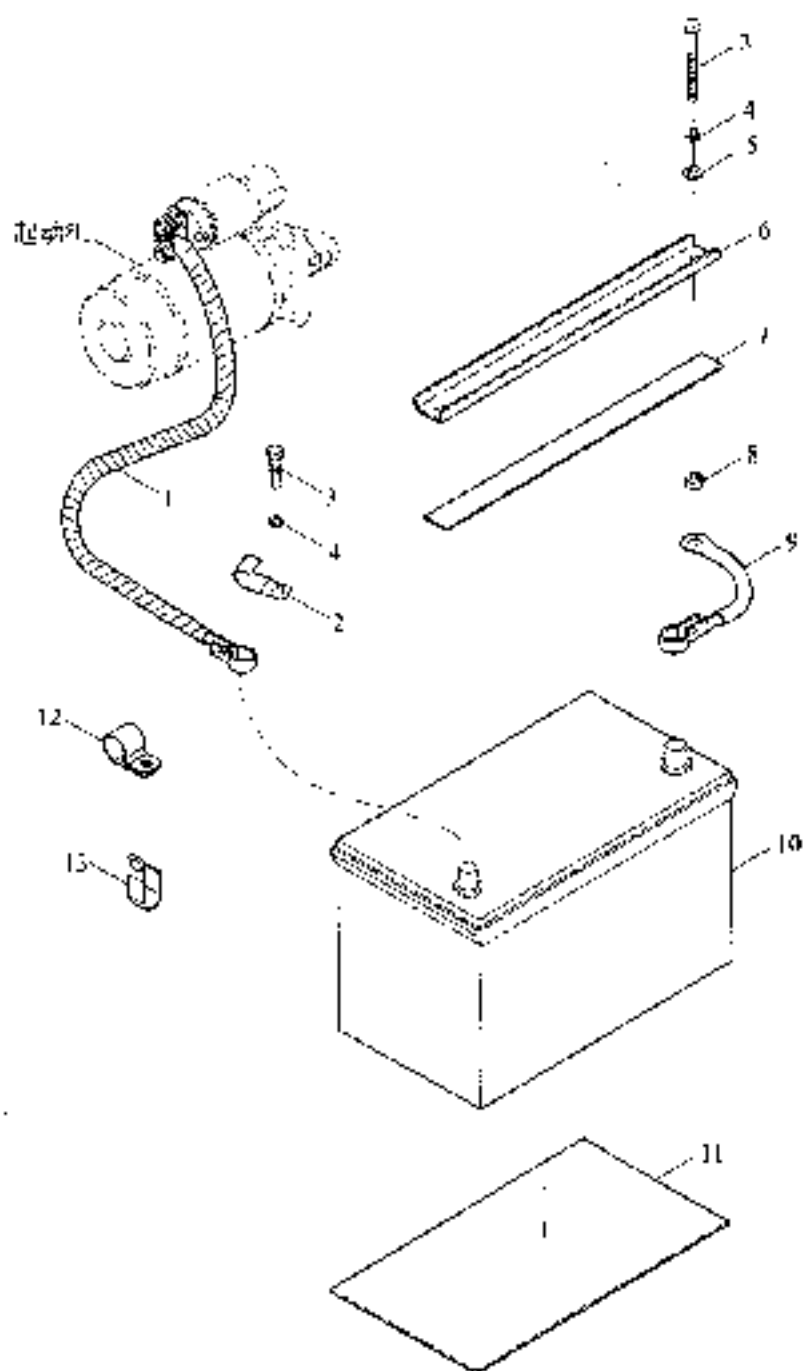
TL01484240000K After installing wire harness assembly



TL01484240000K After installing wire harness assembly

No.	Part code and specification	Part name	Quantity	Remark
	TL01484240000K	Rear beam harness installation	1	
1	PT65.48.094	Threading spur	2	
2	TC02184020003	After work lights assembly	2	
3	TB550.484.4	Rear tail light assembly	2	
4	GBT818-M5X25-4.8-A11	Cross recessed pan head screw	3	
5	GBT93-5-A0P	Normal type angle coil spring lock washers	4	
6	GBT97.1-5-A0P	Flat washer	4	
7	TD900.484.2	Rear trailer sensor	1	
8	F1800A.481.101	Threaded Spur (1)	2	
9	TL01484240001K	Rear light harness assembly	1	
10	GBT5781-M5X20-8.8-A2L	Hex bolt	2	
11	TF1204.481R-03	Harness fastening clip	2	
12	GBT818-M5X10-4.8-A2L	Cross recessed pan head screw	5	
13	GBT93-4-A0P	Normal type angle coil spring lock washers	5	
14	TL01484240002K	Oil sensor	1	
15	TB450.484E.5	Left reflector	1	
16	TB450.484E.6	Right reflector	1	
17	GBT6170-M5-8-A2L	Type 1 hexagon nut	4	
18	GBT97.1-8-A0P	Plain washer	2	
19	GBT93-8-A0P	Normal type angle coil spring lock washers	2	

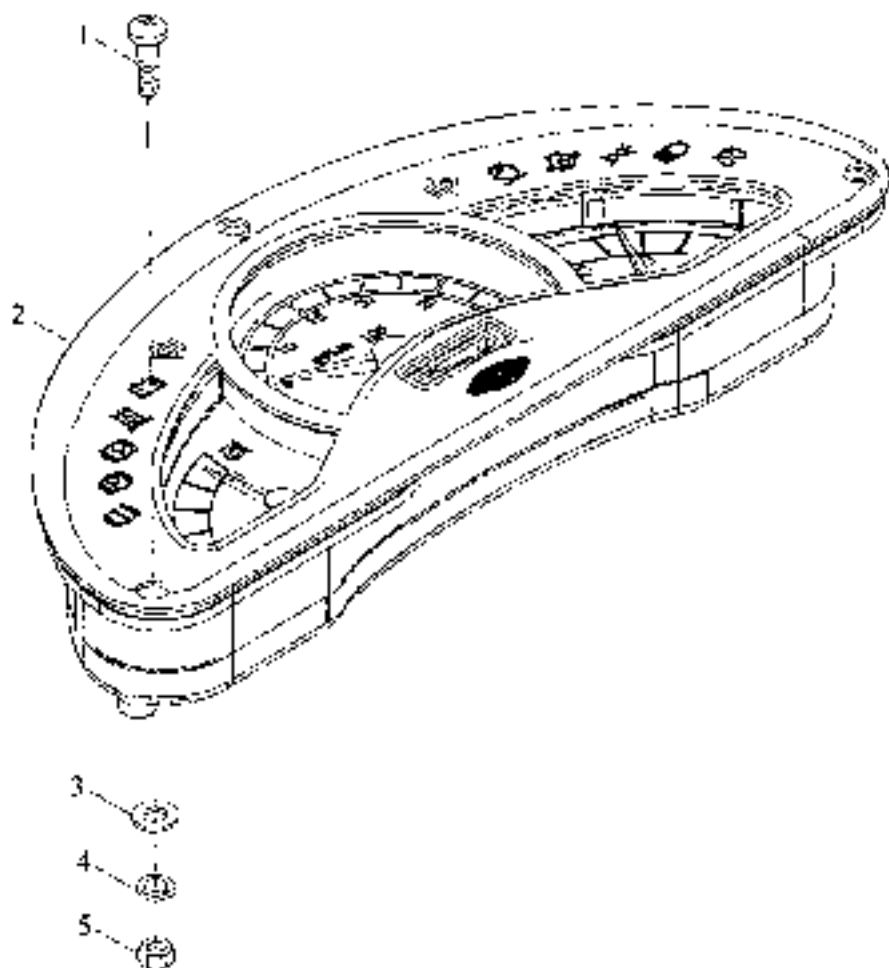
TE300 485C Battery assembly (004)



TE300.485C Battery assembly (004)

No.	Part code and specification	Part name	Quantity	Remark
	TE300.485C	Battery installation assembly(004)	1	
1	TE300.485.2	Battery positive cable assembly	1	
2	FT65.48.095	Harness Fastening Clamp (H)	1	
3	GBF15783-M&X80-8.8 A21	Hex Nut	2	
4	GBT93 8 A0P	Nutm& type sample nut & spring lock washers	2	
5	GBT97.1-8-A0P	Plain washer	2	
6	TE300.485A-01	Battery plate	1	
7	TE250.485A 02	Pressure pad	1	
8	GBJ6170-M8-8-A2L	Type 1 hexagon nut	1	
9	TE300.485.3	Battery negative cable assembly	1	
10	TE250.24B.11	Battery rack	1	
11	FT250.24B.103	Rubber skin	1	
12	FT800A.481.106	Harness clip	1	
13	FT301.481.207	Harness fastening clip	1	

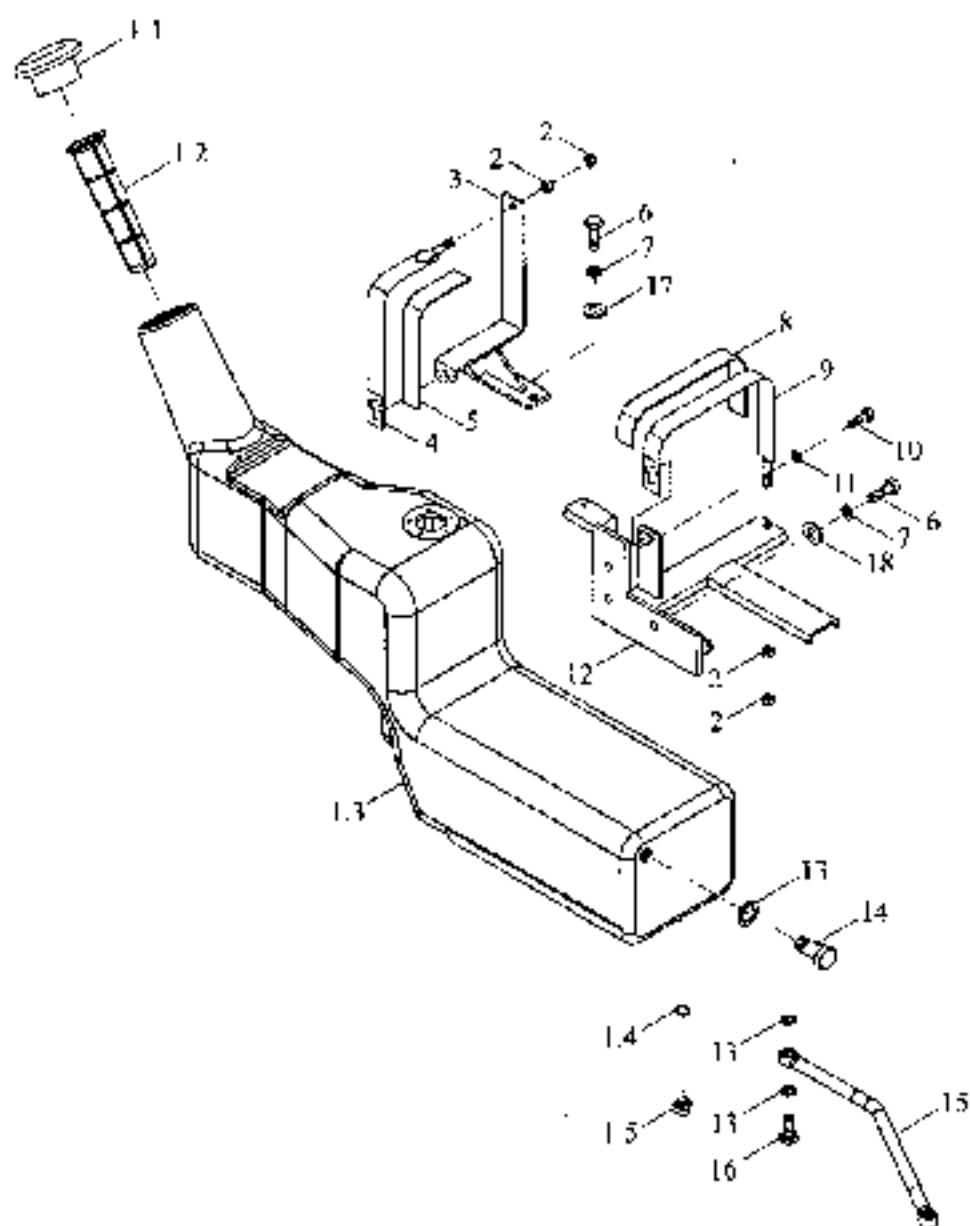
TE2S487030000K Combination instrument installation assembly(001)



TE2S487030000K Combination instrument installation assembly(001)

No.	Part code and specification	Part name	Quantity	Remark
	TE2S487030000K	Combination instrument installation assembly	1	
1	CR1818-M5X25-4.8-A7L	Criss recessed pan head screw	3	
2	TE01487040001K	Combination instrument assembly	1	
3	CR195-5-A0P	Plain washer	3	
4	CR193-3-A0P	Normal type single coil spring lock washer	3	
5	CR16170-M5-8-32L	Type 1 Hexagon nut	3	

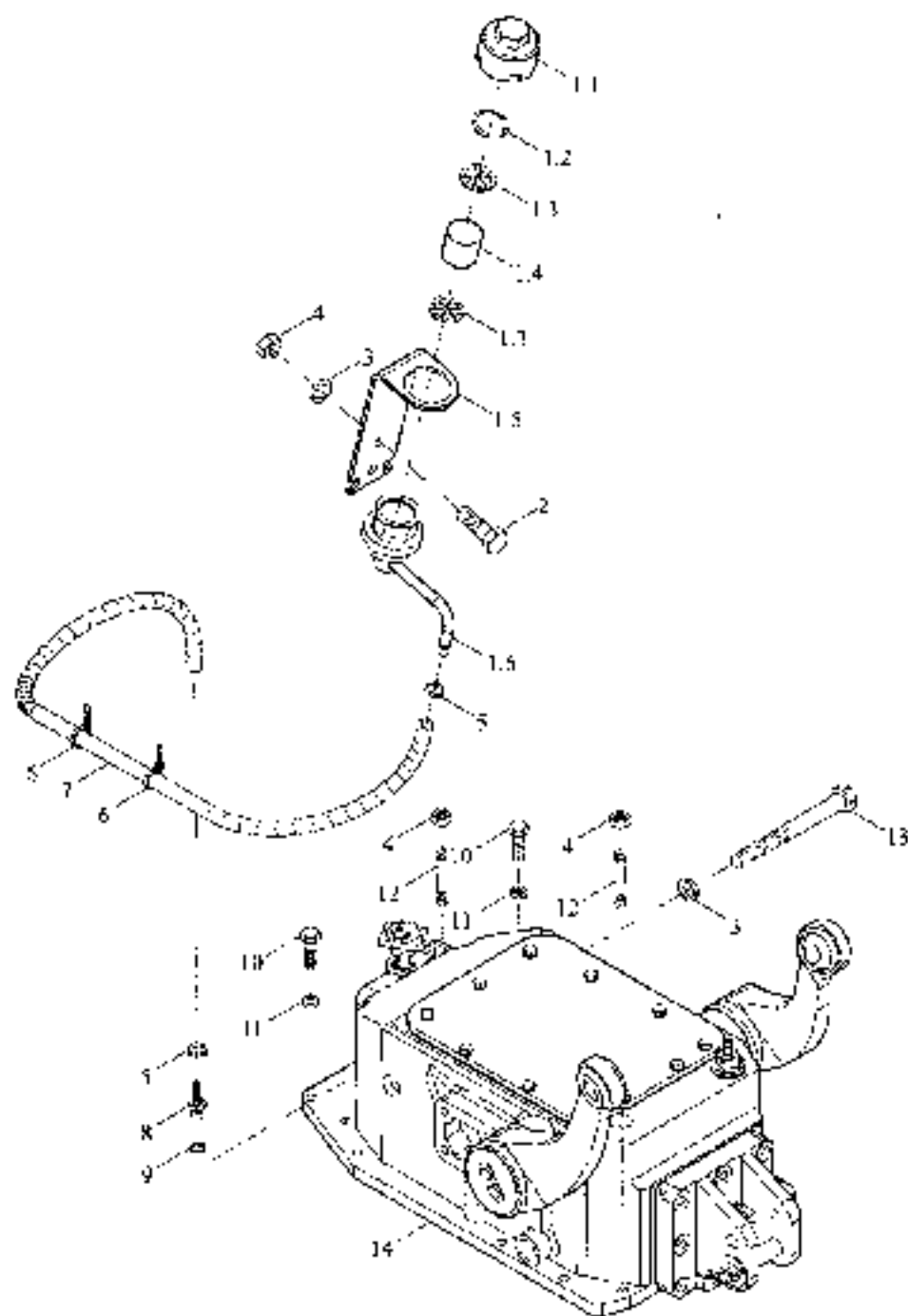
TL02500010000K Fuel tank assembly(002)



TL02500010000K Fuel tank assembly(002)

No.	Part code and specification	Part name	Quantity	Remarks
	TL02500010000K	Tank assembly assembly	1	
1	TF254.50A.1	Tank assembly	1	
2	TF800.501A.1.1	Fuel tank cap	1	
3	TF1004.501.1.02	Filter	1	
4	TL254.50A.1-01	Oil tank shell	1	
5	JBT982-16	Combined sealing washer	1	
6	Q617B16	Hex head plug	1	
7	GBT6170-610-6-A3L	Type 1 hexagon nut	4	
8	TF354.50.2	Tank rear bracket welding	1	
9	TF254.50A.4a	After the cable welding	1	
10	TL254.50A-01	Rubber pad	1	
11	GB15783-M12X30-8.8-A3L	Hex bolt	4	
12	GB193-12-A3L	Normal type single coil spring lock washers	4	
13	TF254.50A-02	Rubber pad two	1	
14	TF254.50A.5a	Front cable welding	1	
15	GB15783-M10X30-8.8-A3L	Hex bolt	1	
16	GB193-10-A3L	Normal type single coil spring lock washers	1	
17	TF354.50.3	Tank front bracket welding	1	
18	JBT982-14	Combined sealing washer	3	
19	GBT5786-M14X1.5X30-8.8-A3L	Hex bolt	1	
20	TF354.50.1	Tubing assembly	1	
21	FT65.50.106	Hollow bolts	1	
22	GBT97.1-17-A3L	Flam washer	2	

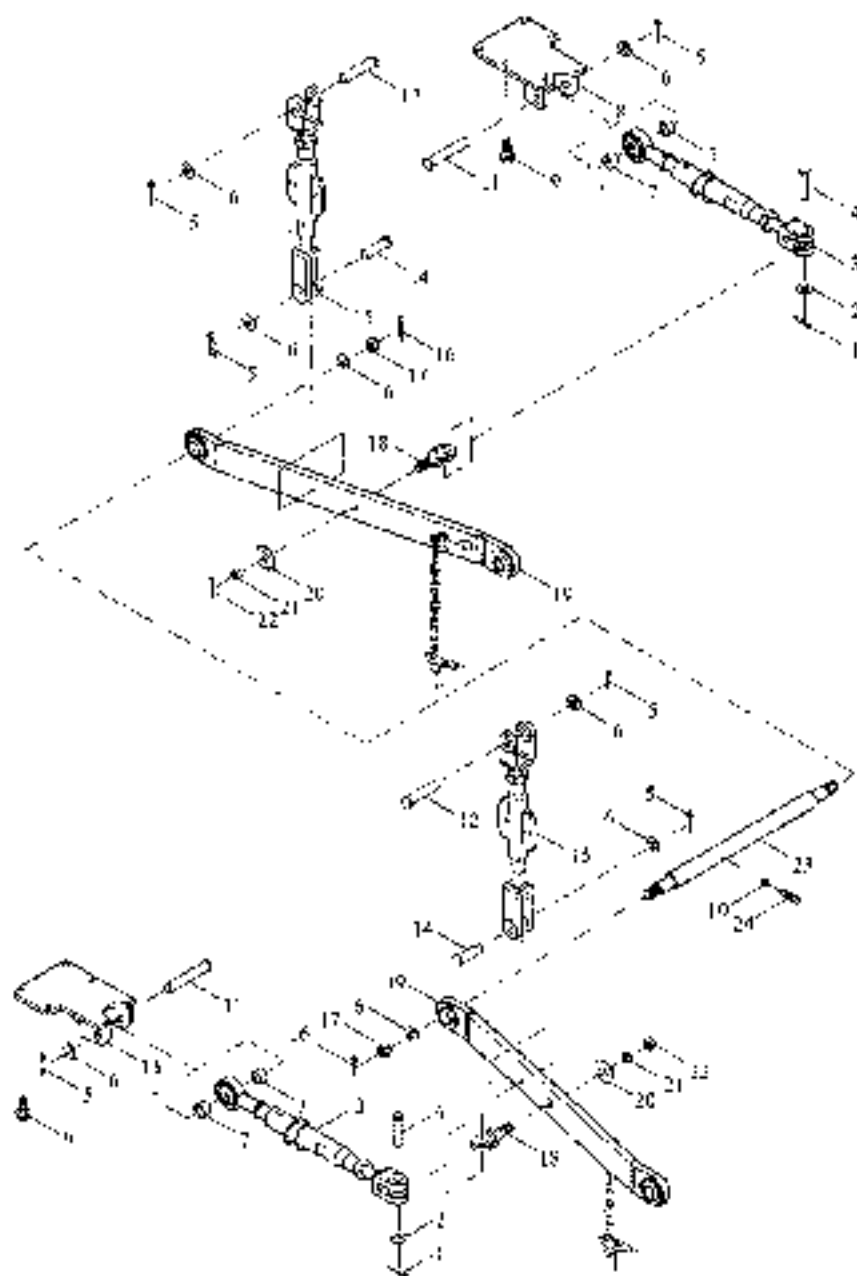
TE354.55 Lift assembly



TE354.55 Lift assembly

No.	Part code and specification	Part name	Quantity	Remarks
	TE354.55	Lift assembly	1	
1	FT300.55B.016c	Breather assembly	1	
1.1	FF700.55D.136	Breather cap	1	
1.2	GB/T 893.1-26	Cin Up for hole	1	
1.3	FF650.40.167	Seat board	2	
1.4	FF700.55D.109	Respirator filter	1	
1.5	FT300.55B.164	Ventilator support	1	
1.6	FT300.55B.027A	Connecting pipe welding apparatus	1	
2	GB/T 5782-M10 x 20-A 8-A3L	Hex bolt	2	
3	GB/T 93-10-A0F	Nuclear type single coil spring lock washer	5	
4	GB/T 6170 M10 10 A3L	Type 1 hexagonal nut	4	
5	Q67516	A-Type tracheal tube hose clamp	2	
6	Q67405100	Plastic holding band	2	
7	TE354.371-02	Breathing hose	1	
8	TE354.371-01	Respiratory connector	1	
9	JB/T 982-12	Concave seal gasket	1	
10	GB/T 5783 M10 x 30-11.9-A3L	Hex bolt	10	
11	TE250.55 03	Washer	12	
12	GB/T 899-M10 x 25-10.9-A3L	Double end stud	2	
13	GB/T 5782 M10 x 30 8.8-A2L	Hex bolt	3	
14	TE354.55.1	Lift assembly	1	

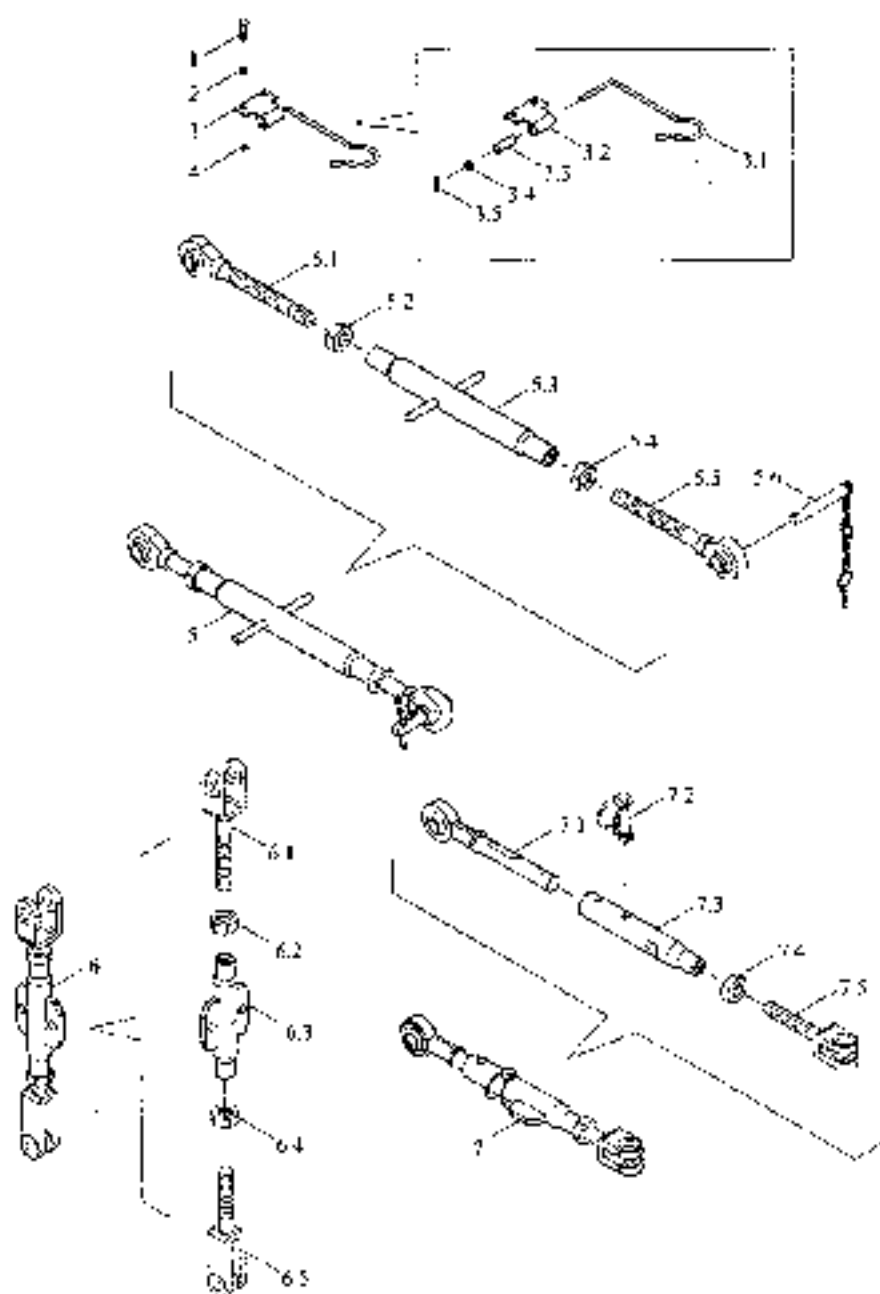
TE354.56 Suspension assembly-1 (012)



TE354.56 Suspension assembly-1 (012)

No.	Part code and specification	Part name	Quantity	Remark
	TE354.56	Suspension mechanism assembly (012)	1	
1	GBT91-5X32-A0P	Cotter pin	2	
2	GBT97.1-18-A0P	Plain washer	2	
3	TE300.56.3a	Limit bar assembly	2	
4	GBT882-B18X55	Pin	2	
5	GBT91-1.2X36-A0P	Cotter pin	6	
6	GBT97.1-20-A0P	Plain washer	8	
7	FT300.56A-103	Set	4	
8	TE300.56-4a	Right limit lever bracket welding	1	
9	GBT16674-1-M14X30-10.9-A3L	Hexagonal flange bolts	8	
10	GBT6172.1-M17-04-A3L	Hexagonal nuts	1	
11	TE300.56-07	Limit rod connection pin	2	
12	FT300.56.3.101	Lifting rod connection pin	2	
13	TE300.56.5a	Left limit bar bracket welding	1	
14	TE300.56-03	Lifting rod under connecting pin	2	
15	TE354.56.1	Lift rod assembly	2	
16	GBT91-4X40-A0P	Cotter pin	2	
17	GBT6178-M20-5	Type 1 hexagonal slotted nut	2	
18	TE300.56-11	Limit rod connection pin	2	
19	TE300.56.1	Lower rod assembly	2	
20	TE300.56-02	Round plate	2	
21	GBT93-16-A0P	Nut of type single coil spring lock washer	2	
22	GBT6170-M16-B-A3L	Type 1 hexagonal nut	2	
23	TE300.56-04	Lower rod fixed shaft	1	
24	FT250.56.125	Stop screw	1	

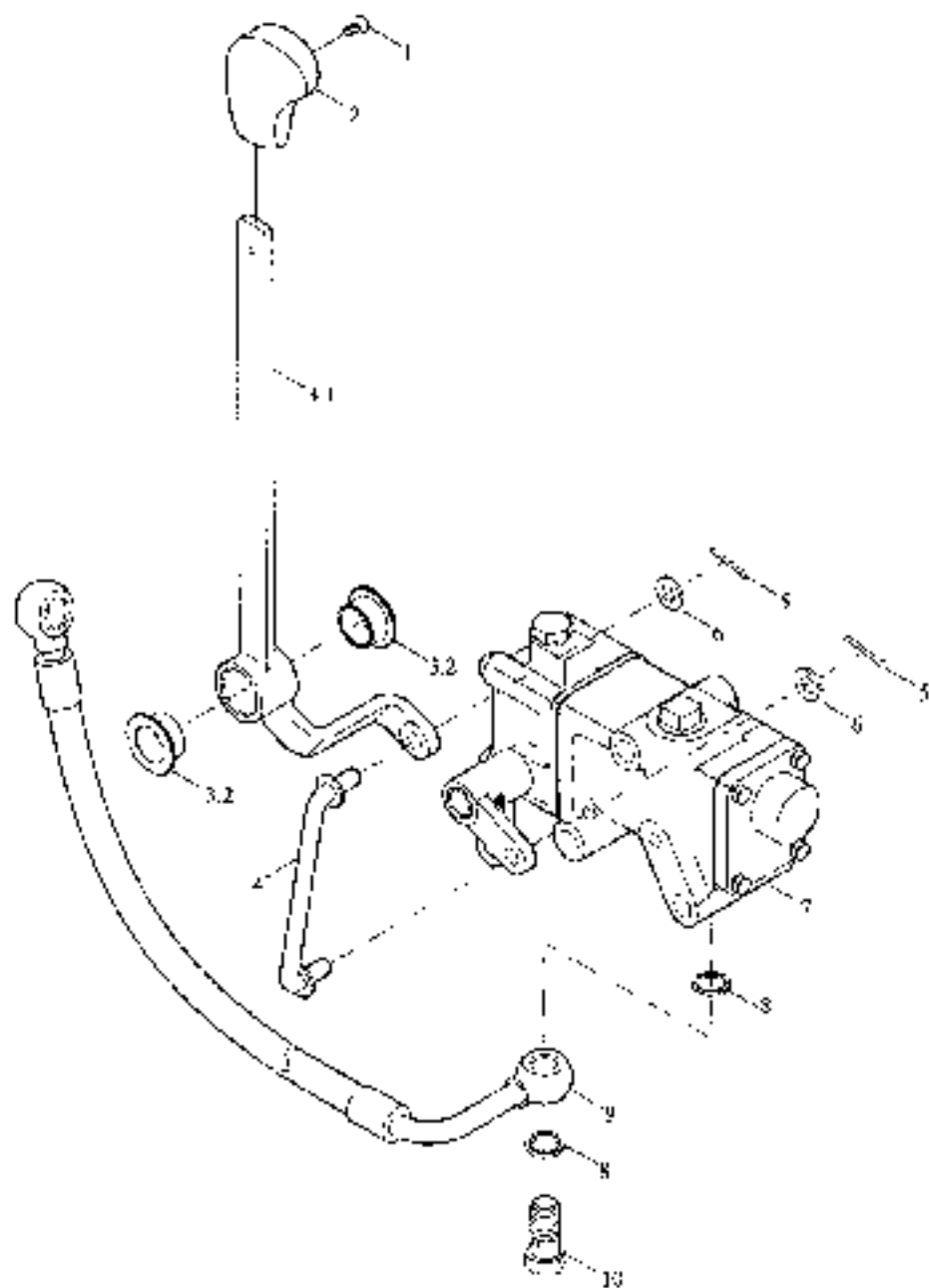
TE354.56 Suspension assembly-2 (012)



TE354.56 Suspension assembly-2 (012)

No.	Part code and specification	Part name	Quantity	Remark
	TE354.56	Suspension mechanism assembly (012)	1	
1	CHT5782-M8X16-8.8-A21	Ulex bolt	1	
2	GB193-8-A0P	Normal type single coil spring lock washer	1	
3	TE300.56.6	Upper lever fixed card combination	1	
3.1	TE300.56.6-02	Upper lever fixing card	1	
3.2	TE300.56.6-01	Fixed seat	1	
3.3	TE300.56.6-03	Nylon bushings	1	
3.4	GB196.1-6-A0P	Big washer	1	
3.5	GB191-2X14-A0P	Center pin	1	
4	GBT6170-M8-8-A71	Type 1 hexagon nut	1	
5	FT250.56.012a	Upper rod assembly	1	
5.1	FT250.56.017	Upper lever adjustment lever assembly	1	
5.2	GBT6171-M22X1.5-8-A31	Type 1 hexagon nut	1	
5.3	FT250.56.031	Adjust the saddle	1	
5.4	GBT6171-M22X1.5-LH-8-A31	Type 1 hexagon nut	1	
5.5	FT250.56.019	Adjust the upper rod adjustment lever assembly	1	
5.6	FT300.56A.113	Lock chain assembly	1	
6	TE354.56.1	Lifting assembly	2	
6.1	TE354.56.1-01	Lifting fork on the fork	1	
6.2	TE300.56.2-03	Trapezoidal nut Tr22X2	1	
6.3	TE300.56.2-1a	Raise the welding of the pipe	1	
6.4	TE300.56.2-04	Left trapezoidal nut Tr22X2	1	
6.5	TE300.56.2-01a	Lift the fork under the fork	1	
7	TE300.56.3a	Limit bar assembly	2	
7.1	TE300.56.3a-02	Limit lever adjustment screw	1	
7.2	TL300.56.3a-01	Telescopic catheter	1	
7.3	TL300.56.3a.1	Telescopic rod head assembly	1	
7.4	GBT6170-M22-8-A9L	Type 1 hexagon nut	1	
7.5	FT300.56A.023	Limit lever lock combination	1	

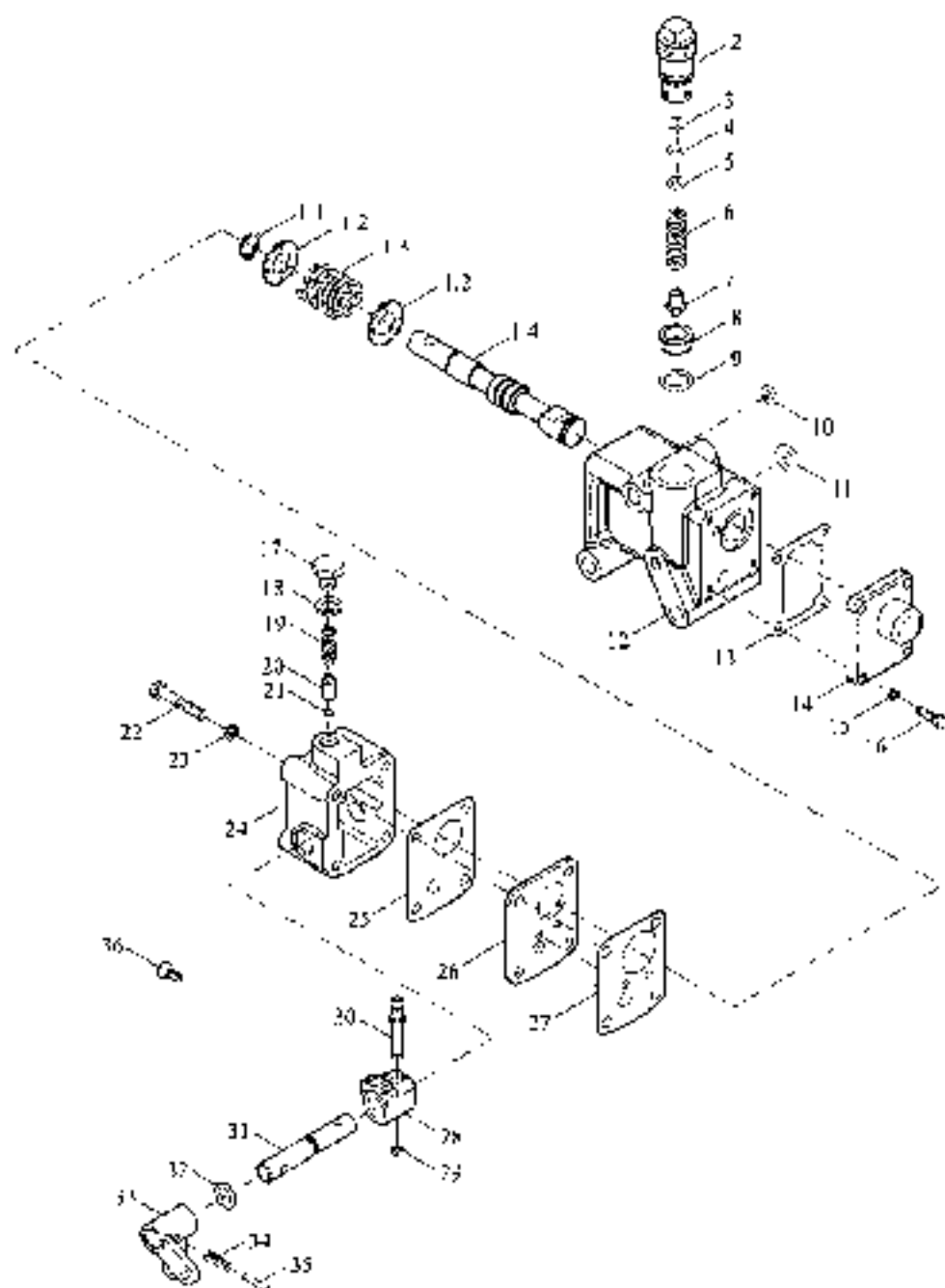
TE354.57 Distributor and operating mechanism assembly-1 (003)



TE354.57 Distributor and operating mechanism assembly-1 (003)

No.	Part code and specification	Part name	Quantity	Remark
	TE354.57	Dispenser and Actuator Assembly (003)	1	
1	GB198-M4X10-4.8-A2L	Type 1 hexagon nut	1	
2	TB504.552 01	Handle head	1	
2	TE354.57 1	Control arm assembly	1	
3.1	TE354.57 1.1	Arm joints	1	
3.2	TE250 57.2-01	Nylon bushings	2	
4	JF250 57 3	Red welding	1	
5	GB791 2X18-A0P	Cotter pin	2	
6	GB197.1-8-A0P	Plain washer	2	
7	TE250.57.1	Distributor assembly	1	
8	JUT982-18	Conformed sealing washer	2	
9	TE354 57 2	Distributor into the tubing assembly	1	
10	HT654.58 112	Hollow Bolt 3	1	

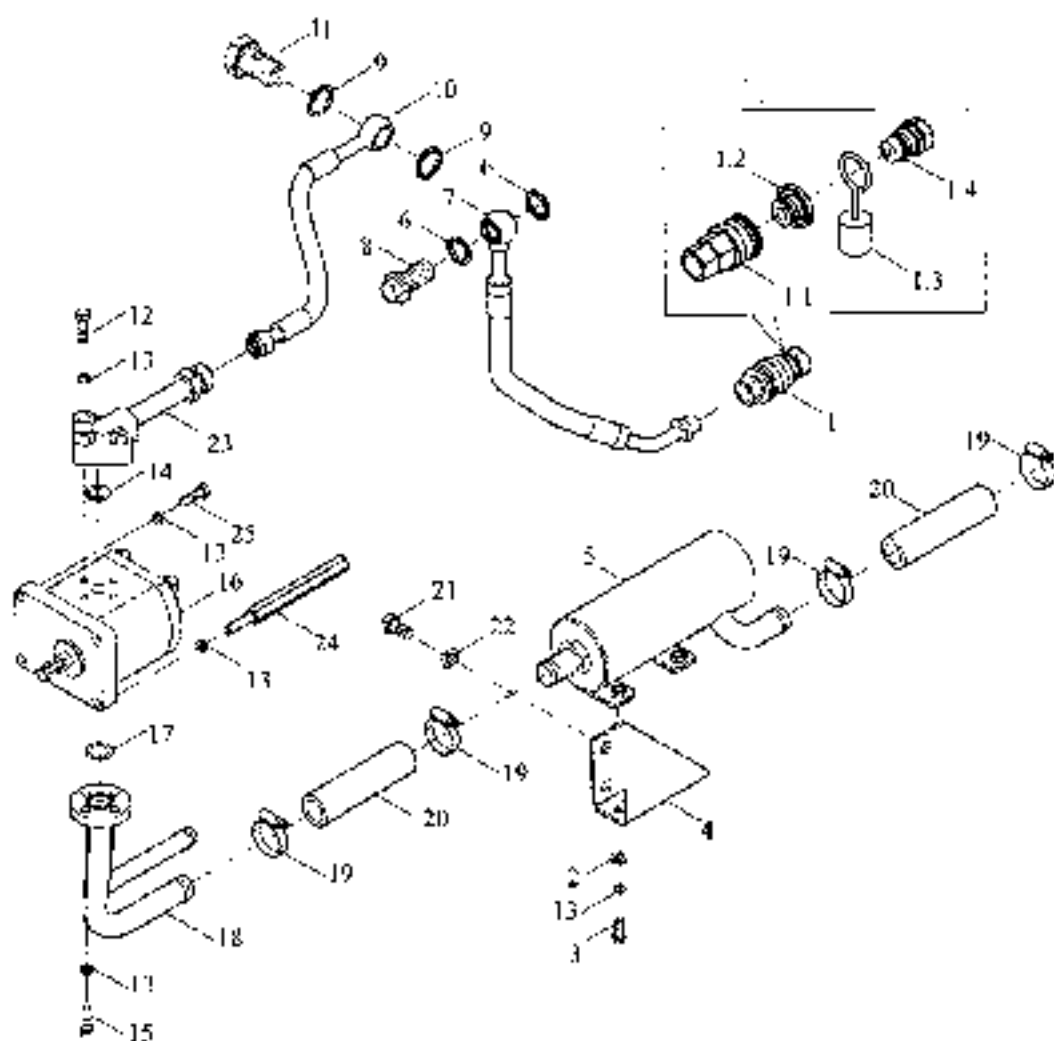
TE354.57 Distributor and operating mechanism assembly-2 (003)



TE354.57 Distributor and operating mechanism assembly-2 (003)

No.	Part code and specification	Part name	Quantity	Remark
	TE354.57	Distributor and Actuator Assembly (903)	1	
	TE250.57.1	Distributor assembly	1	
1	FT250.57.010	Slide valve assembly	1	
1.1	GBT894.1-15	Carriage for shaft	1	
1.2	FT250.57.115	Spring roller	2	
1.3	FT250.57.114	Slide valve return spring	1	
1.4	FT250.57.113	Slide valve	1	
2	FT250.57.128	Press the plug	1	
3	FT250.57.110	Adjusting washer	1	
4	FT250.57.111	Adjusting washer	1	
5	FT250.57.112	Adjusting washer	1	
6	FT250.57.129	Safety valve spring	1	
7	FT250.57.131	Safety valve seat	1	
8	FT250.57.100	Safety valve seat	1	
9	GBT3452.1-15.0X2.65G	Pneumatic O-ring rubber seals	1	
10	GBT3452.1-13.2X2.65G	Pneumatic O-ring rubber seals	1	
11	GBT3452.1-19.0X2.65G	Pneumatic O-ring rubber seals	1	
12	FT250.57.104	Distributor housing	1	
13	FT250.57.103	Front cover pad	1	
14	FT250.57.102	The float cover	1	
15	GBT93-5-A0P	Normal type single coil spring lock washers	4	
16	GBT5781-M5X1.6-4.8-A2L	Hex bolt	4	
17	FT250.57.123	Plug	1	
18	FT250.57.124	Casket	1	
19	FT250.57.122	Positioning spring	1	
20	FT250.57.121	Locate the spring seat	1	
21	GBT308-5-G160-b	Steel ball	1	
22	GBT5780-M6X55-4.8-A1L	Hex bolt	4	
23	GBT93-6-A0P	Normal type single coil spring lock washers	4	
24	FT250.57.108	Back cover	1	
25	FT250.57.107	Back cover pad	1	
26	FT250.57.106	Baffle	1	
27	FT250.57.105	Baffle pad	1	
28	FT250.57.119	Positioning blocks	1	
29	GBT896-4	Open ring	1	
30	FT250.57.120	Pinning	1	
31	TE250.57.1-01	Handle shaft	1	
32	GBT3452.1-9.50X2.65A	Pneumatic O-ring rubber seals	1	
33	TE250.57.1-02	Manipulate the socket arm	1	
34	GBT879.1-6X22	Elastic cylindrical pin	1	
35	GBT879.1-4X22	Elastic cylindrical pin	1	
36	GBT58-M4X10-4.8-A7L	Slot and counter sunk head screws	2	

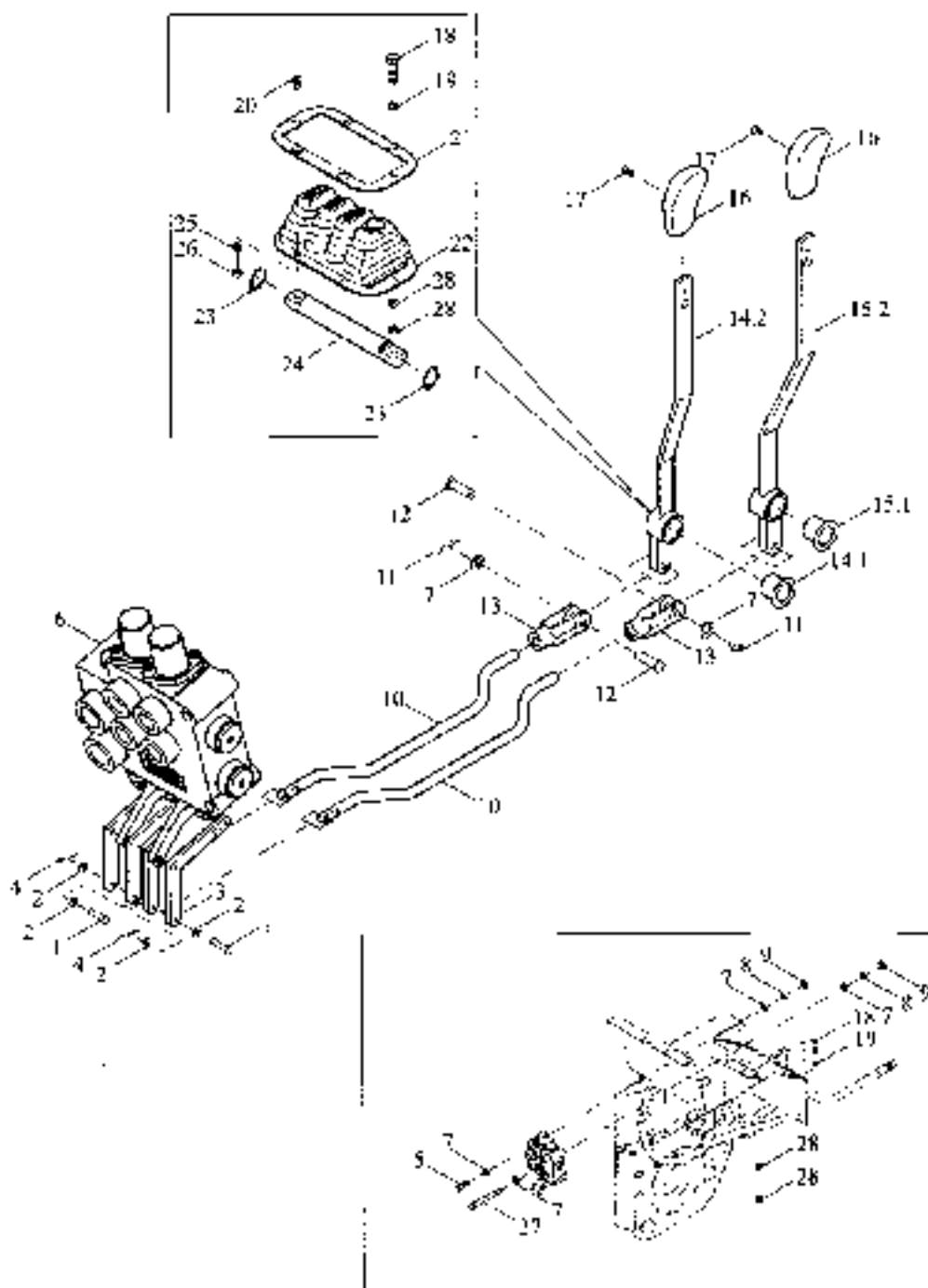
TL02581010000K Oil pump tubing oil filter assembly(001)



TL0258101000K Oil pump tubing oil filter assembly(001)

No.	Part code and specification	Part name	Quantity	Remark
	TL0258101000K	Oil pump tubing oil filter assembly	1	
1	FT354.58A.030	Quick change connector	1	
1.1	FT354.58A.031	Female connector	1	
1.2	FT354.58A.103	Dust cover	1	
1.3	FT354.58A.302	Male connector dust cover	1	
1.4	FT354.58A.032	Male connection	1	
2	GBT95-8-A0P	Plain washer	2	
3	GBT5783-M8X70-8.8-A2L	Hex bolt	2	
4	TE354.581-01	Oil filter fixing plate	1	
5	TE254.581L3	Oil filter assembly	1	
6	JHT982-20	Combined sealing washer	2	
7	TE254.582H.10	Steady flow valve fitting welding	1	
8	FT254.40.102	Hollow bolts	1	
9	JHT982-24	Combined sealing washer	2	
10	TE254.581.4	Single valve into the oil hose	1	
11	FT354.58.132	Hollow Bolt M24X1.5	1	
12	GBT5783-M8X70-8.8-A2L	Hex bolt	3	
13	GBT93-8-A0P	Normal type single coil spring lock washers	13	
14	GBT3452.1-18.0X2.65C	Pneumatic O-ring rubber seals	1	
15	GBT70-1-M8X25-8.8-A2L	Hexagon socket cap head screw	4	
16	TB504.581B.6	Gear pump	1	
17	GBT3452.1-21.2X1.80C	Pneumatic O-ring rubber seals	1	
18	TE354.581.1	Suction pipe welding	1	
19	Q67638	Type H worm drive hose hoop	4	
20	FT254.58.135	Hose	2	
21	GBT5783-M12X20-8.8-A2L	Hex bolt	2	
22	GBT93-F2-A0P	Normal type single coil spring lock washers	2	
23	TE354.581.24	Gear pump tubing welding	1	
24	TL0258101000K	Bolt	2	
25	GBT70-1-M8X30-8.8-A2L	Hexagon socket cap head screw	2	

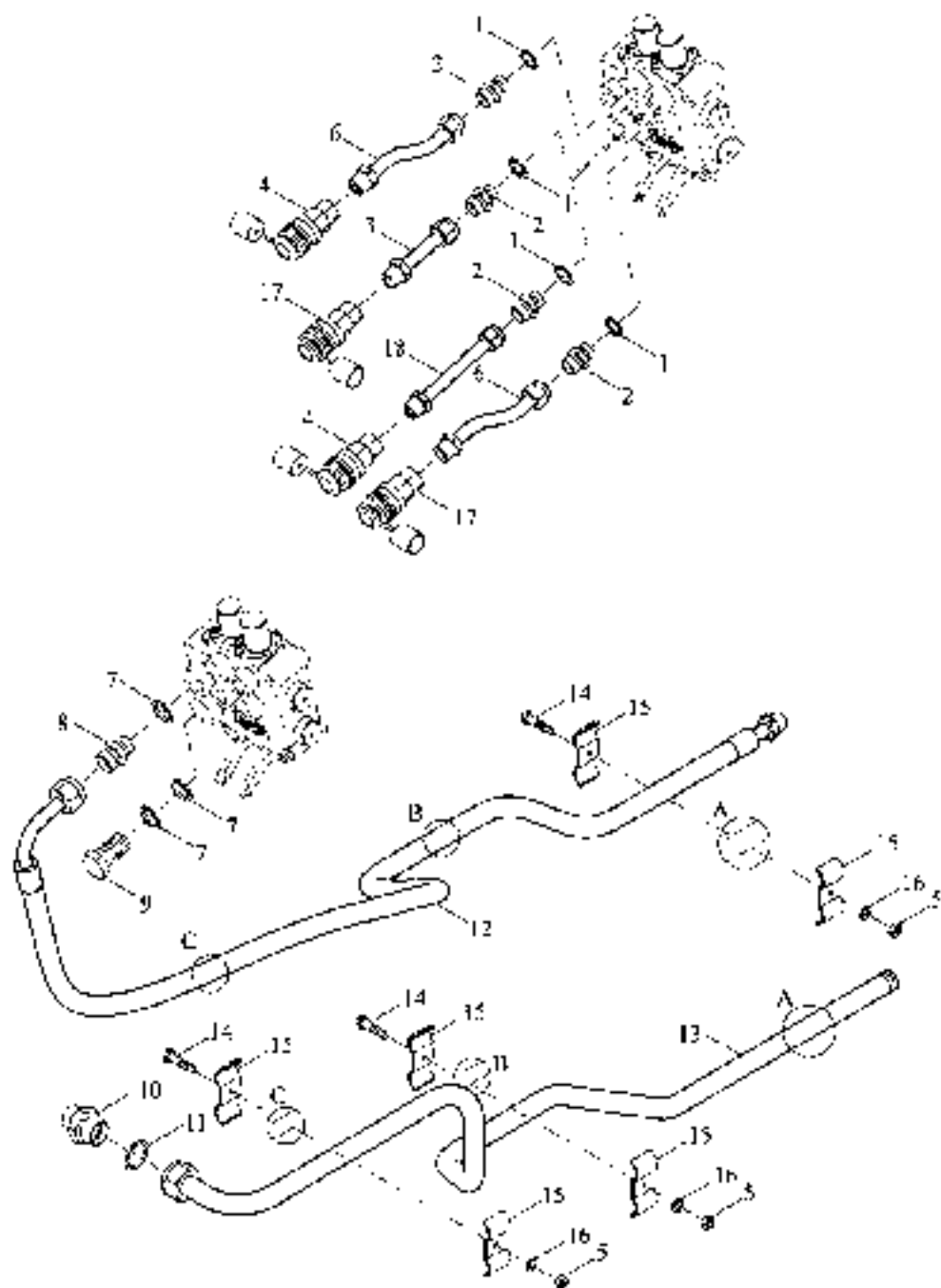
TE354.582 Multiway valve oil pipe assembly-1 (012)



TE354.582 Multiway valve oil pipe assembly-1 (012)

No.	Part code and specification	Part name	Quantity	Remarks
	TE354.582	Multi-way valve tubing assembly	1	
1	GBT882-B5X22	Pipe	6	
2	GBT95-5-AOP	Plain washer	12	
3	TE354.582-01	Multi-way valve rocker arm	4	
4	GBT91-1.6X20-AOP	Coiler pin	6	
5	GBT5783-M8X30-8.8-A2L	Hex bolt	1	
6	TL01582020007K	Integral valve multi-way valve	1	
7	GBT95-8-AOP	Plain washer	8	
8	GBT93-8-AOP	Normal type single coil spring lock washer	3	
9	GBT6170-M8-8-A2F	Type 1 hexagon nut	3	
10	TE354.582-02	Link	2	
11	GBT91-2.2X20-AOP	Coiler pin	2	
12	GBT882-B8X28	Pipe	2	
13	TE354.582-05	Lever fork	2	
14	TE354.582.4	Manipulate the handle to press the H	1	
14.1	TE254.582H.11-01	Nylon sets	1	
14.2	TE354.582.4.1	Handle handle welding	1	
15	TE354.582.2	Manipulate the handle to press the F	1	
15.1	TE254.582H.11-01	Nylon sets	1	
15.2	TE354.582.2.2	Multi-way valve tested handle assembly	1	
16	TH504.552-08	Handle head	2	
17	GBT68-M4X10-4.8-A2L	Slotted countersunk head screws	2	
18	GBT5783-M6X35-8.8-A11	Hex bolt	4	
19	GBT93-6-AOP	Normal type single coil spring lock washer	1	
20	GBT819.2-M5X20-8.8-A2L	Countersunk flat head screw with cross recess	4	
21	TE254.582H-10	Steel plate pad	1	
22	TE254.582H-09	Gland	1	
23	GBT894.1-18	Circ-clip for shaft	2	
24	TE254.582H-07	Shaft	1	
25	GBT93-5-AOP	Normal type single coil spring lock washer	4	
26	GBT6170-M5-8-A2L	Type 2 hexagon nut	4	
27	GBT5782-M8X65-8.8-A2L	Hex bolt	2	
28	GBT6170-M6-8-A2F	Type 2 hexagon nut	8	

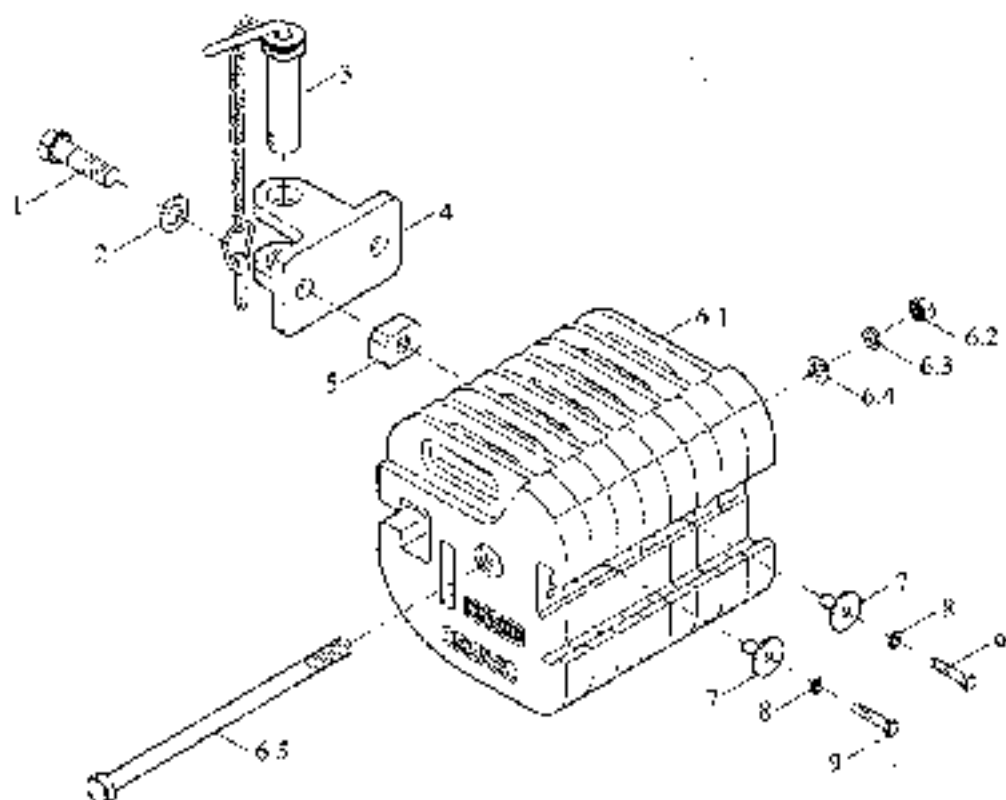
TE354.582 Multiway valve oil pipe assembly-2 (012)



TE354.582 Multiway valve oil pipe assembly-2 (012)

No.	Part code and specification	Part name	Quantity	Remark
	TE354.582	Oil filter tubing assembly	1	
1	JBT982-18	Compound seal gasket	4	
2	GRT5733.2-014	Cuffed end through connector body	4	
3	TE354.582.5	Transition pipe assembly	1	
4	FT354.58A.030	Quick change connector	2	
5	GB16170-M6-8-A2L	Type L hexagon nut	3	
6	TL354.582.6	Output tubing assembly	2	
7	JBT982-22	Compound seal gasket	1	
8	FT654.58B.102	Cuffed end through connector body 1	1	
9	FT654.58.107	Hex hex Bolt - 1	1	
10	TE354.582-04	Connector hole	1	
11	JBT982-27	Compound seal gasket	1	
12	TE354.582.1	Multi way valve inlet tubing assembly	1	
13	TE354.582.3	Suction pipe assembly	1	
14	GB15783-M6X30-8#-A2L	Hex bolt	3	
15	TE354.582.7	Steel pipe clip combination	6	
16	GB193-6 A0P	Normal type single coil spring lock washer	6	
17	TC02580010001K	Quick change connector	2	
18	TE354.582.10	Multi way valve output tubing welding	1	

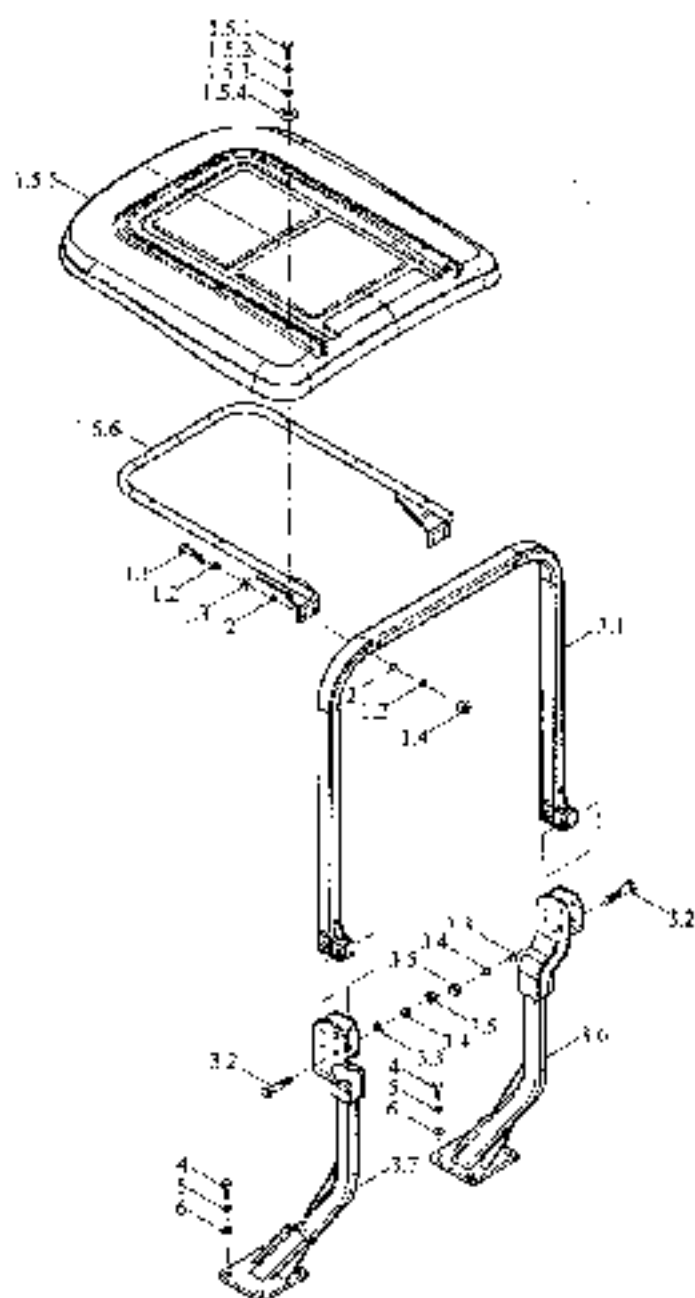
TE254.742 Front weight assembly (010)



TE254.742 Front weight assembly (010)

No.	Part code and specification	Part name	Quantity	Remark
	TE254.742	Front counterweight assembly	1	
1	TE254.742-04	Traction bolts	2	
2	GB197.1-20-A0P	Plain washer	2	
3	TR400.74A.2	Traction pin and lock assembly	1	
4	TE254.742-02	Traction ears	1	
5	FT650.74.108	Traction nut	1	
6	TE254.742.2	Front wish a small assembly	1	
6.1	TE254.742.01	Counterweight	8	
6.2	GB16170-M16-8-A3L	Type 1 hexagon nut	1	
6.3	GB193-16-A0P	Normal type single coil spring lock washer	1	
6.4	GB197.1-16-A0P	Plain washer	1	
6.5	TE254.742-03	Connecting bolts	1	
7	TE254.742.3	Plate welding	2	
8	GB193-10-A0P	Normal type single coil spring lock washer	2	
9	GB15183-M10X45-8.8-A3L	Hex bolt	2	

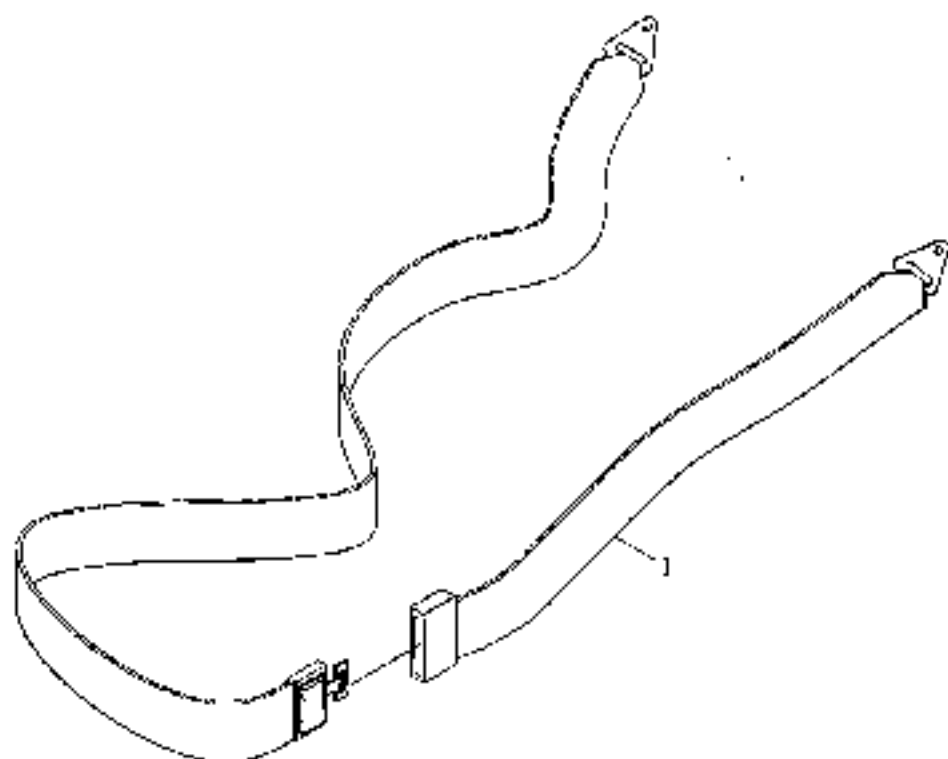
TE354.46A Safety rack assembly



TE354.46A Safety rack assembly

No.	Part code and specification	Part name	Quantity	Remark
	TE354.46A	Safety rack assembly	1	
1	TE254.46.2	Awning assembly	1	
1.1	GB/T 5782-M12 x 90-8.8-A2L	Hex bolt	4	
1.2	GB/T 93-12-A0P	Normal type single coil spring lock washer	4	
1.3	GB/T 97.1-12-A0P	Plain washer	8	
1.4	GB/T 6170 M12 x 8 A.H.	Type 1 hexagon nut	4	
1.5	TE254.46.2.1	Awning	1	
1.5.1	GB/T 5785 M6 x 25 8.8-A2L	Hex bolt	8	
1.5.2	GB/T 93-6-A0P	Normal type single coil spring lock washer	8	
1.5.3	GB/T 97.1-6-A0P	Plain washer	8	
1.5.4	TE254.46.2.1-02	Rubber gasket	8	
1.5.5	TE254.46.2.1.1	Awning steel	1	
1.5.6	TE354.46.2.1.01	Plastic awning	1	
2	TB400.46C.01	Blockages	8	
3	TE354.46A.1	Support beam mounting assembly	1	
3.1	TE354.46A.1.1	Upper support beam welding	1	
3.2	GB/T 5782-M16 x 80-10.9-A3L	Hex bolt	6	
3.3	GB/T 97.1-16-A0P	Plain washer	6	
3.4	GB/T 93-16-A0P	Normal type single coil spring lock washer	6	
3.5	GB/T 802-M16-6	Combination cover nuts	6	
3.6	TE354.46.1.2	Right support beam welding	1	
3.7	TE354.46.1.1	Left support beam welding	1	
4	GB/T 5782-M14 x 40-8.8-A3L	Hex bolt	8	
5	GB/T 93-14-A0P	Normal type single coil spring lock washers	8	
6	GB/T 97.1-14-A0P	Plain washer	8	

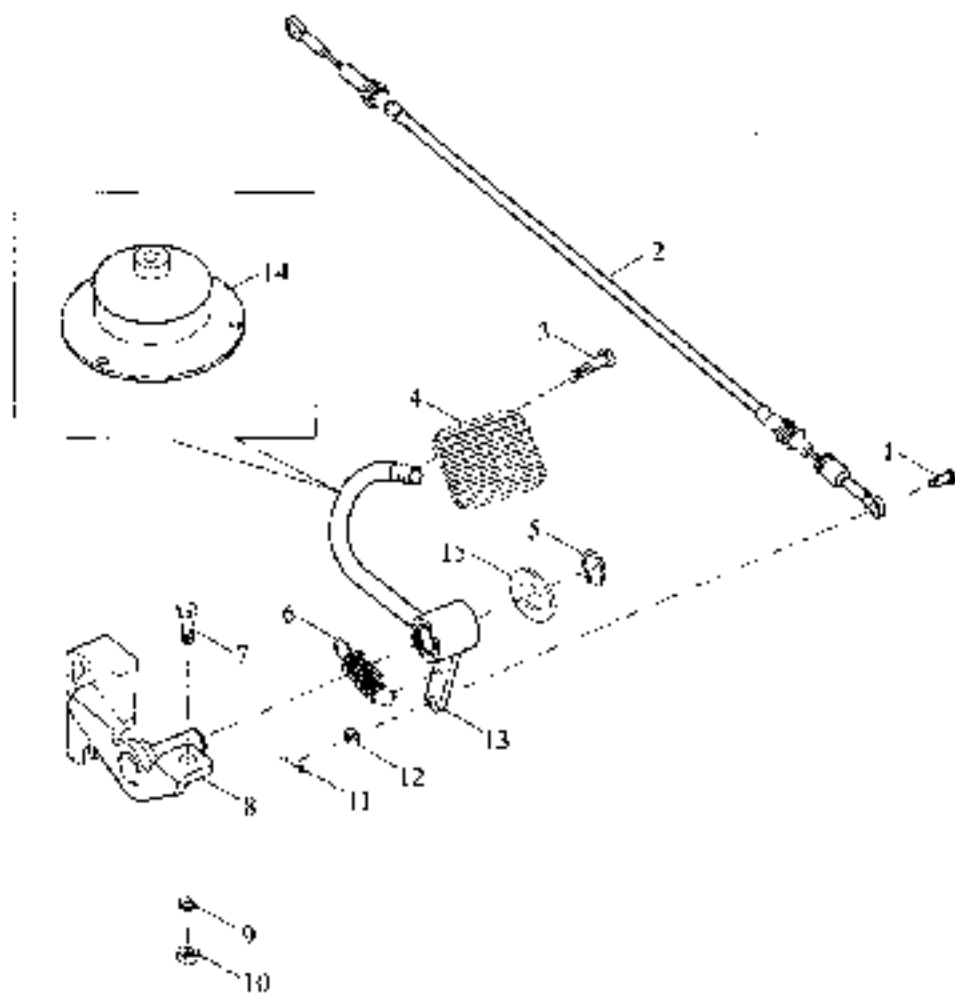
TA600.62A 3 inch seat belt assembly



TA600.62A 3 inch seat belt assembly

No.	Part code and specification	Part name:	Quantity	Remark
1	TA600.62 A TA600.62 A	Seat belt assembly Seat belt assembly	1 1	

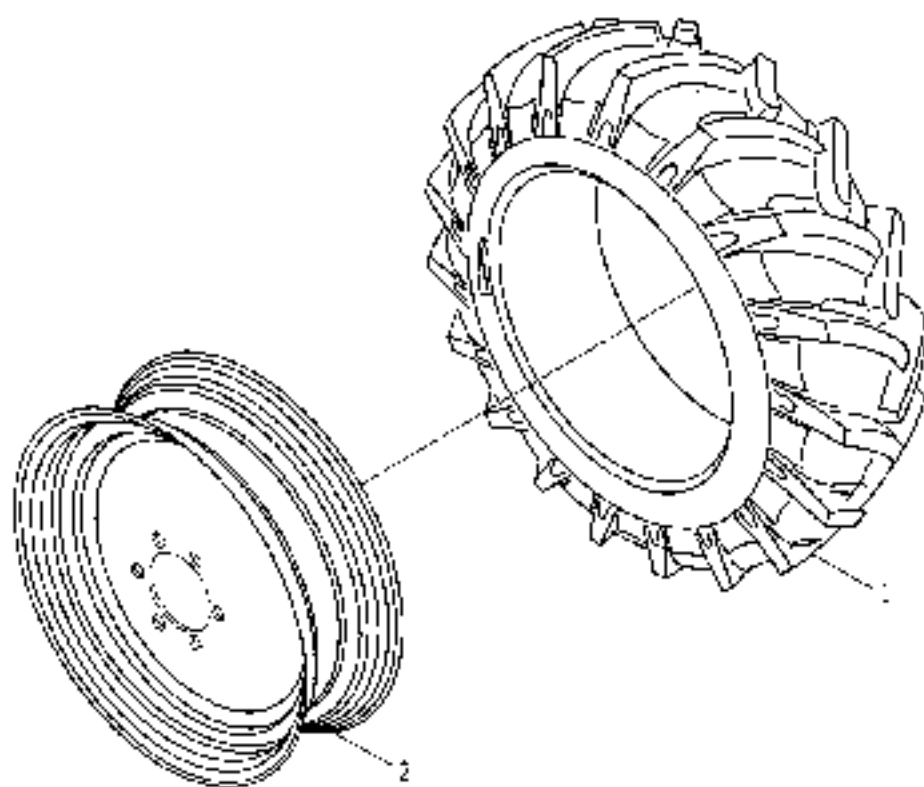
TE354.202 Foot throttle assembly(006)



TE354.202 Foot throttle assembly(006)

No.	Part code and specification	Part name	Quantity	Remark
	TE354.202	Foot throttle assembly(006)	1	
1	GB1882 B6X16	Pin	1	
2	TE354.202-01	Foot throttle wire assembly	1	
3	GB15783-M5X16-8.8-A2L	Hex bolt	1	
4	TE254.202A-01	Pedal	1	
5	GB1894.1-13	Clevis for shaft	1	
6	TE254.202A-03	Foot throttle return spring	1	
7	GB15783-M8X20-8.8-A2L	Hex bolt	2	
8	TE254.202A.1	Fixed frame welding	1	
9	GB193-8-A0P	Natural type single coil spring lock washer	2	
10	GB16170 M8 8-A2L	Type 1 hexagon nut	2	
11	GB191 2X12-A0P	Cotter pin	1	
12	GB197.1 6-A0P	Plain washer	1	
13	TE254.202A.2	Rocker welding	1	
14	FT65.45.393	Throttle pedal gland	1	
15	GB197.1-14-A0P	Plain washer	1	

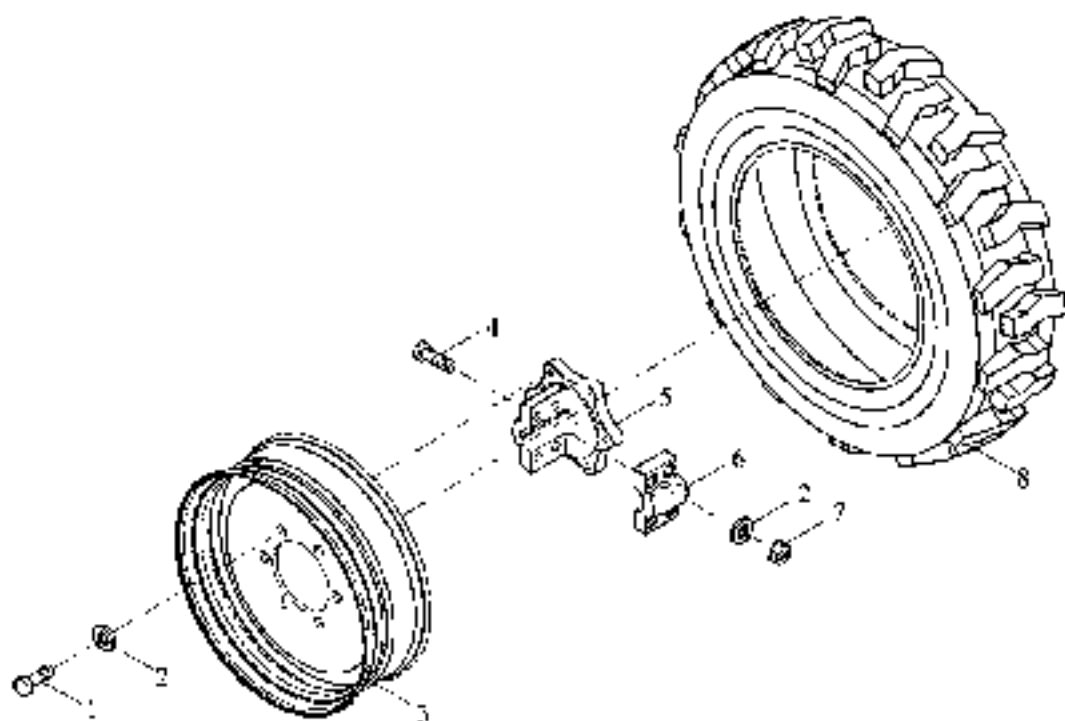
TE204.32F Front drive wheel assembly



TE204.32F Front drive wheel assembly

No.	Part code and specification	Part name	Quantity	Remark
1	TE204.32F	Front drive wheel assembly	2	
1	TE254.32A-01	1.-211 Laying tire 28 x 9 15	1	
2	TE204.32F.1	Rim weldment	1	

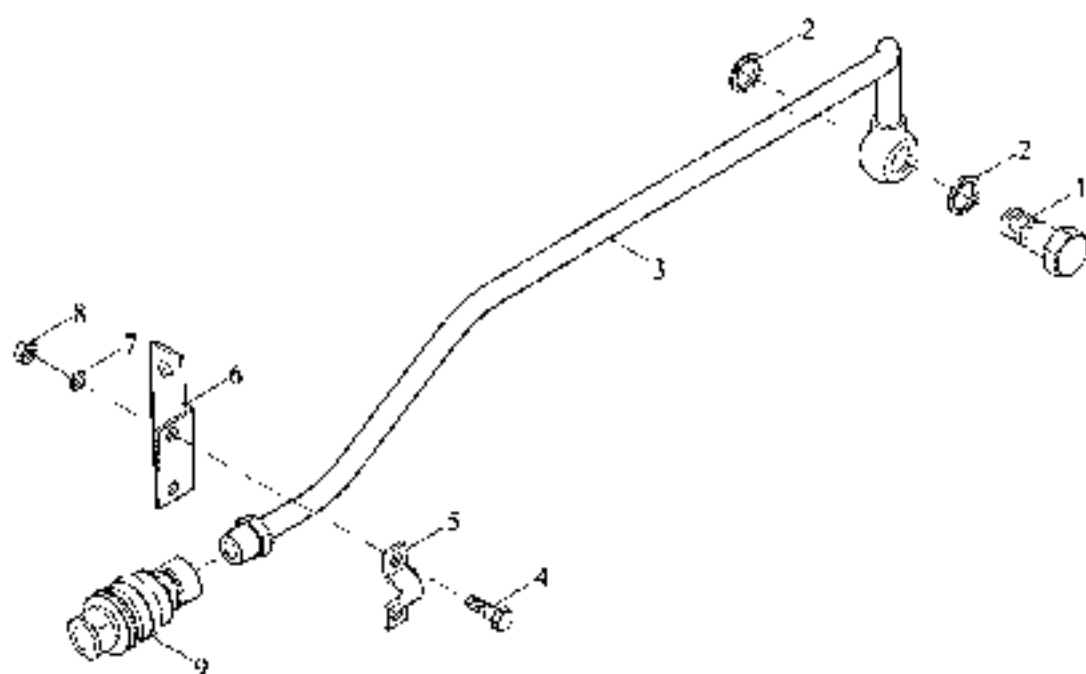
TE254.34F Rear drive wheel assembly (13-20 gardening)



TE254.34F Rear drive wheel assembly (13-20 gardening)

No	Part code and specification	Part name	Quantity	Remark
	TE254.34F	Rear driving wheel assembly	1	
1	GWT 5786-M14 x 1.5 x 35-10.9-A3L	Bolt	6	
2	PT250.34.108	Wheel hub washer	10	
3	TE254.34E.1	Wheel rim weld	1	
4	TE254.34B.2-01	Wheel hub bolt	4	
5	PT250.34.102	Drive wheel hub	1	
6	PT250.34.103	Drive wheel hub cover	1	
7	GWT 6171-M14 x 1.5-10-A3L	Nut	4	
8	TE254.34C-01	C 2H Tire tracks 15-19.5-8PR	1	

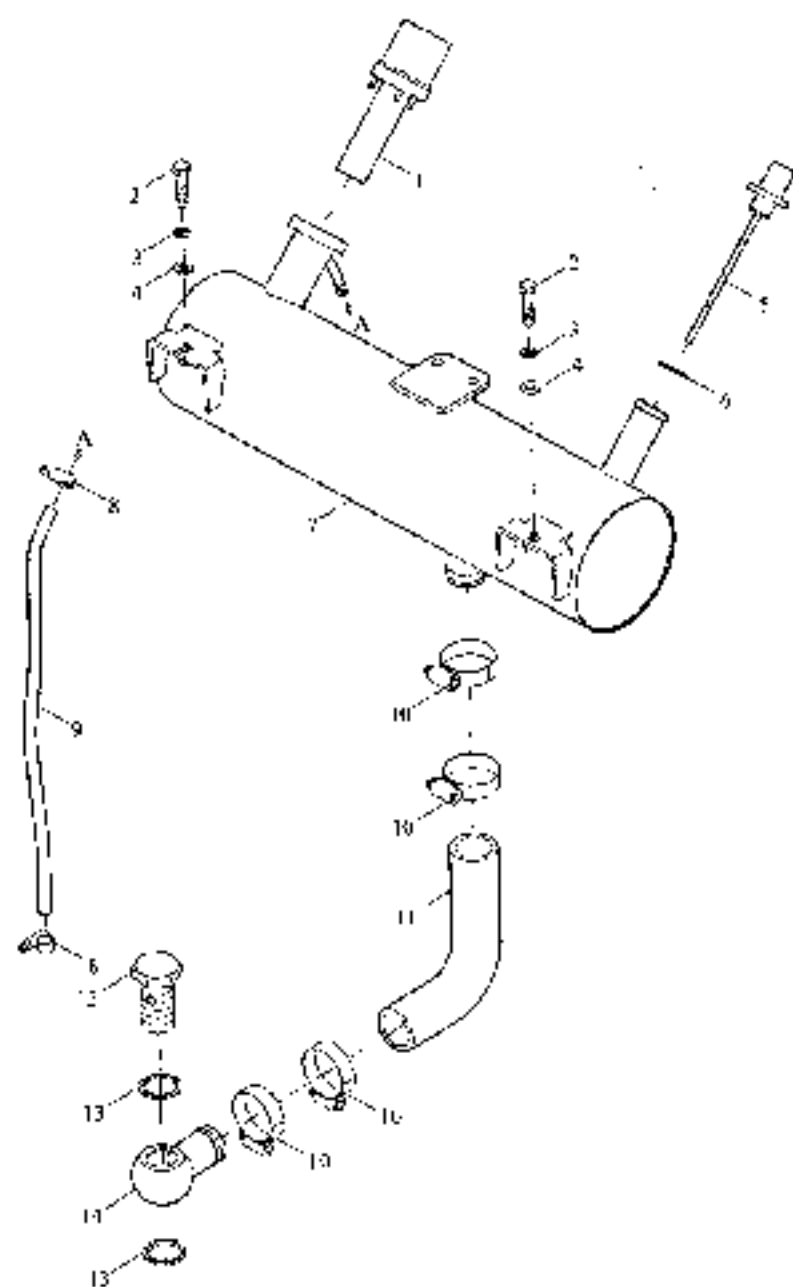
TE354.583 Simple hydraulic output assembly assembly(003)



TE354.583 Simple hydraulic output assembly assembly(003)

No.	Part code and specification	Part name	Quantity	Remark
	TE354.583	Simple hydraulic output assembly assembly(003)	1	
1	F1250.55.119	Hollow bolts	1	
2	JRTS82-18	Concaved sealing washer	2	
3	TE354.583.J	Output tubing welding assembly	1	
4	GBT5783 M8X20-8.8 A2L	Hex bolt	2	
5	F1250.55.120	Tube clamp	1	
6	F1250.56.146	Tubing support	1	
7	GB193-8-A0P	Normal type single coil spring lock washer	2	
8	GBT6170-M8 8 A2L	Type 1 hexagon nut	2	
9	TE354.58A.030	Quick change connector	1	

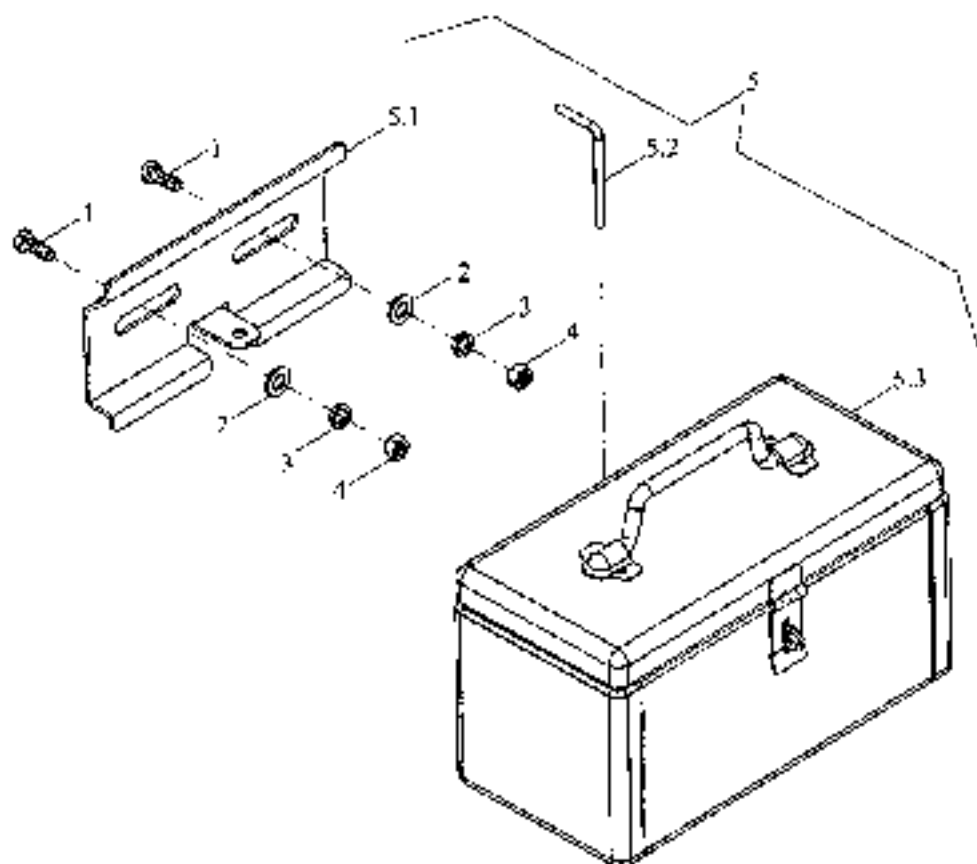
TE250.556B Hydraulic fuel tank assembly(009)



TE250.556B Hydraulic fuel tank assembly(009)

No.	Part code and specification	Part name	Quantity	Remark
	TE250.556B	Hydraulic fuel tank assembly	1	
1	1D800556.4	Tank air filter	1	
2	GBT5783-M10 x 35-8.8 A3L	Hex bolt	2	
3	GBT93 10-A0P	Normal type single coil spring lock washer	2	
4	GBT97.1 10-A0P	Plain washer	2	
5	TD800.556.3	Oil gauge assembly	1	
6	JB1982-18	Combined sealing washer	1	
7	TE250.556B.1	Hydraulic fuel tank welding	1	
8	Q67512	Type A Worm Drive Hose Hoop	2	
9	TE250.556B-02	Breathing hose	1	
10	Q67645	Type B worm drive hose hoop	4	
11	TE250.556B-01	Into the base	1	
12	TE250.556B-06	Hollow bolts	1	
13	JB1982-27	Combined sealing washer	2	
14	TE250.556B-03	Hose connector	1	

FT300.49.001 Tool kit assembly



FT300.49.001 Tool kit assembly

No.	Part code and specification	Part name	Quantity	Remarks
1	GRT5782-M12X35-8.8-A3L	Hex bolt	2	
2	GRT97.1-12-A0P	Plain washer	2	
3	GRT93-12-A0P	Normal type single coil spring lock washer	2	
4	GRT6170-M12-8-A3L	Type 1 hexagon nut	2	
5	TB400.49.1	Toolbox supply assembly	1	
5.1	FT65.49.103	Fixed support plate	1	
5.2	FT65.49.102	Pin	1	
5.3	TB400.49.1.1	Toolbox welding directing assembly	1	