



福田零部件图册

(TB504-X161Y14K)

福田雷沃重工国际贸易有限公司

目录 CONTENTS

序号 No.	代码 Code	名称 Description		页次 Page
1	A498BT1-6A-1	10.1-机体总成及附件-1	BODY ASSEMBLY AND ACCESSORY-1	1
2	A498BT1-6A-10	10.10-燃油供油系统-10	FUEL SUPPLY SYSTEM ASSEMBLY-10	7
3	A498BT1-6A-11	10.11-机油滤清器总成起动机及充电发		9
4	A498BT1-6A-2	10.2-气缸盖及配气机构	CYLINDER HEAD AND GAS EXCHANGING SYSTEM	11
5	A498BT1-6A-3	10.3-油底壳-3	OIL SUMP ASSEMBLY-3	19
6	A498BT1-6A-4	10.4-活塞连杆总成-4	PISTON CONNECTING ROD ASSEMBLY-4	21
7	A498BT1-6A-5	10.5-曲轴飞轮总成-5	CRANKSHAFT FLYWHEEL ASSEMBLY-5	23
8	A498BT1-6A-6	10.6-正时齿轮传动系总成-6	TIMING GEAR TRAIN ASSEMBLY-6	25
9	A498BT1-6A-7	10.7-气缸盖罩总成	CYLINDER HEAD COVER ASSEMBLY-7	29
10	A498BT1-6A-8	10.8-机油泵机油管路总成-8	OIL PUMP AND OIL PIPE ASSEMBLY-8	31
11	A498BT1-6A-9	10.9-冷却水泵风扇部件-9	COOLING WATER PUMP AND FAN ASSEMBLY-9	35
12	TB400.11	11-空气滤清系总成	11-AIR CLEANER ASSEMBLY	39
13	TB500.13Y	13-冷却系总成	13-COOLING SYSTEM ASSEMBLY	41
14	TB400.20G-1	20.1-发动机操纵机构总成-1	20.1ENGINE CONTROL MECHANISM ASSEMBLY-1	43
15	TB400.20G-2	20.2-发动机操纵机构总成-2	20.2ENGINE CONTROL MECHANISM ASSEMBLY-2	45
16	TB550.211A	21.1-离合器总成	21.1-CLUTCH ASSEMBLY	47
17	FT500A.21B.001-1	21.1-离合器总成-1	CLUTCH ASSEMBLY-1	49
18	FT500A.21B.001-2	21.2-离合器总成-2	CLUTCH ASSEMBLY-2	51
19	TB550.212	21.2-离合器操纵总成	21.2-CLUTCH CONTROL ASSEMBLY	53
20	TB504.311-1	31.1.1-前驱动桥总成-1	FRONT DRIVING AXLE ASSEMBLY-1	55
21	TB504.311-2	31.1.2-前驱动桥总成-2	FRONT DRIVING AXLE ASSEMBLY-2	57
22	TB504.311-3	31.1.3-前驱动桥总成-3	FRONT DRIVING AXLE ASSEMBLY-3	61
23	TB504.311-4	31.1.4-前驱动桥总成-4	FRONT DRIVING AXLE ASSEMBLY-4	65
24	TB504.311-5	31.1.5-前驱动桥总成-5	FRONT DRIVING AXLE ASSEMBLY-5	69
25	TB504.311-6	31.1.6-前驱动桥总成-6	FRONT DRIVING AXLE ASSEMBLY-6	73

目录 CONTENTS

序号 No.	代码 Code	名称 Description		页次 Page
26	TB554.312	31.2-前托架总成	31.2-FRONT BRACKET ASSEMBLY	75
27	FT404.32.001	32-前轮总成	32-FRONT WHEEL ASSEMBLY	77
28	FT400.34.001a	34-后驱动轮总成	34-REAR DRIVE WHEEL ASSEMBLY	79
29	FT300.35A.001	35-牵引机构总成	35-TOWING MECHANISM ASSEMBLY	81
30	TB400.371B	37.1-变速箱壳体总成	37.1-GEARBOX HOUSING ASSEMBLY	83
31	TB400.372D-1	37.2.1-主变速总成-1	MAIN TRANSMISSION ASSEMBLY-1	85
32	TB400.372D-2	37.2.2-主变速总成-2	MAIN TRANSMISSION ASSEMBLY-2	89
33	TB450.373B	37.3-副变速总成	37.3-AUXILIARY GEARSHIFT ASSEMBLY	91
34	TB300.374B-1	37.4.1-变速箱操纵机构总成-1	37.4TRANSMISSION CONTROL MECHANISM	93
35	TB300.374B-2	37.4.2-变速箱操纵机构总成-2	37.4TRANSMISSION CONTROL MECHANISM	95
36	TB504.382-1	38.2.1-后桥中央传动总成-1	REAR AXLE CENTRAL TRANSMISSION ASSEMBLY-1	97
37	TB504.382-2	38.2.2-后桥中央传动总成-2	REAR AXLE CENTRAL TRANSMISSION ASSEMBLY-2	99
38	TB554.385	38.5-梭式换挡机构总成	38.5-SHUTTLE SHIFT MECHANISM ASSEMBLY	101
39	FT300.39.001-1	39.1-最终传动总成-1	39FINAL TRANSMISSION ASSEMBLY -1	105
40	FT300.39.001-2	39.2-最终传动总成-2	39FINAL TRANSMISSION ASSEMBLY -2	109
41	TB454.40X-1	40.1-全液压转向总成-1	40FULL HYDRAULIC STEERING ASSEMBLY-1	113
42	TB454.40X-2	40.2-全液压转向总成-2	40FULL HYDRAULIC STEERING ASSEMBLY-2	117
43	TB400.411D	41.1-动力输出齿轮总成	41.1-PTO GEAR ASSEMBLY	121
44	TB550.412A	41.2-动力输出轴总成	41.2-PTO SHAFT ASSEMBLY	125
45	TB550.413	41.3-动力输出操纵总成	41.3-PTO CONTROL ASSEMBLY	127
46	TB554.421C	42.1-分动箱箱体总成	42.1-TRANSFER CASE HOUSING ASSEMBLY	131
47	TB454.422	42.2-分动箱传动总成	42.2-TRANSFER CASE TRANSMISSION ASSEMBLY	135
48	TB554.423C	42.3-分动箱操纵总成	42.3-TRANSFER CASE CONTROL ASSEMBLY	137
49	FT300.43.001-1	43.1-制动器总成-1	43BRAKER ASSEMBLY-1	139
50	FT300.43.001-2	43.2-制动器总成-2	43BRAKER ASSEMBLY-2	141

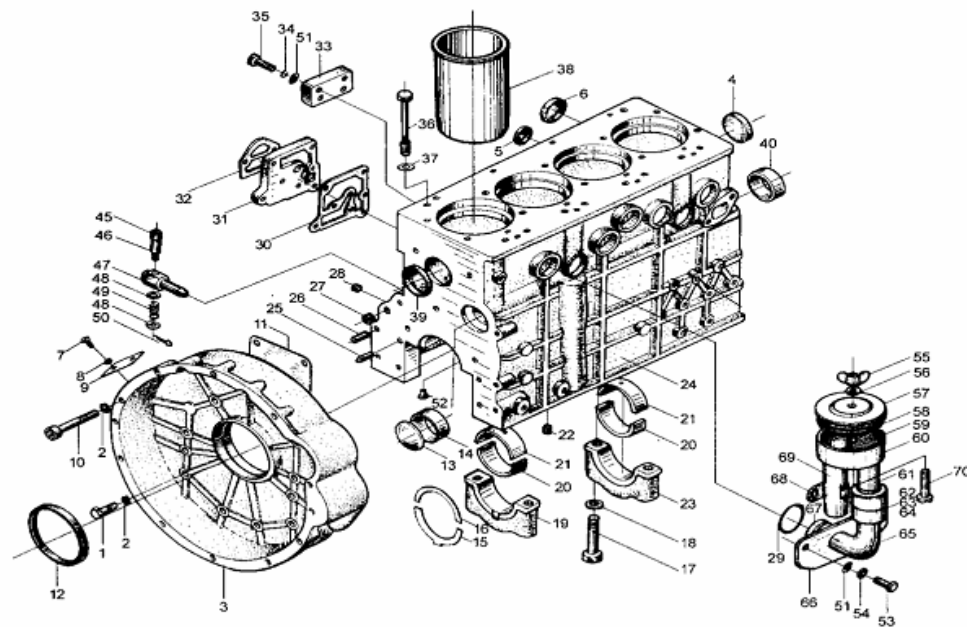
目录 CONTENTS

序号 No.	代码 Code	名称 Description		页次 Page
51	FT300.43.001-3	43.3-制动器总成-3	43BRAKER ASSEMBLY-3	143
52	FT300.44B.001	44-座椅安装总成	44SEAT INSTALLATION ASSEMBLY	145
53	FT400.45.001-1	45.1-地板装配总成-1	45FLOOR MOUNTING ASSEMBLY-1	147
54	FT400.45.001-2	45.2-地板装配总成-2	45FLOOR MOUNTING ASSEMBLY-2	149
55	TB400.46C	46-安全架总成	46-SAFETY FRAME ASSEMBLY	151
56	TB400B.471	47.1-机罩装配总成	47.1-BONNET INSTALLATION ASSEMBLY	153
57	TB400B.473	47.3-机罩锁紧装置总成	47.3-BONNET LOCKING DEVICE ASSEMBLY	155
58	TB400B.474C	47.4-前围挡板总成	47.4-FRONT WALL FENDER ASSEMBLY	157
59	TB550.477C	47.7-机罩加长总成	47.7-BONNET EXTENSION ASSEMBLY	159
60	TB450.481H	48.1-发动机线束安装总成	48.1-ENGINE HARNESS INSTALLATION ASSEMBLY	161
61	TB450.482D	48.2-车身线束安装总成	48.2-BODY HARNESS INSTALLATION ASSEMBLY	163
62	TB450.483	48.3-前灯线束安装总成	48.3-FRONT LAMP HARNESS INSTALLATION	165
63	TB450.484A	48.4-后灯线束安装总成	48.4-REAR LAMP HARNESS INSTALLATION ASSEMBLY	167
64	TB450.485A	48.5-蓄电池安装总成	48.5-BATTERY INSTALLATION ASSEMBLY	169
65	TB400.487	48.7-组合仪表总成	48.7-COMBINED INSTRUMENT ASSEMBLY	171
66	FT300.49.001	49-工具箱总成	49-TOOL BOX ASSEMBLY	173
67	TB550.50Q	50-油箱与支架总成		175
68	TB500A.55-1	55.1-提升器装置总成-1	LIFT INSTALLATION ASSEMBLY-1	179
69	TB500A.55-2	55.2-提升器装置总成-2	LIFT INSTALLATION ASSEMBLY-2	181
70	TB500A.55-3	55.3-提升器装置总成-3	LIFT INSTALLATION ASSEMBLY-3	185
71	TB500A.55-4	55.4-提升器装置总成-4	LIFT INSTALLATION ASSEMBLY-4	189
72	TB500A.55-5	55.5-提升器装置总成-5	LIFT INSTALLATION ASSEMBLY-5	193
73	TB500A.55-6	55.6-提升器装置总成-6	LIFT INSTALLATION ASSEMBLY-6	195
74	TB500A.55-7	55.7-提升器装置总成-7	LIFTER INSTALLATION ASSEMBLY-7	199
75	TB500A.55-8	55.8-提升器装置总成-8	LIFTER INSTALLATION ASSEMBLY-8	201

目录 CONTENTS

序号 No.	代码 Code	名称 Description		页次 Page
76	FT500A.56B.001-1	56.1-悬挂机构总成-1	SUSPENSION MECHANISM ASSEMBLY-1	205
77	FT500A.56B.001-2	56.2-悬挂机构总成-2	SUSPENSION MECHANISM ASSEMBLY-2	209
78	FT454.58H.001	58-油泵油管总成		211
79	TB500A.582A	58.2-多路阀油管总成	58.2-MULTI-WAY VALVE OIL PIPE ASSEMBLY	213
80	TB500A.582A-1	58.2.1-多路阀油管总成-1	MULTI-WAY VALVE OIL PIPE ASSEMBLY-1	215
81	TB500A.582A-2	58.2.2-多路阀油管总成-2	MULTI-WAY VALVE OIL PIPE ASSEMBLY-2	217
82	TB300.583A	58.3-单路液压输出总成2	58.3-SINGLE-WAY HYDRAULIC OUTPUT ASSEMBLY 2	221
83	TA600.62ZC	62-安全带	62-SAFETY BELT	223
84	FT404.74A.002	74-前配重总成	74-FRONT BALLAST ASSEMBLY	225
85	FT300.74B.001	74-前配重架总成	74-FRONT BALLAST BRACKET ASSEMBLY	227
86	TB400.91	91-后配重总成	91-REAR BALLAST ASSEMBLY	229
87	TB504.384	后桥壳体总成	REAR AXLE HOUSING ASSEMBLY	231
88	FT500A.21B.011	离合器分总成	CLUTCH SUBASSEMBLY	233

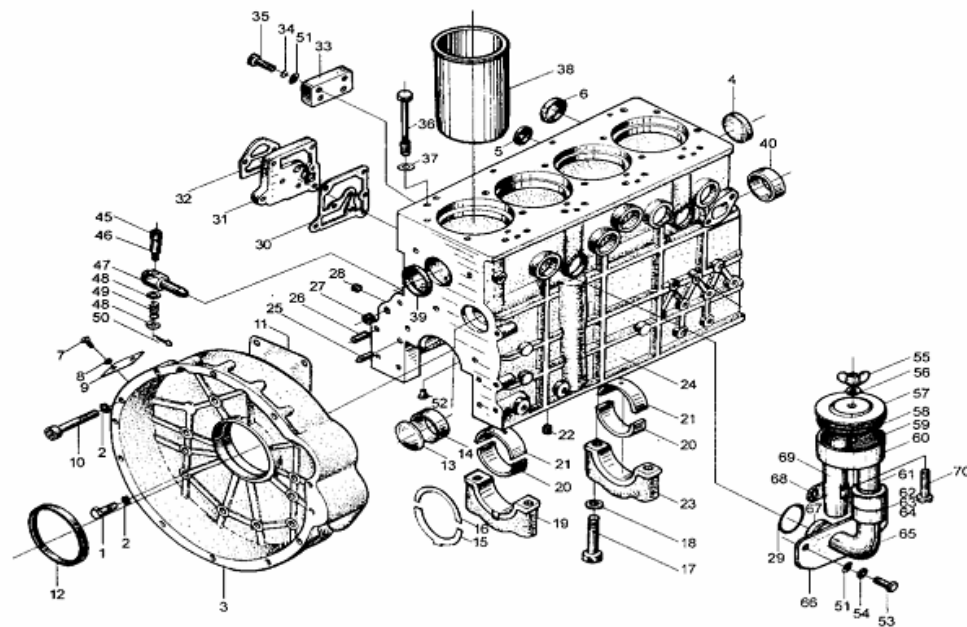
机体总成及附件 Body assembly and accessory



A498BT1-6A-1 10.1-机体总成及附件-1 BODY ASSEMBLY AND ACCESSORY-1

标号 No.	代号 Code	名称 Description		数量 Quantity	备注 Remark
1	GBT5783-M12X32	六角头螺栓	BOLT	4	2011-11_
1	GBT5783-M12X32	六角头螺栓	BOLT	4	2011-11_
10	GBT70-M12X90	内六角圆柱头螺钉	SCREW	2	2011-11_
11	490BT-13004	飞轮壳垫片	FLYWHEEL HOUSING GASKET	1	2011-11_
12	100X125X12	油封王	OIL SEAL	1	2011-11_
13	490B-01009	堵塞58	PLUG 58	1	
14	495B-01008A	后凸轮轴衬套	REAR CAMSHAFT BUSH	1	2011-11_
15.16	495B-01022A/01026A	止推片	THRUST SHIM	2	
17	A498B-01019A	主轴承螺栓	MAIN BEARING BOLT	10	
18	490B-01018	主轴承螺栓垫圈	MAIN BEARING BOLT WASHER	10	2011-11_
19	A498B-01023	后主轴承盖	REAR MAIN BEARING COVER	1	2011-11_
2	GBT93-12	垫圈	WASHER	8	2011-11_
20.21	495B-01033A/01034A	主轴瓦总成	MAIN BEARING	4	
22	490B-01027	堵塞	PLUG	1	2011-11_
23	A498B-01032	主轴承盖	MAIN BEARING COVER	4	2011-11_
24	A498B-01001	机体	BLOCK	1	2011-11_
24	A498B-01001	机体	BLOCK	1	2011-11_
25	GBT119.2-B8X20	圆柱销	PIN	2	2011-11_
26	GBT119.2-B10X25	圆柱销	PIN	2	2011-11_
27	490B-01080	碗形塞片15	BOWL SHIM 15	2	
28	490B-01029	螺塞R1/8	SCREW PLUG R1/8	6	
29	490B-34009	O型密封圈	O RING	1	2011-11_
3	490BT-13001	飞轮壳	Flywheel Housing	1	2011-11_
30	490B-01071	机油滤座垫片	OIL FILTER GASKET	1	2011-11_
31	490B-01072	机油滤座垫板	OIL FILTER BACK PLATE	1	2011-11_

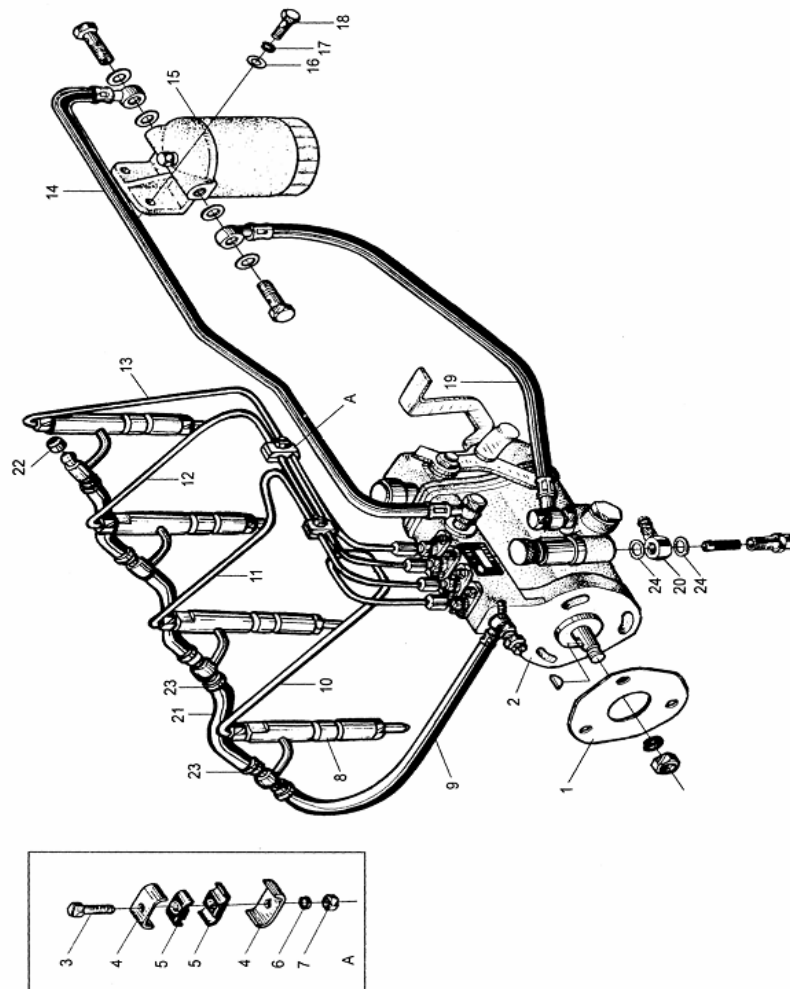
机体总成及附件 Body assembly and accessory



A498BT1-6A-1 10.1-机体总成及附件-1(续)

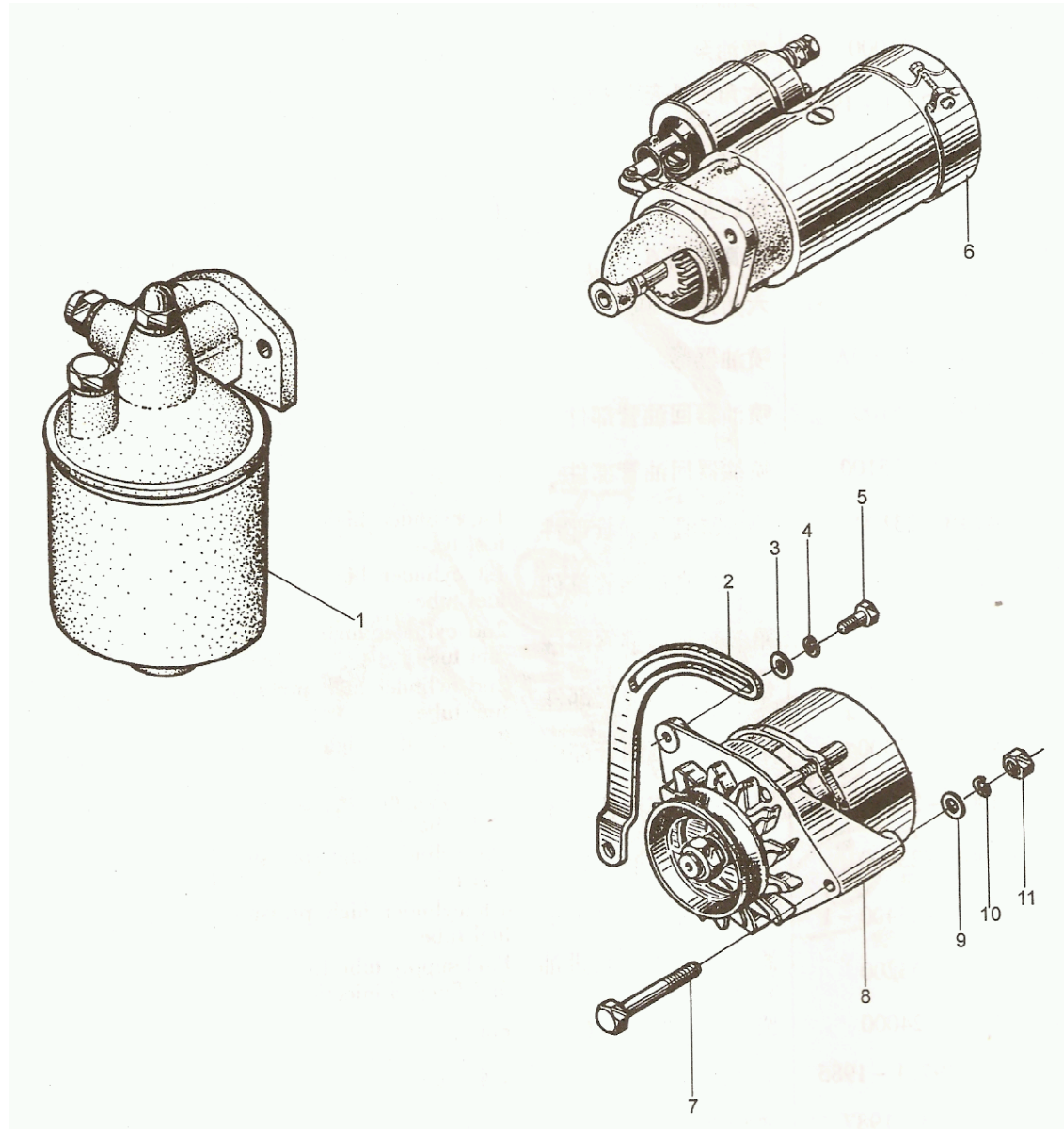
标号 No.	代号 Code	名称 Description	数量 Quantity	备注 Remark
32	490B-01073	机油滤清器垫片	1	2011-11_
33	490B-01076B	柴油滤清器垫板	1	2011-11_
34	GBT93-8	垫圈8	11	2011-11_
35	GBT5783-M8X22	六角头螺栓	4	2011-11_
36	490B-01002A	气缸盖螺栓(甲)	14	2011-11_
36	490B-01003A	气缸盖螺栓(乙)	4	2011-11_
37	490B-01044	气缸盖螺栓垫圈	18	
38	A498B-01005	气缸套	4	2011-11_
39	495B-01050	碗形塞片60	1	
4	495B-01047	碗形塞片50	1	
40	495B-01007A	凸轮轴衬套	2	2011-11_
41	490B-01012	进水管垫片	1	2011-11_
42	A490BZL-01082-1	进水口盖板	1	2011-11_
43	GBT5783-M8X22	六角头螺栓	2	2011-11_
44	490BT-01100	放水开关总成	1	2011-11_
45	HG4-404-82	放水胶管	1	2011-11_
46	490BT-01105	放水胶管固定架	1	2011-11_
5	490B-03017	碗形塞片20	3	
52	495B-01015	机油喷咀	4	2011-11_
53	GBT5783-M8X16	螺栓	2	2011-11_
54	GBT5783-M8X30	六角头螺栓	5	2011-11_
55	490B-34000C	呼吸器总成	1	2011-11_
6	490B-01079	碗形塞片40	10	
7	GBT67-M6X10	开槽盘头螺钉	2	2011-11_
8	GBT93-6	垫圈	2	2011-11_

A490BT、C490BT 燃油供油系统 Fuel supply system assembly



A498BT1-6A-10 10.10-燃油供油系统-10 FUEL SUPPLY SYSTEM ASSEMBLY-10

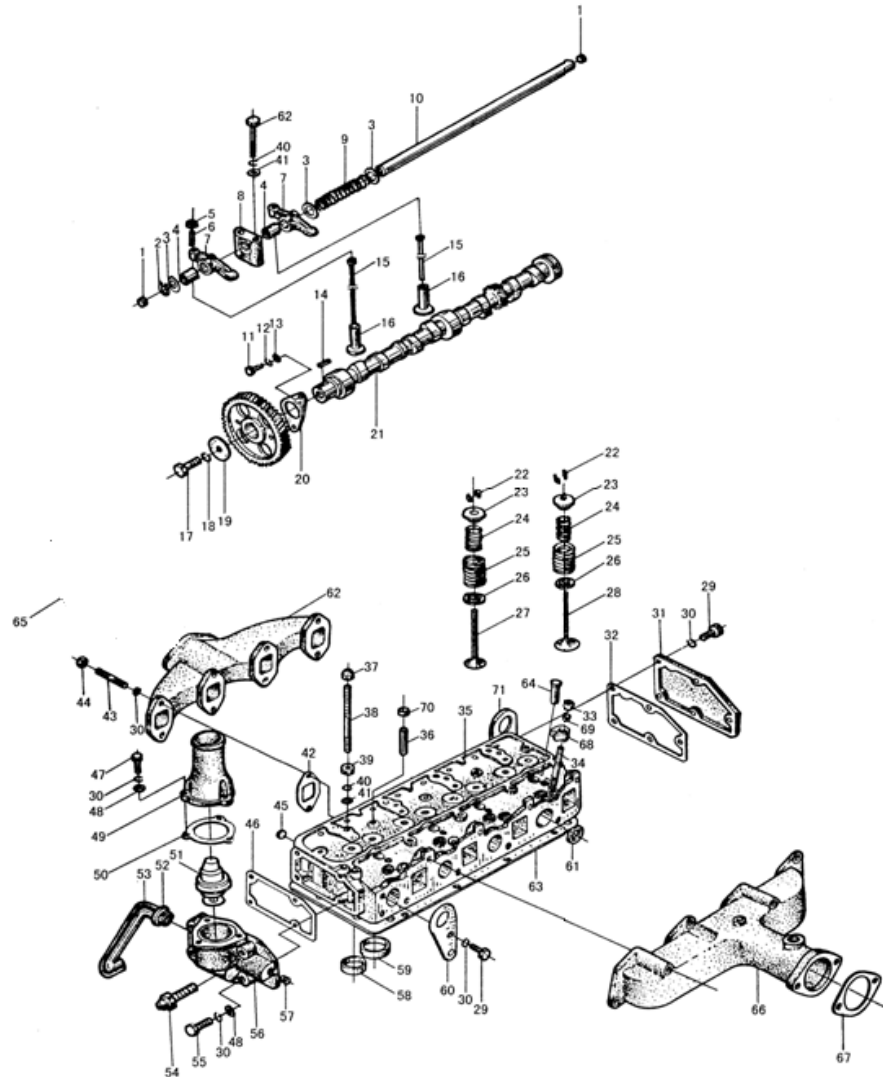
标号 No.	代号 Code	名称 Description	数量 Quantity	备注 Remark
1	490B-16011-1	喷油泵法兰垫片	1	2011-11_
10	A490B-23100	第一缸高压油管部件	1	2011-11_
11	A490B-23200	第二缸高压油管部件	1	2011-11_
12	A490B-23300	第3缸高压油管部件	1	2011-11_
13	A490B-23400	第四缸高压油管部件	1	2011-11_
14	490B-25200	滤清器至喷油泵进油管部件	1	2011-11_
15	490B-24000A	柴油滤清器总成	1	2011-11_
16	GBT97.1-8	垫圈	2	2011-11_
17	GBT93-8	垫圈8	2	2011-11_
18	GBT5783-M8X30	六角头螺栓	2	2011-11_
19	490B-25300	输油泵至滤清器进油管部件	1	2011-11_
2	B253D-1	喷油泵	1	2011-11_
20	490B-25401	输油泵进油接头	1	
21	498B-25002	喷油器回油胶管	3	2011-11_
22	498B-25001	喷油器回油防漏帽	1	2011-11_
23	498B-25004	环箍	10	2011-11_
24	A490B-22001	铜垫	4	2011-11_
25	DZXH12B-12V	电熄火器	1	2011-11_
3	GBT29.1-M6X25	六角头头部带槽螺栓	3	2011-11_
4	490B-23501	卡箍	6	2011-11_
5	490B-23502	橡胶垫	6	2011-11_
6	GBT93-6	垫圈	3	2011-11_
7	GBT6172-M6	六角薄螺母	3	2011-11_
8	A490B-22000	喷油器总成	4	2011-11_
9	C490BT-25400-3	喷油器回油管部件	1	2011-11_



A498BT1-6A-11 10.11-机油滤清器总成起动电机及充电发电机总成-11 OIL FILTER、STARTING AND GENERATOR ASSEMBLY -11

标号 No.	代号 Code	名称 Description		数量 Quantity	备注 Remark
1	490B-32000B	机油滤清器总成	OIL FILTER ASSEMBLY	1	2011-11_
1.1	JX85100C	机油滤芯	ROLLING WHEEL	0	2011-11_
10	GBT93-10	垫圈10	WASHER 10	1	2011-11_
11	GBT6170-10	螺母	NUT	1	2011-11_
12	490BT-53005	发电机皮带轮保护罩	COVER	1	2011-11_
2	495BT-53001-1	发电机撑架	GENERATOR BRACKET	1	2011-11_
3	GBT97.1-8	垫圈	WASHER	1	2011-11_
4	GBT97.1-8	垫圈	WASHER	1	2011-11_
5	GBT5783-M8X25	螺栓	BOLT	1	2011-11_
6	QDJ1409	起动电机	Motor Starter	1	2011-11_
8	JF15	发电机	GENERATOR	1	
9	GBT97.1-10	垫圈10	WASHER 10	1	2011-11_

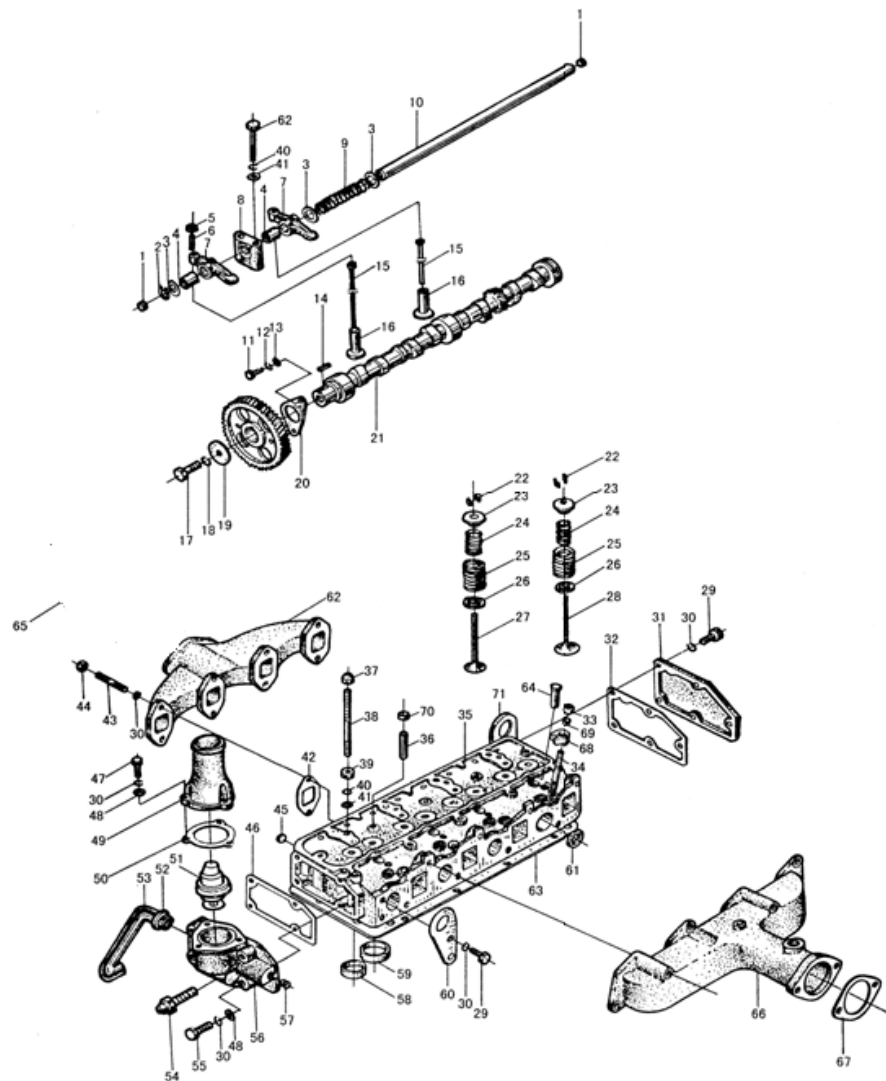
气缸盖及配气机构
Cylinder head and gas exchanging system assembly



A498BT1-6A-2 10.2-气缸盖及配气机构 CYLINDER HEAD AND GAS EXCHANGING SYSTEM ASSEMBLY-2

标号 No.	代号 Code	名称 Description	数量 Quantity	备注 Remark
0	490B-03200	气门摇臂轴部件	1	2011-11_
1	490B-03018	碗形塞片	2	
10	490B-03204	气门摇臂轴	1	2011-11_
11	GBT5783-M8X18	六角头螺栓	9	
12	GB93-87	标准型弹簧垫圈	9	
13	GBT97.1-8	垫圈	2	2011-11_
14	GBT1096-C8X22	平键	1	2011-11_
15	495B-06003	气门推杆	8	2011-11_
15	495B-06003	气门推杆	8	2011-11_
16	490B-06002	气门挺柱	8	2011-11_
17	GBT5782-M12X45	六角头螺栓	1	2011-11_
18	GBT93-12	垫圈	1	2011-11_
19	490B-02011	凸轮轴正时齿轮压板	1	2011-11_
2	GBT894.1-20	挡圈20	2	2011-11_
20	490B-02008	凸轮轴止推板	1	2011-11_
21	495B-06001	凸轮轴	1	
22	490B-03006	气门锁夹	16	2011-11_
23	490B-03007	气门弹簧上座	8	2011-11_
24	490B-03005	气门内弹簧	8	2011-11_
25	490B-03004	气门外弹簧	8	2011-11_
26	490B-03011	气门弹簧下座	8	2011-11_
27	495B-03015	排气门	4	2011-11_
28	A498B-03014	进气门	4	2011-11_
3	GBT848-20	小垫圈	8	2011-11_
30	GBT93-8	垫圈8	17	2011-11_

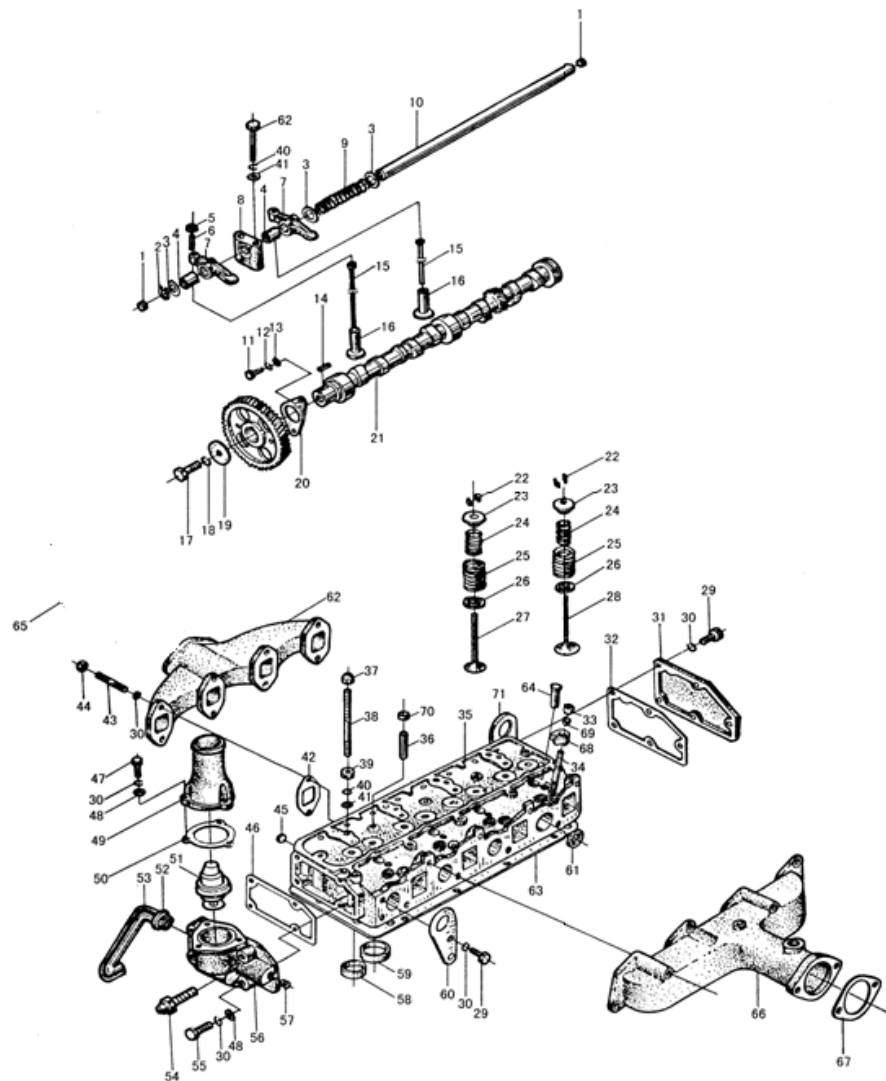
气缸盖及配气机构
Cylinder head and gas exchanging system assembly



A498BT1-6A-2 10.2-气缸盖及配气机构(续)

标号 No.	代号 Code	名称 Description	数量 Quantity	备注 Remark
31	490B-03012	后端盖	1	2011-11_
32	490B-03013A	后端盖垫片	1	2011-11_
33	GBT56-88	螺母	8	
34	A490BZL-03017	喷油器紧固螺栓	4	2011-11_
35	A498B-03101-1	气缸盖	1	2011-11_
36	490B-03102	气门导管	8	2011-11_
37	GBT923-M8	盖形螺母	4	
38	490B-03001A	气门摇臂支座螺柱	4	2011-11_
39	GBT6170-M10	螺母M10	4	
4	490B-03212A	气门摇臂衬套	8	2011-11_
40	GB93-87-10	标准型弹簧垫圈	4	2011-11_
41	GB97.1-85D10	平垫10	4	
42	495B-03003	排气管衬垫	4	2011-11_
43	GBT899-AM8-M8X25	双头螺柱	8	
43	GBT899-AM8-M8X25	双头螺柱	8	
44	GBT6170-M8	螺母M8	8	
45	490B-03103	堵塞	1	
46	490B-43005	节温器壳垫片	1	2011-11_
47	GBT5783-M8X25	螺栓	3	2011-11_
48	GBT97.1-8	垫圈	7	2011-11_
49	490BT-43001	节温器盖	1	2011-11_
5	GBT6171-M8X1	M8X1 I型六角螺母	8	2011-11_
5	GBT6171-M8X1	M8X1 I型六角螺母	8	2011-11_
50	490B-43003	节温器盖垫片	1	2011-11_
51	490B-43002	节温器	1	2011-11_

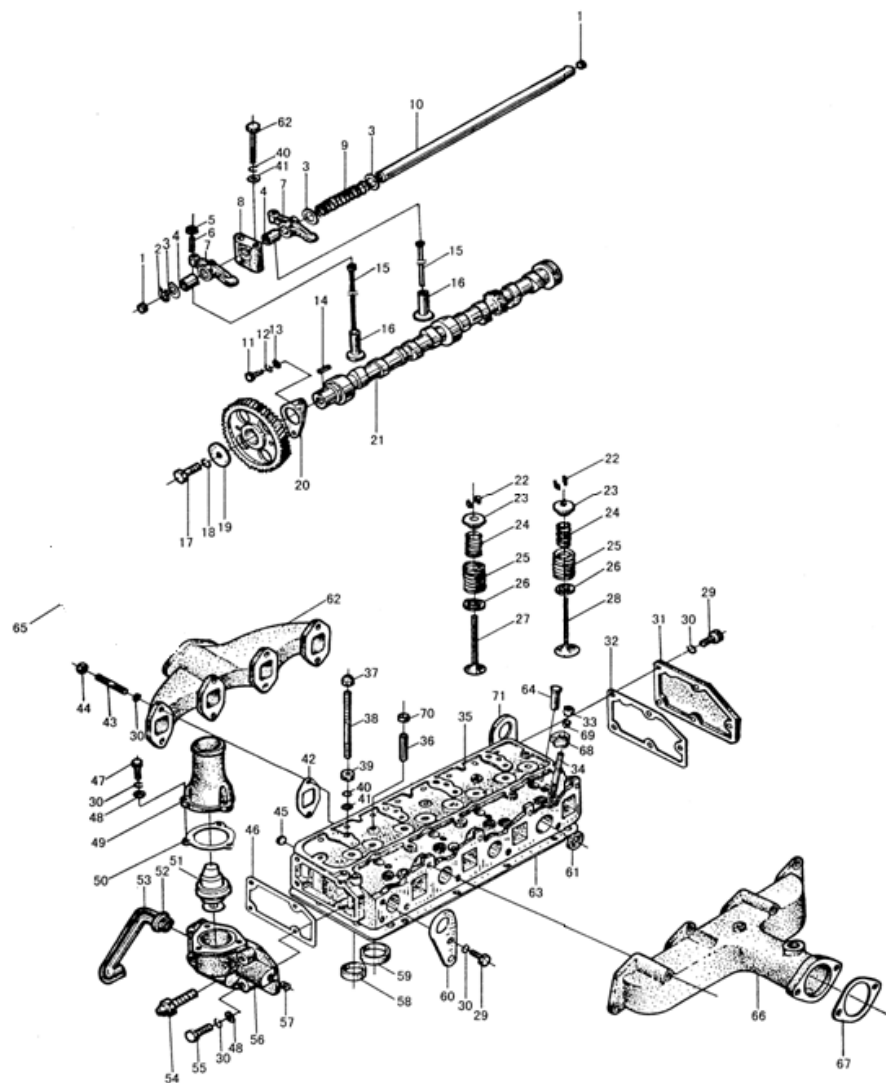
气缸盖及配气机构
Cylinder head and gas exchanging system assembly



A498BT1-6A-2 10.2-气缸盖及配气机构(续)

标号 No.	代号 Code	名称 Description	数量 Quantity	备注 Remark	
52	490B-01074	接管	CONNECTING TUBE	1	2011-11_
53	490BT-43007	小循环水管	WATER PIPE	1	2011-11_
55	GBT5782-M8X35	六角头螺栓	BOLT	4	2011-11_
56	490B-43101-2	节温器壳	THERMOSTAT HOUSING	1	2011-11_
57	490B-43008	螺塞NPT3/8	SCREW PLUG	1	
58	495B-03108	排气门座	INSERT-VALVE SEAT(OUTLET)	4	2011-11_
59	A498B-03107	进气门座	AIR INLET VALVE SEAT	4	2011-11_
6	490B-03201	气门间隙调整螺钉	VALVE CLEARANCE ADJUSTING SCREW	8	2011-11_
60	490BT-03300	散热器拉杆固定支架焊接件	FIXING BRACKET	1	2011-11_
61	490B-01078	碗形塞片 30	PLUG 30	1	
62	490BT-08001-2	排气管	EXHAUST PIPE	1	2011-11_
63	A498B-01004	气缸盖衬垫	CYLINDER HEAD BUSH	1	2011-11_
63	A498B-01004	气缸盖衬垫	CYLINDER HEAD BUSH	1	2011-11_
64	A490B-03109	喷油器套管	SLEEVE TUBE	4	2011-11_
66	490B-09001	进气管衬垫	AIR INLET PIPE GASKET	1	2011-11_
66	490BT-09003	进气接管	AIR INLET CONNECTING PIPE	1	2011-11_
66	490B-09002	进气管	AIR INLET PIPE	1	2011-11_
67	490B-09004	进气总管纸垫	AIR INLET PIPE PAPER GASKET	1	2011-11_
67	490B-09004	进气总管纸垫	AIR INLET PIPE PAPER GASKET	1	2011-11_
68	A490B-03016A	喷油器压板	OIL INJECTOR PRESSURE PLATE	4	2011-11_
69	GBT849-M10	球面垫圈	BALL WASHER	4	2011-11_
7	490B-03211A	气门摇臂	VALVE ROCKER	8	2011-11_
70	A490BZL-03016	气门油封	VALVE OIL SEAL	8	2011-11_
71	490B-03009A	吊耳	BRACKET,LIFTING	1	2011-11_
71	A490B-55001	预热塞	PREHEATING PLUG	4	2011-11_

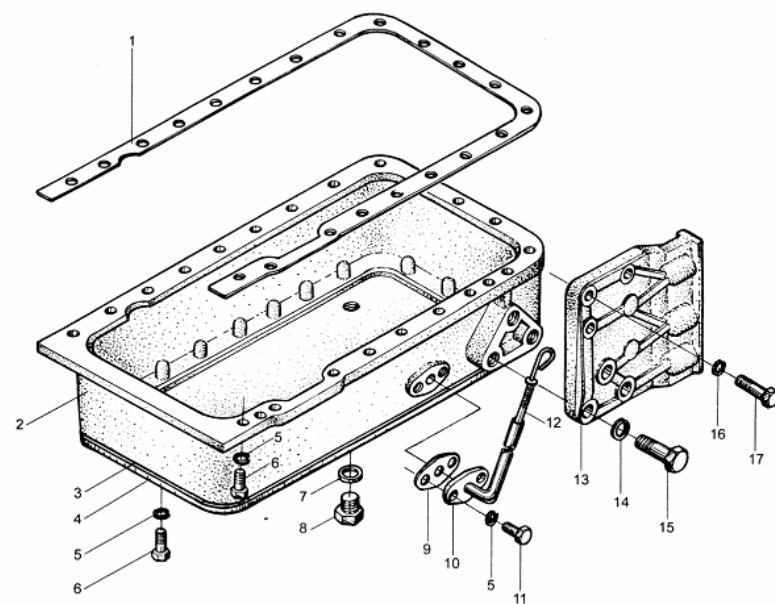
气缸盖及配气机构
Cylinder head and gas exchanging system assembly



A498BT1-6A-2 10.2-气缸盖及配气机构(续)

标号 No.	代号 Code	名称 Description		数量 Quantity	备注 Remark
71	A490B-55100	电热塞连接部件	HEAT PLUG CONNECTING PARTS	1	2011-11_
8	490B-03202	气门摇臂轴支座	SEAT	4	2011-11_
9	490B-03203	气门摇臂轴弹簧	SPRING	3	2011-11_

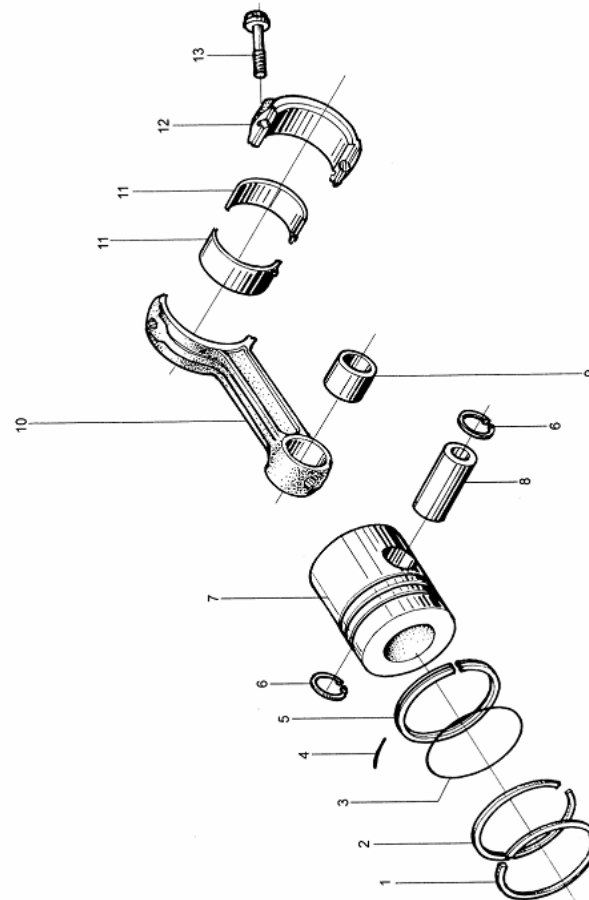
油底壳总成 Oil sump assembly



A498BT1-6A-3 10.3-油底壳-3 OIL SUMP ASSEMBLY-3

标号 No.	代号 Code	名称 Description		数量 Quantity	备注 Remark
0	495BT-15001R	发动机前支架	ENGINE FRONT BRACKET	1	2011-11_
1	490BT-07002A	油底壳垫片	OIL SUMP GASKET	11	2011-11_
10	490BT-07300	机油标尺套客焊接件	OIL DIPSTICK PIPE	1	2011-11_
11	GBT5783-M8X20	螺栓	BOLT	2	2011-11_
11	GBT5783-M8X20	螺栓	BOLT	2	2011-11_
12	490B-07200	机油标尺部件	OIL DIPSTICK	1	2011-11_
13	495BT-15001L	发动机前支架	ENGINE FRONT BRACKET	2	2011-11_
14	GBT93-18	垫圈	WASHER	4	2011-11_
15	490BT-07800	侧支架螺栓	SIDE BRACKET BOLT	4	2011-11_
16	GBT93-10	垫圈10	WASHER 10	6	2011-11_
17	GBT5782-M10X45	六角头螺栓	BOLT	6	2011-11_
2	495BT-07106A	油底壳	OIL SUMP	1	2011-11_
2	495BT-07106A	油底壳	OIL SUMP	1	2011-11_
3	490BT-07004	油底壳底板垫片	OIL SUMP GASKET	1	2011-11_
4	490BT-07003	油底壳底板	OIL SUMP BOTTOM PLATE	1	2011-11_
5	GBT93-8	垫圈8	WASHER 8	41	2011-11_
6	GBT5783-M8X25	螺栓	BOLT	39	2011-11_
7	JB982-20	组合垫圈	COMBINED GASKET	1	2011-11_
8	JB2343-M20X1.5	六角头磁性螺塞	HEXAGON MAGNETISM PLUG	1	
9	490BT-07303	机油标尺套管垫	GASKET	1	2011-11_

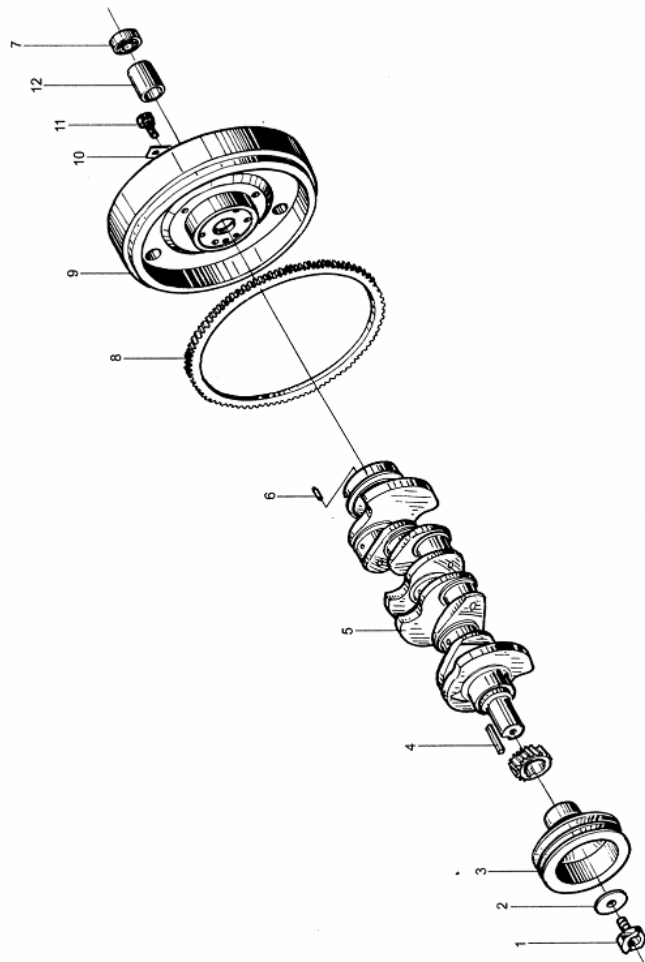
活塞连杆总成 Piston connecting rod assembly



A498BT1-6A-4 10.4-活塞连杆总成-4 PISTON CONNECTING ROD ASSEMBLY-4

标号 No.	代号 Code	名称 Description		数量 Quantity	备注 Remark
1.5	498B-04002 (出口)	活塞环总成	PISTON RING ASSEMBLY	4	
11	495B-04005-1A	连杆轴瓦	CONNECTING ROD BEARING	8	2011-11_
6	GBT893.1-34	孔用弹性挡圈	SNAP RING	8	2011-11_
7	A498B-04001-1A	活塞总成	PISTON	4	2011-11_
8	A498B-04004A	新柴 活塞销	GUDGEON	4	2011-11_
9	A498B-04200	连杆总成	CONNECTING ROD ASSEMBLY	4	

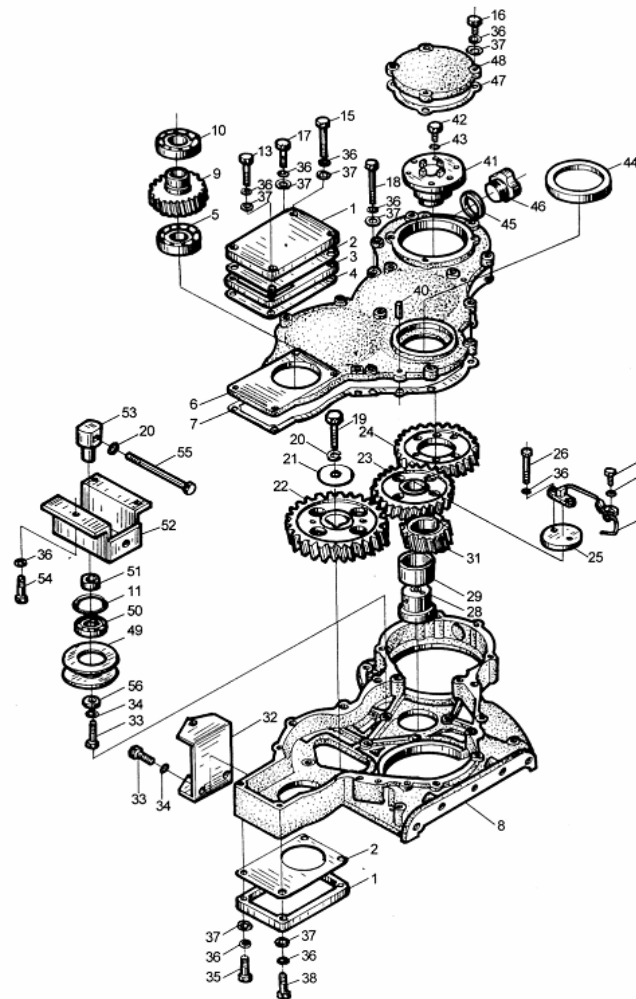
曲轴飞轮总成 Crankshaft flywheel assembly



A498BT1-6A-5 10.5-曲轴飞轮总成-5 CRANKSHAFT FLYWHEEL ASSEMBLY-5

标号 No.	代号 Code	名称 Description		数量 Quantity	备注 Remark
1	490B-05008	曲轴V带轮紧固螺栓	BOLT	1	2011-11_
10	490B-05001	飞轮螺栓保险片	FLYWHEEL BOLT SAFETY PIECE	1	2011-11_
11	490BT-05002C	飞轮螺栓	FLYWHEEL BOLT	1	2011-11_
12	490BT-05120C	飞轮轴承挡圈	FLYWHEEL BEARING RETAINER RING	1	2011-11_
2	490B-05007	起动爪垫圈	STARTING CLAW WASHER	1	
3	490BT-05006-1	曲轴V带轮	CRANKSHAFT V-BELT	1	2011-11_
4	GBT1096-A12X63	平键	FLAT KEY	1	2011-11_
5	495B-05004A	曲轴	CRANK SHAFT	1	2011-11_
6	GBT119.2-B10X24	圆柱销	PIN	1	2011-11_
7	GBT278-6204-2Z	轴承	BEARING	1	2011-11_
8	490BT-05100-2	飞轮齿圈部件	FLYWHEEL RING GEAR ASSEMBLY	1	2011-11_
8	490B-05102	飞轮齿圈	GEAR RING OF FLYWHEEL	1	2011-11_
9	490BT-05101-2	飞轮	FLYWHEEL	1	2011-11_

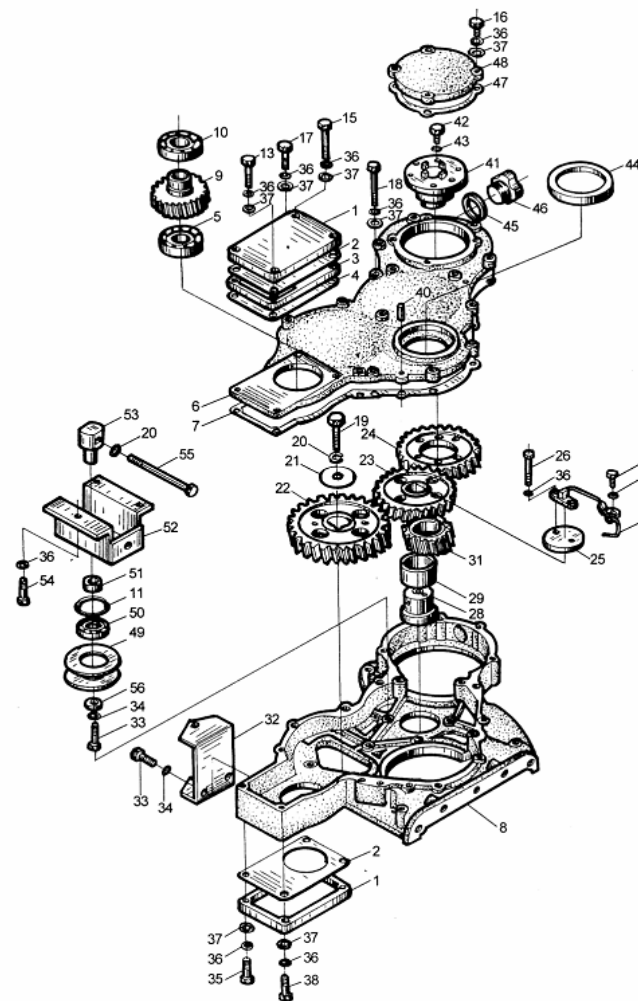
正时齿轮传动系总成 Timing gear train assembly



A498BT1-6A-6 10.6-正时齿轮传动系总成-6 TIMING GEAR TRAIN ASSEMBLY-6

标号 No.	代号 Code	名称 Description		数量 Quantity	备注 Remark
1	490BT-16014	液压泵端盖	HYDRAULIC PUMP END	2	2011-11_
10	GBT292-7206AC	角接触球轴承	BEARING	1	2011-11_
11	GB893.1-86	挡圈130	RETAINER RING	1	
13	GBT5782-M8X65	六角头螺栓	BOLT	2	2011-11_
15	GBT5782-M8X40	六角头螺栓	BOLT	2	2011-11_
16	GBT5782-M8X25	六角头螺栓	BOLT	8	2011-11_
17	GBT5783-M8X30	六角头螺栓	BOLT	8	2011-11_
18	GBT5782-M8X30	六角头螺栓	BOLT	1	2011-11_
19	GBT5782-M12X45	六角头螺栓	BOLT	2	2011-11_
2	490BT-16013-1	液压泵端盖垫片	HYDRAULIC PUMP END CAP GASKET	2	2011-11_
20	GBT93-12	垫圈	WASHER	1	2011-11_
21	490B-02011	凸轮轴正时齿轮压板	CAMSHAFT TIMING GEAR PRESSURE PLATE	1	2011-11_
22	490BT-02009	凸轮轴正时齿轮	CAMSHAFT TIMING GEAR	1	2011-11_
23	490BT-02006	正时惰齿轮	TIMING LAZY GEAR	1	2011-11_
24	490B-02003	喷油泵正时齿轮	OIL INJECTION PUMP TIMING GEAR	1	2011-11_
25	490B-02012	惰齿轮轴压板	IDLE GEAR SHAFT PRESS PLATE	1	2011-11_
26	GBT5782-M8X60	六角头螺栓	BOLT	3	2011-11_
27	490BT-02100	喷油管焊接部件	INJECTION PIPE	1	2011-11_
28	490B-02004	正时惰齿轮轴	TIMING IDLE GEAR SHAFT	1	2011-11_
29	490B-02005	正时惰齿轮衬套	TIMING IDLE GEAR BUSH	1	2011-11_
3	490BT-16021	前液压泵联接板	FRONT HYDRAULIC PUMP GUSSET PLATE	1	2011-11_
30	GBT5783-M8X16	螺栓	BOLT	1	2011-11_
31	490BT-02007	曲轴正时齿轮	CRANKSHAFT TIMING GEAR	1	2011-11_
32	490BT-53002-1	发电机支架	GENERATOR BRACKET	1	2011-11_
33	GBT5783-M10X25	螺栓	BOLT	3	2011-11_

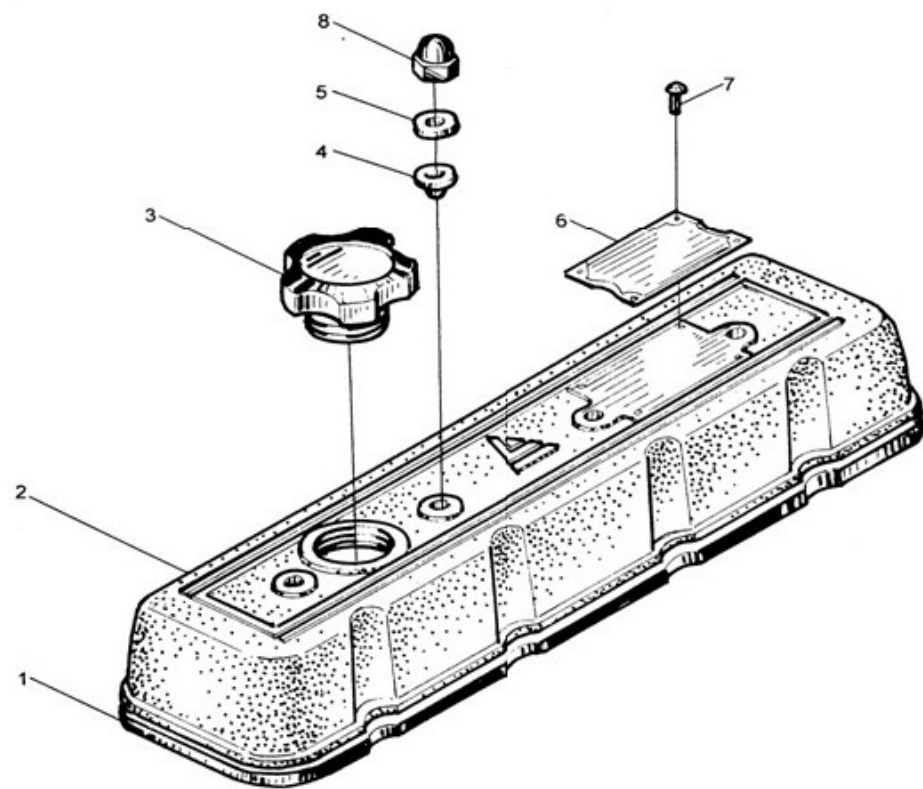
正时齿轮传动系总成 Timing gear train assembly



A498BT1-6A-6 10.6-正时齿轮传动系总成-6(续)

标号 No.	代号 Code	名称 Description		数量 Quantity	备注 Remark
34	GBT93-10	垫圈10	WASHER 10	4	2011-11_
35	GBT5782-M8X55	六角头螺栓	BOLT	4	2011-11_
36	GBT93-8	垫圈8	WASHER 8	34	2011-11_
37	GBT97.1-8-140HV-A0P	垫圈	WASHER	27	
38	GBT5783-M8X30	六角头螺栓	BOLT	1	2011-11_
4	490BT-16017	前液压泵联接板垫片	FRONT HYDRAULIC PUMP CONNECTING PLATE	1	2011-11_
4	490BT-16017	前液压泵联接板垫片	GASKET	1	2011-11_
40	GBT119.2-8X20	圆柱销	FRONT HYDRAULIC PUMP CONNECTING PLATE	1	
41	490BT-02015	喷油泵正时齿轮轴套	GASKET	1	2011-11_
42	GBT5783-M6X16	螺栓	PIN	6	2011-11_
			BUSHING		
43	GBT93-6	垫圈	BOLT	6	2011-11_
44	60X80X12	油封王		1	2011-11_
45	495BT-16102	齿轮室加油口盖垫圈	WASHER	1	2011-11_
46	495BT-16101	齿轮室加油口盖	OIL SEAL	1	2011-11_
47	490BT-16005	空气压缩机盖板垫片	WASHER	1	2011-11_
			CAP		
48	490BT-16016	空气压缩机盖板	GASKET	1	2011-11_
49	490BT-16200	张紧轮总成		1	2011-11_
5	GBT1276-6206	深沟球轴承	AIR COMPRESSOR COVER PLATE	1	2011-11_
6	490BT-16001-1	正时齿轮室盖	IDLER WHEEL ASSEMBLY	1	2011-11_
7	490BT-16002-1	正时齿轮室盖垫片	BEARING	1	2011-11_
			TIMING GEAR COVER		
8	490BT-16003-1	正时齿轮室	TIMING GEAR HOUSING COVER GASKET	1	2011-11_
9	490BT-02010-1	液压泵齿轮		1	2011-11_
			TIMING CASE		
			HYDRAULIC PUMP GEAR		

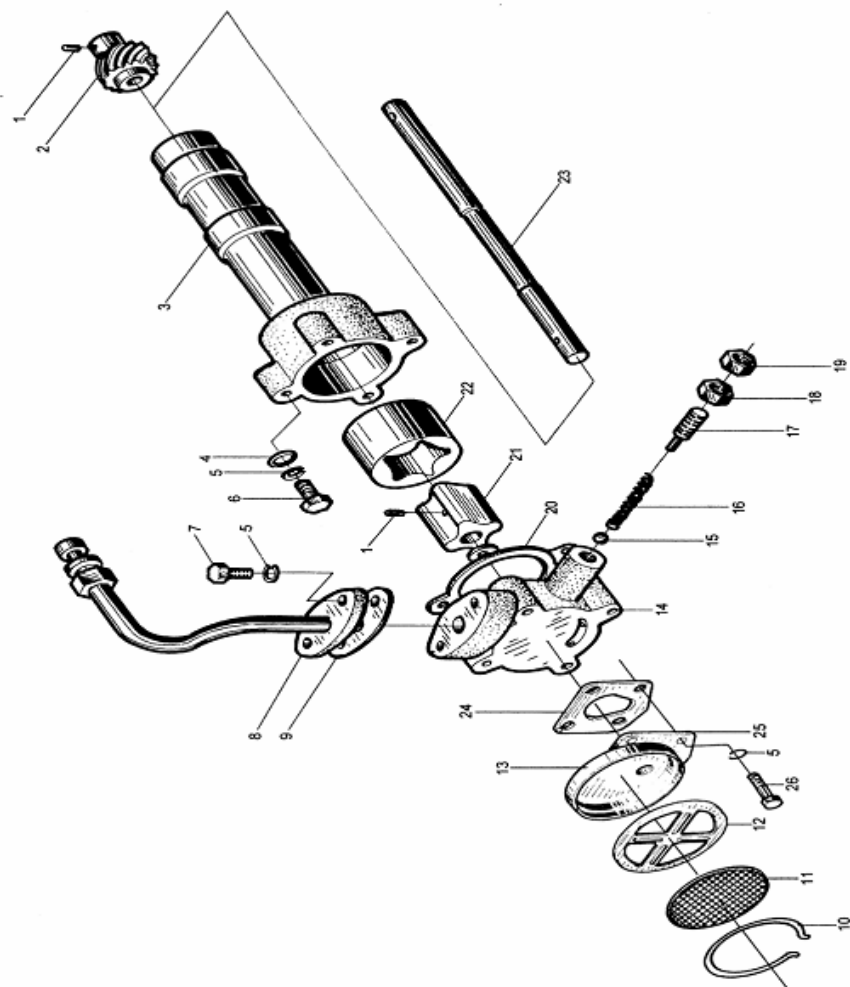
气缸盖罩总成 Cylinder head cover assembly



A498BT1-6A-7 10.7-气缸盖罩总成 CYLINDER HEAD COVER ASSEMBLY-7

标号 No.	代号 Code	名称 Description		数量 Quantity	备注 Remark
1	A498B-11002	气缸盖罩橡胶垫	CYLINDER COVER RUBBER MAT	1	2011-11_
2	A498B-11001	气缸盖罩	CYLINDER HEAD COVER	1	2011-11_
3	490B-11200B	加油口盖部件	FILLING CAP COVER	1	2011-11_
4	A498B-11003	橡胶隔离套	RUBBER ISOLATION BUSH	4	2011-11_
5	A498B-11004	垫圈	WASHER	4	2011-11_
6	A498B-1109-1	E-Mark 铭牌	NAMEPLATE	1	2011-11_

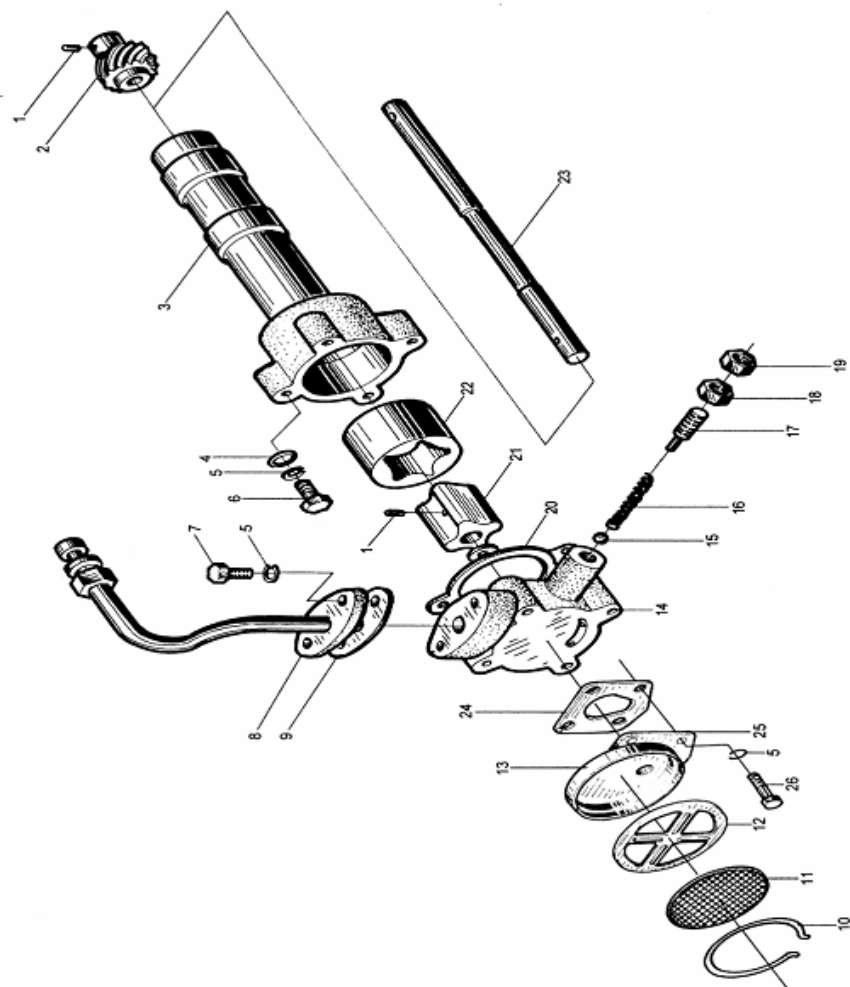
机油泵、机油管路总成 Oil pump and oil pipe assembly



A498BT1-6A-8 10.8-机油泵机油管路总成-8 OIL PUMP AND OIL PIPE ASSEMBLY-8

标号 No.	代号 Code	名称 Description		数量 Quantity	备注 Remark
0	A490-04200	机油泵总成	OIL PUMP ASSEMBLY	1	2011-11_
1	495B-31203	圆柱销	PIN	2	2011-11_
10	490B-31104	钢丝挡圈	SNAP RING	1	2011-11_
11	490B-31112	滤网	SCREEN	1	2011-11_
12	490B-31111	滤网网衬	FILTER SCREEN FRAME	1	2011-11_
13	490B-31103	集滤器盖	FILTER COVER	1	2011-11_
14	495B-31005A	机油泵盖	OIL PUMP COVER	1	2011-11_
15	GBT308-10	钢球	BALL	1	2011-11_
16	495B-31003	限压阀弹簧	PRESSURE LIMITING VALVE SPRING	1	2011-11_
17	495B-31002	调压螺钉	SCREW	1	2011-11_
18	GBT6171-M14X1.5	1型六角螺母	NUT	1	2011-11_
19	GBT6173-M14X1.5	六角薄螺母	NUT	1	
2	495B-31001	机油泵传动齿轮	OIL PUMP DRIVING GEAR	1	2011-11_
20	495B-31007	机油泵盖垫片	OIL PUMP COVER GASKET	1	2011-11_
21	495B-31202A	内转子	INNER ROTOR	1	2011-11_
22	495B-31008A	外转子	OUTER ROTOR	1	2011-11_
23	495B-31201	机油泵轴	OIL PUMP SHAFT	1	2011-11_
24	495B-31006	机油集滤器垫片	OIL FILTER GASKET	1	2011-11_
25	495B-31101	集滤器法兰	FILTER FLANGE	1	2011-11_
26	GBT5782-M8X45	六角头螺栓	BOLT	4	2011-11_
3	495B-31004A	机油泵泵体	OIL PUMP HOUSING	1	2011-11_
4	GBT97.1-8	垫圈	WASHER	5	2011-11_
5	GBT93-8	垫圈8	WASHER 8	7	2011-11_
6	GBT5783-M8X30	六角头螺栓	BOLT	4	2011-11_
7	GBT5783-M8X20	螺栓	BOLT	2	2011-11_

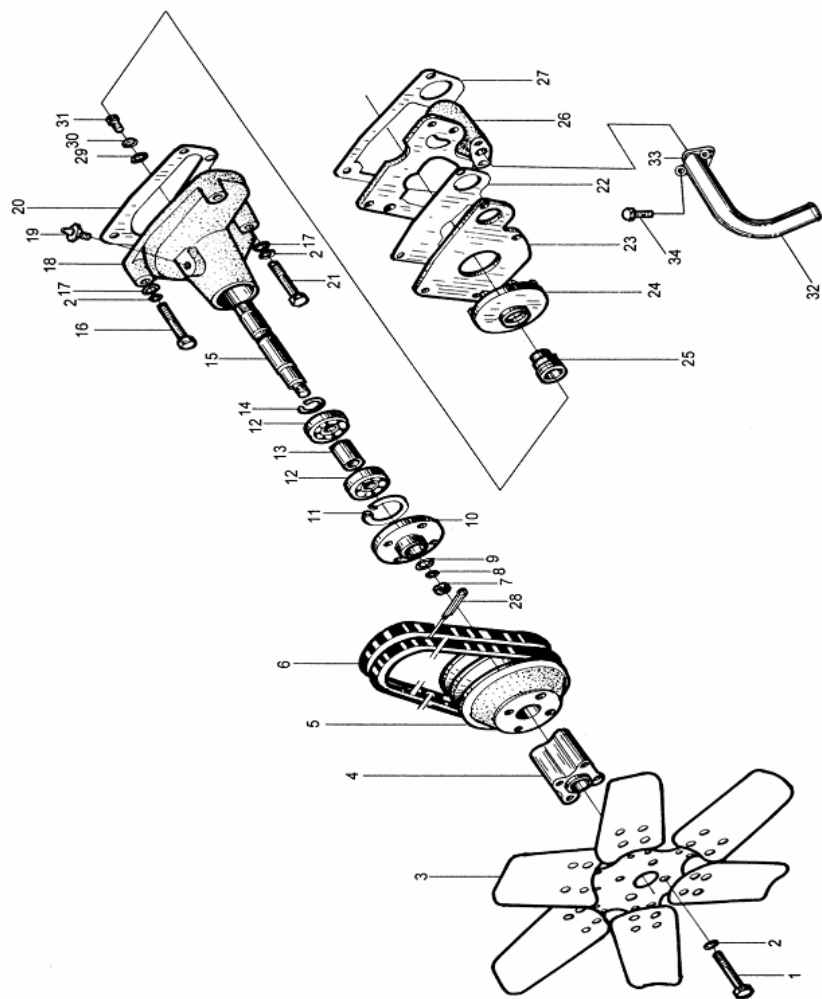
机油泵、机油管路总成 Oil pump and oil pipe assembly



A498BT1-6A-8 10.8-机油泵机油管路总成-8(续)

标号 No.	代号 Code	名称 Description		数量 Quantity	备注 Remark
7	GBT5783-M8X20	螺栓	BOLT	2	2011-11_
8	495B-33000	机油管路总成	OIL PIPELINE ASSEMBLY	1	2011-11_
9	490B-33005	垫片	WASHER	1	2011-11_

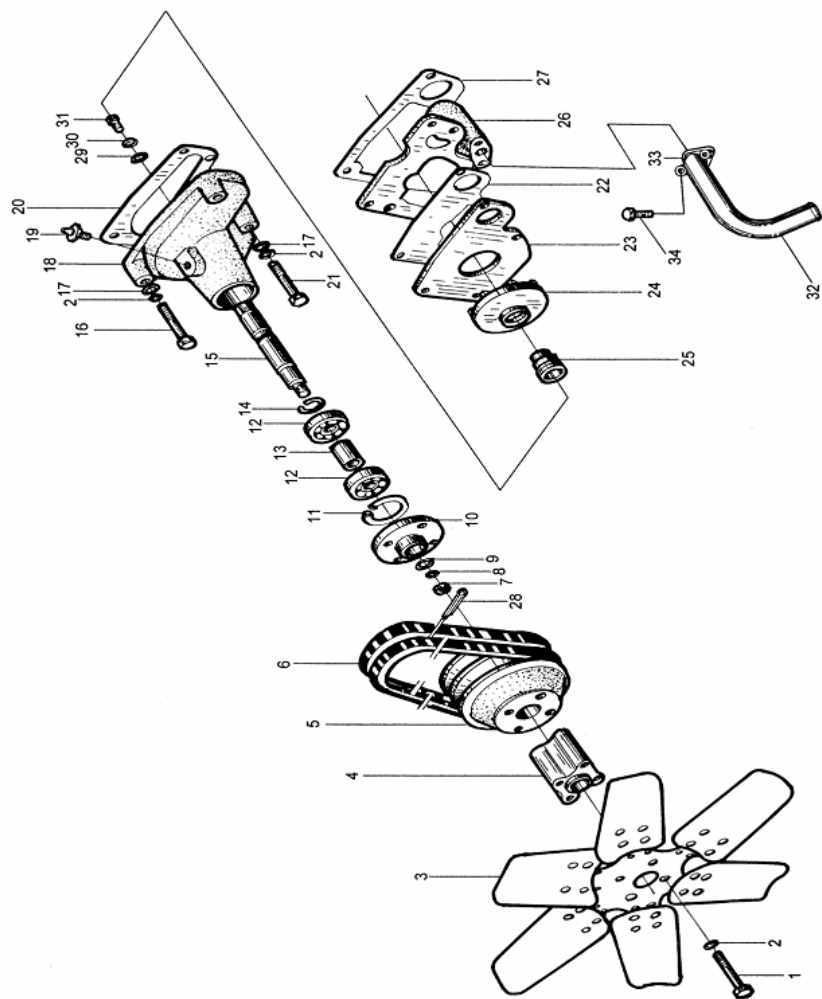
冷却水泵、风扇部件 Cooling water pump and fan assembly



A498BT1-6A-9 10.9-冷却水泵风扇部件-9 COOLING WATER PUMP AND FAN ASSEMBLY-9

标号 No.	代号 Code	名称 Description	数量 Quantity	备注 Remark
0	490B-41003-4	风扇垫块	1	2011-11_
1	GBT5782-M8X45	六角头螺栓	4	2011-11_
10	495B-42001	风扇皮带轮毂	1	2011-11_
11	GBT893.1-40	挡圈	1	2011-11_
12	GBT287-6203	轴承	2	2011-11_
13	495B-42003	轴承隔圈	1	2011-11_
14	GBT1099-5X19	键	1	
15	495B-42002	水泵轴	1	2011-11_
16	GBT5782-M8X70	六角头螺栓	1	2011-11_
17	GBT96-8	垫圈	1	2011-11_
17	GBT96-8	垫圈	1	2011-11_
18	495B-42004	水泵体	1	2011-11_
19	GBT1152-M10X1	油杯	1	
2	GBT93-8	垫圈8	4	2011-11_
20	495B-42005	水泵体衬垫	1	2011-11_
21	GBT5782-M8X55	六角头螺栓	3	2011-11_
22	490BT-42011	水泵垫板垫片	1	2011-11_
23	490BT-42006	水泵隔板	1	2011-11_
24	495B-42008	水泵叶轮	1	2011-11_
25	JBT5086	水封	1	2011-11_
26	490BT-42010-1A	水泵接头	1	2011-11_
27	490BT-42011-1A	水泵接头垫片	1	2011-11_
29	495B-42011	大垫圈 Q235-AF	1	2011-11_
3	Z420-28-52-7	φ 420塑料吸风扇	1	2011-11_
3	Z420-28-52-7	φ 420塑料吸风扇	1	2011-11_

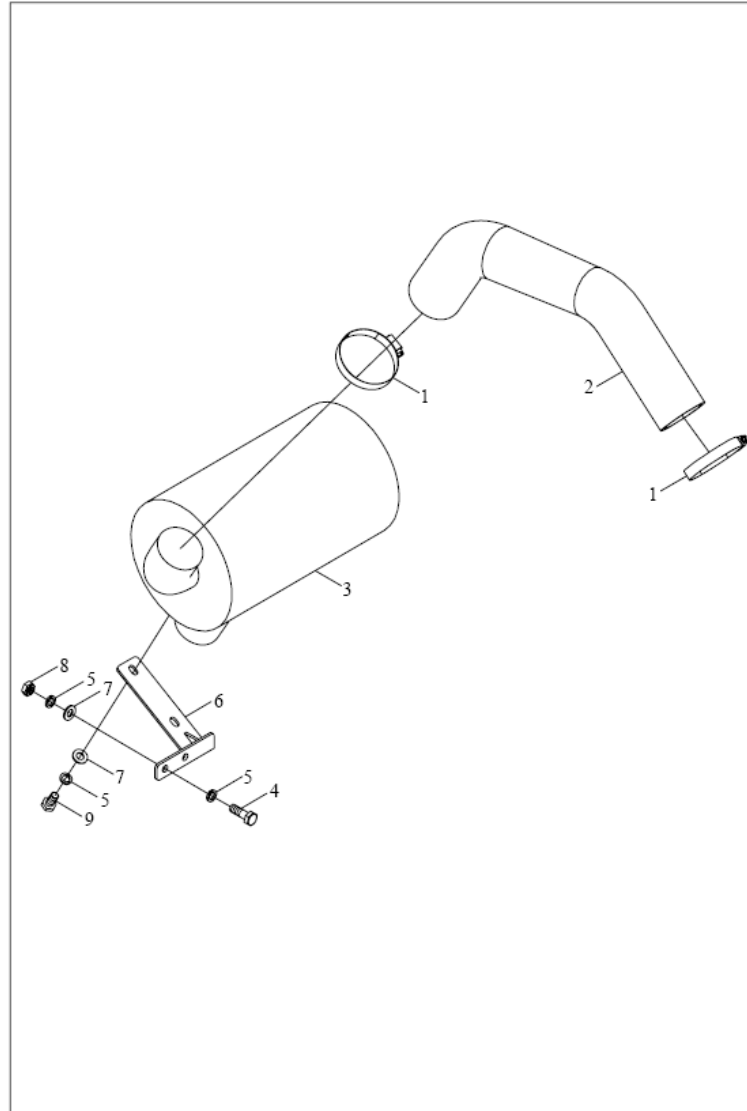
冷却水泵、风扇部件 Cooling water pump and fan assembly



A498BT1-6A-9 10.9-冷却水泵风扇部件-9(续)

标号 No.	代号 Code	名称 Description		数量 Quantity	备注 Remark
30	GBT93-8	垫圈8	WASHER 8	1	2011-11_
31	GBT5783-M8X16	螺栓	BOLT	1	2011-11_
32	490BT-01011-3	进水管	WATER INLET PIPE	1	2011-11_
33	490BT-01012	进水管垫片	WATER INLET PIPE GASKET	1	2011-11_
34	490B-01100-2	放水开关	DRAIN SWITCH	1	2011-11_
34.1	495B-42000	水泵总成	WATER PUMP ASSEMBLY	0	2011-11_
4	490B-41003-1	风扇垫块	FAN GASKET	1	2011-11_
5	490BT-41002-2	风扇皮带轮	FAN BELT PULLEY	1	2011-11_
6	AV15X670Le	皮带	BELT	1	2011-11_
6	AV15X670Le	皮带	BELT	1	2011-11_
6	AV15X950Le	皮带	BELT	1	2011-11_
7	GBT6178-M10	1型六角开槽螺母	NUT (PAGE81)	1	2011-11_
8	GBT93-10	垫圈10	WASHER 10	1	2011-11_

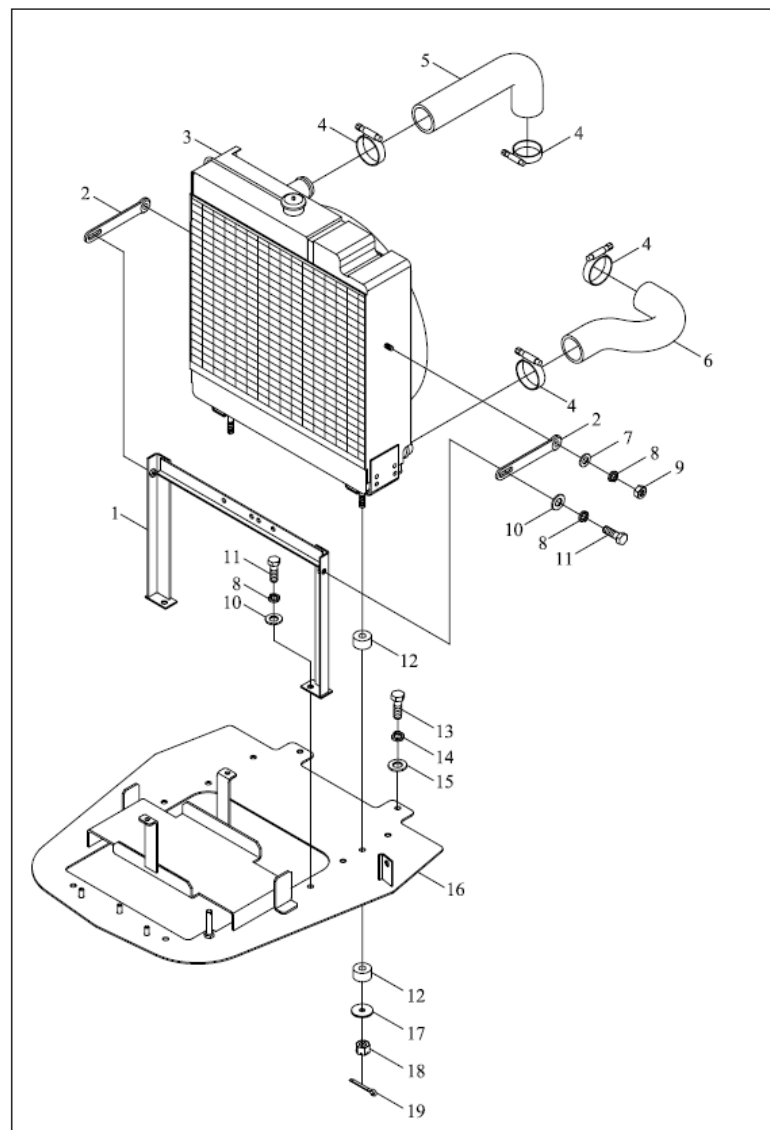
TB400.11 空气滤清系总成



TB400.11 11-空气滤清系总成 11-AIR CLEANER ASSEMBLY

标号 No.	代号 Code	名称 Description		数量 Quantity	备注 Remark
0	TB400.11.1-05	空气滤清器滤芯	AIR FILTER CORE	1	2011-11_
0	TB400.11.1-05	空气滤清器滤芯	AIR FILTER CORE	1	2011-11_
1	Q67683	环箍	Clip	2	2011-11_
2	TB400.11-01	空滤器进气软管	AIR INLET HOSE OF AIR FILTER	1	2011-11_
3	TB400.11.1	空气滤清器总成	AIR FILTER ASSEMBLY	1	2011-11_
3.1	TD900.11A-01	空气滤清器保养指示器	AIR FILTER MAINTENANCE INDICATOR	1	2011-01_
4	GBT5783-M8X25-A2L	螺栓	BOLT	2	2011-11_
5	GBT93-8-A0P	垫圈	WASHER	6	2011-11_
6	TB400.11.2	空滤器安装支架焊合	AIR FILTER ASSEMBLY BRACKET WELDMENT	1	2011-11_
7	GBT97.1-8-A0P	平垫圈	WASHER	4	2011-11_
8	GBT6170-M8-A2L	螺母	NUT	2	2011-11_
9	GBT5783-M8X16-A2L	螺栓	BOLT	2	2011-11_

TB500.13Y Cooling system assembly



TB500.13Y 13-冷却系总成 13-COOLING SYSTEM ASSEMBLY

标号 No.	代号 Code	名称 Description		数量 Quantity	备注 Remark
1	TB500.13Y.5	空滤器安装支架	AIR FILTER ASSEMBLY BRACKET	1	2011-11_
10	GBT97.1-8-A0P	平垫圈	WASHER	6	2011-11_
11	GBT5783-M8X20-A2L	螺栓	BOLT	6	2011-11_
12	FT650.13.112	橡胶垫块	RUBBER PAD BLOCK	4	
12.1	TD800.131-11	橡胶垫块	RUBBER PAD BLOCK	2	2011-08_
12.2	TA700.131-01	橡胶垫块	RUBBER PAD BLOCK	2	2011-08_
13	GBT5783-M10X20-A3L	螺栓	BOLT	2	2011-11_
14	GBT93-10-A0P	标准型弹簧垫圈	WASHER	2	2011-11_
15	GBT97.1-10-A0P	平垫圈	WASHER	2	2011-11_
16	TB500.13Y.2	水箱垫板焊合	RADIATOR BACKING BOARD WELDMENT	1	2011-11_
17	FT650.13.116	垫片	WASHER	2	2011-11_
18	GBT6178-M10-A3L	1型六角开槽螺母	NUT (PAGE81)	2	2011-11_
19	GBT91-2.5X28-A0P	开口销	PIN	2	2011-11_
2	TB500.13E.2	拉杆合件	PULL ROD UNIT	2	2010-01_
2	TB550.13.2	拉杆合件	PULL ROD UNIT	2	2004-01_
20	TA700.131-02	套管	SLEEVE	2	2011-08_
3	TB500.13.2	散热器总成	RADIATER ASSEMBLY	1	2011-11_
4	Q67650	B型蜗杆传动式软管环箍	B-TYPE WORM TRANSMISSION HOSE CLAMP	4	
5	TB500.13-01	水箱进水软管	WATER TANK INLET HOSE	1	2011-11_
5	TB500.13-01	水箱进水软管	WATER TANK INLET HOSE	1	2011-11_
6	FT450.13.102	水箱出水软管	WATER TANK OUTLET HOSE	1	2011-11_
7	GBT96-8-A0P	大垫圈	WASHER	2	2011-11_
8	GBT93-8-A0P	垫圈	WASHER	8	2011-11_
9	GBT6170-M8-A2L	螺母	NUT	2	2011-11_
	TB550.13C.2	散热器总成	RADIATER ASSEMBLY	2	



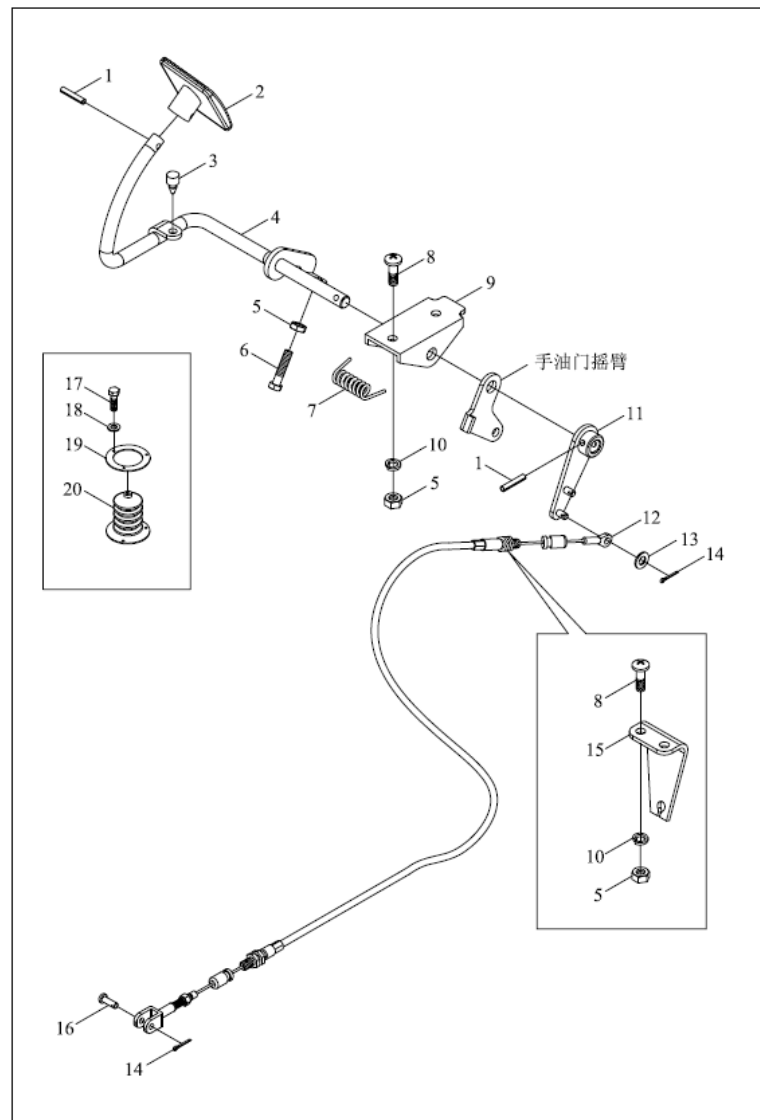
FOTON

福田重工

TB400.20G-1 20.1-发动机操纵机构总成-1 20.1ENGINE CONTROL MECHANISM ASSEMBLY-1

标号 No.	代号 Code	名称 Description		数量 Quantity	备注 Remark
1	FT700.20.019	手油门总成	HANDLE THROTTLE ASSEMBLY	1	2011-11_
10	FT650.20.114	手油门摇臂	HAND THROTTLE ROCKER	1	2011-11_
11	FT650.20.133	紧固螺钉	LOCKING SCREW	1	2011-11_
2	GBT68-M8X30-A2L	开槽沉头螺钉	SCREW	3	2011-11_
3	TD800.484B-03	过线胶圈	RUBBER RING	1	2011-11_
4	GBT818-M8X20-A2L	十字槽盘头螺钉	SCREW	2	2011-11_
5	FT300.20.105	手油门拉线支架	PULL WIRE BRACKET OF HAND THROTTLE	1	2011-11_
6	GBT93-8-A0P	垫圈	WASHER	2	2011-11_
7	GBT6172.1-M8-A2L	螺母	NUT	2	2011-11_
8	GBT6170-M8-A2L	螺母	NUT	1	2011-11_
9	GBT97.1-8-A0P	平垫圈	WASHER	1	2011-11_

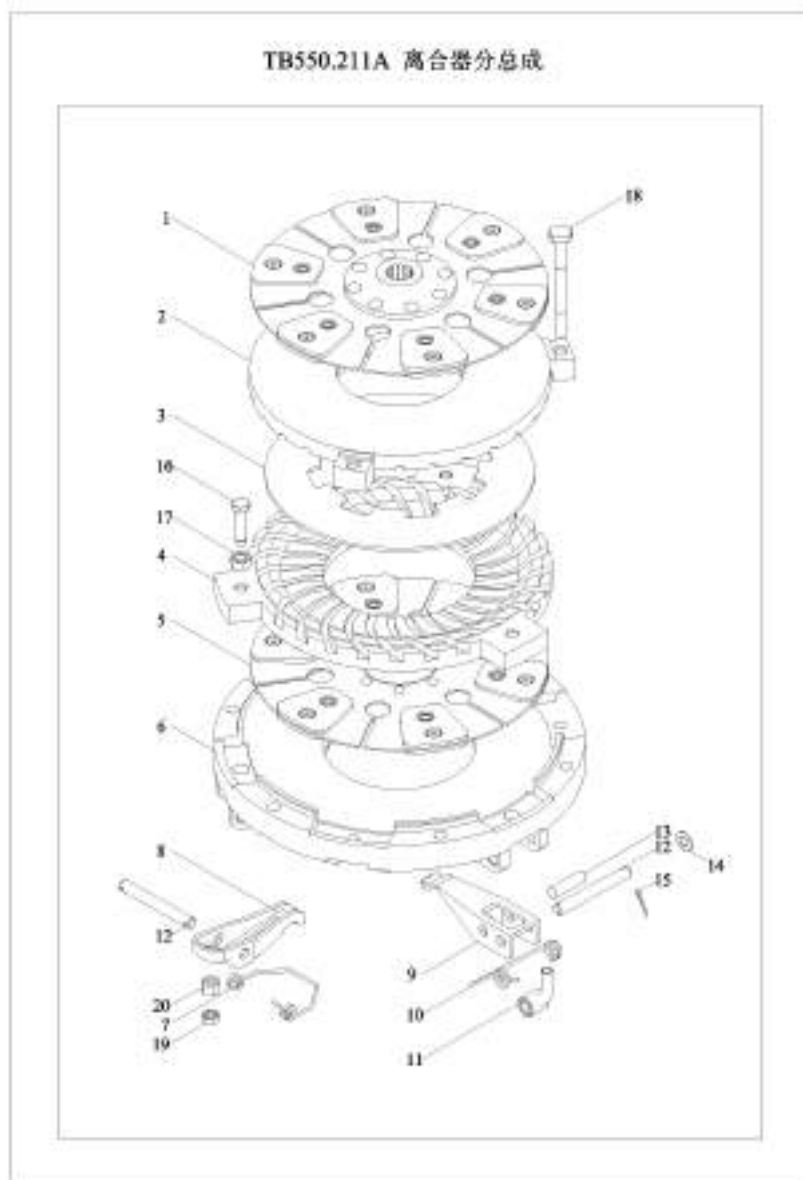
TB400.20G 发动机操纵机构总成-2



TB400.20G-2 20.2-发动机操纵机构总成-2 20.2ENGINE CONTROL MECHANISM ASSEMBLY-2

标号 No.	代号 Code	名称 Description		数量 Quantity	备注 Remark
10	GBT93-8-A0P	垫圈	WASHER	4	2011-11_
11	FT300.20.011	脚油门摇臂焊接	FOOT THROTTLE ROCKER ARM WELDMENT	1	2011-11_
12	FT650.20.014	脚油门拉线总成	FOOT THROTTLE WIRE ASSEMBLY	1	2011-11_
13	GBT97.1-6-A0P	平垫圈	WASHER	2	2011-11_
14	GBT91-2X12-A0P	开口销	PIN	3	2011-11_
15	FT300.20.106	脚油门拉线支架	FOOT THROTTLE WIRE BRACKET	1	2011-11_
17	GBT5783-M5X12-A2L	六角头螺栓	BOLT	3	2011-11_
18	GBT97.1-5-A0P	垫圈	WASHER	3	2011-11_
19	FT65.45.394	油门踏板密封套压板	THROTTLE PEDAL SEAL SLEEVE PRESSURE	1	2011-11_
2	FT650.20.101	脚踏板	PLATE FOOT PEDAL	1	2011-11_
20	FT65.45.393	油门踏板密封套		1	2011-11_
3	FT650.20.107	橡胶塞	THROTTLE PEDAL SEAL SLEEVE	1	2011-11_
4	FT300.20.013	脚踏板摇臂焊接	RUBBER RING	1	2011-11_
5	GBT6172.1-M8-A2L	螺母	FOOT PEDAL ROCKER ARM WELDMENT	6	2011-11_
6	GBT5781-M8X45-A2L	六角头螺栓	NUT BOLT	1	2011-11_
7	FT650.20.104	扭簧		1	2011-11_
8	GBT818-M8X20-A2L	十字槽盘头螺钉	TORSION SPRING	4	2011-11_
9	FT650.20.108	油门支架	SCREW THROTTLE PEDESTAL	1	2011-11_

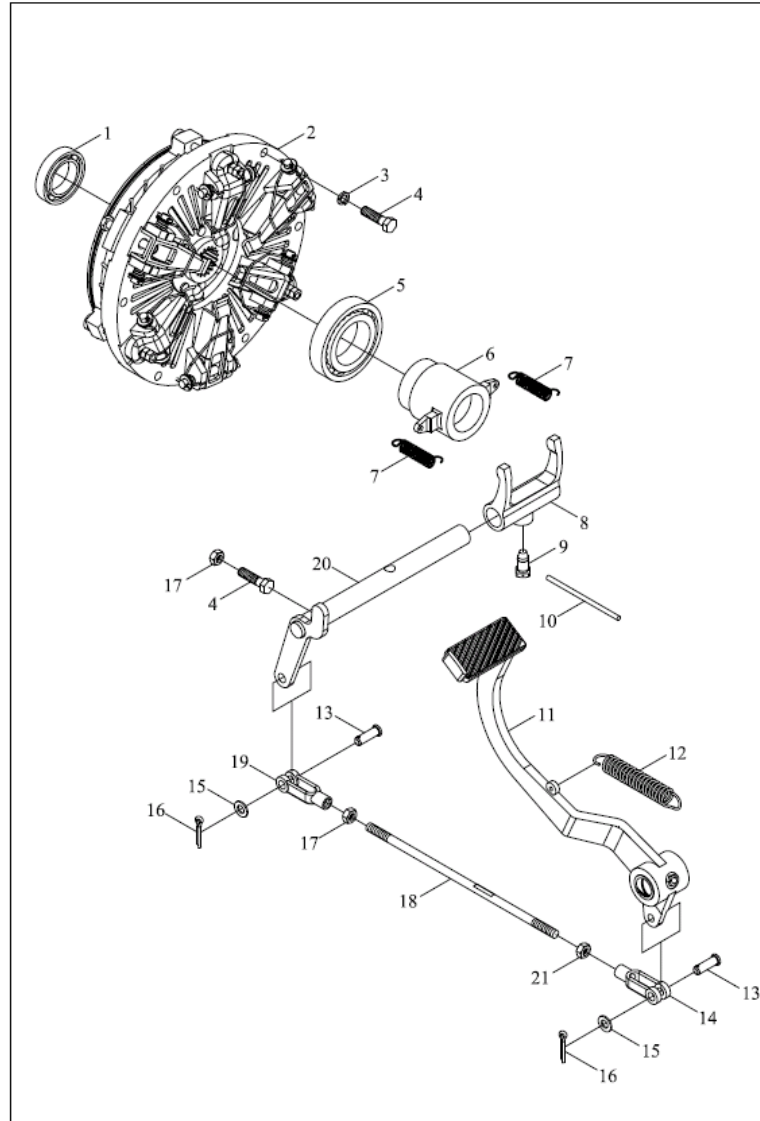
TB550.211A 离合器分总成



TB550.211A 21.1-离合器总成 21.1-CLUTCH ASSEMBLY

标号 No.	代号 Code	名称 Description		数量 Quantity	备注 Remark
1	TB550.211A.2	副摩擦片总成	AUXILIARY FRICTION PIECE ASSEMBLY	1	2009-12_
1	CF550A.21.025	副离合器摩擦片总成	AUXILIARY FRICTION PIECE	1	2013-10_
10	FT400.21B.108	主分离杠杆弹簧	MAIN RELEASE LEVER SPRING	3	2009-12_
11	FT400.21B.110	顶杆	TOP ROD	3	2009-12_
12	FT300.21B.111	长销	LONG PIN	6	2009-12_
13	FT300.21B.109	销轴	PIN	3	2009-12_
14	GBT848-10-A2L	小垫圈	WASHER	12	2009-12_
14	GBT848-10	小垫圈	WASHER	12	2013-10_
15	GBT91-3.2X16	开口销	PIN	12	2013-10_
15	GBT91-3.2X16-A0P	开口销	PIN	12	2009-12_
16	FT300.21B.114	主离合器调整螺钉	MAIN CLUTCH ADJUSTING SCREW	3	2009-12_
17	GBT6171-M10X1	I型六角螺母	NUT	3	2013-10_
17	GBT6171-M10X1-A2L	螺母	NUT	3	2009-12_
18	FT400.21B.104	副离合器拉杆	AUXILIARY CLUTCH PULL ROD	3	2009-12_
19	GBT6171-M8X1-8-A2L	I型六角螺母	HEXAGON NUT	3	2009-12_
2	FT400.21B.102	副离合器压盘	AUXILIARY CLUTCH PRESSURE PLATE	1	2009-12_
20	FT300.21B.105	球头螺母	BALL NUT	3	2009-12_
20	FT300.21B.105	球头螺母	BALL NUT	3	2009-12_
3	TB550.211-01	碟形弹簧	DISC SPRING	1	2009-12_
4	FT400.21B.113	主离合器压盘	MAIN CLUTCH PRESSURE PLATE	1	2009-12_
5	TB550.211A.1	主摩擦片总成	MAIN FRICTION PLATE ASSEMBLY	1	2009-12_
6	FT400.21B.112	离合器盖	CLUTCH COVER	1	2009-12_
7	FT300.21B.120	副分离杠杆弹簧	AUXILIARY RELEASE LEVER SPRING	3	2009-12_
8	FT400.21B.106	副离合器分离杠杆	AUXILIARY CLUTCH RELEASE LEVER	3	2009-12_
9	FT400.21B.107	主离合器分离杠杆	MAIN CLUTCH RELEASE LEVER	3	2009-12_

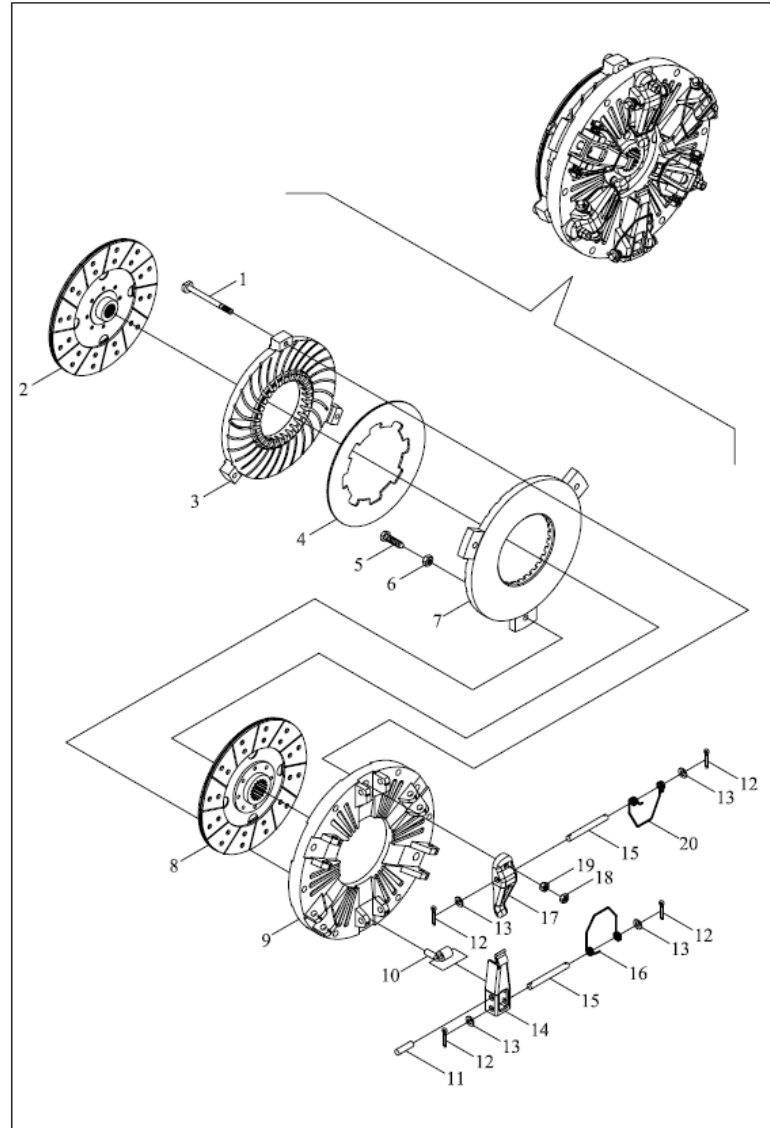
FT500A.21B.001Clutch assembly-1



FT500A.21B.001-1 21.1-离合器总成-1 CLUTCH ASSEMBLY-1

标号 No.	代号 Code	名称 Description		数量 Quantity	备注 Remark
1	GBT276-6204-2RS	轴承	BEARING	1	2004-01_
10	TA800.212B-02	低碳钢丝	LOW CARBON STEEL WIRE	1	2004-01_
11	FT300.21.012	离合器踏板总成	CLUTCH PEDAL ASSEMBLY	1	2004-01_
12	FT300.43.130	踏板回位弹簧	PEDAL RETURN SPRING	1	2004-01_
13	GBT882-B10X28	销轴	PIN	2	2004-01_
14	FT300.43.110	拉杆后叉	PULL ROD REAR FORK	1	2004-01_
15	GBT97.1-10-AOP	垫圈	WASHER	2	2004-01_
16	GBT91-3.2X16-AOP	开口销	PIN	2	2004-01_
17	GBT6170-M10-A3L	螺母	NUT	2	2004-01_
18	FT300.21.110	拉杆	PULL ROD	1	2004-01_
19	FT300.43.108	拉杆前叉	PULL ROD FRONT FORK	1	2004-01_
2	FT500A.21B.011	离合器分总成	CLUTCH SUBASSEMBLY	1	2004-01_
20	FT300.21.013	离合器分离叉轴合件	CLUTCH RELEASE FORK SHAFT UNIT	1	2004-01_
21	GBT6170-M10-LH-A3L	螺母	NUT	1	2004-01_
3	GBT93-10-AOP	标准型弹簧垫圈	WASHER	6	2004-01_
4	GBT5783-M10X40-8.8-A3L	螺栓	BOLT	7	2004-01_
5	TA800.212-02	推力轴承99 67 13	THRUST BEARING	1	2004-01_
6	FT400.21B.101	分离轴承座	RELEASE BEARING SEAT	1	2004-01_
7	FT300.21.102	推力轴承座回位弹簧	THRUST BEARING SEAT RETURN SPRING	2	2004-01_
8	FT300.21.103	分离拨叉	RELEASE SHIFT FORK	1	2004-01_
9	FT300.21.113	止动螺钉	THRUST SCREW	1	2004-01_

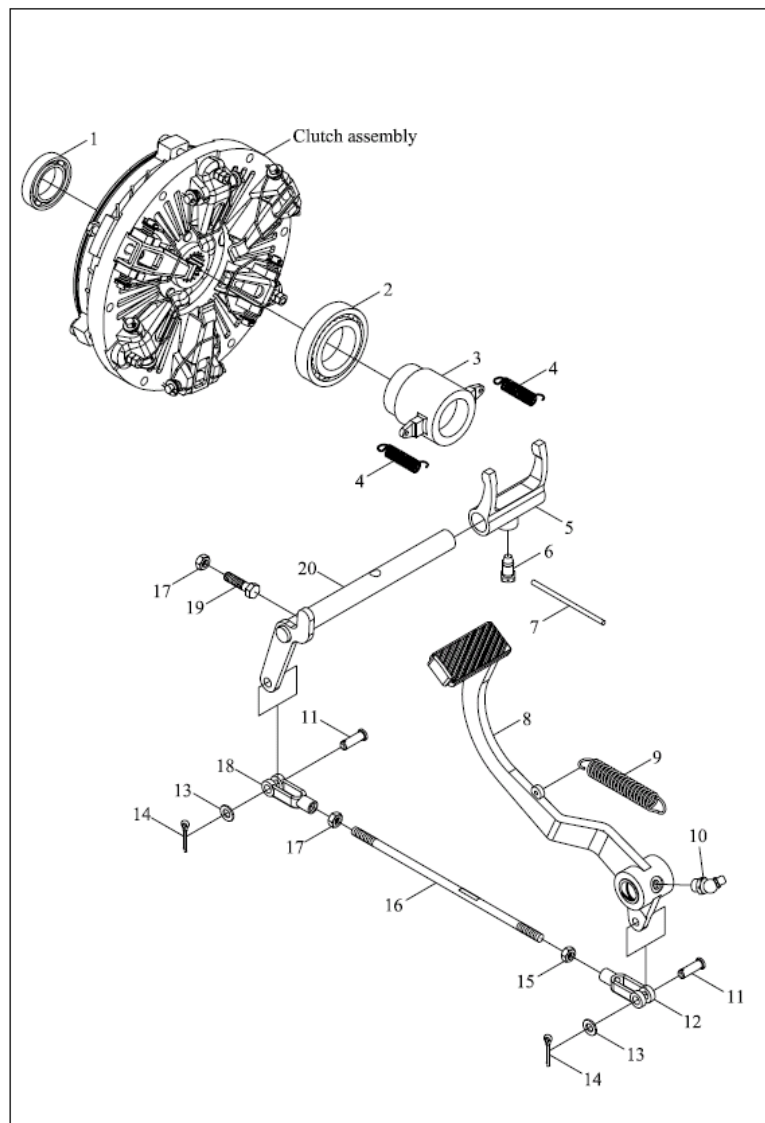
FT500A.21B.001Clutch assembly-2



FT500A.21B.001-2 21.2-离合器总成-2 CLUTCH ASSEMBLY-2

标号 No.	代号 Code	名称 Description		数量 Quantity	备注 Remark
0	FT500A.21B.011	离合器分总成	CLUTCH SUBASSEMBLY	1	2004-01_
1	FT400.21B.104	副离合器拉杆	AUXILIARY CLUTCH PULL ROD	3	2004-01_
10	FT400.21B.110	顶杆	TOP ROD	3	2004-01_
11	FT300.21B.109	销轴	PIN	3	2004-01_
12	GBT91-3.2X16-A0P	开口销	PIN	10	2004-01_
13	GBT848-10-A0P	小垫圈	WASHER	12	2004-01_
14	FT400.21B.107	主离合器分离杠杆	MAIN CLUTCH RELEASE LEVER	3	2004-01_
15	FT300.21B.111	长销	LONG PIN	6	2004-01_
16	FT400.21B.108	主分离杠杆弹簧	MAIN RELEASE LEVER SPRING	3	2004-01_
17	FT400.21B.106	副离合器分离杠杆	AUXILIARY CLUTCH RELEASE LEVER	3	2004-01_
18	GBT6171-M8X1-A2L	1型六角螺母	NUT	3	2004-01_
19	FT300.21B.105	球头螺母	BALL NUT	3	2004-01_
19	FT300.21B.105	球头螺母	BALL NUT	3	2004-01_
2	FT400.21B.015	副离合器磨擦片总成	AUXILIARY CLUTCH FRICTION PLATE	1	2004-01_
20	FT300.21B.120	副分离杠杆弹簧	ASSEMBLY AUXILIARY RELEASE LEVER SPRING	3	2004-01_
3	FT400.21B.102	副离合器压盘		1	2004-01_
4	FT400.21B.103	碟形弹簧	AUXILIARY CLUTCH PRESSURE PLATE	1	2004-01_
5	FT300.21B.114	主离合器调整螺钉	DISC SPRING	3	2004-01_
6	GBT6171-M10X1-A2L	螺母	MAIN CLUTCH ADJUSTING SCREW	3	2004-01_
7	FT400.21B.113	主离合器压盘	NUT MAIN CLUTCH PRESSURE PLATE	1	2004-01_
8	FT400.21B.014	主离合器磨擦片总成		1	2004-01_
9	FT400.21B.112	离合器盖	MAIN CLUTCH FRICTION PLATE ASSEMBLY CLUTCH COVER	1	2004-01_

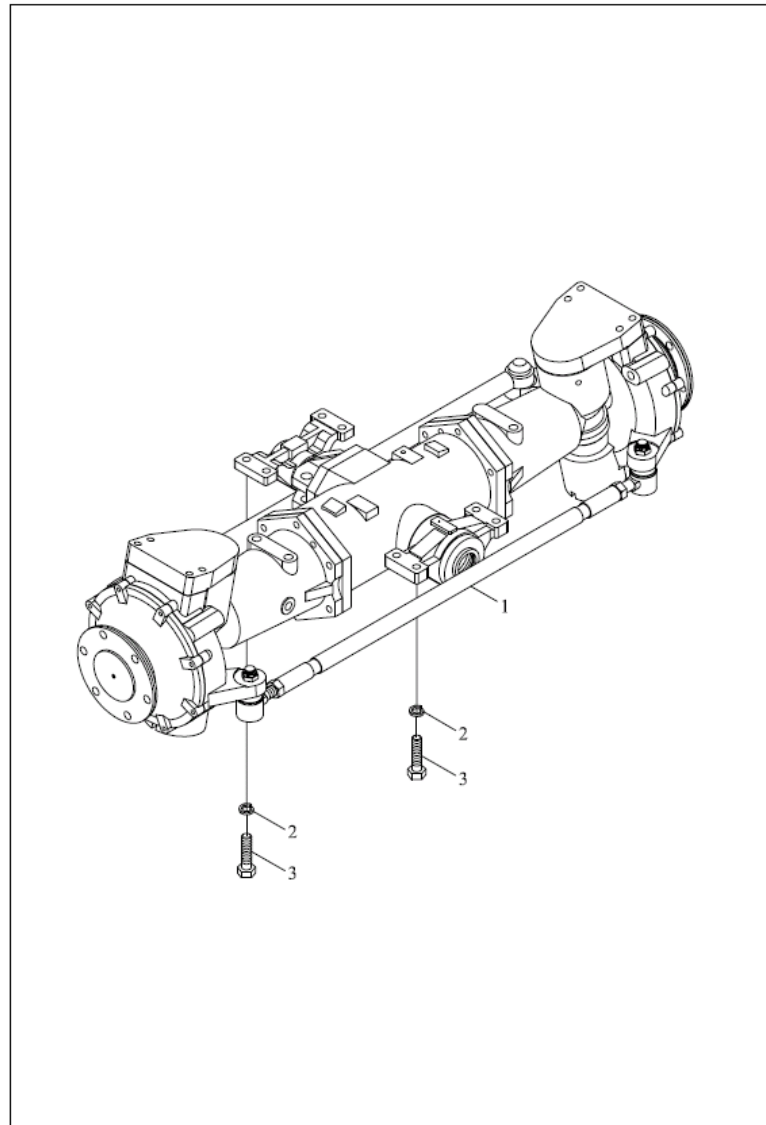
TB550.212 Clutch control assembly



TB550.212 21.2-离合器操纵总成 21.2-CLUTCH CONTROL ASSEMBLY

标号 No.	代号 Code	名称 Description		数量 Quantity	备注 Remark
1	GBT276-6204-2Z	轴承	BEARING	1	
1	GBT276-6204-2RS	轴承	BEARING	1	2007-05_
10	JBT7940.2-45° M10X1	油杯	OIL CUP	1	2011-11_
11	GBT882-B10X28	销轴	PIN	2	2011-11_
12	FT300.43.110	拉杆后叉	PULL ROD REAR FORK	1	2011-11_
13	GBT97.1-10-A0P	平垫圈	WASHER	2	2011-11_
14	GBT91-3.2X16-A0P	开口销	PIN	2	2004-01_
15	GBT6170-M10-LH-A3L	螺母	NUT	1	2011-11_
16	FT300.21.110	拉杆	PULL ROD	1	2011-11_
17	GBT6170-M10-A3L	螺母	NUT	2	2011-11_
18	FT300.43.108	拉杆前叉	PULL ROD FRONT FORK	1	2011-11_
19	GBT5783-M10X40-A3L	螺栓	BOLT	1	2011-11_
2	TA700.212P-05	主离合分离轴承	MAIN CLUTCH RELEASE BEARING	1	2004-01_
20	TB550.212.1	离合器分离叉轴合件	CLUTCH RELEASE FORK SHAFT UNIT	1	2004-01_
20	FT300.21.013	离合器分离叉轴合件	CLUTCH RELEASE FORK SHAFT UNIT	1	2007-03_
3	FT400.21B.101	分离轴承座	RELEASE BEARING SEAT	1	2011-11_
4	FT300.21.102	推力轴承座回位弹簧	THRUST BEARING SEAT RETURN SPRING	2	2011-11_
5	FT300.21.103	分离拨叉	RELEASE SHIFT FORK	1	2011-11_
6	FT300.21.113	止动螺钉	THRUST SCREW	1	2011-11_
7	TA800.212B-02	低碳钢丝	LOW CARBON STEEL WIRE	1	2011-11_
8	TB550.212.2	离合器踏板总成	CLUTCH PEDAL ASSEMBLY	1	2011-11_
9	FT300.43.130	踏板回位弹簧	PEDAL RETURN SPRING	1	2011-11_

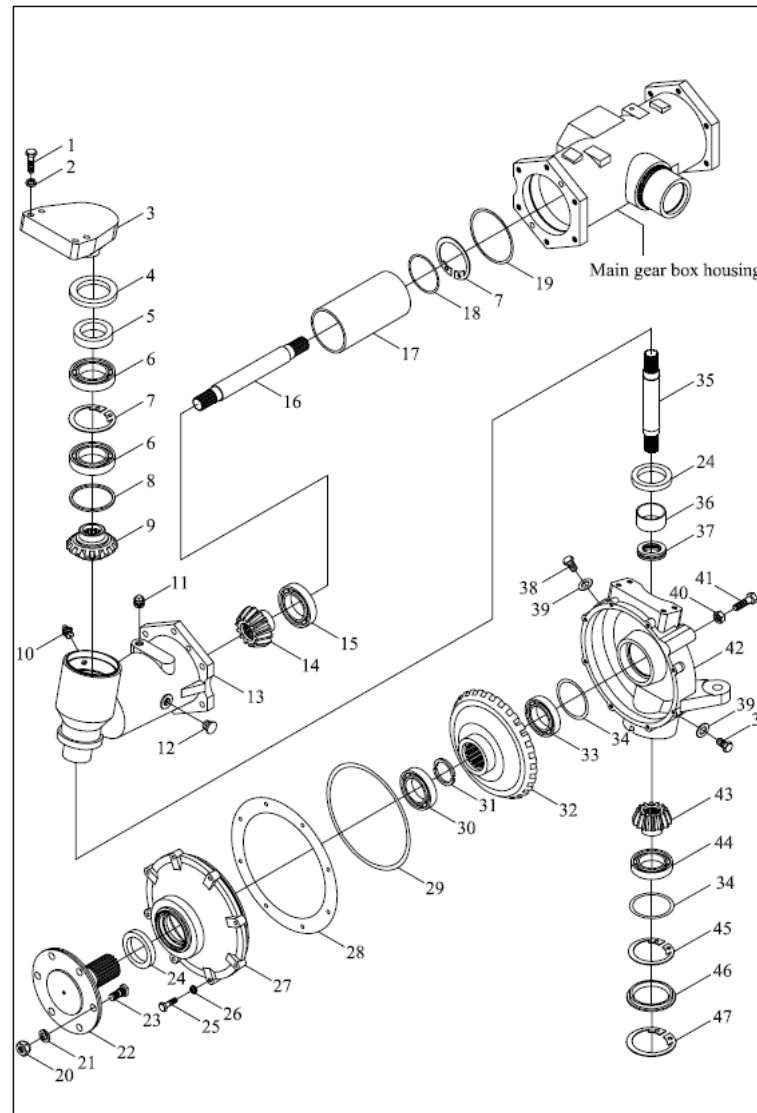
TB504.311 Front driving axle assembly-I



TB504.311-1 31.1.1-前驱动桥总成-1 FRONT DRIVING AXLE ASSEMBLY-1

标号 No.	代号 Code	名称 Description		数量 Quantity	备注 Remark
1	FT304.31F.011	前驱动桥分总成	FRONT DRIVING AXLE SUB-ASSEMBLY	1	2011-11_
2	GBT93-14-A0P	弹簧垫圈	SPRING WASHER	8	2011-11_
2	GBT93-14-A0P	弹簧垫圈	SPRING WASHER	8	2011-11_
3	GBT5783-M14X45-10.9-A3L	螺栓	BOLT	8	2011-11_

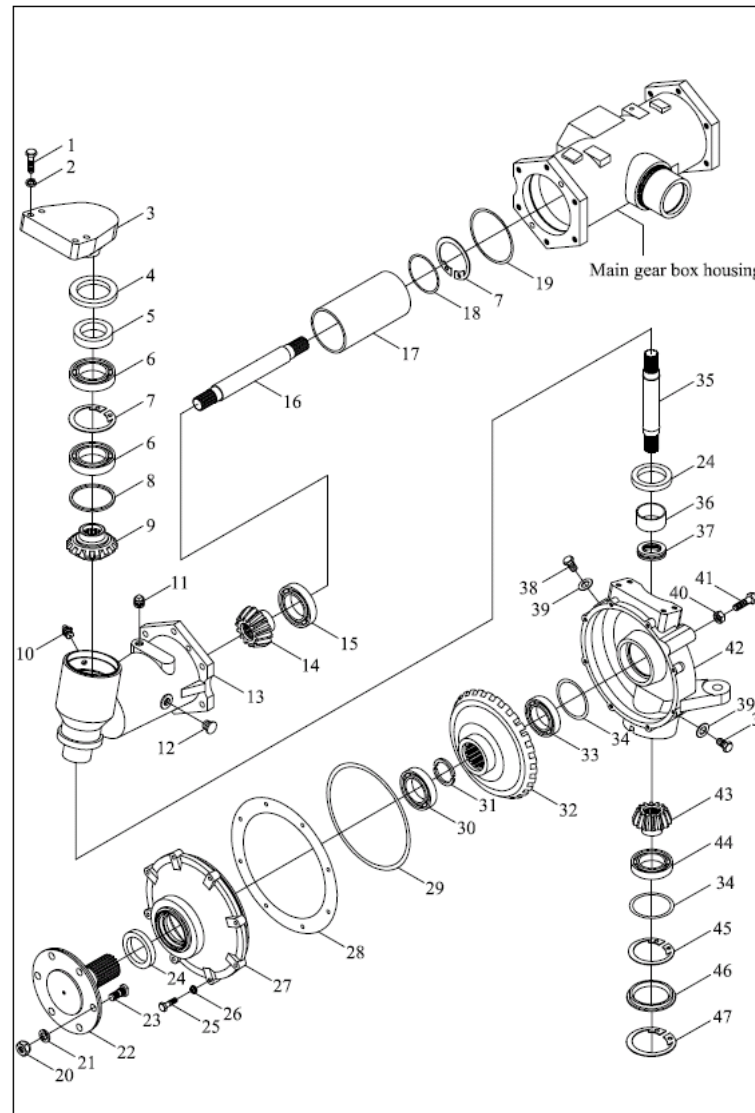
TB504.311Front driving axle assembly-2



TB504.311-2 31.1.2-前驱动桥总成-2 FRONT DRIVING AXLE ASSEMBLY-2

标号 No.	代号 Code	名称 Description	数量 Quantity	备注 Remark
0	FT304.31F.011	前驱动桥分总成	1	2011-11_
1	GBT5783-M12×40-8.8-A3L	六角头螺栓	4	
10	JBT7940.1-M10X1	直通式压注油杯	1	2011-11_
11	QYXF70-Z3/8"	螺塞	1	
12	GBT1160.2-A10	油标	1	2011-11_
13	FT304.31F.121	半轴壳体	1	2011-11_
14	FT304.31F.126	齿轮	1	2011-11_
15	GBT276-6309	深沟球轴承	1	2011-11_
16	FT304.31F.128	花键轴	1	2011-11_
17	FT304.31F.127	套管	1	2011-11_
18	FT304.31F.123	调整垫片	1	2011-11_
19	FT304.31F.130	调整垫片	1	2011-11_
2	GBT93-12	垫圈	4	2011-11_
20	GBT6176-M14X1.5-10-A2L	2型六角螺母	6	2004-01_
21	FT304.31F.205	垫圈	6	2011-11_
22	FT304.31F.117	前驱动轴	1	2011-11_
23	FT304.31F.115	滚花螺栓	6	2011-11_
24	FT304.31F	浮动油封	2	2011-11_
24.1	65*4.8	O形圈	5	2011-11_
25	GBT5783-M8X35	六角头螺栓	8	2011-11_
26	GBT93-8	垫圈8	8	2011-11_
27	FT304.31F.107	端部大盖	1	2011-11_
28	FT304.31F.190	调整垫	1	2011-11_
29	GBT3452.1-236X5.3G	液压气动用O形橡胶密封圈	1	2011-11_
3	FT304.31F.124	连接盖	1	2011-11_

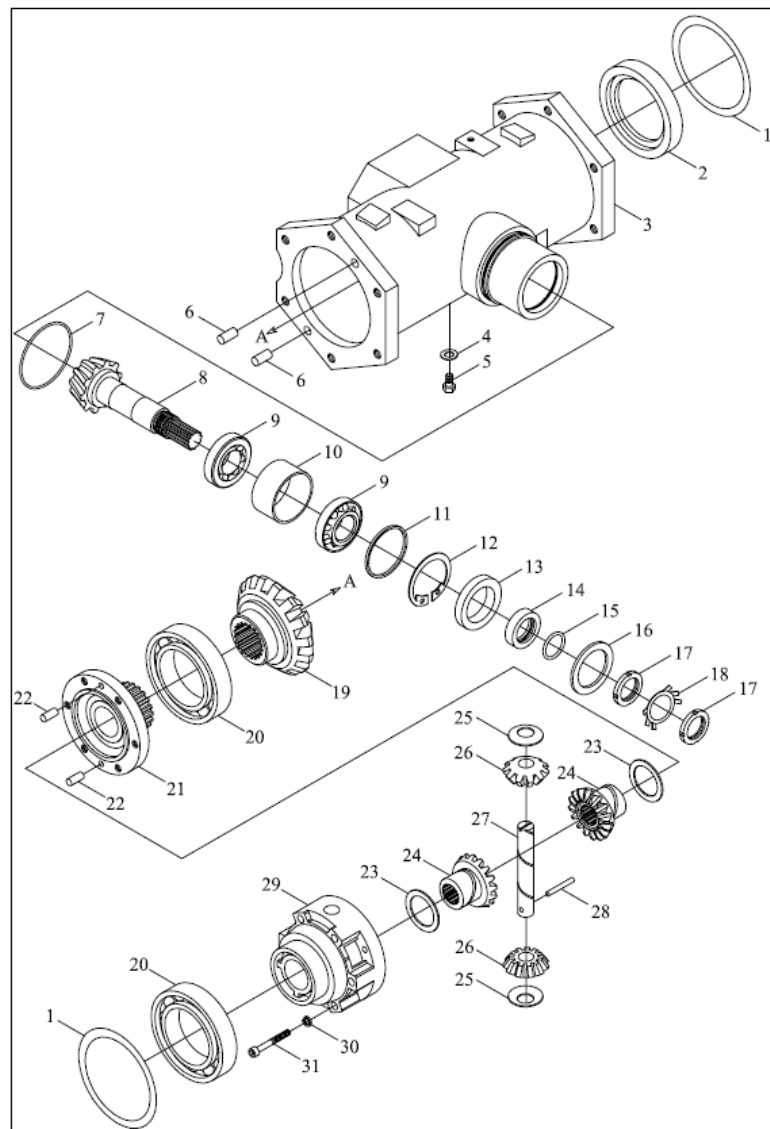
TB504.311Front driving axle assembly-2



TB504.311-2 31.1.2-前驱动桥总成-2(续)

标号 No.	代号 Code	名称 Description		数量 Quantity	备注 Remark
30	GBT276-6310	轴承	BEARING	1	2011-11_
31	FT304.31F.114	挡圈	RETAINER RING	2	2011-11_
32	FT304.31F.108	端部大齿轮	BIG END GEAR	1	2011-11_
33	GBT276-6210	深沟球轴承	BEARING	1	2011-11_
34	FT304.31F.113	调整垫	ADJUSTING GASKET	2	
35	FT304.31F.110	端部花键轴	END SPLINE SHAFT	1	
36	FT304.31F.111	衬套	SLEEVE	1	2011-11_
37	GBT301-51107	轴承	BEARING	1	2011-11_
38	FT304.31F.105	螺塞	SCREW PLUG	2	
38	FT304.31F.105	螺塞	SCREW PLUG	2	
39	FT304.31F.106	垫圈	WASHER	2	2011-11_
4	GBT9877.1-FB80X105X12	内包骨架旋转轴唇形密封	O RING	1	2011-11_
40	GBT6170-M16	螺母	NUT	1	2011-11_
41	GBT5783-M16X50-10.9-A3L	六角头螺栓	BOLT	1	
42	FT304.31F.109	左末端壳体	LEFT END HOUSING	1	2011-11_
43	FT304.31F.112	端部小齿轮	END PINION	1	2011-11_
44	GBT276-6308	深沟球轴承	BEARING	1	2011-11_
45	GBT893.1-90	挡圈90	RETAINER RING	1	2011-11_
46	FT304.31F.022	密封盖	SEAL CAP	1	2011-11_
47	GBT893.1-102	孔用弹性挡圈	SNAP RING	1	2011-11_
5	FT304.31F.125	油封衬套	OIL SEAL BUSH	1	2011-11_
6	GBT276-6013	深沟球轴承	BEARING	2	2011-11_
7	GBT893.1-100	孔用弹性挡圈	SNAP RING	2	2011-11_
8	FT304.31F.188	平垫	WASHER	1	2011-11_
9	FT304.31F.122	齿轮	GEAR	1	2011-11_

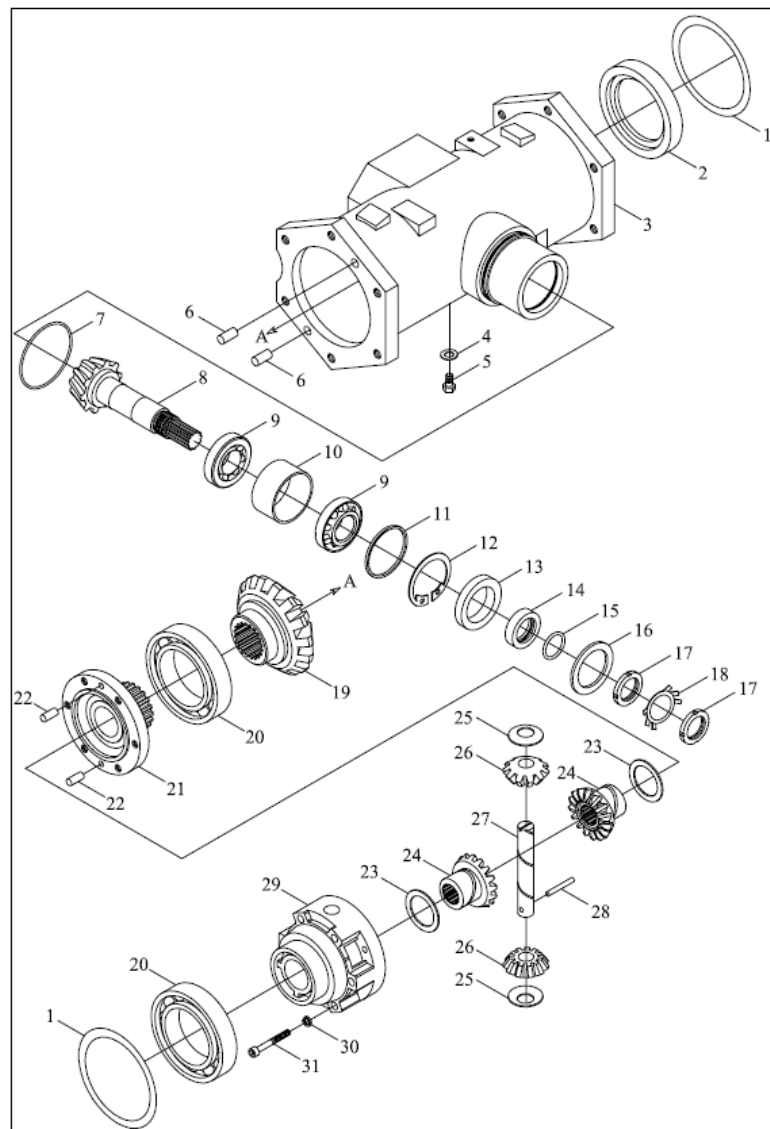
TB504.311 Front driving axle assembly-3



TB504.311-3 31.1.3-前驱动桥总成-3 FRONT DRIVING AXLE ASSEMBLY-3

标号 No.	代号 Code	名称 Description	数量 Quantity	备注 Remark
0	FT304.31F.011	前驱动桥分总成	1	2011-11_
1	GBT3452.1-140X3.5G	O型密封圈	2	2011-11_
10	FT304.31F.132	隔套	1	2011-11_
10	FT304.31F.132	隔套	1	2011-11_
11	FT304.31F.133	调整套	1	2011-11_
12	GBT893.1-72	挡圈	1	2011-11_
13	GBT9877.1-F50X72X8D	内包骨架旋转轴唇形密封	1	2011-11_
14	FT304.31F.134	油封座	1	2011-11_
15	GBT3452.1-34.5X3.55G	液压气动用O形橡胶密封圈	1	2011-11_
16	FT304.31F.104	铜垫	1	2011-11_
17	GBT810-M30X1.5	小圆螺母	2	2011-11_
18	GBT858-30	止退垫圈	1	2011-11_
19	FT304.31F.138	中央传动大螺旋伞齿轮	1	2011-11_
2	FT304.31F.191	定位盘	1	2011-11_
20	GBT276-6216	深沟球轴承	2	2011-11_
21	FT304.31F.137	差速器右壳	1	2011-11_
22	GBT119-B8X20	圆柱销	2	2011-11_
22	GBT119-B8X20	圆柱销	2	2011-11_
23	FT304.31F.139	隔圈	2	2011-11_
24	FT304.31F.144	半轴齿轮	2	2011-11_
25	FT304.31F.140	垫圈	2	2011-11_
26	FT304.31F.143	行星齿轮	2	2011-11_
27	FT304.31F.142	销轴	1	2011-11_
28	FT304.31F.141	止动销	1	2011-11_
29	FT304.31F.136	差速器左壳	1	2011-11_

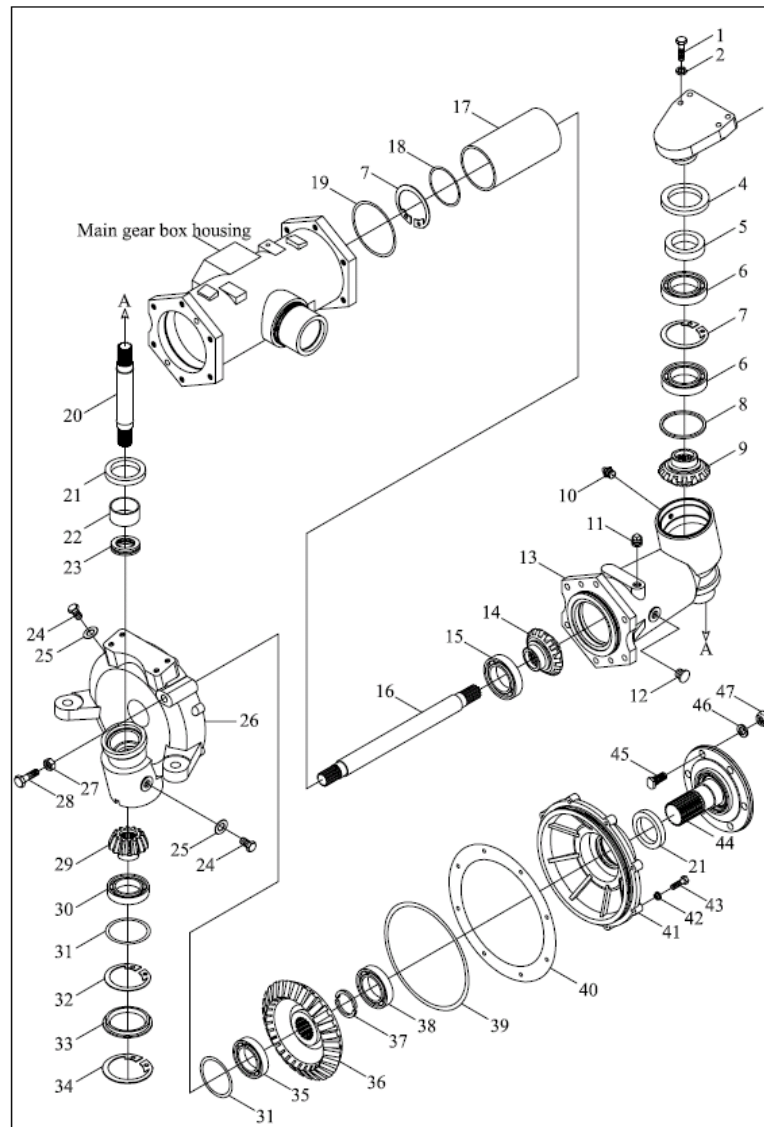
TB504.311Front driving axle assembly-3



TB504.311-3 31.1.3-前驱动桥总成-3(续)

标号 No.	代号 Code	名称 Description		数量 Quantity	备注 Remark
3	FT304.31F.129	主减速箱壳体	MAIN REDUCER BOX HOUSING	1	2011-11_
30	GBT93-10	垫圈10	WASHER 10	6	2011-11_
31	GBT70-M10X70	内六角圆柱头螺钉	SCREW	6	2011-11_
4	FT304.31F.106	垫圈	WASHER	1	2011-11_
5	FT304.31F.105	螺塞	SCREW PLUG	1	2011-11_
5	FT304.31F.105	螺塞	SCREW PLUG	1	2011-11_
6	GBT119-B12X20	圆柱销	PIN	4	2011-11_
7	GBT3452.1-90X2.65G	液压气动用O形橡胶密封圈	O-SEAL RING	1	2011-11_
8	FT304.31F.131	主动螺旋伞齿轮轴	DRIVING SPIRAL BEVEL GEAR SHAFT	1	2011-11_
9	GBT297-32207	圆锥滚子轴承	BEARING	2	2011-11_

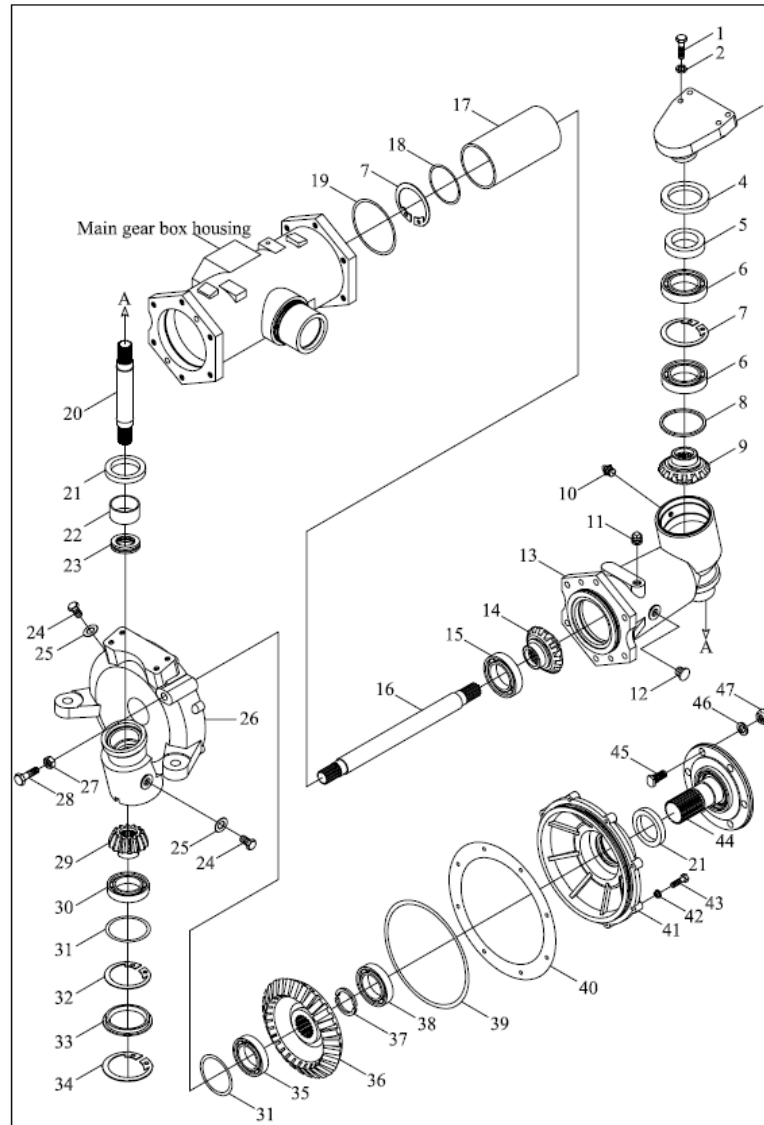
TB504.311Front driving axle assembly-4



TB504.311-4 31.1.4-前驱动桥总成-4 FRONT DRIVING AXLE ASSEMBLY-4

标号 No.	代号 Code	名称 Description	数量 Quantity	备注 Remark
0	FT304.31F.011	前驱动桥分总成	1	2011-11_
1	GBT5783-M12X40-10.9-A3L	六角头螺栓	4	
10	JBT7940.1-M10X1	直通式压注油杯	1	2011-11_
11	GBT70-M8×25	螺钉 M8×25	6	
12	GBT1160.2-A10	油标	1	2011-11_
13	FT304.31F.121	半轴壳体	1	2011-11_
14	FT304.31F.126	齿轮	1	2011-11_
15	GBT276-6309	深沟球轴承	1	2011-11_
16	FT304.31F.145	花键轴	1	2011-11_
17	FT304.31F.127	套管	1	2011-11_
18	FT304.31F.123	调整垫片	1	2011-11_
19	FT304.31F.130	调整垫片	1	2011-11_
2	GBT93-12	垫圈	4	2011-11_
20	FT304.31F.110	端部花键轴	1	2011-11_
21	FT304.31F	浮动油封	2	2011-11_
22	FT304.31F.111	衬套	1	2011-11_
23	GBT301-8107	推力球轴承	1	2011-11_
24	FT304.31F.105	螺塞	2	2011-11_
24	FT304.31F.105	螺塞	2	2011-11_
25	FT304.31F.106	垫圈	2	2011-11_
26	FT304.31F.146	右末端壳体	1	2011-11_
27	GBT6170-M16	螺母	1	2011-11_
28	QJ554.31.144B	调整垫片	999	2011-11_
29	FT304.31F.112	端部小齿轮	1	2011-11_
3	FT304.31F.124	连接盖	1	2011-11_

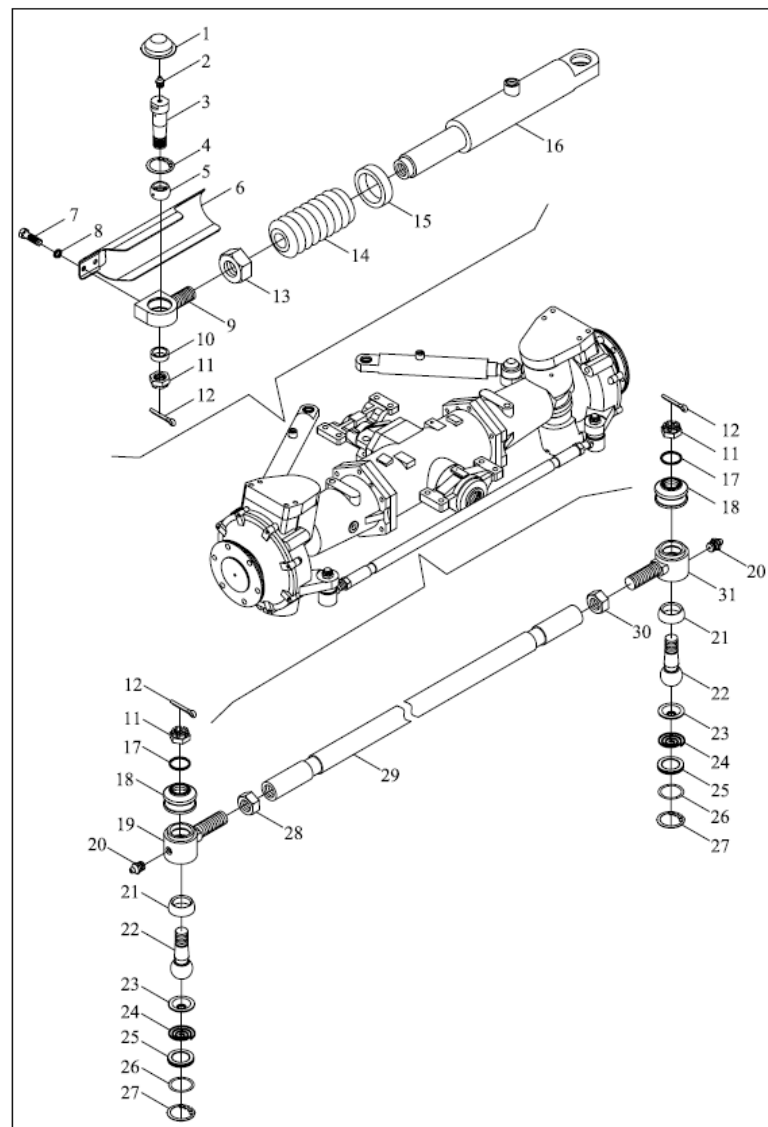
TB504.311Front driving axle assembly-4



TB504.311-4 31.1.4-前驱动桥总成-4(续)

标号 No.	代号 Code	名称 Description		数量 Quantity	备注 Remark
30	GBT276-6308	深沟球轴承	BEARING	1	2011-11_
31	FT304.31F.113	调整垫	ADJUSTING GASKET	2	2011-11_
32	GBT893.1-90	挡圈90	RETAINER RING	1	2011-11_
33	FT304.31F.022	密封盖	SEAL CAP	1	2011-11_
34	GBT893.1-102	孔用弹性挡圈	SNAP RING	1	2011-11_
35	GBT276-6210	深沟球轴承	BEARING	1	2011-11_
36	FT304.31F.108	端部大齿轮	BIG END GEAR	1	2011-11_
37	FT304.31F.114	挡圈	RETAINER RING	2	2011-11_
38	GBT276-6310	轴承	BEARING	1	2011-11_
39	GBT3452.1-236X5.3G	液压气动用O形橡胶密封圈	O-SEAL RING	1	2011-11_
4	GBT9877.1-FB80X105X12	内包骨架旋转轴唇形密封	O RING	1	2011-11_
40	FT304.31F.190	调整垫	ADJUSTING GASKET	1	2011-11_
41	FT304.31F.107	端部大盖	BIG END COVER	1	2011-11_
42	GBT93-8	垫圈8	WASHER 8	8	2011-11_
43	GBT5783-M8X35	六角头螺栓	BOLT	8	2011-11_
44	FT304.31F.117	前驱动轴	FRONT DRIVING SHAFT	1	2011-11_
45	FT304.31F.115	滚花螺栓	BOLT	6	2011-11_
46	FT304.31F.205	垫圈	WASHER	6	2011-07_
47	GBT6176-M14X1.5	螺母14X1.5	NUT	6	
5	FT304.31F.125	油封衬套	OIL SEAL BUSH	1	2011-11_
6	GBT276-6013	深沟球轴承	BEARING	2	2011-11_
7	GBT893.1-100	孔用弹性挡圈	SNAP RING	2	2011-11_
8	FT304.31F.188	平垫	WASHER	1	2011-11_
9	FT304.31F.122	齿轮	GEAR	1	2011-11_

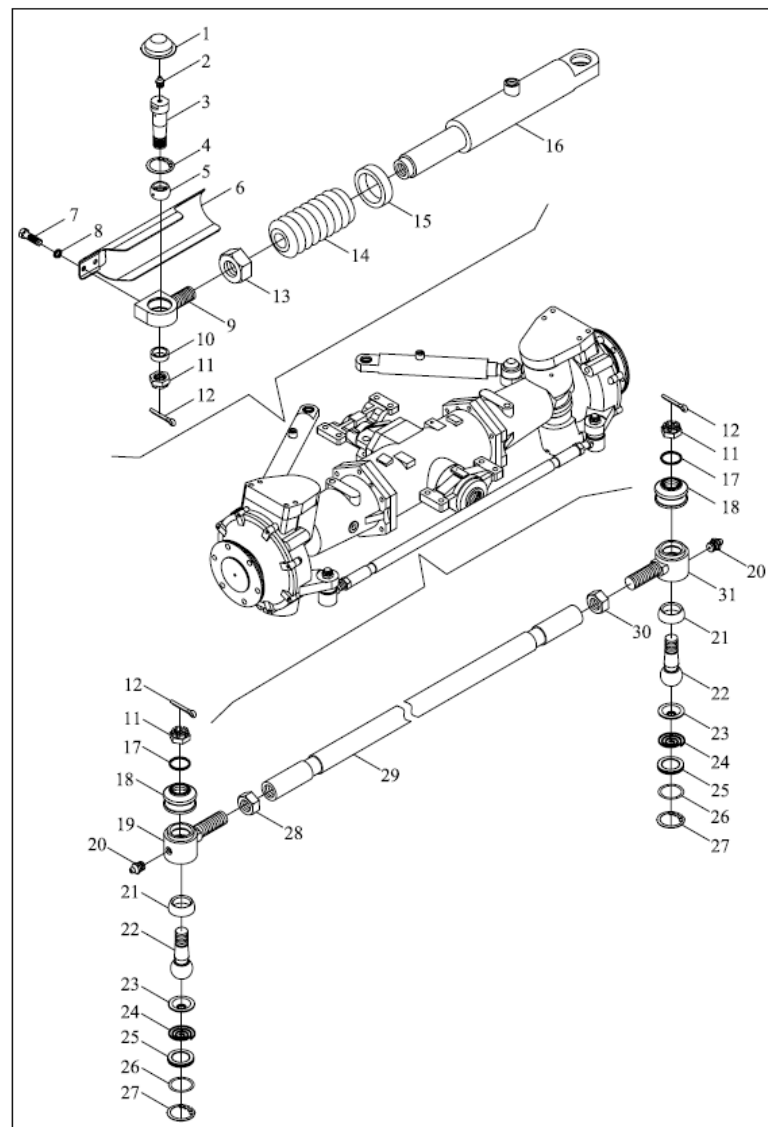
TB504.311 前驱动桥总成-5



TB504.311-5 31.1.5-前驱动桥总成-5 FRONT DRIVING AXLE ASSEMBLY-5

标号 No.	代号 Code	名称 Description		数量 Quantity	备注 Remark
.1	FT304.31F.036	左油缸球头总成	LEFT CYLINDER JOINT ASSEMBLY	1	2011-11_
.1	FT304.31F.036	左油缸球头总成	LEFT CYLINDER JOINT ASSEMBLY	1	2011-11_
.2	FT304.31F.037	右油缸球头总成	RIGHT OIL CYLINDER JOINT ASSEMBLY	1	2011-11_
.3	FT304.31F.033	右转向球头总成	STEERING BALL HEAD ASSY、 RIGHT	1	2011-11_
.4	FT304.31F.032	左转向球头总成	STEERING BALL HEAD ASSY、 LEFT	1	2011-11_
1	FT304.31F.160	防尘帽	DUSTPROOF CAP	2	2011-11_
10	FT304.31F.167	隔套	SPACER BUSH	2	2011-11_
11	FT304.31F.168	六角开槽螺母	HEXAGON SLOTTED NUT	4	2011-11_
12	GBT91	开口销 3.2 × 25	COTTER PIN 3.2 25	4	
13	GBT6173-M20X1.5	六角薄螺母	NUT	2	2011-11_
14	FT304.31F.027	防尘皮套	DUSTPROOF LEATHER SLEEVE	2	2011-11_
15	Q50MZ3040-50	管箍	PIPE HOOP	2	2011-11_
16	FT304.31F.019a	液压缸	HYDRAULIC CYLINDER	2	2011-11_
17	FT304.31F.184	卡簧	CIRCLIP	2	2011-11_
18	FT304.31F.026A	防尘皮	DUSTPROOF POCKET	2	2010-07_
19	FT304.31F.174A	左球头销座	LEFT BALL PIN SEAT	1	2011-11_
2	JBT7940.1-M6X1	油杯	OIL CUP	2	2011-11_
2	JBT7940.1-M6X1	油杯	OIL CUP	2	2011-11_
20	JBT7940.1-M6X1	油杯	OIL CUP	2	2011-11_
20	JBT7940.1-M6X1	油杯	OIL CUP	2	2011-11_
21	804.31.151	球头销座	BALL HEAD PIN SEAT	2	2011-11_
22	FT304.31F.177A	球头销	BALL PIN	2	2010-07_
23	8004.31.153	球头销盖	BALL PIN COVER	2	2011-11_
24	8004.31.154	弹簧	SPRING	2	2011-11_
25	FT304.31F.187	压盖	PRESSURE COVER	2	2011-11_

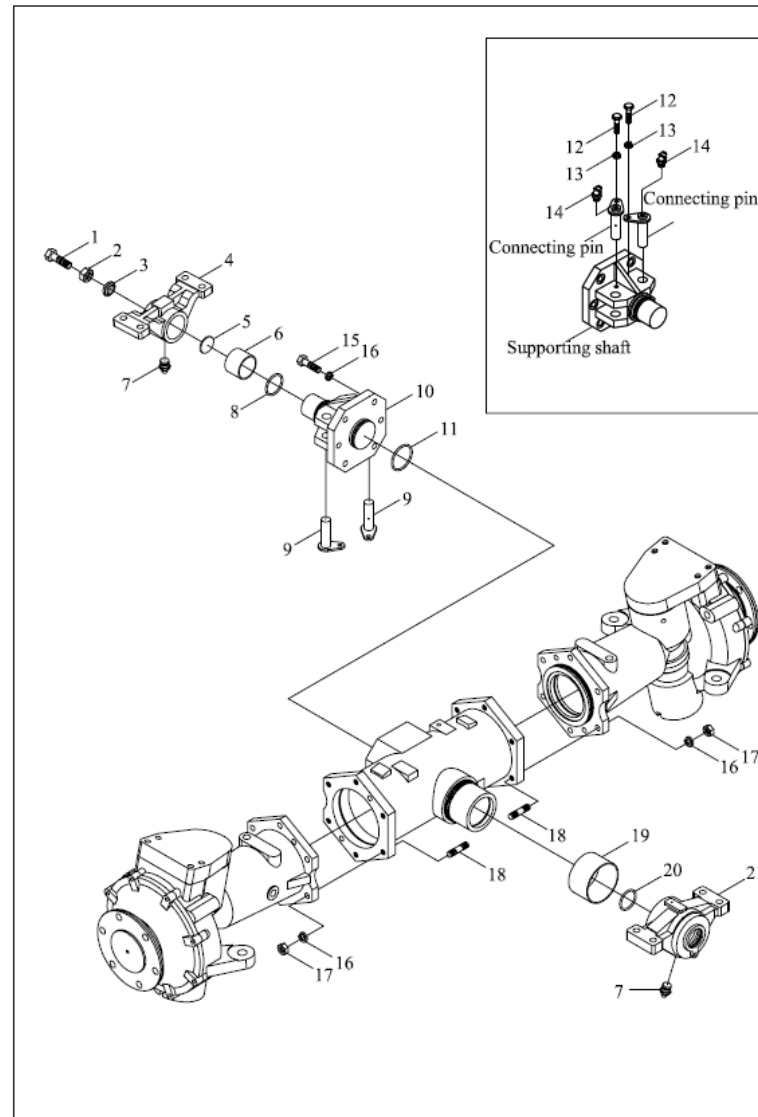
TB504.311 前驱动桥总成-5



TB504.311-5 31.1.5-前驱动桥总成-5(续)

标号 No.	代号 Code	名称 Description		数量 Quantity	备注 Remark
26	GBT3452.1-33.5X1.8G	O型圈	O-RING	1	2011-11_
27	GBT893.1-37	孔用弹性挡圈	SNAP RING	2	2011-11_
28	GBT6171-M20X1.5-LH	1型六角螺母	NUT	1	
29	FT304.31F.175	拉杆	PULL ROD	1	2011-11_
3	FT304.31F.165a	固定销	FIXING PIN	2	2011-11_
30	GBT6171-M20X1.5	1型六角螺母	NUT	1	2011-11_
31	FT304.31F.176A	右球头销座	RIGHT BALL PIN SEAT	1	
4	GBT893.1-35	挡圈	RETAINER RING	2	2011-11_
5	GBT9163-GE20ES	向心关节轴承	BEARING	2	2011-11_
6	FT304.31F.185	左护板	LEFT GUARD PLATE	1	2011-11_
6.1	FT304.31F.186	右护板	RIGHT GUARD PLATE	1	
7	GBT5783-M8X16	螺栓	BOLT	4	2011-11_
8	GBT93-8	垫圈8	WASHER 8	4	2011-11_
9	FT304.31F.195	左活塞杆耳环	EAR RING OF LEFT PISTON ROD	1	2011-11_
9.1	FT304.31F.196	右活塞杆耳环	RIGHT PISTON ROD EAR RING	1	

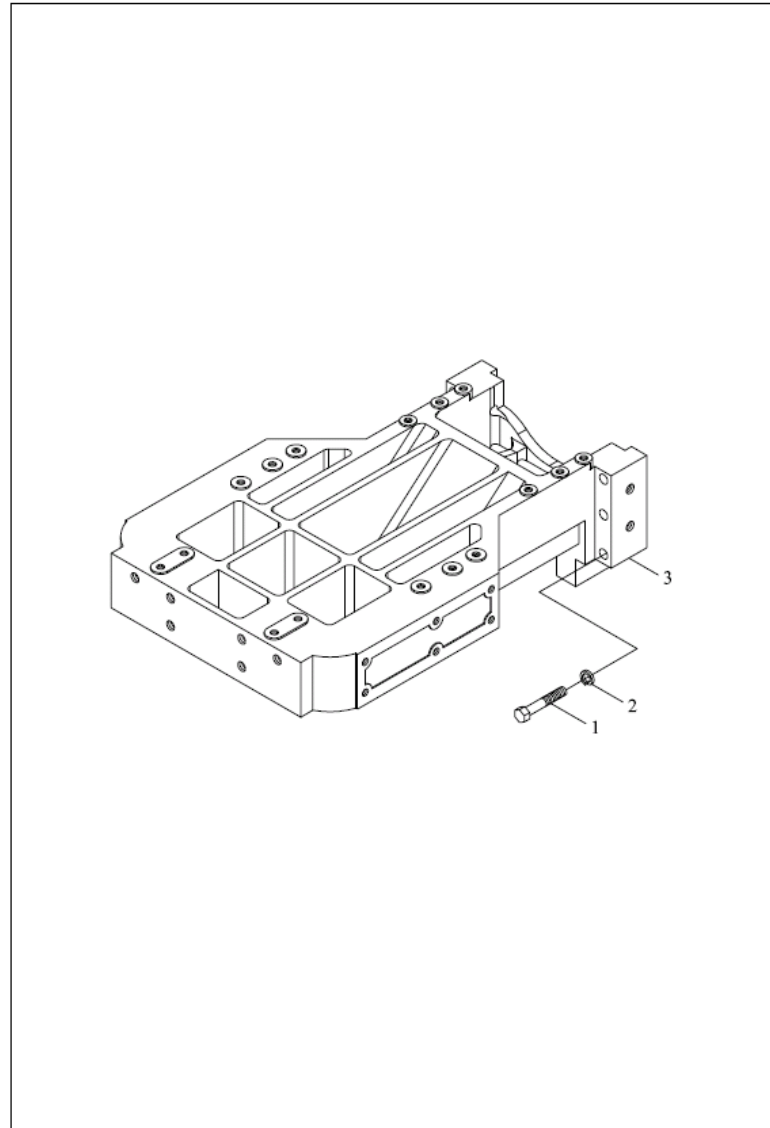
TB504.311Front driving axle assembly-6



TB504.311-6 31.1.6-前驱动桥总成-6 FRONT DRIVING AXLE ASSEMBLY-6

标号 No.	代号 Code	名称 Description		数量 Quantity	备注 Remark
0	FT304.31F.011	前驱动桥分总成	FRONT DRIVING AXLE SUB-ASSEMBLY	1	2011-11_
1	GBT5783-M16X40-8.8-A3L	六角头螺栓	BOLT	1	2011-11_
10	FT304.31F.147	支撑轴	SHAFT	1	2011-11_
11	GBT3452.1-58X3.55G	液压气动用O形橡胶密封圈	O-SEAL RING	1	2011-11_
12	GBT5783-M8X20-Zn.D	螺栓	BOLT	2	
13	GBT93-8	垫圈8	WASHER 8	2	2011-11_
14	GBT7940.2-M8X1	油杯	OIL CUP	2	2011-11_
15	GBT5783-M12X40-10.9	六角头螺栓全螺纹	BOLT	6	
16	GBT93-12	垫圈	WASHER	18	2011-11_
17	GBT6170-M12	螺母	NUT	12	2011-11_
18	GBT900-AM12X40-8.8-Zn.D	螺柱	STUD	12	2011-11_
19	FT304.31F.156	滑动轴承	SLIDING BEARING	1	2011-11_
2	GBT6170-M16	螺母	NUT	1	2011-11_
20	GBT3452.1-45X3.55G	液压气动用O形橡胶密封圈	O-SEAL RING	1	2011-11_
21	FT304.31F.155	后支撑轴座	REAR SUPPORTING SHAFT SEAT	1	2011-11_
3	FT304.31F.025	密封垫	SEAL GASKET	1	2011-11_
4	FT304.31F.149	前支撑轴座	FRONT SUPPORT SHAFT SEAT	1	2011-11_
5	FT304.31F.150	垫片	WASHER	1	2011-11_
6	FT304.31F.148	滑动轴承	SLIDING BEARING	1	2011-11_
7	GBT7940.1-M8X1	油杯	OIL CUP	2	2011-11_
8	GBT3452.1-47.5X3.55G	液压气动用O形橡胶密封圈	O-SEAL RING	1	2011-11_
9	FT304.31F.024	连接销	CONNECTING PIN	2	2011-11_

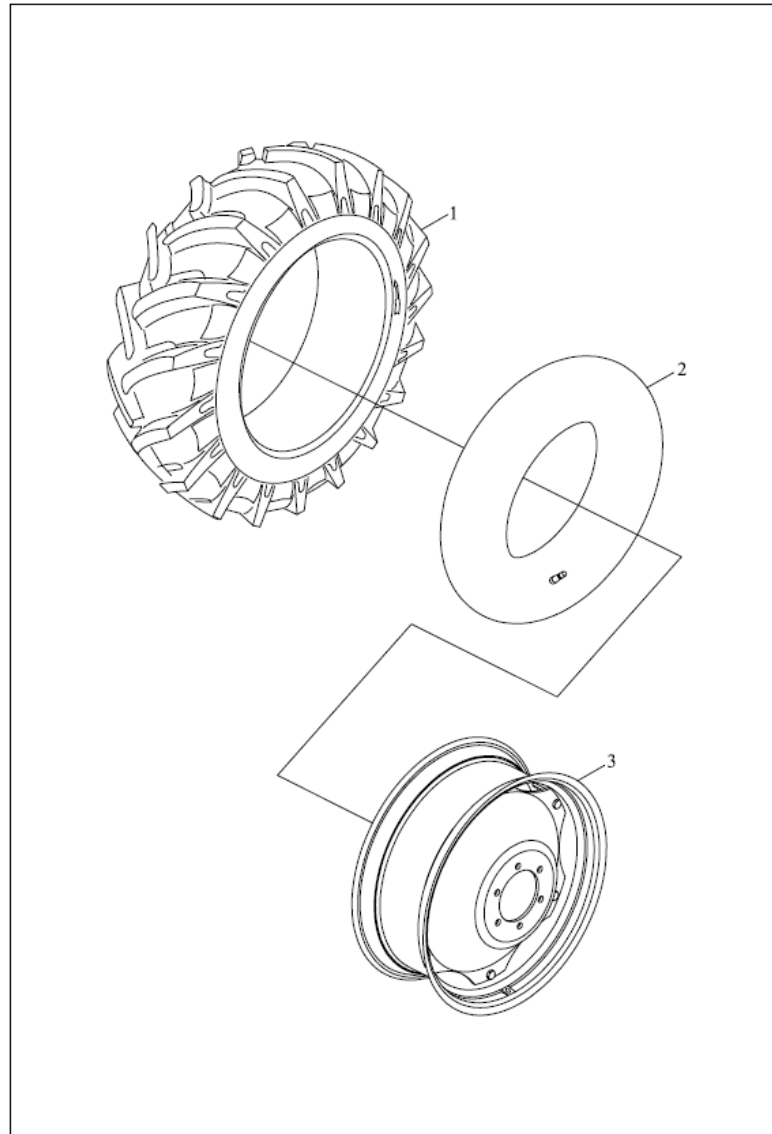
TB554.312Front tray assembly



TB554.312 31.2-前托架总成 31.2-FRONT BRACKET ASSEMBLY

标号 No.	代号 Code	名称 Description		数量 Quantity	备注 Remark
1	GBT5782-M16X110-10.9-A2L	六角头螺栓	BOLT	6	2011-11_
2	GBT93-16-A0P	弹簧垫圈	SPRING WASHER	6	2011-11_
3	TB554.312-01	前托架	FRONT BRACKET	1	2011-11_

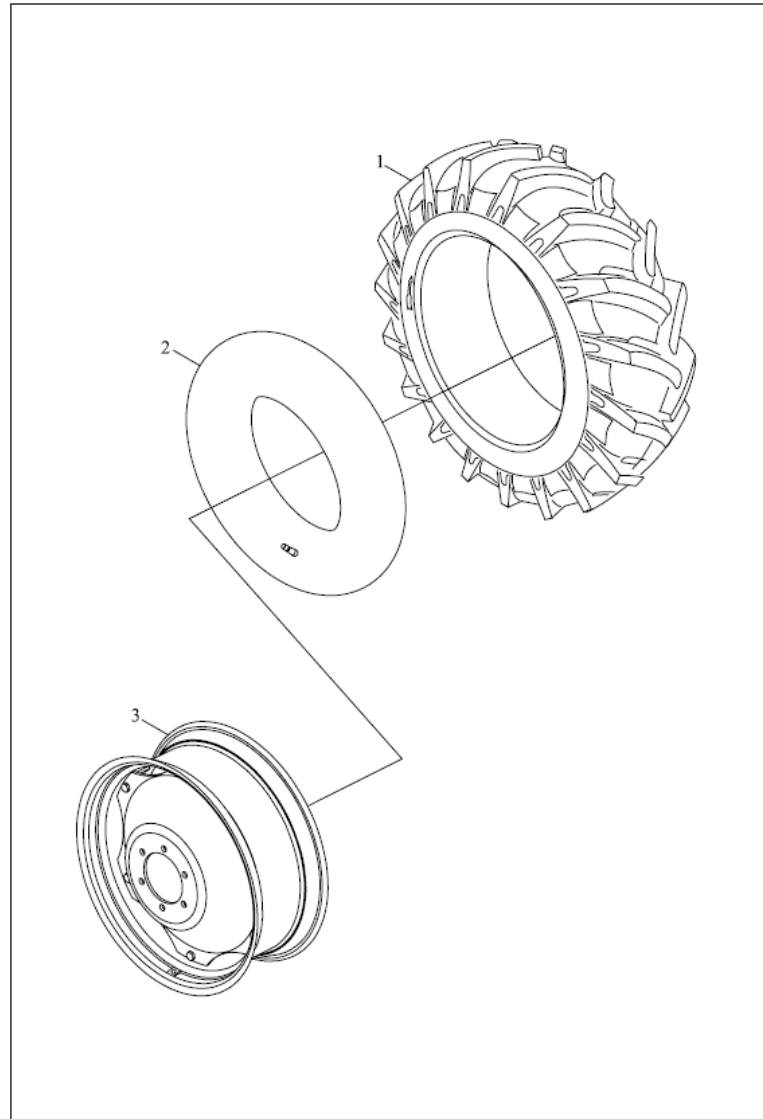
FT404.32.001 Fore wheel assembly



FT404.32.001 32-前轮总成 32-FRONT WHEEL ASSEMBLY

标号 No.	代号 Code	名称 Description		数量 Quantity	备注 Remark
1	GBT2979-8.3-20-6PR	外胎 (水田胎)	OUTER TIRE	2	2011-11_
2	GBT2979-8.3-20	拖拉机驱动轮内胎	DRIVING WHEEL INNER TUBE	2	2003-11_
2	GBT2979-8.3-20	拖拉机驱动轮内胎	DRIVING WHEEL INNER TUBE	2	2003-11_
3	FT404.32.011b	轮辋焊合	WHEEL RIM WELD	2	2003-11_
3	FT404.32.011b	轮辋焊合	WHEEL RIM WELD	2	2003-11_

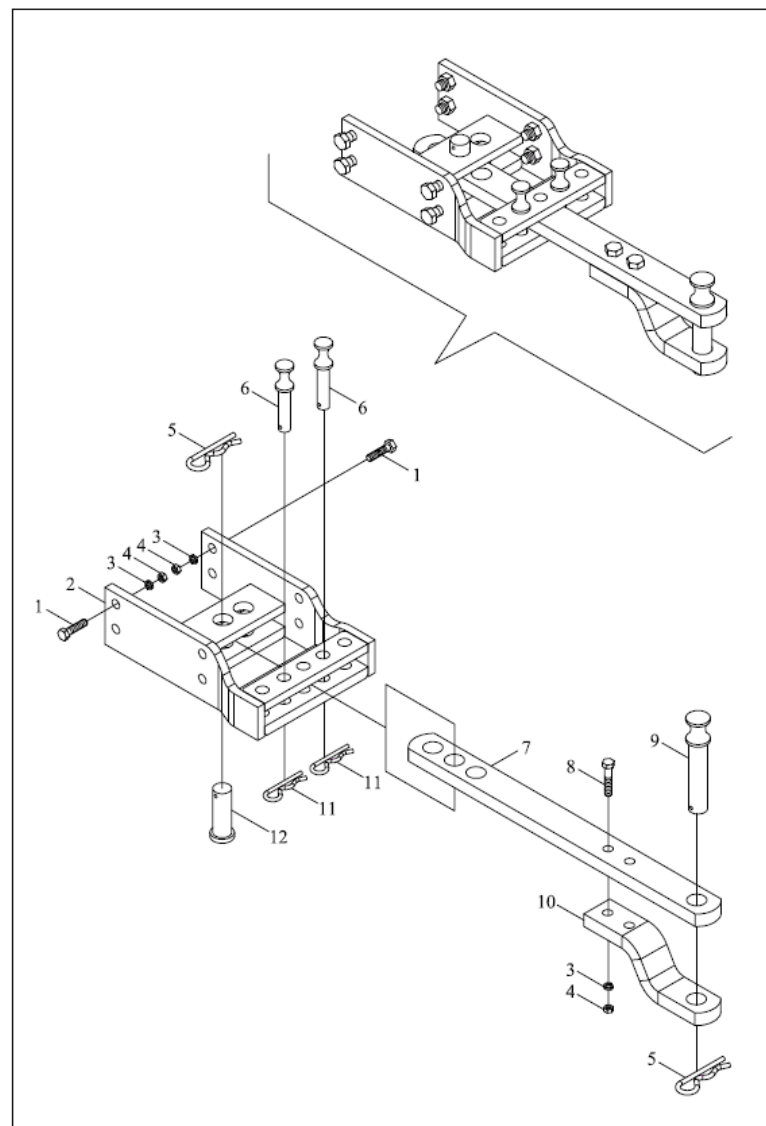
FT400.34.001a Rear driving wheel assembly



FT400.34.001a 34-后驱动轮总成 34-REAR DRIVE WHEEL ASSEMBLY

标号 No.	代号 Code	名称 Description		数量 Quantity	备注 Remark
1	GBT2979-12.4-28-8PR-R	拖拉机驱动轮普通断面斜交结构外胎	DRIVING WHEEL OUTER TUBE	2	2014-12_
2	GBT2979-12.4-28-R	拖拉机驱动轮内胎	DRIVING WHEEL INNER TUBE	2	2014-12_
2	GBT2979-12.4-28-R	拖拉机驱动轮内胎	DRIVING WHEEL INNER TUBE	2	2014-12_
3	FT400.34.011b	轮辋总成	RIM ASSEMBLY	2	2003-11_
3	FT400.34.011b	轮辋总成	RIM ASSEMBLY	2	2003-11_

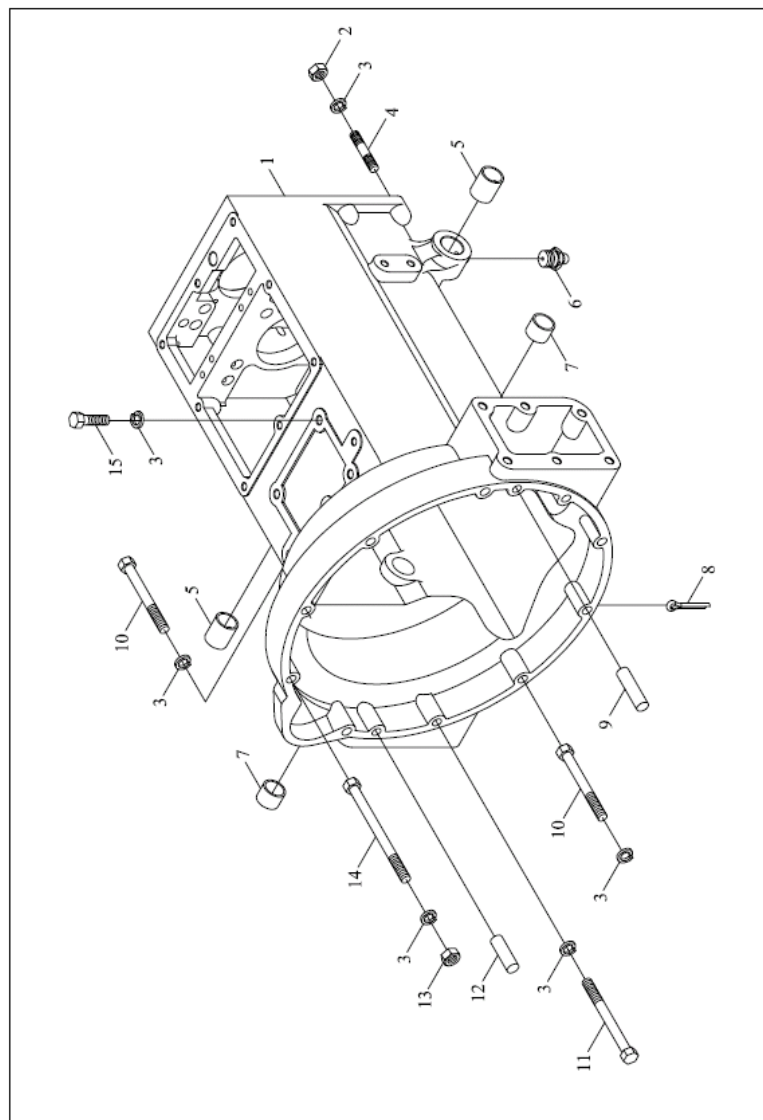
FT300.35A.001 Traction mechanism assembly



FT300.35A.001 35-牵引机构总成 35-TOWING MECHANISM ASSEMBLY

标号 No.	代号 Code	名称 Description		数量 Quantity	备注 Remark
1	GBT5783-M16×60-A3L	螺栓	BOLT	8	2010-11_
10	FT300.35A.101	连接摆杆	CONNECTING SWING ROD	1	2010-11_
11	FT300.35A.131	锁销	PIN	2	2010-11_
12	FT300.35A.103	连接销	CONNECTING PIN	1	2010-11_
2	FT300.35A.012	牵引架焊合	TRACTION FRAME	1	2004-01_
2	FT300.35A.012a	牵引架焊合	TRACTION FRAME	1	2010-11_
3	GBT93-16-A0P	弹簧垫圈	SPRING WASHER	10	2012-02_
4	GBT6170-M16-A3L	螺母 M16-A3L	NUT	10	2010-11_
5	FT65.53.103	弹性锁销	SPRING LOCK PIN	2	2010-11_
6	FT300.35A.104	定位销	THIMBLE	2	2010-11_
7	FT300.35A.102	摆杆	UPPER PART U-HOOK	1	2010-11_
8	TB400.35.1-03	螺栓	BOLT	2	2010-11_
9	FT300.35A.105	摆销	SWING PIN	1	2010-11_

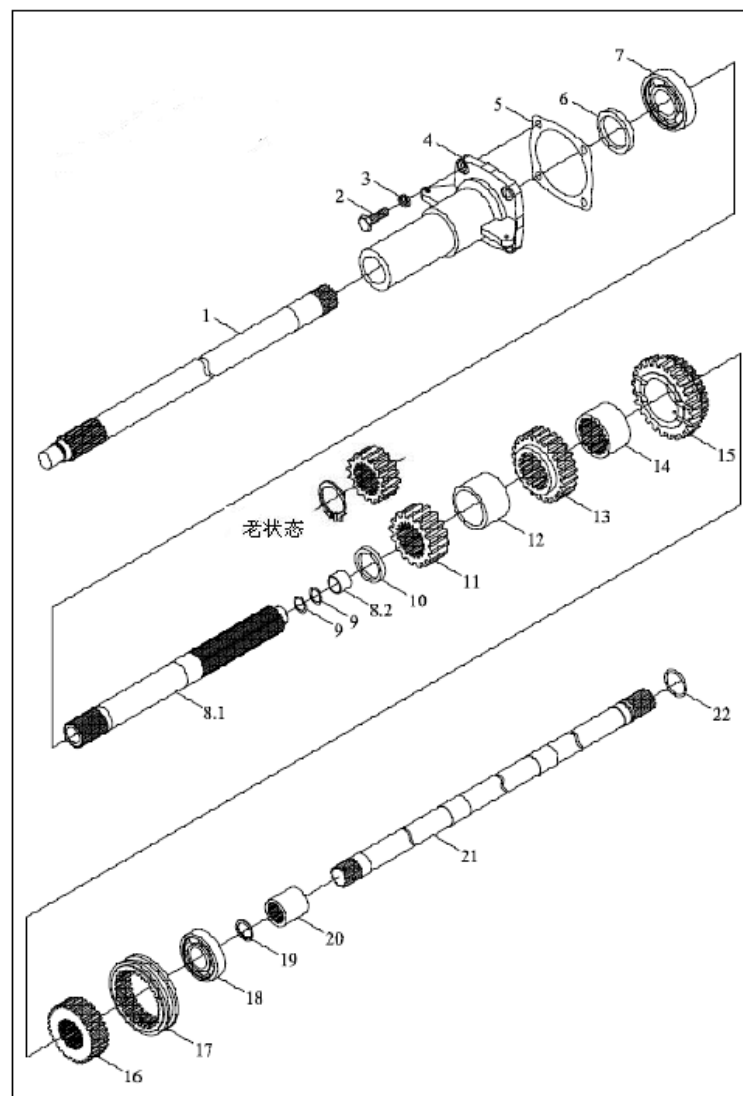
TB400.371B Transmission housing assembly



TB400.371B 37.1-变速箱壳体总成 37.1-GEARBOX HOUSING ASSEMBLY

标号 No.	代号 Code	名称 Description		数量 Quantity	备注 Remark
1	FT300.37.101b	变速箱壳体	GEAR BOX	1	2006-12_
1	TB400.371E-01	变速箱壳体	GEAR BOX	1	2007-12_
1	FT300.37.101b	变速箱壳体	GEAR BOX	1	2006-12_
10	TB550.371-01	螺栓	BOLT	3	2006-12_
11	GBT5782-M12X110-A2L	螺栓	BOLT	1	
12	GBT119.1-12m6X22-A0P	圆柱销	PIN	1	2011-11_
13	GBT6170-M12-A3L	螺母	NUT	3	2011-11_
14	GBT5783-M12X40-A3L	螺栓	BOLT	1	
15	GBT5783-M12X35-A3L	螺栓	BOLT	4	2011-11_
15	GBT5783-M12X35-A3L	螺栓	BOLT	4	2011-11_
2	GBT6171-M12X1.5-A3L	1型六角螺母	NUT	10	
3	GBT93-12-A0P	弹簧垫圈	SPRING WASHER	24	2011-11_
4	GBT899-AM12-M12X1.5X35-8.8-A3L	双头螺柱	8.8-A3L STUD	10	2011-11_
5	FT300.37.158	踏板轴衬套	PEDAL SHAFT BUSH	2	2011-11_
6	JBT7940.1-M10X1	直通式压注油杯	STRAIGHT PRESSURE FILLING OIL CUP	2	2011-11_
7	FT300.37.159	分离叉轴衬套	RELEASE FORK SHAFT BUSH	2	2011-11_
8	GBT91-6.3X40-A0P	开口销	PIN	1	2011-11_
9	GBT119.1-12m6X30-A0P	圆柱销	PIN	3	2011-11_
9	GBT119.1-12m6X30-A0P	圆柱销	PIN	3	2011-11_

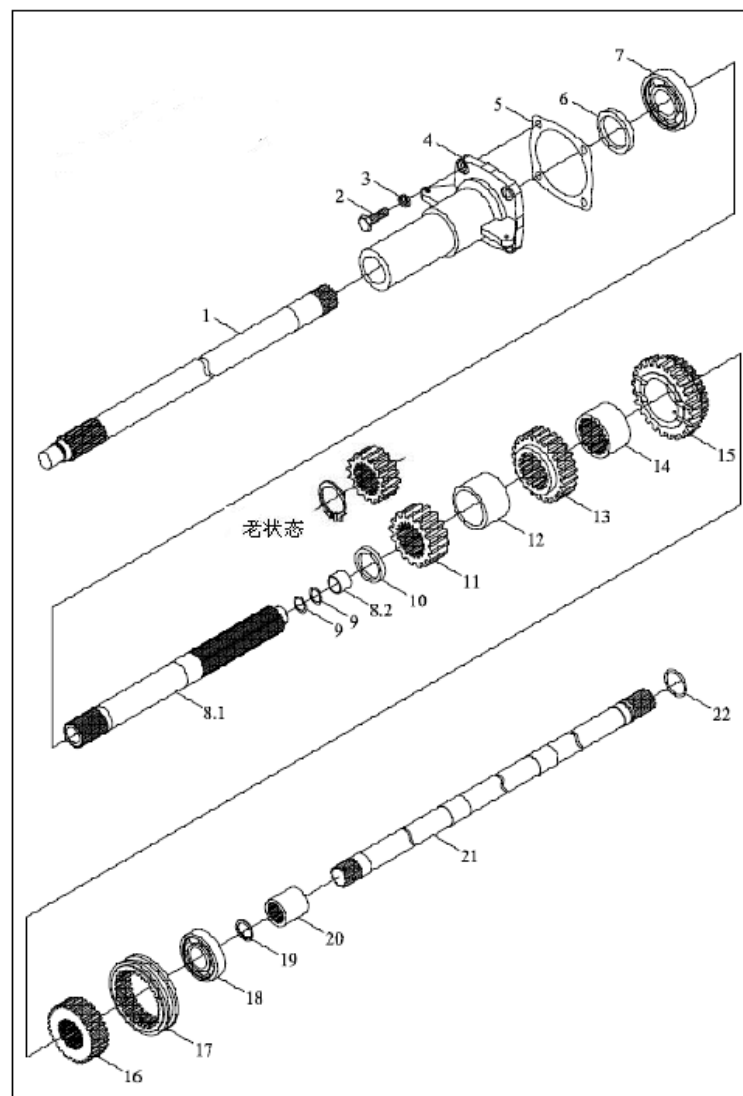
TB400.372D 主变速总成-1



TB400.372D-1 37.2.1-主变速总成-1 MAIN TRANSMISSION ASSEMBLY-1

标号 No.	代号 Code	名称 Description		数量 Quantity	备注 Remark
1	FT400.37B.201	副离合器轴	AUXILIARY CLUTCH SHAFT	1	2011-11_
10	TB550.372-18	I 档齿轮隔套	I GEAR SPACER	1	2004-01_
10	GBT894.1	挡圈20	BLCKING RING	1	2011-11_
11	FT300.37B.126a	I 档主动齿轮	I DRIVING GEAR	1	2008-08_
11	FT300.37B.126	I 档主动齿轮	I DRIVING GEAR	1	2004-01_
12	FT300.37B.127a	I - II 档齿轮隔套	I-II GEAR SPACER	1	2007-04_
12	TB550.372-19	I - II 档齿轮隔套	I-II GEAR SPACER	1	2008-08_
12	FT300.37B.127	I - II 档齿轮隔套	I-II GEAR SPACER	1	2004-01_
13	FT300.37.128	II 档主动齿轮	II DRIVING GEAR	1	2011-11_
14	FT300.37.130	III 档齿轮衬套	III GEAR BUSH	1	2011-11_
15	FT300.37.131a	III 档主动齿轮	III DRIVING GEAR	1	2011-11_
16	FT300.37.132	III-IV 档啮合齿座	III-IV ENGAGING GEAR SEAT	1	2011-11_
17	FT300.37.134a	III-IV 档啮合套	III-IV SHIFT COLLAR	1	2011-11_
18	GBT276-6007	轴承6007	BEARING	1	2011-11_
19	GBT893.1-21	孔用弹性挡圈	SNAP RING	1	2011-11_
2	GBT5783-M8X25-A2L	螺栓	BOLT	4	2011-11_
20	FT300.37.136	连接套	CONNECTING SLEEVE	1	2011-11_
21	FT300.37J.137	动力输出连接轴	PTO CONNECTING SHAFT	1	2011-11_
22	GBT895.2-24	轴用钢丝挡圈	SNAP RING	1	2011-11_
3	GBT93-8	垫圈8	WASHER 8	4	2011-11_
4	FT300.37B.124	I 轴轴承盖	SHAFT I BEARING COVER	1	2011-11_
5	FT300.37B.125	I 轴轴承盖纸垫	SHAFT I BEARING COVER PAPER GASKET	1	2011-11_
6	GBT9877.1-FB40X62X8D	内包骨架旋转轴唇形密封	O RING	1	2011-11_
7	GBT276-6208	深沟球轴承	BEARING	1	2011-11_
8	FT300.37B.021a	I 轴合件	SHAFT I UNIT	1	2008-08_

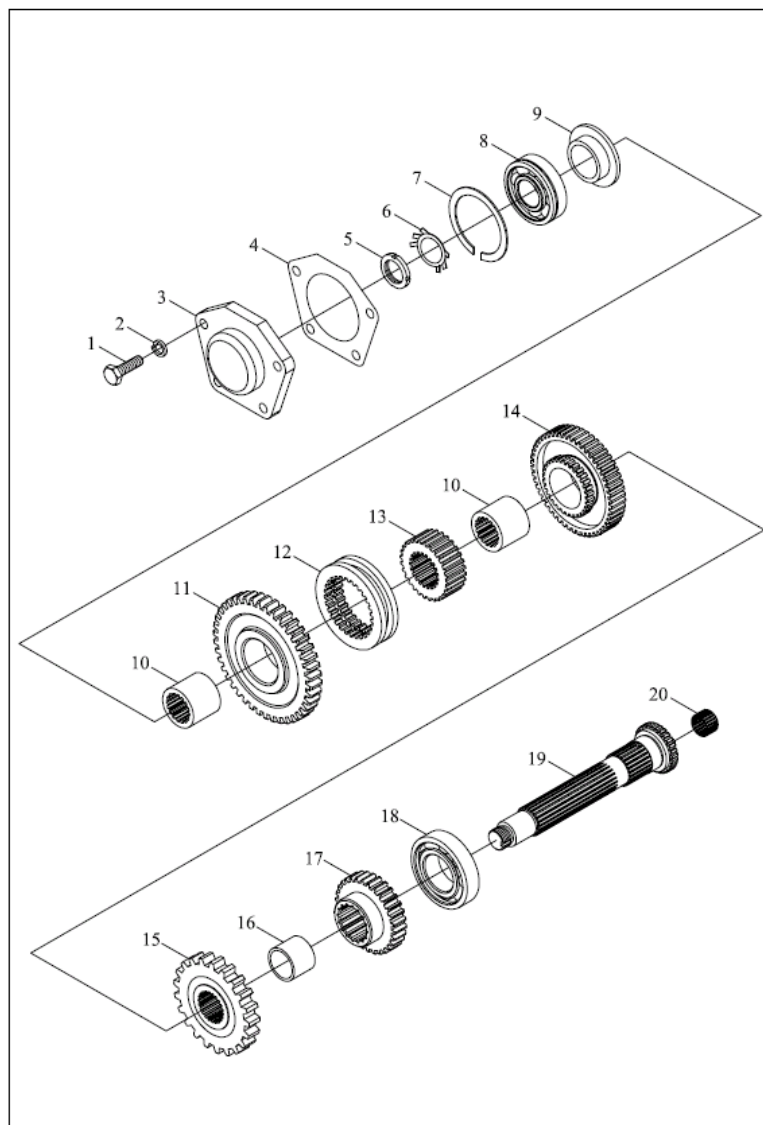
TB400.372D 主变速总成-1



TB400.372D-1 37.2.1-主变速总成-1(续)

标号 No.	代号 Code	名称 Description		数量 Quantity	备注 Remark
8	FT300.37B.021a	I 轴合件	SHAFT I UNIT	1	2008-08_
8	FT300.37B.021	I 轴合件	SHAFT I UNIT	1	2004-01_
8.1	FT300.37B.202a	I 轴	SHAFT I	1	2008-08_
8.1	FT300.37B.202	I 轴	SHAFT I	1	2004-01_
8.2	FT300.37.170	衬套	SLEEVE	1	2011-11_
9	GBT3452.1-23.6X1.80G	液压气动用O形橡胶密封圈	O-SEAL RING	2	2011-11_

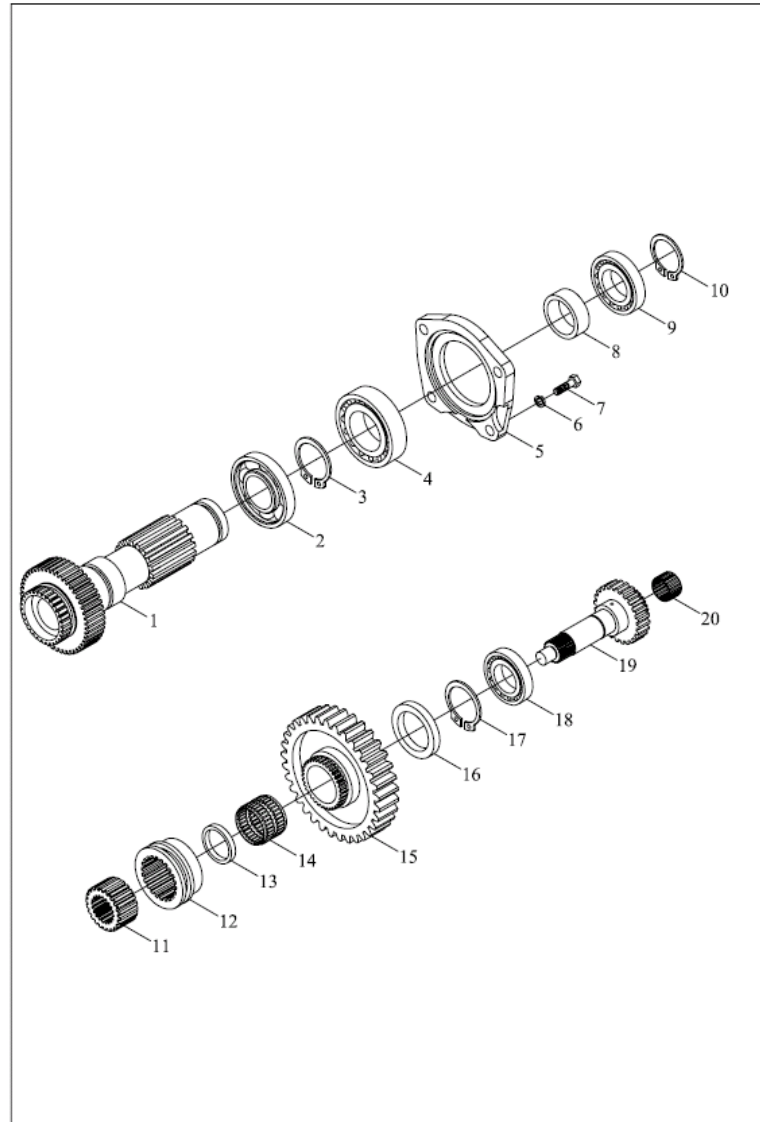
TB400.372D Main transmission assembly-2



TB400.372D-2 37.2.2-主变速总成-2 MAIN TRANSMISSION ASSEMBLY-2

标号 No.	代号 Code	名称 Description		数量 Quantity	备注 Remark
1	GBT5783-M8X25-A2L	螺栓	BOLT	4	2011-11_
10	FT300.37.114	I-II档齿轮衬套	I-II GEAR BUSH	2	2011-11_
11	FT300.37.117	I档从动齿轮	I DRIVEN GEAR	1	2004-01_
11	FT300.37.117a	I档从动齿轮	I DRIVEN GEAR	1	2011-06_
12	FT300.37.115a	I-II档啮合套	I-II SHIFT COLLAR	1	2011-06_
12	FT300.37.115	I-II档啮合套	I-II SHIFT COLLAR	1	2004-01_
13	FT300.37.116	I-II档啮合齿座	I-II ENGAGING TOOTH SEAT	1	2011-11_
14	FT300.37.113a	II档从动齿轮	II DRIVEN GEAR	1	2011-06_
14	FT300.37.113	II档从动齿轮	II DRIVEN GEAR	1	2004-01_
15	FT300.37.112	III档从动齿轮	III DRIVEN GEAR	1	2011-11_
16	FT300.37.110	III-IV档齿轮隔套	III-IV GEAR SPACER	1	2011-11_
17	FT300.37.108a	IV档从动齿轮	IV DRIVEN GEAR	1	2011-11_
18	GBT276-6208	深沟球轴承	BEARING	1	2011-11_
19	FT300.37.109a	II轴	SHAFT II	1	2011-11_
2	GBT93-8	垫圈8	WASHER 8	4	2011-11_
20	JBT7918-K20X26X20	向心滚针和保持架组件	NEEDLE AND CARRIER UNIT	1	2011-11_
3	FT300.37.120	II轴轴承盖	SHAFT II BEARING COVER	1	2011-11_
4	FT300.37.119	II轴轴承盖纸垫	SHAFT II BEARING COVER PAPER GASKET	1	2011-11_
5	GBT812-M24X1.5	圆螺母	ROUND NUT	1	2011-11_
6	GBT858-24	圆螺母用止动垫圈	THRUST RING	1	2011-11_
7	GBT305-72/78.6	止推环	PLATE;THRUST	1	2004-01_
8	GBT276-6306N	深沟球轴承	BEARING	1	2011-11_
9	FT300.37.118	II轴轴端挡圈	SHAFT II END RETAINER RING	1	2011-11_

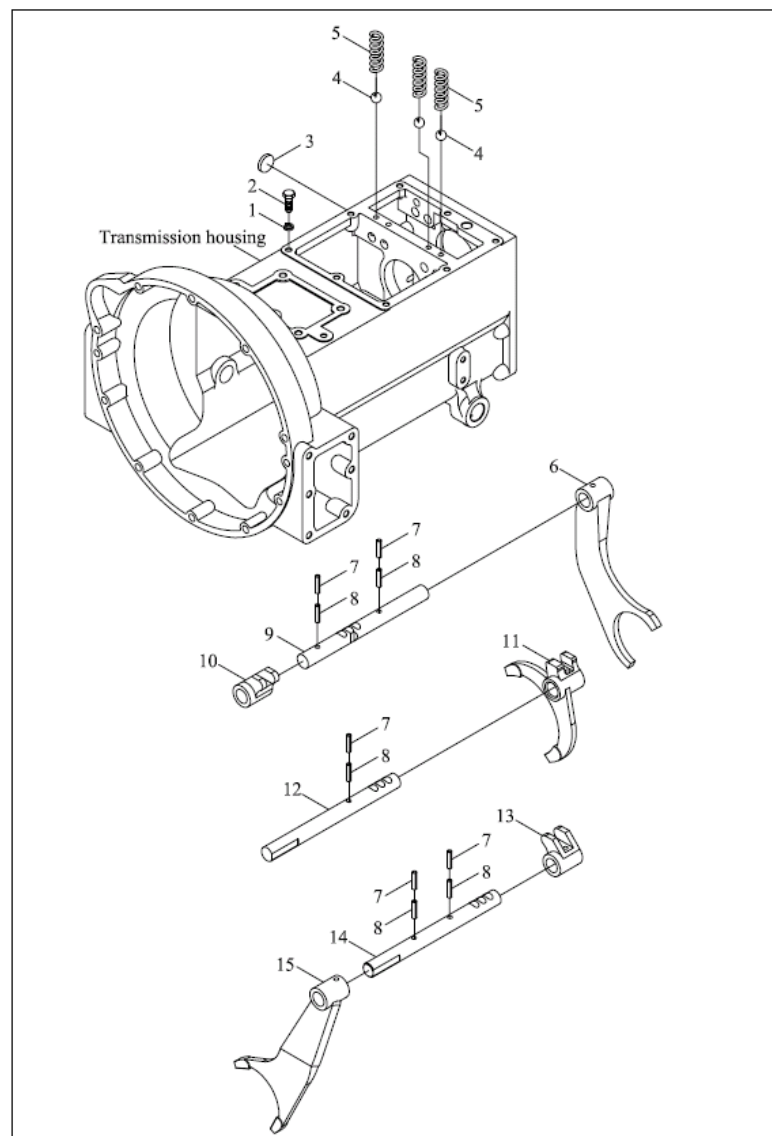
TB450.373BAuxiliary transmission assembly



TB450.373B 37.3-副变速总成 37.3-AUXILIARY GEARSHIFT ASSEMBLY

标号 No.	代号 Code	名称 Description	数量 Quantity	备注 Remark
1	FT300.37J.169a	副变速主动齿轮轴	1	2011-11_
10	GBT894.1-40	挡圈40	1	2011-11_
11	FT300.37.106a	倒档齿轮啮合齿座	1	2011-11_
12	FT300.37J.105	副变速换挡套	1	2011-11_
12	FT300.37J.105	副变速换挡套	1	2011-11_
13	FT300.37.111	隔套	1	2011-11_
14	QSFZB019-K35X43X34ZW	滚针轴承	1	2011-11_
15	FT300.37.103	副变速从动齿轮	1	2004-01_
15	FT450.37.103	副变速从动齿轮	1	2007-04_
16	FT300.37J.182	限位挡圈	1	2004-01_
16	FT300.37J.182a	限位挡圈	1	2007-04_
17	GBT894.1-35	轴用弹性挡圈	1	2011-11_
18	GBT283-NUP307E	圆柱滚子轴承	1	2011-11_
19	TB450.37J-01	副变速从动轴	1	2011-11_
2	GBT276-6210	深沟球轴承	1	2011-11_
20	JBT7918-K25X31X20	向心滚针和保持架组件	1	2011-11_
3	GBT894.1-50	轴用弹性挡圈	1	2011-11_
4	GBT283-NUP308E	圆柱滚子轴承	1	2011-11_
5	FT300.37.139	副变速轴承盖	1	2011-11_
6	GBT93-10-A0P	标准型弹簧垫圈	4	2011-11_
7	GBT5783-M10X30-A2L	六角头螺栓	4	2011-11_
8	FT300.37J.180	隔套	1	2011-11_
9	GBT283-NF208E	圆柱滚子轴承	1	2011-11_

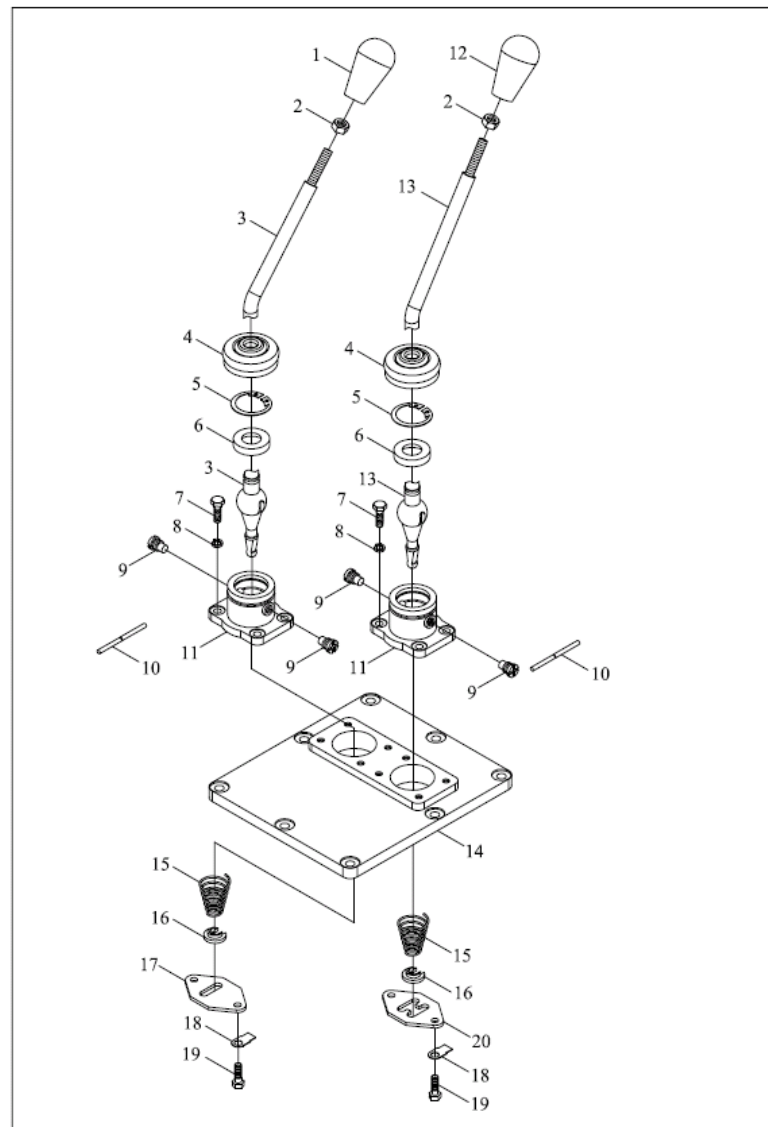
TB300.374BGear box control mechanism assembly-1



TB300.374B-1 37.4.1-变速箱操纵机构总成-1 37.4TRANSMISSION CONTROL MECHANISM ASSEMBLY-1

标号 No.	代号 Code	名称 Description	数量 Quantity	备注 Remark
1	GBT93-10	垫圈10	8	2011-11_
10	FT300.37.154	副变速拨头	1	2011-11_
11	FT300.37.147	Ⅲ-Ⅳ档拨叉	1	2011-11_
12	FT300.37.150	Ⅲ-Ⅳ档拨叉轴	1	2011-11_
13	FT300.37.152	I-II档拨头	1	2011-11_
14	FT300.37.149	I-II档拨叉轴	1	2011-11_
15	FT300.37.148	I-II档拨叉	1	2011-11_
2	GBT5783-M10X30-A3L	螺栓	8	2011-11_
3	Q721-14	塞片	1	2011-11_
4	GBT308-8-G100-B	钢球	3	2011-11_
5	FT300.37.135	拨叉轴定位弹簧	3	2011-11_
6	FT300.37.145	副变速拨叉	1	2011-11_
7	GBT879.1-3X24	弹性圆柱销	5	2011-11_
8	GBT879.1-5X24	弹性圆柱销	5	2011-11_
9	FT300.37.156	副变速拨叉轴	1	2011-11_

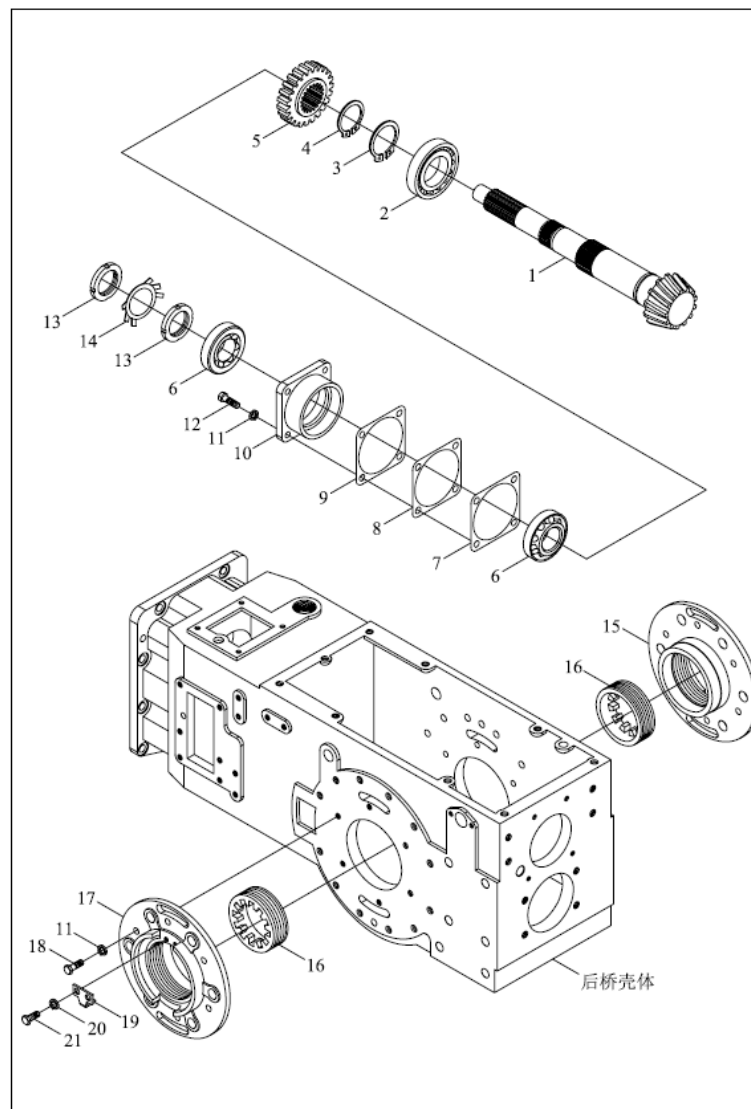
TB300.374BGear box control mechanism assembly-2



TB300.374B-2 37.4.2-变速箱操纵机构总成-2 37.4TRANSMISSION CONTROL MECHANISM ASSEMBLY-2

标号 No.	代号 Code	名称 Description	数量 Quantity	备注 Remark
1	FT300.37J.016	副变速操纵手柄总成	1	2011-11_
10	TF1004.374-02-SZ-1.4X250	低碳钢丝	2	2011-11_
11	FT300.37.180	变速杆支座	2	2011-11_
12	FT300.37.015	主变速操纵手柄总成	1	2011-11_
13	FT300.37.167a	主变速杆	1	2011-11_
14	FT300.37.163a	变速箱上盖	1	2011-11_
15	FT300.37.165	变速杆弹簧	2	2011-11_
15	FT300.37.165	变速杆弹簧	2	2011-11_
16	FT300.37.164	变速杆弹簧挡圈	2	2011-11_
17	FT300.37J.161	副变速导板	1	2011-11_
18	GBT854-8	单耳制动垫圈	4	2004-01_
19	GBT5783-M8X16-A2L	螺栓	4	2004-01_
2	GBT6172.1-M10-A2L	螺母	2	2004-01_
20	FT300.37.162	主变速导板	1	2011-11_
3	FT300.37.160a	副变速杆	1	2011-11_
4	FT300.37.166a	变速杆防尘罩	2	2011-11_
5	GBT893.1-40	挡圈	2	2004-01_
6	FT800A.37.305	尼龙座	2	2011-11_
7	GBT5781-M8X20-A2L	六角头螺栓	8	2011-11_
7	GBT5781-M8X20-A2L	六角头螺栓	8	2011-11_
8	GBT93-8-A0P	垫圈	8	2011-11_
9	FT800A.37.326	变速杆定位销	4	2011-11_

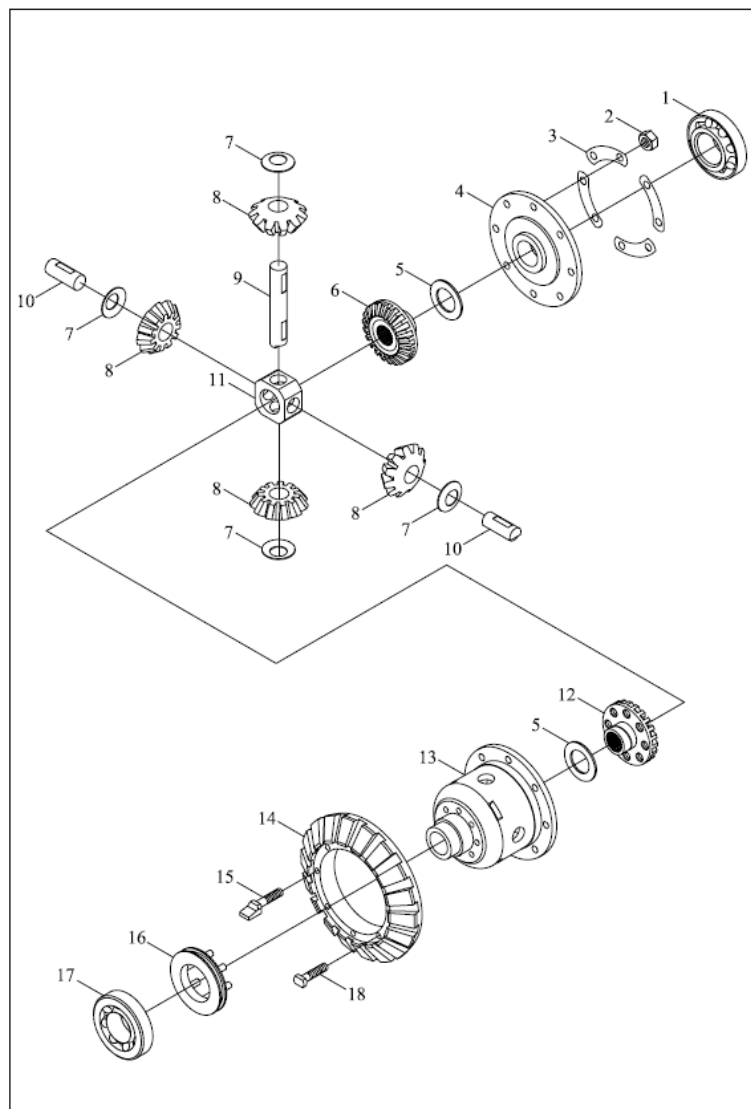
TB504.382 后桥中央传动总成-1



TB504.382-1 38.2.1-后桥中央传动总成-1 REAR AXLE CENTRAL TRANSMISSION ASSEMBLY-1

标号 No.	代号 Code	名称 Description		数量 Quantity	备注 Remark
1	TB450.38J-05	小圆锥齿轮轴	SMALL TAPER GEAR SHAFT	1	2011-11_
10	FT300.38.117	轴承座	BEARING SEAT	1	2011-11_
11	GBT93-10-A0P	标准型弹簧垫圈	WASHER	16	2011-11_
12	GBT5783-10X30-A3L	六角头螺栓	BOLT	4	2011-11_
13	GBT812-M39X1.5	圆螺母	ROUND NUT	2	2011-11_
14	GBT858-39	圆螺母用止动垫圈	THRUST RING	1	
15	FT300.38.177	右差速器轴承座	RIGHT DIFFERENTIAL BEARING SEAT	1	2011-11_
16	FT300.38.151	调整螺母	ADJUSTING NUT	2	2011-11_
17	FT300.38.142	左差速器轴承座	LEFT DIFFERENTIAL BEARING SEAT	1	2011-11_
18	GBT5783-10X25-A3L	六角头螺栓	BOLT	12	2011-11_
19	FT300.38.161	锁片	LOCK SHIM	2	2011-11_
2	GBT283-NUP2210E	圆柱滚子轴承	BEARING	1	2011-11_
20	GBT93-8-A0P	垫圈	WASHER	4	2011-11_
21	TB554.382-01	螺栓	BOLT	4	
3	GBT894.1-50	轴用弹性挡圈	SNAP RING	1	2011-11_
4	GBT894.1-48	挡圈	RETAINER RING	1	2011-11_
5	FT404.38G.116	前驱动输出齿轮	FRONT DRIVE OUTPUT GEAR	1	2011-11_
6	GBT297-32208	圆锥滚子轴承	BEARING	2	2011-11_
7	FT300.38.118	锥齿轮轴调整垫片	TAPER GEAR SHAFT ADJUSTING GASKET	999	2011-11_
8	FT300.38.119	锥齿轮轴调整垫片	TAPER GEAR SHAFT ADJUSTING GASKET	999	2011-11_
9	FT300.38.120	锥齿轮轴调整垫片	TAPER GEAR SHAFT ADJUSTING GASKET	999	2011-11_

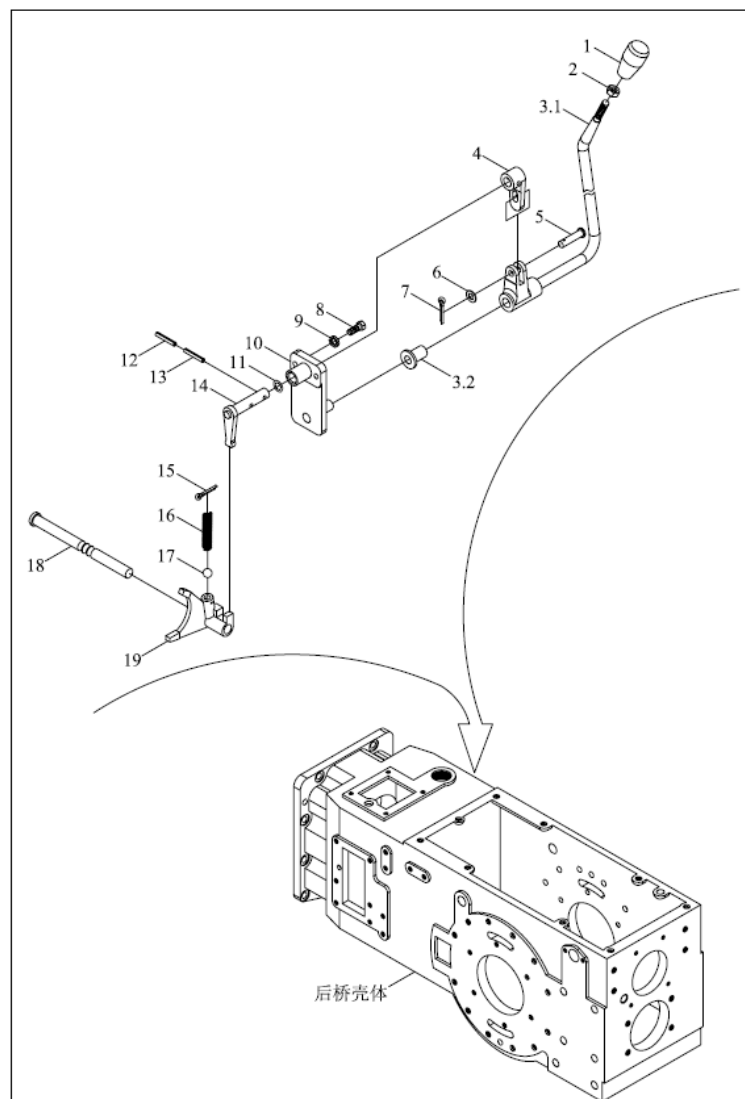
TB504.382 后桥中央传动总成-2



TB504.382-2 38.2.2-后桥中央传动总成-2 REAR AXLE CENTRAL TRANSMISSION ASSEMBLY-2

标号 No.	代号 Code	名称 Description	数量 Quantity	备注 Remark
0	FT300.38.012	差速器总成	1	2011-11_
1	GBT297-32013	圆锥滚子轴承	1	2011-11_
10	FT300.38.183	短行星齿轮轴	2	2011-11_
11	FT300.38.184	中心环	1	2011-11_
12	FT300.38.143	左半轴齿轮	1	2011-11_
13	FT300.38.180	差速器壳体	1	2011-11_
14	FT300.38.141	大圆锥齿轮	1	2011-11_
15	FT300.38.185	行星齿轮轴止推螺栓	4	2011-11_
16	FT300.38.019	差速锁总成	1	2011-11_
16	FT300.38.019	差速锁总成	1	2011-11_
17	GBT297-30211	圆锥滚子轴承	1	2011-11_
18	FT300.38.186	大锥齿轮固定螺栓	4	2011-11_
2	GBT6170-M12-A3L	螺母	8	2011-11_
3	FT300.38.152	锁紧垫片	4	2011-11_
4	FT300.38.181	差速器盖	1	2011-11_
4	FT300.38.181	差速器盖	1	2011-11_
5	FT300.38.147	半轴齿轮垫片	2	2011-11_
6	FT300.38.144	右半轴齿轮	1	2011-11_
7	FT300.38.148	行星齿轮垫片	4	2011-11_
8	FT300.38.145	行星齿轮	4	2011-11_
8	FT300.38.145	行星齿轮	4	2011-11_
9	FT300.38.182	长行星齿轮轴	1	2011-11_

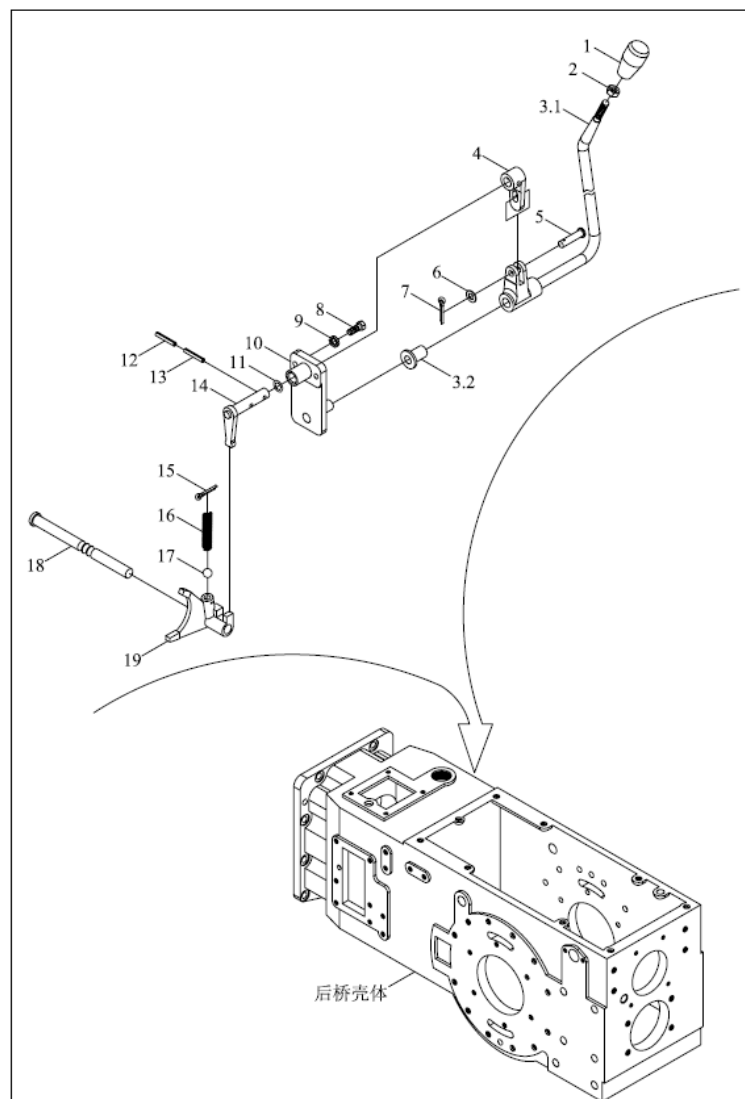
TB554.385 梭式换档机构总成



TB554.385 38.5-梭式换挡机构总成 38.5-SHUTTLE SHIFT MECHANISM ASSEMBLY

标号 No.	代号 Code	名称 Description	数量 Quantity	备注 Remark
1	FT300.41.015	动力输出操纵手柄总成	1	2011-11_
10	TB554.385.3a	拨杆轴套焊接	1	2010-01_
10	TB554.385.3	拨杆轴套焊接	1	2011-11_
11	GBT3452.1-16.0X2.65G	液压气动用O形橡胶密封圈	1	2011-11_
12	GBT879.1-6X28	弹性圆柱销	1	2011-11_
12	GBT879.1-6X28	弹性圆柱销	1	2011-11_
13	GBT879.2-3.5X28	弹性圆柱销	1	2011-11_
14	TB554.385.2	指形拨杆焊接件	1	2008-09_
14	FT300.38J.023c	指形拨杆焊接件	1	2007-10_
15	GBT91-4X32-A0P	开口销	1	2011-11_
16	FT704.42B.163	拨叉轴定位弹簧	1	2011-11_
17	GBT308-9.5-G100-b	钢球	1	2011-11_
18	FT300.38J.203	倒档拨叉轴	1	2011-11_
19	FT300.38J.218	倒挡拨叉	1	2011-11_
2	GBT6170-M10-A3L	螺母	1	2011-11_
3	TB554.385.1a	倒档操纵杆压合	1	2010-01_
3	TB554.385.1	倒档操纵杆压合	1	2004-01_
3.1	FT300.38J.022b	倒档操纵杆焊接	1	2008-07_
3.1	FT300.38J.022b	倒档操纵杆焊接	1	2008-07_
3.1	FT300.38J.022c	倒档操纵杆总成	1	2010-01_
3.1	FT300.38J.022a	倒档操纵杆总成	1	2004-01_
3.2	TB504.385.1-01	衬套	1	2011-11_
4	FT300.38J.231b	摇臂	1	2007-10_
4	FT300.38J.231a	摇臂	1	
4	FT300.38J.216	摇臂	1	2010-08_

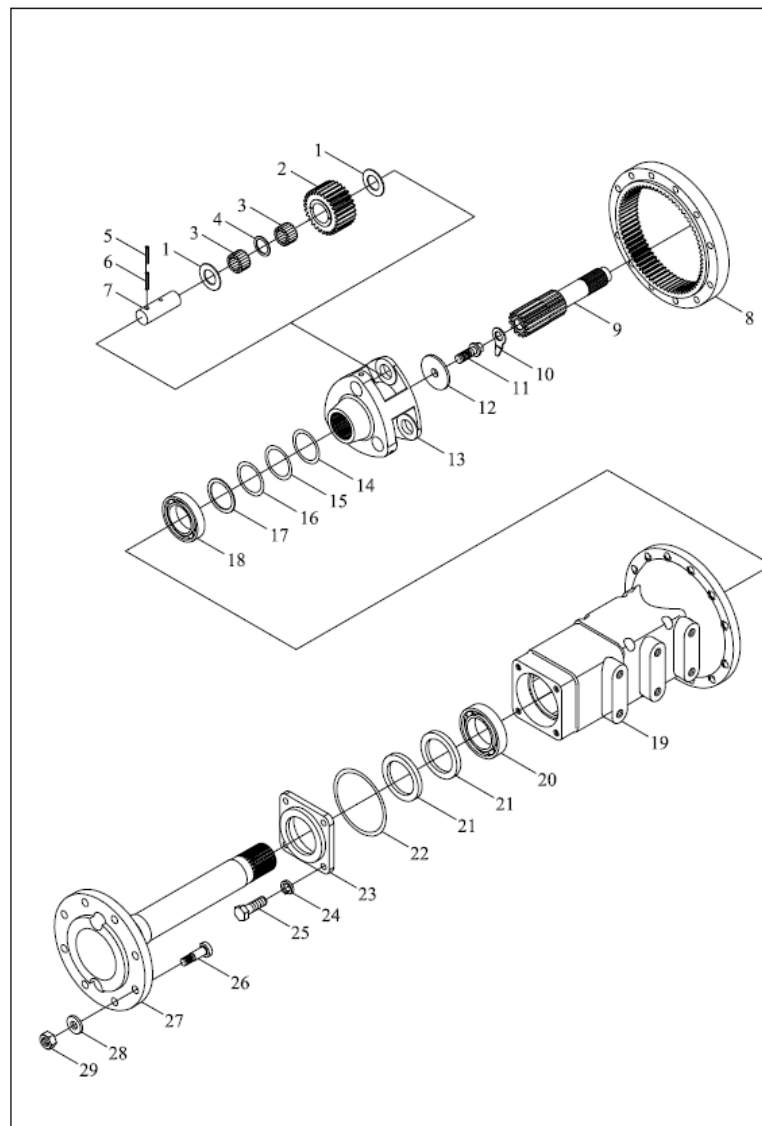
TB554.385 梭式换档机构总成



TB554.385 38.5-梭式换档机构总成(续)

标号 No.	代号 Code	名称 Description		数量 Quantity	备注 Remark
4	FT300.38J.231b	摇臂	ROCKER	1	2007-10_
5	GBT882-B10X30-A0P	销轴	PIN	1	2011-11_
6	GBT848-10-A0P	小垫圈	WASHER	1	2011-11_
7	GBT91-3.2X40-A0P	开口销	PIN	1	2011-11_
8	TB400.385-09	螺栓	BOLT	2	2011-11_
9	GBT93-10-A0P	标准型弹簧垫圈	WASHER	2	2011-11_

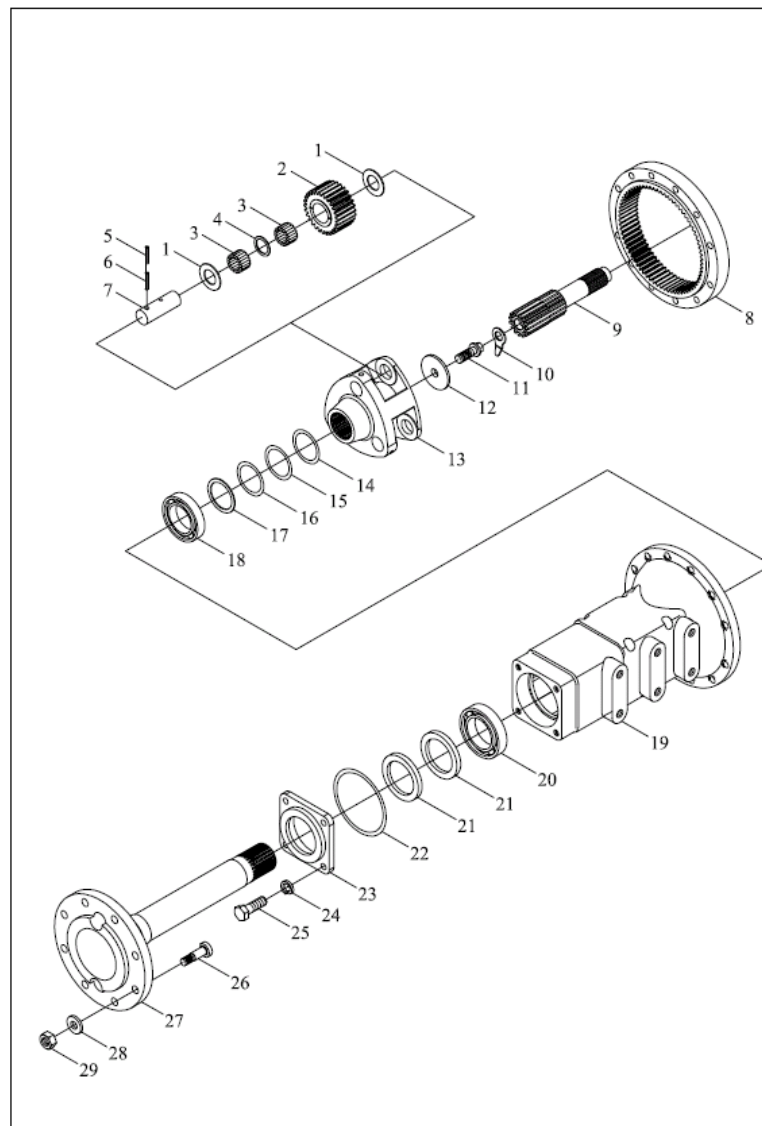
FT300.39.001 Final transmission assembly--1



FT300.39.001-1 39.1-最终传动总成-1 39FINAL TRANSMISSION ASSEMBLY -1

标号 No.	代号 Code	名称 Description		数量 Quantity	备注 Remark
1	FT300.39.109	滚针外隔圈	NEEDLE OUTER SPACER RING	6	2011-11_
10	FT300.39.110	驱动轴锁片	DRIVING SHAFT LOCK PIECE	1	2011-11_
11	FT300.39.112	驱动轴锁紧螺栓	DRIVING SHAFT LOCK BOLT	1	2011-11_
12	FT300.39.111	挡块	RETAINER BLOCK	1	2011-11_
13	FT300.39.104	行星架	PLANET CARRIER	1	2011-11_
14	FT300.39.123	调整垫片	ADJUSTING WASHER	999	2011-11_
15	FT300.39.122	调整垫片	ADJUSTING WASHER	999	2011-11_
16	FT300.39.121	调整垫片	ADJUSTING WASHER	999	2011-11_
16	FT300.39.121	调整垫片	ADJUSTING WASHER	999	2011-11_
17	FT300.39.113	隔套	SPACER BUSH	1	2011-11_
18	GBT276-6211	深沟球轴承	BEARING	1	2011-11_
19	FT300.39.115	左驱动轴壳体	LEFT DRIVING SHAFT HOUSING	1	2011-11_
2	FT300.39.103	行星轮	PLANET GEAR	3	2011-11_
20	GBT276-6212	球轴承	BALL BEARING	1	2011-11_
21	GBT9877.1-FB70X95X10D	内包骨架旋转轴唇形密封	O RING	2	2011-11_
22	GBT3452.1-115X3.55G	液压气动用O形橡胶密封圈	O-SEAL RING	1	2004-01_
23	FT300.39.116	油封座	OIL SEAL CAGE	1	2011-11_
24	GBT93-12-AOP	垫圈	WASHER	4	2011-11_
25	GBT5783-M12X30-8.8-A3L	六角头螺栓	BOLT	4	
26	FT300.39.136	后轮毂螺栓(左)	REAR HUB BOLT (LEFT)	8	2011-11_
27	FT300.39.118	驱动轴	DRIVING SHAFT	1	2011-11_
28	FT300.39.137	垫圈	WASHER	8	2011-11_
29	GBT6176-M16X1.5-LH-10-A3L	2型六角螺母	HEXAGON NUT, TYPE-2	8	2004-01_
3	GBT309-P5X23.8-G2	滚针	NEEDLE	132	2011-11_
4	FT300.39.105	滚针内隔圈	NEEDLE INNER SPACER RING	3	2011-11_

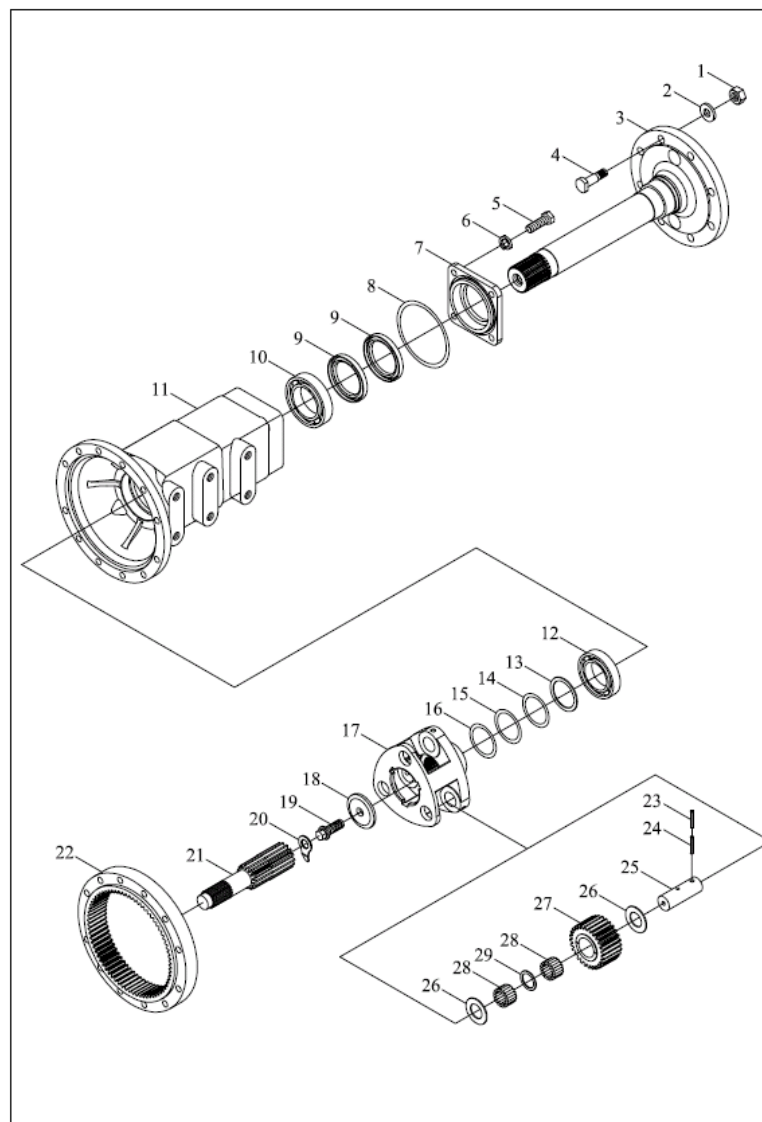
FT300.39.001 Final transmission assembly--1



FT300.39.001-1 39.1-最终传动总成-1(续)

标号 No.	代号 Code	名称 Description		数量 Quantity	备注 Remark
5	GBT879.1-5X24	弹性圆柱销	PIN	3	2011-11_
6	GBT879.1-8X24	弹性圆柱销	PIN	3	2011-11_
7	FT300.39.106	行星轮轴	PLANET GEAR SHAFT	3	2011-11_
8	FT300.39.107	齿圈	GEAR RING	1	2011-11_
9	FT300.39.101	左半轴	LEFT HALF SHAFT	1	2011-11_

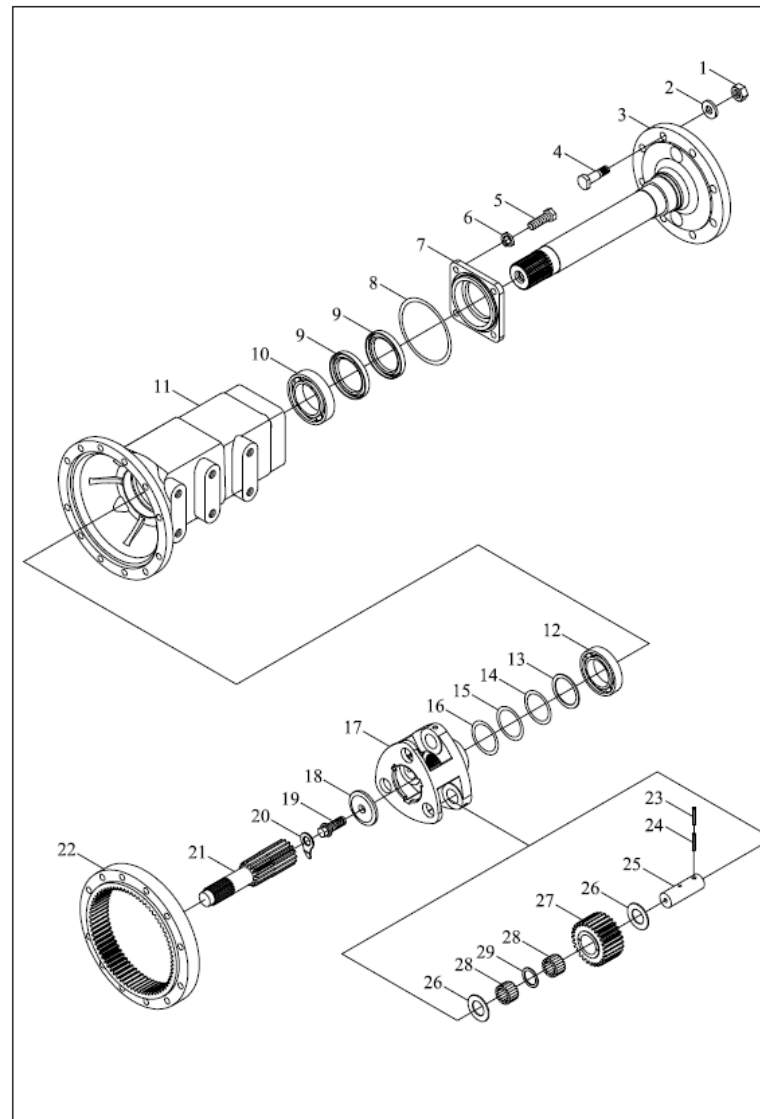
FT300.39.001 Final transmission assembly- -2



FT300.39.001-2 39.2-最终传动总成-2 39FINAL TRANSMISSION ASSEMBLY -2

标号 No.	代号 Code	名称 Description	数量 Quantity	备注 Remark
1	GBT6176-M16X1.5-LH-10-A3L	2型六角螺母	8	2011-11_
10	GBT276-6212	球轴承	1	2011-11_
11	FT300.39.114	右驱动轴壳体	1	2011-11_
12	GBT276-6211	深沟球轴承	1	2011-11_
13	FT300.39.113	隔套	1	2011-11_
14	FT300.39.121	调整垫片	9999	2011-11_
14	FT300.39.121	调整垫片	9999	2011-11_
15	FT300.39.122	调整垫片	9999	2011-11_
16	FT300.39.123	调整垫片	9999	2011-11_
17	FT300.39.104	行星架	1	2011-11_
18	FT300.39.111	挡块	1	2011-11_
19	FT300.39.112	驱动轴锁紧螺栓	1	2011-11_
2	FT300.39.137	垫圈	8	2011-11_
20	FT300.39.110	驱动轴锁片	1	2011-11_
21	FT300.39.102	右半轴	1	2011-11_
21	FT300.39.102	右半轴	1	2011-11_
22	FT300.39.107	齿圈	1	2011-11_
23	GBT879.1-5X24	弹性圆柱销	3	2011-11_
24	GBT879.1-8X24	弹性圆柱销	3	2011-11_
25	FT300.39.106	行星轮轴	3	2011-11_
26	FT300.39.109	滚针外隔圈	6	2011-11_
27	FT300.39.103	行星轮	3	2011-11_
28	GBT309-P5X23.8-G2	滚针	132	2011-11_
29	FT300.39.105	滚针内隔圈	3	2011-11_
3	FT300.39.118	驱动轴	1	2011-11_

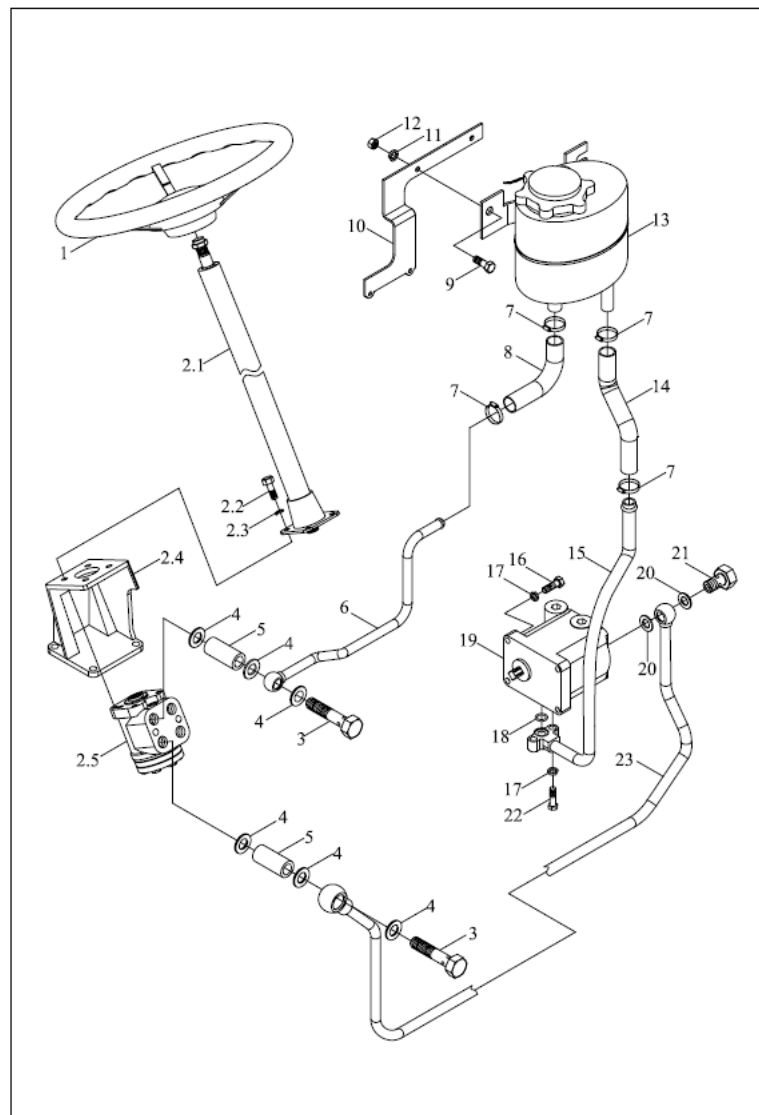
FT300.39.001 Final transmission assembly- -2



FT300.39.001-2 39.2-最终传动总成-2(续)

标号 No.	代号 Code	名称 Description		数量 Quantity	备注 Remark
4	FT300.39.135	后轮毂螺栓	REAR HUB BOLT	8	2011-11_
5	GBT5783-M12X30-8.8-A3L	六角头螺栓	BOLT	4	2011-11_
6	GBT93-12-AOP	垫圈	WASHER	4	2011-11_
7	FT300.39.116	油封座	OIL SEAL CAGE	1	2011-11_
8	GBT3452.1-115X3.55G	液压气动用O形橡胶密封圈	O-SEAL RING	1	2011-11_
9	GBT9877.1-FB70X95X10D	内包骨架旋转轴唇形密封	O RING	2	2011-11_

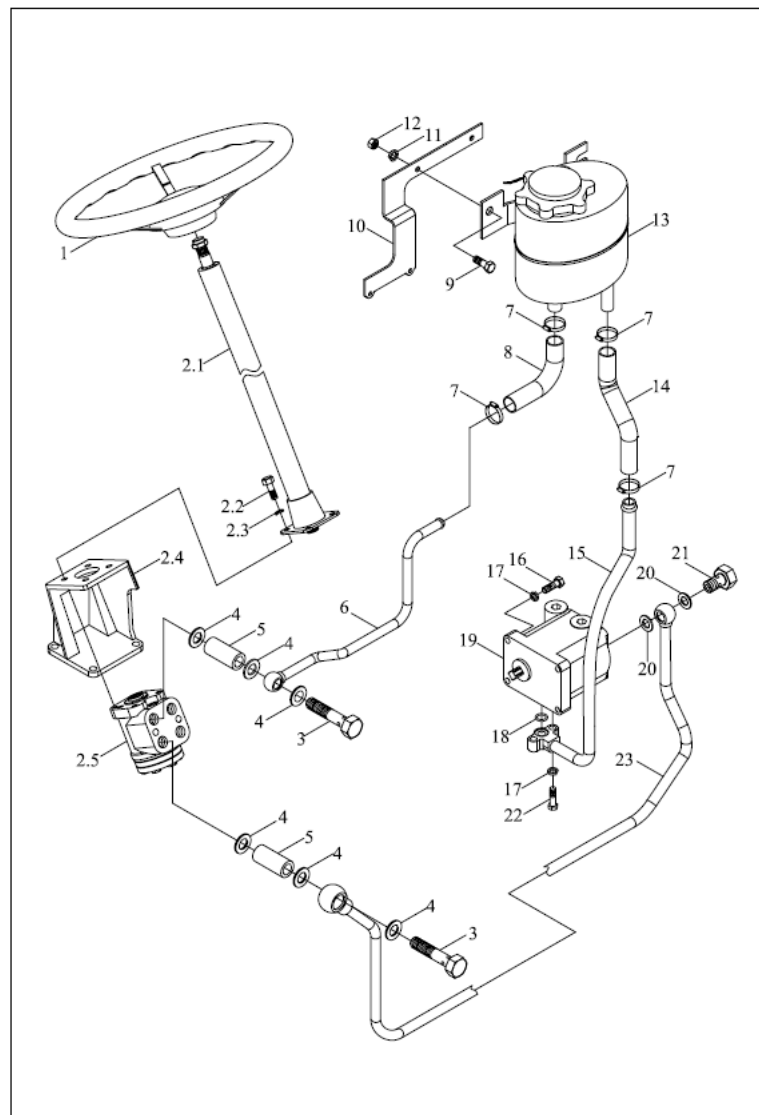
TB454.40X 全液压转向总成-1



TB454.40X-1 40.1-全液压转向总成-1 40FULL HYDRAULIC STEERING ASSEMBLY-1

标号 No.	代号 Code	名称 Description		数量 Quantity	备注 Remark
1	FT400.40.016	转向盘总成	STEERING WHEEL ASSEMBLY	1	2011-11_
10	TB450.40X-01	转向油箱支架	STEERING OIL TANK BRACKET	1	2011-11_
11	GBT93-10-A0P	标准型弹簧垫圈	WASHER	2	2011-11_
12	GBT6170-M10-A3L	螺母	NUT	2	2011-11_
13	FT354.40C.011	转向油箱及呼吸器总成	STEERING OIL TANK AND BREATH ASSEMBLY	1	2011-11_
14	FT400.40X.104	吸油软管	OIL SUCTION HOSE	1	2011-11_
15	FT450.40Y.011	油泵吸油钢管焊合件	OIL PUMP INLET STEEL PIPE WELDMENT	1	2011-11_
16	GBT5782-M8X60-A2L	六角头螺栓	BOLT	4	2011-11_
17	GBT93-8-A0P	垫圈	WASHER	7	2011-11_
18	GBT3452.1-19X2.65G	液压气动用O形橡胶密封圈	O-SEAL RING	1	2011-11_
19	FT354.40J.011	恒流溢流泵	PERMANENT OVERFLOW PUMP	1	2011-11_
2	FT354.40C.012	转向器及壳体总成	REDIRECTOR AND HOUSING ASSEMBLY	1	2011-11_
2.0	TB504.401-01	转向杆防护套	STEERING ROD SHIELD SLEEVE	1	2011-06_
2.0	TB504.401-01	转向杆防护套	STEERING ROD SHIELD SLEEVE	1	2011-06_
2.1	FT354.40C.016a	转向管柱总成	STEERING PIPE COLUMN ASSEMBLY	1	2011-11_
2.1	FT354.40C.016a	转向管柱总成	STEERING PIPE COLUMN ASSEMBLY	1	2011-11_
2.2	GBT5783-M10X30-A3L	螺栓	BOLT	4	2011-11_
2.3	GBT93-10-A0P	标准型弹簧垫圈	WASHER	4	2011-11_
2.4	FT354.40C.111	转向器支架	REDIRECTOR BRACKET	1	2011-11_
2.5	FT354.40C.015	液压转向器总成	HYDRAULIC STEERING MECHANISM ASSEMBLY	1	2011-11_
2.5	FT354.40C.015	液压转向器总成	HYDRAULIC STEERING MECHANISM ASSEMBLY	1	2011-11_
20	JBT982-18	组合密封垫圈	COMBINED SEAL GASKET	2	2011-11_
20	JBT982-18	组合密封垫圈	COMBINED SEAL GASKET	2	2011-11_
21	FT650.40.105	空心螺栓	HOLLOW BOLT	1	2011-11_
22	GBT5783-M8X30-A2L	螺栓	BOLT	3	2011-11_

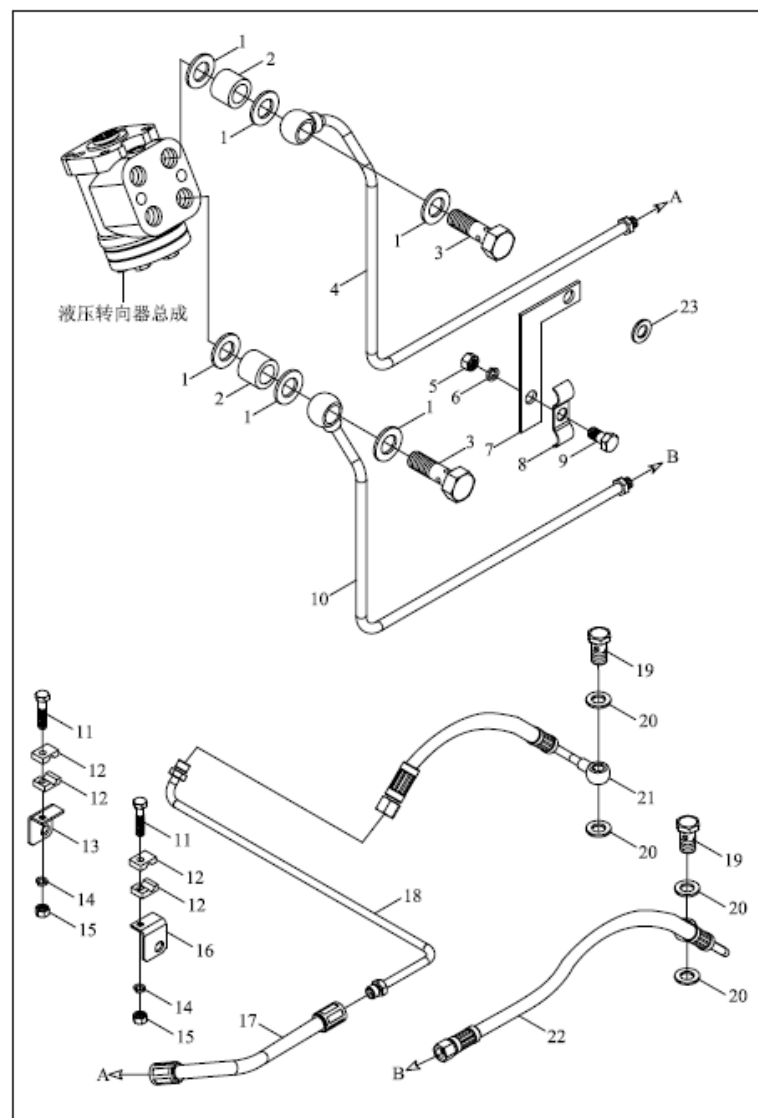
TB454.40X 全液压转向总成-1



TB454.40X-1 40.1-全液压转向总成-1(续)

标号 No.	代号 Code	名称 Description		数量 Quantity	备注 Remark
23	FT450.40Y.020	油泵出油钢管焊合件	OIL PUMP OUTLET STEEL PIPE WELDMENT	1	2011-11_
3	FT354.40C.102	空心长螺栓	HOLLOW LONG BOLT	2	2011-11_
4	JBT982-20	组合密封垫圈	COMBINED SEAL GASKET	6	2011-11_
5	FT354.40C.109	长接管	LONG CONNECTING PIPE	2	2011-11_
6	TB450.40X.7	回油出口管焊合件	OIL RETURN OUTLET PIPE WELDMENT	1	2011-11_
7	Q67627-d32	A型蜗杆传动式软管环箍	A-TYPE WORM TRANSMISSION HOSE CLAMP	4	2011-11_
7	Q67627-d32	A型蜗杆传动式软管环箍	A-TYPE WORM TRANSMISSION HOSE CLAMP	4	2011-11_
8	FT354.40C.107	回油软管	OIL RETURN HOSE	1	2011-11_
9	GBT5783-M10X25-A3L	螺栓	BOLT	2	2011-11_

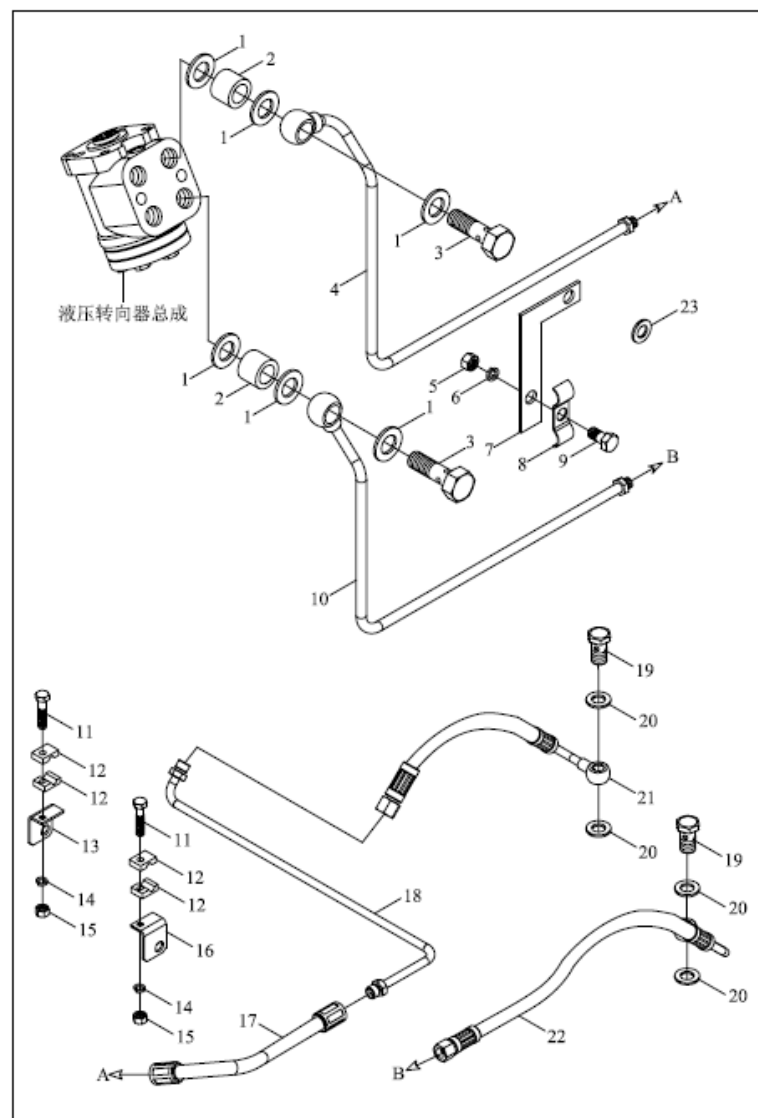
TB454.40X 全液压转向总成-2



TB454.40X-2 40.2-全液压转向总成-2 40FULL HYDRAULIC STEERING ASSEMBLY-2

标号 No.	代号 Code	名称 Description	数量 Quantity	备注 Remark
1	JBT982-20	组合密封垫圈	6	2011-11_
10	FT404.40X.018	右输油管焊合件	1	2004-01_
10	FT404.40X.018a	右输油管焊合件	1	2009-11_
10	FT404.40X.018	右输油管焊合件	1	2004-01_
11	GBT5783-M8X35-A2L	六角头螺栓	2	2004-01_
12	TB454.40X-01	单孔管夹	4	2011-11_
13	TB454.40X-03	左油管支架	1	2011-11_
14	GBT93-8-A0P	垫圈	2	2011-11_
15	GBT6170-M8-A2L	螺母	2	2011-11_
16	TB454.40X-02	右油管支架	1	2011-11_
17	TB454.40X.5a	油缸输油胶管总成	1	2009-11_
17	TB454.40X.5	油缸输油胶管总成	1	2004-01_
18	TB454.40X.3a	高压左输油钢管焊合件	1	2009-11_
18	TB454.40X.3	高压左输油钢管焊合件	1	2004-01_
19	FT650.40.112	空心螺栓	2	2011-11_
2	FT354.40C.108	短接管	2	2011-11_
20	JBT982-16	组合密封垫圈	4	2011-11_
21	TB454.40X.2a	高压左输油管总成	1	2009-11_
21	TB454.40X.2a	高压左输油管总成	1	2009-11_
21	TB454.40X.2	高压左输油管总成	1	2004-01_
21	TB454.40X.2	高压左输油管总成	1	2004-01_
22	TB454.40X.1	高压右输油管总成	1	2004-01_
22	TB454.40X.1a	高压右输油管总成	1	2009-11_
23	GBT97.1-16-A0P	垫圈	1	2011-11_
3	FT354.40C.119	空心短螺栓	2	2011-11_

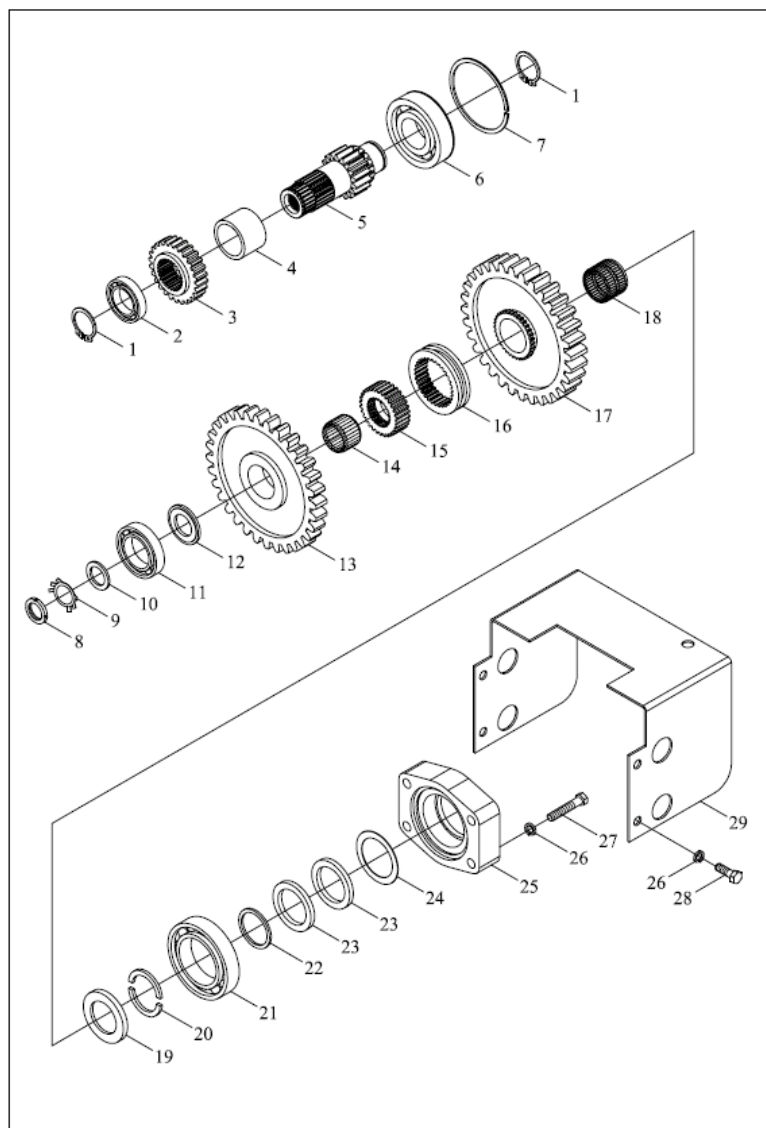
TB454.40X 全液压转向总成-2



TB454.40X-2 40.2-全液压转向总成-2(续)

标号 No.	代号 Code	名称 Description		数量 Quantity	备注 Remark
4	FT404.40X.017a	左输油管焊合件	LEFT OIL PIPE WELDMENT	1	2009-11_
4	FT404.40X.017a	左输油管焊合件	LEFT OIL PIPE WELDMENT	1	2009-11_
4	FT404.40X.017	左输油管焊合件	LEFT OIL PIPE WELDMENT	1	2004-01_
5	GBT6170-M6-A2L	螺母	NUT	1	2011-11_
6	GBT93-6-A0P	弹簧垫圈	SPRING WASHER	1	2011-11_
7	FT304.40L.122	油管支架	OIL PIPE BRACKET	1	2011-11_
8	FT304.40L.121	双孔管夹	DOUBLE-HOLE PIPE CLIP	1	2011-11_
9	GBT5783-M6X25-A2L	六角头螺栓	BOLT	1	2011-11_
9	GBT5783-M6X25-A2L	六角头螺栓	BOLT	1	2011-11_

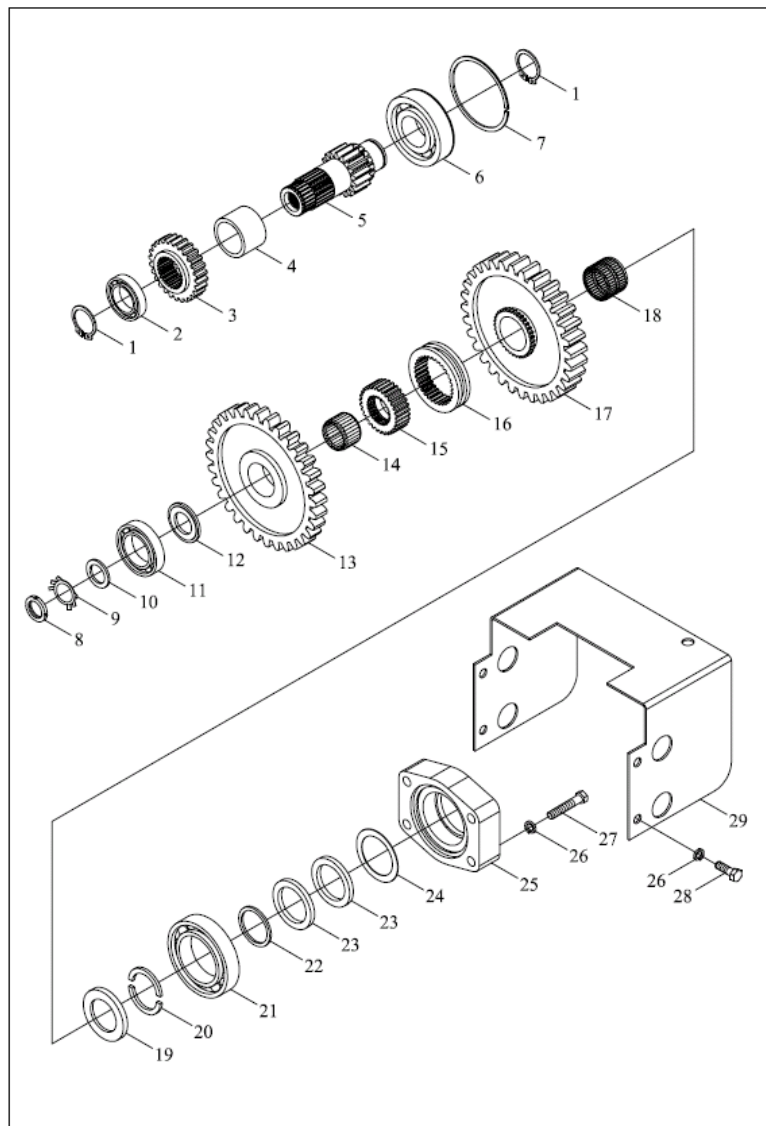
TB400.411DPTO gear assembly



TB400.411D 41.1-动力输出齿轮总成 41.1-PTO GEAR ASSEMBLY

标号 No.	代号 Code	名称 Description		数量 Quantity	备注 Remark
1	GBT894.1-40	挡圈40	WASHER 40	2	2011-11_
10	FT300.41.122	垫圈	WASHER	1	2011-11_
11	GBT276-6306	深沟球轴承	BEARING	1	2011-11_
12	FT300.41C.118	输出轴前挡环	OUTPUT SHAFT FRONT RETAINER RING	1	2011-11_
13	FT300.41E.105	动力输出被动小齿轮	PTO DRIVEN SMALL GEAR	1	2011-11_
14	JBT7918-K35X40X27	向心滚针和保持架组件	NEEDLE AND CARRIER UNIT	1	2011-11_
15	FT300.41C.117	动力输出啮合座	PTO MESHING SEAT	1	2011-11_
15	FT300.41C.117	动力输出啮合座	PTO MESHING SEAT	1	2011-11_
16	FT300.41C.116	动力输出啮合套	PTO SHIFT COLLAR	1	2011-11_
17	FT300.41E.103	动力输出被动大齿轮	PTO DRIVEN BIG GEAR	1	2011-11_
19	FT300.41E.114	后挡环	REAR RETAINER RING	1	2011-11_
2	GBT276-6208	深沟球轴承	BEARING	1	2011-11_
20	FT300.41E.119	输出轴半挡环	OUTPUT SHAFT HALF RETAINER RING	2	2011-04_
21	GBT276-6309	深沟球轴承	BEARING	1	2011-11_
22	FT300.41E.113	输出轴轴承垫圈	OUTPUT SHAFT BEARING WASHER	1	2011-11_
23	GBT9877.1-FB50X72X8D	内包骨架旋转轴唇形密封	O RING	2	2011-11_
24	FT300.41E.115	油封挡圈	OIL SEAL RETAINER RING	1	2011-11_
25	FT300.41E.101	后端盖 I	REAR END COVER I	1	2011-11_
26	GBT93-12-AOP	垫圈	WASHER	8	2011-11_
27	GBT5782-M12X55	六角头螺栓	BOLT	4	2004-01_
28	GBT5781-M12X25-A3L	六角头螺栓	BOLT	4	2011-11_
29	FT300.41.131a	安全防护罩	SAFTY BONNET	1	2011-11_
3	FT300.41E.120	动力输出高档主动齿轮	PTO HIGH GEAR DRIVING GEAR	1	2011-11_
3	FT300.41E.120	动力输出高档主动齿轮	PTO HIGH GEAR DRIVING GEAR	1	2011-11_
4	FT300.41E.121	隔套	SPACER BUSH	1	2011-11_

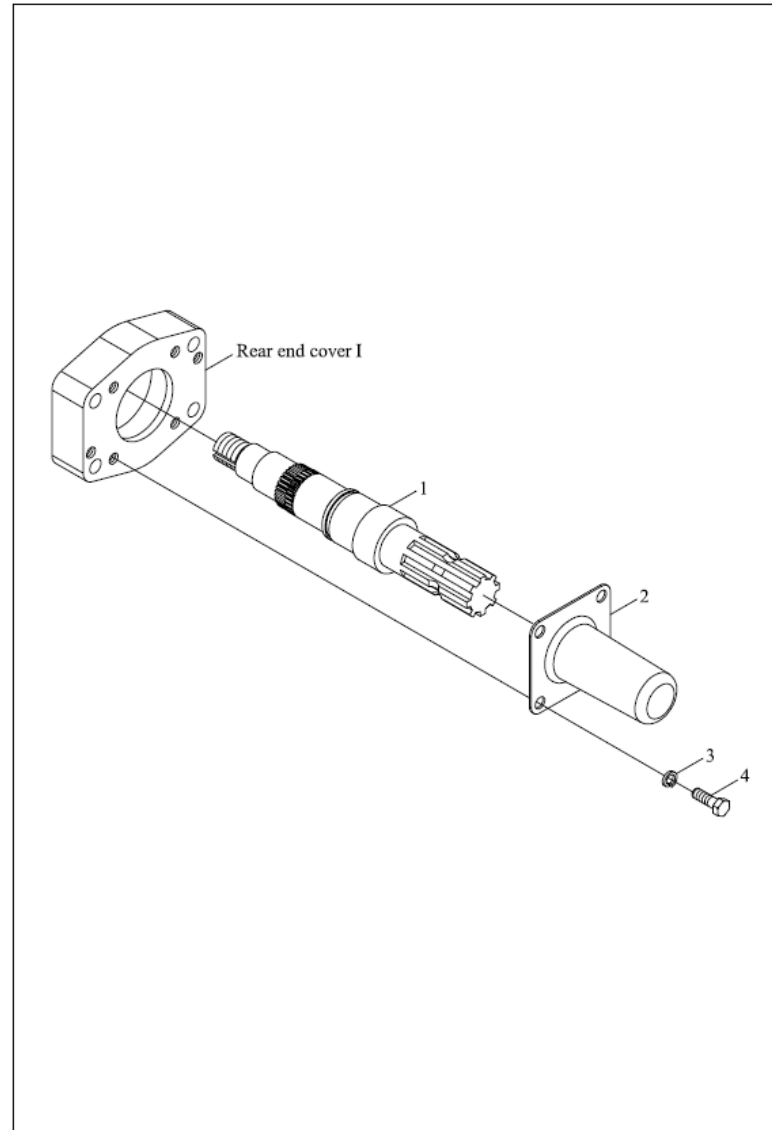
TB400.411DPTO gear assembly



TB400.411D 41.1-动力输出齿轮总成(续)

标号 No.	代号 Code	名称 Description		数量 Quantity	备注 Remark
5	FT300.41E.106	动力输出低档主动齿轮	PTO LOW GEAR DRIVING GEAR	1	2011-11_
5	FT300.41E.106	动力输出低档主动齿轮	PTO LOW GEAR DRIVING GEAR	1	2011-11_
6	GBT276-6308N	深沟球轴承	BEARING	1	2011-11_
7	GBT305-90-96.5	止动环	THRUST RING	1	2011-11_
8	GBT812-M25X1.5	圆螺母	ROUND NUT	1	2011-11_
9	GBT858-25	止退垫圈	WASHER LOCK	1	2011-11_

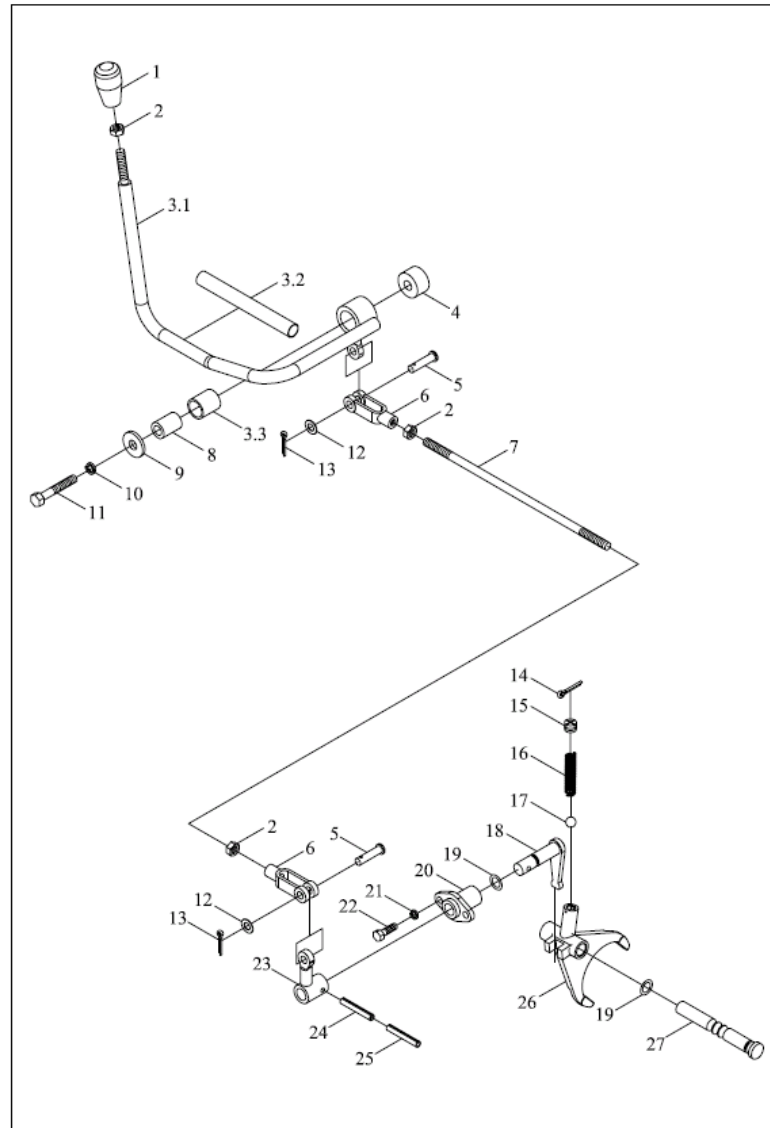
TB550.412APower shaft assembly



TB550.412A 41.2-动力输出轴总成 41.2-PTO SHAFT ASSEMBLY

标号 No.	代号 Code	名称 Description		数量 Quantity	备注 Remark
1	TB550.412A-01	I 35型动力输出轴	TYPE-I 35 PTO SHAFT	1	2011-11_
1	TB550.412A-01	I 35型动力输出轴	TYPE-I 35 PTO SHAFT	1	2011-11_
2	TE250.411C-02	动力输出轴护罩	PTO SHAFT HOOD	1	2008-11_
2	FT300.41E.102	动力输出轴盖	PTO SHAFT COVER	1	2004-01_
3	GBT93-10	垫圈10	WASHER 10	4	2011-11_
4	GBT5783-10X20-A3L	六角头螺栓	BOLT	4	2011-11_

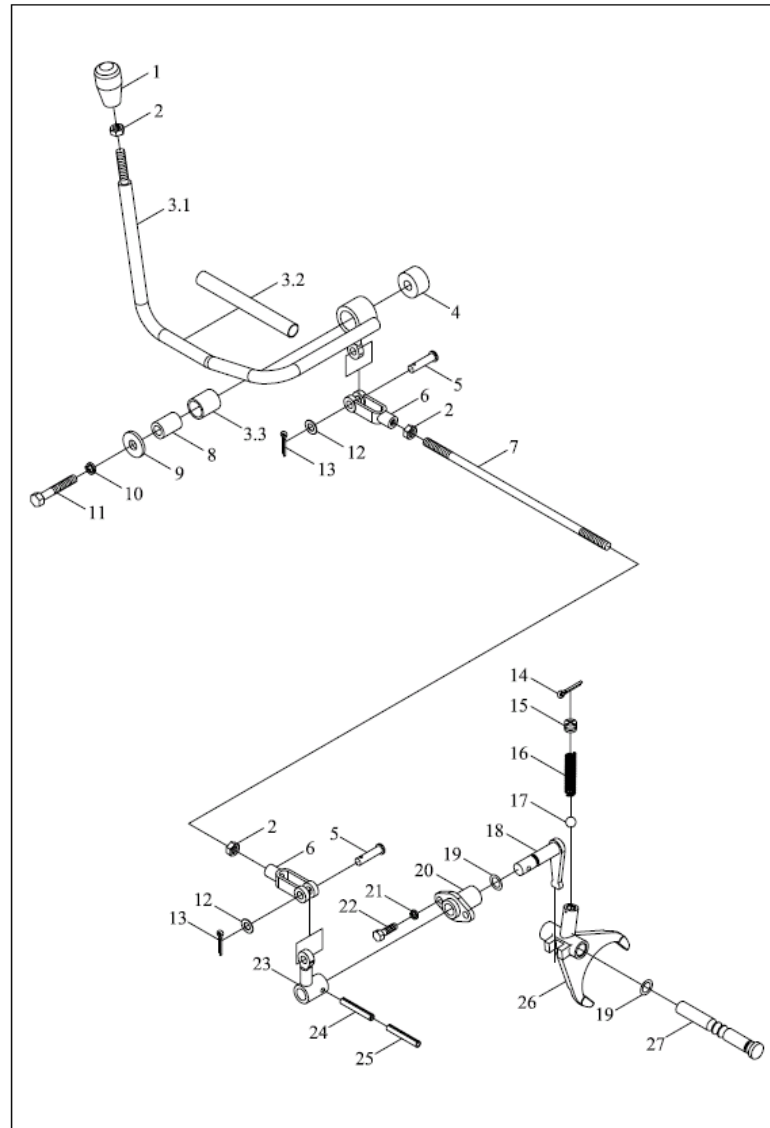
TB550.413PTO control assembly



TB550.413 41.3-动力输出操纵总成 41.3-PTO CONTROL ASSEMBLY

标号 No.	代号 Code	名称 Description		数量 Quantity	备注 Remark
1	FT300.41.015	动力输出操纵手柄总成	PTO CONTROL HANDLE ASSEMBLY	1	2011-11_
10	GBT93-12	垫圈	WASHER	1	2011-11_
11	TB550.413-02	螺栓	BOLT	1	2011-11_
12	GBT97.1-10-A0P	平垫圈	WASHER	2	2011-11_
13	GBT91-3.2X16-A0P	开口销	PIN	2	2011-11_
14	GBT91-2.5X32-A0P	开口销	PIN	1	2011-11_
15	TB550.413-03	螺钉	SCREW	1	2011-11_
16	FT704.42B.163	拨叉轴定位弹簧	FORK SHAFT LOCATING SPRING	1	2007-01_
16	FT300.41.123	拨叉轴定位弹簧	FORK SHAFT LOCATING SPRING	1	2004-01_
17	GBT308-9.5-G100-b	钢球	BALL	1	2011-11_
18	FT300.41E.011	指形拨杆焊合件	FINGER LEVER WELDMENT	1	2004-01_
18	TB550.413-04	指形拨杆焊合件	FINGER LEVER WELDMENT	1	2012-05_
19	GBT3452.1-16.0X2.65G	液压气动用O形橡胶密封圈	O-SEAL RING	1	2012-08_
19	GBT3452.1-11.2X2.65G	液压气动用O形橡胶密封圈	O-SEAL RING	1	2012-08_
2	GBT6170-M10-A3L	螺母	NUT	3	2011-11_
20	FT300.41E.109	拨杆轴套	LEVER SHAFT SLEEVE	1	2011-11_
21	GBT93-8-AOP	弹簧垫圈	SPRING WASHER	2	2011-11_
22	GBT5783-M8X20-A2L	螺栓	BOLT	2	2011-11_
23	FT300.41.012	动力输出变速杆焊合件	PTO GEARSHIFT LEVER WELDMENT	1	2011-11_
24	GBT879.1-6X26	弹性圆柱销	PIN	1	2011-11_
25	GBT879.1-3.5X26	弹性圆柱销	PIN	1	2011-11_
26	TB550.413-01a	动力输出变速拨叉	PTO GEARSHIFT FORK	1	2007-01_
27	FT300.41C.107a	动力输出拨叉轴	PTO FORK SHAFT	1	2007-01_
3	FT300.41.013	动力输出操纵杆总成	PTO CONTROL ROD ASSEMBLY	1	2011-11_
3.1	FT300.41.014	动力输出操纵杆焊合	PTO CONTROL ROD WELDMENT	1	2011-11_

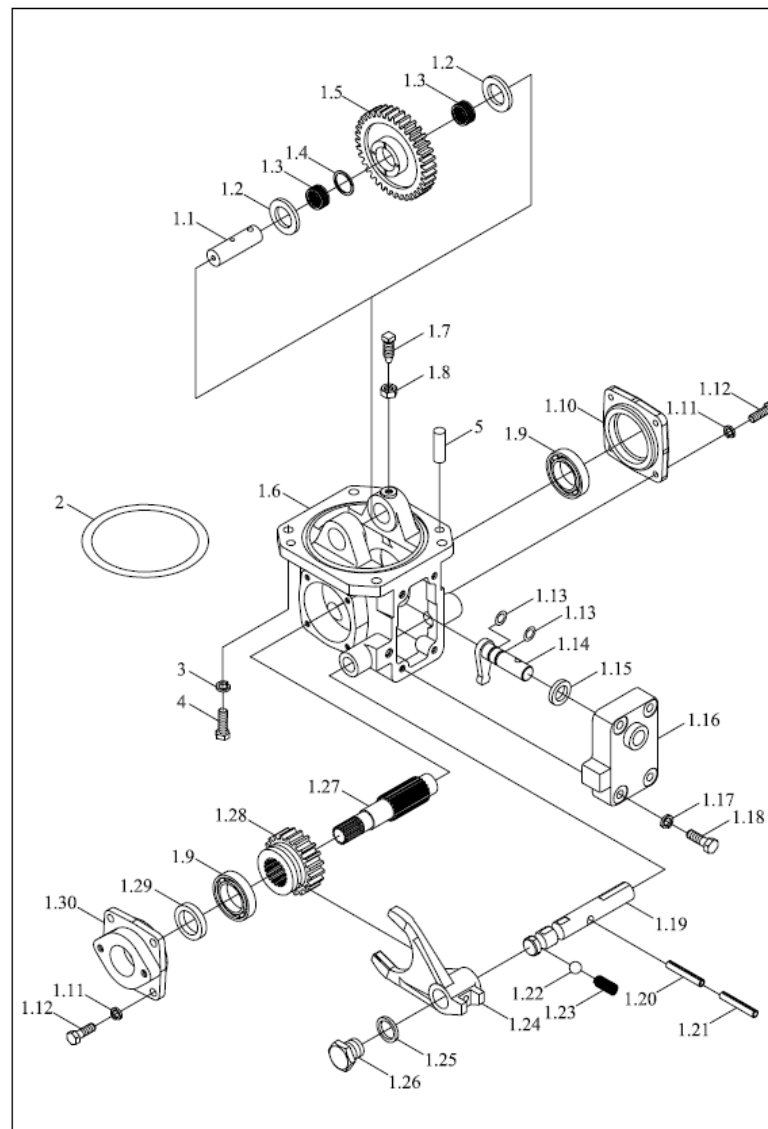
TB550.413PTO control assembly



TB550.413 41.3-动力输出操纵总成(续)

标号 No.	代号 Code	名称 Description		数量 Quantity	备注 Remark
3.2	FT300.41.145	操纵杆减震套管	CONTROL ROD DAMPING PIPE	1	2011-11_
3.3	FT300.41.127	衬套	SLEEVE	1	2011-11_
4	FT300.41.128	隔套	SPACER BUSH	1	2011-11_
5	GBT882-B10X30	销轴	PIN	2	2011-11_
6	FT300.43.108	拉杆前叉	PULL ROD FRONT FORK	2	2011-11_
7	FT300.41E.112	操纵杆	CONTROL ROD	1	2011-11_
8	FT300.41.130	轴套	SHAFT SLEEVE	1	2011-11_
9	FT300.41.129	垫圈	WASHER	1	2011-11_

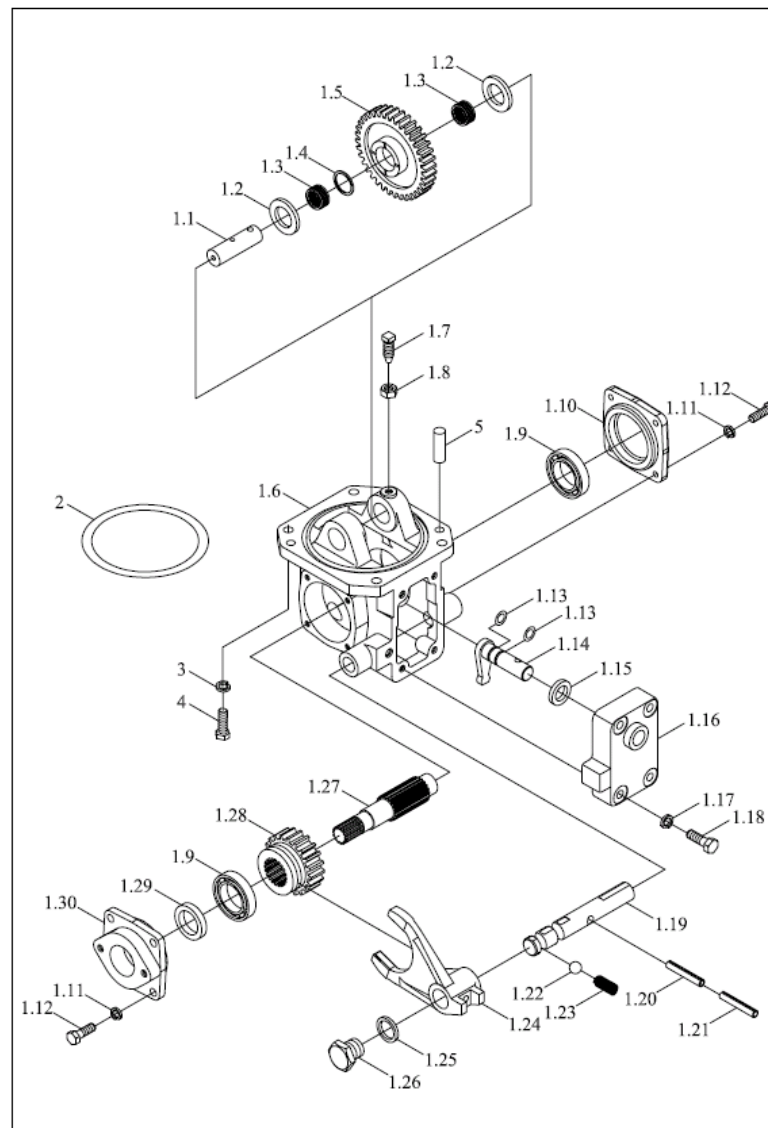
TB554.421C Transfer case housing assembly



TB554.421C 42.1-分动箱箱体总成 42.1-TRANSFER CASE HOUSING ASSEMBLY

标号 No.	代号 Code	名称 Description	数量 Quantity	备注 Remark
1	TB554.421C.1	分动箱装配总成	1	2011-11_
1	TB554.421C.1	分动箱装配总成	1	2011-11_
1.1	FT304.42.117	轴承盖	1	2011-11_
1.1	FT304.42.117	轴承盖	1	2011-11_
1.1	FT304.42.102	惰轮轴	1	2011-11_
1.11	GBT93-8-AOP	弹簧垫圈	8	2011-11_
1.12	GBT5783-M8X20-A2L	螺栓	8	2011-11_
1.13	GBT3452.1-17.0X1.80G	液压气动用O形橡胶密封圈	2	2011-11_
1.14	TB554.421E.1.1	转轴焊合	1	2011-11_
1.15	TB554.423B-02	转轴隔套	1	2011-11_
1.16	TB554.421E.1-05	侧盖	1	2011-11_
1.17	GBT93-10-A0P	标准型弹簧垫圈	4	2011-11_
1.18	GBT5782-M10X45-A3L	六角头螺栓	4	2011-11_
1.19	FT304.42F.119	分动箱拨叉轴	1	
1.19	TB554.421E.1-04	拨叉轴	1	2007-03_
1.2	FT304.42F.103	止推环	2	2011-11_
1.2	GBT879.1-6X30	弹性圆柱销	1	2011-11_
1.21	GBT879.1-3.5X30	弹性圆柱销	1	2011-11_
1.22	GBT308-10-G100-b	钢球	1	2011-11_
1.23	FT800.37.139	弹簧	1	2009-12_
1.23	FT804.42.151	弹簧	1	2004-01_
1.24	TB554.421E.1-06	分离拨叉	1	2011-11_
1.25	JBT982-18	组合密封垫圈	2	2011-11_
1.25	JBT982-18	组合密封垫圈	2	2011-11_
1.26	FT804.42.110	螺堵	2	2011-11_

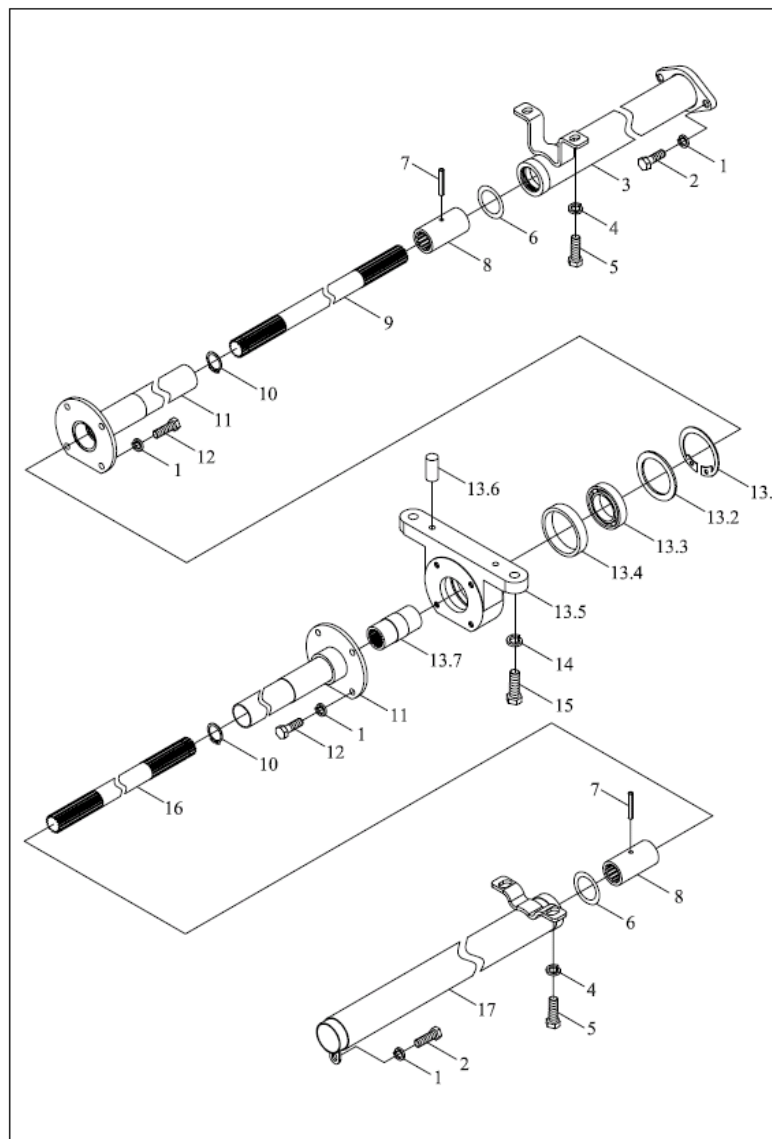
TB554.421C Transfer case housing assembly



TB554.421C 42.1-分动箱箱体总成(续)

标号 No.	代号 Code	名称 Description		数量 Quantity	备注 Remark
1.27	FT304.42F.105	分动箱输出轴	TRANSFER CASE OUTPUT SHAFT	1	2011-11_
1.28	TB554.421C.1-01	分动箱被动齿轮	TRANSFER CASE DRIVEN GEAR	1	2011-11_
1.29	GBT9877.1-FB30X52X7D	内包骨架旋转轴唇形密封	O RING	1	2011-11_
1.3	FT304.42F.106	轴承座	BEARING SEAT	1	2011-11_
1.3	JBT7918-K25X31X20	向心滚针和保持架组件	NEEDLE AND CARRIER UNIT	2	2011-11_
1.4	FT304.42.126	滚针内隔套	NEEDLE INNER SPACER SLEEVE	1	2011-11_
1.5	FT304.42F.125	分动箱惰轮	TRANSFER CASE IDLER	1	2011-11_
1.6	FT304.42F.101	分动箱箱体	TRANSFER CASE BODY	1	
1.6	FT304.42F.101a	分动箱箱体	TRANSFER CASE BODY	1	2007-03_
1.7	FT304.42.112	止动螺钉	THRUST SCREW	1	2011-11_
1.8	GBT6173-M10X1-A2L	六角薄螺母	NUT	1	2011-11_
1.9	GBT276-6306	深沟球轴承	BEARING	2	2011-11_
2	GBT3452.1-132X3.55G	液压气动用O形橡胶密封圈	O-SEAL RING	1	2011-11_
3	GBT93-10-A0P	标准型弹簧垫圈	WASHER	4	2011-11_
4	GBT5783-M10X30-8.8-A3L	六角头螺栓	BOLT	4	2009-05_
4	GBT5783-M10X25-A3L	螺栓	BOLT	4	2004-01_

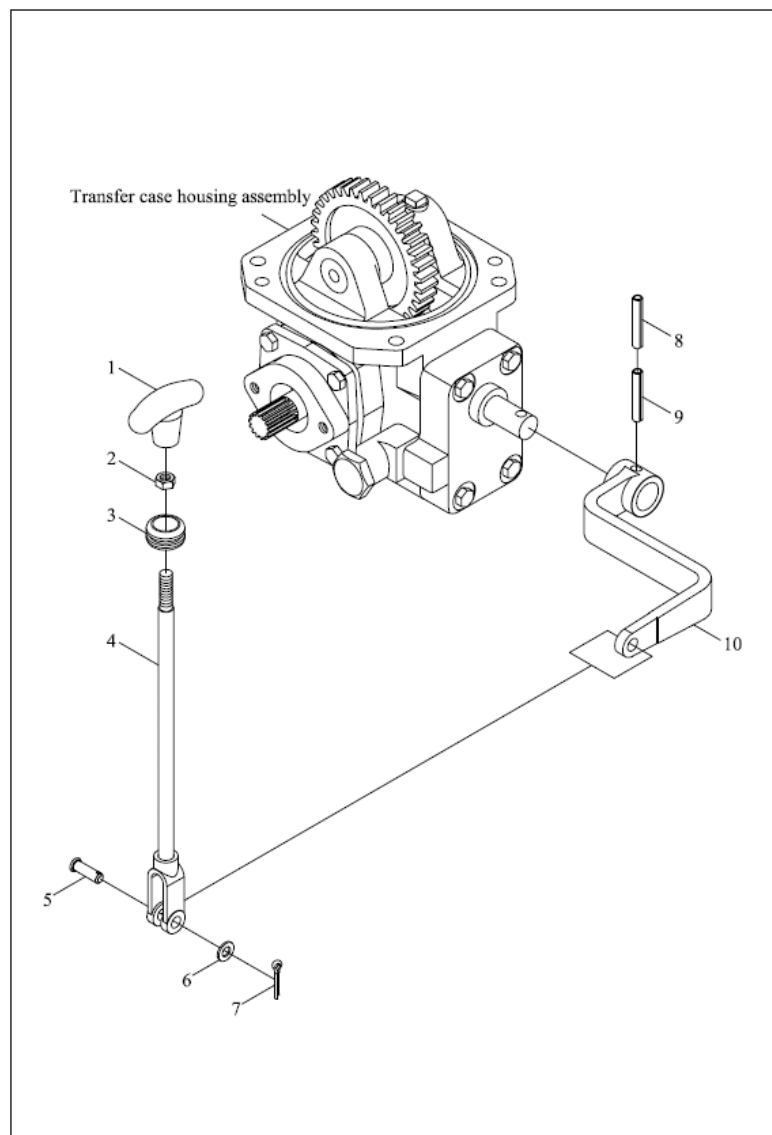
TB454.422Transfer case driven assembly



TB454.422 42.2-分动箱传动总成 42.2-TRANSFER CASE TRANSMISSION ASSEMBLY

标号 No.	代号 Code	名称 Description		数量 Quantity	备注 Remark
1	GBT93-8-AOP	弹簧垫圈	SPRING WASHER	11	2011-11_
10	GBT894.1-26	轴用弹性挡圈	SNAP RING	2	2011-11_
11	FT304.42X.017	护套(2)焊合件	GUARD SLEEVE WELDMENT (2)	2	2011-11_
12	GBT5783-M8X20-A2L	螺栓	BOLT	8	2011-11_
13	TB554.422.1	中间轴承座总成	MIDDLE BEARING SEAT ASSEMBLY	1	2011-11_
13.1	GBT893.2-72	孔用弹性挡圈	SNAP RING	1	2011-11_
13.2	FT304.42X.136	隔圈		1	2011-11_
13.3	GBT276-6007-2RZ	深沟球轴承	BEARING	1	2011-11_
13.4	FT304.42X.137	橡胶圈	RUBBER RING	1	2011-11_
13.5	FT304.42X.138	中间轴承座	MIDDLE BEARING SEAT	1	2011-11_
13.6	GBT119.1-8m6X20-A0P	圆柱销	PIN	2	2007-04_
13.7	FT304.42X.135	中间花键套	MIDDLE SPLINE BUSH	1	2011-11_
14	GBT93-12-AOP	垫圈	WASHER	2	2011-11_
15	GBT5783-M12X40-A3L	螺栓	BOLT	2	2011-11_
16	FT404.42.139	前传动轴	FRONT TRANSMISSION SHAFT	1	2011-11_
17	FT404.42.016	护套(3)焊合件	GUARD SLEEVE WELDMENT (3)	1	2011-11_
17	FT404.42.016	护套(3)焊合件	GUARD SLEEVE WELDMENT (3)	1	2011-11_
2	GBT5783-M8X16-A2L	螺栓	BOLT	3	2011-11_
3	FT304.42F.015	护罩(1)焊合件	BONNET (1) WELDMENT	1	2011-11_
4	GBT93-10-AOP	标准型弹簧垫圈	WASHER	4	2011-11_
5	GBT5783-M10X20-A3L	螺栓	BOLT	4	2011-11_
6	GBT3452.1-34.5X3.55G	液压气动用O形橡胶密封圈	O-SEAL RING	2	2011-11_
7	GBT879.1-6X35	弹性圆柱销	PIN	2	2011-11_
8	FT304.42.107a	花键套	SPLINE BUSH	2	2011-11_
9	FT404.42.128	后传动轴	REAR TRANSMISSION SHAFT	1	2011-11_

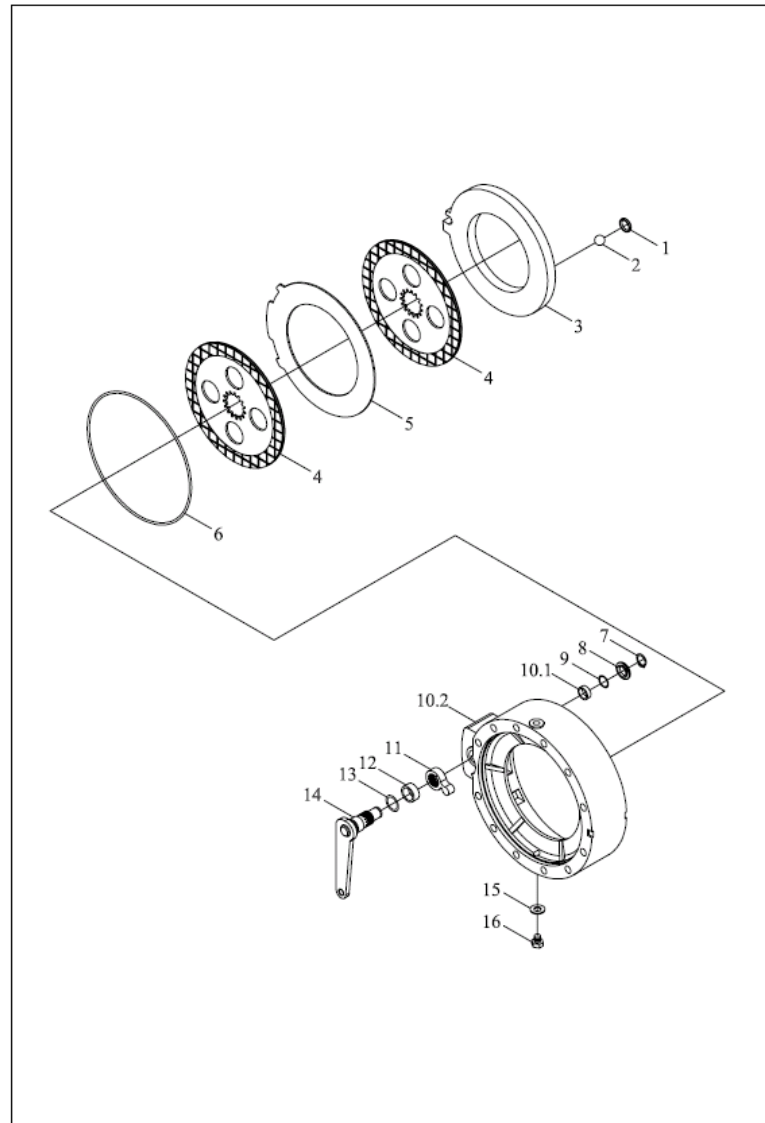
TB554.423C Transfer case control assembly



TB554.423C 42.3-分动箱操纵总成 42.3-TRANSFER CASE CONTROL ASSEMBLY

标号 No.	代号 Code	名称 Description		数量 Quantity	备注 Remark
1	FT65.38.051	拉压手柄	PULL/PRESS HANDLE	1	2011-11_
10	TB554.423C-01	摇臂	ROCKER	1	2011-11_
2	GBT6170-M10-A3L	螺母	NUT	1	2011-11_
3	TG1204.435.2	密封胶圈	SEAL RUBBER RING	1	2004-01_
3	FT304.42D.137	密封胶圈	SEAL RUBBER RING	1	2011-11_
4	FT304.42D.021	操纵杆合件	CONTROL ROD UNIT	1	2008-03_
4	TB554.423B.3	操纵杆合件	CONTROL ROD UNIT	1	2010-02_
5	GBT882-B10X30	销轴	PIN	1	2011-11_
6	GBT97.1-10-A0P	平垫圈	WASHER	1	2011-11_
7	GBT91-3.2X16-A0P	开口销	PIN	1	2011-11_
8	GBT879.1-5X32	弹性圆柱销	PIN	1	2011-11_
9	GBT879.1-8X32	弹性圆柱销	PIN	1	2011-11_

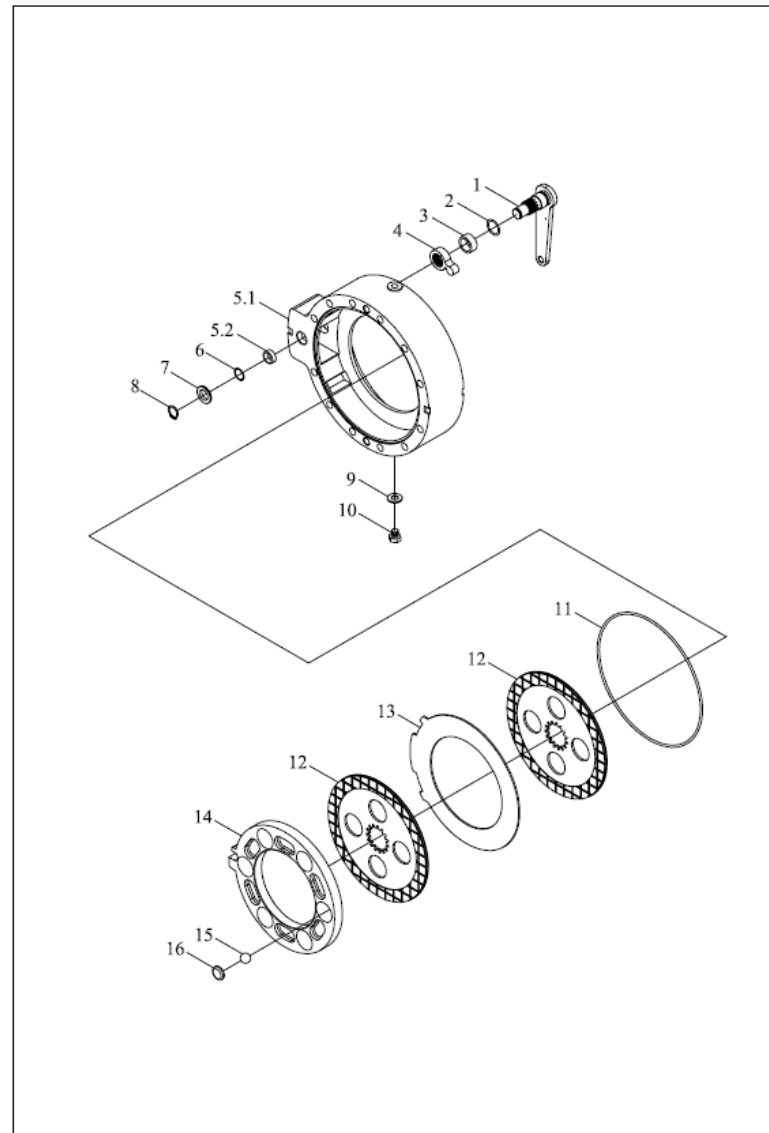
FT300.43.001 Brake assembly-1



FT300.43.001-1 43.1-制动器总成-1 43BRAKER ASSEMBLY-1

标号 No.	代号 Code	名称 Description		数量 Quantity	备注 Remark
1	FT300.43.102	碗形塞	BOWL PLUG	6	2011-11_
10	FT300.43.012	左制动器壳总成	LEFT BRAKE HOUSING ASSEMBLY	1	2011-11_
10.1	FT300.43.114	曲柄轴衬套	CRANK SHAFT BUSH	1	2011-11_
10.2	FT300.43.121	左制动器壳	LEFT BRAKE HOUSING	1	2011-11_
11	FT300.43.106	拨块	SHIFTING BLOCK	1	2011-11_
12	FT300.43.107	隔套	SPACER BUSH	1	2011-11_
13	GBT3452.1-20.0X2.65	o型圈	O.RING	1	2004-01_
14	FT300.43.014	左曲柄合件	LEFT CRANK UNIT	1	2011-11_
15	FT300.43.153	最终传动放油口垫圈	FINAL TRANSMISSION OIL DRAINING PORT	1	2011-11_
16	FT300.43.154	螺塞	WASHER SCREW PLUG	1	2011-11_
2	GBT308-18.000-G100-b	钢球	BALL	6	2011-11_
3	FT300.43.103	左制动器压盘	LEFT BRAKE PRESSURE PLATE	1	2011-11_
4	FT300.43.011	制动器摩擦盘总成	BRAKE FRICTION PLATE ASSEMBLY	2	2011-11_
5	FT300.43.105	隔板	SPACER PLATE	1	2011-11_
6	FT300.43.101	O形圈	O-RING	1	2011-11_
7	GBT894.1-18	挡圈	RETAINER RING	1	2011-11_
8	FT300.43.109a	垫圈	WASHER	1	2011-11_
9	GBT3452.1-18.0X2.65G	液压气动用O形橡胶密封圈	O-SEAL RING	1	2004-01_

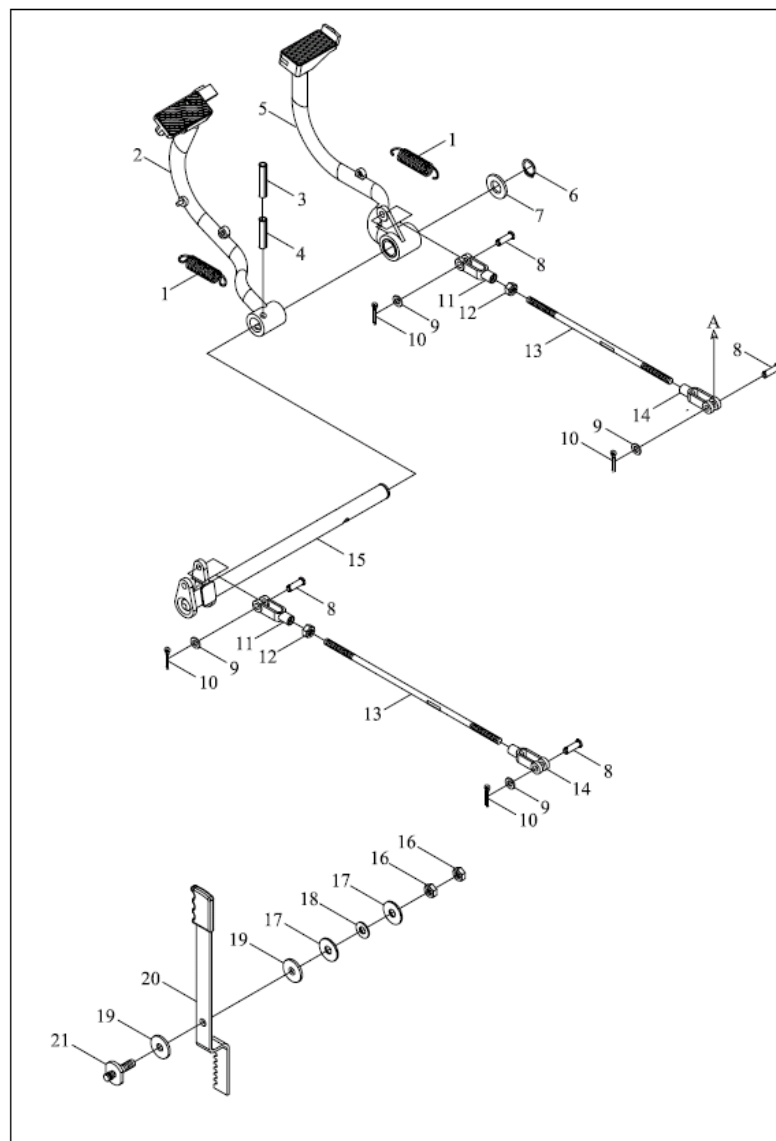
FT300.43.001 Brake assembly-2



FT300.43.001-2 43.2-制动器总成-2 43BRAKER ASSEMBLY-2

标号 No.	代号 Code	名称 Description		数量 Quantity	备注 Remark
1	FT300.43.022	右曲柄合件	RIGHT CRANK UNIT	1	2011-11_
10	FT300.43.154	螺塞	SCREW PLUG	1	2011-11_
11	FT300.43.101	O形圈	O-RING	1	2011-11_
12	FT300.43.011	制动器摩擦盘总成	BRAKE FRICTION PLATE ASSEMBLY	2	2011-11_
13	FT300.43.105	隔板	SPACER PLATE	1	2011-11_
14	FT300.43.104	右制动器压盘	RIGHT BRAKE PLATEN	1	2011-11_
15	GBT308-18.000-G100-b	钢球	BALL	6	2011-11_
16	FT300.43.102	碗形塞	BOWL PLUG	6	2011-11_
2	GBT3452.1-20.0X2.65	o型圈	O.RING	1	2004-01_
3	FT300.43.107	隔套	SPACER BUSH	1	2011-11_
4	FT300.43.106	拨块	SHIFTING BLOCK	1	2011-11_
5	FT300.43.013	右制动器壳总成	RIGHT BRAKE HOUSING ASSEMBLY	1	2011-11_
5.1	FT300.43.122	右制动器壳	RIGHT BRAKE HOUSING	1	2011-11_
5.2	FT300.43.114	曲柄轴衬套	CRANK SHAFT BUSH	1	2011-11_
6	GBT3452.1-18.0X2.65G	液压气动用O形橡胶密封圈	O-SEAL RING	1	2004-01_
7	FT300.43.109a	垫圈	WASHER	1	2011-11_
8	GBT894.1-18	挡圈	RETAINER RING	1	2011-11_
9	FT300.43.153	最终传动放油口垫圈	FINAL TRANSMISSION OIL DRAINING PORT	1	2011-11_
9	JBT982-12	组合密封垫圈	WASHER COMBINED SEAL GASKET	1	2013-04_

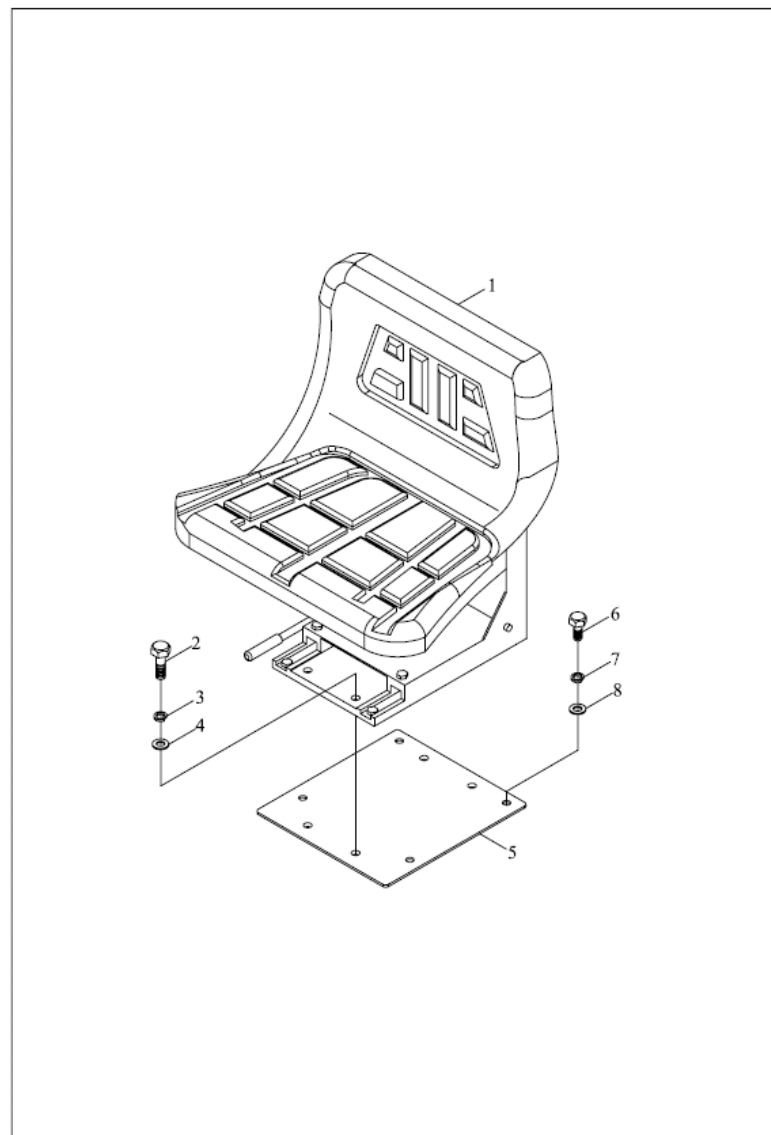
FT300.43.001 Brake assembly-3



FT300.43.001-3 43.3-制动器总成-3 43BRAKER ASSEMBLY-3

标号 No.	代号 Code	名称 Description		数量 Quantity	备注 Remark
1	FT300.43.130	踏板回位弹簧	PEDAL RETURN SPRING	2	2011-11_
10	GBT91-3.2X16-A0P	开口销	PIN	4	2011-11_
11	FT300.43.108	拉杆前叉	PULL ROD FRONT FORK	2	2011-11_
12	GBT6170-M10-A3L	螺母	NUT	2	2011-11_
13	FT300.43.120	拉杆	PULL ROD	2	2011-11_
14	FT300.43.110	拉杆后叉	PULL ROD REAR FORK	2	2011-11_
15	FT300.43.020a	踏板轴合件	PEDAL SHAFT UNIT	1	2006-12_
15	FT300.43.020	踏板轴合件	PEDAL SHAFT UNIT	1	2004-01_
16	GBT6173-M12X1.5-A3L	六角薄螺母	NUT	2	2011-11_
17	FT300.43.160	大垫圈	WASHER	2	2011-11_
18	GBT955-14-A3L	波形弹性垫圈	WASHER	1	2004-01_
19	FT300.43.159	手制动摩擦片	HAND BRAKE FRICTION DISC	2	2011-11_
2	FT300.43.015a	左制动踏板合件	LEFT BRAKE PEDAL UNIT	1	2006-12_
2	FT300.43.015	左制动踏板合件	LEFT BRAKE PEDAL UNIT	1	2004-01_
2	FT300.43.015a	左制动踏板合件	LEFT BRAKE PEDAL UNIT	1	2006-12_
20	FT300.43.025a	制动锁定板合件	BRAKE LOCKING PLATE UNIT	1	2011-11_
21	FT300.43.158	连接螺栓	CONNECTING BOLT	1	2011-11_
3	GBT879.1-6X40	弹簧圆柱销	SPRING COLUMN PIN	1	2011-11_
4	GBT879.1-10X40	弹性圆柱销	PIN	1	2011-11_
5	FT300.43.016	右制动踏板合件	RIGHT BRAKE PEDAL UNIT	1	2011-11_
6	GBT894.1-25	挡圈	RETAINER RING	1	2011-11_
7	GBT97.1-24-A0P	垫圈	WASHER	1	2011-11_
7	GBT97.1-24-A0P	垫圈	WASHER	1	2011-11_
8	GBT882-B10X28-A0P	销轴	PIN	4	2011-11_
9	GBT97.1-10-A0P	平垫圈	WASHER	4	2011-11_

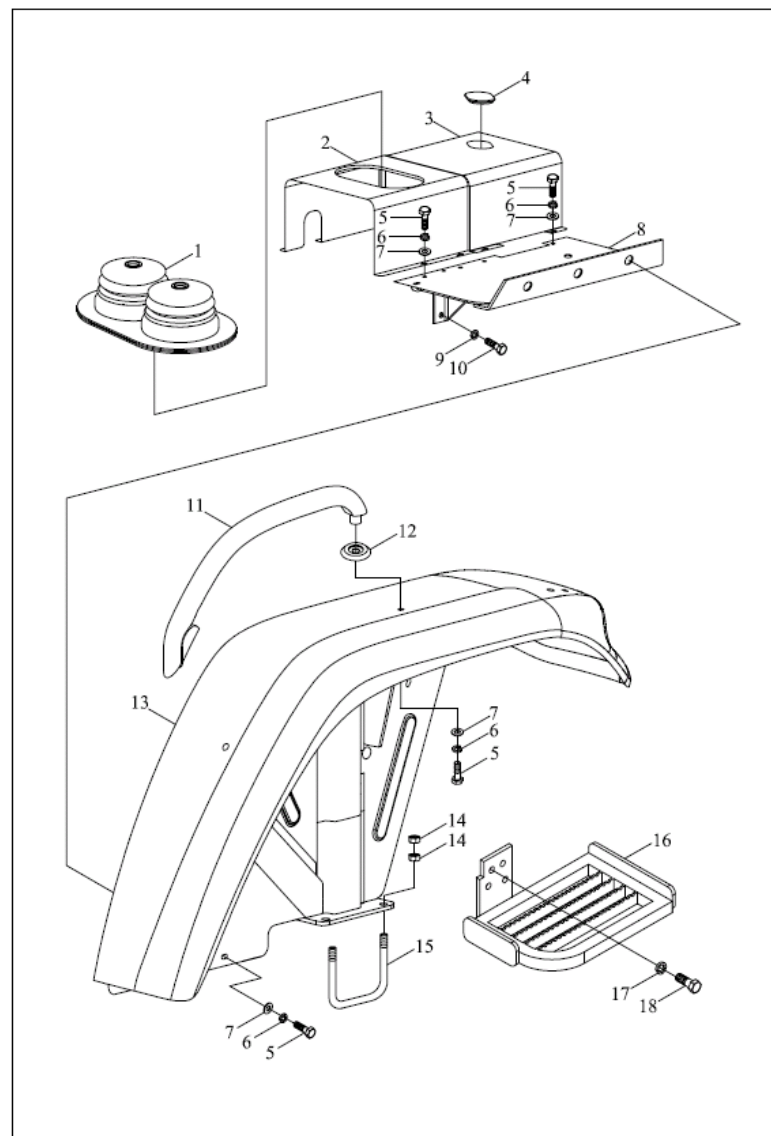
FT300.44B.001 Seat mounting assembly



FT300.44B.001 44-座椅安装总成 44SEAT INSTALLATION ASSEMBLY

标号 No.	代号 Code	名称 Description		数量 Quantity	备注 Remark
1	FT300.44B.010	座椅总成	SEAT ASSEMBLY	1	2011-11_
2	GBT5783-M10×25-A3L	螺栓	BOLT	4	2011-11_
3	GBT93-10-A0P	标准型弹簧垫圈	WASHER	4	2011-11_
4	GBT97.1-10-A0P	平垫圈	WASHER	4	2011-11_
5	FT300.44B.011	座椅盖板焊合	SEAT COVER PLATE WELDMENT	1	2011-11_
6	GBT5783-M8×20-A2L	螺栓	BOLT	4	2011-11_
7	GBT93-8-A0P	垫圈	WASHER	4	2011-11_
8	GBT97.1-8-A0P	平垫圈	WASHER	4	2011-11_

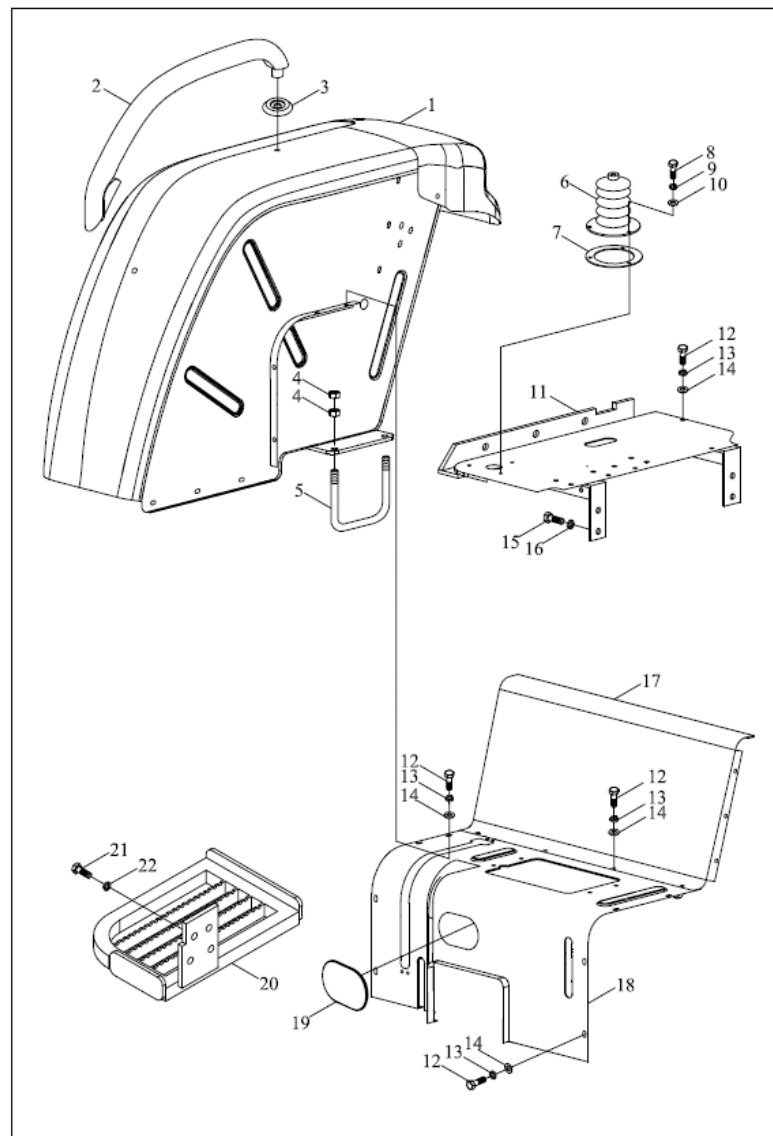
FT400.45.001 Floor mounting assembly-1



FT400.45.001-1 45.1-地板装配总成-1 45FLOOR MOUNTING ASSEMBLY-1

标号 No.	代号 Code	名称 Description		数量 Quantity	备注 Remark
1	FT300.47.361	操纵杆防尘罩	CONTROL ROD DUSTPROOF COVER	1	2011-11_
10	GBT5783-M10X25-A3L	螺栓	BOLT	4	2011-11_
11	FT300.47.035	左上车扶手	LEFT RAIL	1	2011-11_
12	FT404.47.033	左挡泥板焊合总成	LEFT MUD GUARD WELDMENT ASSEMBLY	1	2011-11_
13	FT300.47.362	扶手垫圈合件	ARMREST WASHER UNIT	2	2011-11_
14	GBT6170-M14-A3L	螺母	NUT	8	2011-11_
15	FT300.47.350	U型螺栓	U BOLT	2	2011-11_
16	FT300.47.037	左脚蹬总成	LEFT FOOT PEDAL ASSEMBLY	1	2011-11_
17	GBT93-12-A0P	弹簧垫圈	SPRING WASHER	2	2011-11_
18	GBT5783-M12X35-A3L	螺栓	BOLT	2	2011-11_
18	GBT5783-M12X35-A3L	螺栓	BOLT	2	2011-11_
2	FT300.47.310	U形后板	U-SHAPED REAR PLATE	1	2011-11_
3	FT400.45.039	U型前板焊合	U-TYPE FRONT PLATE WELDMENT	1	2011-11_
4	FT300.47.360	密封套	SEAL SLEEVE	1	2011-11_
5	GBT5783-M6X12-A2L	六角头螺栓	BOLT	14	2011-11_
6	GBT93-6	垫圈	WASHER	14	2011-11_
7	GBT97.1-6-A0P	平垫圈	WASHER	14	2011-11_
8	FT400.45.031	左地板装配总成	LEFT FLOOR INSTALLATION ASSEMBLY	1	2011-11_
9	GBT93-10-A0P	标准型弹簧垫圈	WASHER	4	2011-11_

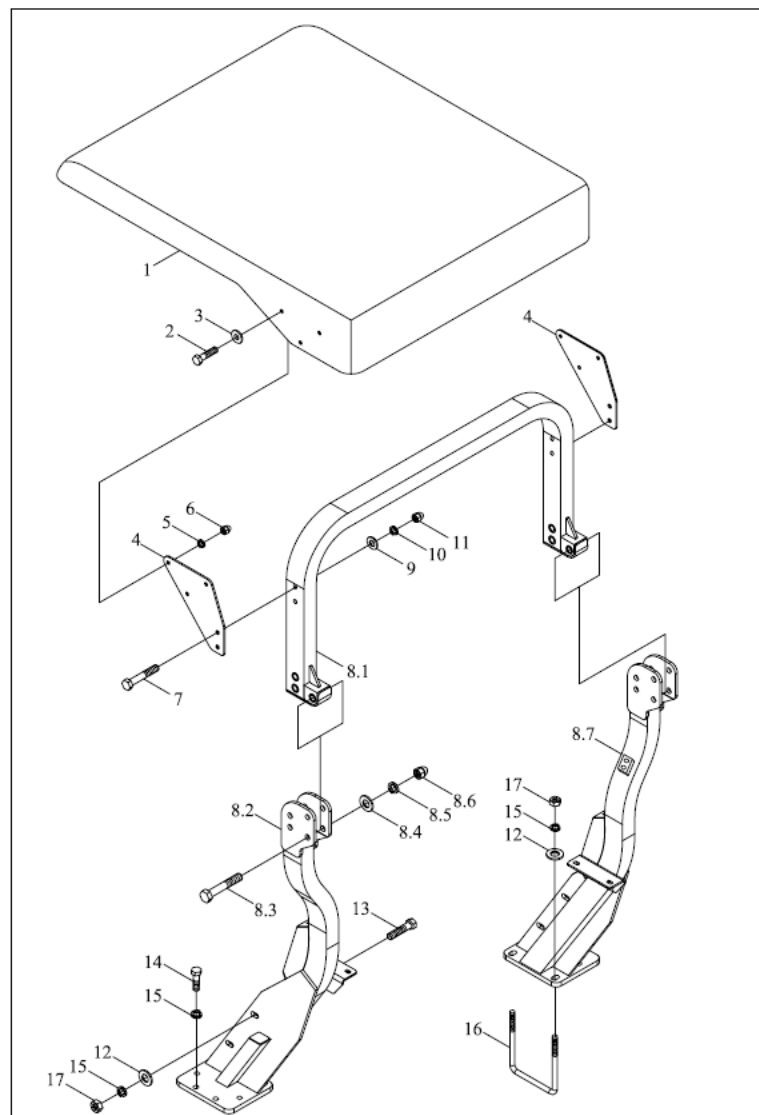
FT400.45.001 Floor mounting assembly-2



FT400.45.001-2 45.2-地板装配总成-2 45FLOOR MOUNTING ASSEMBLY-2

标号 No.	代号 Code	名称 Description		数量 Quantity	备注 Remark
1	FT404.47.034	右挡泥板焊合总成	RIGHT MUD GUARD WELDMENT ASSEMBLY	1	2011-11_
10	GBT97.1-5-A0P	垫圈	WASHER	3	2011-11_
11	FT400.45.032	右地板装配总成	RIGHT FLOOR INSTALLATION ASSEMBLY	1	2011-11_
12	GBT5783-M6X12-A2L	六角头螺栓	BOLT	16	2011-11_
13	GBT93-6	垫圈	WASHER	16	2011-11_
14	GBT97.1-6-A0P	平垫圈	WASHER	16	2011-11_
15	GBT5783-M10X25-A3L	螺栓	BOLT	4	2011-11_
16	GBT93-10-A0P	标准型弹簧垫圈	WASHER	4	
17	FT300.47.055	后挡板焊接	BACKBOARD WELDMENT	1	2011-11_
18	FT300.47C.054a	座椅板总成	SEAT PLATE ASSEMBLY	1	2004-01_
19	FT300.47.398	后地板盖	REAR FLOOR COVER	1	2011-11_
2	FT300.47.036	右上车扶手	RIGHT HANDLE	1	2011-11_
20	FT300.47.038	右脚蹬总成	RIGHT FOOT PEDAL ASSEMBLY	1	2011-11_
21	GBT5783-M12X35-A3L	螺栓	BOLT	2	2011-11_
21	GBT5783-M12X35-A3L	螺栓	BOLT	2	2011-11_
22	GBT93-12-A0P	弹簧垫圈	SPRING WASHER	2	2011-11_
3	FT300.47.362	扶手垫圈合件	ARMREST WASHER UNIT	2	2011-11_
4	GBT6170-M14-A3L	螺母	NUT	8	2011-11_
5	FT300.47.350	U型螺栓	U BOLT	2	2011-11_
6	FT65.45.393	油门踏板密封套	THROTTLE PEDAL SEAL SLEEVE	1	2011-11_
7	FT65.45.394	油门踏板密封套压板	THROTTLE PEDAL SEAL SLEEVE PRESSURE	1	2011-11_
8	GBT5783-M5X12-A2L	六角头螺栓	PLATE	3	2011-11_
9	GBT93-5	垫圈	BOLT	3	2011-11_
			WASHER		

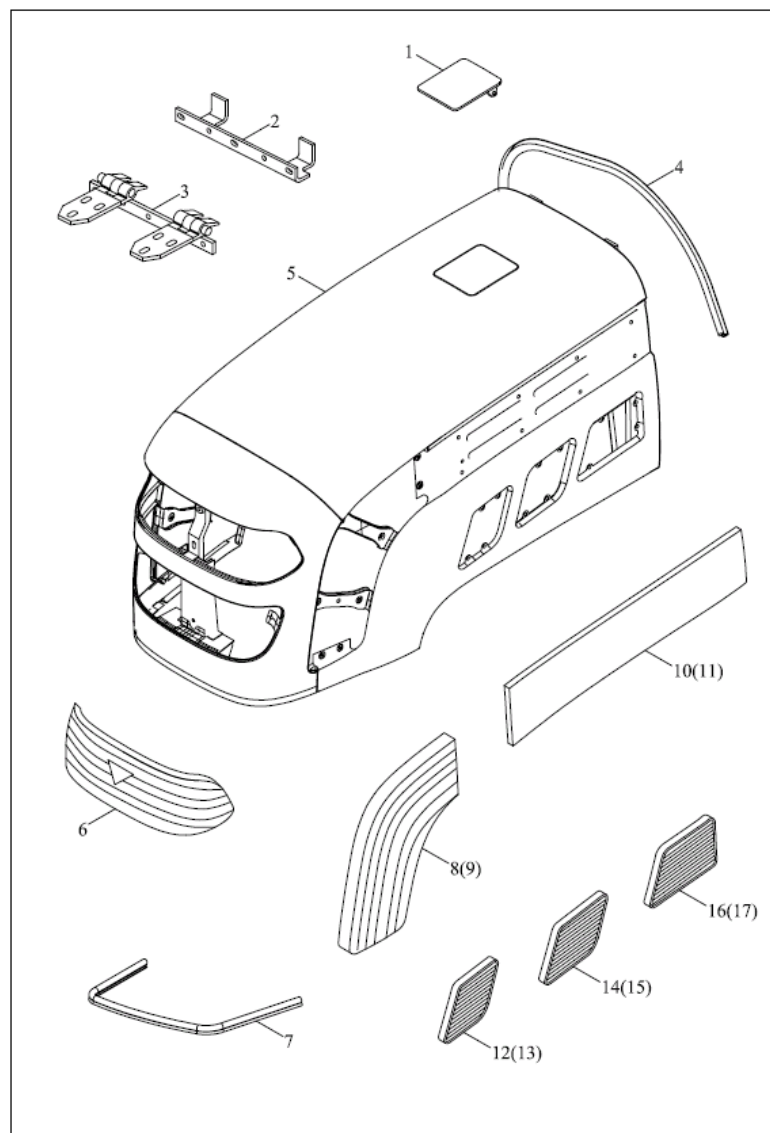
TB400.46C 安全架总成



TB400.46C 46-安全架总成 46-SAFETY FRAME ASSEMBLY

标号 No.	代号 Code	名称 Description	数量 Quantity	备注 Remark
1	FT300.46.012	遮阳棚总成	1	2011-11_
10	GBT93-12-A0P	弹簧垫圈	4	2011-11_
12	GBT97.1-14-A0P	垫圈14-A0P	8	2011-11_
14	GBT5783-M14X40-A3L	六角头螺栓	4	2011-11_
15	GBT93-14-A0P	弹簧垫圈	16	2011-11_
15	GBT93-14-A0P	弹簧垫圈	16	2011-11_
16	FT400.46.350	U型螺栓	4	2011-11_
17	GBT6170-M14-A3L	螺母	12	2011-11_
2	GBT5783-M10X30-A3L	螺栓	6	2011-11_
3	FT400.46.021	垫圈合件	6	2011-11_
4	FT300.46.106	遮阳棚固定板	2	2011-11_
5	GBT93-10-A0P	标准型弹簧垫圈	6	2011-11_
8	TB400.46C.1	支撑梁安装总成	1	2011-11_
8.1	FT400.46.011	上梁焊合	1	2011-11_
8.2	TB400.46C.1.1	左支撑梁焊合	1	2011-11_
8.3	GBT5782-M16X90-A2L	六角头螺栓	6	2011-11_
8.4	GBT95-16-A0P	垫圈	6	2011-11_
8.5	GBT93-16-A0P	弹簧垫圈	6	2011-11_
8.7	TB400.46C.1.2	右支撑梁焊合	1	2011-11_
9	GBT95-12-A0P	垫圈12-A0P	4	2011-11_

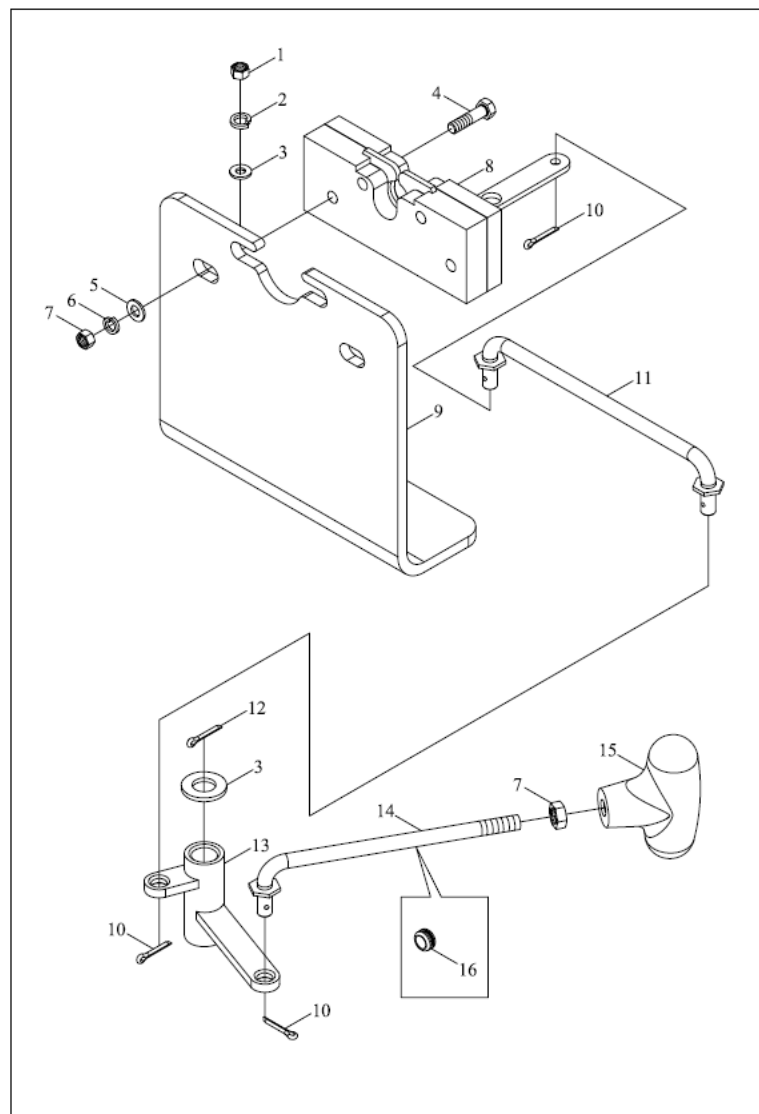
TB400B.471 Hood mounting assembly



TB400B.471 47.1-机罩装配总成 47.1-BONNET INSTALLATION ASSEMBLY

标号 No.	代号 Code	名称 Description		数量 Quantity	备注 Remark
1	TB400B.471.2	加油盖总成	OIL FILLING COVER ASSEMBLY	1	2004-01_
1	TB400B.471.3	加油口盖总成	FILLER CAP	1	2012-10_
10	TB400B.471-04	左后装饰件	LEFT REAR DECORATION	1	2011-11_
11	TB400B.471-05	右后装饰件	RIGHT REAR DECORATION PART	1	2011-11_
12	TB400B.471-06	左前下栅格	LEFT FRONT LOWER GRID	1	2011-11_
13	TB400B.471-07	右前下栅格	RIGHT FRONT LOWER GRID	1	2011-11_
14	TB400B.471-08	左中下栅格	LEFT MIDDLE LOWER GRID	1	2011-11_
15	TB400B.471-09	右中下栅格	RIGHT MIDDLE LOWER GRID	1	2011-11_
16	TB400B.471-10	左后下栅格	LEFT REAR LOWER GRID	1	2011-11_
17	TB400B.471-11	右后下栅格	RIGHT REAR LOWER GRID	1	2011-11_
2	TB400B.471-15	铰链上座	HINGE UPPER SEAT	2	2010-12_
3	TB400B.471-16	铰链下座	HINGE LOWER SEAT	1	2011-11_
4	TB400B.471-14	机罩密封条	BONNET SEAL STRIP	1	2010-12_
5	TB400B.471.1	机罩焊合	BONNET WELDMENT	1	2011-11_
6	TB400B.471-01	前脸栅格	FRONT GRID	1	2011-11_
7	TB400B.471-17	前下缓冲胶条	FRONT LOWER CUSHION RUBBER PIECE	1	2011-03_
8	TB400B.471-02	左前栅格	LEFT FRONT GRID	1	2011-11_
9	TB400B.471-03	右前栅格	RIGHT FRONT GRID	1	2011-11_

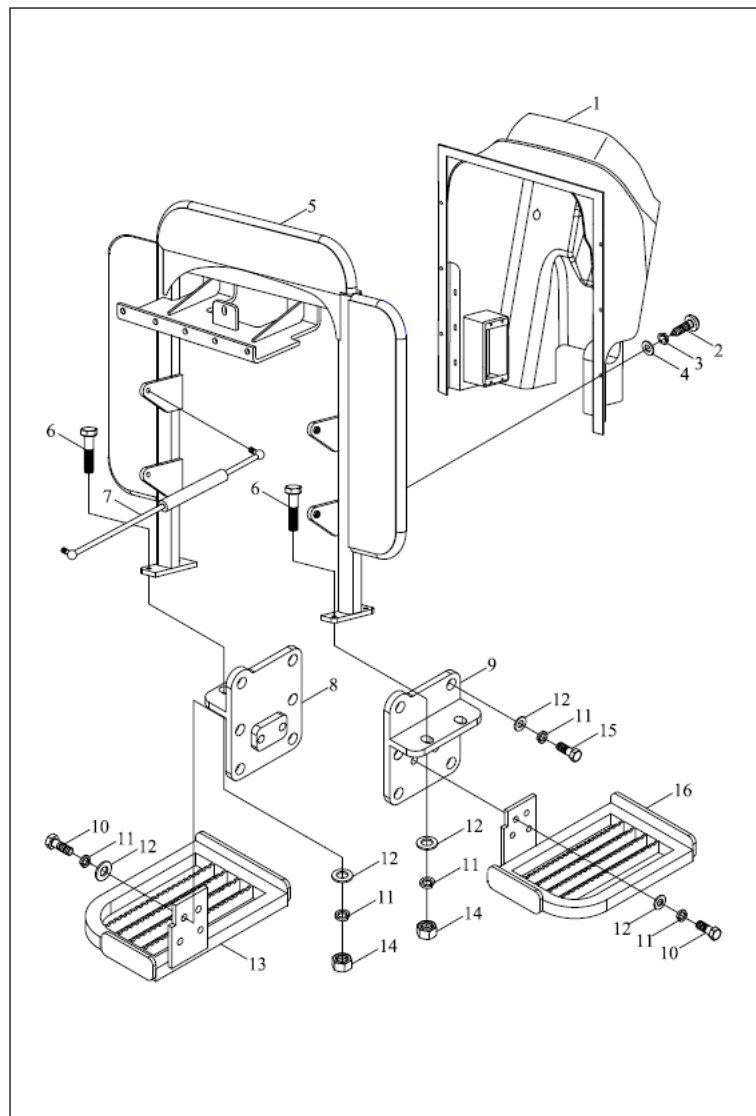
TB400B.473 机罩锁紧装置总成



TB400B.473 47.3-机罩锁紧装置总成 47.3-BONNET LOCKING DEVICE ASSEMBLY

标号 No.	代号 Code	名称 Description		数量 Quantity	备注 Remark
0	TB400B.473.4	拉杆焊合	WELDED PUSHING ROD	1	2011-08_
1	GBT6170-M8-A2L	螺母	NUT	3	2011-11_
10	GBT91-1.6X16-A0P	开口销	PIN	3	2011-11_
11	TB400B.473.2	拉杆焊合	WELDED PUSHING ROD	1	2011-08_
12	GBT91-2.5X25-A0P	开口销	PIN	1	2011-11_
13	TB400B.473.3	摇臂焊合	ROCKER WELDMENT	1	2011-08_
14	FT800A.47.098	拉杆焊合(二)	PULL ROD WELDMENT (2)	1	2011-11_
15	FT800A.47.056	手柄总成	HANDLE ASSEMBLY	1	2011-11_
16	TB450.473-02	胶圈	RUBBER RING	1	2008-08_
2	GBT93-8-A0P	垫圈	WASHER	3	2011-11_
3	GBT97.1-8-A0P	平垫圈	WASHER	3	2011-11_
4	GBT5783-M6X35-8.8-A1L	六角头螺栓	BOLT	4	2004-01_
5	GBT97.1-6-A0P	平垫圈	WASHER	7	2011-11_
6	GBT93-6-A0P	弹簧垫圈	SPRING WASHER	4	2011-11_
7	GBT6170-M6-A2L	螺母	NUT	5	2011-11_
8	FT800.47.127	机罩锁总成	BONNET LOCK ASSEMBLY	1	2004-01_
8	TG1204.474.4	机罩锁	BONNET LOCK	1	2011-08_
9	TB400B.473-01	机罩锁板	BONNET LOCK PLATE	1	2011-08_

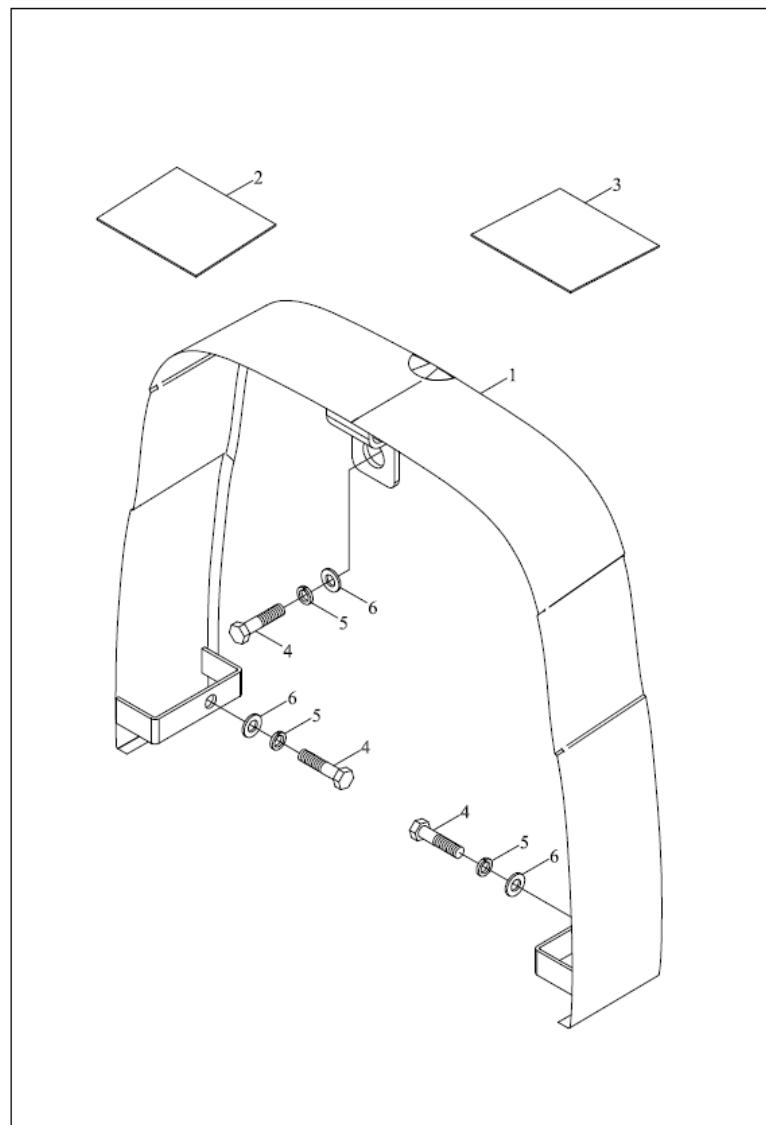
TB400B.474C 前围挡板总成



TB400B.474C 47.4-前围挡板总成 47.4-FRONT WALL FENDER ASSEMBLY

标号 No.	代号 Code	名称 Description		数量 Quantity	备注 Remark
1	FT300.47.020	仪表台总成	DASHBOARD ASSEMBLY	1	2011-11_
10	GBT5783-M12X35-A3L	螺栓	BOLT	8	2011-11_
10	GBT5783-M12X35-A3L	螺栓	BOLT	8	2011-11_
11	GBT93-12-A0P	弹簧垫圈	SPRING WASHER	16	2011-11_
12	GBT97.1-12-A0P	平垫圈	WASHER	16	2011-11_
13	FT300.47.038	右脚蹬总成	RIGHT FOOT PEDAL ASSEMBLY	1	2011-11_
14	GBT6170-M12-A3L	螺母	NUT	4	2011-11_
16	FT300.47.037	左脚蹬总成	LEFT FOOT PEDAL ASSEMBLY	1	2011-11_
2	FT300.47.622	塑料螺钉	PLASTIC SCREW	6	2011-11_
2	FT300.47.622	塑料螺钉	PLASTIC SCREW	6	2011-11_
3	GBT93-5-A0P	标准型弹簧垫圈	WASHER	6	2011-11_
4	GBT96.1-5-A0P	大垫圈	WASHER	6	2011-11_
5	TB400B.474A.1	前围板焊合	FRONT COAMING WELDMENT	1	2011-11_
6	GBT5783-M12X40-A3L	螺栓	BOLT	4	2011-11_
7	TB400B.471-30	机罩气弹簧	BONNET PNEUMATIC SPRING	2	2011-11_
8	FT300.47.015	机罩支架底座(右)	BONNET BRACKET SEAT (RIGHT)	1	2011-11_
9	FT300.47.014	机罩支架底座(左)	BONNET BRACKET SEAT (LEFT)	1	2011-11_

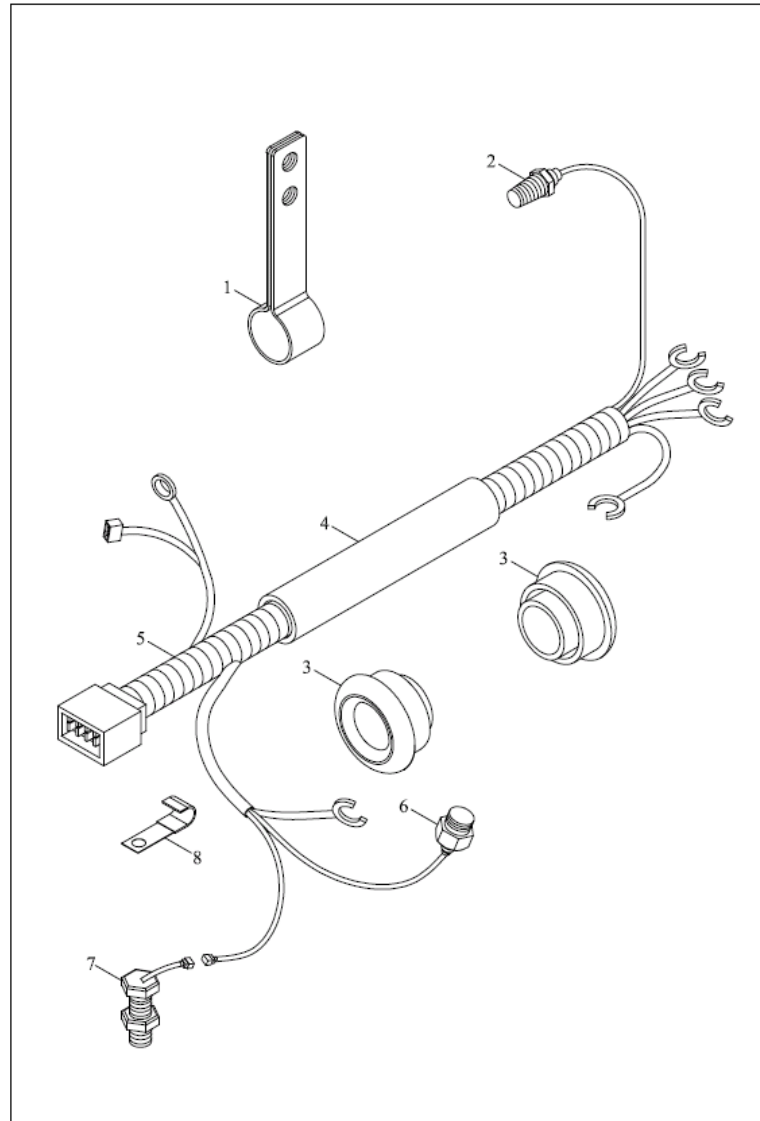
TB550.477C Hood extension assembly



TB550.477C 47.7-机罩加长总成 47.7-BONNET EXTENSION ASSEMBLY

标号 No.	代号 Code	名称 Description		数量 Quantity	备注 Remark
1	TB550.477C.1	机罩加长板焊接	BONNET EXTENSION PLATE WELDMENT	1	2011-11_
2	TB550.477B-01	左装饰胶条	LEFT DECORATION ADHESIVE PIECE	1	2011-11_
3	TB550.477B-02	右装饰胶条	RIGHT DECORATION ADHESIVE STRIP	1	2011-11_
4	GBT5781-M8X30-A2L	六角头螺栓	BOLT	3	2011-11_
5	GBT93-8-A0P	垫圈	WASHER	3	2011-11_
6	GBT96-8-A0P	大垫圈	WASHER	3	2011-11_
7	FT65.48.095	线束紧固夹(一)	HARNESSTIGHTEN CLIP (1)	4	2012-05_

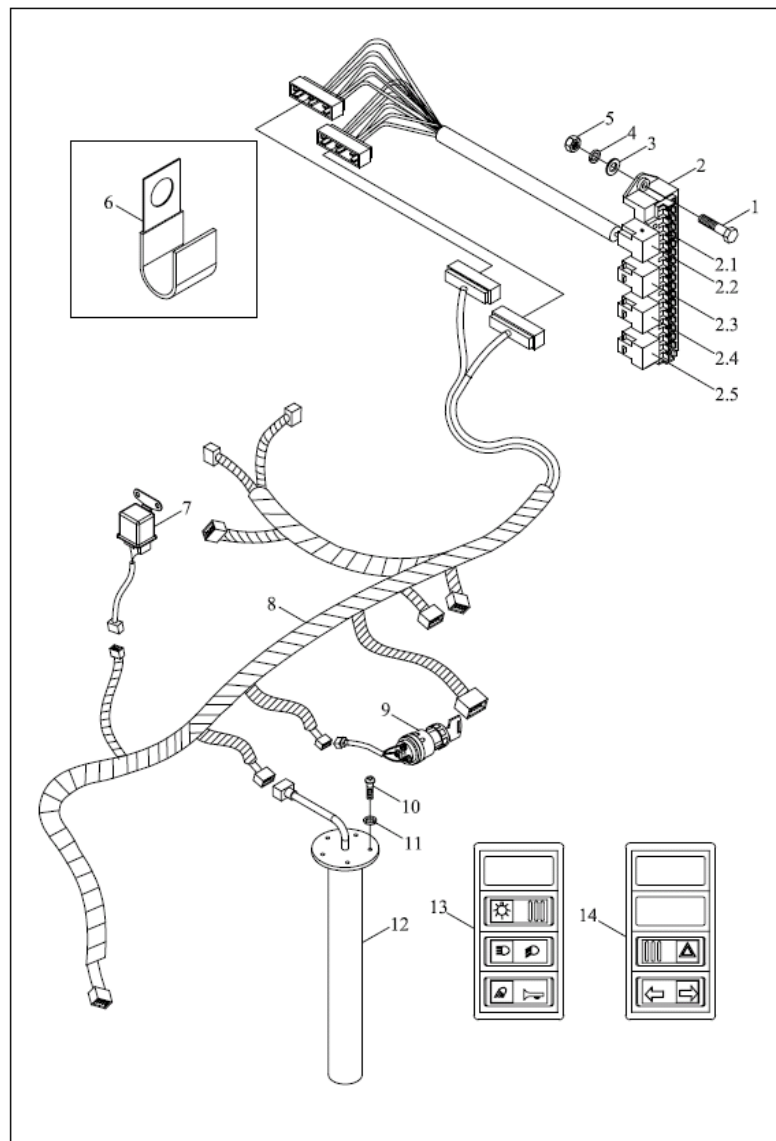
TB450.481H Engine wire harness mounting assembly



TB450.481H 48.1-发动机线束安装总成 48.1-ENGINE HARNESS INSTALLATION ASSEMBLY

标号 No.	代号 Code	名称 Description		数量 Quantity	备注 Remark
1	FT400.48B.1-01	钢管固定夹	FIXING CLIP OF STEEL PIPE	2	2011-11_
2	FT300.48.072	水温传感器	WATER TEMPERATURE SENSOR	1	2011-11_
3	FT800.48L.107	护线套	SLEEVE	2	2011-11_
4	FT300.48P.102	线束套管	HARNESS SLEEVE	1	2011-11_
5	TB450.481H.1	发动机线束总成	ENGINE HARNESS ASSEMBLY	1	2011-11_
6	FT300.48.073a	机油压力报警器	O? L PRESSURE SENSOR	1	2011-11_
7	FT300.48.074	转速传感器	RPM SENSOR	1	2011-11_
8	FT304.48L.203	线束紧固夹	HARNESS TIGHTEN CLIP	2	2011-11_

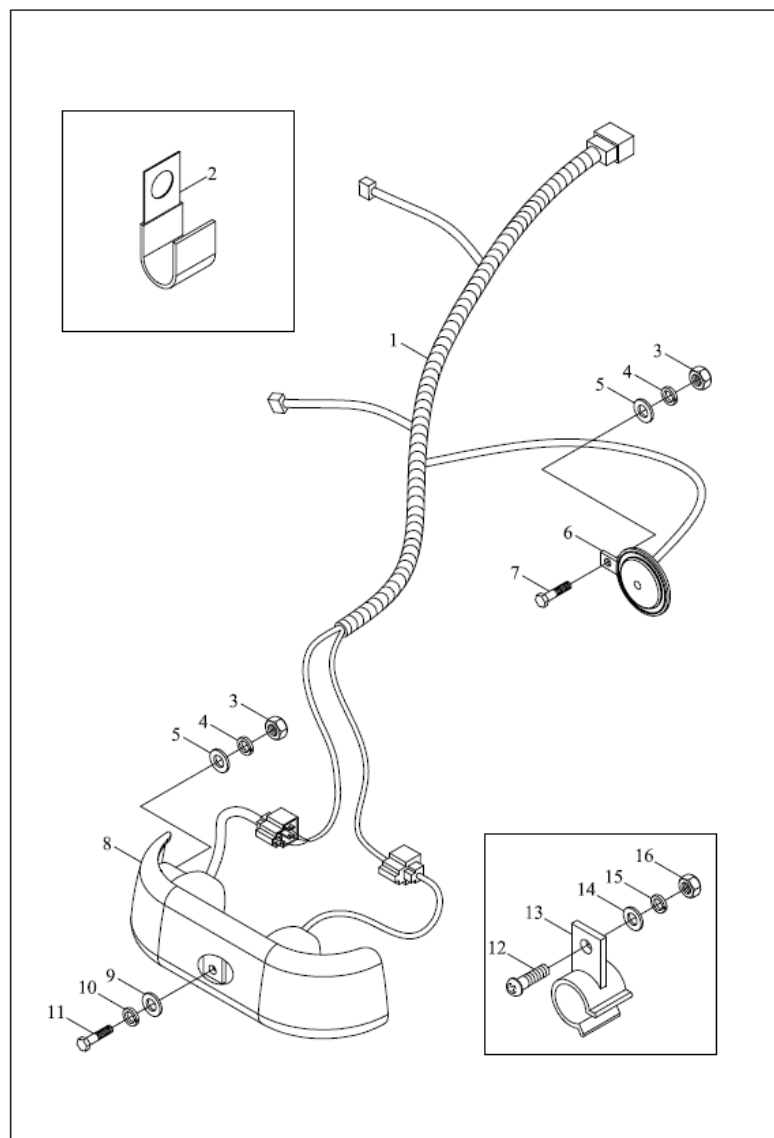
TB450.482D Vehicle wire harness mounting assembly



TB450.482D 48.2-车身线束安装总成 48.2-BODY HARNESS INSTALLATION ASSEMBLY

标号 No.	代号 Code	名称 Description		数量 Quantity	备注 Remark
1	GBT5783-M6x16-A2L	螺栓	BOLT	2	2011-11_
10	GBT818-M4X10-A2L	十字槽盘头螺钉	SCREW	5	2011-11_
11	GBT93-4-A0P	标准型弹簧垫圈	WASHER	5	2011-11_
12	FT300.48.071a	油量传感器	OIL QUANTITY SENSOR	1	2011-11_
13	FT300.48D.2.3	左翘板开关	LEFT PADDLE SWITCH	1	2011-11_
14	TB450.482.1	右翘板开关	RIGHT BUTTON SWITCH	1	2011-11_
2	TB400.482A.2	中央电器盒总成	CENTRAL ELECTRICAL BOX ASSEMBLY	1	2011-11_
2.2	FT300.48.513	电子闪光器	ELECTRIC FLASH	1	2011-11_
2.3	FT300.48.512	主电源继电器	MAIN POWER RELAY	1	2011-11_
2.4	FT300.48D.2.2.2	预热继电器	PREHEATING RELAY	1	2011-11_
2.5	FT300.48D.2.2.1	电压调节器	VOLTAGE ADJUSTER	1	2011-11_
2.5	FT300.48D.2.2.1	电压调节器	VOLTAGE ADJUSTER	1	2011-11_
3	GBT97.1-6-A0P	平垫圈	WASHER	2	2011-11_
4	GBT93-6-A0P	弹簧垫圈	SPRING WASHER	2	2011-11_
5	GBT6170-M6-A2L	螺母	NUT	2	2011-11_
6	FT65.48.095	线束紧固夹(一)	HARNESS TIGHTEN CLIP (1)	1	2011-11_
7	FT300.48.055	启动继电器	STARTING RELAY	1	2004-01_
7	TB450.482.2	启动继电器	STARTING RELAY	1	2009-02_
8	TB450.482D.1	车身线束总成	BODY HARNESS ASSEMBLY	1	2011-11_
9	FT300.48.064	点火锁	IGNITION LOCK	1	2011-11_

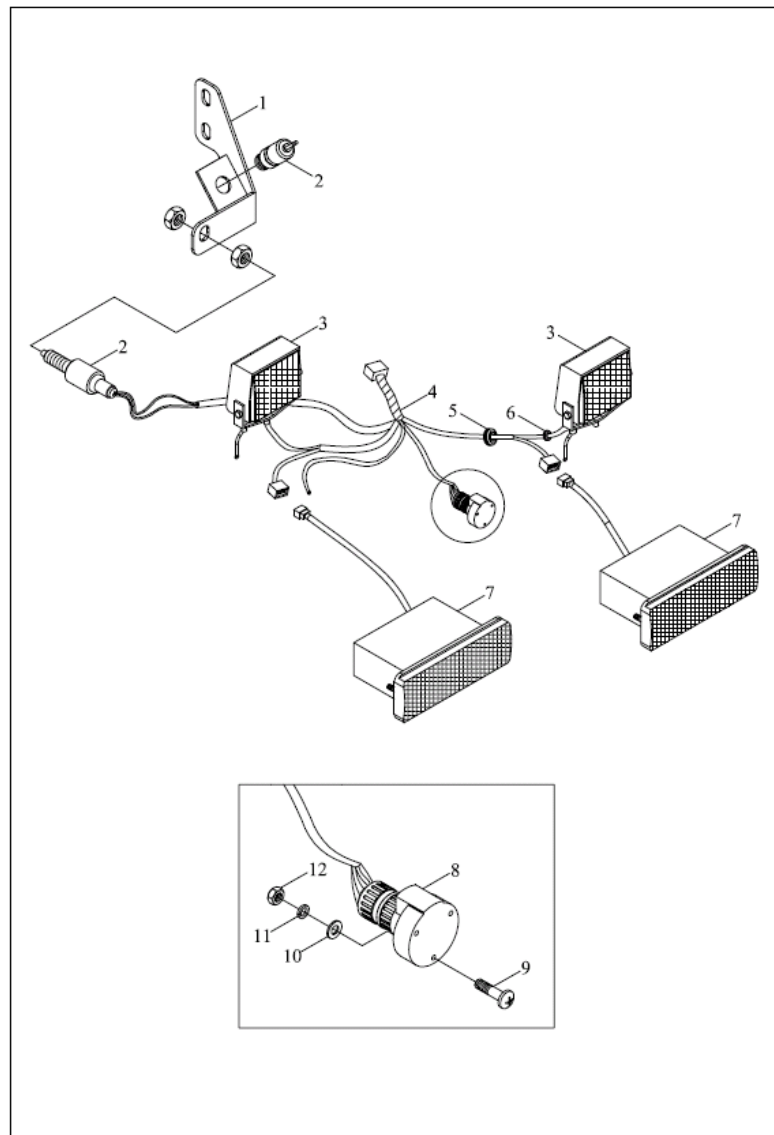
TB450.483 Front lamp wire harness mounting assembly



TB450.483 48.3-前灯线束安装总成 48.3-FRONT LAMP HARNESS INSTALLATION ASSEMBLY

标号 No.	代号 Code	名称 Description		数量 Quantity	备注 Remark
1	FT400.48.023	前灯线束总成	FRONT LAMP HARNESS ASSEMBLY	1	2011-11_
10	GBT93-8-A0P	垫圈	WASHER	2	2011-11_
11	GBT5783-M8X16-A2L	螺栓	BOLT	2	2011-11_
12	GBT818-M5X14-A2L	十字槽盘头螺钉	SCREW	1	2011-11_
13	TB400.483-01	线束卡扣	HARNESS CLAMP	1	2011-11_
14	GBT97.1-5-A0P	垫圈	WASHER	1	2011-11_
15	GBT93-5-A0P	标准型弹簧垫圈	WASHER	1	2011-11_
16	GBT6170-M5-A2L	1型六角螺母	NUT	1	2011-11_
2	FT65.48.097	线束固定夹(二)	HARNESS LOCKING CLAMP (2)	6	2011-11_
3	GBT6170-M6-A2L	螺母	NUT	3	2011-11_
4	GBT93-6-A0P	弹簧垫圈	SPRING WASHER	3	2011-11_
5	GBT97.1-6-A0P	平垫圈	WASHER	3	2011-11_
6	FT65.48.340	电喇叭	ELECTRIC HORN	1	2011-11_
7	GBT5783-M6x16-A2L	螺栓	BOLT	1	2011-11_
8	TB400.483A.1	前组合灯总成	FRONT COMBINED LAMP ASSEMBLY	1	2004-01_
9	GBT97.1-8-A0P	平垫圈	WASHER	2	2011-11_

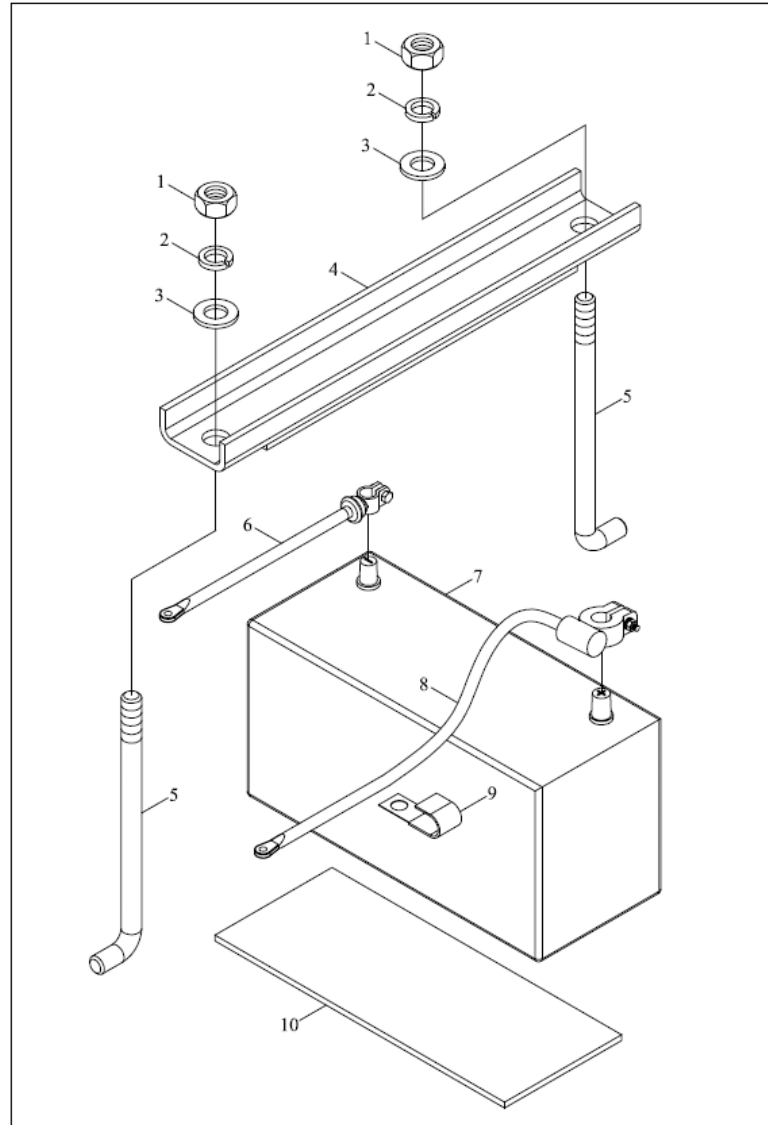
TB450.484A Rear lamp wire harness mounting assembly



TB450.484A 48.4-后灯线束安装总成 48.4-REAR LAMP HARNESS INSTALLATION ASSEMBLY

标号 No.	代号 Code	名称 Description	数量 Quantity	备注 Remark
1	FT300.48C.211	制动开关安装板	1	2011-11_
10	GBT97.1-5-A0P	垫圈	3	2003-11_
11	GBT93-5-A0P	标准型弹簧垫圈	3	2003-11_
12	GBT6170-M5-A2L	1型六角螺母	3	2003-11_
2	FT300.48.033	制动灯开关	2	2003-11_
3	FT300.48.053a	后照灯	2	2003-11_
4	FT400.48A.024	后灯线束总成	1	2004-01_
4	FT400.48A.024a	后灯线束总成	1	2012-02_
5	FT65.48.093	穿线胶圈(一)	2	2003-11_
6	FT65.48.094	穿线胶圈(二)	2	2003-11_
7	FT300.48.052a	后尾灯	2	2003-11_
8	FT65.48.080	后挂车插座	1	2004-01_
8	TD900.484.2	后挂车插座	1	2002-02_
9	GBT818-M5X35-A1L	十字槽盘头螺钉	3	2003-11_

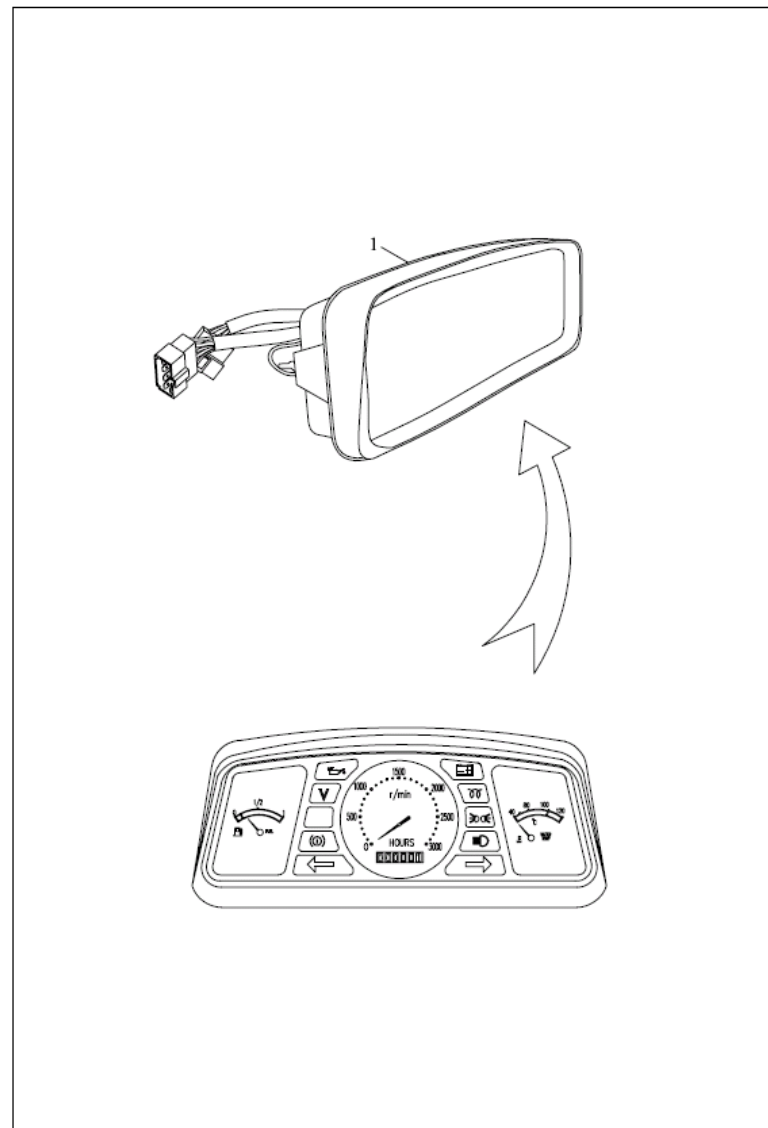
TB450.485A Battery mounting assembly



TB450.485A 48.5-蓄电池安装总成 48.5-BATTERY INSTALLATION ASSEMBLY

标号 No.	代号 Code	名称 Description		数量 Quantity	备注 Remark
1	GBT6170-M8-A2L	螺母	NUT	2	2011-11_
10	TB450.485.1	蓄电池减震垫	BATTERY SHOCK ABSORPTION MAT	2	2010-08_
10	FT450.48.102	蓄电池减震垫	BATTERY SHOCK ABSORPTION MAT	1	2004-01_
2	GBT93-8-A0P	垫圈	WASHER	2	2011-11_
3	GBT97.1-8-A0P	平垫圈	WASHER	2	2011-11_
4	TG1204.485-02	电瓶压板	BATTERY PRESS PLATE	1	2011-11_
5	TG1204.485-01	电瓶U型拉杆	U-TYPE PULL ROD OF BATTERY	2	
6	TB400.485A.2	电瓶搭铁线	BATTERY IRON WIRE	1	2011-11_
7	FT450.48.010	蓄电池	BATTERY	1	2011-11_
8	TB400.485A.1	电源线总成	POWER WIRE ASSEMBLY	1	2011-11_
9	FT65.48.095	线束紧固夹(一)	HARNESS TIGHTEN CLIP (1)	1	2011-11_

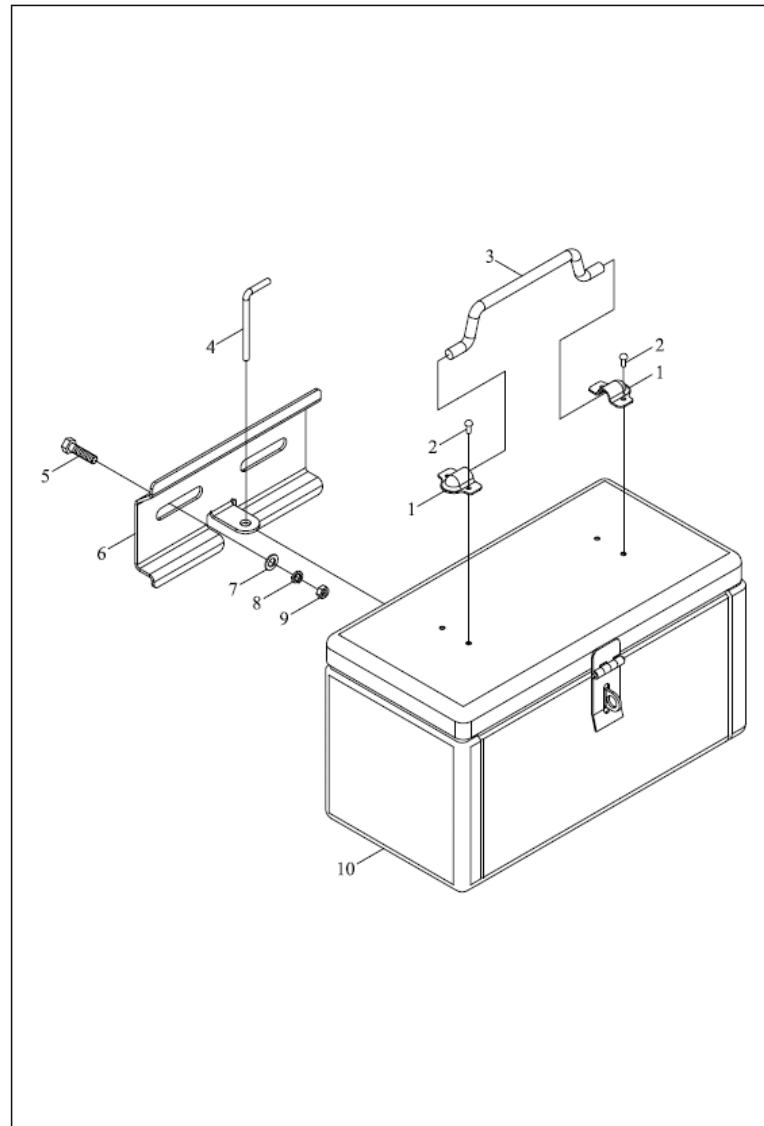
TB400.487 Combination instrument assembly



TB400.487 48.7-组合仪表总成 48.7-COMBINED INSTRUMENT ASSEMBLY

标号 No.	代号 Code	名称 Description	数量 Quantity	备注 Remark
1	FT300.48.061	组合仪表总成	1	2004-01_
1	FT300.48.061a	组合仪表总成	1	2009-05_

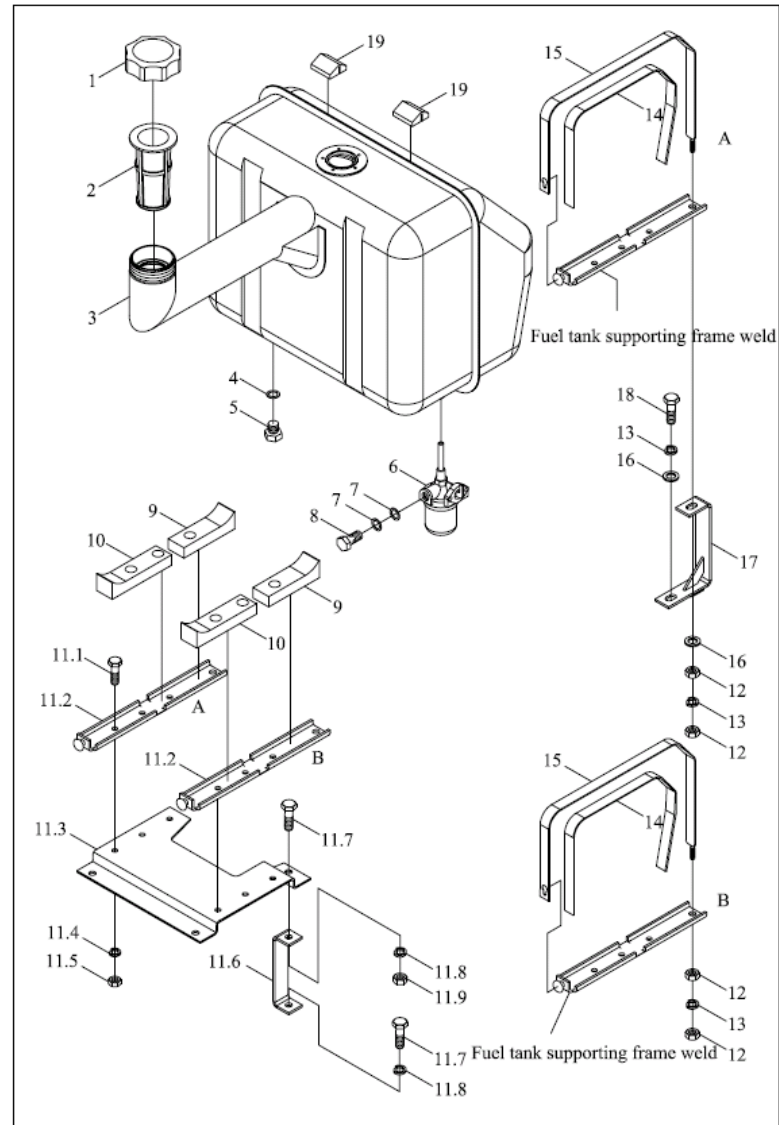
FT300.49.001 Tool box assembly



FT300.49.001 49-工具箱总成 49-TOOL BOX ASSEMBLY

标号 No.	代号 Code	名称 Description		数量 Quantity	备注 Remark
1	GBT5783-M12X25-A3L	六角头螺栓	BOLT	2	2011-11_
1	FT65.49.101	提手座	HANDLE SEAT	2	2003-11_
10	FT300.49.012	工具箱焊合总成	TOOL BOX WELDMENT ASSEMBLY	1	2003-11_
2	GBT 867-4X8	半圆头铆钉	RIVET	2	2003-11_
3	FT65.49.115	提手	HANDLE	1	2003-11_
4	FT65.49.102	插销	CROSS PIN	1	2003-11_
5	GBT5783-M12X35-A3L	螺栓	BOLT	2	2003-11_
5	GBT5783-M12X35-A3L	螺栓	BOLT	2	2003-11_
6	FT65.49.103	固定支板	FIXING SUPPORT PLATE	1	2003-11_
7	GBT97.1-12-A0P	平垫圈	WASHER	2	2003-11_
8	GBT93-12-A0P	弹簧垫圈	SPRING WASHER	2	2003-11_
9	GBT6170-M12-A3L	螺母	NUT	2	2003-11_

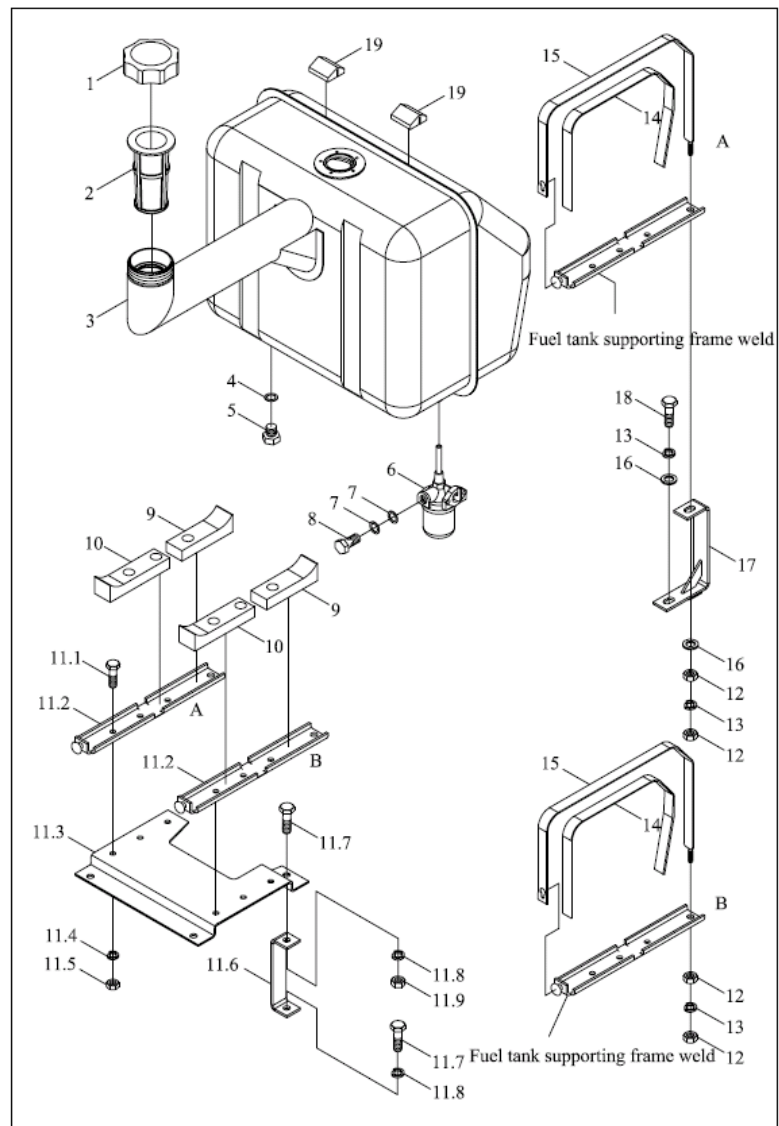
TB550.50Q Oil tank and bracket assembly



TB550.50Q 50-油箱与支架总成

标号 No.	代号 Code	名称 Description		数量 Quantity	备注 Remark
1	TA650.502.3	油箱盖总成	OIL TANK COVER ASSEMBLY	1	2011-11_
10	FT300.50.110	前橡胶垫	FRONT RUBBER WASHER	2	2011-11_
11	FT300.50B.020	油箱支架总成	OIL TANK BRACKET ASSEMBLY	1	
11	TB550.50Q.2	油箱支架总成	OIL TANK BRACKET ASSEMBLY	1	2006-11_
11.1	GBT5783-M8X20-A2L	螺栓	BOLT	6	2013-08_
11.2	TB550.50Q.2.1	油箱支撑架焊合	OIL TANK SUPPORT FRAME WELDMENT	2	2011-11_
11.3	FT300.50B.124	油箱垫板	OIL TANK GASKET PLATE	1	2011-11_
11.3	FT300.50B.124	油箱垫板	OIL TANK GASKET PLATE	1	2011-11_
11.4	GBT93-8-A0P	垫圈	WASHER	6	2011-11_
11.5	GBT6170-M8-A2L	螺母	NUT	6	2011-11_
11.6	FT300.50.123	U型支架	U-BRACKET	1	2011-11_
11.7	GBT5783-M10X20-A3L	螺栓	BOLT	4	2011-11_
11.8	GBT93-8-A0P	垫圈	WASHER	4	2011-11_
11.9	GBT6170-M10-A3L	螺母	NUT	1	2011-11_
12	GBT6170-M10-A3L	螺母	NUT	8	2011-11_
13	GBT93-10-A0P	标准型弹簧垫圈	WASHER	5	2011-11_
14	FT404.50.114	主油箱扎带橡胶垫	MAIN OIL TANK BELT RUBBER WASHER	2	2011-11_
15	TB550.50Q.3	油箱扎带焊合	OIL TANK BAND WELDMENT	2	2011-11_
16	GBT97.1-10-A0P	平垫圈	WASHER	2	2011-11_
17	FT300.50B.016	U形板焊合	U-PLATE WELDMENT	1	2011-11_
18	GBT5783-M10X20-A3L	螺栓	BOLT	1	2011-11_
19	FT300.50.112	橡胶垫块	RUBBER PAD BLOCK	2	2011-11_
2	FT300.50.015	滤网总成	FILTER MESH ASSEMBLY	1	2011-11_
3	TB550.50Q.1	油箱焊合	FUEL TANK WELDMENT	1	2011-11_
4	JBT982-16	组合密封垫圈	COMBINED SEAL GASKET	1	2011-11_

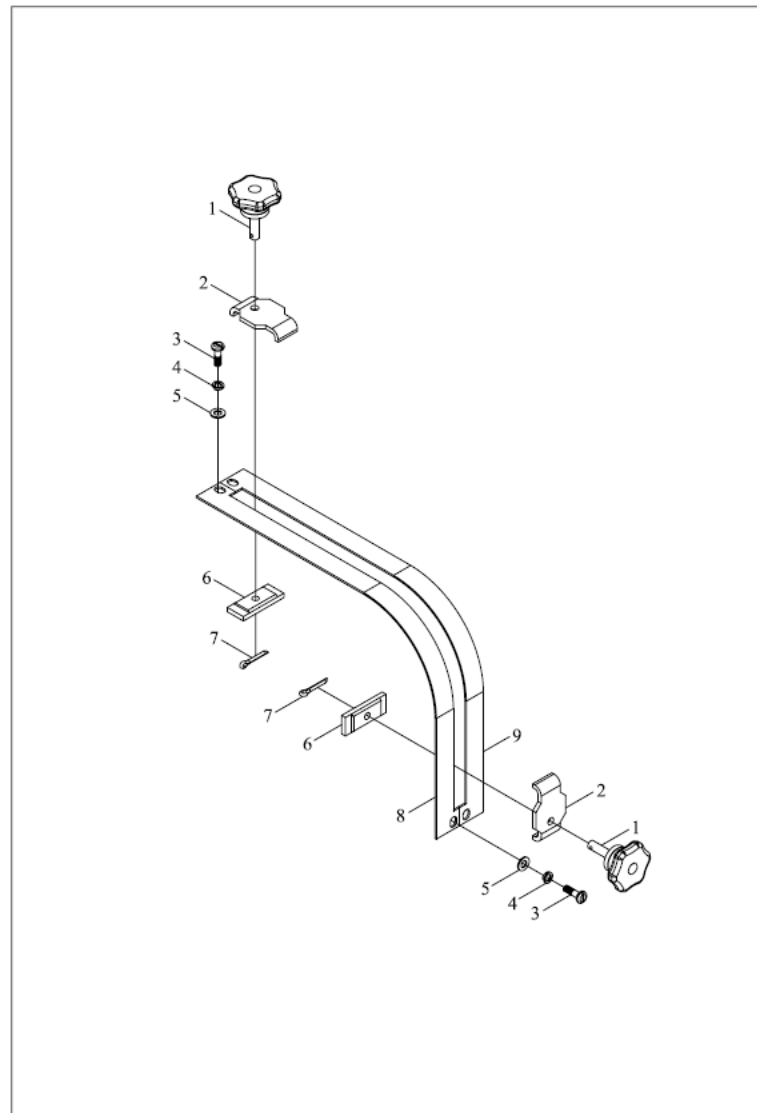
TB550.50Q Oil tank and bracket assembly



TB550.50Q 50-油箱与支架总成(续)

标号 No.	代号 Code	名称 Description		数量 Quantity	备注 Remark
5	FT65.50.226	放油螺塞	OIL DISCHARGING SCREW PLUG	1	2011-11_
6	FT404.50.034	沉淀杯总成	SEDIMENT CUP ASSEMBLY	1	
6	FT65.50.033	沉淀杯总成	SEDIMENT CUP ASSEMBLY	1	2006-11_
6	FT65.50.033	沉淀杯总成	SEDIMENT CUP ASSEMBLY	1	2006-11_
7	JBT982-14	组合密封垫圈	COMBINED SEAL GASKET	2	2011-11_
7	JBT982-14	组合密封垫圈	COMBINED SEAL GASKET	2	2011-11_
8	FT65.50.106	空心螺栓	HOLLOW BOLT	1	2011-11_
9	FT300.50.111	后橡胶垫	REAR RUBBER CUSHION	2	2011-11_

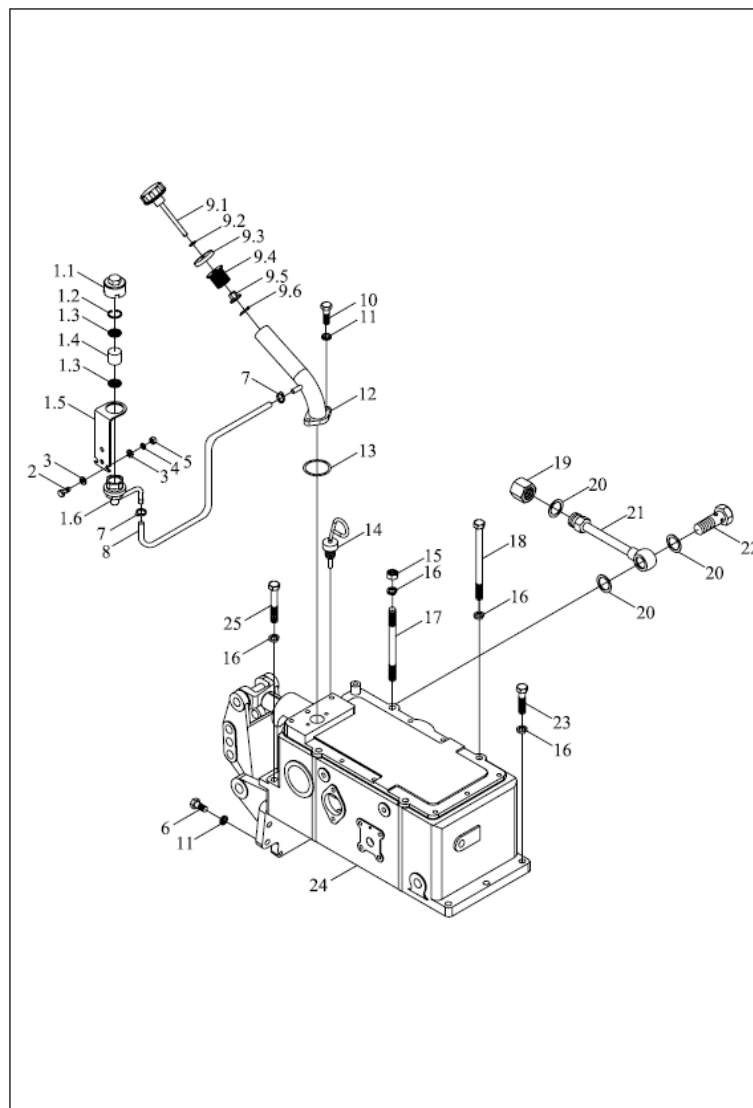
TB500A.55 提升器装置总成-1



TB500A.55-1 55.1-提升器装置总成-1 LIFT INSTALLATION ASSEMBLY-1

标号 No.	代号 Code	名称 Description		数量 Quantity	备注 Remark
0	FT300.55B.023	操纵手柄定位总成	CONTROL HANDLE LOCATING ASSEMBLY	1	2011-11_
0	TB-B02223	TB提升器维修包	TOOL KIT	1	2014-01_
1	FT65.57.014	调节手柄头总成	ADJUSTING HANDLE HEAD ASSEMBLY	2	2011-11_
2	FT300.55B.133	定位弯板	LOCATING BENDING PLATE	2	2011-11_
3	GBT818-M5X16	十字槽盘头螺钉	SCREW	4	2004-01_
4	GBT93-5	垫圈	WASHER	4	2011-11_
5	FT300.55B.131	垫圈	WASHER	4	2011-11_
6	FT300.55B.132	定位螺母	LOCATING NUT	2	2011-11_
7	GBT91-1.6X12-A0P	开口销	PIN	1	
8	FT300.55B.135	力调节位牌	FORCE ADJUSTING POSITION MARK	1	2011-11_
9	FT300.55B.134	位调节位牌	POSITION ADJUSTING POSITION MARK	1	2011-11_

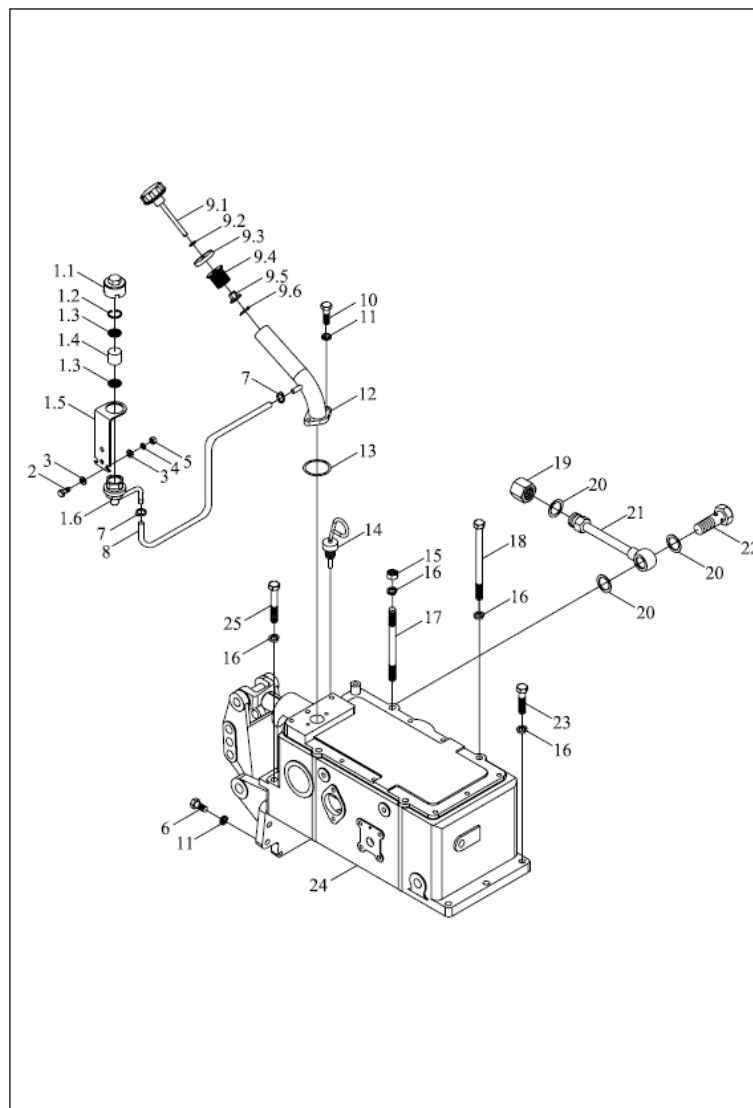
TB500A.55 提升器装置总成-2



TB500A.55-2 55.2-提升器装置总成-2 LIFT INSTALLATION ASSEMBLY-2

标号 No.	代号 Code	名称 Description	数量 Quantity	备注 Remark
1	FT300.55B.016c	呼吸器总成	1	2011-11_
1.1	FT700.55D.136	呼吸器盖	1	2011-11_
1.1	FT700.55D.136	呼吸器盖	1	2011-11_
1.2	GBT893.1-26	孔用弹性挡圈	1	2011-11_
1.3	FT650.40.167	座板	2	2011-11_
1.4	FT700.55D.109	呼吸器滤芯	1	2011-11_
1.5	FT300.55B.164	呼吸器支架	1	2011-11_
1.6	FT300.55B.027A	呼吸器连接管焊合	1	2011-11_
10	GBT5783-M8X25-A2L	螺栓	2	2011-11_
11	GBT93-8-AOP	弹簧垫圈	4	2011-11_
12	FT300.55B.026	加油管焊合	1	2011-11_
13	GBT3452.1-32.5X1.8G	液压气动用O形橡胶密封圈	1	2011-11_
14	FT300.55B.022a	油尺组合件	1	2011-11_
15	GBT6170-M12-A3L	螺母	2	2011-11_
16	GBT93-12-AOP	垫圈	9	2011-11_
17	TB300.55-01	双头螺柱	2	2011-11_
18	FT500A.55.104	螺栓	2	2011-11_
19	FT300.55B.121a	输油管螺母	1	2011-11_
2	GBT5783-M10X20-A3L	螺栓	3	
20	JBT982-22	组合密封垫圈	3	2011-11_
21	FT300.55B.024	放油管焊接总成	1	2011-11_
22	FT300.58.101	空心螺栓	1	2011-11_
23	GBT5783-M12X40-A3L	螺栓	3	2011-11_
24	FT500A.55.010	提升器及操纵总成	1	2011-11_
24	FT500A.55.010	提升器及操纵总成	1	2011-11_

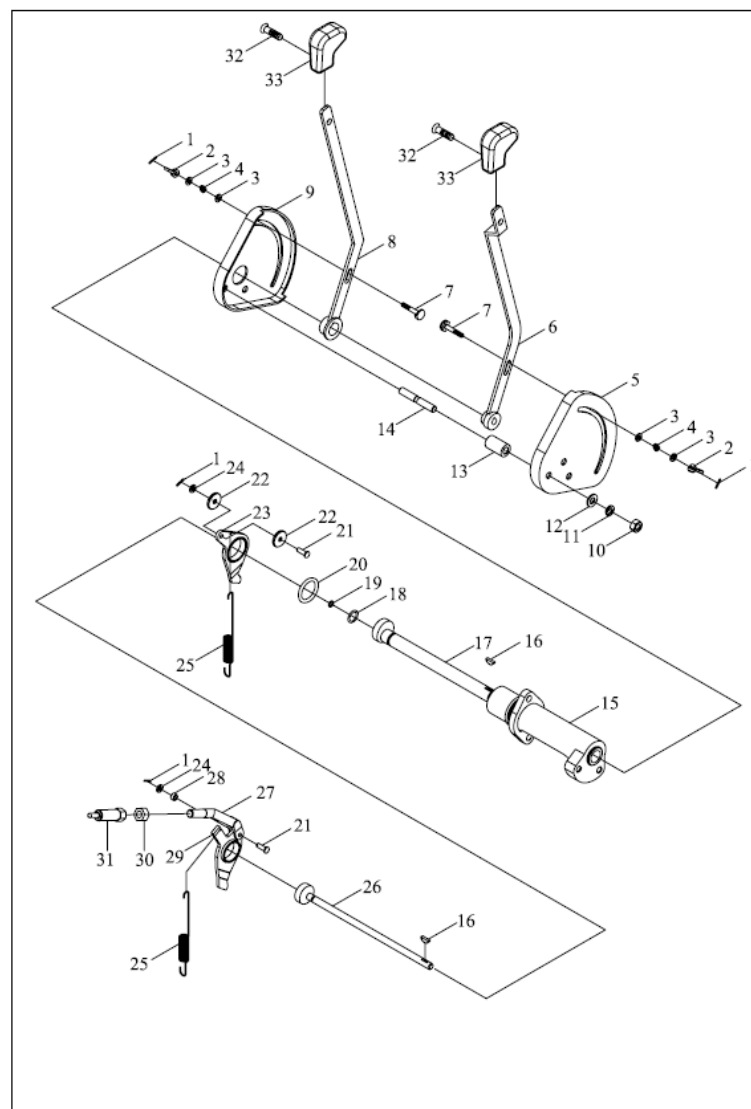
TB500A.55 提升器装置总成-2



TB500A.55-2 55.2-提升器装置总成-2(续)

标号 No.	代号 Code	名称 Description		数量 Quantity	备注 Remark
25	GBT5782-M12X100-A3L	六角头螺栓	BOLT	2	2011-11_
3	GBT97.1-10-AOP	垫圈	WASHER	4	2011-11_
4	GBT93-10	垫圈10	WASHER 10	2	2011-11_
5	GBT6170-M10-A2L	螺母	NUT	2	2011-11_
6	GBT5783-M8X30-8.8-A2L	六角头螺栓	BOLT	2	2011-11_
7	Q67512	软管环箍	HOSE RING HOOP	2	2011-11_
8	FT300.55B.169	呼吸器连接胶管2	BREATHER CONNECTING RUBBER HOSE 2	1	2011-11_
9	TA700.55A.7	螺塞总成	PLUG,THREADED	1	2013-05_
9	FT300.55B.029	油管塞总成	OIL PIPE PLUG ASSEMBLY	1	2011-11_
9.1	FT700.55D.029	手轮总成 I	HANDLE WHEEL ASSEMBLY I	1	2011-11_
9.2	JBT982-8	组合垫圈	COMBINED GASKET	1	2011-11_
9.3	FT700.55D.129	盖板	COVER PLATE	1	2011-11_
9.4	FT300.55B.165	张紧胶套	TENSION RUBBER SLEEVE	1	2011-11_
9.5	FT300.55B.166	调节螺母	ADJUSTING NUT	1	2011-11_
9.6	GBT91-3.2X16-A0P	开口销	PIN	1	2011-11_

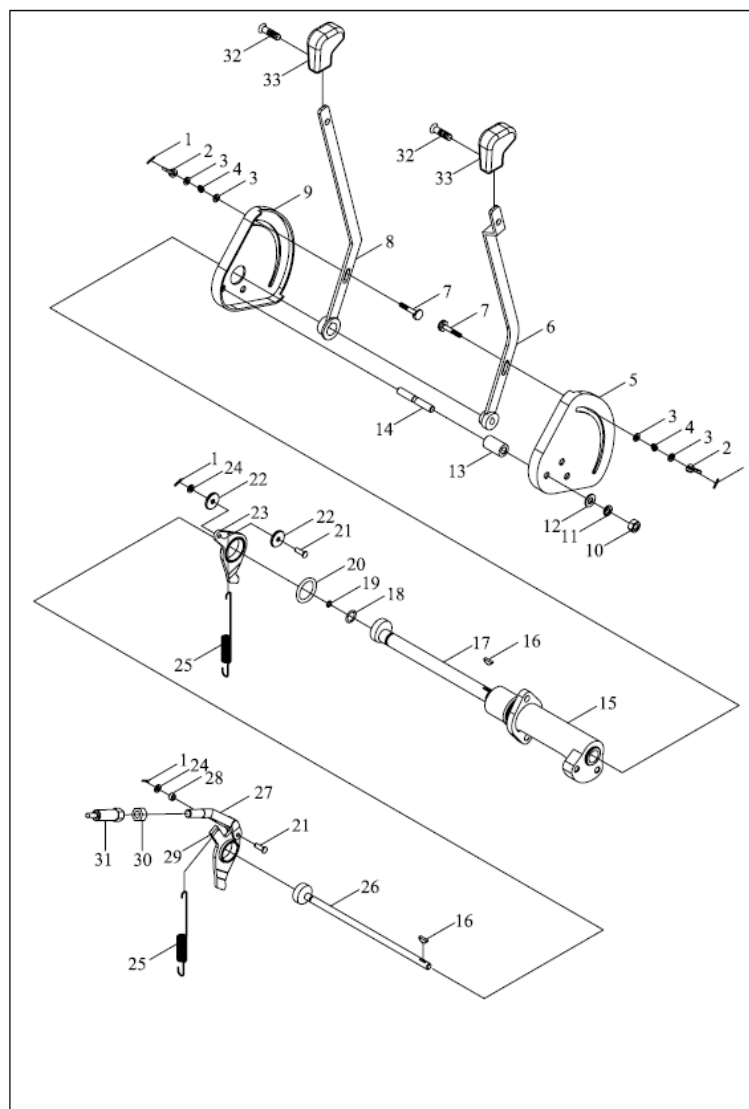
TB500A.55 提升器装置总成-3



TB500A.55-3 55.3-提升器装置总成-3 LIFT INSTALLATION ASSEMBLY-3

标号 No.	代号 Code	名称 Description		数量 Quantity	备注 Remark
1	GBT91-2X12	开口销	PIN	4	2011-11_
10	GBT6170-M10	螺母M10	NUT M10	2	2011-11_
11	GBT93-10	垫圈10	WASHER 10	2	2011-11_
12	GBT97.1-10	垫圈10	WASHER 10	2	2011-11_
13	25.55.137	扇形板支承套管	SECTOR PLATE SUPPORTING BUSH	2	2011-11_
14	GBT901-M10X70	螺柱	STUD	2	2011-11_
15	FT500B.55.109	扇形板支座	SECTOR PLATE SEAT	1	2011-11_
16	GBT1099-4X13	键	KEY	2	2011-11_
16	GBT1099-4X13	键	KEY	2	2011-11_
17	FT500B.55.018	位调节偏心轮套管总成	POSITION ADJUSTING ECCENTRIC WHEEL SLEEVE ASSEMBLY	1	2011-11_
17	FT500B.55.018	位调节偏心轮套管总成		1	2011-11_
18	GBT1235-20X2.4	O形圈	POSITION ADJUSTING ECCENTRIC WHEEL	1	2011-11_
19	GBT1235-10X1.9	O形圈	SLEEVE ASSEMBLY	1	2011-11_
2	GBT62-M6	蝶形螺母M6	O-RING	2	2011-11_
20	GBT1235-48X3.5	O形圈	O-RING	1	2011-11_
21	25.55.143	销	WIN NUT		
22	KM550.55.124	滚轮	O-RING	2	2011-11_
23	KM550.55.123	位调节杠杆	PIN	1	2011-11_
24	GBT97.1-6	垫圈 6		2	2011-11_
25	FT500A.55.109	拉力弹簧	POSITION ADJUSTING LEVER	2	2011-11_
26	FT500B.55.017	力调节偏心轮焊接总成	WASHER 6		
27	FT500B.55.112	连接臂	PULL SPRING	1	2011-11_
28	25.55.221	力调节杠杆销套		1	2011-11_
29	KM550.55.127	力调节杠杆	FORCE ADJUSTING ECCENTRIC WHEEL WELDMENT ASSEMBLY	1	2011-11_
3	GBT96-6	大垫圈	CONNECTING ROD ROCKER	4	2011-11_

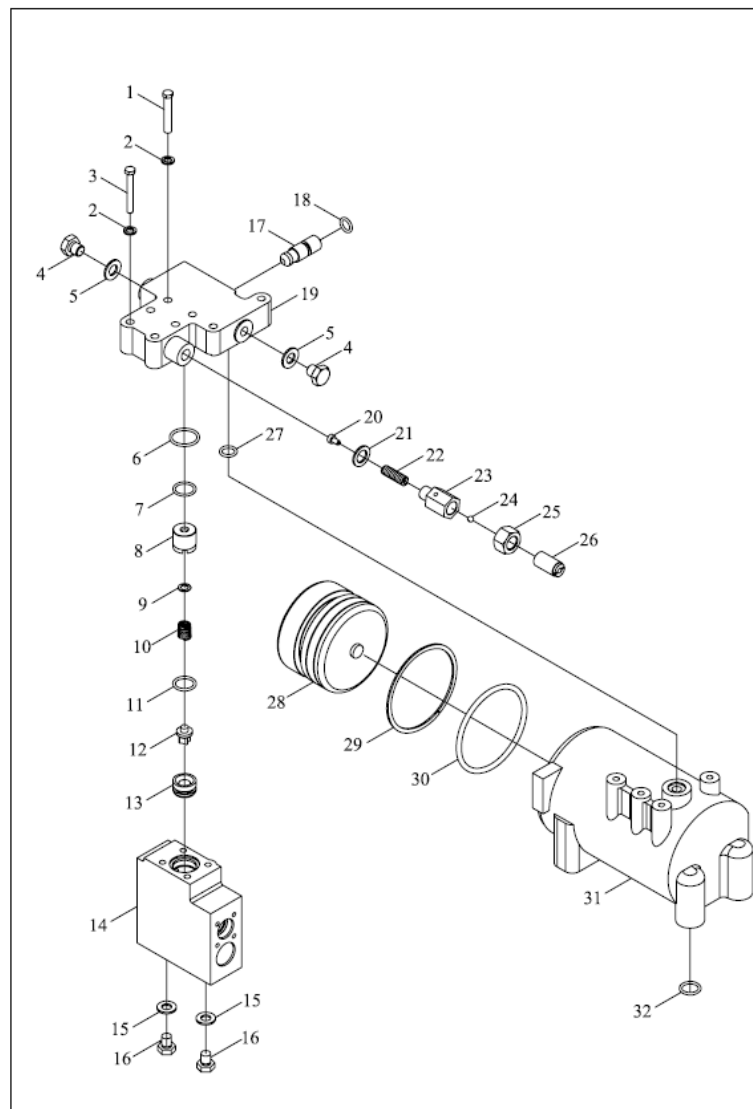
TB500A.55 提升器装置总成-3



TB500A.55-3 55.3-提升器装置总成-3(续)

标号 No.	代号 Code	名称 Description		数量 Quantity	备注 Remark
30	GBT6170-M12	螺母	NUT	1	2011-11_
31	YT300A.55.113	力调节推杆	FORCE ADJUSTING PUSH ROD	1	2011-11_
32	GBT68-M4X10-A2L	开槽双头螺钉		2	2011-11_
33	TB504.552-04	手柄头总成	HANDLE HEAD ASSEMBLY	2	2011-11_
4	25.55.131	手柄压紧弹簧	HANDLE PRESSING SPRING	2	2011-11_
5	FT300.55.193	力调节扇形板	FORCE ADJUSTING SECTOR PLATE	1	2011-11_
6	FT300.55.024	力调节手柄焊接总成	FORCE ADJUSTING HANDLE WELDMENT	1	2011-11_
7	25.55.132	手柄压紧螺钉	ASSEMBLY	2	2011-11_
8	FT300.55.025	位调节手柄焊接总成	HANDLE PRESSING SCREW	1	2011-11_
9	FT300.55.195	位调节扇形板	POSITION ADJUSTING HANDLE WELDMENT ASSEMBLY POSITION ADJUSTING SECTOR PLATE	1	2011-11_

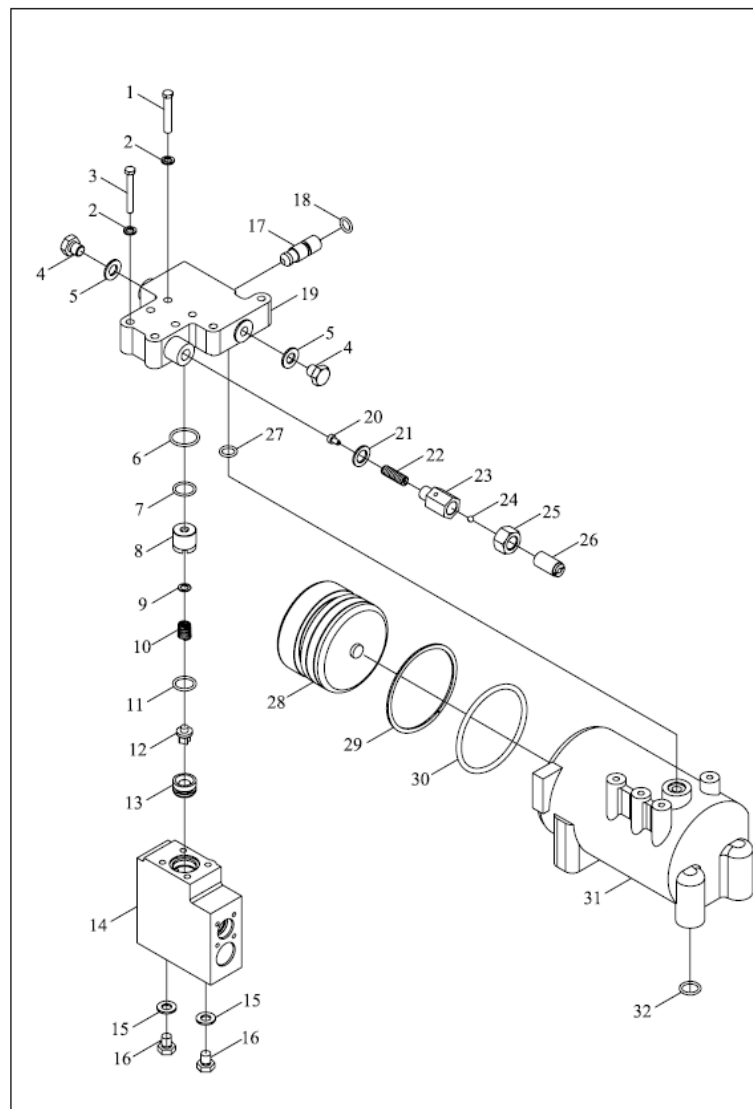
TB500A.55 提升器装置总成-4



TB500A.55-4 55.4-提升器装置总成-4 LIFT INSTALLATION ASSEMBLY-4

标号 No.	代号 Code	名称 Description		数量 Quantity	备注 Remark
0	FT500A.55.010	提升器及操纵总成	LIFTER AND OPERATION ASSEMBLY	1	2011-11_
0	FT500A.55.010	提升器及操纵总成	LIFTER AND OPERATION ASSEMBLY	1	2011-11_
1	GBT5782-M8X45	六角头螺栓	BOLT	4	2011-11_
10	T30.57.144B	单向阀弹簧	ONE-WAY VALVE SPRING	1	2011-11_
11	GBT3452.1-19X2.65	液压气动用O形橡胶密封圈	O-SEAL RING	1	2011-11_
12	T30.57.142B	单向阀体	ONE-WAY VALVE BODY	1	2011-11_
13	T30.57.143B	单向阀座	ONE-WAY VALVE SEAT	1	2011-11_
14	KM550.55.120E	分配器壳体	DISTRIBUTOR HOUSING	1	2011-11_
15	JBT982-10	组合密封垫圈	COMBINED SEAL GASKET	2	2011-11_
15	JBT982-10	组合密封垫圈	COMBINED SEAL GASKET	2	2011-11_
16	JBT1000-M10X1	六角螺塞	HEXAGON SCREW PLUG	2	2011-11_
17	FT500B.55.246	截断阀	INTERCEPTING VALVE	1	2011-11_
18	GBT3452.1-11.8X2.65	O形密封圈	O RING	1	2011-11_
18	GBT3452.1-11.8X2.65	液压气动用O形橡胶密封圈	O-SEAL RING	1	2011-11_
19	FT500B.55.107	分配器支座	DISTRIBUTOR SUPPORT SEAT	1	2011-11_
2	GBT93-8	垫圈8	WASHER 8	8	2011-11_
20	TS300B.55.211	安全阀弹簧座	SPRING SEAT OF SAFETY VALVE	1	2011-11_
21	TS300B.55.210	铝垫片	ALUMINUM GASKET	1	2011-11_
22	12.55.218	安全阀弹簧	SAFETY VALVE SPRING	1	2011-11_
23	TS300B.55.209	安全阀体	SAFETY VALVE BODY	1	2011-11_
24	GB308-89	钢球φ6 II	STEEL BALL φ6 II	1	
25	GBT6173-M16X1.5	六角螺母	HEXAGON NUT	1	2011-11_
26	TS300B.55.251	调压螺钉	SCREW	1	2011-11_
27	GBT3452.1-13.2X2.65	液压气动用O形橡胶密封圈	O-SEAL RING	1	2011-11_
28	KM550.55.023	活塞总成	PISTON	1	2011-11_

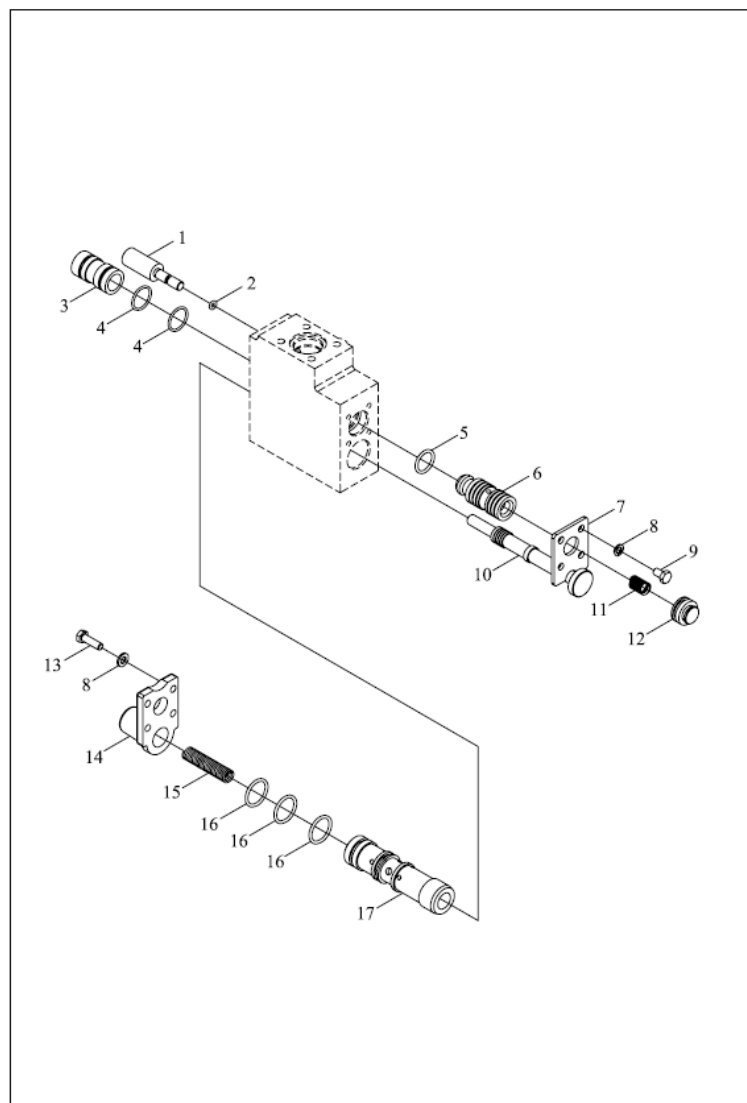
TB500A.55 提升器装置总成-4



TB500A.55-4 55.4-提升器装置总成-4(续)

标号 No.	代号 Code	名称 Description		数量 Quantity	备注 Remark
29	520.55.143	挡圈	RETAINER RING	1	2011-11_
3	GBT5782-M8X50	六角头螺栓	BOLT	4	2011-11_
30	GBT3452.1-90X5.3	液压气动用O形橡胶密封圈	O-SEAL RING	1	2011-11_
31	FT500B.55.106	油缸体	OIL CYLINDER BODY	1	2011-11_
32	GBT3452.1-17X2.65	O型圈	O-RING	4	2011-11_
4	JBT1000-M12X1.5	六角螺塞	HEXAGON SCREW PLUG	2	2011-11_
5	JBT982-12	组合密封垫圈	COMBINED SEAL GASKET	2	2011-11_
6	GBT3452.1-25.7X2.65	液压气动用O形橡胶密封圈	O-SEAL RING	1	2011-11_
6	GBT3452.1-25.7X2.65	液压气动用O形橡胶密封圈	O-SEAL RING	1	2011-11_
7	GBT1235-24X2.4	O形圈	O-RING	1	2011-11_
8	YT300A.55.124	单向阀套	ONE-WAY VALVE SLEEVE	1	2011-11_
9	T30.57.164	单向阀体垫	ONE-WAY VALVE BODY GASKET	1	2011-11_

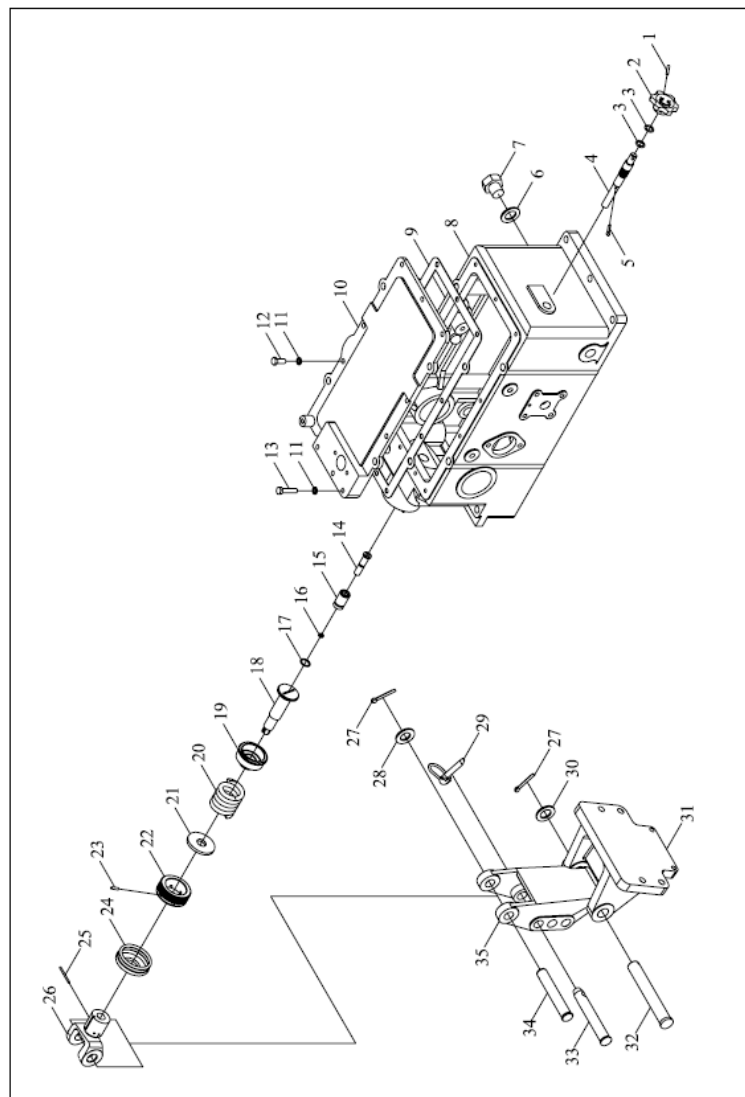
TB500A.55 提升器装置总成-5



TB500A.55-5 55.5-提升器装置总成-5 LIFT INSTALLATION ASSEMBLY-5

标号 No.	代号 Code	名称 Description		数量 Quantity	备注 Remark
0	FT500A.55.010	提升器及操纵总成	LIFTER AND OPERATION ASSEMBLY	1	2011-11_
0	FT500A.55.010	提升器及操纵总成	LIFTER AND OPERATION ASSEMBLY	1	2011-11_
1	TS300B.55.187	调节阀	ADJUSTING VALVE	1	2011-11_
10	TS300.55.172	主控制阀	MAIN CONTROL VALVE	1	2011-11_
11	25.55.184	回油阀弹簧	SPRING	1	2011-11_
12	25.55.176	回油阀后堵塞	OIL RETURN VALVE REAR PLUG	1	2011-11_
13	GBT5783-M6X20	螺栓	BOLT	4	2011-11_
14	KR130.55.183	阀门前盖	VALVE FRONT COVER	1	2011-11_
15	25.55.181	主控制阀弹簧	MAIN CONTROL VALVE SPRING	1	2011-11_
16	GBT1235-26X2.4	O形圈	O-RING	3	2011-11_
17	TS300.55.217	主控制阀套	MAIN CONTROL VALVE SLEEVE	1	2011-11_
2	GBT1235-8X1.9	O形圈	O-RING	1	2011-11_
3	KR130.55.105	密封套	SEAL SLEEVE	1	2011-11_
4	GBT3452.1-19X1.8	液压气动用O形橡胶密封圈	O-SEAL RING	2	2011-11_
5	GBT1235-22X2.4	O形圈	O-RING	1	2011-11_
6	KR130.55.103	回油阀体	OIL RETURN VALVE BODY	1	2011-11_
7	25.55.180	限位板	LIMIT PLATE	1	2011-11_
8	GBT93-6	垫圈	WASHER	8	2011-11_
9	GBT5783-M6X10	六角头螺栓	BOLT	4	2011-11_

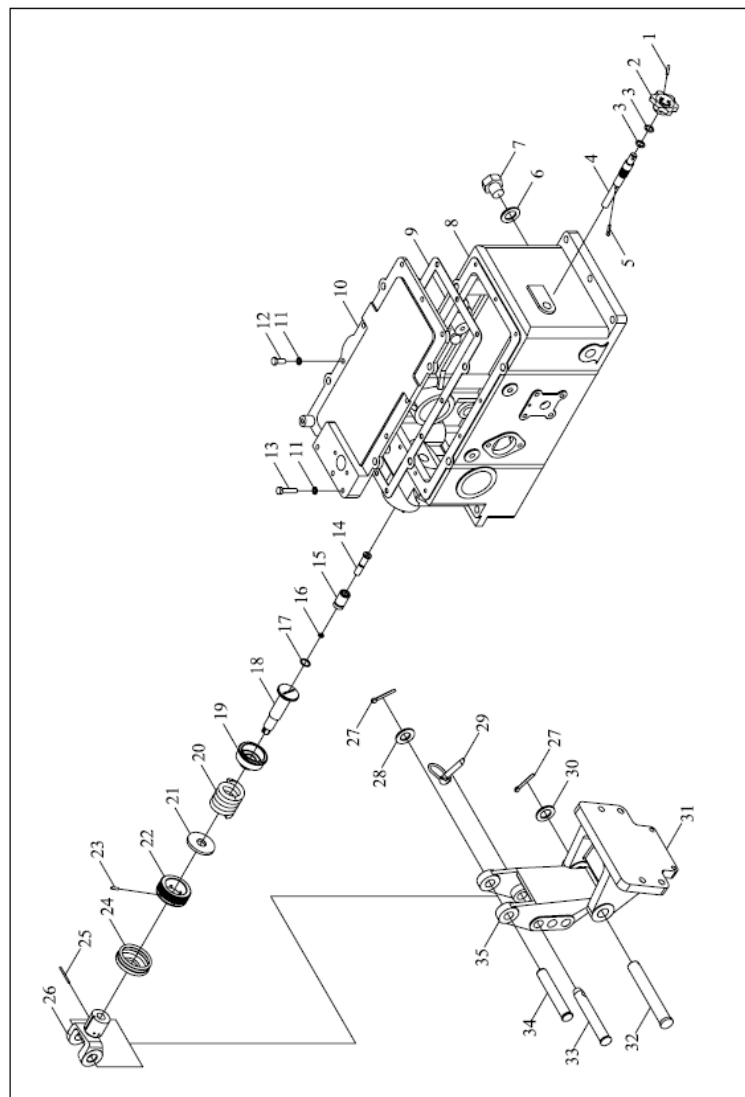
TB500A.55 提升器装置总成-6



TB500A.55-6 55.6-提升器装置总成-6 LIFT INSTALLATION ASSEMBLY-6

标号 No.	代号 Code	名称 Description		数量 Quantity	备注 Remark
0	FT500A.55.010	提升器及操纵总成	LIFTER AND OPERATION ASSEMBLY	1	2011-11_
0	FT500A.55.010	提升器及操纵总成	LIFTER AND OPERATION ASSEMBLY	1	2011-11_
1	GBT879-4X20	销	PIN	1	2011-11_
10	FT500A.55.104B	提升器上盖	LIFTER UPPER COVER	1	2011-11_
11	GBT93-8	垫圈8	WASHER 8	11	2011-11_
12	GBT5781-M8X20	六角头螺栓全螺纹C级		7	2011-11_
13	GBT5781-M8X35	六角头螺栓全螺纹C级		4	2011-11_
14	25.55.146L	推杆套	PUSH ROD SLEEVE	1	2011-11_
15	25.55.145L	力调节密封套	FORCE ADJUSTING SEAL SLEEVE	1	2011-11_
16	GBT1235-11X1.9	O形圈	O-RING	1	2011-11_
17	GBT3452.1-16X1.8	液压气动用O形橡胶密封圈	O-SEAL RING	1	2011-11_
18	25.55.158	弹簧杆	SPRING ROD	1	2011-11_
19	25.55.159	弹簧座	SPRING SEAT	1	2011-11_
2	E300.55.140A	速度下降阀手轮	SPEED DROP VALVE HAND WHEEL	1	2011-11_
2	E300.55.140A	速度下降阀手轮	SPEED DROP VALVE HAND WHEEL	1	2011-11_
20	25.55.157	力调节弹簧	FORCE ADJUSTING SPRING	1	2011-11_
21	25.55.160	弹簧压板	SPRING PRESSURE PLATE	1	2011-11_
22	25.55.161	螺母	NUT	1	2011-11_
23	GBT119-C4X14	圆柱销	PIN	1	2011-11_
24	25.55.162	防尘罩	DUSTPROOF COVER	1	2011-11_
25	GBT119-B3X40	销	PIN	1	2011-11_
26	YT300A.55.121	上拉杆接头	UPPER PULL ROD CONNECTING JOINT	1	2011-11_
27	GBT91-5X36	销	PIN	2	2011-11_
28	GBT97.1-22	垫圈	WASHER	1	2011-11_
29	25.56.030	锁销及锁销环总成	LOCKING PIN AND RING ASSEMBLY	1	2011-11_

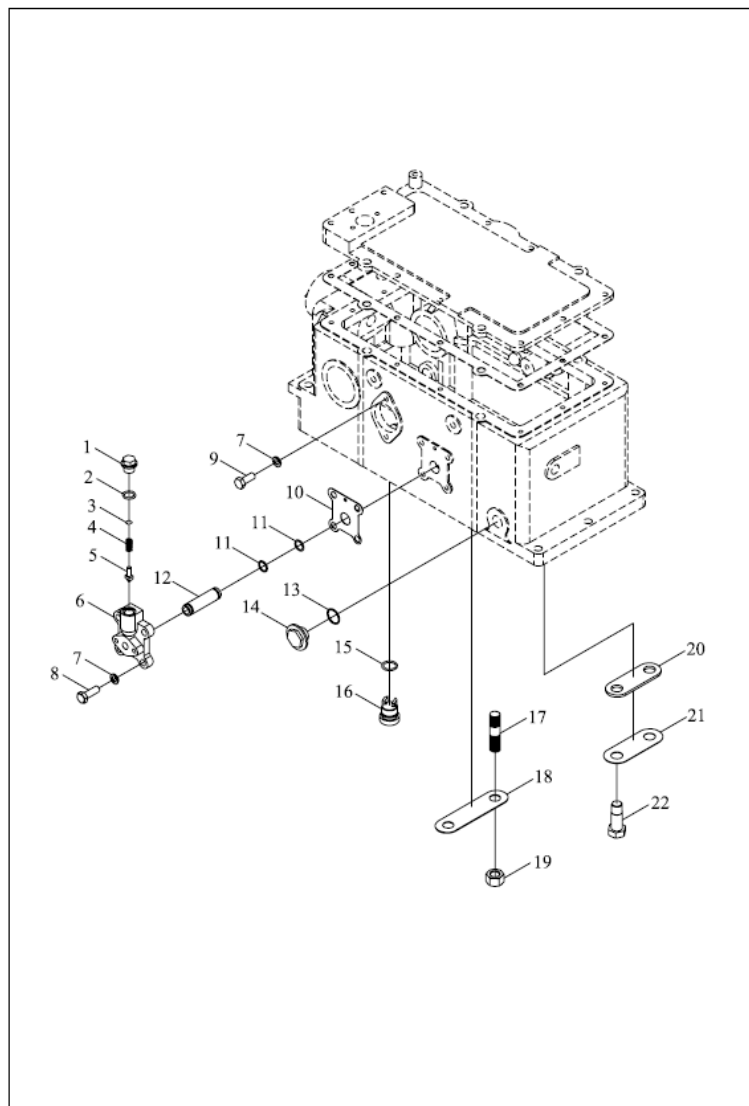
TB500A.55 提升器装置总成-6



TB500A.55-6 55.6-提升器装置总成-6(续)

标号 No.	代号 Code	名称 Description		数量 Quantity	备注 Remark
3	GBT3452.1-11.2X2.65	液压气动用O形橡胶密封圈	O-SEAL RING	2	2011-11_
30	GBT97.1-20	垫圈	WASHER	1	2011-11_
31	FT500A.55.128	上挂接点摇臂支座	UPPER SUSPENSION POINT ROCKER SEAT	1	2011-11_
32	450.55.167	摇臂连接销	ROCKER CONNECTING PIN	1	2011-11_
33	FT500A.55B.182	摇臂前连接销	ROCKER FRONT CONNECTING PIN	1	2011-11_
34	FT500A.55.106	摇臂上连接销	ROCKER UPPER CONNECTING PIN	1	2011-11_
35	FT500B.55.130A	上挂接点摇臂	UPPER JOINT ROCKER ARM	1	2011-11_
4	YT300A.55.116	下降速度调节杆	LOW SPEED CONTROL LEVER	1	2011-11_
5	GBT91-4X20	销	PIN	1	2011-11_
6	JBT982-22	组合密封垫圈	COMBINED SEAL GASKET	1	2011-11_
7	GBT5786-M22X1.5X20	六角头螺栓	BOLT	1	2011-11_
8	TB504.551A.1-01	提升器壳体	LIFTER HOUSING	1	2011-11_
9	FT500A.55.103	上盖纸垫	UPPER COVER PAPER GASKET	1	2011-11_

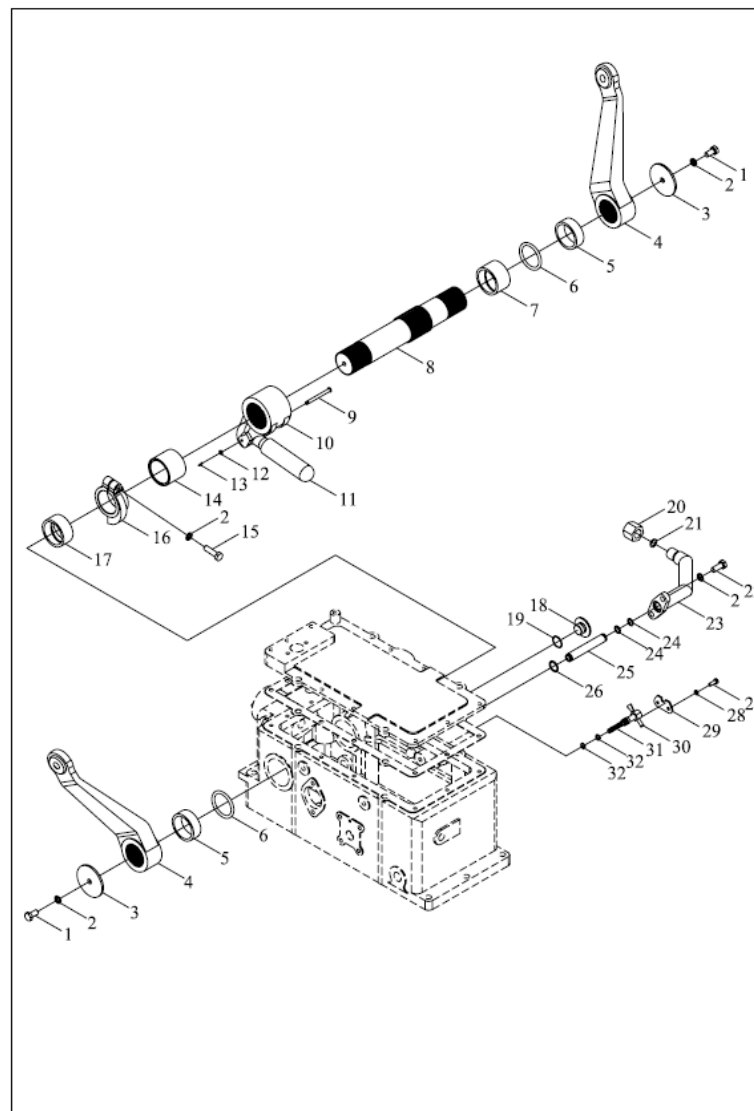
TB500A.55 提升器装置总成-7



TB500A.55-7 55.7-提升器装置总成-7 LIFTER INSTALLATION ASSEMBLY-7

标号 No.	代号 Code	名称 Description		数量 Quantity	备注 Remark
0	FT500A.55.010	提升器及操纵总成	LIFTER AND OPERATION ASSEMBLY	1	2011-11_
0	FT500A.55.010	提升器及操纵总成	LIFTER AND OPERATION ASSEMBLY	1	2011-11_
1	300.55.130	堵塞	PLUG	1	2011-11_
10	FT500B.55.102	进油连接板纸垫	OIL INLET CONNECTING PLATE PAPER GASKET	1	2011-11_
11	GBT3452.1-15X1.8	液压气动用O形橡胶密封圈	O-SEAL RING	2	2011-11_
12	FT500B.55.103	进油管	OIL INLET PIPE	1	2011-11_
13	GBT3452.1-22.4X1.8	O型圈	O-RING	1	2011-11_
14	FT500B.55.197	堵塞	PLUG	1	2011-11_
15	GBT1235-24X2.4	O形圈	O-RING	1	2011-11_
16	TS300B.55.110	弹簧挂钩	SPRING HOOK	1	2011-11_
17	GBT898-AM16X40	螺柱	STUD	2	2011-11_
18	FT500B.55.118	锁片	LOCK SHIM	1	2011-11_
19	GBT6170-M16	螺母	NUT	2	2011-11_
2	GBT3452.1-15X2.65	O型密封圈	O RING	1	2011-11_
20	FT500B.55.120	垫片	WASHER	1	2011-11_
21	FT500B.55.121	锁片	LOCK SHIM	1	2011-11_
22	FT500B.55.125	油缸螺栓	OIL CYLINDER BOLT	0	2011-11_
3	300.55.131-132	调整垫片	ADJUSTING WASHER	9999	2011-11_
4	300.55.133	油缸安全阀弹簧	SAFTY VALVE SPRING OF OIL CYLINDER	1	2011-11_
5	300.55.134	油缸安全阀体	SAFTY VALVE BODY OF CYLINDER	1	2011-11_
6	FT500B.55.108A	进油连接板	OIL INLET CONNECTING PLATE	1	2011-11_
7	GBT93-10	垫圈10	WASHER 10	6	2011-11_
8	GBT5781-M10X30	六角头螺栓全螺纹C级		4	2011-11_
9	GBT5783-M10X25	螺栓	BOLT	2	2011-11_

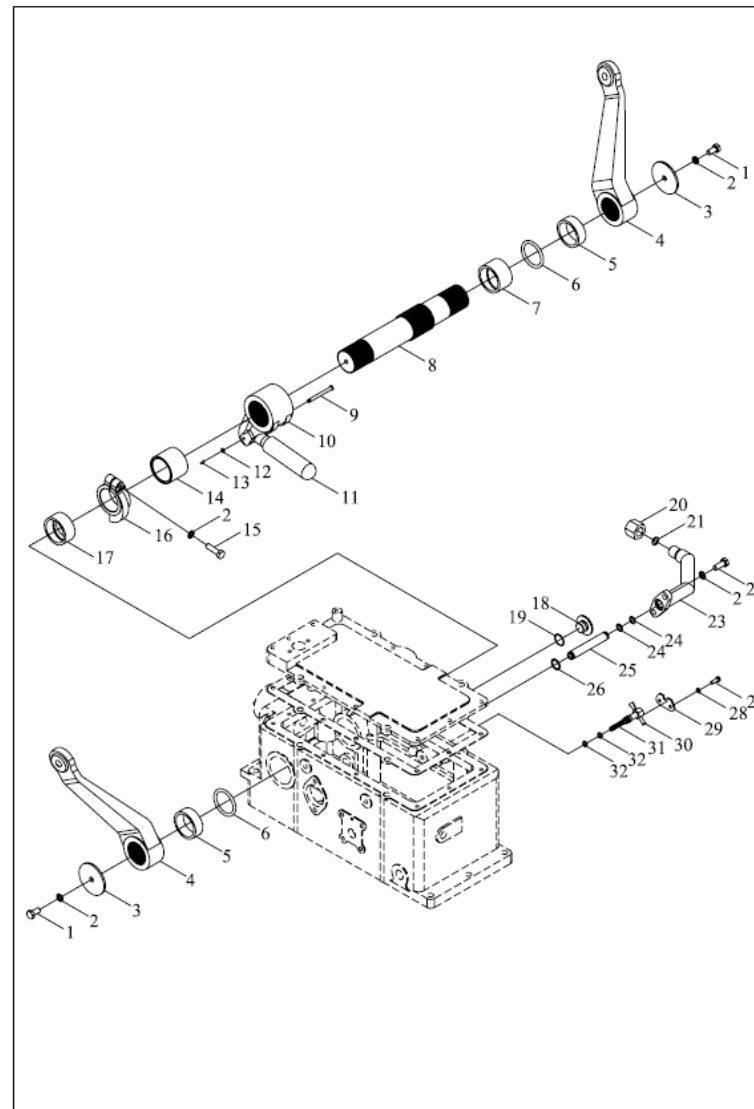
TB500A.55 提升器装置总成-8



TB500A.55-8 55.8-提升器装置总成-8 LIFTER INSTALLATION ASSEMBLY-8

标号 No.	代号 Code	名称 Description		数量 Quantity	备注 Remark
0	FT500A.55.010	提升器及操纵总成	LIFTER AND OPERATION ASSEMBLY	1	2011-11_
0	FT500A.55.010	提升器及操纵总成	LIFTER AND OPERATION ASSEMBLY	1	2011-11_
1	GBT5781-M10X20	六角头螺栓	BOLT	2	2011-11_
1	GBT5781-M10X20	六角头螺栓全螺纹C级		2	2011-11_
10	FT500B.55.113E	内提升臂	INNER LIFTING ARM	1	2011-11_
11	FT500B.55.114D	活塞顶杆	PISTON TOP ROD	1	2011-11_
12	GBT97.1-5	平垫圈	WASHER	1	2011-11_
13	GBT91-2X12	开口销	PIN	1	2011-11_
14	KM550.55.105-1	轴套	SHAFT SLEEVE	1	2011-11_
15	GBT5783-M10X35	六角头螺栓	BOLT	1	2011-11_
16	KM550.55.109	凸轮	CAM	1	2011-11_
17	FT500B.55.104B	轴套	SHAFT SLEEVE	1	2011-11_
18	FT500B.55.197	堵塞	PLUG	1	2011-11_
19	GBT3452.1-22.4X1.8	O型圈	O-RING	1	2011-11_
2	GBT93-10	垫圈10	WASHER 10	5	2011-11_
20	FT300.55B.121a	输油管螺母	OIL CONVEYING PIPE NUT	1	2011-11_
21	GBT3452.1-12.5X2.65	O形密封圈	O RING	1	2011-11_
22	GBT5783-M10X25	螺栓	BOLT	2	2011-11_
23	FT300.55B.120a	液压输出管接头	HYDRAULIC OUTLET PIPE JOINT	1	2011-11_
24	GBT1235-16X2.4	O形圈	O-RING	2	2011-11_
25	FT500B.55.105	出油管	OIL OUTLET PIPE	1	2011-11_
26	GBT1235-24X2.4	O形圈	O-RING	1	2011-11_
27	GBT5781-M6X16	六角头螺栓全螺纹C级		2	2011-11_
28	GBT93-6	垫圈	WASHER	2	2011-11_
29	YT300A.55.122	截断阀限位板	INTERCEPTING VALVE LIMIT PLATE	1	2011-11_

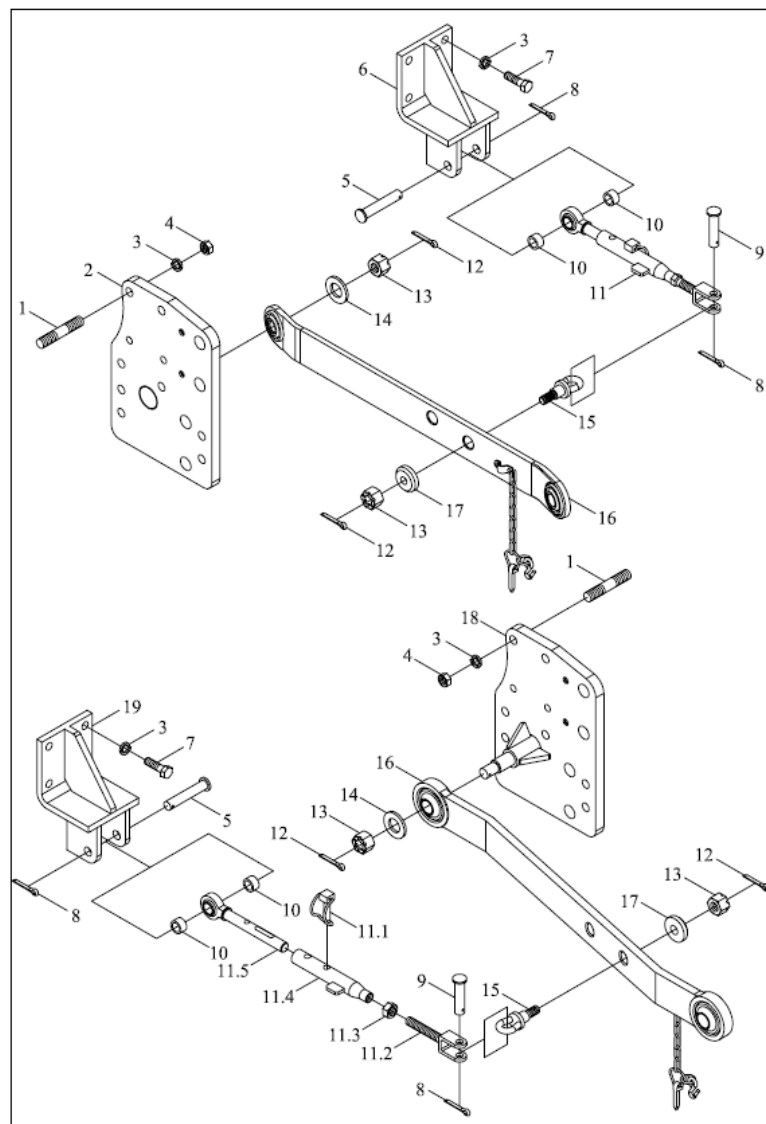
TB500A.55 提升器装置总成-8



TB500A.55-8 55.8-提升器装置总成-8(续)

标号 No.	代号 Code	名称 Description		数量 Quantity	备注 Remark
3	FT500B.55.127	提升臂压板	LIFTING ARM PRESSURE PLATE	1	2011-11_
30	BY350.55.163	调节阀螺杆手柄	ADJUSTING VALVE SOLENOID HANDLE	1	2011-11_
31	FT500B.55.126	截断阀调节杆	INTERCEPTING VALVE ADJUSTING ROD	1	2011-11_
32	GBT1235-13X1.9	O形圈	O-RING	2	2011-11_
4	FT500A.55B.016	提升臂总成	LIFTING ARM ASSEMBLY	2	2011-11_
5	FT500B.55.115A	提升轴套B	LIFTING SHAFT SLEEVE B	2	2011-11_
6	GBT1235-60X5.7	O形圈	O-RING	2	2011-11_
7	FT500B.55.122A	轴套	SHAFT SLEEVE	1	2011-11_
8	FT500A.55.110	提升轴	LIFTING SHAFT	1	2011-11_
9	GBT882-B5X65	销轴	PIN	1	2011-11_

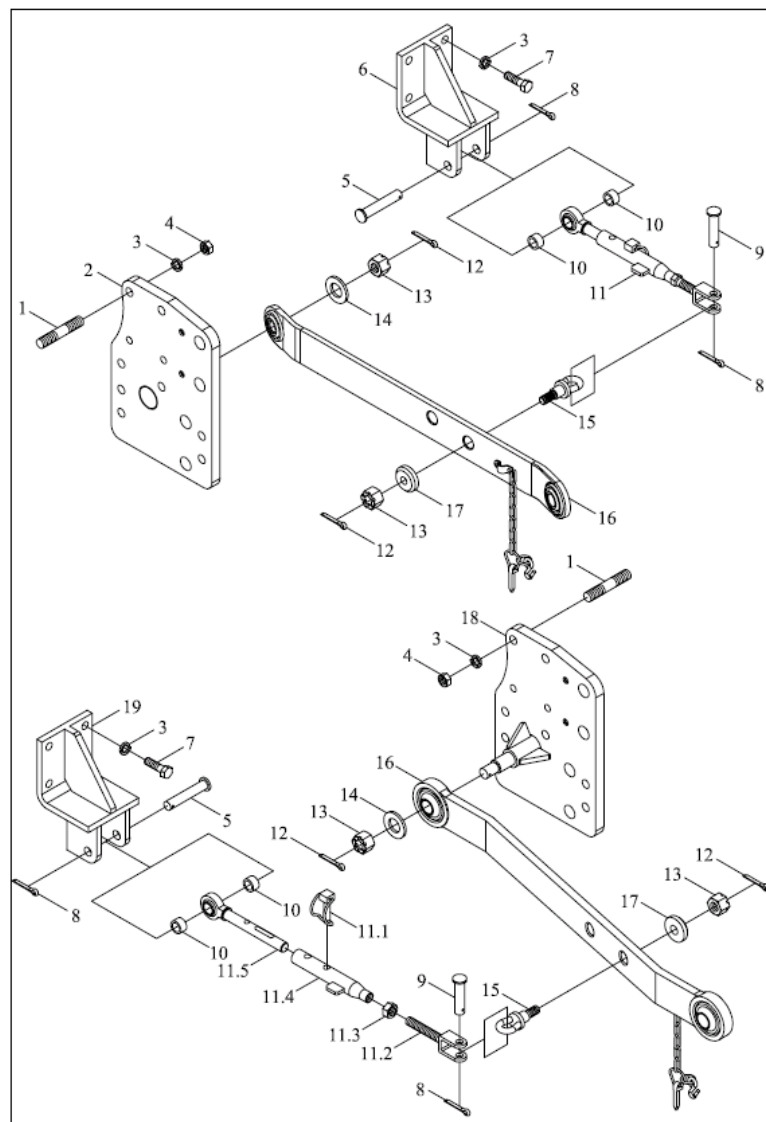
FT500A.56B.001 Suspension mechanism assembly-1



FT500A.56B.001-1 56.1-悬挂机构总成-1 SUSPENSION MECHANISM ASSEMBLY-1

标号 No.	代号 Code	名称 Description		数量 Quantity	备注 Remark
1	GBT899-AM16-M16X1.5X45-A3L	双头螺柱	8.8-A3L STUD	8	2011-11_
10	FT300.56A.103	套	COVER	4	2011-11_
11	FT300.56A.016a	限位杆总成	LIMIT ROD ASSEMBLY	2	2011-11_
11.1	FT300.56A.023	限位杆锁销组合	LIMITING ROD LOCK PIN ASSEMBLY	1	2011-11_
11.2	FT300.56A.161	限位杆调节螺杆	LIMITING ROD ADJUSTING SCREW	1	2011-11_
11.3	GBT6170-M22-A3L	1型六角螺母	NUT	1	2011-11_
11.4	FT300.56A.022a	伸缩导管焊合件	EXTENSIBLE GUIDE PIPE WELDMENT	1	2011-11_
11.5	FT300.56A.021a	伸缩杆球头总成	EXTENSIBLE ROD BALL ASSEMBLY	1	2011-11_
12	GBT91-4X36-A0P	开口销	PIN	4	2011-11_
13	GBT6178-M20-A3L	1型六角开槽螺母	NUT (PAGE81)	4	2011-11_
14	GBT97.1-20-A0P	垫圈	WASHER	2	
14	GBT97.1-20-A0P	垫圈	WASHER	2	
15	FT300.56A.110a	限位杆后联接销	LIMITING ROD REAR CONNECTING PIN	2	2011-11_
16	FT500A.56.012	下拉杆总成	LOWER PULL ROD ASSEMBLY	2	2011-11_
16	FT500A.56.012	下拉杆总成	LOWER PULL ROD ASSEMBLY	2	2011-11_
17	FT300.56A.111a	圆板	ROUND BOARD	2	2011-11_
18	FT300.56B.015	左下拉杆支座焊合件	LEFT LOWER PULL ROD SEAT WELDMENT	1	2011-11_
19	FT300.56A.017	左限位杆支架焊合件	LEFT LIMITING ROD BRACKET WELDMENT	1	2011-11_
2	FT300.56B.014	右下拉杆支座焊合件	RIGHT LOWER PULL ROD SEAT WELDMENT	1	2011-11_
3	GBT93-16-A0P	弹簧垫圈	SPRING WASHER	16	2011-11_
4	GBT6171-M16X1.5-A3L	1型六角螺母	NUT	8	2011-11_
5	FT300.56A.102	限位杆联接销	LIMITING ROD CONNECTING PIN	2	2011-11_
5	FT300.56A.102	限位杆联接销	LIMITING ROD CONNECTING PIN	2	2011-11_
6	FT300.56A.019	右限位杆支架焊合件	RIGHT LIMITING ROD BRACKET WELDMENT	1	2011-11_
7	GBT5783-M16X40-A3L	六角头螺栓	BOLT	8	2011-11_

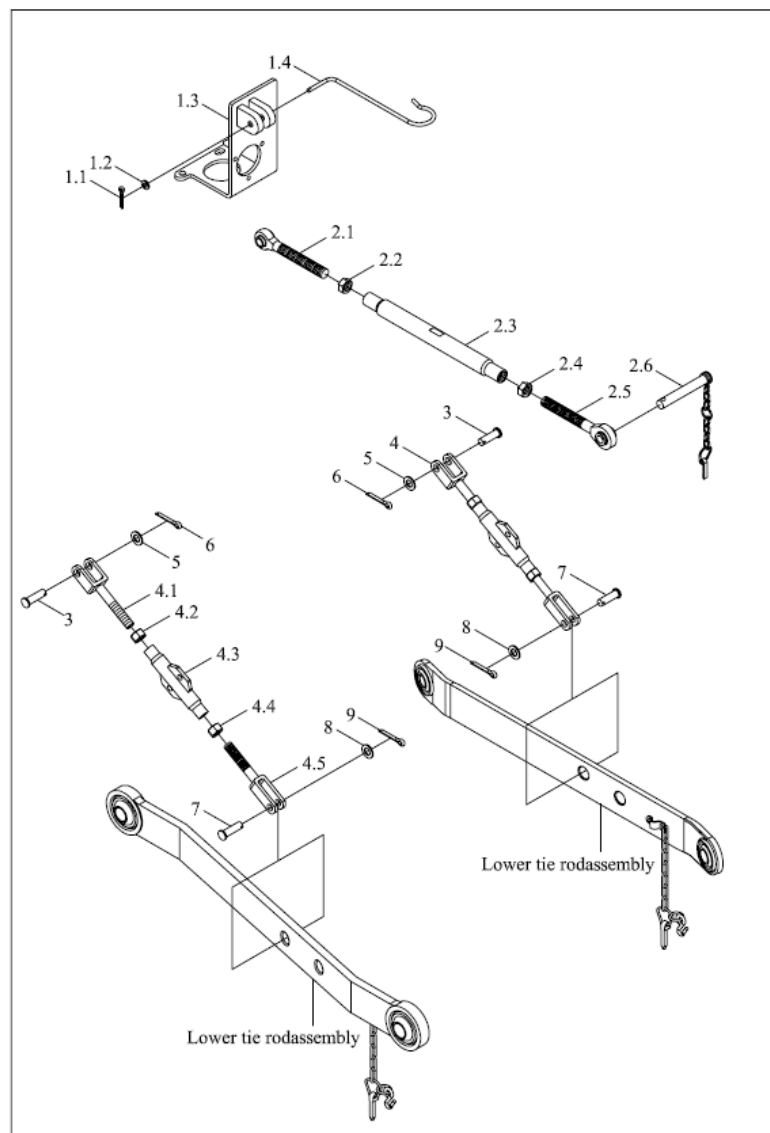
FT500A.56B.001 Suspension mechanism assembly-1



FT500A.56B.001-1 56.1-悬挂机构总成-1(续)

标号 No.	代号 Code	名称 Description		数量 Quantity	备注 Remark
8	GBT91-5X32-A0P	开口销	PIN	4	2011-11_
9	GBT882-B18X55-A0P	销轴	PIN	2	2011-11_

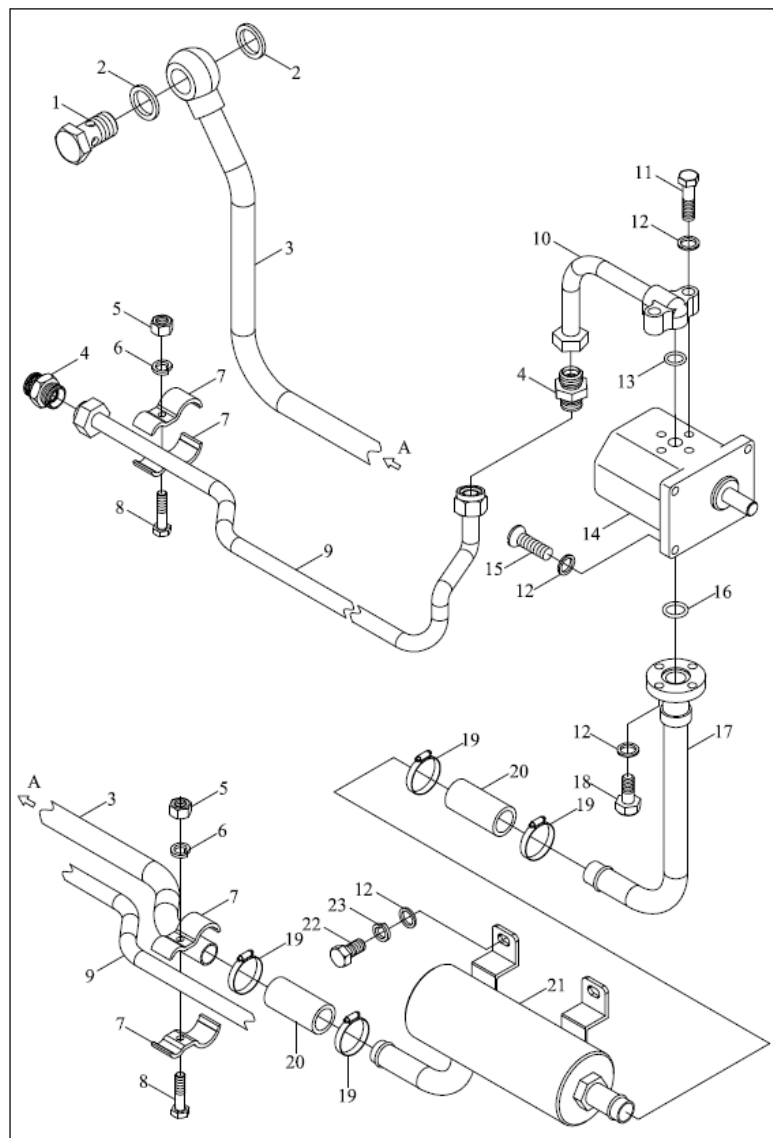
FT500A.56B.001 Suspension mechanism assembly-2



FT500A.56B.001-2 56.2-悬挂机构总成-2 SUSPENSION MECHANISM ASSEMBLY-2

标号 No.	代号 Code	名称 Description		数量 Quantity	备注 Remark
1.1	GBT91-2X10-A0P	开口销	PIN	1	2011-11_
1.2	GBT97.1-6-A0P	平垫圈	WASHER	1	2011-11_
1.3	FT300.56A.020b	座板焊合件	SEAT PLATE WELDMENT	1	2009-09_
1.3	FT300.56A.020a	座板焊合件	SEAT PLATE WELDMENT	1	2001-01_
1.4	FT300.56A.216	固定卡	LOCKING CLAMP	1	2011-11_
2.1	FT500A.56.026	上拉杆前调节杆总成	UPPER PULL ROD FRONT ADJUSTING ROD ASSEMBLY	1	2011-11_
2.2	GBT6173-M27X2-A3L	六角薄螺母	NUT	1	2011-11_
2.3	FT500A.56.130	调节螺管	ADJUSTING SOLENOID	1	2011-11_
2.4	GBT6173-M27X2-LH-A3L	六角薄螺母	NUT	1	2011-11_
2.5	FT500A.56.024	上拉杆后调节杆总成	UPPER PULL ROD REAR ADJUSTING ROD ASSEMBLY	1	2011-11_
2.6	FT65.56.015	上拉杆锁销总成	UPPER PULL ROD LOCK PIN ASSEMBLY	1	2011-11_
3	FT500A.56.101	提升杆上联接销	LIFTING ROD UPPER CONNECTING PIN	2	2011-11_
4.1	FT500A.56.107	提升杆上联接叉	LIFTING ROD UPPER CONNECTING FORK	1	2011-11_
4.2	GBT6171-M27X2-Zn.D	1型六角螺母	NUT	1	2011-11_
4.3	FT500A.56.033	提升杆螺管焊合	LIFTING ROD SOLENOID WELDMENT	1	2011-11_
4.4	GBT6171-M27×2-A3L	螺母	LIFTING ROD LOWER CONNECTING FORK	1	2011-11_
4.5	FT500A.56.108	提升杆下联接叉	LIFTING ROD LOWER CONNECTING FORK	1	2011-11_
4.5	FT500A.56.108	提升杆下联接叉	NUT	1	2011-11_
5	FT500A.56.118	垫圈	LIFTING ROD LOWER CONNECTING PIN	2	2011-11_
6	GBT91-5X40-A0P	开口销	LIFTING ROD LOWER CONNECTING FORK WASHER	2	2011-11_
7	FT300.56A.112	提升杆下联接销	PIN	2	2011-11_
8	GBT97.1-24-A0P	垫圈			2011-11_
8	GBT97.1-24-A0P	垫圈	LIFTING ROD LOWER CONNECTING PIN		2011-11_
9	GBT91-5X32-A0P	开口销	WASHER WASHER	2	2011-11_

FT454.58H.001 Fuel pump oil pipe assembly



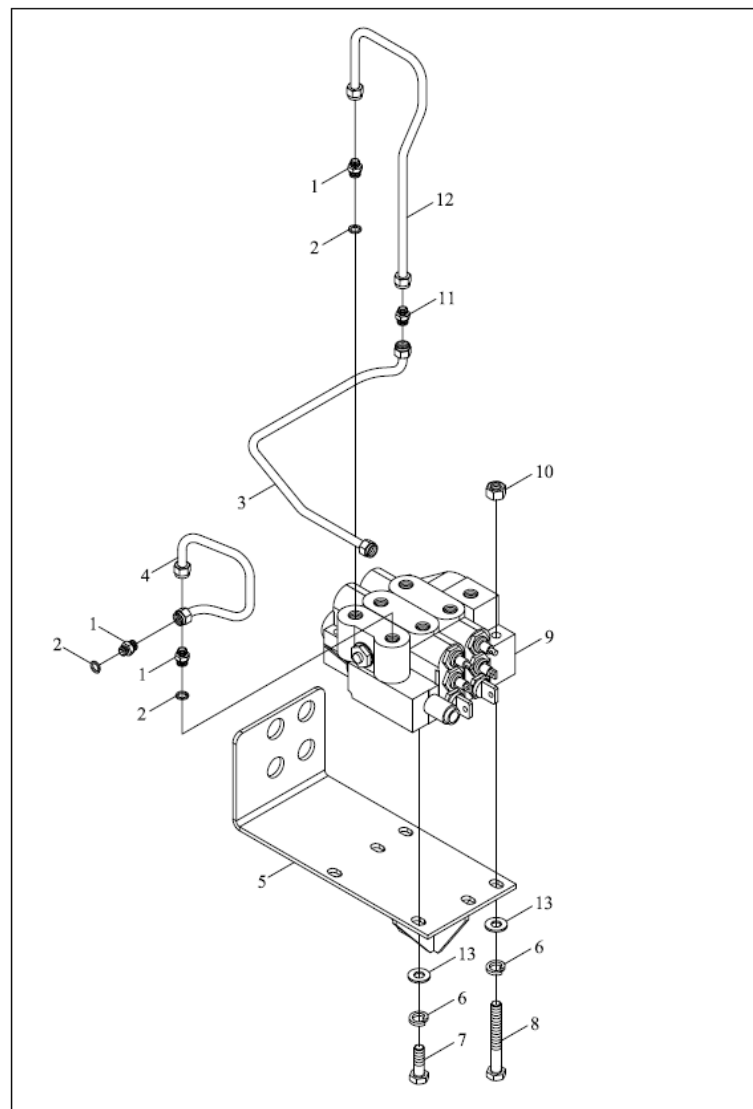
FT454.58H.001 58-油泵油管总成

标号 No.	代号 Code	名称 Description		数量 Quantity	备注 Remark
1	FT300.58.101	空心螺栓	HOLLOW BOLT	1	2011-11_
10	FT404.58X.011	压力油管总成-1	PRESSURE OIL PIPE ASSEMBLY-1	1	2011-11_
11	GBT5783-M8X35-A3L	六角头螺栓全螺纹	BOLT	2	2004-01_
12	GBT93-8-A0P	垫圈	WASHER	10	2011-11_
13	GBT3452.1-15X2.65G	液压气动用O形橡胶密封圈	O-SEAL RING	1	2011-11_
14	FT304.58L.010	齿轮泵	GEAR PUMP	1	2011-11_
15	GBT70.1-M8X40-A2L	内六角圆柱头螺钉	SCREW	4	2011-11_
16	GBT3452.1-21.2X1.8G	液压气动用O形橡胶密封圈	O-SEAL RING	1	2011-11_
17	FT400.58X.015	吸油短管焊合	OIL SUCTION SHORT PIPE WELDMENT	1	2011-11_
18	GBT5783-M8X25-A2L	螺栓	BOLT	2	2011-11_
19	Q67632	软管环箍32	HOSE HOOP 32	4	
2	JBT982-22	组合密封垫圈	COMBINED SEAL GASKET	2	
20	FT450.58.103	吸油软管	OIL SUCTION HOSE	2	2009-09_
20	FT300.58A.104	吸油胶管	OIL SUCTION HOSE	2	2004-01_
21	FT400.58X.040	滤油器总成	OIL FILTER ASSEMBLY	1	2011-11_
22	GBT5783-M8X16-A2L	螺栓	BOLT	2	2011-11_
23	GBT95-8-A0P	平垫圈	WASHER	2	2011-11_
3	FT450.58X.011	吸油管焊合	OIL SUCTION PIPE WELDMENT	1	2011-11_
4	FT700.58A.101	卡套式直通接头体	JOINT	2	2011-11_
5	GBT6170-M6-A2L	螺母	NUT	3	2011-11_
6	GBT93-6-A0P	弹簧垫圈	SPRING WASHER	3	2011-11_
7	FT300.58.013	油管夹与胶垫胶合	OIL PIPE CLAMP AND RUBBER WASHER	6	2011-11_
8	GBT5783-M6X30-A2L	螺栓	BOLT	3	2011-11_
9	FT404.58X.012	多路阀进油管总成	MULTI-WAY VALVE OIL INLET PIPE ASSEMBLY	1	2011-11_

TB500A.582A 58.2-多路阀油管总成 58.2-MULTI-WAY VALVE OIL PIPE ASSEMBLY

标号 No.	代号 Code	名称 Description		数量 Quantity	备注 Remark
0	TB500A.582A-1	58.2.1-多路阀油管总成-1	MULTI-WAY VALVE OIL PIPE ASSEMBLY-1	0	2011-11_
0	TB500A.582A-2	58.2.2-多路阀油管总成-2	MULTI-WAY VALVE OIL PIPE ASSEMBLY-2	0	2011-11_
1	FT354.58A.018b	多路阀进油管总成	MULTI-WAY VALVE OIL INLET PIPE ASSEMBLY	1	2014-06_
1	FT354.58C.019b	多路阀进油管总成-2	MULTI-WAY VALVE OIL INLET PIPE	1	2014-06_
1	FT354.58C.017a	多路阀进油管总成-1	ASSEMBLY-2	1	2014-06_
1	FT354.58C.015b	多路阀输出油管总成-4	MULTI-WAY VALVE OIL INLET PIPE ASSEMBLY-1	1	2014-06_
23	GBT882-B6 × 26	销轴	MULTI-WAY VALVE OIL OUTPUT PIPE ASSEMBLY-4 PIN	4	2007-11_

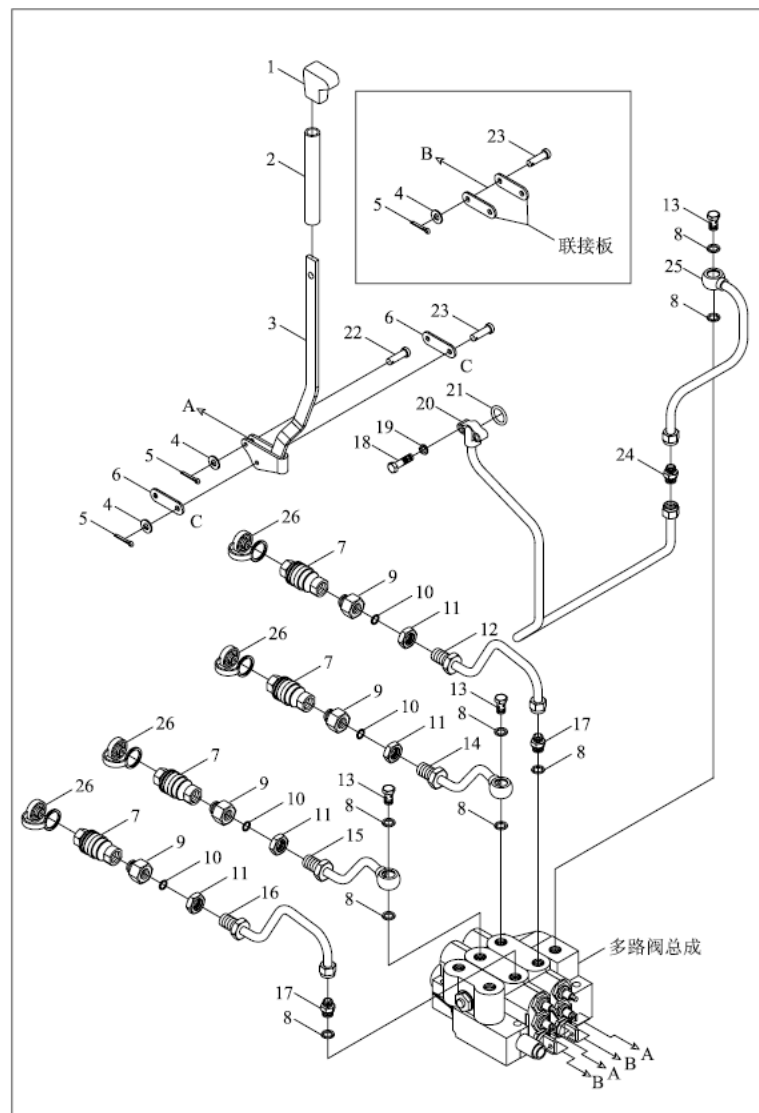
TB500A.582A 多路阀油管总成-1



TB500A.582A-1 58.2.1-多路阀油管总成-1 MULTI-WAY VALVE OIL PIPE ASSEMBLY-1

标号 No.	代号 Code	名称 Description	数量 Quantity	备注 Remark
1	FT654.58B.102	卡套式端直通接头体1	3	2011-11_
10	GBT6170-M10-A3L	螺母	3	2011-11_
11	FT700.58A.101	卡套式直通接头体	1	2011-11_
12	FT354.58C.017	多路阀进油管总成-1	1	2011-11_
13	GBT95-10-A0P	垫圈	4	2011-11_
2	JBT982-22	组合密封垫圈	3	2011-11_
3	FT354.58C.019a	多路阀进油管总成-2	1	2011-11_
4	FT354.58C.016a	多路阀回油管总成	1	2011-11_
5	FT354.58D.015b	多路阀固定支架焊合	1	2011-11_
6	GBT93-10-A0P	标准型弹簧垫圈	4	2011-11_
7	GBT5783-M10X20-8.8-A3L	六角头螺栓	1	
7	GBT5783-M10X20-8.8-A3L	六角头螺栓	1	
8	GBT5782-M10X70-A2L	六角头螺栓	3	
9	FT654.58B.020	多路阀总成	1	2011-11_
9.1	8A5131906	安全阀总成	1	2011-11_
		BOLT		
		BOLT		
		BOLT		
		MULTI-WAY VALVE ASSEMBLY		
		SAFETY VALVE ASSEMBLY		

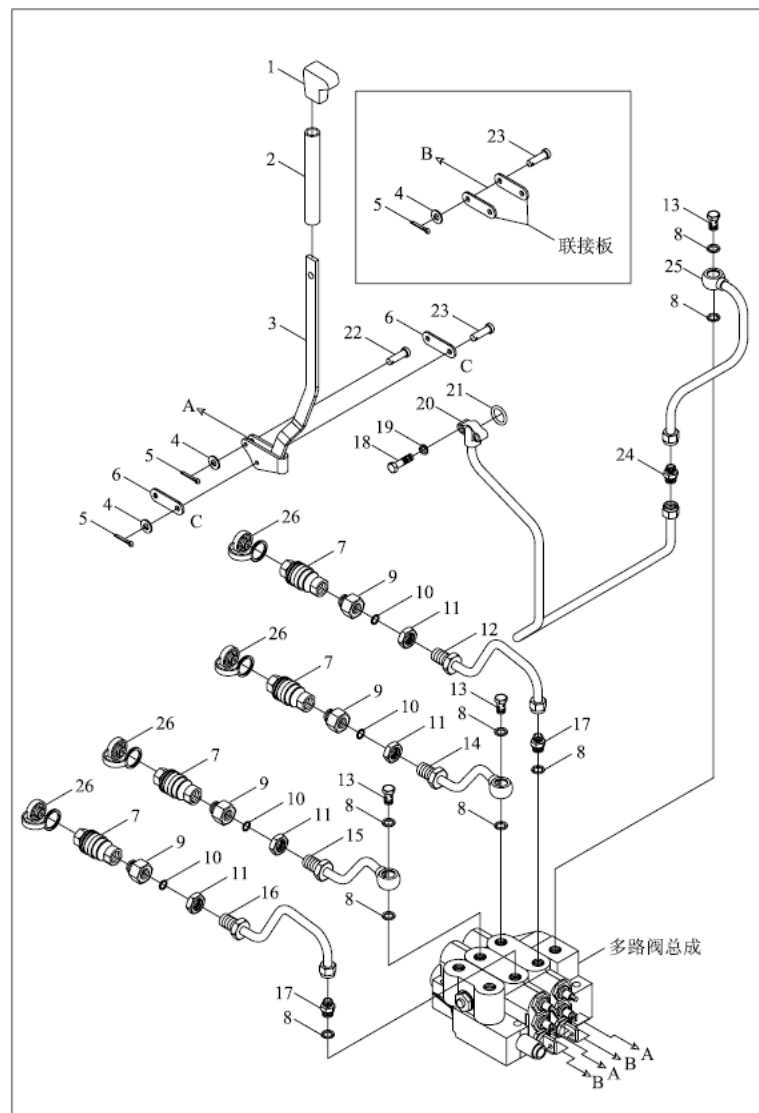
TB500A.582A 多路阀油管总成-2



TB500A.582A-2 58.2.2-多路阀油管总成-2 MULTI-WAY VALVE OIL PIPE ASSEMBLY-2

标号 No.	代号 Code	名称 Description		数量 Quantity	备注 Remark
1	FT65.57.013	手柄头总成	HANDLE HEAD ASSEMBLY	2	2004-01_
1	TB604.582G-01	手柄头	HANDLE HEAD	2	2012-12_
1	TB504.552-04	手柄头总成	HANDLE HEAD ASSEMBLY	2	
1	FT65.57.013	手柄头总成	HANDLE HEAD ASSEMBLY	2	2004-01_
10	GBT3452.1-12.5X2.65G	液压气动用O形橡胶密封圈	O-SEAL RING	4	2011-11_
11	GBT6173-M22X1.5-05-A3L	六角薄螺母	NUT	4	
12	FT354.58A.015b	多路阀输出油管总成-4	MULTI-WAY VALVE OIL OUTPUT PIPE ASSEMBLY-4	1	2004-01_
12	FT354.58A.015c	多路阀输出油管总成-4	ASSEMBLY-4	1	2009-09_
13	FT654.58.107	空心螺栓-1	MULTI-WAY VALVE OIL OUTPUT PIPE	3	2011-11_
14	FT354.58A.014b	多路阀输出油管总成-3	ASSEMBLY-4 HOLLOW BOLT -1	1	2011-11_
15	FT354.58A.016c	多路阀输出油管总成-1	MULTI-WAY VALVE OIL OUTPUT PIPE	1	2009-09_
15	FT354.58C.016b	多路阀输出油管总成-1	ASSEMBLY-3	1	2004-01_
16	FT354.58A.017b	多路阀输出油管总成-2		1	2004-01_
16	FT354.58A.017c	多路阀输出油管总成-2	MULTI-WAY VALVE OIL OUTPUT PIPE	1	2009-09_
16	FT354.58A.017c	多路阀输出油管总成-2	ASSEMBLY-1	1	2009-09_
17	FT654.58B.102	卡套式端直通接头体1	MULTI-WAY VALVE OIL OUTPUT PIPE ASSEMBLY-1	2	2011-11_
18	GBT5783-M8X30-A2L	螺栓	MULTI-WAY VALVE OIL OUTPUT PIPE	2	2011-11_
19	GBT93-8-A0P	垫圈	ASSEMBLY-2	2	2011-11_
2	FT354.58D.105	软聚氯乙烯管	MULTI-WAY VALVE OIL OUTPUT PIPE	2	2011-11_
20	FT354.58A.018a	多路阀出油管总成-2	ASSEMBLY-2	1	2012-02_
20	FT454.58X.011a	多路阀出油管总成	MULTI-WAY VALVE OIL OUTPUT PIPE ASSEMBLY-2	1	2011-11_
21	GBT3452.1-15.0X2.65G	液压气动用O形橡胶密封圈		1	2011-11_
22	GBT882-B6X22	销轴	STRAIGHT THREAD JOINT BODY 1	2	2011-11_
23	GBT882 B8*16	销轴 B8*16	BOLT	4	
24	FT700.58A.101	卡套式直通接头体	WASHER	1	2011-11_

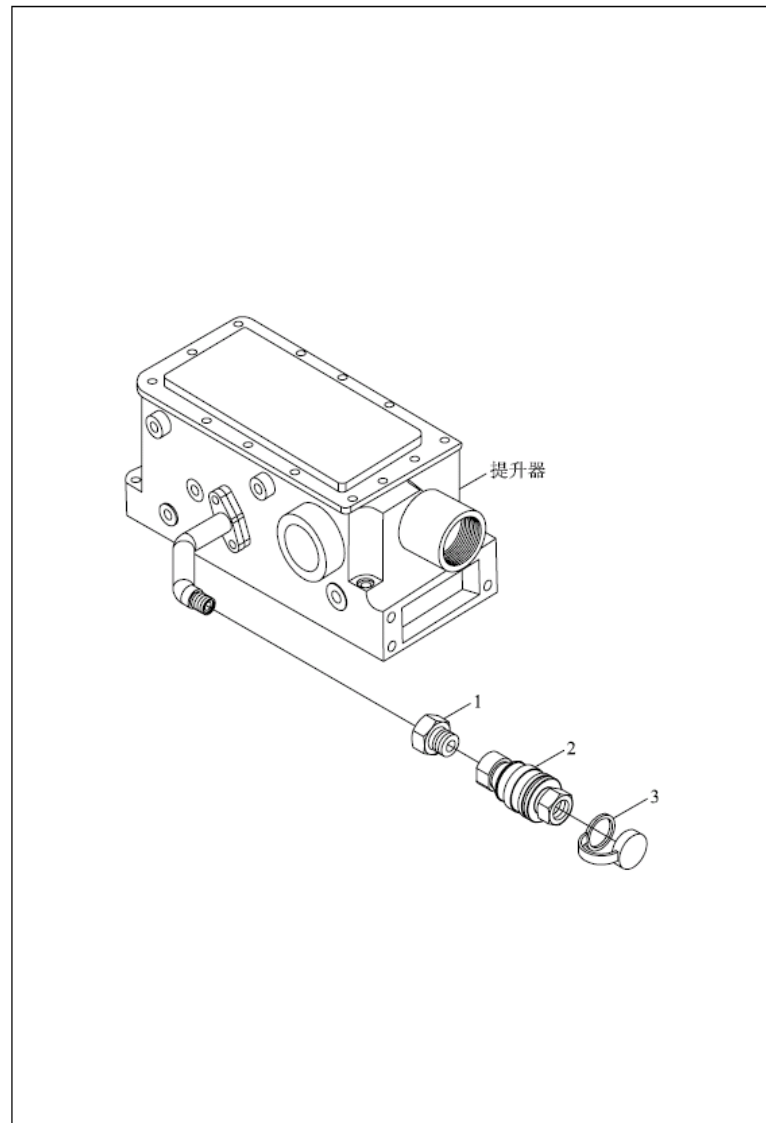
TB500A.582A 多路阀油管总成-2



TB500A.582A-2 58.2.2-多路阀油管总成-2(续)

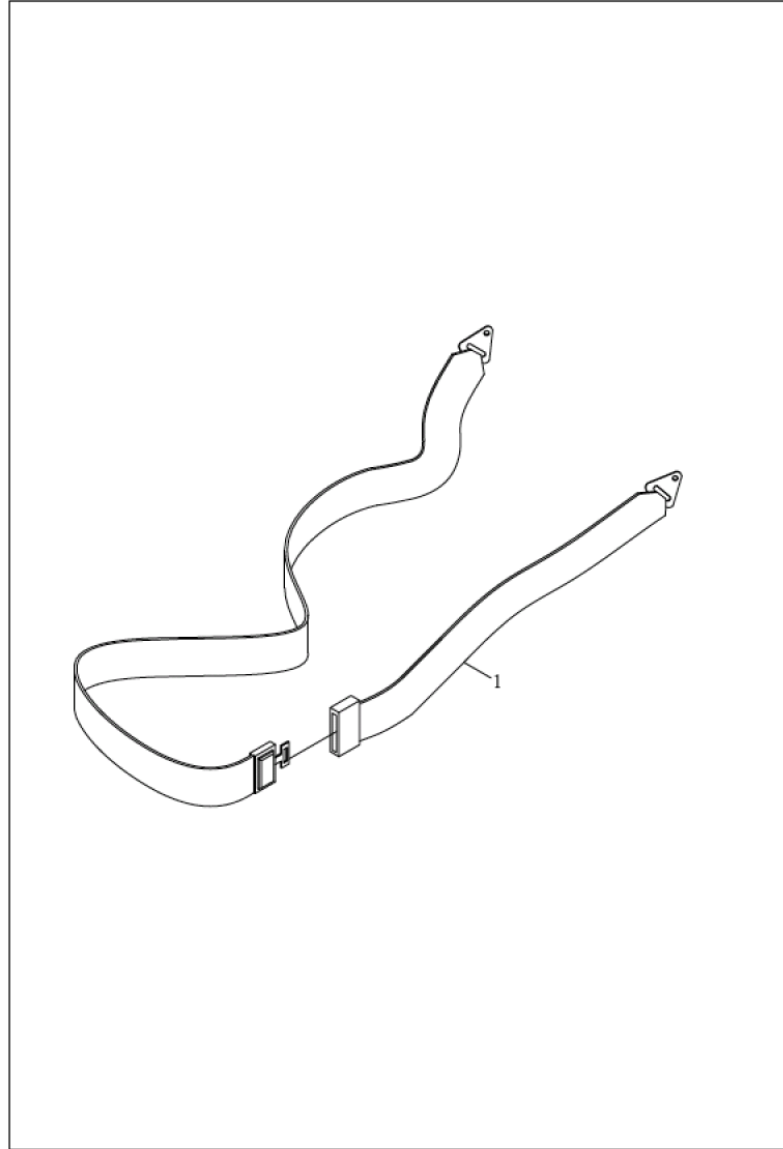
标号 No.	代号 Code	名称 Description		数量 Quantity	备注 Remark
25	FT354.58C.015a	多路阀出油管总成-1	MULTI-WAY VALVE OIL OUTPUT PIPE ASSEMBLY-1	1	2011-11_
26	FT354.58A.103	防尘盖	DUSTPROOF COVER	4	2011-11_
3	FT354.58C.014	操纵手柄焊合	CONTROL HANDLE WELDMENT	2	2011-11_
4	GBT95-6-A0P	平垫圈	WASHER	6	2011-11_
5	GBT91-2X12-A0P	开口销	PIN	6	2011-11_
6	FT654.58.103	联接板	CONNECTING PLATE	4	2011-11_
7	FT354.58A.030	快换接头	QUICK CHANGING JOINT	4	2011-11_
8	JBT982-22	组合密封垫圈	COMBINED SEAL GASKET	8	2011-11_
9	FT354.58A.104	英制油管接头	BRITISH SYSTEM OIL PIPE JOINT	4	2011-11_

TB300.583ASingle-circuit hydraulic pressure output assembly2



TB300.583A 58.3-单路液压输出总成2 58.3-SINGLE-WAY HYDRAULIC OUTPUT ASSEMBLY 2

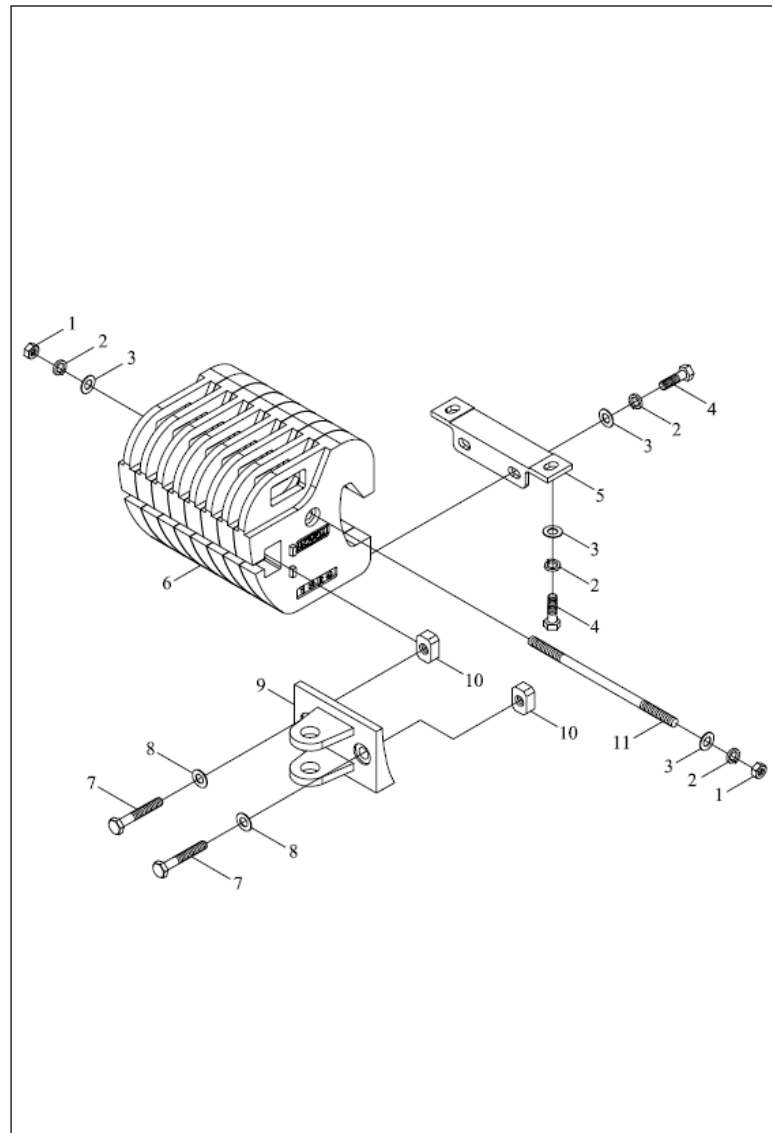
标号 No.	代号 Code	名称 Description		数量 Quantity	备注 Remark
1	FT354.58A.104	英制油管接头	BRITISH SYSTEM OIL PIPE JOINT	1	2011-11_
2	FT354.58A.030	快换接头	QUICK CHANGING JOINT	1	2011-11_
3	FT354.58A.103	防尘盖	DUSTPROOF COVER	1	2011-11_



TA600.62ZC 62-安全带 62-SAFETY BELT

标号 No.	代号 Code	名称 Description	数量 Quantity	备注 Remark
1	TA600.62	安全带安装总成	1	2012-01_

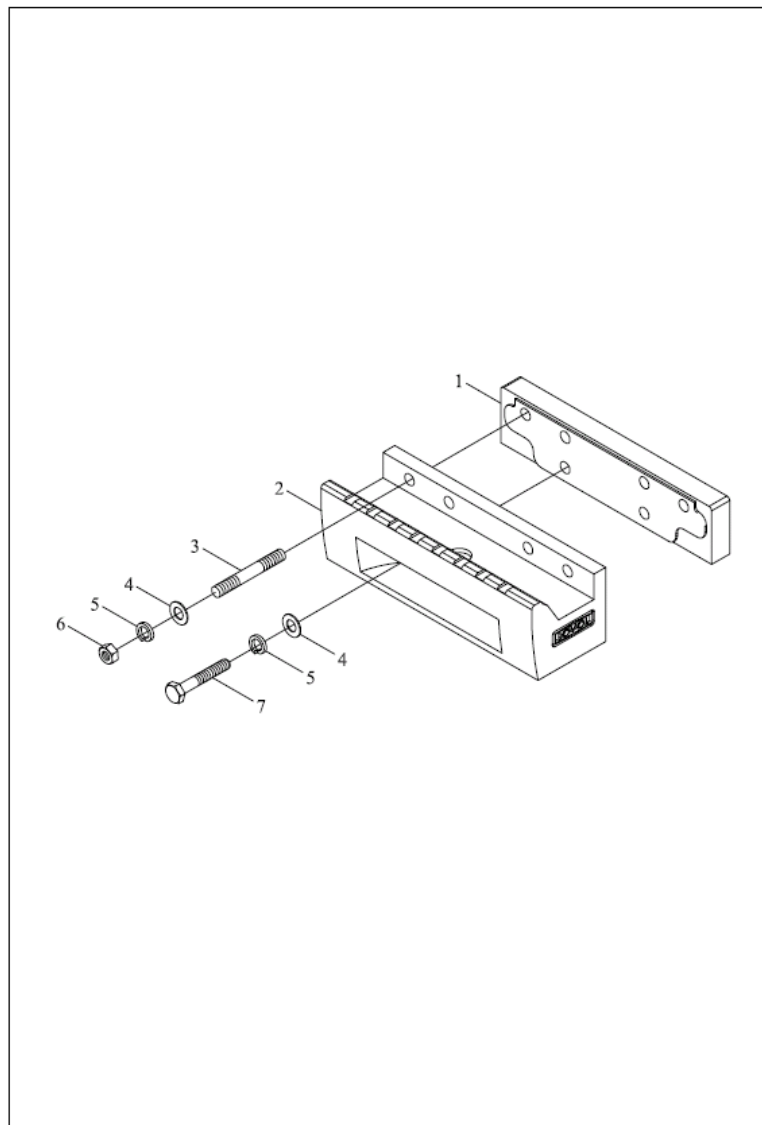
FT404.74A.002Front balance weightassembly



FT404.74A.002 74-前配重总成 74-FRONT BALLAST ASSEMBLY

标号 No.	代号 Code	名称 Description		数量 Quantity	备注 Remark
1	GBT6170-M16-8-A3L	1型六角螺母	NUT	2	2012-09_
10	FT650.74.108	牵引螺母	TOWING NUT	2	2011-11_
11	FT404.74A.108	连接螺栓	CONNECTING BOLT	1	2011-11_
2	GBT93-16-Zn.D	标准型弹簧垫圈	WASHER	6	2011-11_
3	GBT97.1-16	垫圈	WASHER	6	2011-11_
4	GBT5783-M16X35-Zn.D	六角头螺栓	BOLT	4	2011-11_
5	FT300.74A.107	固定架	FIXING BRACKET	1	2011-11_
6	FT404.74A.010	前配重小总成	FRONT BALLAST ASSEMBLY	1	2012-01_
6.1	FT300.74A.106	配重块	BALLAST	6	2011-11_
6.2	FT300.74A.105	配重块	BALLAST	2	
7	GBT5785-M20X1.5X80-8.8-A3L	六角头螺栓	BOLT	2	
8	GBT97.1-20	垫圈	WASHER	2	2011-11_
9	FT300.74A.110	牵引耳	TOWING LUG	1	2011-11_

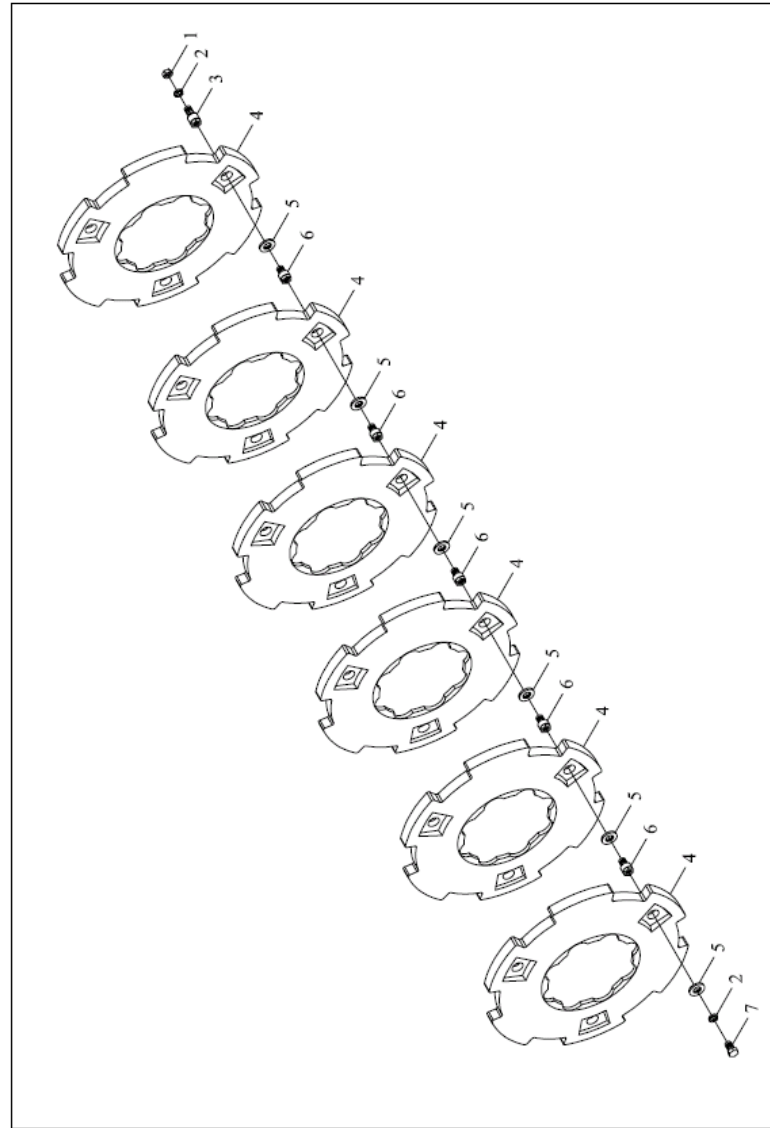
FT300.74B.001Fore balance weight frame assembly



FT300.74B.001 74-前配重架总成 74-FRONT BALLAST BRACKET ASSEMBLY

标号 No.	代号 Code	名称 Description		数量 Quantity	备注 Remark
1	FT300.74B.102	前配重架垫块	FRONT BALLAST BRACKET MAT BLOCK	1	2011-11_
2	FT300.74B.101	配重架	BALLAST BRACKET	1	2009-11_
2	FT300.74A.101	配重架	BALLAST BRACKET	1	2004-01_
3	GBT898-AM16-M16X70-Zn.D	双头螺柱	8.8-A3L STUD	4	2011-11_
4	GBT97.1-16	垫圈	WASHER	6	2011-11_
5	GBT93-16-Zn.D	标准型弹簧垫圈	WASHER	6	2011-11_
6	GBT6170-M16-A3L	螺母 M16-A3L	NUT	4	
7	GBT5780-M16X90-A2L	六角头螺栓	BOLT	2	

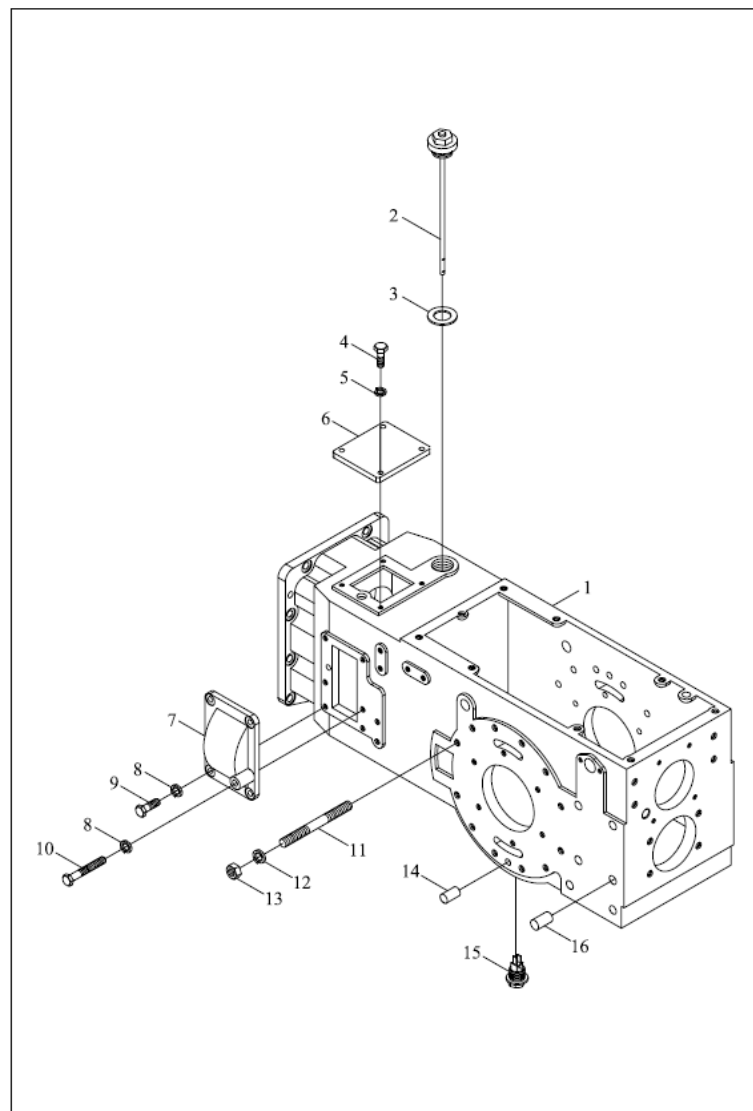
TB400.91Rear balance weight assembly



TB400.91 91-后配重总成 91-REAR BALLAST ASSEMBLY

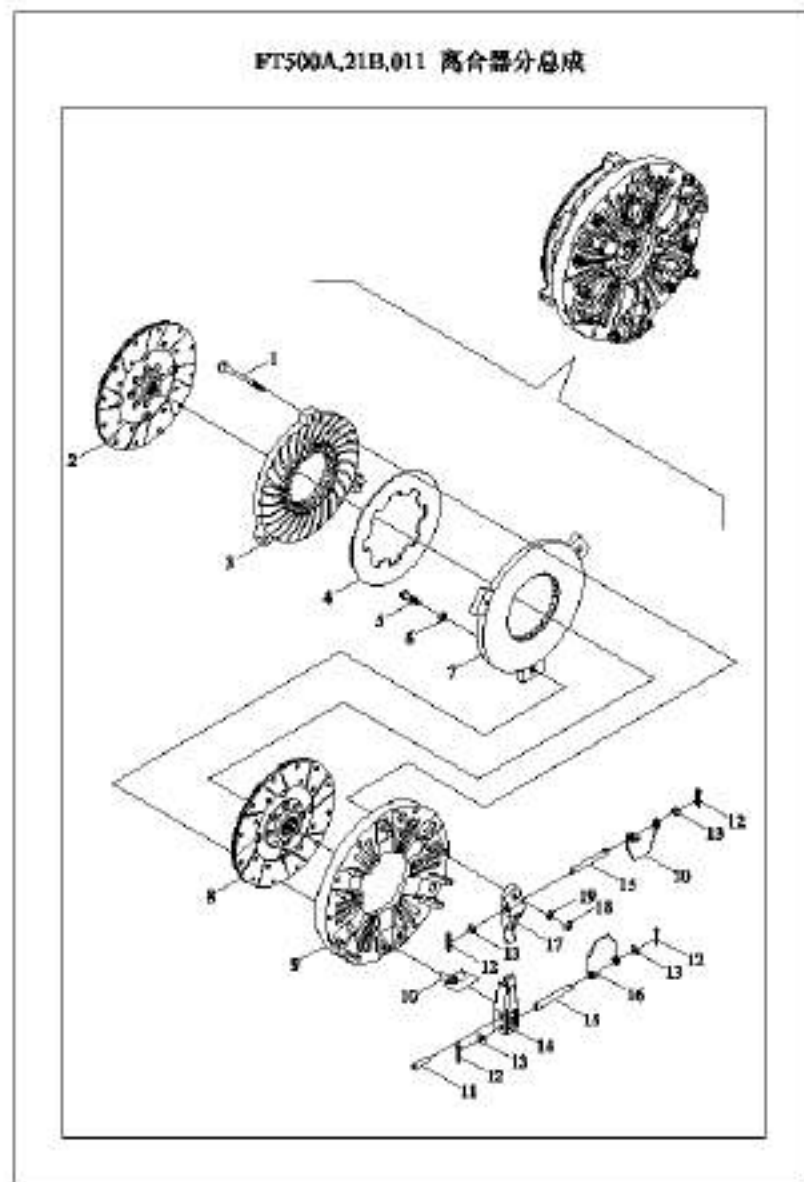
标号 No.	代号 Code	名称 Description		数量 Quantity	备注 Remark
1	GBT6171-M16X1.5-A3L	1型六角螺母	NUT	3	2011-11_
2	GBT93-16-A0P	弹簧垫圈	SPRING WASHER	6	2011-11_
3	TB400.91-02	后配重螺钉 I	REAR BALLAST SCREW I	3	2011-11_
4	TB400.91-01	后配重	REAR BALLAST	6	2011-11_
5	TB400.91-04	垫圈	WASHER	18	2004-01_
5	FT650.34.104	垫圈	WASHER	18	2009-09_
6	TB400.91-03	后配重螺钉 II	REAR BALLAST SCREW II	15	2011-11_
6	TB400.91-03	后配重螺钉 II	REAR BALLAST SCREW II	15	2011-11_
7	TB400.91-05	螺栓	BOLT	3	2011-11_

TB504.384 后桥壳体总成



TB504.384 后桥壳体总成 REAR AXLE HOUSING ASSEMBLY

标号 No.	代号 Code	名称 Description		数量 Quantity	备注 Remark
1	FT300.38J.101a	后桥壳体	REAR AXLE HOUSING	1	2011-11_
10	GBT5782-M10X60-A3L	六角头螺栓	BOLT	1	2004-01_
11	GBT899-AM12-M12X1.25X150-8.8-A1L	双头螺柱	8.8-A3L STUD	24	
11	GBT899-AM12-M12X1.25X160-8.8-A1L	双头螺柱	8.8-A3L STUD	2	2010-03_
12	GBT93-12-A0P	弹簧垫圈	SPRING WASHER	24	2011-11_
13	GBT6171-M12X1.25-10-A3L	1型六角螺母	NUT	24	2004-01_
14	GBT119.1-12m6X28	圆柱销	PIN	2	2004-01_
15	FT65.38.026	油塞总成	Oil Plug assembly	1	2011-11_
15	FT65.38.026	油塞总成	Oil Plug assembly	1	2011-11_
16	TB554.384-02	销	PIN	4	2011-11_
2	FT300.38.016a	加油通气塞总成	REFUELING AND AIRING PLUG ASSEMBLY	1	2011-11_
3	JBT982-36	组合密封垫圈	COMBINED SEAL GASKET	1	2011-11_
4	GBT5783-M8X20-A2L	螺栓	BOLT	4	2011-11_
5	GBT93-8-A0P	垫圈	WASHER	4	2011-11_
6	FT300.38J.124	上盖	UPPER COVER	1	2011-11_
7	FT300.38J.206	倒档侧盖	REVERSE SIDE COVER	1	2011-11_
8	GBT93-10-A0P	标准型弹簧垫圈	WASHER	6	2011-11_
9	GBT5783-10X25-A3L	六角头螺栓	BOLT	5	2011-11_



FT500A.21B.011 离合器分总成 CLUTCH SUBASSEMBLY

标号 No.	代号 Code	名称 Description	数量 Quantity	备注 Remark
1	FT400.21B.104	副离合器拉杆	3	2013-01_
10	FT400.21B.110	顶杆	3	2013-01_
11	FT300.21B.109	销轴	3	2013-01_
12	GBT91-3.2X16-A0P	开口销	10	2013-01_
13	GBT848-10-A0P	小垫圈	12	2013-01_
14	FT400.21B.107	主离合器分离杠杆	3	2013-01_
15	FT300.21B.111	长销	6	2013-01_
16	FT400.21B.108	主分离杠杆弹簧	3	2013-01_
17	FT400.21B.106	副离合器分离杠杆	3	2013-01_
18	GBT6171-M8X1-8-A2L	I型六角螺母	3	2013-01_
19	FT300.21B.105	球头螺母	3	2013-01_
19	FT300.21B.105	球头螺母	3	2013-01_
2	FT500.21B.015	副离合器从动盘总成	1	2013-01_
20	FT300.21B.120	副分离杠杆弹簧	3	2013-01_
3	FT400.21B.102	副离合器压盘	1	2013-01_
4	FT400.21B.103	碟形弹簧	1	2013-01_
5	FT300.21B.114	主离合器调整螺钉	3	2013-01_
6	GBT6171-M10X1-8-A2L	I型六角螺母	3	2013-01_
7	FT400.21B.113	主离合器压盘	1	2013-01_
8	FT500A.21B.014	主离合器磨擦片总成	1	2013-01_
9	FT400.21B.112	离合器盖	1	2013-01_

