



Parts Catalogue of Foton

(FT404-AK16)

Foton Lovol International Heavy Industries Co.,Ltd

目录 CONTENTS

序号 No.	代码 Code	名称 Description	页次 Page
1	SL3105BT141-0-1	CYLINDER BLOCK	1
2	SL3105BT141-0-10	MANIFOLDS & INDUCTION SYSTEM	5
3	SL3105BT141-0-11	MANIFOLDS & EXHAUST SYSTEM	7
4	SL3105BT141-0-12	FUEL SYSTEM ASSY	9
5	SL3105BT141-0-13	LUBRICATION SYSTEM	11
6	SL3105BT141-0-14	COOLING SYSTEM	15
7	SL3105BT141-0-15	JOCKEY WHEEL ASSEMBLY	17
8	SL3105BT141-0-16	GENERATOR SUPPORT ASSEMBLY(3)	19
9	SL3105BT141-0-17	ELECTRIC SYSTEM	21
10	SL3105BT141-0-2	GEAR HOUSING ASSEMBLY	23
11	SL3105BT141-0-3	CYLINDER HEAD ASSY	29
12	SL3105BT141-0-4	PISTON CONNECTING ROD ASSEMBLY	35
13	SL3105BT141-0-5	CRANKSHAFT FLYWHEEL ASSEMBLY	37
14	SL3105BT141-0-6	CAMSHAFT ASSY	39
15	SL3105BT141-0-7	OIL SUMP ASSEMBLY	41
16	SL3105BT141-0-8	FLYWHEEL COVER ASSEMBLY	43
17	SL3105BT141-0-9	CYLINDER HEAD COVER ASSEMBLY	45
18	FT300.11A.001	11-AIR CLEANER ASSEMBLY	49
19	FT400.13E.001	13-COOLING SYSTEM ASSEMBLY	51
20	FT300.14.001	14-DECOMPRESSOR MECHANISM	53
21	FT400.20.001-1	20.1ENGINE CONTROL MECHANISM ASSEMBLY-1	55
22	FT400.20.001-2	20.2ENGINE CONTROL MECHANISM ASSEMBLY-2	57
23	FT400.21B.011	21-CLUTCH SUBASSEMBLY	59
24	FT400.21B.001-1	CLUTCH ASSEMBLY-1	61
25	FT400.21B.001-2	CLUTCH ASSEMBLY-2	63

目录 CONTENTS

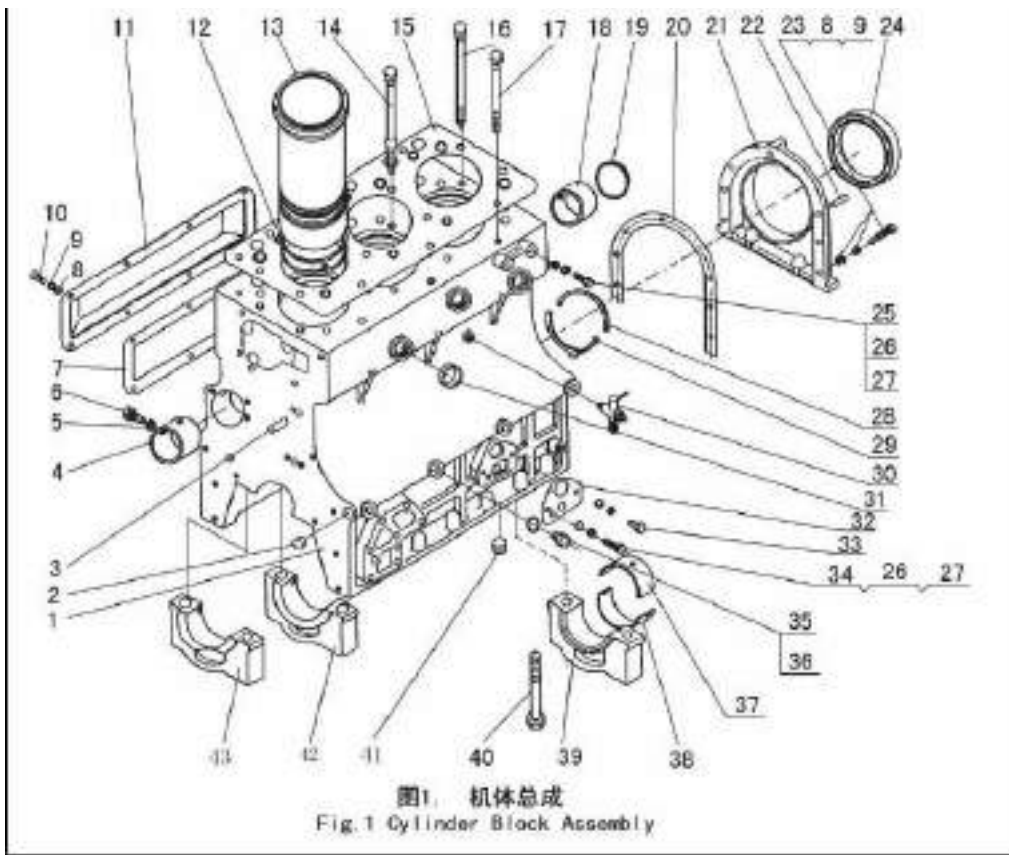
序号 No.	代码 Code	名称 Description	页次 Page
26	FT300.22.001	22-EXHAUST SYSTEM ASSEMBLY	65
27	FT304.31F.001-1	FRONT DRIVING AXLE ASSEMBLY-1	67
28	FT304.31F.001-3	FRONT DRIVE AXLE SUB-ASSEMBLY-3	69
29	FT304.31F.001-4	FRONT DRIVE AXLE SUB-ASSEMBLY-4	73
30	FT304.31F.001-5	FRONT DRIVE AXLE SUB-ASSEMBLY-5	77
31	FT304.31F.001-6	FRONT DRIVE AXLE SUB-ASSEMBLY-6	81
32	FT404.32.001	32-FRONT WHEEL ASSEMBLY	83
33	FT400.34.001a	34-REAR DRIVE WHEEL ASSEMBLY	85
34	FT300.35A.001	35-TOWING MECHANISM ASSEMBLY	87
35	TB550.371	37.1-GEARBOX HOUSING ASSEMBLY	89
36	TB550.371....	37.1TRANSMISSION HOUSING ASSEMBLY	91
37	TB450.372B-1.	MAIN TRANSMISSION ASSEMBLY-1	93
38	TB450.372B-1	MAIN TRANSMISSION ASSEMBLY-1	97
39	TB450.372B-2	MAIN TRANSMISSION ASSEMBLY-2	101
40	TB450.372B-2.	MAIN TRANSMISSION ASSEMBLY-2	103
41	TB300.373...	37.3AUXILIARY TRANSMISSION ASSEMBLY	105
42	TB300.374-1	37.4TRANSMISSION CONTROL MECHANISM ASSEMBLY-1	109
43	TB300.374-1...	37.4TRANSMISSION CONTROL MECHANISM ASSEMBLY-1	111
44	TB300.374-2...	37.4TRANSMISSION CONTROL MECHANISM ASSEMBLY-2	113
45	TB300.374-2	37.4TRANSMISSION CONTROL MECHANISM ASSEMBLY-2	115
46	FT404.38G.001-1	38REAR AXLE ASSEMBLY-1	117
47	FT404.38G.001-2	38REAR AXLE ASSEMBLY-2	119
48	FT404.38G.001-3	38REAR AXLE ASSEMBLY-3	121
49	FT404.38G.001-4	38REAR AXLE ASSEMBLY-4	123
50	FT300.39.001-1	39FINAL TRANSMISSION ASSEMBLY -1	125

目录 CONTENTS

序号 No.	代码 Code	名称 Description	页次 Page
51	FT300.39.001-2	39FINAL TRANSMISSION ASSEMBLY -2	129
52	FT404.40F.001-1	40FULL HYDRAULIC STEERING ASSEMBLY-1	133
53	FT404.40F.001-2	40FULL HYDRAULIC STEERING ASSEMBLY-2	137
54	FT400.41E.001-1	POWER TAKE-OFF ASSEMBLY-1	141
55	FT400.41E.001-2	POWER TAKE-OFF ASSEMBLY-2	145
56	FT400.41E.001-3	PTO ASSEMBLY-3	149
57	FT304.42F.001-1	TRANSFER CASE ASSEMBLY-1	151
58	TB554.421	42.1-TRANSFER CASE HOUSING ASSEMBLY	155
59	TB354.422B	42.2-TRANSFER CASE TRANSMISSION ASSEMBLY	159
60	FT304.42F.001-2	TRANSFER CASE ASSEMBLY-2	161
61	FT304.42F.001-3	42TRANSFER CASE ASSEMBLY -3	163
62	TB554.423C	42.3-TRANSFER CASE CONTROL ASSEMBLY	165
63	FT300.43.001-1	43BRAKER ASSEMBLY-1	167
64	FT300.43.001-2	43BRAKER ASSEMBLY-2	169
65	FT300.43.001-3	43BRAKER ASSEMBLY-3	171
66	FT300.44B.001	44SEAT INSTALLATION ASSEMBLY	173
67	FT400.46.001	46-SAFETY FRAME ASSEMBLY	175
68	FT400.47C.002-1	47REAR FENDER MOUNTING ASSEMBLY-1	179
69	FT400.47.001a-1	47BONNET INSTALLATION ASSEMBLY-1	181
70	FT400.47C.002-2	47REAR FENDER MOUNTING ASSEMBLY-2	183
71	FT400.47.001a-2	47BONNET INSTALLATION ASSEMBLY-2	185
72	FT300.48D.3	48-FRONT LAMP WIRE HARNESS MOUNTING ASSEMBLY	187
73	FT300.48D.1	48-ENGINE HARNESS INSTALLATION ASSEMBLY	189
74	FT300.48C.4	48-REAR LAMP HARNESS INSTALLATION ASSEMBLY	191
75	FT400.48.001	48-BATTERY INSTALLATION ASSEMBLY	193

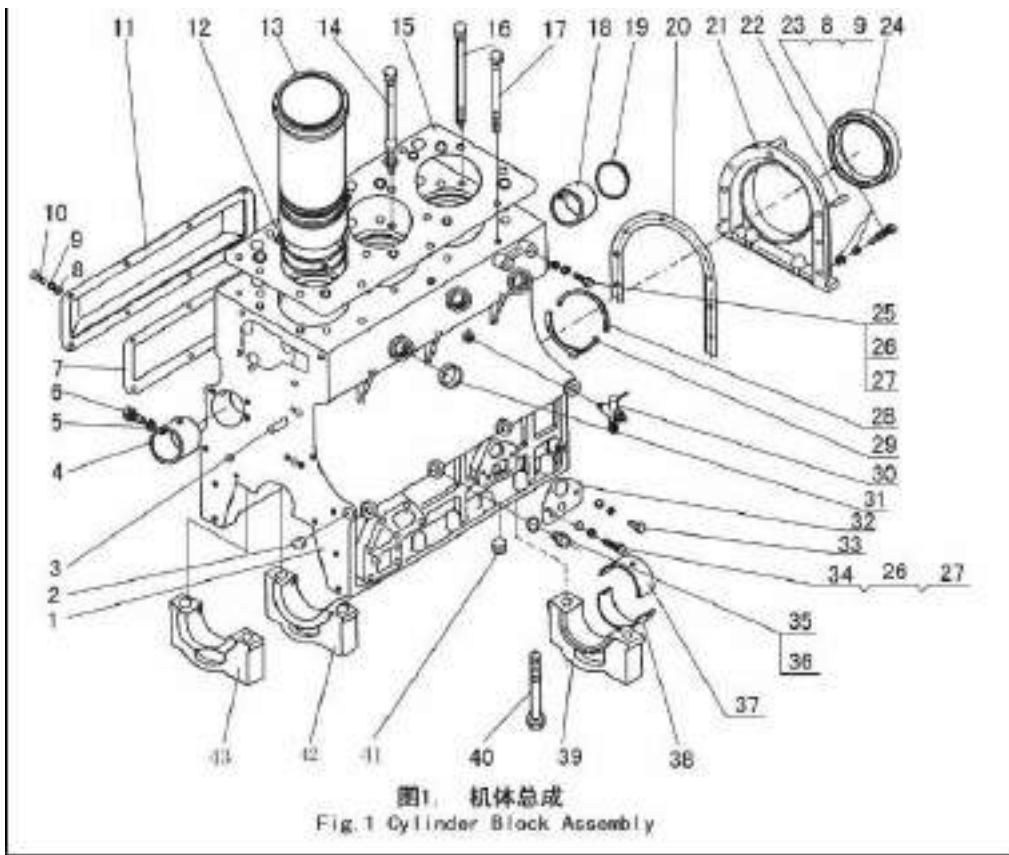
目录 CONTENTS

序号 No.	代码 Code	名称 Description	页次 Page
76	FT300.48C.2	48-BODY HARNESS INSTALLATION ASSEMBLY	195
77	FT300.48D.6	48-TOP LIGHT HARNESS INSTALLATION ASSEMBLY	197
78	FT300.48.061-1	INSTRUMENT COMBINATION ASSEMBLY-1	199
79	FT300.48C.2-2	BODY HARNESS INSTALLATION ASSEMBLY	201
80	FT300.48C.4-3	REAR LAMP HARNESS INSTALLATION ASSEMBLY-3	203
81	FT300.48D.3-5	FRONT LAMP HARNESS INSTALLATION ASSEMBLY-5	205
82	FT300.48D.1-4	ENGINE HARNESS INSTALLATION ASSEMBLY-4	207
83	FT300.48D.6-6	UPPER LAMP HARNESS INSTALLATION ASSEMBLY-6	209
84	FT300.49.001	49-TOOL BOX ASSEMBLY	211
85	FT400.50B.001		213
86	FT300.55B.001-1	LIFTER ASSEMBLY-1	217
87	FT300.55B.001-2	LIFTER ASSEMBLY-2	219
88	FT300.55B.001-3	LIFTER ASSEMBLY-3	225
89	FT300.55B.001-4	LIFT ASSEMBLY-4	227
90	FT300.56B.001-1	SUSPENSION MECHANISM ASSEMBLY-1	231
91	FT300.56B.001-2	SUSPENSION MECHANISM ASSEMBLY-2	235
92	FT404.58A.001-1	OIL PUMP/PIPE/HYDRAULIC OUTPUT ASSEMBLY-1	239
93	FT404.58A.001-2	OIL PUMP/PIPE/HYDRAULIC OUTPUT ASSEMBLY-2	241
94	FT404.58A.001-3	OIL PUMP/PIPE/HYDRAULIC OUTPUT ASSEMBLY-3	243
95	FT404.74A.002	74-FRONT BALLAST ASSEMBLY	247
96	FT300.74A.001	74-FRONT BALLAST BRACKET ASSEMBLY	249
97	FT400.91A.001	91-REAR BALLAST ASSEMBLY	251
98	FT304.31F.001-2	FRONT DRIVE AXLE SUB-ASSEMBLY-2	253



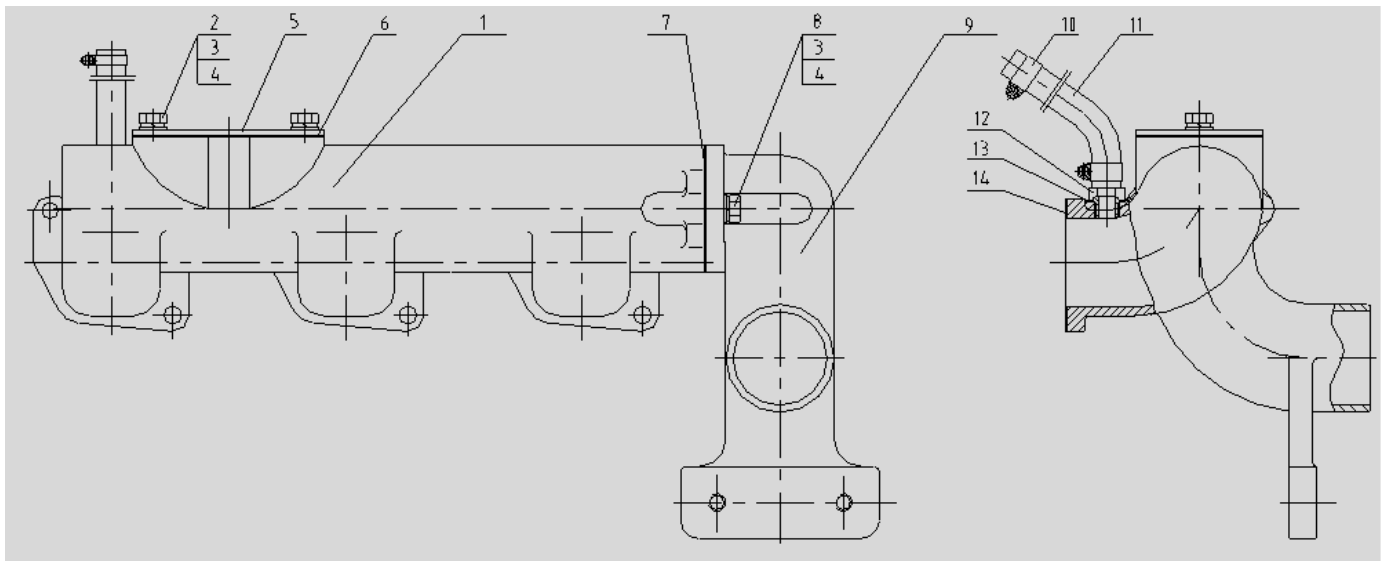
SL3105BT141-0-1 10.1-机体总成 CYLINDER BLOCK

标号 No.	代号 Code	名称 Description	数量 Quantity	备注 Remark
1	3105BX-01101	BLOCK	1	2011-11_
10	GBT5783-M8X22	BOLT	8	2011-11_
11	3-01305-3	SIDE COVER	1	2011-11_
12	100-01007	WATER SEAL RING	6	2011-11_
13	105-01005-1	CYLINDER LINER	3	2011-11_
14	110AB-01003A	CYLINDER HEAD BOLT	3	2011-11_
15	3105B-01006	CYLINDER COVER GASKET	1	2011-11_
16	110AB-01003B	CYLINDER HEAD BOLT	9	2011-11_
17	110AB-01003C	CYLINDER HEAD BOLT	2	2011-11_
18	100-01028	CAMSHAFT BUSH	2	2011-11_
19	100-01017-2	REAR CAMSHAFT BLOCK PLATE	1	2011-11_
2	100-01009-1	MAIN OIL LINE PLUG	2	2011-11_
20	100-01019-1	REAR OIL SEAL COVER GASKET	1	2011-11_
21	100-01018-1	REAR OIL SEAL COVER	1	2011-11_
22	GBT119.1-8h8X25	PIN	2	2011-11_
23	GBT5783-M8X35	BOLT	5	2011-11_
24	GBT9877.1-FB10013012	O RING	1	2011-11_
25	GBT5783-M8X20	BOLT	2	2011-11_
25	GBT5783-M8X20	BOLT	2	2011-11_
26	GBT859-8	WASHER	4	2011-11_
27	GBT848-8	WASHER	4	2011-11_
30	100-01200	DRAIN SWITCH PART	1	2011-11_
31	100-01008-1	PLUG	3	2011-11_
32	4-01024	OIL FILTER GASKET	1	2011-11_
33	GBT5783-M8X25	BOLT	1	2011-11_



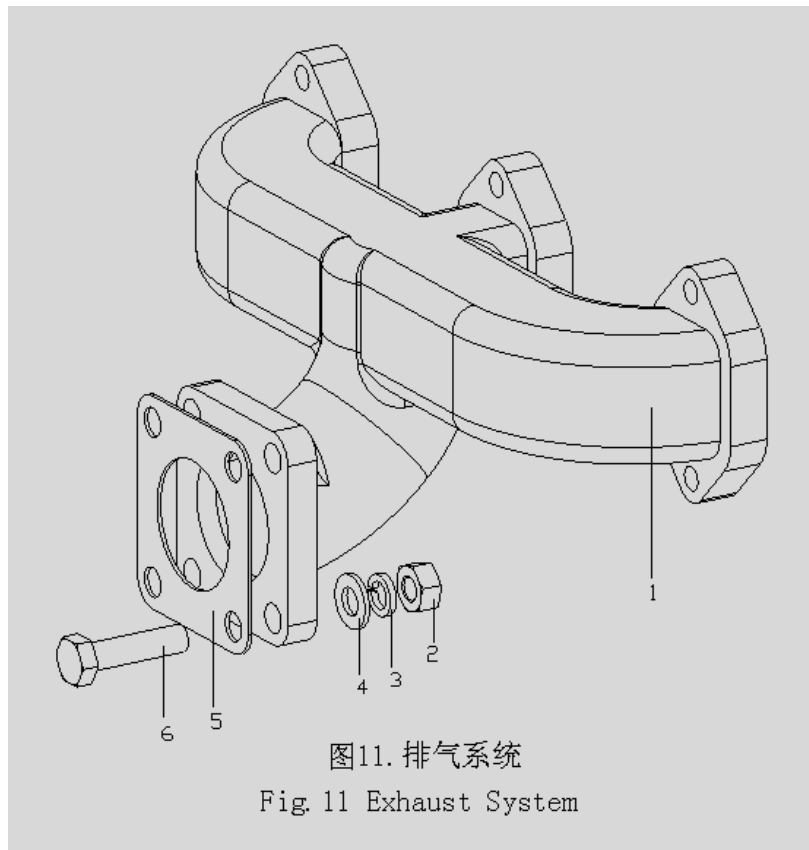
SL3105BT141-0-1 10.1-机体总成(续)

标号 No.	代号 Code	名称 Description	数量 Quantity	备注 Remark
34	GBT5782-M8X50	BOLT	1	2011-11
35	S195G-01026A	BULK HEAD	4	2011-11
36	S195G-01025	WASHER	4	2011-11
39	100-01104-2	REAR MAIN BEARING COVER	1	2011-11
4	100-01027-1	FRONT BUSH OR CAMSHAFT	1	2011-11
4	100-01027-1	FRONT BUSH OR CAMSHAFT	1	2011-11
40	100-01105-2	MAIN BEARING BOLT	8	2011-11
42	100-01032	PLUG	1	2011-11
43	100-01107-2	MAIN BEARING COVER	2	2011-11
44	100-01108-2	FRONT MAIN BEARING COVER	1	2011-11
5	100-01016	WASHER	3	2011-11
6	100-01015	LOCATING SCREW	3	2011-11
6	100-01015	LOCATING SCREW	3	2011-11
7	3-01011-1	SIDE COVER GASKET	1	2011-11
7	3-01011-1	SIDE COVER GASKET	1	2011-11
8	GBT97.1-8	WASHER	13	2011-11
9	GBT93-8	WASHER 8	13	2011-11



SL3105BT141-0-10 10.10-进气系统-10 MANIFOLDS & INDUCTION SYSTEM

标号 No.	代号 Code	名称 Description	数量 Quantity	备注 Remark
0	3TY-12000A	AIR INLET PIPE ASSEMBLY	1	2011-11
1	100-12102	PLIUG PIECE	1	2011-11
10	100-12003	AIR INLET PIPE GASKET	3	2011-11
11	2TY-12104A	AIR INLET SUPPORTING PIPE	1	2011-11
12	2TY-12104-1A	AIR INLET SUPPORTING PIPE	2	2011-11
2	3TY-12101A	AIR INLET PIPE	1	2011-11
3	3TY-12107A	AIR FILTER CONNECTING PIPE	1	2011-11
4	2T1-12011	HEAT PLUG SEAT	1	2011-11
5	2T1-12012	PLUG	1	2011-11
6	100-12008	HOOP	2	2011-11
7	100-12009	RUBBER HOSE	1	2011-11
8	100-12007A	PIPE JOINT	1	2011-11
9	100-12103	AIR INLET SUPPORTING PIPE FLANGE	3	2011-11



SL3105BT141-0-11 10.11-排气系统-11 MANIFOLDS & EXHAUST SYSTEM

标号 No.	代号 Code	名称 Description	数量 Quantity	备注 Remark
1	3TY-13001	EXHAUST PIPE	1	2011-11
2	GBT6170-M10	NUT M10	4	2011-11
3	GBT93-10	WASHER 10	4	2011-11
4	GBT848-10	WASHER	4	2011-11
5	100TY-13002	EXHAUST PIPE GASKET	1	2011-11
5	100TY-13002	EXHAUST PIPE GASKET	1	2011-11

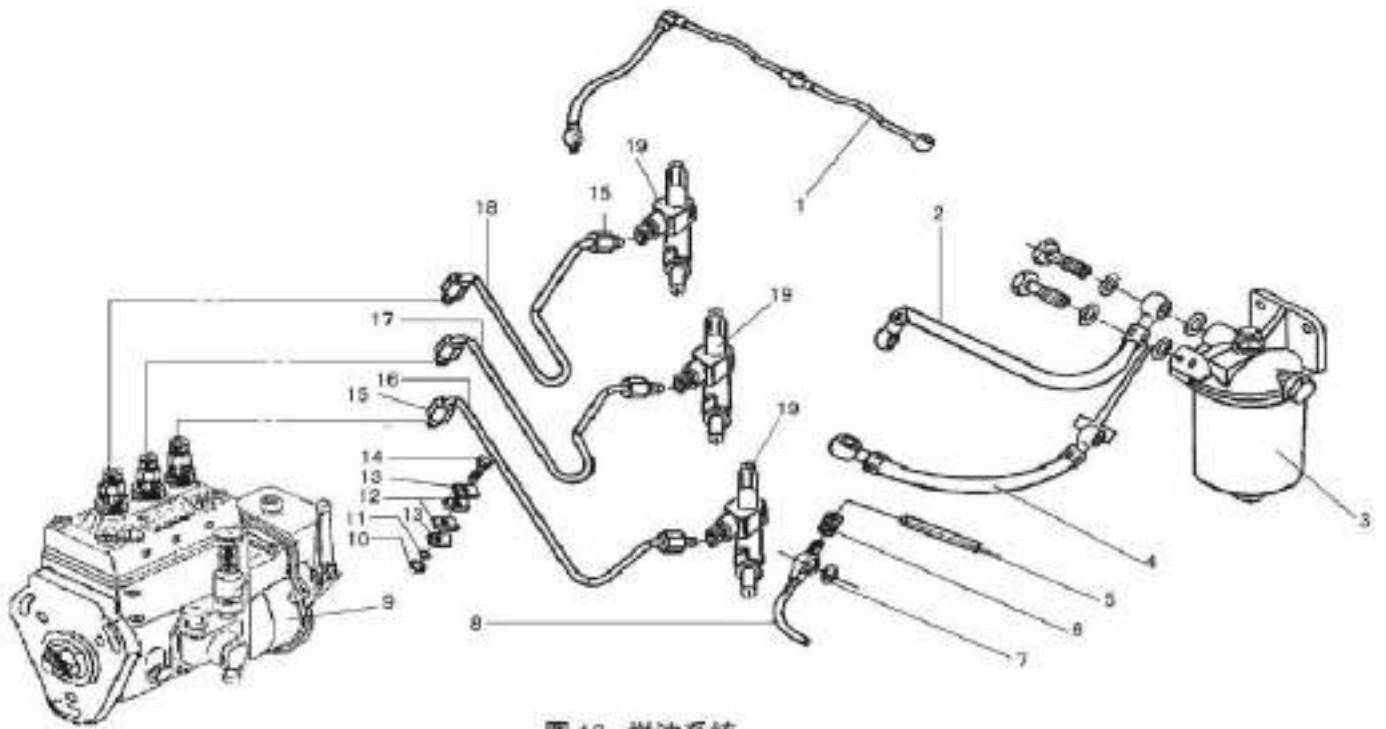
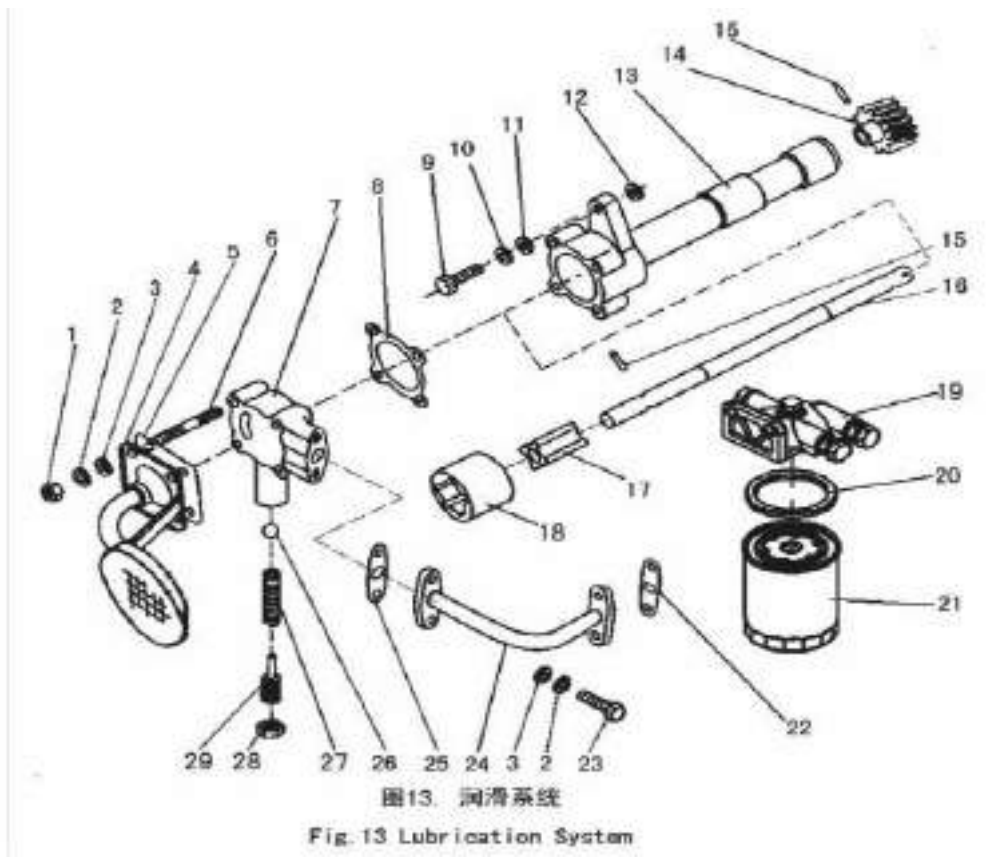


图 12. 燃油系统
Fig12. Fuel Supply System

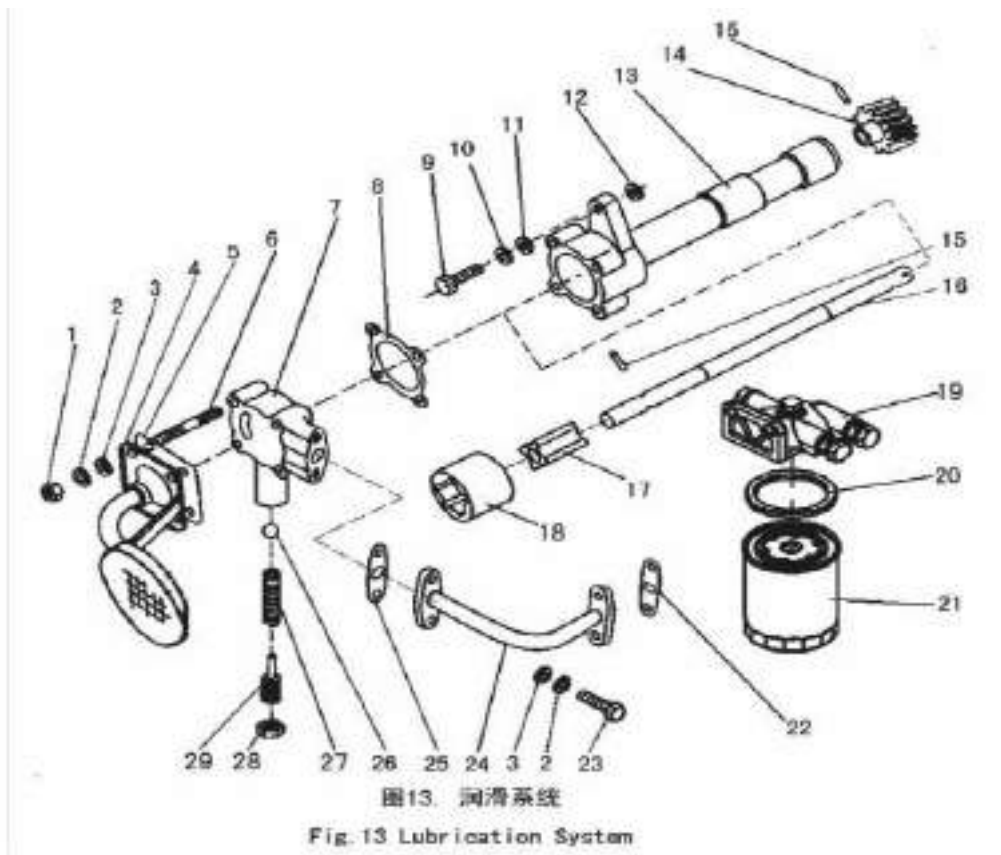
SL3105BT141-0-12 10.12-燃油系统-12 FUEL SYSTEM ASSY

标号 No.	代号 Code	名称 Description	数量 Quantity	备注 Remark
1	3FT-25600-3	OIL INJECTOR RETURN PIPE PARTS	1	2011-11_
10	GBT6170-M5	NUT	1	2011-11_
11	GBT859-5	WASHER	1	2011-11_
12	100-23003	SHORT GASKET	2	2011-11_
13	100-23001-1	SHORT CLAMP PLATE	2	2011-11_
14	GBT67-M5X25	SCREW	1	2011-11_
15	4Q-23104-1	OIL INJECTION PUMP JOINT NUT	6	2011-11_
16	3B-23301	HIGH PRESSURE PIPE OF CYLINDER NO.3	1	2011-11_
17	100B-23201	HIGH PRESSURE PIPE OF CYLINDER NO.2	1	2011-11_
18	100B-23101	HIGH PRESSURE OIL PIPE OF FIRST CYLINDER	1	2011-11_
19	100B-22000	INJEKTOR ASSEMBLY	3	2011-11_
2	3-25200	FUEL INLET TUBE, FUEL INJECTION PUMP	1	2011-11_
3	3-24000-1	FUEL FILTER ASSEMBLY	1	2011-11_
3.1	CX7085	FUEL FILTER ELEMENT	0	2011-11_
4	3-25300	VITTA	1	2011-11_
4	3-25300	VITTA	1	2011-11_
8	100-25400-1	VITTA	1	2011-11_
9	3-21000	OIL INJECTION PUMP ASSEMBLY	1	2011-11_



SL3105BT141-0-13 10.13-润滑系统-13 LUBRICATION SYSTEM

标号 No.	代号 Code	名称 Description	数量 Quantity	备注 Remark
1	GBT6170-M8	NUT M8	4	2011-11
1	3TY-31000	OIL PUMP	1	2011-11
10	GBT93-8	WASHER 8	1	2011-11
11	GBT97.1-8	WASHER	1	2011-11
12	S195G-09001	WASHER	1	2011-11
13	4105B-31401	OIL PUMP BODY	1	2011-11
14	100-31001-1	OIL PUMP DRIVING GEAR	1	2011-11
15	GBT119.1-4h8X18	PIN	2	2011-11
16	3TY-31201	OIL PUMP SHAFT	1	2011-11
17	3TY-31202	INNER ROTOR	1	2011-11
18	3TY-31007	OUTER ROTOR	1	2011-11
19	JX0810F1-01	FILTER SEAT PART	1	2011-11
2	GBT859-8	WASHER	8	2011-11
20	JX0810F1-02-01	SEAL RING	1	2011-11
21	JX0810-02	OIL FILTER	1	2011-11
21.1	CX7085	FUEL FILTER ELEMENT	1	2011-11
22	3TY-33005	WASHER	1	2011-11
23	GBT5783-M8X20	BOLT	4	2011-11
23	GBT5783-M8X20	BOLT	4	2011-11
24	4105B-33003	OIL PUMP OUTPUT PIPE WELDMENT	1	2011-11
25	100-33005	WASHER	1	2011-11
26	GBT308-φ10	BALL	1	2011-11
27	100-31002	PRESSURE LIMITING VALVE SPRING	1	2011-11
29	4Q-31011	SCREW	1	2011-11
3	GBT848-8	WASHER	8	2011-11



SL3105BT141-0-13 10.13-润滑系统-13(续)

标号 No.	代号 Code	名称 Description	数量 Quantity	备注 Remark
4	3TY-31100-3	SCREEN FILTER	1	2011-11
5	100-31005	OIL FILTER GASKET	1	2011-11
5	100-31005	OIL FILTER GASKET	1	2011-11
6	GBT899-AM8X40	STUD	4	2011-11
7	4105B-31004	OIL PUMP COVER	1	2011-11
8	100-31006	OIL PUMP GASKET	1	2011-11
9	GBT5783-M8X30	BOLT	1	2011-11

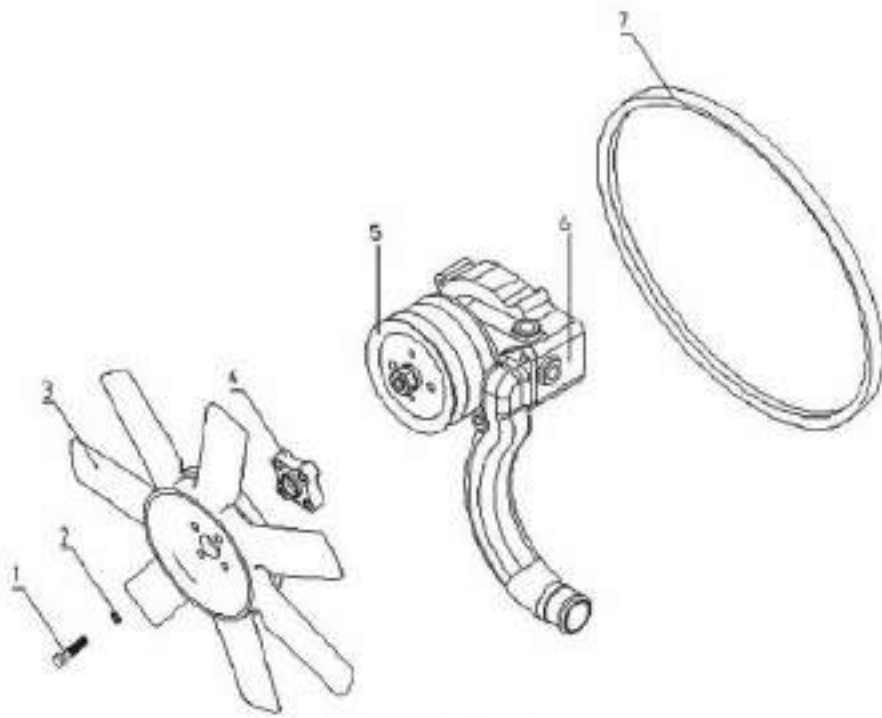


图14 冷却系统
Fig.14. Cooling System

SL3105BT141-0-14 10.14-冷却系统-14 COOLING SYSTEM

标号 No.	代号 Code	名称 Description	数量 Quantity	备注 Remark
1	GBT5783-M8X95	BOLT	4	2011-11
2	GBT93-8	WASHER 8	4	2011-11
3	3TY-41100	FAN PARTS	1	2011-11
4	2T1-41001-6S	FAN GASKET	1	2011-11
5	100TY-42002-1	FAN BELT PULLEY	1	2011-11
6	100TY-42000-1	WATER PUMP ASSEMBLY	1	2011-11
7	GBT1171-B-635	V BELT	1	2011-11

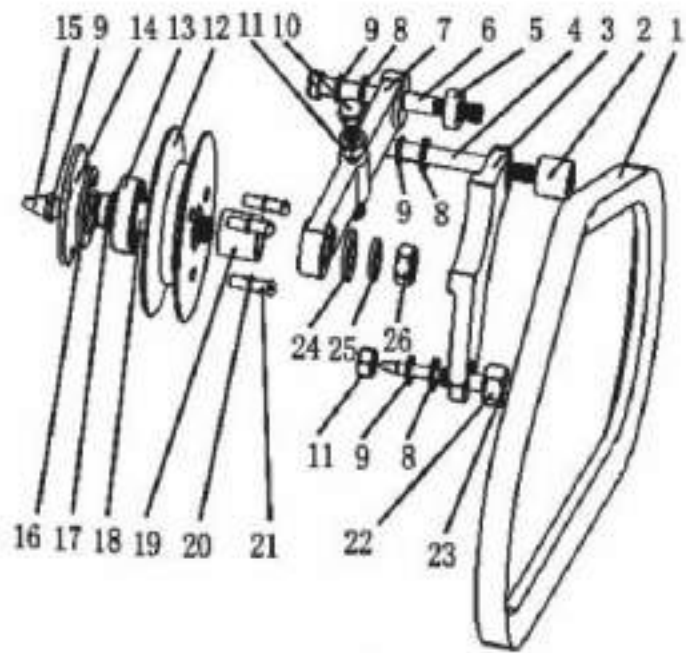


图15. 张紧轮部件

Fig. 15 Jockey Wheel Assembly

SL3105BT141-0-15 10.15-张紧轮部件 JOCKEY WHEEL ASSEMBLY

标号 No.	代号 Code	名称 Description	数量 Quantity	备注 Remark
1	GBT1171-B-838	V BELT	1	2011-11
10	GBT5783-M8X70	BOLT	1	2011-11
11	GBT6170-M8	NUT M8	2	2011-11
12	100TY-47001	TENSION PULLEY	1	2011-11
13	GBT276-6202-2Z	BEARING	1	2011-11
14	100TY-47008	COVER	1	2011-11
15	GBT1152-M8X1	OIL CUP	1	2011-11
16	GBT893.1-35	RETAINER RING	1	2011-11
17	GBT894.1-15	SNAP RING	1	2011-11
18	100TY-47003	TENSIONER SHAFT	1	2011-11
19	100TY-47002	SHAFT SLEEVE	1	2011-11
2	100TY-47004	SPACER	1	2011-11
20	GBT93-5	WASHER	3	2011-11
21	GBT65-M5X22	SCREW	3	2011-11
22	100TY-47005	PAD BLOCK	1	2011-11
23	100-02008	WASHER	1	2011-11
24	GBT95-12	WASHER	1	2011-11
25	GBT859-12	WASHER	1	2011-11
26	GBT6170-M12	NUT	1	2011-11
3	100TY-47006	RETAINER BLOCK	1	2011-11
5	2T2-53005-2	PAD BLOCK	1	2011-11
7	100TY-47007	SUSPENSION ARM	1	2011-11
7	100TY-47007	SUSPENSION ARM	1	2011-11
8	GBT848-8	WASHER	3	2011-11
9	GBT93-8	WASHER 8	4	2011-11

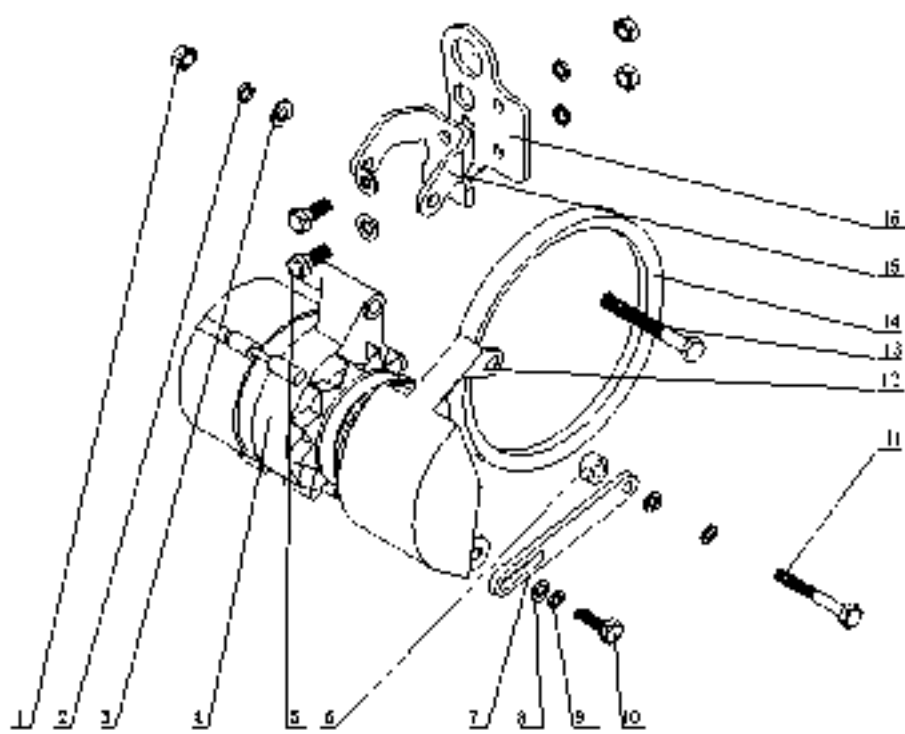


图18. 充电发电机及支架总成 (三)

Fig.18 Generator Support Assembly(3)

SL3105BT141-0-16 10.16充电发电机及之间总成 GENERATOR SUPPORT ASSEMBLY(3)

标号 No.	代号 Code	名称 Description	数量 Quantity	备注 Remark
1	GBT6170-M10	NUT M10	3	2011-11
10	GBT5783-M8X30	BOLT	1	2011-11
11	GBT5782-M8X70	BOLT	1	2011-11
12	100TY-52100-1	GENERATOR BONNET	1	2011-11
13	GBT5782-M10X90	BOLT	1	2011-11
14	GBT1171-B-635	V BELT	1	2011-11
15	100TY-53101-3	GENERATOR BRACKET	1	2011-11
16	100TY-53102-4	BRACKET SEAT PLATE	1	2011-11
2	GBT859-10	WASHER	3	2011-11
3	GBT848-10	WASHER	3	2011-11
4	T-52000	GENERATOR	1	2011-11
5	GBT5783-M10X25	BOLT	2	2011-11
6	2T1-53004	PAD BLOCK	1	2011-11
7	100TY-53001	SUPPORT FRAME	1	2011-11
7	100TY-53001	SUPPORT FRAME	1	2011-11
8	GBT96-8	WASHER	2	2011-11
8	GBT96-8	WASHER	2	2011-11
9	GBT859-8	WASHER	2	2011-11

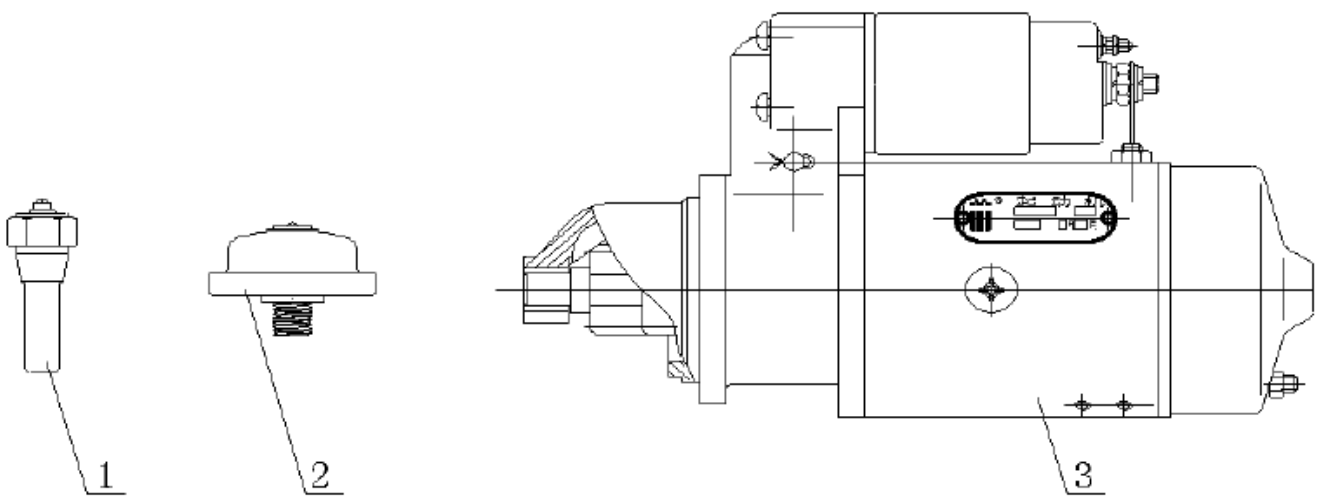


图19. 电气系统
Fig.19 Electric Systemly

SL3105BT141-0-17 10.17-电气系统 ELECTRIC SYSTEM

标号 No.	代号 Code	名称 Description	数量 Quantity	备注 Remark
1	3-55001	WATER THERMO-SENSING PLUG	1	2011-11
2	3-55002	OIL PRESSURE SENSOR	1	2011-11
3	100-51000-1	Motor Starter	1	2011-11

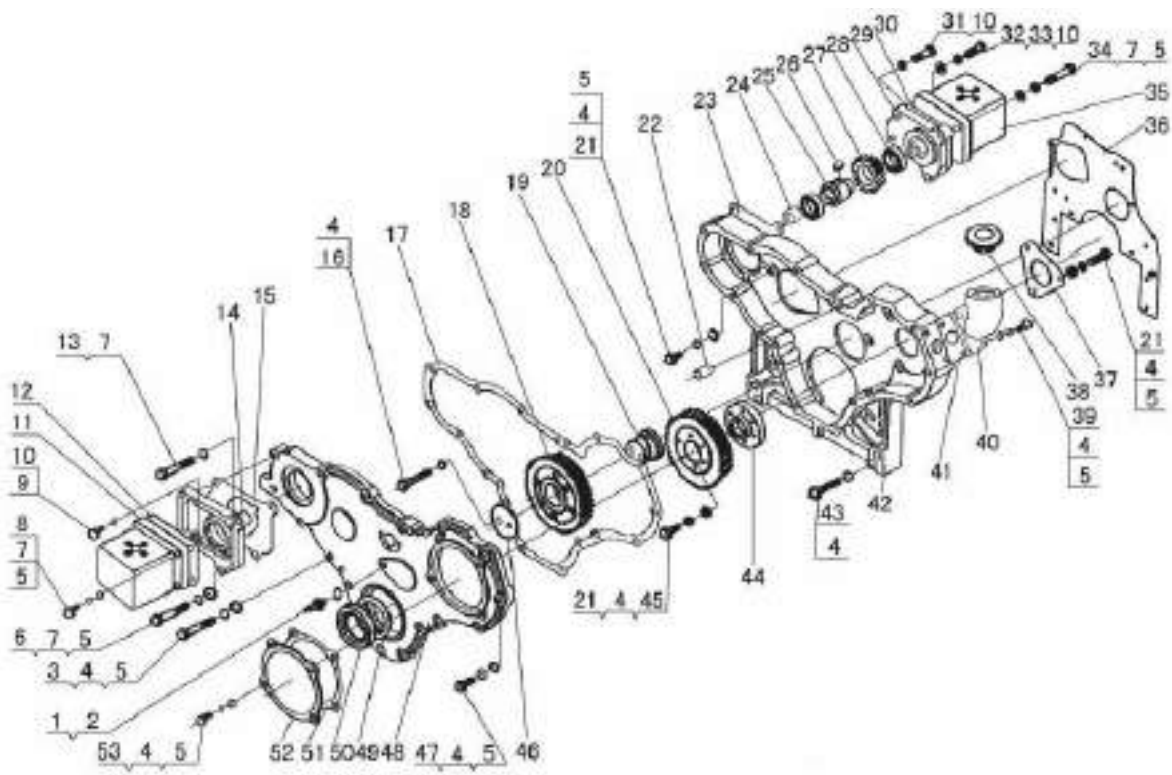


图2. 齿轮室总成
Fig. 2 Gear Housing Assembly

SL3105BT141-0-2 10.2齿轮室总成 GEAR HOUSING ASSEMBLY

标号 No.	代号 Code	名称 Description	数量 Quantity	备注 Remark
1	100-02005	FINGER	1	2011-11
1	100-02005	FINGER	1	2011-11
10	GBT859-10	WASHER	4	2011-11
11	2T2-02408	HYDRAULIC PUMP SEAT COVER PLATE	1	2011-11
12	2T2-02402	HYDRAULIC PUMP WASHER	1	2011-11
14	100TY-02401-2	FRONT HYDRAULIC PUMP SEAT II	1	2011-11
15	4T2-02403	HYDRAULIC PUMP SEAT GASKET	1	2011-11
16	100-02202-1	IDLE BOLT M10 70	2	2011-11
17	100TY-02002	GASKET	1	2011-11
18	100TY-02206	IDLE GEAR ASSEMBLY	1	2011-11
19	100-02204	SHAFT-OIL PUMP IDLE RGEAR	1	2011-11
2	100-02008	WASHER	1	2011-11
20	100TY-02101	OIL INJECTION PUMP TIMING GEAR	1	2011-11
21	GBT5783-M8X25	BOLT	10	2011-11
23	100TY-02403	HYDRAULIC PUMP SEAT GASKET	1	2011-11
24	100TY-02409	CROSS SLIDE BLOCK	2	2011-11
25	100TY-02404	HYDRAULIC PUMP SHAFT	1	2011-11
26	GBT1096-C12X20	FLAT KEY	1	2011-11
27	100TY-02406	HYDRAULIC PUMP GEAR	1	2011-11
28	GBT292-7005AC	BEARING	2	2011-11
29	100TY-02401	REAR HYDRAULIC PUMP SEAT	1	2011-11
3	GBT5782-M8X65	BOLT	6	2011-11
30	100TY-02402	HYDRAULIC PUMP WASHER	1	2011-11
31	GBT70.1-M10X20	SCREW	1	2011-11
32	GBT5783-M10X40	BOLT	1	2011-11

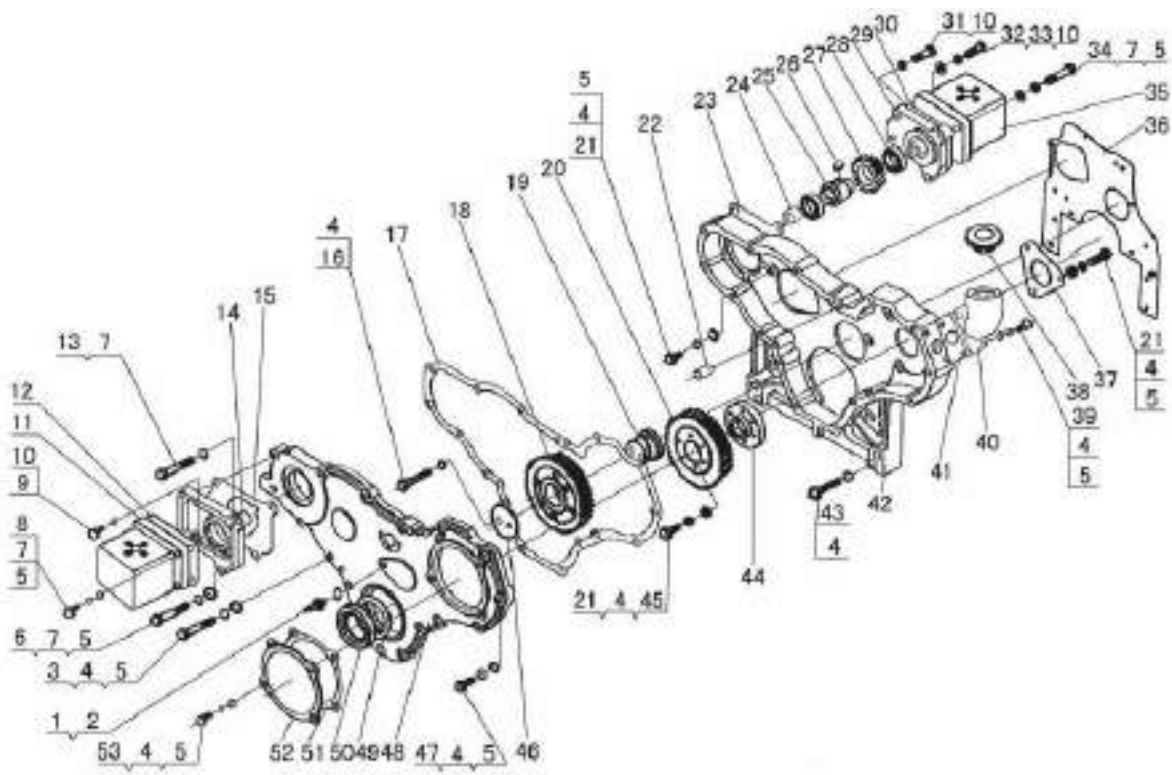


图2. 齿轮室总成
Fig. 2 Gear Housing Assembly

SL3105BT141-0-2 10.2齿轮室总成(续)

标号 No.	代号 Code	名称 Description	数量 Quantity	备注 Remark
33	GBT848-10	WASHER	1	2011-11
34	GBT5783-M8X40	BOLT	2	2011-11
35	100TY-02407	HYDRAULIC PUMP SEAT COVER PLATE	1	2011-11
36	100-02004	SUSPENSION PLATE WASHER	1	2011-11
36	100-02004	SUSPENSION PLATE WASHER	1	2011-11
37	100-02012	OIL INJECTION PUMP GASKET	1	2011-11
38	100-11012-1	COVER	1	2011-11
39	GBT5783-M8X22	BOLT	2	2011-11
4	GBT93-8	WASHER 8	35	2011-11
40	100FT-02017-1	FILLING CAP	1	2011-11
41	100FT-02018-1	FILLING CAP GASKET	1	2011-11
42	100TY-02003-1	GEAR CHAMBER HOUSING	1	2011-11
44	100TY-02102	CONNECTING PLATE	1	2011-11
45	100-02103	WASHER	1	2011-11
46	100-02201	IDLE GEAR RETAINER RING	1	2011-11
47	GBT5783-M8X30	BOLT	6	2011-11
48	100TY-02001-1	COVER,GEAR	1	2011-11
49	100-02013	FRONT THROWER RING	1	2011-11
5	GBT848-8	WASHER	29	2011-11
50	GBT9877.1-FBX60X8X12D	O RING	1	2011-11
51	100TY-02011	FRONT COVER GASKET	1	2011-11
52	100-02009-3	FRONT COVER	1	2011-11
53	GBT5783-M8X16	BOLT	4	2011-11
6	GBT5782-M8X50	BOLT	1	2011-11
7	GBT859-8	WASHER	8	2011-11

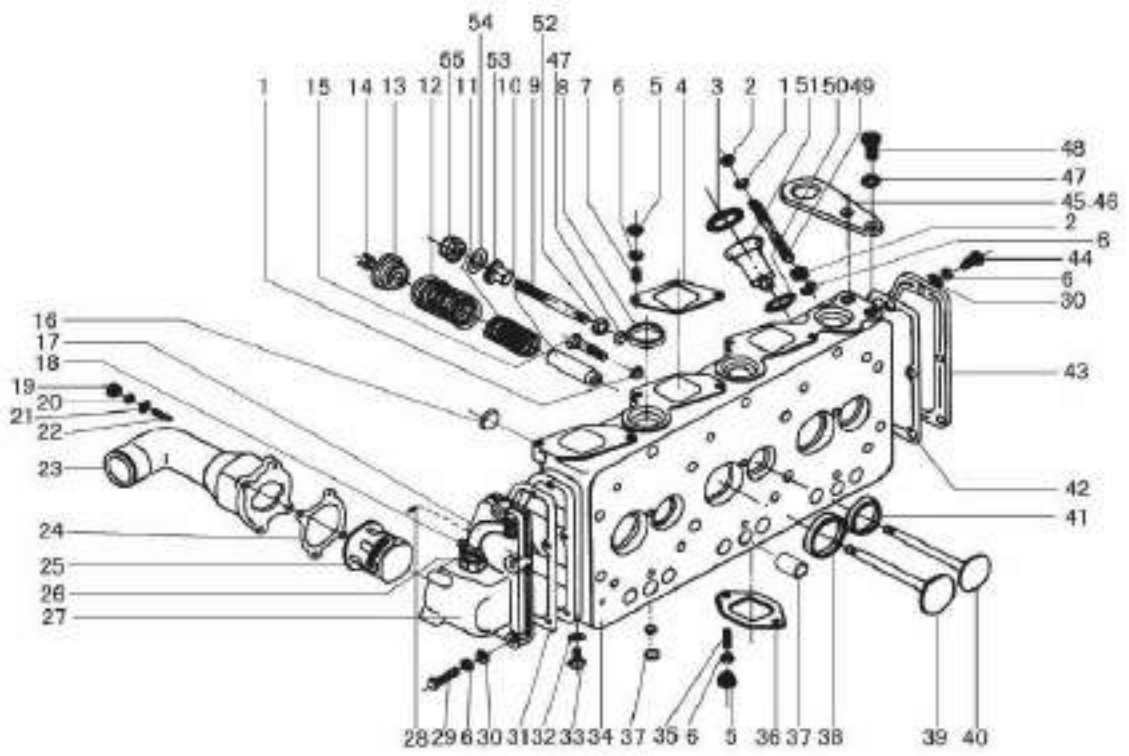


图3 气缸盖总成

Fig.3 Cylinder Head Assembly

SL3105BT141-0-3 10.3-气缸盖总成 CYLINDER HEAD ASSY

标号 No.	代号 Code	名称 Description	数量 Quantity	备注 Remark
1	GBT93-8	WASHER 8	9	2011-11
10	110AB-03102	VALVE STEM GUIDE	6	2011-11
11	100-03005	INNER VALVE SPRING	6	2011-11
12	100-03006	OUTER VALVE SPING	6	2011-11
13	100-03003	VALVE SPRING UPPER SEAT	6	2011-11
14	100-03004	LOCK	6	2011-11
15	100-03001-1	ROCKER SEAT BOLT	3	2011-11
16	100-03103-1	PLUG	2	2011-11
17	2105A-43006-1	CONNECTING TUBE	1	2011-11
18	2105A-43008-1	HOOP	2	2011-11
19	GBT6170-M6	NUT	4	2011-11
2	GBT6170-M8	NUT M8	12	2011-11
20	GBT859-6	WASHER	4	2011-11
21	GBT848-6	WASHER	4	2011-11
21	GBT848-6	WASHER	4	2011-11
22	GBT899-AM6X20	STUD	4	2011-11
23	100-43001-4	THERMOSTAT COVER	1	2011-11
24	100-43003-1	THERMOSTAT COVER GASKET	1	2011-11
25	100-43002-1	THERMOSTAT	1	2011-11
26	2105A-43007	CONNECTING JOINT	1	2011-11
27	2105A-43004	THERMOSTAT HOUSING	1	2011-11
28	100-03015	BULK HEAD	1	2011-11
29	GBT5783-M8X30	BOLT	5	2011-11
3	2100B-03018	OIL INJECTOR COPPER BUSH PRESS RING	3	2011-11
30	GBT848-8	WASHER	10	2011-11

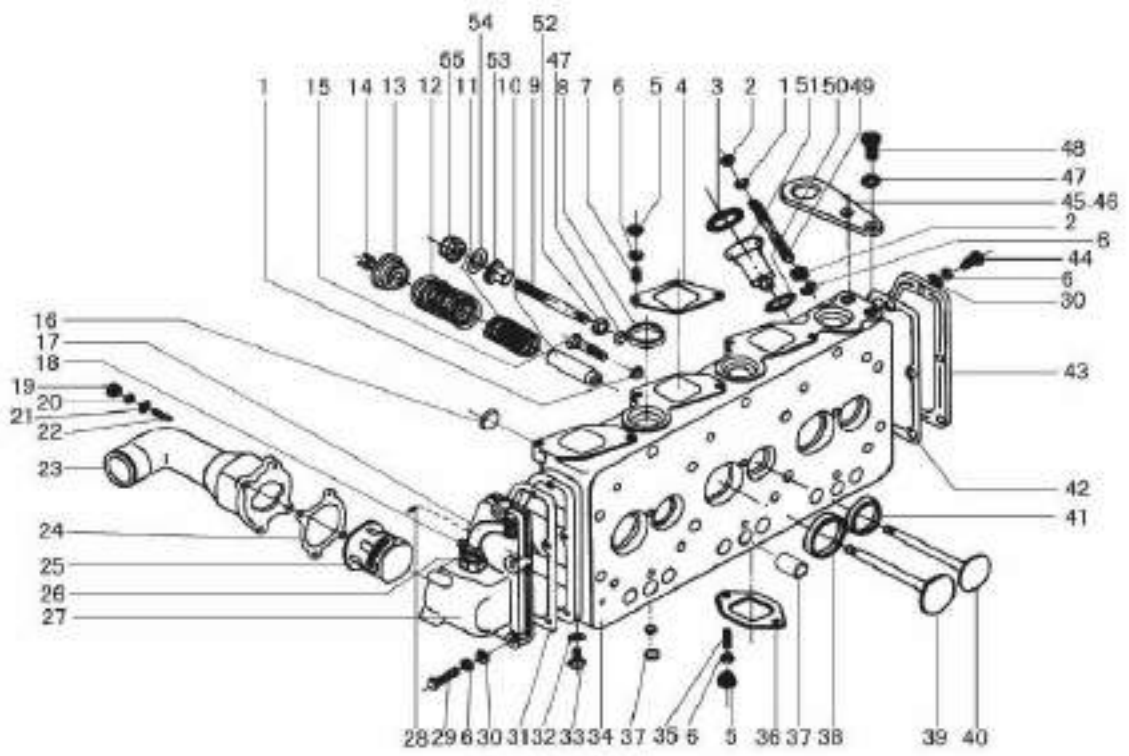


图3 气缸盖总成

Fig.3 Cylinder Head Assembly

SL3105BT141-0-3 10.3-气缸盖总成(续)

标号 No.	代号 Code	名称 Description	数量 Quantity	备注 Remark
31	100-43005	THERMOSTAT HOUSING GASKET	1	2011-11
32	S195G-09001	WASHER	1	2011-11
33	S195G-01034	HEXAGON SCREW PLUG	1	2011-11
34	3105B-03101	CYLINDER COVER	1	2011-11
35	GBT899-AM8X30	8.8-A3L STUD	6	2011-11
36	100-03009	EXHAUST PIPE GASKET	3	2011-11
37	108AB-03108	SEAL SPACER RING	3	2011-11
38	2105A-03107	AIR INLET VALVE SEAT	3	2011-11
39	2105A-03014	AIR INLET VALVE	3	2011-11
4	100-12003	AIR INLET PIPE GASKET	3	2011-11
40	2105A-03013	EXHAUST VALVE	3	2011-11
41	2105A-03106	INSERT-VALVE SEAT(OUTLET)	3	2011-11
42	100-03012-1	REAR END COVER GASKET	1	2011-11
44	GBT5783-M8X16	BOLT	5	2011-11
45	100-03002	HANGING RING	1	2011-11
46	100-03002-1	HANGING RING	1	2011-11
47	GBT93-10	WASHER 10	7	2011-11
48	GBT5783-M10X20	BOLT	4	2011-11
49	100B-03008	OIL INJECTOR PRESSURE PLATE BOLT	6	2011-11
5	GBT51-M8	NUT	12	2011-11
50	2100B-03019	OIL INJECTOR COPPER BUSH SEAL RING	3	2011-11
51	2100B-03017	OIL INJECTOR COPPER BUSH	3	2011-11
52	GBT6170-M10	NUT M10	3	2011-11
53	100-03017	WASHER	3	2011-11
54	GBT96-10	WASHER	3	2011-11

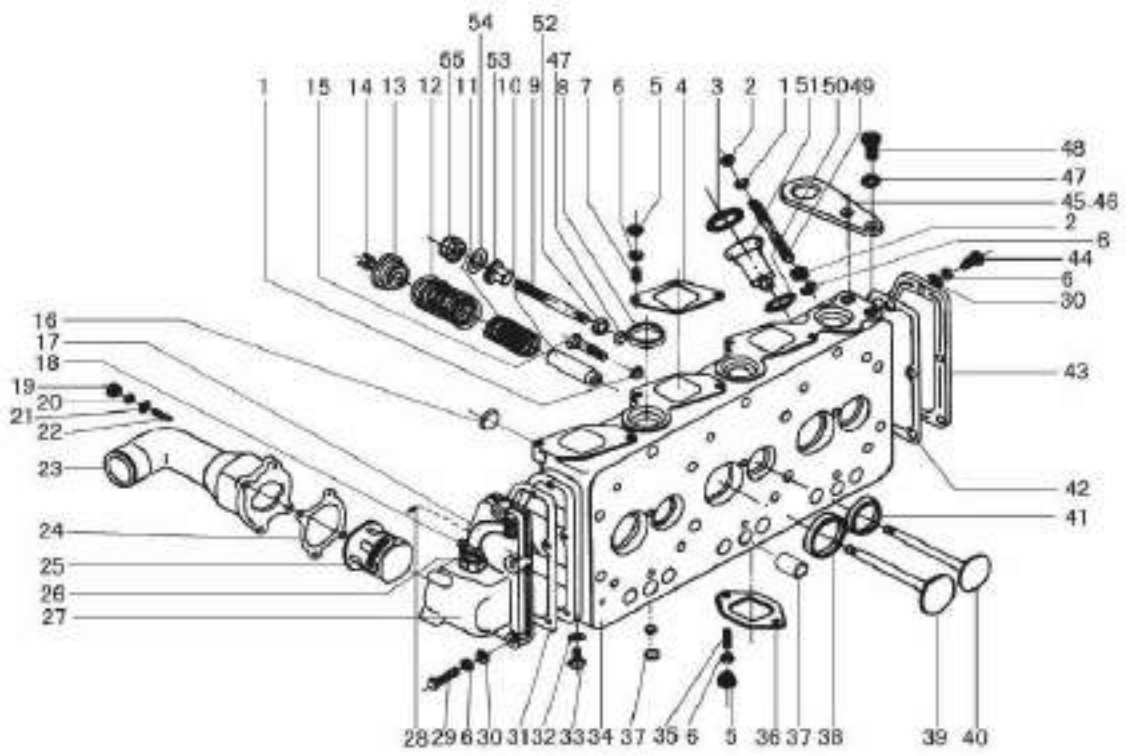


图3 气缸盖总成

Fig.3 Cylinder Head Assembly

SL3105BT141-0-3 10.3-气缸盖总成(续)

标号 No.	代号 Code	名称 Description	数量 Quantity	备注 Remark
55	GBT923-M10	NUT	3	2011-11
6	GBT859-8	WASHER	28	2011-11
7	GBT899-AM8X16	STUD	6	2011-11
8	100-01008-1	PLUG	3	2011-11
9	100-03001	ROCKER SEAT BOLT	3	2011-11

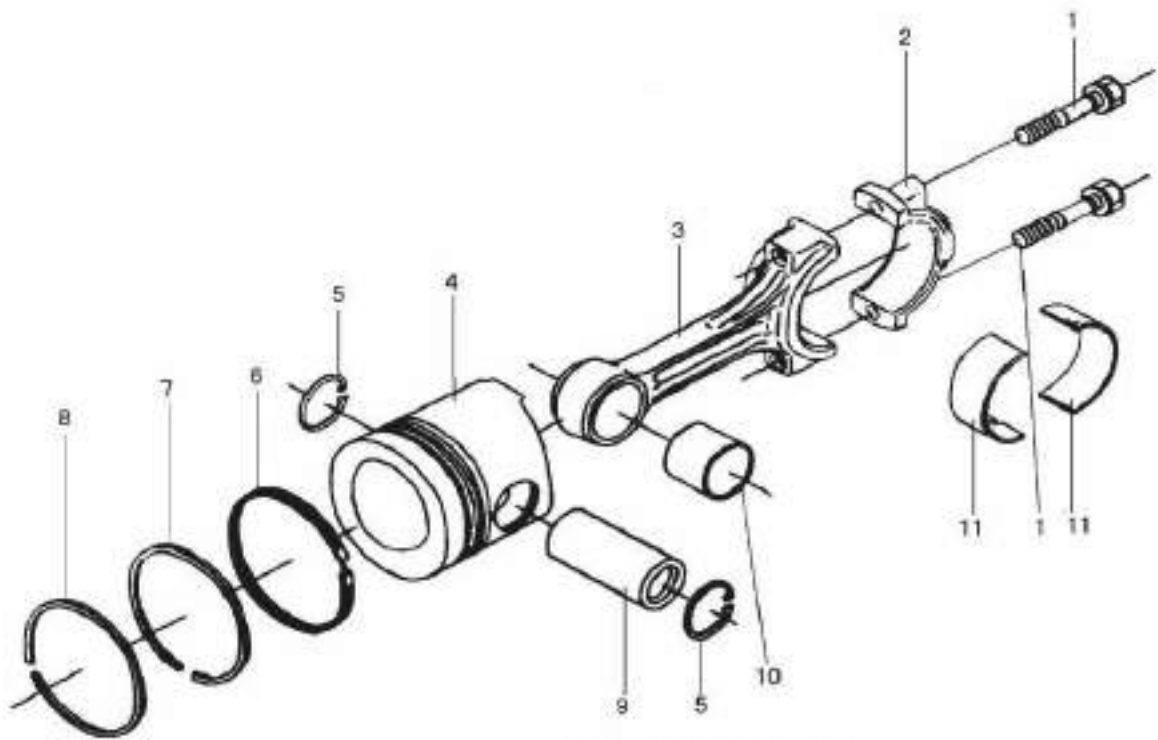


图 4. 活塞连杆总成

Fig4. Piston And Connecting Rod Assembly

SL3105BT141-0-4 10.4-活塞连杆总成 PISTON CONNECTING ROD ASSEMBLY

标号 No.	代号 Code	名称 Description	数量 Quantity	备注 Remark
10	105-04201	CONNECTING ROD BUSH	3	2011-11
11	100-04007	CONNECTING ROD BEARING	3	2011-11
3	105-04202	CONNECTING ROD	3	2011-11
4	105B-04003-2	PISTON	3	2011-11
5	GBT893.1-36	SNAP RING	6	2011-11
9	110AB-04004	PISTON PIN	3	2011-11

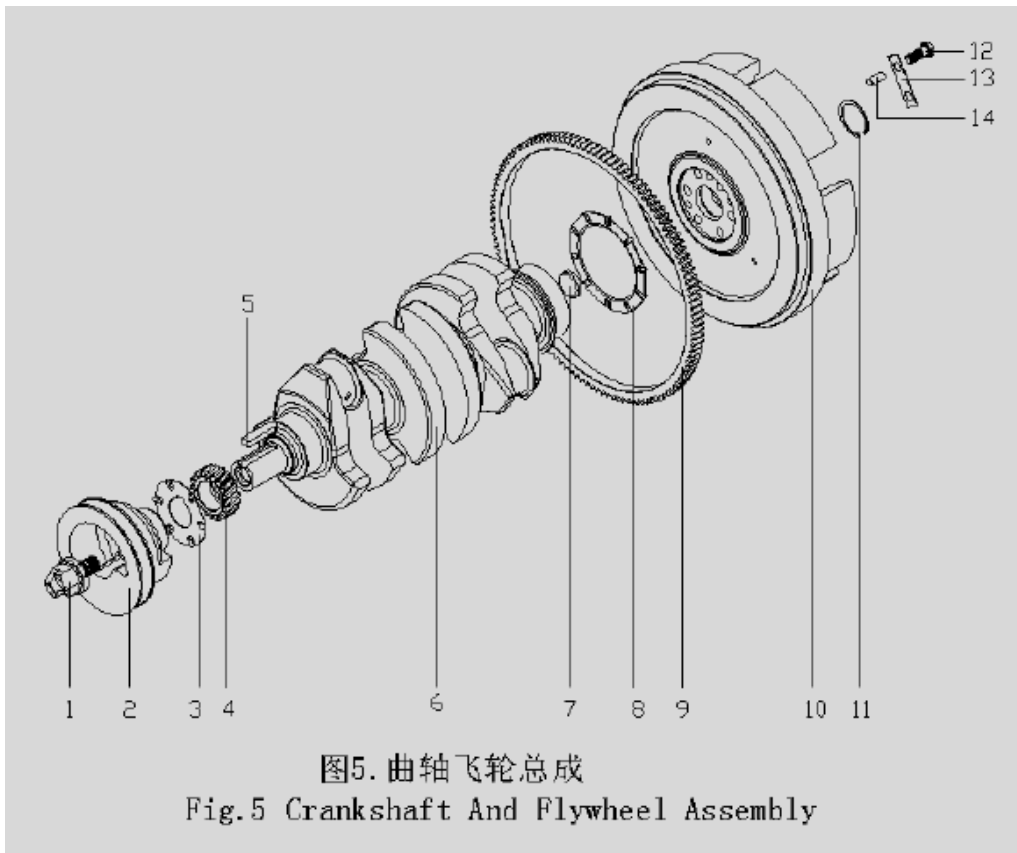
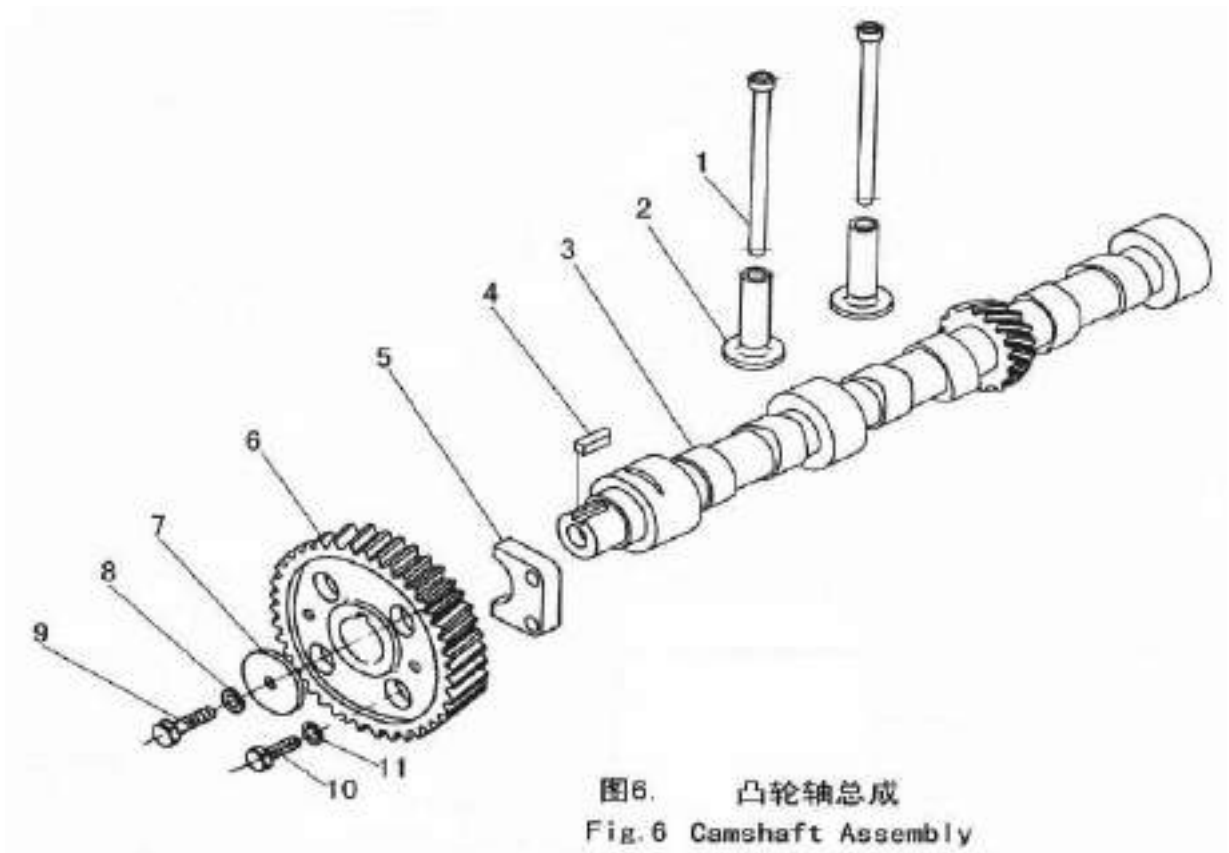


图5. 曲轴飞轮总成

Fig.5 Crankshaft And Flywheel Assembly

SL3105BT141-0-5 10.5-曲轴飞轮总成 CRANKSHAFT FLYWHEEL ASSEMBLY

标号 No.	代号 Code	名称 Description	数量 Quantity	备注 Remark
1	3-05011-1	LOCKING SCREW	1	2011-11
10	3TY-05101-1A	FLYWHEEL	1	2011-11
11	GBT893.1-47	RETAINER RING	1	2011-11
12	100TY-05002	FLYWHEEL BOLT	6	2011-11
13	100-05001	FLYWHEEL BOLT SAFETY PIECE	3	2011-11
14	100-05005	FLYWHEEL DOWEL PIN	2	2011-11
2	3TY-05009	CRANK SHAFT PULLEY	1	2011-11
3	100-05008-1	CRANKSHAFT FRONT THROWER RING	1	2011-11
4	100-05007-1	CRANKSHAFT GEAR	1	2011-11
6	3105-05006	CRANK SHAFT	1	2011-11
7	100-01008-1	PLUG	1	2011-11
8	100-05003-1	CRANKSHAFT REAR THROWER RING	1	2011-11
9	100-05102-1	GEAR RING OF FLYWHEEL	1	2011-11



SL3105BT141-0-6 10.6-凸轮轴总成 CAMSHAFT ASSY

标号 No.	代号 Code	名称 Description	数量 Quantity	备注 Remark
1	2105A-06003	VALVE PUSH ROD	6	2011-11
10	GBT5783-M8X25	BOLT	2	2011-11
11	GBT859-8	WASHER	2	2011-11
2	100-06002	VALVE TAPPET	6	2011-11
3	3-06001-1	CAMSHAFT	1	2011-11
4	GBT1096-C8X22	FLAT KEY	1	2011-11
5	100-06004	CAMSHAFT THRUST PLATE	1	2011-11
6	100-06005-1	CAMSHAFT GEAR	1	2011-11
7	100-06006	CAMSHAFT GEAR CIRCLIP	1	2011-11
8	GBT859-14	WASHER	1	2011-11
9	GBT5786-M14X1.5X40	BOLT	1	2011-11

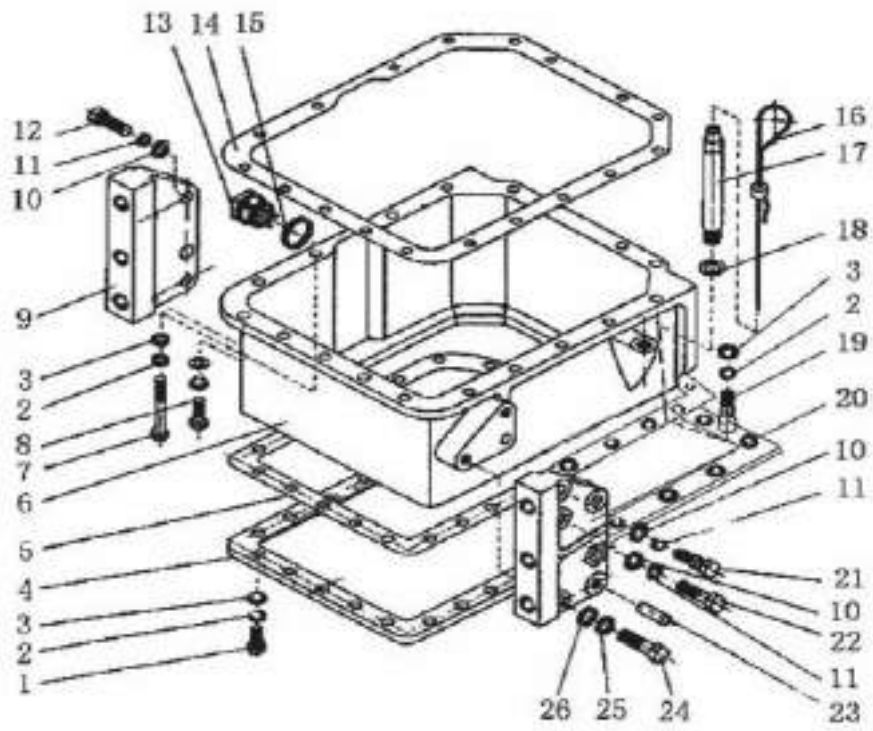


图7. 油底壳总成
Fig. 7 Oil Sump Assembly

SL3105BT141-0-7 10.7-油底壳总成 OIL SUMP ASSEMBLY

标号 No.	代号 Code	名称 Description	数量 Quantity	备注 Remark
1	GBT5783-M8X20	BOLT	24	2011-11
1	GBT5783-M8X20	BOLT	24	2011-11
13	100-07300-1	OIL DISCHARGING PLUG UNIT	1	2011-11
14	3-07002	OIL SUMP GASKET	1	2011-11
15	FT-07004	OIL DISCHARGING PLUG WASHER	1	2011-11
16	2-07200-1	OIL DIPSTICK PARTS	1	2011-11
16	2-07200-1	OIL DIPSTICK PARTS	1	2011-11
17	2T1-07101-1	OIL DIPSTICK SLEEVE	1	2011-11
18	S195G-01025	WASHER	1	2011-11
19	4FT-07008	OIL SUMP LOCATING BOLT	2	2011-11
2	GBT859-8	WASHER	46	2011-11
20	3TY-09002		1	2011-11
21	100TY-09005	LOCATING BOLT	2	2011-11
25	GBT93-12	WASHER	16	2011-11
26	GBT97.1-12	WASHER	16	2011-11
3	GBT848-8	WASHER	46	2011-11
4	3TY-07005	OIL SUMP PLATE	1	2011-11
5	3TY-07007	OIL SUMP PLATE GASKET	1	2011-11
6	3FT-07001	OIL SUMP	1	2011-11
7	GBT5782-M8X100	BOLT	2	2011-11
8	GBT5783-M8X30	BOLT	13	2011-11
9	3TY-09001		1	2011-11

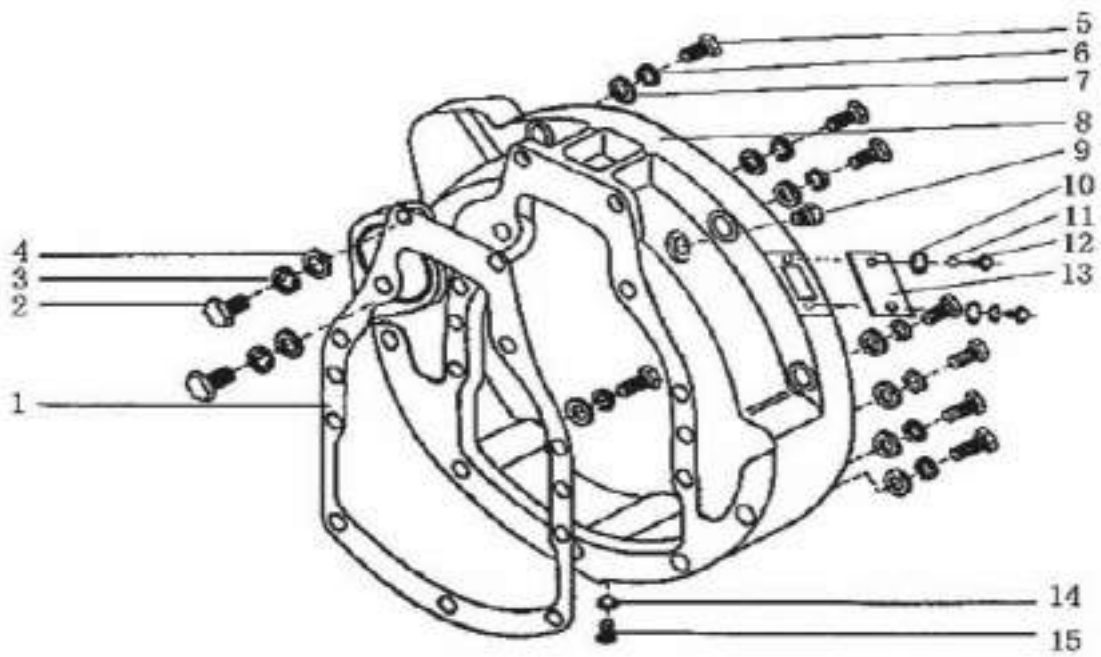


图8. 飞轮壳总成

Fig. 8 Flywheel Housing Assembly

SL3105BT141-0-8 10.8-飞轮壳总成 FLYWHEEL COVER ASSEMBLY

标号 No.	代号 Code	名称 Description	数量 Quantity	备注 Remark
1	2T1-08002	FLYWHEEL HOUSING GASKET	1	2011-11_
10	GBT848-6	WASHER	2	2011-11_
10	GBT848-6	WASHER	2	2011-11_
11	GBT859-6	WASHER	2	2011-11_
12	GBT67-M6X12	SLOTTED PAN HEAD SCREW	2	2011-11_
13	100-08003-1	INSPECTION HOLE COVER PLATE	1	2011-11_
14	100-02008	WASHER	1	2011-11_
15	GBT5783-M8X16	BOLT	1	2011-11_
2	GBT5783-M12X35	BOLT	2	2011-11_
3	GBT93-12	WASHER	2	2011-11_
4	GBT848-12	WASHER	2	2011-11_
5	GBT5783-M10X30	BOLT	8	2011-11_
6	GBT93-10	WASHER 10	8	2011-11_
7	GBT97.1-10	WASHER 10	8	2011-11_
8	100Y-08001-1	Flywheel Housing	1	2011-11_
9	2T1-08004	PLUG	1	2011-11_

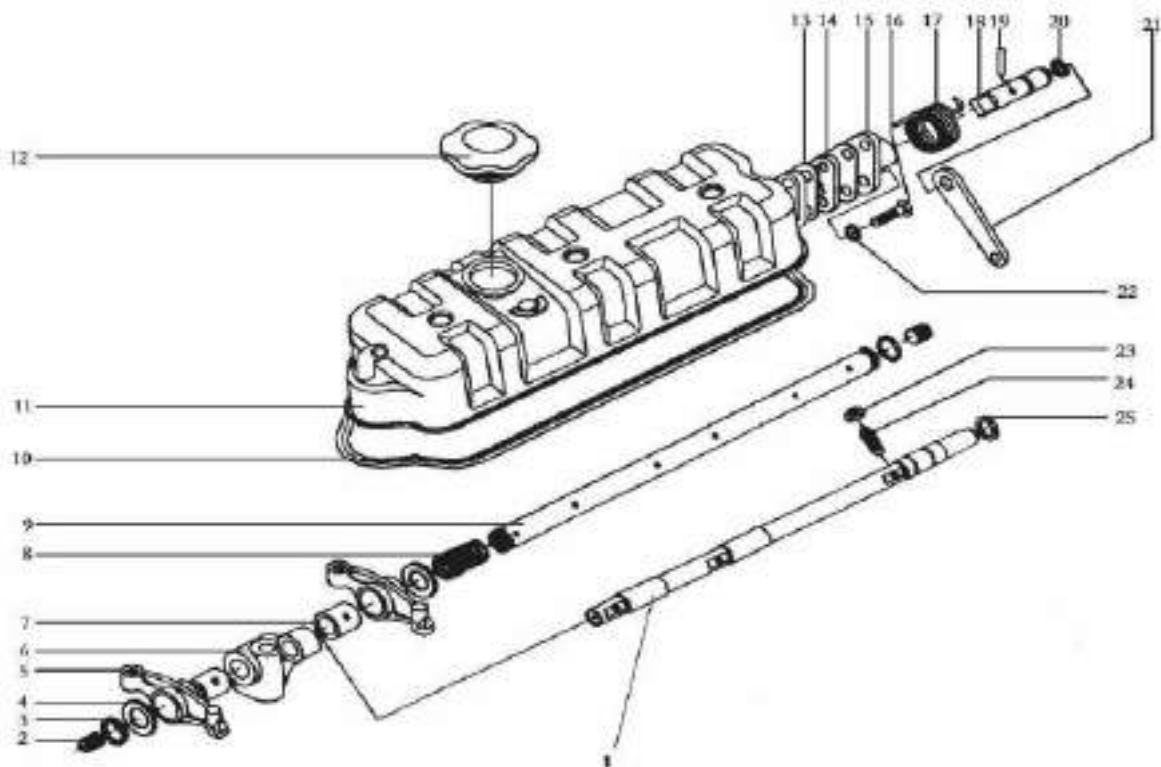


图9. 气缸盖罩总成
Fig. 8 Cylinder Head Cover Assembly

SL3105BT141-0-9 10.9-气缸盖罩总成 CYLINDER HEAD COVER ASSEMBLY

标号 No.	代号 Code	名称 Description	数量 Quantity	备注 Remark
1	3-11003	DECOMPRESSION SHAFT	1	2011-11
10	3-11002-2	CYLINDER COVER GASKET	1	2011-11
11	3-11200-1	CYLINDER COVER WELDMENT	1	2011-11
12	100-11012-1	COVER	1	2011-11
13	100-11005	WASHER	2	2011-11
14	100-11004	DECOMPRESSION CONTROL PLATE	1	2011-11
15	100TY-11008	DECOMPRESSION ROCKER SLEEVE	1	2011-11
16	GBT5783-M12X35	BOLT	3	2011-11
17	100TY-11007	TORQUE SPRING	1	2011-11
18	100TY-11101	DECOMPRESSION CONNECTING SHAFT	1	2011-11
18	100TY-11101	DECOMPRESSION CONNECTING SHAFT	1	2011-11
19	GBT119.1-4m6X25	PIN	1	2011-11
2	4-03207	PLUG	2	2011-11
21	100TY-11102	DECOMPRESSION ROCKER	1	2011-11
22	GBT859-12	WASHER	3	2011-11
23	GBT6171-M8X1	NUT	3	2011-11
23	GBT6171-M8X1	NUT	3	2011-11
24	100-11011	DECOMPRESSION ADJUSTING SCREW	3	2011-11
25	GBT894.1-14	SNAP RING	2	2011-11
26	GBT6171-M8X1	NUT	6	2011-11
26	GBT6171-M8X1	NUT	6	2011-11
27	100-03205	ADJUSTING SCREW	6	2011-11
3	GBT894.1-18	RETAINER RING	2	2011-11
4	4FT-03201	RETAINER RING	6	2011-11
5	100-03211-1	VALVE ROCKER	6	2011-11

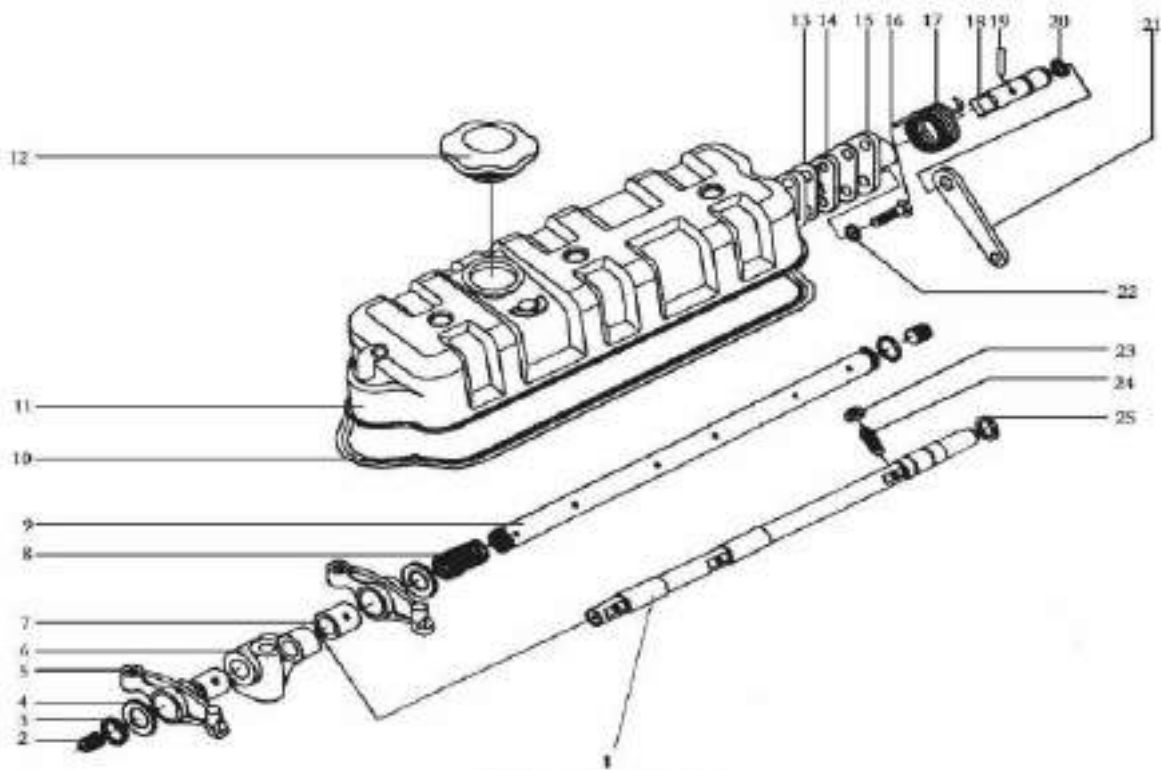
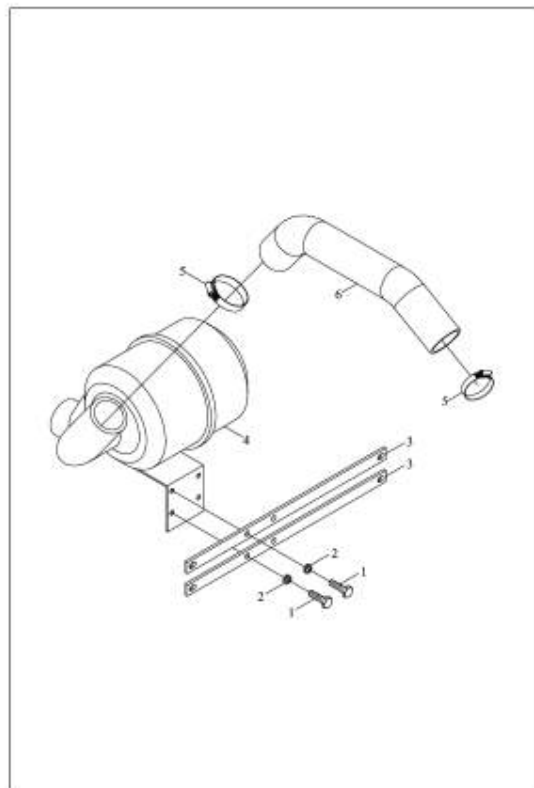


图9. 气缸盖罩总成
Fig. 8 Cylinder Head Cover Assembly

SL3105BT141-0-9 10.9-气缸盖罩总成(续)

标号 No.	代号 Code	名称 Description	数量 Quantity	备注 Remark
6	4FT-03204	BRACKET-ROCKER ARM SHAFT	3	2011-11
7	4FT-03212	ROCKER BUSH	6	2011-11
7	4FT-03212	ROCKER BUSH	6	2011-11
8	4FT-03202	SPRING	2	2011-11
9	3105B-03203	VALVE ROCKER SHAFT	1	2011-11

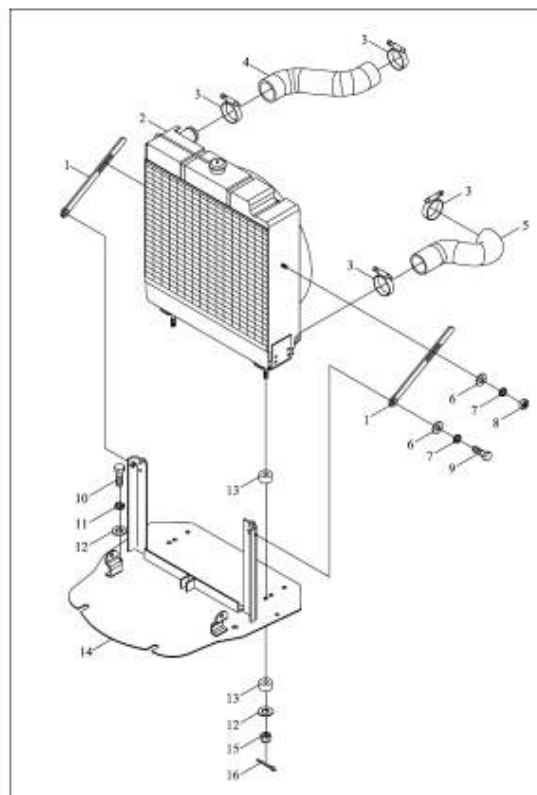
FT300.11A.001 空气滤清系总成



FT300.11A.001 11-空气滤清系总成 11-AIR CLEANER ASSEMBLY

标号 No.	代号 Code	名称 Description	数量 Quantity	备注 Remark
1	GBT5783-M8×20-A2L	BOLT	8	2011-11
2	GBT93-8-A0P	WASHER	8	2011-11
3	FT300.11A.102	BRACKET	2	2011-11
4	FT300.11A.010	AIR FILTER ASSEMBLY	1	2011-11
4.1	FT300.11A.010-05	AIR FILTER ELEMENT	1	2011-11
5	Q67676	Clip	2	2011-11
6	FT300.11A.101	AIR INLET HOSE	1	2011-11

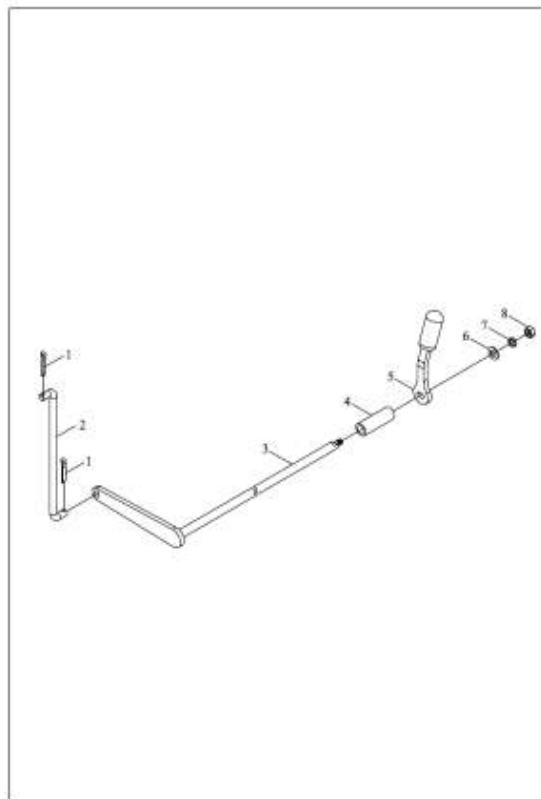
FT400.13E.001 冷却系总成



FT400.13E.001 13-冷却系总成 13-COOLING SYSTEM ASSEMBLY

标号 No.	代号 Code	名称 Description	数量 Quantity	备注 Remark
1	FT300.13.030	PULL ROD UNIT	2	2011-11
10	GBT5783-M10X25-A3L	BOLT	4	2011-11
11	GBT93-10-A0P	WASHER	4	2011-11
12	GBT5287-10-A0P	WASHER	6	2011-11
13	FT650.13.112	RUBBER PAD BLOCK	4	2011-11
14	TB400.13A.1	RADIATOR BACKING BOARD WELDMENT	1	2011-11
15	GBT6178-M10-A3L	NUT (PAGE81)	2	2011-11
16	GBT91-2.5X28-A0P	PIN	2	2011-11
2	FT400.13.010	RADIATER ASSEMBLY	1	2011-11
3	Q67657	B-TYPE WORM TRANSMISSION HOSE CLAMP	4	2011-11
4	FT300.13.101	WATER INLET HOSE	1	2011-11
5	FT300.13.102	WATER OUTLET HOSE	1	2011-11
6	GBT96.1-8-A0P	WASHER	6	2011-11
7	GBT93-8-A0P	WASHER	4	2011-11
8	GBT6170-M8-A2L	NUT	2	2011-11
9	GBT5783-M8X30-A2L	BOLT	4	2011-11

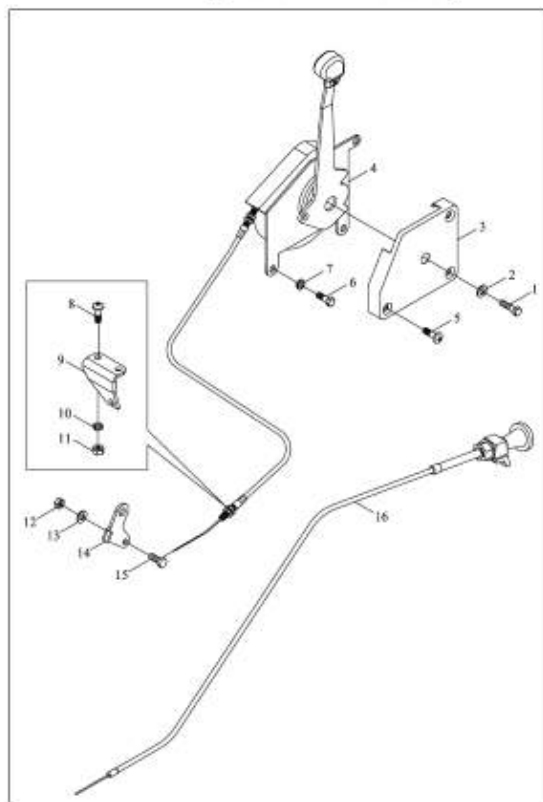
FT300.14.001 Pressure reducing mechanism assembly



FT300.14.001 14-减压机构总成 14-DECOMPRESSOR MECHANISM

标号 No.	代号 Code	名称 Description	数量 Quantity	备注 Remark
1	GBT91-3.2X18	PIN	2	2011-11
2	FT300.14.106	DECOMPRESSION CONNECTING ROD	1	2011-11
3	FT300.14.020	CONTROL HANDLE WELDMENT	1	2011-11
4	FT300.14.103	SLEEVE	1	2011-11
5	FT300.14.010	HANDLE HEAD ASSEMBLY	1	2011-11
6	GBT97.1-6	WASHER 6	1	2011-11
7	GBT93-6	WASHER	1	2011-11
8	GBT6170-M6-Zn.D	NUT	1	2011-11

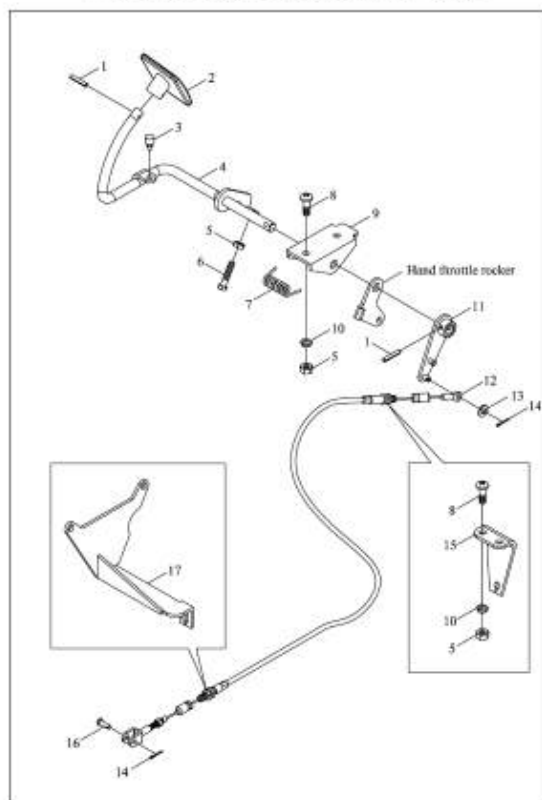
FT400.20.001 Engine control mechanism assembly-1



FT400.20.001-1 20.1-发动机操纵机构总成-1 20.1ENGINE CONTROL MECHANISM ASSEMBLY-1

标号 No.	代号 Code	名称 Description	数量 Quantity	备注 Remark
1	GBT5780-M10X45-A3L	BOLT	1	2011-11
10	GBT93-8-A0P	WASHER	2	2011-11
11	GBT6172.1-M8-A2L	NUT	2	2011-11
12	GBT6170-M8-A2L	NUT	1	2011-11
13	GBT97.1-8-A0P	WASHER	1	2011-11
14	FT650.20.114	HAND THROTTLE ROCKER	1	2011-11
15	FT650.20.133	LOCKING SCREW	1	2011-11
16	FT400.20.018	EXTINGUISH WIRE ASSEMBLY	1	2011-11
2	GBT96-10-A0P	WASHER	1	2011-11
3	FT700.20.324	HAND THROTTLE COVER	1	2011-11
4	FT700.20.019	HANDLE THROTTLE ASSEMBLY	1	2004-01
4	TA700.201-01	HANDLE THROTTLE ASSEMBLY	1	2010-06
5	GBT68-M8X30-A2L	SCREW	3	2011-11
6	GBT5781-M6X16-A2L	BOLT	3	2011-11
7	GBT93-6-A0P	SPRING WASHER	3	2011-11
8	GBT818-M8X20-A2L	SCREW	2	2011-11
9	FT300.20.015	PULL WIRE BRACKET OF HAND THROTTLE	1	2004-01
9	FT300.20.015	PULL WIRE BRACKET OF HAND THROTTLE	1	2004-01
9	FT300.20.015a	PULL WIRE BRACKET OF HAND THROTTLE	1	2010-02

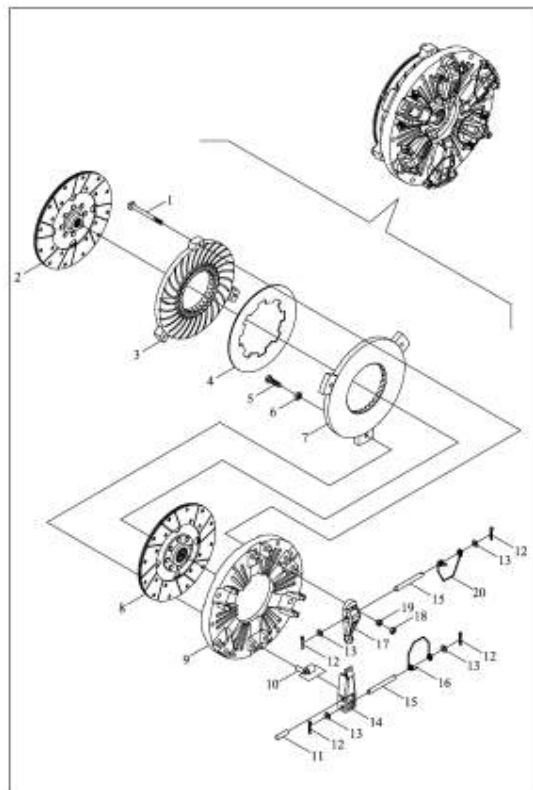
FT400.20.001 Engine control mechanism assembly-2



FT400.20.001-2 20.2-发动机操纵机构总成-2 20.2ENGINE CONTROL MECHANISM ASSEMBLY-2

标号 No.	代号 Code	名称 Description	数量 Quantity	备注 Remark
1	GBT879.1-5X20-A0P	PIN	2	
10	GBT93-8-A0P	WASHER	4	2011-11
11	FT300.20.011	FOOT THROTTLE ROCKER ARM WELDMENT	1	2011-11
12	FT650.20.014	FOOT THROTTLE WIRE ASSEMBLY	1	2011-11
13	GBT97.1-6-A0P	WASHER	2	2011-11
14	GBT91-2X12-A0P	PIN	3	2011-11
15	FT300.20.106	FOOT THROTTLE WIRE BRACKET	1	2011-11
16	GBT882-B5X20-A0P	PIN		
17	FT400.20.102	PULL WIRE BRACKET	1	2011-11
2	FT650.20.101	FOOT PEDAL	1	2011-11
3	FT650.20.107	RUBBER RING	1	2011-11
4	FT300.20.013	FOOT PEDAL ROCKER ARM WELDMENT	1	2011-11
5	GBT6172.1-M8-A2L	NUT	6	2011-11
6	GBT5781-M8X45-A2L	BOLT	1	2011-11
7	FT650.20.104	TORSION SPRING	1	2011-11
8	GBT818-M8X20-A2L	SCREW	4	2011-11
9	FT650.20.108	THROTTLE PEDESTAL	1	2011-11

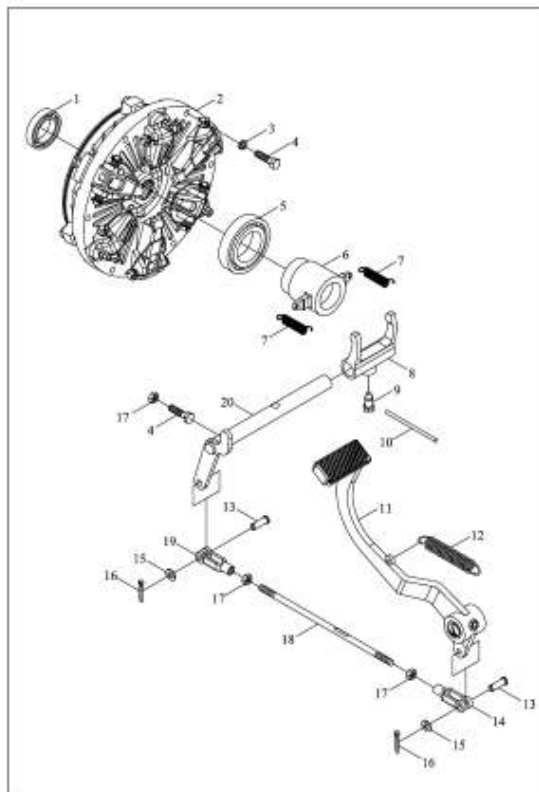
FT400.21B.011 离合器分总成



FT400.21B.011 21-离合器分总成 21-CLUTCH SUBASSEMBLY

标号 No.	代号 Code	名称 Description	数量 Quantity	备注 Remark
1	FT400.21B.104	AUXILIARY CLUTCH PULL ROD	3	2011-11
10	FT400.21B.110	TOP ROD	3	2011-11
11	FT300.21B.109	PIN	3	2011-11
12	GBT91-3.2X16	PIN	10	2011-11
14	FT400.21B.107	MAIN CLUTCH RELEASE LEVER	3	2011-11
15	FT300.21B.111	LONG PIN	6	2011-11
16	FT400.21B.108	MAIN RELEASE LEVER SPRING	3	2011-11
17	FT400.21B.106	AUXILIARY CLUTCH RELEASE LEVER	3	2011-11
18	GBT6171-M8X1-Zn.D	NUT	3	2011-11
19	FT300.21B.105	BALL NUT	3	2011-11
19	FT300.21B.105	BALL NUT	3	2011-11
2	FT400.21B.015	AUXILIARY CLUTCH FRICTION PLATE ASSEMBLY	1	2011-11
3	FT400.21B.102	AUXILIARY CLUTCH PRESSURE PLATE	1	2011-11
4	FT400.21B.103	DISC SPRING	1	2011-11
5	FT300.21B.114	MAIN CLUTCH ADJUSTING SCREW	3	2011-11
6	GBT6171-M10X1-A3L	NUT	3	2011-11
7	FT400.21B.113	MAIN CLUTCH PRESSURE PLATE	1	2011-11
8	FT400.21B.014	MAIN CLUTCH FRICTION PLATE ASSEMBLY	1	2011-11
9	FT400.21B.112	CLUTCH COVER	1	2011-11

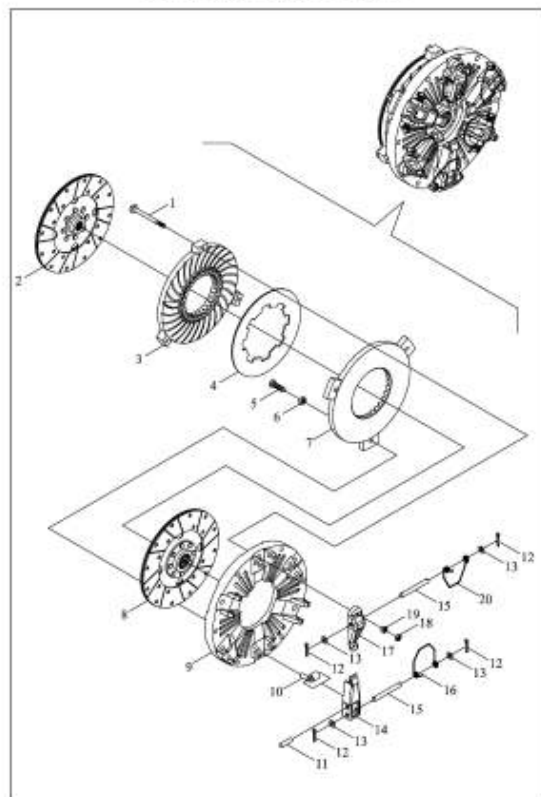
FT400.21B.001Clutch assembly-1



FT400.21B.001-1 21.1-离合器总成-1 CLUTCH ASSEMBLY-1

标号 No.	代号 Code	名称 Description	数量 Quantity	备注 Remark
1	GBT276-6204-2RS	BEARING	1	2011-11
10	TA800.212B-02	LOW CARBON STEEL WIRE	1	2011-11
11	FT300.21.012	CLUTCH PEDAL ASSEMBLY	1	2011-11
12	FT300.43.130	PEDAL RETURN SPRING	1	2011-11
13	GBT882-B10X28	PIN	2	2011-11
14	FT300.43.110	PULL ROD REAR FORK	1	2011-11
15	GBT97.1-10	WASHER 10	2	2011-11
16	GBT91-3.2X16	PIN	2	2011-11
17	GBT6170-M10-A3L	NUT	2	2011-11
18	FT300.21.110	PULL ROD	1	2011-11
19	FT300.43.108	PULL ROD FRONT FORK	1	2011-11
2	FT400.21B.011	21-CLUTCH SUBASSEMBLY	1	2011-11
20	FT300.21.013	CLUTCH RELEASE FORK SHAFT UNIT	1	2011-11
3	GBT93-10	WASHER 10	6	2011-11
4	GBT5783-M10X40-A3L	BOLT	7	2011-11
5	TA800.212-02	THRUST BEARING	1	2011-11
6	FT400.21B.101	RELEASE BEARING SEAT	1	2011-11
7	FT300.21.102	THRUST BEARING SEAT RETURN SPRING	2	2011-11
8	FT300.21.103	RELEASE SHIFT FORK	1	2011-11
9	FT300.21.113	THRUST SCREW	1	2011-11

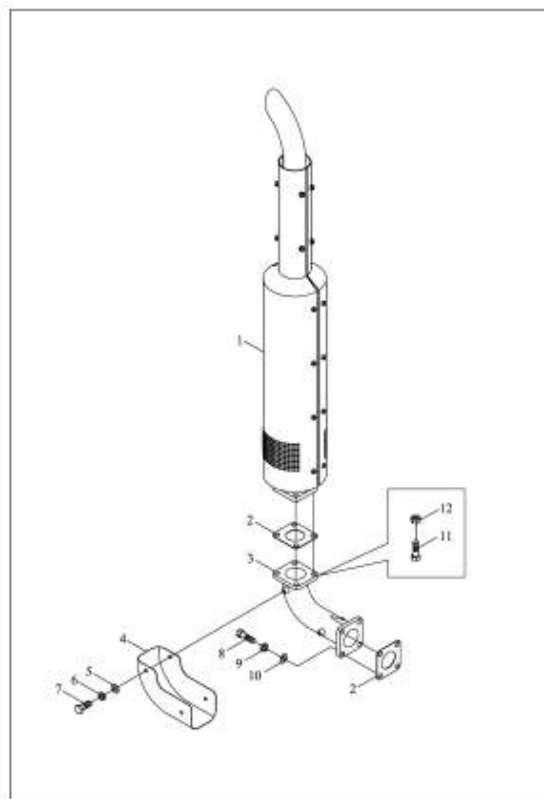
FT400.21B.001Clutch assembly-2



FT400.21B.001-2 21.2-离合器总成-2 CLUTCH ASSEMBLY-2

标号 No.	代号 Code	名称 Description	数量 Quantity	备注 Remark
0	FT400.21B.011	21-CLUTCH SUBASSEMBLY	1	2011-11
1	FT400.21B.104	AUXILIARY CLUTCH PULL ROD	3	2011-11
10	FT400.21B.110	TOP ROD	3	2011-11
11	FT300.21B.109	PIN	3	2011-11
12	GBT91-3.2X16	PIN	10	2011-11
13	GBT848-10	WASHER	12	2004-01
14	FT400.21B.107	MAIN CLUTCH RELEASE LEVER	3	2011-11
15	FT300.21B.111	LONG PIN	6	2011-11
16	FT400.21B.108	MAIN RELEASE LEVER SPRING	3	2011-11
17	FT400.21B.106	AUXILIARY CLUTCH RELEASE LEVER	3	2011-11
18	GBT6171-M8X1-Zn.D	NUT	3	2011-11
19	FT300.21B.105	BALL NUT	3	2011-11
19	FT300.21B.105	BALL NUT	3	2011-11
2	FT400.21B.015	AUXILIARY CLUTCH FRICTION PLATE ASSEMBLY	1	2011-11
20	FT300.21B.120	AUXILIARY RELEASE LEVER SPRING	3	2011-11
3	FT400.21B.102	AUXILIARY CLUTCH PRESSURE PLATE	1	2011-11
4	FT400.21B.103	DISC SPRING	1	2011-11
5	FT300.21B.114	MAIN CLUTCH ADJUSTING SCREW	3	2011-11
6	GBT6171-M10X1-A3L	NUT	3	2004-01
7	FT400.21B.113	MAIN CLUTCH PRESSURE PLATE	1	2011-11
8	FT400.21B.014	MAIN CLUTCH FRICTION PLATE ASSEMBLY	1	2011-11
9	FT400.21B.112	CLUTCH COVER	1	2011-11

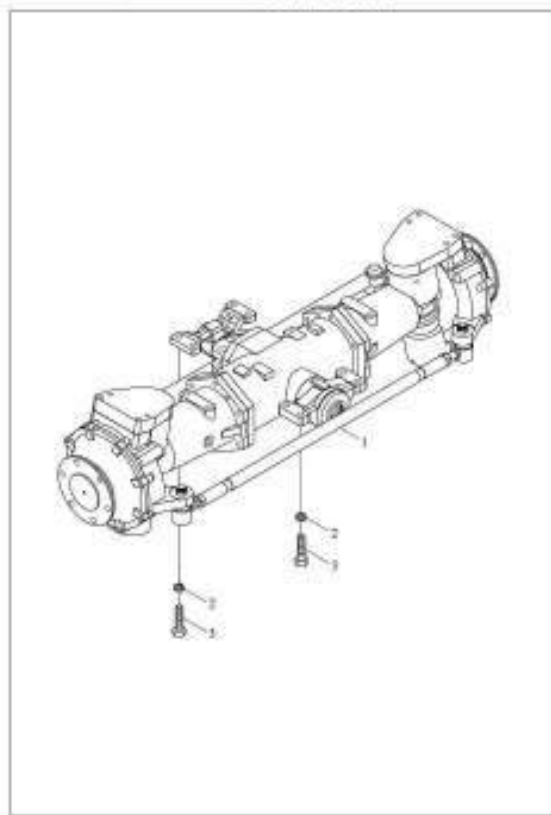
FT300.22.001 Exhaust system assembly



FT300.22.001 22-排气系总成 22-EXHAUST SYSTEM ASSEMBLY

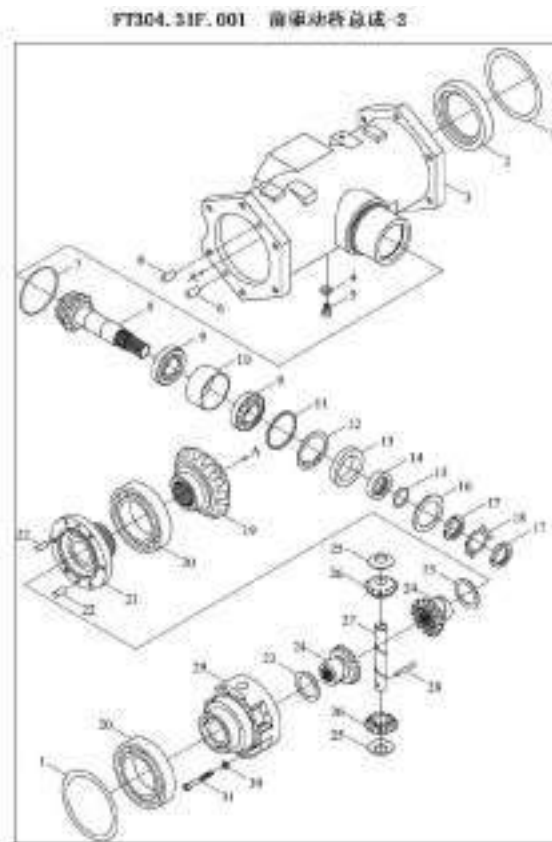
标号 No.	代号 Code	名称 Description	数量 Quantity	备注 Remark
1	TB550.22A.1	MUFFLER ASSEMBLY	1	2011-11
10	GBT97.1-10-A0P	WASHER	4	2004-01
11	GBT5783-M10X40-A3L	BOLT	4	2011-11
12	SPL6177.1-M10-F3	NUT	4	2011-11
2	FT300.22.030	SEAL GASKET UNIT	2	2011-11
3	FT300.22.111A	EXHAUST BENDING PIPE	1	2011-11
4	FT300.22.112	GUARD NET	1	2011-11
5	GBT97.1-8-A0P	WASHER	4	2004-01
6	GBT93-8-A0P	WASHER	4	2011-11
7	GBT5783-M8X20-A2L	BOLT	4	2011-11
8	GBT5783-M10X30-A3L	BOLT	4	2011-11
9	GBT93-10-A0P	WASHER	4	2011-11

FT304.31F.001 前驱动桥总成



FT304.31F.001-1 31.1-前驱动桥总成-1 FRONT DRIVING AXLE ASSEMBLY-1

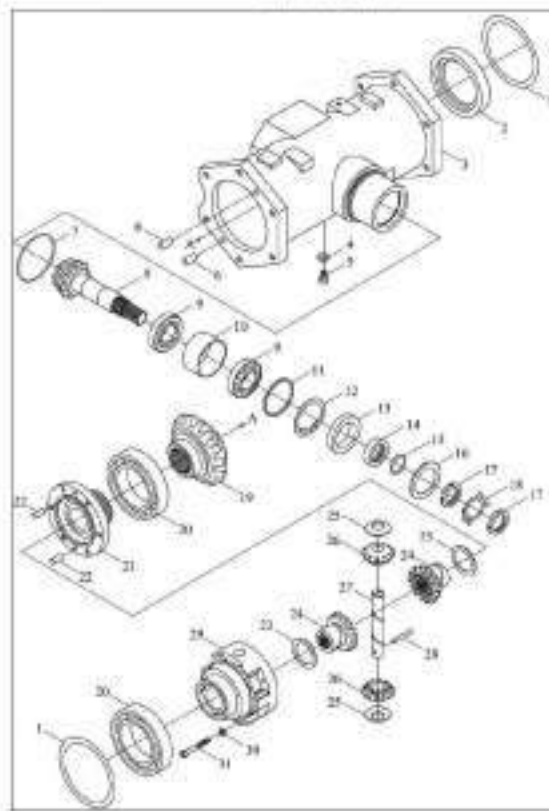
标号 No.	代号 Code	名称 Description	数量 Quantity	备注 Remark
1	FT304.31F.011	FRONT DRIVING AXLE SUB-ASSEMBLY	1	2011-11
2	GBT93-14-A0P	SPRING WASHER	8	2011-11
2	GBT93-14-A0P	SPRING WASHER	8	2011-11



FT304.31F.001-3 31.3-前驱动桥分总成-3 FRONT DRIVE AXLE SUB-ASSEMBLY-3

标号 No.	代号 Code	名称 Description	数量 Quantity	备注 Remark
0	FT304.31F.011	FRONT DRIVING AXLE SUB-ASSEMBLY	1	2011-11
1	GBT3452.1-140X3.5G	O RING	2	2011-11
10	FT304.31F.132	SPACER BUSH	1	2011-11
10	FT304.31F.132	SPACER BUSH	1	2011-11
11	FT304.31F.133	ADJUSTING SLEEVE	1	2011-11
12	GBT893.1-72	RETAINER RING	1	2011-11
14	FT304.31F.134	OIL SEAL CAGE	1	2011-11
15	GBT3452.1-34.5X3.55G	O-SEAL RING	1	2011-11
16	FT304.31F.104	COPPER WASHER	1	2011-11
17	GBT810-M30X1.5	NUT	2	2011-11
18	GBT858-30	WASHER LOCK	1	2011-11
19	FT304.31F.138	CENTRAL TRANSMISSION BIG SPIRAL BEVEL GEAR	1	2011-11
2	FT304.31F.191	LOCATING PLATE	1	2011-11
20	GBT276-6216	BEARING	2	2011-11
21	FT304.31F.137	DIFFERENTIAL RIGHT HOUSING	1	2011-11
22	GBT119-B8X20	PIN	2	2011-11
22	GBT119-B8X20	PIN	2	2011-11
23	FT304.31F.139		2	2011-11
24	FT304.31F.144	HALF SHAFT GEAR	2	2011-11
25	FT304.31F.140	WASHER	2	2011-11
26	FT304.31F.143	PLANETARY GEAR	2	2011-11
27	FT304.31F.142	PIN	1	2011-11
28	FT304.31F.141	THRUST PIN	1	2011-11
29	FT304.31F.136	DIFFERENTIAL LEFT HOUSING	1	2011-11
3	FT304.31F.129	MAIN REDUCER BOX HOUSING	1	2011-11

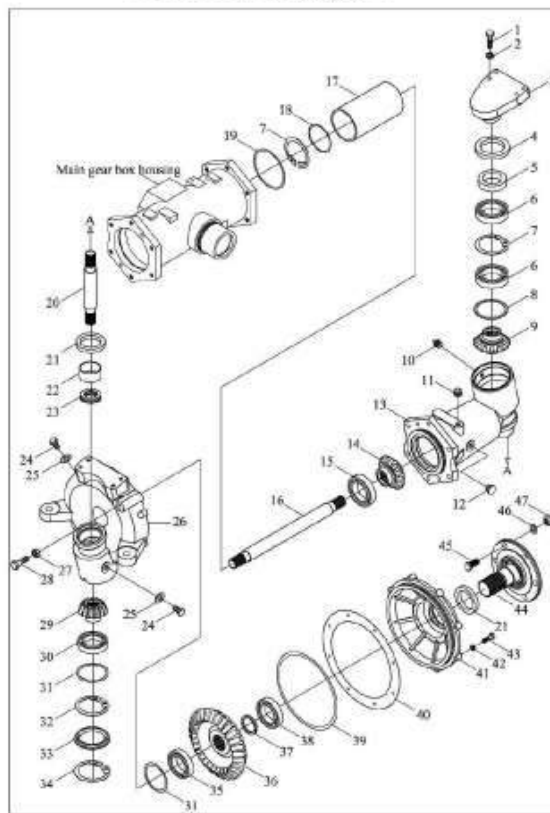
FT304.31F.001 前驱动桥总成-3



FT304.31F.001-3 31.3-前驱动桥分总成-3(续)

标号 No.	代号 Code	名称 Description	数量 Quantity	备注 Remark
30	GBT93-10	WASHER 10	6	2011-11
31	GBT70-M10X70	SCREW	6	2011-11
4	FT304.31F.106	WASHER	1	2011-11
5	FT304.31F.105	SCREW PLUG	1	2011-11
5	FT304.31F.105	SCREW PLUG	1	2011-11
6	GBT119-B12X20	PIN	4	2011-11
7	GBT3452.1-90X2.65G	O-SEAL RING	1	2011-11
8	FT304.31F.131	DRIVING SPIRAL BEVEL GEAR SHAFT	1	2011-11
9	GBT297-32207	BEARING	2	2011-11

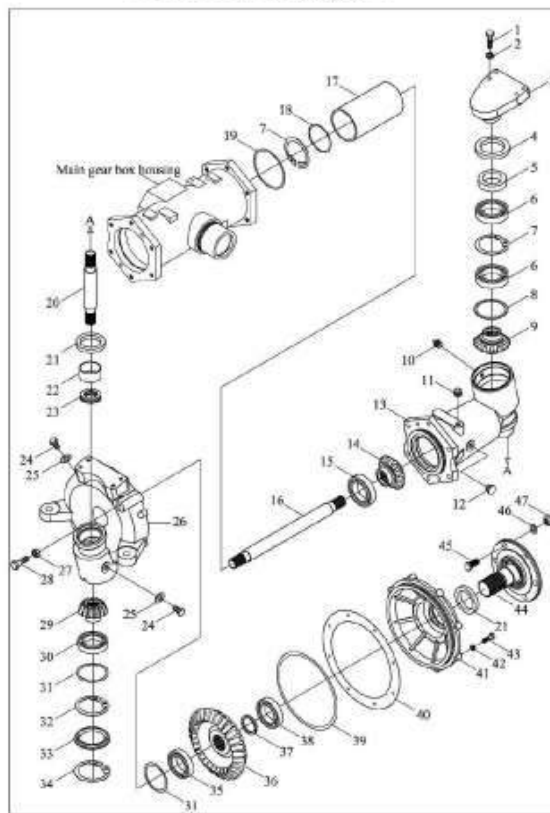
FT304.31F.001 前驱动总成-3



FT304.31F.001-4 31.4-前驱动桥分总成-4 FRONT DRIVE AXLE SUB-ASSEMBLY-4

标号 No.	代号 Code	名称 Description	数量 Quantity	备注 Remark
0	FT304.31F.011	FRONT DRIVING AXLE SUB-ASSEMBLY	1	2011-11
10	JBT7940.1-M10X1	STRAIGHT PRESSURE FILLING OIL CUP	1	2011-11
11	QYXF70-Z38°	SCREW PLUG	1	2011-11
12	GBT1160.2-A10	DIPSTICK	1	2011-11
13	FT304.31F.121	HALF SHAFT HOUSING	1	2011-11
14	FT304.31F.126	GEAR	1	2011-11
15	GBT276-6309	BEARING	1	2011-11
16	FT304.31F.145	SPLINE SHAFT	1	2011-11
17	FT304.31F.127	SLEEVE	1	2011-11
18	FT304.31F.123	ADJUSTING WASHER	1	2011-11
19	FT304.31F.130	ADJUSTING WASHER	1	2011-11
2	GBT93-12	WASHER	4	2011-11
20	FT304.31F.110	END SPLINE SHAFT	1	2011-11
21	FT304.31F	FLOATING OIL SEAL	1	
21	65X4.8	O-RING	2	
22	FT304.31F.111	SLEEVE	1	2011-11
23	GBT301-8107	HANDSPIKE BALL BEARING	1	2011-11
24	FT304.31F.105	SCREW PLUG	2	2011-11
24	FT304.31F.105	SCREW PLUG	2	2011-11
25	FT304.31F.106	WASHER	2	2011-11
26	FT304.31F.146	RIGHT END HOUSING	1	2011-11
27	GBT6170-M16	NUT	1	2011-11
29	FT304.31F.112	END PINION	1	2011-11
3	FT304.31F.124	CONNECTING COVER	1	2011-11
30	GBT276-6308	BEARING	1	2011-11

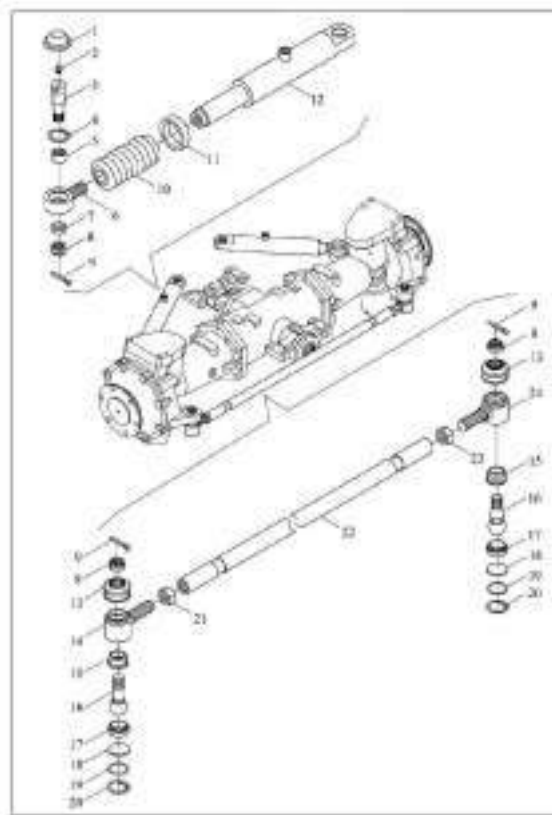
FT304.31F.001 前驱动总成-3



FT304.31F.001-4 31.4-前驱动桥分总成-4(续)

标号 No.	代号 Code	名称 Description	数量 Quantity	备注 Remark
31	FT304.31F.113	ADJUSTING GASKET	2	2011-11
32	GBT893.1-90	RETAINER RING	1	2011-11
33	FT304.31F.022	SEAL CAP	1	2011-11
34	GBT893.1-102	SNAP RING	1	2011-11
35	GBT276-6210	BEARING	1	2011-11
36	FT304.31F.108	BIG END GEAR	1	2011-11
37	FT304.31F.114	RETAINER RING	2	2011-11
38	GBT276-6310	BEARING	1	2011-11
39	GBT3452.1-236X5.3G	O-SEAL RING	1	2011-11
4	GBT9877.1-FB8010512	OIL SEAL	1	2011-11
40	FT304.31F.190	ADJUSTING GASKET	1	2011-11
41	FT304.31F.107	BIG END COVER	1	2011-11
43	GBT5783-M8X35	BOLT	8	2011-11
44	FT304.31F.117	FRONT DRIVING SHAFT	1	2011-11
45	FT304.31F.115	BOLT	6	2011-11
46	FT204.31F.205	WASHER	6	2011-11
5	FT304.31F.125	OIL SEAL BUSH	1	2011-11
6	GBT276-6013	BEARING	2	2011-11
7	GBT893.1-100	SNAP RING	2	2011-11
8	FT304.31F.188	WASHER	1	2011-11
9	FT304.31F.122	GEAR	1	2011-11

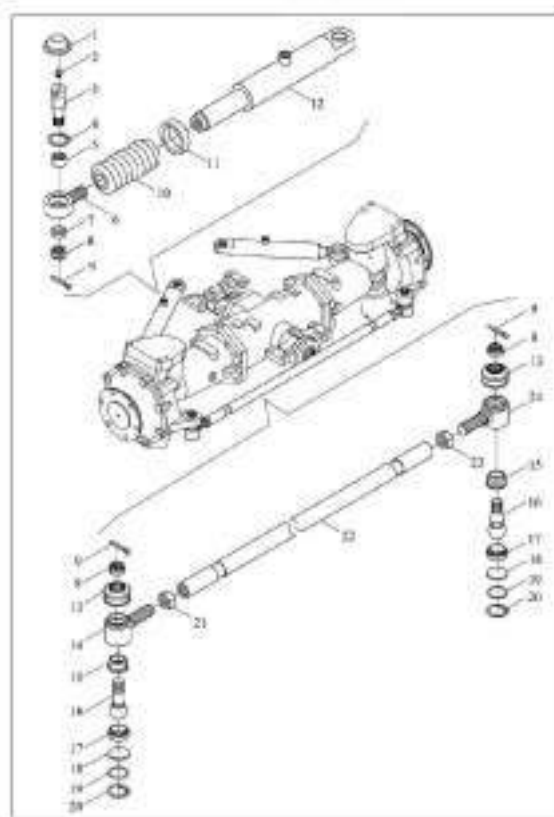
FT304.31F.001 前驱动桥总成-4



FT304.31F.001-5 31.5-前驱动桥分总成-5 FRONT DRIVE AXLE SUB-ASSEMBLY-5

标号 No.	代号 Code	名称 Description	数量 Quantity	备注 Remark
0	FT304.31F.011	FRONT DRIVING AXLE SUB-ASSEMBLY	1	2011-11
1	FT304.31F.160	DUSTPROOF CAP	1	2011-11
1.8	FT304.31F.037	RIGHT OIL CYLINDER JOINT ASSEMBLY	1	2011-11
1.9	FT304.31F.036	LEFT CYLINDER JOINT ASSEMBLY	1	2011-11
1.9	FT304.31F.036	LEFT CYLINDER JOINT ASSEMBLY	1	2011-11
10	FT304.31F.027	DUSTPROOF LEATHER SLEEVE	1	2011-11
11	Q50MZ3040	PIPE HOOP	1	2011-11
12	FT304.31F.019	HYDRAULIC CYLINDER	1	2011-11
13	FT304.31F.026	DUSTPROOF POCKET	2	2011-11
14	FT304.31F.174	LEFT BALL PIN SEAT	1	2011-11
14	FT304.31F.032	STEERING BALL HEAD ASSY、 LEFT	1	2011-11
15	FT304.31F.178	BALL PIN GASKET	2	2011-11
16	FT304.31F.177	BALL PIN	2	2011-11
17	FT304.31F.180	BALL PIN COVER	2	2011-11
18	FT304.31F.179	WASHER	2	2011-11
19	FT304.31F.183	ADJUSTING GASKET	2	2011-11
2	JBT7940.1-M6X1	OIL CUP	1	2011-11
2	JBT7940.1-M6X1	OIL CUP	1	2011-11
20	GBT893.1-37	SNAP RING	2	2011-11
22	FT304.31F.175	PULL ROD	1	2011-11
23	GBT6173-M20X1.5	NUT	1	2011-11
24	FT304.31F.033	STEERING BALL HEAD ASSY、 RIGHT	1	2011-11
24	FT304.31F.176	RIGHT BALL PIN SEAT	1	2011-11
3	FT304.31F.165	FIXING PIN	1	2011-11
4	GBT893.1-35	RETAINER RING	1	2011-11

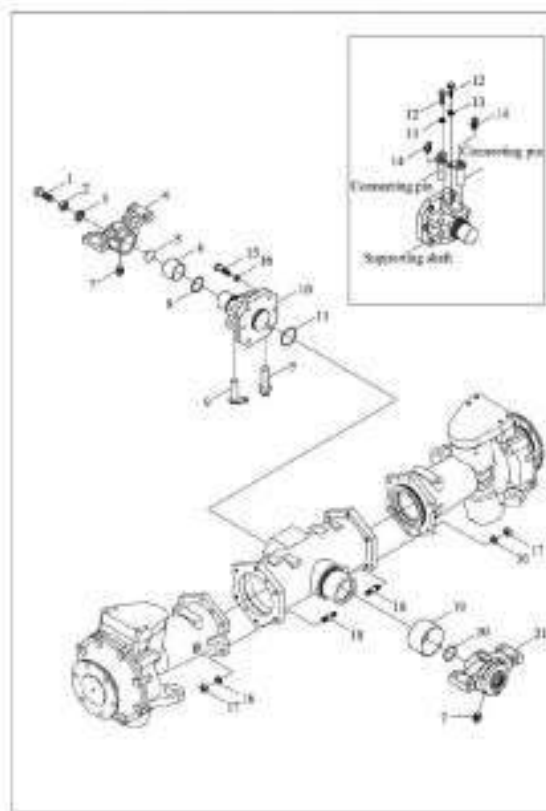
FT304.31F.001 前驱动桥总成-4



FT304.31F.001-5 31.5-前驱动桥分总成-5(续)

标号 No.	代号 Code	名称 Description	数量 Quantity	备注 Remark
5	GBT9163-GE20ES	BEARING	1	2011-11
6	FT304.31F.166	PISTON ROD RING	1	2011-11
7	FT304.31F.167	SPACER BUSH	1	2011-11
8	FT304.31F.168	HEXAGON SLOTTED NUT	3	2011-11

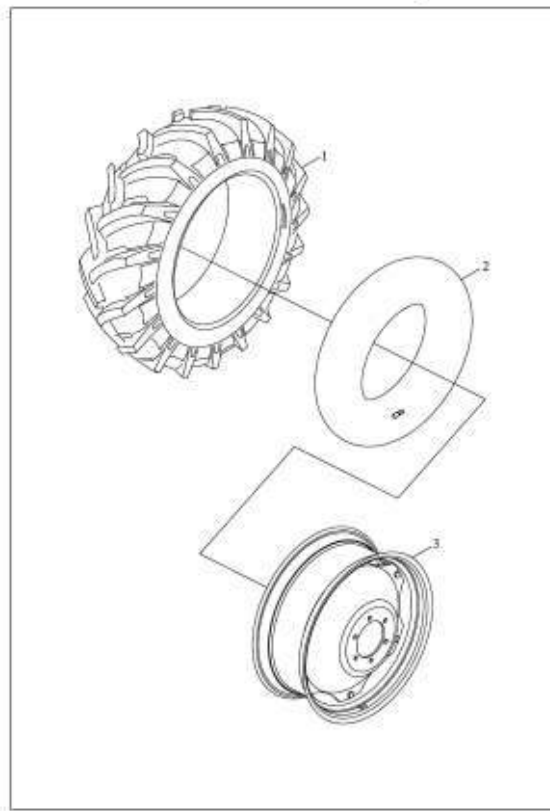
FT304.31F.001 后驱动桥总成-5



FT304.31F.001-6 31.6-前驱动桥分总成-6 FRONT DRIVE AXLE SUB-ASSEMBLY-6

标号 No.	代号 Code	名称 Description	数量 Quantity	备注 Remark
0	FT304.31F.011	FRONT DRIVING AXLE SUB-ASSEMBLY	1	2011-11_
10	FT304.31F.147	SHAFT	1	2011-11_
11	GBT3452.1-58X3.55G	O-SEAL RING	1	2011-11_
13	GBT93-8	WASHER 8	2	2011-11_
14	GBT7940.2-45° M8X1	OIL CUP	2	2011-11_
16	GBT93-12	WASHER	18	2011-11_
17	GBT6170-M12	NUT	12	2011-11_
18	GBT900-AM12X40-8.8-Zn.D	STUD	12	2011-11_
2	GBT6170-M16	NUT	1	2011-11_
20	GBT3452.1-45X3.55G	O-SEAL RING	1	2011-11_
21	FT304.31F.155	REAR SUPPORTING SHAFT SEAT	1	2011-11_
3	FT304.31F.025	SEAL GASKET	1	2011-11_
4	FT304.31F.149	FRONT SUPPORT SHAFT SEAT	1	2011-11_
5	FT304.31F.150	WASHER	1	2011-11_
6	FT304.31F.148	SLIDING BEARING	1	2011-11_
7	GBT7940.1-M8X1	OIL CUP	2	2011-11_
8	GBT3452.1-47.5X3.55G	O-SEAL RING	1	2011-11_
9	FT304.31F.024	CONNECTING PIN	2	2011-11_

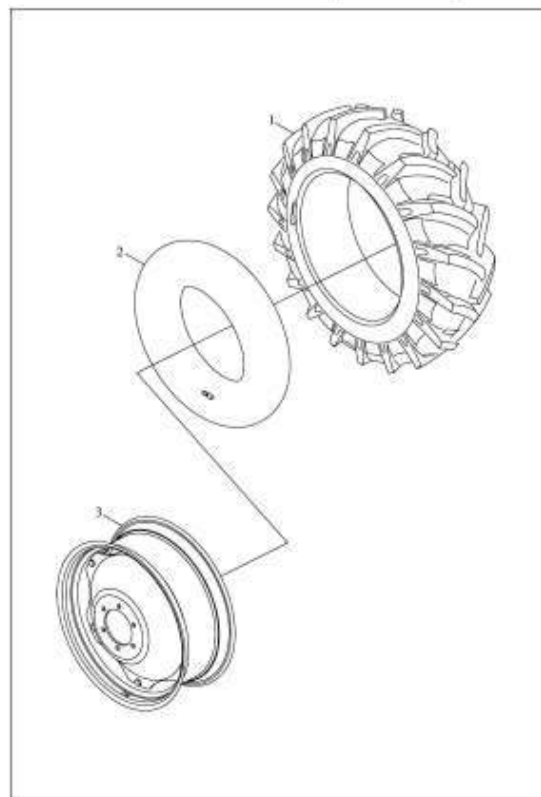
FT404.32.001 Fore wheel assembly



FT404.32.001 32-前轮总成 32-FRONT WHEEL ASSEMBLY

标号 No.	代号 Code	名称 Description	数量 Quantity	备注 Remark
1	GBT2979-8.3-20-6PR	OUTER TIRE	2	2011-11
2	GBT2979-8.3-20	DRIVING WHEEL INNER TUBE	2	2003-11
2	GBT2979-8.3-20	DRIVING WHEEL INNER TUBE	2	2003-11
3	FT404.32.011b	WHEEL RIM WELD	2	2003-11
3	FT404.32.011b	WHEEL RIM WELD	2	2003-11

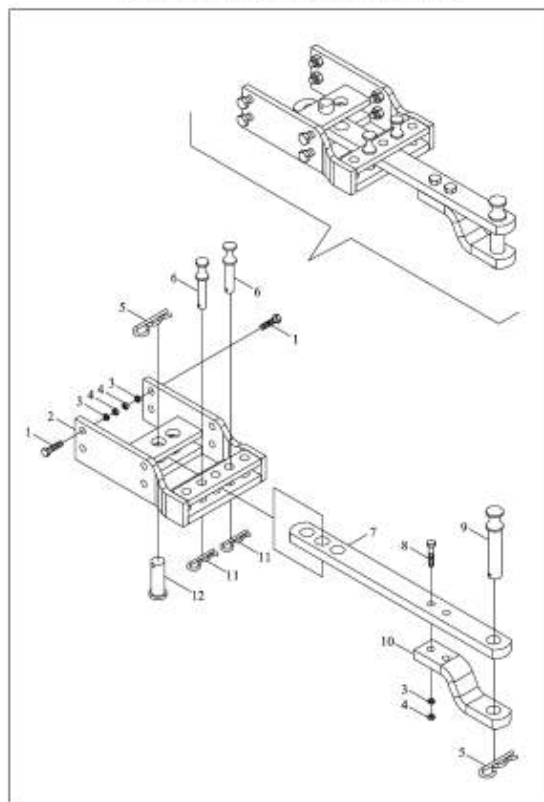
FT400.34.001a Rear driving wheel assembly



FT400.34.001a 34-后驱动轮总成 34-REAR DRIVE WHEEL ASSEMBLY

标号 No.	代号 Code	名称 Description	数量 Quantity	备注 Remark
1	GBT2979-12.4-28-8PR-R	DRIVING WHEEL OUTER TUBE	2	2014-12_
2	GBT2979-12.4-28-R	DRIVING WHEEL INNER TUBE	2	2014-12_
2	GBT2979-12.4-28-R	DRIVING WHEEL INNER TUBE	2	2014-12_
3	FT400.34.011b	RIM ASSEMBLY	2	2003-11_
3	FT400.34.011b	RIM ASSEMBLY	2	2003-11_

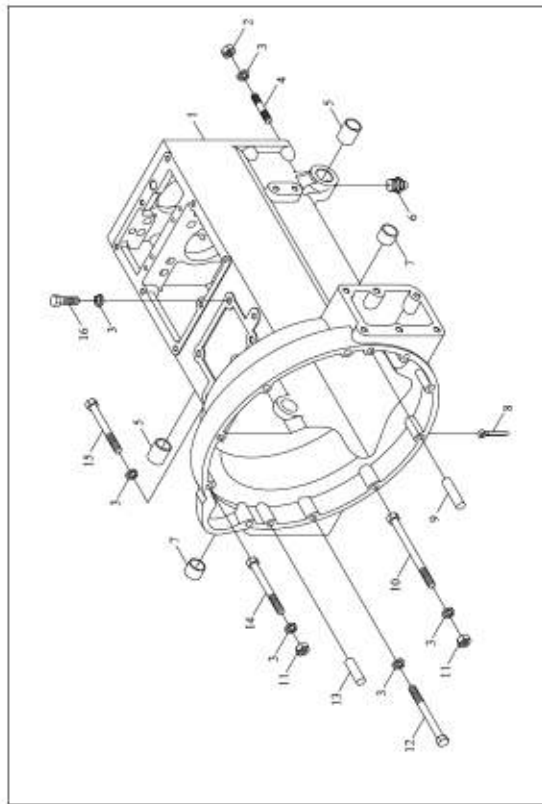
FT300.35A.001 Traction mechanism assembly



FT300.35A.001 35-牵引机构总成 35-TOWING MECHANISM ASSEMBLY

标号 No.	代号 Code	名称 Description	数量 Quantity	备注 Remark
1	GBT5783-M16×60-A3L	BOLT	8	2010-11
10	FT300.35A.101	CONNECTING SWING ROD	1	2010-11
11	FT300.35A.131	PIN	2	2010-11
12	FT300.35A.103	CONNECTING PIN	1	2010-11
2	FT300.35A.012	TRACTION FRAME	1	2004-01
2	FT300.35A.012a	TRACTION FRAME	1	2010-11
3	GBT93-16-A0P	SPRING WASHER	10	2012-02
4	GBT6170-M16-A3L	NUT M16-A3L	10	2010-11
5	FT65.53.103	SPRING LOCK PIN	2	2010-11
6	FT300.35A.104	THIMBLE	2	2010-11
7	FT300.35A.102	UPPER PART U-HOOK	1	2010-11
8	TB400.35.1-03	BOLT	2	2010-11
9	FT300.35A.105	SWING PIN	1	2010-11

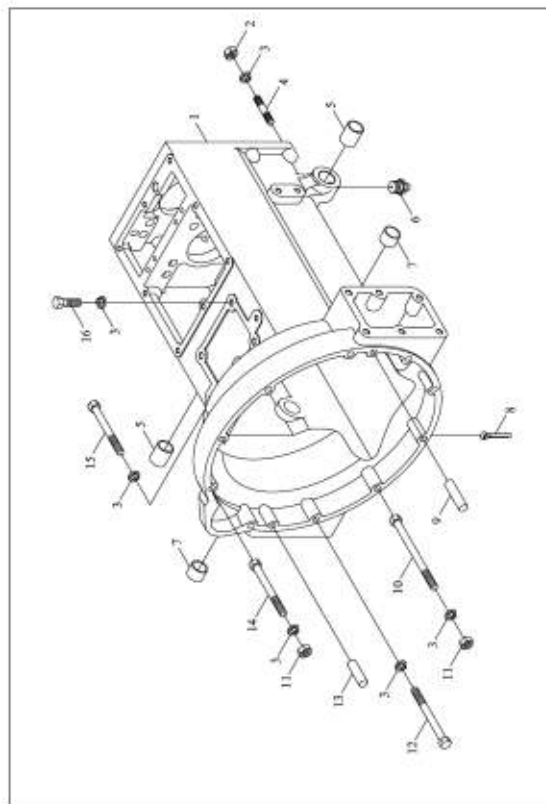
TB550.371 Transmission housing assembly



TB550.371 37.1-变速箱壳体总成 37.1-GEARBOX HOUSING ASSEMBLY

标号 No.	代号 Code	名称 Description	数量 Quantity	备注 Remark
1	TB400.371E-01	GEAR BOX	1	2007-12
1	FT300.37.101b	GEAR BOX	1	2004-01
1	FT300.37.101b	GEAR BOX	1	2004-01
10	TB550.371-01	BOLT	3	2011-11
11	GBT6170-M12-A3L	NUT	6	2011-11
12	GBT5782-M12X110-A2L	BOLT	2	2004-01
13	GBT119.1-12m6X22-A0P	PIN	1	2004-01
14	GBT5782-M12X100-A2L	BOLT	3	2011-11
15	GBT5782-M12X70-A2L	BOLT	2	2004-01
16	GBT5783-M12X35-A3L	BOLT	4	2011-11
16	GBT5783-M12X35-A3L	BOLT	4	2011-11
2	GBT6171-M12X1.5-A3L	NUT	10	2004-01
3	GBT93-12-A0P	SPRING WASHER	24	2011-11
4	GBT899-AM12-M12X1.5X35-8.8-A3L	8.8-A3L STUD	10	2011-11
5	FT300.37.158	PEDAL SHAFT BUSH	2	2011-11
6	JBT7940.1-M10X1	STRAIGHT PRESSURE FILLING OIL CUP	2	2011-11
7	FT300.37.159	RELEASE FORK SHAFT BUSH	2	2011-11
8	GBT91-6.3X40-A0P	PIN	1	2011-11
9	GBT119.1-12m6X30-A0P	PIN	3	2011-11
9	GBT119.1-12m6X30-A0P	PIN	3	2011-11

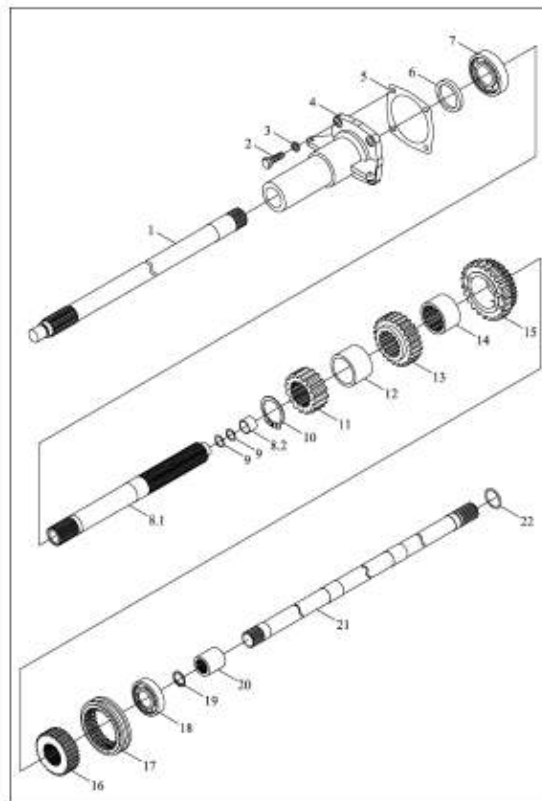
TB550.371 Transmission housing assembly



TB550.371.... 37.1变速箱壳体总成 37.1TRANSMISSION HOUSING ASSEMBLY

标号 No.	代号 Code	名称 Description	数量 Quantity	备注 Remark
0	TB550.371	37.1-GEARBOX HOUSING ASSEMBLY	1	2011-11_
1	FT300.37.101b	GEAR BOX	1	2011-11_
1	FT300.37.101b	GEAR BOX	1	2011-11_
10	TB550.371-01	BOLT	3	2011-11_
11	GBT6170-M12-A3L	NUT	6	2011-11_
13	GBT119.1-12m6X22-A0P	PIN	1	2011-11_
14	GBT5782-M12X100-A2L	BOLT	3	2011-11_
16	GBT5783-M12X35-A3L	BOLT	4	2011-11_
16	GBT5783-M12X35-A3L	BOLT	4	2011-11_
3	GBT93-12-A0P	SPRING WASHER	24	2011-11_
4	GBT899-AM12-M12X1.5X35-8.8-A3L	8.8-A3L STUD	10	2011-11_
5	FT300.37.158	PEDAL SHAFT BUSH	2	2011-11_
6	JBT7940.1-M10X1	STRAIGHT PRESSURE FILLING OIL CUP	2	2011-11_
7	FT300.37.159	RELEASE FORK SHAFT BUSH	2	2011-11_
8	GBT91-6.3X40-A0P	PIN	1	2011-11_
9	GBT119.1-12m6X30-A0P	PIN	3	2011-11_
9	GBT119.1-12m6X30-A0P	PIN	3	2011-11_

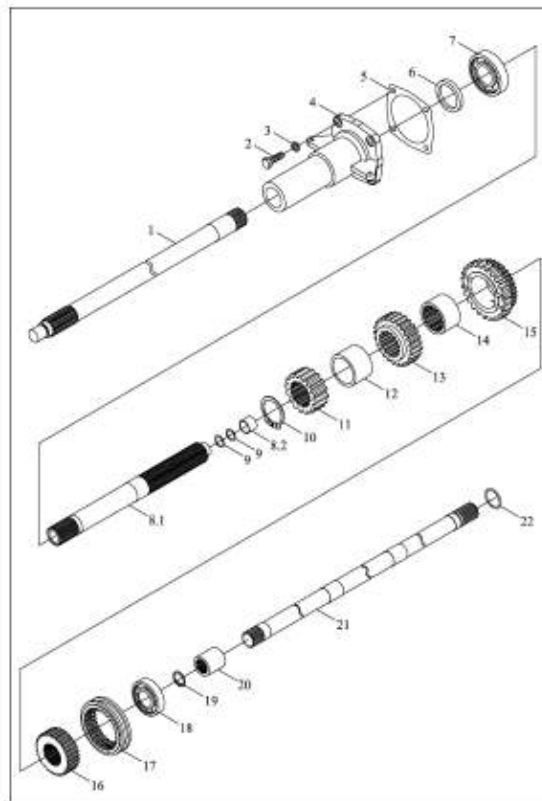
TB450.372B Main transmission assembly-1



TB450.372B-1. 37.2.1-主变速总成-1 MAIN TRANSMISSION ASSEMBLY-1

标号 No.	代号 Code	名称 Description	数量 Quantity	备注 Remark
0	TB450.372B	MAIN GEARSHIFT ASSEMBLY	1	2011-11_
1	FT400.37B.201	AUXILIARY CLUTCH SHAFT	1	2011-11_
10	TB550.372-18	I GEAR SPACER	1	2004-01_
10	GBT894.1-40	WASHER 40	1	2011-11_
11	FT300.37B.126	I DRIVING GEAR	1	2004-01_
11	FT300.37B.126a	I DRIVING GEAR	1	2008-08_
12	FT300.37B.127a	I-II GEAR SPACER	1	2007-04_
12	TB550.372-19	I-II GEAR SPACER	1	2004-01_
12	FT300.37B.127	I-II GEAR SPACER	1	2004-01_
13	FT300.37.128	II DRIVING GEAR	1	2011-11_
14	FT300.37.130	III GEAR BUSH	1	2011-11_
15	FT300.37.131a	III DRIVING GEAR	1	2011-11_
16	FT300.37.132	III-IV ENGAGING GEAR SEAT	1	2011-11_
17	FT300.37.134a	III-IV SHIFT COLLAR	1	2011-11_
18	GBT276-6007	BEARING	1	2011-11_
2	GBT5783-M8X25-A2L	BOLT	4	2011-11_
20	FT300.37.136	CONNECTING SLEEVE	1	2011-11_
21	FT300.37E.137	PTO CONNECTING SHAFT	1	2011-11_
21	FT300.37E.137	PTO CONNECTING SHAFT	1	2011-11_
22	GBT895.2-24	SNAP RING	1	2011-11_
3	GBT93-8	WASHER 8	4	2011-11_
4	FT300.37B.124	SHAFT I BEARING COVER	1	2011-11_
5	FT300.37B.125	SHAFT I BEARING COVER PAPER GASKET	1	2011-11_
6	GBT9877.1-FB40X62X8D	O RING	1	2011-11_
7	GBT276-6208	BEARING	1	2011-11_

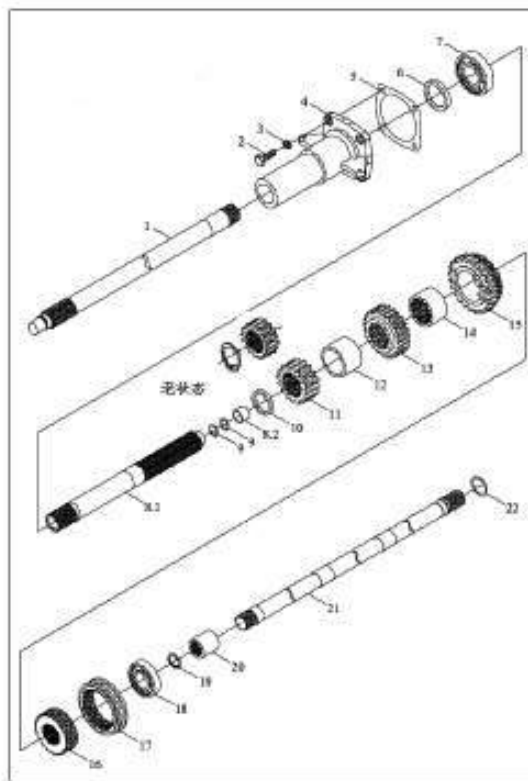
TB450.372B Main transmission assembly-1



TB450.372B-1. 37.2.1-主变速总成-1(续)

标号 No.	代号 Code	名称 Description	数量 Quantity	备注 Remark
8	FT300.37B.021a	SHAFT I UNIT	1	2008-08_
8	FT300.37B.021a	SHAFT I UNIT	1	2008-08_
8	FT300.37B.021	SHAFT I UNIT	1	2004-01_
8.1	FT300.37B.202	SHAFT I	1	2011-11_
8.2	FT300.37.170	SLEEVE	1	2011-11_
9	GBT3452.1-23.6X1.80G	O-SEAL RING	2	2011-11_

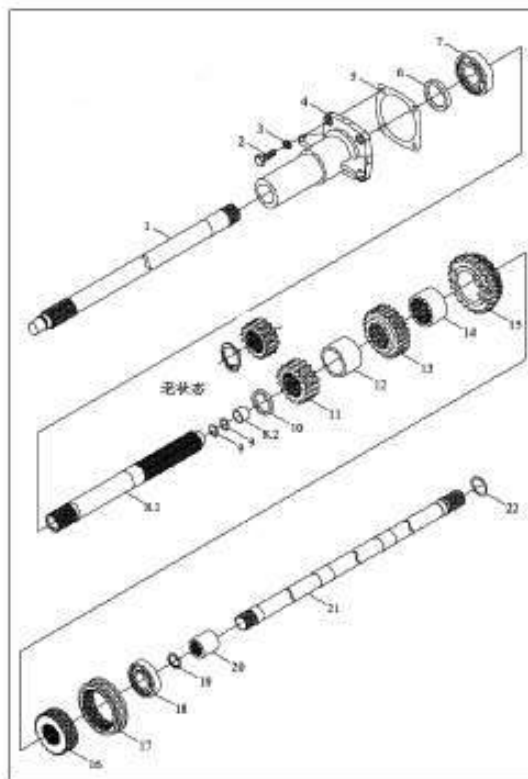
TB450.372B 主变速总成-1



TB450.372B-1 37.2.1-主变速总成-1 MAIN TRANSMISSION ASSEMBLY-1

标号 No.	代号 Code	名称 Description	数量 Quantity	备注 Remark
1	FT400.37B.201	AUXILIARY CLUTCH SHAFT	1	2011-11_
10	GBT894.1-40	WASHER 40	1	2011-11_
10	TB550.372-18	I GEAR SPACER	1	2004-01_
11	FT300.37B.126	I DRIVING GEAR	1	2004-01_
11	FT300.37B.126a	I DRIVING GEAR	1	2008-08_
12	FT300.37B.127a	I-II GEAR SPACER	1	2007-04_
12	FT300.37B.127	I-II GEAR SPACER	1	2004-01_
12	TB550.372-19	I-II GEAR SPACER	1	2004-01_
13	FT300.37.128	II DRIVING GEAR	1	2011-11_
14	FT300.37.130	III GEAR BUSH	1	2011-11_
15	FT300.37.131a	III DRIVING GEAR	1	2011-11_
16	FT300.37.132	III-IV ENGAGING GEAR SEAT	1	2011-11_
17	FT300.37.134a	III-IV SHIFT COLLAR	1	2011-11_
18	GBT276-6007	BEARING	1	2011-11_
19	GBT893.1-21	SNAP RING	1	2011-11_
2	GBT5783-M8X25-A2L	BOLT	4	2011-11_
20	FT300.37.136	CONNECTING SLEEVE	1	2011-11_
21	FT300.37E.137	PTO CONNECTING SHAFT	1	2011-11_
21	FT300.37E.137	PTO CONNECTING SHAFT	1	2011-11_
22	GBT895.2-24	SNAP RING	1	2011-11_
3	GBT93-8	WASHER 8	4	2011-11_
4	FT300.37B.124	SHAFT I BEARING COVER	1	2011-11_
5	FT300.37B.125	SHAFT I BEARING COVER PAPER GASKET	1	2011-11_
6	GBT9877.1-FB40X62X8D	O RING	1	2011-11_
7	GBT276-6208	BEARING	1	2011-11_

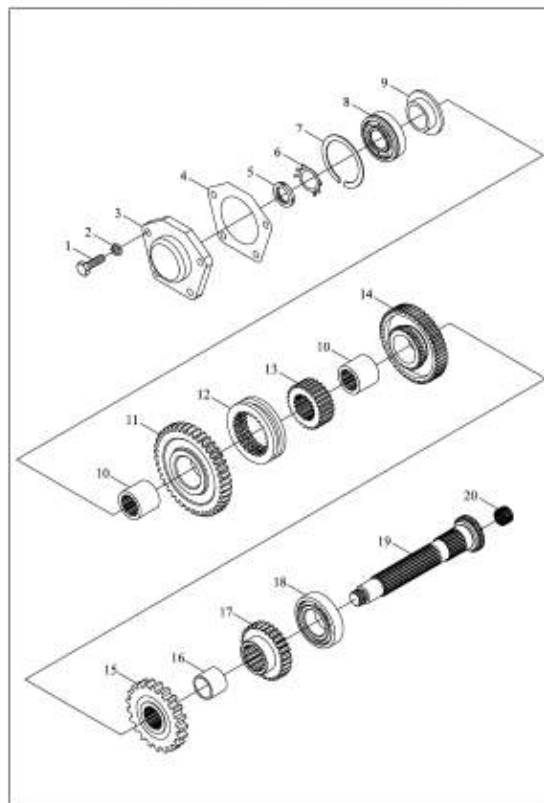
TB450.372B 主变速总成-1



TB450.372B-1 37.2.1-主变速总成-1(续)

标号 No.	代号 Code	名称 Description	数量 Quantity	备注 Remark
8	FT300.37B.021	SHAFT I UNIT	1	2004-01_
8	FT300.37B.021a	SHAFT I UNIT	1	2008-08_
8	FT300.37B.021a	SHAFT I UNIT	1	2008-08_
8.1	FT300.37B.202	SHAFT I	1	2004-01_
8.1	FT300.37B.202a	SHAFT I	1	2008-08_
8.2	FT300.37.170	SLEEVE	1	2011-11_
9	GBT3452.1-23.6X1.80G	O-SEAL RING	2	2011-11_

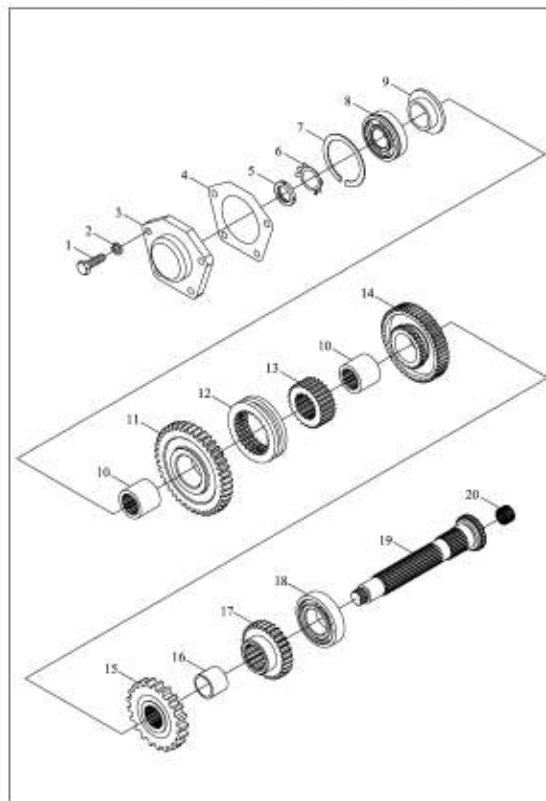
TB450.372B Main transmission assembly-2



TB450.372B-2 37.2.2-主变速总成-2 MAIN TRANSMISSION ASSEMBLY-2

标号 No.	代号 Code	名称 Description	数量 Quantity	备注 Remark
1	GBT5783-M8X25-A2L	BOLT	4	2011-11_
10	FT300.37.114	I-II GEAR BUSH	2	2011-11_
11	FT300.37.117a	I DRIVEN GEAR	1	2011-06_
11	FT300.37.117	I DRIVEN GEAR	1	2004-01_
12	FT300.37.115a	I-II SHIFT COLLAR	1	2011-06_
12	FT300.37.115	I-II SHIFT COLLAR	1	2004-01_
13	FT300.37.116	I-II ENGAGING TOOTH SEAT	1	2011-11_
14	FT300.37.113	II DRIVEN GEAR	1	2004-01_
14	FT300.37.113a	II DRIVEN GEAR	1	2011-06_
15	FT300.37.112	III DRIVEN GEAR	1	2011-11_
16	FT300.37.110	III-IV GEAR SPACER	1	2011-11_
17	FT300.37.108a	IV DRIVEN GEAR	1	2011-11_
18	GBT276-6208	BEARING	1	2011-11_
19	FT300.37.109a	SHAFT II	1	2011-11_
2	GBT93-8	WASHER 8	4	2011-11_
20	JBT7918-K20X26X20	NEEDLE AND CARRIER UNIT	1	2011-11_
3	FT300.37.120	SHAFT II BEARING COVER	1	2011-11_
4	FT300.37.119	SHAFT II BEARING COVER PAPER GASKET	1	2011-11_
5	GBT812-M24X1.5	ROUND NUT	1	2011-11_
6	GBT858-24	THRUST RING	1	2011-11_
7	GBT305-72-78.6	THRUST RING	1	2004-01_
8	GBT276-6306N	BEARING	1	2011-11_
9	FT300.37.118	SHAFT II END RETAINER RING	1	2011-11_

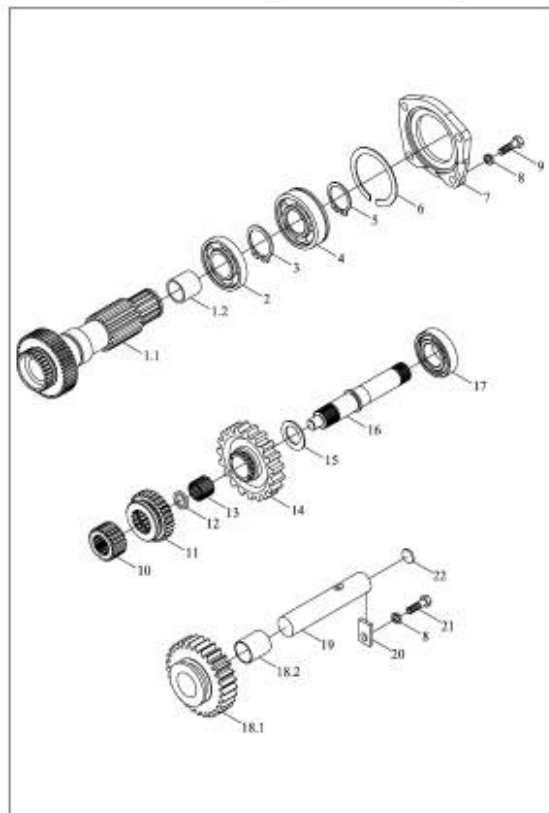
TB450.372B Main transmission assembly-2



TB450.372B-2. 37.2.2-主变速总成-2 MAIN TRANSMISSION ASSEMBLY-2

标号 No.	代号 Code	名称 Description	数量 Quantity	备注 Remark
0	TB450.372B	MAIN GEARSHIFT ASSEMBLY	1	2011-11_
1	GBT5783-M8X25-A2L	BOLT	4	2011-11_
10	FT300.37.114	I-II GEAR BUSH	2	2011-11_
13	FT300.37.116	I-II ENGAGING TOOTH SEAT	1	2011-11_
14	FT300.37.113	II DRIVEN GEAR	1	2004-01_
14	FT300.37.113a	II DRIVEN GEAR	1	2011-06_
15	FT300.37.112	III DRIVEN GEAR	1	2011-11_
16	FT300.37.110	III-IV GEAR SPACER	1	2011-11_
17	FT300.37.108a	IV DRIVEN GEAR	1	2011-11_
18	GBT276-6208	BEARING	1	2011-11_
19	FT300.37.109a	SHAFT II	1	2011-11_
2	GBT93-8	WASHER 8	4	2011-11_
20	JBT7918-K20X26X20	NEEDLE AND CARRIER UNIT	1	2011-11_
3	FT300.37.120	SHAFT II BEARING COVER	1	2011-11_
4	FT300.37.119	SHAFT II BEARING COVER PAPER GASKET	1	2011-11_
5	GBT812-M24X1.5	ROUND NUT	1	2011-11_
6	GBT858-24	THRUST RING	1	2011-11_
8	GBT276-6306N	BEARING	1	2011-11_
9	FT300.37.118	SHAFT II END RETAINER RING	1	2011-11_

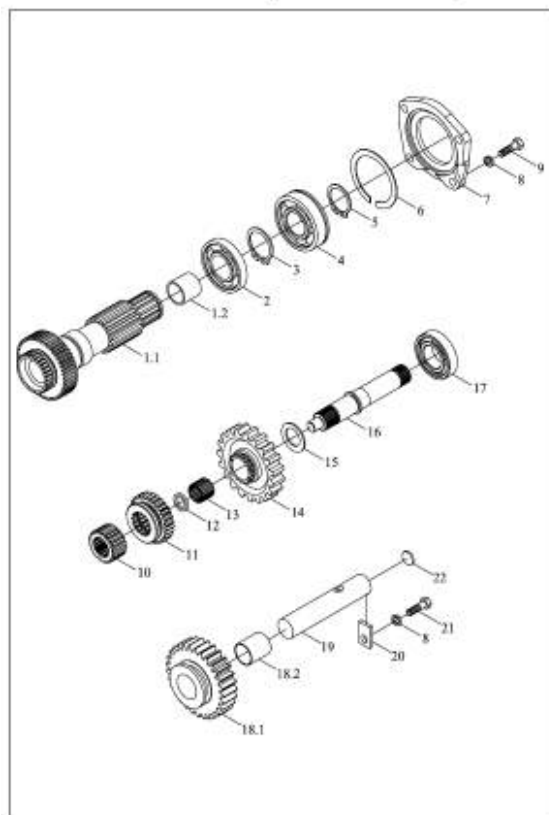
TB300.373 Auxiliary transmission assembly



TB300.373... 37.3副变速总成 37.3AUXILIARY TRANSMISSION ASSEMBLY

标号 No.	代号 Code	名称 Description	数量 Quantity	备注 Remark
0	TB300.373	AUXILIARY GEARSHIFT ASSEMBLY	1	2011-11
1	FT300.37.013a	AUXILIARY GEARSHIFT DRIVING GEAR SHAFT ASSEMBLY	1	2011-11
1.1	FT300.37.169a	AUXILIARY GEARSHIFT DRIVING GEAR SHAFT	1	2011-11
1.2	FT300.37.170	SLEEVE	1	2011-11
10	FT300.37.106a	REVERSE GEAR MESHING SEAT	1	2011-11
11	FT300.37.105	REVERSE DRIVEN GEAR	1	2011-11
12	FT300.37.111	SPACER BUSH	1	2011-11
13	QSFZB019-K35X43X34ZW	NEEDLE BEARINGS	1	2011-11
14	FT450.37.103	AUXILIARY GEARSHIFT DRIVEN GEAR	1	2011-11
15	FT300.37.102b	RETAINER RING	1	2011-11
16	FT300.37.107a	AUXILIARY GEARSHIFT DRIVEN SHAFT	1	2011-11
16	FT300.37.107a	AUXILIARY GEARSHIFT DRIVEN SHAFT	1	2011-11
17	GBT276-6307	BEARING	1	2011-11
18	FT300.37.014	REVERSE MIDDLE GEAR UNIT	1	2011-11
18	FT300.37.014	REVERSE MIDDLE GEAR UNIT	1	2011-11
18.1	FT300.37.172	REVERSE MIDDLE GEAR	1	2011-11
18.2	FT300.37.171	REVERSE GEAR BUSH	1	2011-11
19	FT300.37.141	REVERSE MIDDLE SHAFT	1	2011-11
2	GBT276-6210	BEARING	1	2011-11
20	FT300.37.140	REVERSE SHAFT LIMITING BOARD	1	2011-11
21	GBT5783-M10X20-A3L	BOLT	1	2011-11
22	Q721-14	PLUG PIECE	1	2011-11
3	GBT894.1-50	SNAP RING	1	2011-11
4	GBT276-6308N	BEARING	1	2011-11
5	GBT894.1-40	WASHER 40	1	2011-11

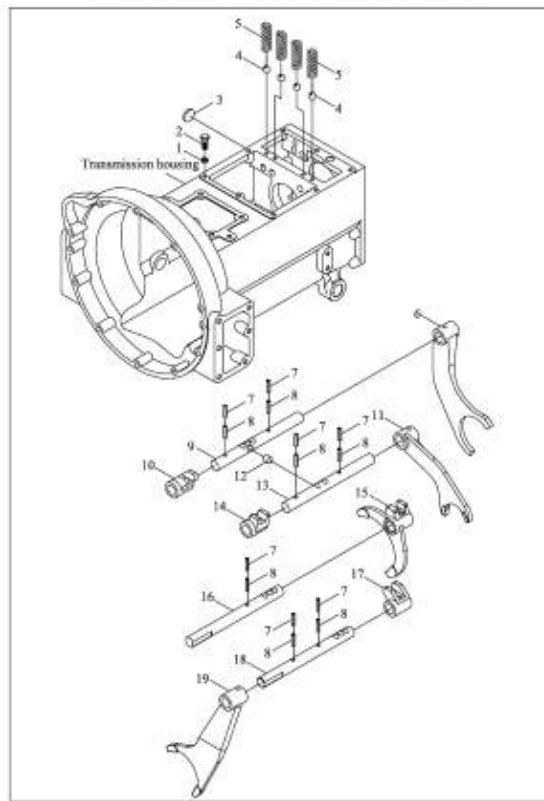
TB300.373 Auxiliary transmission assembly



TB300.373... 37.3副变速总成(续)

标号 No.	代号 Code	名称 Description	数量 Quantity	备注 Remark
6	FT300.37.138	THRUST RING	1	2011-11_
7	FT300.37.139	AUXILIARY GEARSHIFT BEARING COVER	1	2011-11_
8	GBT93-10	WASHER 10	5	2011-11_
9	GBT5783-M10X30-A3L	BOLT	4	2011-11_

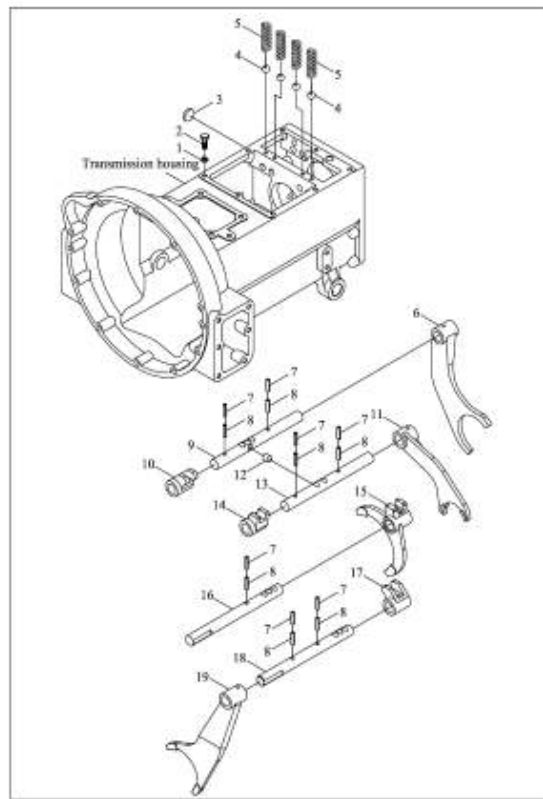
TB300.374Gear box control mechanism assembly-1



TB300.374-1 37.4.1-变速箱操纵机构总成-1 37.4TRANSMISSION CONTROL MECHANISM ASSEMBLY-1

标号 No.	代号 Code	名称 Description	数量 Quantity	备注 Remark
1	GBT93-10	WASHER 10	8	2011-11
10	FT300.37.154	AUXILIARY GEARSHIFT DIAL HEAD	1	2011-11
11	FT300.37.146	REVERSE FORK	1	2011-11
12	FT300.37.151	MUTUAL PIN	1	2011-11
13	FT300.37.155	REVERSE FORK SHAFT	1	2011-11
14	FT300.37.153	REVERSE DIAL HEAD	1	2011-11
15	FT300.37.147	Ⅲ-Ⅳ FORK	1	2011-11
16	FT300.37.150	Ⅲ-Ⅳ FORK SHAFT	1	2011-11
17	FT300.37.152	I-II GEAR FORK HEAD	1	2011-11
18	FT300.37.149	I-II GEAR FORK SHAFT	1	2011-11
19	FT300.37.148	I-II GEAR FORK	1	2011-11
2	GBT5783-M10X30-A3L	BOLT	8	2011-11
3	Q721-14	PLUG PIECE	1	2011-11
4	GBT308-8-G100-B	BALL	4	2011-11
5	FT300.37.135	FORK SHAFT LOCATING SPRING	4	2011-11
6	FT300.37.145	AUXILIARY GEARSHIFT FORK	1	2011-11
7	GBT879.1-3X24	PIN	7	2011-11
9	FT300.37.156	AUXILIARY GEARSHIFT FORK SHAFT	1	2011-11

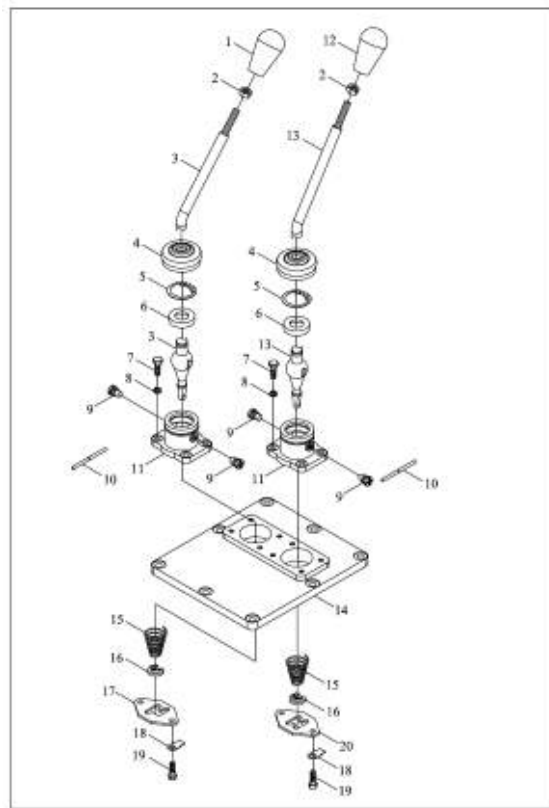
TB300.374Gear box control mechanism assembly-1



TB300.374-1... 37.4.1变速箱操纵机构总成-1 37.4TRANSMISSION CONTROL MECHANISM ASSEMBLY-1

标号 No.	代号 Code	名称 Description	数量 Quantity	备注 Remark
0	TB300.374	37.4-GEARBOX CONTROL MECHANISM ASSEMBLY	1	2011-11_
1	GBT93-10	WASHER 10	8	2011-11_
10	FT300.37.154	AUXILIARY GEARSHIFT DIAL HEAD	1	2011-11_
11	FT300.37.146	REVERSE FORK	1	2011-11_
12	FT300.37.151	MUTUAL PIN	1	2011-11_
13	FT300.37.155	REVERSE FORK SHAFT	1	2011-11_
14	FT300.37.153	REVERSE DIAL HEAD	1	2011-11_
15	FT300.37.147	Ⅲ-Ⅳ FORK	1	2011-11_
16	FT300.37.150	Ⅲ-Ⅳ FORK SHAFT	1	2011-11_
17	FT300.37.152	I-II GEAR FORK HEAD	1	2011-11_
18	FT300.37.149	I-II GEAR FORK SHAFT	1	2011-11_
19	FT300.37.148	I-II GEAR FORK	1	2011-11_
2	GBT5783-M10X30-A3L	BOLT	8	2011-11_
3	Q721-14	PLUG PIECE	1	2011-11_
4	GBT308-8-G100-B	BALL	4	2011-11_
5	FT300.37.135	FORK SHAFT LOCATING SPRING	4	2011-11_
6	FT300.37.145	AUXILIARY GEARSHIFT FORK	1	2011-11_
7	GBT879.1-3X24	PIN	7	2011-11_
8	GBT879.1-5X24	PIN	7	2011-11_
9	FT300.37.156	AUXILIARY GEARSHIFT FORK SHAFT	1	2011-11_

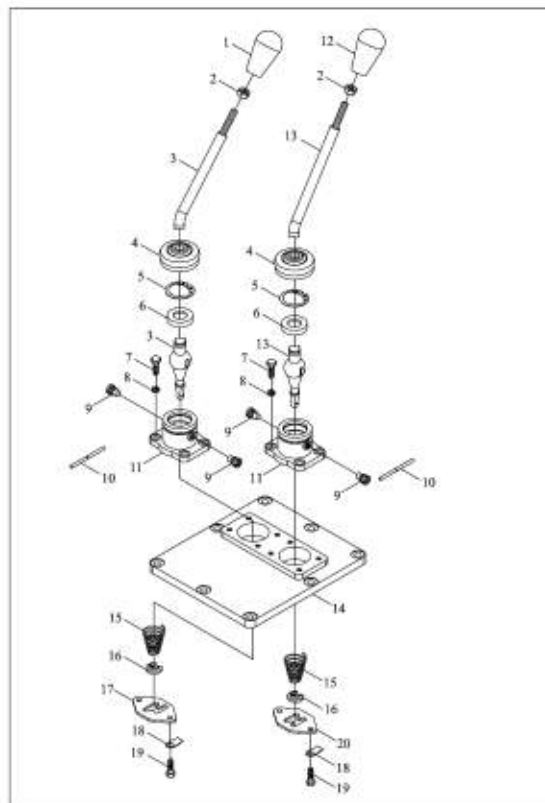
TB300.374Gear box control mechanism assembly-2



TB300.374-2... 37.4.2-变速箱操纵机构总成-2 37.4TRANSMISSION CONTROL MECHANISM ASSEMBLY-2

标号 No.	代号 Code	名称 Description	数量 Quantity	备注 Remark
0	TB300.374	37.4-GEARBOX CONTROL MECHANISM ASSEMBLY	1	2011-11_
1	FT300.37.016	AUXILIARY GEARSHIFT CONTROL HANDLE ASSEMBLY	1	2011-11_
10	TF1004.374-02	LOW CARBON STEEL WIRE	2	2011-11_
11	FT300.37.180	GEARLEVER SEAT	2	2011-11_
12	FT300.37.015	MAIN GEARSHIFT CONTROL HANDLE ASSEMBLY	1	2011-11_
13	FT300.37.167a	MAIN GEARLEVER	1	2011-11_
14	FT300.37.163a	GEARBOX UPPER COVER	1	2011-11_
15	FT300.37.165	GEARLEVER SPRING	2	2011-11_
15	FT300.37.165	GEARLEVER SPRING	2	2011-11_
16	FT300.37.164	GEARLEVER SPRING RETAINER RING	2	2011-11_
17	FT300.37.161	AUXILIARY GAR GUIDE PLATE	1	2011-11_
18	GBT854-8	WASHER	4	2011-11_
19	GBT5783-M8X16-A2L	BOLT	4	2011-11_
2	GBT6172.1-M10-A2L	NUT	2	2011-11_
20	FT300.37.162	MAIN GEARSHIFT GUIDE PLATE	1	2011-11_
3	FT300.37.160a	AUXILIARY GEARLEVER	1	2011-11_
4	FT300.37.166a	GEARLEVER DUSTPROOF BONNET	2	2011-11_
5	GBT893.1-40	RETAINER RING	2	2011-11_
6	FT800A.37.305	NYLON SEAT	2	2011-11_
7	GBT5781-M8X20-A2L	BOLT	8	2011-11_
7	GBT5781-M8X20-A2L	BOLT	8	2011-11_
8	GBT93-8-A0P	WASHER	8	2011-11_
9	FT800A.37.326	GEARLEVER LOCATING PIN	4	2011-11_

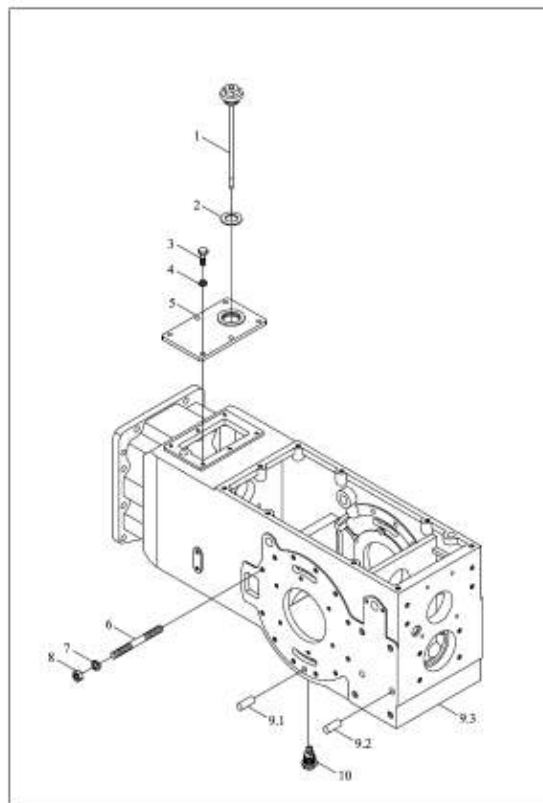
TB300.374Gear box control mechanism assembly-2



TB300.374-2 37.4.2-变速箱操纵机构总成-2 37.4TRANSMISSION CONTROL MECHANISM ASSEMBLY-2

标号 No.	代号 Code	名称 Description	数量 Quantity	备注 Remark
1	FT300.37.016	AUXILIARY GEARSHIFT CONTROL HANDLE ASSEMBLY	1	2011-11
10	TF1004.374-02-SZ-1.4X250	LOW CARBON STEEL WIRE	2	2011-11
11	FT300.37.180	GEARLEVER SEAT	2	2011-11
12	FT300.37.015	MAIN GEARSHIFT CONTROL HANDLE ASSEMBLY	1	2011-11
13	FT300.37.167a	MAIN GEARLEVER	1	2011-11
14	FT300.37.163a	GEARBOX UPPER COVER	1	2011-11
15	FT300.37.165	GEARLEVER SPRING	2	2011-11
15	FT300.37.165	GEARLEVER SPRING	2	2011-11
16	FT300.37.164	GEARLEVER SPRING RETAINER RING	2	2011-11
17	FT300.37.161	AUXILIARY GAR GUIDE PLATE	1	2011-11
18	GBT854-8	WASHER	4	2011-11
19	GBT5783-M8 × 16-A2L	BOLT	4	2011-11
2	GBT6172.1-M10-A2L	NUT	2	2011-11
20	FT300.37.162	MAIN GEARSHIFT GUIDE PLATE	1	2011-11
3	FT300.37.160a	AUXILIARY GEARLEVER	1	2011-11
4	FT300.37.166a	GEARLEVER DUSTPROOF BONNET	2	2011-11
5	GBT893.1-40	RETAINER RING	2	2011-11
6	FT800A.37.305	NYLON SEAT	2	2011-11
7	GBT5781-M8X20-A2L	BOLT	8	2011-11
7	GBT5781-M8X20-A2L	BOLT	8	2011-11
8	GBT93-8-A0P	WASHER	8	2011-11
9	FT800A.37.326	GEARLEVER LOCATING PIN	4	2011-11

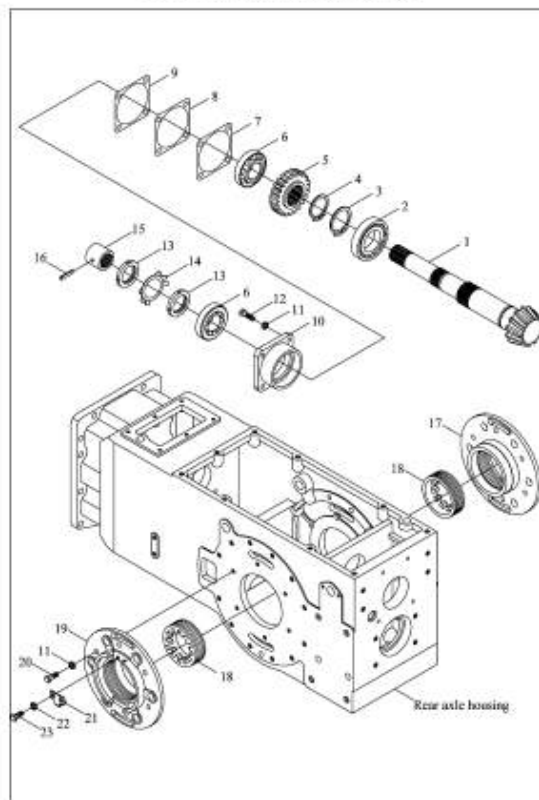
FT404.38G.001Rear axle assembly-1



FT404.38G.001-1 38.1-后桥总成-1 38REAR AXLE ASSEMBLY-1

标号 No.	代号 Code	名称 Description	数量 Quantity	备注 Remark
1	FT300.38.016a	REFUELING AND AIRING PLUG ASSEMBLY	1	2011-11
10	FT65.38.026	Oil Plug assembly	1	2011-11
10	FT65.38.026	Oil Plug assembly	1	2011-11
2	JB T982-36	COMBINED SEAL GASKET	1	2011-11
3	GBT5783-M8X20-A2L	BOLT	6	2011-11
4	GBT93-8-A0P	WASHER	6	2011-11
5	FT300.38.124a	UPPER COVER	1	2011-11
6	GBT899-AM12-M12X1.25X150-8.8-A1L	8.8-A3L STUD	24	2011-11
7	GBT93-12-A0P	SPRING WASHER	24	2011-11
8	GBT6171-M12X1.25-A2L	NUT	24	2004-01
9	FT300.38E.011	REAR AXLE HOUSING ASSEMBLY	1	2011-11
9.1	GBT119.1-12m6X28	PIN	2	2011-11
9.2	TB554.384-02	PIN	4	2011-11
9.3	FT300.38E.101	REAR AXLE HOUSING	1	2011-11

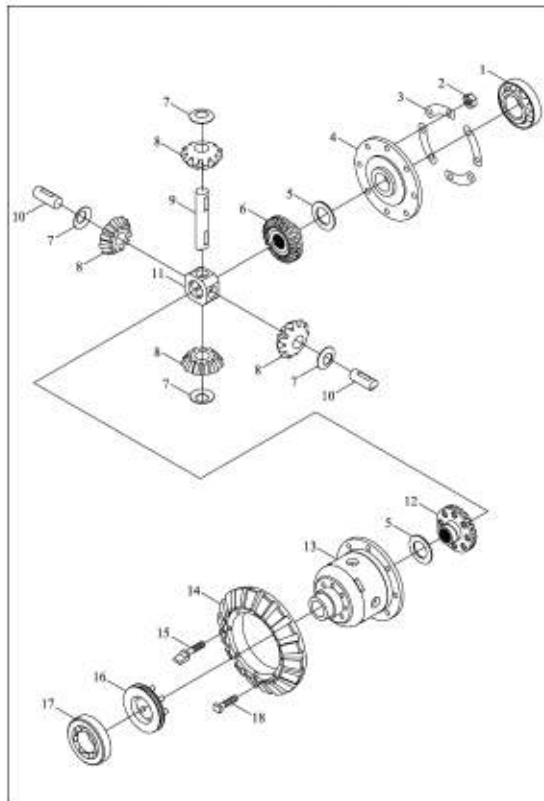
FT404.38G.001Rear axle assembly-2



FT404.38G.001-2 38.2-后桥总成-2 38REAR AXLE ASSEMBLY-2

标号 No.	代号 Code	名称 Description	数量 Quantity	备注 Remark
1	FT304.38.115	SMALL TAPER GEAR SHAFT	1	2004-01_
10	FT300.38.117	BEARING SEAT	1	2011-11_
11	GBT93-10-A0P	WASHER	16	2011-11_
12	GBT5783-M10X30-A3L	BOLT	4	2011-11_
13	GBT812-M39X1.5	ROUND NUT	2	2011-11_
14	GBT858-39	THRUST RING	1	2011-11_
15	FT300.38.122a	SHIFT COLLAR	1	2011-11_
16	GBT879.1-6X50	PIN	1	2011-11_
16	GBT879.1-6X50	PIN	1	2011-11_
17	FT300.38.177	RIGHT DIFFERENTIAL BEARING SEAT	1	2011-11_
18	FT300.38.151	ADJUSTING NUT	2	2011-11_
19	FT300.38.142	LEFT DIFFERENTIAL BEARING SEAT	1	2011-11_
2	GBT283-2210E	BEARING	1	2004-01_
20	GBT5783-M10X25-A3L	BOLT	12	2011-11_
21	FT300.38.161	LOCK SHIM	2	2011-11_
22	GBT93-8-A0P	WASHER	4	2011-11_
23	TB450.38J-09	BOLT	4	2011-11_
3	GBT894.1-50	SNAP RING	1	2011-11_
4	GBT894.1-48	RETAINER RING	1	2011-11_
5	FT404.38G.116	FRONT DRIVE OUTPUT GEAR	1	2011-11_
6	GBT297-32208	BEARING	2	2011-11_
7	FT300.38.118	TAPER GEAR SHAFT ADJUSTING GASKET	999	2011-11_
8	FT300.38.119	TAPER GEAR SHAFT ADJUSTING GASKET	999	2011-11_
9	FT300.38.120	TAPER GEAR SHAFT ADJUSTING GASKET	999	2011-11_

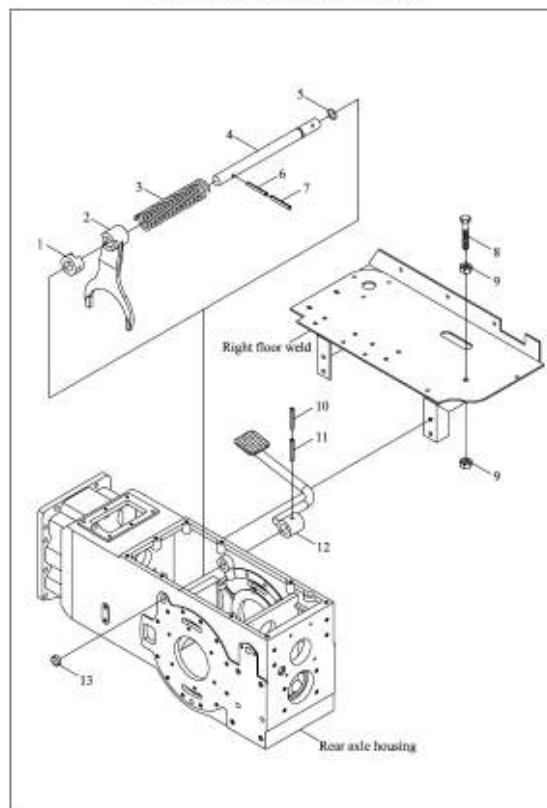
FT404.38G.001Rear axle assembly-3



FT404.38G.001-3 38.3-后桥总成-3 38REAR AXLE ASSEMBLY-3

标号 No.	代号 Code	名称 Description	数量 Quantity	备注 Remark
0	FT300.38.012	DIFFERENTIAL ASSEMBLY	1	2011-11_
1	GBT297-2007113	BEARING	1	2011-11_
10	FT300.38.183	SHORT PLANETARY GEAR SHAFT	2	2011-11_
11	FT300.38.184	CENTRAL RING	1	2011-11_
12	FT300.38.143	LEFT HALF SHAFT GEAR	1	2011-11_
13	FT300.38.180	DIFFERENTIAL HOUSING	1	2011-11_
14	FT300.38.141	BIG TAPER GEAR	1	2011-11_
15	FT300.38.185	PLANET GEAR SHAFT THRUST BOLT	4	2011-11_
16	FT300.38.019	DIFFERENTIAL LOCK ASSEMBLY	1	2011-11_
16	FT300.38.019	DIFFERENTIAL LOCK ASSEMBLY	1	2011-11_
17	GBT297-30211	BEARING	1	2011-11_
18	FT300.38.186	FIXING BOLT	4	2011-11_
2	GBT6170-M12-A3L	NUT	8	2011-11_
3	FT300.38.152	LOCKING WASHER	4	2011-11_
4	FT300.38.181	DIFFERENTIAL HOUSING	1	2011-11_
4	FT300.38.181	DIFFERENTIAL HOUSING	1	2011-11_
5	FT300.38.147	HALF SHAFT GEAR WASHER	2	2011-11_
6	FT300.38.144	RIGHT HALF SHAFT GEAR	1	2011-11_
7	FT300.38.148	PLANET GEAR WASHER	4	2011-11_
8	FT300.38.145	PLANETARY GEAR	4	2011-11_
8	FT300.38.145	PLANETARY GEAR	4	2011-11_
9	FT300.38.182	LONG PLANETARY GEAR SHAFT	1	2011-11_

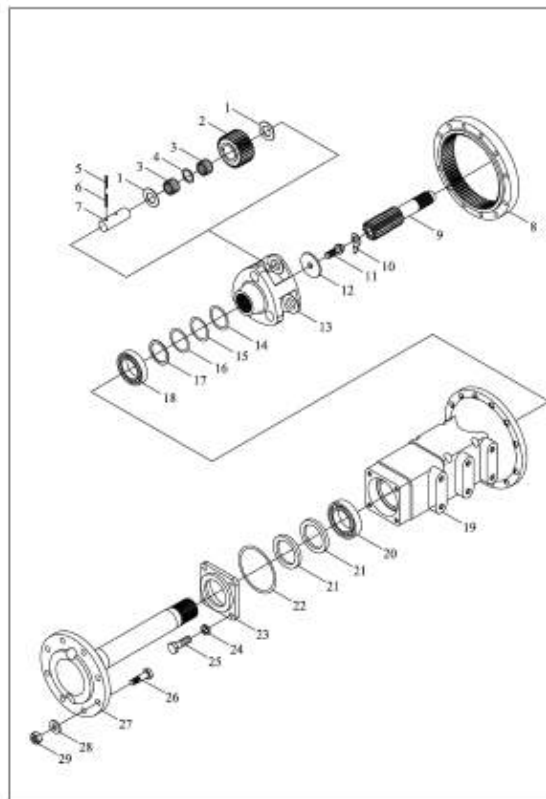
FT404.38G.001Rear axle assembly-4



FT404.38G.001-4 38.4-后桥总成-4 38REAR AXLE ASSEMBLY-4

标号 No.	代号 Code	名称 Description	数量 Quantity	备注 Remark
1	FT300.38.190	DIFFERENTIAL LOCK DIAL BLOCK	1	2011-11
10	GBT879.1-6X35	PIN	1	2011-11
11	GBT879.2-3.5X35	PIN	1	2011-11
12	FT300.38.015	DIFFERENTIAL LOCK PEDAL WELDMENT	1	2011-11
13	Q722-20	PLUG PIECE	1	2011-11
2	FT300.38.159a	DIFFERENTIAL LOCK FORK	1	2011-11
3	FT300.38.160	DIFFERENTIAL LOCK RETURN SPRING	1	2011-11
4	FT300.38.158a	DIFFERENTIAL LOCK FORK SHAFT	1	2011-11
5	GBT3452.1-15.0X2.65G	O-SEAL RING	1	2011-11
6	GBT879.2-3.5X40	PIN	1	2011-11
7	GBT879.1-6X40	SPRING COLUMN PIN	1	2011-11
8	GBT5781-M8X65-A2L	BOLT	1	2011-11
9	GBT6170-M8-A2L	NUT	2	2011-11

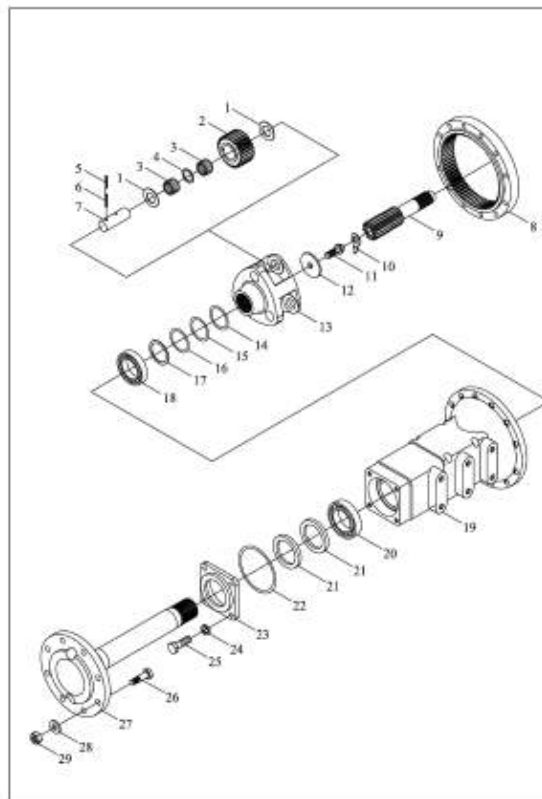
FT300.39.001 Final transmission assembly- -1



FT300.39.001-1 39.1-最终传动总成-1 39FINAL TRANSMISSION ASSEMBLY -1

标号 No.	代号 Code	名称 Description	数量 Quantity	备注 Remark
1	FT300.39.109	NEEDLE OUTER SPACER RING	6	2011-11
10	FT300.39.110	DRIVING SHAFT LOCK PIECE	1	2011-11
11	FT300.39.112	DRIVING SHAFT LOCK BOLT	1	2011-11
12	FT300.39.111	RETAINER BLOCK	1	2011-11
13	FT300.39.104	PLANET CARRIER	1	2011-11
14	FT300.39.123	ADJUSTING WASHER	999	2011-11
15	FT300.39.122	ADJUSTING WASHER	999	2011-11
16	FT300.39.121	ADJUSTING WASHER	999	2011-11
16	FT300.39.121	ADJUSTING WASHER	999	2011-11
17	FT300.39.113	SPACER BUSH	1	2011-11
18	GBT276-6211	BEARING	1	2011-11
19	FT300.39.115	LEFT DRIVING SHAFT HOUSING	1	2011-11
2	FT300.39.103	PLANET GEAR	3	2011-11
20	GBT276-6212	BALL BEARING	1	2011-11
21	GBT9877.1-FB70X95X10D	O RING	2	2011-11
22	GBT3452.1-115X3.55G	O-SEAL RING	1	2004-01
23	FT300.39.116	OIL SEAL CAGE	1	2011-11
24	GBT93-12-AOP	WASHER	4	2011-11
25	GBT5783-M12X30-8.8-A3L	BOLT	4	2011-11
26	FT300.39.136	REAR HUB BOLT (LEFT)	8	2011-11
27	FT300.39.118	DRIVING SHAFT	1	2011-11
28	FT300.39.137	WASHER	8	2011-11
29	GBT6176-M16X1.5-LH-10-A3L	HEXAGON NUT, TYPE-2	8	2004-01
3	GBT309-P5X23.8-G2	NEEDLE	132	2011-11
4	FT300.39.105	NEEDLE INNER SPACER RING	3	2011-11

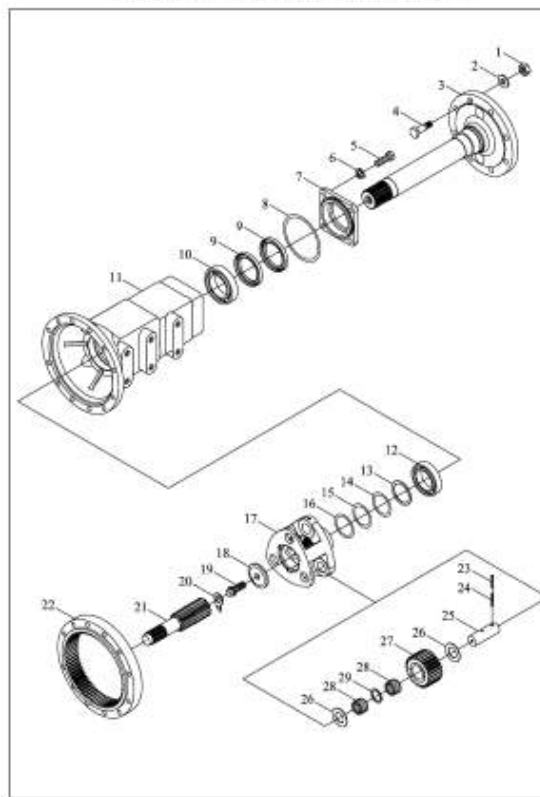
FT300.39.001 Final transmission assembly- -1



FT300.39.001-1 39.1-最终传动总成-1(续)

标号 No.	代号 Code	名称 Description	数量 Quantity	备注 Remark
5	GBT879.1-5X24	PIN	3	2011-11
6	GBT879.1-8X24	PIN	3	2011-11
7	FT300.39.106	PLANET GEAR SHAFT	3	2011-11
8	FT300.39.107	GEAR RING	1	2011-11
9	FT300.39.101	LEFT HALF SHAFT	1	2011-11

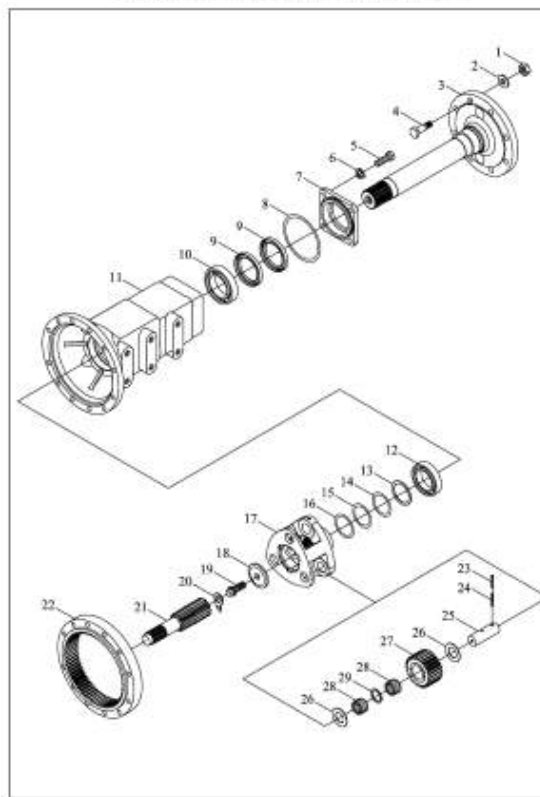
FT300.39.001 Final transmission assembly--2



FT300.39.001-2 39.2-最终传动总成-2 39FINAL TRANSMISSION ASSEMBLY -2

标号 No.	代号 Code	名称 Description	数量 Quantity	备注 Remark
1	GBT6176-M16X1.5-LH-10-A3L	HEXAGON NUT, TYPE-2	8	2011-11_
10	GBT276-6212	BALL BEARING	1	2011-11_
11	FT300.39.114	RIGHT DRIVING SHAFT HOUSING	1	2011-11_
12	GBT276-6211	BEARING	1	2011-11_
13	FT300.39.113	SPACER BUSH	1	2011-11_
14	FT300.39.121	ADJUSTING WASHER	9999	2011-11_
14	FT300.39.121	ADJUSTING WASHER	9999	2011-11_
15	FT300.39.122	ADJUSTING WASHER	9999	2011-11_
16	FT300.39.123	ADJUSTING WASHER	9999	2011-11_
17	FT300.39.104	PLANET CARRIER	1	2011-11_
18	FT300.39.111	RETAINER BLOCK	1	2011-11_
19	FT300.39.112	DRIVING SHAFT LOCK BOLT	1	2011-11_
2	FT300.39.137	WASHER	8	2011-11_
20	FT300.39.110	DRIVING SHAFT LOCK PIECE	1	2011-11_
21	FT300.39.102	RIGHT HALF SHAFT	1	2011-11_
21	FT300.39.102	RIGHT HALF SHAFT	1	2011-11_
22	FT300.39.107	GEAR RING	1	2011-11_
23	GBT879.1-5X24	PIN	3	2011-11_
24	GBT879.1-8X24	PIN	3	2011-11_
25	FT300.39.106	PLANET GEAR SHAFT	3	2011-11_
26	FT300.39.109	NEEDLE OUTER SPACER RING	6	2011-11_
27	FT300.39.103	PLANET GEAR	3	2011-11_
28	GBT309-P5X23.8-G2	NEEDLE	132	2011-11_
29	FT300.39.105	NEEDLE INNER SPACER RING	3	2011-11_
3	FT300.39.118	DRIVING SHAFT	1	2011-11_

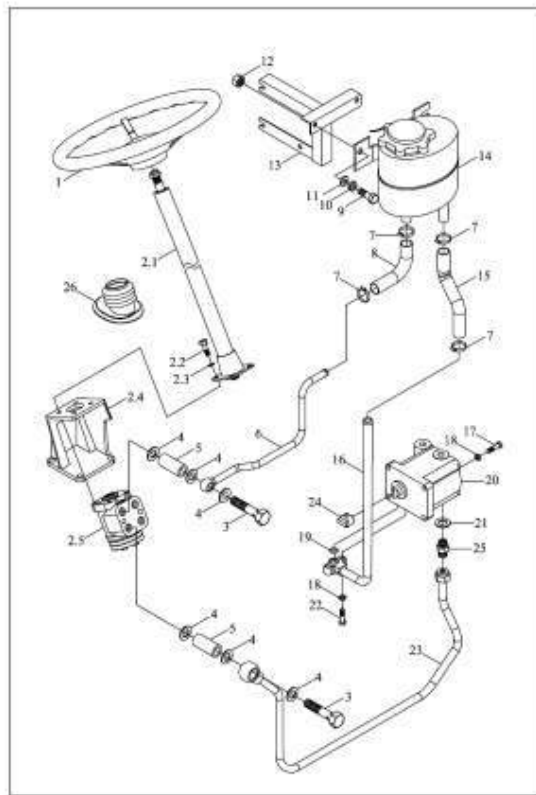
FT300.39.001 Final transmission assembly--2



FT300.39.001-2 39.2-最终传动总成-2(续)

标号 No.	代号 Code	名称 Description	数量 Quantity	备注 Remark
4	FT300.39.135	REAR HUB BOLT	8	2011-11
5	GBT5783-M12X30-8.8-A3L	BOLT	4	2011-11
6	GBT93-12-AOP	WASHER	4	2011-11
7	FT300.39.116	OIL SEAL CAGE	1	2011-11
8	GBT3452.1-115X3.55G	O-SEAL RING	1	2011-11
9	GBT9877.1-FB70X95X10D	O RING	2	2011-11

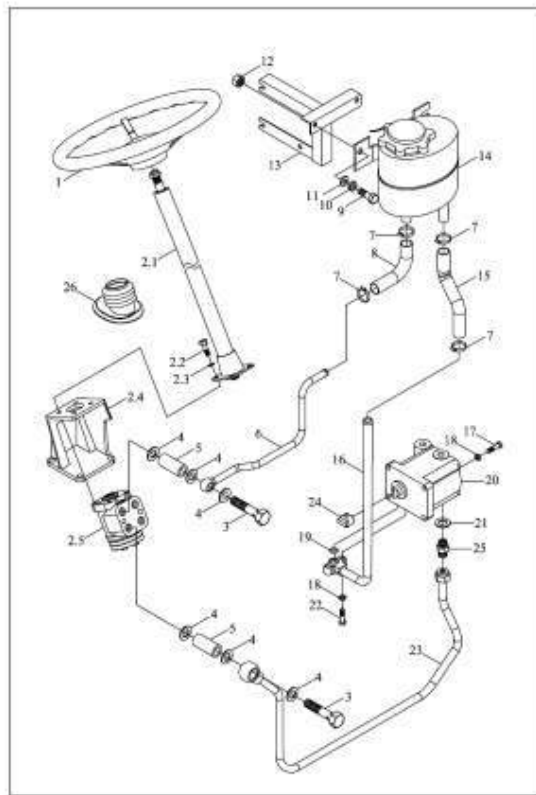
FT404.40F.001 全液压转向总成-1



FT404.40F.001-1 40.1-全液压转向总成-1 40FULL HYDRAULIC STEERING ASSEMBLY-1

标号 No.	代号 Code	名称 Description	数量 Quantity	备注 Remark
1	FT400.40.016	STEERING WHEEL ASSEMBLY	1	2011-11
10	GBT93-10-A0P	WASHER	2	2011-11
11	GBT97.1-10-A0P	WASHER	2	2011-11
12	GBT6170-M10-A3L	NUT	2	2011-11
13	FT404.40F.050	OIL TANK BRACKET WELDMENT	1	2004-01
13	FT404.40F.050a	OIL TANK BRACKET WELDMENT	1	2009-11
14	FT354.40C.011	STEERING OIL TANK AND BREATH ASSEMBLY	1	2011-11
15	FT404.40C.104	OIL OUTLET HOSE	1	2011-11
16	FT404.40F.080	OIL PUMP INLET STEEL PIPE WELDMENT	1	2009-11
16	FT404.40C.011	OIL PUMP INLET STEEL PIPE WELDMENT	1	2004-01
16	FT404.40C.011	OIL PUMP INLET STEEL PIPE WELDMENT	1	2004-01
17	GBT5783-M8 × 35-A2L	BOLT	4	2011-11
18	GBT93-8-A0P	WASHER	6	2011-11
19	GBT3452.1-19.0X2.65G	O-SEAL RING	1	2011-11
2	FT354.40C.012	REDIRECTOR AND HOUSING ASSEMBLY	1	2011-11
2.1	FT354.40C.016a	STEERING PIPE COLUMN ASSEMBLY	1	2011-11
2.1	FT354.40C.016a	STEERING PIPE COLUMN ASSEMBLY	1	2011-11
2.2	GBT5783-M10X30-A3L	BOLT	4	
2.3	GBT93-10-A0P	WASHER	4	2011-11
2.4	FT354.40C.111	REDIRECTOR BRACKET	1	2011-11
2.5	FT354.40C.015	HYDRAULIC STEERING MECHANISM ASSEMBLY	1	2011-11
2.5	FT354.40C.015	HYDRAULIC STEERING MECHANISM ASSEMBLY	1	2011-11
20	FT404.40C.030	PERMANENT OVERFLOW PUMP	1	2011-11
21	JBT982-18	COMBINED SEAL GASKET	1	2011-11
21	JBT982-18	COMBINED SEAL GASKET	1	2011-11

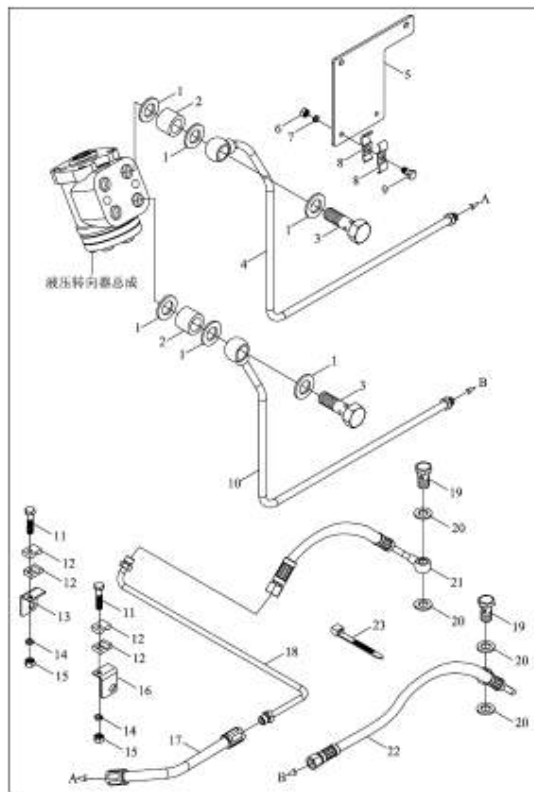
FT404.40F.001 全液压转向总成-1



FT404.40F.001-1 40.1-全液压转向总成-1(续)

标号 No.	代号 Code	名称 Description	数量 Quantity	备注 Remark
22	GBT5783-M8X30-A2L	BOLT	2	2011-11
23	FT404.40E.020	OIL PUMP OUTLET STEEL PIPE WELDMENT	1	2011-11
24	FT300.58.102	CROSS SLIDE BLOCK	1	2011-11
25	FT404.40C.102	STRAIGHT THREAD JOINT BODY	1	2011-11
26	TB554.40C-03	STEERING ROD SLEEVE	1	2011-11
26	TB554.40C-03	STEERING ROD SLEEVE	1	2011-11
3	FT354.40C.102	HOLLOW LONG BOLT	2	2011-11
4	JBT982-20	COMBINED SEAL GASKET	6	2011-11
5	FT354.40C.109	LONG CONNECTING PIPE	2	2011-11
6	FT404.40F.070	OIL RETURN OUTLET PIPE WELDMENT	1	2009-11
6	FT404.40C.021	OIL RETURN OUTLET PIPE WELDMENT	1	2004-01
6	FT404.40C.021	OIL RETURN OUTLET PIPE WELDMENT	1	2004-01
7	Q67627	HOSE HOOP 27	4	2011-11
8	FT354.40C.107	OIL RETURN HOSE	1	2011-11
9	GBT5783-M10X25-A3L	BOLT	2	2011-11

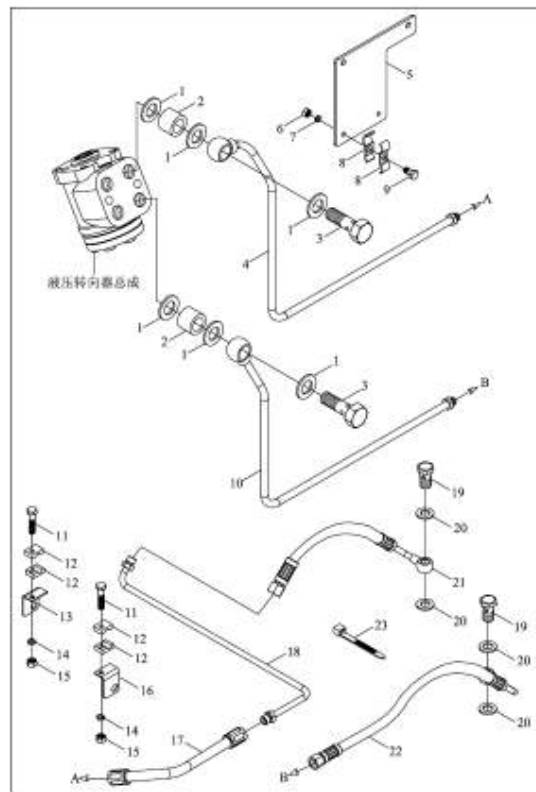
FT404.40F.001 全液压转向总成-2



FT404.40F.001-2 40.2-全液压转向总成-2 40FULL HYDRAULIC STEERING ASSEMBLY-2

标号 No.	代号 Code	名称 Description	数量 Quantity	备注 Remark
1	JBT982-20	COMBINED SEAL GASKET	6	2011-11
10	FT404.40F.010	RIGHT OIL STEEL PIPE ASSEMBLY	1	2004-01
10	FT404.40F.010	RIGHT OIL STEEL PIPE ASSEMBLY	1	2004-01
10	FT404.40F.010a	RIGHT OIL STEEL PIPE ASSEMBLY	1	2009-11
11	GBT5783-M8X35-A2L	BOLT	2	
12	TB454.40X-01	SINGLE HOLE PIPE CLAMP	4	2011-11
13	TB454.40X-03	LEFT OIL PIPE BRACKET	1	2011-11
14	GBT93-8-A0P	WASHER	2	2011-11
15	GBT6170-M8-A2L	NUT	2	2011-11
16	TB454.40X-02	RIGHT OIL PIPE BRACKET	1	2011-11
17	TB554.40A.3	HIGH PRESSURE OIL HOSE ASSEMBLY	1	2004-01
17	TB554.40A.3a	HIGH PRESSURE OIL HOSE ASSEMBLY	1	2009-11
18	TB454.40X.3	HIGHT PRESSURE LEFT OIL STEEL PIPE UNIT	1	2011-11
19	FT650.40.112	HOLLOW BOLT	2	2011-11
2	FT354.40C.108	SHORT CONNECTING PIPE	2	2011-11
20	JBT982-16	COMBINED SEAL GASKET	4	2011-11
21	TB454.40X.2a	HIGHT PRESSURE LEFT OIL PIPE ASSEMBLY	1	2009-11
21	TB454.40X.2a	HIGHT PRESSURE LEFT OIL PIPE ASSEMBLY	1	2009-11
21	TB454.40X.2	HIGHT PRESSURE LEFT OIL PIPE ASSEMBLY	1	2004-01
21	TB454.40X.2	HIGHT PRESSURE LEFT OIL PIPE ASSEMBLY	1	2004-01
22	TB454.40X.1	HIGHT PRESSURE RIGHT OIL PIPE ASSEMBLY	1	2004-01
22	TB454.40X.1a	HIGHT PRESSURE RIGHT OIL PIPE ASSEMBLY	1	2009-11
23	Q67407200	PLASTIC FASTEN STRIP	1	2011-11
3	FT354.40C.119	HOLLOW SHORT BOLT	2	2011-11
4	FT404.40F.020	LEFT STEEL OIL PIPE ASSEMBLY	1	2004-01

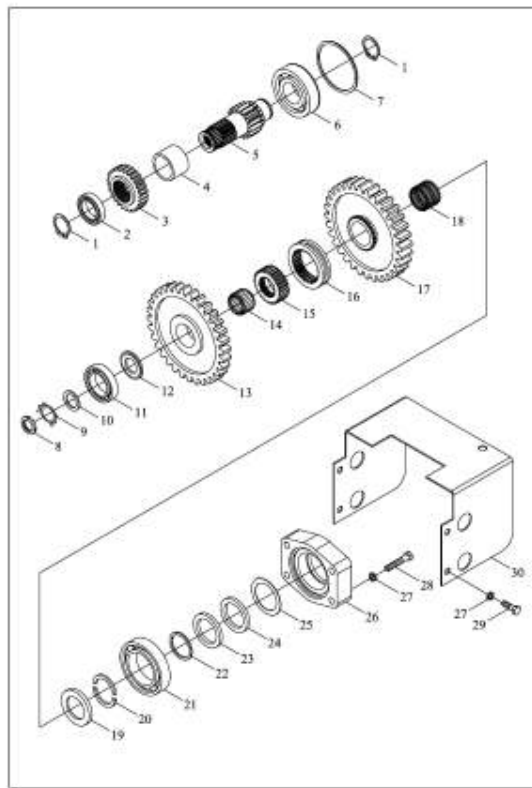
FT404.40F.001 全液压转向总成-2



FT404.40F.001-2 40.2-全液压转向总成-2(续)

标号 No.	代号 Code	名称 Description	数量 Quantity	备注 Remark
4	FT404.40F.020a	LEFT STEEL OIL PIPE ASSEMBLY	1	2009-11
5	FT404.40F.111	OIL PIPE BRACKET	1	2011-11
6	GBT6170-M6-A2L	NUT	2	2011-11
7	GBT93-6-A0P	SPRING WASHER	2	2011-11
8	FT304.40L.121	DOUBLE-HOLE PIPE CLIP	4	2011-11
9	GBT5783-M6X25-A2L	BOLT	2	2011-11
9	GBT5783-M6X25-A2L	BOLT	2	2011-11

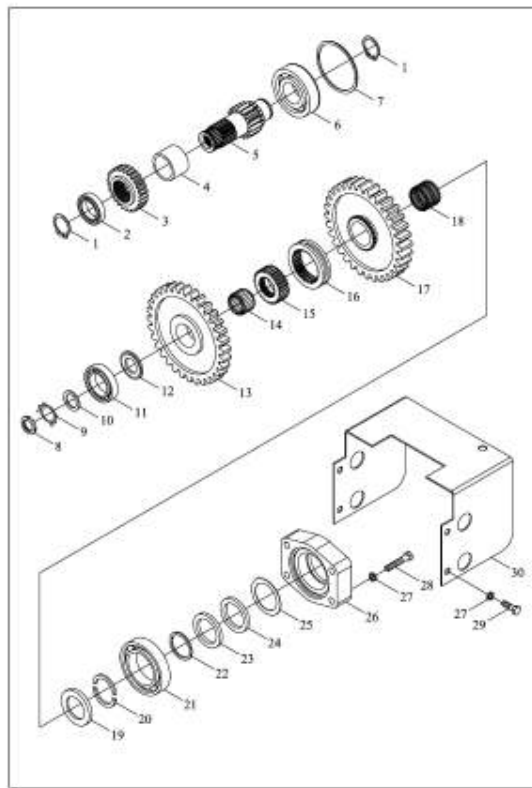
FT400.41E.001 动力输出总成-1



FT400.41E.001-1 41.1-动力输出总成-1 POWER TAKE-OFF ASSEMBLY-1

标号 No.	代号 Code	名称 Description	数量 Quantity	备注 Remark
1	GBT894.1-40	WASHER 40	2	2011-11_
10	FT300.41.122	WASHER	1	2011-11_
11	GBT276-6306	BEARING	1	2011-11_
12	FT300.41C.118	OUTPUT SHAFT FRONT RETAINER RING	1	2011-11_
13	FT300.41E.105	PTO DRIVEN SMALL GEAR	1	2011-11_
14	JBT7918-K35X40X27	NEEDLE AND CARRIER UNIT	1	2011-11_
15	FT300.41C.117	PTO MESHING SEAT	1	2011-11_
15	FT300.41C.117	PTO MESHING SEAT	1	2011-11_
16	FT300.41C.116	PTO SHIFT COLLAR	1	2011-11_
17	FT400.41E.103	PTO DRIVEN BIG GEAR	1	2011-11_
19	FT300.41E.114	REAR RETAINER RING	1	2011-11_
2	GBT276-6208	BEARING	1	2011-11_
20	FT300.41E.119	OUTPUT SHAFT HALF RETAINER RING	2	2011-11_
21	GBT276-6309	BEARING	1	2011-11_
22	FT300.41E.113	OUTPUT SHAFT BEARING WASHER	1	2011-11_
23	GBT9877.1-B50X72X8D	O RING	1	2011-11_
24	GBT9877.1-FB50X72X8D	O RING	1	2011-11_
25	FT300.41E.115	OIL SEAL RETAINER RING	1	2011-11_
26	FT300.41E.101	REAR END COVER I	1	2011-11_
27	GBT93-12-AOP	WASHER	8	2011-11_
29	GBT5781-M12X25-A3L	BOLT	4	2011-11_
3	FT300.41E.120	PTO HIGH GEAR DRIVING GEAR	1	2011-11_
3	FT300.41E.120	PTO HIGH GEAR DRIVING GEAR	1	2011-11_
30	FT300.41.131a	SAFTY BONNET	1	2011-11_
4	FT300.41E.121	SPACER BUSH	1	2011-11_

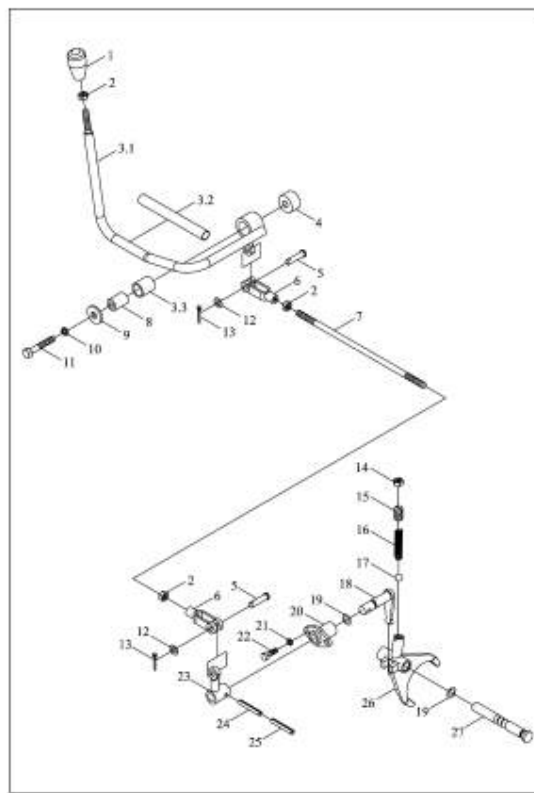
FT400.41E.001 动力输出总成-1



FT400.41E.001-1 41.1-动力输出总成-1(续)

标号 No.	代号 Code	名称 Description	数量 Quantity	备注 Remark
5	FT400.41E.106	PTO LOW GEAR DRIVING GEAR	1	2011-11
6	GBT276-6308N	BEARING	1	2011-11
7	GBT305-90-96.5	THRUST RING	1	2011-11
8	GBT812-M25X1.5	ROUND NUT	1	2011-11
9	GBT858-25	WASHER LOCK	1	2011-11

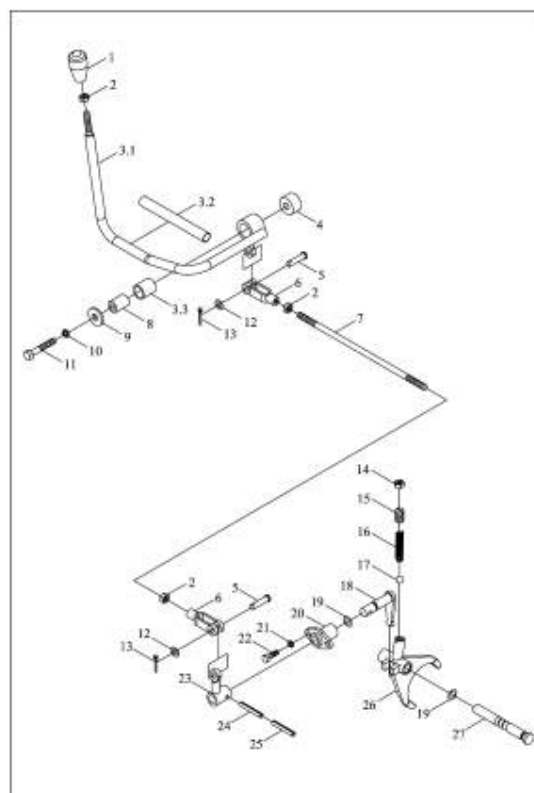
FT400.41E.001 动力输出总成-2



FT400.41E.001-2 41.2-动力输出总成-2 POWER TAKE-OFF ASSEMBLY-2

标号 No.	代号 Code	名称 Description	数量 Quantity	备注 Remark
1	FT300.41.015	PTO CONTROL HANDLE ASSEMBLY	1	2011-11
10	GBT93-12	WASHER	1	2011-11
11	TB550.413-02	BOLT	1	2011-11
12	GBT97.1-10-A0P	WASHER	2	2011-11
13	GBT91-3.2X16-A0P	PIN	2	2011-11
14	GBT6172.1-M12-A3L	NUT	1	2011-11
15	GBT73-M12X20	SCREW	1	2011-11
16	FT704.42B.163	FORK SHAFT LOCATING SPRING	1	2011-11
17	GBT308-9.5-G200-b	BALL	1	2011-11
18	FT300.41E.011	FINGER LEVER WELDMENT	1	2011-11
19	GBT3452.1-11.2X2.65G	O-SEAL RING	2	2011-11
2	GBT6170-M10-A3L	NUT	3	2011-11
20	FT300.41E.109	LEVER SHAFT SLEEVE	1	2011-11
21	GBT93-8-A0P	SPRING WASHER	2	2011-11
22	GBT5783-M8X20-A2L	BOLT	2	2011-11
23	FT300.41.012	PTO GEARSHIFT LEVER WELDMENT	1	2011-11
24	GBT879.1-6X26	PIN	1	2011-11
25	GBT879.1-3.5X26	PIN	1	2011-11
26	TB550.413-01a	PTO GEARSHIFT FORK	1	2011-11
27	FT300.41C.107a	PTO FORK SHAFT	1	2011-11
3	FT300.41.013	PTO CONTROL ROD ASSEMBLY	1	2011-11
3.1	FT300.41.014	PTO CONTROL ROD WELDMENT	1	2011-11
3.2	FT300.41.145	CONTROL ROD DAMPING PIPE	1	2011-11
3.3	FT300.41.127	SLEEVE	1	2011-11
4	FT300.41.128	SPACER BUSH	1	2011-11

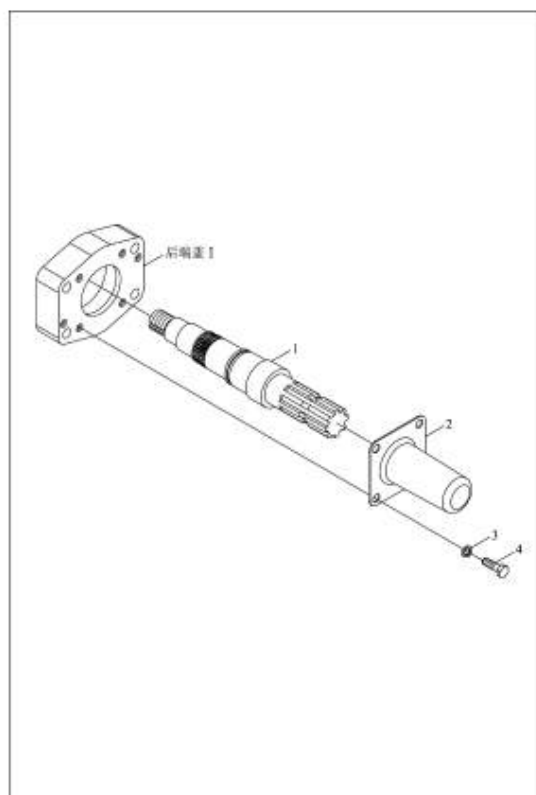
FT400.41E.001 动力输出总成-2



FT400.41E.001-2 41.2-动力输出总成-2(续)

标号 No.	代号 Code	名称 Description	数量 Quantity	备注 Remark
5	GBT882-B10X30	PIN	2	2011-11
6	FT300.43.108	PULL ROD FRONT FORK	2	2011-11
7	FT300.41E.112	CONTROL ROD	1	2011-11
8	FT300.41.130	SHAFT SLEEVE	1	2011-11
9	FT300.41.129	WASHER	1	2011-11

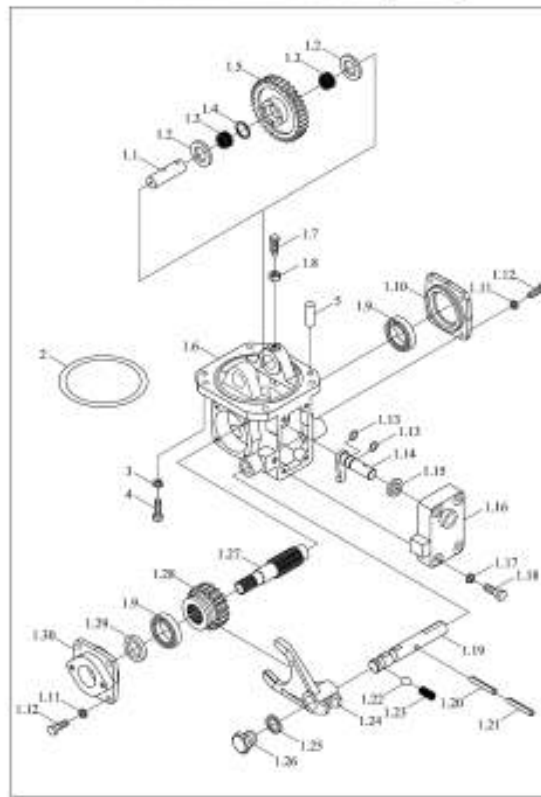
FT400.41E.001 动力输出总成-3



FT400.41E.001-3 41.3-动力输出总成-3 PTO ASSEMBLY-3

标号 No.	代号 Code	名称 Description	数量 Quantity	备注 Remark
0	FT300.41E.104	PTO SHAFT	1	2011-11
1	FT300.41E.104A	PTO SHAFT	1	2011-11
2	FT300.41E.102	PTO SHAFT COVER	1	2011-11
3	GBT93-10	WASHER 10	4	2011-11
4	GBT5783-10X25-A3L	BOLT	4	2011-11

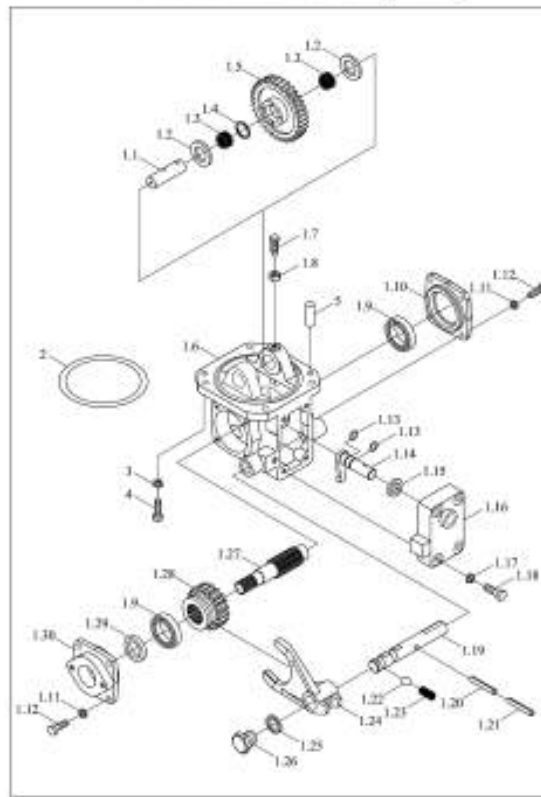
TB554.421 Transfer case housing assembly



FT304.42F.001-1 42.1-分动箱总成-1 TRANSFER CASE ASSEMBLY-1

标号 No.	代号 Code	名称 Description	数量 Quantity	备注 Remark
0	TB554.421	42.1-TRANSFER CASE HOUSING ASSEMBLY	1	2011-11
1	TB554.421.1	TRANSFER CASE INSTALLATION ASSEMBLY	1	2011-11
1.1	FT304.42.117	BEARING COVER	1	2011-11
1.1	FT304.42.117	BEARING COVER	1	2011-11
1.1	FT304.42.102	IDLER SHAFT	1	2011-11
1.11	GBT93-8-AOP	SPRING WASHER	8	2011-11
1.12	GBT5783-M8X20-A2L	BOLT	8	2011-11
1.13	GBT3452.1-17.0X1.80G	O-SEAL RING	2	2011-11
1.14	TB554.421E.1.1	ROTARY SHAFT WELDMENT	1	2011-11
1.15	TB554.423B-02	ROTARY SHAFT SPACER BUSH	1	2011-11
1.16	TB554.421E.1-05	SIDE COVER	1	2011-11
1.17	GBT93-10-AOP	WASHER	4	2011-11
1.19	TB554.421E.1-04	FORK SHAFT	1	2011-11
1.2	FT304.42F.103	PLATE;THRUST	2	2011-11
1.2	GBT879.1-6X30	PIN	1	2011-11
1.21	GBT879.1-3.5X30	PIN	1	2011-11
1.22	GBT308-10-G100-b	BALL	1	2011-11
1.23	FT804.42.151	SPRING	1	2011-11
1.24	TB554.421E.1-06	RELEASE SHIFT FORK	1	2011-11
1.25	JBT982-18	COMBINED SEAL GASKET	2	2011-11
1.25	JBT982-18	COMBINED SEAL GASKET	2	2011-11
1.26	FT804.42.110	SCREW PLUG	2	2011-11
1.27	FT304.42F.105	TRANSFER CASE OUTPUT SHAFT	1	2011-11
1.28	FT304.42F.104	TRANSFER CASE DRIVEN GEAR	1	2011-11
1.29	GBT9877.1-FB30X52X7D	O RING	1	2011-11

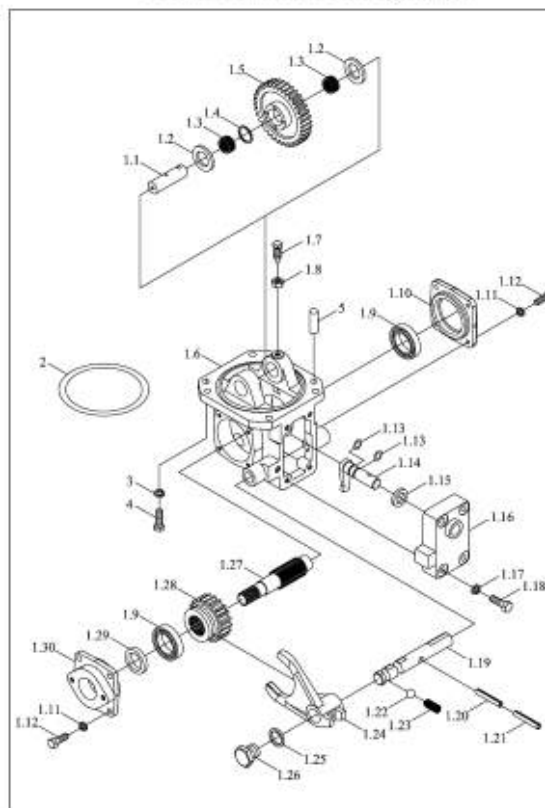
TB554.421 Transfer case housing assembly



FT304.42F.001-1 42.1-分动箱总成-1(续)

标号 No.	代号 Code	名称 Description	数量 Quantity	备注 Remark
1.3	FT304.42F.106	BEARING SEAT	1	2011-11
1.4	FT304.42.126	NEEDLE INNER SPACER SLEEVE	1	2011-11
1.5	FT304.42F.125	TRANSFER CASE IDLER	1	2011-11
1.6	FT304.42F.101a	TRANSFER CASE BODY	1	2011-11
1.7	FT304.42.112	THRUST SCREW	1	2011-11
1.8	GBT6173-M10X1-A2L	NUT	1	2011-11
1.9	GBT276-6306	BEARING	2	2011-11
2	GBT3452.1-132X3.55G	O-SEAL RING	1	2011-11
3	GBT93-10-A0P	WASHER	4	2011-11
4	GBT5783-M10X25-A3L	BOLT	4	2011-11

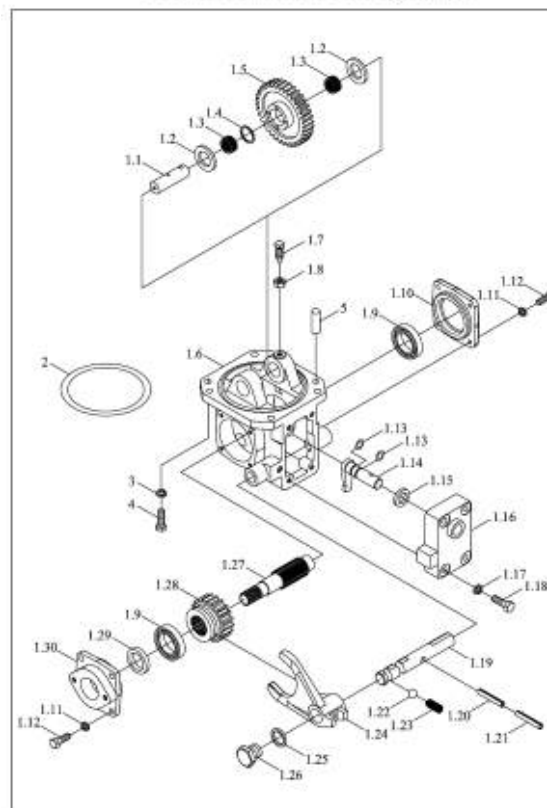
TB554,421 Transfer case housing assembly



TB554.421 42.1-分动箱箱体总成 42.1-TRANSFER CASE HOUSING ASSEMBLY

标号 No.	代号 Code	名称 Description	数量 Quantity	备注 Remark
1	TB554.421.1	TRANSFER CASE INSTALLATION ASSEMBLY	1	2011-11
1.1	FT304.42.102	IDLER SHAFT	1	2011-11
1.1	FT304.42.117	BEARING COVER	1	2011-11
1.1	FT304.42.117	BEARING COVER	1	2011-11
1.11	GBT93-8-AOP	SPRING WASHER	8	2011-11
1.12	GBT5783-M8X20-A2L	BOLT	8	2011-11
1.13	GBT3452.1-17.0X1.80G	O-SEAL RING	2	2011-11
1.14	TB554.421E.1.1	ROTARY SHAFT WELDMENT	1	2011-11
1.15	TB554.423B-02	ROTARY SHAFT SPACER BUSH	1	2011-11
1.16	TB554.421E.1-05	SIDE COVER	1	2011-11
1.17	GBT93-10-AOP	WASHER	4	2011-11
1.19	TB554.421E.1-04	FORK SHAFT	1	2011-11
1.2	GBT879.1-6X30	PIN	1	2011-11
1.2	FT304.42F.103	PLATE;THRUST	2	2011-11
1.21	GBT879.1-3.5X30	PIN	1	2011-11
1.22	GBT308-10-G100-b	BALL	1	2011-11
1.23	FT804.42.151	SPRING	1	2009-12
1.23	FT800.37.139	SPRING	1	2004-01
1.24	TB554.421E.1-06	RELEASE SHIFT FORK	1	2011-11
1.25	JBT982-18	COMBINED SEAL GASKET	2	2011-11
1.25	JBT982-18	COMBINED SEAL GASKET	2	2011-11
1.26	FT804.42.110	SCREW PLUG	2	2011-11
1.27	FT304.42F.105	TRANSFER CASE OUTPUT SHAFT	1	2011-11
1.28	FT304.42F.104	TRANSFER CASE DRIVEN GEAR	1	2011-11
1.29	GBT9877.1-FB30X52X7D	O RING	1	2011-11

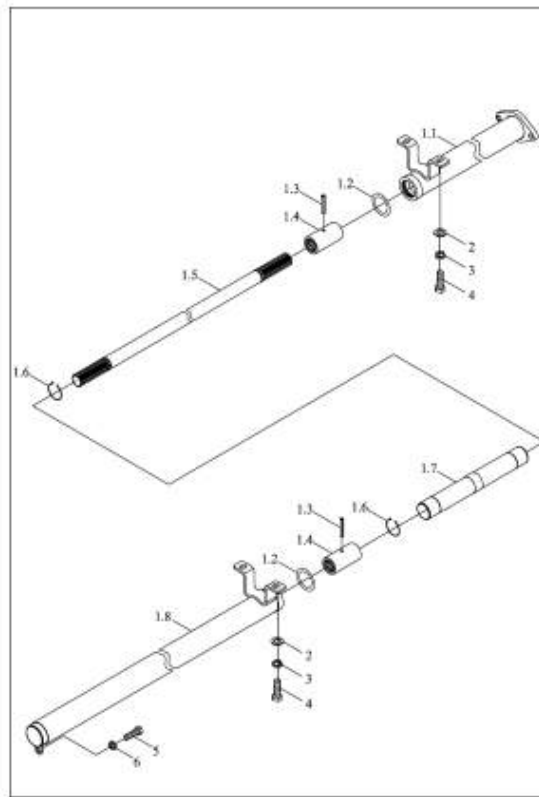
TB554,421 Transfer case housing assembly



TB554.421 42.1-分动箱箱体总成(续)

标号 No.	代号 Code	名称 Description	数量 Quantity	备注 Remark
1.3	FT304.42F.106	BEARING SEAT	1	2011-11
1.4	FT304.42.126	NEEDLE INNER SPACER SLEEVE	1	2011-11
1.5	FT304.42F.125	TRANSFER CASE IDLER	1	2011-11
1.6	FT304.42F.101a	TRANSFER CASE BODY	1	2011-11
1.7	FT304.42.112	THRUST SCREW	1	2011-11
1.8	GBT6173-M10X1-A2L	NUT	1	2011-11
1.9	GBT276-6306	BEARING	2	2011-11
2	GBT3452.1-132X3.55G	O-SEAL RING	1	2011-11
3	GBT93-10-A0P	WASHER	4	2011-11
4	GBT5783-M10X25-A3L	BOLT	4	2011-11

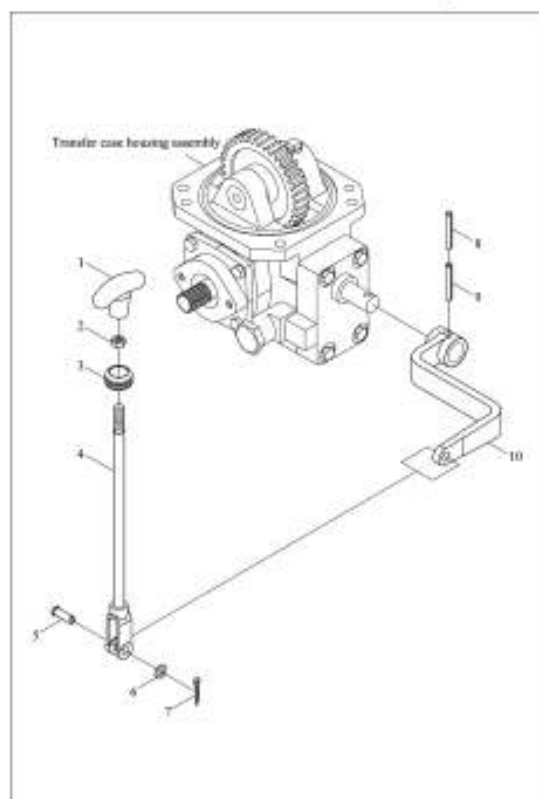
TB354.422B Transfer case driven assembly



TB354.422B 42.2-分动箱传动总成 42.2-TRANSFER CASE TRANSMISSION ASSEMBLY

标号 No.	代号 Code	名称 Description	数量 Quantity	备注 Remark
1	TB354.422B.1	TRANSFER CASE TRANSMISSION INSTALLATION ASSEMBLY	1	2011-11_
1.1	FT304.42F.015	BONNET (1) WELDMENT	1	2011-11_
1.2	GBT3452.1-34.5X3.55G	O-SEAL RING	2	2011-11_
1.3	GBT879.1-6X35	PIN	2	2011-11_
1.4	FT304.42.107a	SPLINE BUSH	2	2011-11_
1.5	FT304.42F.128	TRANSMISSION SHAFT	1	2011-11_
1.6	FT304.42F.139	SNAP RING	2	2011-11_
1.7	FT304.42F.110	GUARD SLEEVE (2)	1	2011-11_
1.8	FT304.42F.016	BONNET (3) WELDMENT	1	2011-11_
2	GBT97.1-10 -A0P	WASHER	4	2011-11_
3	GBT93-10-A0P	WASHER	4	2011-11_
4	GBT5783-M10X20-A3L	BOLT	4	2011-11_
5	GBT5783-M8X16-A2L	BOLT	1	2011-11_
6	GBT93-8-A0P	WASHER	1	2011-11_

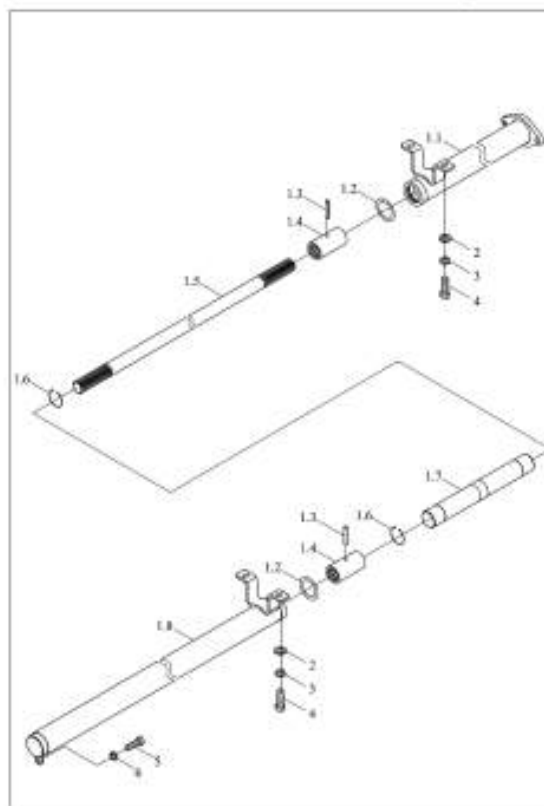
TB554.423C Transfer case control assembly



FT304.42F.001-2 42.2-分动箱总成-2 TRANSFER CASE ASSEMBLY-2

标号 No.	代号 Code	名称 Description	数量 Quantity	备注 Remark
0	TB554.423C	42.3-TRANSFER CASE CONTROL ASSEMBLY	1	2011-11
1	FT65.38.051	PULL/PRESS HANDLE	1	2011-11
10	TB554.423C-01	ROCKER	1	2011-11
2	GBT6170-M10-A3L	NUT	1	2011-11
3	FT304.42D.137	SEAL RUBBER RING	1	2011-11
4	FT304.42D.021	CONTROL ROD UNIT	1	2011-11
5	GBT882-B10X30	PIN	1	2011-11
6	GBT97.1-10-A0P	WASHER	1	2011-11
7	GBT91-3.2X16-A0P	PIN	1	2011-11
8	GBT879.1-5X32	PIN	1	2011-11
9	GBT879.1-8X32	PIN	1	2011-11

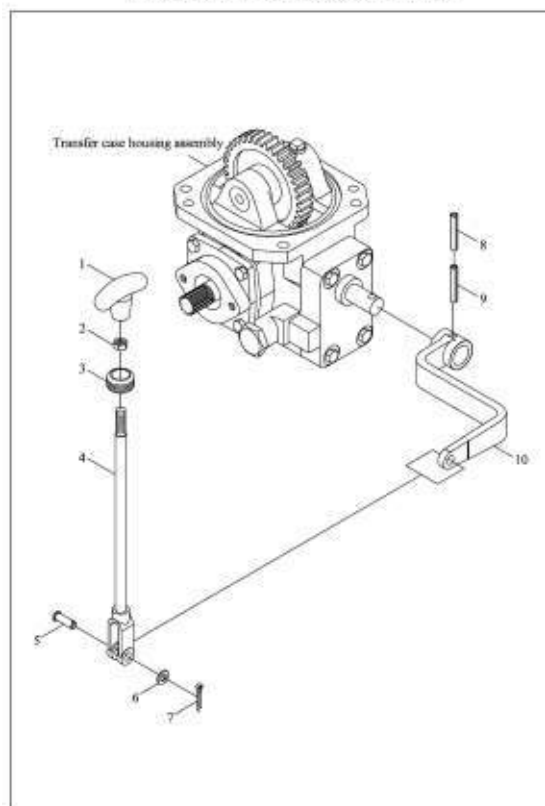
TB354.422B Transfer case driven assembly



FT304.42F.001-3 42.3-分动箱总成-3 42TRANSFER CASE ASSEMBLY -3

标号 No.	代号 Code	名称 Description	数量 Quantity	备注 Remark
0	TB354.422B	42.2-TRANSFER CASE TRANSMISSION ASSEMBLY	1	2011-11_
1	TB354.422B.1	TRANSFER CASE TRANSMISSION INSTALLATION ASSEMBLY	1	2011-11_
1.1	FT304.42F.015	BONNET (1) WELDMENT	1	2011-11_
1.2	GBT3452.1-34.5X3.55G	O-SEAL RING	2	2011-11_
1.3	GBT879.1-6X35	PIN	2	2011-11_
1.5	FT304.42F.128	TRANSMISSION SHAFT	1	2011-11_
1.6	FT304.42F.139	SNAP RING	2	2011-11_
1.7	FT304.42F.110	GUARD SLEEVE (2)	1	2011-11_
1.8	FT304.42F.016	BONNET (3) WELDMENT	1	2011-11_
2	GBT97.1-10-A0P	WASHER	4	2011-11_
3	GBT93-10-A0P	WASHER	4	2011-11_
4	GBT5783-M10X20-A3L	BOLT	4	2011-11_
5	GBT5783-M8X16-A2L	BOLT	1	2011-11_
6	GBT93-8-A0P	WASHER	1	2011-11_

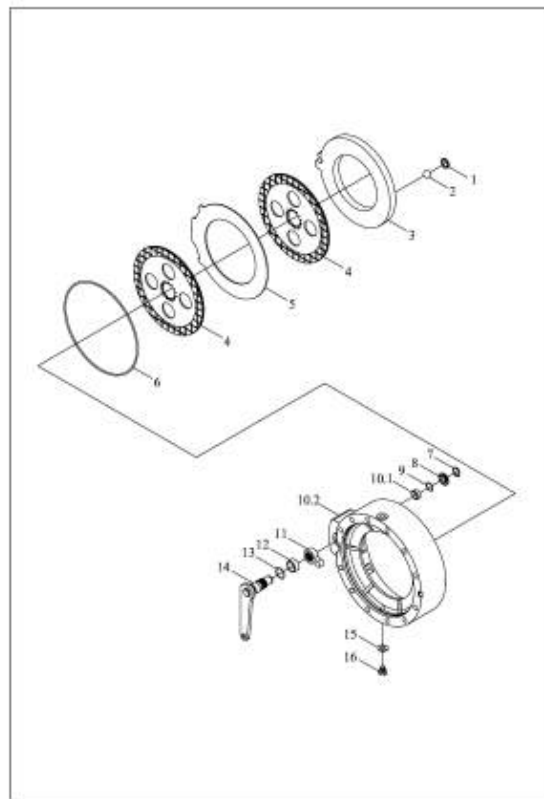
TB554.423C Transfer case control assembly



TB554.423C 42.3-分动箱操纵总成 42.3-TRANSFER CASE CONTROL ASSEMBLY

标号 No.	代号 Code	名称 Description	数量 Quantity	备注 Remark
1	FT65.38.051	PULL/PRESS HANDLE	1	2011-11
10	TB554.423C-01	ROCKER	1	2011-11
2	GBT6170-M10-A3L	NUT	1	2011-11
3	TG1204.435.2	SEAL RUBBER RING	1	2004-01
3	FT304.42D.137	SEAL RUBBER RING	1	2011-11
4	FT304.42D.021	CONTROL ROD UNIT	1	2008-03
4	TB554.423B.3	CONTROL ROD UNIT	1	2010-02
5	GBT882-B10X30	PIN	1	2011-11
6	GBT97.1-10-A0P	WASHER	1	2011-11
7	GBT91-3.2X16-A0P	PIN	1	2011-11
8	GBT879.1-5X32	PIN	1	2011-11
9	GBT879.1-8X32	PIN	1	2011-11

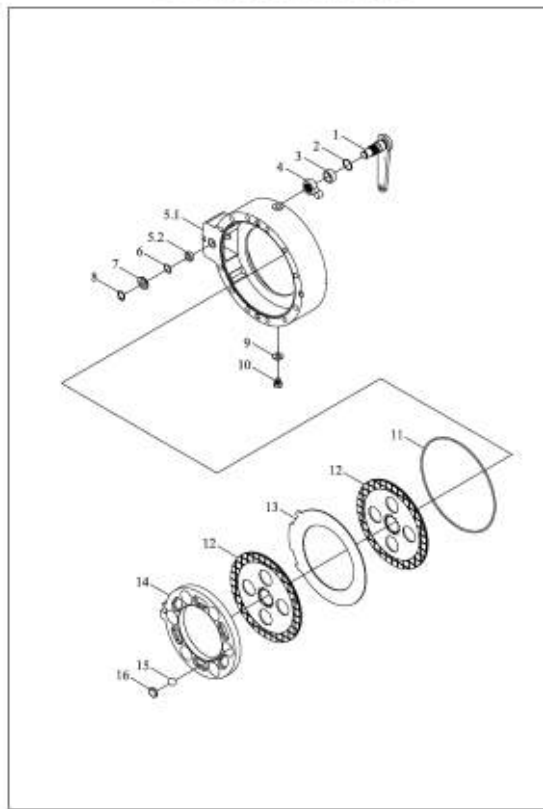
FT300.43.001 Brake assembly-1



FT300.43.001-1 43.1-制动器总成-1 43BRAKER ASSEMBLY-1

标号 No.	代号 Code	名称 Description	数量 Quantity	备注 Remark
1	FT300.43.102	BOWL PLUG	6	2011-11_
10	FT300.43.012	LEFT BRAKE HOUSING ASSEMBLY	1	2011-11_
10.1	FT300.43.114	CRANK SHAFT BUSH	1	2011-11_
10.2	FT300.43.121	LEFT BRAKE HOUSING	1	2011-11_
11	FT300.43.106	SHIFTING BLOCK	1	2011-11_
12	FT300.43.107	SPACER BUSH	1	2011-11_
13	GBT3452.1-20.0X2.65	O.RING	1	2004-01_
14	FT300.43.014	LEFT CRANK UNIT	1	2011-11_
15	FT300.43.153	FINAL TRANSMISSION OIL DRAINING PORT WASHER	1	2011-11_
16	FT300.43.154	SCREW PLUG	1	2011-11_
2	GBT308-18.000-G100-b	BALL	6	2011-11_
3	FT300.43.103	LEFT BRAKE PRESSURE PLATE	1	2011-11_
4	FT300.43.011	BRAKE FRICTION PLATE ASSEMBLY	2	2011-11_
5	FT300.43.105	SPACER PLATE	1	2011-11_
6	FT300.43.101	O-RING	1	2011-11_
7	GBT894.1-18	RETAINER RING	1	2011-11_
8	FT300.43.109a	WASHER	1	2011-11_
9	GBT3452.1-18.0X2.65G	O-SEAL RING	1	2004-01_

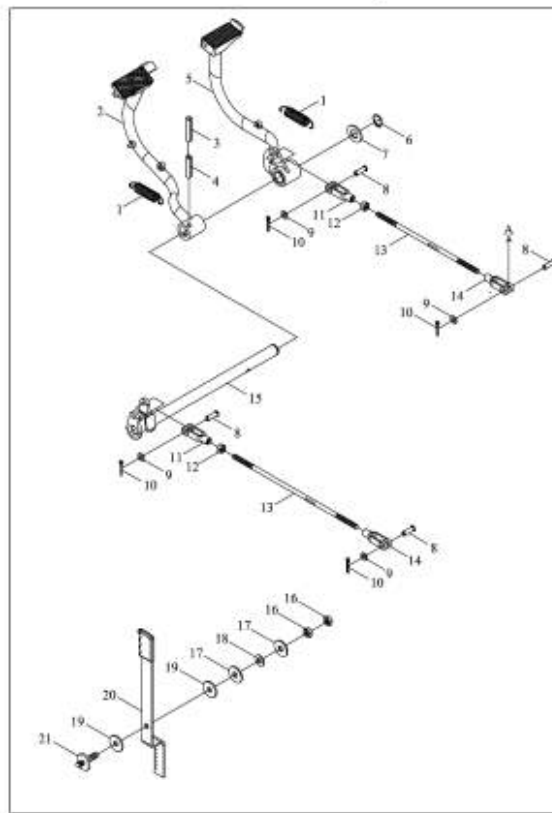
FT300.43.001 Brake assembly-2



FT300.43.001-2 43.2-制动器总成-2 43BRAKER ASSEMBLY-2

标号 No.	代号 Code	名称 Description	数量 Quantity	备注 Remark
1	FT300.43.022	RIGHT CRANK UNIT	1	2011-11_
10	FT300.43.154	SCREW PLUG	1	2011-11_
11	FT300.43.101	O-RING	1	2011-11_
12	FT300.43.011	BRAKE FRICTION PLATE ASSEMBLY	2	2011-11_
13	FT300.43.105	SPACER PLATE	1	2011-11_
14	FT300.43.104	RIGHT BRAKE PLATEN	1	2011-11_
15	GBT308-18.000-G100-b	BALL	6	2011-11_
16	FT300.43.102	BOWL PLUG	6	2011-11_
2	GBT3452.1-20.0X2.65	O.RING	1	2004-01_
3	FT300.43.107	SPACER BUSH	1	2011-11_
4	FT300.43.106	SHIFTING BLOCK	1	2011-11_
5	FT300.43.013	RIGHT BRAKE HOUSING ASSEMBLY	1	2011-11_
5.1	FT300.43.122	RIGHT BRAKE HOUSING	1	2011-11_
5.2	FT300.43.114	CRANK SHAFT BUSH	1	2011-11_
6	GBT3452.1-18.0X2.65G	O-SEAL RING	1	2004-01_
7	FT300.43.109a	WASHER	1	2011-11_
8	GBT894.1-18	RETAINER RING	1	2011-11_
9	FT300.43.153	FINAL TRANSMISSION OIL DRAINING PORT WASHER	1	2011-11_
9	JBT982-12	COMBINED SEAL GASKET	1	2013-04_

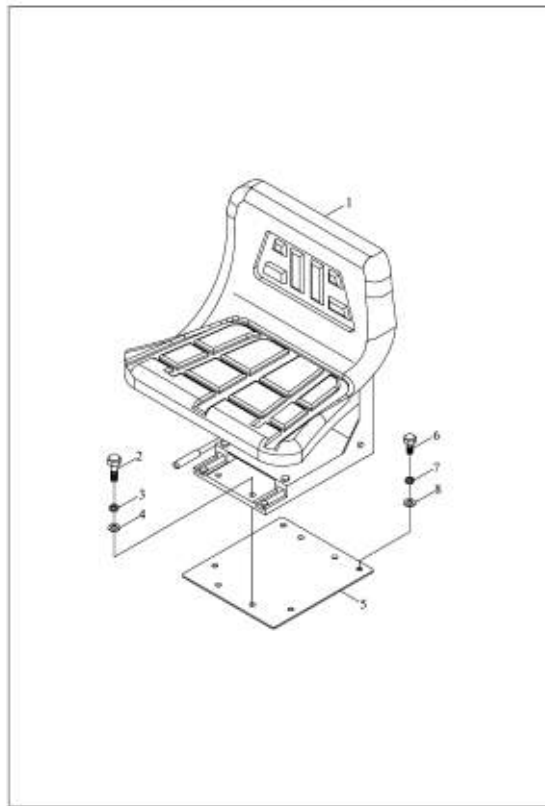
FT300.43.001 Brake assembly-3



FT300.43.001-3 43.3-制动器总成-3 43BRAKER ASSEMBLY-3

标号 No.	代号 Code	名称 Description	数量 Quantity	备注 Remark
1	FT300.43.130	PEDAL RETURN SPRING	2	2011-11_
10	GBT91-3.2X16-A0P	PIN	4	2011-11_
11	FT300.43.108	PULL ROD FRONT FORK	2	2011-11_
12	GBT6170-M10-A3L	NUT	2	2011-11_
13	FT300.43.120	PULL ROD	2	2011-11_
14	FT300.43.110	PULL ROD REAR FORK	2	2011-11_
15	FT300.43.020a	PEDAL SHAFT UNIT	1	2006-12_
15	FT300.43.020	PEDAL SHAFT UNIT	1	2004-01_
16	GBT6173-M12X1.5-A3L	NUT	2	2011-11_
17	FT300.43.160	WASHER	2	2011-11_
18	GBT955-14-A3L	WASHER	1	2004-01_
19	FT300.43.159	HAND BRAKE FRICTION DISC	2	2011-11_
2	FT300.43.015a	LEFT BRAKE PEDAL UNIT	1	2006-12_
2	FT300.43.015	LEFT BRAKE PEDAL UNIT	1	2004-01_
2	FT300.43.015a	LEFT BRAKE PEDAL UNIT	1	2006-12_
20	FT300.43.025a	BRAKE LOCKING PLATE UNIT	1	2011-11_
21	FT300.43.158	CONNECTING BOLT	1	2011-11_
3	GBT879.1-6X40	SPRING COLUMN PIN	1	2011-11_
4	GBT879.1-10X40	PIN	1	2011-11_
5	FT300.43.016	RIGHT BRAKE PEDAL UNIT	1	2011-11_
6	GBT894.1-25	RETAINER RING	1	2011-11_
7	GBT97.1-24-A0P	WASHER	1	2011-11_
7	GBT97.1-24-A0P	WASHER	1	2011-11_
8	GBT882-B10X28-A0P	PIN	4	2011-11_
9	GBT97.1-10-A0P	WASHER	4	2011-11_

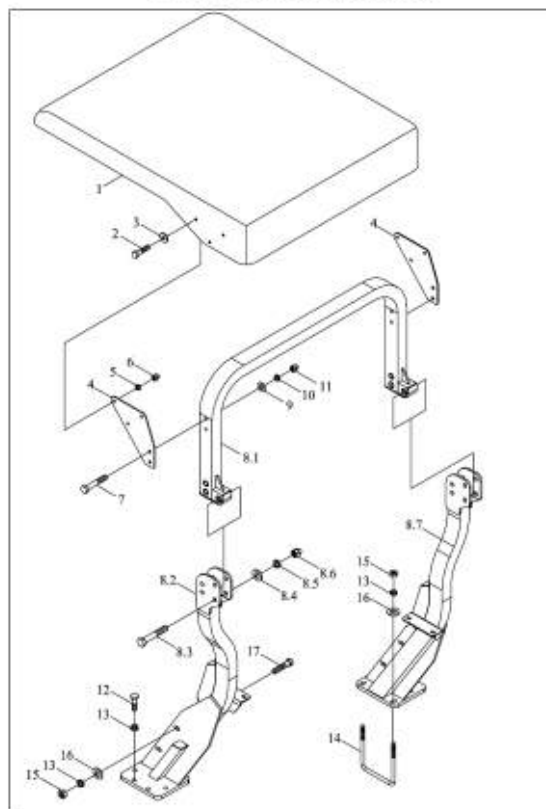
FT300.44B.001 Seat mounting assembly



FT300.44B.001 44-座椅安装总成 44SEAT INSTALLATION ASSEMBLY

标号 No.	代号 Code	名称 Description	数量 Quantity	备注 Remark
1	FT300.44B.010	SEAT ASSEMBLY	1	2011-11
2	GBT5783-M10×25-A3L	BOLT	4	2011-11
3	GBT93-10-A0P	WASHER	4	2011-11
4	GBT97.1-10-A0P	WASHER	4	2011-11
5	FT300.44B.011	SEAT COVER PLATE WELDMENT	1	2011-11
6	GBT5783-M8×20-A2L	BOLT	4	2011-11
7	GBT93-8-A0P	WASHER	4	2011-11
8	GBT97.1-8-A0P	WASHER	4	2011-11

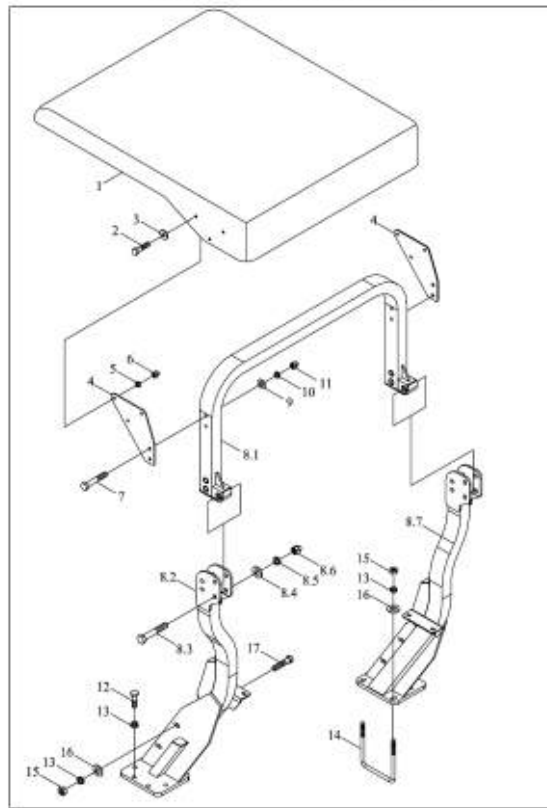
FT400.46.001 Safety frame assembly



FT400.46.001 46-安全架总成 46-SAFETY FRAME ASSEMBLY

标号 No.	代号 Code	名称 Description	数量 Quantity	备注 Remark
1	TB400.46C.3	SHADOW ASSEMBLY	1	2012-06_
1	FT300.46.012	SHADOW ASSEMBLY	1	2011-11_
1	TB400.46C.2	SHADOW ASSEMBLY	1	2011-05_
10	GBT93-12-A0P	SPRING WASHER	4	2011-11_
11	GBT802-M12-6	NUT	4	2004-01_
12	GBT5783-M14X40-A3L	BOLT	4	2011-11_
13	GBT93-14-A0P	SPRING WASHER	16	2011-11_
13	GBT93-14-A0P	SPRING WASHER	16	2011-11_
14	FT400.46.350	U BOLT	4	2011-11_
15	GBT6170-M14-A3L	NUT	12	2011-11_
16	GBT97.1-14-A0P	WASHER	8	2011-11_
17	GBT12618-3X15	RIVET	4	2013-07_
2	GBT5783-M10X30-A3L	BOLT	6	2011-11_
3	FT400.46.021	WASHER UNIT	6	2011-11_
4	FT300.46.106	SHADOW LOCKING PLATE	2	2011-11_
5	GBT93-10-A0P	WASHER	6	2011-11_
6	GBT802-M10-6	NUT	6	2004-01_
7	GBT5782-M12X70-8.8-A2L	BOLT	4	2004-01_
8	FT400.46.010	SUPPORT BEAM INSTALLATION ASSEMBLY	1	2011-11_
8.1	FT400.46.011	UPPER BEAM WELDMENT	1	2011-11_
8.2	FT400.46.013	LEFT SUPPORTING BEAM WELDMENT	1	2011-11_
8.3	GBT5782-M16X90-A2L	BOLT	6	2011-11_
8.4	GBT95-16-A0P	WASHER	6	2011-11_
8.5	GBT93-16-A0P	SPRING WASHER	6	2011-11_
8.6	GBT802-M16	NUT	6	2013-07_

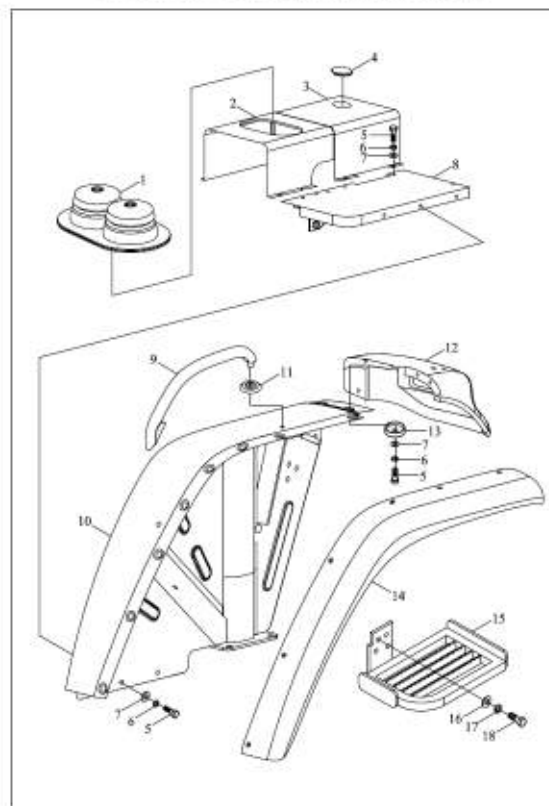
FT400.46.001 Safety frame assembly



FT400.46.001 46-安全架总成(续)

标号 No.	代号 Code	名称 Description	数量 Quantity	备注 Remark
8.7	FT400.46.014	RIGHT SUPPORTING BEAM WELDMENT	1	2011-11_
9	GBT95-12-A0P	WASHER	4	2011-11_

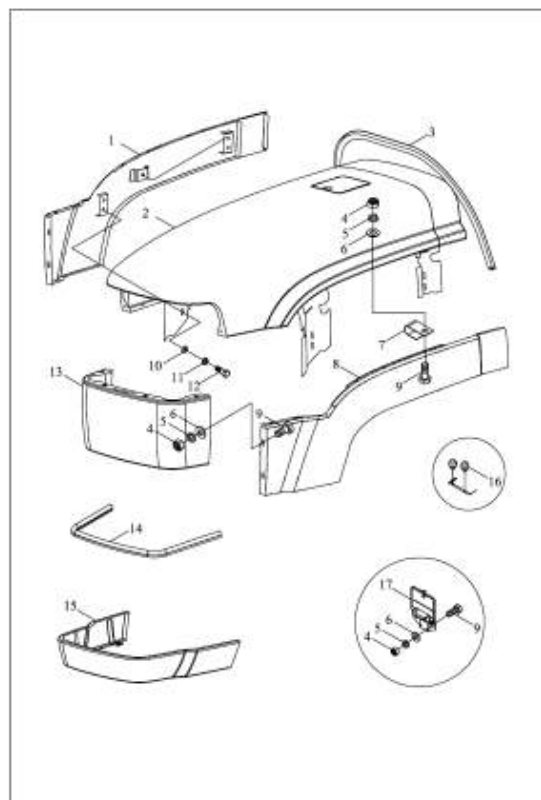
FT400.47C.002 Rear fender mounting assembly-1



FT400.47C.002-1 47.1-后挡泥板装配总成-1 47REAR FENDER MOUNTING ASSEMBLY-1

标号 No.	代号 Code	名称 Description	数量 Quantity	备注 Remark
1	FT300.47.361	CONTROL ROD DUSTPROOF COVER	1	2011-11_
10	FT300.47.033	LEFT MUD GUARD WELDMENT ASSEMBLY	1	2011-11_
11	FT300.47.362	ARMREST WASHER UNIT	2	2011-11_
12	FT300.47.251	LEFT REAR TAIL LAMP SEAT	1	2011-11_
12	FT300.47.251	LEFT REAR TAIL LAMP SEAT	1	2011-11_
13	FT300.47.356	WASHER	10	2011-11_
14	FT300.47.301	LEFT MUD GUARD OUTER PART	1	2011-11_
15	FT300.47.037	LEFT FOOT PEDAL ASSEMBLY	1	2011-11_
16	GBT97.1-12-A0P	WASHER	2	2011-11_
17	GBT93-12-A0P	SPRING WASHER	2	2011-11_
2	FT300.47.310	U-SHAPED REAR PLATE	1	2011-11_
3	FT300.47.309	U-SHAPED FRONT PLATE	1	2011-11_
4	FT300.47.360	SEAL SLEEVE	1	2011-11_
5	GBT5783-M6X12-A2L	BOLT	25	2011-11_
6	GBT93-6-A0P	SPRING WASHER	25	2011-11_
7	GBT97.1-6-A0P	WASHER	25	2011-11_
8	FT300.47.031	LEFT FLOOR WELDMENT ASSEMBLY	1	2011-11_
9	FT300.47.035	LEFT RAIL	1	2011-11_

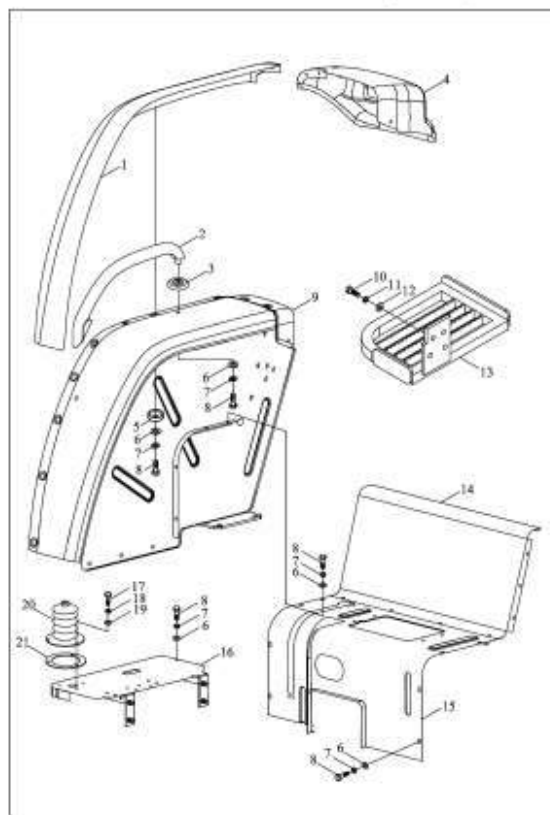
FT400.47.001a 机罩装配总成-1



FT400.47.001a-1 47.1-机罩装配总成-1 47BONNET INSTALLATION ASSEMBLY-1

标号 No.	代号 Code	名称 Description	数量 Quantity	备注 Remark
1	FT400.47.012	BONNET RIGHT PLATE ASSEMBLY	1	2011-11
10	GBT97.1-8-A0P	WASHER	8	2011-11
11	GBT93-8-A0P	WASHER	8	2011-11
12	GBT5783-M8X25-A2L	BOLT	8	2011-11
13	FT300.47.011	BONNET MESH PLATE WELDMENT	1	2011-11
14	FT65.47.108	FRONT LOWER CUSHION RUBBER PIECE	1	2011-11
15	FT300.47.025	BONNET LOWER TAIL PLATE ASSEMBLY	1	2011-11
16	FT65.47.111	CUSHION PIN	4	2011-11
17	FT65.47.026a	BONNET UPPER UNFIXED COVER HINGE UNIT	1	2011-11
2	FT400.47.010	BONNET UPPER PLATE WELDMENT ASSEMBLY	1	2011-11
3	FT300.47.110	BONNET REAR SEAL STRIP	1	2011-11
4	GBT6170-M6-A2L	NUT	20	2011-11
5	GBT93-6-A0P	SPRING WASHER	20	2011-11
6	GBT97.1-6-A0P	WASHER	20	2011-11
7	FT65.48.097	HARNESS LOCKING CLAMP (2)	5	2011-11
8	FT400.47.013	BONNET LEFT ASSEMBLY	1	2011-11
9	GBT5783-M6x16-A2L	BOLT	20	2011-11

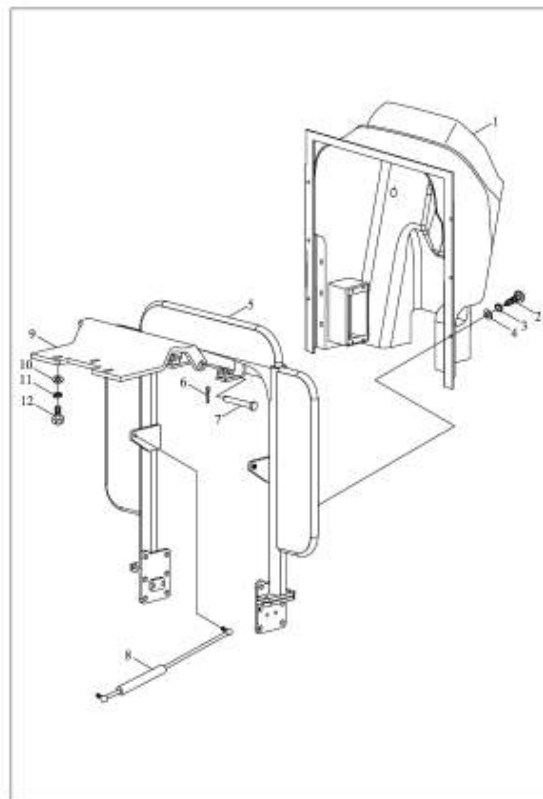
FT400.47C.002 Rear fender mounting assembly-2



FT400.47C.002-2 47.2-后挡泥板装配总成-2 47REAR FENDER MOUNTING ASSEMBLY-2

标号 No.	代号 Code	名称 Description	数量 Quantity	备注 Remark
1	FT300.47.302	RIGHT MUD GUARD OUTER PART	1	2011-11
10	GBT97.1-12-A0P	WASHER	2	2011-11
11	GBT93-12-A0P	SPRING WASHER	2	2011-11
12	GBT5783-M12X30-A3L	BOLT	2	2011-11
13	FT300.47.038	RIGHT FOOT PEDAL ASSEMBLY	1	2011-11
14	FT300.47.055	BACKBOARD WELDMENT	1	2011-11
15	FT300.47C.054a	SEAT PLATE ASSEMBLY	1	2011-11
16	FT300.47.032	RIGHT FLOOR WELDMENT ASSEMBLY	1	2011-11
17	GBT5783-M5X20-A2L	BOLT	3	2011-11
18	GBT93-5-A0P	WASHER	3	2011-11
19	GBT97.1-5-A0P	WASHER	3	2011-11
2	FT300.47.036	RIGHT HANDLE	1	2011-11
20	FT65.45.393	THROTTLE PEDAL SEAL SLEEVE	1	2011-11
21	FT65.45.394	THROTTLE PEDAL SEAL SLEEVE PRESSURE PLATE	1	2011-11
3	FT300.47.362	ARMREST WASHER UNIT	2	2011-11
4	FT300.47.252	RIGHT REAR TAIL LAMP SEAT	1	2011-11
5	FT300.47.356	WASHER	10	2011-11
6	GBT97.1-6-A0P	WASHER	24	2011-11
7	GBT93-6-A0P	SPRING WASHER	24	2011-11
8	GBT5783-M6X12-A2L	BOLT	24	2011-11
9	FT300.47.034	RIGHT MUD GUARD WELDMENT ASSEMBLY	1	2011-11

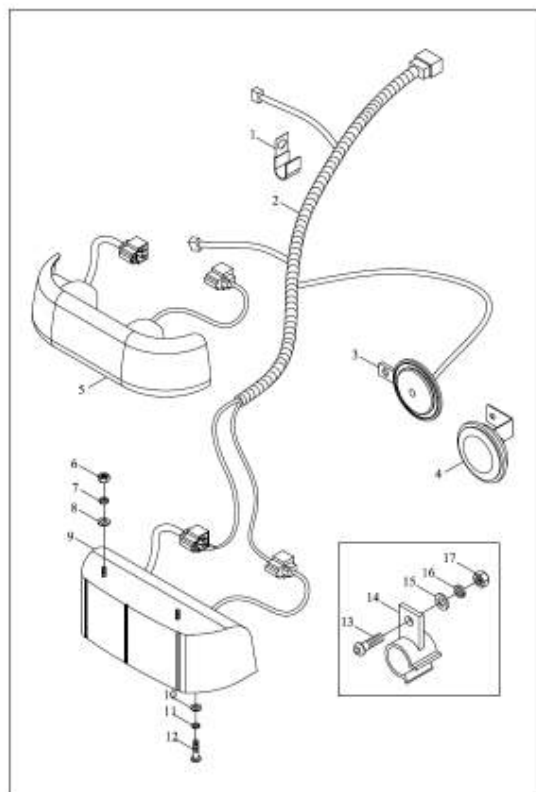
FT400.47.001a 机罩装配总成-2



FT400.47.001a-2 47.2-机罩装配总成-2 47BONNET INSTALLATION ASSEMBLY-2

标号 No.	代号 Code	名称 Description	数量 Quantity	备注 Remark
1	FT300.47.020	DASHBOARD ASSEMBLY	1	2011-11
10	GBT97.1-8-A0P	WASHER	3	2011-11
11	GBT93-8-A0P	WASHER	3	2011-11
12	GBT5783-M8X25-A2L	BOLT	3	2011-11
2	GBT818-M5X20-A2L	SCREW	6	2011-11
3	GBT93-5-A0P	WASHER	6	2011-11
4	GBT97.1-5-A0P	WASHER	6	2011-11
5	FT300.47.018	FRONT WALL ASSEMBLY	1	2011-11
6	GBT91-3.2X20-A0P	PIN	2	2011-11
6	GBT91-3.2X20-A0P	PIN	2	2011-11
7	GBT882-12X45	PIN	2	2011-11
8	FT400.47.558	BONNET PNEUMATIC SPRING (2)	2	2011-11
9	FT400.47.028a	CONNECTING PLATE WELDMENT	1	2011-11

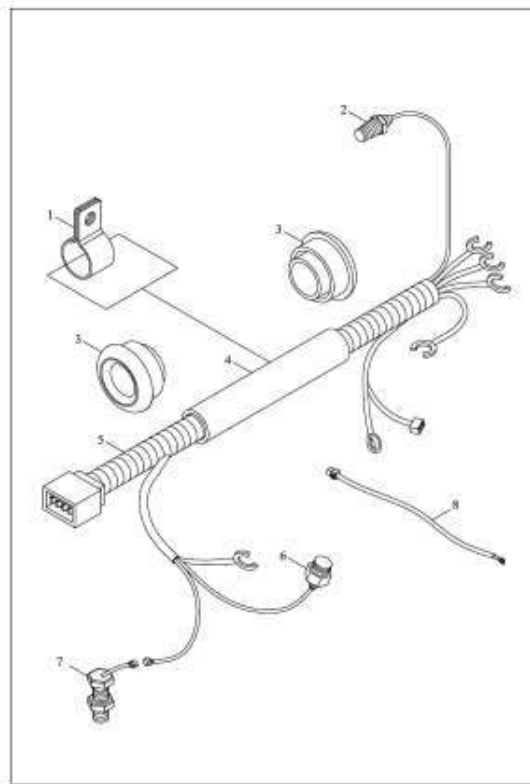
FT300.48D.3 前灯线束安装总成



FT300.48D.3 48-前灯线束安装总成 48-FRONT LAMP WIRE HARNESS MOUNTING ASSEMBLY

标号 No.	代号 Code	名称 Description	数量 Quantity	备注 Remark
10	GBT818-M4X12-A2L	SCREW	2	2011-11
11	GBT93-4-A0P	WASHER	2	2011-11
12	GBT97.1-4-A0P	WASHER	2	2011-11
13	GBT818-M5X14-A2L	SCREW	1	2011-11
14	TB400.483-01	HARNESS CLAMP	1	2011-11
15	GBT97.1-5-A0P	WASHER	1	2011-11
16	GBT93-5-A0P	WASHER	1	2011-11
17	GBT6170-M5-A2L	NUT	1	2011-11
2	FT400.48.023	FRONT LAMP HARNESS ASSEMBLY	1	2011-11
2	FT65.48.097	HARNESS LOCKING CLAMP (2)	6	2011-11
3	FT65.48.340	ELECTRIC HORN	1	2011-11
4	FT300.48D.3.2	ELECTRIC HORN	1	2011-11
4	FT300.48D.3.2	ELECTRIC HORN	1	2011-11
5	TB400.483A.1	FRONT COMBINED LAMP ASSEMBLY	1	2011-11
6	GBT6170-M6-A2L	NUT	4	2011-11
7	GBT93-6-A0P	SPRING WASHER	4	2011-11
8	GBT97.1-6-A0P	WASHER	4	2011-11
9	FT300.48.030	FRONT LAMP COMBINATION ASSEMBLY	1	2011-11

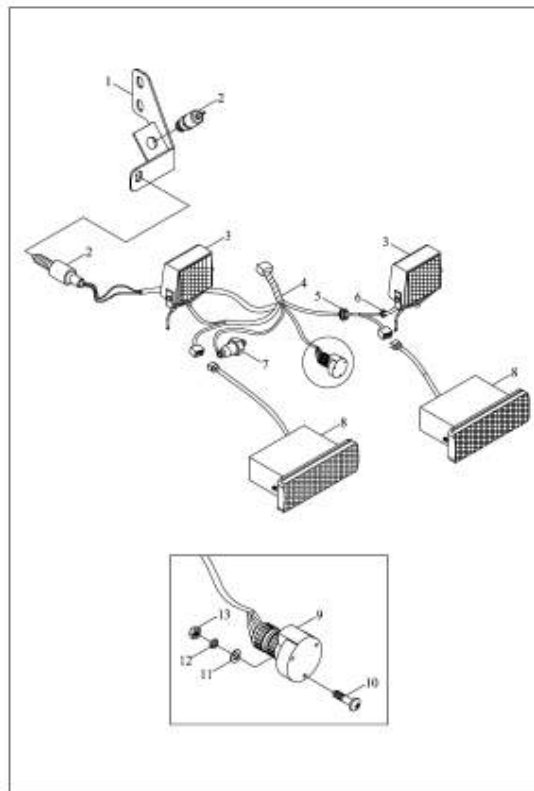
FT300.48D.1 发动机线束安装总成



FT300.48D.1 48-发动机线束安装总成 48-ENGINE HARNESS INSTALLATION ASSEMBLY

标号 No.	代号 Code	名称 Description	数量 Quantity	备注 Remark
10	FT400.48A.027	PREHEATING LINE	1	2011-11
10	FT400.48A.027	PREHEATING LINE	1	2011-11
10	FT300.48.027	PREHEATING LINE 1	1	2011-11
2	FT300.48.202	FASTENING CLIP	2	2011-11
2	FT300.48.202	FASTENING CLIP	2	2011-11
2	FT300.48.072	WATER TEMPERATURE SENSOR	1	2011-11
3	FT800.48L.107	SLEEVE	2	2011-11
4	FT400.48.201	SLEEVE	1	2011-11
5	FT400.48.025a	ENGINE HARNESS ASSEMBLY	1	2011-11
6	FT300.48.073a	O? L PRESSURE SENSOR	1	2011-11
7	FT300.48.074	RPM SENSOR	1	2011-11

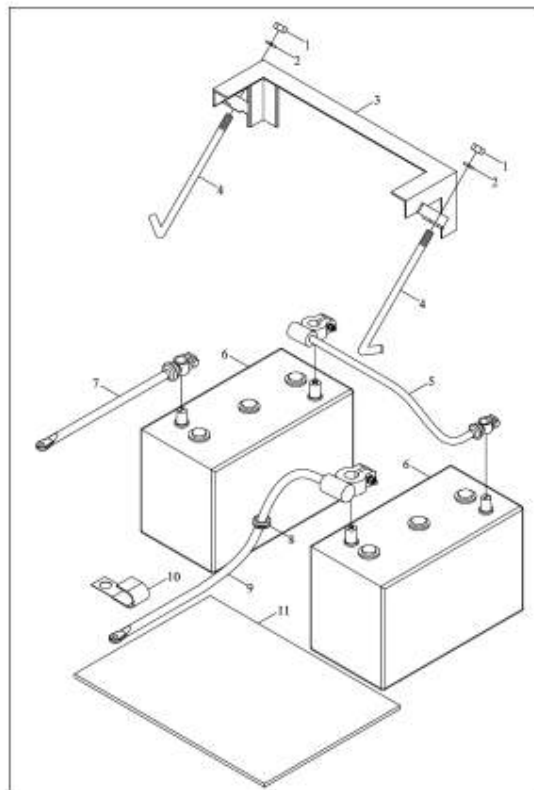
FT300.48C.4 后灯线束安装总成



FT300.48C.4 48-后灯线束安装总成 48-REAR LAMP HARNESS INSTALLATION ASSEMBLY

标号 No.	代号 Code	名称 Description	数量 Quantity	备注 Remark
10	GBT818-M5X35-A1L	SCREW	3	2011-11
11	GBT97.1-5-A0P	WASHER	3	2011-11
12	GBT93-5-A0P	WASHER	3	2011-11
13	GBT6170-M5-A2L	NUT	3	2011-11
2	FT300.48.033	BRAKE LIGHT SWITCH	2	2011-11
2	FT300.48C.212	BRAKE SWITCH INSTALLATION PLATE	1	2011-11
2	FT300.48C.212	BRAKE SWITCH INSTALLATION PLATE	1	2011-11
3	FT300.48.053a	REAR LAMP	2	2011-11
4	FT400.48A.024	REAR LAMP HARNESS ASSEMBLY	1	2011-11
5	FT65.48.093	RUBBER RING (ONE)	2	2011-11
6	FT65.48.094	RUBBER RING (2)	2	2011-11
7	FT65.48.087	AIR PRESSURE ALARM	1	2011-11
8	FT300.48.052a	LIGHTS	2	2011-11
9	FT65.48.080	REAR TRAILER SOCKET	1	2011-11

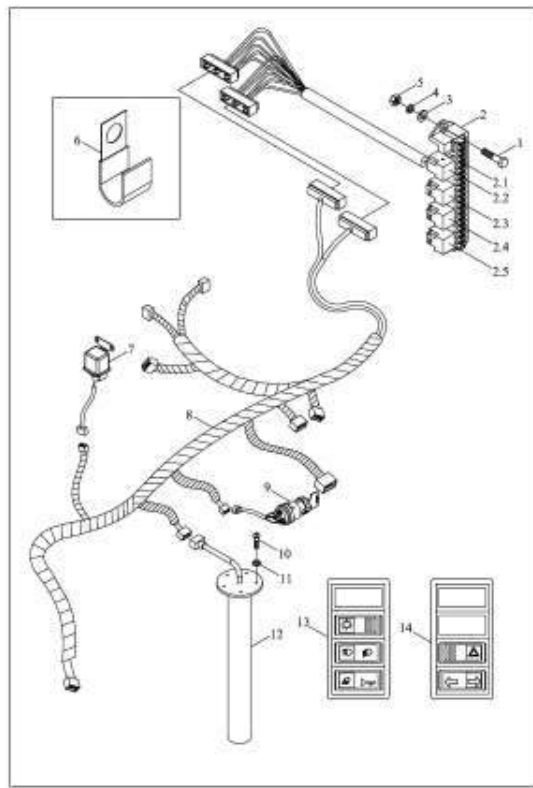
FT400.48.001 蓄电池安装总成



FT400.48.001 48-蓄电池安装总成 48-BATTERY INSTALLATION ASSEMBLY

标号 No.	代号 Code	名称 Description	数量 Quantity	备注 Remark
0	FT300.48.017	POWER WIRE ASSEMBLY	1	2011-11
1	GBT6170-M8-A2L	NUT	2	2011-11
10	FT65.48.095	HARNESS TIGHTEN CLIP (1)	1	2011-11
11	FT300.48.102	BATTERY SHOCK ABSORPTION MAT	1	2011-11
2	GBT93-8-A0P	WASHER	2	2011-11
3	FT300.48.011a	BATTERY FIXING BRACKET WELDMENT	1	2011-11
4	FT300.48.101	BATTERY PULL ROD	2	2011-11
5	FT300.48.016	SERIAL POWER LINE	1	2011-11
6	FT450.48.010	BATTERY	2	2011-11
7	FT65.48.091	BODY GROUNDING WIRE	1	2011-11
8	FT65.48.092	THROUGH HARNESS WASHER 3	1	2011-11
9	TB400.485A.1	POWER WIRE ASSEMBLY	1	2011-11

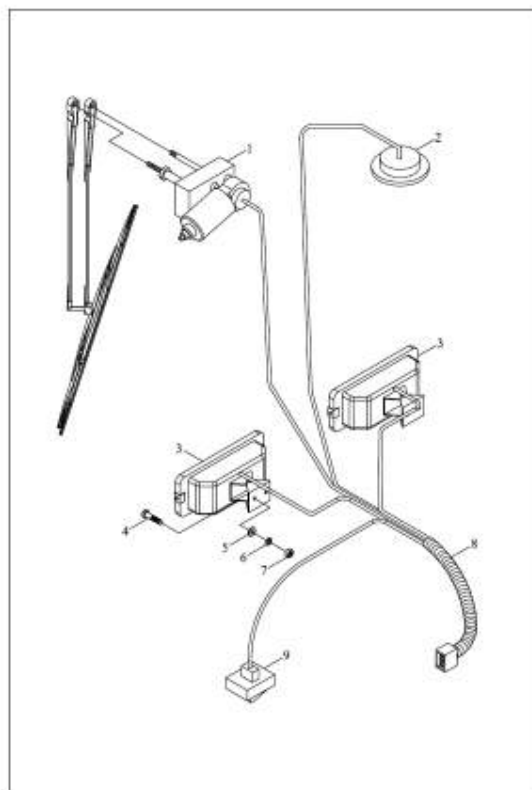
FT300.48C.2 车身线束安装总成



FT300.48C.2 48-车身线束安装总成 48-BODY HARNESS INSTALLATION ASSEMBLY

标号 No.	代号 Code	名称 Description	数量 Quantity	备注 Remark
10	GBT818-M4X10-A2L	SCREW	5	2011-11
11	GBT93-4-A0P	WASHER	5	2011-11
12	FT300.48.071a	OIL QUANTITY SENSOR	1	2011-11
13	FT300.48D.2.3	LEFT PADDLE SWITCH	1	2011-11
14	FT300.48D.2.4	RIGHT BUTTON SWITCH	1	2011-11
2	TB400.482A.2	CENTRAL ELECTRICAL BOX ASSEMBLY	1	2011-11
2	GBT5783-M6x16-A2L	BOLT	2	2011-11
2.1	DE2383.51.6-04	FUSE	1	2011-11
2.1	DE2383.51.6-05	FUSE	7	2011-11
2.1	DE2383.51.6-06	FUSE	1	2011-11
2.2	FT300.48D.2.2.1	VOLTAGE ADJUSTER	1	2011-11
2.2	FT300.48D.2.2.1	VOLTAGE ADJUSTER	1	2011-11
2.3	FT300.48D.2.2.2	PREHEATING RELAY	1	2011-11
2.4	FT300.48.512	MAIN POWER RELAY	1	2011-11
2.5	FT300.48.513	ELECTRIC FLASH	1	2011-11
3	GBT97.1-6-A0P	WASHER	2	2011-11
4	GBT93-6-A0P	SPRING WASHER	2	2011-11
5	GBT6170-M6-A2L	NUT	2	2011-11
6	FT65.48.095	HARNESS TIGHTEN CLIP (1)	1	2011-11
7	FT300.48.055	STARTING RELAY	1	2011-11
8	FT300.48C.2.1	BODY HARNESS ASSEMBLY	1	2011-11
9	FT300.48.064	IGNITION LOCK	1	2011-11

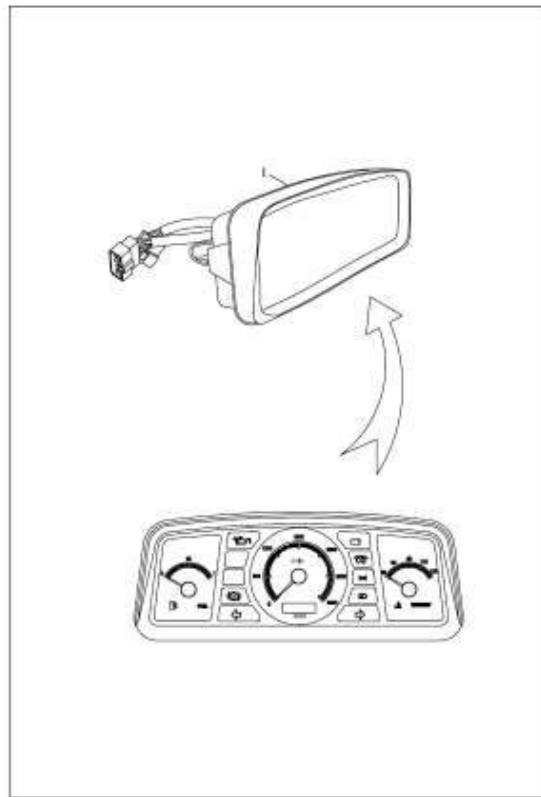
FT300.48D.6 顶灯线束安装总成



FT300.48D.6 48-顶灯线束安装总成 48-TOP LIGHT HARNESS INSTALLATION ASSEMBLY

标号 No.	代号 Code	名称 Description	数量 Quantity	备注 Remark
2	FT300.48D.075	SCRAPER ASSEMBLY	1	2011-11
2	FT300.48D.056	INNER TOP LIGHT ASSEMBLY	1	2011-11
3	FT650.48.082	TOP LIGHT ASSEMBLY	2	2011-11
4	GBT5783-M6x16-A2L	BOLT	2	2011-11
5	GBT97.1-6-A0P	WASHER	2	2011-11
6	GBT93-6-A0P	SPRING WASHER	2	2011-11
7	GBT6170-M6-A2L	NUT	2	2011-11
8	FT300.48D.027	TOP LIGHT HARNESS ASSEMBLY	1	2011-11
9	FT300.48D.066	UPPER LAMP SWITCH	1	2011-11

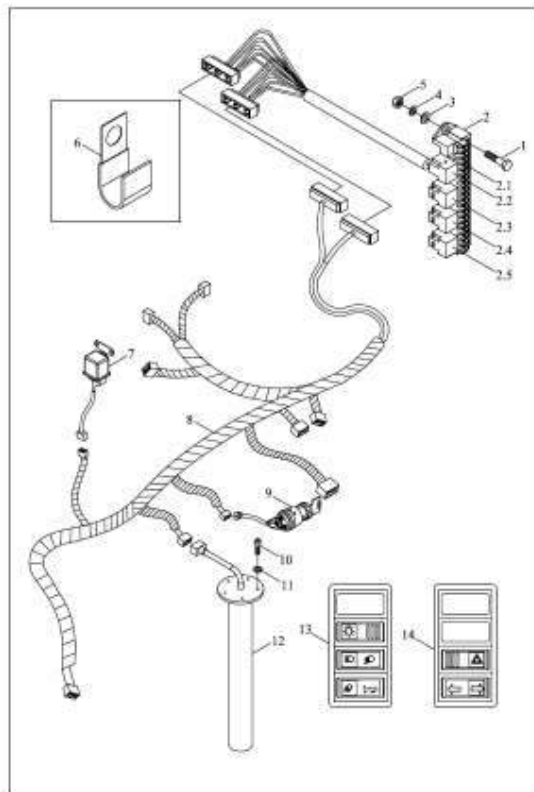
FT300.48.061 组合仪表总成



FT300.48.061-1 48.1-组合仪表总成-1 INSTRUMENT COMBINATION ASSEMBLY-1

标号 No.	代号 Code	名称 Description	数量 Quantity	备注 Remark
1	FT300.48.061	COMBINED INSTRUMENT ASSEMBLY	1	2011-11_
1	FT300.48.061a	COMBINED INSTRUMENT ASSEMBLY	1	2011-11_

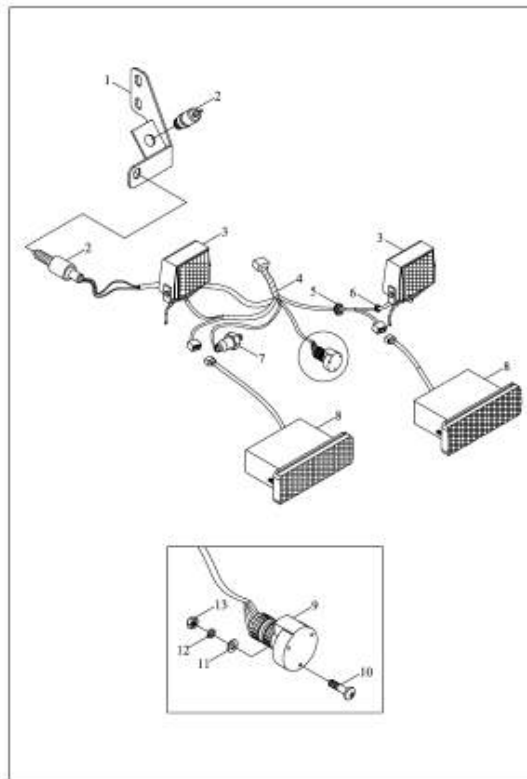
FT300.48C.2 车身线束安装总成



FT300.48C.2-2 48.2-车身线束安装总成-2 BODY HARNESS INSTALLATION ASSEMBLY

标号 No.	代号 Code	名称 Description	数量 Quantity	备注 Remark
0	FT300.48C.2	48-BODY HARNESS INSTALLATION ASSEMBLY	1	2011-11_
1	GBT5783-M6x16-A2L	BOLT	2	2011-11_
10	GBT818-M4X10-A2L	SCREW	5	2011-11_
11	GBT93-4-A0P	WASHER	5	2011-11_
12	FT300.48.071a	OIL QUANTITY SENSOR	1	2011-11_
13	FT300.48D.2.3	LEFT PADDLE SWITCH	1	2011-11_
14	FT300.48D.2.4	RIGHT BUTTON SWITCH	1	2011-11_
2	TB400.482A.2	CENTRAL ELECTRICAL BOX ASSEMBLY	1	2011-11_
2.1	DE2383.51.6-05	FUSE	7	2011-11_
2.1	DE2383.51.6-04	FUSE	1	2011-11_
2.1	DE2383.51.6-06	FUSE	1	2011-11_
2.2	FT300.48D.2.2.1	VOLTAGE ADJUSTER	1	2011-11_
2.2	FT300.48D.2.2.1	VOLTAGE ADJUSTER	1	2011-11_
2.3	FT300.48D.2.2.2	PREHEATING RELAY	1	2011-11_
2.4	FT300.48.512	MAIN POWER RELAY	1	2011-11_
2.5	FT300.48.513	ELECTRIC FLASH	1	2011-11_
3	GBT97.1-6-A0P	WASHER	2	2011-11_
4	GBT93-6-A0P	SPRING WASHER	2	2011-11_
5	GBT6170-M6-A2L	NUT	2	2011-11_
6	FT65.48.095	HARNESS TIGHTEN CLIP (1)	1	2011-11_
7	FT300.48.055	STARTING RELAY	1	2011-11_
8	FT300.48C.2.1	BODY HARNESS ASSEMBLY	1	2011-11_
9	FT300.48.064	IGNITION LOCK	1	2011-11_

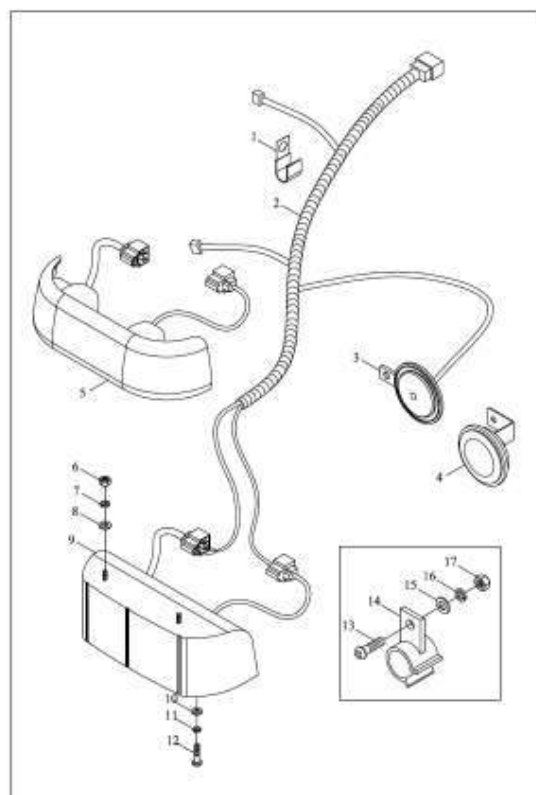
FT300.48C.4 后灯线束安装总成



FT300.48C.4-3 48.3-后灯线束安装总成-3 REAR LAMP HARNESS INSTALLATION ASSEMBLY-3

标号 No.	代号 Code	名称 Description	数量 Quantity	备注 Remark
0	FT300.48C.4	48-REAR LAMP HARNESS INSTALLATION ASSEMBLY	1	2011-11
1	FT300.48C.212	BRAKE SWITCH INSTALLATION PLATE	1	2011-11
1	FT300.48C.212	BRAKE SWITCH INSTALLATION PLATE	1	2011-11
10	GBT818-M5X35-A1L	SCREW	3	2011-11
11	GBT97.1-5-A0P	WASHER	3	2011-11
12	GBT93-5-A0P	WASHER	3	2011-11
13	GBT6170-M5-A2L	NUT	3	2011-11
2	FT300.48.033	BRAKE LIGHT SWITCH	2	2011-11
3	FT300.48.053a	REAR LAMP	2	2011-11
4	FT400.48A.024	REAR LAMP HARNESS ASSEMBLY	1	2011-11
5	FT65.48.093	RUBBER RING (ONE)	2	2011-11
6	FT65.48.094	RUBBER RING (2)	2	2011-11
7	FT65.48.087	AIR PRESSURE ALARM	1	2011-11
8	FT300.48.052a	LIGHTS	2	2011-11
9	FT65.48.080	REAR TRAILER SOCKET	1	2011-11

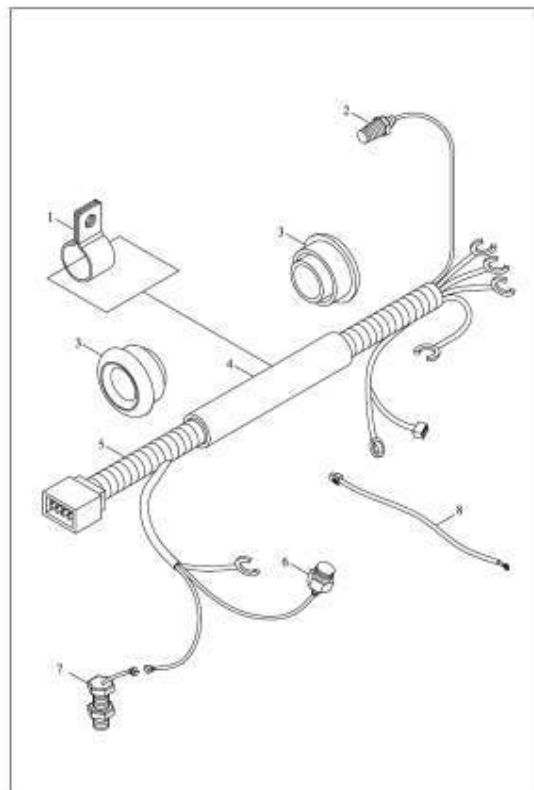
FT300.48D.3 前灯线束安装总成



FT300.48D.3-5 48.3.5-前灯线束安装总成-5 FRONT LAMP HARNESS INSTALLATION ASSEMBLY-5

标号 No.	代号 Code	名称 Description	数量 Quantity	备注 Remark
0	FT300.48D.3	FRONT LAMP HARNESS INSTALLATION ASSEMBLY	1	2011-11
0	FT300.48D.3	48-FRONT LAMP WIRE HARNESS MOUNTING ASSEMBLY	1	2011-11
1	FT65.48.097	HARNESS LOCKING CLAMP (2)	6	2011-11
10	GBT818-M4X12-A2L	SCREW	2	2011-11
11	GBT93-4-A0P	WASHER	2	2011-11
12	GBT97.1-4-A0P	WASHER	2	2011-11
13	GBT818-M5X14-A2L	SCREW	1	2011-11
14	TB400.483-01	HARNESS CLAMP	1	2011-11
15	GBT97.1-5-A0P	WASHER	1	2011-11
16	GBT93-5-A0P	WASHER	1	2011-11
17	GBT6170-M5-A2L	NUT	1	2011-11
2	FT400.48.023	FRONT LAMP HARNESS ASSEMBLY	1	2011-11
3	FT65.48.340	ELECTRIC HORN	1	2011-11
4	FT300.48D.3.2	ELECTRIC HORN	1	2011-11
4	FT300.48D.3.2	ELECTRIC HORN	1	2011-11
5	TB400.483A.1	FRONT COMBINED LAMP ASSEMBLY	1	2011-11
6	GBT6170-M6-A2L	NUT	4	2011-11
7	GBT93-6-A0P	SPRING WASHER	4	2011-11
8	GBT97.1-6-A0P	WASHER	4	2011-11
9	FT300.48.030	FRONT LAMP COMBINATION ASSEMBLY	1	2011-11

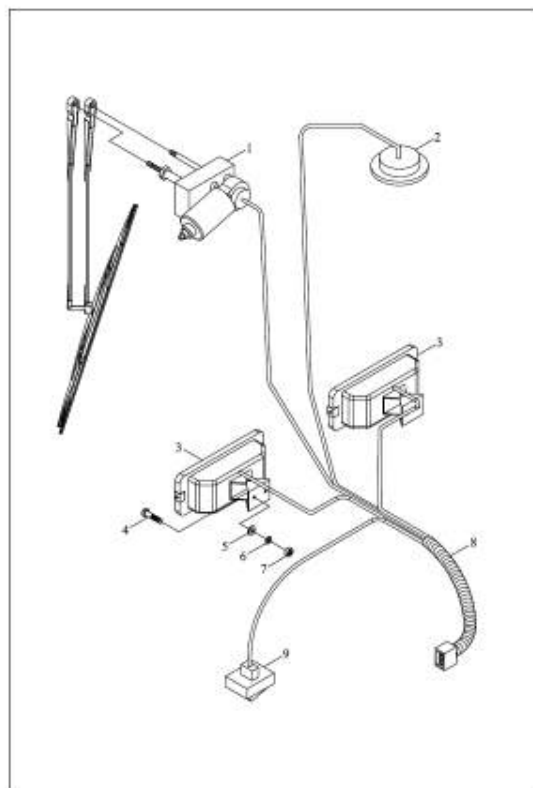
FT300.48D.1 发动机线束安装总成



FT300.48D.1-4 48.4-发动机线束安装总成-4 ENGINE HARNESS INSTALLATION ASSEMBLY-4

标号 No.	代号 Code	名称 Description	数量 Quantity	备注 Remark
0	FT300.48D.1	48-ENGINE HARNESS INSTALLATION ASSEMBLY	1	2011-11
1	FT300.48.202	FASTENING CLIP	2	2011-11
1	FT300.48.202	FASTENING CLIP	2	2011-11
10	FT400.48A.027	PREHEATING LINE	1	2011-11
10	FT300.48.027	PREHEATING LINE 1	1	2011-11
10	FT400.48A.027	PREHEATING LINE	1	2011-11
2	FT300.48.072	WATER TEMPERATURE SENSOR	1	2011-11
3	FT800.48L.107	SLEEVE	2	2011-11
4	FT400.48.201	SLEEVE	1	2011-11
5	FT400.48.025a	ENGINE HARNESS ASSEMBLY	1	2011-11
6	FT300.48.073a	O? L PRESSURE SENSOR	1	2011-11
7	FT300.48.074	RPM SENSOR	1	2011-11

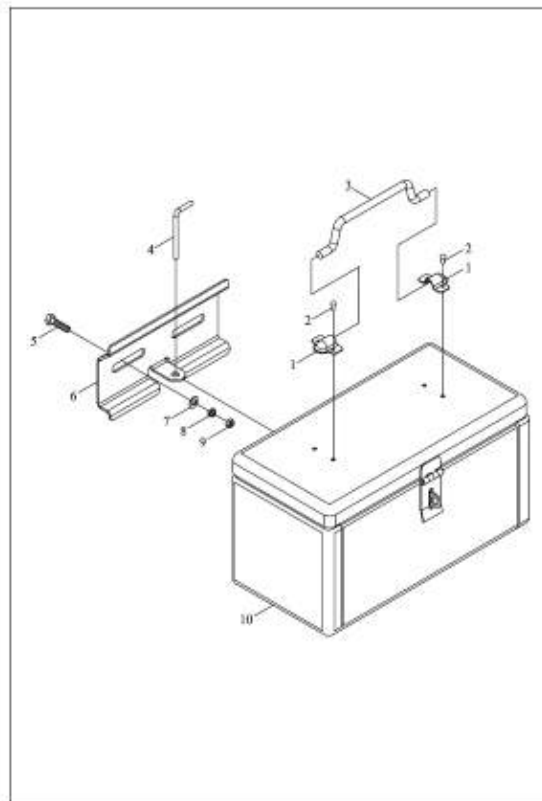
FT300.48D.6 顶灯线束安装总成



FT300.48D.6-6 48.6-顶灯线束安装总成-6 UPPER LAMP HARNESS INSTALLATION ASSEMBLY-6

标号 No.	代号 Code	名称 Description	数量 Quantity	备注 Remark
0	FT300.48D.6	48-TOP LIGHT HARNESS INSTALLATION ASSEMBLY	1	2011-11
1	FT300.48D.075	SCRAPER ASSEMBLY	1	2011-11
2	FT300.48D.056	INNER TOP LIGHT ASSEMBLY	1	2011-11
3	FT650.48.082	TOP LIGHT ASSEMBLY	2	2011-11
4	GBT5783-M6x16-A2L	BOLT	2	2011-11
5	GBT97.1-6-A0P	WASHER	2	2011-11
6	GBT93-6-A0P	SPRING WASHER	2	2011-11
7	GBT6170-M6-A2L	NUT	2	2011-11
8	FT300.48D.027	TOP LIGHT HARNESS ASSEMBLY	1	2011-11
9	FT300.48D.066	UPPER LAMP SWITCH	1	2011-11

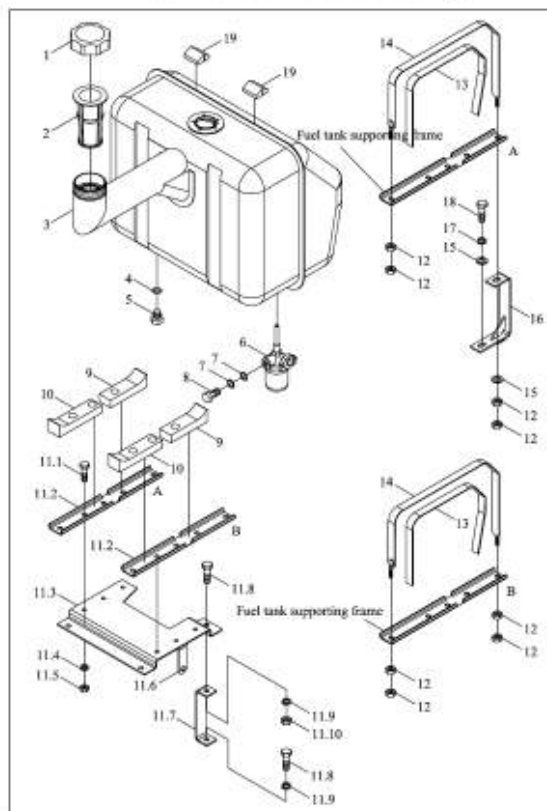
FT300.49.001 Tool box assembly



FT300.49.001 49-工具箱总成 49-TOOL BOX ASSEMBLY

标号 No.	代号 Code	名称 Description	数量 Quantity	备注 Remark
1	GBT5783-M12X25-A3L	BOLT	2	2011-11
1	FT65.49.101	HANDLE SEAT	2	2003-11
10	FT300.49.012	TOOL BOX WELDMENT ASSEMBLY	1	2003-11
2	GBT 867-4X8	RIVET	2	2003-11
3	FT65.49.115	HANDLE	1	2003-11
4	FT65.49.102	CROSS PIN	1	2003-11
5	GBT5783-M12X35-A3L	BOLT	2	2003-11
5	GBT5783-M12X35-A3L	BOLT	2	2003-11
6	FT65.49.103	FIXING SUPPORT PLATE	1	2003-11
7	GBT97.1-12-A0P	WASHER	2	2003-11
8	GBT93-12-A0P	SPRING WASHER	2	2003-11
9	GBT6170-M12-A3L	NUT	2	2003-11

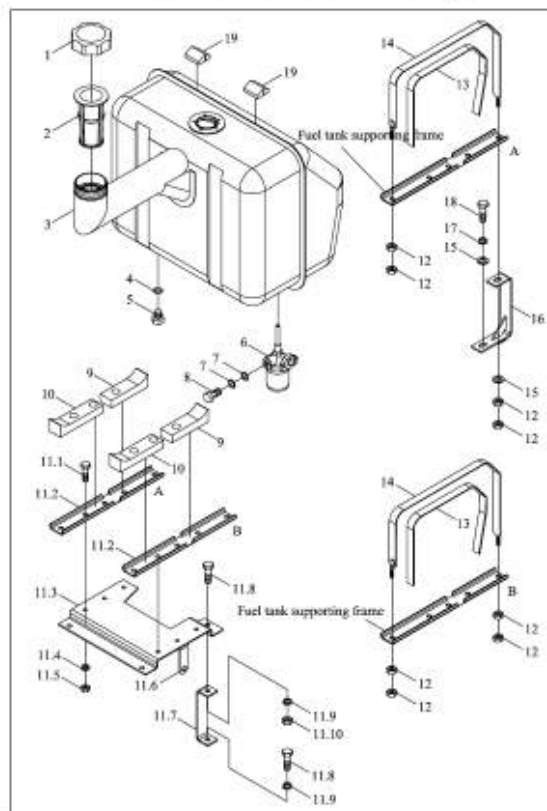
FT400.50B.001 Oil tank and bracket assembly



FT400.50B.001 50-油箱与支架总成

标号 No.	代号 Code	名称 Description	数量 Quantity	备注 Remark
1	TA650.502.3	OIL TANK COVER ASSEMBLY	1	2011-11_
10	FT300.50.110	FRONT RUBBER WASHER	2	2011-11_
11	FT300.50B.020	OIL TANK BRACKET ASSEMBLY	1	2011-11_
11.1	GBT6170-M10	NUT M10	1	2011-11_
11.1	GBT6170-M10-Zn.D	NUT	1	2011-11_
11.2	FT300.50.125	OIL TANK SUPPORT FRAME	2	2011-11_
11.3	FT300.50B.124	OIL TANK GASKET PLATE	1	2011-11_
11.3	FT300.50B.124	OIL TANK GASKET PLATE	1	2011-11_
11.4	GBT93-8	WASHER 8	6	2011-11_
11.5	GBT6170-M8-Zn.D	NUT	6	2011-11_
11.6	FT300.50.126	CONNECTING PLATE	2	2011-11_
11.7	FT300.50.123	U-BRACKET	1	2011-11_
11.8	GBT5783-M10×20	BOLT	4	2011-11_
11.9	GBT93-10	WASHER 10	4	2011-11_
12	GBT6170-M10-A3L	NUT	8	2011-11_
13	FT404.50.114	MAIN OIL TANK BELT RUBBER WASHER	2	2011-11_
14	FT300.50.014	OIL TANK BAND ASSEMBLY	2	2011-11_
15	GBT97.1-10-A0P	WASHER	2	2011-11_
16	FT300.50B.016	U-PLATE WELDMENT	1	2011-11_
17	GBT93-10-A0P	WASHER	1	2011-11_
18	GBT5783-M10X20-A3L	BOLT	1	2011-11_
19	FT300.50.112	RUBBER PAD BLOCK	2	2011-11_
2	FT300.50.015	FILTER MESH ASSEMBLY	1	2011-11_
3	FT400.50.011a	OIL TANK WELDMENT ASSEMBLY	1	2011-11_
4	JBT982-16	COMBINED SEAL GASKET	1	2011-11_

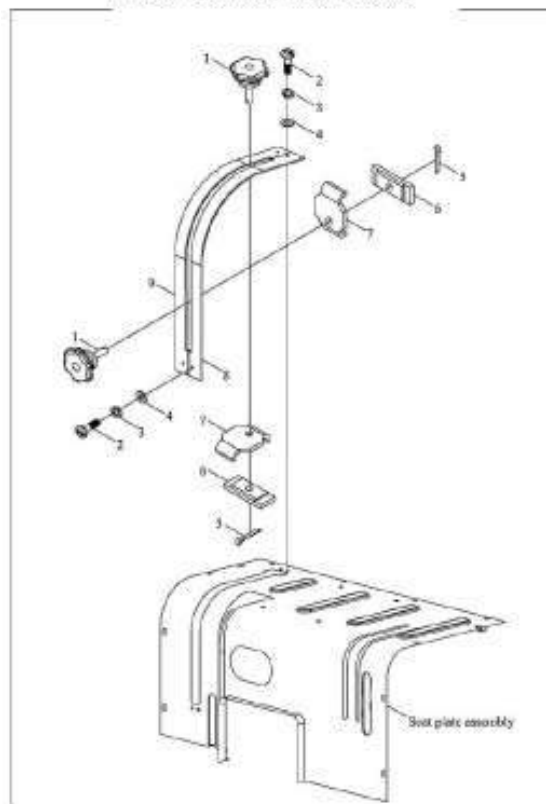
FT400.50B.001 Oil tank and bracket assembly



FT400.50B.001 50-油箱与支架总成(续)

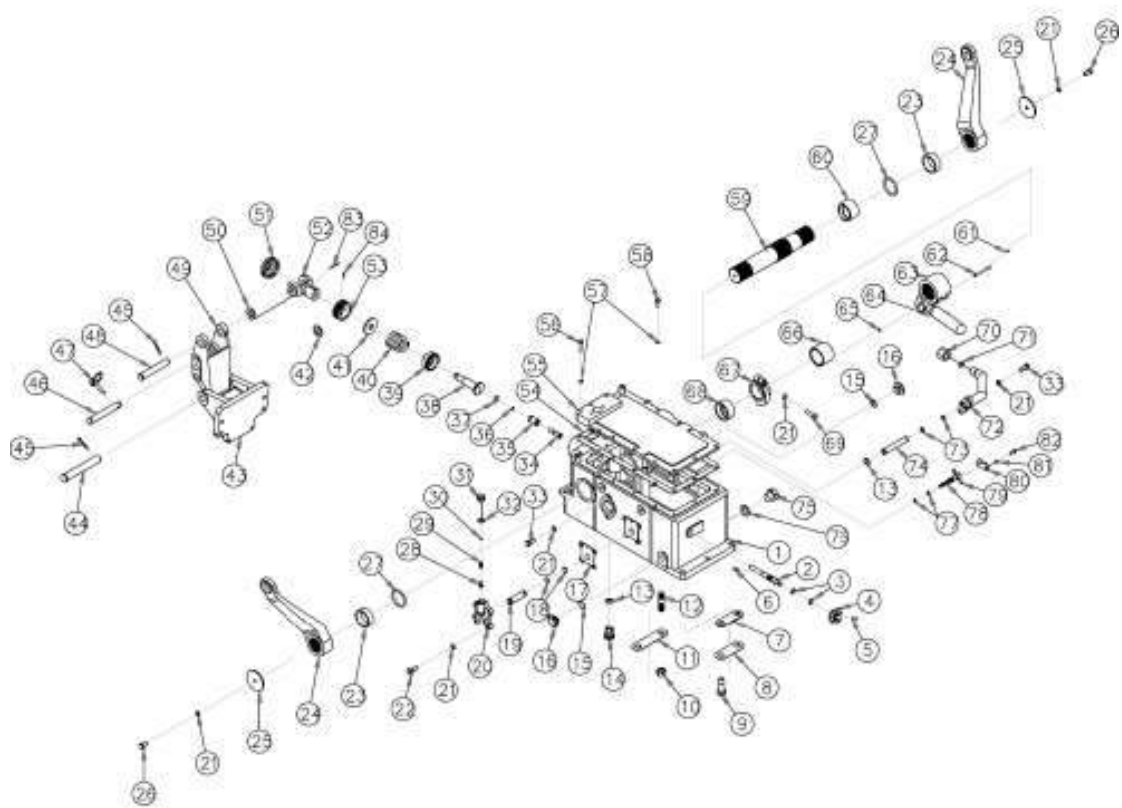
标号 No.	代号 Code	名称 Description	数量 Quantity	备注 Remark
5	FT65.50.226	OIL DISCHARGING SCREW PLUG	1	2011-11_
6	FT65.50.033	SEDIMENT CUP ASSEMBLY	1	2011-11_
6	FT65.50.033	SEDIMENT CUP ASSEMBLY	1	2011-11_
7	JBT982-14	COMBINED SEAL GASKET	2	2011-11_
7	JBT982-14	COMBINED SEAL GASKET	2	2011-11_
8	FT65.50.106	HOLLOW BOLT	1	2011-11_
9	FT300.50.111	REAR RUBBER CUSHION	2	2011-11_

FT300.55B.001 提升器总成



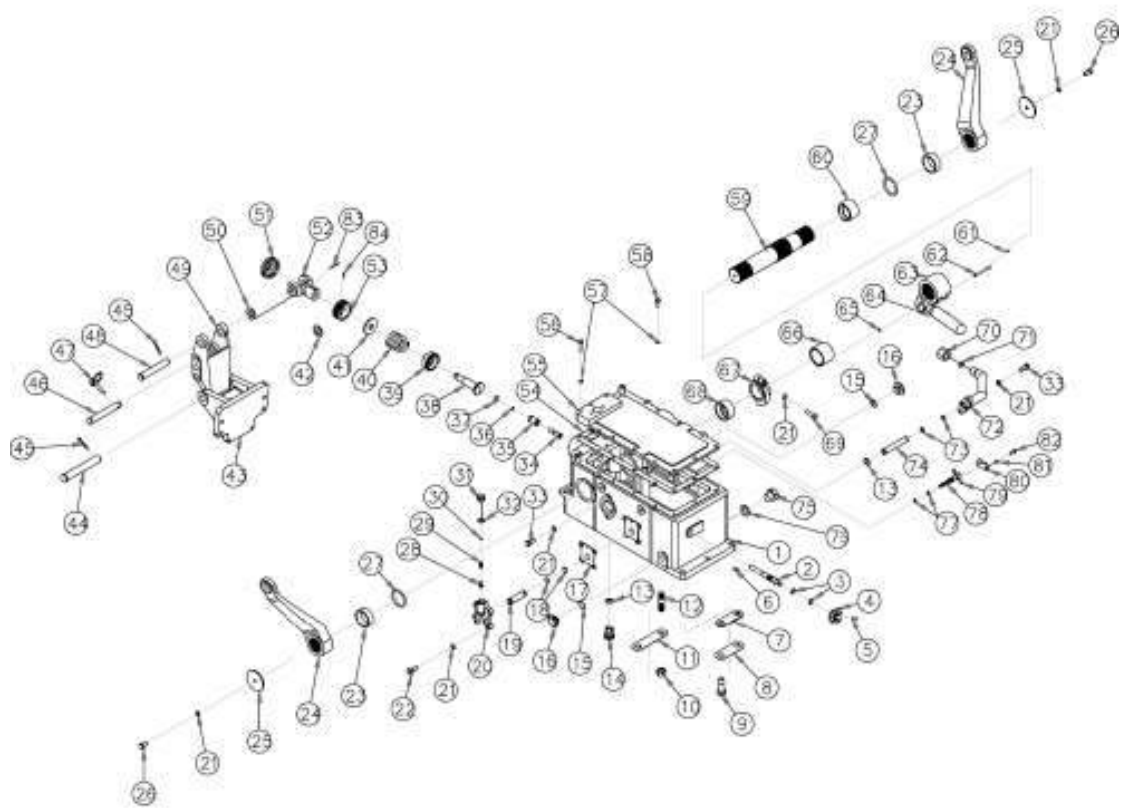
FT300.55B.001-1 55.1-提升器总成-1 LIFTER ASSEMBLY-1

标号 No.	代号 Code	名称 Description	数量 Quantity	备注 Remark
0	FT300.55B.010	LIFTER ASSEMBLY	1	2011-11
0	TB-B02223	TOOL KIT	1	2014-01
1	FT65.57.014	ADJUSTING HANDLE HEAD ASSEMBLY	2	2011-11
2	GBT818-5X16	SCREW	4	2011-11
3	GBT93-5	WASHER	4	2011-11
4	GBT97.1-5	WASHER	4	2011-11
6	FT300.55B.132	LOCATING NUT	2	2011-11
7	FT300.55B.133	LOCATING BENDING PLATE	2	2011-11
8	FT300.55B.134	POSITION ADJUSTING POSITION MARK	1	2011-11
9	FT300.55B.135	FORCE ADJUSTING POSITION MARK	1	2011-11



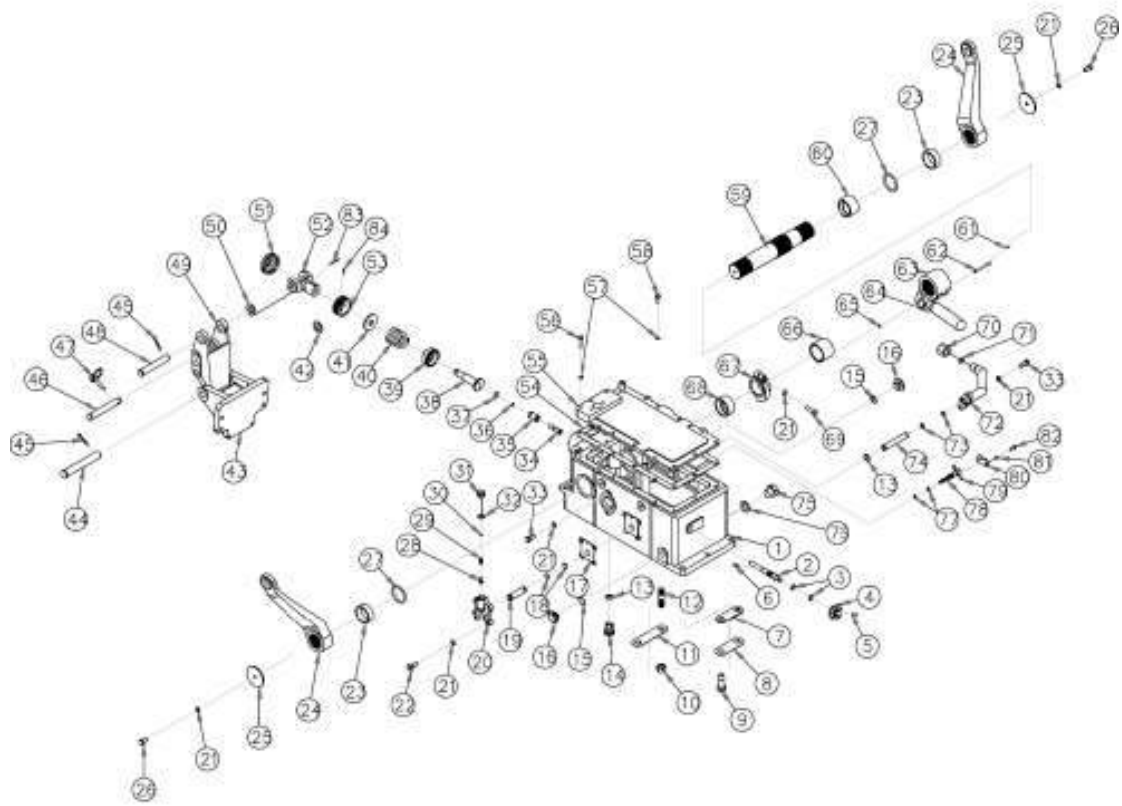
FT300.55B.001-2 55.2-提升器总成-2 LIFTER ASSEMBLY-2

标号 No.	代号 Code	名称 Description	数量 Quantity	备注 Remark
1	FT500B.55.101A	LIFTER HOUSING	1	2011-11_
11	FT500B.55.118	LOCK SHIM	1	2011-11_
14	TS300B.55.110	SPRING HOOK	1	2011-11_
16	FT500B.55.197	PLUG	2	2011-11_
17	FT500B.55.102	OIL INLET CONNECTING PLATE PAPER GASKET	1	2011-11_
19	FT500B.55.103	OIL INLET PIPE	1	2011-11_
2	YT300A.55.116	LOW SPEED CONTROL LEVER	1	2011-11_
20	FT500B.55.108A	OIL INLET CONNECTING PLATE	1	2011-11_
23	FT500B.55.115A	LIFTING SHAFT SLEEVE B	2	2011-11_
24	FT500A.55.020	LIFTING ARM ASSEMBLY	2	2011-11_
25	FT500B.55.127	LIFTING ARM PRESSURE PLATE	2	2011-11_
28	300.55.134	SAFTY VALVE BODY OF CYLINDER	1	2011-11_
29	300.55.133	SAFTY VALVE SPRING OF OIL CYLINDER	1	2011-11_
30	300.55.131-132	ADJUSTING WASHER	999	2011-11_
31	300.55.130	PLUG	1	2011-11_
34	25.55.146L	PUSH ROD SLEEVE	1	2011-11_
35	25.55.145L	FORCE ADJUSTING SEAL SLEEVE	1	2011-11_
38	25.55.158	SPRING ROD	1	2011-11_
39	25.55.159	SPRING SEAT	1	2011-11_
4	E300.55.140A	SPEED DROP VALVE HAND WHEEL	1	2011-11_
4	E300.55.140A	SPEED DROP VALVE HAND WHEEL	1	2011-11_
40	25.55.157	FORCE ADJUSTING SPRING	1	2011-11_
41	25.55.160	SPRING PRESSURE PLATE	1	2011-11_
43	FT500A.55.128	UPPER SUSPENSION POINT ROCKER SEAT	1	2011-11_
44	450.55.167	ROCKER CONNECTING PIN	1	2011-11_



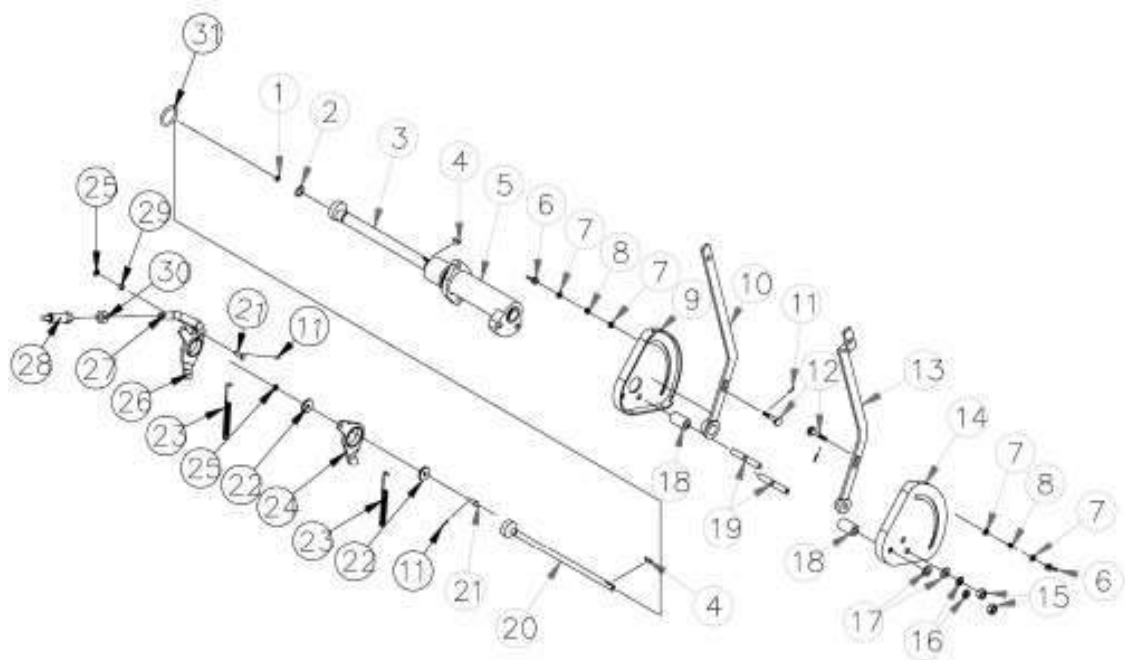
FT300.55B.001-2 55.2-提升器总成-2(续)

标号 No.	代号 Code	名称 Description	数量 Quantity	备注 Remark
46	FT500B.55.152	ROCKER FRONT CONNECTING PIN	1	2011-11
47	25.56.030	LOCKING PIN AND RING ASSEMBLY	1	2011-11
48	FT500A.55.106	ROCKER UPPER CONNECTING PIN	1	2011-11
49	FT500B.55.130	UPPER JOINT ROCKER ARM	1	2011-11
51	25.55.162	DUSTPROOF COVER	1	2011-11
52	YT300A.55.121	UPPER PULL ROD CONNECTING JOINT	1	2011-11
53	25.55.161	NUT	1	2011-11
54	FT500A.55.103	UPPER COVER PAPER GASKET	1	2011-11
55	FT500A.55.104B	LIFTER UPPER COVER	1	2011-11
59	FT500A.55.110	LIFTING SHAFT	1	2011-11
60	FT500B.55.122A	SHAFT SLEEVE	1	2011-11
63	FT300.55B.019A	INNER ARM AND PISTON MANDRIL ASSEMBLY	1	2011-11
63	FT300.55B.019A	INNER ARM AND PISTON MANDRIL ASSEMBLY	1	2011-11
63	FT500B.55.113E	INNER LIFTING ARM	1	2011-11
64	FT500B.55.114D	PISTON TOP ROD	1	2011-11
66	KM550.55.105-1	SHAFT SLEEVE	1	2011-11
67	KM550.55.109	CAM	1	2011-11
68	FT500B.55.104B	SHAFT SLEEVE	1	2011-11
7	FT500B.55.120	WASHER	1	2011-11
70	FT500A.55.123	OIL CONVEYING PIPE NUT	1	2011-11
72	FT500B.55.140	HYDRAULIC OUTLET PIPE JOINT	1	2011-11
74	FT500B.55.105	OIL OUTLET PIPE	1	2011-11
76	JB982-22	COMBINED SEAL GASKET	1	2011-11
78	FT500B.55.126	INTERCEPTING VALVE ADJUSTING ROD	1	2011-11
79	BY350.55.163	ADJUSTING VALVE SOLENOID HANDLE	1	2011-11



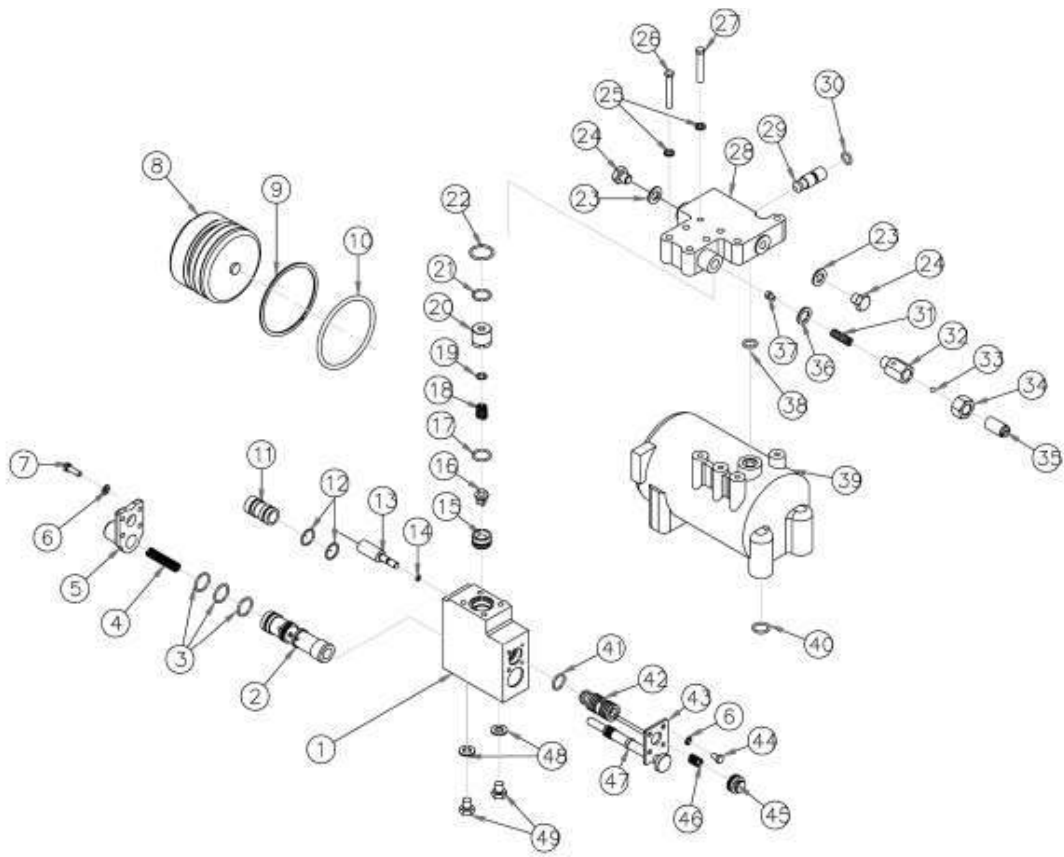
FT300.55B.001-2 55.2-提升器总成-2(续)

标号 No.	代号 Code	名称 Description	数量 Quantity	备注 Remark
8	FT500B.55.121	LOCK SHIM	1	2011-11
80	YT300A.55.122	INTERCEPTING VALVE LIMIT PLATE	1	2011-11
9	FT500B.55.125	OIL CYLINDER BOLT	2	2011-11



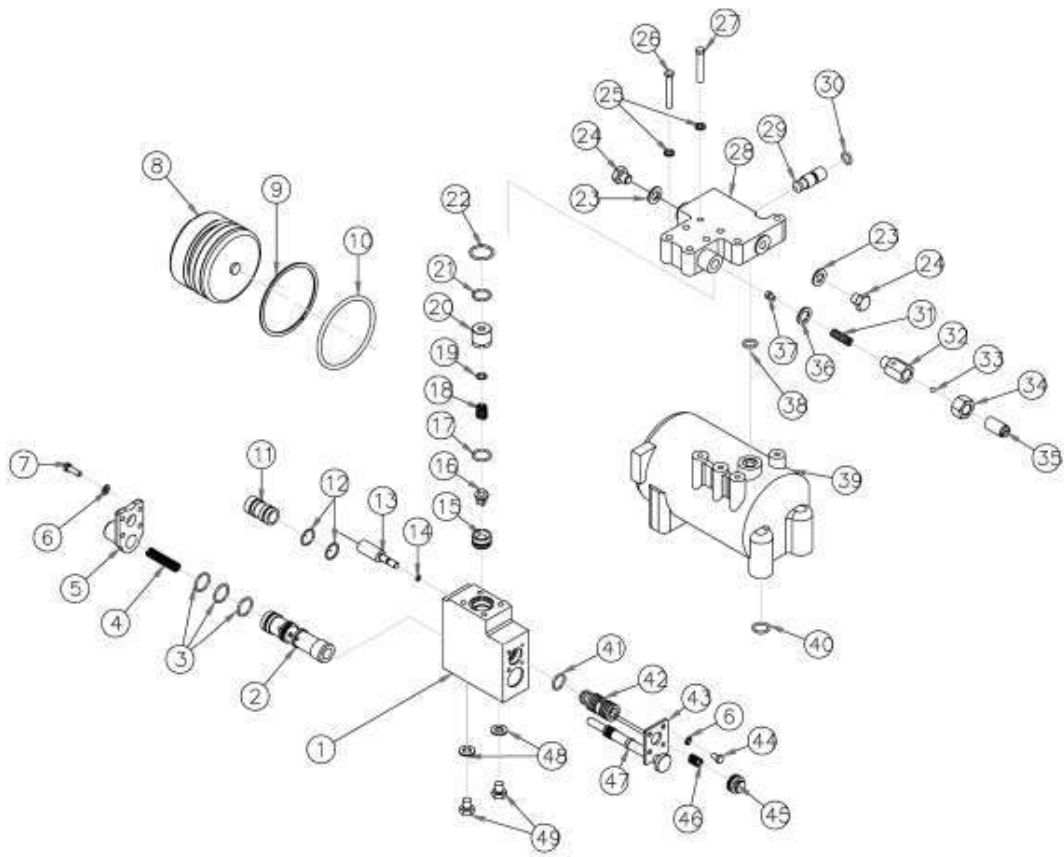
FT300.55B.001-3 55.3-提升器总成-3 LIFTER ASSEMBLY-3

标号 No.	代号 Code	名称 Description	数量 Quantity	备注 Remark
10	FT300.55.025A	POSITION ADJUSTING HANDLE WELDMENT ASSEMBLY	1	2011-11_
12	25.55.132	HANDLE PRESSING SCREW	2	2011-11_
13	FT300.55.024A	FORCE ADJUSTING HANDLE WELDMENT ASSEMBLY	1	2011-11_
14	FT300.55.193	FORCE ADJUSTING SECTOR PLATE	1	2011-11_
18	25.55.137	SECTOR PLATE SUPPORTING BUSH	2	2011-11_
20	FT500B.55.017	FORCE ADJUSTING ECCENTRIC WHEEL WELDMENT ASSEMBLY	1	2011-11_
21	25.55.143	PIN	2	2011-11_
22	KM550.55.124		2	2011-11_
23	FT500A.55.109	PULL SPRING	2	2011-11_
24	KM550.55.123	POSITION ADJUSTING LEVER	1	2011-11_
26	KM550.55.127	FORCE ADJUSTING LEVER	1	2011-11_
27	FT500B.55.112	CONNECTING ROD ROCKER	1	2011-11_
28	YT300A.55.113	FORCE ADJUSTING PUSH ROD	1	2011-11_
29	25.55.221	FORCE ADJUSTING LEVER PIN SLEEVE	1	2011-11_
3	FT500B.55.018	POSITION ADJUSTING ECCENTRIC WHEEL SLEEVE ASSEMBLY	1	2011-11_
3	FT500B.55.018	POSITION ADJUSTING ECCENTRIC WHEEL SLEEVE ASSEMBLY	1	2011-11_
5	FT500B.55.109	SECTOR PLATE SEAT	1	2011-11_
8	25.55.131	HANDLE PRESSING SPRING	2	2011-11_
9	FT300.55.195	POSITION ADJUSTING SECTOR PLATE	1	2011-11_



FT300.55B.001-4 55.4-提升器总成-4 LIFT ASSEMBLY-4

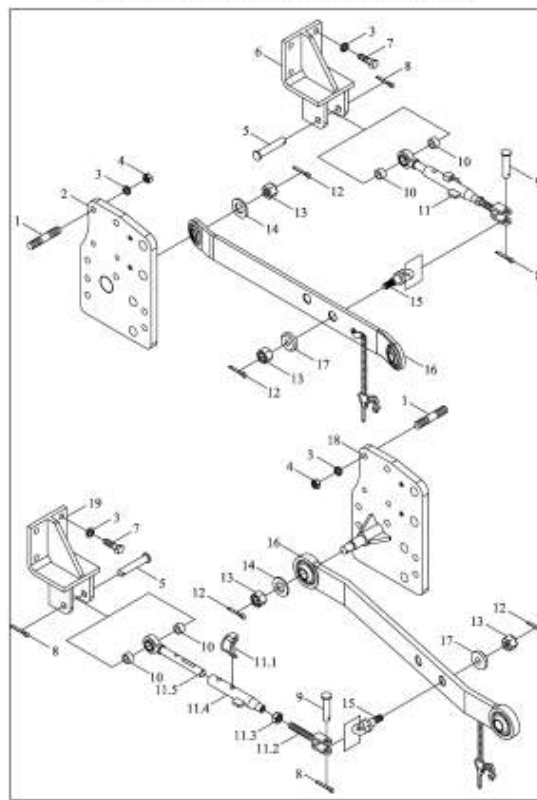
标号 No.	代号 Code	名称 Description	数量 Quantity	备注 Remark
0	FT300.57B.001		1	2011-11
1	KM550.55.120E	DISTRIBUTOR HOUSING	1	2011-11
11	KR130.55.105	SEAL SLEEVE	1	2011-11
13	TS300B.55.187	ADJUSTING VALVE	1	2011-11
15	T30.57.143B	ONE-WAY VALVE SEAT	1	2011-11
16	T30.57.142B	ONE-WAY VALVE BODY	1	2011-11
18	T30.57.144B	ONE-WAY VALVE SPRING	1	2011-11
19	T30.57.164	ONE-WAY VALVE BODY GASKET	1	2011-11
2	TS300.55.217	MAIN CONTROL VALVE SLEEVE	1	2011-11
20	YT300A.55.124	ONE-WAY VALVE SLEEVE	1	2011-11
23	JB982-12	COMBINED GASKET	2	2011-11
23	JB982-12	COMBINED GASKET	2	2011-11
24	JB1000-M12X1.5	PLUG	2	2011-11
27	GB5782-86	BOLT M8 30	4	2011-11
28	FT500B.55.107	DISTRIBUTOR SUPPORT SEAT	1	2011-11
29	FT500B.55.246	INTERCEPTING VALVE	1	2011-11
31	12.55.218	SAFETY VALVE SPRING	1	2011-11
32	TS300B.55.209	SAFETY VALVE BODY	1	2011-11
35	TS300B.55.251	SCREW	1	2011-11
36	TS300B.55.210	ALUMINUM GASKET	1	2011-11
37	TS300B.55.211	SPRING SEAT OF SAFETY VALVE	1	2011-11
39	FT500B.55.106	OIL CYLINDER BODY	1	2011-11
4	25.55.181	MAIN CONTROL VALVE SPRING	1	2011-11
42	KR130.55.103	OIL RETURN VALVE BODY	1	2011-11
43	25.55.180	LIMIT PLATE	1	2011-11



FT300.55B.001-4 55.4-提升器总成-4(续)

标号 No.	代号 Code	名称 Description	数量 Quantity	备注 Remark
45	25.55.176	OIL RETURN VALVE REAR PLUG	1	2011-11
46	25.55.184	SPRING	1	2011-11
47	TS300.55.172	MAIN CONTROL VALVE	1	2011-11
48	JB982-10	COMBINED GASKET	2	2011-11
49	JB1000-M10X1	SCREW PLUG	2	2011-11
5	KR130.55.183	VALVE FRONT COVER	1	2011-11
8	KM550.55.023	PISTON	1	2011-11
9	520.55.143	RETAINER RING	1	2011-11

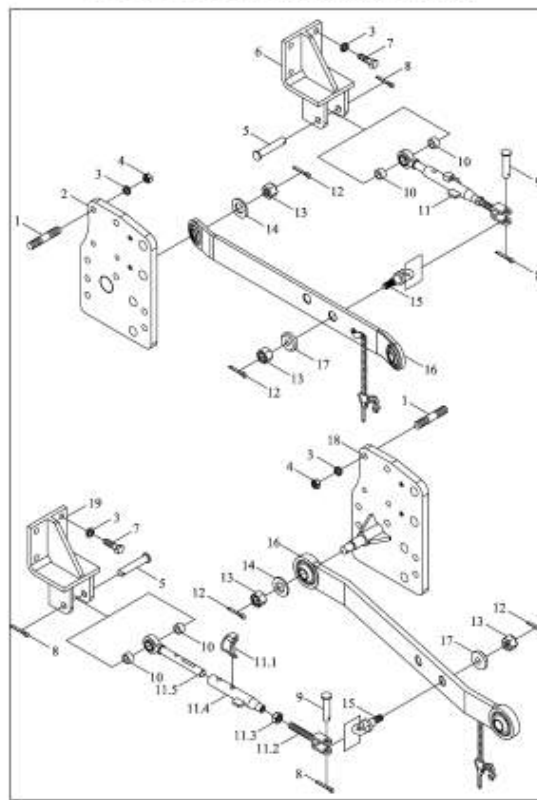
FT300.56B.001 Suspension mechanism assembly-1



FT300.56B.001-1 56.1-悬挂机构总成-1 SUSPENSION MECHANISM ASSEMBLY-1

标号 No.	代号 Code	名称 Description	数量 Quantity	备注 Remark
1	GBT898-AM16-M16X1.5X45-8.8-A3L	8.8-A3L STUD	8	2011-11
10	FT300.56A.103	COVER	4	2011-11
11	FT300.56A.016a	LIMIT ROD ASSEMBLY	2	2011-11
11.1	FT300.56A.023	LIMITING ROD LOCK PIN ASSEMBLY	1	2011-11
11.2	FT300.56A.161	LIMITING ROD ADJUSTING SCREW	1	2011-11
11.3	GBT6170-M22-A3L	NUT	1	2011-11
11.4	FT300.56A.022a	EXTENSIBLE GUIDE PIPE WELDMENT	1	2011-11
11.5	FT300.56A.021a	EXTENSIBLE ROD BALL ASSEMBLY	1	2011-11
12	GBT91-4X36-A0P	PIN	4	2011-11
13	GBT6178-M20-8-A9L	NUT (PAGE81)	4	2011-11
14	GBT97.1-20-A0P	WASHER	2	
14	GBT97.1-20-A0P	WASHER	2	
15	FT300.56A.110a	LIMITING ROD REAR CONNECTING PIN	2	2011-11
16	FT300.56A.012	LOWER PULL ROD ASSEMBLY	2	2011-11
17	FT300.56A.111a	ROUND BOARD	2	2011-11
18	FT300.56B.015	LEFT LOWER PULL ROD SEAT WELDMENT	1	2011-11
19	FT300.56A.017	LEFT LIMITING ROD BRACKET WELDMENT	1	2011-11
2	FT300.56B.014	RIGHT LOWER PULL ROD SEAT WELDMENT	1	2011-11
3	GBT93-16-A0P	SPRING WASHER	16	2011-11
4	GBT6171-M16X1.5-A3L	NUT	8	2011-11
5	FT300.56A.102	LIMITING ROD CONNECTING PIN	2	2011-11
5	FT300.56A.102	LIMITING ROD CONNECTING PIN	2	2011-11
6	FT300.56A.019	RIGHT LIMITING ROD BRACKET WELDMENT	1	2011-11
7	GBT5783-M16X40-A3L	BOLT	8	2011-11
8	GBT91-5X32-A0P	PIN	4	2011-11

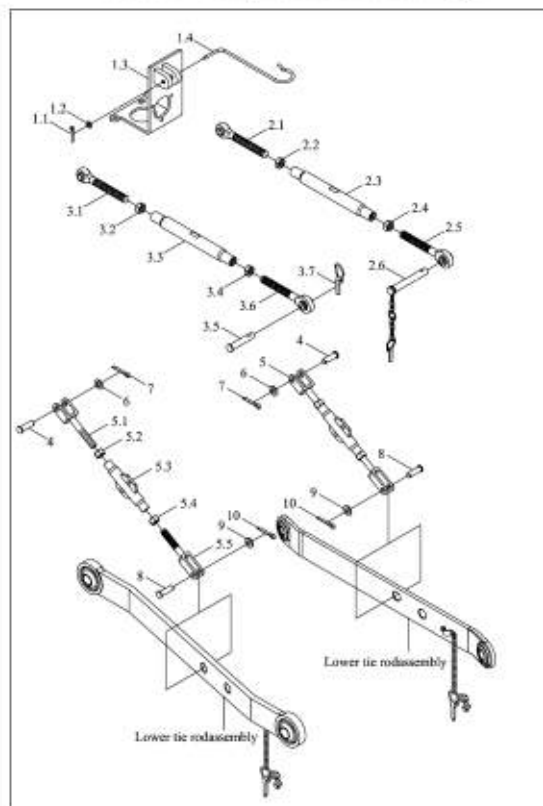
FT300.56B.001 Suspension mechanism assembly-1



FT300.56B.001-1 56.1-悬挂机构总成-1(续)

标号 No.	代号 Code	名称 Description	数量 Quantity	备注 Remark
9	GBT882-B18X55-A0P	PIN	2	2011-11

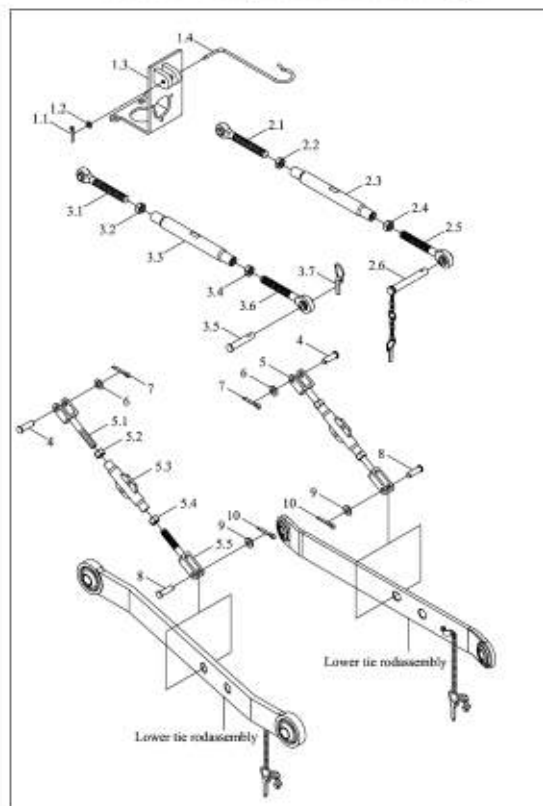
FT300.56B.001 Suspension mechanism assembly-2



FT300.56B.001-2 56.2-悬挂机构总成-2 SUSPENSION MECHANISM ASSEMBLY-2

标号 No.	代号 Code	名称 Description	数量 Quantity	备注 Remark
1	FT300.56A.018b	UPPER PULL ROD FIXED CLIP COMBINATION	1	2009-09_
1	FT300.56A.018b	UPPER PULL ROD FIXED CLIP COMBINATION	1	2009-09_
1	FT300.56A.018a	UPPER PULL ROD FIXED CLIP COMBINATION	1	
1.1	GBT91-2X10-A0P	PIN	1	2011-11_
1.2	GBT97.1-6-A0P	WASHER	1	2011-11_
1.3	FT300.56A.020b	SEAT PLATE WELDMENT	1	2009-09_
1.3	FT300.56A.020a	SEAT PLATE WELDMENT	1	
1.4	FT300.56A.216	LOCKING CLAMP	1	2011-11_
10	GBT91-5X32-A0P	PIN	2	2011-11_
2	FT300.56A.011	UPPER PULL ROD ASSEMBLY	1	2011-07_
2.1	FT300.56A.026	UPPER PULL ROD FRONT ADJUSTING ROD ASSEMBLY	1	2011-11_
2.2	GBT6171-M24X2-A3L	NUT	1	2011-11_
2.2	GBT6171-M24X2-A3L	NUT	1	2011-11_
2.3	FT300.56A.130	ADJUSTING SOLENOID	1	2011-11_
2.4	GBT6171-M24X2-LH-A3L	NUT	1	2011-11_
2.5	FT300.56A.024	UPPER PULL ROD REAR ADJUSTING ROD ASSEMBLY	1	2011-11_
2.6	FT300.56A.113	LOCKING PIN CHAIN ASSEMBLY	1	2011-11_
3	FT300.56B.011	UPPER PULL ROD ASSEMBLY	1	2011-11_
3.1	FT300.56A.026	UPPER PULL ROD FRONT ADJUSTING ROD ASSEMBLY	1	2011-11_
3.2	GBT6171-M24X2-Z.D	NUT	1	2011-11_
3.2	GBT6171-M24X2-Z.D	NUT	1	2011-11_
3.3	FT300.56B.130	ADJUSTING SOLENOID	1	2011-11_
3.4	GBT6171-M24X2-LH-Z.D	NUT	1	2011-11_
3.5	FT300.56.160	UPPER PULL ROD CONNECTING PIN	1	2011-11_
3.6	FT300.56A.024	UPPER PULL ROD REAR ADJUSTING ROD ASSEMBLY	1	2011-11_

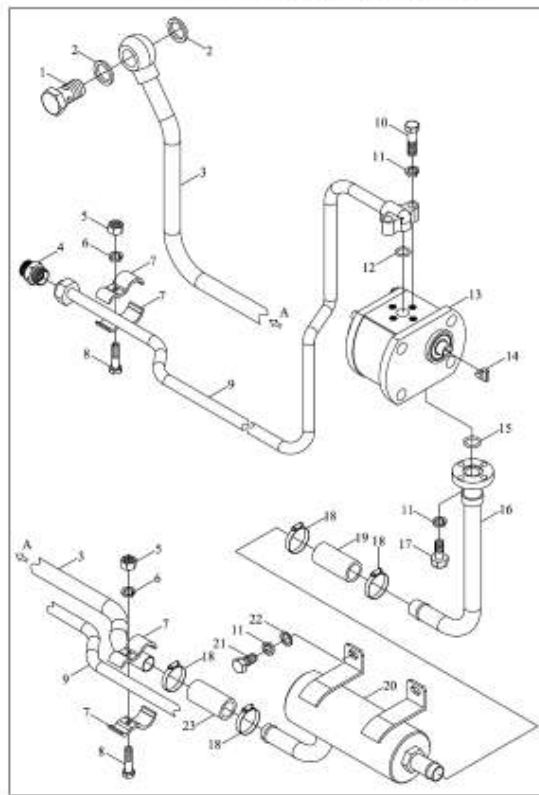
FT300.56B.001 Suspension mechanism assembly-2



FT300.56B.001-2 56.2-悬挂机构总成-2(续)

标号 No.	代号 Code	名称 Description	数量 Quantity	备注 Remark
3.7	FT300.56.029	LOCKING PIN CHAIN ASSEMBLY	1	2011-11
4	FT300.56A.101	LIFTING ROD UPPER CONNECTING PIN	2	2011-11
5	FT300.56A.013	LIFTING ROD ASSEMBLY	2	2011-11
5.1	FT300.56A.107	LIFTING ROD UPPER CONNECTING FORK	1	2011-11
5.2	GBT6171-M24X2-A3L	NUT	1	2011-11
5.2	GBT6171-M24X2-A3L	NUT	1	2011-11
5.3	FT300.56A.033	LIFTING ROD SOLENOID WELDMENT	1	2011-11
5.4	GBT6171-M24X2-LH-A3L	NUT	1	2011-11
5.5	FT300.56A.108	LIFTING ROD LOWER CONNECTING FORK	1	2011-11
6	GBT97.1-20-A0P	WASHER	2	
6	GBT97.1-20-A0P	WASHER	2	
7	GBT91-5X40-A0P	PIN	2	2011-11
8	FT300.56A.112	LIFTING ROD LOWER CONNECTING PIN	2	2011-11
9	GBT97.1-24-A0P	WASHER	2	
9	GBT97.1-24-A0P	WASHER	2	

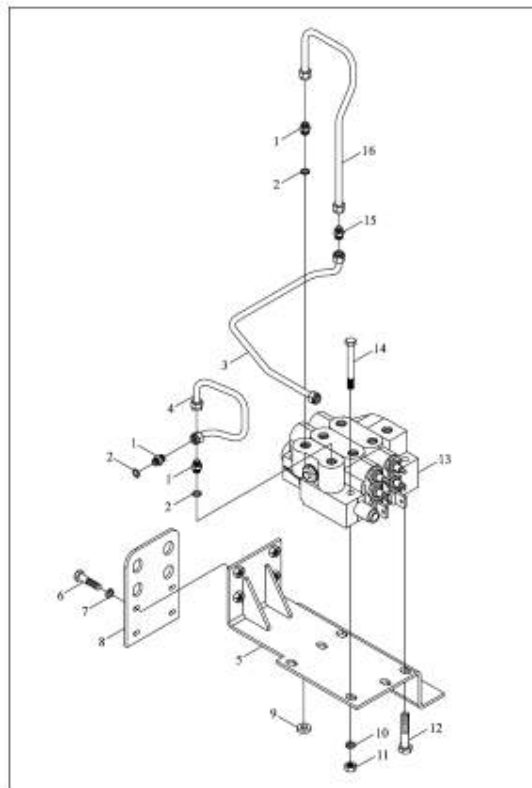
FT404.58A.001 油泵油管液压输出总成-1



FT404.58A.001-1 58.1-油泵油管液压输出总成-1 OIL PUMP/PIPE/HYDRAULIC OUTPUT ASSEMBLY-1

标号 No.	代号 Code	名称 Description	数量 Quantity	备注 Remark
1	FT300.58.101	HOLLOW BOLT	1	2011-11
10	GBT5783-M8X30-A2L	BOLT	2	2011-11
11	GBT93-8-A0P	WASHER	6	2011-11
12	GBT3452.1-15X2.65G	O-SEAL RING	1	2011-11
13	FT300.58A.020	GEAR PUMP	1	2011-11
14	FT300.58.102	CROSS SLIDE BLOCK	1	2011-11
15	GBT3452.1-21.2X1.8G	O-SEAL RING	1	2011-11
16	FT400.58A.015	OIL SUCTION SHORT PIPE WELDMENT	1	2011-11
17	GBT5783-M8X25-A2L	BOLT	2	2011-11
18	ZBJ15001-d32	HOOP	4	2011-11
19	FT300.58A.104	OIL SUCTION HOSE	1	2011-11
2	JBT982-22	COMBINED SEAL GASKET	2	2011-11
20	FT300.58A.040	OIL FILTER ASSEMBLY	1	2011-11
21	GBT5783-M8X20-A2L	BOLT	2	2011-11
22	GBT97.1-8-A0P	WASHER	2	2011-11
23	FT400.58A.102	OIL SUCTION HOSE	1	2011-11
3	FT300.58A.012	OIL SUCTION LONG PIPE WELDMENT	1	2011-11
4	FT700.58A.101	JOINT	1	2011-11
5	GBT6170-M6-A2L	NUT	3	2011-11
6	GBT93-6-A0P	SPRING WASHER	3	2011-11
7	FT300.58.013	OIL PIPE CLAMP AND RUBBER WASHER	6	2011-11
8	GBT5783-M6X30-A2L	BOLT	3	2011-11
9	FT404.58A.020	MULTI-WAY VALVE OIL INLET PIPE ASSEMBLY-3	1	2011-11

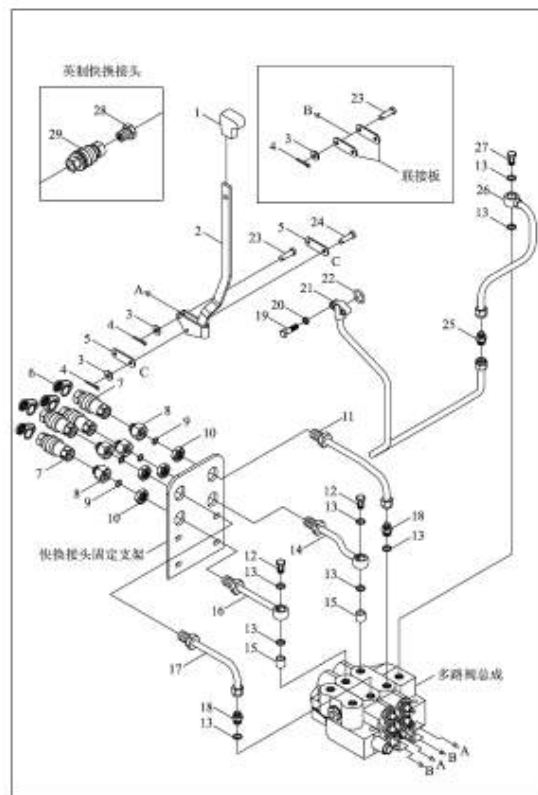
FT404.58A.001 油泵油管液压输出总成-2



FT404.58A.001-2 58.2-油泵油管液压输出总成-5 OIL PUMP/PIPE/HYDRAULIC OUTPUT ASSEMBLY-2

标号 No.	代号 Code	名称 Description	数量 Quantity	备注 Remark
0	8A5131906	SAFETY VALVE ASSEMBLY	1	2011-11
1	FT654.58B.102	STRAIGHT THREAD JOINT BODY 1	3	2011-11
10	GBT93-10-A0P	WASHER	3	2011-11
11	GBT6170-M10-A3L	NUT	3	2011-11
12	GBT5783-M10X16-A3L	BOLT	1	2011-11
13	FT654.58B.020	MULTI-WAY VALVE ASSEMBLY	1	2011-11
14	GBT5782-M10X70-A2L	BOLT	3	2011-11
15	FT700.58A.101	JOINT	1	2011-11
16	FT354.58C.017	MULTI-WAY VALVE OIL INLET PIPE ASSEMBLY-1	1	2011-11
2	JBT982-22	COMBINED SEAL GASKET	3	2011-11
3	FT354.58C.019	MULTI-WAY VALVE OIL INLET PIPE ASSEMBLY-2	1	2011-11
4	FT354.58C.016	MULTI-WAY VALVE OIL RETURN PIPE ASSEMBLY	1	2011-11
5	FT354.58A.022a	MULTI-WAY VALVE FIXING BRACKET WELDMENT	1	2011-11
6	GBT5783-M8X25-A2L	BOLT	4	2011-11
7	GBT97.1-8-A0P	WASHER	4	2011-11
8	FT354.58A.111a	QUICK CHANGING JOINT FIXING BRACKET	1	2011-11
9	FT354.58A.101	PAD BLOCK	2	2011-11

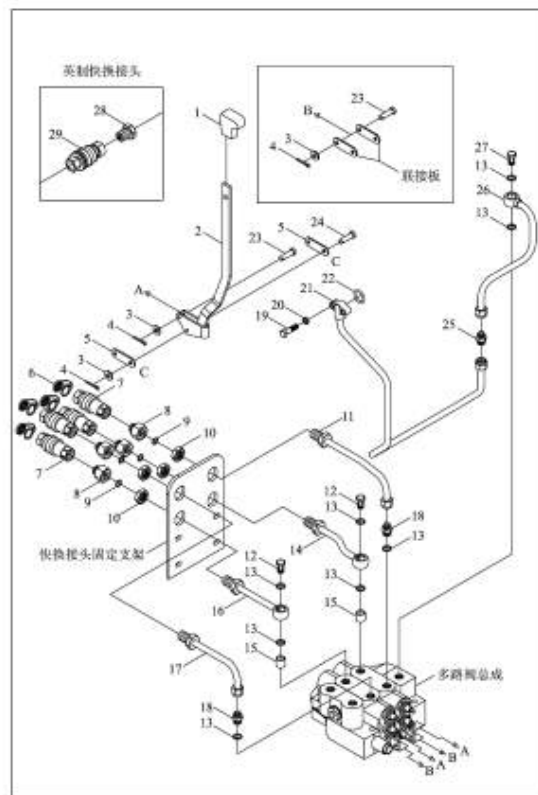
FT404.58A.001 油泵油管液压输出总成-3



FT404.58A.001-3 58.3-油泵油管液压输出总成-6 OIL PUMP/PIPE/HYDRAULIC OUTPUT ASSEMBLY-3

标号 No.	代号 Code	名称 Description	数量 Quantity	备注 Remark
1	TB504.552-04	HANDLE HEAD ASSEMBLY	2	2010-10_
11	FT354.58A.015	MULTI-WAY VALVE OIL OUTPUT PIPE ASSEMBLY-4	1	2011-11_
12	FT654.58.110	HOLLOW BOLT -2	2	2011-11_
13	JB T982-22	COMBINED SEAL GASKET	8	2011-11_
14	FT354.58A.014	MULTI-WAY VALVE OIL OUTPUT PIPE ASSEMBLY-3	1	2011-11_
15	FT654.58.109	THICK WASHER -1	2	2011-11_
16	FT354.58A.016	MULTI-WAY VALVE OIL OUTPUT PIPE ASSEMBLY-1	1	2011-11_
17	FT354.58A.017	MULTI-WAY VALVE OIL OUTPUT PIPE ASSEMBLY-2	1	2011-11_
18	FT654.58B.102	STRAIGHT THREAD JOINT BODY 1	2	2011-11_
19	GBT5783-M8X30-A2L	BOLT	2	2011-11_
2	FT354.58C.014	CONTROL HANDLE WELDMENT	2	2011-11_
20	GBT93-8-A0P	WASHER	2	2011-11_
21	FT354.58A.018	MULTI-WAY VALVE OIL OUTPUT PIPE ASSEMBLY-2	1	2011-11_
22	GBT3452.1-15.0X2.65G	O-SEAL RING	1	2011-11_
25	FT700.58A.101	JOINT	1	2011-11_
26	FT354.58C.015	MULTI-WAY VALVE OIL OUTPUT PIPE ASSEMBLY-1	1	2011-11_
27	FT654.58.107	HOLLOW BOLT -1	1	2011-11_
28	FT354.58A.104	BRITISH SYSTEM OIL PIPE JOINT	4	2011-11_
29	FT354.58A.030	QUICK CHANGING JOINT	4	2011-11_
3	GBT95-6-A0P	WASHER	6	2011-11_
4	GBT91-2X12-A0P	PIN	6	2011-11_
5	FT654.58.103	CONNECTING PLATE	4	2011-11_
6	FT354.58A.103	DUSTPROOF COVER	4	2011-11_
7	FT654.58.010a	QUICK CHANGING JOINT	4	2011-11_
8	FT354.58A.102a	JOINT	4	2011-11_

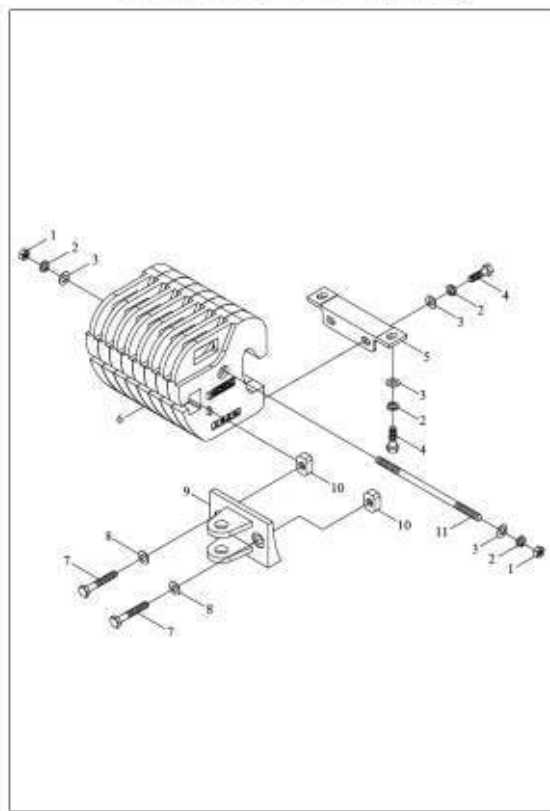
FT404.58A.001 油泵油管液压输出总成-3



FT404.58A.001-3 58.3-油泵油管液压输出总成-6(续)

标号 No.	代号 Code	名称 Description	数量 Quantity	备注 Remark
9	GBT3452.1-12.5X2.65G	O-SEAL RING	4	2011-11-

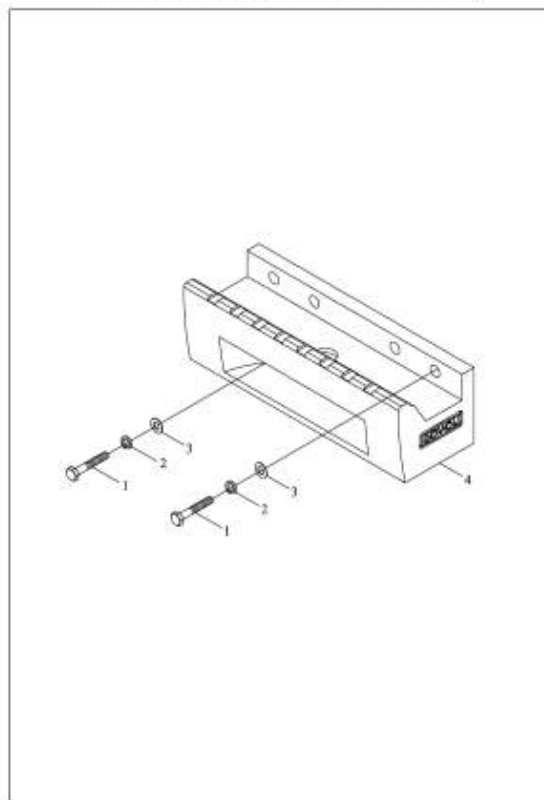
FT404.74A.002Front balance weightassembly



FT404.74A.002 74-前配重总成 74-FRONT BALLAST ASSEMBLY

标号 No.	代号 Code	名称 Description	数量 Quantity	备注 Remark
1	GBT6170-M16-8-A3L	NUT	2	2012-09_
10	FT650.74.108	TOWING NUT	2	2011-11_
11	FT404.74A.108	CONNECTING BOLT	1	2011-11_
2	GBT93-16-Zn.D	WASHER	6	2011-11_
3	GBT97.1-16	WASHER	6	2011-11_
4	GBT5783-M16X35-Zn.D	BOLT	4	2011-11_
5	FT300.74A.107	FIXING BRACKET	1	2011-11_
6	FT404.74A.010	FRONT BALLAST ASSEMBLY	1	2012-01_
6.1	FT300.74A.106	BALLAST	6	2011-11_
6.2	FT300.74A.105	BALLAST	2	
7	GBT5785-M20X1.5X80-8.8-A3L	BOLT	2	
8	GBT97.1-20	WASHER	2	2011-11_
9	FT300.74A.110	TOWING LUG	1	2011-11_

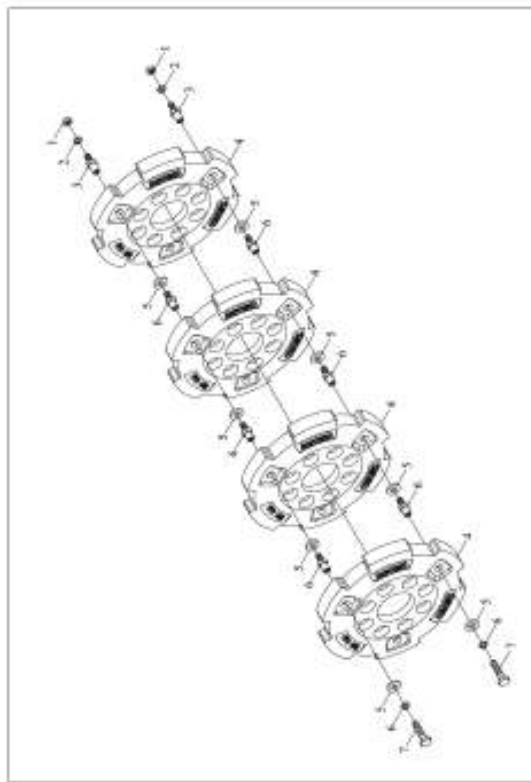
FT300.74A.001Fore balance weight frame assembly



FT300.74A.001 74-前配重架总成 74-FRONT BALLAST BRACKET ASSEMBLY

标号 No.	代号 Code	名称 Description	数量 Quantity	备注 Remark
1	GBT5783-M16X70-A3L	BOLT	2	2004-01_
2	GBT93-16-AOP	WASHER	6	2004-01_
3	GBT5783-M16×50-8.8-A3L	BOLT	4	2004-01_
4	FT300.74A.101	BALLAST BRACKET	1	2004-01_
4	FT300.74A.101a	BALLAST BRACKET	1	2009-11_

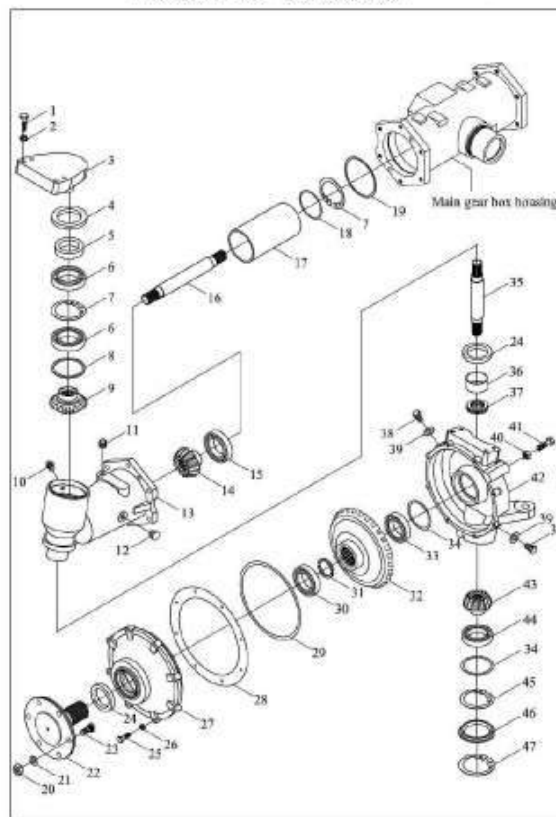
FT400.91A.001 后配重总成



FT400.91A.001 91-后配重总成 91-REAR BALLAST ASSEMBLY

标号 No.	代号 Code	名称 Description	数量 Quantity	备注 Remark
1	GBT6171-M16-A3L	NUT	3	2011-11
2	GBT93-16-A0P	SPRING WASHER	6	2011-11
3	FT400.91A.102	REAR BALLAST SCREW I	3	2011-11
4	FT400.91A.101	REAR BALLAST	4	2011-11
5	FT400.91A.104	WASHER	12	2011-11
6	FT400.91A.103	REAR BALLAST SCREW II	9	2011-11
7	GBT5783-M16X35-8.8-A3L	BOLT	6	2011-11

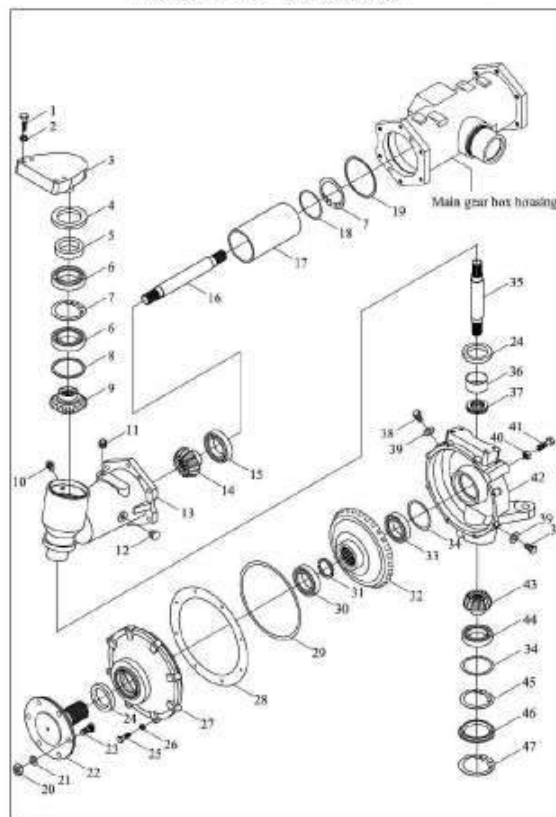
FT304.31F.001 前驱动桥总成



FT304.31F.001-2 前驱动桥分总成-2 FRONT DRIVE AXLE SUB-ASSEMBLY-2

标号 No.	代号 Code	名称 Description	数量 Quantity	备注 Remark
0	FT304.31F.011	FRONT DRIVING AXLE SUB-ASSEMBLY	1	2011-11
10	JBT7940.1-M10X1	STRAIGHT PRESSURE FILLING OIL CUP	1	2011-11
11	QYXF70-Z38°	SCREW PLUG	1	2011-11
12	GBT1160.2-A10	DIPSTICK	1	2011-11
13	FT304.31F.121	HALF SHAFT HOUSING	1	2011-11
14	FT304.31F.126	GEAR	1	2011-11
15	GBT276-6309	BEARING	1	2011-11
16	FT304.31F.128	SPLINE SHAFT	1	2011-11
17	FT304.31F.127	SLEEVE	1	2011-11
18	FT304.31F.123	ADJUSTING WASHER	1	2011-11
19	FT304.31F.130	ADJUSTING WASHER	1	2011-11
2	GBT93-12	WASHER	4	2011-11
21	FT204.31F.205	WASHER	6	2011-11
22	FT304.31F.117	FRONT DRIVING SHAFT	1	2011-11
23	FT304.31F.115	BOLT	6	2011-11
24	FT304.31F	FLOATING OIL SEAL	2	
24	65X4.8	O-RING	2	
25	GBT5783-M8X35	BOLT	8	2011-11
27	FT304.31F.107	BIG END COVER	1	2011-11
28	FT304.31F.190	ADJUSTING GASKET	1	2011-11
29	GBT3452.1-236X5.3G	O-SEAL RING	1	2011-11
3	FT304.31F.124	CONNECTING COVER	1	2011-11
30	GBT276-6310	BEARING	1	2011-11
31	FT304.31F.114	RETAINER RING	2	2011-11
32	FT304.31F.108	BIG END GEAR	1	2011-11

FT304.31F.001 前驱动桥总成



FT304.31F.001-2 前驱动桥分总成-2(续)

标号 No.	代号 Code	名称 Description	数量 Quantity	备注 Remark
33	GBT276-6210	BEARING	1	2011-11
34	FT304.31F.113	ADJUSTING GASKET	2	2011-11
35	FT304.31F.110	END SPLINE SHAFT	1	2011-11
36	FT304.31F.111	SLEEVE	1	2011-11
37	GBT301-8107	HANDSPIKE BALL BEARING	1	2011-11
38	FT304.31F.105	SCREW PLUG	2	2011-11
38	FT304.31F.105	SCREW PLUG	2	2011-11
39	FT304.31F.106	WASHER	2	2011-11
4	GBT9877.1-FB8010512	OIL SEAL	1	2011-11
40	GBT6170-M16	NUT	1	2011-11
42	FT304.31F.109	LEFT END HOUSING	1	2011-11
43	FT304.31F.112	END PINION	1	2011-11
44	GBT276-6308	BEARING	1	2011-11
45	GBT893.1-90	RETAINER RING	1	2011-11
46	FT304.31F.022	SEAL CAP	1	2011-11
47	GBT893.1-102	SNAP RING	1	2011-11
5	FT304.31F.125	OIL SEAL BUSH	1	2011-11
6	GBT276-6013	BEARING	2	2011-11
7	GBT893.1-100	SNAP RING	2	2011-11
8	FT304.31F.188	WASHER	1	2011-11
9	FT304.31F.122	GEAR	1	2011-11

