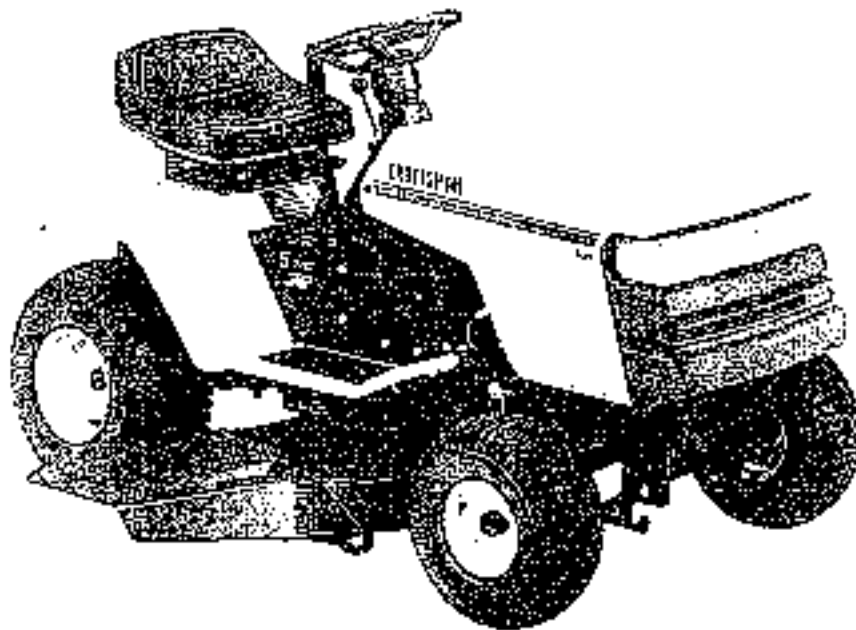


SEARS

CRAFTSMAN®

MODEL NUMBER 917.257620 OWNER'S MANUAL

**Assembly
Operation
Customer
Responsibilities
Service
Adjustments
Repair Parts**



**Caution:
Read and Follow
all Safety Rules
and Instructions
before Operating
this Equipment**

Sears, Roebuck and Co., Hoffman Estates, IL 60179 U.S.A.



SAFETY RULES

Safe Operation Practices for Ride-On Mowers



IMPORTANT: THIS CUTTING MACHINE IS CAPABLE OF AMPUTATING HANDS AND FEET AND THROWING OBJECTS. FAILURE TO OBSERVE THE FOLLOWING SAFETY INSTRUCTIONS COULD RESULT IN SERIOUS INJURY OR DEATH.

I. GENERAL OPERATION

- Read, understand, and follow all instructions in the manual and on the machine before starting.
- Only allow responsible adults, who are familiar with the instructions, to operate the machine.
- Clear the area of objects such as rocks, toys, wire, etc., which could be picked up and thrown by the blade.
- Be sure the area is clear of other people before mowing. Stop machine if anyone enters the area.
- Never carry passengers.
- Do not mow in reverse unless absolutely necessary. Always look down and behind before and while backing.
- Be aware of the mower discharge direction and do not point it at anyone. Do not operate the mower without either the entire grass catcher or the guard in place.
- Slow down before turning.
- Never leave a running machine unattended. Always turn off blades, set parking brake, stop engine, and remove keys before dismounting.
- Turn off blades when not mowing.
- Stop engine before removing grass catcher or unclogging chute.
- Mow only in daylight or good artificial light.
- Do not operate the machine while under the influence of alcohol or drugs.
- Watch for traffic when operating near or crossing roadways.
- Use extra care when loading or unloading the machine into a trailer or truck.

II. SLOPE OPERATION

Slopes are a major factor related to loss-of-control and tipover accidents, which can result in severe injury or death. All slopes require extra caution. If you cannot back up the slope or if you feel uneasy on it, do not mow it.

DO:

- Mow up and down slopes, not across.
- Remove obstacles such as rocks, tree limbs, etc.
- Watch for holes, ruts, or bumps. Uneven terrain could overturn the machine. Tall grass can hide obstacles.
- Use slow speed. Choose a low gear so that you will not have to stop or shift while on the slope.
- Follow the manufacturer's recommendations for wheel weights or counterweights to improve stability.
- Use extra care with grass catchers or other attachments. These can change the stability of the machine.
- Keep all movement on the slopes slow and gradual. Do not make sudden changes in speed or direction.
- Avoid starting or stopping on a slope. If tires lose traction, disengage the blades and proceed slowly straight down the slope.

DO NOT:

- Do not turn on slopes unless necessary, and then, turn slowly and gradually downhill, if possible.
- Do not mow near steep cliffs, ditches, or embankments. The mower could suddenly turn over if a wheel is over the edge of a cliff or ditch, or if an edge caves in.
- Do not mow on wet grass. Reduced traction could cause sliding.
- Do not try to stabilize the machine by putting your foot on the ground.
- Do not use grass catcher on steep slopes.

III. CHILDREN

Tragic accidents can occur if the operator is not alert to the presence of children. Children are often attracted to the machine and the mowing activity. Never assume that children will remain where you last saw them.

- Keep children out of the mowing area and under the watchful care of another responsible adult.
- Be alert and turn machine off if children enter the area.
- Before and when backing, look behind and down for small children.
- Never carry children. They may fall off and be seriously injured or interfere with safe machine operation.
- Never allow children to operate the machine.
- Use extra care when approaching blind corners, shrubs, trees, or other objects that may obscure vision.

IV. SERVICE

- Use extra care in handling gasoline and other fuels. They are flammable and vapors are explosive.
 - Use only an approved container.
 - Never remove gas cap or add fuel with the engine running. Allow engine to cool before refueling. Do not smoke.
 - Never refuel the machine indoors.
 - Never store the machine or fuel container inside where there is an open flame, such as a water heater.
- Never run a machine inside a closed area.
- Keep nuts and bolts, especially blade attachment bolts, tight and keep equipment in good condition.
- Never tamper with safety devices. Check their proper operation regularly.
- Keep machine free of grass, leaves, or other debris build-up. Clean off oil or fuel spillage. Allow machine to cool before storing.
- Stop and inspect the equipment if you strike an object. Repair, if necessary, before restarting.
- Never make adjustments or repairs with the engine running.
- Grass catcher components are subject to wear, damage, and deterioration, which could expose moving parts or allow objects to be thrown. Frequently check components and replace with manufacturer's recommended parts, when necessary.
- Mower blades are sharp and can cut. Wrap the blade(s) or wear gloves, and use extra caution when servicing them.
- Check brake operation frequently. Adjust and service as required.



Look for this symbol to point out important safety precautions. It means **CAUTION!!! BECOME ALERT!!! YOUR SAFETY IS INVOLVED.**



CAUTION: Always disconnect spark plug wire and place wire where it cannot contact spark plug in order to prevent accidental starting when setting up, transporting, adjusting or making repairs.

CONGRATULATIONS on your purchase of a Sears Tractor. It has been designed, engineered and manufactured to give you the best possible dependability and performance.

Should you experience any problem you cannot easily remedy, please contact your nearest Sears Authorized Service Center/Department. We have competent, well-trained technicians and the proper tools to service or repair this unit.

Please read and retain this manual. The instructions will enable you to assemble and maintain your unit properly. Always observe the "SAFETY RULES".

MODEL NUMBER	917 257820
SERIAL NUMBER	
DATE OF PURCHASE _____	
THE MODEL AND SERIAL NUMBERS WILL BE FOUND ON A PLATE UNDER THE SEAT.	
YOU SHOULD RECORD BOTH SERIAL NUMBER AND DATE OF PURCHASE AND KEEP IN A SAFE PLACE FOR FUTURE REFERENCE.	

MAINTENANCE AGREEMENT

A Sears Maintenance Agreement is available on this product. Contact your nearest Sears store for details.

CUSTOMER RESPONSIBILITIES

- Read and observe the safety rules.
- Follow a regular schedule in maintaining, caring for and using your unit.
- Follow the instructions under "Customer Responsibilities" and "Storage" sections of this owner's manual.

PRODUCT SPECIFICATIONS

HOHPERPOWER:	12.5
GASOLINE CAPACITY AND TYPE	5 QUARTS UNLEADED REGULAR
OIL TYPE (API-SG)	SAE 30 (above 32°F) SAE 5W-30 (below 32°F)
OIL CAPACITY:	3.0 PINTS
SPARK PLUG: (GAP: .030")	CHAMPION RJ119LM STD367468
VALVE CLEARANCE:	INTAKE: .005" - .007" EXHAUST: .009" - .011"
GROUND SPEED (MPH):	FORWARD: 1st 1.02 2nd 2.10 3rd 3.14 4th 4.00 5th 5.12 REVERSE: 1.50
TIRE PRESSURE:	FRONT: 14 PSI REAR: 12 PSI
CHARGING SYSTEM:	3 AMPS BATTERY 5 AMPS HEADLIGHTS
BLADE BOLT TORQUE:	30-35 FT. LBS.

WARNING: This unit is equipped with an internal combustion engine and should not be used on or near any unimproved forest-covered, brush-covered or grass-covered land unless the engine's exhaust system is equipped with a spark arrester meeting applicable local or state laws (if any). If a spark arrester is used, it should be maintained in effective working order by the operator.

In the state of California the above is required by law (Section 4442 of the California Public Resources Code). Other states may have similar laws. Federal laws apply on federal lands. A spark arrester for the muffler is available through your nearest Sears Authorized Service Center/Department. (See REPAIR PARTS section of this manual).

LIMITED TWO YEAR WARRANTY ON ELECTRIC START RIDING EQUIPMENT

For two (2) years from the date of purchase, if this riding equipment is maintained, lubricated and tuned up according to the instructions in the owner's manual, Sears will repair or replace, free of charge, any parts found to be defective in material or workmanship.

This Warranty does not cover:

- Expendable items which become worn during normal use, such as blades, spark plugs, air cleaners and bells.
- Tire replacement or repair caused by punctures from outside objects, such as nails, thorns, stumps, or glass.
- Repairs necessary because of operator abuse, negligence, improper storage or accident or the failure to maintain the equipment according to the instructions contained in the owner's manual.
- Riding equipment used for commercial or rental purposes.

LIMITED 90 DAY WARRANTY ON BATTERY

For ninety (90) days from date of purchase, if any battery included with this riding equipment proves defective in material or workmanship and our testing determines the battery will not hold a charge, Sears will replace the battery at no charge.

WARRANTY SERVICE IS AVAILABLE BY RETURNING THE RIDING EQUIPMENT TO THE NEAREST SEARS SERVICE CENTER/DEPARTMENT IN THE UNITED STATES.

This Warranty gives you specific legal rights, and you may also have other rights which may vary from state to state.

SEARS, ROEBUCK AND CO., D/B/17 WA, HOFFMAN ESTATE, ILLINOIS 60179

TABLE OF CONTENTS

SAFETY RULES	2	MAINTENANCE SCHEDULE	14
PRODUCT SPECIFICATIONS	3	SERVICE AND ADJUSTMENTS	13-23
CUSTOMER RESPONSIBILITIES	3, 14-17	STORAGE	24
WARRANTY	3	TROUBLESHOOTING	25-26
TRACTOR ACCESSORIES	5	REPAIR PARTS - TRACTOR	28-45
ASSEMBLY	7-9	REPAIR PARTS - ENGINE	46-50
OPERATION	10-13	PARTS ORDERING/SERVICE	BACK COVER





INDEX

A	E	Operation	10-13
Accessories	5	Operating Mower	12
Adjustments:		Options:	
Brake	20	Accessories	5
Carburetor	23	Spark Arrestor	3,38
Mower:		P	
Front-To-Back	19	Parking Brake	10-11
Side-To-Side	19	Parts Bag	6
Throttle Control Cable	23	Parts Replacement/Repair	28-45
Air Filter, Engine	7	Product Specifications	3
Air Screen, Engine	17	R	
Assembly	7-9	Repair Parts	28-45
B	F	S	
Battery:		Safety Rules	2
Charging	8	Seat	5
Cleaning	15	Service and Adjustments	13-23
Installation	9	Carburetor	23
Levels	B,16	Fuse	22
Preparation	8	Hood Removal/Installation	22
Starting with Weak Battery	21	Motion Drive Belt:	
Storage	24	Removal/Replacement	20
Terminals	16	Mower Belt(s):	
Belt:		Removal/Replacement	20
Motion Drive		Mower Adjustment:	
Removal/Replacement	20	Front-to-Back	19
Mower Blade(s):		Side-to-Side	19
Removal/Replacement	20	Mower Removal	18
Blade:		Tire Care	8,15,21
Sharpening	16	Slope Guide Sheet	51
Replacement	15	Spark Plug(s)	17
Brake Adjustment	20	Specifications	3
C	L	Starting the Engine	12-13
Carburetor Adjustment	24	Steering Wheel	7,21
Controls, Tractor	10	Stopping the Tractor	11
Customer Responsibilities	15-17	Storage	24
Engine:		T	
Air Filter	17	Throttle Control Cable Adjustment	23
Air Screen	17	Tires	8,15,21
Cooling Fins	17	Trouble Shooting Chart	25-26
Engine Oil	16	Transaxle	16
Fuel Filter	17	W	
Spark Plug(s)	17	Warranty	3
Tractor:		Wiring Diagram	28
Battery	15	Wiring Schematic	27
Blade	15		
Lubrication Chart	14		
Maintenance Schedule	14		
Tire Care	8,15,21		
Transaxle	16		
Cutting Height Mower	11		
D	M		
	Maintenance Schedule		
	Mower:		
	Adjustment, Front-to-Back		
	Adjustment, Side-to-Side		
	Blade Sharpening		
	Blade Replacement		
	Cutting Height		
	Installation		
	Operation		
	Removal		
	Mowing Tips		
	Muller		
	Spark Arrestor		
	O		
	Oil:		
	Cold Weather Conditions		
	Engine		
	Storage		
	Electrical:		
	Interlocks and Relays		
	Schematic		
	Wiring Diagram		
	Engine:		
	Air Filter		
	Air Screen		
	Cooling Fins, Engine		
	Oil Change		
	Oil Level		
	Oil Type		
	Preparation		
	Repair Parts		
	Starting		
	Storage		
	Filler:		
	Air Filter		
	Fuel		
	Fuel:		
	Type		
	Storage		
	Fuse		
	Hood Removal/Installation		
	Leveling Mower Deck		
	Lubrication:		
	Chart		
	Maintenance Schedule		
	Mower:		
	Adjustment, Front-to-Back		
	Adjustment, Side-to-Side		
	Blade Sharpening		
	Blade Replacement		
	Cutting Height		
	Installation		
	Operation		
	Removal		
	Mowing Tips		
	Muller		
	Spark Arrestor		
	Oil:		
	Cold Weather Conditions		
	Engine		
	Storage		



ACCESSORIES AND ATTACHMENTS

These accessories and attachments were available through most Sears retail outlets and service centers when the tractor was purchased. Most Sears stores can order these items for you when you provide the model number of your tractor.

ENGINE

SPARK PLUG	GAS CAN	ENGINE OIL	FUEL STABILIZER
			

MAINTENANCE

BLADES	BELTS
	

PERFORMANCE

Sears offers a wide variety of attachments that fit your tractor. Many of these are listed below with brief explanations of how they can help you. This list was current at the time of publication; however, it may change in future years - more attachments may be added, changes may be made in these attachments, or some may no longer be available or fit your model. Contact your nearest Sears store for the accessories and attachments that are available for your tractor.

Most of these attachments do not require additional hitches or conversion kits (those that do are indicated) and are designed for easy attaching and detaching.

AERATOR promotes deep root growth for a healthy lawn. Tapered 2 1/2-inch steel spikes mounted on 10-inch diameter discs puncture holes in soil at close intervals to let moisture soak in. Steel weight tray for increased penetration.

BAGGER lets you collect grass clippings and leaves for a healthier, neater looking lawn. Two Permatex containers hold 30-gallon plastic bags.

BUMPER protects front end of tractor from damage.

CARTS make hauling easy. Variety of sizes available, plus accessories such as side panel kits, tool caddy, cart cover, protective mat and dolly.

CORING AERATOR takes small plugs out of soil to allow moisture and nutrients to reach grass roots. 36-inch swath. 24 hardened steel coring tips. 150 lb capacity weight tray.

EASY OIL DRAIN VALVE makes oil changes easier, faster.

FRONT NOSE ROLLER centers in front of mower deck to reduce chances of "scalping" on uneven terrain.

GANG HITCH lets you tow 2 or 3 put-behind attachments at once, such as sweepers, dethatchers, aerators (not for use with rollers, carts or other heavy attachments).

GAUGE WHEELS on both sides of the mower deck reduce chances of "scalping" on uneven terrain. For mower decks not so equipped.

MULCH RAKE/DETHATCHER loosens soil and lifts trash and matted leaves to lawn surface for easy pickup. Twenty spring-tine teeth. Useful to prepare bare areas for seeding. Available for front or rear mounting. **HIGH PERFORMANCE REEL-ACTION SPRING-TINE DETHATCHER** covers 36-inch wide path and tosses thatch into large hopper. Mounts behind tractor.

MULCHING KIT, once installed, lets you mulch, discharge or bag clippings (bagger optional) without changing blades. For models not equipped as 3-in-1 convertible mowers.

RAMP TOPS AND FEET let you load and unload tractor from a pickup truck. Use with 2 x 8 or 2 x 10 lumber.

ROLLER for smoother lawn surface. 36-inch wide, 15-inch diameter water-tight drum holds up to 350 lbs. of weight. Rounded edges prevent harm to turf. Adjustable scraper automatically cleans drum.

SNOW BLADE for snow removal only. 14-inch high, 42-inch wide blade clears 38-inch path when angled left or right. Raises, lowers with side lever. Adjustable skids; replaceable, reversible scraper bar. (Use with tire chains and wheel weights and/or rear drawbar weight.)

SNOWTHROWER has 40-inch swath. Drum-type auger handles powdery and wet/heavy snow. Mounts easily with simple pin arrangement. Discharge chute adjusts from tractor seat. 6-inch diameter spout (discharges snow 10 to 50 feet). Lift controlled at tractor seat. (Use with chains and wheel weights and/or rear drawbar weight.)

SPRAYERS use 12-volt DC electric motor that connects to the tractor battery or other 12-volt source. Includes booms for automatic spraying and hand-held wand for spot spraying. Wand has adjustable spray pattern. For applying herbicides, insecticides, fungicides and liquid fertilizers.

SPREADER/SEEDERS make seeding, fertilizing, and weed killing easy. Broadcast spreaders are also useful for granular deicers and sand.

SWEEPERS let you collect grass clippings and leaves.

TILLER has 5 hp engine and 36-inch swath to prepare seed beds, cultivate and compost garden residue. Tiller has its own built-in lift and depth control system and does NOT require a sleeve hitch. Fits any lawn, yard or garden tractor. Simply hook up to the tractor drawbar and go! Optional accessories convert unit for dethatching, aerating, hilling - without tools.

TIRE CHAINS are heavy duty, closely spaced extra-large cross links give smooth ride, outstanding traction.

TRACTOR CAB has heavy duty vinyl fabric over tubular steel frame, ABS plastic top, clear plastic windshield offers 360 degree visibility. Hinged metal doors with catch. Keeps operator warm and dry. Remove vinyl sides and windshields for use as sun protector in summer. Optional accessories include: tinted tempered solid safety glass windshield with hand operated wiper, 12-volt amber caution light for mounting on cab top.

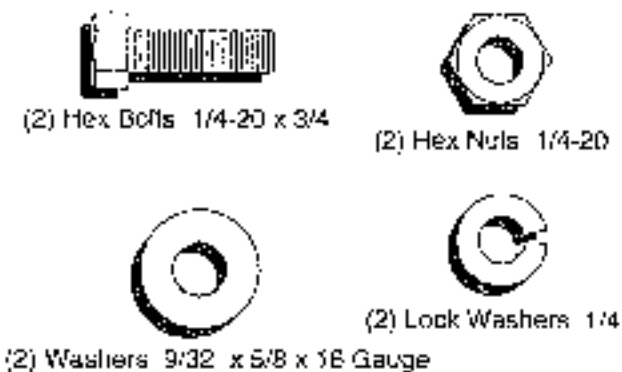
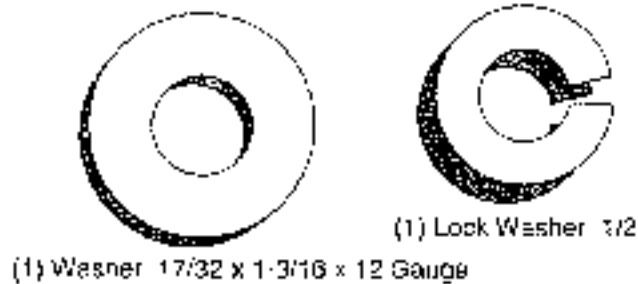
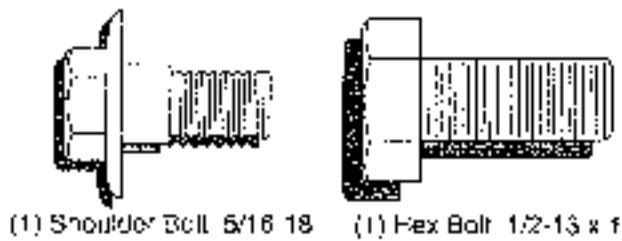
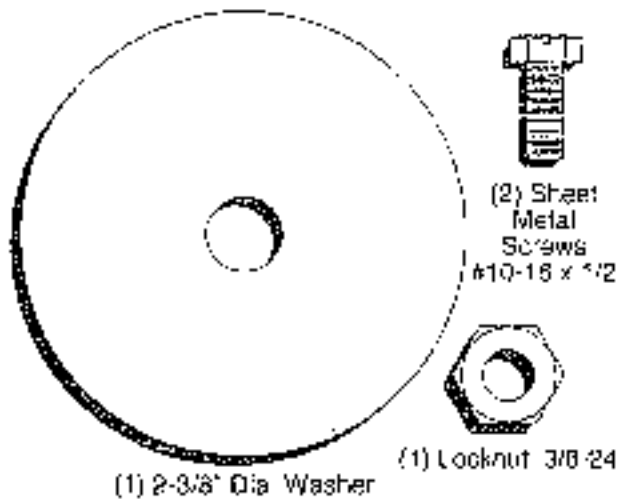
VACS for powerful collection of heavy grass clippings and leaves. Optional wand attachment to pick up debris in hard-to-reach places. **VAC/CHIPPER** includes a chipper shredder.

WEIGHT BRACKET for drawbar for snow removal applications. Uses (1) 55 lb weight.

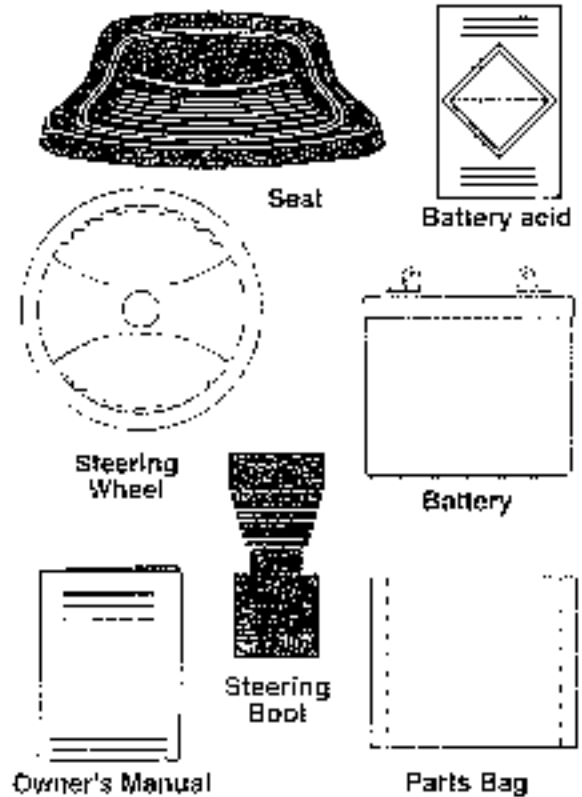
WHEEL WEIGHTS for rear wheels provide needed traction for snow removal or dozing heavy materials.

CONTENTS OF HARDWARE PACK

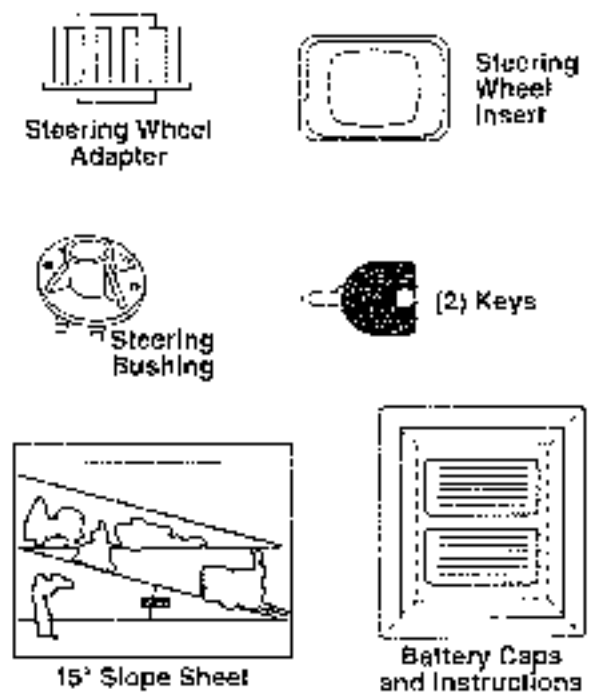
Parts Bag contents shown full size



Parts packed separately in carton



Parts bag contents not shown full size



ASSEMBLY

Your new tractor has been assembled at the factory with exception of those parts left un-assembled for shipping purposes. To ensure safe and proper operation of your tractor all parts and hardware you assemble must be tightened securely. Use the correct tools as necessary to insure proper tightness.

TOOLS REQUIRED FOR ASSEMBLY

A socket wrench set will make assembly easier. Standard wrench sizes are listed.

- | | |
|--------------------|---------------------|
| (1) 5/16" wrench | (1) 3/4" wrench |
| (2) 7/16" wrenches | Tire pressure gauge |
| (1) 1/2" wrench | Screwdriver |
| (1) 9/16" wrench | Utility knife |

When right or left hand is mentioned in this manual, it means when you are in the operating position (seated behind the steering wheel).

TO REMOVE TRACTOR FROM CARTON

UNPACK CARTON

- Remove all accessible loose parts and parts cartons from carton (See page 6)
- Cut, from top to bottom, along lines on all four corners of carton, and lay panels flat.
- Check for any additional loose parts or cartons and remove.

BEFORE ROLLING TRACTOR OFF SKID

ATTACH STEERING WHEEL (See Fig. 1)

- Slide the steering bushing over the steering shaft.
- Raise steering shaft forward until screw holes in dash line up with steering bushing. Install two (2) sheet metal screws and tighten securely.
- Position steering boot over steering shaft.
- Place tabs of steering boot over tab slots in dash and push down to secure.
- Slide steering wheel adapter onto upper steering shaft.
- Position front wheels of the tractor so they are pointing straight forward.
- Position steering wheel so cross bars are horizontal (left to right) and slide onto adapter.
- Assemble large flat washer and 3/8-24 locknut and tighten securely.
- Snap steering wheel insert into center of steering wheel.
- Remove protective plastic from tractor hood and grill.

IMPORTANT: CHECK FOR AND REMOVE ANY STAPLES IN SKID THAT MAY PUNCTURE TIRES WHEN UNIT IS TO BE ROLLED OFF SKID.

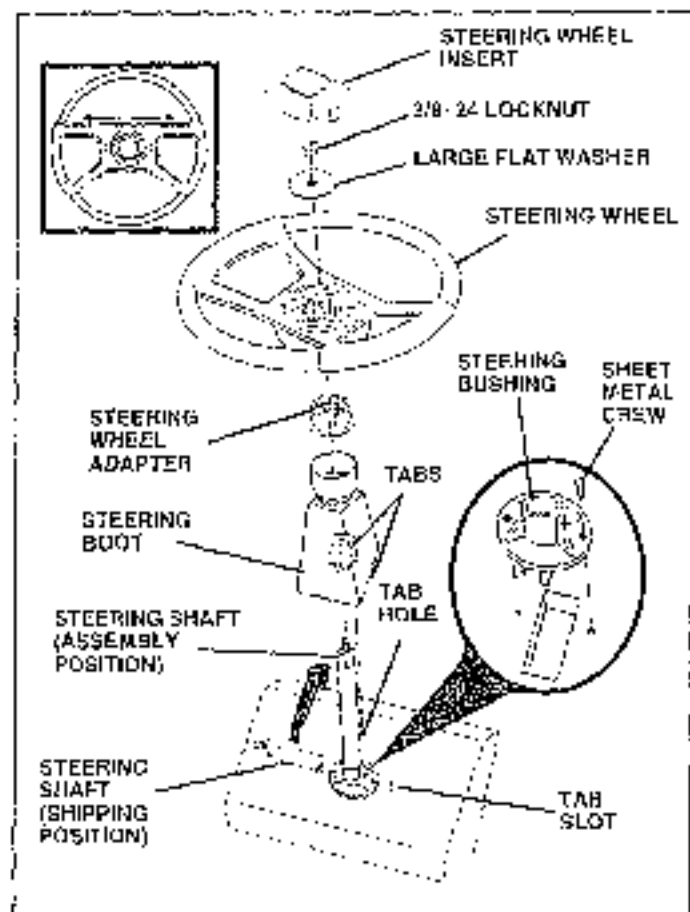


FIG. 1

TO ROLL TRACTOR OFF SKID (See Fig. 6)

- Raise attachment lift lever to its highest position.
- Release parking brake by depressing clutch/brake pedal.
- Place gearshift lever in neutral (N) position.
- Roll unit backwards off skid.
- Remove banding holding discharge guard up against tractor.

ASSEMBLY

HOW TO SET UP YOUR TRACTOR

PREPARE BATTERY (See Fig. 2)

CAUTION: Wear eye and face shield.

Wash hands or clothing immediately if accidentally in contact with battery acid.

Do not smoke. Fumes from charged battery acid are explosive.

Read the instructions included with the battery vent caps. Always wear gloves, clothing and goggles to protect your hands, skin and eyes.



Your unit has a battery charging system which is sufficient for normal use. However, periodic charging of the battery with an automatic charger will extend its life.

- See instructions packed with vent caps in parts bag.
- Fill battery with acid. Fill each cell until it reaches the bottom of the vent wells. Do not overfill.
- Allow battery to stand and settle for at least thirty minutes. After standing, check the battery cell acid level. If below the vent wells, add more acid until the correct level is reached.

While battery is standing (after adding acid) and later, while battery is being charged, continue with assembly of unit.

IMPORTANT: TO MAXIMIZE THE LIFE OF YOUR BATTERY, IT IS NECESSARY THAT THE BATTERY BE CHARGED BEFORE USE. FAILURE TO CHARGE BATTERY CAN RESULT IN A SHORTENED BATTERY LIFE.

- Charge battery at a rate of 6 amperes for 1 hour. Use a 12 volt battery charger. Observe all safety precautions required for battery charging.
- Check the acid level after the battery is charged. If the acid has fallen below the correct level, add distilled or iron free water.
- Install the vent caps to cover the vent wells. Wash the top of the battery with water to remove any acid, then wipe dry.
- Check battery case for leakage to make sure that no damage has occurred in handling.
- Dispose of excess battery acid. Neutralize acid for disposal by adding it to two gallons of water in a five gallon plastic container. Stir with a wooden or plastic paddle while adding baking soda until the addition of more soda causes no more foaming.
- Follow instructions on how to install battery.

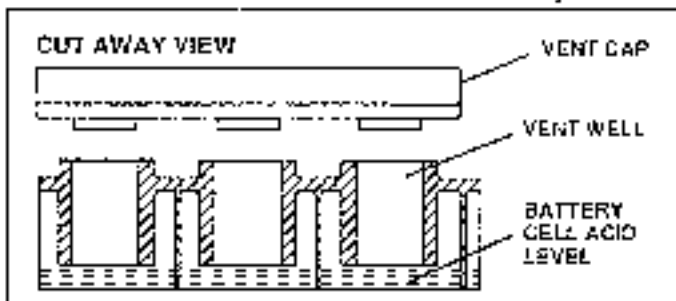


FIG. 2

INSTALL SEAT (See Fig. 3)

Adjust seat before tightening adjustment bolt.

- Remove cardboard packing on seat pan.
- Place seal on seat pan and assemble shoulder bolt.
- Assemble adjustment bolt, lock washer and flat washer loosely. Do not tighten.
- Tighten shoulder bolt securely.
- Lower seat into operating position and sit on seat.
- Slide seat until a comfortable position is reached which allows you to press clutch/brake pedal all the way down.
- Get off seat without moving its adjusted position.
- Raise seat and tighten adjustment bolt securely.

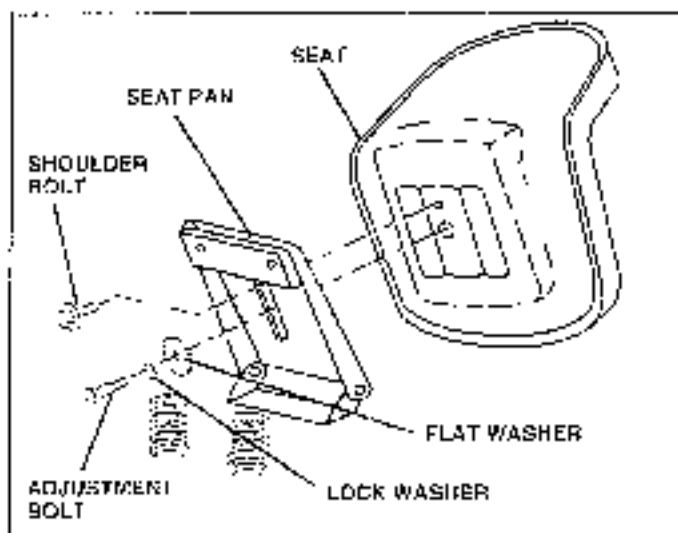


FIG. 3

CHECK TIRE PRESSURE

The tires on your unit were over inflated at the factory for shipping purposes. Correct tire pressure is important for best cutting performance.

- Reduce tire pressure to PSI shown in "PRODUCT SPECIFICATIONS" on page 3 of this manual.

CHECK DECK LEVELNESS

For best cutting results, mower housing should be properly leveled. See "TO LEVEL MOWER HOUSING" in the Service and Adjustments section of this manual.

CHECK FOR PROPER POSITION OF ALL BELTS

See the figures that are shown for replacing motion and mower blade drive belts in the Service and Adjustments section of this manual. Verify that the belts are routed correctly.

CHECK BRAKE SYSTEM

After you learn how to operate your tractor, check to see that the brake is properly adjusted. See "TO ADJUST BRAKE" in the Service and Adjustments section of this manual.

ASSEMBLY

INSTALL BATTERY (See Figs. 4 and 5)



CAUTION: Do not short battery terminals. Before installing battery, remove metal bracelets, wristwatch bands, rings, etc.

Positive terminal must be connected first to prevent sparking from accidental grounding.

- Lift seat to raised position
- Open battery box door
- Be sure battery drain tube is attached to battery box
- Lower battery into battery box with battery terminals toward front of unit
- First connect RED battery cable to positive (+) terminal with hex bolt, flat washer, lock washer and hex nut as shown. Tighten securely
- Connect BLACK grounding cable to negative (-) terminal with remaining hex bolt, flat washer, lock washer and hex nut. Tighten securely
- Close battery box door

Open battery box door for:

- Inspection for secure connections (to tighten hardware)
- Inspection for corrosion
- Testing battery
- Jumping (if required)
- Periodic charging

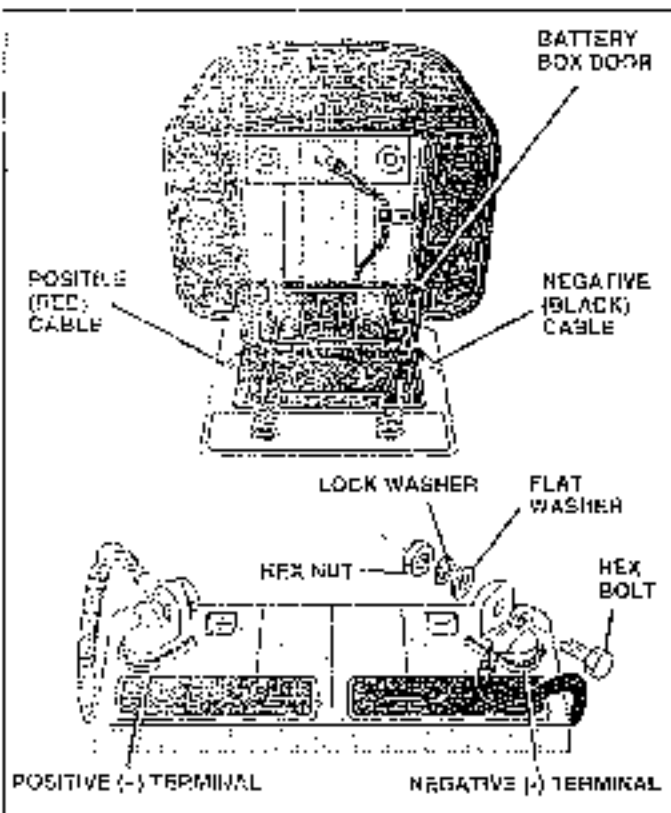


FIG. 4

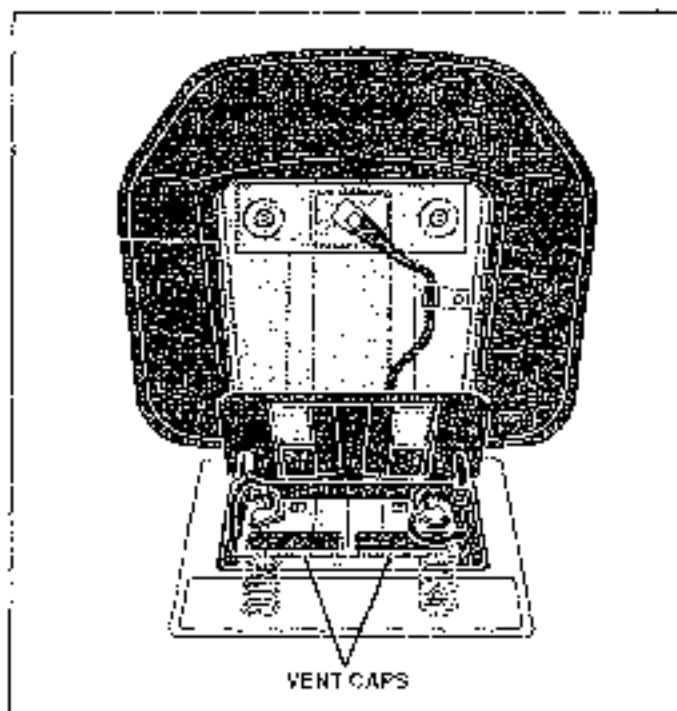


FIG. 5

✓ CHECKLIST

BEFORE YOU OPERATE AND ENJOY YOUR NEW TRACTOR, WE WISH TO ASSURE THAT YOU RECEIVE THE BEST PERFORMANCE AND SATISFACTION FROM THIS QUALITY PRODUCT.

PLEASE REVIEW THE FOLLOWING CHECKLIST

- ✓ All assembly instructions have been completed
- ✓ No remaining loose parts in carton
- ✓ Battery is properly prepared and charged (Minimum 1 hour at 6 amps)
- ✓ Seat is adjusted comfortably and tightened securely
- ✓ All tires are properly inflated (For shipping purposes, the tires were overinflated at the factory)
- ✓ Be sure mower deck is properly leveled side-to-side/ front-to-rear for best cutting results (Tires must be properly inflated for leveling)
- ✓ Check mower and drive belts. Be sure they are routed properly around pulleys and inside all belt keepers
- ✓ Check wiring. See that all connections are still secure and wires are properly clamped

WHILE LEARNING HOW TO USE YOUR TRACTOR, PAY EXTRA ATTENTION TO THE FOLLOWING IMPORTANT ITEMS

- ✓ Engine oil is at proper level
- ✓ Fuel tank is filled with fresh, clean, regular unleaded gasoline
- ✓ Become familiar with all controls - their location and function. Operate them before you start the engine
- ✓ Be sure brake system is in safe operating condition

OPERATION

KNOW YOUR TRACTOR

READ THIS OWNER'S MANUAL AND SAFETY RULES BEFORE OPERATING YOUR TRACTOR

Compare the illustrations with your tractor to familiarize yourself with the locations of various controls and adjustments. Save this manual for future reference.

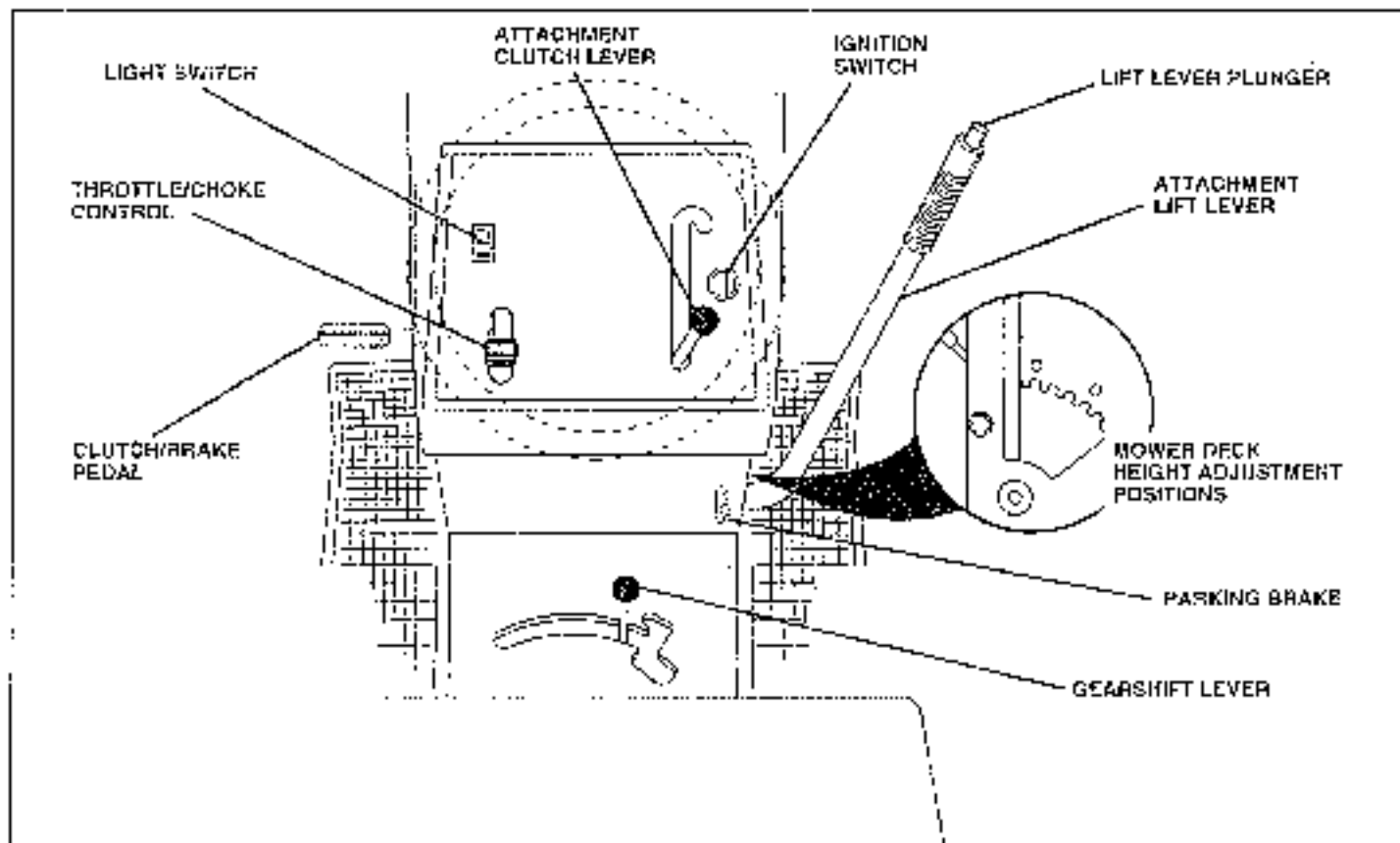


FIG. 6

Our tractors conform to the safety standards of the American National Standards Institute

THROTTLE/CHOKE CONTROL: Used for starting and controlling engine speed

CLUTCH/BRAKE PEDAL: Used for declutching and braking the tractor and starting the engine

PARKING BRAKE: Locks clutch/brake pedal into the brake position

IGNITION SWITCH: Used for starting and stopping the engine

GEARSHIFT LEVER: Selects the speed and direction of tractor

LIGHT SWITCH: Turns the headlights on and off

ATTACHMENT CLUTCH LEVER: Used to engage the mower blades, or other attachments mounted to your tractor

ATTACHMENT LIFT LEVER: Used to raise, lower, and adjust the mower deck or other attachments mounted to your tractor

LIFT LEVER PLUNGER: Used to release attachment lift lever when changing its position

OPERATION



The operation of any tractor can result in foreign objects thrown into the eyes, which can result in severe eye damage. Always wear safety glasses or eye shields while operating your tractor or performing any adjustments or repairs. We recommend a wide vision safety mask for over the spectacles or standard safety glasses.

HOW TO USE YOUR TRACTOR

TO SET PARKING BRAKE (See Fig. 7)

- Depress clutch/brake pedal into full "BRAKE" position and hold
- Place parking brake lever in "ENGAGED" position and release pressure from clutch/brake pedal. Pedal should remain in "BRAKE" position. Make sure parking brake will hold vehicle secure.

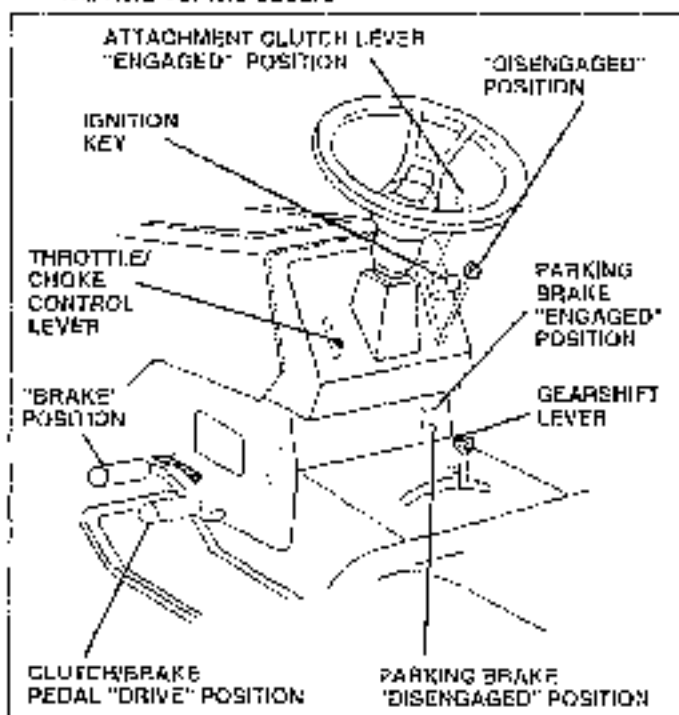


FIG. 7

STOPPING (See Fig. 7)

MOWER BLADES -

- Move attachment clutch lever to "DISENGAGED" position.

GROUND DRIVE -

- Depress clutch/brake pedal into full "BRAKE" position.
- Move gearshift lever to neutral (N) position.

ENGINE

- Move throttle control to slow (S) position.

NOTE: Failure to move throttle control to slow (S) position and allowing engine to idle before stopping may cause engine to "backfire".

- Turn ignition key to "OFF" position and remove key. Always remove key when leaving tractor to prevent unauthorized use.
- Never use choke to stop engine.

NOTE: Under certain conditions when tractor is standing idle with the engine running, hot engine exhaust gases may cause "browning" of grass. To eliminate this possibility, always stop engine when stopping tractor on grass areas.



CAUTION: Always stop tractor completely, as described above, before leaving the operator's position; to empty grass catcher, etc.

TO USE THROTTLE CONTROL (See Fig. 7)

Always operate engine at full throttle.

- Operating engine at less than full throttle reduces the battery charging rate.
- Full throttle offers the best bagging and mower performance.

TO MOVE FORWARD AND BACKWARD (See Fig. 6)

The direction and speed of movement is controlled by the gearshift lever.

- Start tractor with clutch/brake pedal depressed and gearshift lever in neutral (N) position.
- Move gearshift lever to desired position.
- Slowly release clutch/brake pedal to start movement.

IMPORTANT: BRING TRACTOR TO A COMPLETE STOP BEFORE SHIFTING OR CHANGING GEARS. FAILURE TO DO SO WILL SHORTEN THE USEFUL LIFE OF YOUR TRANSAXLE.

TO ADJUST MOWER CUTTING HEIGHT (See Fig. 6)

The position of the attachment lift lever determines the cutting height.

- Grasp lift lever.
- Press plunger with thumb and move lever to desired position.

The cutting height range is approximately 1 1/2 to 4". The heights are measured from the ground to the blade tip with the engine not running. These heights are approximate and may vary depending upon soil conditions, height of grass and types of grass being mowed.

- The average lawn should be cut to approximately 2-1/2 inches during the cool season and to over 3 inches during hot months. For healthier and better looking lawns, mow often and after moderate growth.
- For best cutting performance, grass over 6 inches in height should be mowed twice. Make the first cut relatively high; the second to desired height.

OPERATION

TO OPERATE MOWER (See Fig. 8)

Your unit is equipped with an operator presence sensing switch. Any attempt by the operator to leave the seat with the engine running and the attachment clutch engaged will shut off the engine.

- Select desired height of cut
- Start mower blades by engaging attachment clutch control
- **TO STOP MOWER BLADES** - disengage attachment clutch control



CAUTION: Do not operate the mower without either the entire grass catcher, on mowers so equipped, or the discharge guard in place.

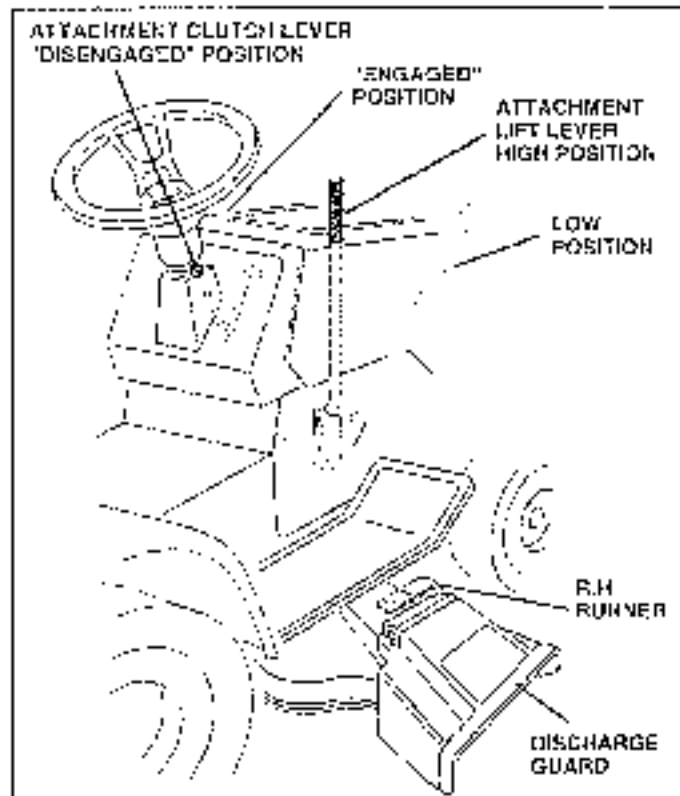


FIG. 8

TO OPERATE ON HILLS



CAUTION: Do not drive up or down hills with slopes greater than 15° and do not drive across any slope.

- Choose the slowest speed before starting up or down hills
- Avoid stopping or changing speed on hills
- If slowing is necessary, move throttle control lever to slower position.
- If stopping is absolutely necessary, push clutch/brake pedal quickly to brake position and engage parking brake.

- Move gearshift lever to 1st gear. Be sure you have allowed room for tractor to roll slightly as you restart movement.
- To restart movement, slowly release parking brake and clutch/brake pedal.
- Make all turns slowly.

TO TRANSPORT

- Raise attachment lift to highest position with attachment lift control.
- When pushing or towing your tractor, be sure gearshift lever is in neutral (N) position.
- Do not push or tow tractor at more than five (5) MPH.

NOTE: To protect hood from damage when transporting your tractor on a truck or a trailer, be sure hood is closed and secured to tractor. Use an appropriate means of tying hood to tractor (rope, cord, etc.).

BEFORE STARTING THE ENGINE

CHECK ENGINE OIL LEVEL (See Fig. 13)

- The engine in your tractor has been shipped, from the factory, already filled with summer weight oil.
- Check engine oil with tractor on level ground.
- Remove oil fill cap/dipstick and wipe clean; reinsert the dipstick and screw cap tight, wait for a few seconds, remove and read oil level. If necessary, add oil until "FULL" mark on dipstick is reached. Do not overfill.
- For cold weather operation you should change oil for easier starting (See "OIL VISCOSITY CHART" in the Customer Responsibilities section of this manual).
- To change engine oil, see the Customer Responsibilities section in this manual.

ADD GASOLINE

- Fill fuel tank. Use fresh, clean, regular unleaded gasoline. (Use of leaded gasoline will increase carbon and lead oxide deposits and reduce valve life.)

IMPORTANT: WHEN OPERATING IN TEMPERATURES BELOW 32°F (0°C), USE FRESH, CLEAN WINTER GRADE GASOLINE TO HELP INSURE GOOD COLD WEATHER STARTING.

WARNING: Experience indicates that alcohol blended fuels (called gasohol, or using ethanol or methanol) can attract moisture which leads to separation and formation of acids during storage. Acidic gas can damage the fuel system of an engine while in storage. To avoid engine problems, the fuel system should be emptied before storage of 30 days or longer. Drain the gas tank, start the engine and let it run until the fuel lines and carburetor are empty. Use fresh fuel next season. See Storage Instructions for additional information. Never use engine or carburetor cleaner products in the fuel tank or permanent damage may occur.



CAUTION: Fill to bottom of gas tank filler neck. Do not overfill. Wipe off any spilled oil or fuel. Do not store, spill or use gasoline near an open flame.

OPERATION

TO START ENGINE (See Fig. 7)

When starting engine for the first time or if engine has run out of fuel, it will take extra cranking time to move fuel from the tank to the engine.

- Depress clutch/brake pedal and set parking brake.
- Place gearshift lever in neutral (N) position.
- Move attachment clutch to "DISENGAGED" position.
- Move throttle control lever to choke (⌘) position for cold engine start. For warm engine start, move throttle control to fast (⚡) position.
- Insert key into ignition and turn key clockwise to "START" position and release key as soon as engine starts. Do not run starter continuously for more than fifteen seconds per minute. If engine does not start after several attempts, move throttle control to fast (⚡) position, wait a few minutes and try again.
- When engine starts, move throttle control to desired position.
- Allow engine to warm up for a few minutes before engaging drive or attachments.

NOTE: If at a high altitude (above 3000 feet) or in cold temperatures (below 32°F), the carburetor fuel mixture may need to be adjusted for best engine performance. See "TO ADJUST CARBURETOR" in the Service and Adjustments section of this manual.

MOWING TIPS

- Tire chains cannot be used when the mower housing is attached to unit.
 - Mower should be properly leveled for best mowing performance. See "TO LEVEL MOWER HOUSING" in the Service and Adjustments section of this manual.
 - Use the runner on the right hand side of mower as a guide. The blade cuts approximately an inch outside the runner. (See Fig. 9).
 - The left hand side of mower should be used for trimming.
- Drive so that clippings are discharged onto the area that has been cut. Have the cut area to the right of the machine. This will result in a more even distribution of clippings and more uniform cutting.
 - When mowing large areas, start by turning to the right so that clippings will discharge away from shrubs, fences, driveways, etc. After one or two rounds, mow in the opposite direction making left hand turns until finished (See Fig. 9).
 - If grass is extremely tall, it should be mowed twice to reduce load and possible fire hazard from dried clippings. Make first cut relatively high; the second to the desired height.
 - Do not mow grass when it is wet. Wet grass will plug mower and leave undesirable clumps. Allow grass to dry before mowing.
 - Always operate engine at full throttle when mowing to assure better mowing performance and proper discharge of material. Regulate ground speed by selecting a low enough gear to give the mower cutting performance as well as the quality of cut desired.
 - When operating attachments, select a ground speed that will suit the terrain and give best performance of the attachment being used.

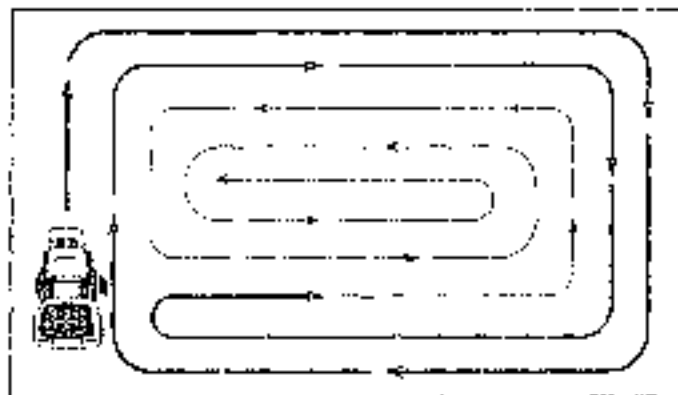


FIG. 9

CUSTOMER RESPONSIBILITIES

MAINTENANCE SCHEDULE		SERVICE DATES							
FILL IN DATES AS YOU COMPLETE REGULAR SERVICE		BEFORE EACH USE	FIRST 2 HOURS	EVERY 2 HOURS	EVERY 25 HOURS	EVERY 50 HOURS	EVERY 100 HOURS	EVERY SEASON	BEFORE STORAGE
TRACTOR	Check Brake Operation	✓	✓						
	Check Tire Pressure	✓	✓						
	Check for Loose Fasteners	✓					✓		
	Sharpen/Replace Mower Blades			✓					
	Lubrication Chart			✓			✓		
	Check Battery Level/Recharge			✓				✓	
	Clean Battery and Terminals			✓				✓	
	Check Transaxle Cooling			✓					
	Adjust Blade Belt(s) Tension					✓			
	Adjust Motion Drive Belt(s) Tension					✓			
ENGINE	Check Engine Oil Level	✓	✓						
	Change Engine Oil		✓	1,2,3			✓		
	Clean Air Filter			✓					
	Clean Air Screen			✓					
	Inspect Muffler/Spark Arrester				✓				
	Replace Oil Filter (If equipped)					✓	4		
	Clean Engine Cooling Fins					✓	5		
	Replace Spark Plug					✓	✓		
	Replace Air Filter Paper/Cartridge					✓	5		
	Replace Fuel Filter						✓		

1 - Change more often when operating under a heavy load or rough conditions.
2 - Service more often when operating in dirty or dusty conditions.

3 - If equipped with oil filter, change oil every 50 hours.
4 - Replace blades more often when mowing in sandy soil.
5 - If equipped with fuel-injection system.

GENERAL RECOMMENDATIONS

The warranty on this tractor does not cover items that have been subjected to operator abuse or negligence. To receive full value from the warranty, operator must maintain tractor as instructed in this manual.

Some adjustments will need to be made periodically to properly maintain your tractor.

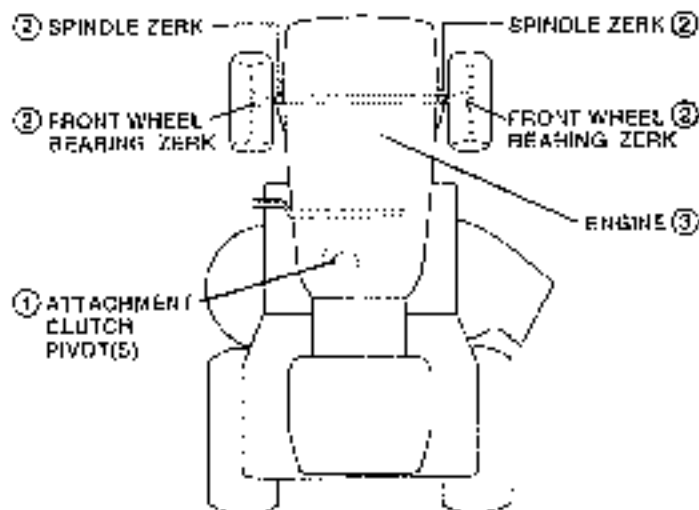
All adjustments in the Service and Adjustments section of this manual should be checked at least once each season.

- Once a year you should replace the spark plug, clean or replace air filter, and check blades and belts for wear. A new spark plug and clean air filter assure proper air-fuel mixture and help your engine run better and last longer.

BEFORE EACH USE

- Check engine oil level.
- Check brake operation.
- Check tire pressure.
- Check for loose fasteners.

LUBRICATION CHART



- SAE 30 OR 10W30 MOTOR OIL API - S15
- GENERAL PURPOSE GREASE
- REFER TO CUSTOMER RESPONSIBILITIES "ENGINE" SECTION

IMPORTANT: DO NOT OIL OR GREASE THE PIVOT POINTS WHICH HAVE SPECIAL NYLON BEARINGS. VISCOUS LUBRICANTS WILL ATTRACT DUST AND DIRT THAT WILL SHORTEN THE LIFE OF THE SELF-LUBRICATING BEARINGS. IF YOU FEEL THEY MUST BE LUBRICATED, USE ONLY A DRY, POWDERED GRAPHITE TYPE LUBRICANT SPARINGLY.

CUSTOMER RESPONSIBILITIES

TRACTOR

Always observe safety rules when performing any maintenance.

BRAKE OPERATION

If tractor requires more than six (6) feet stopping distance at high speed in highest gear, then brake must be adjusted. (See "TO ADJUST BRAKE" in the Service and Adjustment section of this manual.)

TIRES

- Maintain proper air pressure in all tires. (See "PRODUCT SPECIFICATIONS" on page 3 of this manual.)
- Keep tires free of gasoline, oil, or insect control chemicals which can harm rubber.
- Avoid stumps, stones, deep ruts, sharp objects and other hazards that may cause tire damage.

BLADE CARE

For best results mower blades must be kept sharp. Replace bent or damaged blades.

BLADE REMOVAL (See Fig. 10)

- Raise mower to highest position to allow access to blades.
- Remove hex bolt, lock washer and flat washer securing blade.
- Install new or resharpened blade with trailing edge up towards deck as shown.
- Reassemble hex bolt, lock washer and flat washer in exact order as shown.
- Tighten bolt securely (30-35 Ft. Lbs. torque).

IMPORTANT: BLADE BOLTS ARE GRADE 8 HEAT TREATED.

NOTE: We do not recommend sharpening blade - but if you do, be sure the blade is balanced.

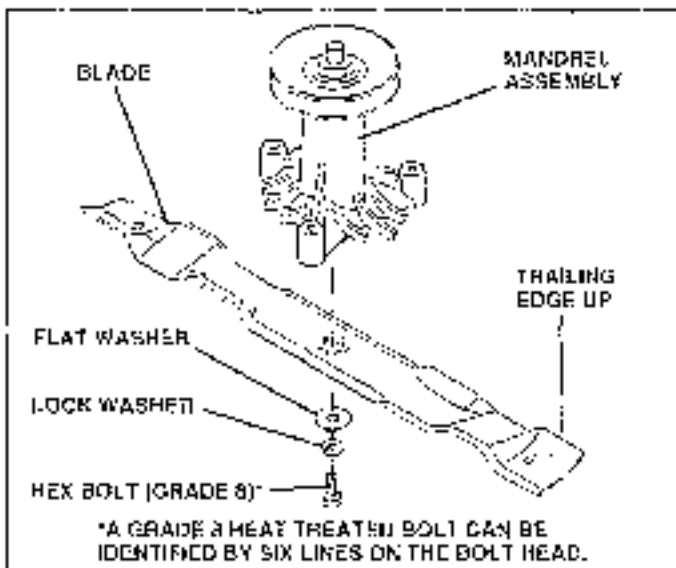


FIG. 10

TO SHARPEN BLADE (See Fig. 11)

Care should be taken to keep the blade balanced. An unbalanced blade will cause excessive vibration and eventual damage to mower and engine.

- The blade can be sharpened with a file or on a grinding wheel. Do not attempt to sharpen while on the mower.
- To check blade balance, you will need a 5/16" diameter steel bolt, pin, or a cone balancer. (When using a cone balancer, follow the instructions supplied with balancer.)
- Slide blade on to an unthreaded portion of the steel bolt or pin and hold the bolt or pin parallel with the ground. If blade is balanced, it should remain in a horizontal position. If either end of the blade moves downward, sharpen the heavy end until the blade is balanced.

NOTE: Do not use a nail for balancing blade. The lobes of the center hole may appear to be centered, but are not.

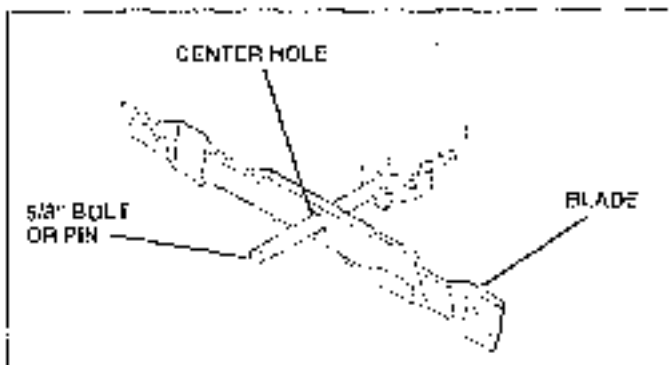


FIG. 11

CUSTOMER RESPONSIBILITIES

BATTERY (See Fig. 12)

Your tractor has a battery charging system which is sufficient for normal use. However, periodic charging of the battery with an automotive charger will extend its life.

- Acid solution level in each battery cell should be even with bottoms of vent wells. Add only distilled or ion free water if necessary. Do not overfill.
- Keep battery and terminals clean.
- Keep battery bolts tight.
- Keep vent caps tight and small vent holes in caps open.
- Recharge at 6 amperes for 1 hour.

TO CLEAN BATTERY AND TERMINALS

Corrosion and dirt on the battery and terminals can cause the battery to "leak" power.

- Open battery box cover.
- Disconnect BLACK battery cable first, then RED battery cable and remove battery from tractor.
- Wash battery with solution of four tablespoons of baking soda to one gallon of water. Be careful not to get the soda solution into the cells.
- Rinse the battery with plain water and dry.
- Clean terminals and battery cable ends with wire brush until bright.
- Coat terminals with grease or petroleum jelly.
- Reinstall battery (See "INSTALL BATTERY" in the Assembly section of this manual).

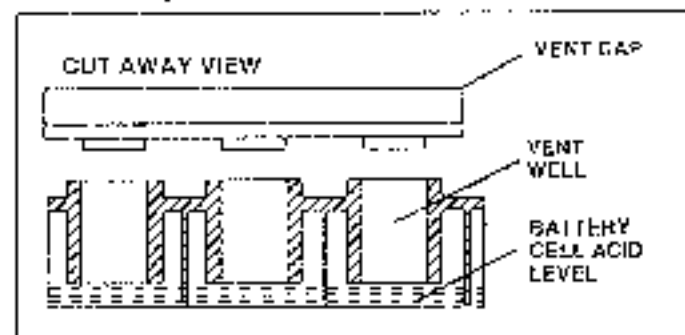


FIG. 12

V-BELTS

Check V-belts for deterioration and wear after 100 hours of operation and replace if necessary. The belts are not adjustable. Replace belts if they begin to slip from wear.

TRANSAXLE COOLING

Keep transaxle free from build-up of dirt and chaff which can restrict cooling.

ENGINE

LUBRICATION

Only use high quality detergent oil rated with API service classification SG. Select the oil's SAE viscosity grade according to your expected operating temperature.



FIG. 13

NOTE: Although multi-viscosity oils (5W30, 10W30 etc.) improve starting in cold weather, these multi-viscosity oils will result in increased oil consumption when used above 32°F. Check your engine oil level more frequently to avoid possible engine damage from running low on oil.

Change the oil after the first two hours of operation and every 25 hours thereafter or at least once a year if the tractor is not used for 25 hours in one year.

Check the crankcase oil level before starting the engine and after each eight (8) hours of operation. Tighten oil fill cap/dipstick securely each time you check the oil level.

TO CHANGE ENGINE OIL (See Figs. 13 and 14)

Determine temperature range expected before next change. All oil must meet API service classification SG.

- Be sure tractor is on level surface.
- Oil will drain more freely when warm.
- Catch oil in a suitable container.
- Remove oil fill cap/dipstick. Be careful not to allow dirt to enter the engine when changing oil.
- Remove drain plug.
- After oil has drained completely, replace oil drain plug and tighten securely.
- Refill engine with oil through oil fill dipstick tube. Pour slowly. Do not overfill. For approximate capacity see "PRODUCT SPECIFICATIONS" on page 3 of this manual.
- Use gauge on oil fill cap/dipstick for checking level. Be sure dipstick cap is tightened securely for accurate reading. Keep oil at "FILL" line on dipstick.

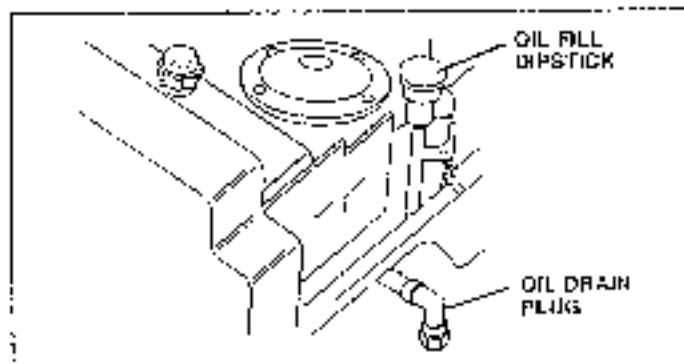


FIG. 14

AIR FILTER (See Fig. 15)

Your engine will not run properly using a dirty air filter. Clean the foam pre-cleaner after every 25 hours of operation or every season. Service paper cartridge every 100 hours of operation or every season, whichever occurs first.

CUSTOMER RESPONSIBILITIES

Service air cleaner more often under dusty conditions.

- Remove knob(s) and cover.

TO SERVICE PRE-CLEANER

- Slide foam pre-cleaner off cartridge.
- Wash it in liquid detergent and water.
- Squeeze it dry in a clean cloth.
- Saturate it in engine oil. Wipe it on clean, absorbent cloth and squeeze to remove excess oil.
- If very dirty or damaged, replace pre-cleaner.
- Reinstall pre-cleaner over cartridge.
- Reinstall cover and secure with knob(s).

TO SERVICE CARTRIDGE

- Remove cartridge nut.
- Carefully remove cartridge to prevent debris from entering carburetor. Clean base carefully to prevent debris from entering carburetor.
- Clean cartridge by tapping gently on flat surface. If very dirty or damaged, replace cartridge.
- Reinstall cartridge, nut, pre-cleaner, cover and secure with knob(s).

IMPORTANT: PETROLEUM SOLVENTS, SUCH AS KEROSENE, ARE NOT TO BE USED TO CLEAN THE CARTRIDGE. THEY MAY CAUSE DETERIORATION OF THE CARTRIDGE. DO NOT OIL CARTRIDGE. DO NOT USE PRESSURIZED AIR TO CLEAN OR DRY CARTRIDGE.

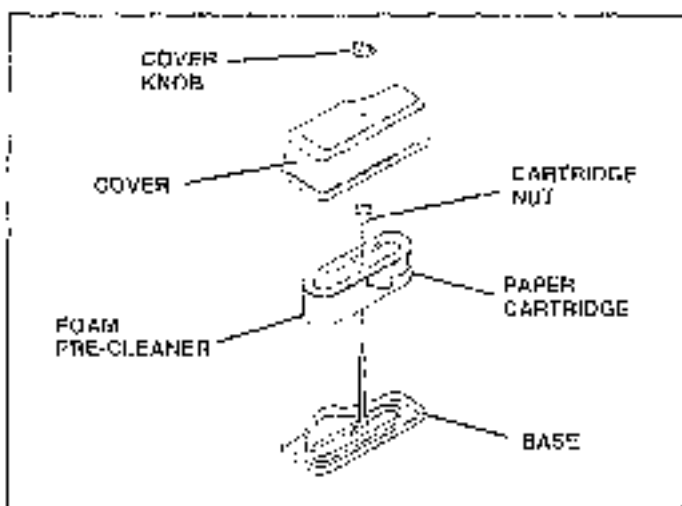


FIG. 15

CLEAN AIR SCREEN (See Fig. 16)

Air screen must be kept free of dirt and chaff to prevent engine damage from overheating. Clean with a wire brush or compressed air to remove dirt and stubborn dried gum fibers.

ENGINE COOLING FINS (See Fig. 16)

Remove any dust, dirt or oil from engine cooling fins to prevent engine damage from overheating.

- Remove oil fill dipstick and cover opening to prevent entry of dirt.
- Remove screws from blower housing and lift housing off engine.
- Remove the screws securing the starter housing and lift housing off engine.
- Use compressed air or stiff bristle brush to thoroughly clean engine cooling fins.
- To reassemble, reverse above procedure.

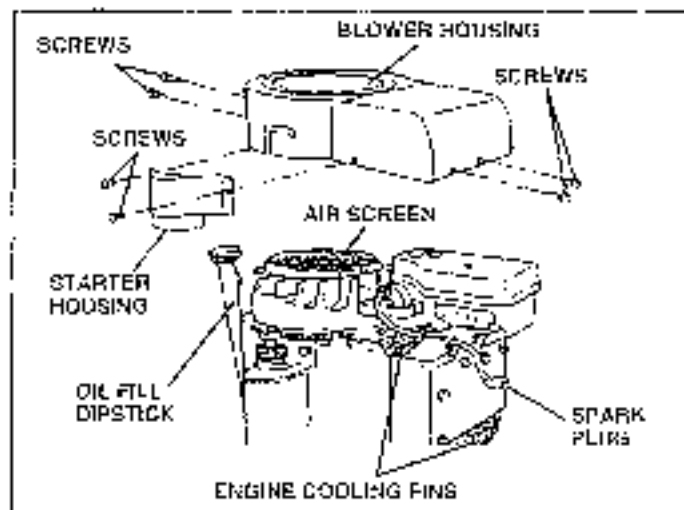


FIG. 16

MUFFLER

Inspect and replace corroded muffler and spark arrester (if equipped) as it could create a fire hazard and/or damage.

SPARK PLUGS

Replace spark plugs at the beginning of each mowing season or after every 100 hours of operation, whichever occurs first. Spark plug type and gap setting are shown in "PRODUCT SPECIFICATIONS" on page 3 of this manual.

IN-LINE FUEL FILTER (See Fig. 17)

The fuel filter should be replaced once each season. If fuel filter becomes clogged, obstructing fuel flow to carburetor, replacement is required.

- With engine cool, remove filter and plug fuel line sections.
- Place new fuel filter in position in fuel line with arrow pointing towards carburetor.
- Be sure there are no fuel line leaks and clamps are properly positioned.
- Immediately wipe up any spilled gasoline.

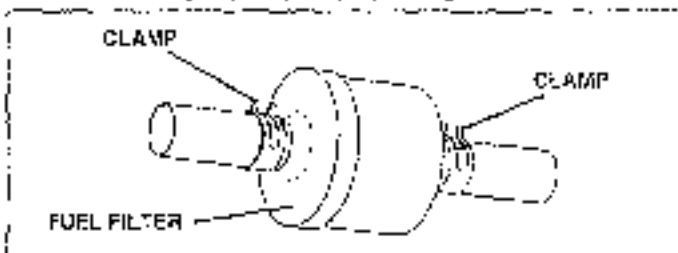


FIG. 17

CLEANING

- Clean engine, battery, seat, finish, etc. of all foreign matter.
- Keep finished surfaces and wheels free of all gasoline, oil, etc.
- Protect painted surfaces with automotive type wax.

We do not recommend using a garden hose to clean your tractor unless the electrical system, muffler, air filter and carburetor are covered to keep water out. Water in engine can result in a shortened engine life.

SERVICE AND ADJUSTMENTS



CAUTION: BEFORE PERFORMING ANY SERVICE OR ADJUSTMENTS:

- Depress clutch/brake pedal fully and set parking brake.
- Place gearshift lever in neutral (N) position.
- Place attachment clutch in "DISENGAGED" position.
- Turn ignition key "OFF" and remove key.
- Make sure the blades and all moving parts have completely stopped.
- Disconnect spark plug wire from spark plug and place wire where it cannot come in contact with plug.

TRACTOR

TO REMOVE MOWER (See Fig. 18)

Mower will be easier to remove from the right side of tractor.

- Place attachment clutch in "DISENGAGED" position.
- Move attachment lift lever forward to lower mower to its lowest position.
- Roll belt off engine pulley.
- Disconnect clutch rod from clutch lever by removing retainer spring.
- Disconnect anti-sway bar from chassis bracket by removing retainer spring.
- Disconnect suspension arms from rear deck brackets by removing retainer springs.
- Disconnect front links from deck by removing retainer springs.
- Raise lift lever to raise suspension arms. Slide mower out from under tractor.

IMPORTANT: IF AN ATTACHMENT OTHER THAN THE MOWER IS TO BE MOUNTED TO THE TRACTOR, THE RH AND LH SUSPENSION ARMS MUST BE REMOVED FROM TRACTOR.

TO INSTALL MOWER (See Fig. 18)

- Raise attachment lift lever to its highest position.
- Slide mower under tractor with discharge guard to right side of tractor.
- Lower lift lever to its lowest position.
- Install mower in reverse order of removal instructions.

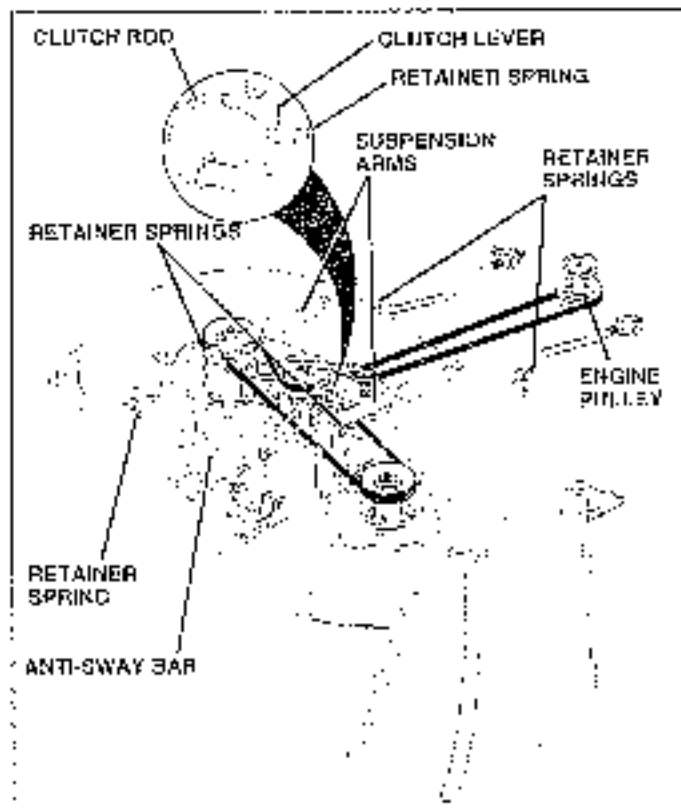


FIG. 18

SERVICE AND ADJUSTMENTS

TO LEVEL MOWER HOUSING

Adjust the mower while tractor is parked on level ground or driveway. Make sure tires are properly inflated (See "PRODUCT SPECIFICATIONS" on page 3). If tires are over or under inflated, you will not properly adjust your mower.

SIDE-TO-SIDE ADJUSTMENT (See Figs. 19 and 20)

You will need two (2) standard 2 x 4 sized pieces of wood to make the following adjustment. Similar blocks measuring 1-1/2" thick may also be used.

- Raise mower with attachment lift control to allow two (2) 1-1/2" thick blocks to be placed under rear edge of mower.
- Place one block directly behind the right mandrel. Place the remaining block under the stamped ridge on the left rear edge of mower deck.
- Lower mower deck to its lowest height of cut position (See "TO ADJUST MOWER CUTTING HEIGHT" in the Operation section of this manual).
- On both sides of tractor, loosen, but do not remove, the fasteners securing the adjustable pivot brackets to frame. Both brackets must be loose enough to move freely.
- Pull down firmly on suspension arm to remove any slack in pivot bracket and hold while tightening rear fastener first to secure. Tighten remaining fastener.
- Repeat procedure on other side of tractor.
- Raise mower with attachment lift control and remove blocks from under mower.

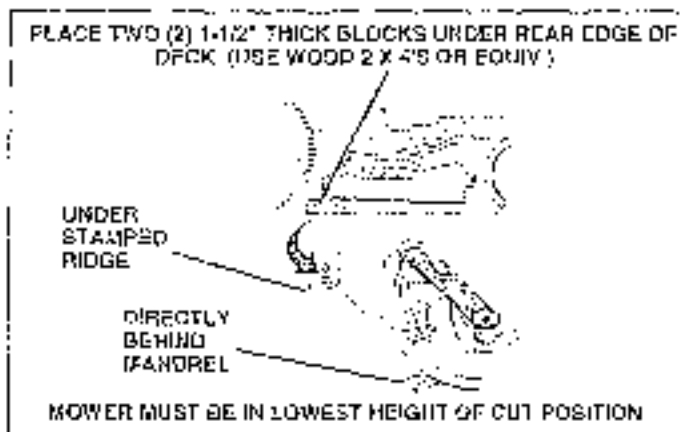


FIG. 19

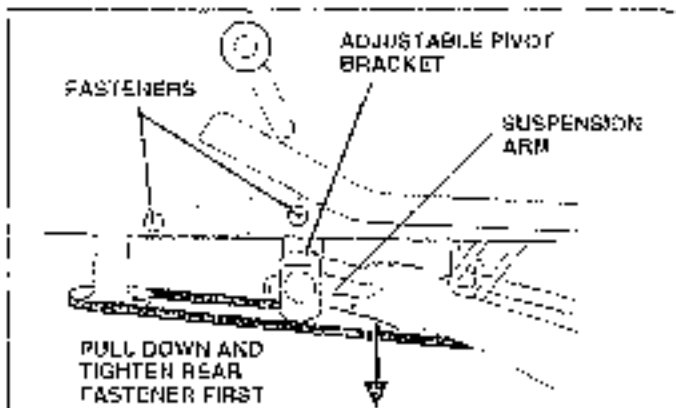


FIG. 20

FRONT-TO-BACK ADJUSTMENT (See Figs. 21 and 22)

IMPORTANT: DECK MUST BE LEVEL SIDE-TO-SIDE IF THE FOLLOWING FRONT-TO-BACK ADJUSTMENT IS NECESSARY. BE SURE TO ADJUST BOTH FRONT LINKS EQUALLY SO MOWER WILL STAY LEVEL SIDE-TO-SIDE.

To obtain the best cutting results, the mower housing should be adjusted so that the front is approximately 1/4" to 3/4" lower than the rear when the mower is in its highest position.

Check adjustment on right side of tractor. Measure distance "D" directly in front and behind the mandrel at bottom edge of mower housing as shown.

- Before making any necessary adjustments, check that both front links are equal in length. Both links should be approximately 11 3/8".
- If links are not equal in length, adjust one link to same length as other link.
- To lower front of mower, loosen nut "E" on both front links an equal number of turns.
- When distance "D" is 1/4" to 3/4" lower at front than rear, tighten nuts "F" against turnion on both front links.
- To raise front of mower, loosen nut "F" from turnion on both front links. Tighten nut "E" on both front links an equal number of turns.
- When distance "D" is 1/4" to 3/4" lower at front than rear, tighten nut "F" against turnion on both front links.
- Recheck side-to-side adjustment.

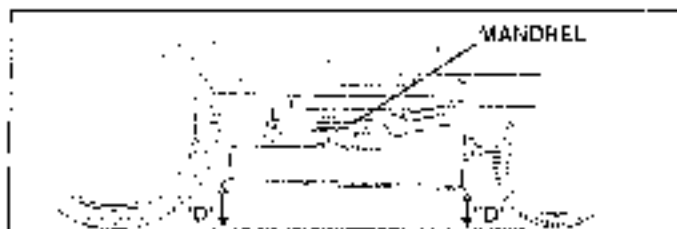


FIG. 21

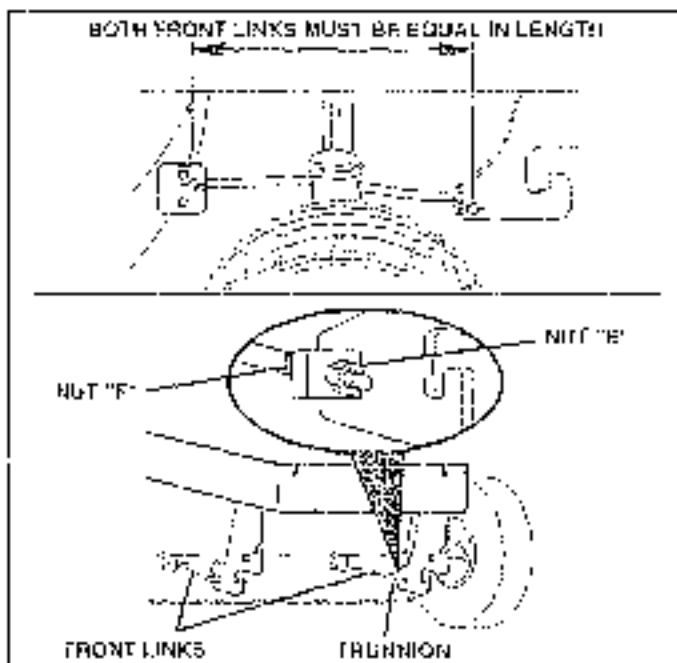


FIG. 22

SERVICE AND ADJUSTMENTS

TO REPLACE MOWER BLADE DRIVE BELT (See Fig. 23)

The mower blade drive belt may be replaced without tools. Park the tractor on level surface. Engage parking brake.

BELT REMOVAL -

- Place attachment clutch in "DISENGAGED" position.
- Move attachment lift lever forward to lower mower to its lowest position.
- Roll belt off engine pulley.
- Disconnect R.H. suspension arm from rear deck bracket by removing retainer spring.
- Work belt off both mandrel pulleys and idler pulleys.
- Pull belt away from mower.

BELT INSTALLATION -

- Install new belt in reverse order of removal.
- Make sure belt is in all pulley grooves and inside all belt guides.

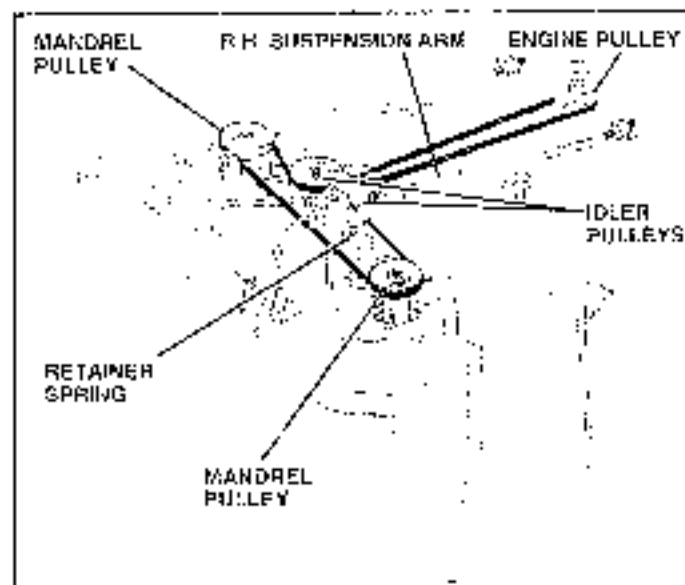


FIG. 23

TO ADJUST BRAKE (See Fig. 24)

Your tractor is equipped with an adjustable brake system which is mounted on the right side of the transaxle.

If tractor requires more than six (6) feet stopping distance at high speed in highest gear, then brake must be adjusted.

- Depress clutch/brake pedal and engage parking brake.
- Measure distance between brake operating arm and nut "A" on brake rod.
- If distance is other than 1-1/2", disengage parking brake, loosen jam nut and turn nut "A" until distance becomes 1-1/2". Retighten jam nut against nut "A".
- Engage parking brake and recheck distance.
- Load test tractor for proper stopping distance as stated above. Readjust if necessary. If stopping distance is still greater than six (6) feet in highest gear, further maintenance is necessary. Contact your nearest authorized service center/department.

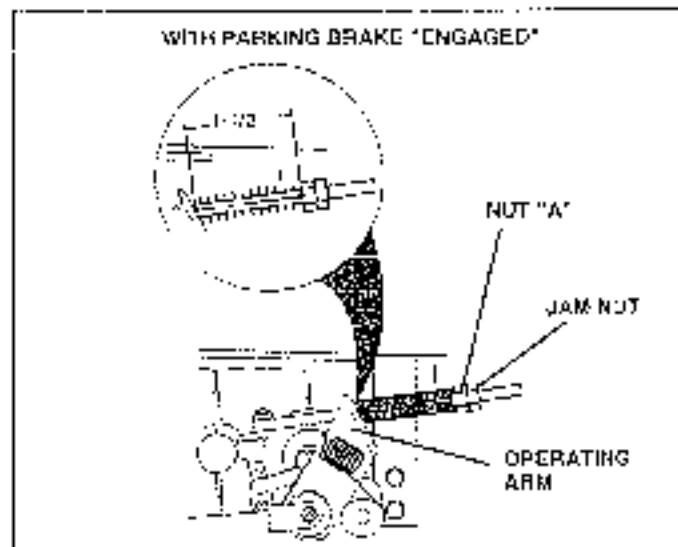


FIG. 24

TO REPLACE MOTION DRIVE BELT (See Fig. 25)

Park the tractor on level surface. Engage parking brake. For assistance, there is a belt installation guide decal on bottom side of left footrest.

- Remove mower (See "TO REMOVE MOWER" in this section of this manual).
- Remove upper belt keeper.
- Remove belt from stationary idler and clutching idler.
- Pull belt slack toward rear of tractor. Remove belt upwards from transaxle pulley by deflecting belt keepers.
- Pull belt toward front of tractor and remove downwards from around engine pulley.
- Install new belt by reversing above procedure.

IMPORTANT: MAKE SURE UPPER BELT KEEPER IS POSITIONED PROPERLY BETWEEN LOCATOR TABS.

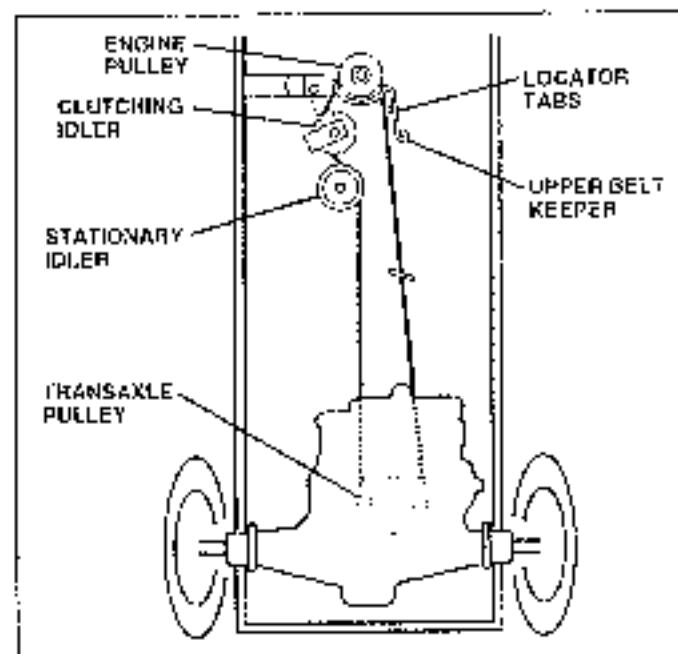


FIG. 25

SERVICE AND ADJUSTMENTS

TO ADJUST STEERING WHEEL ALIGNMENT

If steering wheel crossbars are not horizontal (left to right) when wheels are positioned straight forward, remove steering wheel and reassemble per instructions in the Assembly section of this manual.

FRONT WHEEL TOE-IN/CAMBER

The front wheel toe-in and camber are not adjustable on your tractor. If damage has occurred to affect the front wheel toe-in or camber, contact your nearest authorized service center/department.

TO REMOVE WHEEL FOR REPAIRS

(See Fig. 26)

- Block up axle securely.
- Remove axle cover, retaining ring and washers to allow wheel removal. (rear wheel contains a square key - Do not lose)
- Repair tire and reassemble.
- On rear wheels only, align grooves in rear wheel hub and axle. Insert square key.
- Replace washers and snap retaining ring securely in axle groove.
- Replace axle cover.

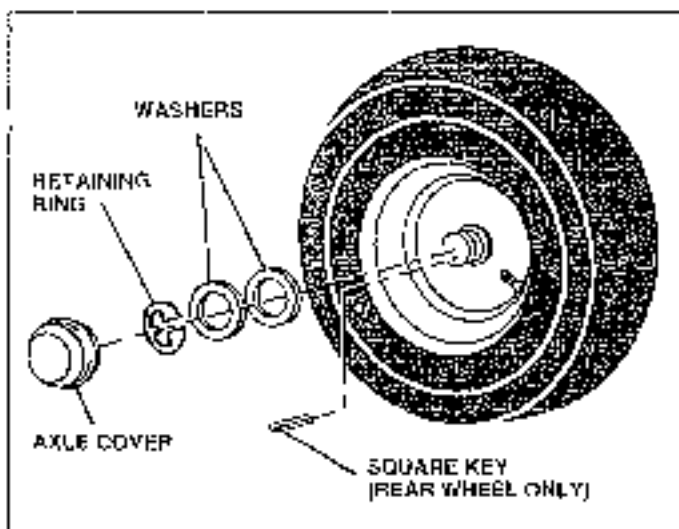


FIG. 26

TO START ENGINE WITH A WEAK BATTERY

(See Fig. 27)



CAUTION: Lead-acid batteries generate explosive gases. Keep sparks, flame and smoking materials away from batteries. Always wear eye protection when around batteries.

If your battery is too weak to start the engine, it should be recharged. If 'jumper cables' are used for emergency starting, follow this procedure:

IMPORTANT: YOUR UNIT IS EQUIPPED WITH A 12 VOLT NEGATIVE GROUNDED SYSTEM. THE OTHER VEHICLE MUST ALSO BE A 12 VOLT NEGATIVE GROUNDED SYSTEM. DO NOT USE YOUR TRACTOR BATTERY TO START OTHER VEHICLES.

TO ATTACH JUMPER CABLES

- Connect each end of the RED cable to the POSITIVE (+) terminal of each battery, taking care not to short against chassis.
- Connect one end of the BLACK cable to the NEGATIVE (-) terminal of fully charged battery.
- Connect the other end of the BLACK cable to good CHASSIS GROUND, away from the tank and battery.

TO REMOVE CABLES, REVERSE ORDER -

- BLACK cable first from chassis and then from the fully charged battery.
- RED cable last from both batteries.

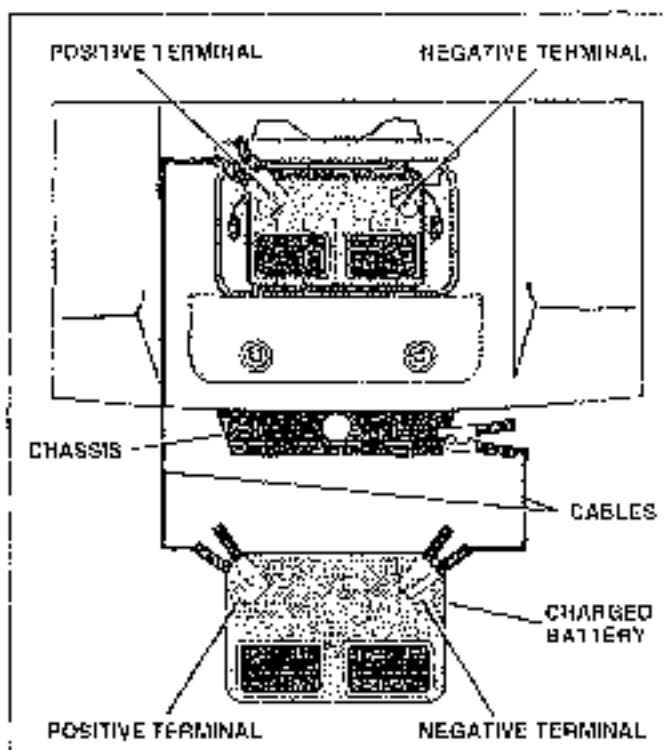


FIG. 27

SERVICE AND ADJUSTMENTS

TO REMOVE HOOD AND GRILL ASSEMBLY (See Fig. 28)

- Raise hood
- Unsnap headlight wire connector
- Stand in front of tractor: Grasp hood at sides, tilt toward engine and lift off of tractor
- To replace, reverse above procedures.

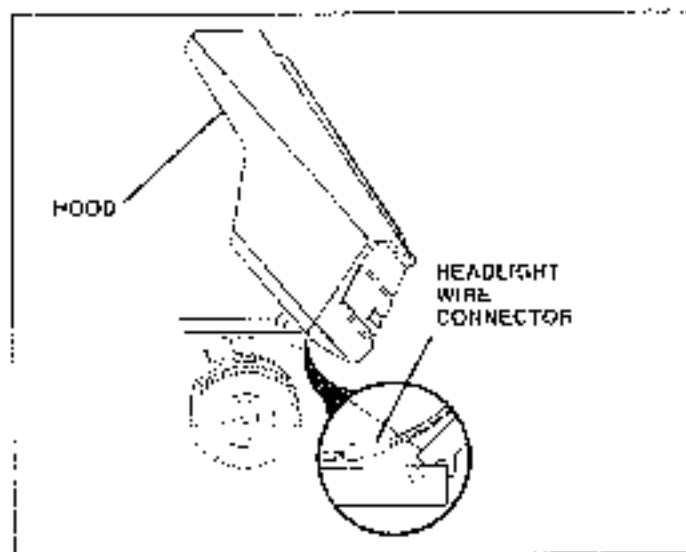


FIG. 28

TO REPLACE HEADLIGHT BULB

- Raise hood
- Pull bulb holder out of the hole in the backside of the grill
- Replace bulb in holder and push bulb holder securely back into the hole in the backside of the grill
- Close hood.

INTERLOCKS AND RELAYS

Loose or damaged wiring may cause your tractor to run poorly, stop running, or prevent it from starting.

- Check wiring. See electrical wiring diagram in the Repair Parts section of this manual.

TO REPLACE FUSE

Replace with 30 amp automotive-type plug-in fuse. The fuse holder is located behind the dash.

SERVICE AND ADJUSTMENTS

ENGINE

TO ADJUST THROTTLE CONTROL CABLE (See Fig. 29)

The throttle control has been preset at the factory and adjustment should not be necessary. Check adjustment as described below before loosening cable. If adjustment is necessary, proceed as follows:

- With engine not running, move throttle control lever from slow (S) to choke (L) position. Slowly move lever from choke (L) to fast (F) position.
- Check that holes "A" in governor control lever and hole in governor plate line-up. If holes "A" are not aligned, loosen clamp screw and move throttle cable until holes are aligned. Tighten clamp screw securely.

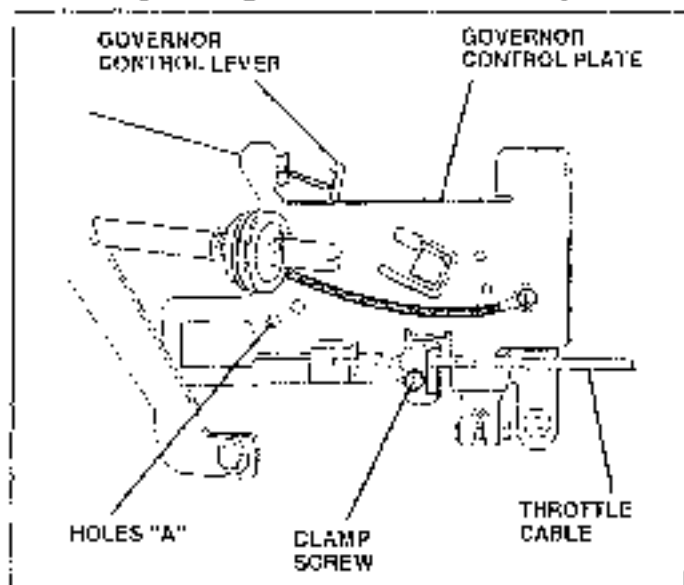


FIG. 29

TO ADJUST CARBURETOR (See Fig. 30)

The carburetor has been preset at the factory and adjustment should not be necessary. However, minor adjustment may be required to compensate for differences in fuel, temperature, altitude or load. If the carburetor does need adjustment, proceed as follows:

In general, turning idle mixture valve in (clockwise) decreases the supply of fuel to the engine giving a leaner fuel/air mixture. Turning the idle mixture valve out (counterclockwise) increases the supply of fuel to the engine giving a richer fuel/air mixture.

IMPORTANT: DAMAGE TO THE NEEDLE VALVE AND THE SEAT IN CARBURETOR MAY RESULT IF SCREW IS TURNED IN TOO TIGHT.

PRELIMINARY SETTING -

- Air cleaner assembly must be assembled to the carburetor when making carburetor adjustments.
- Be sure the throttle control cable is adjusted properly (see above).
- With engine off, turn idle mixture valve in (clockwise) closing it finger tight and then turn out (counterclockwise) 1 full turn.

FINAL SETTING -

- Start engine and allow to warm for five minutes. Make final adjustments with engine running and shift/control lever in neutral (N) position.
- Move throttle control lever to slow (S) position. With finger, rotate and hold throttle lever against idle speed screw. Turn idle speed screw to attain 1750 RPM.
- While still holding throttle lever against idle speed screw, turn idle mixture valve in (clockwise) until engine begins to die and then turn out (counterclockwise) until engine runs rough. Turn valve to a point midway between those two positions. Release throttle lever.

ACCELERATION TEST -

- Move throttle control lever from slow (S) to fast (F) position. If engine hesitates or dies, turn idle mixture valve out (counterclockwise) 1/8 turn. Repeat test and continue to adjust, if necessary, until engine accelerates smoothly.

High speed stop is factory adjusted. Do not adjust - damage may result.

IMPORTANT: NEVER TAMPER WITH THE ENGINE GOVERNOR, WHICH IS FACTORY SET FOR PROPER ENGINE SPEED. OVERSPEEDING THE ENGINE ABOVE THE FACTORY HIGH SPEED SETTING CAN BE DANGEROUS. IF YOU THINK THE ENGINE GOVERNED HIGH SPEED NEEDS ADJUSTING, CONTACT YOUR NEAREST AUTHORIZED SERVICE CENTER/DEPARTMENT, WHICH HAS PROPER EQUIPMENT AND EXPERIENCE TO MAKE ANY NECESSARY ADJUSTMENTS.

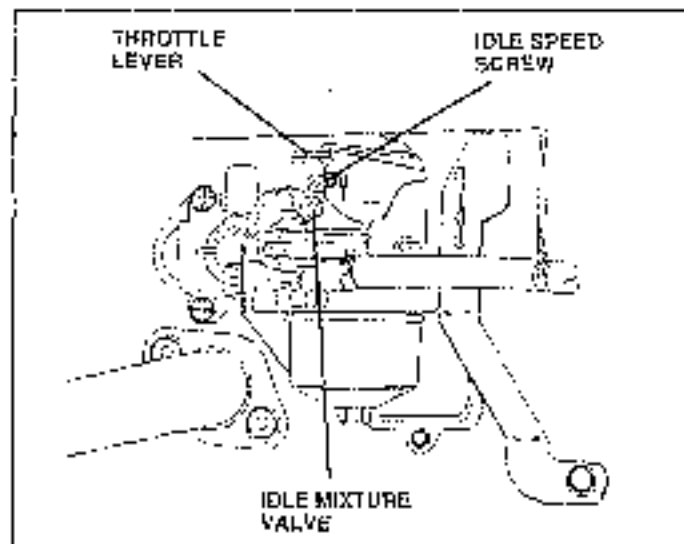


FIG. 30

STORAGE

Immediately prepare your tractor for storage at the end of the season or if the tractor will not be used for 30 days or more.



CAUTION: Never store the tractor with gasoline in the tank inside a building where fumes may reach an open flame or spark. Allow the engine to cool before storing in any enclosure.

TRACTOR

Remove mower from tractor for winter storage. When mower is to be stored for a period of time, clean it thoroughly, remove all dirt, grease, leaves, etc. Store in a clean, dry area.

- Clean entire tractor (See "CLEANING" in the Customer Responsibilities section of this manual)
- Inspect and replace belts, if necessary (See belt replacement instructions in the Service and Adjustments section of this manual)
- Lubricate as shown in the Customer Responsibilities section of this manual.
- Be sure that all nuts, bolts and screws are securely fastened. Inspect moving parts for damage, breakage and wear. Replace if necessary.
- Touch up all rusted or chipped paint surfaces; sand lightly before painting.

BATTERY

- Fully charge the battery for storage.
- After a period of time in storage, battery may require recharging.
- To help prevent corrosion and power leakage during long periods of storage, battery cables should be disconnected and battery cleaned thoroughly (see "TO CLEAN BATTERY AND TERMINALS" in the Customer Responsibilities section of this manual)
- After cleaning, leave cables disconnected and place cables where they cannot come in contact with battery terminals.
- Be sure battery drain tube is securely attached.
- If battery is removed from tractor for storage, do not store battery directly on concrete or damp surfaces.

ENGINE

FUEL SYSTEM

IMPORTANT: IT IS IMPORTANT TO PREVENT GUM DEPOSITS FROM FORMING IN ESSENTIAL FUEL SYSTEM PARTS SUCH AS CARBURETOR, FUEL FILTER, FUEL HOSE, OR TANK DURING STORAGE. ALSO, EXPERIENCE INDICATES THAT ALCOHOL BLENDED FUELS (CALLED GASOHOL OR USING ETHANOL OR METHANOL) CAN ATTRACT MOISTURE WHICH LEADS TO SEPARATION AND FORMATION OF ACIDS DURING STORAGE. ACIDIC GAS CAN DAMAGE THE FUEL SYSTEM OF AN ENGINE WHILE IN STORAGE.

- Drain the fuel tank.
- Start the engine and let it run until the fuel lines and carburetor are empty.
- Never use engine or carburetor cleaner products in the fuel tank or permanent damage may occur.
- Use fresh fuel next season.

NOTE: Fuel stabilizer is an acceptable alternative in minimizing the formation of fuel gum deposits during storage. Add stabilizer to gasoline in fuel tank or storage container. Always follow the mix ratio found on stabilizer container. Run engine at least 10 minutes after adding stabilizer to allow the stabilizer to reach the carburetor. Do not drain the gas tank and carburetor if using fuel stabilizer.

ENGINE OIL

Drain oil (with engine warm) and replace with clean engine oil. (See "ENGINE" in the Customer Responsibilities section of this manual)

CYLINDERS

- Remove spark plug(s).
- Pour one ounce of oil through spark plug hole(s) into cylinder(s).
- Turn ignition key to "START" position for a few seconds to distribute oil.
- Replace with new spark plug(s).

OTHER

- Do not store gasoline from one season to another.
- Replace your gasoline can if your can starts to rust. Rust and/or dirt in your gasoline will cause problems.
- If possible, store your tractor indoors and cover it to give protection from dust and dirt.
- Cover your tractor with a suitable protective cover that does not retain moisture. Do not use plastic. Plastic cannot breathe which allows condensation to form and will cause your tractor to rust.

IMPORTANT: NEVER COVER TRACTOR WHILE ENGINE AND EXHAUST AREAS ARE STILL WARM.

TROUBLESHOOTING POINTS

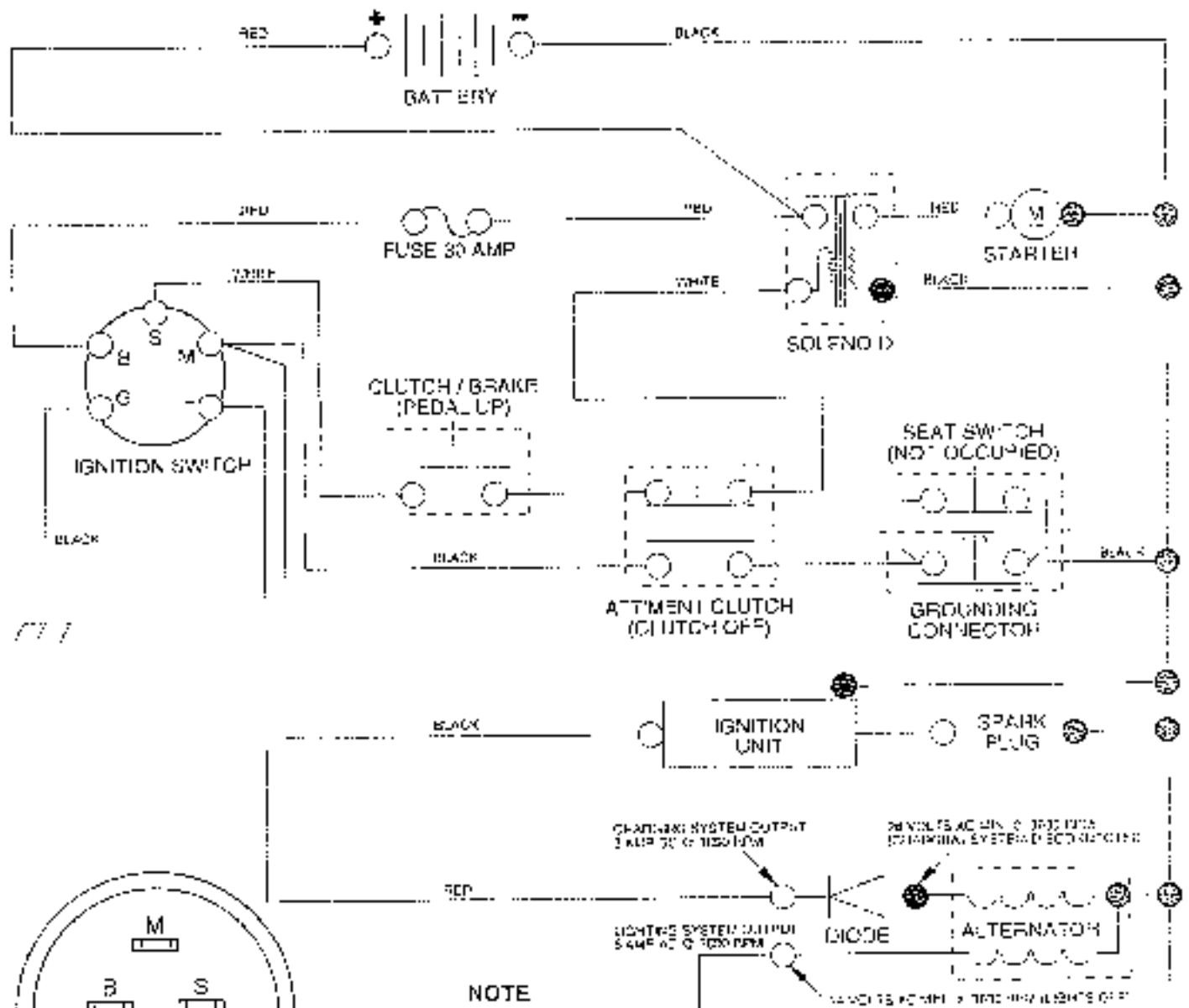
PROBLEM	CAUSE	CORRECTION
Will not start	<ol style="list-style-type: none"> 1 Out of fuel 2 Engine not "CHOKED" properly 3 Engine flooded 4 Bad spark plug 5 Dirty air filter 6 Dirty fuel filter 7 Water in fuel 8 Loose or damaged wiring 9 Carburetor out of adjustment 10 Engine valves out of adjustment 	<ol style="list-style-type: none"> 1 Fill fuel tank 2 Set "TO START ENGINE" in Operation section 3 Wait several minutes before attempting to start 4 Replace spark plug 5 Clean/replace air filter 6 Replace fuel filter 7 Drain fuel tank and carburetor, refill tank with fresh gasoline and replace fuel filter 8 Check all wiring 9 Contact an authorized service center/department 10 Contact an authorized service center/department
Hard to start	<ol style="list-style-type: none"> 1 Dirty air filter 2 Bad spark plug 3 Weak or dead battery 4 Dirty fuel filter 5 Stale or dirty fuel 6 Loose or damaged wiring 7 Carburetor out of adjustment 8 Engine valves out of adjustment 	<ol style="list-style-type: none"> 1 Clean/replace air filter 2 Replace spark plug 3 Recharge or replace battery 4 Replace fuel filter 5 Drain fuel tank and refill with fresh gasoline 6 Check all wiring 7 Contact an authorized service center/department 8 Contact an authorized service center/department
Engine will not turn over	<ol style="list-style-type: none"> 1 Clutch/brake pedal not depressed 2 Attachment clutch is engaged 3 Weak or dead battery 4 Slow loss 5 Corroded battery terminals 6 Loose or damaged wiring 7 Faulty ignition switch 8 Faulty solenoid or starter 9 Faulty operator presence switch(es) 	<ol style="list-style-type: none"> 1 Depress clutch/brake pedal 2 Disengage attachment clutch 3 Recharge or replace battery 4 Repair loss 5 Clean battery terminals 6 Check all wiring 7 Check/replace ignition switch 8 Check/replace solenoid or starter 9 Contact an authorized service center/department
Engine clicks but will not start	<ol style="list-style-type: none"> 1 Weak or dead battery 2 Corroded battery terminals 3 Loose or damaged wiring 4 Faulty solenoid or starter 	<ol style="list-style-type: none"> 1 Recharge or replace battery 2 Clean battery terminals 3 Check all wiring 4 Check/replace solenoid or starter
Loss of power	<ol style="list-style-type: none"> 1 Cutting too much grass too fast 2 Throttle in "CHOKE" position 3 Build-up of grass, leaves and trash under mower 4 Dirty air filter 5 Low oil level/dirty oil 6 Faulty spark plug 7 Dirty fuel filter 8 Stale or dirty fuel 9 Water in fuel 10 Spark plug wire loose 11 Dirty engine air screens/fins 12 Dirty/clogged muffler 13 Loose or damaged wiring 14 Carburetor out of adjustment 15 Engine valves out of adjustment 	<ol style="list-style-type: none"> 1 Set in "Higher Cut" position/reduce speed 2 Adjust choke control 3 Clean underside of mower housing 4 Clean/replace air filter 5 Check oil level/change oil 6 Clean and regap or change spark plug 7 Replace fuel filter 8 Drain fuel tank and refill with fresh gasoline 9 Drain fuel tank and carburetor, refill tank with fresh gasoline and replace fuel filter 10 Connect and tighten spark plug wires 11 Clean engine air screens/fins 12 Clean/replace muffler 13 Check all wiring 14 Contact an authorized service center/department 15 Contact an authorized service center/department
Excessive vibration	<ol style="list-style-type: none"> 1 Worn, bent or loose blade 2 Bent blade mandrel 3 Loose/damaged part(s) 	<ol style="list-style-type: none"> 1 Replace blade - Tighten blade bolt 2 Replace blade mandrel 3 Tighten loose part(s) - Replace damaged parts

TROUBLESHOOTING POINTS

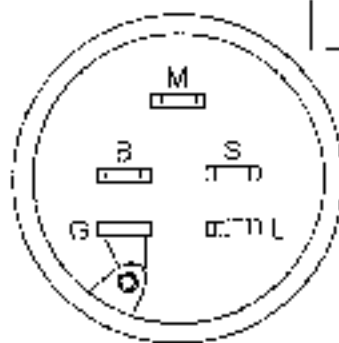
PROBLEM	CAUSE	CORRECTION
Engine continues to run when operator leaves seat with attachment clutch engaged	<ol style="list-style-type: none"> 1 Faulty operator safety presence control system 	<ol style="list-style-type: none"> 1 Check wiring, switches, and connections. If not corrected, contact an authorized service center/department.
Poor cut - uneven	<ol style="list-style-type: none"> 1 Worn, bent or loose blade 2 Mower deck not level 3 Buildup of grass, leaves, and trash under mower 4 Bent blade mandrel 5 Clogged mower deck vent holes from buildup of grass, leaves, and trash around mandrels 	<ol style="list-style-type: none"> 1 Replace blade. Tighten blade bolt. 2 Level mower deck. 3 Clean underside of mower housing. 4 Replace blade mandrel. 5 Clean around mandrels to open vent holes.
Mower blades will not rotate	<ol style="list-style-type: none"> 1 Obstruction in clutch mechanism 2 Worn/damaged mower drive belt 3 Frozen idler pulley 4 Frozen blade mandrel 	<ol style="list-style-type: none"> 1 Remove obstruction. 2 Replace mower drive belt. 3 Replace idler pulley. 4 Replace blade mandrel.
Poor grass discharge	<ol style="list-style-type: none"> 1 Engine speed too slow 2 Travel speed too fast 3 Wet grass 4 Mower deck not level 5 Low tire air pressure 6 Worn, bent or loose blade 7 Buildup of grass, leaves and trash under mower 8 Mower drive belt worn 9 Blades improperly installed 10 Improper blades used 11 Clogged mower deck vent holes from buildup of grass, leaves, and trash around mandrels 	<ol style="list-style-type: none"> 1 Place throttle control in "FAST" position. 2 Shift to slower speed. 3 Allow grass to dry before mowing. 4 Level mower deck. 5 Check tires for proper air pressure. 6 Replace/sharpen heads. Tighten blade bolt. 7 Clean underside of mower housing. 8 Replace mower drive belt. 9 Reinstall blades sharp edge down. 10 Replace with blades listed in this manual. 11 Clean around mandrels to open vent holes.
Headlight(s) not working (if so equipped)	<ol style="list-style-type: none"> 1 Switch is "OFF" 2 Bulb(s) burned out 3 Faulty light switch 4 Loose or damaged wiring 5 Blown fuse 	<ol style="list-style-type: none"> 1 Turn switch "ON" 2 Replace bulb(s) 3 Check/replace light switch 4 Check wiring and connections 5 Replace fuse
Battery will not charge	<ol style="list-style-type: none"> 1 Bad battery cell(s) 2 Poor cable connections 3 Faulty regulator (if so equipped) 4 Faulty alternator 	<ol style="list-style-type: none"> 1 Replace battery. 2 Check/clean all connections. 3 Replace regulator. 4 Replace alternator.
Engine "backfires" when turning engine "OFF"	<ol style="list-style-type: none"> 1 Engine throttle control not set at "SLOW" position for 30 seconds before stopping engine 	<ol style="list-style-type: none"> 1 Move throttle control to "SLOW" position and allow to idle for 30 seconds before stopping engine.

12.5 HP 38" TRACTOR - - MODEL NUMBER 917.257620

SCHEMATIC



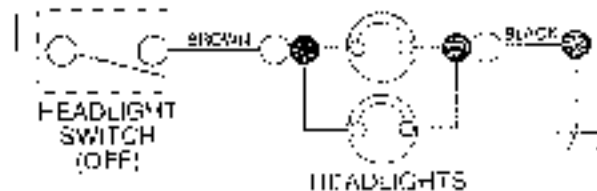
111



IGNITION SWITCH

POSITION	CIRCUIT
OFF	M - G
ON	B + L
START	B - S

NOTE
YOUR TRACTOR IS EQUIPPED WITH A SPECIAL ALTERNATOR SYSTEM. THE LIGHTS ARE NOT CONNECTED TO THE BATTERY, BUT HAVE THEIR OWN ELECTRICAL SOURCE. BECAUSE OF THIS, THE BRIGHTNESS OF THE LIGHTS WILL CHANGE WITH ENGINE SPEED. AT IDLE THE LIGHTS WILL DIM. AS THE ENGINE IS SPEEDED UP, THE LIGHTS WILL BECOME THEIR BRIGHTEST.



WIRING INSULATED CLIPS

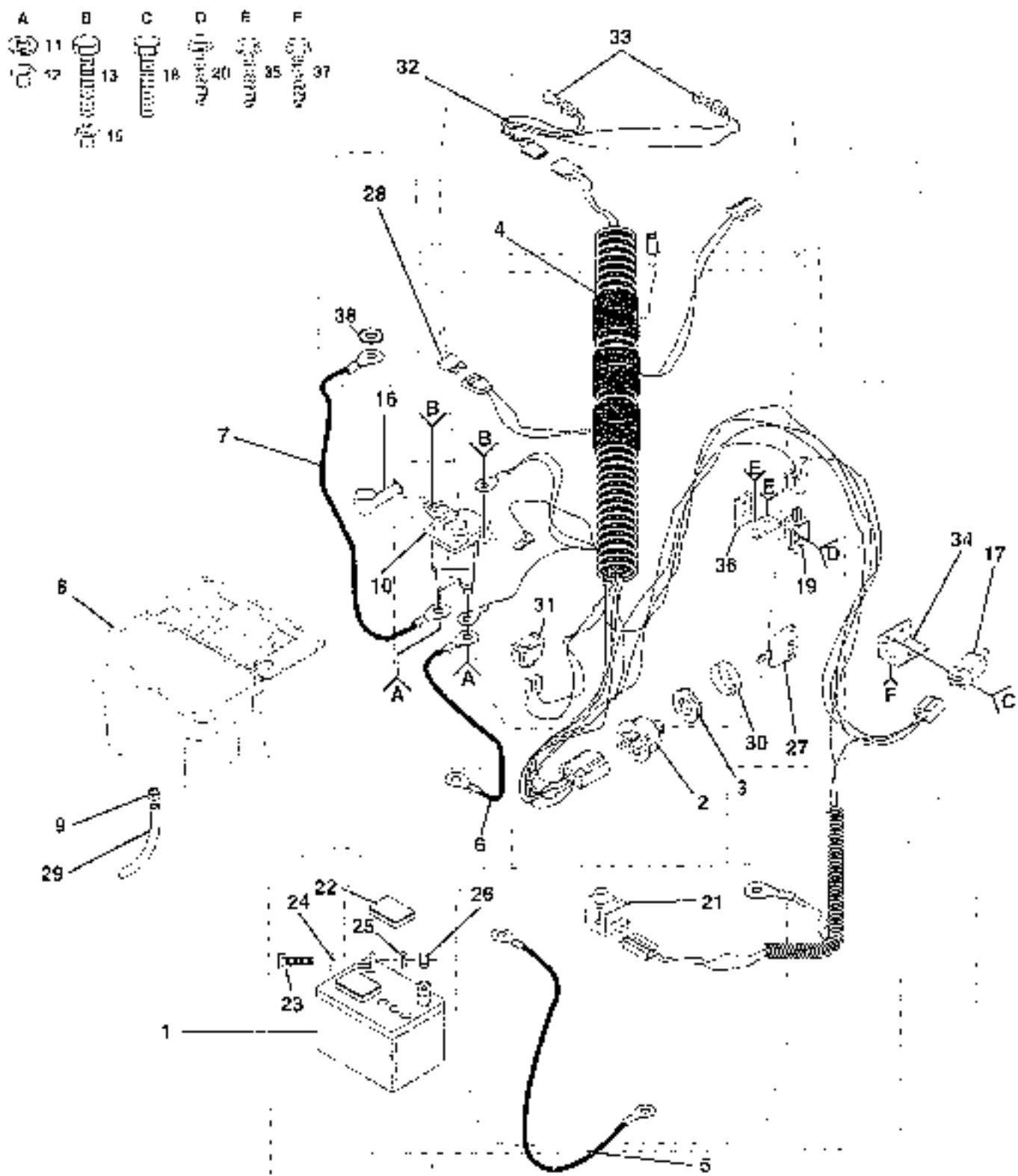
NOTE: IF WIRING INSULATED CLIPS WERE REMOVED FOR SERVICING OF UNIT, THEY SHOULD BE REPLACED TO PROPERLY SECURE YOUR WIRING.

● NON REMOVABLE CONNECTIONS ○ REMOVABLE CONNECTIONS

REPAIR PARTS

12.5 HP 38" TRACTOR -- MODEL NUMBER 917.257620

ELECTRICAL



REPAIR PARTS

12.5 HP 38" TRACTOR - - MODEL NUMBER 917.257620

ELECTRICAL

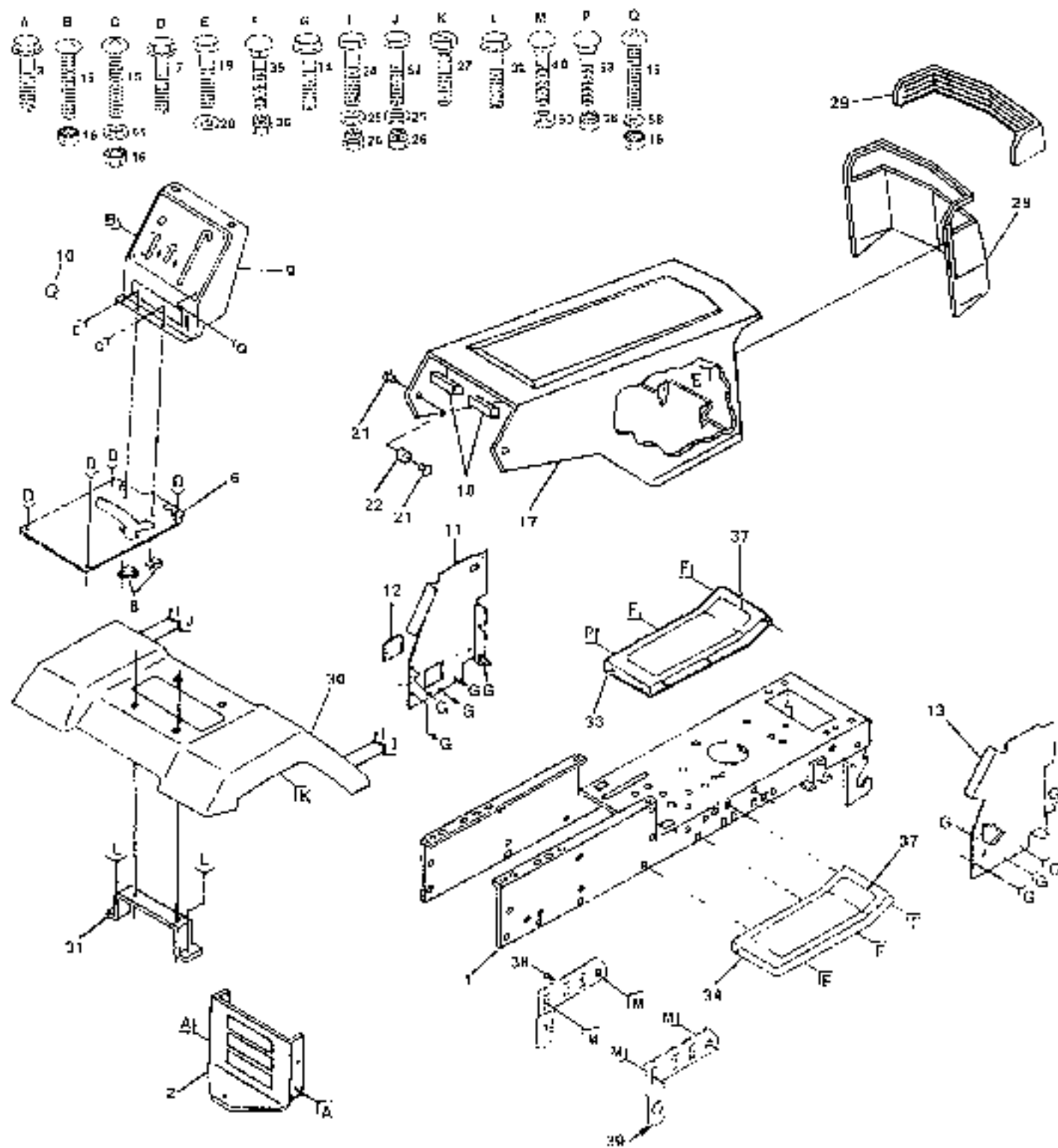
KEY NO.	PART NO.	DESCRIPTION
1	121265X	Battery
2	STD365402	Switch, Ignition
3	124211X	Nut, Ignition
4	132017	Harness, ignition
5	4207J	Cable, Ground
6	132202	Cable, Battery
7	108423X	Cable, Battery
8	129965	Box, Battery
9	109696X	Clamp, Hose
10	138406	Solenoid
11	STD551125	Washer, Lock 1/4
12	73050400	Nut, Hex, Jam 1/4-20 UNC
13	71110408	Bolt, Hex Head, Fin. 1/4-20 UNC x 1/2 Grade 5
15	73610400	Nut, Hex, Keps 1/4-20 UNC
16	131563	Cover, Terminal
17	109553X	Switch, Interlock, Clutch
18	STD601005	Screw, Hex Head, Self-Tapping #10-24 UNC x 1/2
19	104445X	Switch, Interlock, Clutch
20	STD601005	Screw, Hex Head, Self-Tapping #10-24UNC x 1/2
21	121305X	Switch, Plunger
22	121264X	Cap, Battery
23	74760412	Bolt, Hex Head 1/4-20 UNC x 3/4
24	STD551025	Washer 9/32 x 5/8 x 16 Gauge
25	STD551125	Washer, Lock, Heavy Helical Spring 1/4
26	STD541025	Nut, Hex, Fin 1/4-20 UNC
27	109910X	Key, Ignition
28	108824X	Fuse, 30 Amp
29	109236X	Tube, Plastic
30	123620X	Cover, Key Switch
31	110712X	Switch, Light
32	135650	Harness, Light Socket
33	4152J	Bulb, Light
34	108235X	Bracket, Clutch Switch
35	STD601005	Screw, Hex Head, Self-Tapping #10-24UNC x 1/2
36	130890	Bracket Switch Interlock
37	STD601005	Screw, Hex Head, Self-Tapping #10-24UNC x 1/2
38	11150400	Washer Lock Int Tooth 1/4

NOTE: All component dimensions given in U.S. inches
1 inch = 25.4 mm

REPAIR PARTS

12.5 HP 38" TRACTOR - - MODEL NUMBER 917.257620

CHASSIS AND ENCLOSURES



REPAIR PARTS

12.5 HP 38" TRACTOR - - MODEL NUMBER 917.257620

CHASSIS AND ENCLOSURES

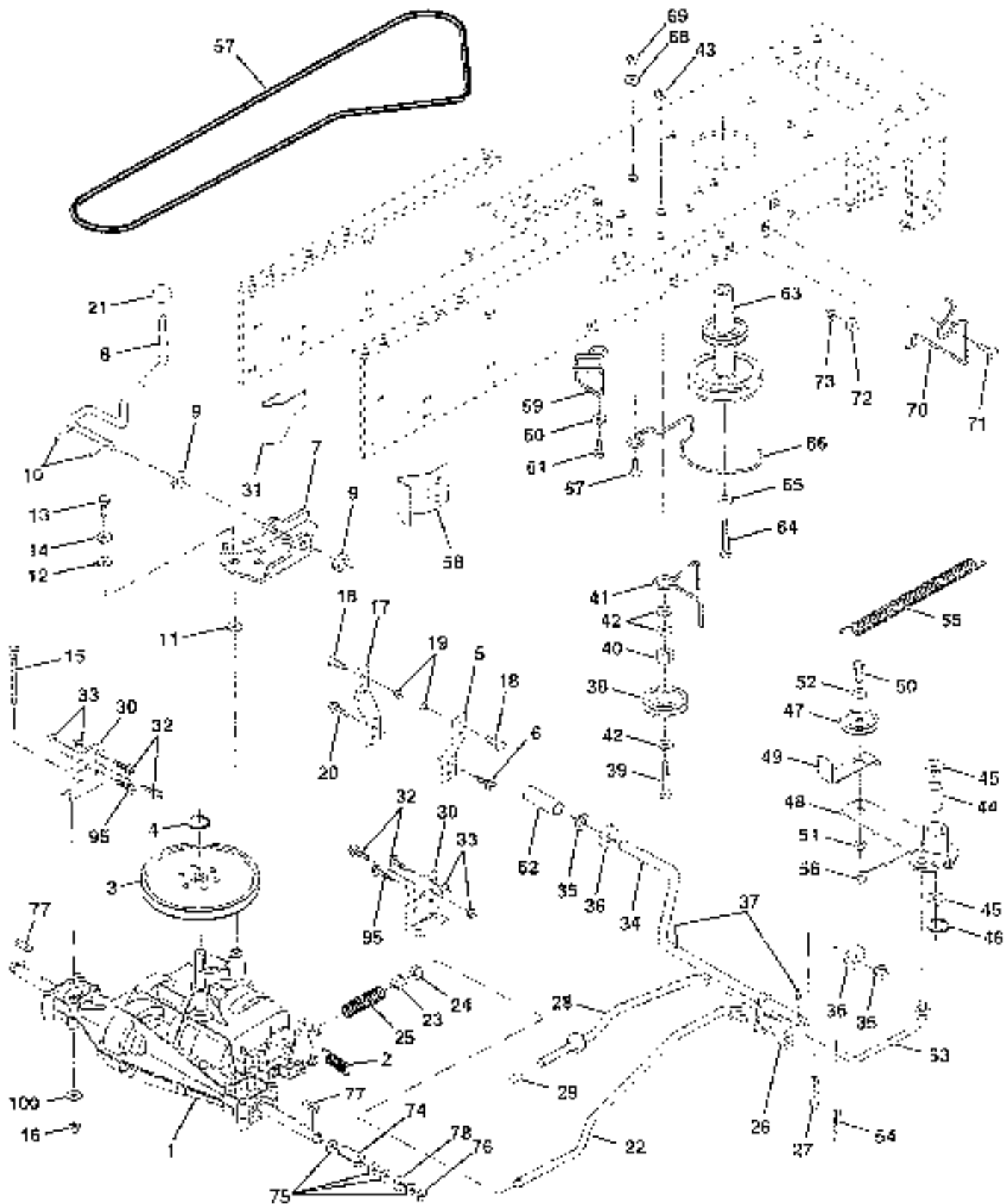
KEY NO.	PART NO.	DESCRIPTION
1	135034	Chassis Assembly
2	137275	Drawbar
3	17490812	Screw, Thd. Roll 3/8-16 x 3/4
6	130800X02H	Saddle
7	17490608	Screw, Thd. Roll 3/8-16 x 1/2
9	2751R	Clip, Fuel Line
9	137411X015	Dashboard
10	5479:	Plug Button
11	122795X	Panel, Dash, LH
12	121794X	Cover, Access
13	124031X015	Panel, Dash, RH
14	17490608	Screw, Thd. Roll 3/8-16 x 1/2
15	74180512	Screw, Machine, Truss Head 5/16-18 UNC x 3/4
16	STD541431	Nut, Hex, Keys 5/16-18 UNC
17	131445X417	Hood Assembly
18	126938X	Bumper, Hood
19	STD512505	Bolt, Hex, Fin. 1/4-20 UNC x 1/2
20	STD551125	Washer, Lock, Heavy Helical Spring 1/4
21	122933X	Rivet, Ratchet, Nylon
22	124479X	Washer, Nylon
24	STD529707	Bolt, Hex, Fin. 3/8-16 UNC x 3/4
25	19131312	Washer 13/32 x 13/16 x 12 Gauge
26	STD541437	Nut, Crownlock 3/8-16 UNC
27	17490608	Screw, Thd. Roll 3/8-16 x 1/2
28	123915X	Grill
29	124023X	Lens, Headlight Bar
30	109972X417	Fender
31	136619	Bracket, Fender
32	17490812	Screw, Thd. Roll 3/8-16 x 3/4
33	105465X417	Footrest, Perforated, LH
34	105464X417	Footrest, Perforated, RH
35	STD533707	Bolt, Carriage 3/8-16 x 3/4
36	STD541437	Nut, Crownlock 3/8-16 UNC
37	105480X	Pad, Footrest Rpt
38	134618	Bracket Assembly, Pivotal, Mower, Rear, LH
39	134617	Bracket Assembly, Pivotal, Mower, Rear, RH
40	72140608	Bolt, Carriage 3/8-16 x 1
50	STD541437	Locknut, Hex, with Washer Insert 3/8-16 UNC
51	19131218	Washer 13/32 x 3/4 x 16 Ga
53	72140608	Carriage Bolt 3/8 - 10 x 1
54	74763614	Bolt Hex 3/8 - 16 x 7/8
58	11050600	Washer lock ext. tooth 3/8

NOTE: All component dimensions given in U.S. inches
1 inch = 25.4 mm

REPAIR PARTS

12.5 HP 38" TRACTOR -- MODEL NUMBER 917.257620

DRIVE



REPAIR PARTS

12.5 HP 38" TRACTOR - - MODEL NUMBER 917.257620

DRIVE

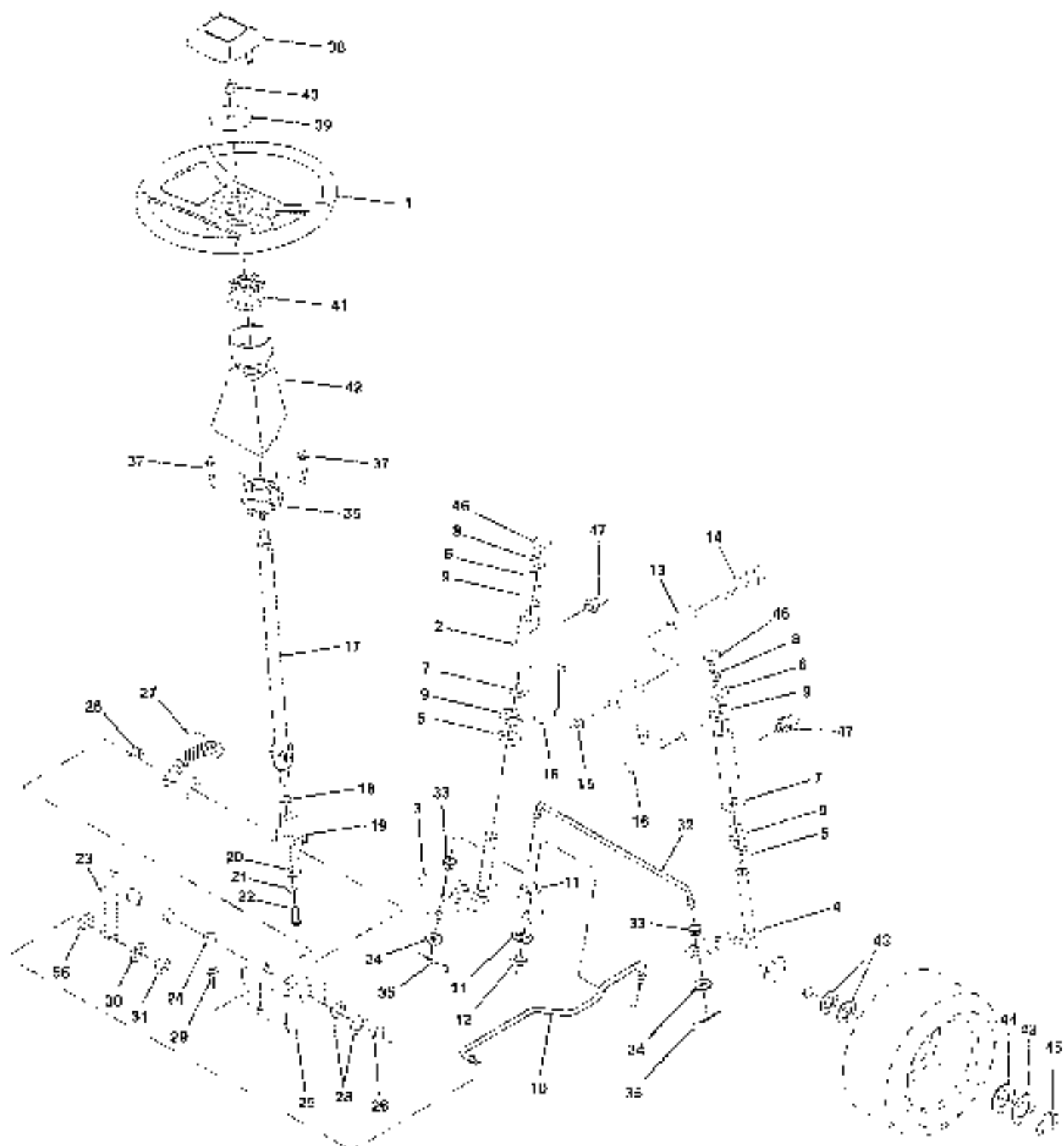
KEY NO.	PART NO.	DESCRIPTION	KEY NO.	PART NO.	DESCRIPTION
1	137362	Transaxle, Dana, 5 Speed Model Number 4360-47	40	4470J	Spacer, Split
2	110422X	Spring, Brake Return, Transaxle	41	103070X	Keeper, Bell Retainer
3	123666X	Pulley, Transaxle	42	19131312	Washer 13/32 x 13/16 x 12 Gauge
4	12000028	Ring, Retainer	43	STD541437	Nut, Lock Hex w/Wsh 3/8-16 UNC
5	121520X	Strap, Torque	44	105706X	Bearing, Nylon
6	17490512	Screw, Hex Hd, Thd. Roll 5/16-18 x 3/4	45	110812X	Washer, Hardened
7	130852	Plate, Shift	46	12000039	Ring, Clip
8	131679	Rod, Shifter	47	127783	Pulley, Idler, V-Groove
9	19151210	Washer 15/32 x 3/4 x 16 Gauge	48	123789X	Bulcrank Assembly
10	STD561210	Pin, Cotter 1/8 x 1	49	123205X	Retainer, Bolt
11	105701X	Washer, Shift Plate	50	STD523715	Bolt, Hex Head 3/8-16 UNC x 1-1/2
12	19091210	Washer 9/32 x 3/4 x 10 Gauge	51	STD541437	Nut, Crownlock 3/8-16 UNC
13	71040412	Bolt, Hex Head, Fin 1/4-28 UNF x 3/4 Grade 8	52	STD551037	Washer 13/32 x 13/16 x 16 Gauge
14	STD551125	Washer, Lock, Hvy Hlcl Spring 7/16	53	105710X	Link, Clutch
15	74790544	Bolt, Hex 5/16-18 x 2-3/4	54	STD581210	Pin, Cotter 1/8 x 3/4
16	STD541431	Nut, Crownlock 5/8-18	55	105709X	Spring, Return, Clutch
17	121520X	Strap, Torque	56	STD561210	Pin, Cotter 1/8 x 3/4
18	STD523707	Bolt, Hex, Fin. 3/8-16 UNC x 3/4	57	138255	V-Belt, Ground Drive
19	STD541437	Nut, Crownlock 5/8-16 UNC	58	127274X	Keeper, Bolt, RH
20	17490512	Screw, Hex Hd, Thd. Roll 5/16-18 x 3/4	59	138715	Retainer, Bell, Chassis, LH
21	105933X	Knob, Round	60	19131312	Washer 13/32 x 13/16 x 12 Gauge
22	130804	Rod, Brake	61	17490612	Screw, Hex Head, Thd. Roll 3/8-16 x 3/4
23	STD541437	Locknut, Hex, with Washer Inset 3/8-16 UNC	62	8883R	Cover, Pedal
24	STD541237	Nut, Hex, Jam 3/8-16 UNC	63	134825	Pulley, Engine
25	105688X	Spring, Brake Rod	64	71170754	Bolt, Hex 7/16 20 x 4 Grade 9
26	STD551037	Washer 13/32 x 13/16 x 16 Gauge	65	STD551143	Washer, Lock, Hvy Hlcl Spring 7/16
27	STD561210	Pin, Cotter 1/8 x 3/4	66	129921	Keeper, Bell, Engine, LH
28	128904	Rod, Parking Brake	67	STD523710	Bolt, Hex, Fin. 3/8-16 UNC x 1
29	124236X	Cap, Parking Brake, Red	68	19131312	Washer 13/32 x 13/16 x 12 Gauge
30	130807	Bracket, Transmission	69	STD541437	Nut, Crownlock 3/8-16 UNC
31	127275X	Keeper, Bolt, LH	70	13456J	Guide, Mower Drive Bell, RH
32	STD5231117	Bolt, Hex 5/16-18 x 3/4	71	STD523710	Bolt, Hex, Fin. 3/8-16 UNC x 1
33	STD541431	Locknut, Hex w/Ins 5/16-18	72	19132012	Washer 13/32 x 1-1/4 x 12 Gauge
34	122424X	Shaft Assembly, Foot Pedal	73	STD541437	Nut, Crownlock 3/8-16 UNC
35	120183X	Bearing, Nylon	74	103502X	Spacer, Split
36	STD551062	Washer 21/32 x 1 x 16 Gauge	75	121749X	Washer 25/32 x 1-1/4 x 16 Gauge
37	STD571810	Pin, Roll 3/16 x 1	76	STD581075	E-Ring
38	123674X	Pulley, Idler, Flat	77	123586X	Key, Square 2.0 x .1845/ .1855
39	STD523727	Bolt, Hex, Fin. 3/8-16 UNC x 2-3/4	78	121748X	Washer 25/32 x 1-5/8 x 16 Gauge
			95	17490612	Screw Thdrol w/Ins 3/8-16 x 3/4
			100	19111216	Washer

NOTE: All component dimensions given in () 5 inches
1/16 inch = 25.4 mm

REPAIR PARTS

12.5 HP 38" TRACTOR - - MODEL NUMBER 917.257620

STEERING ASSEMBLY



REPAIR PARTS

12.5 HP 38" TRACTOR - - MODEL NUMBER 917.257620

STEERING ASSEMBLY

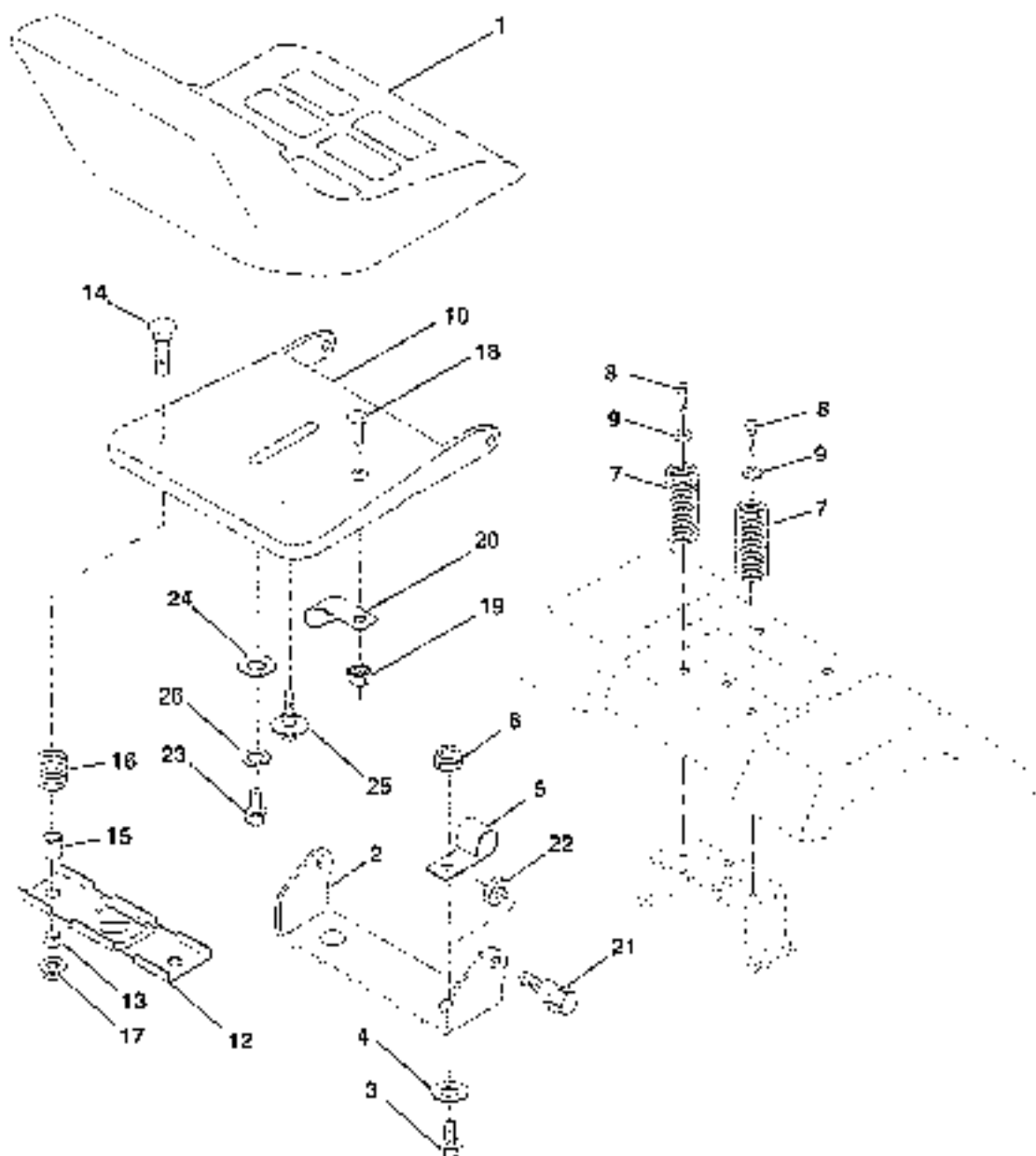
KEY NO.	PART NO.	DESCRIPTION
1	133741	Steering Wheel
2	133300	Axle Assembly, Front
3	135227	Spindle Assembly, LH
4	135220	Spindle Assembly, RH
5	E266H	Bearing, Thrust
6	121748X	Washer 25/32 x 1-5/8 x 16 Gauge
7	19272016	Washer 27/32 x 1-1/4 x 16 Gauge
8	12000029	Ring, Klip
9	3366R	Bearing, Steering Column
10	130468	Link, Drag
11	STD551137	Washer, Lock, Hvy Hot Spring 3/8
12	73610600	Nut, Hex, Fin. 3/8-24 UNF
13	110438X	Spacer, Bearing, Front Axle
14	74011056	Bolt, Hex Head 5/8-11 UNC x 3-1/2
15	73901000	Nut, Lock Flange 5/8-11 UNC
16	132824	Pin, Axle 5/8 x 1-5/8 1-5/8
17	132914	Shaft Assembly, Steering
18	57079	Washer, Thrust 5/16 x 7/8 x .033
19	124035X	Support, Shaft
20	125684X	Washer, Shim 1/4 x 5/8 x .062
21	STD551125	Washer, Lock, Heavy Helical Spring 1/4
22	71070410	Screw, Hex Socket Head 1/4-20 x 5/8
23	127501	Shaft Assembly, Pitman
24	109816X	Nylon, Snap In
25	124006X	Bracket, Steering
26	12000029	Ring, Klip
27	136874	Gear, Sector
28	E266H	Bearing, Thrust
29	17490E12	Screw, Thd Roll 3/8-16 x 3/4
30	STD551137	Washer, Lock, Heavy Helical Spring 3/8
31	73610600	Nut, Hex, Fin. 3/8-24 UNF
32	130465	Rod, Tie
33	126B47X	Bushing, Tie Rod
34	19131416	Washer 13/32 x 7/8 x 16 Gauge
35	STD561210	Pin, Cotter 1/8 x 3/4
36	132193	Bushing, Steering
37	STD611005	Screw, Self-Tapping #10-16 x 1/2
38	133742	Insert, Steering Wheel
39	19133808	Washer 13/32 x 2-3/8 x 8 Gauge
40	STD541537	Nut, Centerlock 2/8-24 UNF
41	104820X	Adaptor, Steering Wheel
42	124417X	Roll, Steering Shaft
43	121749X	Washer 25/32 x 1-1/4 x 16 Gauge
44	121748X	Washer 25/32 x 1-5/8 x 16 Gauge
45	12000029	Ring, Klip
46	121232X	Cap, Spindle
47	8855M	Filling Grease
48	19131210	Washer 13/32 x 3/4 x 10 Ga

NOTE: All component dimensions given in U.S. inches
1 inch = 25.4 mm

REPAIR PARTS

12.5 HP 38" TRACTOR - - MODEL NUMBER 917.257620

SEAT ASSEMBLY



KEY NO.	PART NO.	DESCRIPTION
1	127437	Seat
2	126556X	Bracket, Pivnt. Seat
3	STD523707	Bolt, Hex, Fin. 5/8-16 UNC x 3/4
4	19131610	Washer 13/32 x 1 x 10 Gauge
5	2751R	Clip, Fuel Line
6	STD511437	Nut, Crownlock 3/8-16 UNC
7	124181X	Spring, Seal
8	17490616	Screw, Thrd. Roll 3/8-16 x 1
9	19131614	Washer 13/32 x 1 x 14 Gauge
10	131451	Pan, Seat
12	121246X	Bracket, Switch Mounting
13	121248X	Bushing, Snap
14	72050411	Bolt, Carriage 1/4-20 x 1-3/8
15	134300	Spacer, Spld

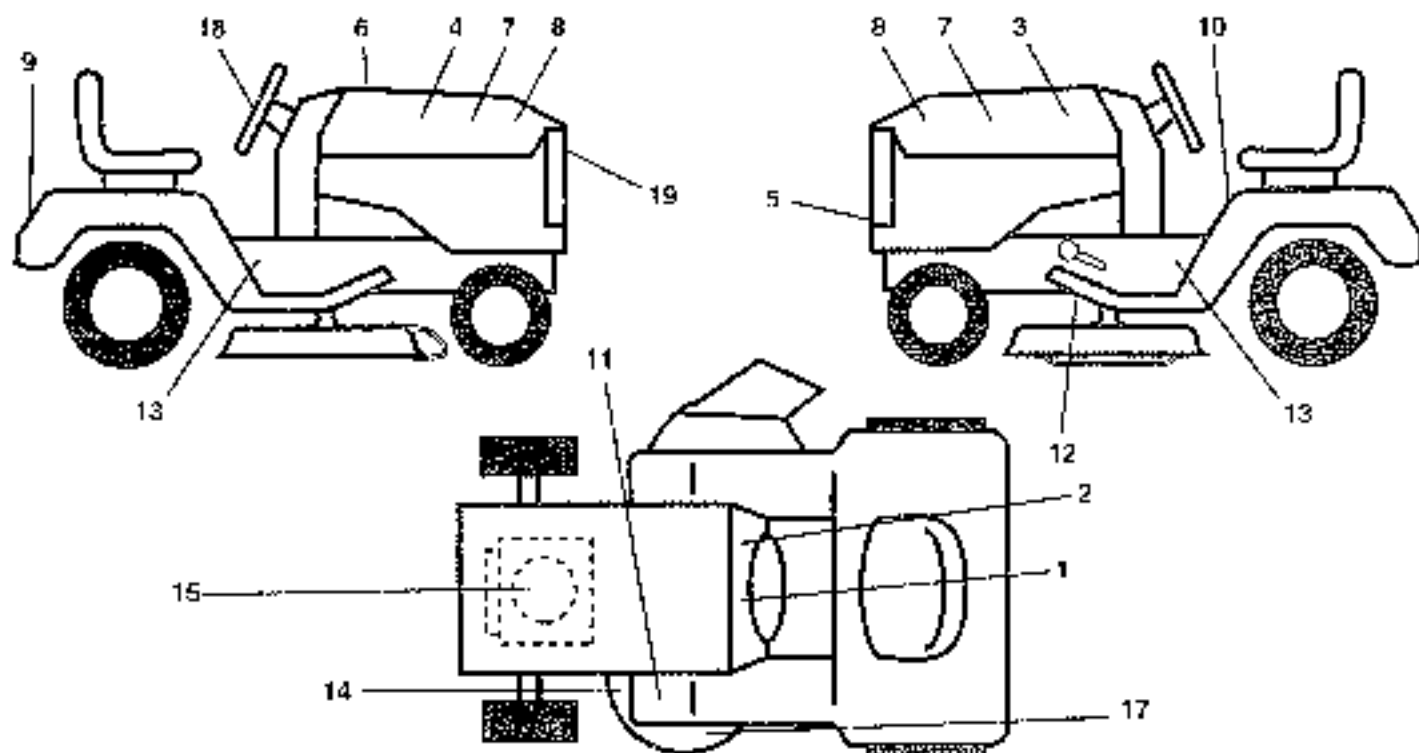
KEY NO.	PART NO.	DESCRIPTION
16	121250X	Spring
17	123976X	Locknut 1/4 Grade 5
18	STD511005	Screw, Slotted Pan Head #10-32 x 1/2
19	73951000	Nut, Hex, Keys #10 32 UNF
20	4171R	Clip, Insulated
21	130860	Bolt, Shoulder 5/16-18 UNC
22	STD541431	Nut, Crownlock 5/16-18
23	74790814	Bolt, Hex, Fin. 1/2-13 x 7/8 Grade 5
24	19171912	Washer 17/32 x 1-3/16 x 12 Gauge
25	127318X	Bolt, Shoulder 5/16-18 x .62
26	STD551150	Washer, Lock, Hvy Hlcl Spring 1/2

NOTE: All component dimensions given in U.S. inches
1 inch = 25.4 mm

REPAIR PARTS

12.5 HP 38" TRACTOR - - MODEL NUMBER 917.257620

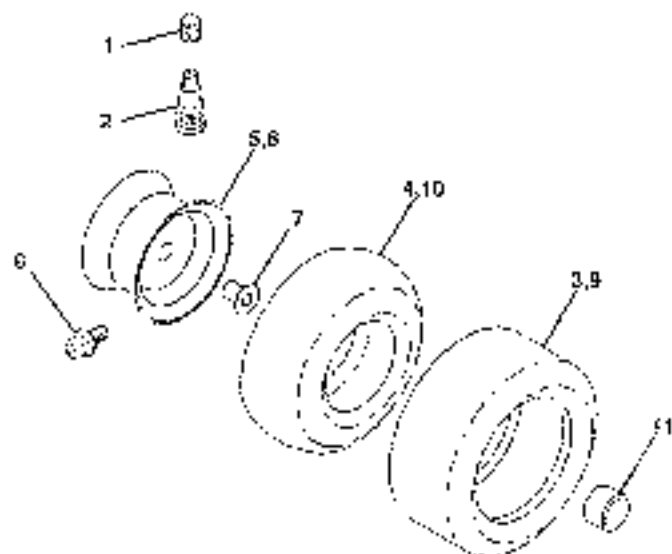
DECALS



KEY NO.	PART NO.	DESCRIPTION
1	138955	Decal, Operating Instruction
2	138838	Decal, Dash Lawn Tractor LT
3	124489X	Decal, Craftsman, Hood, LH
4	124490X	Decal, Craftsman, Hood, RH
5	132674	Decal, LT4000, Craftsman, Grill
6	133544	Decal, Maintenance
7	138249	Decal, 12.5 HP Side Panel
8	106831X	Decal, II
9	125880X	Decal, Craftsman, Fender
10	137537	Decal, Caution

KEY NO.	PART NO.	DESCRIPTION
11	4900J	Decal, Clutch/Brake
12	109199X	Decal, V-Belt Drive Schematic
13	105809X	Decal, 5 Speed, 38", Chassis
14	136832	Decal, Mower Drive Schematic
15	138653	Decal, Eng 12.5 HP B&S IC
17	133179	Decal, Mower QC System
18	132257	Decal, Craftsman, USA, Steering Wheel Insert
19	131265	Decal, Lightbox
--	138311	Decal, Lift Handle
--	140390	Manual, Owner's (English)
--	140391	Manual, Owner's (Spanish)

WHEELS & TIRES



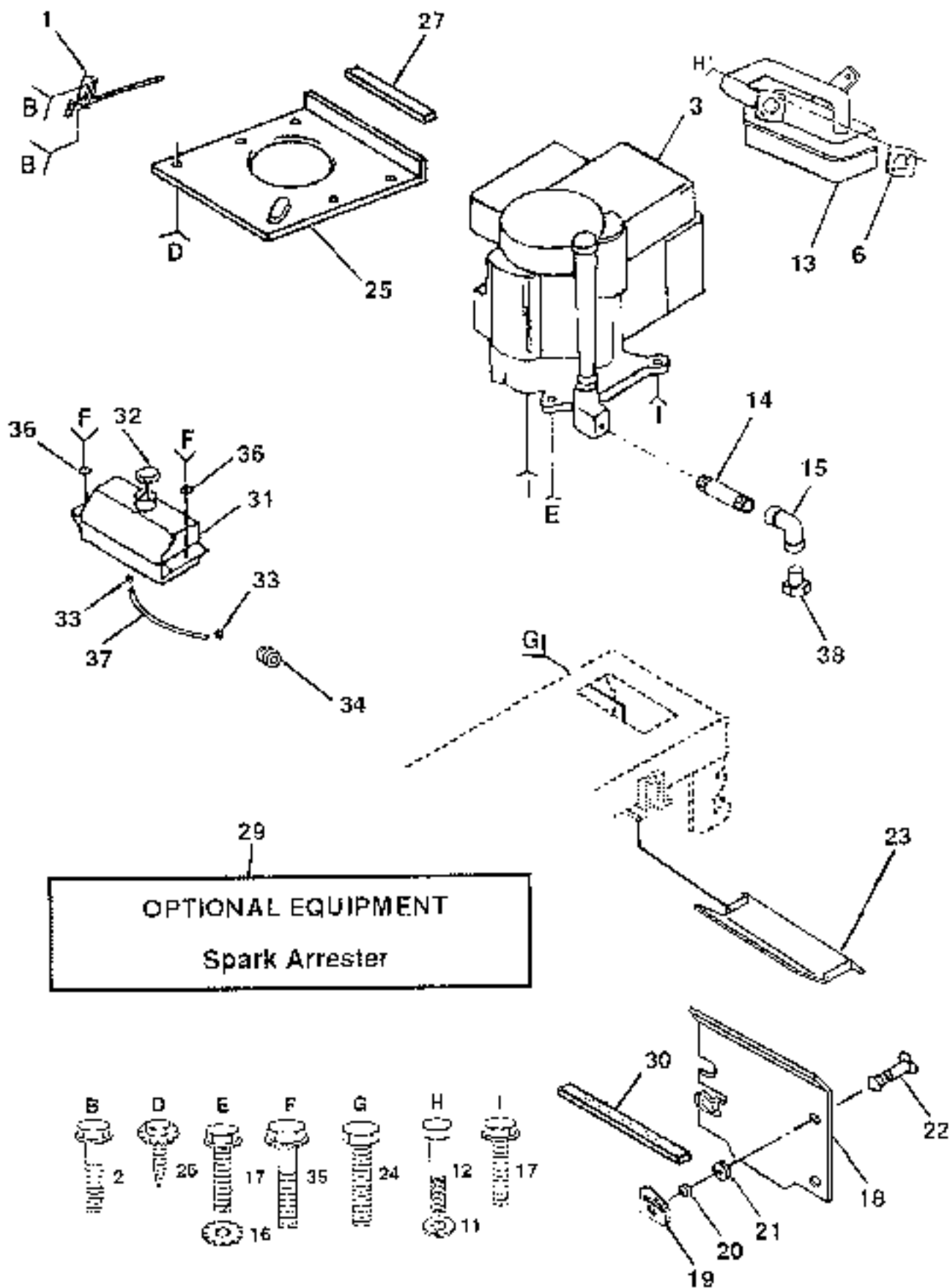
KEY NO.	PART NO.	DESCRIPTION
1	59192	Cap, Valve
2	65139	Stem, Valve
3	106222X	Tire, Front
4	59904	Tube, Tire, Front (Optional, Service Item Only)
5	106732X361	Hlm. Assembly, Front
6	278H	Fitting, Grease
7	9040H	Bearing, Flange
8	106108X361	Rim Assembly, Rear
9	124635X	Tire, Rear
10	7152J	Tube, Tire, Rear (Optional, Service Item Only)
11	104757X	Cover, Axle

NOTE: All component dimensions given in U.S. inches
1 inch = 25.4 mm

REPAIR PARTS

12.5 HP 38" TRACTOR - - MODEL NUMBER 917.257620

ENGINE



REPAIR PARTS

12.5 HP 38" TRACTOR - - MODEL NUMBER 917.257620

ENGINE

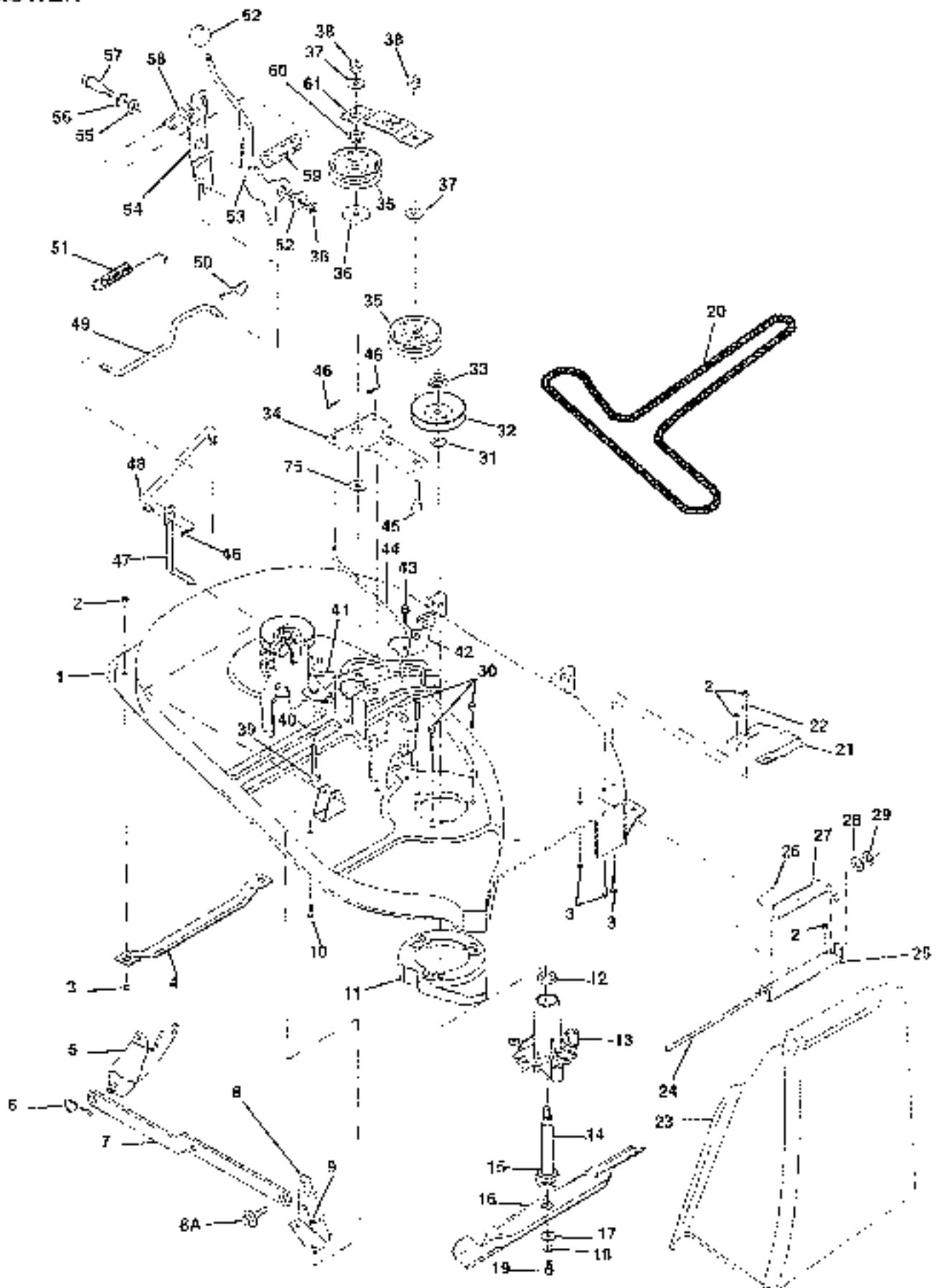
KEY NO.	PART NO.	DESCRIPTION
1	132759	Control, Throttle/Ch RH Blk
2	17720410	Screw, Hex Head Thread Cutting 1/4-20 x 5/8
3	137425	Engine B&S 12.5 IC Dual 1V Model Number 289707. Type No. 0130-01
4	125593X	Gasket
11	STD551131	Washer, Lock, Hvy Hcl Spring 5/16
12	71070512	Screw, Hex Cap Head 5/16-19 x 3/4
13	137348	Muffler, Exhaust
14	13280324	Nipple, Pipe 3/8 NPT x 3
15	13200300	Elbow, Standard 90° 3/8-18 NPT
16	STD551237	Washer, Lock, External Tooth 3/8
17	17490620	Screw, Thd., Roll 3/8 16 x 1-1/4
18	138718	Shield, Heat
19	105859X	Retainer, 1/4 Turn
20	105830X	Retainer, 1/4 Turn
21	STD551025	Washer 9/32 x 5/8 x 16 Gauge
22	123050X	Stud, 1/4 Turn
23	128953	Shield, Heat
24	STD601005	Screw, Hex Head, Self-tapping #10 24 UNC x 1/2
25	124027X	Shield, Heat, Hood
26	17030808	Screw, Hex Head, Spiderlock #8 x 1/2 AB
27	105037X	Strip, Foam
29	137180	Arrestor, Spark
30	127057X	Strap, Hood
31	109202X	Tank, Fuel
32	123549X	Cap Assembly, Fuel Tank, Vented
33	123487X	Clamp, Hose
34	124028X	Bushing, Snap, Nylon, Fuel Line
35	17490412	Screw, Hex Washer Head, Thd., Roll 1/4-20 x 3/4
36	19091416	Washer 9/32 x 7/8 x 16 Gauge
37	101335K	Line, Fuel
38	...	Plug, Oil Drain (Order from Engine Manufacturer)

NOTE: All component dimensions given in U.S. inches
1 inch = 25.4 mm

REPAIR PARTS

12.5 HP 38" TRACTOR -- MODEL NUMBER 917.257620

38" MOWER



REPAIR PARTS

12.5 HP 38" TRACTOR - - MODEL NUMBER 917.257620

38" MOWER

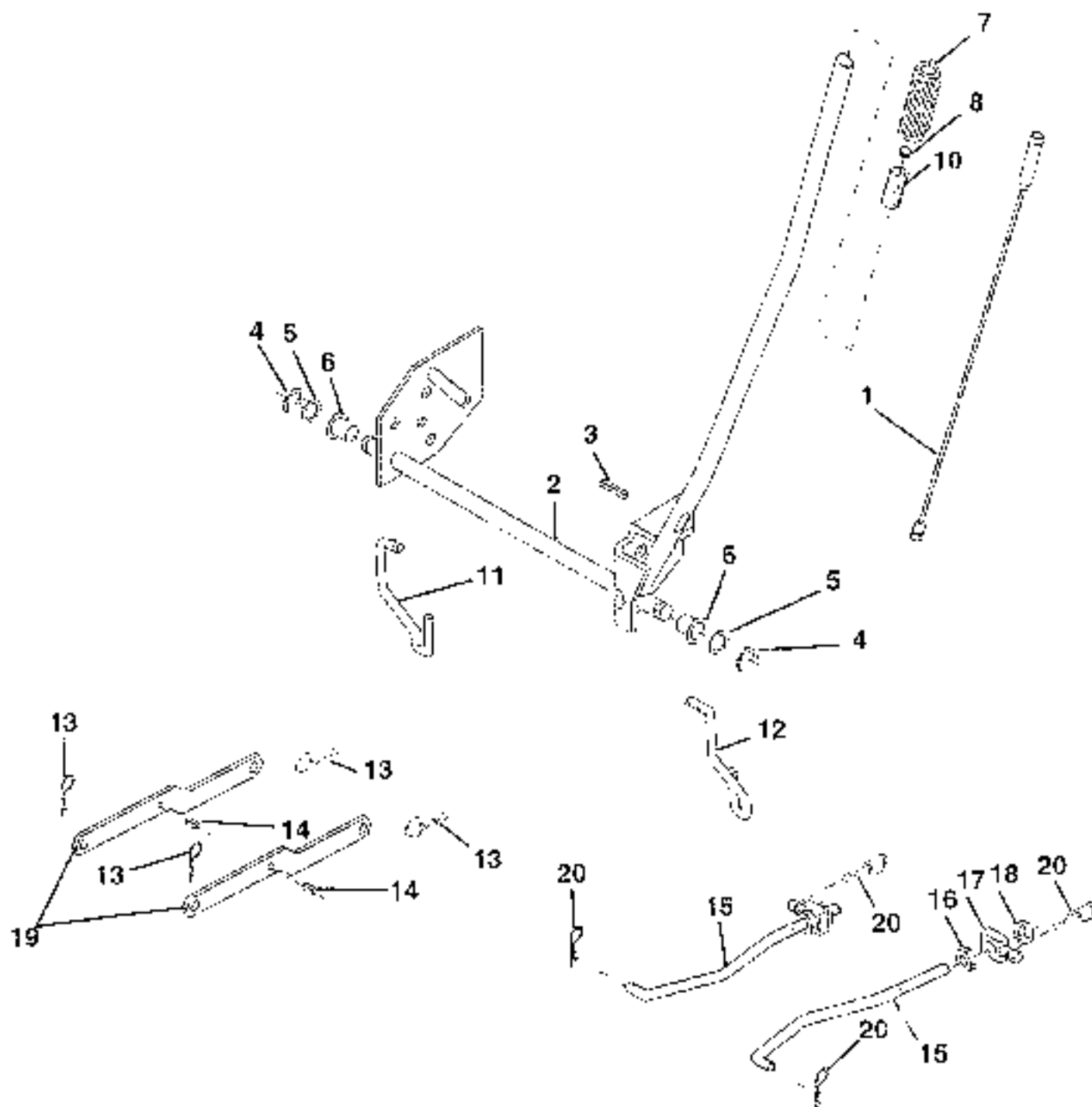
KEY NO.	PART NO.	DESCRIPTION	KEY NO.	PART NO.	DESCRIPTION
1	133026	Mower Housing Assembly	35	131454	Pulley, Idler, Flat
2	STD541431	Nut, Crownlock 5/16-18	36	122052X	Spacer, Retainer 1-3/4
3	STD533107	Bolt, Carriage 5/16-18 x 3/4	37	19131612	Washer 13/32 x 1 x 12 Gauge
4	7691J	Runner, LH	38	STD541437	Nut, Crownlock 3/8-16
5	138017	Bracket Asm. Firm Sway Bar 38/42	39	746J063E	Bolt, Hex Head 3/8-16 x 2-1/4
6	4939M	Retainer, Spring	40	19131612	Washer 13/32 x 1 x 12 Gauge
7	130832	Asm. Suspension Rear	41	13125H	Rod, Brake, LH
8	138440	Bracket, Asm. Deck Sway Bar 38"	42	130940	Brake Assembly
8A	132827	Bolt, Shoulder	43	17490512	Screw, Hex Head, Thr. Roll 5/16-18 x 3/4
9	73800500	Locknut, Hex w/insert 5/16 - 16 UNC	44	13126E	Rod, Brake, RH
10	72140506	Bolt, Rd Hd Sqnk 5/16-18 UNC x 3/4	45	STD533717	Bolt, Carriage 3/8-16 x 1 3/4
11	130929	Stripper, Mower, Vented	46	STD560907	Pin, Cotter 3/32 x 3/4
12	110485X	Bal. Bearing, Mandrel	47	133551	Rod, Pivot
13	128774	Mandrel Housing, Vented	48	133504	Rod, Clutch, Secondary
14	137645	Shell and Bearing Assembly (includes Key Number 15)	49	134666	Rod, Clutch, Primary
15	125895	Bal. Bearing	50	STD624003	Retainer, Spring
16	134148	Blade, Mower, Mulching 38"	51	131870	Spring, Return
17	140296	Washer, Hard Blade Mower Vented	52	127496	Bushing
18	STD551137	Washer, Lock, Hvy Hld Spring 3/8	53	133573	Arm, Clutch, Primary
19	850857	Bolt, Hex 3/8-24 x 1-1/4 Grade 8	54	127847	Arm, Clutch, Secondary
20	131290	Belt	55	121748X	Washer 25/32 x 1-5/8 x 16 Gauge
21	128772	Runner, RH	55	12060029	Ring, Kip
22	19111216	Washer 11/32 x 3/4 x 16 Gauge	57	128903	Bolt, Shoulder
23	106735X	Shield, Deflector	59	127045	Keeper, Spring
24	106735X	Rod, Hinge	59	128759	Spring
25	137607	Bracket, Mower Deflector	60	133502	Spacer, Retainer
26	105304X	Cap, Sleeve	61	133503	Stiffener, Idler Arm
27	123713X	Spring, Deflector	62	106932X	Knob
28	19111016	Washer 11/32 x 3/4 x 16 Gauge	75	133943	Washer Hardened
29	110452X	Nut, Push	--	130794	Mandrel Assembly (Includes Key Numbers 12, 15, 17-19, 31 and 33)
30	138776	Screw, Thrdrd Hex Hd	--	138360	Mower Deck, Compo etc
31	123953	Washer, Spacer			
32	120298	Pulley, Mandrel, Single			
33	137256	Nut, FlangeLock 9/16			
34	133840	Idler Arm Assembly			

NOTE: All component dimensions given in U.S. inches
1 inch = 25.4 mm

REPAIR PARTS

12.5 HP 38" TRACTOR - - MODEL NUMBER 917.257620

MOWER LIFT



REPAIR PARTS

12.5 HP 38" TRACTOR - - MODEL NUMBER 917.257620

MOWER LIFT

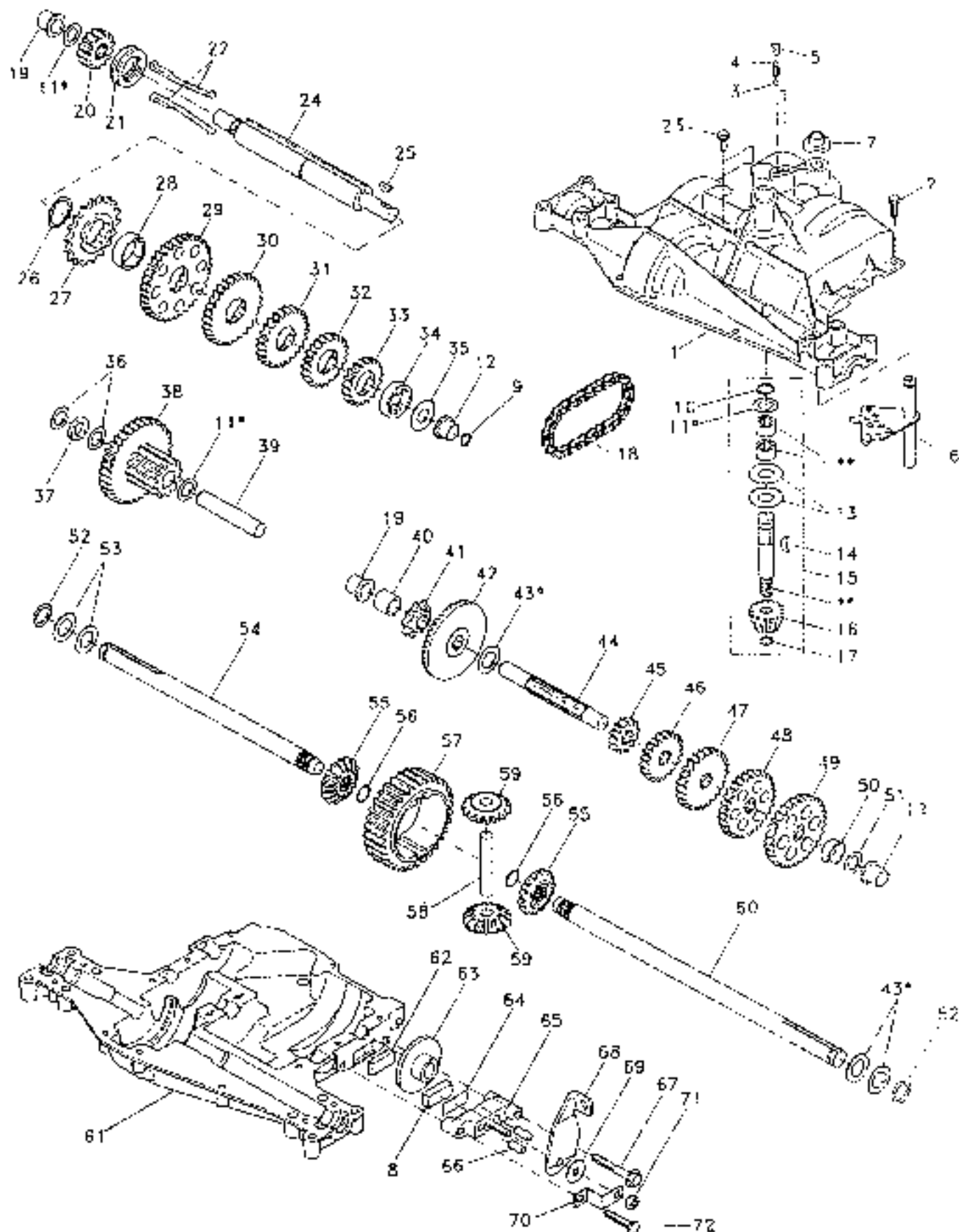
KEY NO.	PART NO.	DESCRIPTION
1	138973	Rec. Asm. Lever
2	122507X	Shaft Asm. Lift
3	105787X	Pin Groove
4	12000002	E Ring #5133-82
5	19211621	Washer Pltd. 21/32 x 1 x 21 Ga.
5	120189X	Bearing Nylon
7	125631X	Grip Handle Fluted
8	122365X	Button Plunger Red
10	122512X	Spring Coils
11	134519	Link Lift Lh Fixed Length
12	135388	Link Lift Rh Fixed Length
13	49391X	Retainer Spring
14	135563	Pin Roll Sll 5/16 x 1.25
15	127218	Link Front
16	73350800	Nut Jam Hex 1/2 - 13 Unc
17	130171	Trunnion Blk Zinc
18	73600800	Nut Lock Washer 1/2 - 13 Unc
19	130832	Arm Suspension Rear
20	3146R	Spring Retainer

NOTE: All component dimensions given in U.S. inches
1 inch = 25.4 mm

REPAIR PARTS

12.5 HP 38" TRACTOR - - MODEL NUMBER 917.257620

TRANSAXLE DANA - MODEL NUMBER 4360-47



REPAIR PARTS

12.5 HP 38" TRACTOR - - MODEL NUMBER 917.257620

TRANSAXLE DANA - MODEL NUMBER 4360-47

KEY PART NO.	NO.	DESCRIPTION	KEY PART NO.	NO.	DESCRIPTION
1	138248	Housing, Upper	40	120472X	Spacer 635 x 875 x 755
2	2274J	Screw, Self-Tapping, Large 1/4-20 x 734	41	105928X	Sprocket 9 Teeth
3	134400	Ball, Detent	42	110084X	Gear, Bevel, 42 Teeth
4	105904X	Spring, Detent	43	134384	Assembly, Kit, Shim, 750 Shaft
5	105905X	Screw, Set	44	120473X	Shaft, Drive
6	138235	Kit, Shifter Assembly	45	105933X	Gear, Spur, 12 Teeth
7	134389	Boot, Shifter	46	120407X	Gear, Spur, 20 Teeth
8	120951X	Puck, Friction	47	105889X	Gear, Spur, 25 Teeth
9	138241	Square Ring	48	120408X	Gear, Spur, 28 Teeth
10	2267J	Ring, Retaining	49	115937X	Gear, Spur, 31 Teeth
11	134793	Assembly, Kit, Shim 625 Shaft	50	120523X	Spacer 781 x 1.00 x 375
12	138240	Bearing, Flange	51	2226J	Washer, Plain 632 x 1.00 x 060
13	120415X	Washer, Plain 632 x 1.38 x 046	52	134401	Washer, Neoprene
14	2257J	Key, Woodruff #9	53	2264J	Washer, Plain 758 x 1.25 x 031
15	138234	Assembly, Kit, Input Shaft	54	120474X	Axle, L H
16	110078X	Pinion, Bevel, 14 Teeth	55	110081X	Gear, Miter, 15 Teeth
17	105908X	Ring, Retaining	56	105941X	Ring, Retaining
18	105910X	Chain, 24 Pitches	57	110071X	Gear, Spur, 32 Teeth
19	105911X	Bearing, Flange	58	120952X	Shaft, Cross
20	138242	Gear, Spur, 14 Teeth	59	110082X	Gear, Miter, 15 Teeth
21	138246	Collar, Clutch	60	120475X	Axle, R-L
22	138236	Assembly, Kit, Clutch Keys	61	138247	Housing, Lower
23	134731	Screw, Self-Tapping, with Sealer	62	120951X	Puck, Friction
24	138243	Shaft, Intermediate	63	7294J	Disc, Brake
25	2244J	Key, Woodruff, #B1	64	108989X	Spacer
26	105916X	Ring, Retaining	65	120953X	Jaw, Brake
27	120470X	Sprocket, 16 Teeth	66	120954X	Pin, Dowel
28	110070X	Spacer	67	134799	Screw, Self-Tapping, 5/16-18 x 2.25
29	108977X	Gear, Spur, 37 Teeth	68	138244	Lever, Actuating
30	120405X	Gear, Spur, 30 Teeth	69	108995X	Washer, Plain 321 x 1.00 x 055
31	108980X	Gear, Spur, 25 Teeth	70	120958X	Bracket, Anti-Rotation
32	120406X	Gear, Spur, 22 Teeth	71	73810500	Locknut 5/16-24
33	134796	Gear, Spur, 19 Teeth	72	105996X	Screw, Self-Tapping 5/16 18 x 1.44
34	134797	Spacer 1.133 x 1.50 x .375	73	120416X	Grease
35	105925X	Washer, Plain 640 x 1.37 x 061			
36	2232J	Washer, Plain 632 x 1.00 x 026			
37	108976X	Spacer .530 x 1.00 x .169			
38	110076X	Assembly, Gear, Combination of 12 Teeth and 35 Teeth			
39	124639X	Shaft, Idler			

* Use in combinations to maintain proper clearances

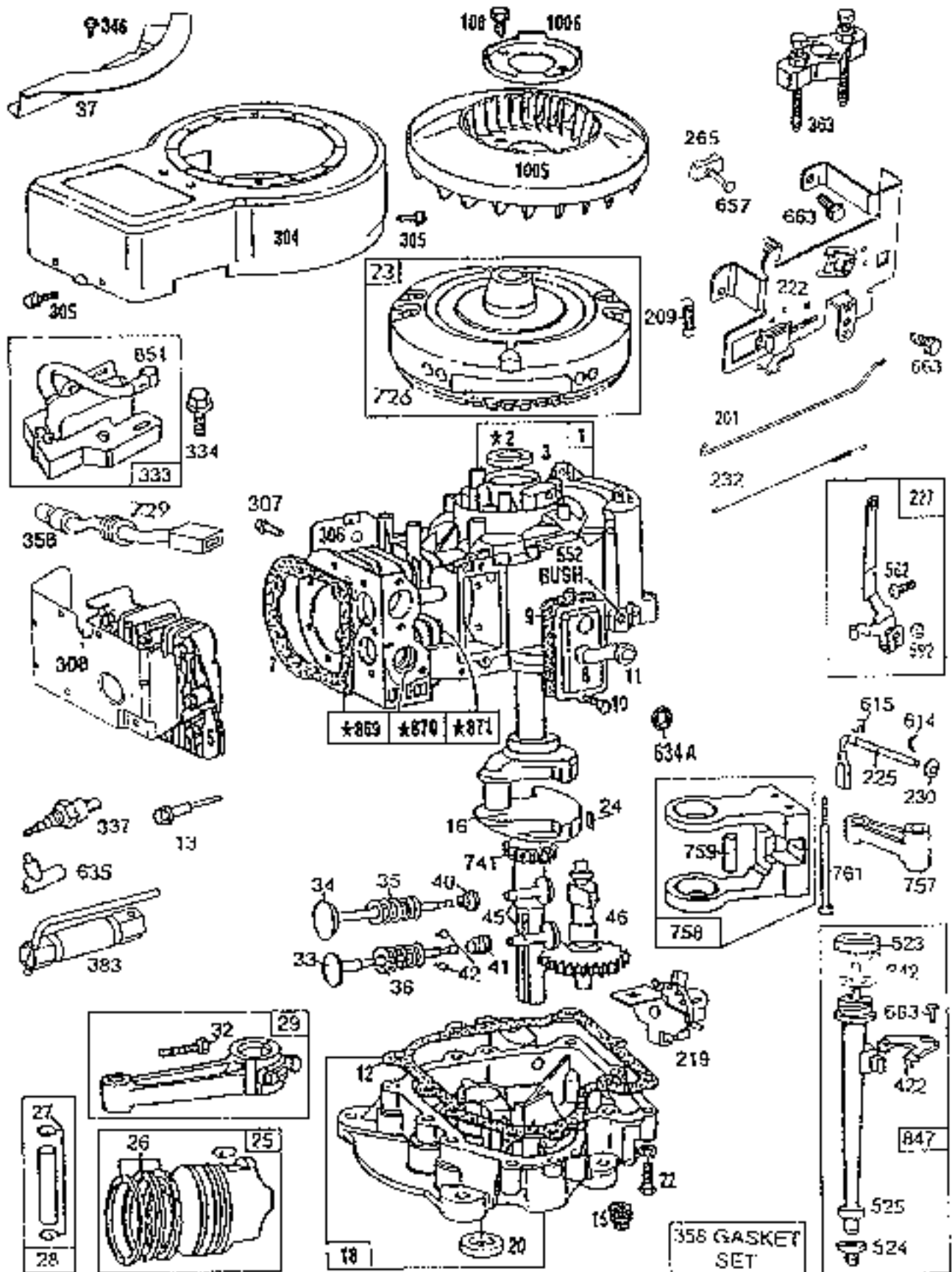
** Order Key Number 15

NOTE: All component dimensions given in U.S. inches
1 inch = 25.4 mm

REPAIR PARTS

12.5 HP 38" TRACTOR - - MODEL NUMBER 917.257620

BRIGGS & STRATTON ENGINE - MODEL NO. 289707, TYPE NO. 0130-01

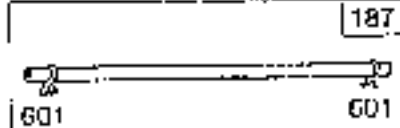
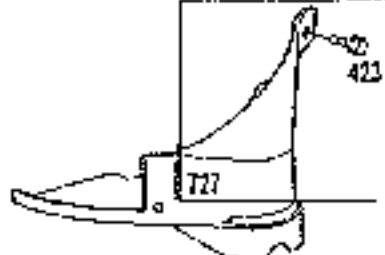
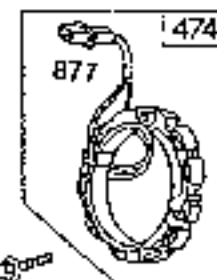
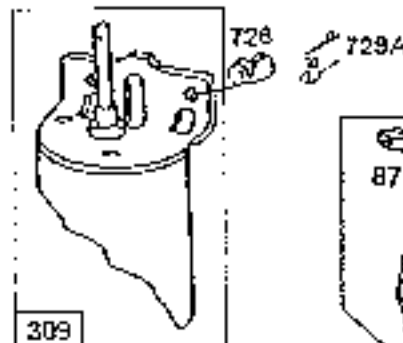
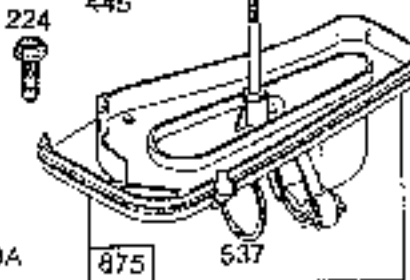
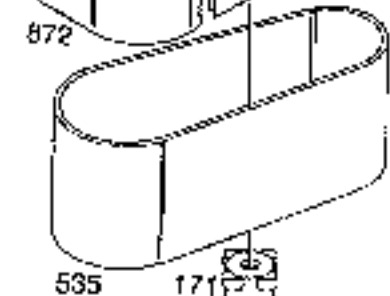
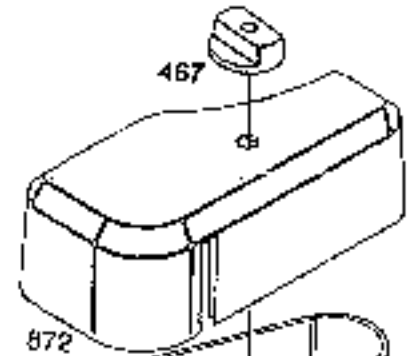
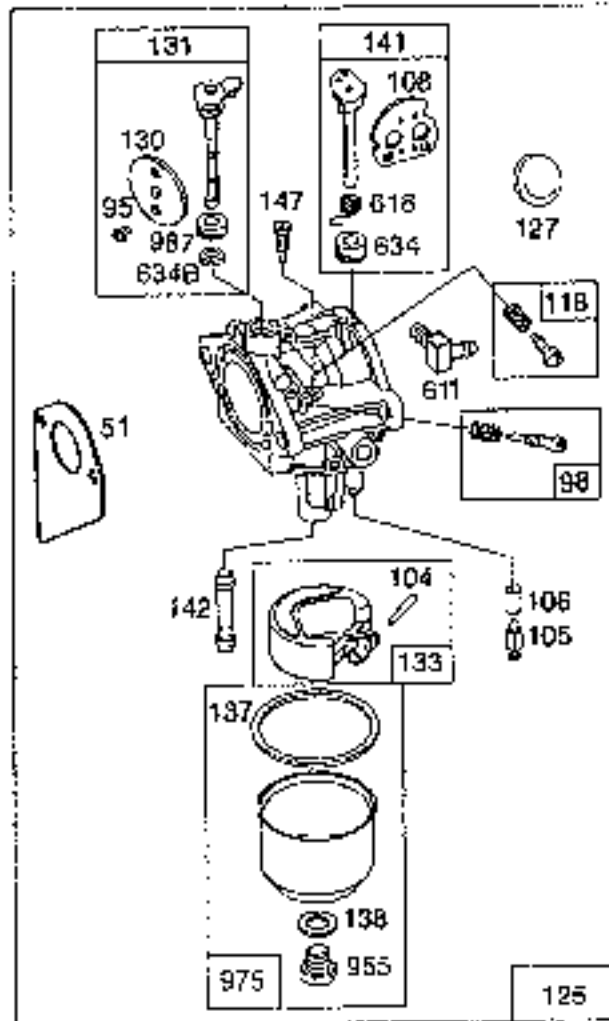
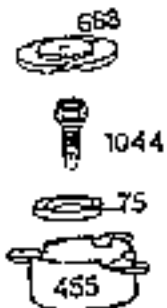
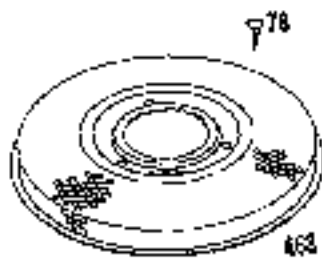
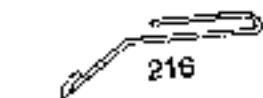
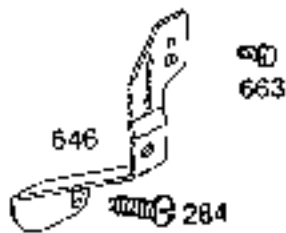
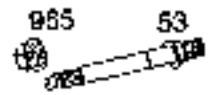


REPAIR PARTS

12.5 HP 38" TRACTOR - - MODEL NUMBER 917.257620

BRIGGS & STRATTON ENGINE - MODEL NO. 289707, TYPE NO. 0130-01

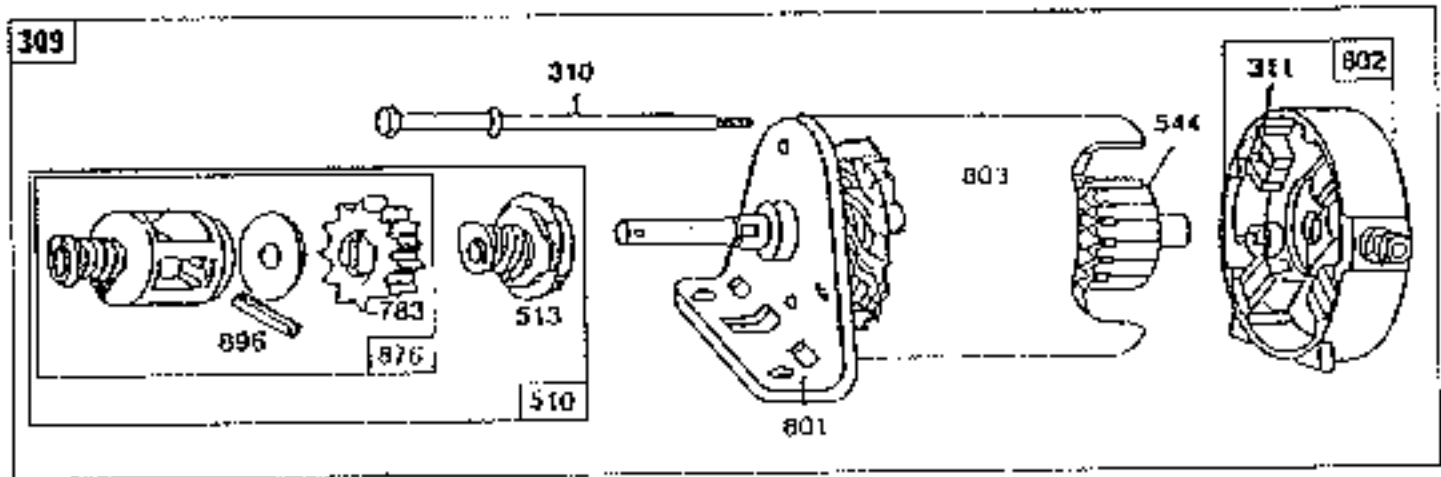
121 CARBURETOR OVERHAUL KIT



REPAIR PARTS

12.5 HP 38" TRACTOR - - MODEL NUMBER 917.257620

BRIGGS & STRATTON ENGINE - MODEL NO. 289707, TYPE NO. 0130-01



Reference Number	309	310	311	510	504	801	802	803
Manufacturer	Motor and Drive Ass'y.	Thru Bolt Assembly	Brush Assembly	Drive Assembly	Armature Assembly	Drive End Cap Assembly	End Cap Ass'y. Commutator	Housing Assembly
Deere & Stratton								
12V	3-21032*	394805	94003	392536	480421**	391097	394856	395507*
								398159

*Includes Brush Set

**Includes
 #388033 Clutch Assembly (Ref No 513)
 #280104 Gear (Ref No 783)
 #480467 Retainer and Pin (Ref No 876)
 #94286 Roll Pin (Ref No 896)

REPAIR PARTS

12.5 HP 38" TRACTOR - - MODEL NUMBER 917.257620

BRIGGS & STRATTON ENGINE - MODEL NO. 289707, TYPE NO. 0130-01

KEY PART NO.	PART NO.	DESCRIPTION	KEY PART NO.	PART NO.	DESCRIPTION
1	490450	Cylinder Assembly	46	212897	Gear, Cam
2	399265	Bearing, Cylinder (Requires Special Tools For Installation)	51	272465	*** Gasket, Carburetor (Carburetor to Elbow)
3	391388	* Seal, Oil	52	272554	* Gasket, Carburetor
5	494243	Head, Cylinder	53	94837	Stud, Carburetor Mounting
7	271866	* Gasket, Cylinder Head	75	224061	Washer, Spring
8	391406	Breather Assembly	78	93805	Screw, Sems
9	27603	* Gasket, Valve Cover	95	94098	** Screw, Throttle
10	94621	Screw, Sems	98	495800	Screw, Idle Speed
11	280100	Tube, Breather	104	231789	** Pin, Float Hinge
12	271916	* Gasket, Crankcase Cover 1/64"	105	231855	** Valve Assembly, Inlet Needle
	271997	* Gasket, Crankcase Cover .005"	106	231954	Inlet, Valve Seat
	271998	* Gasket, Crankcase Cover .009"	108	224540	Valve, Choke
13	94622	Screw, Cylinder Head	118	494383	** Valve, Needle
15	94239	Plug, Oil Drain	121	495799	Carburetor Overhaul Kit
16	495162	Crankshaft	123	94616	Screw, Elbow Mounting
	94196	Key, Timing Gear	125	495706	Carburetor Assembly
19	494233	Base, Engine	127	- - -	** Plug, Welch (Sold in Kit Only)
20	291675	* Seal, Oil	130	224539	Valve, Throttle
22	94624	Screw, Sems, Base Mounting	131	494379	Shaft and Lever, Throttle
23	492326	Flywheel and Ring Gear Assembly, Magneto	133	494381	Float, Carburetor
		Key, Flywheel	137	281155	*** Gasket, Float Bowl
24	222698	Piston Assembly, Standard	138	281164	*** Washer, Float Bowl Screw
25	394361	Piston Assembly .010" Oversize	141	494380	** Shaft and Lever, Choke
	394362	Piston Assembly .020" Oversize	142	494537	** Nozzle / Jet, Carburetor
	394663	Piston Assembly .030" Oversize	147	231794	** Pilot, Jet
	394664	Piston Assembly .030" Oversize	164	213819	Carburetor, Elbow
26	391780	Ring Set, Piston, Standard Size	171	281051	Nut, Air Cleaner Mounting
	392331	Ring Set, Piston, Chrome, Standard	187	393815	Line, Fuel
	391781	Ring Set, Piston .010" Oversize	188	93535	Screw, Sems
	391782	Ring Set, Piston .020" Oversize	201	262767	Link, Governor
	391783	Ring Set, Piston .030" Oversize	209	260871	Spring, Governor
27	260924	Lock, Piston Pin	216	262766	Link, Choke
28	299691	Pin Assembly, Piston, Standard	219	490815	Oil Slinger, Governor Gear and Bracket Assembly
	391286	Pin Assy, Piston .005" Oversize	222	494897	Plate, Governor Control
29	490348	Rod Assembly, Connecting	224	94513	Screw, Sems, Air Cleaner
	490469	Rod Assembly, Connecting, .020" Undersize Crankpin Bars	225	231058	Crank, Governor
32	94671	Screw, Connecting Rod			* Included in Gasket Set (494241)
33	262246	Valve, Exhaust			** Included in Carburetor Overhaul Kit (495799)
34	262247	Valve, Intake			*** Included in both Carburetor Overhaul Kit (495799) and Carburetor Gasket Set (494365)
35	65906	Spring, Intake Valve			
36	25828	Spring, Exhaust Valve			
37	224502	Guard, Flywheel			
40	221596	Retainer, Intake Valve			
41	292260	Retainer, Exhaust Valve			
42	93530	Retainer, Exhaust Valve Retainer			
45	262248	Tappet, Valve			

NOTE: All component dimensions given in U.S. inches
1 inch = 25.4 mm

REPAIR PARTS

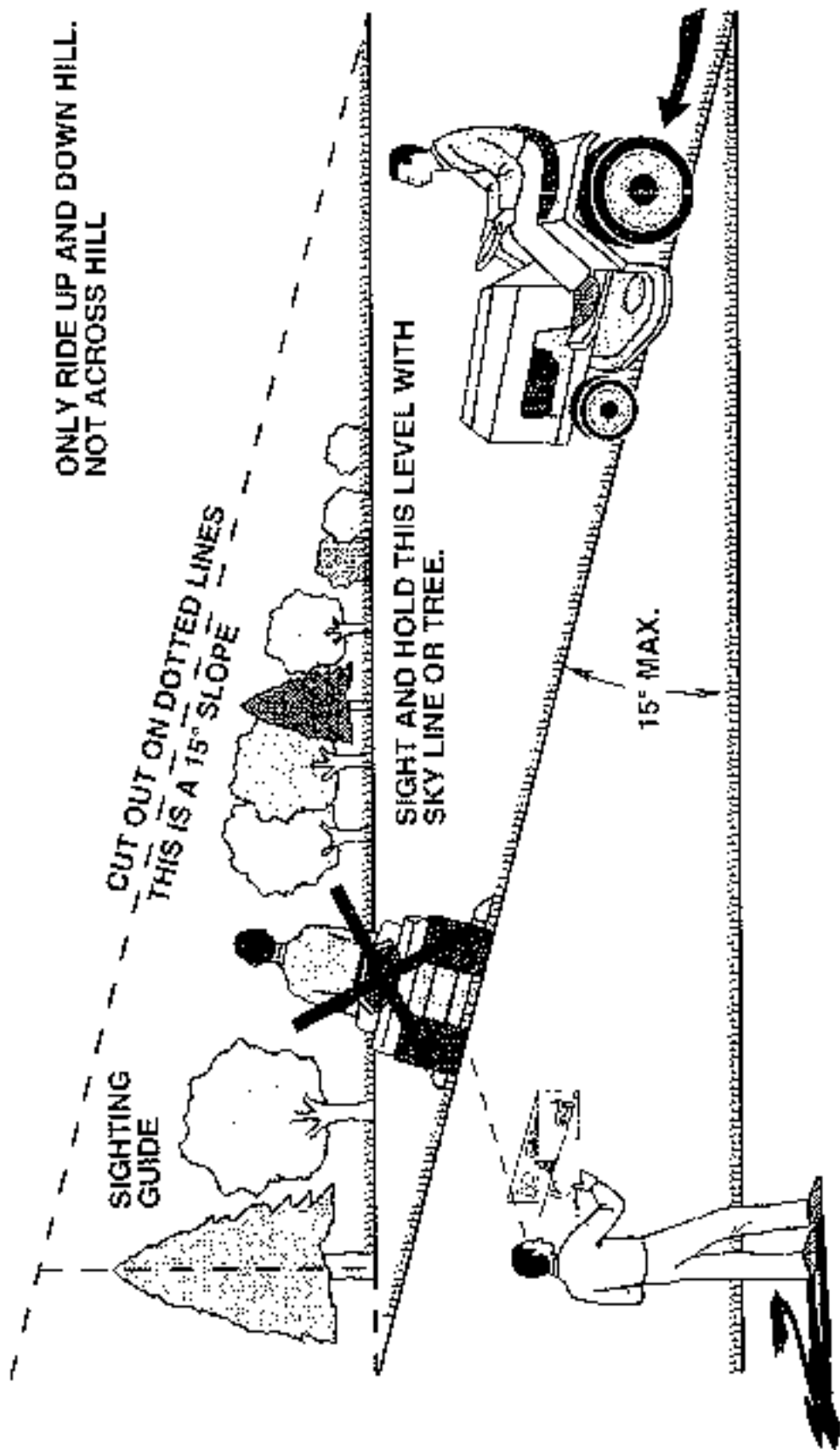
12.5 HP 38" TRACTOR - - MODEL NUMBER 917.257620

BRIGGS & STRATTON ENGINE - MODEL NO. 289707, TYPE NO. 0130-01

KEY PART NO.	NO.	DESCRIPTION	KEY PART NO.	NO.	DESCRIPTION
227	493935	Lever Assembly, Governor	635	56538	Elbow, Spark Plug
230	94742	Washer, Governor Crank	645	224546	Brace, Air Cleaner
232	262785	Spring, Governor Link	657	83496	Screw, Sems
240	394358	Filter, Fuel	663	94620	Screw, Hex Head
265	221535	Clamp, Casing	668	280849	Spacer
284	94326	Screw, Air Cleaner	726	392134	Gear, Ring
304	494260	Housing, Blower	727	490324	(Includes Mounting Parts)
305	94819	Screw, Sems, Blower Housing			Cover, Starter
		Mounting			(Includes Mounting Screws)
306	224545	Shield, Cylinder	728	94627	Screw, Sems
307	94623	Screw, Sems, Cylinder Shield	729	281159	Clip, Lead Wire
		Mounting	729A	224723	Retainer Wire
308	491490	Cover, Cylinder Head	741	252135	Gear, Timing
309	- - -	Motor, Starting (See Chart on	757	212359	Link, Counterweight
		Illustrated Pages for Replacement	753	389891	Counterweight Assembly
		Parts for Starting Motors)	759	298909	Pin, Counterweight
333	492341	Armature, Magneto	761	93875	Screw, Counterweight
334	83381	Screw, Sems, Armature Mounting	342	270920	Seal, Oil Filler Cap
337	802592	Plug, Spark	347	490474	Fill Group, Oil
346	93705	Screw, Hex Head	351	221798	Terminal, Ignition Cable
356	494328	Wire, Ground	359	261463	Seat, Intake Valve, Standard
358	494241	Gasket Set	370	213316	Seal, Exhaust Valve, Standard
383	19203	Pulley, Flywheel	371	261981	Guide, Exhaust Valve
383	89838	Wrench, Spark Plug		231216	Guide, Intake Valve
422	223721	Clamp, Oil Filler Tube	972	281104	Cover, Air Cleaner
423	94073	Screw, Sems	875	494237	Body, Air Cleaner
445	493909	Cartridge, Air Cleaner	877	393456	Diode and Connector Assembly,
455	222587	Cup, Screen Mounting			Dual Circuit
467	493903	Knob, Air Cleaner	955	94642	** Screw, Fuel Bowl
468	222539	Screen, Flush Rotating	965	94108	Locknut, Air Cleaner Mounting
474	383474	Stator, Alternator	975	494378	Bowl Assembly, Carburetor
482	93821	Screw, Sems	977	494305	Carburetor Gasket Kit
523	490327	Cap and Dipstick, Oil Filler	987	281168	** Seal, Throttle Shaft
524	68838	Seal, Filler Tube	1005	280687	Fan, Flywheel
525	280741	Tube, Oil Filler	1009	224413	Retainer, Fan
535	272409	Element, Air Cleaner	1019	491255	Label Kit
537	281109	* O-Ring, Air Cleaner	1044	94673	Screw, Hex Head
552	231597	Bushing, Governor Crank			RPM Settings: Low 1550-1950, High: 3200-3400
562	92613	Bull, Governor Lever			* included in Gasket Set (494241)
592	231082	Nut, Hex			** Included in Carburetor Overhaul Kit (495798)
601	93053	Clamp, Fuel Pipe			*** Included in both Carburetor Overhaul Kit (495798)
611	494451	Fuel Inlet Tube			and Carburetor Gasket Set (494385)
614	83306	Cotter, Hair Pin			
615	93307	Retainer, E-Ring			
618	262803	Spring, Choke Return			
634	281168	** Seal, Choke Shaft			
634A	491323	* Seal, Governor			
634B	281167	** Washer, Throttle Shaft			

NOTE: All component dimensions given in U.S. inches
1 inch = 25.4 mm

SUGGESTED GUIDE FOR SIGHTING SLOPES FOR SAFE OPERATION



Operate your Tractor up and down the face of slopes (not greater than 15°), never across the face. Make turns gradually to prevent tipping or loss of control. Exercise extreme caution when changing direction on slopes.



SEARS

**OWNER'S
MANUAL**

**MODEL NO.
917.257620**

**HOW TO ORDER
REPAIR PARTS**

CRAFTSMAN®

**12.5 HP IC
ELECTRIC START
38" MOWER
5 SPEED TRANSAXLE
LAWN TRACTOR**

Each tractor has its own model number. Each engine has its own model number.

The model number for your tractor will be found on the model plate located under the seat.

The model number for your engine will be found on the blower housing of the engine.

All parts listed herein may be ordered from any Sears, Roebuck and Co. Service Center/Department and most Retail Stores.

**WHEN ORDERING REPAIR PARTS, ALWAYS GIVE THE
FOLLOWING INFORMATION:**

- PRODUCT - LAWN TRACTOR
- MODEL NUMBER - 917.257620
- ENGINE MODEL NO. - 289707,
TYPE NUMBER - 0130-01
- PART NUMBER
- PART DESCRIPTION

Your Sears merchandise has added value when you consider Sears has service units nationwide staffed with Sears trained technicians... professional technicians specifically trained to insure that we meet our pledge to you, we service what we sell!